

**Australian Government**  

---

**IP Australia**

# AUSTRALIAN OFFICIAL JOURNAL

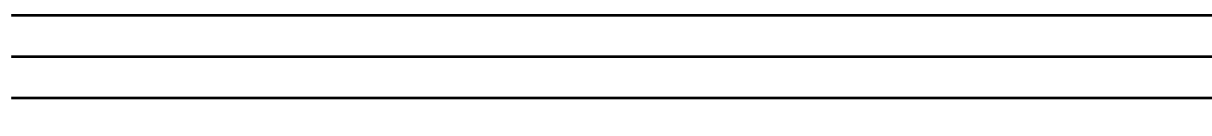
OF

# DESIGNS

Did you know a searchable version of this journal is now available online?  
It's FREE and EASY to SEARCH.

Find it at

<http://pericles.ipaustralia.gov.au/ols/epublish/content/olsEpublications.jsp>  
or using the "Online Journals" link on the IP Australia home page.



This Page Left Intentionally Blank

## Contents

### General Information & Notices

#### Proceedings Under the Designs Act 1906 preserved as a result of the provisions of Chapter 12 Part 2 of the Designs Act 2003

Application for Extension of Period of Registration .....	1850
Applications Lapsed .....	1849
Extension of Period of Registration of Designs .....	1851
Extensions of Time Granted .....	1851
Names Registered - Alterations and Amendments .....	1852
Registration Proceedings	
Registration Number Range 158126 to 158139 .....	1853
Registrations Ceased .....	1851
Subsequent Owners Registered .....	1852

#### Proceedings Under the Designs Act 2003

Applications Lodged .....	1865
Applications Withdrawn .....	1871
Certificate of Examination .....	1874
Extension of Time Granted Under Section 137 .....	
Publication and Registration Proceedings	
Designs Registered 302299 to 302381.....	1875

This Page Left Intentionally Blank

# General Information

## EDITORIAL ENQUIRIES

All enquiries about official notices, public notices, advertisements and general information in the Journal should be directed to IP Australia, ABN No 38 113 072 755, PO Box 200 Woden ACT 2606  
(Telephone 02 6283 2999)  
(Fax 02 6283 7999)  
(E-mail [assist@ipaustralia.gov.au](mailto:assist@ipaustralia.gov.au))

Copy for advertisement in the Journal should be received at IP Australia, not later than seven days before the desired publication date. If a publication date is not nominated, the advertisement will appear in the next available issue.

## CONTACT INFORMATION

**Customer Support Centre**  
Ph: 02 6283 2999 Fax: 02 6283 7999  
E-mail: [assist@ipaustralia.gov.au](mailto:assist@ipaustralia.gov.au)

Customers can contact the Customer Support Centre by telephone or by e-mail. Telephones are staffed between 9AM and 5 PM EST each working day.

Customers should contact the CUSTOMER SUPPORT CENTRE for information about:

- All Patent Matters including PCT and Innovation Patents.
- All Trade Mark Matters.
- All Design matters.

**Professional Standards Board for Patent and Trade Mark Attorneys**  
Ph: 02 6283 2345 Fax: 02 6285 1048

## ORDERING PATENT DOCUMENTS

When ordering copies of Australian patent specifications, or abstracts and abridgements notified as open to public inspection on or after 26 October 1978, or as accepted on or after 16 November 1978, the documents should be referred to by application numbers only, preceded by the letters AU-A or AU-B respectively.

## REQUESTS FOR INFORMATION UNDER SECTION 194 (C)

A request for information under Section 194 (C) of the Patents Act 1990 should be made in the approved form and be accompanied by the prescribed fee. The request should be as detailed as possible.

## INFORMATION FROM REGISTERS

All requests for information from the Registers of Patents, Trade Marks or Designs, should be made in writing and accompanied by the prescribed fee. The Registers are located in Canberra and may be examined free of charge.

## COUNTRY CODES

For a listing of country codes used by IP Australia please refer to the Official Journals dated 7 November 1996.

## ABBREVIATIONS IN JOURNAL

Standard abbreviations are used in the names of companies and firms. Enquiries concerning the precise name should be directed to the Customer Support Centre.

## FREEDOM OF INFORMATION ACT

### What does it do?

Gives you the right to obtain information held by Commonwealth Ministers, Departments and most statutory bodies (these bodies are called agencies under the Act).

Requires Commonwealth Government agencies to make available to members of the public:

- information about agencies, their functions and operations
- information about rules and practices which are used in making decisions which affect you.

Gives you a legal right to:

- see non exempt documents held by agencies, and
- appeal against a decision not to grant access to a document.

## What documents can you see?

The Act gives you the right to see documents lodged on or after 1 December 1977, or earlier if you need them to understand another document you have already.

Documents include files, reports, computer printouts, maps, plans, photographs, tape recordings, films or videotapes.

**Documents which are available for purchase under the Patents Act 1990, the Trade Marks Act 1995 or the Designs Act 2003 are not available under the Freedom of Information Act (Section 12 refers).**

## How do you apply?

Requests for access to documents must:

- Be in writing
- Provide sufficient information to enable identification of the documents requested
- Specify an address in Australia where notices can be sent and
- Be accompanied by the application fee (currently \$30.00) or specify an IP Australia account to which the charges will be posted.

Requests for documents should be addressed to IP Australia, PO Box 200 Woden, ACT 2606, or faxed to 02 6283 7999

## DECISIONS OF THE COMMISSIONER OF PATENTS AND REGISTRARS OF TRADE MARKS AND DESIGNS

- All decisions of the Commissioner and Registrars are available free of charge from AUSTLII's website [www.austlii.edu.au](http://www.austlii.edu.au).

Copies of all written Patent and Design decisions are available (except if they would not be available under the provisions of the Freedom of Information legislation, e.g. if they would effectively disclose matter from documents that are not open to public inspection) on request for a cost of \$AU 25. They are also available for inspection in indexed volume series, dating from 1 January 1987, in the Office library, Canberra.

Copies of Trade Mark decisions may be accessed via IP Australia's website [www.ipaustralia.gov.au](http://www.ipaustralia.gov.au).

- Copies of the taped record of Patent and Design hearings are available (with the same exception as above) on request.
- When a written decision is issued the fact of the decision plus a brief head note will be published in the Official Notices section of the next available Patents, Trade Marks or Designs Journal as appropriate.

## HEARINGS BEFORE THE COMMISSIONER OF PATENTS AND THE REGISTRARS OF TRADE MARKS AND DESIGNS

Hearings before the Commissioner of Patents and the Registrars of Trade Marks and Designs will be set down in Melbourne, Sydney, Adelaide, Perth and Brisbane during the periods indicated below.

### Patent Hearing Sessions 2005

Melbourne	9 - 11 May
Sydney	11 - 13 July
Adelaide	2 - 3 August
Perth	4 - 5 August
Brisbane	1 - 2 September

Note: *Ex parte* matters will have priority over matters for allocation of a hearing date in these sessions.

## Designs & Trade Mark Hearing Sessions 2005

Melbourne	14 - 18 February
Melbourne	6 - 10 June
Melbourne	12 - 16 September
Sydney	14 - 18 March
Sydney	18 - 22 July
Sydney	17 - 21 October
Adelaide	15 - 16 August
Perth	18 - 19 August
Brisbane	22 - 23 August

Persons who desire matters to be set down for hearing in Melbourne, Sydney, Adelaide, Perth or Brisbane must give at least one month's notice of their intention to be heard. If such notice is not given, it may be that there would be insufficient time to allow for the execution of official procedures associated with the listing of hearings, and as a result, the matter involved might not be listed.

Subject to the convenience of this Office, hearings will be set down in Canberra at any time suitable to the parties.

### LIST OF STATE OFFICES

**IP Australia State offices are located in the Australian Capitals at the addresses given below. Requests for information may be obtained by calling at, phoning or writing to these offices or IP Australia, Canberra.**

Australian Capital Territory  
Ground Floor  
Discovery House  
PHILLIP ACT 2606  
(PO Box 200, Woden ACT 2606)  
Ph: 1300 65 1010  
Fax: (02) 6283 7999

New South Wales  
1<sup>st</sup> Floor  
45 Clarence Street

SYDNEY NSW 2000  
Ph: 1300 65 10 10  
Fax: (02) 9249 5807

Victoria  
Level 6  
565 Bourke Street  
MELBOURNE VIC 3000  
Ph: 1300 65 10 10  
Fax: (03) 9612 9807

Western Australia  
2<sup>nd</sup> Floor  
Eastpoint Plaza  
233 Adelaide Terrace  
PERTH WA 6000  
Ph: 1300 65 1010  
Fax: (08) 9220 8907

Queensland  
Level 1  
Reserve Bank Building  
102 Adelaide Street  
BRISBANE QLD 4000  
Ph: 1300 65 1010  
Fax: (07) 3007 1107

South Australia  
Level 10  
AMP Building  
1 King William Street  
ADELAIDE SA 5000  
Ph: 1300 65 1010  
Fax: (08) 8239 4507

Tasmania  
4th Floor  
AMP Building  
27 Elizabeth Street  
HOBART TAS 7000  
Ph: 1300 65 1010  
Fax: (03) 62356307

# “INID” NUMBERS in use on Australian Design Documents

“INID” is an acronym for “Internationally agreed Numbers for the Identification of Data”.

## **(10) Data concerning the registration/renewal**

- (11) Serial number of the registration and/or number of the design document
- (12) Plain language designation of the kind of published document
- (19) Identification, using the two-letter code according to WIPO Standard ST.3, of the authority publishing or registering the industrial design

## **(20) Data concerning the application**

- (21) Serial number of the application
- (22) Date of filing of the application
- (24) Date from which the industrial design right has effect

## **(30) Data relating to priority under the Paris Convention**

- (31) Serial number assigned to the priority application
- (32) Date of filing of the priority application
- (33) Two-letter code, according to WIPO Standard ST.3, identifying the authority with which the priority application was made

## **(40) Date(s) of making information available to the public**

- (45) Date of publication of the registered industrial design by printing or similar process, or making it available to the public by any other means

## **(50) Miscellaneous Information**

- (51) International Classification for Industrial Designs (class and subclass of the Locarno Classification)
- (54) Designation of article(s) or product(s) covered by the industrial design or title of the industrial design
- (55) Reproduction of the industrial design (e.g., drawing, photograph) and explanations relating to the reproduction
- (56) List of prior art documents, if separate from descriptive text
- (57) Description of characteristic features of the industrial design including indication of colours

## **(60) References to other legally related application(s) and registration(s)**

- (62) Serial number(s) and, if available, filing date(s) of application(s), registration(s) or document(s) related by division
- (66) Serial number(s) of the application, or the registration, of the design(s) which is (are) a variant(s) of the present one

## **(70) Identification of parties concerned with the application or registration**

- (71) Name(s) and address(es) of the applicant(s)
- (72) Name(s) of the creator(s) if known to be such
- (74) Name(s) and address(es) of the representative(s)

This Page Left Intentionally Blank



This Page Left Intentionally Blank

**Proceedings under the Designs Act 1906 preserved as a  
result of the provisions of Chapter 12 Part 2 of the Designs  
Act 2003.**

This Page Left Intentionally Blank

**Applications Lapsed**

02823 / 2003 (06-03C)	04027 / 2003 (12-16NES)
04073 / 2003 (17-01)	04075 / 2003 (14-03D)
04142 / 2003 (22-05)	04143 / 2003 (22-05)
04154 / 2003 (12-06A)	04160 / 2003 (09-01G)
04184 / 2003 (25-02C)	04186 / 2003 (08-08B)
01028 / 2004 (21-01NES)	

**Application for Extension of Period of Registration**

Applications under Section 27A(2) for extension of registration of the following designs have been lodged. In the event that a design is shown to be not new or original, the Registrar may refuse to extend the period of registration. Sub-section 27A(4) allows any person to lodge at the Designs Office material relevant to the question whether the design is not new or original. That material must be lodged within 11 months of the date when the registration of the design was made. Further details of the conditions and procedures for the lodgement of material are contained in Form 8 provided under the Designs Regulation 24.

Registration Number	Registered Owner	Registration Date	Registration Number	Registered Owner	Registration Date
153457	SILVAN AUSTRALIA PTY LTD	27/10/2003	155968	TONY GUNN	20/07/2004
153593	SILVAN AUSTRALIA PTY LTD	06/11/2003	155980	VERSATILE BUILDINGS (AUSTRALIA) PTY LTD	20/07/2004
154061	SUZIE A. DI PALMA	16/12/2003	156073	ASTRA TECH A.B.	03/08/2004
154372	CUSHLA O'FLAHERTY	30/01/2004	156080	ASIA PACIFIC TRADING PTY LTD	03/08/2004
155556	COLORADO PRODUCTS PTY LTD	25/05/2004	156207	JAMES RICHARD HORSFALL	16/08/2004
155557	COLORADO PRODUCTS PTY LTD	25/05/2004	156227	GORDON THOMAS WONG KUEN and MARGARET JENNIFER KUEN	20/08/2004
155558	COLORADO PRODUCTS PTY LTD	25/05/2004	156240	AGNIESZKA BENET	20/08/2004
155666	NIQUE ENTERPRISES PTY LTD	03/06/2004	156256	COLORADO PRODUCTS PTY LTD	23/08/2004
155667	NIQUE ENTERPRISES PTY LTD	03/06/2004	156257	COLORADO PRODUCTS PTY LTD	23/08/2004
155689	CHRISTOPHER DAVID WILSON	08/06/2004	156258	COLORADO PRODUCTS PTY LTD	23/08/2004
155842	VICKI ELIZABETH SETFORD	13/07/2004	156259	COLORADO PRODUCTS PTY LTD	23/08/2004
155851	HUNZA HOLDINGS LTD	13/07/2004	156260	COLORADO PRODUCTS PTY LTD	23/08/2004
155852	HUNZA HOLDINGS LTD	13/07/2004	156280	HOWARD AUSTRALIA PTY LTD	24/08/2004
155853	HUNZA HOLDINGS LTD	13/07/2004	156311	JACOB SIMAN-TOV and ITZHAK SIMAN-TOV and AVRAHAM SIMAN-TOV	31/08/2004
155854	HUNZA HOLDINGS LTD	13/07/2004	156340	ANTHONY LITTLE	02/09/2004
155855	HUNZA HOLDINGS LTD	13/07/2004	156358	MEDISPECTRA INC.	06/09/2004
155856	GEOFFREY WILLIAM MCBEAN	13/07/2004	156366	PROEN DESIGN AUSTRALIA PTY LTD	07/09/2004
155859	ROBERT BOSCH G.M.B.H	13/07/2004	156378	D & D GROUP PTY LIMITED	07/09/2004
155869	BRIAN PAUL BUDDEN	13/07/2004	156379	D & D GROUP PTY LIMITED	07/09/2004
155873	ROBERT BOSCH G.M.B.H	14/07/2004	156388	REAC PTY LTD	08/09/2004
155879	BOWVILLE PTY LTD	14/07/2004	156455	D & D GROUP PTY LIMITED	21/09/2004
155882	ZIEDNEY G. VALENZONA	14/07/2004	156459	LIAM PATRICK ELLIS	21/09/2004
155883	ROBERT BOSCH G.M.B.H	14/07/2004	156481	IGT	24/09/2004
155884	ROBERT BOSCH G.M.B.H	14/07/2004	156482	IGT	24/09/2004
155885	ROBERT BOSCH G.M.B.H	14/07/2004	156483	IGT	24/09/2004
155887	GEOFFREY LEE DENMAN	14/07/2004	156635	FORD MOTOR COMPANY OF AUSTRALIA LTD	12/10/2004
155895	INVERNESS MEDICAL SWITZERLAND G.M.B.H.	16/07/2004	156636	FORD MOTOR COMPANY OF AUSTRALIA LTD	12/10/2004
155903	DOLD INDUSTRIES LIMITED	16/07/2004	157932	HOLDEN LTD	18/04/2005
155926	ROSS DOUGLAS WARHURST	19/07/2004	158101	NOEL ANTHONY MARTIN and TARA LEANNE MARTIN	20/06/2005
155938	PHILIP BERNARD MILLS	19/07/2004	158109	MATSUSHITA ELECTRIC INDUSTRIAL CO. LTD	20/06/2005
			158116	JAKKS PACIFIC INC.	29/06/2005
			158121	THOMAS EDWARD CASE	29/06/2005
			158122	ENFER TECHNOLOGY LIMITED	29/06/2005
			158124	BLOOMBERG LP	29/06/2005

Registration Number	Registered Owner	Registration Date
158128	UNILEVER PLC	07/07/2005
158129	UNILEVER PLC	07/07/2005
158130	UNILEVER PLC	07/07/2005
158138	GORDON FRANCIS HOWLETT	07/07/2005

previously advertised as ceased. In this instance, the previous advertisement still prevails.

105440	105590	105591
105672	106522	106537
106559	106560	106686
106695	106703	106704
106712	106810	107167
107245	107305	107394
107395	107396	107397
107401	107402	107672
107839	107928	108053
108512	108644	109215
109522	109871	111063
111064	111150	115895
119258	120871	120872
120903	120905	120917
120922	120952	121084
121854	122268	124485
124912	127250	130585
133002	135958	135959
136816	137470	137471
137660	137698	137699
137700	137701	137705
137706	137795	137796
137797	137798	137799
137856	137909	137963
137964	138122	138123
138143	138189	138396
138397	138398	138400
138401	139162	140026
140043	142010	155809
155813	155814	

**Extension of Period of Registration of Designs**

**1st Period (Section 27A(8))**

153457	153593	154061
154372	155556	155557
155558	155666	155667
155689	155810	155816
155817	155818	155820
155821	155822	155824
155825	155826	155827
155828	155829	156508

**2nd Period (Section 27A(12))**

138502	138803	138926
139497	139593	139639
139677	139787	139789
139890	139906	139928
139937	140017	140050
140051	140070	140153
140175	140191	140294
140342	140343	140358
140452	140472	140523
140585	141001	141040
142068	142100	142271
142453	143162	143203
143446	143842	143921
143994	144021	144480
145997	146157	

**3rd Period (Section 27A(13))**

121904	122349	122680
122681	122761	122768
122802	122835	122836
122937	123059	123060
123089	123129	123394
123416	123463	124016
124220	124221	124222
124223	124373	124595
124601	124602	124691
124750	125083	125825
125826	125827	129701
134961	138657	139716
139717		

**Registrations Ceased**

Note: Some of the following Registrations may have been

**Extensions of time granted**

Applications lodged for extension of time have been granted.

154372 **Cushla O'Flaherty** An Extension of time to extend a registration has been granted to 30/03/2005

153593 **Silvan Australia Pty Ltd** An Extension of time to extend a registration has been granted to 03/03/2005

153457 **Silvan Australia Pty Ltd** An Extension of time to extend a registration has been granted to 03/03/2005

02824/2003 **Peter Crook** An Extension of time to register an application has been granted to 28/08/2005

154061 **Suzie A. Di Palma** An Extension of time to extend a registration has been granted to 16/02/2005

155556 **Colorado Products Pty Ltd** An Extension of time to extend a registration has been granted to 15/06/2005

155557 **Colorado Products Pty Ltd** An Extension of time to extend a registration has been granted to 15/06/2005

155558 **Colorado Products Pty Ltd** An Extension of time to extend a registration has been granted to 15/06/2005

155667 **Nique Enterprises Pty Ltd** An Extension of time to extend a registration has been granted to 29/06/2005

155666 **Nique Enterprises Pty Ltd** An Extension of time to extend

a registration has been granted to 29/06/2005

### Subsequent Owners Registered

(The name in parentheses is that of the subsequent owner)

125854 ( **Pacific Hoists Pty Ltd** ) Robert H. Campbell  
 128160 ( **Ausboard International Pty Ltd** ) Phillip Charles Clarke  
 129701 ( **Wade Sawmill Pty Ltd** ) Karastar Pty Ltd  
 151105 ( **B & D Australia Pty Ltd** ) Nicholas John Harris  
 151971 ( **Michael S. Zerman** ) Michael S. Zerman;Michael Youds  
 140589 ( **Michael S. Zerman** ) Michael S. Zerman;Michael Youds  
 115678 ( **Quantum Bed Linen Pty Ltd** ) Wellington Holdings Pty Limited  
 115490 ( **Quantum Bed Linen Pty Ltd** ) Wellington Holdings Pty Limited  
 115436 ( **Quantum Bed Linen Pty Ltd** ) Wellington Holdings Pty Limited  
 115388 ( **Quantum Bed Linen Pty Ltd** ) Wellington Holdings Pty Limited

### Names Registered - Alterations and Amendments

(The name in parentheses is the new name of the proprietor)

129629 ( **McPherson's Consumer Products Pty Ltd** ) Cork International Pty Ltd  
 116076 ( **McPherson's Consumer Products Pty Ltd** ) Cork International Pty Ltd  
 115278 ( **McPherson's Consumer Products Pty Ltd** ) Cork International Pty Ltd  
 114666 ( **McPherson's Consumer Products Pty Ltd** ) Cork International Pty Ltd  
 108613 ( **McPherson's Consumer Products Pty Ltd** ) Cork International Pty Ltd

**Registration Proceedings**

**Designs Registered**

This section provides a concordance between application number and registration number of Designs covered in this journal. It also shows the main class and registration date.

This section covers Registration numbers 158126 to 158139.

The registration number shown below should be used in all future correspondence.

<b>Application Number</b>	<b>Registration Number</b>	<b>International Classification Code (IDC)</b>	<b>Registration Date</b>	<b>Application Number</b>	<b>Registration Number</b>	<b>International Classification Code (IDC)</b>	<b>Registration Date</b>
03448/2003	158126	08-05F	07/07/2005	01970/2004	158133	10-02	07/07/2005
03757/2003	158127	25-02C	07/07/2005	01971/2004	158134	11-01A	07/07/2005
03813/2003	158128	04-02	07/07/2005	02108/2004	158135	26-05C	07/07/2005
03814/2003	158129	09-01G	07/07/2005	02223/2004	158136	07-05NES	07/07/2005
03815/2003	158130	09-01G	07/07/2005	02367/2004	158137	02-02C	07/07/2005
00609/2004	158131	09-05	07/07/2005	02496/2004	158138	08-08A	07/07/2005
01363/2004	158132	19-99	07/07/2005	02543/2004	158139	28-03A	07/07/2005



**Registration Proceedings**  
**Class Listing of Designs Registered**

The following section shows an International Classification Code listing of the Registered Designs covered in this supplement.

<b>Classification</b>	<b>Registration Number</b>	<b>Application Number</b>	<b>Classification</b>	<b>Registration Number</b>	<b>Application Number</b>
02-02 C	158137	02367/2004	09-05	158131	00609/2004
04-02	158128	03813/2003	10-02	158133	01970/2004
07-05 NES	158136	02223/2004	11-01 A	158134	01971/2004
08-05 F	158126	03448/2003	19-99	158132	01363/2004
08-05 NES	158126	03448/2003	25-02 C	158127	03757/2003
08-08 A	158138	02496/2004	26-05 C	158135	02108/2004
09-01 G	158129	03814/2003	28-03 A	158139	02543/2004
09-01 G	158130	03815/2003			

(21) Application Number: **3448/2003**

(22) Date of Filing Application: **08 October 2003**

(24) Date from which industrial property rights may have effect: **08 October 2003**

(54) Article in respect of which the design is registered: **Magnetic block**

(51) International Design Classification: **08-05F, 08-05NES**

(71) Name(s) and Address(s) of Applicant(s):

**Retail & Commercial Properties Pty Ltd  
37 Bordeaux Street Doncaster East Victoria 3108 Australia**

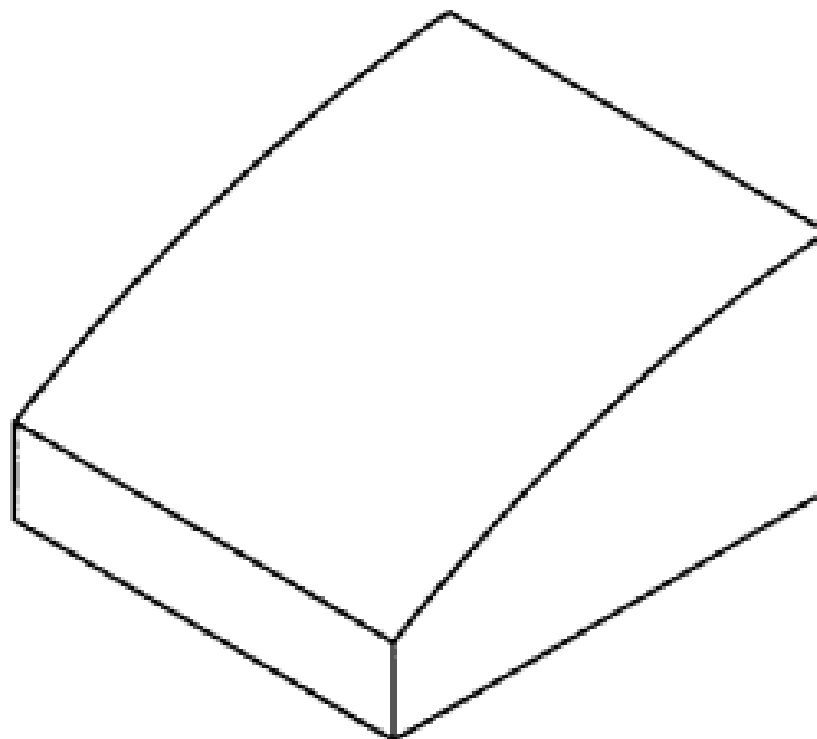
(72) Name(s) of Author(s): **Michael Samuel**

(45) Registration Date: **07 July 2005**

(56) Related Art Documents: **Not Applicable**

(57) Statement of Monopoly: **Monopoly is claimed in the features of shape or configuration of a magnetic block as shown in the accompanying representation.**

Statement of Novelty: **Nil**



(21) Application Number: **3757/2003**

(22) Date of Filing Application: **27 October 2003**

(24) Date from which industrial property rights may have effect: **27 October 2003**

(54) Article in respect of which the design is registered: **Fencing panel**

(51) International Design Classification: **25-02C**

(71) Name(s) and Address(s) of Applicant(s):

**Graeme Barry Crane  
No. 12 Wambiri Street Cannonvale Queensland 4802 Australia**

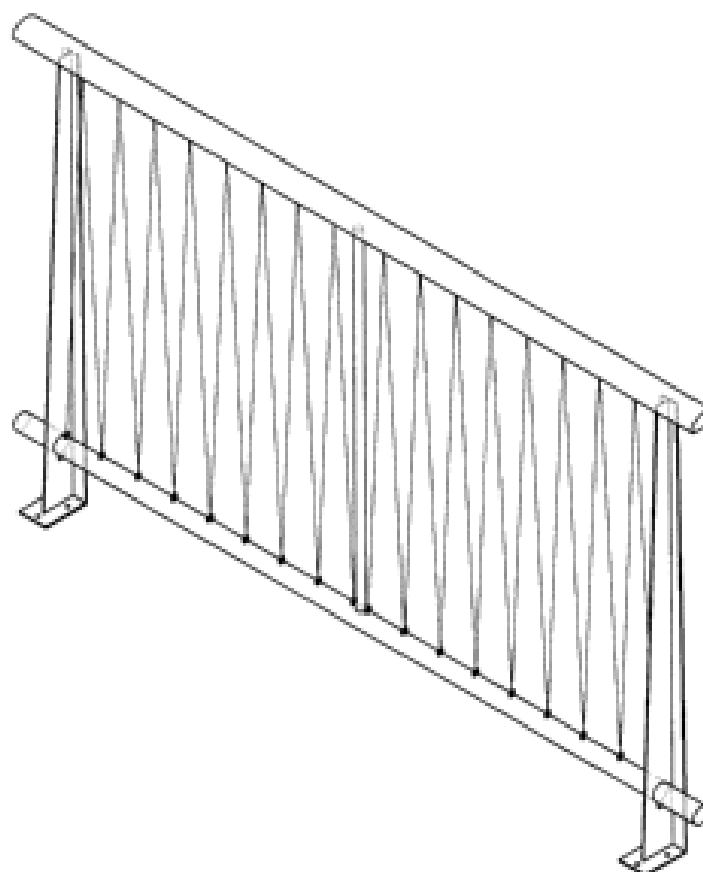
(72) Name(s) of Author(s): **Graeme Barry Crane**

(45) Registration Date: **07 July 2005**

(56) Related Art Documents: **Not Applicable**

(57) Statement of Monopoly: **Monopoly is claimed in the feature of shape and configuration of the fencing panel as shown in the accompanying representations.**

Statement of Novelty: **Nil**



(21) Application Number: **3813/2003**  
(22) Date of Filing Application: **03 November 2003**  
(24) Date from which industrial property rights may have effect: **03 November 2003**  
(54) Article in respect of which the design is registered: **Toothbrush**  
(51) International Design Classification: **04-02**  
(74) Name(s) of Attorney(s): **Davies Collison Cave**  
(71) Name(s) and Address(s) of Applicant(s):

**Unilever PLC**  
**Unilever House Blackfriars London EC4P 4BQ United Kingdom**

(72) Name(s) of Author(s): **Rosario Donato De Salvo**

(45) Registration Date: **07 July 2005**

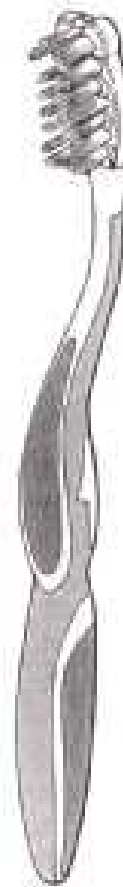
(30) Convention priority data:

(31) Number	(32) Date	(33) Country
<b>3012442</b>	<b>29 Apr 2003</b>	<b>UNITED KINGDOM</b>

(56) Related Art Documents: **Not Applicable**

(57) Statement of Monopoly: **Monopoly is claimed in the shape and/or configuration of the toothbrush as illustrated in the accompanying representations.**

Statement of Novelty: **Nil**



(21) Application Number: **3814/2003**  
(22) Date of Filing Application: **03 November 2003**  
(24) Date from which industrial property rights may have effect: **03 November 2003**  
(54) Article in respect of which the design is registered: **Jar**  
(51) International Design Classification: **09-01G**  
(74) Name(s) of Attorney(s): **Davies Collison Cave**  
(71) Name(s) and Address(s) of Applicant(s):

**Unilever PLC**  
**Unilever House Blackfriars London EC4P 4BQ United Kingdom**

(72) Name(s) of Author(s): **Jonathan Neil Davies and Martyn Noel Wallwork**

(45) Registration Date: **07 July 2005**

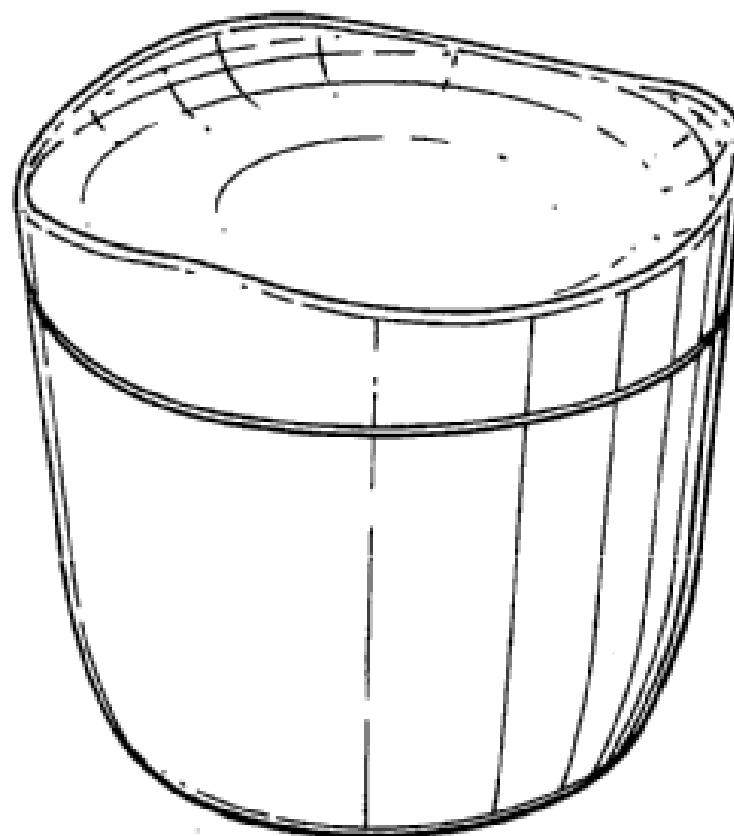
(30) Convention priority data:

(31) Number	(32) Date	(33) Country
<b>3012444</b>	<b>29 Apr 2003</b>	<b>UNITED KINGDOM</b>

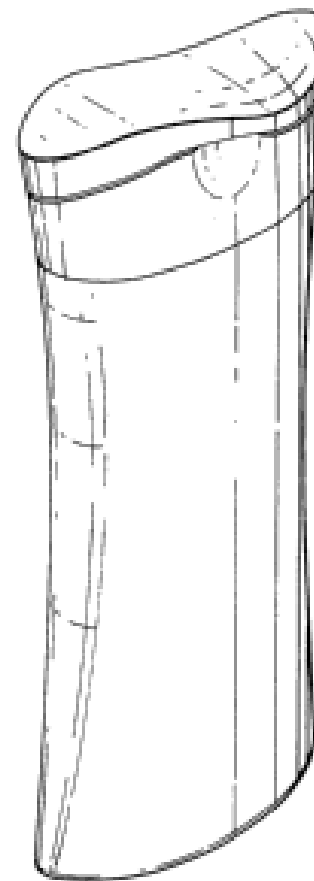
(56) Related Art Documents: **Not Applicable**

(57) Statement of Monopoly: **Monopoly is claimed in the shape and/or configuration of the jar as illustrated in the accompanying representations.**

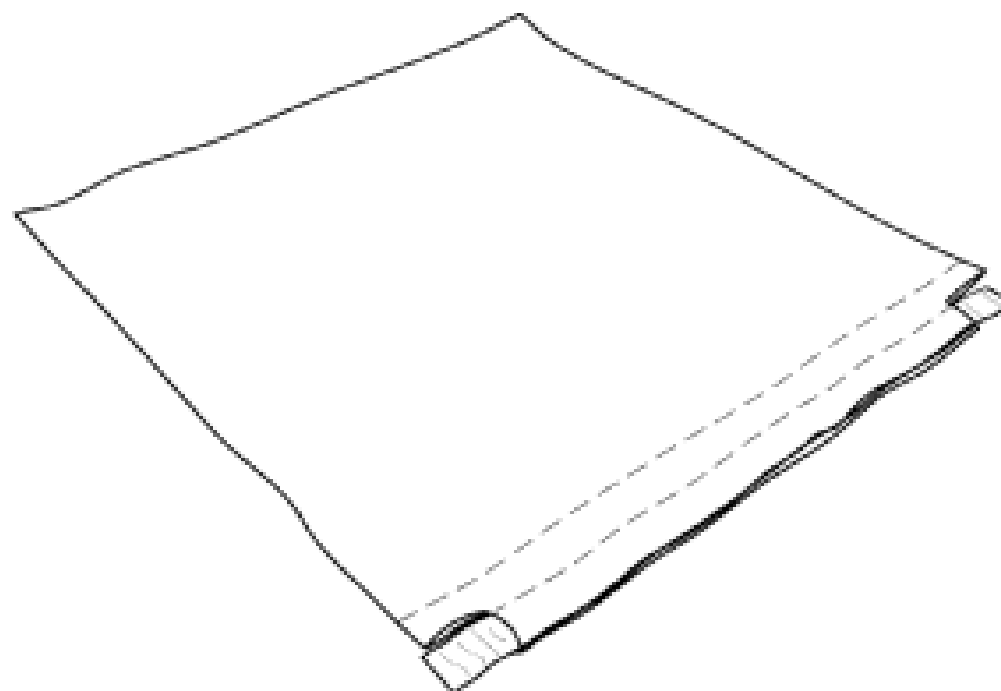
Statement of Novelty: **Nil**



(21) Application Number: **3815/2003**  
(22) Date of Filing Application: **03 November 2003**  
(24) Date from which industrial property rights may have effect: **03 November 2003**  
(54) Article in respect of which the design is registered: **Bottle**  
(51) International Design Classification: **09-01G**  
(74) Name(s) of Attorney(s): **Davies Collison Cave**  
(71) Name(s) and Address(s) of Applicant(s):  
**Unilever PLC**  
**Unilever House Blackfriars London EC4P 4BQ United Kingdom**  
(72) Name(s) of Author(s): **Jonathan Neil Davies and Martyn Noel Wallwork**  
(45) Registration Date: **07 July 2005**  
(30) Convention priority data:  
(31) Number           (32) Date                   (33) Country  
**3012443           29 Apr 2003           UNITED KINGDOM**  
(56) Related Art Documents: **Not Applicable**  
(57) Statement of Monopoly: **Monopoly is claimed in the shape and/or configuration of the bottle as illustrated in the accompanying representations.**  
Statement of Novelty: **Nil**

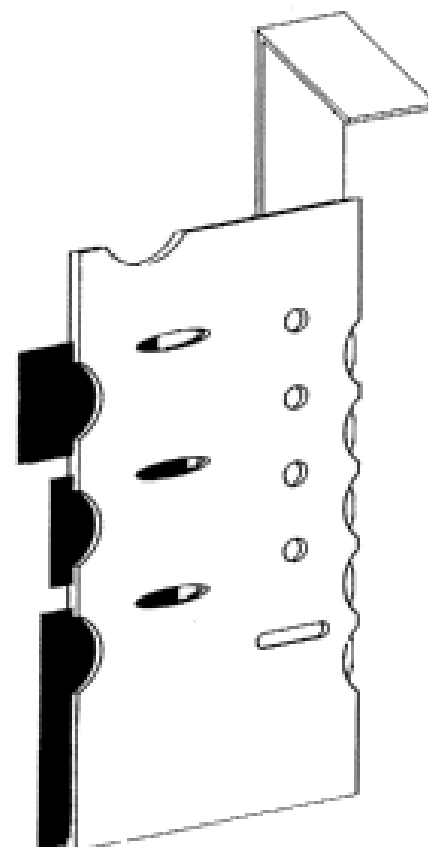


(21) Application Number: **0609/2004**  
(22) Date of Filing Application: **19 February 2004**  
(24) Date from which industrial property rights may have effect: **19 February 2004**  
(54) Article in respect of which the design is registered: **Plastic bag with draw tape**  
(51) International Design Classification: **09-05**  
(74) Name(s) of Attorney(s): **Griffith Hack**  
(71) Name(s) and Address(s) of Applicant(s):  
**International Grocery Manufacturer Pty Ltd**  
**Level 9 43-51 Queen Street Melbourne Victoria 3000 Australia**  
(72) Name(s) of Author(s): **Philip Withers**  
(45) Registration Date: **07 July 2005**  
(56) Related Art Documents: **Not Applicable**  
(57) Statement of Monopoly: **Monopoly is claimed in the shape and configuration of a plastic bag with draw tape as shown in the corresponding representations.**  
Statement of Novelty: **Nil**



(19) AU

(21) Application Number: **1363/2004**  
 (22) Date of Filing Application: **07 April 2004**  
 (24) Date from which industrial property rights may have effect: **07 April 2004**  
 (54) Article in respect of which the design is registered: **A set of book markers**  
 (51) International Design Classification: **19-99**  
 (74) Name(s) of Attorney(s): **Madderns**  
 (71) Name(s) and Address(s) of Applicant(s):  
**KYP (Holdings) PLC**  
**15 Hanover Terrace Regents Park London NW1 4RJ United Kingdom**  
 (72) Name(s) of Author(s): **Iain Sinclair and Grant Sinclair and Godfrey Michael Bradman**  
 (45) Registration Date: **07 July 2005**  
 (30) Convention priority data:  
 (31) Number      (32) Date      (33) Country  
**00088026      9 Oct 2003      EUROPEAN COMMUNITY**  
 (56) Related Art Documents: **Not Applicable**  
 (57) Statement of Monopoly: **Monopoly is claimed in the features of shape, configuration, pattern and ornamentation of a set of book markers as shown in the accompanying drawings.**  
 Statement of Novelty: **Nil**



(19) AU

(21) Application Number: **1970/2004**  
 (22) Date of Filing Application: **25 May 2004**  
 (24) Date from which industrial property rights may have effect: **25 May 2004**  
 (54) Article in respect of which the design is registered: **Watch**  
 (51) International Design Classification: **10-02**  
 (74) Name(s) of Attorney(s): **SPRUSON & FERGUSON**  
 (71) Name(s) and Address(s) of Applicant(s):  
**Bulgari Time (Switzerland) S.A.**  
**34 Rue de Monruz 2008 Neuchatel Switzerland**  
 (72) Name(s) of Author(s): **Paolo Bulgari**  
 (45) Registration Date: **07 July 2005**  
 (30) Convention priority data:  
 (31) Number      (32) Date      (33) Country  
**DM/065016      18 Dec 2003      SWITZERLAND**  
 (56) Related Art Documents: **Not Applicable**  
 (57) Statement of Monopoly: **Monopoly is claimed in the features of shape and/or configuration of a watch as illustrated in the accompanying representations, and in considering the extent of monopoly protection, the text on the watch including the words "Bulgari" and/or "Automatic" are to be disregarded.**  
 Statement of Novelty: **Nil**



(19) AU

(21) Application Number: **1971/2004**  
(22) Date of Filing Application: **25 May 2004**  
(24) Date from which industrial property rights may have effect: **25 May 2004**  
(54) Article in respect of which the design is registered: **Ring**  
(51) International Design Classification: **11-01A**  
(74) Name(s) of Attorney(s): **SPRUSON & FERGUSON**  
(71) Name(s) and Address(s) of Applicant(s):

**Bulgari S.p.A.**  
**11 Lungotevere Marzio Rome Italy**

(72) Name(s) of Author(s): **Paolo Bulgari**

(45) Registration Date: **07 July 2005**

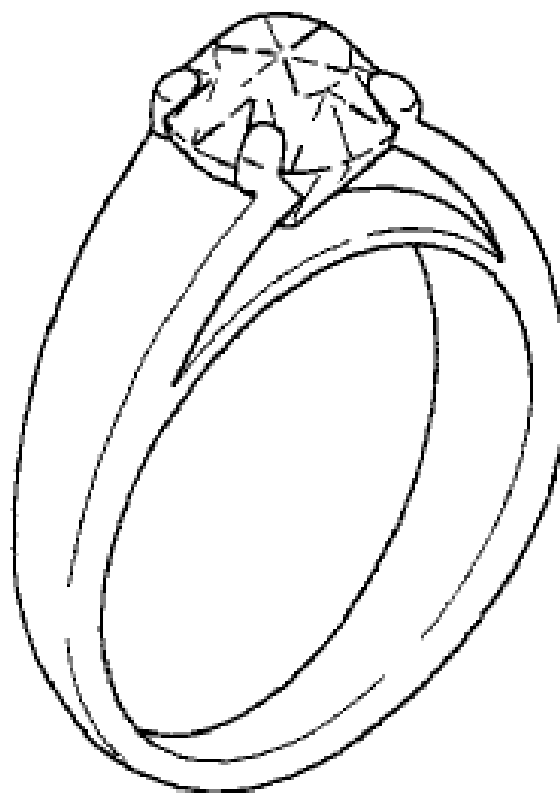
(30) Convention priority data:

(31) Number	(32) Date	(33) Country
<b>DM/064960</b>	<b>18 Dec 2003</b>	<b>SWITZERLAND</b>

(56) Related Art Documents: **Not Applicable**

(57) Statement of Monopoly: **Monopoly is claimed in the features of shape and/or configuration of a ring as illustrated in the accompanying representations.**

Statement of Novelty: **Nil**



(19) AU

(21) Application Number: **2108/2004**  
(22) Date of Filing Application: **01 June 2004**  
(24) Date from which industrial property rights may have effect: **01 June 2004**  
(54) Article in respect of which the design is registered: **A lamp**  
(51) International Design Classification: **26-05C**  
(74) Name(s) of Attorney(s): **Griffith Hack**  
(71) Name(s) and Address(s) of Applicant(s):

**Mass Technology (H.K.) Limited**  
**Room 2902-6 Tower 6 The Gateway 9 Canton Road Tsimshatsui**  
**Kowloon Hong Kong**

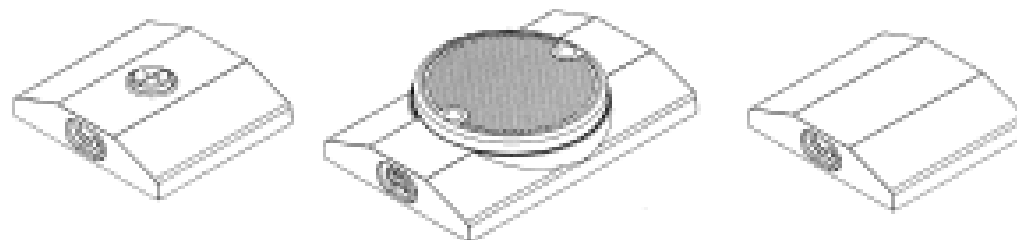
(72) Name(s) of Author(s): **Onn Fah Foo**

(45) Registration Date: **07 July 2005**

(56) Related Art Documents: **Not Applicable**

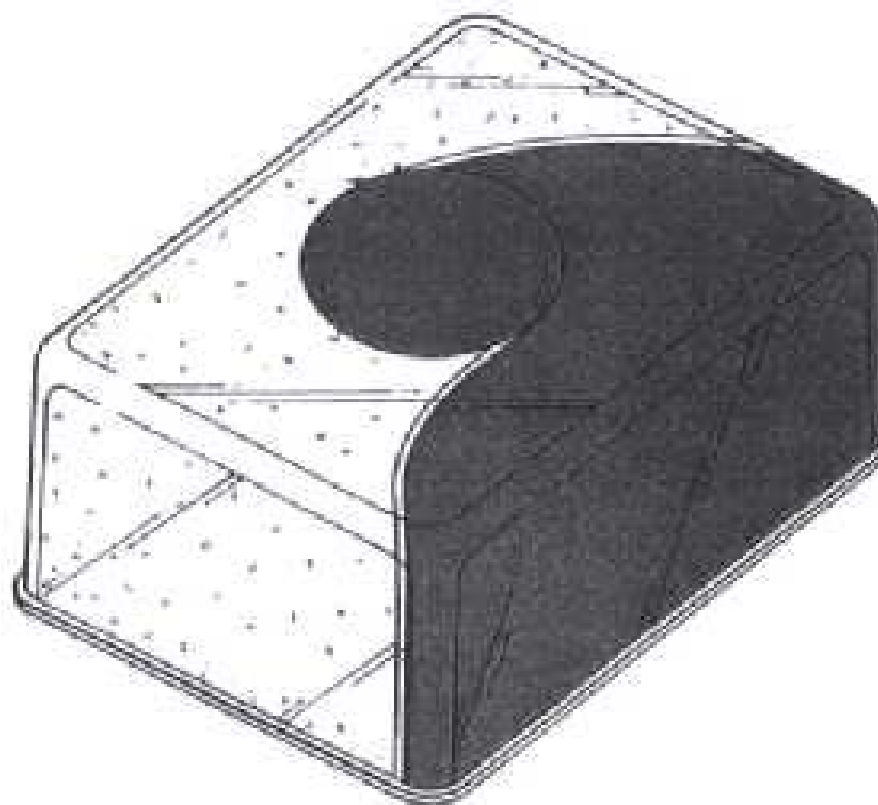
(57) Statement of Monopoly: **Monopoly is claimed in the features of shape and/or configuration applied to a lamp as illustrated in the accompanying representations. No monopoly is claimed in the individual pieces per se shown in the reference view.**

Statement of Novelty: **Nil**



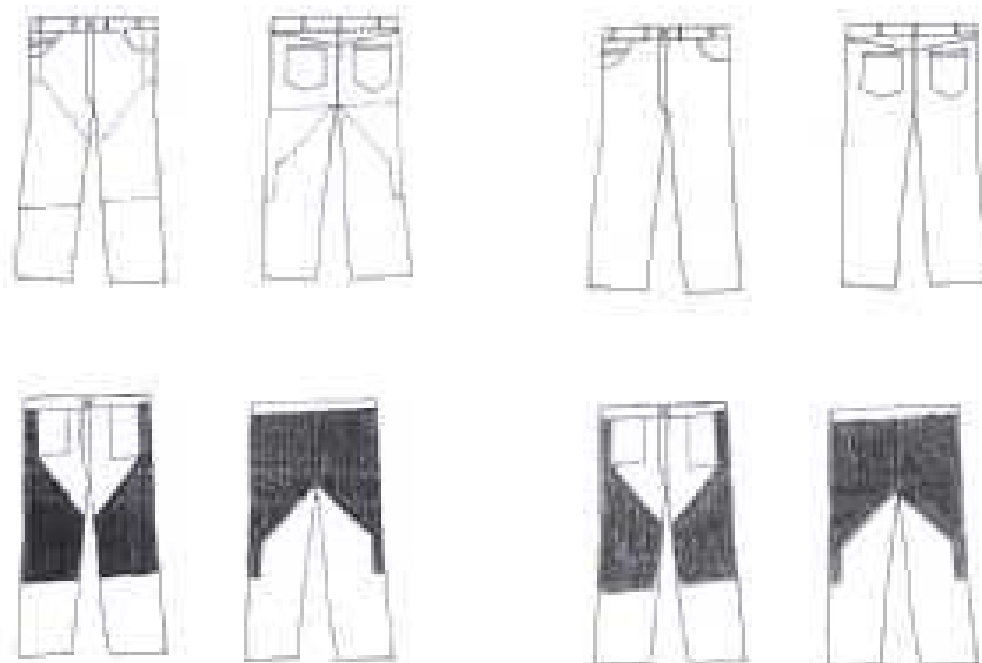
(19) AU

(21) Application Number: **2223/2004**  
 (22) Date of Filing Application: **09 June 2004**  
 (24) Date from which industrial property rights may have effect: **09 June 2004**  
 (54) Article in respect of which the design is registered: **Tablet**  
 (51) International Design Classification: **07-05NES**  
 (74) Name(s) of Attorney(s): **F B Rice & Co**  
 (71) Name(s) and Address(s) of Applicant(s):  
**Reckitt Benckiser N.V.**  
**Kantoorgebouw de Appelaer De Fruittuinen 2-12 2132 NZ Hoofddorp**  
**The Netherlands**  
 (72) Name(s) of Author(s): **Philippe Bourgoin and Michaela Marianne Murning**  
 (45) Registration Date: **07 July 2005**  
 (30) Convention priority data:  
 (31) Number (32) Date (33) Country  
**000120571 23 Dec 2003 EUROPEAN COMMUNITY**  
 (56) Related Art Documents: **Not Applicable**  
 (57) Statement of Monopoly: **Those features of the representations in respect of which the applicant for registration of the design wishes to claim a monopoly are the features of shape and configuration and pattern and ornamentation.**  
 Statement of Novelty: **Nil**

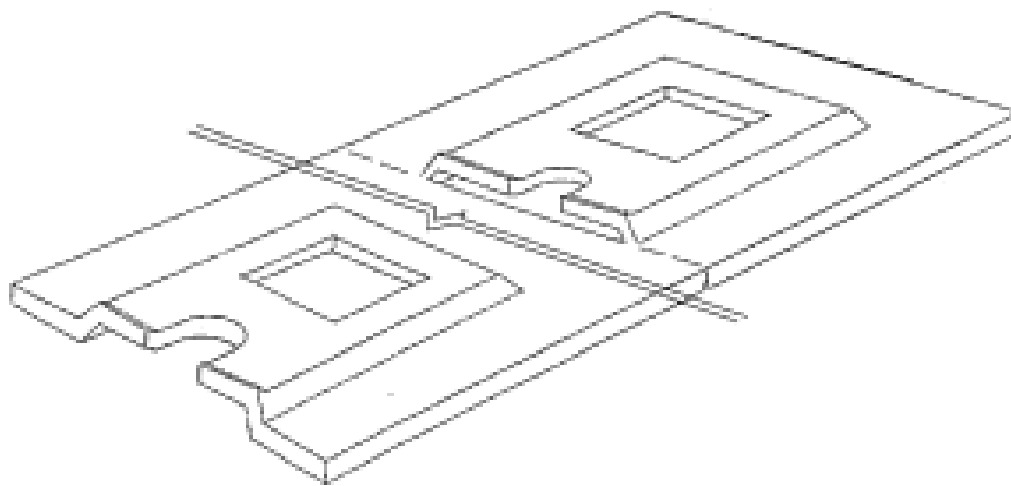


(19) AU

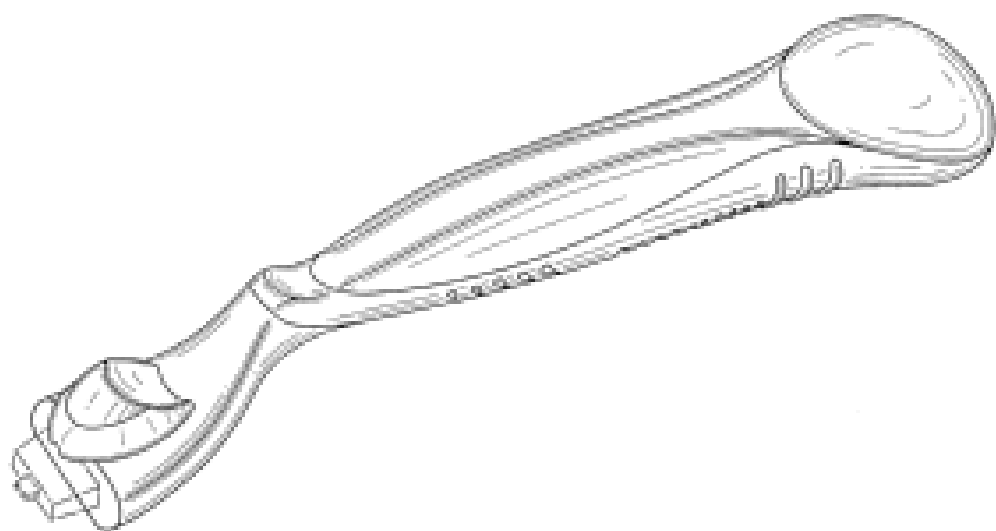
(21) Application Number: **2367/2004**  
 (22) Date of Filing Application: **15 June 2004**  
 (24) Date from which industrial property rights may have effect: **15 June 2004**  
 (54) Article in respect of which the design is registered: **A set of a pair of trousers**  
 (51) International Design Classification: **02-02C**  
 (74) Name(s) of Attorney(s): **SPRUSON & FERGUSON**  
 (71) Name(s) and Address(s) of Applicant(s):  
**Michael So**  
**9 Iris Court Glenmore Park New South Wales 2745 Australia**  
**Arthur Peikos**  
**53 River Road Emu Plains New South Wales 2750 Australia**  
 (72) Name(s) of Author(s): **Michael So and Arthur Peikos**  
 (45) Registration Date: **07 July 2005**  
 (56) Related Art Documents: **Not Applicable**  
 (57) Statement of Monopoly: **Monopoly is claimed in the features of shape and/or configuration and pattern and/or ornamentation of a set of a pair of trousers as illustrated in the accompanying representations.**  
 Statement of Novelty: **Nil**



(21) Application Number: **2496/2004**  
(22) Date of Filing Application: **16 June 2004**  
(24) Date from which industrial property rights may have effect: **16 June 2004**  
(54) Article in respect of which the design is registered: **Building tie**  
(51) International Design Classification: **08-08A**  
(74) Name(s) of Attorney(s): **Shelston IP**  
(71) Name(s) and Address(s) of Applicant(s):  
**Gordon Francis Howlett**  
**2/28 Auld Street Torbay Auckland New Zealand**  
(72) Name(s) of Author(s): **Gordon Francis Howlett**  
(45) Registration Date: **07 July 2005**  
(56) Related Art Documents: **Not Applicable**  
(57) Statement of Monopoly: **Monopoly is claimed in the features of shape and/or configuration of a building tie of indefinite length which are repeated throughout its length as shown in the representations accompanying the application.**  
Statement of Novelty: **Nil**



(21) Application Number: **2543/2004**  
(22) Date of Filing Application: **16 June 2004**  
(24) Date from which industrial property rights may have effect: **16 June 2004**  
(54) Article in respect of which the design is registered: **Razor handle**  
(51) International Design Classification: **28-03A**  
(74) Name(s) of Attorney(s): **SPRUSON & FERGUSON**  
(71) Name(s) and Address(s) of Applicant(s):  
**The Gillette Company**  
**Prudential Tower Building Boston Massachusetts 02199 United States of America**  
(72) Name(s) of Author(s): **Soojung Ham and Craig Provost**  
(45) Registration Date: **07 July 2005**  
(30) Convention priority data:  
(31) Number      (32) Date      (33) Country  
**29/196270      23 Dec 2003      UNITED STATES OF AMERICA**  
(56) Related Art Documents: **Not Applicable**  
(57) Statement of Monopoly: **Monopoly is claimed in the features of shape and/or configuration of a razor handle as illustrated in the accompanying representations, and in considering the extent of monopoly protection, the portions of the razor handle shown in phantom are to be disregarded.**  
Statement of Novelty: **Nil**







**Proceedings under the Designs Act 2003.**

This Page Left Intentionally Blank

**Applications Lodged**

Lodgement information is in the following order: **Applicant's Name**; International Classification, Name of Product, Lodgement Date and **Design Number**. If the applicant claims an earlier priority date under an International Convention, the Convention Country and the associated filing date are shown in parentheses before the Lodgement Date. Divisional information will also appear in parentheses before the Lodgement Date.

<b>Abra Products Pty Ltd;</b> 25-01K, Extrusion, 01 Jul 2005	<b>12824/2005</b>	<b>Boerner Kunststoff-und Metallwarenfabrik GmbH;</b> 07-04, Parer, (DE, 21 Dec 2004) 21 Jun 2005	<b>12620/2005</b>
<b>Abra Products Pty Ltd;</b> 25-02C, Walkway grille, 01 Jul 2005	<b>12825/2005</b>	<b>Braun GmbH;</b> 28-03A, Depilator, (EM, 29 Dec 2004) 29 Jun 2005	<b>12732/2005</b>
<b>Allison-Rogers, Susan Margaret;</b> 02-02A, 02-02B, Protective garment/waterproof swimming pants, 30 Jun 2005	<b>12786/2005</b>	<b>Braun GmbH;</b> 07-05A, Iron, (EM, 02 Feb 2005) 01 Jul 2005	<b>12816/2005</b>
<b>Ares Trading S.A.;</b> 24-01, Medication injection device, (CH, 09 Feb 2005) 23 Jun 2005	<b>12659/2005</b>	<b>Brenmont Pty Ltd;</b> 25-01K, An extrusion, 29 Jun 2005	<b>12777/2005</b>
<b>Attana, Joe;</b> 12-05, J A swift lift, 17 Jun 2005	<b>12632/2005</b>	<b>Browne, David Andrew;</b> 07-05A, 07-05D, Ironing board and clothes airer, 04 Jul 2005	<b>12828/2005</b>
<b>Australian Horizon Homes Pty Ltd;</b> 25-01A, Building brick, 16 Jun 2005	<b>12612/2005</b>	<b>Camara Clothing;</b> 02-07NES, Pants, skirts, 29 Jun 2005	<b>12739/2005</b>
<b>Australian Horizon Homes Pty Ltd;</b> 25-01A, Building brick, 16 Jun 2005	<b>12613/2005</b>	<b>Capitalisation; Ryan, Todd;</b> 19-08, Card, 23 Jun 2005	<b>12856/2005</b>
<b>Autoliv Australia Pty Ltd;</b> 08-08C, A clip, 01 Jul 2005	<b>12823/2005</b>	<b>Capitalisation; Ryan, Todd;</b> 19-08, Card, 23 Jun 2005	<b>12852/2005</b>
<b>Ayles, Robert Stanley;</b> 08-08C, Antenna clip, 23 Jun 2005	<b>12657/2005</b>	<b>Capitalisation; Ryan, Todd;</b> 19-08, Card, 23 Jun 2005	<b>12857/2005</b>
<b>AL Consulting Pty Ltd;</b> 19-08, Wallet guard card, 01 Jul 2005	<b>12830/2005</b>	<b>Capitalisation; Ryan, Todd;</b> 19-08, Card, 23 Jun 2005	<b>12858/2005</b>
<b>Belkin Corporation;</b> 13-03D, 13-03E, HDMI extender, (US, 04 Jan 2005) 01 Jul 2005	<b>12819/2005</b>	<b>Capitalisation; Ryan, Todd;</b> 19-08, Card, 23 Jun 2005	<b>12853/2005</b>
<b>Belkin Corporation;</b> 13-03D, Video enhancer, (US, 04 Jan 2005) 01 Jul 2005	<b>12820/2005</b>	<b>Capitalisation; Ryan, Todd;</b> 19-08, Card, 23 Jun 2005	<b>12854/2005</b>
<b>Belkin Corporation;</b> 13-03D, Video enhancer, (US, 04 Jan 2005) 01 Jul 2005	<b>12821/2005</b>	<b>Capitalisation; Ryan, Todd;</b> 19-08, Card, 23 Jun 2005	<b>12851/2005</b>
<b>Belkin Corporation;</b> 13-03D, 13-03B, Cable head, (US, 27 Dec 2004) 22 Jun 2005	<b>12652/2005</b>	<b>Carl Freudenberg KG;</b> 04-01, Broom fifo, (EM, 06 Apr 2005) 29 Jun 2005	<b>12733/2005</b>
<b>Belkin Corporation;</b> 20-02E, Merchandise display, (US, 04 Jan 2005) 30 Jun 2005	<b>12787/2005</b>	<b>Chuan Jiing Enterprises Co., Ltd;</b> 15-02, An extractor device, 04 Jul 2005	<b>12826/2005</b>
<b>Belkin Corporation;</b> 13-03D, Cable head, (US, 29 Dec 2004) 27 Jun 2005	<b>12728/2005</b>	<b>Chuan Jiing Enterprises Co., Ltd;</b> 15-02, An extractor basket, 04 Jul 2005	<b>12827/2005</b>
<b>Belkin Corporation;</b> 13-03D, Cable head, (US, 29 Dec 2004) 27 Jun 2005	<b>12727/2005</b>	<b>Chuang, Shih-Hung;</b> 21-01M, A spherical jigsaw puzzle, 24 Jun 2005	<b>12664/2005</b>
<b>Belkin Corporation;</b> 13-03D, Adaptor, (US, 31 Dec 2004) 28 Jun 2005	<b>12735/2005</b>	<b>Contego Products Limited;</b> 09-07A, Dispensing lid, 20 Jun 2005	<b>12609/2005</b>
<b>Belkin Corporation;</b> 13-03D, Cable head, (US, 29 Dec 2004) 28 Jun 2005	<b>12736/2005</b>	<b>Contego Products Limited;</b> 23-01A, Support flange for a nozzle, 20 Jun 2005	<b>12610/2005</b>
		<b>Contego Products Limited;</b> 09-07A, Identification panel receiving members for a dispensing lid, 20 Jun 2005	<b>12611/2005</b>

<b>Cook, Murray Norman;</b> 04-02, 23-02NES, Foot brush mountable to a drain, 23 Jun 2005	<b>12665/2005</b>	<b>De Coro Limited;</b> 06-01G, Sofa, (CN, 08 Apr 2005) 29 Jun 2005	<b>12771/2005</b>
<b>Creative Technology Ltd;</b> 16-01, A camera, (US, 09 Jun 2004) (Divisional of 14605/2004) 24 Jun 2005	<b>12815/2005</b>	<b>De Coro Limited;</b> 06-01G, Sofa, (CN, 08 Apr 2005) 29 Jun 2005	<b>12746/2005</b>
<b>Creative Technology Ltd;</b> 14-01, Headphone and loudspeaker, (US, 15 Apr 2005) 21 Jun 2005	<b>12630/2005</b>	<b>De Coro Limited;</b> 06-01G, Sofa, (CN, 08 Apr 2005) 29 Jun 2005	<b>12747/2005</b>
<b>Crowley, Leonard;</b> 19-08, Article name not listed, 17 Jun 2005	<b>12639/2005</b>	<b>De Coro Limited;</b> 06-01G, Sofa, (CN, 08 Apr 2005) 29 Jun 2005	<b>12748/2005</b>
<b>Davies, Cindy-Lee;</b> 26-05D, Pendant light type C, 09 Aug 2004	<b>12502/2005</b>	<b>De Coro Limited;</b> 06-01G, Sofa, (CN, 08 Apr 2005) 29 Jun 2005	<b>12749/2005</b>
<b>Davies, Cindy-Lee;</b> 26-05D, Pendant light type B, 09 Aug 2004	<b>12501/2005</b>	<b>De Coro Limited;</b> 06-01G, Sofa, (CN, 08 Apr 2005) 29 Jun 2005	<b>12750/2005</b>
<b>De Coro Limited;</b> 06-01G, Sofa, (CN, 08 Apr 2005) 29 Jun 2005	<b>12744/2005</b>	<b>De Coro Limited;</b> 06-01G, Sofai, (CN, 08 Apr 2005) 29 Jun 2005	<b>12751/2005</b>
<b>De Coro Limited;</b> 06-01G, Sofa, 01 Jul 2005	<b>12798/2005</b>	<b>De Coro Limited;</b> 06-01G, Sofa, (CN, 08 Apr 2005) 29 Jun 2005	<b>12752/2005</b>
<b>De Coro Limited;</b> 06-01G, Sofa, 01 Jul 2005	<b>12799/2005</b>	<b>De Coro Limited;</b> 06-01G, Sofa, (CN, 08 Apr 2005) 29 Jun 2005	<b>12753/2005</b>
<b>De Coro Limited;</b> 06-01G, Sofa, 01 Jul 2005	<b>12800/2005</b>	<b>De Coro Limited;</b> 06-01G, Sofa, (CN, 08 Apr 2005) 29 Jun 2005	<b>12754/2005</b>
<b>De Coro Limited;</b> 06-01G, Sofa, 01 Jul 2005	<b>12801/2005</b>	<b>De Coro Limited;</b> 06-01G, Sofa, (CN, 08 Apr 2005) 29 Jun 2005	<b>12755/2005</b>
<b>De Coro Limited;</b> 06-01G, Sofa, 01 Jul 2005	<b>12802/2005</b>	<b>De Coro Limited;</b> 06-01G, Sofa, (CN, 08 Apr 2005) 29 Jun 2005	<b>12756/2005</b>
<b>De Coro Limited;</b> 06-01G, Sofa, 01 Jul 2005	<b>12803/2005</b>	<b>De Coro Limited;</b> 06-01G, Sofa, (CN, 08 Apr 2005) 29 Jun 2005	<b>12757/2005</b>
<b>De Coro Limited;</b> 06-01G, Sofa, 01 Jul 2005	<b>12804/2005</b>	<b>De Coro Limited;</b> 06-01G, Sofa, (CN, 08 Apr 2005) 29 Jun 2005	<b>12758/2005</b>
<b>De Coro Limited;</b> 06-01G, Sofa, 01 Jul 2005	<b>12805/2005</b>	<b>De Coro Limited;</b> 06-01G, Sofa, (CN, 08 Apr 2005) 29 Jun 2005	<b>12759/2005</b>
<b>De Coro Limited;</b> 06-01G, Sofa, 01 Jul 2005	<b>12797/2005</b>	<b>De Coro Limited;</b> 06-01G, Sofa, (CN, 08 Apr 2005) 29 Jun 2005	<b>12760/2005</b>
<b>De Coro Limited;</b> 06-01G, Sofa, (CN, 08 Apr 2005) 29 Jun 2005	<b>12745/2005</b>	<b>Dias Aluminium Products Pty Ltd;</b> 23-02B, Shower screen panel stile, 29 Jun 2005	<b>12761/2005</b>
<b>De Coro Limited;</b> 06-01G, Sofa, (CN, 08 Apr 2005) 29 Jun 2005	<b>12762/2005</b>	<b>Dias Aluminium Products Pty Ltd;</b> 08-08NES, Corner stake, 30 Jun 2005	<b>12740/2005</b>
<b>De Coro Limited;</b> 06-01G, Sofa, (CN, 08 Apr 2005) 29 Jun 2005	<b>12763/2005</b>	<b>Dias Aluminium Products Pty Ltd;</b> 23-02B, Corner stake, 29 Jun 2005	<b>12834/2005</b>
<b>De Coro Limited;</b> 06-01G, Sofa, (CN, 08 Apr 2005) 29 Jun 2005	<b>12764/2005</b>	<b>Dias Aluminium Products Pty Ltd;</b> 23-02B, Corner stake, 29 Jun 2005	<b>12741/2005</b>
<b>De Coro Limited;</b> 06-01G, Sofa, (CN, 08 Apr 2005) 29 Jun 2005	<b>12765/2005</b>	<b>Dias Aluminium Products Pty Ltd;</b> 23-02B, Shower screen head/sill, 29 Jun 2005	<b>12742/2005</b>
<b>De Coro Limited;</b> 06-01G, Sofa, (CN, 08 Apr 2005) 29 Jun 2005	<b>12766/2005</b>	<b>Dias Aluminium Products Pty Ltd;</b> 23-02B, Shower screen head/sill, 29 Jun 2005	<b>12743/2005</b>
<b>De Coro Limited;</b> 06-01G, Sofa, (CN, 08 Apr 2005) 29 Jun 2005	<b>12767/2005</b>	<b>Dioptics Medical Products, Inc.;</b> 16-06, Eyeglasses, (US, 28 Dec 2004) 27 Jun 2005	<b>12731/2005</b>
<b>De Coro Limited;</b> 06-01G, Sofa, (CN, 08 Apr 2005) 29 Jun 2005	<b>12768/2005</b>	<b>Discus Dental Impressions, Inc.;</b> 13-02, Power pack for dentistry applications, (US, 04 Jan 2005) 01 Jul 2005	<b>12809/2005</b>
<b>De Coro Limited;</b> 06-01G, Sofa, (CN, 08 Apr 2005) 29 Jun 2005	<b>12769/2005</b>	<b>Discus Dental Impressions, Inc.;</b> 26-05NES, Support structure for dentistry applications, 01 Jul 2005	<b>12810/2005</b>
<b>De Coro Limited;</b> 06-01G, Sofa, (CN, 08 Apr 2005) 29 Jun 2005	<b>12770/2005</b>		

<b>Discus Dental Impressions, Inc.;</b> 26-05NES, Light guide for dentistry applications, 01 Jul 2005	<b>12811/2005</b>	<b>Guala Closures S.p.A.;</b> 09-07C, Cap-like closure with warranty seal for bottles, (IT, 23 Dec 2004) 21 Jun 2005	<b>12615/2005</b>
<b>Discus Dental Impressions, Inc.;</b> 26-05NES, Support structure for a lamp for dentistry applications, (US, 04 Jan 2005) 01 Jul 2005	<b>12812/2005</b>	<b>Guala Closures S.p.A.;</b> 09-07C, Cap-like closure with warranty seal for bottles, (IT, 23 Dec 2004) 21 Jun 2005	<b>12617/2005</b>
<b>Discus Dental Impressions, Inc.;</b> 26-05NES, Lamp for dentistry applications, (US, 04 Jan 2005) 01 Jul 2005	<b>12813/2005</b>	<b>GMCA Pty Ltd;</b> 08-03, A mitre saw, (EM, 28 Apr 2005) 29 Jun 2005	<b>12734/2005</b>
<b>Discus Dental Impressions, Inc.;</b> 26-05NES, Support structure for dentistry applications, 01 Jul 2005	<b>12814/2005</b>	<b>Henderson, Matthew;</b> 08-07, 09-99, 09-02A, Shipping container RFID seal, 11 May 2005	<b>12145/2005</b>
<b>Dyson Limited;</b> 15-05, A rolling support for a surface-treating appliance, (GB, 19 Jan 2005) 29 Jun 2005	<b>12781/2005</b>	<b>Hinkler Books Pty Ltd;</b> 19-04, Book, 23 Jun 2005	<b>12660/2005</b>
<b>Dyson Limited;</b> 15-05, A surface-treating appliance, (GB, 19 Jan 2005) 29 Jun 2005	<b>12782/2005</b>	<b>Hodge, Wade Dion;</b> 08-08NES, A holder, 29 Jun 2005	<b>12776/2005</b>
<b>Dyson Limited;</b> 15-05, A handle for a surface-treating appliance, (GB, 19 Jan 2005) 29 Jun 2005	<b>12780/2005</b>	<b>Hornby, Jeffrey Ian; Nash, Ian Raymond;</b> 20-03C, Sign, 29 Jun 2005	<b>12783/2005</b>
<b>DT Jocks Pty Ltd;</b> 02-01NES, Men's boxer briefs, 07 Jun 2005	<b>12459/2005</b>	<b>Hornby, Jeffrey Ian; Nash, Ian Raymond;</b> 20-03C, Sign, 29 Jun 2005	<b>12784/2005</b>
<b>DT Jocks Pty Ltd;</b> 02-01NES, Men's briefs, 07 Jun 2005	<b>12458/2005</b>	<b>Hugo Woof Pty Ltd;</b> 12-16NES, Canopy class 12, 21 Jun 2005	<b>12618/2005</b>
<b>Eastwood Engineering Pty Ltd;</b> 12-05, Scissor lift, 27 Jun 2005	<b>12695/2005</b>	<b>Hugo Woof Pty Ltd;</b> 12-16NES, Class 12 canopy, 21 Jun 2005	<b>12619/2005</b>
<b>EI-Maghchouch, Ahmad; Maghchouch, Abdul Fatah;</b> 25-02C, A handrail, 01 Jul 2005	<b>12842/2005</b>	<b>Huhtamaki Ronsberg, Zweigniederlassung der Huhtamaki Deutschland GmbH &amp; Co.,, KG;</b> 09-05, Foil packaging, (EM, 19 Apr 2005) 20 Jun 2005	<b>12640/2005</b>
<b>EI-Maghchouch, Ahmad; Maghchouch, Abdul Fatah;</b> 25-02C, A handrail, 01 Jul 2005	<b>12841/2005</b>	<b>Huhtamaki Ronsberg, Zweigniederlassung der Huhtamaki Deutschland GmbH &amp; Co.,, KG;</b> 09-05, Foil packaging, (EM, 19 Apr 2005) 20 Jun 2005	<b>12641/2005</b>
<b>Farrugia, Julie Belinda;</b> 02-02A, Bathing suit, 24 Jun 2005	<b>12666/2005</b>	<b>Huhtamaki Ronsberg, Zweigniederlassung der Huhtamaki Deutschland GmbH &amp; Co.,, KG;</b> 09-01NES, Foil packaging, (EM, 19 Apr 2005) 20 Jun 2005	<b>12642/2005</b>
<b>Filigree Textiles Pty Ltd;</b> 05-05A, Fabric, (Divisional of 00407/2004) 27 Jun 2005	<b>12849/2005</b>	<b>Huhtamaki Ronsberg, Zweigniederlassung der Huhtamaki Deutschland GmbH &amp; Co.,, KG;</b> 09-05, Foil packaging, (EM, 19 Apr 2005) 20 Jun 2005	<b>12643/2005</b>
<b>Filigree Textiles Pty Ltd;</b> 05-05A, Fabric, (Divisional of 00407/2004) 27 Jun 2005	<b>12850/2005</b>	<b>Huhtamaki Ronsberg, Zweigniederlassung der Huhtamaki Deutschland GmbH &amp; Co.,, KG;</b> 09-05, Foil packaging, (EM, 19 Apr 2005) 20 Jun 2005	<b>12644/2005</b>
<b>Gadsden Signs Pty Ltd;</b> 14-02, ATM surround, 24 Jun 2005	<b>12840/2005</b>	<b>Huhtamaki Ronsberg, Zweigniederlassung der Huhtamaki Deutschland GmbH &amp; Co.,, KG;</b> 09-05, Foil packaging, (EM, 19 Apr 2005) 20 Jun 2005	<b>12645/2005</b>
<b>Gatic Pty Limited;</b> 25-02C, A grate, 24 Jun 2005	<b>12681/2005</b>	<b>Huhtamaki Ronsberg, Zweigniederlassung der Huhtamaki Deutschland GmbH &amp; Co.,, KG;</b> 09-05, Foil packaging, (EM, 19 Apr 2005) 20 Jun 2005	<b>12646/2005</b>
<b>General Mills Marketing, Inc.;</b> 01-01, Food product, (US, 12 Jan 2005) 23 Jun 2005	<b>12676/2005</b>		
<b>General Mills Marketing, Inc.;</b> 01-01, Food product, (US, 12 Jan 2005) 23 Jun 2005	<b>12677/2005</b>		
<b>Goodyear Tire &amp; Rubber Company, The;</b> 12-15A, A tyre, (US, 13 Jan 2005) 29 Jun 2005	<b>12779/2005</b>		
<b>Graver, Paul Andrew;</b> 21-02B, Pool cue, 23 Jun 2005	<b>12649/2005</b>		

<b>Immigration Bridge Australia Inc.;</b> 19-08, Article name not listed, 24 Jun 2005	<b>12669/2005</b>	<b>Johnson &amp; Johnson Consumer Companies, Inc.;</b> 24-04, Skin treatment article, (US, 28 Dec 2004) 21 Jun 2005	<b>12626/2005</b>
<b>Interlego A.G.;</b> 21-01E, Toy, (EM, 07 Feb 2005) 30 Jun 2005	<b>12791/2005</b>	<b>Johnson &amp; Johnson Consumer Companies, Inc.;</b> 24-04, Skin treatment article, (US, 28 Dec 2004) 21 Jun 2005	<b>12627/2005</b>
<b>Interlego A.G.;</b> 21-01E, Toy, (EM, 07 Feb 2005) 30 Jun 2005	<b>12792/2005</b>	<b>Johnson &amp; Johnson Consumer Companies, Inc.;</b> 24-04, Skin treatment article, (US, 27 Apr 2005) 21 Jun 2005	<b>12628/2005</b>
<b>Island Block &amp; Paving Pty Ltd;</b> 25-01A, Wall block, 21 Jun 2005	<b>12616/2005</b>	<b>Johnson &amp; Johnson Consumer Companies, Inc.;</b> 24-04, Skin treatment article, (US, 27 Apr 2005) 21 Jun 2005	<b>12629/2005</b>
<b>ID &amp; C Limited;</b> 11-01C, 24-99, 19-08, Wristband, (EM, 23 Dec 2004) 21 Jun 2005	<b>12621/2005</b>	<b>Jolly International Pty Ltd;</b> 26-04, Electrical products, globes and lighting products, 06 Jul 2005	<b>12859/2005</b>
<b>Jackson Industries Pty Limited;</b> 13-03D, An adaptor, 29 Jun 2005	<b>12778/2005</b>	<b>Kabushiki Kaisha Miyanaga;</b> 15-05, Dust collecting pad, (JP, 12 Jan 2005) 30 Jun 2005	<b>12795/2005</b>
<b>Jackson Industries Pty Limited;</b> 13-03D, A power board, 27 Jun 2005	<b>12729/2005</b>	<b>Kershaw, Larry;</b> 21-02D, 12-06B, Surfboards, sailboards, boogi boards, water skis, yachts, water craft, 20 Jun 2005	<b>12633/2005</b>
<b>Jacobsen Facade Systems Limited;</b> 25-01K, Article name not listed, 17 Jun 2005	<b>12634/2005</b>	<b>Layfield, Stephen;</b> 09-01NES, Container and insert, 21 Jun 2005	<b>12648/2005</b>
<b>Jacobsen Facade Systems Limited;</b> 25-01K, Article name not listed, 17 Jun 2005	<b>12635/2005</b>	<b>Lesnansky, Milan;</b> 21-01F, A rocking kangaroo, 27 Jun 2005	<b>12730/2005</b>
<b>Jacobsen Facade Systems Limited;</b> 25-01K, Article name not listed, 17 Jun 2005	<b>12636/2005</b>	<b>Lucky Drink Company Pty Limited, The;</b> 09-01NES, 09-01D, Bottle, 20 Jun 2005	<b>12605/2005</b>
<b>Jacobsen Facade Systems Limited;</b> 25-01K, Article name not listed, 17 Jun 2005	<b>12637/2005</b>	<b>Lusman, David;</b> 19-02, Prik, receipts, business cards and paper memories, 29 Jun 2005	<b>12737/2005</b>
<b>Jacobsen Facade Systems Limited;</b> 25-01K, Article name not listed, 17 Jun 2005	<b>12638/2005</b>	<b>Lutron Electronics Co. Inc.;</b> 13-03NES, Wall-mountable control panel, (US, 23 Jul 2004) 21 Jan 2005	<b>12939/2005</b>
<b>Jacobsen Facade Systems Limited;</b> 25-01K, 25-02NES, Building element, (NZ, 18 Jan 2005) 17 Jun 2005	<b>12606/2005</b>	<b>Lutron Electronics Co. Inc.;</b> 13-03NES, Wall-mountable control panel, (US, 23 Jul 2004) 21 Jan 2005	<b>12940/2005</b>
<b>Jacobsen Facade Systems Limited;</b> 25-02NES, A building facade assembly, (NZ, 18 Jan 2005) 17 Jun 2005	<b>12607/2005</b>	<b>Lutron Electronics Co. Inc.;</b> 13-03NES, Wall-mountable control panel, (US, 23 Jul 2004) 21 Jan 2005	<b>12941/2005</b>
<b>Jacobsen Facade Systems Limited;</b> 25-01K, An extrusion, (NZ, 18 Jan 2005) 17 Jun 2005	<b>12608/2005</b>	<b>Lutron Electronics Co. Inc.;</b> 13-03NES, Wall-mountable control panel, (US, 23 Jul 2004) 21 Jan 2005	<b>12942/2005</b>
<b>Jakks Pacific, Inc.;</b> 19-06, Liquid graphite pencil, (US, 03 Jan 2005) 28 Jun 2005	<b>12726/2005</b>	<b>Lutron Electronics Co. Inc.;</b> 13-03NES, Wall-mountable control panel, (US, 23 Jul 2004) 21 Jan 2005	<b>12943/2005</b>
<b>Jinks, G.K.;</b> 08-01, Weeder, 28 Jun 2005	<b>12724/2005</b>	<b>Lutron Electronics Co. Inc.;</b> 13-03NES, Wall-mountable control panel, (US, 23 Jul 2004) 21 Jan 2005	<b>12944/2005</b>
<b>Johnson &amp; Johnson Consumer Companies, Inc.;</b> 24-04, Skin treatment article, (US, 28 Dec 2004) 21 Jun 2005	<b>12622/2005</b>	<b>Lutron Electronics Co. Inc.;</b> 13-03NES, Wall-mountable panel, (US, 23 Jul 2004) 21 Jan 2005	<b>12945/2005</b>
<b>Johnson &amp; Johnson Consumer Companies, Inc.;</b> 24-04, Skin treatment article, (US, 28 Dec 2004) 21 Jun 2005	<b>12623/2005</b>	<b>Lutron Electronics Co. Inc.;</b> 13-03NES, Wall-mountable control panel, (US, 23 Jul 2004) 21 Jan 2005	<b>12946/2005</b>
<b>Johnson &amp; Johnson Consumer Companies, Inc.;</b> 24-04, Skin treatment article, (US, 28 Dec 2004) 21 Jun 2005	<b>12624/2005</b>		
<b>Johnson &amp; Johnson Consumer Companies, Inc.;</b> 24-04, Skin treatment article, (US, 28 Dec 2004) 21 Jun 2005	<b>12625/2005</b>		

<b>Maghchouch, Abdul Fatah; El-Maghchouch, Ahmad;</b> 25-02C, A handrail, 01 Jul 2005	<b>12841/2005</b>	<b>Parsons, Janet;</b> 03-01A, Luggage, 01 Jul 2005	<b>12845/2005</b>
<b>Maghchouch, Abdul Fatah; El-Maghchouch, Ahmad;</b> 25-02C, A handrail, 01 Jul 2005	<b>12842/2005</b>	<b>Parsons, Janet;</b> 03-01A, Luggage lining, 01 Jul 2005	<b>12846/2005</b>
<b>Markham, Berin;</b> 06-03NES, Barrier bench, 22 Jun 2005	<b>12656/2005</b>	<b>Paterson, Michael Stephen; Paterson, Barli Shorne;</b> 08-05NES, A gutter cleaner apparatus, 01 Jul 2005	<b>12796/2005</b>
<b>Martino, Francesco Antonio;</b> 25-02A, A mounting post for a free-standing verandah, 23 Jun 2005	<b>12678/2005</b>	<b>Paterson, Barli Shorne; Paterson, Michael Stephen;</b> 08-05NES, A gutter cleaner apparatus, 01 Jul 2005	<b>12796/2005</b>
<b>Martino, Francesco Antonio;</b> 25-03, A portable verandah support assembly for a portable building, 23 Jun 2005	<b>12679/2005</b>	<b>Picton, David John;</b> 23-01NES, Test plug, (NZ, 24 Dec 2004) 23 Jun 2005	<b>12661/2005</b>
<b>Master Lock Company;</b> 08-07, Lock, (US, 14 Mar 2005) 30 Jun 2005	<b>12789/2005</b>	<b>Picton, David John;</b> 23-01NES, A mount, (NZ, 24 Dec 2004) 23 Jun 2005	<b>12663/2005</b>
<b>McCormack, Glenn;</b> 14-03NES, Remote control holder, 24 Jun 2005	<b>12682/2005</b>	<b>Picton, David John;</b> 23-01B, Elbow, (NZ, 24 Dec 2004) 23 Jun 2005	<b>12662/2005</b>
<b>Merz &amp; Krell GmbH &amp; Co. KGaA;</b> 19-06, A component of a writing instrument, (Divisional of 00938/2004) 22 Jun 2005	<b>12654/2005</b>	<b>Plast Wood S.r.l.;</b> 21-01C, Model helicopter, (EM, 29 Dec 2004) 24 Jun 2005	<b>12685/2005</b>
<b>Michelin Recherche et Technique S.A.; Societe De Technologie Michelin;</b> 12-15C, A pneumatic tyre, (FR, 11 Jan 2005) 04 Jul 2005	<b>12835/2005</b>	<b>Plast Wood S.r.l.;</b> 21-01C, Model scooter, (EM, 29 Dec 2004) 24 Jun 2005	<b>12689/2005</b>
<b>MAM Babyartikel Gesellschaft m.b.H.;</b> 24-04, Nipple shield, (EM, 20 Jan 2005) 22 Jun 2005	<b>12653/2005</b>	<b>Plast Wood S.r.l.;</b> 21-01C, Model truck, (EM, 29 Dec 2004) 24 Jun 2005	<b>12690/2005</b>
<b>N.V. Organon;</b> 24-02, Applicator for inserting an implant, 23 Jun 2005	<b>12667/2005</b>	<b>Plast Wood S.r.l.;</b> 21-01C, Model helicopter, (EM, 29 Dec 2004) 24 Jun 2005	<b>12691/2005</b>
<b>Nalsco Pty Limited;</b> 24-02, Needle stick injury safety device, 28 Jun 2005	<b>12785/2005</b>	<b>Plast Wood S.r.l.;</b> 21-01C, Model helicopter, (EM, 29 Dec 2004) 24 Jun 2005	<b>12687/2005</b>
<b>Nash, Ian Raymond; Hornby, Jeffrey Ian;</b> 20-03C, Sign, 29 Jun 2005	<b>12783/2005</b>	<b>Plast Wood S.r.l.;</b> 21-01C, Model go-kart, (EM, 29 Dec 2004) 24 Jun 2005	<b>12688/2005</b>
<b>Nash, Ian Raymond; Hornby, Jeffrey Ian;</b> 20-03C, Sign, 29 Jun 2005	<b>12784/2005</b>	<b>Positec Power Tools (Suzhou) Co., Ltd.;</b> 08-03, Jigsaw, (CN, 04 Jan 2005) 30 Jun 2005	<b>12793/2005</b>
<b>NEC Corporation;</b> 14-02, Computer server, (JP, 14 Jan 2005) 30 Jun 2005	<b>12790/2005</b>	<b>Positec Power Tools (Suzhou) Co., Ltd.;</b> 08-01, Impact drill, (CN, 07 Jan 2005) 30 Jun 2005	<b>12794/2005</b>
<b>NEC Corporation;</b> 14-02, Computer server, (JP, 14 Jan 2005) 01 Jul 2005	<b>12822/2005</b>	<b>Procter &amp; Gamble Company, The;</b> 09-01G, Cosmetic container, (GB, 22 Dec 2004) 22 Jun 2005	<b>12650/2005</b>
<b>Oki Data Corporation;</b> 14-02, Image drum cartridge, (JP, 06 Jan 2005) 24 Jun 2005	<b>12683/2005</b>	<b>Procter &amp; Gamble Company, The;</b> 09-01G, Cosmetic container, (GB, 24 Dec 2004) 22 Jun 2005	<b>12651/2005</b>
<b>Oki Data Corporation;</b> 14-02, Toner cartridge, (JP, 06 Jan 2005) 24 Jun 2005	<b>12684/2005</b>	<b>Prowler Australia Pty Ltd.;</b> 12-06B, Power catamarans, 20 Jun 2005	<b>12604/2005</b>
<b>Otsuka Pharmaceutical Co., Ltd.;</b> 28-02, Lipstick case, (JP, 27 Dec 2004) 24 Jun 2005	<b>12696/2005</b>	<b>Recht, Sruli;</b> 02-02NES, Scape coat garment, 27 Jun 2005	<b>12692/2005</b>
<b>Parsons, Janet;</b> 03-01A, Luggage, 01 Jul 2005	<b>12843/2005</b>	<b>Recht, Sruli;</b> 02-02NES, Zip hood garment, reel hood garment, 27 Jun 2005	<b>12693/2005</b>
<b>Parsons, Janet;</b> 03-01A, Luggage, 01 Jul 2005	<b>12844/2005</b>		



<b>ResMed Ltd;</b> 24-01, Headgear for respiratory mask assembly, (US, 03 Jan 2005) 01 Jul 2005	<b>12817/2005</b>	<b>Schreder;</b> 26-05B, 26-05C, Lighting fixture, (EP, 24 Dec 2004) 22 Jun 2005	<b>12670/2005</b>
<b>ResMed Ltd;</b> 24-01, Headgear for respiratory mask assembly, (US, 03 Jan 2005) 01 Jul 2005	<b>12818/2005</b>	<b>Schreder;</b> 26-05B, 26-05C, Lighting fixture, (EP, 24 Dec 2004) 22 Jun 2005	<b>12671/2005</b>
<b>Review Australia Pty Ltd;</b> 02-02C, Ladies garment, 24 Jun 2005	<b>12680/2005</b>	<b>Scrivens, Lynne;</b> T-shirt, jumper, hat, 23 Jun 2005	<b>12697/2005</b>
<b>Rhall, Chris;</b> 08-08K, Mounting bracket for use with star pickets, stakes or the like, 27 Jun 2005	<b>12694/2005</b>	<b>Scrivens, Lynne;</b> T-shirt, jumper, hat, 23 Jun 2005	<b>12698/2005</b>
<b>RocketSix;</b> 07-02NES, Kitchen knife storage and display, 24 Jun 2005	<b>12672/2005</b>	<b>Seafolly Pty Ltd;</b> 02-02A, Top, 08 Apr 2005	<b>11476/2005</b>
<b>Rogers, Colin Edward; Rogers, Judith Ann;</b> 25-01K, Open box extrusion, 01 Jul 2005	<b>12788/2005</b>	<b>Seafolly Pty Ltd;</b> 02-02A, Top, 08 Apr 2005	<b>11477/2005</b>
<b>Rogers, Judith Ann; Rogers, Colin Edward;</b> 25-01K, Open box extrusion, 01 Jul 2005	<b>12788/2005</b>	<b>Seafolly Pty Ltd;</b> 02-02A, Top, 08 Apr 2005	<b>11478/2005</b>
<b>Ryan, Todd; Capitalisation;</b> 19-08, Card, 23 Jun 2005	<b>12854/2005</b>	<b>Seafolly Pty Ltd;</b> 02-02A, Top, 08 Apr 2005	<b>11479/2005</b>
<b>Ryan, Todd; Capitalisation;</b> 19-08, Card, 23 Jun 2005	<b>12855/2005</b>	<b>Seafolly Pty Ltd;</b> 02-02A, Swimwear - one piece, 08 Apr 2005	<b>11480/2005</b>
<b>Ryan, Todd; Capitalisation;</b> 19-08, Card, 23 Jun 2005	<b>12851/2005</b>	<b>Seafolly Pty Ltd;</b> 02-02A, Swimwear - one piece, 08 Apr 2005	<b>11481/2005</b>
<b>Ryan, Todd; Capitalisation;</b> 19-08, Card, 23 Jun 2005	<b>12856/2005</b>	<b>Seafolly Pty Ltd;</b> 02-02A, Swimwear - one piece, 08 Apr 2005	<b>11482/2005</b>
<b>Ryan, Todd; Capitalisation;</b> 19-08, Card, 23 Jun 2005	<b>12857/2005</b>	<b>Seafolly Pty Ltd;</b> 02-02A, Swimwear top, 08 Apr 2005	<b>11483/2005</b>
<b>Ryan, Todd; Capitalisation;</b> 19-08, Card, 23 Jun 2005	<b>12852/2005</b>	<b>Seafolly Pty Ltd;</b> 02-02A, Swimwear top, 08 Apr 2005	<b>11484/2005</b>
<b>Ryan, Todd; Capitalisation;</b> 19-08, Card, 23 Jun 2005	<b>12853/2005</b>	<b>Seafolly Pty Ltd;</b> 02-02A, Swimwear, 08 Apr 2005	<b>11485/2005</b>
<b>Ryan, Todd; Capitalisation;</b> 19-08, Card, 23 Jun 2005	<b>12858/2005</b>	<b>Seafolly Pty Ltd;</b> 02-02A, Swimwear top, 08 Apr 2005	<b>11486/2005</b>
<b>Ryan, Todd; Capitalisation;</b> 19-08, Card, 23 Jun 2005	<b>12858/2005</b>	<b>Seafolly Pty Ltd;</b> 02-02A, Swimwear top, 08 Apr 2005	<b>11487/2005</b>
<b>S.C. Johnson &amp; Son, Inc.;</b> 28-99, Volatile actives dispenser, (US, 20 Dec 2004) 20 Jun 2005	<b>12600/2005</b>	<b>Seafolly Pty Ltd;</b> 02-02A, Swimwear - onepiece, 08 Apr 2005	<b>11488/2005</b>
<b>S.C. Johnson &amp; Son, Inc.;</b> 28-99, Volatile actives dispenser, (US, 20 Dec 2004) 20 Jun 2005	<b>12601/2005</b>	<b>Seafolly Pty Ltd;</b> 02-02A, Swimwear - top, 08 Apr 2005	<b>11489/2005</b>
<b>Saabeam Pty Ltd;</b> 11-01K, Pendant for necklace, bracelet and mobile phone strap, 05 Jul 2005	<b>12847/2005</b>	<b>Seafolly Pty Ltd;</b> 02-02A, Swimwear - top, 08 Apr 2005	<b>11490/2005</b>
<b>Saabeam Pty Ltd;</b> 11-01K, Pendant for necklace, bracelet and mobile phone strap, 05 Jul 2005	<b>12848/2005</b>	<b>Seafolly Pty Ltd;</b> 02-02A, Swimwear - onepiece, 08 Apr 2005	<b>11491/2005</b>
<b>Samar L.L.C.;</b> 09-01A, 28-99, Air deodorizing apparatus, (EM, 27 Apr 2004) 13 Oct 2004	<b>12832/2005</b>	<b>Seafolly Pty Ltd;</b> 02-02A, Swimwear bikini, 08 Apr 2005	<b>11492/2005</b>
<b>Samar L.L.C.;</b> 09-01A, 28-99, Air deodorizing apparatus, (EM, 27 Apr 2004) 13 Oct 2004	<b>12833/2005</b>	<b>Seafolly Pty Ltd;</b> 02-02A, Swimwear - bikini, 08 Apr 2005	<b>11493/2005</b>
<b>Saxon Trust;</b> 21-02C, Golf flag-stick accessory, (ZA, 20 Dec 2004) 21 Jun 2005	<b>12631/2005</b>	<b>Slatbox Pty Ltd;</b> 20-02NES, A hanger, 21 Jun 2005	<b>12701/2005</b>
		<b>Slatbox Pty Ltd;</b> 20-02NES, A hanger, 21 Jun 2005	<b>12702/2005</b>
		<b>Slatbox Pty Ltd;</b> 20-02NES, A hanger, 21 Jun 2005	<b>12703/2005</b>
		<b>Slatbox Pty Ltd;</b> 20-02NES, A shelf, 21 Jun 2005	<b>12704/2005</b>

<b>Slatbox Pty Ltd;</b> 20-02NES, A shelf, 21 Jun 2005	<b>12705/2005</b>	<b>T&amp;G Enterprises (VIC) Pty Ltd;</b> 25-03, Spa pools, 01 Jul 2005	<b>12831/2005</b>
<b>Slatbox Pty Ltd;</b> 20-02NES, A shelf bracket, 21 Jun 2005	<b>12706/2005</b>	<b>Taiyo Electric Ind. Co., Ltd;</b> 08-05M, Soldering iron, (JP, 28 Dec 2004) 22 Jun 2005	<b>12655/2005</b>
<b>Slatbox Pty Ltd;</b> 20-02NES, An open topped container, 21 Jun 2005	<b>12707/2005</b>	<b>Tasman Sinkware Pty Limited;</b> 23-02F, Sink, 29 Jun 2005	<b>12773/2005</b>
<b>Slatbox Pty Ltd;</b> 20-02NES, An open topped container, 21 Jun 2005	<b>12708/2005</b>	<b>Tasman Sinkware Pty Limited;</b> 23-02F, Sink, 29 Jun 2005	<b>12774/2005</b>
<b>Slatbox Pty Ltd;</b> 20-02NES, A container, 21 Jun 2005	<b>12709/2005</b>	<b>Tasman Sinkware Pty Limited;</b> 23-02F, Sink, 29 Jun 2005	<b>12775/2005</b>
<b>Slatbox Pty Ltd;</b> 20-02NES, A container, 21 Jun 2005	<b>12710/2005</b>	<b>Tecpak Industries Limited;</b> 07-03, 07-01NES, Lid with spoon, (NZ, 23 Dec 2004) 23 Jun 2005	<b>12658/2005</b>
<b>Slatbox Pty Ltd;</b> 20-02NES, A tray, 21 Jun 2005	<b>12711/2005</b>	<b>Teppe, Bruno;</b> 07-06D, Crown cork opener, 24 Jun 2005	<b>12686/2005</b>
<b>Slatbox Pty Ltd;</b> 20-02NES, A container, 21 Jun 2005	<b>12712/2005</b>	<b>Trusses + Frames Pty Ltd;</b> 25-01NES, C.R.T. roof batten, 22 Jun 2005	<b>12675/2005</b>
<b>Slatbox Pty Ltd;</b> 20-02NES, A container, 21 Jun 2005	<b>12713/2005</b>	<b>Viking Kayak Australia Pty Ltd;</b> 23-01F, Water tank, 28 Jun 2005	<b>12738/2005</b>
<b>Slatbox Pty Ltd;</b> 20-02NES, An open topped container with a removable partition, 21 Jun 2005	<b>12714/2005</b>	<b>Weber, Errol;</b> 08-08D, Vacuum clamp, 22 Jun 2005	<b>12715/2005</b>
<b>Societe De Technologie Michelin; Michelin Recherche et Technique S.A.;</b> 12-15C, A pneumatic tyre, (FR, 11 Jan 2005) 04 Jul 2005	<b>12835/2005</b>	<b>Weber, Errol;</b> 08-08D, Vacuum clamp, 22 Jun 2005	<b>12716/2005</b>
<b>Societe Des Produits Nestle S.A.;</b> 09-03M, Container with lid, (CH, 30 Mar 2005) 23 Jun 2005	<b>12668/2005</b>	<b>WG &amp; GL Vining Limited;</b> 21-02C, A golf tee, (NZ, 26 Jan 2005) 04 Jul 2005	<b>12829/2005</b>
<b>Street Furniture Australia Pty Ltd;</b> 06-01C, Seat, 01 Jul 2005	<b>12806/2005</b>	<b>Yan, Suen Ching;</b> 02-03, Patch cap holder, 20 Jun 2005	<b>12602/2005</b>
<b>Street Furniture Australia Pty Ltd;</b> 09-09, Wheeled bin enclosure, 01 Jul 2005	<b>12807/2005</b>	<b>Yan, Suen Ching;</b> 02-03, Patch cap holder, 20 Jun 2005	<b>12603/2005</b>
<b>Street Furniture Australia Pty Ltd;</b> 09-09, Wheeled bin enclosure, 01 Jul 2005	<b>12808/2005</b>	<b>Yuen, Se Kit;</b> 22-06, Electronic pest control with soft glow nightlight, 30 Jun 2005	<b>12772/2005</b>
<b>SDI Corporation;</b> 19-02, A pushbutton controlled correction tape, 28 Jun 2005	<b>12725/2005</b>		

---

**Applications Withdrawn**

15771 / 2004 (15-05)

11775 / 2005 (25-01E)

**Extensions of time granted under Section 137**

Applications lodged under section 137 for extension of time have been granted.

13389/2004 **Eglo Lighting Australia Pty Ltd**  
 13390/2004 **Eglo Lighting Australia Pty Ltd**  
 13391/2004 **Eglo Lighting Australia Pty Ltd**  
 13392/2004 **Eglo Lighting Australia Pty Ltd**  
 13393/2004 **Eglo Lighting Australia Pty Ltd**  
 13781/2004 **Cindy-Lee Davies**  
 14093/2004 **Fraisbon Foods Limited**  
 14094/2004 **Fraisbon Foods Limited**  
 14095/2004 **Fraisbon Foods Limited**  
 14096/2004 **Fraisbon Foods Limited**  
 14097/2004 **Fraisbon Foods Limited**  
 14098/2004 **Fraisbon Foods Limited**  
 11722/2005 **Scanlan & Theodore**  
 11723/2005 **Scanlan & Theodore**  
 11724/2005 **Scanlan & Theodore**  
 11725/2005 **Scanlan & Theodore**  
 11726/2005 **Scanlan & Theodore**  
 11727/2005 **Scanlan & Theodore**  
 11728/2005 **Scanlan & Theodore**  
 11729/2005 **Scanlan & Theodore**  
 11730/2005 **Scanlan & Theodore**  
 11731/2005 **Scanlan & Theodore**  
 11732/2005 **Scanlan & Theodore**  
 11733/2005 **Scanlan & Theodore**  
 11734/2005 **Scanlan & Theodore**  
 11735/2005 **Scanlan & Theodore**  
 11736/2005 **Scanlan & Theodore**  
 11737/2005 **Scanlan & Theodore**  
 11738/2005 **Scanlan & Theodore**  
 11739/2005 **Scanlan & Theodore**  
 11740/2005 **Scanlan & Theodore**  
 11741/2005 **Scanlan & Theodore**  
 11742/2005 **Scanlan & Theodore**  
 11743/2005 **Scanlan & Theodore**  
 11744/2005 **Scanlan & Theodore**  
 11745/2005 **Scanlan & Theodore**

11746/2005 **Scanlan & Theodore**  
 11747/2005 **Scanlan & Theodore**  
 11748/2005 **Scanlan & Theodore**  
 11749/2005 **Scanlan & Theodore**  
 11750/2005 **Scanlan & Theodore**  
 11751/2005 **Scanlan & Theodore**  
 11752/2005 **Scanlan & Theodore**  
 11753/2005 **Scanlan & Theodore**  
 11754/2005 **Scanlan & Theodore**  
 11755/2005 **Scanlan & Theodore**  
 11756/2005 **Scanlan & Theodore**  
 11757/2005 **Scanlan & Theodore**  
 11758/2005 **Scanlan & Theodore**  
 11759/2005 **Scanlan & Theodore**  
 11913/2005 **Scanlan & Theodore**  
 11914/2005 **Scanlan & Theodore**  
 11915/2005 **Scanlan & Theodore**  
 11916/2005 **Scanlan & Theodore**  
 11917/2005 **Scanlan & Theodore**  
 11918/2005 **Scanlan & Theodore**  
 11919/2005 **Scanlan & Theodore**  
 11920/2005 **Scanlan & Theodore**  
 11921/2005 **Scanlan & Theodore**  
 11922/2005 **Scanlan & Theodore**  
 11923/2005 **Scanlan & Theodore**  
 11924/2005 **Scanlan & Theodore**  
 11925/2005 **Scanlan & Theodore**  
 11926/2005 **Scanlan & Theodore**  
 11927/2005 **Scanlan & Theodore**  
 11928/2005 **Scanlan & Theodore**  
 11929/2005 **Scanlan & Theodore**  
 11930/2005 **Scanlan & Theodore**  
 11931/2005 **Scanlan & Theodore**  
 11932/2005 **Scanlan & Theodore**  
 11933/2005 **Scanlan & Theodore**  
 11934/2005 **Scanlan & Theodore**  
 11935/2005 **Scanlan & Theodore**  
 11936/2005 **Scanlan & Theodore**  
 11937/2005 **Scanlan & Theodore**  
 11938/2005 **Scanlan & Theodore**

11939/2005 **Scanlan & Theodore**  
11940/2005 **Scanlan & Theodore**  
11941/2005 **Scanlan & Theodore**  
11942/2005 **Scanlan & Theodore**  
11943/2005 **Scanlan & Theodore**  
11944/2005 **Scanlan & Theodore**  
11945/2005 **Scanlan & Theodore**  
11946/2005 **Scanlan & Theodore**  
11947/2005 **Scanlan & Theodore**  
11948/2005 **Scanlan & Theodore**  
11949/2005 **Scanlan & Theodore**  
11950/2005 **Scanlan & Theodore**  
11951/2005 **Scanlan & Theodore**  
11952/2005 **Scanlan & Theodore**  
11953/2005 **Scanlan & Theodore**  
11954/2005 **Scanlan & Theodore**  
11955/2005 **Scanlan & Theodore**  
11956/2005 **Scanlan & Theodore**  
11957/2005 **Scanlan & Theodore**  
11958/2005 **Scanlan & Theodore**  
11959/2005 **Scanlan & Theodore**  
11960/2005 **Scanlan & Theodore**  
11961/2005 **Scanlan & Theodore**  
11962/2005 **Scanlan & Theodore**  
11963/2005 **Scanlan & Theodore**  
11964/2005 **Scanlan & Theodore**  
11965/2005 **Scanlan & Theodore**  
11966/2005 **Scanlan & Theodore**  
12501/2005 **Cindy-Lee Davies**  
12502/2005 **Cindy-Lee Davies**

**Certificate(s) of Examination**

Examination of the following Design Registration(s) has been completed. Infringement proceedings may now be commenced.

300205	15-02	12/07/2005
300214	23-02C	12/07/2005

**Publication and Registration Proceedings**

**Designs Registered**

This section provides a concordance between design number and registration number of Designs covered in this journal. It also shows the main class and registration date.

This section covers Registration numbers 302299 to 302381 .

The registration number shown below should be used in all future correspondence.

<b>Design Number</b>	<b>Registration Number</b>	<b>International Classification Code (IDC)</b>	<b>Registration Date</b>	<b>Design Number</b>	<b>Registration Number</b>	<b>International Classification Code (IDC)</b>	<b>Registration Date</b>
13033/2004	302359	26-06	12/07/2005	15949/2004	302316	03-01A	07/07/2005
13034/2004	302360	26-06	12/07/2005	15950/2004	302317	03-01A	07/07/2005
13626/2004	302299	28-99	07/07/2005	15990/2004	302323	08-08M	07/07/2005
13627/2004	302300	28-99	07/07/2005	15991/2004	302324	12-08	07/07/2005
13710/2004	302301	24-04	07/07/2005	15992/2004	302325	26-06	07/07/2005
13711/2004	302302	24-04	07/07/2005	15993/2004	302326	12-08	07/07/2005
13712/2004	302303	24-04	07/07/2005	15994/2004	302327	22-06	07/07/2005
13798/2004	302361	15-03NES	12/07/2005	15995/2004	302328	12-16B	07/07/2005
13956/2004	302304	08-05NES	07/07/2005	15996/2004	302329	12-16B	07/07/2005
13997/2004	302305	08-05P	07/07/2005	15997/2004	302330	12-16B	07/07/2005
14276/2004	302362	11-05	08/07/2005	15998/2004	302331	26-06	07/07/2005
14277/2004	302363	11-05	08/07/2005	15999/2004	302332	12-16B	07/07/2005
14538/2004	302364	28-03NES	12/07/2005	16000/2004	302333	26-06	07/07/2005
14559/2004	302365	08-07	12/07/2005	16001/2004	302334	26-06	07/07/2005
15023/2004	302366	02-07A	12/07/2005	16038/2004	302318	07-01NES	07/07/2005
15024/2004	302367	25-01E	12/07/2005	16049/2004	302335	09-01NES	07/07/2005
15035/2004	302368	09-03NES	12/07/2005	16050/2004	302336	09-01NES	07/07/2005
15093/2004	302369	06-01NES	12/07/2005	16053/2004	302337	12-15NES	07/07/2005
15094/2004	302370	06-01NES	12/07/2005	16054/2004	302338	12-15NES	07/07/2005
15115/2004	302371	23-02C	12/07/2005	10010/2005	302339	25-01G	07/07/2005
15116/2004	302372	23-02C	12/07/2005	10049/2005	302340	07-01F	07/07/2005
15147/2004	302373	19-02	12/07/2005	10050/2005	302341	07-01F	07/07/2005
15204/2004	302374	24-04	12/07/2005	10086/2005	302342	09-03NES	07/07/2005
15211/2004	302375	02-02NES	12/07/2005	10102/2005	302343	08-07	07/07/2005
15364/2004	302376	25-01K	12/07/2005	10147/2005	302344	08-07	07/07/2005
15365/2004	302377	25-01K	12/07/2005	10158/2005	302381	30-06	12/07/2005
15366/2004	302378	25-01K	12/07/2005	10162/2005	302345	25-03	07/07/2005
15370/2004	302379	19-08	12/07/2005	10163/2005	302346	25-03	07/07/2005
15371/2004	302380	15-03B	12/07/2005	10164/2005	302347	25-03	07/07/2005
15426/2004	302306	11-05	07/07/2005	10170/2005	302348	06-09	07/07/2005
15662/2004	302307	02-03	07/07/2005	10182/2005	302349	14-03NES	07/07/2005
15774/2004	302308	11-02B	07/07/2005	10183/2005	302350	25-01A	07/07/2005
15798/2004	302309	26-05B	07/07/2005	10186/2005	302351	09-02NES	07/07/2005
15804/2004	302310	25-02B	07/07/2005	10187/2005	302352	09-02NES	07/07/2005
15808/2004	302311	13-03NES	07/07/2005	10201/2005	302353	20-03C	07/07/2005
15850/2004	302312	12-16C	07/07/2005	10209/2005	302354	15-02	07/07/2005
15900/2004	302319	06-04NES	07/07/2005	10211/2005	302355	03-01NES	07/07/2005
15925/2004	302320	09-05	07/07/2005	10212/2005	302356	09-07A	07/07/2005
15926/2004	302321	09-05	07/07/2005	10215/2005	302357	25-02C	07/07/2005
15927/2004	302322	04-02	07/07/2005	10265/2005	302358	30-02	07/07/2005
15946/2004	302313	03-01A	07/07/2005				
15947/2004	302314	03-01A	07/07/2005				
15948/2004	302315	03-01A	07/07/2005				

**Publication and Registration Proceedings**  
**Class Listing of Designs Published or Registered**

The following section shows an International Classification Code listing of the Registered or Published Designs covered in this supplement.

<b>Classification</b>	<b>Registration Number</b>	<b>Design Number</b>	<b>Classification</b>	<b>Registration Number</b>	<b>Design Number</b>
02-02 NES	302375	15211/2004	12-16 B	302332	15999/2004
02-03	302307	15662/2004	12-16 C	302312	15850/2004
02-07 A	302366	15023/2004	13-03 NES	302311	15808/2004
03-01 A	302313	15946/2004	14-03 NES	302349	10182/2005
03-01 A	302314	15947/2004	15-02	302354	10209/2005
03-01 A	302315	15948/2004	15-03 B	302380	15371/2004
03-01 A	302316	15949/2004	15-03 NES	302361	13798/2004
03-01 A	302317	15950/2004	19-02	302373	15147/2004
03-01 NES	302355	10211/2005	19-08	302379	15370/2004
04-02	302322	15927/2004	20-03 C	302353	10201/2005
06-01 NES	302369	15093/2004	22-06	302327	15994/2004
06-01 NES	302370	15094/2004	23-02 C	302371	15115/2004
06-04 NES	302319	15900/2004	23-02 C	302372	15116/2004
06-09	302348	10170/2005	24-04	302301	13710/2004
07-01 F	302340	10049/2005	24-04	302302	13711/2004
07-01 F	302341	10050/2005	24-04	302303	13712/2004
07-01 NES	302318	16038/2004	24-04	302374	15204/2004
08-05 NES	302304	13956/2004	25-01 A	302350	10183/2005
08-05 P	302305	13997/2004	25-01 E	302367	15024/2004
08-07	302343	10102/2005	25-01 G	302339	10010/2005
08-07	302344	10147/2005	25-01 K	302376	15364/2004
08-07	302365	14559/2004	25-01 K	302377	15365/2004
08-08 M	302323	15990/2004	25-01 K	302378	15366/2004
09-01 NES	302335	16049/2004	25-02 B	302310	15804/2004
09-01 NES	302336	16050/2004	25-02 C	302357	10215/2005
09-02 NES	302351	10186/2005	25-03	302345	10162/2005
09-02 NES	302352	10187/2005	25-03	302346	10163/2005
09-03 NES	302342	10086/2005	25-03	302347	10164/2005
09-03 NES	302368	15035/2004	26-05 B	302309	15798/2004
09-05	302320	15925/2004	26-06	302325	15992/2004
09-05	302321	15926/2004	26-06	302331	15998/2004
09-07 A	302356	10212/2005	26-06	302333	16000/2004
11-02 B	302308	15774/2004	26-06	302334	16001/2004
11-05	302306	15426/2004	26-06	302359	13033/2004
11-05	302362	14276/2004	26-06	302360	13034/2004
11-05	302363	14277/2004	28-03 NES	302364	14538/2004
12-08	302324	15991/2004	28-99	302299	13626/2004
12-08	302326	15993/2004	28-99	302300	13627/2004
12-15 NES	302337	16053/2004	30-02	302358	10265/2005
12-15 NES	302338	16054/2004	30-06	302381	10158/2005
12-16 B	302328	15995/2004			
12-16 B	302329	15996/2004			
12-16 B	302330	15997/2004			

- (21) Design Number: **13626/2004**  
(22) Date of Filing Application: **30 July 2004**  
(24) Date from which industrial property rights may have effect: **30 July 2004**  
(54) Product in respect of which the design is registered: **Washing tablet**  
(51) International Design Classification: **28-99**  
(71) Name(s) and Address(s) of Applicant(s):

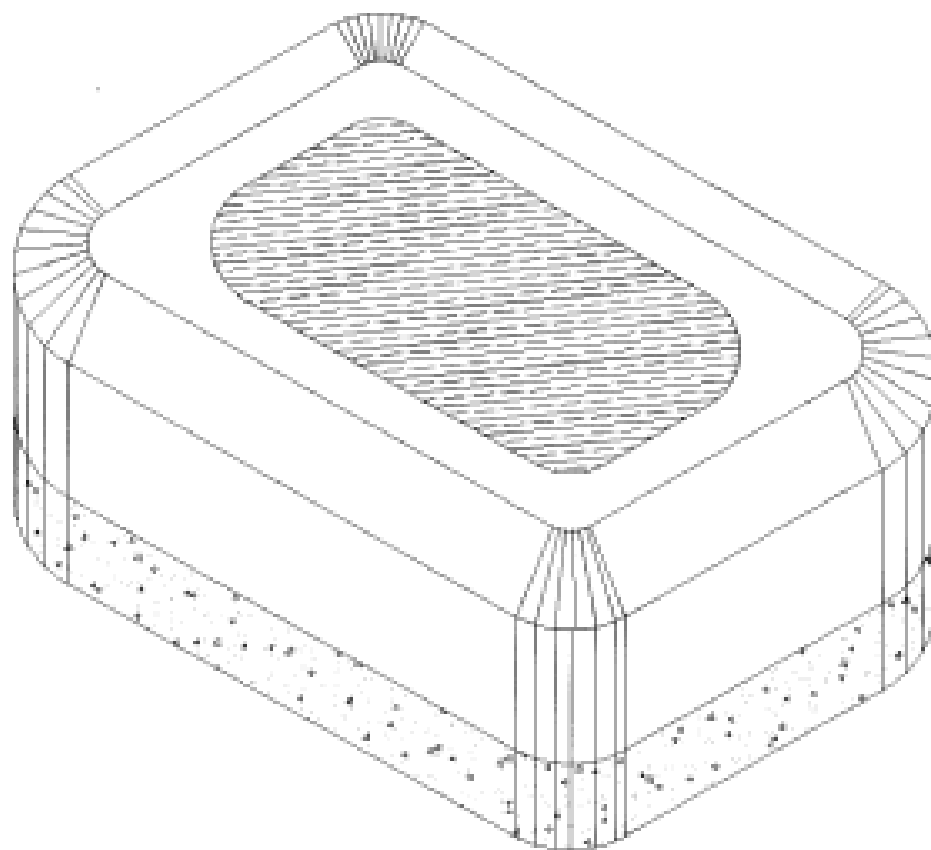
**PZ Cussons (International) Limited**  
**PZ Cussons House Bird Hall Lane Stockport SK3 OXN United Kingdom**

- (72) Name(s) of Designer(s): **Employees of PZ Cussons Australia Pty Ltd**

- (45) Registration Date: **07 July 2005**

- (56) Related Art Documents: **Not Applicable**

- (57) Statement of Newness and Distinctiveness: **Monopoly is claimed in the visual features of shape and/or configuration applied to a washing tablet having an insert as illustrated in the accompanying representations. The lines extending along the corners of the tablet are included in the perspective view of the design only to illustrate curvature.**



- (21) Design Number: **13627/2004**  
(22) Date of Filing Application: **30 July 2004**  
(24) Date from which industrial property rights may have effect: **30 July 2004**  
(54) Product in respect of which the design is registered: **Washing tablet**  
(51) International Design Classification: **28-99**  
(71) Name(s) and Address(s) of Applicant(s):

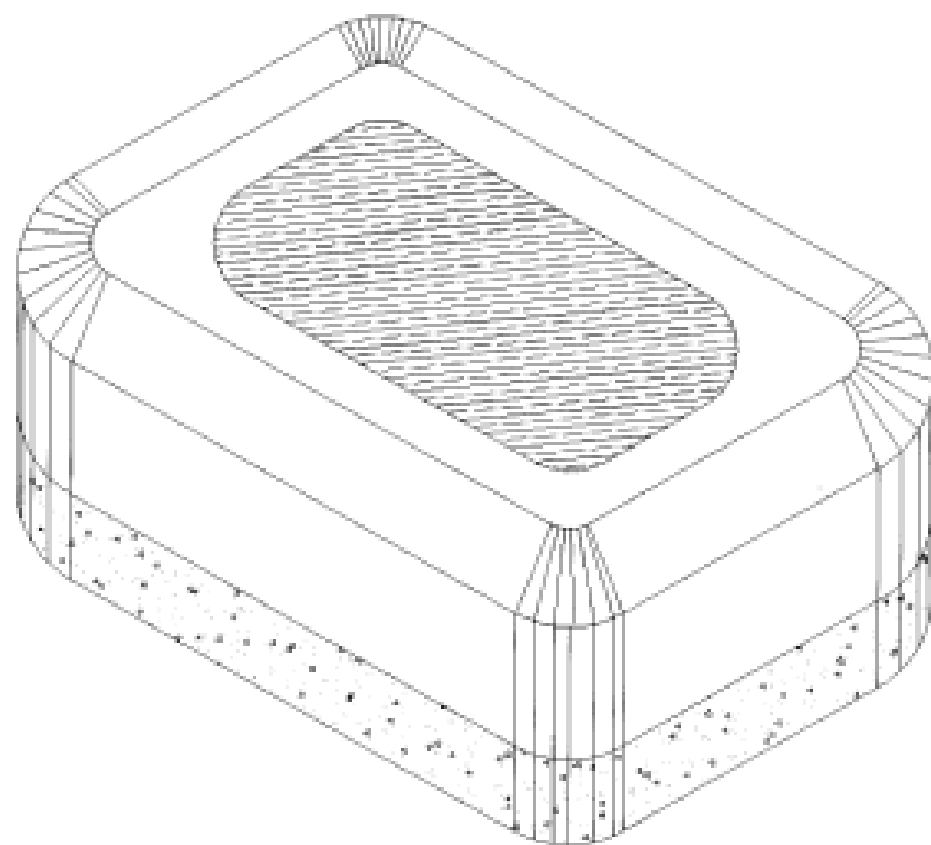
**PZ Cussons (International) Limited**  
**PZ Cussons House Bird Hall Lane Stockport SK3 OXN United Kingdom**

- (72) Name(s) of Designer(s): **Employees of PZ Cussons Australia Pty Ltd**

- (45) Registration Date: **07 July 2005**

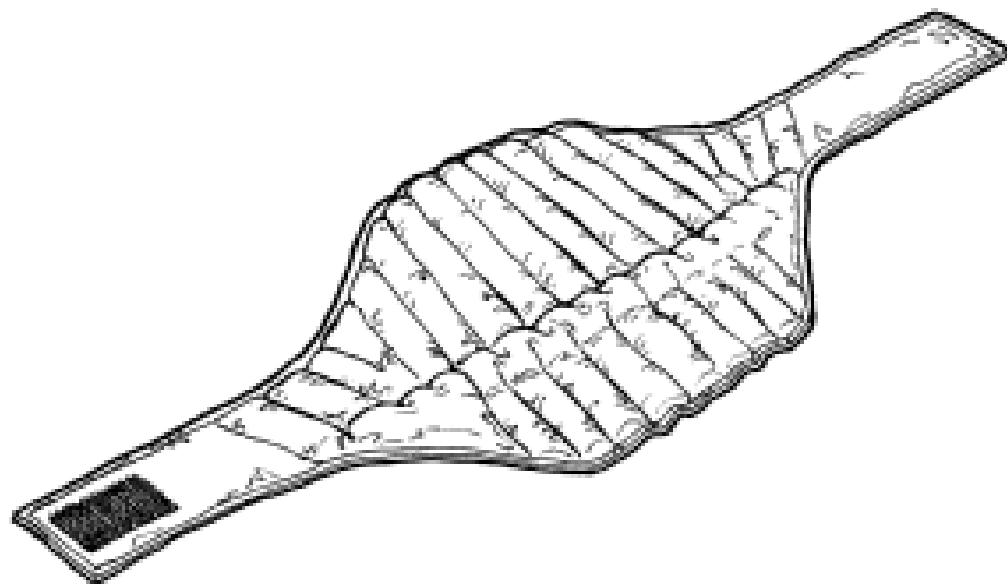
- (56) Related Art Documents: **Not Applicable**

- (57) Statement of Newness and Distinctiveness: **Monopoly is claimed in the visual features of shape and/or ornamentation applied to a washing tablet as illustrated in the accompanying representations. The lines extending along the corners of the tablet are included in the perspective view of the design only to illustrate curvature and do not form part of the pattern and/or ornamentation.**

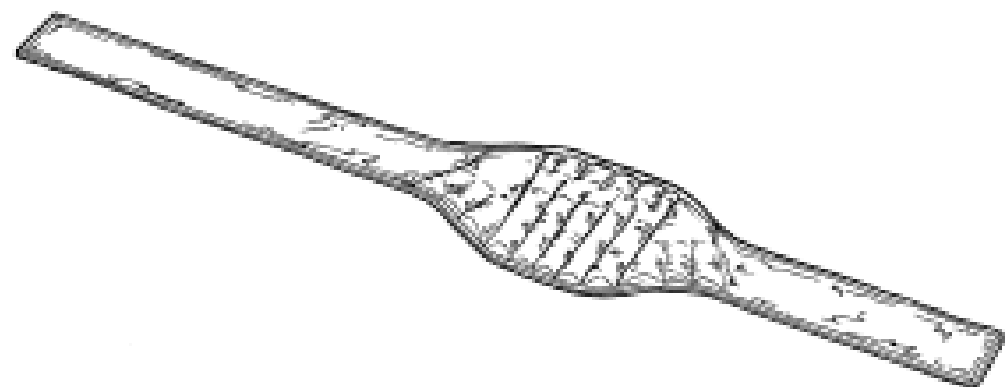




- (21) Design Number: **13710/2004**  
(22) Date of Filing Application: **06 August 2004**  
(24) Date from which industrial property rights may have effect: **06 August 2004**  
(54) Product in respect of which the design is registered: **A heat bag**  
(51) International Design Classification: **24-04**  
(71) Name(s) and Address(s) of Applicant(s):  
**Annette Herbert**  
**23 Wilson Street Plympton Park South Australia 5038 Australia**  
(72) Name(s) of Designer(s): **Annette Herbert**  
(45) Registration Date: **07 July 2005**  
(56) Related Art Documents: **Not Applicable**  
(57) Statement of Newness and Distinctiveness: **Nil**



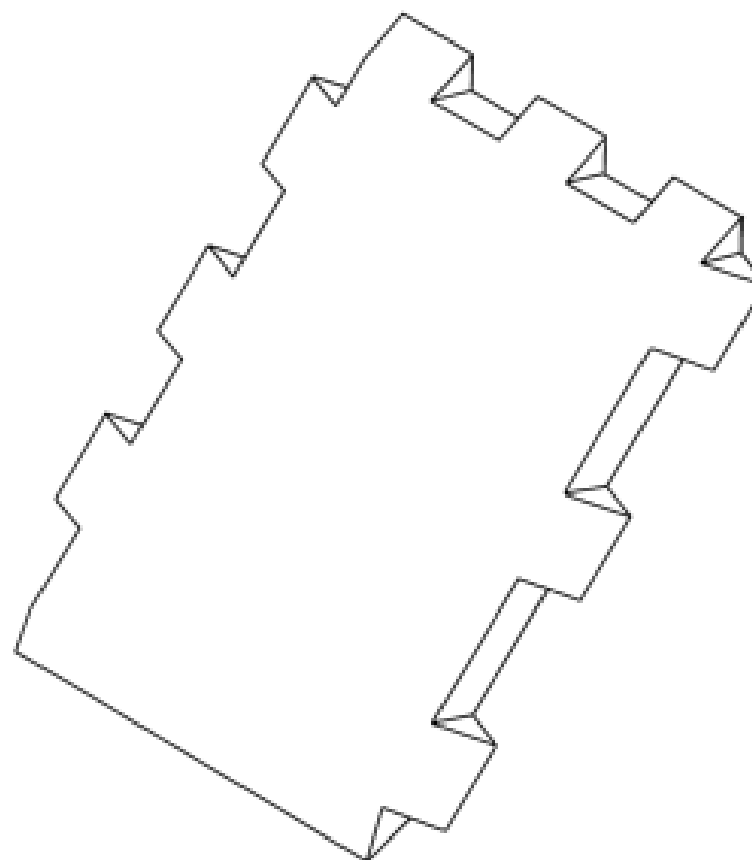
- (21) Design Number: **13711/2004**  
(22) Date of Filing Application: **06 August 2004**  
(24) Date from which industrial property rights may have effect: **06 August 2004**  
(54) Product in respect of which the design is registered: **A heat bag**  
(51) International Design Classification: **24-04**  
(71) Name(s) and Address(s) of Applicant(s):  
**Annette Herbert**  
**23 Wilson Street Plympton Park South Australia 5038 Australia**  
(72) Name(s) of Designer(s): **Annette Herbert**  
(45) Registration Date: **07 July 2005**  
(56) Related Art Documents: **Not Applicable**  
(57) Statement of Newness and Distinctiveness: **Nil**



- (21) Design Number: **13712/2004**  
(22) Date of Filing Application: **06 August 2004**  
(24) Date from which industrial property rights may have effect: **06 August 2004**  
(54) Product in respect of which the design is registered: **A heat bag**  
(51) International Design Classification: **24-04**  
(71) Name(s) and Address(s) of Applicant(s):  
**Annette Herbert**  
**23 Wilson Street Plympton Park South Australia 5038 Australia**  
(72) Name(s) of Designer(s): **Annette Herbert**  
(45) Registration Date: **07 July 2005**  
(56) Related Art Documents: **Not Applicable**  
(57) Statement of Newness and Distinctiveness: **Nil**



- (21) Design Number: **13956/2004**  
(22) Date of Filing Application: **18 August 2004**  
(24) Date from which industrial property rights may have effect: **18 August 2004**  
(54) Product in respect of which the design is registered: **A wax removal tool**  
(51) International Design Classification: **08-05NES**  
(71) Name(s) and Address(s) of Applicant(s):  
**Colin Robert Abbey**  
**6/22 Recreation Street Tweed Heads New South Wales 2485 Australia**  
(72) Name(s) of Designer(s): **Colin Robert Abbey**  
(45) Registration Date: **07 July 2005**  
(56) Related Art Documents: **Not Applicable**  
(57) Statement of Newness and Distinctiveness: **The particular visual features of the wax removal tool that are to be regarded as new and distinctive are the shape and configuration of the wax removal tool as shown in the accompanying representations.**



(21) Design Number: **13997/2004**  
(22) Date of Filing Application: **23 August 2004**  
(24) Date from which industrial property rights may have effect: **23 August 2004**  
(54) Product in respect of which the design is registered: **A spanner**  
(51) International Design Classification: **08-05P**  
(71) Name(s) and Address(s) of Applicant(s):

**RAD Enterprises Limited**  
**PO Box 1969 Christchurch New Zealand**

(72) Name(s) of Designer(s): **Roger Van Berkel and Duane Hunter**

(45) Registration Date: **07 July 2005**

(30) Convention priority data:

(31) Number	(32) Date	(33) Country
<b>404595</b>	<b>24 Feb 2004</b>	<b>NEW ZEALAND</b>

(56) Related Art Documents: **Not Applicable**

(57) Statement of Newness and Distinctiveness: **If a person is required to decide whether the design is substantially similar in overall impression to another design, the person making the decision should have particular regard to the shape and/or configuration of the head of the spanner.**



(21) Design Number: **15426/2004**  
(22) Date of Filing Application: **24 November 2004**  
(24) Date from which industrial property rights may have effect: **24 November 2004**  
(54) Product in respect of which the design is registered: **An Australian green and gold flag, suitable for a Republic**  
(51) International Design Classification: **11-05**  
(71) Name(s) and Address(s) of Applicant(s):

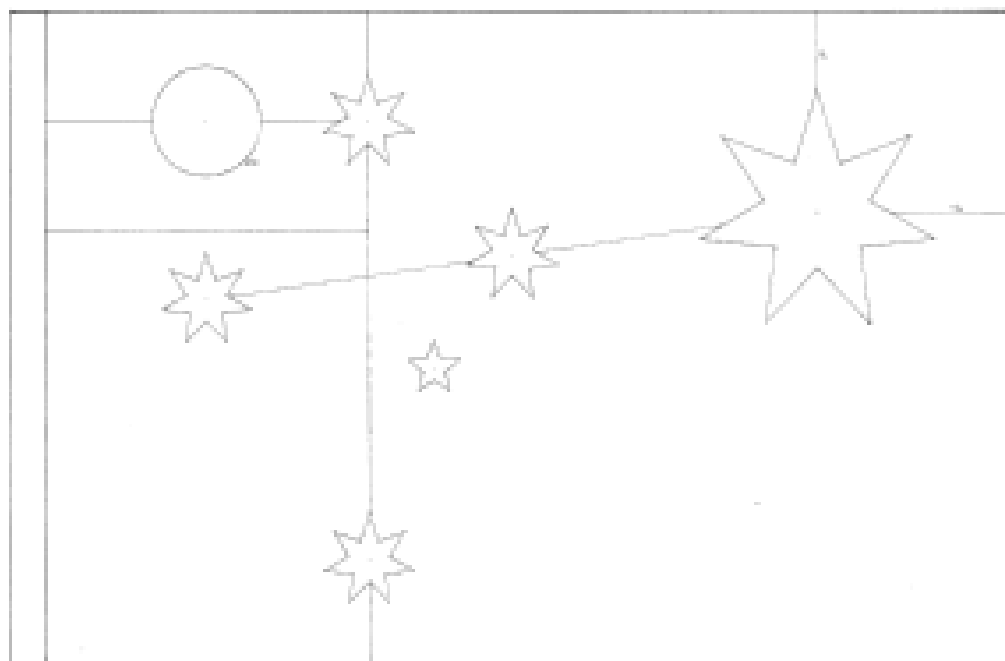
**Robert Vogler**  
**3/42 Manning Road Double Bay New South Wales 2028 Australia**

(72) Name(s) of Designer(s): **Robert Vogler**

(45) Registration Date: **07 July 2005**

(56) Related Art Documents: **Not Applicable**

(57) Statement of Newness and Distinctiveness: **The distinctive features of this flag are not the icons (Southern Cross, Coat of Arms or Commonwealth Star, and the sun from the Aboriginal Flag), but the way that these are arranged in relation to each other and on the flag. The colours are green and gold which are our national colours.**



(21) Design Number: **15662/2004**  
(22) Date of Filing Application: **06 December 2004**  
(24) Date from which industrial property rights may have effect: **06 December 2004**  
(54) Product in respect of which the design is registered: **A hat**  
(51) International Design Classification: **02-03**  
(71) Name(s) and Address(s) of Applicant(s):

**Tracey Nathan**  
**2/187 Titirangi Road Titirangi Auckland 1007 New Zealand**

(72) Name(s) of Designer(s): **Tracey Nathan**

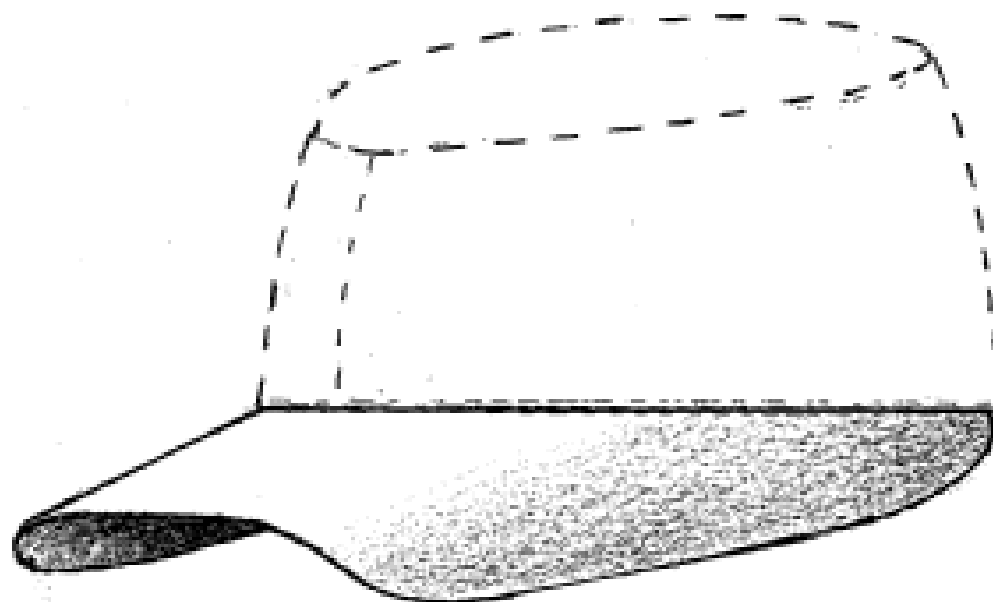
(45) Registration Date: **07 July 2005**

(30) Convention priority data:

(31) Number	(32) Date	(33) Country
<b>404 939</b>	<b>10 Jun 2004</b>	<b>NEW ZEALAND</b>

(56) Related Art Documents: **Not Applicable**

(57) Statement of Newness and Distinctiveness: **The design is to be applied to a hat and the newness and distinctiveness resides in the features of shape and configuration of the brim of the hat as shown in the accompanying representations. No novelty is claimed in the shape and configuration of the crown illustrated in broken lines in the representations.**



(21) Design Number: **15774/2004**  
(22) Date of Filing Application: **14 December 2004**  
(24) Date from which industrial property rights may have effect: **14 December 2004**  
(54) Product in respect of which the design is registered: **Flower pot**  
(51) International Design Classification: **11-02B**  
(71) Name(s) and Address(s) of Applicant(s):

**Moss Products Pty Ltd**  
**711 Clayton Road Clayton South Victoria 3169 Australia**

(72) Name(s) of Designer(s): **Robert M. Wilson**

(45) Registration Date: **07 July 2005**

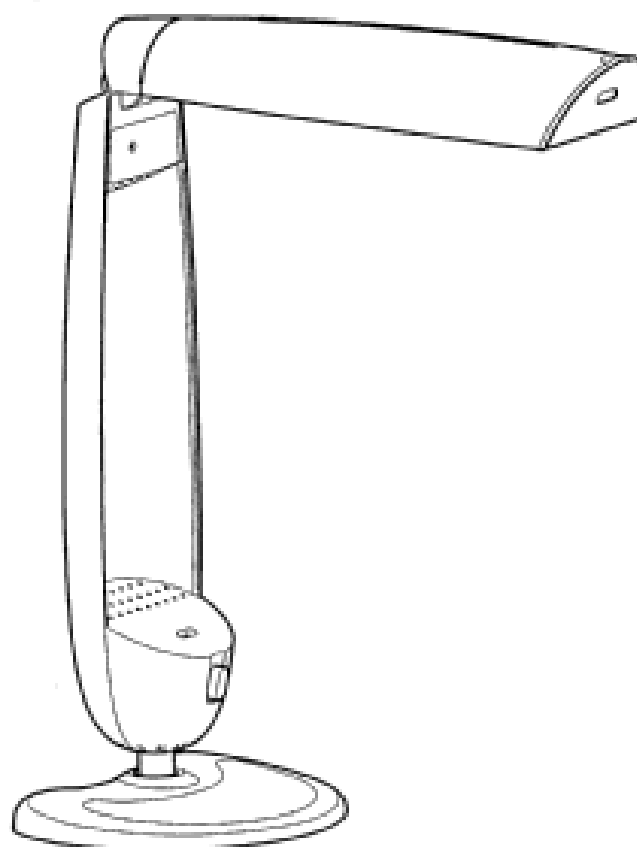
(56) Related Art Documents: **Not Applicable**

(57) Statement of Newness and Distinctiveness: **This is a ceramic self watering pot with a distinctive watering inlet lip.**



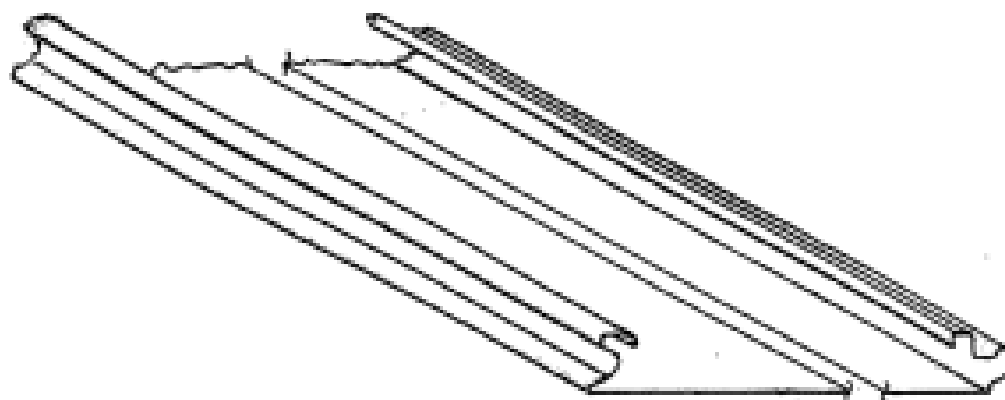
(19) AU

- (21) Design Number: **15798/2004**  
(22) Date of Filing Application: **14 December 2004**  
(24) Date from which industrial property rights may have effect: **14 December 2004**  
(54) Product in respect of which the design is registered: **Desk lamp (open position)**  
(51) International Design Classification: **26-05B**  
(71) Name(s) and Address(s) of Applicant(s):  
**Koninklijke Philips Electronics NV**  
**Groenewoudseweg 1 5621 BA Eindhoven The Netherlands**  
(72) Name(s) of Designer(s): **Lucian Qin**  
(45) Registration Date: **07 July 2005**  
(30) Convention priority data:  
(31) Number (32) Date (33) Country  
**000195896-0002 30 Jun 2004 EUROPEAN COMMUNITY**  
(56) Related Art Documents: **Not Applicable**  
(57) Statement of Newness and Distinctiveness: **Each feature of the design considered separately or in combination with any other feature or features.**

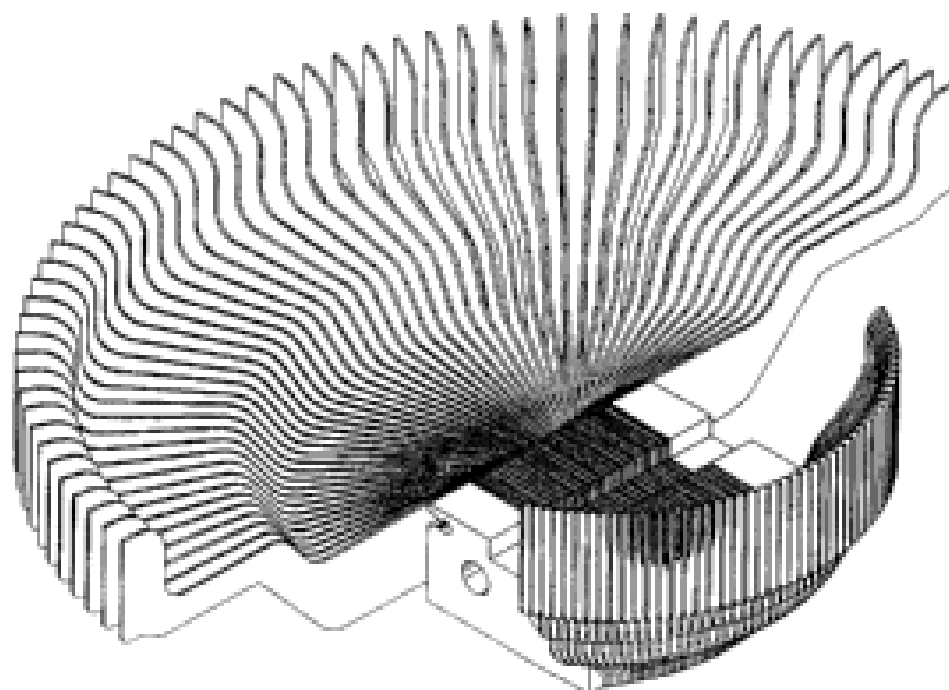


(19) AU

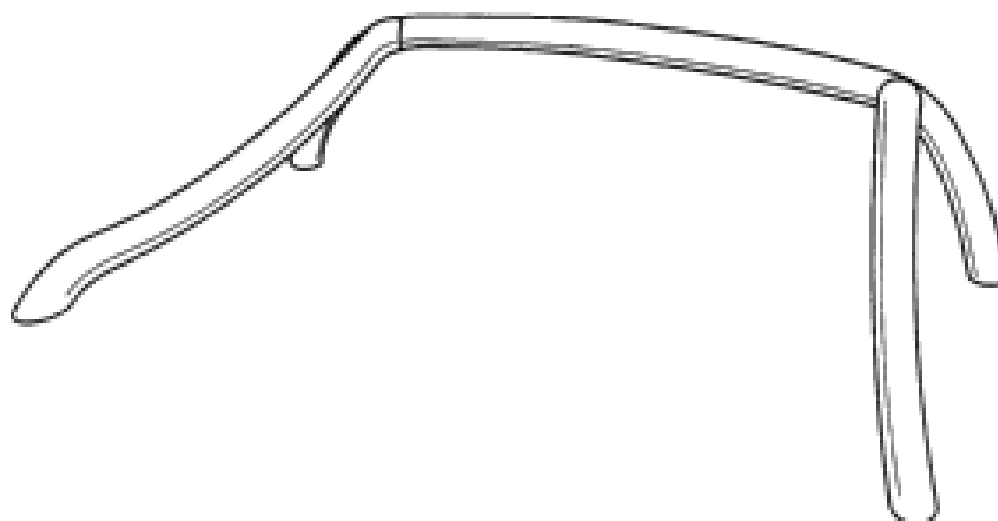
- (21) Design Number: **15804/2004**  
(22) Date of Filing Application: **14 December 2004**  
(24) Date from which industrial property rights may have effect: **14 December 2004**  
(54) Product in respect of which the design is registered: **Garage door panel**  
(51) International Design Classification: **25-02B**  
(71) Name(s) and Address(s) of Applicant(s):  
**Glensing Pty Ltd**  
**255 Camboon Road Malaga Western Australia 6090 Australia**  
(72) Name(s) of Designer(s): **Gary Raymond Hope**  
(45) Registration Date: **07 July 2005**  
(56) Related Art Documents: **Not Applicable**  
(57) Statement of Newness and Distinctiveness: **Design 1: Newness and distinctiveness is claimed in the features of the shape of each longitudinal edge profile of a garage door panel of indefinite length and width as illustrated in the accompanying representations.**



- (21) Design Number: **15808/2004**  
(22) Date of Filing Application: **14 December 2004**  
(24) Date from which industrial property rights may have effect: **14 December 2004**  
(54) Product in respect of which the design is registered: **Radiator for electric equipment**  
(51) International Design Classification: **13-03NES**  
(71) Name(s) and Address(s) of Applicant(s):  
**Zalman Tech Co., Ltd**  
**1007 Daeryung Techno Town III 448 Gasan-dong Gumchun-gu Seoul**  
**Republic of Korea**  
(72) Name(s) of Designer(s): **Lee Sang Cheol**  
(45) Registration Date: **07 July 2005**  
(30) Convention priority data:  
(31) Number      (32) Date      (33) Country  
**2004-29138      20 Sep 2004      REPUBLIC OF KOREA**  
(56) Related Art Documents: **Not Applicable**  
(57) Statement of Newness and Distinctiveness: **Nil**



- (21) Design Number: **15850/2004**  
(22) Date of Filing Application: **16 December 2004**  
(24) Date from which industrial property rights may have effect: **16 December 2004**  
(54) Product in respect of which the design is registered: **Sports bar**  
(51) International Design Classification: **12-16C**  
(71) Name(s) and Address(s) of Applicant(s):  
**Bryan Glasper**  
**84 Rue Montaigne Petrie Queensland 4502 Australia**  
**Gregory Martin**  
**1 Duchess Street Clontarf Queensland 4019 Australia**  
(72) Name(s) of Designer(s): **Bryan Glasper**  
(45) Registration Date: **07 July 2005**  
(56) Related Art Documents: **Not Applicable**  
(57) Statement of Newness and Distinctiveness: **The newness and distinctiveness of the design resides in the shape and configuration of the sports bar shown in the representations. The features shown in the dotted line are provided for illustration only and are not intended to limit the scope of the design.**



- (21) Design Number: **15946/2004**  
(22) Date of Filing Application: **22 December 2004**  
(24) Date from which industrial property rights may have effect: **22 December 2004**  
(54) Product in respect of which the design is registered: **Bag**  
(51) International Design Classification: **03-01A**  
(71) Name(s) and Address(s) of Applicant(s):  
**Cashmere Blazer Pty Ltd**  
**6 Chelmsford Street Kensington Victoria 3031 Australia**  
(72) Name(s) of Designer(s): **Stuart Neil Crumpler**  
(45) Registration Date: **07 July 2005**  
(56) Related Art Documents: **Not Applicable**  
(57) Statement of Newness and Distinctiveness: **Newness and distinctiveness is claimed in the shape and configuration of the fastening pads labelled "A" and the curved seams labelled "B" and "C" shown in the representations. All other features of the bag are capable of variation and do not form part of the design.**



- (21) Design Number: **15947/2004**  
(22) Date of Filing Application: **22 December 2004**  
(24) Date from which industrial property rights may have effect: **22 December 2004**  
(54) Product in respect of which the design is registered: **Bag**  
(51) International Design Classification: **03-01A**  
(71) Name(s) and Address(s) of Applicant(s):  
**Cashmere Blazer Pty Ltd**  
**6 Chelmsford Street Kensington Victoria 3031 Australia**  
(72) Name(s) of Designer(s): **Stuart Neil Crumpler**  
(45) Registration Date: **07 July 2005**  
(56) Related Art Documents: **Not Applicable**  
(57) Statement of Newness and Distinctiveness: **Newness and distinctiveness is claimed in the shape and configuration of the fastening pads labelled "A" and the curved seams labelled "B" and "C" shown in the representations. All other features of the bag are capable of variation and do not form part of the design.**



- (21) Design Number: **15948/2004**  
(22) Date of Filing Application: **22 December 2004**  
(24) Date from which industrial property rights may have effect: **22 December 2004**  
(54) Product in respect of which the design is registered: **Bag**  
(51) International Design Classification: **03-01A**  
(71) Name(s) and Address(s) of Applicant(s):  
**Cashmere Blazer Pty Ltd**  
**6 Chelmsford Street Kensington Victoria 3031 Australia**  
(72) Name(s) of Designer(s): **Stuart Neil Crumpler**  
(45) Registration Date: **07 July 2005**  
(56) Related Art Documents: **Not Applicable**  
(57) Statement of Newness and Distinctiveness: **Newness and distinctiveness is claimed in the shape and configuration of the fastening pads labelled "A" shown in the representations. All other features of the bag are capable of variation and do not form part of the design.**



- (21) Design Number: **15949/2004**  
(22) Date of Filing Application: **22 December 2004**  
(24) Date from which industrial property rights may have effect: **22 December 2004**  
(54) Product in respect of which the design is registered: **Bag**  
(51) International Design Classification: **03-01A**  
(71) Name(s) and Address(s) of Applicant(s):  
**Cashmere Blazer Pty Ltd**  
**6 Chelmsford Street Kensington Victoria 3031 Australia**  
(72) Name(s) of Designer(s): **Stuart Neil Crumpler**  
(45) Registration Date: **07 July 2005**  
(56) Related Art Documents: **Not Applicable**  
(57) Statement of Newness and Distinctiveness: **Newness and distinctiveness is claimed in the shape and configuration of the fastening pads labelled "A" and the pocket labelled "B" shown in the representations. All other features of the bag are capable of variation and do not form part of the design.**





- (21) Design Number: **15950/2004**  
(22) Date of Filing Application: **22 December 2004**  
(24) Date from which industrial property rights may have effect: **22 December 2004**  
(54) Product in respect of which the design is registered: **Bag**  
(51) International Design Classification: **03-01A**  
(71) Name(s) and Address(s) of Applicant(s):

**Cashmere Blazer Pty Ltd**  
**6 Chelmsford Street Kensington Victoria 3031 Australia**

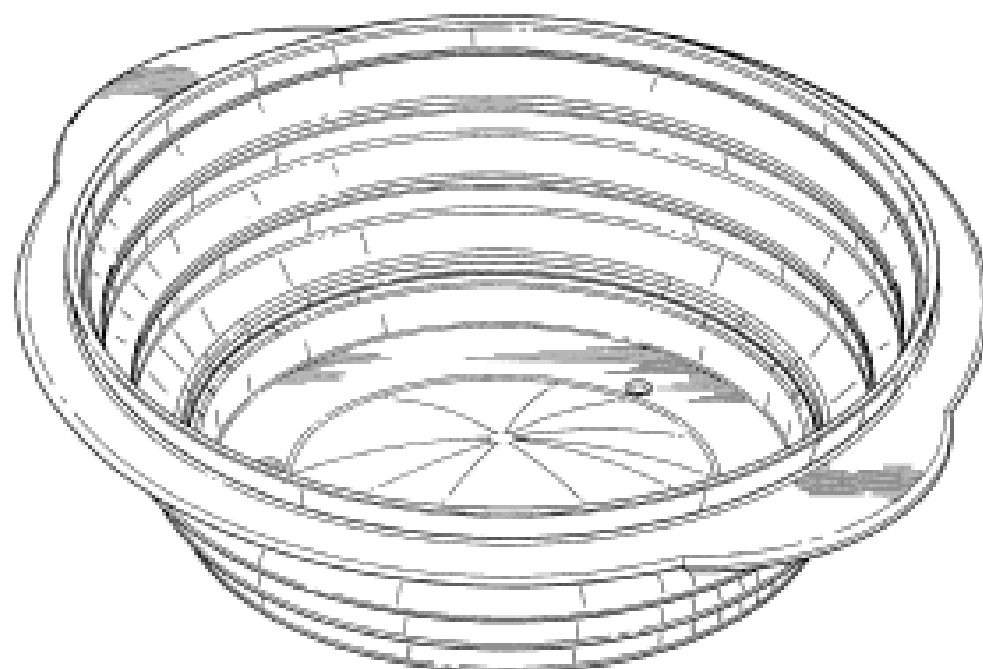
- (72) Name(s) of Designer(s): **Stuart Neil Crumpler**  
(45) Registration Date: **07 July 2005**  
(56) Related Art Documents: **Not Applicable**  
(57) Statement of Newness and Distinctiveness: **Newness and distinctiveness is claimed in the shape and configuration of the oval-shaped region "A" and the handle labelled "B" shown in the representations. All other features of the bag are capable of variation and do not form part of the design.**



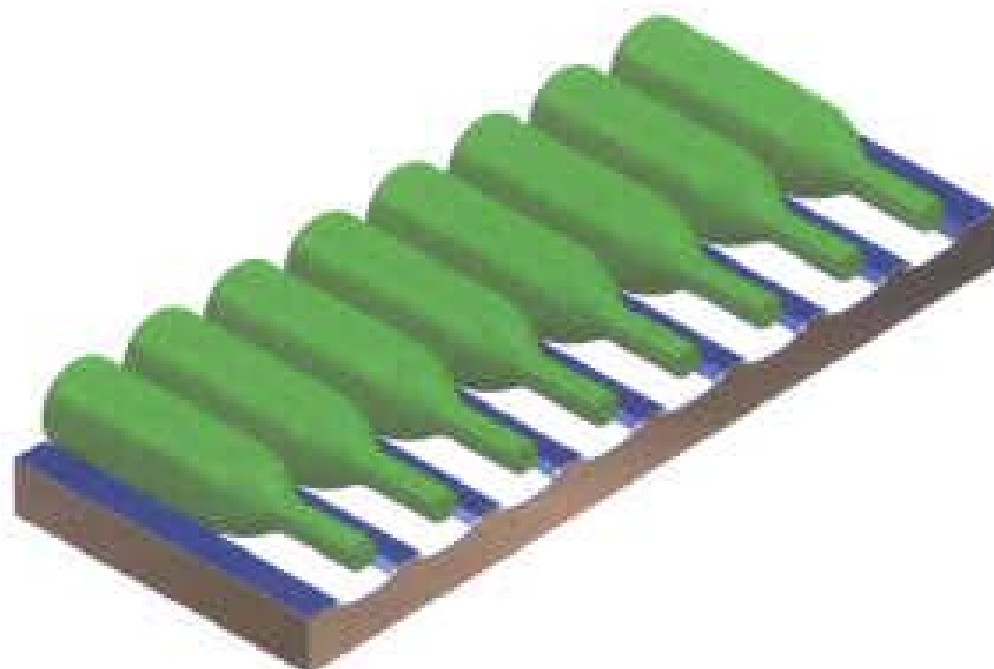
- (21) Design Number: **16038/2004**  
(22) Date of Filing Application: **24 December 2004**  
(24) Date from which industrial property rights may have effect: **24 December 2004**  
(54) Product in respect of which the design is registered: **Containers**  
(51) International Design Classification: **07-01NES**  
(71) Name(s) and Address(s) of Applicant(s):

**Dart Industries Inc.**  
**14901 S. Orange Blossom Trail Orlando Florida 32837 United States of America**

- (72) Name(s) of Designer(s): **David Kusuma and Peter M. Card and Hector Javier Barea Lugo**  
(45) Registration Date: **07 July 2005**  
(30) Convention priority data:  
(31) Number (32) Date (33) Country  
**29/208,844 22 Jul 2004 UNITED STATES OF AMERICA**  
(56) Related Art Documents: **Not Applicable**  
(57) Statement of Newness and Distinctiveness: **Those visual features of the containers depicted in the representations that are new and distinctive are the shape and/or configuration.**



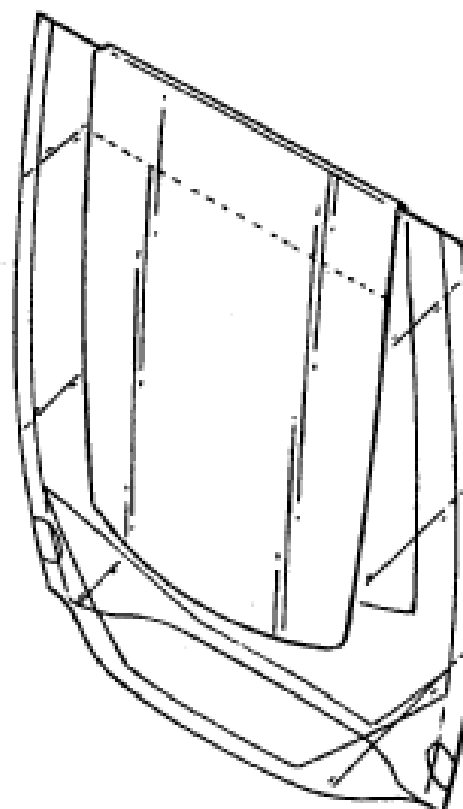
- (21) Design Number: **15900/2004**  
(22) Date of Filing Application: **23 December 2004**  
(24) Date from which industrial property rights may have effect: **23 December 2004**  
(54) Product in respect of which the design is registered: **Wine rack**  
(51) International Design Classification: **06-04NES**  
(71) Name(s) and Address(s) of Applicant(s):  
**Over Exposure Urban Pty Ltd**  
**23 Britton Street Smithfield New South Wales Australia**  
(72) Name(s) of Designer(s): **Davidson Alexander Finlay**  
(45) Registration Date: **07 July 2005**  
(56) Related Art Documents: **Not Applicable**  
(57) Statement of Newness and Distinctiveness: **This design refers to a unique method of cutting and forming sheet metal to produce a shelf for holding wine bottles.**



- (21) Design Number: **15925/2004**  
(22) Date of Filing Application: **23 December 2004**  
(24) Date from which industrial property rights may have effect: **23 December 2004**  
(54) Product in respect of which the design is registered: **Pouch**  
(51) International Design Classification: **09-05**  
(71) Name(s) and Address(s) of Applicant(s):  
**Unilever PLC**  
**Unilever House Blackfriars London EC4P 4BQ United Kingdom**  
(72) Name(s) of Designer(s): **Frank Lewent**  
(45) Registration Date: **07 July 2005**  
(30) Convention priority data:  

(31) Number	(32) Date	(33) Country
<b>3017909</b>	<b>01 Jul 2004</b>	<b>UNITED KINGDOM</b>

  
(56) Related Art Documents: **Not Applicable**  
(57) Statement of Newness and Distinctiveness: **Nil**



(21) Design Number: **15926/2004**  
(22) Date of Filing Application: **23 December 2004**  
(24) Date from which industrial property rights may have effect: **23 December 2004**  
(54) Product in respect of which the design is registered: **Pouch**  
(51) International Design Classification: **09-05**  
(71) Name(s) and Address(s) of Applicant(s):

**Unilever PLC**  
**Unilever House Blackfriars London EC4P 4BQ United Kingdom**

(72) Name(s) of Designer(s): **Frank Lewent**

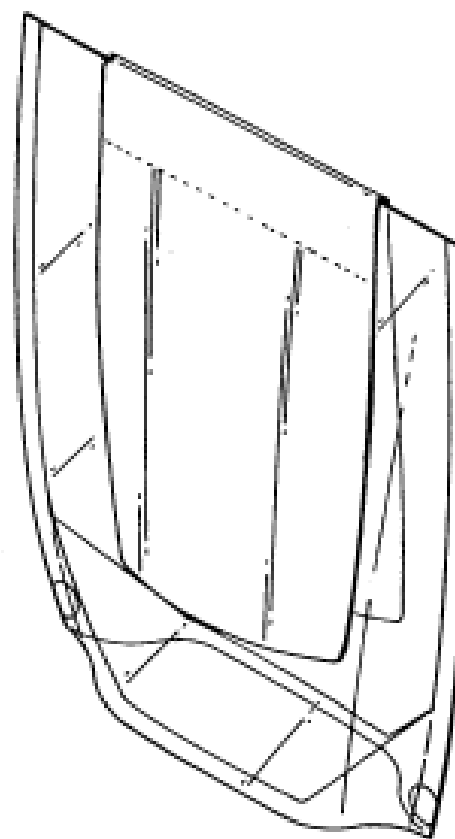
(45) Registration Date: **07 July 2005**

(30) Convention priority data:

(31) Number	(32) Date	(33) Country
<b>3017909</b>	<b>01 Jul 2004</b>	<b>UNITED KINGDOM</b>

(56) Related Art Documents: **Not Applicable**

(57) Statement of Newness and Distinctiveness: **Nil**



(21) Design Number: **15927/2004**  
(22) Date of Filing Application: **23 December 2004**  
(24) Date from which industrial property rights may have effect: **23 December 2004**  
(54) Product in respect of which the design is registered: **Toothbrush**  
(51) International Design Classification: **04-02**  
(71) Name(s) and Address(s) of Applicant(s):

**The Gillette Company**  
**Prudential Tower Building Boston Massachusetts 02199 United States of America**

(72) Name(s) of Designer(s): **Bjorn Kling**

(45) Registration Date: **07 July 2005**

(30) Convention priority data:

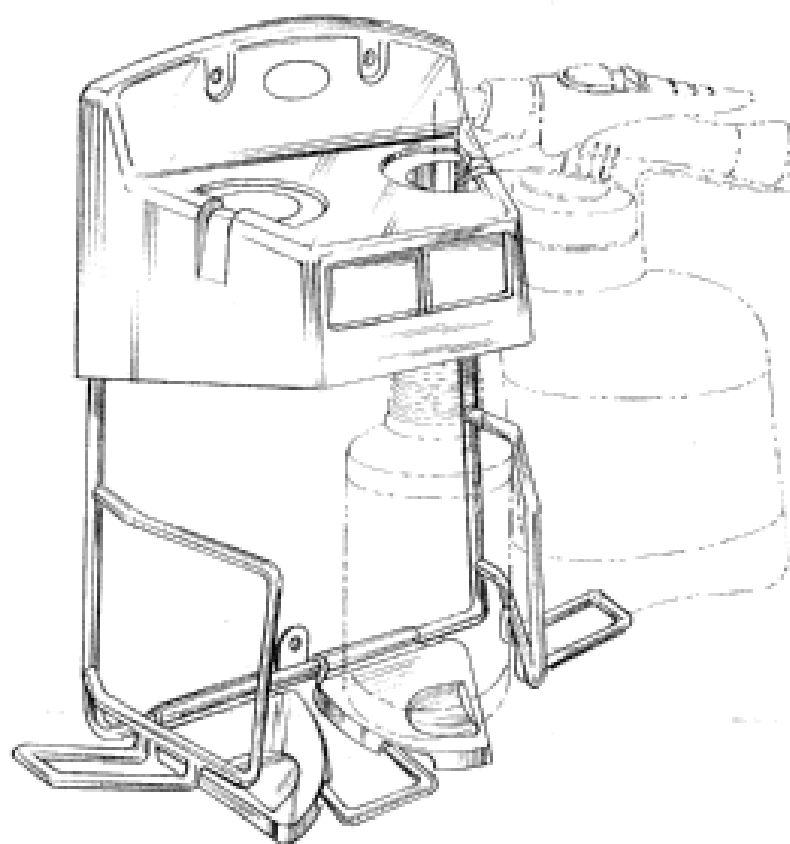
(31) Number	(32) Date	(33) Country
<b>000217658</b>	<b>18 Aug 2004</b>	<b>EUROPEAN COMMUNITY</b>

(56) Related Art Documents: **Not Applicable**

(57) Statement of Newness and Distinctiveness: **Nil**



- (21) Design Number: **15990/2004**  
(22) Date of Filing Application: **23 December 2004**  
(24) Date from which industrial property rights may have effect: **23 December 2004**  
(54) Product in respect of which the design is registered: **Dispenser and bottle holder**  
(51) International Design Classification: **08-08M**  
(71) Name(s) and Address(s) of Applicant(s):  
**JohnsonDiversey, Inc.**  
**8310 16th Street Sturtevant Wisconsin 53177-0902 United States of America**  
(72) Name(s) of Designer(s): **Michael H. Bertucci and Christopher F. Lang and Steven E. Schiller**  
(45) Registration Date: **07 July 2005**  
(30) Convention priority data:  
(31) Number (32) Date (33) Country  
**29/208683 01 Jul 2004 UNITED STATES OF AMERICA**  
(56) Related Art Documents: **Not Applicable**  
(57) Statement of Newness and Distinctiveness: **Newness and distinctiveness is claimed in the features of shape and/or configuration of a dispenser and bottle holder as illustrated in continuous lines in the accompanying representations.**



- (21) Design Number: **15991/2004**  
(22) Date of Filing Application: **23 December 2004**  
(24) Date from which industrial property rights may have effect: **23 December 2004**  
(54) Product in respect of which the design is registered: **Automobile**  
(51) International Design Classification: **12-08**  
(71) Name(s) and Address(s) of Applicant(s):  
**Toyota Jidosha Kabushiki Kaisha**  
**1 Toyota-cho Toyota-shi Aichi-ken 471-8571 Japan**  
(72) Name(s) of Designer(s): **Kengo Matsumoto and Hiroyuki Metsugi and Hiroaki Hakamata**  
(45) Registration Date: **07 July 2005**  
(30) Convention priority data:  
(31) Number (32) Date (33) Country  
**2004-020180 05 Jul 2004 JAPAN**  
(56) Related Art Documents: **Not Applicable**  
(57) Statement of Newness and Distinctiveness: **Newness and distinctiveness is claimed in the features of shape and/or configuration of an automobile as illustrated in the accompanying representations.**



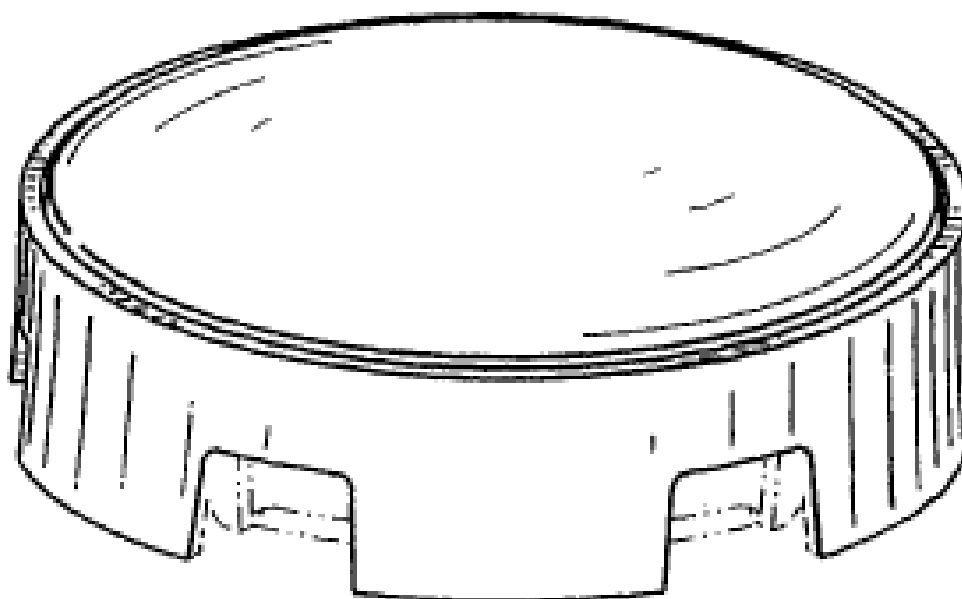
- (21) Design Number: **15992/2004**  
(22) Date of Filing Application: **23 December 2004**  
(24) Date from which industrial property rights may have effect: **23 December 2004**  
(54) Product in respect of which the design is registered: **Rear combination lamp for an automobile**  
(51) International Design Classification: **26-06**  
(71) Name(s) and Address(s) of Applicant(s):  
**Toyota Jidosha Kabushiki Kaisha**  
**1 Toyota-cho Toyota-shi Aichi-ken 471-8571 Japan**  
(72) Name(s) of Designer(s): **Machio Nakamura**  
(45) Registration Date: **07 July 2005**  
(30) Convention priority data:  
(31) Number      (32) Date      (33) Country  
**2004-020176      05 Jul 2004      JAPAN**  
(56) Related Art Documents: **Not Applicable**  
(57) Statement of Newness and Distinctiveness: **Newness and distinctiveness is claimed in the features of shape and/or configuration of a rear combination lamp for an automobile as illustrated in the accompanying representations.**



- (21) Design Number: **15993/2004**  
(22) Date of Filing Application: **23 December 2004**  
(24) Date from which industrial property rights may have effect: **23 December 2004**  
(54) Product in respect of which the design is registered: **Automobile**  
(51) International Design Classification: **12-08**  
(71) Name(s) and Address(s) of Applicant(s):  
**Toyota Jidosha Kabushiki Kaisha**  
**1 Toyota-cho Toyota-shi Aichi-ken 471-8571 Japan**  
(72) Name(s) of Designer(s): **Kengo Matsumoto and Hiroyuki Metsugi and Machio Nakamura**  
(45) Registration Date: **07 July 2005**  
(30) Convention priority data:  
(31) Number      (32) Date      (33) Country  
**2004-020174      05 Jul 2004      JAPAN**  
(56) Related Art Documents: **Not Applicable**  
(57) Statement of Newness and Distinctiveness: **Newness and distinctiveness is claimed in the features of shape and/or configuration of an automobile as illustrated in the accompanying representations.**



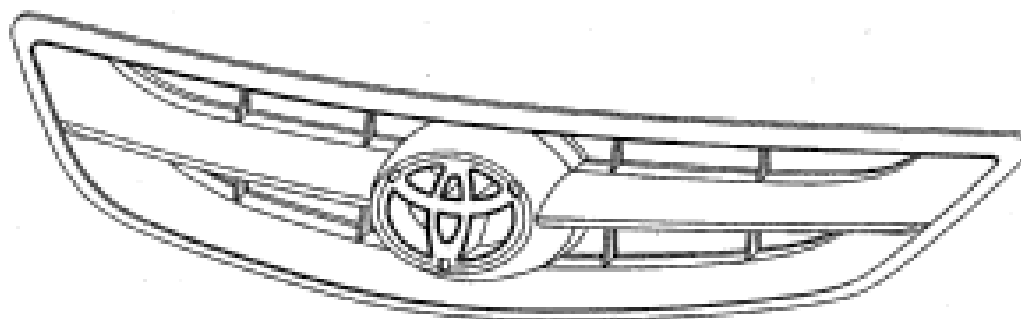
(21) Design Number: **15994/2004**  
(22) Date of Filing Application: **23 December 2004**  
(24) Date from which industrial property rights may have effect: **23 December 2004**  
(54) Product in respect of which the design is registered: **Insect bait station**  
(51) International Design Classification: **22-06**  
(71) Name(s) and Address(s) of Applicant(s):  
**S.C. Johnson & Son, Inc.**  
**1525 Howe Street Racine Wisconsin 53403-2236 United States of America**  
(72) Name(s) of Designer(s): **Eyup Soner and Nadir Azdiken and Nathan R. Westphal**  
(45) Registration Date: **07 July 2005**  
(30) Convention priority data:  
(31) Number (32) Date (33) Country  
**29/208493 29 Jun 2004 UNITED STATES OF AMERICA**  
(56) Related Art Documents: **Not Applicable**  
(57) Statement of Newness and Distinctiveness: **Newness and distinctiveness is claimed in the features of shape and/or configuration of an insect bait station as illustrated in continuous lines in the accompanying representations.**



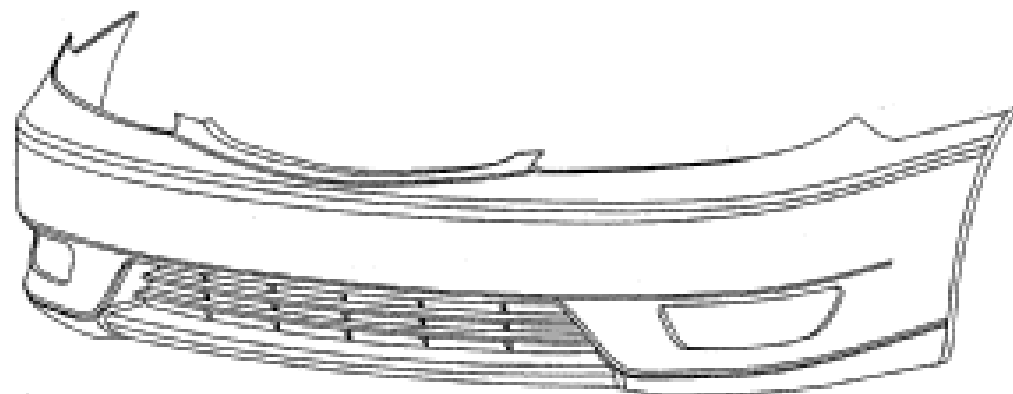
(21) Design Number: **15995/2004**  
(22) Date of Filing Application: **23 December 2004**  
(24) Date from which industrial property rights may have effect: **23 December 2004**  
(54) Product in respect of which the design is registered: **Front grill for an automobile**  
(51) International Design Classification: **12-16B**  
(71) Name(s) and Address(s) of Applicant(s):  
**Toyota Jidosha Kabushiki Kaisha**  
**1 Toyota-cho Toyota-shi Aichi-ken 471-8571 Japan**  
(72) Name(s) of Designer(s): **Machio Nakamura**  
(45) Registration Date: **07 July 2005**  
(30) Convention priority data:  
(31) Number (32) Date (33) Country  
**2004-020178 05 Jul 2004 JAPAN**  
(56) Related Art Documents: **Not Applicable**  
(57) Statement of Newness and Distinctiveness: **Newness and distinctiveness is claimed in the features of shape and/or configuration of a front grill for an automobile as illustrated in the accompanying representations.**



- (21) Design Number: **15996/2004**  
(22) Date of Filing Application: **23 December 2004**  
(24) Date from which industrial property rights may have effect: **23 December 2004**  
(54) Product in respect of which the design is registered: **Front grill for an automobile**  
(51) International Design Classification: **12-16B**  
(71) Name(s) and Address(s) of Applicant(s):  
**Toyota Jidosha Kabushiki Kaisha**  
**1 Toyota-cho Toyota-shi Aichi-ken 471-8571 Japan**  
(72) Name(s) of Designer(s): **Robert Chun-Yu Young**  
(45) Registration Date: **07 July 2005**  
(30) Convention priority data:  
(31) Number      (32) Date      (33) Country  
**2004-020179      05 Jul 2004      JAPAN**  
(56) Related Art Documents: **Not Applicable**  
(57) Statement of Newness and Distinctiveness: **Newness and distinctiveness is claimed in the features of shape and/or configuration of a front grill for an automobile as illustrated in the accompanying representations.**



- (21) Design Number: **15997/2004**  
(22) Date of Filing Application: **23 December 2004**  
(24) Date from which industrial property rights may have effect: **23 December 2004**  
(54) Product in respect of which the design is registered: **Front bumper for an automobile**  
(51) International Design Classification: **12-16B**  
(71) Name(s) and Address(s) of Applicant(s):  
**Toyota Jidosha Kabushiki Kaisha**  
**1 Toyota-cho Toyota-shi Aichi-ken 471-8571 Japan**  
(72) Name(s) of Designer(s): **Machio Nakamura**  
(45) Registration Date: **07 July 2005**  
(30) Convention priority data:  
(31) Number      (32) Date      (33) Country  
**2004-020175      05 Jul 2004      JAPAN**  
(56) Related Art Documents: **Not Applicable**  
(57) Statement of Newness and Distinctiveness: **Newness and distinctiveness is claimed in the features of shape and/or configuration of a front bumper for an automobile as illustrated in the accompanying representations.**



(19) AU

- (21) Design Number: **15998/2004**  
(22) Date of Filing Application: **23 December 2004**  
(24) Date from which industrial property rights may have effect: **23 December 2004**  
(54) Product in respect of which the design is registered: **Front combination lamp for an automobile**  
(51) International Design Classification: **26-06**  
(71) Name(s) and Address(s) of Applicant(s):  
**Toyota Jidosha Kabushiki Kaisha**  
**1 Toyota-cho Toyota-shi Aichi-ken 471-8571 Japan**  
(72) Name(s) of Designer(s): **Machio Nakamura**  
(45) Registration Date: **07 July 2005**  
(30) Convention priority data:  

(31) Number	(32) Date	(33) Country
<b>2004-020177</b>	<b>05 Jul 2004</b>	<b>JAPAN</b>

  
(56) Related Art Documents: **Not Applicable**  
(57) Statement of Newness and Distinctiveness: **Newness and distinctiveness is claimed in the features of shape and/or configuration of a front combination lamp for an automobile as illustrated in the accompanying representations.**



(19) AU

- (21) Design Number: **15999/2004**  
(22) Date of Filing Application: **23 December 2004**  
(24) Date from which industrial property rights may have effect: **23 December 2004**  
(54) Product in respect of which the design is registered: **Front grill for an automobile**  
(51) International Design Classification: **12-16B**  
(71) Name(s) and Address(s) of Applicant(s):  
**Toyota Jidosha Kabushiki Kaisha**  
**1 Toyota-cho Toyota-shi Aichi-ken 471-8571 Japan**  
(72) Name(s) of Designer(s): **Hiroyuki Metsugi and Fan Wu**  
(45) Registration Date: **07 July 2005**  
(30) Convention priority data:  

(31) Number	(32) Date	(33) Country
<b>2004-020181</b>	<b>05 Jul 2004</b>	<b>JAPAN</b>

  
(56) Related Art Documents: **Not Applicable**  
(57) Statement of Newness and Distinctiveness: **Newness and distinctiveness is claimed in the features of shape and/or configuration of a front grill for an automobile as illustrated in the accompanying representations.**





- (21) Design Number: **16000/2004**  
(22) Date of Filing Application: **23 December 2004**  
(24) Date from which industrial property rights may have effect: **23 December 2004**  
(54) Product in respect of which the design is registered: **Rear combination lamp for an automobile**  
(51) International Design Classification: **26-06**  
(71) Name(s) and Address(s) of Applicant(s):  
**Toyota Jidosha Kabushiki Kaisha**  
**1 Toyota-cho Toyota-shi Aichi-ken 471-8571 Japan**  
(72) Name(s) of Designer(s): **Hiroyuki Metsugi and Tien-Tzu Lin**  
(45) Registration Date: **07 July 2005**  
(30) Convention priority data:  
(31) Number      (32) Date      (33) Country  
**2004-020173      05 Jul 2004      JAPAN**  
(56) Related Art Documents: **Not Applicable**  
(57) Statement of Newness and Distinctiveness: **Newness and distinctiveness is claimed in the features of shape and/or configuration of a rear combination lamp for an automobile as illustrated in the accompanying representations.**



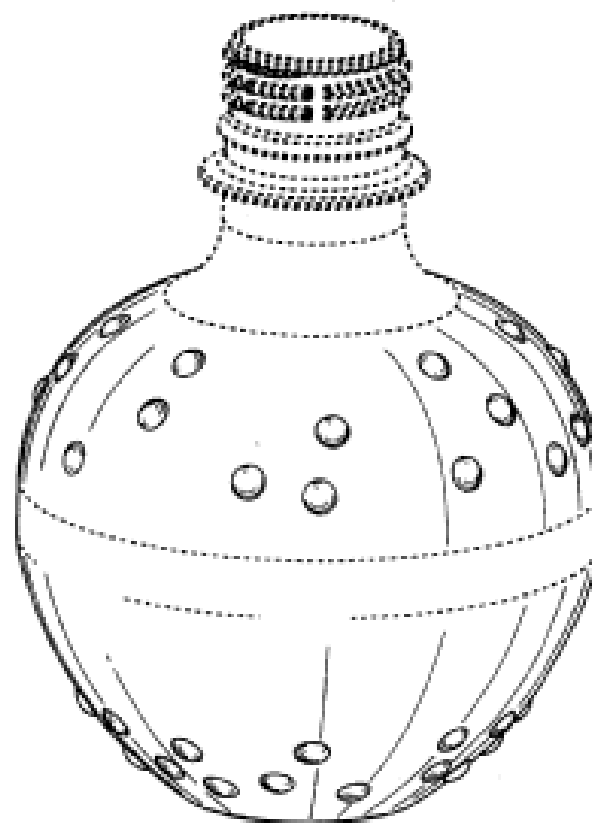
- (21) Design Number: **16001/2004**  
(22) Date of Filing Application: **23 December 2004**  
(24) Date from which industrial property rights may have effect: **23 December 2004**  
(54) Product in respect of which the design is registered: **Front combination lamp for an automobile**  
(51) International Design Classification: **26-06**  
(71) Name(s) and Address(s) of Applicant(s):  
**Toyota Jidosha Kabushiki Kaisha**  
**1 Toyota-cho Toyota-shi Aichi-ken 471-8571 Japan**  
(72) Name(s) of Designer(s): **Hiroyuki Metsugi and Tien-Tzu Lin**  
(45) Registration Date: **07 July 2005**  
(30) Convention priority data:  
(31) Number      (32) Date      (33) Country  
**2004-020172      05 Jul 2004      JAPAN**  
(56) Related Art Documents: **Not Applicable**  
(57) Statement of Newness and Distinctiveness: **Newness and distinctiveness is claimed in the features of shape and/or configuration of a front combination lamp for an automobile as illustrated in the accompanying representations.**



(19) AU

- (21) Design Number: **16049/2004**
- (22) Date of Filing Application: **23 December 2004**
- (24) Date from which industrial property rights may have effect: **23 December 2004**
- (54) Product in respect of which the design is registered: **Bottle**
- (51) International Design Classification: **09-01NES**
- (71) Name(s) and Address(s) of Applicant(s):  
  - The Coca-Cola Company**
  - 1 Coca-cola Plaza NW Atlanta Georgia 30313 United States of America**
- (72) Name(s) of Designer(s): **Jeremie Bohem and Scott C. Biondich and Darryl Dawson and Caroline Moreau**
- (45) Registration Date: **07 July 2005**
- (30) Convention priority data:  

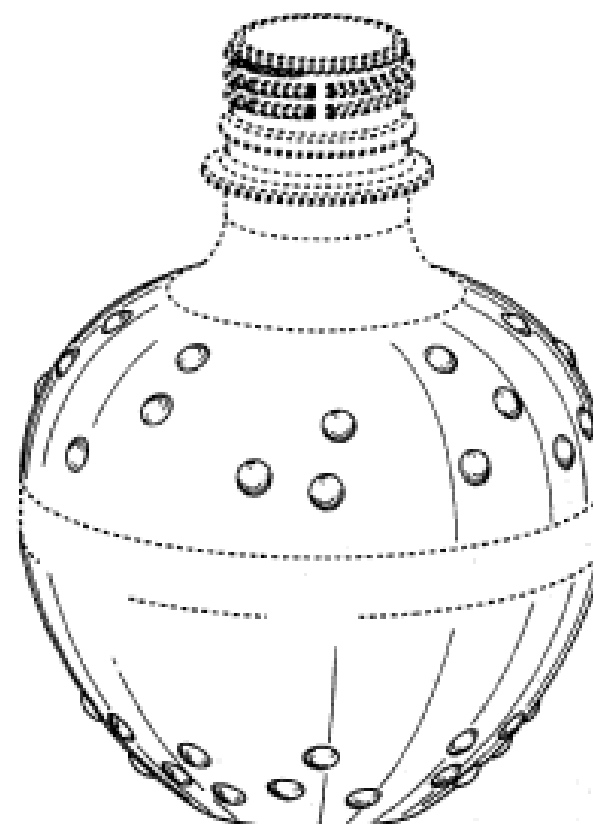
(31) Number	(32) Date	(33) Country
<b>29/208,547</b>	<b>30 Jun 2004</b>	<b>UNITED STATES OF AMERICA</b>
- (56) Related Art Documents: **Not Applicable**
- (57) Statement of Newness and Distinctiveness: **Those visual features of the bottle depicted in continuous lines in the representations that are new and distinctive are the shape and/or configuration. The features shown in broken lines do not form part of the design.**



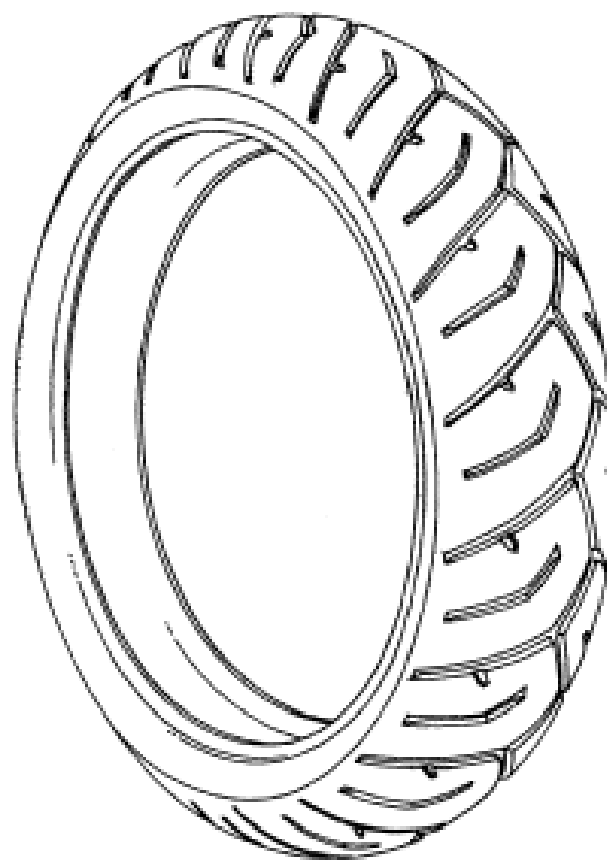
(19) AU

- (21) Design Number: **16050/2004**
- (22) Date of Filing Application: **23 December 2004**
- (24) Date from which industrial property rights may have effect: **23 December 2004**
- (54) Product in respect of which the design is registered: **Bottle**
- (51) International Design Classification: **09-01NES**
- (71) Name(s) and Address(s) of Applicant(s):  
  - The Coca-Cola Company**
  - 1 Coca-cola Plaza NW Atlanta Georgia 30313 United States of America**
- (72) Name(s) of Designer(s): **Scott C. Biondich and Darryl Dawson and Jeremie Bohem and Caroline Moreau**
- (45) Registration Date: **07 July 2005**
- (30) Convention priority data:  

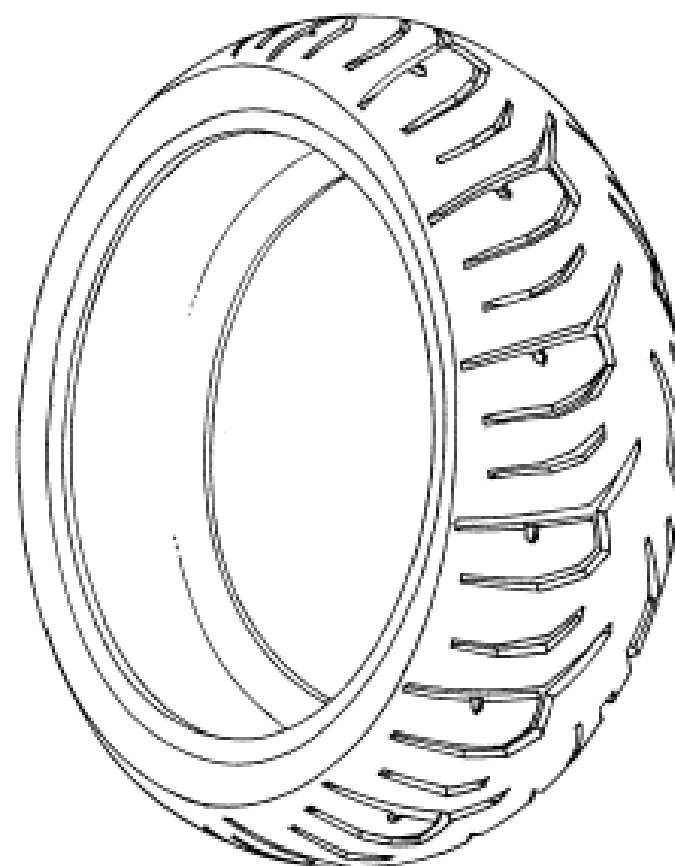
(31) Number	(32) Date	(33) Country
<b>29/208,547</b>	<b>30 Jun 2004</b>	<b>UNITED STATES OF AMERICA</b>
- (56) Related Art Documents: **Not Applicable**
- (57) Statement of Newness and Distinctiveness: **Those visual features of the bottle depicted in continuous lines in the representations that are new and distinctive are the shape and/or configuration. The features shown in broken lines do not form part of the design.**



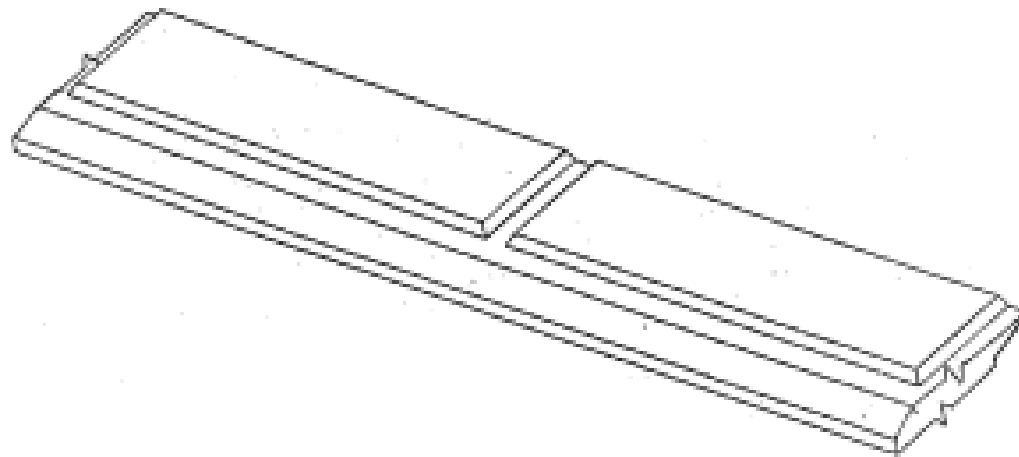
(21) Design Number: **16053/2004**  
(22) Date of Filing Application: **23 December 2004**  
(24) Date from which industrial property rights may have effect: **23 December 2004**  
(54) Product in respect of which the design is registered: **A tyre**  
(51) International Design Classification: **12-15NES**  
(71) Name(s) and Address(s) of Applicant(s):  
**Pirelli Pneumatici S.p.A.**  
**Viale Sarca 222 20126 Milano Italy**  
(72) Name(s) of Designer(s): **Gunter Steinbach**  
(45) Registration Date: **07 July 2005**  
(30) Convention priority data:  
(31) Number      (32) Date      (33) Country  
**000201132      09 Jul 2004      EUROPEAN COMMUNITY**  
(56) Related Art Documents: **Not Applicable**  
(57) Statement of Newness and Distinctiveness: **Nil**



(21) Design Number: **16054/2004**  
(22) Date of Filing Application: **23 December 2004**  
(24) Date from which industrial property rights may have effect: **23 December 2004**  
(54) Product in respect of which the design is registered: **A tyre**  
(51) International Design Classification: **12-15NES**  
(71) Name(s) and Address(s) of Applicant(s):  
**Pirelli Pneumatici S.p.A.**  
**Viale Sarca 222 20126 Milano Italy**  
(72) Name(s) of Designer(s): **Gunter Steinbach**  
(45) Registration Date: **07 July 2005**  
(30) Convention priority data:  
(31) Number      (32) Date      (33) Country  
**000201132      09 Jul 2004      EUROPEAN COMMUNITY**  
(56) Related Art Documents: **Not Applicable**  
(57) Statement of Newness and Distinctiveness: **Nil**



- (21) Design Number: **10010/2005**  
(22) Date of Filing Application: **05 January 2005**  
(24) Date from which industrial property rights may have effect: **05 January 2005**  
(54) Product in respect of which the design is registered: **An improved facing structure**  
(51) International Design Classification: **25-01G**  
(71) Name(s) and Address(s) of Applicant(s):  
**Peter Lawrence Hosegood**  
**125 Thompson Road Napier New Zealand**  
(72) Name(s) of Designer(s): **Peter Lawrence Hosegood**  
(45) Registration Date: **07 July 2005**  
(30) Convention priority data:  
(31) Number (32) Date (33) Country  
**405041 09 Jul 2004 NEW ZEALAND**  
(56) Related Art Documents: **Not Applicable**  
(57) Statement of Newness and Distinctiveness: **Newness and distinctiveness resides in the shape and configuration of a facing structure that is of indefinite length as illustrated in the accompanying representations.**



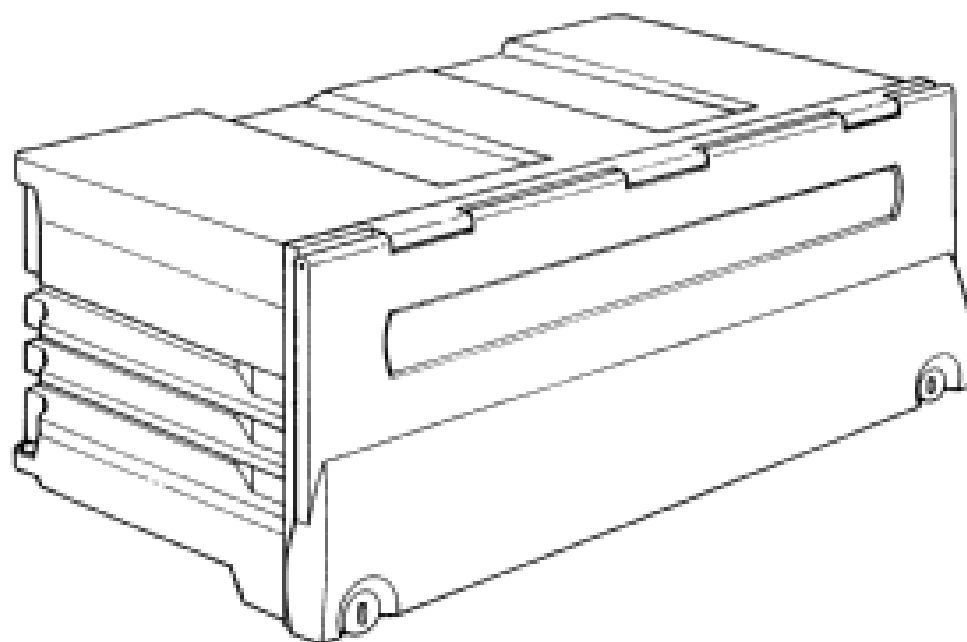
- (21) Design Number: **10049/2005**  
(22) Date of Filing Application: **07 January 2005**  
(24) Date from which industrial property rights may have effect: **07 January 2005**  
(54) Product in respect of which the design is registered: **Flask**  
(51) International Design Classification: **07-01F**  
(71) Name(s) and Address(s) of Applicant(s):  
**Valois SAS**  
**Le Prieure BPG 27110 Le Neubourg France**  
(72) Name(s) of Designer(s): **Gerard Cornet and Patrick Bousquel**  
(45) Registration Date: **07 July 2005**  
(30) Convention priority data:  
(31) Number (32) Date (33) Country  
**000203187-0001 19 Jul 2004 EUROPEAN COMMUNITY**  
(56) Related Art Documents: **Not Applicable**  
(57) Statement of Newness and Distinctiveness: **Nil**



(21) Design Number: **10050/2005**  
(22) Date of Filing Application: **07 January 2005**  
(24) Date from which industrial property rights may have effect: **07 January 2005**  
(54) Product in respect of which the design is registered: **Flask**  
(51) International Design Classification: **07-01F**  
(71) Name(s) and Address(s) of Applicant(s):  
**Valois SAS**  
**Le Prieure BPG 27110 Le Neubourg France**  
(72) Name(s) of Designer(s): **Gerard Cornet and Patrick Bousquel**  
(45) Registration Date: **07 July 2005**  
(30) Convention priority data:  
(31) Number (32) Date (33) Country  
**000203187-0002 19 Jul 2004 EUROPEAN COMMUNITY**  
(56) Related Art Documents: **Not Applicable**  
(57) Statement of Newness and Distinctiveness: **Nil**



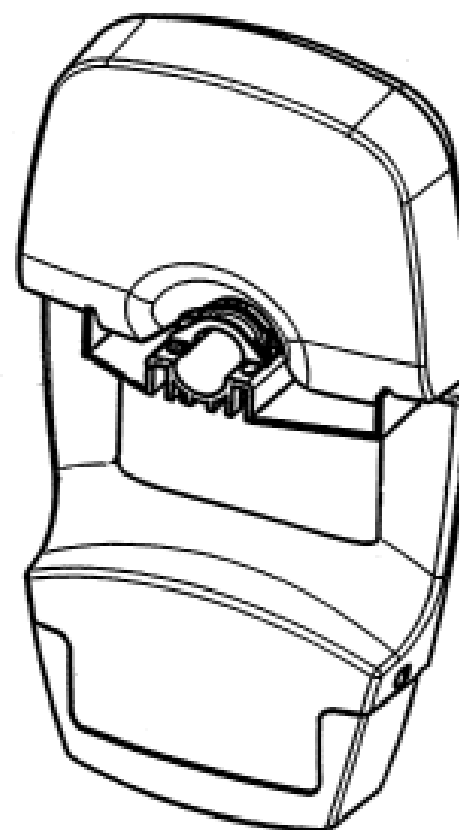
(21) Design Number: **10086/2005**  
(22) Date of Filing Application: **12 January 2005**  
(24) Date from which industrial property rights may have effect: **12 January 2005**  
(54) Product in respect of which the design is registered: **A storage box**  
(51) International Design Classification: **09-03NES**  
(71) Name(s) and Address(s) of Applicant(s):  
**Form-It Services Pty Ltd**  
**1 Johnson Road Wyong New South Wales 2259 Australia**  
(72) Name(s) of Designer(s): **Jonathan Edward Pryer**  
(45) Registration Date: **07 July 2005**  
(56) Related Art Documents: **Not Applicable**  
(57) Statement of Newness and Distinctiveness: **Newness and distinctiveness is claimed in respect of the shape and/or configuration of the product illustrated in the accompanying representations.**



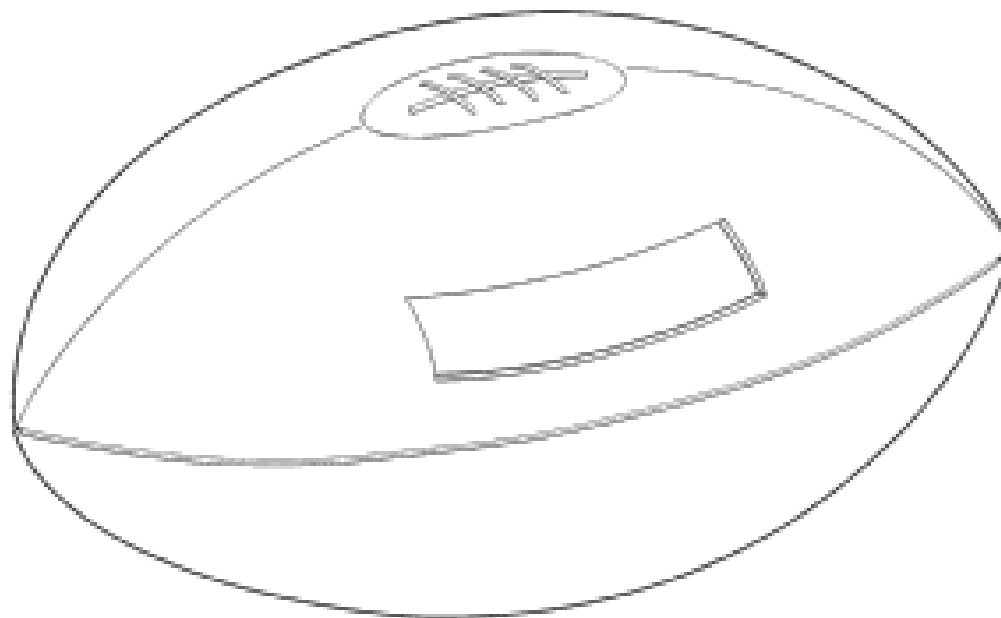
- (21) Design Number: **10102/2005**  
(22) Date of Filing Application: **12 January 2005**  
(24) Date from which industrial property rights may have effect: **12 January 2005**  
(54) Product in respect of which the design is registered: **Lockclip**  
(51) International Design Classification: **08-07**  
(71) Name(s) and Address(s) of Applicant(s):  
**Edward David Anstee**  
**11 Callantina Road Hawthorn Victoria 3122 Australia**  
(72) Name(s) of Designer(s): **Edward David Anstee**  
(45) Registration Date: **07 July 2005**  
(56) Related Art Documents: **Not Applicable**  
(57) Statement of Newness and Distinctiveness: **Nil**



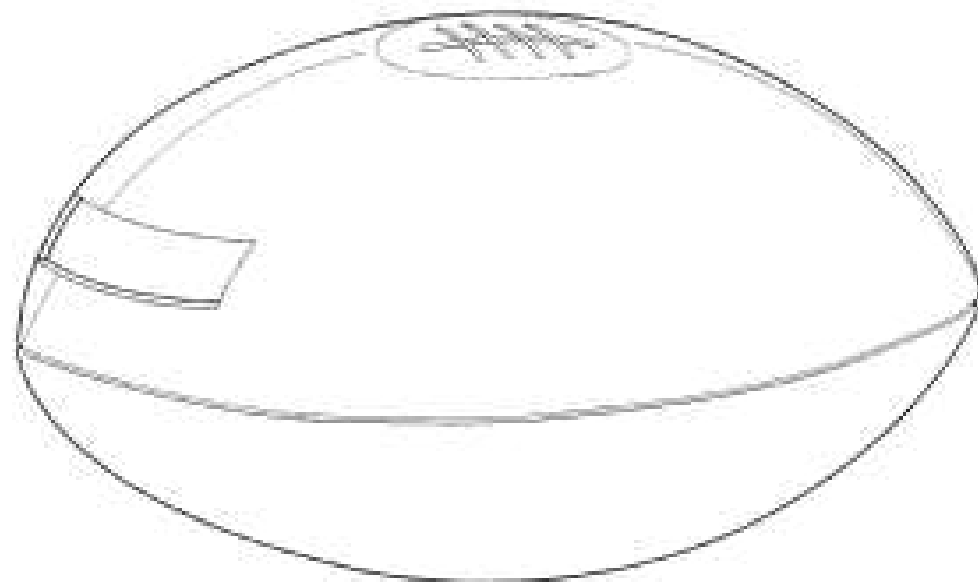
- (21) Design Number: **10147/2005**  
(22) Date of Filing Application: **17 January 2005**  
(24) Date from which industrial property rights may have effect: **17 January 2005**  
(54) Product in respect of which the design is registered: **A door opener**  
(51) International Design Classification: **08-07**  
(71) Name(s) and Address(s) of Applicant(s):  
**Anzon Autodoor Limited**  
**18A Tarndale Grove North Harbour Estate Albany Auckland New Zealand**  
(72) Name(s) of Designer(s): **Michael Kevin Scheib**  
(45) Registration Date: **07 July 2005**  
(30) Convention priority data:  
(31) Number      (32) Date      (33) Country  
**405069      21 Jul 2004      NEW ZEALAND**  
(56) Related Art Documents: **Not Applicable**  
(57) Statement of Newness and Distinctiveness: **The novelty claimed for the design resides in the features of shape and/or configuration all as shown in the representations that contribute to the relative narrowness between B-B of the view A-A (when compared to the more expansive sides) and provides a waist or recess at C.**



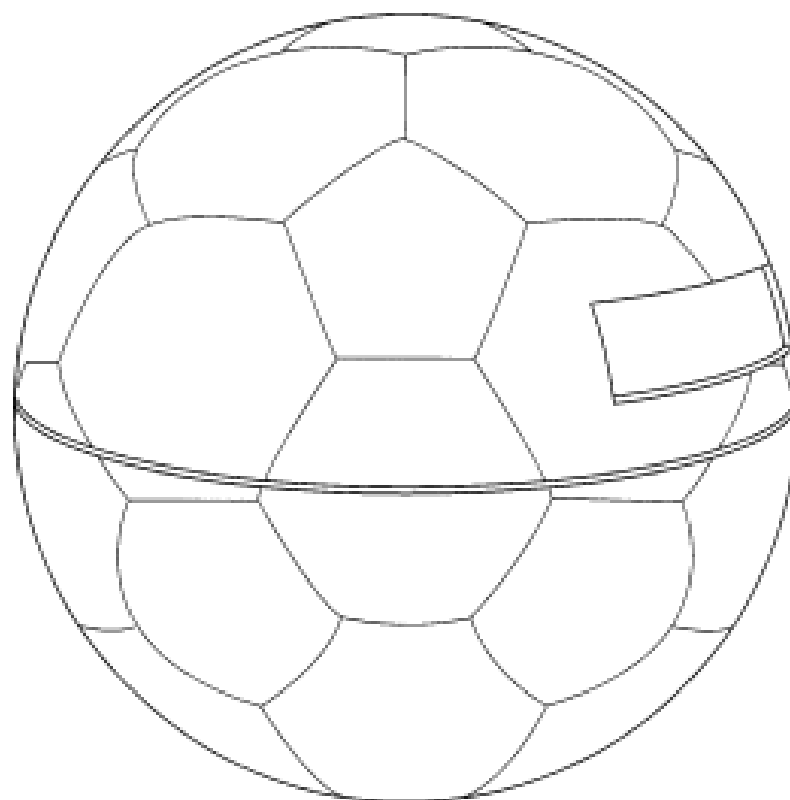
- (21) Design Number: **10162/2005**  
(22) Date of Filing Application: **18 January 2005**  
(24) Date from which industrial property rights may have effect: **18 January 2005**  
(54) Product in respect of which the design is registered: **Football letter box**  
(51) International Design Classification: **25-03**  
(71) Name(s) and Address(s) of Applicant(s):  
**Alexis Broikos**  
**137 Penfold Road Wattle Park South Australia 5066 Australia**  
(72) Name(s) of Designer(s): **Alexis Broikos**  
(45) Registration Date: **07 July 2005**  
(56) Related Art Documents: **Not Applicable**  
(57) Statement of Newness and Distinctiveness: **The letter slot to receive postal items in an article having the appearance of a football.**



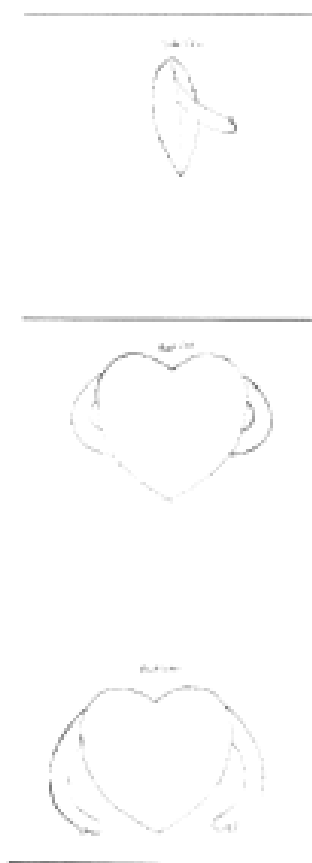
- (21) Design Number: **10163/2005**  
(22) Date of Filing Application: **18 January 2005**  
(24) Date from which industrial property rights may have effect: **18 January 2005**  
(54) Product in respect of which the design is registered: **Football letter box**  
(51) International Design Classification: **25-03**  
(71) Name(s) and Address(s) of Applicant(s):  
**Alexis Broikos**  
**137 Penfold Road Wattle Park South Australia 5066 Australia**  
(72) Name(s) of Designer(s): **Alexis Broikos**  
(45) Registration Date: **07 July 2005**  
(56) Related Art Documents: **Not Applicable**  
(57) Statement of Newness and Distinctiveness: **The letter slot to receive postal items in an article having the appearance of a football.**



- (21) Design Number: **10164/2005**
- (22) Date of Filing Application: **18 January 2005**
- (24) Date from which industrial property rights may have effect: **18 January 2005**
- (54) Product in respect of which the design is registered: **Soccer letter box**
- (51) International Design Classification: **25-03**
- (71) Name(s) and Address(s) of Applicant(s):  
**Alexis Broikos**  
**137 Penfold Road Wattle Park South Australia 5066 Australia**
- (72) Name(s) of Designer(s): **Alexis Broikos**
- (45) Registration Date: **07 July 2005**
- (56) Related Art Documents: **Not Applicable**
- (57) Statement of Newness and Distinctiveness: **The letter slot to receive postal items in an article having the appearance of a soccer ball.**



- (21) Design Number: **10170/2005**
- (22) Date of Filing Application: **18 January 2005**
- (24) Date from which industrial property rights may have effect: **18 January 2005**
- (54) Product in respect of which the design is registered: **Cushions**
- (51) International Design Classification: **06-09**
- (71) Name(s) and Address(s) of Applicant(s):  
**Lynette Crozier**  
**9 Brookside Road Labrador Queensland 4215 Australia**  
**Samantha Crozier**  
**45 Palmerston Drive Oxenford Queensland 4210 Australia**
- (72) Name(s) of Designer(s): **Lynette Crozier and Samantha Crozier**
- (45) Registration Date: **07 July 2005**
- (56) Related Art Documents: **Not Applicable**
- (57) Statement of Newness and Distinctiveness: **Heart shaped cushions with 'arms' attached to each side.**

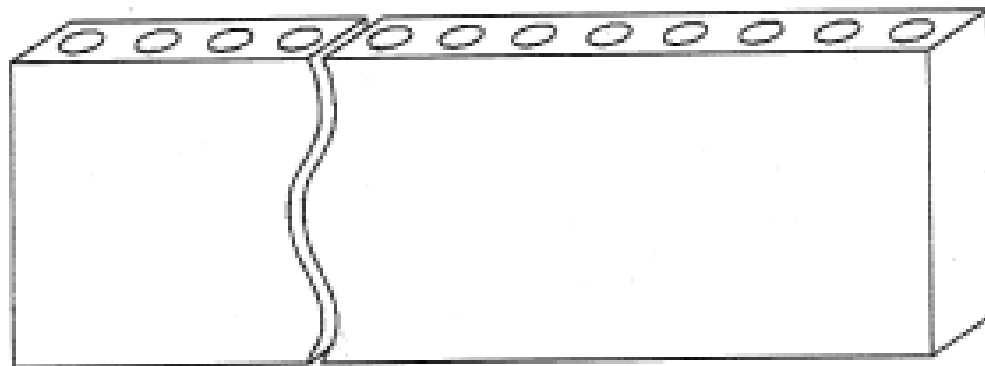




(21) Design Number: **10182/2005**  
(22) Date of Filing Application: **18 January 2005**  
(24) Date from which industrial property rights may have effect: **18 January 2005**  
(54) Product in respect of which the design is registered: **Remote control**  
(51) International Design Classification: **14-03NES**  
(71) Name(s) and Address(s) of Applicant(s):  
**Somfy S.A.S.**  
**50 avenue du Nouveau Monde Cluses 74300 France**  
(72) Name(s) of Designer(s): **Olivier Poulet and Yvan Bellia**  
(45) Registration Date: **07 July 2005**  
(30) Convention priority data:  
(31) Number (32) Date (33) Country  
**000210240 29 Jul 2004 EUROPEAN COMMUNITY**  
(56) Related Art Documents: **Not Applicable**  
(57) Statement of Newness and Distinctiveness: **Nil**



(21) Design Number: **10183/2005**  
(22) Date of Filing Application: **18 January 2005**  
(24) Date from which industrial property rights may have effect: **18 January 2005**  
(54) Product in respect of which the design is registered: **Lightweight building block**  
(51) International Design Classification: **25-01A**  
(71) Name(s) and Address(s) of Applicant(s):  
**Kaine Malcolm Andrew Telford**  
**144 Granite Street Geebung Queensland 4034 Australia**  
(72) Name(s) of Designer(s): **Kaine Malcolm Andrew Telford**  
(45) Registration Date: **07 July 2005**  
(56) Related Art Documents: **Not Applicable**  
(57) Statement of Newness and Distinctiveness: **Nil**



- (21) Design Number: **10186/2005**  
(22) Date of Filing Application: **18 January 2005**  
(24) Date from which industrial property rights may have effect: **18 January 2005**  
(54) Product in respect of which the design is registered: **A container**  
(51) International Design Classification: **09-02NES**  
(71) Name(s) and Address(s) of Applicant(s):

**Foodcap International Limited**  
**Suite 3 Level 3 8A Cleveland Road Parnell Auckland 1001 New Zealand**

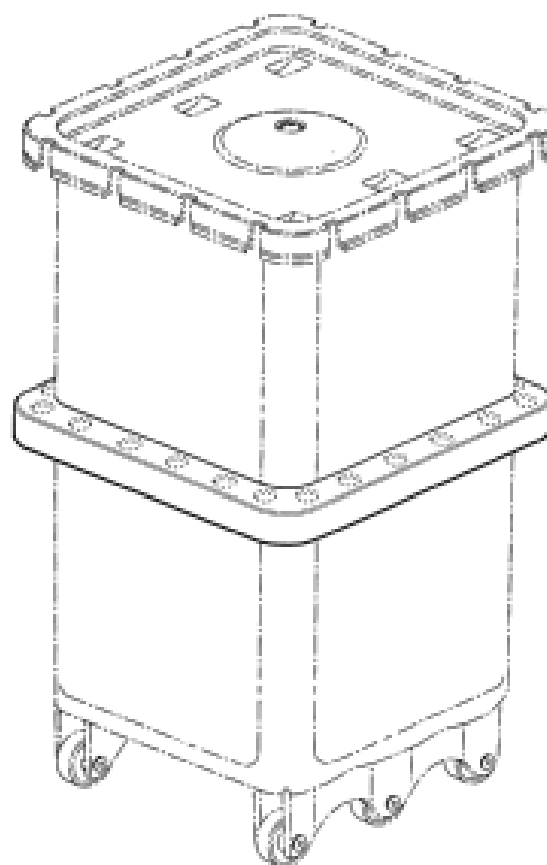
- (72) Name(s) of Designer(s): **Roger Keith Palmer**  
(45) Registration Date: **07 July 2005**

- (30) Convention priority data:

(31) Number	(32) Date	(33) Country
<b>405062</b>	<b>20 Jul 2004</b>	<b>NEW ZEALAND</b>

- (56) Related Art Documents: **Not Applicable**

- (57) Statement of Newness and Distinctiveness: **If a person is required to decide whether the design is substantially similar in overall appearance to another design, the person making the decision should have particular regard to those features shown by the solid lines in the representations. In assessing the design for the purposes of Section 71, the features shown in broken line should be disregarded.**



- (21) Design Number: **10187/2005**  
(22) Date of Filing Application: **18 January 2005**  
(24) Date from which industrial property rights may have effect: **18 January 2005**  
(54) Product in respect of which the design is registered: **A container**  
(51) International Design Classification: **09-02NES**  
(71) Name(s) and Address(s) of Applicant(s):

**Foodcap International Limited**  
**Suite 3 Level 3 8A Cleveland Road Parnell Auckland 1001 New Zealand**

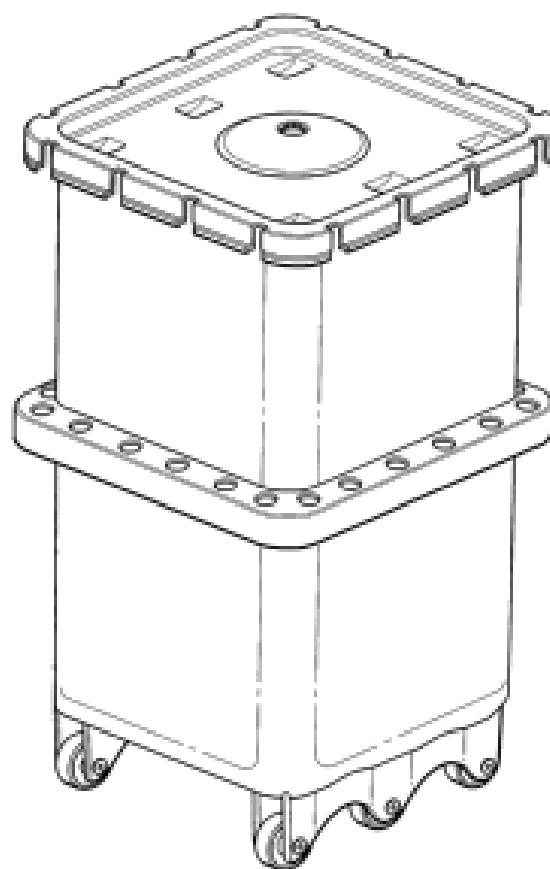
- (72) Name(s) of Designer(s): **Roger Keith Palmer**  
(45) Registration Date: **07 July 2005**

- (30) Convention priority data:

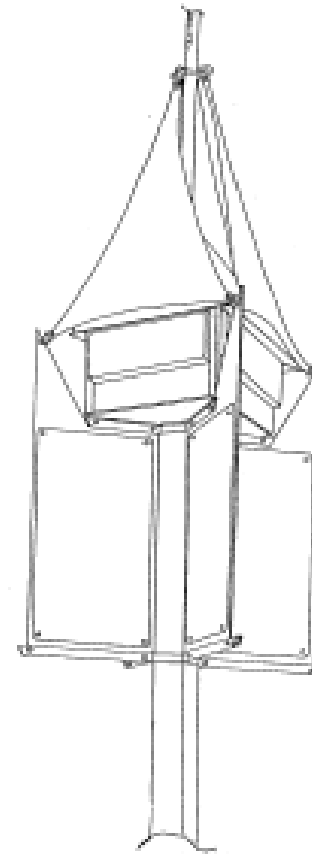
(31) Number	(32) Date	(33) Country
<b>405063</b>	<b>20 Jul 2004</b>	<b>NEW ZEALAND</b>

- (56) Related Art Documents: **Not Applicable**

- (57) Statement of Newness and Distinctiveness: **Nil**



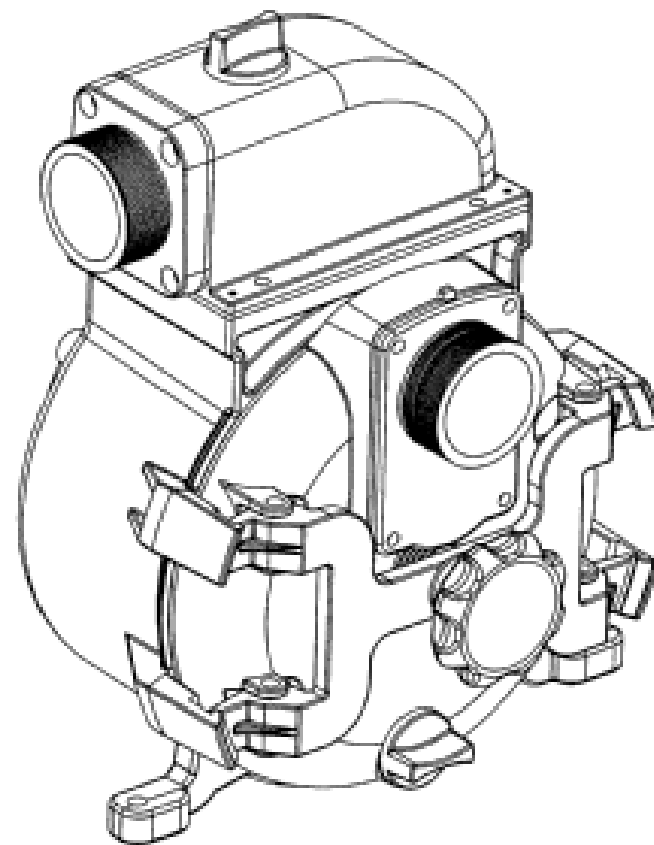
- (21) Design Number: **10201/2005**  
(22) Date of Filing Application: **20 January 2005**  
(24) Date from which industrial property rights may have effect: **20 January 2005**  
(54) Product in respect of which the design is registered: **Sign**  
(51) International Design Classification: **20-03C**  
(71) Name(s) and Address(s) of Applicant(s):  
**Ian Raymond Nash**  
**19 Lynwood Avenue The Entrance New South Wales 2261 Australia**  
**Jeffrey Ian Hornby**  
**14 Peak Street Bateau Bay New South Wales 2261 Australia**  
(72) Name(s) of Designer(s): **Jeffrey Ian Hornby and Ian Raymond Nash**  
(45) Registration Date: **07 July 2005**  
(56) Related Art Documents: **Not Applicable**  
(57) Statement of Newness and Distinctiveness: **Nil**



- (21) Design Number: **10209/2005**  
(22) Date of Filing Application: **20 January 2005**  
(24) Date from which industrial property rights may have effect: **20 January 2005**  
(54) Product in respect of which the design is registered: **Pump**  
(51) International Design Classification: **15-02**  
(71) Name(s) and Address(s) of Applicant(s):  
**Wen Chang Wang**  
**No.666 Sec.1 Chung Cheng Rd Jen Te Hsiang Tainan Hsien Taiwan**  
(72) Name(s) of Designer(s): **Wen Chang Wang**  
(45) Registration Date: **07 July 2005**  
(30) Convention priority data:  

(31) Number	(32) Date	(33) Country
<b>252200</b>	<b>09 Nov 2004</b>	<b>EUROPEAN COMMUNITY</b>

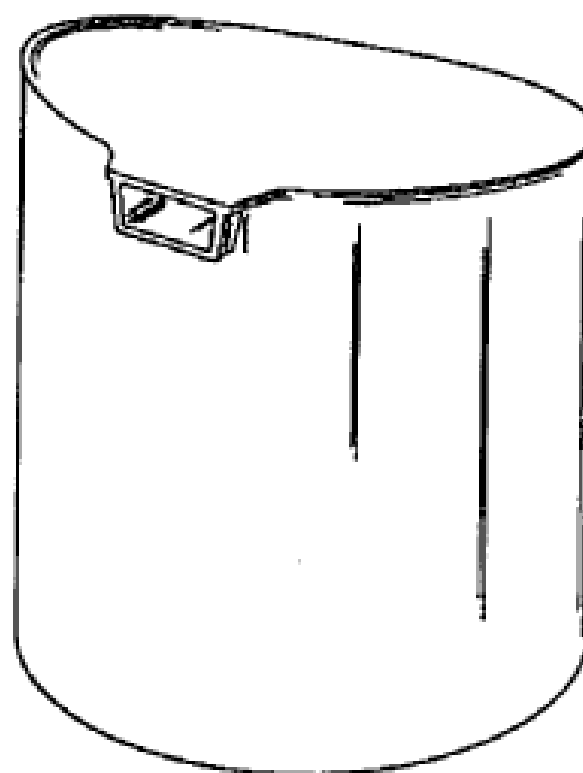
  
(56) Related Art Documents: **Not Applicable**  
(57) Statement of Newness and Distinctiveness: **Each feature of the design considered separately or in combination with any other feature or features.**



(21) Design Number: **10211/2005**  
(22) Date of Filing Application: **20 January 2005**  
(24) Date from which industrial property rights may have effect: **20 January 2005**  
(54) Product in respect of which the design is registered: **Case**  
(51) International Design Classification: **03-01NES**  
(71) Name(s) and Address(s) of Applicant(s):  
**Optoplast Ltd**  
**83 Sefton Lane Maghull Liverpool L31 8BU United Kingdom**  
(72) Name(s) of Designer(s): **Gary Roy Conway**  
(45) Registration Date: **07 July 2005**  
(56) Related Art Documents: **Not Applicable**  
(57) Statement of Newness and Distinctiveness: **Newness and distinctiveness is claimed in the visual features of shape and/or configuration as applied to a case as illustrated in the representations.**



(21) Design Number: **10212/2005**  
(22) Date of Filing Application: **20 January 2005**  
(24) Date from which industrial property rights may have effect: **20 January 2005**  
(54) Product in respect of which the design is registered: **Dispenser head for fingertip pump**  
(51) International Design Classification: **09-07A**  
(71) Name(s) and Address(s) of Applicant(s):  
**Saint-Gobain Calmar Inc.**  
**333 South Turnbull Canyon Road City of Industry California**  
**91745-1203 United States of America**  
(72) Name(s) of Designer(s): **Walt Witkowski and Luis Costa**  
(45) Registration Date: **07 July 2005**  
(30) Convention priority data:  
(31) Number (32) Date (33) Country  
**29/209979 26 Jul 2004 UNITED STATES OF AMERICA**  
(56) Related Art Documents: **Not Applicable**  
(57) Statement of Newness and Distinctiveness: **Nil**



- (21) Design Number: **10215/2005**
- (22) Date of Filing Application: **20 January 2005**
- (24) Date from which industrial property rights may have effect: **20 January 2005**
- (54) Product in respect of which the design is registered: **A brace**
- (51) International Design Classification: **25-02C**
- (71) Name(s) and Address(s) of Applicant(s):

**Peter Boyd**  
**15 Stanley Street Lemon Tree Passage New South Wales 2319**  
**Australia**

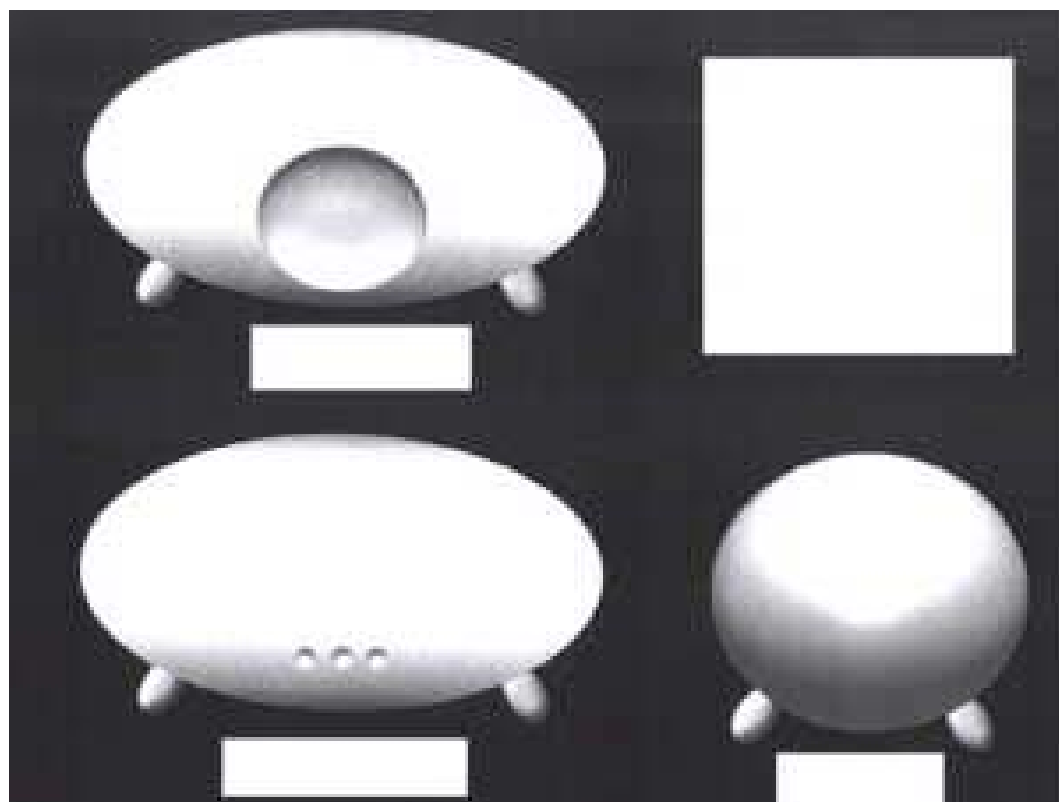
- (72) Name(s) of Designer(s): **Peter Boyd**
- (45) Registration Date: **07 July 2005**
- (56) Related Art Documents: **Not Applicable**
- (57) Statement of Newness and Distinctiveness: **Nil**



- (21) Design Number: **10265/2005**
- (22) Date of Filing Application: **27 January 2005**
- (24) Date from which industrial property rights may have effect: **27 January 2005**
- (54) Product in respect of which the design is registered: **Dog house, dog kennel**
- (51) International Design Classification: **30-02**
- (71) Name(s) and Address(s) of Applicant(s):

**Joel Kelly**  
**78 Glenn Street Umina Beach New South Wales 2257 Australia**  
**Mark Smith**  
**78 Glenn Street Umina Beach New South Wales 2257 Australia**

- (72) Name(s) of Designer(s): **Joel Kelly and Mark Smith**
- (45) Registration Date: **07 July 2005**
- (56) Related Art Documents: **Not Applicable**
- (57) Statement of Newness and Distinctiveness: **This modern dog house is designed to compliment shifting style trends. The futuristic design sets it apart from all other dog houses available on the market.**



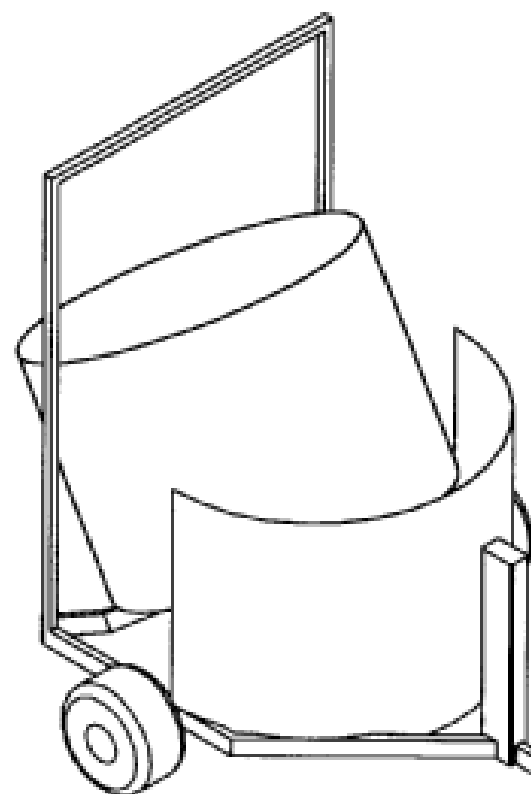
- (21) Design Number: **13033/2004**  
(22) Date of Filing Application: **22 June 2004**  
(24) Date from which industrial property rights may have effect: **22 June 2004**  
(54) Product in respect of which the design is registered: **Rear combination lights**  
(51) International Design Classification: **26-06**  
(71) Name(s) and Address(s) of Applicant(s):  
**Auto Trade Supplies Pty Ltd**  
**56 Longview Court Thomastown Victoria 3074 Australia**  
(72) Name(s) of Designer(s): **Tony Ottobre**  
(45) Registration Date: **12 July 2005**  
(56) Related Art Documents: **Not Applicable**  
(57) Statement of Newness and Distinctiveness: **Seperate clip in lenses. Base to take a variety of 2,3, or 4 combination of lenses for stop, tail, indicator, reverse LED lenses, no visible screws.**



- (21) Design Number: **13034/2004**  
(22) Date of Filing Application: **22 June 2004**  
(24) Date from which industrial property rights may have effect: **22 June 2004**  
(54) Product in respect of which the design is registered: **Rear combination lights**  
(51) International Design Classification: **26-06**  
(71) Name(s) and Address(s) of Applicant(s):  
**Auto Trade Supplies Pty Ltd**  
**56 Longview Court Thomastown Victoria 3074 Australia**  
(72) Name(s) of Designer(s): **Tony Ottobre**  
(45) Registration Date: **12 July 2005**  
(56) Related Art Documents: **Not Applicable**  
(57) Statement of Newness and Distinctiveness: **Seperate clip in lenses. Base to take a variety of 2,3, or 4 combination of lenses for stop, tail, indicator, reverse LED lenses, no visible screws.**



- (21) Design Number: **13798/2004**  
(22) Date of Filing Application: **11 August 2004**  
(24) Date from which industrial property rights may have effect: **11 August 2004**  
(54) Product in respect of which the design is registered: **Round bale feed out machine**  
(51) International Design Classification: **15-03NES**  
(71) Name(s) and Address(s) of Applicant(s):  
**Ian Parsons**  
**170 Mitchell Road Kialla West Victoria 3631 Australia**  
(72) Name(s) of Designer(s): **Ian Parsons**  
(45) Registration Date: **12 July 2005**  
(56) Related Art Documents: **Not Applicable**  
(57) Statement of Newness and Distinctiveness: **Nil**



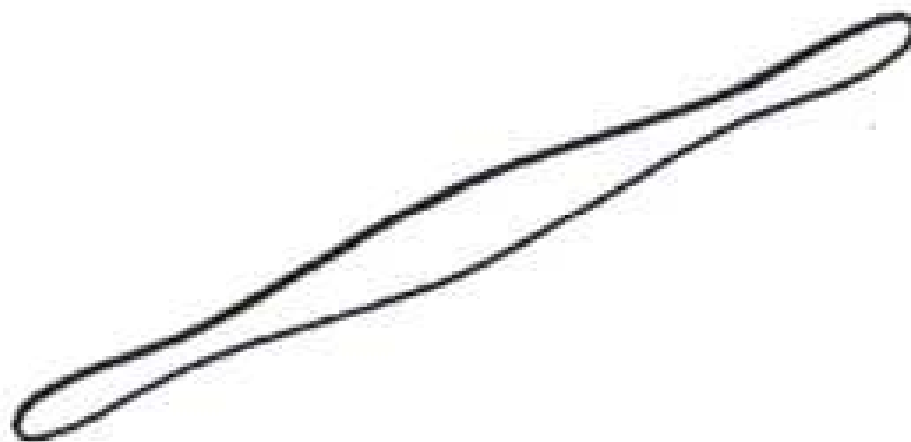
- (21) Design Number: **14276/2004**  
(22) Date of Filing Application: **08 September 2004**  
(24) Date from which industrial property rights may have effect: **08 September 2004**  
(54) Product in respect of which the design is registered: **Crystal Bridal Bouquet - "Bella Rose"**  
(51) International Design Classification: **11-05**  
(71) Name(s) and Address(s) of Applicant(s):  
**Judith Bacon**  
**Unit 15 8 Gladstone Road Castle Hill New South Wales 2154 Australia**  
(72) Name(s) of Designer(s): **Judith Bacon**  
(45) Registration Date: **08 July 2005**  
(56) Related Art Documents: **Not Applicable**  
(57) Statement of Newness and Distinctiveness: **Posy completely made of crystals. Individual flowers formed with crystal beads.**



(21) Design Number: **14277/2004**  
(22) Date of Filing Application: **08 September 2004**  
(24) Date from which industrial property rights may have effect: **08 September 2004**  
(54) Product in respect of which the design is registered: **Crystal Bridal Bouquet - "Forever"**  
(51) International Design Classification: **11-05**  
(71) Name(s) and Address(s) of Applicant(s):  
**Judith Bacon**  
**Unit 15 8 Gladstone Road Castle Hill New South Wales 2154 Australia**  
(72) Name(s) of Designer(s): **Judith Bacon**  
(45) Registration Date: **08 July 2005**  
(56) Related Art Documents: **Not Applicable**  
(57) Statement of Newness and Distinctiveness: **Teardrop bouquet completely made of crystals. Individual flowers formed with crystal beads.**

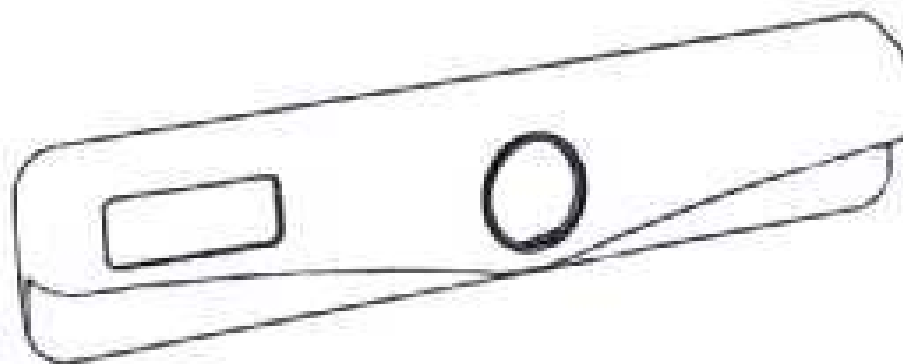


(21) Design Number: **14538/2004**  
(22) Date of Filing Application: **22 September 2004**  
(24) Date from which industrial property rights may have effect: **22 September 2004**  
(54) Product in respect of which the design is registered: **Lotion applicator**  
(51) International Design Classification: **28-03NES**  
(71) Name(s) and Address(s) of Applicant(s):  
**Anthony Paul Botica**  
**63 Atkin Avenue Mission Bay Auckland New Zealand**  
(72) Name(s) of Designer(s): **Anthony Paul Botica**  
(45) Registration Date: **12 July 2005**  
(30) Convention priority data:  
(31) Number      (32) Date      (33) Country  
**404703      25 Mar 2004      NEW ZEALAND**  
(56) Related Art Documents: **Not Applicable**  
(57) Statement of Newness and Distinctiveness: **Newness and distinctiveness reside in the applicator as shown in the accompanying drawings.**





- (21) Design Number: **14559/2004**  
(22) Date of Filing Application: **24 September 2004**  
(24) Date from which industrial property rights may have effect: **24 September 2004**  
(54) Product in respect of which the design is registered: **Lock fascia**  
(51) International Design Classification: **08-07**  
(71) Name(s) and Address(s) of Applicant(s):  
**Lock Focus Pty Ltd**  
**25 Futura Road Keysborough Victoria 3173 Australia**  
(72) Name(s) of Designer(s): **Andrew Howley**  
(45) Registration Date: **12 July 2005**  
(56) Related Art Documents: **Not Applicable**  
(57) Statement of Newness and Distinctiveness: **Newness and distinctiveness in this design resides in the appearance of the front and side surfaces of the lock fascia excluding those features shown in broken outline, but not in the rear elevation view.**



- (21) Design Number: **15023/2004**  
(22) Date of Filing Application: **27 October 2004**  
(24) Date from which industrial property rights may have effect: **27 October 2004**  
(54) Product in respect of which the design is registered: **Safety change belt**  
(51) International Design Classification: **02-07A**  
(71) Name(s) and Address(s) of Applicant(s):  
**Sian Flower Leeds**  
**54 Hook Street Altona Meadows Victoria 3028 Australia**  
(72) Name(s) of Designer(s): **Sian Flower Leeds**  
(45) Registration Date: **12 July 2005**  
(56) Related Art Documents: **Not Applicable**  
(57) Statement of Newness and Distinctiveness: **Monopoly is claimed in the features of shape or configuration of the safety change belt as illustrated in the representations.**



- (21) Design Number: **15024/2004**  
(22) Date of Filing Application: **26 October 2004**  
(24) Date from which industrial property rights may have effect: **26 October 2004**  
(54) Product in respect of which the design is registered: **Rounded edge treated timber sleepers**  
(51) International Design Classification: **25-01E**  
(71) Name(s) and Address(s) of Applicant(s):  
**Jamie Cregan**  
**9 Schofield Place Gordon ACT 2906 Australia**  
(72) Name(s) of Designer(s): **Jamie Cregan**  
(45) Registration Date: **12 July 2005**  
(56) Related Art Documents: **Not Applicable**  
(57) Statement of Newness and Distinctiveness: **Treated timber sleepers are rough sawn or bevel edged timber (may have machined faces) for landscaping purposes not usually of a structural grade, my design is for sleepers to have a rounded edge on one or more edges and machined and or sawn faces on one or more faces pre treatment the sleepers can be treated with any preservative treatment to lengthen their life after machining and can be all sizes and any length.**



- (21) Design Number: **15035/2004**  
(22) Date of Filing Application: **28 October 2004**  
(24) Date from which industrial property rights may have effect: **28 October 2004**  
(54) Product in respect of which the design is registered: **Packaging for 3-sided toothbrush**  
(51) International Design Classification: **09-03NES**  
(71) Name(s) and Address(s) of Applicant(s):  
**Careme Australia Pty Ltd**  
**3/27 Station Street Lindfield New South Wales 2070 Australia**  
(72) Name(s) of Designer(s): **Dyson Du and Gill Shaddick**  
(45) Registration Date: **12 July 2005**  
(56) Related Art Documents: **Not Applicable**  
(57) Statement of Newness and Distinctiveness: **Unusal shaped toothbrush packet design with roundtop, base has point at bottom right corner and arc at left hand side. Distinctive red, blue and white colour scheme.**



(21) Design Number: **15093/2004**

(22) Date of Filing Application: **29 October 2004**

(24) Date from which industrial property rights may have effect: **29 October 2004**

(54) Product in respect of which the design is registered: **Pedicure station I**

(51) International Design Classification: **06-01NES**

(71) Name(s) and Address(s) of Applicant(s):

**HydroCo (Australia) Pty Ltd**  
**22 Pascal Road Seaford Victoria 3198 Australia**

(72) Name(s) of Designer(s): **Brian Gay**

(45) Registration Date: **12 July 2005**

(56) Related Art Documents: **Not Applicable**

(57) Statement of Newness and Distinctiveness: **Novelty resides in the features of shape and configuration of a pedicure station as illustrated in the representations. The features of shape and configuration of the seat and arm rests do not form part of the design and are to be disregarded in considering the scope of the novelty design.**



(21) Design Number: **15094/2004**

(22) Date of Filing Application: **29 October 2004**

(24) Date from which industrial property rights may have effect: **29 October 2004**

(54) Product in respect of which the design is registered: **Pedicure station II**

(51) International Design Classification: **06-01NES**

(71) Name(s) and Address(s) of Applicant(s):

**HydroCo (Australia) Pty Ltd**  
**22 Pascal Road Seaford Victoria 3198 Australia**

(72) Name(s) of Designer(s): **Brian Gay**

(45) Registration Date: **12 July 2005**

(56) Related Art Documents: **Not Applicable**

(57) Statement of Newness and Distinctiveness: **Novelty resides in the features of shape and configuration of a pedicure station as illustrated in the representations.**



(21) Design Number: **15115/2004**  
(22) Date of Filing Application: **03 November 2004**  
(24) Date from which industrial property rights may have effect: **03 November 2004**  
(54) Product in respect of which the design is registered: **Toilet seat articles**  
(51) International Design Classification: **23-02C**  
(71) Name(s) and Address(s) of Applicant(s):

**Decha Ruttanacharoensub**  
**2/4 Marei Road Ellerslie Auckland New Zealand**

(72) Name(s) of Designer(s): **Decha Ruttanacharoensub**

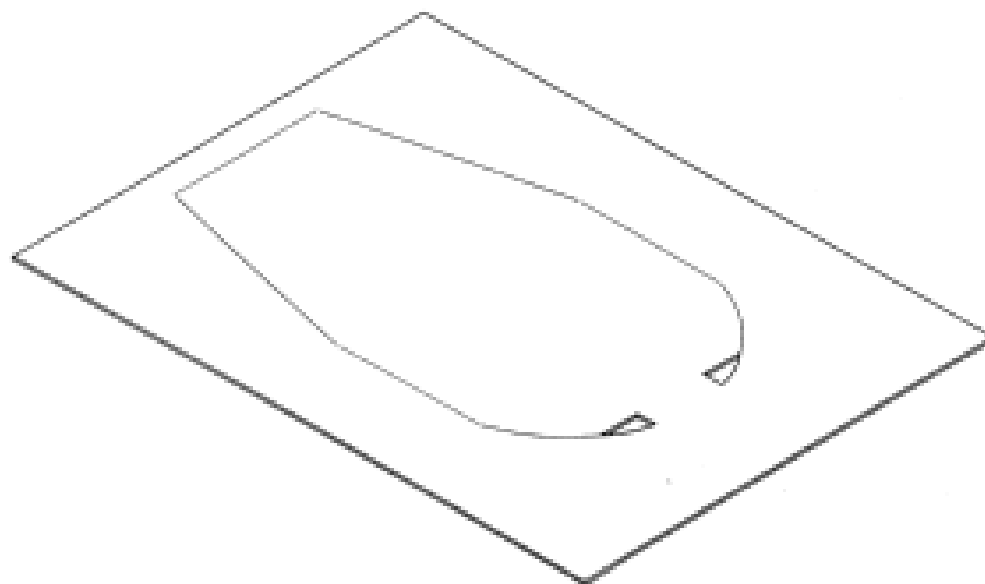
(45) Registration Date: **12 July 2005**

(30) Convention priority data:

(31) Number	(32) Date	(33) Country
<b>404798</b>	<b>04 May 2004</b>	<b>NEW ZEALAND</b>

(56) Related Art Documents: **Not Applicable**

(57) Statement of Newness and Distinctiveness: **Nil**



(21) Design Number: **15116/2004**  
(22) Date of Filing Application: **03 November 2004**  
(24) Date from which industrial property rights may have effect: **03 November 2004**  
(54) Product in respect of which the design is registered: **Toilet seat articles**  
(51) International Design Classification: **23-02C**  
(71) Name(s) and Address(s) of Applicant(s):

**Decha Ruttanacharoensub**  
**2/4 Marei Road Ellerslie Auckland New Zealand**

(72) Name(s) of Designer(s): **Decha Ruttanacharoensub**

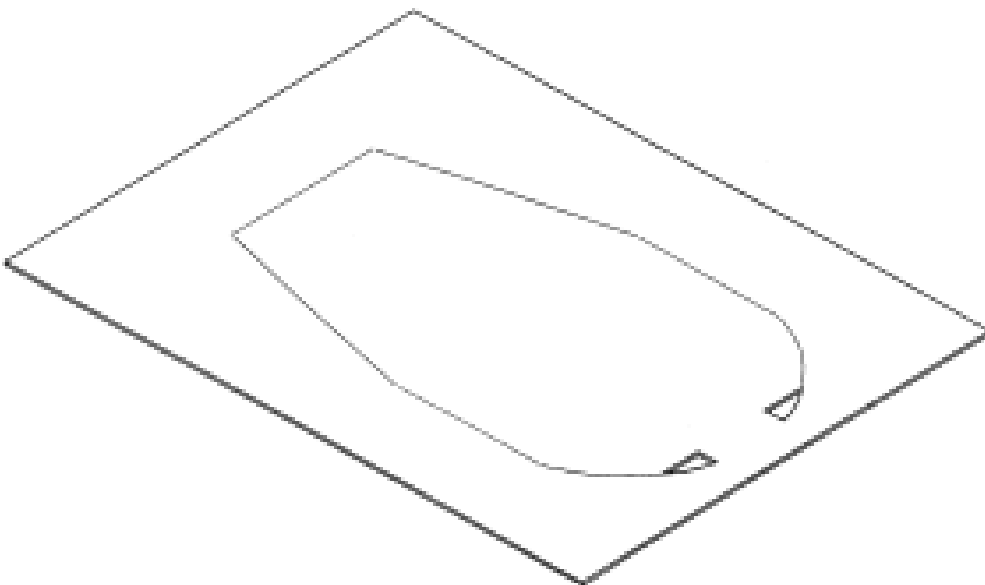
(45) Registration Date: **12 July 2005**

(30) Convention priority data:

(31) Number	(32) Date	(33) Country
<b>404798</b>	<b>04 May 2004</b>	<b>NEW ZEALAND</b>

(56) Related Art Documents: **Not Applicable**

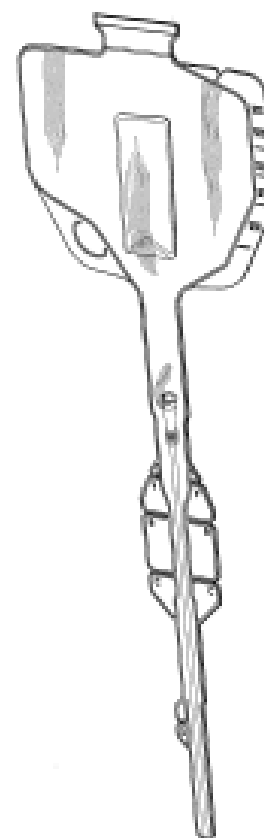
(57) Statement of Newness and Distinctiveness: **Nil**



(21) Design Number: **15147/2004**  
(22) Date of Filing Application: **05 November 2004**  
(24) Date from which industrial property rights may have effect: **05 November 2004**  
(54) Product in respect of which the design is registered: **Magazine and book holder**  
(51) International Design Classification: **19-02**  
(71) Name(s) and Address(s) of Applicant(s):  
**Joe John Sukkar**  
**30 Paul Court Baulkham Hills New South Wales 2153 Australia**  
(72) Name(s) of Designer(s): **Joe John Sukkar**  
(45) Registration Date: **12 July 2005**  
(56) Related Art Documents: **Not Applicable**  
(57) Statement of Newness and Distinctiveness: **Nil**



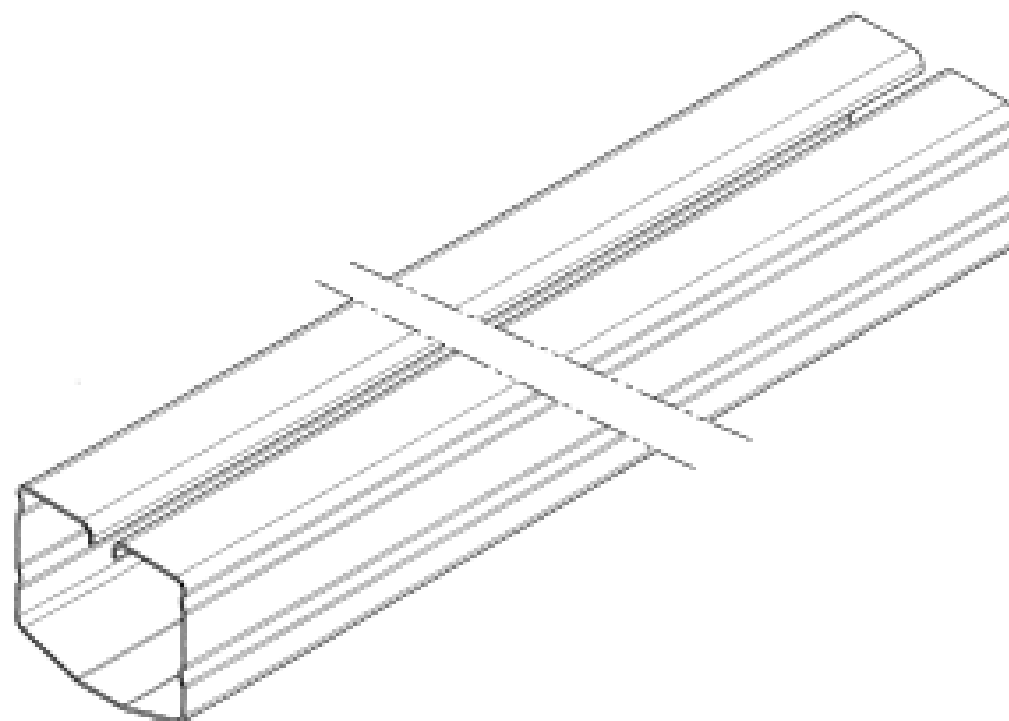
(21) Design Number: **15204/2004**  
(22) Date of Filing Application: **09 November 2004**  
(24) Date from which industrial property rights may have effect: **09 November 2004**  
(54) Product in respect of which the design is registered: **Catheter package**  
(51) International Design Classification: **24-04**  
(71) Name(s) and Address(s) of Applicant(s):  
**Astra Tech A.B.**  
**Aminogatan 1 SE-431 21 Molndal Sweden**  
(72) Name(s) of Designer(s): **Knapp Carina Haga and Kristina Kull Osterlin**  
(45) Registration Date: **12 July 2005**  
(30) Convention priority data:  
(31) Number      (32) Date      (33) Country  
**RCD**            **08 Jun 2004**      **EUROPEAN COMMUNITY**  
**000187448**  
(56) Related Art Documents: **Not Applicable**  
(57) Statement of Newness and Distinctiveness: **Nil**



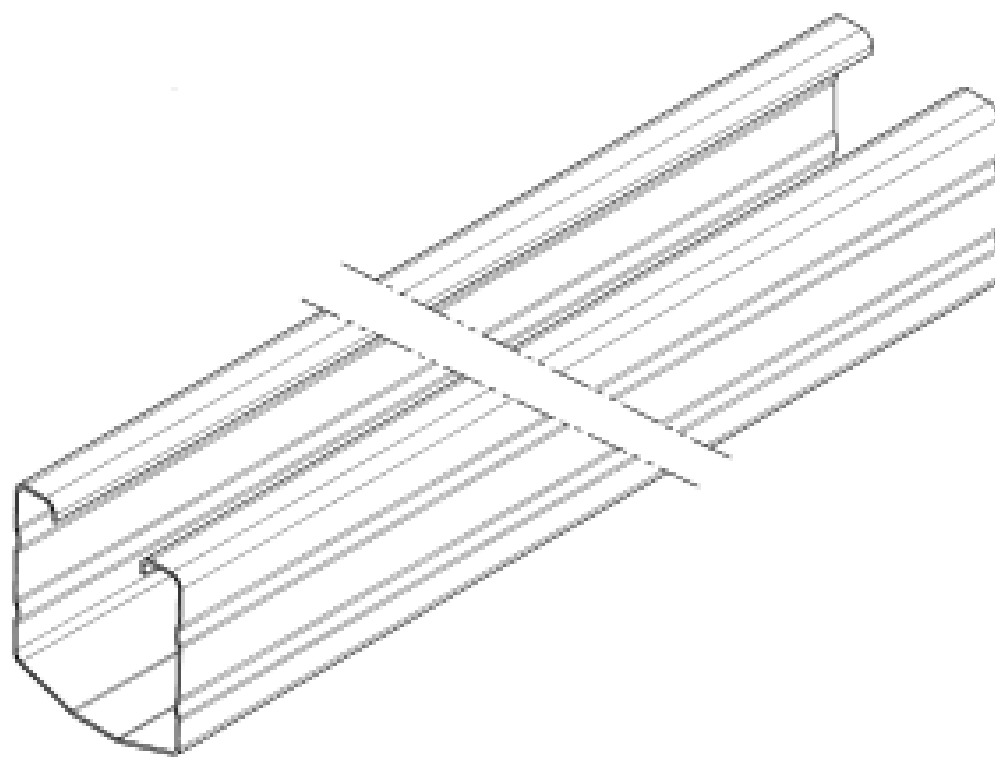
- (21) Design Number: **15211/2004**  
(22) Date of Filing Application: **10 November 2004**  
(24) Date from which industrial property rights may have effect: **10 November 2004**  
(54) Product in respect of which the design is registered: **Hooded sweatshirt**  
(51) International Design Classification: **02-02NES**  
(71) Name(s) and Address(s) of Applicant(s):  
**Kenneth Stephen Done**  
**17 Thurlow Street Redfern New South Wales 2016 Australia**  
(72) Name(s) of Designer(s): **Kenneth Stephen Done**  
(45) Registration Date: **12 July 2005**  
(56) Related Art Documents: **Not Applicable**  
(57) Statement of Newness and Distinctiveness: **The new features of the design are the hood, which is contoured and shaped to resemble a crocodile with eyes and teeth.**



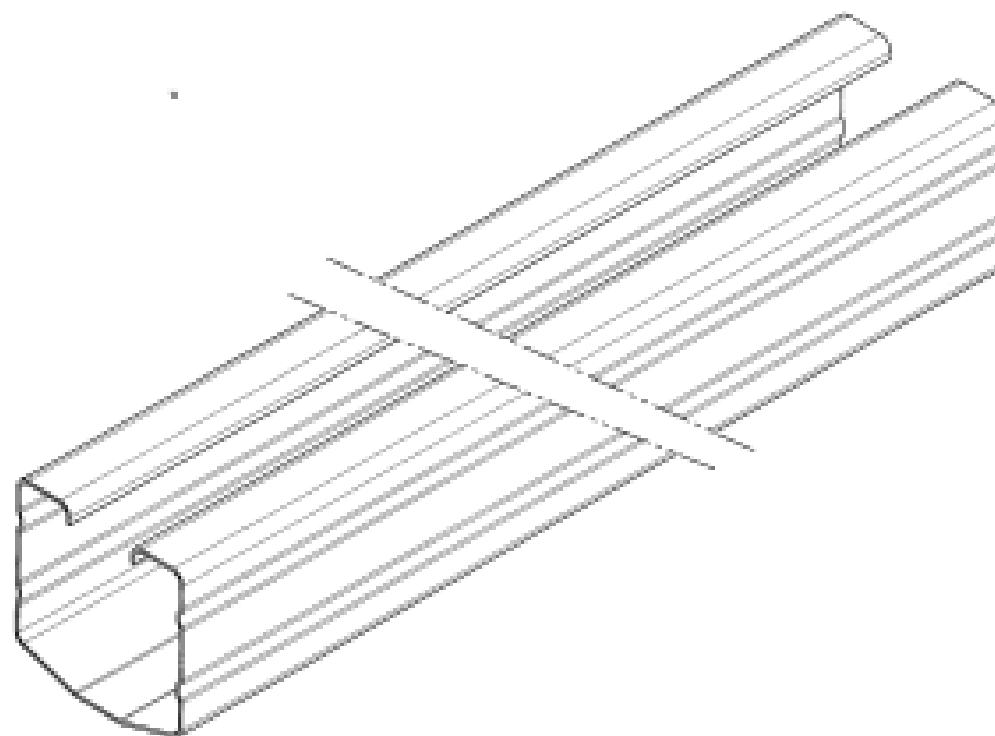
- (21) Design Number: **15364/2004**  
(22) Date of Filing Application: **18 November 2004**  
(24) Date from which industrial property rights may have effect: **18 November 2004**  
(54) Product in respect of which the design is registered: **Building member**  
(51) International Design Classification: **25-01K**  
(71) Name(s) and Address(s) of Applicant(s):  
**The Steeline Group Pty Ltd**  
**111 Union Road North Albury New South Wales 2640 Australia**  
(72) Name(s) of Designer(s): **Gavin Jones**  
(45) Registration Date: **12 July 2005**  
(56) Related Art Documents: **Not Applicable**  
(57) Statement of Newness and Distinctiveness: **Novelty resides in a building member of indefinite length.**



- (21) Design Number: **15365/2004**  
(22) Date of Filing Application: **18 November 2004**  
(24) Date from which industrial property rights may have effect: **18 November 2004**  
(54) Product in respect of which the design is registered: **Building member**  
(51) International Design Classification: **25-01K**  
(71) Name(s) and Address(s) of Applicant(s):  
**The Steeline Group Pty Ltd**  
**111 Union Road North Albury New South Wales 2640 Australia**  
(72) Name(s) of Designer(s): **Gavin Jones**  
(45) Registration Date: **12 July 2005**  
(56) Related Art Documents: **Not Applicable**  
(57) Statement of Newness and Distinctiveness: **Novelty resides in a building member of indefinite length.**



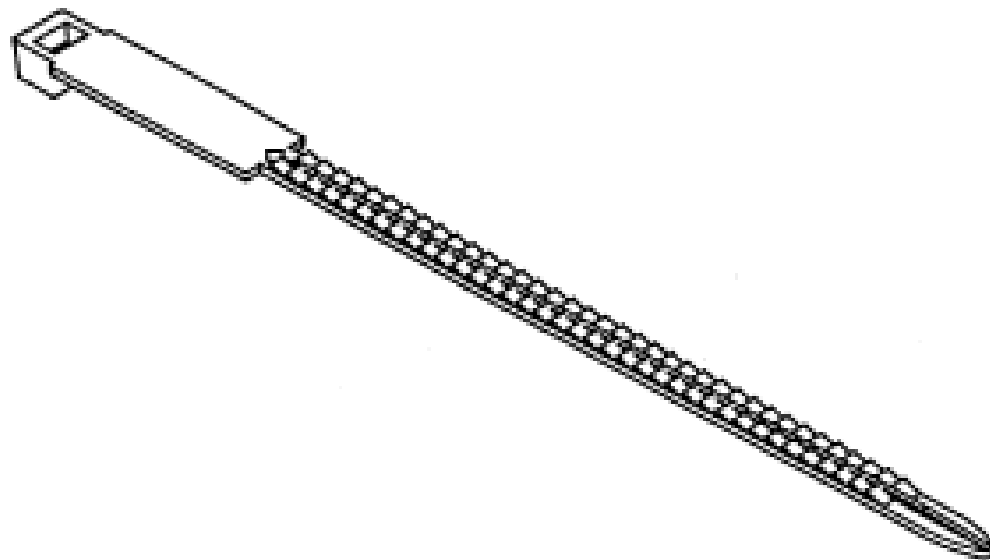
- (21) Design Number: **15366/2004**  
(22) Date of Filing Application: **18 November 2004**  
(24) Date from which industrial property rights may have effect: **18 November 2004**  
(54) Product in respect of which the design is registered: **Building member**  
(51) International Design Classification: **25-01K**  
(71) Name(s) and Address(s) of Applicant(s):  
**The Steeline Group Pty Ltd**  
**111 Union Road North Albury New South Wales 2640 Australia**  
(72) Name(s) of Designer(s): **Gavin Jones**  
(45) Registration Date: **12 July 2005**  
(56) Related Art Documents: **Not Applicable**  
(57) Statement of Newness and Distinctiveness: **Novelty resides in a building member of indefinite length.**



(21) Design Number: **15370/2004**  
(22) Date of Filing Application: **17 November 2004**  
(24) Date from which industrial property rights may have effect: **17 November 2004**  
(54) Product in respect of which the design is registered: **Tag**  
(51) International Design Classification: **19-08**  
(71) Name(s) and Address(s) of Applicant(s):

**Jtagz Pty Ltd**  
**101 Woodvale Park Road Adelaide Park Yeppoon Queensland 4703**  
**Australia**

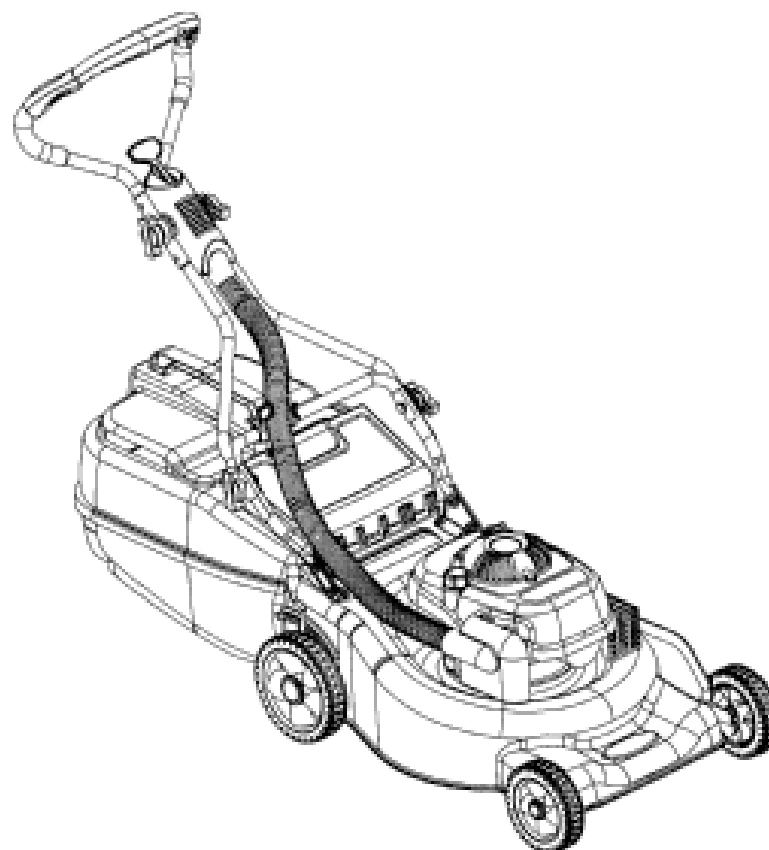
(72) Name(s) of Designer(s): **Clifford Paul Jowsey**  
(45) Registration Date: **12 July 2005**  
(56) Related Art Documents: **Not Applicable**  
(57) Statement of Newness and Distinctiveness: **Nil**



(21) Design Number: **15371/2004**  
(22) Date of Filing Application: **18 November 2004**  
(24) Date from which industrial property rights may have effect: **18 November 2004**  
(54) Product in respect of which the design is registered: **Lawn mower**  
(51) International Design Classification: **15-03B**  
(71) Name(s) and Address(s) of Applicant(s):

**Jenn Feng Industrial Co., Ltd**  
**No 19 Lane 118 Sec 2 Min-Tsu Road Ping-Chang City Taoyuan Taiwan**

(72) Name(s) of Designer(s): **Jung-Chang Jong**  
(45) Registration Date: **12 July 2005**  
(56) Related Art Documents: **Not Applicable**  
(57) Statement of Newness and Distinctiveness: **Nil**





- (21) Design Number: **10158/2005**  
(22) Date of Filing Application: **18 January 2005**  
(24) Date from which industrial property rights may have effect: **18 January 2005**  
(54) Product in respect of which the design is registered: **Dog bed**  
(51) International Design Classification: **30-06**  
(71) Name(s) and Address(s) of Applicant(s):  
**Carl Minett**  
**11 Parkhill Avenue Leumeah New South Wales 2560 Australia**  
(72) Name(s) of Designer(s): **Carl Minett and Diane Minett**  
(45) Registration Date: **12 July 2005**  
(56) Related Art Documents: **Not Applicable**  
(57) Statement of Newness and Distinctiveness: **The new features of the design is the protective roof above the dog bed, which allows protection mainly from the sun whilst allowing ventilation on all sides.**

