

Australian Government

IP Australia

AUSTRALIAN OFFICIAL JOURNAL

OF

DESIGNS

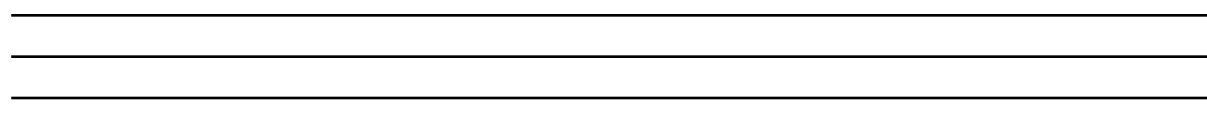
Did you know a searchable version of this journal is now available online?

It's FREE and EASY to SEARCH.

Find it at

<http://pericles.ipaustralia.gov.au/ols/epublish/content/olsEpublications.jsp>

or using the "Online Journals" link on the IP Australia home page.



This Page Left Intentionally Blank

Contents

General Information & Notices

**Proceedings Under the Designs Act 1906 preserved as a result of the provisions of Chapter 12
Part 2 of the Designs Act 2003**

Application for Extension of Period of Registration	1920
Applications Lapsed	1919
Extension of Period of Registration of Designs	1921
Extensions of Time Granted	1922
Registration Proceedings	
Registration Number Range 158140 to 158180	1923
Registrations Ceased	1921

Proceedings Under the Designs Act 2003

Applications Lapsed	1954
Applications Lodged	1949
Corrigenda	1955
Publication and Registration Proceedings	
Designs Registered 302382 to 302562.....	1956

This Page Left Intentionally Blank

General Information

EDITORIAL ENQUIRIES

All enquiries about official notices and general information in the Journal should be directed to IP Australia, ABN No 38 113 072 755, PO Box 200 Woden ACT 2606
(Telephone 02 6283 2999)
(Fax 02 6283 7999)
(E-mail assist@ipaustalia.gov.au)

CONTACT INFORMATION

Customer Support Centre
Ph: 02 6283 2999 Fax: 02 6283 7999
E-mail: assist@ipaustalia.gov.au

Customers can contact the Customer Support Centre by telephone or by e-mail. Telephones are staffed between 9AM and 5 PM EST each working day.

Customers should contact the CUSTOMER SUPPORT CENTRE for information about:

- All Patent Matters including PCT and Innovation Patents.
- All Trade Mark Matters.
- All Design matters.

Professional Standards Board for Patent and Trade Mark Attorneys
Ph: 02 6283 2345 Fax: 02 6285 1048

ORDERING PATENT DOCUMENTS

When ordering copies of Australian patent specifications, or abstracts and abridgements notified as open to public inspection on or after 26 October 1978, or as accepted on or after 16 November 1978, the documents should be referred to by application numbers only, preceded by the letters AU-A or AU-B respectively.

REQUESTS FOR INFORMATION UNDER SECTION 194 (C)

A request for information under Section 194 (C) of the Patents Act 1990 should be made in the approved form and be accompanied by the prescribed fee. The request should be as detailed as possible.

INFORMATION FROM REGISTERS

All requests for information from the Registers of Patents, Trade Marks or Designs, should be made in writing and accompanied by the prescribed fee. The Registers are located in Canberra and may be examined free of charge.

COUNTRY CODES

For a listing of country codes used by IP Australia please refer to the Official Journals dated 7 November 1996.

ABBREVIATIONS IN JOURNAL

Standard abbreviations are used in the names of companies and firms. Enquiries concerning the precise name should be directed to the Customer Support Centre.

FREEDOM OF INFORMATION ACT

What does it do?

Gives you the right to obtain information held by Commonwealth Ministers, Departments and most statutory bodies (these bodies are called agencies under the Act).

Requires Commonwealth Government agencies to make available to members of the public:

- information about agencies, their functions and operations
- information about rules and practices which are used in making decisions which affect you.

Gives you a legal right to:

- see non exempt documents held by agencies, and
- appeal against a decision not to grant access to a document.

What documents can you see?

The Act gives you the right to see documents lodged on or after 1 December 1977, or earlier if you need them to understand another document you have already.

Documents include files, reports, computer printouts, maps, plans, photographs, tape recordings, films or videotapes.

Documents which are available for purchase under the Patents Act 1990, the Trade Marks Act 1995 or the Designs Act 2003 are not available under the Freedom of Information Act (Section 12 refers).

How do you apply?

Requests for access to documents must:

- Be in writing
- Provide sufficient information to enable identification of the documents requested
- Specify an address in Australia where notices can be sent and
- Be accompanied by the application fee (currently \$30.00) or specify an IP Australia account to which the charges will be posted.

Requests for documents should be addressed to IP Australia, PO Box 200 Woden, ACT 2606, or faxed to 02 6283 7999

DECISIONS OF THE COMMISSIONER OF PATENTS AND REGISTRARS OF TRADE MARKS AND DESIGNS

- All decisions of the Commissioner and Registrars are available free of charge from AUSTLII's website www.austlii.edu.au.

Copies of all written Patent and Design decisions are available (except if they would not be available under the provisions of the Freedom of Information legislation, e.g. if they would effectively disclose matter from documents that are not open to public inspection) on request for a cost of \$AU 25. They are also available for inspection in indexed volume series, dating from 1 January 1987, in the Office library, Canberra.

Copies of Trade Mark decisions may be accessed via IP Australia's website www.ipaustalia.gov.au.

- Copies of the taped record of Patent and Design hearings are available (with the same exception as above) on request.
- When a written decision is issued the fact of the decision plus a brief head note will be published in the Official Notices section of the next available Patents, Trade Marks or Designs Journal as appropriate.

HEARINGS BEFORE THE COMMISSIONER OF PATENTS AND THE REGISTRARS OF TRADE MARKS AND DESIGNS

Hearings before the Commissioner of Patents and the Registrars of Trade Marks and Designs will be set down in Melbourne, Sydney, Adelaide, Perth and Brisbane during the periods indicated below.

Patent Hearing Sessions 2005

Melbourne	9 - 11 May
Sydney	11 - 13 July
Adelaide	2 - 3 August
Perth	4 - 5 August
Brisbane	1 - 2 September

Note: *Ex parte* matters will have priority over matters for allocation of a hearing date in these sessions.

Designs & Trade Mark Hearing Sessions 2005

Melbourne	14 - 18 February	1 st Floor 45 Clarence Street SYDNEY NSW 2000 Ph: 1300 65 10 10 Fax: (02) 9249 5807
Melbourne	6 - 10 June	
Melbourne	12 - 16 September	
Sydney	14 - 18 March	Victoria Level 6 565 Bourke Street MELBOURNE VIC 3000 Ph: 1300 65 10 10 Fax: (03) 9612 9807
Sydney	18 - 22 July	
Sydney	17 - 21 October	
Adelaide	15 - 16 August	Western Australia 2 nd Floor Eastpoint Plaza 233 Adelaide Terrace PERTH WA 6000 Ph: 1300 65 1010 Fax: (08) 9220 8907
Perth	18 - 19 August	
Brisbane	22 - 23 August	

Persons who desire matters to be set down for hearing in Melbourne, Sydney, Adelaide, Perth or Brisbane must give at least one month's notice of their intention to be heard. If such notice is not given, it may be that there would be insufficient time to allow for the execution of official procedures associated with the listing of hearings, and as a result, the matter involved might not be listed.

Subject to the convenience of this Office, hearings will be set down in Canberra at any time suitable to the parties.

LIST OF STATE OFFICES

IP Australia State offices are located in the Australian Capitals at the addresses given below. Requests for information may be obtained by calling at, phoning or writing to these offices or IP Australia, Canberra.

Australian Capital Territory
Ground Floor
Discovery House
PHILLIP ACT 2606
(PO Box 200, Woden ACT 2606)
Ph: 1300 65 1010
Fax: (02) 6283 7999

New South Wales

Queensland
Level 1
Reserve Bank Building
102 Adelaide Street
BRISBANE QLD 4000
Ph: 1300 65 1010
Fax: (07) 3007 1107

South Australia
Level 10
AMP Building
1 King William Street
ADELAIDE SA 5000
Ph: 1300 65 1010
Fax: (08) 8239 4507

Tasmania
4th Floor
AMP Building
27 Elizabeth Street
HOBART TAS 7000
Ph: 1300 65 1010
Fax: (03) 62356307

“INID” NUMBERS in use on Australian Design Documents

“INID” is an acronym for “Internationally agreed Numbers for the Identification of Data”.

(10) Data concerning the registration/renewal

- (11) Serial number of the registration and/or number of the design document
- (12) Plain language designation of the kind of published document
- (19) Identification, using the two-letter code according to WIPO Standard ST.3, of the authority publishing or registering the industrial design

(20) Data concerning the application

- (21) Serial number of the application
- (22) Date of filing of the application
- (24) Date from which the industrial design right has effect

(30) Data relating to priority under the Paris Convention

- (31) Serial number assigned to the priority application
- (32) Date of filing of the priority application
- (33) Two-letter code, according to WIPO Standard ST.3, identifying the authority with which the priority application was made

(40) Date(s) of making information available to the public

- (45) Date of publication of the registered industrial design by printing or similar process, or making it available to the public by any other means

(50) Miscellaneous Information

- (51) International Classification for Industrial Designs (class and subclass of the Locarno Classification)
- (54) Designation of article(s) or product(s) covered by the industrial design or title of the industrial design
- (55) Reproduction of the industrial design (e.g., drawing, photograph) and explanations relating to the reproduction
- (56) List of prior art documents, if separate from descriptive text
- (57) Description of characteristic features of the industrial design including indication of colours

(60) References to other legally related application(s) and registration(s)

- (62) Serial number(s) and, if available, filing date(s) of application(s), registration(s) or document(s) related by division
- (66) Serial number(s) of the application, or the registration, of the design(s) which is (are) a variant(s) of the present one

(70) Identification of parties concerned with the application or registration

- (71) Name(s) and address(es) of the applicant(s)
- (72) Name(s) of the creator(s) if known to be such
- (74) Name(s) and address(es) of the representative(s)

This Page Left Intentionally Blank

Official Notice***Designs Act 2003***
Converted Designs

The following transitional applications have been converted to an application under the *Designs Act 2003*:

2003 Act Design Number	1906 Act Application Number
13037/2005	4251/2003
13038/2005	4352/2003
13054/2005	4560/2003
13055/2005	4561/2003
13056/2005	4562/2003
13123/2005	4558/2003
13139/2005	552/2004

For more recent notifications of converted applications, please see the Australian Designs Data Searching system.

Contact: IP Australia
Phone: 1300 651 010
Fax: +61 2 6283 7999
E-mail: assist@ipaustrialia.gov.au
Web: www.ipaustrialia.gov.au

This Page Left Intentionally Blank

**Proceedings under the Designs Act 1906 preserved as a
result of the provisions of Chapter 12 Part 2 of the Designs
Act 2003.**

This Page Left Intentionally Blank

Applications Lapsed

03724 / 2003 (09-03F)	04147 / 2003 (03-01D)
04149 / 2003 (24-01)	04174 / 2003 (09-01G)
04202 / 2003 (26-02)	04204 / 2003 (05-03)
04243 / 2003 (23-04)	04250 / 2003 (06-06G)
04267 / 2003 (06-01H)	04268 / 2003 (23-01NES)
04308 / 2003 (09-03B)	04325 / 2003 (08-08G)
04344 / 2003 (09-03B)	04354 / 2003 (25-02NES)
04355 / 2003 (02-02B)	04399 / 2003 (23-02E)
04400 / 2003 (23-02E)	04401 / 2003 (26-05B)
00880 / 2004 (07-99NES)	01027 / 2004 (25-02E)
01111 / 2004 (11-02B)	01122 / 2004 (20-02E)
01220 / 2004 (07-01NES)	01221 / 2004 (07-01NES)

Application for Extension of Period of Registration

Applications under Section 27A(2) for extension of registration of the following designs have been lodged. In the event that a design is shown to be not new or original, the Registrar may refuse to extend the period of registration. Sub-section 27A(4) allows any person to lodge at the Designs Office material relevant to the question whether the design is not new or original. That material must be lodged within 11 months of the date when the registration of the design was made. Further details of the conditions and procedures for the lodgement of material are contained in Form 8 provided under the Designs Regulation 24.

Registration Number	Registered Owner	Registration Date
155894	INVERNESS MEDICAL SWITZERLAND G.M.B.H.	16/07/2004
155896	REBBECK AND LEDGER PTY LTD	16/07/2004
155897	REBBECK AND LEDGER PTY LTD	16/07/2004
155898	REBBECK AND LEDGER PTY LTD	16/07/2004
155899	REBBECK AND LEDGER PTY LTD	16/07/2004
155937	MARJAN NAUMOSKI	19/07/2004
155941	REBBECK AND LEDGER PTY LTD	19/07/2004
155948	LISA MARGARET COOPER and HELEN MARGARET MANGION	19/07/2004
155965	SCOTT K. STRENK and CURT M. STRENK	20/07/2004
155978	WILLIAM SWANSTON	20/07/2004
155983	JACEK BLUM	21/07/2004
156040	JULIO GARCIA	28/07/2004
156053	GLOBAL INDUSTRIES HOLDINGS LIMITED	30/07/2004
156187	RODRIC LINDSAY FOOKS	13/08/2004
156287	SPA PARTS PTY LTD	26/08/2004
156288	SPA PARTS PTY LTD	26/08/2004
156289	SPA PARTS PTY LTD	26/08/2004
156290	SPA PARTS PTY LTD	26/08/2004
156291	PHILIP MORRIS PRODUCTS S.A.	26/08/2004
156299	AVENEL OF MELBOURNE WHOLESALE PTY LTD	26/08/2004
156302	REBBECK AND LEDGER PTY LTD	31/08/2004
156315	RAMTAPS PTY LTD	31/08/2004
156360	BRUMBY CORPORATION LIMITED	06/09/2004
156440	THERMAKRAFT INDUSTRIES (NZ) LIMITED	20/09/2004
156474	ENTTEX PTY LTD	22/09/2004
156523	BRUMBY CORPORATION LIMITED	29/09/2004
156524	BRUMBY CORPORATION LIMITED	29/09/2004

Registration Number	Registered Owner	Registration Date
156525	BRUMBY CORPORATION LIMITED	29/09/2004
156562	HYDOR SRL	05/10/2004
156573	SOPPEC S.A.	05/10/2004
156661	RESMED LTD	18/10/2004
156662	RESMED LTD	18/10/2004
156663	RESMED LTD	18/10/2004
156664	RESMED LTD	18/10/2004
156665	RESMED LTD	18/10/2004
156666	RESMED LTD	18/10/2004
156667	RESMED LTD	18/10/2004
156668	RESMED LTD	18/10/2004
156738	FORD MOTOR COMPANY OF AUSTRALIA LIMITED	21/10/2004
156861	MOBILE ONE AUSTRALIA PTY LTD	15/11/2004
156862	MOBILE ONE AUSTRALIA PTY LTD	15/11/2004
157175	DAVID JOHN ROBERTS	06/01/2005
157464	LIFETIME PRODUCTS INC.	02/02/2005
157563	ANTHONY KWAW QUANSAH	21/02/2005
157565	ABB TECHNOLOGY LTD	21/02/2005
157731	LIFETIME PRODUCTS INC.	15/03/2005
157906	ONE WORLD TECHNOLOGIES LIMITED	15/04/2005
157946	ONE WORLD TECHNOLOGIES LIMITED	19/04/2005
157957	ONE WORLD TECHNOLOGIES LIMITED	22/04/2005
158043	PETER C. LLOYD	06/06/2005
158044	PETER C-LLOYD	06/06/2005
158045	PETER C-LLOYD	06/06/2005
158046	PETER C-LLOYD	06/06/2005
158097	JCDECAUX S.A.	08/06/2005
158108	NOKIA CORPORATION	20/06/2005
158115	FISHER & PAYKEL APPLIANCES LIMITED	29/06/2005
158118	DJ ORTHOPEDICS LLC	29/06/2005
158119	DJ ORTHOPEDICS LLC	29/06/2005
158120	DJ ORTHOPEDICS LLC	29/06/2005
158133	BULGARI TIME (SWITZERLAND) S.A.	07/07/2005
158134	BULGARI S.P.A.	07/07/2005
158137	MICHAEL SO and ARTHUR PEIKOS	07/07/2005
158139	THE GILLETTE COMPANY	07/07/2005

Extension of Period of Registration of Designs

1st Period (Section 27A(8))

155830	155832	155833
155834	155835	155836
155837	155838	155839
155841	155842	155843
155844	155845	155846
155847	155848	155849
155851	155852	155853
155854	155855	155856
155858	155859	155860
155861	155862	155863
155864	155868	155869
155870	155872	155873
155874	155875	155876
155877	155879	155880
155881	155882	155883
155884	155885	155886
155887	155890	155891
155892	155893	155894
155895	155896	155897
155898	155899	155900
155901	155902	155903
155904	155905	155906
155907	155908	155909
155910	155911	155915
155917	155918	155919
155920	155921	155922
155923	155926	155927
155928	155929	155930
155932	155935	155937
155938	155941	155942
155943	155944	155945
155946	155947	155948
155949	155950	155952
155953	155954	155955
155956	155957	155958
155959	155960	155961
155962	155963	155964
155965	155966	155967
155968	155969	155970
155971	155972	155973
155975	155976	155977
155978	155979	155980
155982	155983	155984
155985	155986	155987
155988	155989	155992
155993	155994	155995
155996	155997	156001
156002	156003	156005
156006	156007	156008
156013	156016	156017
156221	156374	156401
156701	157383	

2nd Period (Section 27A(12))

138200	138493	138494
138667	138818	139200
139323	139711	139715
139718	139719	139722
139723	139724	139744
139786	139808	139852
139891	139911	140019
140020	140048	140058
140100	140110	140111
140135	140136	140170
140192	140193	140229
140277	140293	140295
140391	140524	140525
140582	140640	140641
140643	140674	140693
140694	140723	140747
140862	140863	141506
141750	141846	141861
141864	141919	142007
142033	142034	142075
142205	142331	142804
142949	142950	143095
143144	143201	143335
143681	143701	143843
143881	144121	144128
144129	144441	148531
151726		

3rd Period (Section 27A(13))

121943	122006	122173
122943	122944	122971
123062	123101	123123
123261	123390	123518
123581	123582	123854
123874	123875	123876
123895	124023	124372
124680	125665	125694
125778	125779	126591
126976	126977	126978
126979	127498	139200
140585	153144	

Registrations Ceased

Note: Some of the following Registrations may have been previously advertised as ceased. In this instance, the previous advertisement still prevails.

106654	106655	106727
106730	106731	106771
106776	106780	106855
106976	107119	107249
107302	107306	107379
107383	107416	107485
107740	107760	108230
108254	108373	108782
109306	120908	120909

120910	120911	120912
120955	121013	121027
121028	121067	121266
121295	121542	121544
121548	125390	136479
136496	136546	136797
137105	137708	137742
137743	137744	137746
137748	137751	137758
137801	137802	137803
137805	137806	137833
137857	137858	137862
137863	137864	137865
137866	137867	137868
137869	137870	137871
137872	137873	137874
137875	137911	137912
137966	138004	138036
138037	138055	138057
138058	138287	138402
138403	138404	138405
138406	138407	138408
138409	138410	138411
138412	138755	138757
138993	139163	139432
139523	139548	139549
139550	139602	139603
139627	140044	141183
141955	141956	142048
142915	143855	154062
155811	155812	155815
155831	155840	155850
155865	155866	155867
155871	155878	155888
155889	155913	155914
155916	155924	155925
155931	155933	155934
155936	155939	155940
155951	155981	156000
157850		

Extensions of time granted

Applications lodged for extension of time have been granted.

03588/2003 **John Murray Charlesworth** An Extension of time to register an application has been granted to 17/06/2005

04075/2003 **SPL Wholesale Pty Ltd** An Extension of time to register an application has been granted to 24/07/2005

04075/2003 **SPL Wholesale Pty Ltd** An Extension of time to register an application has been granted to 24/08/2005

Registration Proceedings

Designs Registered

This section provides a concordance between application number and registration number of Designs covered in this journal. It also shows the main class and registration date.

This section covers Registration numbers 158140 to 158180.

The registration number shown below should be used in all future correspondence.

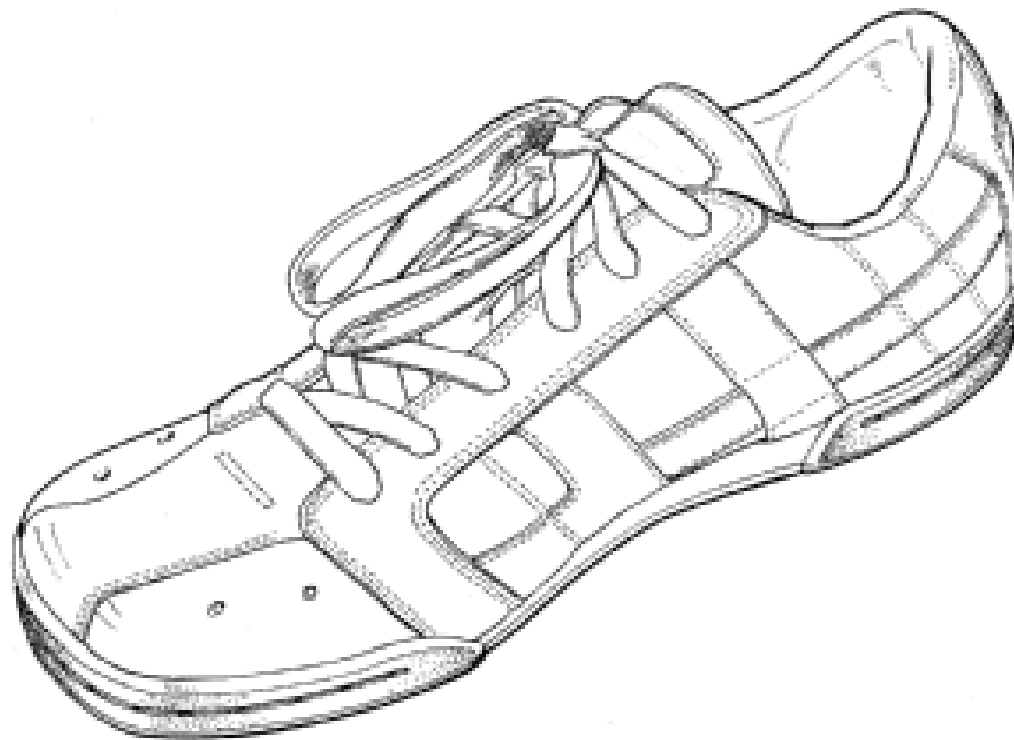
Application Number	Registration Number	International Classification Code (IDC)	Registration Date	Application Number	Registration Number	International Classification Code (IDC)	Registration Date
03631/2003	158169	24-02	25/07/2005	00918/2004	158154	08-05NES	25/07/2005
04121/2003	158140	02-04NES	18/07/2005	00998/2004	158155	21-02F	25/07/2005
04124/2003	158141	02-04NES	18/07/2005	01602/2004	158175	13-02	26/07/2005
04221/2003	158151	12-16A	25/07/2005	01638/2004	158166	23-02A	25/07/2005
04222/2003	158152	12-16B	25/07/2005	01639/2004	158167	07-05D	25/07/2005
04286/2003	158142	08-07	22/07/2005	01769/2004	158176	09-01NES	26/07/2005
00025/2004	158162	12-16NES	25/07/2005	01808/2004	158148	06-03A	22/07/2005
00193/2004	158171	06-06E	26/07/2005	01914/2004	158177	08-07	26/07/2005
00315/2004	158172	08-07	26/07/2005	02097/2004	158156	07-05D	25/07/2005
00374/2004	158163	14-03D	25/07/2005	02145/2004	158178	07-01E	26/07/2005
00425/2004	158143	06-01F	22/07/2005	02157/2004	158157	08-08B	25/07/2005
00426/2004	158144	06-01H	22/07/2005	02250/2004	158179	04-02	26/07/2005
00474/2004	158173	06-01F	26/07/2005	02289/2004	158149	24-04	22/07/2005
00507/2004	158174	04-02	26/07/2005	02310/2004	158158	07-02F	25/07/2005
00529/2004	158164	08-03	25/07/2005	02311/2004	158159	07-02F	25/07/2005
00530/2004	158165	08-03	25/07/2005	02365/2004	158150	28-03B	22/07/2005
00589/2004	158170	25-01D	25/07/2005	02438/2004	158160	10-05	25/07/2005
00715/2004	158145	12-16B	22/07/2005	02439/2004	158161	10-05	25/07/2005
00716/2004	158146	12-16B	22/07/2005	02467/2004	158180	09-03F	26/07/2005
00731/2004	158147	12-16E	22/07/2005	02512/2004	158168	09-04	25/07/2005
00915/2004	158153	07-02D	25/07/2005				

Registration Proceedings
Class Listing of Designs Registered

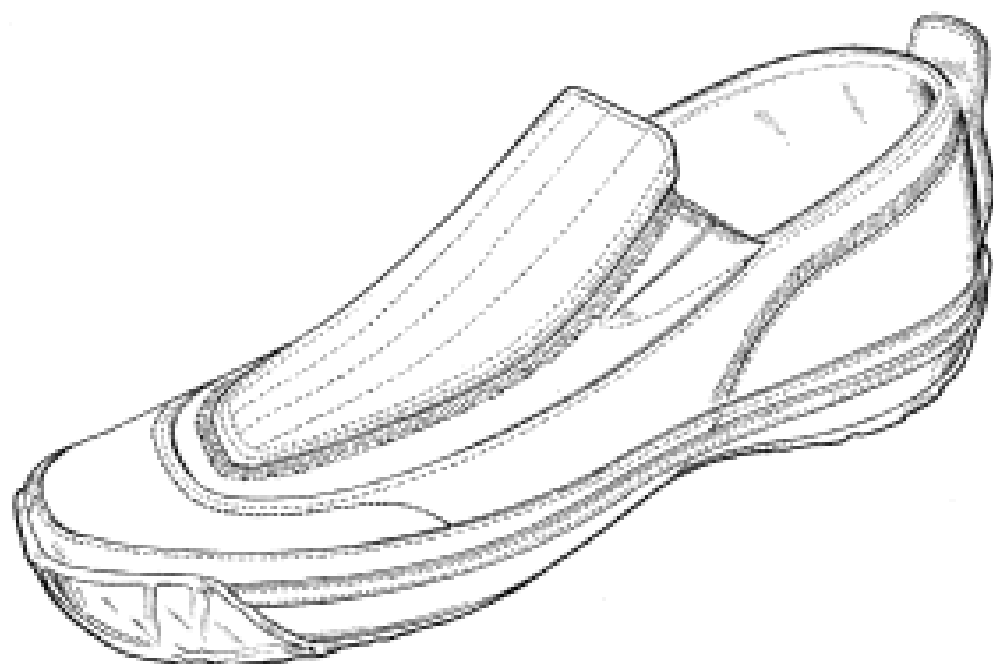
The following section shows an International Classification Code listing of the Registered Designs covered in this supplement.

Classification	Registration Number	Application Number	Classification	Registration Number	Application Number
02-04 NES	158140	04121/2003	08-07	158177	01914/2004
02-04 NES	158141	04124/2003	08-08 B	158157	02157/2004
04-02	158174	00507/2004	09-01 NES	158176	01769/2004
04-02	158179	02250/2004	09-03 F	158180	02467/2004
06-01 F	158143	00425/2004	09-04	158168	02512/2004
06-01 F	158173	00474/2004	10-05	158160	02438/2004
06-01 H	158143	00425/2004	10-05	158161	02439/2004
06-01 H	158144	00426/2004	12-16 A	158151	04221/2003
06-03 A	158148	01808/2004	12-16 B	158145	00715/2004
06-03 C	158173	00474/2004	12-16 B	158146	00716/2004
06-06 E	158171	00193/2004	12-16 B	158152	04222/2003
07-01 E	158178	02145/2004	12-16 E	158147	00731/2004
07-02 D	158153	00915/2004	12-16 NES	158162	00025/2004
07-02 F	158158	02310/2004	13-02	158175	01602/2004
07-02 F	158159	02311/2004	14-03 D	158163	00374/2004
07-05 D	158156	02097/2004	21-02 F	158155	00998/2004
07-05 D	158167	01639/2004	23-02 A	158166	01638/2004
08-03	158164	00529/2004	24-02	158169	03631/2003
08-03	158165	00530/2004	24-04	158149	02289/2004
08-05 NES	158154	00918/2004	25-01 D	158170	00589/2004
08-07	158142	04286/2003	28-03 B	158150	02365/2004
08-07	158172	00315/2004			

- (21) Application Number: **4121/2003**
(22) Date of Filing Application: **21 November 2003**
(24) Date from which industrial property rights may have effect: **21 November 2003**
(54) Article in respect of which the design is registered: **Footwear**
(51) International Design Classification: **02-04NES**
(74) Name(s) of Attorney(s): **MIDDLETONS LAWYERS**
(71) Name(s) and Address(s) of Applicant(s):
Global Brand Marketing Inc.
6500 Hollister Avenue Santa Barbara CA 93117 United States of America
(72) Name(s) of Author(s): **Fiona Adams**
(45) Registration Date: **18 July 2005**
(56) Related Art Documents: **Not Applicable**
(57) Statement of Monopoly: **Monopoly is claimed in the features of shape and configuration of the footwear as shown in the accompanying representations.**
Statement of Novelty: **Nil**



- (21) Application Number: **4124/2003**
(22) Date of Filing Application: **21 November 2003**
(24) Date from which industrial property rights may have effect: **21 November 2003**
(54) Article in respect of which the design is registered: **Footwear**
(51) International Design Classification: **02-04NES**
(74) Name(s) of Attorney(s): **MIDDLETONS LAWYERS**
(71) Name(s) and Address(s) of Applicant(s):
Global Brand Marketing Inc.
6500 Hollister Avenue Santa Barbara CA 93117 United States of America
(72) Name(s) of Author(s): **Fiona Adams**
(45) Registration Date: **18 July 2005**
(56) Related Art Documents: **Not Applicable**
(57) Statement of Monopoly: **Monopoly is claimed in the features of shape and configuration of the footwear as shown in the accompanying representations.**
Statement of Novelty: **Nil**



(21) Application Number: **4286/2003**
(22) Date of Filing Application: **04 December 2003**
(24) Date from which industrial property rights may have effect: **04 December 2003**
(54) Article in respect of which the design is registered: **Hinged latch**
(51) International Design Classification: **08-07**
(71) Name(s) and Address(s) of Applicant(s):
Darren Abrahamson
93 Young Street Carrington New South Wales 2294 Australia
(72) Name(s) of Author(s): **Darren Abrahamson**
(45) Registration Date: **22 July 2005**
(61) Additional to: **149174**
(56) Related Art Documents: **Not Applicable**
(57) Statement of Monopoly: **Monopoly is claimed in the shape and configuration of the hinged latch as shown in the representations.**
Statement of Novelty: **Nil**



(21) Application Number: **0425/2004**
(22) Date of Filing Application: **04 February 2004**
(24) Date from which industrial property rights may have effect: **04 February 2004**
(54) Article in respect of which the design is registered: **A chair**
(51) International Design Classification: **06-01F, 06-01H**
(71) Name(s) and Address(s) of Applicant(s):
Benjamin John Carson
11/80 Dow Street Port Melbourne Victoria 3207 Australia
(72) Name(s) of Author(s): **Benjamin John Carson**
(45) Registration Date: **22 July 2005**
(56) Related Art Documents: **Not Applicable**
(57) Statement of Monopoly: **Monopoly is claimed in the shape and configuration of a chair as shown in the representations.**
Statement of Novelty: **Nil**



(21) Application Number: **0426/2004**
(22) Date of Filing Application: **04 February 2004**
(24) Date from which industrial property rights may have effect: **04 February 2004**
(54) Article in respect of which the design is registered: **A chair**
(51) International Design Classification: **06-01H**
(71) Name(s) and Address(s) of Applicant(s):
Benjamin John Carson
11/80 Dow Street Port Melbourne Victoria 3207 Australia
(72) Name(s) of Author(s): **Benjamin John Carson**
(45) Registration Date: **22 July 2005**
(56) Related Art Documents: **Not Applicable**
(57) Statement of Monopoly: **Monopoly is claimed in the shape and configuration of a chair as shown in the representations.**
Statement of Novelty: **Nil**



(21) Application Number: **0715/2004**
(22) Date of Filing Application: **25 February 2004**
(24) Date from which industrial property rights may have effect: **25 February 2004**
(54) Article in respect of which the design is registered: **Set of vehicle rear quarter panels**
(51) International Design Classification: **12-16B**
(74) Name(s) of Attorney(s): **PHILLIPS ORMONDE & FITZPATRICK**
(71) Name(s) and Address(s) of Applicant(s):
Holden Ltd
241 Salmon Street Port Melbourne Victoria 3207 Australia
(72) Name(s) of Author(s): **Jeffrey Haggarty**
(45) Registration Date: **22 July 2005**
(56) Related Art Documents: **Not Applicable**
(57) Statement of Monopoly: **Monopoly is claimed in the shape or configuration of set of vehicle rear quarter panels as shown in the representations.**
Statement of Novelty: **Nil**



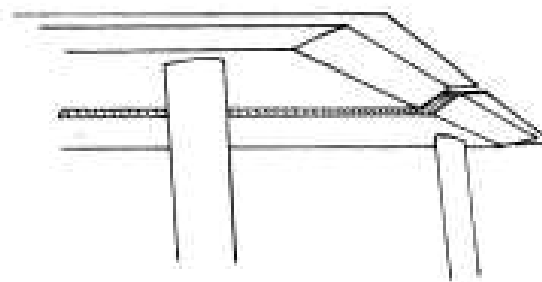
(21) Application Number: **0716/2004**
(22) Date of Filing Application: **25 February 2004**
(24) Date from which industrial property rights may have effect: **25 February 2004**
(54) Article in respect of which the design is registered: **Vehicle tailgate**
(51) International Design Classification: **12-16B**
(74) Name(s) of Attorney(s): **PHILLIPS ORMONDE & FITZPATRICK**
(71) Name(s) and Address(s) of Applicant(s):
Holden Ltd
241 Salmon Street Port Melbourne Victoria 3207 Australia
(72) Name(s) of Author(s): **Jeffrey Haggarty**
(45) Registration Date: **22 July 2005**
(56) Related Art Documents: **Not Applicable**
(57) Statement of Monopoly: **Monopoly is claimed in the shape or configuration of vehicle tailgate as shown in the representations.**
Statement of Novelty: **Nil**



(21) Application Number: **0731/2004**
(22) Date of Filing Application: **26 February 2004**
(24) Date from which industrial property rights may have effect: **26 February 2004**
(54) Article in respect of which the design is registered: **Set of vehicle tail light surrounds**
(51) International Design Classification: **12-16E**
(74) Name(s) of Attorney(s): **PHILLIPS ORMONDE & FITZPATRICK**
(71) Name(s) and Address(s) of Applicant(s):
Holden Ltd
241 Salmon Street Port Melbourne Victoria 3207 Australia
(72) Name(s) of Author(s): **Jeffrey Haggarty**
(45) Registration Date: **22 July 2005**
(56) Related Art Documents: **Not Applicable**
(57) Statement of Monopoly: **Monopoly is claimed in the shape or configuration of a set of vehicle tail light surrounds as shown in the representations.**
Statement of Novelty: **Nil**



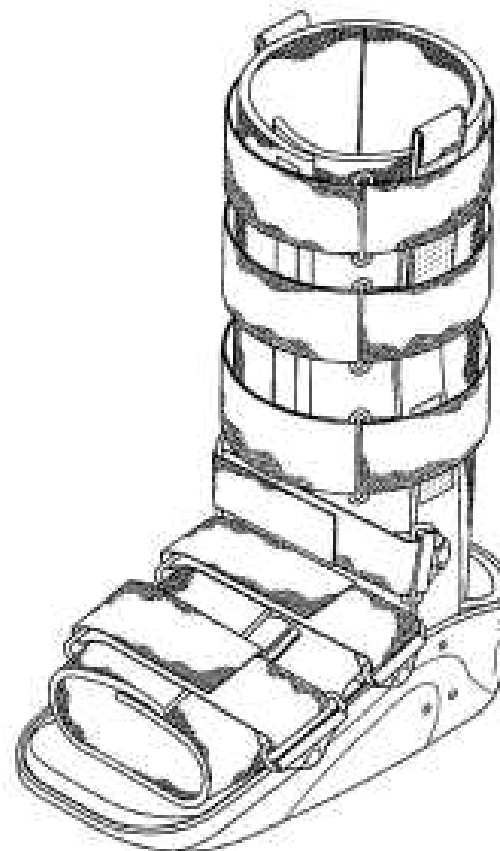
(21) Application Number: **1808/2004**
 (22) Date of Filing Application: **14 May 2004**
 (24) Date from which industrial property rights may have effect: **14 May 2004**
 (54) Article in respect of which the design is registered: **4 Legged table**
 (51) International Design Classification: **06-03A**
 (71) Name(s) and Address(s) of Applicant(s):
Glen Oldfield
24 McManus Street Wilson Western Australia 6107 Australia
Penelope Forlano
24 McManus Street Wilson Western Australia 6107 Australia
 (72) Name(s) of Author(s): **Glen Oldfield and Penelope Forlano**
 (45) Registration Date: **22 July 2005**
 (56) Related Art Documents: **Not Applicable**
 (57) Statement of Monopoly: **Monopoly is claimed in the features of shape or configuration of the 4 legged table of indefinite length and width as illustrated in the representations.**
 Statement of Novelty: **Nil**



(21) Application Number: **2289/2004**
 (22) Date of Filing Application: **11 June 2004**
 (24) Date from which industrial property rights may have effect: **11 June 2004**
 (54) Article in respect of which the design is registered: **A walker**
 (51) International Design Classification: **24-04**
 (74) Name(s) of Attorney(s): **Davies Collison Cave**
 (71) Name(s) and Address(s) of Applicant(s):
DJ Orthopedics LLC
2985 Scott Street Vista California 92083-8339 United States of America
 (72) Name(s) of Author(s): **Alexis L. Doty and Bonnie F. Livolsi and Drew R. Verkade and Emmanuel A. Villegas and Andy Kazmierczak**
 (45) Registration Date: **22 July 2005**
 (30) Convention priority data:

(31) Number	(32) Date	(33) Country
29196058	18 Dec 2003	UNITED STATES OF AMERICA

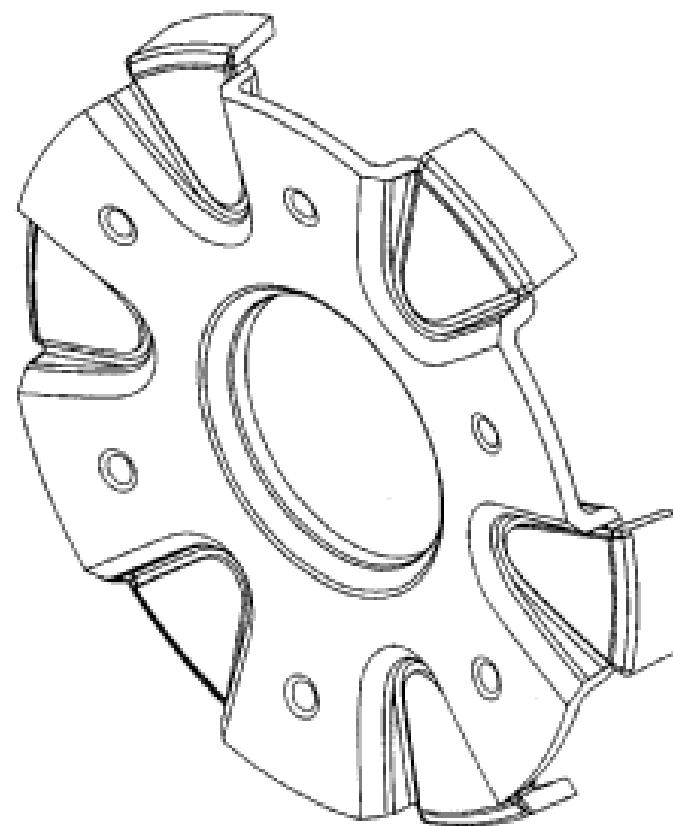
 (56) Related Art Documents: **Not Applicable**
 (57) Statement of Monopoly: **Monopoly is claimed in the features of shape and/or configuration of the walker as shown in the representations. In considering the extent of monopoly protection the pattern of the sole of the walker is to be disregarded.**
 Statement of Novelty: **Nil**



(21) Application Number: **2365/2004**
(22) Date of Filing Application: **15 June 2004**
(24) Date from which industrial property rights may have effect: **15 June 2004**
(54) Article in respect of which the design is registered: **Hair care appliance**
(51) International Design Classification: **28-03B**
(74) Name(s) of Attorney(s): **Davies Collison Cave**
(71) Name(s) and Address(s) of Applicant(s):
Braun G.m.b.H
Frankfurter Str. 145 61476 Kronberg Germany
(72) Name(s) of Author(s): **Duy Phong Vu**
(45) Registration Date: **22 July 2005**
(30) Convention priority data:
(31) Number (32) Date (33) Country
000112784-0001 12 Dec 2003 EUROPEAN COMMUNITY
(56) Related Art Documents: **Not Applicable**
(57) Statement of Monopoly: **Monopoly is claimed in the shape and/or configuration of the article as illustrated in the accompanying representations.**
Statement of Novelty: **Nil**



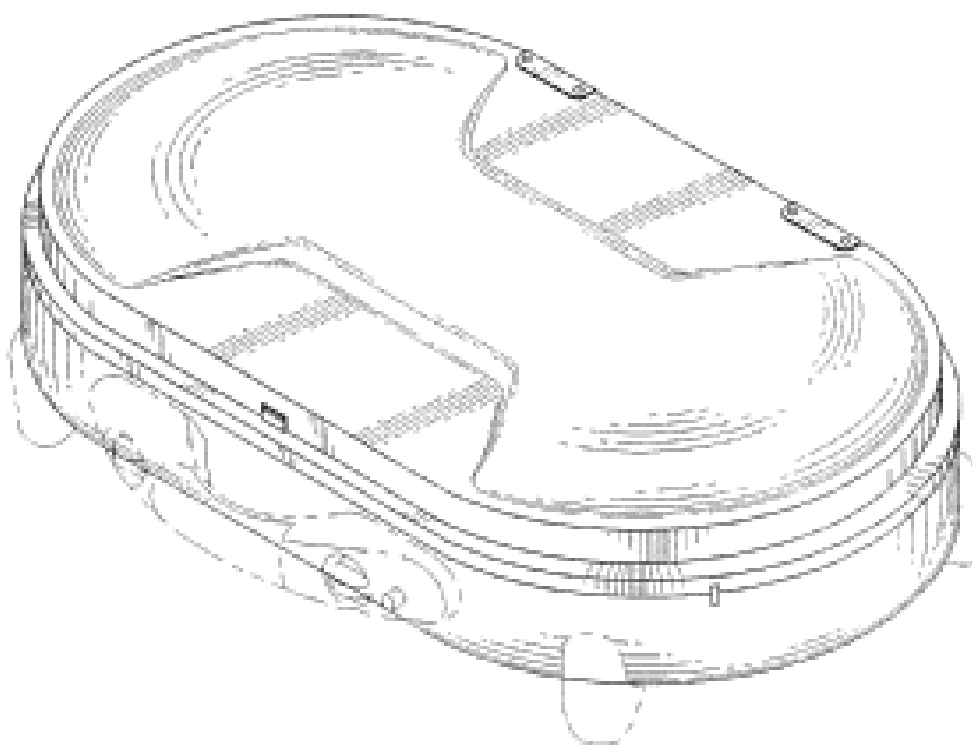
(21) Application Number: **4221/2003**
(22) Date of Filing Application: **28 November 2003**
(24) Date from which industrial property rights may have effect: **28 November 2003**
(54) Article in respect of which the design is registered: **A wheel cap**
(51) International Design Classification: **12-16A**
(74) Name(s) of Attorney(s): **PHILLIPS ORMONDE & FITZPATRICK**
(71) Name(s) and Address(s) of Applicant(s):
Holden Ltd
241 Salmon Street Port Melbourne Victoria 3207 Australia
(72) Name(s) of Author(s): **Ondrej Koromhaz**
(45) Registration Date: **25 July 2005**
(56) Related Art Documents: **AU-S-148536(12-16A)**
(57) Statement of Monopoly: **Monopoly is claimed in the shape and/or configuration of a wheel cap as shown in the representations.**
Statement of Novelty: **Nil**



(21) Application Number: **4222/2003**
(22) Date of Filing Application: **28 November 2003**
(24) Date from which industrial property rights may have effect: **28 November 2003**
(54) Article in respect of which the design is registered: **A vehicle front skirt**
(51) International Design Classification: **12-16B**
(74) Name(s) of Attorney(s): **PHILLIPS ORMONDE & FITZPATRICK**
(71) Name(s) and Address(s) of Applicant(s):
Holden Ltd
241 Salmon Street Port Melbourne Victoria 3207 Australia
(72) Name(s) of Author(s): **Ondrej Koromhaz**
(45) Registration Date: **25 July 2005**
(56) Related Art Documents: **Not Applicable**
(57) Statement of Monopoly: **Monopoly is claimed in the shape and/or configuration of a vehicle front skirt as shown in the representations.**
Statement of Novelty: **Nil**



(21) Application Number: **0915/2004**
(22) Date of Filing Application: **09 March 2004**
(24) Date from which industrial property rights may have effect: **09 March 2004**
(54) Article in respect of which the design is registered: **Camping stove**
(51) International Design Classification: **07-02D**
(74) Name(s) of Attorney(s): **Griffith Hack**
(71) Name(s) and Address(s) of Applicant(s):
The Coleman Company Inc.
3600 North Hydraulic Wichita KS 67219 United States of America
(72) Name(s) of Author(s): **Clyde R. Schulte and Mitchell L. Wilgus**
(45) Registration Date: **25 July 2005**
(56) Related Art Documents: **Not Applicable**
(57) Statement of Monopoly: **Monopoly is claimed in the features of shape and configuration applied to a camping stove as illustrated in the attached representations. In the representation, shading, including dash-dot lines, is used to indicate shaping. In considering the extent of the monopoly, no claim is made to the regions defined by phantom lines.**
Statement of Novelty: **Nil**



(19) AU

- (21) Application Number: **0918/2004**
- (22) Date of Filing Application: **09 March 2004**
- (24) Date from which industrial property rights may have effect: **09 March 2004**
- (54) Article in respect of which the design is registered: **Hand tool**
- (51) International Design Classification: **08-05NES**
- (74) Name(s) of Attorney(s): **Davies Collison Cave**
- (71) Name(s) and Address(s) of Applicant(s):

Trevor Lindsay Limited
126 Captain Springs Road Onehunga Auckland New Zealand

(72) Name(s) of Author(s): **Trevor Lindsay**

(45) Registration Date: **25 July 2005**

(30) Convention priority data:

(31) Number	(32) Date	(33) Country
403925	19 Sep 2003	NEW ZEALAND

(56) Related Art Documents: **Not Applicable**

(57) Statement of Monopoly: **Monopoly is claimed in the shape and/or configuration of the article as illustrated in the accompanying representations. In determining the scope of the monopoly the shape and/or configuration of shaded features (indicated in blue) are to be disregarded.**

Statement of Novelty: **Nil**



(19) AU

- (21) Application Number: **0998/2004**
- (22) Date of Filing Application: **15 March 2004**
- (24) Date from which industrial property rights may have effect: **15 March 2004**
- (54) Article in respect of which the design is registered: **Exercise machine**
- (51) International Design Classification: **21-02F**
- (74) Name(s) of Attorney(s): **Davies Collison Cave**
- (71) Name(s) and Address(s) of Applicant(s):

Unisen Inc. doing business as Star Trac
14410 Myford Road Irvine California 92606 United States of America

(72) Name(s) of Author(s): **Kevin Patrick Corbalis and Mark William Chiles and Victor Torres Cornejo and Jirawat O. Jeamvigite and John Cook**

(45) Registration Date: **25 July 2005**

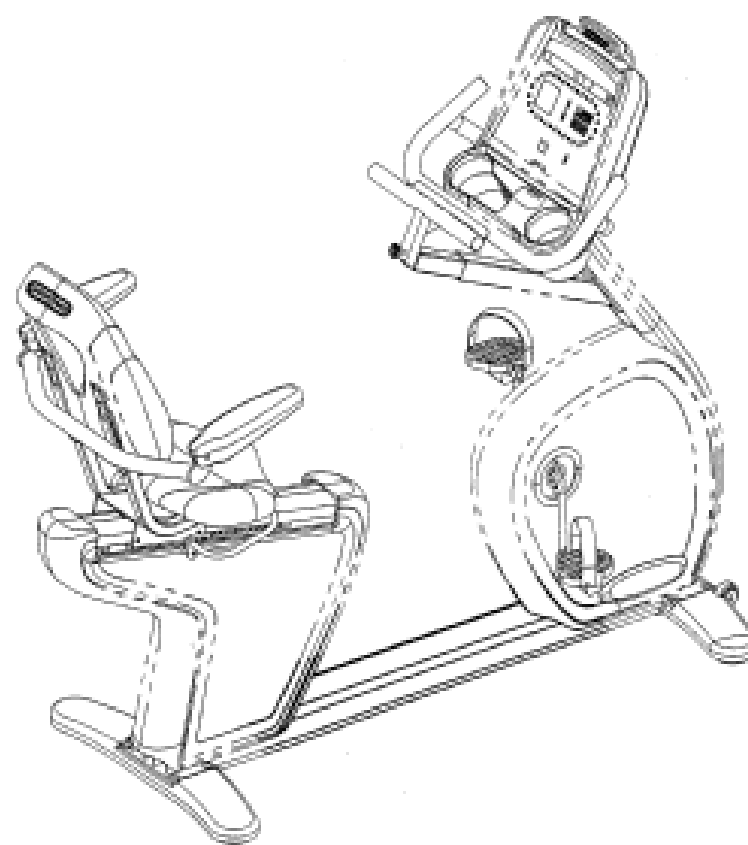
(30) Convention priority data:

(31) Number	(32) Date	(33) Country
29190275	17 Sep 2003	UNITED STATES OF AMERICA

(56) Related Art Documents: **Not Applicable**

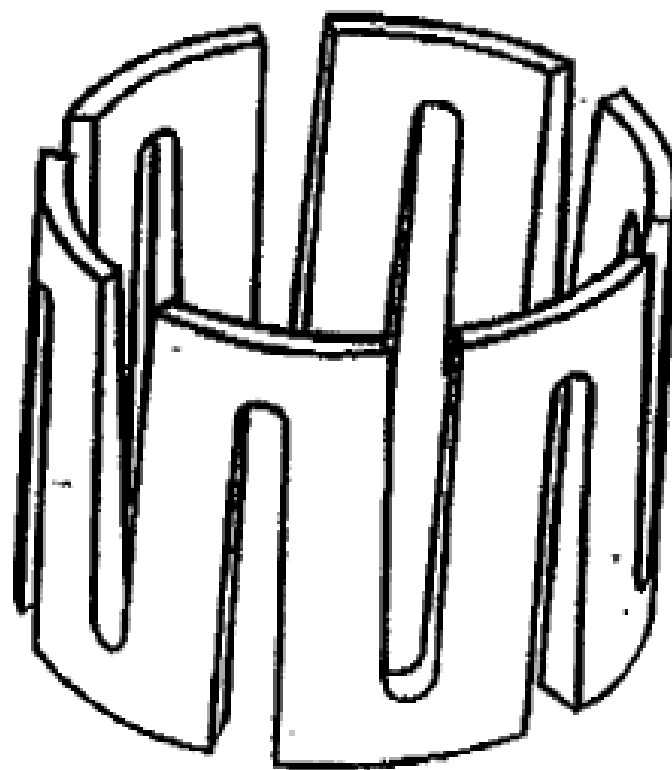
(57) Statement of Monopoly: **Monopoly is claimed in the features of shape and/or configuration of the parts of the exercise machine shown in solid lines in the representation. In considering the extent of monopoly protection, the features shown in broken lines are to be disregarded.**

Statement of Novelty: **Nil**



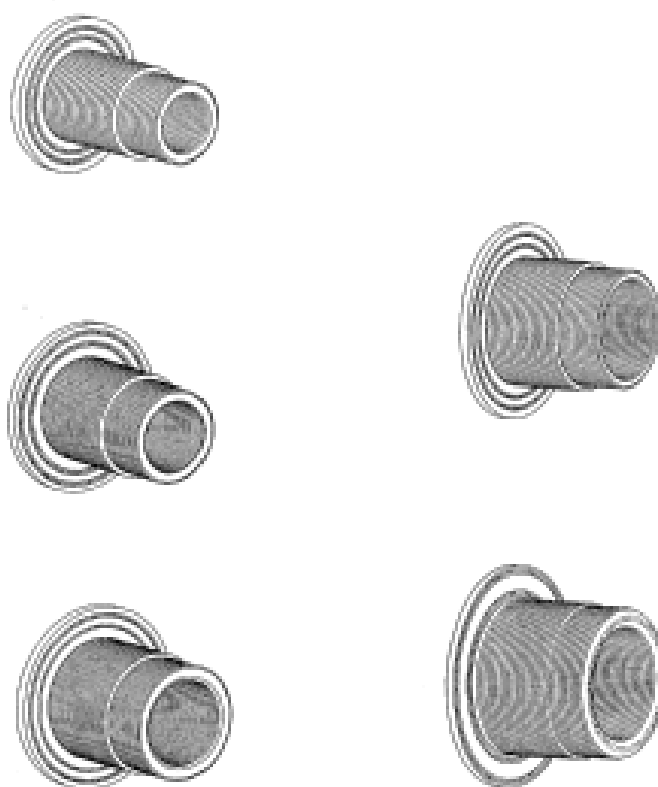
(19) AU

- (21) Application Number: **2097/2004**
- (22) Date of Filing Application: **01 June 2004**
- (24) Date from which industrial property rights may have effect: **07 March 2003**
- (54) Article in respect of which the design is registered: **An expansion ring**
- (51) International Design Classification: **07-05D**
- (74) Name(s) of Attorney(s): **A J Park**
- (71) Name(s) and Address(s) of Applicant(s):
Feltonmix Limited
105 Felton Mathew Avenue Glenn Innes Auckland New Zealand
- (72) Name(s) of Author(s): **Mark Rodney Turner and Stephen James Beagley**
- (45) Registration Date: **25 July 2005**
- (62) Divisional of: **156344**
- (56) Related Art Documents: **Not Applicable**
- (57) Statement of Monopoly: **The monopoly claimed for the design resides in the features of shape and/or configuration, of the expansion ring all as shown in the accompanying representations.**
Statement of Novelty: **Nil**

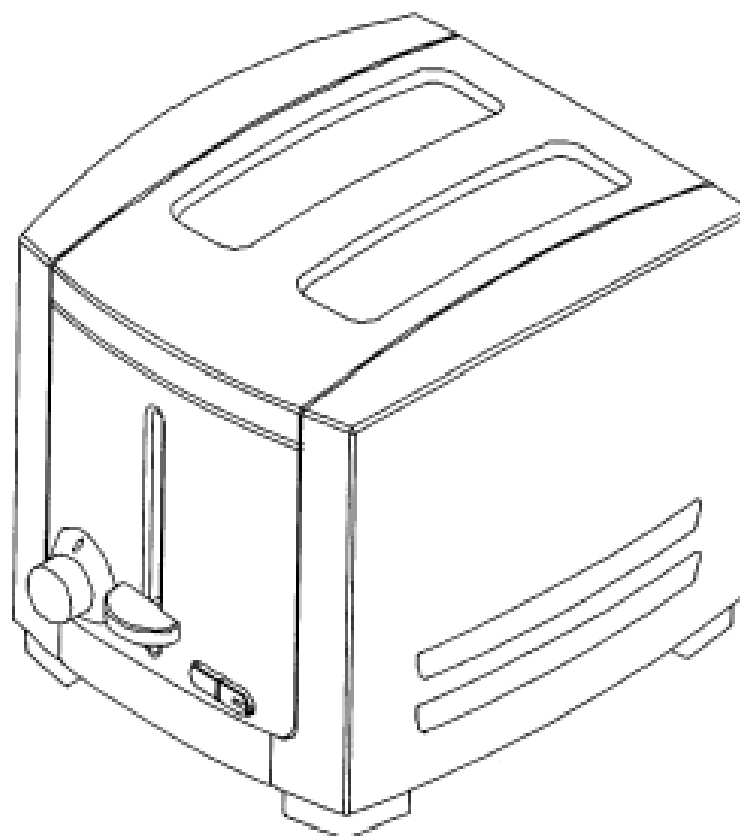


(19) AU

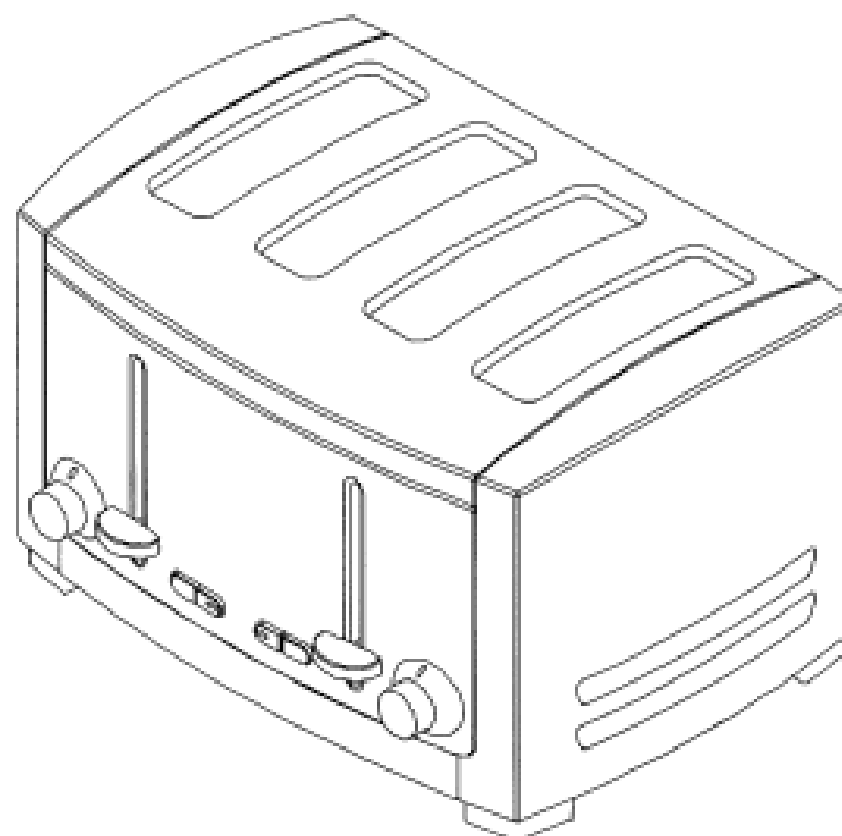
- (21) Application Number: **2157/2004**
- (22) Date of Filing Application: **04 June 2004**
- (24) Date from which industrial property rights may have effect: **04 June 2004**
- (54) Article in respect of which the design is registered: **Set of dual threaded spigots**
- (51) International Design Classification: **08-08B**
- (74) Name(s) of Attorney(s): **Ahearn Fox**
- (71) Name(s) and Address(s) of Applicant(s):
Advanced Industrial Products Pty Ltd
44 Achievement Crescent Acacia Ridge Queensland 4110 Australia
- (72) Name(s) of Author(s): **Gregory Meyers**
- (45) Registration Date: **25 July 2005**
- (56) Related Art Documents: **Not Applicable**
- (57) Statement of Monopoly: **Monopoly is claimed in the shape and configuration of a set of dual threaded spigots as shown in the accompanying representations.**
Statement of Novelty: **Nil**



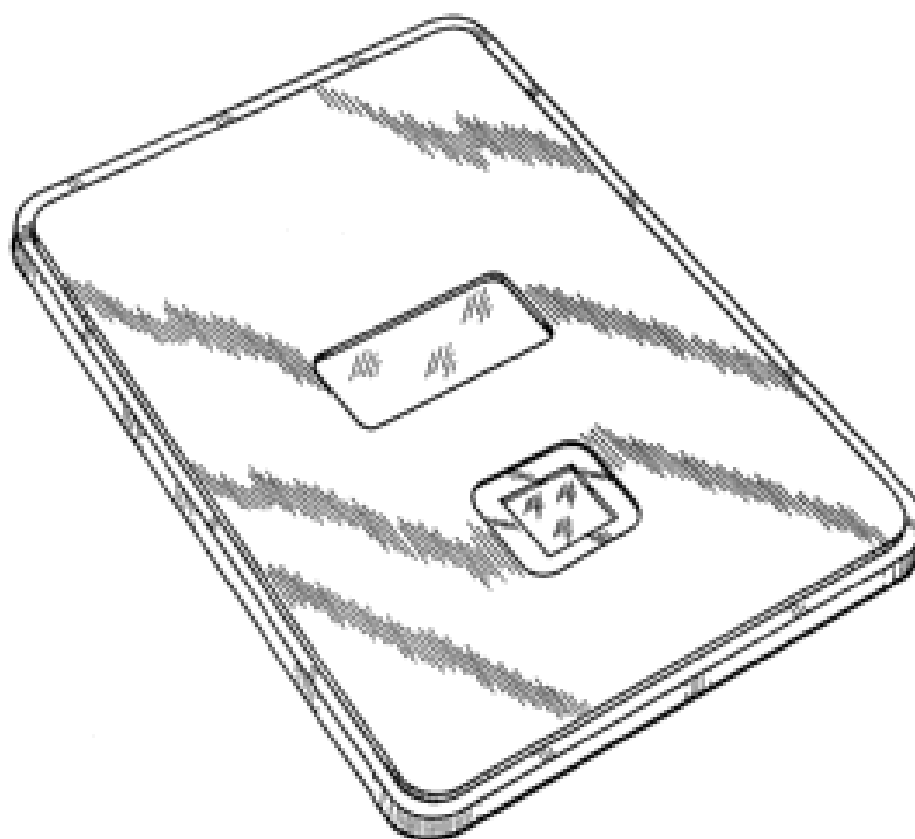
- (21) Application Number: **2310/2004**
(22) Date of Filing Application: **11 June 2004**
(24) Date from which industrial property rights may have effect: **11 June 2004**
(54) Article in respect of which the design is registered: **A toaster**
(51) International Design Classification: **07-02F**
(74) Name(s) of Attorney(s): **SPRUSON & FERGUSON**
(71) Name(s) and Address(s) of Applicant(s):
Sunbeam Corporation Limited
Units 5 & 6 13 Lord Street Botany New South Wales 2019 Australia
(72) Name(s) of Author(s): **Nicholas Michael O'Loughlin**
(45) Registration Date: **25 July 2005**
(56) Related Art Documents: **Not Applicable**
(57) Statement of Monopoly: **Monopoly is claimed in the features of shape and/or configuration of a toaster as illustrated in the accompanying representations.**
Statement of Novelty: **Nil**



- (21) Application Number: **2311/2004**
(22) Date of Filing Application: **11 June 2004**
(24) Date from which industrial property rights may have effect: **11 June 2004**
(54) Article in respect of which the design is registered: **A toaster**
(51) International Design Classification: **07-02F**
(74) Name(s) of Attorney(s): **SPRUSON & FERGUSON**
(71) Name(s) and Address(s) of Applicant(s):
Sunbeam Corporation Limited
Units 5 & 6 13 Lord Street Botany New South Wales 2019 Australia
(72) Name(s) of Author(s): **Nicholas Michael O'Loughlin**
(45) Registration Date: **25 July 2005**
(56) Related Art Documents: **Not Applicable**
(57) Statement of Monopoly: **Monopoly is claimed in the features of shape and/or configuration of a toaster as illustrated in the accompanying representations.**
Statement of Novelty: **Nil**



(21) Application Number: **2438/2004**
(22) Date of Filing Application: **16 June 2004**
(24) Date from which industrial property rights may have effect: **18 February 2004**
(54) Article in respect of which the design is registered: **Portable access device**
(51) International Design Classification: **10-05**
(74) Name(s) of Attorney(s): **WATERMARK PATENT & TRADEMARK ATTORNEYS**
(71) Name(s) and Address(s) of Applicant(s):
Bloomberg LP
499 Park Avenue New York NY 10022 United States of America
(72) Name(s) of Author(s): **Helmars E. Ozolins and Masamichi Udagawa and Sigrid G. Moeslinger**
(45) Registration Date: **25 July 2005**
(61) Additional to: **157425**
(62) Divisional of: **157425**
(56) Related Art Documents: **Not Applicable**
(57) Statement of Monopoly: **Monopoly is claimed in the features of shape and/or configuration of a portable access device as illustrated in the accompanying representations.**
Statement of Novelty: **Nil**



(21) Application Number: **2439/2004**
(22) Date of Filing Application: **16 June 2004**
(24) Date from which industrial property rights may have effect: **18 February 2004**
(54) Article in respect of which the design is registered: **Portable access device**
(51) International Design Classification: **10-05**
(74) Name(s) of Attorney(s): **WATERMARK PATENT & TRADEMARK ATTORNEYS**
(71) Name(s) and Address(s) of Applicant(s):
Bloomberg LP
499 Park Avenue New York NY 10022 United States of America
(72) Name(s) of Author(s): **Helmars E. Ozolins and Masamichi Udagawa and Sigrid G. Moeslinger**
(45) Registration Date: **25 July 2005**
(61) Additional to: **157425**
(62) Divisional of: **157425**
(56) Related Art Documents: **Not Applicable**
(57) Statement of Monopoly: **Monopoly is claimed in the features of shape and/or configuration of a portable access device as illustrated in the accompanying representations.**
Statement of Novelty: **Nil**



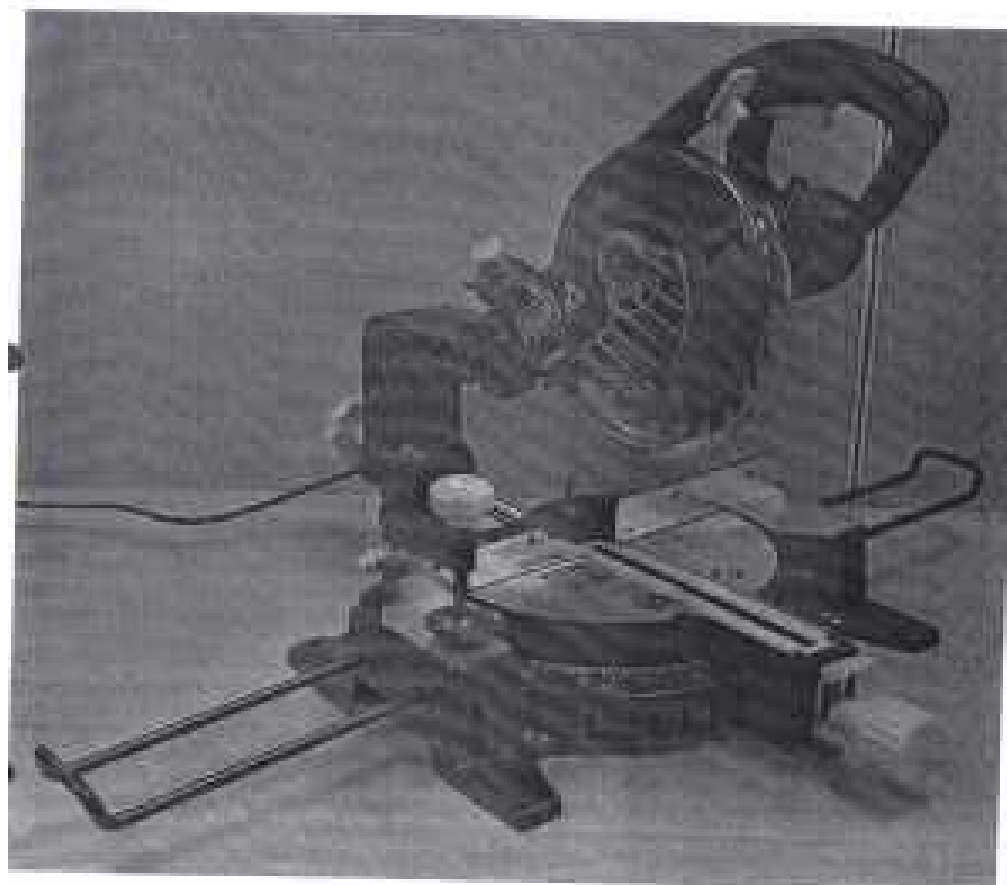
(21) Application Number: **0025/2004**
(22) Date of Filing Application: **06 January 2004**
(24) Date from which industrial property rights may have effect: **06 January 2004**
(54) Article in respect of which the design is registered: **Dashboard for a vehicle**
(51) International Design Classification: **12-16NES**
(74) Name(s) of Attorney(s): **SPRUSON & FERGUSON**
(71) Name(s) and Address(s) of Applicant(s):
DaimlerChrysler AG
Epplestrasse 225 D-70567 Stuttgart Germany
(72) Name(s) of Author(s): **Peter Pfeiffer**
(45) Registration Date: **25 July 2005**
(30) Convention priority data:
(31) Number (32) Date (33) Country
40304749.8 15 Jul 2003 GERMANY
(56) Related Art Documents: **Not Applicable**
(57) Statement of Monopoly: **Monopoly is claimed in the features of shape and/or configuration of a dashboard for a vehicle as shown in the accompanying representations.**
Statement of Novelty: **Nil**



(21) Application Number: **0374/2004**
(22) Date of Filing Application: **30 January 2004**
(24) Date from which industrial property rights may have effect: **30 January 2004**
(54) Article in respect of which the design is registered: **Radio**
(51) International Design Classification: **14-03D**
(74) Name(s) of Attorney(s): **Griffith Hack**
(71) Name(s) and Address(s) of Applicant(s):
Intempo UK Limited
Fairbank House Ashley Road Altrincham WA14 2DP England
(72) Name(s) of Author(s): **Rhianon Lucas and Paul Lancaster and Bernadette Spofforth**
(45) Registration Date: **25 July 2005**
(30) Convention priority data:
(31) Number (32) Date (33) Country
000062427 8 Aug 2003 EUROPEAN PATENT OFFICE (EP)
(56) Related Art Documents: **Not Applicable**
(57) Statement of Monopoly: **Monopoly is claimed in the shape and/or configuration of a radio as shown in the accompanying representations.**
Statement of Novelty: **Nil**



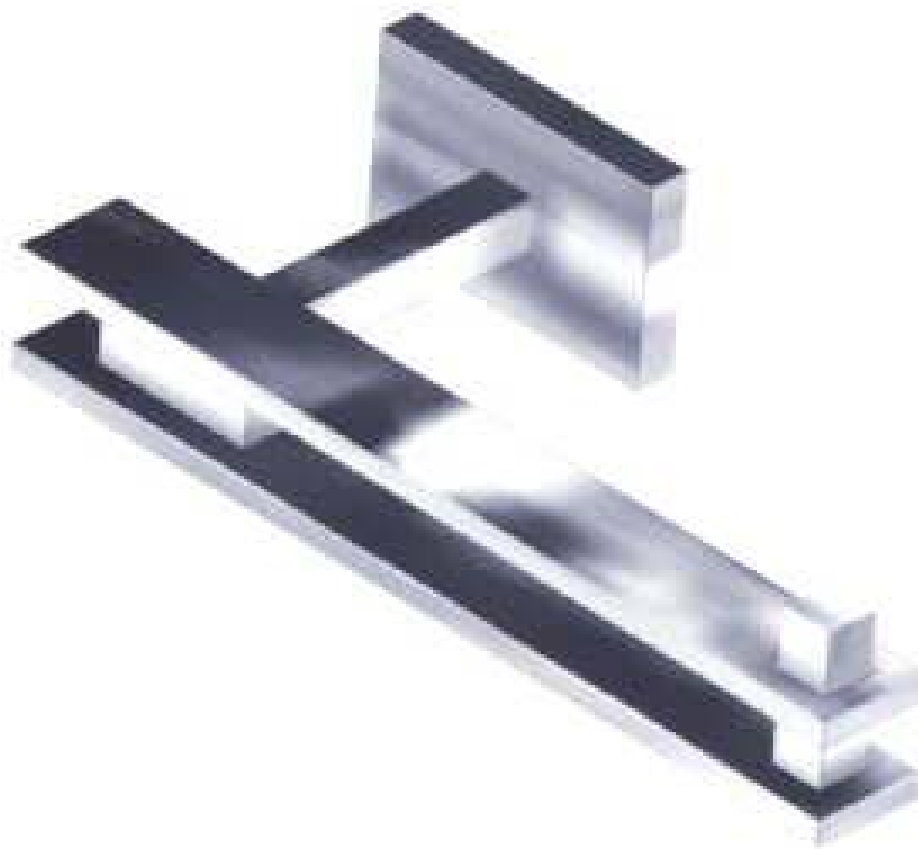
- (21) Application Number: **0529/2004**
(22) Date of Filing Application: **13 February 2004**
(24) Date from which industrial property rights may have effect: **13 February 2004**
(54) Article in respect of which the design is registered: **Mitre saw**
(51) International Design Classification: **08-03**
(74) Name(s) of Attorney(s): **Freehills Patent & Trade Mark Attorneys**
(71) Name(s) and Address(s) of Applicant(s):
GMCA Pty Ltd
45-55 South Centre Road Melbourne Airport Business Pk Melbourne
Airport Victoria 3045 Australia
(72) Name(s) of Author(s): **Chang Weidong**
(45) Registration Date: **25 July 2005**
(56) Related Art Documents: **Not Applicable**
(57) Statement of Monopoly: **Monopoly is claimed in the shape and/or configuration of a mitre saw as shown in the accompanying representations. When considering the scope of monopoly the text is to be disregarded.**
Statement of Novelty: **Nil**



- (21) Application Number: **0530/2004**
(22) Date of Filing Application: **13 February 2004**
(24) Date from which industrial property rights may have effect: **13 February 2004**
(54) Article in respect of which the design is registered: **Mitre saw**
(51) International Design Classification: **08-03**
(74) Name(s) of Attorney(s): **Freehills Patent & Trade Mark Attorneys**
(71) Name(s) and Address(s) of Applicant(s):
GMCA Pty Ltd
45-55 South Centre Road Melbourne Airport Business Pk Melbourne
Airport Victoria 3045 Australia
(72) Name(s) of Author(s): **Chang Weidong**
(45) Registration Date: **25 July 2005**
(56) Related Art Documents: **Not Applicable**
(57) Statement of Monopoly: **Monopoly is claimed in the shape and/or configuration of a mitre saw as shown in the accompanying representations. When considering the scope of monopoly the text is to be disregarded.**
Statement of Novelty: **Nil**



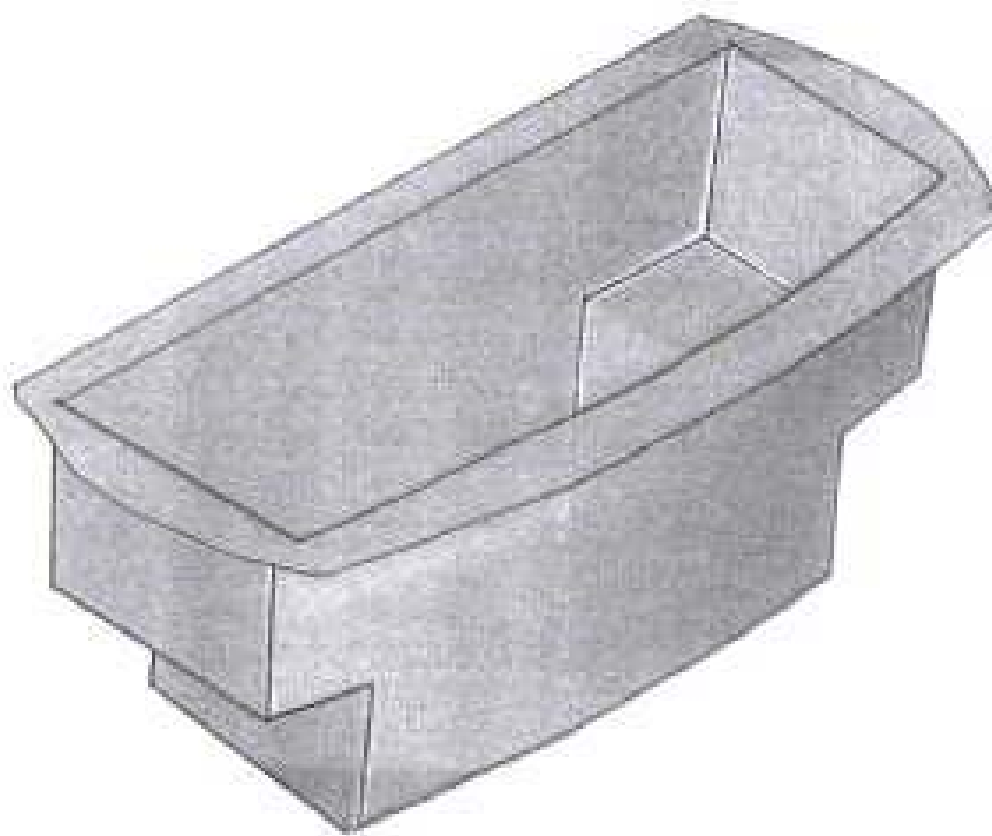
(21) Application Number: **1638/2004**
(22) Date of Filing Application: **30 April 2004**
(24) Date from which industrial property rights may have effect: **30 April 2004**
(54) Article in respect of which the design is registered: **Toilet roll holder**
(51) International Design Classification: **23-02A**
(71) Name(s) and Address(s) of Applicant(s):
Madinoz Pty Ltd
21 Orlando Street Dee Why New South Wales 2099 Australia
(72) Name(s) of Author(s): **Cornelis Koopman**
(45) Registration Date: **25 July 2005**
(56) Related Art Documents: **Not Applicable**
(57) Statement of Monopoly: **Monopoly is claimed in the shape and configuration of a toilet roll holder as shown in the representations.**
Statement of Novelty: **Nil**



(21) Application Number: **1639/2004**
(22) Date of Filing Application: **30 April 2004**
(24) Date from which industrial property rights may have effect: **30 April 2004**
(54) Article in respect of which the design is registered: **Towel rail**
(51) International Design Classification: **07-05D**
(71) Name(s) and Address(s) of Applicant(s):
Madinoz Pty Ltd
21 Orlando Street Dee Why New South Wales 2099 Australia
(72) Name(s) of Author(s): **Cornelis Koopman**
(45) Registration Date: **25 July 2005**
(56) Related Art Documents: **Not Applicable**
(57) Statement of Monopoly: **Monopoly is claimed in the shape and configuration of a towel rail as shown in the representations.**
Statement of Novelty: **Nil**



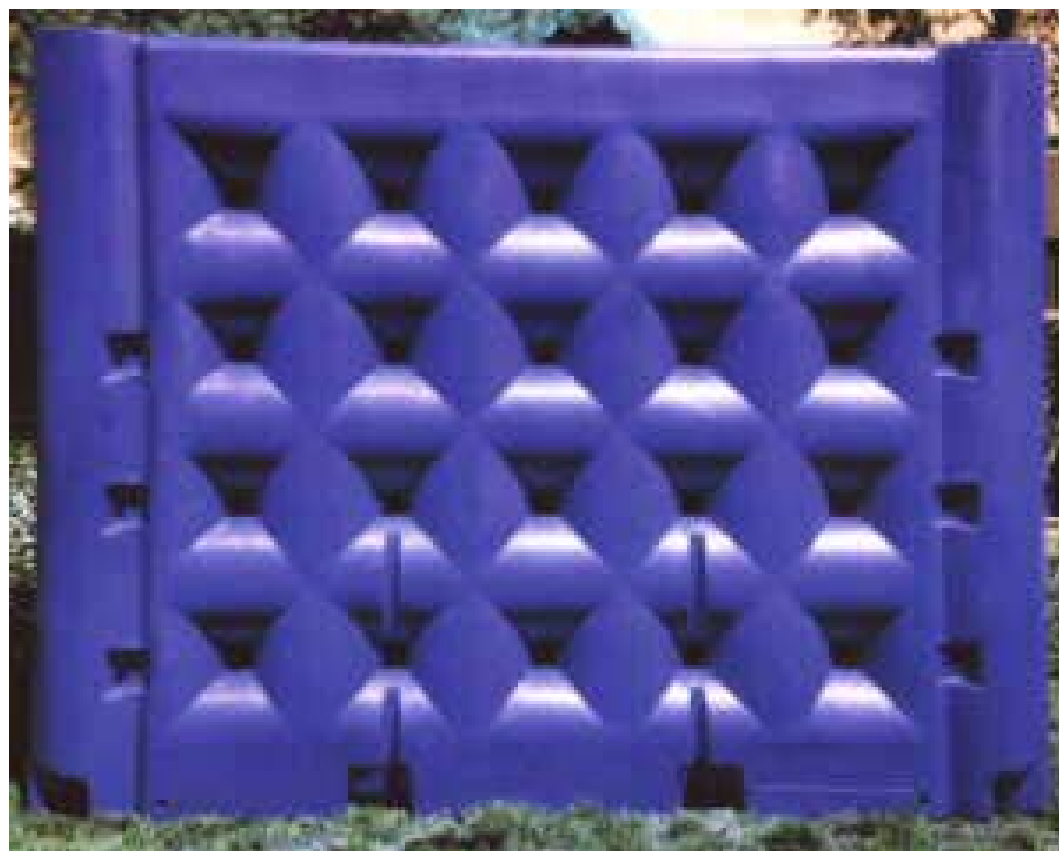
(21) Application Number: **2512/2004**
(22) Date of Filing Application: **16 June 2004**
(24) Date from which industrial property rights may have effect: **16 June 2004**
(54) Article in respect of which the design is registered: **A bin**
(51) International Design Classification: **09-04**
(74) Name(s) of Attorney(s): **Griffith Hack**
(71) Name(s) and Address(s) of Applicant(s):
D & B Wholesale Pty Ltd
13 Paran Place Glen Iris Victoria 3146 Australia
(72) Name(s) of Author(s): **Stephen Lister**
(45) Registration Date: **25 July 2005**
(56) Related Art Documents: **Not Applicable**
(57) Statement of Monopoly: **Monopoly is claimed in the shape and configuration of a bin as illustrated in the accompanying representations.**
Statement of Novelty: **Nil**



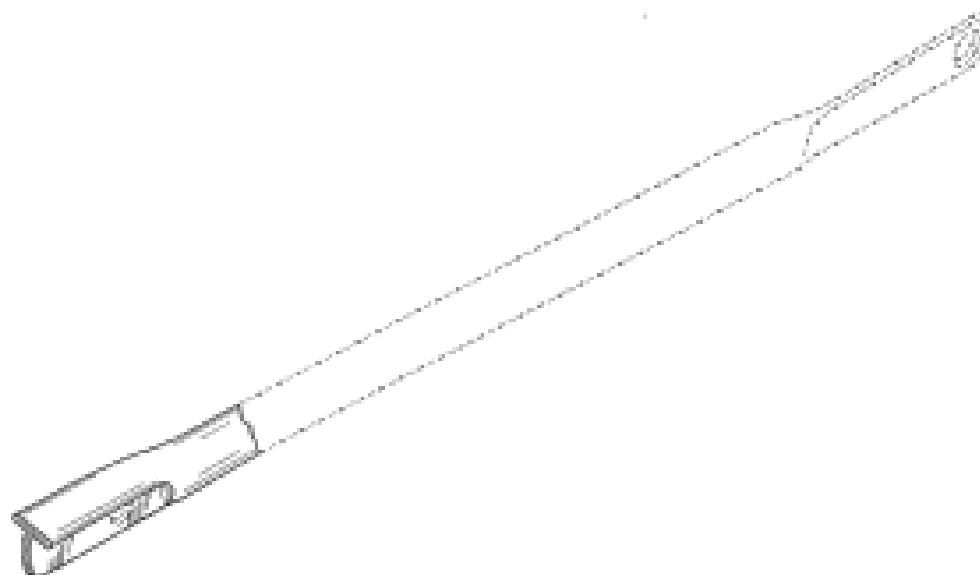
(21) Application Number: **3631/2003**
(22) Date of Filing Application: **20 October 2003**
(24) Date from which industrial property rights may have effect: **20 October 2003**
(54) Article in respect of which the design is registered: **Medical/cosmetic therapy applicator**
(51) International Design Classification: **24-02**
(71) Name(s) and Address(s) of Applicant(s):
MDE Medizintechnik G.m.b.H.
P. Fach 1016 8201 Schaffhausen Switzerland
(72) Name(s) of Author(s): **Eric Lansohn**
(45) Registration Date: **25 July 2005**
(30) Convention priority data:
(31) Number (32) Date (33) Country
129673 19 Apr 2003 SWITZERLAND
(56) Related Art Documents: **Not Applicable**
(57) Statement of Monopoly: **Monopoly is claimed in the shape and configuration of the medical/cosmetic therapy applicator as shown in the representations.**
Statement of Novelty: **Nil**



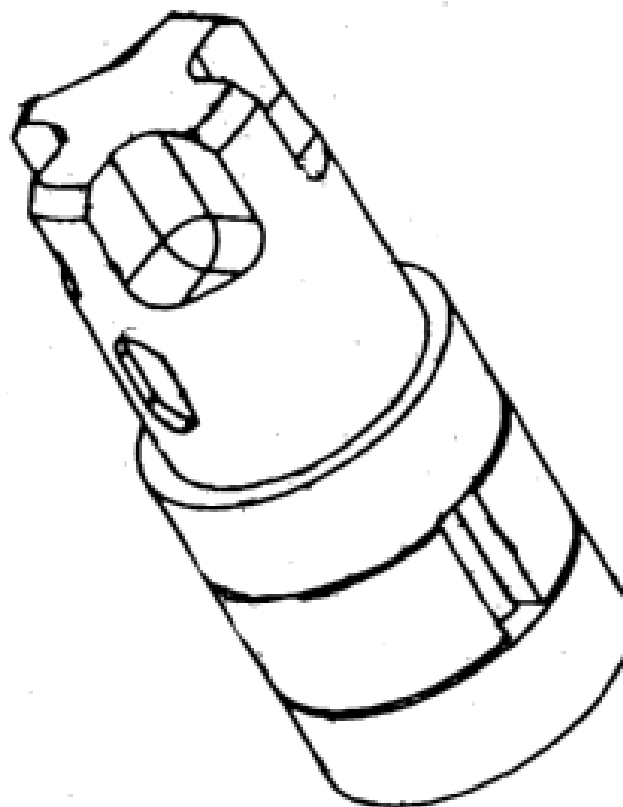
(21) Application Number: **0589/2004**
(22) Date of Filing Application: **18 February 2004**
(24) Date from which industrial property rights may have effect: **18 February 2004**
(54) Article in respect of which the design is registered: **A panel**
(51) International Design Classification: **25-01D**
(74) Name(s) of Attorney(s): **PHILLIPS ORMONDE & FITZPATRICK**
(71) Name(s) and Address(s) of Applicant(s):
Waterwall Solutions Pty Ltd
7 Brooks Place Yarraville Victoria 3013 Australia
(72) Name(s) of Author(s): **Gail Davidson and Mitchell More O'Sullivan**
(45) Registration Date: **25 July 2005**
(56) Related Art Documents: **Not Applicable**
(57) Statement of Monopoly: **Monopoly is claimed in the shape and/or configuration of a panel as shown in the representations.**
Statement of Novelty: **Nil**



(21) Application Number: **0193/2004**
(22) Date of Filing Application: **14 January 2004**
(24) Date from which industrial property rights may have effect: **14 January 2004**
(54) Article in respect of which the design is registered: **Table leg brace**
(51) International Design Classification: **06-06E**
(74) Name(s) of Attorney(s): **Griffith Hack**
(71) Name(s) and Address(s) of Applicant(s):
Lifetime Products Inc.
Freeport Center Building D-11 Clearfield UT 84016 United States of America
(72) Name(s) of Author(s): **S. Curtis Nye and Donald Jay Waite**
(45) Registration Date: **26 July 2005**
(30) Convention priority data:
(31) Number (32) Date (33) Country
29/189,730 14 Jul 2003 UNITED STATES OF AMERICA
(56) Related Art Documents: **Not Applicable**
(57) Statement of Monopoly: **Monopoly is claimed in the shape and configuration of a table leg brace as shown in the accompanying representations. No monopoly is claimed in respect of the features shown in phantom line in the representations.**
Statement of Novelty: **Nil**



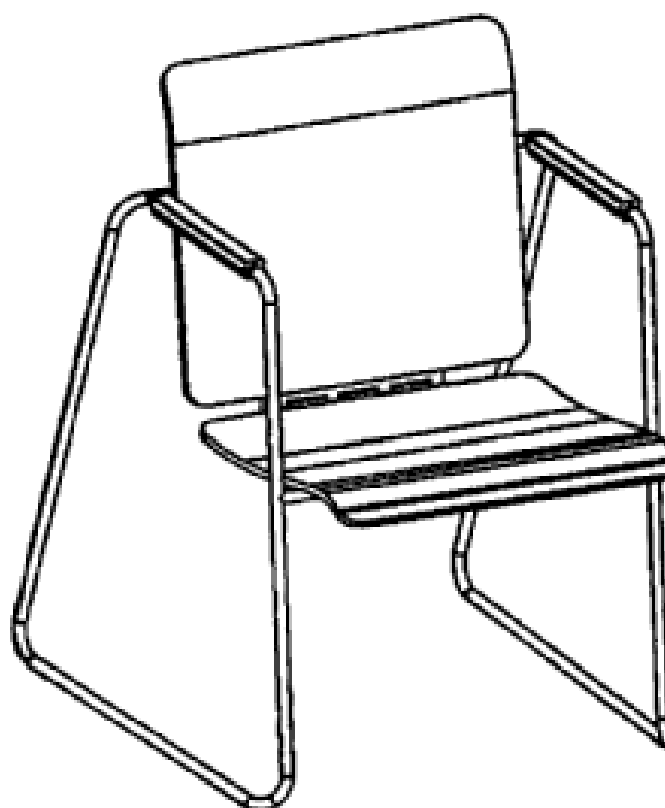
- (21) Application Number: **0315/2004**
(22) Date of Filing Application: **23 January 2004**
(24) Date from which industrial property rights may have effect: **23 January 2004**
(54) Article in respect of which the design is registered: **A mechanism to adjust and lock the length of handles or tent poles.**
(51) International Design Classification: **08-07**
(71) Name(s) and Address(s) of Applicant(s):
David George Cook
186 Springwood Road Springwood Queensland 4127 Australia
(72) Name(s) of Author(s): **David George Cook**
(45) Registration Date: **26 July 2005**
(56) Related Art Documents: **Not Applicable**
(57) Statement of Monopoly: **Monopoly is claimed in the shape and configuration of the mechanism to adjust and lock the length of handles or tent poles as shown in the representations. No monopoly is claimed in the individual pieces per se.**
Statement of Novelty: **Nil**



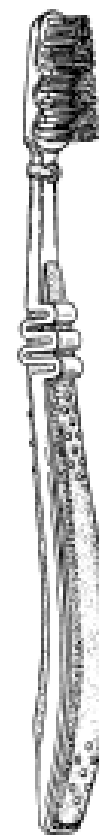
- (21) Application Number: **0474/2004**
(22) Date of Filing Application: **09 February 2004**
(24) Date from which industrial property rights may have effect: **09 February 2004**
(54) Article in respect of which the design is registered: **Transformable chair into a desk**
(51) International Design Classification: **06-01F, 06-03C**
(74) Name(s) of Attorney(s): **Shelston IP**
(71) Name(s) and Address(s) of Applicant(s):
ORT Joint-Stock Company
27 Kr. Sarafov St. BG-1421 Sofia Bulgaria
(72) Name(s) of Author(s): **Ilian Vladimirov Milinov and Mladen Minkov Tsonev**
(45) Registration Date: **26 July 2005**
(30) Convention priority data:

(31) Number	(32) Date	(33) Country
6987	8 Aug 2003	BULGARIA

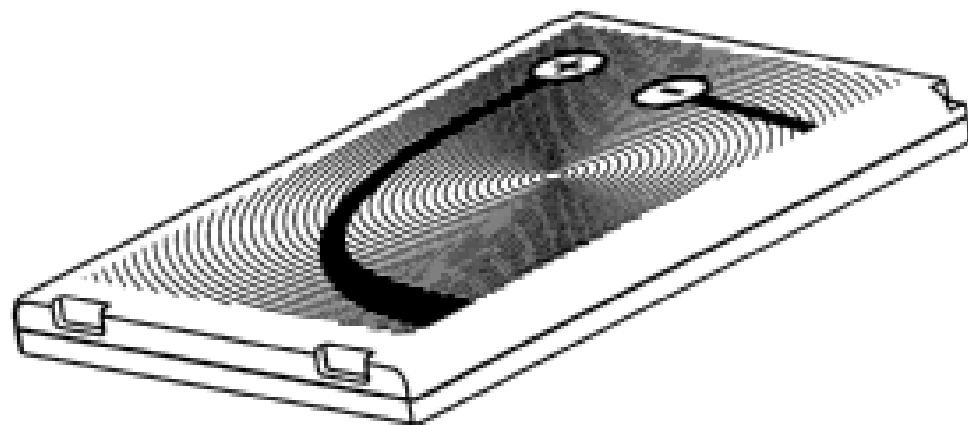
(56) Related Art Documents: **Not Applicable**
(57) Statement of Monopoly: **Monopoly is claimed in the features of shape and/or configuration of a transformable chair into a desk as shown in the representations accompanying the application.**
Statement of Novelty: **Nil**



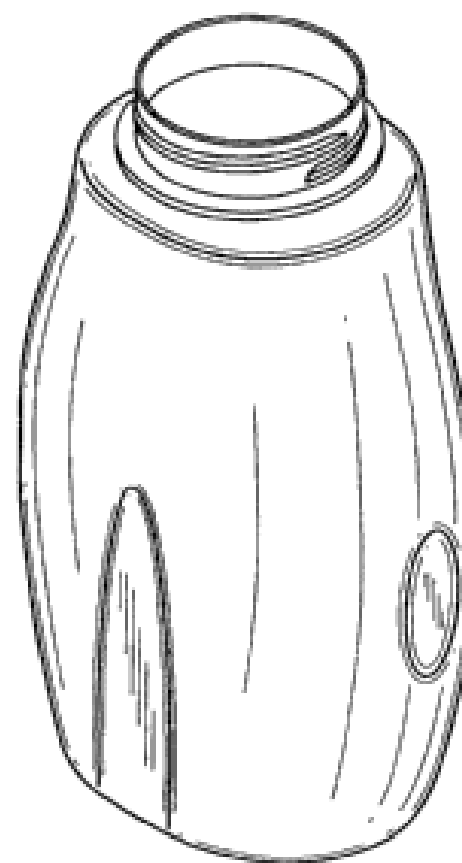
(21) Application Number: **0507/2004**
(22) Date of Filing Application: **11 February 2004**
(24) Date from which industrial property rights may have effect: **11 February 2004**
(54) Article in respect of which the design is registered: **Toothbrush**
(51) International Design Classification: **04-02**
(74) Name(s) of Attorney(s): **PHILLIPS ORMONDE & FITZPATRICK**
(71) Name(s) and Address(s) of Applicant(s):
GlaxoSmithKline Consumer Healthcare GmbH & Co. KG
Bussmatten 1 D-77815 Buehl (Baden) Germany
(72) Name(s) of Author(s): **Mathias Georgi**
(45) Registration Date: **26 July 2005**
(30) Convention priority data:
(31) Number (32) Date (33) Country
3014077 15 Aug 2003 UNITED KINGDOM
(56) Related Art Documents:
AU-S-134821(04-02);AU-S-134822(04-02);AU-S-142436(04-02);AU-S-154374(04-02)
(57) Statement of Monopoly: **Monopoly is claimed in the shape and/or configuration of a toothbrush as shown in the representations.**
Statement of Novelty: **Novelty resides in the shape and/or configuration of the head of the toothbrush.**



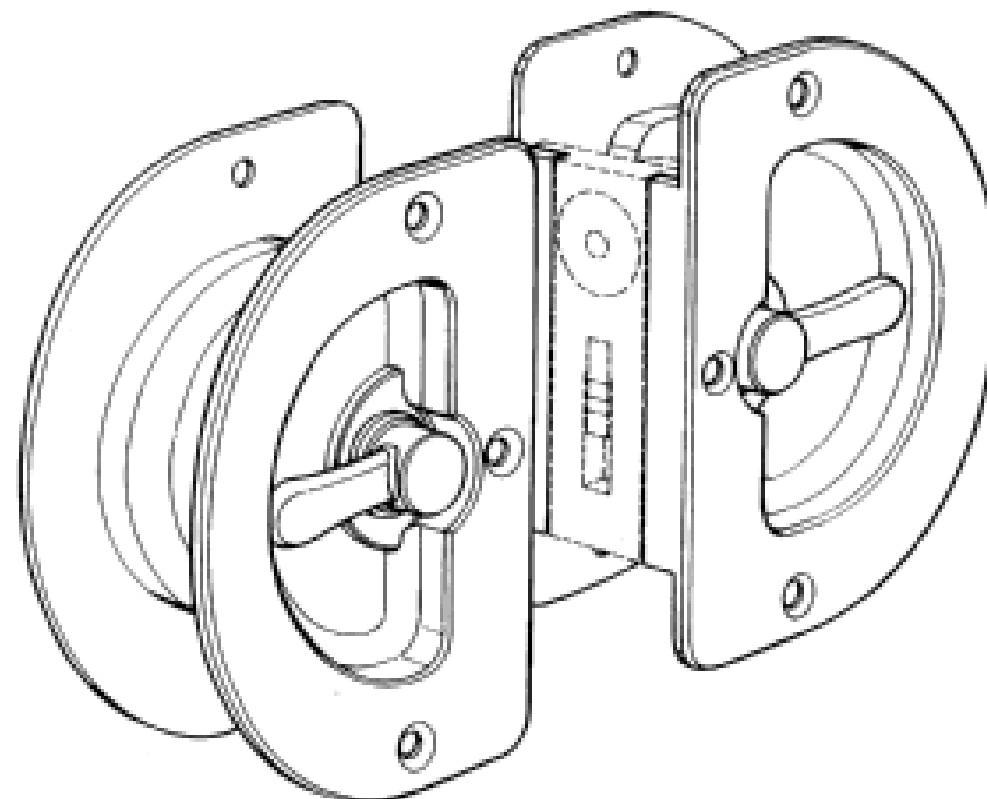
(21) Application Number: **1602/2004**
(22) Date of Filing Application: **27 April 2004**
(24) Date from which industrial property rights may have effect: **27 April 2004**
(54) Article in respect of which the design is registered: **A battery**
(51) International Design Classification: **13-02**
(74) Name(s) of Attorney(s): **Davies Collison Cave**
(71) Name(s) and Address(s) of Applicant(s):
Nokia Corporation
Keilalahdentie 4 FIN-02150 Espoo Finland
(72) Name(s) of Author(s): **Emma Hagman and Mika Kanninen**
(45) Registration Date: **26 July 2005**
(30) Convention priority data:
(31) Number (32) Date (33) Country
M20030253 27 Oct 2003 FINLAND
(56) Related Art Documents: **Not Applicable**
(57) Statement of Monopoly: **Monopoly is claimed in the features of shape and/or configuration, and pattern and/or ornamentation of the battery as shown in the representations.**
Statement of Novelty: **Nil**



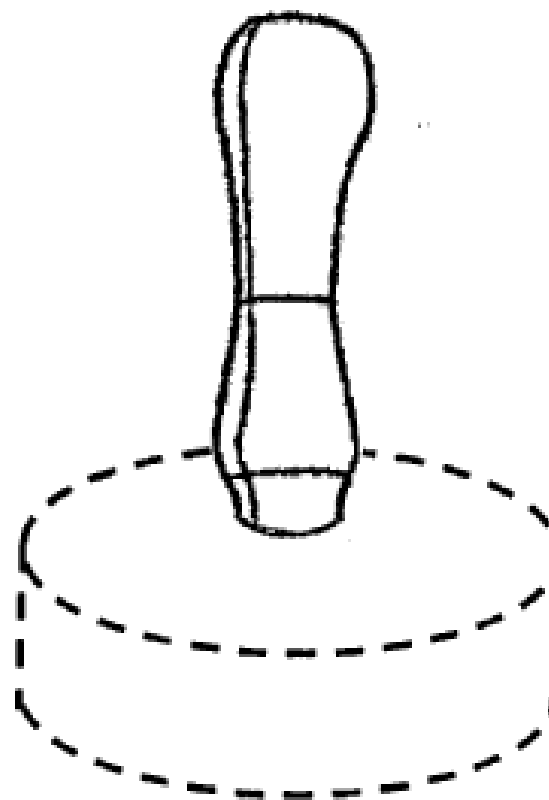
(21) Application Number: **1769/2004**
(22) Date of Filing Application: **12 May 2004**
(24) Date from which industrial property rights may have effect: **12 May 2004**
(54) Article in respect of which the design is registered: **Bottle**
(51) International Design Classification: **09-01NES**
(74) Name(s) of Attorney(s): **Davies Collison Cave**
(71) Name(s) and Address(s) of Applicant(s):
Unilever PLC
Unilever House Blackfriars London EC4P 4BQ England
(72) Name(s) of Author(s): **Vinod Kumar Bansal**
(45) Registration Date: **26 July 2005**
(30) Convention priority data:
(31) Number (32) Date (33) Country
29/193806 14 Nov 2003 UNITED STATES OF AMERICA
(56) Related Art Documents: **Not Applicable**
(57) Statement of Monopoly: **Monopoly is claimed in the shape and configuration of the article as shown in the representations.**
Statement of Novelty: **Nil**



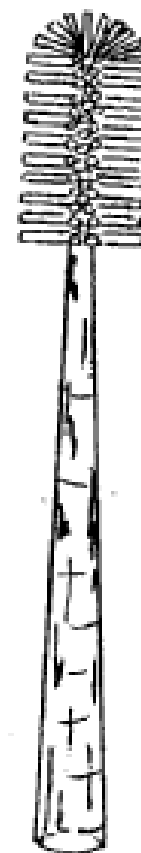
(21) Application Number: **1914/2004**
(22) Date of Filing Application: **21 May 2004**
(24) Date from which industrial property rights may have effect: **21 May 2004**
(54) Article in respect of which the design is registered: **Sliding door latch**
(51) International Design Classification: **08-07**
(74) Name(s) of Attorney(s): **SPRUSON & FERGUSON**
(71) Name(s) and Address(s) of Applicant(s):
H.M. Cowdroy Pty Limited
48 Justin Street Smithfield New South Wales 2164 Australia
(72) Name(s) of Author(s): **Robert John Lang**
(45) Registration Date: **26 July 2005**
(56) Related Art Documents: **Not Applicable**
(57) Statement of Monopoly: **Monopoly is claimed in the features of shape and/or configuration of a sliding door latch as illustrated in the accompanying representations, and in considering the scope of monopoly protection the features shown in phantom lines are to be disregarded.**
Statement of Novelty: **Nil**



(21) Application Number: **2145/2004**
(22) Date of Filing Application: **03 June 2004**
(24) Date from which industrial property rights may have effect: **03 June 2004**
(54) Article in respect of which the design is registered: **Mouthpiece for drinking**
(51) International Design Classification: **07-01E**
(71) Name(s) and Address(s) of Applicant(s):
Julia McKinley Anderson
128 Kooyong Road Armadale Victoria 3143 Australia
(72) Name(s) of Author(s): **Julia McKinley Anderson**
(45) Registration Date: **26 July 2005**
(56) Related Art Documents: **Not Applicable**
(57) Statement of Monopoly: **Nil**
Statement of Novelty: **Nil**



(21) Application Number: **2250/2004**
(22) Date of Filing Application: **11 June 2004**
(24) Date from which industrial property rights may have effect: **11 June 2004**
(54) Article in respect of which the design is registered: **Toothbrush**
(51) International Design Classification: **04-02**
(71) Name(s) and Address(s) of Applicant(s):
Todd Ryan
2 Young Street Burra South Australia 5417 Australia
(72) Name(s) of Author(s): **Todd Ryan**
(45) Registration Date: **26 July 2005**
(56) Related Art Documents: **Not Applicable**
(57) Statement of Monopoly: **Monopoly is claimed in the shape, configuration, pattern and ornamentation of the toothbrush as shown in the accompanying representation.**
Statement of Novelty: **Nil**



(21) Application Number: **2467/2004**

(22) Date of Filing Application: **16 June 2004**

(24) Date from which industrial property rights may have effect: **16 June 2004**

(54) Article in respect of which the design is registered: **Container**

(51) International Design Classification: **09-03F**

(74) Name(s) of Attorney(s): **PHILLIPS ORMONDE & FITZPATRICK**

(71) Name(s) and Address(s) of Applicant(s):

Signum Specialities Pty Ltd
47 Dallas Drive Broadmeadows Victoria 3047 Australia

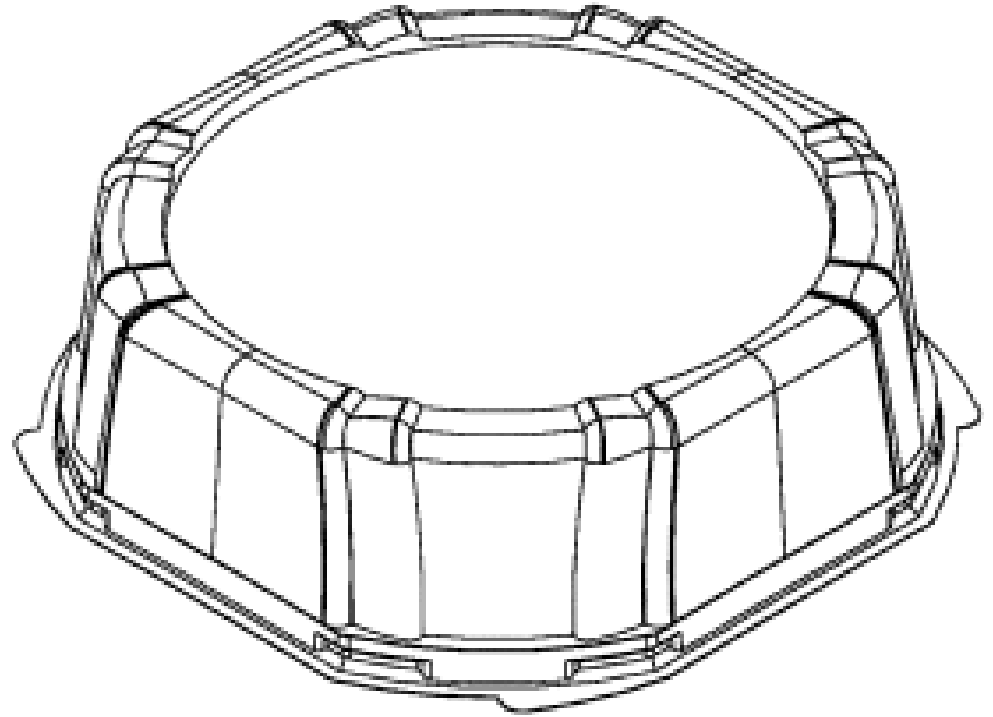
(72) Name(s) of Author(s): **Ewan Macpherson**

(45) Registration Date: **26 July 2005**

(56) Related Art Documents: **Not Applicable**

(57) Statement of Monopoly: **Monopoly is claimed in the shape and/or configuration of a container as shown in the representations.**

Statement of Novelty: **Nil**



Proceedings under the Designs Act 2003.

This Page Left Intentionally Blank

Applications Lodged

Lodgement information is in the following order: **Applicant's Name**; International Classification, Name of Product, Lodgement Date and **Design Number**. If the applicant claims an earlier priority date under an International Convention, the Convention Country and the associated filing date are shown in parentheses before the Lodgement Date. Divisional information will also appear in parentheses before the Lodgement Date.

youSP B.V.; 14-01, Speaker, 06 Jul 2005	12884/2005	Benex Technologies Pty Ltd; 25-01A, A building block, 11 Jul 2005	12977/2005
Abra Products Pty Ltd; 25-02G, Walkway grille, 07 Jul 2005	12898/2005	Black Sheep Displays Pty Ltd; 25-01D, Graphic display wall panel extrusion, 11 Jul 2005	12956/2005
Abra Products Pty Ltd; 25-02G, Walkway grille, 07 Jul 2005	12899/2005	Black Sheep Displays Pty Ltd; 25-01D, Graphic display wall panel extrusion, 11 Jul 2005	12957/2005
Access Communications Pty Ltd; 13-03D, Wall plate, 13 Jul 2005	13007/2005	Bomi Furniture; 06-06F, Bedhead, 06 Jul 2005	12875/2005
Ahiida Pty Ltd; 02-02B, An article of clothing, 12 Jul 2005	12998/2005	Bomi Furniture; 06-04F, Bedhead/Bedside drawers, 06 Jul 2005	12876/2005
Anaesthesia Airways Pty Limited; 24-02, Laryngoscope, 07 Jul 2005	12918/2005	Bomi Furniture; 06-04F, Tallboy, 06 Jul 2005	12877/2005
Anartelle Pty Ltd; 13-03E, An electrical plug, 18 Jul 2005	13047/2005	Bomi Furniture; 06-04F, Chest, 06 Jul 2005	12878/2005
Anartelle Pty Ltd; 13-03E, An electrical socket, 18 Jul 2005	13048/2005	Bomi Furniture Pty Ltd; 06-06F, Extended bedhead, 06 Jul 2005	12887/2005
Anartelle Pty Ltd; 13-03E, An electrical socket and switch, 18 Jul 2005	13049/2005	Bomi Furniture Pty Ltd; 06-06F, Base, 06 Jul 2005	12888/2005
Anartelle Pty Ltd; 13-03E, An electrical socket, 18 Jul 2005	13050/2005	Bomi Furniture Pty Ltd; 06-04F, Tallboy, 06 Jul 2005	12889/2005
Anartelle Pty Ltd; 13-03E, An electrical switch, 18 Jul 2005	13051/2005	Brown & Watson International Pty Ltd; 26-06, Light fitting, 15 Jul 2005	13045/2005
Anthony Bearings Pty Ltd; 08-07, Sliding door closer mechanism housing, 12 Jul 2005	13005/2005	BMC S.r.l.; 12-16N, Container for air filters, for engines, (EM, 02 Feb 2005) 11 Jul 2005	12979/2005
Apthorpe, Mark; 12-16B, Air deflector for vehicles, 06 Jul 2005	12879/2005	Calzados Anatomicos Calana S.L.; 02-04B, Soles for footwear, (EM, 14 Jan 2005) 12 Jul 2005	12982/2005
Arakelian, Araik; 06-01G, Arm chair, 12 Jul 2005	12999/2005	Castaways Manufacturing; 11-01E, 11-01NES, Round disc with scroll surround and tapered side supports triangle bail at top and disc riverted to support so it, spins (pendant), 05 Jul 2005	12838/2005
Australian Horizon Homes Pty Ltd; 25-01A, , 16 Jun 2005	12614/2005	Castaways Manufacturing; 11-01E, 11-01NES, Oval/marquise shaped disc with matching cut out support oval bail at top, disc is riverted to support so disc spins, 05 Jul 2005	12837/2005
Ayles, Robert Stanley; 14-03NES, Tube clamp plate, 11 Jul 2005	12975/2005	Cetram Pty Limited; 08-03, A safety knife, (CN, 20 Apr 2005) 14 Jul 2005	13022/2005
Ayles, Robert Stanley; 14-03NES, 90 degrees bracket and antenna tube holder, 11 Jul 2005	12976/2005	Clarewood Pty Ltd; 15-03A, Agricultural seeding tine adapation for a horwood bogshaw scaribar, 11 Jul 2005	12960/2005
Azuma Design Pty Limited; 08-08B, A screw, 06 Jul 2005	12881/2005	Coca-Cola Company, The; 09-01NES, Bottle, (US, 19 Jan 2005) 13 Jul 2005	13010/2005
ABA Diamond Corporation; 11-01NES, A cut diamond, (Divisional of 04177/2003) 06 Jul 2005	12886/2005	Daikin Industries Ltd; 23-04, Air cleaner, 08 Jul 2005	12972/2005
Baker, Kevin John; 23-04, A ventilator, 15 Jul 2005	13039/2005		
Bambis Import Co. Pty Ltd; 07-02N, Ceramic and stainless steel single fondue warmer, 10 Jun 2005	12536/2005		
Beltrami, Antonio; 07-06A, Wine glass holder, 15 Jul 2005	13044/2005		

Daikin Industries Ltd; 23-04, Air cleaner, 08 Jul 2005	12973/2005	GMCA Pty Ltd; 08-03, A mitre saw, (EM, 12 May 2005) 14 Jul 2005	13011/2005
Daikin Industries Ltd; 23-04, Air cleaner, 08 Jul 2005	12974/2005	Hannah, Peter Anthony; 06-02, 06-99, Sleeping berth module, 07 Jul 2005	12885/2005
David Durance Design; 06-02, 06-04F, Bed and bedside tables, 14 Jul 2005	13021/2005	Hay, Alan; 06-01E, Musical illuminated mushroom stool, 04 Jul 2005	12836/2005
Delkor Pty Ltd; 15-05, V-Section plastics box, 18 Jul 2005	13046/2005	International Consolidated Business Pty Ltd; 09-05, A single roll pack, 07 Jul 2005	12900/2005
Diep, Hoa To; 09-03NES, Tissue box, 11 Jul 2005	12971/2005	International Consolidated Business Pty Ltd; 05-06NES, Sheet material, 12 Jul 2005	12989/2005
Douai Pty Ltd; 20-02E, Merchandise stand, 08 Jul 2005	12890/2005	IAMS Company, The; 01-06, Pet food supplement, (US, 24 Jan 2005) 12 Jul 2005	12992/2005
Duboeuf, Les Vins Georges; 09-01H, A bottle, (EM, 01 Jul 2003) 24 Dec 2003	13123/2005	IB Rubinetterie S.p.A.; 23-01H, A tap, (IT, 24 Mar 2005) 05 Jul 2005	12870/2005
Eastcoast Australia Pty Ltd; 31-00, Classification 07-99Z (miscellaneous) liquid dispenser, 13 Jul 2005	12986/2005	J Bloch Pty Ltd; 02-04NES, A dance shoe, (US, 28 Jan 2005) 05 Jul 2005	12861/2005
Eastcoast Australia Pty Ltd; 31-00, Classification 07-99Z (miscellaneous) liquid dispenser, 13 Jul 2005	12987/2005	J Bloch Pty Ltd; 02-04NES, A dance shoe upper (not including sole), (US, 28 Jan 2005) 05 Jul 2005	12862/2005
Effem Foods Pty Ltd; 30-03, Animal food dispenser, 07 Jul 2005	12901/2005	J Bloch Pty Ltd; 02-04NES, A dance shoe sole (not including upper), (US, 28 Jan 2005) 05 Jul 2005	12863/2005
Elopak Systems A.G.; 09-03NES, Packaging carton, 30 Jun 2004	13124/2005	Japan Cash Machine Co., Ltd; 10-05, Document validator, (JP, 21 Jan 2005) 15 Jul 2005	13040/2005
Ethicon Endo-Surgery, Inc.; 24-02, Trocar, (US, 08 Feb 2005) 04 Jul 2005	13014/2005	Johan Collections Pty Ltd; 06-06E, Ozwood bar table top, 05 Jul 2005	12961/2005
Ethicon Endo-Surgery, Inc.; 24-02, Trocar, (US, 08 Feb 2005) 14 Jul 2005	13023/2005	Johan Collections Pty Ltd; 06-04NES, Ozwood wine bottles holder, 05 Jul 2005	12962/2005
Fealy, David; 06-06F, Improved slat support structure, 01 Dec 2003	13037/2005	Joining Systems Australia Pty Ltd; 08-08NES, Expandable connector assembly, 06 Jul 2005	12880/2005
Feltex Carpets Pty Ltd; 06-11, Alston, 14 Jul 2005	13025/2005	Kabushiki Kaisha Ginga Net; 14-03E, TV phone, (JP, 24 Jan 2005) 12 Jul 2005	12995/2005
Fenwicke, John Christopher David; 23-01K, Tap jumper valve, 07 Jul 2005	13015/2005	Kabushiki Kaisha Ginga Net; 14-03E, TV phone, (JP, 24 Jan 2005) 12 Jul 2005	12996/2005
Fenwicke, John Christopher David; 08-05NES, Tap reseater, 04 Jul 2005	12860/2005	Kaye, Perry; 08-03, Scissors, (US, 02 Feb 2005) 05 Jul 2005	12869/2005
Ferrari S.p.A.; 12-08, Car and toy, (IT, 19 Nov 2004) 09 May 2005	12064/2005	Kimberley Products Pty Ltd; 07-07NES, Drawer insert, (Divisional of 13356/2004) 01 Jun 2005	12467/2005
Ferrari S.p.A.; 21-01C, Car and toy, (IT, 19 Nov 2004) 09 May 2005	12065/2005	Kitsch; 02-07A, No article name was provided, 14 Jul 2005	13026/2005
Gadsden Signs Pty Ltd; 20-01, 20-03C, ATM signage and storage, 24 Jun 2005	12839/2005	Kitsch; 02-07A, No article name was provided, 14 Jul 2005	13027/2005
Gillette Company, The; 04-02, Head and neck of toothbrush, (US, 10 Jan 2005) 08 Jul 2005	12968/2005		
Good Optical Pty Ltd; 03-01NES, Case for eyewear, 07 Jul 2005	12907/2005		
GM Holden Ltd; 12-08, 21-01C, A model vehicle and a motor vehicle, 13 Jul 2005	13009/2005		

Kitsch; 02-07A, No article name provided, 14 Jul 2005	13028/2005	Kohler France SAS; 23-02C, Base, (US, 07 Jan 2005) 07 Jul 2005	12926/2005
Kitsch; 02-07A, No article name provided, 14 Jul 2005	13029/2005	Kohler France SAS; 23-02C, Base, (US, 07 Jan 2005) 07 Jul 2005	12927/2005
Kitsch; 02-07A, No article name provided, 14 Jul 2005	13030/2005	Kohler France SAS; 23-02F, Lavatory, (US, 07 Jan 2005) 07 Jul 2005	12929/2005
Kitsch; 02-04NES, No article name provided, 14 Jul 2005	13031/2005	Kohler France SAS; 23-02F, Pedestal lavatory, (US, 07 Jan 2005) 07 Jul 2005	12930/2005
Kitsch; 02-04NES, No article name provided, 14 Jul 2005	13032/2005	Kohler France SAS; 23-02F, Lavatory, (US, 07 Jan 2005) 07 Jul 2005	12931/2005
Kitsch; 02-04NES, No article name provided, 14 Jul 2005	13033/2005	Kohler France SAS; 23-02F, Pedestal, (US, 07 Jan 2005) 07 Jul 2005	12932/2005
Kitsch; 02-04NES, No article name provided, 14 Jul 2005	13034/2005	Kohler France SAS; 23-02F, Shroud, (US, 07 Jan 2005) 07 Jul 2005	12933/2005
Kitsch; 02-04NES, No article name provided, 14 Jul 2005	13035/2005	Kohler France SAS; 23-02B, Tub for bathing, (US, 07 Jan 2005) 07 Jul 2005	12934/2005
Kitsch; 02-04NES, No article name provided, 14 Jul 2005	13036/2005	Kohler France SAS; 23-02B, Tub for bathing, (US, 07 Jan 2005) 07 Jul 2005	12935/2005
Kohler France SAS; 23-02F, Lavatory, (US, 07 Jan 2005) 07 Jul 2005	12908/2005	Kohler France SAS; 23-02B, Tub for bathing, (US, 07 Jan 2005) 07 Jul 2005	12936/2005
Kohler France SAS; 23-02B, Tub for bathing, (US, 07 Jan 2005) 07 Jul 2005	12950/2005	Kohler France SAS; 23-02B, Tub for bathing, (US, 07 Jan 2005) 07 Jul 2005	12937/2005
Kohler France SAS; 23-02B, Tub for bathing, (US, 07 Jan 2005) 07 Jul 2005	12951/2005	Kohler France SAS; 23-02B, Tub for bathing, (US, 07 Jan 2005) 07 Jul 2005	12938/2005
Kohler France SAS; 23-02C, Bidet, (US, 07 Jan 2005) 07 Jul 2005	12952/2005	Kohler France SAS; 23-02F, Lavatory, (US, 07 Jan 2005) 07 Jul 2005	12909/2005
Kohler France SAS; 23-02C, Bidet, (US, 07 Jan 2005) 07 Jul 2005	12953/2005	Kohler France SAS; 23-02F, Lavatory, (US, 07 Jan 2005) 07 Jul 2005	12910/2005
Kohler France SAS; 23-02F, Lavatory, (US, 07 Jan 2005) 07 Jul 2005	12919/2005	Kohler France SAS; 23-02F, Lavatory, (US, 07 Jan 2005) 07 Jul 2005	12911/2005
Kohler France SAS; 23-02F, Lavatory, (US, 07 Jan 2005) 07 Jul 2005	12920/2005	Kohler France SAS; 23-02F, Lavatory, (US, 07 Jan 2005) 07 Jul 2005	12912/2005
Kohler France SAS; 23-02B, Tub for bathing, (US, 07 Jan 2005) 07 Jul 2005	12921/2005	Koninklijke Philips Electronics N.V.; 26-04, Luminaire for industrial lighting, (EM, 31 Jan 2005) 08 Jul 2005	12967/2005
Kohler France SAS; 23-02B, Tub for bathing, (US, 07 Jan 2005) 07 Jul 2005	12922/2005	Koninklijke Philips Electronics N.V.; 28-03A, 3-head dry shaver, (EM, 12 Jan 2005) 06 Jul 2005	12866/2005
Kohler France SAS; 23-02C, Water closet, (US, 07 Jan 2005) 07 Jul 2005	12923/2005	Kraft Foods Holdings, Inc.; 20-02C, Cabinet, (US, 07 Jan 2005) 07 Jul 2005	12913/2005
Kohler France SAS; 23-02C, Water closet, (US, 07 Jan 2005) 07 Jul 2005	12924/2005	Ladakh Pty Ltd; 02-02B, Pockets of jeans, pants, shorts, skirts, dresses, coats and other clothing, 13 Jul 2005	13013/2005
Kohler France SAS; 23-02C, Water closet, (US, 07 Jan 2005) 07 Jul 2005	12925/2005		

Leatherman Tool Group, Inc.; 08-06, A handle for a folding hand tool, (US, 07 Jan 2005) 07 Jul 2005	12892/2005	NEC Corporation; 14-03E, Portable wireless telephone, (JP, 10 Feb 2005) 14 Jul 2005	13053/2005
Leatherman Tool Group, Inc.; 08-05P, A pair of pliers jaws, (US, 07 Jan 2005) 07 Jul 2005	12893/2005	OASE GmbH; 15-05, Suction devices and valve, (EM, 11 Jan 2005) 08 Jul 2005	12964/2005
Leatherman Tool Group, Inc.; 08-06, A handle for a folding hand tool, (US, 07 Jan 2005) 07 Jul 2005	12894/2005	OASE GmbH; 26-03, 26-05B, Lighting apparatus, (EM, 11 Jan 2005) 08 Jul 2005	12965/2005
LG Electronics Inc.; 23-04, Wall-installed type air-conditioner, (KR, 19 Aug 2003) 16 Feb 2004	13139/2005	Parikh, Mukesh Suryakant; Siman-Tov, Jacob; Siman-Tov, Itzhak; Siman-Tov, Avraham; 11-01NES, A gemstone, (IL, 16 Feb 2005) 04 Jul 2005	12867/2005
Mars Incorporated; 09-03NES, Confectionery dispenser pack, 08 Dec 2003	13038/2005	Philippsohn, Joanne; 06-01H, Timber slatted seat, 11 Jul 2005	12959/2005
McCullough, Donald Frederick Geater; McCullough, Lorraine Rita; 25-01NES, A bead, 07 Jul 2005	12891/2005	Phoenix Industries Pty Ltd; 23-01H, Tap flange, 08 Jul 2005	12947/2005
McCullough, Lorraine Rita; McCullough, Donald Frederick Geater; 25-01NES, A bead, 07 Jul 2005	12891/2005	Phoenix Industries Pty Ltd; 23-01H, Tap assembly, 14 Jul 2005	13024/2005
Michael, George; 09-02NES, Liquid container, 08 Jul 2005	12978/2005	Phoenix Industries Pty Ltd; 23-01H, Tap and spout set, 23 Dec 2003	13054/2005
Milkcan Letterbox Co. Pty Ltd; 25-03, Letterbox fascia, 12 Jul 2005	13000/2005	Phoenix Industries Pty Ltd; 23-01H, Spout, 23 Dec 2003	13055/2005
Milkcan Letterbox Co. Pty Ltd; 25-03, Letterbox, 12 Jul 2005	13001/2005	Phoenix Industries Pty Ltd; 23-01H, Tap and spout set, 23 Dec 2003	13056/2005
Milkcan Letterbox Co. Pty Ltd; 25-03, A letterbox, 13 Jul 2005	13008/2005	Phoenix Industries Pty Ltd; 23-01H, Tap handle, 08 Jul 2005	12948/2005
Murphy, Paula; 16-06, Sunglasses, (US, 07 Jan 2005) 07 Jul 2005	12914/2005	Phoenix Industries Pty Ltd; 08-08G, 06-04NES, 07-06A, 07-05D, 23-02A, A set of bathroom accessories (single towel rail, 2 double towel rail, 3 single toilet roll holder, 4 double toilet, roll holder, 5 guest towel holder, 6 tumbler holder, 7 towel rack, 8 glass shelf, 9 robe hook), 08 Jul 2005	12949/2005
Murphy, Paula; 16-06, 02-03, Sunglasses with attached hat, (US, 07 Jan 2005) 07 Jul 2005	12917/2005	Pirelli Pneumatici S.P.A.; 12-15C, A tyre for vehicles, (EP, 31 Jan 2005) 08 Jul 2005	12966/2005
Murphy, Paula; 16-06, 02-03, Sunglasses with attached cap, (US, 07 Jan 2005) 07 Jul 2005	12915/2005	Positec Power Tools (Suzhou) Co., Limited; 15-03B, Grass trimmer, (CN, 17 Jan 2005) 12 Jul 2005	13002/2005
Murphy, Paula; 16-06, 02-03, Sunglasses with attached cap, (US, 07 Jan 2005) 07 Jul 2005	12916/2005	Positec Power Tools (Suzhou) Co., Limited; 08-03, Circular saw, (CN, 29 Jan 2005) 12 Jul 2005	13003/2005
Nokia Corporation; 14-03E, A handset, (US, 10 Jan 2005) 08 Jul 2005	12985/2005	Positec Power Tools (Suzhou) Co., Limited; 08-05N, Sander, (CN, 21 Feb 2005) 12 Jul 2005	13004/2005
Notaras, John Arthur; Notaras, Angelo Lambrinos; 15-03A, A cultivator, 06 Jul 2005	12954/2005	Positec Power Tools (Suzhou) Co., Ltd; 08-03, Reciprocating saw, 14 Jul 2005	13052/2005
Notaras, Angelo Lambrinos; Notaras, John Arthur; 15-03A, A cultivator, 06 Jul 2005	12954/2005	Procter & Gamble Company, The; 05-06NES, Toilet paper, (Divisional of 15442/2004) 12 Jul 2005	12990/2005
Notaras, John Arthur; Notaras, Angelo Lambrinos; 15-03A, A cultivator, 06 Jul 2005	12955/2005	Procter & Gamble Company, The; 05-06NES, Toilet paper, (Divisional of 15442/2004) 12 Jul 2005	12991/2005
Notaras, Angelo Lambrinos; Notaras, John Arthur; 15-03A, A cultivator, 06 Jul 2005	12955/2005	Procter & Gamble Company, The; 09-01C, Container, (Divisional of 15498/2004) 08 Jul 2005	12963/2005

Review Australia Pty Ltd; 02-01B, 02-02NES, Fashion clothing, 30 Mar 2005	11263/2005	SaddleSprings Beverage Company, Inc.; 09-01NES, Reclosable beverage pouch, (US, 24 Jan 2005) 14 Jul 2005	13017/2005
Review Australia Pty Ltd; 02-02NES, Fashion clothing, 30 Mar 2005	11264/2005	Samsung Electronics Co., Ltd; 14-02, Notebook computer, 14 Jul 2005	13016/2005
Review Australia Pty Ltd; 02-02NES, Fashion clothing, 30 Mar 2005	11265/2005	Scrivens, Lynne; 02-02NES, 02-03, T-shirt, jumper, hat, 23 Jun 2005	12699/2005
Review Australia Pty Ltd; 02-02C, Fashion clothing, 30 Mar 2005	11266/2005	Scrivens, Lynne; 02-02NES, 02-03, T-shirt, jumper, hat, 23 Jun 2005	12700/2005
Review Australia Pty Ltd; 02-02NES, Fashion clothing, 30 Mar 2005	11267/2005	Sew-Eurodrive GmbH & Co. KG; 15-01, Engine, (DE, 04 Feb 2005) 05 Jul 2005	12871/2005
Review Australia Pty Ltd; 02-02C, Fashion clothing, 30 Mar 2005	11268/2005	Sew-Eurodrive GmbH & Co. KG; 15-01, Engine, (DE, 04 Feb 2005) 05 Jul 2005	12872/2005
Review Australia Pty Ltd; 02-02NES, Fashion clothing, 30 Mar 2005	11269/2005	Sew-Eurodrive GmbH & Co. KG; 15-01, Engine, (DE, 04 Feb 2005) 05 Jul 2005	12873/2005
Review Australia Pty Ltd; 02-02C, Fashion clothing, 30 Mar 2005	11270/2005	Sew-Eurodrive GmbH & Co. KG; 15-01, Engine, (DE, 04 Feb 2005) 05 Jul 2005	12874/2005
Review Australia Pty Ltd; 02-02NES, Fashion clothing, 30 Mar 2005	11271/2005	Sibley, Andrew Markus; 21-01L, Three person chess board, 11 Jul 2005	13012/2005
Review Australia Pty Ltd; 02-02C, Fashion clothing, 30 Mar 2005	11272/2005	Siemens Aktiengesellschaft; 14-03E, Mobile phone, (EM, 13 Jan 2005) 12 Jul 2005	12997/2005
Review Australia Pty Ltd; 02-02NES, Fashion clothing, 30 Mar 2005	11273/2005	Siman-Tov, Jacob; Siman-Tov, Itzhak; Siman-Tov, Avraham; Parikh, Mukesh Suryakant; 11-01NES, A gemstone, (IL, 16 Feb 2005) 04 Jul 2005	12867/2005
Review Australia Pty Ltd; 02-02C, Fashion clothing, 30 Mar 2005	11274/2005	Siman-Tov, Itzhak; Siman-Tov, Jacob; Siman-Tov, Avraham; Parikh, Mukesh Suryakant; 11-01NES, A gemstone, (IL, 16 Feb 2005) 04 Jul 2005	12867/2005
Robert Bosch GmbH; 08-03, Sawblade, (DE, 03 Mar 2005) 07 Jul 2005	12902/2005	Siman-Tov, Avraham; Siman-Tov, Jacob; Siman-Tov, Itzhak; Parikh, Mukesh Suryakant; 11-01NES, A gemstone, (IL, 16 Feb 2005) 04 Jul 2005	12867/2005
Robert Bosch GmbH; 08-05N, Orbital sander, (DE, 09 Feb 2005) 15 Jul 2005	13041/2005	Societe Des Produits Nestle S.A.; 01-06, Pet treat, (US, 14 Jan 2005) 14 Jul 2005	13018/2005
Robert Bosch GmbH; 13-02, Battery charger, (DE, 25 Apr 2005) 15 Jul 2005	13042/2005	Sony Ericsson Mobile Communications AB; 14-03E, Mobile phone, (SE, 03 Feb 2005) 07 Jul 2005	12896/2005
Robert Bosch GmbH; 08-01, Power tool, (DE, 25 Apr 2005) 15 Jul 2005	13043/2005	Sony Ericsson Mobile Communications AB; 14-03E, Mobile phone, (SE, 03 Feb 2005) 07 Jul 2005	12897/2005
Robert Bosch GmbH; 08-03, Sawblade, (DE, 03 Mar 2005) 07 Jul 2005	12903/2005	Stanley, Brett; 08-05L, A roller wiper, (NZ, 10 Feb 2005) 05 Jul 2005	12865/2005
Robert Bosch GmbH; 08-03, Sawblade, (DE, 03 Mar 2005) 07 Jul 2005	12904/2005	Sunbeam Corporation Limited; 31-00, Mincing machine, 06 Jul 2005	12882/2005
Robert Bosch GmbH; 08-03, Sawblade, (DE, 03 Mar 2005) 07 Jul 2005	12905/2005	Sunbeam Corporation Limited; 31-00, A juice extractor, 06 Jul 2005	12883/2005
Robert Bosch GmbH; 08-03, Sawblade, (DE, 03 Mar 2005) 07 Jul 2005	12906/2005	ThinLinx Pty Ltd; 14-02, Computer, 11 Jul 2005	12958/2005
Royal Appliance Mfg. Co.; 23-01G, Filter, (US, 14 Jan 2005) 14 Jul 2005	13019/2005		
Royal Appliance Mfg. Co.; 23-01G, Filter assembly, (US, 14 Jan 2005) 14 Jul 2005	13020/2005		
S.C. Johnson & Son, Inc.; 11-02A, A decorative object, (US, 06 Jan 2005) 05 Jul 2005	12864/2005		

Vector Products, Inc.; 14-03NES, FM transmitter powered through cigarette lighter adaptor, (US, 11 Jan 2005) 11 Jul 2005	12969/2005	Your Brides Guide Pty Ltd; 19-04, To contain your brides guide business directory, diary planner and pen, 13 Jul 2005	12988/2005
Vector Products, Inc.; 13-03NES, DC and AC energy supply powered through cigarette lighter adaptor, (US, 11 Jan 2005) 11 Jul 2005	12970/2005	Yu, Jackson; 06-04NES, Storage rack, (TW, 19 Jan 2005) 11 Jul 2005	12980/2005
VKR Holding A/S; 25-02H, Window, (EM, 24 Jan 2005) 12 Jul 2005	12993/2005	Yu, Jackson; 06-04NES, Storage rack for audiovisual media, (TW, 19 Jan 2005) 11 Jul 2005	12981/2005
VKR Holding A/S; 25-02H, Building component, (EM, 24 Jan 2005) 12 Jul 2005	12994/2005	Yujin Company Ltd; 20-01, A vending machine, (JP, 08 Apr 2005) 05 Jul 2005	12868/2005
Werzalit AG + Co. AG; 25-01K, 25-02NES, Floor boards, (EM, 13 Jan 2005) 07 Jul 2005	12895/2005	Zanner, Lorena; 12-02, 06-13NES, Design 1: Shopping trolley, 12 Jul 2005	12983/2005
Worlds Apart Limited; 06-02, No article name provided, 12 Jul 2005	13006/2005	Zanner, Lorena; 12-02, 06-13NES, Design 1: Shopping trolley, 12 Jul 2005	12984/2005

Applications Lapsed

13020 / 2004 (03-01A)	13074 / 2004 (20-02NES)	15862 / 2004 (23-01NES)	15863 / 2004 (23-01NES)
13100 / 2004 (02-04NES)	13132 / 2004 (12-16N)	15864 / 2004 (23-01NES)	15865 / 2004 (23-01NES)
13198 / 2004 (24-01)	13634 / 2004 (30-03)	15988 / 2004 (12-11)	16059 / 2004 (06-01C)
13690 / 2004 (19-06)	13691 / 2004 (19-06)	16060 / 2004 (06-01C)	16061 / 2004 (06-01C)
13692 / 2004 (19-06)	13693 / 2004 (19-06)	16062 / 2004 (06-01C)	10047 / 2005 (12-16A)
13698 / 2004 (15-01)	13703 / 2004 (28-03C)	10048 / 2005 (12-16A)	10131 / 2005 (08-09)
13769 / 2004 (06-06F)	13842 / 2004 (03-01NES)	10132 / 2005 (02-02NES)	10133 / 2005 (02-02NES)
13843 / 2004 (03-01NES)	13966 / 2004 (02-02NES)	10134 / 2005 (02-02NES)	10135 / 2005 (02-02NES)
13967 / 2004 (02-02NES)	13985 / 2004 (03-01NES)	11201 / 2005 (25-02C)	11202 / 2005 (25-02C)
14042 / 2004 (06-01F)	14345 / 2004 (06-06F)	11203 / 2005 (25-02C)	11204 / 2005 (25-02C)
14439 / 2004 (02-02C)	14467 / 2004 (25-01E)	11205 / 2005 (25-02C)	11206 / 2005 (25-02C)
14468 / 2004 (25-01E)	14469 / 2004 (25-01E)	11207 / 2005 (25-02C)	11208 / 2005 (25-02C)
14470 / 2004 (25-01E)	14471 / 2004 (25-01E)	11209 / 2005 (25-02C)	11210 / 2005 (25-02C)
14472 / 2004 (25-01E)	14473 / 2004 (25-01E)	11211 / 2005 (25-02C)	11212 / 2005 (25-02C)
14474 / 2004 (25-01E)	14475 / 2004 (25-01E)	11213 / 2005 (25-02C)	11214 / 2005 (25-02C)
14476 / 2004 (25-01E)	14477 / 2004 (25-01E)	11215 / 2005 (25-02C)	11216 / 2005 (25-02C)
14554 / 2004 (19-06)	14584 / 2004 (21-01L)	11217 / 2005 (25-02C)	11218 / 2005 (25-02C)
14639 / 2004 (13-03D)	14695 / 2004 (08-08NES)	11219 / 2005 (25-02C)	11220 / 2005 (25-02C)
14696 / 2004 (08-08NES)	14697 / 2004 (08-08NES)	11221 / 2005 (25-02C)	11222 / 2005 (25-02C)
14698 / 2004 (08-08NES)	14701 / 2004 (23-01K)	11223 / 2005 (25-02C)	11224 / 2005 (25-02C)
14702 / 2004 (23-01K)	14703 / 2004 (23-01K)	11225 / 2005 (25-02C)	11226 / 2005 (25-02C)
14707 / 2004 (12-02)	14718 / 2004 (20-02E)	11227 / 2005 (25-02C)	11235 / 2005 (19-08)
14721 / 2004 (06-13NES)	14725 / 2004 (09-08)	11236 / 2005 (19-08)	11237 / 2005 (19-08)
14727 / 2004 (10-05)	14731 / 2004 (24-04)	11238 / 2005 (19-08)	11239 / 2005 (19-08)
14828 / 2004 (08-06)	14970 / 2004 (06-01L)	11240 / 2005 (19-08)	11241 / 2005 (19-08)
14990 / 2004 (25-02F)	15084 / 2004 (07-06A)	11261 / 2005 (28-03B)	11298 / 2005 (06-13B)
15193 / 2004 (24-01)	15194 / 2004 (24-01)	11319 / 2005 (03-01B)	11447 / 2005 (06-01L)
15203 / 2004 (07-07NES)	15237 / 2004 (14-02)	11574 / 2005 (05-05NES)	11575 / 2005 (05-05NES)
15256 / 2004 (09-01NES)	15300 / 2004 (25-99)	11576 / 2005 (05-05NES)	11698 / 2005 (23-04)
15316 / 2004 (21-03)	15317 / 2004 (21-03)	11699 / 2005 (23-04)	11872 / 2005 (02-03)
15367 / 2004 (06-03NES)	15418 / 2004 (08-99)	12037 / 2005 (15-05)	12173 / 2005 (06-01NES)
15528 / 2004 (21-02C)	15536 / 2004 (10-04)	12174 / 2005 (06-01NES)	
15537 / 2004 (22-06)	15538 / 2004 (22-06)		
15611 / 2004 (09-09)	15638 / 2004 (10-02)		
15657 / 2004 (06-01C)	15842 / 2004 (06-06F)		
15860 / 2004 (25-04)	15861 / 2004 (23-01NES)		

Corrigenda

Number 11099/2005

In Vol 19 , No 11 , page 1455 under the heading **Applications Lapsed**; Design No. 11099/05 should be deleted.

Number 11100/2005

In Vol 19 , No 11 , page 1455 under the heading **Applications Lapsed**; Design No. 11100/05 should be deleted.

Number 11101/2005

In Vol 19 , No 11 , page 1455 under the heading **Applications Lapsed**; Design No. 11101/05 should be deleted.

Number 11102/2005

In Vol 19 , No 11 , page 1455 under the heading **Applications Lapsed**; Design No. 11102/05 should be deleted.

Number 11103/2005

In Vol 19 , No 11 , page 1455 under the heading **Applications Lapsed**; Design No. 11103/05 should be deleted.

Number 11104/2005

In Vol 19 , No 11 , page 1455 under the heading **Applications Lapsed**; Design No. 11104/05 should be deleted.

Publication and Registration Proceedings

Designs Registered

This section provides a concordance between design number and registration number of Designs covered in this journal. It also shows the main class and registration date.

This section covers Registration numbers 302382 to 302562 .

The registration number shown below should be used in all future correspondence.

Design Number	Registration Number	International Classification Code (IDC)	Registration Date	Design Number	Registration Number	International Classification Code (IDC)	Registration Date
13539/2004	302525	26-05D	26/07/2005	15442/2004	302495	05-06NES	25/07/2005
13540/2004	302526	26-05D	26/07/2005	15553/2004	302496	12-16NES	25/07/2005
13541/2004	302527	26-05D	26/07/2005	15557/2004	302497	09-03M	25/07/2005
13542/2004	302528	26-05D	26/07/2005	15641/2004	302498	06-03C	25/07/2005
13543/2004	302529	26-05C	26/07/2005	15647/2004	302386	25-01K	18/07/2005
13544/2004	302530	26-05C	26/07/2005	15648/2004	302387	25-01K	18/07/2005
13545/2004	302531	26-05B	26/07/2005	15692/2004	302388	08-08B	18/07/2005
13581/2004	302532	09-03F	26/07/2005	15721/2004	302389	19-04	18/07/2005
13582/2004	302533	09-03F	26/07/2005	15732/2004	302499	10-06	25/07/2005
13583/2004	302534	09-03F	26/07/2005	15733/2004	302500	10-06	25/07/2005
13584/2004	302535	09-03F	26/07/2005	15882/2004	302501	24-01	25/07/2005
13595/2004	302503	15-03B	25/07/2005	15885/2004	302558	07-03	27/07/2005
13596/2004	302504	15-03B	25/07/2005	15886/2004	302559	07-01NES	27/07/2005
13781/2004	302536	26-05D	26/07/2005	15952/2004	302557	13-02	27/07/2005
13911/2004	302508	06-04NES	25/07/2005	15964/2004	302390	28-03A	18/07/2005
13912/2004	302509	06-04NES	25/07/2005	10055/2005	302392	26-05D	18/07/2005
13913/2004	302505	03-01D	25/07/2005	10058/2005	302393	09-01NES	18/07/2005
13982/2004	302506	09-03L	25/07/2005	10059/2005	302394	09-01NES	18/07/2005
13983/2004	302507	19-08	25/07/2005	10060/2005	302395	14-99	18/07/2005
14083/2004	302539	02-03	26/07/2005	10061/2005	302396	14-03B	18/07/2005
14101/2004	302544	21-02F	27/07/2005	10065/2005	302397	02-02C	18/07/2005
14136/2004	302540	25-01F	26/07/2005	10066/2005	302398	07-01NES	18/07/2005
14142/2004	302541	06-05	26/07/2005	10067/2005	302399	07-01NES	18/07/2005
14146/2004	302545	07-01B	27/07/2005	10068/2005	302400	21-01NES	18/07/2005
14220/2004	302542	13-01	26/07/2005	10069/2005	302401	21-01NES	18/07/2005
14510/2004	302543	12-08	26/07/2005	10070/2005	302402	15-05	18/07/2005
14527/2004	302546	24-04	27/07/2005	10071/2005	302403	25-01E	18/07/2005
14528/2004	302547	24-04	27/07/2005	10072/2005	302404	25-02C	18/07/2005
14549/2004	302510	08-05K	25/07/2005	10073/2005	302405	25-02C	18/07/2005
14605/2004	302511	16-01	25/07/2005	10088/2005	302560	24-02	27/07/2005
14796/2004	302488	09-05	25/07/2005	10089/2005	302561	24-02	27/07/2005
14797/2004	302512	08-05F	25/07/2005	10090/2005	302562	24-02	27/07/2005
14820/2004	302513	09-01A	25/07/2005	10165/2005	302407	25-01A	18/07/2005
14821/2004	302515	09-01A	25/07/2005	10166/2005	302408	25-01A	18/07/2005
14916/2004	302489	21-01A	25/07/2005	10167/2005	302409	25-01A	18/07/2005
14917/2004	302490	21-01A	25/07/2005	10168/2005	302410	21-02A	18/07/2005
14938/2004	302491	24-02	25/07/2005	10171/2005	302411	15-01	18/07/2005
14939/2004	302492	24-02	25/07/2005	10172/2005	302412	08-08D	18/07/2005
14940/2004	302493	24-02	25/07/2005	10173/2005	302413	23-01H	18/07/2005
14974/2004	302548	06-03C	27/07/2005	10174/2005	302414	23-01H	18/07/2005
14993/2004	302517	12-16NES	25/07/2005	10175/2005	302415	23-01H	18/07/2005
15054/2004	302518	08-08G	25/07/2005	10176/2005	302416	23-01H	18/07/2005
15096/2004	302384	25-01E	18/07/2005	10177/2005	302417	23-01H	18/07/2005
15121/2004	302519	26-05D	25/07/2005	10178/2005	302418	23-01H	18/07/2005
15130/2004	302406	19-08	18/07/2005	10184/2005	302419	25-01A	18/07/2005
15150/2004	302520	25-01G	25/07/2005	10185/2005	302420	15-01	18/07/2005
15152/2004	302521	23-02A	25/07/2005	10188/2005	302421	23-04	18/07/2005
15153/2004	302522	23-02A	25/07/2005	10189/2005	302422	23-04	18/07/2005
15154/2004	302523	23-02A	25/07/2005	10190/2005	302423	28-01	18/07/2005
15155/2004	302524	23-02A	25/07/2005	10194/2005	302424	12-16C	18/07/2005
15274/2004	302551	09-02B	27/07/2005	10195/2005	302425	08-05M	18/07/2005
15405/2004	302385	03-01NES	18/07/2005	10196/2005	302426	08-05M	18/07/2005
15437/2004	302494	09-03E	25/07/2005	10197/2005	302427	26-06	18/07/2005

Publication and Registration Proceedings - Designs Registered cont'd

Design Number	Registration Number	International Classification Code (IDC)	Registration Date	Design Number	Registration Number	International Classification Code (IDC)	Registration Date
10198/2005	302428	09-01NES	18/07/2005	10400/2005	302467	07-05A	22/07/2005
10202/2005	302429	03-01A	20/07/2005	10401/2005	302468	07-05A	22/07/2005
10203/2005	302430	03-01A	20/07/2005	10402/2005	302469	07-05A	22/07/2005
10206/2005	302431	25-01D	20/07/2005	10403/2005	302470	09-05	22/07/2005
10210/2005	302432	08-07	20/07/2005	10404/2005	302471	14-03E	22/07/2005
10218/2005	302433	23-02NES	20/07/2005	10405/2005	302472	23-02NES	22/07/2005
10219/2005	302434	23-02NES	20/07/2005	10407/2005	302473	07-02L	22/07/2005
10263/2005	302435	13-03B	20/07/2005	10417/2005	302474	12-10	22/07/2005
10286/2005	302436	13-03D	20/07/2005	10425/2005	302475	14-03A	22/07/2005
10287/2005	302437	13-03D	20/07/2005	10426/2005	302476	14-03A	22/07/2005
10288/2005	302438	13-03D	20/07/2005	10430/2005	302477	25-02C	22/07/2005
10289/2005	302439	13-03D	20/07/2005	10431/2005	302478	25-02C	22/07/2005
10290/2005	302440	13-03D	20/07/2005	10432/2005	302479	25-02C	22/07/2005
10291/2005	302441	13-03D	20/07/2005	10433/2005	302480	25-02C	22/07/2005
10292/2005	302442	13-03D	20/07/2005	10434/2005	302481	25-02C	22/07/2005
10293/2005	302443	13-03D	20/07/2005	10435/2005	302482	25-02C	22/07/2005
10294/2005	302444	13-03D	20/07/2005	10443/2005	302483	06-03A	22/07/2005
10303/2005	302445	19-08	20/07/2005	10444/2005	302484	06-04NES	22/07/2005
10304/2005	302446	19-08	20/07/2005	10445/2005	302485	06-03A	22/07/2005
10305/2005	302447	19-08	20/07/2005	10446/2005	302486	06-04NES	22/07/2005
10306/2005	302448	19-08	20/07/2005	10447/2005	302487	06-04NES	22/07/2005
10309/2005	302449	23-02A	20/07/2005	11560/2005	302502	12-11	25/07/2005
10310/2005	302450	07-05D	20/07/2005	11825/2005	302391	09-01D	18/07/2005
10311/2005	302451	08-08G	20/07/2005	12501/2005	302537	26-05D	26/07/2005
10314/2005	302452	09-01NES	20/07/2005	12502/2005	302538	26-05D	26/07/2005
10315/2005	302453	09-07A	20/07/2005	12556/2005	302382	06-08	15/07/2005
10383/2005	302454	07-02N	20/07/2005	12557/2005	302383	06-08	15/07/2005
10384/2005	302455	13-03D	20/07/2005	12717/2005	302552	09-02B	27/07/2005
10385/2005	302456	13-03D	20/07/2005	12718/2005	302553	09-02B	27/07/2005
10386/2005	302457	13-03D	20/07/2005	12719/2005	302554	09-02B	27/07/2005
10387/2005	302458	13-03D	20/07/2005	12720/2005	302555	09-02B	27/07/2005
10388/2005	302459	13-03D	20/07/2005	12721/2005	302556	09-02B	27/07/2005
10389/2005	302460	13-03D	20/07/2005	12722/2005	302549	06-03C	27/07/2005
10390/2005	302461	08-05L	20/07/2005	12723/2005	302550	06-03C	27/07/2005
10391/2005	302462	08-03	20/07/2005	12832/2005	302514	09-01A	25/07/2005
10392/2005	302463	10-04	20/07/2005	12833/2005	302516	09-01A	25/07/2005
10396/2005	302464	03-01NES	20/07/2005				
10397/2005	302465	25-04	20/07/2005				
10399/2005	302466	06-02	20/07/2005				

Publication and Registration Proceedings
Class Listing of Designs Published or Registered

The following section shows an International Classification Code listing of the Registered or Published Designs covered in this supplement.

Classification	Registration Number	Design Number	Classification	Registration Number	Design Number
02-02 C	302397	10065/2005	09-01 NES	302452	10314/2005
02-03	302539	14083/2004	09-02 B	302551	15274/2004
03-01 A	302429	10202/2005	09-02 B	302552	12717/2005
03-01 A	302430	10203/2005	09-02 B	302553	12718/2005
03-01 D	302505	13913/2004	09-02 B	302554	12719/2005
03-01 NES	302385	15405/2004	09-02 B	302555	12720/2005
03-01 NES	302464	10396/2005	09-02 B	302556	12721/2005
05-06 NES	302495	15442/2004	09-03 E	302494	15437/2004
06-02	302466	10399/2005	09-03 F	302532	13581/2004
06-03 A	302483	10443/2005	09-03 F	302533	13582/2004
06-03 A	302485	10445/2005	09-03 F	302534	13583/2004
06-03 C	302498	15641/2004	09-03 F	302535	13584/2004
06-03 C	302548	14974/2004	09-03 L	302506	13982/2004
06-03 C	302549	12722/2005	09-03 M	302497	15557/2004
06-03 C	302550	12723/2005	09-05	302470	10403/2005
06-04 NES	302484	10444/2005	09-05	302488	14796/2004
06-04 NES	302486	10446/2005	09-07 A	302453	10315/2005
06-04 NES	302487	10447/2005	10-04	302463	10392/2005
06-04 NES	302508	13911/2004	10-06	302499	15732/2004
06-04 NES	302509	13912/2004	10-06	302500	15733/2004
06-05	302541	14142/2004	12-08	302543	14510/2004
06-06 F	302466	10399/2005	12-10	302474	10417/2005
06-08	302382	12556/2005	12-11	302502	11560/2005
06-08	302383	12557/2005	12-16 C	302424	10194/2005
07-01 B	302545	14146/2004	12-16 NES	302496	15553/2004
07-01 NES	302398	10066/2005	12-16 NES	302517	14993/2004
07-01 NES	302399	10067/2005	13-01	302542	14220/2004
07-01 NES	302558	15885/2004	13-02	302557	15952/2004
07-01 NES	302559	15886/2004	13-03 B	302435	10263/2005
07-02 L	302473	10407/2005	13-03 D	302436	10286/2005
07-02 N	302454	10383/2005	13-03 D	302437	10287/2005
07-03	302558	15885/2004	13-03 D	302438	10288/2005
07-03	302559	15886/2004	13-03 D	302439	10289/2005
07-05 A	302467	10400/2005	13-03 D	302440	10290/2005
07-05 A	302468	10401/2005	13-03 D	302441	10291/2005
07-05 A	302469	10402/2005	13-03 D	302442	10292/2005
07-05 D	302450	10310/2005	13-03 D	302443	10293/2005
08-03	302462	10391/2005	13-03 D	302444	10294/2005
08-05 F	302512	14797/2004	13-03 D	302455	10384/2005
08-05 K	302510	14549/2004	13-03 D	302456	10385/2005
08-05 L	302461	10390/2005	13-03 D	302457	10386/2005
08-05 M	302425	10195/2005	13-03 D	302458	10387/2005
08-05 M	302426	10196/2005	13-03 D	302459	10388/2005
08-07	302432	10210/2005	13-03 D	302460	10389/2005
08-08 B	302388	15692/2004	14-02	302557	15952/2004
08-08 D	302412	10172/2005	14-03 A	302475	10425/2005
08-08 G	302451	10311/2005	14-03 A	302476	10426/2005
08-08 G	302518	15054/2004	14-03 B	302396	10061/2005
09-01 A	302513	14820/2004	14-03 E	302471	10404/2005
09-01 A	302514	12832/2005	14-99	302395	10060/2005
09-01 A	302515	14821/2004	15-01	302411	10171/2005
09-01 A	302516	12833/2005	15-01	302420	10185/2005
09-01 D	302391	11825/2005	15-03 B	302503	13595/2004
09-01 NES	302393	10058/2005	15-03 B	302504	13596/2004
09-01 NES	302394	10059/2005	15-05	302402	10070/2005
09-01 NES	302428	10198/2005	16-01	302511	14605/2004

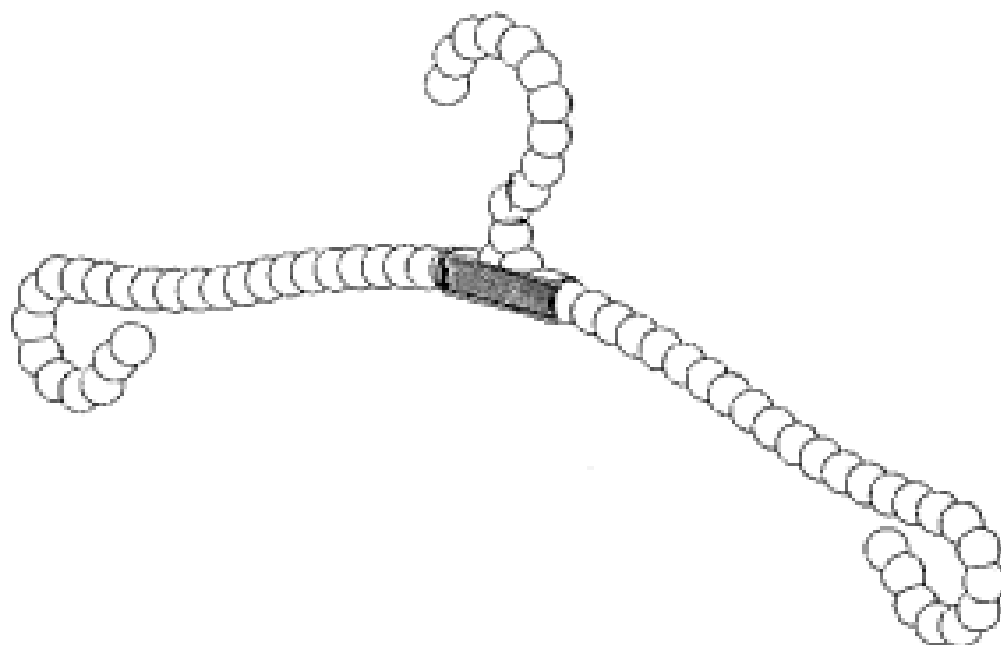
Registration Proceedings - Class Listing of Designs Published or Registered cont'd

Classification	Registration Number	Design Number	Classification	Registration Number	Design Number
19-04	302389	15721/2004	25-01 A	302409	10167/2005
19-08	302406	15130/2004	25-01 A	302419	10184/2005
19-08	302445	10303/2005	25-01 D	302431	10206/2005
19-08	302446	10304/2005	25-01 E	302384	15096/2004
19-08	302447	10305/2005	25-01 E	302403	10071/2005
19-08	302448	10306/2005	25-01 F	302540	14136/2004
19-08	302507	13983/2004	25-01 G	302520	15150/2004
20-02 NES	302496	15553/2004	25-01 K	302386	15647/2004
21-01 A	302489	14916/2004	25-01 K	302387	15648/2004
21-01 A	302490	14917/2004	25-02 C	302404	10072/2005
21-01 C	302543	14510/2004	25-02 C	302405	10073/2005
21-01 NES	302400	10068/2005	25-02 C	302477	10430/2005
21-01 NES	302401	10069/2005	25-02 C	302478	10431/2005
21-02 A	302410	10168/2005	25-02 C	302479	10432/2005
21-02 F	302544	14101/2004	25-02 C	302480	10433/2005
23-01 H	302413	10173/2005	25-02 C	302481	10434/2005
23-01 H	302414	10174/2005	25-02 C	302482	10435/2005
23-01 H	302415	10175/2005	25-04	302465	10397/2005
23-01 H	302416	10176/2005	26-05 B	302531	13545/2004
23-01 H	302417	10177/2005	26-05 C	302529	13543/2004
23-01 H	302418	10178/2005	26-05 C	302530	13544/2004
23-02 A	302449	10309/2005	26-05 D	302392	10055/2005
23-02 A	302521	15152/2004	26-05 D	302519	15121/2004
23-02 A	302522	15153/2004	26-05 D	302525	13539/2004
23-02 A	302523	15154/2004	26-05 D	302526	13540/2004
23-02 A	302524	15155/2004	26-05 D	302527	13541/2004
23-02 NES	302433	10218/2005	26-05 D	302528	13542/2004
23-02 NES	302434	10219/2005	26-05 D	302536	13781/2004
23-02 NES	302472	10405/2005	26-05 D	302537	12501/2005
23-04	302421	10188/2005	26-05 D	302538	12502/2005
23-04	302422	10189/2005	26-06	302427	10197/2005
24-01	302501	15882/2004	28-01	302423	10190/2005
24-02	302491	14938/2004	28-03 A	302390	15964/2004
24-02	302492	14939/2004	28-99	302513	14820/2004
24-02	302493	14940/2004	28-99	302514	12832/2005
24-02	302560	10088/2005	28-99	302515	14821/2004
24-02	302561	10089/2005	28-99	302516	12833/2005
24-02	302562	10090/2005	31-00	302391	11825/2005
24-04	302546	14527/2004			
24-04	302547	14528/2004			
25-01 A	302407	10165/2005			
25-01 A	302408	10166/2005			

(21) Design Number: **12556/2005**
(22) Date of Filing Application: **15 June 2005**
(24) Date from which industrial property rights may have effect: **15 June 2005**
(54) Product in respect of which the design is registered: **A hanger**
(51) International Design Classification: **06-08**
(71) Name(s) and Address(s) of Applicant(s):

Pleasure State Pty Ltd
Level 1 134 Oxford Street Paddington New South Wales 2021
Australia

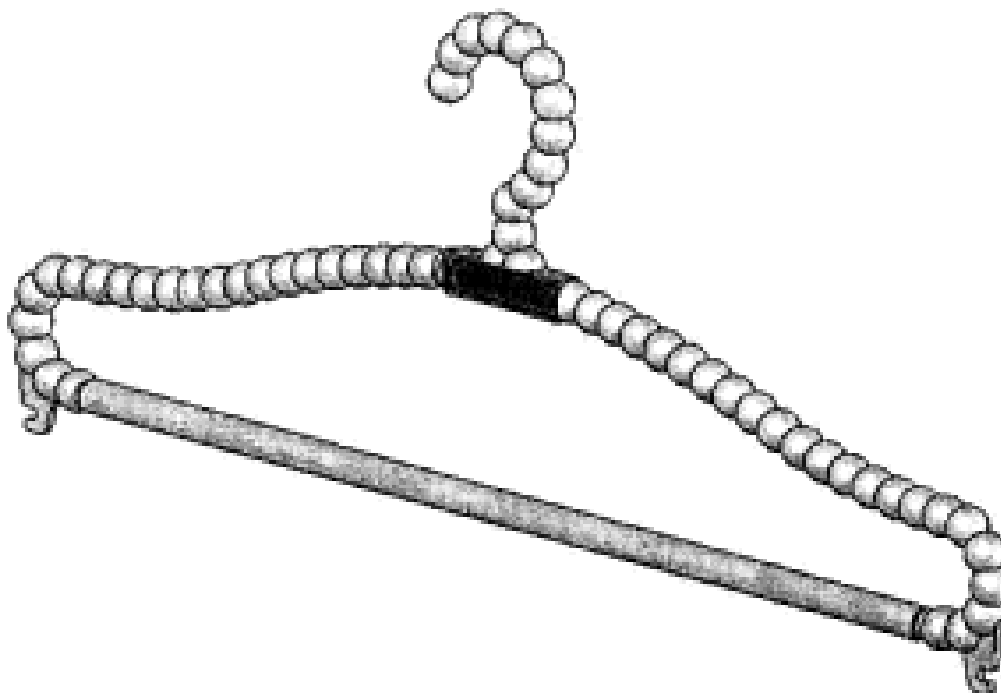
(72) Name(s) of Designer(s): **Kathleen Siddall-Cohen**
(45) Registration Date: **15 July 2005**
(56) Related Art Documents: **Not Applicable**
(57) Statement of Newness and Distinctiveness: **Nil**



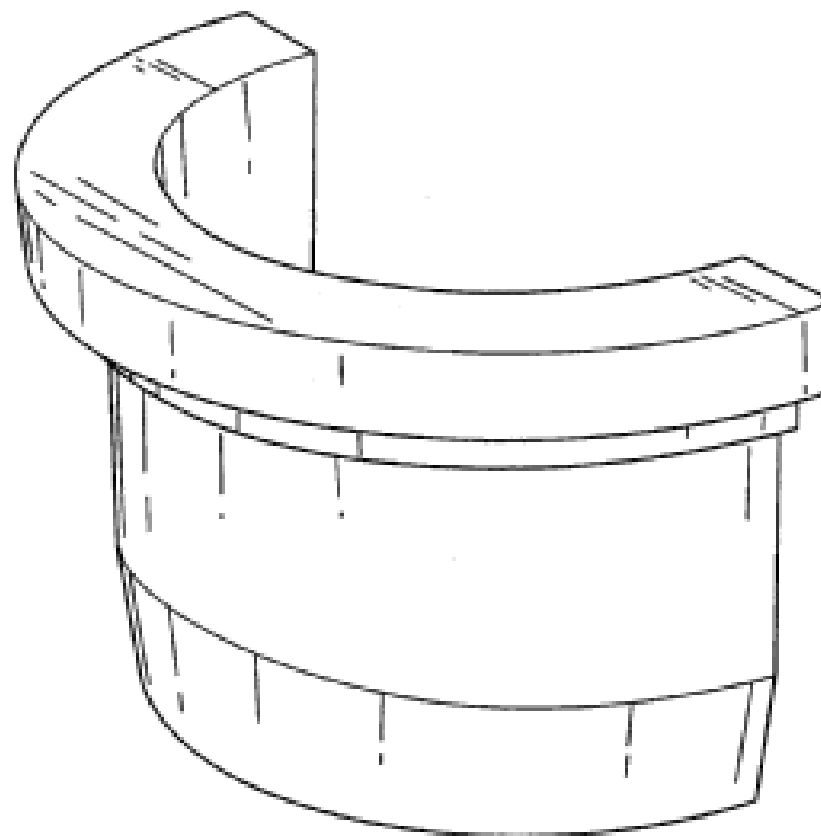
(21) Design Number: **12557/2005**
(22) Date of Filing Application: **15 June 2005**
(24) Date from which industrial property rights may have effect: **15 June 2005**
(54) Product in respect of which the design is registered: **A hanger**
(51) International Design Classification: **06-08**
(71) Name(s) and Address(s) of Applicant(s):

Pleasure State Pty Ltd
Level 1 134 Oxford Street Paddington New South Wales 2021
Australia

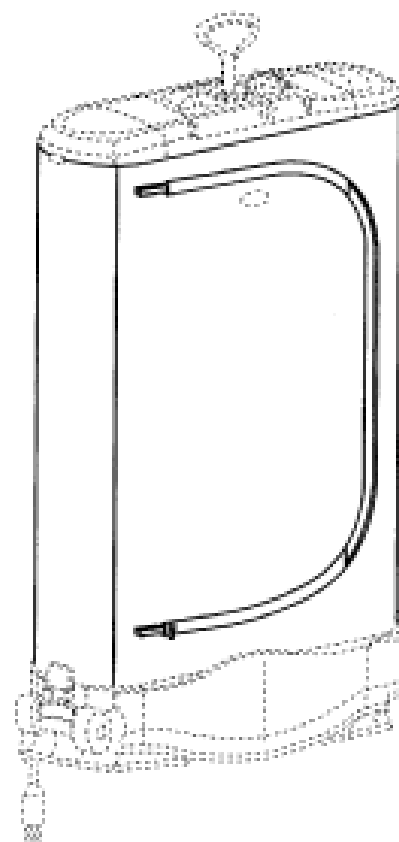
(72) Name(s) of Designer(s): **Kathleen Siddall-Cohen**
(45) Registration Date: **15 July 2005**
(56) Related Art Documents: **Not Applicable**
(57) Statement of Newness and Distinctiveness: **Nil**



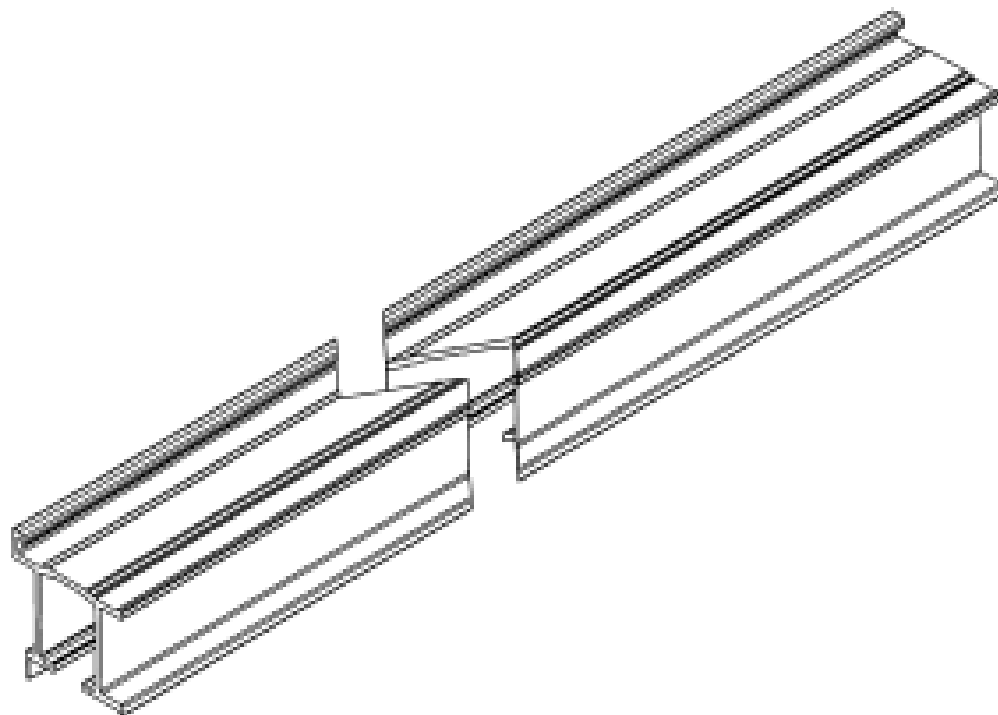
(21) Design Number: **15096/2004**
(22) Date of Filing Application: **01 November 2004**
(24) Date from which industrial property rights may have effect: **01 November 2004**
(54) Product in respect of which the design is registered: **Split post locking wedge**
(51) International Design Classification: **25-01E**
(71) Name(s) and Address(s) of Applicant(s):
John Leslie Flanagan
7/232 Boundary Street West End Queensland 4101 Australia
(72) Name(s) of Designer(s): **John Toonen and John Flanagan**
(45) Registration Date: **18 July 2005**
(56) Related Art Documents: **Not Applicable**
(57) Statement of Newness and Distinctiveness: **Nil**



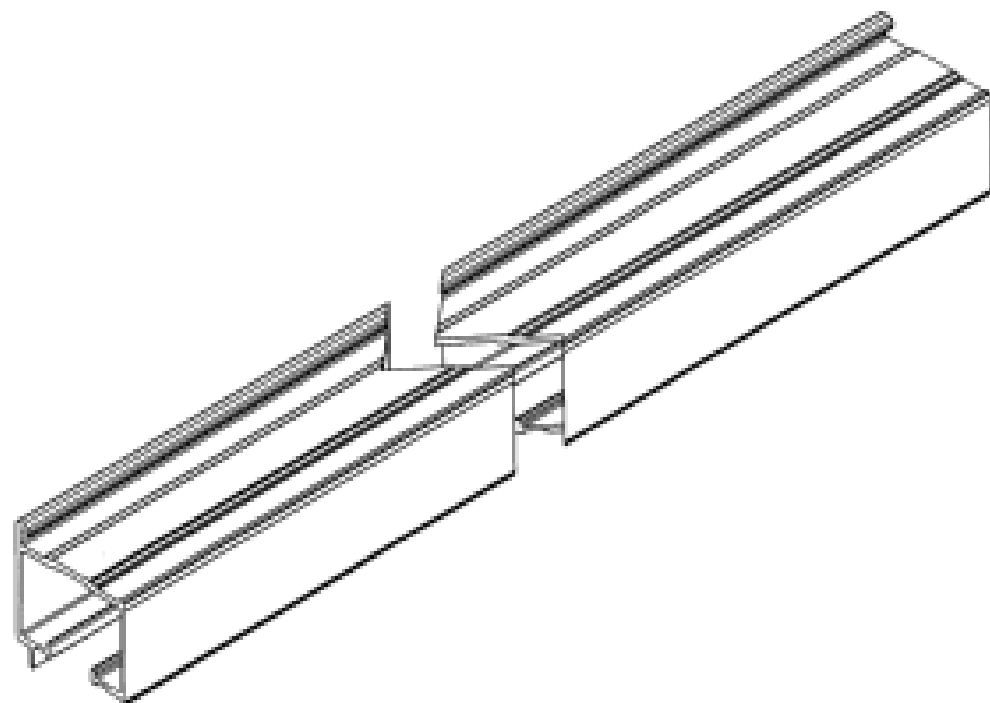
(21) Design Number: **15405/2004**
(22) Date of Filing Application: **22 November 2004**
(24) Date from which industrial property rights may have effect: **22 November 2004**
(54) Product in respect of which the design is registered: **Enclosure for a clothes refresher**
(51) International Design Classification: **03-01NES**
(71) Name(s) and Address(s) of Applicant(s):
Whirlpool Corporation
2000 N M-63 Benton Harbor Michigan 49022 United States of America
(72) Name(s) of Designer(s): **Timothy J. Hicks and George F. Seiffert**
(45) Registration Date: **18 July 2005**
(30) Convention priority data:
(31) Number (32) Date (33) Country
29/206,000 24 May 2004 UNITED STATES OF AMERICA
(56) Related Art Documents: **Not Applicable**
(57) Statement of Newness and Distinctiveness: **Novelty resides in the shape and/or configuration of an enclosure for a clothes refresher as illustrated in the representations.**



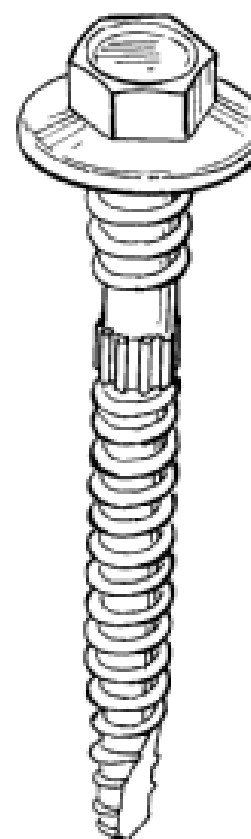
- (21) Design Number: **15647/2004**
(22) Date of Filing Application: **06 December 2004**
(24) Date from which industrial property rights may have effect: **06 December 2004**
(54) Product in respect of which the design is registered: **An extrusion**
(51) International Design Classification: **25-01K**
(71) Name(s) and Address(s) of Applicant(s):
Aluminium Specialties Group Pty Ltd
108-112 Toongabbie Road Toongabbie New South Wales 2146
Australia
(72) Name(s) of Designer(s): **David W. Evans**
(45) Registration Date: **18 July 2005**
(56) Related Art Documents: **Not Applicable**
(57) Statement of Newness and Distinctiveness: **Newness and distinctiveness resides in the shape and configuration of the extruded metal section of constant cross-section and indefinite length as illustrated in the accompanying representations.**



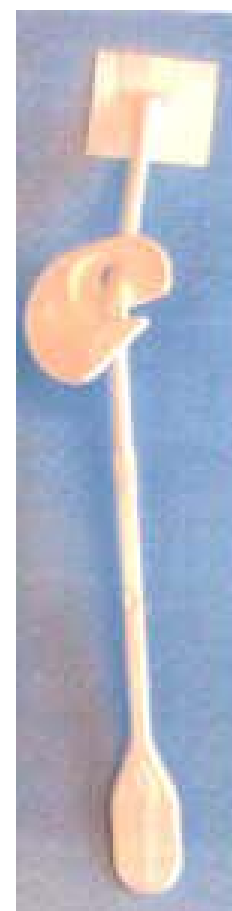
- (21) Design Number: **15648/2004**
(22) Date of Filing Application: **06 December 2004**
(24) Date from which industrial property rights may have effect: **06 December 2004**
(54) Product in respect of which the design is registered: **An extrusion**
(51) International Design Classification: **25-01K**
(71) Name(s) and Address(s) of Applicant(s):
Aluminium Specialties Group Limited
108-211 Toongabbie Road Toongabbie New South Wales 2146
Australia
(72) Name(s) of Designer(s): **David W. Evans**
(45) Registration Date: **18 July 2005**
(56) Related Art Documents: **Not Applicable**
(57) Statement of Newness and Distinctiveness: **Newness and distinctiveness resides in the shape and configuration of the extruded metal section of constant cross-section and indefinite length as illustrated in the accompanying representations.**



- (21) Design Number: **15692/2004**
- (22) Date of Filing Application: **09 December 2004**
- (24) Date from which industrial property rights may have effect: **09 December 2004**
- (54) Product in respect of which the design is registered: **Screws**
- (51) International Design Classification: **08-08B**
- (71) Name(s) and Address(s) of Applicant(s):
Loi & Tran Pty Limited
39 Greens Road Dandenong Victoria 3175 Australia
- (72) Name(s) of Designer(s): **To Ha Loi**
- (45) Registration Date: **18 July 2005**
- (56) Related Art Documents: **Not Applicable**
- (57) Statement of Newness and Distinctiveness: **The shape and configuration of the screw as shown in the accompanying representations.**



- (21) Design Number: **15721/2004**
- (22) Date of Filing Application: **09 December 2004**
- (24) Date from which industrial property rights may have effect: **09 December 2004**
- (54) Product in respect of which the design is registered: **A binder for papers**
- (51) International Design Classification: **19-04**
- (71) Name(s) and Address(s) of Applicant(s):
Arnos Australia Pty Ltd
1226 Nepean Highway Cheltenham Victoria 3192 Australia
- (72) Name(s) of Designer(s): **Roger Henry**
- (45) Registration Date: **18 July 2005**
- (56) Related Art Documents: **Not Applicable**
- (57) Statement of Newness and Distinctiveness: **Nil**



- (21) Design Number: **15964/2004**
(22) Date of Filing Application: **22 December 2004**
(24) Date from which industrial property rights may have effect: **22 December 2004**
(54) Product in respect of which the design is registered: **Razor unit handle**
(51) International Design Classification: **28-03A**
(71) Name(s) and Address(s) of Applicant(s):
Societe Bic
14 rue Jeanne D'Asnieres 92 110 Clichy France
(72) Name(s) of Designer(s): **Yiannis Marios Psimadas and Ioannis Bozikis and Spiros Gratsias**
(45) Registration Date: **18 July 2005**
(30) Convention priority data:
(31) Number (32) Date (33) Country
000204656-001 20 Jul 2004 EUROPEAN COMMUNITY
(56) Related Art Documents: **Not Applicable**
(57) Statement of Newness and Distinctiveness: **Monopoly is claimed in the shape and configuration of the handle of a razor unit as shown in the accompanying representations. In considering the scope of the monopoly no regard is to be given to the head portion of the razor unit.**



- (21) Design Number: **11825/2005**
(22) Date of Filing Application: **29 April 2005**
(24) Date from which industrial property rights may have effect: **29 April 2005**
(54) Product in respect of which the design is registered: **Classification-07-99Z miscellaneous (liquid dispenser)**
(51) International Design Classification: **09-01D, 31-00**
(71) Name(s) and Address(s) of Applicant(s):
Eastcoast Australia Pty Ltd
6/163 Prospect Highway Seven Hills New South Wales 2147 Australia
(72) Name(s) of Designer(s): **Johanes Jacobus Broerse**
(45) Registration Date: **18 July 2005**
(56) Related Art Documents: **Not Applicable**
(57) Statement of Newness and Distinctiveness: **This is a original design without any comparison due to it shape and handling features liquid dispenser.**



- (21) Design Number: **10055/2005**
(22) Date of Filing Application: **11 January 2005**
(24) Date from which industrial property rights may have effect: **11 January 2005**
(54) Product in respect of which the design is registered: **Lampshades**
(51) International Design Classification: **26-05D**
(71) Name(s) and Address(s) of Applicant(s):

Elizabeth Cooper Pty Ltd
Suite 23/723 Orrong Road Toorak Victoria 3142 Australia

(72) Name(s) of Designer(s): **Elizabeth Cooper**

(45) Registration Date: **18 July 2005**

(56) Related Art Documents: **Not Applicable**

(57) Statement of Newness and Distinctiveness: **The newness of the design is the shape of lampshade as a handbag with a distinctive "handbag" handle. The luxelamps collection turns the commonly understood purpose of handbags into "couture for lamps". This luxurious and eclectic range of lampshades has a unique feature; the handbag shape. The luxelamps collection are Australia's first range of one-off lampshades made from quality fabrics in real handbag designs. It is ultimate lighting accessory. Designer, Elizabeth Cooper has attached a handle to each lampshade to totally replicate the handbag design and transform it into a new form of lighting accessory. These are one-off lampshades that give new form and personality to the standard lamp of old.**



- (21) Design Number: **10058/2005**
(22) Date of Filing Application: **10 January 2005**
(24) Date from which industrial property rights may have effect: **19 March 2004**
(54) Product in respect of which the design is registered: **Bottle**
(51) International Design Classification: **09-01NES**
(71) Name(s) and Address(s) of Applicant(s):

Stokely-Van Camp, Inc.
555 W. Monroe Street Suite 11-12 Chicago Illinois 60661 United States of America

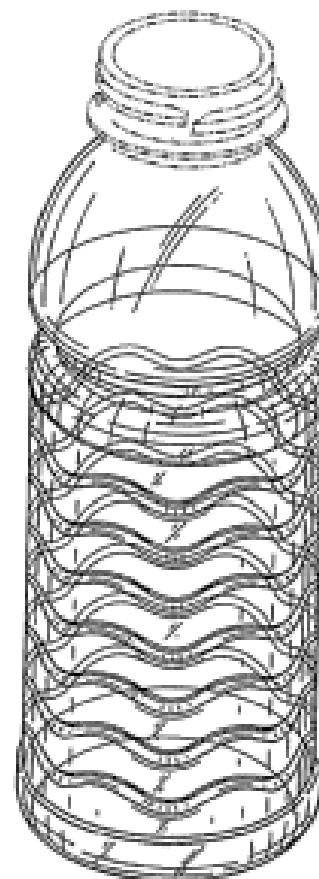
(72) Name(s) of Designer(s): **Gerald Zboch and Tracy M. Momany and Robert J. Groll**

(45) Registration Date: **18 July 2005**

(62) Divisional of: **157606**

(56) Related Art Documents: **Not Applicable**

(57) Statement of Newness and Distinctiveness: **Newness and distinctiveness is claimed in those features of shape and/or configuration of a bottle illustrated in continuous lines in the accompanying representations.**



(21) Design Number: **10059/2005**

(22) Date of Filing Application: **10 January 2005**

(24) Date from which industrial property rights may have effect: **19 March 2004**

(54) Product in respect of which the design is registered: **Bottle**

(51) International Design Classification: **09-01NES**

(71) Name(s) and Address(s) of Applicant(s):

Stokely-Van Camp, Inc.
555 W. Monroe Street Suite 11-12 Chicago Illinois 60661 United States of America

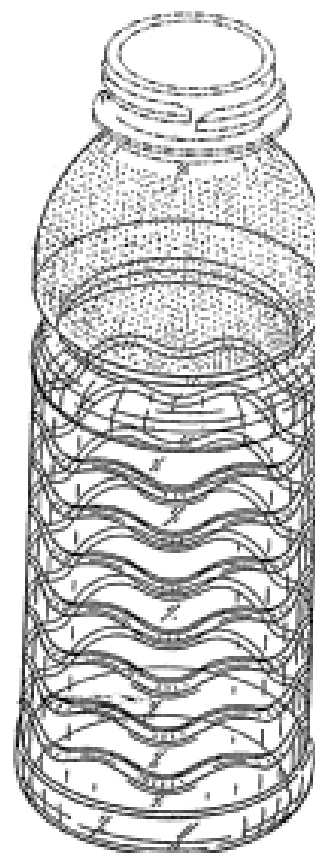
(72) Name(s) of Designer(s): **Gerald Zboch and Tracy M. Momany and Robert J. Groll**

(45) Registration Date: **18 July 2005**

(62) Divisional of: **157606**

(56) Related Art Documents: **Not Applicable**

(57) Statement of Newness and Distinctiveness: **Newness and distinctiveness is claimed in those features of shape and/or configuration of a bottle illustrated in continuous lines in the accompanying representations.**



(21) Design Number: **10060/2005**

(22) Date of Filing Application: **10 January 2005**

(24) Date from which industrial property rights may have effect: **10 January 2005**

(54) Product in respect of which the design is registered: **Stand for television receiver**

(51) International Design Classification: **14-99**

(71) Name(s) and Address(s) of Applicant(s):

Sony Kabushiki Kaisha
6-7-35 Kitashinagawa Shinagawa-ku Tokyo Japan

(72) Name(s) of Designer(s): **Takuya Niitsu**

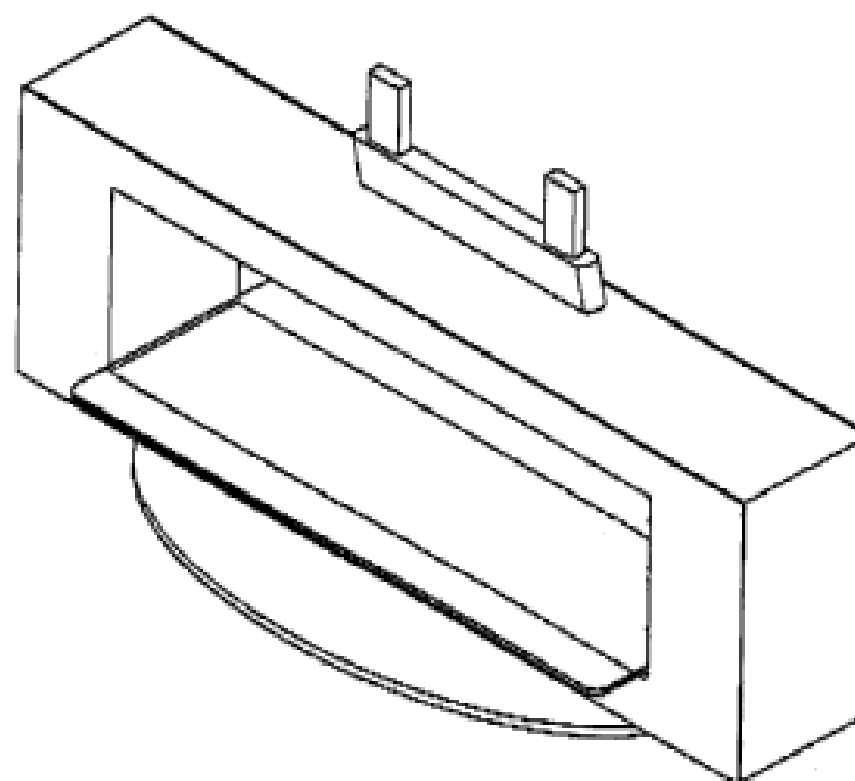
(45) Registration Date: **18 July 2005**

(30) Convention priority data:

(31) Number	(32) Date	(33) Country
2004-021032	12 Jul 2004	JAPAN

(56) Related Art Documents: **Not Applicable**

(57) Statement of Newness and Distinctiveness: **Nil**



(21) Design Number: **10061/2005**
 (22) Date of Filing Application: **10 January 2005**
 (24) Date from which industrial property rights may have effect: **10 January 2005**
 (54) Product in respect of which the design is registered: **Television receiver**
 (51) International Design Classification: **14-03B**
 (71) Name(s) and Address(s) of Applicant(s):

Sony Kabushiki Kaisha
6-7-35 Kitashinagawa Shinagawa-ku Tokyo Japan

(72) Name(s) of Designer(s): **Takuya Niitsu**

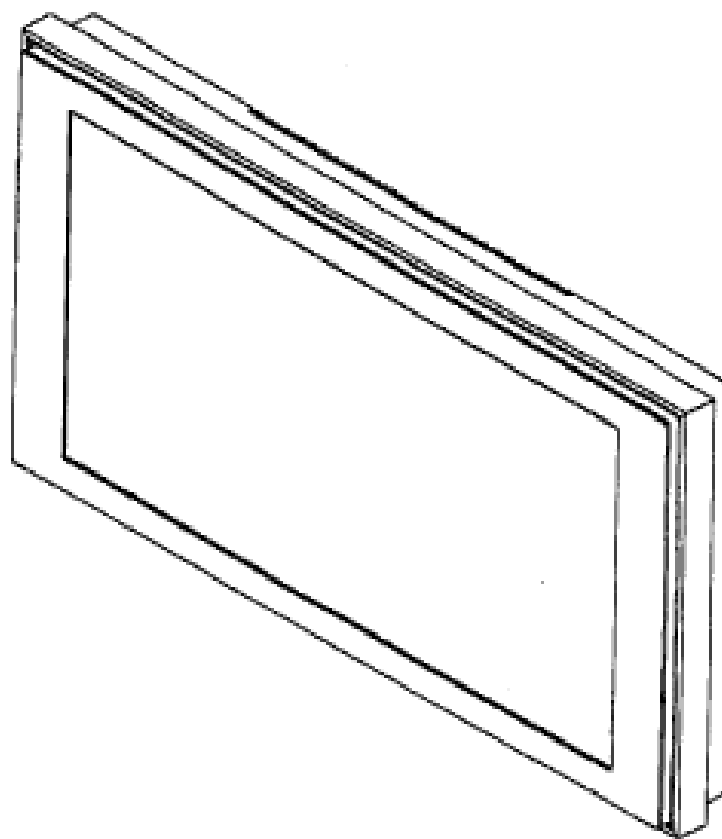
(45) Registration Date: **18 July 2005**

(30) Convention priority data:

(31) Number	(32) Date	(33) Country
2004-021031	12 Jul 2004	JAPAN

(56) Related Art Documents: **Not Applicable**

(57) Statement of Newness and Distinctiveness: **Nil**



(21) Design Number: **10065/2005**
 (22) Date of Filing Application: **11 January 2005**
 (24) Date from which industrial property rights may have effect: **11 January 2005**
 (54) Product in respect of which the design is registered: **A candle dress from Australian fashion forest**
 (51) International Design Classification: **02-02C**
 (71) Name(s) and Address(s) of Applicant(s):

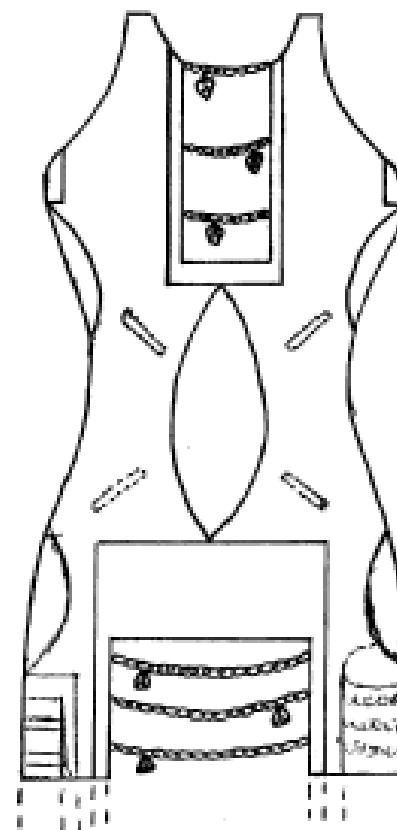
Wassiem Hana Mesiha
178 Ravenscar Street Doubleview Western Australia 6018 Australia

(72) Name(s) of Designer(s): **Wassiem Hana Mesiha**

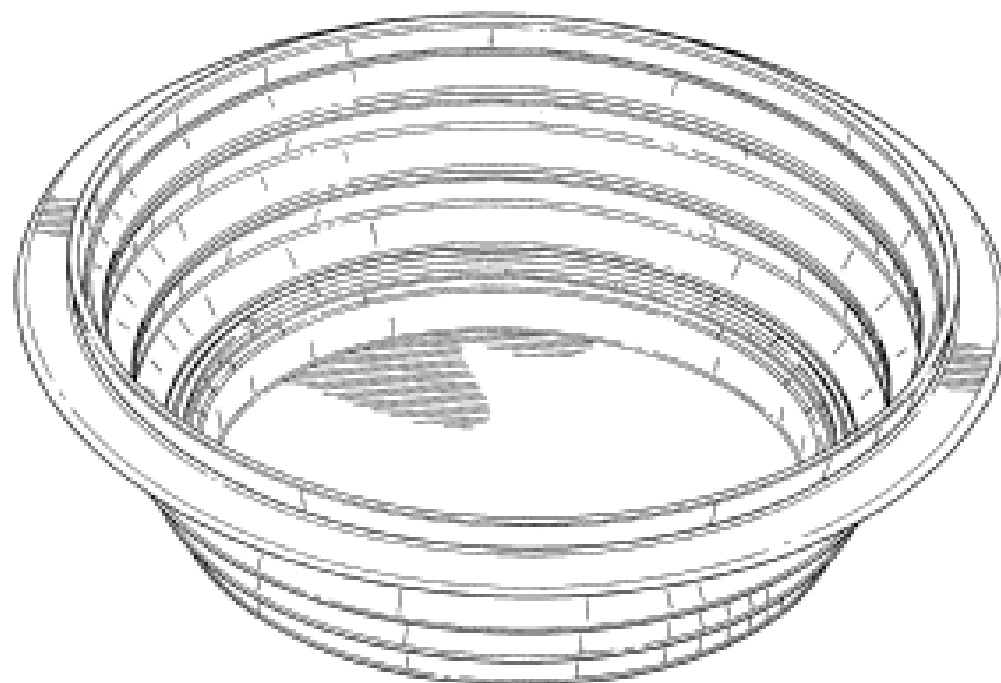
(45) Registration Date: **18 July 2005**

(56) Related Art Documents: **Not Applicable**

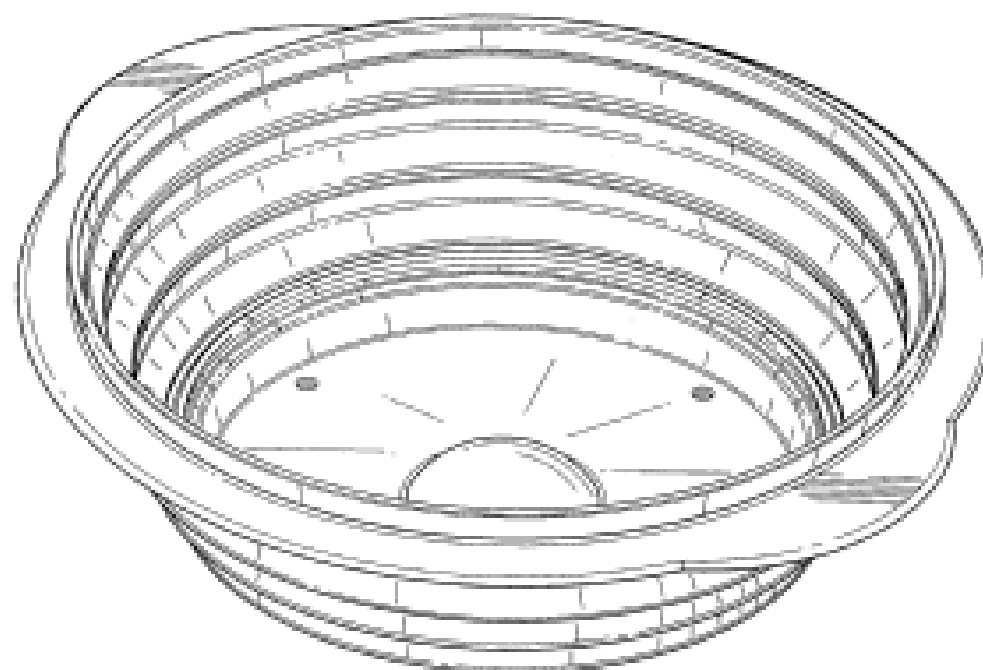
(57) Statement of Newness and Distinctiveness: **Nil**



- (21) Design Number: **10066/2005**
(22) Date of Filing Application: **11 January 2005**
(24) Date from which industrial property rights may have effect: **11 January 2005**
(54) Product in respect of which the design is registered: **Container**
(51) International Design Classification: **07-01NES**
(71) Name(s) and Address(s) of Applicant(s):
Dart Industries Inc.
14901 S. Orange Blossom Trail Orlando Florida 32837 United States of America
(72) Name(s) of Designer(s): **David Kusuma and Peter M. Card and Hector Javier Barea Lugo**
(45) Registration Date: **18 July 2005**
(30) Convention priority data:
(31) Number (32) Date (33) Country
29/209,844 22 Jul 2004 UNITED STATES OF AMERICA
(56) Related Art Documents: **Not Applicable**
(57) Statement of Newness and Distinctiveness: **Those visual features of the container depicted in the representations that are new and distinctive are the shape and/or configuration.**



- (21) Design Number: **10067/2005**
(22) Date of Filing Application: **11 January 2005**
(24) Date from which industrial property rights may have effect: **11 January 2005**
(54) Product in respect of which the design is registered: **Container**
(51) International Design Classification: **07-01NES**
(71) Name(s) and Address(s) of Applicant(s):
Dart Industries Inc.
14901 S. Orange Blossom Trail Orlando Florida 32837 United States of America
(72) Name(s) of Designer(s): **David Kusuma and Peter M. Card and Hector Javier Barea Lugo**
(45) Registration Date: **18 July 2005**
(30) Convention priority data:
(31) Number (32) Date (33) Country
29/209,844 22 Jul 2004 UNITED STATES OF AMERICA
(56) Related Art Documents: **Not Applicable**
(57) Statement of Newness and Distinctiveness: **Those visual features of the container depicted in the representations that are new and distinctive are the shape and/or configuration.**



(21) Design Number: **10068/2005**

(22) Date of Filing Application: **11 January 2005**

(24) Date from which industrial property rights may have effect: **11 January 2005**

(54) Product in respect of which the design is registered: **Underwater fun toy**

(51) International Design Classification: **21-01NES**

(71) Name(s) and Address(s) of Applicant(s):

Herman Chiang

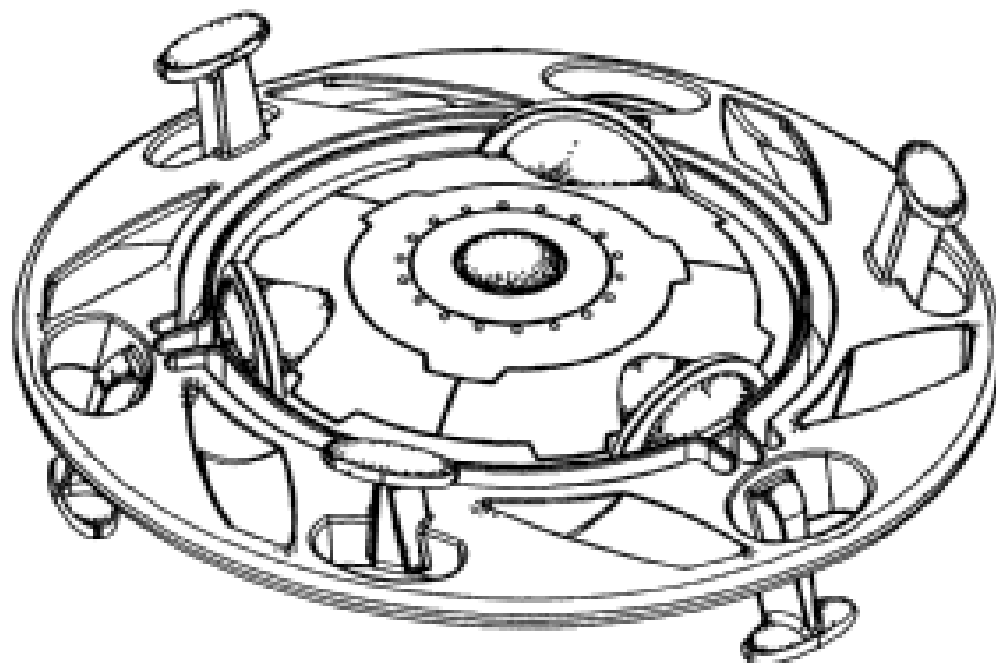
11F-2 No. 634-9 Ching-Ping Rd Chung-Ho City Taipei Hsien Taiwan

(72) Name(s) of Designer(s): **Herman Chiang**

(45) Registration Date: **18 July 2005**

(56) Related Art Documents: **Not Applicable**

(57) Statement of Newness and Distinctiveness: **Newness and distinctiveness resides in the shape and configuration of an underwater fun toy as shown in the representations.**



(21) Design Number: **10069/2005**

(22) Date of Filing Application: **11 January 2005**

(24) Date from which industrial property rights may have effect: **11 January 2005**

(54) Product in respect of which the design is registered: **Aquatic amusement toy**

(51) International Design Classification: **21-01NES**

(71) Name(s) and Address(s) of Applicant(s):

Herman Chiang

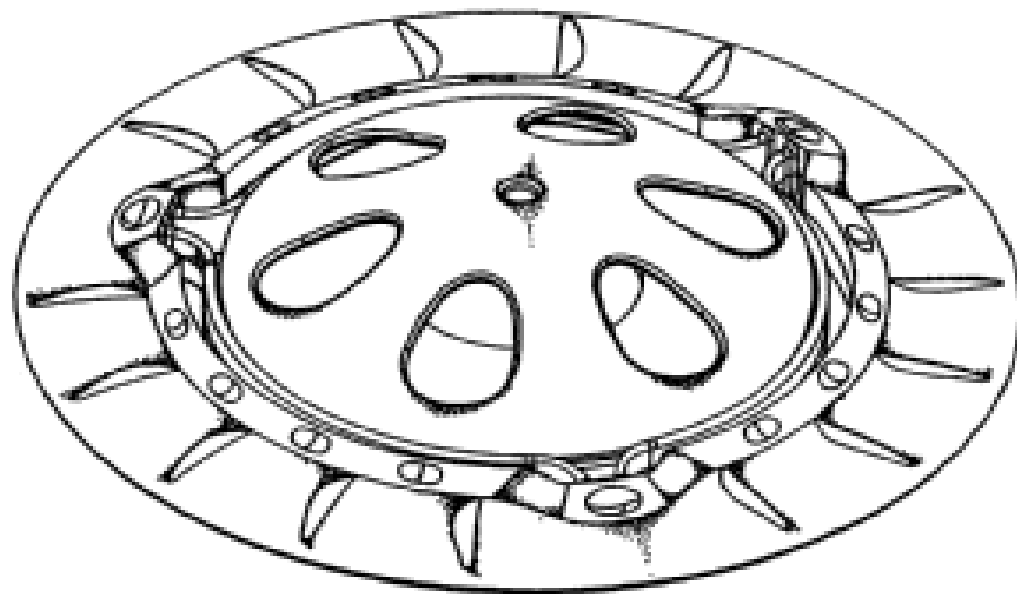
11F-2 No. 634-9 Ching-Ping Rd Chung-Ho City Taipei Hsien Taiwan

(72) Name(s) of Designer(s): **Herman Chiang**

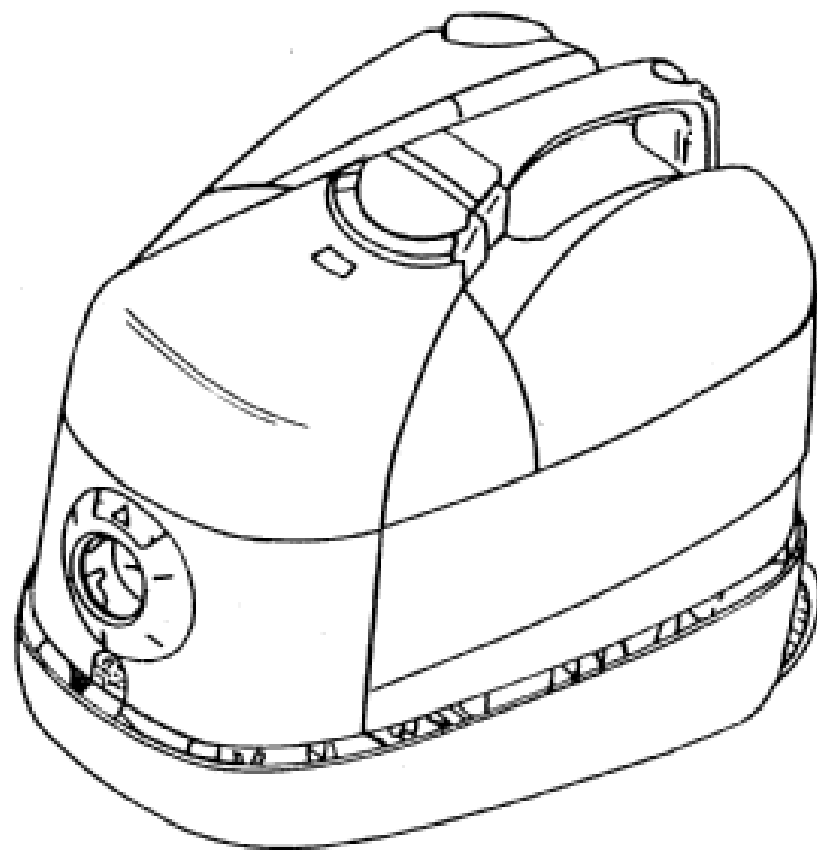
(45) Registration Date: **18 July 2005**

(56) Related Art Documents: **Not Applicable**

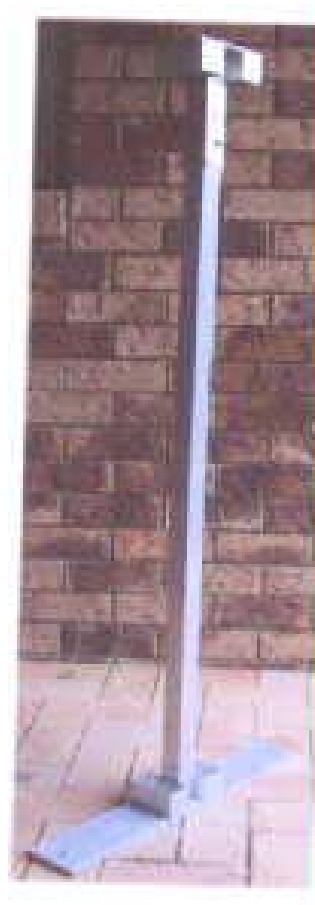
(57) Statement of Newness and Distinctiveness: **Newness and distinctiveness resides in the shape and configuration of an aquatic amusement toy as shown in the representations.**



(21) Design Number: **10070/2005**
(22) Date of Filing Application: **11 January 2005**
(24) Date from which industrial property rights may have effect: **11 January 2005**
(54) Product in respect of which the design is registered: **Vacuum cleaner**
(51) International Design Classification: **15-05**
(71) Name(s) and Address(s) of Applicant(s):
Nilfisk-Advance A/S
Sognevej 25 Brøndby DK-2605 Denmark
(72) Name(s) of Designer(s): **Nadya Arnaout**
(45) Registration Date: **18 July 2005**
(30) Convention priority data:
(31) Number (32) Date (33) Country
000213327 10 Aug 2004 EUROPEAN COMMUNITY
(56) Related Art Documents: **Not Applicable**
(57) Statement of Newness and Distinctiveness: **Newness and distinctiveness resides in the shape and configuration of a vacuum cleaner as shown in the representations.**



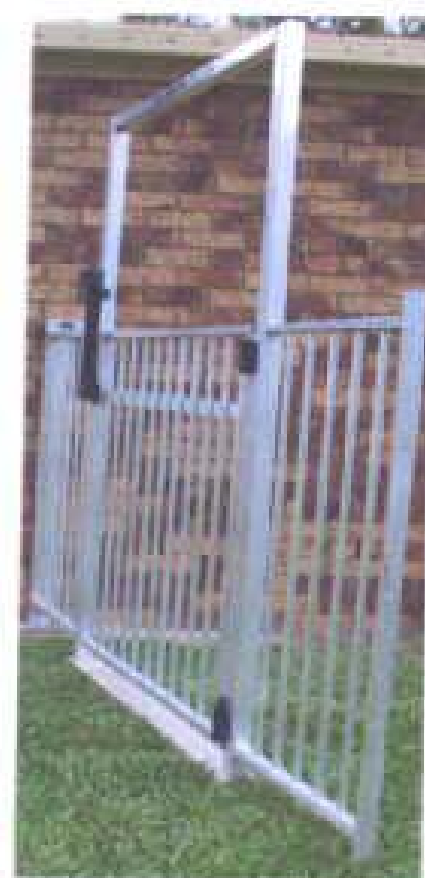
(21) Design Number: **10071/2005**
(22) Date of Filing Application: **11 January 2005**
(24) Date from which industrial property rights may have effect: **11 January 2005**
(54) Product in respect of which the design is registered: **Post unit of demountable fence**
(51) International Design Classification: **25-01E**
(71) Name(s) and Address(s) of Applicant(s):
Terry Stephen Huett
112 Swanborough Road Logan Village Queensland 4207 Australia
Sarah Louise Huett
112 Swanborough Road Logan Village Queensland 4207 Australia
(72) Name(s) of Designer(s): **Sarah Louise Huett and Terry Stephen Huett**
(45) Registration Date: **18 July 2005**
(56) Related Art Documents: **Not Applicable**
(57) Statement of Newness and Distinctiveness: **Nil**



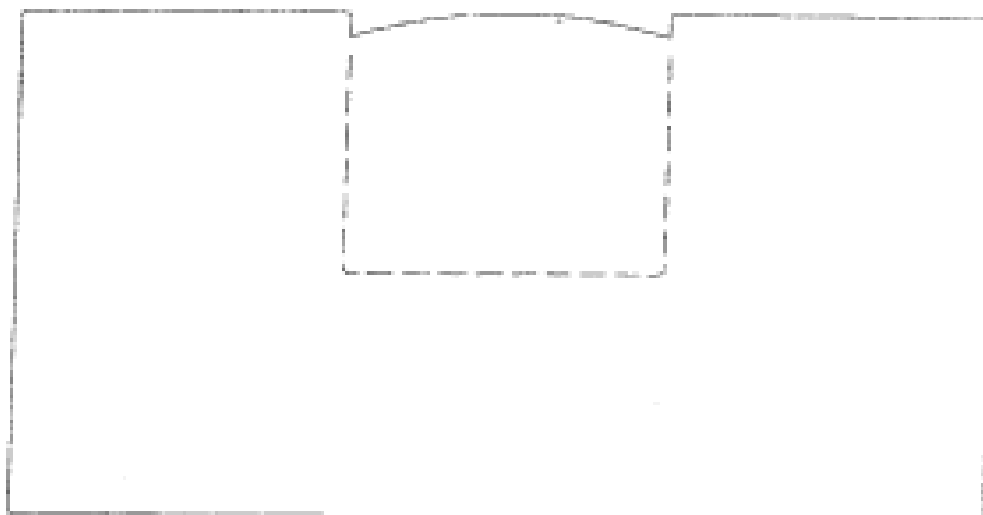
- (21) Design Number: **10072/2005**
(22) Date of Filing Application: **11 January 2005**
(24) Date from which industrial property rights may have effect: **11 January 2005**
(54) Product in respect of which the design is registered: **Fence panel of demountable fence**
(51) International Design Classification: **25-02C**
(71) Name(s) and Address(s) of Applicant(s):
Terry Stephen Huett
112 Swanborough Road Logan Village Queensland 4207 Australia
Sarah Louise Huett
112 Swanborough Road Logan Village Queensland 4207 Australia
(72) Name(s) of Designer(s): **Sarah Louise Huett and Terry Stephen Huett**
(45) Registration Date: **18 July 2005**
(56) Related Art Documents: **Not Applicable**
(57) Statement of Newness and Distinctiveness: **Nil**



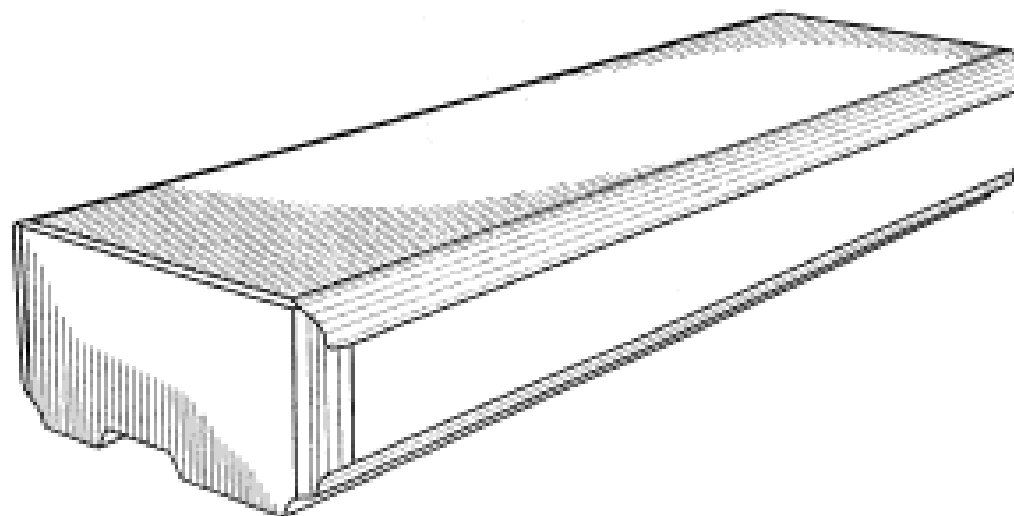
- (21) Design Number: **10073/2005**
(22) Date of Filing Application: **11 January 2005**
(24) Date from which industrial property rights may have effect: **11 January 2005**
(54) Product in respect of which the design is registered: **Intergrated gate unit of demountable fence**
(51) International Design Classification: **25-02C**
(71) Name(s) and Address(s) of Applicant(s):
Terry Stephen Huett
112 Swanborough Road Logan Village Queensland 4207 Australia
Sarah Louise Huett
112 Swanborough Road Logan Village Queensland 4207 Australia
(72) Name(s) of Designer(s): **Sarah Louise Huett and Terry Stephen Huett**
(45) Registration Date: **18 July 2005**
(56) Related Art Documents: **Not Applicable**
(57) Statement of Newness and Distinctiveness: **Nil**



- (21) Design Number: **15130/2004**
(22) Date of Filing Application: **03 November 2004**
(24) Date from which industrial property rights may have effect: **23 March 2004**
(54) Product in respect of which the design is registered: **Label with a frangible portion**
(51) International Design Classification: **19-08**
(71) Name(s) and Address(s) of Applicant(s):
Impresstik Pty Ltd
34-38 Walker Street Rhodes New South Wales 2138 Australia
(72) Name(s) of Designer(s): **Werner Franz Mokesch**
(45) Registration Date: **18 July 2005**
(62) Divisional of: **01079/2004**
(56) Related Art Documents: **Not Applicable**
(57) Statement of Newness and Distinctiveness: **Newness and distinctiveness is claimed in the visual features of the article shown in the representations. When considering the scope of protection the parts shown in dashed lines are to be considered to be of indefinite length.**



- (21) Design Number: **10165/2005**
(22) Date of Filing Application: **17 January 2005**
(24) Date from which industrial property rights may have effect: **17 January 2005**
(54) Product in respect of which the design is registered: **Retaining wall block**
(51) International Design Classification: **25-01A**
(71) Name(s) and Address(s) of Applicant(s):
Jagna Limited
Le Parc Office Tower 8500 Leslie St Suite 390 Thornhill Ontario L3T 7P1 Canada
(72) Name(s) of Designer(s): **Angelo Risi and Tyler Matys**
(45) Registration Date: **18 July 2005**
(30) Convention priority data:
(31) Number (32) Date (33) Country
108046 16 Aug 2004 CANADA
(56) Related Art Documents: **Not Applicable**
(57) Statement of Newness and Distinctiveness: **Each feature of the design considered separately or in combination with any other feature or features.**



(21) Design Number: **10166/2005**
 (22) Date of Filing Application: **17 January 2005**
 (24) Date from which industrial property rights may have effect: **17 January 2005**
 (54) Product in respect of which the design is registered: **Retaining wall block**
 (51) International Design Classification: **25-01A**
 (71) Name(s) and Address(s) of Applicant(s):

Jagna Limited
Le Parc Office Tower 8500 Leslie St Suite 390 Thornhill Ontario L3T 7P1 Canada

(72) Name(s) of Designer(s): **Angelo Risi and Tyler Matys**

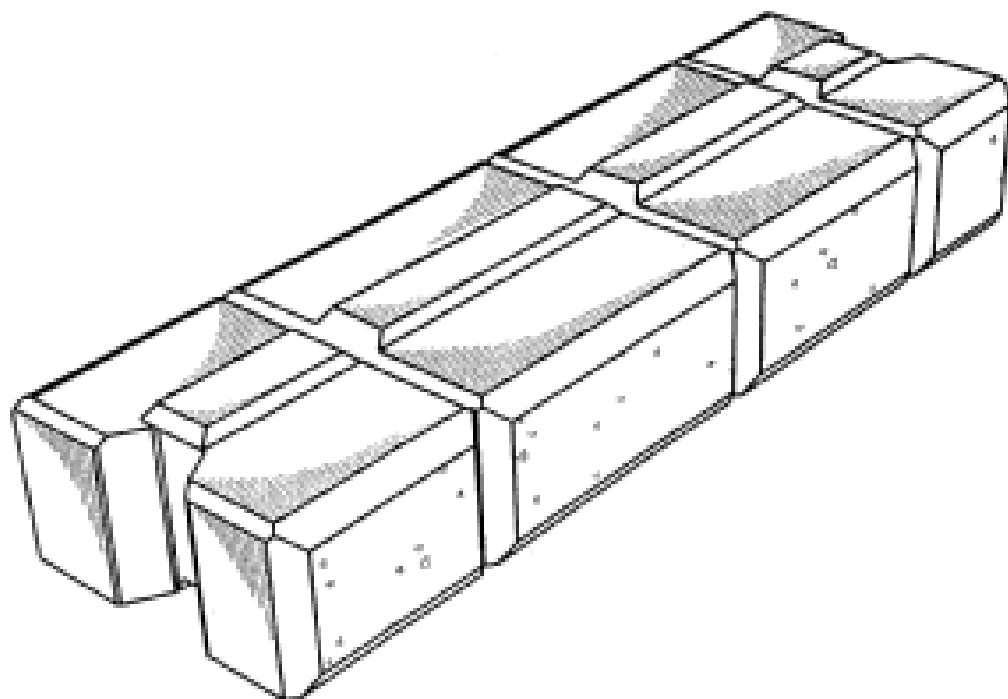
(45) Registration Date: **18 July 2005**

(30) Convention priority data:

(31) Number	(32) Date	(33) Country
108047	16 Aug 2004	CANADA

(56) Related Art Documents: **Not Applicable**

(57) Statement of Newness and Distinctiveness: **Each feature of the design considered separately or in combination with any other feature or features.**



(21) Design Number: **10167/2005**
 (22) Date of Filing Application: **17 January 2005**
 (24) Date from which industrial property rights may have effect: **17 January 2005**
 (54) Product in respect of which the design is registered: **Retaining wall block**
 (51) International Design Classification: **25-01A**
 (71) Name(s) and Address(s) of Applicant(s):

Jagna Limited
Le Parc Office Tower 8500 Leslie St Suite 390 Thornhill Ontario L3T 7P1 Canada

(72) Name(s) of Designer(s): **Angelo Risi and Tyler Matys**

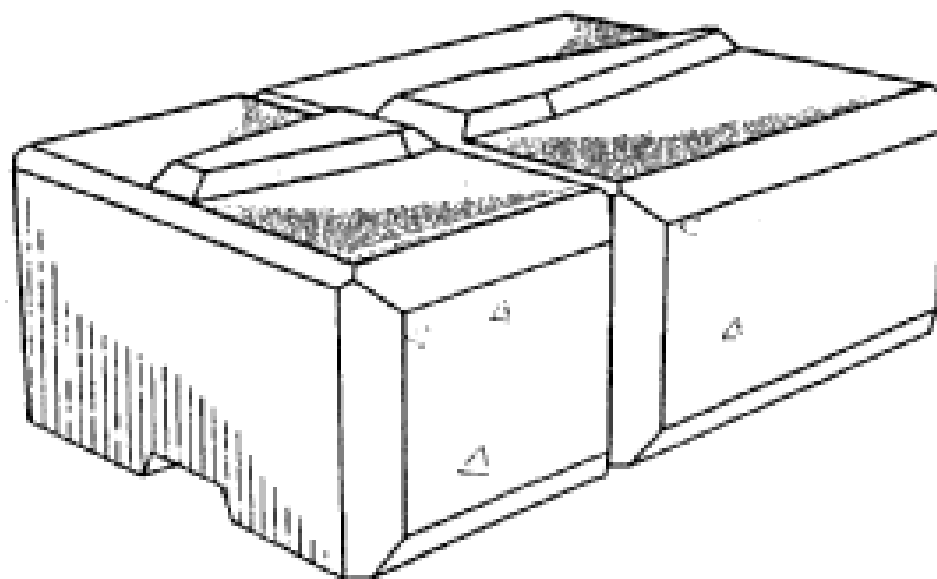
(45) Registration Date: **18 July 2005**

(30) Convention priority data:

(31) Number	(32) Date	(33) Country
108048	16 Aug 2004	CANADA

(56) Related Art Documents: **Not Applicable**

(57) Statement of Newness and Distinctiveness: **Each feature of the design considered separately or in combination with any other feature or features.**



- (21) Design Number: **10168/2005**
(22) Date of Filing Application: **17 January 2005**
(24) Date from which industrial property rights may have effect: **17 January 2005**
(54) Product in respect of which the design is registered: **A ball**
(51) International Design Classification: **21-02A**
(71) Name(s) and Address(s) of Applicant(s):

Golf Sporting Products (Proprietary) Limited
Summer Place 69 Melville Road Hyde Park Johannesburg Gauteng
2196 South Africa

(72) Name(s) of Designer(s): **Brian Arthur Steinhobel**

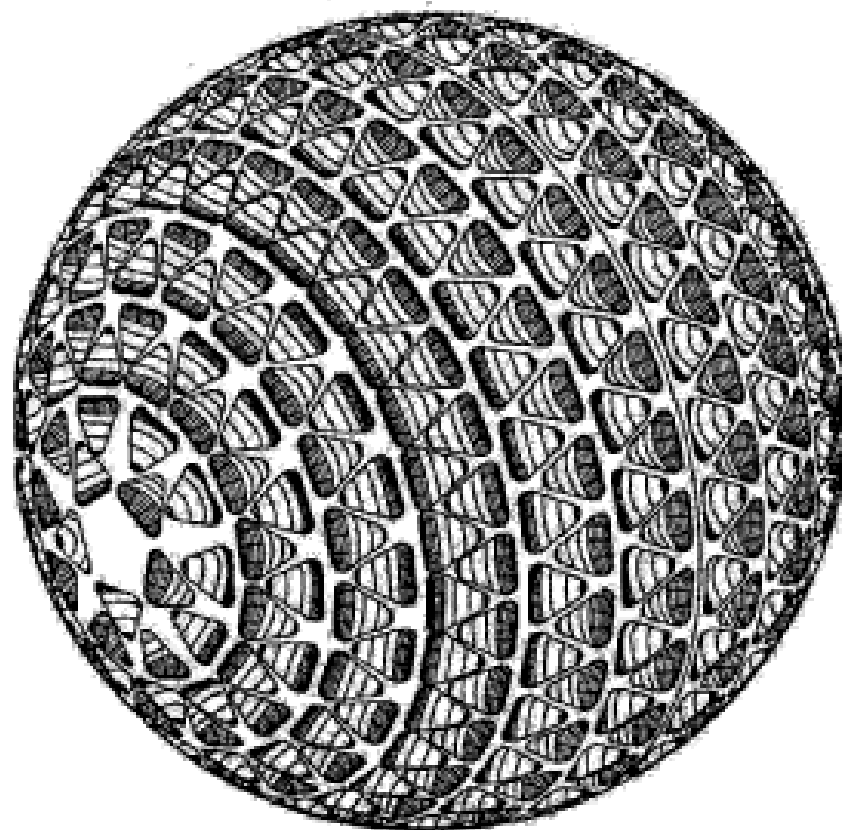
(45) Registration Date: **18 July 2005**

(30) Convention priority data:

(31) Number	(32) Date	(33) Country
A2004/0913	19 Jul 2004	SOUTH AFRICA

(56) Related Art Documents: **Not Applicable**

(57) Statement of Newness and Distinctiveness: **Each feature of the design considered separately or in combination with any other feature or features, the panel carrying the embossed word "Golf" not forming part of the design, and being disclaimed.**



- (21) Design Number: **10171/2005**
(22) Date of Filing Application: **17 January 2005**
(24) Date from which industrial property rights may have effect: **17 January 2005**
(54) Product in respect of which the design is registered: **Crankshaft damper**
(51) International Design Classification: **15-01**
(71) Name(s) and Address(s) of Applicant(s):

The Gates Corporation
1551 Wewatta Street Denver CO 80202 United States of America

(72) Name(s) of Designer(s): **Yahya Hodjat and Marc R. Cadarette and Lin Zhu**

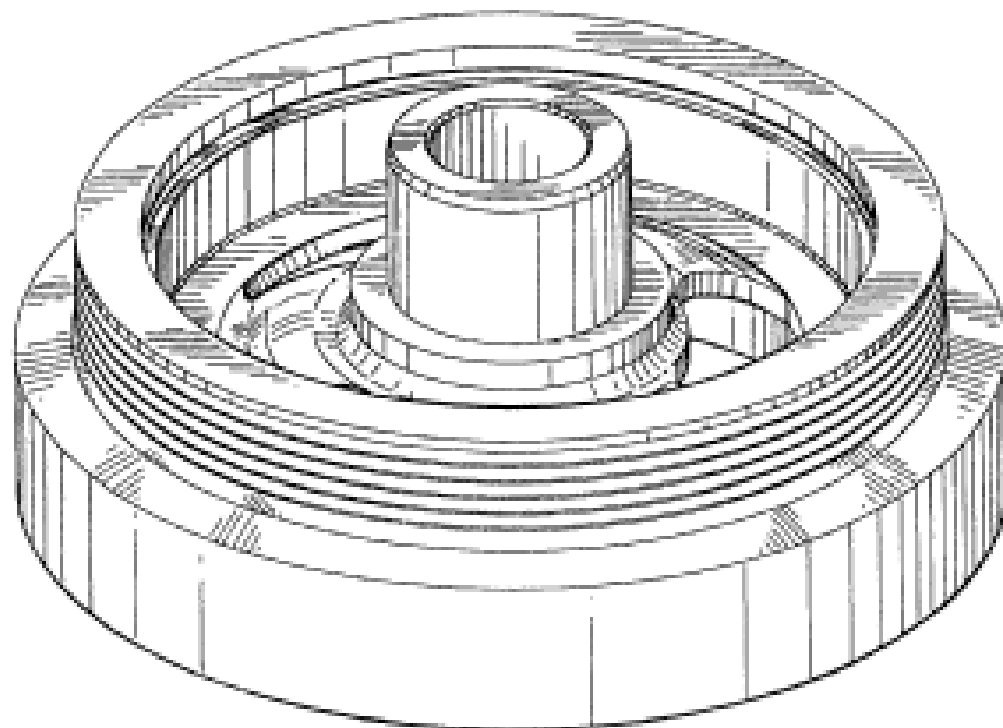
(45) Registration Date: **18 July 2005**

(30) Convention priority data:

(31) Number	(32) Date	(33) Country
29/210,757	05 Aug 2004	UNITED STATES OF AMERICA

(56) Related Art Documents: **Not Applicable**

(57) Statement of Newness and Distinctiveness: **Nil**

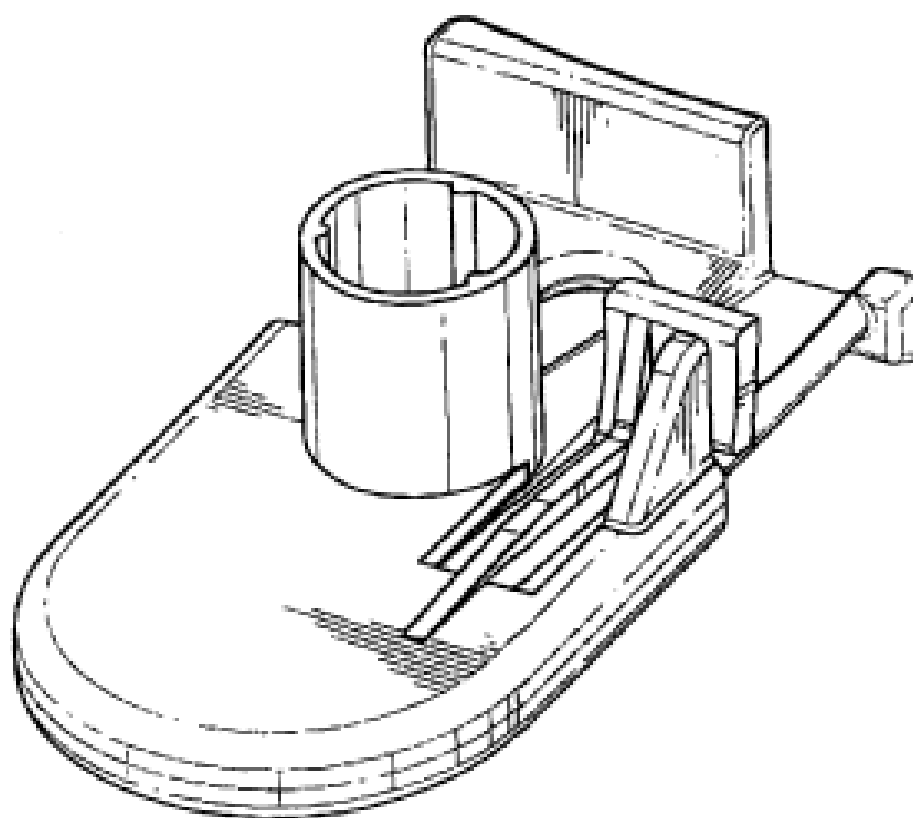


(19) AU

(21) Design Number: **10172/2005**
 (22) Date of Filing Application: **17 January 2005**
 (24) Date from which industrial property rights may have effect: **17 January 2005**
 (54) Product in respect of which the design is registered: **Automatic clamp device with offset release tab**
 (51) International Design Classification: **08-08D**
 (71) Name(s) and Address(s) of Applicant(s):
Cardinal Health 303, Inc.
10221 Wateridge Circle San Diego CA 92121 United States of America
 (72) Name(s) of Designer(s): **Christopher J. Clarke**
 (45) Registration Date: **18 July 2005**
 (30) Convention priority data:

(31) Number	(32) Date	(33) Country
29/209,509	16 Jul 2004	UNITED STATES OF AMERICA

 (56) Related Art Documents: **Not Applicable**
 (57) Statement of Newness and Distinctiveness: **Nil**

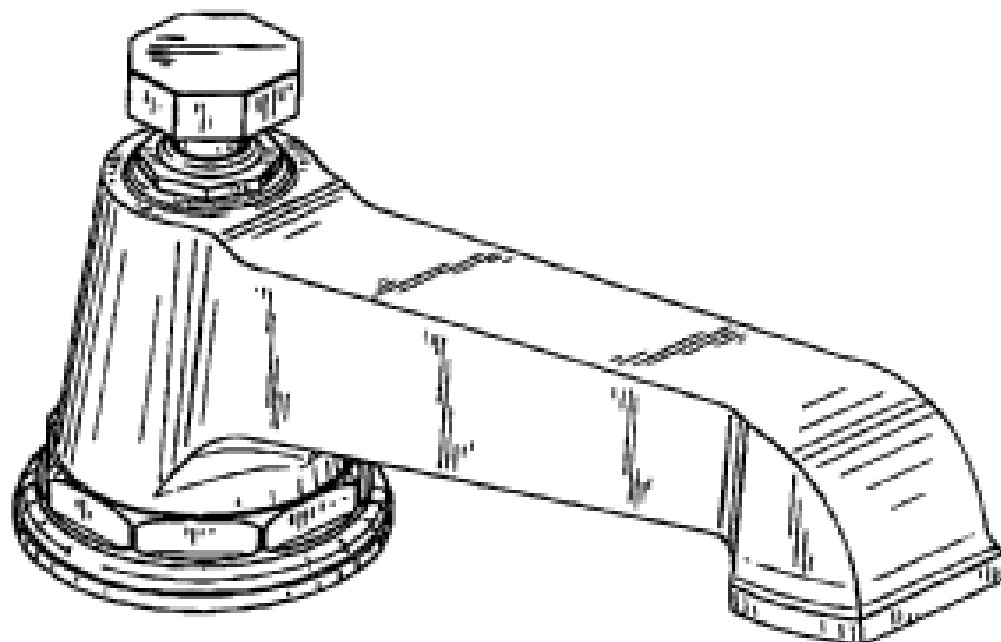


(19) AU

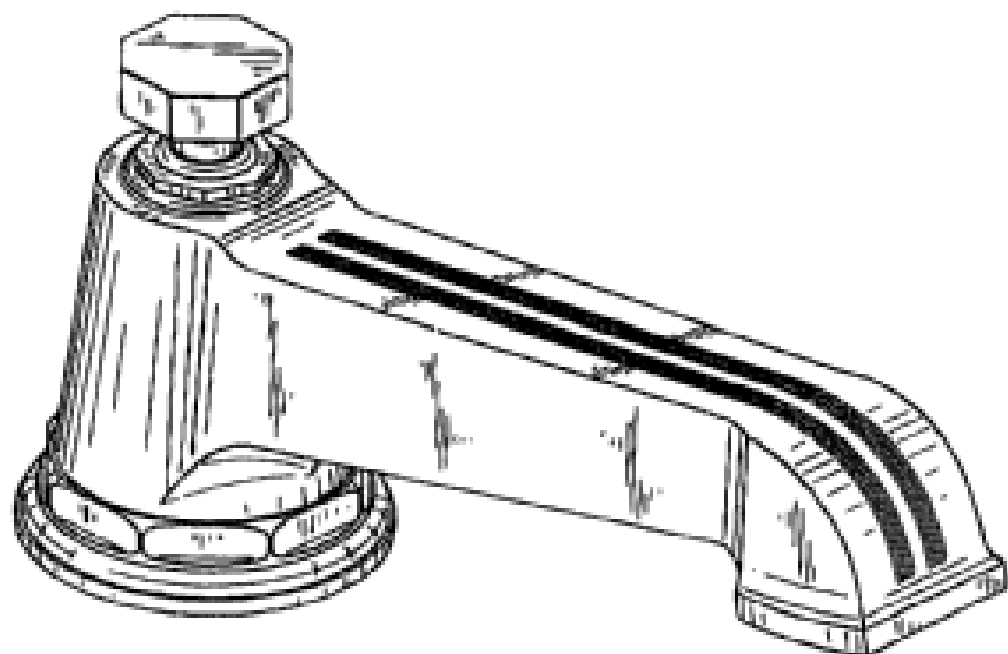
(21) Design Number: **10173/2005**
 (22) Date of Filing Application: **17 January 2005**
 (24) Date from which industrial property rights may have effect: **17 January 2005**
 (54) Product in respect of which the design is registered: **Spout**
 (51) International Design Classification: **23-01H**
 (71) Name(s) and Address(s) of Applicant(s):
Kohler Co.
444 Highland Drive Kohler WI 53044 United States of America
 (72) Name(s) of Designer(s): **Herbert V. Kohler Jr and Howard M. Montgomery and Michael S. Smith**
 (45) Registration Date: **18 July 2005**
 (30) Convention priority data:

(31) Number	(32) Date	(33) Country
29/209,411	15 Jul 2004	UNITED STATES OF AMERICA

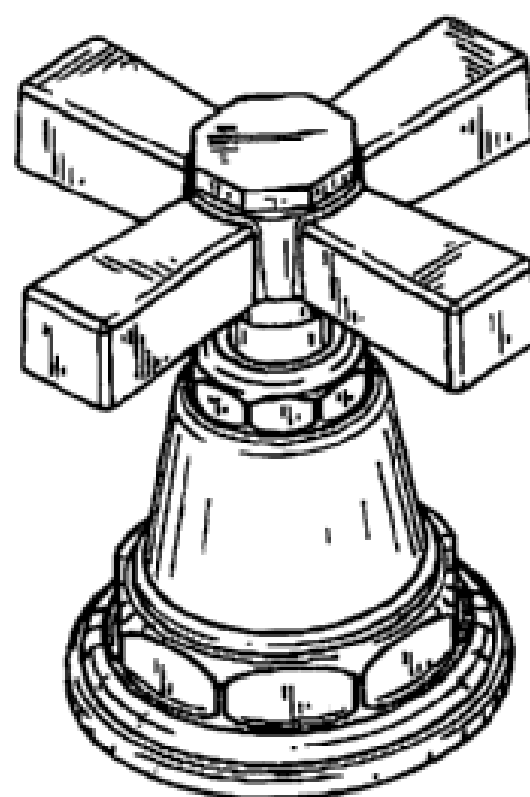
 (56) Related Art Documents: **Not Applicable**
 (57) Statement of Newness and Distinctiveness: **Nil**



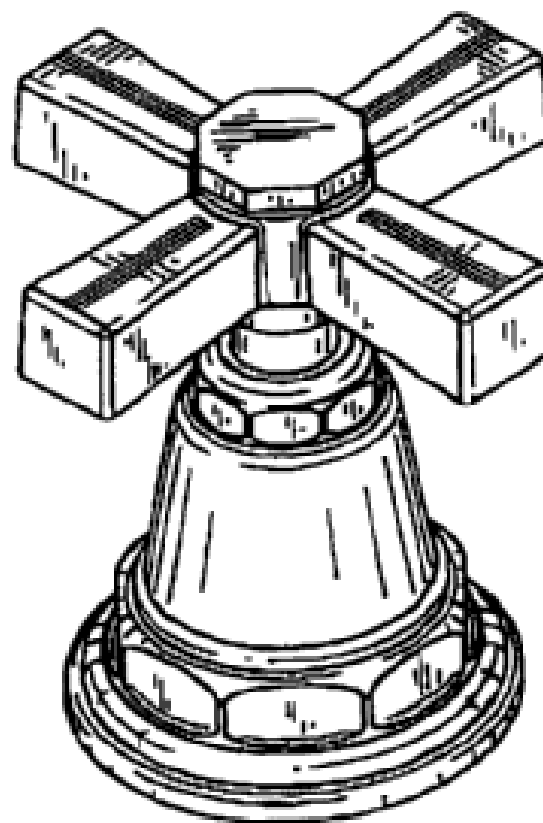
(21) Design Number: **10174/2005**
(22) Date of Filing Application: **17 January 2005**
(24) Date from which industrial property rights may have effect: **17 January 2005**
(54) Product in respect of which the design is registered: **Spout**
(51) International Design Classification: **23-01H**
(71) Name(s) and Address(s) of Applicant(s):
Kohler Co.
444 Highland Drive Kohler WI 53044 United States of America
(72) Name(s) of Designer(s): **Herbert V. Kohler Jr and Howard M. Montgomery and Michael S. Smith**
(45) Registration Date: **18 July 2005**
(30) Convention priority data:
(31) Number (32) Date (33) Country
29/209,411 15 Jul 2004 UNITED STATES OF AMERICA
(56) Related Art Documents: **Not Applicable**
(57) Statement of Newness and Distinctiveness: **Nil**



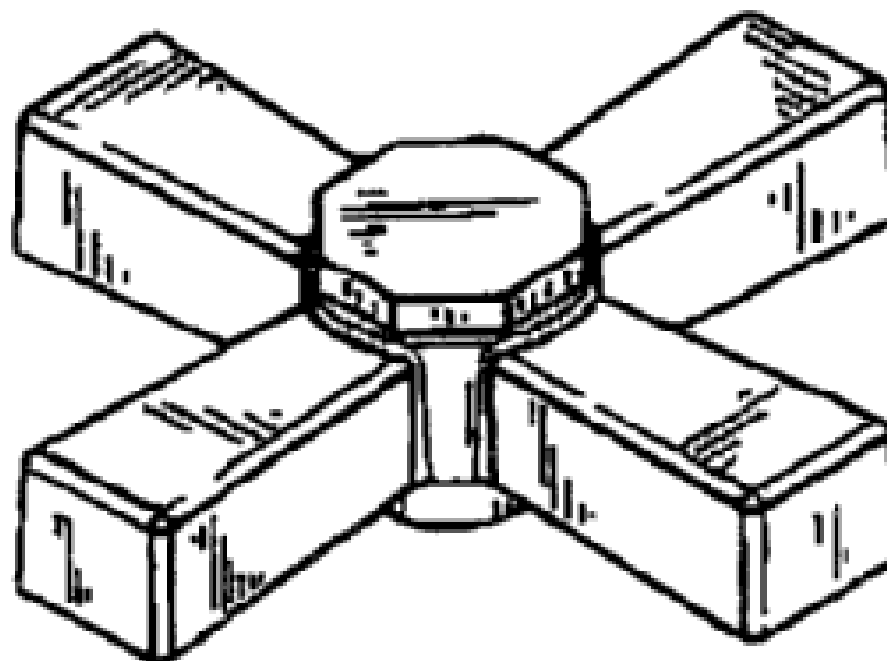
(21) Design Number: **10175/2005**
(22) Date of Filing Application: **17 January 2005**
(24) Date from which industrial property rights may have effect: **17 January 2005**
(54) Product in respect of which the design is registered: **Faucet handle**
(51) International Design Classification: **23-01H**
(71) Name(s) and Address(s) of Applicant(s):
Kohler Co.
444 Highland Drive Kohler WI 53044 United States of America
(72) Name(s) of Designer(s): **Herbert V. Kohler Jr and Howard M. Montgomery and Michael S. Smith**
(45) Registration Date: **18 July 2005**
(30) Convention priority data:
(31) Number (32) Date (33) Country
29/209,410 15 Jul 2004 UNITED STATES OF AMERICA
(56) Related Art Documents: **Not Applicable**
(57) Statement of Newness and Distinctiveness: **Nil**



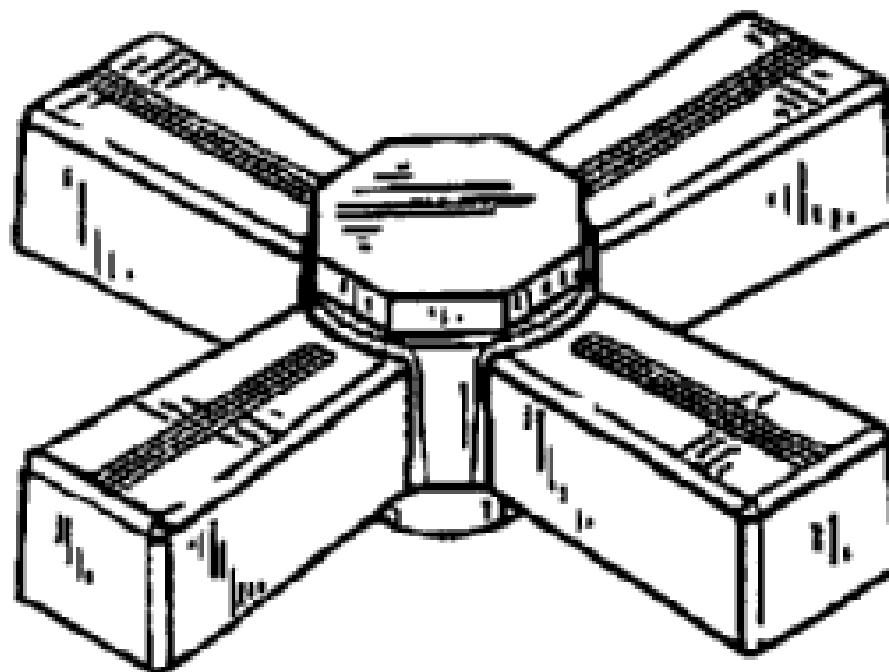
(21) Design Number: **10176/2005**
(22) Date of Filing Application: **17 January 2005**
(24) Date from which industrial property rights may have effect: **17 January 2005**
(54) Product in respect of which the design is registered: **Faucet handle**
(51) International Design Classification: **23-01H**
(71) Name(s) and Address(s) of Applicant(s):
Kohler Co.
444 Highland Drive Kohler WI 53044 United States of America
(72) Name(s) of Designer(s): **Herbert V. Kohler Jr and Howard M. Montgomery and Michael S. Smith**
(45) Registration Date: **18 July 2005**
(30) Convention priority data:
(31) Number (32) Date (33) Country
29/209,410 15 Jul 2004 UNITED STATES OF AMERICA
(56) Related Art Documents: **Not Applicable**
(57) Statement of Newness and Distinctiveness: **Nil**



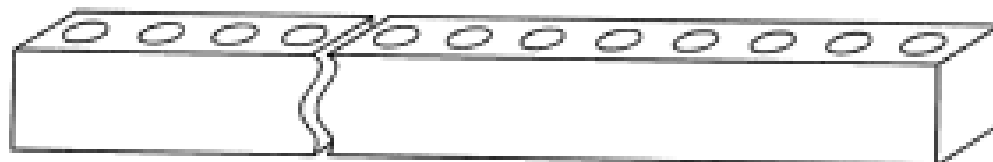
(21) Design Number: **10177/2005**
(22) Date of Filing Application: **17 January 2005**
(24) Date from which industrial property rights may have effect: **17 January 2005**
(54) Product in respect of which the design is registered: **Faucet handle**
(51) International Design Classification: **23-01H**
(71) Name(s) and Address(s) of Applicant(s):
Kohler Co.
444 Highland Drive Kohler WI 53044 United States of America
(72) Name(s) of Designer(s): **Herbert V. Kohler Jr and Howard M. Montgomery and Michael S. Smith**
(45) Registration Date: **18 July 2005**
(30) Convention priority data:
(31) Number (32) Date (33) Country
29/209,410 15 Jul 2004 UNITED STATES OF AMERICA
(56) Related Art Documents: **Not Applicable**
(57) Statement of Newness and Distinctiveness: **Nil**



(21) Design Number: **10178/2005**
(22) Date of Filing Application: **17 January 2005**
(24) Date from which industrial property rights may have effect: **17 January 2005**
(54) Product in respect of which the design is registered: **Faucet handle**
(51) International Design Classification: **23-01H**
(71) Name(s) and Address(s) of Applicant(s):
Kohler Co.
444 Highland Drive Kohler WI 53044 United States of America
(72) Name(s) of Designer(s): **Herbert V. Kohler Jr and Howard M. Montgomery and Michael S. Smith**
(45) Registration Date: **18 July 2005**
(30) Convention priority data:
(31) Number (32) Date (33) Country
29/209,410 15 Jul 2004 UNITED STATES OF AMERICA
(56) Related Art Documents: **Not Applicable**
(57) Statement of Newness and Distinctiveness: **Nil**



(21) Design Number: **10184/2005**
(22) Date of Filing Application: **18 January 2005**
(24) Date from which industrial property rights may have effect: **18 January 2005**
(54) Product in respect of which the design is registered: **Lightweight building block**
(51) International Design Classification: **25-01A**
(71) Name(s) and Address(s) of Applicant(s):
Kaine Malcolm Andrew Telford
144 Granite Street Geebung Queensland 4034 Australia
(72) Name(s) of Designer(s): **Kaine Malcolm Andrew Telford**
(45) Registration Date: **18 July 2005**
(56) Related Art Documents: **Not Applicable**
(57) Statement of Newness and Distinctiveness: **Nil**



(21) Design Number: **10185/2005**

(22) Date of Filing Application: **18 January 2005**

(24) Date from which industrial property rights may have effect: **18 January 2005**

(54) Product in respect of which the design is registered: **Crankshaft damper**

(51) International Design Classification: **15-01**

(71) Name(s) and Address(s) of Applicant(s):

The Gates Corporation
1551 Wewatta Street Denver CO 80202 United States of America

(72) Name(s) of Designer(s): **Yahya Hodjat and Marc R. Cadarette and Lin Zhu**

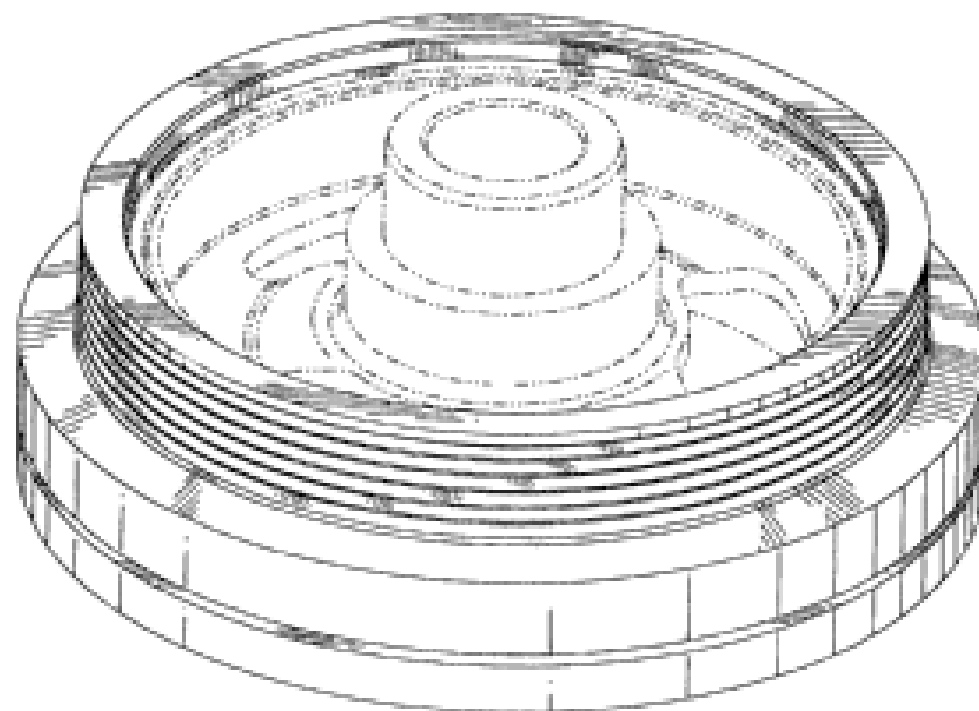
(45) Registration Date: **18 July 2005**

(30) Convention priority data:

(31) Number	(32) Date	(33) Country
29/210,758	05 Aug 2004	UNITED STATES OF AMERICA

(56) Related Art Documents: **Not Applicable**

(57) Statement of Newness and Distinctiveness: **Those visual features of the crankshaft damper depicted in continuous lines in the representations that are new and distinctive are the shape and/or configuration. The features shown in broken lines are to be disregarded when considering the overall impression of the design.**



(21) Design Number: **10188/2005**

(22) Date of Filing Application: **18 January 2005**

(24) Date from which industrial property rights may have effect: **18 January 2005**

(54) Product in respect of which the design is registered: **Outdoor unit of air conditioner**

(51) International Design Classification: **23-04**

(71) Name(s) and Address(s) of Applicant(s):

Fujitsu General Limited
1116 Suenaga Takatsu-Ku Kawasaki-Shi Kanagawa-Ken Japan

(72) Name(s) of Designer(s): **Kazuo Motonishi**

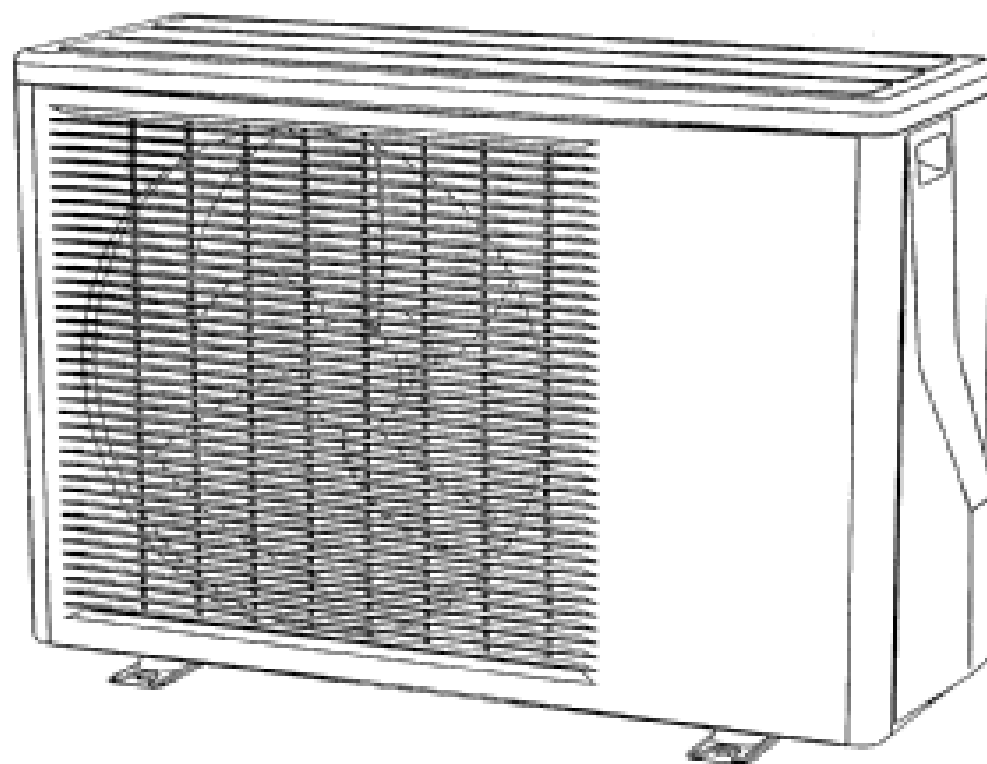
(45) Registration Date: **18 July 2005**

(30) Convention priority data:

(31) Number	(32) Date	(33) Country
2004-024186	11 Aug 2004	JAPAN

(56) Related Art Documents: **Not Applicable**

(57) Statement of Newness and Distinctiveness: **Newness and distinctiveness is claimed in the features of shape and/or configuration of the front panel of the outdoor unit of an air conditioner as illustrated in the accompanying representations, and having particular regard to the visual appearance produced by the integral moulding of the bars of the air outlet with the remainder of the front panel.**



(19) AU

- (21) Design Number: **10189/2005**
- (22) Date of Filing Application: **18 January 2005**
- (24) Date from which industrial property rights may have effect: **18 January 2005**
- (54) Product in respect of which the design is registered: **Air conditioner**
- (51) International Design Classification: **23-04**
- (71) Name(s) and Address(s) of Applicant(s):

Fujitsu General Limited
1116 Suenega Takatsu-Ku Kawasaki-Shi Kanagawa-Ken Japan

(72) Name(s) of Designer(s): **Shintaro Ueno**

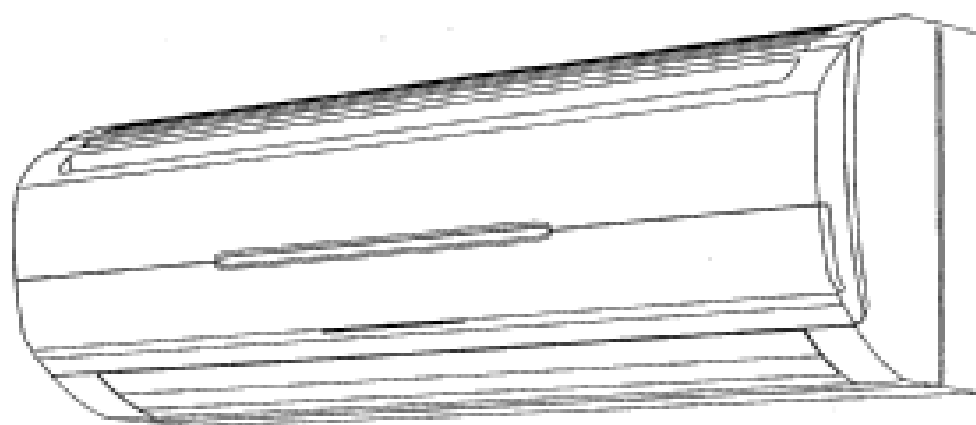
(45) Registration Date: **18 July 2005**

(30) Convention priority data:

(31) Number	(32) Date	(33) Country
2004-023692	06 Aug 2004	JAPAN

(56) Related Art Documents: **Not Applicable**

(57) Statement of Newness and Distinctiveness: **Newness and distinctiveness is claimed in the features of shape and/or configuration of the front panel of an air conditioner (outlined and labelled A in the third perspective view), and particularly the accessory panel (cross-hatched and labelled B), the indicator (cross-hatched and labelled C) and the centre line (labelled D) separating the accessory panel from the remainder of the front panel.**



(19) AU

- (21) Design Number: **10190/2005**
- (22) Date of Filing Application: **18 January 2005**
- (24) Date from which industrial property rights may have effect: **18 January 2005**
- (54) Product in respect of which the design is registered: **Tablet**
- (51) International Design Classification: **28-01**
- (71) Name(s) and Address(s) of Applicant(s):

Merck & Co. Inc.
126 East Lincoln Avenue Rahway New Jersey 07065-0907 United States of America

(72) Name(s) of Designer(s): **Tzyy-Show H. Chen and Craig B. Ikeda**

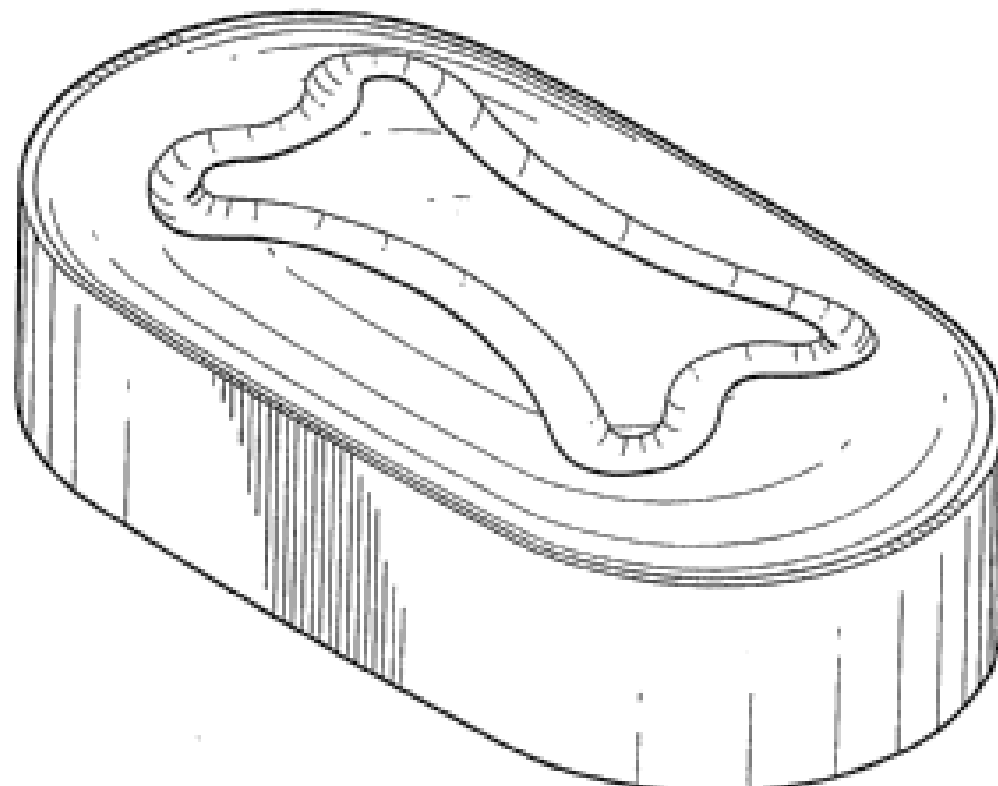
(45) Registration Date: **18 July 2005**

(30) Convention priority data:

(31) Number	(32) Date	(33) Country
29/209646	19 Jul 2004	UNITED STATES OF AMERICA

(56) Related Art Documents: **Not Applicable**

(57) Statement of Newness and Distinctiveness: **Newness and distinctiveness is claimed in the features of shape and/or configuration of a tablet as illustrated in the accompanying representations.**



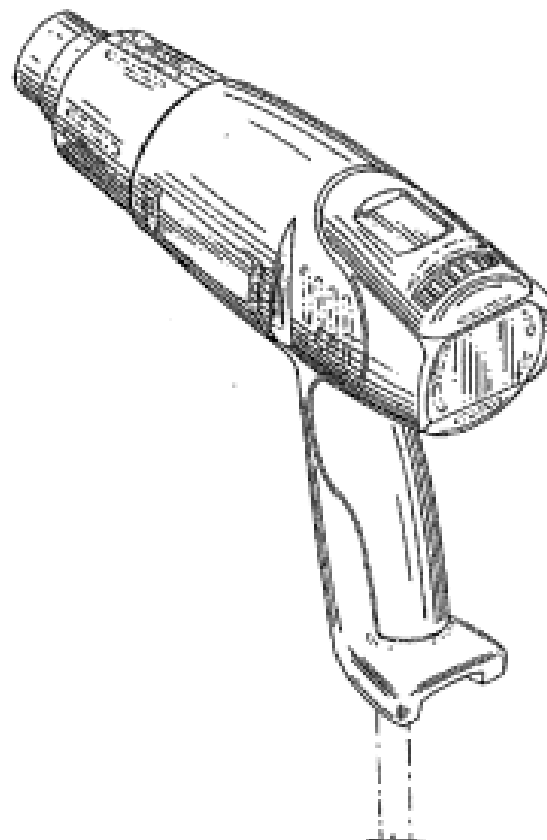
(19) AU

(21) Design Number: **10194/2005**
(22) Date of Filing Application: **19 January 2005**
(24) Date from which industrial property rights may have effect: **19 January 2005**
(54) Product in respect of which the design is registered: **Front bumper for an automobile**
(51) International Design Classification: **12-16C**
(71) Name(s) and Address(s) of Applicant(s):
Honda Motor Co. Ltd
1-1 Minamiaoyama 2-chome Minato-ku Tokyo Japan
(72) Name(s) of Designer(s): **Mitsuhiro Honda and Toshihiko Shimizu**
(45) Registration Date: **18 July 2005**
(30) Convention priority data:
(31) Number (32) Date (33) Country
2004-21649 20 Jul 2004 JAPAN
(56) Related Art Documents: **Not Applicable**
(57) Statement of Newness and Distinctiveness: **Nil**

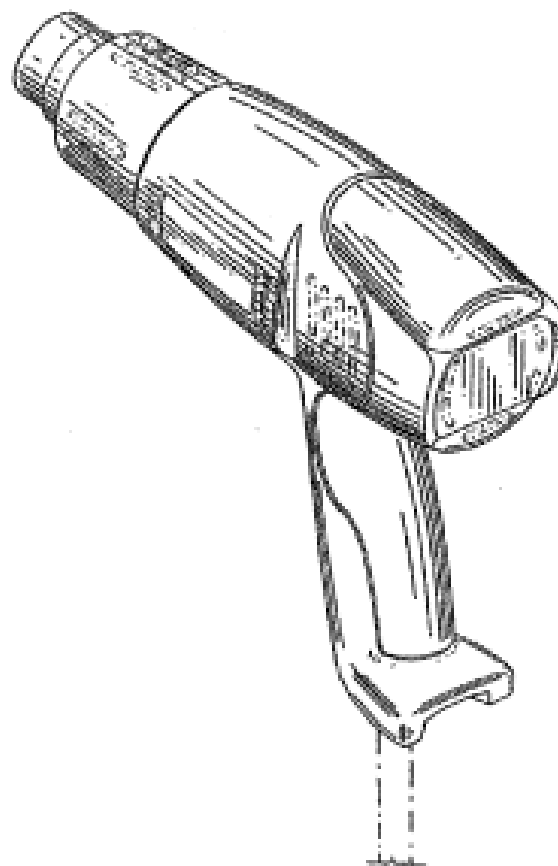


(19) AU

(21) Design Number: **10195/2005**
(22) Date of Filing Application: **19 January 2005**
(24) Date from which industrial property rights may have effect: **19 January 2005**
(54) Product in respect of which the design is registered: **Heat gun**
(51) International Design Classification: **08-05M**
(71) Name(s) and Address(s) of Applicant(s):
One World Technologies Limited
Cedar House 41 Cedar Avenue Hamilton HM 12 Bermuda
(72) Name(s) of Designer(s): **Borislav Popov and Kenneth M. Brazell and Taku Ohi**
(45) Registration Date: **18 July 2005**
(30) Convention priority data:
(31) Number (32) Date (33) Country
29/212033 24 Aug 2004 UNITED STATES OF AMERICA
(56) Related Art Documents: **Not Applicable**
(57) Statement of Newness and Distinctiveness: **Nil**



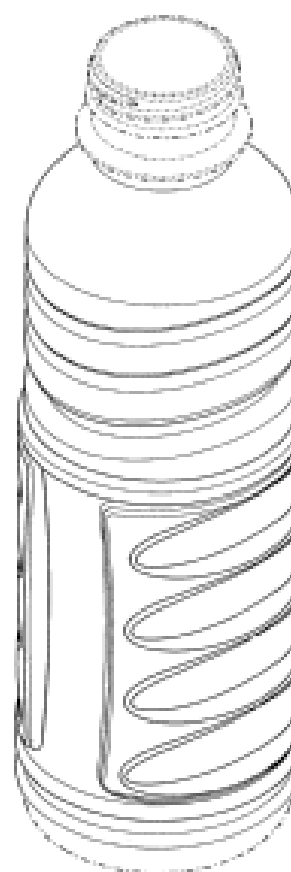
(21) Design Number: **10196/2005**
(22) Date of Filing Application: **19 January 2005**
(24) Date from which industrial property rights may have effect: **19 January 2005**
(54) Product in respect of which the design is registered: **Heat gun**
(51) International Design Classification: **08-05M**
(71) Name(s) and Address(s) of Applicant(s):
One World Technologies Limited
Cedar House 41 Cedar Avenue Hamilton HM 12 Bermuda
(72) Name(s) of Designer(s): **Borislav Popov and Kenneth M. Brazell and Taku Ohi**
(45) Registration Date: **18 July 2005**
(30) Convention priority data:
(31) Number (32) Date (33) Country
29/212033 24 Aug 2004 UNITED STATES OF AMERICA
(56) Related Art Documents: **Not Applicable**
(57) Statement of Newness and Distinctiveness: **Nil**



(21) Design Number: **10197/2005**
(22) Date of Filing Application: **19 January 2005**
(24) Date from which industrial property rights may have effect: **19 January 2005**
(54) Product in respect of which the design is registered: **Front combination lamp of automobiles**
(51) International Design Classification: **26-06**
(71) Name(s) and Address(s) of Applicant(s):
Honda Motor Co. Ltd
1-1 Minami-Aoyama 2-Chome Minato-Ku Tokyo 107-8556 Japan
(72) Name(s) of Designer(s): **Mitsuhiro Honda**
(45) Registration Date: **18 July 2005**
(30) Convention priority data:
(31) Number (32) Date (33) Country
2004-021893 21 Jul 2004 JAPAN
(56) Related Art Documents: **Not Applicable**
(57) Statement of Newness and Distinctiveness: **Nil**



- (21) Design Number: **10198/2005**
(22) Date of Filing Application: **19 January 2005**
(24) Date from which industrial property rights may have effect: **19 January 2005**
(54) Product in respect of which the design is registered: **Bottle**
(51) International Design Classification: **09-01NES**
(71) Name(s) and Address(s) of Applicant(s):
David Murray Melrose
90 Balmoral Road Mt Eden Auckland New Zealand
(72) Name(s) of Designer(s): **David Murray Melrose**
(45) Registration Date: **18 July 2005**
(30) Convention priority data:
(31) Number (32) Date (33) Country
405061 20 Jul 2004 NEW ZEALAND
(56) Related Art Documents: **Not Applicable**
(57) Statement of Newness and Distinctiveness: **Newness and distinctiveness resides in the shape and configuration of the portion of the bottle shown in solid line.**



- (21) Design Number: **10202/2005**
(22) Date of Filing Application: **20 January 2005**
(24) Date from which industrial property rights may have effect: **20 January 2005**
(54) Product in respect of which the design is registered: **Baby nappy bag**
(51) International Design Classification: **03-01A**
(71) Name(s) and Address(s) of Applicant(s):
Kapoochi Australia Pty Ltd
2 Spring Pastures Drive Mapleton Queensland 4560 Australia
(72) Name(s) of Designer(s): **Lucy Ormsby**
(45) Registration Date: **20 July 2005**
(56) Related Art Documents: **Not Applicable**
(57) Statement of Newness and Distinctiveness: **Nil**



- (21) Design Number: **10203/2005**
(22) Date of Filing Application: **20 January 2005**
(24) Date from which industrial property rights may have effect: **20 January 2005**
(54) Product in respect of which the design is registered: **Baby nappy bag**
(51) International Design Classification: **03-01A**
(71) Name(s) and Address(s) of Applicant(s):
Kapoochi Australia Pty Ltd
2 Spring Pastures Drive Mapleton Queensland 4560 Australia
(72) Name(s) of Designer(s): **Lucy Ormsby**
(45) Registration Date: **20 July 2005**
(56) Related Art Documents: **Not Applicable**
(57) Statement of Newness and Distinctiveness: **Nil**



- (21) Design Number: **10206/2005**
(22) Date of Filing Application: **21 January 2005**
(24) Date from which industrial property rights may have effect: **21 January 2005**
(54) Product in respect of which the design is registered: **Plastic, timber or metal panel connected with plastic interconnects**
(51) International Design Classification: **25-01D**
(71) Name(s) and Address(s) of Applicant(s):
Zego Pty Limited
19 Cranstons Road Middle Dural New South Wales 2158 Australia
(72) Name(s) of Designer(s): **Scott A. Evans**
(45) Registration Date: **20 July 2005**
(56) Related Art Documents: **Not Applicable**
(57) Statement of Newness and Distinctiveness: **This panel has a total of 12 slots to allow precise alignment to insert variable width plastic interconnects.**



(21) Design Number: **10210/2005**

(22) Date of Filing Application: **21 January 2005**

(24) Date from which industrial property rights may have effect: **21 January 2005**

(54) Product in respect of which the design is registered: **Locks and pad-bolts**

(51) International Design Classification: **08-07**

(71) Name(s) and Address(s) of Applicant(s):

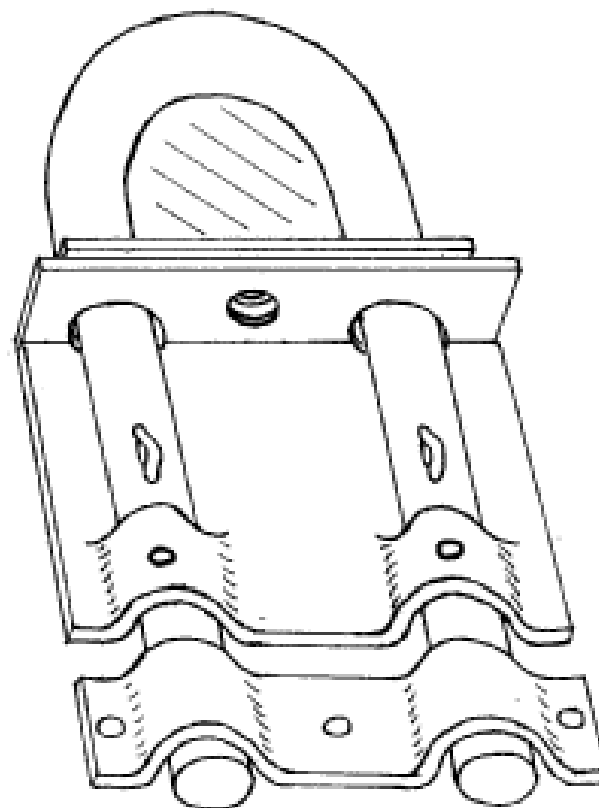
Robert John Hadaway
419 Grand Promenade Dianella Western Australia 6059 Australia

(72) Name(s) of Designer(s): **Robert John Hadaway**

(45) Registration Date: **20 July 2005**

(56) Related Art Documents: **Not Applicable**

(57) Statement of Newness and Distinctiveness: **A pad-bolt having parallel-rods formed to a "U" shape as shown in the accompanying representations.**



(21) Design Number: **10218/2005**

(22) Date of Filing Application: **21 January 2005**

(24) Date from which industrial property rights may have effect: **21 January 2005**

(54) Product in respect of which the design is registered: **Vibroheat capsule II**

(51) International Design Classification: **23-02NES**

(71) Name(s) and Address(s) of Applicant(s):

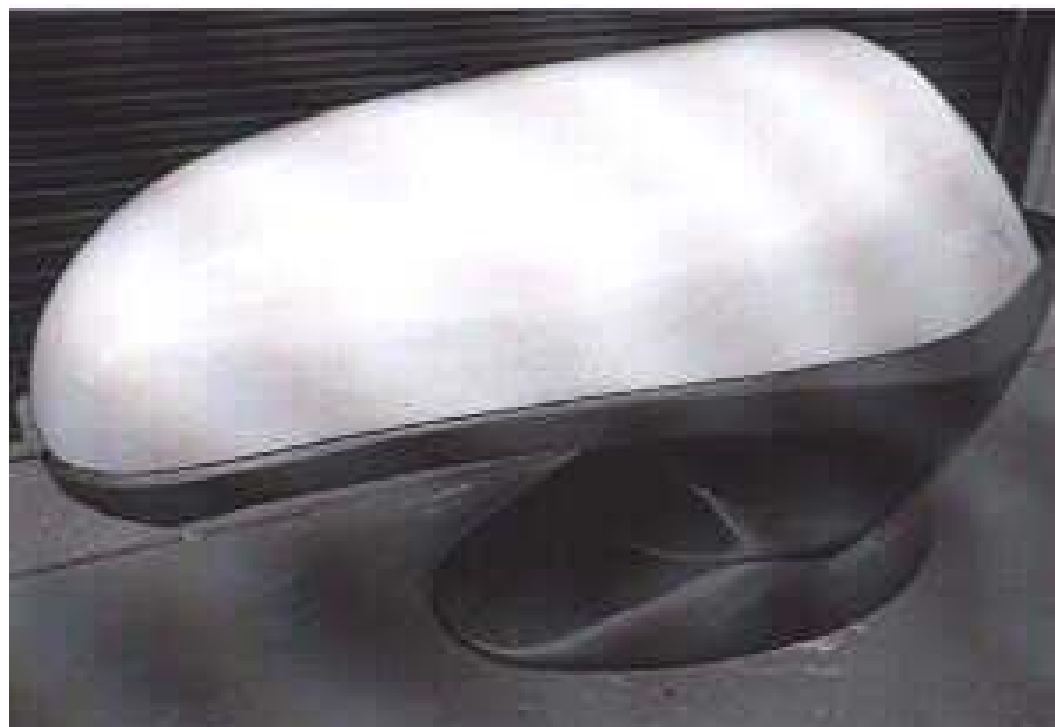
HydroCo (Australia) Pty Ltd
22 Pascal Road Seaford Victoria 3198 Australia

(72) Name(s) of Designer(s): **Brian Gay**

(45) Registration Date: **20 July 2005**

(56) Related Art Documents: **Not Applicable**

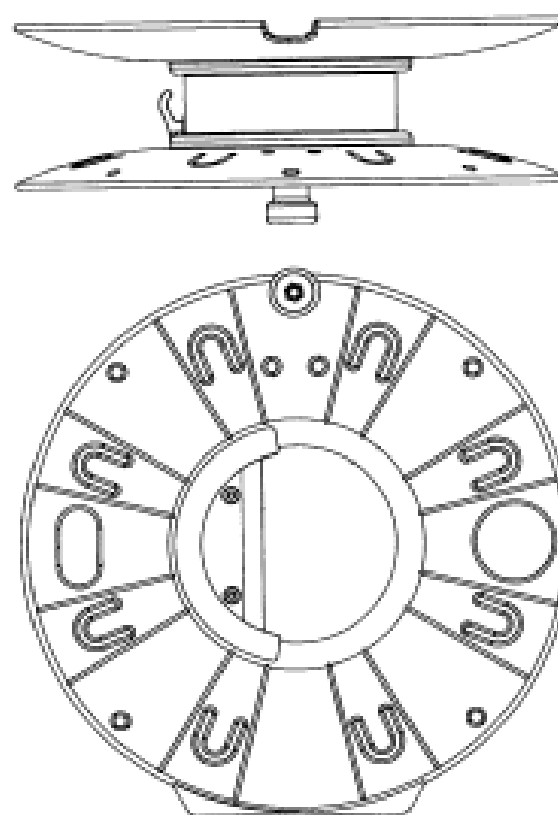
(57) Statement of Newness and Distinctiveness: **Novelty resides in the features of shape and configuration of a hydrotherapy apparatus as illustrated in the representations. The features of shape and configuration of the lid do not form part of the design and are to be disregarded in considering the scope of the novelty design.**



- (21) Design Number: **10219/2005**
- (22) Date of Filing Application: **21 January 2005**
- (24) Date from which industrial property rights may have effect: **21 January 2005**
- (54) Product in respect of which the design is registered: **Vibroheat capsule I**
- (51) International Design Classification: **23-02NES**
- (71) Name(s) and Address(s) of Applicant(s):
HydroCo (Australia) Pty Ltd
22 Pascal Road Seaford Victoria 3198 Australia
- (72) Name(s) of Designer(s): **Brian Gay**
- (45) Registration Date: **20 July 2005**
- (56) Related Art Documents: **Not Applicable**
- (57) Statement of Newness and Distinctiveness: **Novelty resides in the features of shape and configuration of a hydrotherapy apparatus as illustrated in the representations.**



- (21) Design Number: **10263/2005**
- (22) Date of Filing Application: **27 January 2005**
- (24) Date from which industrial property rights may have effect: **27 January 2005**
- (54) Product in respect of which the design is registered: **Ruslyn cordwheel**
- (51) International Design Classification: **13-03B**
- (71) Name(s) and Address(s) of Applicant(s):
Ruslyn Holdings Pty Ltd
PO Box 3248 Kirrawee DC New South Wales 2232 Australia
- (72) Name(s) of Designer(s): **Russell Victor Maddern**
- (45) Registration Date: **20 July 2005**
- (56) Related Art Documents: **Not Applicable**
- (57) Statement of Newness and Distinctiveness: **Cable free and storage retention. Centre handle grip. Locking system for stacking. Data cable locators.**



(21) Design Number: **10286/2005**

(22) Date of Filing Application: **27 January 2005**

(24) Date from which industrial property rights may have effect: **27 January 2005**

(54) Product in respect of which the design is registered: **A cover plate**

(51) International Design Classification: **13-03D**

(71) Name(s) and Address(s) of Applicant(s):

H.P.M. Industries Pty Ltd

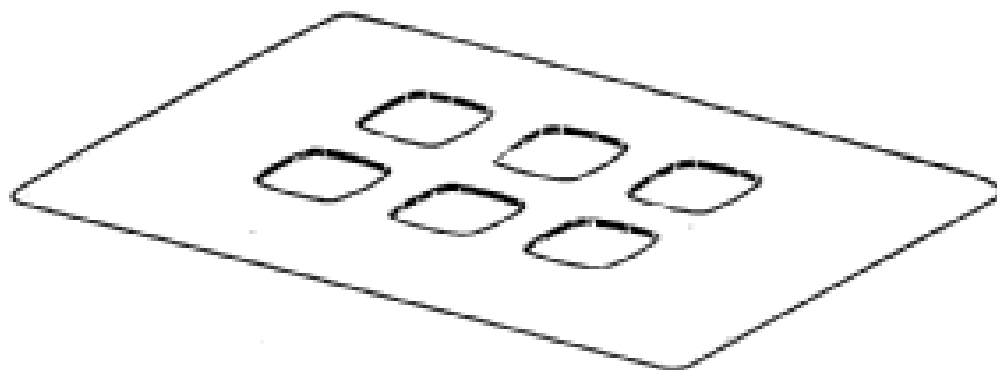
Unit 4 44-48 O'Dea Avenue Waterloo New South Wales 2017 Australia

(72) Name(s) of Designer(s): **Ross Andrews**

(45) Registration Date: **20 July 2005**

(56) Related Art Documents: **Not Applicable**

(57) Statement of Newness and Distinctiveness: **Nil**



(21) Design Number: **10287/2005**

(22) Date of Filing Application: **27 January 2005**

(24) Date from which industrial property rights may have effect: **27 January 2005**

(54) Product in respect of which the design is registered: **A grid plate**

(51) International Design Classification: **13-03D**

(71) Name(s) and Address(s) of Applicant(s):

H.P.M. Industries Pty Ltd

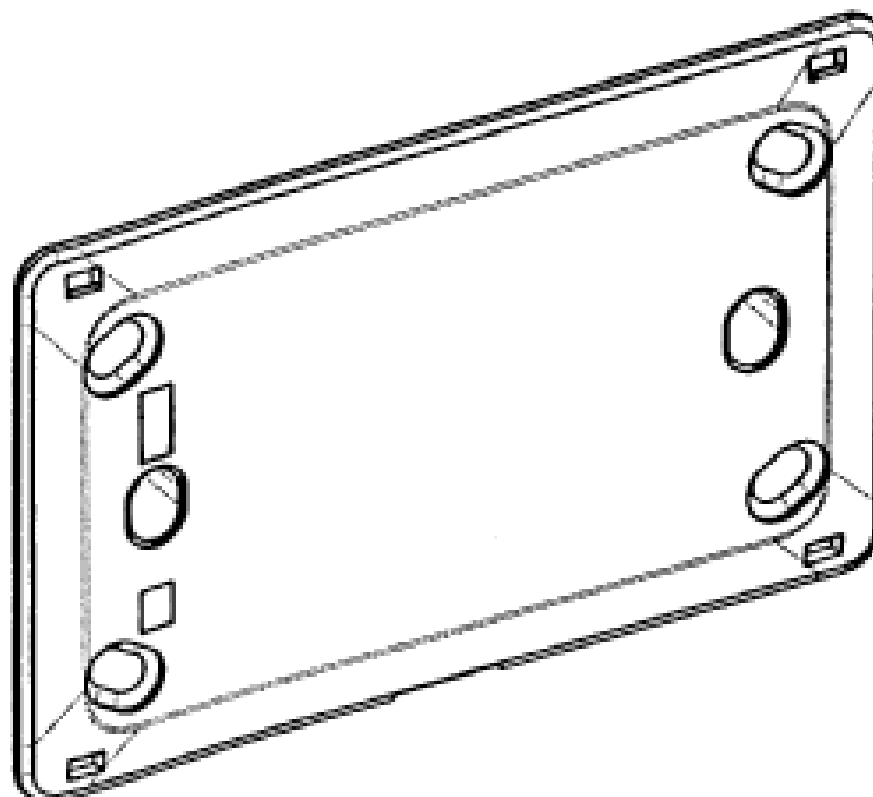
Unit 4 44-48 O'Dea Avenue Waterloo New South Wales 2017 Australia

(72) Name(s) of Designer(s): **Ross Andrews**

(45) Registration Date: **20 July 2005**

(56) Related Art Documents: **Not Applicable**

(57) Statement of Newness and Distinctiveness: **Nil**



(21) Design Number: **10288/2005**

(22) Date of Filing Application: **27 January 2005**

(24) Date from which industrial property rights may have effect: **27 January 2005**

(54) Product in respect of which the design is registered: **A grid plate**

(51) International Design Classification: **13-03D**

(71) Name(s) and Address(s) of Applicant(s):

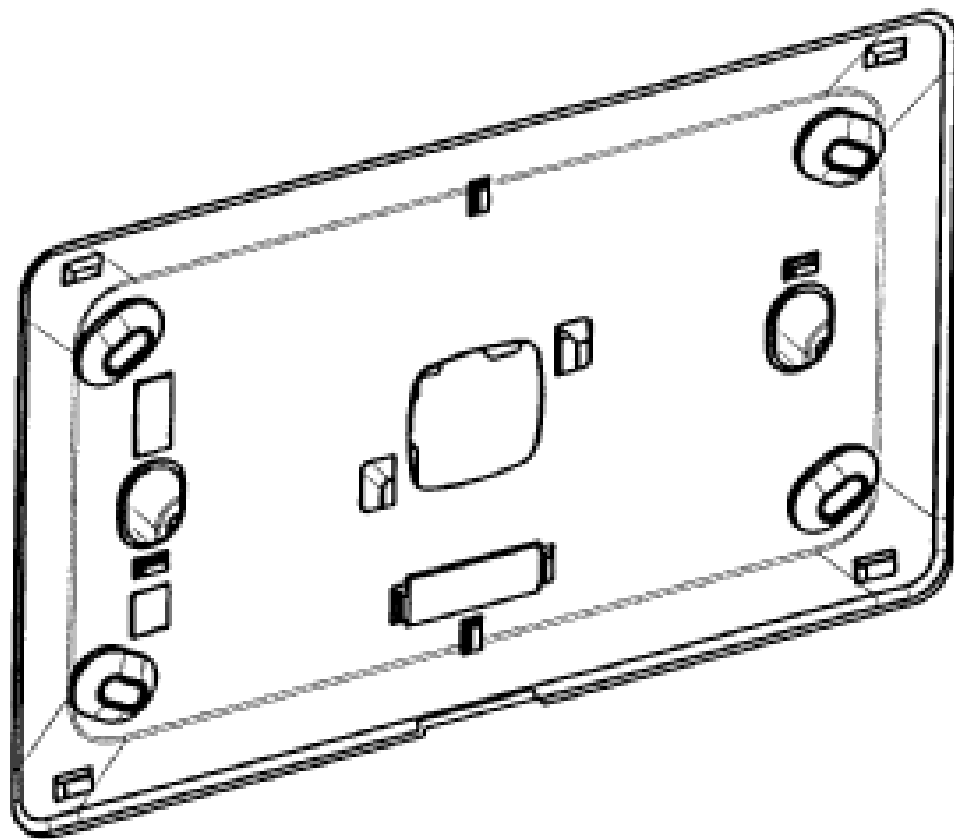
H.P.M. Industries Pty Ltd
Unit 4 44-48 O'Dea Avenue Waterloo New South Wales 2017 Australia

(72) Name(s) of Designer(s): **Ross Andrews**

(45) Registration Date: **20 July 2005**

(56) Related Art Documents: **Not Applicable**

(57) Statement of Newness and Distinctiveness: **Nil**



(21) Design Number: **10289/2005**

(22) Date of Filing Application: **27 January 2005**

(24) Date from which industrial property rights may have effect: **27 January 2005**

(54) Product in respect of which the design is registered: **A grid plate**

(51) International Design Classification: **13-03D**

(71) Name(s) and Address(s) of Applicant(s):

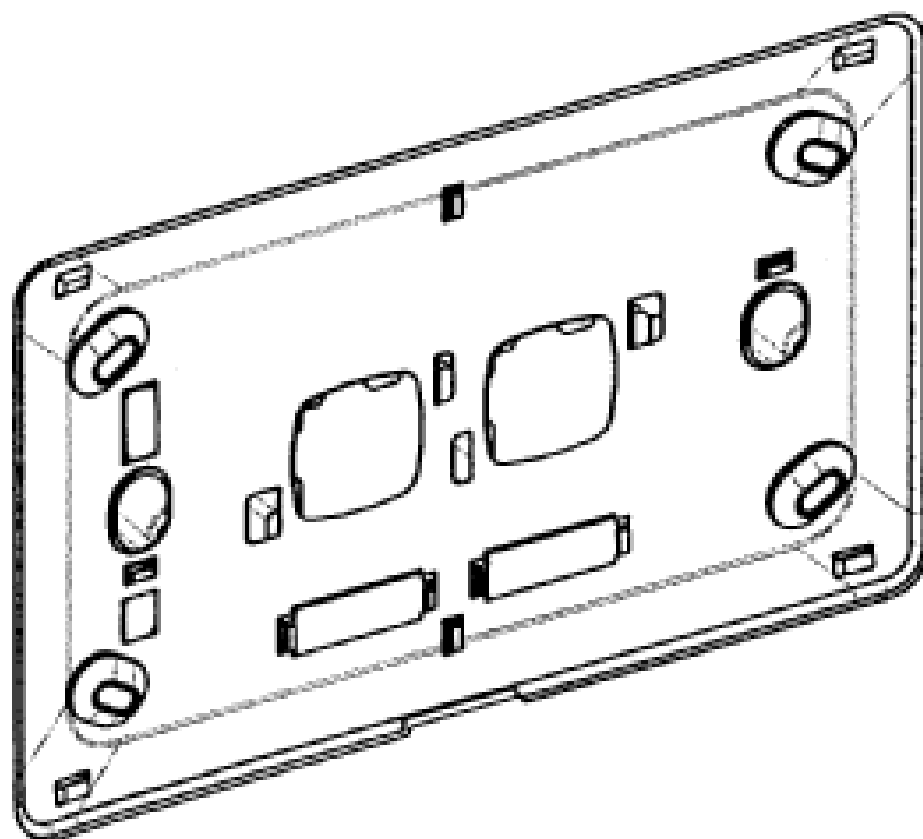
H.P.M. Industries Pty Ltd
Unit 4 44-48 O'Dea Avenue Waterloo New South Wales 2017 Australia

(72) Name(s) of Designer(s): **Ross Andrews**

(45) Registration Date: **20 July 2005**

(56) Related Art Documents: **Not Applicable**

(57) Statement of Newness and Distinctiveness: **Nil**



(21) Design Number: **10290/2005**

(22) Date of Filing Application: **27 January 2005**

(24) Date from which industrial property rights may have effect: **27 January 2005**

(54) Product in respect of which the design is registered: **A grid plate**

(51) International Design Classification: **13-03D**

(71) Name(s) and Address(s) of Applicant(s):

H.P.M. Industries Pty Ltd

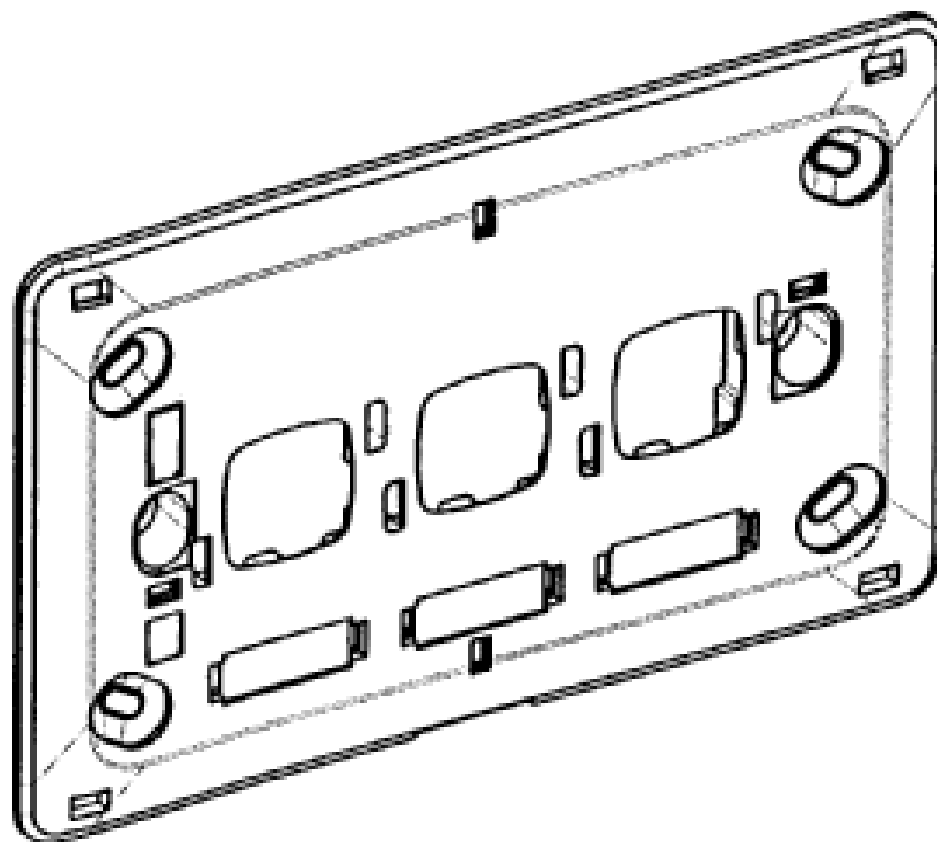
Unit 4 44-48 O'Dea Avenue Waterloo New South Wales 2017 Australia

(72) Name(s) of Designer(s): **Ross Andrews**

(45) Registration Date: **20 July 2005**

(56) Related Art Documents: **Not Applicable**

(57) Statement of Newness and Distinctiveness: **Nil**



(21) Design Number: **10291/2005**

(22) Date of Filing Application: **27 January 2005**

(24) Date from which industrial property rights may have effect: **27 January 2005**

(54) Product in respect of which the design is registered: **A grid plate**

(51) International Design Classification: **13-03D**

(71) Name(s) and Address(s) of Applicant(s):

H.P.M. Industries Pty Ltd

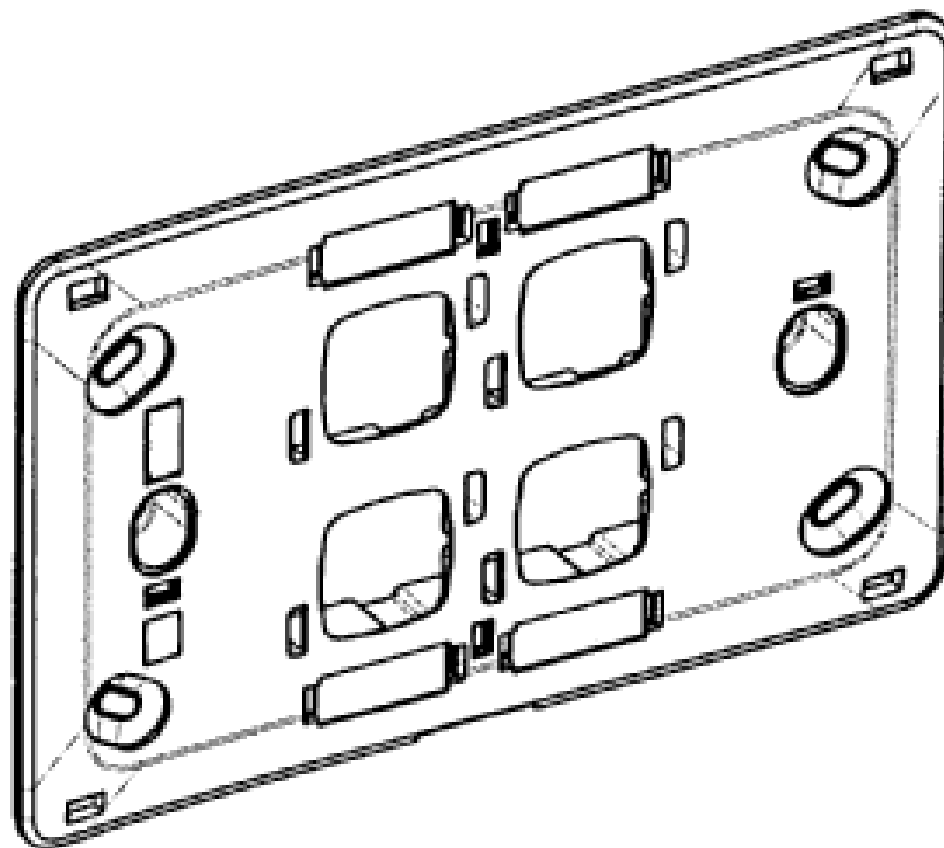
Unit 4 44-48 O'Dea Avenue Waterloo New South Wales 2017 Australia

(72) Name(s) of Designer(s): **Ross Andrews**

(45) Registration Date: **20 July 2005**

(56) Related Art Documents: **Not Applicable**

(57) Statement of Newness and Distinctiveness: **Nil**



(21) Design Number: **10292/2005**

(22) Date of Filing Application: **27 January 2005**

(24) Date from which industrial property rights may have effect: **27 January 2005**

(54) Product in respect of which the design is registered: **A grid plate**

(51) International Design Classification: **13-03D**

(71) Name(s) and Address(s) of Applicant(s):

H.P.M. Industries Pty Ltd

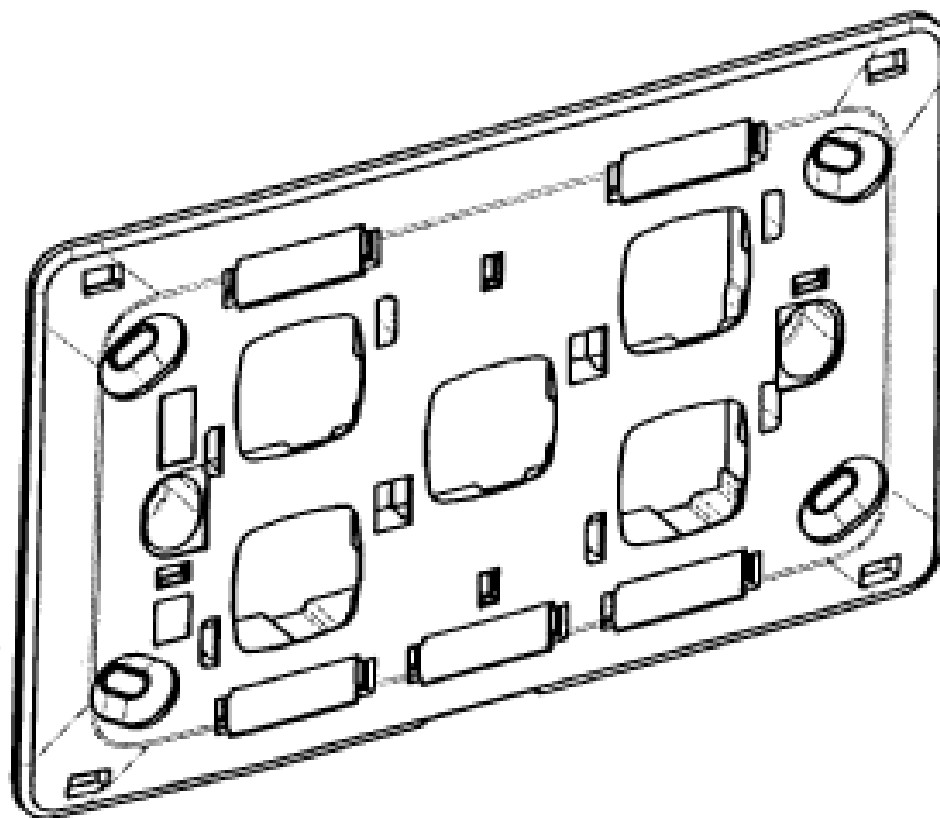
Unit 4 44-48 O'Dea Avenue Waterloo New South Wales 2017 Australia

(72) Name(s) of Designer(s): **Ross Andrews**

(45) Registration Date: **20 July 2005**

(56) Related Art Documents: **Not Applicable**

(57) Statement of Newness and Distinctiveness: **Nil**



(21) Design Number: **10293/2005**

(22) Date of Filing Application: **27 January 2005**

(24) Date from which industrial property rights may have effect: **27 January 2005**

(54) Product in respect of which the design is registered: **A grid plate**

(51) International Design Classification: **13-03D**

(71) Name(s) and Address(s) of Applicant(s):

H.P.M. Industries Pty Ltd

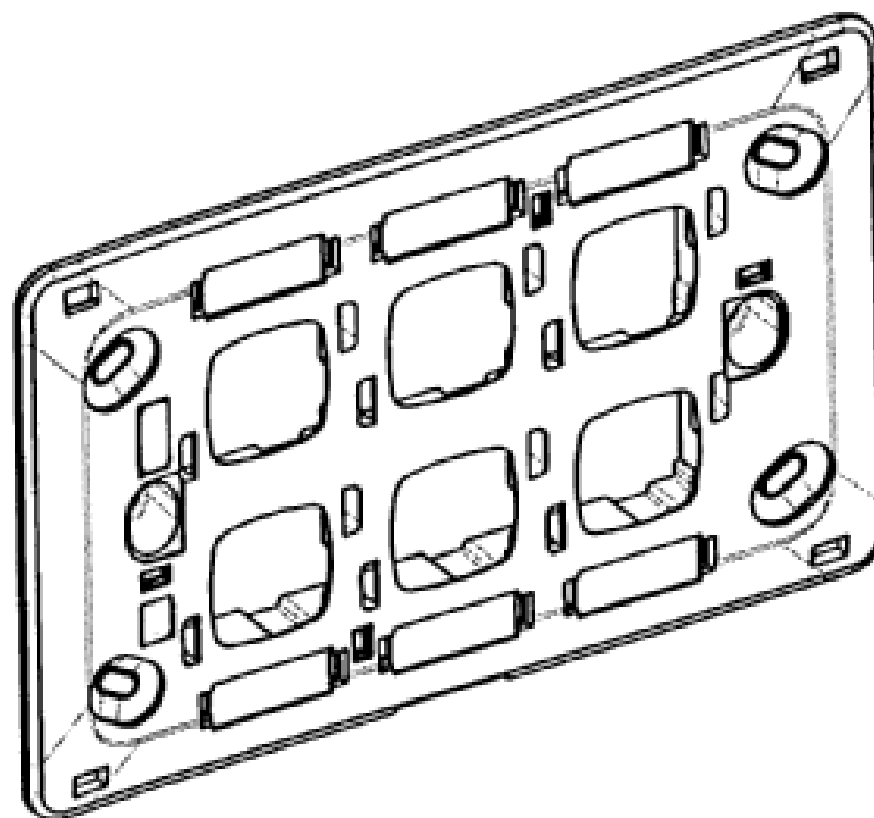
Unit 4 44-48 O'Dea Avenue Waterloo New South Wales 2017 Australia

(72) Name(s) of Designer(s): **Ross Andrews**

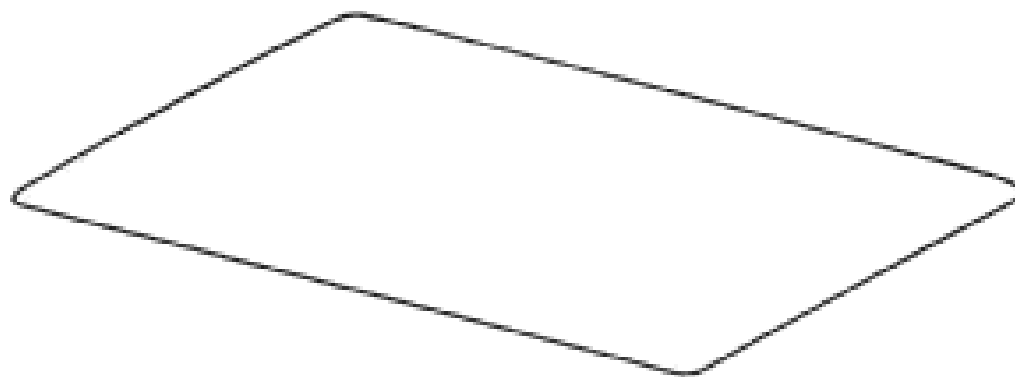
(45) Registration Date: **20 July 2005**

(56) Related Art Documents: **Not Applicable**

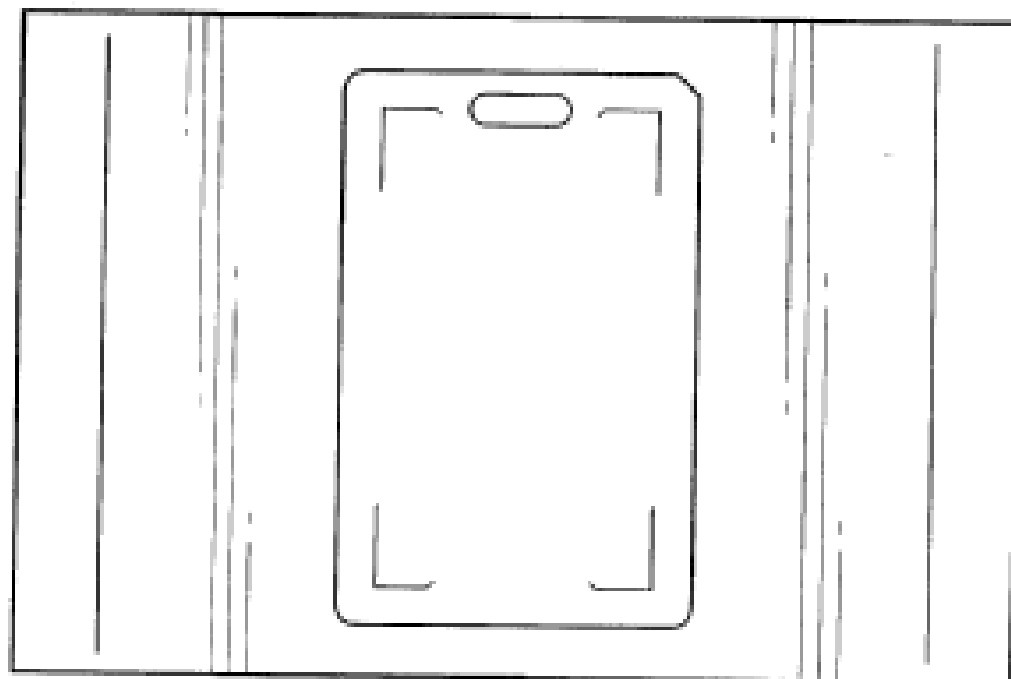
(57) Statement of Newness and Distinctiveness: **Nil**



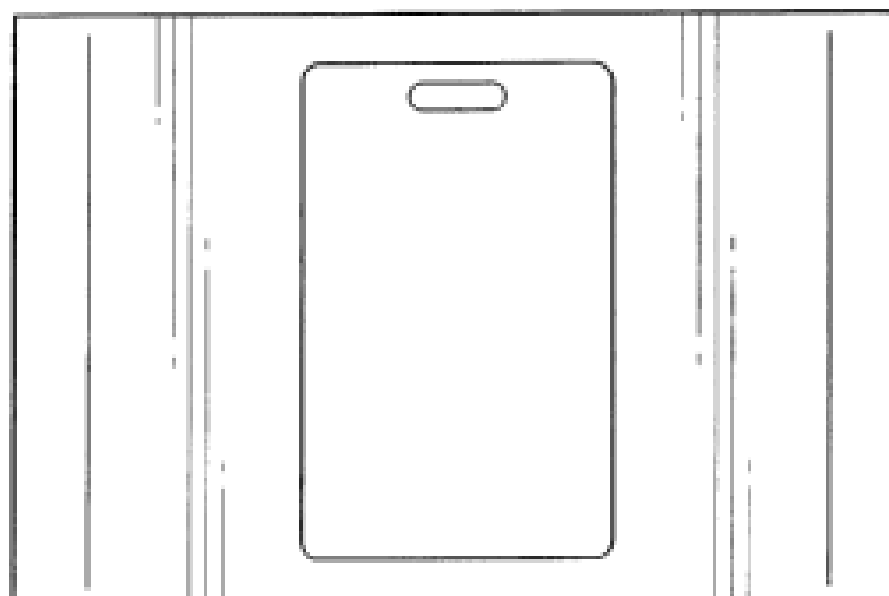
(21) Design Number: **10294/2005**
(22) Date of Filing Application: **27 January 2005**
(24) Date from which industrial property rights may have effect: **27 January 2005**
(54) Product in respect of which the design is registered: **A cover plate**
(51) International Design Classification: **13-03D**
(71) Name(s) and Address(s) of Applicant(s):
H.P.M. Industries Pty Ltd
Unit 4 44-48 O'Dea Avenue Waterloo New South Wales 2017 Australia
(72) Name(s) of Designer(s): **Ross Andrews**
(45) Registration Date: **20 July 2005**
(56) Related Art Documents: **Not Applicable**
(57) Statement of Newness and Distinctiveness: **Nil**



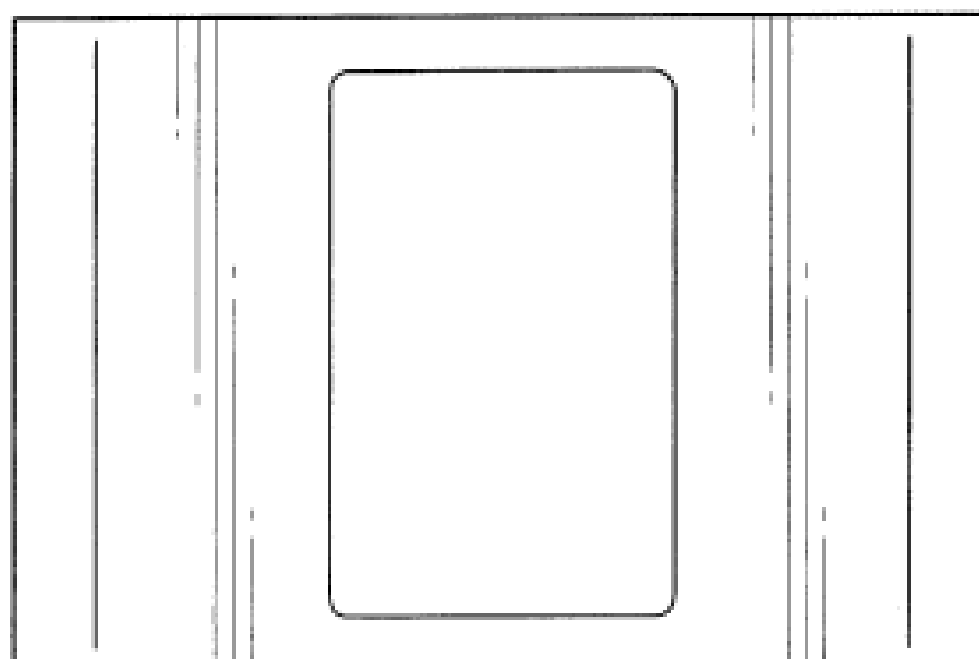
(21) Design Number: **10303/2005**
(22) Date of Filing Application: **27 January 2005**
(24) Date from which industrial property rights may have effect: **27 January 2005**
(54) Product in respect of which the design is registered: **Printing stock for a security badge**
(51) International Design Classification: **19-08**
(71) Name(s) and Address(s) of Applicant(s):
Avery Dennison Corporation
150 North Orange Grove Boulevard Pasadena California 91103 United States of America
(72) Name(s) of Designer(s): **Jerry G. Hodsdon**
(45) Registration Date: **20 July 2005**
(30) Convention priority data:
(31) Number (32) Date (33) Country
29/210073 26 Jul 2004 UNITED STATES OF AMERICA
(56) Related Art Documents: **Not Applicable**
(57) Statement of Newness and Distinctiveness: **Newness and distinctiveness is claimed in the following features of a printing stock for a security badge as illustrated in the accompanying representations: a) corner chamfer of badge blank; b) attachment hole of badge blank; c) L-shaped break lines of badge blank; and d) weakening lines of stock carrier.**



- (21) Design Number: **10304/2005**
(22) Date of Filing Application: **27 January 2005**
(24) Date from which industrial property rights may have effect: **27 January 2005**
(54) Product in respect of which the design is registered: **Printing stock for a security badge**
(51) International Design Classification: **19-08**
(71) Name(s) and Address(s) of Applicant(s):
Avery Dennison Corporation
150 North Orange Grove Boulevard Pasadena California 91103 United States of America
(72) Name(s) of Designer(s): **Jerry G. Hodsdon**
(45) Registration Date: **20 July 2005**
(30) Convention priority data:
(31) Number (32) Date (33) Country
29/210073 26 Jul 2004 UNITED STATES OF AMERICA
(56) Related Art Documents: **Not Applicable**
(57) Statement of Newness and Distinctiveness: **Newness and distinctiveness is claimed in the following features of a printing stock for a security badge as illustrated in the accompanying representations: a) attachment hole of a badge blank; and b) weakening lines of stock carrier.**

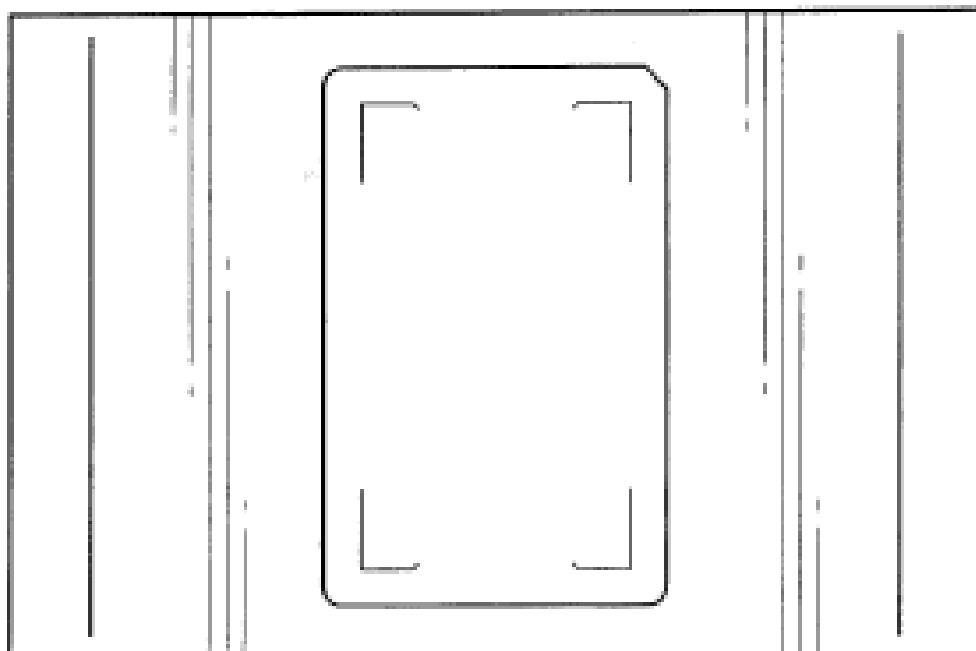


- (21) Design Number: **10305/2005**
(22) Date of Filing Application: **27 January 2005**
(24) Date from which industrial property rights may have effect: **27 January 2005**
(54) Product in respect of which the design is registered: **Printing stock for a security badge**
(51) International Design Classification: **19-08**
(71) Name(s) and Address(s) of Applicant(s):
Avery Dennison Corporation
150 North Orange Grove Boulevard Pasadena California 91103 United States of America
(72) Name(s) of Designer(s): **Jerry G. Hodsdon**
(45) Registration Date: **20 July 2005**
(30) Convention priority data:
(31) Number (32) Date (33) Country
29/210073 26 Jul 2004 UNITED STATES OF AMERICA
(56) Related Art Documents: **Not Applicable**
(57) Statement of Newness and Distinctiveness: **Newness and distinctiveness is claimed in the following features of a printing stock for a security badge as illustrated in the accompanying representations: a) shape and/or configuration of the badge blank; and b) weakening lines of stock carrier.**



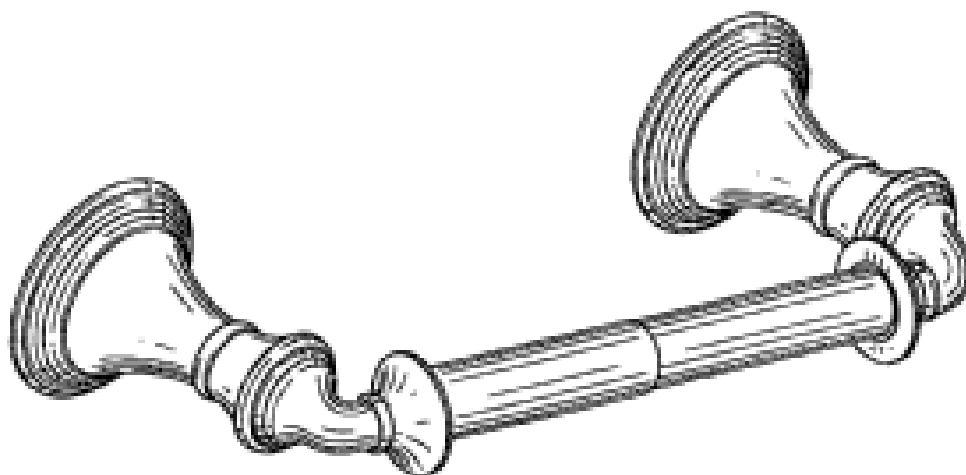
(19) AU

(21) Design Number: **10306/2005**
 (22) Date of Filing Application: **27 January 2005**
 (24) Date from which industrial property rights may have effect: **27 January 2005**
 (54) Product in respect of which the design is registered: **Printing stock for a security badge**
 (51) International Design Classification: **19-08**
 (71) Name(s) and Address(s) of Applicant(s):
Avery Dennison Corporation
150 North Orange Grove Boulevard Pasadena California 91103 United States of America
 (72) Name(s) of Designer(s): **Jerry G. Hodsdon**
 (45) Registration Date: **20 July 2005**
 (30) Convention priority data:
 (31) Number (32) Date (33) Country
29/210073 26 Jul 2004 UNITED STATES OF AMERICA
 (56) Related Art Documents: **Not Applicable**
 (57) Statement of Newness and Distinctiveness: **Newness and distinctiveness is claimed in the following features of a printing stock for a security badge as illustrated in the accompanying representations: a) corner chamfer of badge blank; b) L-shaped break lines of badge blank; and c) weakening lines of stock carrier.**



(19) AU

(21) Design Number: **10309/2005**
 (22) Date of Filing Application: **27 January 2005**
 (24) Date from which industrial property rights may have effect: **27 January 2005**
 (54) Product in respect of which the design is registered: **Toilet paper holder**
 (51) International Design Classification: **23-02A**
 (71) Name(s) and Address(s) of Applicant(s):
Kohler Co.
444 Highland Drive Kohler WI 53044 United States of America
 (72) Name(s) of Designer(s): **Suzanne M. Berberet**
 (45) Registration Date: **20 July 2005**
 (30) Convention priority data:
 (31) Number (32) Date (33) Country
29/210,114 27 Jul 2004 UNITED STATES OF AMERICA
 (56) Related Art Documents: **Not Applicable**
 (57) Statement of Newness and Distinctiveness: **Nil**



(21) Design Number: **10310/2005**
(22) Date of Filing Application: **27 January 2005**
(24) Date from which industrial property rights may have effect: **27 January 2005**
(54) Product in respect of which the design is registered: **Towel ring**
(51) International Design Classification: **07-05D**
(71) Name(s) and Address(s) of Applicant(s):

Kohler Co.
444 Highland Drive Kohler WI 53044 United States of America

(72) Name(s) of Designer(s): **Suzanne M. Berberet**

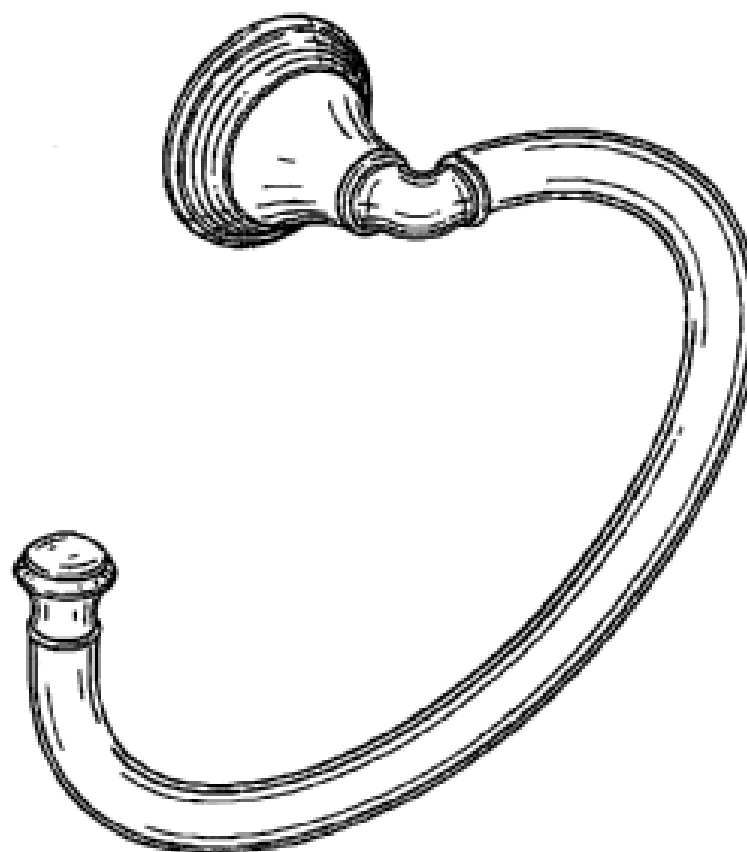
(45) Registration Date: **20 July 2005**

(30) Convention priority data:

(31) Number	(32) Date	(33) Country
29/210,116	27 Jul 2004	UNITED STATES OF AMERICA

(56) Related Art Documents: **Not Applicable**

(57) Statement of Newness and Distinctiveness: **Nil**



(21) Design Number: **10311/2005**
(22) Date of Filing Application: **27 January 2005**
(24) Date from which industrial property rights may have effect: **27 January 2005**
(54) Product in respect of which the design is registered: **Robe hook**
(51) International Design Classification: **08-08G**
(71) Name(s) and Address(s) of Applicant(s):

Kohler Co.
444 Highland Drive Kohler WI 53044 United States of America

(72) Name(s) of Designer(s): **Suzanne M. Berberet**

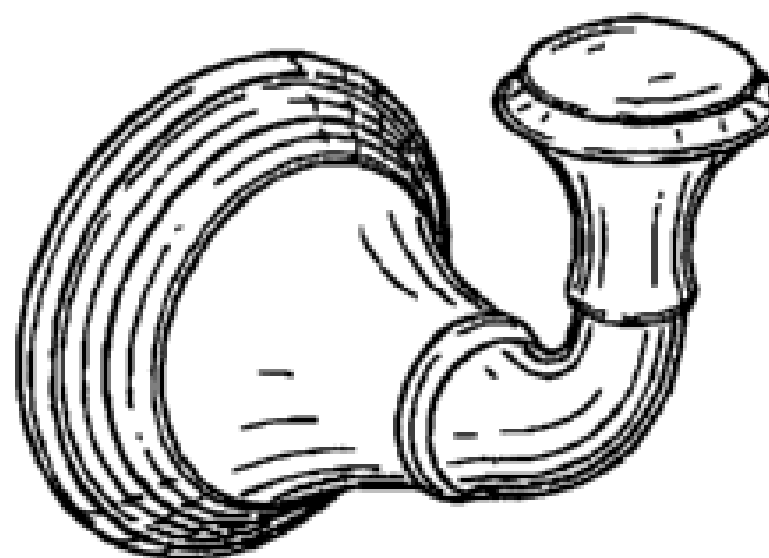
(45) Registration Date: **20 July 2005**

(30) Convention priority data:

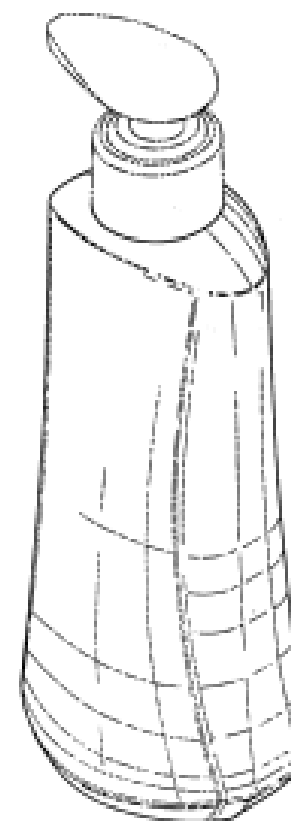
(31) Number	(32) Date	(33) Country
29/210,115	27 Jul 2004	UNITED STATES OF AMERICA

(56) Related Art Documents: **Not Applicable**

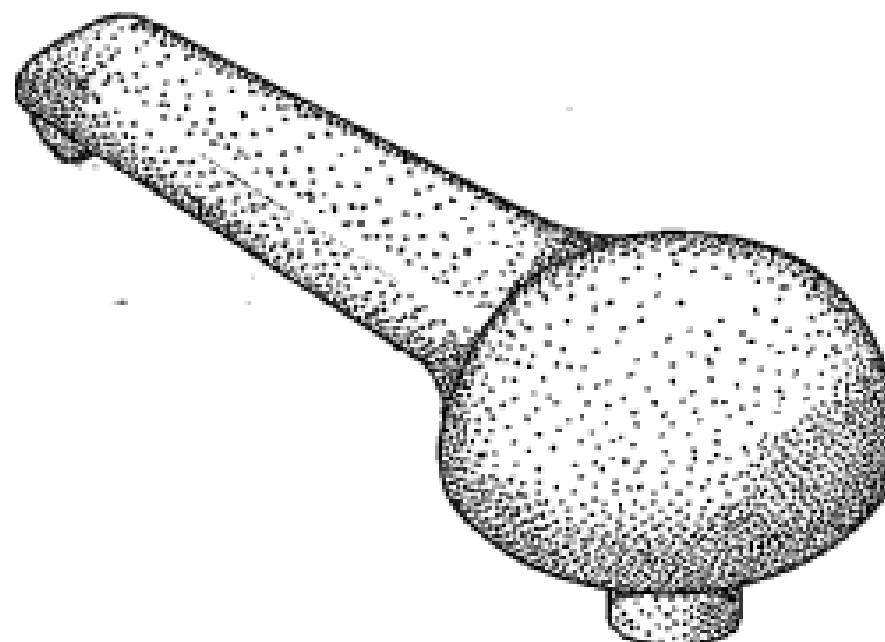
(57) Statement of Newness and Distinctiveness: **Nil**



(21) Design Number: **10314/2005**
(22) Date of Filing Application: **27 January 2005**
(24) Date from which industrial property rights may have effect: **27 January 2005**
(54) Product in respect of which the design is registered: **Container**
(51) International Design Classification: **09-01NES**
(71) Name(s) and Address(s) of Applicant(s):
The Procter & Gamble Company
One Procter & Gamble Plaza Cincinnati Ohio 45202 United States of America
(72) Name(s) of Designer(s): **Lia Marie Braaten and Stacy Alycia Thomas**
(45) Registration Date: **20 July 2005**
(30) Convention priority data:
(31) Number (32) Date (33) Country
29/210,381 30 Jul 2004 UNITED STATES OF AMERICA
(56) Related Art Documents: **Not Applicable**
(57) Statement of Newness and Distinctiveness: **Those visual features of the container depicted in continuous lines in the representations that are new and distinctive are the shape and/or configuration. The features shown in broken lines are not part of the design and should be disregarded.**



(21) Design Number: **10315/2005**
(22) Date of Filing Application: **27 January 2005**
(24) Date from which industrial property rights may have effect: **27 January 2005**
(54) Product in respect of which the design is registered: **Dispensing pump head**
(51) International Design Classification: **09-07A**
(71) Name(s) and Address(s) of Applicant(s):
Saint-Gobain Calmar Inc.
333 South Turnbull Canyon Road City of Industry California
91745-1203 United States of America
(72) Name(s) of Designer(s): **Luis Costa**
(45) Registration Date: **20 July 2005**
(30) Convention priority data:
(31) Number (32) Date (33) Country
29/210350 30 Jul 2004 UNITED STATES OF AMERICA
(56) Related Art Documents: **Not Applicable**
(57) Statement of Newness and Distinctiveness: **Nil**



(21) Design Number: **10383/2005**

(22) Date of Filing Application: **01 February 2005**

(24) Date from which industrial property rights may have effect: **01 February 2005**

(54) Product in respect of which the design is registered: **Lid for kitchen utensils**

(51) International Design Classification: **07-02N**

(71) Name(s) and Address(s) of Applicant(s):

**Opinion Leaders S.r.l.
Via 18 Dicembre 43-Latina Italy**

(72) Name(s) of Designer(s): **Daniela Cioeta and Lorena Vecchini**

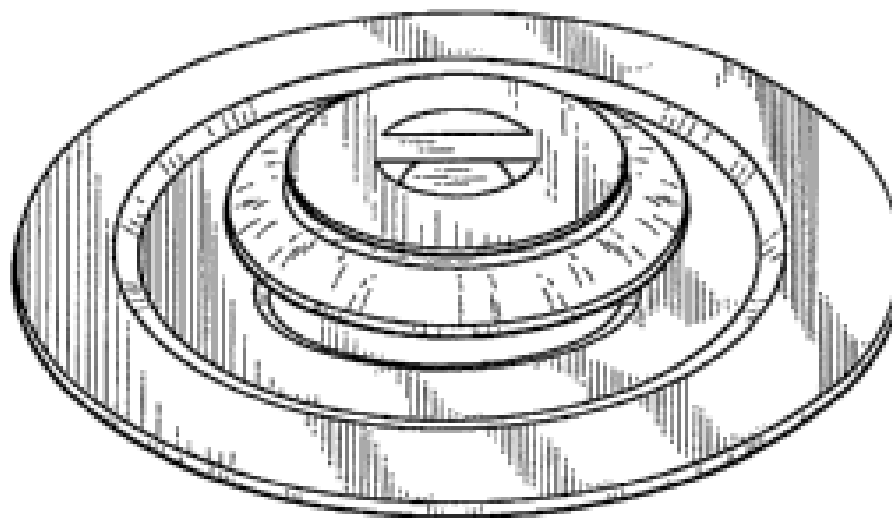
(45) Registration Date: **20 July 2005**

(30) Convention priority data:

(31) Number	(32) Date	(33) Country
216064	13 Aug 2004	EUROPEAN COMMUNITY

(56) Related Art Documents: **Not Applicable**

(57) Statement of Newness and Distinctiveness: **Newness and distinctiveness resides in the shape and/or configuration of the lid as illustrated in the accompanying representations.**



(21) Design Number: **10384/2005**

(22) Date of Filing Application: **01 February 2005**

(24) Date from which industrial property rights may have effect: **01 February 2005**

(54) Product in respect of which the design is registered: **A grid plate**

(51) International Design Classification: **13-03D**

(71) Name(s) and Address(s) of Applicant(s):

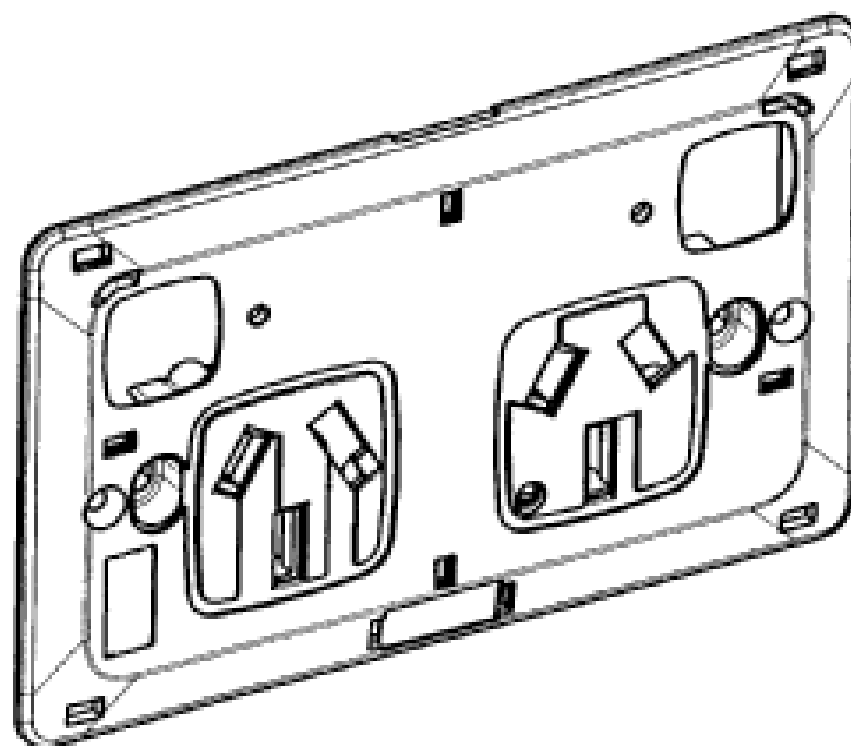
**H.P.M. Industries Pty Ltd
Unit 4 44-48 O'Dea Avenue Waterloo New South Wales 2017 Australia**

(72) Name(s) of Designer(s): **Ross Andrews**

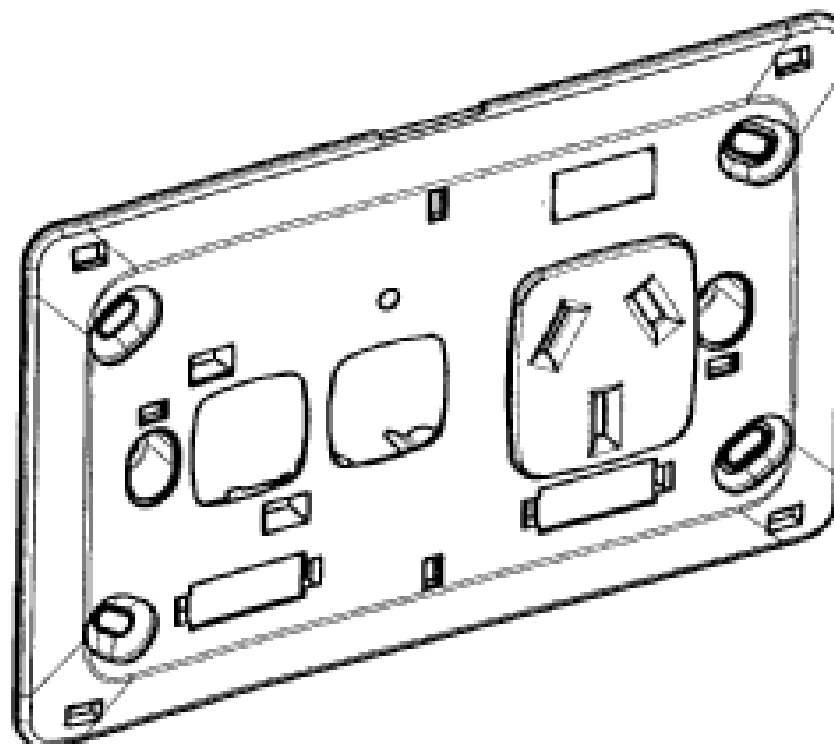
(45) Registration Date: **20 July 2005**

(56) Related Art Documents: **Not Applicable**

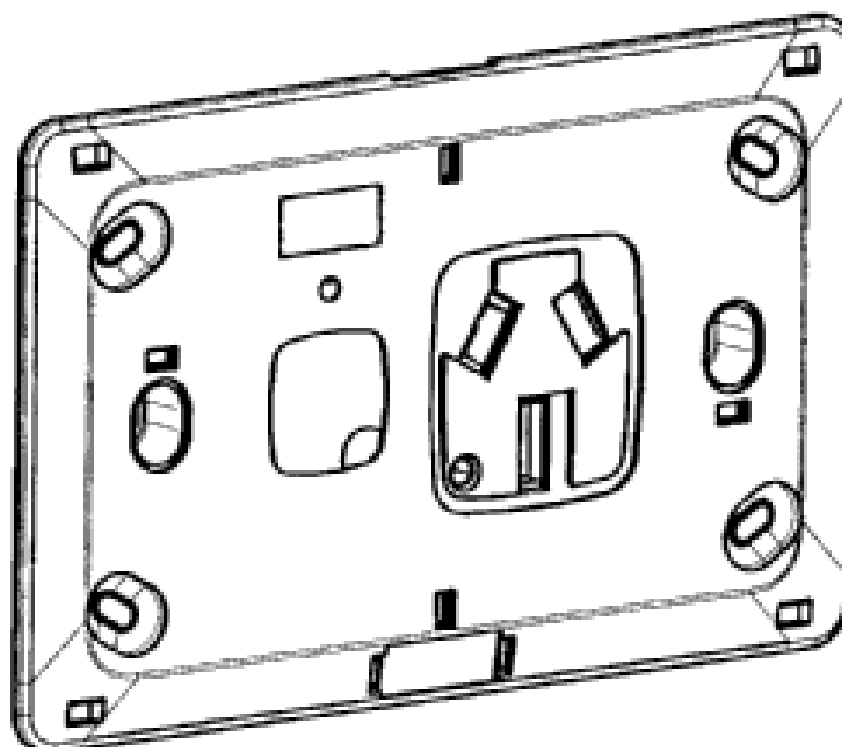
(57) Statement of Newness and Distinctiveness: **If a person is required to decide whether the design is substantially similar in overall impression to another design, the person making the decision should have particular regard to the features visible in the front elevation view, the perspective view and the side views of the representations, and to the features of the upstanding rectangular wall and the features disposed outwardly of the upstanding rectangular wall visible in the rear elevation and rear perspective views of the representations.**



- (21) Design Number: **10385/2005**
(22) Date of Filing Application: **01 February 2005**
(24) Date from which industrial property rights may have effect: **01 February 2005**
(54) Product in respect of which the design is registered: **A grid plate**
(51) International Design Classification: **13-03D**
(71) Name(s) and Address(s) of Applicant(s):
H.P.M. Industries Pty Ltd
Unit 4 44-48 O'Dea Avenue Waterloo New South Wales 2017 Australia
(72) Name(s) of Designer(s): **Ross Andrews**
(45) Registration Date: **20 July 2005**
(56) Related Art Documents: **Not Applicable**
(57) Statement of Newness and Distinctiveness: **If a person is required to decide whether the design is substantially similar in overall impression to another design, the person making the decision should have particular regard to the features visible in the front elevation view, the perspective view and the side views of the representations, and to the features of the upstanding rectangular wall and the features disposed outwardly of the upstanding rectangular wall visible in the rear elevation and rear perspective views of the representations.**



- (21) Design Number: **10386/2005**
(22) Date of Filing Application: **01 February 2005**
(24) Date from which industrial property rights may have effect: **01 February 2005**
(54) Product in respect of which the design is registered: **A grid plate**
(51) International Design Classification: **13-03D**
(71) Name(s) and Address(s) of Applicant(s):
H.P.M. Industries Pty Ltd
Unit 4 44-48 O'Dea Avenue Waterloo New South Wales 2017 Australia
(72) Name(s) of Designer(s): **Ross Andrews**
(45) Registration Date: **20 July 2005**
(56) Related Art Documents: **Not Applicable**
(57) Statement of Newness and Distinctiveness: **If a person is required to decide whether the design is substantially similar in overall impression to another design, the person making the decision should have particular regard to the features visible in the front elevation view, the perspective view and the side views of the representations, and to the features of the upstanding rectangular wall and the features disposed outwardly of the upstanding rectangular wall visible in the rear elevation and rear perspective views of the representations.**



(21) Design Number: **10387/2005**

(22) Date of Filing Application: **01 February 2005**

(24) Date from which industrial property rights may have effect: **01 February 2005**

(54) Product in respect of which the design is registered: **A cover plate**

(51) International Design Classification: **13-03D**

(71) Name(s) and Address(s) of Applicant(s):

H.P.M. Industries Pty Ltd

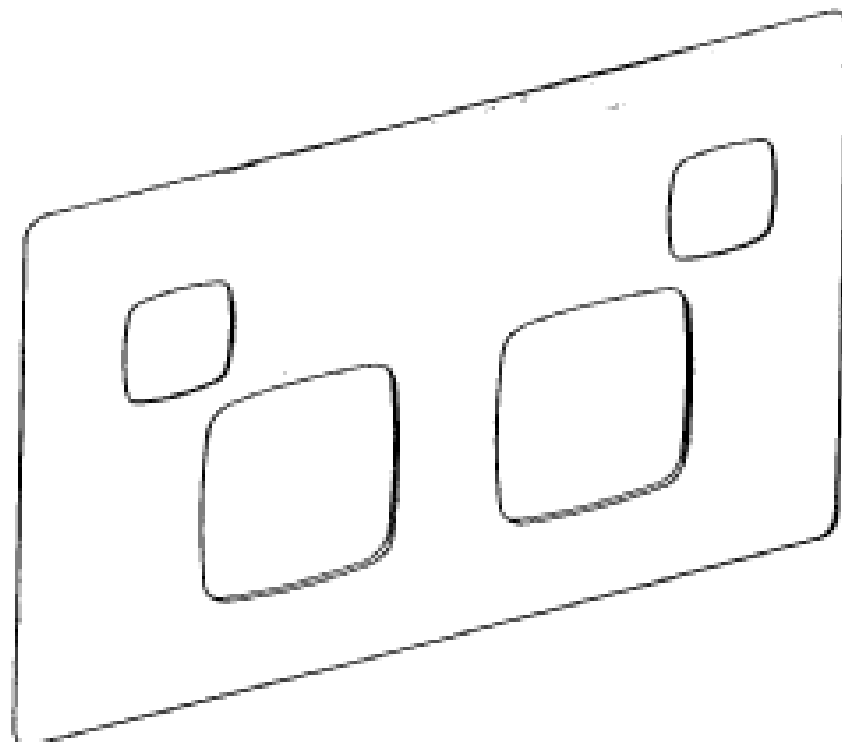
Unit 4 44-48 O'Dea Avenue Waterloo New South Wales 2017 Australia

(72) Name(s) of Designer(s): **Ross Andrews**

(45) Registration Date: **20 July 2005**

(56) Related Art Documents: **Not Applicable**

(57) Statement of Newness and Distinctiveness: **Nil**



(21) Design Number: **10388/2005**

(22) Date of Filing Application: **01 February 2005**

(24) Date from which industrial property rights may have effect: **01 February 2005**

(54) Product in respect of which the design is registered: **A cover plate**

(51) International Design Classification: **13-03D**

(71) Name(s) and Address(s) of Applicant(s):

H.P.M. Industries Pty Ltd

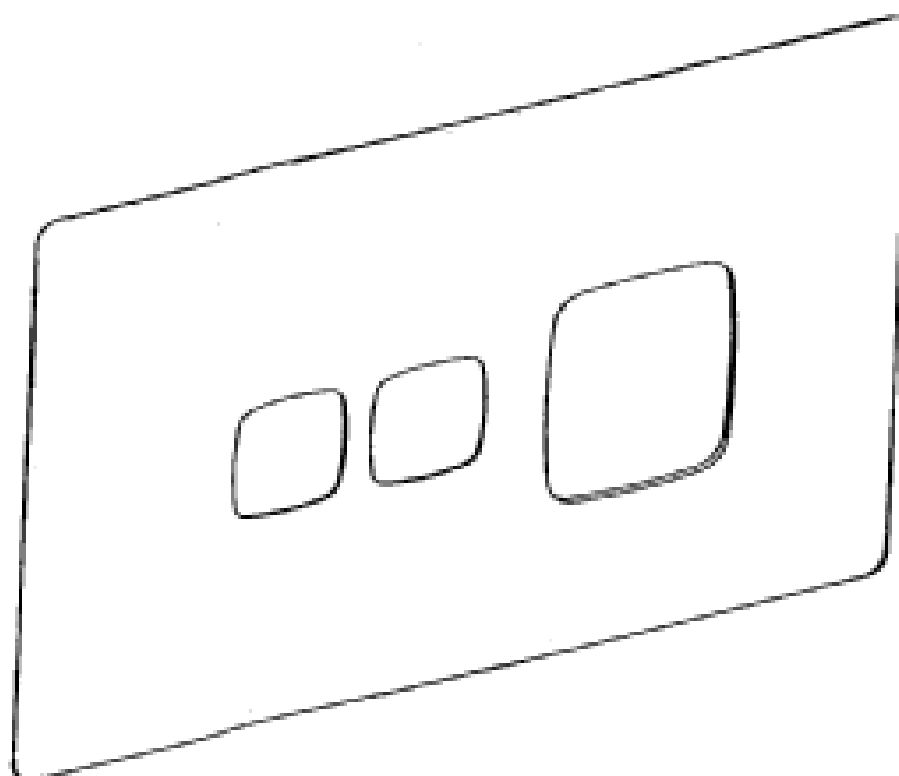
Unit 4 44-48 O'Dea Avenue Waterloo New South Wales 2017 Australia

(72) Name(s) of Designer(s): **Ross Andrews**

(45) Registration Date: **20 July 2005**

(56) Related Art Documents: **Not Applicable**

(57) Statement of Newness and Distinctiveness: **Nil**



(21) Design Number: **10389/2005**

(22) Date of Filing Application: **01 February 2005**

(24) Date from which industrial property rights may have effect: **01 February 2005**

(54) Product in respect of which the design is registered: **A cover plate**

(51) International Design Classification: **13-03D**

(71) Name(s) and Address(s) of Applicant(s):

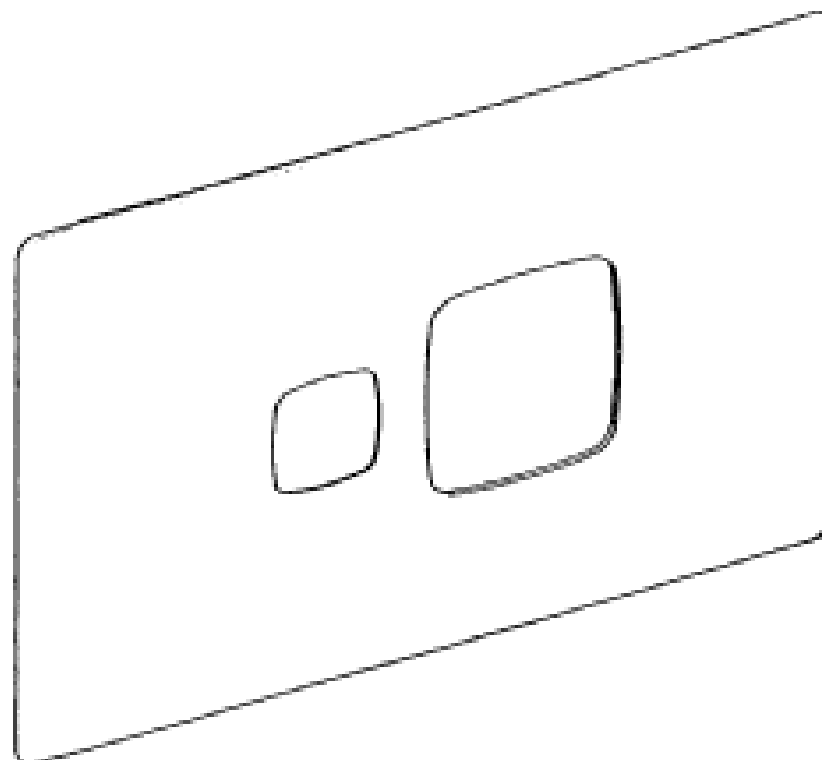
H.P.M. Industries Pty Ltd
Unit 4 44-48 O'Dea Avenue Waterloo New South Wales 2017 Australia

(72) Name(s) of Designer(s): **Ross Andrews**

(45) Registration Date: **20 July 2005**

(56) Related Art Documents: **Not Applicable**

(57) Statement of Newness and Distinctiveness: **Nil**



(21) Design Number: **10390/2005**

(22) Date of Filing Application: **02 February 2005**

(24) Date from which industrial property rights may have effect: **02 February 2005**

(54) Product in respect of which the design is registered: **Paint roller tray**

(51) International Design Classification: **08-05L**

(71) Name(s) and Address(s) of Applicant(s):

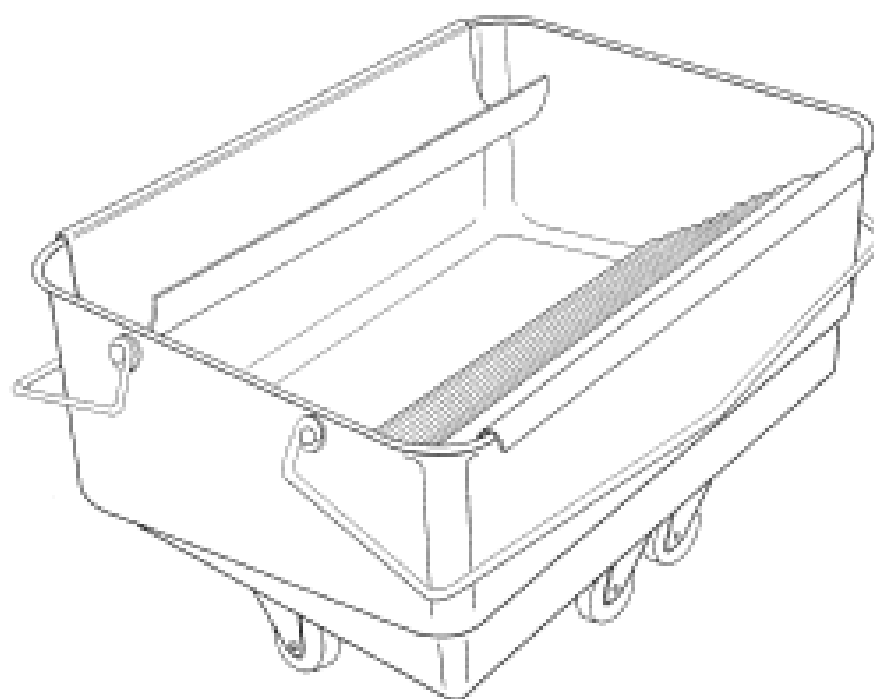
Valentino Fuda
43 Farrant Street Prospect South Australia 5092 Australia

(72) Name(s) of Designer(s): **Valentino Fuda**

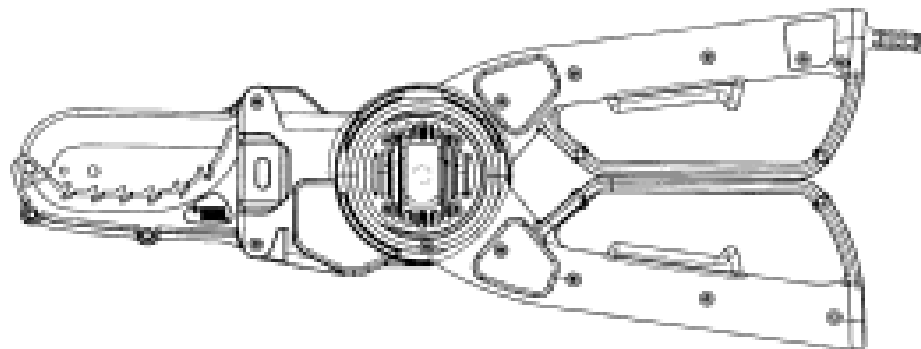
(45) Registration Date: **20 July 2005**

(56) Related Art Documents: **Not Applicable**

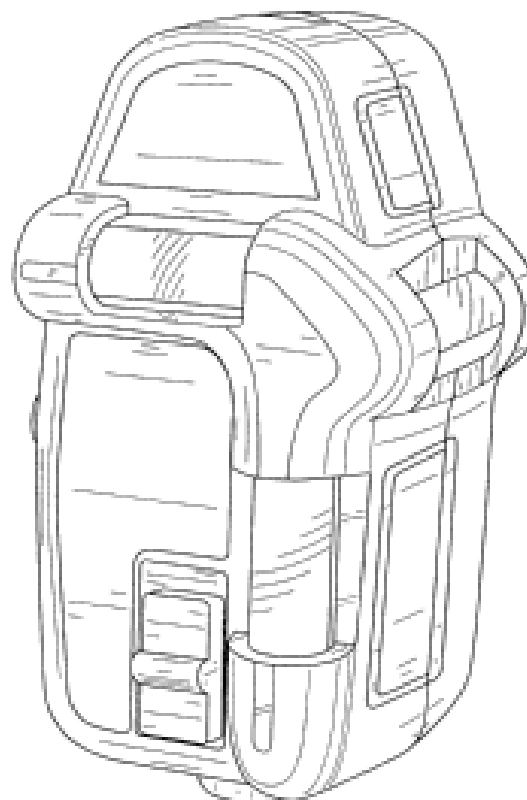
(57) Statement of Newness and Distinctiveness: **Nil**



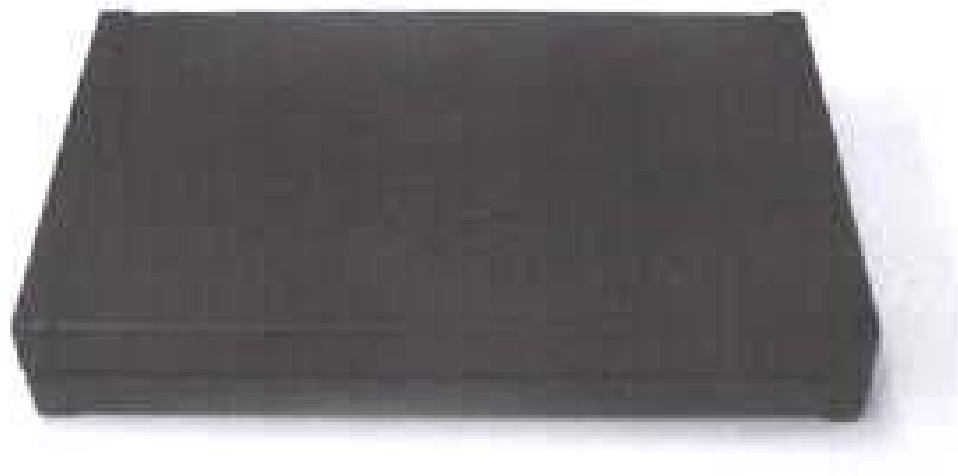
(21) Design Number: **10391/2005**
(22) Date of Filing Application: **01 February 2005**
(24) Date from which industrial property rights may have effect: **01 February 2005**
(54) Product in respect of which the design is registered: **Vegetation pruning device**
(51) International Design Classification: **08-03**
(71) Name(s) and Address(s) of Applicant(s):
Black & Decker Inc.
1207 Drummond Plaza Newark Delaware 19711 United States of America
(72) Name(s) of Designer(s): **Nigel Robson**
(45) Registration Date: **20 July 2005**
(30) Convention priority data:
(31) Number (32) Date (33) Country
000210695 05 Aug 2004 EUROPEAN COMMUNITY
(56) Related Art Documents: **Not Applicable**
(57) Statement of Newness and Distinctiveness: **Nil**



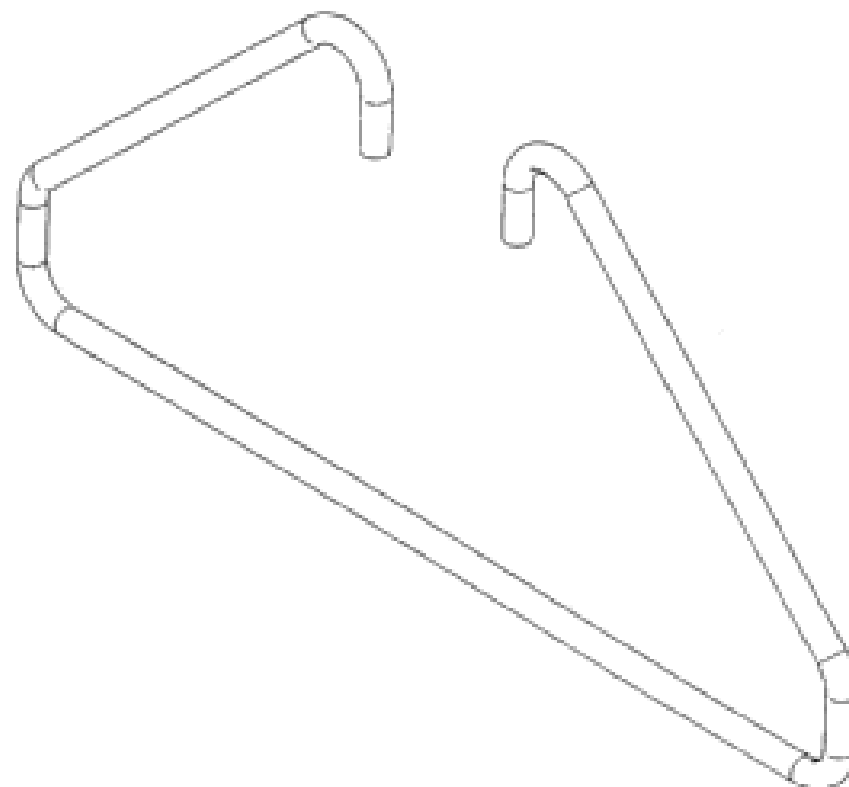
(21) Design Number: **10392/2005**
(22) Date of Filing Application: **01 February 2005**
(24) Date from which industrial property rights may have effect: **01 February 2005**
(54) Product in respect of which the design is registered: **A level**
(51) International Design Classification: **10-04**
(71) Name(s) and Address(s) of Applicant(s):
Black & Decker Inc.
1207 Drummond Plaza Newark Delaware 19711 United States of America
(72) Name(s) of Designer(s): **G. Scott Snider and Oleksiy P. Sergyeyenko**
(45) Registration Date: **20 July 2005**
(30) Convention priority data:
(31) Number (32) Date (33) Country
29210928 09 Aug 2004 UNITED STATES OF AMERICA
(56) Related Art Documents: **Not Applicable**
(57) Statement of Newness and Distinctiveness: **Nil**



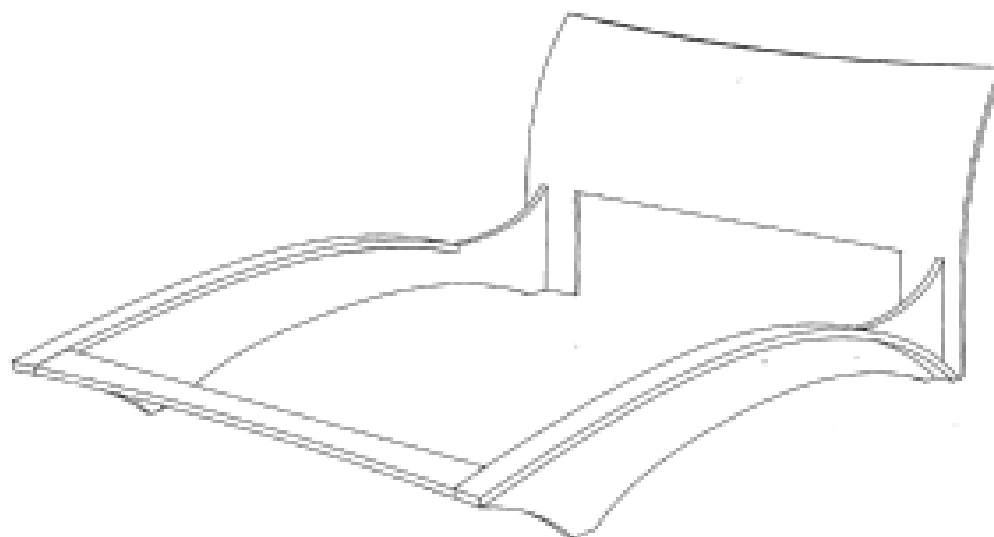
(21) Design Number: **10396/2005**
(22) Date of Filing Application: **01 February 2005**
(24) Date from which industrial property rights may have effect: **01 February 2005**
(54) Product in respect of which the design is registered: **Case**
(51) International Design Classification: **03-01NES**
(71) Name(s) and Address(s) of Applicant(s):
Optoplast Ltd
83 Sefton Lane Maghull Liverpool L31 8BU United Kingdom
(72) Name(s) of Designer(s): **Gary Roy Conway**
(45) Registration Date: **20 July 2005**
(56) Related Art Documents: **Not Applicable**
(57) Statement of Newness and Distinctiveness: **Nil**



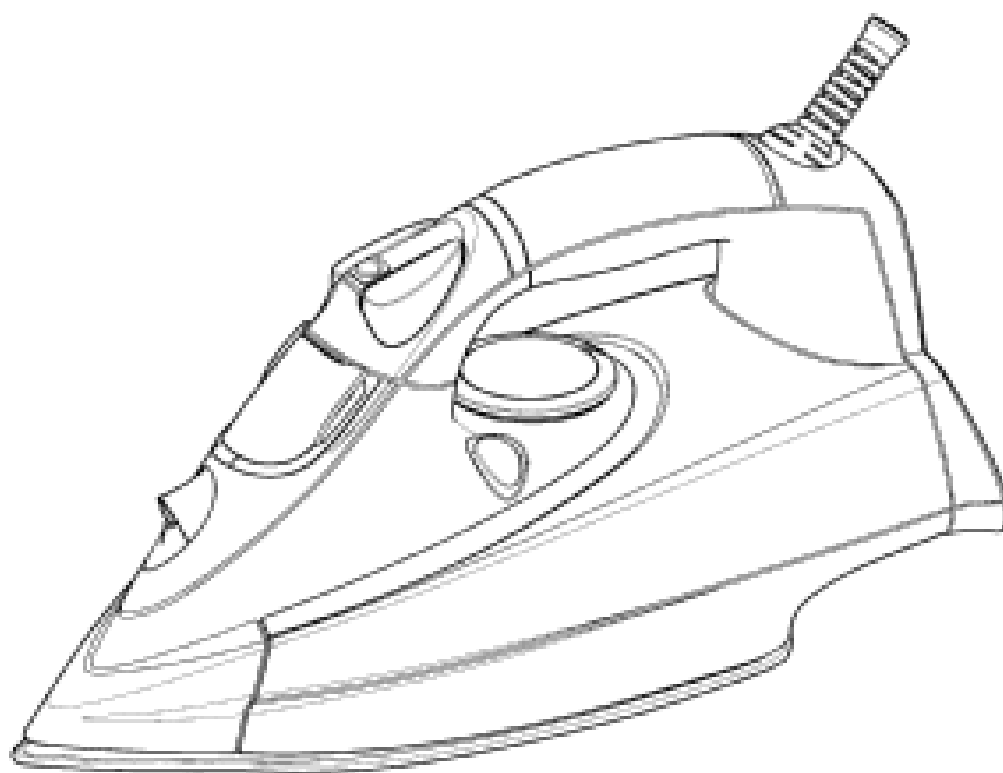
(21) Design Number: **10397/2005**
(22) Date of Filing Application: **01 February 2005**
(24) Date from which industrial property rights may have effect: **01 February 2005**
(54) Product in respect of which the design is registered: **Scaffold clip**
(51) International Design Classification: **25-04**
(71) Name(s) and Address(s) of Applicant(s):
PCH Access Pty Ltd
11 Juna Drive Malaga Western Australia 6090 Australia
(72) Name(s) of Designer(s): **Paul Gregory**
(45) Registration Date: **20 July 2005**
(56) Related Art Documents: **Not Applicable**
(57) Statement of Newness and Distinctiveness: **Nil**



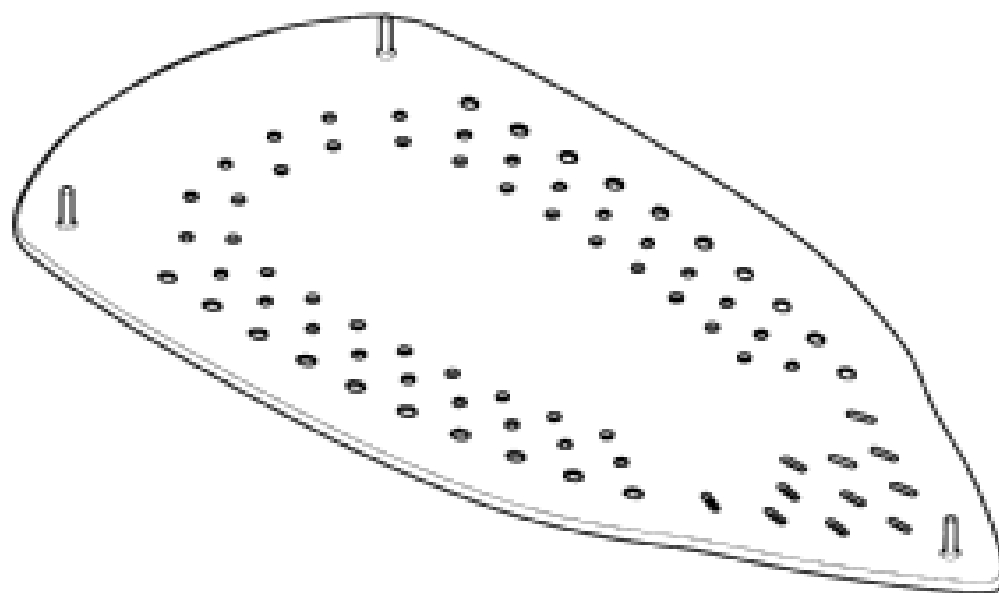
- (21) Design Number: **10399/2005**
(22) Date of Filing Application: **02 February 2005**
(24) Date from which industrial property rights may have effect: **02 February 2005**
(54) Product in respect of which the design is registered: **Nocturne bed frame**
(51) International Design Classification: **06-02, 06-06F**
(71) Name(s) and Address(s) of Applicant(s):
David Durance
Rear 24 Cunningham Street Northcote Victoria 3070 Australia
(72) Name(s) of Designer(s): **David Durance**
(45) Registration Date: **20 July 2005**
(56) Related Art Documents: **Not Applicable**
(57) Statement of Newness and Distinctiveness: **Nil**



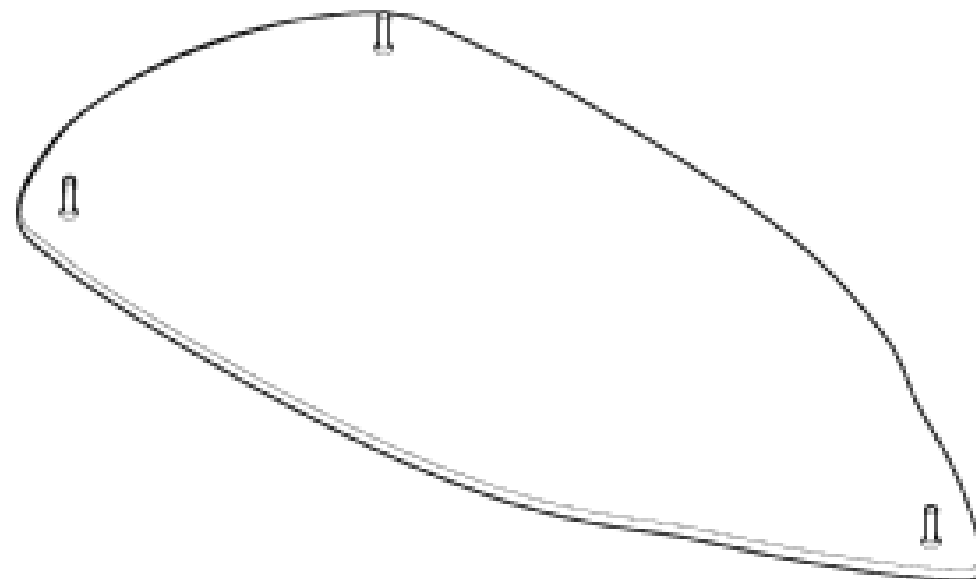
- (21) Design Number: **10400/2005**
(22) Date of Filing Application: **02 February 2005**
(24) Date from which industrial property rights may have effect: **02 February 2005**
(54) Product in respect of which the design is registered: **Electric steam iron**
(51) International Design Classification: **07-05A**
(71) Name(s) and Address(s) of Applicant(s):
Koninklijke Philips Electronics N.V.
Groenewoudseweg 1 5621 BA Eindhoven The Netherlands
(72) Name(s) of Designer(s): **Andreas Schupp and Paul Bas**
(45) Registration Date: **22 July 2005**
(30) Convention priority data:
(31) Number (32) Date (33) Country
000216767-0001 16 Aug 2004 EUROPEAN COMMUNITY
(56) Related Art Documents: **Not Applicable**
(57) Statement of Newness and Distinctiveness: **Each feature of the design considered separately or in combination with any other feature or features.**



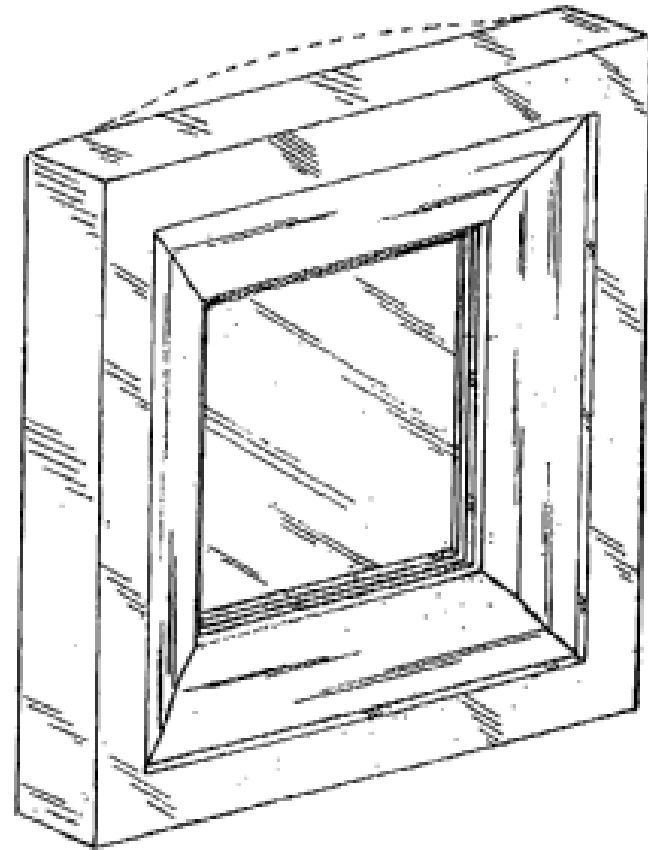
- (21) Design Number: **10401/2005**
(22) Date of Filing Application: **02 February 2005**
(24) Date from which industrial property rights may have effect: **02 February 2005**
(54) Product in respect of which the design is registered: **Soleplate with pattern for electric steam iron**
(51) International Design Classification: **07-05A**
(71) Name(s) and Address(s) of Applicant(s):
Koninklijke Philips Electronics N.V.
Groenewoudseweg 1 5621 BA Eindhoven The Netherlands
(72) Name(s) of Designer(s): **Wai Chung Lee**
(45) Registration Date: **22 July 2005**
(30) Convention priority data:
(31) Number (32) Date (33) Country
000216767-0002 16 Aug 2004 EUROPEAN COMMUNITY
(56) Related Art Documents: **Not Applicable**
(57) Statement of Newness and Distinctiveness: **Each feature of the design considered separately or in combination with any other feature or features.**



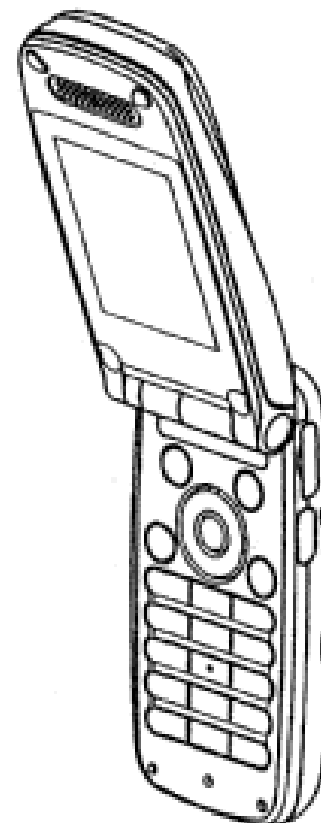
- (21) Design Number: **10402/2005**
(22) Date of Filing Application: **02 February 2005**
(24) Date from which industrial property rights may have effect: **02 February 2005**
(54) Product in respect of which the design is registered: **Soleplate without pattern for electric steam iron**
(51) International Design Classification: **07-05A**
(71) Name(s) and Address(s) of Applicant(s):
Koninklijke Philips Electronics N.V.
Groenewoudseweg 1 5621 BA Eindhoven The Netherlands
(72) Name(s) of Designer(s): **Wai Chung Lee**
(45) Registration Date: **22 July 2005**
(30) Convention priority data:
(31) Number (32) Date (33) Country
000216767-0003 16 Aug 2004 EUROPEAN COMMUNITY
(56) Related Art Documents: **Not Applicable**
(57) Statement of Newness and Distinctiveness: **Each feature of the design considered separately or in combination with any other feature or features.**



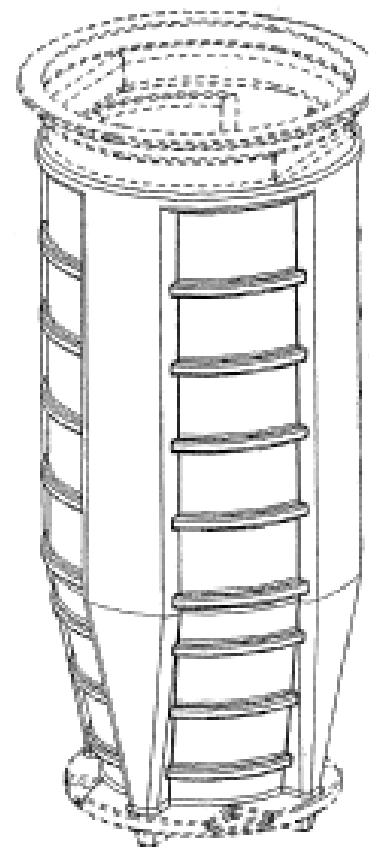
- (21) Design Number: **10403/2005**
(22) Date of Filing Application: **02 February 2005**
(24) Date from which industrial property rights may have effect: **02 February 2005**
(54) Product in respect of which the design is registered: **Volatiles active dispenser**
(51) International Design Classification: **09-05**
(71) Name(s) and Address(s) of Applicant(s):
S.C. Johnson & Son, Inc.
1525 Howe Street Racine Wisconsin 53403-2236 United States of America
(72) Name(s) of Designer(s): **Erwann Pivert and Frederic Forest and Sebastien Servaire and Arnaud Guffon**
(45) Registration Date: **22 July 2005**
(30) Convention priority data:
(31) Number (32) Date (33) Country
29/210536 02 Aug 2004 UNITED STATES OF AMERICA
(56) Related Art Documents: **Not Applicable**
(57) Statement of Newness and Distinctiveness: **Newness and distinctiveness is claimed in the features of shape and/or configuration of a volatiles active dispenser as illustrated in continuous lines in the accompanying representations.**



- (21) Design Number: **10404/2005**
(22) Date of Filing Application: **02 February 2005**
(24) Date from which industrial property rights may have effect: **02 February 2005**
(54) Product in respect of which the design is registered: **Portable wireless telephone**
(51) International Design Classification: **14-03E**
(71) Name(s) and Address(s) of Applicant(s):
NEC Corporation
7-1 Shiba 5-chome Minato-ku Tokyo Japan
(72) Name(s) of Designer(s): **Mitsutaka Shiraishi and Masakatsu Takizawa and Jun Watanabe**
(45) Registration Date: **22 July 2005**
(30) Convention priority data:
(31) Number (32) Date (33) Country
2004-029535 30 Sep 2004 JAPAN
(56) Related Art Documents: **Not Applicable**
(57) Statement of Newness and Distinctiveness: **Newness and distinctiveness is claimed in the features of shape and/or configuration of a portable wireless telephone as illustrated in the accompanying representations.**



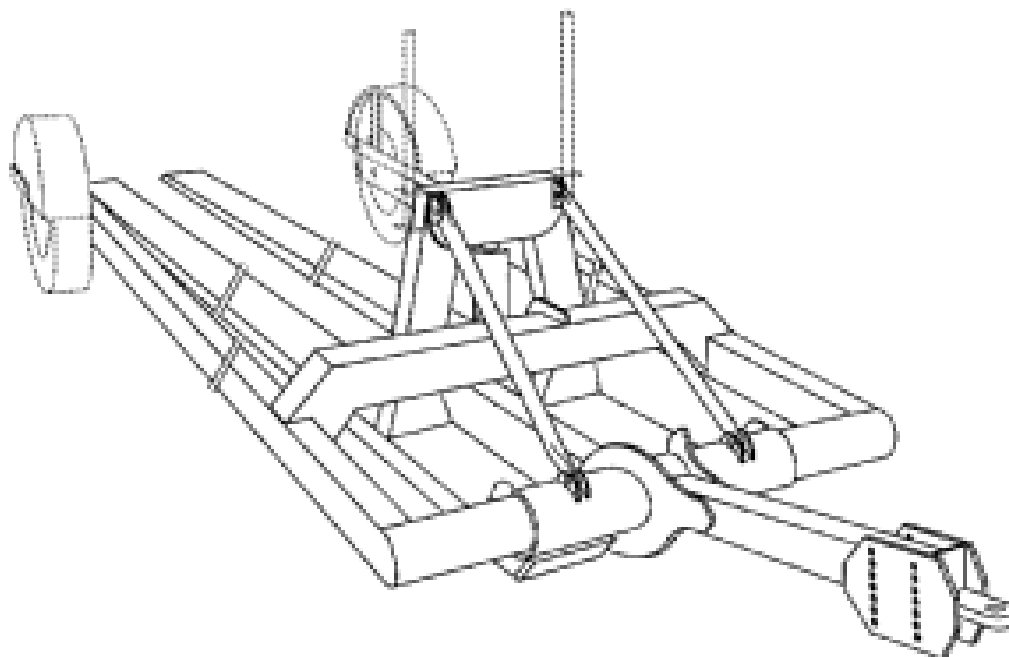
- (21) Design Number: **10405/2005**
(22) Date of Filing Application: **02 February 2005**
(24) Date from which industrial property rights may have effect: **02 February 2005**
(54) Product in respect of which the design is registered: **A sewage tank**
(51) International Design Classification: **23-02NES**
(71) Name(s) and Address(s) of Applicant(s):
Environment One Corporation
2773 Balltown Road Niskayuna New York 12309 United States of America
(72) Name(s) of Designer(s): **Paul J. Daley and Clark A. Henry and Graeme Hisgrove and Adrian Massey**
(45) Registration Date: **22 July 2005**
(30) Convention priority data:
(31) Number (32) Date (33) Country
29/210528 02 Aug 2004 UNITED STATES OF AMERICA
(56) Related Art Documents: **Not Applicable**
(57) Statement of Newness and Distinctiveness: **Newness and distinctiveness is claimed in those features of shape and/or configuration of a sewage tank illustrated in continuous lines in the accompanying representations.**



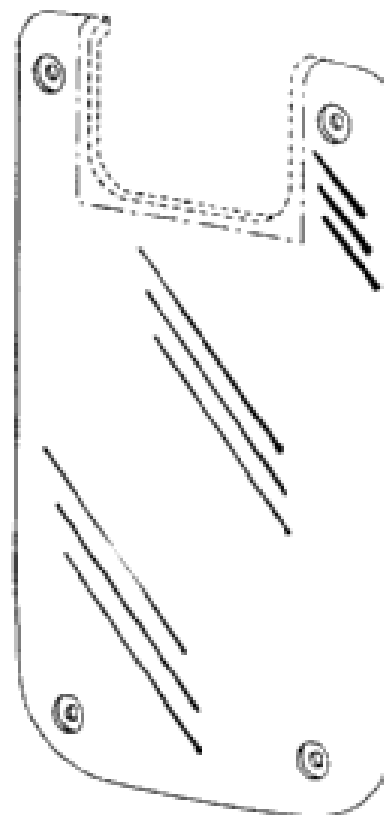
- (21) Design Number: **10407/2005**
(22) Date of Filing Application: **03 February 2005**
(24) Date from which industrial property rights may have effect: **03 February 2005**
(54) Product in respect of which the design is registered: **Coffee maker frenchpress**
(51) International Design Classification: **07-02L**
(71) Name(s) and Address(s) of Applicant(s):
Pi-Design AG
Kantonsstrasse 100 Postfach 463 CH-6234 Triengen Switzerland
(72) Name(s) of Designer(s): **Jorgen Bodum**
(45) Registration Date: **22 July 2005**
(30) Convention priority data:
(31) Number (32) Date (33) Country
DA 2004 13 Aug 2004 DENMARK 00246
(56) Related Art Documents: **Not Applicable**
(57) Statement of Newness and Distinctiveness: **Nil**



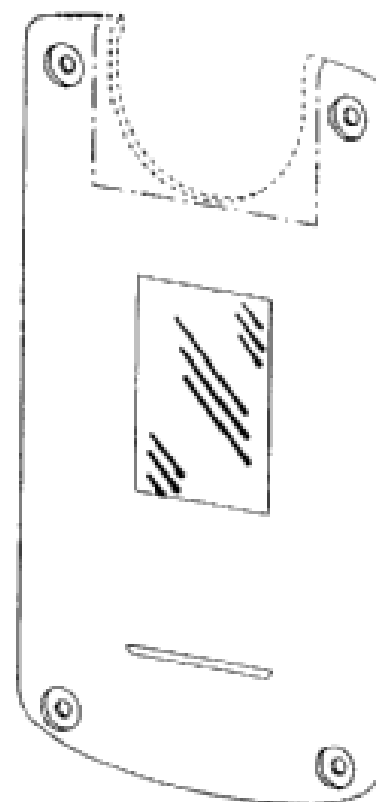
- (21) Design Number: **10417/2005**
(22) Date of Filing Application: **03 February 2005**
(24) Date from which industrial property rights may have effect: **03 February 2005**
(54) Product in respect of which the design is registered: **A trailer**
(51) International Design Classification: **12-10**
(71) Name(s) and Address(s) of Applicant(s):
Peter David Guy
485 High Street Motueka New Zealand
(72) Name(s) of Designer(s): **Peter David Guy**
(45) Registration Date: **22 July 2005**
(56) Related Art Documents: **Not Applicable**
(57) Statement of Newness and Distinctiveness: **Newness and distinctiveness reside in the features of shape and/or configuration of the trailer, as shown in the representations. Newness and distinctiveness is not claimed in relation to the features shown in phantom lines in the representations. The side frame members and forks are of indefinite length.**



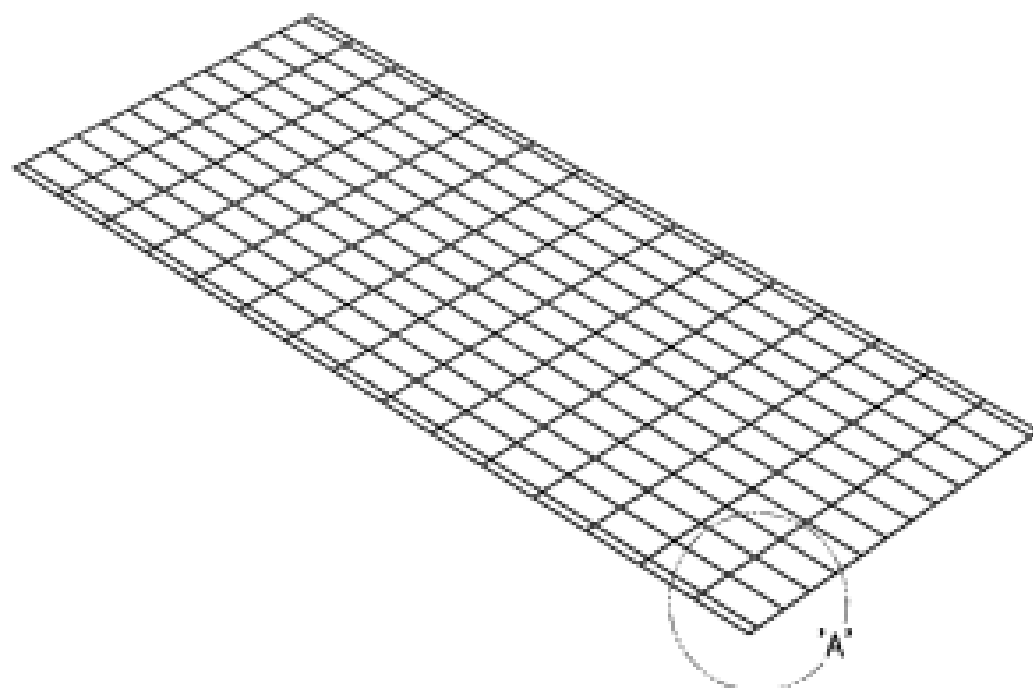
- (21) Design Number: **10425/2005**
(22) Date of Filing Application: **03 February 2005**
(24) Date from which industrial property rights may have effect: **03 February 2005**
(54) Product in respect of which the design is registered: **Panel for a mobile phone**
(51) International Design Classification: **14-03A**
(71) Name(s) and Address(s) of Applicant(s):
Matsushita Electric Industrial Co. Ltd
1006 Oaza Kadoma Kadoma-shi Osaka 571-8501 Japan
(72) Name(s) of Designer(s): **Norio Okada and Satoru Taniyama and Yoshito Ishikawa**
(45) Registration Date: **22 July 2005**
(56) Related Art Documents: **Not Applicable**
(57) Statement of Newness and Distinctiveness: **Newness and distinctiveness is claimed in the following features of a panel for a mobile phone as illustrated in the accompanying drawings: those features of shape and/or configuration of the panel illustrated in continuous lines, having particular regard to the four screw holes labelled "Z" in the front view; and the transparent visual appearance of the panel.**



- (21) Design Number: **10426/2005**
(22) Date of Filing Application: **03 February 2005**
(24) Date from which industrial property rights may have effect: **03 February 2005**
(54) Product in respect of which the design is registered: **Panel for a mobile phone**
(51) International Design Classification: **14-03A**
(71) Name(s) and Address(s) of Applicant(s):
Matsushita Electric Industrial Co. Ltd
1006 Oaza Kadoma Kadoma-shi Osaka 571-8501 Japan
(72) Name(s) of Designer(s): **Satoru Taniyama and Norio Okada and Yoshito Ishikawa**
(45) Registration Date: **22 July 2005**
(56) Related Art Documents: **Not Applicable**
(57) Statement of Newness and Distinctiveness: **Newness and distinctiveness is claimed in the following features of a panel for a mobile phone as illustrated in the accompanying drawings: those features of shape and/or configuration of the panel illustrated in continuous lines, having particular regard to the four screw holes labelled "Z" in the front view, and the transparent visual appearance of the display sub-panel labelled "X" in the front view.**



- (21) Design Number: **10430/2005**
(22) Date of Filing Application: **03 February 2005**
(24) Date from which industrial property rights may have effect: **03 February 2005**
(54) Product in respect of which the design is registered: **A rectangular wire mesh**
(51) International Design Classification: **25-02C**
(71) Name(s) and Address(s) of Applicant(s):
The Australian Steel Company (Operations) Pty Ltd
650 Lorimer Street Port Melbourne Victoria 3207 Australia
(72) Name(s) of Designer(s): **James Francis O'Grady**
(45) Registration Date: **22 July 2005**
(56) Related Art Documents: **Not Applicable**
(57) Statement of Newness and Distinctiveness: **The newness and distinctiveness of the design resides in the configuration of the side regions, each comprising the three outermost side wires, of a rectangular wire mesh of indefinite length and width as illustrated in the representations. In deciding whether the design is substantially similar in overall impression to another design, no regard is to be given to the number of wires in each of the width and length dimensions.**



(21) Design Number: **10431/2005**

(22) Date of Filing Application: **03 February 2005**

(24) Date from which industrial property rights may have effect: **03 February 2005**

(54) Product in respect of which the design is registered: **A rectangular wire mesh**

(51) International Design Classification: **25-02C**

(71) Name(s) and Address(s) of Applicant(s):

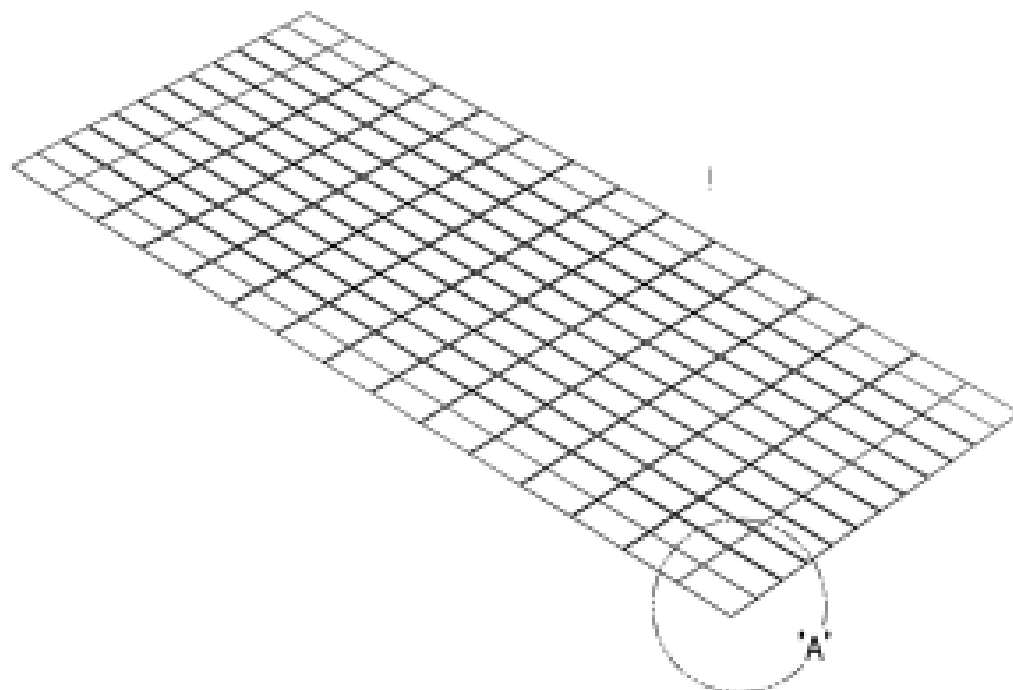
**The Australian Steel Company (Operations) Pty Ltd
650 Lorimer Street Port Melbourne Victoria 3207 Australia**

(72) Name(s) of Designer(s): **James Francis O'Grady**

(45) Registration Date: **22 July 2005**

(56) Related Art Documents: **Not Applicable**

(57) Statement of Newness and Distinctiveness: **The newness and distinctiveness of the design resides in the configuration of the side and end regions, respectively comprising the three outermost wires, of a rectangular wire mesh of indefinite length and width as illustrated in the representations. In deciding whether the design is substantially similar in overall impression to another design, no regard is to be given to the number of wires in each of the width and length dimensions.**



(21) Design Number: **10432/2005**

(22) Date of Filing Application: **03 February 2005**

(24) Date from which industrial property rights may have effect: **03 February 2005**

(54) Product in respect of which the design is registered: **A rectangular wire mesh**

(51) International Design Classification: **25-02C**

(71) Name(s) and Address(s) of Applicant(s):

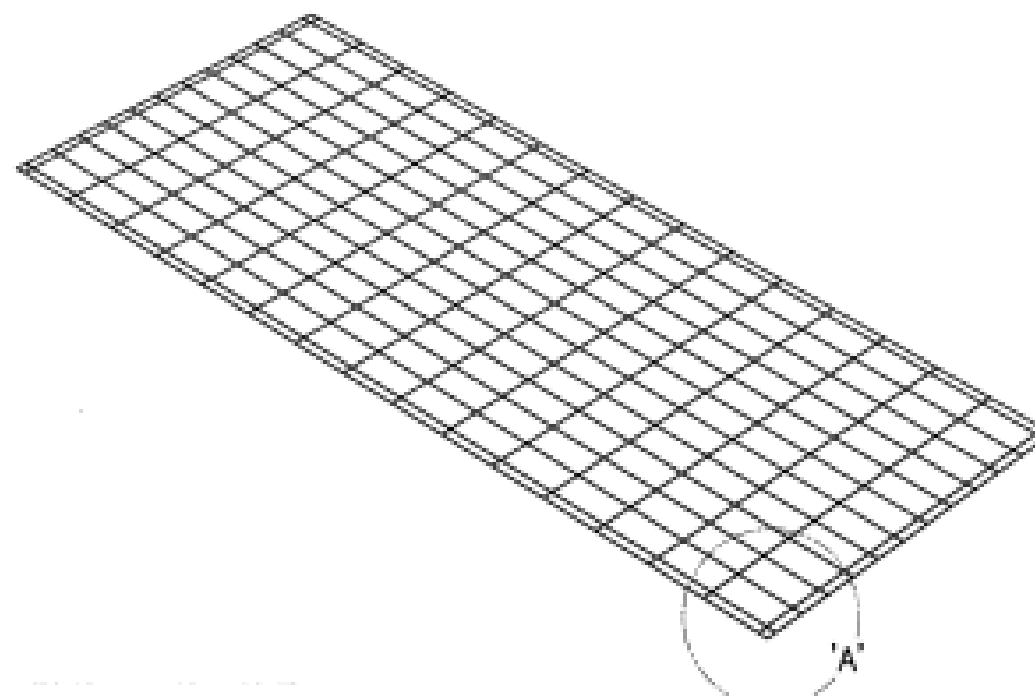
**The Australian Steel Company (Operations) Pty Ltd
650 Lorimer Street Port Melbourne Victoria 3207 Australia**

(72) Name(s) of Designer(s): **James Francis O'Grady**

(45) Registration Date: **22 July 2005**

(56) Related Art Documents: **Not Applicable**

(57) Statement of Newness and Distinctiveness: **The newness and distinctiveness of the design resides in the configuration of the side and end regions, respectively comprising the three outermost wires, of a rectangular wire mesh of indefinite length and width as illustrated in the representations. In deciding whether the design is substantially similar in overall impression to another design, no regard is to be given to the number of wires in each of the width and length dimensions.**



(21) Design Number: **10433/2005**

(22) Date of Filing Application: **03 February 2005**

(24) Date from which industrial property rights may have effect: **03 February 2005**

(54) Product in respect of which the design is registered: **A wire mesh**

(51) International Design Classification: **25-02C**

(71) Name(s) and Address(s) of Applicant(s):

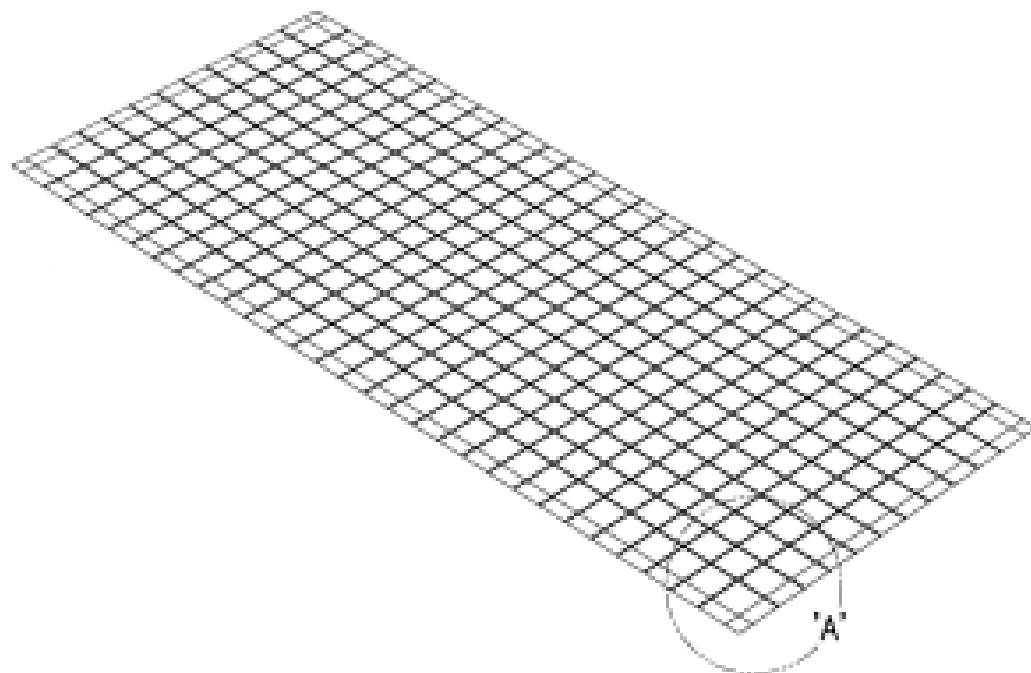
**The Australian Steel Company (Operations) Pty Ltd
650 Lorimer Street Port Melbourne Victoria 3207 Australia**

(72) Name(s) of Designer(s): **James Francis O'Grady**

(45) Registration Date: **22 July 2005**

(56) Related Art Documents: **Not Applicable**

(57) Statement of Newness and Distinctiveness: **The newness and distinctiveness of the design resides in the configuration of the side and end regions, respectively comprising the three outermost wires, of a wire mesh of indefinite length and width as illustrated in the representations. In deciding whether the design is substantially similar in overall impression to another design, no regard is to be given to the number of wires in each of the width and length dimensions.**



(21) Design Number: **10434/2005**

(22) Date of Filing Application: **03 February 2005**

(24) Date from which industrial property rights may have effect: **03 February 2005**

(54) Product in respect of which the design is registered: **A rectangular wire mesh**

(51) International Design Classification: **25-02C**

(71) Name(s) and Address(s) of Applicant(s):

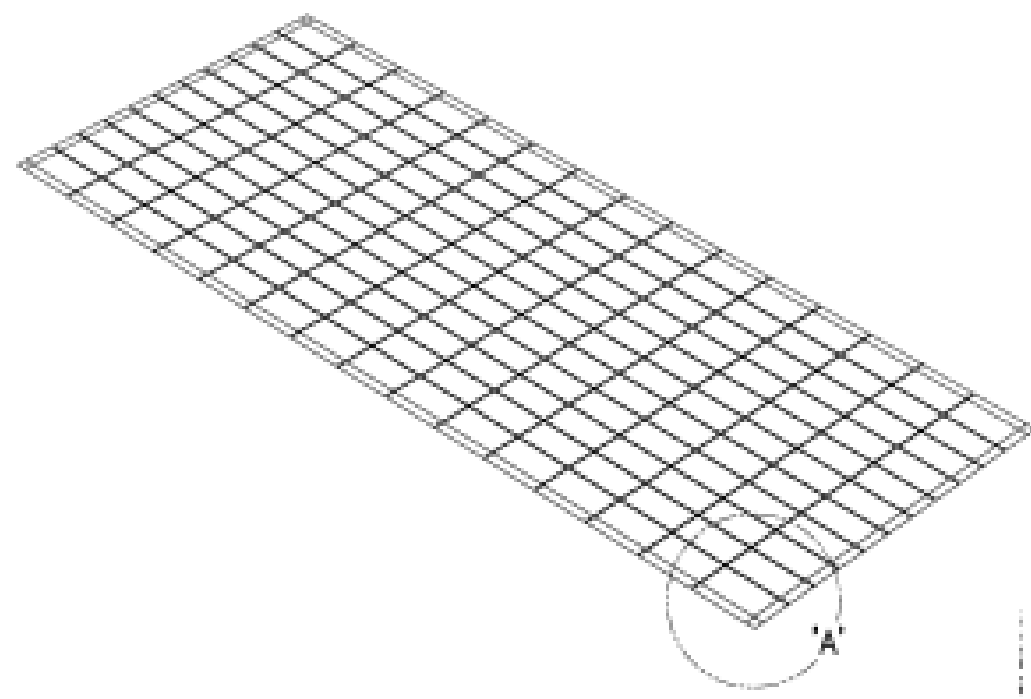
**The Australian Steel Company (Operations) Pty Ltd
650 Lorimer Street Port Melbourne Victoria 3207 Australia**

(72) Name(s) of Designer(s): **James Francis O'Grady**

(45) Registration Date: **22 July 2005**

(56) Related Art Documents: **Not Applicable**

(57) Statement of Newness and Distinctiveness: **The newness and distinctiveness of the design resides in the configuration of the side and end regions, respectively comprising the three outermost wires, of a rectangular wire mesh of indefinite length and width as illustrated in the representations. In deciding whether the design is substantially similar in overall impression to another design, no regard is to be given to the number of wires in each of the width and length dimensions.**



(21) Design Number: **10435/2005**

(22) Date of Filing Application: **03 February 2005**

(24) Date from which industrial property rights may have effect: **03 February 2005**

(54) Product in respect of which the design is registered: **A rectangular wire mesh**

(51) International Design Classification: **25-02C**

(71) Name(s) and Address(s) of Applicant(s):

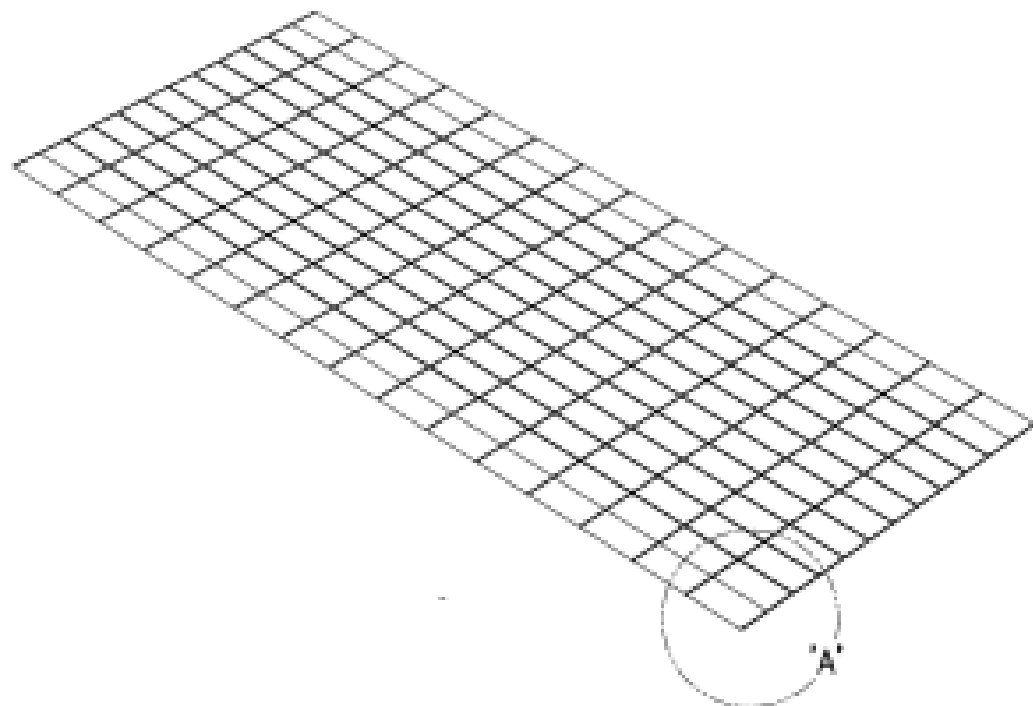
**The Australian Steel Company (Operations) Pty Ltd
650 Lorimer Street Port Melbourne Victoria 3207 Australia**

(72) Name(s) of Designer(s): **James Francis O'Grady**

(45) Registration Date: **22 July 2005**

(56) Related Art Documents: **Not Applicable**

(57) Statement of Newness and Distinctiveness: **The newness and distinctiveness of the design resides in the configuration of the side regions, each comprising the three outermost side wires, of a rectangular wire mesh of indefinite length and width as illustrated in the representations. In deciding whether the design is substantially similar in overall impression to another design, no regard is to be given to the number of wires in each of the width and length dimensions.**



(21) Design Number: **10443/2005**

(22) Date of Filing Application: **03 February 2005**

(24) Date from which industrial property rights may have effect: **03 February 2005**

(54) Product in respect of which the design is registered: **Coffee table**

(51) International Design Classification: **06-03A**

(71) Name(s) and Address(s) of Applicant(s):

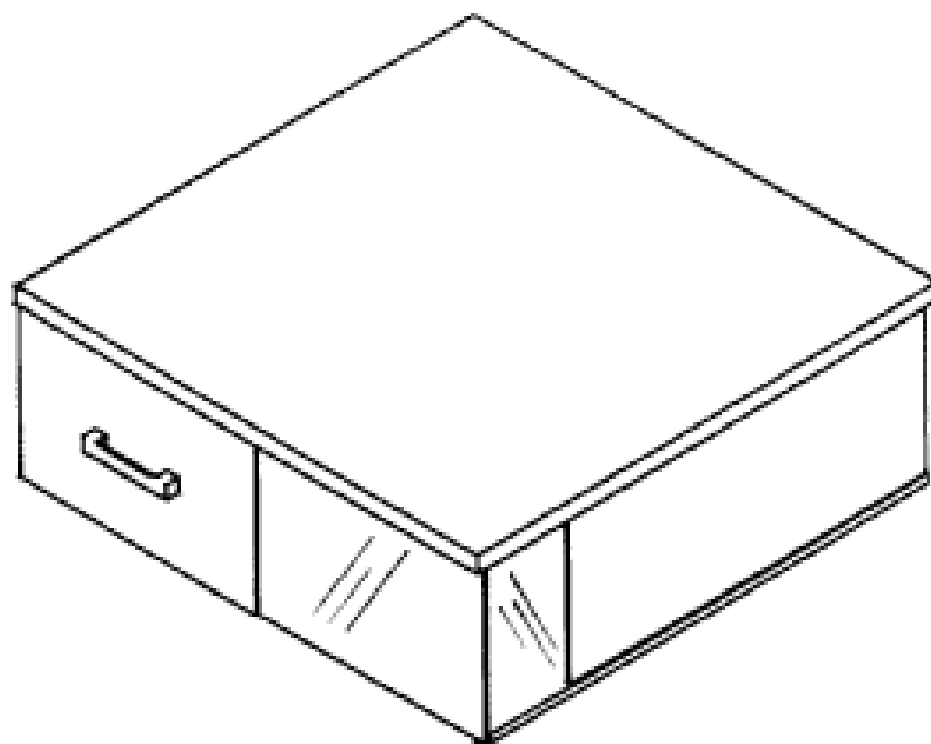
**KD Concepts Pty Ltd
19-21 Charles Street St Marys New South Wales 2760 Australia**

(72) Name(s) of Designer(s): **Angus Whyte**

(45) Registration Date: **22 July 2005**

(56) Related Art Documents: **Not Applicable**

(57) Statement of Newness and Distinctiveness: **Shape and configuration as per representation.**



(21) Design Number: **10444/2005**

(22) Date of Filing Application: **03 February 2005**

(24) Date from which industrial property rights may have effect: **03 February 2005**

(54) Product in respect of which the design is registered: **Entertainment unit**

(51) International Design Classification: **06-04NES**

(71) Name(s) and Address(s) of Applicant(s):

KD Concepts Pty Ltd

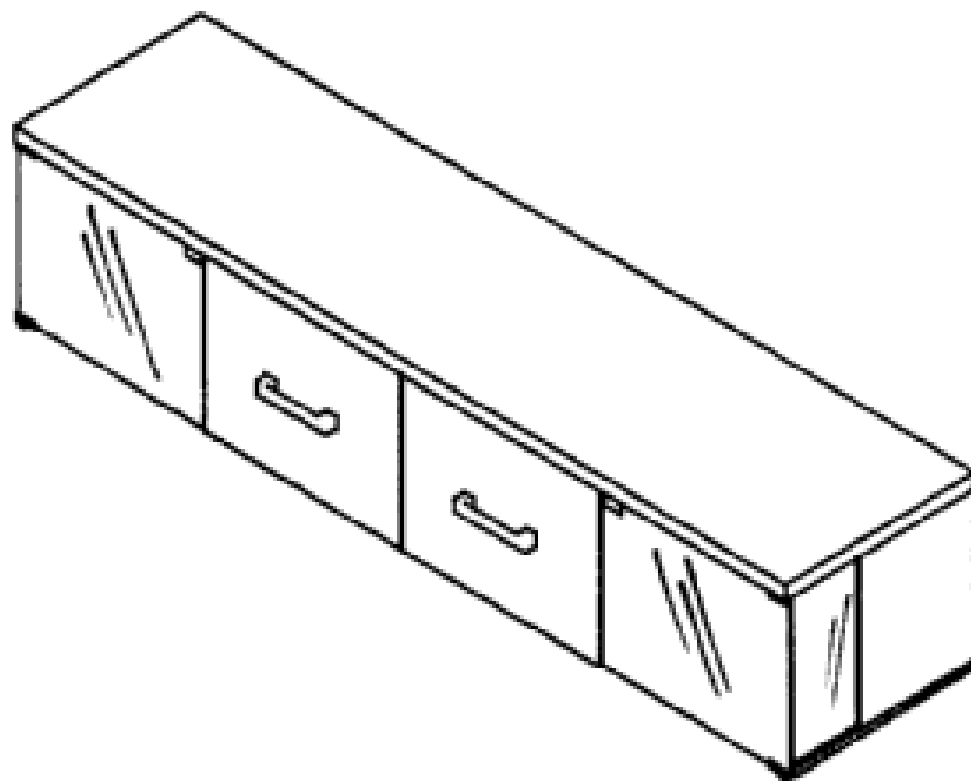
19-21 Charles Street St Marys New South Wales 2760 Australia

(72) Name(s) of Designer(s): **Angus Whyte**

(45) Registration Date: **22 July 2005**

(56) Related Art Documents: **Not Applicable**

(57) Statement of Newness and Distinctiveness: **Shape and configuration as per representation.**



(21) Design Number: **10445/2005**

(22) Date of Filing Application: **03 February 2005**

(24) Date from which industrial property rights may have effect: **03 February 2005**

(54) Product in respect of which the design is registered: **Side table**

(51) International Design Classification: **06-03A**

(71) Name(s) and Address(s) of Applicant(s):

KD Concepts Pty Ltd

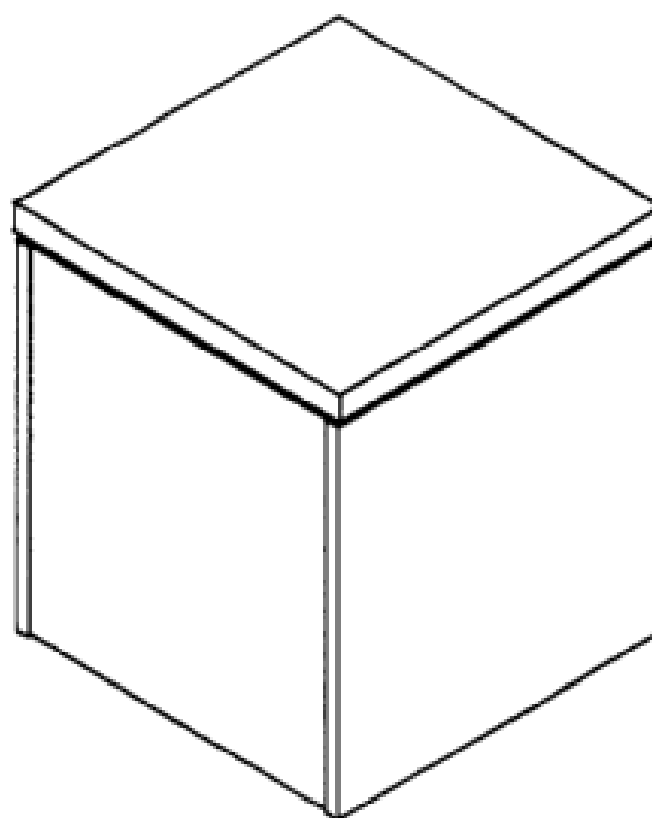
19-21 Charles Street St Marys New South Wales 2760 Australia

(72) Name(s) of Designer(s): **Angus Whyte**

(45) Registration Date: **22 July 2005**

(56) Related Art Documents: **Not Applicable**

(57) Statement of Newness and Distinctiveness: **Shape and configuration as per representation.**



(21) Design Number: **10446/2005**

(22) Date of Filing Application: **03 February 2005**

(24) Date from which industrial property rights may have effect: **03 February 2005**

(54) Product in respect of which the design is registered: **Storage unit**

(51) International Design Classification: **06-04NES**

(71) Name(s) and Address(s) of Applicant(s):

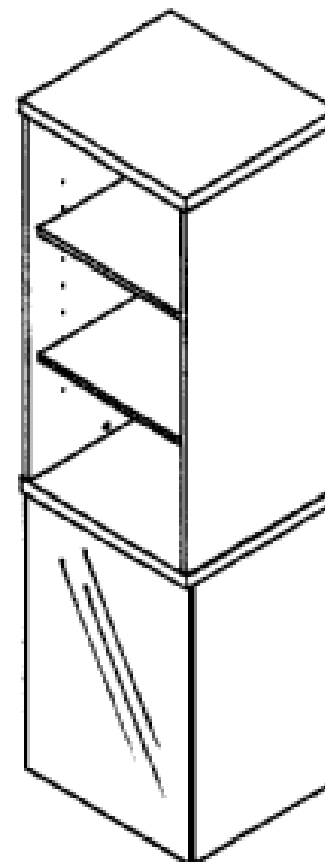
KD Concepts Pty Ltd
19-21 Charles Street St Marys New South Wales 2760 Australia

(72) Name(s) of Designer(s): **Angus Whyte**

(45) Registration Date: **22 July 2005**

(56) Related Art Documents: **Not Applicable**

(57) Statement of Newness and Distinctiveness: **Shape and configuration as per representation.**



(21) Design Number: **10447/2005**

(22) Date of Filing Application: **03 February 2005**

(24) Date from which industrial property rights may have effect: **03 February 2005**

(54) Product in respect of which the design is registered: **Entertainment unit**

(51) International Design Classification: **06-04NES**

(71) Name(s) and Address(s) of Applicant(s):

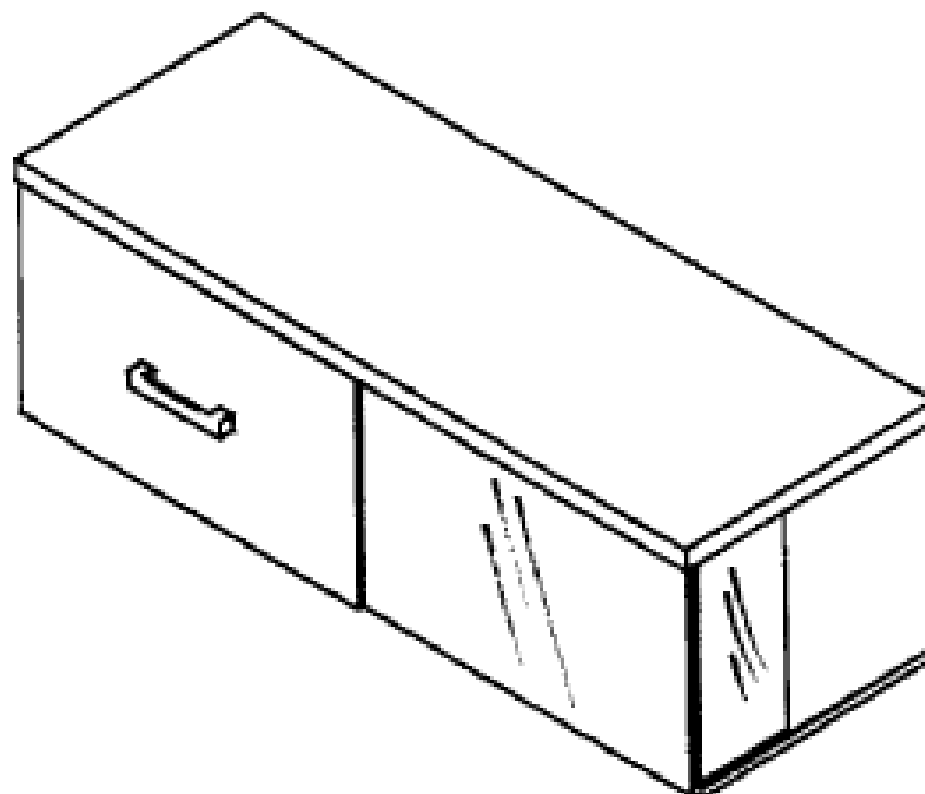
KD Concepts Pty Ltd
19-21 Charles Street St Marys New South Wales 2760 Australia

(72) Name(s) of Designer(s): **Angus Whyte**

(45) Registration Date: **22 July 2005**

(56) Related Art Documents: **Not Applicable**

(57) Statement of Newness and Distinctiveness: **Shape and configuration as per representation.**



(21) Design Number: **14796/2004**

(22) Date of Filing Application: **12 October 2004**

(24) Date from which industrial property rights may have effect: **12 October 2004**

(54) Product in respect of which the design is registered: **Pillcup**

(51) International Design Classification: **09-05**

(71) Name(s) and Address(s) of Applicant(s):

**Letutu Pty Ltd Trading as Persocare Aust
Shop 49a Centro Shopping Ctr Seven Hills New South Wales 2147
Australia**

(72) Name(s) of Designer(s): **Klaus Petrolis**

(45) Registration Date: **25 July 2005**

(56) Related Art Documents: **Not Applicable**

(57) Statement of Newness and Distinctiveness: **Serrated lip for opening
blisterpacks to remove medications.**



(21) Design Number: **14916/2004**

(22) Date of Filing Application: **18 October 2004**

(24) Date from which industrial property rights may have effect: **18 October 2004**

(54) Product in respect of which the design is registered: **Knit koala soft toy**

(51) International Design Classification: **21-01A**

(71) Name(s) and Address(s) of Applicant(s):

**Hana Trading Pty Ltd Trading as Windmill Toys
2-12 Tennyson Road Gladesville New South Wales 2111 Australia**

(72) Name(s) of Designer(s): **Sun-Young Ahn**

(45) Registration Date: **25 July 2005**

(56) Related Art Documents: **Not Applicable**

(57) Statement of Newness and Distinctiveness: **Nil**



(21) Design Number: **14917/2004**
(22) Date of Filing Application: **18 October 2004**
(24) Date from which industrial property rights may have effect: **18 October 2004**
(54) Product in respect of which the design is registered: **Knit kangaroo soft toy**
(51) International Design Classification: **21-01A**
(71) Name(s) and Address(s) of Applicant(s):
Hana Trading Pty Ltd Trading as Windmill Toys
2-12 Tennyson Road Gladesville New South Wales 2111 Australia
(72) Name(s) of Designer(s): **Sun-Young Ahn**
(45) Registration Date: **25 July 2005**
(56) Related Art Documents: **Not Applicable**
(57) Statement of Newness and Distinctiveness: **Nil**



(21) Design Number: **14938/2004**
(22) Date of Filing Application: **20 October 2004**
(24) Date from which industrial property rights may have effect: **20 October 2004**
(54) Product in respect of which the design is registered: **Sensor housing**
(51) International Design Classification: **24-02**
(71) Name(s) and Address(s) of Applicant(s):
Microsulis Limited
Microsulis House Parklands Business Park Denmead Hampshire PO7
6XP United Kingdom
(72) Name(s) of Designer(s): **Nigel Cronin and Peter Clegg**
(45) Registration Date: **25 July 2005**
(30) Convention priority data:
(31) Number (32) Date (33) Country
000169404 23 Apr 2004 EUROPEAN COMMUNITY
(56) Related Art Documents: **Not Applicable**
(57) Statement of Newness and Distinctiveness: **Nil**



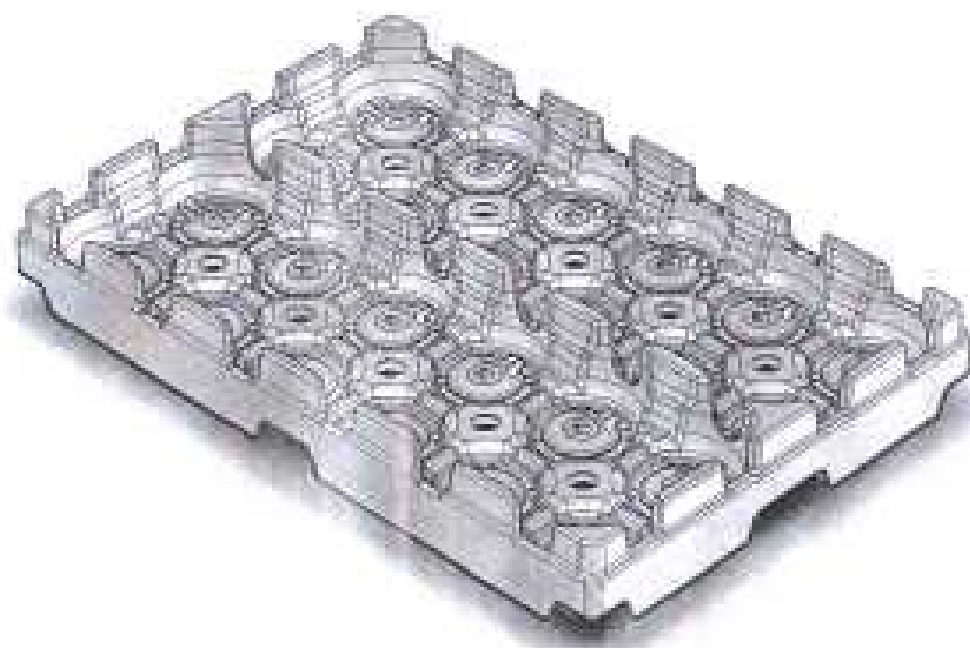
(21) Design Number: **14939/2004**
(22) Date of Filing Application: **20 October 2004**
(24) Date from which industrial property rights may have effect: **20 October 2004**
(54) Product in respect of which the design is registered: **Sensor housing**
(51) International Design Classification: **24-02**
(71) Name(s) and Address(s) of Applicant(s):
Microsulis Limited
Microsulis House Parklands Business Park Denmead Hampshire PO7
6XP United Kingdom
(72) Name(s) of Designer(s): **Nigel Cronin and Peter Clegg**
(45) Registration Date: **25 July 2005**
(30) Convention priority data:
(31) Number (32) Date (33) Country
000169404 23 Apr 2004 EUROPEAN COMMUNITY
(56) Related Art Documents: **Not Applicable**
(57) Statement of Newness and Distinctiveness: **Nil**



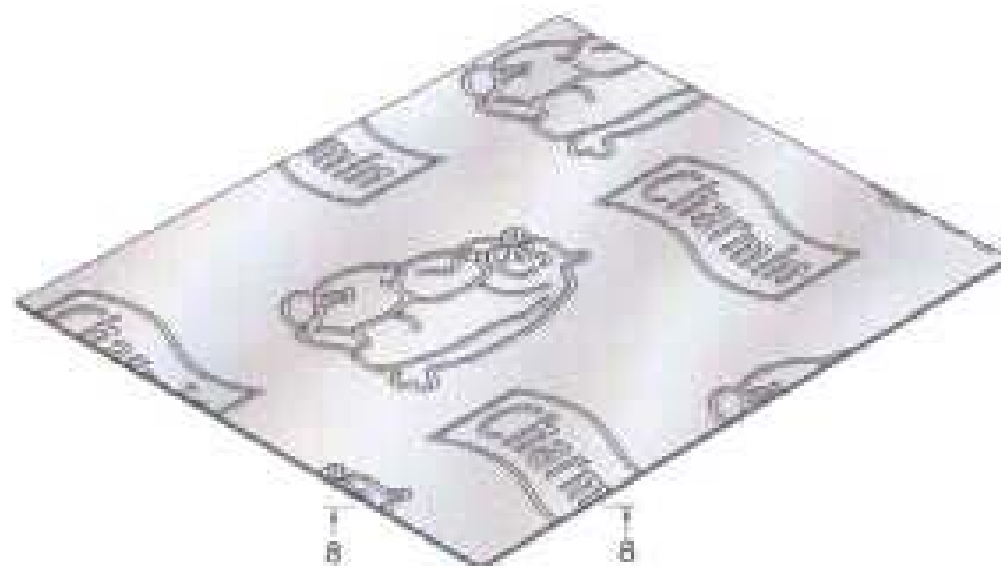
(21) Design Number: **14940/2004**
(22) Date of Filing Application: **20 October 2004**
(24) Date from which industrial property rights may have effect: **20 October 2004**
(54) Product in respect of which the design is registered: **Sensor housing**
(51) International Design Classification: **24-02**
(71) Name(s) and Address(s) of Applicant(s):
Microsulis Limited
Microsulis House Parklands Business Park Denmead Hampshire PO7
6XP United Kingdom
(72) Name(s) of Designer(s): **Nigel Cronin and Peter Clegg**
(45) Registration Date: **25 July 2005**
(30) Convention priority data:
(31) Number (32) Date (33) Country
000169404 23 Apr 2004 EUROPEAN COMMUNITY
(56) Related Art Documents: **Not Applicable**
(57) Statement of Newness and Distinctiveness: **Nil**



(21) Design Number: **15437/2004**
(22) Date of Filing Application: **24 November 2004**
(24) Date from which industrial property rights may have effect: **24 November 2004**
(54) Product in respect of which the design is registered: **Tray for bottles**
(51) International Design Classification: **09-03E**
(71) Name(s) and Address(s) of Applicant(s):
K. Hartwall Oy Ab
FIN-01150 Soderkulla Finland
(72) Name(s) of Designer(s): **Markus Perret**
(45) Registration Date: **25 July 2005**
(30) Convention priority data:
(31) Number (32) Date (33) Country
000224670 30 Aug 2004 EUROPEAN COMMUNITY
(56) Related Art Documents: **Not Applicable**
(57) Statement of Newness and Distinctiveness: **Nil**



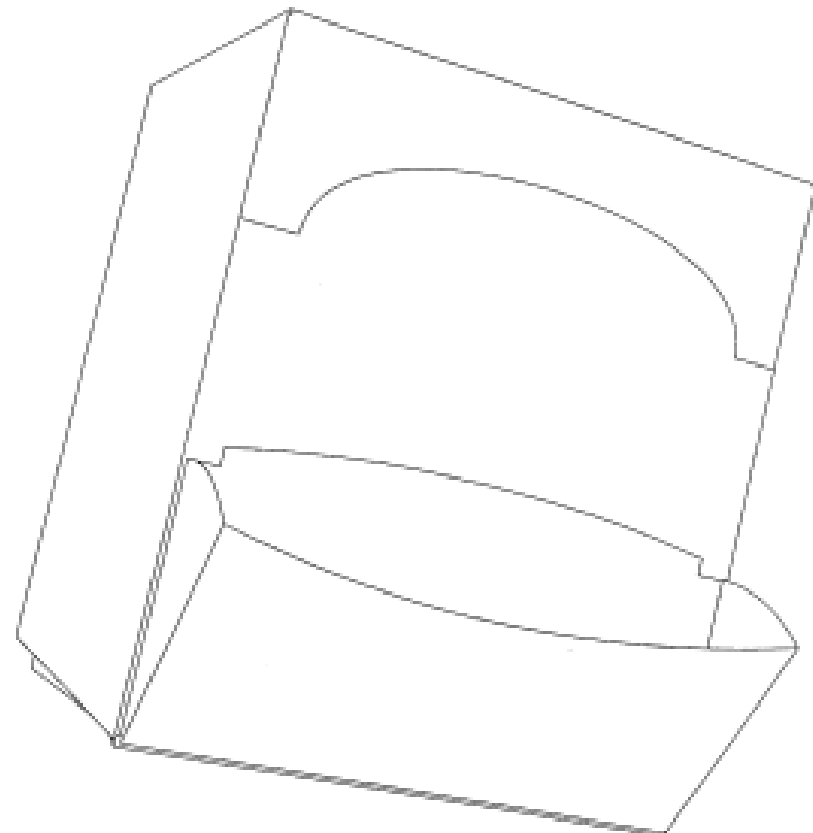
(21) Design Number: **15442/2004**
(22) Date of Filing Application: **24 November 2004**
(24) Date from which industrial property rights may have effect: **24 November 2004**
(54) Product in respect of which the design is registered: **Toilet paper**
(51) International Design Classification: **05-06NES**
(71) Name(s) and Address(s) of Applicant(s):
The Procter & Gamble Company
One Procter & Gamble Plaza Cincinnati Ohio 45202 United States of America
(72) Name(s) of Designer(s): **Siegfried Kurt Martin Hustedt and Anja Werth and Kenneth Douglas Vinson and John Allen Manifold and Jonathan Andrew Ficke and Yanping Zhang**
(45) Registration Date: **25 July 2005**
(30) Convention priority data:
(31) Number (32) Date (33) Country
183470 28 May 2004 EUROPEAN COMMUNITY
(56) Related Art Documents: **Not Applicable**
(57) Statement of Newness and Distinctiveness: **Nil**



- (21) Design Number: **15553/2004**
(22) Date of Filing Application: **01 December 2004**
(24) Date from which industrial property rights may have effect: **01 December 2004**
(54) Product in respect of which the design is registered: **Registration label holder**
(51) International Design Classification: **12-16NES, 20-02NES**
(71) Name(s) and Address(s) of Applicant(s):
Richard Carter
3/93 Research Road Pooraka South Australia 5095 Australia
Paul Carter
3-93 Research Road Pooraka South Australia 5095 Australia
(72) Name(s) of Designer(s): **Paul Carter**
(45) Registration Date: **25 July 2005**
(56) Related Art Documents: **Not Applicable**
(57) Statement of Newness and Distinctiveness: **Newness and distinctiveness is claimed for the features and profiles of the registration label holder as illustrated in the representations. Distinctiveness is not claimed for the number or configuration of the holes shown.**



- (21) Design Number: **15557/2004**
(22) Date of Filing Application: **30 November 2004**
(24) Date from which industrial property rights may have effect: **30 November 2004**
(54) Product in respect of which the design is registered: **A carton and a blank for a carton**
(51) International Design Classification: **09-03M**
(71) Name(s) and Address(s) of Applicant(s):
Ancor Limited
679 Victoria Street Abbotsford Victoria 3067 Australia
(72) Name(s) of Designer(s): **Kym Artis**
(45) Registration Date: **25 July 2005**
(56) Related Art Documents: **Not Applicable**
(57) Statement of Newness and Distinctiveness: **Nil**



(21) Design Number: **15641/2004**
(22) Date of Filing Application: **06 December 2004**
(24) Date from which industrial property rights may have effect: **06 December 2004**
(54) Product in respect of which the design is registered: **A table**
(51) International Design Classification: **06-03C**
(71) Name(s) and Address(s) of Applicant(s):
Henry David Mildon
527 Lowe Street Hastings 4201 New Zealand
(72) Name(s) of Designer(s): **Henry David Mildon**
(45) Registration Date: **25 July 2005**
(30) Convention priority data:
(31) Number (32) Date (33) Country
405035 09 Jul 2004 NEW ZEALAND
(56) Related Art Documents: **Not Applicable**
(57) Statement of Newness and Distinctiveness: **Newness and distinctiveness is claimed in the feature of shape and configuration of a table as illustrated in the representation accompanying the application.**



(21) Design Number: **15732/2004**
(22) Date of Filing Application: **10 December 2004**
(24) Date from which industrial property rights may have effect: **10 December 2004**
(54) Product in respect of which the design is registered: **Retroreflective device**
(51) International Design Classification: **10-06**
(71) Name(s) and Address(s) of Applicant(s):
Prismo Limited
Frogmore Park, Watton at Stone Hertford Hertfordshire SG14 3RU
United Kingdom
(72) Name(s) of Designer(s): **Ian Durant**
(45) Registration Date: **25 July 2005**
(56) Related Art Documents: **Not Applicable**
(57) Statement of Newness and Distinctiveness: **Newness and distinctiveness is claimed in the features of shape and/or configuration of a retroreflective device as illustrated in the accompanying representations.**



- (21) Design Number: **15733/2004**
- (22) Date of Filing Application: **10 December 2004**
- (24) Date from which industrial property rights may have effect: **10 December 2004**
- (54) Product in respect of which the design is registered: **Retroreflective device**
- (51) International Design Classification: **10-06**
- (71) Name(s) and Address(s) of Applicant(s):

Prismo Limited
Frogmore Park, Watton at Stone Hertford Hertfordshire SG14 3RU
United Kingdom

- (72) Name(s) of Designer(s): **Ian Durant**
- (45) Registration Date: **25 July 2005**
- (56) Related Art Documents: **Not Applicable**
- (57) Statement of Newness and Distinctiveness: **Newness and distinctiveness is claimed in the features of shape and/or configuration of a retroreflective device as illustrated in the accompanying representations.**



- (21) Design Number: **15882/2004**
- (22) Date of Filing Application: **20 December 2004**
- (24) Date from which industrial property rights may have effect: **20 December 2004**
- (54) Product in respect of which the design is registered: **Apparatus for use in making analysis in laboratories**
- (51) International Design Classification: **24-01**
- (71) Name(s) and Address(s) of Applicant(s):

Diagnostica Stago
9 rue des Freres Chausson Asnieres 92600 France

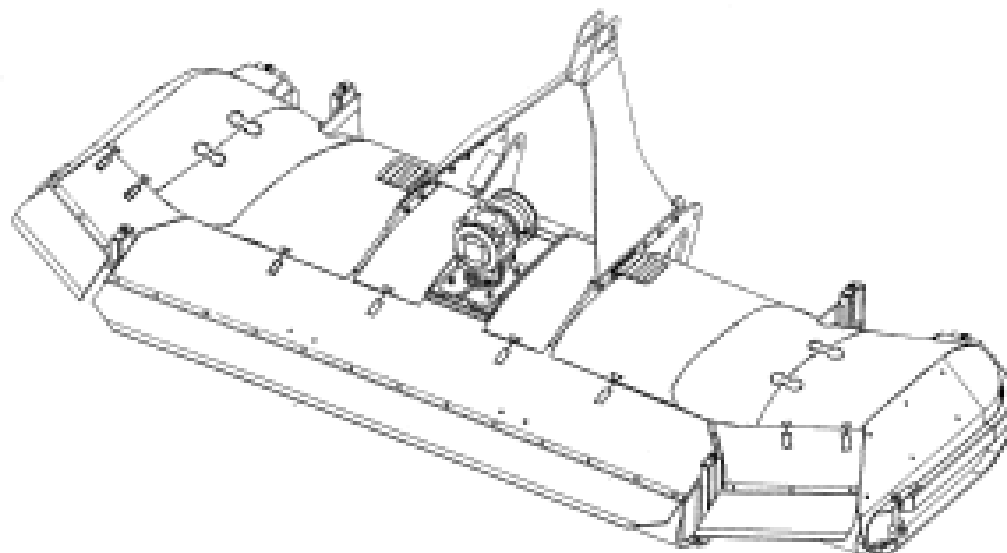
- (72) Name(s) of Designer(s): **Jean-Paul Pousson**
- (45) Registration Date: **25 July 2005**
- (30) Convention priority data:
 - (31) Number (32) Date (33) Country
 - 000229455-001 01 Jul 2004 EUROPEAN COMMUNITY**
- (56) Related Art Documents: **Not Applicable**
- (57) Statement of Newness and Distinctiveness: **Nil**



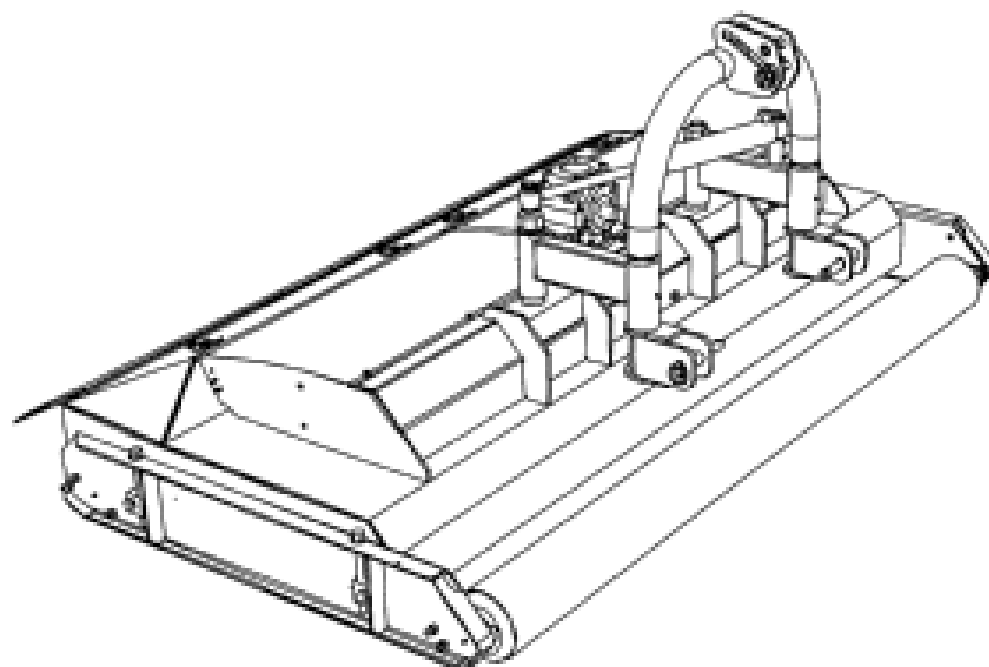
- (21) Design Number: **11560/2005**
(22) Date of Filing Application: **18 April 2005**
(24) Date from which industrial property rights may have effect: **18 April 2005**
(54) Product in respect of which the design is registered: **Load-carrying motor vehicle**
(51) International Design Classification: **12-11**
(71) Name(s) and Address(s) of Applicant(s):
Michael David Price
30 Olive Way Werribee Victoria 3030 Australia
(72) Name(s) of Designer(s): **Michael David Price**
(45) Registration Date: **25 July 2005**
(56) Related Art Documents: **Not Applicable**
(57) Statement of Newness and Distinctiveness: **Newness and distinctiveness of the design resides in the shape and/or configuration of the load-carrying motor vehicle as shown in the accompanying representations. When considering whether the design is substantially similar in overall impression to another design, no regard is to be given to the shape and/or configuration of the coffin.**



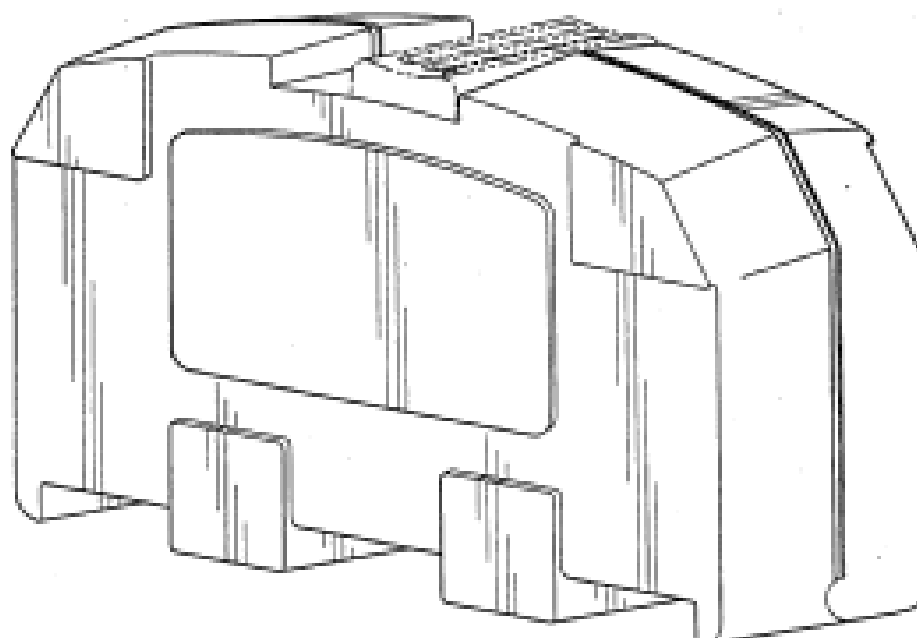
- (21) Design Number: **13595/2004**
(22) Date of Filing Application: **30 July 2004**
(24) Date from which industrial property rights may have effect: **30 July 2004**
(54) Product in respect of which the design is registered: **Rotary mower with hinged wing spindle**
(51) International Design Classification: **15-03B**
(71) Name(s) and Address(s) of Applicant(s):
Trimax Industries Limited
70 Maleme Street Greerton Tauranga 3001 New Zealand
(72) Name(s) of Designer(s): **James McEwen**
(45) Registration Date: **25 July 2005**
(30) Convention priority data:
(31) Number (32) Date (33) Country
404782 30 Apr 2004 NEW ZEALAND
(56) Related Art Documents: **Not Applicable**
(57) Statement of Newness and Distinctiveness: **Nil**



(21) Design Number: **13596/2004**
(22) Date of Filing Application: **30 July 2004**
(24) Date from which industrial property rights may have effect: **30 July 2004**
(54) Product in respect of which the design is registered: **A high body variable offset rotary mower**
(51) International Design Classification: **15-03B**
(71) Name(s) and Address(s) of Applicant(s):
Trimax Industries Limited
70 Maleme Street Greerton Tauranga 3001 New Zealand
(72) Name(s) of Designer(s): **James McEwen**
(45) Registration Date: **25 July 2005**
(30) Convention priority data:
(31) Number (32) Date (33) Country
404633 27 Feb 2004 NEW ZEALAND
(56) Related Art Documents: **Not Applicable**
(57) Statement of Newness and Distinctiveness: **Nil**



(21) Design Number: **13913/2004**
(22) Date of Filing Application: **16 August 2004**
(24) Date from which industrial property rights may have effect: **16 August 2004**
(54) Product in respect of which the design is registered: **A storage container**
(51) International Design Classification: **03-01D**
(71) Name(s) and Address(s) of Applicant(s):
Black & Decker Inc.
1207 Drummond Plaza Newark Delaware 19711 United States of America
(72) Name(s) of Designer(s): **Gabriel E. Concari and James E. Pangerc**
(45) Registration Date: **25 July 2005**
(30) Convention priority data:
(31) Number (32) Date (33) Country
29199654 18 Feb 2004 UNITED STATES OF AMERICA
(56) Related Art Documents: **Not Applicable**
(57) Statement of Newness and Distinctiveness: **Newness and distinctiveness is claimed in the visual features shown in the solid lines in the representations.**



(21) Design Number: **13982/2004**

(22) Date of Filing Application: **20 August 2004**

(24) Date from which industrial property rights may have effect: **20 August 2004**

(54) Product in respect of which the design is registered: **Container**

(51) International Design Classification: **09-03L**

(71) Name(s) and Address(s) of Applicant(s):

Qikblades Pty Ltd

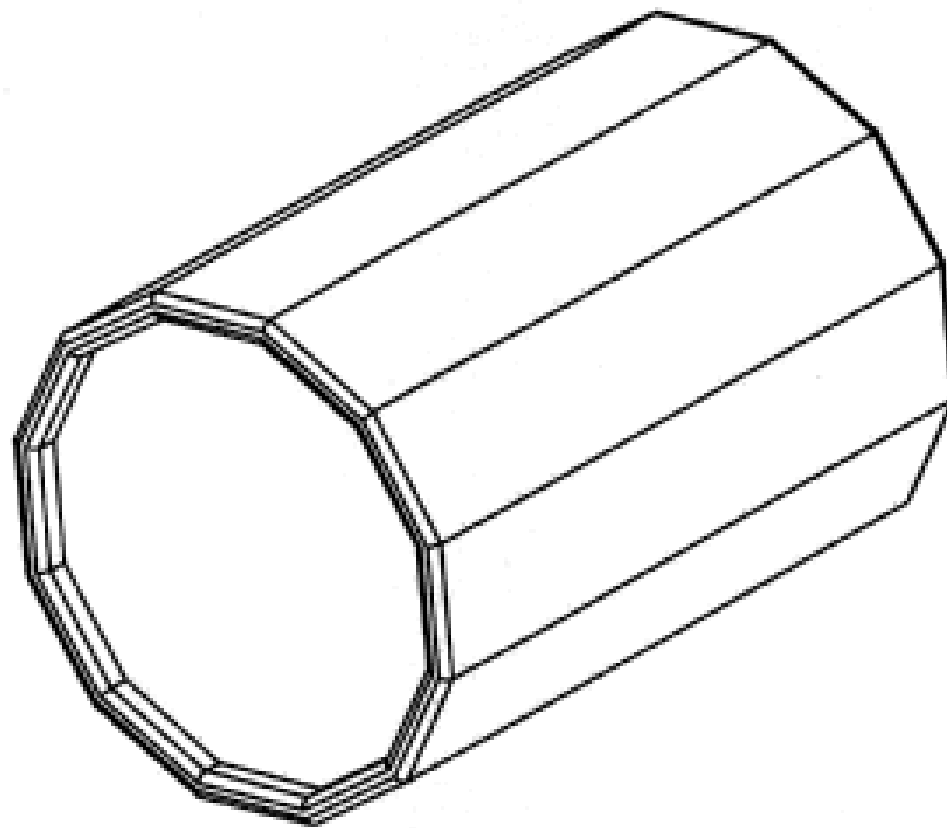
3 Vestey Court Duncraig Western Australia 6023 Australia

(72) Name(s) of Designer(s): **Florian Popp**

(45) Registration Date: **25 July 2005**

(56) Related Art Documents: **Not Applicable**

(57) Statement of Newness and Distinctiveness: **The particular visual features of the design which are new and distinctive are the features of shape and configuration as applied to a container.**



(21) Design Number: **13983/2004**

(22) Date of Filing Application: **20 August 2004**

(24) Date from which industrial property rights may have effect: **20 August 2004**

(54) Product in respect of which the design is registered: **Football, adhesive label**

(51) International Design Classification: **19-08**

(71) Name(s) and Address(s) of Applicant(s):

Frank Dowdall

75 Kennedy Street Alfred Cove Western Australia 6154 Australia

Cindy Margaret Perejmibida

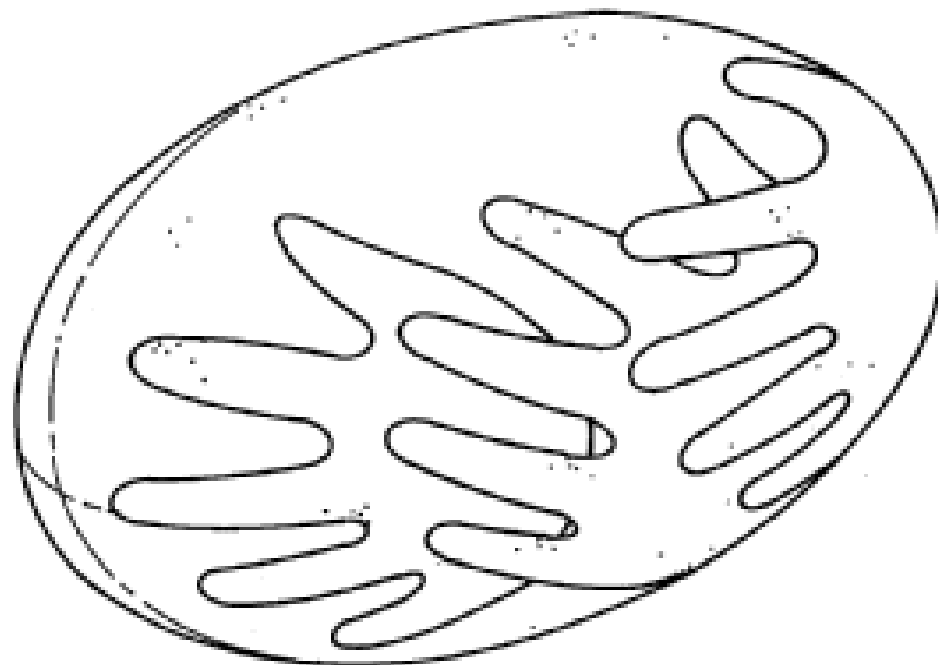
77 Kennedy Street Alfred Cove Western Australia 6154 Australia

(72) Name(s) of Designer(s): **Frank Dowdall and Cindy Margaret Perejmibida**

(45) Registration Date: **25 July 2005**

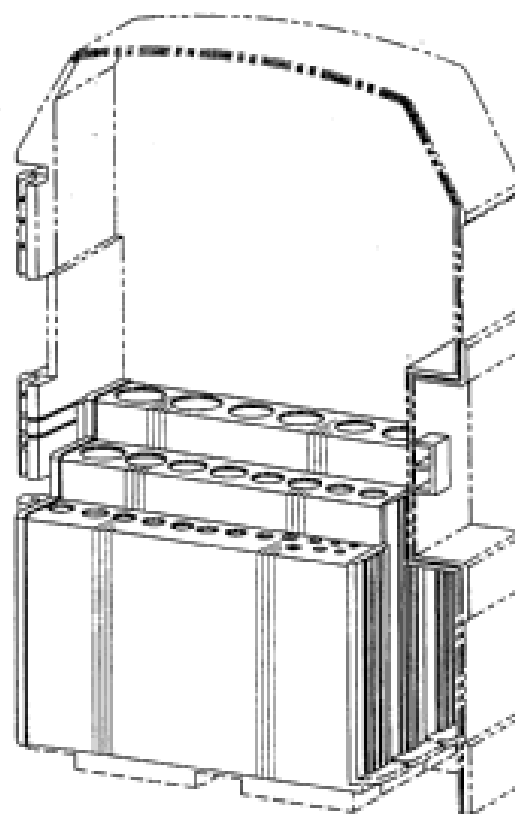
(56) Related Art Documents: **Not Applicable**

(57) Statement of Newness and Distinctiveness: **The particular visual features of the design which are new and distinctive are the features of pattern as applied to a surface of a football and an adhesive label**



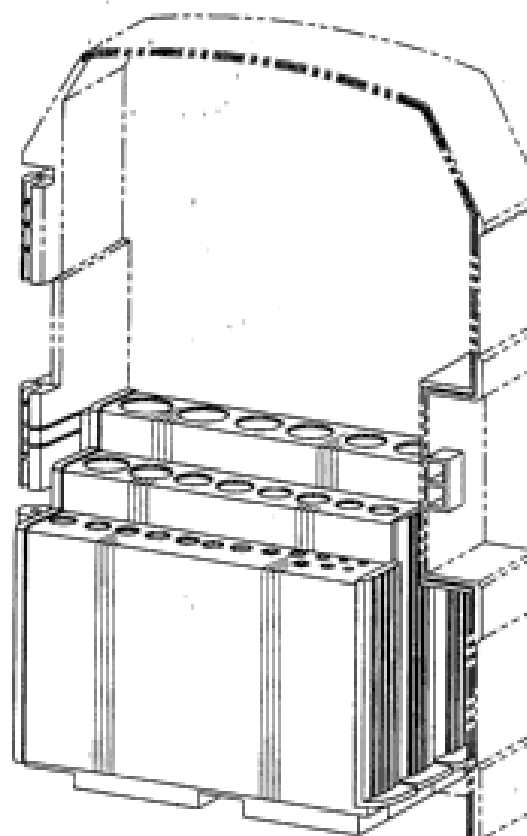
- (21) Design Number: **13911/2004**
- (22) Date of Filing Application: **16 August 2004**
- (24) Date from which industrial property rights may have effect: **16 August 2004**
- (54) Product in respect of which the design is registered: **Bit holders**
- (51) International Design Classification: **06-04NES**
- (71) Name(s) and Address(s) of Applicant(s):
Black & Decker Inc.
1207 Drummond Plaza Newark Delaware 19711 United States of America
- (72) Name(s) of Designer(s): **James E. Pangerc and David L. Wikle**
- (45) Registration Date: **25 July 2005**
- (30) Convention priority data:

(31) Number	(32) Date	(33) Country
29199648	18 Feb 2004	UNITED STATES OF AMERICA
- (56) Related Art Documents: **Not Applicable**
- (57) Statement of Newness and Distinctiveness: **Newness and distinctiveness is claimed in the visual features shown in the solid lines in the representations.**

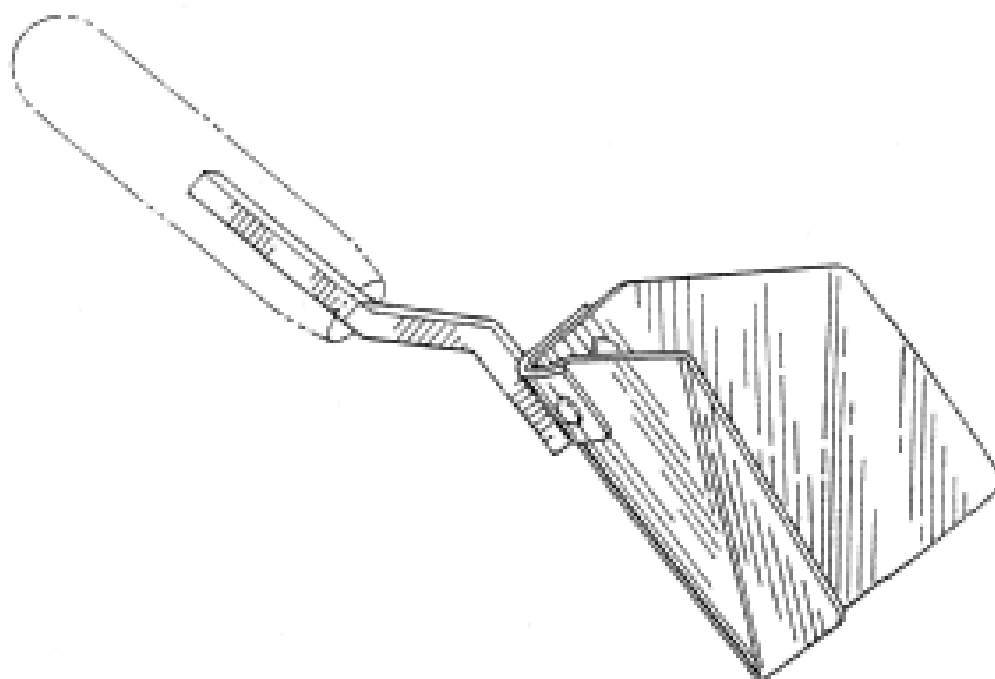


- (21) Design Number: **13912/2004**
- (22) Date of Filing Application: **16 August 2004**
- (24) Date from which industrial property rights may have effect: **16 August 2004**
- (54) Product in respect of which the design is registered: **Bit holders**
- (51) International Design Classification: **06-04NES**
- (71) Name(s) and Address(s) of Applicant(s):
Black & Decker Inc.
1207 Drummond Plaza Newark Delaware 19711 United States of America
- (72) Name(s) of Designer(s): **James E. Pangerc and David L. Wikle**
- (45) Registration Date: **25 July 2005**
- (30) Convention priority data:

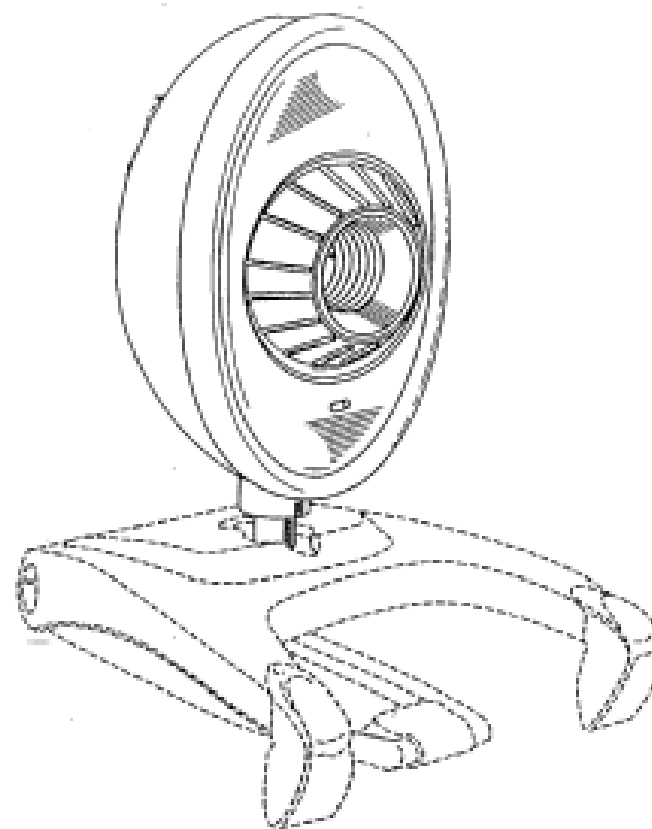
(31) Number	(32) Date	(33) Country
29199648	18 Feb 2004	UNITED STATES OF AMERICA
- (56) Related Art Documents: **Not Applicable**
- (57) Statement of Newness and Distinctiveness: **Newness and distinctiveness is claimed in the visual features shown in the solid lines in the representations.**



- (21) Design Number: **14549/2004**
(22) Date of Filing Application: **23 September 2004**
(24) Date from which industrial property rights may have effect: **15 December 2003**
(54) Product in respect of which the design is registered: **Trowel**
(51) International Design Classification: **08-05K**
(71) Name(s) and Address(s) of Applicant(s):
Carlos J. Arroyo
811 West 19th Street 648 Costa Mesa CA 92627 United States of America
(72) Name(s) of Designer(s): **Carlos J. Arroyo**
(45) Registration Date: **25 July 2005**
(30) Convention priority data:
(31) Number (32) Date (33) Country
29/189,925 15 Sep 2004 UNITED STATES OF AMERICA
(62) Divisional of: **156607**
(56) Related Art Documents: **Not Applicable**
(57) Statement of Newness and Distinctiveness: **In deciding whether the design is substantailly similar in overall impression to another design, particular regard should be had to those features shown in solid outline only in the representations.**



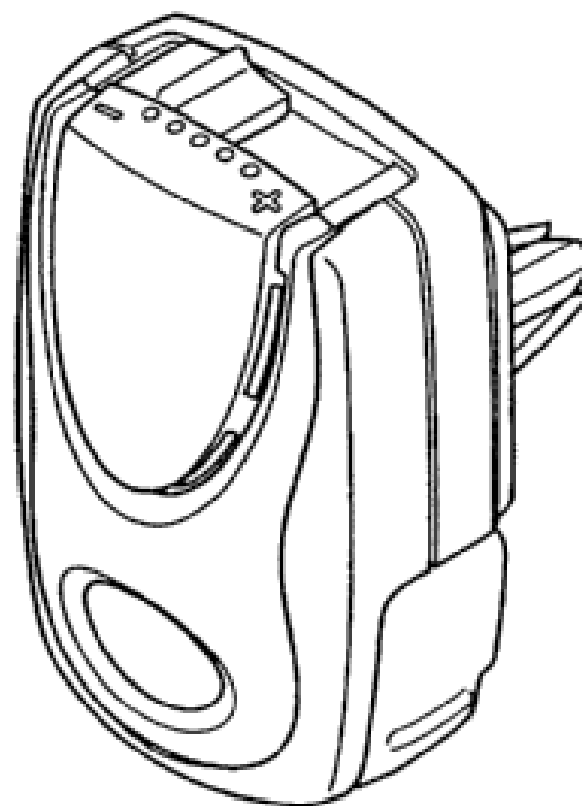
- (21) Design Number: **14605/2004**
(22) Date of Filing Application: **28 September 2004**
(24) Date from which industrial property rights may have effect: **28 September 2004**
(54) Product in respect of which the design is registered: **A camera**
(51) International Design Classification: **16-01**
(71) Name(s) and Address(s) of Applicant(s):
Creative Technology Ltd
31 International Business Park Creative Resource Singapore 609921
(72) Name(s) of Designer(s): **Leonard Tan Bahroocha and Jeff Stoen**
(45) Registration Date: **25 July 2005**
(30) Convention priority data:
(31) Number (32) Date (33) Country
29/207,224 09 Jun 2004 UNITED STATES OF AMERICA
(56) Related Art Documents: **Not Applicable**
(57) Statement of Newness and Distinctiveness: **Monopoly is claimed in the shape and configuration of the features of the article as depicted in the accompanying representations. The applicant claims monopoly in the features of the article depicted in solid lines. No monopoly is claimed in the features depicted in broken lines or shown as shaded parts in the accompanying representations.**



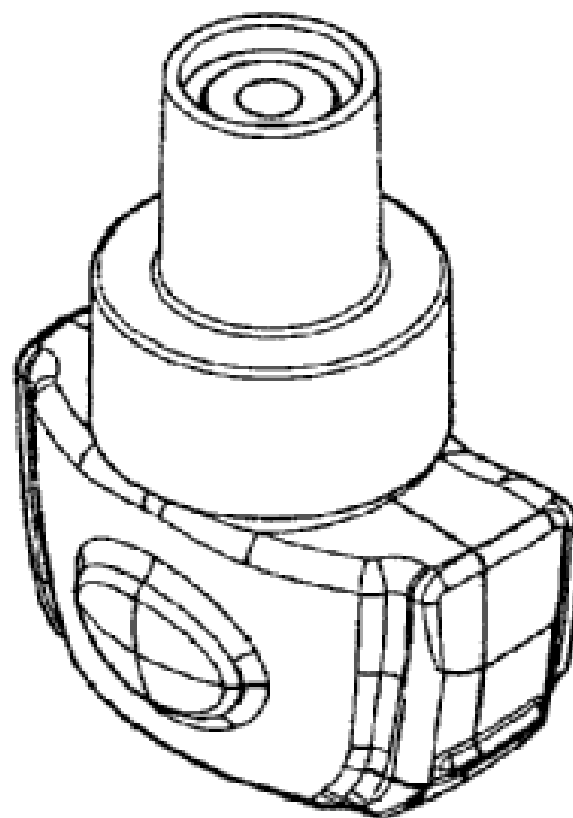
(21) Design Number: **14797/2004**
(22) Date of Filing Application: **12 October 2004**
(24) Date from which industrial property rights may have effect: **12 October 2004**
(54) Product in respect of which the design is registered: **Foil roll holder**
(51) International Design Classification: **08-05F**
(71) Name(s) and Address(s) of Applicant(s):
Letutu Pty Ltd Trading as Persocare Aust
Shop 49a Centro Shopping Ctr Seven Hills New South Wales 2147
Australia
(72) Name(s) of Designer(s): **Klaus Petrolis**
(45) Registration Date: **25 July 2005**
(56) Related Art Documents: **Not Applicable**
(57) Statement of Newness and Distinctiveness: **Foil holder to make printing on foil easier through printer for medication details.**



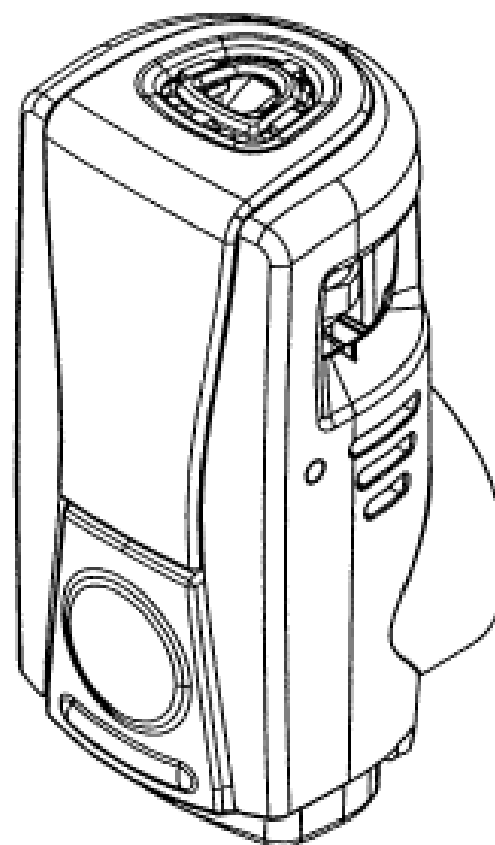
(21) Design Number: **14820/2004**
(22) Date of Filing Application: **13 October 2004**
(24) Date from which industrial property rights may have effect: **13 October 2004**
(54) Product in respect of which the design is registered: **Air deodorizing apparatus**
(51) International Design Classification: **09-01A, 28-99**
(71) Name(s) and Address(s) of Applicant(s):
Samar L.L.C.
10 South Riverside Plaza Suite 1800 Chicago Illinois 60606 United
States of America
(72) Name(s) of Designer(s): **Dirk Jan Bulsink**
(45) Registration Date: **25 July 2005**
(30) Convention priority data:
(31) Number (32) Date (33) Country
169172 27 Apr 2004 EUROPEAN COMMUNITY
(56) Related Art Documents: **Not Applicable**
(57) Statement of Newness and Distinctiveness: **Nil**



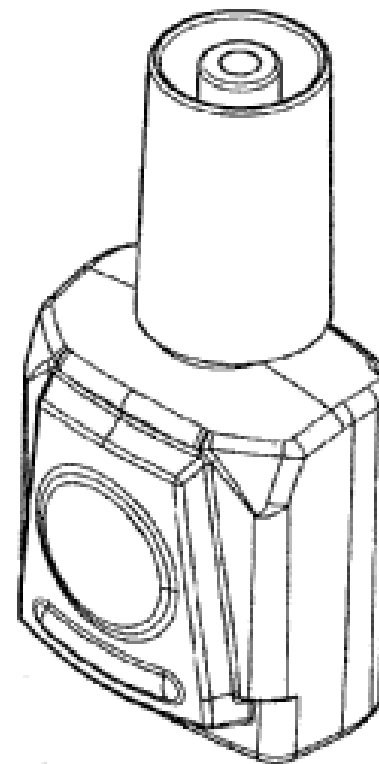
(21) Design Number: **12832/2005**
(22) Date of Filing Application: **13 October 2004**
(24) Date from which industrial property rights may have effect: **13 October 2004**
(54) Product in respect of which the design is registered: **Air deodorizing apparatus**
(51) International Design Classification: **09-01A, 28-99**
(71) Name(s) and Address(s) of Applicant(s):
Samar L.L.C.
10 South Riverside Plaza Suite 1800 Chicago Illinois 60606 United States of America
(72) Name(s) of Designer(s): **Dirk Jan Bulsink**
(45) Registration Date: **25 July 2005**
(30) Convention priority data:
(31) Number (32) Date (33) Country
169172 27 Apr 2004 EUROPEAN COMMUNITY
(56) Related Art Documents: **Not Applicable**
(57) Statement of Newness and Distinctiveness: **Nil**



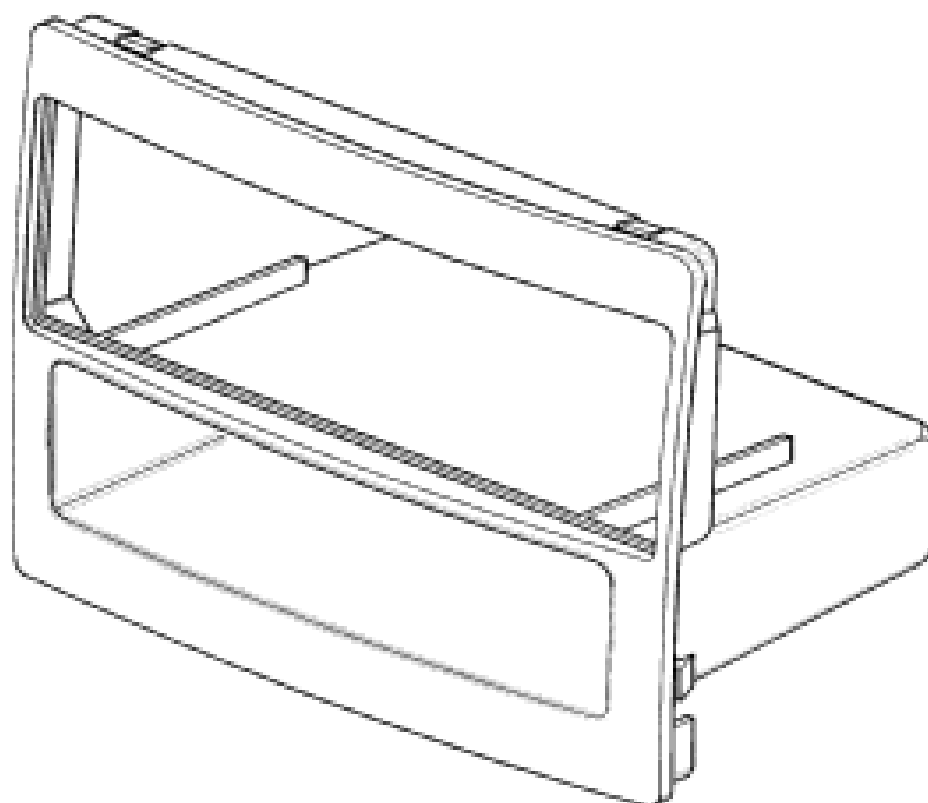
(21) Design Number: **14821/2004**
(22) Date of Filing Application: **13 October 2004**
(24) Date from which industrial property rights may have effect: **13 October 2004**
(54) Product in respect of which the design is registered: **Air deodorizing apparatus**
(51) International Design Classification: **09-01A, 28-99**
(71) Name(s) and Address(s) of Applicant(s):
Samar L.L.C.
10 South Riverside Plaza Suite 1800 Chicago Illinois 60606 United States of America
(72) Name(s) of Designer(s): **Jacobus Constantijn Heijdenrijk**
(45) Registration Date: **25 July 2005**
(30) Convention priority data:
(31) Number (32) Date (33) Country
169156 27 Apr 2004 EUROPEAN COMMUNITY
(56) Related Art Documents: **Not Applicable**
(57) Statement of Newness and Distinctiveness: **Nil**



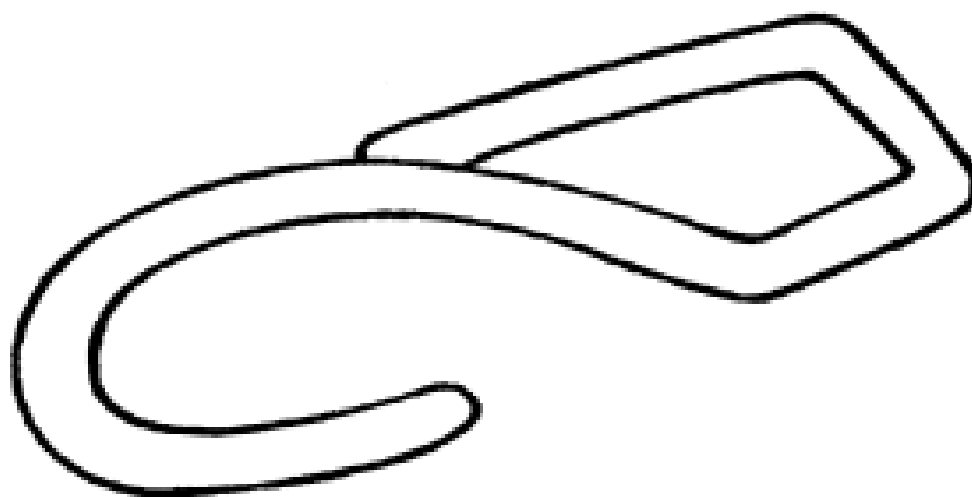
- (21) Design Number: **12833/2005**
(22) Date of Filing Application: **13 October 2004**
(24) Date from which industrial property rights may have effect: **13 October 2004**
(54) Product in respect of which the design is registered: **Air deodorizing apparatus**
(51) International Design Classification: **09-01A, 28-99**
(71) Name(s) and Address(s) of Applicant(s):
Samar L.L.C.
10 South Riverside Plaza Suite 1800 Chicago Illinois 60606 United States of America
(72) Name(s) of Designer(s): **Jacobus Constantijn Heijdenrijk**
(45) Registration Date: **25 July 2005**
(30) Convention priority data:
(31) Number (32) Date (33) Country
169156 27 Apr 2004 EUROPEAN COMMUNITY
(56) Related Art Documents: **Not Applicable**
(57) Statement of Newness and Distinctiveness: **Nil**



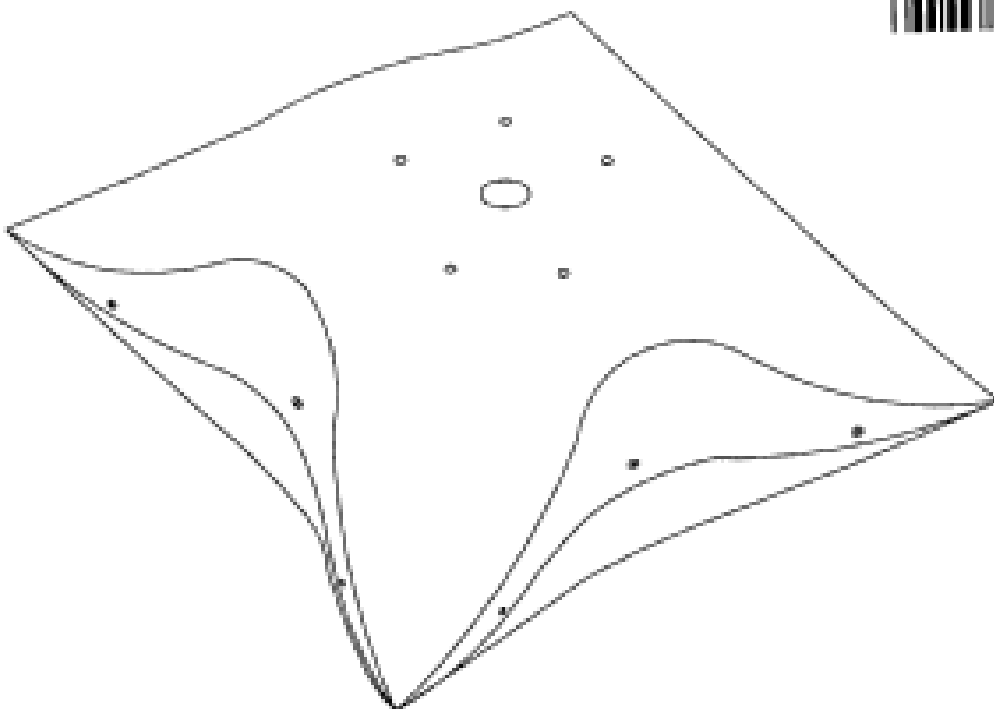
- (21) Design Number: **14993/2004**
(22) Date of Filing Application: **21 October 2004**
(24) Date from which industrial property rights may have effect: **21 October 2004**
(54) Product in respect of which the design is registered: **Automobile dashboard component**
(51) International Design Classification: **12-16NES**
(71) Name(s) and Address(s) of Applicant(s):
Augusto Tucci
6 Kylie Place Moorabbin Victoria 3189 Australia
(72) Name(s) of Designer(s): **Colin Earnhardt and Spencer Quilling**
(45) Registration Date: **25 July 2005**
(56) Related Art Documents: **Not Applicable**
(57) Statement of Newness and Distinctiveness: **Nil**



(21) Design Number: **15054/2004**
(22) Date of Filing Application: **29 October 2004**
(24) Date from which industrial property rights may have effect: **29 October 2004**
(54) Product in respect of which the design is registered: **A hook**
(51) International Design Classification: **08-08G**
(71) Name(s) and Address(s) of Applicant(s):
Gary Jeffrey McCay
7/2 Colinda Avenue Neutral Bay New South Wales 2089 Australia
(72) Name(s) of Designer(s): **Gary Jeffrey McCay**
(45) Registration Date: **25 July 2005**
(56) Related Art Documents: **Not Applicable**
(57) Statement of Newness and Distinctiveness: **Nil**



(21) Design Number: **15121/2004**
(22) Date of Filing Application: **03 November 2004**
(24) Date from which industrial property rights may have effect: **03 November 2004**
(54) Product in respect of which the design is registered: **Pendent lampshade**
(51) International Design Classification: **26-05D**
(71) Name(s) and Address(s) of Applicant(s):
Steven Pooley
5 Collick Street Hilton Western Australia 6163 Australia
(72) Name(s) of Designer(s): **Steven Pooley**
(45) Registration Date: **25 July 2005**
(56) Related Art Documents: **Not Applicable**
(57) Statement of Newness and Distinctiveness: **Nil**



- (21) Design Number: **15150/2004**
- (22) Date of Filing Application: **05 November 2004**
- (24) Date from which industrial property rights may have effect: **05 November 2004**
- (54) Product in respect of which the design is registered: **An article of roofing**
- (51) International Design Classification: **25-01G**
- (71) Name(s) and Address(s) of Applicant(s):

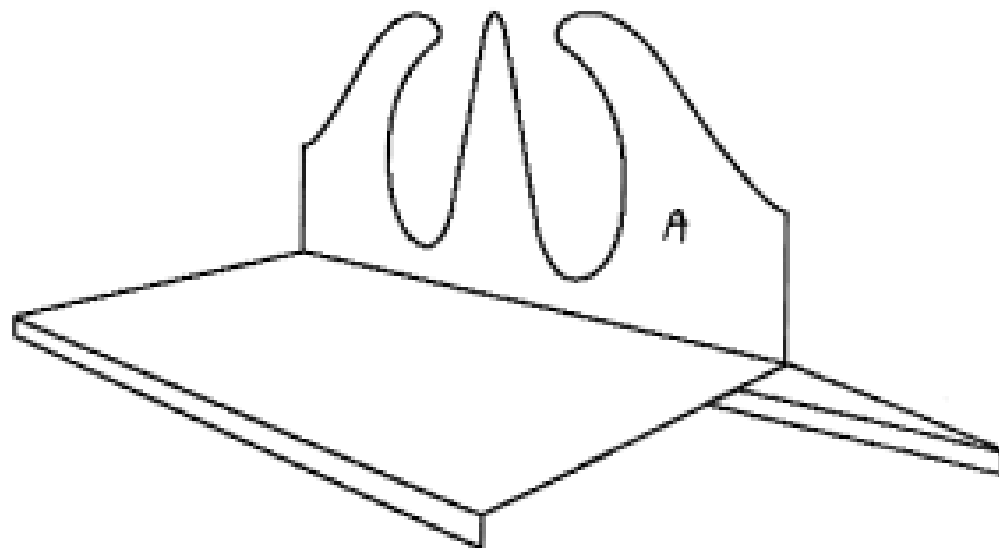
Terry Kendall
37 Anzac Avenue Hurstbridge Victoria 3099 Australia

(72) Name(s) of Designer(s): **Terry Kendall**

(45) Registration Date: **25 July 2005**

(56) Related Art Documents: **Not Applicable**

(57) Statement of Newness and Distinctiveness: **In considering the newness or distinctiveness of the design, regard is to be given to the overall shape and/or configuration of a vertical element shown and marked 'A' of a section of an article of roofing. The section may be repeated and/or article may be of indefinite length. Other portions of the Design do not form a part of the registration.**



- (21) Design Number: **15152/2004**
- (22) Date of Filing Application: **05 November 2004**
- (24) Date from which industrial property rights may have effect: **05 November 2004**
- (54) Product in respect of which the design is registered: **Paper dispenser**
- (51) International Design Classification: **23-02A**
- (71) Name(s) and Address(s) of Applicant(s):

SCA Hygiene Products AB
S-405 03 Goteborg Sweden

(72) Name(s) of Designer(s): **Kent Zeiron**

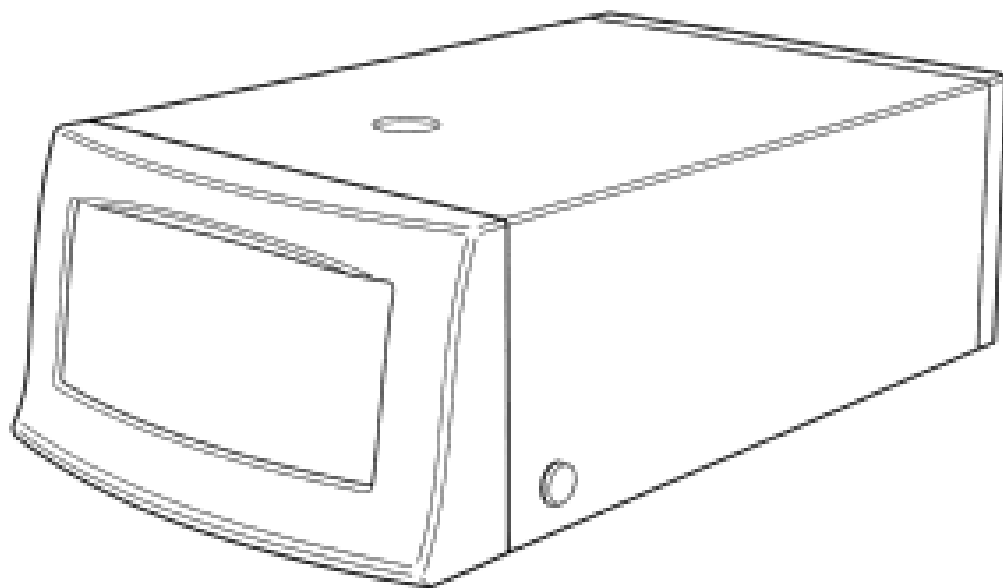
(45) Registration Date: **25 July 2005**

(30) Convention priority data:

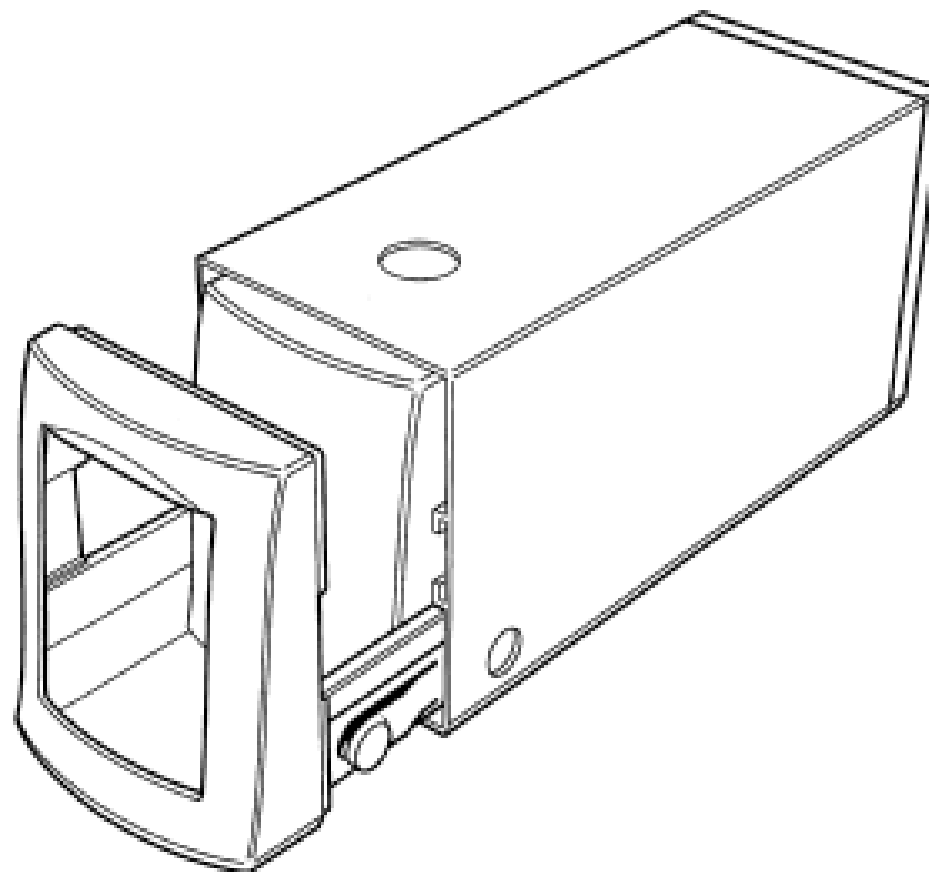
(31) Number	(32) Date	(33) Country
000179080	07 May 2004	EUROPEAN COMMUNITY

(56) Related Art Documents: **Not Applicable**

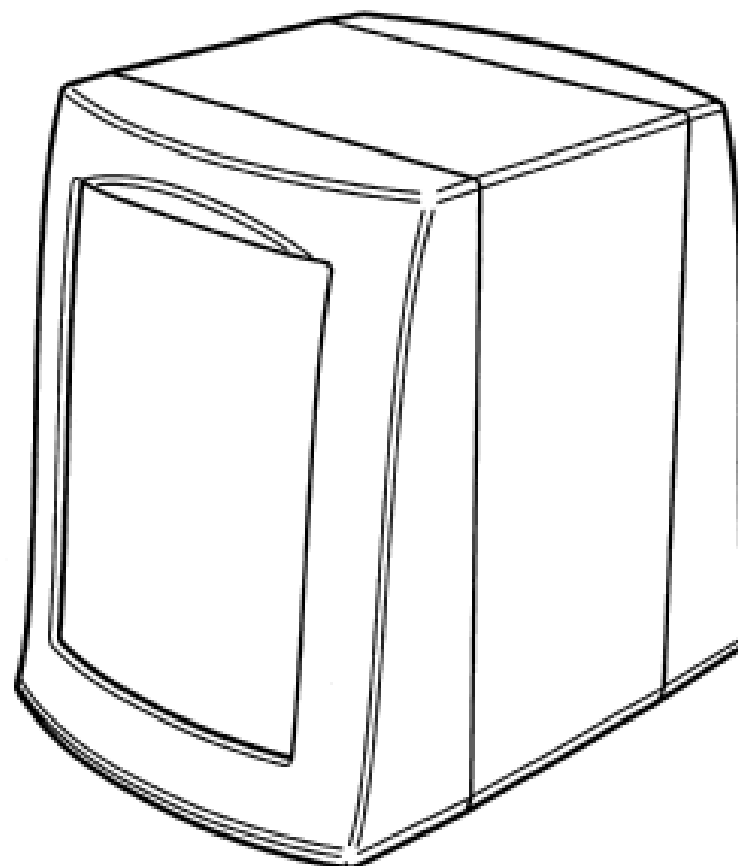
(57) Statement of Newness and Distinctiveness: **Nil**



(21) Design Number: **15153/2004**
(22) Date of Filing Application: **05 November 2004**
(24) Date from which industrial property rights may have effect: **05 November 2004**
(54) Product in respect of which the design is registered: **Paper dispenser**
(51) International Design Classification: **23-02A**
(71) Name(s) and Address(s) of Applicant(s):
SCA Hygiene Products AB
S-405 03 Goteborg Sweden
(72) Name(s) of Designer(s): **Kent Zeiron**
(45) Registration Date: **25 July 2005**
(30) Convention priority data:
(31) Number (32) Date (33) Country
000179080 07 May 2004 EUROPEAN COMMUNITY
(56) Related Art Documents: **Not Applicable**
(57) Statement of Newness and Distinctiveness: **Nil**



(21) Design Number: **15154/2004**
(22) Date of Filing Application: **05 November 2004**
(24) Date from which industrial property rights may have effect: **05 November 2004**
(54) Product in respect of which the design is registered: **Paper dispenser**
(51) International Design Classification: **23-02A**
(71) Name(s) and Address(s) of Applicant(s):
SCA Hygiene Products AB
S-405 03 Goteborg Sweden
(72) Name(s) of Designer(s): **Kent Zeiron**
(45) Registration Date: **25 July 2005**
(30) Convention priority data:
(31) Number (32) Date (33) Country
000179080 07 May 2004 EUROPEAN COMMUNITY
(56) Related Art Documents: **Not Applicable**
(57) Statement of Newness and Distinctiveness: **Nil**



(21) Design Number: **15155/2004**

(22) Date of Filing Application: **05 November 2004**

(24) Date from which industrial property rights may have effect: **05 November 2004**

(54) Product in respect of which the design is registered: **Paper dispenser**

(51) International Design Classification: **23-02A**

(71) Name(s) and Address(s) of Applicant(s):

**SCA Hygiene Products AB
S-405 03 Goteborg Sweden**

(72) Name(s) of Designer(s): **Kent Zeiron**

(45) Registration Date: **25 July 2005**

(30) Convention priority data:

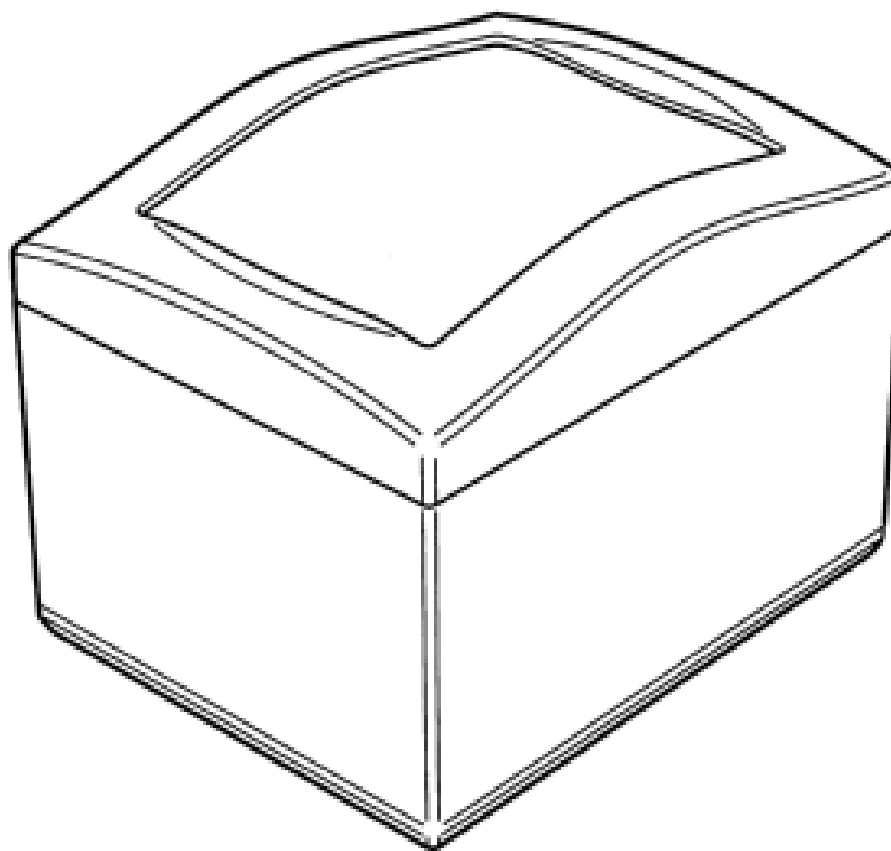
(31) Number
000179080

(32) Date
07 May 2004

(33) Country
EUROPEAN COMMUNITY

(56) Related Art Documents: **Not Applicable**

(57) Statement of Newness and Distinctiveness: **Nil**



(21) Design Number: **13539/2004**

(22) Date of Filing Application: **27 July 2004**

(24) Date from which industrial property rights may have effect: **27 July 2004**

(54) Product in respect of which the design is registered: **Design 1 - 5 light - lighting fixture**

(51) International Design Classification: **26-05D**

(71) Name(s) and Address(s) of Applicant(s):

**Eglo Lighting Australia Pty Ltd
1026 South Road Edwardstown South Australia 5039 Australia**

(72) Name(s) of Designer(s): **The design team of Eglo Leuchten G.m.b.H.**

(45) Registration Date: **26 July 2005**

(30) Convention priority data:

(31) Number
DM/065 211

(32) Date
27 Jan 2004

(33) Country
AUSTRIA

(56) Related Art Documents: **Not Applicable**

(57) Statement of Newness and Distinctiveness: **Nil**



(21) Design Number: **13540/2004**
(22) Date of Filing Application: **27 July 2004**
(24) Date from which industrial property rights may have effect: **27 July 2004**
(54) Product in respect of which the design is registered: **Design 2: 8 light pendant - lighting fixture**
(51) International Design Classification: **26-05D**
(71) Name(s) and Address(s) of Applicant(s):
Eglo Lighting Australia Pty Ltd
1026 South Road Edwardstown South Australia 5039 Australia
(72) Name(s) of Designer(s): **The design team of Eglo Leuchten G.m.b.H.**
(45) Registration Date: **26 July 2005**
(30) Convention priority data:
(31) Number (32) Date (33) Country
DM/065 211 27 Jan 2004 AUSTRIA
(56) Related Art Documents: **Not Applicable**
(57) Statement of Newness and Distinctiveness: **Nil**



(21) Design Number: **13541/2004**
(22) Date of Filing Application: **27 July 2004**
(24) Date from which industrial property rights may have effect: **27 July 2004**
(54) Product in respect of which the design is registered: **Design 3: 7 light pendant - lighting fixture**
(51) International Design Classification: **26-05D**
(71) Name(s) and Address(s) of Applicant(s):
Eglo Lighting Australia Pty Ltd
1026 South Road Edwardstown South Australia 5039 Australia
(72) Name(s) of Designer(s): **The design team of Eglo Leuchten G.m.b.H.**
(45) Registration Date: **26 July 2005**
(30) Convention priority data:
(31) Number (32) Date (33) Country
DM/065 211 27 Jan 2004 AUSTRIA
(56) Related Art Documents: **Not Applicable**
(57) Statement of Newness and Distinctiveness: **Nil**



- (21) Design Number: **13542/2004**
(22) Date of Filing Application: **27 July 2004**
(24) Date from which industrial property rights may have effect: **27 July 2004**
(54) Product in respect of which the design is registered: **Design 4; 6 light pendant - lighting fixture**
(51) International Design Classification: **26-05D**
(71) Name(s) and Address(s) of Applicant(s):
Eglo Lighting Australia Pty Ltd
1026 South Road Edwardstown South Australia 5039 Australia
(72) Name(s) of Designer(s): **The design team of Eglo Leuchten G.m.b.H.**
(45) Registration Date: **26 July 2005**
(30) Convention priority data:
(31) Number (32) Date (33) Country
DM/065 211 27 Jan 2004 AUSTRIA
(56) Related Art Documents: **Not Applicable**
(57) Statement of Newness and Distinctiveness: **Nil**



- (21) Design Number: **13543/2004**
(22) Date of Filing Application: **27 July 2004**
(24) Date from which industrial property rights may have effect: **27 July 2004**
(54) Product in respect of which the design is registered: **Design 5 - 2 light wall lighting fixture**
(51) International Design Classification: **26-05C**
(71) Name(s) and Address(s) of Applicant(s):
Eglo Lighting Australia Pty Ltd
1026 South Road Edwardstown South Australia 5039 Australia
(72) Name(s) of Designer(s): **The design team of Eglo Leuchten G.m.b.H.**
(45) Registration Date: **26 July 2005**
(30) Convention priority data:
(31) Number (32) Date (33) Country
DM/065 211 27 Jan 2004 AUSTRIA
(56) Related Art Documents: **Not Applicable**
(57) Statement of Newness and Distinctiveness: **Nil**



(21) Design Number: **13544/2004**
(22) Date of Filing Application: **27 July 2004**
(24) Date from which industrial property rights may have effect: **27 July 2004**
(54) Product in respect of which the design is registered: **Design 6: wall light - lighting fixtures**
(51) International Design Classification: **26-05C**
(71) Name(s) and Address(s) of Applicant(s):
Eglo Lighting Australia Pty Ltd
1026 South Road Edwardstown South Australia 5039 Australia
(72) Name(s) of Designer(s): **The design team of Eglo Leuchten G.m.b.H.**
(45) Registration Date: **26 July 2005**
(30) Convention priority data:
(31) Number (32) Date (33) Country
DM/065 211 27 Jan 2004 AUSTRIA
(56) Related Art Documents: **Not Applicable**
(57) Statement of Newness and Distinctiveness: **Nil**



(21) Design Number: **13545/2004**
(22) Date of Filing Application: **27 July 2004**
(24) Date from which industrial property rights may have effect: **27 July 2004**
(54) Product in respect of which the design is registered: **Design 7: table lamp lighting fixture**
(51) International Design Classification: **26-05B**
(71) Name(s) and Address(s) of Applicant(s):
Eglo Lighting Australia Pty Ltd
1026 South Road Edwardstown South Australia 5039 Australia
(72) Name(s) of Designer(s): **The design team of Eglo Leuchten G.m.b.H.**
(45) Registration Date: **26 July 2005**
(30) Convention priority data:
(31) Number (32) Date (33) Country
DM/065 211 27 Jan 2004 AUSTRIA
(56) Related Art Documents: **Not Applicable**
(57) Statement of Newness and Distinctiveness: **Nil**



- (21) Design Number: **13581/2004**
(22) Date of Filing Application: **29 July 2004**
(24) Date from which industrial property rights may have effect: **29 July 2004**
(54) Product in respect of which the design is registered: **Fruit tray**
(51) International Design Classification: **09-03F**
(71) Name(s) and Address(s) of Applicant(s):

Kim-Hoan Bui
16 Rennie Street Williamstown Victoria 3016 Australia

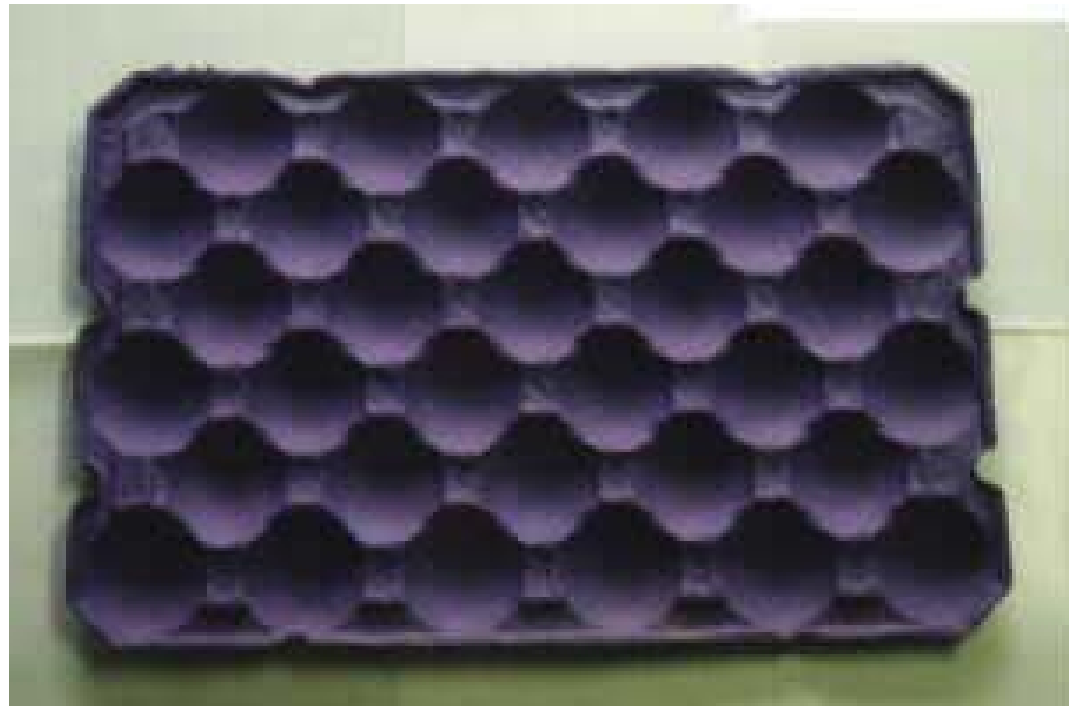
- (72) Name(s) of Designer(s): **Kim-Hoan Bui**
(45) Registration Date: **26 July 2005**
(56) Related Art Documents: **Not Applicable**
(57) Statement of Newness and Distinctiveness: **Visual features of the design which are new and distinctive are the features of shape and configuration of the fruit tray as illustrated in Figs 1-4 of the representations, including the shape and configuration of the structures between and/or connecting adjacent pockets. In considering the scope of the registration as it relates to design 1/4, regard is not to be had to the specific number of pockets shown.**



- (21) Design Number: **13582/2004**
(22) Date of Filing Application: **29 July 2004**
(24) Date from which industrial property rights may have effect: **29 July 2004**
(54) Product in respect of which the design is registered: **Fruit tray**
(51) International Design Classification: **09-03F**
(71) Name(s) and Address(s) of Applicant(s):

Kim-Hoan Bui
16 Rennie Street Williamstown Victoria 3016 Australia

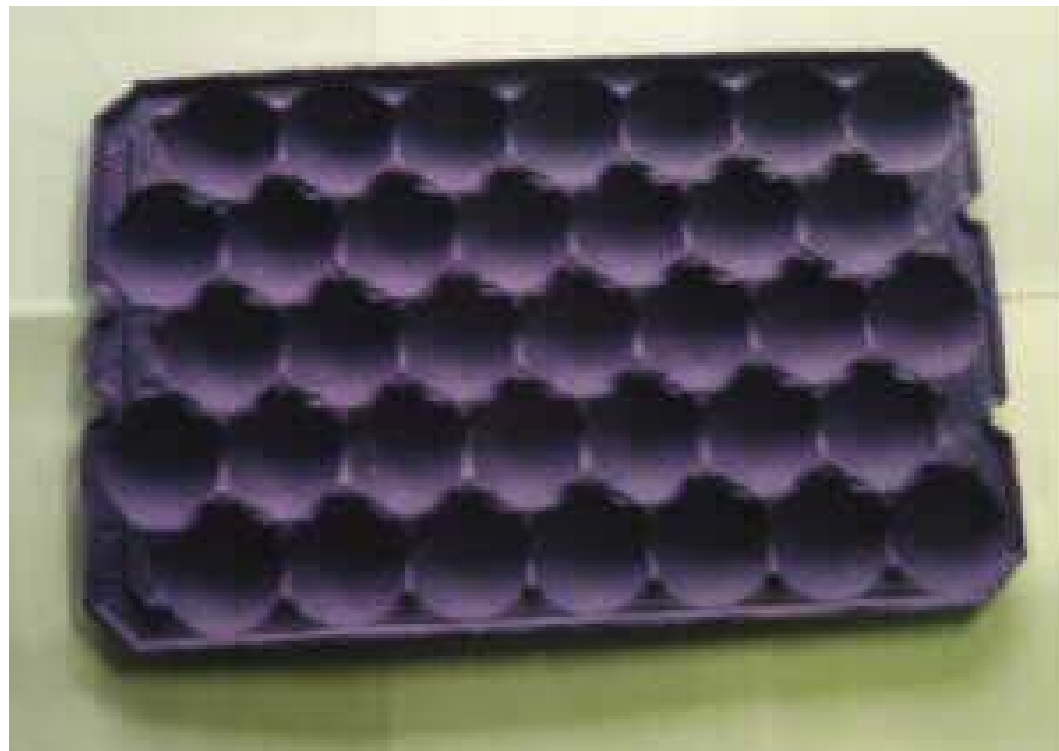
- (72) Name(s) of Designer(s): **Kim-Hoan Bui**
(45) Registration Date: **26 July 2005**
(56) Related Art Documents: **Not Applicable**
(57) Statement of Newness and Distinctiveness: **Visual features of the design which are new and distinctive are the features of shape and configuration of the fruit tray as illustrated in Figs 5-8 of the representations, including the shape and configuration of the structures between and/or connecting adjacent pockets. In considering the scope of the registration as it relates to design 2/4, regard is not to be had to the specific number of pockets shown.**



- (21) Design Number: **13583/2004**
(22) Date of Filing Application: **29 July 2004**
(24) Date from which industrial property rights may have effect: **29 July 2004**
(54) Product in respect of which the design is registered: **Fruit tray**
(51) International Design Classification: **09-03F**
(71) Name(s) and Address(s) of Applicant(s):

Kim-Hoan Bui
16 Rennie Street Williamstown Victoria 3016 Australia

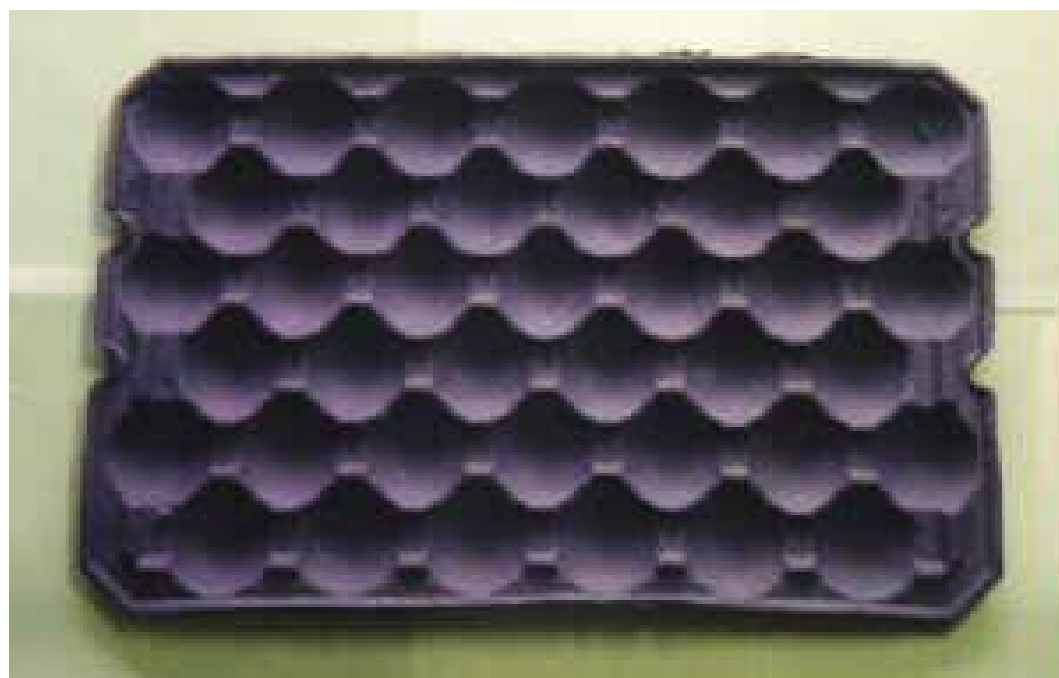
- (72) Name(s) of Designer(s): **Kim-Hoan Bui**
(45) Registration Date: **26 July 2005**
(56) Related Art Documents: **Not Applicable**
(57) Statement of Newness and Distinctiveness: **Visual features of the design which are new and distinctive are the features of shape and configuration of the fruit tray as illustrated in Figs 9-12 of the representations, including the shape and configuration of the structures between and/or connecting adjacent pockets. In considering the scope of the registration as it relates to design 3/4, regard is not to be had to the specific number of pockets shown.**



- (21) Design Number: **13584/2004**
(22) Date of Filing Application: **29 July 2004**
(24) Date from which industrial property rights may have effect: **29 July 2004**
(54) Product in respect of which the design is registered: **Fruit tray**
(51) International Design Classification: **09-03F**
(71) Name(s) and Address(s) of Applicant(s):

Kim-Hoan Bui
16 Rennie Street Williamstown Victoria 3016 Australia

- (72) Name(s) of Designer(s): **Kim-Hoan Bui**
(45) Registration Date: **26 July 2005**
(56) Related Art Documents: **Not Applicable**
(57) Statement of Newness and Distinctiveness: **Visual features of the design which are new and distinctive are the features of shape and configuration of the fruit tray as illustrated in Figs 13-16 of the representations, including the shape and configuration of the structures between and/or connecting adjacent pockets. In considering the scope of the registration as it relates to design 4/4, regard is not to be had to the specific number of pockets shown.**



(21) Design Number: **13781/2004**

(22) Date of Filing Application: **09 August 2004**

(24) Date from which industrial property rights may have effect: **09 August 2004**

(54) Product in respect of which the design is registered: **Pendant light type A**

(51) International Design Classification: **26-05D**

(71) Name(s) and Address(s) of Applicant(s):

Cindy-Lee Davies

2/1 Bruce Street West Footscray Victoria 3014 Australia

(72) Name(s) of Designer(s): **Cindy-Lee Davies**

(45) Registration Date: **26 July 2005**

(56) Related Art Documents: **Not Applicable**

(57) Statement of Newness and Distinctiveness: **Type A light newness and distinctiveness is the process by which the design has been produced, hand slumped acrylic, which is a process of newness in the application of forming plastic. Newness is also the size of the design Max diameter 900mm, height 400mm. The shape is also the newness and distinctiveness of this design, along with the application of using this form as a pendant light. Shown in the image is bronze translucent acrylic, yet the design is also produced in other colours.**



(21) Design Number: **12501/2005**

(22) Date of Filing Application: **09 August 2004**

(24) Date from which industrial property rights may have effect: **09 August 2004**

(54) Product in respect of which the design is registered: **Pendant light type B**

(51) International Design Classification: **26-05D**

(71) Name(s) and Address(s) of Applicant(s):

Cindy-Lee Davies

2/1 Bruce Street West Footscray Victoria 3014 Australia

(72) Name(s) of Designer(s): **Cindy-Lee Davies**

(45) Registration Date: **26 July 2005**

(56) Related Art Documents: **Not Applicable**

(57) Statement of Newness and Distinctiveness: **Type B light newness and distinctiveness is the process by which the design has been produced, hand slumped acrylic, which is a process of newness in the application of forming plastic. Newness is also the size of the design. The shape is also the newness and distinctiveness of this design, along with the application of using this form as a pendant light.**



(21) Design Number: **12502/2005**

(22) Date of Filing Application: **09 August 2004**

(24) Date from which industrial property rights may have effect: **09 August 2004**

(54) Product in respect of which the design is registered: **Pendant light type C**

(51) International Design Classification: **26-05D**

(71) Name(s) and Address(s) of Applicant(s):

Cindy-Lee Davies

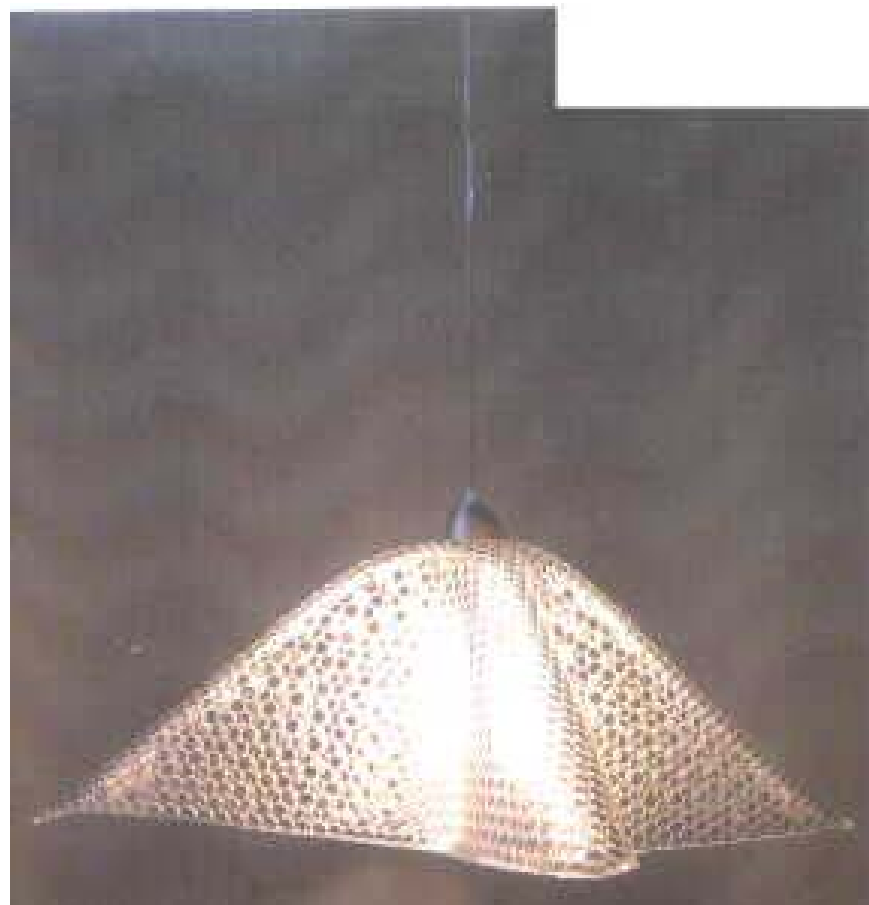
2/1 Bruce Street West Footscray Victoria 3014 Australia

(72) Name(s) of Designer(s): **Cindy-Lee Davies**

(45) Registration Date: **26 July 2005**

(56) Related Art Documents: **Not Applicable**

(57) Statement of Newness and Distinctiveness: **Type C light newness and distinctiveness is the process by which the design has been produced, hand slumped plastic, which is a process of newness in the application of forming plastic. The shape is also the newness and distinctiveness of this design, along with the application of using this form as a pendant light. Newness and distinctiveness is also the material used in this application of a pendant light, crystalised bubbled translucent plastic - 8224 refractive lens. Newness is also the size of the design max diameter 670mm, height 300mm.**



(21) Design Number: **14083/2004**

(22) Date of Filing Application: **26 August 2004**

(24) Date from which industrial property rights may have effect: **26 August 2004**

(54) Product in respect of which the design is registered: **Water-sports hat**

(51) International Design Classification: **02-03**

(71) Name(s) and Address(s) of Applicant(s):

Graeme Attey

8 Nelson Street South Fremantle Western Australia 6162 Australia

(72) Name(s) of Designer(s): **Graeme Scott Attey**

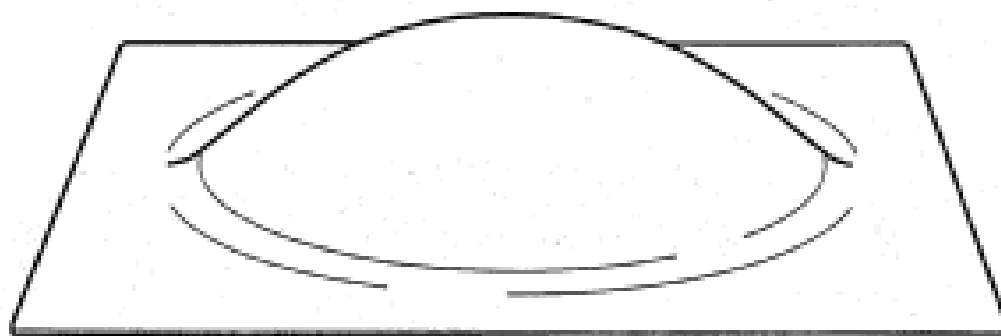
(45) Registration Date: **26 July 2005**

(56) Related Art Documents: **Not Applicable**

(57) Statement of Newness and Distinctiveness: **A water-sports hat made from neoprene wetsuit rubber with rear section below the brim extending around the rear of the wearer's head to behind the ears and optionally including a chin-strap.**



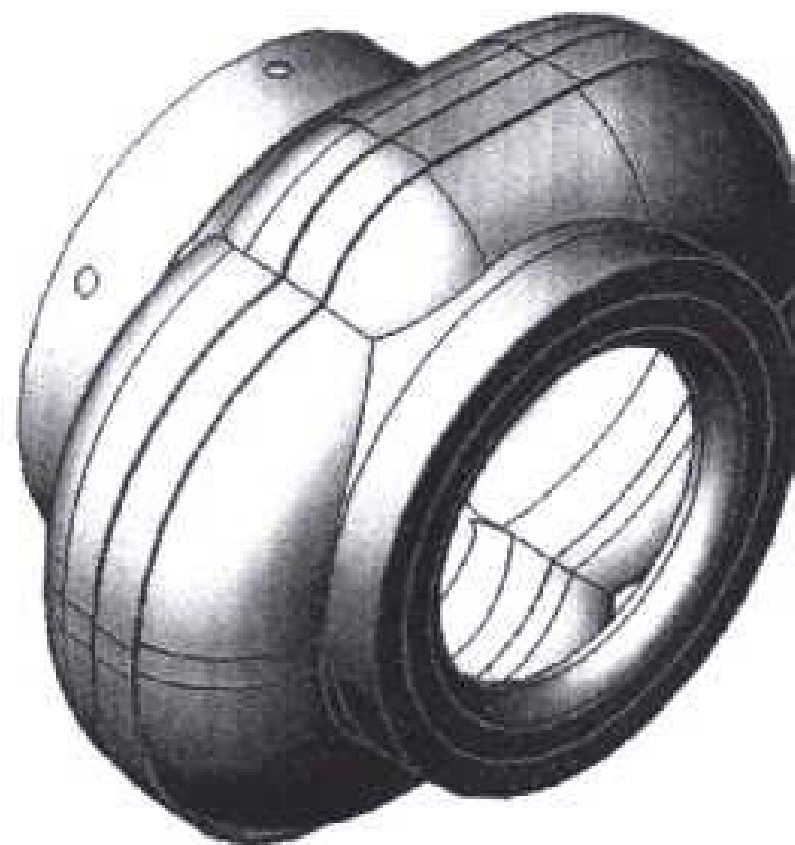
- (21) Design Number: **14136/2004**
(22) Date of Filing Application: **28 November 2003**
(24) Date from which industrial property rights may have effect: **28 November 2003**
(54) Product in respect of which the design is registered: **Tile**
(51) International Design Classification: **25-01F**
(71) Name(s) and Address(s) of Applicant(s):
Lotteries Commission
74 Walters Drive Osborne Park Western Australia 6017 Australia
(72) Name(s) of Designer(s): **David Smith and Bob Britton and Michael Dixon and Mark Wood**
(45) Registration Date: **26 July 2005**
(56) Related Art Documents: **Not Applicable**
(57) Statement of Newness and Distinctiveness: **Nil**



- (21) Design Number: **14142/2004**
(22) Date of Filing Application: **31 August 2004**
(24) Date from which industrial property rights may have effect: **31 August 2004**
(54) Product in respect of which the design is registered: **Zaishu - a portable, flat pack seat/table or box**
(51) International Design Classification: **06-05**
(71) Name(s) and Address(s) of Applicant(s):
Matthew Butler
2/22 Packer Street Murrumbeena Victoria 3163 Australia
(72) Name(s) of Designer(s): **Matthew Butler**
(45) Registration Date: **26 July 2005**
(56) Related Art Documents: **Not Applicable**
(57) Statement of Newness and Distinctiveness: **Has a visual appearance of being slotted together from flat panels.**



(21) Design Number: **14220/2004**
 (22) Date of Filing Application: **02 September 2004**
 (24) Date from which industrial property rights may have effect: **02 September 2004**
 (54) Product in respect of which the design is registered: **A housing**
 (51) International Design Classification: **13-01**
 (71) Name(s) and Address(s) of Applicant(s):
Curtis Henry Dobbie
30 Faulder Avenue Westmere Auckland New Zealand
 (72) Name(s) of Designer(s): **Henry Curtis Dobbie**
 (45) Registration Date: **26 July 2005**
 (30) Convention priority data:
 (31) Number (32) Date (33) Country
404679 15 Mar 2004 NEW ZEALAND
 (56) Related Art Documents: **Not Applicable**
 (57) Statement of Newness and Distinctiveness: **Nil**



(21) Design Number: **14510/2004**
 (22) Date of Filing Application: **21 September 2004**
 (24) Date from which industrial property rights may have effect: **21 September 2004**
 (54) Product in respect of which the design is registered: **A vehicle body and a model vehicle body**
 (51) International Design Classification: **12-08, 21-01C**
 (71) Name(s) and Address(s) of Applicant(s):
Holden Ltd
241 Salmon Street Port Melbourne Victoria 3207 Australia
 (72) Name(s) of Designer(s): **Max Wolff**
 (45) Registration Date: **26 July 2005**
 (56) Related Art Documents: **Not Applicable**
 (57) Statement of Newness and Distinctiveness: **Newness and distinctiveness is claimed in the shape and/or configuration of a vehicle body and a model vehicle body as shown in the representations. The wheels and tyres, the blanked out front and rear number plate carrier, the diagonally cross-hatching of dark areas at the front, and internal features visible through the windscreen and rear and side windows are to be disregarded.**

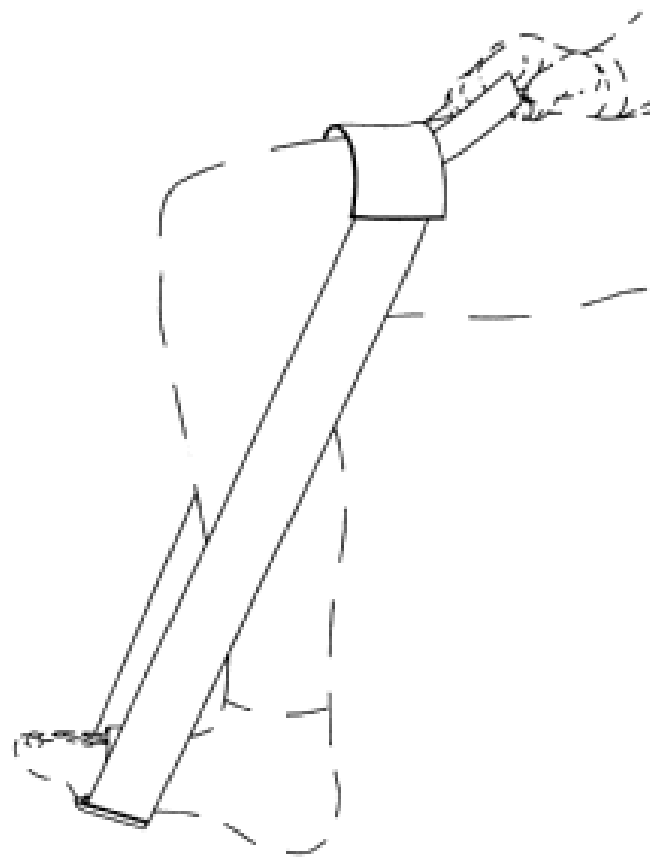


FRONT PERSPECTIVE VIEW OF MODEL VEHICLE BODY FROM ABOVE

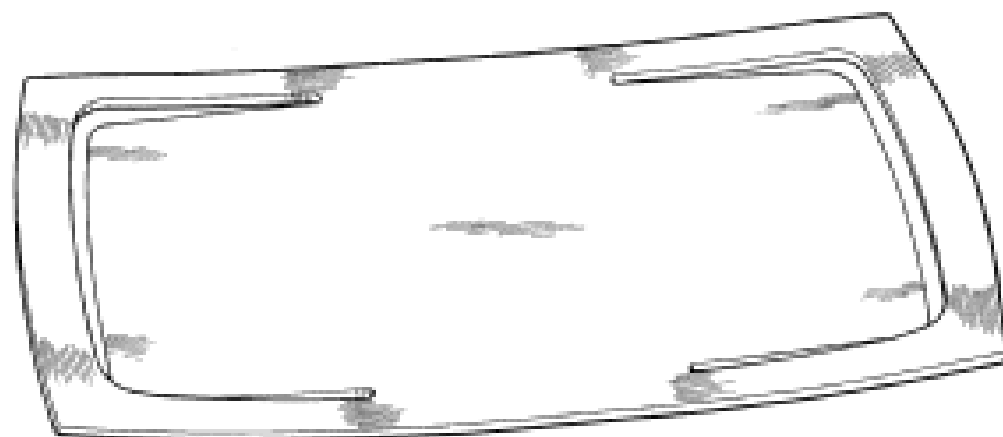


FRONT PERSPECTIVE VIEW OF VEHICLE BODY FROM ABOVE

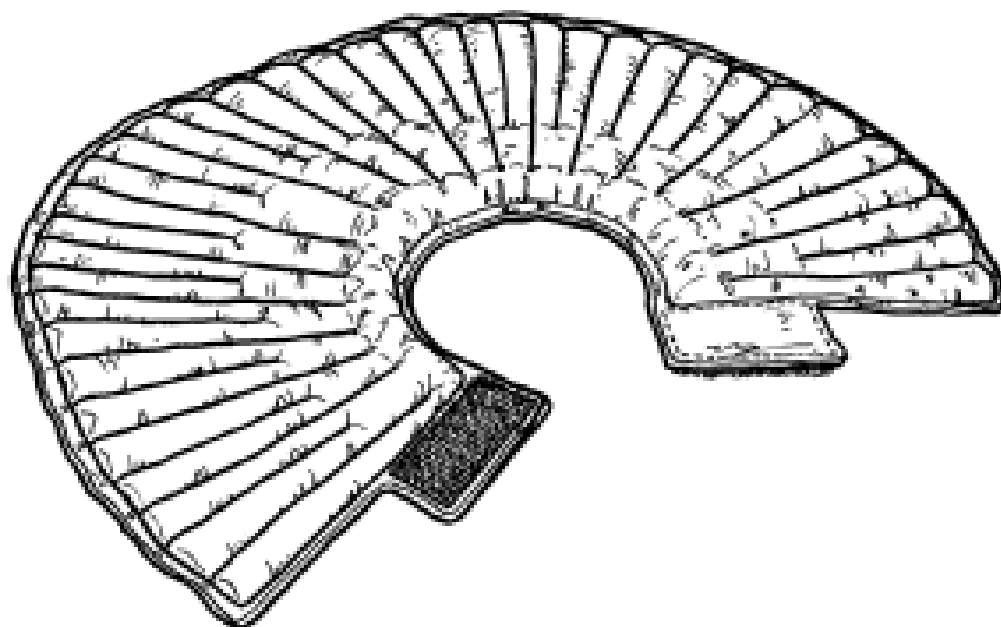
- (21) Design Number: **14101/2004**
(22) Date of Filing Application: **25 August 2004**
(24) Date from which industrial property rights may have effect: **25 August 2004**
(54) Product in respect of which the design is registered: **Exercise apparatus**
(51) International Design Classification: **21-02F**
(71) Name(s) and Address(s) of Applicant(s):
Rodney Edward Wilcocks
34 Natone Street Lindisfarne Tasmania 7015 Australia
(72) Name(s) of Designer(s): **Rodney Edward Wilcocks**
(45) Registration Date: **27 July 2005**
(56) Related Art Documents: **Not Applicable**
(57) Statement of Newness and Distinctiveness: **For newness and distinctiveness regard is to be had to the visual features of the exercise apparatus shown in the accompanying representations. The visual features illustrated in broken lines are to be disregarded.**



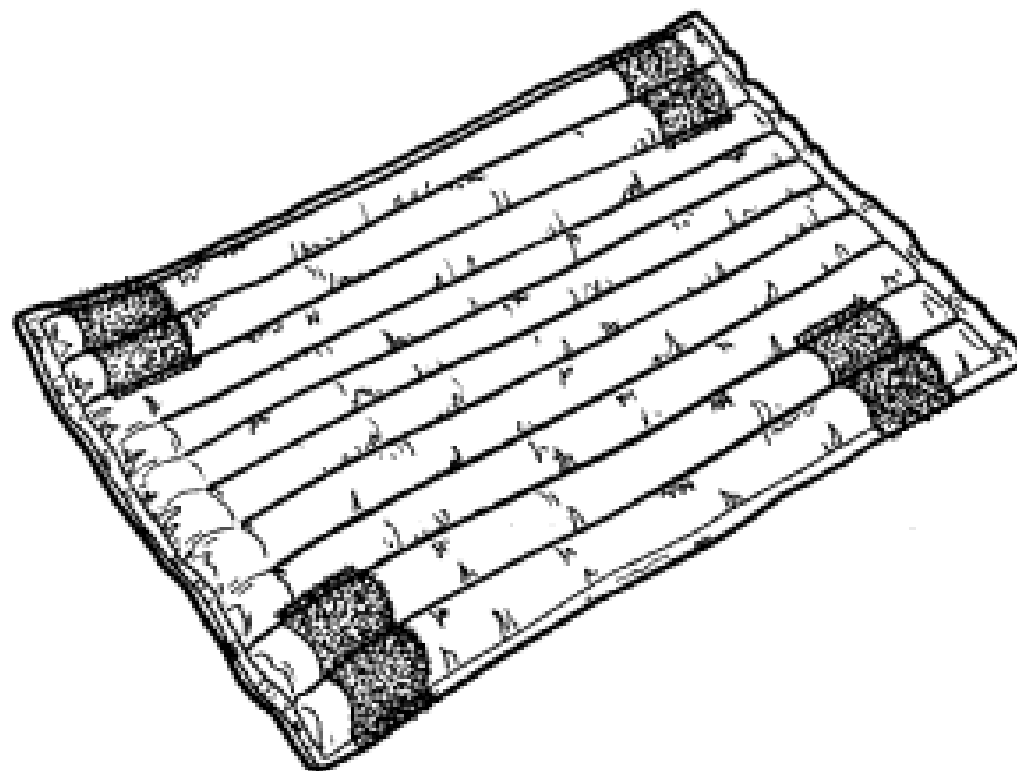
- (21) Design Number: **14146/2004**
(22) Date of Filing Application: **02 September 2004**
(24) Date from which industrial property rights may have effect: **02 September 2004**
(54) Product in respect of which the design is registered: **Serving tray**
(51) International Design Classification: **07-01B**
(71) Name(s) and Address(s) of Applicant(s):
Richard Vaughan
7/16 Spine Street Sumner Park Queensland 4074 Australia
(72) Name(s) of Designer(s): **Richard Harry Vaughan**
(45) Registration Date: **27 July 2005**
(56) Related Art Documents: **Not Applicable**
(57) Statement of Newness and Distinctiveness: **The handles are formed by cuts through the sheet of tray material which allow the handles to be lifted and remain integral both visually and physically.**



- (21) Design Number: **14527/2004**
(22) Date of Filing Application: **23 September 2004**
(24) Date from which industrial property rights may have effect: **23 September 2004**
(54) Product in respect of which the design is registered: **A heat bag**
(51) International Design Classification: **24-04**
(71) Name(s) and Address(s) of Applicant(s):
Annette Herbert
23 Wilson Street Plympton Park South Australia 5038 Australia
(72) Name(s) of Designer(s): **Annette Herbert**
(45) Registration Date: **27 July 2005**
(56) Related Art Documents: **Not Applicable**
(57) Statement of Newness and Distinctiveness: **In considering the newness and distinctiveness in the above design, the person shown in broken lines is to be disregarded.**



- (21) Design Number: **14528/2004**
(22) Date of Filing Application: **23 September 2004**
(24) Date from which industrial property rights may have effect: **23 September 2004**
(54) Product in respect of which the design is registered: **A heat bag**
(51) International Design Classification: **24-04**
(71) Name(s) and Address(s) of Applicant(s):
Annette Herbert
23 Wilson Street Plympton Park South Australia 5038 Australia
(72) Name(s) of Designer(s): **Annette Herbert**
(45) Registration Date: **27 July 2005**
(56) Related Art Documents: **Not Applicable**
(57) Statement of Newness and Distinctiveness: **In considering the newness and distinctiveness in the above design, the person shown in broken lines is to be disregarded.**



(21) Design Number: **14974/2004**

(22) Date of Filing Application: **21 October 2004**

(24) Date from which industrial property rights may have effect: **21 October 2004**

(54) Product in respect of which the design is registered: **Desk frame**

(51) International Design Classification: **06-03C**

(71) Name(s) and Address(s) of Applicant(s):

Balmark Pty Limited

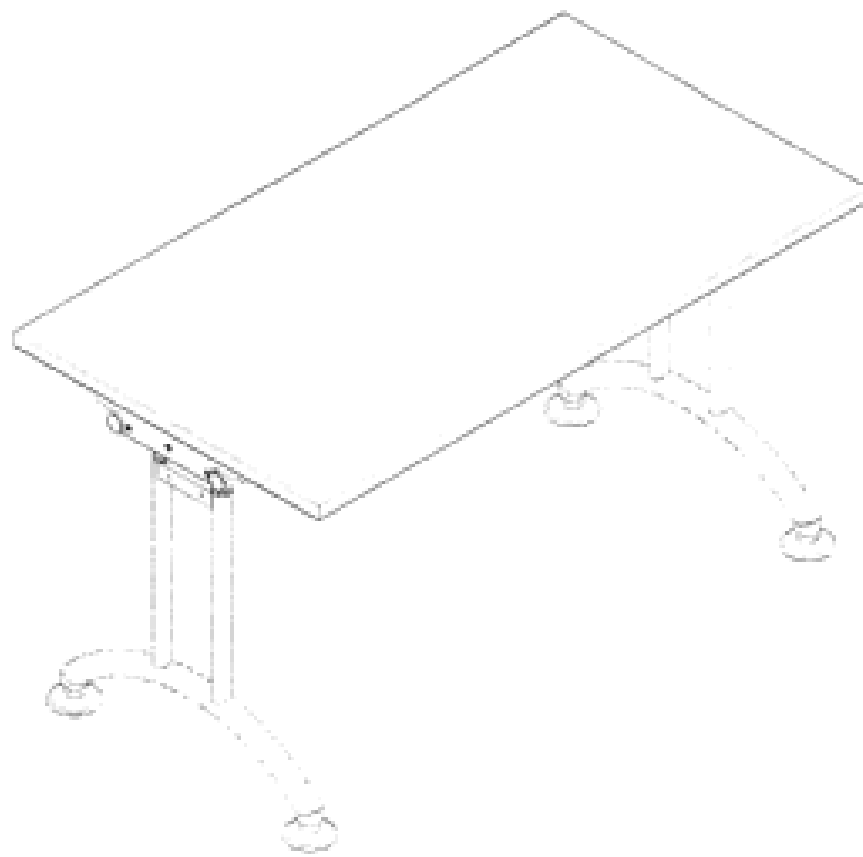
47 Norman Street Peakhurst New South Wales 2210 Australia

(72) Name(s) of Designer(s): **Jim Karpouzos and Ronald Hibbard**

(45) Registration Date: **27 July 2005**

(56) Related Art Documents: **Not Applicable**

(57) Statement of Newness and Distinctiveness: **Monopoly is claimed in relation to the shape and configuration of a desk frame.**



(21) Design Number: **12722/2005**

(22) Date of Filing Application: **21 October 2004**

(24) Date from which industrial property rights may have effect: **21 October 2004**

(54) Product in respect of which the design is registered: **Desk frame**

(51) International Design Classification: **06-03C**

(71) Name(s) and Address(s) of Applicant(s):

Balmark Pty Limited

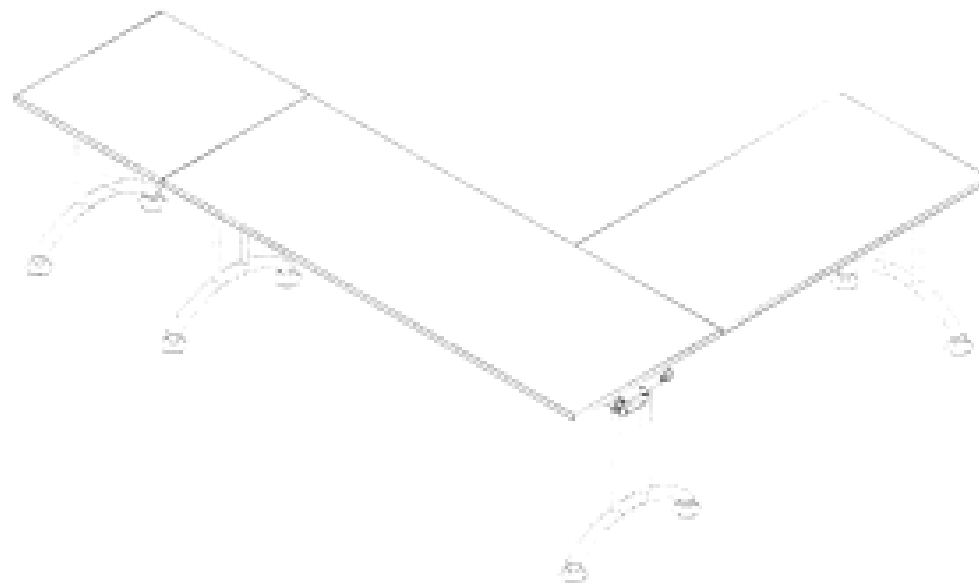
47 Norman Street Peakhurst New South Wales 2210 Australia

(72) Name(s) of Designer(s): **Jim Harpouzos and Ronald Hibbard**

(45) Registration Date: **27 July 2005**

(56) Related Art Documents: **Not Applicable**

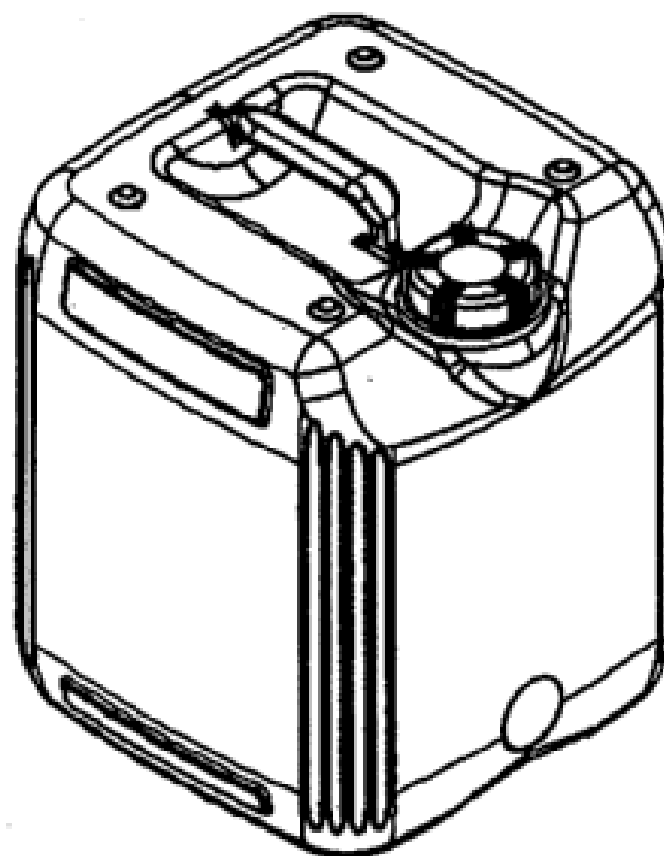
(57) Statement of Newness and Distinctiveness: **Monopoly is claimed in relation to the shape and configuration of a desk frame.**



- (21) Design Number: **12723/2005**
(22) Date of Filing Application: **21 October 2004**
(24) Date from which industrial property rights may have effect: **21 October 2004**
(54) Product in respect of which the design is registered: **Desk frame**
(51) International Design Classification: **06-03C**
(71) Name(s) and Address(s) of Applicant(s):
Balmark Pty Limited
47 Norman Street Peakhurst New South Wales 2210 Australia
(72) Name(s) of Designer(s): **Jim Harpouzos and Ronald Hibbard**
(45) Registration Date: **27 July 2005**
(56) Related Art Documents: **Not Applicable**
(57) Statement of Newness and Distinctiveness: **Monopoly is claimed in relation to the shape and configuration of a desk frame.**



- (21) Design Number: **15274/2004**
(22) Date of Filing Application: **15 November 2004**
(24) Date from which industrial property rights may have effect: **15 November 2004**
(54) Product in respect of which the design is registered: **A set of stackable jerrycans**
(51) International Design Classification: **09-02B**
(71) Name(s) and Address(s) of Applicant(s):
Vertex Pacific Limited
696 Te Rapa Road Hamilton New Zealand
(72) Name(s) of Designer(s): **Allan Graeme Dorset and Lance Knighton**
(45) Registration Date: **27 July 2005**
(30) Convention priority data:
(31) Number (32) Date (33) Country
404832 14 May 2004 NEW ZEALAND
(56) Related Art Documents: **Not Applicable**
(57) Statement of Newness and Distinctiveness: **Nil**



(21) Design Number: **12717/2005**

(22) Date of Filing Application: **15 November 2004**

(24) Date from which industrial property rights may have effect: **15 November 2004**

(54) Product in respect of which the design is registered: **A set of stackable jerrycans**

(51) International Design Classification: **09-02B**

(71) Name(s) and Address(s) of Applicant(s):

**Vertex Pacific Limited
696 Te Rapa Road Hamilton New Zealand**

(72) Name(s) of Designer(s): **Allan Graeme Dorset and Lance Knighton**

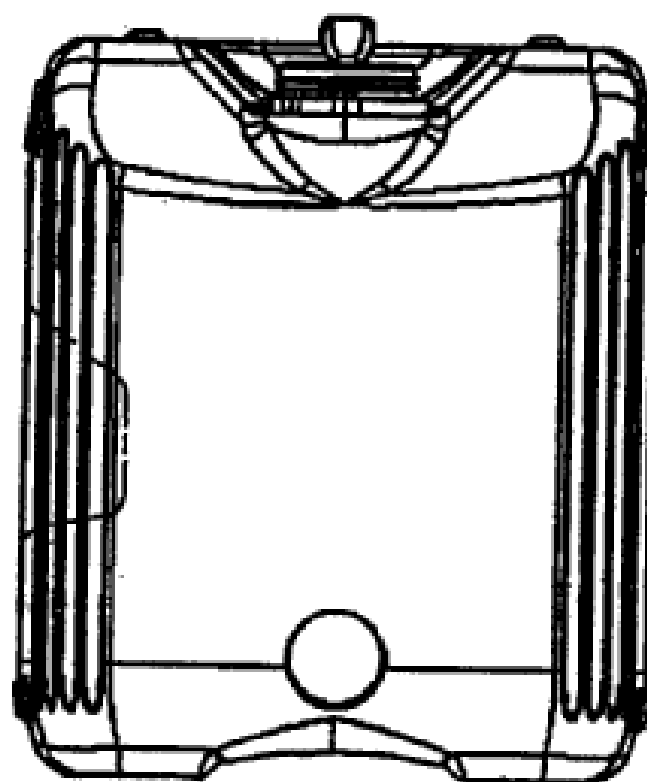
(45) Registration Date: **27 July 2005**

(30) Convention priority data:

(31) Number	(32) Date	(33) Country
404832	14 May 2004	NEW ZEALAND

(56) Related Art Documents: **Not Applicable**

(57) Statement of Newness and Distinctiveness: **Nil**



(21) Design Number: **12718/2005**

(22) Date of Filing Application: **15 November 2004**

(24) Date from which industrial property rights may have effect: **15 November 2004**

(54) Product in respect of which the design is registered: **A set of stackable jerrycans**

(51) International Design Classification: **09-02B**

(71) Name(s) and Address(s) of Applicant(s):

**Vertex Pacific Limited
696 Te Rapa Road Hamilton New Zealand**

(72) Name(s) of Designer(s): **Allan Graeme Dorset and Lance Knighton**

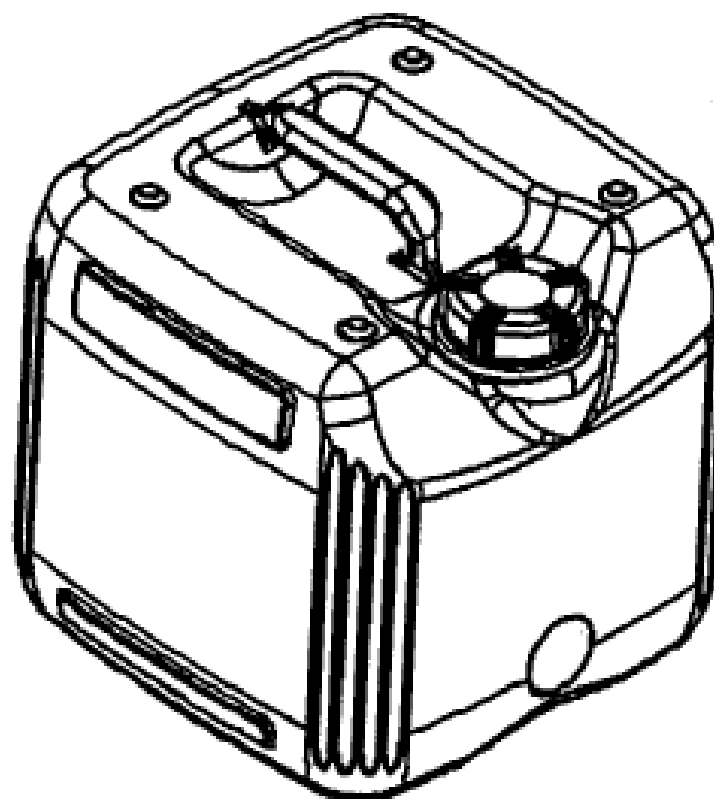
(45) Registration Date: **27 July 2005**

(30) Convention priority data:

(31) Number	(32) Date	(33) Country
404832	14 May 2004	NEW ZEALAND

(56) Related Art Documents: **Not Applicable**

(57) Statement of Newness and Distinctiveness: **Nil**



(21) Design Number: **12719/2005**

(22) Date of Filing Application: **15 November 2004**

(24) Date from which industrial property rights may have effect: **15 November 2004**

(54) Product in respect of which the design is registered: **A set of stackable jerrycans**

(51) International Design Classification: **09-02B**

(71) Name(s) and Address(s) of Applicant(s):

**Vertex Pacific Limited
696 Te Rapa Road Hamilton New Zealand**

(72) Name(s) of Designer(s): **Allan Graeme Dorset and Lance Knighton**

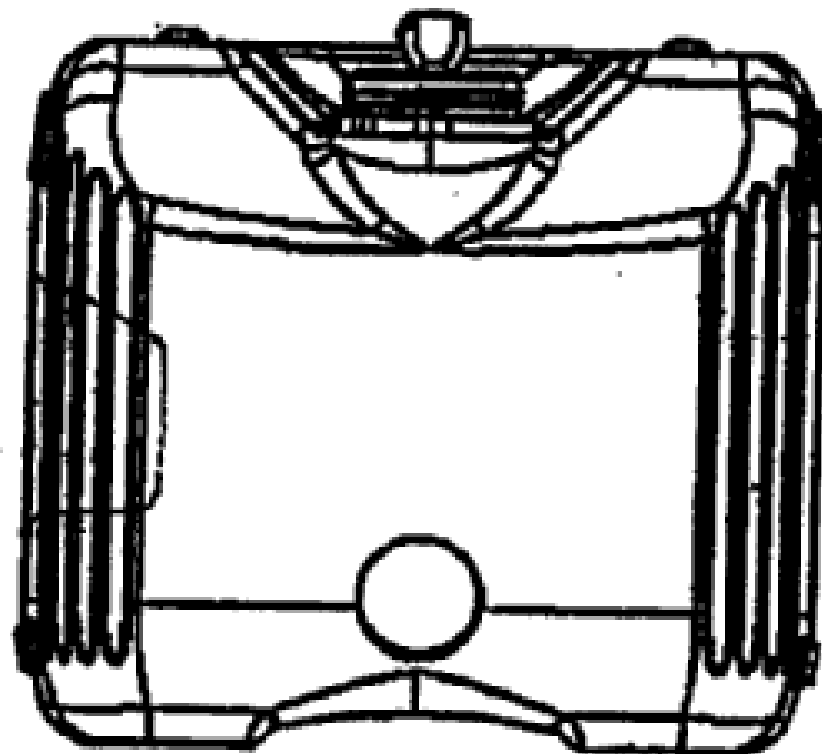
(45) Registration Date: **27 July 2005**

(30) Convention priority data:

(31) Number	(32) Date	(33) Country
404832	14 May 2004	NEW ZEALAND

(56) Related Art Documents: **Not Applicable**

(57) Statement of Newness and Distinctiveness: **Nil**



(21) Design Number: **12720/2005**

(22) Date of Filing Application: **15 November 2004**

(24) Date from which industrial property rights may have effect: **15 November 2004**

(54) Product in respect of which the design is registered: **A set of stackable jerrycans**

(51) International Design Classification: **09-02B**

(71) Name(s) and Address(s) of Applicant(s):

**Vertex Pacific Limited
696 Te Rapa Road Hamilton New Zealand**

(72) Name(s) of Designer(s): **Allan Graeme Dorset and Lance Knighton**

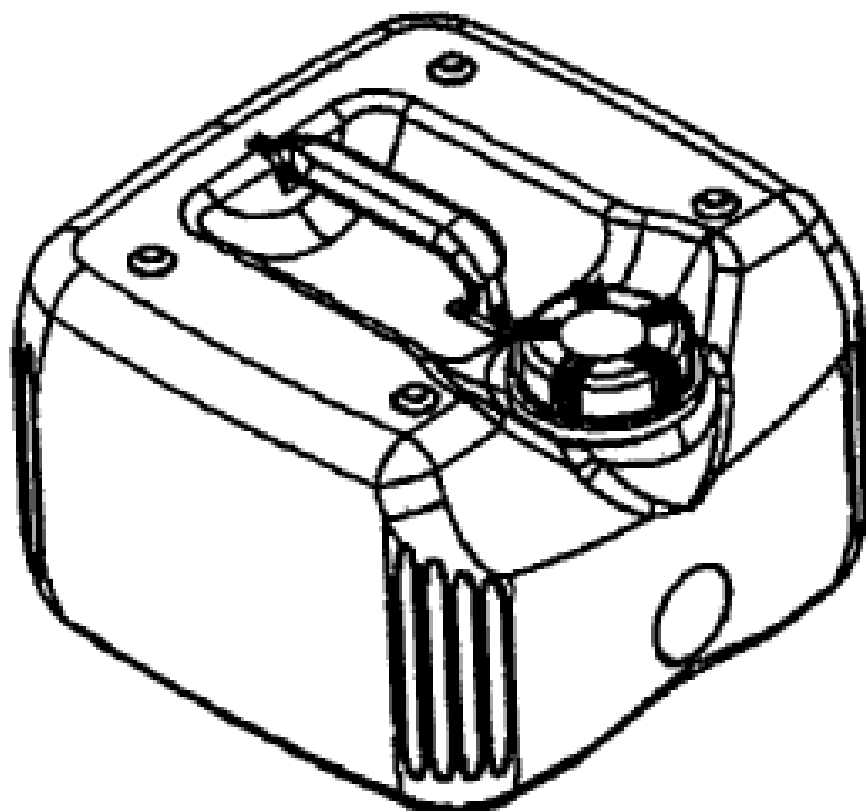
(45) Registration Date: **27 July 2005**

(30) Convention priority data:

(31) Number	(32) Date	(33) Country
404832	14 May 2004	NEW ZEALAND

(56) Related Art Documents: **Not Applicable**

(57) Statement of Newness and Distinctiveness: **Nil**



(21) Design Number: **12721/2005**

(22) Date of Filing Application: **15 November 2004**

(24) Date from which industrial property rights may have effect: **15 November 2004**

(54) Product in respect of which the design is registered: **A set of stackable jerrycans**

(51) International Design Classification: **09-02B**

(71) Name(s) and Address(s) of Applicant(s):

**Vertex Pacific Limited
696 Te Rapa Road Hamilton New Zealand**

(72) Name(s) of Designer(s): **Allan Graeme Dorset and Lance Knighton**

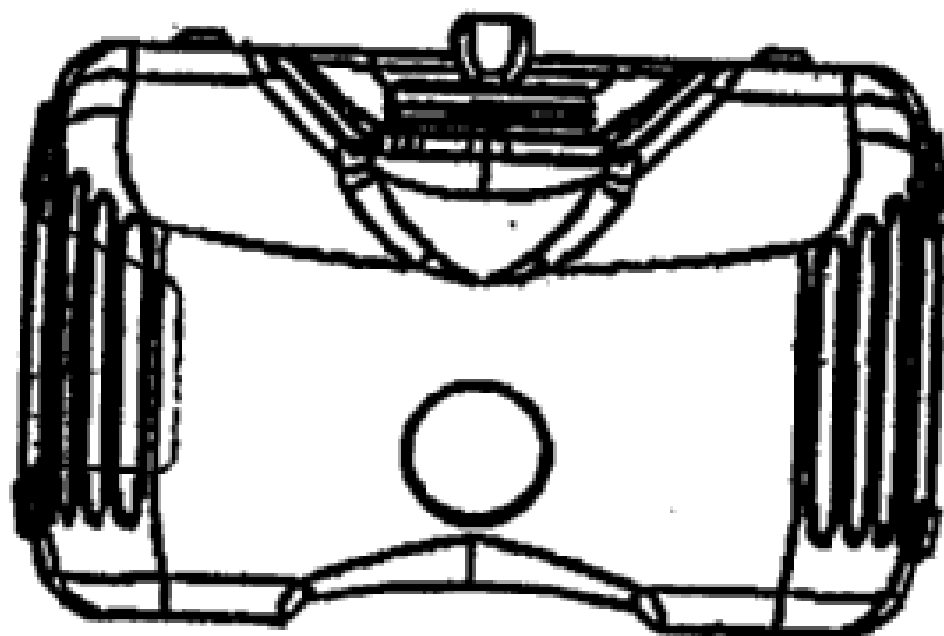
(45) Registration Date: **27 July 2005**

(30) Convention priority data:

(31) Number	(32) Date	(33) Country
404832	14 May 2004	NEW ZEALAND

(56) Related Art Documents: **Not Applicable**

(57) Statement of Newness and Distinctiveness: **Nil**



(21) Design Number: **15952/2004**

(22) Date of Filing Application: **22 December 2004**

(24) Date from which industrial property rights may have effect: **22 December 2004**

(54) Product in respect of which the design is registered: **Cradle**

(51) International Design Classification: **13-02, 14-02**

(71) Name(s) and Address(s) of Applicant(s):

**Reign Com., Ltd.
8th Floor Bona Venture Town 1586-7 Seocho-Dong Seocho-Gu Seoul
137-070 Korea**

(72) Name(s) of Designer(s): **Deok-Joon Yang**

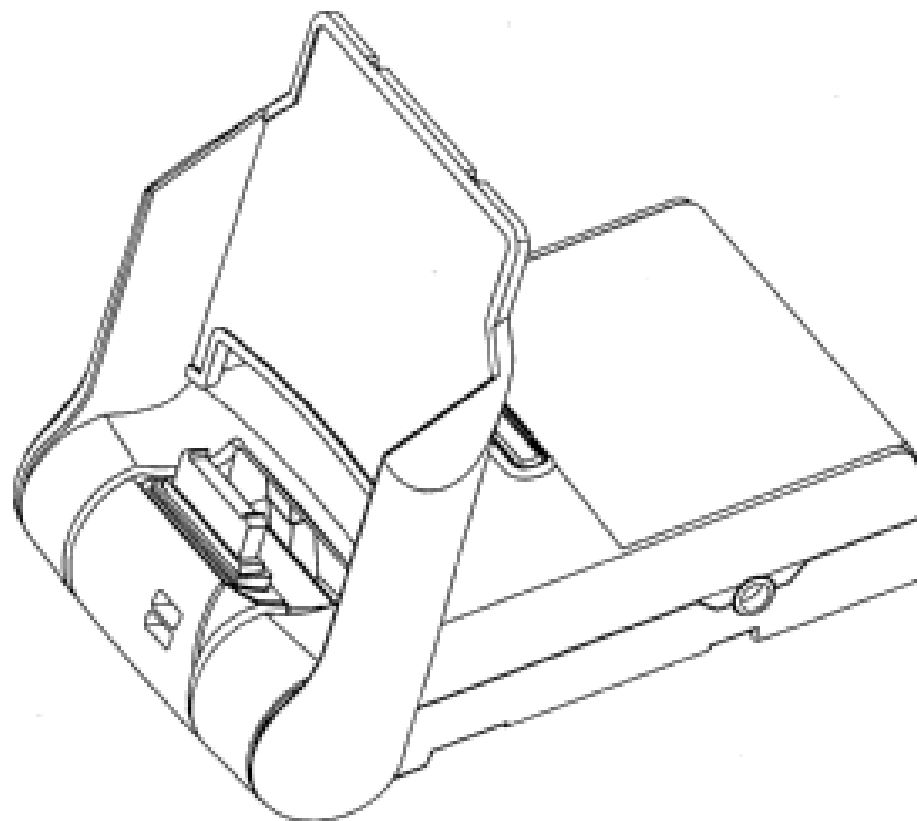
(45) Registration Date: **27 July 2005**

(30) Convention priority data:

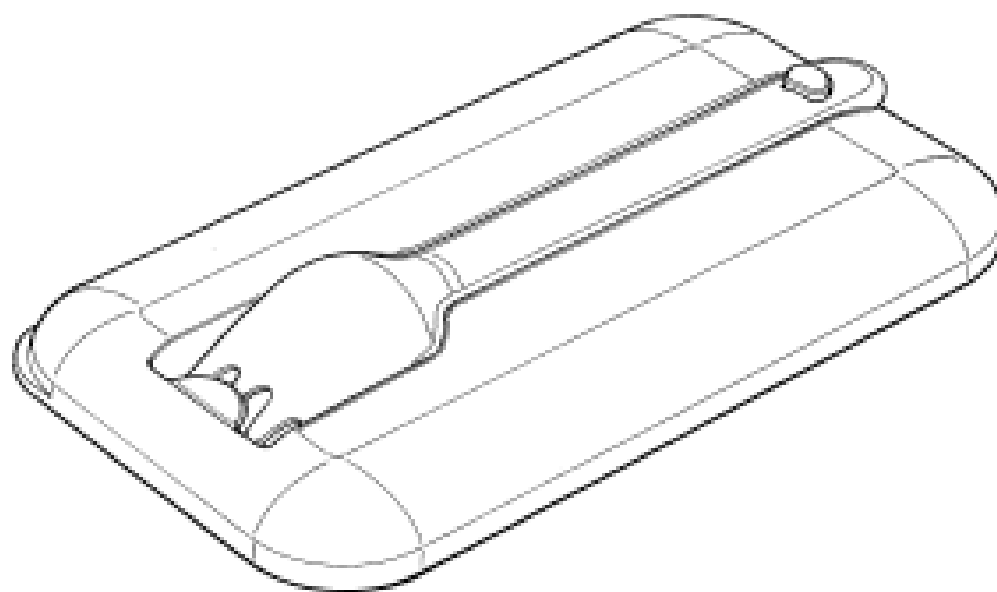
(31) Number	(32) Date	(33) Country
2004-0029167	20 Sep 2004	REPUBLIC OF KOREA

(56) Related Art Documents: **Not Applicable**

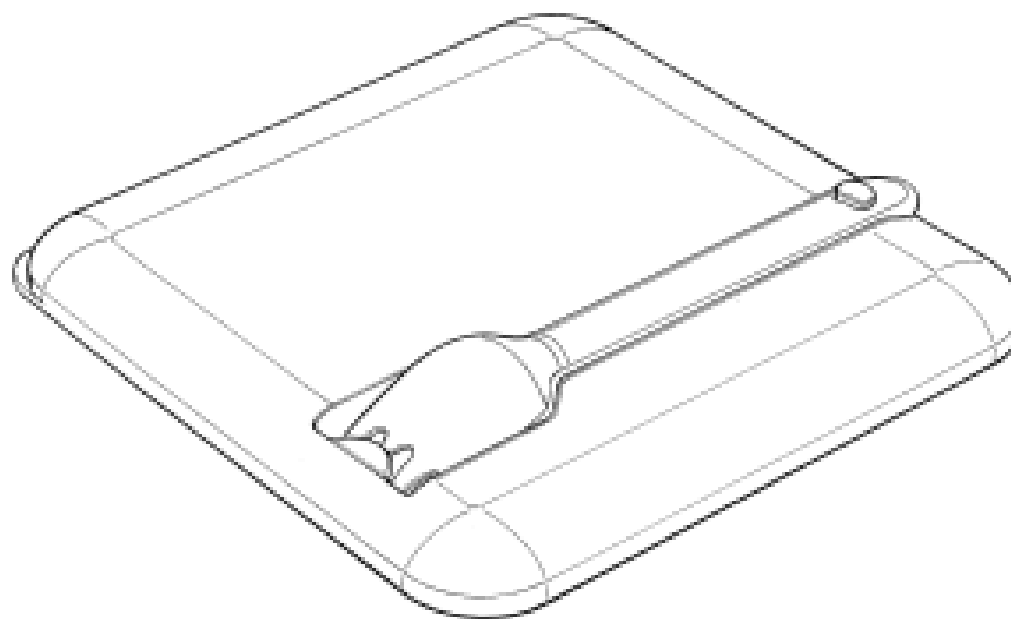
(57) Statement of Newness and Distinctiveness: **Nil**



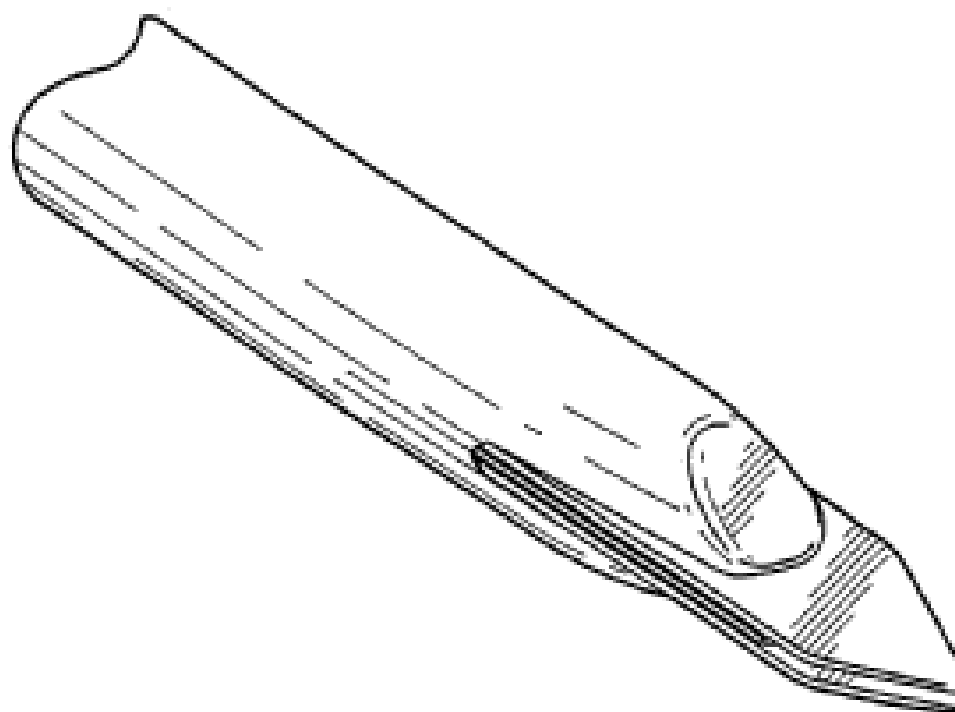
- (21) Design Number: **15885/2004**
(22) Date of Filing Application: **20 December 2004**
(24) Date from which industrial property rights may have effect: **20 December 2004**
(54) Product in respect of which the design is registered: **Lid with fork**
(51) International Design Classification: **07-03, 07-01NES**
(71) Name(s) and Address(s) of Applicant(s):
The Decor Corporation Pty Ltd
1314 Ferntree Gully Road Scoresby Victoria 3179 Australia
(72) Name(s) of Designer(s): **Jim Samartgis**
(45) Registration Date: **27 July 2005**
(56) Related Art Documents: **Not Applicable**
(57) Statement of Newness and Distinctiveness: **Nil**



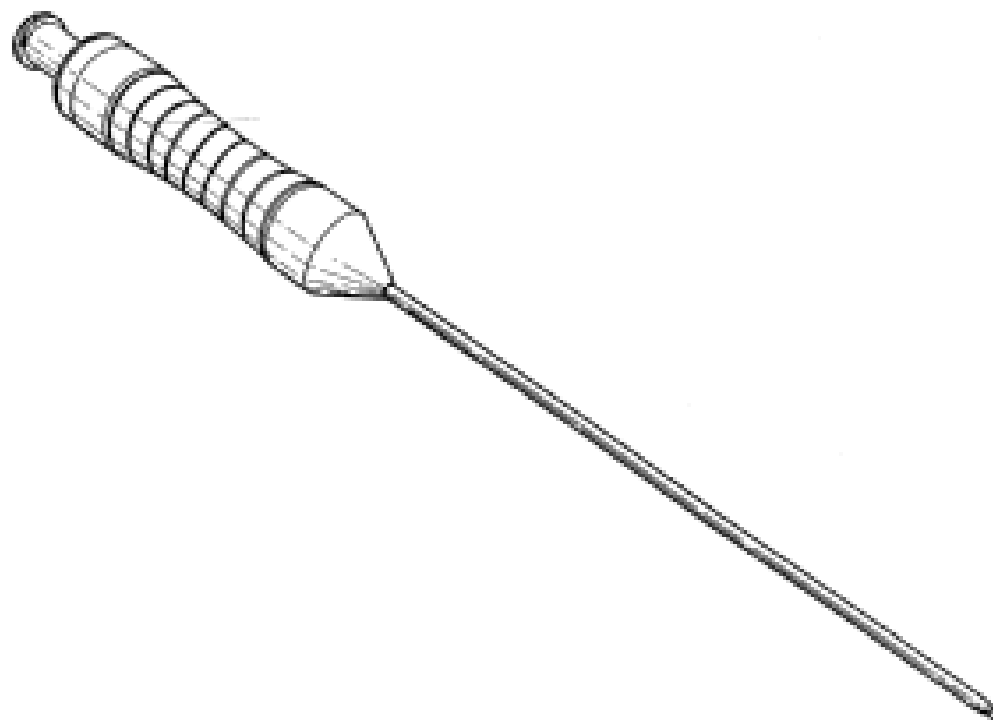
- (21) Design Number: **15886/2004**
(22) Date of Filing Application: **20 December 2004**
(24) Date from which industrial property rights may have effect: **20 December 2004**
(54) Product in respect of which the design is registered: **Lid with fork**
(51) International Design Classification: **07-01NES, 07-03**
(71) Name(s) and Address(s) of Applicant(s):
The Decor Corporation Pty Ltd
1314 Ferntree Gully Road Scoresby Victoria 3179 Australia
(72) Name(s) of Designer(s): **Jim Samartgis**
(45) Registration Date: **27 July 2005**
(56) Related Art Documents: **Not Applicable**
(57) Statement of Newness and Distinctiveness: **Nil**



(21) Design Number: **10088/2005**
(22) Date of Filing Application: **12 January 2005**
(24) Date from which industrial property rights may have effect: **12 January 2005**
(54) Product in respect of which the design is registered: **Insufflation needle**
(51) International Design Classification: **24-02**
(71) Name(s) and Address(s) of Applicant(s):
Erbilan Surgical Inc.
36 Sandrick Road Belmont MA 02478 United States of America
(72) Name(s) of Designer(s): **Ernesto E. Blanco and Gilbert B. Wilshire**
(45) Registration Date: **27 July 2005**
(30) Convention priority data:
(31) Number (32) Date (33) Country
29/209026 12 Jul 2004 UNITED STATES OF AMERICA
(56) Related Art Documents: **Not Applicable**
(57) Statement of Newness and Distinctiveness: **When determining whether the design 1 or design 3 is substantially similar in overall impression to another design, in the case of design 1 it should be noted that the needle body is of indefinite length, and in the case of design 3 no regard should be had to those features shown in dotted (phantom) outline in the accompanying representations.**



(21) Design Number: **10089/2005**
(22) Date of Filing Application: **12 January 2005**
(24) Date from which industrial property rights may have effect: **12 January 2005**
(54) Product in respect of which the design is registered: **Insufflation needle assembly**
(51) International Design Classification: **24-02**
(71) Name(s) and Address(s) of Applicant(s):
Erbilan Surgical Inc.
36 Sandrick Road Belmont MA 02478 United States of America
(72) Name(s) of Designer(s): **Ernesto E. Blanco and Gilbert B. Wilshire**
(45) Registration Date: **27 July 2005**
(30) Convention priority data:
(31) Number (32) Date (33) Country
29/209026 12 Jul 2004 UNITED STATES OF AMERICA
(56) Related Art Documents: **Not Applicable**
(57) Statement of Newness and Distinctiveness: **Nil**



(19) AU

(21) Design Number: **10090/2005**

(22) Date of Filing Application: **12 January 2005**

(24) Date from which industrial property rights may have effect: **12 January 2005**

(54) Product in respect of which the design is registered: **Insufflation needle assembly**

(51) International Design Classification: **24-02**

(71) Name(s) and Address(s) of Applicant(s):

Erblan Surgical Inc.

36 Sandrick Road Belmont MA 02478 United States of America

(72) Name(s) of Designer(s): **Ernesto E. Blanco and Gilbert B. Wilshire**

(45) Registration Date: **27 July 2005**

(30) Convention priority data:

(31) Number
29/209026

(32) Date
12 Jul 2004

(33) Country
UNITED STATES OF AMERICA

(56) Related Art Documents: **Not Applicable**

(57) Statement of Newness and Distinctiveness: **When determining whether the design 1 or design 3 is substantially similar in overall impression to another design, in the case of design 1 it should be noted that the needle body is of indefinite length, and in the case of design 3 no regard should be had to those features shown in dotted (phantom) outline in the accompanying representations.**

