

**Australian Government**

**IP Australia**

# **AUSTRALIAN OFFICIAL JOURNAL**

**OF**

# **DESIGNS**

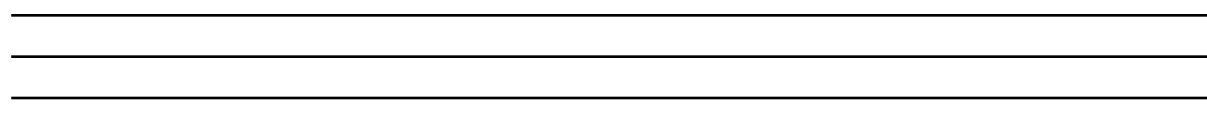
Did you know a searchable version of this journal is now available online?

It's FREE and EASY to SEARCH.

Find it at

<http://pericles.ipaustralia.gov.au/ols/epublish/content/olsEpublications.jsp>

or using the "Online Journals" link on the IP Australia home page.



This Page Left Intentionally Blank

## Contents

### General Information & Notices

#### Proceedings Under the Designs Act 1906 preserved as a result of the provisions of Chapter 12 Part 2 of the Designs Act 2003

Application for Extension of Period of Registration .....	2052
Applications for Extension of Time .....	2054
Applications Assigned .....	2054
Applications Lapsed .....	2051
Extension of Period of Registration of Designs .....	2053
Extensions of Time Granted .....	2054
Names Registered - Alterations and Amendments .....	2055
Registration Proceedings	
Registration Number Range 158181 to 158248 .....	2056
Registrations Ceased .....	2054
Subsequent Owners Registered .....	2055

#### Proceedings Under the Designs Act 2003

Applications Assigned .....	2104
Applications Lapsed .....	2102
Applications Lodged .....	2095
Applications Withdrawn .....	2102
Certificate of Examination .....	2106
Corrigenda .....	2105
Extension of Time Granted Under Section 137 .....	
Publication and Registration Proceedings	
Designs Registered 302563 to 302746 .....	2107

This Page Left Intentionally Blank

# General Information

## EDITORIAL ENQUIRIES

All enquiries about official notices and general information in the Journal should be directed to IP Australia, ABN No 38 113 072 755, PO Box 200 Woden ACT 2606  
(Telephone 02 6283 2999)  
(Fax 02 6283 7999)  
(E-mail [assist@ipaustalia.gov.au](mailto:assist@ipaustalia.gov.au))

## CONTACT INFORMATION

Customer Support Centre  
Ph: 02 6283 2999 Fax: 02 6283 7999  
E-mail: [assist@ipaustalia.gov.au](mailto:assist@ipaustalia.gov.au)

Customers can contact the Customer Support Centre by telephone or by e-mail. Telephones are staffed between 9AM and 5 PM EST each working day.

Customers should contact the CUSTOMER SUPPORT CENTRE for information about:

- All Patent Matters including PCT and Innovation Patents.
- All Trade Mark Matters.
- All Design matters.

Professional Standards Board for Patent and Trade Mark Attorneys  
Ph: 02 6283 2345 Fax: 02 6285 1048

## ORDERING PATENT DOCUMENTS

When ordering copies of Australian patent specifications, or abstracts and abridgements notified as open to public inspection on or after 26 October 1978, or as accepted on or after 16 November 1978, the documents should be referred to by application numbers only, preceded by the letters AU-A or AU-B respectively.

## REQUESTS FOR INFORMATION UNDER SECTION 194 (C)

A request for information under Section 194 (C) of the Patents Act 1990 should be made in the approved form and be accompanied by the prescribed fee. The request should be as detailed as possible.

## INFORMATION FROM REGISTERS

All requests for information from the Registers of Patents, Trade Marks or Designs, should be made in writing and accompanied by the prescribed fee. The Registers are located in Canberra and may be examined free of charge.

## COUNTRY CODES

For a listing of country codes used by IP Australia please refer to the Official Journals dated 7 November 1996.

## ABBREVIATIONS IN JOURNAL

Standard abbreviations are used in the names of companies and firms. Enquiries concerning the precise name should be directed to the Customer Support Centre.

## FREEDOM OF INFORMATION ACT

### What does it do?

Gives you the right to obtain information held by Commonwealth Ministers, Departments and most statutory bodies (these bodies are called agencies under the Act).

Requires Commonwealth Government agencies to make available to members of the public:

- information about agencies, their functions and operations
- information about rules and practices which are used in making decisions which affect you.

Gives you a legal right to:

- see non exempt documents held by agencies, and
- appeal against a decision not to grant access to a document.

### What documents can you see?

The Act gives you the right to see documents lodged on or after 1 December 1977, or earlier if you need them to understand another document you have already.

Documents include files, reports, computer printouts, maps, plans, photographs, tape recordings, films or videotapes.

Documents which are available for purchase under the Patents Act 1990, the Trade Marks Act 1995 or the Designs Act 2003 are not available under the Freedom of Information Act (Section 12 refers).

### How do you apply?

Requests for access to documents must:

- Be in writing
- Provide sufficient information to enable identification of the documents requested
- Specify an address in Australia where notices can be sent and
- Be accompanied by the application fee (currently \$30.00) or specify an IP Australia account to which the charges will be posted.

Requests for documents should be addressed to IP Australia, PO Box 200 Woden, ACT 2606, or faxed to 02 6283 7999

## DECISIONS OF THE COMMISSIONER OF PATENTS AND REGISTRARS OF TRADE MARKS AND DESIGNS

- All decisions of the Commissioner and Registrars are available free of charge from AUSTLII's website [www.austlii.edu.au](http://www.austlii.edu.au).

Copies of all written Patent and Design decisions are available (except if they would not be available under the provisions of the Freedom of Information legislation, e.g. if they would effectively disclose matter from documents that are not open to public inspection) on request for a cost of \$AU 25. They are also available for inspection in indexed volume series, dating from 1 January 1987, in the Office library, Canberra.

Copies of Trade Mark decisions may be accessed via IP Australia's website [www.ipaustralia.gov.au](http://www.ipaustralia.gov.au).

- Copies of the taped record of Patent and Design hearings are available (with the same exception as above) on request.
- When a written decision is issued the fact of the decision plus a brief head note will be published in the Official Notices section of the next available Patents, Trade Marks or Designs Journal as appropriate.

## HEARINGS BEFORE THE COMMISSIONER OF PATENTS AND THE REGISTRARS OF TRADE MARKS AND DESIGNS

Hearings before the Commissioner of Patents and the Registrars of Trade Marks and Designs will be set down in Melbourne, Sydney, Adelaide, Perth and Brisbane during the periods indicated below.

### Patent Hearing Sessions 2005

Melbourne	9 - 11 May
Sydney	11 - 13 July
Adelaide	2 - 3 August
Perth	4 - 5 August
Brisbane	1 - 2 September

Note: *Ex parte* matters will have priority over matters for allocation of a hearing date in these sessions.

### Designs & Trade Mark Hearing Sessions 2005

Melbourne	14 - 18 February	1 <sup>st</sup> Floor 45 Clarence Street SYDNEY NSW 2000 Ph: 1300 65 10 10 Fax: (02) 9249 5807
Melbourne	6 - 10 June	
Melbourne	12 - 16 September	
Sydney	14 - 18 March	Victoria Level 6 565 Bourke Street MELBOURNE VIC 3000 Ph: 1300 65 10 10 Fax: (03) 9612 9807
Sydney	18 - 22 July	
Sydney	17 - 21 October	
Adelaide	15 - 16 August	Western Australia 2 <sup>nd</sup> Floor Eastpoint Plaza 233 Adelaide Terrace PERTH WA 6000 Ph: 1300 65 1010 Fax: (08) 9220 8907
Perth	18 - 19 August	
Brisbane	22 - 23 August	

Persons who desire matters to be set down for hearing in Melbourne, Sydney, Adelaide, Perth or Brisbane must give at least one month's notice of their intention to be heard. If such notice is not given, it may be that there would be insufficient time to allow for the execution of official procedures associated with the listing of hearings, and as a result, the matter involved might not be listed.

Subject to the convenience of this Office, hearings will be set down in Canberra at any time suitable to the parties.

#### LIST OF STATE OFFICES

**IP Australia State offices are located in the Australian Capitals at the addresses given below. Requests for information may be obtained by calling at, phoning or writing to these offices or IP Australia, Canberra.**

Australian Capital Territory  
Ground Floor  
Discovery House  
PHILLIP ACT 2606  
(PO Box 200, Woden ACT 2606)  
Ph: 1300 65 1010  
Fax: (02) 6283 7999

New South Wales

Queensland  
Level 1  
Reserve Bank Building  
102 Adelaide Street  
BRISBANE QLD 4000  
Ph: 1300 65 1010  
Fax: (07) 3007 1107

South Australia  
Level 10  
AMP Building  
1 King William Street  
ADELAIDE SA 5000  
Ph: 1300 65 1010  
Fax: (08) 8239 4507

Tasmania  
4th Floor  
AMP Building  
27 Elizabeth Street  
HOBART TAS 7000  
Ph: 1300 65 1010  
Fax: (03) 62356307

# “INID” NUMBERS in use on Australian Design Documents

“INID” is an acronym for “Internationally agreed Numbers for the Identification of Data”.

## **(10) Data concerning the registration/renewal**

- (11) Serial number of the registration and/or number of the design document
- (12) Plain language designation of the kind of published document
- (19) Identification, using the two-letter code according to WIPO Standard ST.3, of the authority publishing or registering the industrial design

## **(20) Data concerning the application**

- (21) Serial number of the application
- (22) Date of filing of the application
- (24) Date from which the industrial design right has effect

## **(30) Data relating to priority under the Paris Convention**

- (31) Serial number assigned to the priority application
- (32) Date of filing of the priority application
- (33) Two-letter code, according to WIPO Standard ST.3, identifying the authority with which the priority application was made

## **(40) Date(s) of making information available to the public**

- (45) Date of publication of the registered industrial design by printing or similar process, or making it available to the public by any other means

## **(50) Miscellaneous Information**

- (51) International Classification for Industrial Designs (class and subclass of the Locarno Classification)
- (54) Designation of article(s) or product(s) covered by the industrial design or title of the industrial design
- (55) Reproduction of the industrial design (e.g., drawing, photograph) and explanations relating to the reproduction
- (56) List of prior art documents, if separate from descriptive text
- (57) Description of characteristic features of the industrial design including indication of colours

## **(60) References to other legally related application(s) and registration(s)**

- (62) Serial number(s) and, if available, filing date(s) of application(s), registration(s) or document(s) related by division
- (66) Serial number(s) of the application, or the registration, of the design(s) which is (are) a variant(s) of the present one

## **(70) Identification of parties concerned with the application or registration**

- (71) Name(s) and address(es) of the applicant(s)
- (72) Name(s) of the creator(s) if known to be such
- (74) Name(s) and address(es) of the representative(s)

This Page Left Intentionally Blank



OFFICIAL NOTICE**Designs Act 2003  
Converted Designs**

The following transitional applications have been converted to an application under the Designs Act 2003:

<b>2003 Act Design Number</b>	<b>1906 Act Application Number</b>
13258/2005	0029/2004

For more recent notifications of converted applications, please see the Australian Designs Data Searching system.

This Page Left Intentionally Blank

**Proceedings under the Designs Act 1906 preserved as a result of the provisions of Chapter 12 Part 2 of the Designs Act 2003.**

This Page Left Intentionally Blank

**Applications Lapsed**

04163 / 2003 (21-02D)	04164 / 2003 (21-02D)
04263 / 2003 (12-06A)	04356 / 2003 (08-01)
04357 / 2003 (02-02NES)	04369 / 2003 (07-07A)
04371 / 2003 (05-05A)	04377 / 2003 (21-02D)
04378 / 2003 (21-02D)	04386 / 2003 (06-06G)
04404 / 2003 (06-04NES)	04415 / 2003 (09-09)
04416 / 2003 (09-09)	04420 / 2003 (12-16B)
04425 / 2003 (19-02)	04429 / 2003 (02-07A)
04430 / 2003 (12-16NES)	04431 / 2003 (06-03A)
04432 / 2003 (06-03A)	04435 / 2003 (11-02B)
04436 / 2003 (11-02B)	04456 / 2003 (07-04)
04477 / 2003 (06-01B)	04515 / 2003 (12-16A)
04516 / 2003 (12-16A)	04517 / 2003 (12-16A)
01026 / 2004 (25-02NES)	

**Application for Extension of Period of Registration**

Applications under Section 27A(2) for extension of registration of the following designs have been lodged. In the event that a design is shown to be not new or original, the Registrar may refuse to extend the period of registration. Sub-section 27A(4) allows any person to lodge at the Designs Office material relevant to the question whether the design is not new or original. That material must be lodged within 11 months of the date when the registration of the design was made. Further details of the conditions and procedures for the lodgement of material are contained in Form 8 provided under the Designs Regulation 24.

Registration Number	Registered Owner	Registration Date
155250	CHARLES HORACE MCMAHON	22/04/2004
155811	MARK WILLIAM BURRILL	01/07/2004
155812	MARK WILLIAM BURRILL	01/07/2004
155815	MARK WILLIAM BURRILL	01/07/2004
156009	JOHN VELLA	27/07/2004
156010	JOHN VELLA	27/07/2004
156011	JOHN VELLA	27/07/2004
156012	JOHN VELLA	27/07/2004
156021	DOUGLAS KERBY GODDARD	28/07/2004
156041	965207 ALBERTA LTD	30/07/2004
156043	MAREK SZYMANSKI	30/07/2004
156044	MAREK SZYMANSKI	30/07/2004
156057	SWAROVSKI AKTIENGESELLSCHAFT	30/07/2004
156065	TRISTAR HOUSEWARE AUSTRALIA PTY LTD	03/08/2004
156102	JAY VETO	09/08/2004
156109	ALIQANTUM PTY LTD	09/08/2004
156110	ALIQANTUM PTY LTD	09/08/2004
156118	LANCE MALCOLM VATER	09/08/2004
156119	LANCE MALCOLM VATER	09/08/2004
156120	LANCE MALCOLM VATER	09/08/2004
156146	BERNHARD WILMES	11/08/2004
156167	ROBERT BOSCH G.M.B.H	13/08/2004
156177	COLEBROOK BOSSON SAUNDERS PRODUCTS LTD	13/08/2004
156178	RUTH ELIZABETH MOORE	13/08/2004
156188	TRISTAR HOUSEWARE AUSTRALIA PTY LTD	13/08/2004
156189	TRISTAR HOUSEWARE AUSTRALIA PTY LTD	13/08/2004
156197	JOHN IBRAHIM	13/08/2004
156206	TRISTAR HOUSEWARE AUSTRALIA PTY LTD	16/08/2004

Registration Number	Registered Owner	Registration Date
156217	MARC PHILIPP VEENENDAAL	16/08/2004
156228	HASSAN ALI and NISHAN ALI	20/08/2004
156234	MARC PHILIPP VEENENDAAL	20/08/2004
156235	MARC PHILIPP VEENENDAAL	20/08/2004
156273	RECKITT BENCKISER (UK) LIMITED	24/08/2004
156282	JANNE HEMI and RICK HEMI	26/08/2004
156304	ANTHONY JOHN COLE	31/08/2004
156305	ANTHONY JOHN COLE	31/08/2004
156352	MULTIGATE MEDICAL PRODUCTS PTY LIMITED	06/09/2004
156381	LG ELECTRONICS INC.	08/09/2004
156382	LG ELECTRONICS INC.	08/09/2004
156402	LG ELECTRONICS INC.	10/09/2004
156412	SONY KABUSHIKI KAISHA	10/09/2004
156421	WESTMIX PTY LTD	20/09/2004
156437	AGIO SHIAN INTERNATIONAL (AUST) PTY LTD	20/09/2004
156438	AGIO SHIAN INTERNATIONAL (AUST) PTY LTD	20/09/2004
156447	JOHN HAROLD WEBBER	21/09/2004
156448	TORBEN LUND NIELSEN	21/09/2004
156449	MORRISON INTERNATIONAL PTY LTD	21/09/2004
156451	DENNIS RAYMOND GRUBB	21/09/2004
156456	ARISTOCRAT TECHNOLOGIES PTY LTD	21/09/2004
156458	PONY INTERNATIONAL LLC	21/09/2004
156461	IGT	22/09/2004
156466	JOHN VELLA	22/09/2004
156580	NETTEX AUSTRALIA PTY LIMITED	05/10/2004
156607	CARLOS J. ARROYO	08/10/2004
156609	BURROWS GOLF INC.	08/10/2004
156708	KOHLER CO.	20/10/2004
156741	KRAFT FOODS HOLDINGS INC.	22/10/2004
156768	TEBCO PTY LIMITED	25/10/2004
157313	NOVAR ED&S LIMITED	19/01/2005
157666	LLOYD HARVEY WILLIAMS and KAYE ADELLE WILLIAMS	02/03/2005
157947	STEELCASE DEVELOPMENT CORPORATION	19/04/2005
157987	SHINE (AUSTRALIA) INTERNATIONAL PTY LTD	25/05/2005

Registration Number	Registered Owner	Registration Date			
157994	HOLDEN LTD	26/05/2005	156026	156027	156028
157997	DAVID MARK STEELE	26/05/2005	156029	156030	156040
157998	DAVID MARK STEELE	26/05/2005	156041	156042	156043
157999	DAVID MARK STEELE	26/05/2005	156044	156045	156046
158000	DAVID MARK STEELE	26/05/2005	156047	156048	156049
158001	DAVID MARK STEELE	26/05/2005	156050	156052	156053
158007	HOLDEN LTD	26/05/2005	156054	156055	156056
158008	HOLDEN LTD	26/05/2005	156058	156059	156060
158015	HOLDEN LTD	26/05/2005	156061	156062	156063
158017	HOLDEN LTD	26/05/2005	156064	156065	156067
158081	SAYWELL GROUP PTY LTD	07/06/2005	156068	156070	156071
158150	BRAUN G.M.B.H	22/07/2005	156072	156073	156074
158154	TREVOR LINDSAY LIMITED	25/07/2005	156075	156076	156077
158156	FELTONMIX LIMITED	25/07/2005	156078	156079	156080
158158	SUNBEAM CORPORATION LIMITED	25/07/2005	156081	156082	156083
158159	SUNBEAM CORPORATION LIMITED	25/07/2005	156084	156086	156087
158162	DAIMLERCHRYSLER AG	25/07/2005	156088	156089	156090
158173	ORT JOINT-STOCK COMPANY	26/07/2005	156091	156092	156093
158176	UNILEVER PLC	26/07/2005	156094	156095	156096
158177	H.M. COWDROY PTY LIMITED	26/07/2005	156102	156103	156104
158195	JEFFREY IAN HORNBY and IAN RAYMOND NASH	01/08/2005	156105	156106	156107
158205	PHILIP MORRIS PRODUCTS S.A.	01/08/2005	156109	156110	156111
158206	PHILIP MORRIS PRODUCTS S.A.	01/08/2005	156112	156113	156114
158207	PHILIP MORRIS PRODUCTS S.A.	01/08/2005	156116	156117	156118
158208	PHILIP MORRIS PRODUCTS S.A.	01/08/2005	156119	156120	156121
158224	DAIMLERCHRYSLER AG	01/08/2005	156122	156123	156124
158225	DAIMLERCHRYSLER AG	01/08/2005	156125	156126	156127
158226	DAIMLERCHRYSLER A.G.	01/08/2005	156128	156129	156130
158228	THE GILLETTE COMPANY	03/08/2005	156131	156132	156133
158230	FMC KONGSBERG SUBSEA AS	03/08/2005	156134	156135	156136
158237	BRITISH SKY BROADCASTING LTD	03/08/2005	156137	156138	156139
158245	THE GILLETTE COMPANY	03/08/2005	156140	156142	156143
			156144	156145	156146
			156147	156148	156149
			156150	156151	156152
			156153	156154	156155
			156156	156158	156159
			156160	156330	156522
			156739		
			<b>2nd Period (Section 27A(12))</b>		
			136559	137099	138316
			138590	138930	139399
			139402	139870	139871
			139881	139882	139883
			139908	139910	139924
			139930	139938	139954
			139955	139956	139970
			140099	140109	140195
			140224	140253	140278
			140280	140299	140317
			140318	140336	140375
			140379	140414	140454
			140511	140614	140661
			140692	140695	140752
			140859	140895	141080
			141081	141083	141185
			141230	141269	
<b>Extension of Period of Registration of Designs</b>					
<b>1st Period (Section 27A(8))</b>					
155250	155811	155812			
155815	156009	156010			
156011	156012	156021			
156022	156023	156025			

141290	141291	141270
141293	141294	141292
141924	141925	141695
141960	141961	141946
141963	141964	141962
141966	141967	141965
142114	142403	141968
142541	142673	142423
142675	142695	142674
143006	143562	142862
146601		146600

**3rd Period (Section 27A(13))**

123003	123039	123040
123041	123077	123143
123163	123167	123168
123292	123372	123521
123522	123523	123607
123643	123732	123811
123848	123900	123913
125284	126639	127097
127265	127401	127973
129014	129436	129437
129438	129439	129440
129479	129480	129481
131755		

**Registrations Ceased**

Note: Some of the following Registrations may have been previously advertised as ceased. In this instance, the previous advertisement still prevails.

106753	106755	106761
106848	106849	107192
107382	107515	107634
107786	107787	107860
108439	110541	110757
119716	121011	121071
121091	121099	121181
121182	121184	121373
121494	121543	122237
122238	122632	122766
125609	125610	126262
127506	136596	136597
137060	137976	137978
138005	138012	138038
138039	138060	138061
138062	138063	138250
138251	138252	138253
138298	138343	138347
138413	138414	138419
138534	138536	138605
138859	139091	139164
139165	139453	139524
139605	140490	140536
140537	140538	140720
140721	140741	140833

141162	141163	141164
141165	141766	142151
142275	142967	147015
155683	156004	156018
156019	156020	156031
156032	156033	156034
156035	156036	156037
156038	156039	156069

**Applications for Extension of time**

Applications for extension of time have been lodged. Objections must be lodged within 1 month from the date of this journal.

134214 **Butt-Out Australia Pty Ltd** Extension of time to extend a registration. Address for Service: Butt-Out Australia Pty Ltd 1/411 Collins Street MELBOURNE VIC 3001

140224 **Weld-Tech Engineering Products (International) Pty Ltd** Extension of time to extend a registration. Address for Service: Weld-Tech Engineering Products(International) Pty Ltd 41 Abbotsford Road HOMEBUSH NSW 2223

154324 **Stephen Wayne Royce** Extension of time to extend a registration. Address for Service: S.W. Royce 163 Sunny Hills Road GLEN HUON TAS 7109

04532/2003 **Billion Limited** Extension of time to register an application. Address for Service: .

04533/2003 **Billion Limited** Extension of time to register an application. Address for Service: .

04534/2003 **Billion Limited** Extension of time to register an application. Address for Service: .

04535/2003 **Billion Limited** Extension of time to register an application. Address for Service: .

154747 **Guido Conti-Nibaldi** Extension of time to extend a registration. Address for Service: G. Conti-Nibaldi 103 Mortimer Road CASUARINA WA 6167

**Extensions of time granted**

Applications lodged for extension of time have been granted.

136559 **Nokia Mobile Phones Ltd** An Extension of time to extend a registration has been granted to 18/05/2005

140224 **Weld-Tech Engineering Products (International) Pty Ltd** An Extension of time to extend a registration has been granted to 06/06/2005

137099 **Vishi Pty Ltd Trading as Master Engineering** An Extension of time to extend a registration has been granted to 16/05/2005

155250 **Charles Horace McMahon** An Extension of time to extend a registration has been granted to 26/05/2005

**Applications Assigned**

(The name in parentheses is that of the subsequent applicant)

01598/2004 ( **Coors Global Properties Inc.** ) Coors Worldwide Inc.



00606/2004 ( DePuy Mitek Inc. ) Surgical Solutions L.L.C.

### Subsequent Owners Registered

(The name in parentheses is that of the subsequent owner)

142190 ( **Nampak Products Limited** ) Metal Box South Africa Limited  
 142189 ( **Nampak Products Limited** ) Metal Box South Africa Limited  
 137725 ( **Nampak Products Limited** ) Metal Box South Africa Limited Trading as Megapak  
 137724 ( **Nampak Products Limited** ) Metal Box South Africa Limited Trading as Megapak  
 128386 ( **CIC Plastics Pty Ltd** ) Robert John Lee;Lorice Marion Lee  
 153247 ( **CIC Plastics Pty Ltd** ) Robert John Lee;Lorice Marion Lee  
 110707 ( **Tecoblock Pty Ltd** ) Antonio Mucci  
 131975 ( **Furitechnics Group Pty Ltd** ) Furitechnics Pty Ltd  
 144664 ( **Sandvik Intellectual Property HB** ) Sandvik Aktiebolag

### Names Registered - Alterations and Amendments

(The name in parentheses is the new name of the proprietor)

132492 ( **Area Lite S.R.L.** ) Ilmo Illuminazione di Lorato Danillo & C.S.A.S.  
 141942 ( **Sharon Ann Brickl** ) Sharon Ann King  
 144193 ( **Dixon (Asia Pacific) Pty Ltd** ) Dixon Minsup Pty Ltd  
 146574 ( **Dixon (Asia Pacific) Pty Ltd** ) Dixon Minsup Pty Ltd  
 146575 ( **Dixon (Asia Pacific) Pty Ltd** ) Dixon Minsup Pty Ltd  
 150349 ( **Dixon (Asia Pacific) Pty Ltd** ) Dixon Minsup Pty Ltd  
 152866 ( **Dixon (Asia Pacific) Pty Ltd** ) Dixon Minsup Pty Ltd

**Registration Proceedings**

**Designs Registered**

This section provides a concordance between application number and registration number of Designs covered in this journal. It also shows the main class and registration date.

This section covers Registration numbers 158181 to 158248.

The registration number shown below should be used in all future correspondence.

<b>Application Number</b>	<b>Registration Number</b>	<b>International Classification Code (IDC)</b>	<b>Registration Date</b>	<b>Application Number</b>	<b>Registration Number</b>	<b>International Classification Code (IDC)</b>	<b>Registration Date</b>
03588/2003	158211	10-05	01/08/2005	01796/2004	158207	09-03A	01/08/2005
03624/2003	158191	26-04	01/08/2005	01797/2004	158208	09-03A	01/08/2005
04159/2003	158181	23-01K	29/07/2005	01827/2004	158186	25-01D	29/07/2005
04307/2003	158193	09-07NES	01/08/2005	01836/2004	158187	09-03M	29/07/2005
04316/2003	158194	01-06	01/08/2005	01859/2004	158229	14-03A	03/08/2005
04381/2003	158192	23-03A	01/08/2005	01870/2004	158245	04-02	03/08/2005
04445/2003	158195	20-03NES	01/08/2005	01892/2004	158230	08-08D	03/08/2005
04483/2003	158196	09-03NES	01/08/2005	01918/2004	158231	19-08	03/08/2005
00313/2004	158236	21-02F	03/08/2005	01919/2004	158232	12-02	03/08/2005
00418/2004	158248	09-05	03/08/2005	02105/2004	158246	09-03M	03/08/2005
00441/2004	158237	14-03D	03/08/2005	02117/2004	158188	02-04B	29/07/2005
00551/2004	158227	08-07	03/08/2005	02118/2004	158189	02-04B	29/07/2005
00573/2004	158238	08-05N	03/08/2005	02119/2004	158190	02-04B	29/07/2005
00601/2004	158239	08-03	03/08/2005	02154/2004	158215	12-11	01/08/2005
00712/2004	158182	12-16C	29/07/2005	02164/2004	158209	14-02	01/08/2005
00713/2004	158183	12-08	29/07/2005	02165/2004	158210	14-02	01/08/2005
00714/2004	158184	12-16B	29/07/2005	02205/2004	158216	06-01D	01/08/2005
00763/2004	158212	12-08	01/08/2005	02251/2004	158247	08-05L	03/08/2005
00764/2004	158213	12-08	01/08/2005	02267/2004	158233	08-08B	03/08/2005
00881/2004	158240	09-01NES	03/08/2005	02321/2004	158200	25-01G	01/08/2005
01001/2004	158197	24-04	01/08/2005	02399/2004	158217	03-01NES	01/08/2005
01044/2004	158201	23-01B	01/08/2005	02400/2004	158218	03-01NES	01/08/2005
01183/2004	158241	13-03D	03/08/2005	02401/2004	158219	03-01NES	01/08/2005
01231/2004	158202	10-05	01/08/2005	02402/2004	158220	03-01NES	01/08/2005
01307/2004	158203	12-06NES	01/08/2005	02403/2004	158221	03-01NES	01/08/2005
01309/2004	158198	14-01	01/08/2005	02404/2004	158222	03-01NES	01/08/2005
01318/2004	158242	21-03	03/08/2005	02408/2004	158234	08-05NES	03/08/2005
01346/2004	158199	15-05	01/08/2005	02440/2004	158223	10-02	01/08/2005
01378/2004	158243	15-05	03/08/2005	02446/2004	158235	14-02	03/08/2005
01401/2004	158244	24-04	03/08/2005	02531/2004	158224	12-16NES	01/08/2005
01505/2004	158185	06-06E	29/07/2005	02532/2004	158225	12-16NES	01/08/2005
01607/2004	158228	28-03A	03/08/2005	02533/2004	158226	12-16NES	01/08/2005
01612/2004	158204	26-04	01/08/2005				
01705/2004	158214	25-01D	01/08/2005				
01794/2004	158205	09-03A	01/08/2005				
01795/2004	158206	09-03A	01/08/2005				

**Registration Proceedings**

**Class Listing of Designs Registered**

The following section shows an International Classification Code listing of the Registered Designs covered in this supplement.

<b>Classification</b>	<b>Registration Number</b>	<b>Application Number</b>	<b>Classification</b>	<b>Registration Number</b>	<b>Application Number</b>
01-06	158194	04316/2003	12-11	158215	02154/2004
02-04 B	158188	02117/2004	12-16 B	158184	00714/2004
02-04 B	158189	02118/2004	12-16 C	158182	00712/2004
02-04 B	158190	02119/2004	12-16 NES	158224	02531/2004
03-01 NES	158217	02399/2004	12-16 NES	158225	02532/2004
03-01 NES	158218	02400/2004	12-16 NES	158226	02533/2004
03-01 NES	158219	02401/2004	13-03 D	158241	01183/2004
03-01 NES	158220	02402/2004	14-01	158198	01309/2004
03-01 NES	158221	02403/2004	14-02	158209	02164/2004
03-01 NES	158222	02404/2004	14-02	158210	02165/2004
04-02	158245	01870/2004	14-02	158235	02446/2004
06-01 D	158216	02205/2004	14-03 A	158229	01859/2004
06-06 E	158185	01505/2004	14-03 D	158237	00441/2004
08-03	158239	00601/2004	15-05	158199	01346/2004
08-05 L	158247	02251/2004	15-05	158243	01378/2004
08-05 N	158238	00573/2004	19-08	158231	01918/2004
08-05 NES	158234	02408/2004	20-03 C	158195	04445/2003
08-07	158227	00551/2004	20-03 NES	158195	04445/2003
08-08 B	158233	02267/2004	21-02 F	158236	00313/2004
08-08 D	158230	01892/2004	21-03	158242	01318/2004
09-01 NES	158240	00881/2004	23-01 A	158230	01892/2004
09-03 A	158205	01794/2004	23-01 B	158201	01044/2004
09-03 A	158206	01795/2004	23-01 K	158181	04159/2003
09-03 A	158207	01796/2004	23-03 A	158192	04381/2003
09-03 A	158208	01797/2004	24-04	158197	01001/2004
09-03 M	158187	01836/2004	24-04	158244	01401/2004
09-03 M	158246	02105/2004	25-01 D	158186	01827/2004
09-03 NES	158196	04483/2003	25-01 D	158214	01705/2004
09-05	158248	00418/2004	25-01 G	158200	02321/2004
09-07 NES	158193	04307/2003	25-02 C	158214	01705/2004
10-02	158223	02440/2004	26-04	158191	03624/2003
10-05	158202	01231/2004	26-04	158204	01612/2004
10-05	158211	03588/2003	28-03 A	158228	01607/2004
12-02	158232	01919/2004	30-99	158191	03624/2003
12-06 NES	158203	01307/2004			
12-08	158183	00713/2004			
12-08	158212	00763/2004			
12-08	158213	00764/2004			

(21) Application Number: **4159/2003**  
(22) Date of Filing Application: **25 November 2003**  
(24) Date from which industrial property rights may have effect: **25 November 2003**  
(54) Article in respect of which the design is registered: **Fluid flow control apparatus**  
(51) International Design Classification: **23-01K**  
(74) Name(s) of Attorney(s): **Davies Collison Cave**  
(71) Name(s) and Address(s) of Applicant(s):  
**Nicolas Karamouzis**  
**3 Railway Street Northcote Victoria 3070 Australia**  
**Jimmy Maragos**  
**18 Dorset Road North Dandenong Victoria 3175 Australia**  
(72) Name(s) of Author(s): **Nicolas Karamouzis and Jimmy Maragos**  
(45) Registration Date: **29 July 2005**  
(56) Related Art Documents: **Not Applicable**  
(57) Statement of Monopoly: **Monopoly is claimed in the features of shape and configuration of the fluid flow control apparatus as shown in the representations.**  
Statement of Novelty: **Nil**



(21) Application Number: **0712/2004**  
(22) Date of Filing Application: **25 February 2004**  
(24) Date from which industrial property rights may have effect: **25 February 2004**  
(54) Article in respect of which the design is registered: **Vehicle roll bar**  
(51) International Design Classification: **12-16C**  
(74) Name(s) of Attorney(s): **PHILLIPS ORMONDE & FITZPATRICK**  
(71) Name(s) and Address(s) of Applicant(s):  
**Holden Ltd**  
**241 Salmon Street Port Melbourne Victoria 3207 Australia**  
(72) Name(s) of Author(s): **Jeffrey Haggarty**  
(45) Registration Date: **29 July 2005**  
(56) Related Art Documents: **Not Applicable**  
(57) Statement of Monopoly: **Monopoly is claimed in the shape or configuration of vehicle roll bar as shown in the representations.**  
Statement of Novelty: **Nil**



(21) Application Number: **0713/2004**  
(22) Date of Filing Application: **25 February 2004**  
(24) Date from which industrial property rights may have effect: **25 February 2004**  
(54) Article in respect of which the design is registered: **A vehicle**  
(51) International Design Classification: **12-08**  
(74) Name(s) of Attorney(s): **PHILLIPS ORMONDE & FITZPATRICK**  
(71) Name(s) and Address(s) of Applicant(s):  
**Holden Ltd**  
**241 Salmon Street Port Melbourne Victoria 3207 Australia**  
(72) Name(s) of Author(s): **Jeffrey Haggarty**  
(45) Registration Date: **29 July 2005**  
(56) Related Art Documents: **Not Applicable**  
(57) Statement of Monopoly: **Monopoly is claimed in the shape or configuration of the rear section of a vehicle as shown in blue in the representations.**  
Statement of Novelty: **Nil**



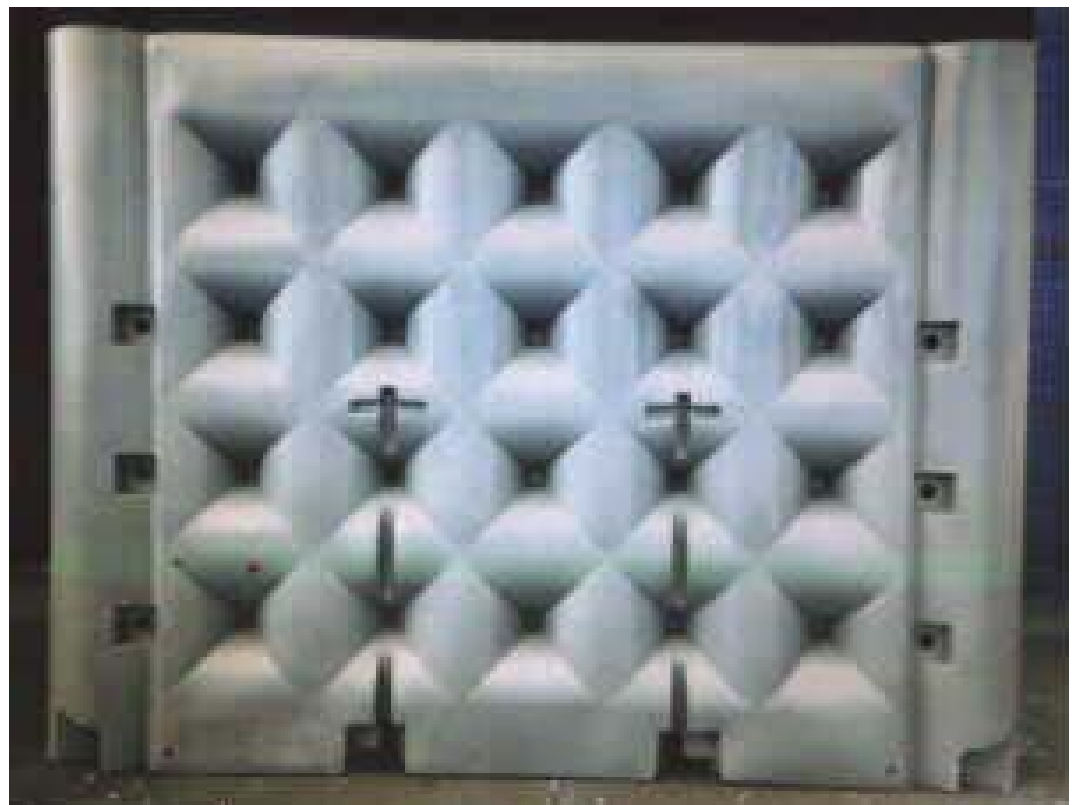
(21) Application Number: **0714/2004**  
(22) Date of Filing Application: **25 February 2004**  
(24) Date from which industrial property rights may have effect: **25 February 2004**  
(54) Article in respect of which the design is registered: **Vehicle rear fascia**  
(51) International Design Classification: **12-16B**  
(74) Name(s) of Attorney(s): **PHILLIPS ORMONDE & FITZPATRICK**  
(71) Name(s) and Address(s) of Applicant(s):  
**Holden Ltd**  
**241 Salmon Street Port Melbourne Victoria 3207 Australia**  
(72) Name(s) of Author(s): **Jeffrey Haggarty**  
(45) Registration Date: **29 July 2005**  
(56) Related Art Documents: **Not Applicable**  
(57) Statement of Monopoly: **Monopoly is claimed in the shape or configuration of vehicle rear fascia as shown in the representations.**  
Statement of Novelty: **Nil**



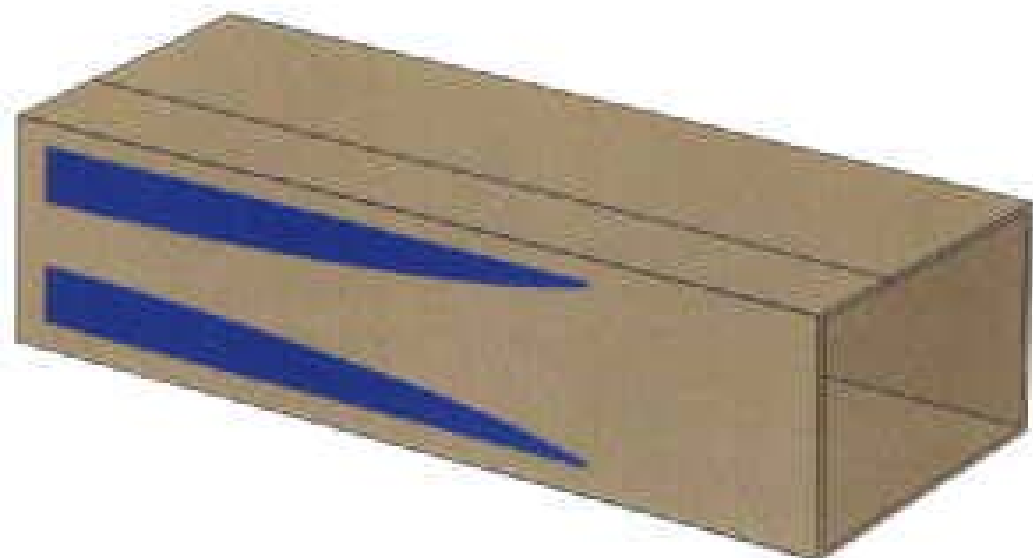
- (21) Application Number: **1505/2004**  
(22) Date of Filing Application: **22 April 2004**  
(24) Date from which industrial property rights may have effect: **22 April 2004**  
(54) Article in respect of which the design is registered: **A furniture frame**  
(51) International Design Classification: **06-06E**  
(71) Name(s) and Address(s) of Applicant(s):  
**Stephen Paul Beckenham**  
**10 Charkate Close Boambee East New South Wales 2452 Australia**  
**Betty Margaret Beckenham**  
**10 Charkate Close Boambee East New South Wales 2452 Australia**  
(72) Name(s) of Author(s): **Stephen Paul Beckenham and Betty Margaret Beckenham**  
(45) Registration Date: **29 July 2005**  
(56) Related Art Documents: **Not Applicable**  
(57) Statement of Monopoly: **Monopoly is claimed in the features of shape, configuration and ornamentation of the furniture frame, as shown in the representations.**  
Statement of Novelty: **Nil**



- (21) Application Number: **1827/2004**  
(22) Date of Filing Application: **14 May 2004**  
(24) Date from which industrial property rights may have effect: **14 May 2004**  
(54) Article in respect of which the design is registered: **A panel**  
(51) International Design Classification: **25-01D**  
(74) Name(s) of Attorney(s): **PHILLIPS ORMONDE & FITZPATRICK**  
(71) Name(s) and Address(s) of Applicant(s):  
**Waterwall Solutions Pty Ltd**  
**Factory 14 155 Hyde Street Yarraville Victoria 3013 Australia**  
(72) Name(s) of Author(s): **Gail Davidson and Mitchell More O'Sullivan**  
(45) Registration Date: **29 July 2005**  
(61) Additional to: **158170**  
(56) Related Art Documents: **Not Applicable**  
(57) Statement of Monopoly: **Monopoly is claimed in the shape and/or configuration of a panel as shown in the representations.**  
Statement of Novelty: **Nil**



(21) Application Number: **1836/2004**  
(22) Date of Filing Application: **14 May 2004**  
(24) Date from which industrial property rights may have effect: **14 May 2004**  
(54) Article in respect of which the design is registered: **Package**  
(51) International Design Classification: **09-03M**  
(74) Name(s) of Attorney(s): **SPRUSON & FERGUSON**  
(71) Name(s) and Address(s) of Applicant(s):  
**Matsushita Electric Industrial Co. Ltd**  
**1006 Oaza Kadoma Kadoma-shi Osaka 571-8501 Japan**  
(72) Name(s) of Author(s): **Shinsuke Hamuro and Kunio Hoshino**  
(45) Registration Date: **29 July 2005**  
(30) Convention priority data:  
(31) Number           (32) Date           (33) Country  
**2003-034210       17 Nov 2003       JAPAN**



(61) Additional to: **156564**  
(56) Related Art Documents: **Not Applicable**  
(57) Statement of Monopoly: **Monopoly is claimed in the features of pattern and/or ornamentation of a package as illustrated in the accompanying representations.**  
Statement of Novelty: **Novelty and/or originality resides in the pattern and/or ornamentation created by the combination of colours, and the tonal contrast of the colours, applied to a package as shown in the representations.**

(21) Application Number: **2117/2004**  
(22) Date of Filing Application: **02 June 2004**  
(24) Date from which industrial property rights may have effect: **02 June 2004**  
(54) Article in respect of which the design is registered: **A footwear sole**  
(51) International Design Classification: **02-04B**  
(74) Name(s) of Attorney(s): **PHILLIPS ORMONDE & FITZPATRICK**  
(71) Name(s) and Address(s) of Applicant(s):  
**O & S Holdings (Vic) Pty Ltd**  
**Cnr Prest & Humffray Streets Ballarat Victoria 3350 Australia**  
(72) Name(s) of Author(s): **Andrew Oliver**  
(45) Registration Date: **29 July 2005**  
(56) Related Art Documents: **Not Applicable**  
(57) Statement of Monopoly: **Monopoly is claimed in the shape and/or configuration of a footwear sole as shown in the representations.**  
Statement of Novelty: **Nil**



(21) Application Number: **2118/2004**  
(22) Date of Filing Application: **02 June 2004**  
(24) Date from which industrial property rights may have effect: **02 June 2004**  
(54) Article in respect of which the design is registered: **A footwear sole**  
(51) International Design Classification: **02-04B**  
(74) Name(s) of Attorney(s): **PHILLIPS ORMONDE & FITZPATRICK**  
(71) Name(s) and Address(s) of Applicant(s):  
**O & S Holdings (Vic) Pty Ltd**  
**Cnr Prest & Humffray Streets Ballarat Victoria 3350 Australia**  
(72) Name(s) of Author(s): **Andrew Oliver**  
(45) Registration Date: **29 July 2005**  
(56) Related Art Documents: **Not Applicable**  
(57) Statement of Monopoly: **Monopoly is claimed in the shape and/or configuration of a footwear sole as shown in the representations.**  
Statement of Novelty: **Nil**

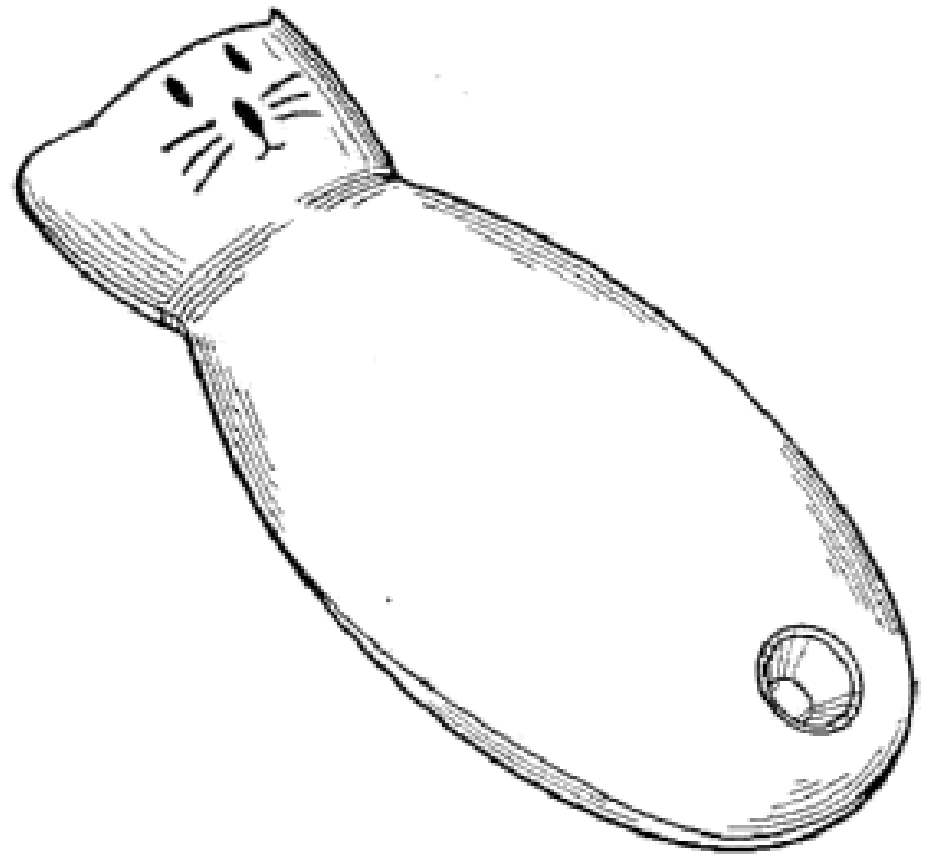


(21) Application Number: **2119/2004**  
(22) Date of Filing Application: **02 June 2004**  
(24) Date from which industrial property rights may have effect: **02 June 2004**  
(54) Article in respect of which the design is registered: **A footwear sole**  
(51) International Design Classification: **02-04B**  
(74) Name(s) of Attorney(s): **PHILLIPS ORMONDE & FITZPATRICK**  
(71) Name(s) and Address(s) of Applicant(s):  
**O & S Holdings (Vic) Pty Ltd**  
**Cnr Prest & Humffray Streets Ballarat Victoria 3350 Australia**  
(72) Name(s) of Author(s): **Andrew Oliver**  
(45) Registration Date: **29 July 2005**  
(61) Additional to: **152663**  
(56) Related Art Documents: **Not Applicable**  
(57) Statement of Monopoly: **Monopoly is claimed in the shape and/or configuration of a footwear sole as shown in the representations.**  
Statement of Novelty: **Nil**

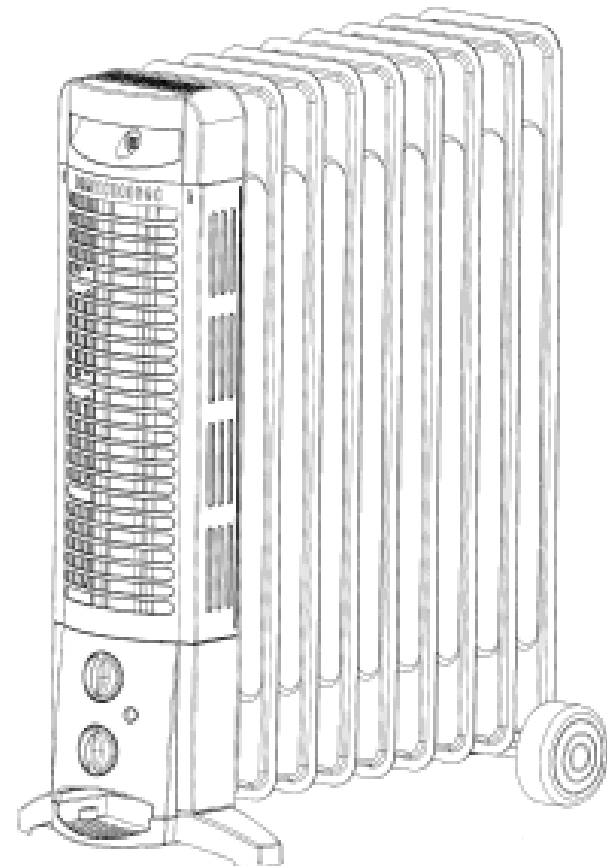




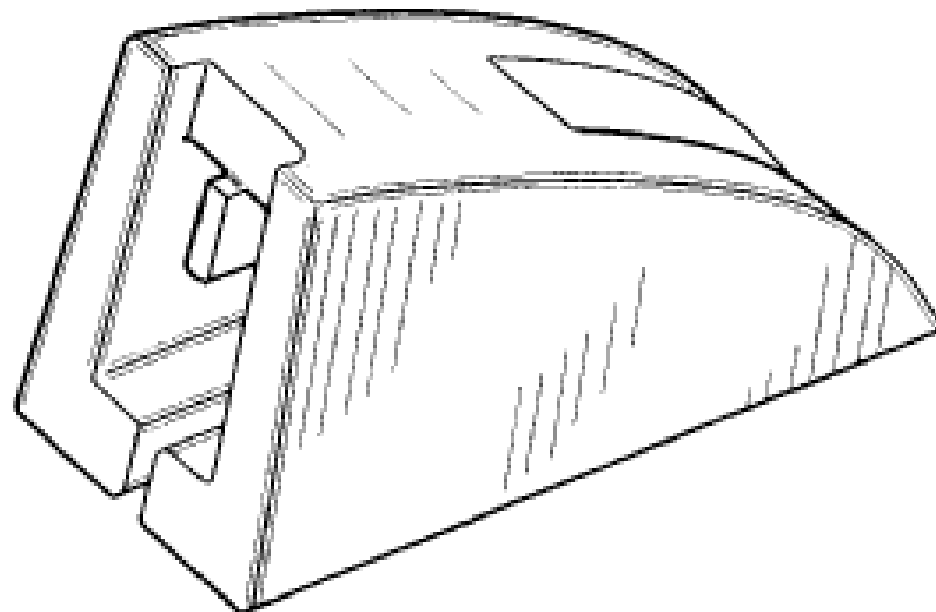
- (21) Application Number: **3624/2003**  
(22) Date of Filing Application: **17 October 2003**  
(24) Date from which industrial property rights may have effect: **17 October 2003**  
(54) Article in respect of which the design is registered: **Fun light**  
(51) International Design Classification: **26-04, 30-99**  
(74) Name(s) of Attorney(s): **Baker & McKenzie**  
(71) Name(s) and Address(s) of Applicant(s):  
**Effem Foods Pty Ltd**  
**Kelly Street Wodonga Victoria 3690 Australia**  
(72) Name(s) of Author(s): **Grant Taylor**  
(45) Registration Date: **01 August 2005**  
(56) Related Art Documents: **Not Applicable**  
(57) Statement of Monopoly: **Monopoly is claimed in the shape and configuration of the article as depicted in the accompanying representations.**  
Statement of Novelty: **Nil**



- (21) Application Number: **4381/2003**  
(22) Date of Filing Application: **09 December 2003**  
(24) Date from which industrial property rights may have effect: **09 December 2003**  
(54) Article in respect of which the design is registered: **Mobile electrical oil radiator**  
(51) International Design Classification: **23-03A**  
(74) Name(s) of Attorney(s): **P.M.O. Patent Attorneys**  
(71) Name(s) and Address(s) of Applicant(s):  
**Zass Ev Aletleri Sanayi ve Ticaret A.S.**  
**Yepilbay r Ziya Ayd n Caddesi No: 9 34555 Had mk y-Istanbul Turkey**  
(72) Name(s) of Author(s): **Siyami Aydin**  
(45) Registration Date: **01 August 2005**  
(56) Related Art Documents: **Not Applicable**  
(57) Statement of Monopoly: **Monopoly is claimed in the shape or configuration of a mobile electrical oil radiator as shown in the accompanying representations. In considering the scope of the monopoly, the number of heat radiating vanes may be varied.**  
Statement of Novelty: **Novelty resides in the features of the perforated cover located on the front surface of the radiator.**



(21) Application Number: **4307/2003**  
 (22) Date of Filing Application: **04 December 2003**  
 (24) Date from which industrial property rights may have effect: **15 July 2002**  
 (54) Article in respect of which the design is registered: **Slider for reclosable plastic bags**  
 (51) International Design Classification: **09-07NES**  
 (74) Name(s) of Attorney(s): **Griffith Hack**  
 (71) Name(s) and Address(s) of Applicant(s):  
**International Consolidated Business Pty Ltd**  
**Level 9 51 Queen Street Melbourne Victoria 3000 Australia**  
 (72) Name(s) of Author(s): **Philip Craig Withers**  
 (45) Registration Date: **01 August 2005**  
 (62) Divisional of: **154065**  
 (56) Related Art Documents: **Not Applicable**  
 (57) Statement of Monopoly: **Monopoly is claimed in the shape and configuration of slider for reclosable plastic bag as shown in the attached representations.**  
 Statement of Novelty: **Nil**



(21) Application Number: **4316/2003**  
 (22) Date of Filing Application: **04 December 2003**  
 (24) Date from which industrial property rights may have effect: **04 December 2003**  
 (54) Article in respect of which the design is registered: **Set of birdseed feeders**  
 (51) International Design Classification: **01-06**  
 (74) Name(s) of Attorney(s): **Baker & McKenzie**  
 (71) Name(s) and Address(s) of Applicant(s):  
**Mars Incorporated**  
**6885 Elm Street McLean 22101-3883 Virginia United States of America**  
 (72) Name(s) of Author(s): **Tracy Rodger**  
 (45) Registration Date: **01 August 2005**  
 (30) Convention priority data:  
 (31) Number      (32) Date      (33) Country  
**95500-0001      22 Oct 2003      EUROPEAN COMMUNITY**  
 (56) Related Art Documents: **Not Applicable**  
 (57) Statement of Monopoly: **Monopoly is claimed in the shape and configuration of each of the members of the set of birdseed feeders as depicted in the accompanying representations.**  
 Statement of Novelty: **Nil**

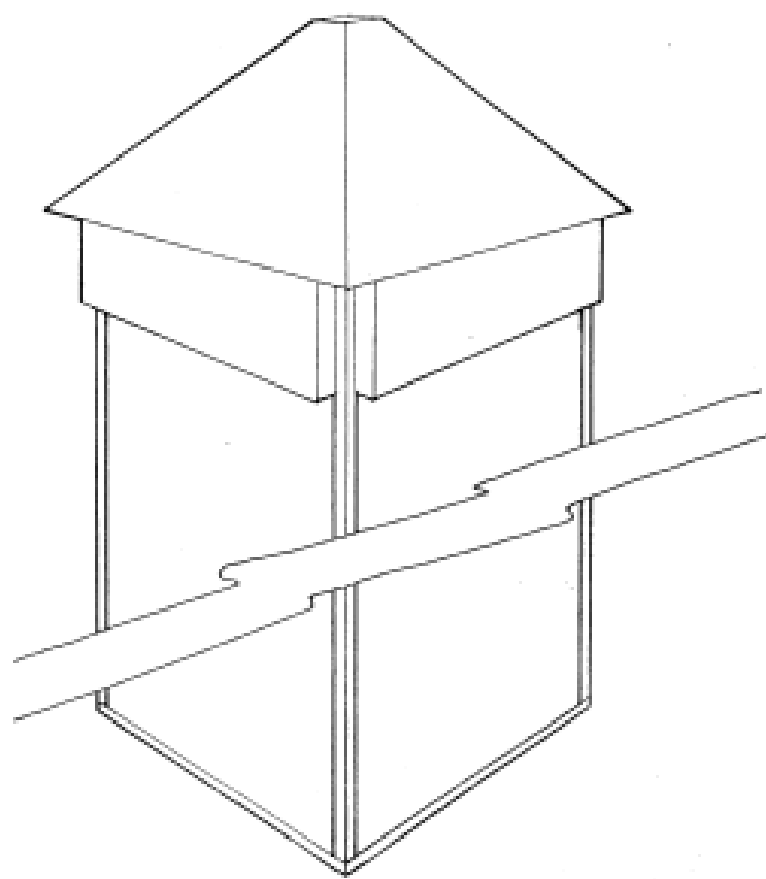


- (21) Application Number: **4445/2003**
- (22) Date of Filing Application: **15 December 2003**
- (24) Date from which industrial property rights may have effect: **15 December 2003**
- (54) Article in respect of which the design is registered: **Information stand**
- (51) International Design Classification: **20-03NES, 20-03C**
- (74) Name(s) of Attorney(s): **Davies Collison Cave**
- (71) Name(s) and Address(s) of Applicant(s):

**Jeffrey Ian Hornby**  
**14 Peak Street Bateau Bay New South Wales 2261 Australia**  
**Ian Raymond Nash**  
**19 Lynwood Avenue The Entrance New South Wales 2261 Australia**

- (72) Name(s) of Author(s): **Jeffrey Ian Hornby and Ian Raymond Nash**
- (45) Registration Date: **01 August 2005**
- (56) Related Art Documents: **Not Applicable**
- (57) Statement of Monopoly: **Monopoly is claimed in the shape and configuration of an information stand as illustrated in the representations. That part of the stand broken by the stylised lightning bolts is of indefinite length.**

Statement of Novelty: **Nil**



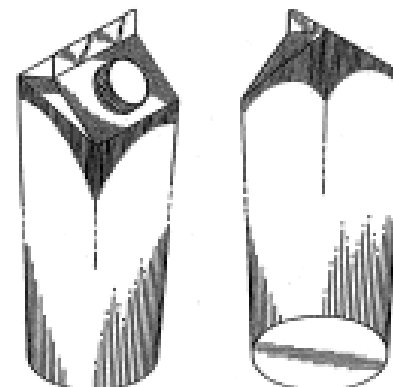
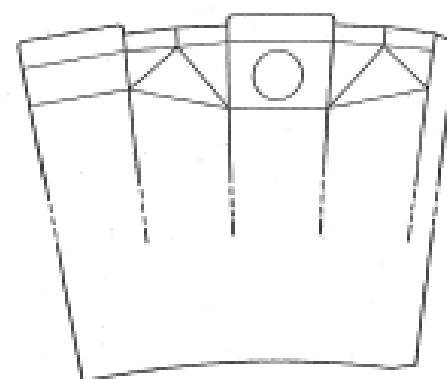
- (21) Application Number: **4483/2003**
- (22) Date of Filing Application: **12 December 2003**
- (24) Date from which industrial property rights may have effect: **12 December 2003**
- (54) Article in respect of which the design is registered: **Packaging carton**
- (51) International Design Classification: **09-03NES**
- (74) Name(s) of Attorney(s): **LESICAR PERRIN**
- (71) Name(s) and Address(s) of Applicant(s):

**Elopak Systems A.G.**  
**Cherstrasse 4 Postfach CH-8152 Glattbrugg Switzerland**

- (72) Name(s) of Author(s): **Arne Nicolay Mohn**
  - (45) Registration Date: **01 August 2005**
  - (30) Convention priority data:
- |              |                    |                           |
|--------------|--------------------|---------------------------|
| (31) Number  | (32) Date          | (33) Country              |
| <b>40126</b> | <b>12 Jun 2003</b> | <b>EUROPEAN COMMUNITY</b> |

- (56) Related Art Documents: **Not Applicable**
- (57) Statement of Monopoly: **Monopoly is claimed in the features of shape and configuration of a packaging carton as shown in the accompanying representations. In considering the extent of monopoly the length of the packaging carton is to be disregarded.**

Statement of Novelty: **Nil**



(21) Application Number: **1001/2004**  
(22) Date of Filing Application: **16 March 2004**  
(24) Date from which industrial property rights may have effect: **16 March 2004**  
(54) Article in respect of which the design is registered: **Bag**  
(51) International Design Classification: **24-04**  
(74) Name(s) of Attorney(s): **PHILLIPS ORMONDE & FITZPATRICK**  
(71) Name(s) and Address(s) of Applicant(s):

**Gambro Lundia AB**  
**PO Box 10101 SE-220 10 Lund Sweden**

(72) Name(s) of Author(s): **Hans Peder Flank and Ragnar Tryggvason**

(45) Registration Date: **01 August 2005**

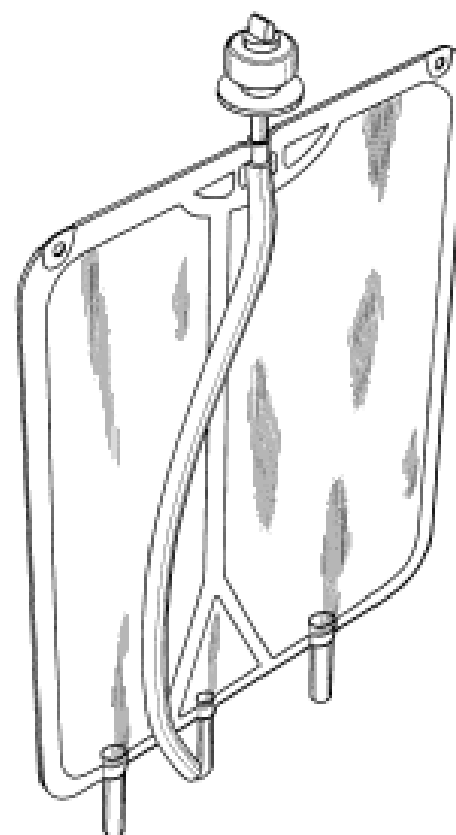
(30) Convention priority data:

(31) Number	(32) Date	(33) Country
<b>000081948</b>	<b>1 Oct 2003</b>	<b>EUROPEAN COMMUNITY</b>

(56) Related Art Documents: **Not Applicable**

(57) Statement of Monopoly: **Monopoly is claimed in the shape and/or configuration of a bag as shown in the representations. In considering the extent of the monopoly protection, the features shown in broken lines are to be disregarded.**

Statement of Novelty: **Nil**



(21) Application Number: **1309/2004**  
(22) Date of Filing Application: **01 April 2004**  
(24) Date from which industrial property rights may have effect: **01 April 2004**  
(54) Article in respect of which the design is registered: **A microphone**  
(51) International Design Classification: **14-01**  
(74) Name(s) of Attorney(s): **Eagar & Buck**  
(71) Name(s) and Address(s) of Applicant(s):

**Innotech Pty Ltd**  
**Cnr Miles Platting Road & McKechnie Drive Eight Mile Plains**  
**Queensland 4113 Australia**

(72) Name(s) of Author(s): **Stephen Alfred Miranda**

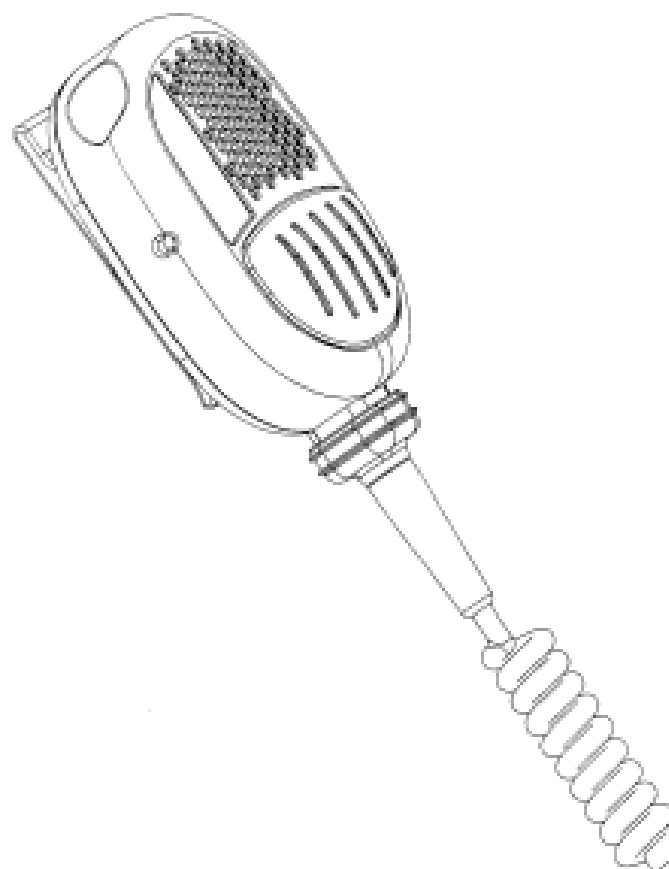
(45) Registration Date: **01 August 2005**

(61) Additional to: **154452**

(56) Related Art Documents: **Not Applicable**

(57) Statement of Monopoly: **Monopoly is claimed in the shape and configuration of a microphone as shown in the accompanying representations. In determining the extent of the monopoly the attachment clip and the cable molding and cable are to be disregarded.**

Statement of Novelty: **Nil**



(21) Application Number: **1346/2004**  
(22) Date of Filing Application: **05 April 2004**  
(24) Date from which industrial property rights may have effect: **05 April 2004**  
(54) Article in respect of which the design is registered: **A vacuum cleaner body**  
(51) International Design Classification: **15-05**  
(74) Name(s) of Attorney(s): **Davies Collison Cave**  
(71) Name(s) and Address(s) of Applicant(s):

**Aktiebolaget Electrolux  
Stockholm SE 105 45 Sweden**

(72) Name(s) of Author(s): **Christian Agren and Esbjorn Svantesson**

(45) Registration Date: **01 August 2005**

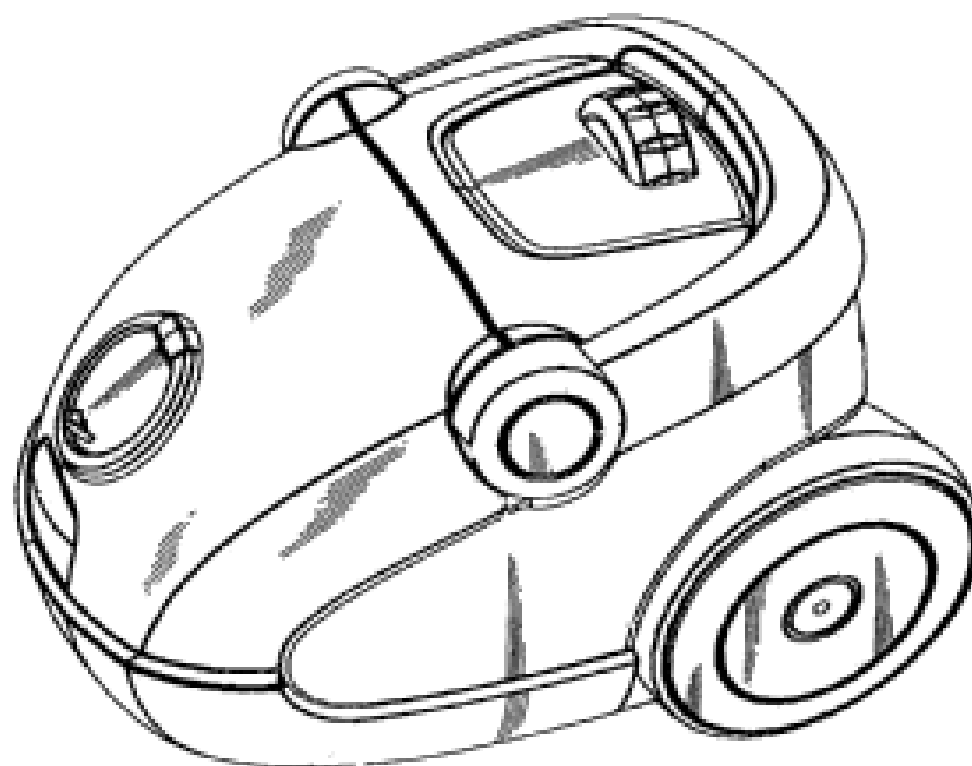
(30) Convention priority data:

(31) Number	(32) Date	(33) Country
<b>000085089</b>	<b>13 Oct 2003</b>	<b>EUROPEAN COMMUNITY</b>

(56) Related Art Documents: **Not Applicable**

(57) Statement of Monopoly: **Monopoly is claimed in the features of shape and/or configuration of the vacuum cleaner body shown in the representations.**

Statement of Novelty: **Nil**



(21) Application Number: **2321/2004**  
(22) Date of Filing Application: **15 June 2004**  
(24) Date from which industrial property rights may have effect: **15 June 2004**  
(54) Article in respect of which the design is registered: **A facing structure**  
(51) International Design Classification: **25-01G**  
(74) Name(s) of Attorney(s): **Madderns**  
(71) Name(s) and Address(s) of Applicant(s):

**Peter Lawrence Hosegood  
125 Thompson Road Napier New Zealand**

(72) Name(s) of Author(s): **Peter Lawrence Hosegood**

(45) Registration Date: **01 August 2005**

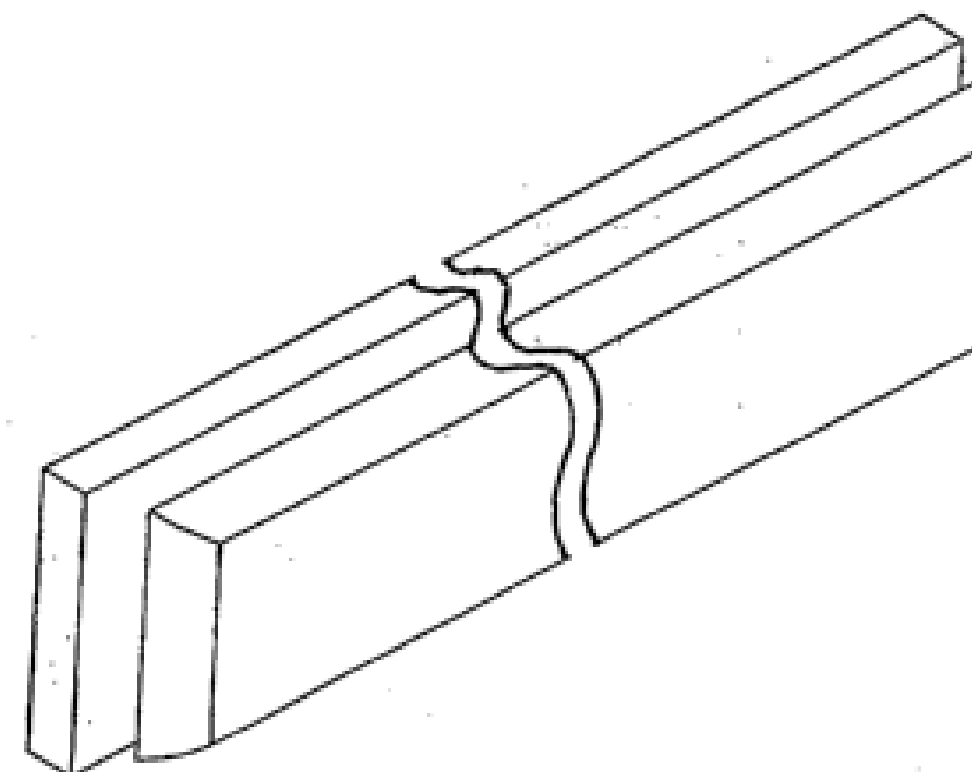
(30) Convention priority data:

(31) Number	(32) Date	(33) Country
<b>404919</b>	<b>31 May 2004</b>	<b>NEW ZEALAND</b>

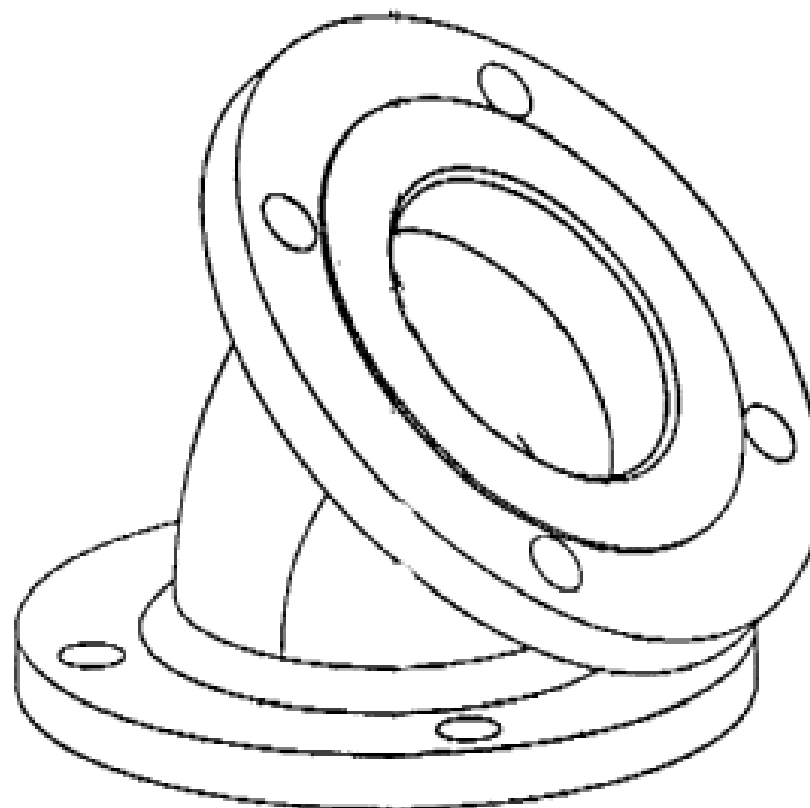
(56) Related Art Documents: **Not Applicable**

(57) Statement of Monopoly: **Monopoly is claimed in the features of shape and configuration of a facing structure of indefinite length, as shown in the accompanying representations.**

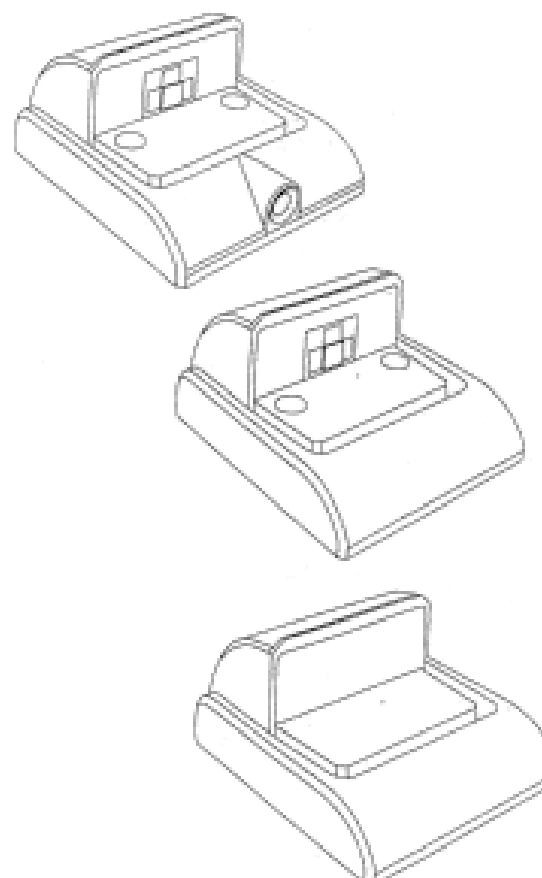
Statement of Novelty: **Nil**



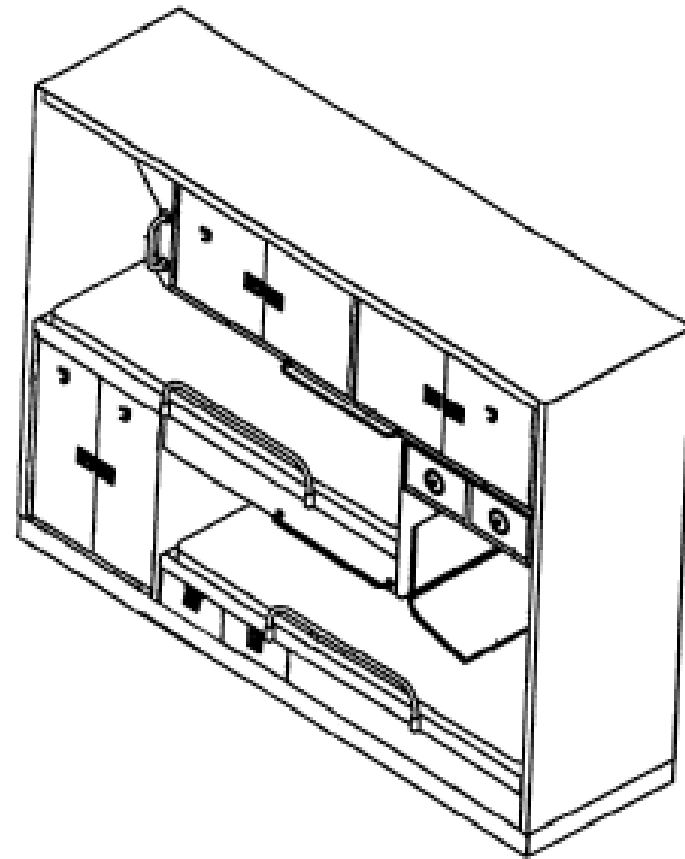
(21) Application Number: **1044/2004**  
 (22) Date of Filing Application: **18 March 2004**  
 (24) Date from which industrial property rights may have effect: **18 March 2004**  
 (54) Article in respect of which the design is registered: **Pipeline isolation device**  
 (51) International Design Classification: **23-01B**  
 (74) Name(s) of Attorney(s): **Callinan Lawrie**  
 (71) Name(s) and Address(s) of Applicant(s):  
**Infratec International Pty Ltd**  
**13 Hi-Tech Court Croydon South Victoria 3136 Australia**  
 (72) Name(s) of Author(s): **Philip Thompson**  
 (45) Registration Date: **01 August 2005**  
 (56) Related Art Documents: **Not Applicable**  
 (57) Statement of Monopoly: **Monopoly is claimed in the application of the features of shape and configuration to a pipeline isolation device as shown in the accompanying representations.**  
 Statement of Novelty: **Nil**



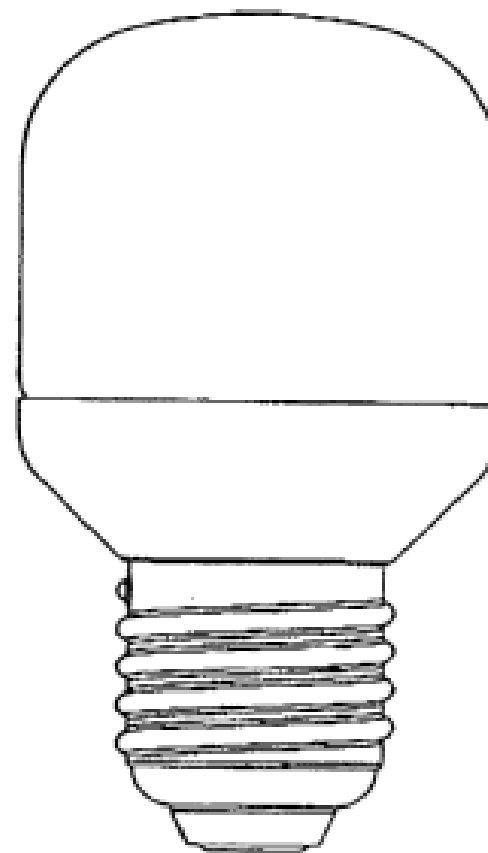
(21) Application Number: **1231/2004**  
 (22) Date of Filing Application: **29 March 2004**  
 (24) Date from which industrial property rights may have effect: **29 March 2004**  
 (54) Article in respect of which the design is registered: **A set of three apparatuses for un-locking security devices for retail merchandise**  
 (51) International Design Classification: **10-05**  
 (74) Name(s) of Attorney(s): **PATENT ATTORNEY SERVICES**  
 (71) Name(s) and Address(s) of Applicant(s):  
**Dubois Limited**  
**Amaray House Arkwright Road Corby Northants NN17 5AE United Kingdom**  
 (72) Name(s) of Author(s): **Peter Anthony Farrer and Robert Johnston**  
 (45) Registration Date: **01 August 2005**  
 (30) Convention priority data:  
 (31) Number      (32) Date      (33) Country  
**00091749      17 Oct 2003      EUROPEAN COMMUNITY**  
 (56) Related Art Documents: **Not Applicable**  
 (57) Statement of Monopoly: **Monopoly is claimed in the features of shape and configuration of a set of three apparatuses for un-locking security devices for retail merchandise as illustrated in the representations.**  
 Statement of Novelty: **Nil**



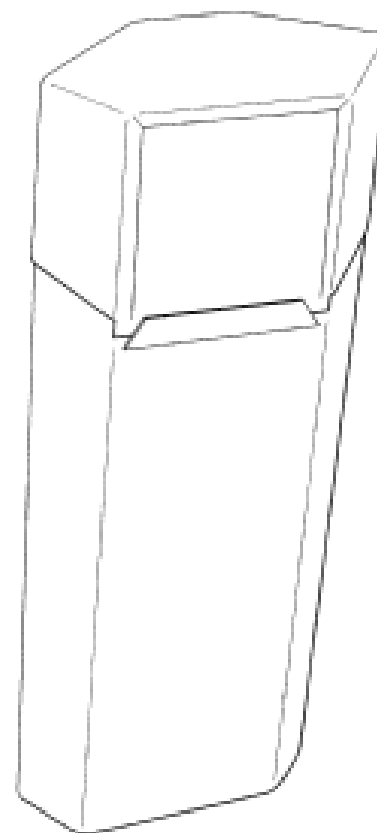
- (21) Application Number: **1307/2004**  
(22) Date of Filing Application: **05 April 2004**  
(24) Date from which industrial property rights may have effect: **05 April 2004**  
(54) Article in respect of which the design is registered: **Sleeping berth module**  
(51) International Design Classification: **12-06NES**  
(74) Name(s) of Attorney(s): **Anderson Taylor & Associates**  
(71) Name(s) and Address(s) of Applicant(s):  
**Peter Anthony Hannah**  
**Unit 3 7-11 Berry Street Cronulla New South Wales 2230 Australia**  
(72) Name(s) of Author(s): **Peter Anthony Hannah**  
(45) Registration Date: **01 August 2005**  
(56) Related Art Documents: **Not Applicable**  
(57) Statement of Monopoly: **Monopoly is claimed in the shape and configuration of a sleeping berth module as illustrated in the attached drawings.**  
Statement of Novelty: **Nil**



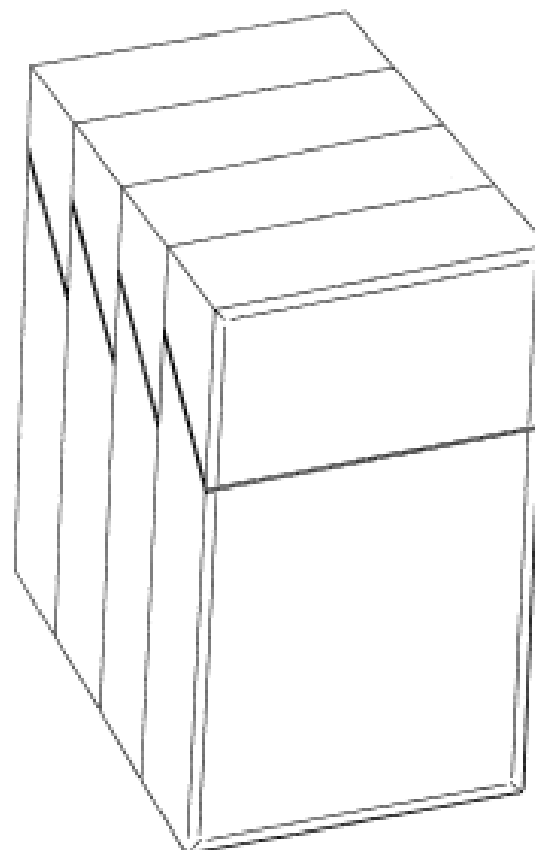
- (21) Application Number: **1612/2004**  
(22) Date of Filing Application: **28 April 2004**  
(24) Date from which industrial property rights may have effect: **28 April 2004**  
(54) Article in respect of which the design is registered: **Lamp**  
(51) International Design Classification: **26-04**  
(74) Name(s) of Attorney(s): **Griffith Hack**  
(71) Name(s) and Address(s) of Applicant(s):  
**Mass Technology (H.K.) Limited**  
**Room 2902-6 Tower 6 The Gateway 9 Canton Road Tsimshatsui**  
**Kowloon Hong Kong**  
(72) Name(s) of Author(s): **Onn Fah Foo**  
(45) Registration Date: **01 August 2005**  
(56) Related Art Documents: **Not Applicable**  
(57) Statement of Monopoly: **Monopoly is claimed in the features of shape and/or configuration applied to a lamp as illustrated in the accompanying representations.**  
Statement of Novelty: **Nil**



(21) Application Number: **1794/2004**  
(22) Date of Filing Application: **12 May 2004**  
(24) Date from which industrial property rights may have effect: **12 May 2004**  
(54) Article in respect of which the design is registered: **A cigarette pack**  
(51) International Design Classification: **09-03A**  
(74) Name(s) of Attorney(s): **SPRUSON & FERGUSON**  
(71) Name(s) and Address(s) of Applicant(s):  
**Philip Morris Products S.A.**  
**Quai Jeanrenaud 3 CH-2000 Neuchatel Switzerland**  
(72) Name(s) of Author(s): **Stephane Quezel and Muriel Schildknecht**  
(45) Registration Date: **01 August 2005**  
(30) Convention priority data:  
(31) Number      (32) Date      (33) Country  
**000100227      14 Nov 2003      EUROPEAN COMMUNITY**  
(56) Related Art Documents: **Not Applicable**  
(57) Statement of Monopoly: **Monopoly is claimed in the features of shape and/or configuration of a cigarette pack as illustrated in the accompanying representations.**  
Statement of Novelty: **Nil**

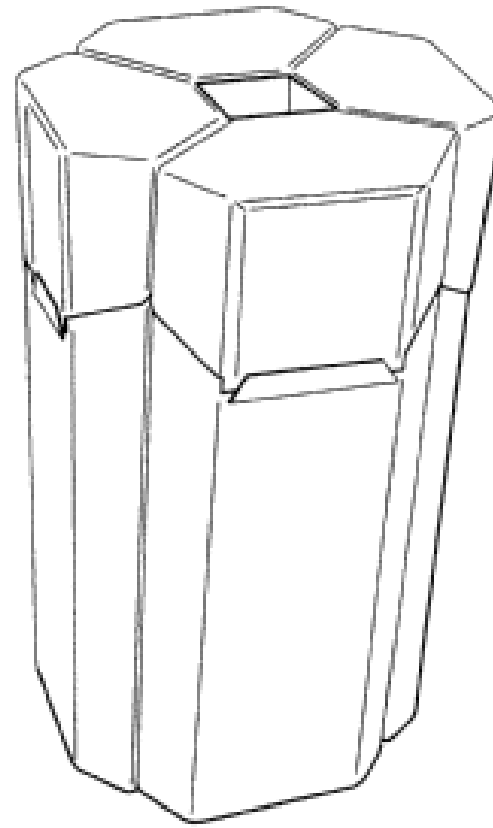


(21) Application Number: **1795/2004**  
(22) Date of Filing Application: **12 May 2004**  
(24) Date from which industrial property rights may have effect: **12 May 2004**  
(54) Article in respect of which the design is registered: **A cigarette pack**  
(51) International Design Classification: **09-03A**  
(74) Name(s) of Attorney(s): **SPRUSON & FERGUSON**  
(71) Name(s) and Address(s) of Applicant(s):  
**Philip Morris Products S.A.**  
**Quai Jeanrenaud 3 CH-2000 Neuchatel Switzerland**  
(72) Name(s) of Author(s): **Stephane Quezel and Muriel Schildknecht**  
(45) Registration Date: **01 August 2005**  
(30) Convention priority data:  
(31) Number      (32) Date      (33) Country  
**000100227      14 Nov 2003      EUROPEAN COMMUNITY**  
(56) Related Art Documents: **Not Applicable**  
(57) Statement of Monopoly: **Monopoly is claimed in the features of shape and/or configuration of a cigarette pack as illustrated in the accompanying representations.**  
Statement of Novelty: **Nil**

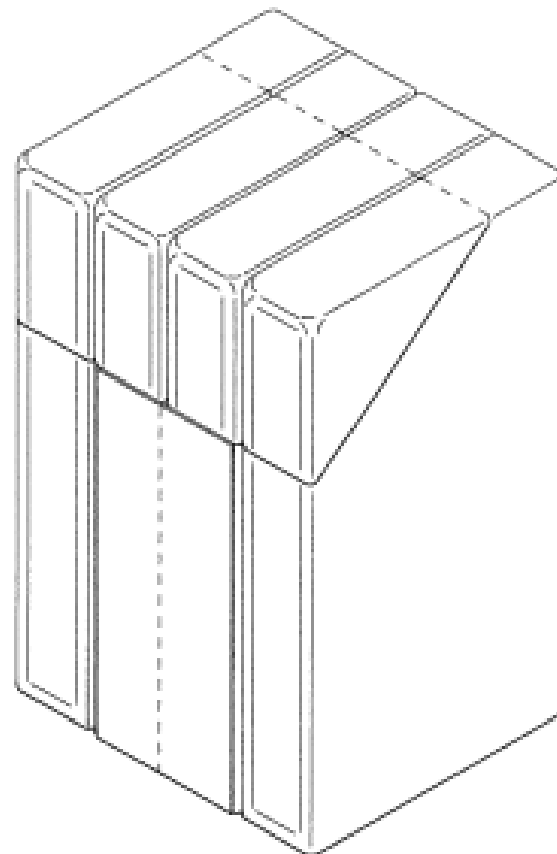




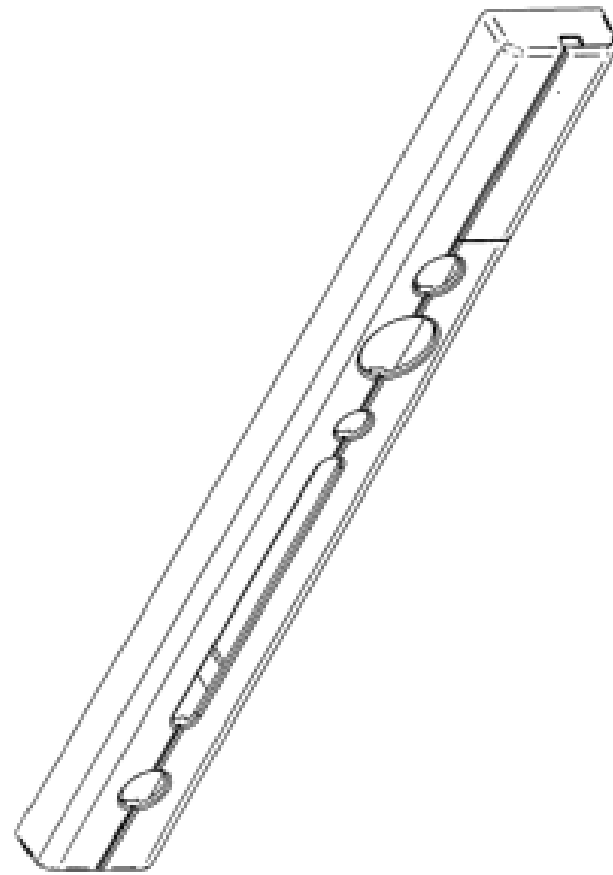
(21) Application Number: **1796/2004**  
(22) Date of Filing Application: **12 May 2004**  
(24) Date from which industrial property rights may have effect: **12 May 2004**  
(54) Article in respect of which the design is registered: **A cigarette pack**  
(51) International Design Classification: **09-03A**  
(74) Name(s) of Attorney(s): **SPRUSON & FERGUSON**  
(71) Name(s) and Address(s) of Applicant(s):  
**Philip Morris Products S.A.**  
**Quai Jeanrenaud 3 CH-2000 Neuchatel Switzerland**  
(72) Name(s) of Author(s): **Stephane Quezel and Muriel Schildknecht**  
(45) Registration Date: **01 August 2005**  
(30) Convention priority data:  
(31) Number      (32) Date      (33) Country  
**000100227      14 Nov 2003      EUROPEAN COMMUNITY**  
(56) Related Art Documents: **Not Applicable**  
(57) Statement of Monopoly: **Monopoly is claimed in the features of shape and/or configuration of a cigarette pack as illustrated in the accompanying representations.**  
Statement of Novelty: **Nil**



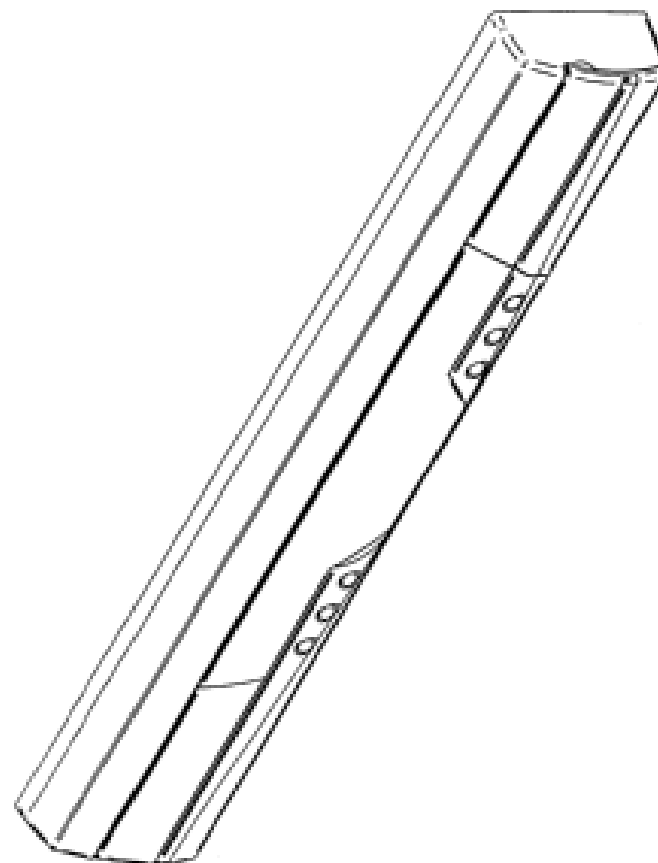
(21) Application Number: **1797/2004**  
(22) Date of Filing Application: **12 May 2004**  
(24) Date from which industrial property rights may have effect: **12 May 2004**  
(54) Article in respect of which the design is registered: **A cigarette pack**  
(51) International Design Classification: **09-03A**  
(74) Name(s) of Attorney(s): **SPRUSON & FERGUSON**  
(71) Name(s) and Address(s) of Applicant(s):  
**Philip Morris Products S.A.**  
**Quai Jeanrenaud 3 CH-2000 Neuchatel Switzerland**  
(72) Name(s) of Author(s): **Stephane Quezel and Muriel Schildknecht**  
(45) Registration Date: **01 August 2005**  
(30) Convention priority data:  
(31) Number      (32) Date      (33) Country  
**000100227      14 Nov 2003      EUROPEAN COMMUNITY**  
(56) Related Art Documents: **Not Applicable**  
(57) Statement of Monopoly: **Monopoly is claimed in the features of shape and/or configuration of a cigarette pack as illustrated in the accompanying representations.**  
Statement of Novelty: **Nil**



(21) Application Number: **2164/2004**  
(22) Date of Filing Application: **04 June 2004**  
(24) Date from which industrial property rights may have effect: **04 June 2004**  
(54) Article in respect of which the design is registered: **Fascia for decoder housing**  
(51) International Design Classification: **14-02**  
(74) Name(s) of Attorney(s): **Davies Collison Cave**  
(71) Name(s) and Address(s) of Applicant(s):  
**UEC Technologies (Proprietary) Limited**  
**UEC House 1 Montgomery Drive Mount Edgecombe Kwazulu Natal**  
**4300 Republic of South Africa**  
(72) Name(s) of Author(s): **Pierre Talifer Retief and Roger Williams**  
(45) Registration Date: **01 August 2005**  
(30) Convention priority data:  
(31) Number      (32) Date      (33) Country  
**A2004/0647      14 May 2004      SOUTH AFRICA**  
(56) Related Art Documents: **Not Applicable**  
(57) Statement of Monopoly: **Monopoly is claimed in the shape and/or configuration of a fascia for decoder as illustrated in the accompanying representations.**  
Statement of Novelty: **Nil**



(21) Application Number: **2165/2004**  
(22) Date of Filing Application: **04 June 2004**  
(24) Date from which industrial property rights may have effect: **04 June 2004**  
(54) Article in respect of which the design is registered: **Fascia for decoder housing**  
(51) International Design Classification: **14-02**  
(74) Name(s) of Attorney(s): **Davies Collison Cave**  
(71) Name(s) and Address(s) of Applicant(s):  
**UEC Technologies (Proprietary) Limited**  
**UEC House 1 Montgomery Drive Mount Edgecombe Kwazulu Natal**  
**4300 Republic of South Africa**  
(72) Name(s) of Author(s): **Pierre Talifer Retief and Roger Williams**  
(45) Registration Date: **01 August 2005**  
(30) Convention priority data:  
(31) Number      (32) Date      (33) Country  
**A2004/0648      14 May 2004      SOUTH AFRICA**  
(56) Related Art Documents: **Not Applicable**  
(57) Statement of Monopoly: **Monopoly is claimed in the shape and/or configuration of a fascia for decoder as illustrated in the accompanying representations.**  
Statement of Novelty: **Nil**



(21) Application Number: **3588/2003**  
(22) Date of Filing Application: **17 October 2003**  
(24) Date from which industrial property rights may have effect: **17 October 2003**  
(54) Article in respect of which the design is registered: **A battery-acid specific gravity sensor**  
(51) International Design Classification: **10-05**  
(71) Name(s) and Address(s) of Applicant(s):  
**John Murray Charlesworth**  
**3 Dellas Avenue Templestowe Victoria 3106 Australia**  
(72) Name(s) of Author(s): **John Murray Charlesworth**  
(45) Registration Date: **01 August 2005**  
(56) Related Art Documents: **Not Applicable**  
(57) Statement of Monopoly: **Monopoly is claimed in the shape and configuration of a battery-acid specific gravity sensor as shown in the representations. No monopoly is claimed on the cable (indicated by arrow) attached to the device.**  
Statement of Novelty: **Nil**



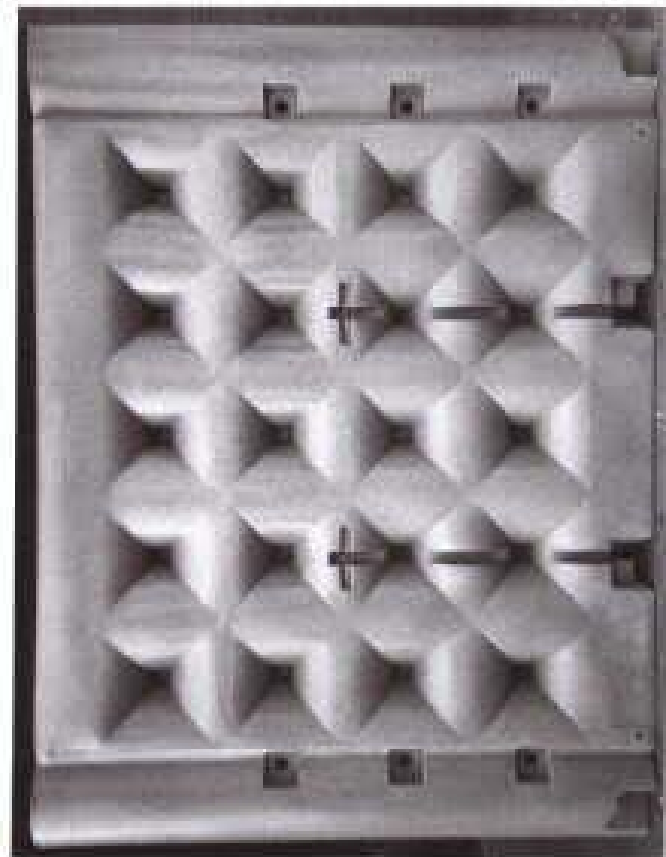
(21) Application Number: **0763/2004**  
(22) Date of Filing Application: **27 February 2004**  
(24) Date from which industrial property rights may have effect: **27 February 2004**  
(54) Article in respect of which the design is registered: **A motor vehicle body**  
(51) International Design Classification: **12-08**  
(74) Name(s) of Attorney(s): **PHILLIPS ORMONDE & FITZPATRICK**  
(71) Name(s) and Address(s) of Applicant(s):  
**Holden Ltd**  
**241 Salmon Street Port Melbourne Victoria 3207 Australia**  
(72) Name(s) of Author(s): **Michael Simcoe**  
(45) Registration Date: **01 August 2005**  
(56) Related Art Documents: **Not Applicable**  
(57) Statement of Monopoly: **Monopoly is claimed in the shape or configuration of a vehicle body as shown in silver in the representations.**  
Statement of Novelty: **Nil**



(21) Application Number: **0764/2004**  
(22) Date of Filing Application: **27 February 2004**  
(24) Date from which industrial property rights may have effect: **27 February 2004**  
(54) Article in respect of which the design is registered: **A motor vehicle body**  
(51) International Design Classification: **12-08**  
(74) Name(s) of Attorney(s): **PHILLIPS ORMONDE & FITZPATRICK**  
(71) Name(s) and Address(s) of Applicant(s):  
**Holden Ltd**  
**241 Salmon Street Port Melbourne Victoria 3207 Australia**  
(72) Name(s) of Author(s): **Michael Simcoe**  
(45) Registration Date: **01 August 2005**  
(56) Related Art Documents: **Not Applicable**  
(57) Statement of Monopoly: **Monopoly is claimed in the shape or configuration of a vehicle body as shown in red in the accompanying representations.**  
Statement of Novelty: **Nil**



(21) Application Number: **1705/2004**  
(22) Date of Filing Application: **07 May 2004**  
(24) Date from which industrial property rights may have effect: **07 May 2004**  
(54) Article in respect of which the design is registered: **A panel**  
(51) International Design Classification: **25-01D, 25-02C**  
(74) Name(s) of Attorney(s): **PHILLIPS ORMONDE & FITZPATRICK**  
(71) Name(s) and Address(s) of Applicant(s):  
**Waterwall Solutions Pty Ltd**  
**7 Brooks Place Yarraville Victoria 3013 Australia**  
(72) Name(s) of Author(s): **Gail Davidson and Mitchell More O'Sullivan**  
(45) Registration Date: **01 August 2005**  
(61) Additional to: **158170**  
(56) Related Art Documents: **Not Applicable**  
(57) Statement of Monopoly: **Monopoly is claimed in the shape and/or configuration of a panel as shown in the representations.**  
Statement of Novelty: **Nil**



- (21) Application Number: **2154/2004**  
(22) Date of Filing Application: **04 June 2004**  
(24) Date from which industrial property rights may have effect: **04 June 2004**  
(54) Article in respect of which the design is registered: **Automobile**  
(51) International Design Classification: **12-11**  
(74) Name(s) of Attorney(s): **SPRUSON & FERGUSON**  
(71) Name(s) and Address(s) of Applicant(s):  
**Honda Motor Co. Ltd**  
**1-1 Minami-Aoyama 2-Chome Minato-ku Tokyo Japan**  
(72) Name(s) of Author(s): **Takaaki Kato and Akira Omae and Daisuke Nagao**  
(45) Registration Date: **01 August 2005**  
(61) Additional to: **153618**  
(56) Related Art Documents: **Not Applicable**  
(57) Statement of Monopoly: **Monopoly is claimed in the features of shape and/or configuration of an automobile as illustrated in the accompanying representations.**  
Statement of Novelty: **Nil**



- (21) Application Number: **2205/2004**  
(22) Date of Filing Application: **08 June 2004**  
(24) Date from which industrial property rights may have effect: **24 September 2002**  
(54) Article in respect of which the design is registered: **A seating module**  
(51) International Design Classification: **06-01D**  
(74) Name(s) of Attorney(s): **Blake Dawson Waldron**  
(71) Name(s) and Address(s) of Applicant(s):  
**Qantas Airways Limited**  
**Level 9 Qantas Centre Bldg A 203 Coward Street Mascot New South Wales 2020 Australia**  
(72) Name(s) of Author(s): **Marc Newson**  
(45) Registration Date: **01 August 2005**  
(62) Divisional of: **155761**  
(56) Related Art Documents: **Not Applicable**  
(57) Statement of Monopoly: **Monopoly is claimed in the features of shape and configuration applied to the seating module as illustrated in the accompanying representations.**  
Statement of Novelty: **Nil**



(21) Application Number: **2399/2004**

(22) Date of Filing Application: **16 June 2004**

(24) Date from which industrial property rights may have effect: **16 June 2004**

(54) Article in respect of which the design is registered: **A rugby ball jewellery box**

(51) International Design Classification: **03-01NES**

(71) Name(s) and Address(s) of Applicant(s):

**Lisa Anne Cogger**

**14 Oakhurst Close Wickford Essex SS12-ONP England**

(72) Name(s) of Author(s): **Lisa Anne Cogger**

(45) Registration Date: **01 August 2005**

(56) Related Art Documents: **Not Applicable**

(57) Statement of Monopoly: **Monopoly is claimed in the shape, configuration, pattern and ornamentation of the jewellery box as shown in the representations. No monopoly is claimed in the individual pieces per se.**

Statement of Novelty: **Nil**



(21) Application Number: **2400/2004**

(22) Date of Filing Application: **16 June 2004**

(24) Date from which industrial property rights may have effect: **16 June 2004**

(54) Article in respect of which the design is registered: **An Australian football jewellery box**

(51) International Design Classification: **03-01NES**

(71) Name(s) and Address(s) of Applicant(s):

**Lisa Anne Cogger**

**14 Oakhurst Close Wickford Essex SS12-ONP England**

(72) Name(s) of Author(s): **Lisa Anne Cogger**

(45) Registration Date: **01 August 2005**

(56) Related Art Documents: **Not Applicable**

(57) Statement of Monopoly: **Monopoly is claimed in the shape, configuration, pattern and ornamentation of the jewellery box as shown in the representations. No monopoly is claimed in the individual pieces per se.**

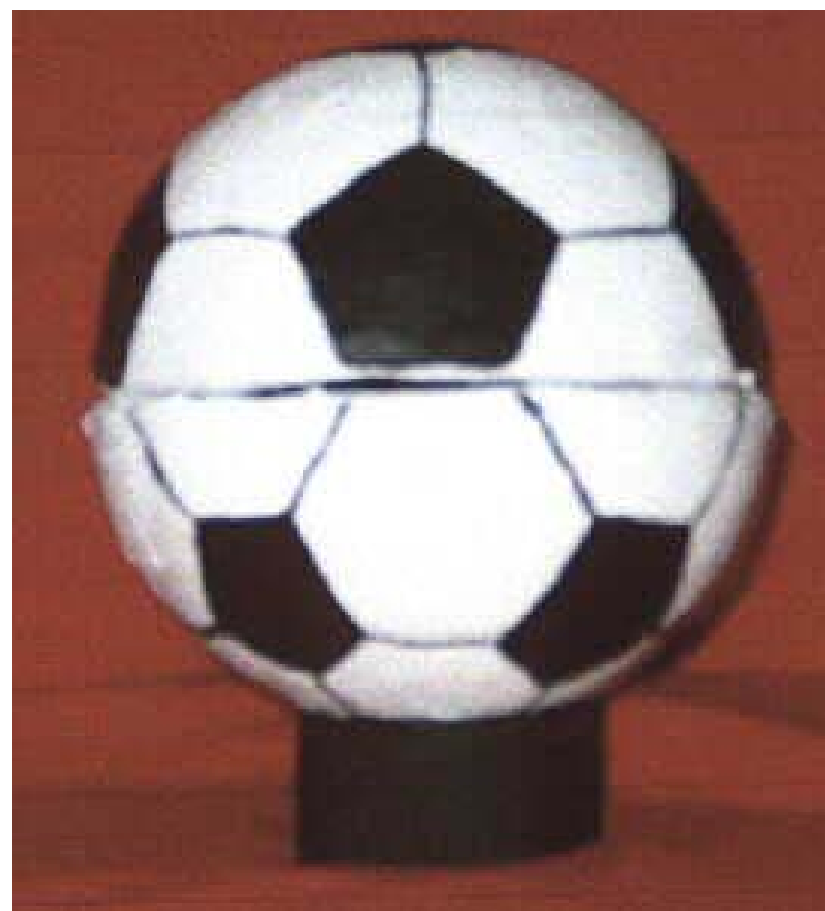
Statement of Novelty: **Nil**



- (21) Application Number: **2401/2004**  
(22) Date of Filing Application: **16 June 2004**  
(24) Date from which industrial property rights may have effect: **16 June 2004**  
(54) Article in respect of which the design is registered: **A tennis ball jewellery box**  
(51) International Design Classification: **03-01NES**  
(71) Name(s) and Address(s) of Applicant(s):  
**Lisa Anne Cogger**  
**14 Oakhurst Close Wickford Essex SS12-ONP England**  
(72) Name(s) of Author(s): **Lisa Anne Cogger**  
(45) Registration Date: **01 August 2005**  
(56) Related Art Documents: **Not Applicable**  
(57) Statement of Monopoly: **Monopoly is claimed in the shape, configuration, pattern and ornamentation of the jewellery box as shown in the representations. No monopoly is claimed in the individual pieces per se.**  
Statement of Novelty: **Nil**



- (21) Application Number: **2402/2004**  
(22) Date of Filing Application: **16 June 2004**  
(24) Date from which industrial property rights may have effect: **16 June 2004**  
(54) Article in respect of which the design is registered: **A football jewellery box**  
(51) International Design Classification: **03-01NES**  
(71) Name(s) and Address(s) of Applicant(s):  
**Lisa Anne Cogger**  
**14 Oakhurst Close Wickford Essex SS12-ONP England**  
(72) Name(s) of Author(s): **Lisa Anne Cogger**  
(45) Registration Date: **01 August 2005**  
(56) Related Art Documents: **Not Applicable**  
(57) Statement of Monopoly: **Monopoly is claimed in the shape, configuration, pattern and ornamentation of the jewellery box as shown in the representations. No monopoly is claimed in the individual pieces per se.**  
Statement of Novelty: **Nil**



(21) Application Number: **2403/2004**

(22) Date of Filing Application: **16 June 2004**

(24) Date from which industrial property rights may have effect: **16 June 2004**

(54) Article in respect of which the design is registered: **A golf ball jewellery box**

(51) International Design Classification: **03-01NES**

(71) Name(s) and Address(s) of Applicant(s):

**Lisa Anne Cogger**

**14 Oakhurst Close Wickford Essex SS12-ONP England**

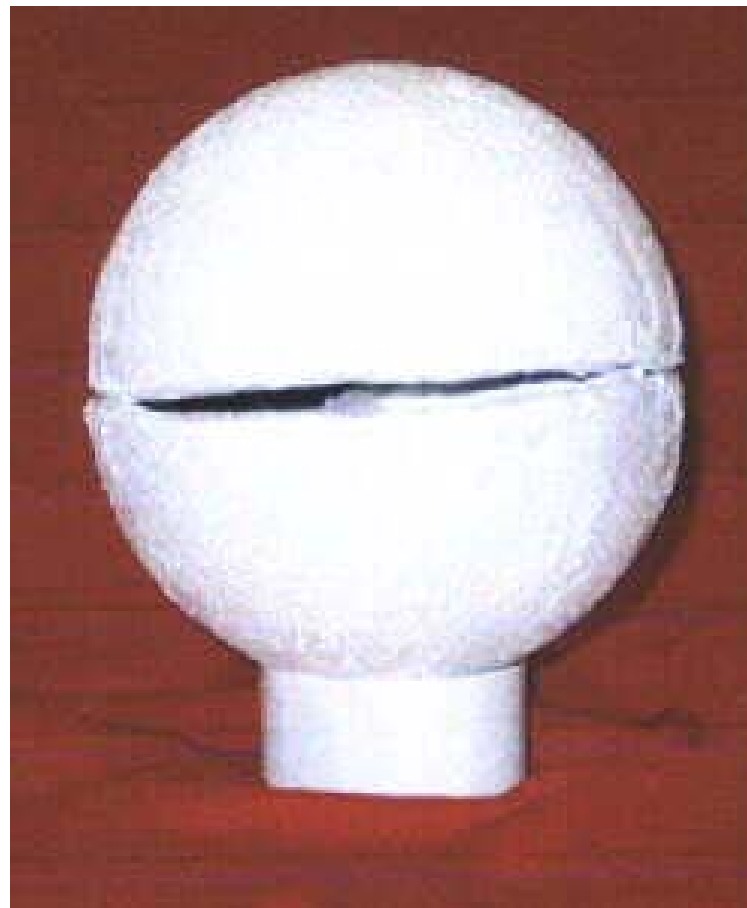
(72) Name(s) of Author(s): **Lisa Anne Cogger**

(45) Registration Date: **01 August 2005**

(56) Related Art Documents: **Not Applicable**

(57) Statement of Monopoly: **Monopoly is claimed in the shape, configuration, pattern and ornamentation of the jewellery box as shown in the representations. No monopoly is claimed in the individual pieces per se.**

Statement of Novelty: **Nil**



(21) Application Number: **2404/2004**

(22) Date of Filing Application: **16 June 2004**

(24) Date from which industrial property rights may have effect: **16 June 2004**

(54) Article in respect of which the design is registered: **A cricket ball jewellery box**

(51) International Design Classification: **03-01NES**

(71) Name(s) and Address(s) of Applicant(s):

**Lisa Anne Cogger**

**14 Oakhurst Close Wickford Essex SS12-ONP England**

(72) Name(s) of Author(s): **Lisa Anne Cogger**

(45) Registration Date: **01 August 2005**

(56) Related Art Documents: **Not Applicable**

(57) Statement of Monopoly: **Monopoly is claimed in the shape, configuration, pattern and ornamentation of the jewellery box as shown in the representations. No monopoly is claimed in the individual pieces per se.**

Statement of Novelty: **Nil**





- (21) Application Number: **2440/2004**  
(22) Date of Filing Application: **16 June 2004**  
(24) Date from which industrial property rights may have effect: **16 June 2004**  
(54) Article in respect of which the design is registered: **Wristwatch**  
(51) International Design Classification: **10-02**  
(74) Name(s) of Attorney(s): **WATERMARK PATENT & TRADEMARK ATTORNEYS**  
(71) Name(s) and Address(s) of Applicant(s):  
**Rado Uhren A.G. (Rado Watch Co. Ltd) (Montres Rado S.A.)**  
**Bielstrasse 43 Lengnau Switzerland**  
(72) Name(s) of Author(s): **Denis Luscher**  
(45) Registration Date: **01 August 2005**  
(30) Convention priority data:  
(31) Number (32) Date (33) Country  
**DM/065093 20 Feb 2004 WORLD INTELLECTUAL PROPERTY ORGANIZATION (WIPO)**  
(56) Related Art Documents: **Not Applicable**  
(57) Statement of Monopoly: **Monopoly is claimed in the features of shape and/or configuration applicable to a wristwatch as shown in the accompanying representations.**  
Statement of Novelty: **Nil**



- (21) Application Number: **2531/2004**  
(22) Date of Filing Application: **16 June 2004**  
(24) Date from which industrial property rights may have effect: **06 January 2004**  
(54) Article in respect of which the design is registered: **Centre console for a vehicle**  
(51) International Design Classification: **12-16NES**  
(74) Name(s) of Attorney(s): **SPRUSON & FERGUSON**  
(71) Name(s) and Address(s) of Applicant(s):  
**DaimlerChrysler AG**  
**Epplestrasse 225 D-70567 Stuttgart Germany**  
(72) Name(s) of Author(s): **Peter Pfeiffer**  
(45) Registration Date: **01 August 2005**  
(62) Divisional of: **158162**  
(56) Related Art Documents: **Not Applicable**  
(57) Statement of Monopoly: **Monopoly is claimed in the features of shape and/or configuration of a centre console for a vehicle as illustrated in the accompanying representations.**  
Statement of Novelty: **Nil**



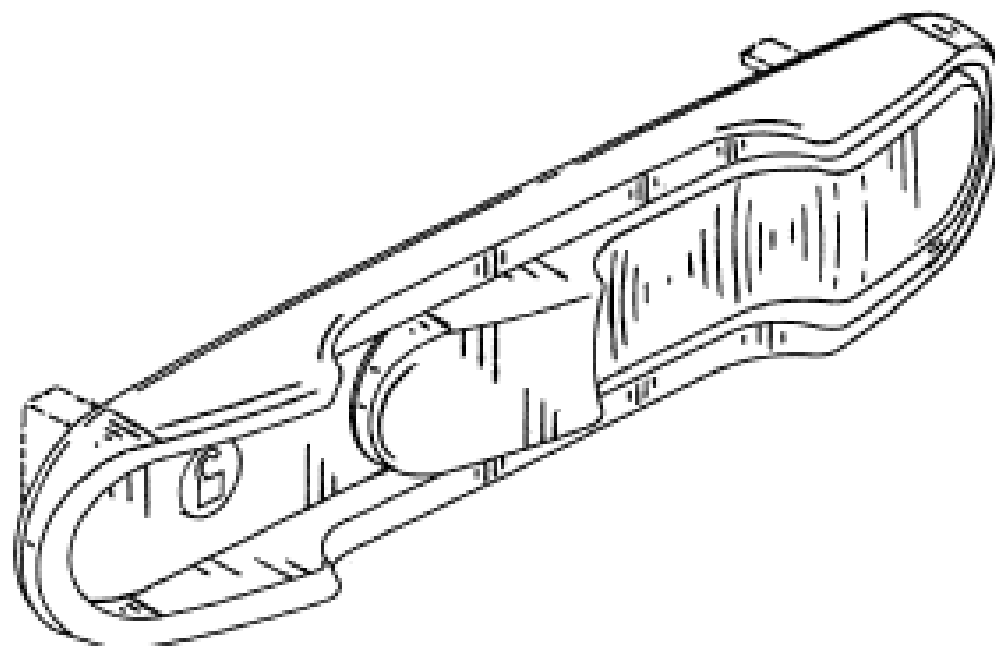
- (21) Application Number: **2532/2004**  
(22) Date of Filing Application: **16 June 2004**  
(24) Date from which industrial property rights may have effect: **06 January 2004**  
(54) Article in respect of which the design is registered: **Centre console for a vehicle**  
(51) International Design Classification: **12-16NES**  
(74) Name(s) of Attorney(s): **SPRUSON & FERGUSON**  
(71) Name(s) and Address(s) of Applicant(s):  
**DaimlerChrysler AG**  
**Epplestrasse 225 D-70567 Stuttgart Germany**  
(72) Name(s) of Author(s): **Peter Pfeiffer**  
(45) Registration Date: **01 August 2005**  
(62) Divisional of: **158162**  
(56) Related Art Documents: **Not Applicable**  
(57) Statement of Monopoly: **Monopoly is claimed in the features of shape and/or configuration of a centre console for a vehicle as illustrated in the accompanying representations and when considering the extent of monopoly protection, all features of the centre console except the features of the front face are to be disregarded.**  
Statement of Novelty: **Nil**



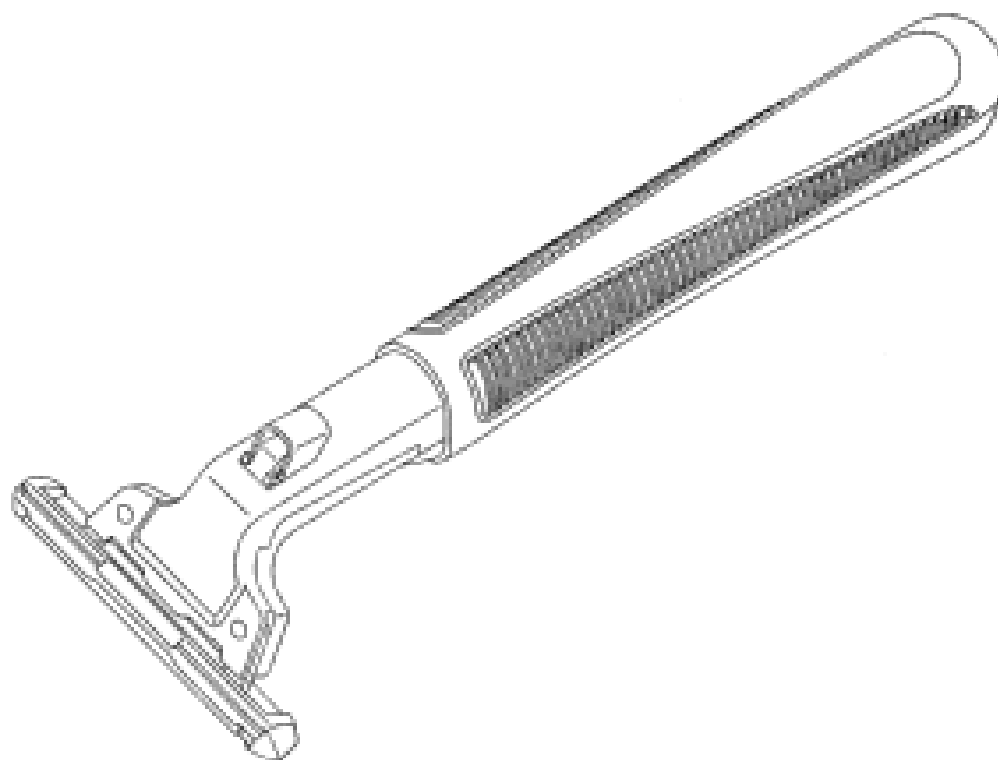
- (21) Application Number: **2533/2004**  
(22) Date of Filing Application: **16 June 2004**  
(24) Date from which industrial property rights may have effect: **06 January 2004**  
(54) Article in respect of which the design is registered: **Centre console for a vehicle**  
(51) International Design Classification: **12-16NES**  
(74) Name(s) of Attorney(s): **SPRUSON & FERGUSON**  
(71) Name(s) and Address(s) of Applicant(s):  
**DaimlerChrysler A.G.**  
**Epplestrasse 225 D-70567 Stuttgart Germany**  
(72) Name(s) of Author(s): **Peter Pfeiffer**  
(45) Registration Date: **01 August 2005**  
(62) Divisional of: **157928**  
(56) Related Art Documents: **Not Applicable**  
(57) Statement of Monopoly: **Monopoly is claimed in the features of shape and/or configuration of a centre console for a vehicle as illustrated in the accompanying representations.**  
Statement of Novelty: **Nil**



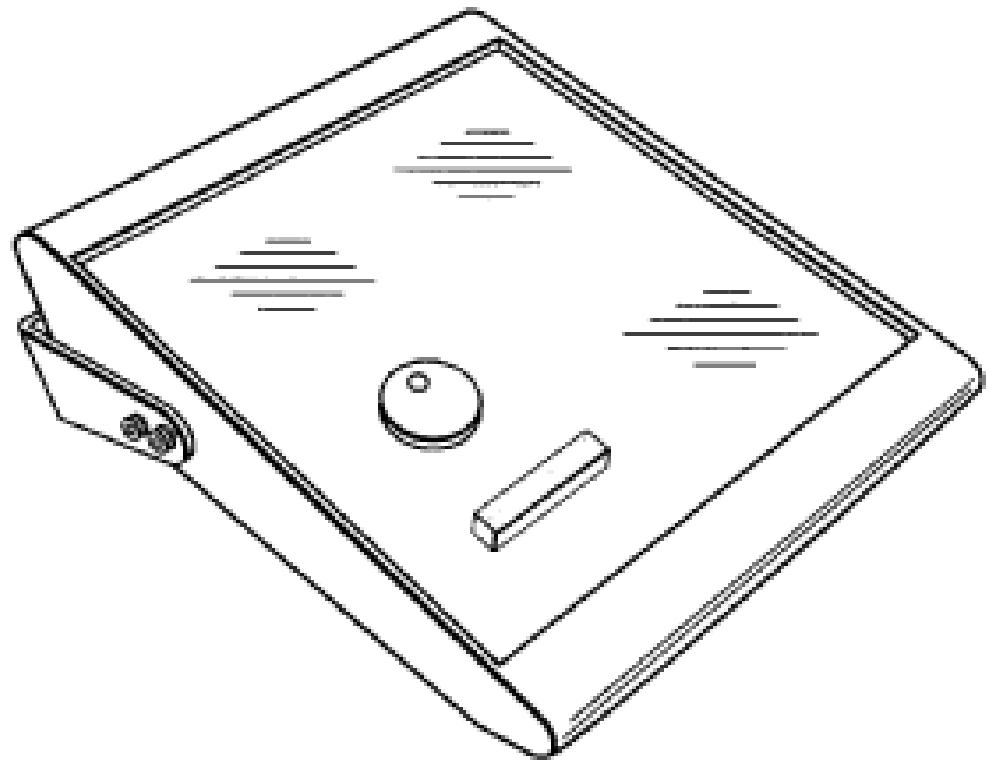
(21) Application Number: **0551/2004**  
(22) Date of Filing Application: **16 February 2004**  
(24) Date from which industrial property rights may have effect: **16 February 2004**  
(54) Article in respect of which the design is registered: **Latch furniture**  
(51) International Design Classification: **08-07**  
(74) Name(s) of Attorney(s): **Don Hopkins & Associates**  
(71) Name(s) and Address(s) of Applicant(s):  
**Assa Abloy Financial Services A.B.**  
**Klarabergsviadukten 90 SE-107 23 Stockholm Sweden**  
(72) Name(s) of Author(s): **Chad Joel Tozer**  
(45) Registration Date: **03 August 2005**  
(30) Convention priority data:  
(31) Number      (32) Date      (33) Country  
**403802      19 Aug 2003      NEW ZEALAND**  
(56) Related Art Documents: **Not Applicable**  
(57) Statement of Monopoly: **Monopoly is claimed in the features of shape and/or configuration of latch furniture as illustrated in the representations accompanying the application. The portions shown in dotted detail are for illustrative purposes only and form no part of the design.**  
Statement of Novelty: **Nil**



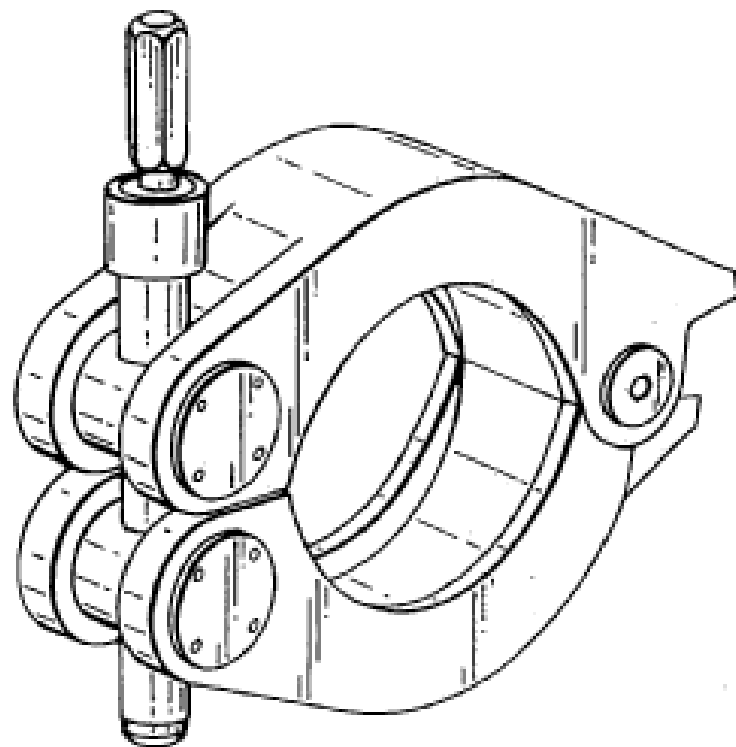
(21) Application Number: **1607/2004**  
(22) Date of Filing Application: **27 April 2004**  
(24) Date from which industrial property rights may have effect: **27 April 2004**  
(54) Article in respect of which the design is registered: **Razor**  
(51) International Design Classification: **28-03A**  
(74) Name(s) of Attorney(s): **SPRUSON & FERGUSON**  
(71) Name(s) and Address(s) of Applicant(s):  
**The Gillette Company**  
**Prudential Tower Building Boston Massachusetts 02199 United States of America**  
(72) Name(s) of Author(s): **Craig Provost and Michael J. Gray**  
(45) Registration Date: **03 August 2005**  
(30) Convention priority data:  
(31) Number      (32) Date      (33) Country  
**29/192595      27 Oct 2003      UNITED STATES OF AMERICA**  
(56) Related Art Documents: **Not Applicable**  
(57) Statement of Monopoly: **Monopoly is claimed in the features of shape and/or configuration of a razor as illustrated in the accompanying representations.**  
Statement of Novelty: **Nil**



(21) Application Number: **1859/2004**  
(22) Date of Filing Application: **18 May 2004**  
(24) Date from which industrial property rights may have effect: **18 May 2004**  
(54) Article in respect of which the design is registered: **A telephone holder**  
(51) International Design Classification: **14-03A**  
(74) Name(s) of Attorney(s): **Eagar & Buck**  
(71) Name(s) and Address(s) of Applicant(s):  
**Barlane Pty Ltd**  
**Unit 9 42-46 Lawrence Drive Nerang Queensland 4211 Australia**  
(72) Name(s) of Author(s): **John Verstappen**  
(45) Registration Date: **03 August 2005**  
(56) Related Art Documents: **Not Applicable**  
(57) Statement of Monopoly: **Monopoly is claimed in the shape and configuration of a telephone holder as shown in the accompanying representations.**  
Statement of Novelty: **Nil**



(21) Application Number: **1892/2004**  
(22) Date of Filing Application: **19 May 2004**  
(24) Date from which industrial property rights may have effect: **19 May 2004**  
(54) Article in respect of which the design is registered: **Pipe clamp**  
(51) International Design Classification: **08-08D, 23-01A**  
(74) Name(s) of Attorney(s): **Shelston IP**  
(71) Name(s) and Address(s) of Applicant(s):  
**FMC Kongsberg Subsea AS**  
**Kirkegardsveien 45 3616 Kongsberg Norway**  
(72) Name(s) of Author(s): **Knut H. Bekkevold**  
(45) Registration Date: **03 August 2005**  
(30) Convention priority data:  
(31) Number      (32) Date      (33) Country  
**2003 0667      28 Nov 2003      NORWAY**  
(56) Related Art Documents: **Not Applicable**  
(57) Statement of Monopoly: **Monopoly is claimed in the features of shape and/or configuration of a pipe clamp as shown in the representations accompanying the application.**  
Statement of Novelty: **Nil**



(21) Application Number: **1918/2004**

(22) Date of Filing Application: **24 May 2004**

(24) Date from which industrial property rights may have effect: **24 May 2004**

(54) Article in respect of which the design is registered: **Credit/debit/cash card**

(51) International Design Classification: **19-08**

(71) Name(s) and Address(s) of Applicant(s):

**Todd Patrick Richard Ryan**  
**2 Young Street Burra South Australia 5417 Australia**

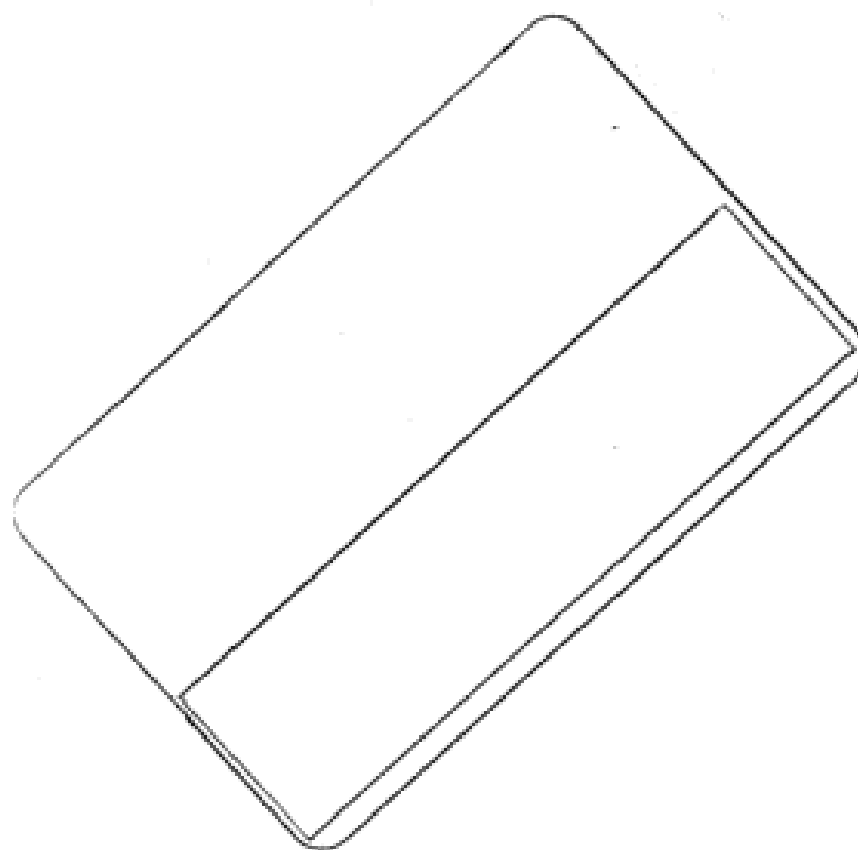
(72) Name(s) of Author(s): **Todd Patrick Richard Ryan**

(45) Registration Date: **03 August 2005**

(56) Related Art Documents: **Not Applicable**

(57) Statement of Monopoly: **Monopoly is claimed in the shape, configuration, pattern and ornamentation of a credit/debit/cash card as shown in the accompanying representations.**

Statement of Novelty: **Nil**



(21) Application Number: **1919/2004**

(22) Date of Filing Application: **24 May 2004**

(24) Date from which industrial property rights may have effect: **24 May 2004**

(54) Article in respect of which the design is registered: **Trolley**

(51) International Design Classification: **12-02**

(71) Name(s) and Address(s) of Applicant(s):

**Todd Patrick Richard Ryan**  
**2 Young Street Burra South Australia 5417 Australia**

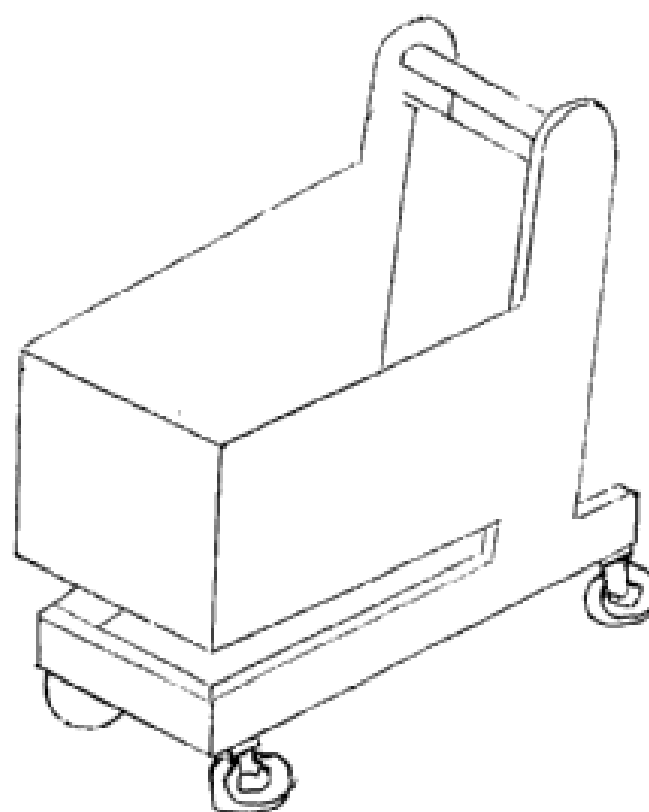
(72) Name(s) of Author(s): **Todd Patrick Richard Ryan**

(45) Registration Date: **03 August 2005**

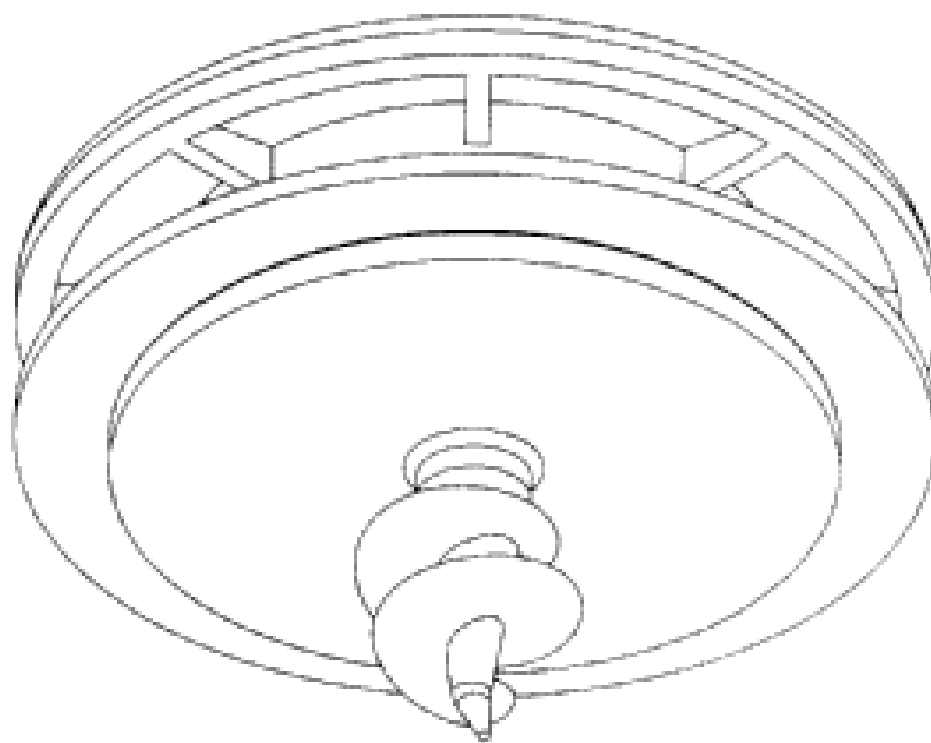
(56) Related Art Documents: **Not Applicable**

(57) Statement of Monopoly: **Monopoly is claimed in the shape, configuration, pattern and ornamentation of the trolley as shown in the accompanying representation. Monopoly is not claimed in the shape and configuration of the wheels.**

Statement of Novelty: **Nil**



- (21) Application Number: **2267/2004**  
(22) Date of Filing Application: **11 June 2004**  
(24) Date from which industrial property rights may have effect: **11 June 2004**  
(54) Article in respect of which the design is registered: **Car mat clip**  
(51) International Design Classification: **08-08B**  
(71) Name(s) and Address(s) of Applicant(s):  
**Visscher Caravelle Australia Pty Ltd**  
**PO Box 936 Seven Hills New South Wales 1730 Australia**  
(72) Name(s) of Author(s): **Terry Martin Lawlor**  
(45) Registration Date: **03 August 2005**  
(56) Related Art Documents: **Not Applicable**  
(57) Statement of Monopoly: **Monopoly is claimed in the shape and configuration of a car mat clip as shown in the representations.**  
Statement of Novelty: **Nil**



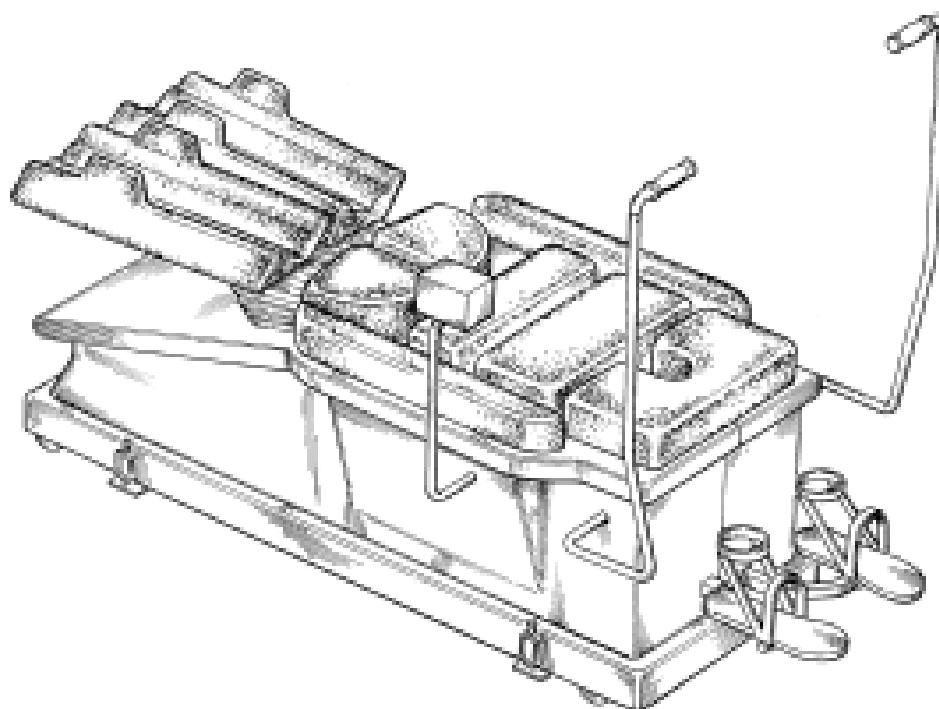
- (21) Application Number: **2408/2004**  
(22) Date of Filing Application: **16 June 2004**  
(24) Date from which industrial property rights may have effect: **16 June 2004**  
(54) Article in respect of which the design is registered: **Crow bar**  
(51) International Design Classification: **08-05NES**  
(74) Name(s) of Attorney(s): **Callinan Lawrie**  
(71) Name(s) and Address(s) of Applicant(s):  
**Waterfront Homes P/L**  
**5 Sophie Court Mornington Victoria 3931 Australia**  
(72) Name(s) of Author(s): **Wayne Poulton**  
(45) Registration Date: **03 August 2005**  
(56) Related Art Documents: **Not Applicable**  
(57) Statement of Monopoly: **Monopoly is claimed in the shape or configuration of a crow bar as depicted in the accompanying representations. The handle of the crow bar is of indefinite length.**  
Statement of Novelty: **Nil**



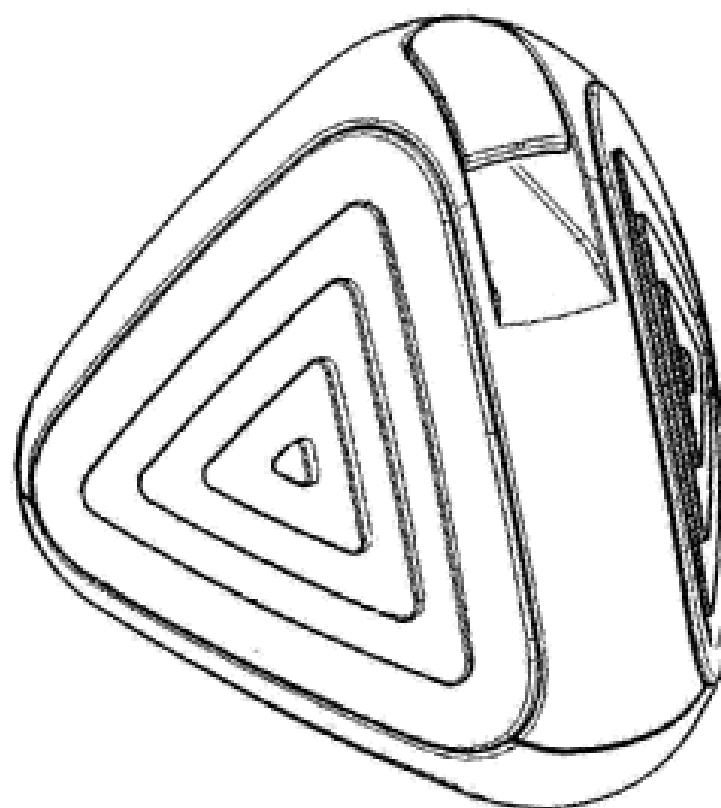
(21) Application Number: **2446/2004**  
(22) Date of Filing Application: **16 June 2004**  
(24) Date from which industrial property rights may have effect: **16 June 2004**  
(54) Article in respect of which the design is registered: **Patch panel**  
(51) International Design Classification: **14-02**  
(74) Name(s) of Attorney(s): **Davies Collison Cave**  
(71) Name(s) and Address(s) of Applicant(s):  
**Krone (Australia) Holdings Pty Limited**  
**2 Hereford Street Berkeley Vale New South Wales 2259 Australia**  
(72) Name(s) of Author(s): **Yanhua Ma**  
(45) Registration Date: **03 August 2005**  
(56) Related Art Documents: **Not Applicable**  
(57) Statement of Monopoly: **Monopoly is claimed in the features of shape and configuration of a patch panel, as shown in the accompanying representations.**  
Statement of Novelty: **Nil**



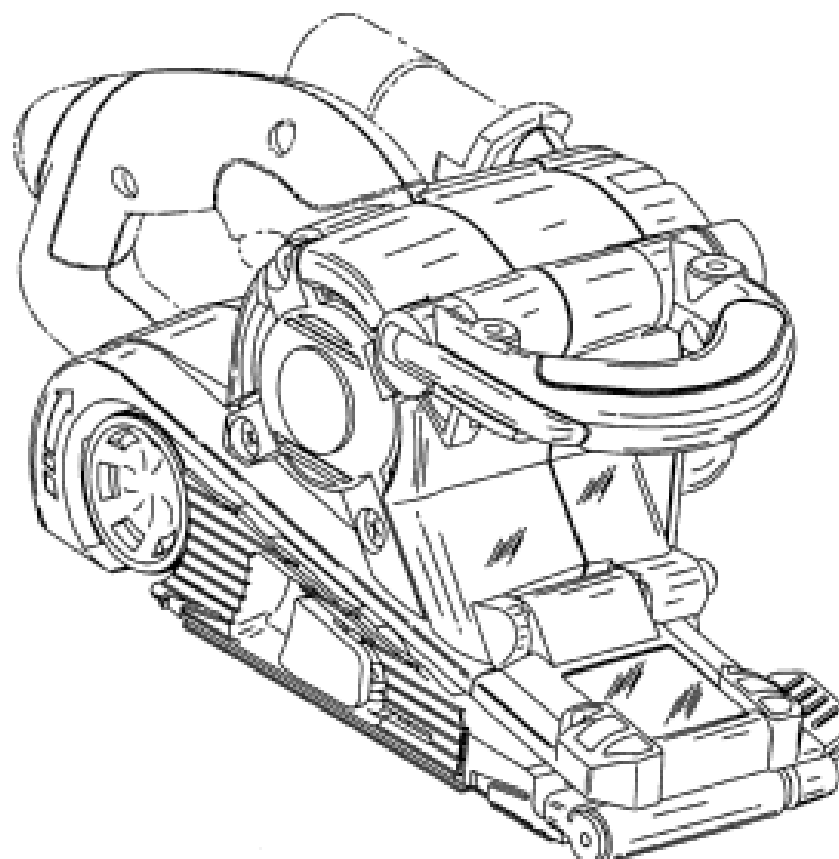
(21) Application Number: **0313/2004**  
(22) Date of Filing Application: **22 January 2004**  
(24) Date from which industrial property rights may have effect: **22 January 2004**  
(54) Article in respect of which the design is registered: **Exercise device**  
(51) International Design Classification: **21-02F**  
(74) Name(s) of Attorney(s): **Callinan Lawrie**  
(71) Name(s) and Address(s) of Applicant(s):  
**Caraleen Enterprises Pty Ltd**  
**359 Elizabeth Drive Sunbury Victoria 3429 Australia**  
(72) Name(s) of Author(s): **Rodney William Smyrk and Claude Sfiligoj**  
(45) Registration Date: **03 August 2005**  
(56) Related Art Documents: **Not Applicable**  
(57) Statement of Monopoly: **Monopoly is claimed in the features of shape and/or configuration to an exercise device as illustrated in the accompanying representations.**  
Statement of Novelty: **Nil**



(21) Application Number: **0441/2004**  
(22) Date of Filing Application: **05 February 2004**  
(24) Date from which industrial property rights may have effect: **05 February 2004**  
(54) Article in respect of which the design is registered: **Radio receiver**  
(51) International Design Classification: **14-03D**  
(74) Name(s) of Attorney(s): **Shelston IP**  
(71) Name(s) and Address(s) of Applicant(s):  
**British Sky Broadcasting Ltd**  
**Grant Way Isleworth Middlesex TW7 5QD United Kingdom**  
(72) Name(s) of Author(s): **Jonathan Knight**  
(45) Registration Date: **03 August 2005**  
(30) Convention priority data:  
(31) Number           (32) Date                           (33) Country  
**000117445           10 Dec 2003                           EUROPEAN COMMUNITY**  
(56) Related Art Documents: **Not Applicable**  
(57) Statement of Monopoly: **Monopoly is claimed in the features of shape and/or configuration of a radio receiver as shown in the representations accompanying the application.**  
Statement of Novelty: **Nil**

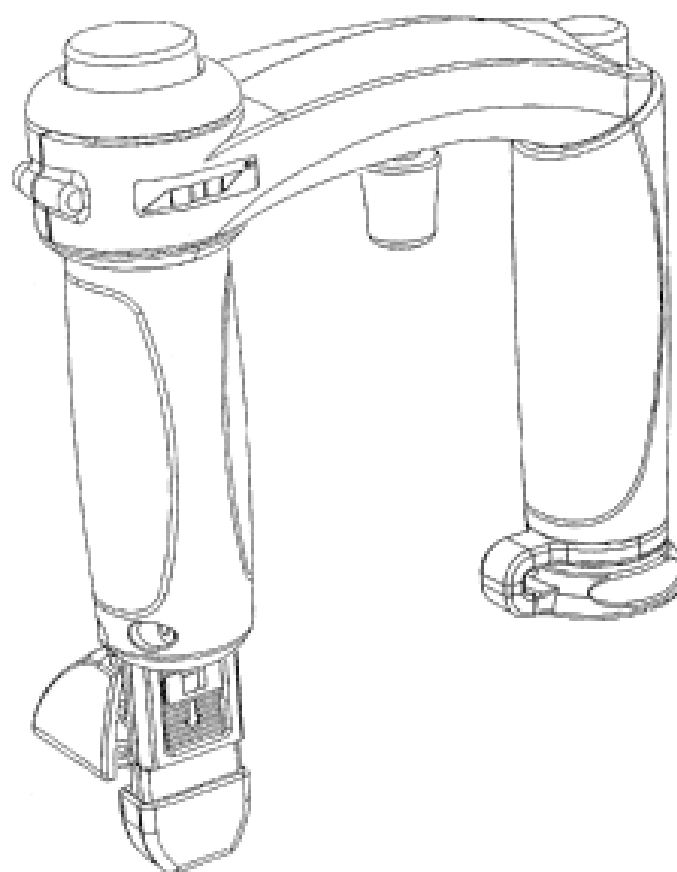


(21) Application Number: **0573/2004**  
(22) Date of Filing Application: **17 February 2004**  
(24) Date from which industrial property rights may have effect: **17 February 2004**  
(54) Article in respect of which the design is registered: **A belt sander**  
(51) International Design Classification: **08-05N**  
(74) Name(s) of Attorney(s): **Davies Collison Cave**  
(71) Name(s) and Address(s) of Applicant(s):  
**Black & Decker Inc.**  
**1207 Drummond Plaza Newark Delaware 19711 United States of America**  
(72) Name(s) of Author(s): **Nigel Robson**  
(45) Registration Date: **03 August 2005**  
(56) Related Art Documents: **Not Applicable**  
(57) Statement of Monopoly: **Monopoly is claimed in the features of shape and configuration of the features shown in solid lines in the representations. In considering the extent of monopoly protection the features shown in broken lines are to be disregarded.**  
Statement of Novelty: **Nil**

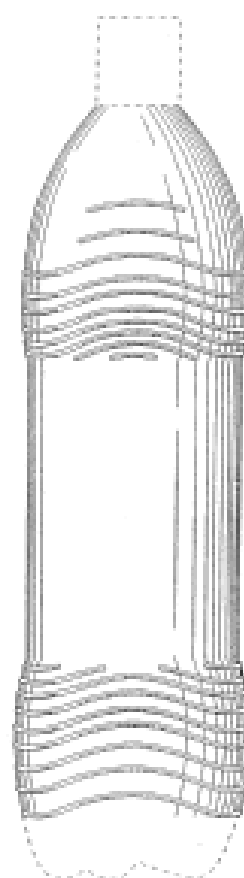




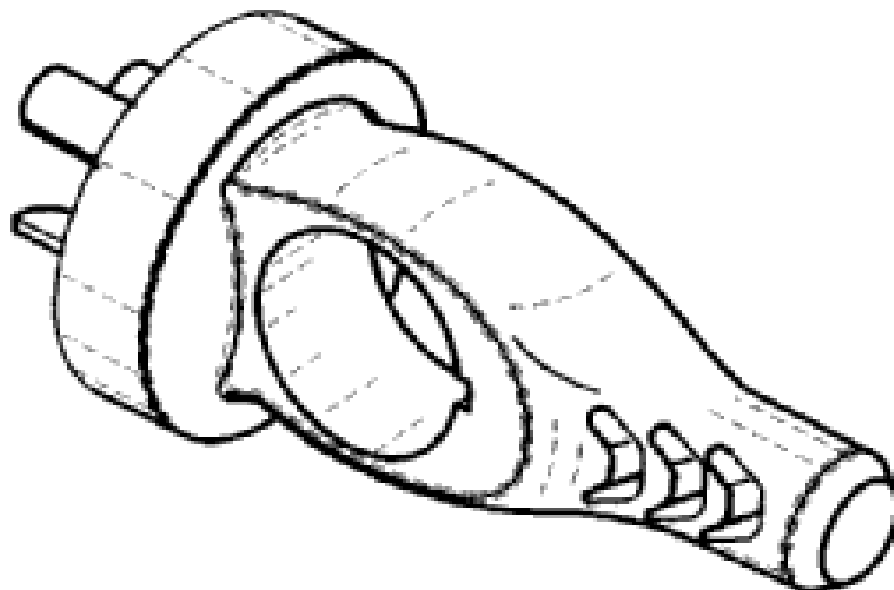
(21) Application Number: **0601/2004**  
(22) Date of Filing Application: **19 February 2004**  
(24) Date from which industrial property rights may have effect: **19 February 2004**  
(54) Article in respect of which the design is registered: **Cutting device**  
(51) International Design Classification: **08-03**  
(74) Name(s) of Attorney(s): **Madderns**  
(71) Name(s) and Address(s) of Applicant(s):  
**Carglass Luxembourg S.a.r.l., Zug branch**  
**Gotthardstrasse 20 CH - 6300 Zug Switzerland**  
(72) Name(s) of Author(s): **Nicholas James Mival and Christopher Davies**  
(45) Registration Date: **03 August 2005**  
(56) Related Art Documents: **Not Applicable**  
(57) Statement of Monopoly: **Monopoly is claimed in the features of shape and configuration of a cutting device as shown in the accompanying representations. The blade shown does not form part of the design.**  
Statement of Novelty: **Nil**



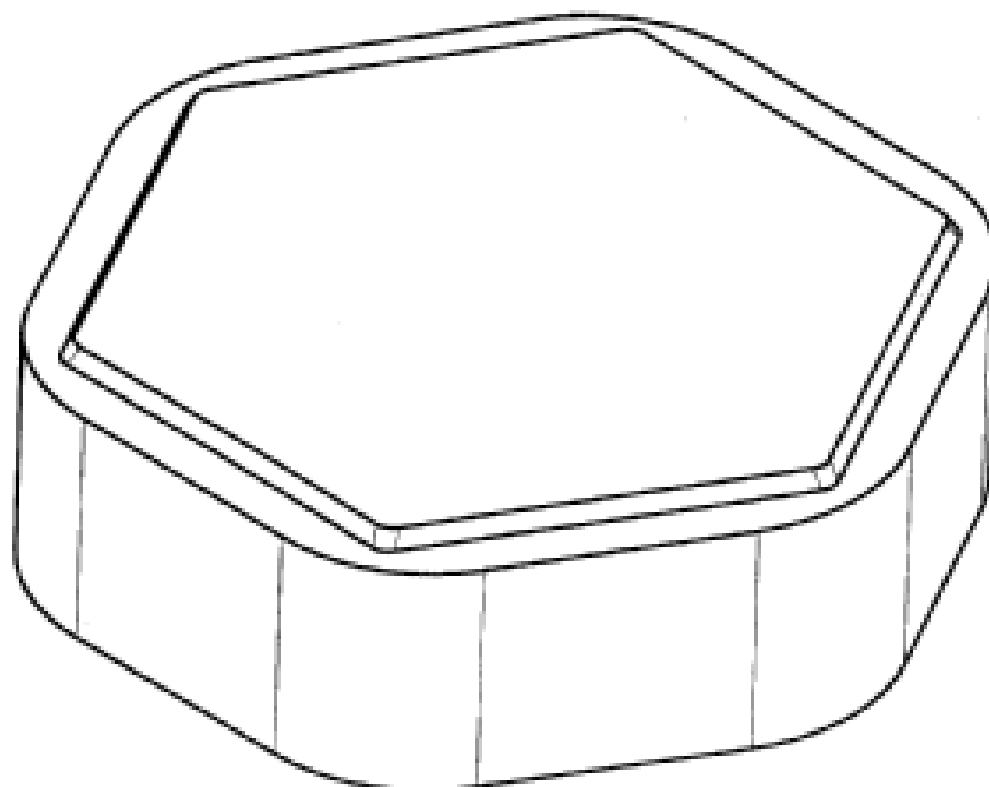
(21) Application Number: **0881/2004**  
(22) Date of Filing Application: **09 March 2004**  
(24) Date from which industrial property rights may have effect: **09 March 2004**  
(54) Article in respect of which the design is registered: **Bottle**  
(51) International Design Classification: **09-01NES**  
(74) Name(s) of Attorney(s): **Intellectro**  
(71) Name(s) and Address(s) of Applicant(s):  
**PepsiCo Inc.**  
**700 Anderson Hill Road Purchase New York 10577 United States of America**  
(72) Name(s) of Author(s): **Christopher James Mero and Alex E. Gnann**  
(45) Registration Date: **03 August 2005**  
(30) Convention priority data:  
(31) Number      (32) Date      (33) Country  
**29/189,679      10 Sep 2003      UNITED STATES OF AMERICA**  
(56) Related Art Documents: **Not Applicable**  
(57) Statement of Monopoly: **Monopoly is claimed in the shape and configuration of a bottle as illustrated in the accompanying representations. When considering the scope of monopoly the shape and configuration of the broken lines that form the bounds of the bottle are to be disregarded.**  
Statement of Novelty: **Nil**



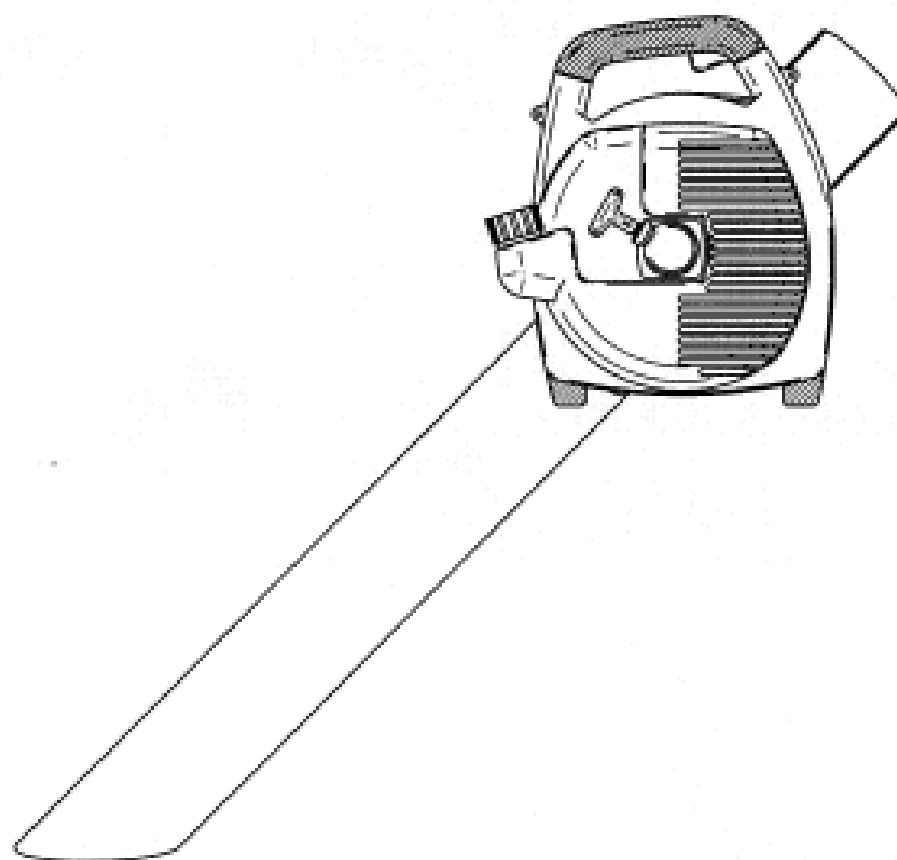
- (21) Application Number: **1183/2004**  
(22) Date of Filing Application: **30 March 2004**  
(24) Date from which industrial property rights may have effect: **30 March 2004**  
(54) Article in respect of which the design is registered: **A plug**  
(51) International Design Classification: **13-03D**  
(74) Name(s) of Attorney(s): **Griffith Hack**  
(71) Name(s) and Address(s) of Applicant(s):  
**TechTronic Industries Co. Ltd**  
**24/F CDW Building 388 Castle Peak Road Tsuen Wan New Territories**  
**Hong Kong**  
(72) Name(s) of Author(s): **Thomas Matthew Parel and Taku Ohi**  
(45) Registration Date: **03 August 2005**  
(56) Related Art Documents: **Not Applicable**  
(57) Statement of Monopoly: **Monopoly is claimed in the features of shape and configuration of a plug as shown in the accompanying representations.**  
Statement of Novelty: **Nil**



- (21) Application Number: **1318/2004**  
(22) Date of Filing Application: **05 April 2004**  
(24) Date from which industrial property rights may have effect: **05 April 2004**  
(54) Article in respect of which the design is registered: **Gaming machine push button**  
(51) International Design Classification: **21-03**  
(74) Name(s) of Attorney(s): **WALLINGTON-DUMMER**  
(71) Name(s) and Address(s) of Applicant(s):  
**Konami Australia Pty Ltd**  
**28 Lord Street Botany New South Wales 2019 Australia**  
(72) Name(s) of Author(s): **Ian William Cooper**  
(45) Registration Date: **03 August 2005**  
(56) Related Art Documents: **Not Applicable**  
(57) Statement of Monopoly: **Monopoly resides in the shape and/or configuration of a gaming machine push button as illustrated in the representations.**  
Statement of Novelty: **Nil**



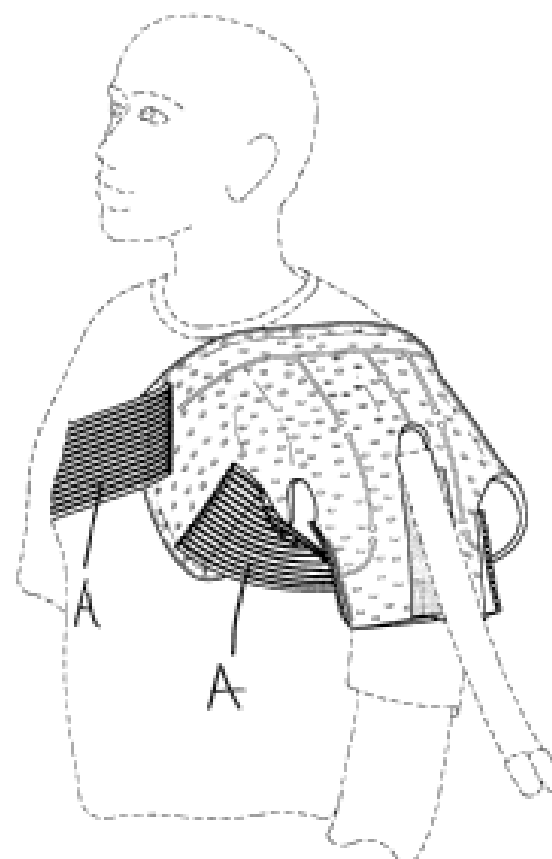
(21) Application Number: **1378/2004**  
 (22) Date of Filing Application: **08 April 2004**  
 (24) Date from which industrial property rights may have effect: **08 April 2004**  
 (54) Article in respect of which the design is registered: **Portable blower/vacuum unit**  
 (51) International Design Classification: **15-05**  
 (74) Name(s) of Attorney(s): **Cullen & Co**  
 (71) Name(s) and Address(s) of Applicant(s):  
**Roy Gripske & Sons Pty Ltd**  
**11 Sodium Street Narangba Queensland 4504 Australia**  
 (72) Name(s) of Author(s): **Paul Gripske and Craig Damien Stokes**  
 (45) Registration Date: **03 August 2005**  
 (56) Related Art Documents: **Not Applicable**  
 (57) Statement of Monopoly: **Monopoly is claimed in the shape and configuration of a portable blower/vacuum unit as shown in the accompanying representations.**  
 Statement of Novelty: **Nil**



(21) Application Number: **1401/2004**  
 (22) Date of Filing Application: **13 April 2004**  
 (24) Date from which industrial property rights may have effect: **13 April 2004**  
 (54) Article in respect of which the design is registered: **Thermal therapy pad**  
 (51) International Design Classification: **24-04**  
 (74) Name(s) of Attorney(s): **Davies Collison Cave**  
 (71) Name(s) and Address(s) of Applicant(s):  
**DJ Orthopedics L.L.C.**  
**2985 Scott Street Vista California 92083-8339 United States of America**  
 (72) Name(s) of Author(s): **Angela M. Krahner**  
 (45) Registration Date: **03 August 2005**  
 (30) Convention priority data:  

(31) Number	(32) Date	(33) Country
<b>29/191679</b>	<b>10 Oct 2003</b>	<b>UNITED STATES OF AMERICA</b>

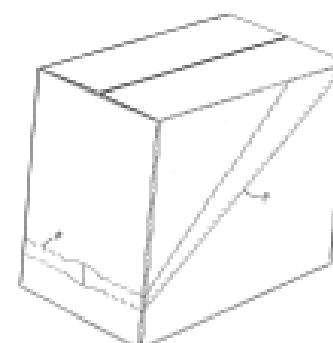
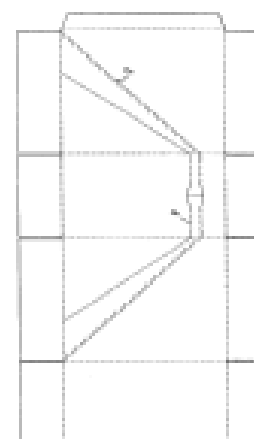
 (56) Related Art Documents: **Not Applicable**  
 (57) Statement of Monopoly: **Monopoly is claimed in the features of shape and/or configuration of the thermal therapy pad shown in the representations. In considering the extent of the monopoly protection the straps marked "A" are to be disregarded and the features shown in broken lines are to be disregarded.**  
 Statement of Novelty: **Nil**



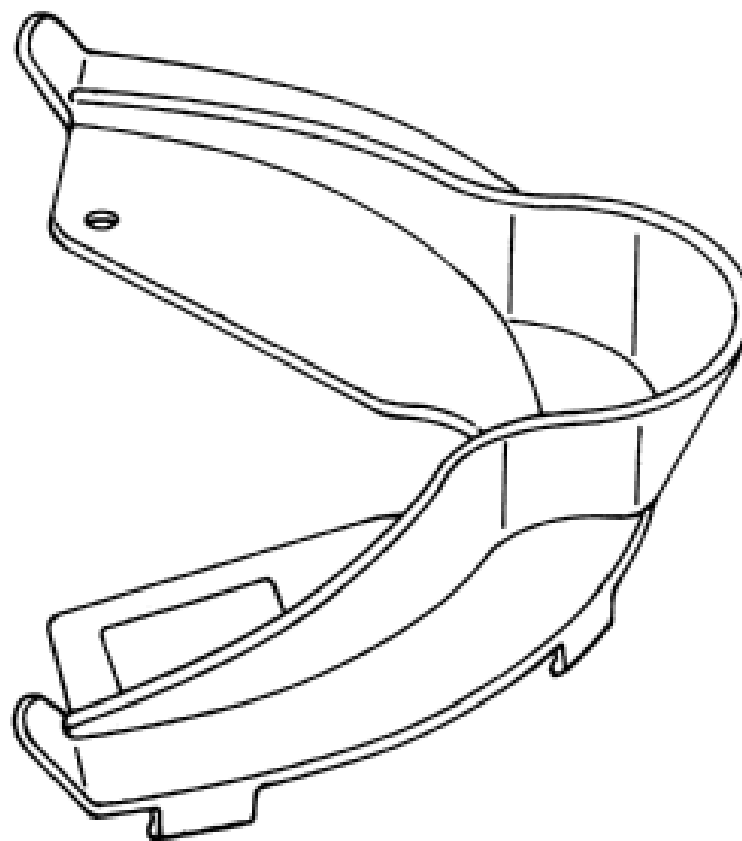
(21) Application Number: **1870/2004**  
 (22) Date of Filing Application: **18 May 2004**  
 (24) Date from which industrial property rights may have effect: **18 May 2004**  
 (54) Article in respect of which the design is registered: **Head portion of a toothbrush**  
 (51) International Design Classification: **04-02**  
 (74) Name(s) of Attorney(s): **SPRUSON & FERGUSON**  
 (71) Name(s) and Address(s) of Applicant(s):  
**The Gillette Company**  
**Prudential Tower Building Boston Massachusetts 02199 United States of America**  
 (72) Name(s) of Author(s): **William R. Brown Jr and Alexander T. Chenvainu and Thomas A. Christman**  
 (45) Registration Date: **03 August 2005**  
 (30) Convention priority data:  
 (31) Number (32) Date (33) Country  
**29/194039 18 Nov 2003 UNITED STATES OF AMERICA**  
 (56) Related Art Documents: **Not Applicable**  
 (57) Statement of Monopoly: **Monopoly is claimed in the features of shape and/or configuration of a head portion of a toothbrush as shown in the accompanying representations and in considering the extent of monopoly protection, the neck portion shown in phantom is to be disregarded.**  
 Statement of Novelty: **Nil**



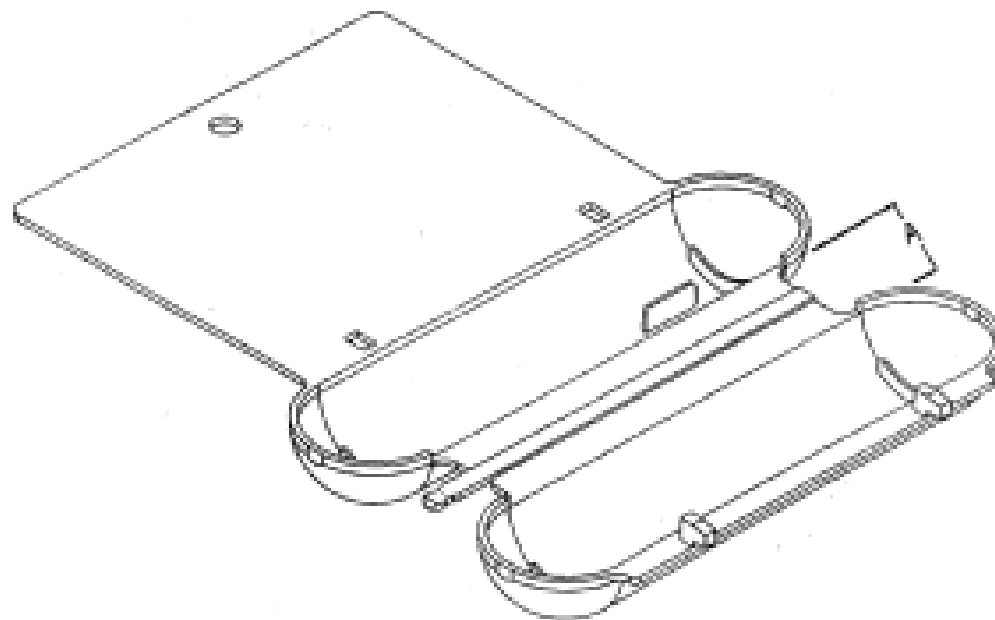
(21) Application Number: **2105/2004**  
 (22) Date of Filing Application: **01 June 2004**  
 (24) Date from which industrial property rights may have effect: **01 June 2004**  
 (54) Article in respect of which the design is registered: **Easy-open container and blank therefor**  
 (51) International Design Classification: **09-03M**  
 (74) Name(s) of Attorney(s): **Griffith Hack**  
 (71) Name(s) and Address(s) of Applicant(s):  
**Visy R & D Pty Ltd**  
**Level 2 533 Little Lonsdale St Melbourne Victoria 3000 Australia**  
 (72) Name(s) of Author(s): **Wayne Born**  
 (45) Registration Date: **03 August 2005**  
 (61) Additional to: **156649**  
 (56) Related Art Documents: **Not Applicable**  
 (57) Statement of Monopoly: **Monopoly resides in the shape or configuration of an easy-open strip formed in the end wall and side walls of a container and blank therefor as illustrated in the representations. In determining the scope of the monopoly, the shape of the individual perforations defining the easy-open strip, identified by the letter P in the representations, shall be disregarded.**  
 Statement of Novelty: **Nil**



(21) Application Number: **2251/2004**  
(22) Date of Filing Application: **11 June 2004**  
(24) Date from which industrial property rights may have effect: **11 June 2004**  
(54) Article in respect of which the design is registered: **A paint pourer**  
(51) International Design Classification: **08-05L**  
(71) Name(s) and Address(s) of Applicant(s):  
**Peter Burak**  
**Unit 2/101 Spring Street Queenstown South Australia 5014 Australia**  
(72) Name(s) of Author(s): **Peter Burak**  
(45) Registration Date: **03 August 2005**  
(56) Related Art Documents: **Not Applicable**  
(57) Statement of Monopoly: **Monopoly is claimed in the shape and configuration of a paint pourer including the paint pourer spout and paint restrictors as shown in the representations.**  
Statement of Novelty: **Nil**



(21) Application Number: **0418/2004**  
(22) Date of Filing Application: **05 February 2004**  
(24) Date from which industrial property rights may have effect: **05 February 2004**  
(54) Article in respect of which the design is registered: **A container**  
(51) International Design Classification: **09-05**  
(74) Name(s) of Attorney(s): **A J Park**  
(71) Name(s) and Address(s) of Applicant(s):  
**Galantai Plastics Group Limited**  
**11 Bancroft Crescent Glendene Auckland New Zealand**  
(72) Name(s) of Author(s): **Roderick Francis Galantai**  
(45) Registration Date: **03 August 2005**  
(30) Convention priority data:  
(31) Number      (32) Date      (33) Country  
**403781      11 Aug 2003      NEW ZEALAND**  
(56) Related Art Documents: **Not Applicable**  
(57) Statement of Monopoly: **Monopoly is claimed in features of shape and/or configuration of the region A-A interposed between mating components of a container as shown in the accompanying representations.**  
Statement of Novelty: **Nil**





**Proceedings under the Designs Act 2003.**

This Page Left Intentionally Blank



**Applications Lodged**

Lodgement information is in the following order: **Applicant's Name**; International Classification, Name of Product, Lodgement Date and **Design Number**. If the applicant claims an earlier priority date under an International Convention, the Convention Country and the associated filing date are shown in parentheses before the Lodgement Date. Divisional information will also appear in parentheses before the Lodgement Date.

<b>arnoldlane design;</b> 06-01G, Lounge seating/sofa, 26 Jul 2005	<b>13141/2005</b>	<b>Axcess Oss Pty Ltd;</b> 30-04, Dog leash, 29 Jul 2005	<b>13204/2005</b>
<b>topac MultimediaPrint GmbH;</b> 09-03M, 09-05, Packaging for data carriers, (DE, 04 Feb 2005) 03 Aug 2005	<b>13305/2005</b>	<b>Axcess Oss Pty Ltd;</b> 09-05, 30-99, Animal poo bag, 29 Jul 2005	<b>13205/2005</b>
<b>A. Giannarelli &amp; Sons;</b> 11-02NES, Double bullnosed ashlar sculpture, 02 Aug 2005	<b>13282/2005</b>	<b>Ayres, Aleta; Aloj, Pauline;</b> 07-06A, Smaller bottled alcoholic mixer drinks and designer beers in 275ml to 375ml bottles as an insulater, 19 Jul 2005	<b>13067/2005</b>
<b>A. Giannarelli &amp; Sons;</b> 11-02NES, Stone scroll sculpture, 02 Aug 2005	<b>13283/2005</b>	<b>Azuma Design Pty Limited;</b> 08-07, A lock, 28 Jul 2005	<b>13233/2005</b>
<b>A. Giannarelli &amp; Sons;</b> 11-02NES, Rectangular heart design sculpture, 02 Aug 2005	<b>13284/2005</b>	<b>Babawine Pty Ltd; Loh, Willy;</b> 07-01C, Cup with insulating wrap, 26 Jul 2005	<b>13172/2005</b>
<b>A.L. Consulting Pty Ltd;</b> 19-08, Wallet guard stickers, 27 Jul 2005	<b>13178/2005</b>	<b>Babawine Pty Ltd; Loh, Willy;</b> 07-01C, Cup with dimpled outer layer, 26 Jul 2005	<b>13173/2005</b>
<b>Abalos, Dennis;</b> 06-01L, Design : chair, 28 Jul 2005	<b>13201/2005</b>	<b>Babawine Pty Ltd; Loh, Willy;</b> 07-01C, Cup with dimpled outer layer, 26 Jul 2005	<b>13174/2005</b>
<b>All Invent Projects BVBA;</b> 06-04NES, Filing container for compact discs, (EP, 01 Feb 2005) 01 Aug 2005	<b>13248/2005</b>	<b>Babawine Pty Ltd; Loh, Willy;</b> 07-01C, Cup with insulating wrap, 26 Jul 2005	<b>13175/2005</b>
<b>Allinox N.V.,;</b> 11-02F, Plaque, (BX, 10 Feb 2005) 09 Aug 2005	<b>13382/2005</b>	<b>Baby Shade Ltd;</b> 12-12, Product name not listed, 25 Jul 2005	<b>13126/2005</b>
<b>Allinox N.V.,;</b> 11-02F, Plaque, (BX, 10 Feb 2005) 09 Aug 2005	<b>13383/2005</b>	<b>Bass Marine Limited;</b> 22-05, Fish lure, 18 Jul 2005	<b>13062/2005</b>
<b>Aloj, Pauline; Ayres, Aleta;</b> 07-06A, Smaller bottled alcoholic mixer drinks and designer beers in 275ml to 375ml bottles as an insulater, 19 Jul 2005	<b>13067/2005</b>	<b>Bass Marine Limited;</b> 22-05, Fish lure, 18 Jul 2005	<b>13063/2005</b>
<b>Amcor Limited;</b> 09-03F, Pizza tray, 02 Aug 2005	<b>13286/2005</b>	<b>Bass Marine Limited;</b> 22-05, Fish lure, 18 Jul 2005	<b>13064/2005</b>
<b>Amcor Limited;</b> 09-03F, Pizza tray, 02 Aug 2005	<b>13287/2005</b>	<b>Belkin Corporation;</b> 13-03A, 13-03NES, Surge protector, (US, 04 Feb 2005) 03 Aug 2005	<b>13311/2005</b>
<b>Anthony Martin Holling, Trading as Solapool Professionals;</b> 23-03D, Solar collector/absorber, 18 Jul 2005	<b>13060/2005</b>	<b>Belkin Corporation;</b> 13-03A, 13-03NES, Surge protector, (US, 03 Feb 2005) 03 Aug 2005	<b>13312/2005</b>
<b>Assa Abloy New Zealand Limited;</b> 08-09, Window stay, (NZ, 02 Feb 2005) 01 Aug 2005	<b>13266/2005</b>	<b>Biocorp Australia Pty Ltd;</b> 09-09, 24-99, Bio-can sharps containers, 03 Aug 2005	<b>13325/2005</b>
<b>Assa Abloy New Zealand Limited;</b> 08-09, Window stay, (NZ, 02 Feb 2005) 01 Aug 2005	<b>13267/2005</b>	<b>Black &amp; Decker Inc.;</b> 10-04, Powered tape measure, (US, 09 Jul 2004) 10 Jan 2005	<b>13197/2005</b>
<b>Assa Abloy New Zealand Limited;</b> 08-09, Window stay, (NZ, 02 Feb 2005) 01 Aug 2005	<b>13268/2005</b>	<b>Black &amp; Decker, Inc.;</b> 08-03, A hedge trimmer, (EM, 11 Feb 2005) 25 Jul 2005	<b>13163/2005</b>
<b>Assa Abloy New Zealand Limited;</b> 08-09, Window stay, (NZ, 02 Feb 2005) 01 Aug 2005	<b>13269/2005</b>	<b>Black &amp; Decker, Inc.;</b> 08-03, A saw, (US, 11 Mar 2005) 01 Aug 2005	<b>13256/2005</b>
<b>Atkinson, Sean Paul;</b> 14-01, Jukebox, 10 Aug 2005	<b>13387/2005</b>	<b>Black &amp; Decker, Inc.;</b> 08-03, A saw, (US, 11 Mar 2005) 01 Aug 2005	<b>13257/2005</b>
		<b>Boerner Kunststoff-und Metallwarenfabrik GmbH;</b> 07-04, Food processor, (EM, 02 Feb 2005) 02 Aug 2005	<b>13288/2005</b>

<b>Boots Healthcare International Limited;</b> 03-01NES, Tablet dispenser, (EP, 25 Jan 2005) 22 Jul 2005	<b>13110/2005</b>	<b>Cooke, Collin; Cooke, Janine;</b> 12-16NES, Tractor modification, 15 Jul 2005	<b>13059/2005</b>
<b>Brady, William J.;</b> 08-01, Improved device, (US, 01 Feb 2005) 01 Aug 2005	<b>13247/2005</b>	<b>Cooke, Janine; Cooke, Collin;</b> 12-16NES, Tractor modification, 15 Jul 2005	<b>13059/2005</b>
<b>Braun GmbH;</b> 28-03A, Electric shaver, (EM, 10 Feb 2005) 08 Aug 2005	<b>13371/2005</b>	<b>Creative Technology Ltd;</b> 14-01, Media plater, (US, 09 May 2005) 05 Aug 2005	<b>13354/2005</b>
<b>Braun GmbH;</b> 28-03NES, Electric toothbrush handle, (Divisional of 00872/2004) 27 Jul 2005	<b>13192/2005</b>	<b>CIBO Design Pty Ltd;</b> 06-06D, Cabinetry drawer system CIBO Design bathroom furniture: CIBO project furniture: CIBO Design home theatre furniture, 22 Jul 2005	<b>13107/2005</b>
<b>Braun GmbH;</b> 04-02, Toothbrush head with bristles, (Divisional of 00873/2004) 27 Jul 2005	<b>13193/2005</b>	<b>CTECH Closures Pty Ltd;</b> 09-01NES, A container neck, 15 Jul 2005	<b>13058/2005</b>
<b>Brazier, Cecily; Dear, Geraldene;</b> 03-03, Mobile umbrella stand, 02 Aug 2005	<b>13255/2005</b>	<b>Dama Underwater Boat Covers;</b> 12-06NES, Underwater boat cover, 03 Aug 2005	<b>13324/2005</b>
<b>British Sky Broadcasting Ltd;</b> 14-03NES, Remote control, (EM, 07 Feb 2005) 05 Aug 2005	<b>13355/2005</b>	<b>Dart Industries Inc.;</b> 07-01B, Container, (US, 18 Feb 2005) 25 Jul 2005	<b>13155/2005</b>
<b>British Sky Broadcasting Ltd;</b> 14-03NES, Remote control, (EM, 07 Feb 2005) 05 Aug 2005	<b>13356/2005</b>	<b>Dart Industries Inc.;</b> 07-01NES, Container, (US, 25 Feb 2005) 02 Aug 2005	<b>13280/2005</b>
<b>Bromic Pty Limited;</b> 23-01F, Gas bottle handle and base support, 22 Jul 2005	<b>13109/2005</b>	<b>Dart Industries Inc.;</b> 07-01NES, Cover, (US, 18 Feb 2005) 25 Jul 2005	<b>13156/2005</b>
<b>Browne, David;</b> 07-05A, Ironing board support, 07 Aug 2005	<b>13365/2005</b>	<b>Dart Industries Inc.;</b> 07-01B, Container, (US, 18 Feb 2005) 25 Jul 2005	<b>13154/2005</b>
<b>Bryant, Mark Joseph;</b> 12-10, Trailer, camper trailer, 19 Jul 2005	<b>13061/2005</b>	<b>Dauwalder, Juan;</b> 09-03F, Food tray, 28 Jul 2005	<b>13326/2005</b>
<b>BIO Recognition Systems Pty Ltd;</b> 10-04, 10-99, Biolock biometric device, 08 Aug 2005	<b>13375/2005</b>	<b>Dear, Geraldene; Brazier, Cecily;</b> 03-03, Mobile umbrella stand, 02 Aug 2005	<b>13255/2005</b>
<b>BST Oyster Supplies Pty Ltd;</b> 22-99, Oyster bag riser, 04 Aug 2005	<b>13300/2005</b>	<b>Decor Corporation Pty Ltd, The;</b> 07-06A, Handle (saddle), 25 Jul 2005	<b>13153/2005</b>
<b>Callaway Golf Company;</b> 21-02C, Golf club head, (US, 27 Jan 2005) 27 Jul 2005	<b>13188/2005</b>	<b>Decor Corporation Pty Ltd, The;</b> 07-06A, Handle (grip), 25 Jul 2005	<b>13152/2005</b>
<b>Callaway Golf Company;</b> 21-02C, Golf club head, (US, 28 Jan 2005) 28 Jul 2005	<b>13232/2005</b>	<b>Decor Corporation Pty Ltd, The;</b> 07-01NES, Medium container base, 18 Jul 2005	<b>13068/2005</b>
<b>Calor;</b> 07-05A, Soleplate for a laundry iron, (FR, 27 Jan 2005) 26 Jul 2005	<b>13183/2005</b>	<b>Decor Corporation Pty Ltd, The;</b> 07-01NES, Tall container base, 18 Jul 2005	<b>13069/2005</b>
<b>Calor;</b> 07-05A, Soleplate for a laundry iron, (FR, 27 Jan 2005) 26 Jul 2005	<b>13184/2005</b>	<b>Decor Corporation Pty Ltd, The;</b> 07-01NES, Large container base, 18 Jul 2005	<b>13070/2005</b>
<b>Cameron Products Pty Ltd;</b> 09-03M, 09-05, Packaging, 26 Jul 2005	<b>13177/2005</b>	<b>Decor Corporation Pty Ltd, The;</b> 07-01NES, Small container base, 18 Jul 2005	<b>13071/2005</b>
<b>Caroma Industries Limited;</b> 23-02C, A urinal, 27 Jul 2005	<b>13189/2005</b>	<b>Deu, David Grifols;</b> 21-01A, 21-01F, Mobile toy, (ES, 19 Apr 2005) 25 Jul 2005	<b>13148/2005</b>
<b>Caroma Industries Limited;</b> 23-02C, A urinal, 27 Jul 2005	<b>13190/2005</b>	<b>Dominguez, Sally;</b> 23-01F, HedgeHOG is a horizontal water storage unit, 22 Jul 2005	<b>13106/2005</b>
<b>Centre For Appropriate Technology Inc.;</b> 13-03NES, An electrical power distribution unit, 04 Aug 2005	<b>13301/2005</b>	<b>Dungen, Johannes Nicolaas;</b> 25-02C, Fence capping, 27 Jul 2005	<b>13196/2005</b>
<b>Chan, Wai;</b> 15-01, An intercooler, 08 Aug 2005	<b>13370/2005</b>	<b>Dunphy Sports/Fishing Imports Pty Ltd;</b> 22-05, A fishing lure, 28 Jul 2005	<b>13208/2005</b>

<b>Dunphy Sports/Fishing Imports Pty Ltd;</b> 22-05, A fishing lure body (Case 1), 28 Jul 2005	<b>13209/2005</b>	<b>Fitzpatrick, Roslyn;</b> 21-01M, Jigsaw puzzle, 03 Aug 2005	<b>13281/2005</b>
<b>Dunphy Sports/Fishing Imports Pty Ltd;</b> 22-05, A fishing lure body (Case 2), 28 Jul 2005	<b>13210/2005</b>	<b>Freshwater Crayfish Co. IP Pty Ltd;</b> 22-05, Aquaculture cell, 21 Jul 2005	<b>13108/2005</b>
<b>Dunphy Sports/Fishing Imports Pty Ltd;</b> 22-05, A fishing lure body (Case 3), 28 Jul 2005	<b>13211/2005</b>	<b>Galligan, Shane;</b> 19-08, Product name not clearly printed, 26 Jul 2005	<b>13140/2005</b>
<b>Dynamic Porject Management Pty Ltd;</b> 25-02C, Electricfied cattle grid, 27 Jul 2005	<b>13165/2005</b>	<b>Gallois, Mathieu;</b> 06-01C, Public seating, 03 Aug 2005	<b>13299/2005</b>
<b>DT Jox Pty Ltd;</b> 02-02A, Swimwear, 22 Jul 2005	<b>13131/2005</b>	<b>Gasser, Daniel; Hort, Michael John;</b> 23-04, Fan blade, 03 Aug 2005	<b>13297/2005</b>
<b>Eastcoast Australia Pty Ltd;</b> 10-01, Classification 07-99Z miscellaneous bazza clock, 01 Aug 2005	<b>13263/2005</b>	<b>Geelong Spring Makers;</b> 25-04, Collasible work platform for working on the interior of aircraft, 22 Jul 2005	<b>13105/2005</b>
<b>Eastcoast Australia Pty Ltd;</b> 10-01, Classification 07-99Z miscellaneous bazza 3D poker clock, 01 Aug 2005	<b>13264/2005</b>	<b>Giampavolo, Paul;</b> 09-08, Extendible pallet guard, (US, 28 Jan 2005) 28 Jul 2005	<b>13231/2005</b>
<b>Eastcoast Australia Pty Ltd;</b> 10-01, Classification 07-99Z misellaneous bazza clock, 01 Aug 2005	<b>13265/2005</b>	<b>GlaxoSmithKline Consumer Healthcare GmbH &amp; Co. KG;</b> 04-02, A toothbrush, (GB, 21 Jan 2005) 19 Jul 2005	<b>13089/2005</b>
<b>Eastcoast Australia Pty Ltd;</b> 10-01, Classification 07-992 misellaneous bazza clock, 01 Aug 2005	<b>13262/2005</b>	<b>Goodcart Pty Ltd;</b> 25-02A, Multipurpose pole, 28 Jul 2005	<b>13194/2005</b>
<b>Echelon Products Pty Ltd;</b> 21-01M, A puzzle made from a plurality of identical components, 29 Jul 2005	<b>13213/2005</b>	<b>Goodcart Pty Ltd;</b> 25-02A, Multipurpose pole, 28 Jul 2005	<b>13195/2005</b>
<b>Echelon Products Pty Ltd;</b> 21-01M, A puzzle made from a plurality of identical components, 29 Jul 2005	<b>13214/2005</b>	<b>Goodridge Australia Pty Ltd;</b> 03-01C, Lawn bowls travel bag designed to carry eight bowls, 01 Aug 2005	<b>13254/2005</b>
<b>Echelon Products Pty Ltd;</b> 21-01M, A puzzle made from a plurality of identical components, 29 Jul 2005	<b>13215/2005</b>	<b>Grandview Pty Ltd;</b> 25-03, Commercial accommodation single flat pack transportable unit, 05 Aug 2005	<b>13343/2005</b>
<b>Elson Australasia Pty Ltd;</b> 23-01H, Tap top assembly, 04 Aug 2005	<b>13319/2005</b>	<b>Grandview Pty Ltd;</b> 25-03, Commercial accommodation single flat pack transportable unit, 05 Aug 2005	<b>13344/2005</b>
<b>Elson Australasia Pty Ltd;</b> 23-01H, Tap top assembly, 04 Aug 2005	<b>13320/2005</b>	<b>Gregorys Antennas Pty Ltd;</b> 14-03NES, Television antenna, 15 Jul 2005	<b>13057/2005</b>
<b>Elson Australasia Pty Ltd;</b> 23-01H, Tap outlet, 04 Aug 2005	<b>13321/2005</b>	<b>Hilder, Leigh;</b> 23-02C, Toilet suite, 26 Jul 2005	<b>13145/2005</b>
<b>Elson Australasia Pty Ltd;</b> 23-02B, Bath, 04 Aug 2005	<b>13322/2005</b>	<b>Hilder, Leigh;</b> 23-02C, Lavatory pan, 26 Jul 2005	<b>13146/2005</b>
<b>Elson Australasia Pty Ltd;</b> 23-02B, Shower base, 04 Aug 2005	<b>13323/2005</b>	<b>Hilder, Leigh;</b> 23-02C, A toilet suite, 26 Jul 2005	<b>13147/2005</b>
<b>Feltex Carpets Pty Ltd;</b> 06-11, Applied to carpet, 25 Jul 2005	<b>13142/2005</b>	<b>Hodge, Wade Dion;</b> 02-07A, A belt, 29 Jul 2005	<b>13243/2005</b>
<b>Feltex Carpets Pty Ltd;</b> 06-11, Applied to carpet, 25 Jul 2005	<b>13143/2005</b>	<b>Home Diagnostics, Inc.;</b> 10-04, 24-01, Meter for an integrated diagnostic test system, (US, 31 Jan 2005) 22 Jul 2005	<b>13135/2005</b>
<b>Feltex Carpets Pty Ltd;</b> 06-11, Applied to carpet, 25 Jul 2005	<b>13144/2005</b>	<b>Honda Motor Co., Ltd;</b> 12-11, A front cover for a motor scooter, (JP, 31 Jan 2005) 20 Jul 2005	<b>13101/2005</b>
<b>Feltex Carpets Pty Ltd;</b> 06-11, Bradford valley, 18 Jul 2005	<b>13093/2005</b>	<b>Honda Motor Co., Ltd;</b> 26-06, A rear combination lamp for a motor scooter, (JP, 31 Jan 2005) 20 Jul 2005	<b>13102/2005</b>
<b>Feltex Carpets Pty Ltd;</b> 06-11, Sabana (Classic Product), 18 Jul 2005	<b>13094/2005</b>	<b>Honda Motor Co., Ltd;</b> 12-11, A motor scooter, (JP, 31 Jan 2005) 20 Jul 2005	<b>13103/2005</b>
<b>Feltex Carpets Pty Ltd;</b> 06-11, Clove port, 18 Jul 2005	<b>13095/2005</b>		
<b>Feltex Carpets Pty Ltd;</b> 06-11, Queens style-applied to 'CARPET', 18 Jul 2005	<b>13096/2005</b>		

<b>Honda Motor Co., Ltd;</b> 26-06, A front combination lamp for an automobile, (JP, 19 Jan 2005) 18 Jul 2005	<b>13072/2005</b>	<b>HL Display AB;</b> 20-02NES, Display equipment, (EM, 16 Feb 2005) 02 Aug 2005	<b>13274/2005</b>
<b>Honda Motor Co., Ltd;</b> 12-08, An automobile, (JP, 20 Jan 2005) 18 Jul 2005	<b>13073/2005</b>	<b>HL Display AB;</b> 20-02NES, Display equipment, (EM, 16 Feb 2005) 02 Aug 2005	<b>13275/2005</b>
<b>Honda Motor Co., Ltd;</b> 12-08, An automobile, (JP, 20 Jan 2005) 18 Jul 2005	<b>13074/2005</b>	<b>HL Display AB;</b> 20-02NES, Display equipment, (EM, 16 Feb 2005) 02 Aug 2005	<b>13276/2005</b>
<b>Honda Motor Co., Ltd;</b> 26-06, A rear combination lamp for an automobile, (JP, 19 Jan 2005) 18 Jul 2005	<b>13075/2005</b>	<b>Ingram, Bradley Phillip;</b> 21-03, (Wide trestle) playframe (as per attached image), 10 Dec 2004	<b>13097/2005</b>
<b>Honda Motor Co., Ltd;</b> 26-06, A rear combination lamp for an automobile, (JP, 19 Jan 2005) 18 Jul 2005	<b>13076/2005</b>	<b>Ingram, Bradley Phillip;</b> 21-03, (Wide trestle) playframe (as per attached image), 10 Dec 2004	<b>13098/2005</b>
<b>Honda Motor Co., Ltd;</b> 12-08, An automobile, (JP, 20 Jan 2005) 18 Jul 2005	<b>13077/2005</b>	<b>Ingram, Bradley Phillip;</b> 21-03, Playframe (as per attached image), 10 Dec 2004	<b>13099/2005</b>
<b>Honda Motor Co., Ltd;</b> 26-06, A headlight for an automobile, (JP, 19 Jan 2005) 18 Jul 2005	<b>13078/2005</b>	<b>Ingram, Bradley Phillip;</b> 21-03, Playframe (as per attached image), 10 Dec 2004	<b>13100/2005</b>
<b>Honda Motor Co., Ltd;</b> 26-06, A rear combination lamp box for an automobile, (JP, 19 Jan 2005) 18 Jul 2005	<b>13079/2005</b>	<b>Innotek, Inc.;</b> 14-03NES, Wireless transmitter, (US, 25 Feb 2005) 09 Aug 2005	<b>13381/2005</b>
<b>Honda Motor Co., Ltd;</b> 26-06, A front combination lamp box for an automobile, (JP, 19 Jan 2005) 18 Jul 2005	<b>13080/2005</b>	<b>Innovation Central Pty Ltd;</b> 25-02A, A column protection device, 19 Jul 2005	<b>13066/2005</b>
<b>Honda Motor Co., Ltd;</b> 26-06, A rear combination lamp for an automobile, (JP, 19 Jan 2005) 18 Jul 2005	<b>13081/2005</b>	<b>International Consolidated Business Pty Ltd;</b> 09-01A, Bottle, 08 Aug 2005	<b>13368/2005</b>
<b>Honda Motor Co., Ltd;</b> 26-06, A rear combination lamp for an automobile, (JP, 19 Jan 2005) 18 Jul 2005	<b>13082/2005</b>	<b>International Consolidated Business Pty Ltd;</b> 05-06NES, Sheet material, 22 Jul 2005	<b>13136/2005</b>
<b>Horan, Garry Noel;</b> 25-04, Roof safety rail system for metal roof sheeting, 01 Aug 2005	<b>13252/2005</b>	<b>IGT;</b> 21-03, A gaming device, (US, 10 Sep 2003) (Divisional of 00941/2004) 03 Aug 2005	<b>13316/2005</b>
<b>Hornbuckle, Cherie Helene;</b> 09-03L, Drinking can for beverages, 20 Jul 2005	<b>13085/2005</b>	<b>IGT;</b> 21-03, A gaming device, (US, 10 Sep 2003) (Divisional of 00941/2004) 03 Aug 2005	<b>13317/2005</b>
<b>Hort, Michael John; Gasser, Daniel;</b> 23-04, Fan blade, 03 Aug 2005	<b>13297/2005</b>	<b>IGT;</b> 21-03, A gaming device, (US, 10 Sep 2003) (Divisional of 00941/2004) 03 Aug 2005	<b>13318/2005</b>
<b>Hot Concepts (Australia) Pty Ltd;</b> 07-07A, Iceblox, 01 Aug 2005	<b>13253/2005</b>	<b>IGT;</b> 21-03, A gaming device, (US, 10 Sep 2003) (Divisional of 00941/2004) 03 Aug 2005	<b>13309/2005</b>
<b>Hot Tips Australia;</b> 12-16N, An automobile exhaust extension tip, 22 Jul 2005	<b>13111/2005</b>	<b>John Crane Safematic Oy;</b> 10-04, Flowmeter, (FI, 16 Mar 2005) 25 Jul 2005	<b>13149/2005</b>
<b>Hot Tips Australia;</b> 12-16N, A automobile exhaust extension tip, 22 Jul 2005	<b>13112/2005</b>	<b>John Crane Safematic Oy;</b> 10-04, Flowmeter, (FI, 16 Mar 2005) 25 Jul 2005	<b>13151/2005</b>
<b>Hot Tips Australia;</b> 12-16N, An automobile exhaust extension tip, 22 Jul 2005	<b>13113/2005</b>	<b>John Crane Safematic Oy;</b> 10-04, Flowmeter, (FI, 16 Mar 2005) 25 Jul 2005	<b>13150/2005</b>
<b>Huang, Jui-Fa;</b> 15-01, Cold air box for an air filter, 18 Jul 2005	<b>13091/2005</b>	<b>Join Pty Ltd;</b> 06-01E, Plonk, 28 Jul 2005	<b>13181/2005</b>
<b>Huhtamaki Australia Pty Limited;</b> 09-07B, A container, 10 Aug 2005	<b>13372/2005</b>	<b>JFC Manufacturing Company Limited;</b> 23-01A, Pipe connector, (EM, 28 Jan 2005) 28 Jul 2005	<b>13206/2005</b>

<b>Kabushiki Kaisha Toshiba;</b> 14-01, Digital audio player, (JP, 10 Jun 2005) 29 Jul 2005	<b>13241/2005</b>	<b>Lutron Electronics Co., Inc.;</b> 13-03NES, Shade control keypad, (US, 24 Jan 2005) 21 Jul 2005	<b>13121/2005</b>
<b>Kabushiki Kaisha Toshiba;</b> 14-01, Digital audio player, (JP, 10 Jun 2005) 29 Jul 2005	<b>13242/2005</b>	<b>Lutron Electronics Co., Inc.;</b> 13-03NES, Shade control keypad, (US, 24 Jan 2005) 21 Jul 2005	<b>13122/2005</b>
<b>Keating, Geoffrey Francis;</b> 06-04NES, Shelf, 08 Aug 2005	<b>13342/2005</b>	<b>LG Electronics Inc.;</b> 15-07, Refrigerator, (KR, 03 Feb 2005) 03 Aug 2005	<b>13302/2005</b>
<b>Kimen International Pty Ltd;</b> 20-03C, Sign, 28 Jul 2005	<b>13207/2005</b>	<b>Matsushita Electric Industrial Co. Ltd;</b> 31-00, Juicer, 05 Aug 2005	<b>13346/2005</b>
<b>Kodet, Richard John;</b> 07-01NES, Container, 10 Aug 2005	<b>13378/2005</b>	<b>Mattel, Inc.;</b> 21-01C, A reconfigurable toy vehicle, (US, 09 Feb 2005) 09 Aug 2005	<b>13384/2005</b>
<b>Kodet, Richard John;</b> 07-01NES, Container, 10 Aug 2005	<b>13379/2005</b>	<b>Mattel, Inc.;</b> 21-01C, 21-01E, Reconfigurable vaned wheels for a toy vehicle, (US, 09 Feb 2005) 09 Aug 2005	<b>13385/2005</b>
<b>Kohler Co.;</b> 23-02F, Sink, (US, 26 Jan 2005) 26 Jul 2005	<b>13170/2005</b>	<b>McNamara, Nigel; McNamara, Barry;</b> 14-03E, A mobile phone, 02 Aug 2005	<b>13289/2005</b>
<b>Kohler Co.;</b> 23-02F, Sink, (US, 26 Jan 2005) 26 Jul 2005	<b>13171/2005</b>	<b>McNamara, Barry; McNamara, Nigel;</b> 14-03E, A mobile phone, 02 Aug 2005	<b>13289/2005</b>
<b>Kwong, Yip;</b> 08-06, Lockable handle for sliding door, 05 Aug 2005	<b>13357/2005</b>	<b>McNamara, Nigel; McNamara, Barry;</b> 14-03E, A mobile phone, 02 Aug 2005	<b>13290/2005</b>
<b>La Montre Hermes S.A.;</b> 10-02, Wrist watch, (CH, 27 Jan 2005) 22 Jul 2005	<b>13127/2005</b>	<b>McNamara, Barry; McNamara, Nigel;</b> 14-03E, A mobile phone, 02 Aug 2005	<b>13290/2005</b>
<b>Loh, Willy; Babawine Pty Ltd;</b> 07-01C, Cup with insulating wrap, 26 Jul 2005	<b>13172/2005</b>	<b>McNamara, Nigel; McNamara, Barry;</b> 14-03E, A mobile phone, 02 Aug 2005	<b>13291/2005</b>
<b>Loh, Willy; Babawine Pty Ltd;</b> 07-01C, Cup with dimpled outer layer, 26 Jul 2005	<b>13173/2005</b>	<b>McNamara, Barry; McNamara, Nigel;</b> 14-03E, A mobile phone, 02 Aug 2005	<b>13291/2005</b>
<b>Loh, Willy; Babawine Pty Ltd;</b> 07-01C, Cup with dimpled outer layer, 26 Jul 2005	<b>13174/2005</b>	<b>McNamara, Nigel; McNamara, Barry;</b> 14-03E, A mobile phone, 02 Aug 2005	<b>13292/2005</b>
<b>Loh, Willy; Babawine Pty Ltd;</b> 07-01C, Cup with insulating wrap, 26 Jul 2005	<b>13175/2005</b>	<b>McNamara, Barry; McNamara, Nigel;</b> 14-03E, A mobile phone, 02 Aug 2005	<b>13292/2005</b>
<b>Love N Care;</b> 12-12, Reversible handle jogger, 20 Jul 2005	<b>13092/2005</b>	<b>Menno Flower Supply Pty Ltd;</b> 11-02C, Plant pot support, 26 Jul 2005	<b>13161/2005</b>
<b>Lutron Electronics Co., Inc.;</b> 13-03NES, Shade control keypad, (US, 24 Jan 2005) 21 Jul 2005	<b>13114/2005</b>	<b>Menno Flower Supply Pty Ltd;</b> 11-02C, Plant pot support, 26 Jul 2005	<b>13162/2005</b>
<b>Lutron Electronics Co., Inc.;</b> 13-03NES, Shade control keypad, (US, 24 Jan 2005) 21 Jul 2005	<b>13115/2005</b>	<b>Merz &amp; Krell GmbH &amp; Co. KGaA;</b> 19-06, Clip for writing instrument, (Divisional of 00577/2004) 02 Aug 2005	<b>13278/2005</b>
<b>Lutron Electronics Co., Inc.;</b> 13-03NES, Shade control keypad, (US, 24 Jan 2005) 21 Jul 2005	<b>13116/2005</b>	<b>Merz &amp; Krell GmbH &amp; Co. KGaA;</b> 19-06, Operator for writing instrument, (Divisional of 00577/2004) 02 Aug 2005	<b>13279/2005</b>
<b>Lutron Electronics Co., Inc.;</b> 13-03NES, Shade control keypad, (US, 24 Jan 2005) 21 Jul 2005	<b>13117/2005</b>	<b>Monet Design Co. Pty Ltd;</b> 15-05, Agricultural vacuum machine, 22 Jul 2005	<b>13132/2005</b>
<b>Lutron Electronics Co., Inc.;</b> 13-03NES, Shade control keypad, (US, 24 Jan 2005) 21 Jul 2005	<b>13118/2005</b>	<b>Monet Design Co. Pty Ltd;</b> 15-05, Agricultural vacuum machine, 22 Jul 2005	<b>13133/2005</b>
<b>Lutron Electronics Co., Inc.;</b> 13-03NES, Shade control keypad, (US, 24 Jan 2005) 21 Jul 2005	<b>13119/2005</b>	<b>Monet Design Co. Pty Ltd;</b> 15-05, Agricultural vacuum machine, 22 Jul 2005	<b>13134/2005</b>
<b>Lutron Electronics Co., Inc.;</b> 13-03NES, Shade control keypad, (US, 24 Jan 2005) 21 Jul 2005	<b>13120/2005</b>	<b>Montano, Amanda;</b> 20-03C, 20-03NES, A sign, 29 Jul 2005	<b>13212/2005</b>
		<b>Nardi, Domenico; Valenzisi, Michael R.;</b> 08-08B, Self drilling masonry bolt, 08 Aug 2005	<b>13340/2005</b>

<b>Nelcson, Cameron David;</b> 25-02C, Lattice, 01 Aug 2005	<b>13244/2005</b>	<b>Robson, Susan Maree;</b> 06-08, Coat hanger/clip, 03 Aug 2005	<b>13298/2005</b>
<b>Nelcson, Cameron David;</b> 25-02C, Lattice, 01 Aug 2005	<b>13245/2005</b>	<b>Scanlan &amp; Theodore;</b> 02-02C, A lady's garment, 25 Jul 2005	<b>13176/2005</b>
<b>Nelcson, Cameron David;</b> 25-02C, Lattice, 01 Aug 2005	<b>13246/2005</b>	<b>Schot, Neville;</b> 07-05D, Product name not listed, 08 Aug 2005	<b>13341/2005</b>
<b>NCI Industries Sdn. Bhd.;</b> 09-03F, Stacking tray, 28 Jul 2005	<b>13251/2005</b>	<b>Schreder;</b> 26-05NES, 26-03, A lighting fixture, (EM, 08 Feb 2005) 08 Aug 2005	<b>13369/2005</b>
<b>Pacific Brands Sport &amp; Leisure Pty Ltd;</b> 02-02NES, Shirt, 28 Jul 2005	<b>13202/2005</b>	<b>Seaquist Closures Foreign, Inc.;</b> 09-07B, Lid for a closed closure, (US, 25 Feb 2005) 02 Aug 2005	<b>13271/2005</b>
<b>Pacific Brands Sport &amp; Leisure Pty Ltd;</b> 02-02NES, Shirt, 28 Jul 2005	<b>13203/2005</b>	<b>Seaquist Closures Foreign, Inc.;</b> 09-07C, Closed closure, (US, 25 Feb 2005) 02 Aug 2005	<b>13272/2005</b>
<b>Peker, Turhan;</b> 06-03A, Table, 18 Jul 2005	<b>13083/2005</b>	<b>Seaquist Closures Foreign, Inc.;</b> 09-07C, Closed closure, (US, 25 Feb 2005) 02 Aug 2005	<b>13273/2005</b>
<b>Peker, Turhan;</b> 06-03A, Table, 18 Jul 2005	<b>13084/2005</b>	<b>Shachihata Inc.;</b> 19-02, Stamp, (JP, 03 Mar 2005) 19 Jul 2005	<b>13065/2005</b>
<b>Pellow, Leslie Valentine;</b> 12-05, A running rail, 27 Jul 2005	<b>13182/2005</b>	<b>Shapai Pty Limited;</b> 10-06, Driver ability plate, 05 Aug 2005	<b>13363/2005</b>
<b>Phoenix Industries Pty Ltd;</b> 23-01H, Tap flange, 29 Jul 2005	<b>13200/2005</b>	<b>Shapai Pty Limited;</b> 10-06, Driver ability plate, 05 Aug 2005	<b>13364/2005</b>
<b>Pi-Design AG;</b> 07-06C, Combined salt and pepper grinder, (DK, 10 Feb 2005) 27 Jul 2005	<b>13166/2005</b>	<b>Shure Acquisition Holdings, Inc.;</b> 14-03NES, 14-03A, A wireless microphone transmitter, (US, 03 Feb 2005) 02 Aug 2005	<b>13293/2005</b>
<b>Pi-Design AG;</b> 07-01F, Jug, (DK, 03 Feb 2005) 02 Aug 2005	<b>13295/2005</b>	<b>Shure Acquisition Holdings, Inc.;</b> 14-03A, 14-03NES, A wireless microphone transmitter, (US, 03 Feb 2005) 03 Aug 2005	<b>13303/2005</b>
<b>Pi-Design AG;</b> 07-01F, Carafe, (DK, 03 Feb 2005) 02 Aug 2005	<b>13296/2005</b>	<b>Siemens Aktiengesellschaft;</b> 14-03E, Mobile phone, (EM, 27 Jan 2005) 27 Jul 2005	<b>13191/2005</b>
<b>Powers Fasteners Australasia Pty Ltd;</b> 08-08B, Flat top fastener, 09 Aug 2005	<b>13380/2005</b>	<b>Siemens Limited;</b> 25-01C, Racking beam, 05 Aug 2005	<b>13360/2005</b>
<b>PACCAR Inc.;</b> 26-06, Pod vehicle headlight, (US, 28 Jan 2005) 27 Jul 2005	<b>13186/2005</b>	<b>Siemens Limited;</b> 25-01C, Racking beam, 05 Aug 2005	<b>13361/2005</b>
<b>Reckitt Benckiser N.V.;</b> 23-02A, A container, (EM, 11 Feb 2005) 03 Aug 2005	<b>13306/2005</b>	<b>Siemens Limited;</b> 25-01C, Racking beam, 05 Aug 2005	<b>13362/2005</b>
<b>Reckitt Benckiser N.V.;</b> 23-02A, A container, (EM, 11 Feb 2005) 03 Aug 2005	<b>13307/2005</b>	<b>Silhouette International Schmied AG;</b> 16-06, Nose pads, (EM, 16 Jun 2005) 28 Jul 2005	<b>13234/2005</b>
<b>Review Australia Pty Ltd;</b> 02-02C, Ladies garments, 29 Jul 2005	<b>13240/2005</b>	<b>Simpill (Proprietary) Limited;</b> 10-99, 10-06, A medication monitor, (ZA, 02 Feb 2005) 02 Aug 2005	<b>13294/2005</b>
<b>Robert Welch Designs Limited;</b> 20-02NES, 20-02E, A display stand, (EM, 10 Feb 2005) 05 Aug 2005	<b>13373/2005</b>	<b>SmithKline Beecham p.l.c.;</b> 28-01, A capsule linker, 07 Jan 2004	<b>13261/2005</b>
<b>Robert Welch Designs Limited;</b> 20-02NES, 20-02E, A display stand, (EM, 10 Feb 2005) 05 Aug 2005	<b>13374/2005</b>	<b>SmithKline Beecham p.l.c.;</b> 28-01, A capsule comprising capsule shells and linker, 07 Jan 2004	<b>13258/2005</b>
<b>Robinson, Russell John; Robinson, Sharon;</b> 19-06, Marker, 01 Aug 2005	<b>13249/2005</b>	<b>SmithKline Beecham p.l.c.;</b> 28-01, A capsule linker, 07 Jan 2004	<b>13259/2005</b>
<b>Robinson, Sharon; Robinson, Russell John;</b> 19-06, Marker, 01 Aug 2005	<b>13249/2005</b>	<b>SmithKline Beecham p.l.c.;</b> 28-01, A capsule linker, 07 Jan 2004	<b>13260/2005</b>
<b>Robinson, Russell John; Robinson, Sharon;</b> 19-06, Marker, 01 Aug 2005	<b>13250/2005</b>	<b>So, Kwok Kuen;</b> 07-04, Food slicer, (EM, 07 Feb 2005) 28 Jul 2005	<b>13235/2005</b>
<b>Robinson, Sharon; Robinson, Russell John;</b> 19-06, Marker, 01 Aug 2005	<b>13250/2005</b>		

<b>So, Kwok Kuen;</b> 07-04, Food cutter, (CA, 02 Feb 2005) 28 Jul 2005	<b>13236/2005</b>	<b>Toyota Jidosha Kabushiki Kaisha;</b> 12-08, Automobile, 28 Jul 2005	<b>13216/2005</b>
<b>So, Kwok Kuen;</b> 07-04, Food slicer, (EM, 07 Feb 2005) 28 Jul 2005	<b>13237/2005</b>	<b>Toyota Jidosha Kabushiki Kaisha;</b> 12-08, Automobile, 28 Jul 2005	<b>13217/2005</b>
<b>Societa Italiana Marketing S.r.l.;</b> 03-01NES, 14-03A, Holder for a mobile phone, (EM, 03 Feb 2005) 03 Aug 2005	<b>13310/2005</b>	<b>Toyota Jidosha Kabushiki Kaisha;</b> 12-16C, Front bumper for an automobile, 28 Jul 2005	<b>13218/2005</b>
<b>Sony Computer Entertainment Inc.;</b> 09-03M, Packaging box, 03 Aug 2005	<b>13308/2005</b>	<b>Toyota Jidosha Kabushiki Kaisha;</b> 12-16B, Front grill for an automobile, 28 Jul 2005	<b>13219/2005</b>
<b>Sony Computer Entertainment Inc.;</b> 13-02, Battery charger, (JP, 31 Mar 2005) 25 Jul 2005	<b>13157/2005</b>	<b>Toyota Jidosha Kabushiki Kaisha;</b> 12-16C, Rear bumper for an automobile, 28 Jul 2005	<b>13220/2005</b>
<b>Sony Computer Entertainment Inc.;</b> 13-02, Battery charger, (JP, 31 Mar 2005) 25 Jul 2005	<b>13158/2005</b>	<b>Toyota Jidosha Kabushiki Kaisha;</b> 12-16B, Back door for an automobile, 28 Jul 2005	<b>13221/2005</b>
<b>Sony Computer Entertainment Inc.;</b> 03-01NES, Portable case, (JP, 15 Apr 2005) 25 Jul 2005	<b>13159/2005</b>	<b>Toyota Jidosha Kabushiki Kaisha;</b> 12-08, Automobile, 28 Jul 2005	<b>13222/2005</b>
<b>Sony Computer Entertainment Inc.;</b> 03-01NES, Portable case, (JP, 15 Apr 2005) 25 Jul 2005	<b>13160/2005</b>	<b>Toyota Jidosha Kabushiki Kaisha;</b> 12-08, Automobile, 28 Jul 2005	<b>13223/2005</b>
<b>Sony Ericsson Mobile Communications AB;</b> 14-03A, Headset, (EM, 03 Feb 2005) 29 Jul 2005	<b>13239/2005</b>	<b>Toyota Jidosha Kabushiki Kaisha;</b> 12-16C, Front bumper for an automobile, 28 Jul 2005	<b>13224/2005</b>
<b>Special Projects Under Development;</b> 08-08NES, Articulated screen arm, 28 Jul 2005	<b>13198/2005</b>	<b>Toyota Jidosha Kabushiki Kaisha;</b> 12-16C, Rear bumper for an automobile, 28 Jul 2005	<b>13225/2005</b>
<b>Sydenham, Norman;</b> 11-01NES, Product name not listed, 08 Aug 2005	<b>13345/2005</b>	<b>Toyota Jidosha Kabushiki Kaisha;</b> 26-06, Front combination lamp for an automobile, 28 Jul 2005	<b>13226/2005</b>
<b>Sykes, Matthew;</b> 06-04E, 12-02, Mobile kitchen unit, 04 Aug 2005	<b>13304/2005</b>	<b>Toyota Jidosha Kabushiki Kaisha;</b> 26-06, Rear combination lamp for an automobile, 28 Jul 2005	<b>13227/2005</b>
<b>SCA Hygiene Products AB;</b> 24-04, A sanitary towel, (EM, 23 Feb 2005) 05 Aug 2005	<b>13358/2005</b>	<b>Toyota Jidosha Kabushiki Kaisha;</b> 26-06, Rear combination lamp for an automobile, 28 Jul 2005	<b>13228/2005</b>
<b>SCA Hygiene Products AB;</b> 24-04, A sanitary towel, (EM, 23 Feb 2005) 05 Aug 2005	<b>13359/2005</b>	<b>Uinta Beds Pty Ltd;</b> 06-02, Bed, 28 Jul 2005	<b>13229/2005</b>
<b>SEB S.A.;</b> 07-02F, Toaster, 22 Jul 2005	<b>13137/2005</b>	<b>Uinta Beds Pty Ltd;</b> 08-08M, Bracket, 28 Jul 2005	<b>13230/2005</b>
<b>SEB S.A.;</b> 07-02F, Toaster, (FR, 03 Feb 2005) 22 Jul 2005	<b>13138/2005</b>	<b>Unilever PLC;</b> 09-01NES, New corazon bottles, (EM, 10 Feb 2005) 19 Jul 2005	<b>13086/2005</b>
<b>SOCIETE BIC;</b> 19-06, Writing instrument, (US, 23 Mar 2005) 20 Jul 2005	<b>13104/2005</b>	<b>Unilever PLC;</b> 09-01NES, New corazon bottles, (EM, 10 Feb 2005) 19 Jul 2005	<b>13087/2005</b>
<b>T&amp;G Enterprises (VIC) Pty Ltd;</b> 23-02B, Spas, 28 Jul 2005	<b>13199/2005</b>	<b>Valentine, Brian Robert;</b> 25-02C, Product name not listed, 27 Jul 2005	<b>13179/2005</b>
<b>Tassone Property Group Pty Ltd;</b> 13-03D, Power extension cord, 25 Jul 2005	<b>13164/2005</b>	<b>Valenzisi, Michael R.; Nardi, Domenico;</b> 08-08B, Self drilling masonry bolt, 08 Aug 2005	<b>13340/2005</b>
<b>Team Poly Pty Ltd;</b> 23-01F, A water storage tank, 09 Aug 2005	<b>13376/2005</b>	<b>Vector Products, Inc.;</b> 26-02, Spotlight, (US, 27 Jan 2005) 22 Jul 2005	<b>13128/2005</b>
<b>Team Poly Pty Ltd;</b> 23-01F, A water storage tank, 09 Aug 2005	<b>13377/2005</b>	<b>Vector Products, Inc.;</b> 14-03B, 26-02, Combined TV, lantern and radio device, (US, 25 Jan 2005) 22 Jul 2005	<b>13129/2005</b>
<b>Technique Tools Pty;</b> 08-02, Hammer, 27 Jul 2005	<b>13187/2005</b>	<b>Vector Products, Inc.;</b> 26-02, Spotlight, (US, 27 Jan 2005) 22 Jul 2005	<b>13130/2005</b>

<b>Villeroy &amp; Boch AG.;</b> 07-01B, Bowl, (EM, 07 Feb 2005) 19 Jul 2005	<b>13090/2005</b>	<b>Wm. Wrigley Jr. Company;</b> 09-03M, Comestible product dispenser, 05 Aug 2005	<b>13348/2005</b>
<b>Walsh, Allan; Walton, Graeme Francis;</b> 24-02, Needle, 02 Aug 2005	<b>13270/2005</b>	<b>Wm. Wrigley Jr. Company;</b> 09-03L, Comestible product dispenser, 05 Aug 2005	<b>13349/2005</b>
<b>Walton, Graeme Francis; Walsh, Allan;</b> 24-02, Needle, 02 Aug 2005	<b>13270/2005</b>	<b>Wm. Wrigley Jr. Company;</b> 09-03M, Comestible product dispenser, 05 Aug 2005	<b>13350/2005</b>
<b>Wang, Shang;</b> 12-05, Double pawl on locking latch and 21 teeth on winch gear, 25 Jul 2005	<b>13125/2005</b>	<b>World of Technologies Pty Ltd;</b> 31-00, Blender/juicer base, 27 Jul 2005	<b>13185/2005</b>
<b>Weeks, Debra;</b> 02-03, Hat/head wear, 28 Jul 2005	<b>13180/2005</b>	<b>Zadow, Brad;</b> 07-01F, 07-01E, Drink container, 01 Aug 2005	<b>13238/2005</b>
<b>Wenzhou Hall Electrical Appliance Manufacture Co., Ltd;</b> 13-03D, Wall switch, 10 Aug 2005	<b>13389/2005</b>	<b>Zumtobel Staff GmbH &amp; Co. KG;</b> 26-05NES, Spotlight, (EM, 27 Jan 2005) 26 Jul 2005	<b>13167/2005</b>
<b>Wenzhou Hall Electrical Appliance Manufacture Co., Ltd;</b> 13-03D, Wall double powerpoint, 10 Aug 2005	<b>13390/2005</b>	<b>Zumtobel Staff GmbH &amp; Co. KG;</b> 26-05A, Panel mounted light fixture, (EM, 07 Feb 2005) 03 Aug 2005	<b>13313/2005</b>
<b>Wenzhou Hall Electrical Appliance Manufacture Co., Ltd;</b> 13-03D, Weather proof powerpoint, 10 Aug 2005	<b>13391/2005</b>	<b>Zumtobel Staff GmbH &amp; Co. KG;</b> 26-05A, Panel mounted light fixture, (EM, 07 Feb 2005) 03 Aug 2005	<b>13314/2005</b>
<b>Widex A/S;</b> 24-99, Part of hearing aid, (EM, 03 Feb 2005) 02 Aug 2005	<b>13277/2005</b>	<b>Zumtobel Staff GmbH &amp; Co. KG;</b> 26-05A, Panel mounted light fixture, (EM, 07 Feb 2005) 03 Aug 2005	<b>13315/2005</b>
<b>Wm. Wrigley Jr. Company;</b> 09-03M, Comestible product dispenser, 05 Aug 2005	<b>13351/2005</b>	<b>Zumtobel Staff GmbH &amp; Co. KG;</b> 26-05NES, Spotlight, (EM, 27 Jan 2005) 26 Jul 2005	<b>13168/2005</b>
<b>Wm. Wrigley Jr. Company;</b> 09-03M, Comestible product dispenser, 05 Aug 2005	<b>13352/2005</b>	<b>Zumtobel Staff GmbH &amp; Co. KG;</b> 26-05NES, Spotlight, (EM, 27 Jan 2005) 26 Jul 2005	<b>13169/2005</b>
<b>Wm. Wrigley Jr. Company;</b> 09-03M, Comestible product dispenser, 05 Aug 2005	<b>13353/2005</b>	<b>Zumtobel Staff GmbH &amp; Co. KG;</b> 26-05B, Floor lamp, (EM, 16 Feb 2005) 19 Jul 2005	<b>13088/2005</b>
<b>Wm. Wrigley Jr. Company;</b> 09-03M, Comestible product dispenser, 05 Aug 2005	<b>13347/2005</b>	<b>888 AAA Abundance Assets &amp; Add Ventures Pty Limited;</b> 21-01L, Board game, 02 Aug 2005	<b>13285/2005</b>

**Applications Withdrawn**

11142 / 2005 (23-01B)	11252 / 2005 (08-01)
11394 / 2005 (07-07A)	11395 / 2005 (07-07A)

**Applications Lapsed**

13478 / 2004 (08-08C)	14138 / 2004 (26-05A)	12297 / 2005 (02-02NES)	12298 / 2005 (02-02NES)
14973 / 2004 (23-01K)	15563 / 2004 (06-06F)		
15601 / 2004 (07-07A)	15606 / 2004 (09-09)		
15616 / 2004 (07-99NES)	15704 / 2004 (21-02NES)		
15731 / 2004 (02-01B)	15734 / 2004 (07-05D)		
10427 / 2005 (16-99)	10428 / 2005 (16-99)		
10473 / 2005 (08-08B)	10474 / 2005 (08-08L)		
12258 / 2005 (06-02)	12296 / 2005 (02-02NES)		



**Extensions of time granted under Section 137**

Applications lodged under section 137 for extension of time have been granted.

- |  |  |
|--|--|
| 13128/2004 <b>Mark Burrill</b>                     | 15862/2004 <b>Berg Engineering P/L</b>             |
| 13200/2004 <b>Silvan Australia Pty Ltd</b>         | 15863/2004 <b>Berg Engineering P/L</b>             |
| 13201/2004 <b>Silvan Australia Pty Ltd</b>         | 15864/2004 <b>Berg Engineering P/L</b>             |
| 13506/2004 <b>Stephen Mark Attwood</b>             | 15865/2004 <b>Berg Engineering P/L</b>             |
| 13769/2004 <b>David Fealy</b>                      | 10047/2005 <b>Top One Wheels and Tyres Pty Ltd</b> |
| 13870/2004 <b>Wilroof Products (WA) Pty Ltd</b>    | 10048/2005 <b>Top One Wheels and Tyres Pty Ltd</b> |
| 14078/2004 <b>Elopak Systems A.G.</b>              | 10131/2005 <b>Milan Debevc</b>                     |
| 14079/2004 <b>Elopak Systems A.G.</b>              | 10761/2005 <b>Hannu Ketola</b>                     |
| 14080/2004 <b>Elopak Systems A.G.</b>              | 10762/2005 <b>Hannu Ketola</b>                     |
| 14345/2004 <b>David Fealy</b>                      | 10763/2005 <b>Hannu Ketola</b>                     |
| 14354/2004 <b>Westaflex (Australia) Pty Ltd</b>    | 11263/2005 <b>Review Australia Pty Ltd</b>         |
| 14358/2004 <b>The Procter &amp; Gamble Company</b> | 11264/2005 <b>Review Australia Pty Ltd</b>         |
| 14396/2004 <b>Holden Ltd</b>                       | 11265/2005 <b>Review Australia Pty Ltd</b>         |
| 14523/2004 <b>D.C. Plastics &amp; Tooling</b>      | 11266/2005 <b>Review Australia Pty Ltd</b>         |
| 14524/2004 <b>D.C. Plastics &amp; Tooling</b>      | 11267/2005 <b>Review Australia Pty Ltd</b>         |
| 14525/2004 <b>D.C. Plastics &amp; Tooling</b>      | 11268/2005 <b>Review Australia Pty Ltd</b>         |
| 14526/2004 <b>D.C. Plastics &amp; Tooling</b>      | 11269/2005 <b>Review Australia Pty Ltd</b>         |
| 14723/2004 <b>Holden Ltd</b>                       | 11270/2005 <b>Review Australia Pty Ltd</b>         |
| 15016/2004 <b>Bartlem Pty Ltd</b>                  | 11271/2005 <b>Review Australia Pty Ltd</b>         |
| 15513/2004 <b>Jazzy Kit Sets</b>                   | 11272/2005 <b>Review Australia Pty Ltd</b>         |
| 15809/2004 <b>Feltex Carpets Pty Ltd</b>           | 11273/2005 <b>Review Australia Pty Ltd</b>         |
| 15810/2004 <b>Feltex Carpets Pty Ltd</b>           | 11274/2005 <b>Review Australia Pty Ltd</b>         |
| 15811/2004 <b>Feltex Carpets Pty Ltd</b>           | 11319/2005 <b>Susan Yvonne Haynes</b>              |
| 15812/2004 <b>Feltex Carpets Pty Ltd</b>           | 11700/2005 <b>Review Australia Pty Ltd</b>         |
| 15813/2004 <b>Feltex Carpets Pty Ltd</b>           | 11701/2005 <b>Review Australia Pty Ltd</b>         |
| 15814/2004 <b>Feltex Carpets Pty Ltd</b>           | 11702/2005 <b>Review Australia Pty Ltd</b>         |
| 15815/2004 <b>Feltex Carpets Pty Ltd</b>           | 11703/2005 <b>Review Australia Pty Ltd</b>         |
| 15816/2004 <b>Feltex Carpets Pty Ltd</b>           | 11704/2005 <b>Review Australia Pty Ltd</b>         |
| 15817/2004 <b>Feltex Carpets Pty Ltd</b>           | 11705/2005 <b>Review Australia Pty Ltd</b>         |
| 15818/2004 <b>Feltex Carpets Pty Ltd</b>           | 11706/2005 <b>Review Australia Pty Ltd</b>         |
| 15819/2004 <b>Feltex Carpets Pty Ltd</b>           | 11707/2005 <b>Review Australia Pty Ltd</b>         |
| 15820/2004 <b>Feltex Carpets Pty Ltd</b>           | 11708/2005 <b>Review Australia Pty Ltd</b>         |
| 15821/2004 <b>Feltex Carpets Pty Ltd</b>           | 11709/2005 <b>Review Australia Pty Ltd</b>         |
| 15822/2004 <b>Feltex Carpets Pty Ltd</b>           | 11710/2005 <b>Review Australia Pty Ltd</b>         |
| 15823/2004 <b>Feltex Carpets Pty Ltd</b>           | 11711/2005 <b>Review Australia Pty Ltd</b>         |
| 15861/2004 <b>Berg Engineering P/L</b>             | 11712/2005 <b>Review Australia Pty Ltd</b>         |
|  | 11713/2005 <b>Review Australia Pty Ltd</b>         |
|  | 11714/2005 <b>Review Australia Pty Ltd</b>         |
|  | 11715/2005 <b>Review Australia Pty Ltd</b>         |
|  | 11716/2005 <b>Review Australia Pty Ltd</b>         |

11717/2005 **Review Australia Pty Ltd**  
 11718/2005 **Review Australia Pty Ltd**  
 11719/2005 **Review Australia Pty Ltd**  
 11720/2005 **Review Australia Pty Ltd**  
 11721/2005 **Review Australia Pty Ltd**  
 11875/2005 **Review Australia Pty Ltd**  
 11876/2005 **Review Australia Pty Ltd**  
 11877/2005 **Review Australia Pty Ltd**  
 11878/2005 **Review Australia Pty Ltd**  
 11879/2005 **Review Australia Pty Ltd**  
 11880/2005 **Review Australia Pty Ltd**  
 11881/2005 **Review Australia Pty Ltd**  
 11882/2005 **Review Australia Pty Ltd**  
 11883/2005 **Review Australia Pty Ltd**  
 11884/2005 **Review Australia Pty Ltd**  
 11885/2005 **Review Australia Pty Ltd**  
 11886/2005 **Review Australia Pty Ltd**  
 11887/2005 **Review Australia Pty Ltd**  
 11888/2005 **Review Australia Pty Ltd**  
 11889/2005 **Review Australia Pty Ltd**  
 11890/2005 **Review Australia Pty Ltd**  
 11891/2005 **Review Australia Pty Ltd**  
 11892/2005 **Review Australia Pty Ltd**  
 11893/2005 **Review Australia Pty Ltd**  
 11894/2005 **Review Australia Pty Ltd**  
 12631/2005 **Saxon Trust**

**Applications Assigned**

(The name in parentheses is that of the subsequent applicant)

10241/2005 **( Intelligent Packaging Systems Group S.A. ) Keltub B.V.**  
 10242/2005 **( Intelligent Packaging Systems Group S.A. ) Keltub B.V.**  
 10243/2005 **( Intelligent Packaging Systems Group S.A. ) Keltub B.V.**

**Corrigenda**

Number 13968/2004

In Vol 19 , No 9 , page 1188 under the heading **Applications Lapsed**; Design No. 13968/04 should be deleted.

Number 13969/2004

In Vol 19 , No 9 , page 1188 under the heading **Applications Lapsed**; Design No. 13969/04 should be deleted.

Number 13970/2004

In Vol 19 , No 9 , page 1188 under the heading **Applications Lapsed**; Design No. 13970/04 should be deleted.

Number 13971/2004

In Vol 19 , No 9 , page 1188 under the heading **Applications Lapsed**; Design No. 13971/04 should be deleted.

Number 13972/2004

In Vol 19 , No 9 , page 1188 under the heading **Applications Lapsed**; Design No. 13972/04 should be deleted.

Number 13973/2004

In Vol 19 , No 9 , page 1188 under the heading **Applications Lapsed**; Design No. 13973/04 should be deleted.

Number 13974/2004

In Vol 19 , No 9 , page 1188 under the heading **Applications Lapsed**; Design No. 13974/04 should be deleted.

Number 13975/2004

In Vol 19 , No 9 , page 1188 under the heading **Applications Lapsed**; Design No. 13975/04 should be deleted.

**Certificate(s) of Examination**

Examination of the following Design Registration(s) has been completed. Infringement proceedings may now be commenced.

300039	12-16L	05/08/2005
300194	24-02	10/08/2005
300195	24-02	10/08/2005
300196	24-02	10/08/2005
300309	13-03NES	02/08/2005
300310	13-03NES	02/08/2005
300373	23-01A	02/08/2005
300374	23-01A	02/08/2005
302502	12-11	02/08/2005

**Publication and Registration Proceedings**

**Designs Registered**

This section provides a concordance between design number and registration number of Designs covered in this journal. It also shows the main class and registration date.

This section covers Registration numbers 302563 to 302746 .

The registration number shown below should be used in all future correspondence.

Design Number	Registration Number	International Classification Code (IDC)	Registration Date	Design Number	Registration Number	International Classification Code (IDC)	Registration Date
13110/2004	302651	09-03NES	09/08/2005	15910/2004	302594	09-03K	04/08/2005
14086/2004	302603	07-06A	04/08/2005	15911/2004	302595	09-03K	04/08/2005
14093/2004	302653	09-03F	09/08/2005	15912/2004	302596	09-03K	04/08/2005
14094/2004	302654	09-03F	09/08/2005	15913/2004	302597	09-03K	04/08/2005
14095/2004	302655	09-03F	09/08/2005	16029/2004	302598	06-01E	04/08/2005
14096/2004	302656	09-03F	09/08/2005	16030/2004	302599	06-01F	04/08/2005
14097/2004	302657	09-03F	09/08/2005	16031/2004	302600	06-01E	04/08/2005
14098/2004	302658	09-03F	09/08/2005	16042/2004	302605	30-02	08/08/2005
14454/2004	302584	21-04	04/08/2005	10015/2005	302644	21-04	09/08/2005
14481/2004	302673	12-10	10/08/2005	10026/2005	302679	09-01A	10/08/2005
14482/2004	302674	12-10	10/08/2005	10039/2005	302680	05-05A	10/08/2005
14693/2004	302641	21-03	09/08/2005	10040/2005	302681	05-05C	10/08/2005
14694/2004	302642	21-03	09/08/2005	10041/2005	302682	05-05C	10/08/2005
14936/2004	302659	06-02	09/08/2005	10042/2005	302683	02-02NES	10/08/2005
14946/2004	302585	22-05	04/08/2005	10130/2005	302665	16-06	09/08/2005
14991/2004	302660	30-99	09/08/2005	10141/2005	302666	23-01H	09/08/2005
14992/2004	302661	30-99	09/08/2005	10142/2005	302667	23-01H	09/08/2005
15001/2004	302675	30-03	10/08/2005	10143/2005	302622	23-01H	08/08/2005
15047/2004	302662	12-16B	09/08/2005	10144/2005	302623	23-01H	08/08/2005
15192/2004	302663	06-01D	09/08/2005	10145/2005	302624	23-01H	08/08/2005
15258/2004	302563	12-06NES	03/08/2005	10146/2005	302625	23-01H	08/08/2005
15281/2004	302564	12-06NES	03/08/2005	10157/2005	302684	07-02L	10/08/2005
15287/2004	302565	09-05	03/08/2005	10205/2005	302668	23-02NES	09/08/2005
15288/2004	302566	09-05	03/08/2005	10220/2005	302669	15-01	09/08/2005
15311/2004	302567	24-01	03/08/2005	10221/2005	302670	15-07	09/08/2005
15312/2004	302568	24-01	03/08/2005	10222/2005	302671	15-07	09/08/2005
15313/2004	302569	24-01	03/08/2005	10223/2005	302672	14-02	09/08/2005
15314/2004	302570	24-01	03/08/2005	10246/2005	302606	13-03NES	08/08/2005
15354/2004	302571	13-03B	03/08/2005	10247/2005	302607	13-03NES	08/08/2005
15419/2004	302572	09-03NES	03/08/2005	10248/2005	302612	13-03NES	08/08/2005
15420/2004	302573	09-03NES	03/08/2005	10249/2005	302613	13-03NES	08/08/2005
15421/2004	302574	09-03NES	03/08/2005	10322/2005	302703	15-01	10/08/2005
15554/2004	302575	12-16B	03/08/2005	10345/2005	302626	18-01	08/08/2005
15673/2004	302576	14-01	03/08/2005	10346/2005	302627	18-01	08/08/2005
15685/2004	302676	09-01D	10/08/2005	10347/2005	302628	18-01	08/08/2005
15755/2004	302677	06-06E	10/08/2005	10348/2005	302629	18-01	08/08/2005
15775/2004	302577	25-02E	03/08/2005	10349/2005	302630	18-01	08/08/2005
15776/2004	302578	25-02E	03/08/2005	10350/2005	302631	18-01	08/08/2005
15777/2004	302579	25-02E	03/08/2005	10438/2005	302618	06-04F	08/08/2005
15778/2004	302580	25-02E	03/08/2005	10479/2005	302704	13-03D	10/08/2005
15779/2004	302581	25-02E	03/08/2005	10483/2005	302632	25-02C	08/08/2005
15787/2004	302582	28-03NES	03/08/2005	10484/2005	302633	25-02C	08/08/2005
15788/2004	302583	28-03NES	03/08/2005	10485/2005	302634	25-02C	08/08/2005
15839/2004	302643	06-01C	09/08/2005	10486/2005	302635	25-02C	08/08/2005
15901/2004	302678	21-02D	10/08/2005	10487/2005	302636	25-02C	08/08/2005
15902/2004	302586	09-03K	04/08/2005	10489/2005	302619	21-02D	08/08/2005
15903/2004	302587	09-03K	04/08/2005	10490/2005	302620	16-06	08/08/2005
15904/2004	302588	09-03K	04/08/2005	10491/2005	302621	16-06	08/08/2005
15905/2004	302589	09-03K	04/08/2005	10501/2005	302705	15-01	10/08/2005
15906/2004	302590	09-03K	04/08/2005	10511/2005	302685	07-02A	10/08/2005
15907/2004	302591	09-03K	04/08/2005	10512/2005	302686	07-02A	10/08/2005
15908/2004	302592	09-03K	04/08/2005	10513/2005	302687	08-06	10/08/2005
15909/2004	302593	09-03K	04/08/2005	10514/2005	302688	15-05	10/08/2005

Publication and Registration Proceedings - Designs Registered cont'd

Design Number	Registration Number	International Classification Code (IDC)	Registration Date	Design Number	Registration Number	International Classification Code (IDC)	Registration Date
10515/2005	302689	15-05	10/08/2005	10856/2005	302699	09-09	10/08/2005
10516/2005	302690	07-02A	10/08/2005	10873/2005	302728	23-02B	10/08/2005
10517/2005	302691	07-02A	10/08/2005	10878/2005	302729	14-03E	10/08/2005
10518/2005	302692	07-02A	10/08/2005	10880/2005	302604	14-03A	04/08/2005
10519/2005	302706	06-11	10/08/2005	10891/2005	302700	09-01NES	10/08/2005
10542/2005	302707	21-02D	10/08/2005	10892/2005	302701	14-03A	10/08/2005
10543/2005	302708	21-02D	10/08/2005	10893/2005	302730	06-02	10/08/2005
10544/2005	302709	21-02D	10/08/2005	10895/2005	302731	08-03	10/08/2005
10545/2005	302710	21-02D	10/08/2005	10896/2005	302732	08-05N	10/08/2005
10557/2005	302711	25-01E	10/08/2005	10897/2005	302733	08-05N	10/08/2005
10583/2005	302637	02-07A	08/08/2005	10898/2005	302734	08-03	10/08/2005
10586/2005	302638	11-02B	08/08/2005	10899/2005	302735	08-05N	10/08/2005
10587/2005	302693	02-03	10/08/2005	10900/2005	302736	08-05N	10/08/2005
10588/2005	302639	19-07	08/08/2005	10901/2005	302737	08-03	10/08/2005
10589/2005	302714	12-08	10/08/2005	10902/2005	302738	08-05N	10/08/2005
10590/2005	302715	12-16C	10/08/2005	10904/2005	302702	07-02L	10/08/2005
10591/2005	302716	12-16C	10/08/2005	10907/2005	302739	26-02	10/08/2005
10592/2005	302717	12-16A	10/08/2005	10908/2005	302740	26-02	10/08/2005
10593/2005	302718	12-16H	10/08/2005	10909/2005	302741	26-02	10/08/2005
10594/2005	302645	02-04NES	09/08/2005	10910/2005	302742	26-02	10/08/2005
10595/2005	302646	02-04NES	09/08/2005	10911/2005	302743	26-02	10/08/2005
10596/2005	302647	02-04NES	09/08/2005	10916/2005	302744	13-03D	10/08/2005
10597/2005	302648	02-04NES	09/08/2005	10917/2005	302745	13-03D	10/08/2005
10598/2005	302649	02-04NES	09/08/2005	10927/2005	302746	23-04	10/08/2005
10599/2005	302650	02-04NES	09/08/2005	11126/2005	302640	08-05L	08/08/2005
10602/2005	302712	25-01G	10/08/2005	12359/2005	302664	06-01D	09/08/2005
10603/2005	302713	25-01G	10/08/2005	12939/2005	302608	13-03NES	08/08/2005
10611/2005	302694	25-01C	10/08/2005	12940/2005	302609	13-03NES	08/08/2005
10778/2005	302695	23-02F	10/08/2005	12941/2005	302610	13-03NES	08/08/2005
10782/2005	302719	24-01	10/08/2005	12942/2005	302611	13-03NES	08/08/2005
10783/2005	302696	26-05B	10/08/2005	12943/2005	302614	13-03NES	08/08/2005
10784/2005	302697	26-05D	10/08/2005	12944/2005	302615	13-03NES	08/08/2005
10787/2005	302720	02-05	10/08/2005	12945/2005	302616	13-03NES	08/08/2005
10792/2005	302721	07-05E	10/08/2005	12946/2005	302617	13-03NES	08/08/2005
10794/2005	302722	13-03B	10/08/2005	12986/2005	302602	31-00	04/08/2005
10795/2005	302723	13-03B	10/08/2005	12987/2005	302601	31-00	04/08/2005
10808/2005	302724	23-01H	10/08/2005	13124/2005	302652	09-03NES	09/08/2005
10809/2005	302725	11-99	10/08/2005				
10825/2005	302726	14-03A	10/08/2005				
10826/2005	302727	14-03E	10/08/2005				
10855/2005	302698	09-09	10/08/2005				

**Publication and Registration Proceedings**  
**Class Listing of Designs Published or Registered**

The following section shows an International Classification Code listing of the Registered or Published Designs covered in this supplement.

<b>Classification</b>	<b>Registration Number</b>	<b>Design Number</b>	<b>Classification</b>	<b>Registration Number</b>	<b>Design Number</b>
02-02 NES	302683	10042/2005	09-03 F	302658	14098/2004
02-03	302693	10587/2005	09-03 K	302586	15902/2004
02-04 NES	302645	10594/2005	09-03 K	302587	15903/2004
02-04 NES	302646	10595/2005	09-03 K	302588	15904/2004
02-04 NES	302647	10596/2005	09-03 K	302589	15905/2004
02-04 NES	302648	10597/2005	09-03 K	302590	15906/2004
02-04 NES	302649	10598/2005	09-03 K	302591	15907/2004
02-04 NES	302650	10599/2005	09-03 K	302592	15908/2004
02-05	302720	10787/2005	09-03 K	302593	15909/2004
02-07 A	302637	10583/2005	09-03 K	302594	15910/2004
05-05 A	302680	10039/2005	09-03 K	302595	15911/2004
05-05 C	302681	10040/2005	09-03 K	302596	15912/2004
05-05 C	302682	10041/2005	09-03 K	302597	15913/2004
06-01 C	302643	15839/2004	09-03 NES	302572	15419/2004
06-01 D	302663	15192/2004	09-03 NES	302573	15420/2004
06-01 D	302664	12359/2005	09-03 NES	302574	15421/2004
06-01 E	302598	16029/2004	09-03 NES	302651	13110/2004
06-01 E	302600	16031/2004	09-03 NES	302652	13124/2005
06-01 F	302599	16030/2004	09-05	302565	15287/2004
06-02	302659	14936/2004	09-05	302566	15288/2004
06-02	302730	10893/2005	09-09	302698	10855/2005
06-04 F	302618	10438/2005	09-09	302699	10856/2005
06-06 E	302677	15755/2004	10-03	302746	10927/2005
06-06 F	302677	15755/2004	11-02 B	302638	10586/2005
06-06 G	302677	15755/2004	11-99	302725	10809/2005
06-11	302706	10519/2005	12-06 NES	302563	15258/2004
07-02 A	302685	10511/2005	12-06 NES	302564	15281/2004
07-02 A	302686	10512/2005	12-08	302714	10589/2005
07-02 A	302687	10513/2005	12-10	302673	14481/2004
07-02 A	302690	10516/2005	12-10	302674	14482/2004
07-02 A	302691	10517/2005	12-16 A	302717	10592/2005
07-02 A	302692	10518/2005	12-16 B	302575	15554/2004
07-02 L	302684	10157/2005	12-16 B	302662	15047/2004
07-02 L	302702	10904/2005	12-16 C	302715	10590/2005
07-05 E	302721	10792/2005	12-16 C	302716	10591/2005
07-06 A	302603	14086/2004	12-16 H	302718	10593/2005
07-07 A	302676	15685/2004	13-03 B	302571	15354/2004
08-03	302731	10895/2005	13-03 B	302722	10794/2005
08-03	302734	10898/2005	13-03 B	302723	10795/2005
08-03	302737	10901/2005	13-03 D	302686	10512/2005
08-05 L	302640	11126/2005	13-03 D	302704	10479/2005
08-05 N	302732	10896/2005	13-03 D	302722	10794/2005
08-05 N	302733	10897/2005	13-03 D	302744	10916/2005
08-05 N	302735	10899/2005	13-03 D	302745	10917/2005
08-05 N	302736	10900/2005	13-03 NES	302606	10246/2005
08-05 N	302738	10902/2005	13-03 NES	302607	10247/2005
08-06	302687	10513/2005	13-03 NES	302608	12939/2005
08-08 O	302711	10557/2005	13-03 NES	302609	12940/2005
09-01 A	302679	10026/2005	13-03 NES	302610	12941/2005
09-01 D	302676	15685/2004	13-03 NES	302611	12942/2005
09-01 NES	302700	10891/2005	13-03 NES	302612	10248/2005
09-03 F	302653	14093/2004	13-03 NES	302613	10249/2005
09-03 F	302654	14094/2004	13-03 NES	302614	12943/2005
09-03 F	302655	14095/2004	13-03 NES	302615	12944/2005
09-03 F	302656	14096/2004	13-03 NES	302616	12945/2005
09-03 F	302657	14097/2004	13-03 NES	302617	12946/2005

Registration Proceedings - Class Listing of Designs Published or Registered cont'd

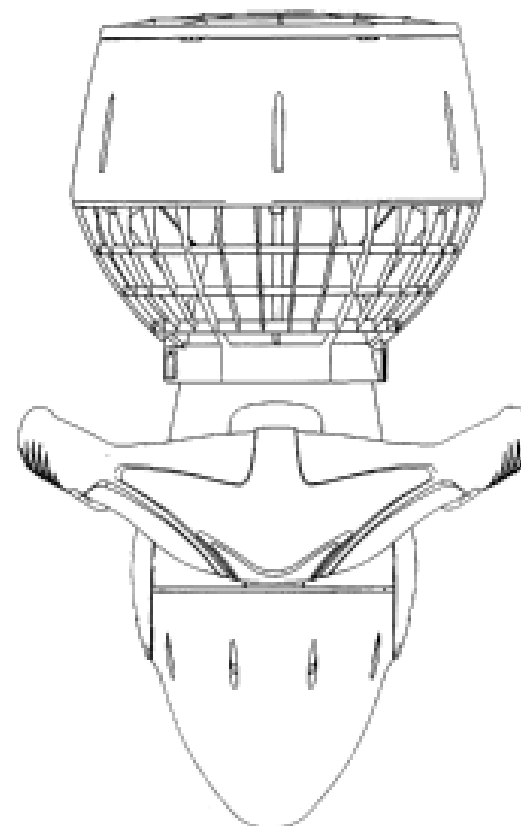
Classification	Registration Number	Design Number	Classification	Registration Number	Design Number
13-03 NES	302746	10927/2005	23-01 H	302667	10142/2005
14-01	302576	15673/2004	23-01 H	302724	10808/2005
14-02	302672	10223/2005	23-02 B	302728	10873/2005
14-03 A	302604	10880/2005	23-02 F	302695	10778/2005
14-03 A	302701	10892/2005	23-02 NES	302668	10205/2005
14-03 A	302726	10825/2005	23-04	302746	10927/2005
14-03 E	302727	10826/2005	24-01	302567	15311/2004
14-03 E	302729	10878/2005	24-01	302568	15312/2004
15-01	302669	10220/2005	24-01	302569	15313/2004
15-01	302703	10322/2005	24-01	302570	15314/2004
15-01	302705	10501/2005	24-01	302719	10782/2005
15-05	302688	10514/2005	24-02	302569	15313/2004
15-05	302689	10515/2005	24-02	302570	15314/2004
15-07	302670	10221/2005	25-01 C	302694	10611/2005
15-07	302671	10222/2005	25-01 E	302711	10557/2005
15-09	302711	10557/2005	25-01 G	302712	10602/2005
15-99	302639	10588/2005	25-01 G	302713	10603/2005
16-03	302672	10223/2005	25-02 C	302632	10483/2005
16-06	302620	10490/2005	25-02 C	302633	10484/2005
16-06	302621	10491/2005	25-02 C	302634	10485/2005
16-06	302665	10130/2005	25-02 C	302635	10486/2005
18-01	302626	10345/2005	25-02 C	302636	10487/2005
18-01	302627	10346/2005	25-02 E	302577	15775/2004
18-01	302628	10347/2005	25-02 E	302578	15776/2004
18-01	302629	10348/2005	25-02 E	302579	15777/2004
18-01	302630	10349/2005	25-02 E	302580	15778/2004
18-01	302631	10350/2005	25-02 E	302581	15779/2004
19-07	302639	10588/2005	25-03	302644	10015/2005
20-02 E	302639	10588/2005	26-02	302739	10907/2005
21-01 C	302714	10589/2005	26-02	302740	10908/2005
21-02 D	302619	10489/2005	26-02	302741	10909/2005
21-02 D	302678	15901/2004	26-02	302742	10910/2005
21-02 D	302707	10542/2005	26-02	302743	10911/2005
21-02 D	302708	10543/2005	26-05 B	302696	10783/2005
21-02 D	302709	10544/2005	26-05 D	302697	10784/2005
21-02 D	302710	10545/2005	28-03 NES	302582	15787/2004
21-03	302641	14693/2004	28-03 NES	302583	15788/2004
21-03	302642	14694/2004	30-02	302605	16042/2004
21-04	302584	14454/2004	30-03	302675	15001/2004
21-04	302644	10015/2005	30-99	302660	14991/2004
22-05	302585	14946/2004	30-99	302661	14992/2004
23-01 H	302622	10143/2005	31-00	302601	12987/2005
23-01 H	302623	10144/2005	31-00	302602	12986/2005
23-01 H	302624	10145/2005			
23-01 H	302625	10146/2005			
23-01 H	302666	10141/2005			



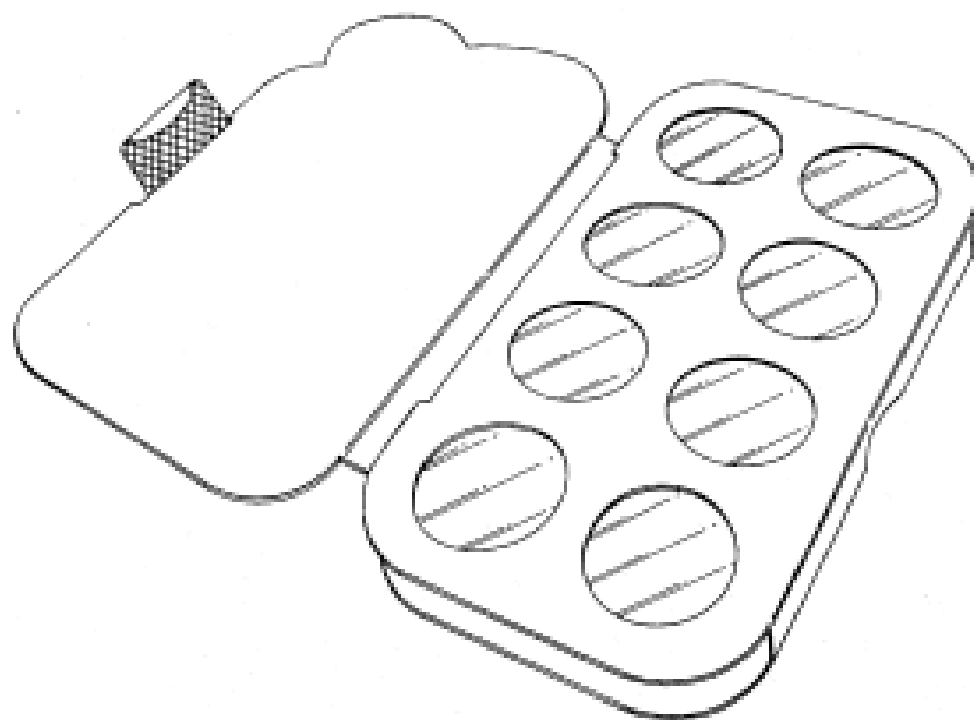
(21) Design Number: **15258/2004**  
 (22) Date of Filing Application: **12 November 2004**  
 (24) Date from which industrial property rights may have effect: **12 November 2004**  
 (54) Product in respect of which the design is registered: **Underwater motive device**  
 (51) International Design Classification: **12-06NES**  
 (71) Name(s) and Address(s) of Applicant(s):  
**Daka Research Inc.**  
**Unit A 2/F Block A Tin On Industrial Building 777-779 Cheung Sha Wan Road Cheung Sha Wan Kowloon Hong Kong**  
 (72) Name(s) of Designer(s): **Pat Y. Mah**  
 (45) Registration Date: **03 August 2005**  
 (30) Convention priority data:  
 (31) Number (32) Date (33) Country  
**000183900 13 May 2004 EUROPEAN COMMUNITY**  
 (56) Related Art Documents: **Not Applicable**  
 (57) Statement of Newness and Distinctiveness: **Nil**



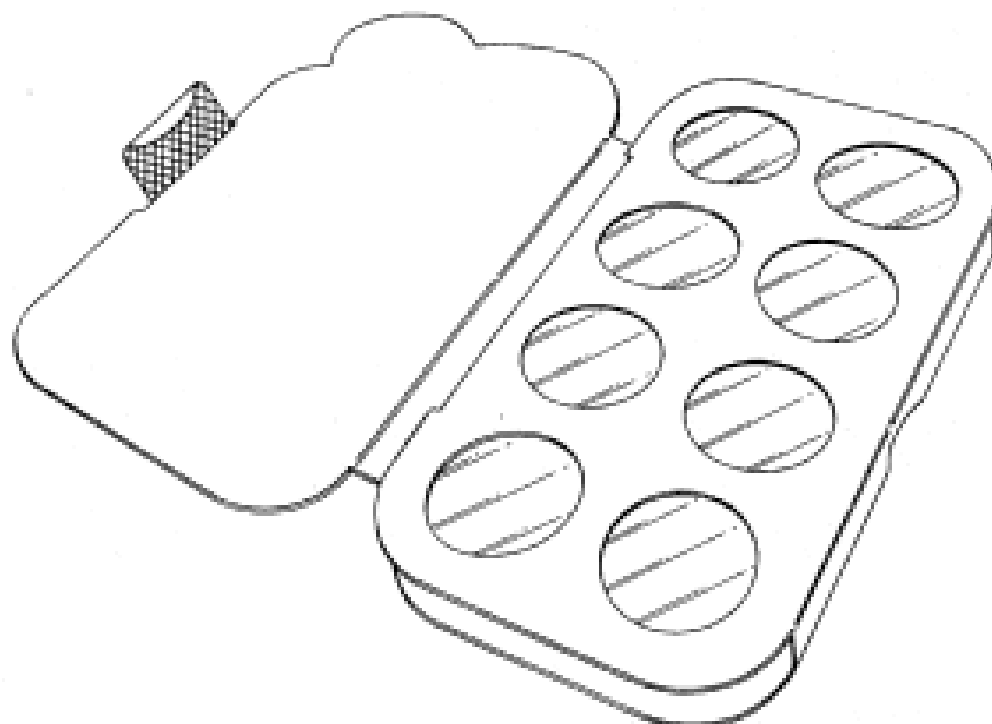
(21) Design Number: **15281/2004**  
 (22) Date of Filing Application: **15 November 2004**  
 (24) Date from which industrial property rights may have effect: **15 November 2004**  
 (54) Product in respect of which the design is registered: **Underwater motive device**  
 (51) International Design Classification: **12-06NES**  
 (71) Name(s) and Address(s) of Applicant(s):  
**Daka Research Inc.**  
**PO Box 957 Offshore Incorporations Centre Road Town Tortola British Virgin Islands**  
 (72) Name(s) of Designer(s): **Pat Y. Mah**  
 (45) Registration Date: **03 August 2005**  
 (30) Convention priority data:  
 (31) Number (32) Date (33) Country  
**000225073 25 Aug 2004 EUROPEAN COMMUNITY**  
 (56) Related Art Documents: **Not Applicable**  
 (57) Statement of Newness and Distinctiveness: **Nil**



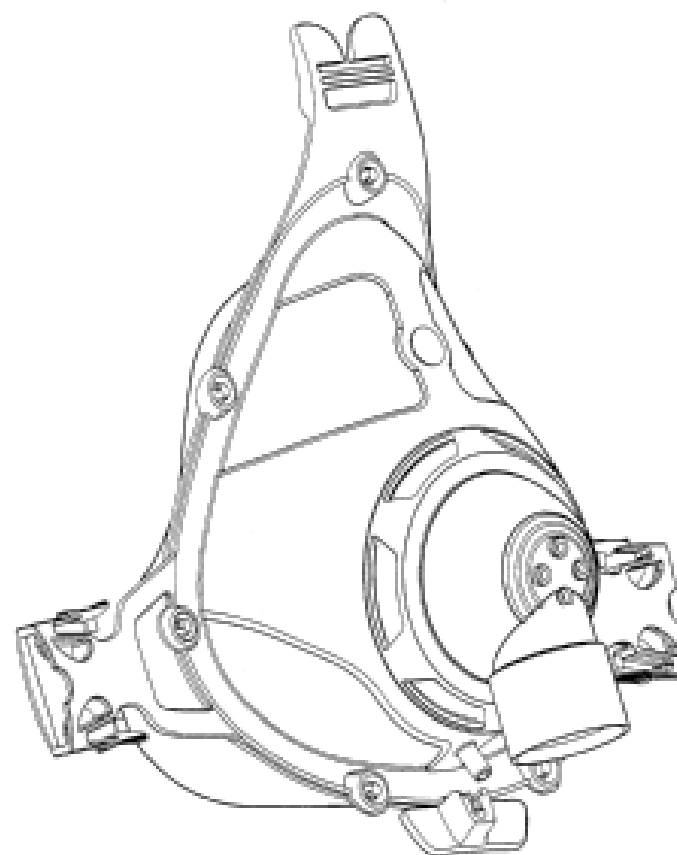
(21) Design Number: **15287/2004**  
(22) Date of Filing Application: **16 November 2004**  
(24) Date from which industrial property rights may have effect: **16 November 2004**  
(54) Product in respect of which the design is registered: **Packaging**  
(51) International Design Classification: **09-05**  
(71) Name(s) and Address(s) of Applicant(s):  
**Boots Healthcare International Limited**  
**1 Thane Road West Nottingham NG2 3AA United Kingdom**  
(72) Name(s) of Designer(s): **Shaun Harrison**  
(45) Registration Date: **03 August 2005**  
(30) Convention priority data:  
(31) Number      (32) Date      (33) Country  
**000179114      18 May 2004      EUROPEAN COMMUNITY**  
(56) Related Art Documents: **Not Applicable**  
(57) Statement of Newness and Distinctiveness: **Nil**



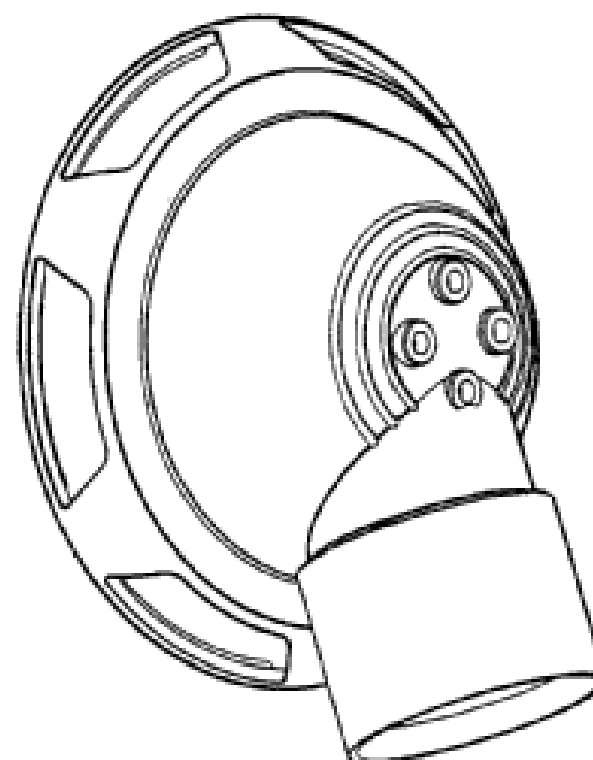
(21) Design Number: **15288/2004**  
(22) Date of Filing Application: **16 November 2004**  
(24) Date from which industrial property rights may have effect: **16 November 2004**  
(54) Product in respect of which the design is registered: **Packaging**  
(51) International Design Classification: **09-05**  
(71) Name(s) and Address(s) of Applicant(s):  
**Boots Healthcare International Limited**  
**1 Thane Road West Nottingham NG2 3AA United Kingdom**  
(72) Name(s) of Designer(s): **Shaun Harrison**  
(45) Registration Date: **03 August 2005**  
(30) Convention priority data:  
(31) Number      (32) Date      (33) Country  
**000179114      18 May 2004      EUROPEAN COMMUNITY**  
(56) Related Art Documents: **Not Applicable**  
(57) Statement of Newness and Distinctiveness: **Nil**



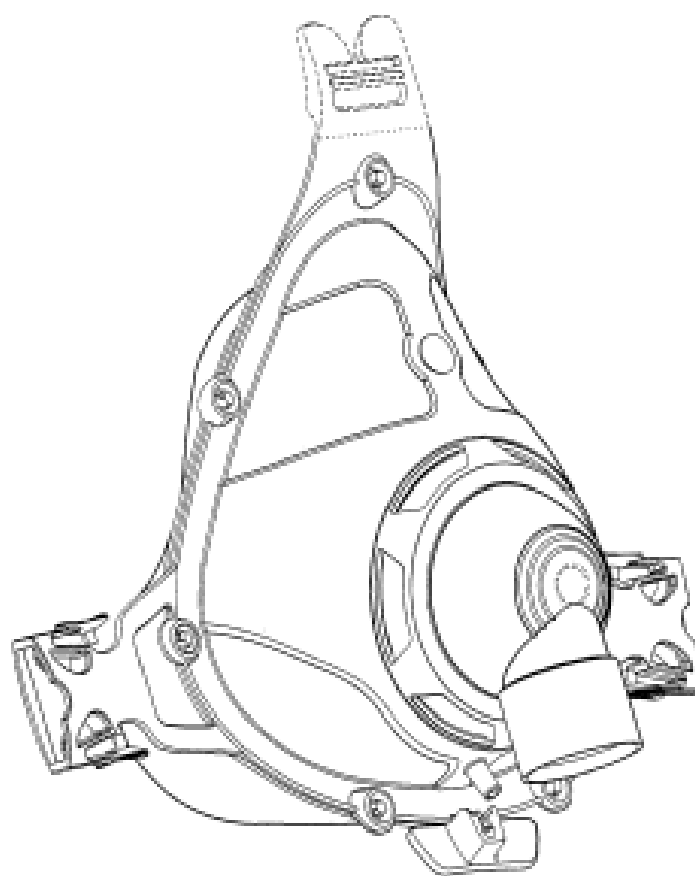
(21) Design Number: **15311/2004**  
(22) Date of Filing Application: **16 November 2004**  
(24) Date from which industrial property rights may have effect: **16 November 2004**  
(54) Product in respect of which the design is registered: **Mask assembly**  
(51) International Design Classification: **24-01**  
(71) Name(s) and Address(s) of Applicant(s):  
**ResMed Ltd**  
**97 Waterloo Road North Ryde New South Wales 2113 Australia**  
(72) Name(s) of Designer(s): **Greg Smart and David Worboys and Anthony**  
**Ging and Michael Dantanarayana and John Snow and Philip Stallard**  
(45) Registration Date: **03 August 2005**  
(30) Convention priority data:  
(31) Number (32) Date (33) Country  
**29/220,931 17 May 2004 UNITED STATES OF AMERICA**  
(56) Related Art Documents: **Not Applicable**  
(57) Statement of Newness and Distinctiveness: **Nil**



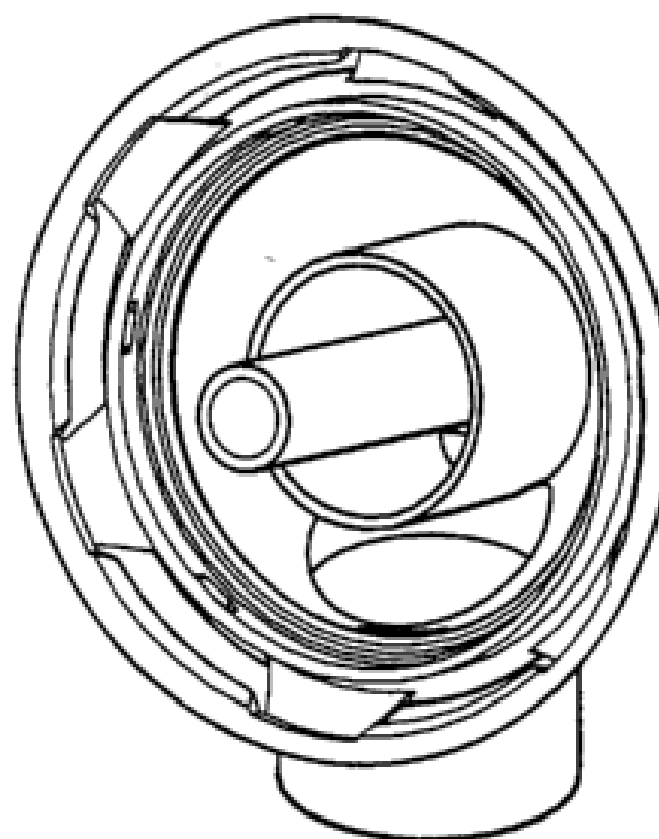
(21) Design Number: **15312/2004**  
(22) Date of Filing Application: **16 November 2004**  
(24) Date from which industrial property rights may have effect: **16 November 2004**  
(54) Product in respect of which the design is registered: **Elbow for mask**  
(51) International Design Classification: **24-01**  
(71) Name(s) and Address(s) of Applicant(s):  
**ResMed Ltd**  
**97 Waterloo Road North Ryde New South Wales 2113 Australia**  
(72) Name(s) of Designer(s): **Anthony Ging and David Worboys and Greg**  
**Smart**  
(45) Registration Date: **03 August 2005**  
(30) Convention priority data:  
(31) Number (32) Date (33) Country  
**29/220,931 17 May 2004 UNITED STATES OF AMERICA**  
(56) Related Art Documents: **Not Applicable**  
(57) Statement of Newness and Distinctiveness: **Nil**



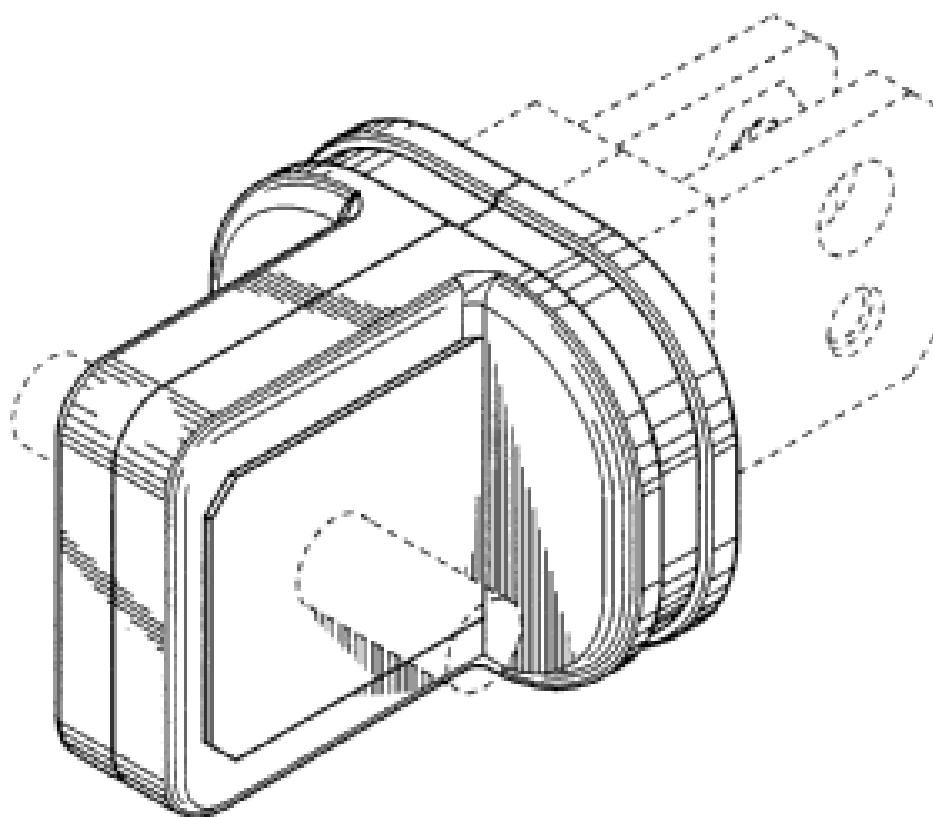
(21) Design Number: **15313/2004**  
(22) Date of Filing Application: **16 November 2004**  
(24) Date from which industrial property rights may have effect: **16 November 2004**  
(54) Product in respect of which the design is registered: **Mask assembly**  
(51) International Design Classification: **24-01, 24-02**  
(71) Name(s) and Address(s) of Applicant(s):  
**ResMed Ltd**  
**97 Waterloo Road North Ryde New South Wales 2113 Australia**  
(72) Name(s) of Designer(s): **Greg Smart and David Worboys and Anthony Ging and Michael Dantanarayana and John Snow and Philip Stallard**  
(45) Registration Date: **03 August 2005**  
(30) Convention priority data:  
(31) Number (32) Date (33) Country  
**29/220,931 17 May 2004 UNITED STATES OF AMERICA**  
(56) Related Art Documents: **Not Applicable**  
(57) Statement of Newness and Distinctiveness: **Nil**



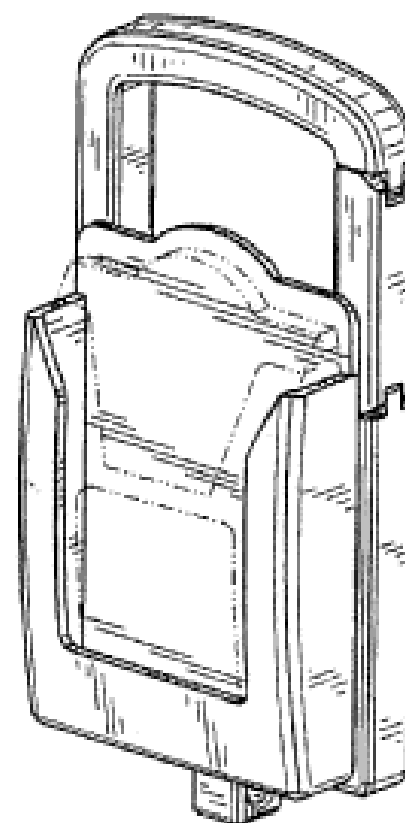
(21) Design Number: **15314/2004**  
(22) Date of Filing Application: **16 November 2004**  
(24) Date from which industrial property rights may have effect: **16 November 2004**  
(54) Product in respect of which the design is registered: **Elbow for mask**  
(51) International Design Classification: **24-01, 24-02**  
(71) Name(s) and Address(s) of Applicant(s):  
**ResMed Ltd**  
**97 Waterloo Road North Ryde New South Wales 2113 Australia**  
(72) Name(s) of Designer(s): **Anthony Ging and David Worboys and Greg Smart**  
(45) Registration Date: **03 August 2005**  
(30) Convention priority data:  
(31) Number (32) Date (33) Country  
**29/220,931 17 May 2004 UNITED STATES OF AMERICA**  
(56) Related Art Documents: **Not Applicable**  
(57) Statement of Newness and Distinctiveness: **Nil**



(21) Design Number: **15354/2004**  
(22) Date of Filing Application: **17 November 2004**  
(24) Date from which industrial property rights may have effect: **17 November 2004**  
(54) Product in respect of which the design is registered: **A battery terminal**  
(51) International Design Classification: **13-03B**  
(71) Name(s) and Address(s) of Applicant(s):  
**Xantrex International**  
**Suite No. 3 Stafford House The Garrison St Michael Barbados**  
(72) Name(s) of Designer(s): **David Eli Miller**  
(45) Registration Date: **03 August 2005**  
(30) Convention priority data:  
(31) Number (32) Date (33) Country  
**108984 10 Nov 2004 CANADA**  
(56) Related Art Documents: **Not Applicable**  
(57) Statement of Newness and Distinctiveness: **Newness and distinctiveness is claimed in the visual features shown in solid lines in the representations.**

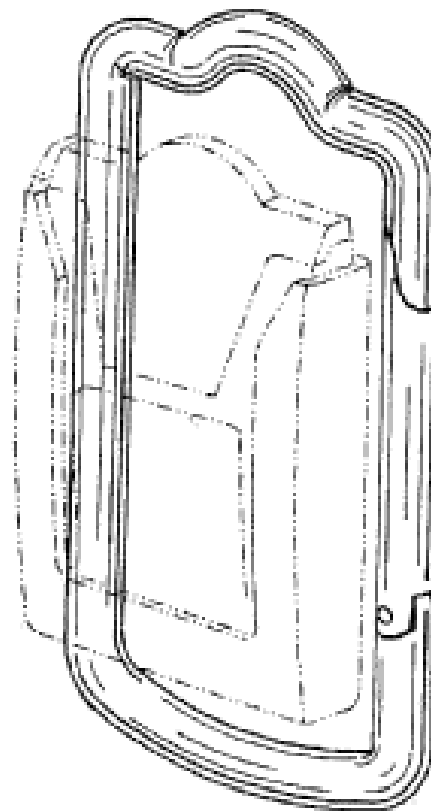


(21) Design Number: **15419/2004**  
(22) Date of Filing Application: **23 November 2004**  
(24) Date from which industrial property rights may have effect: **23 November 2004**  
(54) Product in respect of which the design is registered: **Carabiner**  
(51) International Design Classification: **09-03NES**  
(71) Name(s) and Address(s) of Applicant(s):  
**Warner-Lambert Company LLC**  
**201 Tabor Road Morris Plains New Jersey 07950 United States of America**  
(72) Name(s) of Designer(s): **Silvio Joseph DiMarchi and Lawrence P. Scanzillo and Sheng-Fu Lee and Bruce V. Cartier**  
(45) Registration Date: **03 August 2005**  
(30) Convention priority data:  
(31) Number (32) Date (33) Country  
**29/206217 27 May 2004 UNITED STATES OF AMERICA**  
(56) Related Art Documents: **Not Applicable**  
(57) Statement of Newness and Distinctiveness: **Newness and distinctiveness is claimed in those features of shape and/or configuration of a carabiner as illustrated in continuous lines in the accompanying representations.**



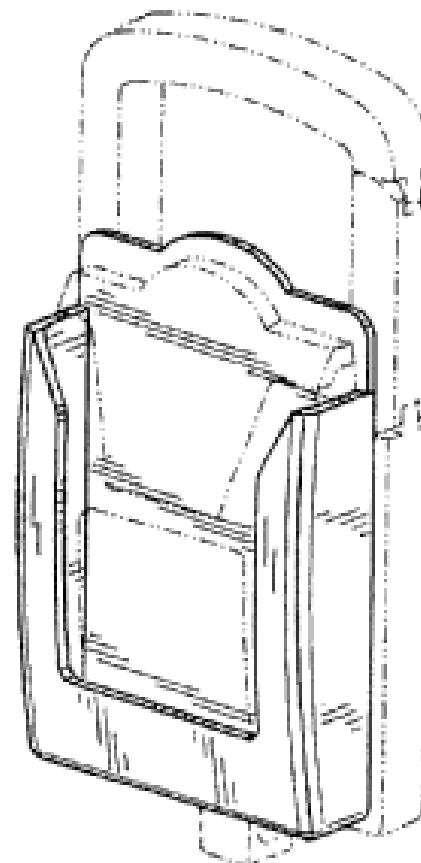
- (21) Design Number: **15420/2004**
- (22) Date of Filing Application: **23 November 2004**
- (24) Date from which industrial property rights may have effect: **23 November 2004**
- (54) Product in respect of which the design is registered: **Carabiner**
- (51) International Design Classification: **09-03NES**
- (71) Name(s) and Address(s) of Applicant(s):  
**Warner-Lambert Company LLC**  
**201 Tabor Road Morris Plains New Jersey 07950 United States of America**
- (72) Name(s) of Designer(s): **Silvio Joseph DiMarchi and Lawrence P. Scanzillo and Sheng-Fu Lee and Bruce V. Cartier**
- (45) Registration Date: **03 August 2005**
- (30) Convention priority data:  

(31) Number	(32) Date	(33) Country
<b>29/206230</b>	<b>27 May 2004</b>	<b>UNITED STATES OF AMERICA</b>
- (56) Related Art Documents: **Not Applicable**
- (57) Statement of Newness and Distinctiveness: **Newness and distinctiveness is claimed in those features of shape and/or configuration of a carabiner as illustrated in continuous lines in the accompanying representations.**

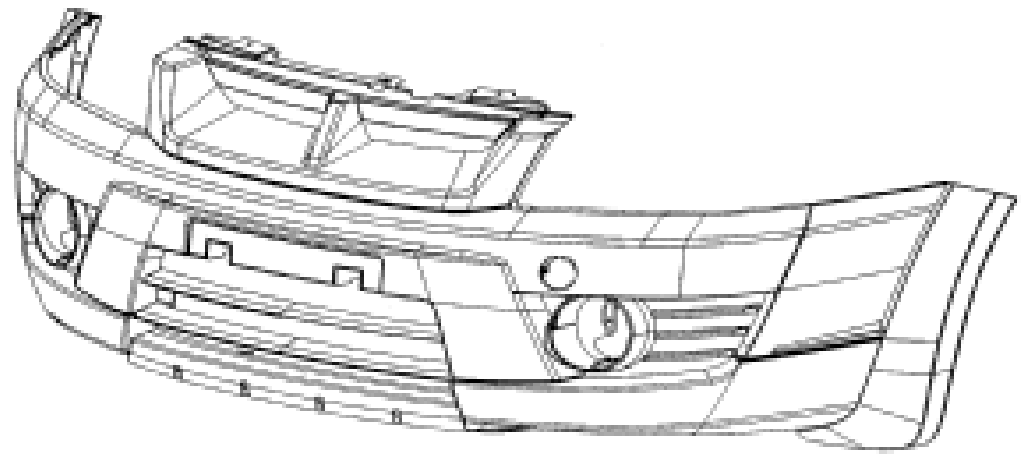


- (21) Design Number: **15421/2004**
- (22) Date of Filing Application: **23 November 2004**
- (24) Date from which industrial property rights may have effect: **23 November 2004**
- (54) Product in respect of which the design is registered: **Receptacle**
- (51) International Design Classification: **09-03NES**
- (71) Name(s) and Address(s) of Applicant(s):  
**Warner-Lambert Company LLC**  
**201 Tabor Road Morris Plains New Jersey 07950 United States of America**
- (72) Name(s) of Designer(s): **Silvio Joseph DiMarchi and Lawrence P. Scanzillo and Sheng-Fu Lee and Bruce V. Cartier**
- (45) Registration Date: **03 August 2005**
- (30) Convention priority data:  

(31) Number	(32) Date	(33) Country
<b>29/206170</b>	<b>27 May 2004</b>	<b>UNITED STATES OF AMERICA</b>
- (56) Related Art Documents: **Not Applicable**
- (57) Statement of Newness and Distinctiveness: **Newness and distinctiveness is claimed in those features of shape and/or configuration of a receptacle as illustrated in continuous lines in the accompanying representations.**



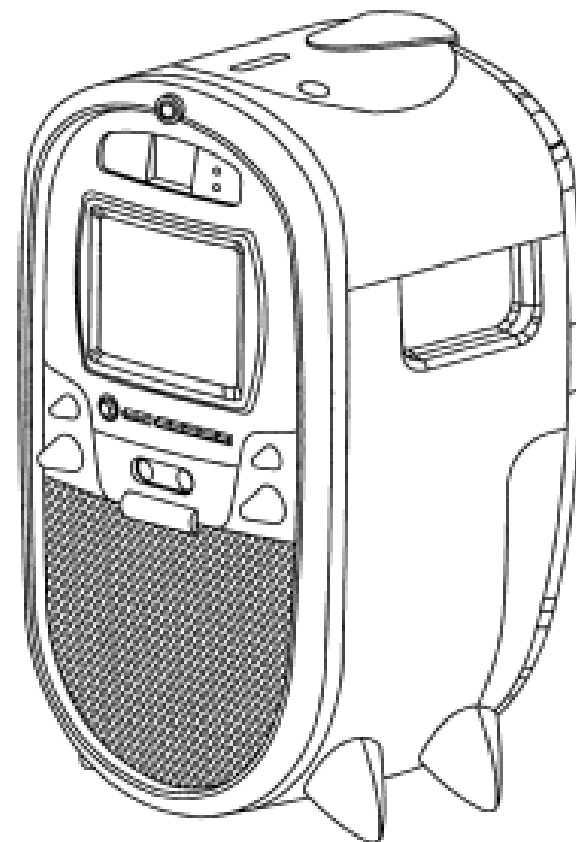
- (21) Design Number: **15554/2004**  
(22) Date of Filing Application: **30 November 2004**  
(24) Date from which industrial property rights may have effect: **30 November 2004**  
(54) Product in respect of which the design is registered: **Vehicle front fascia**  
(51) International Design Classification: **12-16B**  
(71) Name(s) and Address(s) of Applicant(s):  
**Holden Ltd**  
**241 Salmon Street Port Melbourne Victoria 3207 Australia**  
(72) Name(s) of Designer(s): **Julian Quincey**  
(45) Registration Date: **03 August 2005**  
(56) Related Art Documents: **Not Applicable**  
(57) Statement of Newness and Distinctiveness: **Novelty is claimed in the shape and/or configuration of a vehicle front fascia as shown in the representations.**



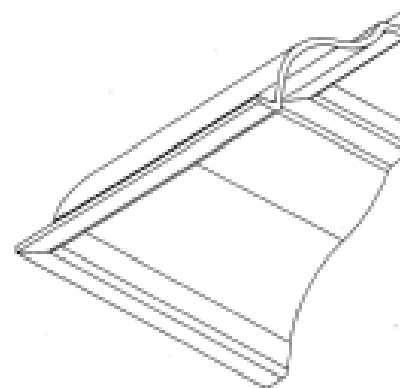
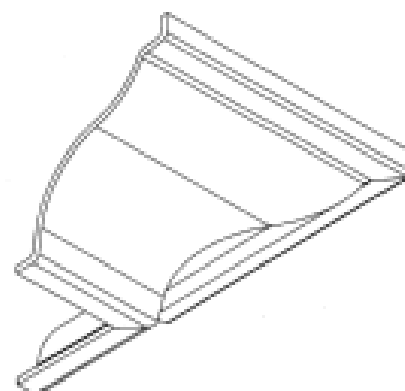
- (21) Design Number: **15673/2004**  
(22) Date of Filing Application: **07 December 2004**  
(24) Date from which industrial property rights may have effect: **07 December 2004**  
(54) Product in respect of which the design is registered: **A CD player**  
(51) International Design Classification: **14-01**  
(71) Name(s) and Address(s) of Applicant(s):  
**The Vaughn Company (HK) Limited**  
**3005 Universal Trade Centre 3 Arbuthnot Road Central Hong Kong**  
(72) Name(s) of Designer(s): **Ronald Edward Pearson**  
(45) Registration Date: **03 August 2005**  
(30) Convention priority data:  

(31) Number	(32) Date	(33) Country
<b>0411244.3</b>	<b>09 Jun 2004</b>	<b>HONG KONG</b>

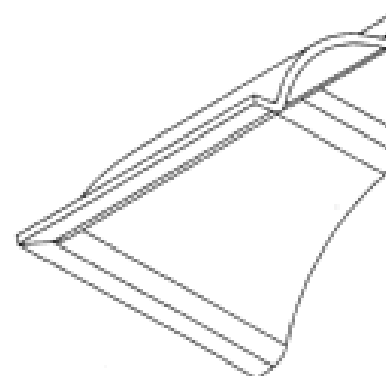
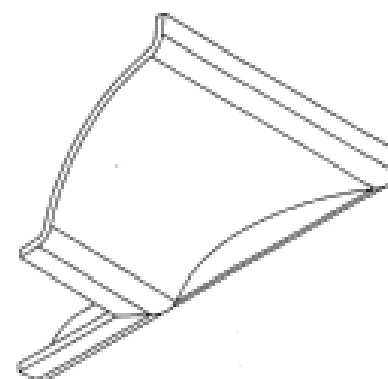
  
(56) Related Art Documents: **Not Applicable**  
(57) Statement of Newness and Distinctiveness: **Nil**



- (21) Design Number: **15775/2004**  
(22) Date of Filing Application: **13 December 2004**  
(24) Date from which industrial property rights may have effect: **13 December 2004**  
(54) Product in respect of which the design is registered: **Convex cornice cover and concave cornice cover**  
(51) International Design Classification: **25-02E**  
(71) Name(s) and Address(s) of Applicant(s):  
    **Bruce Lawson**  
    **37A Cambria Road Keysborough Victoria 3173 Australia**  
    **Scott Lawson**  
    **37A Cambria Road Keysborough Victoria 3173 Australia**  
(72) Name(s) of Designer(s): **Bruce Peter Lawson and Scott Cameron Lawson**  
(45) Registration Date: **03 August 2005**  
(56) Related Art Documents: **Not Applicable**  
(57) Statement of Newness and Distinctiveness: **As drawings attached.**

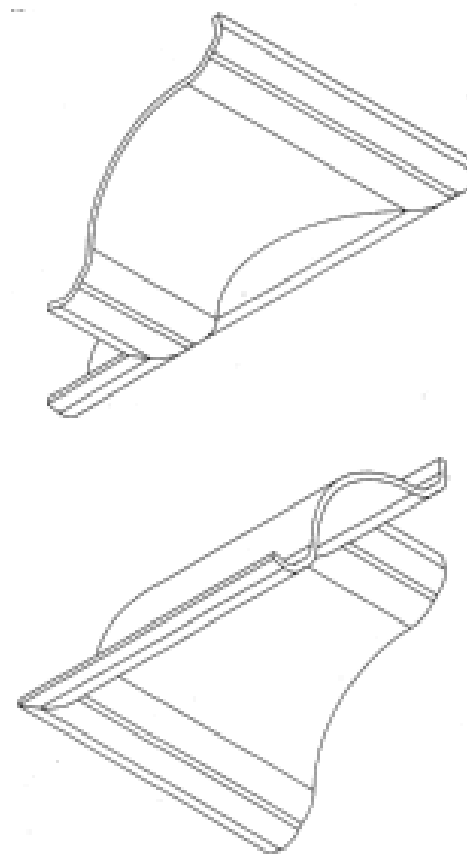


- (21) Design Number: **15776/2004**  
(22) Date of Filing Application: **13 December 2004**  
(24) Date from which industrial property rights may have effect: **13 December 2004**  
(54) Product in respect of which the design is registered: **Convex cornice cover and concave cornice cover**  
(51) International Design Classification: **25-02E**  
(71) Name(s) and Address(s) of Applicant(s):  
    **Bruce Lawson**  
    **37A Cambria Road Keysborough Victoria 3173 Australia**  
    **Scott Lawson**  
    **37A Cambria Road Keysborough Victoria 3173 Australia**  
(72) Name(s) of Designer(s): **Bruce Peter Lawson and Scott Cameron Lawson**  
(45) Registration Date: **03 August 2005**  
(56) Related Art Documents: **Not Applicable**  
(57) Statement of Newness and Distinctiveness: **As drawings attached.**

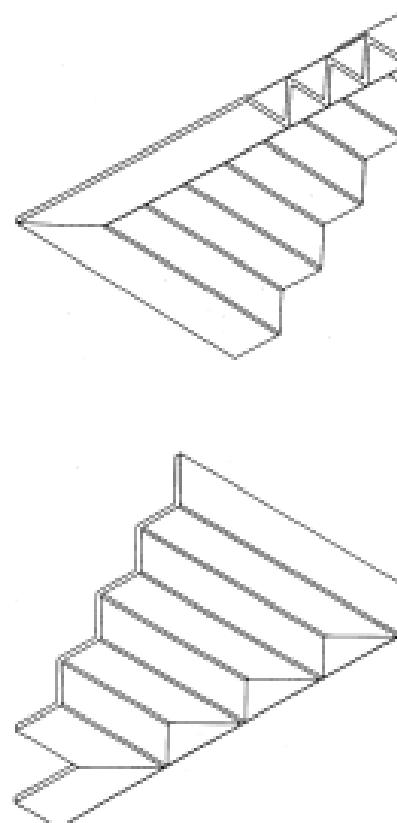




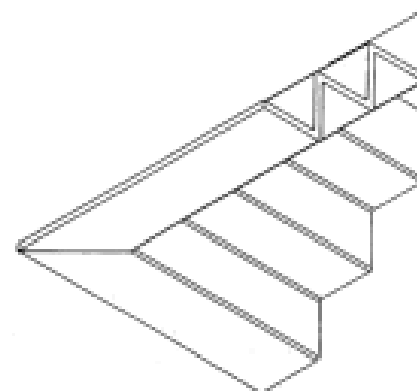
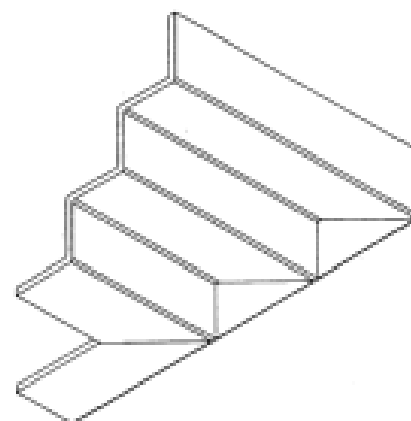
- (21) Design Number: **15777/2004**  
(22) Date of Filing Application: **13 December 2004**  
(24) Date from which industrial property rights may have effect: **13 December 2004**  
(54) Product in respect of which the design is registered: **Convex cornice cover and concave cornice cover**  
(51) International Design Classification: **25-02E**  
(71) Name(s) and Address(s) of Applicant(s):  
    **Bruce Lawson**  
    **37A Cambria Road Keysborough Victoria 3173 Australia**  
    **Scott Lawson**  
    **37A Cambria Road Keysborough Victoria 3173 Australia**  
(72) Name(s) of Designer(s): **Bruce Peter Lawson and Scott Cameron Lawson**  
(45) Registration Date: **03 August 2005**  
(56) Related Art Documents: **Not Applicable**  
(57) Statement of Newness and Distinctiveness: **As drawings attached.**



- (21) Design Number: **15778/2004**  
(22) Date of Filing Application: **13 December 2004**  
(24) Date from which industrial property rights may have effect: **13 December 2004**  
(54) Product in respect of which the design is registered: **Convex cornice cover and concave cornice cover**  
(51) International Design Classification: **25-02E**  
(71) Name(s) and Address(s) of Applicant(s):  
    **Bruce Lawson**  
    **37A Cambria Road Keysborough Victoria 3173 Australia**  
    **Scott Lawson**  
    **37A Cambria Road Keysborough Victoria 3173 Australia**  
(72) Name(s) of Designer(s): **Bruce Peter Lawson and Scott Cameron Lawson**  
(45) Registration Date: **03 August 2005**  
(56) Related Art Documents: **Not Applicable**  
(57) Statement of Newness and Distinctiveness: **As drawings attached.**

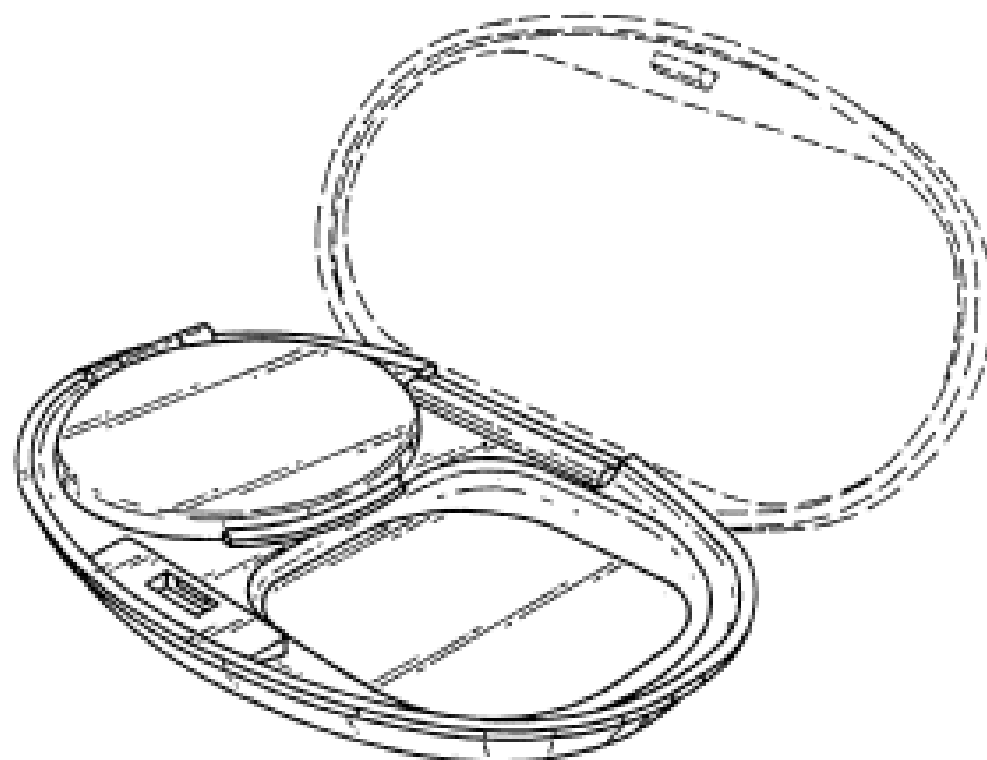


- (21) Design Number: **15779/2004**
- (22) Date of Filing Application: **13 December 2004**
- (24) Date from which industrial property rights may have effect: **13 December 2004**
- (54) Product in respect of which the design is registered: **Convex cornice cover and concave cornice cover**
- (51) International Design Classification: **25-02E**
- (71) Name(s) and Address(s) of Applicant(s):  
  - Bruce Lawson**
  - 37A Cambria Road Keysborough Victoria 3173 Australia**
  - Scott Lawson**
  - 37A Cambria Road Keysborough Victoria 3173 Australia**
- (72) Name(s) of Designer(s): **Bruce Peter Lawson and Scott Cameron Lawson**
- (45) Registration Date: **03 August 2005**
- (56) Related Art Documents: **Not Applicable**
- (57) Statement of Newness and Distinctiveness: **As drawings attached.**

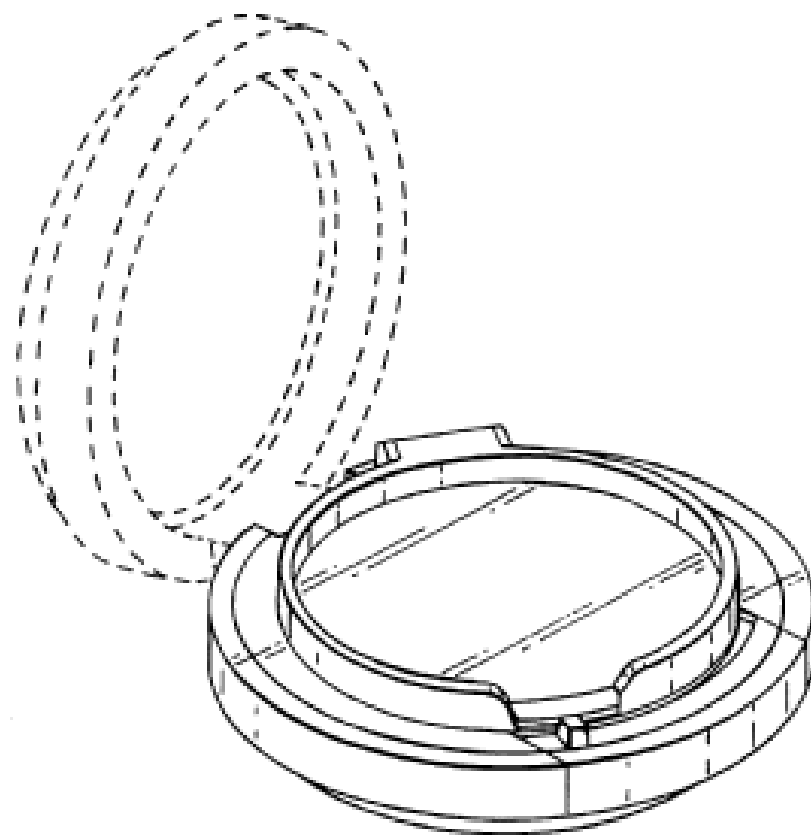


- (21) Design Number: **15787/2004**
- (22) Date of Filing Application: **14 December 2004**
- (24) Date from which industrial property rights may have effect: **14 December 2004**
- (54) Product in respect of which the design is registered: **Cosmetic container**
- (51) International Design Classification: **28-03NES**
- (71) Name(s) and Address(s) of Applicant(s):  
  - The Procter & Gamble Company**
  - 1 Procter & Gamble Plaza Cincinnati Ohio 45202-3315 United States of America**
- (72) Name(s) of Designer(s): **Ichiro Hori and Tadayasu Koga and Kazuhiro Yamada**
- (45) Registration Date: **03 August 2005**
- (30) Convention priority data:  

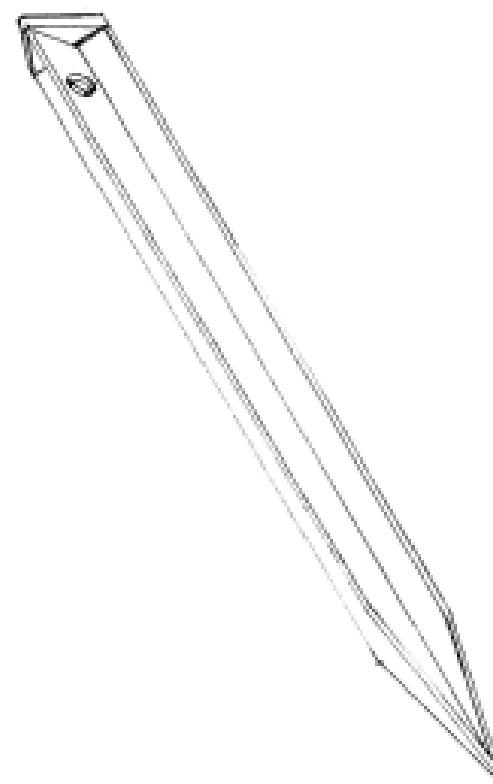
(31) Number	(32) Date	(33) Country
<b>3017673</b>	<b>14 Jun 2004</b>	<b>UNITED KINGDOM</b>
- (56) Related Art Documents: **Not Applicable**
- (57) Statement of Newness and Distinctiveness: **For the purpose of determining newness and/or distinctiveness of the design shown in the representations, no account should be taken of those features shown in broken lines.**



- (21) Design Number: **15788/2004**  
(22) Date of Filing Application: **14 December 2004**  
(24) Date from which industrial property rights may have effect: **14 December 2004**  
(54) Product in respect of which the design is registered: **Cosmetic container**  
(51) International Design Classification: **28-03NES**  
(71) Name(s) and Address(s) of Applicant(s):  
**The Procter & Gamble Company**  
**1 Procter & Gamble Plaza Cincinnati Ohio 45202-3315 United States of America**  
(72) Name(s) of Designer(s): **Akiko Ashiwa and Tadayasu Koga**  
(45) Registration Date: **03 August 2005**  
(30) Convention priority data:  
(31) Number      (32) Date      (33) Country  
**3017672      14 Jun 2004      UNITED KINGDOM**  
(56) Related Art Documents: **Not Applicable**  
(57) Statement of Newness and Distinctiveness: **For the purpose of determining newness and/or distinctiveness of the design shown in the representations, no account should be taken of those features shown in broken lines.**



- (21) Design Number: **14454/2004**  
(22) Date of Filing Application: **20 September 2004**  
(24) Date from which industrial property rights may have effect: **20 September 2004**  
(54) Product in respect of which the design is registered: **Aly sand peg**  
(51) International Design Classification: **21-04**  
(71) Name(s) and Address(s) of Applicant(s):  
**Gary Sharpe**  
**10 Wynter Street Walkervale Bundaberg Queensland 4670 Australia**  
**Margaret Sharpe**  
**10 Wynter Street Walkervale Bundaberg Queensland 4670 Australia**  
(72) Name(s) of Designer(s): **Gary Sharpe**  
(45) Registration Date: **04 August 2005**  
(56) Related Art Documents: **Not Applicable**  
(57) Statement of Newness and Distinctiveness: **Nil**



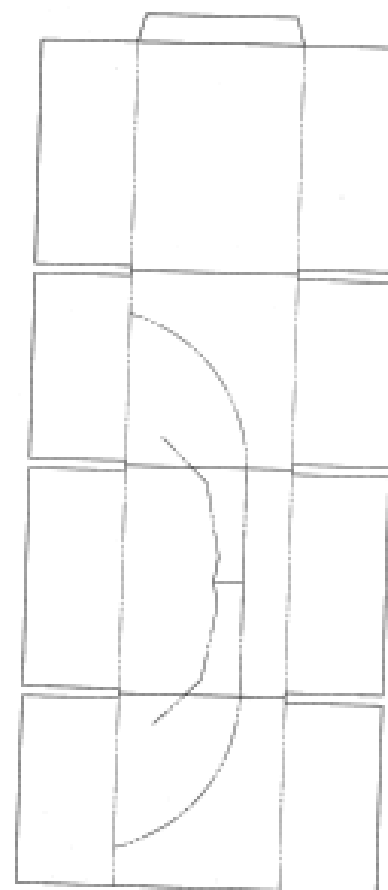
- (21) Design Number: **14946/2004**  
(22) Date of Filing Application: **20 October 2004**  
(24) Date from which industrial property rights may have effect: **20 October 2004**  
(54) Product in respect of which the design is registered: **A rod holder**  
(51) International Design Classification: **22-05**  
(71) Name(s) and Address(s) of Applicant(s):  
**Martin Roth**  
**7 Industrial Avenue Caloundra Queensland 4551 Australia**  
**Emil Roth**  
**7 Industrial Avenue Caloundra Queensland 4551 Australia**  
(72) Name(s) of Designer(s): **Martin Roth and Emil Roth**  
(45) Registration Date: **04 August 2005**  
(56) Related Art Documents: **Not Applicable**  
(57) Statement of Newness and Distinctiveness: **Newness and distinctiveness resides in the shape and configuration of a rod holder as shown in the representations. The word "Emro" appearing on the product illustrated in the representations forms no part of the design and is to be disregarded when determining the scope of the monopoly.**



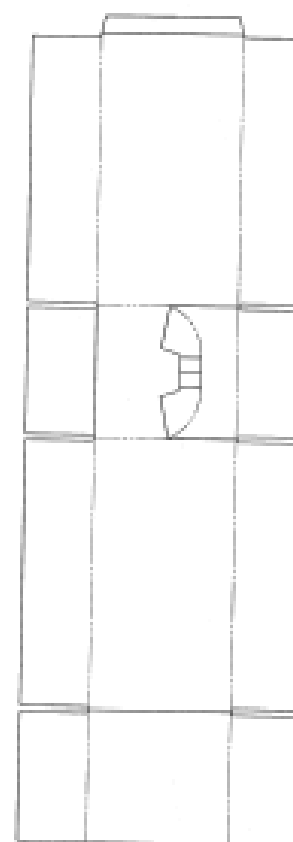
- (21) Design Number: **15902/2004**  
(22) Date of Filing Application: **23 December 2004**  
(24) Date from which industrial property rights may have effect: **23 December 2004**  
(54) Product in respect of which the design is registered: **Easy-open carton blank**  
(51) International Design Classification: **09-03K**  
(71) Name(s) and Address(s) of Applicant(s):  
**Visy R & D Pty Ltd**  
**Level 2 533 Little Lonsdale St Melbourne Victoria 3000 Australia**  
(72) Name(s) of Designer(s): **Matthew Anderson**  
(45) Registration Date: **04 August 2005**  
(56) Related Art Documents: **Not Applicable**  
(57) Statement of Newness and Distinctiveness: **The new and distinctive features of all of the designs are the shape of configuration of the easy-open feature of each carton blank as illustrated in the accompanying representations.**



- (21) Design Number: **15903/2004**  
(22) Date of Filing Application: **23 December 2004**  
(24) Date from which industrial property rights may have effect: **23 December 2004**  
(54) Product in respect of which the design is registered: **Easy-open carton blank**  
(51) International Design Classification: **09-03K**  
(71) Name(s) and Address(s) of Applicant(s):  
**Visy R & D Pty Ltd**  
**Level 2 533 Little Lonsdale St Melbourne Victoria 3000 Australia**  
(72) Name(s) of Designer(s): **Matthew Anderson**  
(45) Registration Date: **04 August 2005**  
(56) Related Art Documents: **Not Applicable**  
(57) Statement of Newness and Distinctiveness: **The new and distinctive features of all of the designs are the shape of configuration of the easy-open feature of each carton blank as illustrated in the accompanying representations.**



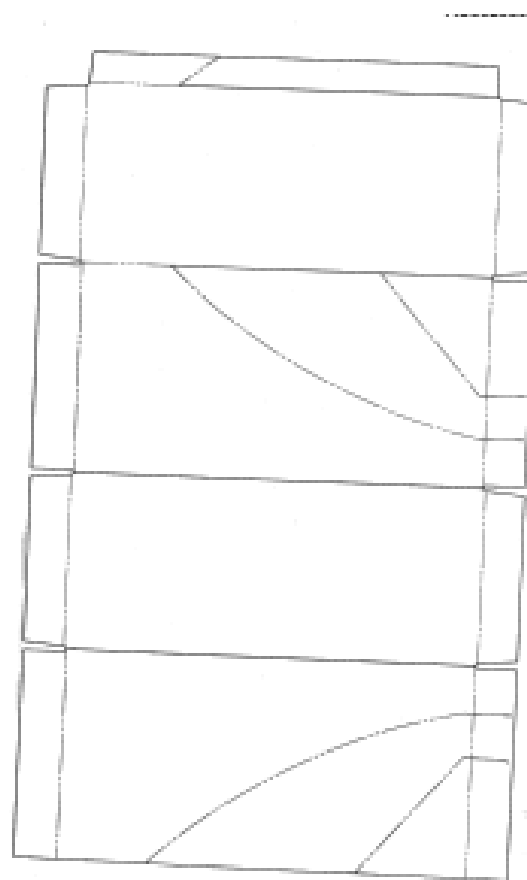
- (21) Design Number: **15904/2004**  
(22) Date of Filing Application: **23 December 2004**  
(24) Date from which industrial property rights may have effect: **23 December 2004**  
(54) Product in respect of which the design is registered: **Easy-open carton blank**  
(51) International Design Classification: **09-03K**  
(71) Name(s) and Address(s) of Applicant(s):  
**Visy R & D Pty Ltd**  
**Level 2 533 Little Lonsdale St Melbourne Victoria 3000 Australia**  
(72) Name(s) of Designer(s): **Matthew Anderson**  
(45) Registration Date: **04 August 2005**  
(56) Related Art Documents: **Not Applicable**  
(57) Statement of Newness and Distinctiveness: **The new and distinctive features of all of the designs are the shape of configuration of the easy-open feature of each carton blank as illustrated in the accompanying representations.**



- (21) Design Number: **15905/2004**
- (22) Date of Filing Application: **23 December 2004**
- (24) Date from which industrial property rights may have effect: **23 December 2004**
- (54) Product in respect of which the design is registered: **Easy-open carton blank**
- (51) International Design Classification: **09-03K**
- (71) Name(s) and Address(s) of Applicant(s):

**Visy R & D Pty Ltd**  
**Level 2 533 Little Lonsdale St Melbourne Victoria 3000 Australia**

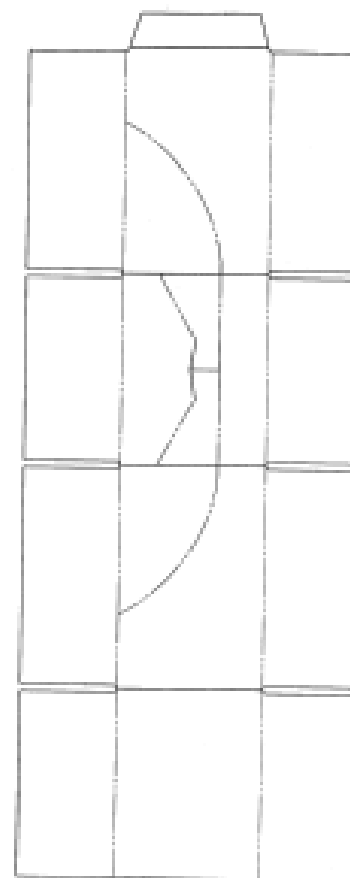
- (72) Name(s) of Designer(s): **Matthew Anderson**
- (45) Registration Date: **04 August 2005**
- (56) Related Art Documents: **Not Applicable**
- (57) Statement of Newness and Distinctiveness: **The new and distinctive features of all of the designs are the shape of configuration of the easy-open feature of each carton blank as illustrated in the accompanying representations.**



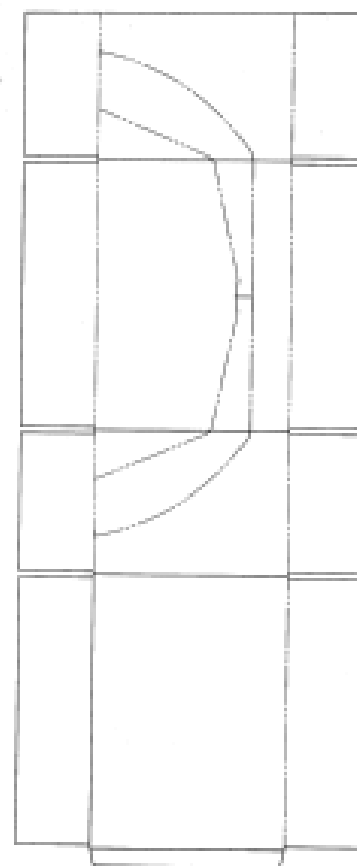
- (21) Design Number: **15906/2004**
- (22) Date of Filing Application: **23 December 2004**
- (24) Date from which industrial property rights may have effect: **23 December 2004**
- (54) Product in respect of which the design is registered: **Easy-open carton blank**
- (51) International Design Classification: **09-03K**
- (71) Name(s) and Address(s) of Applicant(s):

**Visy R & D Pty Ltd**  
**Level 2 533 Little Lonsdale St Melbourne Victoria 3000 Australia**

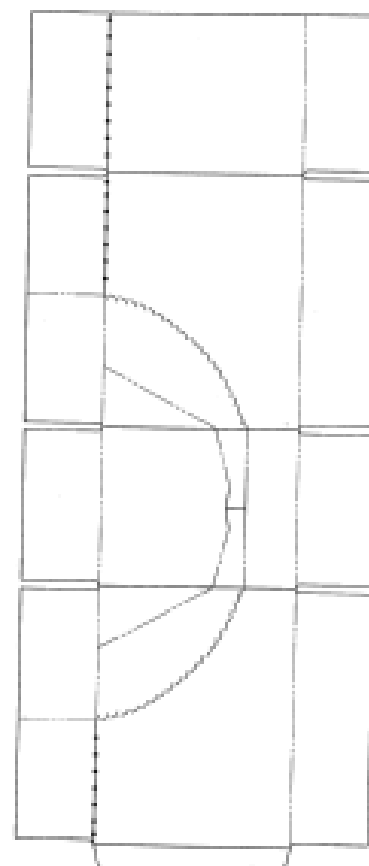
- (72) Name(s) of Designer(s): **Matthew Anderson**
- (45) Registration Date: **04 August 2005**
- (56) Related Art Documents: **Not Applicable**
- (57) Statement of Newness and Distinctiveness: **The new and distinctive features of all of the designs are the shape of configuration of the easy-open feature of each carton blank as illustrated in the accompanying representations.**



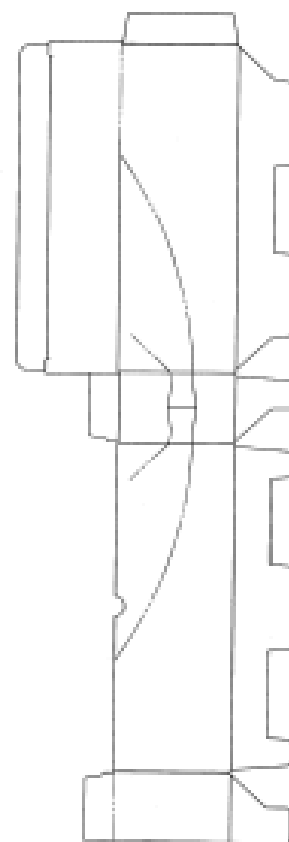
- (21) Design Number: **15907/2004**
- (22) Date of Filing Application: **23 December 2004**
- (24) Date from which industrial property rights may have effect: **23 December 2004**
- (54) Product in respect of which the design is registered: **Easy-open carton blank**
- (51) International Design Classification: **09-03K**
- (71) Name(s) and Address(s) of Applicant(s):  
**Visy R & D Pty Ltd**  
**Level 2 533 Little Lonsdale St Melbourne Victoria 3000 Australia**
- (72) Name(s) of Designer(s): **Matthew Anderson**
- (45) Registration Date: **04 August 2005**
- (56) Related Art Documents: **Not Applicable**
- (57) Statement of Newness and Distinctiveness: **The new and distinctive features of all of the designs are the shape of configuration of the easy-open feature of each carton blank as illustrated in the accompanying representations.**



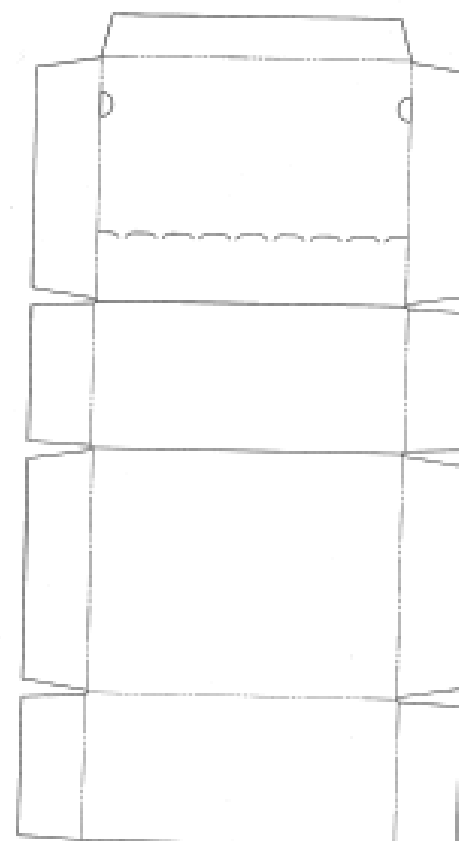
- (21) Design Number: **15908/2004**
- (22) Date of Filing Application: **23 December 2004**
- (24) Date from which industrial property rights may have effect: **23 December 2004**
- (54) Product in respect of which the design is registered: **Easy-open carton blank**
- (51) International Design Classification: **09-03K**
- (71) Name(s) and Address(s) of Applicant(s):  
**Visy R & D Pty Ltd**  
**Level 2 533 Little Lonsdale St Melbourne Victoria 3000 Australia**
- (72) Name(s) of Designer(s): **Matthew Anderson**
- (45) Registration Date: **04 August 2005**
- (56) Related Art Documents: **Not Applicable**
- (57) Statement of Newness and Distinctiveness: **The new and distinctive features of all of the designs are the shape of configuration of the easy-open feature of each carton blank as illustrated in the accompanying representations.**



- (21) Design Number: **15909/2004**  
(22) Date of Filing Application: **23 December 2004**  
(24) Date from which industrial property rights may have effect: **23 December 2004**  
(54) Product in respect of which the design is registered: **Easy-open carton blank**  
(51) International Design Classification: **09-03K**  
(71) Name(s) and Address(s) of Applicant(s):  
**Visy R & D Pty Ltd**  
**Level 2 533 Little Lonsdale St Melbourne Victoria 3000 Australia**  
(72) Name(s) of Designer(s): **Peter Kominovski**  
(45) Registration Date: **04 August 2005**  
(56) Related Art Documents: **Not Applicable**  
(57) Statement of Newness and Distinctiveness: **The new and distinctive features of all of the designs are the shape of configuration of the easy-open feature of each carton blank as illustrated in the accompanying representations.**



- (21) Design Number: **15910/2004**  
(22) Date of Filing Application: **23 December 2004**  
(24) Date from which industrial property rights may have effect: **23 December 2004**  
(54) Product in respect of which the design is registered: **Easy-open carton blank**  
(51) International Design Classification: **09-03K**  
(71) Name(s) and Address(s) of Applicant(s):  
**Visy R & D Pty Ltd**  
**Level 2 533 Little Lonsdale St Melbourne Victoria 3000 Australia**  
(72) Name(s) of Designer(s): **Peter Kominovski**  
(45) Registration Date: **04 August 2005**  
(56) Related Art Documents: **Not Applicable**  
(57) Statement of Newness and Distinctiveness: **The new and distinctive features of all of the designs are the shape of configuration of the easy-open feature of each carton blank as illustrated in the accompanying representations.**





- (21) Design Number: **15911/2004**
- (22) Date of Filing Application: **23 December 2004**
- (24) Date from which industrial property rights may have effect: **23 December 2004**
- (54) Product in respect of which the design is registered: **Easy-open carton blank**
- (51) International Design Classification: **09-03K**
- (71) Name(s) and Address(s) of Applicant(s):

**Visy R & D Pty Ltd**  
**Level 2 533 Little Lonsdale St Melbourne Victoria 3000 Australia**

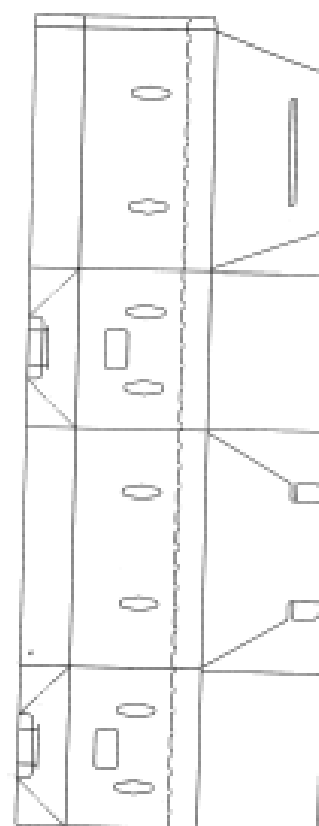
- (72) Name(s) of Designer(s): **Peter Kominovski**
- (45) Registration Date: **04 August 2005**
- (56) Related Art Documents: **Not Applicable**
- (57) Statement of Newness and Distinctiveness: **The new and distinctive features of all of the designs are the shape of configuration of the easy-open feature of each carton blank as illustrated in the accompanying representations.**



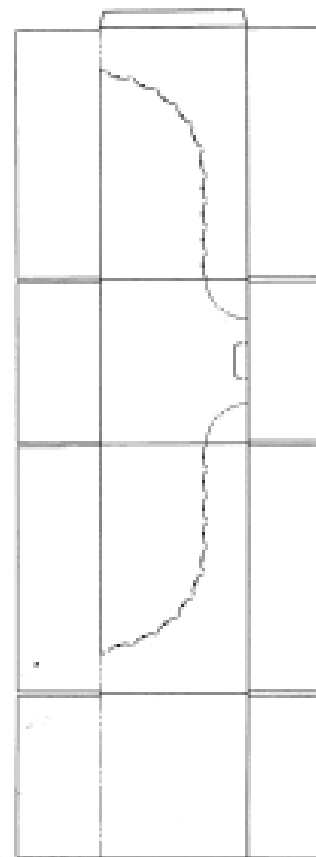
- (21) Design Number: **15912/2004**
- (22) Date of Filing Application: **23 December 2004**
- (24) Date from which industrial property rights may have effect: **23 December 2004**
- (54) Product in respect of which the design is registered: **Easy-open carton blank**
- (51) International Design Classification: **09-03K**
- (71) Name(s) and Address(s) of Applicant(s):

**Visy R & D Pty Ltd**  
**Level 2 533 Little Lonsdale St Melbourne Victoria 3000 Australia**

- (72) Name(s) of Designer(s): **Wayne Born**
- (45) Registration Date: **04 August 2005**
- (56) Related Art Documents: **Not Applicable**
- (57) Statement of Newness and Distinctiveness: **The new and distinctive features of all of the designs are the shape of configuration of the easy-open feature of each carton blank as illustrated in the accompanying representations.**



- (21) Design Number: **15913/2004**  
(22) Date of Filing Application: **23 December 2004**  
(24) Date from which industrial property rights may have effect: **23 December 2004**  
(54) Product in respect of which the design is registered: **Easy-open carton blank**  
(51) International Design Classification: **09-03K**  
(71) Name(s) and Address(s) of Applicant(s):  
**Visy R & D Pty Ltd**  
**Level 2 533 Little Lonsdale St Melbourne Victoria 3000 Australia**  
(72) Name(s) of Designer(s): **Wayne Born**  
(45) Registration Date: **04 August 2005**  
(56) Related Art Documents: **Not Applicable**  
(57) Statement of Newness and Distinctiveness: **The new and distinctive features of all of the designs are the shape of configuration of the easy-open feature of each carton blank as illustrated in the accompanying representations.**



- (21) Design Number: **16029/2004**  
(22) Date of Filing Application: **24 December 2004**  
(24) Date from which industrial property rights may have effect: **24 December 2004**  
(54) Product in respect of which the design is registered: **Stool**  
(51) International Design Classification: **06-01E**  
(71) Name(s) and Address(s) of Applicant(s):  
**All Kit S.U.R.L**  
**Z.I.U. Lauzacco 33050 Pavia Di Udine Province of Udine Italy**  
(72) Name(s) of Designer(s): **Francesco Scansetti**  
(45) Registration Date: **04 August 2005**  
(30) Convention priority data:  
(31) Number      (32) Date      (33) Country  
**200076      02 Jul 2004      EUROPEAN COMMUNITY**  
(56) Related Art Documents: **Not Applicable**  
(57) Statement of Newness and Distinctiveness: **Nil**



(21) Design Number: **16030/2004**  
(22) Date of Filing Application: **24 December 2004**  
(24) Date from which industrial property rights may have effect: **24 December 2004**  
(54) Product in respect of which the design is registered: **Chair with transparent seat**  
(51) International Design Classification: **06-01F**  
(71) Name(s) and Address(s) of Applicant(s):  
**All Kit S.U.R.L**  
**Z.I.U. Lauzacco 33050 Pavia Di Udine Province of Udine Italy**  
(72) Name(s) of Designer(s): **Roberto Foschia**  
(45) Registration Date: **04 August 2005**  
(30) Convention priority data:  
(31) Number      (32) Date      (33) Country  
**200076      02 Jul 2004      EUROPEAN COMMUNITY**  
(56) Related Art Documents: **Not Applicable**  
(57) Statement of Newness and Distinctiveness: **Nil**



(21) Design Number: **16031/2004**  
(22) Date of Filing Application: **24 December 2004**  
(24) Date from which industrial property rights may have effect: **24 December 2004**  
(54) Product in respect of which the design is registered: **Stool**  
(51) International Design Classification: **06-01E**  
(71) Name(s) and Address(s) of Applicant(s):  
**All Kit S.U.R.L**  
**Z.I.U. Lauzacco 33050 Pavia Di Udine Province of Udine Italy**  
(72) Name(s) of Designer(s): **Francesco Scansetti**  
(45) Registration Date: **04 August 2005**  
(30) Convention priority data:  
(31) Number      (32) Date      (33) Country  
**200076      02 Jul 2004      EUROPEAN COMMUNITY**  
(56) Related Art Documents: **Not Applicable**  
(57) Statement of Newness and Distinctiveness: **Nil**



- (21) Design Number: **12987/2005**  
(22) Date of Filing Application: **13 July 2005**  
(24) Date from which industrial property rights may have effect: **13 July 2005**  
(54) Product in respect of which the design is registered: **Classification 07-99Z (miscellaneous) liquid dispenser**  
(51) International Design Classification: **31-00**  
(71) Name(s) and Address(s) of Applicant(s):  
**Eastcoast Australia Pty Ltd**  
**6/163 Prospect Highway Seven Hills New South Wales 2147 Australia**  
(72) Name(s) of Designer(s): **Johannes Jacobus Broerse**  
(45) Registration Date: **04 August 2005**  
(56) Related Art Documents: **Not Applicable**  
(57) Statement of Newness and Distinctiveness: **Single barrel shape made from stainless steel with dispensing mechanism and having a mirror finishes on a wooden frame.**



- (21) Design Number: **12986/2005**  
(22) Date of Filing Application: **13 July 2005**  
(24) Date from which industrial property rights may have effect: **13 July 2005**  
(54) Product in respect of which the design is registered: **Classification 07-99Z (miscellaneous) liquid dispenser**  
(51) International Design Classification: **31-00**  
(71) Name(s) and Address(s) of Applicant(s):  
**Eastcoast Australia Pty Ltd**  
**6/163 Prospect Highway Seven Hills New South Wales 2147 Australia**  
(72) Name(s) of Designer(s): **Johannes Jacobus Broerse**  
(45) Registration Date: **04 August 2005**  
(56) Related Art Documents: **Not Applicable**  
(57) Statement of Newness and Distinctiveness: **Rugged double barrel shape made from stainless steel placed on an adjoining wooden frame. It comprises of opening silver dispensing mechanism and mirror finishes.**



(21) Design Number: **14086/2004**

(22) Date of Filing Application: **26 August 2004**

(24) Date from which industrial property rights may have effect: **26 August 2004**

(54) Product in respect of which the design is registered: **Stadium seat drink holder**

(51) International Design Classification: **07-06A**

(71) Name(s) and Address(s) of Applicant(s):

**Michael John Fletcher**

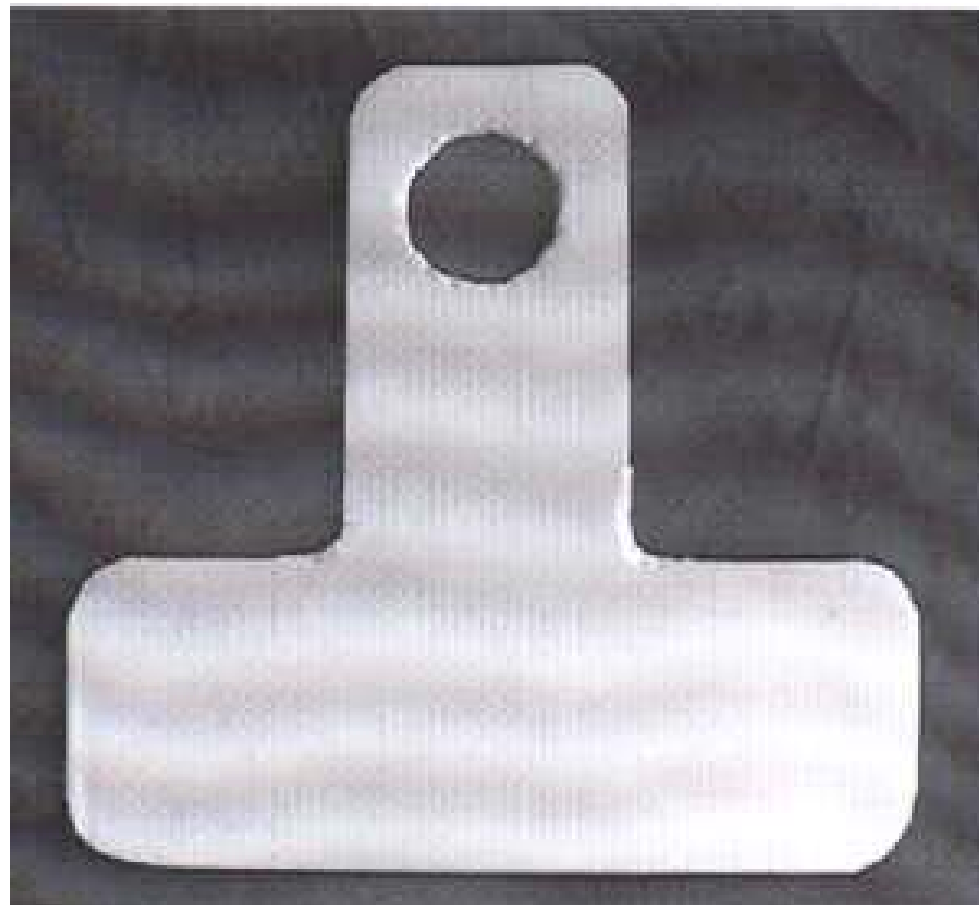
**51/5 Greenlands Drive Varsity Lakes Queensland 4227 Australia**

(72) Name(s) of Designer(s): **Michael John Fletcher**

(45) Registration Date: **04 August 2005**

(56) Related Art Documents: **Not Applicable**

(57) Statement of Newness and Distinctiveness: **Flat t-shaped stadium seat drink holder with circular cut-out in arm to support drink container or cup between the legs of the seated spectator.**



(21) Design Number: **10880/2005**

(22) Date of Filing Application: **07 March 2005**

(24) Date from which industrial property rights may have effect: **07 March 2005**

(54) Product in respect of which the design is registered: **Part of a wireless image headset**

(51) International Design Classification: **14-03A**

(71) Name(s) and Address(s) of Applicant(s):

**Nokia Corporation**

**Keilalahdentie 4 FIN-02150 Espoo Finland**

(72) Name(s) of Designer(s): **Mikael Jaakkola**

(45) Registration Date: **04 August 2005**

(30) Convention priority data:

(31) Number

(32) Date

(33) Country

**M20040141**

**07 Sep 2004**

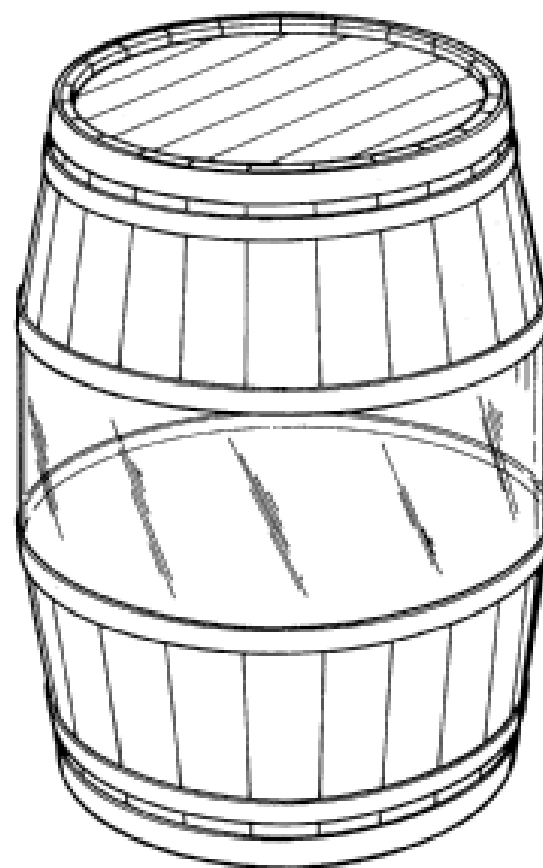
**FINLAND**

(56) Related Art Documents: **Not Applicable**

(57) Statement of Newness and Distinctiveness: **Nil**

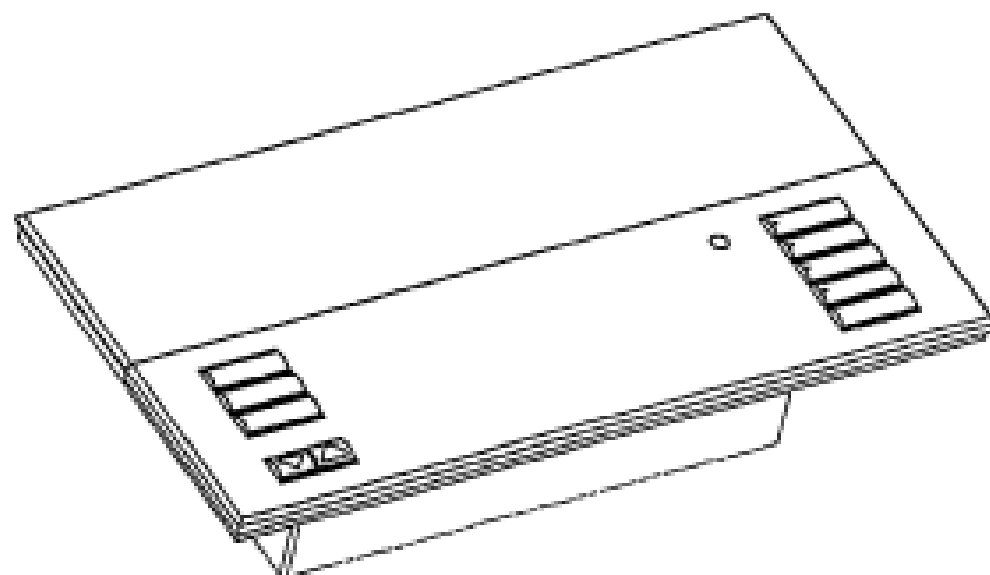


- (21) Design Number: **16042/2004**
- (22) Date of Filing Application: **23 December 2004**
- (24) Date from which industrial property rights may have effect: **23 December 2004**
- (54) Product in respect of which the design is registered: **Aquarium**
- (51) International Design Classification: **30-02**
- (71) Name(s) and Address(s) of Applicant(s):  
**Michael Jason Scarrott**  
**95 Buckland Street Alexandria New South Wales 2015 Australia**
- (72) Name(s) of Designer(s): **Michael Scarrott**
- (45) Registration Date: **08 August 2005**
- (56) Related Art Documents: **Not Applicable**
- (57) Statement of Newness and Distinctiveness: **Newness and distinctiveness are claimed in the shape and/or configuration of an aquarium as illustrated in the representations.**

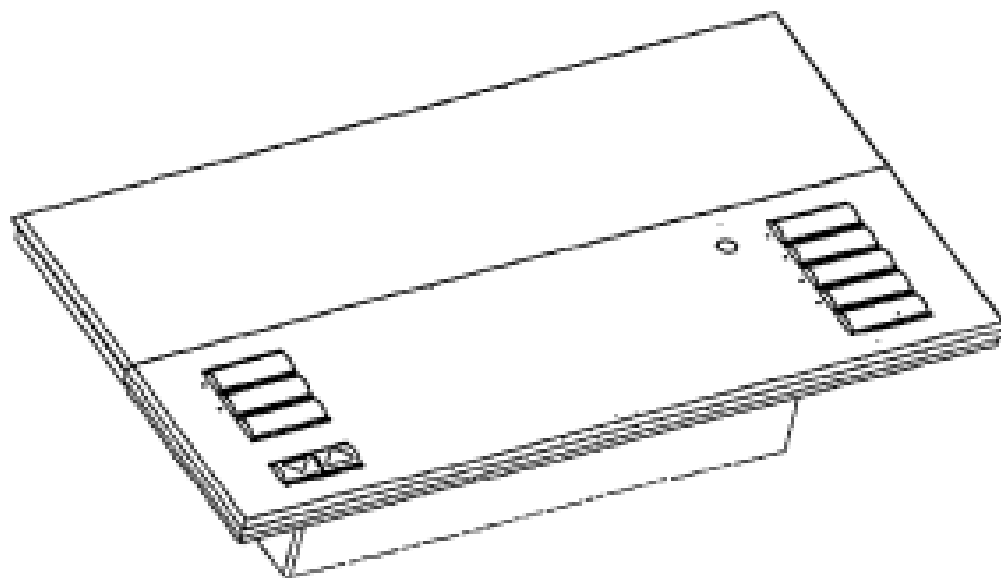


- (21) Design Number: **10246/2005**
- (22) Date of Filing Application: **21 January 2005**
- (24) Date from which industrial property rights may have effect: **21 January 2005**
- (54) Product in respect of which the design is registered: **Wall-mountable control panel**
- (51) International Design Classification: **13-03NES**
- (71) Name(s) and Address(s) of Applicant(s):  
**Lutron Electronics Co. Inc.**  
**7200 Suter Road Coopersburg Pennsylvania 18036-1299 United States of America**
- (72) Name(s) of Designer(s): **Nathan J. Butler and Timothy S. Majewski and Stephen S. Thompson and Elliot G. Jacoby and Noel Mayo and Joel S. Spira**
- (45) Registration Date: **08 August 2005**
- (30) Convention priority data:  

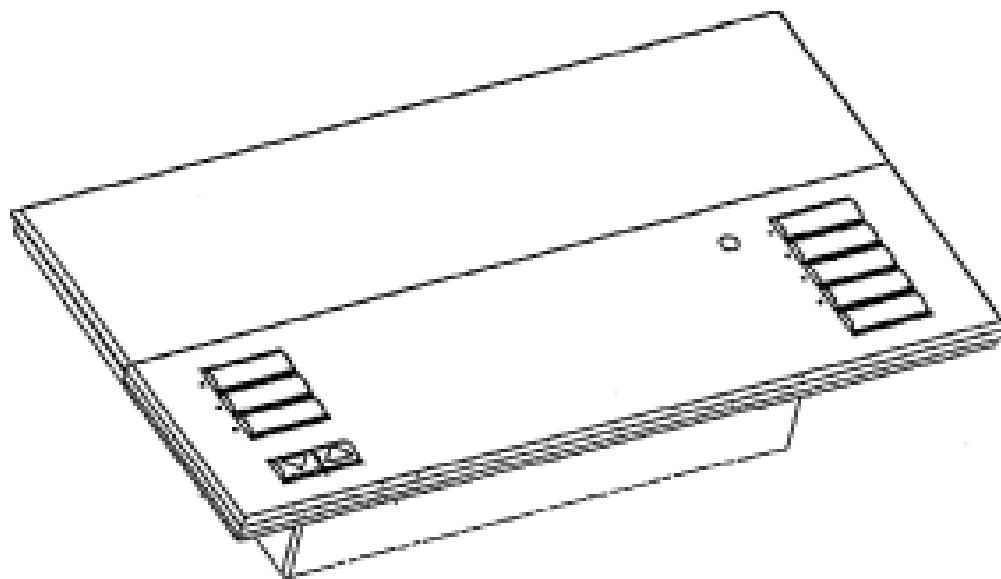
(31) Number	(32) Date	(33) Country
<b>29/209,920</b>	<b>23 Jul 2004</b>	<b>UNITED STATES OF AMERICA</b>
- (56) Related Art Documents: **Not Applicable**
- (57) Statement of Newness and Distinctiveness: **Nil**



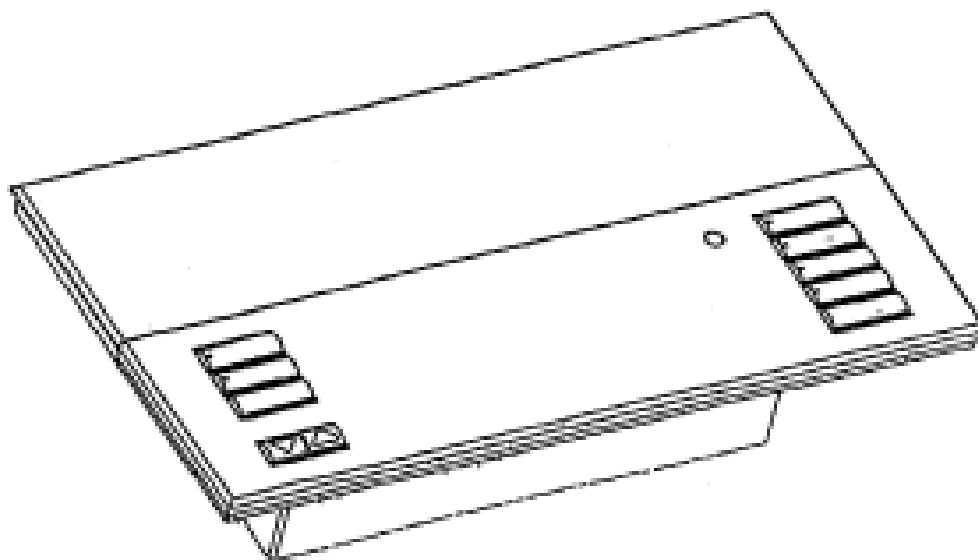
- (21) Design Number: **10247/2005**  
(22) Date of Filing Application: **21 January 2005**  
(24) Date from which industrial property rights may have effect: **21 January 2005**  
(54) Product in respect of which the design is registered: **Wall-mountable control panel**  
(51) International Design Classification: **13-03NES**  
(71) Name(s) and Address(s) of Applicant(s):  
**Lutron Electronics Co. Inc.**  
**7200 Suter Road Coopersburg Pennsylvania 18036-1299 United States of America**  
(72) Name(s) of Designer(s): **Nathan J. Butler and Timothy S. Majewski and Stephen S. Thompson and Elliot G. Jacoby and Noel Mayo and Joel S. Spira**  
(45) Registration Date: **08 August 2005**  
(30) Convention priority data:  
(31) Number (32) Date (33) Country  
**29/209,920 23 Jul 2004 UNITED STATES OF AMERICA**  
(56) Related Art Documents: **Not Applicable**  
(57) Statement of Newness and Distinctiveness: **Nil**



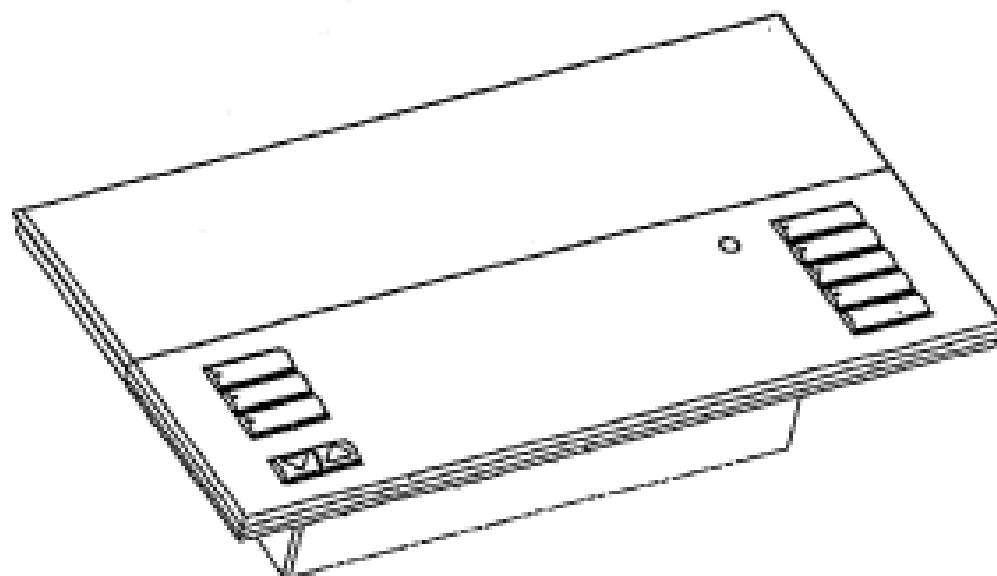
- (21) Design Number: **12939/2005**  
(22) Date of Filing Application: **21 January 2005**  
(24) Date from which industrial property rights may have effect: **21 January 2005**  
(54) Product in respect of which the design is registered: **Wall-mountable control panel**  
(51) International Design Classification: **13-03NES**  
(71) Name(s) and Address(s) of Applicant(s):  
**Lutron Electronics Co. Inc.**  
**7200 Suter Road Coopersburg Pennsylvania 18036-1299 United States of America**  
(72) Name(s) of Designer(s): **Nathan J. Butler and Timothy S. Majewski and Stephen S. Thompson and Elliot G. Jacoby and Noel Mayo and Joel S. Spira**  
(45) Registration Date: **08 August 2005**  
(30) Convention priority data:  
(31) Number (32) Date (33) Country  
**29/209,920 23 Jul 2004 UNITED STATES OF AMERICA**  
(56) Related Art Documents: **Not Applicable**  
(57) Statement of Newness and Distinctiveness: **Nil**



- (21) Design Number: **12940/2005**  
(22) Date of Filing Application: **21 January 2005**  
(24) Date from which industrial property rights may have effect: **21 January 2005**  
(54) Product in respect of which the design is registered: **Wall-mountable control panel**  
(51) International Design Classification: **13-03NES**  
(71) Name(s) and Address(s) of Applicant(s):  
**Lutron Electronics Co. Inc.**  
**7200 Suter Road Coopersburg Pennsylvania 18036-1299 United States of America**  
(72) Name(s) of Designer(s): **Nathan J. Butler and Timothy S. Majewski and Stephen S. Thompson and Elliot G. Jacoby and Noel Mayo and Joel S. Spira**  
(45) Registration Date: **08 August 2005**  
(30) Convention priority data:  
(31) Number (32) Date (33) Country  
**29/209,920 23 Jul 2004 UNITED STATES OF AMERICA**  
(56) Related Art Documents: **Not Applicable**  
(57) Statement of Newness and Distinctiveness: **Nil**

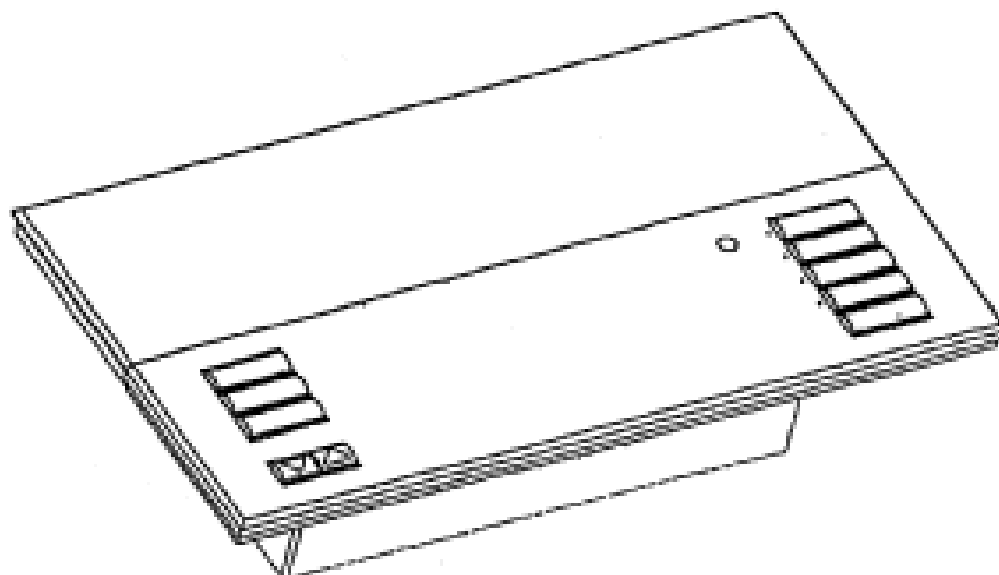


- (21) Design Number: **12941/2005**  
(22) Date of Filing Application: **21 January 2005**  
(24) Date from which industrial property rights may have effect: **21 January 2005**  
(54) Product in respect of which the design is registered: **Wall-mountable control panel**  
(51) International Design Classification: **13-03NES**  
(71) Name(s) and Address(s) of Applicant(s):  
**Lutron Electronics Co. Inc.**  
**7200 Suter Road Coopersburg Pennsylvania 18036-1299 United States of America**  
(72) Name(s) of Designer(s): **Nathan J. Butler and Timothy S. Majewski and Stephen S. Thompson and Elliot G. Jacoby and Noel Mayo and Joel S. Spira**  
(45) Registration Date: **08 August 2005**  
(30) Convention priority data:  
(31) Number (32) Date (33) Country  
**29/209,920 23 Jul 2004 UNITED STATES OF AMERICA**  
(56) Related Art Documents: **Not Applicable**  
(57) Statement of Newness and Distinctiveness: **Nil**

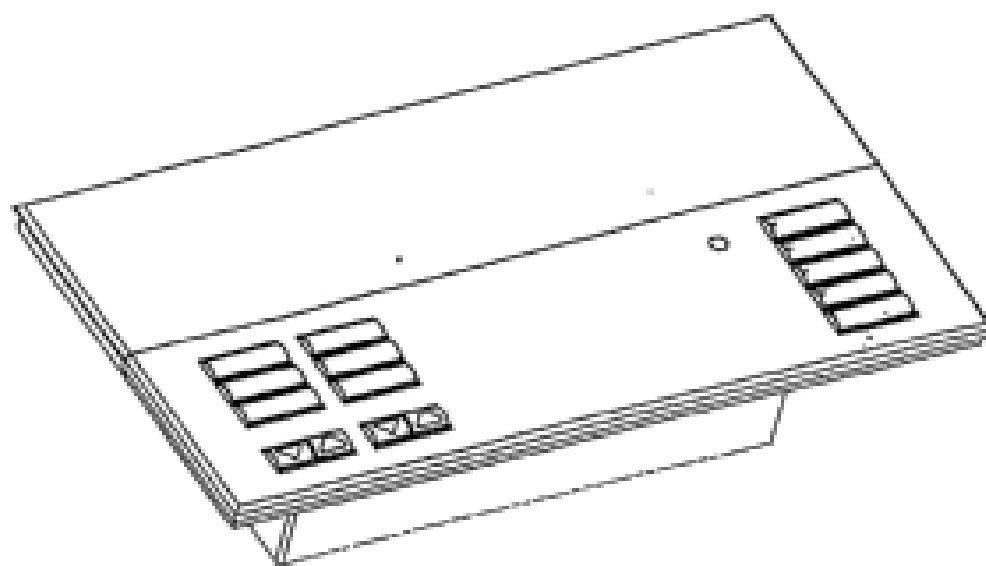




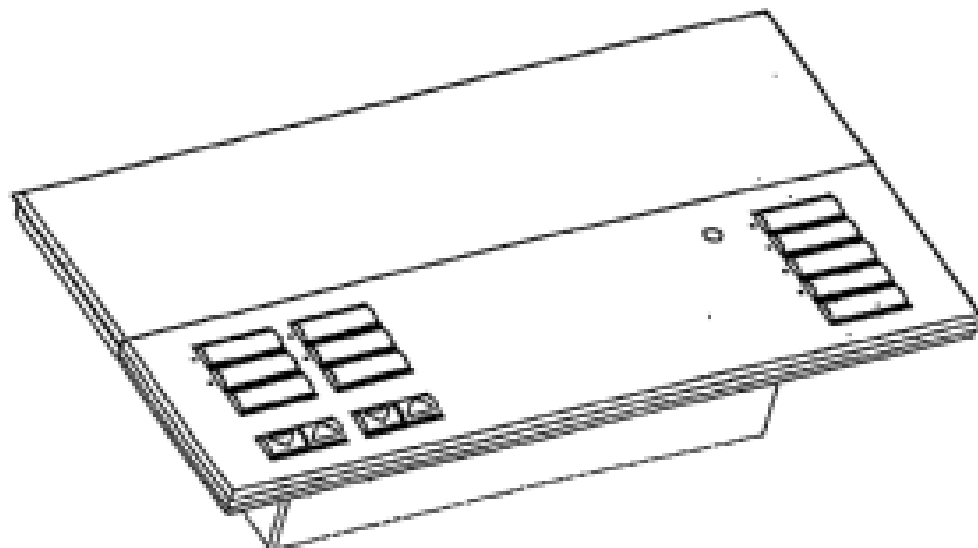
- (21) Design Number: **12942/2005**
- (22) Date of Filing Application: **21 January 2005**
- (24) Date from which industrial property rights may have effect: **21 January 2005**
- (54) Product in respect of which the design is registered: **Wall-mountable control panel**
- (51) International Design Classification: **13-03NES**
- (71) Name(s) and Address(s) of Applicant(s):  
**Lutron Electronics Co. Inc.**  
**7200 Suter Road Coopersburg Pennsylvania 18036-1299 United States of America**
- (72) Name(s) of Designer(s): **Nathan J. Butler and Timothy S. Majewski and Stephen S. Thompson and Elliot G. Jacoby and Noel Mayo and Joel S. Spira**
- (45) Registration Date: **08 August 2005**
- (30) Convention priority data:
  - (31) Number      (32) Date      (33) Country
  - 29/209,920      23 Jul 2004      UNITED STATES OF AMERICA**
- (56) Related Art Documents: **Not Applicable**
- (57) Statement of Newness and Distinctiveness: **Nil**



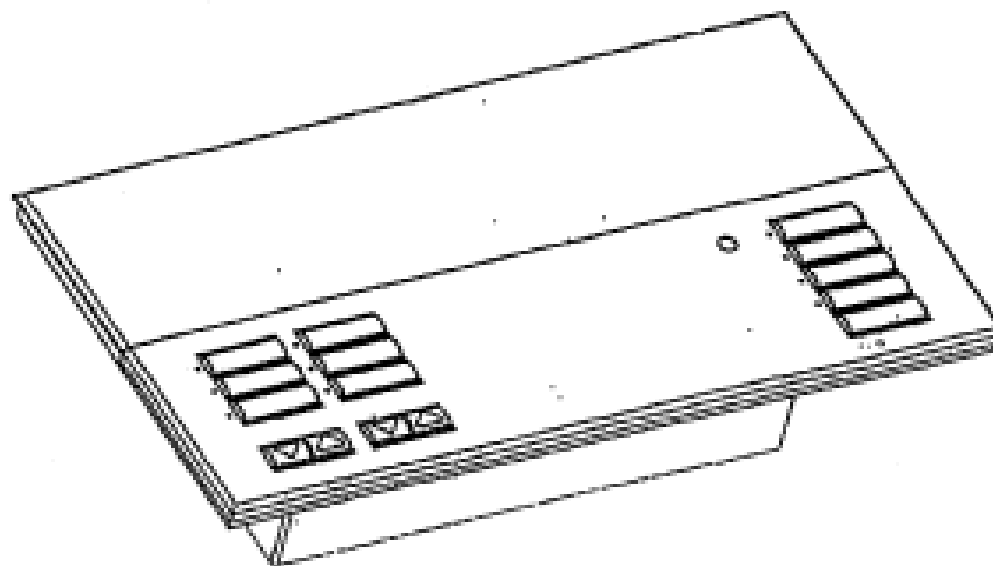
- (21) Design Number: **10248/2005**
- (22) Date of Filing Application: **21 January 2005**
- (24) Date from which industrial property rights may have effect: **21 January 2005**
- (54) Product in respect of which the design is registered: **Wall-mountable control panel**
- (51) International Design Classification: **13-03NES**
- (71) Name(s) and Address(s) of Applicant(s):  
**Lutron Electronics Co. Inc.**  
**7200 Suter Road Coopersburg Pennsylvania 18036-1299 United States of America**
- (72) Name(s) of Designer(s): **Nathan J. Butler and Timothy S. Majewski and Stephen S. Thompson and Elliot G. Jacoby and Noel Mayo and Joel S. Spira**
- (45) Registration Date: **08 August 2005**
- (30) Convention priority data:
  - (31) Number      (32) Date      (33) Country
  - 29/209,998      23 Jul 2004      UNITED STATES OF AMERICA**
- (56) Related Art Documents: **Not Applicable**
- (57) Statement of Newness and Distinctiveness: **Nil**



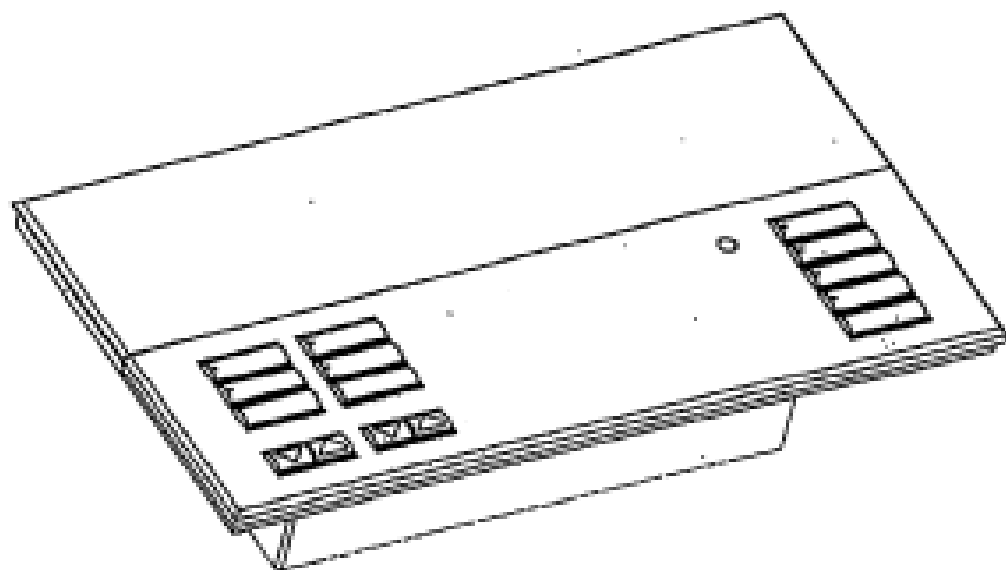
- (21) Design Number: **10249/2005**
- (22) Date of Filing Application: **21 January 2005**
- (24) Date from which industrial property rights may have effect: **21 January 2005**
- (54) Product in respect of which the design is registered: **Wall-mountable control panel**
- (51) International Design Classification: **13-03NES**
- (71) Name(s) and Address(s) of Applicant(s):  
**Lutron Electronics Co. Inc.**  
**7200 Suter Road Coopersburg Pennsylvania 18036-1299 United States of America**
- (72) Name(s) of Designer(s): **Nathan J. Butler and Timothy S. Majewski and Stephen S. Thompson and Elliot G. Jacoby and Noel Mayo and Joel S. Spira**
- (45) Registration Date: **08 August 2005**
- (30) Convention priority data:
  - (31) Number      (32) Date      (33) Country
  - 29/209,998      23 Jul 2004      UNITED STATES OF AMERICA**
- (56) Related Art Documents: **Not Applicable**
- (57) Statement of Newness and Distinctiveness: **Nil**



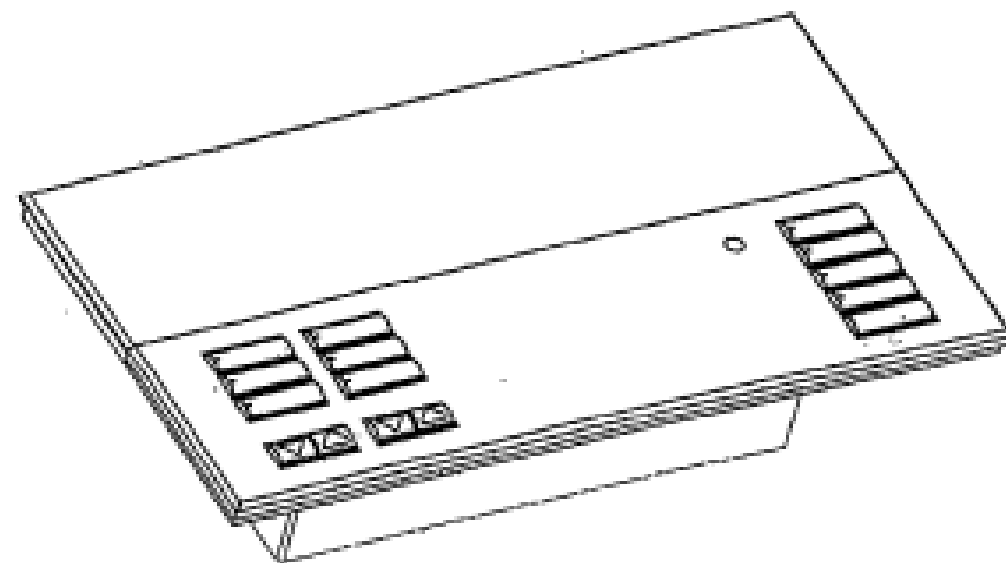
- (21) Design Number: **12943/2005**
- (22) Date of Filing Application: **21 January 2005**
- (24) Date from which industrial property rights may have effect: **21 January 2005**
- (54) Product in respect of which the design is registered: **Wall-mountable control panel**
- (51) International Design Classification: **13-03NES**
- (71) Name(s) and Address(s) of Applicant(s):  
**Lutron Electronics Co. Inc.**  
**7200 Suter Road Coopersburg Pennsylvania 18036-1299 United States of America**
- (72) Name(s) of Designer(s): **Nathan J. Butler and Timothy S. Majewski and Stephen S. Thompson and Elliot G. Jacoby and Noel Mayo and Joel S. Spira**
- (45) Registration Date: **08 August 2005**
- (30) Convention priority data:
  - (31) Number      (32) Date      (33) Country
  - 29/209,998      23 Jul 2004      UNITED STATES OF AMERICA**
- (56) Related Art Documents: **Not Applicable**
- (57) Statement of Newness and Distinctiveness: **Nil**



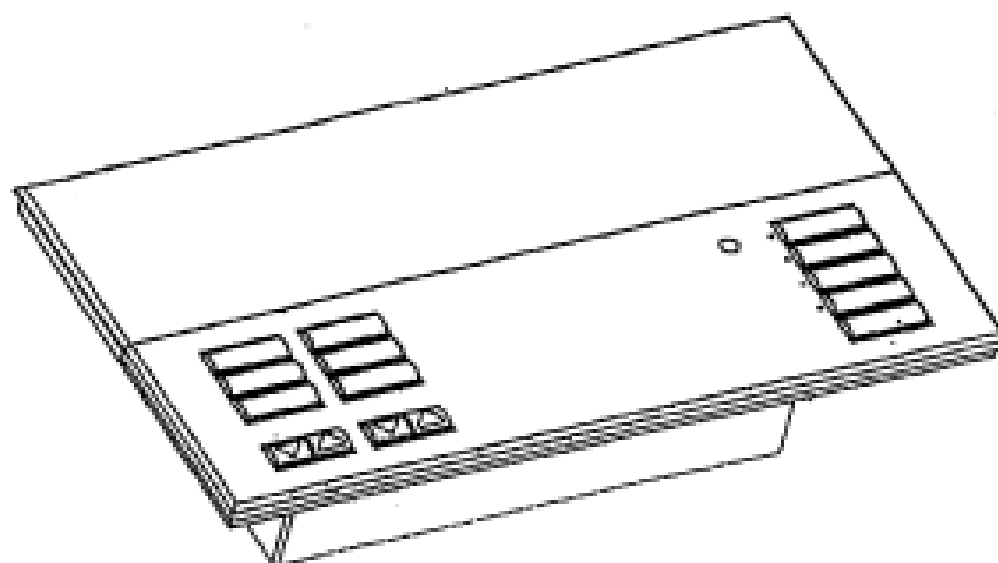
- (21) Design Number: **12944/2005**  
(22) Date of Filing Application: **21 January 2005**  
(24) Date from which industrial property rights may have effect: **21 January 2005**  
(54) Product in respect of which the design is registered: **Wall-mountable control panel**  
(51) International Design Classification: **13-03NES**  
(71) Name(s) and Address(s) of Applicant(s):  
**Lutron Electronics Co. Inc.**  
**7200 Suter Road Coopersburg Pennsylvania 18036-1299 United States of America**  
(72) Name(s) of Designer(s): **Nathan J. Butler and Timothy S. Majewski and Stephen S. Thompson and Elliot G. Jacoby and Noel Mayo and Joel S. Spira**  
(45) Registration Date: **08 August 2005**  
(30) Convention priority data:  
(31) Number (32) Date (33) Country  
**29/209,998 23 Jul 2004 UNITED STATES OF AMERICA**  
(56) Related Art Documents: **Not Applicable**  
(57) Statement of Newness and Distinctiveness: **Nil**



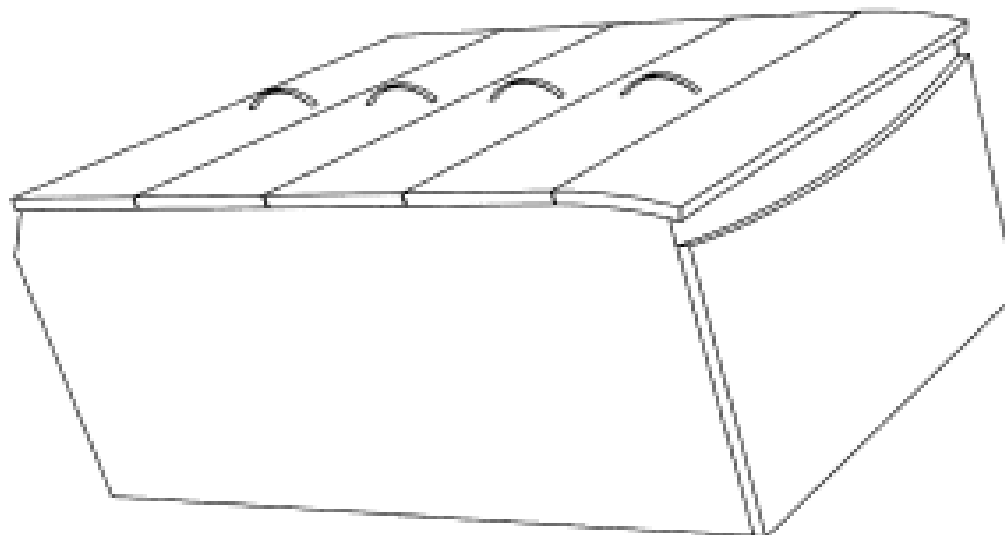
- (21) Design Number: **12945/2005**  
(22) Date of Filing Application: **21 January 2005**  
(24) Date from which industrial property rights may have effect: **21 January 2005**  
(54) Product in respect of which the design is registered: **Wall-mountable panel**  
(51) International Design Classification: **13-03NES**  
(71) Name(s) and Address(s) of Applicant(s):  
**Lutron Electronics Co. Inc.**  
**7200 Suter Road Coopersburg Pennsylvania 18036-1299 United States of America**  
(72) Name(s) of Designer(s): **Nathan J. Butler and Timothy S. Majewski and Stephen S. Thompson and Elliot G. Jacoby and Noel Mayo and Joel S. Spira**  
(45) Registration Date: **08 August 2005**  
(30) Convention priority data:  
(31) Number (32) Date (33) Country  
**29/209,998 23 Jul 2004 UNITED STATES OF AMERICA**  
(56) Related Art Documents: **Not Applicable**  
(57) Statement of Newness and Distinctiveness: **Nil**



- (21) Design Number: **12946/2005**  
(22) Date of Filing Application: **21 January 2005**  
(24) Date from which industrial property rights may have effect: **21 January 2005**  
(54) Product in respect of which the design is registered: **Wall-mountable control panel**  
(51) International Design Classification: **13-03NES**  
(71) Name(s) and Address(s) of Applicant(s):  
**Lutron Electronics Co. Inc.**  
**7200 Suter Road Coopersburg Pennsylvania 18036-1299 United States of America**  
(72) Name(s) of Designer(s): **Nathan J. Butler and Timothy S. Majewski and Stephen S. Thompson and Elliot G. Jacoby and Noel Mayo and Joel S. Spira**  
(45) Registration Date: **08 August 2005**  
(30) Convention priority data:  
(31) Number      (32) Date      (33) Country  
**29/209,998      23 Jul 2004      UNITED STATES OF AMERICA**  
(56) Related Art Documents: **Not Applicable**  
(57) Statement of Newness and Distinctiveness: **Nil**



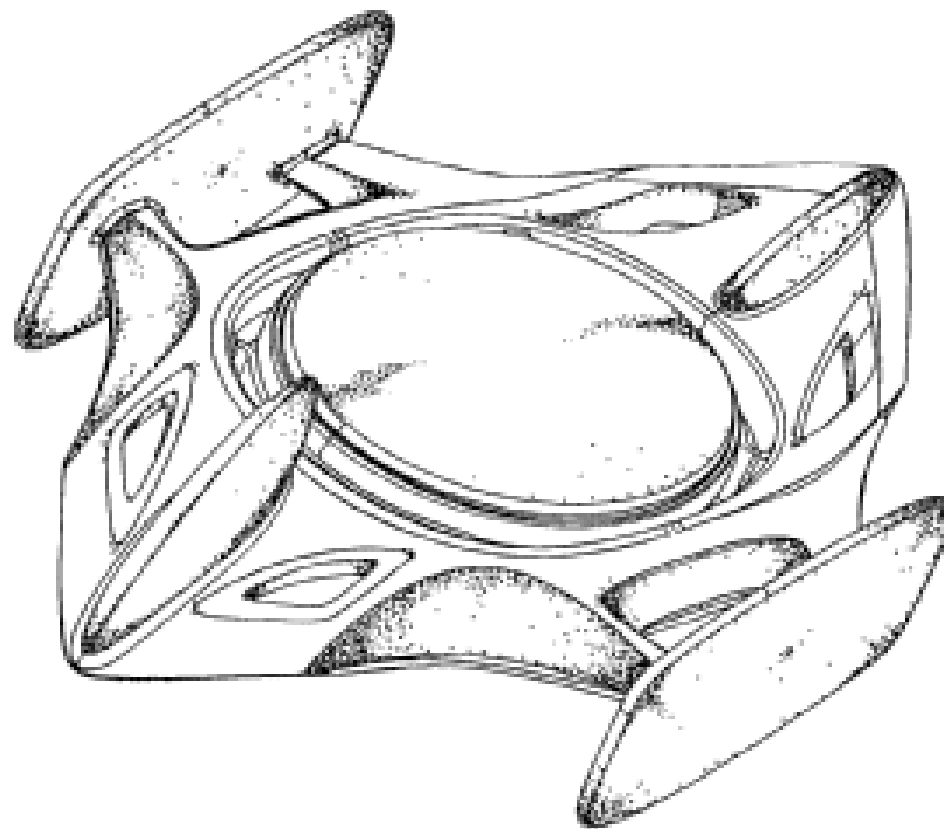
- (21) Design Number: **10438/2005**  
(22) Date of Filing Application: **03 February 2005**  
(24) Date from which industrial property rights may have effect: **03 February 2005**  
(54) Product in respect of which the design is registered: **Bedroom furniture**  
(51) International Design Classification: **06-04F**  
(71) Name(s) and Address(s) of Applicant(s):  
**David Durance**  
**Rear 24 Cunningham Street Northcote Victoria 3070 Australia**  
(72) Name(s) of Designer(s): **David Durance**  
(45) Registration Date: **08 August 2005**  
(56) Related Art Documents: **Not Applicable**  
(57) Statement of Newness and Distinctiveness: **Nil**



(21) Design Number: **10489/2005**  
(22) Date of Filing Application: **03 February 2005**  
(24) Date from which industrial property rights may have effect: **03 February 2005**  
(54) Product in respect of which the design is registered: **Aquatic fun toy**  
(51) International Design Classification: **21-02D**  
(71) Name(s) and Address(s) of Applicant(s):

**Herman Chiang**  
**11F-2 No. 634-9 Ching-Ping Rd Chung-Ho City Taipei Hsien Taiwan**

(72) Name(s) of Designer(s): **Herman Chiang**  
(45) Registration Date: **08 August 2005**  
(56) Related Art Documents: **Not Applicable**  
(57) Statement of Newness and Distinctiveness: **Nil**



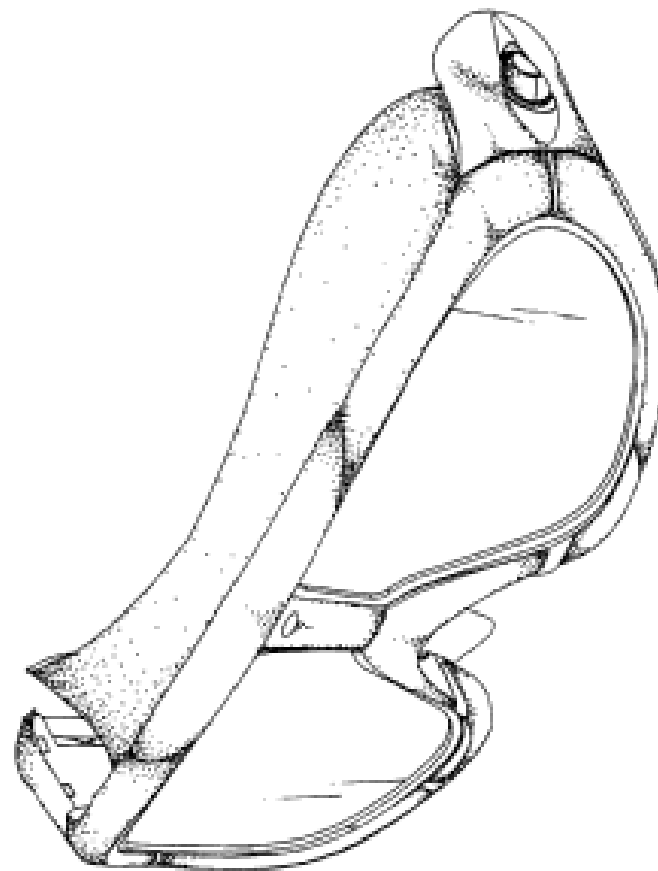
(21) Design Number: **10490/2005**  
(22) Date of Filing Application: **03 February 2005**  
(24) Date from which industrial property rights may have effect: **03 February 2005**  
(54) Product in respect of which the design is registered: **Swimming goggle**  
(51) International Design Classification: **16-06**  
(71) Name(s) and Address(s) of Applicant(s):

**Herman Chiang**  
**11F-2 No. 634-9 Ching-Ping Rd Chung-Ho City Taipei Hsien Taiwan**

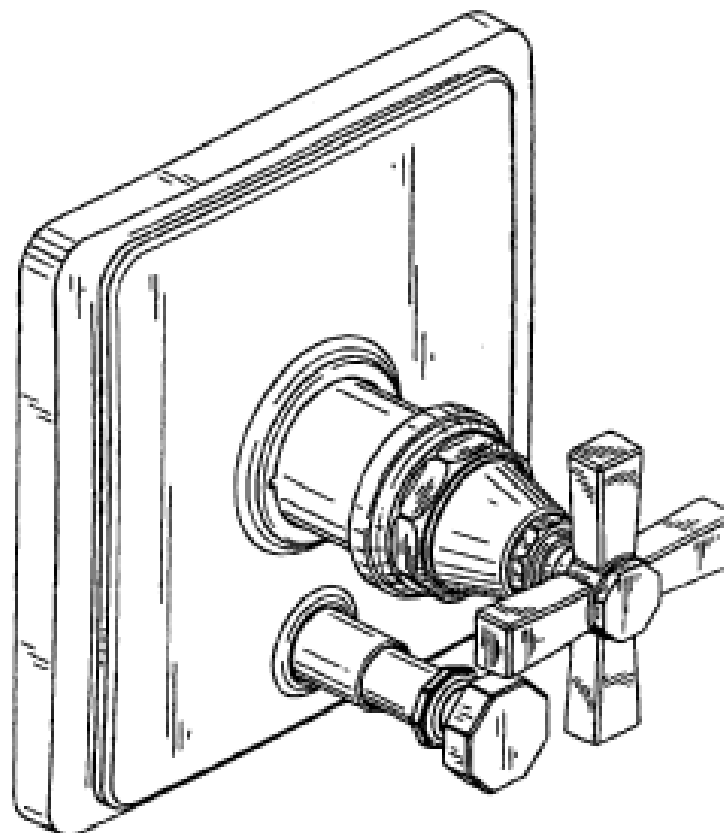
(72) Name(s) of Designer(s): **Herman Chiang**  
(45) Registration Date: **08 August 2005**  
(56) Related Art Documents: **Not Applicable**  
(57) Statement of Newness and Distinctiveness: **Nil**



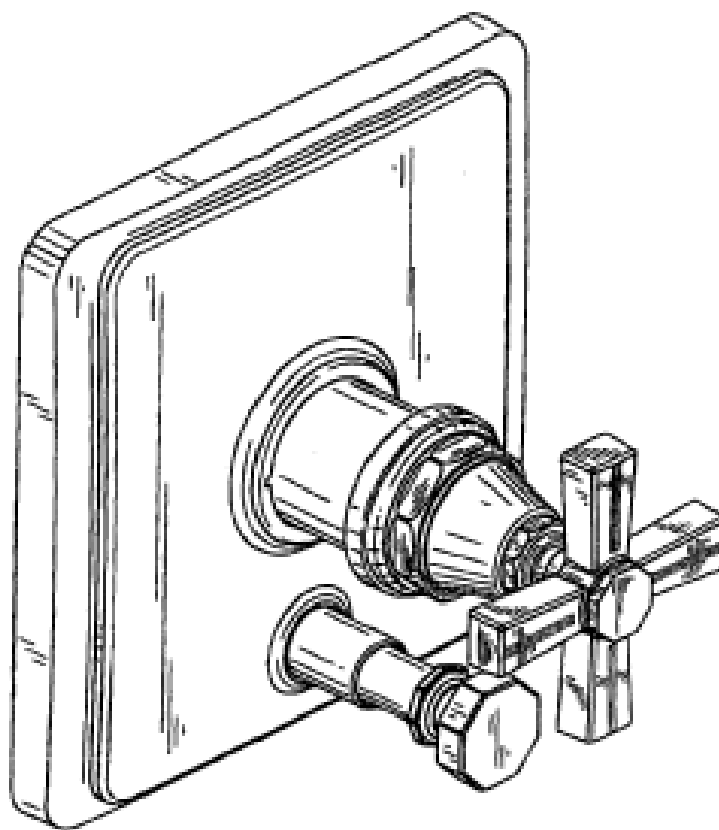
(21) Design Number: **10491/2005**  
(22) Date of Filing Application: **03 February 2005**  
(24) Date from which industrial property rights may have effect: **03 February 2005**  
(54) Product in respect of which the design is registered: **Swimming goggle**  
(51) International Design Classification: **16-06**  
(71) Name(s) and Address(s) of Applicant(s):  
**Herman Chiang**  
**11F-2 No. 634-9 Ching-Ping Rd Chung-Ho City Taipei Hsien Taiwan**  
(72) Name(s) of Designer(s): **Herman Chiang**  
(45) Registration Date: **08 August 2005**  
(56) Related Art Documents: **Not Applicable**  
(57) Statement of Newness and Distinctiveness: **Nil**



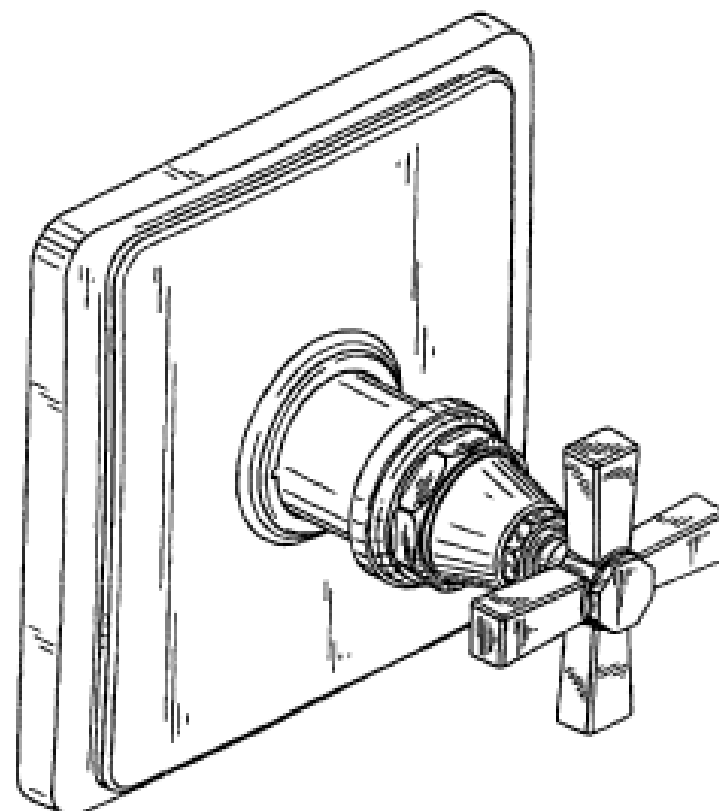
(21) Design Number: **10143/2005**  
(22) Date of Filing Application: **14 January 2005**  
(24) Date from which industrial property rights may have effect: **14 January 2005**  
(54) Product in respect of which the design is registered: **Plumbing control**  
(51) International Design Classification: **23-01H**  
(71) Name(s) and Address(s) of Applicant(s):  
**Kohler Co.**  
**444 Highland Drive Kohler WI 53044 United States of America**  
(72) Name(s) of Designer(s): **Herbert V. Kohler Jr and Howard M. Montgomery and Michael S. Smith**  
(45) Registration Date: **08 August 2005**  
(30) Convention priority data:  
(31) Number (32) Date (33) Country  
**29/209,412 15 Jul 2004 UNITED STATES OF AMERICA**  
(56) Related Art Documents: **Not Applicable**  
(57) Statement of Newness and Distinctiveness: **Nil**



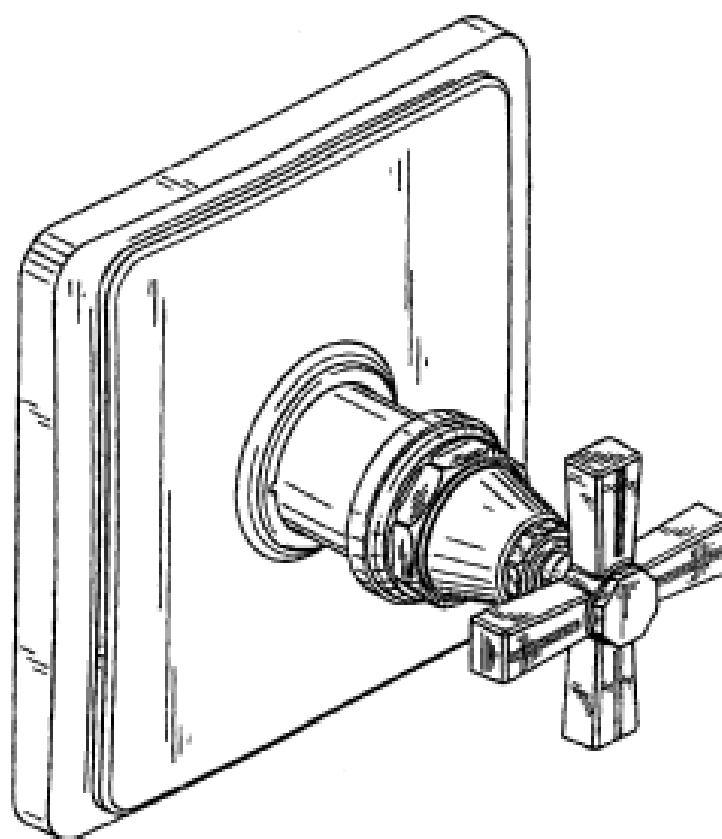
(21) Design Number: **10144/2005**  
(22) Date of Filing Application: **14 January 2005**  
(24) Date from which industrial property rights may have effect: **14 January 2005**  
(54) Product in respect of which the design is registered: **Plumbing control**  
(51) International Design Classification: **23-01H**  
(71) Name(s) and Address(s) of Applicant(s):  
**Kohler Co.**  
**444 Highland Drive Kohler WI 53044 United States of America**  
(72) Name(s) of Designer(s): **Herbert V. Kohler Jr and Howard M. Montgomery and Michael S. Smith**  
(45) Registration Date: **08 August 2005**  
(30) Convention priority data:  
(31) Number (32) Date (33) Country  
**29/209,412 15 Jul 2004 UNITED STATES OF AMERICA**  
(56) Related Art Documents: **Not Applicable**  
(57) Statement of Newness and Distinctiveness: **Nil**



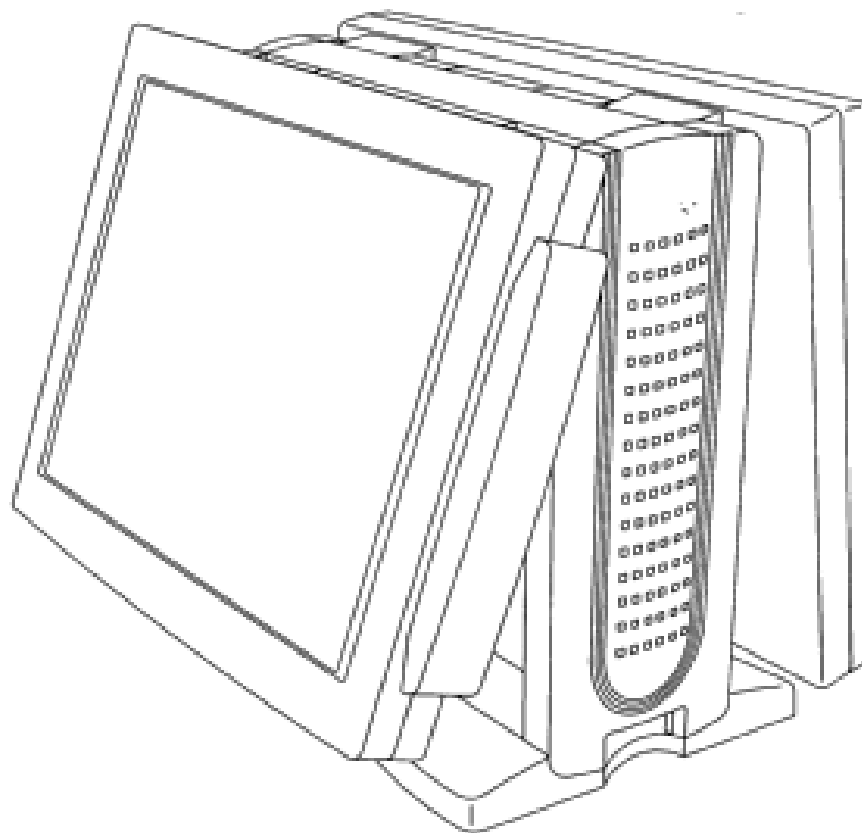
(21) Design Number: **10145/2005**  
(22) Date of Filing Application: **14 January 2005**  
(24) Date from which industrial property rights may have effect: **14 January 2005**  
(54) Product in respect of which the design is registered: **Plumbing control**  
(51) International Design Classification: **23-01H**  
(71) Name(s) and Address(s) of Applicant(s):  
**Kohler Co.**  
**444 Highland Drive Kohler WI 53044 United States of America**  
(72) Name(s) of Designer(s): **Herbert V. Kohler Jr and Howard M. Montgomery and Michael S. Smith**  
(45) Registration Date: **08 August 2005**  
(30) Convention priority data:  
(31) Number (32) Date (33) Country  
**29/209,412 15 Jul 2004 UNITED STATES OF AMERICA**  
(56) Related Art Documents: **Not Applicable**  
(57) Statement of Newness and Distinctiveness: **Nil**



(21) Design Number: **10146/2005**  
(22) Date of Filing Application: **14 January 2005**  
(24) Date from which industrial property rights may have effect: **14 January 2005**  
(54) Product in respect of which the design is registered: **Plumbing control**  
(51) International Design Classification: **23-01H**  
(71) Name(s) and Address(s) of Applicant(s):  
**Kohler Co.**  
**444 Highland Drive Kohler WI 53044 United States of America**  
(72) Name(s) of Designer(s): **Herbert V. Kohler Jr and Howard M. Montgomery and Michael S. Smith**  
(45) Registration Date: **08 August 2005**  
(30) Convention priority data:  
(31) Number (32) Date (33) Country  
**29/209,412 15 Jul 2004 UNITED STATES OF AMERICA**  
(56) Related Art Documents: **Not Applicable**  
(57) Statement of Newness and Distinctiveness: **Nil**

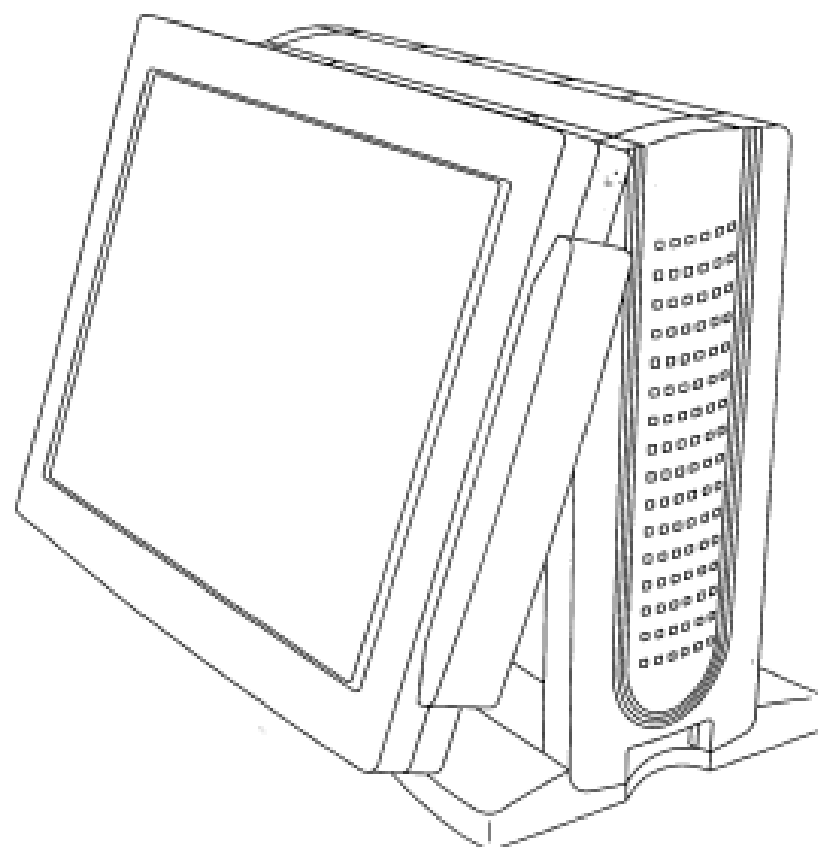


(21) Design Number: **10345/2005**  
(22) Date of Filing Application: **31 January 2005**  
(24) Date from which industrial property rights may have effect: **31 January 2005**  
(54) Product in respect of which the design is registered: **Cash register for a point of sales terminal**  
(51) International Design Classification: **18-01**  
(71) Name(s) and Address(s) of Applicant(s):  
**Toshiba Tec Kabushiki Kaisha**  
**2-17-2 Higashigotanda Shinagawa-ku Tokyo Japan**  
(72) Name(s) of Designer(s): **Yasuhiro Ono**  
(45) Registration Date: **08 August 2005**  
(30) Convention priority data:  
(31) Number (32) Date (33) Country  
**2004-023272 03 Aug 2004 JAPAN**  
(56) Related Art Documents: **Not Applicable**  
(57) Statement of Newness and Distinctiveness: **Nil**

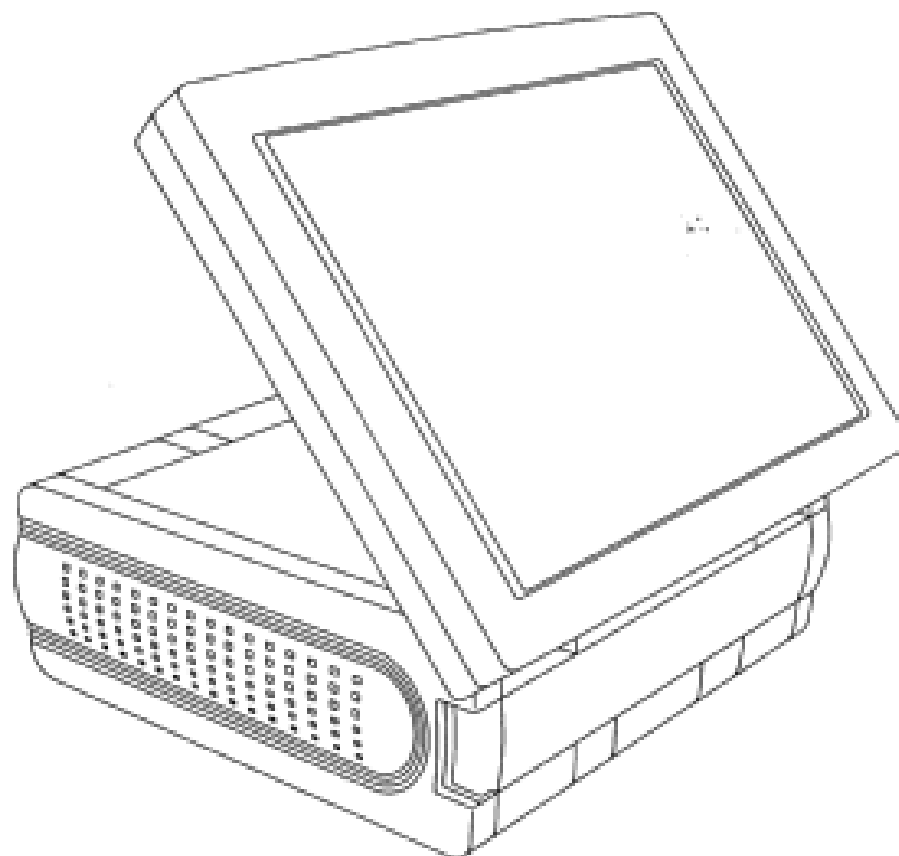




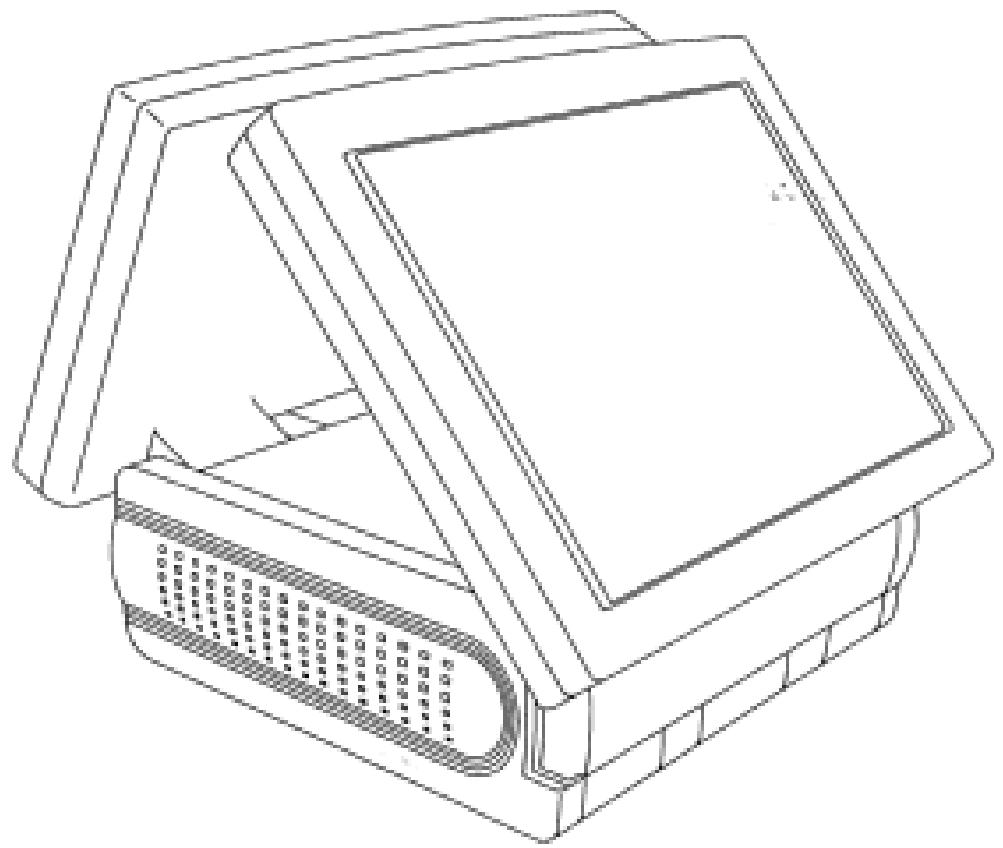
- (21) Design Number: **10346/2005**  
(22) Date of Filing Application: **31 January 2005**  
(24) Date from which industrial property rights may have effect: **31 January 2005**  
(54) Product in respect of which the design is registered: **Cash register for a point of sales terminal**  
(51) International Design Classification: **18-01**  
(71) Name(s) and Address(s) of Applicant(s):  
**Toshiba Tec Kabushiki Kaisha**  
**2-17-2 Higashigotanda Shinagawa-ku Tokyo Japan**  
(72) Name(s) of Designer(s): **Yasuhiro Ono**  
(45) Registration Date: **08 August 2005**  
(30) Convention priority data:  
(31) Number      (32) Date      (33) Country  
**2004-023274      03 Aug 2004      JAPAN**  
(56) Related Art Documents: **Not Applicable**  
(57) Statement of Newness and Distinctiveness: **Nil**



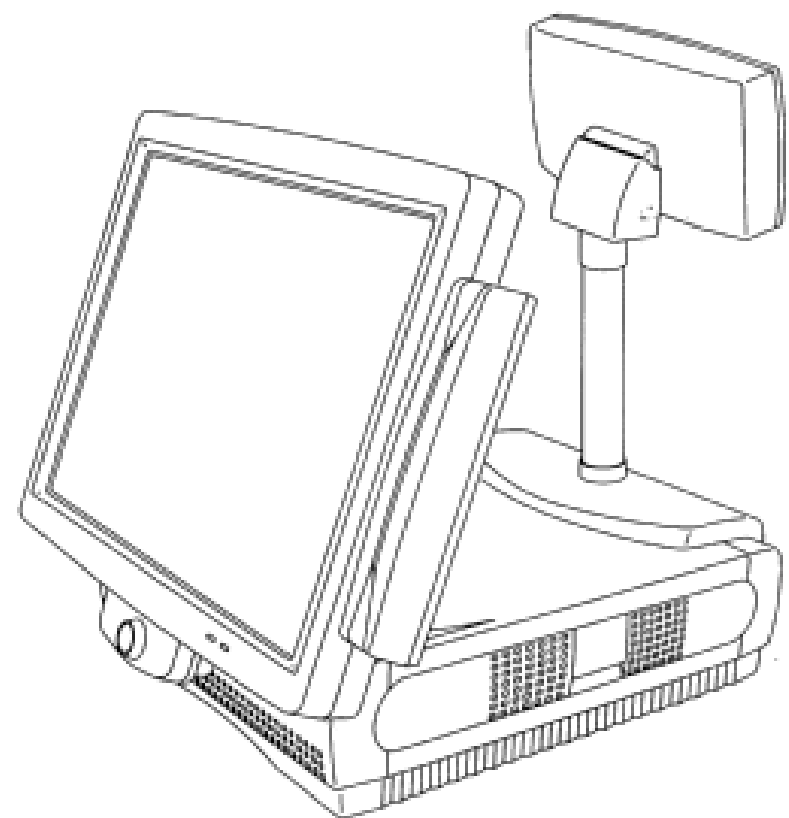
- (21) Design Number: **10347/2005**  
(22) Date of Filing Application: **31 January 2005**  
(24) Date from which industrial property rights may have effect: **31 January 2005**  
(54) Product in respect of which the design is registered: **Cash register for a point of sales terminal**  
(51) International Design Classification: **18-01**  
(71) Name(s) and Address(s) of Applicant(s):  
**Toshiba Tec Kabushiki Kaisha**  
**2-17-2 Higashigotanda Shinagawa-ku Tokyo Japan**  
(72) Name(s) of Designer(s): **Yasuhiro Ono**  
(45) Registration Date: **08 August 2005**  
(30) Convention priority data:  
(31) Number      (32) Date      (33) Country  
**2004-023276      03 Aug 2004      JAPAN**  
(56) Related Art Documents: **Not Applicable**  
(57) Statement of Newness and Distinctiveness: **Nil**



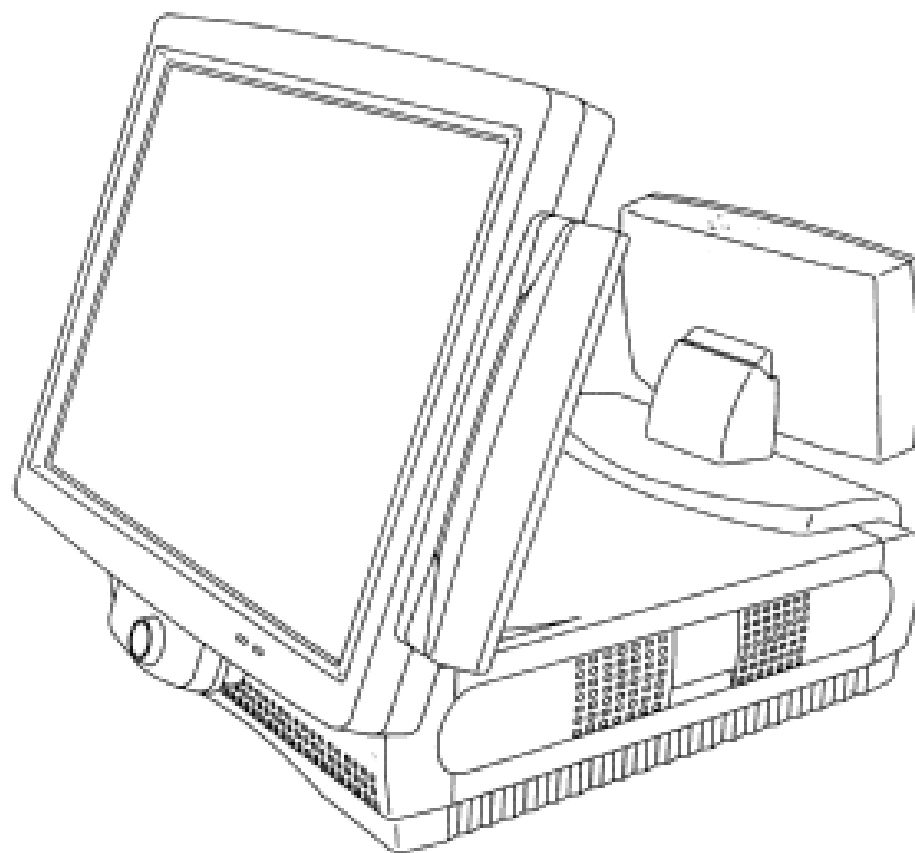
(21) Design Number: **10348/2005**  
(22) Date of Filing Application: **31 January 2005**  
(24) Date from which industrial property rights may have effect: **31 January 2005**  
(54) Product in respect of which the design is registered: **Cash register for a point of sales terminal**  
(51) International Design Classification: **18-01**  
(71) Name(s) and Address(s) of Applicant(s):  
**Toshiba Tec Kabushiki Kaisha**  
**2-17-2 Higashigotanda Shinagawa-ku Tokyo Japan**  
(72) Name(s) of Designer(s): **Yasuhiro Ono**  
(45) Registration Date: **08 August 2005**  
(30) Convention priority data:  
(31) Number      (32) Date      (33) Country  
**2004-023277      03 Aug 2004      JAPAN**  
(56) Related Art Documents: **Not Applicable**  
(57) Statement of Newness and Distinctiveness: **Nil**



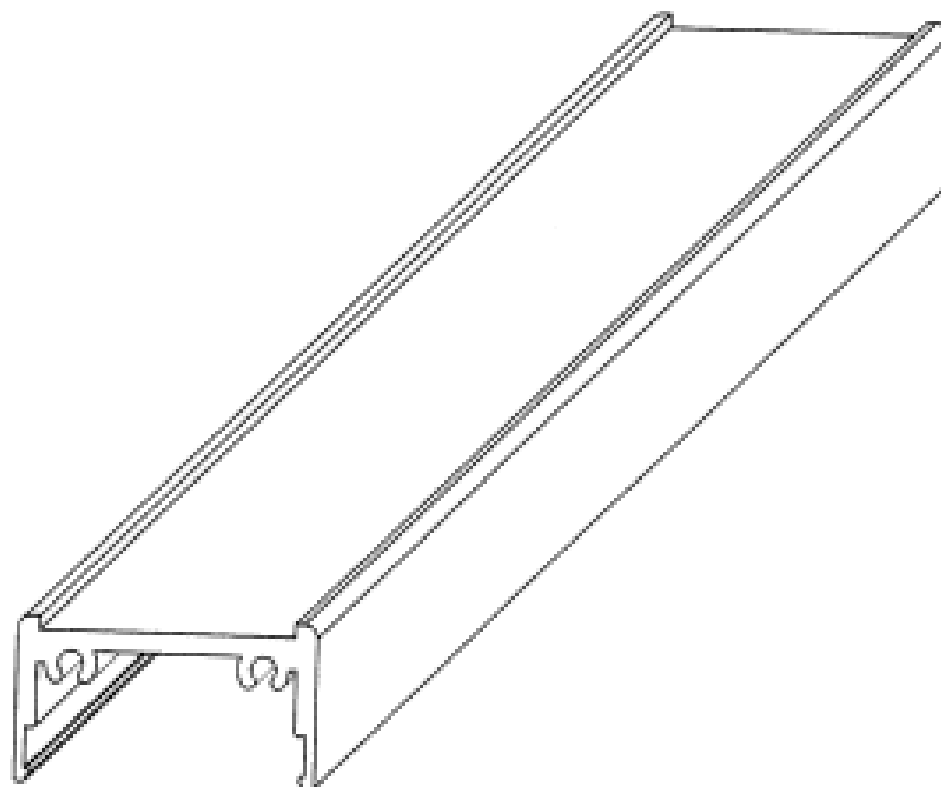
(21) Design Number: **10349/2005**  
(22) Date of Filing Application: **31 January 2005**  
(24) Date from which industrial property rights may have effect: **31 January 2005**  
(54) Product in respect of which the design is registered: **Cash register for a point of sales terminal**  
(51) International Design Classification: **18-01**  
(71) Name(s) and Address(s) of Applicant(s):  
**Toshiba Tec Kabushiki Kaisha**  
**2-17-2 Higashigotanda Shinagawa-ku Tokyo Japan**  
(72) Name(s) of Designer(s): **Yasuhiro Ono**  
(45) Registration Date: **08 August 2005**  
(30) Convention priority data:  
(31) Number      (32) Date      (33) Country  
**2004-039161      21 Dec 2004      JAPAN**  
(56) Related Art Documents: **Not Applicable**  
(57) Statement of Newness and Distinctiveness: **Nil**



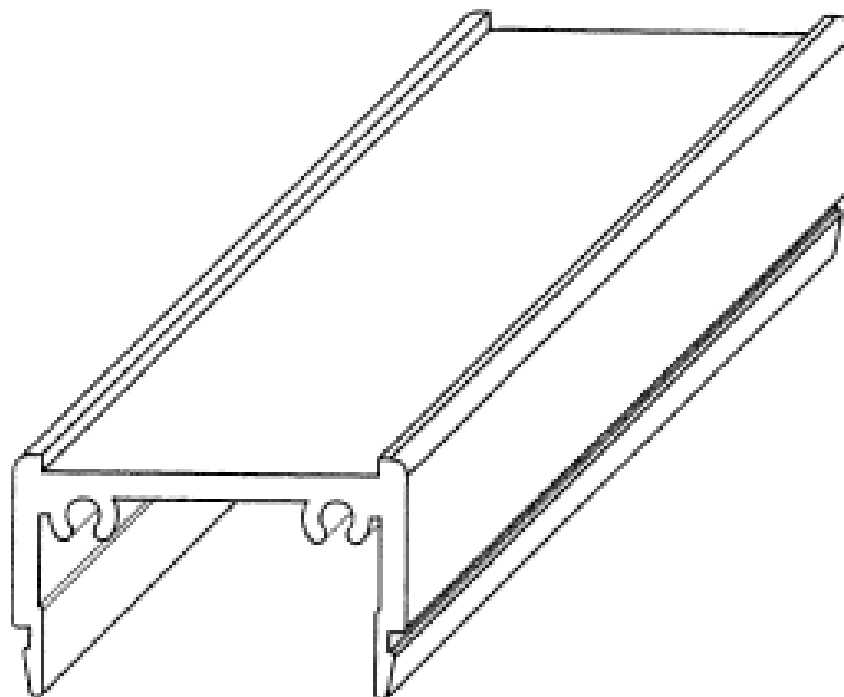
- (21) Design Number: **10350/2005**  
(22) Date of Filing Application: **31 January 2005**  
(24) Date from which industrial property rights may have effect: **31 January 2005**  
(54) Product in respect of which the design is registered: **Cash register for a point of sales terminal**  
(51) International Design Classification: **18-01**  
(71) Name(s) and Address(s) of Applicant(s):  
**Toshiba Tec Kabushiki Kaisha**  
**2-17-2 Higashigotanda Shinagawa-ku Tokyo Japan**  
(72) Name(s) of Designer(s): **Yasuhiro Ono**  
(45) Registration Date: **08 August 2005**  
(30) Convention priority data:  
(31) Number      (32) Date      (33) Country  
**2004-039162      21 Dec 2004      JAPAN**  
(56) Related Art Documents: **Not Applicable**  
(57) Statement of Newness and Distinctiveness: **Nil**



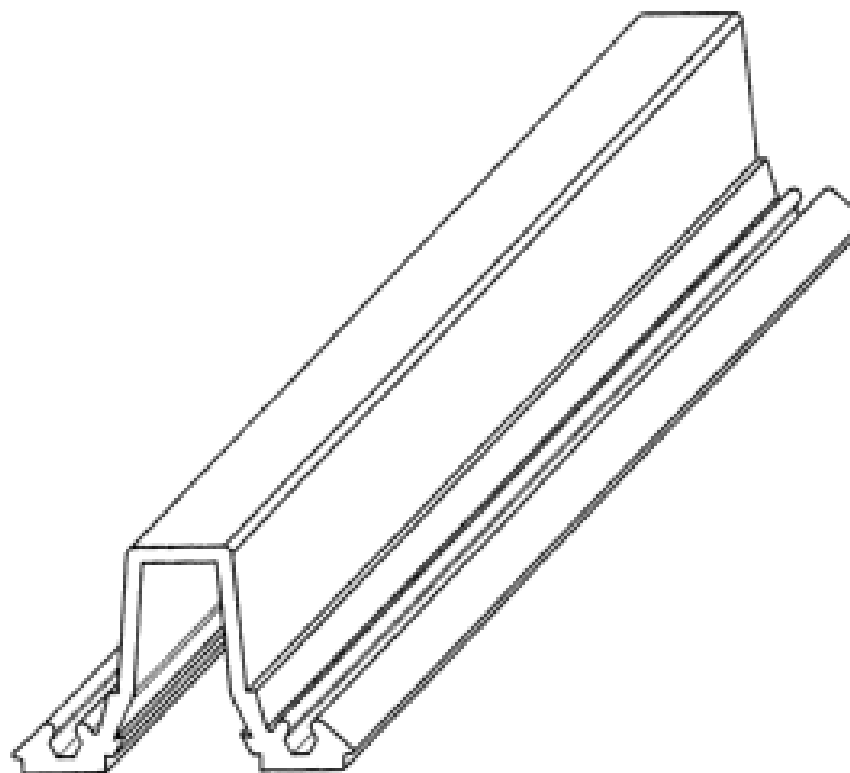
- (21) Design Number: **10483/2005**  
(22) Date of Filing Application: **07 February 2005**  
(24) Date from which industrial property rights may have effect: **07 February 2005**  
(54) Product in respect of which the design is registered: **Balustrade**  
(51) International Design Classification: **25-02C**  
(71) Name(s) and Address(s) of Applicant(s):  
**Zhi Jun Ke**  
**255 Edgar Street Condell Park New South Wales 2200 Australia**  
(72) Name(s) of Designer(s): **Zhi Jun Ke**  
(45) Registration Date: **08 August 2005**  
(56) Related Art Documents: **Not Applicable**  
(57) Statement of Newness and Distinctiveness: **Nil**



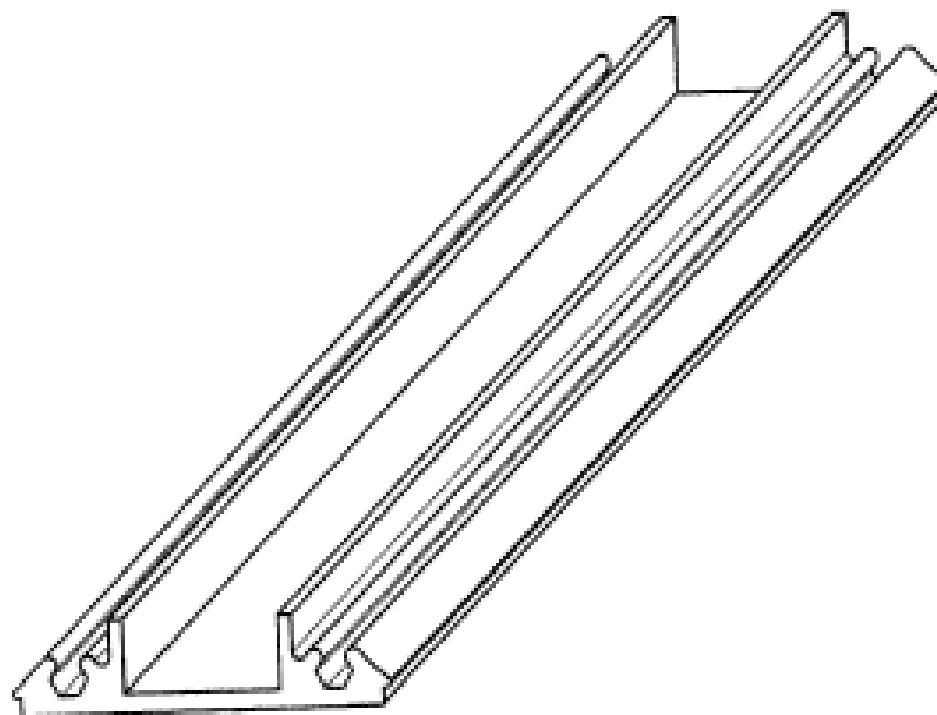
- (21) Design Number: **10484/2005**  
(22) Date of Filing Application: **07 February 2005**  
(24) Date from which industrial property rights may have effect: **07 February 2005**  
(54) Product in respect of which the design is registered: **Balustrade**  
(51) International Design Classification: **25-02C**  
(71) Name(s) and Address(s) of Applicant(s):  
**Zhi Jun Ke**  
**255 Edgar Street Condell Park New South Wales 2200 Australia**  
(72) Name(s) of Designer(s): **Zhi Jun Ke**  
(45) Registration Date: **08 August 2005**  
(56) Related Art Documents: **Not Applicable**  
(57) Statement of Newness and Distinctiveness: **Nil**



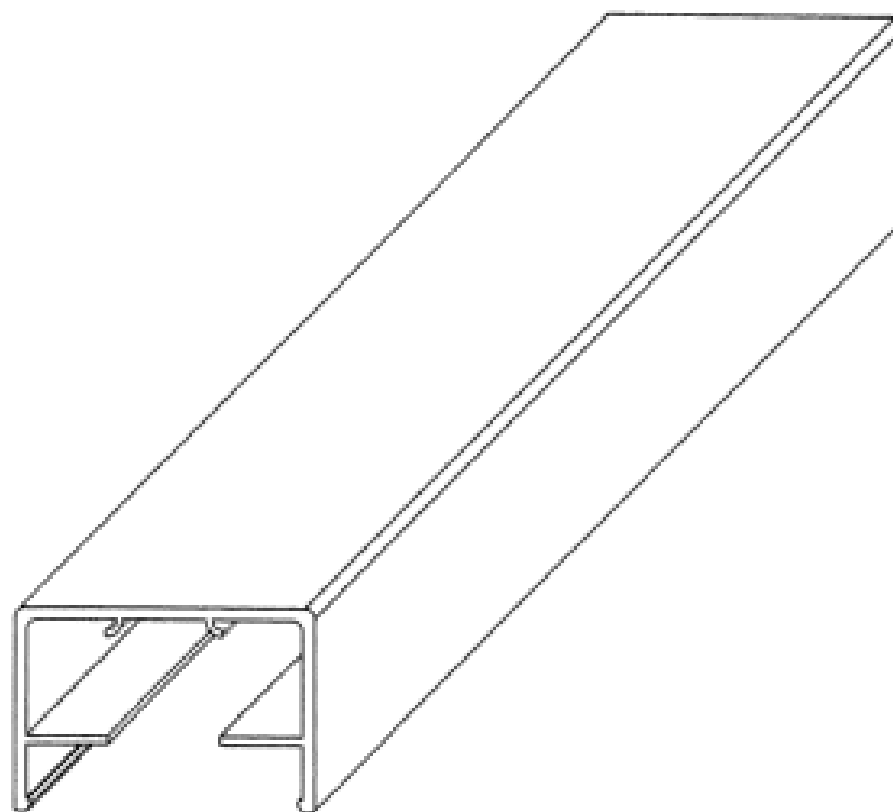
- (21) Design Number: **10485/2005**  
(22) Date of Filing Application: **07 February 2005**  
(24) Date from which industrial property rights may have effect: **07 February 2005**  
(54) Product in respect of which the design is registered: **Balustrade**  
(51) International Design Classification: **25-02C**  
(71) Name(s) and Address(s) of Applicant(s):  
**Zhi Jun Ke**  
**255 Edgar Street Condell Park New South Wales 2200 Australia**  
(72) Name(s) of Designer(s): **Zhi Jun Ke**  
(45) Registration Date: **08 August 2005**  
(56) Related Art Documents: **Not Applicable**  
(57) Statement of Newness and Distinctiveness: **Nil**



- (21) Design Number: **10486/2005**  
(22) Date of Filing Application: **07 February 2005**  
(24) Date from which industrial property rights may have effect: **07 February 2005**  
(54) Product in respect of which the design is registered: **Balustrade**  
(51) International Design Classification: **25-02C**  
(71) Name(s) and Address(s) of Applicant(s):  
**Zhi Jun Ke**  
**255 Edgar Street Condell Park New South Wales 2200 Australia**  
(72) Name(s) of Designer(s): **Zhi Jun Ke**  
(45) Registration Date: **08 August 2005**  
(56) Related Art Documents: **Not Applicable**  
(57) Statement of Newness and Distinctiveness: **Nil**



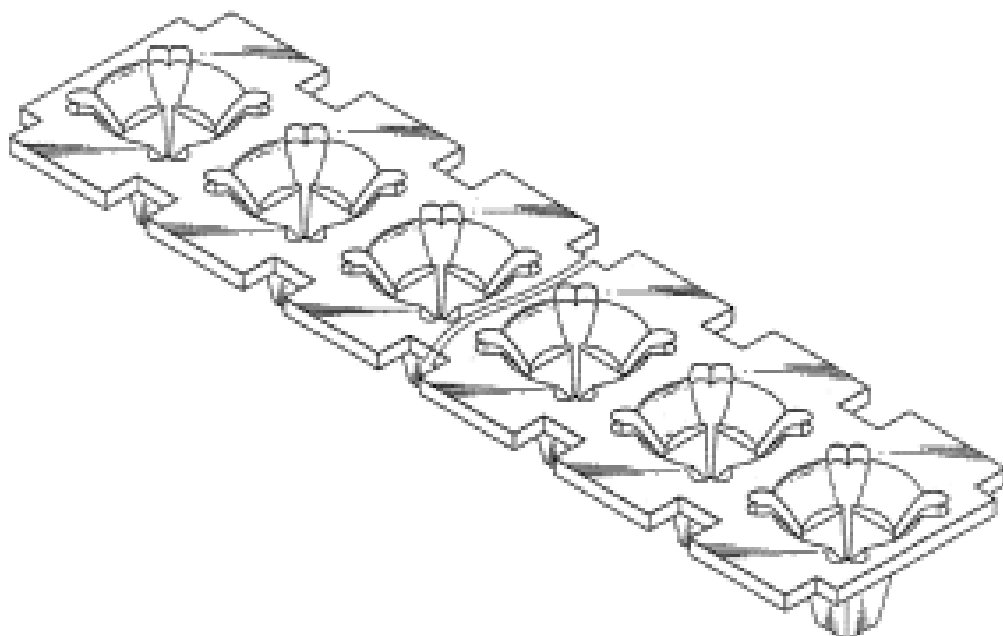
- (21) Design Number: **10487/2005**  
(22) Date of Filing Application: **07 February 2005**  
(24) Date from which industrial property rights may have effect: **07 February 2005**  
(54) Product in respect of which the design is registered: **Balustrade**  
(51) International Design Classification: **25-02C**  
(71) Name(s) and Address(s) of Applicant(s):  
**Zhi Jun Ke**  
**255 Edgar Street Condell Park New South Wales 2200 Australia**  
(72) Name(s) of Designer(s): **Zhi Jun Ke**  
(45) Registration Date: **08 August 2005**  
(56) Related Art Documents: **Not Applicable**  
(57) Statement of Newness and Distinctiveness: **Nil**



- (21) Design Number: **10583/2005**  
(22) Date of Filing Application: **14 February 2005**  
(24) Date from which industrial property rights may have effect: **14 February 2005**  
(54) Product in respect of which the design is registered: **Fastener belt**  
(51) International Design Classification: **02-07A**  
(71) Name(s) and Address(s) of Applicant(s):

**Pei-Ling Lee**  
**No. 13 Tung-Hsing Lane Sec. 1 Tung-Shan Road Taichung City**  
**Taiwan**

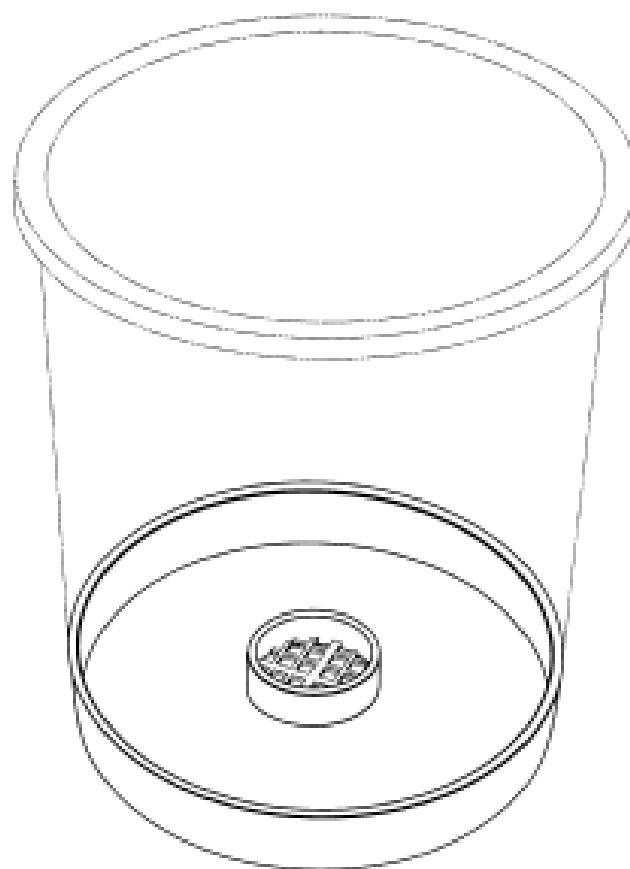
- (72) Name(s) of Designer(s): **Pei-Ling Lee**  
(45) Registration Date: **08 August 2005**  
(56) Related Art Documents: **Not Applicable**  
(57) Statement of Newness and Distinctiveness: **Nil**



- (21) Design Number: **10586/2005**  
(22) Date of Filing Application: **15 February 2005**  
(24) Date from which industrial property rights may have effect: **15 February 2005**  
(54) Product in respect of which the design is registered: **A pot**  
(51) International Design Classification: **11-02B**  
(71) Name(s) and Address(s) of Applicant(s):

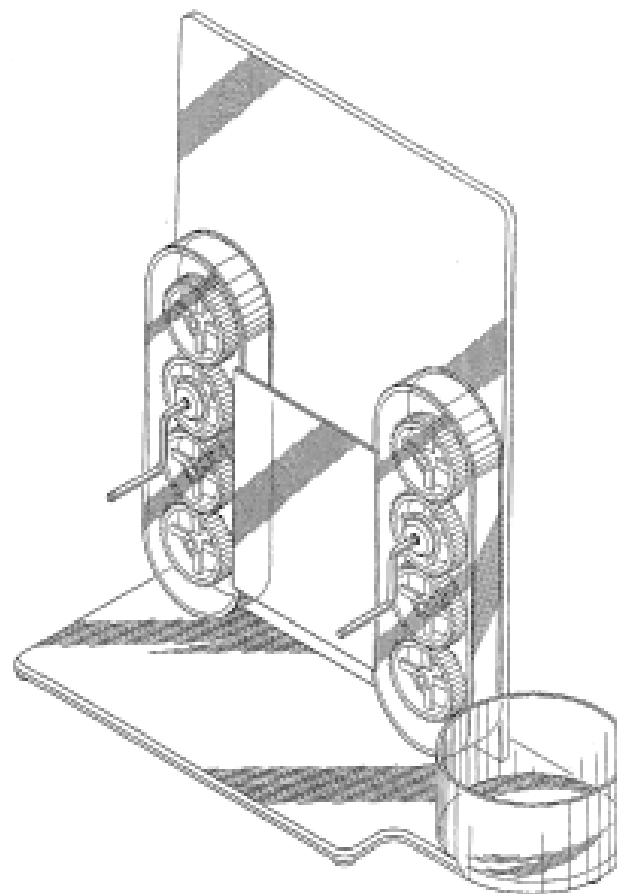
**Anova Solutions Pty Ltd**  
**20 Stralock Street Chapel Hill Queensland 4069 Australia**

- (72) Name(s) of Designer(s): **Malcolm Hunter**  
(45) Registration Date: **08 August 2005**  
(56) Related Art Documents: **Not Applicable**  
(57) Statement of Newness and Distinctiveness: **The newness and distinctiveness of the design resides in the shape and configuration of a pot as shown in the representations. The features shown in broken line are provided for illustration only and are not intended to limit the scope of the design.**



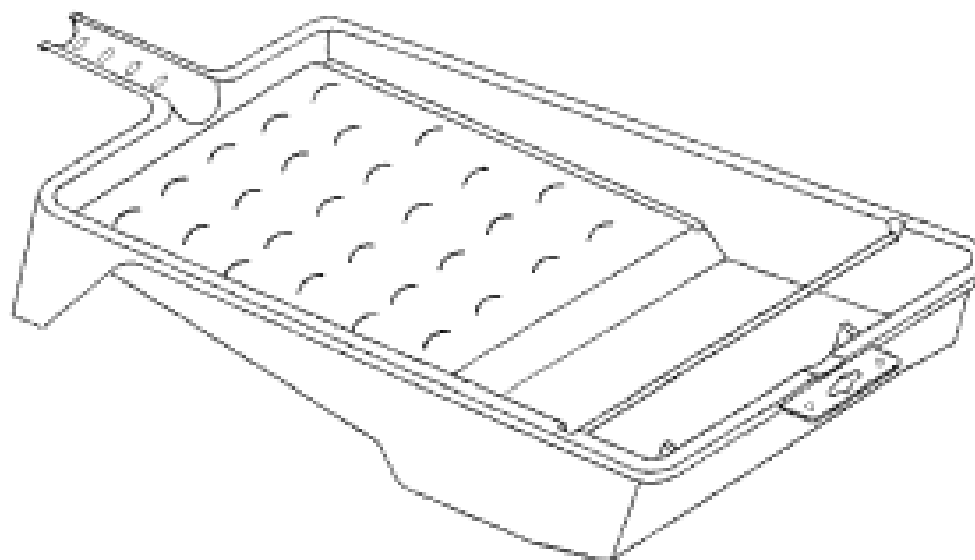
(19) AU

- (21) Design Number: **10588/2005**  
(22) Date of Filing Application: **16 February 2005**  
(24) Date from which industrial property rights may have effect: **16 February 2005**  
(54) Product in respect of which the design is registered: **Gear demonstrator display rack**  
(51) International Design Classification: **19-07, 15-99, 20-02E**  
(71) Name(s) and Address(s) of Applicant(s):  
**Forrest D. Lucas**  
**C/-Lucas Oil Products, Inc., 302 North Sheridan Street Corona,**  
**California 92880-2067 United States of America**  
(72) Name(s) of Designer(s): **Forrest D. Lucas**  
(45) Registration Date: **08 August 2005**  
(30) Convention priority data:  
(31) Number      (32) Date      (33) Country  
**109329      09 Dec 2004      CANADA**  
(56) Related Art Documents: **Not Applicable**  
(57) Statement of Newness and Distinctiveness: **Nil**



(19) AU

- (21) Design Number: **11126/2005**  
(22) Date of Filing Application: **23 March 2005**  
(24) Date from which industrial property rights may have effect: **23 March 2005**  
(54) Product in respect of which the design is registered: **Paint tray**  
(51) International Design Classification: **08-05L**  
(71) Name(s) and Address(s) of Applicant(s):  
**Peter Chin Chen Wah**  
**35 Sutton Street Balwyn North Victoria 3104 Australia**  
(72) Name(s) of Designer(s): **Peter Chin Chen Wah**  
(45) Registration Date: **08 August 2005**  
(56) Related Art Documents: **Not Applicable**  
(57) Statement of Newness and Distinctiveness: **The new features of the design are the shape and configuration of the handle, wire bar and roller rests.**



- (21) Design Number: **14693/2004**  
(22) Date of Filing Application: **24 July 2003**  
(24) Date from which industrial property rights may have effect: **24 July 2003**  
(54) Product in respect of which the design is registered: **Touch-screen interactive multimedia display unit**  
(51) International Design Classification: **21-03**  
(71) Name(s) and Address(s) of Applicant(s):

**Acres Gaming Inc.**  
**7115 Amigo Street Suite 150 Las Vegas Nevada 89119 United States of America**

- (72) Name(s) of Designer(s): **Mike Bristol and Scott Boyd and Jeff Jordan**

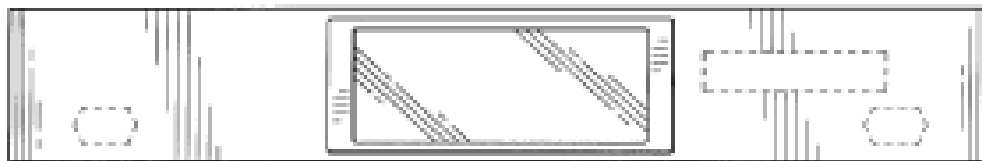
- (45) Registration Date: **09 August 2005**

- (30) Convention priority data:

(31) Number	(32) Date	(33) Country
<b>29/168,306</b>	<b>27 Sep 2002</b>	<b>UNITED STATES OF AMERICA</b>

- (56) Related Art Documents: **Not Applicable**

- (57) Statement of Newness and Distinctiveness: **The pair of speaker grills and the player-card slot, that are shown in broken lines in the representations, are not part of the design.**



- (21) Design Number: **14694/2004**  
(22) Date of Filing Application: **24 July 2003**  
(24) Date from which industrial property rights may have effect: **24 July 2003**  
(54) Product in respect of which the design is registered: **Touch-screen interactive multimedia display unit**  
(51) International Design Classification: **21-03**  
(71) Name(s) and Address(s) of Applicant(s):

**Acres Gaming Inc.**  
**7115 Amigo Street Suite 150 Las Vegas Nevada 89119 United States of America**

- (72) Name(s) of Designer(s): **Mike Bristol and Scott Boyd and Jeff Jordan**

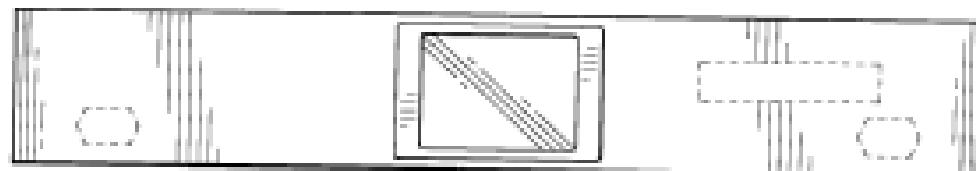
- (45) Registration Date: **09 August 2005**

- (30) Convention priority data:

(31) Number	(32) Date	(33) Country
<b>29/168,306</b>	<b>27 Sep 2002</b>	<b>UNITED STATES OF AMERICA</b>

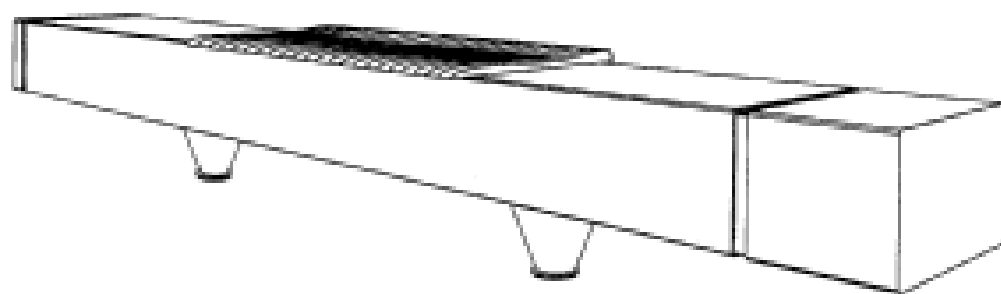
- (56) Related Art Documents: **Not Applicable**

- (57) Statement of Newness and Distinctiveness: **The pair of speaker grills and the player-card slot, that are shown in broken lines in the representations, are not part of the design.**

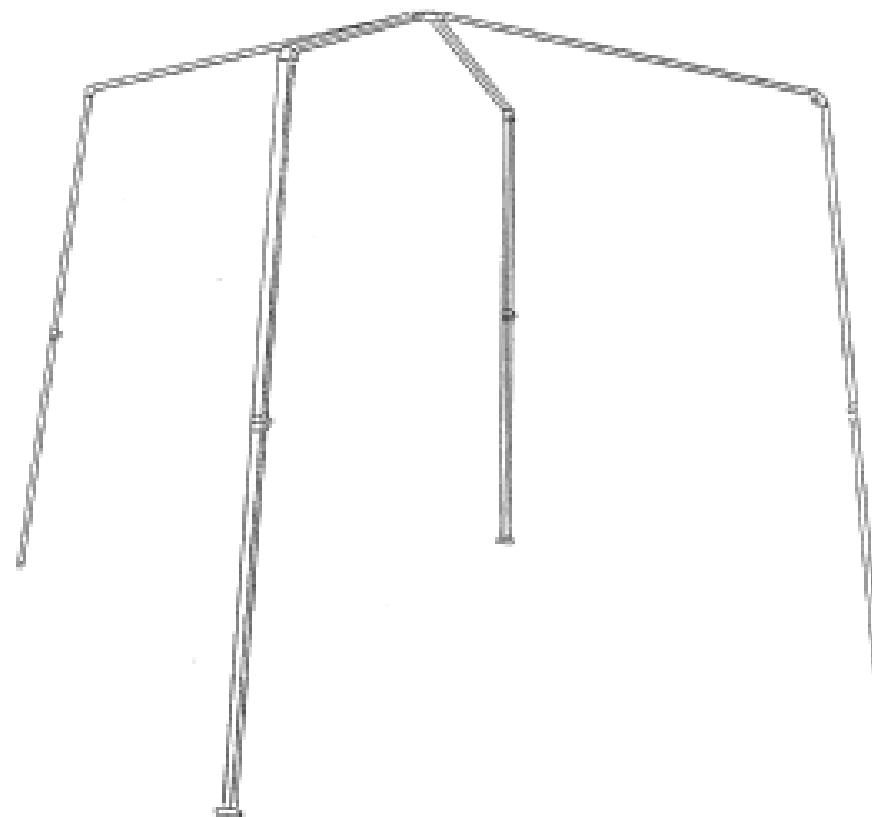




(21) Design Number: **15839/2004**  
(22) Date of Filing Application: **17 December 2004**  
(24) Date from which industrial property rights may have effect: **17 December 2004**  
(54) Product in respect of which the design is registered: **The design is to be applied to a seat**  
(51) International Design Classification: **06-01C**  
(71) Name(s) and Address(s) of Applicant(s):  
**Gillies & Associates Limited**  
**Suite 1 25 Dacre Street Newton Auckland New Zealand**  
(72) Name(s) of Designer(s): **Wayne Gillies**  
(45) Registration Date: **09 August 2005**  
(30) Convention priority data:  
(31) Number (32) Date (33) Country  
**405000 24 Jun 2004 NEW ZEALAND**  
(56) Related Art Documents: **Not Applicable**  
(57) Statement of Newness and Distinctiveness: **Nil**



(21) Design Number: **10015/2005**  
(22) Date of Filing Application: **05 January 2005**  
(24) Date from which industrial property rights may have effect: **05 January 2005**  
(54) Product in respect of which the design is registered: **Collapsible structure**  
(51) International Design Classification: **21-04, 25-03**  
(71) Name(s) and Address(s) of Applicant(s):  
**Proknet (Proprietary) Limited**  
**5 Theo Kleynhans Street White River South Africa**  
(72) Name(s) of Designer(s): **Thomas Edward Rogers**  
(45) Registration Date: **09 August 2005**  
(30) Convention priority data:  
(31) Number (32) Date (33) Country  
**A2004/0832 05 Jul 2004 SOUTH AFRICA**  
(56) Related Art Documents: **Not Applicable**  
(57) Statement of Newness and Distinctiveness: **Newness and distinctiveness is claimed in the features of shape and/or configuration of the collapsible structure as depicted in the attached representations.**



- (21) Design Number: **10594/2005**
- (22) Date of Filing Application: **15 February 2005**
- (24) Date from which industrial property rights may have effect: **15 February 2005**
- (54) Product in respect of which the design is registered: **Footwear**
- (51) International Design Classification: **02-04NES**
- (71) Name(s) and Address(s) of Applicant(s):  
**Global Brand Marketing Inc.**  
**6500 Hollister Avenue Santa Barbara CA 93117 United States of America**
- (72) Name(s) of Designer(s): **Christjane Burg**
- (45) Registration Date: **09 August 2005**
- (56) Related Art Documents: **Not Applicable**
- (57) Statement of Newness and Distinctiveness: **Nil**



- (21) Design Number: **10595/2005**
- (22) Date of Filing Application: **15 February 2005**
- (24) Date from which industrial property rights may have effect: **15 February 2005**
- (54) Product in respect of which the design is registered: **Footwear**
- (51) International Design Classification: **02-04NES**
- (71) Name(s) and Address(s) of Applicant(s):  
**Global Brand Marketing Inc.**  
**6500 Hollister Avenue Santa Barbara CA 93117 United States of America**
- (72) Name(s) of Designer(s): **Christjane Burg**
- (45) Registration Date: **09 August 2005**
- (56) Related Art Documents: **Not Applicable**
- (57) Statement of Newness and Distinctiveness: **Nil**



(21) Design Number: **10596/2005**  
(22) Date of Filing Application: **15 February 2005**  
(24) Date from which industrial property rights may have effect: **15 February 2005**  
(54) Product in respect of which the design is registered: **Footwear**  
(51) International Design Classification: **02-04NES**  
(71) Name(s) and Address(s) of Applicant(s):  
**Global Brand Marketing Inc.**  
**6500 Hollister Avenue Santa Barbara CA 93117 United States of America**  
(72) Name(s) of Designer(s): **Christjane Burg**  
(45) Registration Date: **09 August 2005**  
(56) Related Art Documents: **Not Applicable**  
(57) Statement of Newness and Distinctiveness: **Nil**



(21) Design Number: **10597/2005**  
(22) Date of Filing Application: **15 February 2005**  
(24) Date from which industrial property rights may have effect: **15 February 2005**  
(54) Product in respect of which the design is registered: **Footwear**  
(51) International Design Classification: **02-04NES**  
(71) Name(s) and Address(s) of Applicant(s):  
**Global Brand Marketing Inc.**  
**6500 Hollister Avenue Santa Barbara CA 93117 United States of America**  
(72) Name(s) of Designer(s): **Christjane Burg**  
(45) Registration Date: **09 August 2005**  
(56) Related Art Documents: **Not Applicable**  
(57) Statement of Newness and Distinctiveness: **Nil**



- (21) Design Number: **10598/2005**  
(22) Date of Filing Application: **15 February 2005**  
(24) Date from which industrial property rights may have effect: **15 February 2005**  
(54) Product in respect of which the design is registered: **Footwear**  
(51) International Design Classification: **02-04NES**  
(71) Name(s) and Address(s) of Applicant(s):  
**Global Brand Marketing Inc.**  
**6500 Hollister Avenue Santa Barbara CA 93117 United States of America**  
(72) Name(s) of Designer(s): **Gina Knight**  
(45) Registration Date: **09 August 2005**  
(56) Related Art Documents: **Not Applicable**  
(57) Statement of Newness and Distinctiveness: **Nil**



- (21) Design Number: **10599/2005**  
(22) Date of Filing Application: **15 February 2005**  
(24) Date from which industrial property rights may have effect: **15 February 2005**  
(54) Product in respect of which the design is registered: **Footwear**  
(51) International Design Classification: **02-04NES**  
(71) Name(s) and Address(s) of Applicant(s):  
**Global Brand Marketing Inc.**  
**6500 Hollister Avenue Santa Barbara CA 93117 United States of America**  
(72) Name(s) of Designer(s): **Geoff Deas**  
(45) Registration Date: **09 August 2005**  
(56) Related Art Documents: **Not Applicable**  
(57) Statement of Newness and Distinctiveness: **Nil**



(21) Design Number: **13110/2004**

(22) Date of Filing Application: **30 June 2004**

(24) Date from which industrial property rights may have effect: **30 June 2004**

(54) Product in respect of which the design is registered: **Packaging carton**

(51) International Design Classification: **09-03NES**

(71) Name(s) and Address(s) of Applicant(s):

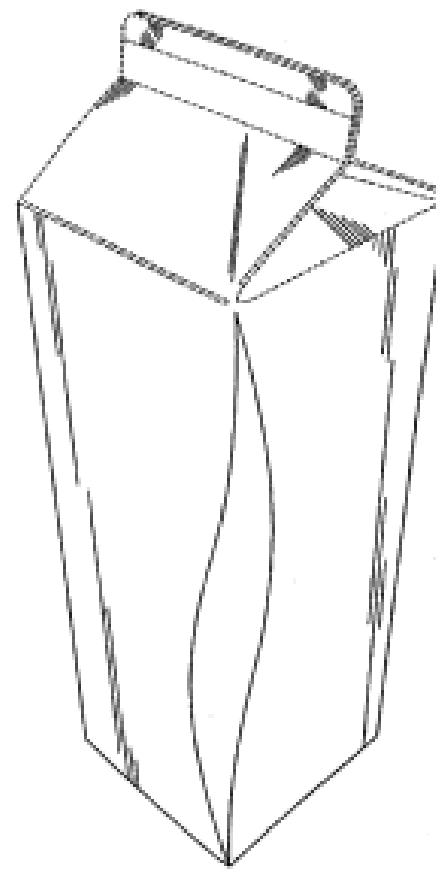
**Elopak Systems A.G.**  
**Cherstrasse 4 Postfach CH-8152 Glattbrugg Switzerland**

(72) Name(s) of Designer(s): **Ivica Franic**

(45) Registration Date: **09 August 2005**

(56) Related Art Documents: **Not Applicable**

(57) Statement of Newness and Distinctiveness: **When considering newness and distinctiveness in the designs, the portion of the top of the containers shown in dashed lines in the representations is to be disregarded.**



(21) Design Number: **13124/2005**

(22) Date of Filing Application: **30 June 2004**

(24) Date from which industrial property rights may have effect: **30 June 2004**

(54) Product in respect of which the design is registered: **Packaging carton**

(51) International Design Classification: **09-03NES**

(71) Name(s) and Address(s) of Applicant(s):

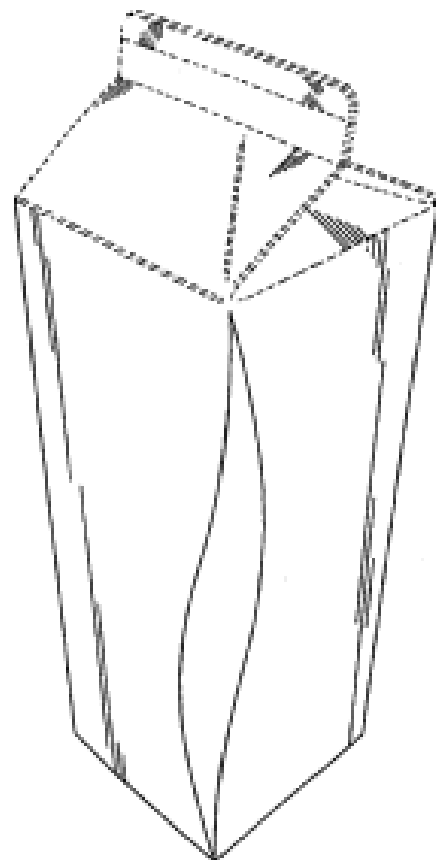
**Elopak Systems A.G.**  
**Cherstrasse 4 Postfach CH-8152 Glattbrugg Switzerland**

(72) Name(s) of Designer(s): **Ivica Franic**

(45) Registration Date: **09 August 2005**

(56) Related Art Documents: **Not Applicable**

(57) Statement of Newness and Distinctiveness: **When considering newness and distinctiveness in the designs, the portion of the top of the containers shown in dashed lines in the representations is to be disregarded.**



(21) Design Number: **14093/2004**

(22) Date of Filing Application: **25 August 2004**

(24) Date from which industrial property rights may have effect: **25 August 2004**

(54) Product in respect of which the design is registered: **Container with lid**

(51) International Design Classification: **09-03F**

(71) Name(s) and Address(s) of Applicant(s):

**Fraisbon Foods Limited**  
**330 Great South Road Manurewa Auckland New Zealand**

(72) Name(s) of Designer(s): **Ashley Berrysmith**

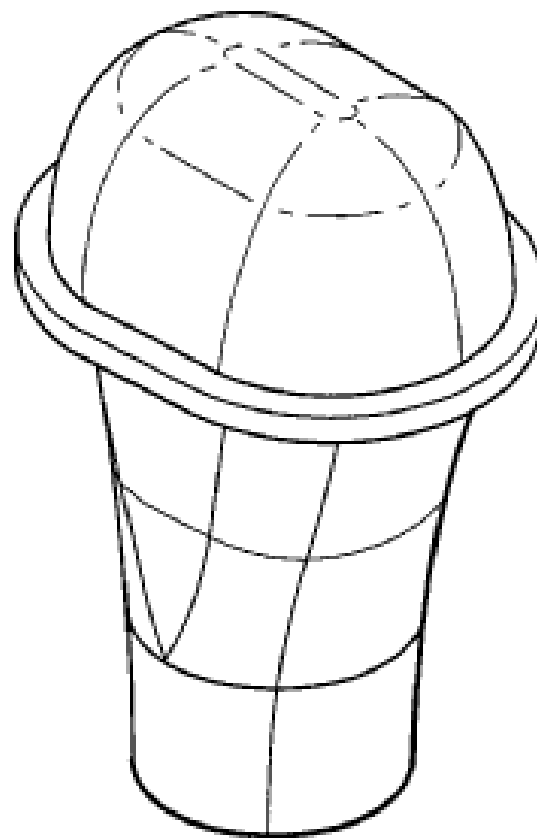
(45) Registration Date: **09 August 2005**

(30) Convention priority data:

(31) Number	(32) Date	(33) Country
<b>404613</b>	<b>25 Feb 2004</b>	<b>NEW ZEALAND</b>

(56) Related Art Documents: **Not Applicable**

(57) Statement of Newness and Distinctiveness: **Newness and distinctiveness are claimed in the features of shape and/or configuration of a container lid as illustrated in the accompanying representations.**



(21) Design Number: **14094/2004**

(22) Date of Filing Application: **25 August 2004**

(24) Date from which industrial property rights may have effect: **25 August 2004**

(54) Product in respect of which the design is registered: **Container with lid**

(51) International Design Classification: **09-03F**

(71) Name(s) and Address(s) of Applicant(s):

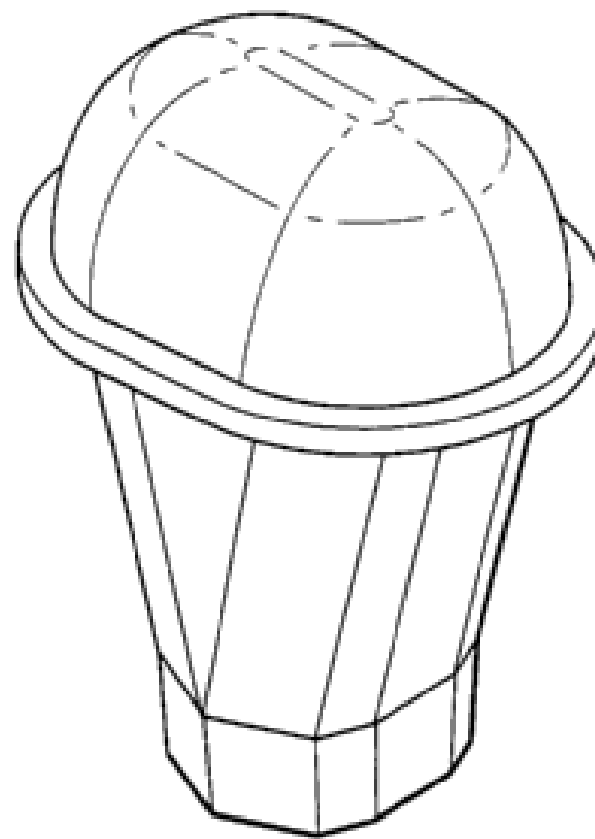
**Fraisbon Foods Limited**  
**330 Great South Road Manurewa Auckland New Zealand**

(72) Name(s) of Designer(s): **Ashley Berrysmith**

(45) Registration Date: **09 August 2005**

(56) Related Art Documents: **Not Applicable**

(57) Statement of Newness and Distinctiveness: **Newness and distinctiveness are claimed in the features of shape and/or configuration of a container with lid as illustrated in the accompanying representations.**



(21) Design Number: **14095/2004**

(22) Date of Filing Application: **25 August 2004**

(24) Date from which industrial property rights may have effect: **25 August 2004**

(54) Product in respect of which the design is registered: **Container with lid**

(51) International Design Classification: **09-03F**

(71) Name(s) and Address(s) of Applicant(s):

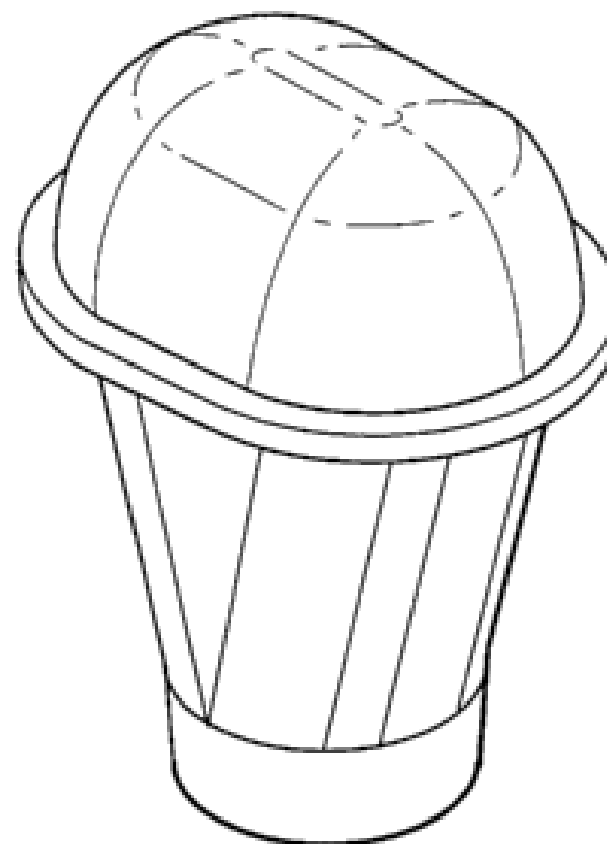
**Fraisbon Foods Limited**  
**330 Great South Road Manurewa Auckland New Zealand**

(72) Name(s) of Designer(s): **Ashley Berrysmith**

(45) Registration Date: **09 August 2005**

(56) Related Art Documents: **Not Applicable**

(57) Statement of Newness and Distinctiveness: **Newness and distinctiveness are claimed in the features of shape and/or configuration of a container with lid as illustrated in the accompanying representations.**



(21) Design Number: **14096/2004**

(22) Date of Filing Application: **25 August 2004**

(24) Date from which industrial property rights may have effect: **25 August 2004**

(54) Product in respect of which the design is registered: **Container with lid**

(51) International Design Classification: **09-03F**

(71) Name(s) and Address(s) of Applicant(s):

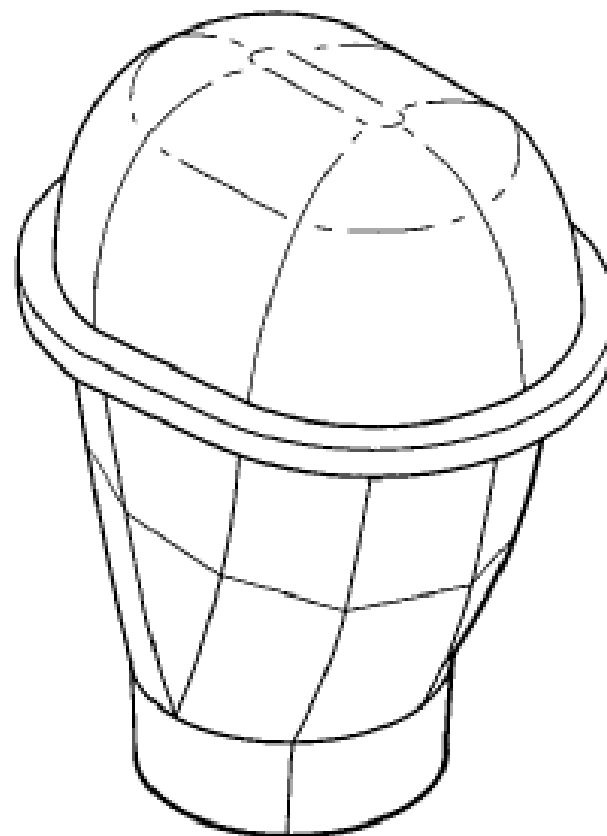
**Fraisbon Foods Limited**  
**330 Great South Road Manurewa Auckland New Zealand**

(72) Name(s) of Designer(s): **Ashley Berrysmith**

(45) Registration Date: **09 August 2005**

(56) Related Art Documents: **Not Applicable**

(57) Statement of Newness and Distinctiveness: **Newness and distinctiveness are claimed in the features of shape and/or configuration of a container with lid as illustrated in the accompanying representations.**



(21) Design Number: **14097/2004**

(22) Date of Filing Application: **25 August 2004**

(24) Date from which industrial property rights may have effect: **25 August 2004**

(54) Product in respect of which the design is registered: **Container with lid**

(51) International Design Classification: **09-03F**

(71) Name(s) and Address(s) of Applicant(s):

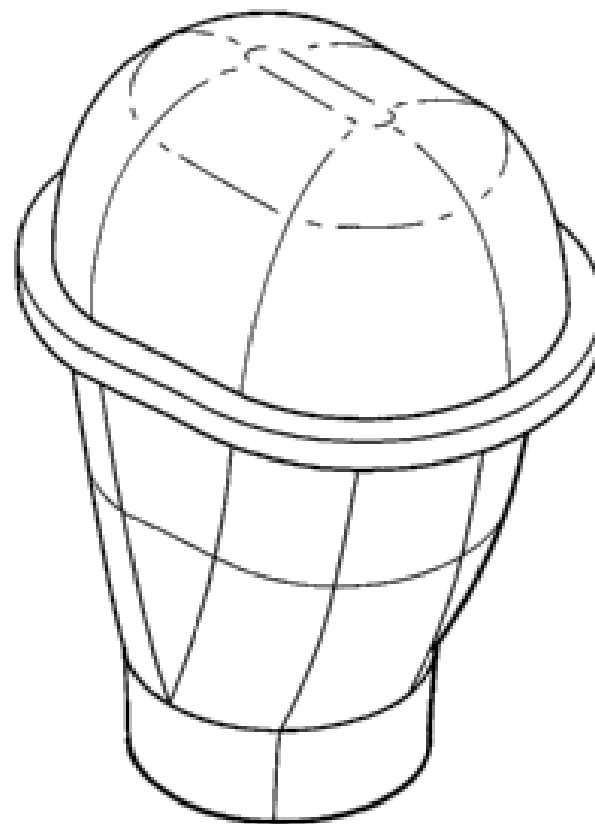
**Fraisbon Foods Limited**  
**330 Great South Road Manurewa Auckland New Zealand**

(72) Name(s) of Designer(s): **Ashley Berrysmith**

(45) Registration Date: **09 August 2005**

(56) Related Art Documents: **Not Applicable**

(57) Statement of Newness and Distinctiveness: **Newness and distinctiveness are claimed in the features of shape and/or configuration of a container with lid as illustrated in the accompanying representations.**



(21) Design Number: **14098/2004**

(22) Date of Filing Application: **25 August 2004**

(24) Date from which industrial property rights may have effect: **25 August 2004**

(54) Product in respect of which the design is registered: **Container with lid**

(51) International Design Classification: **09-03F**

(71) Name(s) and Address(s) of Applicant(s):

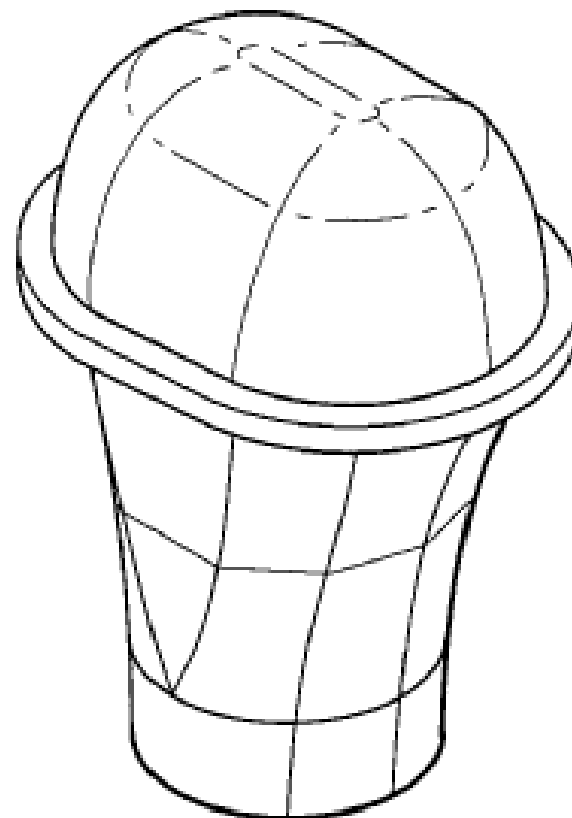
**Fraisbon Foods Limited**  
**330 Great South Road Manurewa Auckland New Zealand**

(72) Name(s) of Designer(s): **Ashley Berrysmith**

(45) Registration Date: **09 August 2005**

(56) Related Art Documents: **Not Applicable**

(57) Statement of Newness and Distinctiveness: **Newness and distinctiveness are claimed in the features of shape and/or configuration of a container with lid as illustrated in the accompanying representations.**





(21) Design Number: **14936/2004**  
(22) Date of Filing Application: **20 October 2004**  
(24) Date from which industrial property rights may have effect: **20 October 2004**  
(54) Product in respect of which the design is registered: **Bed base**  
(51) International Design Classification: **06-02**  
(71) Name(s) and Address(s) of Applicant(s):

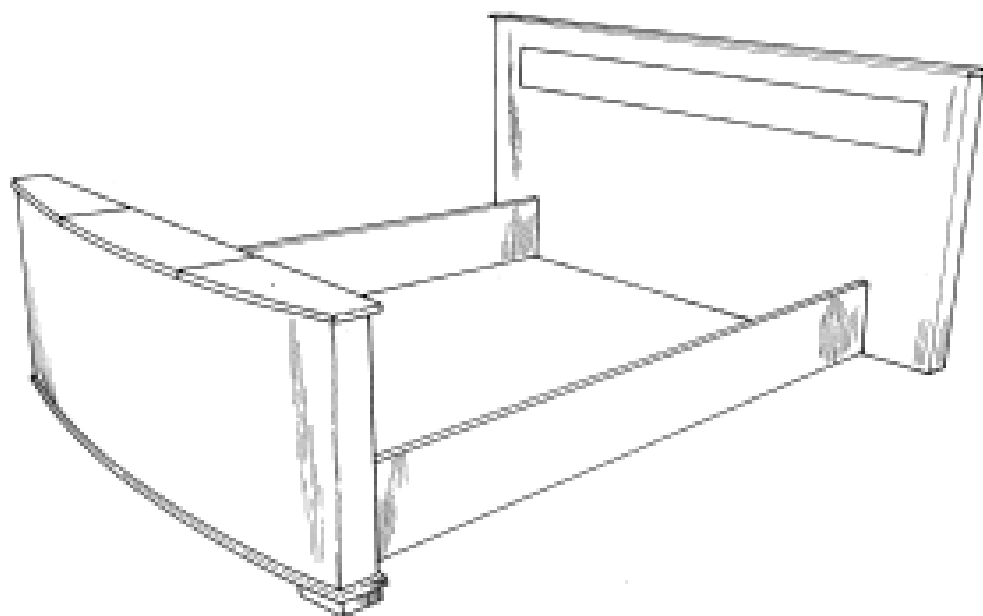
**Karinga Furniture Pty Ltd**  
**10-12 Dreamhaven Court Epping Victoria 3076 Australia**

(72) Name(s) of Designer(s): **Rex Arthur Carr**

(45) Registration Date: **09 August 2005**

(56) Related Art Documents: **Not Applicable**

(57) Statement of Newness and Distinctiveness: **Visual features of the design which are new and distinctive are the features of shape and configuration of the bed base as illustrated in the representations. The features of shape and configuration of the television support and of the television support and lifting mechanism do not form part of the design and are to be disregarded, these features being shown in broken line in the representations.**



(21) Design Number: **14991/2004**  
(22) Date of Filing Application: **04 July 2003**  
(24) Date from which industrial property rights may have effect: **04 July 2003**  
(54) Product in respect of which the design is registered: **A horse shoe**  
(51) International Design Classification: **30-99**  
(71) Name(s) and Address(s) of Applicant(s):

**Roger Dodd**  
**18 Queenswood Avenue Northampton NN3 6JY United Kingdom**

**Paul Dodd**  
**39 Church View Greens Norton Nr Towcester Northants NN12 8BH**  
**United Kingdom**

**Declan Cronin**  
**120 Tyrconnell Park Inchicore Dublin 8 Republic of Ireland**

**Brian Stewart**  
**8B Valley View Terrace 68 Blue Pool Road Happy Valley Hong Kong**

(72) Name(s) of Designer(s): **Roger Dodd and Paul Dodd and Declan Cronin and Brian Stewart**

(45) Registration Date: **09 August 2005**

(30) Convention priority data:

(31) Number	(32) Date	(33) Country
<b>3010311</b>	<b>24 Jan 2003</b>	<b>UNITED KINGDOM</b>

(56) Related Art Documents: **Not Applicable**

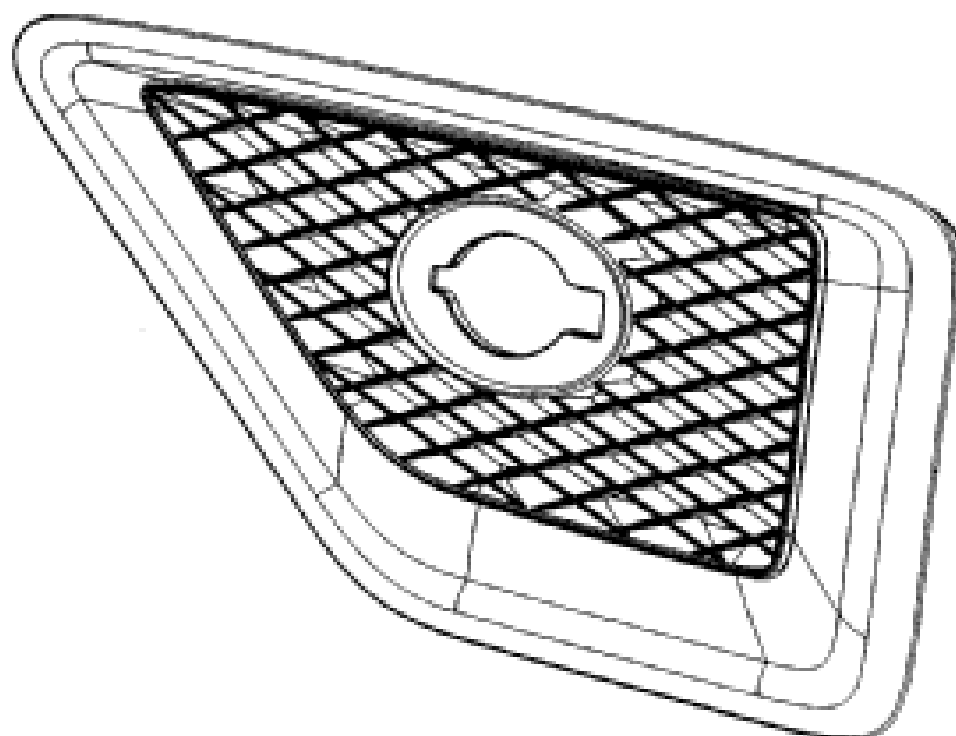
(57) Statement of Newness and Distinctiveness: **Nil**



- (21) Design Number: **14992/2004**  
(22) Date of Filing Application: **04 July 2003**  
(24) Date from which industrial property rights may have effect: **04 July 2003**  
(54) Product in respect of which the design is registered: **A horse shoe**  
(51) International Design Classification: **30-99**  
(71) Name(s) and Address(s) of Applicant(s):  
**Roger Dodd**  
**18 Queenswood Avenue Northampton NN3 6JY United Kingdom**  
**Paul Dodd**  
**39 Church View Greens Norton Nr Towcester Northants NN12 8BH**  
**United Kingdom**  
**Declan Cronin**  
**120 Tyrconnell Park Inchicore Dublin 8 Republic of Ireland**  
**Brian Stewart**  
**8B Valley View Terrace 68 Blue Pool Road Happy Valley Hong Kong**  
(72) Name(s) of Designer(s): **Roger Dodd and Paul Dodd and Declan Cronin**  
**and Brian Stewart**  
(45) Registration Date: **09 August 2005**  
(30) Convention priority data:  
(31) Number           (32) Date           (33) Country  
**3010311           24 Jan 2003           UNITED KINGDOM**  
(56) Related Art Documents: **Not Applicable**  
(57) Statement of Newness and Distinctiveness: **Nil**



- (21) Design Number: **15047/2004**  
(22) Date of Filing Application: **27 October 2004**  
(24) Date from which industrial property rights may have effect: **27 October 2004**  
(54) Product in respect of which the design is registered: **A left-hand vehicle fender vent and a right-hand vehicle fender vent**  
(51) International Design Classification: **12-16B**  
(71) Name(s) and Address(s) of Applicant(s):  
**Holden Ltd**  
**241 Salmon Street Port Melbourne Victoria 3207 Australia**  
(72) Name(s) of Designer(s): **Ondrej Koromhaz**  
(45) Registration Date: **09 August 2005**  
(56) Related Art Documents: **Not Applicable**  
(57) Statement of Newness and Distinctiveness: **Novelty is claimed in the shape and/or configuration of a left-hand vehicle fender vent and a right-hand vehicle fender vent as shown in the representations. The brackets marked "A" in the rear isometric views are to be disregarded.**



(21) Design Number: **15192/2004**

(22) Date of Filing Application: **08 November 2004**

(24) Date from which industrial property rights may have effect: **08 November 2004**

(54) Product in respect of which the design is registered: **Child seat base**

(51) International Design Classification: **06-01D**

(71) Name(s) and Address(s) of Applicant(s):

**Britax Excelsior Limited**  
**1 Churchill Way West Andover Hampshire SP10 3UW United Kingdom**

(72) Name(s) of Designer(s): **Adrian Batchelor**

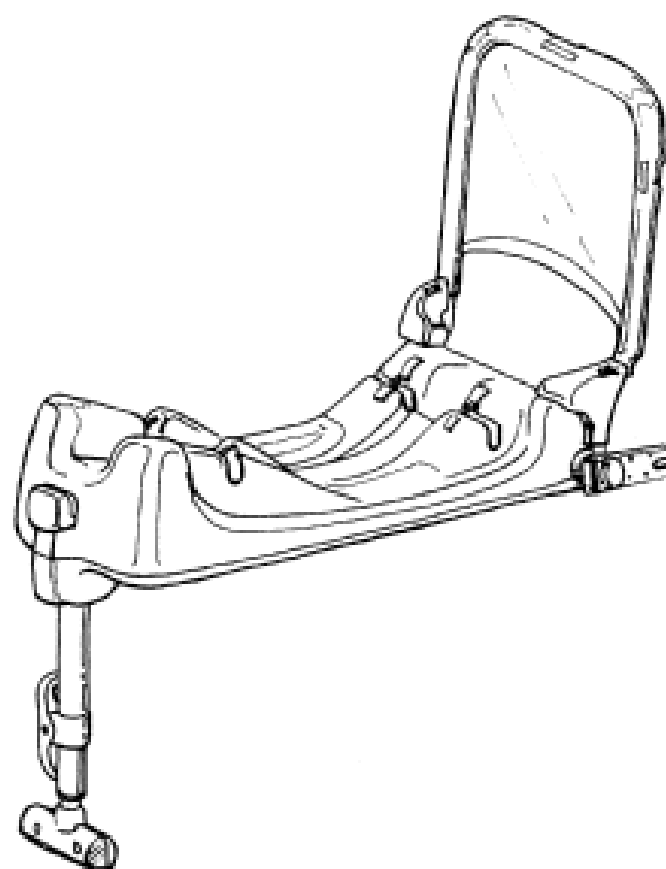
(45) Registration Date: **09 August 2005**

(30) Convention priority data:

(31) Number	(32) Date	(33) Country
<b>3017229</b>	<b>08 May 2004</b>	<b>UNITED KINGDOM</b>

(56) Related Art Documents: **Not Applicable**

(57) Statement of Newness and Distinctiveness: **Newness and distinctiveness is claimed in the features of shape and configuration of a child seat base as shown in the accompanying representations.**



(21) Design Number: **12359/2005**

(22) Date of Filing Application: **08 November 2004**

(24) Date from which industrial property rights may have effect: **08 November 2004**

(54) Product in respect of which the design is registered: **Child seat base**

(51) International Design Classification: **06-01D**

(71) Name(s) and Address(s) of Applicant(s):

**Britax Excelsior Limited**  
**1 Churchill Way West Andover Hampshire SP10 3UW United Kingdom**

(72) Name(s) of Designer(s): **Adrian Batchelor**

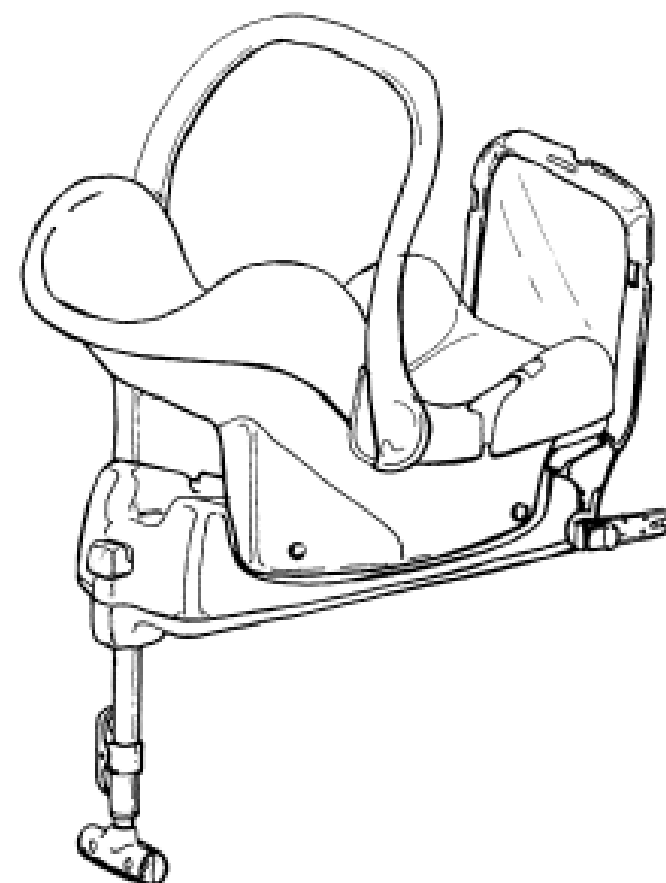
(45) Registration Date: **09 August 2005**

(30) Convention priority data:

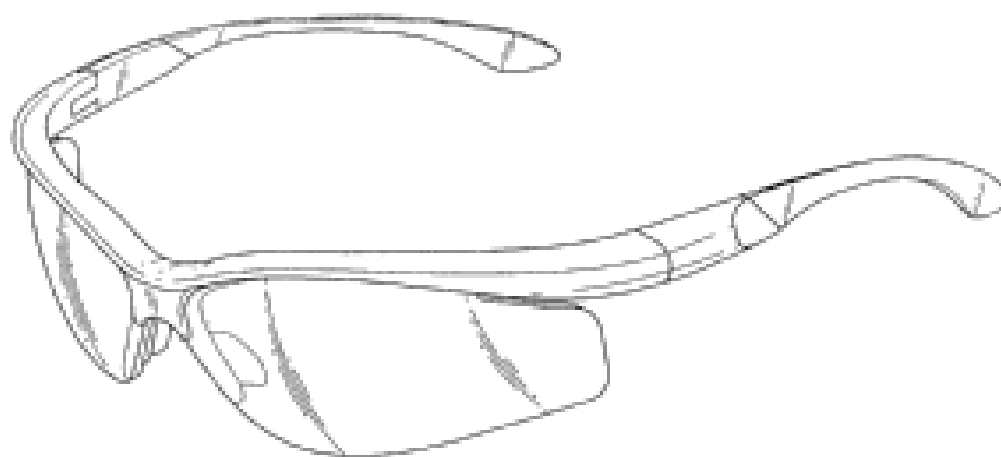
(31) Number	(32) Date	(33) Country
<b>3017229</b>	<b>08 May 2004</b>	<b>UNITED KINGDOM</b>

(56) Related Art Documents: **Not Applicable**

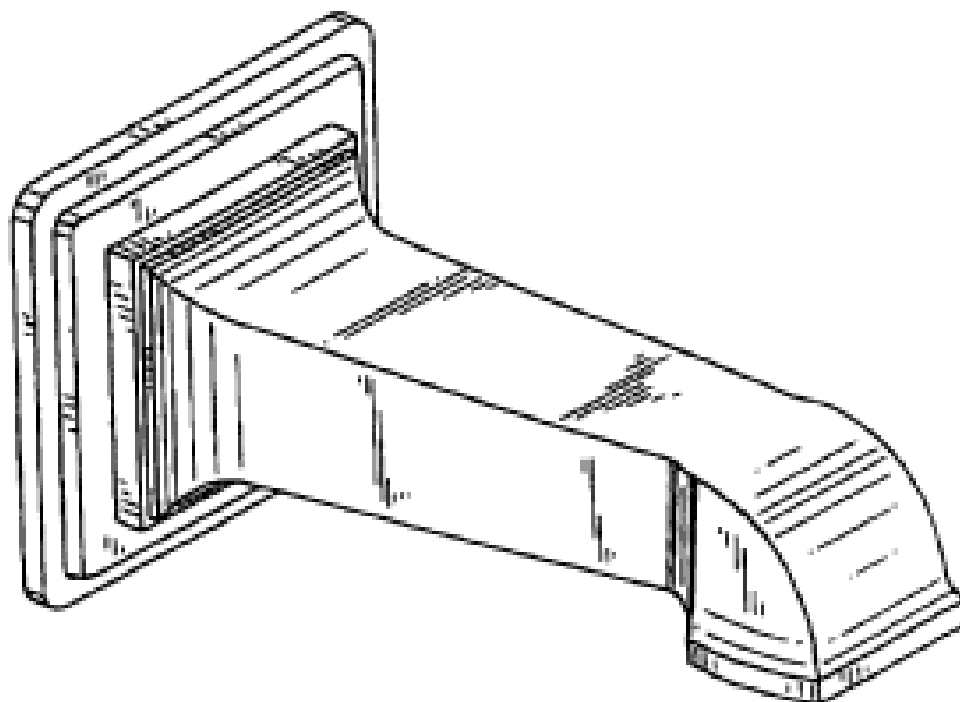
(57) Statement of Newness and Distinctiveness: **Newness and distinctiveness is claimed in the features of shape and configuration of a child seat base as shown in the accompanying representations.**



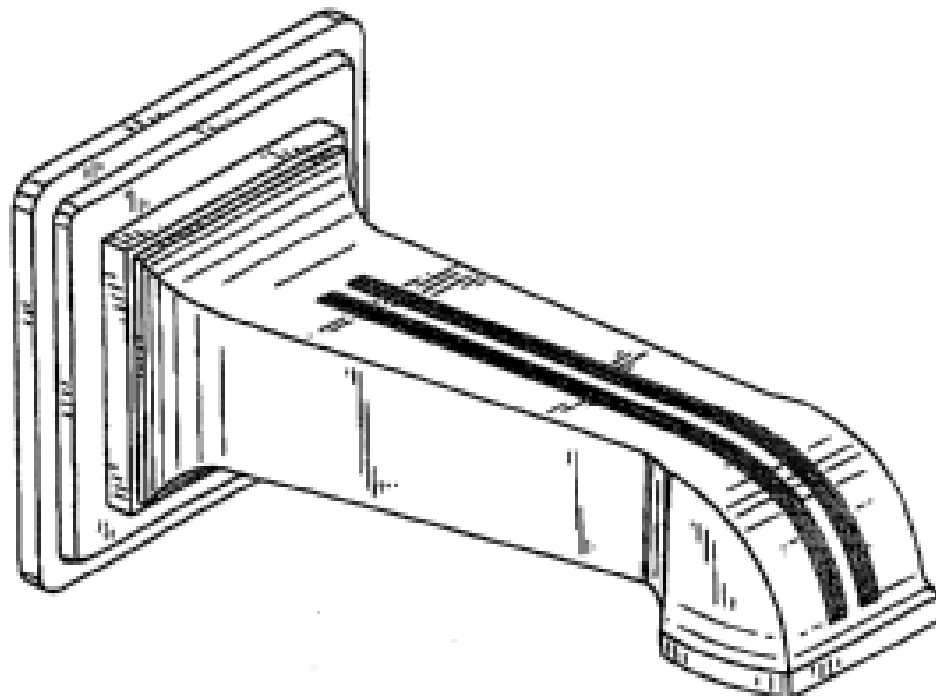
(21) Design Number: **10130/2005**  
(22) Date of Filing Application: **14 January 2005**  
(24) Date from which industrial property rights may have effect: **03 March 2004**  
(54) Product in respect of which the design is registered: **Eyeglasses**  
(51) International Design Classification: **16-06**  
(71) Name(s) and Address(s) of Applicant(s):  
**Dioptics Medical Products Inc.**  
**51 Zaca Lane San Luis Obispo California 93401 United States of America**  
(72) Name(s) of Designer(s): **Henry Welling Lane**  
(45) Registration Date: **09 August 2005**  
(62) Divisional of: **157623**  
(56) Related Art Documents: **Not Applicable**  
(57) Statement of Newness and Distinctiveness: **Nil**



(21) Design Number: **10141/2005**  
(22) Date of Filing Application: **14 January 2005**  
(24) Date from which industrial property rights may have effect: **14 January 2005**  
(54) Product in respect of which the design is registered: **Spout**  
(51) International Design Classification: **23-01H**  
(71) Name(s) and Address(s) of Applicant(s):  
**Kohler Co.**  
**444 Highland Drive Kohler WI 53044 United States of America**  
(72) Name(s) of Designer(s): **Herbert V. Kohler Jr and Howard M. Montgomery and Michael S. Smith**  
(45) Registration Date: **09 August 2005**  
(30) Convention priority data:  
(31) Number (32) Date (33) Country  
**29/209,372 15 Jul 2004 UNITED STATES OF AMERICA**  
(56) Related Art Documents: **Not Applicable**  
(57) Statement of Newness and Distinctiveness: **Nil**



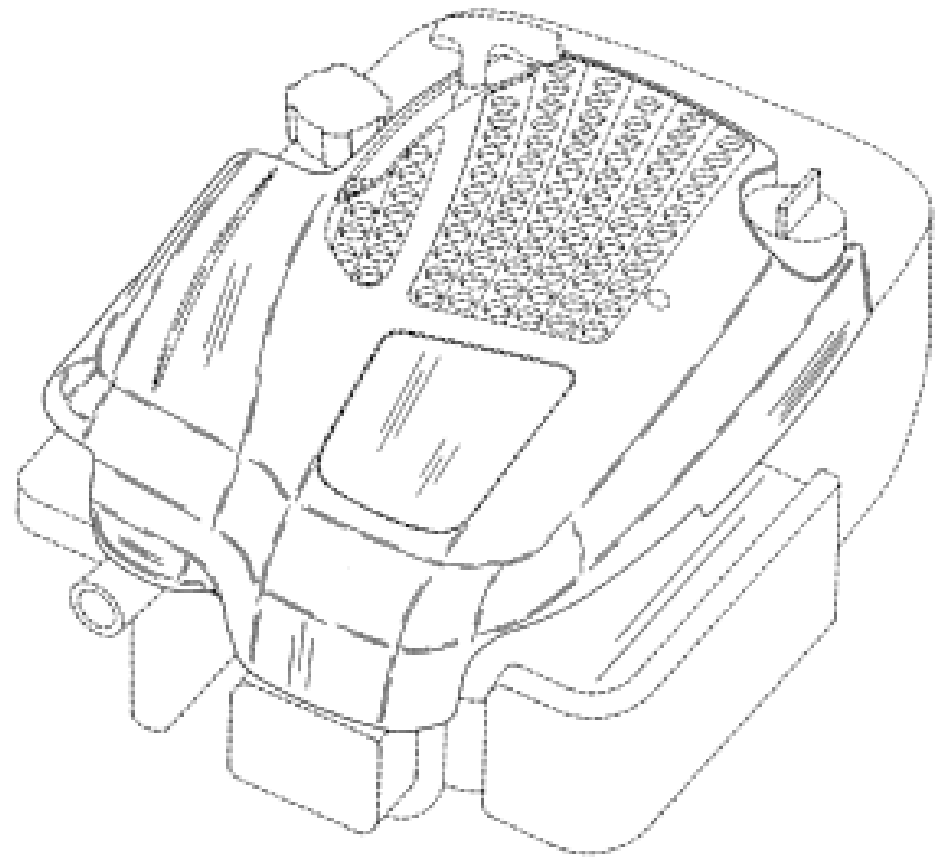
(21) Design Number: **10142/2005**  
(22) Date of Filing Application: **14 January 2005**  
(24) Date from which industrial property rights may have effect: **14 January 2005**  
(54) Product in respect of which the design is registered: **Spout**  
(51) International Design Classification: **23-01H**  
(71) Name(s) and Address(s) of Applicant(s):  
**Kohler Co.**  
**444 Highland Drive Kohler WI 53044 United States of America**  
(72) Name(s) of Designer(s): **Herbert V. Kohler Jr and Howard M. Montgomery and Michael S. Smith**  
(45) Registration Date: **09 August 2005**  
(30) Convention priority data:  
(31) Number (32) Date (33) Country  
**29/290,372 15 Jul 2004 UNITED STATES OF AMERICA**  
(56) Related Art Documents: **Not Applicable**  
(57) Statement of Newness and Distinctiveness: **Nil**



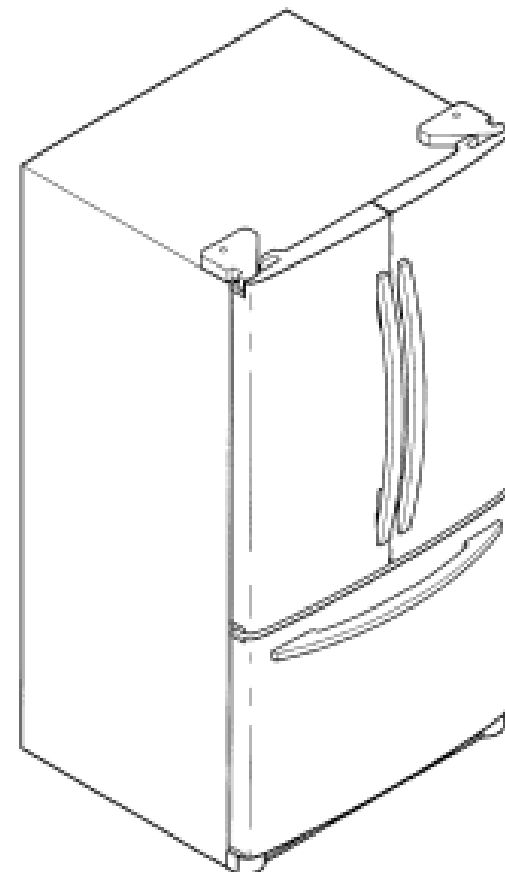
(21) Design Number: **10205/2005**  
(22) Date of Filing Application: **20 January 2005**  
(24) Date from which industrial property rights may have effect: **20 January 2005**  
(54) Product in respect of which the design is registered: **A drainage grate**  
(51) International Design Classification: **23-02NES**  
(71) Name(s) and Address(s) of Applicant(s):  
**Kevin Bruce**  
**289 Bridge Street Thirlmere New South Wales 2572 Australia**  
**John Gosbee**  
**289 Bridge Street Thirlmere New South Wales 2572 Australia**  
(72) Name(s) of Designer(s): **Kevin Douglas Bruce and John Macarthur Gosbee**  
(45) Registration Date: **09 August 2005**  
(56) Related Art Documents: **Not Applicable**  
(57) Statement of Newness and Distinctiveness: **Monopoly is claimed in the shape and design of drainage grate as shown in representations.**



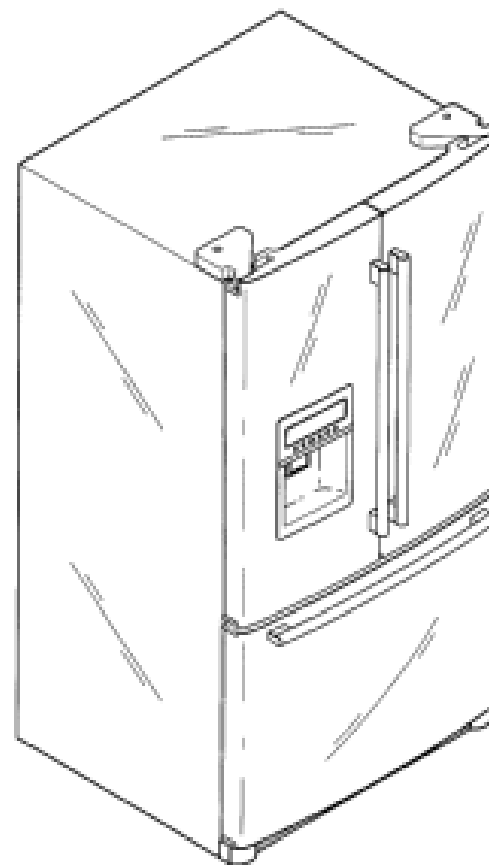
- (21) Design Number: **10220/2005**  
(22) Date of Filing Application: **21 January 2005**  
(24) Date from which industrial property rights may have effect: **21 January 2005**  
(54) Product in respect of which the design is registered: **Cover for an engine**  
(51) International Design Classification: **15-01**  
(71) Name(s) and Address(s) of Applicant(s):  
**Briggs & Stratton Corporation**  
**12301 West Wirth Street Wauwatosa Wisconsin 53222 United States of America**  
(72) Name(s) of Designer(s): **Dale Diulio**  
(45) Registration Date: **09 August 2005**  
(30) Convention priority data:  
(31) Number (32) Date (33) Country  
**29/211,011 10 Aug 2004 UNITED STATES OF AMERICA**  
(56) Related Art Documents: **Not Applicable**  
(57) Statement of Newness and Distinctiveness: **Newness and distinctiveness are provided by the shape and/or configuration of the design shown in the representations. The features shown in broken lines in the representations are for illustrative purposes only and should not be considered when construing visual features of the design.**



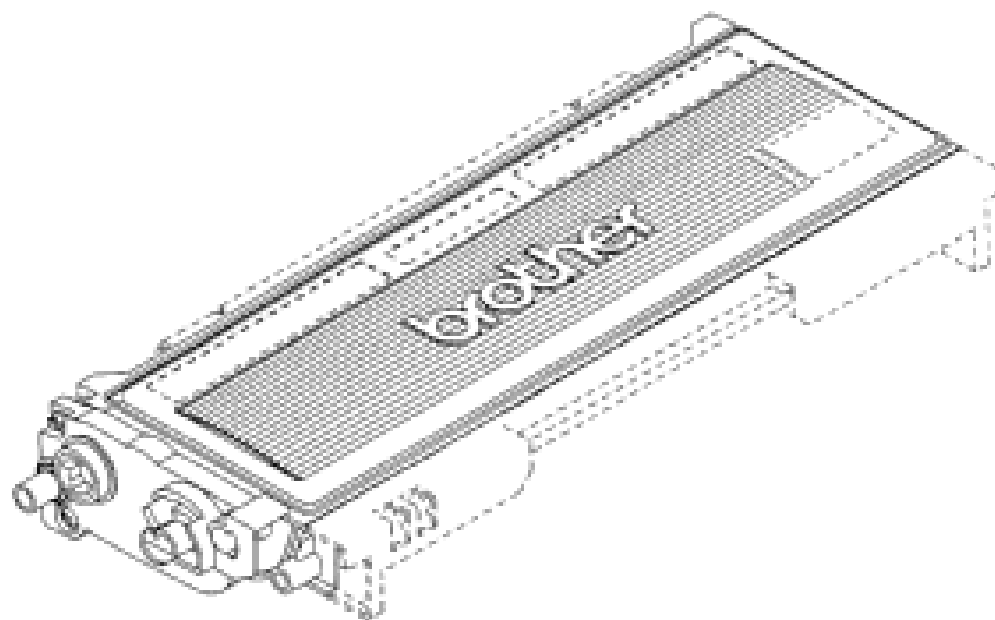
- (21) Design Number: **10221/2005**  
(22) Date of Filing Application: **21 January 2005**  
(24) Date from which industrial property rights may have effect: **21 January 2005**  
(54) Product in respect of which the design is registered: **Refrigerator**  
(51) International Design Classification: **15-07**  
(71) Name(s) and Address(s) of Applicant(s):  
**LG Electronics Inc.**  
**20 Yoido-dong Youngdungpo-ku Seoul Korea**  
(72) Name(s) of Designer(s): **Sang Sin Kwak and Kun Jun Seok**  
(45) Registration Date: **09 August 2005**  
(30) Convention priority data:  
(31) Number (32) Date (33) Country  
**30-2004-0022264 21 Jul 2004 REPUBLIC OF KOREA**  
(56) Related Art Documents: **Not Applicable**  
(57) Statement of Newness and Distinctiveness: **Nil**



(21) Design Number: **10222/2005**  
(22) Date of Filing Application: **21 January 2005**  
(24) Date from which industrial property rights may have effect: **21 January 2005**  
(54) Product in respect of which the design is registered: **Refrigerator**  
(51) International Design Classification: **15-07**  
(71) Name(s) and Address(s) of Applicant(s):  
**LG Electronics Inc.**  
**20 Yoido-dong Youngdungpo-ku Seoul Korea**  
(72) Name(s) of Designer(s): **Kun Jun Seok and Kyeong Chul Cho**  
(45) Registration Date: **09 August 2005**  
(30) Convention priority data:  
(31) Number (32) Date (33) Country  
**30-2004-0022338 22 Jul 2004 REPUBLIC OF KOREA**  
(56) Related Art Documents: **Not Applicable**  
(57) Statement of Newness and Distinctiveness: **Nil**



(21) Design Number: **10223/2005**  
(22) Date of Filing Application: **21 January 2005**  
(24) Date from which industrial property rights may have effect: **21 January 2005**  
(54) Product in respect of which the design is registered: **Toner cartridge**  
(51) International Design Classification: **14-02, 16-03**  
(71) Name(s) and Address(s) of Applicant(s):  
**Brother Industries Ltd**  
**15-1 Naeshiro-cho Mizuho-ku Nagoya-shi Aichi-ken Japan**  
(72) Name(s) of Designer(s): **Makoto Ishi and Fumio Morita and Fumikaza Sato**  
(45) Registration Date: **09 August 2005**  
(30) Convention priority data:  
(31) Number (32) Date (33) Country  
**2004-024373 13 Aug 2004 JAPAN**  
(56) Related Art Documents: **Not Applicable**  
(57) Statement of Newness and Distinctiveness: **Monopoly is claimed in the shape and configuration of the features of the article as depicted in the accompanying representations. The applicant claims monopoly in the features of the article depicted in solid lines. No monopoly is claimed in the features depicted by broken lines or in the wording in the accompanying representations.**



- (21) Design Number: **14481/2004**
- (22) Date of Filing Application: **20 September 2004**
- (24) Date from which industrial property rights may have effect: **20 September 2004**
- (54) Product in respect of which the design is registered: **A trailer**
- (51) International Design Classification: **12-10**
- (71) Name(s) and Address(s) of Applicant(s):  
**Mossy Enterprises Pty Ltd**  
**Suite 3A Level 12 The Corp Ctr Cnr Bundall Road & Slayter Ave**  
**Bundall Queensland 4217 Australia**
- (72) Name(s) of Designer(s): **Aaron Rodd**
- (45) Registration Date: **10 August 2005**
- (56) Related Art Documents: **Not Applicable**
- (57) Statement of Newness and Distinctiveness: **The new and distinctive visual features of the trailer comprise the shape and configuration of the body of the trailer.**



- (21) Design Number: **14482/2004**
- (22) Date of Filing Application: **20 September 2004**
- (24) Date from which industrial property rights may have effect: **20 September 2004**
- (54) Product in respect of which the design is registered: **A trailer body**
- (51) International Design Classification: **12-10**
- (71) Name(s) and Address(s) of Applicant(s):  
**Mossy Enterprises Pty Ltd**  
**Suite 3A Level 12 The Corp Ctr Cnr Bundall Road & Slayter Ave**  
**Bundall Queensland 4217 Australia**
- (72) Name(s) of Designer(s): **Aaron Rodd**
- (45) Registration Date: **10 August 2005**
- (56) Related Art Documents: **Not Applicable**
- (57) Statement of Newness and Distinctiveness: **The new and distinctive visual features of the trailer body comprise the pattern and ornamentation of the trailer body.**





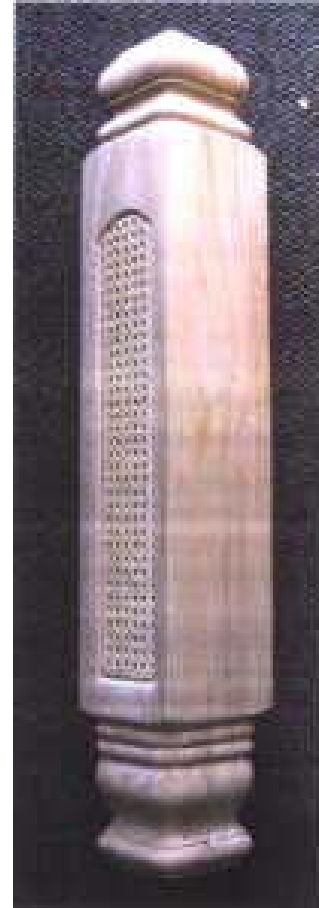
- (21) Design Number: **15001/2004**  
(22) Date of Filing Application: **25 October 2004**  
(24) Date from which industrial property rights may have effect: **25 October 2004**  
(54) Product in respect of which the design is registered: **A sheep feeder**  
(51) International Design Classification: **30-03**  
(71) Name(s) and Address(s) of Applicant(s):  
**Meryvn McCrystal**  
**33 Fox Street Narrogin Western Australia 6312 Australia**  
(72) Name(s) of Designer(s): **Meryvn McCrystal**  
(45) Registration Date: **10 August 2005**  
(56) Related Art Documents: **Not Applicable**  
(57) Statement of Newness and Distinctiveness: **Nil**



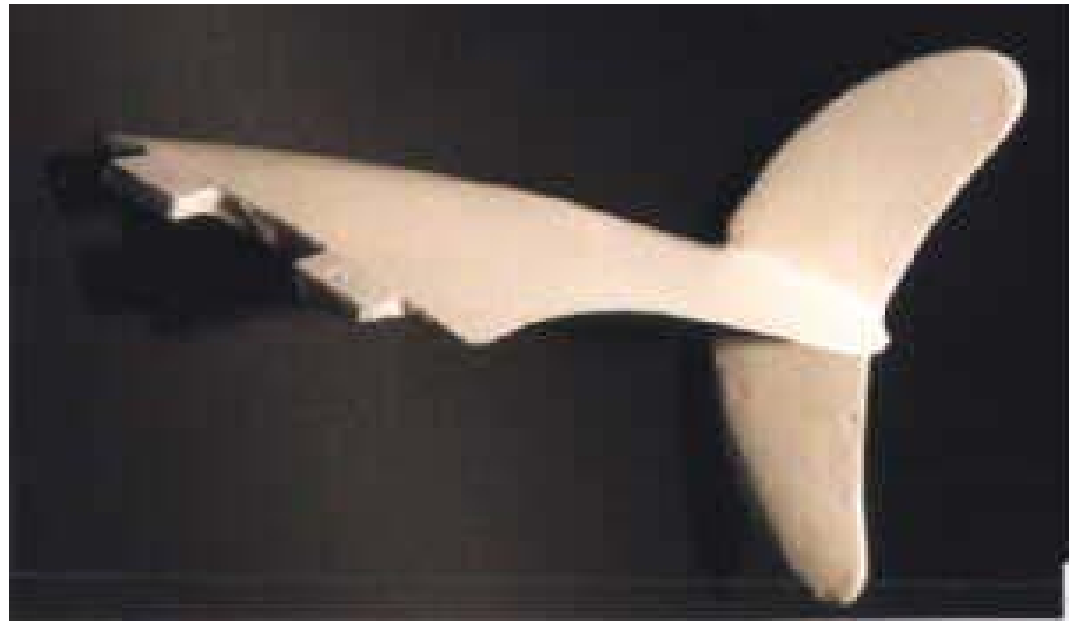
- (21) Design Number: **15685/2004**  
(22) Date of Filing Application: **09 December 2004**  
(24) Date from which industrial property rights may have effect: **09 December 2004**  
(54) Product in respect of which the design is registered: **Insulated container**  
(51) International Design Classification: **09-01D, 07-07A**  
(71) Name(s) and Address(s) of Applicant(s):  
**Lazaro Dorian**  
**Suite 2011 Harbour Plaza Hongkong 20 Tak Fung Street Hong Kong**  
(72) Name(s) of Designer(s): **Lazaro Dorian**  
(45) Registration Date: **10 August 2005**  
(56) Related Art Documents: **Not Applicable**  
(57) Statement of Newness and Distinctiveness: **Nil**



- (21) Design Number: **15755/2004**  
(22) Date of Filing Application: **13 December 2004**  
(24) Date from which industrial property rights may have effect: **13 December 2004**  
(54) Product in respect of which the design is registered: **Furniture leg**  
(51) International Design Classification: **06-06E, 06-06F, 06-06G**  
(71) Name(s) and Address(s) of Applicant(s):  
**Wilson Woodturning Pty Ltd**  
**12 Quindus Street Beenleigh Queensland 4207 Australia**  
(72) Name(s) of Designer(s): **Darrell Victor Wilson**  
(45) Registration Date: **10 August 2005**  
(56) Related Art Documents: **Not Applicable**  
(57) Statement of Newness and Distinctiveness: **Those visual features of the furniture leg depicted in the representations that is/are new and distinctive is/are the shape and/or configuration. The turned features of the end of the leg do not form part of the design.**



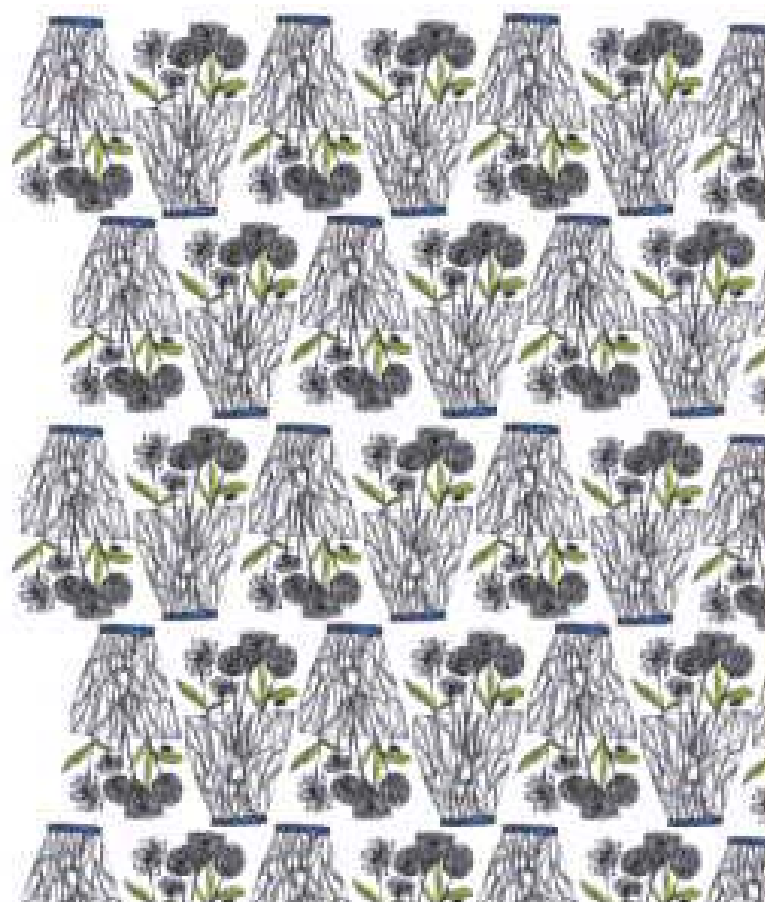
- (21) Design Number: **15901/2004**  
(22) Date of Filing Application: **23 December 2004**  
(24) Date from which industrial property rights may have effect: **23 December 2004**  
(54) Product in respect of which the design is registered: **A surfboard fin**  
(51) International Design Classification: **21-02D**  
(71) Name(s) and Address(s) of Applicant(s):  
**Larry Malcom Kershaw**  
**1/6 Avocet Parade Peregrin Beach Queensland 4573 Australia**  
(72) Name(s) of Designer(s): **Larry Malcom Kershaw**  
(45) Registration Date: **10 August 2005**  
(56) Related Art Documents: **Not Applicable**  
(57) Statement of Newness and Distinctiveness: **Dolfin has a new horizontal fin shape with a flat underside of lateral with inside foil. The top leading edge of lateral has convex front foiled down to the back with a fine edge.**



- (21) Design Number: **10026/2005**  
(22) Date of Filing Application: **06 January 2005**  
(24) Date from which industrial property rights may have effect: **06 January 2005**  
(54) Product in respect of which the design is registered: **A bottle**  
(51) International Design Classification: **09-01A**  
(71) Name(s) and Address(s) of Applicant(s):  
**Reckitt Benckiser N.V.**  
**Kantoorgebouw de Appelaer De Fruittuinen 2-12 2132 NZ Hoofddorp**  
**The Netherlands**  
(72) Name(s) of Designer(s): **Steven Frederick Kelsey and Christopher Dumont**  
(45) Registration Date: **10 August 2005**  
(30) Convention priority data:  
(31) Number (32) Date (33) Country  
**000199369 08 Jul 2004 EUROPEAN COMMUNITY**  
(56) Related Art Documents: **Not Applicable**  
(57) Statement of Newness and Distinctiveness: **Each feature of the design considered separately or in combination with any other feature or features.**



- (21) Design Number: **10039/2005**  
(22) Date of Filing Application: **10 January 2005**  
(24) Date from which industrial property rights may have effect: **10 January 2005**  
(54) Product in respect of which the design is registered: **Textile**  
(51) International Design Classification: **05-05A**  
(71) Name(s) and Address(s) of Applicant(s):  
**Kenneth Stephen Done**  
**17 Thurlow Street Redfern New South Wales 2016 Australia**  
(72) Name(s) of Designer(s): **Kenneth Stephen Done**  
(45) Registration Date: **10 August 2005**  
(56) Related Art Documents: **Not Applicable**  
(57) Statement of Newness and Distinctiveness: **Nil**



(21) Design Number: **10040/2005**  
(22) Date of Filing Application: **10 January 2005**  
(24) Date from which industrial property rights may have effect: **10 January 2005**  
(54) Product in respect of which the design is registered: **Textile**  
(51) International Design Classification: **05-05C**  
(71) Name(s) and Address(s) of Applicant(s):  
**Kenneth Stephen Done**  
**17 Thurlow Street Redfern New South Wales 2016 Australia**  
(72) Name(s) of Designer(s): **Kenneth Stephen Done**  
(45) Registration Date: **10 August 2005**  
(56) Related Art Documents: **Not Applicable**  
(57) Statement of Newness and Distinctiveness: **Nil**



(21) Design Number: **10041/2005**  
(22) Date of Filing Application: **10 January 2005**  
(24) Date from which industrial property rights may have effect: **10 January 2005**  
(54) Product in respect of which the design is registered: **Textile**  
(51) International Design Classification: **05-05C**  
(71) Name(s) and Address(s) of Applicant(s):  
**Kenneth Stephen Done**  
**17 Thurlow Street Redfern New South Wales 2016 Australia**  
(72) Name(s) of Designer(s): **Kenneth Stephen Done**  
(45) Registration Date: **10 August 2005**  
(56) Related Art Documents: **Not Applicable**  
(57) Statement of Newness and Distinctiveness: **Nil**



- (21) Design Number: **10042/2005**
- (22) Date of Filing Application: **10 January 2005**
- (24) Date from which industrial property rights may have effect: **10 January 2005**
- (54) Product in respect of which the design is registered: **Upper body garment**
- (51) International Design Classification: **02-02NES**
- (71) Name(s) and Address(s) of Applicant(s):  
**Kenneth Stephen Done**  
**17 Thurlow Street Redfern New South Wales 2016 Australia**
- (72) Name(s) of Designer(s): **Kenneth Stephen Done**
- (45) Registration Date: **10 August 2005**
- (56) Related Art Documents: **Not Applicable**
- (57) Statement of Newness and Distinctiveness: **Nil**



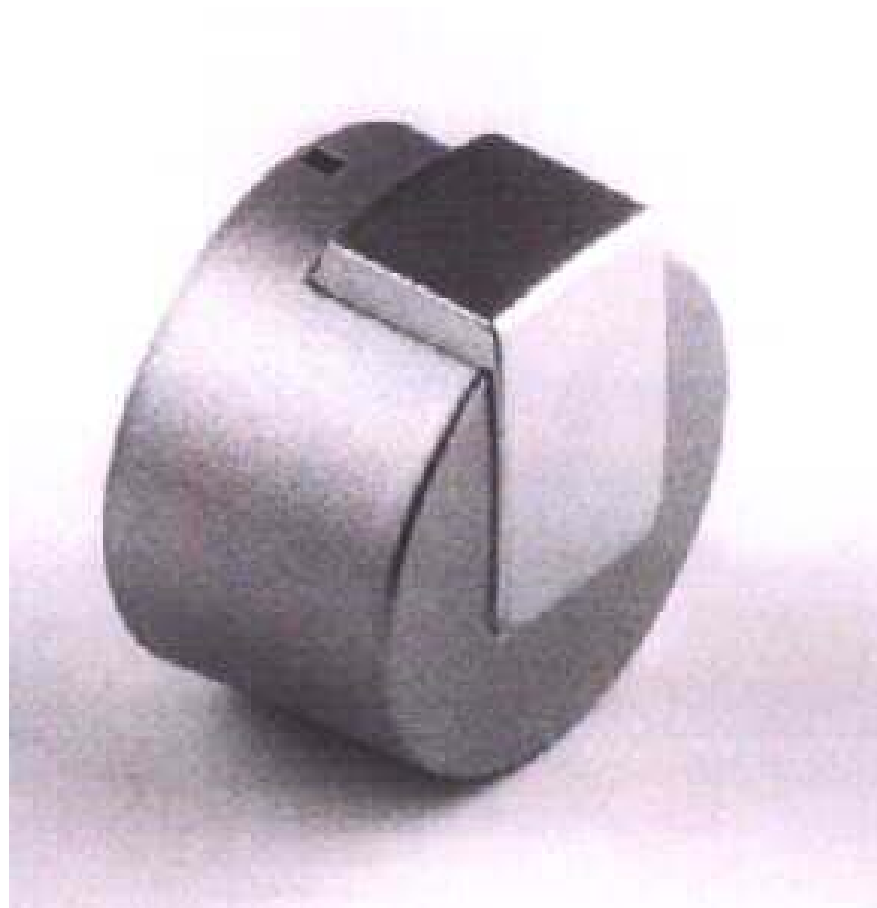
- (21) Design Number: **10157/2005**
- (22) Date of Filing Application: **17 January 2005**
- (24) Date from which industrial property rights may have effect: **17 January 2005**
- (54) Product in respect of which the design is registered: **Espresso tamper**
- (51) International Design Classification: **07-02L**
- (71) Name(s) and Address(s) of Applicant(s):  
**Stephen Bailey**  
**45 Merriwa Street Katoomba New South Wales 2780 Australia**
- (72) Name(s) of Designer(s): **Stephen Bailey**
- (45) Registration Date: **10 August 2005**
- (56) Related Art Documents: **Not Applicable**
- (57) Statement of Newness and Distinctiveness: **The new features of the design are the shape and the ergonomic soft cushioning for the fingers and palm.**



(21) Design Number: **10511/2005**  
(22) Date of Filing Application: **09 February 2005**  
(24) Date from which industrial property rights may have effect: **09 February 2005**  
(54) Product in respect of which the design is registered: **An oven**  
(51) International Design Classification: **07-02A**  
(71) Name(s) and Address(s) of Applicant(s):  
**Electrolux Home Products Corporation N.V.**  
**Belgicastraat 17 Zaventem B-1930 Belgium**  
(72) Name(s) of Designer(s): **Heinz-Peter Huxhold and Michael Thoenissen**  
(45) Registration Date: **10 August 2005**  
(30) Convention priority data:  
(31) Number      (32) Date      (33) Country  
**4 04 04 558.8      13 Aug 2004      GERMANY**  
(56) Related Art Documents: **Not Applicable**  
(57) Statement of Newness and Distinctiveness: **Nil**



(21) Design Number: **10512/2005**  
(22) Date of Filing Application: **09 February 2005**  
(24) Date from which industrial property rights may have effect: **09 February 2005**  
(54) Product in respect of which the design is registered: **A knob**  
(51) International Design Classification: **07-02A, 13-03D**  
(71) Name(s) and Address(s) of Applicant(s):  
**Electrolux Home Products Corporation N.V.**  
**Belgicastraat 17 Zaventem B-1930 Belgium**  
(72) Name(s) of Designer(s): **Heinz-Peter Huxhold and Michael Thoenissen**  
(45) Registration Date: **10 August 2005**  
(30) Convention priority data:  
(31) Number      (32) Date      (33) Country  
**4 04 04 556.1      13 Aug 2004      GERMANY**  
(56) Related Art Documents: **Not Applicable**  
(57) Statement of Newness and Distinctiveness: **Nil**



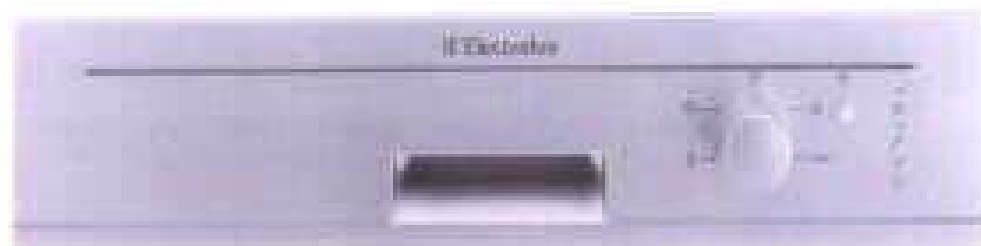
(21) Design Number: **10513/2005**  
(22) Date of Filing Application: **09 February 2005**  
(24) Date from which industrial property rights may have effect: **09 February 2005**  
(54) Product in respect of which the design is registered: **A handle**  
(51) International Design Classification: **08-06, 07-02A**  
(71) Name(s) and Address(s) of Applicant(s):  
**Electrolux Home Products Corporation N.V.**  
**Belgicastraat 17 Zaventem B-1930 Belgium**  
(72) Name(s) of Designer(s): **Heinz-Peter Huxhold and Michael Thoenissen**  
(45) Registration Date: **10 August 2005**  
(30) Convention priority data:  
(31) Number      (32) Date      (33) Country  
**4 04 04 556.1      13 Aug 2004      GERMANY**  
(56) Related Art Documents: **Not Applicable**  
(57) Statement of Newness and Distinctiveness: **Nil**



(21) Design Number: **10514/2005**  
(22) Date of Filing Application: **09 February 2005**  
(24) Date from which industrial property rights may have effect: **09 February 2005**  
(54) Product in respect of which the design is registered: **A control panel for a dishwasher**  
(51) International Design Classification: **15-05**  
(71) Name(s) and Address(s) of Applicant(s):  
**Electrolux Home Products Corporation N.V.**  
**Belgicastraat 17 Zaventem B-1930 Belgium**  
(72) Name(s) of Designer(s): **Michael Knochner**  
(45) Registration Date: **10 August 2005**  
(30) Convention priority data:  
(31) Number      (32) Date      (33) Country  
**4 04 04 562.6      13 Aug 2004      GERMANY**  
(56) Related Art Documents: **Not Applicable**  
(57) Statement of Newness and Distinctiveness: **Nil**



- (21) Design Number: **10515/2005**  
(22) Date of Filing Application: **09 February 2005**  
(24) Date from which industrial property rights may have effect: **09 February 2005**  
(54) Product in respect of which the design is registered: **A control panel for a dishwasher**  
(51) International Design Classification: **15-05**  
(71) Name(s) and Address(s) of Applicant(s):  
**Electrolux Home Products Corporation N.V.**  
**Belgicastraat 17 Zaventem B-1930 Belgium**  
(72) Name(s) of Designer(s): **Michael Knochner**  
(45) Registration Date: **10 August 2005**  
(30) Convention priority data:  
(31) Number      (32) Date      (33) Country  
**4 04 04 562.6      13 Aug 2004      GERMANY**  
(56) Related Art Documents: **Not Applicable**  
(57) Statement of Newness and Distinctiveness: **Nil**

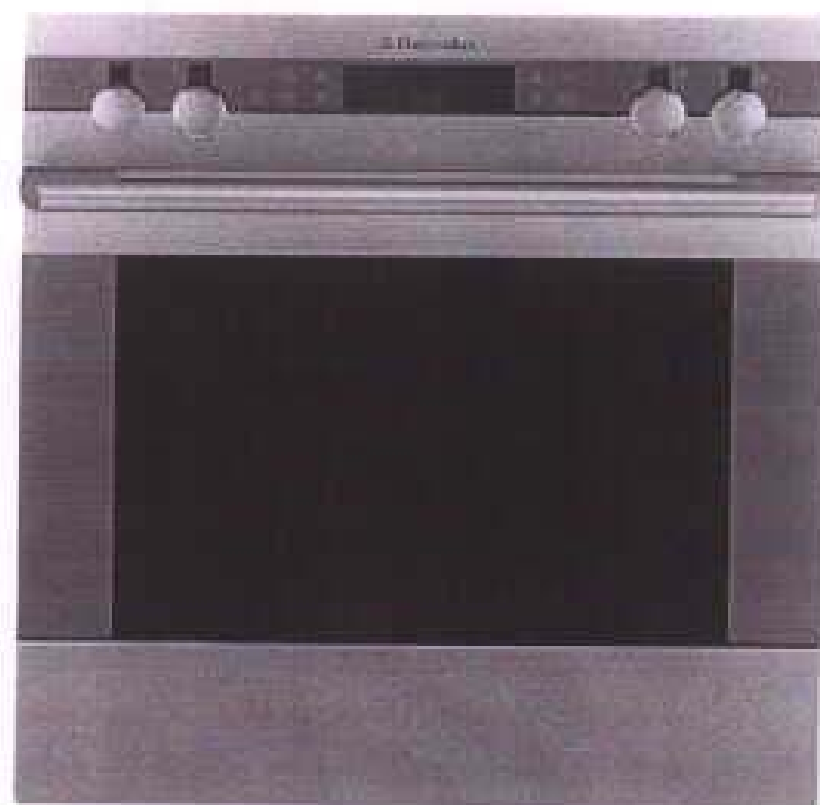


- (21) Design Number: **10516/2005**  
(22) Date of Filing Application: **09 February 2005**  
(24) Date from which industrial property rights may have effect: **09 February 2005**  
(54) Product in respect of which the design is registered: **An oven**  
(51) International Design Classification: **07-02A**  
(71) Name(s) and Address(s) of Applicant(s):  
**Electrolux Home Products Corporation N.V.**  
**Belgicastraat 17 Zaventem B-1930 Belgium**  
(72) Name(s) of Designer(s): **Heinz-Peter Huxhold and Michael Thoenissen**  
(45) Registration Date: **10 August 2005**  
(30) Convention priority data:  
(31) Number      (32) Date      (33) Country  
**4 04 04 558.8      13 Aug 2004      GERMANY**  
(56) Related Art Documents: **Not Applicable**  
(57) Statement of Newness and Distinctiveness: **Nil**

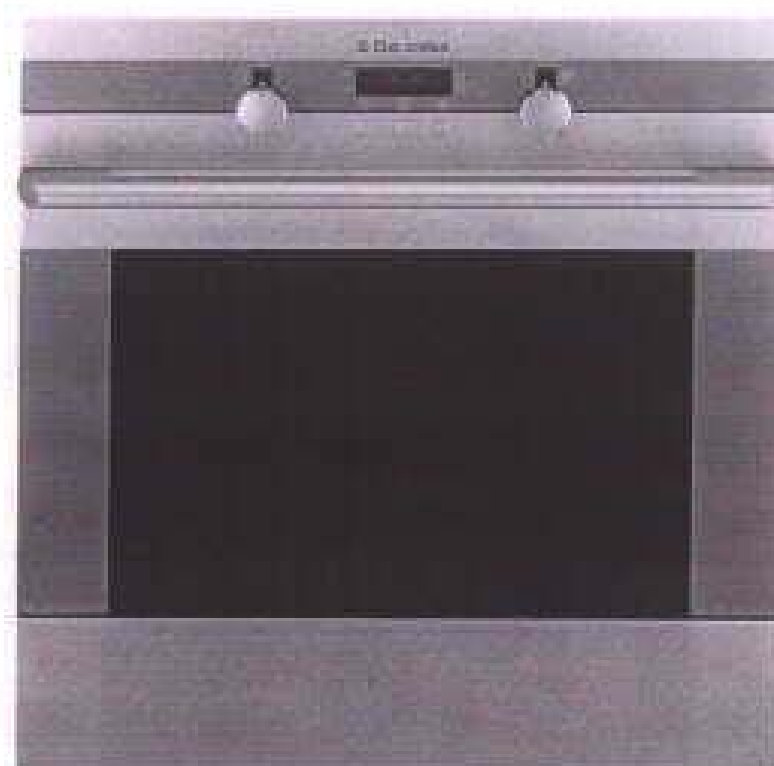




(21) Design Number: **10517/2005**  
(22) Date of Filing Application: **09 February 2005**  
(24) Date from which industrial property rights may have effect: **09 February 2005**  
(54) Product in respect of which the design is registered: **An oven**  
(51) International Design Classification: **07-02A**  
(71) Name(s) and Address(s) of Applicant(s):  
**Electrolux Home Products Corporation N.V.**  
**Belgicastraat 17 Zaventem B-1930 Belgium**  
(72) Name(s) of Designer(s): **Heinz-Peter Huxhold and Michael Thoenissen**  
(45) Registration Date: **10 August 2005**  
(30) Convention priority data:  
(31) Number      (32) Date      (33) Country  
**4 04 04 558.8      13 Aug 2004      GERMANY**  
(56) Related Art Documents: **Not Applicable**  
(57) Statement of Newness and Distinctiveness: **Nil**



(21) Design Number: **10518/2005**  
(22) Date of Filing Application: **09 February 2005**  
(24) Date from which industrial property rights may have effect: **09 February 2005**  
(54) Product in respect of which the design is registered: **An oven**  
(51) International Design Classification: **07-02A**  
(71) Name(s) and Address(s) of Applicant(s):  
**Electrolux Home Products Corporation N.V.**  
**Belgicastraat 17 Zaventem B-1930 Belgium**  
(72) Name(s) of Designer(s): **Heinz-Peter Huxhold and Michael Thoenissen**  
(45) Registration Date: **10 August 2005**  
(30) Convention priority data:  
(31) Number      (32) Date      (33) Country  
**4 04 04 558.8      13 Aug 2004      GERMANY**  
(56) Related Art Documents: **Not Applicable**  
(57) Statement of Newness and Distinctiveness: **Nil**



(21) Design Number: **10587/2005**  
(22) Date of Filing Application: **15 February 2005**  
(24) Date from which industrial property rights may have effect: **15 February 2005**  
(54) Product in respect of which the design is registered: **Headwear**  
(51) International Design Classification: **02-03**  
(71) Name(s) and Address(s) of Applicant(s):

**Paul Loader**  
**14 Galaxy Drive Mairangi Bay Auckland New Zealand**

(72) Name(s) of Designer(s): **Paul Loader**

(45) Registration Date: **10 August 2005**

(30) Convention priority data:

(31) Number	(32) Date	(33) Country
<b>405192</b>	<b>20 Aug 2004</b>	<b>NEW ZEALAND</b>

(56) Related Art Documents: **Not Applicable**

(57) Statement of Newness and Distinctiveness: **Newness and distinctiveness is claimed in the features of shape, form and/or configuration as shown in the representations, but wherein newness and distinctiveness is not claimed in respect of the length of the sides highlighted in blue on the lay flat condition view.**



(21) Design Number: **10611/2005**  
(22) Date of Filing Application: **16 February 2005**  
(24) Date from which industrial property rights may have effect: **16 February 2005**  
(54) Product in respect of which the design is registered: **A support footing for windows and doors**  
(51) International Design Classification: **25-01C**  
(71) Name(s) and Address(s) of Applicant(s):

**G & G Aluminium & Glass Installations Pty Ltd**  
**4 Evergreen Drive Elanora Queensland 4221 Australia**

(72) Name(s) of Designer(s): **Geoffrey Robert Gooch**

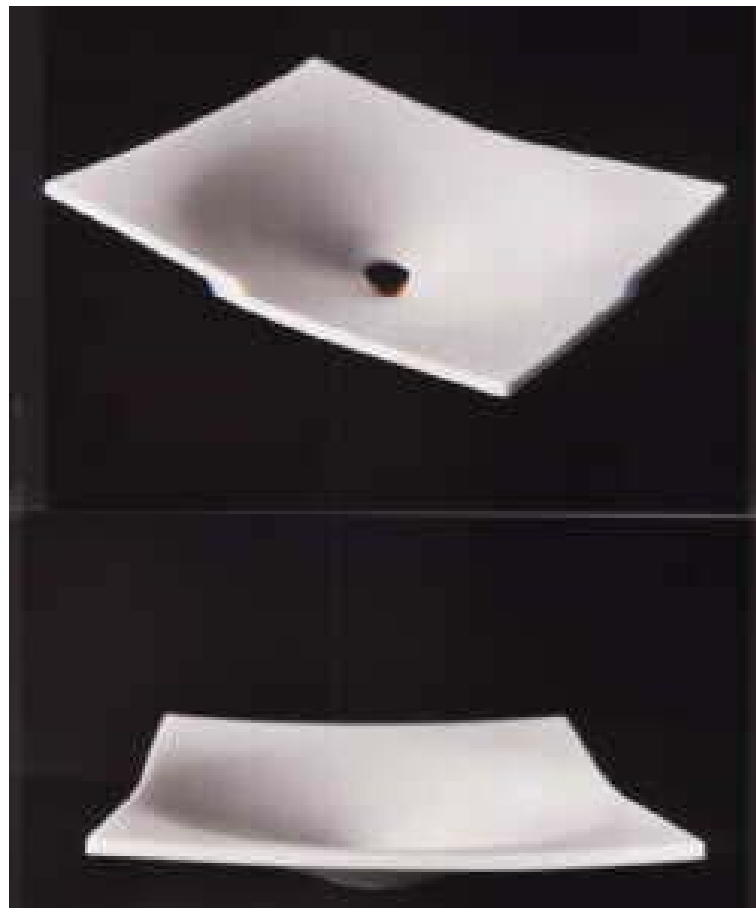
(45) Registration Date: **10 August 2005**

(56) Related Art Documents: **Not Applicable**

(57) Statement of Newness and Distinctiveness: **Nil**



(21) Design Number: **10778/2005**  
(22) Date of Filing Application: **28 February 2005**  
(24) Date from which industrial property rights may have effect: **28 February 2005**  
(54) Product in respect of which the design is registered: **Pond wash basin**  
(51) International Design Classification: **23-02F**  
(71) Name(s) and Address(s) of Applicant(s):  
**David Paonetti**  
**Lot 1 Tankerton Road French Island Victoria 3921 Australia**  
(72) Name(s) of Designer(s): **David Paonetti**  
(45) Registration Date: **10 August 2005**  
(56) Related Art Documents: **Not Applicable**  
(57) Statement of Newness and Distinctiveness: **Nil**



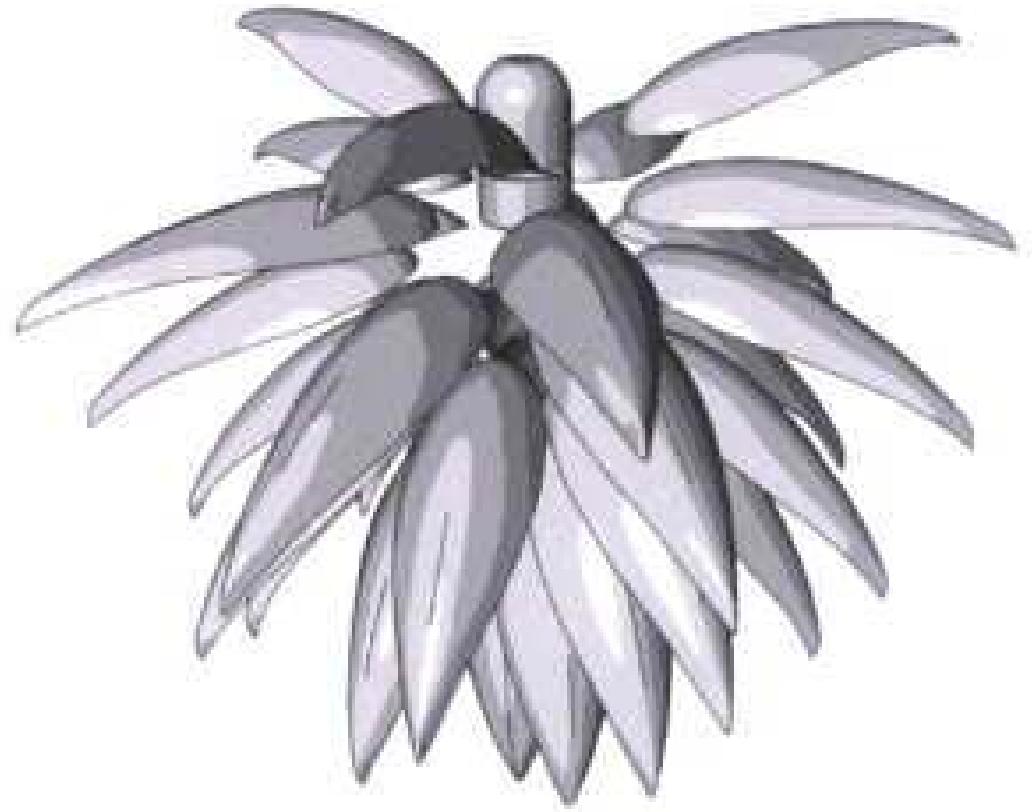
(21) Design Number: **10783/2005**  
(22) Date of Filing Application: **01 March 2005**  
(24) Date from which industrial property rights may have effect: **01 March 2005**  
(54) Product in respect of which the design is registered: **Lamps - standing/table**  
(51) International Design Classification: **26-05B**  
(71) Name(s) and Address(s) of Applicant(s):  
**Jeremy Cole**  
**74c Castellain Road London W9 1EX United Kingdom**  
(72) Name(s) of Designer(s): **Jeremy Cole**  
(45) Registration Date: **10 August 2005**  
(30) Convention priority data:  

(31) Number	(32) Date	(33) Country
<b>3018721</b>	<b>14 Sep 2004</b>	<b>UNITED KINGDOM</b>

  
(56) Related Art Documents: **Not Applicable**  
(57) Statement of Newness and Distinctiveness: **Nil**



(21) Design Number: **10784/2005**  
(22) Date of Filing Application: **01 March 2005**  
(24) Date from which industrial property rights may have effect: **01 March 2005**  
(54) Product in respect of which the design is registered: **Lamps - pendant/ceiling**  
(51) International Design Classification: **26-05D**  
(71) Name(s) and Address(s) of Applicant(s):  
**Jeremy Cole**  
**74c Castellain Road London W9 1EX United Kingdom**  
(72) Name(s) of Designer(s): **Jeremy Cole**  
(45) Registration Date: **10 August 2005**  
(30) Convention priority data:  
(31) Number      (32) Date      (33) Country  
**3018722      14 Sep 2004      UNITED KINGDOM**  
(56) Related Art Documents: **Not Applicable**  
(57) Statement of Newness and Distinctiveness: **Nil**



(21) Design Number: **10855/2005**  
(22) Date of Filing Application: **04 March 2005**  
(24) Date from which industrial property rights may have effect: **04 March 2005**  
(54) Product in respect of which the design is registered: **Insert for waste receptacle**  
(51) International Design Classification: **09-09**  
(71) Name(s) and Address(s) of Applicant(s):  
**Attwood Banner Pty Ltd**  
**21 Foden Avenue Campbellfield Victoria 3061 Australia**  
(72) Name(s) of Designer(s): **Gary Marshall**  
(45) Registration Date: **10 August 2005**  
(56) Related Art Documents: **Not Applicable**  
(57) Statement of Newness and Distinctiveness: **Newness and distinctiveness is claimed in the visual features of shape and/or configuration as applied to an insert for a waste receptacle as illustrated in the representations.**



- (21) Design Number: **10856/2005**
- (22) Date of Filing Application: **04 March 2005**
- (24) Date from which industrial property rights may have effect: **04 March 2005**
- (54) Product in respect of which the design is registered: **Waste receptacle**
- (51) International Design Classification: **09-09**
- (71) Name(s) and Address(s) of Applicant(s):  
**Attwood Banner Pty Ltd**  
**21 Foden Avenue Campbellfield Victoria 3061 Australia**
- (72) Name(s) of Designer(s): **Gary Marshall**
- (45) Registration Date: **10 August 2005**
- (56) Related Art Documents: **Not Applicable**
- (57) Statement of Newness and Distinctiveness: **Newness and distinctiveness is claimed in the visual features of shape and/or configuration as applied to a waste receptacle as illustrated in the representations.**



- (21) Design Number: **10891/2005**
- (22) Date of Filing Application: **08 March 2005**
- (24) Date from which industrial property rights may have effect: **08 March 2005**
- (54) Product in respect of which the design is registered: **Bottle**
- (51) International Design Classification: **09-01NES**
- (71) Name(s) and Address(s) of Applicant(s):  
**Suntory Limited**  
**1-40 Dojimahama 2-chome Kita-Ku Osaka-shi Osaka Japan**
- (72) Name(s) of Designer(s): **Asami Nagata**
- (45) Registration Date: **10 August 2005**
- (30) Convention priority data:  

(31) Number	(32) Date	(33) Country
<b>2004-028182</b>	<b>16 Sep 2004</b>	<b>JAPAN</b>
- (56) Related Art Documents: **Not Applicable**
- (57) Statement of Newness and Distinctiveness: **Nil**



(21) Design Number: **10892/2005**

(22) Date of Filing Application: **08 March 2005**

(24) Date from which industrial property rights may have effect: **08 March 2005**

(54) Product in respect of which the design is registered: **A holder for a handset**

(51) International Design Classification: **14-03A**

(71) Name(s) and Address(s) of Applicant(s):

**Nokia Corporation**

**Keilalahdentie 4 FIN-02150 Espoo Finland**

(72) Name(s) of Designer(s): **Jan Kettula and Yossef Schvetz**

(45) Registration Date: **10 August 2005**

(30) Convention priority data:

(31) Number

(32) Date

(33) Country

**M20040143**

**08 Sep 2004**

**FINLAND**

(56) Related Art Documents: **Not Applicable**

(57) Statement of Newness and Distinctiveness: **Nil**



(21) Design Number: **10904/2005**

(22) Date of Filing Application: **09 March 2005**

(24) Date from which industrial property rights may have effect: **09 March 2005**

(54) Product in respect of which the design is registered: **Coffee machine**

(51) International Design Classification: **07-02L**

(71) Name(s) and Address(s) of Applicant(s):

**Societe des Produits Nestle S.A.**

**1800 Vevey Switzerland**

(72) Name(s) of Designer(s): **Antoine Cahen**

(45) Registration Date: **10 August 2005**

(30) Convention priority data:

(31) Number

(32) Date

(33) Country

**130938**

**10 Sep 2004**

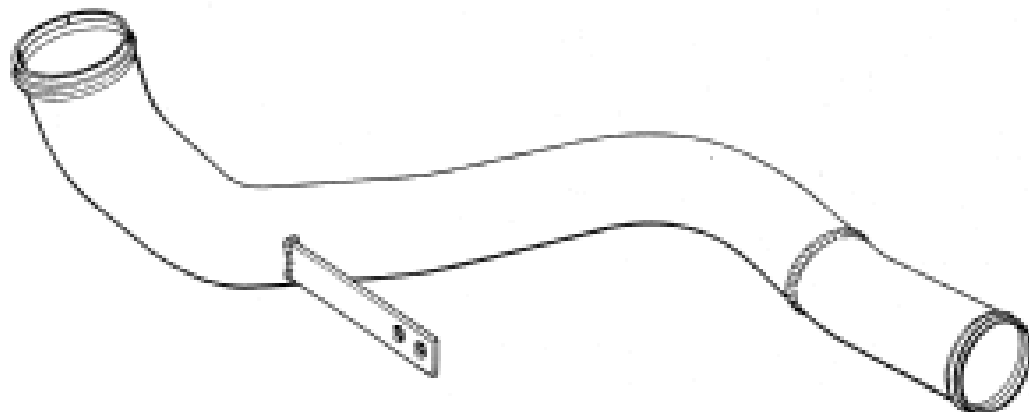
**SWITZERLAND**

(56) Related Art Documents: **Not Applicable**

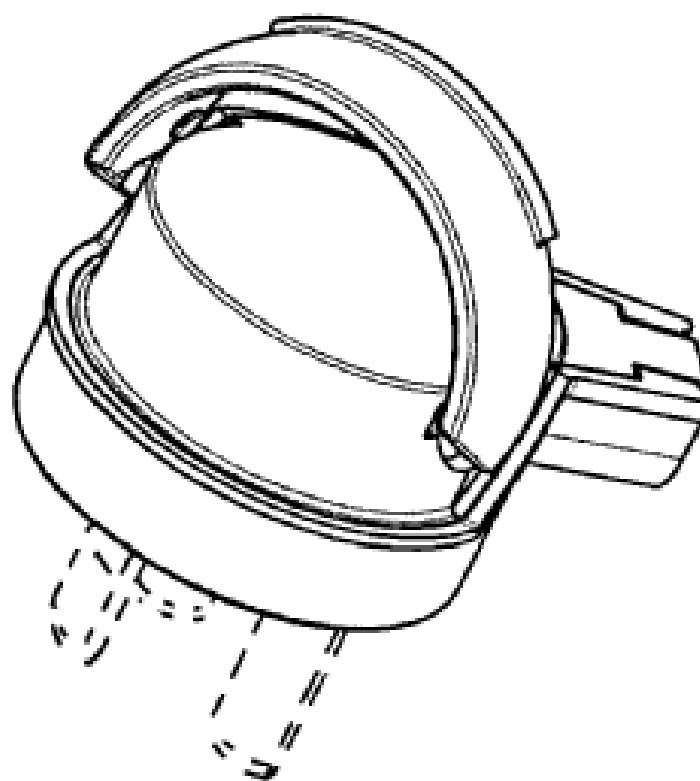
(57) Statement of Newness and Distinctiveness: **Nil**



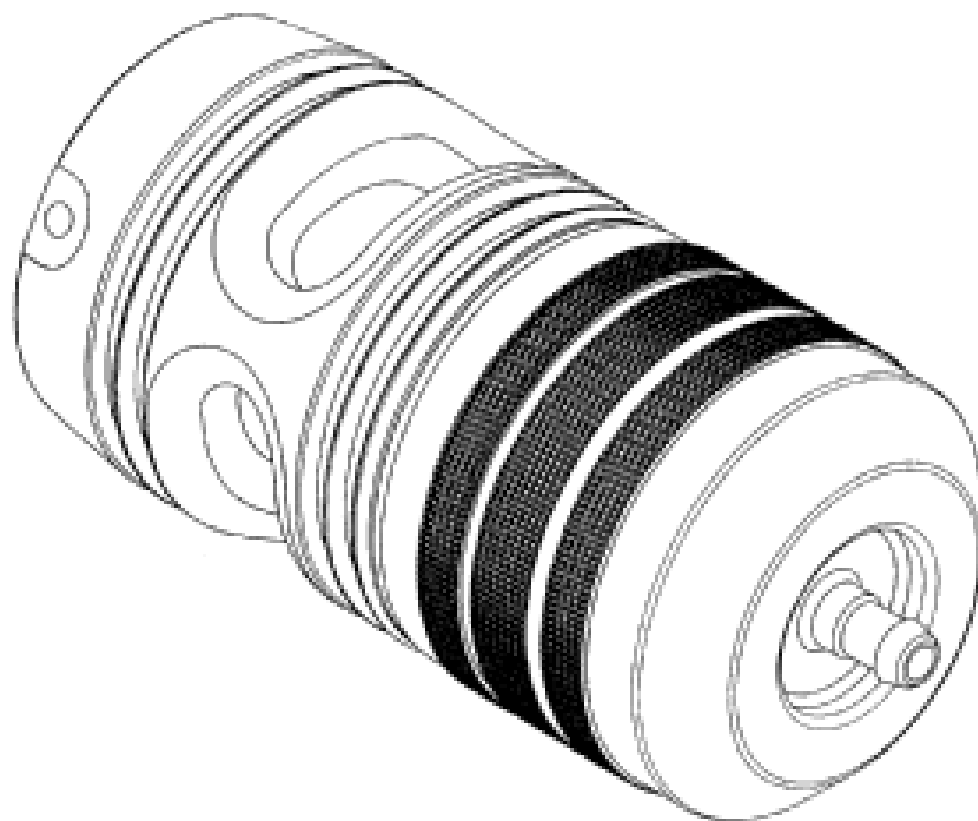
- (21) Design Number: **10322/2005**  
(22) Date of Filing Application: **28 January 2005**  
(24) Date from which industrial property rights may have effect: **28 January 2005**  
(54) Product in respect of which the design is registered: **Intercooler piping**  
(51) International Design Classification: **15-01**  
(71) Name(s) and Address(s) of Applicant(s):  
**Sun Chan**  
**5 Koala Avenue Ingleburn New South Wales 2565 Australia**  
(72) Name(s) of Designer(s): **Sun Chan**  
(45) Registration Date: **10 August 2005**  
(56) Related Art Documents: **Not Applicable**  
(57) Statement of Newness and Distinctiveness: **Each feature of the design considered separately or in combination with any other feature or features.**



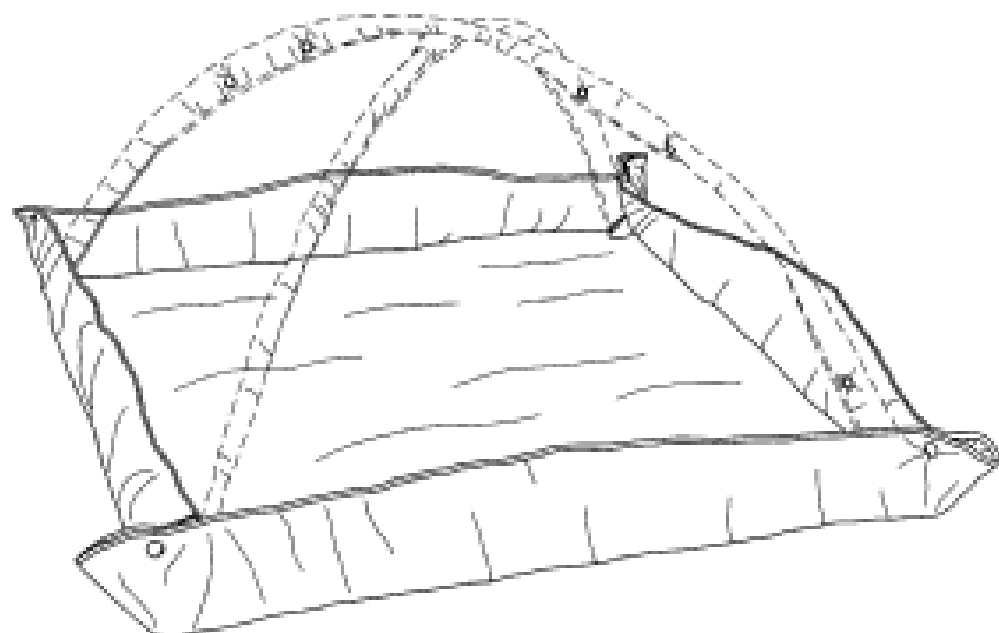
- (21) Design Number: **10479/2005**  
(22) Date of Filing Application: **07 February 2005**  
(24) Date from which industrial property rights may have effect: **07 February 2005**  
(54) Product in respect of which the design is registered: **A flip handle plug**  
(51) International Design Classification: **13-03D**  
(71) Name(s) and Address(s) of Applicant(s):  
**H.P.M. Industries Pty Ltd**  
**Unit 4 44-48 O'Dea Avenue Waterloo New South Wales 2017 Australia**  
(72) Name(s) of Designer(s): **Simon Nicholas Richmond and Dennis Galvin and Frank Sartore and Edwin Terry**  
(45) Registration Date: **10 August 2005**  
(56) Related Art Documents: **Not Applicable**  
(57) Statement of Newness and Distinctiveness: **If a person is required to decide whether the design is substantially similar in overall impression to another design, the person making the decision should have particular regard to those features shown by means of solid lines in the representations.**



- (21) Design Number: **10501/2005**  
(22) Date of Filing Application: **08 February 2005**  
(24) Date from which industrial property rights may have effect: **08 February 2005**  
(54) Product in respect of which the design is registered: **Blow off valve**  
(51) International Design Classification: **15-01**  
(71) Name(s) and Address(s) of Applicant(s):  
**TXS Pty Limited**  
**6/43 Leighton Place Hornsby New South Wales 2077 Australia**  
(72) Name(s) of Designer(s): **Russell Mark Ingwersen and Benjamin Anthony Schippers**  
(45) Registration Date: **10 August 2005**  
(56) Related Art Documents: **Not Applicable**  
(57) Statement of Newness and Distinctiveness: **Nil**



- (21) Design Number: **10519/2005**  
(22) Date of Filing Application: **09 February 2005**  
(24) Date from which industrial property rights may have effect: **09 February 2005**  
(54) Product in respect of which the design is registered: **Activity mat**  
(51) International Design Classification: **06-11**  
(71) Name(s) and Address(s) of Applicant(s):  
**Tiny Love Ltd**  
**22 A Raoul Wallenberg Street Beit Zamir Tel Aviv 69719 Israel**  
(72) Name(s) of Designer(s): **Shoshana Oren and Roni Golos and Zafrira Weisman-Zanger**  
(45) Registration Date: **10 August 2005**  
(30) Convention priority data:  
(31) Number (32) Date (33) Country  
**40201 20 Jan 2005 ISRAEL**  
(56) Related Art Documents: **Not Applicable**  
(57) Statement of Newness and Distinctiveness: **The shape and configuration of the activity mat, other than those parts of the design shown by means of broken lines in the representations, are new and distinctive**

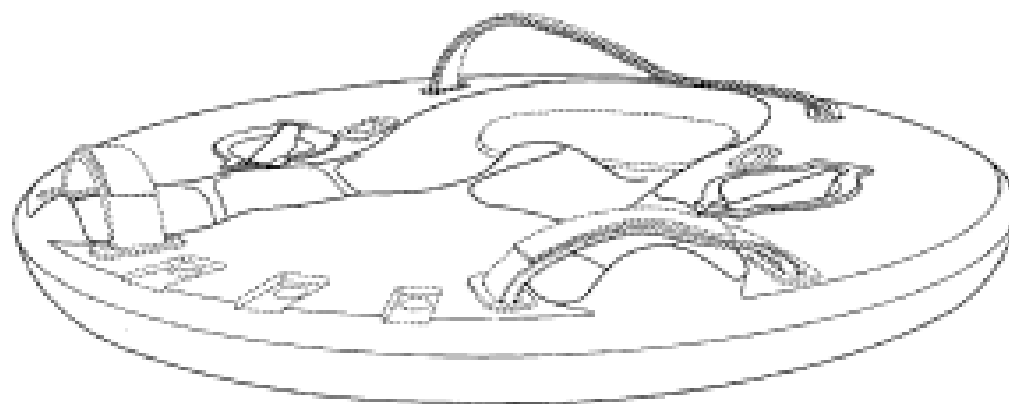




(21) Design Number: **10542/2005**  
 (22) Date of Filing Application: **10 February 2005**  
 (24) Date from which industrial property rights may have effect: **10 February 2005**  
 (54) Product in respect of which the design is registered: **A water sports apparatus**  
 (51) International Design Classification: **21-02D**  
 (71) Name(s) and Address(s) of Applicant(s):  
**William Douglas McKee**  
**17 Homelands Avenue Feilding New Zealand**  
 (72) Name(s) of Designer(s): **William Douglas McKee**  
 (45) Registration Date: **10 August 2005**  
 (30) Convention priority data:  

(31) Number	(32) Date	(33) Country
<b>405160</b>	<b>13 Aug 2004</b>	<b>NEW ZEALAND</b>

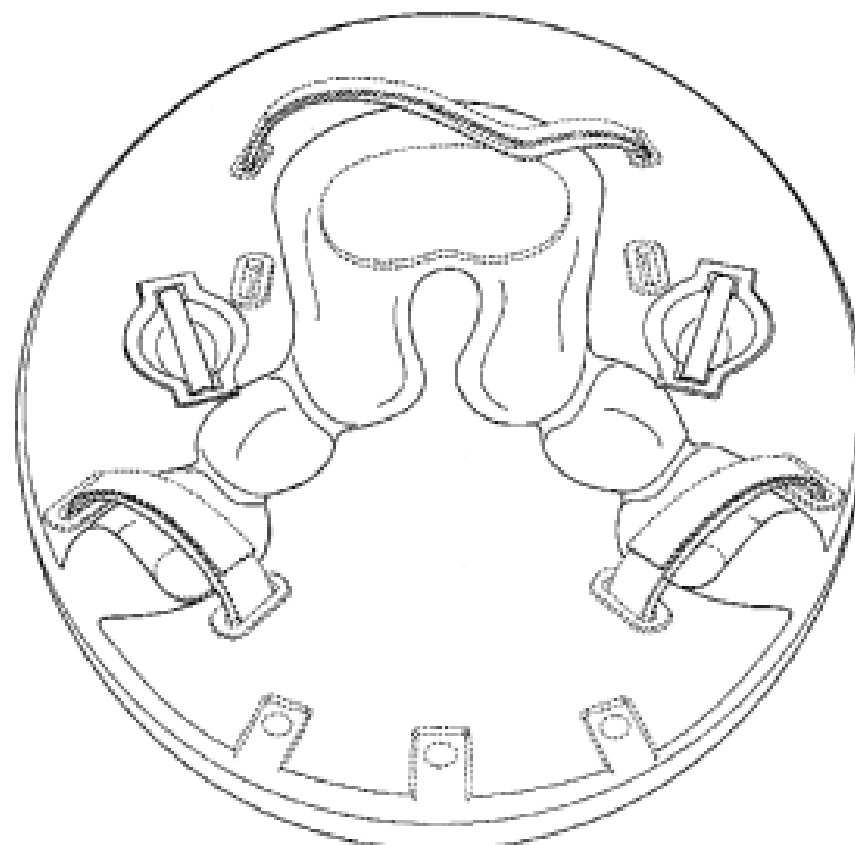
 (56) Related Art Documents: **Not Applicable**  
 (57) Statement of Newness and Distinctiveness: **Newness and distinctiveness reside in the features of shape and/or configuration of the water sports apparatus, as shown in the representations. Newness and distinctiveness is not claimed in relation to the features shown in phantom lines in the representations.**



(21) Design Number: **10543/2005**  
 (22) Date of Filing Application: **10 February 2005**  
 (24) Date from which industrial property rights may have effect: **10 February 2005**  
 (54) Product in respect of which the design is registered: **A water sports apparatus**  
 (51) International Design Classification: **21-02D**  
 (71) Name(s) and Address(s) of Applicant(s):  
**William Douglas McKee**  
**17 Homelands Avenue Feilding New Zealand**  
 (72) Name(s) of Designer(s): **William Douglas McKee**  
 (45) Registration Date: **10 August 2005**  
 (30) Convention priority data:  

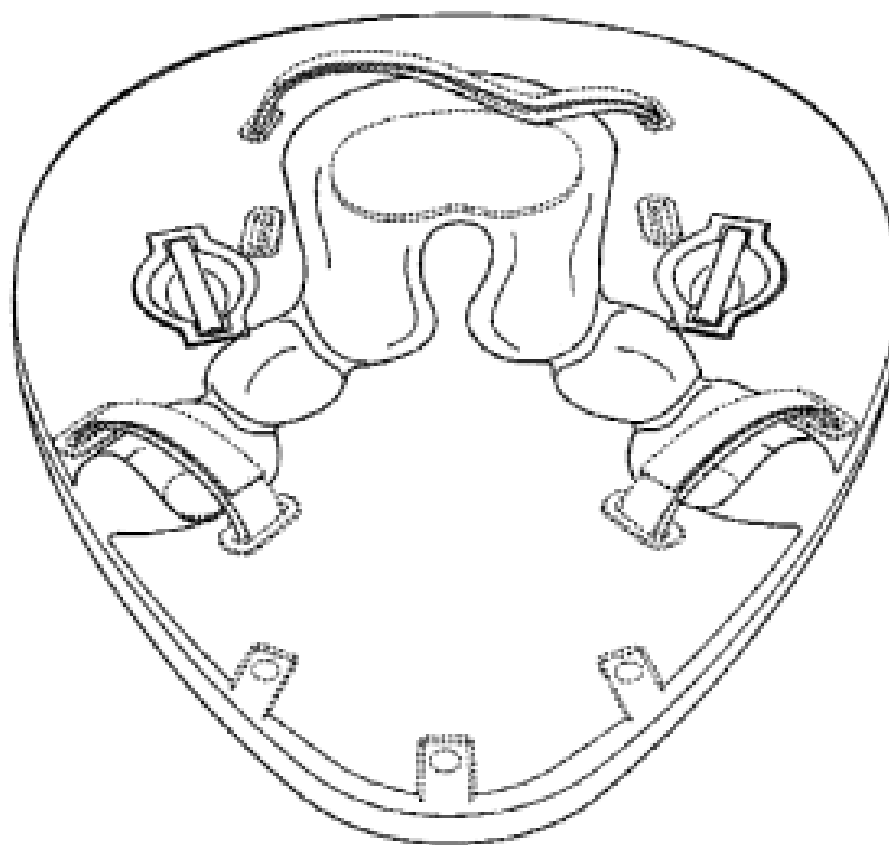
(31) Number	(32) Date	(33) Country
<b>405160</b>	<b>13 Aug 2004</b>	<b>NEW ZEALAND</b>

 (56) Related Art Documents: **Not Applicable**  
 (57) Statement of Newness and Distinctiveness: **Newness and distinctiveness reside in the features of shape and/or configuration of the water sports apparatus, as shown in the representations. Newness and distinctiveness is not claimed in relation to the features shown in phantom lines in the representations.**



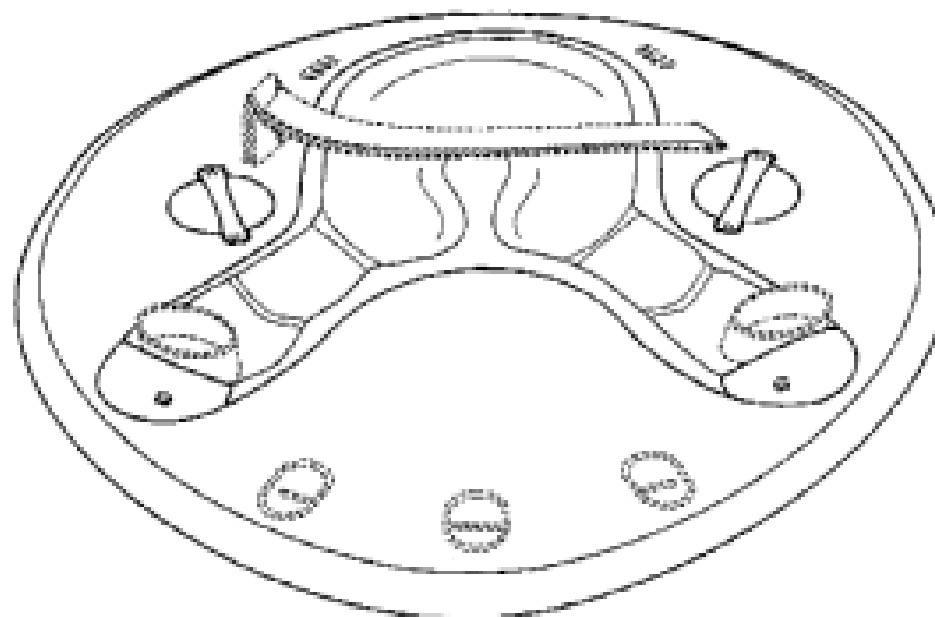
- (21) Design Number: **10544/2005**
- (22) Date of Filing Application: **10 February 2005**
- (24) Date from which industrial property rights may have effect: **10 February 2005**
- (54) Product in respect of which the design is registered: **A water sports apparatus**
- (51) International Design Classification: **21-02D**
- (71) Name(s) and Address(s) of Applicant(s):  
**William Douglas McKee**  
**17 Homelands Avenue Feilding New Zealand**
- (72) Name(s) of Designer(s): **William Douglas McKee**
- (45) Registration Date: **10 August 2005**
- (30) Convention priority data:  

(31) Number	(32) Date	(33) Country
<b>405160</b>	<b>13 Aug 2004</b>	<b>NEW ZEALAND</b>
- (56) Related Art Documents: **Not Applicable**
- (57) Statement of Newness and Distinctiveness: **Newness and distinctiveness reside in the features of shape and/or configuration of the water sports apparatus, as shown in the representations. Newness and distinctiveness is not claimed in relation to the features shown in phantom lines in the representations.**

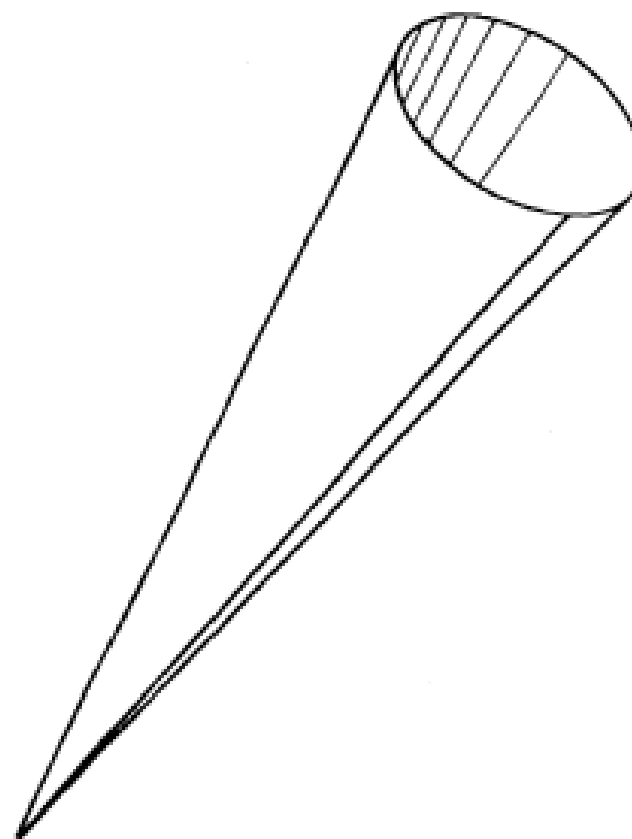


- (21) Design Number: **10545/2005**
- (22) Date of Filing Application: **10 February 2005**
- (24) Date from which industrial property rights may have effect: **10 February 2005**
- (54) Product in respect of which the design is registered: **A water sports apparatus**
- (51) International Design Classification: **21-02D**
- (71) Name(s) and Address(s) of Applicant(s):  
**William Douglas McKee**  
**17 Homelands Avenue Feilding New Zealand**
- (72) Name(s) of Designer(s): **William Douglas McKee**
- (45) Registration Date: **10 August 2005**
- (30) Convention priority data:  

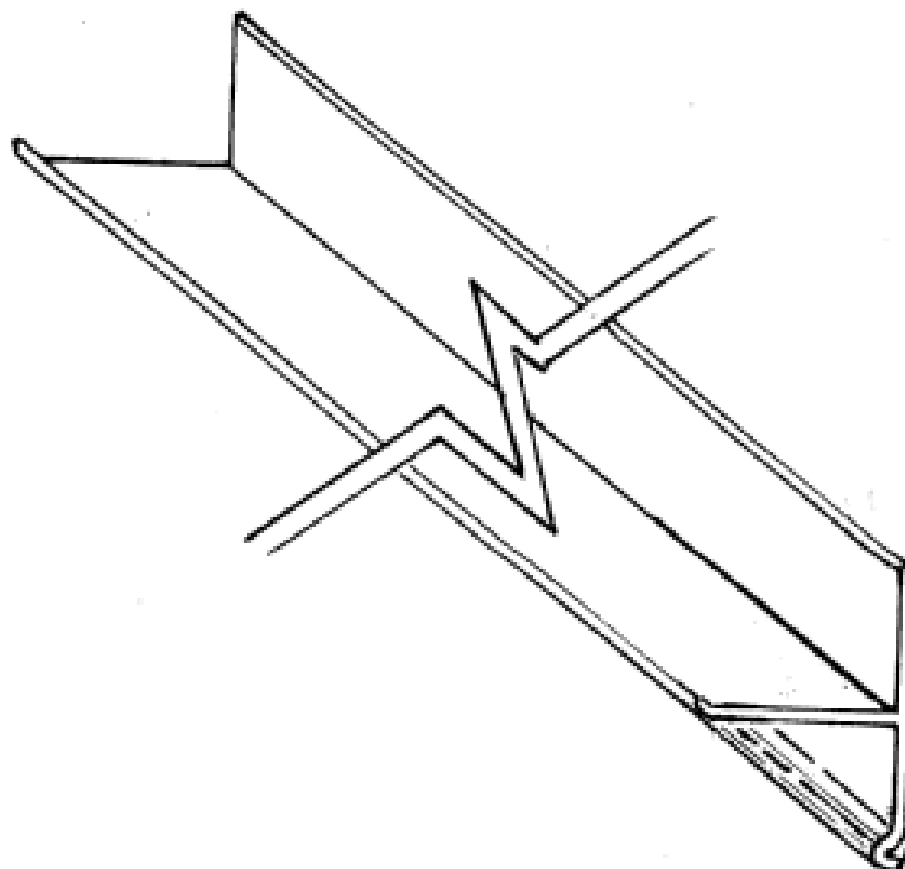
(31) Number	(32) Date	(33) Country
<b>405687</b>	<b>24 Dec 2004</b>	<b>NEW ZEALAND</b>
- (56) Related Art Documents: **Not Applicable**
- (57) Statement of Newness and Distinctiveness: **Newness and distinctiveness reside in the features of shape and/or configuration of the water sports apparatus, as shown in the representations. Newness and distinctiveness is not claimed in relation to the features shown in phantom lines in the representations.**



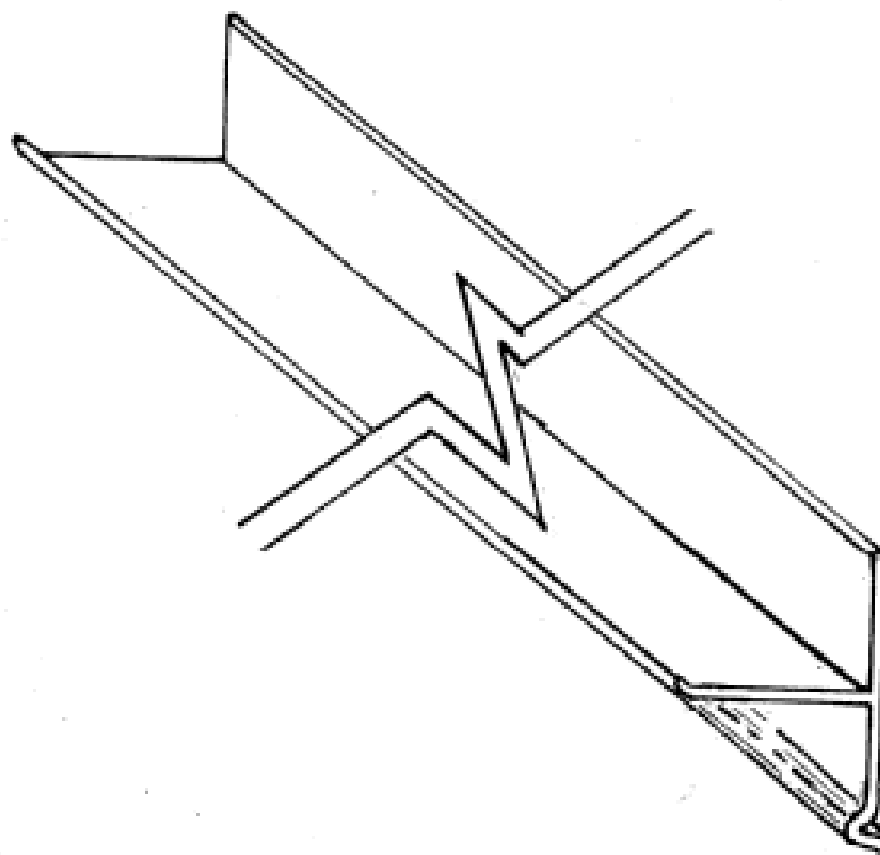
- (21) Design Number: **10557/2005**  
(22) Date of Filing Application: **14 February 2005**  
(24) Date from which industrial property rights may have effect: **18 December 2003**  
(54) Product in respect of which the design is registered: **Formwork stake reinforcing cap**  
(51) International Design Classification: **25-01E, 15-09, 08-08O**  
(71) Name(s) and Address(s) of Applicant(s):  
**Gary John Hammond**  
**3 Tindara Drive Sawtell New South Wales 2452 Australia**  
**Ian Dennis Hammond**  
**15 Clarks Road Kempsey New South Wales 2440 Australia**  
(72) Name(s) of Designer(s): **Gary John Hammond and Ian Dennis Hammond**  
(45) Registration Date: **10 August 2005**  
(62) Divisional of: **157799**  
(56) Related Art Documents: **Not Applicable**  
(57) Statement of Newness and Distinctiveness: **Nil**



- (21) Design Number: **10602/2005**  
(22) Date of Filing Application: **16 February 2005**  
(24) Date from which industrial property rights may have effect: **16 February 2005**  
(54) Product in respect of which the design is registered: **Corrugated building seal**  
(51) International Design Classification: **25-01G**  
(71) Name(s) and Address(s) of Applicant(s):  
**Errol Frederick Campbell**  
**78 Old Glen Innes Road Via South Grafton New South Wales 2460 Australia**  
(72) Name(s) of Designer(s): **Errol Frederick Campbell**  
(45) Registration Date: **10 August 2005**  
(56) Related Art Documents: **Not Applicable**  
(57) Statement of Newness and Distinctiveness: **New and distinctive visual features of the building seal comprising the general shape and configuration of the building seal. The seal is of undetermined length.**

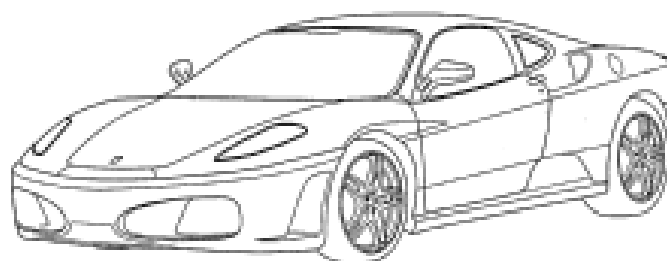
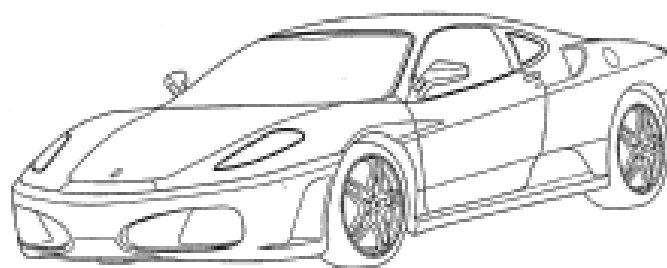


- (21) Design Number: **10603/2005**
- (22) Date of Filing Application: **16 February 2005**
- (24) Date from which industrial property rights may have effect: **16 February 2005**
- (54) Product in respect of which the design is registered: **Patterned building seal**
- (51) International Design Classification: **25-01G**
- (71) Name(s) and Address(s) of Applicant(s):  
**Errol Frederick Campbell**  
**78 Old Glen Innes Road Via South Grafton New South Wales 2460**  
**Australia**
- (72) Name(s) of Designer(s): **Errol Frederick Campbell**
- (45) Registration Date: **10 August 2005**
- (56) Related Art Documents: **Not Applicable**
- (57) Statement of Newness and Distinctiveness: **New and distinctive visual features of the building seal comprising the general shape and configuration of the building seal. The seal is of undetermined length.**

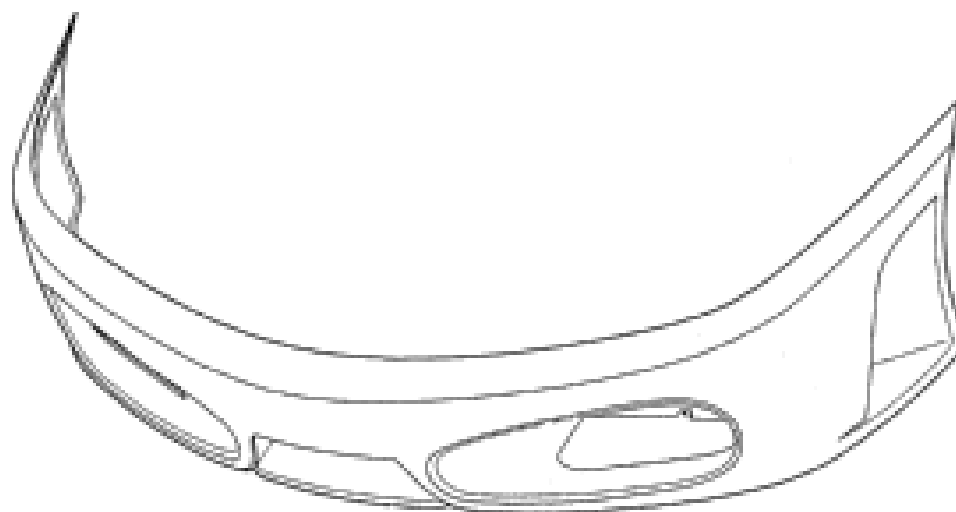


- (21) Design Number: **10589/2005**
- (22) Date of Filing Application: **15 February 2005**
- (24) Date from which industrial property rights may have effect: **15 February 2005**
- (54) Product in respect of which the design is registered: **Car and toy**
- (51) International Design Classification: **12-08, 21-01C**
- (71) Name(s) and Address(s) of Applicant(s):  
**Ferrari S.p.A.**  
**Via Emilia Est 1163 I-41100 Modena Italy**
- (72) Name(s) of Designer(s): **Patrizio Moruzzi**
- (45) Registration Date: **10 August 2005**
- (30) Convention priority data:
 

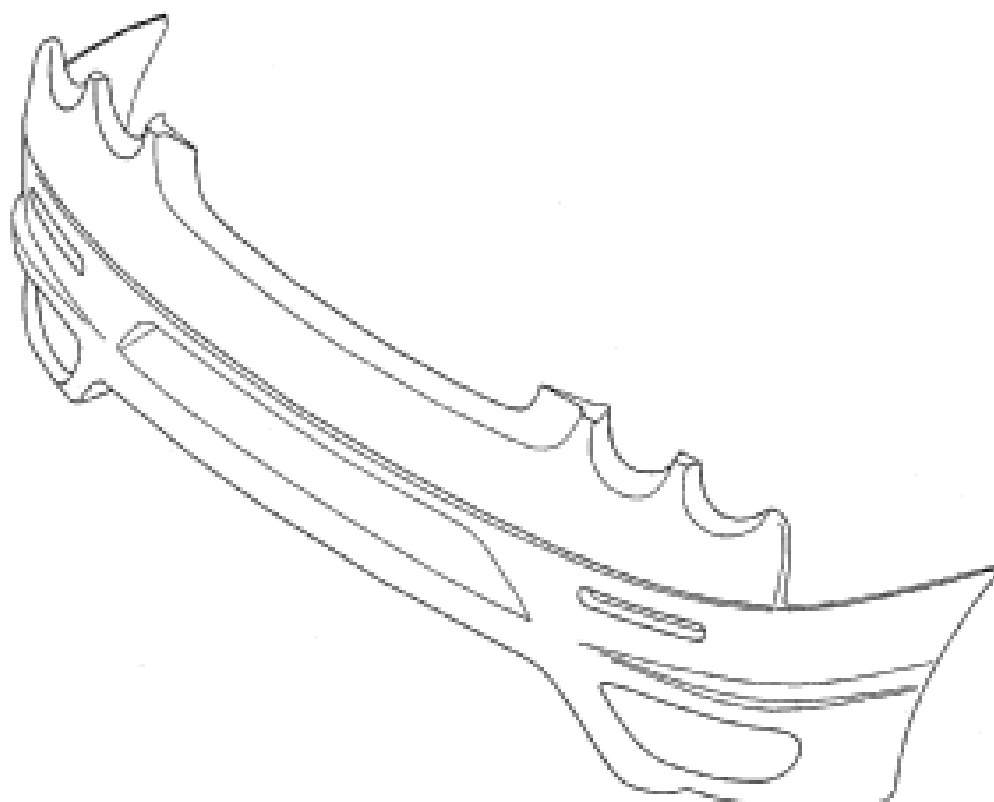
(31) Number	(32) Date	(33) Country
<b>000216650</b>	<b>16 Aug 2004</b>	<b>EUROPEAN COMMUNITY</b>
- (56) Related Art Documents: **Not Applicable**
- (57) Statement of Newness and Distinctiveness: **Those visual features of the car and toy depicted in the representations that are new and distinctive are the shape and/or configuration. The features shown in the bottom views are to be disregarded when considering the overall impression of the designs.**



- (21) Design Number: **10590/2005**  
(22) Date of Filing Application: **15 February 2005**  
(24) Date from which industrial property rights may have effect: **15 February 2005**  
(54) Product in respect of which the design is registered: **Vehicle front bumper**  
(51) International Design Classification: **12-16C**  
(71) Name(s) and Address(s) of Applicant(s):  
**Ferrari S.p.A.**  
**Via Emilia Est 1163 I-41100 Modena Italy**  
(72) Name(s) of Designer(s): **Patrizio Moruzzi**  
(45) Registration Date: **10 August 2005**  
(30) Convention priority data:  
(31) Number (32) Date (33) Country  
**000216650 16 Aug 2004 EUROPEAN COMMUNITY**  
(56) Related Art Documents: **Not Applicable**  
(57) Statement of Newness and Distinctiveness: **Those visual features of the vehicle front bumper depicted in the representations that are new and distinctive are the shape and/or configuration.**



- (21) Design Number: **10591/2005**  
(22) Date of Filing Application: **15 February 2005**  
(24) Date from which industrial property rights may have effect: **15 February 2005**  
(54) Product in respect of which the design is registered: **Vehicle rear bumper**  
(51) International Design Classification: **12-16C**  
(71) Name(s) and Address(s) of Applicant(s):  
**Ferrari S.p.A.**  
**Via Emilia Est 1163 I-41100 Modena Italy**  
(72) Name(s) of Designer(s): **Patrizio Moruzzi**  
(45) Registration Date: **10 August 2005**  
(30) Convention priority data:  
(31) Number (32) Date (33) Country  
**000216650 16 Aug 2004 EUROPEAN COMMUNITY**  
(56) Related Art Documents: **Not Applicable**  
(57) Statement of Newness and Distinctiveness: **Those visual features of the vehicle front bumper depicted in the representations that are new and distinctive are the shape and/or configuration.**



- (21) Design Number: **10592/2005**  
(22) Date of Filing Application: **15 February 2005**  
(24) Date from which industrial property rights may have effect: **15 February 2005**  
(54) Product in respect of which the design is registered: **Wheel**  
(51) International Design Classification: **12-16A**  
(71) Name(s) and Address(s) of Applicant(s):

**Ferrari S.p.A.**  
**Via Emilia Est 1163 I-41100 Modena Italy**

(72) Name(s) of Designer(s): **Patrizio Moruzzi**

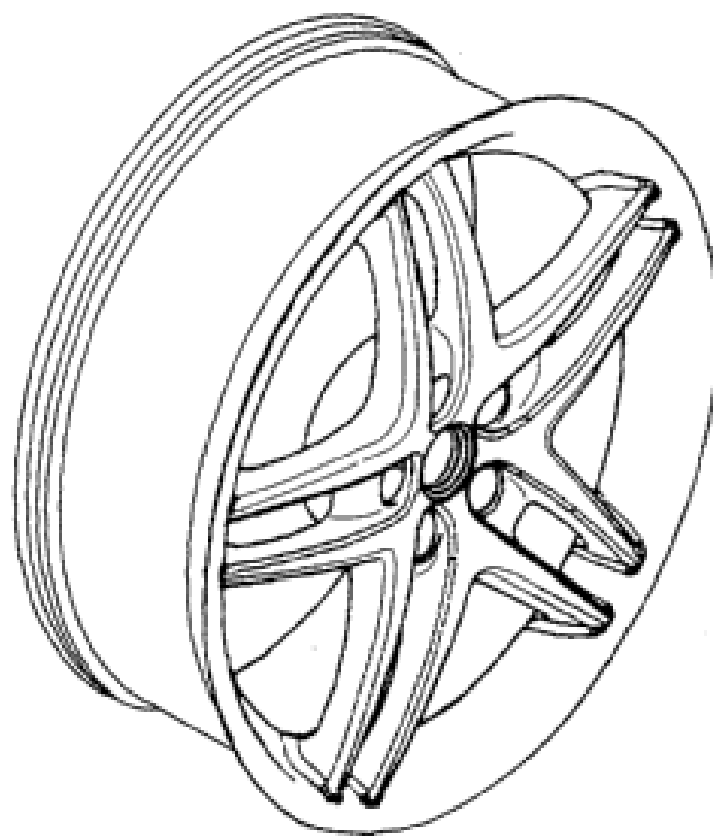
(45) Registration Date: **10 August 2005**

(30) Convention priority data:

(31) Number	(32) Date	(33) Country
<b>000216650</b>	<b>16 Aug 2004</b>	<b>EUROPEAN COMMUNITY</b>

(56) Related Art Documents: **Not Applicable**

(57) Statement of Newness and Distinctiveness: **Those visual features of the wheel depicted in the representations that are new and distinctive are the shape and/or configuration.**



- (21) Design Number: **10593/2005**  
(22) Date of Filing Application: **15 February 2005**  
(24) Date from which industrial property rights may have effect: **15 February 2005**  
(54) Product in respect of which the design is registered: **Rearview mirror**  
(51) International Design Classification: **12-16H**  
(71) Name(s) and Address(s) of Applicant(s):

**Ferrari S.p.A.**  
**Via Emilia Est 1163 I-41100 Modena Italy**

(72) Name(s) of Designer(s): **Patrizio Moruzzi**

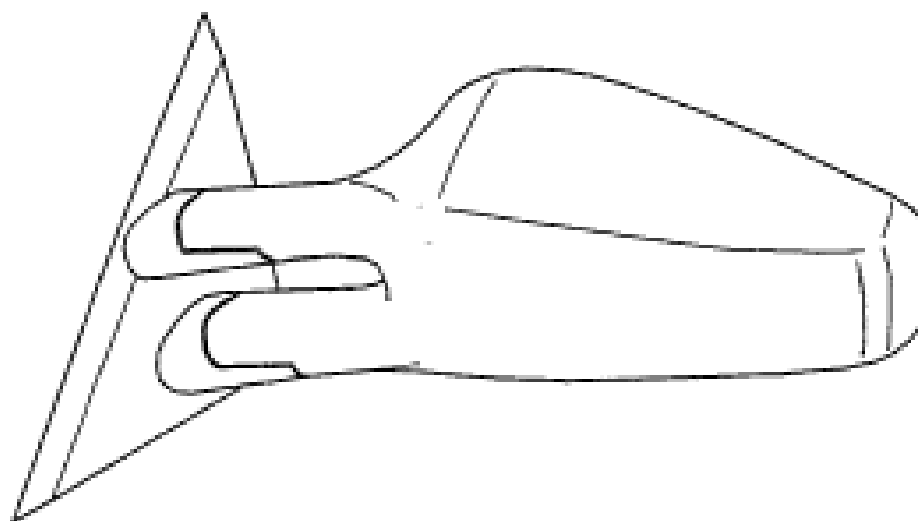
(45) Registration Date: **10 August 2005**

(30) Convention priority data:

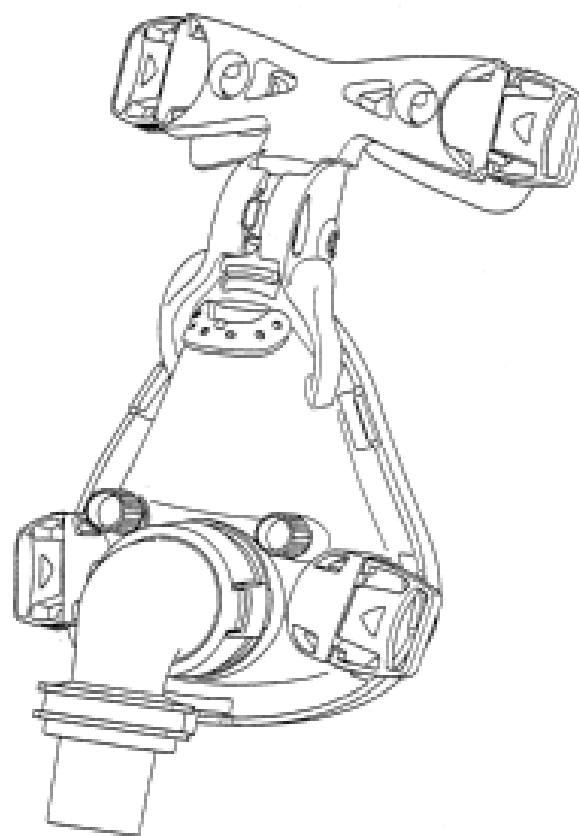
(31) Number	(32) Date	(33) Country
<b>000216650</b>	<b>16 Aug 2004</b>	<b>EUROPEAN COMMUNITY</b>

(56) Related Art Documents: **Not Applicable**

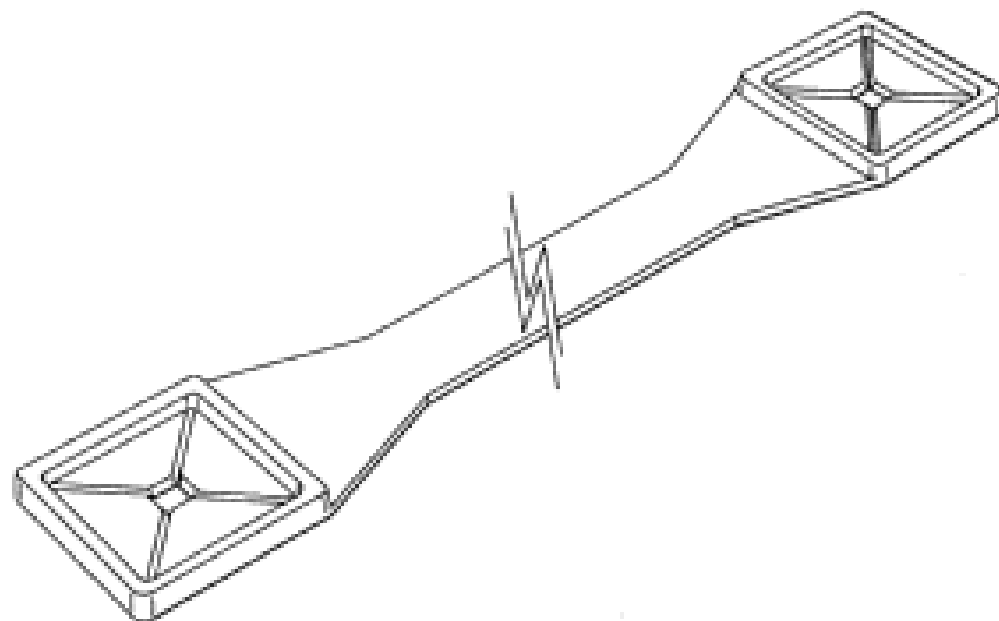
(57) Statement of Newness and Distinctiveness: **Those visual features of the rearview mirror depicted in the representations that are new and distinctive are the shape and/or configuration.**



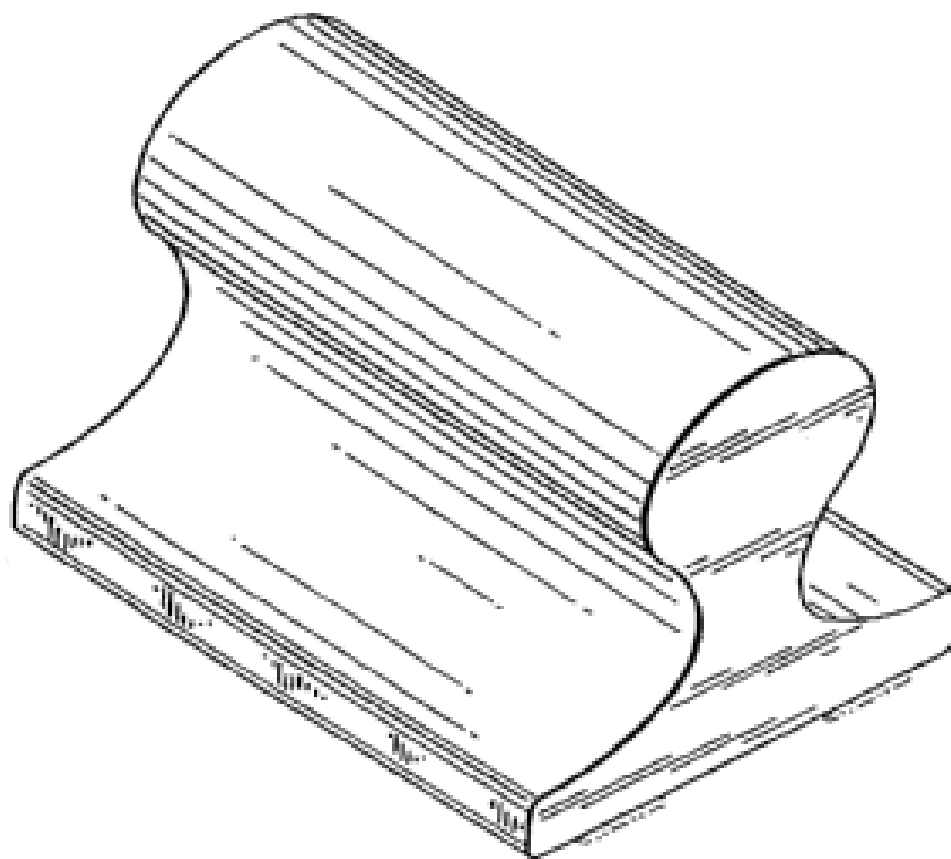
(21) Design Number: **10782/2005**  
(22) Date of Filing Application: **28 February 2005**  
(24) Date from which industrial property rights may have effect: **04 November 2003**  
(54) Product in respect of which the design is registered: **Full face mask**  
(51) International Design Classification: **24-01**  
(71) Name(s) and Address(s) of Applicant(s):  
**ResMed Ltd**  
**97 Waterloo Road North Ryde New South Wales 2113 Australia**  
(72) Name(s) of Designer(s): **Milind Raje and Richard Sokolov and Jim Saada and Aaron Samuel Davidson**  
(45) Registration Date: **10 August 2005**  
(30) Convention priority data:  
(31) Number (32) Date (33) Country  
**29/181,057 05 May 2003 UNITED STATES OF AMERICA**  
(62) Divisional of: **157902**  
(56) Related Art Documents: **Not Applicable**  
(57) Statement of Newness and Distinctiveness: **Nil**



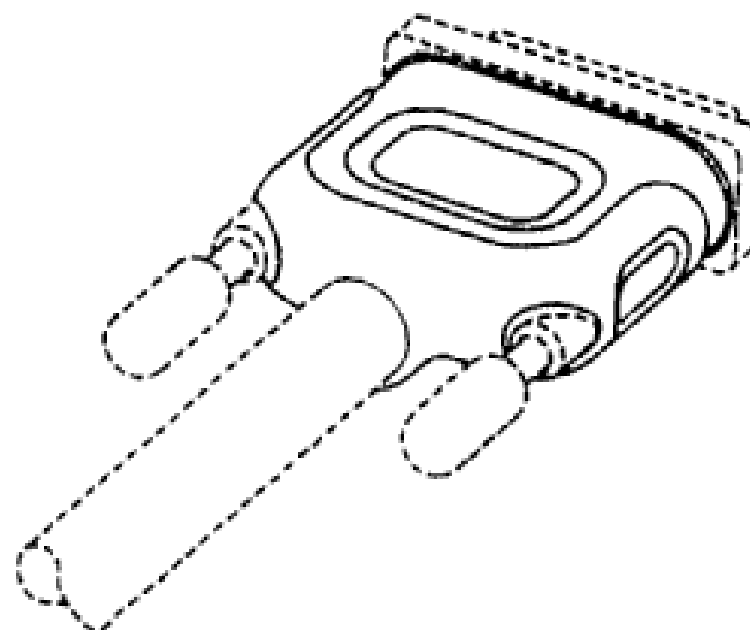
(21) Design Number: **10787/2005**  
(22) Date of Filing Application: **01 March 2005**  
(24) Date from which industrial property rights may have effect: **01 March 2005**  
(54) Product in respect of which the design is registered: **Necktie retainer**  
(51) International Design Classification: **02-05**  
(71) Name(s) and Address(s) of Applicant(s):  
**Andrew Reveley**  
**Shop 213/200 Crown Street Wollongong New South Wales 2500 Australia**  
(72) Name(s) of Designer(s): **Andrew Reveley**  
(45) Registration Date: **10 August 2005**  
(56) Related Art Documents: **Not Applicable**  
(57) Statement of Newness and Distinctiveness: **Nil**



(21) Design Number: **10792/2005**  
 (22) Date of Filing Application: **01 March 2005**  
 (24) Date from which industrial property rights may have effect: **01 March 2005**  
 (54) Product in respect of which the design is registered: **Handle for receiving a cleaning pad**  
 (51) International Design Classification: **07-05E**  
 (71) Name(s) and Address(s) of Applicant(s):  
**S.C. Johnson & Son, Inc.**  
**1525 Howe Street Racine Wisconsin 53403-2236 United States of America**  
 (72) Name(s) of Designer(s): **Douglas A. Soller**  
 (45) Registration Date: **10 August 2005**  
 (30) Convention priority data:  
 (31) Number (32) Date (33) Country  
**29/212636 03 Sep 2004 UNITED STATES OF AMERICA**  
 (56) Related Art Documents: **Not Applicable**  
 (57) Statement of Newness and Distinctiveness: **Newness and distinctiveness is claimed in the features of shape and/or configuration of a handle for receiving a cleaning pad as illustrated in continuous lines in the accompanying representations.**



(21) Design Number: **10794/2005**  
 (22) Date of Filing Application: **01 March 2005**  
 (24) Date from which industrial property rights may have effect: **01 March 2005**  
 (54) Product in respect of which the design is registered: **DVI cable head**  
 (51) International Design Classification: **13-03B, 13-03D**  
 (71) Name(s) and Address(s) of Applicant(s):  
**Belkin Corporation**  
**501 W. Walnut Street Compton California 90220 United States of America**  
 (72) Name(s) of Designer(s): **Mitchell Suckle**  
 (45) Registration Date: **10 August 2005**  
 (30) Convention priority data:  
 (31) Number (32) Date (33) Country  
**29/212605 03 Sep 2004 UNITED STATES OF AMERICA**  
 (56) Related Art Documents: **Not Applicable**  
 (57) Statement of Newness and Distinctiveness: **Newness and distinctiveness is claimed in the features of shape and/or configuration of a DVI cable head as illustrated in continuous lines in the accompanying representations.**





(19) AU

(21) Design Number: **10795/2005**

(22) Date of Filing Application: **01 March 2005**

(24) Date from which industrial property rights may have effect: **01 March 2005**

(54) Product in respect of which the design is registered: **Cable connector**

(51) International Design Classification: **13-03B**

(71) Name(s) and Address(s) of Applicant(s):

**Belkin Corporation**

**501 W. Walnut Street Compton California 90220 United States of America**

(72) Name(s) of Designer(s): **Mitchell Suckle and Saharut Sirichai**

(45) Registration Date: **10 August 2005**

(30) Convention priority data:

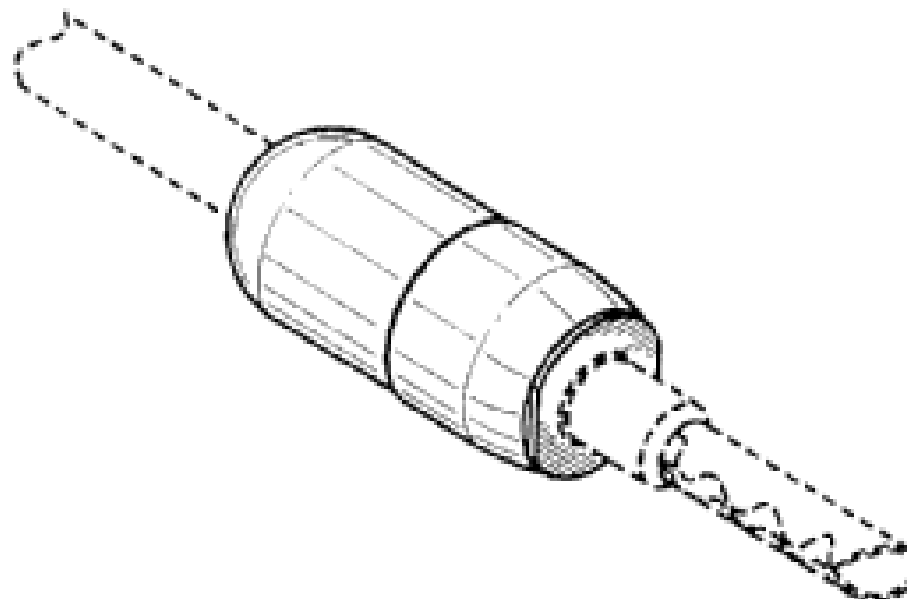
(31) Number  
**29/212604**

(32) Date  
**03 Sep 2004**

(33) Country  
**UNITED STATES OF AMERICA**

(56) Related Art Documents: **Not Applicable**

(57) Statement of Newness and Distinctiveness: **Newness and distinctiveness is claimed in the features of shape and/or configuration of a cable connector as illustrated in continuous lines in the accompanying representations.**



(19) AU

(21) Design Number: **10808/2005**

(22) Date of Filing Application: **01 March 2005**

(24) Date from which industrial property rights may have effect: **01 March 2005**

(54) Product in respect of which the design is registered: **A tap**

(51) International Design Classification: **23-01H**

(71) Name(s) and Address(s) of Applicant(s):

**Newfrey LLC**

**1207 Drummond Plaza Newark Delaware 19711 United States of America**

(72) Name(s) of Designer(s): **Angie L. Kosasih**

(45) Registration Date: **10 August 2005**

(30) Convention priority data:

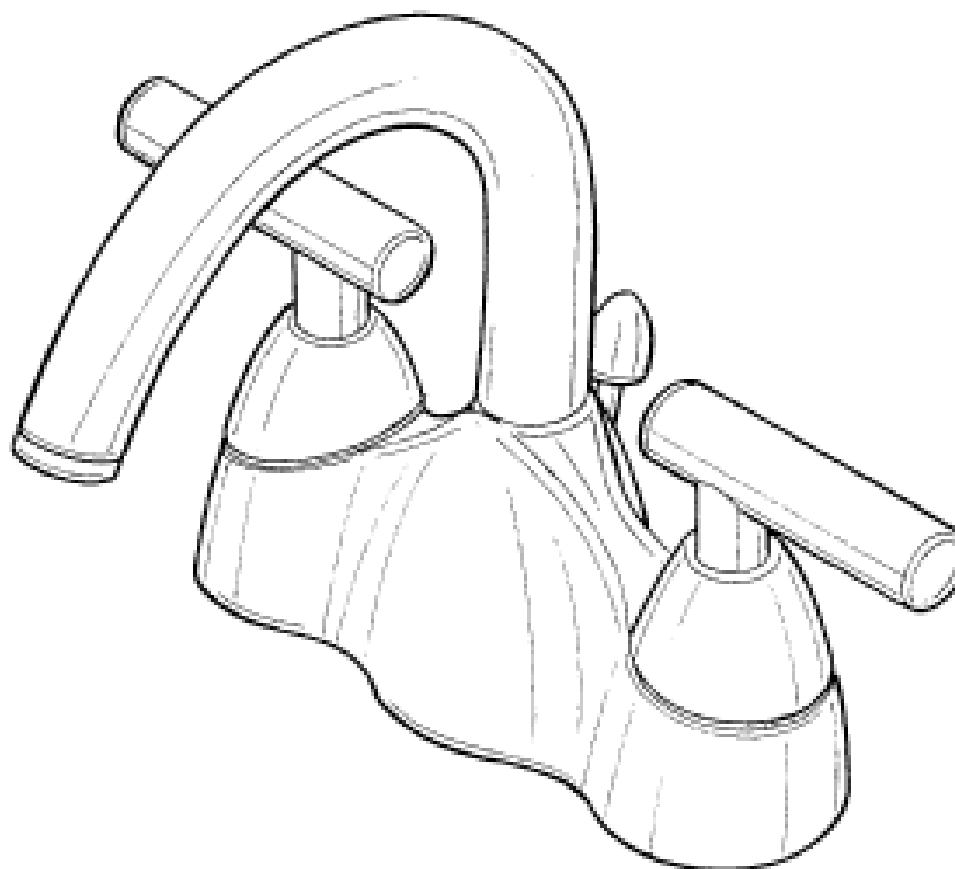
(31) Number  
**29212923**

(32) Date  
**09 Sep 2004**

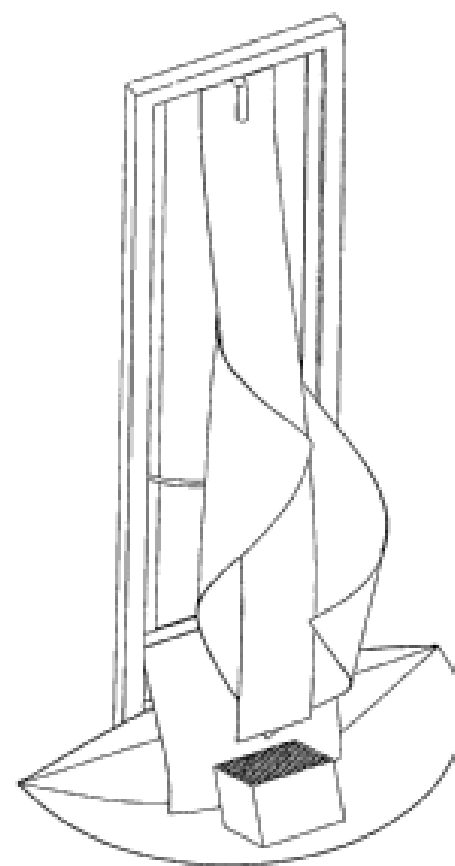
(33) Country  
**UNITED STATES OF AMERICA**

(56) Related Art Documents: **Not Applicable**

(57) Statement of Newness and Distinctiveness: **Newness and distinctiveness is claimed in the visual features shown in solid lines in the representations.**

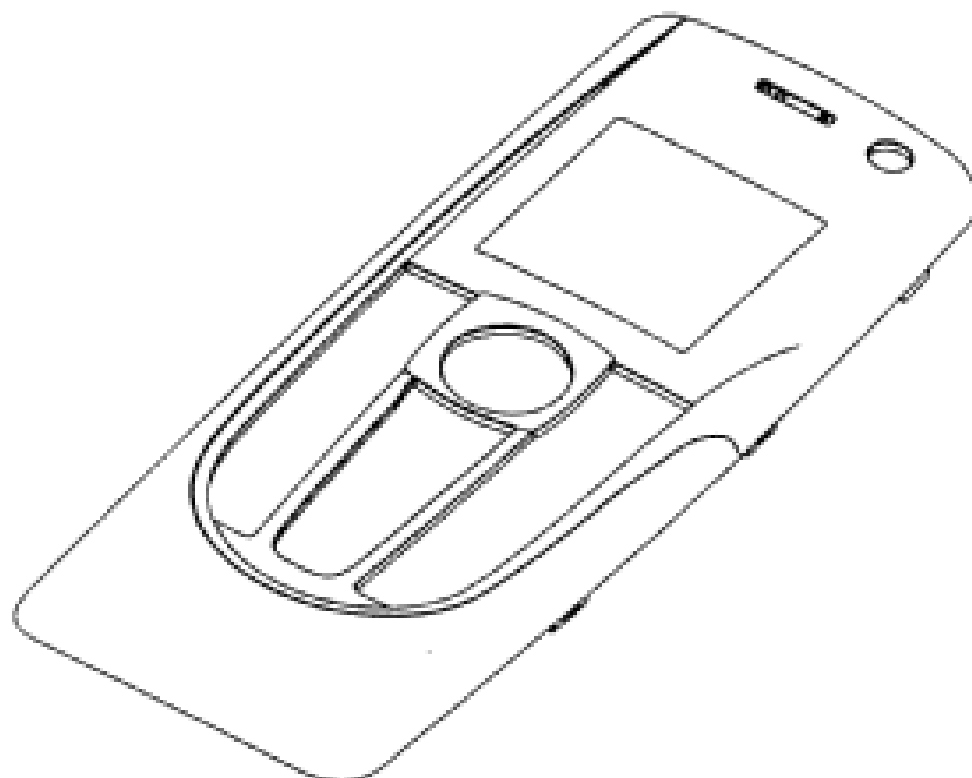


- (21) Design Number: **10809/2005**
- (22) Date of Filing Application: **01 March 2005**
- (24) Date from which industrial property rights may have effect: **01 March 2005**
- (54) Product in respect of which the design is registered: **Fountain**
- (51) International Design Classification: **11-99**
- (71) Name(s) and Address(s) of Applicant(s):  
**David Rusic**  
**11 Fitzgerald Street Ferntree Gully Victoria 3156 Australia**
- (72) Name(s) of Designer(s): **David Rusic**
- (45) Registration Date: **10 August 2005**
- (56) Related Art Documents: **Not Applicable**
- (57) Statement of Newness and Distinctiveness: **Those visual features of the fountain depicted in the representations that are new and distinctive are the shape and/or configuration.**



- (21) Design Number: **10825/2005**
- (22) Date of Filing Application: **02 March 2005**
- (24) Date from which industrial property rights may have effect: **02 March 2005**
- (54) Product in respect of which the design is registered: **Front cover for a communicator**
- (51) International Design Classification: **14-03A**
- (71) Name(s) and Address(s) of Applicant(s):  
**Nokia Corporation**  
**Keilalahdentie 4 FIN-02150 Espoo Finland**
- (72) Name(s) of Designer(s): **Jean-Marc Hering**
- (45) Registration Date: **10 August 2005**
- (30) Convention priority data:

(31) Number	(32) Date	(33) Country
<b>M20040137</b>	<b>02 Sep 2004</b>	<b>FINLAND</b>
- (56) Related Art Documents: **Not Applicable**
- (57) Statement of Newness and Distinctiveness: **Nil**



(21) Design Number: **10826/2005**  
(22) Date of Filing Application: **02 March 2005**  
(24) Date from which industrial property rights may have effect: **02 March 2005**  
(54) Product in respect of which the design is registered: **A communicator**  
(51) International Design Classification: **14-03E**  
(71) Name(s) and Address(s) of Applicant(s):

**Nokia Corporation**  
**Keilalahdentie 4 FIN-02150 Espoo Finland**

(72) Name(s) of Designer(s): **Jean-Marc Hering**

(45) Registration Date: **10 August 2005**

(30) Convention priority data:

(31) Number	(32) Date	(33) Country
<b>M20040137</b>	<b>02 Sep 2004</b>	<b>FINLAND</b>

(56) Related Art Documents: **Not Applicable**

(57) Statement of Newness and Distinctiveness: **Nil**



(21) Design Number: **10873/2005**  
(22) Date of Filing Application: **07 March 2005**  
(24) Date from which industrial property rights may have effect: **07 March 2005**  
(54) Product in respect of which the design is registered: **Spa**  
(51) International Design Classification: **23-02B**  
(71) Name(s) and Address(s) of Applicant(s):

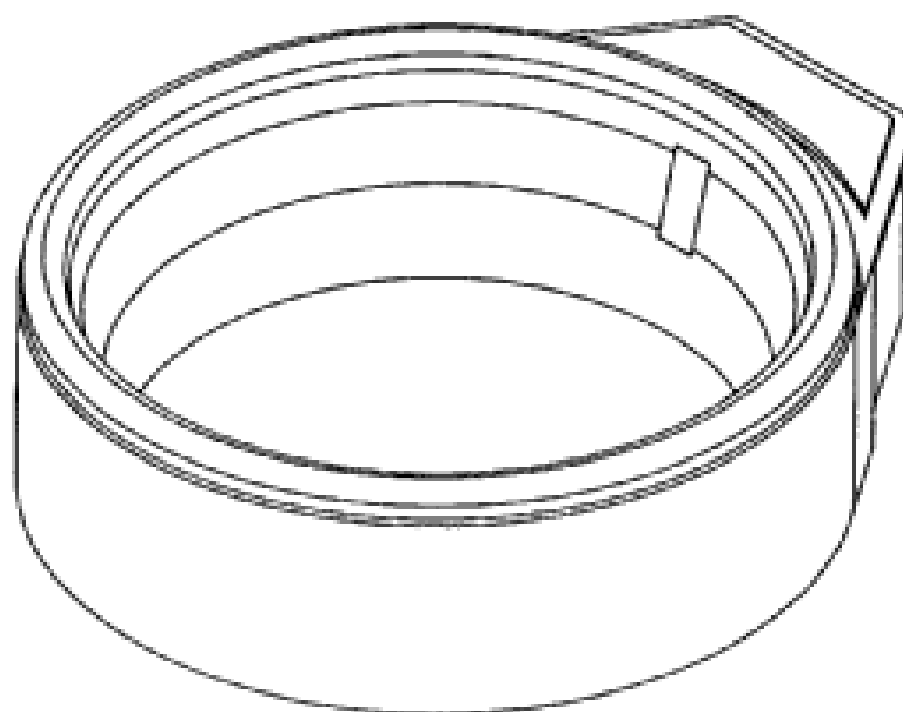
**John Reed Holdings Pty Ltd**  
**47 Playfield Street Chermside Queensland 4056 Australia**

(72) Name(s) of Designer(s): **John Reed**

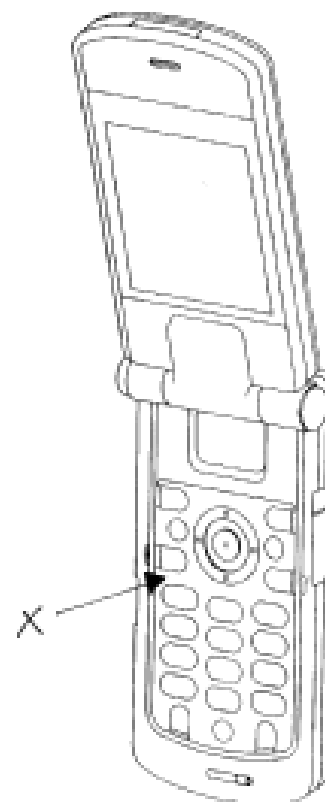
(45) Registration Date: **10 August 2005**

(56) Related Art Documents: **Not Applicable**

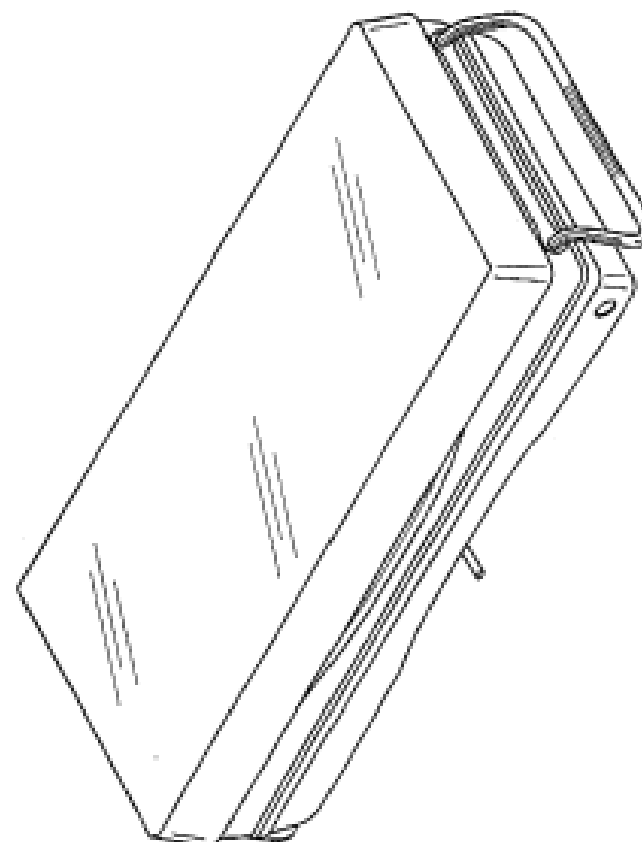
(57) Statement of Newness and Distinctiveness: **The newness and distinctiveness of the design resides in the shape and configuration and/or pattern and ornamentation of the spa shown in the representations.**



- (21) Design Number: **10878/2005**  
(22) Date of Filing Application: **07 March 2005**  
(24) Date from which industrial property rights may have effect: **07 March 2005**  
(54) Product in respect of which the design is registered: **Mobile phone**  
(51) International Design Classification: **14-03E**  
(71) Name(s) and Address(s) of Applicant(s):  
**Matsushita Electric Industrial Co. Ltd**  
**1006 Oaza Kadoma Kadoma-shi Osaka 571-8501 Japan**  
(72) Name(s) of Designer(s): **Satoru Taniyama and Norio Okada and Yoshito Ishikawa**  
(45) Registration Date: **10 August 2005**  
(30) Convention priority data:  
(31) Number (32) Date (33) Country  
**2004-026951 06 Sep 2004 JAPAN**  
(56) Related Art Documents: **Not Applicable**  
(57) Statement of Newness and Distinctiveness: **Newness and distinctiveness is claimed in the features of shape and/or configuration of the following parts of a mobile phone as illustrated and labelled in the accompanying representations: a camera mounting labelled "Z"; a replaceable front panel labelled "Y"; a seat switch key (membrane key) labelled "X"; and fastening screws labelled "W".**



- (21) Design Number: **10893/2005**  
(22) Date of Filing Application: **08 March 2005**  
(24) Date from which industrial property rights may have effect: **08 March 2005**  
(54) Product in respect of which the design is registered: **Bed**  
(51) International Design Classification: **06-02**  
(71) Name(s) and Address(s) of Applicant(s):  
**Aminach Bedding & Furniture Manufacturing Ltd**  
**Moshav Nir Zvi Industrial Zone PO Box 215 Ramla 72101 Israel**  
(72) Name(s) of Designer(s): **David Rooz and Itzhak Regev**  
(45) Registration Date: **10 August 2005**  
(30) Convention priority data:  
(31) Number (32) Date (33) Country  
**39663 09 Sep 2004 ISRAEL**  
(56) Related Art Documents: **Not Applicable**  
(57) Statement of Newness and Distinctiveness: **The shape and configuration of the bed is new and distinctive.**



(21) Design Number: **10895/2005**

(22) Date of Filing Application: **09 March 2005**

(24) Date from which industrial property rights may have effect: **09 March 2005**

(54) Product in respect of which the design is registered: **A power jigsaw**

(51) International Design Classification: **08-03**

(71) Name(s) and Address(s) of Applicant(s):

**GMCA Pty Ltd**

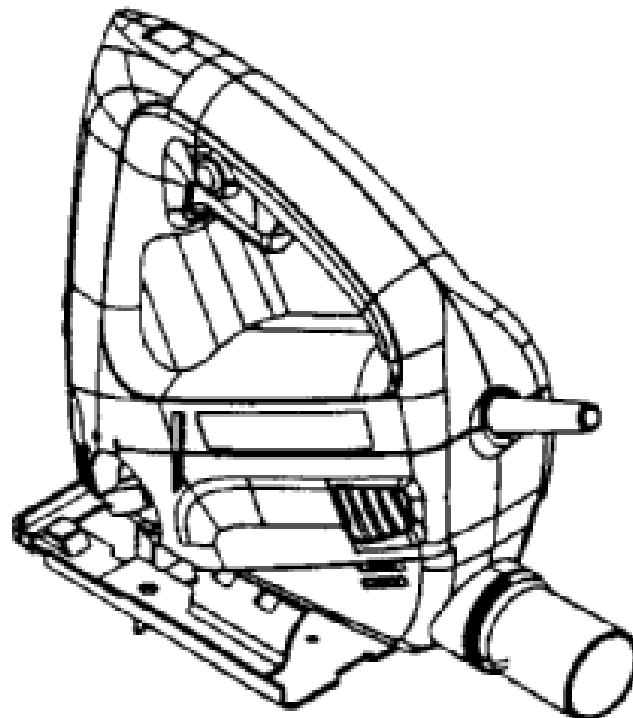
**45-55 South Centre Road Melbourne Airport Victoria 3045 Australia**

(72) Name(s) of Designer(s): **Michael Waldron**

(45) Registration Date: **10 August 2005**

(56) Related Art Documents: **Not Applicable**

(57) Statement of Newness and Distinctiveness: **Newness and distinctiveness resides in the shape and configuration of a power jigsaw as shown in the accompanying representations.**



(21) Design Number: **10896/2005**

(22) Date of Filing Application: **09 March 2005**

(24) Date from which industrial property rights may have effect: **09 March 2005**

(54) Product in respect of which the design is registered: **A power angle grinder**

(51) International Design Classification: **08-05N**

(71) Name(s) and Address(s) of Applicant(s):

**GMCA Pty Ltd**

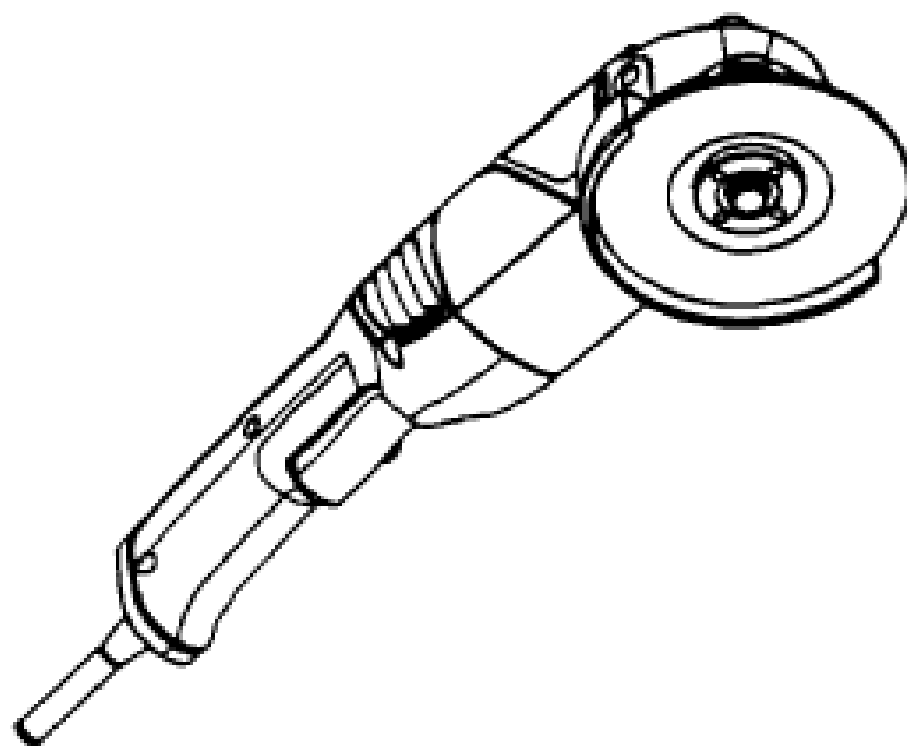
**45-55 South Centre Road Melbourne Airport Victoria 3045 Australia**

(72) Name(s) of Designer(s): **Michael Waldron**

(45) Registration Date: **10 August 2005**

(56) Related Art Documents: **Not Applicable**

(57) Statement of Newness and Distinctiveness: **Newness and distinctiveness resides in the shape and configuration of a power angle grinder as shown in the accompanying representations.**



(21) Design Number: **10897/2005**

(22) Date of Filing Application: **09 March 2005**

(24) Date from which industrial property rights may have effect: **09 March 2005**

(54) Product in respect of which the design is registered: **A power angle grinder**

(51) International Design Classification: **08-05N**

(71) Name(s) and Address(s) of Applicant(s):

**GMCA Pty Ltd**

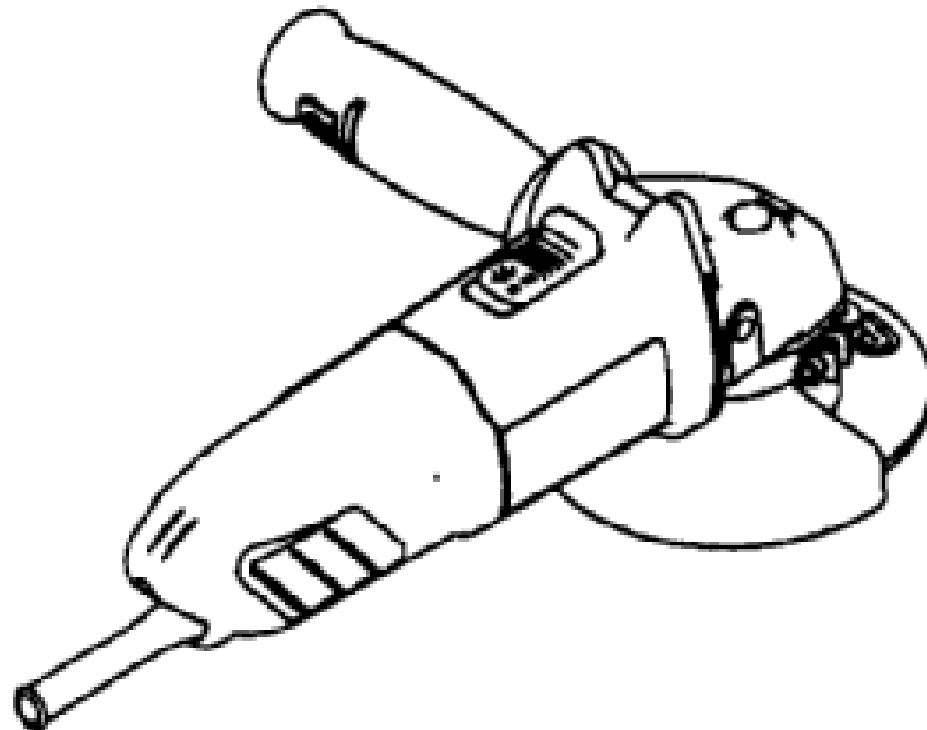
**45-55 South Centre Road Melbourne Airport Victoria 3045 Australia**

(72) Name(s) of Designer(s): **Michael Waldron**

(45) Registration Date: **10 August 2005**

(56) Related Art Documents: **Not Applicable**

(57) Statement of Newness and Distinctiveness: **Newness and distinctiveness resides in the shape and configuration of a power angle grinder as shown in the accompanying representations.**



(21) Design Number: **10898/2005**

(22) Date of Filing Application: **09 March 2005**

(24) Date from which industrial property rights may have effect: **09 March 2005**

(54) Product in respect of which the design is registered: **A power jigsaw**

(51) International Design Classification: **08-03**

(71) Name(s) and Address(s) of Applicant(s):

**GMCA Pty Ltd**

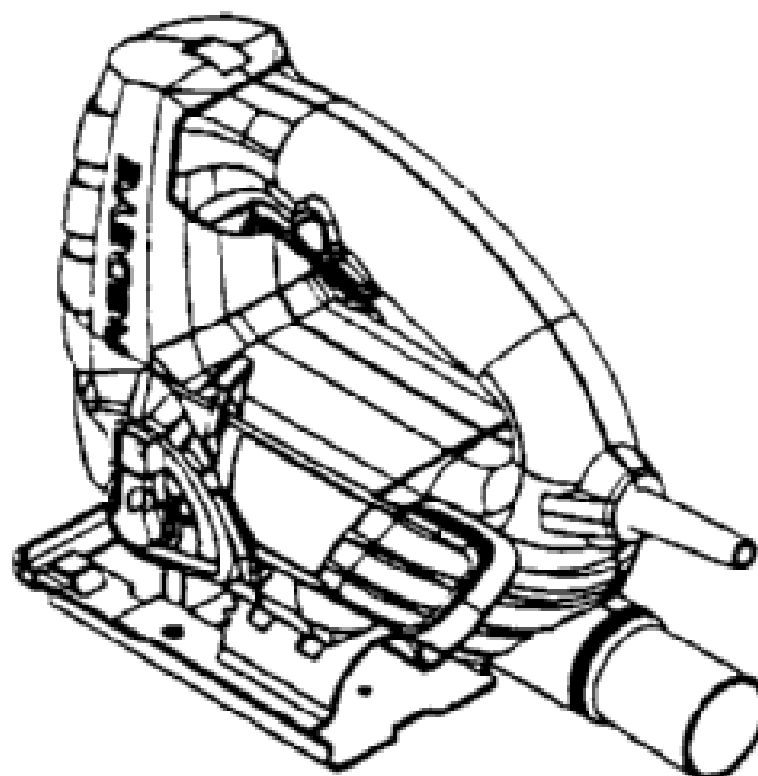
**45-55 South Centre Road Melbourne Airport Victoria 3045 Australia**

(72) Name(s) of Designer(s): **Michael Waldron**

(45) Registration Date: **10 August 2005**

(56) Related Art Documents: **Not Applicable**

(57) Statement of Newness and Distinctiveness: **Newness and distinctiveness resides in the shape and configuration of a power jigsaw as shown in the accompanying representations.**



(21) Design Number: **10899/2005**

(22) Date of Filing Application: **09 March 2005**

(24) Date from which industrial property rights may have effect: **09 March 2005**

(54) Product in respect of which the design is registered: **A power sander**

(51) International Design Classification: **08-05N**

(71) Name(s) and Address(s) of Applicant(s):

**GMCA Pty Ltd**

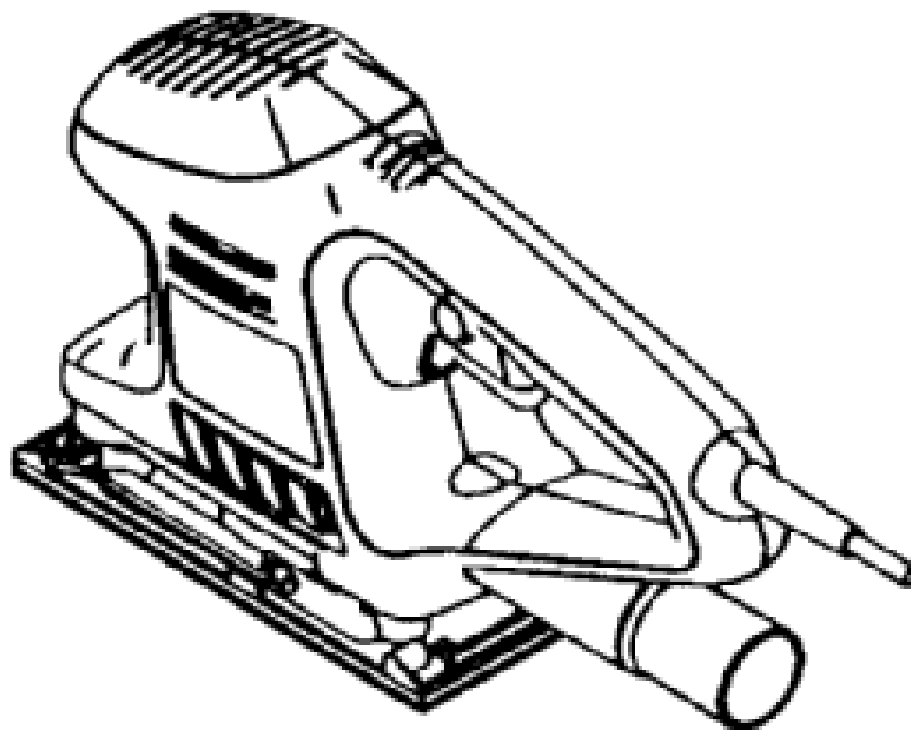
**45-55 South Centre Road Melbourne Airport Victoria 3045 Australia**

(72) Name(s) of Designer(s): **Michael Waldron**

(45) Registration Date: **10 August 2005**

(56) Related Art Documents: **Not Applicable**

(57) Statement of Newness and Distinctiveness: **Newness and distinctiveness resides in the shape and configuration of a power sander as shown in the accompanying representations.**



(21) Design Number: **10900/2005**

(22) Date of Filing Application: **09 March 2005**

(24) Date from which industrial property rights may have effect: **09 March 2005**

(54) Product in respect of which the design is registered: **A power sander**

(51) International Design Classification: **08-05N**

(71) Name(s) and Address(s) of Applicant(s):

**GMCA Pty Ltd**

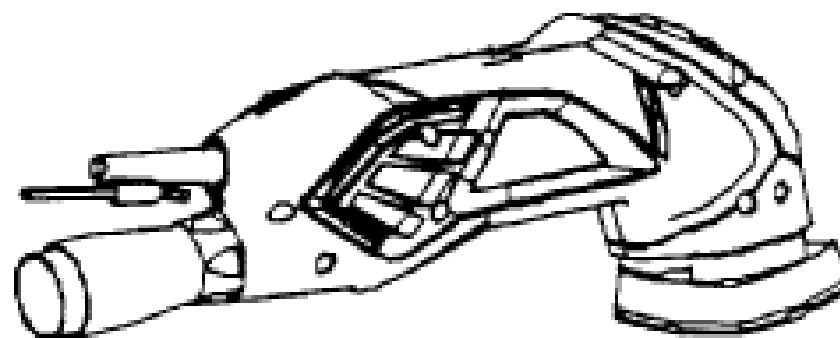
**45-55 South Centre Road Melbourne Airport Victoria 3045 Australia**

(72) Name(s) of Designer(s): **Michael Waldron**

(45) Registration Date: **10 August 2005**

(56) Related Art Documents: **Not Applicable**

(57) Statement of Newness and Distinctiveness: **Newness and distinctiveness resides in the shape and configuration of a power sander as shown in the accompanying representations.**



(21) Design Number: **10901/2005**

(22) Date of Filing Application: **09 March 2005**

(24) Date from which industrial property rights may have effect: **09 March 2005**

(54) Product in respect of which the design is registered: **A power jigsaw**

(51) International Design Classification: **08-03**

(71) Name(s) and Address(s) of Applicant(s):

**GMCA Pty Ltd**

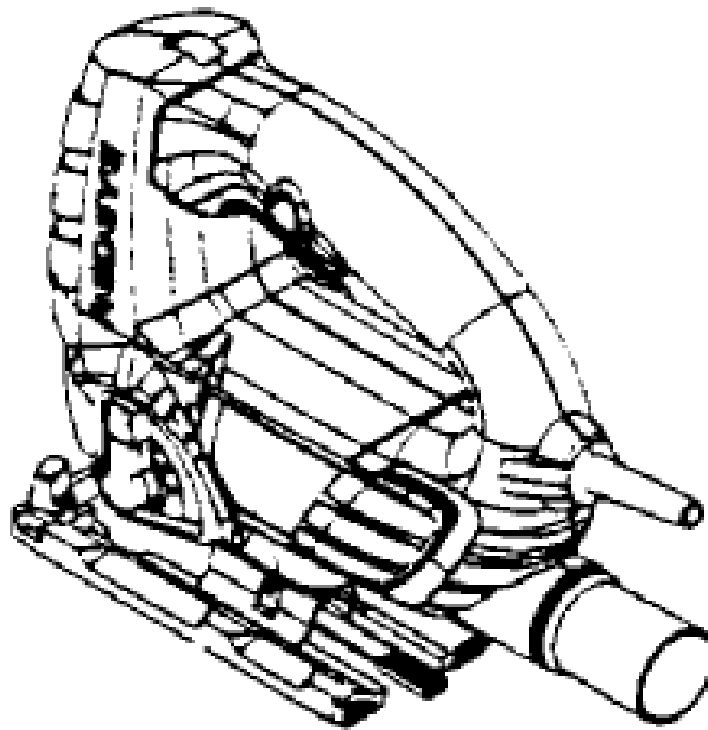
**45-55 South Centre Road Melbourne Airport Victoria 3045 Australia**

(72) Name(s) of Designer(s): **Michael Waldron**

(45) Registration Date: **10 August 2005**

(56) Related Art Documents: **Not Applicable**

(57) Statement of Newness and Distinctiveness: **Newness and distinctiveness resides in the shape and configuration of a power jigsaw as shown in the accompanying representations.**



(21) Design Number: **10902/2005**

(22) Date of Filing Application: **09 March 2005**

(24) Date from which industrial property rights may have effect: **09 March 2005**

(54) Product in respect of which the design is registered: **A power sander**

(51) International Design Classification: **08-05N**

(71) Name(s) and Address(s) of Applicant(s):

**GMCA Pty Ltd**

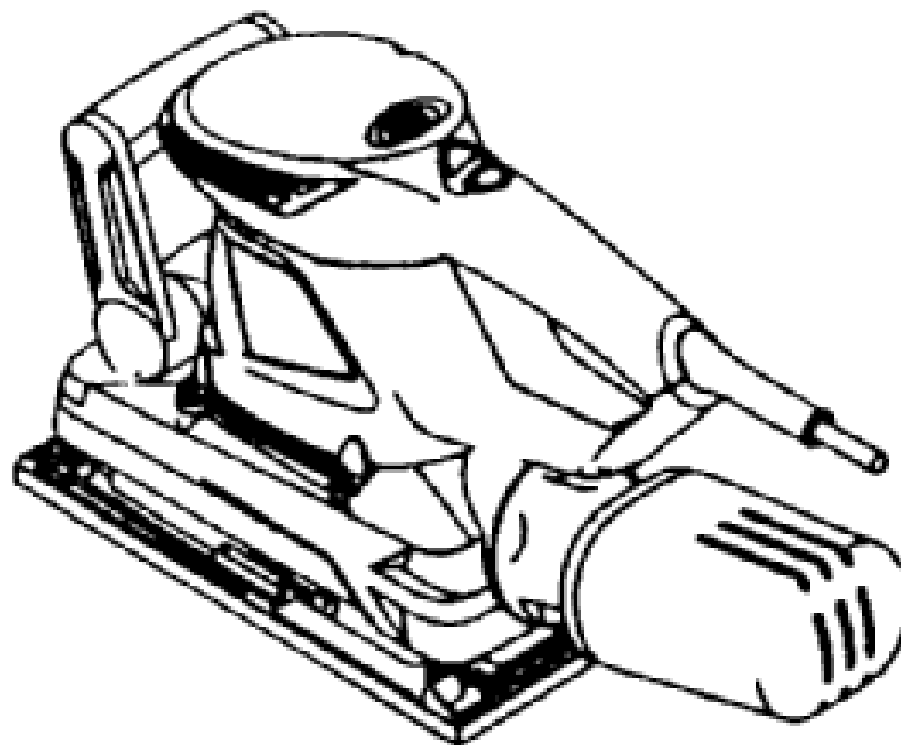
**45-55 South Centre Road Melbourne Airport Victoria 3045 Australia**

(72) Name(s) of Designer(s): **Michael Waldron**

(45) Registration Date: **10 August 2005**

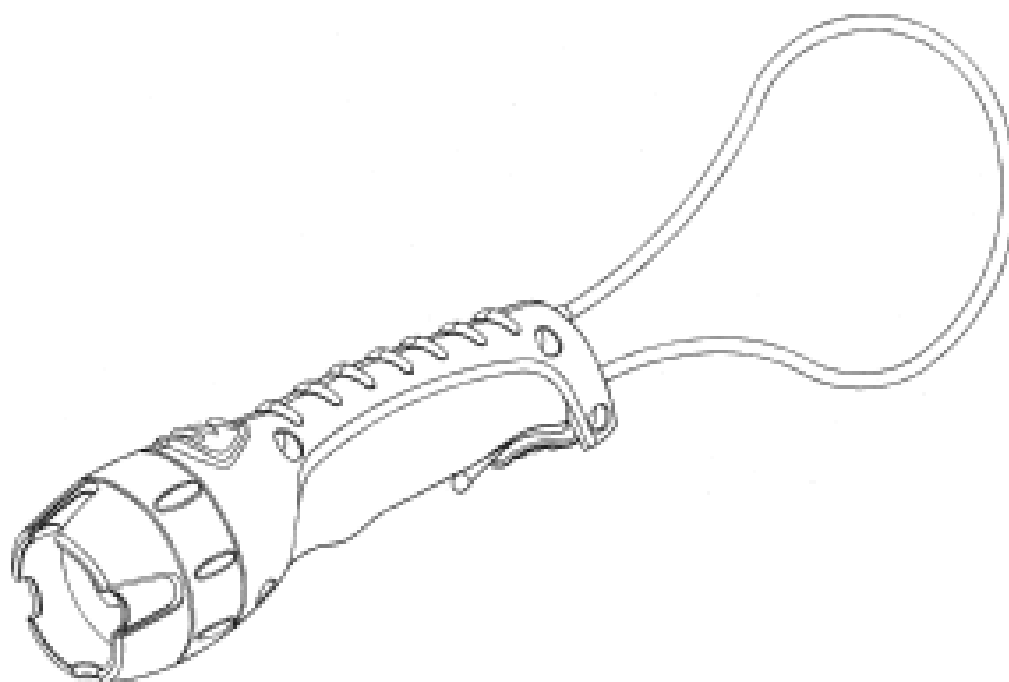
(56) Related Art Documents: **Not Applicable**

(57) Statement of Newness and Distinctiveness: **Newness and distinctiveness resides in the shape and configuration of a power sander as shown in the accompanying representations.**

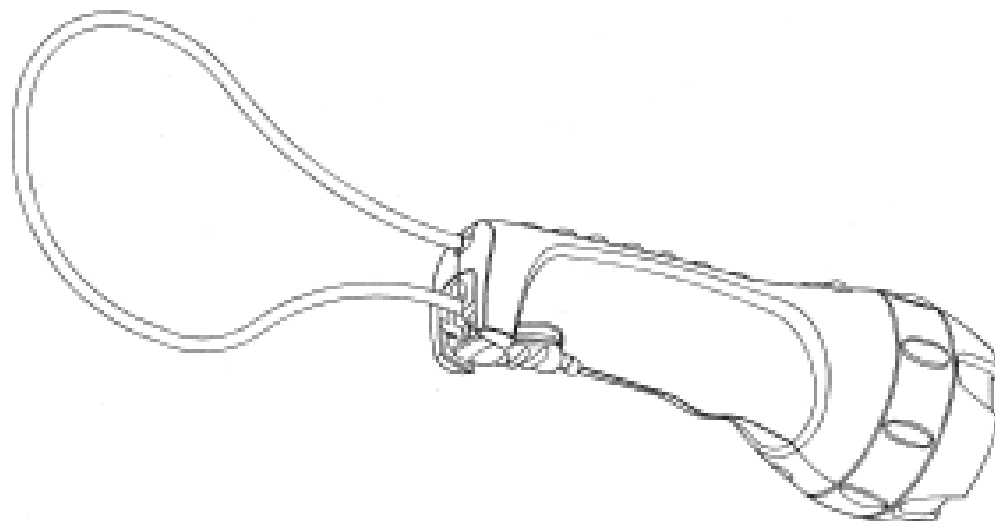




(21) Design Number: **10907/2005**  
(22) Date of Filing Application: **08 March 2005**  
(24) Date from which industrial property rights may have effect: **08 March 2005**  
(54) Product in respect of which the design is registered: **Flashlight**  
(51) International Design Classification: **26-02**  
(71) Name(s) and Address(s) of Applicant(s):  
**Eveready Battery Company, Inc.**  
**533 Maryville University Drive St Louis Missouri 63141 United States of America**  
(72) Name(s) of Designer(s): **Scott W. Osiecki and Robert Englert**  
(45) Registration Date: **10 August 2005**  
(30) Convention priority data:  
(31) Number (32) Date (33) Country  
**29/212821 08 Sep 2004 UNITED STATES OF AMERICA**  
(56) Related Art Documents: **Not Applicable**  
(57) Statement of Newness and Distinctiveness: **Nil**



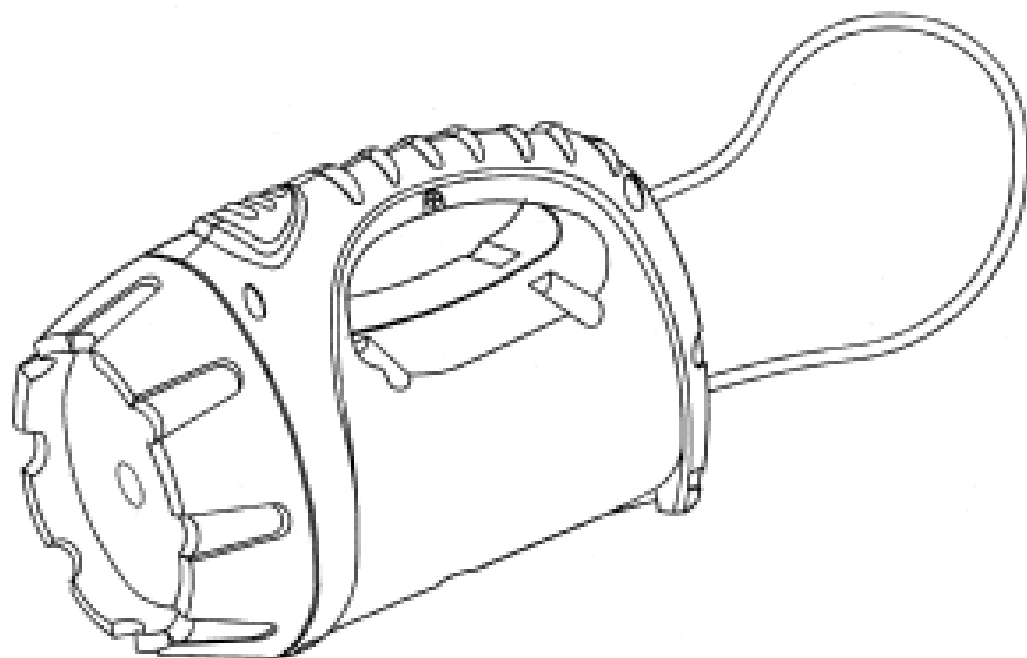
(21) Design Number: **10908/2005**  
(22) Date of Filing Application: **08 March 2005**  
(24) Date from which industrial property rights may have effect: **08 March 2005**  
(54) Product in respect of which the design is registered: **Flashlight**  
(51) International Design Classification: **26-02**  
(71) Name(s) and Address(s) of Applicant(s):  
**Eveready Battery Company, Inc.**  
**533 Maryville University Drive St Louis Missouri 63141 United States of America**  
(72) Name(s) of Designer(s): **Scott W. Osiecki and Robert Englert**  
(45) Registration Date: **10 August 2005**  
(30) Convention priority data:  
(31) Number (32) Date (33) Country  
**29/212741 08 Sep 2004 UNITED STATES OF AMERICA**  
(56) Related Art Documents: **Not Applicable**  
(57) Statement of Newness and Distinctiveness: **Nil**



(21) Design Number: **10909/2005**  
 (22) Date of Filing Application: **08 March 2005**  
 (24) Date from which industrial property rights may have effect: **08 March 2005**  
 (54) Product in respect of which the design is registered: **A lighting device**  
 (51) International Design Classification: **26-02**  
 (71) Name(s) and Address(s) of Applicant(s):  
**Eveready Battery Company, Inc.**  
**533 Maryville University Drive St Louis Missouri 63141 United States of America**  
 (72) Name(s) of Designer(s): **Scott W. Osiecki and Robert Englert**  
 (45) Registration Date: **10 August 2005**  
 (30) Convention priority data:  

(31) Number	(32) Date	(33) Country
<b>29/212820</b>	<b>08 Sep 2004</b>	<b>UNITED STATES OF AMERICA</b>

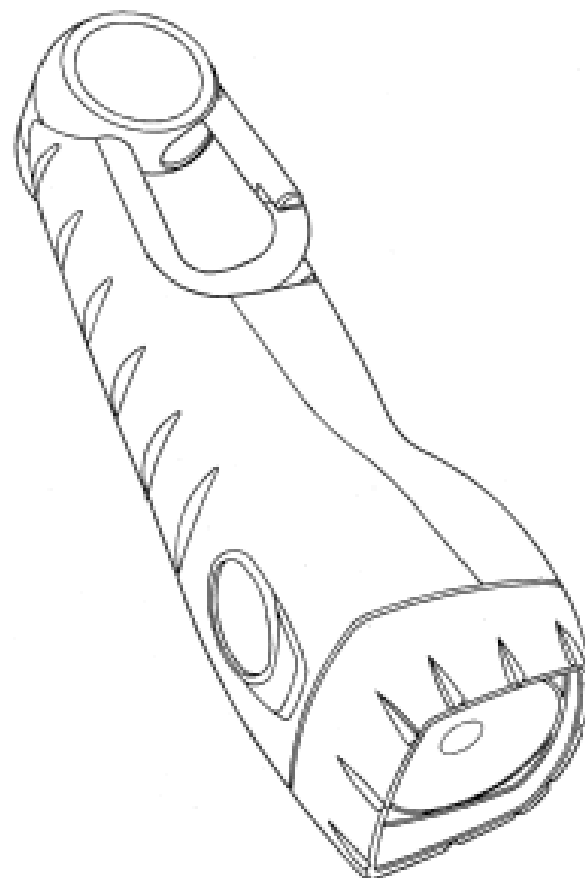
 (56) Related Art Documents: **Not Applicable**  
 (57) Statement of Newness and Distinctiveness: **Nil**



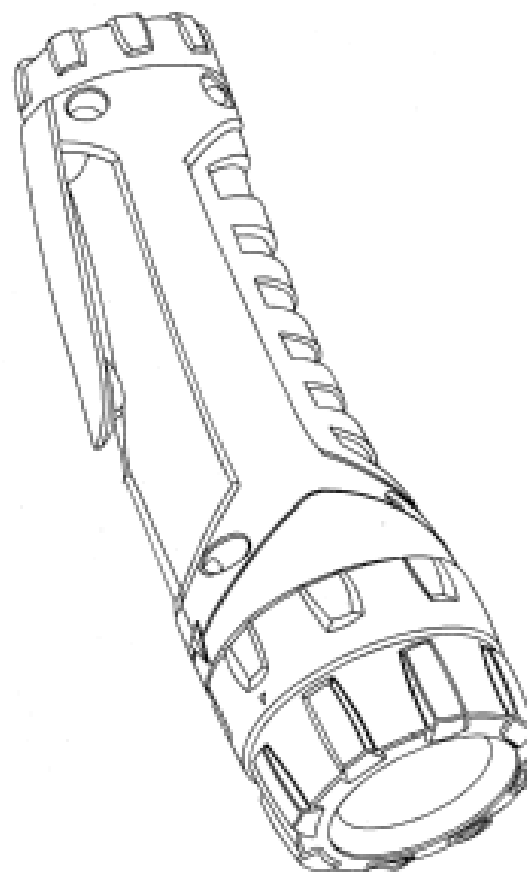
(21) Design Number: **10910/2005**  
 (22) Date of Filing Application: **08 March 2005**  
 (24) Date from which industrial property rights may have effect: **08 March 2005**  
 (54) Product in respect of which the design is registered: **Flashlight**  
 (51) International Design Classification: **26-02**  
 (71) Name(s) and Address(s) of Applicant(s):  
**Eveready Battery Company, Inc.**  
**533 Maryville University Drive St Louis Missouri 63141 United States of America**  
 (72) Name(s) of Designer(s): **Scott W. Osiecki and Robert Englert**  
 (45) Registration Date: **10 August 2005**  
 (30) Convention priority data:  

(31) Number	(32) Date	(33) Country
<b>29/212759</b>	<b>08 Sep 2004</b>	<b>UNITED STATES OF AMERICA</b>

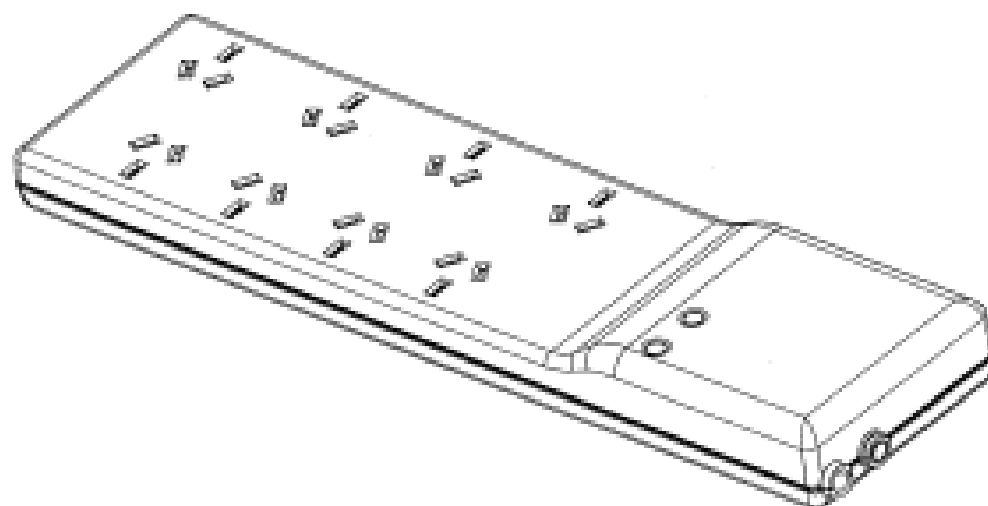
 (56) Related Art Documents: **Not Applicable**  
 (57) Statement of Newness and Distinctiveness: **Nil**



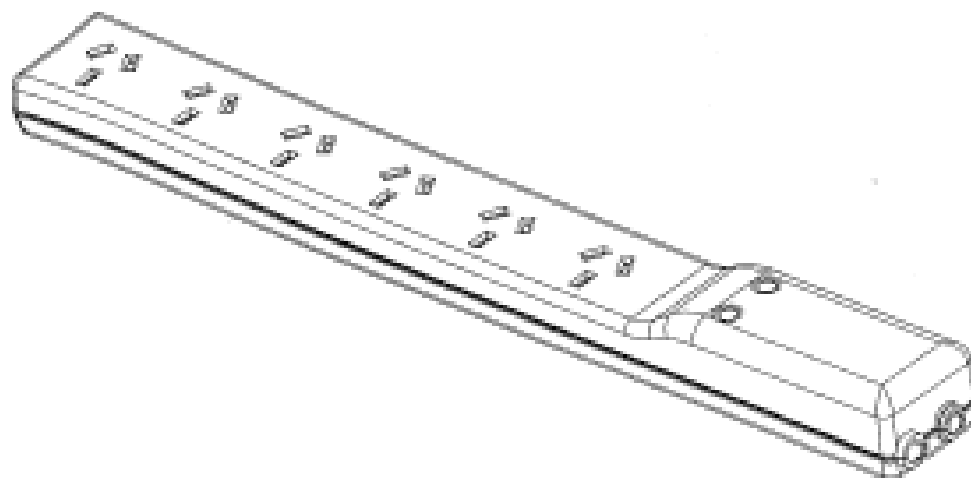
(21) Design Number: **10911/2005**  
(22) Date of Filing Application: **08 March 2005**  
(24) Date from which industrial property rights may have effect: **08 March 2005**  
(54) Product in respect of which the design is registered: **Flashlight**  
(51) International Design Classification: **26-02**  
(71) Name(s) and Address(s) of Applicant(s):  
**Eveready Battery Company, Inc.**  
**533 Maryville University Drive St Louis Missouri 63141 United States of America**  
(72) Name(s) of Designer(s): **Scott W. Osiecki and Robert Englert**  
(45) Registration Date: **10 August 2005**  
(30) Convention priority data:  
(31) Number (32) Date (33) Country  
**29/212758 08 Sep 2004 UNITED STATES OF AMERICA**  
(56) Related Art Documents: **Not Applicable**  
(57) Statement of Newness and Distinctiveness: **Nil**



(21) Design Number: **10916/2005**  
(22) Date of Filing Application: **09 March 2005**  
(24) Date from which industrial property rights may have effect: **09 March 2005**  
(54) Product in respect of which the design is registered: **A powerboard**  
(51) International Design Classification: **13-03D**  
(71) Name(s) and Address(s) of Applicant(s):  
**H.P.M. Industries Pty Ltd**  
**Unit 4 44-48 O'Dea Avenue Waterloo New South Wales 2017 Australia**  
(72) Name(s) of Designer(s): **Brendan Foxlee and Tomasz Swiatek and Alison Stanton and Jenny Trouville and Caitlin Harvey**  
(45) Registration Date: **10 August 2005**  
(56) Related Art Documents: **Not Applicable**  
(57) Statement of Newness and Distinctiveness: **Nil**



- (21) Design Number: **10917/2005**
- (22) Date of Filing Application: **09 March 2005**
- (24) Date from which industrial property rights may have effect: **09 March 2005**
- (54) Product in respect of which the design is registered: **A powerboard**
- (51) International Design Classification: **13-03D**
- (71) Name(s) and Address(s) of Applicant(s):  
**H.P.M. Industries Pty Ltd**  
**Unit 4 44-48 O'Dea Avenue Waterloo New South Wales 2017 Australia**
- (72) Name(s) of Designer(s): **Brendan Foxlee and Tomasz Swiatek and Alison Stanton and Jenny Trouville and Caitlin Harvey**
- (45) Registration Date: **10 August 2005**
- (56) Related Art Documents: **Not Applicable**
- (57) Statement of Newness and Distinctiveness: **Nil**



- (21) Design Number: **10927/2005**
- (22) Date of Filing Application: **09 March 2005**
- (24) Date from which industrial property rights may have effect: **09 March 2005**
- (54) Product in respect of which the design is registered: **Programmable controller**
- (51) International Design Classification: **23-04, 10-03, 13-03NES**
- (71) Name(s) and Address(s) of Applicant(s):  
**Carrier Corporation**  
**Carrier Parkway Syracuse NY 13221 United States of America**
- (72) Name(s) of Designer(s): **Brian Scott Ohlwine and Michael John O'Brien and Kenneth Earl Bujold II and Zbigniew Lewicki and Mark Edward Jones and Yi Hong**
- (45) Registration Date: **10 August 2005**
- (30) Convention priority data:

(31) Number	(32) Date	(33) Country
<b>29/212,960</b>	<b>10 Sep 2004</b>	<b>UNITED STATES OF AMERICA</b>
- (56) Related Art Documents: **Not Applicable**
- (57) Statement of Newness and Distinctiveness: **Nil**

