

Australian Government

IP Australia

AUSTRALIAN OFFICIAL JOURNAL

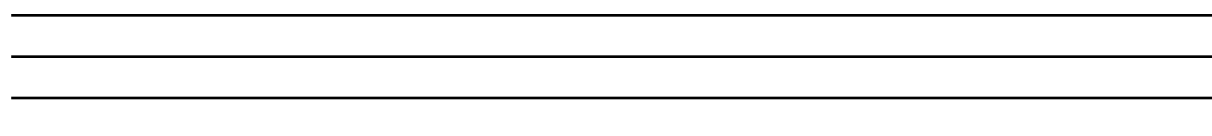
OF

DESIGNS

Did you know a searchable version of this journal is now available online?
It's FREE and EASY to SEARCH.

Find it at

<http://pericles.ipaustralia.gov.au/ols/epublish/content/olsEpublications.jsp>
or using the "Online Journals" link on the IP Australia home page.



This Page Left Intentionally Blank

Contents

General Information & Notices

Proceedings Under the Designs Act 1906 preserved as a result of the provisions of Chapter 12 Part 2 of the Designs Act 2003

Application for Extension of Period of Registration	2204
Applications Lapsed	2203
Extension of Period of Registration of Designs	2204
Extensions of Time Granted	2205
Names Registered - Alterations and Amendments	2206
Registration Proceedings	
Registration Number Range 158249 to 158263	2207
Registrations Ceased	2205
Subsequent Owners Registered	2205

Proceedings Under the Designs Act 2003

Applications Lapsed	2223
Applications Lodged	2219
Applications Withdrawn	2223
Certificate of Examination	2225
Extension of Time Granted Under Section 137	
Publication and Registration Proceedings	
Designs Registered 302747 to 302861.....	2226

This Page Left Intentionally Blank

General Information

EDITORIAL ENQUIRIES

All enquiries about official notices and general information in the Journal should be directed to IP Australia, (ABN No 38 113 072 755), PO Box 200 Woden ACT 2606

Or

Telephone 1300 651 010
(International Callers +61 2 6283 2999)
Fax 02 6283 7999
E-mail assist@ipaustralia.gov.au

CONTACT INFORMATION

Customer Service Network
Telephone 1300 651 010 , Fax: 02 6283 7999
E-mail: assist@ipaustralia.gov.au

Customers can contact the Customer Service Network by telephone or by e-mail. Telephones are staffed between 9am and 5pm each working day.

Customers should contact the Customer Service Network for information about:

- All Patent Matters including PCT and Innovation Patents.
- All Trade Mark Matters.
- All Design Matters.

Professional Standards Board for Patent and Trade Mark Attorneys.

Ph: 02 6283 2345 Fax: 02 6283 1048

ORDERING PATENT DOCUMENTS

When ordering copies of Australian patent specifications, or abstracts and abridgments notified as open to public inspection on or after 26 October 1978, or as accepted on or after 16 November 1978, the documents should be referred to by application numbers only, preceded by letters AU-A or AU-B respectively.

REQUESTS FOR INFORMATION UNDER SECTION 194 (C)

A request for information under Section 194 (C) of the Patents Act 1990 should be made in the approved form and be accompanied by the prescribed fee. The request should be as detailed as possible.

INFORMATION FROM REGISTERS

All requests for information from Register of Patents, Trade Marks or Designs, should be made in writing and accompanied by the prescribed fee. The Registers are located in Canberra and may be examined free of charge.

COUNTRY CODES

For a listing of country codes used by IP Australia please refer to the Official Journals dated 7 November 1996.

ABBREVIATIONS IN JOURNAL

Standard abbreviations are used in the name of companies and firms. Enquiries concerning the precise name should be directed to the Customer Service Network.

FREEDOM OF INFORMATION ACT

What does it do?

- Gives you right to obtain information held by Commonwealth Ministers, Departments and most statutory bodies (these bodies are called agencies under the Act).
- Requires Commonwealth Government agencies to make available to members of the public:
 - Information about agencies, their functions and operations.
 - Information about rules and practices which are used in making decisions which affect you.
- Gives you a legal right to:
 - See non exempt documents held by agencies, and
 - appeal against a decision not to grant access to a document.

What documents can you see?

- The Act gives you a right to see documents lodged on or after 1 December 1977, or earlier if you need them to understand another document you have already.
- Documents include files, reports, computer printouts, maps, plans, photographs, tape recordings, films or videotapes.
- Documents which are available for purchase under the Patents Act 1990, the Trade Marks Act 1995 or Designs Act 2003 are not available under the Freedom of Information Act (Section 12 refers).

How do you apply?

Requests for access to documents must

- Be in writing
- Provide sufficient information so as to enable identification of the documents requested
- Specify an address in Australia where notices can be sent and
- Be accompanied by the application fee (currently \$30.00) or specify an IP Australia account to which the charges will be posted.

Requests for documents should be addressed to IP Australia, PO Box 200 Woden, ACT 2606, or Faxed to 02 6283 7999

DECISIONS OF THE COMMISSIONER OF PATENTS AND REGISTRAR OF TRADE MARKS AND DESIGNS

- All decisions of the Commissioner and Registrars are available free of charge from AUSTLII's website

www.austlii.edu.au

Copies of all written Patent and Design decisions are available (except if they would not be available under the provisions of the Freedom of Information legislation, e.g. if they would effectively disclose matter from documents that are not open to public inspection) on request for a cost of \$AU 25. They are also available for inspection in indexed volume series, dating from 1 January 1987, in the Office library, Canberra.

Copies of Trade Mark decisions may be accessed via IP Australia's website www.ipaustralia.gov.au

- Copies of the taped record of Patent and Design hearings are available (with the same exception as above) on request.
- When a written decision is issued the fact of the decision plus a brief head note will be published in the Official Notices section of the next available Patents, Trade Marks or Designs Journal.

HEARINGS BEFORE THE COMMISSIONER OF PATENTS AND THE REGISTRARS OF TRADE MARKS AND DESIGNS

Hearings before the Commissioner of Patents and the Registrars of Trade Marks and Designs will be set down in Melbourne, Sydney, Adelaide, Perth and Brisbane during the periods indicated below.

Patent Hearings Sessions 2005

Melbourne	9 – 11 May
Sydney	11 – 13 July
Adelaide	2 – 3 August
Perth	4 – 5 August
Brisbane	1 – 2 September

Note: Expert matters will have priority over other matters for allocation of a hearing in these sessions.

Designs and Trade Marks Hearings Sessions 2005

Melbourne	14 – 18 February 6 – 10 June 12 – 16 September
Sydney	14 – 18 March 18 – 22 July 17 – 21 October
Adelaide	15 – 16 August
Perth	18 – 19 August
Brisbane	22 – 23 August

Persons who desire matters to be set down for hearing in Melbourne, Sydney, Adelaide, Perth or Brisbane must give at least one month's notice of their intention to be heard. If such notice is not given, it may be that there would be insufficient time to allow for the execution of official procedures

associated with the listing of hearings, and as a result, the matter involved might not be listed.

Subject to the convenience of this Office, hearings will be set down in Canberra at any time suitable to the parties.

LIST OF STATE OFFICES

IP Australia State Offices are located in the Australian Capitals at the addresses given below. Requests for information may be obtained by calling at, phoning or writing to these offices or IP Australia, Canberra.

Australian Capital Territory

Ground Floor
Discovery House
PHILLIP ACT 2606
(PO Box 200, WODEN ACT 2606)
Ph: 1300 651 010
Fax: (02) 6283 7999

New South Wales

Level 1
45 Clarence Street
SYDNEY NSW 2000
Ph: 1300 651 010
Fax: (02) 9249 5807

Victoria

Level 6
OCBC House
565 Bourke Street
MELBOURNE VIC 3000
Ph: 1300 651 010
Fax (03) 9612 9807

Western Australia

2nd Floor
East Point Plaza
233 Adelaide Terrace
PERTH WA 6000
Ph: 1300 651 010
Fax: (08) 9220 8907

Queensland

Level 1
Grant Thornton House
102 Adelaide Street
BRISBANE QLD 4000
Ph: 1300 651 010
Fax: (07) 3007 1107

South Australia

Level 10
Origin Energy House
1 King William Street
ADELAIDE SA 5000
Ph: 1300 651 010
Fax: (08) 8239 4507

Tasmania

Ground Floor
AMP Building
27 Elizabeth Street
HOBART TAS 7000
Ph: 11300 651 010
Fax: (03) 6235 6307

“INID” NUMBERS in use on Australian Design Documents

“INID” is an acronym for “Internationally agreed Numbers for the Identification of Data”.

(10) Data concerning the registration/renewal

- (11) Serial number of the registration and/or number of the design document
- (12) Plain language designation of the kind of published document
- (19) Identification, using the two-letter code according to WIPO Standard ST.3, of the authority publishing or registering the industrial design

(20) Data concerning the application

- (21) Serial number of the application
- (22) Date of filing of the application
- (24) Date from which the industrial design right has effect

(30) Data relating to priority under the Paris Convention

- (31) Serial number assigned to the priority application
- (32) Date of filing of the priority application
- (33) Two-letter code, according to WIPO Standard ST.3, identifying the authority with which the priority application was made

(40) Date(s) of making information available to the public

- (45) Date of publication of the registered industrial design by printing or similar process, or making it available to the public by any other means

(50) Miscellaneous Information

- (51) International Classification for Industrial Designs (class and subclass of the Locarno Classification)
- (54) Designation of article(s) or product(s) covered by the industrial design or title of the industrial design
- (55) Reproduction of the industrial design (e.g., drawing, photograph) and explanations relating to the reproduction
- (56) List of prior art documents, if separate from descriptive text
- (57) Description of characteristic features of the industrial design including indication of colours

(60) References to other legally related application(s) and registration(s)

- (62) Serial number(s) and, if available, filing date(s) of application(s), registration(s) or document(s) related by division
- (66) Serial number(s) of the application, or the registration, of the design(s) which is (are) a variant(s) of the present one

(70) Identification of parties concerned with the application or registration

- (71) Name(s) and address(es) of the applicant(s)
- (72) Name(s) of the creator(s) if known to be such
- (74) Name(s) and address(es) of the representative(s)

This Page Left Intentionally Blank

OFFICIAL NOTICES**Review of the ‘Right to Repair’ or ‘Spare Parts’
exclusion under the *Designs Act 2003***

In introducing a new designs rights system through the *Designs Act 2003* (the new Act), the Government decided to exclude spare parts from designs protection through a right of repair provision. Under the legislation, registration of all new and distinctive designs of component parts of complex products would be permitted, but where a component part is used for repair of a complex product to restore its overall appearance, the manufacturers and suppliers of the component part are exempted from any liability for infringement.

In adopting this policy, the Government announced that IP Australia would monitor the effectiveness of the provisions for excluding spare parts from design protection and that a formal review would be undertaken before the end of 2005. The review would assess how well the exclusion provisions have met the Government’s policy objectives and take into account the European Union’s experience.

This discussion paper launches the review.

The Government’s reasoning, including considerations of various options, is set out in the explanatory memorandum to the *Designs Bill 2002* (www.comlaw.gov.au - browse for the *Designs Bill 2002* and get the attachment). In providing protection for original components while enabling the use of these same components for repairs without risk of infringement, the Government’s policy objectives were to:

- encourage innovation by providing protection to component suppliers in their dealings with manufacturers of original complex equipments (the primary market);
- open up the spare parts market (the aftermarket) to greater competition and thus secure benefits for consumers in the form of lower prices; and
- operate a clear, accessible design registration system that strikes the appropriate balance between consumer benefits, compliance costs for business and industry and administrative costs for the Government.

The new Act came into effect in June 2004, and 6201 designs have been filed under the new Act since that date. Seventy five per cent of those applications are for a single design. Around fifty percent of those applications have been made by Australian applicants.

In 2004-05, the first full year of the operation of the new Act, there was a 12 per cent increase in design applications (cf 15% the year before). 2003-04 contained some anomalies as there was a rush of applications filed in the lead up to commencement of the new Act: 1200 were filed in the last two months of the old Act.

Perhaps the most significant change in 2004-05 filings was in two categories: a 27% decrease in design applications for transport and related equipment and a 64% increase in design applications for clothing and haberdashery. The decrease in the transport design applications may be largely explained by the fact that there was a rush of applications in 2003-04 (a 24% increase) as companies made applications before the new Act and the spare parts exemption came into effect. The increase in clothing applications may be explained by the fact that the previous design regulations excluded dressmaking patterns as copyright protection was considered to be more appropriate. As a result of the legislative changes to the Designs and Copyright Acts, dressmaking patterns are now protected as industrial designs.

In the European Union, there is a proposal currently before its Parliament to harmonise the different national approaches and liberalise the spare parts market. Under present arrangements, the European Commission (Commission) estimates that spare parts are 6-10% more expensive in Member States where they are subject to design protection. The Commission proposes to remove Member States' option to maintain design protection for spare parts and instead allow independent part manufacturers to compete throughout the EU market for visible replacement parts.

The Commission proposes a right-of-repair clause, similar to that in Australia, which will allow the free production and marketing of visible component parts for the purpose of the repair of the complex product so as to restore its original appearance. The proposal must be agreed by the European Parliament and the Council of Ministers to become law. Details of the Commission's proposal may be found at: <http://www.europa.eu.int/rapid/pressReleasesAction.do?reference=IP/04/1101&format=HTML&aged=1&language=EN&guiLanguage=en>

IP Australia is seeking comments on the Australian exclusion of spare parts from designs protection through a right of repair. In particular, we would welcome comments on the following issues:

- How well are the Government's policy objectives, as summarised above and detailed in the explanatory memorandum to the Designs Bill 2002, being met?
- Are any changes required to the current right of repair provision to more effectively and efficiently achieve the Government policy objectives?
- Which industry sectors other than the automotive spare parts industry are primarily affected by the exclusion of spare parts from design protection? What has been the effect on this industry sector?
- Can you estimate the cost/benefit of the current exclusion of spare parts on:
 - your business?
 - your industry sector?
 - Australian consumers?
 - the Australian economy?
- Are there any particular circumstances where the current exclusion provisions have significantly disadvantaged or benefited manufacturers and/or consumers? Please provide examples.
- Do you have any other general comments on the spare parts exclusion?

Please send written comments to:

Ms Janet Werner
Director
Domestic Policy Section
IP Australia
PO Box 200
WODEN ACT 2606

or by email to janet.werner@ipaustralia.gov.au.

Please note that all comments will be made publicly available, unless confidentiality is specifically requested.

To enable finalisation of the review before the end of 2005, the closing date for submissions is **30 September 2005**.

Queries: Janet Werner
Domestic Policy Section
+61 2 6283 2443

Contact: IP Australia
Phone: 1300 651 010
Fax: +61 2 6283 7999
E-mail: assist@ipaustralia.gov.au
Web: www.ipaustralia.gov.au

Official Notice***Designs Act 2003***
Converted Designs

The following transitional applications have been converted to an application under the *Designs Act 2003*:

2003 Act Design Number	1906 Act Application Number
13366/2005	1136/2004
13367/2005	

For more recent notifications of converted applications, please see the Australian Designs Data Searching system.

Contact: IP Australia
Phone: 1300 651 010
Fax: +61 2 6283 7999
E-mail: assist@ipaaustralia.gov.au
Web: www.ipaustralia.gov.au

**Proceedings under the Designs Act 1906 preserved as a
result of the provisions of Chapter 12 Part 2 of the Designs
Act 2003.**

This Page Left Intentionally Blank

Applications Lapsed

04203 / 2003 (06-01B)	04249 / 2003 (06-04F)
04370 / 2003 (06-01G)	04375 / 2003 (11-02D)
04525 / 2003 (12-11)	04540 / 2003 (24-02)
04553 / 2003 (06-09)	04568 / 2003 (03-01D)
04569 / 2003 (03-01D)	04574 / 2003 (06-03A)
04584 / 2003 (25-01C)	04585 / 2003 (03-01NES)
04595 / 2003 (24-04)	04598 / 2003 (07-02H)
00005 / 2004 (07-99A)	00009 / 2004 (02-03)
00038 / 2004 (21-01M)	00157 / 2004 (12-06C)
01507 / 2004 (06-04NES)	

Application for Extension of Period of Registration

Applications under Section 27A(2) for extension of registration of the following designs have been lodged. In the event that a design is shown to be not new or original, the Registrar may refuse to extend the period of registration. Sub-section 27A(4) allows any person to lodge at the Designs Office material relevant to the question whether the design is not new or original. That material must be lodged within 11 months of the date when the registration of the design was made. Further details of the conditions and procedures for the lodgement of material are contained in Form 8 provided under the Designs Regulation 24.

Registration Number	Registered Owner	Registration Date
155469	RIPPLE EFFECTS AUSTRALIA PTY LTD	18/05/2004
155739	IRINA OLSEN and OLE OLSEN	16/06/2004
155840	TRISTAR HOUSEWARE AUSTRALIA PTY LTD	13/07/2004
156179	RUTH ELIZABETH MOORE	13/08/2004
156212	JASON MICHAEL CODEGA	16/08/2004
156236	RICHARD HOLMES and RHONDA HOLMES and BRENDON HOLMES and MARGARET HOLMES	20/08/2004
156283	SHANNON L. SMITH	26/08/2004
156310	ROBERT SORBARA	31/08/2004
156335	WESTLINE ASSET PTY LTD	02/09/2004
156337	RECKITT BENCKISER (UK) LIMITED	02/09/2004
156348	MICHAEL HEBDEN BENNETT	06/09/2004
156349	MICHAEL HEBDEN BENNETT	06/09/2004
156350	MICHAEL HEBDEN BENNETT	06/09/2004
156364	DARREN SCOTT GENNER and SIMONA CASTAGNA	07/09/2004
156372	MARS INCORPORATED	07/09/2004
156389	INTERNATIONAL PAPER COMPANY	08/09/2004
156439	JUDY PONG	20/09/2004
156467	INDUSTRIAS LORENZO S.A.	22/09/2004
156507	TWINBIRD CORPORATION	27/09/2004
156509	SALVATORE PERLA	27/09/2004
156510	HALCO PTY LTD	27/09/2004
156547	DAVID RANDALL KNOTT	05/10/2004
156554	GEOFFREY SAMUEL BAKER	05/10/2004
156571	D3 PRODUCT DESIGN PTY LTD	05/10/2004
156590	MICHAEL RAFFERTY	06/10/2004
156591	MICHAEL RAFFERTY	06/10/2004
156733	JEFFREY LEONARD REID and CHERYL ANN REID	21/10/2004

Registration Number	Registered Owner	Registration Date
156785	EFFEM FOODS PTY LTD	01/11/2004
156931	NCI PACKAGING PTY LTD	29/11/2004
157995	HOLDEN LTD	26/05/2005
158032	HOLDEN LTD	06/06/2005
158033	HOLDEN LTD	06/06/2005
158034	HOLDEN LTD	06/06/2005
158035	HOLDEN LTD	06/06/2005
158036	HOLDEN LTD	06/06/2005
158037	HOLDEN LTD	06/06/2005
158038	HOLDEN LTD	06/06/2005
158039	HOLDEN LTD	06/06/2005
158056	HOLDEN LTD	06/06/2005
158057	HOLDEN LTD	06/06/2005
158058	HOLDEN LTD	06/06/2005
158059	HOLDEN LTD	06/06/2005
158060	HOLDEN LTD	06/06/2005
158061	HOLDEN LTD	06/06/2005
158062	HOLDEN LTD	06/06/2005
158063	DAVID MARK STEELE	06/06/2005
158064	DAVID MARK STEELE	06/06/2005
158065	DAVID MARK STEELE	06/06/2005
158066	DAVID MARK STEELE	06/06/2005
158067	DAVID MARK STEELE	06/06/2005
158068	DAVID MARK STEELE	06/06/2005
158069	DAVID MARK STEELE	06/06/2005
158070	DAVID MARK STEELE	06/06/2005
158087	DAVID MARK STEELE	07/06/2005
158090	GLAXO GROUP LIMITED	07/06/2005
158098	GLAXO GROUP LIMITED	08/06/2005
158099	WRIGHT FENN & CO. LTD	08/06/2005
158117	O & S HOLDINGS (VIC) PTY LTD	29/06/2005
158125	SIGNUM SPECIALITIES PTY LTD	29/06/2005
158223	RADO UHREN A.G. (RADO WATCH CO. LTD) (MONTRES RADO S.A.)	01/08/2005
158254	STOKELY-VAN CAMP INC.	16/08/2005
158255	STOKELY-VAN CAMP INC.	16/08/2005

Extension of Period of Registration of Designs

1st Period (Section 27A(8))

155469	155739	155840	106836	106847	106858
156057	156161	156162	106869	106872	106873
156163	156164	156165	106882	106883	106884
156166	156167	156169	106885	106886	106894
156170	156171	156172	106920	107037	107038
156173	156174	156175	107363	107368	107457
156176	156177	156178	107458	107459	107520
156179	156180	156181	107606	107712	107718
156182	156183	156184	107921	107948	108482
156187	156188	156189	109079	109184	109235
156190	156191	156192	109236	109313	109360
156193	156194	156195	109973	109976	109991
156196	156197	156198	110210	110549	110770
156199	156200	156202	121108	121109	121115
156203	156204	156206	121149	121205	121224
156207	156208	156209	121301	121345	121428
156210	156211	156212	121723	121726	121855
156213	156216	156217	121920	122090	122638
156218	156219	156220	122671	122870	122994
156222	156225	156226	136577	136966	136985
156227	156228	156229	136998	137023	138067
156230	156231	156232	138107	138109	138110
156233	156234	156235	138111	138146	138147
156236	156237	156238	138148	138150	138151
156239	156240	156249	138152	138255	138299
156250	156251	156252	138537	138608	138609
156253	156254	156255	138610	138611	138612
156256	156257	156258	138759	139116	139485
156259	156260		139570	140163	140182

2nd Period (Section 27A(12))

137817	139401	140055
140056	140057	140112
140113	140117	140137
140212	140213	140251
140252	140431	140432
140433	140474	140475
140478	140479	140497
140617	140618	140619
140644	140650	140796
140877	140957	141128
141157	141349	142783
143545	144456	146165

3rd Period (Section 27A(13))

119998	121537	123162
123221	123419	123422
123492	123850	124102
125084	125863	127704
127744	140957	

Registrations Ceased

Note: Some of the following Registrations may have been previously advertised as ceased. In this instance, the previous advertisement still prevails.

Extensions of time granted

Applications lodged for extension of time have been granted.

129564 **Victorian Educational Furniture Pty Ltd** An Extension of time to extend a registration has been granted to 18/12/2003

137817 **Smart Masonry (Holdings) Pty Ltd** An Extension of time to extend a registration has been granted to 10/05/2005

155840 **Tristar Houseware Australia Pty Ltd** An Extension of time to extend a registration has been granted to 10/08/2005

04263/2003 **Ray Cerezo** An Extension of time to register an application has been granted to 14/08/2005

155469 **Ripple Effects Australia Pty Ltd** An Extension of time to extend a registration has been granted to 17/06/2005

155739 **Irina Olsen** An Extension of time to extend a registration has been granted to 30/06/2005

Subsequent Owners Registered

(The name in parentheses is that of the subsequent owner)

Subsequent Owners Registered

- 152619 (**Rob McGovern Imports Pty Ltd**) Jonathan Charles
Albert Noble
- 152620 (**Rob McGovern Imports Pty Ltd**) Jonathan Charles
Albert Noble
- 156323 (**Rob McGovern Imports Pty Ltd**) Jonathan Charles
Albert Noble
- 153336 (**Rob McGovern Imports Pty Ltd**) Jonathan Charles
Albert Noble
- 122757 (**Shell Brands International A.G.**) Shell International
Petroleum Company Limited
- 144660 (**Shell Brands International A.G.**) Shell International
Petroleum Company Limited
- 145617 (**Shell Brands International A.G.**) Shell International
Petroleum Company Limited
- 120536 (**Shell Brands International A.G.**) Shell International
Petroleum Company Limited
- 120556 (**Shell Brands International A.G.**) Shell International
Petroleum Company Limited
- 122756 (**Shell Brands International A.G.**) Shell International
Petroleum Company Limited
- 122758 (**Shell Brands International A.G.**) Shell International
Petroleum Company Limited
- 127467 (**Shell Brands International A.G.**) Shell International
Petroleum Company Limited
- 129496 (**Shell Brands International A.G.**) Shell International
Petroleum Company Limited
- 150471 (**Innovative Designs Pty Ltd**) Christopher Allan
Trudgett
- 153199 (**Innovative Designs Pty Ltd**) Christopher Allan
Trudgett
- 150824 (**Qingdao D&D Electro Mechanical Technologies Co.
Ltd**) Qingdao Cuiweihang Trade Co. Ltd
- 148724 (**Benmel Pty Ltd**) Frank Mesiano;Raymond Spree
- 142653 (**Benmel Pty Ltd**) Frank Mesiano;Raymond Spree
- 137129 (**Benmel Pty Ltd**) Frank Mesiano;Raymond Spree
- 150041 (**Akubra Hats Pty Limited**) James Michael McGarrigle

Names Registered - Alterations and Amendments

(The name in parentheses is the new name of the proprietor)

- 138415 (**Assa Abloy Australia Pty Limited**) Lockwood Security
Products Pty Limited
- 138416 (**Assa Abloy Australia Pty Limited**) Lockwood Security
Products Pty Limited
- 138417 (**Assa Abloy Australia Pty Limited**) Lockwood Security
Products Pty Limited

Registration Proceedings

Designs Registered

This section provides a concordance between application number and registration number of Designs covered in this journal. It also shows the main class and registration date.

This section covers Registration numbers 158249 to 158263.

The registration number shown below should be used in all future correspondence.

Application Number	Registration Number	International Classification Code (IDC)	Registration Date	Application Number	Registration Number	International Classification Code (IDC)	Registration Date
02557/2003	158256	07-02L	18/08/2005	00873/2004	158260	04-02	18/08/2005
04075/2003	158249	14-03D	16/08/2005	01292/2004	158253	25-02E	16/08/2005
04172/2003	158257	24-99	18/08/2005	01533/2004	158261	19-08	18/08/2005
04177/2003	158258	11-01NES	18/08/2005	01871/2004	158262	07-02N	18/08/2005
04305/2003	158250	12-16L	16/08/2005	02106/2004	158263	19-06	18/08/2005
00292/2004	158251	21-03	16/08/2005	02536/2004	158254	09-01NES	16/08/2005
00293/2004	158252	21-03	16/08/2005	02539/2004	158255	09-01NES	16/08/2005
00872/2004	158259	28-03NES	18/08/2005				

Registration Proceedings

Class Listing of Designs Registered

The following section shows an International Classification Code listing of the Registered Designs covered in this supplement.

Classification	Registration Number	Application Number	Classification	Registration Number	Application Number
04-02	158260	00873/2004	19-06	158263	02106/2004
07-02 L	158256	02557/2003	19-08	158261	01533/2004
07-02 N	158262	01871/2004	21-03	158251	00292/2004
09-01 NES	158254	02536/2004	21-03	158252	00293/2004
09-01 NES	158255	02539/2004	24-99	158257	04172/2003
11-01 NES	158258	04177/2003	25-02 E	158253	01292/2004
12-16 L	158250	04305/2003	28-03 NES	158259	00872/2004
14-03 D	158249	04075/2003			

(21) Application Number: **4075/2003**

(22) Date of Filing Application: **24 November 2003**

(24) Date from which industrial property rights may have effect: **24 November 2003**

(54) Article in respect of which the design is registered: **Marine radio housing**

(51) International Design Classification: **14-03D**

(71) Name(s) and Address(s) of Applicant(s):

SPL Wholesale Pty Ltd
3 Reynolds Parade Pascoe Vale South Victoria 3044 Australia

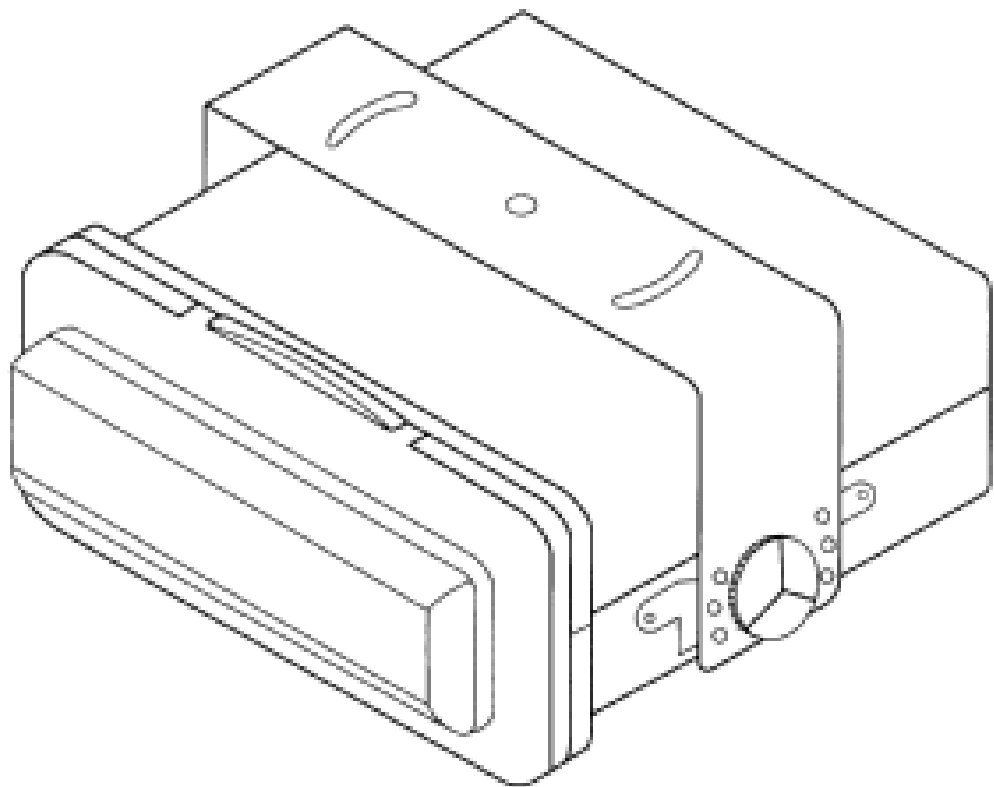
(72) Name(s) of Author(s): **Robert Nosal**

(45) Registration Date: **16 August 2005**

(56) Related Art Documents: **Not Applicable**

(57) Statement of Monopoly: **Monopoly is claimed in the features of shape and configuration of the marine radio housing as shown in the accompanying representations.**

Statement of Novelty: **Nil**



(21) Application Number: **4305/2003**

(22) Date of Filing Application: **03 December 2003**

(24) Date from which industrial property rights may have effect: **24 April 2001**

(54) Article in respect of which the design is registered: **Hood for trailer coupling**

(51) International Design Classification: **12-16L**

(74) Name(s) of Attorney(s): **Davies Collison Cave**

(71) Name(s) and Address(s) of Applicant(s):

Bartlett Transport Improvements Pty Ltd
6 Abbott Road Hallam Victoria 3803 Australia

(72) Name(s) of Author(s): **Allan James Bartlett and Geoffrey Norman Bartlett**

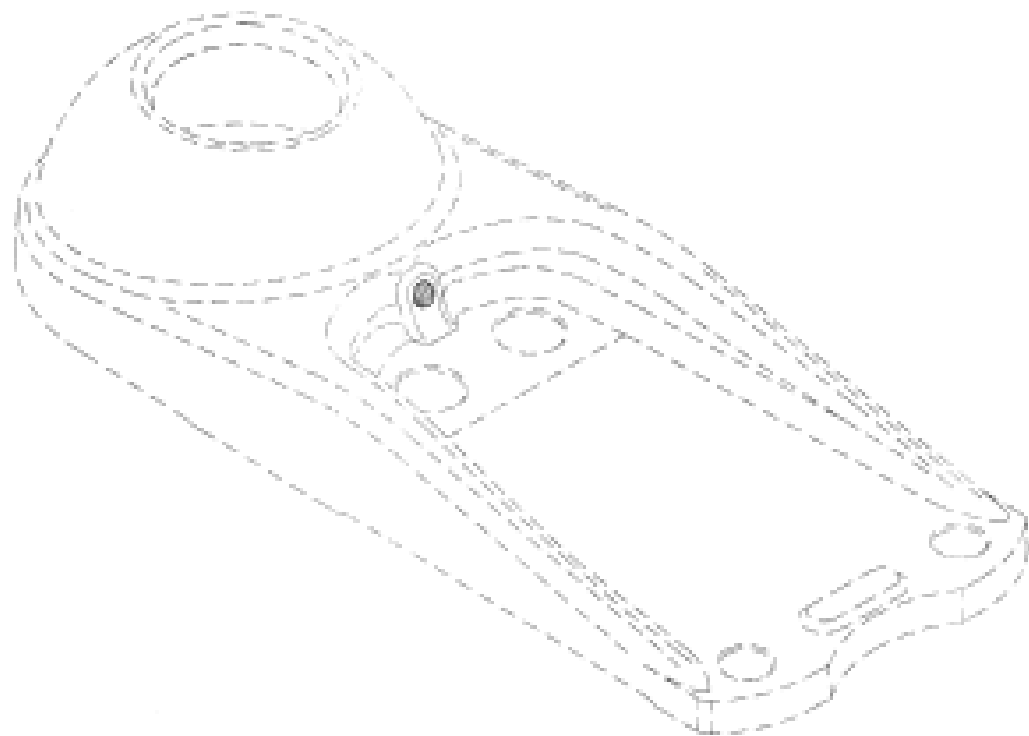
(45) Registration Date: **16 August 2005**

(62) Divisional of: **154030**

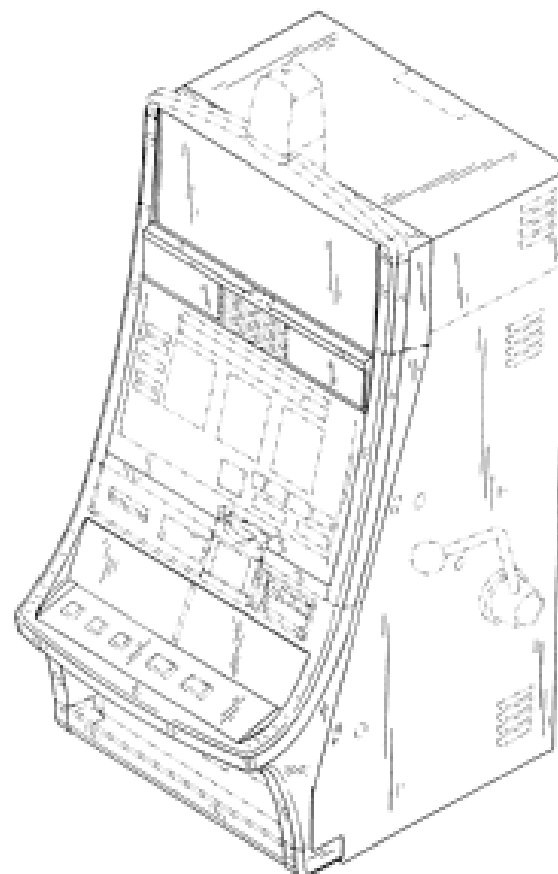
(56) Related Art Documents: **AU-S-149534(12-16L)**

(57) Statement of Monopoly: **Monopoly is claimed in the features of shape and configuration of the hood for trailer coupling as shown in the representations. When considering the scope of the monopoly the features shown in broken lines are to be disregarded.**

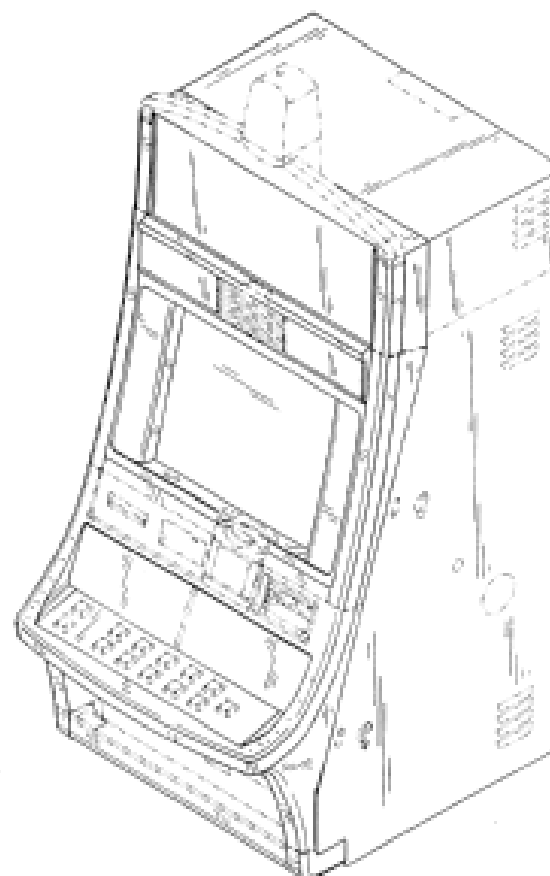
Statement of Novelty: **Nil**



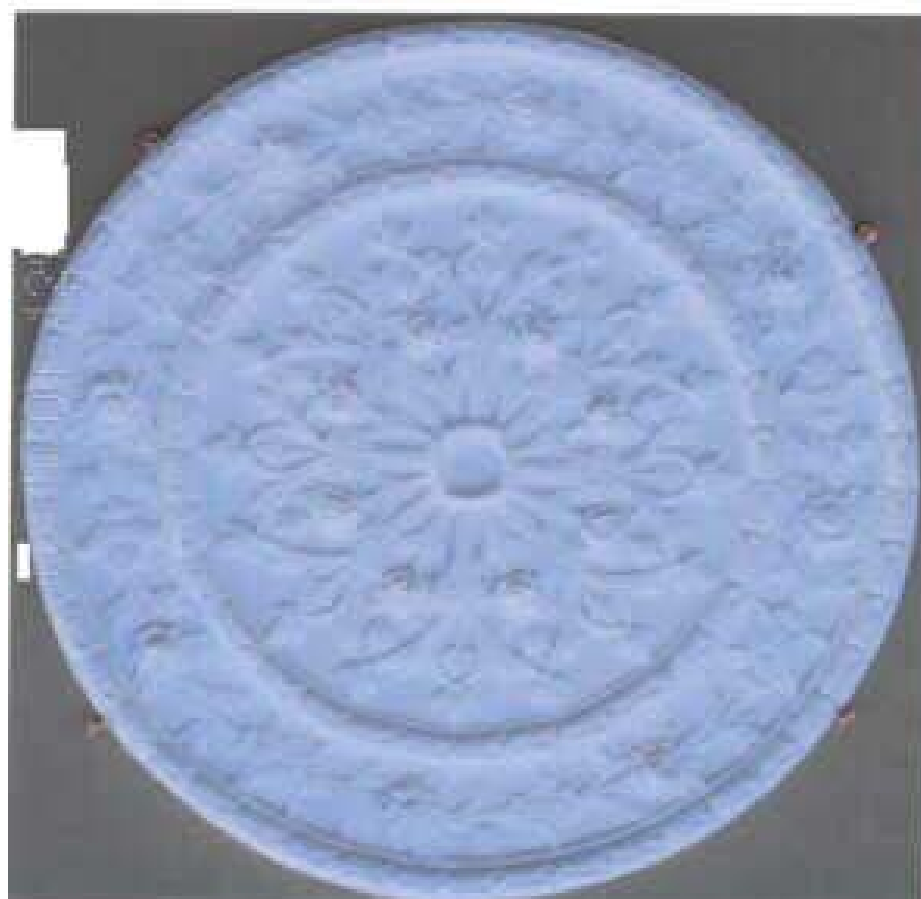
(21) Application Number: **0292/2004**
 (22) Date of Filing Application: **21 January 2004**
 (24) Date from which industrial property rights may have effect: **21 January 2004**
 (54) Article in respect of which the design is registered: **A gaming machine**
 (51) International Design Classification: **21-03**
 (74) Name(s) of Attorney(s): **Davies Collison Cave**
 (71) Name(s) and Address(s) of Applicant(s):
WMS Gaming Inc.
800 South Northpoint Boulevard Waukegan Illinois 60085 United States of America
 (72) Name(s) of Author(s): **Jack B. Hough and William C. Cesaroni and Robert J. Glenn II and James M. Rasmussen and Norman R. Wurz**
 (45) Registration Date: **16 August 2005**
 (30) Convention priority data:
 (31) Number (32) Date (33) Country
29186825 23 Jul 2003 UNITED STATES OF AMERICA
 (56) Related Art Documents: **AU-S-147952(21-03)**
 (57) Statement of Monopoly: **Monopoly is claimed in the features of shape and/or configuration of the gaming machine as shown in the representations. In considering the extent of monopoly protection, the parts shown in broken lines are to be disregarded.**
 Statement of Novelty: **Nil**



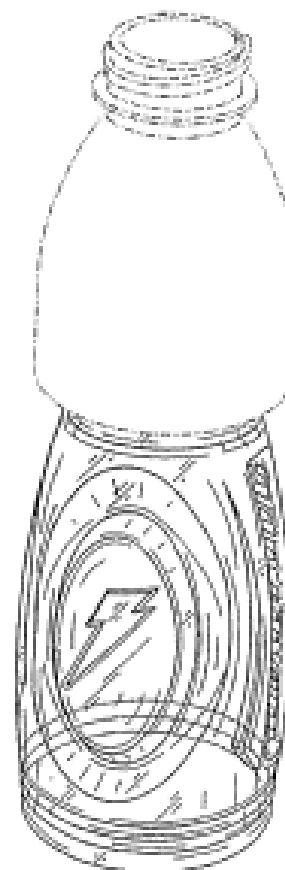
(21) Application Number: **0293/2004**
 (22) Date of Filing Application: **21 January 2004**
 (24) Date from which industrial property rights may have effect: **21 January 2004**
 (54) Article in respect of which the design is registered: **A gaming machine**
 (51) International Design Classification: **21-03**
 (74) Name(s) of Attorney(s): **Davies Collison Cave**
 (71) Name(s) and Address(s) of Applicant(s):
WMS Gaming Inc.
800 South Northpoint Boulevard Waukegan Illinois 60085 United States of America
 (72) Name(s) of Author(s): **Norman R. Wurz and James M. Rasmussen and William C. Cesaroni and Robert J. Glenn II and Jack B. Hough**
 (45) Registration Date: **16 August 2005**
 (30) Convention priority data:
 (31) Number (32) Date (33) Country
29186826 23 Jul 2003 UNITED STATES OF AMERICA
 (56) Related Art Documents: **AU-S-147952(21-03)**
 (57) Statement of Monopoly: **Monopoly is claimed in the features of shape and/or configuration of the gaming machine as shown in the representations. In considering the extent of monopoly protection, the parts shown in broken lines are to be disregarded.**
 Statement of Novelty: **Nil**



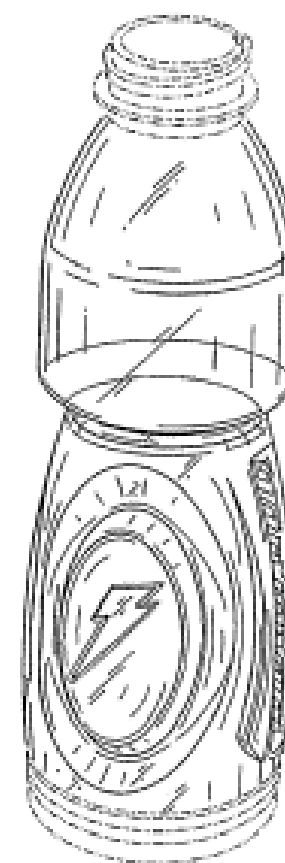
- (21) Application Number: **1292/2004**
(22) Date of Filing Application: **05 April 2004**
(24) Date from which industrial property rights may have effect: **05 April 2004**
(54) Article in respect of which the design is registered: **Ceiling rose**
(51) International Design Classification: **25-02E**
(71) Name(s) and Address(s) of Applicant(s):
Masoud Zarghami
27 Wedmore Road Boronia Victoria 3155 Australia
(72) Name(s) of Author(s): **Masoud Zarghami**
(45) Registration Date: **16 August 2005**
(56) Related Art Documents: **Not Applicable**
(57) Statement of Monopoly: **Nil**
Statement of Novelty: **Nil**



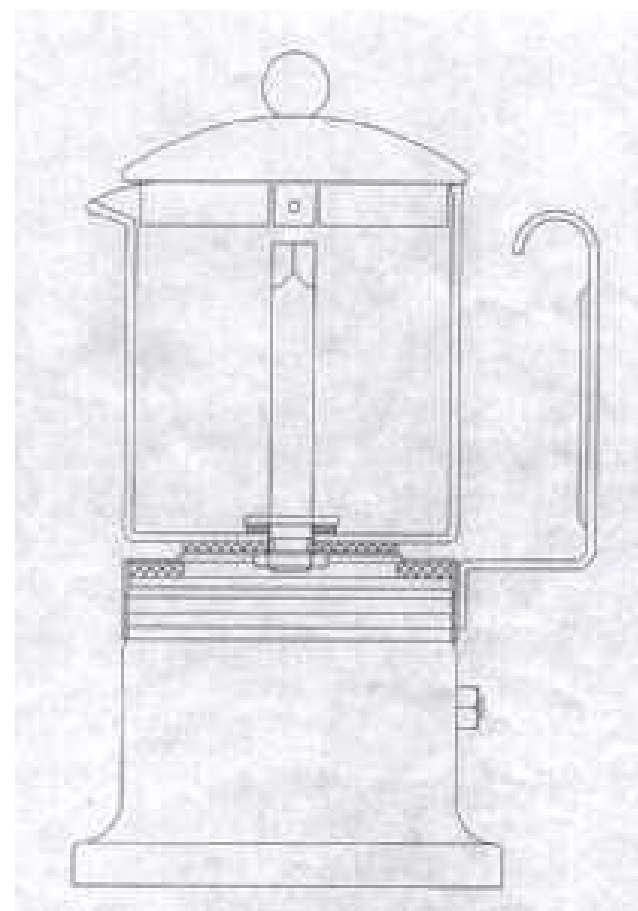
- (21) Application Number: **2536/2004**
(22) Date of Filing Application: **16 June 2004**
(24) Date from which industrial property rights may have effect: **11 February 2004**
(54) Article in respect of which the design is registered: **Bottle**
(51) International Design Classification: **09-01NES**
(74) Name(s) of Attorney(s): **SPRUSON & FERGUSON**
(71) Name(s) and Address(s) of Applicant(s):
Stokely-Van Camp Inc.
555 W. Monroe Street Suite 11-12 Chicago Illinois 60661 United States of America
(72) Name(s) of Author(s): **Machelle D. Stockwell and Stuart M. Leslie and Charles A. Curtiss and Tomohito Asano and David A. Deemer and Hassan Mourad**
(45) Registration Date: **16 August 2005**
(62) Divisional of: **00500/2004**
(56) Related Art Documents: **Not Applicable**
(57) Statement of Monopoly: **Monopoly is claimed in the features of shape and/or configuration of a bottle as illustrated in the accompanying representations. When considering the extent of monopoly protection, the portions of the bottle shown in phantom and the word "Gatorade" are to be disregarded.**
Statement of Novelty: **Nil**



- (21) Application Number: **2539/2004**
(22) Date of Filing Application: **16 June 2004**
(24) Date from which industrial property rights may have effect: **11 February 2004**
(54) Article in respect of which the design is registered: **Bottle**
(51) International Design Classification: **09-01NES**
(74) Name(s) of Attorney(s): **SPRUSON & FERGUSON**
(71) Name(s) and Address(s) of Applicant(s):
Stokely-Van Camp Inc.
555 W. Monroe Street Suite 11-12 Chicago Illinois 60661 United States of America
(72) Name(s) of Author(s): **Machelle D. Stockwell and Stuart M. Leslie and Charles A. Curtiss and Tomohito Asano and David A. Deemer and Hassan Mourad**
(45) Registration Date: **16 August 2005**
(62) Divisional of: **00500/2004**
(56) Related Art Documents: **Not Applicable**
(57) Statement of Monopoly: **Monopoly is claimed in the features of shape and/or configuration of a bottle as illustrated in the accompanying representations. When considering the extent of monopoly protection, the portions of the bottle shown in phantom and the word "Gatorade" are to be disregarded.**
Statement of Novelty: **Nil**



- (21) Application Number: **2557/2003**
(22) Date of Filing Application: **28 July 2003**
(24) Date from which industrial property rights may have effect: **28 July 2003**
(54) Article in respect of which the design is registered: **Stovetop coffee/tea maker**
(51) International Design Classification: **07-02L**
(74) Name(s) of Attorney(s): **Mills Oakley Patent Attorneys**
(71) Name(s) and Address(s) of Applicant(s):
Tristar Houseware Australia Pty Ltd
14-16 Cook Street Sunshine Victoria 3020 Australia
(72) Name(s) of Author(s): **Steven Lien**
(45) Registration Date: **18 August 2005**
(56) Related Art Documents: **Not Applicable**
(57) Statement of Monopoly: **Monopoly is claimed in the features of shape and configuration of a stovetop coffee/tea maker as illustrated in the accompanying representations.**
Statement of Novelty: **Nil**



(21) Application Number: **4172/2003**
 (22) Date of Filing Application: **14 November 2003**
 (24) Date from which industrial property rights may have effect: **14 November 2003**
 (54) Article in respect of which the design is registered: **Hearing prosthesis**
 (51) International Design Classification: **24-99**
 (71) Name(s) and Address(s) of Applicant(s):

Cochlear Limited
14 Mars Road Lane Cove New South Wales 2066 Australia

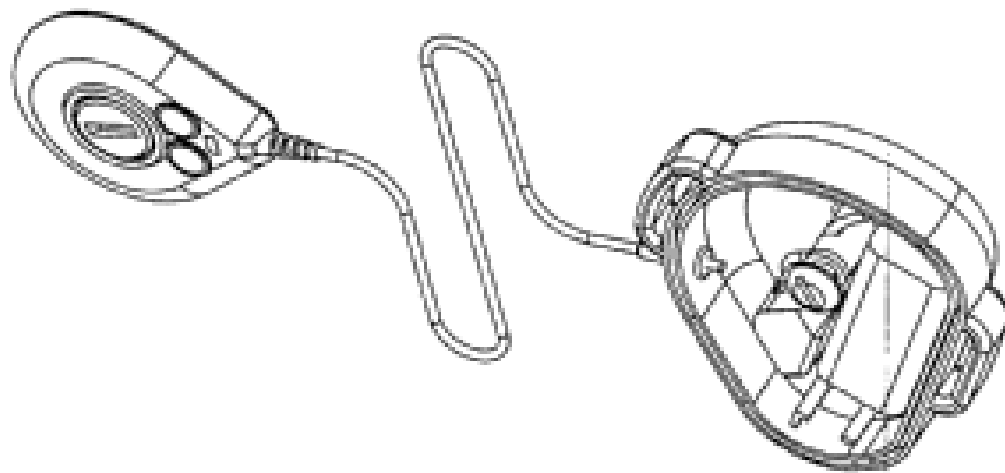
(72) Name(s) of Author(s): **Ian Darley and Peter Single**

(45) Registration Date: **18 August 2005**

(56) Related Art Documents: **Not Applicable**

(57) Statement of Monopoly: **Monopoly is claimed in the features of shape and/or configuration of the hearing prosthesis as shown in the representations. No monopoly is claimed in the individual pieces per se.**

Statement of Novelty: **Nil**



(21) Application Number: **4177/2003**
 (22) Date of Filing Application: **26 November 2003**
 (24) Date from which industrial property rights may have effect: **26 November 2003**
 (54) Article in respect of which the design is registered: **A cut diamond**
 (51) International Design Classification: **11-01NES**
 (74) Name(s) of Attorney(s): **Davies Collison Cave**
 (71) Name(s) and Address(s) of Applicant(s):

ABA Diamond Corporation
15 West 47th Street Suite 403 New York New York 10036 United States of America

(72) Name(s) of Author(s): **George Ari Abaev**

(45) Registration Date: **18 August 2005**

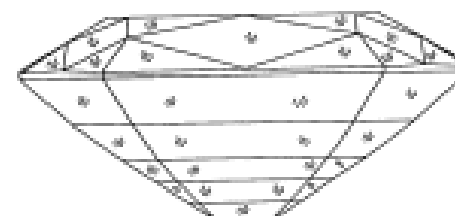
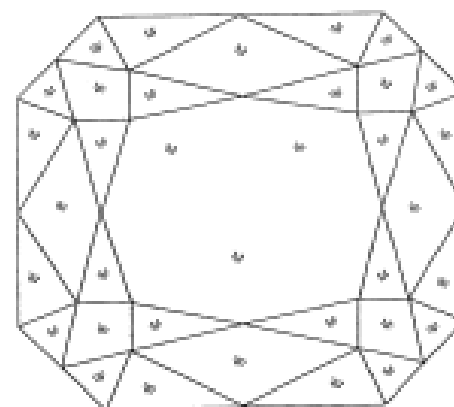
(30) Convention priority data:

(31) Number	(32) Date	(33) Country
29182476	28 May 2003	UNITED STATES OF AMERICA

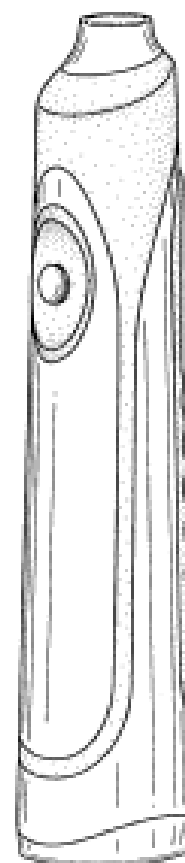
(56) Related Art Documents: **Not Applicable**

(57) Statement of Monopoly: **Monopoly is claimed in the features of shape and/or configuration of the cut diamond shown in the representations.**

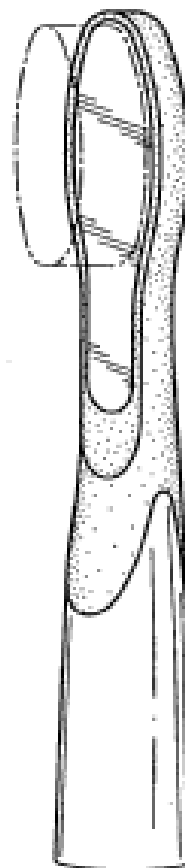
Statement of Novelty: **Nil**



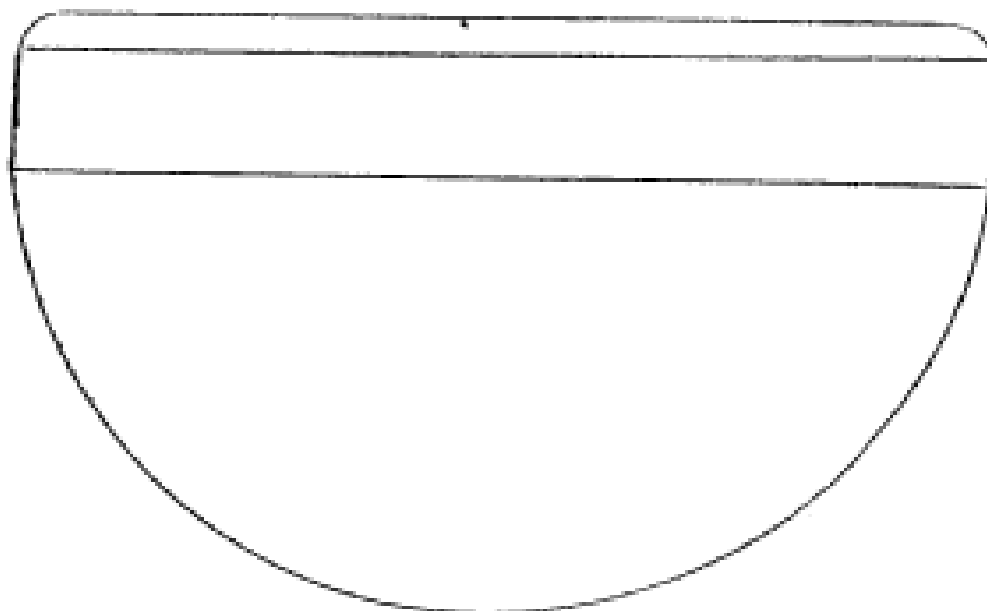
(21) Application Number: **0872/2004**
(22) Date of Filing Application: **05 March 2004**
(24) Date from which industrial property rights may have effect: **05 March 2004**
(54) Article in respect of which the design is registered: **Electric toothbrush handle**
(51) International Design Classification: **28-03NES**
(74) Name(s) of Attorney(s): **Davies Collison Cave**
(71) Name(s) and Address(s) of Applicant(s):
Braun G.m.b.H
Frankfurter Strasse 145 D-61476 Kronberg Germany
(72) Name(s) of Author(s): **Duy Phong Vu**
(45) Registration Date: **18 August 2005**
(30) Convention priority data:
(31) Number (32) Date (33) Country
29/189661 9 Sep 2003 UNITED STATES OF AMERICA
(56) Related Art Documents: **Not Applicable**
(57) Statement of Monopoly: **monopoly is claimed in the shape and/or configuration of the toothbrush handle as illustrated in the accompanying representations.**
Statement of Novelty: **Nil**



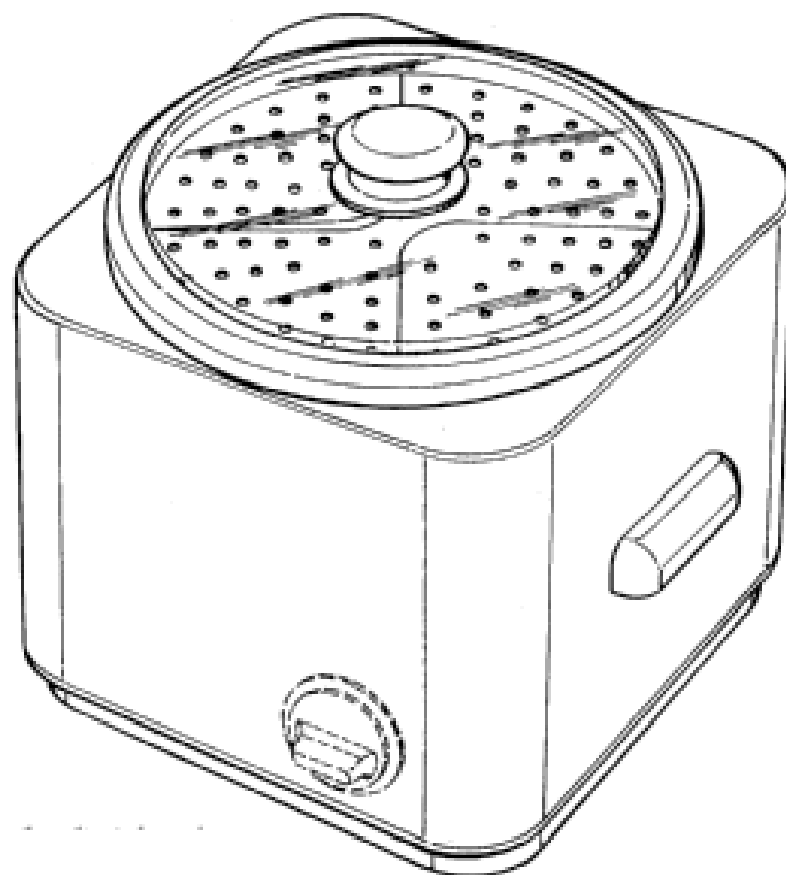
(21) Application Number: **0873/2004**
(22) Date of Filing Application: **05 March 2004**
(24) Date from which industrial property rights may have effect: **05 March 2004**
(54) Article in respect of which the design is registered: **Toothbrush head**
(51) International Design Classification: **04-02**
(74) Name(s) of Attorney(s): **Davies Collison Cave**
(71) Name(s) and Address(s) of Applicant(s):
Braun G.m.b.H
Frankfurter Strasse 145 D-61476 Kronberg Germany
(72) Name(s) of Author(s): **Duy Phong Vu**
(45) Registration Date: **18 August 2005**
(30) Convention priority data:
(31) Number (32) Date (33) Country
29/189686 9 Sep 2003 UNITED STATES OF AMERICA
(56) Related Art Documents: **Not Applicable**
(57) Statement of Monopoly: **Monopoly is claimed in the shape and/or configuration of the toothbrush head as illustrated in the accompanying representations.**
Statement of Novelty: **Nil**



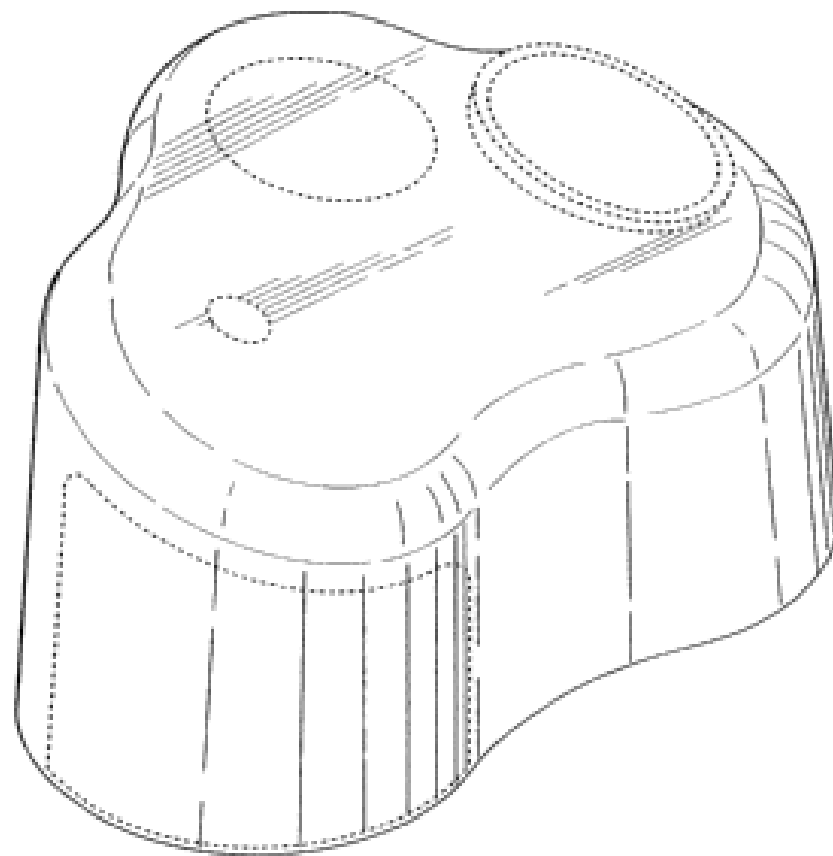
(21) Application Number: **1533/2004**
 (22) Date of Filing Application: **22 April 2004**
 (24) Date from which industrial property rights may have effect: **22 April 2004**
 (54) Article in respect of which the design is registered: **Credit card/cash type card**
 (51) International Design Classification: **19-08**
 (71) Name(s) and Address(s) of Applicant(s):
Todd Patrick Richard Ryan
2 Young Street Burra South Australia 5417 Australia
 (72) Name(s) of Author(s): **Todd Patrick Richard Ryan**
 (45) Registration Date: **18 August 2005**
 (56) Related Art Documents: **Not Applicable**
 (57) Statement of Monopoly: **Monopoly is claimed in the features of shape and/or configuration of a credit/debit/cash type card as shown in the accompanying representations, and when considering the extent of monopoly protection the stripe on the rear of the credit/debit/cash type card is to be disregarded.**
 Statement of Novelty: **Nil**



(21) Application Number: **1871/2004**
 (22) Date of Filing Application: **18 May 2004**
 (24) Date from which industrial property rights may have effect: **18 May 2004**
 (54) Article in respect of which the design is registered: **Cooker**
 (51) International Design Classification: **07-02N**
 (74) Name(s) of Attorney(s): **SPRUSON & FERGUSON**
 (71) Name(s) and Address(s) of Applicant(s):
Conair Corporation
One Cummings Point Road Stamford Connecticut 06904 United States of America
 (72) Name(s) of Author(s): **Alan Ball and Gustavo Fontana**
 (45) Registration Date: **18 August 2005**
 (30) Convention priority data:
 (31) Number (32) Date (33) Country
29/194336 21 Nov 2003 UNITED STATES OF AMERICA
 (56) Related Art Documents: **Not Applicable**
 (57) Statement of Monopoly: **Monopoly is claimed in the features of shape and/or configuration of a cooker as illustrated in the accompanying representations, and when considering the extent of monopoly protection the features shown in phantom lines are to be disregarded.**
 Statement of Novelty: **Nil**



- (21) Application Number: **2106/2004**
(22) Date of Filing Application: **01 June 2004**
(24) Date from which industrial property rights may have effect: **01 June 2004**
(54) Article in respect of which the design is registered: **Pencil sharpener**
(51) International Design Classification: **19-06**
(74) Name(s) of Attorney(s): **SPRUSON & FERGUSON**
(71) Name(s) and Address(s) of Applicant(s):
Hunt Holdings Inc.
1105 North Market Street Suite 1300 Wilmington Delaware 19801
United States of America
(72) Name(s) of Author(s): **Benjamin C. Dunlap**
(45) Registration Date: **18 August 2005**
(30) Convention priority data:
(31) Number (32) Date (33) Country
29/196401 29 Dec 2003 UNITED STATES OF AMERICA
(56) Related Art Documents: **Not Applicable**
(57) Statement of Monopoly: **Monopoly is claimed in the features of shape and/or configuration of a pencil sharpener as illustrated in the accompanying representations and when considering the extent of monopoly protection the features shown in phantom lines are to be disregarded.**
Statement of Novelty: **Nil**



Proceedings under the Designs Act 2003.

This Page Left Intentionally Blank

Applications Lodged

Lodgement information is in the following order: **Applicant's Name**; International Classification, Name of Product, Lodgement Date and **Design Number**. If the applicant claims an earlier priority date under an International Convention, the Convention Country and the associated filing date are shown in parentheses before the Lodgement Date. Divisional information will also appear in parentheses before the Lodgement Date.

Agius, Emmanuel James; 23-02B, Shower base, 11 Aug 2005	13407/2005	Bridgestone/Firestone North American Tire, LLC; 12-15C, Tire, (US, 15 Feb 2005) 15 Aug 2005	13502/2005
Agius, Emmanuel James; 23-02B, Shower base, 11 Aug 2005	13408/2005	Cable Accessories (Australia) Pty Ltd; 08-99, A cable terminal lug, 10 Aug 2005	13401/2005
Agius, Emmanuel James; 23-02B, Shower base, 11 Aug 2005	13409/2005	Cable Accessories (Australia) Pty Ltd; 08-99, A cable terminal lug, 10 Aug 2005	13402/2005
Architectural Window Systems Pty Limited; 08-06, Two sided door handle, 11 Aug 2005	13455/2005	Cable Accessories (Australia) Pty Ltd; 08-99, A cable terminal lug, 10 Aug 2005	13403/2005
Argent Australia Pty Ltd; 23-01H, Stop cock, 17 Aug 2005	13518/2005	Carriage, Christopher Harold William; Carriage, Katheryn Julie; 23-01A, Duct joiner, 12 Aug 2005	13419/2005
Argent Australia Pty Ltd; 23-01H, Handle, 17 Aug 2005	13519/2005	Carriage, Katheryn Julie; Carriage, Christopher Harold William; 23-01A, Duct joiner, 12 Aug 2005	13419/2005
Argent Australia Pty Ltd; 23-01H, Flange, 17 Aug 2005	13520/2005	Coates, David Philip; 23-02B, Product name not listed, (EM, 23 Feb 2005) 15 Aug 2005	13474/2005
Argent Australia Pty Ltd; 23-01H, Stop cock, 17 Aug 2005	13521/2005	Coca-Cola Company, The; 09-01NES, Bottle, (US, 16 Feb 2005) 11 Aug 2005	13431/2005
Argent Australia Pty Ltd; 23-01H, Handle, 17 Aug 2005	13522/2005	Coca-Cola Company, The; 09-01NES, Bottle, (US, 16 Feb 2005) 11 Aug 2005	13432/2005
Argent Australia Pty Ltd; 23-01H, Stop cock, 17 Aug 2005	13523/2005	Colgate-Palmolive Company; 09-07A, Closure, (US, 18 Feb 2005) 15 Aug 2005	13496/2005
Argent Australia Pty Ltd; 23-01H, Handle, 17 Aug 2005	13524/2005	Colgate-Palmolive Company; 04-02, Portion of a toothbrush, (US, 18 Feb 2005) 17 Aug 2005	13543/2005
Argent Australia Pty Ltd; 23-01H, Flange, 17 Aug 2005	13525/2005	Colgate-Palmolive Company; 04-02, Portion of a toothbrush, (US, 16 Feb 2005) 15 Aug 2005	13497/2005
Argent Australia Pty Ltd; 23-01H, Stop cock, 17 Aug 2005	13526/2005	Colgate-Palmolive Company; 04-02, Portion of a toothbrush, (US, 18 Feb 2005) 17 Aug 2005	13542/2005
Argent Australia Pty Ltd; 23-01H, Flange, 17 Aug 2005	13527/2005	Colgate-Palmolive Company; 04-02, Toothbrush, (US, 16 Feb 2005) 15 Aug 2005	13498/2005
Argent Australia Pty Ltd; 23-01H, Stop cock, 17 Aug 2005	13528/2005	ConMed Corporation; 24-01, Electrosurgical generator, (US, 10 Mar 2005) 16 Aug 2005	13514/2005
Arizona Nominees Pty Limited; 25-02K, A venetian blind slat, 11 Aug 2005	13399/2005	Cook, Ross David; 12-06C, Rampage a surf kayak, 12 Aug 2005	13413/2005
Assa Abloy New Zealand Limited; 08-09, A window fastener, (NZ, 18 Aug 2004) 14 Feb 2005	13579/2005	Dindar, Rafique; 17-03, Dindar ALLYAXE RD1, 15 Aug 2005	13461/2005
Associated Controls (Aust.) Pty Ltd; 26-05D, Lighting product, 17 Aug 2005	13512/2005	Done, Kenneth Stephen; 05-05A, Textile, 12 Aug 2005	13436/2005
Associated Controls (Aust.) Pty Ltd; 26-05D, Lighting product, 17 Aug 2005	13511/2005	Done, Kenneth Stephen; 05-05A, Textile, 12 Aug 2005	13437/2005
Baker, Linda; 06-13NES, Plastic chairs, 17 Aug 2005	13517/2005	Done, Kenneth Stephen; 05-05A, Textile, 12 Aug 2005	13438/2005
Balance Water Company Pty Ltd; 09-01NES, Bottle, 11 Aug 2005	13415/2005		
Bolth, Ross Maxwell; 08-08D, Skirt clamp (1 item costing of 2 stainless steel castings connected together by 1 06 mm stainless steel pin), 12 Aug 2005	13412/2005		
Bottles of Australia Pty Limited; 09-01NES, Bottle, 15 Aug 2005	13500/2005		

Done, Kenneth Stephen; 05-05A, Textile, 12 Aug 2005	13439/2005	Helden Financial Services Pty Ltd; 02-02C, Clothing - jeans, 16 Aug 2005	13483/2005
Done, Kenneth Stephen; 02-02NES, Upper body garment, 12 Aug 2005	13440/2005	Hill, Christopher; Hamilton, Michael; 14-01, Jukebox, 05 Aug 2005	13327/2005
Done, Kenneth Stephen; 02-02NES, Upper body garment, 12 Aug 2005	13441/2005	Honda Motor Co., Ltd; 26-06, A front combination lamp for an automobile, (JP, 23 May 2005) 15 Aug 2005	13484/2005
Done, Kenneth Stephen; 02-02NES, Upper body garment, 12 Aug 2005	13442/2005	Honda Motor Co., Ltd; 26-06, A front combination lamp for an automobile, (JP, 16 Feb 2005) 15 Aug 2005	13485/2005
Done, Kenneth Stephen; 02-02NES, Upper body garment, 12 Aug 2005	13443/2005	Honda Motor Co., Ltd; 26-06, A rear combination lamp for an automobile, (JP, 23 May 2005) 15 Aug 2005	13486/2005
Done, Kenneth Stephen; 02-02NES, Upper body garment, 12 Aug 2005	13444/2005	Honda Motor Co., Ltd; 26-06, A rear combination lamp for an automobile, (JP, 23 May 2005) 15 Aug 2005	13487/2005
Done, Kenneth Stephen; 02-02NES, Upper body garment, 12 Aug 2005	13445/2005	Honda Motor Co., Ltd; 26-06, A rear combination lamp for an automobile, (JP, 23 May 2005) 15 Aug 2005	13488/2005
Done, Kenneth Stephen; 02-02NES, Upper body garment, 12 Aug 2005	13446/2005	Honda Motor Co., Ltd; 12-08, An automobile, (JP, 25 Feb 2005) 15 Aug 2005	13489/2005
Done, Kenneth Stephen; 02-02C, Beach dress, 12 Aug 2005	13447/2005	Honda Motor Co., Ltd; 26-06, A rear combination lamp for an automobile, (JP, 16 Feb 2005) 15 Aug 2005	13490/2005
Dyce, Graham Ian; 08-08L, Roof platform and ladder bracket, 15 Aug 2005	13478/2005	Honda Motor Co., Ltd; 26-06, A rear combination lamp for an automobile, (JP, 16 Feb 2005) 15 Aug 2005	13491/2005
Dyce, Graham Ian; 08-08L, Roof foot bracket, 15 Aug 2005	13479/2005	Honda Motor Co., Ltd; 26-06, A rear combination lamp for an automobile, (JP, 16 Feb 2005) 15 Aug 2005	13492/2005
DNH Management LLC; 12-11, Motorcycle fender skirt, 17 Aug 2005	13534/2005	Honda Motor Co., Ltd; 26-06, A front combination lamp for an automobile, (JP, 16 Feb 2005) 15 Aug 2005	13493/2005
Elite Confectionery Ltd; 07-01C, Cold beverage cup, 05 Aug 2005	13338/2005	Honda Motor Co., Ltd; 26-06, A rear combination lamp for an automobile, (JP, 16 Feb 2005) 15 Aug 2005	13494/2005
Elson Australasia Pty Ltd; 23-01H, Tap top assembly, 12 Aug 2005	13414/2005	Honda Motor Co., Ltd; 12-08, An automobile, (JP, 24 Feb 2005) 15 Aug 2005	13495/2005
Engelander, Naomi; 02-03, Hat, 10 Aug 2005	13392/2005	Hooker, Robert James; Tregonning, Stephen; 11-02C, Floating living plant platform, 16 Aug 2005	13501/2005
Engelander, Naomi; 02-03, Hat, 10 Aug 2005	13393/2005	Innotek, Inc.; 14-03NES, Wireless receiver, (US, 25 Feb 2005) 04 Aug 2005	13329/2005
Ergolift New Zealand Limited; 12-02, A trolley, 04 Aug 2005	13334/2005	Innotek, Inc.; 14-03NES, Wireless transmitter, (US, 25 Feb 2005) 04 Aug 2005	13330/2005
Estoli, S.A.; 08-08NES, Panel joining component, (EM, 24 May 2005) 17 Aug 2005	13538/2005	Inoxcrom, S.A.; 19-06, Ballpen, 11 Aug 2005	13433/2005
Estoli, S.A.; 08-08NES, Panel joining component, (EM, 24 May 2005) 17 Aug 2005	13539/2005	Inoxcrom, S.A.; 19-06, Ballpen, 11 Aug 2005	13434/2005
Estoli, S.A.; 08-08NES, Panel joining component, (EM, 24 May 2005) 17 Aug 2005	13540/2005	Inoxcrom, S.A.; 19-06, Ballpen, 11 Aug 2005	13435/2005
Feltex Carpets Pty Ltd; 06-11, Applied to carpet, 11 Aug 2005	13448/2005	Jackson Industries Pty Limited; 13-03D, A power board, 04 Aug 2005	13335/2005
Freshwater Crayfish Co. IP Pty Ltd; 22-05, Aquaculture pod, 17 Aug 2005	13533/2005		
GMCA Pty Ltd; 08-03, Multi-function tile saw, 16 Aug 2005	13503/2005		
GMCA Pty Ltd; 08-03, Wet only tile saw, 16 Aug 2005	13504/2005		
Hamilton, Michael; Hill, Christopher; 14-01, Jukebox, 05 Aug 2005	13327/2005		

Jackson Industries Pty Limited; 13-03D, A power board, 12 Aug 2005	13466/2005	Lacoste; 02-04NES, Shoe, (EM, 23 Feb 2005) 11 Aug 2005	13426/2005
Jackson Industries Pty Limited; 13-03D, A power board, 04 Aug 2005	13336/2005	LRC Products Limited; 23-02A, 03-01NES, Container, (EM, 02 Mar 2005) 12 Aug 2005	13480/2005
Jackson Industries Pty Limited; 13-03D, A power board, 04 Aug 2005	13337/2005	Makita Corporation; 08-05N, Portable electric grinder, (JP, 25 Feb 2005) 16 Aug 2005	13536/2005
Jesent Pty Ltd; 08-08L, Bracket, 11 Aug 2005	13456/2005	Marketmakers Accessories Pty Ltd; 09-03H, Container insert, 12 Aug 2005	13462/2005
Jesent Pty Ltd; 08-08L, Right bracket Left bracket, 11 Aug 2005	13457/2005	Marketmakers Accessories Pty Ltd; 09-03H, Container insert, 12 Aug 2005	13460/2005
Jesent Pty Ltd; 08-08L, Bracket, 11 Aug 2005	13458/2005	Mars Incorporated; 01-06, Pet food, (MX, 14 Feb 2005) 12 Aug 2005	13471/2005
Jesent Pty Ltd; 08-08L, Right bracket Left bracket, 11 Aug 2005	13459/2005	Mars Incorporated; 01-06, Pet food, (MX, 14 Feb 2005) 12 Aug 2005	13472/2005
Kimberly-Clark Worldwide, Inc.; 23-02A, Substrate dispenser, (US, 01 Mar 2005) 16 Aug 2005	13515/2005	Mars Incorporated; 01-06, Pet food, (MX, 14 Feb 2005) 12 Aug 2005	13473/2005
Kohler China Investment Ltd; 07-01NES, Cover, (US, 14 Feb 2005) 12 Aug 2005	13468/2005	Mass Technology (H.K.) Limited; 26-05A, Fluorescent lamp - 9T, (HK, 02 Mar 2005) 11 Aug 2005	13427/2005
Kohler Co.; 23-02D, Tub for bathing, (US, 14 Feb 2005) 12 Aug 2005	13467/2005	Mass Technology (H.K.) Limited; 26-05A, Fluorescent lamp - 7T, (HK, 02 Mar 2005) 11 Aug 2005	13428/2005
Kra-Mar Pet Supplies Pty Ltd; 08-06, Hinge for pet run, (Divisional of 02476/2004) 12 Aug 2005	13477/2005	Mass Technology (H.K.) Limited; 26-05A, Fluorescent lamp - 3T, (HK, 02 Mar 2005) 11 Aug 2005	13429/2005
KD Concepts Pty Ltd; 06-04NES, Bookcase, 11 Aug 2005	13449/2005	Mass Technology (H.K.) Limited; 26-05A, Fluorescent lamp - 5T, (HK, 02 Mar 2005) 11 Aug 2005	13430/2005
KD Concepts Pty Ltd; 06-03C, Desk, 11 Aug 2005	13450/2005	Master Lock Company; 08-07, Ratchet bumper, (US, 04 Nov 2003) 26 Mar 2004	13366/2005
KD Concepts Pty Ltd; 06-03C, Work station, 11 Aug 2005	13451/2005	Master Lock Company; 08-07, Ratchet bumper, (US, 04 Nov 2003) 26 Mar 2004	13367/2005
KD Concepts Pty Ltd; 06-04NES, Wall shelf, 11 Aug 2005	13452/2005	Mauloni, Thomas John; Mauloni, Dianne Calmsden; Mauloni, Matthew John; Mauloni, Robert Thomas; Mauloni, Thomas Samuel; 09-03K, 20-02E, Package for the display of fresh produce, 18 Aug 2005	13545/2005
KD Concepts Pty Ltd; 06-04NES, 06-04B, Storage unit, 11 Aug 2005	13453/2005	Mauloni, Dianne Calmsden; Mauloni, Thomas John; Mauloni, Matthew John; Mauloni, Robert Thomas; Mauloni, Thomas Samuel; 09-03K, 20-02E, Package for the display of fresh produce, 18 Aug 2005	13545/2005
KD Concepts Pty Ltd; 06-04NES, 06-04B, CD Box, 11 Aug 2005	13454/2005	Mauloni, Matthew John; Mauloni, Thomas John; Mauloni, Dianne Calmsden; Mauloni, Robert Thomas; Mauloni, Thomas Samuel; 09-03K, 20-02E, Package for the display of fresh produce, 18 Aug 2005	13545/2005
Lacoste; 02-04NES, Shoe, (EM, 23 Feb 2005) 11 Aug 2005	13421/2005		
Lacoste; 02-04NES, Shoe, (EM, 23 Feb 2005) 11 Aug 2005	13422/2005		
Lacoste; 02-04NES, Shoe, (EM, 23 Feb 2005) 11 Aug 2005	13423/2005		
Lacoste; 02-04NES, Shoe, (EM, 23 Feb 2005) 11 Aug 2005	13424/2005		
Lacoste; 02-04NES, Shoe, (EM, 23 Feb 2005) 11 Aug 2005	13425/2005		

Mauloni, Robert Thomas; Mauloni, Thomas John; Mauloni, Dianne Calmsden; Mauloni, Matthew John; Mauloni, Thomas Samuel; 09-03K, 20-02E, Package for the display of fresh produce, 18 Aug 2005	13545/2005	Procter & Gamble Company, The; 09-01G, Bottle, (US, 18 Feb 2005) 10 Aug 2005	13395/2005
Mauloni, Thomas Samuel; Mauloni, Thomas John; Mauloni, Dianne Calmsden; Mauloni, Matthew John; Mauloni, Robert Thomas; 09-03K, 20-02E, Package for the display of fresh produce, 18 Aug 2005	13545/2005	Procter & Gamble Company, The; 09-01G, Bottle, (US, 18 Feb 2005) 10 Aug 2005	13396/2005
McHugh, Dexter Raymond; 09-01NES, Dispenser, 05 Aug 2005	13328/2005	ReIn Pty Limited; 23-01NES, Stormwater drainage pit, 12 Aug 2005	13463/2005
Mesiha, Wassiem Hanna; 02-02C, A candle female suit consisting of blous a skirt and trousers from Australian fashion forest, 17 Aug 2005	13537/2005	ReIn Pty Limited; 25-02NES, Grate, 12 Aug 2005	13464/2005
Milner, Wayne; 08-06, Return spring hinge for pool gates, 17 Aug 2005	13510/2005	Review Australia Pty Ltd; 02-02C, Ladies garments, 11 Aug 2005	13420/2005
Montero, Loulita; 02-03, 02-05, Mostly silk satins and of the silk nature as well as other fabrics, 21 Feb 2005	13339/2005	Robert Bosch GmbH; 03-01D, 09-02B, Container, (DE, 08 Jun 2005) 17 Aug 2005	13535/2005
Morrison, Daniel; 25-02B, Security doors, 12 Aug 2005	13416/2005	S.C. Johnson & Son, Inc.; 09-07A, Trigger actuator with overcap for aerosol cans, (US, 11 Feb 2005) 10 Aug 2005	13404/2005
MQF Pty Limited; 07-01B, Food tray, 11 Aug 2005	13417/2005	S.C. Johnson & Son, Inc.; 09-07A, Trigger actuator for aerosol cans, (US, 11 Feb 2005) 10 Aug 2005	13405/2005
MQF Pty Limited; 07-01B, Food container, 15 Aug 2005	13499/2005	S.C. Johnson & Son, Inc.; 09-01A, Trigger actuator overcap with shaped aerosol can, (US, 11 Feb 2005) 10 Aug 2005	13406/2005
Nanjing Chervon Industry Co., Ltd; 10-04, Laser level, (CN, 24 Mar 2005) 12 Aug 2005	13475/2005	S.M.B.S. GmbH; 09-03A, Container, (CH, 08 Feb 2005) 04 Aug 2005	13331/2005
Nanjing Chervon Industry Co., Ltd; 08-01, Drill, (CN, 09 Mar 2005) 12 Aug 2005	13476/2005	Sunbeam Corporation Limited; 31-00, Coffee grinder, 17 Aug 2005	13541/2005
Nokia Corporation; 14-03E, A handset, (FI, 23 Mar 2005) 04 Aug 2005	13332/2005	Team Poly Pty Ltd; 15-02, A pump housing, 17 Aug 2005	13516/2005
Nokia Corporation; 14-03E, A handset, (FI, 26 Jul 2005) 04 Aug 2005	13333/2005	Tobler, Kurt Michael; 09-07A, Caulking gun nozzle, 16 Aug 2005	13509/2005
Nokia Corporation; 13-02, A charger, (FI, 11 Feb 2005) 10 Aug 2005	13397/2005	Toseski, Vince; 25-01K, Wall extrusion B, 12 Aug 2005	13481/2005
Nokia Corporation; 14-03A, A holder for a handset/charger, (FI, 11 Feb 2005) 10 Aug 2005	13398/2005	Toseski, Vince; 25-01K, Wall extrusion A, 12 Aug 2005	13482/2005
Poker-Dart Pty Ltd; 21-01H, Grid for a dartboard, 15 Aug 2005	13505/2005	Tregonning, Stephen; Hooker, Robert James; 11-02C, Floating living plant platform, 16 Aug 2005	13501/2005
Poker-Dart Pty Ltd; 21-01H, Dartboard, 15 Aug 2005	13506/2005	Triple Star Diecasting Pty Ltd; 08-08H, Spear head decorative point, 18 Aug 2005	13544/2005
Poker-Dart Pty Ltd; 21-01H, Grid for a dartboard, 15 Aug 2005	13507/2005	Vertex Pacific Limited; 08-05G, Grease cartridge, (NZ, 15 Feb 2005) 11 Aug 2005	13400/2005
Porter, Gregory Jackson; 26-05B, Lighting device, 12 Aug 2005	13469/2005	Visy Industrial Plastics Pty Ltd; 09-01B, A bottle, 16 Aug 2005	13513/2005
Porter, Gregory Jackson; 26-05B, Lighting device, 12 Aug 2005	13470/2005	Zodiac Pool Care, Inc.; 99-00, Chlorine tablet, (US, 15 Feb 2005) 12 Aug 2005	13465/2005
Procter & Gamble Company, The; 09-01G, Inverted container, (US, 18 Feb 2005) 10 Aug 2005	13394/2005	28 Newlands Road Holdings Pty Ltd; 07-02E, Barbeque with pivoting and slidable recessed door, 11 Aug 2005	13418/2005

Applications Withdrawn

13293 / 2005 (14-03NES)

Applications Lapsed

14195 / 2004 (12-16B)

14569 / 2004 (13-99)

15887 / 2004 (12-02)

14540 / 2004 (14-02)

15138 / 2004 (02-02NES)

12467 / 2005 (07-07NES)

Extensions of time granted under Section 137

Applications lodged under section 137 for extension of time have been granted.

15193/2004 **ResMed Limited**

15194/2004 **ResMed Limited**

15657/2004 **UES (Int'l) Pty Ltd**

16059/2004 **UES (Int'l) Pty Ltd**

16060/2004 **UES (Int'l) Pty Ltd**

16061/2004 **UES (Int'l) Pty Ltd**

16062/2004 **UES (Int'l) Pty Ltd**

11263/2005 **Review Australia Pty Ltd**

11264/2005 **Review Australia Pty Ltd**

11265/2005 **Review Australia Pty Ltd**

11266/2005 **Review Australia Pty Ltd**

11267/2005 **Review Australia Pty Ltd**

11268/2005 **Review Australia Pty Ltd**

11269/2005 **Review Australia Pty Ltd**

11270/2005 **Review Australia Pty Ltd**

11271/2005 **Review Australia Pty Ltd**

11272/2005 **Review Australia Pty Ltd**

11273/2005 **Review Australia Pty Ltd**

11274/2005 **Review Australia Pty Ltd**

Certificate(s) of Examination

Examination of the following Design Registration(s) has been completed. Infringement proceedings may now be commenced.

300652 08-01 19/08/2005

Publication and Registration Proceedings

Designs Registered

This section provides a concordance between design number and registration number of Designs covered in this journal. It also shows the main class and registration date.

This section covers Registration numbers 302747 to 302861 .

The registration number shown below should be used in all future correspondence.

Design Number	Registration Number	International Classification Code (IDC)	Registration Date	Design Number	Registration Number	International Classification Code (IDC)	Registration Date
13125/2004	302747	25-03	16/08/2005	15559/2004	302808	09-03L	17/08/2005
13126/2004	302748	25-03	16/08/2005	15600/2004	302768	13-03NES	16/08/2005
13127/2004	302749	25-03	16/08/2005	15604/2004	302769	14-02	16/08/2005
13128/2004	302750	25-03	16/08/2005	15605/2004	302770	14-02	16/08/2005
13200/2004	302751	23-01F	16/08/2005	15707/2004	302771	23-01G	16/08/2005
13201/2004	302752	09-02NES	16/08/2005	15713/2004	302861	09-03M	23/08/2005
13232/2004	302753	09-05	16/08/2005	15714/2004	302772	23-01A	16/08/2005
13389/2004	302786	26-05B	17/08/2005	15717/2004	302773	24-04	16/08/2005
13390/2004	302787	26-05B	17/08/2005	15718/2004	302774	24-04	16/08/2005
13391/2004	302788	26-05C	17/08/2005	15719/2004	302775	24-04	16/08/2005
13392/2004	302789	26-05B	17/08/2005	15729/2004	302776	03-01C	16/08/2005
13393/2004	302790	26-05B	17/08/2005	15783/2004	302777	24-04	16/08/2005
13652/2004	302754	08-03	16/08/2005	15784/2004	302778	24-04	16/08/2005
13653/2004	302755	08-03	16/08/2005	15785/2004	302779	24-04	16/08/2005
13968/2004	302791	26-05D	17/08/2005	15786/2004	302780	24-04	16/08/2005
13969/2004	302792	26-05D	17/08/2005	15915/2004	302781	23-01E	16/08/2005
13970/2004	302793	26-05B	17/08/2005	15936/2004	302809	03-01A	17/08/2005
13971/2004	302794	26-05B	17/08/2005	15953/2004	302782	14-01	16/08/2005
13972/2004	302795	26-05B	17/08/2005	15963/2004	302783	07-04	16/08/2005
13973/2004	302796	26-05D	17/08/2005	15965/2004	302825	24-04	17/08/2005
13974/2004	302797	26-05D	17/08/2005	15967/2004	302784	12-05	16/08/2005
13975/2004	302798	26-05C	17/08/2005	15989/2004	302785	21-02C	16/08/2005
13999/2004	302852	14-03E	23/08/2005	16020/2004	302810	07-06D	17/08/2005
14004/2004	302756	09-01G	16/08/2005	16033/2004	302811	19-01	17/08/2005
14017/2004	302757	25-02C	16/08/2005	16045/2004	302843	15-02	18/08/2005
14208/2004	302854	11-02B	23/08/2005	16046/2004	302844	15-02	18/08/2005
14265/2004	302855	15-05	23/08/2005	16047/2004	302845	15-02	18/08/2005
14358/2004	302823	05-06NES	17/08/2005	10062/2005	302833	21-01L	18/08/2005
14396/2004	302758	12-16B	16/08/2005	10074/2005	302813	29-01	17/08/2005
14404/2004	302799	10-04	17/08/2005	10078/2005	302826	28-99	17/08/2005
14513/2004	302759	08-07	16/08/2005	10079/2005	302827	28-99	17/08/2005
14651/2004	302856	10-04	23/08/2005	10128/2005	302814	15-09	17/08/2005
14723/2004	302800	12-08	17/08/2005	10159/2005	302815	25-02C	17/08/2005
14835/2004	302857	25-02H	23/08/2005	10160/2005	302816	25-02C	17/08/2005
14972/2004	302801	07-99A	17/08/2005	10161/2005	302817	25-02C	17/08/2005
15016/2004	302824	15-03B	17/08/2005	10208/2005	302818	07-02E	17/08/2005
15034/2004	302802	12-07	17/08/2005	10231/2005	302828	06-09	17/08/2005
15220/2004	302858	09-07A	23/08/2005	10408/2005	302819	03-01NES	17/08/2005
15255/2004	302859	25-99	23/08/2005	10468/2005	302829	25-03	17/08/2005
15357/2004	302760	06-01L	16/08/2005	10502/2005	302830	23-01NES	17/08/2005
15388/2004	302761	12-16B	16/08/2005	10536/2005	302831	16-06	17/08/2005
15389/2004	302860	11-02NES	23/08/2005	10569/2005	302832	31-00	17/08/2005
15390/2004	302762	25-01C	16/08/2005	10573/2005	302820	12-16A	17/08/2005
15391/2004	302763	25-01C	16/08/2005	10608/2005	302846	01-01	18/08/2005
15392/2004	302764	25-01C	16/08/2005	10614/2005	302834	26-03	18/08/2005
15393/2004	302765	25-01C	16/08/2005	10699/2005	302822	12-06B	17/08/2005
15429/2004	302803	19-08	17/08/2005	10700/2005	302821	12-16B	17/08/2005
15458/2004	302766	23-04	16/08/2005	10732/2005	302847	26-06	18/08/2005
15479/2004	302804	24-01	17/08/2005	10733/2005	302848	12-08	18/08/2005
15497/2004	302805	09-03E	17/08/2005	10864/2005	302849	06-04NES	18/08/2005
15498/2004	302767	09-03NES	16/08/2005	10875/2005	302850	26-02	18/08/2005
15503/2004	302806	09-03M	17/08/2005	10883/2005	302835	15-01	18/08/2005
15558/2004	302807	09-03L	17/08/2005	10894/2005	302836	06-01F	18/08/2005

Publication and Registration Proceedings - Designs Registered cont'd

Design Number	Registration Number	International Classification Code (IDC)	Registration Date	Design Number	Registration Number	International Classification Code (IDC)	Registration Date
10931/2005	302837	15-03A	18/08/2005	10938/2005	302842	15-03A	18/08/2005
10932/2005	302838	15-03A	18/08/2005	11803/2005	302851	11-05	18/08/2005
10933/2005	302839	15-03A	18/08/2005	12261/2005	302853	14-03E	23/08/2005
10935/2005	302840	15-03A	18/08/2005	13057/2005	302812	14-03NES	17/08/2005
10936/2005	302841	15-03A	18/08/2005				

Publication and Registration Proceedings
Class Listing of Designs Published or Registered

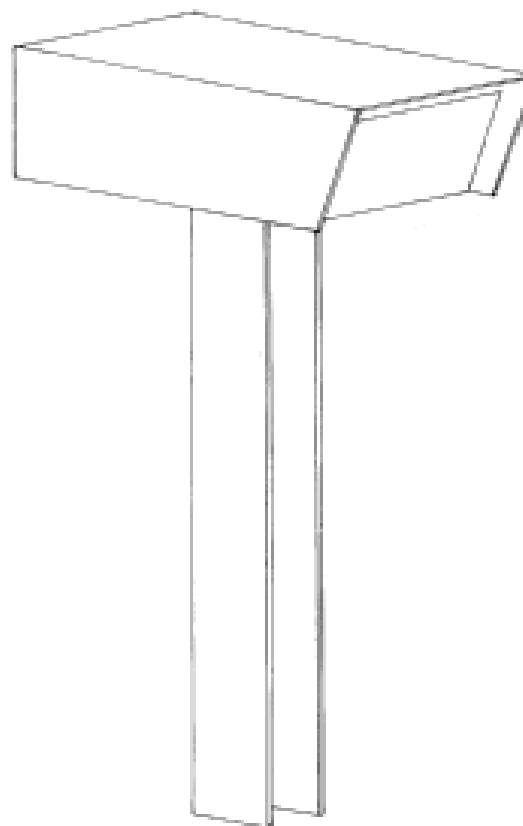
The following section shows an International Classification Code listing of the Registered or Published Designs covered in this supplement.

Classification	Registration Number	Design Number	Classification	Registration Number	Design Number
01-01	302846	10608/2005	15-02	302843	16045/2004
03-01 A	302809	15936/2004	15-02	302844	16046/2004
03-01 B	302850	10875/2005	15-02	302845	16047/2004
03-01 C	302776	15729/2004	15-03 A	302837	10931/2005
03-01 NES	302819	10408/2005	15-03 A	302838	10932/2005
05-06 NES	302823	14358/2004	15-03 A	302839	10933/2005
06-01 F	302836	10894/2005	15-03 A	302840	10935/2005
06-01 L	302760	15357/2004	15-03 A	302841	10936/2005
06-04 NES	302849	10864/2005	15-03 A	302842	10938/2005
06-09	302828	10231/2005	15-03 B	302824	15016/2004
06-13 B	302819	10408/2005	15-05	302855	14265/2004
07-02 E	302818	10208/2005	15-07	302829	10468/2005
07-02 P	302846	10608/2005	15-09	302754	13652/2004
07-04	302783	15963/2004	15-09	302755	13653/2004
07-06 D	302810	16020/2004	15-09	302814	10128/2005
07-99 A	302801	14972/2004	16-06	302831	10536/2005
08-03	302754	13652/2004	19-01	302811	16033/2004
08-03	302755	13653/2004	19-08	302803	15429/2004
08-07	302759	14513/2004	19-08	302850	10875/2005
09-01 G	302756	14004/2004	21-01 L	302833	10062/2005
09-02 NES	302752	13201/2004	21-02 C	302785	15989/2004
09-03 E	302805	15497/2004	23-01 A	302772	15714/2004
09-03 L	302807	15558/2004	23-01 E	302781	15915/2004
09-03 L	302808	15559/2004	23-01 F	302751	13200/2004
09-03 M	302806	15503/2004	23-01 G	302771	15707/2004
09-03 M	302861	15713/2004	23-01 NES	302830	10502/2005
09-03 NES	302767	15498/2004	23-04	302766	15458/2004
09-04	302805	15497/2004	24-01	302804	15479/2004
09-05	302753	13232/2004	24-04	302773	15717/2004
09-07 A	302858	15220/2004	24-04	302774	15718/2004
10-04	302799	14404/2004	24-04	302775	15719/2004
10-04	302845	16047/2004	24-04	302777	15783/2004
10-04	302856	14651/2004	24-04	302778	15784/2004
10-06	302850	10875/2005	24-04	302779	15785/2004
10-06	302856	14651/2004	24-04	302780	15786/2004
11-02 B	302854	14208/2004	24-04	302825	15965/2004
11-02 NES	302860	15389/2004	25-01 C	302762	15390/2004
11-05	302851	11803/2005	25-01 C	302763	15391/2004
12-05	302784	15967/2004	25-01 C	302764	15392/2004
12-06 B	302822	10699/2005	25-01 C	302765	15393/2004
12-07	302802	15034/2004	25-02 C	302757	14017/2004
12-08	302800	14723/2004	25-02 C	302815	10159/2005
12-08	302848	10733/2005	25-02 C	302816	10160/2005
12-16 A	302820	10573/2005	25-02 C	302817	10161/2005
12-16 B	302758	14396/2004	25-02 H	302857	14835/2004
12-16 B	302761	15388/2004	25-03	302747	13125/2004
12-16 B	302821	10700/2005	25-03	302748	13126/2004
13-03 NES	302768	15600/2004	25-03	302749	13127/2004
14-01	302782	15953/2004	25-03	302750	13128/2004
14-02	302769	15604/2004	25-03	302829	10468/2005
14-02	302770	15605/2004	25-99	302857	14835/2004
14-03 E	302852	13999/2004	25-99	302859	15255/2004
14-03 E	302853	12261/2005	26-02	302850	10875/2005
14-03 NES	302812	13057/2005	26-03	302834	10614/2005
14-03 NES	302850	10875/2005	26-05 B	302786	13389/2004
15-01	302835	10883/2005	26-05 B	302787	13390/2004

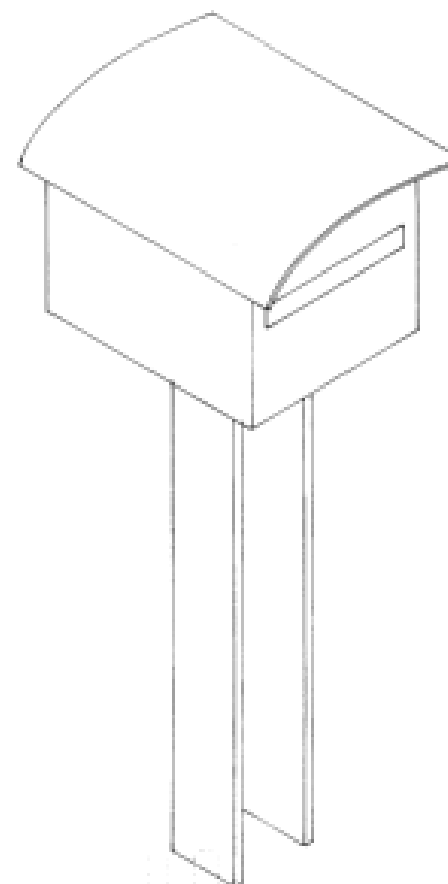
Registration Proceedings - Class Listing of Designs Published or Registered cont'd

Classification	Registration Number	Design Number	Classification	Registration Number	Design Number
26-05 B	302789	13392/2004	26-05 D	302796	13973/2004
26-05 B	302790	13393/2004	26-05 D	302797	13974/2004
26-05 B	302793	13970/2004	26-06	302847	10732/2005
26-05 B	302794	13971/2004	28-03 NES	302756	14004/2004
26-05 B	302795	13972/2004	28-99	302826	10078/2005
26-05 C	302788	13391/2004	28-99	302827	10079/2005
26-05 C	302798	13975/2004	29-01	302813	10074/2005
26-05 D	302791	13968/2004	31-00	302832	10569/2005
26-05 D	302792	13969/2004			

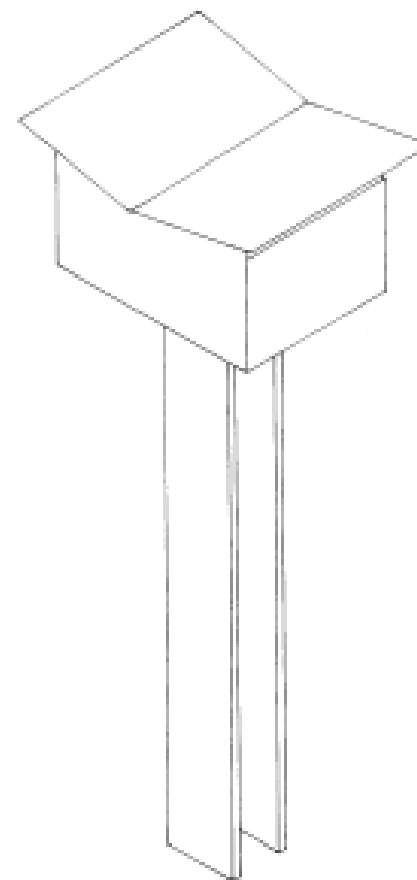
- (21) Design Number: **13125/2004**
(22) Date of Filing Application: **01 July 2004**
(24) Date from which industrial property rights may have effect: **01 July 2004**
(54) Product in respect of which the design is registered: **Letterbox**
(51) International Design Classification: **25-03**
(71) Name(s) and Address(s) of Applicant(s):
Mark Burrill
42 Ferol Street Coorparoo Queensland 4151 Australia
(72) Name(s) of Designer(s): **Mark Burrill**
(45) Registration Date: **16 August 2005**
(56) Related Art Documents: **Not Applicable**
(57) Statement of Newness and Distinctiveness: **The newness and distinctiveness of the design resides in its shape and configuration. The hinges and locks do not form part of the design.**



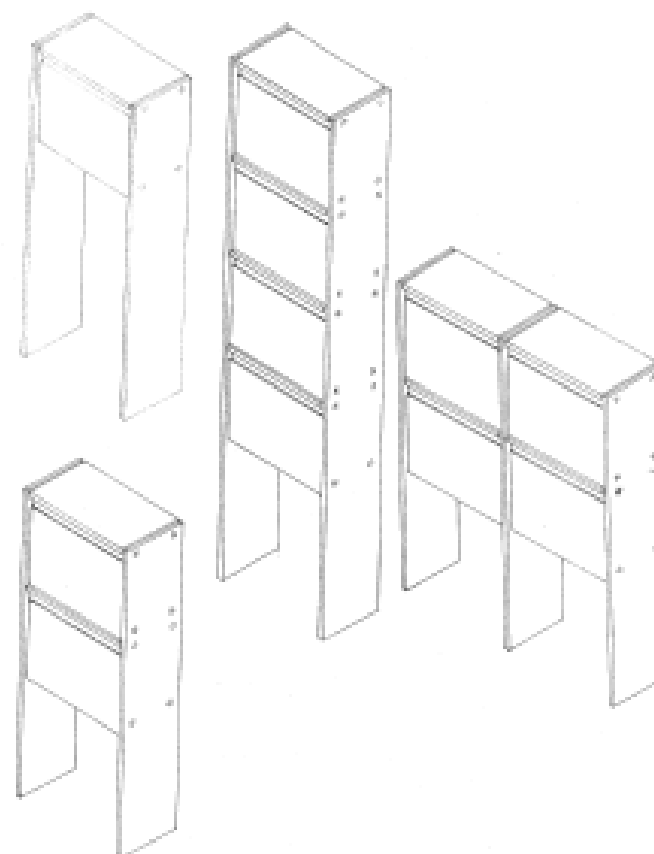
- (21) Design Number: **13126/2004**
(22) Date of Filing Application: **01 July 2004**
(24) Date from which industrial property rights may have effect: **01 July 2004**
(54) Product in respect of which the design is registered: **Letterbox**
(51) International Design Classification: **25-03**
(71) Name(s) and Address(s) of Applicant(s):
Mark Burrill
42 Ferol Street Coorparoo Queensland 4151 Australia
(72) Name(s) of Designer(s): **Mark Burrill**
(45) Registration Date: **16 August 2005**
(56) Related Art Documents: **Not Applicable**
(57) Statement of Newness and Distinctiveness: **The newness and distinctiveness of the design resides in its shape and configuration. The hinges and lock do not form part of the design.**



- (21) Design Number: **13127/2004**
- (22) Date of Filing Application: **01 July 2004**
- (24) Date from which industrial property rights may have effect: **01 July 2004**
- (54) Product in respect of which the design is registered: **Letterbox**
- (51) International Design Classification: **25-03**
- (71) Name(s) and Address(s) of Applicant(s):
Mark Burrill
42 Ferol Street Coorparoo Queensland 4151 Australia
- (72) Name(s) of Designer(s): **Mark Burrill**
- (45) Registration Date: **16 August 2005**
- (56) Related Art Documents: **Not Applicable**
- (57) Statement of Newness and Distinctiveness: **The newness and distinctiveness of the design resides in its shape and configuration. The hinges and lock do not form part of the design.**



- (21) Design Number: **13128/2004**
- (22) Date of Filing Application: **01 July 2004**
- (24) Date from which industrial property rights may have effect: **01 July 2004**
- (54) Product in respect of which the design is registered: **Single, double, triple, multiple residential & commercial letterboxes**
- (51) International Design Classification: **25-03**
- (71) Name(s) and Address(s) of Applicant(s):
Mark Burrill
42 Ferol Street Coorparoo Queensland 4151 Australia
- (72) Name(s) of Designer(s): **Mark Burrill**
- (45) Registration Date: **16 August 2005**
- (56) Related Art Documents: **Not Applicable**
- (57) Statement of Newness and Distinctiveness: **The newness and distinctiveness of the design resides in its shape and configuration. The hinges, locks and side screw fixings do not form part of the design.**



(21) Design Number: **13200/2004**

(22) Date of Filing Application: **07 July 2004**

(24) Date from which industrial property rights may have effect: **07 July 2004**

(54) Product in respect of which the design is registered: **800 liter water tank**

(51) International Design Classification: **23-01F**

(71) Name(s) and Address(s) of Applicant(s):

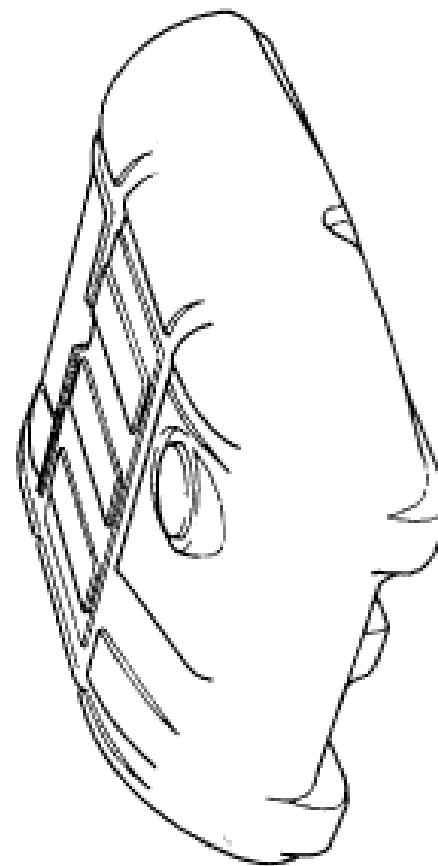
Silvan Australia Pty Ltd
89 Lewis Road Wantirna South Victoria 3152 Australia

(72) Name(s) of Designer(s): **Garth Roberts**

(45) Registration Date: **16 August 2005**

(56) Related Art Documents: **Not Applicable**

(57) Statement of Newness and Distinctiveness: **Nil**



(21) Design Number: **13201/2004**

(22) Date of Filing Application: **07 July 2004**

(24) Date from which industrial property rights may have effect: **07 July 2004**

(54) Product in respect of which the design is registered: **200 liter diesel fuel tank**

(51) International Design Classification: **09-02NES**

(71) Name(s) and Address(s) of Applicant(s):

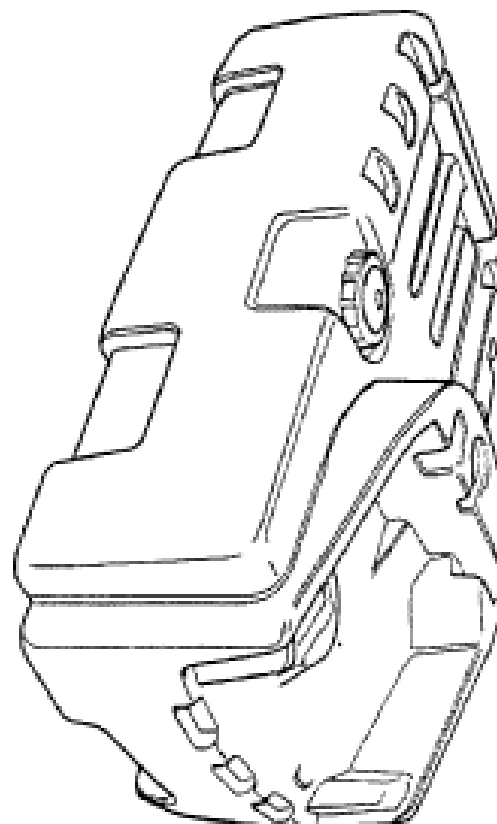
Silvan Australia Pty Ltd
89 Lewis Road Wantirna South Victoria 3152 Australia

(72) Name(s) of Designer(s): **Leigh O'Rielly**

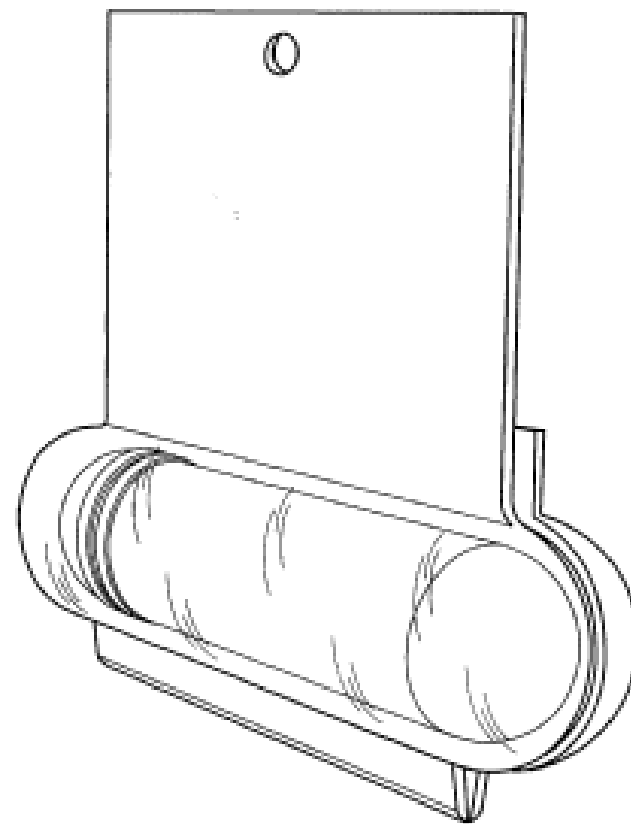
(45) Registration Date: **16 August 2005**

(56) Related Art Documents: **Not Applicable**

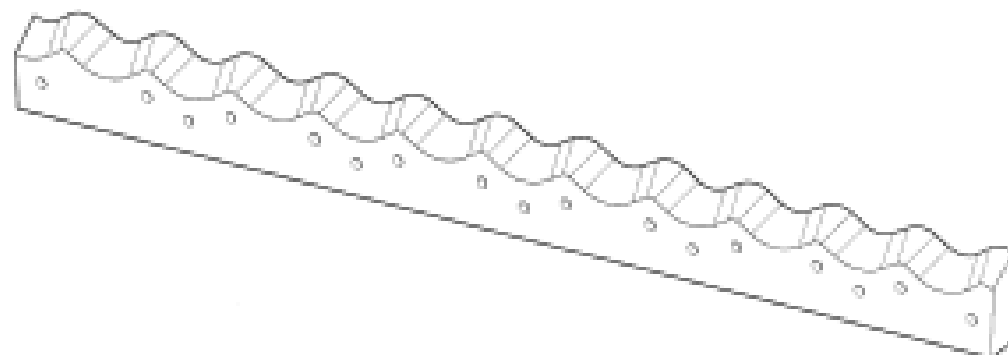
(57) Statement of Newness and Distinctiveness: **Nil**



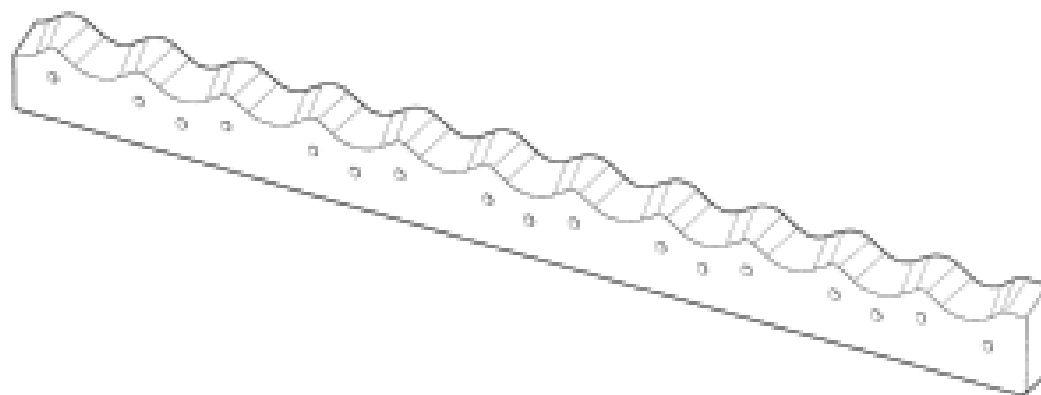
- (21) Design Number: **13232/2004**
(22) Date of Filing Application: **12 July 2004**
(24) Date from which industrial property rights may have effect: **12 July 2004**
(54) Product in respect of which the design is registered: **A product presentation pack**
(51) International Design Classification: **09-05**
(71) Name(s) and Address(s) of Applicant(s):
PSM Healthcare Limited
14-16 Norman Spencer Drive Manukau City Auckland New Zealand
Radiant Oils Limited
13 Sale Street Freemans Bay Auckland New Zealand
(72) Name(s) of Designer(s): **Stuart Donald Jeffcoat and Robin Chamberlain and Carl MacInnes**
(45) Registration Date: **16 August 2005**
(30) Convention priority data:
(31) Number (32) Date (33) Country
404474 12 Jan 2004 NEW ZEALAND
(56) Related Art Documents: **Not Applicable**
(57) Statement of Newness and Distinctiveness: **Nil**



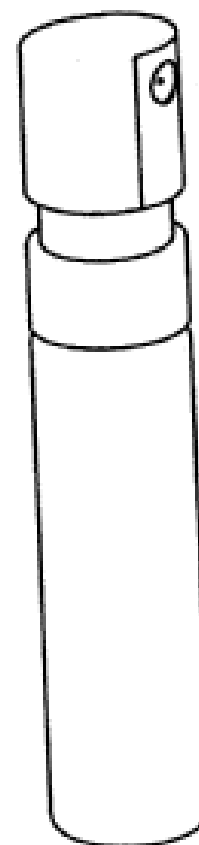
- (21) Design Number: **13652/2004**
(22) Date of Filing Application: **03 August 2004**
(24) Date from which industrial property rights may have effect: **03 August 2004**
(54) Product in respect of which the design is registered: **A corrugated blade**
(51) International Design Classification: **08-03, 15-09**
(71) Name(s) and Address(s) of Applicant(s):
Fielders Australia Pty Ltd
15 Railway Terrace Mile End South Australia 5031 Australia
(72) Name(s) of Designer(s): **David Isaac Newton**
(45) Registration Date: **16 August 2005**
(56) Related Art Documents: **Not Applicable**
(57) Statement of Newness and Distinctiveness: **When considering the design the bevelled front edge in particular is considered new and distinctive.**



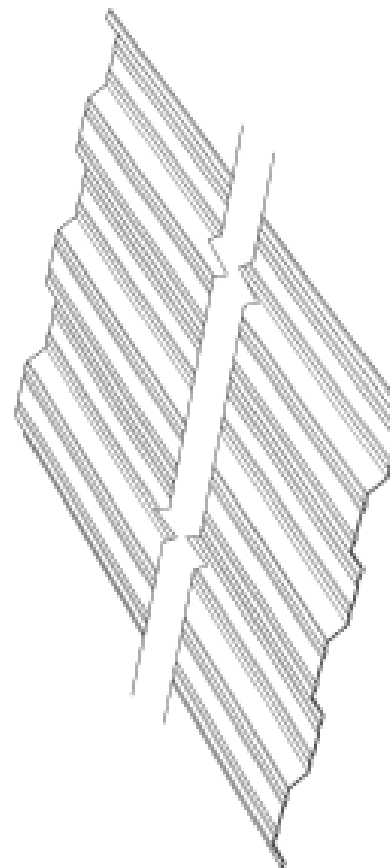
- (21) Design Number: **13653/2004**
(22) Date of Filing Application: **03 August 2004**
(24) Date from which industrial property rights may have effect: **03 August 2004**
(54) Product in respect of which the design is registered: **A corrugated blade**
(51) International Design Classification: **08-03, 15-09**
(71) Name(s) and Address(s) of Applicant(s):
Fielders Australia Pty Ltd
15 Railway Terrace Mile End South Australia 5031 Australia
(72) Name(s) of Designer(s): **David Isaac Newton**
(45) Registration Date: **16 August 2005**
(56) Related Art Documents: **Not Applicable**
(57) Statement of Newness and Distinctiveness: **When considering the design the bevelled front edge in particular is considered new and distinctive.**



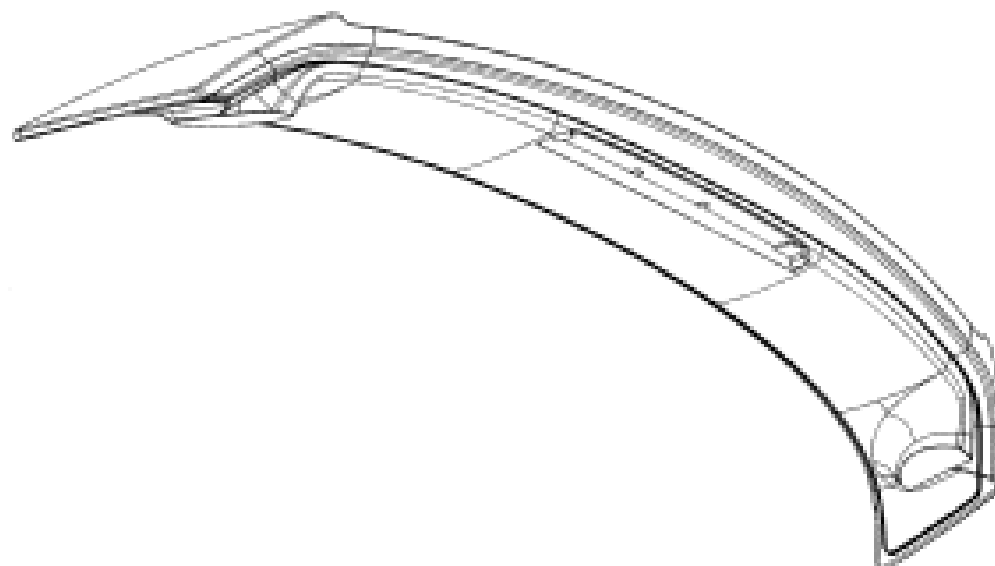
- (21) Design Number: **14004/2004**
(22) Date of Filing Application: **23 August 2004**
(24) Date from which industrial property rights may have effect: **23 August 2004**
(54) Product in respect of which the design is registered: **Fluid product dispenser**
(51) International Design Classification: **09-01G, 28-03NES**
(71) Name(s) and Address(s) of Applicant(s):
Valois SAS
Le Prieure BPG 27110 Le Neubourg France
(72) Name(s) of Designer(s): **Firmin Garcia and Frederic Duquet**
(45) Registration Date: **16 August 2005**
(30) Convention priority data:
(31) Number (32) Date (33) Country
000140496-0001 24 Feb 2004 EUROPEAN PATENT OFFICE
(EP)
(56) Related Art Documents: **Not Applicable**
(57) Statement of Newness and Distinctiveness: **Nil**



- (21) Design Number: **14017/2004**
(22) Date of Filing Application: **23 August 2004**
(24) Date from which industrial property rights may have effect: **23 August 2004**
(54) Product in respect of which the design is registered: **Fence panel**
(51) International Design Classification: **25-02C**
(71) Name(s) and Address(s) of Applicant(s):
Fielders Australia Pty Ltd
15 Railway Terrace Mile End South Australia 5031 Australia
(72) Name(s) of Designer(s): **David Newton**
(45) Registration Date: **16 August 2005**
(56) Related Art Documents: **Not Applicable**
(57) Statement of Newness and Distinctiveness: **Newness and distinctiveness resides in the shape and configuration of the fence panel. In considering the extent of monopoly the length of the fence panel is to be disregarded.**



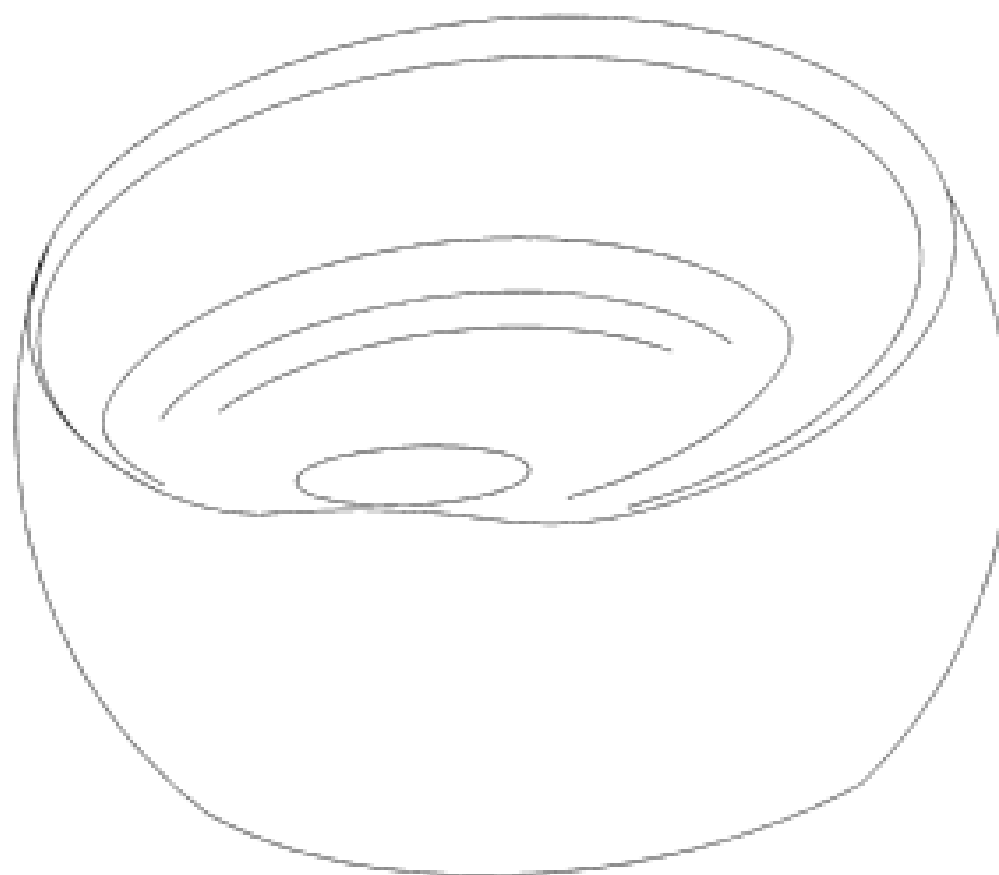
- (21) Design Number: **14396/2004**
(22) Date of Filing Application: **13 September 2004**
(24) Date from which industrial property rights may have effect: **13 September 2004**
(54) Product in respect of which the design is registered: **Vehicle rear spoiler**
(51) International Design Classification: **12-16B**
(71) Name(s) and Address(s) of Applicant(s):
Holden Ltd
241 Salmon Street Port Melbourne Victoria 3207 Australia
(72) Name(s) of Designer(s): **Ondrej Koromhaz**
(45) Registration Date: **16 August 2005**
(56) Related Art Documents: **Not Applicable**
(57) Statement of Newness and Distinctiveness: **Newness and distinctiveness is claimed in the shape and/or configuration of a vehicle rear spoiler as shown in the representations.**



- (21) Design Number: **14513/2004**
(22) Date of Filing Application: **21 September 2004**
(24) Date from which industrial property rights may have effect: **21 September 2004**
(54) Product in respect of which the design is registered: **Key blank**
(51) International Design Classification: **08-07**
(71) Name(s) and Address(s) of Applicant(s):
Abloy Security Pty Ltd
5/372 Eastern Valley Way Chatswood New South Wales 2067 Australia
(72) Name(s) of Designer(s): **Seppo Kiiski and Pekka Mielonen**
(45) Registration Date: **16 August 2005**
(56) Related Art Documents: **Not Applicable**
(57) Statement of Newness and Distinctiveness: **Newness and distinctiveness is claimed in the shape and/or configuration of a key blank as illustrated in the accompanying representations and in considering the newness and distinctiveness of the key blank the shape and/or configuration of the position shown dotted is to be disregarded.**



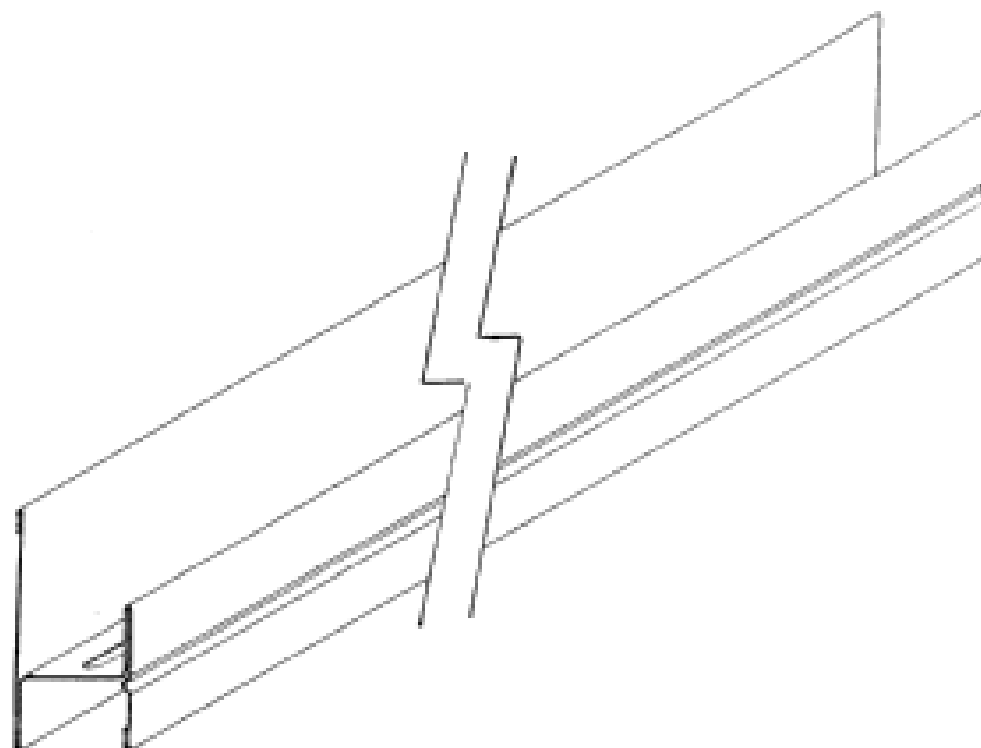
- (21) Design Number: **15357/2004**
(22) Date of Filing Application: **17 November 2004**
(24) Date from which industrial property rights may have effect: **17 November 2004**
(54) Product in respect of which the design is registered: **Chair**
(51) International Design Classification: **06-01L**
(71) Name(s) and Address(s) of Applicant(s):
RPG Trading Pty Ltd
Level 1 354 Bay Street Brighton-le-Sands New South Wales 2216 Australia
(72) Name(s) of Designer(s): **Richard Paul Goodrick**
(45) Registration Date: **16 August 2005**
(56) Related Art Documents: **Not Applicable**
(57) Statement of Newness and Distinctiveness: **Nil**



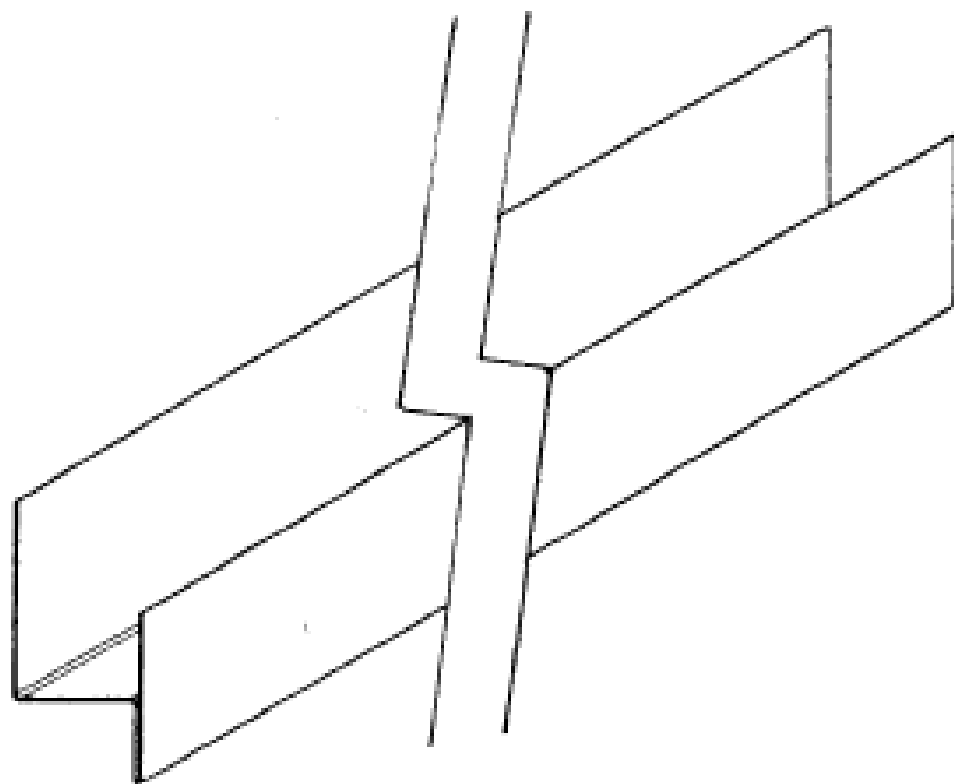
- (21) Design Number: **15388/2004**
(22) Date of Filing Application: **22 November 2004**
(24) Date from which industrial property rights may have effect: **22 November 2004**
(54) Product in respect of which the design is registered: **Panel for an automobile**
(51) International Design Classification: **12-16B**
(71) Name(s) and Address(s) of Applicant(s):
Toyota Jidosha Kabushiki Kaisha
1 Toyota-cho Toyota-shi Aichi-ken 471-8571 Japan
(72) Name(s) of Designer(s): **Yoshiaki Matsuda**
(45) Registration Date: **16 August 2005**
(56) Related Art Documents: **Not Applicable**
(57) Statement of Newness and Distinctiveness: **Nil**



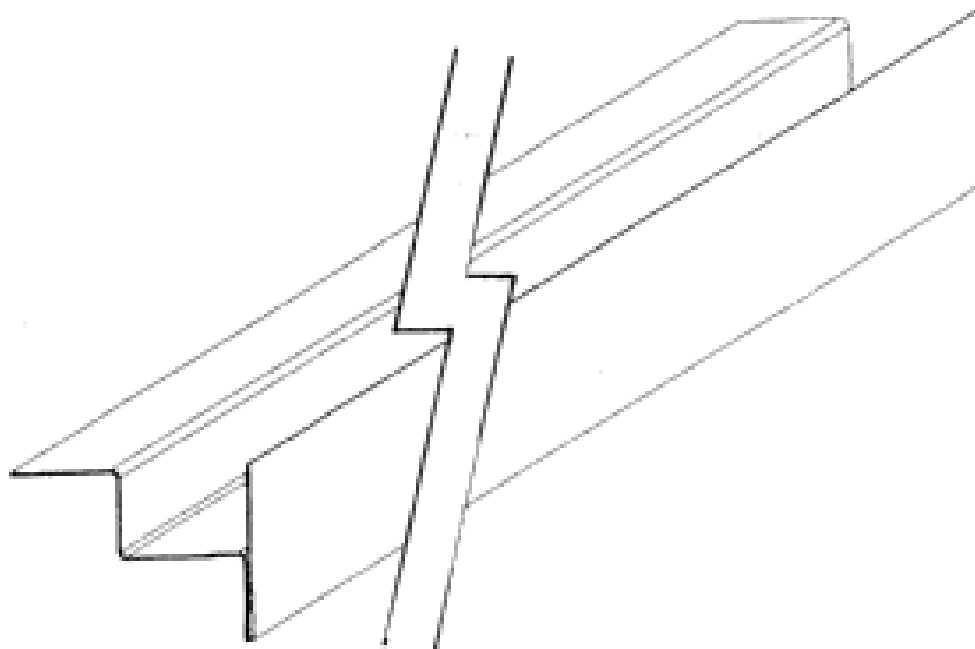
- (21) Design Number: **15390/2004**
(22) Date of Filing Application: **19 November 2004**
(24) Date from which industrial property rights may have effect: **19 November 2004**
(54) Product in respect of which the design is registered: **A building member**
(51) International Design Classification: **25-01C**
(71) Name(s) and Address(s) of Applicant(s):
Boral Australian Gypsum Limited
676 Lorimer Street Port Melbourne Victoria 3207 Australia
(72) Name(s) of Designer(s): **Andrew Close and William Poynter**
(45) Registration Date: **16 August 2005**
(56) Related Art Documents: **Not Applicable**
(57) Statement of Newness and Distinctiveness: **Nil**



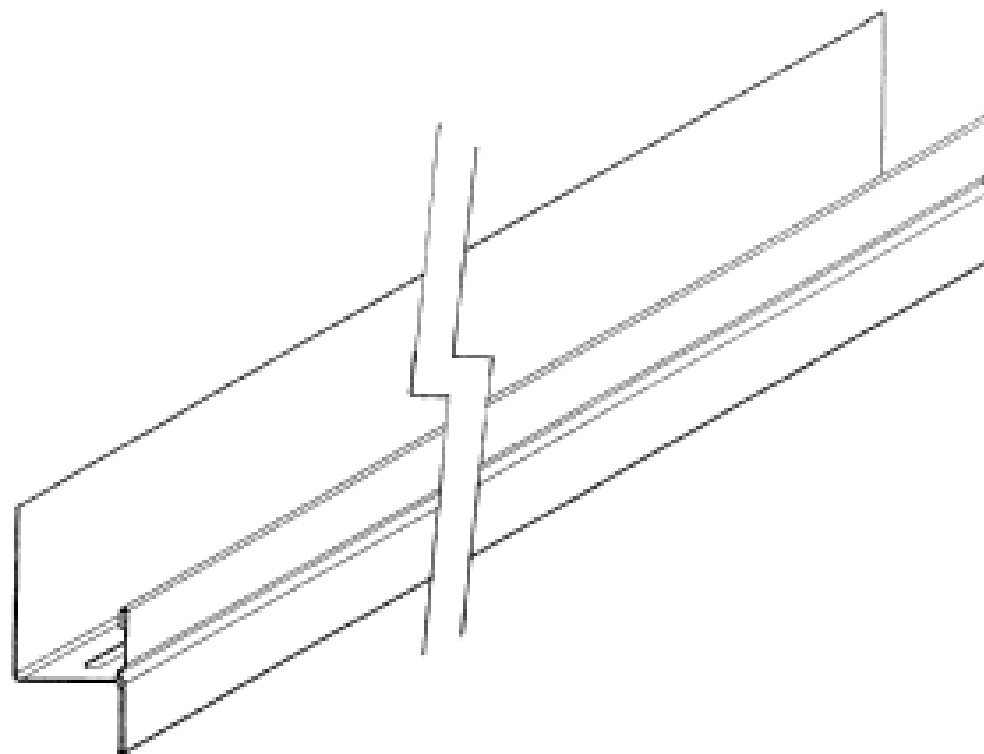
- (21) Design Number: **15391/2004**
- (22) Date of Filing Application: **19 November 2004**
- (24) Date from which industrial property rights may have effect: **19 November 2004**
- (54) Product in respect of which the design is registered: **A building member**
- (51) International Design Classification: **25-01C**
- (71) Name(s) and Address(s) of Applicant(s):
Boral Australian Gypsum Limited
676 Lorimer Street Port Melbourne Victoria 3207 Australia
- (72) Name(s) of Designer(s): **Andrew Close and William Poynter**
- (45) Registration Date: **16 August 2005**
- (56) Related Art Documents: **Not Applicable**
- (57) Statement of Newness and Distinctiveness: **Nil**



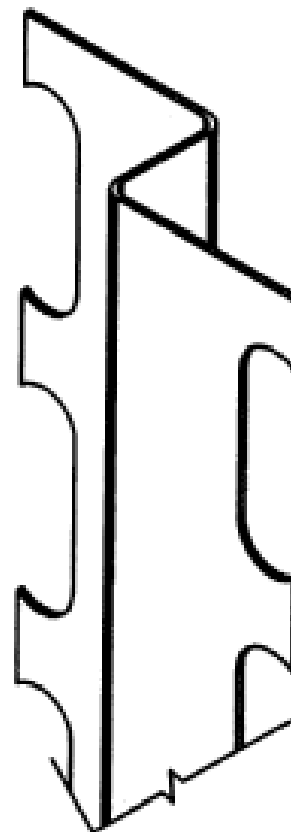
- (21) Design Number: **15392/2004**
- (22) Date of Filing Application: **19 November 2004**
- (24) Date from which industrial property rights may have effect: **19 November 2004**
- (54) Product in respect of which the design is registered: **A building member**
- (51) International Design Classification: **25-01C**
- (71) Name(s) and Address(s) of Applicant(s):
Boral Australian Gypsum Limited
676 Lorimer Street Port Melbourne Victoria 3207 Australia
- (72) Name(s) of Designer(s): **Andrew Close and William Poynter**
- (45) Registration Date: **16 August 2005**
- (56) Related Art Documents: **Not Applicable**
- (57) Statement of Newness and Distinctiveness: **Nil**



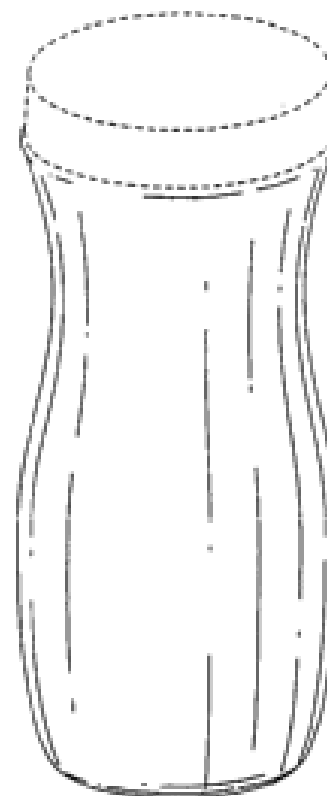
- (21) Design Number: **15393/2004**
(22) Date of Filing Application: **19 November 2004**
(24) Date from which industrial property rights may have effect: **19 November 2004**
(54) Product in respect of which the design is registered: **A building member**
(51) International Design Classification: **25-01C**
(71) Name(s) and Address(s) of Applicant(s):
Boral Australian Gypsum Limited
676 Lorimer Street Port Melbourne Victoria 3207 Australia
(72) Name(s) of Designer(s): **Andrew Close and William Poynter**
(45) Registration Date: **16 August 2005**
(56) Related Art Documents: **Not Applicable**
(57) Statement of Newness and Distinctiveness: **Nil**



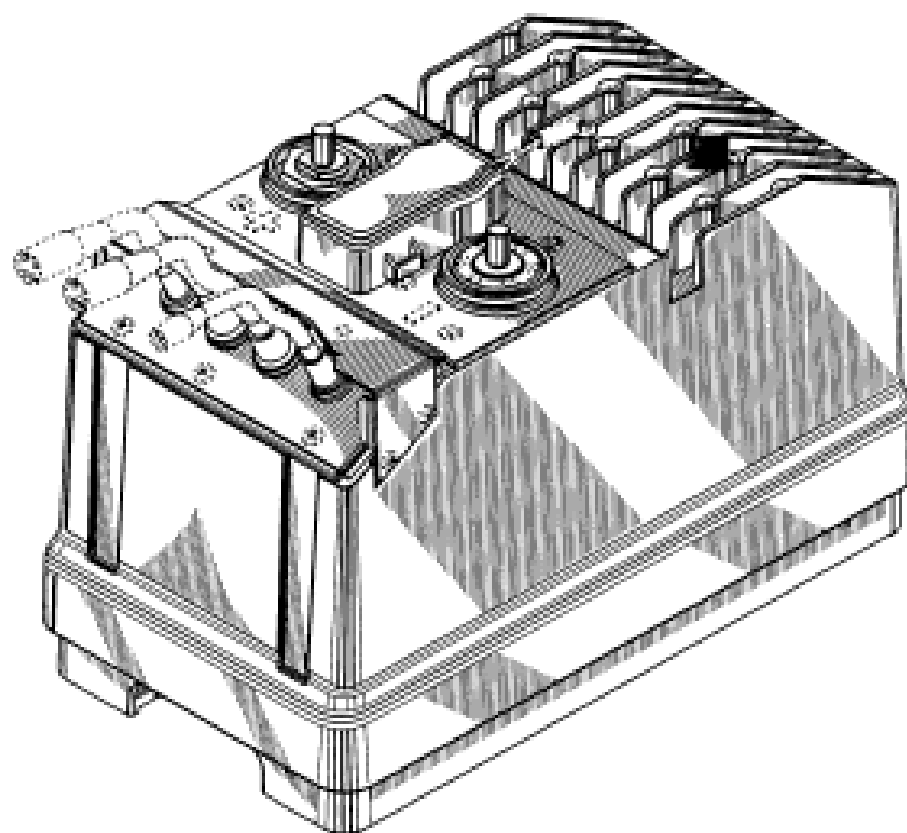
- (21) Design Number: **15458/2004**
(22) Date of Filing Application: **25 November 2004**
(24) Date from which industrial property rights may have effect: **25 November 2004**
(54) Product in respect of which the design is registered: **A shaped metal strip**
(51) International Design Classification: **23-04**
(71) Name(s) and Address(s) of Applicant(s):
Indigo Technologies Group Pty Ltd
48 Leichhardt Street Spring Hill Queensland 4000 Australia
(72) Name(s) of Designer(s): **John Walter Wilkins and Rodney John Truce**
(45) Registration Date: **16 August 2005**
(56) Related Art Documents: **Not Applicable**
(57) Statement of Newness and Distinctiveness: **Nil**



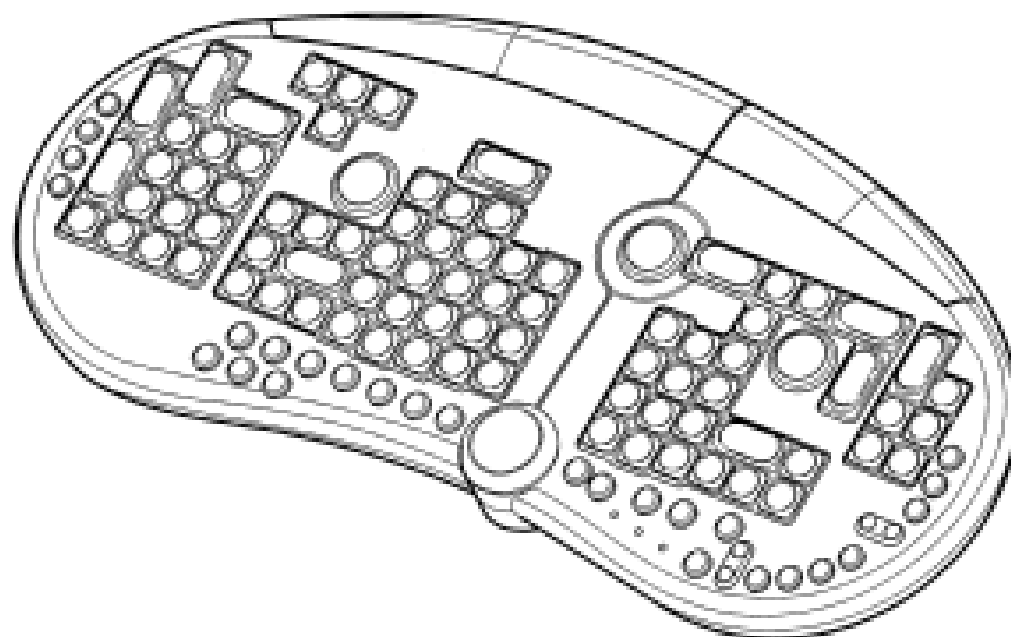
(21) Design Number: **15498/2004**
(22) Date of Filing Application: **26 November 2004**
(24) Date from which industrial property rights may have effect: **26 November 2004**
(54) Product in respect of which the design is registered: **Container**
(51) International Design Classification: **09-03NES**
(71) Name(s) and Address(s) of Applicant(s):
The Procter & Gamble Company
One Procter & Gamble Plaza Cincinnati Ohio 45202 United States of America
(72) Name(s) of Designer(s): **Nigel Joseph Glynn and Jennifer Claire Morton and Craig Elliot Pirie**
(45) Registration Date: **16 August 2005**
(30) Convention priority data:
(31) Number (32) Date (33) Country
29/206,508 01 Jun 2004 UNITED STATES OF AMERICA
(56) Related Art Documents: **Not Applicable**
(57) Statement of Newness and Distinctiveness: **Those visual features of the container shown in continuous lines in the representations that are new and distinctive are the shape and/or configuration. The features shown in broken lines are not part of the design.**



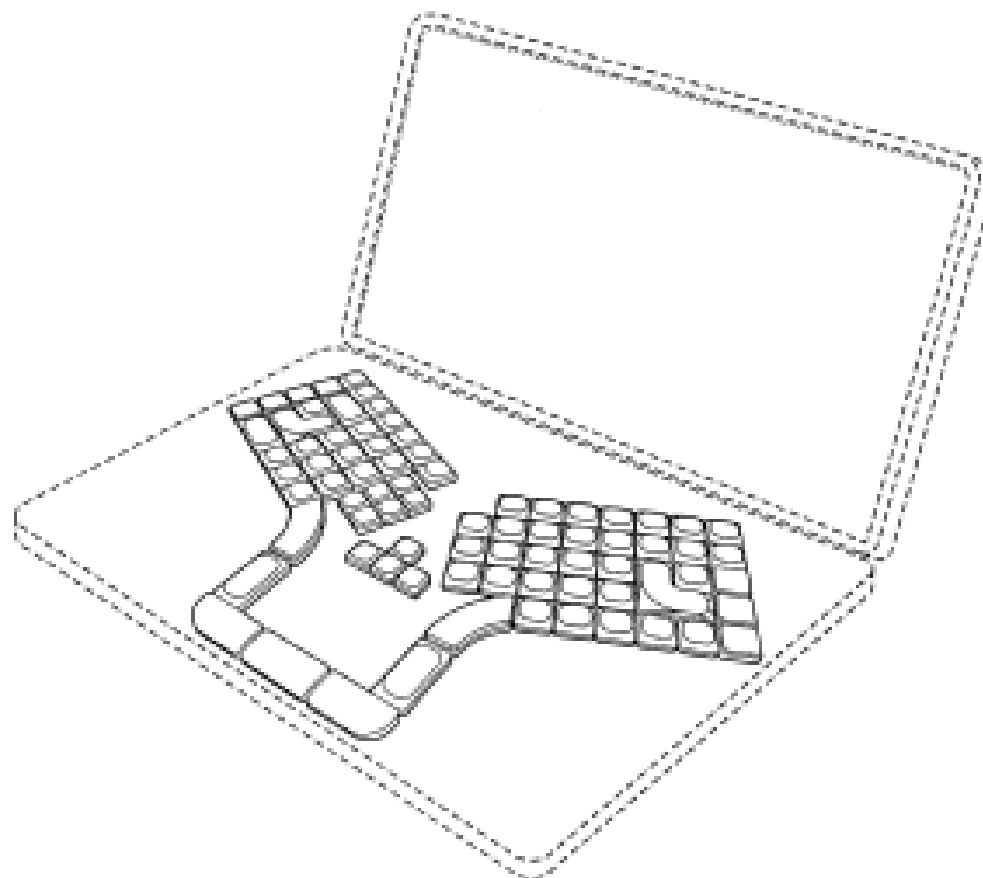
(21) Design Number: **15600/2004**
(22) Date of Filing Application: **02 December 2004**
(24) Date from which industrial property rights may have effect: **02 December 2004**
(54) Product in respect of which the design is registered: **A vehicle mountable inverter**
(51) International Design Classification: **13-03NES**
(71) Name(s) and Address(s) of Applicant(s):
Xantrex International
Suite No. 3 Stafford House The Garrison St. Michael Barbados
(72) Name(s) of Designer(s): **Amar Kant Nanda and Brian Jacob Ulrich**
(45) Registration Date: **16 August 2005**
(30) Convention priority data:
(31) Number (32) Date (33) Country
109248 29 Nov 2004 CANADA
(56) Related Art Documents: **Not Applicable**
(57) Statement of Newness and Distinctiveness: **Newness and distinctiveness is claimed in the visual features shown in solid lines in the representations.**



- (21) Design Number: **15604/2004**
(22) Date of Filing Application: **02 December 2004**
(24) Date from which industrial property rights may have effect: **02 December 2004**
(54) Product in respect of which the design is registered: **Keyboard**
(51) International Design Classification: **14-02**
(71) Name(s) and Address(s) of Applicant(s):
Seng Kee Teo
Apt Blk 117 Edgefield Plains #04-328 Singapore 820117
(72) Name(s) of Designer(s): **Ulrich Schraudolph and Aik Chye Wee and Suet Chan Law and Yew Hiong Heng**
(45) Registration Date: **16 August 2005**
(56) Related Art Documents: **Not Applicable**
(57) Statement of Newness and Distinctiveness: **Nil**



- (21) Design Number: **15605/2004**
(22) Date of Filing Application: **02 December 2004**
(24) Date from which industrial property rights may have effect: **02 December 2004**
(54) Product in respect of which the design is registered: **Keyboard**
(51) International Design Classification: **14-02**
(71) Name(s) and Address(s) of Applicant(s):
Seng Kee Teo
Apt Blk 117 Edgefield Plains #04-328 Singapore 820117
(72) Name(s) of Designer(s): **Ulrich Schraudolph and Aik Chye Wee and Pei Pei Yeo and Daniela Helmberge**
(45) Registration Date: **16 August 2005**
(56) Related Art Documents: **Not Applicable**
(57) Statement of Newness and Distinctiveness: **Nil**



(21) Design Number: **15707/2004**
(22) Date of Filing Application: **09 December 2004**
(24) Date from which industrial property rights may have effect: **09 December 2004**
(54) Product in respect of which the design is registered: **Water filtration system**
(51) International Design Classification: **23-01G**
(71) Name(s) and Address(s) of Applicant(s):

Brita GmbH
Heinrich-Hertz-Strasse 4 65232 Taunusstein Germany

(72) Name(s) of Designer(s): **Kay-Uwe Witte**

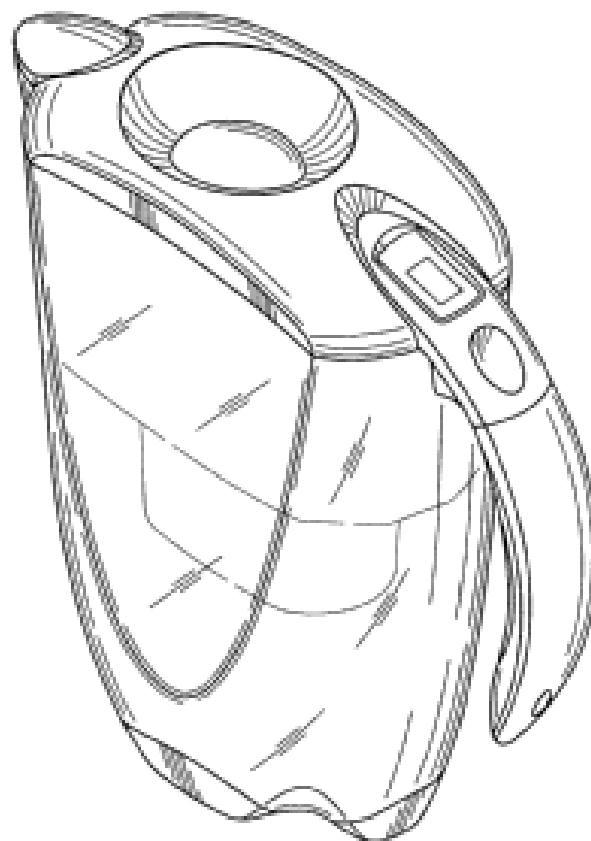
(45) Registration Date: **16 August 2005**

(30) Convention priority data:

(31) Number	(32) Date	(33) Country
404 03 886.7	06 Jul 2004	GERMANY

(56) Related Art Documents: **Not Applicable**

(57) Statement of Newness and Distinctiveness: **Nil**



(21) Design Number: **15714/2004**
(22) Date of Filing Application: **10 December 2004**
(24) Date from which industrial property rights may have effect: **10 December 2004**
(54) Product in respect of which the design is registered: **Pipe gland ear**
(51) International Design Classification: **23-01A**
(71) Name(s) and Address(s) of Applicant(s):

United States Pipe & Foundry Company
3300 First Avenue North Birmingham Alabama 35222 United States of America

(72) Name(s) of Designer(s): **Daniel A. Copeland and William H. Owen**

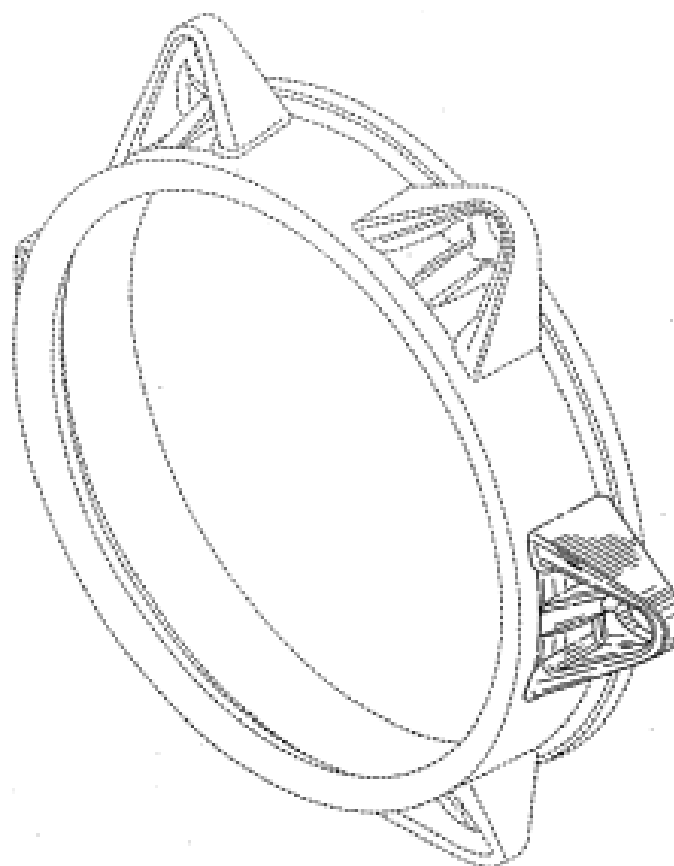
(45) Registration Date: **16 August 2005**

(30) Convention priority data:

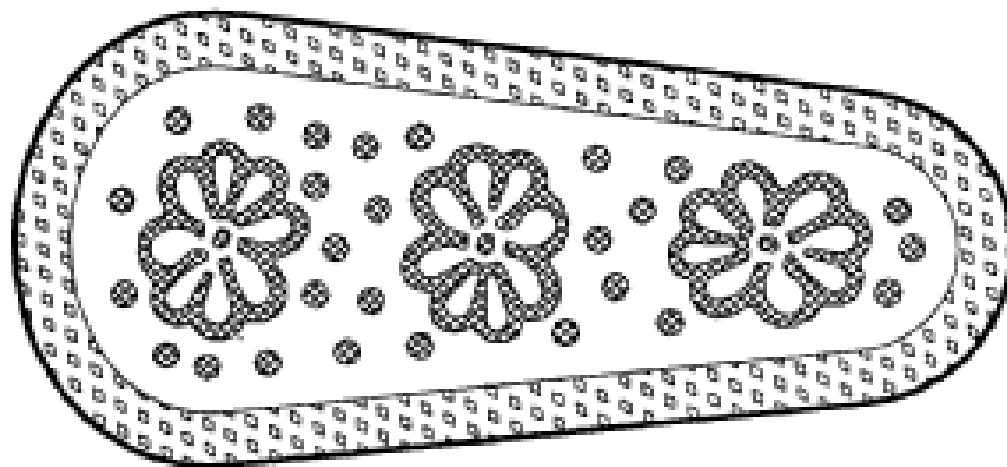
(31) Number	(32) Date	(33) Country
29/168,282	11 Jun 2004	UNITED STATES OF AMERICA

(56) Related Art Documents: **Not Applicable**

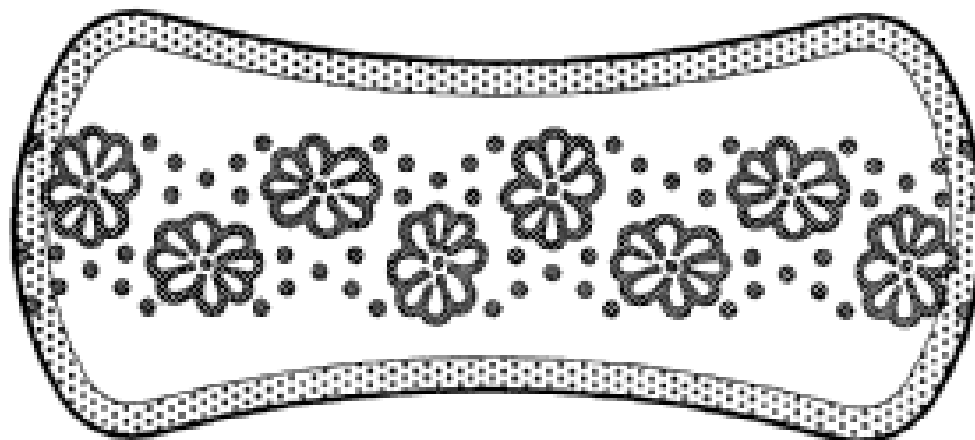
(57) Statement of Newness and Distinctiveness: **For the purpose of determining the newness and/or distinctiveness of the instant design, no account should be taken of those aspects detailed in the accompanying representations in broken lines.**



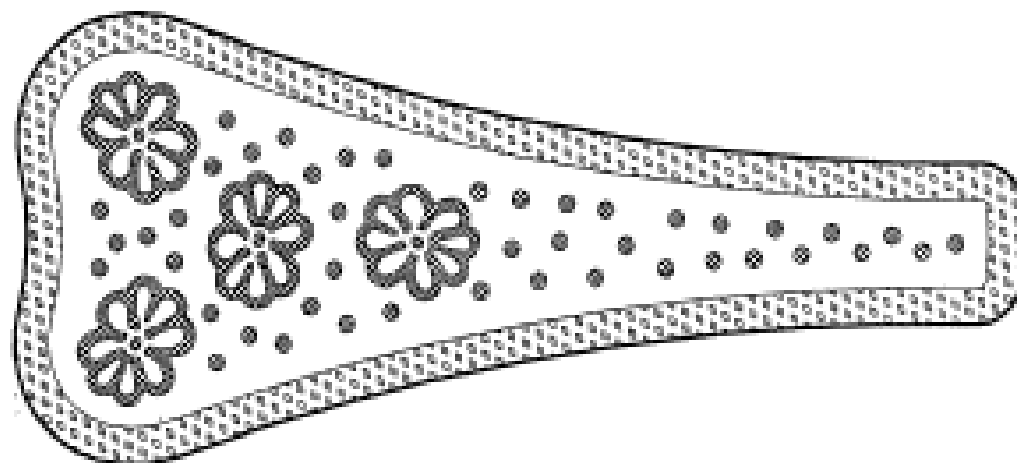
(21) Design Number: **15717/2004**
(22) Date of Filing Application: **09 December 2004**
(24) Date from which industrial property rights may have effect: **09 December 2004**
(54) Product in respect of which the design is registered: **Sanitary towel**
(51) International Design Classification: **24-04**
(71) Name(s) and Address(s) of Applicant(s):
SCA Hygiene Products AB
S-405 03 Goteborg Sweden
(72) Name(s) of Designer(s): **Cilla Persson**
(45) Registration Date: **16 August 2005**
(30) Convention priority data:
(31) Number (32) Date (33) Country
000199856 30 Jun 2004 EUROPEAN COMMUNITY
(56) Related Art Documents: **Not Applicable**
(57) Statement of Newness and Distinctiveness: **Nil**



(21) Design Number: **15718/2004**
(22) Date of Filing Application: **09 December 2004**
(24) Date from which industrial property rights may have effect: **09 December 2004**
(54) Product in respect of which the design is registered: **Sanitary towel**
(51) International Design Classification: **24-04**
(71) Name(s) and Address(s) of Applicant(s):
SCA Hygiene Products AB
S-405 03 Goteborg Sweden
(72) Name(s) of Designer(s): **Cilla Persson**
(45) Registration Date: **16 August 2005**
(30) Convention priority data:
(31) Number (32) Date (33) Country
000199856 30 Jun 2004 EUROPEAN COMMUNITY
(56) Related Art Documents: **Not Applicable**
(57) Statement of Newness and Distinctiveness: **Nil**



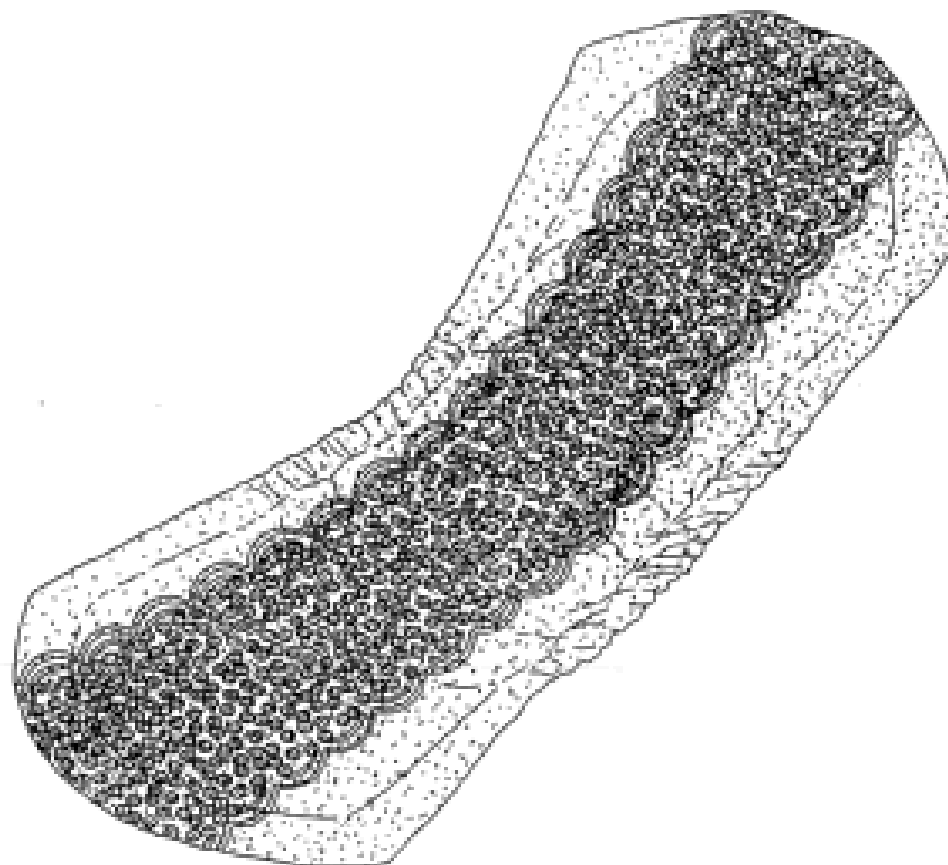
(21) Design Number: **15719/2004**
(22) Date of Filing Application: **09 December 2004**
(24) Date from which industrial property rights may have effect: **09 December 2004**
(54) Product in respect of which the design is registered: **Sanitary towel**
(51) International Design Classification: **24-04**
(71) Name(s) and Address(s) of Applicant(s):
SCA Hygiene Products AB
S-405 03 Goteborg Sweden
(72) Name(s) of Designer(s): **Cilla Persson**
(45) Registration Date: **16 August 2005**
(30) Convention priority data:
(31) Number (32) Date (33) Country
000199856 30 Jun 2004 EUROPEAN COMMUNITY
(56) Related Art Documents: **Not Applicable**
(57) Statement of Newness and Distinctiveness: **Nil**



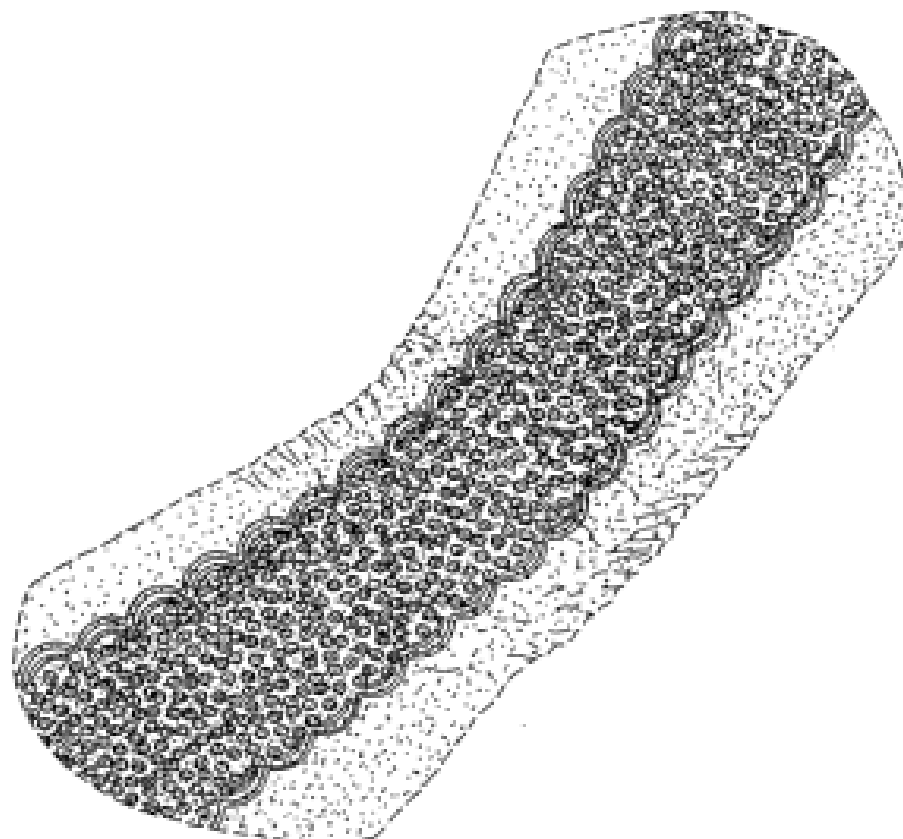
(21) Design Number: **15729/2004**
(22) Date of Filing Application: **08 December 2004**
(24) Date from which industrial property rights may have effect: **08 December 2004**
(54) Product in respect of which the design is registered: **Blank for a CD wallet**
(51) International Design Classification: **03-01C**
(71) Name(s) and Address(s) of Applicant(s):
Media Technology Pty Ltd
Unit 3 9 Orion Road Lane Cove New South Wales 2066 Australia
(72) Name(s) of Designer(s): **Anthony Manuel and Allan Morton**
(45) Registration Date: **16 August 2005**
(56) Related Art Documents: **Not Applicable**
(57) Statement of Newness and Distinctiveness: **Nil**



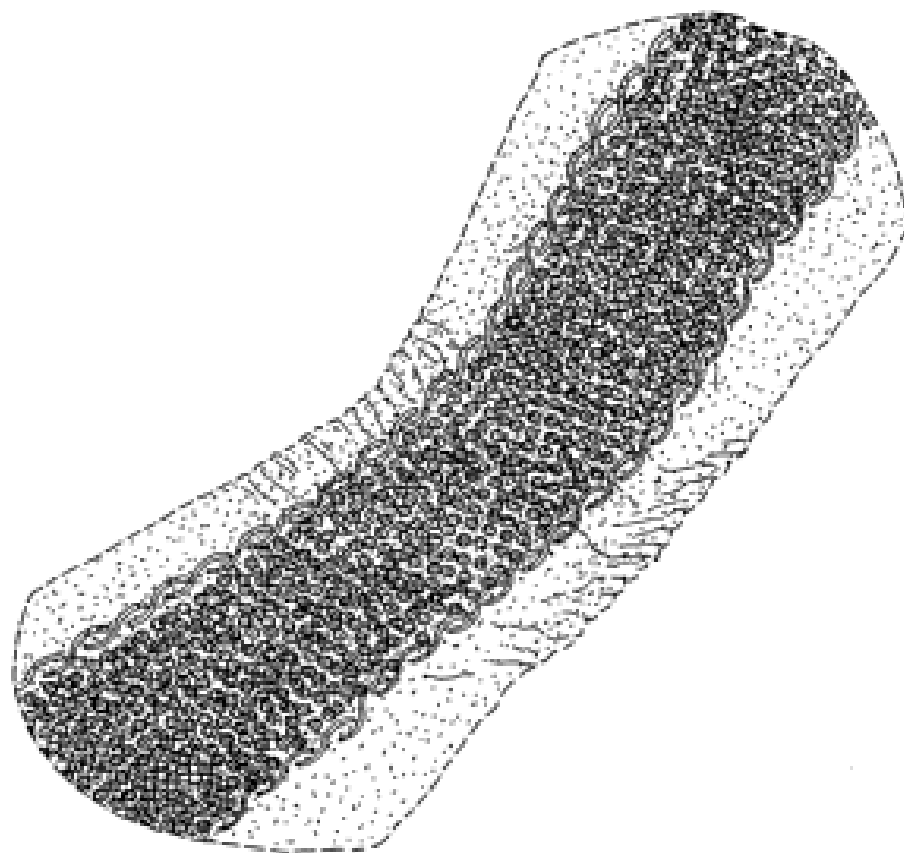
(21) Design Number: **15783/2004**
(22) Date of Filing Application: **14 December 2004**
(24) Date from which industrial property rights may have effect: **14 December 2004**
(54) Product in respect of which the design is registered: **Sanitary towel**
(51) International Design Classification: **24-04**
(71) Name(s) and Address(s) of Applicant(s):
SCA Hygiene Products AB
S-405 03 Goteborg Sweden
(72) Name(s) of Designer(s): **Maria Harsjo**
(45) Registration Date: **16 August 2005**
(30) Convention priority data:
(31) Number (32) Date (33) Country
000195003 25 Jun 2004 EUROPEAN COMMUNITY
(56) Related Art Documents: **Not Applicable**
(57) Statement of Newness and Distinctiveness: **Nil**



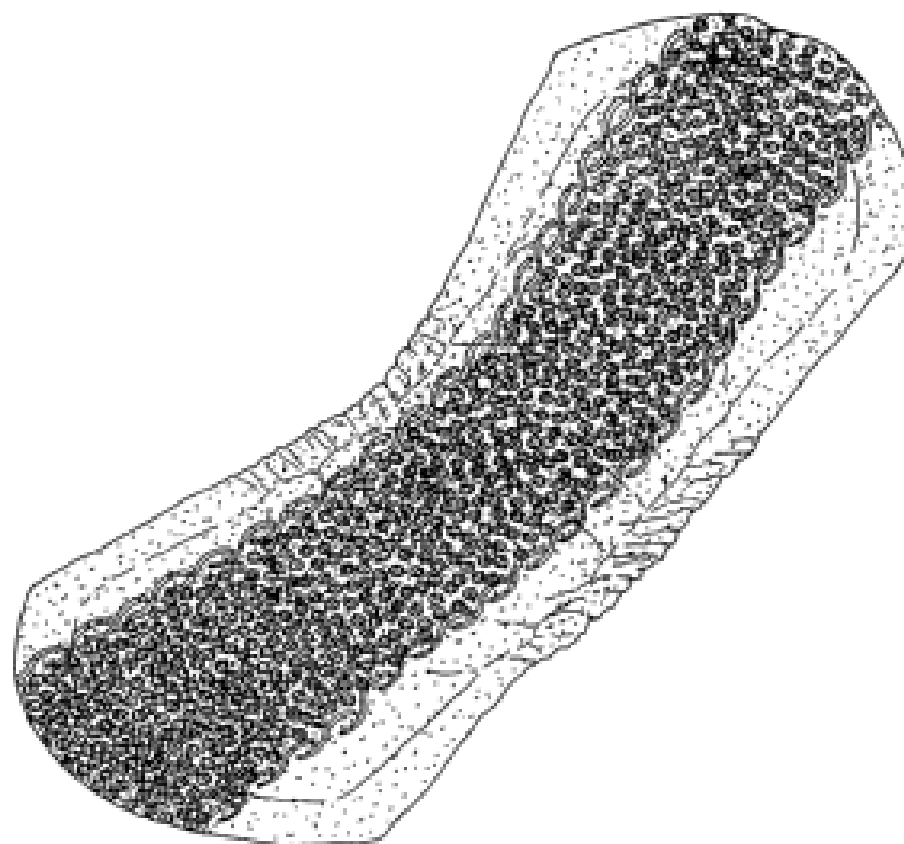
(21) Design Number: **15784/2004**
(22) Date of Filing Application: **14 December 2004**
(24) Date from which industrial property rights may have effect: **14 December 2004**
(54) Product in respect of which the design is registered: **Sanitary towel**
(51) International Design Classification: **24-04**
(71) Name(s) and Address(s) of Applicant(s):
SCA Hygiene Australasia Pty Limited
S-405 Goteborg Sweden
(72) Name(s) of Designer(s): **Maria Harsjo**
(45) Registration Date: **16 August 2005**
(30) Convention priority data:
(31) Number (32) Date (33) Country
000195003 25 Jun 2004 EUROPEAN COMMUNITY
(56) Related Art Documents: **Not Applicable**
(57) Statement of Newness and Distinctiveness: **Nil**



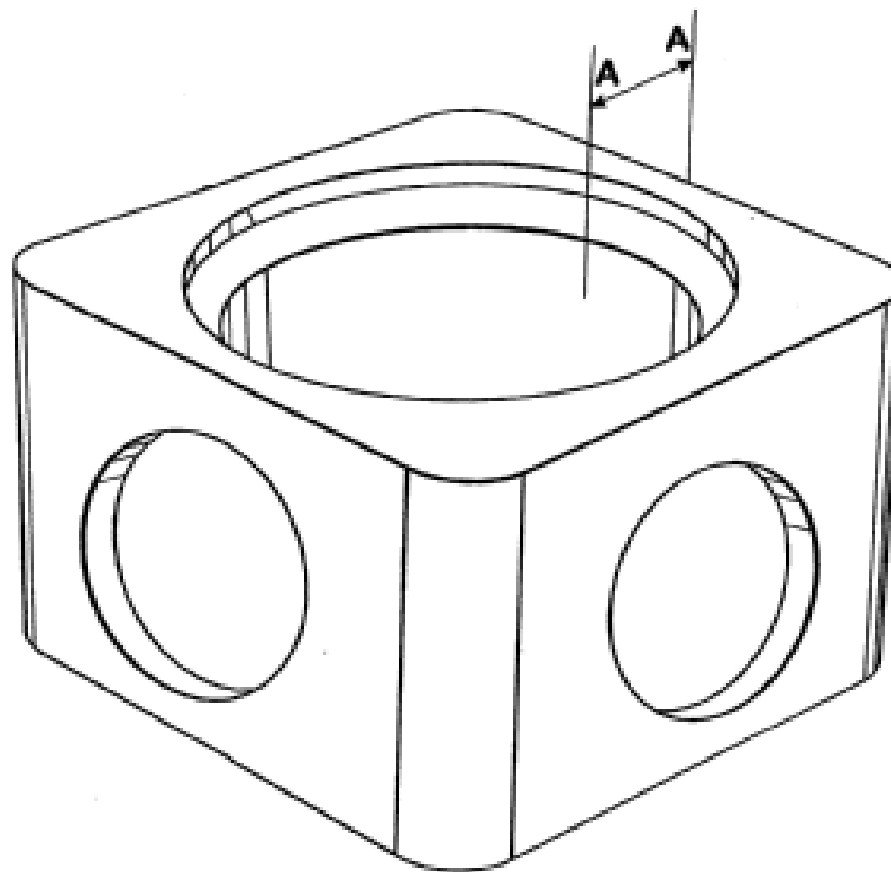
(21) Design Number: **15785/2004**
(22) Date of Filing Application: **14 December 2004**
(24) Date from which industrial property rights may have effect: **14 December 2004**
(54) Product in respect of which the design is registered: **Sanitary towel**
(51) International Design Classification: **24-04**
(71) Name(s) and Address(s) of Applicant(s):
SCA Hygiene Products AB
S-405 03 Goteborg Sweden
(72) Name(s) of Designer(s): **Maria Harsjo**
(45) Registration Date: **16 August 2005**
(30) Convention priority data:
(31) Number (32) Date (33) Country
000195003 25 Jun 2004 EUROPEAN COMMUNITY
(56) Related Art Documents: **Not Applicable**
(57) Statement of Newness and Distinctiveness: **Nil**



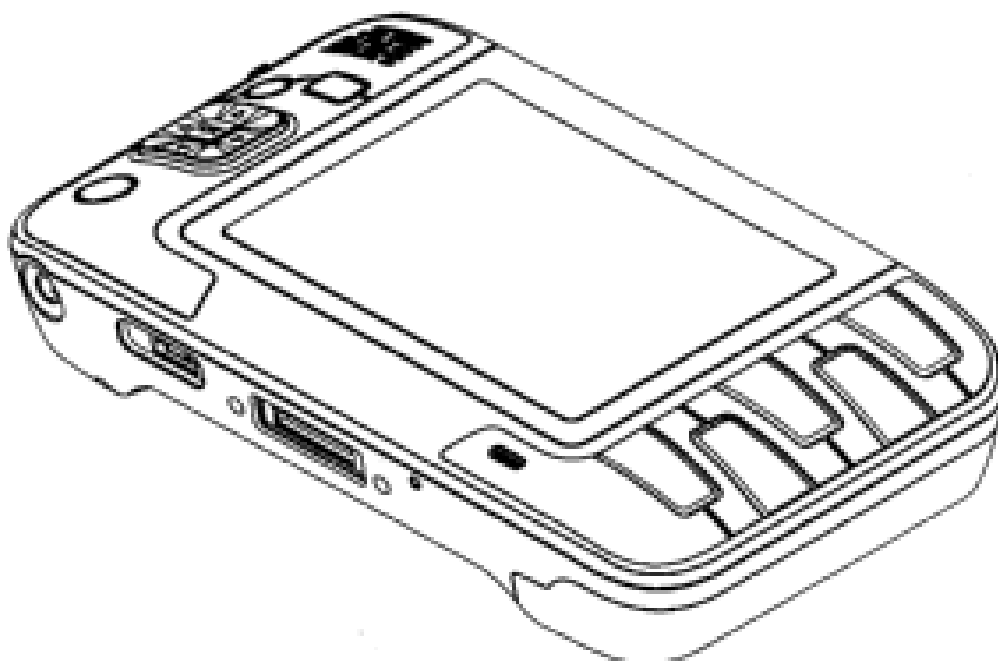
(21) Design Number: **15786/2004**
(22) Date of Filing Application: **14 December 2004**
(24) Date from which industrial property rights may have effect: **14 December 2004**
(54) Product in respect of which the design is registered: **Sanitary towel**
(51) International Design Classification: **24-04**
(71) Name(s) and Address(s) of Applicant(s):
SCA Hygiene Products AB
S-405 03 Goteborg Sweden
(72) Name(s) of Designer(s): **Maria Harsjo**
(45) Registration Date: **16 August 2005**
(30) Convention priority data:
(31) Number (32) Date (33) Country
000195003 25 Jun 2004 EUROPEAN COMMUNITY
(56) Related Art Documents: **Not Applicable**
(57) Statement of Newness and Distinctiveness: **Nil**



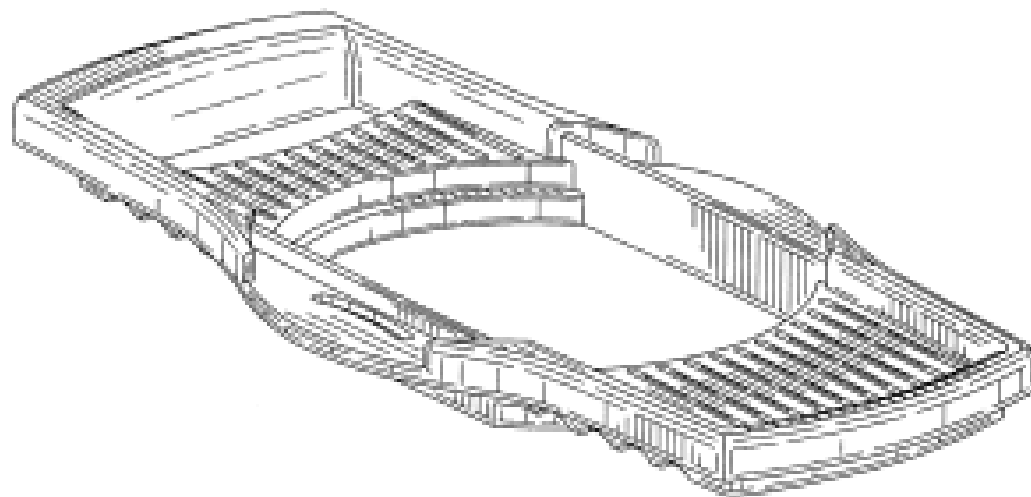
- (21) Design Number: **15915/2004**
(22) Date of Filing Application: **22 December 2004**
(24) Date from which industrial property rights may have effect: **12 September 2003**
(54) Product in respect of which the design is registered: **A stormwater pit**
(51) International Design Classification: **23-01E**
(71) Name(s) and Address(s) of Applicant(s):
CM Concrete Products Pty Ltd
8 Hiley Street Slacks Creek Queensland 4127 Australia
(72) Name(s) of Designer(s): **Phillip Anthony Thomas**
(45) Registration Date: **16 August 2005**
(62) Divisional of: **157659**
(56) Related Art Documents: **Not Applicable**
(57) Statement of Newness and Distinctiveness: **Monopoly is claimed in the features in shape and configuration of a stormwater pit as illustrated in the accompanying representations.**



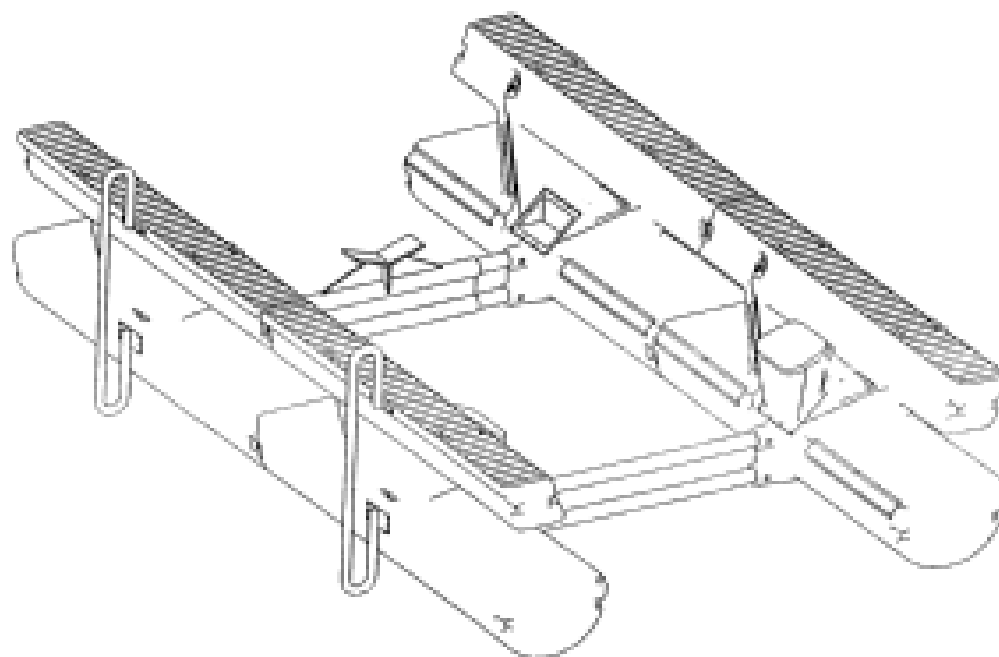
- (21) Design Number: **15953/2004**
(22) Date of Filing Application: **22 December 2004**
(24) Date from which industrial property rights may have effect: **22 December 2004**
(54) Product in respect of which the design is registered: **Multimedia player**
(51) International Design Classification: **14-01**
(71) Name(s) and Address(s) of Applicant(s):
Reign Com., Ltd.
8th Floor Bona Venture Town 1586-7 Seocho-Dong Seocho-Gu Seoul
137-070 Korea
(72) Name(s) of Designer(s): **Deok-Joon Yang**
(45) Registration Date: **16 August 2005**
(30) Convention priority data:
(31) Number (32) Date (33) Country
2004-0023434 30 Jul 2004 REPUBLIC OF KOREA
(56) Related Art Documents: **Not Applicable**
(57) Statement of Newness and Distinctiveness: **Newness and distinctiveness is claimed in features of shapes and/or configuration of a multimedia player as illustrated in the accompanying representations. In considering which features are new and distinctive, the pattern and/or ornamentation of the written characters shown in certain of the representations is to be disregarded.**



(21) Design Number: **15963/2004**
(22) Date of Filing Application: **21 December 2004**
(24) Date from which industrial property rights may have effect: **21 December 2004**
(54) Product in respect of which the design is registered: **Grater/slicer**
(51) International Design Classification: **07-04**
(71) Name(s) and Address(s) of Applicant(s):
Dart Industries Inc.
14901 S. Orange blossom Trail Orlando Florida 32837 United States of America
(72) Name(s) of Designer(s): **Jan-Hendrik De Groot**
(45) Registration Date: **16 August 2005**
(30) Convention priority data:
(31) Number (32) Date (33) Country
29/210,293 29 Jul 2004 UNITED STATES OF AMERICA
(56) Related Art Documents: **Not Applicable**
(57) Statement of Newness and Distinctiveness: **Nil**



(21) Design Number: **15967/2004**
(22) Date of Filing Application: **24 December 2004**
(24) Date from which industrial property rights may have effect: **24 December 2004**
(54) Product in respect of which the design is registered: **Modular boat lift**
(51) International Design Classification: **12-05**
(71) Name(s) and Address(s) of Applicant(s):
Hotsun Holdings Pty Ltd
15 Jade Drive Nerang Queensland 4211 Australia
(72) Name(s) of Designer(s): **Michael J. Hogan and Emanuel H. Szumer**
(45) Registration Date: **16 August 2005**
(56) Related Art Documents: **Not Applicable**
(57) Statement of Newness and Distinctiveness: **Nil**



- (21) Design Number: **15989/2004**
(22) Date of Filing Application: **30 December 2004**
(24) Date from which industrial property rights may have effect: **30 December 2004**
(54) Product in respect of which the design is registered: **Putter head**
(51) International Design Classification: **21-02C**
(71) Name(s) and Address(s) of Applicant(s):

Callaway Golf Company
2180 Rutherford Road Carlsbad California 92008 United States of America

- (72) Name(s) of Designer(s): **Larry G. Tang and Augustin W. Rollinson**

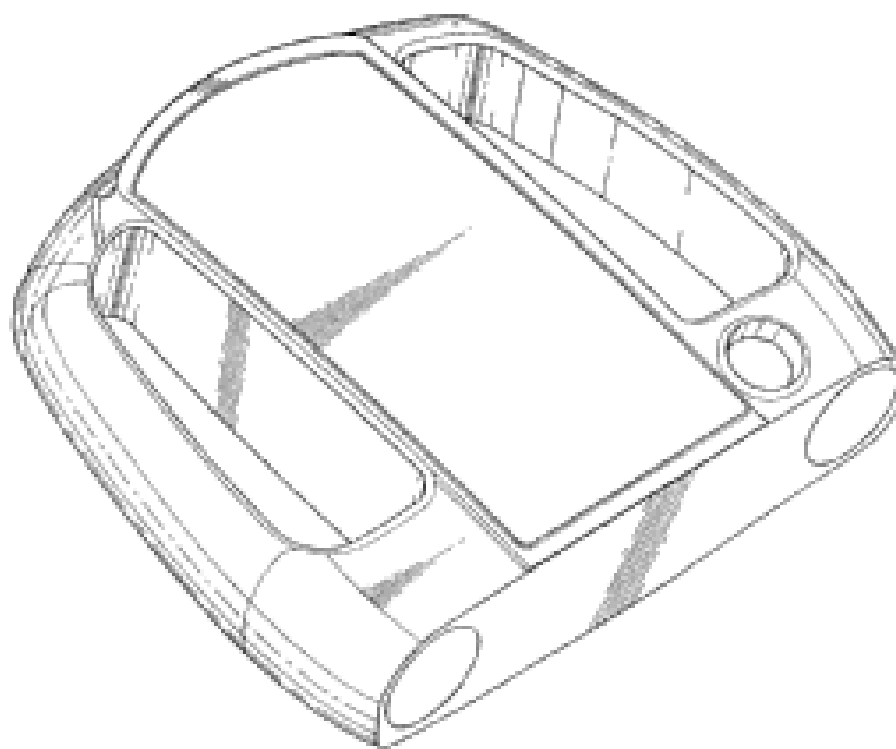
(45) Registration Date: **16 August 2005**

- (30) Convention priority data:

(31) Number	(32) Date	(33) Country
29/208617	30 Jun 2004	UNITED STATES OF AMERICA

- (56) Related Art Documents: **Not Applicable**

- (57) Statement of Newness and Distinctiveness: **Newness and distinctiveness are claimed in the features of shape and/or configuration of a putter head as illustrated in the accompanying representations, particularly the quadrilateral-shaped through holes in the heel and toe portions of the putter head and the slot formed in the bottom surface of the putter head behind the front striking face, as well as in the features of pattern and/or ornamentation, particularly the circles provided on front striking face proximately the heel and toe ends and the circle provided on the bottom surface proximate the rear end.**



- (21) Design Number: **13389/2004**
(22) Date of Filing Application: **19 July 2004**
(24) Date from which industrial property rights may have effect: **19 July 2004**
(54) Product in respect of which the design is registered: **Design 1: 1 light pendant - lighting fixture**
(51) International Design Classification: **26-05B**
(71) Name(s) and Address(s) of Applicant(s):

Eglo Lighting Australia Pty Ltd
1026 South Road Edwardstown South Australia 5039 Australia

- (72) Name(s) of Designer(s): **The design team of Eglo Leuchten G.m.b.H.**

(45) Registration Date: **17 August 2005**

- (30) Convention priority data:

(31) Number	(32) Date	(33) Country
DM/065036	19 Jan 2004	AUSTRIA

- (56) Related Art Documents: **Not Applicable**

- (57) Statement of Newness and Distinctiveness: **Nil**



- (21) Design Number: **13390/2004**
(22) Date of Filing Application: **19 July 2004**
(24) Date from which industrial property rights may have effect: **19 July 2004**
(54) Product in respect of which the design is registered: **Design 2: 3 light pendant - lighting fixture**
(51) International Design Classification: **26-05B**
(71) Name(s) and Address(s) of Applicant(s):
Eglo Lighting Australia Pty Ltd
1026 South Road Edwardstown South Australia 5039 Australia
(72) Name(s) of Designer(s): **The design team of Eglo Leuchten G.m.b.H.**
(45) Registration Date: **17 August 2005**
(30) Convention priority data:
(31) Number (32) Date (33) Country
DM/065036 19 Jan 2004 AUSTRIA
(56) Related Art Documents: **Not Applicable**
(57) Statement of Newness and Distinctiveness: **Nil**



- (21) Design Number: **13391/2004**
(22) Date of Filing Application: **19 July 2004**
(24) Date from which industrial property rights may have effect: **19 July 2004**
(54) Product in respect of which the design is registered: **Design 3: wall light - lighting fixture**
(51) International Design Classification: **26-05C**
(71) Name(s) and Address(s) of Applicant(s):
Eglo Lighting Australia Pty Ltd
1026 South Road Edwardstown South Australia 5039 Australia
(72) Name(s) of Designer(s): **The design team of Eglo Leuchten G.m.b.H.**
(45) Registration Date: **17 August 2005**
(30) Convention priority data:
(31) Number (32) Date (33) Country
DM/065036 19 Jan 2004 AUSTRIA
(56) Related Art Documents: **Not Applicable**
(57) Statement of Newness and Distinctiveness: **Nil**



(21) Design Number: **13392/2004**
(22) Date of Filing Application: **19 July 2004**
(24) Date from which industrial property rights may have effect: **19 July 2004**
(54) Product in respect of which the design is registered: **Design 4: table lamp**
(51) International Design Classification: **26-05B**
(71) Name(s) and Address(s) of Applicant(s):
Eglo Lighting Australia Pty Ltd
1026 South Road Edwardstown South Australia 5039 Australia
(72) Name(s) of Designer(s): **The design team of Eglo Leuchten G.m.b.H.**
(45) Registration Date: **17 August 2005**
(30) Convention priority data:
(31) Number (32) Date (33) Country
DM/065036 19 Jan 2004 AUSTRIA
(56) Related Art Documents: **Not Applicable**
(57) Statement of Newness and Distinctiveness: **Nil**



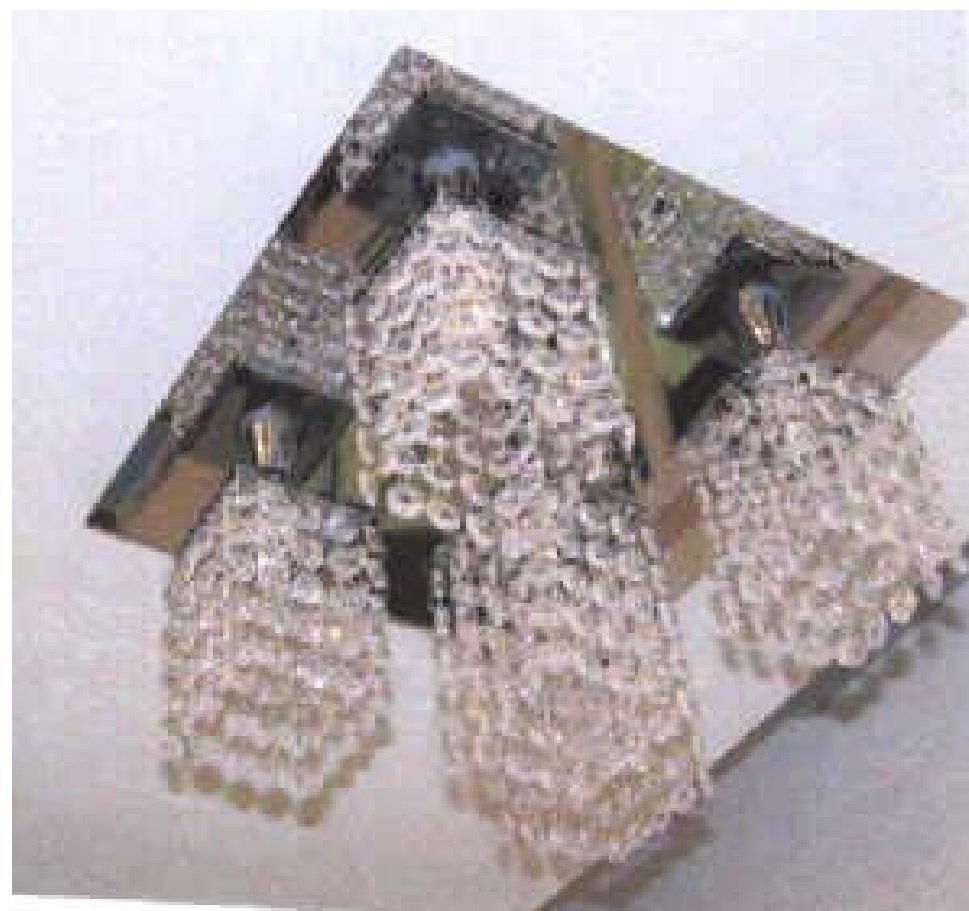
(21) Design Number: **13393/2004**
(22) Date of Filing Application: **19 July 2004**
(24) Date from which industrial property rights may have effect: **19 July 2004**
(54) Product in respect of which the design is registered: **Design 5: standing lamp**
(51) International Design Classification: **26-05B**
(71) Name(s) and Address(s) of Applicant(s):
Eglo Lighting Australia Pty Ltd
1026 South Road Edwardstown South Australia 5039 Australia
(72) Name(s) of Designer(s): **The design team of Eglo Leuchten G.m.b.H.**
(45) Registration Date: **17 August 2005**
(30) Convention priority data:
(31) Number (32) Date (33) Country
DM/065036 19 Jan 2004 AUSTRIA
(56) Related Art Documents: **Not Applicable**
(57) Statement of Newness and Distinctiveness: **Nil**



- (21) Design Number: **13968/2004**
(22) Date of Filing Application: **17 August 2004**
(24) Date from which industrial property rights may have effect: **17 August 2004**
(54) Product in respect of which the design is registered: **Design 1: 5 light pendant - lighting fixture**
(51) International Design Classification: **26-05D**
(71) Name(s) and Address(s) of Applicant(s):
Eglo Australia Pty Ltd
1026 South Road Edwardstown South Australia 5039 Australia
(72) Name(s) of Designer(s): **The design team of Eglo Leuchten G.m.b.H.**
(45) Registration Date: **17 August 2005**
(30) Convention priority data:
(31) Number (32) Date (33) Country
DM/065150 17 Feb 2004 AUSTRIA
(56) Related Art Documents: **Not Applicable**
(57) Statement of Newness and Distinctiveness: **Nil**



- (21) Design Number: **13969/2004**
(22) Date of Filing Application: **17 August 2004**
(24) Date from which industrial property rights may have effect: **17 August 2004**
(54) Product in respect of which the design is registered: **Design 2 - 4 light close to ceiling light fitting**
(51) International Design Classification: **26-05D**
(71) Name(s) and Address(s) of Applicant(s):
Eglo Australia Pty Ltd
1026 South Road Edwardstown South Australia 5039 Australia
(72) Name(s) of Designer(s): **The design team of Eglo Leuchten G.m.b.H.**
(45) Registration Date: **17 August 2005**
(30) Convention priority data:
(31) Number (32) Date (33) Country
DM/065150 17 Feb 2004 AUSTRIA
(56) Related Art Documents: **Not Applicable**
(57) Statement of Newness and Distinctiveness: **Nil**



(21) Design Number: **13970/2004**

(22) Date of Filing Application: **17 August 2004**

(24) Date from which industrial property rights may have effect: **17 August 2004**

(54) Product in respect of which the design is registered: **Design 3 - table Lamp**

(51) International Design Classification: **26-05B**

(71) Name(s) and Address(s) of Applicant(s):

Eglo Australia Pty Ltd
1026 South Road Edwardstown South Australia 5039 Australia

(72) Name(s) of Designer(s): **The design team of Eglo Leuchten G.m.b.H.**

(45) Registration Date: **17 August 2005**

(30) Convention priority data:

(31) Number	(32) Date	(33) Country
DM/065150	17 Feb 2004	AUSTRIA

(56) Related Art Documents: **Not Applicable**

(57) Statement of Newness and Distinctiveness: **Nil**



(21) Design Number: **13971/2004**

(22) Date of Filing Application: **17 August 2004**

(24) Date from which industrial property rights may have effect: **17 August 2004**

(54) Product in respect of which the design is registered: **Design 4 - table lamp 2 light**

(51) International Design Classification: **26-05B**

(71) Name(s) and Address(s) of Applicant(s):

Eglo Australia Pty Ltd
1026 South Road Edwardstown South Australia 5039 Australia

(72) Name(s) of Designer(s): **The design team of Eglo Leuchten G.m.b.H.**

(45) Registration Date: **17 August 2005**

(30) Convention priority data:

(31) Number	(32) Date	(33) Country
DM/065150	17 Feb 2004	AUSTRIA

(56) Related Art Documents: **Not Applicable**

(57) Statement of Newness and Distinctiveness: **Nil**



(21) Design Number: **13972/2004**
(22) Date of Filing Application: **17 August 2004**
(24) Date from which industrial property rights may have effect: **17 August 2004**
(54) Product in respect of which the design is registered: **Design 5 - 4 light floor lamp**
(51) International Design Classification: **26-05B**
(71) Name(s) and Address(s) of Applicant(s):
Eglo Australia Pty Ltd
1026 South Road Edwardstown South Australia 5039 Australia
(72) Name(s) of Designer(s): **The design team of Eglo Leuchten G.m.b.H.**
(45) Registration Date: **17 August 2005**
(30) Convention priority data:
(31) Number (32) Date (33) Country
DM/065150 17 Feb 2004 AUSTRIA
(56) Related Art Documents: **Not Applicable**
(57) Statement of Newness and Distinctiveness: **Nil**



(21) Design Number: **13973/2004**
(22) Date of Filing Application: **17 August 2004**
(24) Date from which industrial property rights may have effect: **17 August 2004**
(54) Product in respect of which the design is registered: **Design 6 - 3 light ctc - lighting fixture**
(51) International Design Classification: **26-05D**
(71) Name(s) and Address(s) of Applicant(s):
Eglo Australia Pty Ltd
1026 South Road Edwardstown South Australia 5039 Australia
(72) Name(s) of Designer(s): **The design team of Eglo Leuchten G.m.b.H.**
(45) Registration Date: **17 August 2005**
(30) Convention priority data:
(31) Number (32) Date (33) Country
DM/065150 17 Feb 2004 AUSTRIA
(56) Related Art Documents: **Not Applicable**
(57) Statement of Newness and Distinctiveness: **Nil**



- (21) Design Number: **13974/2004**
(22) Date of Filing Application: **17 August 2004**
(24) Date from which industrial property rights may have effect: **17 August 2004**
(54) Product in respect of which the design is registered: **Design 7 - 1 light - lighting fixture**
(51) International Design Classification: **26-05D**
(71) Name(s) and Address(s) of Applicant(s):
Eglo Australia Pty Ltd
1026 South Road Edwardstown South Australia 5039 Australia
(72) Name(s) of Designer(s): **The design team of Eglo Leuchten G.m.b.H.**
(45) Registration Date: **17 August 2005**
(30) Convention priority data:
(31) Number (32) Date (33) Country
DM/065150 17 Feb 2004 AUSTRIA
(56) Related Art Documents: **Not Applicable**
(57) Statement of Newness and Distinctiveness: **Nil**



- (21) Design Number: **13975/2004**
(22) Date of Filing Application: **17 August 2004**
(24) Date from which industrial property rights may have effect: **17 August 2004**
(54) Product in respect of which the design is registered: **Design 8 - 2 light wall lighting fixture**
(51) International Design Classification: **26-05C**
(71) Name(s) and Address(s) of Applicant(s):
Eglo Australia Pty Ltd
1026 South Road Edwardstown South Australia 5039 Australia
(72) Name(s) of Designer(s): **The design team of Eglo Leuchten G.m.b.H.**
(45) Registration Date: **17 August 2005**
(30) Convention priority data:
(31) Number (32) Date (33) Country
DM/165150 17 Feb 2004 AUSTRIA
(56) Related Art Documents: **Not Applicable**
(57) Statement of Newness and Distinctiveness: **Nil**



(21) Design Number: **14404/2004**
 (22) Date of Filing Application: **14 September 2004**
 (24) Date from which industrial property rights may have effect: **14 September 2004**
 (54) Product in respect of which the design is registered: **A laser level**
 (51) International Design Classification: **10-04**
 (71) Name(s) and Address(s) of Applicant(s):
Black & Decker Inc.
1207 Drummond Plaza Newark Delaware 19711 United States of America
 (72) Name(s) of Designer(s): **G. Scott Snider**
 (45) Registration Date: **17 August 2005**
 (30) Convention priority data:

(31) Number	(32) Date	(33) Country
29201634	18 Mar 2004	UNITED STATES OF AMERICA

 (56) Related Art Documents: **Not Applicable**
 (57) Statement of Newness and Distinctiveness: **Nil**



(21) Design Number: **14723/2004**
 (22) Date of Filing Application: **06 October 2004**
 (24) Date from which industrial property rights may have effect: **06 October 2004**
 (54) Product in respect of which the design is registered: **A vehicle and a model vehicle**
 (51) International Design Classification: **12-08**
 (71) Name(s) and Address(s) of Applicant(s):
Holden Ltd
241 Salmon Street Port Melbourne Victoria 3207 Australia
 (72) Name(s) of Designer(s): **Ondrej Koromhaz**
 (45) Registration Date: **17 August 2005**
 (56) Related Art Documents: **Not Applicable**
 (57) Statement of Newness and Distinctiveness: **Newness and distinctiveness is claimed in the shape and/or configuration of a vehicle and a model vehicle as shown in the representations.**



2/2: A model vehicle



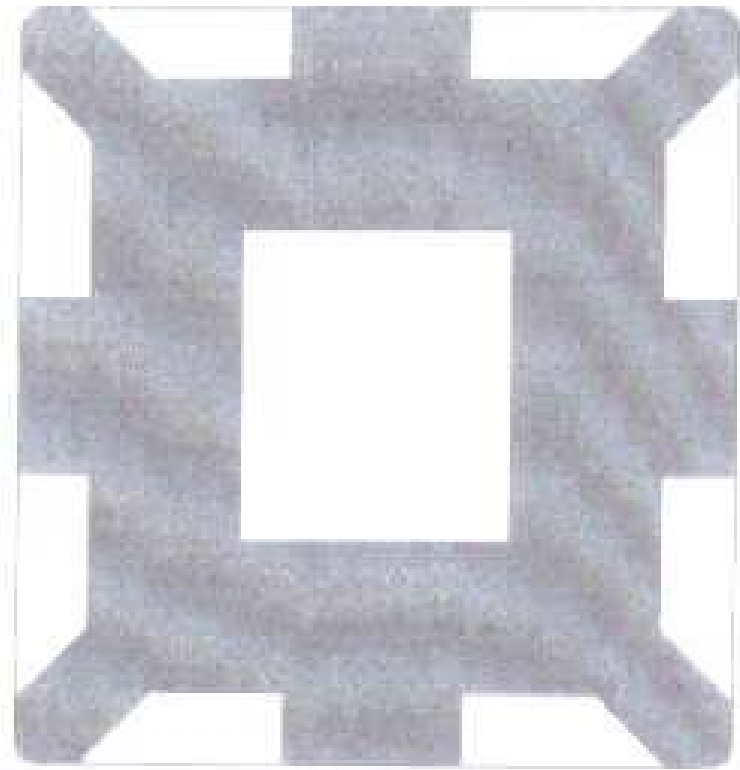
- (21) Design Number: **14972/2004**
- (22) Date of Filing Application: **21 October 2004**
- (24) Date from which industrial property rights may have effect: **21 October 2004**
- (54) Product in respect of which the design is registered: **Food tray**
- (51) International Design Classification: **07-99A**
- (71) Name(s) and Address(s) of Applicant(s):
Juan Dauwalder
14 Ferguson Street Underwood Queensland 4119 Australia
- (72) Name(s) of Designer(s): **Juan Dauwalder**
- (45) Registration Date: **17 August 2005**
- (56) Related Art Documents: **Not Applicable**
- (57) Statement of Newness and Distinctiveness: **Nil**



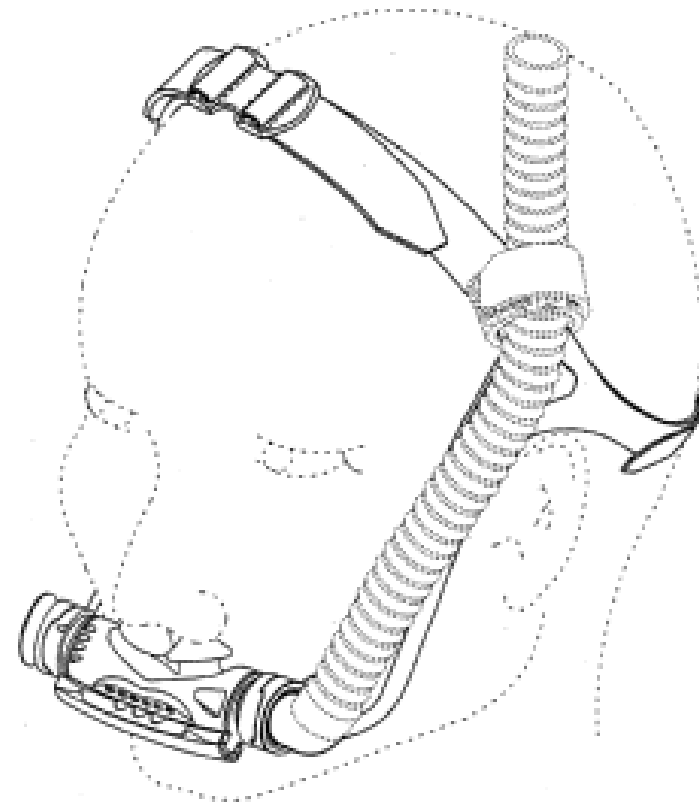
- (21) Design Number: **15034/2004**
- (22) Date of Filing Application: **28 October 2004**
- (24) Date from which industrial property rights may have effect: **28 October 2004**
- (54) Product in respect of which the design is registered: **Helicopter**
- (51) International Design Classification: **12-07**
- (71) Name(s) and Address(s) of Applicant(s):
William Cook
57 Alleyne Avenue Torquay Victoria 3228 Australia
- (72) Name(s) of Designer(s): **William Cook**
- (45) Registration Date: **17 August 2005**
- (56) Related Art Documents: **Not Applicable**
- (57) Statement of Newness and Distinctiveness: **Nil**



- (21) Design Number: **15429/2004**
(22) Date of Filing Application: **25 November 2004**
(24) Date from which industrial property rights may have effect: **25 November 2004**
(54) Product in respect of which the design is registered: **Adhesive labels**
(51) International Design Classification: **19-08**
(71) Name(s) and Address(s) of Applicant(s):
Hally Labels Pty Ltd
15 Blivest Street Oxley Queensland 4075 Australia
(72) Name(s) of Designer(s): **Design Team of Hally Labels Pty Ltd**
(45) Registration Date: **17 August 2005**
(56) Related Art Documents: **Not Applicable**
(57) Statement of Newness and Distinctiveness: **Nil**



- (21) Design Number: **15479/2004**
(22) Date of Filing Application: **25 November 2004**
(24) Date from which industrial property rights may have effect: **25 November 2004**
(54) Product in respect of which the design is registered: **Mask assembly**
(51) International Design Classification: **24-01**
(71) Name(s) and Address(s) of Applicant(s):
ResMed Ltd
97 Waterloo Road North Ryde New South Wales 2113 Australia
(72) Name(s) of Designer(s): **Michael K. Gunaratnam and Philip R. Kwok and Robin G. Hitchcock and Lee J. Veliss and Memduh Guney and Richard Sokolov and Perry David Lithgow and Donald Darkin and Susan R. Lynch and Rachael E. Moore**
(45) Registration Date: **17 August 2005**
(30) Convention priority data:
(31) Number (32) Date (33) Country
29/213,882 28 May 2004 UNITED STATES OF AMERICA
(56) Related Art Documents: **Not Applicable**
(57) Statement of Newness and Distinctiveness: **Nil**



- (21) Design Number: **15497/2004**
- (22) Date of Filing Application: **26 November 2004**
- (24) Date from which industrial property rights may have effect: **26 November 2004**
- (54) Product in respect of which the design is registered: **Hamper box**
- (51) International Design Classification: **09-03E, 09-04**
- (71) Name(s) and Address(s) of Applicant(s):
Julia Ellis
4/14 Grimwade Street Reservoir Victoria 3073 Australia
- (72) Name(s) of Designer(s): **Julia Ellis**
- (45) Registration Date: **17 August 2005**
- (56) Related Art Documents: **Not Applicable**
- (57) Statement of Newness and Distinctiveness: **Carry pack handle is in the middle centre inside the box. Box has an open top.**



- (21) Design Number: **15503/2004**
- (22) Date of Filing Application: **26 November 2004**
- (24) Date from which industrial property rights may have effect: **26 November 2004**
- (54) Product in respect of which the design is registered: **Contact lens kit**
- (51) International Design Classification: **09-03M**
- (71) Name(s) and Address(s) of Applicant(s):
Natalie Mammarella
4 Carn Avenue Ivanhoe Victoria 3079 Australia
- (72) Name(s) of Designer(s): **Natalie Mammarella**
- (45) Registration Date: **17 August 2005**
- (56) Related Art Documents: **Not Applicable**
- (57) Statement of Newness and Distinctiveness: **The new and distinctive features of the design are the interchangeable bottle and case system, which make the contact lens kit adaptable to many different contact lens types.**



(21) Design Number: **15558/2004**
 (22) Date of Filing Application: **31 October 2003**
 (24) Date from which industrial property rights may have effect: **31 October 2003**
 (54) Product in respect of which the design is registered: **Container**
 (51) International Design Classification: **09-03L**
 (71) Name(s) and Address(s) of Applicant(s):
Kettenbach G.m.b.H. & Co. K.G.
Im Heerfeld 7 35713 Eschenburg Germany
 (72) Name(s) of Designer(s): **Alexander Bublewitz and Matthias Suchan**
 (45) Registration Date: **17 August 2005**
 (30) Convention priority data:

(31) Number	(32) Date	(33) Country
000031588	16 May 2003	EUROPEAN COMMUNITY

 (56) Related Art Documents: **Not Applicable**
 (57) Statement of Newness and Distinctiveness: **Nil**



(21) Design Number: **15559/2004**
 (22) Date of Filing Application: **31 October 2003**
 (24) Date from which industrial property rights may have effect: **31 October 2003**
 (54) Product in respect of which the design is registered: **Container**
 (51) International Design Classification: **09-03L**
 (71) Name(s) and Address(s) of Applicant(s):
Kettenbach G.m.b.H. & Co. K.G.
Im Heerfeld 7 35713 Eschenburg Germany
 (72) Name(s) of Designer(s): **Alexander Bublewitz and Matthias Suchan**
 (45) Registration Date: **17 August 2005**
 (30) Convention priority data:

(31) Number	(32) Date	(33) Country
000018031	01 Apr 2003	EUROPEAN COMMUNITY

 (56) Related Art Documents: **Not Applicable**
 (57) Statement of Newness and Distinctiveness: **Nil**



- (21) Design Number: **15936/2004**
- (22) Date of Filing Application: **22 December 2004**
- (24) Date from which industrial property rights may have effect: **22 December 2004**
- (54) Product in respect of which the design is registered: **Bag**
- (51) International Design Classification: **03-01A**
- (71) Name(s) and Address(s) of Applicant(s):

Cashmere Blazer Pty Ltd
6 Chelmsford Street Kensington Victoria 3031 Australia

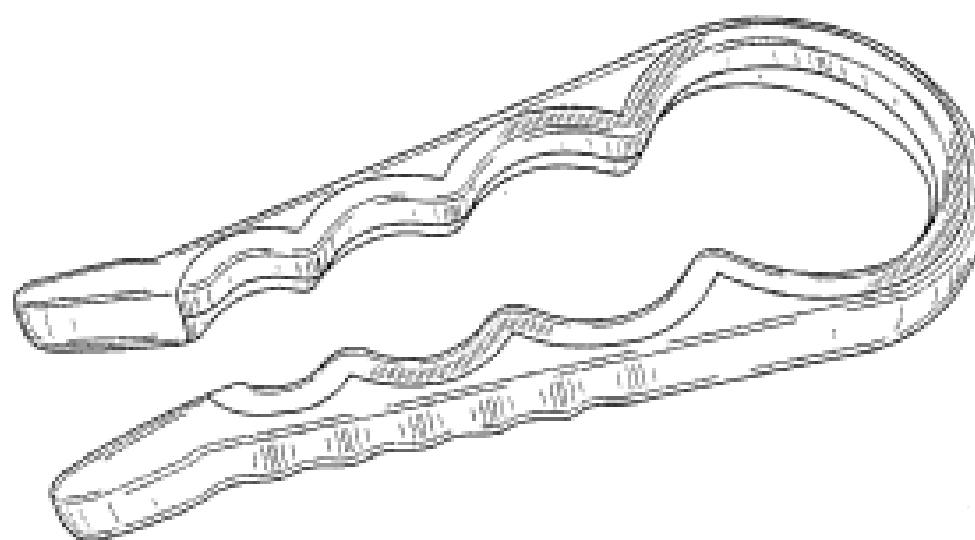
- (72) Name(s) of Designer(s): **Stuart Neil Crumpler**
- (45) Registration Date: **17 August 2005**
- (56) Related Art Documents: **Not Applicable**
- (57) Statement of Newness and Distinctiveness: **Newness and distinctiveness is claimed in the shape and configuration of the fastening pad labelled "A", relative to the pocket labelled "B", as shown in the representations. All other features of the bag are capable of variation and do not form part of the design.**



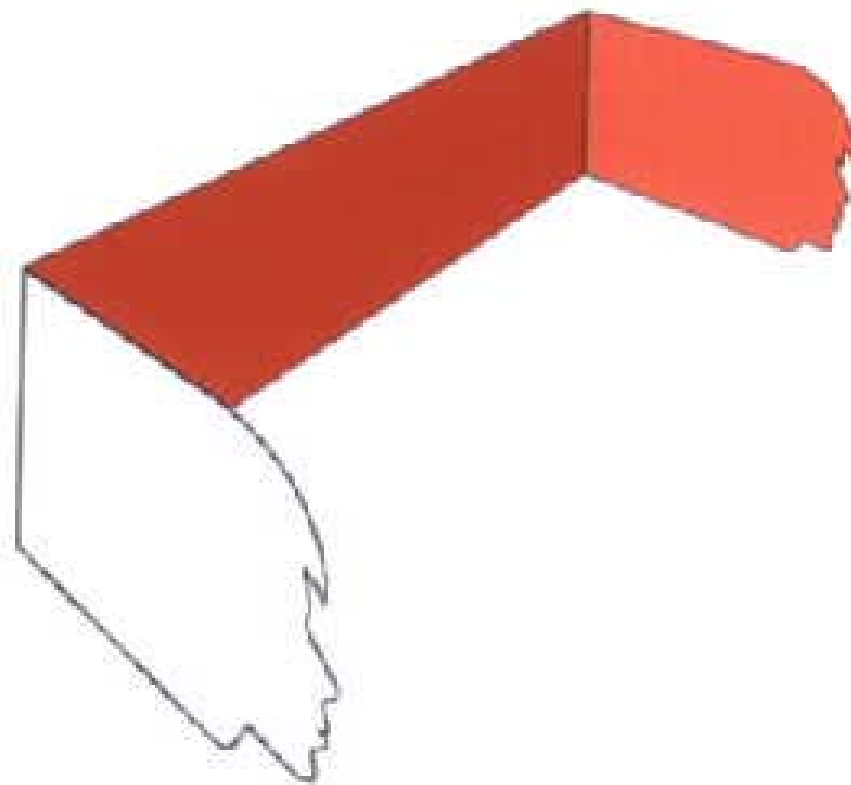
- (21) Design Number: **16020/2004**
- (22) Date of Filing Application: **30 December 2004**
- (24) Date from which industrial property rights may have effect: **30 December 2004**
- (54) Product in respect of which the design is registered: **A jar opener**
- (51) International Design Classification: **07-06D**
- (71) Name(s) and Address(s) of Applicant(s):

Mulberry Imports Ltd.
215 Wimbledon Park Road London SW18 5RH United Kingdom

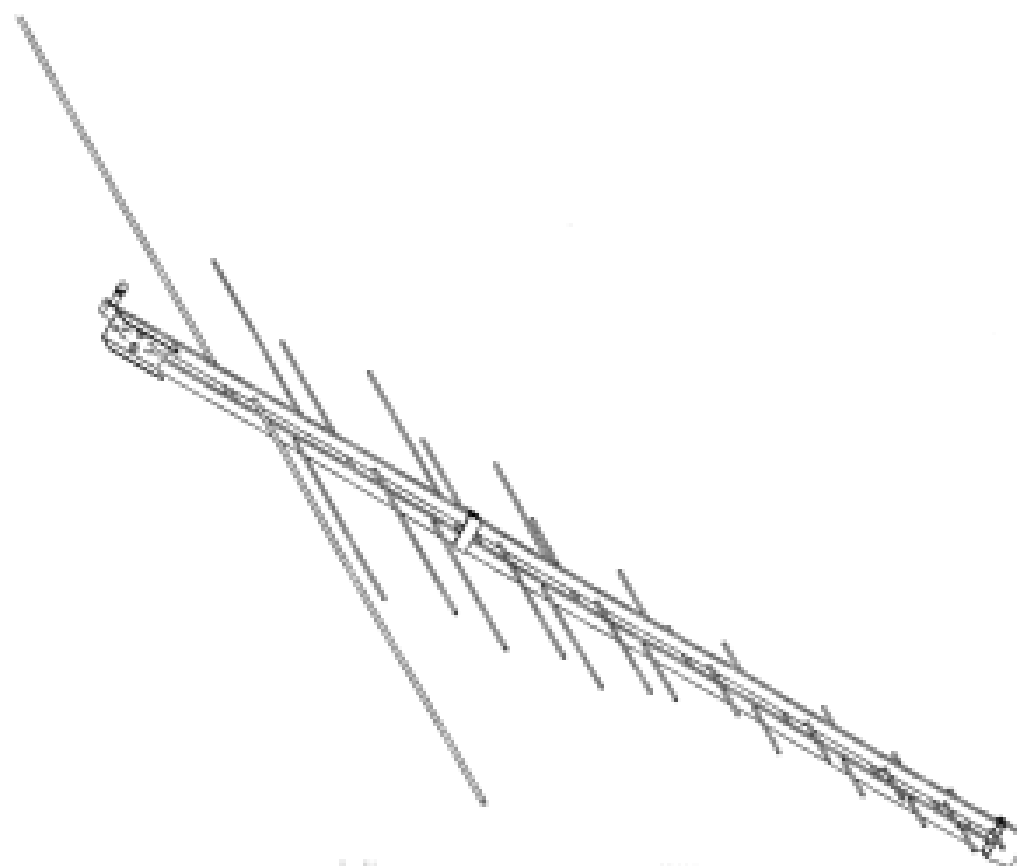
- (72) Name(s) of Designer(s): **Y. Wakasugi**
- (45) Registration Date: **17 August 2005**
- (30) Convention priority data:
 - (31) Number (32) Date (33) Country
 - 000203534 08 Jul 2004 EUROPEAN COMMUNITY**
- (56) Related Art Documents: **Not Applicable**
- (57) Statement of Newness and Distinctiveness: **Nil and/or configuration of the design shown in the representations.**



(21) Design Number: **16033/2004**
(22) Date of Filing Application: **29 December 2004**
(24) Date from which industrial property rights may have effect: **29 December 2004**
(54) Product in respect of which the design is registered: **Card with envelope**
(51) International Design Classification: **19-01**
(71) Name(s) and Address(s) of Applicant(s):
Lien Thi Nguyen
Level 1 3/65 Doody Street Alexandria New South Wales 2015 Australia
(72) Name(s) of Designer(s): **Lien Thi Nguyen**
(45) Registration Date: **17 August 2005**
(56) Related Art Documents: **Not Applicable**
(57) Statement of Newness and Distinctiveness: **Nil**



(21) Design Number: **13057/2005**
(22) Date of Filing Application: **15 July 2005**
(24) Date from which industrial property rights may have effect: **15 July 2005**
(54) Product in respect of which the design is registered: **Television antenna**
(51) International Design Classification: **14-03NES**
(71) Name(s) and Address(s) of Applicant(s):
Gregorys Antennas Pty Ltd
15A Bonny View Road Mount Eliza Victoria 3930 Australia
(72) Name(s) of Designer(s): **Gregory Banaszak**
(45) Registration Date: **17 August 2005**
(56) Related Art Documents: **Not Applicable**
(57) Statement of Newness and Distinctiveness: **The new and distinctive features of the design are the shape and configuration of the article as shown in the representations relating to the end portion of the television antenna which includes the longest of the laterally-extending projections.**



- (21) Design Number: **10074/2005**
(22) Date of Filing Application: **12 January 2005**
(24) Date from which industrial property rights may have effect: **12 January 2005**
(54) Product in respect of which the design is registered: **Fire extinguisher**
(51) International Design Classification: **29-01**
(71) Name(s) and Address(s) of Applicant(s):
Erik Crommelynck
Jean Jaureslaan 14 9050 Gentbrugge Belgium
(72) Name(s) of Designer(s): **Erik Crommelynck**
(45) Registration Date: **17 August 2005**
(30) Convention priority data:
(31) Number (32) Date (33) Country
000202072-0001 14 Jul 2004 EUROPEAN COMMUNITY
(56) Related Art Documents: **Not Applicable**
(57) Statement of Newness and Distinctiveness: **Newness and distinctiveness resides in the shape and configuration of a fire extinguisher as shown in the representations.**



- (21) Design Number: **10128/2005**
(22) Date of Filing Application: **17 January 2005**
(24) Date from which industrial property rights may have effect: **17 January 2005**
(54) Product in respect of which the design is registered: **Roof mould**
(51) International Design Classification: **15-09**
(71) Name(s) and Address(s) of Applicant(s):
Geoffrey John Clarke
22 Pearson Street Rockhampton Queensland 4700 Australia
(72) Name(s) of Designer(s): **Geoff Clarke**
(45) Registration Date: **17 August 2005**
(56) Related Art Documents: **Not Applicable**
(57) Statement of Newness and Distinctiveness: **The "convex" curve built into the mould which incorporates the internal "exposed beam" concept. The perimeter 50mm x 25mm channel designed to "lock-over" the concrete walls.**



- (21) Design Number: **10159/2005**
(22) Date of Filing Application: **17 January 2005**
(24) Date from which industrial property rights may have effect: **17 January 2005**
(54) Product in respect of which the design is registered: **Roof edge protection system**
(51) International Design Classification: **25-02C**
(71) Name(s) and Address(s) of Applicant(s):
Vaughan Walls (Australia) Pty Ltd
16 Stoddart Road Prospect New South Wales 2148 Australia
(72) Name(s) of Designer(s): **Todd Harrison and Paul Carter**
(45) Registration Date: **17 August 2005**
(56) Related Art Documents: **Not Applicable**
(57) Statement of Newness and Distinctiveness: **Nil**



- (21) Design Number: **10160/2005**
(22) Date of Filing Application: **17 January 2005**
(24) Date from which industrial property rights may have effect: **17 January 2005**
(54) Product in respect of which the design is registered: **Roof edge protection system**
(51) International Design Classification: **25-02C**
(71) Name(s) and Address(s) of Applicant(s):
Vaughan Walls (Australia) Pty Ltd
16 Stoddart Road Prospect New South Wales 2148 Australia
(72) Name(s) of Designer(s): **Todd Harrison and Paul Carter**
(45) Registration Date: **17 August 2005**
(56) Related Art Documents: **Not Applicable**
(57) Statement of Newness and Distinctiveness: **Nil**



- (21) Design Number: **10161/2005**
(22) Date of Filing Application: **17 January 2005**
(24) Date from which industrial property rights may have effect: **17 January 2005**
(54) Product in respect of which the design is registered: **Roof edge protection system**
(51) International Design Classification: **25-02C**
(71) Name(s) and Address(s) of Applicant(s):
Vaughan Walls (Australia) Pty Ltd
16 Stoddart Road Prospect New South Wales 2148 Australia
(72) Name(s) of Designer(s): **Todd Harrison and Paul Carter**
(45) Registration Date: **17 August 2005**
(56) Related Art Documents: **Not Applicable**
(57) Statement of Newness and Distinctiveness: **Nil**



- (21) Design Number: **10208/2005**
(22) Date of Filing Application: **21 January 2005**
(24) Date from which industrial property rights may have effect: **21 January 2005**
(54) Product in respect of which the design is registered: **Topnotch stainless steel barbeque plate**
(51) International Design Classification: **07-02E**
(71) Name(s) and Address(s) of Applicant(s):
Equipment Tech Pty Ltd
79 Percival Road Smithfield New South Wales 2164 Australia
(72) Name(s) of Designer(s): **Bruce Harding**
(45) Registration Date: **17 August 2005**
(56) Related Art Documents: **Not Applicable**
(57) Statement of Newness and Distinctiveness: **Plate is "notched" in all 4 corners before bending, which results in the distinctive visual features of the finished plate. This is vital to the design, as it allows the clearance which is needed in order for the product to fit into most barbeques.**



- (21) Design Number: **10408/2005**
(22) Date of Filing Application: **03 February 2005**
(24) Date from which industrial property rights may have effect: **03 February 2005**
(54) Product in respect of which the design is registered: **Nappy wallet**
(51) International Design Classification: **03-01NES, 06-13B**
(71) Name(s) and Address(s) of Applicant(s):
Melissa Walsh
6 Cometrowe Street Drummoyne New South Wales 2047 Australia
(72) Name(s) of Designer(s): **Melissa Walsh**
(45) Registration Date: **17 August 2005**
(56) Related Art Documents: **Not Applicable**
(57) Statement of Newness and Distinctiveness: **This design is a two-fold operational mat. Opens to pockets then folds out again to change mat. The mat is detachable for washing. There are only two sides to the design. The clasp that closes it is magnetic.**



- (21) Design Number: **10573/2005**
(22) Date of Filing Application: **14 February 2005**
(24) Date from which industrial property rights may have effect: **14 February 2005**
(54) Product in respect of which the design is registered: **Motor vehicle wheel**
(51) International Design Classification: **12-16A**
(71) Name(s) and Address(s) of Applicant(s):
Top One Wheels and Tyres Pty Ltd
297 Bay Street Pagewood New South Wales 2035 Australia
(72) Name(s) of Designer(s): **Siu Kau Tong**
(45) Registration Date: **17 August 2005**
(56) Related Art Documents: **Not Applicable**
(57) Statement of Newness and Distinctiveness: **Nil**



(21) Design Number: **10700/2005**

(22) Date of Filing Application: **23 February 2005**

(24) Date from which industrial property rights may have effect: **23 February 2005**

(54) Product in respect of which the design is registered: **Fibreglass vehicle capsule**

(51) International Design Classification: **12-16B**

(71) Name(s) and Address(s) of Applicant(s):

**Shazam Bodies Pty Ltd
65 Old Stanthorpe Road Warwick Queensland 4370 Australia**

(72) Name(s) of Designer(s): **Jeffrey Allan Boyle**

(45) Registration Date: **17 August 2005**

(56) Related Art Documents: **Not Applicable**

(57) Statement of Newness and Distinctiveness: **One piece fibreglass capsule for mounting onto vehicle chassis with seamless joins to cabin.**



(21) Design Number: **10699/2005**

(22) Date of Filing Application: **23 February 2005**

(24) Date from which industrial property rights may have effect: **23 February 2005**

(54) Product in respect of which the design is registered: **Catamaran**

(51) International Design Classification: **12-06B**

(71) Name(s) and Address(s) of Applicant(s):

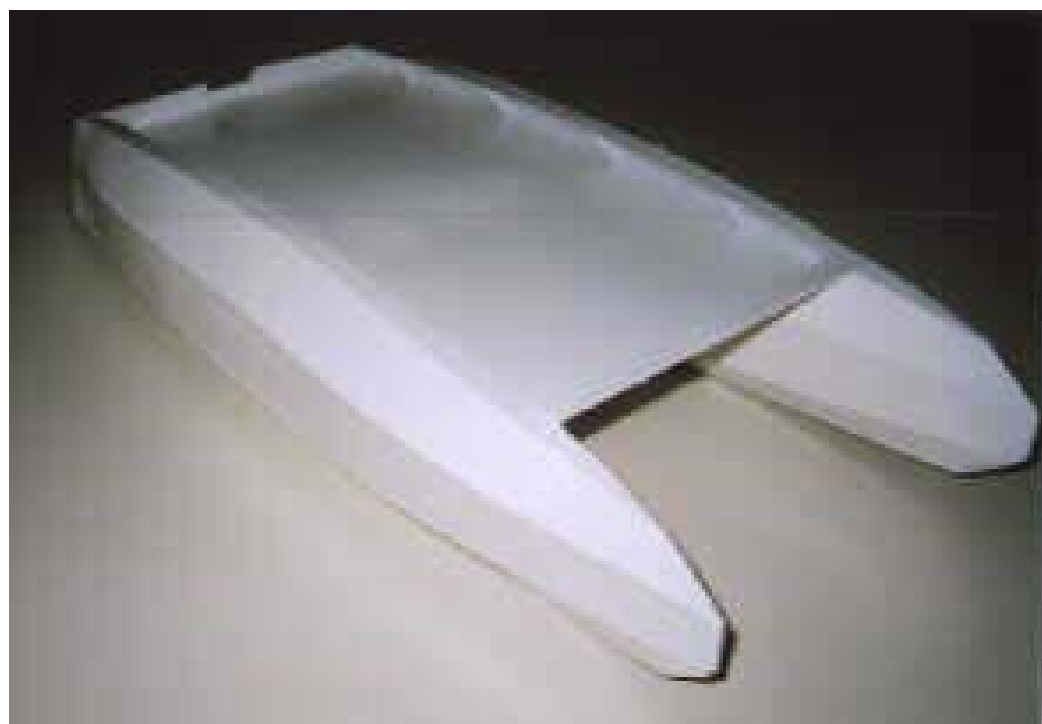
**John Pilot
8B Ibis Court Busselton Western Australia 6280 Australia**

(72) Name(s) of Designer(s): **John Pilot**

(45) Registration Date: **17 August 2005**

(56) Related Art Documents: **Not Applicable**

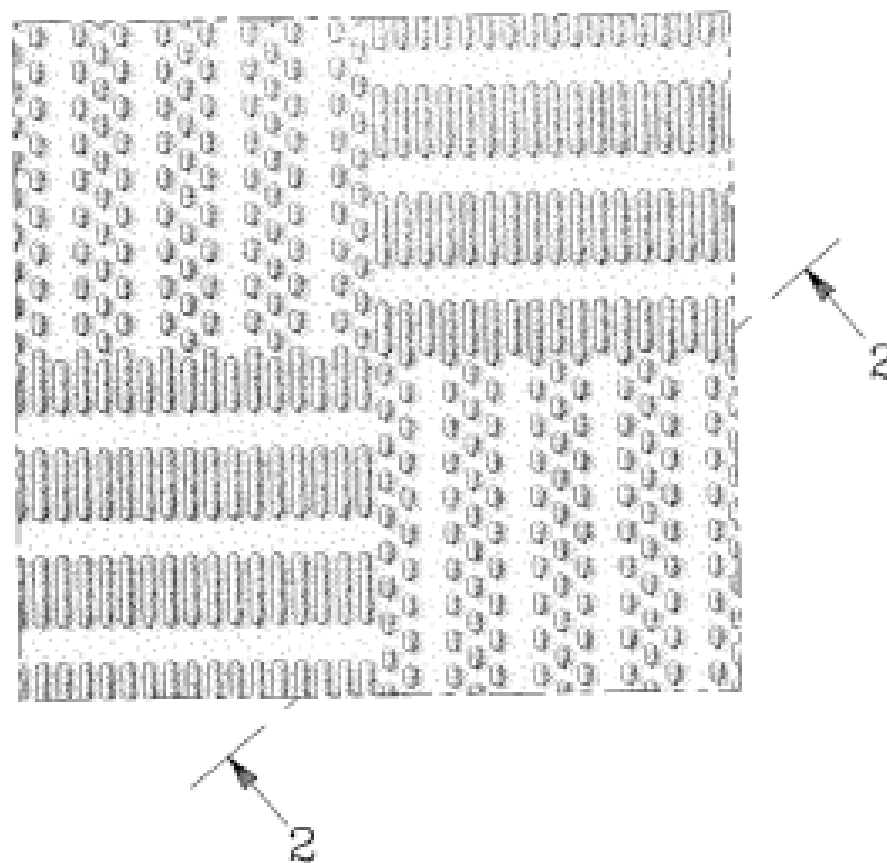
(57) Statement of Newness and Distinctiveness: **The distinctive features of this design are the shape of the stem (front) and the reversed shear line (topline) and top chine line (deck level) which allso creates wave pearcing bows.**



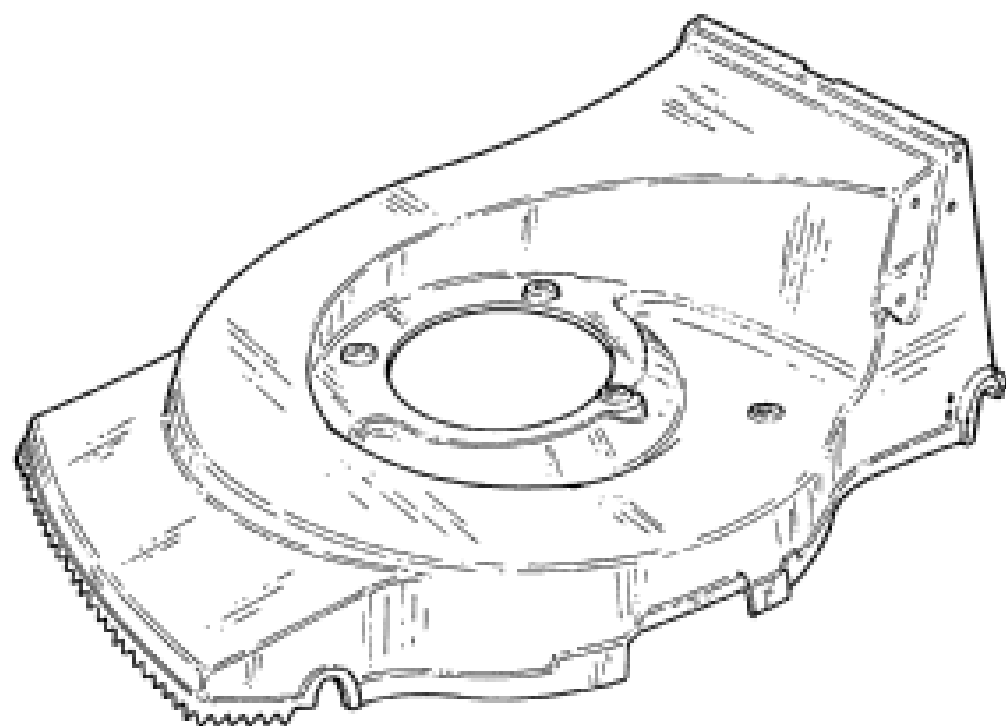
- (21) Design Number: **14358/2004**
- (22) Date of Filing Application: **10 September 2004**
- (24) Date from which industrial property rights may have effect: **10 September 2004**
- (54) Product in respect of which the design is registered: **Fibrous nonwoven material**
- (51) International Design Classification: **05-06NES**
- (71) Name(s) and Address(s) of Applicant(s):
The Procter & Gamble Company
Winton Hill Technical Center 6110 Center Hill Road Cincinnati Ohio
45224 United States of America
- (72) Name(s) of Designer(s): **Erik John Hasenoehrl**
- (45) Registration Date: **17 August 2005**
- (30) Convention priority data:

(31) Number	(32) Date	(33) Country
29/201,305	12 Mar 2004	UNITED STATES OF AMERICA

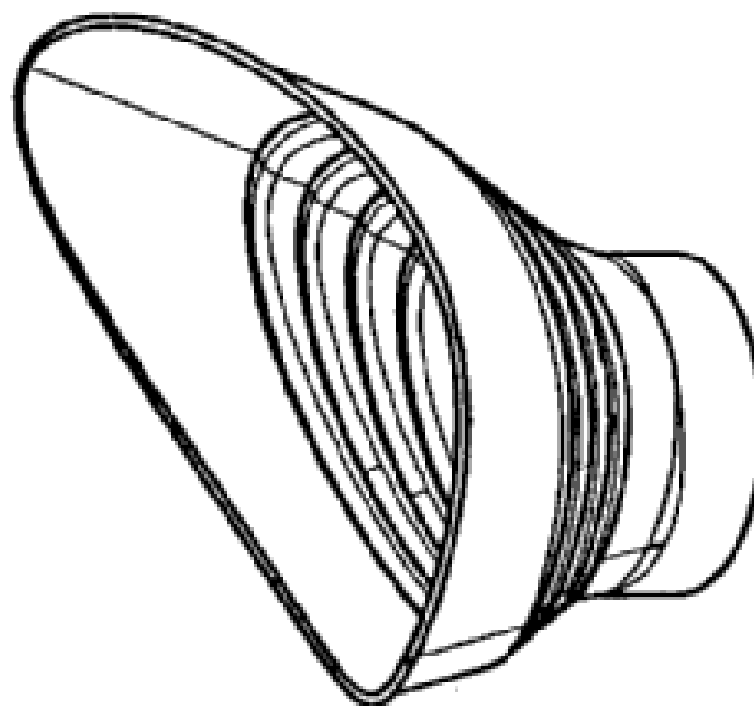
- (56) Related Art Documents: **Not Applicable**
- (57) Statement of Newness and Distinctiveness: **Novelty in the design resides in the pattern of the fibrous nonwoven material as shown in the representations wherein the pattern is repeated uniformly throughout the length and width or repeated indeterminately in one or more directions, and wherein the surface pattern may have an indeterminate thickness and which may be on a single-ply on a multiply fibrous nonwoven material. The broken lines along the borders of Figs. 1,3,4,5 and 6 depict the boundaries of one repeat of the designs.**



- (21) Design Number: **15016/2004**
- (22) Date of Filing Application: **25 October 2004**
- (24) Date from which industrial property rights may have effect: **25 October 2004**
- (54) Product in respect of which the design is registered: **Mower deck**
- (51) International Design Classification: **15-03B**
- (71) Name(s) and Address(s) of Applicant(s):
Bartlem Pty Ltd
Level 30 239 George Street Brisbane Queensland 4000 Australia
- (72) Name(s) of Designer(s): **Theodore William Reinhold**
- (45) Registration Date: **17 August 2005**
- (56) Related Art Documents: **Not Applicable**
- (57) Statement of Newness and Distinctiveness: **Monopoly is claimed in the shape and configuration of a mower deck as shown in the accompanying representations. Novelty resides in the shape and configuration of the toothed front part of the deck.**

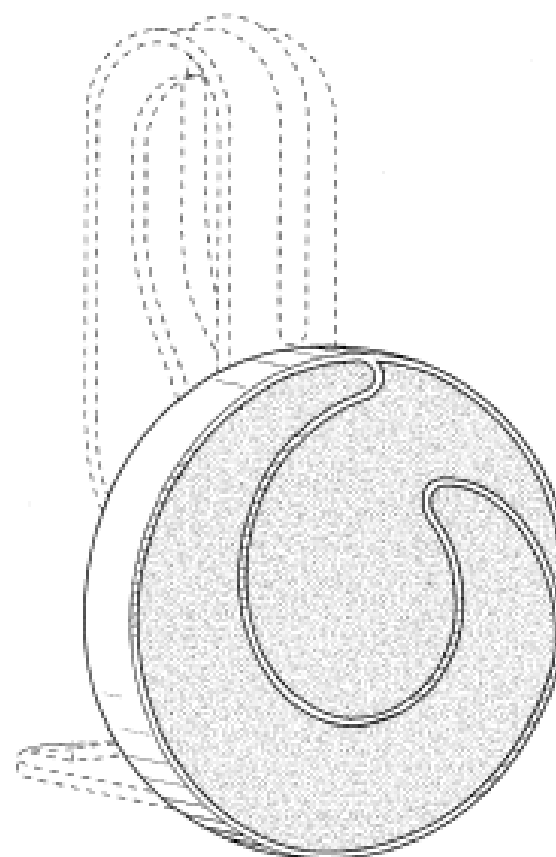


- (21) Design Number: **15965/2004**
- (22) Date of Filing Application: **22 December 2004**
- (24) Date from which industrial property rights may have effect: **22 December 2004**
- (54) Product in respect of which the design is registered: **Specimen collection funnel**
- (51) International Design Classification: **24-04**
- (71) Name(s) and Address(s) of Applicant(s):
Stark Innovate Pty Limited
2/2 Northcote Street St Leonards New South Wales 2065 Australia
- (72) Name(s) of Designer(s): **Stephen Scott and David Frank and Lu Papi**
- (45) Registration Date: **17 August 2005**
- (56) Related Art Documents: **Not Applicable**
- (57) Statement of Newness and Distinctiveness: **Nil**

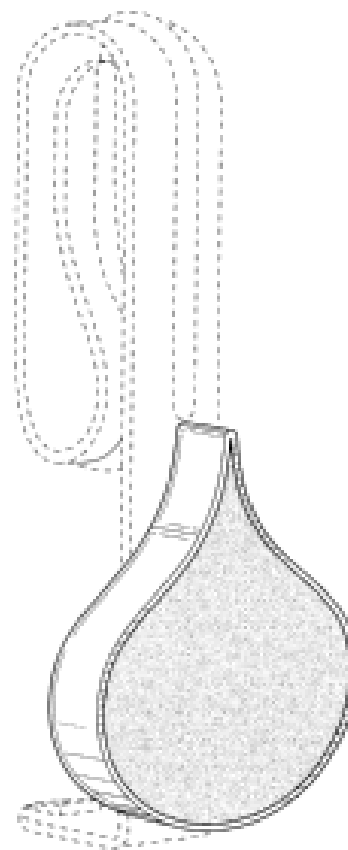


- (21) Design Number: **10078/2005**
- (22) Date of Filing Application: **12 January 2005**
- (24) Date from which industrial property rights may have effect: **12 January 2005**
- (54) Product in respect of which the design is registered: **A lavatory device**
- (51) International Design Classification: **28-99**
- (71) Name(s) and Address(s) of Applicant(s):
Reckitt Benckiser Inc.
Morris Corporate Center IV 399 Interpace Parkway Parsippany NJ
07054-0225 United States of America
- (72) Name(s) of Designer(s): **Lamson Nguyen and Diane Neiman and Jeanne Marie Weller and Tak Wai Chung and Edward Fu and Tri Nguyen and Steven Wu**
- (45) Registration Date: **17 August 2005**
- (30) Convention priority data:

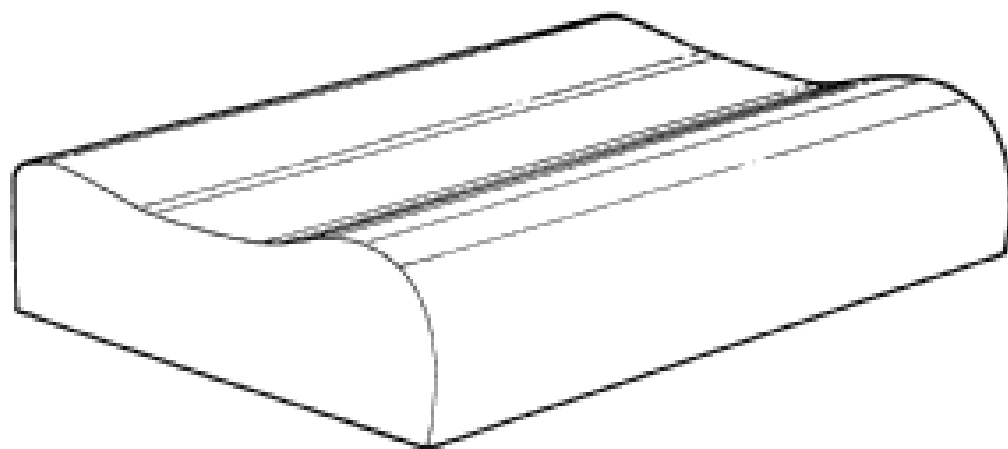
(31) Number	(32) Date	(33) Country
3018326	04 Aug 2004	UNITED KINGDOM
- (56) Related Art Documents: **Not Applicable**
- (57) Statement of Newness and Distinctiveness: **Each feature of the design shown in solid lines considered separately or in combination with any other feature or features.**



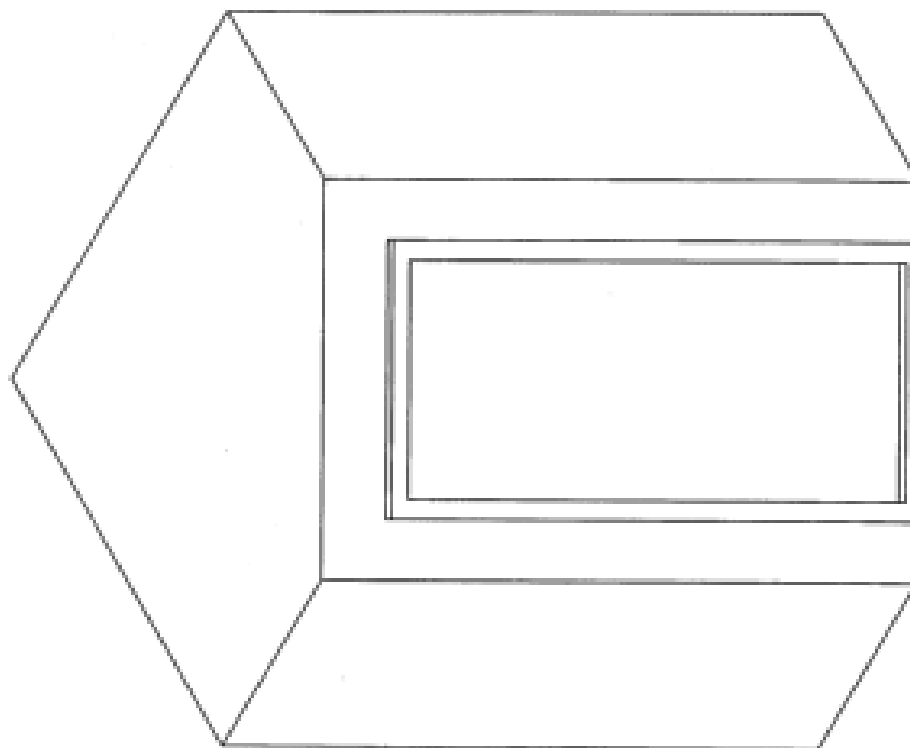
- (21) Design Number: **10079/2005**
(22) Date of Filing Application: **12 January 2005**
(24) Date from which industrial property rights may have effect: **12 January 2005**
(54) Product in respect of which the design is registered: **A lavatory device**
(51) International Design Classification: **28-99**
(71) Name(s) and Address(s) of Applicant(s):
Reckitt Benckiser Inc.
Morris Corporate Center IV 399 Interpace Parkway Parsippany NJ
07054-0225 United States of America
(72) Name(s) of Designer(s): **Lamson Nguyen and Diane Neiman and Jeanne Marie Weller and Tak Wai Chung and Edward Fu and Tri Nguyen and Steven Wu**
(45) Registration Date: **17 August 2005**
(30) Convention priority data:
(31) Number (32) Date (33) Country
3018327 04 Aug 2004 UNITED KINGDOM
(56) Related Art Documents: **Not Applicable**
(57) Statement of Newness and Distinctiveness: **Each feature of the design shown in solid lines considered separately or in combination with any other feature or features.**



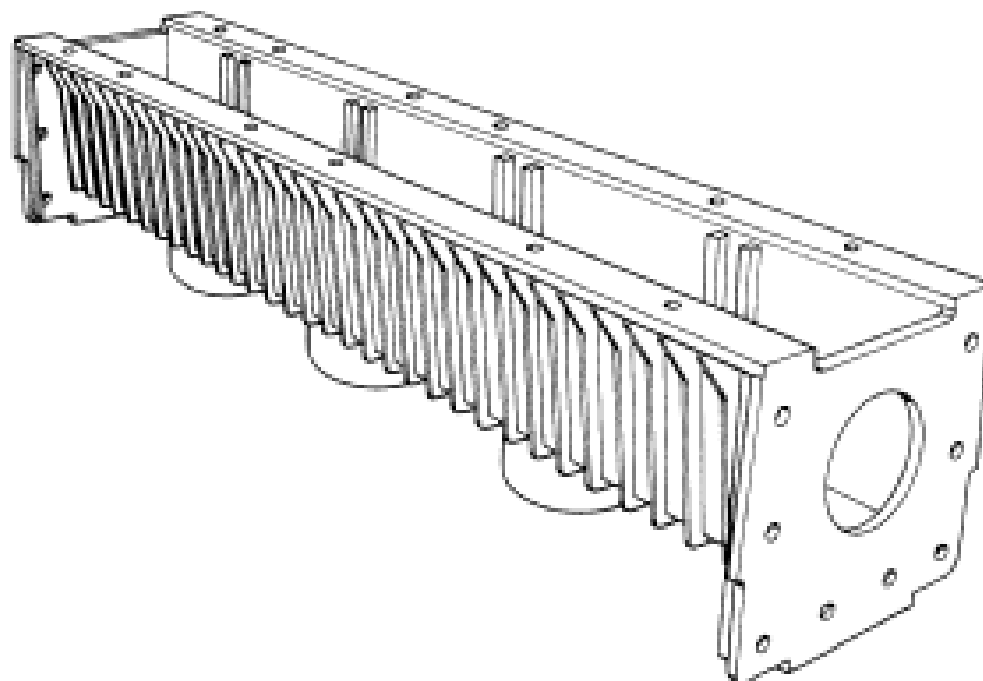
- (21) Design Number: **10231/2005**
(22) Date of Filing Application: **21 January 2005**
(24) Date from which industrial property rights may have effect: **21 January 2005**
(54) Product in respect of which the design is registered: **A pillow**
(51) International Design Classification: **06-09**
(71) Name(s) and Address(s) of Applicant(s):
Healthcare Alliance Pty Ltd
8 McLaren Street North Sydney New South Wales 2060 Australia
(72) Name(s) of Designer(s): **Andrew Robert Macfarlane**
(45) Registration Date: **17 August 2005**
(56) Related Art Documents: **Not Applicable**
(57) Statement of Newness and Distinctiveness: **Newness and distinctiveness is claimed in respect of the shape and/or configuration of the product illustrated in the accompanying representations.**



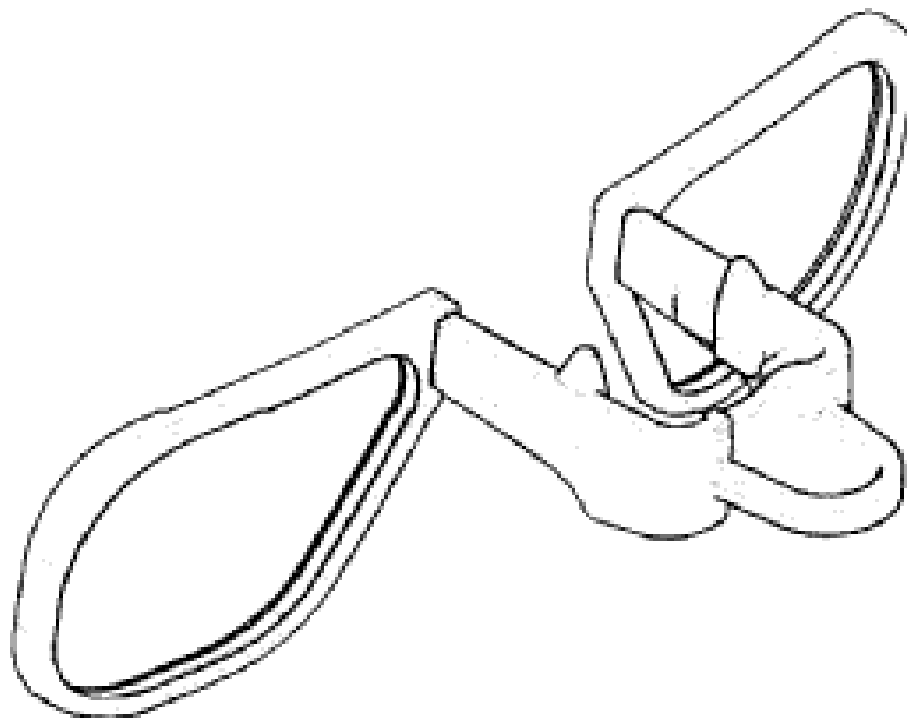
- (21) Design Number: **10468/2005**
(22) Date of Filing Application: **07 February 2005**
(24) Date from which industrial property rights may have effect: **07 February 2005**
(54) Product in respect of which the design is registered: **Diamond shape coldroom**
(51) International Design Classification: **25-03, 15-07**
(71) Name(s) and Address(s) of Applicant(s):
Bromic Pty Limited
1 Suttor Street Silverwater New South Wales 2128 Australia
(72) Name(s) of Designer(s): **Scott Smith**
(45) Registration Date: **17 August 2005**
(56) Related Art Documents: **Not Applicable**
(57) Statement of Newness and Distinctiveness: **Diamond shape.**



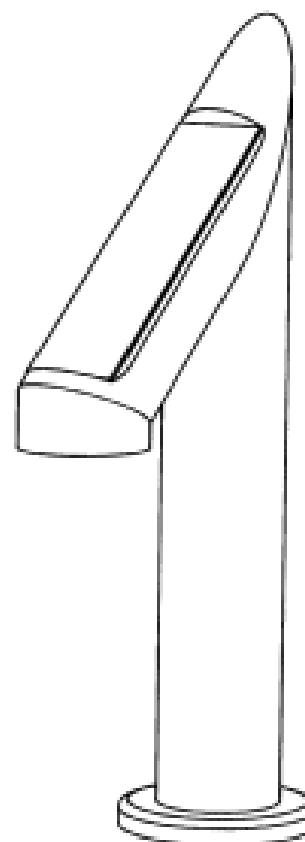
- (21) Design Number: **10502/2005**
(22) Date of Filing Application: **09 February 2005**
(24) Date from which industrial property rights may have effect: **09 February 2005**
(54) Product in respect of which the design is registered: **Plastics suction box**
(51) International Design Classification: **23-01NES**
(71) Name(s) and Address(s) of Applicant(s):
Delkor Pty Limited
75 Hutchison Street Saint Peters New South Wales 2044 Australia
(72) Name(s) of Designer(s): **Peter Geoffrey Herbert**
(45) Registration Date: **17 August 2005**
(56) Related Art Documents: **Not Applicable**
(57) Statement of Newness and Distinctiveness: **Nil**



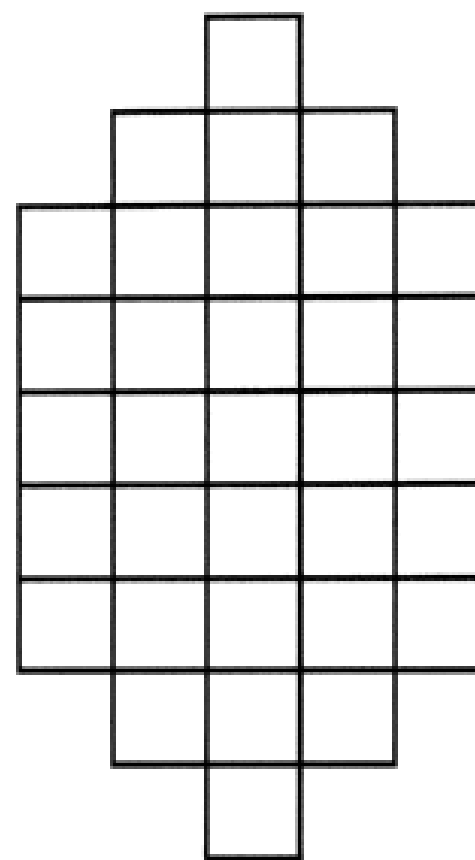
- (21) Design Number: **10536/2005**
(22) Date of Filing Application: **11 February 2005**
(24) Date from which industrial property rights may have effect: **11 February 2005**
(54) Product in respect of which the design is registered: **Eyewear mount**
(51) International Design Classification: **16-06**
(71) Name(s) and Address(s) of Applicant(s):
Anthony John Cole
16 Trevalsa Place Burraneer New South Wales 2230 Australia
(72) Name(s) of Designer(s): **Anthony John Cole**
(45) Registration Date: **17 August 2005**
(56) Related Art Documents: **Not Applicable**
(57) Statement of Newness and Distinctiveness: **Shape and configuration of an eyewear mount.**



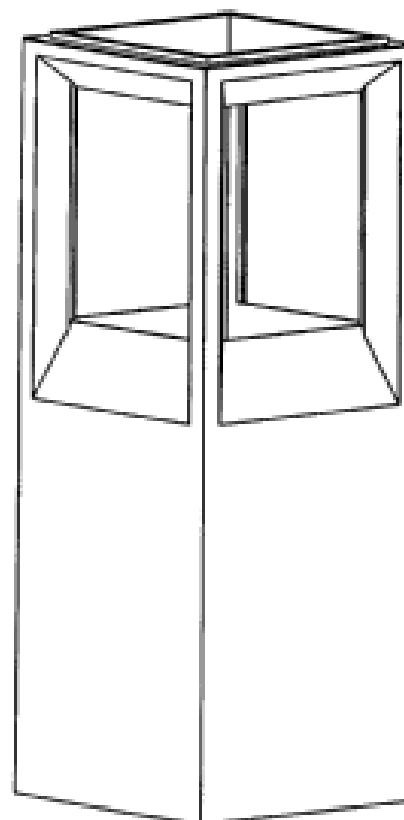
- (21) Design Number: **10569/2005**
(22) Date of Filing Application: **14 February 2005**
(24) Date from which industrial property rights may have effect: **14 February 2005**
(54) Product in respect of which the design is registered: **Beverage font**
(51) International Design Classification: **31-00**
(71) Name(s) and Address(s) of Applicant(s):
Kevin Bernard Payne
22/31 Wentworth Street Greenacre New South Wales 2190 Australia
Dennis Leslie McFarlane
22/31 Wentworth Street Greenacre New South Wales 2190 Australia
(72) Name(s) of Designer(s): **Kevin Bernard Payne and Dennis Leslie McFarlane**
(45) Registration Date: **17 August 2005**
(56) Related Art Documents: **Not Applicable**
(57) Statement of Newness and Distinctiveness: **Newness and distinctiveness is claimed in the shape and/or configuration of a beverage font as illustrated in the representations.**



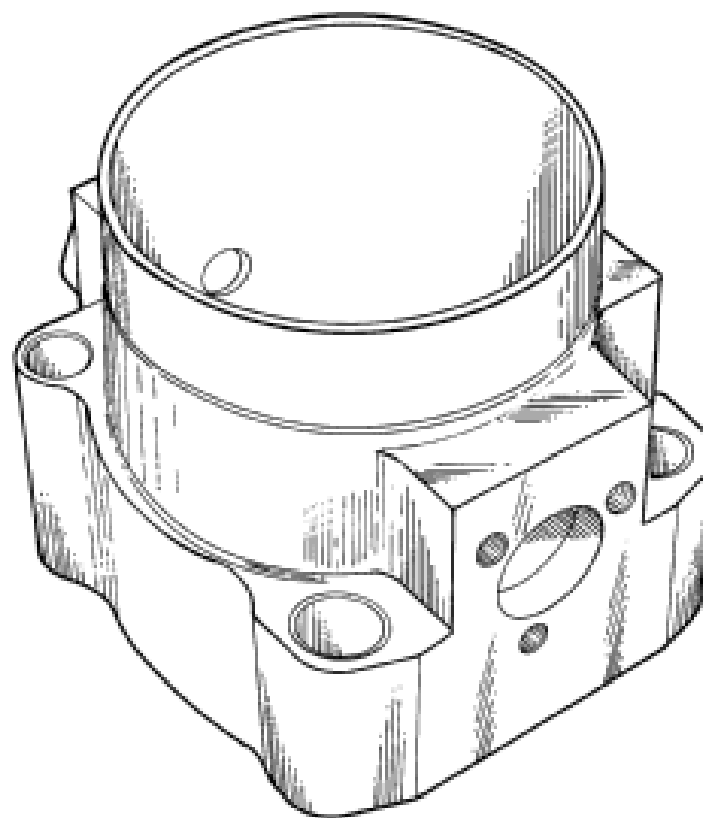
- (21) Design Number: **10062/2005**
(22) Date of Filing Application: **10 January 2005**
(24) Date from which industrial property rights may have effect: **10 January 2005**
(54) Product in respect of which the design is registered: **Ivanshi game board**
(51) International Design Classification: **21-01L**
(71) Name(s) and Address(s) of Applicant(s):
Brett Jonathon Cole
27 Union Street Northcote Victoria 3070 Australia
(72) Name(s) of Designer(s): **Brett Jonathon Cole**
(45) Registration Date: **18 August 2005**
(56) Related Art Documents: **Not Applicable**
(57) Statement of Newness and Distinctiveness: **The submitted design is unique regarding the style of game it pertains to. The exact number and layout of the squares is essential to the rules of the game which rely on numerical strategy.**



- (21) Design Number: **10614/2005**
(22) Date of Filing Application: **17 February 2005**
(24) Date from which industrial property rights may have effect: **17 February 2005**
(54) Product in respect of which the design is registered: **A housing**
(51) International Design Classification: **26-03**
(71) Name(s) and Address(s) of Applicant(s):
H.P.M. Industries Pty Ltd
Unit 4 44-48 O'Dea Avenue Waterloo New South Wales 2017 Australia
(72) Name(s) of Designer(s): **Simon Richmond**
(45) Registration Date: **18 August 2005**
(56) Related Art Documents: **Not Applicable**
(57) Statement of Newness and Distinctiveness: **Nil**



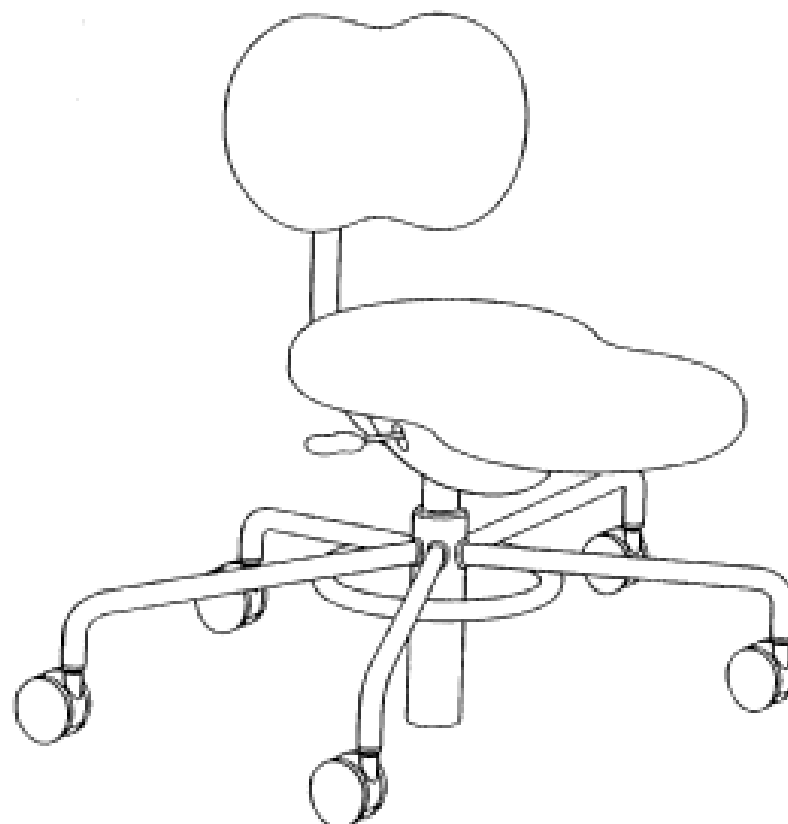
(21) Design Number: **10883/2005**
(22) Date of Filing Application: **08 March 2005**
(24) Date from which industrial property rights may have effect: **08 March 2005**
(54) Product in respect of which the design is registered: **A throttle body**
(51) International Design Classification: **15-01**
(71) Name(s) and Address(s) of Applicant(s):
Bellnet Pty Ltd
4/15 Distribution Avenue Nerang Queensland 4211 Australia
(72) Name(s) of Designer(s): **Kevin Hoverd**
(45) Registration Date: **18 August 2005**
(56) Related Art Documents: **Not Applicable**
(57) Statement of Newness and Distinctiveness: **Nil**



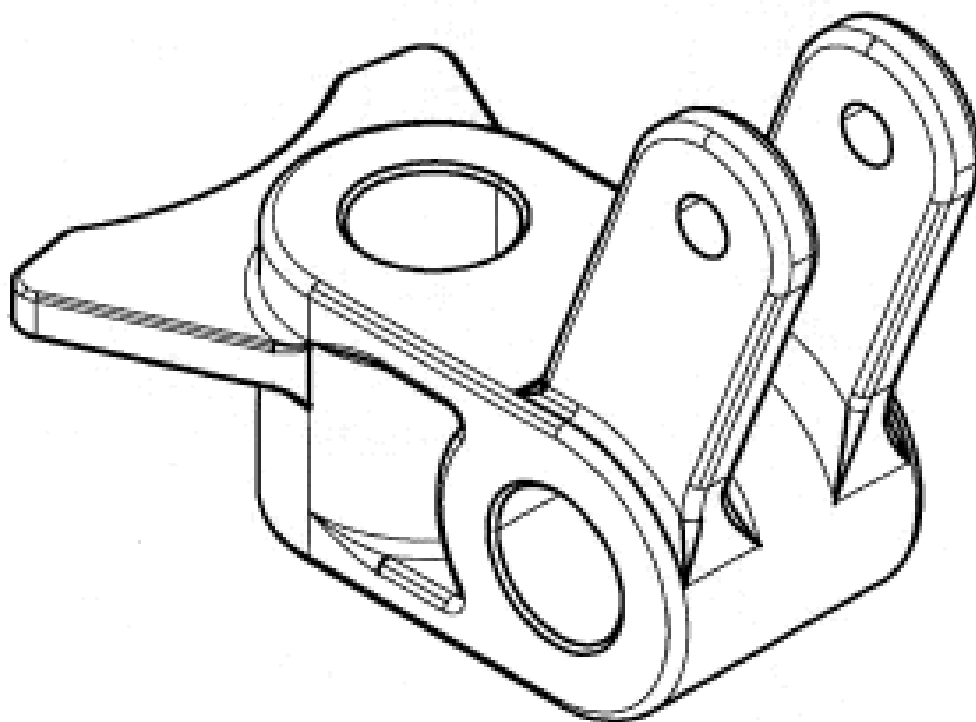
(21) Design Number: **10894/2005**
(22) Date of Filing Application: **08 March 2005**
(24) Date from which industrial property rights may have effect: **08 March 2005**
(54) Product in respect of which the design is registered: **Chair**
(51) International Design Classification: **06-01F**
(71) Name(s) and Address(s) of Applicant(s):
Itoki Co., Ltd.
6-11 Awajimachi 1-chome Chuo-ku Osaka Japan
(72) Name(s) of Designer(s): **Isao Hosoe**
(45) Registration Date: **18 August 2005**
(30) Convention priority data:

(31) Number	(32) Date	(33) Country
2004-027479	09 Sep 2004	JAPAN

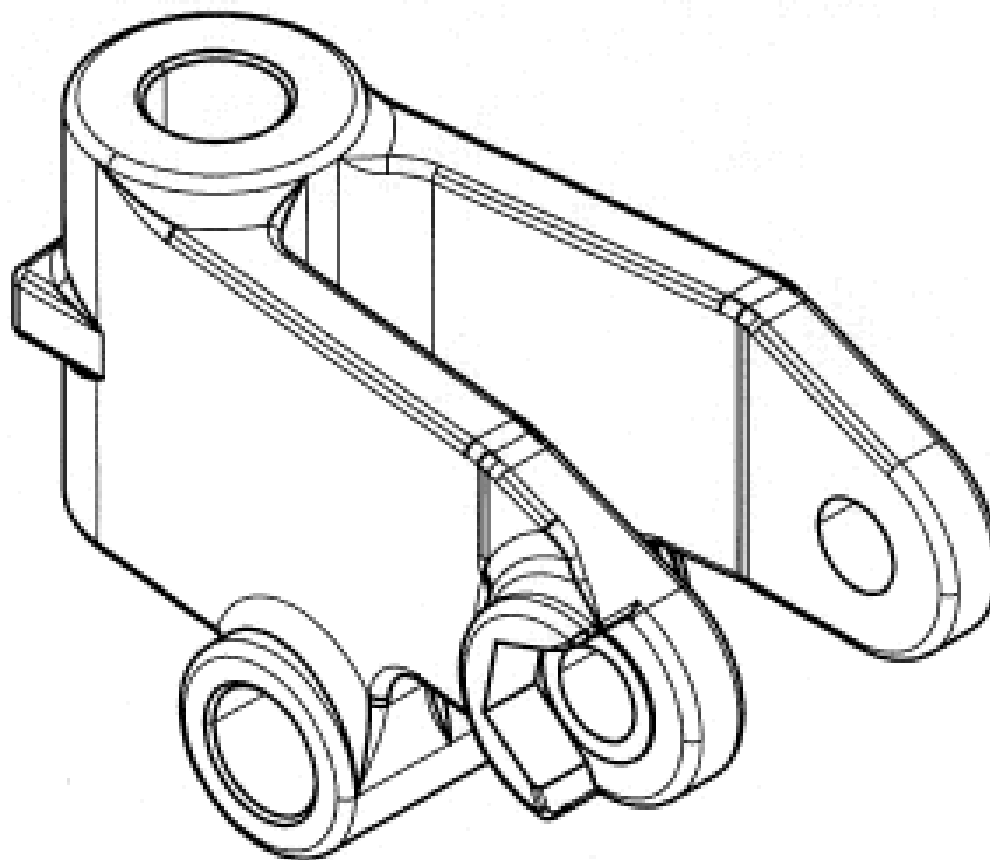
(56) Related Art Documents: **Not Applicable**
(57) Statement of Newness and Distinctiveness: **Nil**



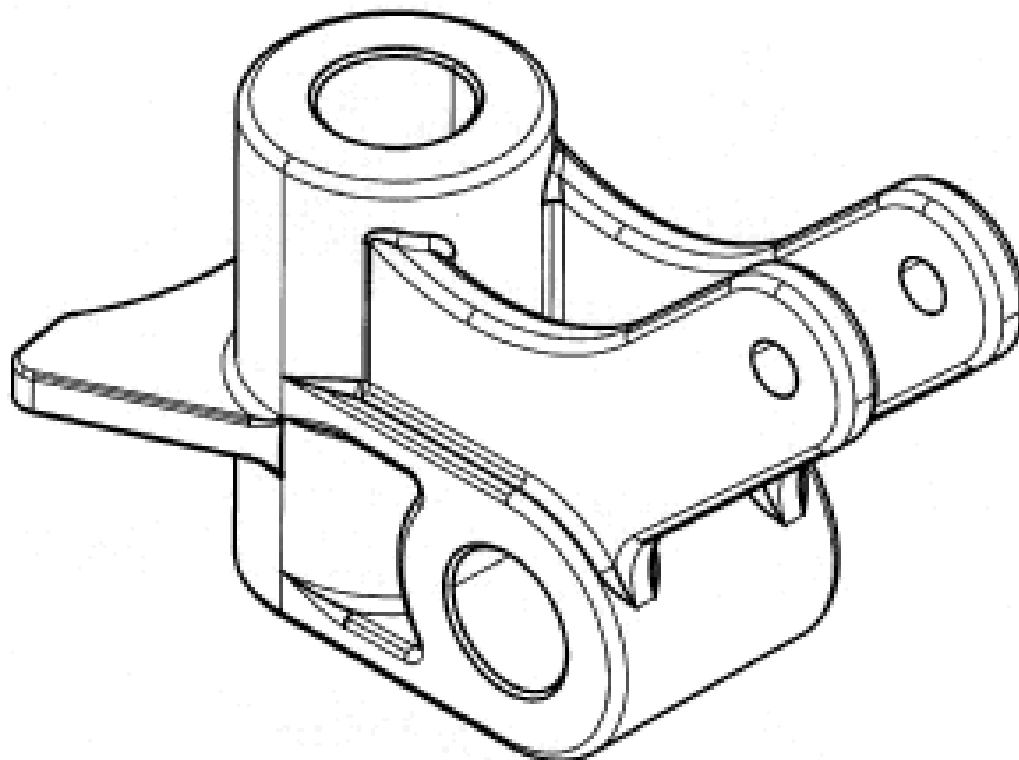
- (21) Design Number: **10931/2005**
(22) Date of Filing Application: **09 March 2005**
(24) Date from which industrial property rights may have effect: **09 March 2005**
(54) Product in respect of which the design is registered: **Swivel block**
(51) International Design Classification: **15-03A**
(71) Name(s) and Address(s) of Applicant(s):
 Limthono Pty Ltd
 Main Street Mt Tyson Queensland 4356 Australia
 Prime Grain Pty Ltd
 Main Street Mt Tyson Queensland 4356 Australia
(72) Name(s) of Designer(s): **Luke Hogan**
(45) Registration Date: **18 August 2005**
(56) Related Art Documents: **Not Applicable**
(57) Statement of Newness and Distinctiveness: **Newness and distinctiveness are claimed in the features of shape and configuration of the swivel block depicted in the representations. When considering the extent of the monopoly, features of pattern and ornamentation are to be disregarded.**



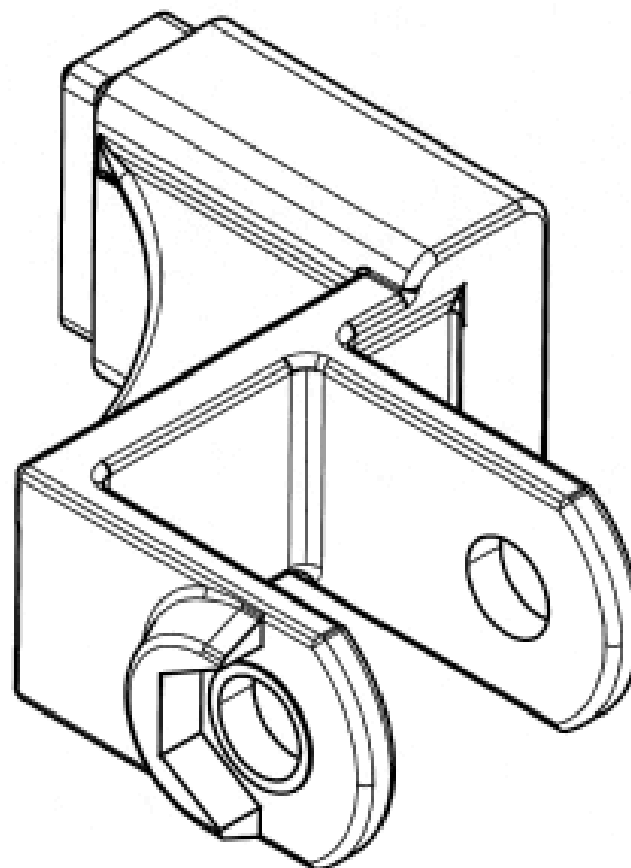
- (21) Design Number: **10932/2005**
(22) Date of Filing Application: **09 March 2005**
(24) Date from which industrial property rights may have effect: **09 March 2005**
(54) Product in respect of which the design is registered: **Pivot block**
(51) International Design Classification: **15-03A**
(71) Name(s) and Address(s) of Applicant(s):
 Limthono Pty Ltd
 Main Street Mt Tyson Queensland 4356 Australia
 Prime Grain Pty Ltd
 Main Street Mt Tyson Queensland 4356 Australia
(72) Name(s) of Designer(s): **Luke Hogan**
(45) Registration Date: **18 August 2005**
(56) Related Art Documents: **Not Applicable**
(57) Statement of Newness and Distinctiveness: **Newness and distinctiveness are claimed in the features of shape and configuration of the pivot block depicted in the representations. When considering the extent of the monopoly, features of pattern and ornamentation are to be disregarded.**



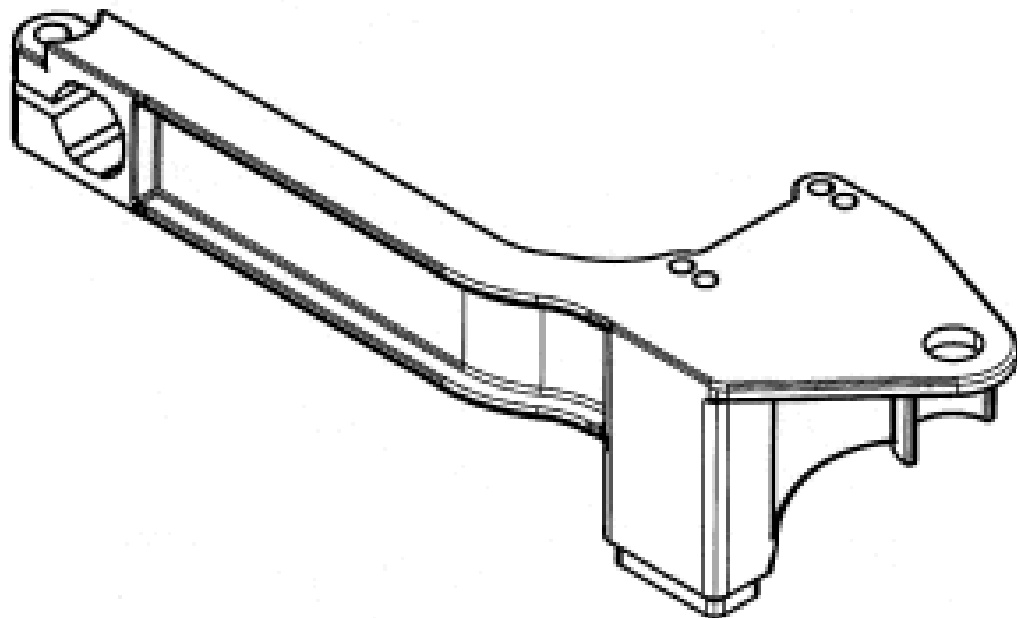
- (21) Design Number: **10933/2005**
(22) Date of Filing Application: **09 March 2005**
(24) Date from which industrial property rights may have effect: **09 March 2005**
(54) Product in respect of which the design is registered: **Swivel block**
(51) International Design Classification: **15-03A**
(71) Name(s) and Address(s) of Applicant(s):
 Limthono Pty Ltd
 Main Street Mt Tyson Queensland 4356 Australia
 Prime Grain Pty Ltd
 Main Street Mt Tyson Queensland 4356 Australia
(72) Name(s) of Designer(s): **Luke Hogan**
(45) Registration Date: **18 August 2005**
(56) Related Art Documents: **Not Applicable**
(57) Statement of Newness and Distinctiveness: **Newness and distinctiveness are claimed in the features of shape and configuration of the swivel block depicted in the representations. When considering the extent of the monopoly, features of pattern and ornamentation are to be disregarded.**



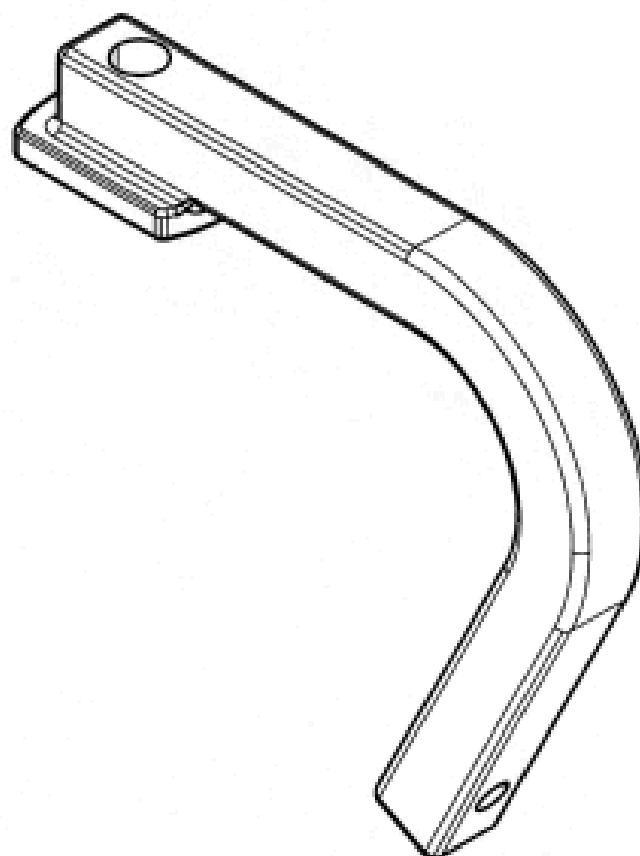
- (21) Design Number: **10935/2005**
(22) Date of Filing Application: **09 March 2005**
(24) Date from which industrial property rights may have effect: **09 March 2005**
(54) Product in respect of which the design is registered: **Frame member**
(51) International Design Classification: **15-03A**
(71) Name(s) and Address(s) of Applicant(s):
 Limthono Pty Ltd
 Main Street Mt Tyson Queensland 4356 Australia
 Prime Grain Pty Ltd
 Main Street Mt Tyson Queensland 4356 Australia
(72) Name(s) of Designer(s): **Luke Hogan**
(45) Registration Date: **18 August 2005**
(56) Related Art Documents: **Not Applicable**
(57) Statement of Newness and Distinctiveness: **Newness and distinctiveness are claimed in the features of shape and configuration of the frame member depicted in the representations. When considering the extent of the monopoly, features of pattern and ornamentation are to be disregarded.**



- (21) Design Number: **10936/2005**
(22) Date of Filing Application: **09 March 2005**
(24) Date from which industrial property rights may have effect: **09 March 2005**
(54) Product in respect of which the design is registered: **Frame member**
(51) International Design Classification: **15-03A**
(71) Name(s) and Address(s) of Applicant(s):
 Limthono Pty Ltd
 Main Street Mt Tyson Queensland 4356 Australia
 Prime Grain Pty Ltd
 Main Street Mt Tyson Queensland 4356 Australia
(72) Name(s) of Designer(s): **Luke Hogan**
(45) Registration Date: **18 August 2005**
(56) Related Art Documents: **Not Applicable**
(57) Statement of Newness and Distinctiveness: **Newness and distinctiveness are claimed in the features of shape and configuration of the frame member depicted in the representations. When considering the extent of the monopoly, features of pattern and ornamentation are to be disregarded.**



- (21) Design Number: **10938/2005**
(22) Date of Filing Application: **09 March 2005**
(24) Date from which industrial property rights may have effect: **09 March 2005**
(54) Product in respect of which the design is registered: **Mounting arm**
(51) International Design Classification: **15-03A**
(71) Name(s) and Address(s) of Applicant(s):
 Limthono Pty Ltd
 Main Street Mt Tyson Queensland 4356 Australia
 Prime Grain Pty Ltd
 Main Street Mt Tyson Queensland 4356 Australia
(72) Name(s) of Designer(s): **Luke Hogan**
(45) Registration Date: **18 August 2005**
(56) Related Art Documents: **Not Applicable**
(57) Statement of Newness and Distinctiveness: **Newness and distinctiveness are claimed in the features of shape and configuration of the mounting arm depicted in the representations. When considering the extent of the monopoly, features of pattern and ornamentation are to be disregarded.**



- (21) Design Number: **16045/2004**
(22) Date of Filing Application: **31 December 2004**
(24) Date from which industrial property rights may have effect: **31 December 2004**
(54) Product in respect of which the design is registered: **Pump**
(51) International Design Classification: **15-02**
(71) Name(s) and Address(s) of Applicant(s):
GARDENA Manufacturing GmbH
Hans-Lorenser Strasse 40 D-89079 Ulm Germany
(72) Name(s) of Designer(s): **Aleksandar Tatic**
(45) Registration Date: **18 August 2005**
(30) Convention priority data:
(31) Number (32) Date (33) Country
000202189 16 Jul 2004 EUROPEAN COMMUNITY
(56) Related Art Documents: **Not Applicable**
(57) Statement of Newness and Distinctiveness: **The shape, configuration, pattern and ornamentation of the product (other than textual and numerical elements printed or appearing on the product) are new and distinctive.**



- (21) Design Number: **16046/2004**
(22) Date of Filing Application: **31 December 2004**
(24) Date from which industrial property rights may have effect: **31 December 2004**
(54) Product in respect of which the design is registered: **Pump**
(51) International Design Classification: **15-02**
(71) Name(s) and Address(s) of Applicant(s):
GARDENA Manufacturing GmbH
Hans-Lorenser Strasse 40 D-89079 Ulm Germany
(72) Name(s) of Designer(s): **Aleksandar Tatic**
(45) Registration Date: **18 August 2005**
(30) Convention priority data:
(31) Number (32) Date (33) Country
000202189 16 Jul 2004 EUROPEAN COMMUNITY
(56) Related Art Documents: **Not Applicable**
(57) Statement of Newness and Distinctiveness: **The shape, configuration, pattern and ornamentation of the product (other than textual and numerical elements printed or appearing on the product) are new and distinctive.**



- (21) Design Number: **16047/2004**
(22) Date of Filing Application: **31 December 2004**
(24) Date from which industrial property rights may have effect: **31 December 2004**
(54) Product in respect of which the design is registered: **Display of pump**
(51) International Design Classification: **15-02, 10-04**
(71) Name(s) and Address(s) of Applicant(s):
GARDENA Manufacturing GmbH
Hans-Lorenser Strasse 40 D-89079 Ulm Germany
(72) Name(s) of Designer(s): **Aleksandar Tatic**
(45) Registration Date: **18 August 2005**
(30) Convention priority data:
(31) Number (32) Date (33) Country
000202189 16 Jul 2004 EUROPEAN COMMUNITY
(56) Related Art Documents: **Not Applicable**
(57) Statement of Newness and Distinctiveness: **The shape, configuration, pattern and ornamentation of the product (other than textual and numerical elements printed or appearing on the product) are new and distinctive.**



- (21) Design Number: **10608/2005**
(22) Date of Filing Application: **17 February 2005**
(24) Date from which industrial property rights may have effect: **17 February 2005**
(54) Product in respect of which the design is registered: **cast, mould and chocolate confectionary**
(51) International Design Classification: **01-01, 07-02P**
(71) Name(s) and Address(s) of Applicant(s):
Peacemakers Aust. Pty Ltd
34 Clementi Road Mandogalup Western Australia 6167 Australia
(72) Name(s) of Designer(s): **Paul Gerard Moylan and Jenneane Mershelle Moylan**
(45) Registration Date: **18 August 2005**
(56) Related Art Documents: **Not Applicable**
(57) Statement of Newness and Distinctiveness: **This distinctive design is a replication of a specific lamb the designers photographed and then by using a 3D computer aided drafting program were able to sculpt with fine detail, a mould, ready for use.**



- (21) Design Number: **10732/2005**
(22) Date of Filing Application: **24 February 2005**
(24) Date from which industrial property rights may have effect: **24 February 2005**
(54) Product in respect of which the design is registered: **Rear combination lamp for an automobile**
(51) International Design Classification: **26-06**
(71) Name(s) and Address(s) of Applicant(s):
Toyota Jidosha Kabushiki Kaisha
1 Toyota-cho Toyota-shi Aichi-ken 471-8571 Japan
(72) Name(s) of Designer(s): **Hiroyuki Tada**
(45) Registration Date: **18 August 2005**
(56) Related Art Documents: **Not Applicable**
(57) Statement of Newness and Distinctiveness: **Newness and distinctiveness is claimed in the features of shape and/or configuration of a rear combination lamp for an automobile as illustrated in the accompanying representations.**



- (21) Design Number: **10733/2005**
(22) Date of Filing Application: **24 February 2005**
(24) Date from which industrial property rights may have effect: **24 February 2005**
(54) Product in respect of which the design is registered: **Automobile**
(51) International Design Classification: **12-08**
(71) Name(s) and Address(s) of Applicant(s):
Toyota Jidosha Kabushiki Kaisha
1 Toyota-cho Toyota-shi Aichi-ken 471-8571 Japan
(72) Name(s) of Designer(s): **Kengo Matsumoto and Katsuhiko Suzuki and Hiroyuki Tada and Tomoyasu Nishi**
(45) Registration Date: **18 August 2005**
(56) Related Art Documents: **Not Applicable**
(57) Statement of Newness and Distinctiveness: **Newness and distinctiveness is claimed in the features of shape and/or configuration of an automobile as illustrated in the accompanying representations.**



Front Perspective View



Rear Perspective View

(21) Design Number: **10864/2005**

(22) Date of Filing Application: **07 March 2005**

(24) Date from which industrial property rights may have effect: **07 March 2005**

(54) Product in respect of which the design is registered: **Wine rack**

(51) International Design Classification: **06-04NES**

(71) Name(s) and Address(s) of Applicant(s):

Alan Renwick

16 George Street Avalon New South Wales 2107 Australia

(72) Name(s) of Designer(s): **Alan Renwick**

(45) Registration Date: **18 August 2005**

(56) Related Art Documents: **Not Applicable**

(57) Statement of Newness and Distinctiveness: **The use of non-intersecting vertical and horizontal rods for securing the bottles.**



(21) Design Number: **10875/2005**

(22) Date of Filing Application: **07 March 2005**

(24) Date from which industrial property rights may have effect: **07 March 2005**

(54) Product in respect of which the design is registered: **Combination key ring, tag, lamp and GPS receiver**

(51) International Design Classification: **26-02, 10-06, 03-01B, 14-03NES, 19-08**

(71) Name(s) and Address(s) of Applicant(s):

Jorgen Kruise A/S

Marslev Byvej 35 DK-5920 Marslev Denmark

(72) Name(s) of Designer(s): **Ivan Kristensen**

(45) Registration Date: **18 August 2005**

(30) Convention priority data:

(31) Number

(32) Date

(33) Country

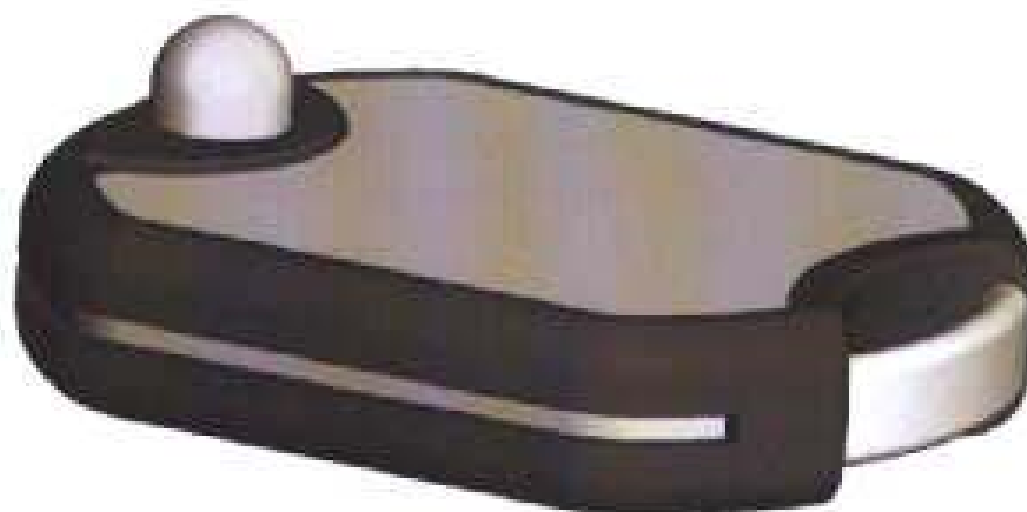
000276084

21 Dec 2004

EUROPEAN COMMUNITY

(56) Related Art Documents: **Not Applicable**

(57) Statement of Newness and Distinctiveness: **Newness and distinctiveness resides in the shape and/or configuration of the combination key ring, tag, lamp and GPS receiver as shown in the accompanying representations.**



- (21) Design Number: **11803/2005**
(22) Date of Filing Application: **28 April 2005**
(24) Date from which industrial property rights may have effect: **28 April 2005**
(54) Product in respect of which the design is registered: **Flag**
(51) International Design Classification: **11-05**
(71) Name(s) and Address(s) of Applicant(s):

Alan Clive George
5 Burrill Place Leumeah New South Wales 2560 Australia

- (72) Name(s) of Designer(s): **Alan Clive George**
(45) Registration Date: **18 August 2005**
(56) Related Art Documents: **Not Applicable**
(57) Statement of Newness and Distinctiveness: **Representation of Southern Cross in vertical position on left representation of kangaroo displaying two legs facing right on right seven-pointed star above and to the left of the kangaroo.**

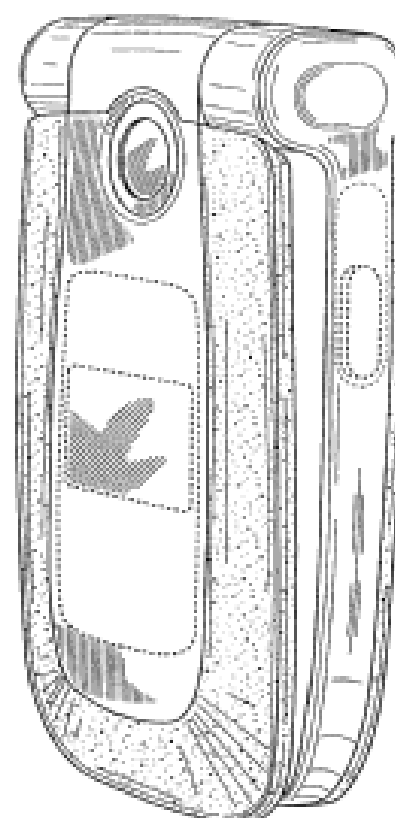


- (21) Design Number: **13999/2004**
(22) Date of Filing Application: **23 August 2004**
(24) Date from which industrial property rights may have effect: **23 August 2004**
(54) Product in respect of which the design is registered: **Portable clamshell communications device with camera**
(51) International Design Classification: **14-03E**
(71) Name(s) and Address(s) of Applicant(s):

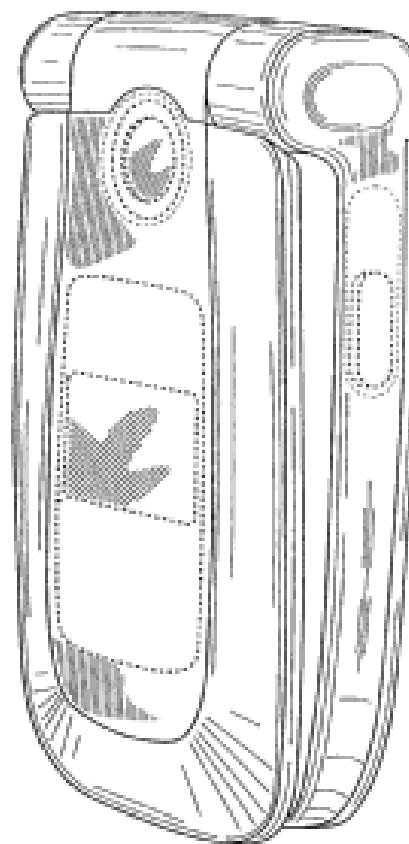
Sony Ericsson Mobile Communications A.B.
Nya vattentornet S-221 88 Lund Sweden

- (72) Name(s) of Designer(s): **Charles Hunt and Hans Fredrik Eckholm and Christopher Collins**
(45) Registration Date: **23 August 2005**
(30) Convention priority data:
- | | | |
|-------------------|--------------------|---------------------------------|
| (31) Number | (32) Date | (33) Country |
| 29/199,994 | 23 Feb 2004 | UNITED STATES OF AMERICA |

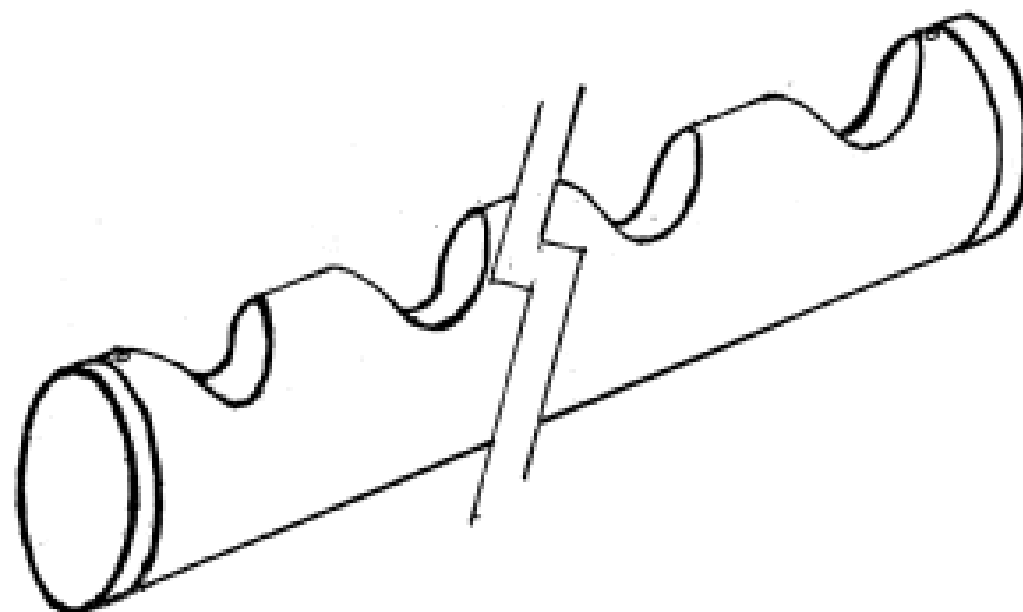
- (56) Related Art Documents: **Not Applicable**
(57) Statement of Newness and Distinctiveness: **The visual features represented by broken lines form no part of the design. The visual features or pattern and/or ornamentation represented by stippling, which may comprise a first colour, contrast with the non-stippled areas, which may comprise a second colour.**



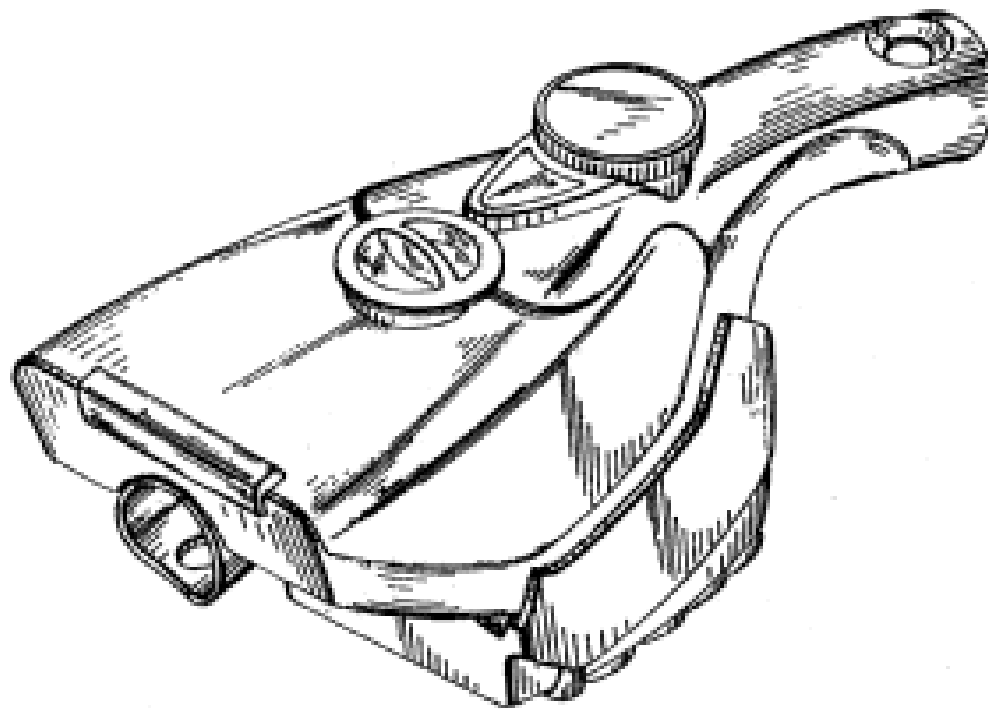
- (21) Design Number: **12261/2005**
(22) Date of Filing Application: **23 August 2004**
(24) Date from which industrial property rights may have effect: **23 August 2004**
(54) Product in respect of which the design is registered: **Portable clamshell communications device with camera**
(51) International Design Classification: **14-03E**
(71) Name(s) and Address(s) of Applicant(s):
Sony Ericsson Mobile Communications A.B.
Nya Vattentorget S-221 88 Lund Sweden
(72) Name(s) of Designer(s): **Charles Hunt and Hans Fredrik Eckholm and Christopher Collins**
(45) Registration Date: **23 August 2005**
(30) Convention priority data:
(31) Number (32) Date (33) Country
29/199,994 23 Feb 2004 UNITED STATES OF AMERICA
(56) Related Art Documents: **Not Applicable**
(57) Statement of Newness and Distinctiveness: **The visual features of the design of the portable communications device shown by broken lines in the representations are for illustrative purposes only and form no part of the design.**



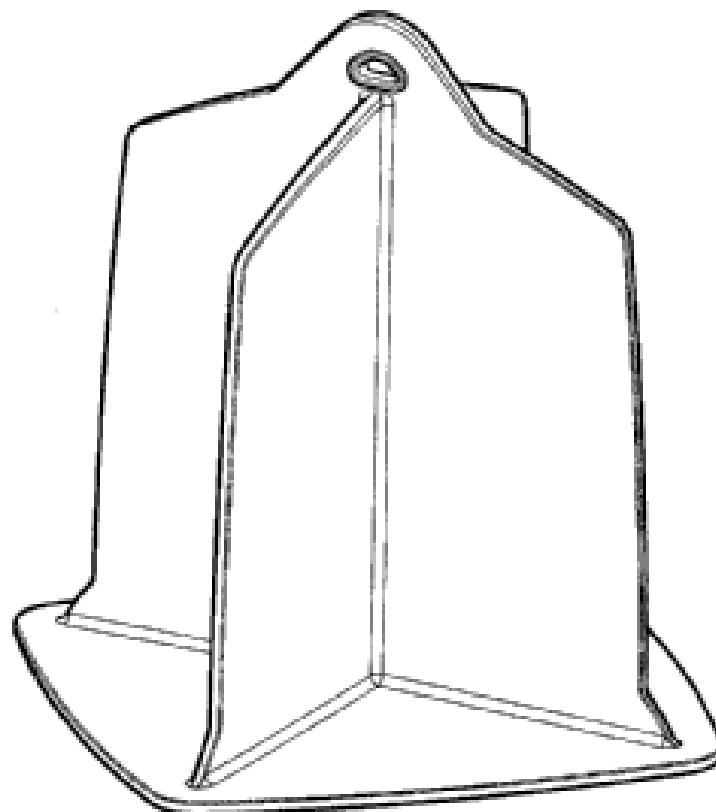
- (21) Design Number: **14208/2004**
(22) Date of Filing Application: **02 September 2004**
(24) Date from which industrial property rights may have effect: **02 September 2004**
(54) Product in respect of which the design is registered: **Hanging planter**
(51) International Design Classification: **11-02B**
(71) Name(s) and Address(s) of Applicant(s):
Martin McClelland
26 Edgefield Way North Beach Western Australia 6020 Australia
(72) Name(s) of Designer(s): **Martin McClelland**
(45) Registration Date: **23 August 2005**
(56) Related Art Documents: **Not Applicable**
(57) Statement of Newness and Distinctiveness: **The new features of this design are holes cut along top and bottom of tube, then hung in a rope ladder configuration.**



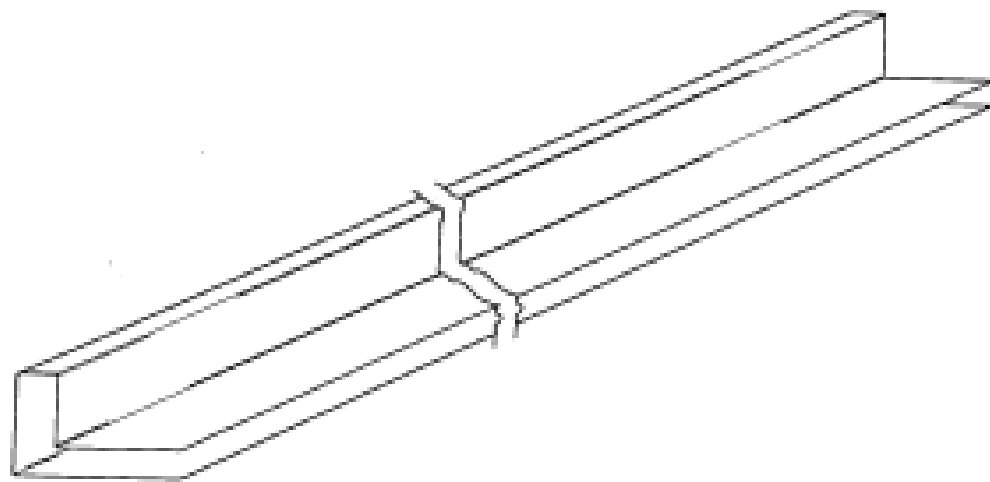
- (21) Design Number: **14265/2004**
(22) Date of Filing Application: **07 September 2004**
(24) Date from which industrial property rights may have effect: **07 September 2004**
(54) Product in respect of which the design is registered: **Steam cleaner device**
(51) International Design Classification: **15-05**
(71) Name(s) and Address(s) of Applicant(s):
Lian Bao Wu
2F No.78-19 Chungshan Road Pali Hsiang Taipei County Taiwan
(72) Name(s) of Designer(s): **Lian Bao Wu**
(45) Registration Date: **23 August 2005**
(56) Related Art Documents: **Not Applicable**
(57) Statement of Newness and Distinctiveness: **The particular visual features of the design which are new and distinctive are the features of shape and configuration as applied to a steam cleaner device.**



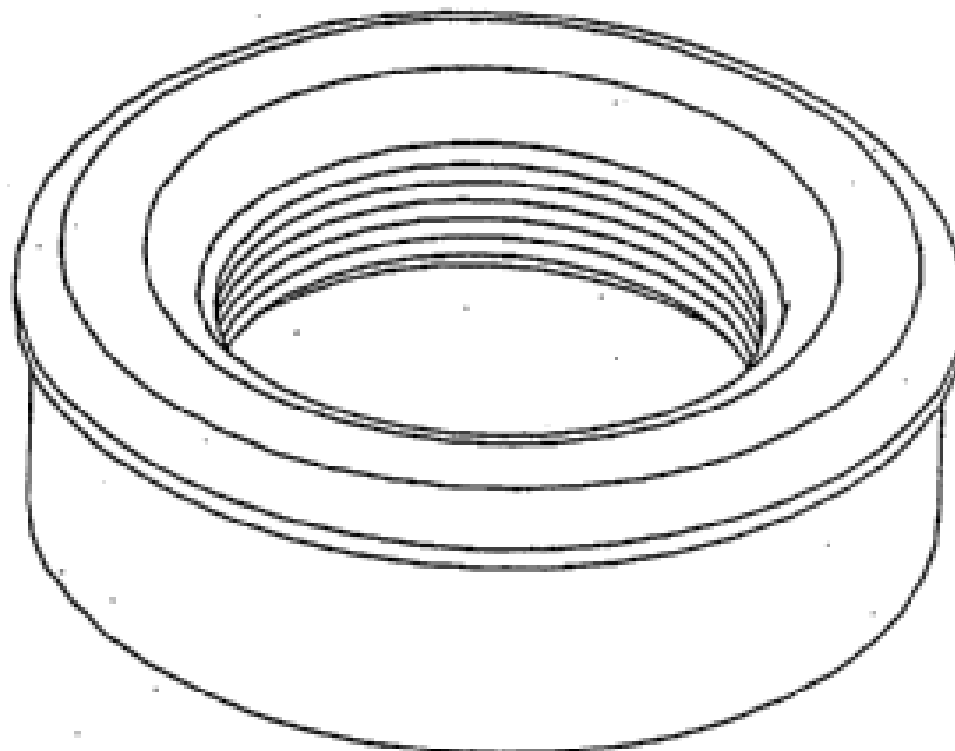
- (21) Design Number: **14651/2004**
(22) Date of Filing Application: **01 October 2004**
(24) Date from which industrial property rights may have effect: **01 October 2004**
(54) Product in respect of which the design is registered: **A water current direction indicator**
(51) International Design Classification: **10-04, 10-06**
(71) Name(s) and Address(s) of Applicant(s):
Joseph Puglisi
17 Blacker Court Port Lincoln South Australia 5606 Australia
(72) Name(s) of Designer(s): **Joseph Puglisi**
(45) Registration Date: **23 August 2005**
(56) Related Art Documents: **Not Applicable**
(57) Statement of Newness and Distinctiveness: **Nil**



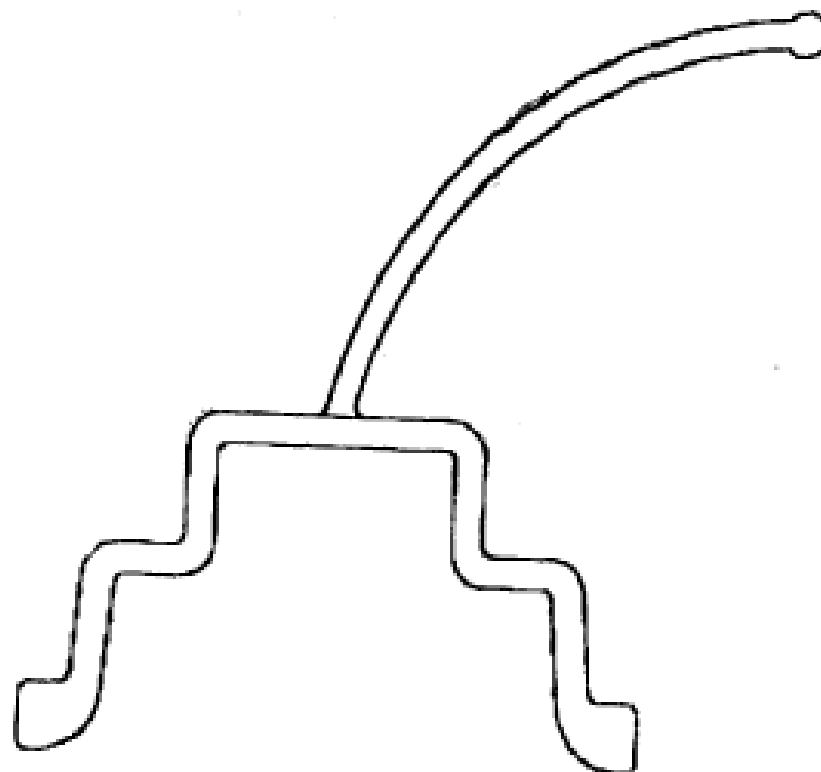
- (21) Design Number: **14835/2004**
(22) Date of Filing Application: **14 October 2004**
(24) Date from which industrial property rights may have effect: **14 October 2004**
(54) Product in respect of which the design is registered: **Insulating strip of indefinite length for use with insect screens, security screens and the like**
(51) International Design Classification: **25-02H, 25-99**
(71) Name(s) and Address(s) of Applicant(s):
G & J Koutsoukos Holdings Pty Ltd
123A Royal Street East Perth Western Australia 6004 Australia
(72) Name(s) of Designer(s): **Jamie Dimitrios Elias Koutsoukos**
(45) Registration Date: **23 August 2005**
(56) Related Art Documents: **Not Applicable**
(57) Statement of Newness and Distinctiveness: **(a) Each feature of the design considered separately or in combination with any other feature or features. (b) The cross-sectional profile defined jointly by the web and adjacent inner lateral face of the inner portion of the channel section.**



- (21) Design Number: **15220/2004**
(22) Date of Filing Application: **10 November 2004**
(24) Date from which industrial property rights may have effect: **10 November 2004**
(54) Product in respect of which the design is registered: **Cap for a packaging bag**
(51) International Design Classification: **09-07A**
(71) Name(s) and Address(s) of Applicant(s):
Rui Sin Plastic Industries Sdn Bhd
26 Jalan Perdagangan 3 Taman Universiti Industrial Park 81300
Skudai Johor Darul Takzim Malaysia
(72) Name(s) of Designer(s): **Cheng Leng Ooi**
(45) Registration Date: **23 August 2005**
(56) Related Art Documents: **Not Applicable**
(57) Statement of Newness and Distinctiveness: **The novelty of the design for which protection is sought lies in the shape and configuration of the depressed hole in the centre of the article excluding the overall shape and configuration of the article as shown in the accompanying representations.**



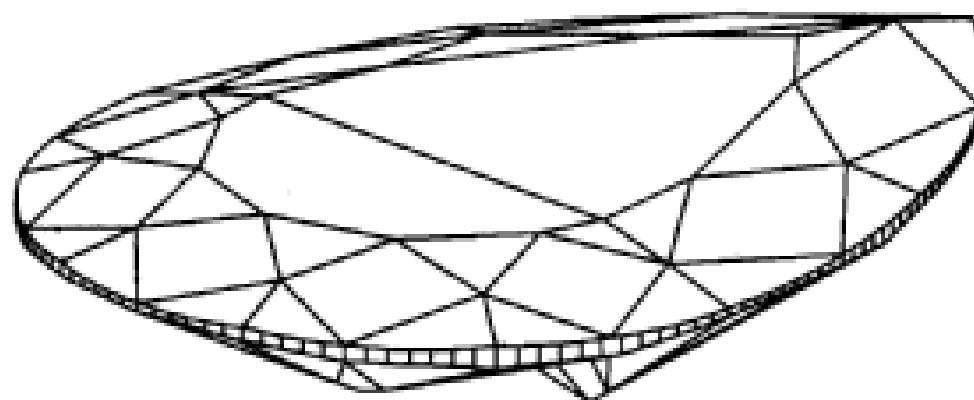
- (21) Design Number: **15255/2004**
(22) Date of Filing Application: **12 November 2004**
(24) Date from which industrial property rights may have effect: **12 November 2004**
(54) Product in respect of which the design is registered: **Louvre window system snap in co extruded plastic seal**
(51) International Design Classification: **25-99**
(71) Name(s) and Address(s) of Applicant(s):
CDA Products Pty Ltd
36 Wood Street Mackay Queensland 4740 Australia
(72) Name(s) of Designer(s): **Don Petith**
(45) Registration Date: **23 August 2005**
(56) Related Art Documents: **Not Applicable**
(57) Statement of Newness and Distinctiveness: **Nil**



- (21) Design Number: **15389/2004**
(22) Date of Filing Application: **19 November 2004**
(24) Date from which industrial property rights may have effect: **19 November 2004**
(54) Product in respect of which the design is registered: **Gemstone**
(51) International Design Classification: **11-02NES**
(71) Name(s) and Address(s) of Applicant(s):
Doron Golan
23 Kamil Hoismans Street Pardes Hagdud Netanya 42222 Israel
Gil Melamed
8 Ha'Irusim Street Ramat Poleg Netanya 42654 Israel
(72) Name(s) of Designer(s): **Doron Golan and Gil Melamed**
(45) Registration Date: **23 August 2005**
(30) Convention priority data:

(31) Number	(32) Date	(33) Country
IL39332	24 May 2004	ISRAEL

(56) Related Art Documents: **Not Applicable**
(57) Statement of Newness and Distinctiveness: **Newness and distinctiveness is claimed in the visual features of shape and/or configuration of a gemstone as illustrated in the accompanying representations.**



- (21) Design Number: **15713/2004**
(22) Date of Filing Application: **09 December 2004**
(24) Date from which industrial property rights may have effect: **09 December 2004**
(54) Product in respect of which the design is registered: **Container blank**
(51) International Design Classification: **09-03M**
(71) Name(s) and Address(s) of Applicant(s):
Australian Postal Corporation
321 Exhibition Street Melbourne Victoria 3000 Australia
(72) Name(s) of Designer(s): **Ang Tsoutsoulis**
(45) Registration Date: **23 August 2005**
(56) Related Art Documents: **Not Applicable**
(57) Statement of Newness and Distinctiveness: **Newness and distinctiveness is claimed in the visual features of shape and/or configuration applicable to a container blank as illustrated in the accompanying representation.**

