

Australian Government

IP Australia

AUSTRALIAN OFFICIAL JOURNAL

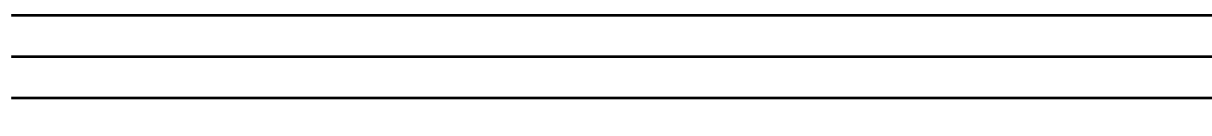
OF

DESIGNS

Did you know a searchable version of this journal is now available online?
It's FREE and EASY to SEARCH.

Find it at

<http://pericles.ipaustralia.gov.au/ols/epublish/content/olsEpublications.jsp>
or using the "Online Journals" link on the IP Australia home page.



This Page Left Intentionally Blank

Contents

General Information & Notices

Proceedings Under the Designs Act 1906 preserved as a result of the provisions of Chapter 12 Part 2 of the Designs Act 2003

Application for Extension of Period of Registration	2290
Applications for Extension of Time	2291
Applications Lapsed	2289
Applications Withdrawn	2289
Corrigenda	2293
Extension of Period of Registration of Designs	2290
Extensions of Time Granted	2291
Licences Registered	2292
Names Registered - Alterations and Amendments	2292
Registration Proceedings	
Registration Number Range 158264 to 158285	2294
Registrations Ceased	2291
Subsequent Owners Registered	2292

Proceedings Under the Designs Act 2003

Applications Assigned	2316
Applications Lapsed	2315
Applications Lodged	2309
Applications Withdrawn	2315
Certificate of Examination	2317
Extension of Time Granted Under Section 137	
Names Registered - Alterations and Amendments	2316
Publication and Registration Proceedings	
Designs Registered 302862 to 303100.....	2318
Subsequent Owners Registered	2316

This Page Left Intentionally Blank

General Information

EDITORIAL ENQUIRIES

All enquiries about official notices and general information in the Journal should be directed to IP Australia, (ABN No 38 113 072 755), PO Box 200 Woden ACT 2606

Or

Telephone 1300 651 010
(International Callers +61 2 6283 2999)
Fax 02 6283 7999
E-mail assist@ipaustalia.gov.au

CONTACT INFORMATION

Customer Service Network
Telephone 1300 651 010 , Fax: 02 6283 7999
E-mail: assist@ipaustalia.gov.au

Customers can contact the Customer Service Network by telephone or by e-mail. Telephones are staffed between 9am and 5pm each working day.

Customers should contact the Customer Service Network for information about:

- All Patent Matters including PCT and Innovation Patents.
- All Trade Mark Matters.
- All Design Matters.

Professional Standards Board for Patent and Trade Mark Attorneys.

Ph: 02 6283 2345 Fax: 02 6283 1048

ORDERING PATENT DOCUMENTS

When ordering copies of Australian patent specifications, or abstracts and abridgments notified as open to public inspection on or after 26 October 1978, or as accepted on or after 16 November 1978, the documents should be referred to by application numbers only, preceded by letters AU-A or AU-B respectively.

REQUESTS FOR INFORMATION UNDER SECTION 194 (C)

A request for information under Section 194 (C) of the Patents Act 1990 should be made in the approved form and be accompanied by the prescribed fee. The request should be as detailed as possible.

INFORMATION FROM REGISTERS

All requests for information from Register of Patents, Trade Marks or Designs, should be made in writing and accompanied by the prescribed fee. The Registers are located in Canberra and may be examined free of charge.

COUNTRY CODES

For a listing of country codes used by IP Australia please refer to the Official Journals dated 7 November 1996.

ABBREVIATIONS IN JOURNAL

Standard abbreviations are used in the name of companies and firms. Enquiries concerning the precise name should be directed to the Customer Service Network.

FREEDOM OF INFORMATION ACT

What does it do?

- Gives you right to obtain information held by Commonwealth Ministers, Departments and most statutory bodies (these bodies are called agencies under the Act).
- Requires Commonwealth Government agencies to make available to members of the public:
 - Information about agencies, their functions and operations.
 - Information about rules and practices which are used in making decisions which affect you.
- Gives you a legal right to:
 - See non exempt documents held by agencies, and
 - appeal against a decision not to grant access to a document.

What documents can you see?

- The Act gives you a right to see documents lodged on or after 1 December 1977, or earlier if you need them to understand another document you have already.
- Documents include files, reports, computer printouts, maps, plans, photographs, tape recordings, films or videotapes.
- Documents which are available for purchase under the Patents Act 1990, the Trade Marks Act 1995 or Designs Act 2003 are not available under the Freedom of Information Act (Section 12 refers).

How do you apply?

Requests for access to documents must

- Be in writing
- Provide sufficient information so as to enable identification of the documents requested
- Specify an address in Australia where notices can be sent and
- Be accompanied by the application fee (currently \$30.00) or specify an IP Australia account to which the charges will be posted.

Requests for documents should be addressed to IP Australia, PO Box 200 Woden, ACT 2606, or Faxed to 02 6283 7999

DECISIONS OF THE COMMISSIONER OF PATENTS AND REGISTRAR OF TRADE MARKS AND DESIGNS

- All decisions of the Commissioner and Registrars are available free of charge from AUSTLII's website www.austlii.edu.au

Copies of all written Patent and Design decisions are available (except if they would not be available under the provisions of the Freedom of Information legislation, e.g. if they would effectively disclose matter from documents that are not open to public inspection) on request for a cost of \$AU 25. They are also available for inspection in indexed volume series, dating from 1 January 1987, in the Office library, Canberra.

Copies of Trade Mark decisions may be accessed via IP Australia's website www.ipaustralia.gov.au

- Copies of the taped record of Patent and Design hearings are available (with the same exception as above) on request.
- When a written decision is issued the fact of the decision plus a brief head note will be published in the Official Notices section of the next available Patents, Trade Marks or Designs Journal.

HEARINGS BEFORE THE COMMISSIONER OF PATENTS AND THE REGISTRARS OF TRADE MARKS AND DESIGNS

Hearings before the Commissioner of Patents and the Registrars of Trade Marks and Designs will be set down in Melbourne, Sydney, Adelaide, Perth and Brisbane during the periods indicated below.

Patent Hearings Sessions 2005

Melbourne	9 – 11 May
Sydney	11 – 13 July
Adelaide	2 – 3 August
Perth	4 – 5 August
Brisbane	1 – 2 September

Note: Expert matters will have priority over other matters for allocation of a hearing in these sessions.

Designs and Trade Marks Hearings Sessions 2005

Melbourne	14 – 18 February 6 – 10 June 12 – 16 September
Sydney	14 – 18 March 18 – 22 July 17 – 21 October
Adelaide	15 – 16 August
Perth	18 – 19 August
Brisbane	22 – 23 August

Persons who desire matters to be set down for hearing in Melbourne, Sydney, Adelaide, Perth or Brisbane must give at least one month's notice of their intention to be heard. If such notice is not given, it may be that there would be insufficient time to allow for the execution of official procedures

associated with the listing of hearings, and as a result, the matter involved might not be listed.

Subject to the convenience of this Office, hearings will be set down in Canberra at any time suitable to the parties.

LIST OF STATE OFFICES

IP Australia State Offices are located in the Australian Capitals at the addresses given below. Requests for information may be obtained by calling at, phoning or writing to these offices or IP Australia, Canberra.

Australian Capital Territory

Ground Floor
Discovery House
PHILLIP ACT 2606
(PO Box 200, WODEN ACT 2606)
Ph: 1300 651 010
Fax: (02) 6283 7999

New South Wales

Level 1
45 Clarence Street
SYDNEY NSW 2000
Ph: 1300 651 010
Fax: (02) 9249 5807

Victoria

Level 6
OCBC House
565 Bourke Street
MELBOURNE VIC 3000
Ph: 1300 651 010
Fax (03) 9612 9807

Western Australia

2nd Floor
East Point Plaza
233 Adelaide Terrace
PERTH WA 6000
Ph: 1300 651 010
Fax: (08) 9220 8907

Queensland

Level 1
Grant Thornton House
102 Adelaide Street
BRISBANE QLD 4000
Ph: 1300 651 010
Fax: (07) 3007 1107

South Australia

Level 10
Origin Energy House
1 King William Street
ADELAIDE SA 5000
Ph: 1300 651 010
Fax: (08) 8239 4507

Tasmania

4th Floor
AMP Building
27 Elizabeth Street
HOBART TAS 7000
Ph: 1300 651 010
Fax: (03) 6235 6307

“INID” NUMBERS in use on Australian Design Documents

“INID” is an acronym for “Internationally agreed Numbers for the Identification of Data”.

(10) Data concerning the registration/renewal

- (11) Serial number of the registration and/or number of the design document
- (12) Plain language designation of the kind of published document
- (19) Identification, using the two-letter code according to WIPO Standard ST.3, of the authority publishing or registering the industrial design

(20) Data concerning the application

- (21) Serial number of the application
- (22) Date of filing of the application
- (24) Date from which the industrial design right has effect

(30) Data relating to priority under the Paris Convention

- (31) Serial number assigned to the priority application
- (32) Date of filing of the priority application
- (33) Two-letter code, according to WIPO Standard ST.3, identifying the authority with which the priority application was made

(40) Date(s) of making information available to the public

- (45) Date of publication of the registered industrial design by printing or similar process, or making it available to the public by any other means

(50) Miscellaneous Information

- (51) International Classification for Industrial Designs (class and subclass of the Locarno Classification)
- (54) Designation of article(s) or product(s) covered by the industrial design or title of the industrial design
- (55) Reproduction of the industrial design (e.g., drawing, photograph) and explanations relating to the reproduction
- (56) List of prior art documents, if separate from descriptive text
- (57) Description of characteristic features of the industrial design including indication of colours

(60) References to other legally related application(s) and registration(s)

- (62) Serial number(s) and, if available, filing date(s) of application(s), registration(s) or document(s) related by division
- (66) Serial number(s) of the application, or the registration, of the design(s) which is (are) a variant(s) of the present one

(70) Identification of parties concerned with the application or registration

- (71) Name(s) and address(es) of the applicant(s)
- (72) Name(s) of the creator(s) if known to be such
- (74) Name(s) and address(es) of the representative(s)

This Page Left Intentionally Blank

OFFICIAL NOTICES

Expunged Design Registrations

128123, 128131, 128135, 128138

On 3 June 2005 the Federal Court of Australia, New South Wales District Registry ordered that the Register of Designs be rectified by expunging the entry of Design Registrations numbers 128123, 128131, 128135, 128138.

(Court Order Number N884 of 2004.)

Queries: Eva Korecki
IP Rights Administration
+61 2 6283 2588

Contact: IP Australia
Phone: 1300 651 010
Fax: +61 2 6283 7999
E-mail: assist@ipaaustralia.gov.au
Web: www.ipaustralia.gov.au

OFFICIAL NOTICES

Designs Act 2003
Amendments to Registered Designs at Examination

The following amendments have been made to details previously published in the Australian Official Journal of Designs during the Examination process:

Registration Number	Amendment type	New details
300232	Classification	25-01G, 25-01K, 25-01Z, 25-02Z
300233	Classification	25-01G, 25-01K, 25-01Z, 25-02Z
300234	Classification	25-01G, 25-01K, 25-01Z, 25-02Z
300235	Classification	25-01G, 25-01K, 25-01Z, 25-02Z
300236	Classification	25-01G, 25-01K, 25-01Z, 25-02Z
300237	Classification	25-01G, 25-01K, 25-01Z, 25-02Z
300238	Classification	25-01G, 25-01K, 25-01Z, 25-02Z
300239	Classification	25-01G, 25-01K, 25-01Z, 25-02Z
300240	Classification	25-01G, 25-01K, 25-01Z, 25-02Z
300293	Classification	06-09
300294	Classification	06-09
300306	Classification	06-06Z, 20-03C
300307	Classification	10-04, 17-02, 17-04, 17-99
300561	Classification	06-01B, 06-01G, 06-01Z
300671	Classification	25-01G, 25-01K, 25-01Z, 25-02Z
301363	Classification	12-16K, 12-16Z, 25-04
301731	Classification	12-16B, 12-16Z
301732	Classification	12-16B, 12-16Z

Contact: IP Australia
Phone: 1300 651 010
Fax: +61 2 6283 7999
E-mail: assist@ipaustrialia.gov.au
Web: www.ipaustrialia.gov.au

Proceedings under the Designs Act 1906 preserved as a result of the provisions of Chapter 12 Part 2 of the Designs Act 2003.

This Page Left Intentionally Blank

Applications Withdrawn

01031 / 2003 (25-01A)
02454 / 2004 (09-05)

02453 / 2004 (09-05)

Applications Lapsed

00163 / 2004 (12-08)
00172 / 2004 (08-01)
00174 / 2004 (08-08H)
00181 / 2004 (09-05)
01072 / 2004 (07-01E)

00164 / 2004 (12-16B)
00173 / 2004 (08-08H)
00175 / 2004 (08-08H)
00226 / 2004 (08-08NES)
01821 / 2004 (19-08)

Application for Extension of Period of Registration

Applications under Section 27A(2) for extension of registration of the following designs have been lodged. In the event that a design is shown to be not new or original, the Registrar may refuse to extend the period of registration. Sub-section 27A(4) allows any person to lodge at the Designs Office material relevant to the question whether the design is not new or original. That material must be lodged within 11 months of the date when the registration of the design was made. Further details of the conditions and procedures for the lodgement of material are contained in Form 8 provided under the Designs Regulation 24.

Registration Number	Registered Owner	Registration Date
155933	PAUL LANGDON-WENTWORTH SEALE	19/07/2004
156004	SANTA MARIA PTY LTD	27/07/2004
156293	ALIQANTUM PTY LTD	26/08/2004
156294	ALIQANTUM PTY LTD	26/08/2004
156320	ROBERT PATRICK PURCELL and RENEE VAN KEEKEN	31/08/2004
156323	ROB MCGOVERN IMPORTS PTY LTD	02/09/2004
156339	CRIMS SAFE SECURITY SYSTEMS PTY LTD	02/09/2004
156354	TEAM POLY PTY LTD	06/09/2004
156357	BRIBROS AUSTRALIA PTY LTD	06/09/2004
156371	ALIQANTUM PTY LTD	07/09/2004
156373	SANDRA TULLY	07/09/2004
156408	UNDERCOVER ADS PTY LTD	10/09/2004
156520	COLIN RICHARD WARREN and SHERRY LYNN WARREN	27/09/2004
156572	SHARON THERESE DONALDSON	05/10/2004
156592	IAN GEOFFREY WILSON	06/10/2004
156673	WAI KOK SPORTS LIMITED	18/10/2004
156674	WAI KOK SPORTS LIMITED	18/10/2004
156719	MICHAEL CHARLES BUCKNELL	20/10/2004
156753	STRIPROLL CONSOLIDATED INDUSTRIES PTY LTD	22/10/2004
156828	BARBARIAN V8 MOTORCYCLES PTY LTD	08/11/2004
156833	DONNA COWIE	08/11/2004
156839	FORD MOTOR COMPANY OF AUSTRALIA LIMITED	08/11/2004
156869	TRADE GUYS INTERNATIONAL PTY LTD	15/11/2004
156878	KOHLER CO.	15/11/2004
156879	KOHLER CO.	15/11/2004

Registration Number	Registered Owner	Registration Date
156891	FORD MOTOR COMPANY OF AUSTRALIA LIMITED	15/11/2004
156892	FORD MOTOR COMPANY OF AUSTRALIA LIMITED	15/11/2004
156893	FORD MOTOR COMPANY OF AUSTRALIA LIMITED	15/11/2004
156905	MEYER INTELLECTUAL PROPERTIES LIMITED	16/11/2004
156911	MEDISPECTRA INC.	16/11/2004
156932	NCI PACKAGING PTY LTD	29/11/2004
156933	NCI PACKAGING PTY LTD	29/11/2004
157346	SEAGOE TECHNOLOGIES LIMITED	25/01/2005
157937	TECHTRONIC INDUSTRIES CO. LTD	18/04/2005
157950	TECHTRONIC INDUSTRIES CO. LTD	19/04/2005
158104	DJ ORTHOPEDICS L.L.C.	20/06/2005
158123	ACCO UK LIMITED	29/06/2005
158149	DJ ORTHOPEDICS LLC	22/07/2005
158155	UNISEN INC. DOING BUSINESS AS STAR TRAC	25/07/2005
158164	GMCA PTY LTD	25/07/2005
158165	GMCA PTY LTD	25/07/2005
158175	NOKIA CORPORATION	26/07/2005
158199	AKTIEBOLAGET ELECTROLUX	01/08/2005
158209	UEC TECHNOLOGIES (PROPRIETARY) LIMITED	01/08/2005
158210	UEC TECHNOLOGIES (PROPRIETARY) LIMITED	01/08/2005
158235	KRONE (AUSTRALIA) HOLDINGS PTY LIMITED	03/08/2005
158238	BLACK & DECKER INC.	03/08/2005
158244	DJ ORTHOPEDICS L.L.C.	03/08/2005
158248	GALANTAI PLASTICS GROUP LIMITED	03/08/2005
158259	BRAUN G.M.B.H	18/08/2005
158262	CONAIR CORPORATION	18/08/2005
158263	HUNT HOLDINGS INC.	18/08/2005
158272	MAPA G.M.B.H.	26/08/2005

Extension of Period of Registration of Designs

1st Period (Section 27A(8))

155933	156004	156261
156262	156263	156264
156265	156266	156267
156268		

	156269	156270			
156271	156272	156273	107206	107235	107240
156274	156275	156276	107317	107470	107906
156277	156279	156280	107925	108595	108777
156282	156283	156285	109969	111421	119814
156287	156288	156289	119923	120394	121328
156290	156291	156292	121334	121364	121416
156293	156294	156299	121417	121418	121421
156301	156302	156303	121423	122050	122165
156304	156305	156306	122217	122494	122495
156307	156308	156310	122496	122497	122498
156311	156312	156313	122499	122500	122555
156314	156315	156316	122556	122557	122558
156317	156318	156319	122559	122562	122563
156320	156321	156322	122564	122565	122566
156323	156325	156331	122567	122568	122569
156332	156333	156334	122581	122602	122693
156335	156336	156337	122694	122695	122696
156338	156339	156340	122697	122805	122888
156342	156343	156344	122889	123881	123882
156345	156346	156347	123883	123884	124276
156348	156349	156350	124315	124458	125039
156351	156352	156354	125071	125204	136924
156355	156356	156357	136999	138155	138156
156358	156359	156360	138194	138196	138218
			138220	138221	138222
			138224	138225	138301
			138330	138424	138427
			138430	138967	139092
			139093	139280	139511
			139651	140027	140145
			140146	141142	141143
			141184	141208	141478
			141479	141538	141805
			142012	142013	142276
			142802	142803	156223
			156224	156241	156242
			156243	156244	156245
			156246	156247	156248
			156281	156296	156297
			156298	156300	

2nd Period (Section 27A(12))

138927	140018	140073
140116	140176	140181
140200	140220	140231
140232	140296	140297
140298	140344	140347
140406	140415	140493
140494	140560	140564
140565	140566	140567
140568	140675	140918
141041	141568	141802
141902	142178	142824
143764	144181	144928

3rd Period (Section 27A(13))

123135	123194	123195
123202	123264	123418
123467	123718	123858
124241	124775	125440
126927	127571	

Registrations Ceased

Note: Some of the following Registrations may have been previously advertised as ceased. In this instance, the previous advertisement still prevails.

106929	106942	106943
106944	106945	106946
106947	106948	106968
107021	107027	107040
107091	107106	107107

Applications for Extension of time

Applications for extension of time have been lodged. Objections must be lodged within 1 month from the date of this journal.

135130 **Noel William Sadler** Extension of time to extend a registration. Address for Service: Good Nuts Pty Ltd PO Box 1315 MAROUBRA NSW 2035

154254 **Zoom Products International Pty Ltd** Extension of time to extend a registration. Address for Service: WALLINGTON-DUMMER GPO Box 3888 SYDNEY NSW 2001

Extensions of time granted

Applications lodged for extension of time have been granted.

144928 **Product Marketing Junction Inc.** An Extension of time to

extend a registration has been granted to 01/08/2005

156004 **Santa Maria Pty Ltd** An Extension of time to extend a registration has been granted to 15/08/2005

155933 **Paul Langdon-Wentworth Seale** An Extension of time to extend a registration has been granted to 31/08/2005

Subsequent Owners Registered

(The name in parentheses is that of the subsequent owner)

- 139641 **(Neta Home & Commercial Pty Ltd Trading as Neta Blinds)** Robert James Hiscock Trading as Neta Blinds;Gwenda Marjorie Hiscock Trading as Neta Blinds
- 139421 **(Neta Home & Commercial Pty Ltd Trading as Neta Blinds)** Robert James Hiscock Trading as Neta Blinds;Gwenda Marjorie Hiscock Trading as Neta Blinds
- 121896 **(Darren Vassie as trustee of the Vassie Family Trust)** Parattah Pty Ltd
- 149524 **(Esco Industries)** Esco Industries Pty Ltd

Names Registered - Alterations and Amendments

(The name in parentheses is the new name of the proprietor)

- 155469 **(Shapai Pty Limited)** Ripple Effects Australia Pty Ltd

Licences Registered

- 127406 A licence has been granted to **Binders Compendium Menu Covers Pty Ltd**

Corrigenda

Number

In Vol 19 , No 15 , page 1922 under the heading **Registrations Ceased**; Design No. 155811 should be deleted.

Number

In Vol 19 , No 15 , page 1922 under the heading **Registrations Ceased**; Design No. 155812 should be deleted.

Number

In Vol 19 , No 15 , page 1922 under the heading **Registrations Ceased**; Design No. 155815 should be deleted.

Registration Proceedings

Designs Registered

This section provides a concordance between application number and registration number of Designs covered in this journal. It also shows the main class and registration date.

This section covers Registration numbers 158264 to 158285.

The registration number shown below should be used in all future correspondence.

Application Number	Registration Number	International Classification Code (IDC)	Registration Date	Application Number	Registration Number	International Classification Code (IDC)	Registration Date
04603/2003	158264	25-01D	26/08/2005	01134/2004	158279	11-02B	05/09/2005
04607/2003	158271	09-05	26/08/2005	01135/2004	158280	13-03C	05/09/2005
00473/2004	158265	07-06D	26/08/2005	01304/2004	158267	24-02	26/08/2005
00577/2004	158273	19-06	05/09/2005	01410/2004	158268	06-06NES	26/08/2005
00653/2004	158285	11-05	08/09/2005	01598/2004	158269	07-01C	26/08/2005
00926/2004	158266	21-04	26/08/2005	02476/2004	158270	30-02	26/08/2005
01010/2004	158274	02-02B	05/09/2005	02534/2004	158281	09-01NES	05/09/2005
01130/2004	158275	13-03C	05/09/2005	02535/2004	158282	09-01NES	05/09/2005
01131/2004	158276	13-03C	05/09/2005	02537/2004	158283	09-01NES	05/09/2005
01132/2004	158277	25-01D	05/09/2005	02538/2004	158284	09-01NES	05/09/2005
01133/2004	158278	11-02B	05/09/2005	02570/2004	158272	24-04	26/08/2005

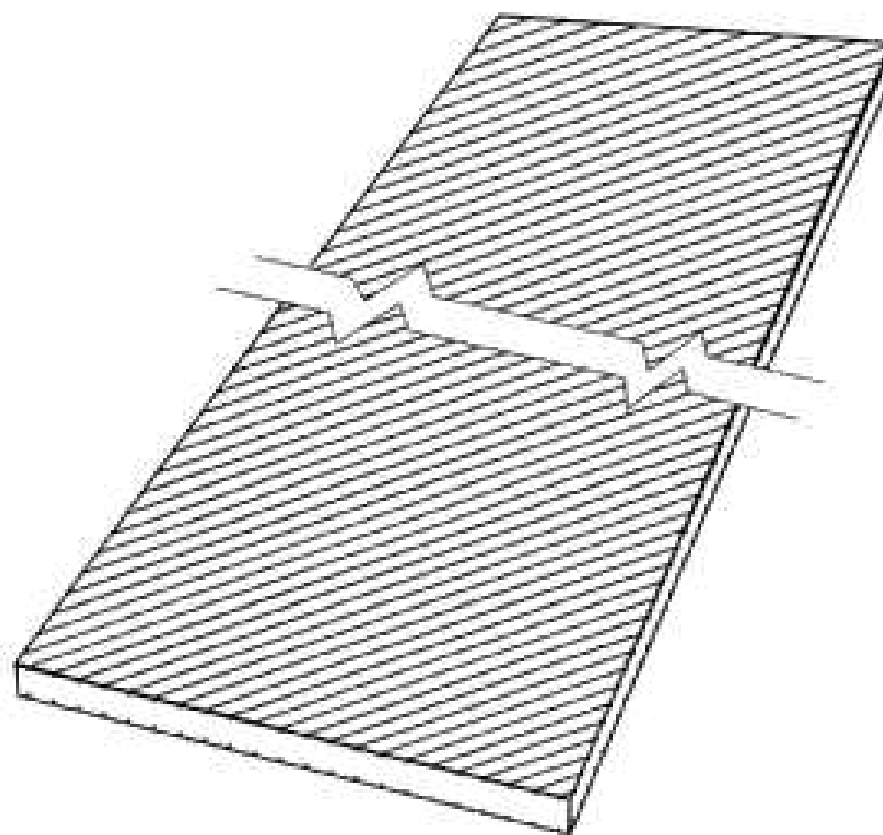
Registration Proceedings

Class Listing of Designs Registered

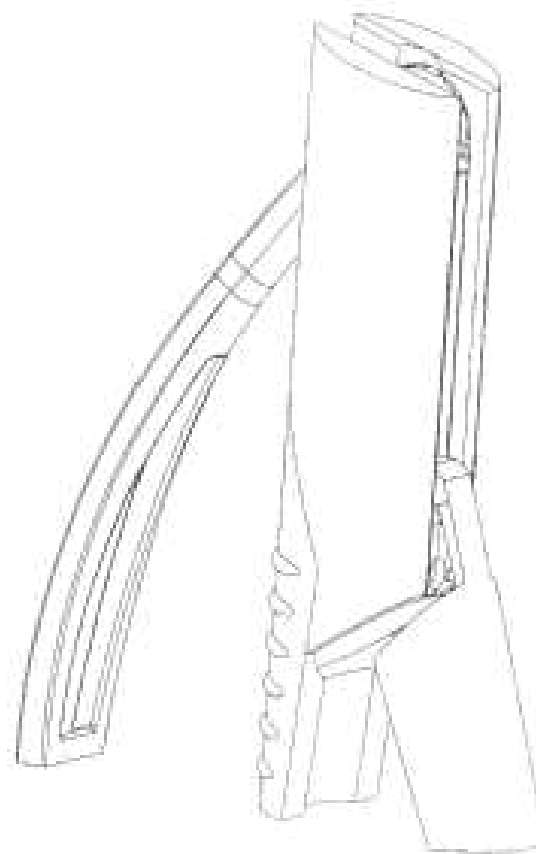
The following section shows an International Classification Code listing of the Registered Designs covered in this supplement.

Classification	Registration Number	Application Number	Classification	Registration Number	Application Number
02-02 B	158274	01010/2004	13-03 C	158275	01130/2004
06-06 NES	158268	01410/2004	13-03 C	158276	01131/2004
07-01 C	158269	01598/2004	13-03 C	158280	01135/2004
07-06 D	158265	00473/2004	19-06	158273	00577/2004
09-01 NES	158281	02534/2004	21-04	158266	00926/2004
09-01 NES	158282	02535/2004	24-02	158267	01304/2004
09-01 NES	158283	02537/2004	24-04	158272	02570/2004
09-01 NES	158284	02538/2004	25-01 D	158264	04603/2003
09-05	158271	04607/2003	25-01 D	158277	01132/2004
11-02 B	158278	01133/2004	30-02	158270	02476/2004
11-02 B	158279	01134/2004			
11-05	158285	00653/2004			

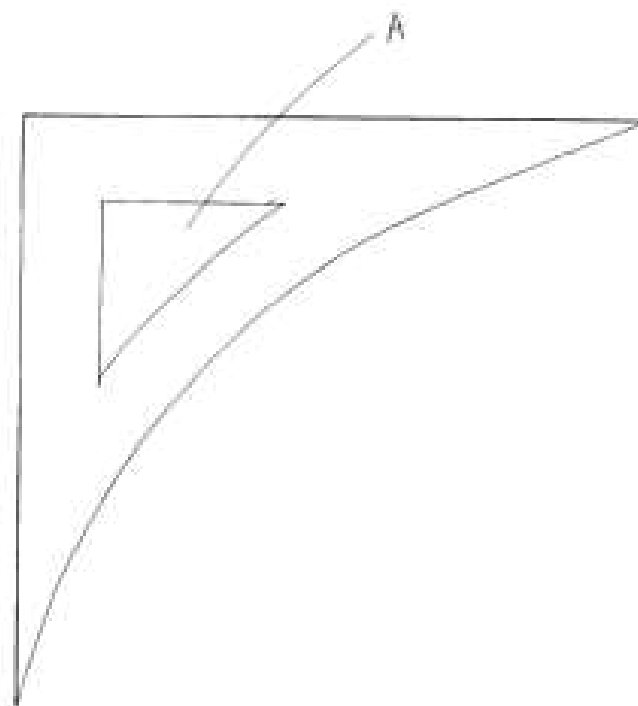
(21) Application Number: **4603/2003**
(22) Date of Filing Application: **24 December 2003**
(24) Date from which industrial property rights may have effect: **24 December 2003**
(54) Article in respect of which the design is registered: **A rendering board**
(51) International Design Classification: **25-01D**
(74) Name(s) of Attorney(s): **Fisher Adams Kelly**
(71) Name(s) and Address(s) of Applicant(s):
Green Build Australia Pty Ltd
C/- SA & BIRK Accountants Level 3 Invicta House 172 Edward Street
Brisbane Queensland 4000 Australia
(72) Name(s) of Author(s): **Bradley Donald McCullough**
(45) Registration Date: **26 August 2005**
(56) Related Art Documents: **Not Applicable**
(57) Statement of Monopoly: **Monopoly is claimed in the shape and/or configuration of a rendering board of indefinite length as illustrated in the accompanying representations.**
Statement of Novelty: **Nil**



(21) Application Number: **0473/2004**
(22) Date of Filing Application: **09 February 2004**
(24) Date from which industrial property rights may have effect: **09 February 2004**
(54) Article in respect of which the design is registered: **Corkscrew**
(51) International Design Classification: **07-06D**
(74) Name(s) of Attorney(s): **Cullen & Co**
(71) Name(s) and Address(s) of Applicant(s):
Le Creuset S.A.
Fresnoy-le-Grand F-02230 France
(72) Name(s) of Author(s): **Jean-Pierre Vitrac**
(45) Registration Date: **26 August 2005**
(30) Convention priority data:
(31) Number (32) Date (33) Country
000074729 9 Sep 2003 EUROPEAN COMMUNITY
(56) Related Art Documents: **Not Applicable**
(57) Statement of Monopoly: **Monopoly is claimed in the shape and configuration of a corkscrew as shown in the accompanying representations.**
Statement of Novelty: **Nil**



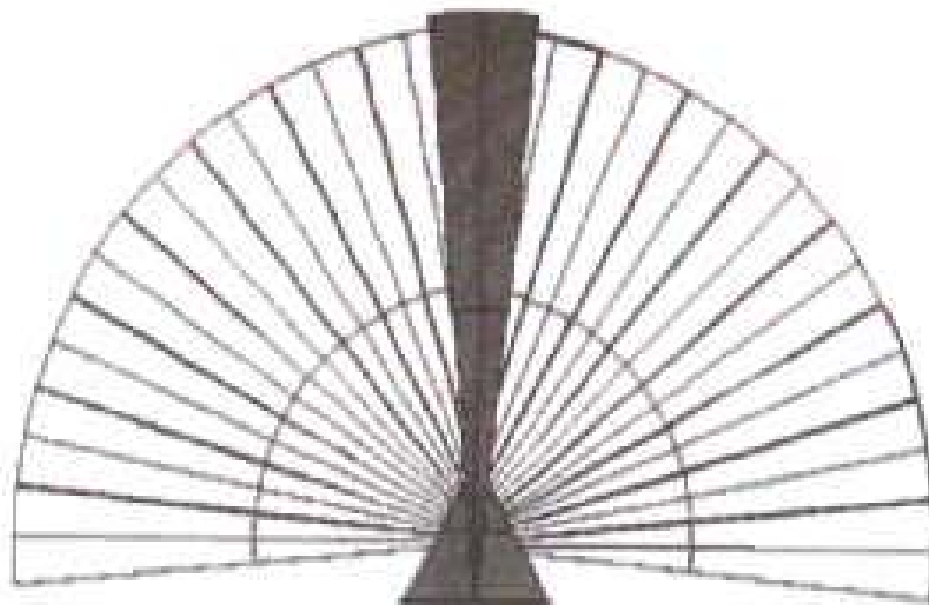
(21) Application Number: **0926/2004**
 (22) Date of Filing Application: **09 March 2004**
 (24) Date from which industrial property rights may have effect: **09 March 2004**
 (54) Article in respect of which the design is registered: **An awning panel for a tent**
 (51) International Design Classification: **21-04**
 (74) Name(s) of Attorney(s): **Cullen & Co**
 (71) Name(s) and Address(s) of Applicant(s):
Michael Jagger
Coverall Canvas Works 26 Commercial Road Maroochydore
Queensland 4558 Australia
 (72) Name(s) of Author(s): **Michael Jagger**
 (45) Registration Date: **26 August 2005**
 (56) Related Art Documents: **Not Applicable**
 (57) Statement of Monopoly: **Monopoly is claimed in the shape and configuration of an awning panel for a tent as shown in the representations. In considering the scope of the monopoly, the insert, labelled A, shall be disregarded.**
 Statement of Novelty: **Nil**



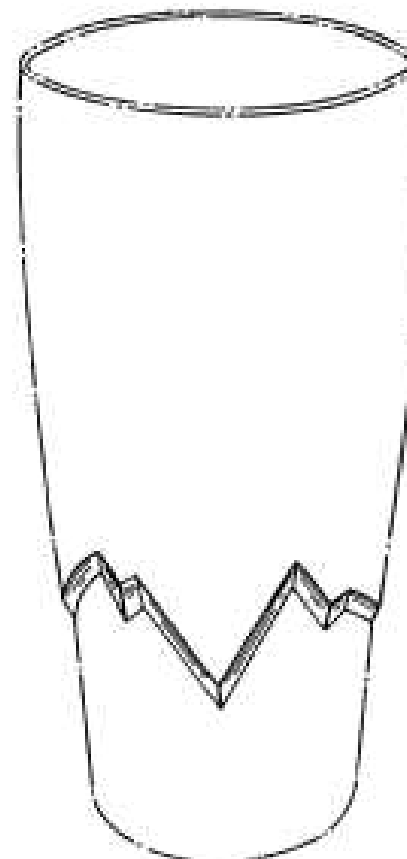
(21) Application Number: **1304/2004**
 (22) Date of Filing Application: **02 April 2004**
 (24) Date from which industrial property rights may have effect: **02 April 2004**
 (54) Article in respect of which the design is registered: **A gel**
 (51) International Design Classification: **24-02**
 (74) Name(s) of Attorney(s): **F B Rice & Co**
 (71) Name(s) and Address(s) of Applicant(s):
Becton, Dickinson and Company
One Becton Drive Franklin Lakes New Jersey 07417-1880 United
States of America
 (72) Name(s) of Author(s): **Dimitrios Manoussakis and Allen Bradshaw and Paul Martin**
 (45) Registration Date: **26 August 2005**
 (30) Convention priority data:
 (31) Number (32) Date (33) Country
29/191783 14 Oct 2003 UNITED STATES OF AMERICA
 (56) Related Art Documents: **Not Applicable**
 (57) Statement of Monopoly: **Those features of the representations in respect of which the applicant for registration of the design wishes to claim a monopoly are the features of shape and configuration in combination. The shape and configuration of the specimen tube in the representations forms no part of the design and may be disregarded in considering the monopoly.**
 Statement of Novelty: **Nil**



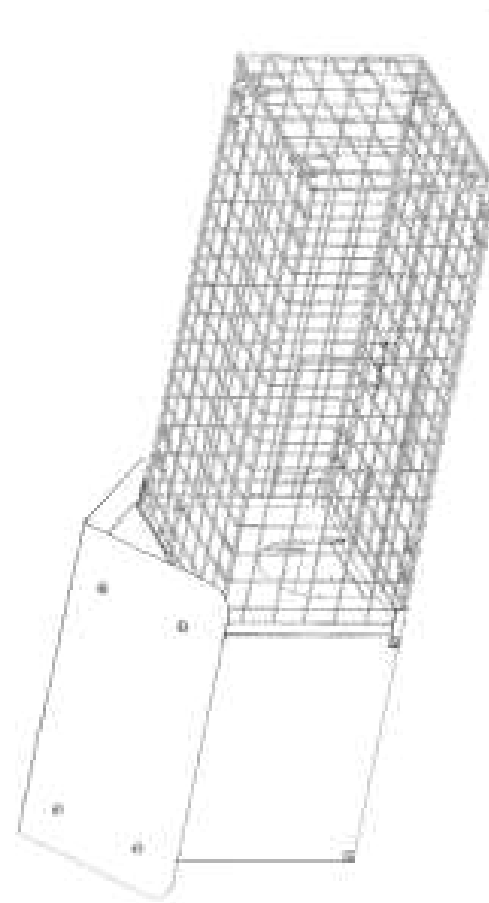
(21) Application Number: **1410/2004**
(22) Date of Filing Application: **15 April 2004**
(24) Date from which industrial property rights may have effect: **15 April 2004**
(54) Article in respect of which the design is registered: **Room divider/screen**
(51) International Design Classification: **06-06NES**
(71) Name(s) and Address(s) of Applicant(s):
Robert Leonard Guenther
3/8 Rafter Place Oxenford Queensland 4210 Australia
(72) Name(s) of Author(s): **Robert Leonard Guenther**
(45) Registration Date: **26 August 2005**
(56) Related Art Documents: **Not Applicable**
(57) Statement of Monopoly: **Monopoly is claimed in the shape and configuration of the room divider/screen as shown in the representations. No monopoly is claimed for those parts that have been shaded in the representations.**
Statement of Novelty: **Nil**



(21) Application Number: **1598/2004**
(22) Date of Filing Application: **27 April 2004**
(24) Date from which industrial property rights may have effect: **27 April 2004**
(54) Article in respect of which the design is registered: **Glass**
(51) International Design Classification: **07-01C**
(74) Name(s) of Attorney(s): **WATERMARK PATENT & TRADEMARK ATTORNEYS**
(71) Name(s) and Address(s) of Applicant(s):
Coors Global Properties Inc.
165 South Union Boulevard Suite 170 Lakewood Colorado 80228
United States of America
(72) Name(s) of Author(s): **Martyn Wallwork**
(45) Registration Date: **26 August 2005**
(30) Convention priority data:
(31) Number (32) Date (33) Country
000093711 29 Oct 2003 EUROPEAN COMMUNITY
(56) Related Art Documents: **Not Applicable**
(57) Statement of Monopoly: **Monopoly is claimed in the features of shape and configuration applied to a glass as shown in the accompanying representations. In considering the extent of monopoly, the shape of the glass shown in broken lines is to be disregarded.**
Statement of Novelty: **Nil**



(21) Application Number: **2476/2004**
(22) Date of Filing Application: **16 June 2004**
(24) Date from which industrial property rights may have effect: **16 June 2004**
(54) Article in respect of which the design is registered: **Pet run**
(51) International Design Classification: **30-02**
(74) Name(s) of Attorney(s): **WATERMARK PATENT & TRADEMARK ATTORNEYS**
(71) Name(s) and Address(s) of Applicant(s):
Kra-Mar Pet Supplies Pty Ltd
148 Miller Road Villawood New South Wales 2163 Australia
(72) Name(s) of Author(s): **Peter Steward**
(45) Registration Date: **26 August 2005**
(56) Related Art Documents: **Not Applicable**
(57) Statement of Monopoly: **Monopoly is claimed in the features of shape and/or configuration applicable to a pet run as shown in the accompanying representations. No monopoly is claimed in the individual pieces per se.**
Statement of Novelty: **Nil**



(21) Application Number: **4607/2003**
(22) Date of Filing Application: **23 December 2003**
(24) Date from which industrial property rights may have effect: **23 December 2003**
(54) Article in respect of which the design is registered: **A Package**
(51) International Design Classification: **09-05**
(74) Name(s) of Attorney(s): **Griffith Hack**
(71) Name(s) and Address(s) of Applicant(s):
International Consolidated Business Pty Ltd
Level 9 51 Queen Street Melbourne Victoria 3000 Australia
(72) Name(s) of Author(s): **Philip Withers**
(45) Registration Date: **26 August 2005**
(56) Related Art Documents: **Not Applicable**
(57) Statement of Monopoly: **Monopoly is claims in the features of shape and configuration of a package as shown in the accompanying representations. No monopoly is claimed in the features of pattern or ornamentation applied to the package, including the letters, words, symbols, numerals, pictorials and other indicia appearing in the representations.**
Statement of Novelty: **Nil**



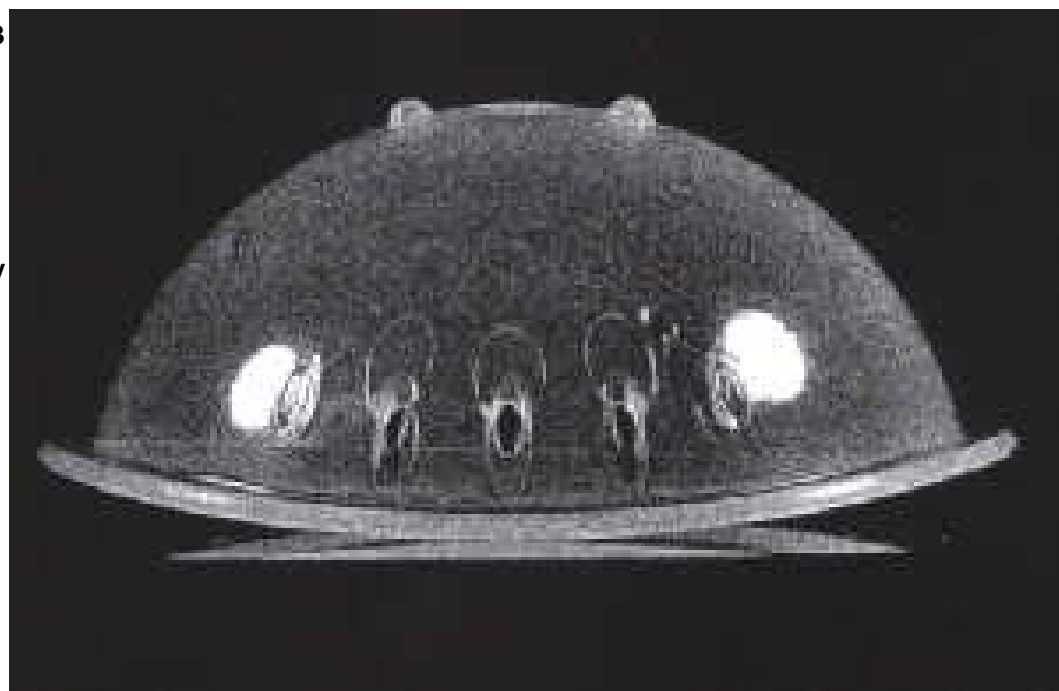
(19) AU

- (21) Application Number: **2570/2004**
(22) Date of Filing Application: **16 June 2004**
(24) Date from which industrial property rights may have effect: **24 September 2003**
(54) Article in respect of which the design is registered: **Breast cap assembly**
(51) International Design Classification: **24-04**
(74) Name(s) of Attorney(s): **Freehills Patent & Trade Mark Attorneys**
(71) Name(s) and Address(s) of Applicant(s):

MAPA G.m.b.H.
Gummi-und Plastikwerke IndustriestraBe 21-25 27404 Zeven Germany

- (72) Name(s) of Author(s): **Elke Ladiges**
(45) Registration Date: **26 August 2005**
(62) Divisional of: **156166**
(56) Related Art Documents: **Not Applicable**
(57) Statement of Monopoly: **Monopoly is claimed in the shape or configuration of the breast cap assembly as shown in the accompanying representations. In determining the scope of the monopoly the embossed trade mark and recycling and consumer information on the outer portion of the breast cap assembly is to be disregarded. No monopoly is claimed in the individual pieces per se.**

Statement of Novelty: **Nil**



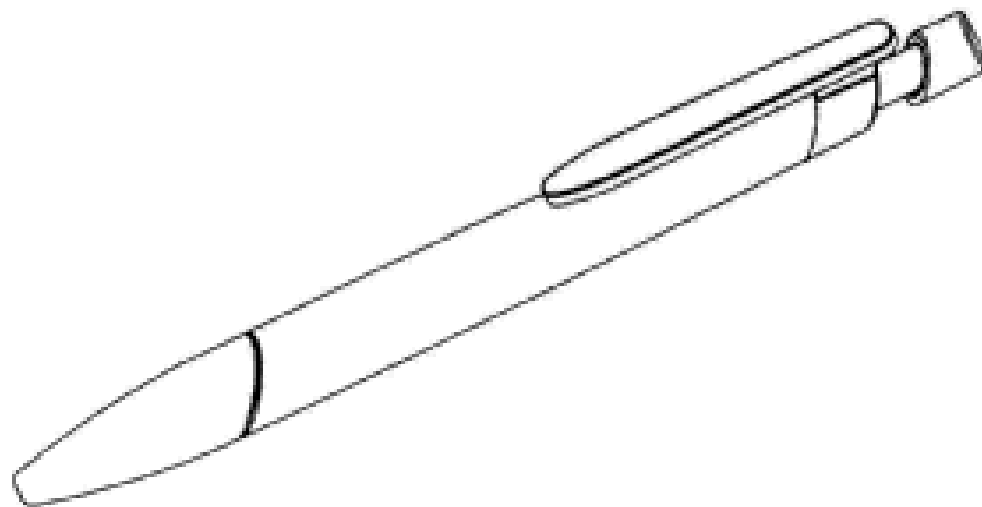
(19) AU

- (21) Application Number: **0577/2004**
(22) Date of Filing Application: **17 February 2004**
(24) Date from which industrial property rights may have effect: **17 February 2004**
(54) Article in respect of which the design is registered: **Writing instrument**
(51) International Design Classification: **19-06**
(74) Name(s) of Attorney(s): **F B Rice & Co**
(71) Name(s) and Address(s) of Applicant(s):

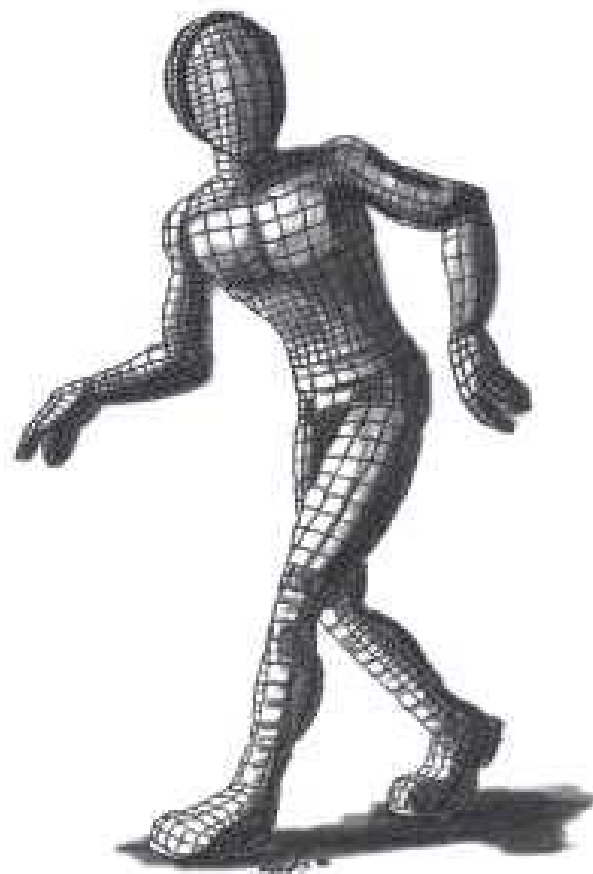
Merz & Krell GmbH & Co. KGaA
Bahnhofstrasse 76 64401 Gross-Bieberau Germany

- (72) Name(s) of Author(s): **Aleksandar (Aleks) Tatic**
(45) Registration Date: **05 September 2005**
(30) Convention priority data:
(31) Number (32) Date (33) Country
40305619.5 23 Aug 2003 GERMANY
(56) Related Art Documents: **Not Applicable**
(57) Statement of Monopoly: **Those features of the representations in respect of which the applicant for registration of the design wishes to claim a monopoly are the features of shape and configuration in combination.**

Statement of Novelty: **Nil**



(21) Application Number: **1010/2004**
(22) Date of Filing Application: **17 March 2004**
(24) Date from which industrial property rights may have effect: **17 March 2004**
(54) Article in respect of which the design is registered: **Suit**
(51) International Design Classification: **02-02B**
(71) Name(s) and Address(s) of Applicant(s):
Jonathan Wright
3/36 Monteith Street Cringila New South Wales 2502 Australia
(72) Name(s) of Author(s): **Jonathan Wright**
(45) Registration Date: **05 September 2005**
(56) Related Art Documents: **Not Applicable**
(57) Statement of Monopoly: **Monopoly is claimed in shape and configuration of the suit as shown in the representations.**
Statement of Novelty: **Nil**



(21) Application Number: **1130/2004**
(22) Date of Filing Application: **26 March 2004**
(24) Date from which industrial property rights may have effect: **26 March 2004**
(54) Article in respect of which the design is registered: **Edge corner male**
(51) International Design Classification: **13-03C**
(71) Name(s) and Address(s) of Applicant(s):
Skacej Colls Pty Ltd
2 Wingrove Street Alphington Victoria 3078 Australia
(72) Name(s) of Author(s): **Louise Francesca Skacej**
(45) Registration Date: **05 September 2005**
(56) Related Art Documents: **Not Applicable**
(57) Statement of Monopoly: **Monopoly is claimed in the features of shape and configuration of edge corner male as featured in the attached representations.**
Statement of Novelty: **Nil**



(21) Application Number: **1131/2004**

(22) Date of Filing Application: **26 March 2004**

(24) Date from which industrial property rights may have effect: **26 March 2004**

(54) Article in respect of which the design is registered: **Edge**

(51) International Design Classification: **13-03C**

(71) Name(s) and Address(s) of Applicant(s):

Skacej Colls Pty Ltd

2 Wingrove Street Alphington Victoria 3078 Australia

(72) Name(s) of Author(s): **Louise Francesca Skacej**

(45) Registration Date: **05 September 2005**

(56) Related Art Documents: **Not Applicable**

(57) Statement of Monopoly: **Monopoly is claimed in the features of shape and configuration of edge as featured in the attached representations.**

Statement of Novelty: **Nil**



(21) Application Number: **1132/2004**

(22) Date of Filing Application: **26 March 2004**

(24) Date from which industrial property rights may have effect: **26 March 2004**

(54) Article in respect of which the design is registered: **Scale**

(51) International Design Classification: **25-01D**

(71) Name(s) and Address(s) of Applicant(s):

Skacej Colls Pty Ltd

2 Wingrove Street Alphington Victoria 3078 Australia

(72) Name(s) of Author(s): **Louise Francesca Skacej**

(45) Registration Date: **05 September 2005**

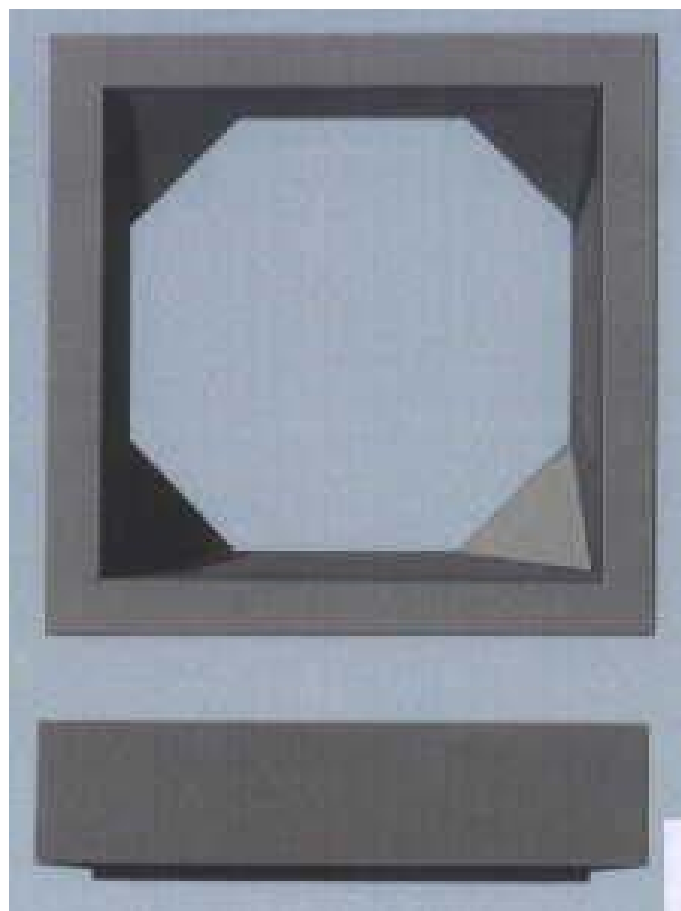
(56) Related Art Documents: **Not Applicable**

(57) Statement of Monopoly: **Monopoly is claimed in the features of shape and configuration of scale as featured in the attached representations.**

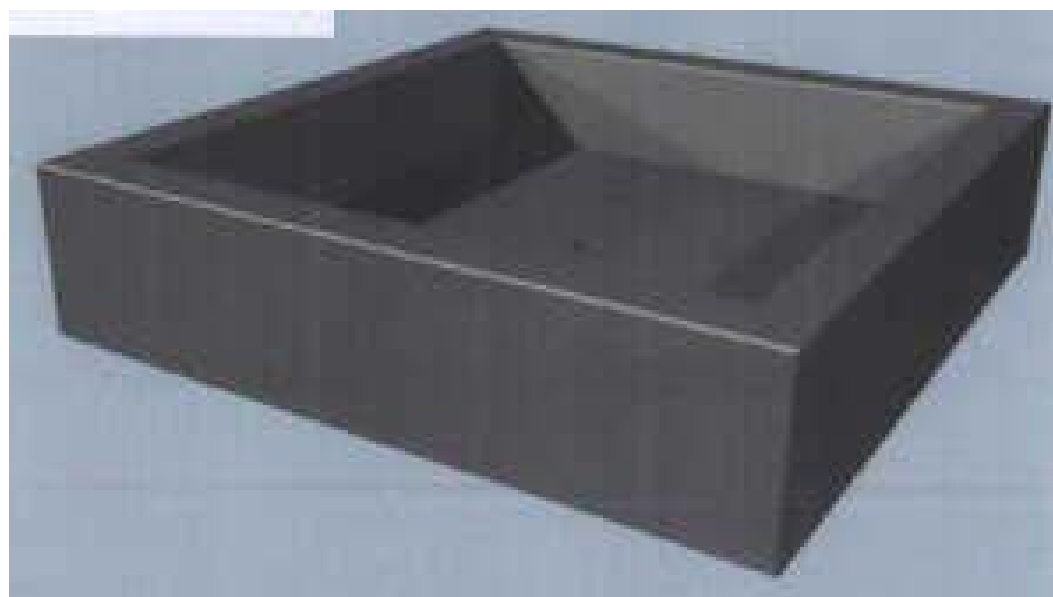
Statement of Novelty: **Nil**



- (21) Application Number: **1133/2004**
(22) Date of Filing Application: **26 March 2004**
(24) Date from which industrial property rights may have effect: **26 March 2004**
(54) Article in respect of which the design is registered: **Planter top**
(51) International Design Classification: **11-02B**
(71) Name(s) and Address(s) of Applicant(s):
Skacej Colls Pty Ltd
2 Wingrove Street Alphington Victoria 3078 Australia
(72) Name(s) of Author(s): **Dean William Colls**
(45) Registration Date: **05 September 2005**
(56) Related Art Documents: **Not Applicable**
(57) Statement of Monopoly: **Monopoly is claimed in the features of shape and configuration of planter top as featured in the attached representations.**
Statement of Novelty: **Nil**



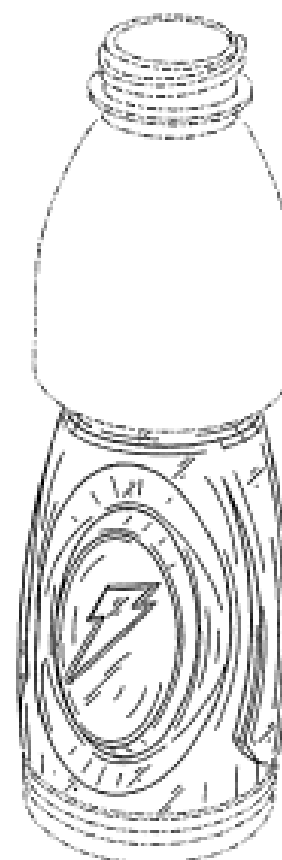
- (21) Application Number: **1134/2004**
(22) Date of Filing Application: **26 March 2004**
(24) Date from which industrial property rights may have effect: **26 March 2004**
(54) Article in respect of which the design is registered: **Planter base**
(51) International Design Classification: **11-02B**
(71) Name(s) and Address(s) of Applicant(s):
Skacej Colls Pty Ltd
2 Wingrove Street Alphington Victoria 3078 Australia
(72) Name(s) of Author(s): **Dean William Colls**
(45) Registration Date: **05 September 2005**
(56) Related Art Documents: **Not Applicable**
(57) Statement of Monopoly: **Monopoly is claimed in the features of shape and configuration of planter base as featured in the attached representations.**
Statement of Novelty: **Nil**



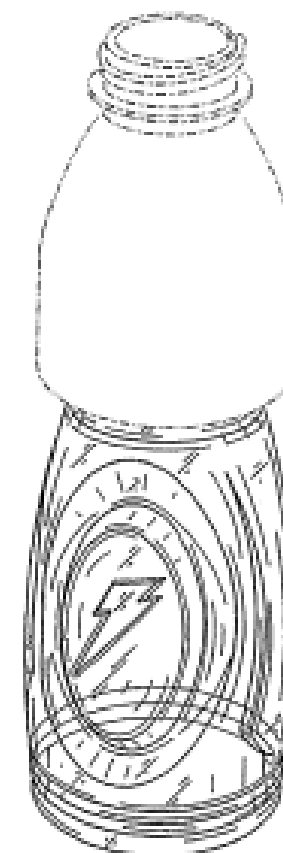
(21) Application Number: **1135/2004**
(22) Date of Filing Application: **26 March 2004**
(24) Date from which industrial property rights may have effect: **26 March 2004**
(54) Article in respect of which the design is registered: **Edge corner female**
(51) International Design Classification: **13-03C**
(71) Name(s) and Address(s) of Applicant(s):
Skacej Colls Pty Ltd
2 Wingrove Street Alphington Victoria 3078 Australia
(72) Name(s) of Author(s): **Louise Francesca Skacej**
(45) Registration Date: **05 September 2005**
(56) Related Art Documents: **Not Applicable**
(57) Statement of Monopoly: **Monopoly is claimed in the features of shape and configuration of edge corner female as featured in the attached representations.**
Statement of Novelty: **Nil**



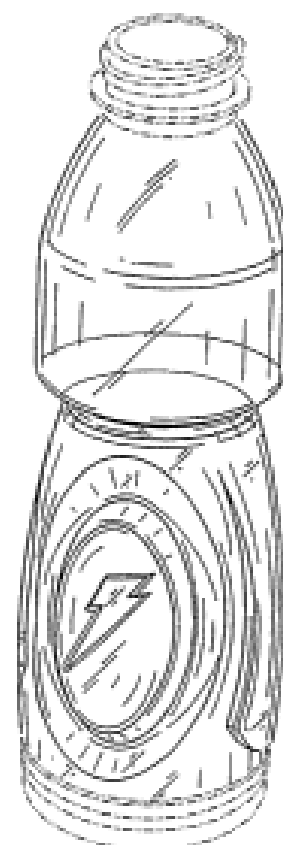
(21) Application Number: **2534/2004**
(22) Date of Filing Application: **16 June 2004**
(24) Date from which industrial property rights may have effect: **11 February 2004**
(54) Article in respect of which the design is registered: **Bottle**
(51) International Design Classification: **09-01NES**
(74) Name(s) of Attorney(s): **SPRUSON & FERGUSON**
(71) Name(s) and Address(s) of Applicant(s):
Stokely-Van Camp Inc.
555 W. Monroe Street Suite 11-12 Chicago Illinois 60661 United States of America
(72) Name(s) of Author(s): **Machelle D. Stockwell and Stuart M. Leslie and Charles A. Curtiss and Tomohito Asano and David A. Deemer and Hassan Mourad**
(45) Registration Date: **05 September 2005**
(62) Divisional of: **00500/2004**
(56) Related Art Documents: **Not Applicable**
(57) Statement of Monopoly: **Monopoly is claimed in the features of shape and/or configuration of a bottle as illustrated in the accompanying representations. When considering the extent of monopoly protection, the portions of the bottle shown in phantom are to be disregarded.**
Statement of Novelty: **Nil**



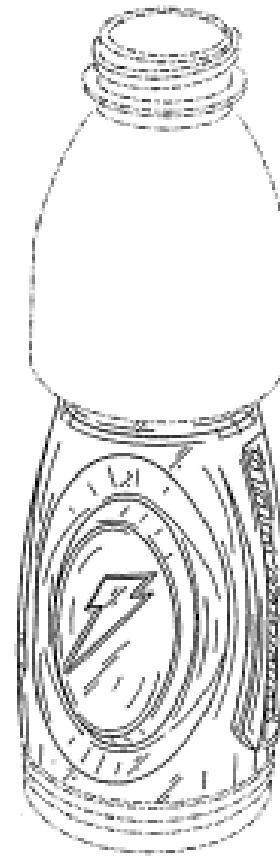
- (21) Application Number: **2535/2004**
(22) Date of Filing Application: **16 June 2004**
(24) Date from which industrial property rights may have effect: **11 February 2004**
(54) Article in respect of which the design is registered: **Bottle**
(51) International Design Classification: **09-01NES**
(74) Name(s) of Attorney(s): **SPRUSON & FERGUSON**
(71) Name(s) and Address(s) of Applicant(s):
Stokely-Van Camp Inc.
555 W. Monroe Street Suite 11-12 Chicago Illinois 60661 United States of America
(72) Name(s) of Author(s): **Machelle D. Stockwell and Stuart M. Leslie and Charles A. Curtiss and Tomohito Asano and David A. Deemer and Hassan Mourad**
(45) Registration Date: **05 September 2005**
(62) Divisional of: **00500/2004**
(56) Related Art Documents: **Not Applicable**
(57) Statement of Monopoly: **Monopoly is claimed in the features of shape and/or configuration of a bottle as illustrated in the accompanying representations. When considering the extent of monopoly protection, the portions of the bottle shown in phantom are to be disregarded.**
Statement of Novelty: **Nil**



- (21) Application Number: **2537/2004**
(22) Date of Filing Application: **16 June 2004**
(24) Date from which industrial property rights may have effect: **11 February 2004**
(54) Article in respect of which the design is registered: **Bottle**
(51) International Design Classification: **09-01NES**
(74) Name(s) of Attorney(s): **SPRUSON & FERGUSON**
(71) Name(s) and Address(s) of Applicant(s):
Stokely-Van Camp Inc.
555 W. Monroe Street Suite 11-12 Chicago Illinois 60661 United States of America
(72) Name(s) of Author(s): **Machelle D. Stockwell and Stuart M. Leslie and Charles A. Curtiss and Tomohito Asano and David A. Deemer and Hassan Mourad**
(45) Registration Date: **05 September 2005**
(62) Divisional of: **00500/2004**
(56) Related Art Documents: **Not Applicable**
(57) Statement of Monopoly: **Monopoly is claimed in the features of shape and/or configuration of a bottle as illustrated in the accompanying representations. When considering the extent of monopoly protection, the portions of the bottle shown in phantom are to be disregarded.**
Statement of Novelty: **Nil**



- (21) Application Number: **2538/2004**
(22) Date of Filing Application: **16 June 2004**
(24) Date from which industrial property rights may have effect: **11 February 2004**
(54) Article in respect of which the design is registered: **Bottle**
(51) International Design Classification: **09-01NES**
(74) Name(s) of Attorney(s): **SPRUSON & FERGUSON**
(71) Name(s) and Address(s) of Applicant(s):
Stokely-Van Camp Inc.
555 W. Monroe Street Suite 11-12 Chicago Illinois 60661 United States of America
(72) Name(s) of Author(s): **Machelle D. Stockwell and Stuart M. Leslie and Charles A. Curtiss and Tomohito Asano and David A. Deemer and Hassan Mourad**
(45) Registration Date: **05 September 2005**
(62) Divisional of: **00500/2004**
(56) Related Art Documents: **Not Applicable**
(57) Statement of Monopoly: **Monopoly is claimed in the features of shape and/or configuration of a bottle as illustrated in the accompanying representations. When considering the extent of monopoly protection, the portions of the bottle shown in phantom and the word "Gatorade" are to be disregarded.**
Statement of Novelty: **Nil**



- (21) Application Number: **0653/2004**
(22) Date of Filing Application: **23 February 2004**
(24) Date from which industrial property rights may have effect: **23 February 2004**
(54) Article in respect of which the design is registered: **Wedding adornment**
(51) International Design Classification: **11-05**
(71) Name(s) and Address(s) of Applicant(s):
Jillian Gay Dyball
39 Brunette Drive Castle Hill New South Wales 2154 Australia
(72) Name(s) of Author(s): **Jillian Gay Dyball**
(45) Registration Date: **08 September 2005**
(56) Related Art Documents: **Not Applicable**
(57) Statement of Monopoly: **Monopoly is claimed in the features of shape and configuration of the wedding adornment as shown in the representations.**
Statement of Novelty: **Nil**



Proceedings under the Designs Act 2003.

This Page Left Intentionally Blank

Applications Lodged

Lodgement information is in the following order: **Applicant's Name**; International Classification, Name of Product, Lodgement Date and **Design Number**. If the applicant claims an earlier priority date under an International Convention, the Convention Country and the associated filing date are shown in parentheses before the Lodgement Date. Divisional information will also appear in parentheses before the Lodgement Date.

Accurate Cleaning and Maintenance Services Pty Ltd; 09-03F, A punnet base, 01 Sep 2005	13750/2005	Bevan, George E.; 21-02C, Golf tee, 23 Aug 2005	13627/2005
Advantage Air (Aust) Pty Ltd; 23-04, Diffuser plenum box, 30 Aug 2005	13721/2005	Bevan, George E.; 21-02C, Golf tee, 23 Aug 2005	13628/2005
Advantage Air (Aust) Pty Ltd; 10-04, 23-04, Pressure sensor housing, 30 Aug 2005	13722/2005	Bissell Homecare, Inc.; 15-05, Base portion for a vacuum cleaner, (US, 16 Mar 2005) 22 Aug 2005	13585/2005
Advantage Air (Aust) Pty Ltd; 10-04, 23-04, Sensor casing, 30 Aug 2005	13723/2005	Bissell Homecare, Inc.; 15-05, Base portion for an extractor/vacuum cleaner, (US, 15 Mar 2005) 22 Aug 2005	13586/2005
Ancor Limited; 09-03M, A container and blank therefor, 18 Aug 2005	13546/2005	Bissell Homecare, Inc.; 09-01K, Bottle, (US, 15 Mar 2005) 22 Aug 2005	13587/2005
Architectural Designer Products Pty Ltd; 23-02NES, Waste plug connection, 19 Aug 2005	13571/2005	Bissell Homecare, Inc.; 15-05, Handle portion for an extractor/vacuum cleaner, (US, 15 Mar 2005) 22 Aug 2005	13588/2005
Architectural Window Systems Pty Limited; 08-06, Single Sided Door Handle, 15 Aug 2005	13552/2005	Bissell Homecare, Inc.; 15-05, Handle portion for a vacuum cleaner, (US, 16 Mar 2005) 22 Aug 2005	13589/2005
Argent Australia Pty Ltd; 23-01H, Handle, 17 Aug 2005	13529/2005	Bissell Homecare, Inc.; 15-05, Portable extractor/vacuum cleaner, (US, 15 Mar 2005) 22 Aug 2005	13590/2005
Argent Australia Pty Ltd; 23-01H, Stop cock, 17 Aug 2005	13530/2005	Black & Decker, Inc.; 15-05, A vacuum cleaner, (US, 03 Mar 2005) 26 Aug 2005	13682/2005
Argent Australia Pty Ltd; 23-01H, Handle, 17 Aug 2005	13531/2005	Black Sheep Displays Pty Ltd; Complete Display Solutions Pty Ltd; 20-03NES, 25-01D, 25-01K, Graphic display wall panel extrusion, 29 Aug 2005	13673/2005
Argent Australia Pty Ltd; 23-01H, Basin spout, 17 Aug 2005	13532/2005	Black Sheep Displays Pty Ltd; 25-01K, 08-08M, Graphic display wall insert extrusion, 05 Sep 2005	13797/2005
Artex Enterprises; 25-02A, Bollard protection, 02 Sep 2005	13771/2005	Booths Corp (Australia) Pty Ltd; 25-01C, Components for a structural member system, 26 Mar 2004	13570/2005
Austral Brick Company Limited, The; 08-08C, Clip, 31 Aug 2005	13746/2005	Brand Base Pty Ltd; 09-01NES, Container, 23 Aug 2005	13613/2005
Austral Brick Company Limited, The; 08-08C, Clip, 31 Aug 2005	13747/2005	Brand Base Pty Ltd; 09-01K, Container, 23 Aug 2005	13614/2005
Austral Brick Company Limited, The; 08-08C, Clip, 31 Aug 2005	13748/2005	Braun GmbH; 28-03NES, Electric shaver, (DE, 18 Apr 2005) 24 Aug 2005	13639/2005
ABC Tissue Products Pty Limited; 23-02A, Dispenser, 29 Aug 2005	13701/2005	Cadbury Limited; 01-01, Confectionery, 29 Aug 2005	13764/2005
Barber, Brian; 25-01G, This is a panel used in a track system of wall cladding using a variety of materials, brick, masonry, concrete, 02 Sep 2005	13793/2005	Cadbury Schweppes Pty Ltd; 01-01, Confectionery, 29 Aug 2005	13704/2005
Bennett, Kerry Robert; 25-99, Pier head, 23 Aug 2005	13581/2005	Calor; 07-05A, Steam generator for a laundry iron, (FR, 02 Mar 2005) 30 Aug 2005	13724/2005
Bernardis, Robert; 09-09, Receptacle for the retention of sachet litter, 23 Aug 2005	13608/2005	Calor; 07-05A, Laundry iron, (FR, 02 Mar 2005) 30 Aug 2005	13725/2005
Bernardis, Robert; 09-09, Retention of sachet pot + full sachets, 23 Aug 2005	13609/2005		
Bevan, George E.; 21-02C, Golf tee, 23 Aug 2005	13626/2005		

Caroma Industries Limited; 23-02B, A bath, 02 Sep 2005	13780/2005	Crook, Tyrone; 07-99NES, Funnel, 17 Aug 2005	13574/2005
Caroma Industries Limited; 23-02B, A bath, 02 Sep 2005	13783/2005	CML Innovative Technologies; 16-06, Boroscope, (US, 25 Feb 2005) 22 Aug 2005	13593/2005
Caroma Industries Limited; 23-02B, A bath, 02 Sep 2005	13784/2005	Davies, Cindy-Lee; 07-01B, Bowl type A - 'Rosie', 24 Aug 2005	13633/2005
Caroma Industries Limited; 23-02B, A bath, 02 Sep 2005	13785/2005	Davies, Cindy-Lee; 07-01B, Bowl - type B - 'Lovey', 24 Aug 2005	13634/2005
Caroma Industries Limited; 23-02B, A bath, 02 Sep 2005	13781/2005	Davies, Cindy-Lee; 07-01B, Bowl - type C - 'Sophia', 24 Aug 2005	13635/2005
Caroma Industries Limited; 23-02B, A bath, 02 Sep 2005	13782/2005	Davies, Cindy-Lee; 07-01B, Bowl type D - 'Tia', 24 Aug 2005	13636/2005
Caroma Industries Limited; 23-02B, A bath, 02 Sep 2005	13779/2005	Dunn and Farrugia Pty Ltd; 25-02C, Decorative panel, 02 Sep 2005	13798/2005
Cassar, Victor; 08-05NES, Magnetic lifting anchor mould, 23 Aug 2005	13591/2005	Dura-Post (Aust.) Pty Ltd; 10-06, Road side guide posts and asset management marker posts, 29 Aug 2005	13672/2005
Chang, David; Teow, Jenny Joo Phaik; 02-02NES, 02-03, T-shirts, clothing, polo shirts, hats, caps, headgear, 29 Aug 2005	13684/2005	DUROBOR, Societe anonyme; 07-01C, Glassware, (BE, 13 May 2005) 02 Sep 2005	13787/2005
Chen, Quan; Zhang, Qing; 06-09, Baby changing mat. table. station, 02 Sep 2005	13767/2005	Effem Foods Pty Ltd; 09-01C, A jar, 22 Aug 2005	13594/2005
Chubu Bearing Kabushikikaisha; 08-08C, A retainer for a shaft, (JP, 04 Mar 2005) 26 Aug 2005	13678/2005	Eisman, Beverley; 27-02, A holder for lighter and cigarettes, 31 Aug 2005	13744/2005
Chubu Bearing Kabushikikaisha; 08-08C, Retaining ring for shaft, (JP, 04 Mar 2005) 31 Aug 2005	13727/2005	Elgas Limited; 09-01A, Gas cylinder canister with neck and lid, 22 Aug 2005	13604/2005
Coates, Stewart; Roche, Ann; 19-01, Postcard, 24 Aug 2005	13693/2005	Elgas Limited; 09-01A, Gas cylinder canister, 22 Aug 2005	13605/2005
Cole, Jeremy; 26-05D, A lamp, (GB, 03 Mar 2005) 29 Aug 2005	13675/2005	Elgas Limited; 09-01A, Gas cylinder canister neck, 22 Aug 2005	13606/2005
Cole, Jeremy; 26-05D, A lamp, (GB, 03 Mar 2005) 29 Aug 2005	13674/2005	Elgas Limited; 09-01A, Gas cylinder canister lid, 22 Aug 2005	13607/2005
Colgate-Palmolive Company; 09-05, Package, (US, 08 Mar 2005) 02 Sep 2005	13778/2005	Ellis, Julia; 10-05, 10-06, Colour markings on road red amber green, 06 Sep 2005	13794/2005
Colonial Castings Pty Ltd; 25-02C, A grill, 22 Aug 2005	13596/2005	Emanuelli, Seona; Emanuelli, Todd; 02-01B, A nappy for premature infants, 24 Aug 2005	13655/2005
Colonial Castings Pty Ltd; 25-02C, A grill, 22 Aug 2005	13597/2005	Emanuelli, Todd; Emanuelli, Seona; 02-01B, A nappy for premature infants, 24 Aug 2005	13655/2005
Com-Shape Technology Ltd.; 25-01G, Grooved sheet, 19 Aug 2005	13553/2005	Feltex Carpets Pty Ltd; 06-11, Applied to "carpet", 22 Aug 2005	13577/2005
Com-Shape Technology Ltd.; 25-01G, Cross grooved sheet, 19 Aug 2005	13554/2005	Feltex Carpets Pty Ltd; 06-11, Applied to carpet, 22 Aug 2005	13576/2005
Complete Display Solutions Pty Ltd; Black Sheep Displays Pty Ltd; 20-03NES, 25-01D, 25-01K, Graphic display wall panel extrusion, 29 Aug 2005	13673/2005	Ferrari S.p.A.; 21-01C, 12-08, Motor vehicle and toy, (EM, 28 Feb 2005) 19 Aug 2005	13560/2005
Cox, Andrew; 11-99, Viscous liquid fountain, 22 Aug 2005	13610/2005	Flewellen, Cheryl; 11-01NES, A brooch, (NZ, 25 Feb 2005) 25 Aug 2005	13637/2005
Crane Enfield Metals Pty Ltd; 25-01K, Extrusion, 29 Aug 2005	13703/2005	Flikier, William; Konopacki, Robert; 07-01B, An eggcup with lid, 24 Aug 2005	13647/2005

Forrest, Robert David Alexander; 06-03D, Ball delivery panel for a cue sports table, 19 Aug 2005	13563/2005	GlaxoSmithKline Consumer Healthcare GmbH & Co. KG; 04-02, A tongue scraper, (GB, 21 Feb 2005) 19 Aug 2005	13573/2005
Fraser, Adam; 21-02C, Putting aid, 26 Aug 2005	13667/2005	Gostt, Nicholas; 07-07A, Camping accessory, kitchen accessory, 11 Aug 2005	13652/2005
Freedom Acquisitions, Inc.; Pelco Sales, Inc.; Security Sales, LLC; 14-03D, 14-03NES, Front plate for an electronics enclosure, (US, 04 Apr 2005) 02 Sep 2005	13773/2005	Gostt, Nicholas; 07-07A, Camping accessory, kitchen accessory, 11 Aug 2005	13653/2005
Fresenius Medical Care Holdings, Inc.; 24-01, Peritoneal dialysis cycler, (US, 28 Feb 2005) 26 Aug 2005	13668/2005	Gostt, Nicholas; 07-07A, Camping accessory, kitchen accessory, 11 Aug 2005	13654/2005
Fresenius Medical Care Holdings, Inc.; 24-01, Cassette for peritoneal dialysis cycler, (US, 28 Feb 2005) 26 Aug 2005	13669/2005	Grillslinger International Limited; 03-01NES, A grilling utility belt, (NZ, 21 Feb 2005) 19 Aug 2005	13555/2005
Frontline Australasia Pty Ltd; 12-16L, Ball mount head of a tow bar, 25 Aug 2005	13664/2005	Grinaker-Lta Limited; 08-08B, Bolt, 25 Aug 2005	13650/2005
Frontline Australasia Pty Ltd; 12-16L, T-block of a towing hitch, 02 Sep 2005	13788/2005	Grinaker-Lta Limited; 08-08B, Bolt, 25 Aug 2005	13651/2005
Frontline Australasia Pty Ltd; 12-16L, L-block of a towing hitch, 02 Sep 2005	13789/2005	Gustafsson, Mary; Gustafsson, Bjorn; 12-05, Bath lift, 31 Aug 2005	13737/2005
Frontline Australasia Pty Ltd; 12-16L, Ball mount head of a tow bar, 25 Aug 2005	13665/2005	Gustafsson, Bjorn; Gustafsson, Mary; 12-05, Bath lift, 31 Aug 2005	13737/2005
Frontline Australasia Pty Ltd; 12-16L, Ball mount head of a tow bar, 25 Aug 2005	13666/2005	GMCA Pty Ltd; 15-03B, A folding hover mower, (EM, 22 Jul 2005) 31 Aug 2005	13736/2005
Frucor Beverages Limited; 09-01NES, Bottle (D7851), (NZ, 14 Jul 2005) 18 Aug 2005	13548/2005	GMCA Pty Ltd; 08-03, Mitre saw, (EM, 11 Mar 2005) 23 Aug 2005	13582/2005
Frucor Beverages Limited; 09-01NES, Bottle (D7852), (NZ, 14 Jul 2005) 18 Aug 2005	13549/2005	GMCA Pty Ltd; 08-03, Mitre saw, (EM, 11 Mar 2005) 23 Aug 2005	13583/2005
Fusedesign; 07-02L, Portable, non-electric espresso coffee maker, 25 Aug 2005	13638/2005	Haworth, Inc.; 06-01F, Chair design, (US, 28 Feb 2005) 26 Aug 2005	13676/2005
Ganley, Robert Norman; 25-01E, Fence capping, 06 Sep 2005	13795/2005	Haycolm Enterprises Pty Limited; 08-08A, Roofing tile clip, 26 Aug 2005	13685/2005
Ganley, Robert Norman; 25-01E, Fence capping, 06 Sep 2005	13796/2005	Henkel Kommanditgesellschaft auf Aktien; 09-01G, Bottle, (EM, 16 Mar 2005) 22 Aug 2005	13601/2005
Gillette Company, The; 28-03A, Razor handle, (US, 23 Feb 2005) 23 Aug 2005	13618/2005	Henkel Kommanditgesellschaft auf Aktien; 09-01K, Bottle, (EM, 20 Mar 2005) 31 Aug 2005	13742/2005
Gillette Company, The; 28-03A, Razor, (US, 23 Feb 2005) 23 Aug 2005	13619/2005	Henkel Kommanditgesellschaft auf Aktien; 09-01K, Bottle, (EM, 29 Mar 2005) 31 Aug 2005	13743/2005
Gillette Company, The; 28-03A, Razor cartridge, (US, 24 Feb 2005) 23 Aug 2005	13615/2005	Henkel Kommanditgesellschaft auf Aktien; 09-01G, Bottle, (EM, 16 Mar 2005) 22 Aug 2005	13602/2005
Gillette Company, The; 28-03A, Razor handle, (US, 24 Feb 2005) 23 Aug 2005	13616/2005	Henkel Kommanditgesellschaft auf Aktien; 09-01G, Bottle, (EM, 16 Mar 2005) 22 Aug 2005	13603/2005
Gillette Company, The; 28-03A, Dispenser for razor cartridges, (US, 24 Feb 2005) 23 Aug 2005	13617/2005	Honda Motor Co., Ltd; 12-16NES, Front top cover for a vehicle, (JP, 25 Feb 2005) 22 Aug 2005	13598/2005
		Honda Motor Co., Ltd; 12-16E, Headlight case for a vehicle, (JP, 25 Feb 2005) 22 Aug 2005	13599/2005

Honda Motor Co., Ltd; 12-16C, Front grill guard for a vehicle, (JP, 25 Feb 2005) 22 Aug 2005	13600/2005	Kohler Co.; 23-02B, Showerhead, (US, 01 Mar 2005) 01 Sep 2005	13763/2005
Hughes, Michelle; 02-02NES, Clothing items, such as T-shirts, singlets and underwear, 29 Aug 2005	13694/2005	Kohler Co.; 06-04NES, Storage closure, (US, 23 Feb 2005) 23 Aug 2005	13625/2005
Hungerford, Andrew Lloyd; 24-04, Bed pan, 29 Aug 2005	13695/2005	Kohler Co.; 06-04NES, Storage closure, (US, 23 Feb 2005) 23 Aug 2005	13623/2005
Hungerford, Andrew Lloyd; 24-04, Urine bottle, 29 Aug 2005	13696/2005	Kohler Co.; 06-04NES, Support, (US, 23 Feb 2005) 23 Aug 2005	13624/2005
Hungerford, Andrew Lloyd; 03-01NES, Slipper pan, 29 Aug 2005	13697/2005	Kohler France SAS; 23-02C, Tank, (US, 07 Jan 2005) 07 Jul 2005	12928/2005
Ilid Pty Ltd; 20-02NES, C-strip plus, 22 Aug 2005	13572/2005	Kolev, Nikola Todorov; 15-01, Connecting rod, (BG, 15 Mar 2005) 30 Aug 2005	13705/2005
Imperial Toy Corporation; 09-01K, A bottle, (US, 02 Mar 2005) 26 Aug 2005	13683/2005	Kolev, Nikola Todorov; 15-01, Carrier, (BG, 15 Mar 2005) 30 Aug 2005	13706/2005
Ingram, Bradley Phillip; 21-02NES, Playframe protector base, 26 Aug 2005	13671/2005	Kolev, Nikola Todorov; 15-01, Rocker arm, (BG, 15 Mar 2005) 30 Aug 2005	13707/2005
International Consolidated Business Pty Ltd; 09-01K, Bottle, 30 Aug 2005	13726/2005	Kolev, Nikola Todorov; 15-01, Piston, (BG, 15 Mar 2005) 30 Aug 2005	13708/2005
ITW Gema AG; 13-03NES, A control panel for a spray coating control unit, (DE, 25 Feb 2005) 24 Aug 2005	13649/2005	Kolev, Nikola Todorov; 15-01, Cylinder block, (BG, 15 Mar 2005) 30 Aug 2005	13709/2005
Jandenz Pty Ltd; 25-01E, A post, 23 Aug 2005	13584/2005	Konopacki, Robert; Flikier, William; 07-01B, An eggcup with lid, 24 Aug 2005	13647/2005
Jim Beam Brands Co.; Starbucks Corporation; 09-07C, Bottle and cap, (US, 30 Jul 2004) 27 Jan 2005	13559/2005	Koss Corporation; 14-03A, Earplate for earphone, (US, 02 Mar 2005) 02 Sep 2005	13790/2005
Jim Beam Brands Co.; Starbucks Corporation; 09-01NES, Bottle and cap, (US, 30 Jul 2004) 27 Jan 2005	13558/2005	Koss Corporation; 14-03A, Stereo headphone earplate, (US, 02 Mar 2005) 02 Sep 2005	13791/2005
Kawa, Joseph Zbigniew; 03-01B, Card holder, 19 Aug 2005	13575/2005	Lachlan Furniture Pty Ltd; 06-04NES, DVD rack, 19 Aug 2005	13557/2005
Kendall, Alan Brian; 12-16B, Automobile sports step, 02 Sep 2005	13775/2005	LG Electronics Inc.; 07-02E, Product name not listed, (KR, 25 Feb 2005) 23 Aug 2005	13611/2005
Kendall, Alan Brian; 12-16B, Automobile front wheelarch flair, 02 Sep 2005	13776/2005	LLoyd, Peter C.; 08-08NES, Timber decking biscuit, 23 Aug 2005	13580/2005
Kendall, Alan Brian; 12-16B, Automobile rear wheelarch flair, 02 Sep 2005	13777/2005	Maniatis, George; 03-01C, 09-05, CD/DVD wallet/folder/envelope, 31 Aug 2005	13728/2005
Kendall, Alan Brian; 12-16B, Automobile bonnet scoop, 02 Sep 2005	13774/2005	Maniatis, George; 03-01C, 09-05, CD/DVD wallet/folder/envelope, 31 Aug 2005	13729/2005
Knight, Luke Aiden; 08-08NES, Internal wall bracket with installation aid, 23 Aug 2005	13620/2005	Maniatis, George; 03-01C, 09-05, CD/DVD wallet/folder/envelope, 31 Aug 2005	13730/2005
Kohler Co.; 06-04NES, Support, (US, 23 Feb 2005) 23 Aug 2005	13622/2005	Media Technology Pty Ltd; 03-01NES, A blank for a CD wallet and a CD wallet, 18 Aug 2005	13550/2005
Kohler Co.; 23-02B, Showerhead, (US, 01 Mar 2005) 01 Sep 2005	13762/2005		

Michelin Recherche et Technique S.A.; Societe De Technologie Michelin; 12-15A, A pneumatic tyre, (FR, 24 Feb 2005) 19 Aug 2005	13561/2005	Proact Medical Systems (Australia) Pty Ltd; 24-01, Rolling stand to suit Nonin brand Avant series patient monitors, 22 Aug 2005	13578/2005
Michelle, Alley; 07-05E, Clothes cleaning glove, 01 Sep 2005	13759/2005	Procter & Gamble Company, The; 09-07A, Spout, (GB, 25 Feb 2005) 18 Aug 2005	13551/2005
MQF Pty Limited; 07-01B, Food container, 18 Aug 2005	13547/2005	Prodrome Designs Pty Ltd; 25-02H, Screen frame extrusion, 31 Aug 2005	13731/2005
Namir, Lee; 03-03, Modular sun shade, 26 Aug 2005	13656/2005	Prodrome Designs Pty Ltd; 25-01K, An extrusion, 31 Aug 2005	13732/2005
Natcel Enterprise Pty Ltd; 02-05, 02-99, Safety on hand compartment wristband, 26 Aug 2005	13670/2005	Prodrome Designs Pty Ltd; 25-01K, A door frame extrusion, 31 Aug 2005	13733/2005
Neoz Lighting; 13-02, Battery pack, 30 Aug 2005	13738/2005	Prodrome Designs Pty Ltd; 25-01K, A hinge adaptor extrusion, 31 Aug 2005	13734/2005
Neoz Lighting; 26-05B, Base and stem of lamp, 30 Aug 2005	13739/2005	Prodrome Designs Pty Ltd; 25-01K, An extrusion, 31 Aug 2005	13735/2005
Neoz Lighting; 26-05B, Base station for cordless lamp or the like, 30 Aug 2005	13740/2005	Productions Imagine Enterprise Inc.; 21-02F, Exercise apparatus for forearms, (CA, 25 Feb 2005) 23 Aug 2005	13621/2005
Nishikubo, Takeki; 25-03, Pre-fabricated dome house, 25 Aug 2005	13657/2005	Pyner, Nicolas G.; 23-03NES, Heat exchange for domestic grey-water heat recovery, 02 Sep 2005	13769/2005
Nokia Corporation; 14-03E, A handset, (US, 25 Feb 2005) 25 Aug 2005	13659/2005	PAB Trading Company Pty Ltd; 10-04, Adjustable marking gauge, 19 Aug 2005	13562/2005
Nokia Corporation; 14-03A, A handsfree device for handsets/charger, (FI, 28 Feb 2005) 25 Aug 2005	13660/2005	Quattrocchi, Rosario; 09-09, Reinforcing bracket, 22 Aug 2005	13592/2005
Nokia Corporation; 14-03A, A front cover/front portion for a handset, (US, 25 Feb 2005) 25 Aug 2005	13661/2005	Ramadhar, Dave Anil; 21-01L, Game, (GB, 18 Aug 2005) 25 Aug 2005	13663/2005
Notaras, John Arthur; Notaras, Angelo Lambrinos; 15-05, A hand held blower/mister, 19 Aug 2005	13567/2005	Reckitt Benckiser (UK) Limited; 28-99, Air freshener device, (EM, 04 Mar 2005) 23 Aug 2005	13629/2005
Notaras, Angelo Lambrinos; Notaras, John Arthur; 15-05, A hand held blower/mister, 19 Aug 2005	13567/2005	Reckitt Benckiser (UK) Limited; 28-99, Air freshener device, (EM, 04 Mar 2005) 23 Aug 2005	13630/2005
P.N. White Industries Pty Ltd; 11-02B, Plant pot, 02 Sep 2005	13786/2005	Reckitt Benckiser (UK) Limited; 28-99, Air freshener device, (EM, 04 Mar 2005) 23 Aug 2005	13631/2005
Pacemaker Headers Pty Ltd; 12-16N, A set of exhaust manifolds, 30 Aug 2005	13698/2005	Reckitt Benckiser Inc.; 09-01C, Container, (EM, 25 Feb 2005) 24 Aug 2005	13640/2005
Pacemaker Headers Pty Ltd; 12-16N, A set of exhaust manifolds, 30 Aug 2005	13699/2005	Reckitt Benckiser Inc.; 23-02A, Dispenser, (EP, 10 Mar 2005) 30 Aug 2005	13741/2005
Pelco Sales, Inc.; Freedom Acquisitions, Inc.; Security Sales, LLC; 14-03D, 14-03NES, Front plate for an electronics enclosure, (US, 04 Apr 2005) 02 Sep 2005	13773/2005	Reckitt Benckiser Inc.; 09-01K, Bottle, (EM, 25 Feb 2005) 24 Aug 2005	13641/2005
Pole Foundations Finance Pty Ltd; 25-01B, 25-01NES, Reinforcing element, 02 Sep 2005	13772/2005	Reckitt Benckiser Inc.; 09-01A, Trigger bottle, (EM, 25 Feb 2005) 24 Aug 2005	13642/2005
Portwest Corporation Pty Ltd; 07-01C, Disposable paper hot drink cups, 30 Aug 2005	13710/2005	Reckitt Benckiser Inc.; 09-01A, Trigger bottle, (EM, 25 Feb 2005) 24 Aug 2005	13643/2005
		Reckitt Benckiser Inc.; 09-01C, Container, (EM, 25 Feb 2005) 24 Aug 2005	13644/2005
		Reckitt Benckiser Inc.; 09-01K, Bottle, (EM, 25 Feb 2005) 24 Aug 2005	13645/2005

Reckitt Benckiser Inc.; 09-01A, Trigger bottle, (EM, 25 Feb 2005) 24 Aug 2005	13646/2005	Security Sales, LLC; Pelco Sales, Inc.; Freedom Acquisitions, Inc.; 14-03D, 14-03NES, Front plate for an electronics enclosure, (US, 04 Apr 2005) 02 Sep 2005	13773/2005
Reiner, Waltraud Maria; Torb and Reiner; 02-02B, 02-03, 02-07A, 10-07, Double-clip garment and accessory concept, 05 Sep 2005	13792/2005	Shairzal Pty Ltd; 12-02, Trolley with latch, 24 Aug 2005	13648/2005
Restore Medical, Inc.; 24-02, Implant delivery tool, (US, 25 Feb 2005) 25 Aug 2005	13662/2005	Shinjo Manufacturing Co., Ltd; 08-01, Drilling fastener, (JP, 28 Mar 2005) 31 Aug 2005	13745/2005
Review Australia Pty Ltd; 02-02C, Ladies garment, 31 Aug 2005	13749/2005	Sistema Plastics Limited; 09-07A, A dispensing closure assembly, (NZ, 04 Mar 2005) 02 Sep 2005	13765/2005
Roche, Ann; Coates, Stewart; 19-01, Postcard, 24 Aug 2005	13693/2005	Sistema Plastics Limited; 09-07A, A dispensing closure assembly, (NZ, 04 Mar 2005) 02 Sep 2005	13766/2005
Ryan, Stephen Francis; 21-01L, Shape and configuration as shown on representation, 09 Feb 2005	13751/2005	Societe De Technologie Michelin; Michelin Recherche et Technique S.A.; 12-15A, A pneumatic tyre, (FR, 24 Feb 2005) 19 Aug 2005	13561/2005
S.C. Johnson & Son, Inc.; 22-06, Bait station, (US, 01 Mar 2005) 01 Sep 2005	13760/2005	Sonia, S.A.; 08-08NES, 23-02F, A holder for a wash basin, 30 Aug 2005	13711/2005
S.C. Johnson & Son, Inc.; 22-06, Bait station, (US, 01 Mar 2005) 01 Sep 2005	13761/2005	Sonia, S.A.; 23-02F, A wash basin, 30 Aug 2005	13712/2005
S.C. Johnson & Son, Inc.; 09-07C, Overcap for a container, (US, 28 Feb 2005) 26 Aug 2005	13686/2005	Sonia, S.A.; 23-02F, A wash basin, 30 Aug 2005	13713/2005
S.C. Johnson & Son, Inc.; 09-01K, Bottle, (US, 28 Feb 2005) 26 Aug 2005	13687/2005	Sonia, S.A.; 23-02C, A toilet, 30 Aug 2005	13714/2005
S.C. Johnson & Son, Inc.; 09-07A, Actuator cap, (US, 28 Feb 2005) 26 Aug 2005	13688/2005	Sonia, S.A.; 23-02F, A wash basin, 30 Aug 2005	13715/2005
S.C. Johnson & Son, Inc.; 09-01B, Container, (US, 28 Feb 2005) 26 Aug 2005	13689/2005	Sonia, S.A.; 23-02F, A wash basin, 30 Aug 2005	13716/2005
S.C. Johnson & Son, Inc.; 09-01B, Container, (US, 28 Feb 2005) 26 Aug 2005	13690/2005	Sonia, S.A.; 23-02C, A toilet, 30 Aug 2005	13717/2005
S.C. Johnson & Son, Inc.; 09-07C, Cap for a container, (US, 28 Feb 2005) 26 Aug 2005	13691/2005	Sonia, S.A.; 23-02C, A bidet, 30 Aug 2005	13718/2005
S.C. Johnson & Son, Inc.; 09-01K, Bottle, (US, 28 Feb 2005) 26 Aug 2005	13692/2005	Sonia, S.A.; 23-02C, A toilet, 30 Aug 2005	13719/2005
Safe Swivel Patent Co. Pty Ltd; 26-03, Pole attachment, 23 Aug 2005	13595/2005	Sonia, S.A.; 23-02C, A bidet, 30 Aug 2005	13720/2005
Sales Activation Solutions Group Limited; 12-02, Handle for a shopping trolley, (EM, 23 Feb 2005) 23 Aug 2005	13612/2005	Stables, Paul J.; 16-06, Sunglasses, 24 Aug 2005	13632/2005
Samar, LLC; 28-99, Air deodorising apparatus, (EM, 08 Mar 2005) 26 Aug 2005	13679/2005	Starbucks Corporation; Jim Beam Brands Co.; 09-07C, Bottle and cap, (US, 30 Jul 2004) 27 Jan 2005	13559/2005
Samar, LLC; 28-99, Air deodorising apparatus (part of-), (EM, 08 Mar 2005) 26 Aug 2005	13680/2005	Starbucks Corporation; Jim Beam Brands Co.; 09-01NES, Bottle and cap, (US, 30 Jul 2004) 27 Jan 2005	13558/2005
Samar, LLC; 09-01K, Bottle, (EM, 17 Jun 2005) 26 Aug 2005	13681/2005	Sunbeam Corporation Limited; 28-03B, Hair straightener, 19 Aug 2005	13568/2005
Schlegel, Robert F.; 12-16K, Hitchmate motor vehicle cargo carrier, 02 Sep 2005	13753/2005	Sunbeam Corporation Limited; 28-03B, Hair straightener, 19 Aug 2005	13569/2005
		STL Management Pty Ltd; 12-05, Roller door operator, 26 Aug 2005	13677/2005

Teow, Jenny Joo Phaik; Chang, David; 02-02NES, 02-03, T-shirts, clothing, polo shirts, hats, caps, headgear, 29 Aug 2005	13684/2005	Unified Trades & fitters Pty Ltd; 06-03C, Furniture leg, table 1, table 2, 22 Aug 2005	13565/2005
Torb and Reiner; Reiner, Waltraud Maria; 02-02B, 02-03, 02-07A, 10-07, Double-clip garment and accessory concept, 05 Sep 2005	13792/2005	Unified Trades & fitters Pty Ltd; 06-06E, Furniture leg, table 1, table 2, 22 Aug 2005	13566/2005
Trydel Research Pty Ltd; 09-01B, Dispensing container, 01 Sep 2005	13754/2005	Vin Singlz Limited; 09-01NES, Container, (NZ, 28 Feb 2005) 19 Aug 2005	13556/2005
TAG Heuer SA; 10-02, Watch case, (WO, 30 Mar 2005) 01 Sep 2005	13755/2005	Willie, Sandra Janne; 99-00, Cardboard coffin, 02 Sep 2005	13768/2005
TAG Heuer SA; 10-02, Watch case, (WO, 30 Mar 2005) 01 Sep 2005	13756/2005	Wilson, Neil Edward; 07-02E, Barbeque, 30 Aug 2005	13700/2005
TAG Heuer SA; 10-02, Watch case, (WO, 30 Mar 2005) 01 Sep 2005	13757/2005	Wm. Wrigley Jr. Company; 09-03M, Comestible product dispenser, (US, 09 Mar 2005) 25 Aug 2005	13658/2005
TAG Heuer SA; 10-02, Watch case, (WO, 30 Mar 2005) 01 Sep 2005	13758/2005	Yan, Suen Ching; 02-03, Cap, (US, 19 Apr 2005) 29 Aug 2005	13702/2005
Unified Trades & fitters Pty Ltd; 06-03C, 06-06E, Furniture leg, table 1, table 2, 22 Aug 2005	13564/2005	Zhang, Qing; Chen, Quan; 06-09, Baby changing mat. table. station, 02 Sep 2005	13767/2005

Applications Withdrawn

10796 / 2005 (07-07A)	10797 / 2005 (07-07A)	11717 / 2005 (02-02C)	11718 / 2005 (02-02C)
10798 / 2005 (07-07A)	10799 / 2005 (07-07A)	11719 / 2005 (02-02NES)	11720 / 2005 (02-02C)
10800 / 2005 (07-07A)	10801 / 2005 (07-07A)	11721 / 2005 (02-02C)	11876 / 2005 (02-02C)
10802 / 2005 (07-07A)	10803 / 2005 (07-07A)	11877 / 2005 (02-02NES)	11878 / 2005 (02-02NES)
11263 / 2005 (02-01B)	11264 / 2005 (02-02NES)	11879 / 2005 (02-02NES)	11880 / 2005 (02-02NES)
11265 / 2005 (02-02NES)	11266 / 2005 (02-02C)	11881 / 2005 (02-02NES)	11882 / 2005 (02-02C)
11267 / 2005 (02-02NES)	11269 / 2005 (02-02NES)	11883 / 2005 (02-02NES)	11884 / 2005 (02-02NES)
11270 / 2005 (02-02C)	11271 / 2005 (02-02NES)	11885 / 2005 (02-02NES)	11886 / 2005 (02-02NES)
11272 / 2005 (02-02C)	11273 / 2005 (02-02NES)	11887 / 2005 (02-02C)	11888 / 2005 (02-02NES)
11274 / 2005 (02-02C)	11701 / 2005 (02-02NES)	11889 / 2005 (02-02C)	11890 / 2005 (02-02NES)
11702 / 2005 (02-02C)	11705 / 2005 (02-02NES)	11891 / 2005 (02-02NES)	11892 / 2005 (02-02NES)
11706 / 2005 (02-02NES)	11707 / 2005 (02-02C)	11894 / 2005 (02-02C)	13368 / 2005 (09-01A)
11708 / 2005 (02-02NES)	11709 / 2005 (02-02C)		
11710 / 2005 (02-02C)	11711 / 2005 (02-02C)		
11712 / 2005 (02-02NES)	11713 / 2005 (02-02NES)		
11715 / 2005 (02-02C)	11716 / 2005 (02-02NES)		

Applications Lapsed

13844 / 2004 (09-07NES)	13869 / 2004 (02-02NES)
13978 / 2004 (23-03D)	14221 / 2004 (09-03H)
15222 / 2004 (07-03)	15235 / 2004 (07-04)
15802 / 2004 (12-10)	15840 / 2004 (21-02D)
10043 / 2005 (02-02NES)	

Extensions of time granted under Section 137

Applications lodged under section 137 for extension of time have been granted.

15682/2004 **Eddy Brewer (Sales) Pty Ltd**

11574/2005 **Alexandra Quantrick**

11575/2005 **Alexandra Quantrick**

11576/2005 **Alexandra Quantrick**

Applications Assigned

(The name in parentheses is that of the subsequent applicant)

11590/2005 (**Jogo Bonito Pty Ltd**) Wendy Balestri

11591/2005 (**Jogo Bonito Pty Ltd**) Wendy Balestri

12479/2005 (**Samar LLC**) Sara Lee Household and Body Care
Nederland B.V.

Subsequent Owners Registered

(The name in parentheses is that of the subsequent owner)

301229 (**General Mills Marketing, Inc.**) The Pillsbury Company

Names Registered - Alterations and Amendments

(The name in parentheses is that of the subsequent applicant)

300614 (**Teh Yor Co. Ltd**) Teh Yor Industrial Co. Ltd

300615 (**Teh Yor Co. Ltd**) Teh Yor Industrial Co. Ltd

300616 (**Teh Yor Co. Ltd**) Teh Yor Industrial Co. Ltd

300617 (**Teh Yor Co. Ltd**) Teh Yor Industrial Co. Ltd

Certificate(s) of Examination

Examination of the following Design Registration(s) has been completed. Infringement proceedings may now be commenced.

300025	13-03E	08/09/2005
300073	09-01C	01/09/2005
300118	13-03E	31/08/2005
300140	19-02	08/09/2005
300141	19-02	08/09/2005
300142	19-02	08/09/2005
300232	25-01G	31/08/2005
300233	25-01G	31/08/2005
300234	25-01G	31/08/2005
300235	25-01G	31/08/2005
300236	25-01G	31/08/2005
300237	25-01G	31/08/2005
300238	25-01G	31/08/2005
300239	25-01G	31/08/2005
300240	25-01G	31/08/2005
300261	26-02	31/08/2005
300275	14-02	31/08/2005
300293	06-09	31/08/2005
300294	06-09	31/08/2005
300306	20-03C	02/09/2005
300307	10-04	02/09/2005
300561	06-01G	02/09/2005
300641	01-01	31/08/2005
300671	25-01G	31/08/2005
300860	07-06A	08/09/2005
300918	25-01C	08/09/2005
300919	25-01C	08/09/2005
300940	10-07	08/09/2005
300950	20-02E	08/09/2005
301039	02-03	05/09/2005
301040	21-03	05/09/2005
301041	21-03	05/09/2005
301042	21-03	05/09/2005
301043	21-03	05/09/2005
301044	21-03	05/09/2005
301051	21-03	05/09/2005
301052	21-03	05/09/2005
301053	21-03	05/09/2005
301054	21-03	05/09/2005
301055	21-03	05/09/2005
301056	21-03	05/09/2005
301057	21-03	05/09/2005
301058	21-03	05/09/2005
301059	21-03	05/09/2005
301060	21-03	05/09/2005
301061	21-03	07/09/2005
301062	21-03	07/09/2005
301063	21-03	07/09/2005
301064	02-03	07/09/2005
301065	02-03	07/09/2005
301066	02-03	07/09/2005
301067	02-03	07/09/2005
301068	02-03	07/09/2005
301069	02-03	07/09/2005
301070	02-03	07/09/2005
301079	02-03	07/09/2005
301080	02-03	07/09/2005
301081	02-03	07/09/2005
301082	02-03	07/09/2005
301083	02-03	07/09/2005
301363	12-16NES	31/08/2005
301731	12-16NES	02/09/2005
301732	12-16NES	02/09/2005

Publication and Registration Proceedings

Designs Registered

This section provides a concordance between design number and registration number of Designs covered in this journal. It also shows the main class and registration date.

This section covers Registration numbers 302862 to 303100 .

The registration number shown below should be used in all future correspondence.

Design Number	Registration Number	International Classification Code (IDC)	Registration Date	Design Number	Registration Number	International Classification Code (IDC)	Registration Date
13336/2004	302862	25-01D	26/08/2005	10199/2005	302906	23-02B	26/08/2005
13642/2004	302863	07-04	26/08/2005	10200/2005	302907	23-02B	26/08/2005
13852/2004	303040	12-12	01/09/2005	10254/2005	302908	09-01G	26/08/2005
14027/2004	302960	06-01F	31/08/2005	10255/2005	303058	02-03	01/09/2005
14028/2004	302961	06-01E	31/08/2005	10257/2005	303059	09-05	01/09/2005
14029/2004	302962	06-01F	31/08/2005	10281/2005	303060	23-01NES	01/09/2005
14088/2004	303020	07-02N	31/08/2005	10302/2005	302871	08-08C	26/08/2005
14089/2004	303021	07-02N	31/08/2005	10307/2005	302909	07-05D	26/08/2005
14090/2004	303022	07-02N	31/08/2005	10308/2005	302910	07-05D	26/08/2005
14091/2004	303023	07-02N	31/08/2005	10323/2005	302911	02-04NES	26/08/2005
14553/2004	303086	02-01A	01/09/2005	10324/2005	302912	02-04NES	26/08/2005
15398/2004	302864	11-02NES	26/08/2005	10325/2005	302913	02-04NES	26/08/2005
15657/2004	303041	06-01D	01/09/2005	10326/2005	302914	02-04NES	26/08/2005
15660/2004	302866	08-05N	26/08/2005	10351/2005	303024	28-03NES	31/08/2005
15675/2004	302867	08-05N	26/08/2005	10420/2005	302964	02-02NES	31/08/2005
15709/2004	302868	12-06A	26/08/2005	10421/2005	302965	02-02NES	31/08/2005
15780/2004	302869	08-05N	26/08/2005	10422/2005	302966	02-02NES	31/08/2005
16059/2004	303042	06-01D	01/09/2005	10423/2005	302967	02-02NES	31/08/2005
16060/2004	303043	06-01D	01/09/2005	10424/2005	302968	02-02NES	31/08/2005
16061/2004	303044	06-01D	01/09/2005	10429/2005	302915	02-05	26/08/2005
16062/2004	303045	06-01D	01/09/2005	10464/2005	302916	25-01C	26/08/2005
10000/2005	303087	24-03	01/09/2005	10500/2005	302969	15-01	31/08/2005
10001/2005	303088	24-03	01/09/2005	10503/2005	302872	08-06	26/08/2005
10002/2005	303089	24-03	01/09/2005	10504/2005	302873	08-06	26/08/2005
10003/2005	303090	24-03	01/09/2005	10527/2005	302970	08-08NES	31/08/2005
10005/2005	303091	09-01K	01/09/2005	10570/2005	302971	23-01H	31/08/2005
10008/2005	303092	24-04	01/09/2005	10571/2005	302972	02-02NES	31/08/2005
10011/2005	303046	12-11	01/09/2005	10604/2005	302973	07-06A	31/08/2005
10012/2005	303047	12-11	01/09/2005	10607/2005	302974	08-99	31/08/2005
10013/2005	303093	14-03A	01/09/2005	10643/2005	303097	02-01B	06/09/2005
10014/2005	303094	23-01C	01/09/2005	10651/2005	303061	01-02	01/09/2005
10017/2005	303048	12-11	01/09/2005	10652/2005	303062	09-03C	01/09/2005
10018/2005	303049	28-01	01/09/2005	10656/2005	302975	07-01NES	31/08/2005
10019/2005	303095	08-08E	01/09/2005	10663/2005	302976	09-03NES	31/08/2005
10020/2005	303096	09-01G	01/09/2005	10665/2005	302977	05-06NES	31/08/2005
10021/2005	303050	12-16C	01/09/2005	10666/2005	302978	06-04NES	31/08/2005
10038/2005	302963	24-04	31/08/2005	10667/2005	302979	06-04NES	31/08/2005
10053/2005	303051	09-03NES	01/09/2005	10669/2005	302980	06-04NES	31/08/2005
10057/2005	302897	25-02H	26/08/2005	10670/2005	302981	06-04NES	31/08/2005
10063/2005	302898	10-04	26/08/2005	10681/2005	302982	13-03B	31/08/2005
10064/2005	303052	12-06C	01/09/2005	10682/2005	302983	14-03NES	31/08/2005
10081/2005	302900	28-99	26/08/2005	10683/2005	302984	14-03NES	31/08/2005
10082/2005	302901	28-99	26/08/2005	10684/2005	302985	16-01	31/08/2005
10083/2005	302902	28-99	26/08/2005	10685/2005	302986	14-02	31/08/2005
10097/2005	303053	13-02	01/09/2005	10686/2005	302987	14-02	31/08/2005
10098/2005	303054	14-01	01/09/2005	10687/2005	302988	14-02	31/08/2005
10106/2005	303055	07-05A	01/09/2005	10689/2005	302989	23-01C	31/08/2005
10107/2005	303056	07-05NES	01/09/2005	10690/2005	302990	23-01C	31/08/2005
10108/2005	303057	07-05NES	01/09/2005	10691/2005	302991	23-01C	31/08/2005
10152/2005	302903	21-02C	26/08/2005	10692/2005	302992	23-01C	31/08/2005
10180/2005	302870	06-03A	26/08/2005	10696/2005	302993	02-01B	31/08/2005
10191/2005	302904	03-01NES	26/08/2005	10697/2005	302994	14-03E	31/08/2005
10192/2005	302905	09-04	26/08/2005	10726/2005	303063	12-16C	01/09/2005

Publication and Registration Proceedings - Designs Registered cont'd

Design Number	Registration Number	International Classification Code (IDC)	Registration Date	Design Number	Registration Number	International Classification Code (IDC)	Registration Date
10727/2005	303064	26-06	01/09/2005	10989/2005	303026	09-03F	31/08/2005
10728/2005	303065	26-06	01/09/2005	10991/2005	303071	09-02NES	01/09/2005
10729/2005	303066	08-06	01/09/2005	10992/2005	303072	09-02NES	01/09/2005
10730/2005	303067	12-16H	01/09/2005	10993/2005	303073	09-02NES	01/09/2005
10731/2005	303068	12-16C	01/09/2005	10994/2005	302945	15-07	29/08/2005
10761/2005	302874	23-01F	26/08/2005	10995/2005	302946	15-07	29/08/2005
10762/2005	302875	23-01F	26/08/2005	11095/2005	302887	06-04NES	26/08/2005
10763/2005	302876	23-01F	26/08/2005	11105/2005	302947	23-01A	29/08/2005
10788/2005	303069	06-06F	01/09/2005	11106/2005	302948	21-02D	29/08/2005
10789/2005	303070	06-06A	01/09/2005	11107/2005	302949	21-02D	29/08/2005
10827/2005	302995	09-03M	31/08/2005	11108/2005	302950	21-02D	29/08/2005
10828/2005	302996	09-03M	31/08/2005	11127/2005	302951	25-04	29/08/2005
10829/2005	302997	09-03M	31/08/2005	11128/2005	302952	25-04	29/08/2005
10830/2005	302998	09-03M	31/08/2005	11129/2005	302953	12-16M	29/08/2005
10831/2005	302999	09-03M	31/08/2005	11130/2005	302954	08-08NES	29/08/2005
10832/2005	303000	09-03M	31/08/2005	11131/2005	302955	05-05B	29/08/2005
10836/2005	303001	09-03M	31/08/2005	11133/2005	302956	04-02	29/08/2005
10837/2005	303002	09-03M	31/08/2005	11134/2005	302957	04-02	29/08/2005
10840/2005	303003	09-03M	31/08/2005	11135/2005	302958	04-02	29/08/2005
10854/2005	302917	23-04	26/08/2005	11136/2005	302959	04-02	29/08/2005
10867/2005	302918	25-02A	26/08/2005	11146/2005	302888	06-02	26/08/2005
10881/2005	302877	06-01NES	26/08/2005	11147/2005	302889	06-02	26/08/2005
10882/2005	302878	06-04A	26/08/2005	11148/2005	302890	06-02	26/08/2005
10885/2005	302879	23-01H	26/08/2005	11149/2005	302891	06-02	26/08/2005
10887/2005	302880	23-01H	26/08/2005	11156/2005	303004	28-03A	31/08/2005
10888/2005	302881	23-01H	26/08/2005	11157/2005	303005	28-03A	31/08/2005
10889/2005	302882	23-02B	26/08/2005	11158/2005	303006	28-03A	31/08/2005
10890/2005	302883	23-02B	26/08/2005	11161/2005	303007	08-03	31/08/2005
10903/2005	302884	15-03A	26/08/2005	11162/2005	303008	08-03	31/08/2005
10906/2005	302938	04-01	29/08/2005	11163/2005	303009	16-03	31/08/2005
10918/2005	302919	15-99	26/08/2005	11164/2005	303010	03-01D	31/08/2005
10919/2005	302920	15-99	26/08/2005	11167/2005	302892	09-03K	26/08/2005
10920/2005	302921	15-99	26/08/2005	11168/2005	303098	09-03K	06/09/2005
10921/2005	302922	15-99	26/08/2005	11169/2005	303099	09-03K	06/09/2005
10922/2005	302923	09-03NES	26/08/2005	11170/2005	303100	09-03K	06/09/2005
10923/2005	302885	24-03	26/08/2005	11171/2005	303011	08-01	31/08/2005
10928/2005	302924	25-01E	26/08/2005	11172/2005	303012	24-04	31/08/2005
10930/2005	302925	08-05F	26/08/2005	11185/2005	303013	07-04	31/08/2005
10934/2005	302926	08-05F	26/08/2005	11186/2005	303014	31-00	31/08/2005
10940/2005	302927	25-02NES	26/08/2005	11194/2005	303015	28-03A	31/08/2005
10941/2005	302928	25-02NES	26/08/2005	11228/2005	303027	08-05N	31/08/2005
10942/2005	302929	25-02NES	26/08/2005	11229/2005	303028	08-05N	31/08/2005
10944/2005	302939	12-05	29/08/2005	11230/2005	303029	08-05N	31/08/2005
10945/2005	302930	06-01D	26/08/2005	11242/2005	302893	23-01K	26/08/2005
10946/2005	302940	08-01	29/08/2005	11243/2005	303016	24-02	31/08/2005
10947/2005	302886	11-01B	26/08/2005	11244/2005	303017	24-02	31/08/2005
10948/2005	302931	12-05	26/08/2005	11249/2005	303018	24-04	31/08/2005
10949/2005	302932	08-07	26/08/2005	11257/2005	303019	30-99	31/08/2005
10950/2005	302933	08-07	26/08/2005	11284/2005	303074	07-02L	01/09/2005
10951/2005	302934	23-01NES	26/08/2005	11285/2005	303075	07-02L	01/09/2005
10953/2005	302935	24-03	26/08/2005	11287/2005	303076	26-05B	01/09/2005
10954/2005	302936	24-03	26/08/2005	11288/2005	303077	26-05C	01/09/2005
10955/2005	302937	16-01	26/08/2005	11290/2005	303030	21-02B	31/08/2005
10956/2005	302941	20-03NES	29/08/2005	11300/2005	303078	21-04	01/09/2005
10960/2005	302942	11-02E	29/08/2005	11301/2005	303079	21-04	01/09/2005
10961/2005	302943	11-02E	29/08/2005	11302/2005	303031	06-01F	31/08/2005
10987/2005	303025	09-03F	31/08/2005	11303/2005	303032	06-01F	31/08/2005
10988/2005	302944	09-03F	29/08/2005	11304/2005	303033	06-06G	31/08/2005

Publication and Registration Proceedings - Designs Registered cont'd

Design Number	Registration Number	International Classification Code (IDC)	Registration Date	Design Number	Registration Number	International Classification Code (IDC)	Registration Date
11305/2005	303034	06-01F	31/08/2005	11331/2005	302895	02-02NES	26/08/2005
11306/2005	303035	06-01F	31/08/2005	11332/2005	302896	02-02C	26/08/2005
11307/2005	303036	06-06G	31/08/2005	11378/2005	303082	03-01D	01/09/2005
11308/2005	303080	12-06C	01/09/2005	11379/2005	303083	03-01D	01/09/2005
11310/2005	303037	06-03D	31/08/2005	11381/2005	303084	16-06	01/09/2005
11311/2005	303038	08-01	31/08/2005	11398/2005	303085	12-02	01/09/2005
11312/2005	303039	08-01	31/08/2005	12488/2005	302865	11-99	26/08/2005
11328/2005	303081	22-06	01/09/2005	13197/2005	302899	10-04	26/08/2005
11330/2005	302894	02-02C	26/08/2005				

Publication and Registration Proceedings
Class Listing of Designs Published or Registered

The following section shows an International Classification Code listing of the Registered or Published Designs covered in this supplement.

Classification	Registration Number	Design Number	Classification	Registration Number	Design Number
01-02	303061	10651/2005	06-02	302891	11149/2005
02-01 A	303086	14553/2004	06-03 A	302870	10180/2005
02-01 B	302993	10696/2005	06-03 A	302961	14028/2004
02-01 B	303086	14553/2004	06-03 D	303037	11310/2005
02-01 B	303097	10643/2005	06-04 A	302878	10882/2005
02-02 C	302894	11330/2005	06-04 NES	302887	11095/2005
02-02 C	302896	11332/2005	06-04 NES	302978	10666/2005
02-02 NES	302895	11331/2005	06-04 NES	302979	10667/2005
02-02 NES	302964	10420/2005	06-04 NES	302980	10669/2005
02-02 NES	302965	10421/2005	06-04 NES	302981	10670/2005
02-02 NES	302966	10422/2005	06-06 A	303070	10789/2005
02-02 NES	302967	10423/2005	06-06 E	302870	10180/2005
02-02 NES	302968	10424/2005	06-06 F	303069	10788/2005
02-02 NES	302972	10571/2005	06-06 G	303033	11304/2005
02-03	302964	10420/2005	06-06 G	303036	11307/2005
02-03	302965	10421/2005	07-01 NES	302975	10656/2005
02-03	302966	10422/2005	07-02 L	303074	11284/2005
02-03	302967	10423/2005	07-02 L	303075	11285/2005
02-03	303058	10255/2005	07-02 N	303020	14088/2004
02-04 NES	302911	10323/2005	07-02 N	303021	14089/2004
02-04 NES	302912	10324/2005	07-02 N	303022	14090/2004
02-04 NES	302913	10325/2005	07-02 N	303023	14091/2004
02-04 NES	302914	10326/2005	07-04	302863	13642/2004
02-05	302915	10429/2005	07-04	303013	11185/2005
03-01 D	303010	11164/2005	07-05 A	303055	10106/2005
03-01 D	303082	11378/2005	07-05 D	302909	10307/2005
03-01 D	303083	11379/2005	07-05 D	302910	10308/2005
03-01 NES	302904	10191/2005	07-05 NES	303056	10107/2005
03-03	303078	11300/2005	07-05 NES	303057	10108/2005
03-03	303079	11301/2005	07-06 A	302973	10604/2005
04-01	302938	10906/2005	08-01	302940	10946/2005
04-02	302956	11133/2005	08-01	303011	11171/2005
04-02	302957	11134/2005	08-01	303038	11311/2005
04-02	302958	11135/2005	08-01	303039	11312/2005
04-02	302959	11136/2005	08-03	303007	11161/2005
05-05 B	302955	11131/2005	08-03	303008	11162/2005
05-06 NES	302977	10665/2005	08-05 F	302925	10930/2005
06-01 D	302930	10945/2005	08-05 F	302926	10934/2005
06-01 D	303041	15657/2004	08-05 N	302866	15660/2004
06-01 D	303042	16059/2004	08-05 N	302867	15675/2004
06-01 D	303043	16060/2004	08-05 N	302869	15780/2004
06-01 D	303044	16061/2004	08-05 N	303027	11228/2005
06-01 D	303045	16062/2004	08-05 N	303028	11229/2005
06-01 E	302961	14028/2004	08-05 N	303029	11230/2005
06-01 F	302960	14027/2004	08-06	302872	10503/2005
06-01 F	302962	14029/2004	08-06	302873	10504/2005
06-01 F	303031	11302/2005	08-06	303066	10729/2005
06-01 F	303032	11303/2005	08-07	302932	10949/2005
06-01 F	303034	11305/2005	08-07	302933	10950/2005
06-01 F	303035	11306/2005	08-08 C	302871	10302/2005
06-01 NES	302877	10881/2005	08-08 E	303095	10019/2005
06-01 NES	302960	14027/2004	08-08 NES	302954	11130/2005
06-01 NES	302962	14029/2004	08-08 NES	302970	10527/2005
06-02	302888	11146/2005	08-99	302974	10607/2005
06-02	302889	11147/2005	09-01 G	302908	10254/2005
06-02	302890	11148/2005	09-01 G	303096	10020/2005

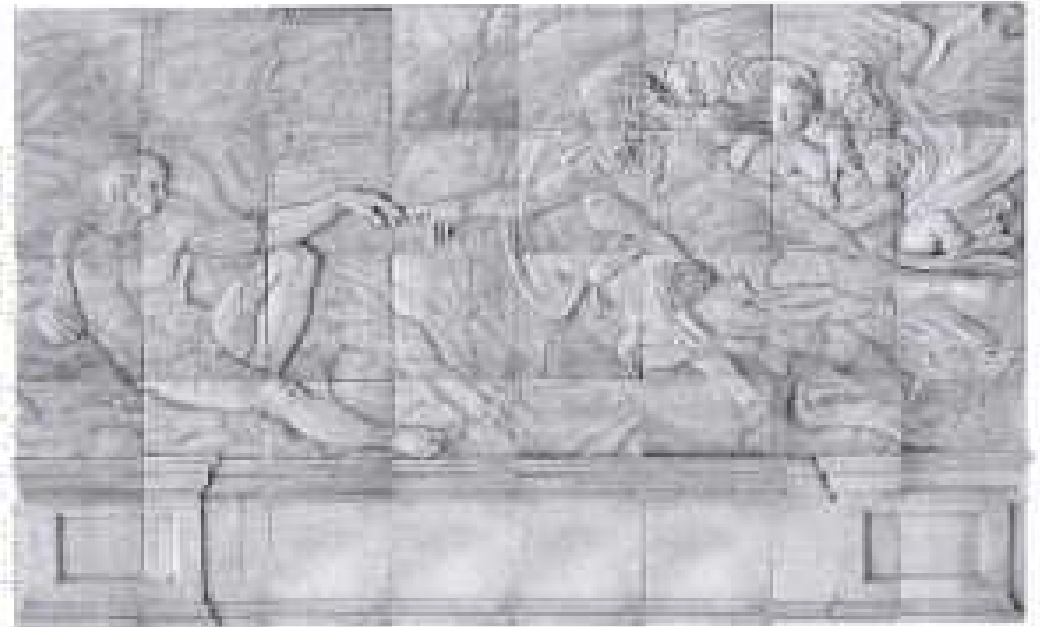
Registration Proceedings - Class Listing of Designs Published or Registered cont'd

Classification	Registration Number	Design Number	Classification	Registration Number	Design Number
09-01 K	303091	10005/2005	14-01	303054	10098/2005
09-01 NES	302908	10254/2005	14-02	302986	10685/2005
09-02 NES	303071	10991/2005	14-02	302987	10686/2005
09-02 NES	303072	10992/2005	14-02	302988	10687/2005
09-02 NES	303073	10993/2005	14-03 A	303093	10013/2005
09-03 C	303062	10652/2005	14-03 E	302994	10697/2005
09-03 F	302944	10988/2005	14-03 NES	302983	10682/2005
09-03 F	303025	10987/2005	14-03 NES	302984	10683/2005
09-03 F	303026	10989/2005	15-01	302969	10500/2005
09-03 K	302892	11167/2005	15-03 A	302884	10903/2005
09-03 K	303098	11168/2005	15-07	302945	10994/2005
09-03 K	303099	11169/2005	15-07	302946	10995/2005
09-03 K	303100	11170/2005	15-99	302919	10918/2005
09-03 M	302995	10827/2005	15-99	302920	10919/2005
09-03 M	302996	10828/2005	15-99	302921	10920/2005
09-03 M	302997	10829/2005	15-99	302922	10921/2005
09-03 M	302998	10830/2005	16-01	302937	10955/2005
09-03 M	302999	10831/2005	16-01	302985	10684/2005
09-03 M	303000	10832/2005	16-03	303009	11163/2005
09-03 M	303001	10836/2005	16-06	303084	11381/2005
09-03 M	303002	10837/2005	20-03 NES	302941	10956/2005
09-03 M	303003	10840/2005	21-02 B	303030	11290/2005
09-03 NES	302923	10922/2005	21-02 C	302903	10152/2005
09-03 NES	302976	10663/2005	21-02 D	302948	11106/2005
09-03 NES	303051	10053/2005	21-02 D	302949	11107/2005
09-03 NES	303082	11378/2005	21-02 D	302950	11108/2005
09-03 NES	303083	11379/2005	21-02 NES	302903	10152/2005
09-04	302905	10192/2005	21-04	303078	11300/2005
09-05	303059	10257/2005	21-04	303079	11301/2005
09-07 A	302893	11242/2005	22-06	303081	11328/2005
10-04	302898	10063/2005	23-01 A	302947	11105/2005
10-04	302899	13197/2005	23-01 C	302989	10689/2005
11-01 B	302886	10947/2005	23-01 C	302990	10690/2005
11-01 E	302915	10429/2005	23-01 C	302991	10691/2005
11-02 E	302942	10960/2005	23-01 C	302992	10692/2005
11-02 E	302943	10961/2005	23-01 C	303094	10014/2005
11-02 NES	302864	15398/2004	23-01 F	302874	10761/2005
11-02 NES	302865	12488/2005	23-01 F	302875	10762/2005
11-99	302865	12488/2005	23-01 F	302876	10763/2005
12-02	303085	11398/2005	23-01 G	302876	10763/2005
12-05	302930	10945/2005	23-01 H	302879	10885/2005
12-05	302931	10948/2005	23-01 H	302880	10887/2005
12-05	302939	10944/2005	23-01 H	302881	10888/2005
12-06 A	302868	15709/2004	23-01 H	302971	10570/2005
12-06 C	303052	10064/2005	23-01 K	302893	11242/2005
12-06 C	303080	11308/2005	23-01 NES	302934	10951/2005
12-11	303046	10011/2005	23-01 NES	302975	10656/2005
12-11	303047	10012/2005	23-01 NES	303060	10281/2005
12-11	303048	10017/2005	23-02 B	302882	10889/2005
12-12	303040	13852/2004	23-02 B	302883	10890/2005
12-16 C	303050	10021/2005	23-02 B	302906	10199/2005
12-16 C	303063	10726/2005	23-02 B	302907	10200/2005
12-16 C	303068	10731/2005	23-04	302917	10854/2005
12-16 H	303067	10730/2005	24-02	303016	11243/2005
12-16 M	302953	11129/2005	24-02	303017	11244/2005
12-16 M	302954	11130/2005	24-03	302885	10923/2005
13-02	303053	10097/2005	24-03	302935	10953/2005
13-03 B	302982	10681/2005	24-03	302936	10954/2005
14-01	303053	10097/2005	24-03	303087	10000/2005

Registration Proceedings - Class Listing of Designs Published or Registered cont'd

Classification	Registration Number	Design Number	Classification	Registration Number	Design Number
24-03	303088	10001/2005	25-04	302952	11128/2005
24-03	303089	10002/2005	26-05 B	303076	11287/2005
24-03	303090	10003/2005	26-05 C	303077	11288/2005
24-04	302963	10038/2005	26-06	303064	10727/2005
24-04	303012	11172/2005	26-06	303065	10728/2005
24-04	303018	11249/2005	28-01	303049	10018/2005
24-04	303092	10008/2005	28-03 A	303004	11156/2005
25-01 C	302916	10464/2005	28-03 A	303005	11157/2005
25-01 D	302862	13336/2004	28-03 A	303006	11158/2005
25-01 E	302924	10928/2005	28-03 A	303015	11194/2005
25-02 A	302918	10867/2005	28-03 NES	303024	10351/2005
25-02 H	302897	10057/2005	28-99	302900	10081/2005
25-02 NES	302927	10940/2005	28-99	302901	10082/2005
25-02 NES	302928	10941/2005	28-99	302902	10083/2005
25-02 NES	302929	10942/2005	30-99	303019	11257/2005
25-03	303078	11300/2005	31-00	303014	11186/2005
25-03	303079	11301/2005			
25-04	302951	11127/2005			

- (21) Design Number: **13336/2004**
(22) Date of Filing Application: **16 July 2004**
(24) Date from which industrial property rights may have effect: **16 July 2004**
(54) Product in respect of which the design is registered: **Assembly forming a panel or wall structure**
(51) International Design Classification: **25-01D**
(71) Name(s) and Address(s) of Applicant(s):
Topcco Pty Ltd
140 Mooringe Avenue North Plympton Adelaide South Australia 5037 Australia
(72) Name(s) of Designer(s): **Mat Johnsson**
(45) Registration Date: **26 August 2005**
(56) Related Art Documents: **Not Applicable**
(57) Statement of Newness and Distinctiveness: **Nil**



- (21) Design Number: **13642/2004**
(22) Date of Filing Application: **02 August 2004**
(24) Date from which industrial property rights may have effect: **02 August 2004**
(54) Product in respect of which the design is registered: **Bread crust cutter**
(51) International Design Classification: **07-04**
(71) Name(s) and Address(s) of Applicant(s):
Inner Gifts (Aust) Pty Ltd
6/99 Drumalbyn Road Bellevue Hill New South Wales 2023 Australia
(72) Name(s) of Designer(s): **Natalie Reiner and Vanessa Clarke**
(45) Registration Date: **26 August 2005**
(56) Related Art Documents: **Not Applicable**
(57) Statement of Newness and Distinctiveness: **Shape is specifically designed and measured to the average slice of bread. The height of the sides and the shape and thickness of the handle helps slice the crusts off.**



- (21) Design Number: **15398/2004**
(22) Date of Filing Application: **23 November 2004**
(24) Date from which industrial property rights may have effect: **23 November 2004**
(54) Product in respect of which the design is registered: **Feng shui item called the energy vortex**
(51) International Design Classification: **11-02NES**
(71) Name(s) and Address(s) of Applicant(s):
Philomena Paradies
Shop 30 7 Stradbroke Street Redland Bay Shopping Village Redland Bay Queensland 4165 Australia
Peter Warnick
Shop 30 7 Stradbroke Street Redland Bay Shopping Village Redland Bay Queensland 4165 Australia
(72) Name(s) of Designer(s): **Philomena Paradies and Peter Warnick**
(45) Registration Date: **26 August 2005**
(56) Related Art Documents: **Not Applicable**
(57) Statement of Newness and Distinctiveness: **Feng shui item based on an ancient geometric structure. It is new in the way it looks - attractive for the home or business.**



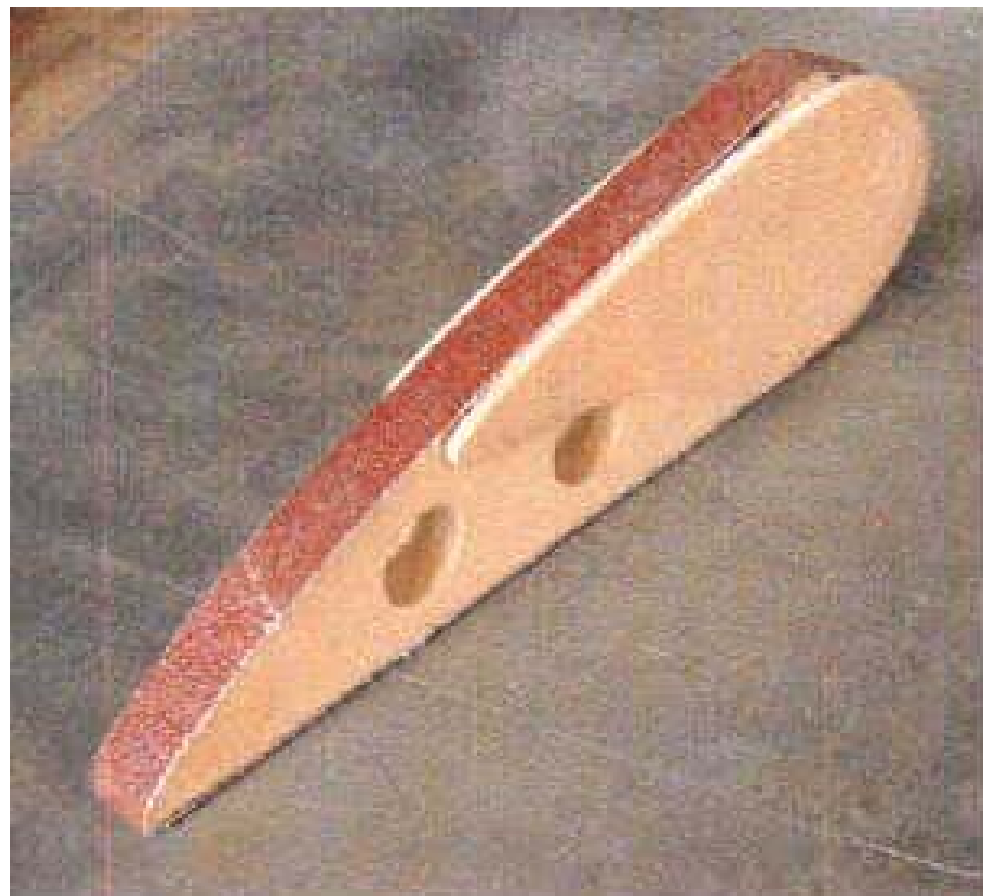
- (21) Design Number: **12488/2005**
(22) Date of Filing Application: **23 November 2004**
(24) Date from which industrial property rights may have effect: **23 November 2004**
(54) Product in respect of which the design is registered: **Feng shui item called the "Energy Vortex"**
(51) International Design Classification: **11-99, 11-02NES**
(71) Name(s) and Address(s) of Applicant(s):
Philomena Paradies
Shop 30 7 Stradbroke Street Redland Bay Shopping Village Redland Bay Queensland 4165 Australia
Peter Warnick
Shop 30 7 Stradbroke Street Redland Bay Shopping Village Redland Bay Queensland 4165 Australia
(72) Name(s) of Designer(s): **Philomena Paradies and Peter Warnick**
(45) Registration Date: **26 August 2005**
(56) Related Art Documents: **Not Applicable**
(57) Statement of Newness and Distinctiveness: **Feng shui item based on an ancient geometric structure. It is new in the way it looks - attractive for the home or business.**



- (21) Design Number: **15660/2004**
(22) Date of Filing Application: **07 December 2004**
(24) Date from which industrial property rights may have effect: **07 December 2004**
(54) Product in respect of which the design is registered: **Sanding strip ezyhold**
(51) International Design Classification: **08-05N**
(71) Name(s) and Address(s) of Applicant(s):
David Rickards
68 Sherwood Street Revesby New South Wales 2212 Australia
(72) Name(s) of Designer(s): **David Lennox Rickards**
(45) Registration Date: **26 August 2005**
(56) Related Art Documents: **Not Applicable**
(57) Statement of Newness and Distinctiveness: **The overall shape and the cam action holding device to tighten the strip of abrasive material or polishing strip material.**



- (21) Design Number: **15675/2004**
(22) Date of Filing Application: **07 December 2004**
(24) Date from which industrial property rights may have effect: **07 December 2004**
(54) Product in respect of which the design is registered: **Ezyhold belt sander**
(51) International Design Classification: **08-05N**
(71) Name(s) and Address(s) of Applicant(s):
David Rickards
68 Sherwood Street Revesby New South Wales 2212 Australia
(72) Name(s) of Designer(s): **David Lennox Rickards**
(45) Registration Date: **26 August 2005**
(56) Related Art Documents: **Not Applicable**
(57) Statement of Newness and Distinctiveness: **The infill shape of the standard belt sander strip and the cam action expanding device.**



- (21) Design Number: **15709/2004**
(22) Date of Filing Application: **09 December 2004**
(24) Date from which industrial property rights may have effect: **09 December 2004**
(54) Product in respect of which the design is registered: **Boat hull**
(51) International Design Classification: **12-06A**
(71) Name(s) and Address(s) of Applicant(s):
Michael Ronald Taylor
6 Hiley Street Slacks Creek Queensland 4127 Australia
(72) Name(s) of Designer(s): **Michael Ronald Taylor**
(45) Registration Date: **26 August 2005**
(56) Related Art Documents: **Not Applicable**
(57) Statement of Newness and Distinctiveness: **Monopoly is claimed in the features in shape and configuration of a boat hull as illustrated in the accompanying representations. In considering the extent of monopoly protection, the shape and configuration of the boat deck is to be disregarded.**



- (21) Design Number: **15780/2004**
(22) Date of Filing Application: **14 December 2004**
(24) Date from which industrial property rights may have effect: **14 December 2004**
(54) Product in respect of which the design is registered: **Sanding belt pencil**
(51) International Design Classification: **08-05N**
(71) Name(s) and Address(s) of Applicant(s):
David Lennox Rickards
68 Sherwood Street Revesby New South Wales 2212 Australia
(72) Name(s) of Designer(s): **David Lennox Rickards**
(45) Registration Date: **26 August 2005**
(56) Related Art Documents: **Not Applicable**
(57) Statement of Newness and Distinctiveness: **The overall shape and the action of the screw tread device to tighten up the belt and turning it into a thin flat pencil when used up, are able to move belt on to new abrasive area.**



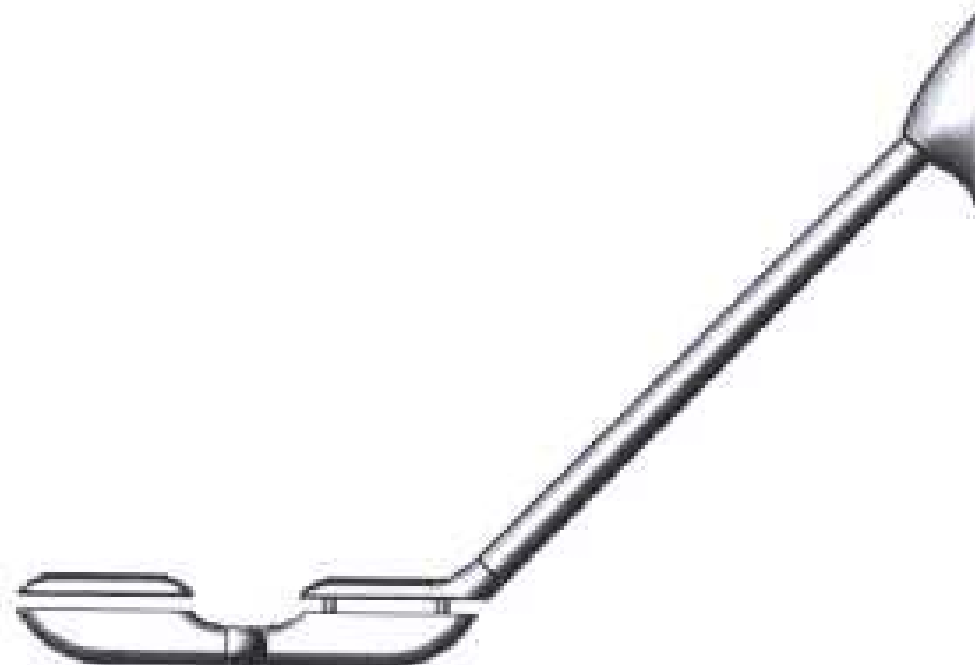
- (21) Design Number: **10180/2005**
(22) Date of Filing Application: **19 January 2005**
(24) Date from which industrial property rights may have effect: **19 January 2005**
(54) Product in respect of which the design is registered: **Table**
(51) International Design Classification: **06-03A, 06-06E**
(71) Name(s) and Address(s) of Applicant(s):
Ross Didier
81 Glenair Court Lower Templestowe Victoria 3107 Australia
(72) Name(s) of Designer(s): **Ross Didier**
(45) Registration Date: **26 August 2005**
(56) Related Art Documents: **Not Applicable**
(57) Statement of Newness and Distinctiveness: **Triangular shaped leg extrusion, foil shaped rail extrusion, corner knuckle 3-dimensional form to fit leg and rail.**



- (21) Design Number: **10302/2005**
(22) Date of Filing Application: **28 January 2005**
(24) Date from which industrial property rights may have effect: **28 January 2005**
(54) Product in respect of which the design is registered: **Clip**
(51) International Design Classification: **08-08C**
(71) Name(s) and Address(s) of Applicant(s):
Peter John McNeill
3 MacMaster Parade MacMasters Beach New South Wales 2251 Australia
(72) Name(s) of Designer(s): **Peter John McNeill**
(45) Registration Date: **26 August 2005**
(56) Related Art Documents: **Not Applicable**
(57) Statement of Newness and Distinctiveness: **Nil**



(21) Design Number: **10503/2005**
(22) Date of Filing Application: **10 February 2005**
(24) Date from which industrial property rights may have effect: **10 February 2005**
(54) Product in respect of which the design is registered: **A hinge and brace arm**
(51) International Design Classification: **08-06**
(71) Name(s) and Address(s) of Applicant(s):
Kohler New Zealand Limited
133 Diana Drive Glenfield Auckland New Zealand
(72) Name(s) of Designer(s): **Peter Murphy**
(45) Registration Date: **26 August 2005**
(30) Convention priority data:
(31) Number (32) Date (33) Country
405152 10 Aug 2004 NEW ZEALAND
(56) Related Art Documents: **Not Applicable**
(57) Statement of Newness and Distinctiveness: **Nil**



(21) Design Number: **10504/2005**
(22) Date of Filing Application: **10 February 2005**
(24) Date from which industrial property rights may have effect: **10 February 2005**
(54) Product in respect of which the design is registered: **A handle**
(51) International Design Classification: **08-06**
(71) Name(s) and Address(s) of Applicant(s):
Kohler New Zealand Limited
133 Diana Drive Glenfield Auckland New Zealand
(72) Name(s) of Designer(s): **Peter Murphy**
(45) Registration Date: **26 August 2005**
(30) Convention priority data:
(31) Number (32) Date (33) Country
405152 10 Aug 2004 NEW ZEALAND
(56) Related Art Documents: **Not Applicable**
(57) Statement of Newness and Distinctiveness: **Nil**



- (21) Design Number: **10761/2005**
(22) Date of Filing Application: **25 February 2005**
(24) Date from which industrial property rights may have effect: **25 February 2005**
(54) Product in respect of which the design is registered: **Tank**
(51) International Design Classification: **23-01F**
(71) Name(s) and Address(s) of Applicant(s):
Hannu Ketola
5-63 Carabella Street Kirribilli New South Wales 2061 Australia
(72) Name(s) of Designer(s): **Hannu Ketola**
(45) Registration Date: **26 August 2005**
(56) Related Art Documents: **Not Applicable**
(57) Statement of Newness and Distinctiveness: **Nil**



- (21) Design Number: **10762/2005**
(22) Date of Filing Application: **25 February 2005**
(24) Date from which industrial property rights may have effect: **25 February 2005**
(54) Product in respect of which the design is registered: **First flush tank**
(51) International Design Classification: **23-01F**
(71) Name(s) and Address(s) of Applicant(s):
Hannu Ketola
5-63 Carabella Street Kirribilli New South Wales 2061 Australia
(72) Name(s) of Designer(s): **Hannu Ketola**
(45) Registration Date: **26 August 2005**
(56) Related Art Documents: **Not Applicable**
(57) Statement of Newness and Distinctiveness: **Nil**



(21) Design Number: **10763/2005**

(22) Date of Filing Application: **25 February 2005**

(24) Date from which industrial property rights may have effect: **25 February 2005**

(54) Product in respect of which the design is registered: **Leaf screening hood**

(51) International Design Classification: **23-01F, 23-01G**

(71) Name(s) and Address(s) of Applicant(s):

Hannu Ketola

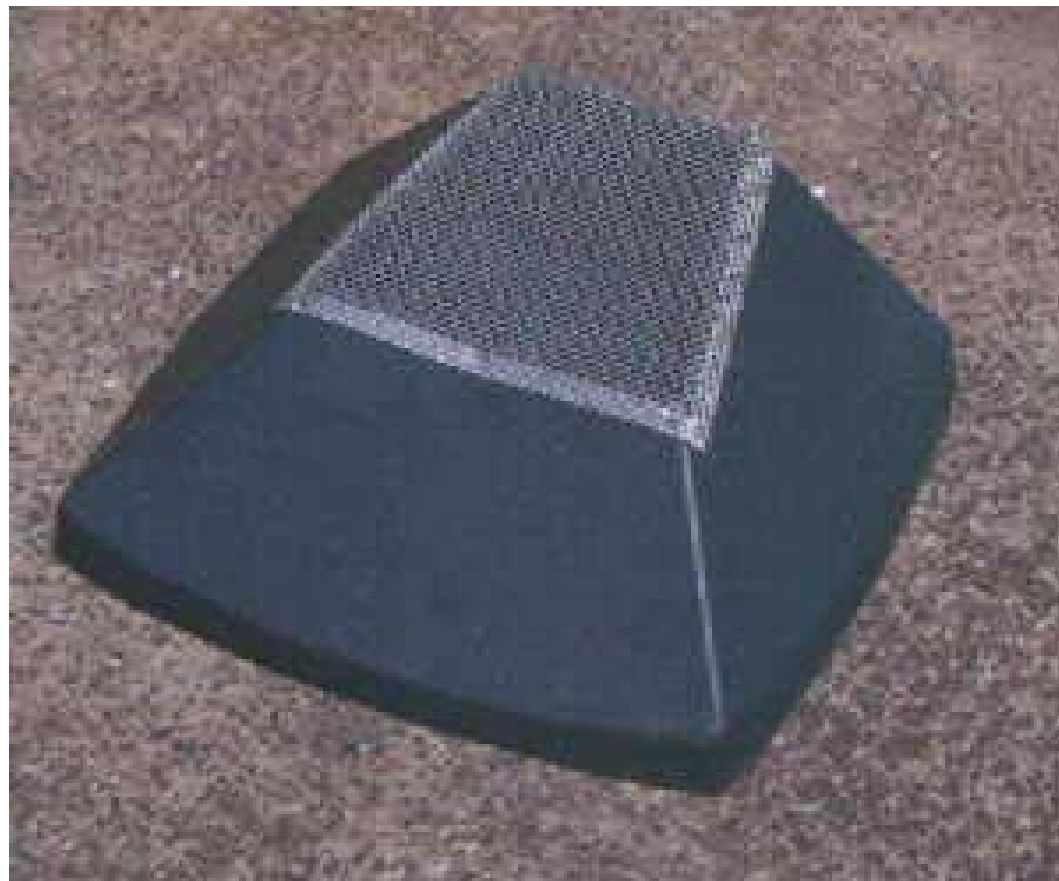
5-63 Carabella Street Kirribilli New South Wales 2061 Australia

(72) Name(s) of Designer(s): **Hannu Ketola**

(45) Registration Date: **26 August 2005**

(56) Related Art Documents: **Not Applicable**

(57) Statement of Newness and Distinctiveness: **Nil**



(21) Design Number: **10881/2005**

(22) Date of Filing Application: **04 March 2005**

(24) Date from which industrial property rights may have effect: **04 March 2005**

(54) Product in respect of which the design is registered: **Shower chair with arms**

(51) International Design Classification: **06-01NES**

(71) Name(s) and Address(s) of Applicant(s):

William Gregory Dartnall

29 Alexandra Place Bentley Western Australia 6102 Australia

(72) Name(s) of Designer(s): **William Gregory Dartnall**

(45) Registration Date: **26 August 2005**

(56) Related Art Documents: **Not Applicable**

(57) Statement of Newness and Distinctiveness: **Angled arm/hand supports on frame.**



(21) Design Number: **10882/2005**

(22) Date of Filing Application: **04 March 2005**

(24) Date from which industrial property rights may have effect: **04 March 2005**

(54) Product in respect of which the design is registered: **Overtoilet frame**

(51) International Design Classification: **06-04A**

(71) Name(s) and Address(s) of Applicant(s):

William Gregory Dartnall
29 Alexandra Place Bentley Western Australia 6102 Australia

(72) Name(s) of Designer(s): **William Gregory Dartnall**

(45) Registration Date: **26 August 2005**

(56) Related Art Documents: **Not Applicable**

(57) Statement of Newness and Distinctiveness: **Angled arm/hand supports on frame.**



(21) Design Number: **10885/2005**

(22) Date of Filing Application: **09 March 2005**

(24) Date from which industrial property rights may have effect: **09 March 2005**

(54) Product in respect of which the design is registered: **A bath mixer**

(51) International Design Classification: **23-01H**

(71) Name(s) and Address(s) of Applicant(s):

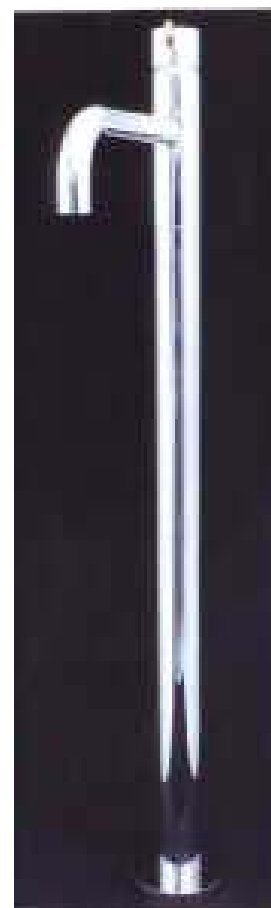
Sussex Taps Pty Ltd
126-128 Freight Drive Somerton Victoria 3062 Australia

(72) Name(s) of Designer(s): **Mike Morris**

(45) Registration Date: **26 August 2005**

(56) Related Art Documents: **Not Applicable**

(57) Statement of Newness and Distinctiveness: **Nil**



(21) Design Number: **10887/2005**

(22) Date of Filing Application: **09 March 2005**

(24) Date from which industrial property rights may have effect: **09 March 2005**

(54) Product in respect of which the design is registered: **A bath/shower mixer**

(51) International Design Classification: **23-01H**

(71) Name(s) and Address(s) of Applicant(s):

Sussex Taps Pty Ltd
126-128 Freight Drive Somerton Victoria 3062 Australia

(72) Name(s) of Designer(s): **Mike Morris**

(45) Registration Date: **26 August 2005**

(56) Related Art Documents: **Not Applicable**

(57) Statement of Newness and Distinctiveness: **Nil**



(21) Design Number: **10888/2005**

(22) Date of Filing Application: **09 March 2005**

(24) Date from which industrial property rights may have effect: **09 March 2005**

(54) Product in respect of which the design is registered: **A tap**

(51) International Design Classification: **23-01H**

(71) Name(s) and Address(s) of Applicant(s):

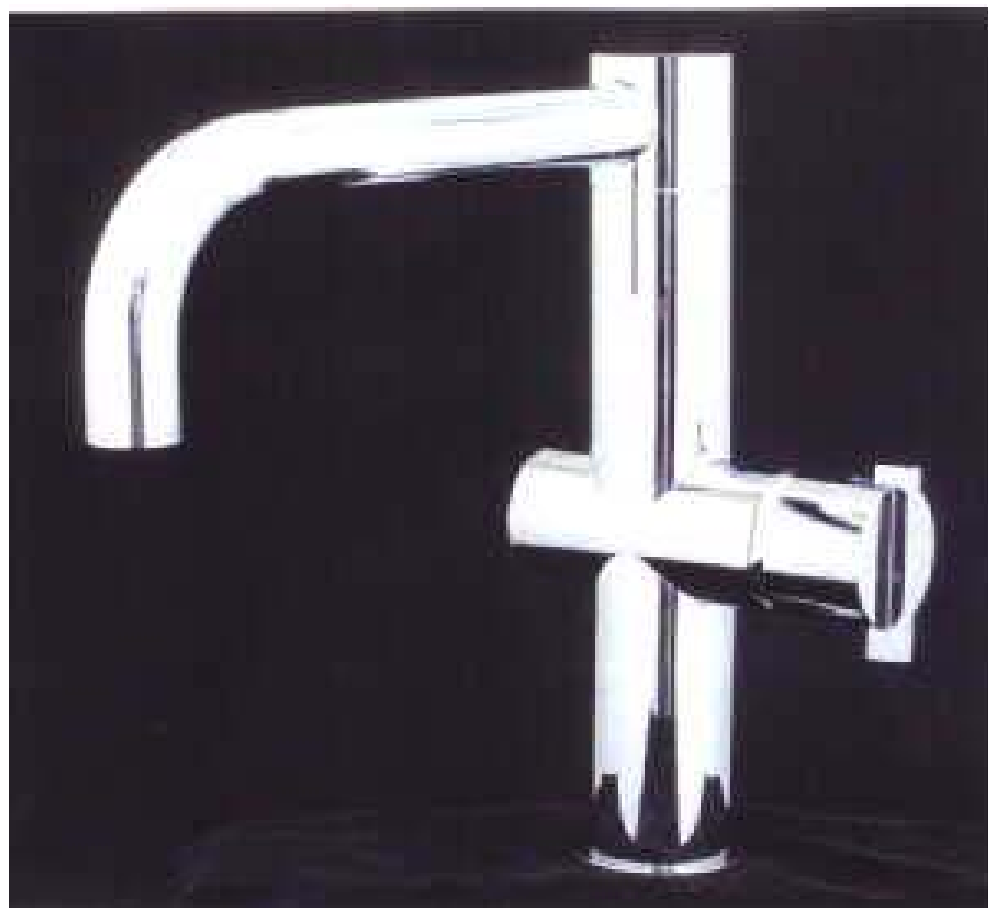
Sussex Taps Pty Ltd
126-128 Freight Drive Somerton Victoria 3062 Australia

(72) Name(s) of Designer(s): **Mike Morris**

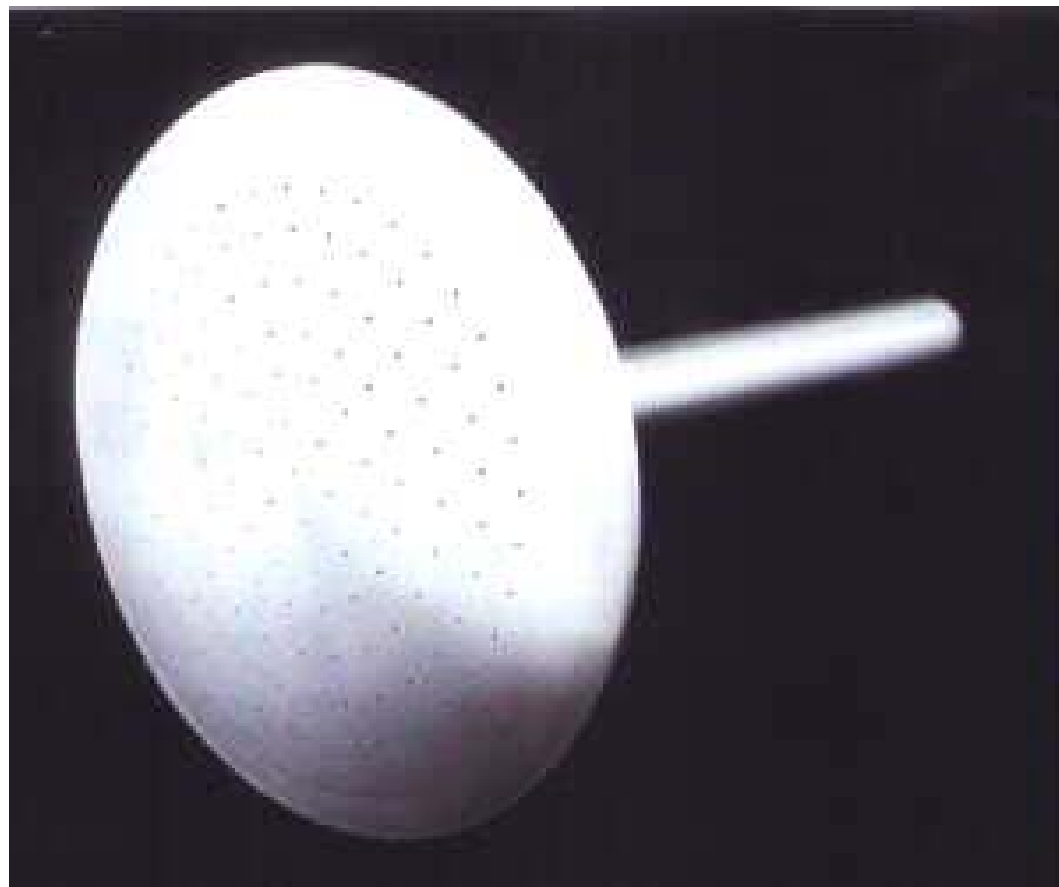
(45) Registration Date: **26 August 2005**

(56) Related Art Documents: **Not Applicable**

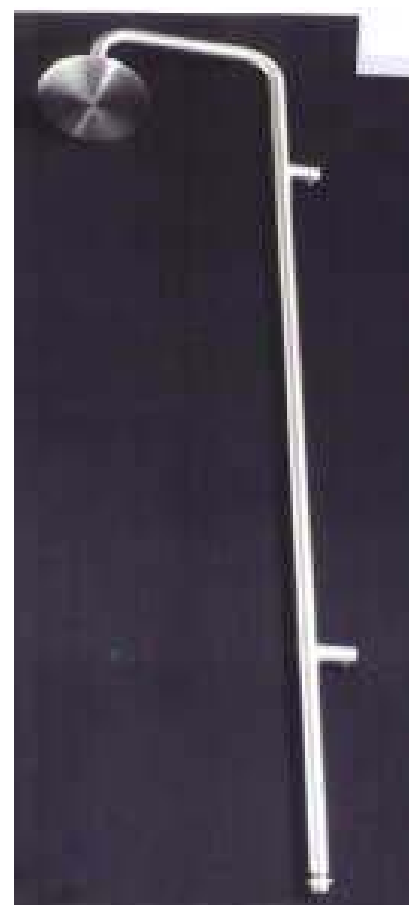
(57) Statement of Newness and Distinctiveness: **Nil**



- (21) Design Number: **10889/2005**
(22) Date of Filing Application: **09 March 2005**
(24) Date from which industrial property rights may have effect: **09 March 2005**
(54) Product in respect of which the design is registered: **A shower head**
(51) International Design Classification: **23-02B**
(71) Name(s) and Address(s) of Applicant(s):
Sussex Taps Pty Ltd
126-128 Freight Drive Somerton Victoria 3062 Australia
(72) Name(s) of Designer(s): **Mike Morris**
(45) Registration Date: **26 August 2005**
(56) Related Art Documents: **Not Applicable**
(57) Statement of Newness and Distinctiveness: **Nil**



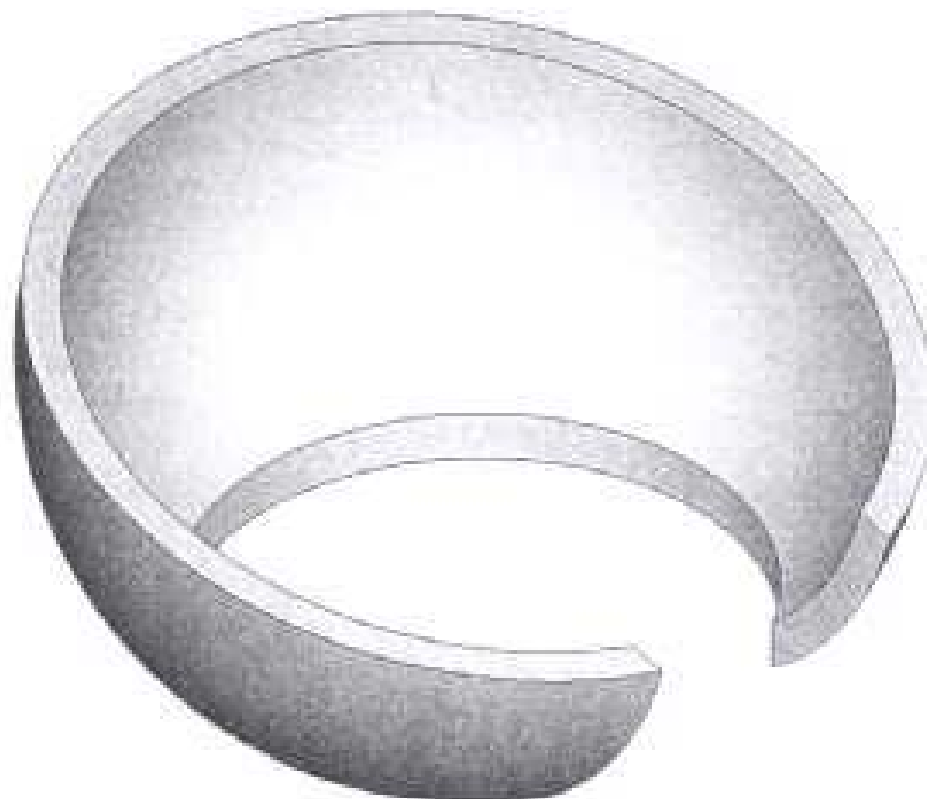
- (21) Design Number: **10890/2005**
(22) Date of Filing Application: **09 March 2005**
(24) Date from which industrial property rights may have effect: **09 March 2005**
(54) Product in respect of which the design is registered: **A shower head and stand**
(51) International Design Classification: **23-02B**
(71) Name(s) and Address(s) of Applicant(s):
Sussex Taps Pty Ltd
126-128 Freight Drive Somerton Victoria 3062 Australia
(72) Name(s) of Designer(s): **Mike Morris**
(45) Registration Date: **26 August 2005**
(56) Related Art Documents: **Not Applicable**
(57) Statement of Newness and Distinctiveness: **Nil**



- (21) Design Number: **10903/2005**
(22) Date of Filing Application: **09 March 2005**
(24) Date from which industrial property rights may have effect: **09 March 2005**
(54) Product in respect of which the design is registered: **Agricultural seeding tine (namely a precision seeding tine and presswheel for frame mounting inline with existing**
(51) International Design Classification: **15-03A**
(71) Name(s) and Address(s) of Applicant(s):
Clarewood Pty Ltd
44 Meliador Way Midvale Western Australia 6056 Australia
(72) Name(s) of Designer(s): **Raymond Moyle and Robert Holman and Jeffrey Hunter and Ashley Crane and Stefan Johnston**
(45) Registration Date: **26 August 2005**
(56) Related Art Documents: **Not Applicable**
(57) Statement of Newness and Distinctiveness: **The mounting and trip mechanism is new and distinctive in that the mounting mechanism enables a ground following presswheel and tine assembly with special furrow re-opener to be mounted within, on or behind a cultivator, combine or any seeding and tillage equipment following the furrow of a tine and maintaining precision seeding depth.**



- (21) Design Number: **10923/2005**
(22) Date of Filing Application: **10 March 2005**
(24) Date from which industrial property rights may have effect: **10 March 2005**
(54) Product in respect of which the design is registered: **Joint prosthesis component**
(51) International Design Classification: **24-03**
(71) Name(s) and Address(s) of Applicant(s):
Arthrosearch (Pty) Ltd
20 Golf Course Road Sybrandpark Rondebosch Cape Town 7700
Republic of South Africa
(72) Name(s) of Designer(s): **Pieter Johannes Botha**
(45) Registration Date: **26 August 2005**
(30) Convention priority data:
(31) Number (32) Date (33) Country
F2004/1234 17 Sep 2004 SOUTH AFRICA
(56) Related Art Documents: **Not Applicable**
(57) Statement of Newness and Distinctiveness: **Nil**



(21) Design Number: **10947/2005**

(22) Date of Filing Application: **11 March 2005**

(24) Date from which industrial property rights may have effect: **11 March 2005**

(54) Product in respect of which the design is registered: **Brooch pins holder - medals with long pins**

(51) International Design Classification: **11-01B**

(71) Name(s) and Address(s) of Applicant(s):

Jaro Salaba

15 Farm Road Cheltenham Victoria 3192 Australia

Elaine Salaba

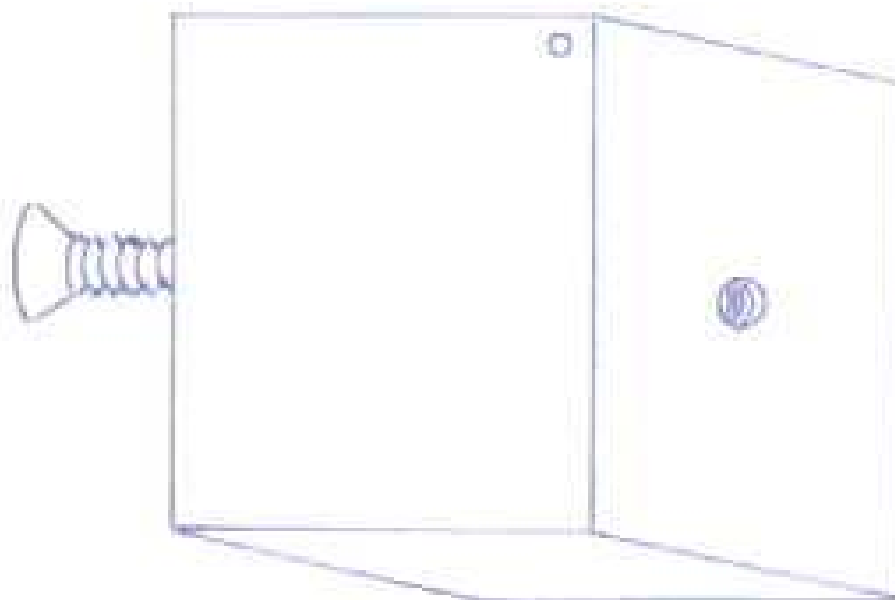
15 Farm Road Cheltenham Victoria 3192 Australia

(72) Name(s) of Designer(s): **Jaro Salaba**

(45) Registration Date: **26 August 2005**

(56) Related Art Documents: **Not Applicable**

(57) Statement of Newness and Distinctiveness: **The new feature of this design is in its shape and configuration to allow for easy storage in a horizontal or perpendicular manner objects with a brooch pin.**



(21) Design Number: **11095/2005**

(22) Date of Filing Application: **21 March 2005**

(24) Date from which industrial property rights may have effect: **21 March 2005**

(54) Product in respect of which the design is registered: **Display shelving**

(51) International Design Classification: **06-04NES**

(71) Name(s) and Address(s) of Applicant(s):

Xenes Design

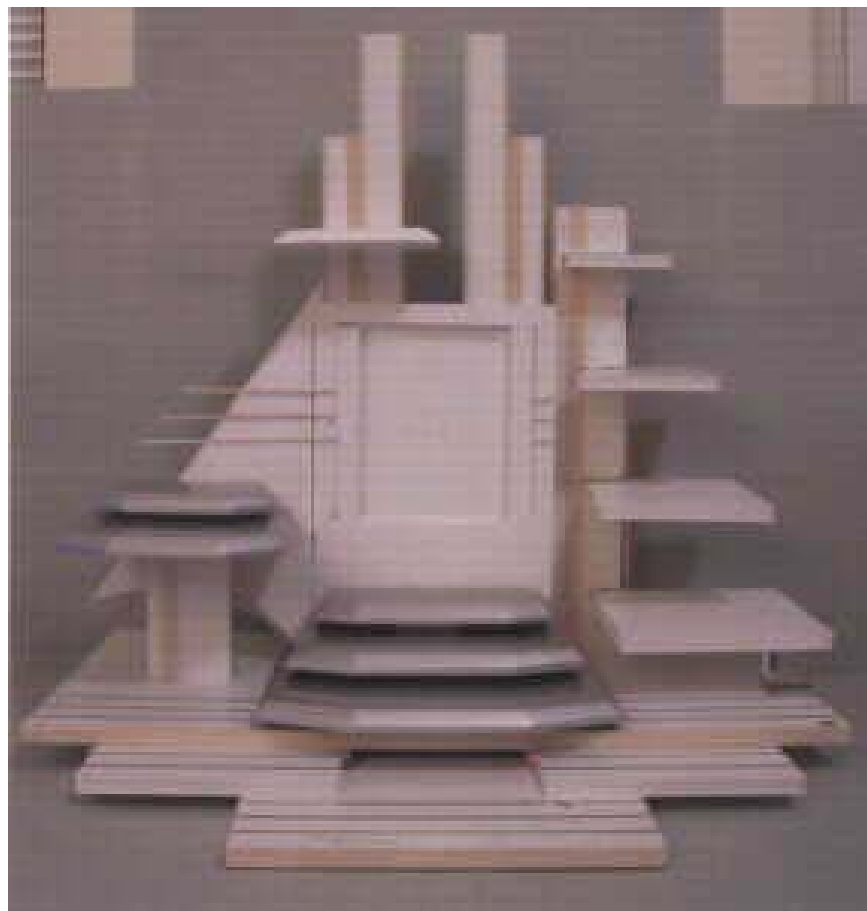
12/1 Gower Street Summer Hill New South Wales 2130 Australia

(72) Name(s) of Designer(s): **Xenofonda Anastassiadis**

(45) Registration Date: **26 August 2005**

(56) Related Art Documents: **Not Applicable**

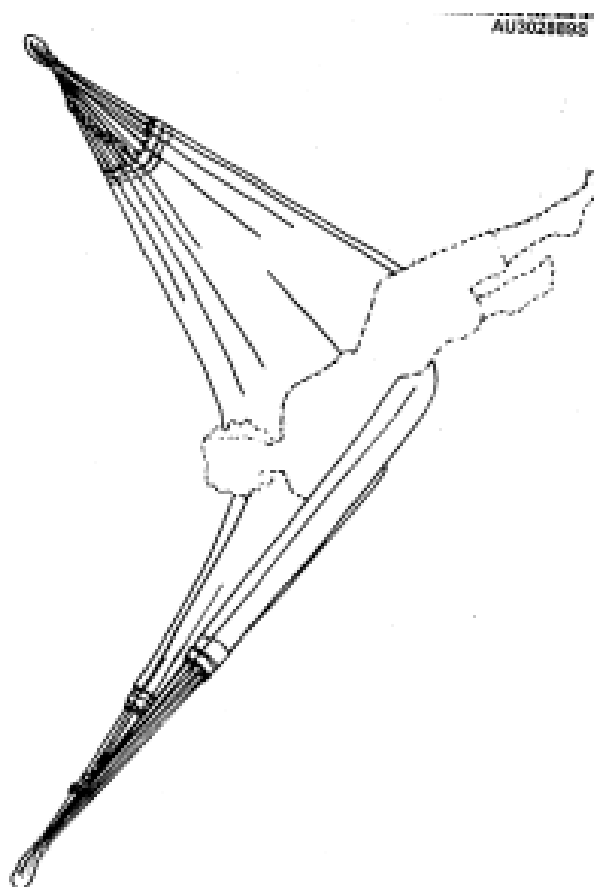
(57) Statement of Newness and Distinctiveness: **Nil**



- (21) Design Number: **11146/2005**
- (22) Date of Filing Application: **23 March 2005**
- (24) Date from which industrial property rights may have effect: **23 March 2005**
- (54) Product in respect of which the design is registered: **Hammock frames**
- (51) International Design Classification: **06-02**
- (71) Name(s) and Address(s) of Applicant(s):
The Mexican Hammock Company Pty Ltd
6-10 Toronga Terrace Beverly Hills New South Wales 2209 Australia
- (72) Name(s) of Designer(s): **Jonathan Charles Albert Noble**
- (45) Registration Date: **26 August 2005**
- (56) Related Art Documents: **Not Applicable**
- (57) Statement of Newness and Distinctiveness: **Monopoly is claimed in the shape and/or configuration of a hammock frames as illustrated.**



- (21) Design Number: **11147/2005**
- (22) Date of Filing Application: **23 March 2005**
- (24) Date from which industrial property rights may have effect: **23 March 2005**
- (54) Product in respect of which the design is registered: **Hammocks**
- (51) International Design Classification: **06-02**
- (71) Name(s) and Address(s) of Applicant(s):
The Mexican Hammock Company Pty Ltd
6-10 Toronga Terrace Beverly Hills New South Wales 2209 Australia
- (72) Name(s) of Designer(s): **Jonathan Charles Albert Noble**
- (45) Registration Date: **26 August 2005**
- (56) Related Art Documents: **Not Applicable**
- (57) Statement of Newness and Distinctiveness: **Monopoly is claimed in the shape and/or configuration of a hammock as illustrated. The outline of a person in the illustrations is only to better represent the hammock illustrated in two of its many possible configurations.**



(21) Design Number: **11148/2005**

(22) Date of Filing Application: **23 March 2005**

(24) Date from which industrial property rights may have effect: **23 March 2005**

(54) Product in respect of which the design is registered: **Hammock frames**

(51) International Design Classification: **06-02**

(71) Name(s) and Address(s) of Applicant(s):

**The Mexican Hammock Company Pty Ltd
6-10 Toronga Terrace Beverly Hills New South Wales 2209 Australia**

(72) Name(s) of Designer(s): **Jonathan Charles Albert Noble**

(45) Registration Date: **26 August 2005**

(56) Related Art Documents: **Not Applicable**

(57) Statement of Newness and Distinctiveness: **Monopoly is claimed in the shape and/or configuration of a hammock frames as illustrated.**



(21) Design Number: **11149/2005**

(22) Date of Filing Application: **23 March 2005**

(24) Date from which industrial property rights may have effect: **23 March 2005**

(54) Product in respect of which the design is registered: **Hammock**

(51) International Design Classification: **06-02**

(71) Name(s) and Address(s) of Applicant(s):

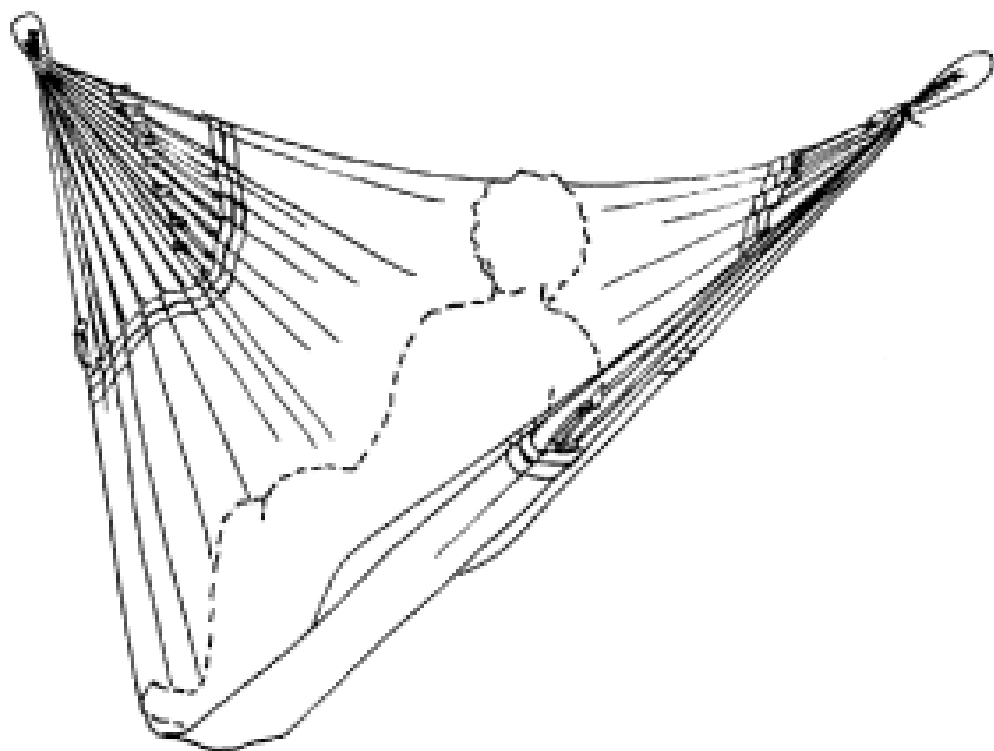
**The Mexican Hammock Company Pty Ltd
6-10 Toronga Terrace Beverly Hills New South Wales 2209 Australia**

(72) Name(s) of Designer(s): **Jonathan Charles Albert Noble**

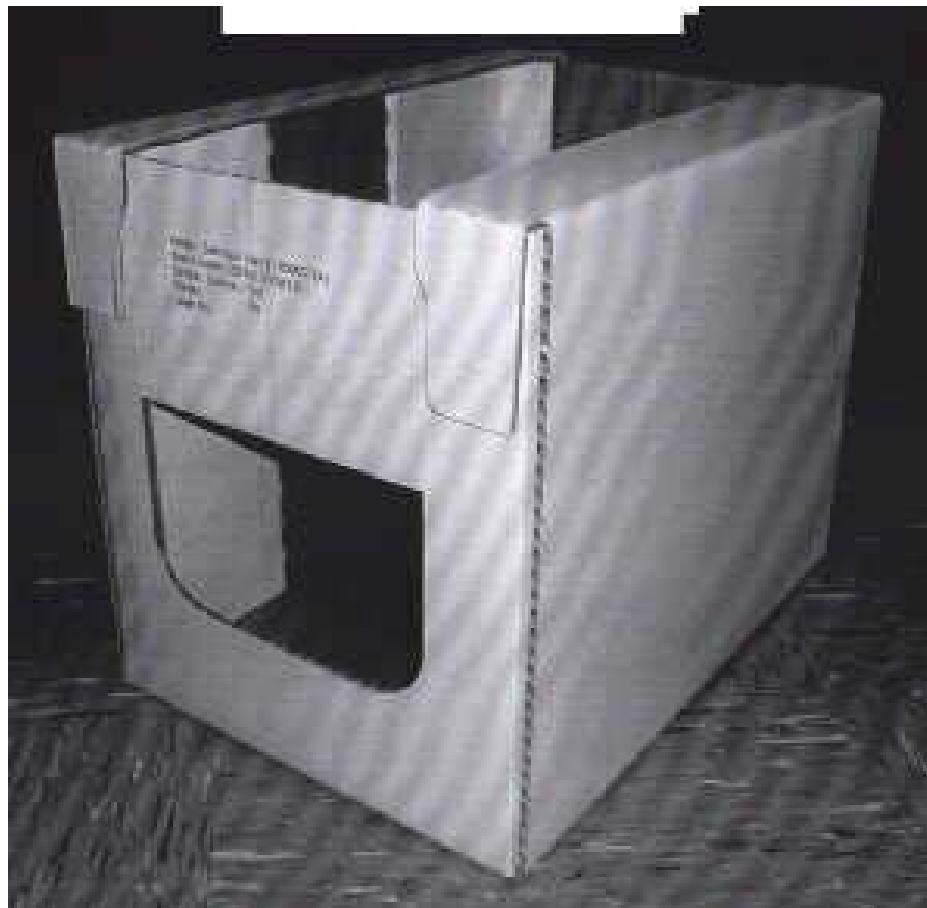
(45) Registration Date: **26 August 2005**

(56) Related Art Documents: **Not Applicable**

(57) Statement of Newness and Distinctiveness: **Monopoly is claimed in the shape and/or configuration of a hammock as illustrated. The outline of a person in the illustrations is only to better represent the hammock illustrated in two of its many possible configurations.**



- (21) Design Number: **11167/2005**
(22) Date of Filing Application: **23 March 2005**
(24) Date from which industrial property rights may have effect: **23 March 2005**
(54) Product in respect of which the design is registered: **Crate and blank therefor**
(51) International Design Classification: **09-03K**
(71) Name(s) and Address(s) of Applicant(s):
Visy R & D Pty Ltd
Level 2 533 Little Lonsdale St Melbourne Victoria 3000 Australia
(72) Name(s) of Designer(s): **Samuel Chee Kien Saw**
(45) Registration Date: **26 August 2005**
(56) Related Art Documents: **Not Applicable**
(57) Statement of Newness and Distinctiveness: **The features of the design which are new and distinctive are the features of shape or configuration of the crate and the blank for forming the crate as illustrated in the accompanying representations.**



- (21) Design Number: **11242/2005**
(22) Date of Filing Application: **29 March 2005**
(24) Date from which industrial property rights may have effect: **29 March 2005**
(54) Product in respect of which the design is registered: **Plug and tap**
(51) International Design Classification: **23-01K, 09-07A**
(71) Name(s) and Address(s) of Applicant(s):
Flextainer
Zone Industrielle 57370 Schalbach France
(72) Name(s) of Designer(s): **Rene Erb**
(45) Registration Date: **26 August 2005**
(30) Convention priority data:

(31) Number	(32) Date	(33) Country
000235908	27 Sep 2004	EUROPEAN COMMUNITY

(56) Related Art Documents: **Not Applicable**
(57) Statement of Newness and Distinctiveness: **Nil**



(21) Design Number: **11330/2005**

(22) Date of Filing Application: **24 March 2005**

(24) Date from which industrial property rights may have effect: **24 March 2005**

(54) Product in respect of which the design is registered: **A pair of pants**

(51) International Design Classification: **02-02C**

(71) Name(s) and Address(s) of Applicant(s):

**Morrison IP Pty Ltd as Trustee for Morrison IP Trust
Level 1 88 High Street Fremantle Western Australia 6160 Australia**

(72) Name(s) of Designer(s): **Kylie-Jane Radford**

(45) Registration Date: **26 August 2005**

(56) Related Art Documents: **Not Applicable**

(57) Statement of Newness and Distinctiveness: **Pants have belt attached which wraps around and ties off to one side. It also features a zip at the back.**



(21) Design Number: **11331/2005**

(22) Date of Filing Application: **24 March 2005**

(24) Date from which industrial property rights may have effect: **24 March 2005**

(54) Product in respect of which the design is registered: **A jacket**

(51) International Design Classification: **02-02NES**

(71) Name(s) and Address(s) of Applicant(s):

**Morrison IP Pty Ltd as Trustee for Morrison IP Trust
Level 1 88 High Street Fremantle Western Australia 6160 Australia**

(72) Name(s) of Designer(s): **Kylie-Jane Radford**

(45) Registration Date: **26 August 2005**

(56) Related Art Documents: **Not Applicable**

(57) Statement of Newness and Distinctiveness: **Jacket has cross over panels at varying angles which cross over each other and are secured by velcro.**



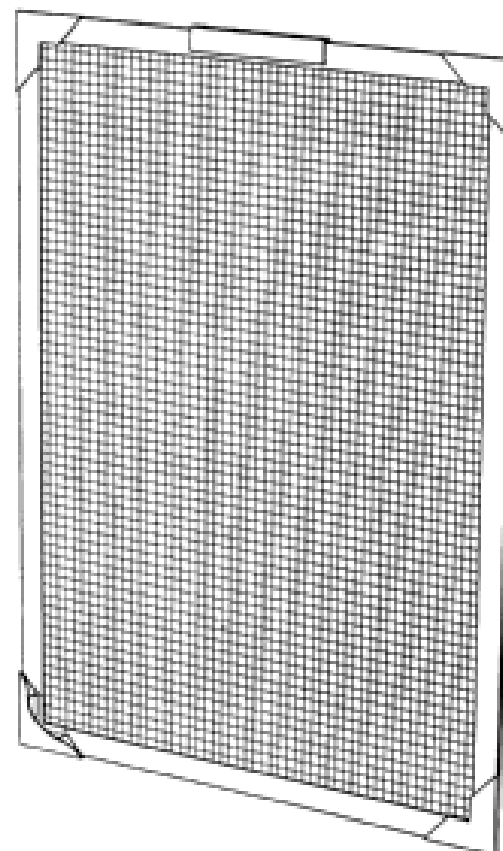
- (21) Design Number: **11332/2005**
(22) Date of Filing Application: **24 March 2005**
(24) Date from which industrial property rights may have effect: **24 March 2005**
(54) Product in respect of which the design is registered: **A pair of pants**
(51) International Design Classification: **02-02C**
(71) Name(s) and Address(s) of Applicant(s):
Morrison IP Pty Ltd as Trustee for Morrison IP Trust
Level 1 88 High Street Fremantle Western Australia 6160 Australia
(72) Name(s) of Designer(s): **Kylie-Jane Radford**
(45) Registration Date: **26 August 2005**
(56) Related Art Documents: **Not Applicable**
(57) Statement of Newness and Distinctiveness: **Pants have additional flap around waist which is attached on one side and which wraps around the front of the pants and is secured by velcro 1/4 of the way around the back of the pants.**



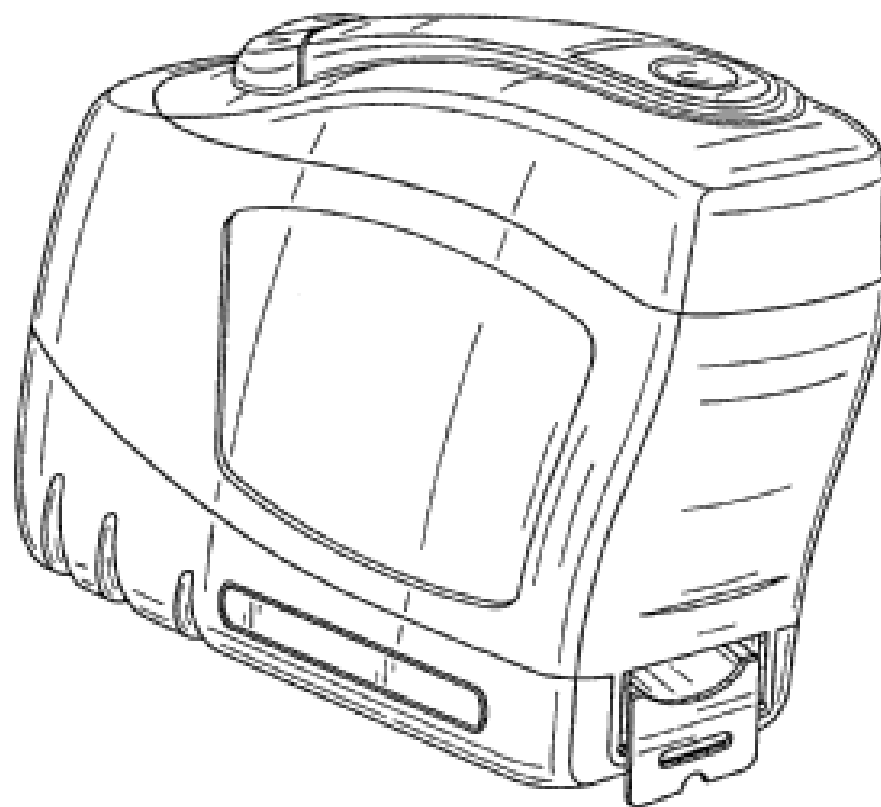
- (21) Design Number: **10057/2005**
(22) Date of Filing Application: **11 January 2005**
(24) Date from which industrial property rights may have effect: **11 January 2005**
(54) Product in respect of which the design is registered: **Insect screen**
(51) International Design Classification: **25-02H**
(71) Name(s) and Address(s) of Applicant(s):
Craig D'Arcy Bunting
10C Sheffield Crescent Burnside Christchurch 8005 New Zealand
Trevor James Bunting
10C Sheffield Crescent Burnside Christchurch 8005 New Zealand
(72) Name(s) of Designer(s): **Craig D'Arcy Bunting**
(45) Registration Date: **26 August 2005**
(30) Convention priority data:

(31) Number	(32) Date	(33) Country
405 037	12 Jul 2004	NEW ZEALAND

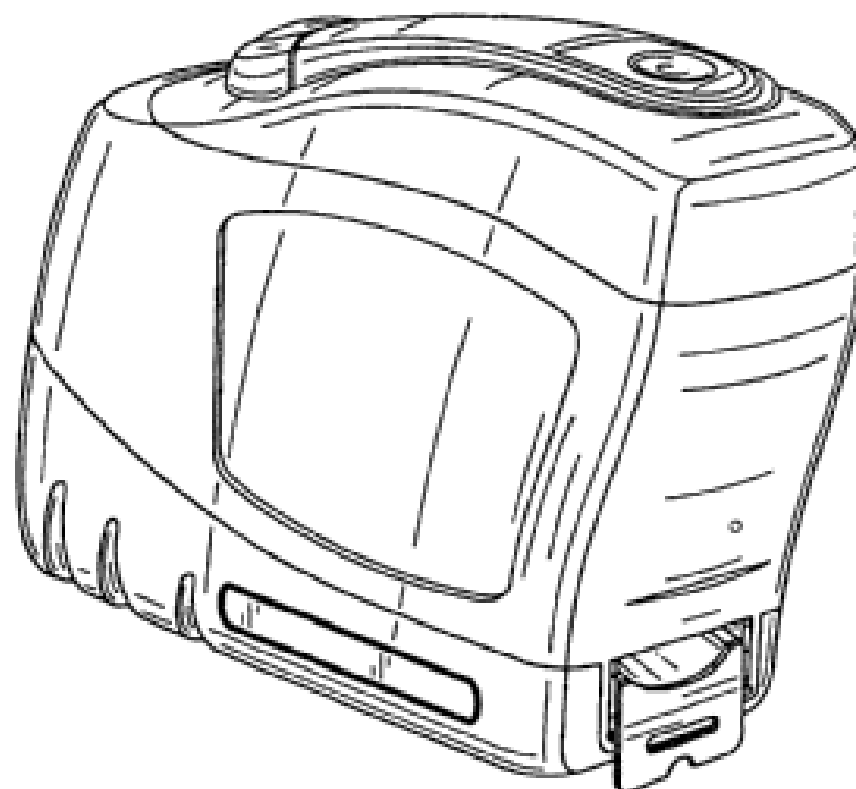
(56) Related Art Documents: **Not Applicable**
(57) Statement of Newness and Distinctiveness: **Newness and distinctiveness is claimed in respect of the shape and/or configuration of the insect screen illustrated in the accompanying representations.**



- (21) Design Number: **10063/2005**
(22) Date of Filing Application: **10 January 2005**
(24) Date from which industrial property rights may have effect: **10 January 2005**
(54) Product in respect of which the design is registered: **Powered tape measure**
(51) International Design Classification: **10-04**
(71) Name(s) and Address(s) of Applicant(s):
Black & Decker Inc.
1207 Drummond Plaza Newark Delaware 19711 United States of America
(72) Name(s) of Designer(s): **Gregory S. Snider**
(45) Registration Date: **26 August 2005**
(30) Convention priority data:
(31) Number (32) Date (33) Country
29/209136 09 Jul 2004 UNITED STATES OF AMERICA
(56) Related Art Documents: **Not Applicable**
(57) Statement of Newness and Distinctiveness: **Newness and distinctiveness is claimed in the visual features shown in solid lines in the representations.**

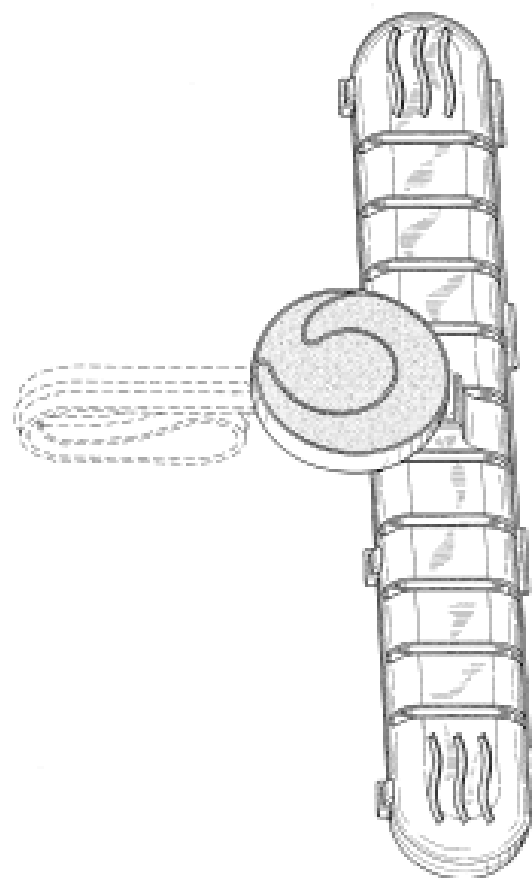


- (21) Design Number: **13197/2005**
(22) Date of Filing Application: **10 January 2005**
(24) Date from which industrial property rights may have effect: **10 January 2005**
(54) Product in respect of which the design is registered: **Powered tape measure**
(51) International Design Classification: **10-04**
(71) Name(s) and Address(s) of Applicant(s):
Black & Decker Inc.
1207 Drummond Plaza Newark Delaware 19711 United States of America
(72) Name(s) of Designer(s): **Gregory S. Snider**
(45) Registration Date: **26 August 2005**
(30) Convention priority data:
(31) Number (32) Date (33) Country
29/209136 09 Jul 2004 UNITED STATES OF AMERICA
(56) Related Art Documents: **Not Applicable**
(57) Statement of Newness and Distinctiveness: **Newness and distinctiveness is claimed in the visual features shown in solid lines in the representations.**



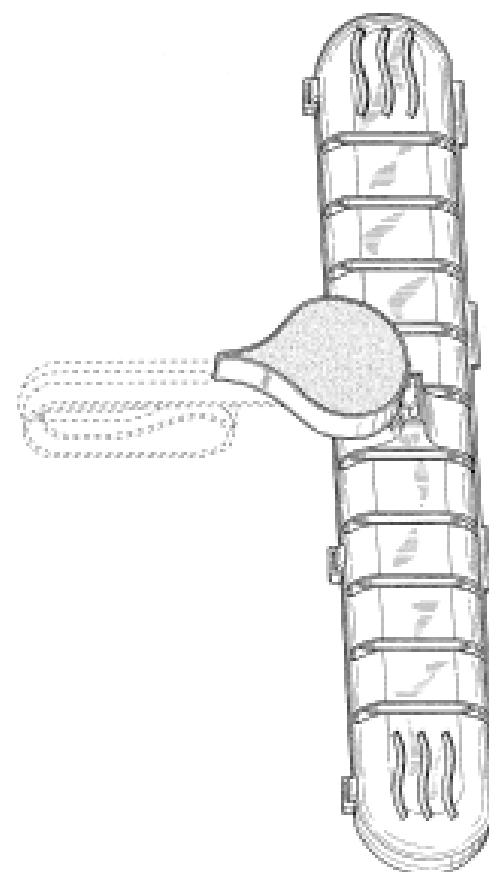
- (21) Design Number: **10081/2005**
- (22) Date of Filing Application: **12 January 2005**
- (24) Date from which industrial property rights may have effect: **12 January 2005**
- (54) Product in respect of which the design is registered: **A lavatory device**
- (51) International Design Classification: **28-99**
- (71) Name(s) and Address(s) of Applicant(s):
Reckitt Benckiser Inc.
Morris Corporate Center IV 399 Interpace Parkway Parsippany NJ
07054-0225 United States of America
- (72) Name(s) of Designer(s): **Lamson Nguyen and Diane Neiman and Jeanne Marie Weller and Tak Wai Chung and Edward Fu and Tri Nguyen and Steven Wu**
- (45) Registration Date: **26 August 2005**
- (30) Convention priority data:

(31) Number	(32) Date	(33) Country
3018325	04 Aug 2004	UNITED KINGDOM
- (56) Related Art Documents: **Not Applicable**
- (57) Statement of Newness and Distinctiveness: **Each feature of the design shown in solid lines considered separately or in combination with any other feature or features.**

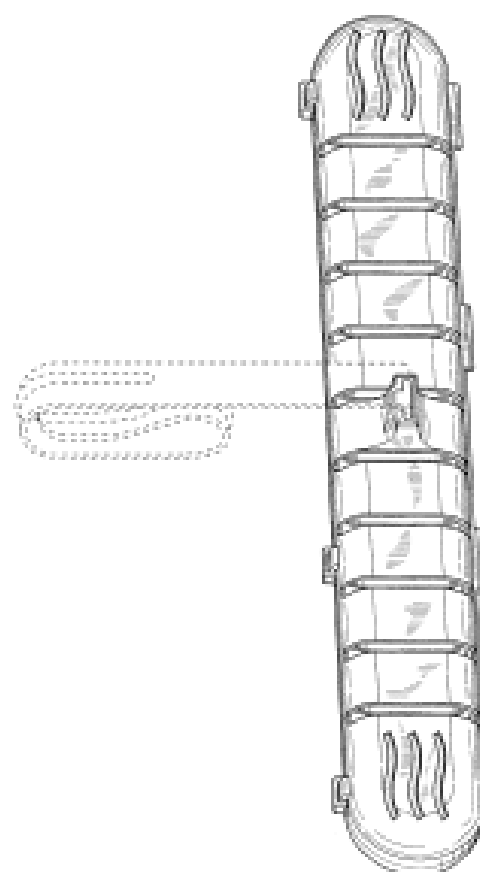


- (21) Design Number: **10082/2005**
- (22) Date of Filing Application: **12 January 2005**
- (24) Date from which industrial property rights may have effect: **12 January 2005**
- (54) Product in respect of which the design is registered: **A lavatory device**
- (51) International Design Classification: **28-99**
- (71) Name(s) and Address(s) of Applicant(s):
Reckitt Benckiser Inc.
Morris Corporate Center IV 399 Interpace Parkway Parsippany NJ
07054-0225 United States of America
- (72) Name(s) of Designer(s): **Lamson Nguyen and Diane Neiman and Jeanne Marie Weller and Tak Wai Chung and Edward Fu and Tri Nguyen and Steven Wu**
- (45) Registration Date: **26 August 2005**
- (30) Convention priority data:

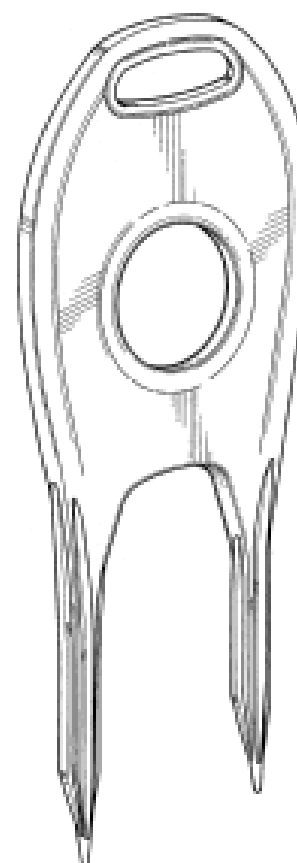
(31) Number	(32) Date	(33) Country
3018324	04 Aug 2004	UNITED KINGDOM
- (56) Related Art Documents: **Not Applicable**
- (57) Statement of Newness and Distinctiveness: **Each feature of the design shown in solid lines considered separately or in combination with any other feature or features.**



(21) Design Number: **10083/2005**
 (22) Date of Filing Application: **12 January 2005**
 (24) Date from which industrial property rights may have effect: **12 January 2005**
 (54) Product in respect of which the design is registered: **A lavatory device**
 (51) International Design Classification: **28-99**
 (71) Name(s) and Address(s) of Applicant(s):
Reckitt Benckiser Inc.
Morris Corporate Center IV 399 Interpace Parkway Parsippany NJ
07054-0225 United States of America
 (72) Name(s) of Designer(s): **Lamson Nguyen and Diane Neiman and Jeanne Marie Weller and Tak Wai Chung and Edward Fu and Tri Nguyen and Steven Wu**
 (45) Registration Date: **26 August 2005**
 (30) Convention priority data:
 (31) Number (32) Date (33) Country
3018323 04 Aug 2004 UNITED KINGDOM
 (56) Related Art Documents: **Not Applicable**
 (57) Statement of Newness and Distinctiveness: **Each feature of the design shown in solid lines considered separately or in combination with any other feature or features.**



(21) Design Number: **10152/2005**
 (22) Date of Filing Application: **14 January 2005**
 (24) Date from which industrial property rights may have effect: **14 January 2005**
 (54) Product in respect of which the design is registered: **A game or sport article**
 (51) International Design Classification: **21-02C, 21-02NES**
 (71) Name(s) and Address(s) of Applicant(s):
Qolf Sporting Products Pty Ltd
Summer Place 69 Melville Road Hyde Park Johannesburg Gauteng
2196 South Africa
 (72) Name(s) of Designer(s): **Brian Arthur Steinhobel**
 (45) Registration Date: **26 August 2005**
 (30) Convention priority data:
 (31) Number (32) Date (33) Country
A2004/0902 15 Jul 2004 SOUTH AFRICA
 (56) Related Art Documents: **Not Applicable**
 (57) Statement of Newness and Distinctiveness: **Each feature of the design considered separately or in combination with any other feature or features.**



(21) Design Number: **10191/2005**

(22) Date of Filing Application: **18 January 2005**

(24) Date from which industrial property rights may have effect: **18 January 2005**

(54) Product in respect of which the design is registered: **Bag**

(51) International Design Classification: **03-01NES**

(71) Name(s) and Address(s) of Applicant(s):

Sita Australia Pty Ltd

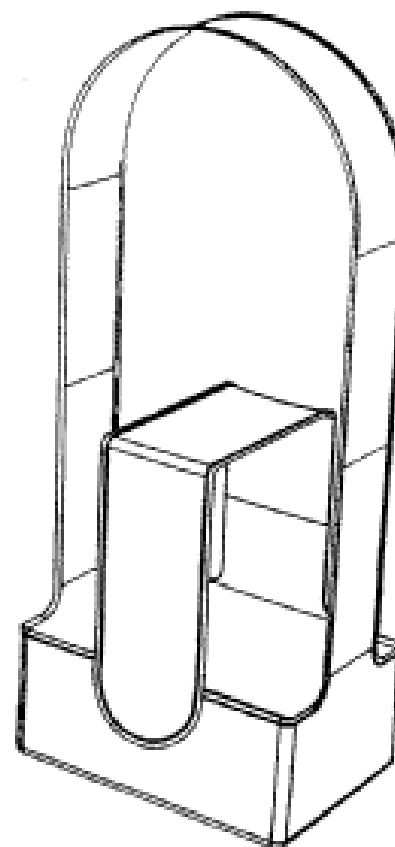
Level 14 9 Hunter Street Sydney New South Wales 2000 Australia

(72) Name(s) of Designer(s): **Mark Armstrong and Mike Ritchie and Danika Morris and Henri Spaille**

(45) Registration Date: **26 August 2005**

(56) Related Art Documents: **Not Applicable**

(57) Statement of Newness and Distinctiveness: **Newness and distinctiveness is claimed in the features of shape and/or configuration of a bag as illustrated in the accompanying representations.**



(21) Design Number: **10192/2005**

(22) Date of Filing Application: **18 January 2005**

(24) Date from which industrial property rights may have effect: **18 January 2005**

(54) Product in respect of which the design is registered: **Collapsible basket**

(51) International Design Classification: **09-04**

(71) Name(s) and Address(s) of Applicant(s):

Sita Australia Pty Ltd

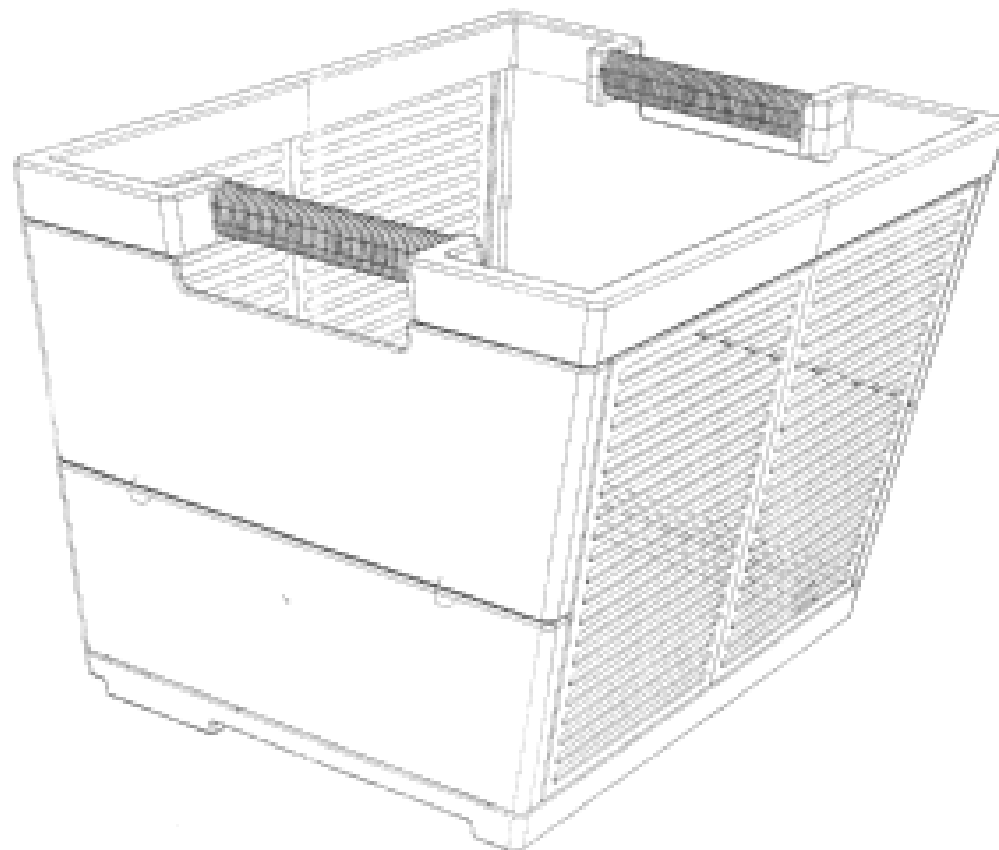
Level 14 9 Hunter Street Sydney New South Wales 2000 Australia

(72) Name(s) of Designer(s): **Mike Ritchie and Danika Morris and Mark Armstrong and Henri Spaille**

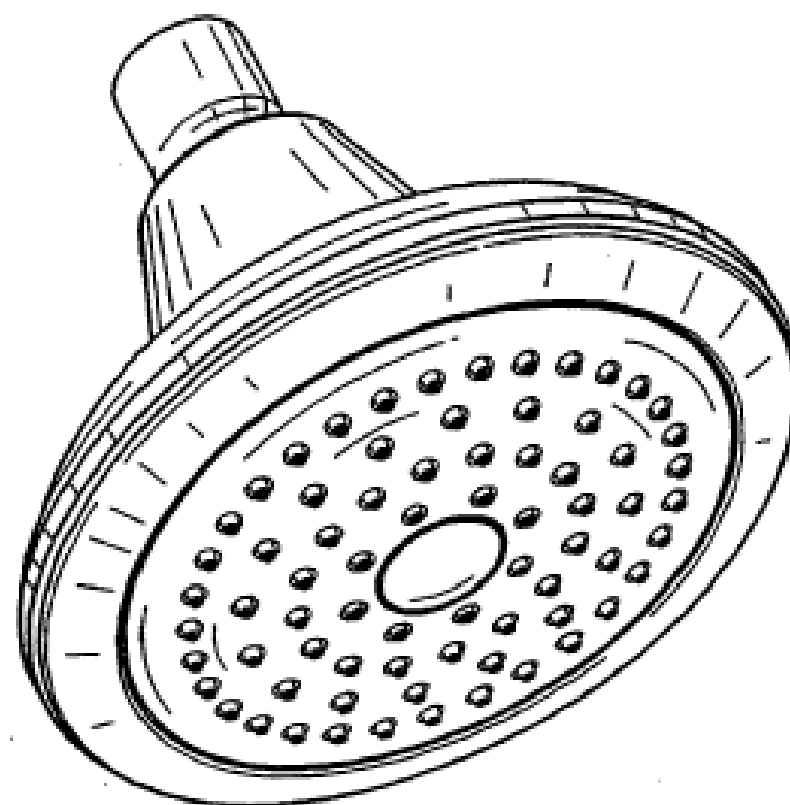
(45) Registration Date: **26 August 2005**

(56) Related Art Documents: **Not Applicable**

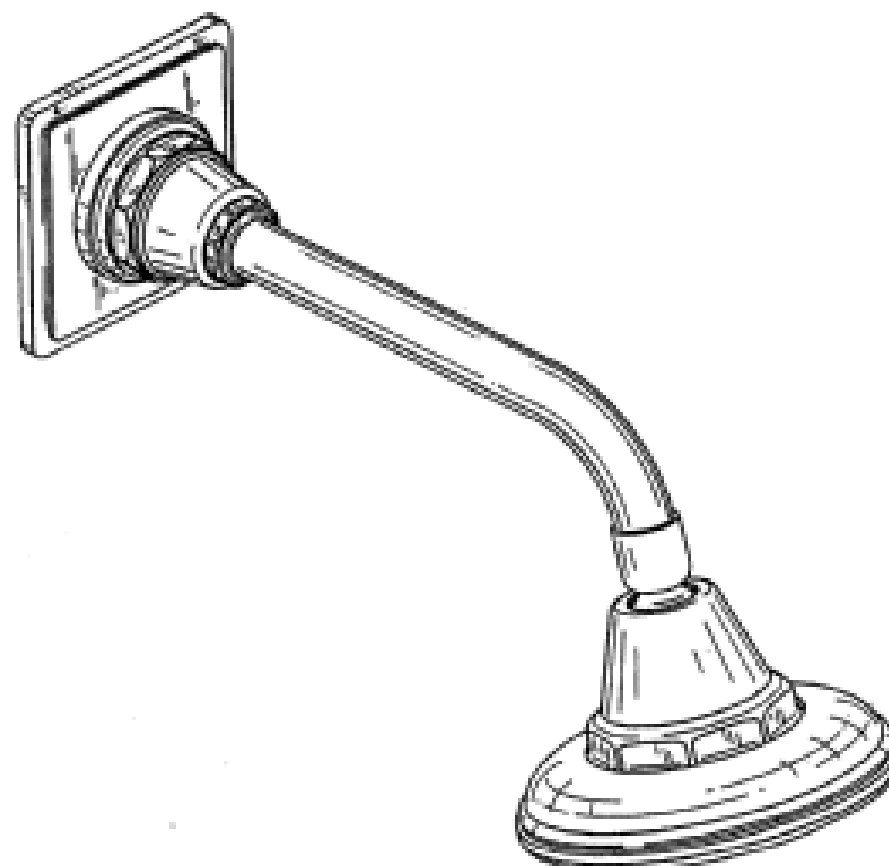
(57) Statement of Newness and Distinctiveness: **Newness and distinctiveness is claimed in the features of shape and/or configuration of a collapsible basket as illustrated in the accompanying representations.**



(21) Design Number: **10199/2005**
(22) Date of Filing Application: **19 January 2005**
(24) Date from which industrial property rights may have effect: **19 January 2005**
(54) Product in respect of which the design is registered: **Showerhead**
(51) International Design Classification: **23-02B**
(71) Name(s) and Address(s) of Applicant(s):
Kohler Co.
444 Highland Drive Kohler WI 53044 United States of America
(72) Name(s) of Designer(s): **Herbert V. Kohler Jr and Howard M. Montgomery and Michael S. Smith**
(45) Registration Date: **26 August 2005**
(30) Convention priority data:
(31) Number (32) Date (33) Country
29/209,413 15 Jul 2004 UNITED STATES OF AMERICA
(56) Related Art Documents: **Not Applicable**
(57) Statement of Newness and Distinctiveness: **Nil**



(21) Design Number: **10200/2005**
(22) Date of Filing Application: **19 January 2005**
(24) Date from which industrial property rights may have effect: **19 January 2005**
(54) Product in respect of which the design is registered: **Showerhead**
(51) International Design Classification: **23-02B**
(71) Name(s) and Address(s) of Applicant(s):
Kohler Co.
444 Highland Drive Kohler WI 53044 United States of America
(72) Name(s) of Designer(s): **Herbert V. Kohler Jr and Howard M. Montgomery and Michael S. Smith**
(45) Registration Date: **26 August 2005**
(30) Convention priority data:
(31) Number (32) Date (33) Country
29/209,413 15 Jul 2004 UNITED STATES OF AMERICA
(56) Related Art Documents: **Not Applicable**
(57) Statement of Newness and Distinctiveness: **Nil**



(21) Design Number: **10254/2005**

(22) Date of Filing Application: **24 January 2005**

(24) Date from which industrial property rights may have effect: **24 January 2005**

(54) Product in respect of which the design is registered: **Container**

(51) International Design Classification: **09-01G, 09-01NES**

(71) Name(s) and Address(s) of Applicant(s):

**The Procter & Gamble Company
One Procter & Gamble Plaza Cincinnati Ohio 45202 United States of America**

(72) Name(s) of Designer(s): **Lia Marie Braaten and Stacy Alycia Thomas**

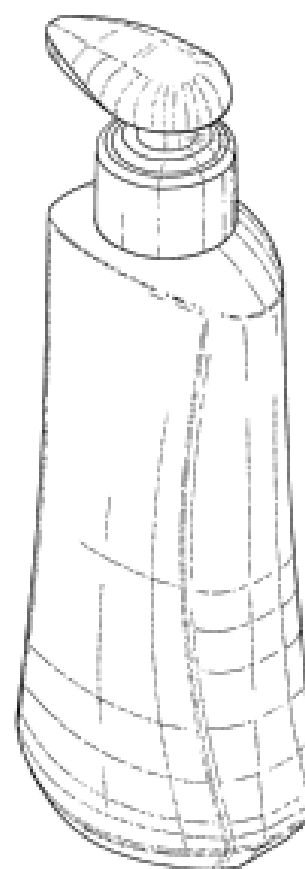
(45) Registration Date: **26 August 2005**

(30) Convention priority data:

(31) Number	(32) Date	(33) Country
29/210,381	30 Jul 2004	UNITED STATES OF AMERICA

(56) Related Art Documents: **Not Applicable**

(57) Statement of Newness and Distinctiveness: **Those visual features of the container depicted in continuous lines in the representations that are new and distinctive are the shape and/or configuration. The features shown in broken lines are not part of the design and should be disregarded.**



(21) Design Number: **10307/2005**

(22) Date of Filing Application: **27 January 2005**

(24) Date from which industrial property rights may have effect: **27 January 2005**

(54) Product in respect of which the design is registered: **Towel bar**

(51) International Design Classification: **07-05D**

(71) Name(s) and Address(s) of Applicant(s):

**Kohler Co.
444 Highland Drive Kohler WI 53044 United States of America**

(72) Name(s) of Designer(s): **Suzanne M. Berberet**

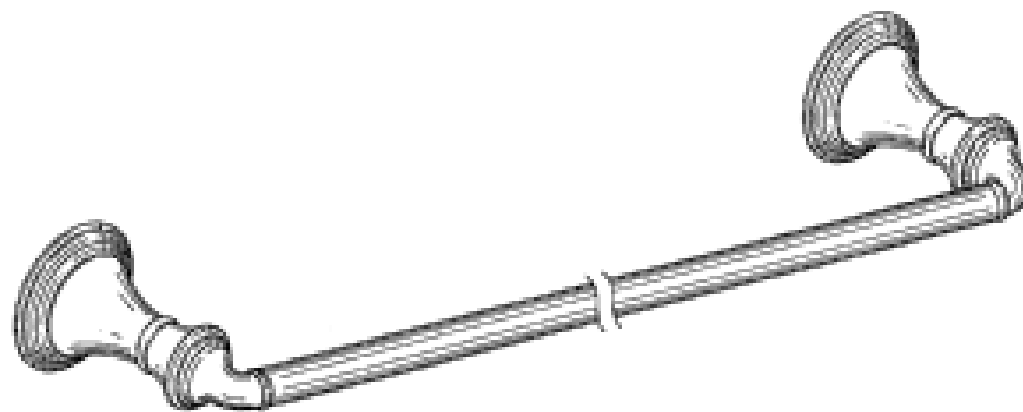
(45) Registration Date: **26 August 2005**

(30) Convention priority data:

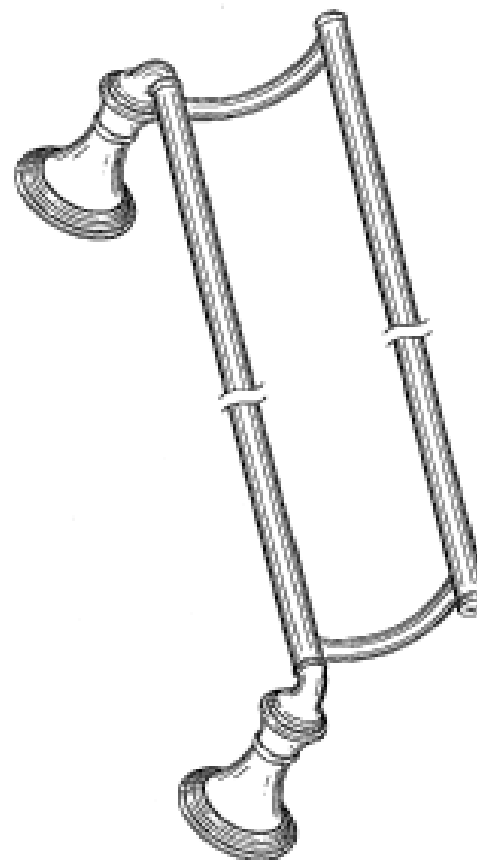
(31) Number	(32) Date	(33) Country
29/210,117	27 Jul 2004	UNITED STATES OF AMERICA

(56) Related Art Documents: **Not Applicable**

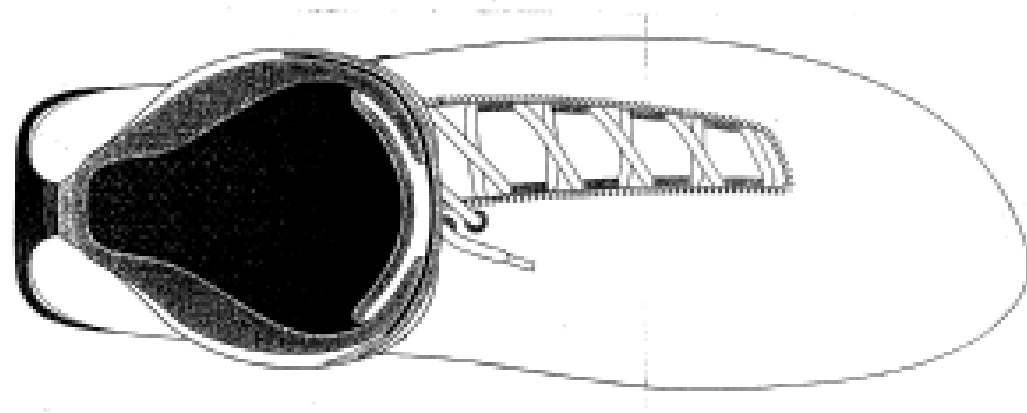
(57) Statement of Newness and Distinctiveness: **Nil**



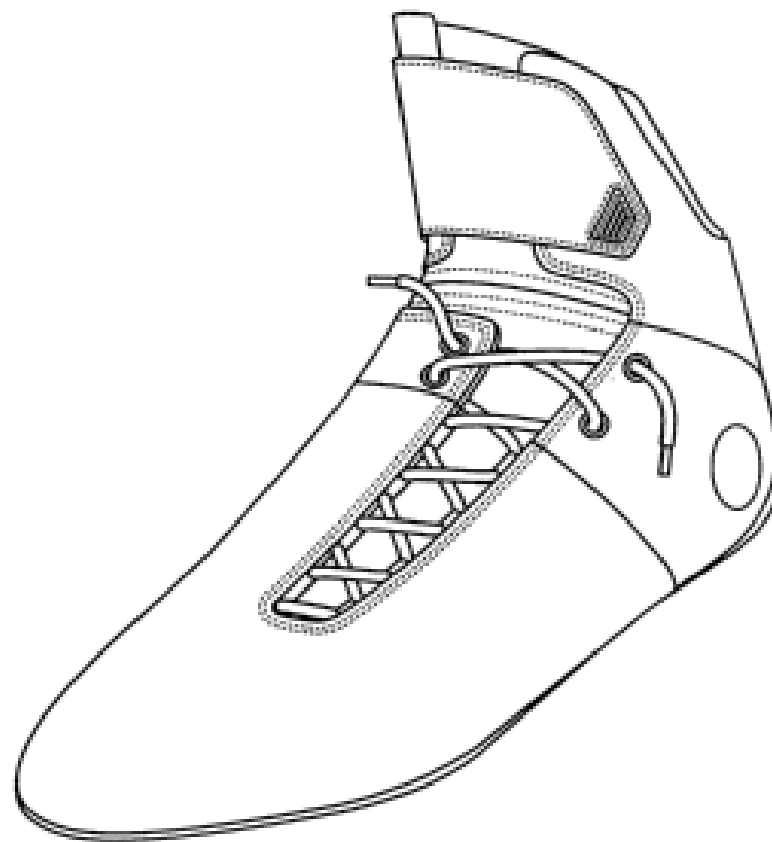
(21) Design Number: **10308/2005**
(22) Date of Filing Application: **27 January 2005**
(24) Date from which industrial property rights may have effect: **27 January 2005**
(54) Product in respect of which the design is registered: **Towel bar**
(51) International Design Classification: **07-05D**
(71) Name(s) and Address(s) of Applicant(s):
Kohler Co.
444 Highland Drive Kohler WI 53044 United States of America
(72) Name(s) of Designer(s): **Suzanne M. Berberet**
(45) Registration Date: **26 August 2005**
(30) Convention priority data:
(31) Number (32) Date (33) Country
29/210,117 27 Jul 2004 UNITED STATES OF AMERICA
(56) Related Art Documents: **Not Applicable**
(57) Statement of Newness and Distinctiveness: **Nil**



(21) Design Number: **10323/2005**
(22) Date of Filing Application: **28 January 2005**
(24) Date from which industrial property rights may have effect: **28 January 2005**
(54) Product in respect of which the design is registered: **Boot**
(51) International Design Classification: **02-04NES**
(71) Name(s) and Address(s) of Applicant(s):
Puma Aktiengesellschaft Rudolf Dassler Sport
Wurzbürger Strasse 13 91074 Herzogenaurach Germany
(72) Name(s) of Designer(s): **Jorg Rohwer-Kahlmann**
(45) Registration Date: **26 August 2005**
(30) Convention priority data:
(31) Number (32) Date (33) Country
00210323 30 Jul 2004 EUROPEAN COMMUNITY
(56) Related Art Documents: **Not Applicable**
(57) Statement of Newness and Distinctiveness: **Nil**



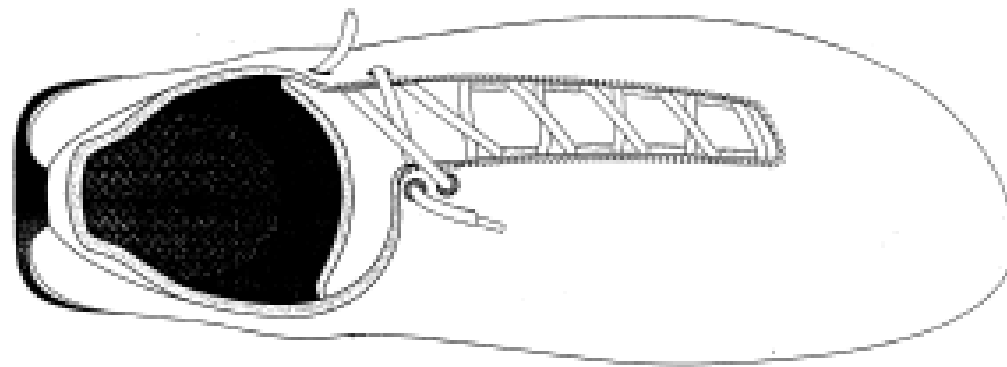
(21) Design Number: **10324/2005**
(22) Date of Filing Application: **28 January 2005**
(24) Date from which industrial property rights may have effect: **28 January 2005**
(54) Product in respect of which the design is registered: **Boot**
(51) International Design Classification: **02-04NES**
(71) Name(s) and Address(s) of Applicant(s):
Puma Aktiengesellschaft Rudolf Dassler Sport
Wurzburger Strasse 13 91074 Herzogenaurach Germany
(72) Name(s) of Designer(s): **Jorg Rohwer-Kahlmann**
(45) Registration Date: **26 August 2005**
(30) Convention priority data:
(31) Number (32) Date (33) Country
00210323 30 Jul 2004 EUROPEAN COMMUNITY
(56) Related Art Documents: **Not Applicable**
(57) Statement of Newness and Distinctiveness: **Nil**



(21) Design Number: **10325/2005**
(22) Date of Filing Application: **28 January 2005**
(24) Date from which industrial property rights may have effect: **28 January 2005**
(54) Product in respect of which the design is registered: **Boot**
(51) International Design Classification: **02-04NES**
(71) Name(s) and Address(s) of Applicant(s):
Puma Aktiengesellschaft Rudolf Dassler Sport
Wurzburger Strasse 13 91074 Herzogenaurach Germany
(72) Name(s) of Designer(s): **Jorg Rohwer-Kahlmann**
(45) Registration Date: **26 August 2005**
(30) Convention priority data:
(31) Number (32) Date (33) Country
00210323 30 Jul 2004 EUROPEAN COMMUNITY
(56) Related Art Documents: **Not Applicable**
(57) Statement of Newness and Distinctiveness: **Nil**



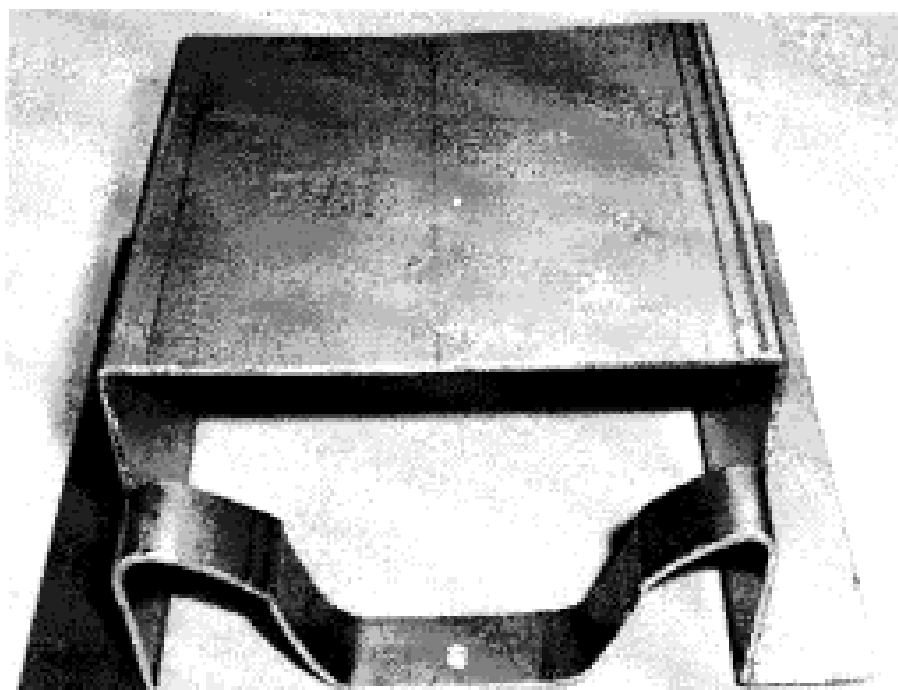
(21) Design Number: **10326/2005**
(22) Date of Filing Application: **28 January 2005**
(24) Date from which industrial property rights may have effect: **28 January 2005**
(54) Product in respect of which the design is registered: **Boot**
(51) International Design Classification: **02-04NES**
(71) Name(s) and Address(s) of Applicant(s):
Puma Aktiengesellschaft Rudolf Dassler Sport
Wurzburger Strasse 13 91074 Herzogenaurach Germany
(72) Name(s) of Designer(s): **Jorg Rohwer-Kahlmann**
(45) Registration Date: **26 August 2005**
(30) Convention priority data:
(31) Number (32) Date (33) Country
00210323 30 Jul 2004 EUROPEAN COMMUNITY
(56) Related Art Documents: **Not Applicable**
(57) Statement of Newness and Distinctiveness: **Nil**



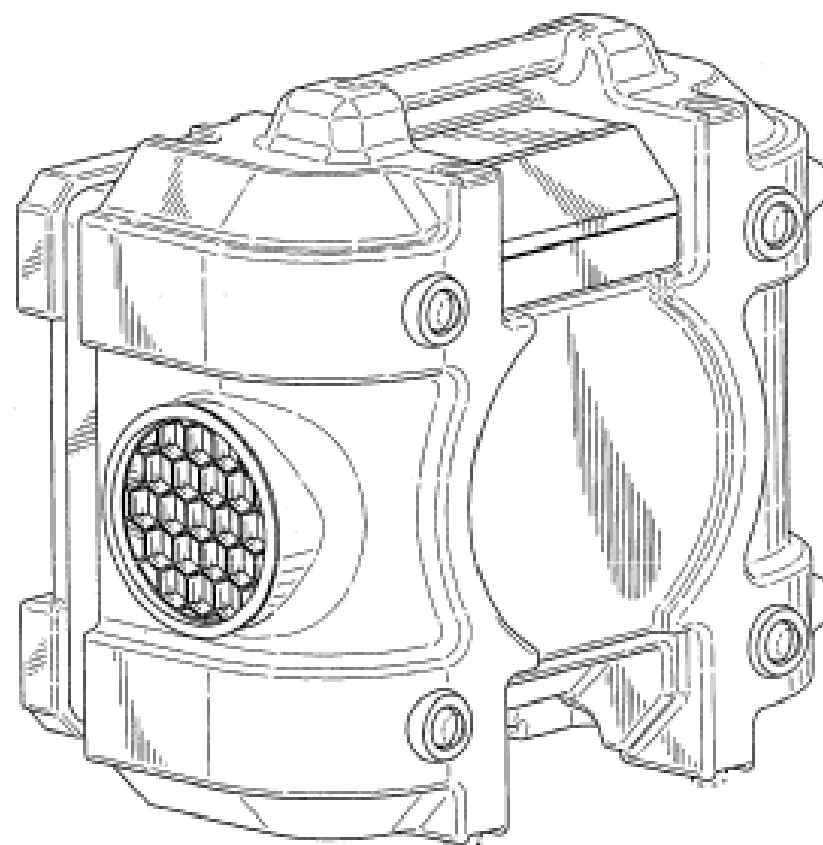
(21) Design Number: **10429/2005**
(22) Date of Filing Application: **03 February 2005**
(24) Date from which industrial property rights may have effect: **03 February 2005**
(54) Product in respect of which the design is registered: **Lanyard assembly**
(51) International Design Classification: **02-05, 11-01E**
(71) Name(s) and Address(s) of Applicant(s):
LA Loop, LLC
203A 33 Little West 12th St New York NY 10014 United States of America
(72) Name(s) of Designer(s): **Deborah Zoullas and Elizabeth Faraut**
(45) Registration Date: **26 August 2005**
(30) Convention priority data:
(31) Number (32) Date (33) Country
29/217,883 23 Nov 2004 UNITED STATES OF AMERICA
(56) Related Art Documents: **Not Applicable**
(57) Statement of Newness and Distinctiveness: **Nil**



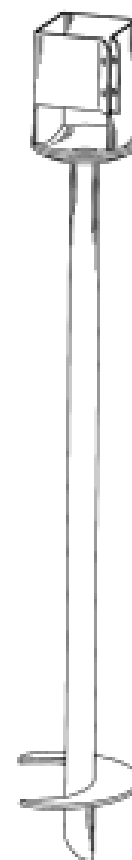
- (21) Design Number: **10464/2005**
(22) Date of Filing Application: **04 February 2005**
(24) Date from which industrial property rights may have effect: **04 February 2005**
(54) Product in respect of which the design is registered: **A support member for windows and doors**
(51) International Design Classification: **25-01C**
(71) Name(s) and Address(s) of Applicant(s):
G & G Aluminium & Glass Installations Pty Ltd
4 Evergreen Drive Elanora Queensland 4221 Australia
(72) Name(s) of Designer(s): **Geoffrey Robert Gooch**
(45) Registration Date: **26 August 2005**
(56) Related Art Documents: **Not Applicable**
(57) Statement of Newness and Distinctiveness: **Nil**



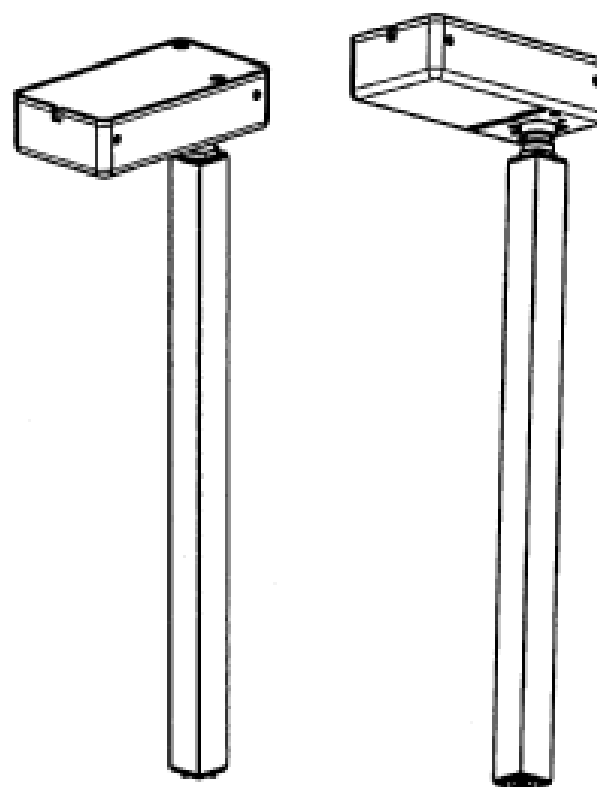
- (21) Design Number: **10854/2005**
(22) Date of Filing Application: **04 March 2005**
(24) Date from which industrial property rights may have effect: **04 March 2005**
(54) Product in respect of which the design is registered: **Air filter**
(51) International Design Classification: **23-04**
(71) Name(s) and Address(s) of Applicant(s):
Dri-Eaz Products, Inc.
15180 Josh Wilson Road Burlington Washington 98233 United States of America
(72) Name(s) of Designer(s): **Brett Bartholmey and Larry White and Kurt Eells**
(45) Registration Date: **26 August 2005**
(30) Convention priority data:
(31) Number (32) Date (33) Country
29/214,221 28 Sep 2004 UNITED STATES OF AMERICA
(56) Related Art Documents: **Not Applicable**
(57) Statement of Newness and Distinctiveness: **Those visual features of the air filter depicted in continuous lines in the representations that are new and distinctive are the shape and/or configuration. The features shown in broken lines are to be disregarded when considering the overall impression of the design.**



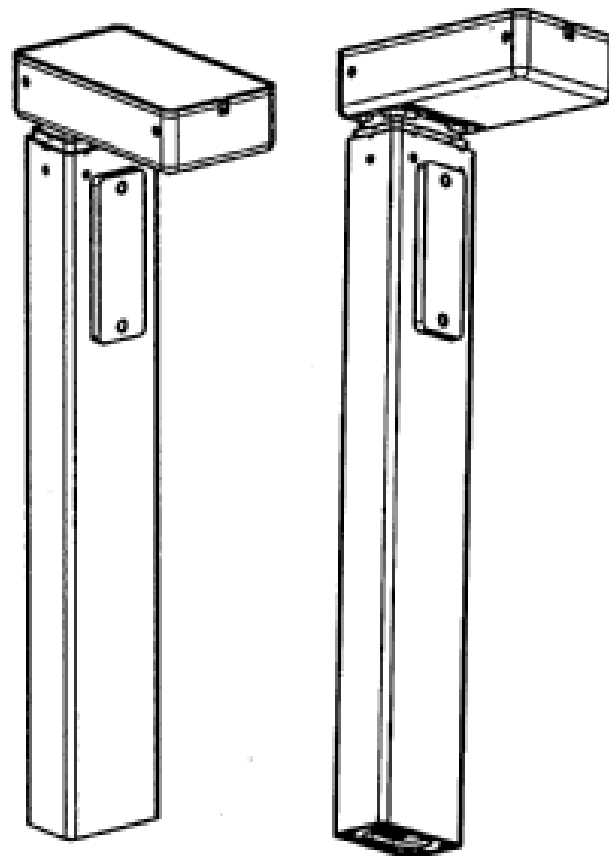
- (21) Design Number: **10867/2005**
(22) Date of Filing Application: **07 March 2005**
(24) Date from which industrial property rights may have effect: **07 March 2005**
(54) Product in respect of which the design is registered: **An adjustable screw-in post support**
(51) International Design Classification: **25-02A**
(71) Name(s) and Address(s) of Applicant(s):
Peak Innovations Inc.
Suite 203 11782 Hammersmith Way Richmond British Columbia V7A
5E2 Canada
(72) Name(s) of Designer(s): **Simon Walker**
(45) Registration Date: **26 August 2005**
(30) Convention priority data:
(31) Number (32) Date (33) Country
108346 17 Sep 2004 CANADA
(56) Related Art Documents: **Not Applicable**
(57) Statement of Newness and Distinctiveness: **Nil**



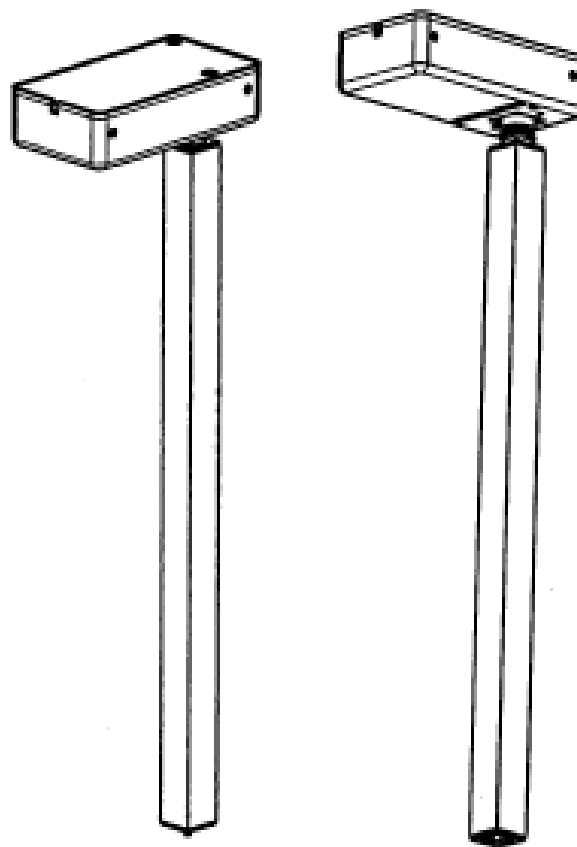
- (21) Design Number: **10918/2005**
(22) Date of Filing Application: **09 March 2005**
(24) Date from which industrial property rights may have effect: **05 November 2003**
(54) Product in respect of which the design is registered: **A linear actuator**
(51) International Design Classification: **15-99**
(71) Name(s) and Address(s) of Applicant(s):
Linak A/S
Smedevaenget 8 Guderup DK-6430 Nordborg Denmark
(72) Name(s) of Designer(s): **Norbert Klinke and Christian Platz**
(45) Registration Date: **26 August 2005**
(62) Divisional of: **157933**
(56) Related Art Documents: **Not Applicable**
(57) Statement of Newness and Distinctiveness: **Newness and distinctiveness is claimed in the features of shape and/or configuration of a linear actuator as illustrated in the accompanying representations.**



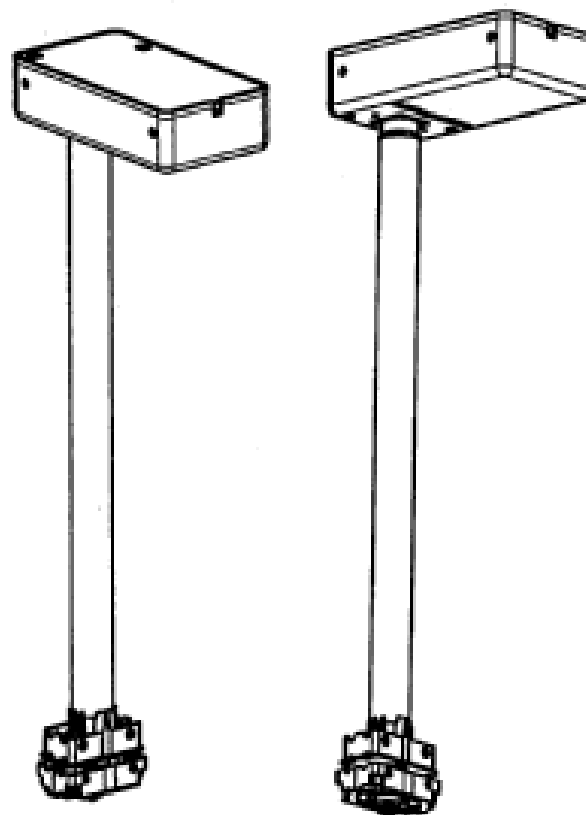
- (21) Design Number: **10919/2005**
- (22) Date of Filing Application: **09 March 2005**
- (24) Date from which industrial property rights may have effect: **05 November 2003**
- (54) Product in respect of which the design is registered: **A linear actuator**
- (51) International Design Classification: **15-99**
- (71) Name(s) and Address(s) of Applicant(s):
Linak A/S
Smedevaenget 8 Guderup DK-6430 Nordborg Denmark
- (72) Name(s) of Designer(s): **Norbert Klinke and Christian Platz**
- (45) Registration Date: **26 August 2005**
- (62) Divisional of: **157933**
- (56) Related Art Documents: **Not Applicable**
- (57) Statement of Newness and Distinctiveness: **Newness and distinctiveness is claimed in the features of shape and/or configuration of a linear actuator as illustrated in the accompanying representations.**



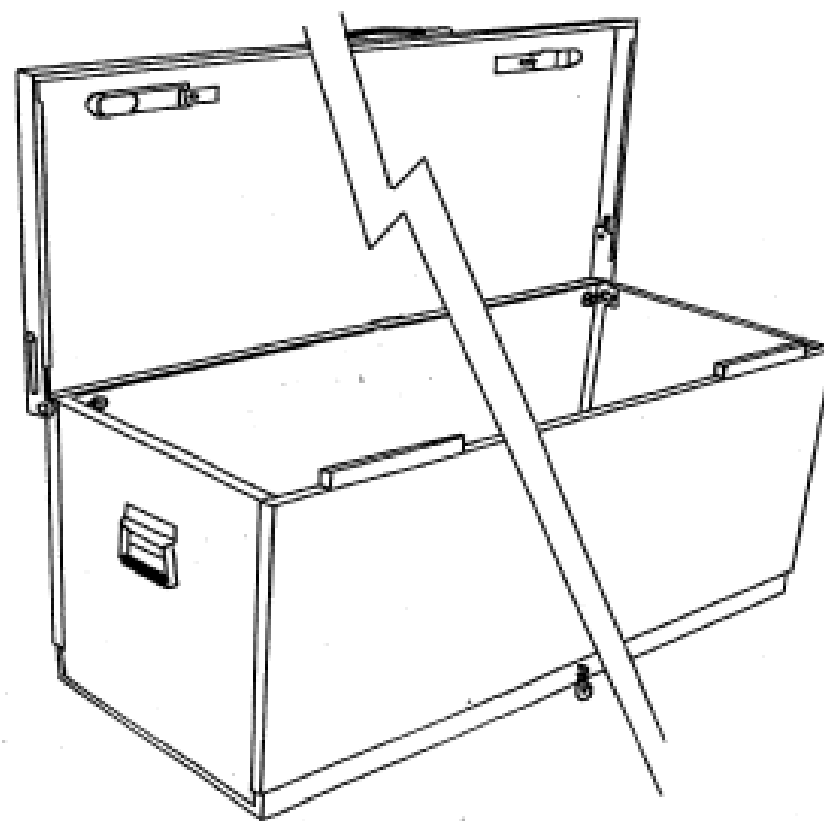
- (21) Design Number: **10920/2005**
- (22) Date of Filing Application: **09 March 2005**
- (24) Date from which industrial property rights may have effect: **05 November 2003**
- (54) Product in respect of which the design is registered: **A linear actuator**
- (51) International Design Classification: **15-99**
- (71) Name(s) and Address(s) of Applicant(s):
Linak A/S
Smedevaenget 8 Guderup DK-6430 Nordborg Denmark
- (72) Name(s) of Designer(s): **Norbert Klinke and Christian Platz**
- (45) Registration Date: **26 August 2005**
- (62) Divisional of: **157933**
- (56) Related Art Documents: **Not Applicable**
- (57) Statement of Newness and Distinctiveness: **Newness and distinctiveness is claimed in the features of shape and/or configuration of a linear actuator as illustrated in the accompanying representations.**



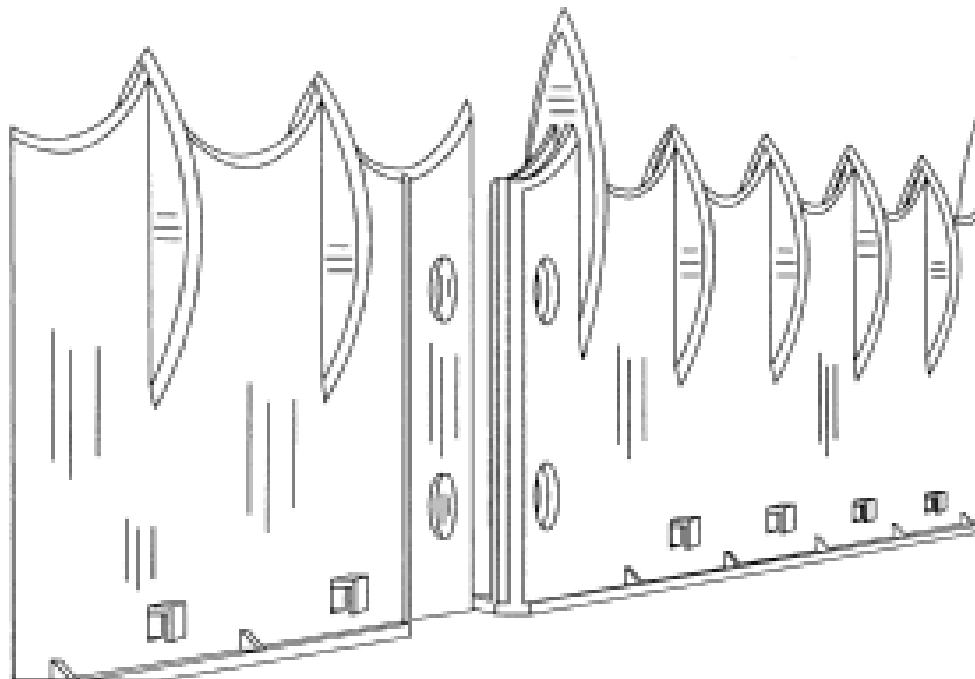
- (21) Design Number: **10921/2005**
(22) Date of Filing Application: **09 March 2005**
(24) Date from which industrial property rights may have effect: **05 November 2003**
(54) Product in respect of which the design is registered: **A linear actuator**
(51) International Design Classification: **15-99**
(71) Name(s) and Address(s) of Applicant(s):
Linak A/S
Smedevaenget 8 Guderup DK-6430 Nordborg Denmark
(72) Name(s) of Designer(s): **Norbert Klinke and Christian Platz**
(45) Registration Date: **26 August 2005**
(62) Divisional of: **157933**
(56) Related Art Documents: **Not Applicable**
(57) Statement of Newness and Distinctiveness: **Newness and distinctiveness is claimed in the features of shape and/or configuration of a linear actuator as illustrated in the accompanying representations.**



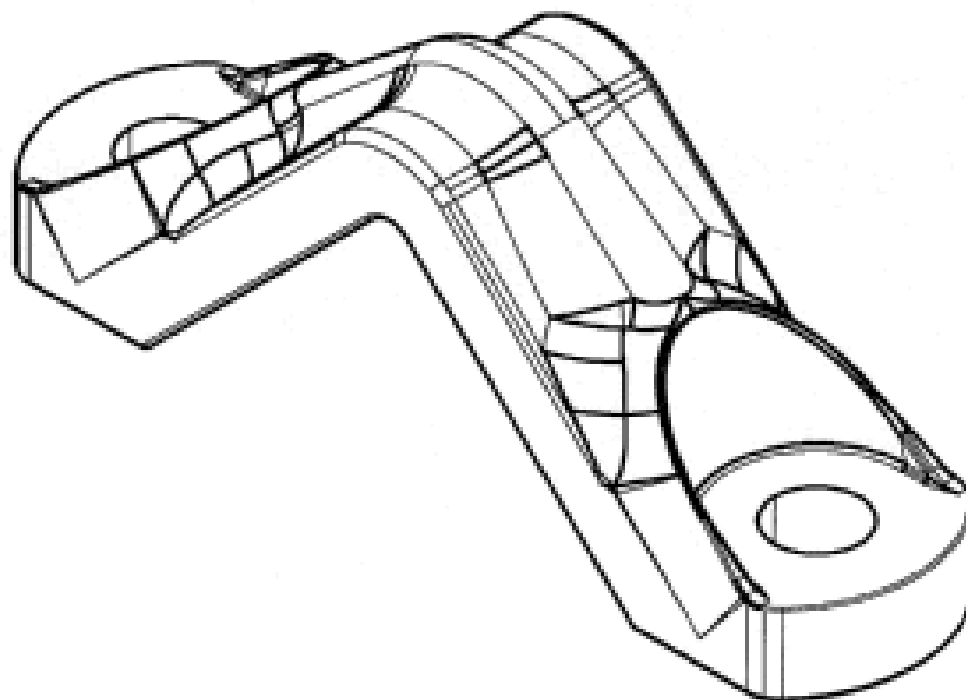
- (21) Design Number: **10922/2005**
(22) Date of Filing Application: **10 March 2005**
(24) Date from which industrial property rights may have effect: **10 March 2005**
(54) Product in respect of which the design is registered: **Collapsible container**
(51) International Design Classification: **09-03NES**
(71) Name(s) and Address(s) of Applicant(s):
Ian Lowrey
7 MacDonald Street Paddington New South Wales 2021 Australia
(72) Name(s) of Designer(s): **Ian Lowrey**
(45) Registration Date: **26 August 2005**
(56) Related Art Documents: **Not Applicable**
(57) Statement of Newness and Distinctiveness: **Newness and distinctiveness is claimed in the visual features shown in solid lines in the representations. The handles and locks shown in the representations form no part of the monopoly claimed.**



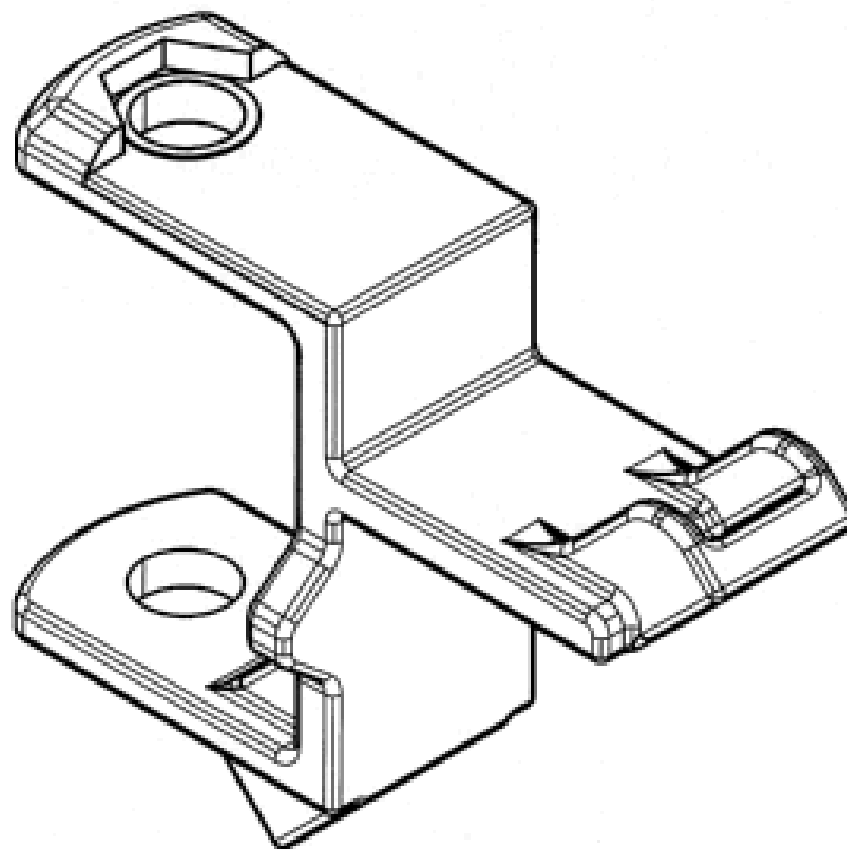
- (21) Design Number: **10928/2005**
(22) Date of Filing Application: **09 March 2005**
(24) Date from which industrial property rights may have effect: **09 March 2005**
(54) Product in respect of which the design is registered: **Garden edging**
(51) International Design Classification: **25-01E**
(71) Name(s) and Address(s) of Applicant(s):
Gardman Limited
High Street Moulton Spalding Lincolnshire PE12 6QD United Kingdom
(72) Name(s) of Designer(s): **Christopher Stuart Richmond and Adrian Wallace Dodds**
(45) Registration Date: **26 August 2005**
(30) Convention priority data:
(31) Number (32) Date (33) Country
000228705-0001 16 Sep 2004 EUROPEAN COMMUNITY
(56) Related Art Documents: **Not Applicable**
(57) Statement of Newness and Distinctiveness: **Nil**



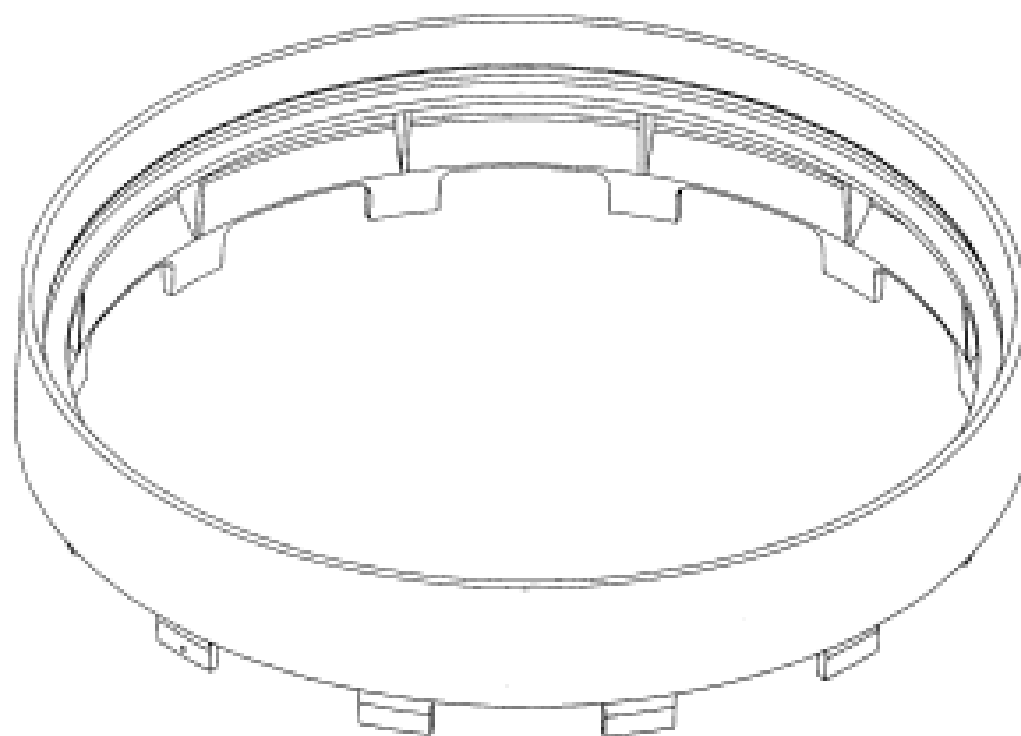
- (21) Design Number: **10930/2005**
(22) Date of Filing Application: **09 March 2005**
(24) Date from which industrial property rights may have effect: **09 March 2005**
(54) Product in respect of which the design is registered: **Clamp member**
(51) International Design Classification: **08-05F**
(71) Name(s) and Address(s) of Applicant(s):
Limthono Pty Ltd
Main Street Mt Tyson Queensland 4356 Australia
Prime Grain Pty Ltd
Main Street Mt Tyson Queensland 4356 Australia
(72) Name(s) of Designer(s): **Luke Hogan**
(45) Registration Date: **26 August 2005**
(56) Related Art Documents: **Not Applicable**
(57) Statement of Newness and Distinctiveness: **Newness and distinctiveness are claimed in the features of shape and configuration of the clamp member depicted in the representations. When considering the extent of the monopoly, features of pattern and ornamentation are to be disregarded.**



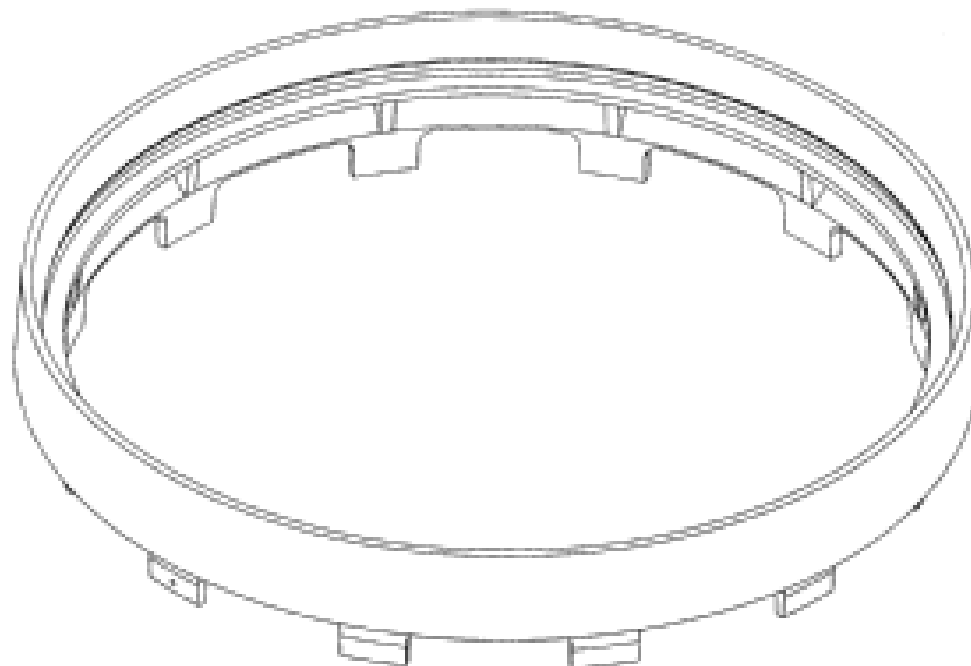
- (21) Design Number: **10934/2005**
(22) Date of Filing Application: **09 March 2005**
(24) Date from which industrial property rights may have effect: **09 March 2005**
(54) Product in respect of which the design is registered: **Clamp member**
(51) International Design Classification: **08-05F**
(71) Name(s) and Address(s) of Applicant(s):
 Limthono Pty Ltd
 Main Street Mt Tyson Queensland 4356 Australia
 Prime Grain Pty Ltd
 Main Street Mt Tyson Queensland 4356 Australia
(72) Name(s) of Designer(s): **Luke Hogan**
(45) Registration Date: **26 August 2005**
(56) Related Art Documents: **Not Applicable**
(57) Statement of Newness and Distinctiveness: **Newness and distinctiveness are claimed in the features of shape and configuration of the clamp member depicted in the representations. When considering the extent of the monopoly, features of pattern and ornamentation are to be disregarded.**



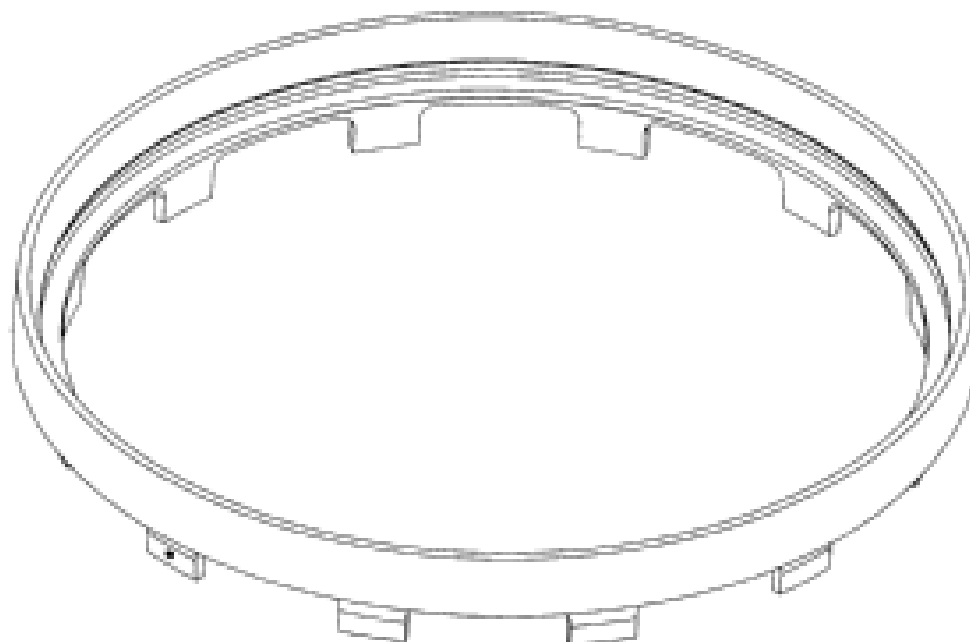
- (21) Design Number: **10940/2005**
(22) Date of Filing Application: **10 March 2005**
(24) Date from which industrial property rights may have effect: **10 March 2005**
(54) Product in respect of which the design is registered: **Frame**
(51) International Design Classification: **25-02NES**
(71) Name(s) and Address(s) of Applicant(s):
 Webforge Australia Pty Ltd
 522 Clayton Road Clayton Victoria 3169 Australia
(72) Name(s) of Designer(s): **Wladyslaw Terlecki**
(45) Registration Date: **26 August 2005**
(56) Related Art Documents: **Not Applicable**
(57) Statement of Newness and Distinctiveness: **Those visual features of the frame depicted in the representations that are new and distinctive are the shape and/or configuration.**



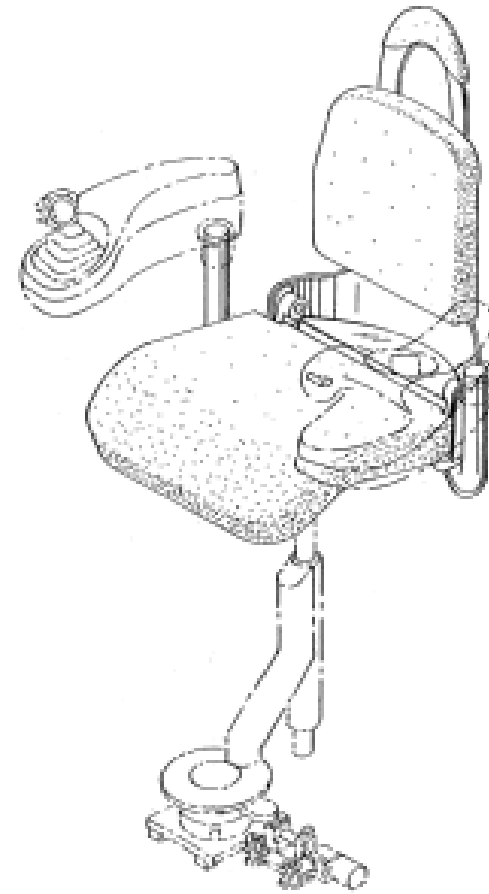
- (21) Design Number: **10941/2005**
(22) Date of Filing Application: **10 March 2005**
(24) Date from which industrial property rights may have effect: **10 March 2005**
(54) Product in respect of which the design is registered: **Frame**
(51) International Design Classification: **25-02NES**
(71) Name(s) and Address(s) of Applicant(s):
Webforge Australia Pty Ltd
522 Clayton Road Clayton Victoria 3169 Australia
(72) Name(s) of Designer(s): **Wladyslaw Terlecki**
(45) Registration Date: **26 August 2005**
(56) Related Art Documents: **Not Applicable**
(57) Statement of Newness and Distinctiveness: **Those visual features of the frame depicted in the representations that are new and distinctive are the shape and/or configuration.**



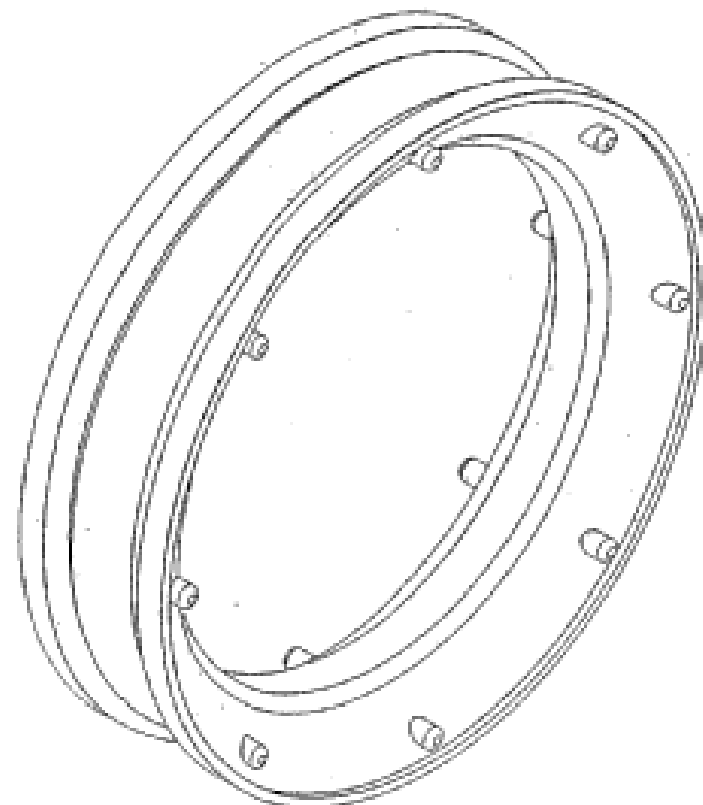
- (21) Design Number: **10942/2005**
(22) Date of Filing Application: **10 March 2005**
(24) Date from which industrial property rights may have effect: **10 March 2005**
(54) Product in respect of which the design is registered: **Frame**
(51) International Design Classification: **25-02NES**
(71) Name(s) and Address(s) of Applicant(s):
Webforge Australia Pty Ltd
522 Clayton Road Clayton Victoria 3169 Australia
(72) Name(s) of Designer(s): **Wladyslaw Terlecki**
(45) Registration Date: **26 August 2005**
(56) Related Art Documents: **Not Applicable**
(57) Statement of Newness and Distinctiveness: **Those visual features of the frame depicted in the representations that are new and distinctive are the shape and/or configuration.**



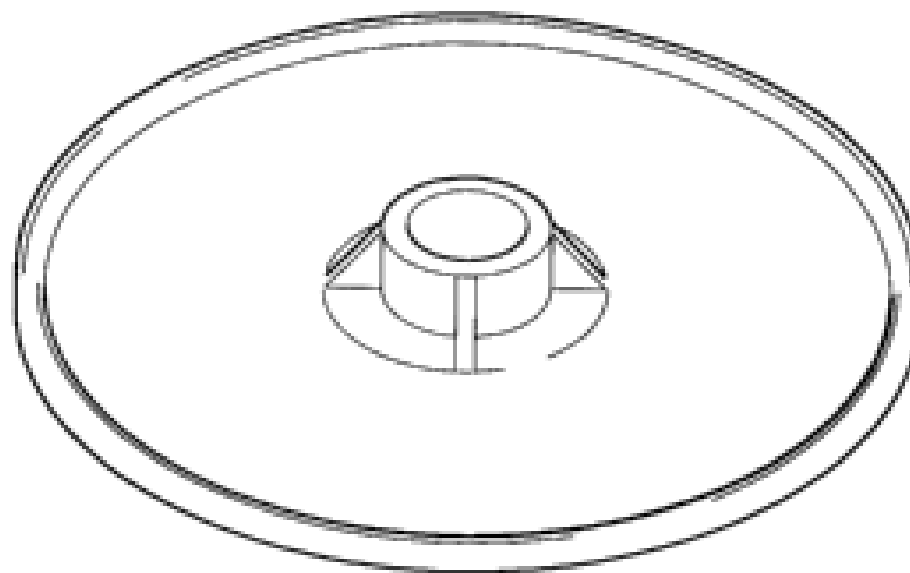
- (21) Design Number: **10945/2005**
(22) Date of Filing Application: **10 March 2005**
(24) Date from which industrial property rights may have effect: **10 March 2005**
(54) Product in respect of which the design is registered: **Seat for a materials handling vehicle**
(51) International Design Classification: **06-01D, 12-05**
(71) Name(s) and Address(s) of Applicant(s):
Crown Equipment Corporation
40 South Washington Street New Bremen OH 45869 United States of America
(72) Name(s) of Designer(s): **Kevin A. Gilliland and Eric J. Kaiser and Leroy M. Kluver and Steven R. Pulskamp and Douglas J. Rinderle**
(45) Registration Date: **26 August 2005**
(30) Convention priority data:
(31) Number (32) Date (33) Country
29/213908 23 Sep 2004 UNITED STATES OF AMERICA
(56) Related Art Documents: **Not Applicable**
(57) Statement of Newness and Distinctiveness: **The shape and configuration of the product other than those parts of the design shown by means of broken lines in the representations is new and distinctive.**



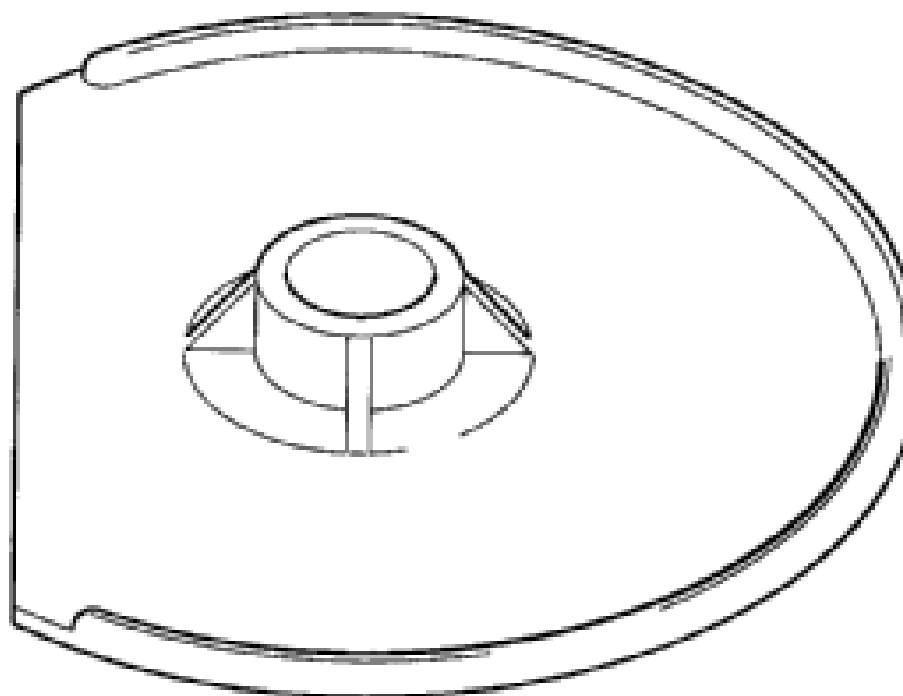
- (21) Design Number: **10948/2005**
(22) Date of Filing Application: **10 March 2005**
(24) Date from which industrial property rights may have effect: **10 March 2005**
(54) Product in respect of which the design is registered: **Pulley tyre**
(51) International Design Classification: **12-05**
(71) Name(s) and Address(s) of Applicant(s):
JLV Industries Pty Ltd
85 McCoy Street Myaree Western Australia 6154 Australia
(72) Name(s) of Designer(s): **Kingsley Bruce Dyson**
(45) Registration Date: **26 August 2005**
(56) Related Art Documents: **Not Applicable**
(57) Statement of Newness and Distinctiveness: **Newness and distinctiveness is claimed in the features of shape and/or configuration of the pulley tyre as shown in the attached representations.**



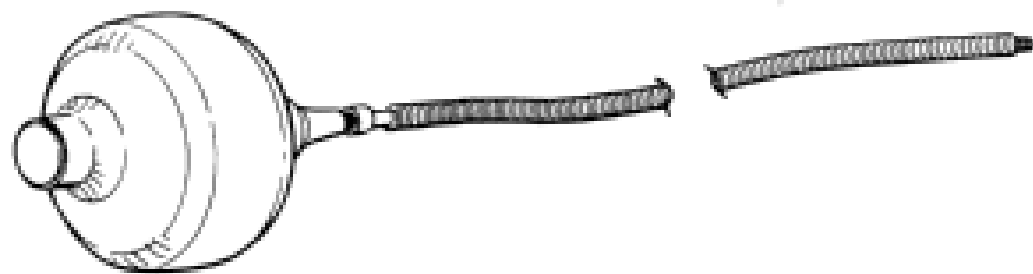
- (21) Design Number: **10949/2005**
(22) Date of Filing Application: **10 March 2005**
(24) Date from which industrial property rights may have effect: **10 March 2005**
(54) Product in respect of which the design is registered: **Safety cover for an overhead garage door roller**
(51) International Design Classification: **08-07**
(71) Name(s) and Address(s) of Applicant(s):
Glensing Pty Ltd
255 Camboon Road Malaga Western Australia 6090 Australia
(72) Name(s) of Designer(s): **Marcus Peter Cervi**
(45) Registration Date: **26 August 2005**
(56) Related Art Documents: **Not Applicable**
(57) Statement of Newness and Distinctiveness: **Newness and distinctiveness is claimed in the features of shape of a safety cover for an overhead garage door roller as illustrated in the accompanying representations.**



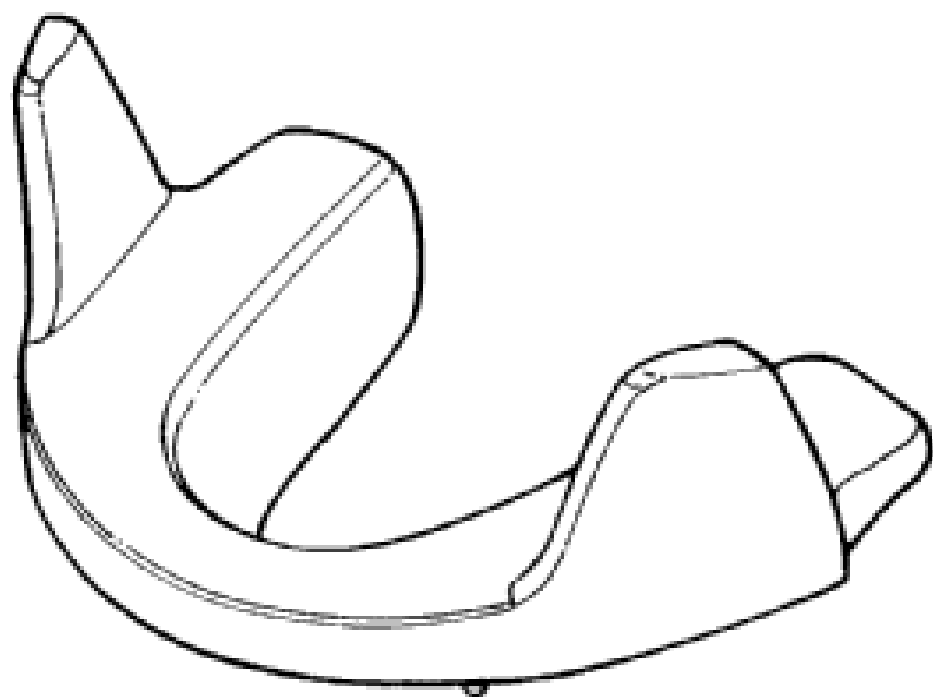
- (21) Design Number: **10950/2005**
(22) Date of Filing Application: **10 March 2005**
(24) Date from which industrial property rights may have effect: **10 March 2005**
(54) Product in respect of which the design is registered: **Safety cover for an overhead garage door roller**
(51) International Design Classification: **08-07**
(71) Name(s) and Address(s) of Applicant(s):
Glensing Pty Ltd
255 Camboon Road Malaga Western Australia 6090 Australia
(72) Name(s) of Designer(s): **Marcus Peter Cervi**
(45) Registration Date: **26 August 2005**
(56) Related Art Documents: **Not Applicable**
(57) Statement of Newness and Distinctiveness: **Newness and distinctiveness is claimed in the features of shape of a safety cover for an overhead garage door roller as illustrated in the accompanying representations.**



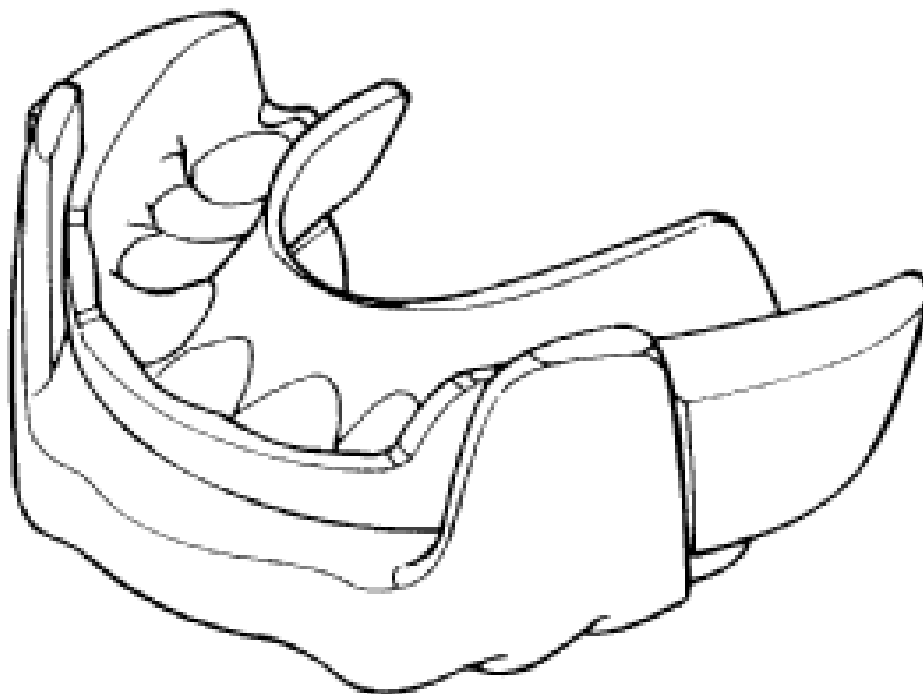
(21) Design Number: **10951/2005**
(22) Date of Filing Application: **11 March 2005**
(24) Date from which industrial property rights may have effect: **11 March 2005**
(54) Product in respect of which the design is registered: **Pipe plugging device**
(51) International Design Classification: **23-01NES**
(71) Name(s) and Address(s) of Applicant(s):
Neal Christopher Borland
2 Bigland Avenue Denistone New South Wales 2114 Australia
(72) Name(s) of Designer(s): **Neal Christopher Borland**
(45) Registration Date: **26 August 2005**
(56) Related Art Documents: **Not Applicable**
(57) Statement of Newness and Distinctiveness: **Nil**



(21) Design Number: **10953/2005**
(22) Date of Filing Application: **10 March 2005**
(24) Date from which industrial property rights may have effect: **10 March 2005**
(54) Product in respect of which the design is registered: **A mandibular advancement device**
(51) International Design Classification: **24-03**
(71) Name(s) and Address(s) of Applicant(s):
SomnoMed Limited
Level 3 20 Clarke Street Crows Nest New South Wales 2065 Australia
(72) Name(s) of Designer(s): **Christopher Bedford and Ashley Jane Anderson**
(45) Registration Date: **26 August 2005**
(56) Related Art Documents: **Not Applicable**
(57) Statement of Newness and Distinctiveness: **Newness and distinctiveness is claimed in the features of shape and/or configuration of a mandibular advancement device as illustrated in the accompanying representations.**



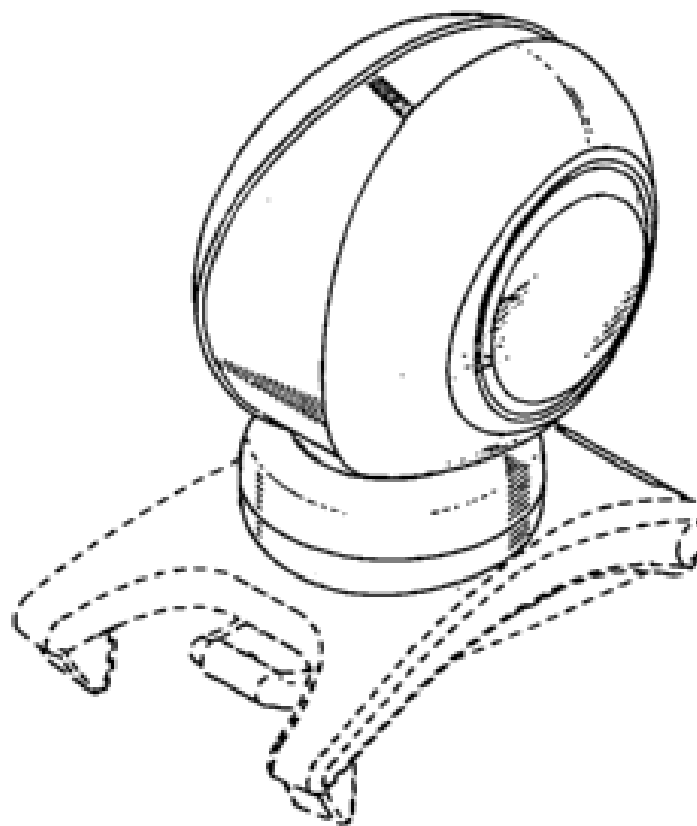
- (21) Design Number: **10954/2005**
(22) Date of Filing Application: **10 March 2005**
(24) Date from which industrial property rights may have effect: **10 March 2005**
(54) Product in respect of which the design is registered: **A mandibular advancement device**
(51) International Design Classification: **24-03**
(71) Name(s) and Address(s) of Applicant(s):
SomnoMed Limited
Level 3 20 Clarke Street Crows Nest New South Wales 2065 Australia
(72) Name(s) of Designer(s): **Christopher Bedford and Ashley Jane Anderson**
(45) Registration Date: **26 August 2005**
(56) Related Art Documents: **Not Applicable**
(57) Statement of Newness and Distinctiveness: **Newness and distinctiveness is claimed in the features of shape and/or configuration of a mandibular advancement device as illustrated in the accompanying representations.**



- (21) Design Number: **10955/2005**
(22) Date of Filing Application: **10 March 2005**
(24) Date from which industrial property rights may have effect: **10 March 2005**
(54) Product in respect of which the design is registered: **A camera**
(51) International Design Classification: **16-01**
(71) Name(s) and Address(s) of Applicant(s):
Creative Technology Ltd
31 International Business Park Creative Resource Singapore 609921
(72) Name(s) of Designer(s): **Yu Weng Alvin Sitoh and Wee Min Alfred Lau**
(45) Registration Date: **26 August 2005**
(30) Convention priority data:

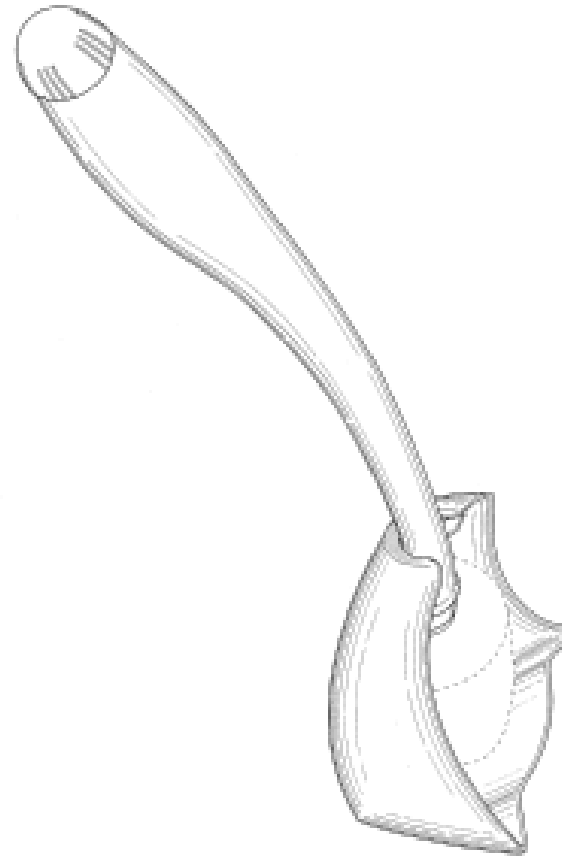
(31) Number	(32) Date	(33) Country
29/220,897	05 Jan 2005	UNITED STATES OF AMERICA

(56) Related Art Documents: **Not Applicable**
(57) Statement of Newness and Distinctiveness: **Monopoly is claimed in the shape and configuration of the features of the article as depicted in the accompanying representations. The applicant claims monopoly in the features of the article depicted in solid lines. No monopoly is claimed in the features depicted in dashed lines in the accompanying representations.**



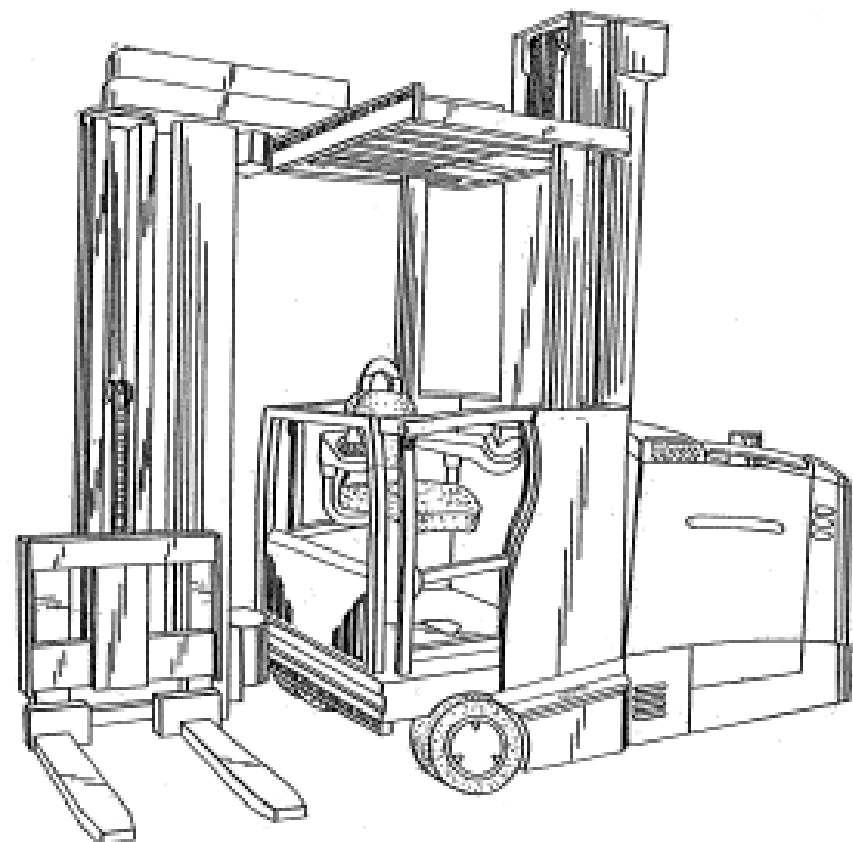
- (21) Design Number: **10906/2005**
- (22) Date of Filing Application: **08 March 2005**
- (24) Date from which industrial property rights may have effect: **08 March 2005**
- (54) Product in respect of which the design is registered: **A brush**
- (51) International Design Classification: **04-01**
- (71) Name(s) and Address(s) of Applicant(s):
Reckitt Benckiser Inc.
Morris Corporate Center IV 399 Interpace Parkway Parsippany New Jersey 07054 United States of America
- (72) Name(s) of Designer(s): **Ian James Corkhill**
- (45) Registration Date: **29 August 2005**
- (30) Convention priority data:

(31) Number	(32) Date	(33) Country
3019176	21 Oct 2004	UNITED KINGDOM
- (56) Related Art Documents: **Not Applicable**
- (57) Statement of Newness and Distinctiveness: **Each feature of the design shown in solid lines considered separately or in combination with any other feature of features.**



- (21) Design Number: **10944/2005**
- (22) Date of Filing Application: **10 March 2005**
- (24) Date from which industrial property rights may have effect: **10 March 2005**
- (54) Product in respect of which the design is registered: **Turret type materials handling vehicle**
- (51) International Design Classification: **12-05**
- (71) Name(s) and Address(s) of Applicant(s):
Crown Equipment Corporation
40 South Washington Street New Bremen OH 45869 United States of America
- (72) Name(s) of Designer(s): **Michael P. Gallagher and Kevin A. Gilliland and Leroy M. Kluver and Steven R. Pulskamp and Timothy S. Quellhorst and Craig J. Rekow and Douglas J. Rinderle and Keith T. Richards and Adam M. Ruppert**
- (45) Registration Date: **29 August 2005**
- (30) Convention priority data:

(31) Number	(32) Date	(33) Country
29/213804	23 Sep 2004	UNITED STATES OF AMERICA
- (56) Related Art Documents: **Not Applicable**
- (57) Statement of Newness and Distinctiveness: **The shape and configuration of the product shown in the representations is new and distinctive.**



- (21) Design Number: **10946/2005**
- (22) Date of Filing Application: **10 March 2005**
- (24) Date from which industrial property rights may have effect: **10 March 2005**
- (54) Product in respect of which the design is registered: **Electric tool**
- (51) International Design Classification: **08-01**
- (71) Name(s) and Address(s) of Applicant(s):

Robert Bosch G.m.b.H
Wernerstrasse 1 D-70469 Stuttgart-Feuerbach Germany

- (72) Name(s) of Designer(s): **Hans-Peter Aglassinger**

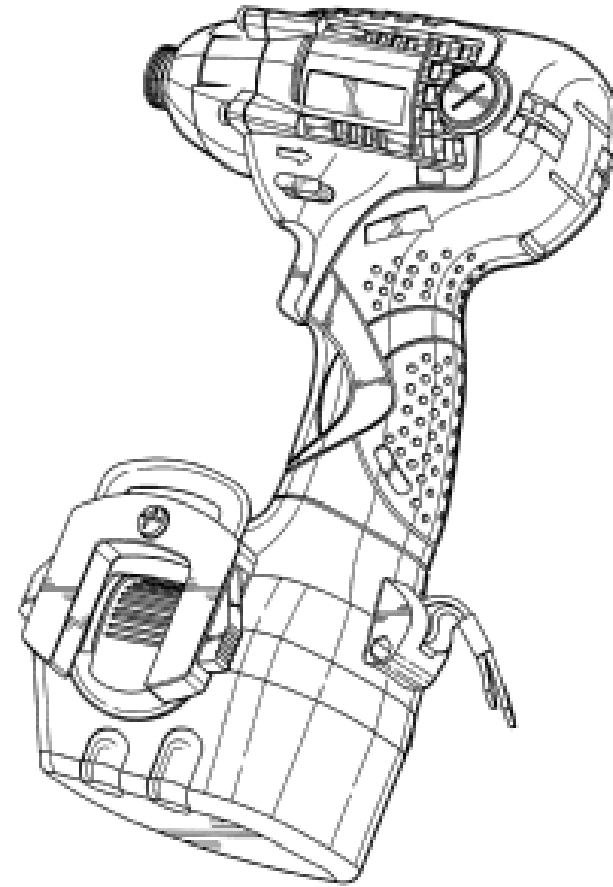
- (45) Registration Date: **29 August 2005**

- (30) Convention priority data:

(31) Number	(32) Date	(33) Country
404 060 97.8	26 Oct 2004	GERMANY

- (56) Related Art Documents: **Not Applicable**

- (57) Statement of Newness and Distinctiveness: **Nil**



- (21) Design Number: **10956/2005**
- (22) Date of Filing Application: **11 March 2005**
- (24) Date from which industrial property rights may have effect: **11 March 2005**
- (54) Product in respect of which the design is registered: **Portable signage display and stand**
- (51) International Design Classification: **20-03NES**
- (71) Name(s) and Address(s) of Applicant(s):

Gary John Edwards
153 Military Road Henley Beach South Australia 5022 Australia

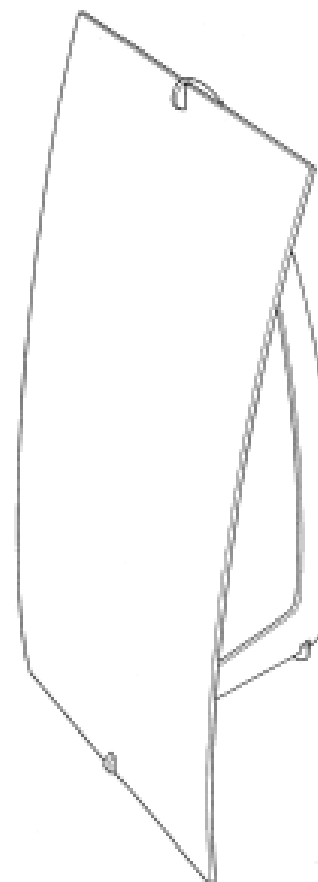
Phillip Raymond Richards
56 Flinders Drive Valley View South Australia 5093 Australia

- (72) Name(s) of Designer(s): **Gary John Edwards and Phillip Raymond Richards**

- (45) Registration Date: **29 August 2005**

- (56) Related Art Documents: **Not Applicable**

- (57) Statement of Newness and Distinctiveness: **Nil**



(21) Design Number: **10960/2005**

(22) Date of Filing Application: **04 March 2005**

(24) Date from which industrial property rights may have effect: **04 March 2005**

(54) Product in respect of which the design is registered: **Rusty jobs -
souvenir/toy**

(51) International Design Classification: **11-02E**

(71) Name(s) and Address(s) of Applicant(s):

Ben Somerville

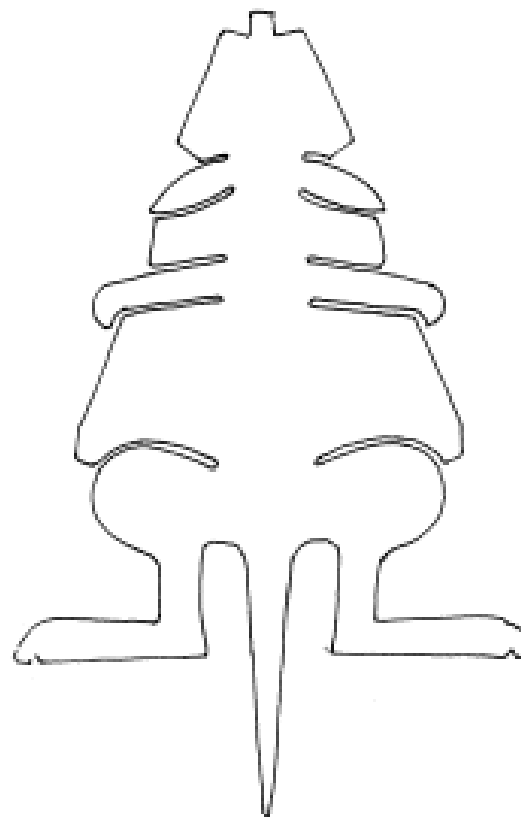
2 Deighton Road Dutton Park Queensland 4102 Australia

(72) Name(s) of Designer(s): **Ben Somerville**

(45) Registration Date: **29 August 2005**

(56) Related Art Documents: **Not Applicable**

(57) Statement of Newness and Distinctiveness: **Nil**



(21) Design Number: **10961/2005**

(22) Date of Filing Application: **04 March 2005**

(24) Date from which industrial property rights may have effect: **04 March 2005**

(54) Product in respect of which the design is registered: **Rusty jobs -
souvenir/toy**

(51) International Design Classification: **11-02E**

(71) Name(s) and Address(s) of Applicant(s):

Ben Somerville

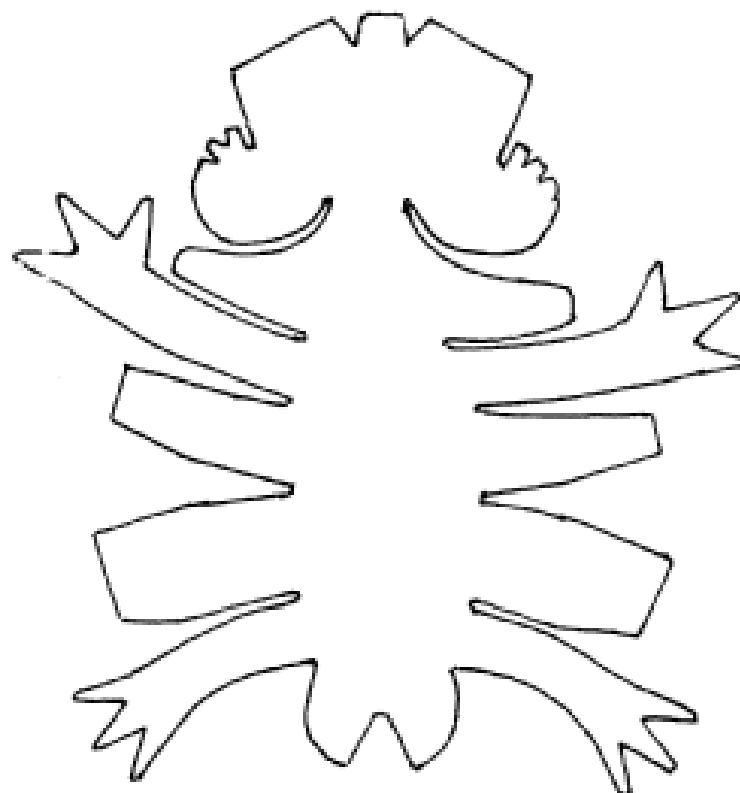
2 Deighton Road Dutton Park Queensland 4102 Australia

(72) Name(s) of Designer(s): **Ben Somerville**

(45) Registration Date: **29 August 2005**

(56) Related Art Documents: **Not Applicable**

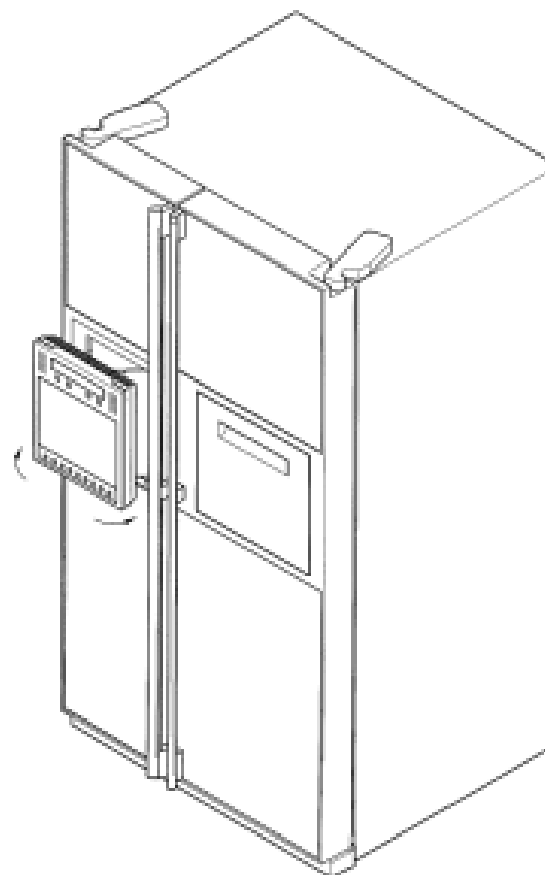
(57) Statement of Newness and Distinctiveness: **Nil**



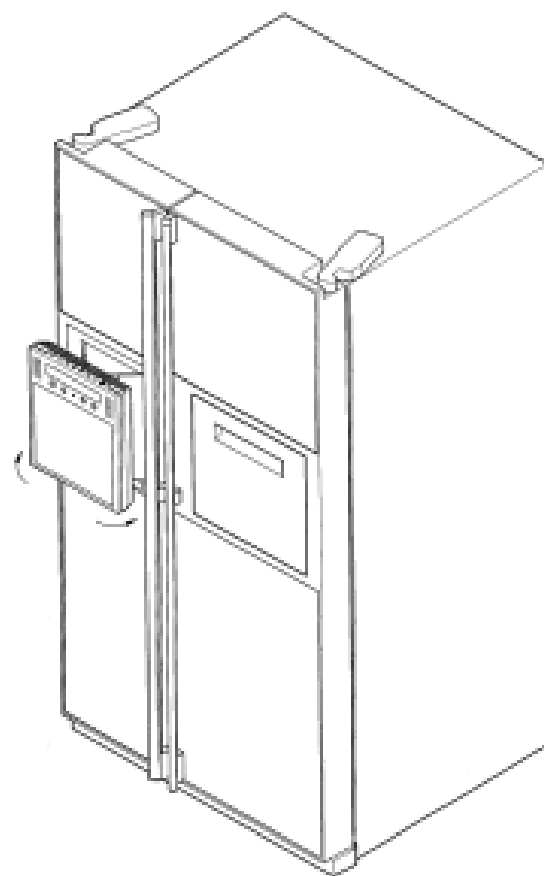
- (21) Design Number: **10988/2005**
(22) Date of Filing Application: **11 March 2005**
(24) Date from which industrial property rights may have effect: **11 March 2005**
(54) Product in respect of which the design is registered: **Packaging**
(51) International Design Classification: **09-03F**
(71) Name(s) and Address(s) of Applicant(s):
Cryovac Australia Pty Ltd
90 Keilor Park Drive Tullamarine Victoria 3043 Australia
(72) Name(s) of Designer(s): **Michael Grima and Andrew Slodkiewicz**
(45) Registration Date: **29 August 2005**
(56) Related Art Documents: **Not Applicable**
(57) Statement of Newness and Distinctiveness: **In considering the newness and distinctiveness of the design, regard is to be given to the overall shape and/or configuration of the design.**



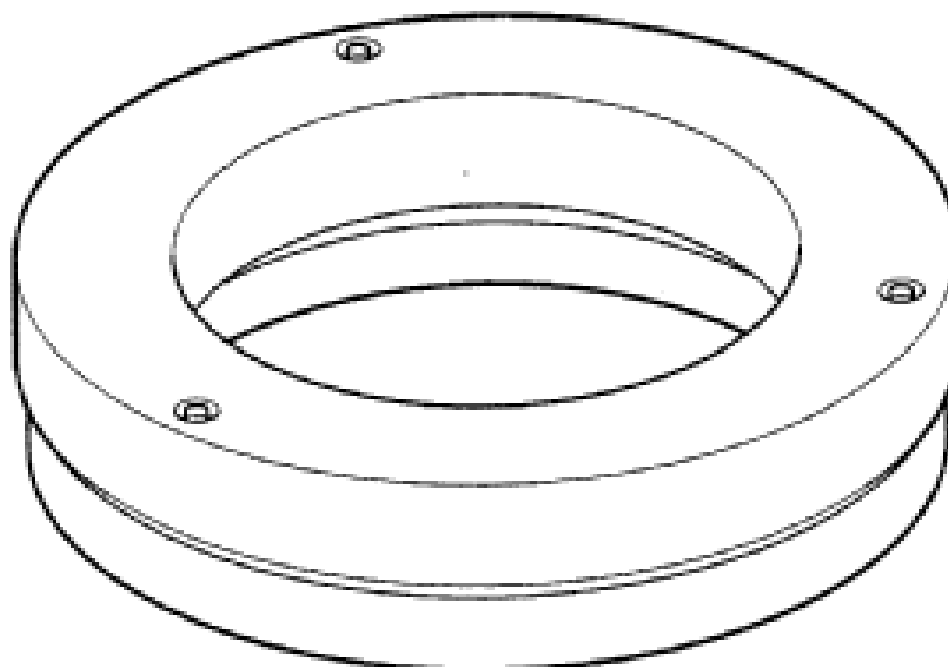
- (21) Design Number: **10994/2005**
(22) Date of Filing Application: **11 March 2005**
(24) Date from which industrial property rights may have effect: **11 March 2005**
(54) Product in respect of which the design is registered: **Refrigerator**
(51) International Design Classification: **15-07**
(71) Name(s) and Address(s) of Applicant(s):
LG Electronics Inc.
20 Yoido-dong Youngdungpo-ku Seoul Korea
(72) Name(s) of Designer(s): **Sang Sing Kwak and Tai Hong Kim**
(45) Registration Date: **29 August 2005**
(30) Convention priority data:
(31) Number (32) Date (33) Country
30-2004-0028469 14 Sep 2004 REPUBLIC OF KOREA
(56) Related Art Documents: **Not Applicable**
(57) Statement of Newness and Distinctiveness: **Nil**



(21) Design Number: **10995/2005**
(22) Date of Filing Application: **11 March 2005**
(24) Date from which industrial property rights may have effect: **11 March 2005**
(54) Product in respect of which the design is registered: **Refrigerator**
(51) International Design Classification: **15-07**
(71) Name(s) and Address(s) of Applicant(s):
LG Electronics Inc.
20 Yoido-dong Youngdungpo-ku Seoul Korea
(72) Name(s) of Designer(s): **Kyung Soo Park and Hang Bok Lee**
(45) Registration Date: **29 August 2005**
(30) Convention priority data:
(31) Number (32) Date (33) Country
30-2004-0028470 14 Sep 2004 REPUBLIC OF KOREA
(56) Related Art Documents: **Not Applicable**
(57) Statement of Newness and Distinctiveness: **Nil**



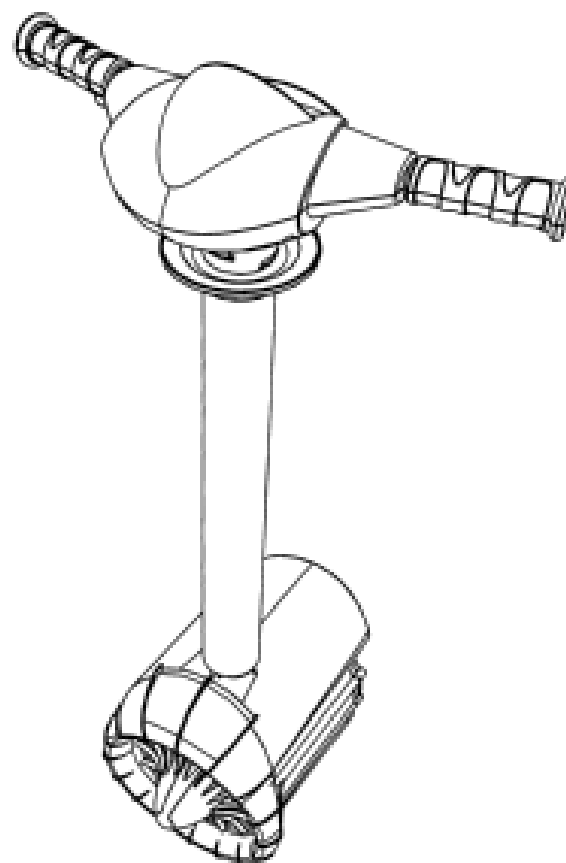
(21) Design Number: **11105/2005**
(22) Date of Filing Application: **22 March 2005**
(24) Date from which industrial property rights may have effect: **22 March 2005**
(54) Product in respect of which the design is registered: **Maintenance hole assembly adaptor**
(51) International Design Classification: **23-01A**
(71) Name(s) and Address(s) of Applicant(s):
Cooke Pre-Cast Concrete Pty Ltd
Cnr Bellchambers & Peachey Rd Elizabeth West South Australia 5113 Australia
(72) Name(s) of Designer(s): **Harley Cooke**
(45) Registration Date: **29 August 2005**
(56) Related Art Documents: **Not Applicable**
(57) Statement of Newness and Distinctiveness: **Nil**



- (21) Design Number: **11106/2005**
- (22) Date of Filing Application: **22 March 2005**
- (24) Date from which industrial property rights may have effect: **22 March 2005**
- (54) Product in respect of which the design is registered: **Sea scooter**
- (51) International Design Classification: **21-02D**
- (71) Name(s) and Address(s) of Applicant(s):

Daka Research Inc.
PO Box 957 Offshore Incorporations Centre Road Town Tortola
British Virgin Islands

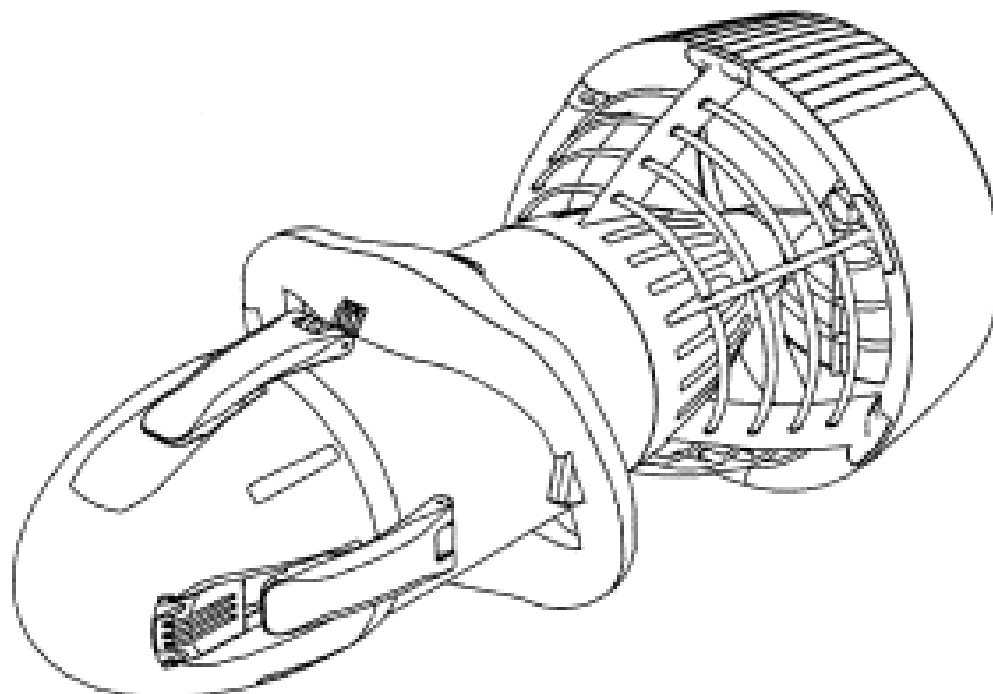
- (72) Name(s) of Designer(s): **Pat Y. Mah**
- (45) Registration Date: **29 August 2005**
- (56) Related Art Documents: **Not Applicable**
- (57) Statement of Newness and Distinctiveness: **Nil**



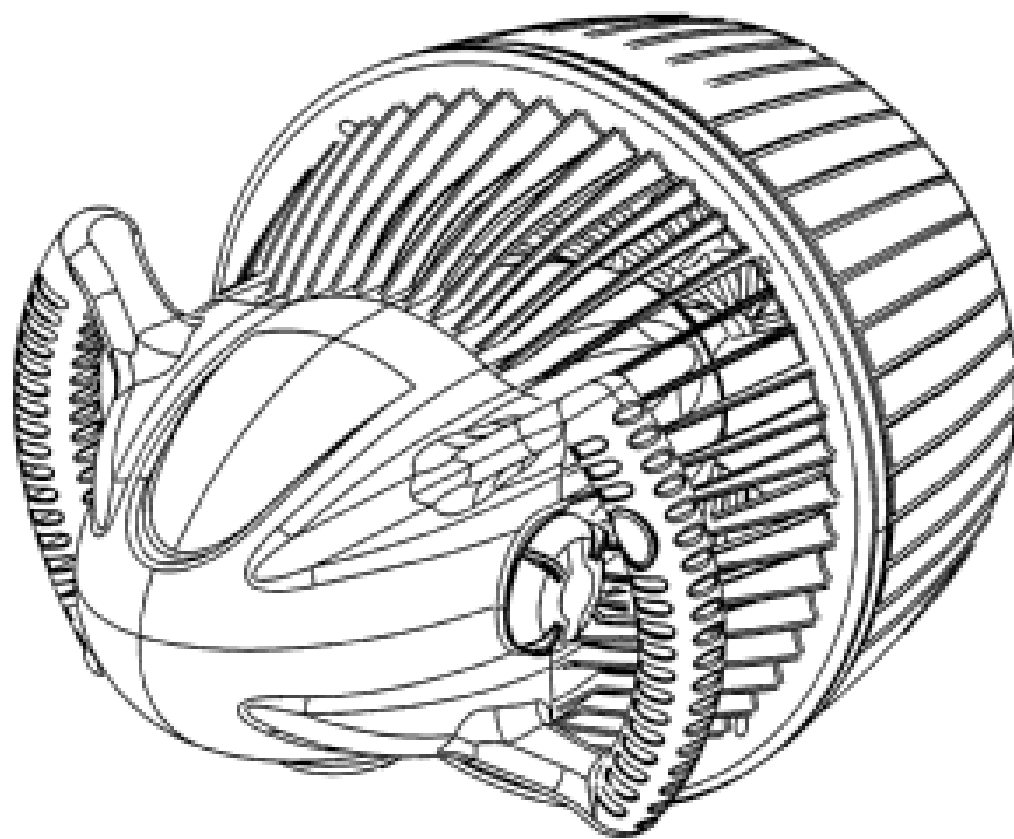
- (21) Design Number: **11107/2005**
- (22) Date of Filing Application: **22 March 2005**
- (24) Date from which industrial property rights may have effect: **22 March 2005**
- (54) Product in respect of which the design is registered: **Sea scooter**
- (51) International Design Classification: **21-02D**
- (71) Name(s) and Address(s) of Applicant(s):

Daka Research Inc.
PO Box 957 Offshore Incorporations Centre Road Town Tortola
British Virgin Islands

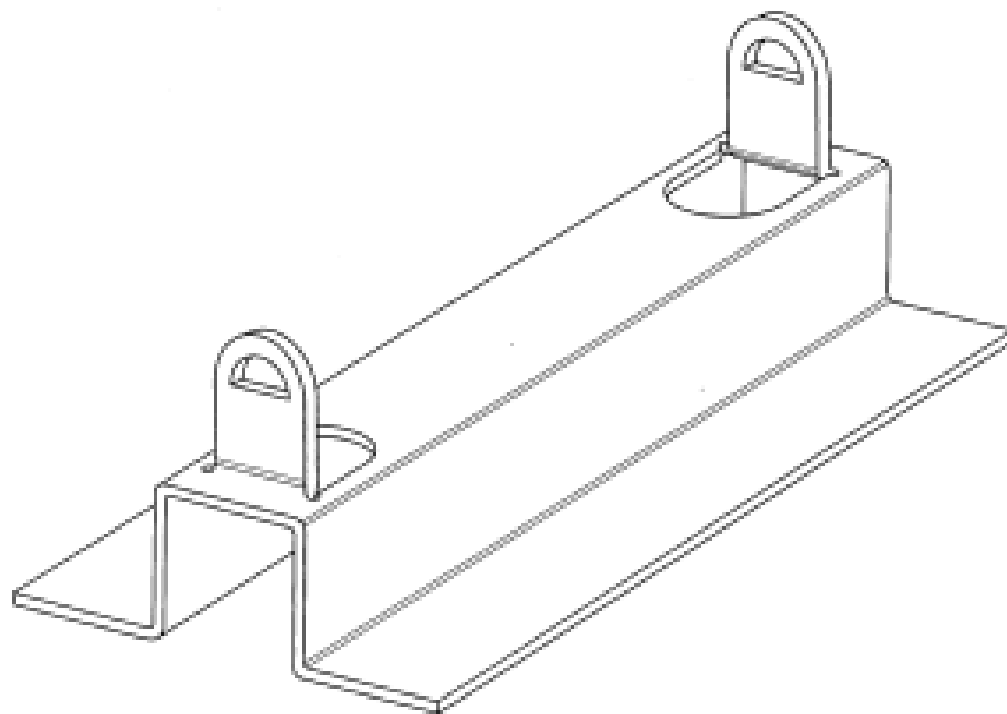
- (72) Name(s) of Designer(s): **Alexander Joseph Kalogroulis and Pat Y. Mah**
- (45) Registration Date: **29 August 2005**
- (56) Related Art Documents: **Not Applicable**
- (57) Statement of Newness and Distinctiveness: **Nil**



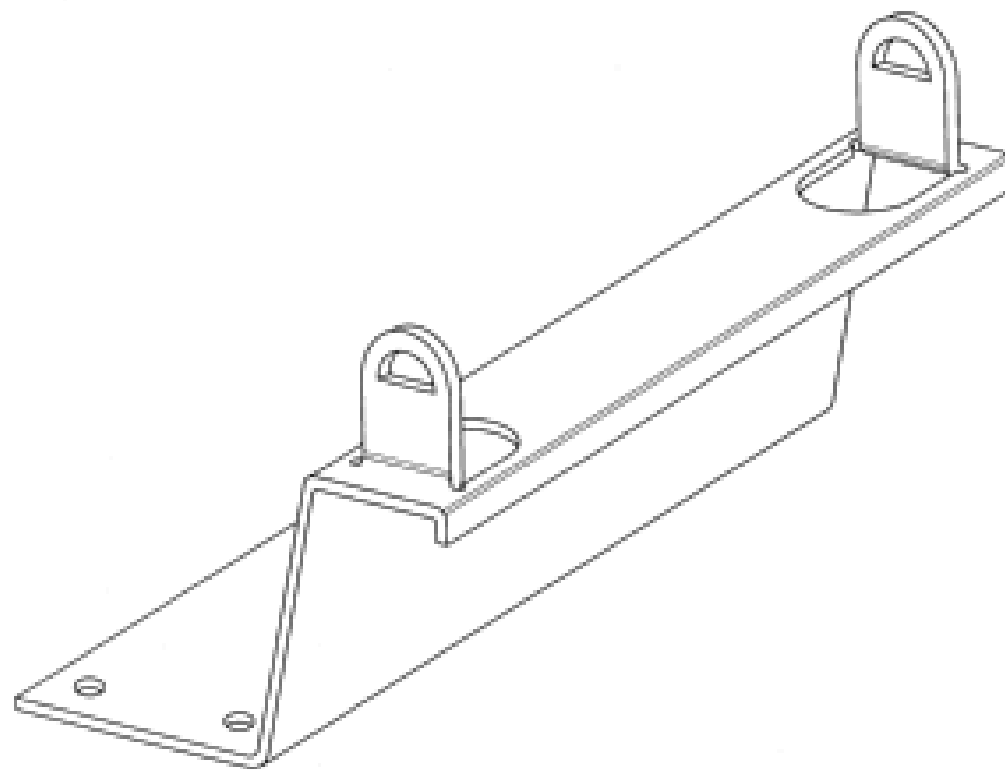
- (21) Design Number: **11108/2005**
(22) Date of Filing Application: **22 March 2005**
(24) Date from which industrial property rights may have effect: **22 March 2005**
(54) Product in respect of which the design is registered: **Sea scooter**
(51) International Design Classification: **21-02D**
(71) Name(s) and Address(s) of Applicant(s):
Daka Research Inc.
PO Box 957 Offshore Incorporations Centre Road Town Tortola
British Virgin Islands
(72) Name(s) of Designer(s): **Alexander Joseph Kalogroulis and Pat Y. Mah**
(45) Registration Date: **29 August 2005**
(56) Related Art Documents: **Not Applicable**
(57) Statement of Newness and Distinctiveness: **Nil**



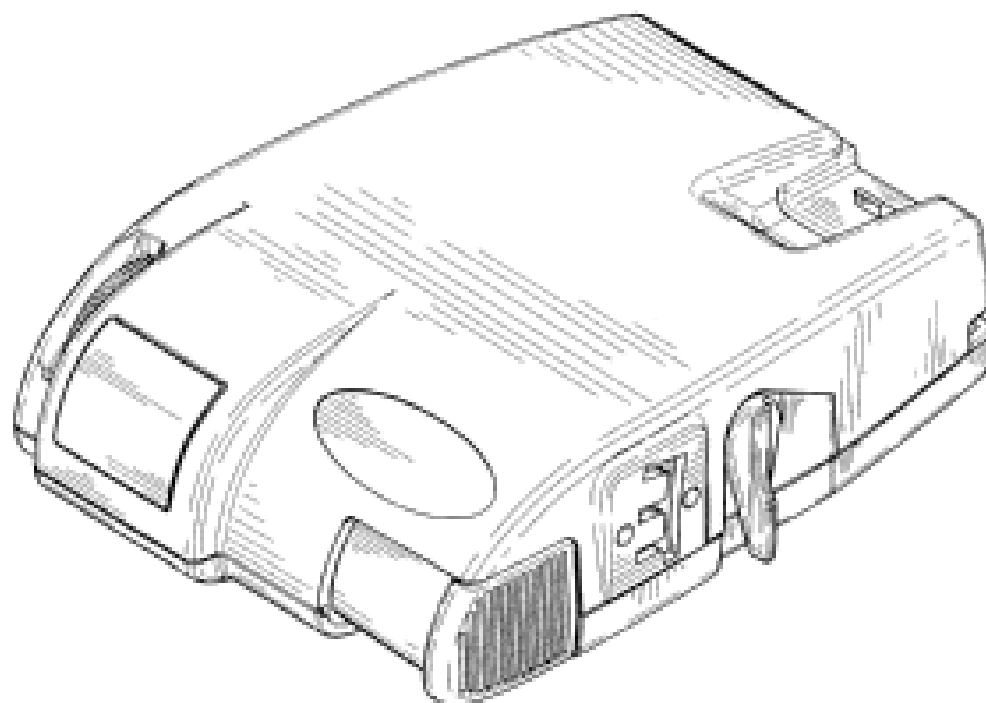
- (21) Design Number: **11127/2005**
(22) Date of Filing Application: **22 March 2005**
(24) Date from which industrial property rights may have effect: **23 May 2002**
(54) Product in respect of which the design is registered: **Ladder stabilising device**
(51) International Design Classification: **25-04**
(71) Name(s) and Address(s) of Applicant(s):
David John Crewther
6 June Avenue North Balwyn Victoria 3104 Australia
(72) Name(s) of Designer(s): **David John Crewther**
(45) Registration Date: **29 August 2005**
(62) Divisional of: **157912**
(56) Related Art Documents: **Not Applicable**
(57) Statement of Newness and Distinctiveness: **Nil**



- (21) Design Number: **11128/2005**
- (22) Date of Filing Application: **22 March 2005**
- (24) Date from which industrial property rights may have effect: **23 May 2002**
- (54) Product in respect of which the design is registered: **Ladder stabilising device**
- (51) International Design Classification: **25-04**
- (71) Name(s) and Address(s) of Applicant(s):
David John Crewther
6 June Avenue North Balwyn Victoria 3104 Australia
- (72) Name(s) of Designer(s): **David John Crewther**
- (45) Registration Date: **29 August 2005**
- (62) Divisional of: **157912**
- (56) Related Art Documents: **Not Applicable**
- (57) Statement of Newness and Distinctiveness: **Nil**



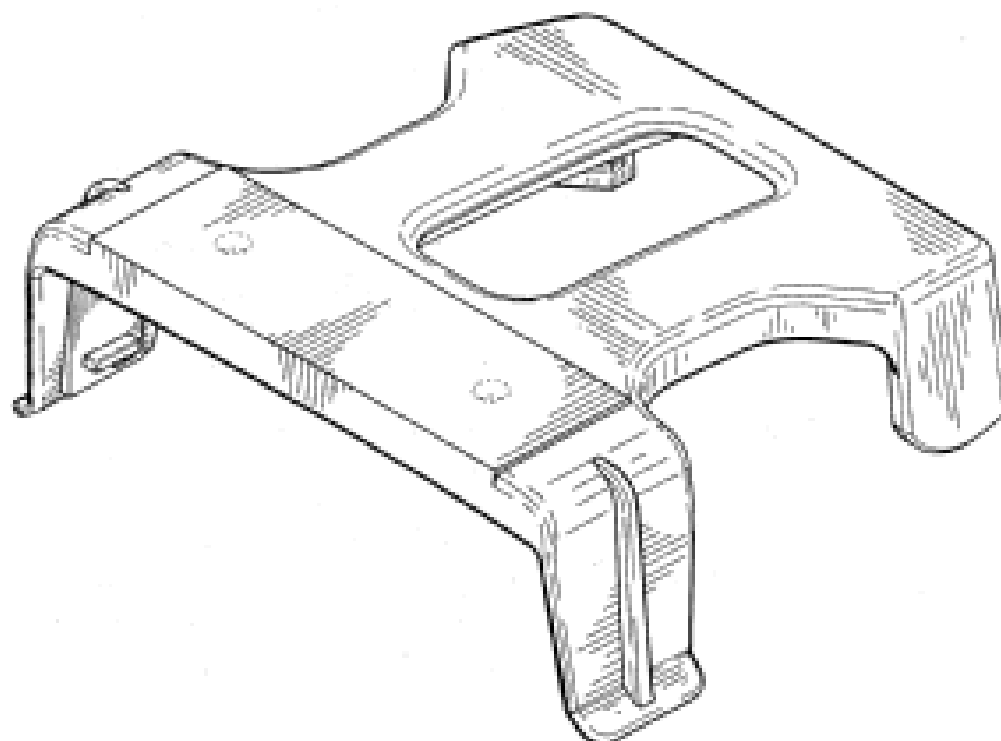
- (21) Design Number: **11129/2005**
- (22) Date of Filing Application: **22 March 2005**
- (24) Date from which industrial property rights may have effect: **22 March 2005**
- (54) Product in respect of which the design is registered: **A vehicle brake controller**
- (51) International Design Classification: **12-16M**
- (71) Name(s) and Address(s) of Applicant(s):
Cequent Electrical Products, Inc.
101 Spires Parkway Tekonsha Michigan 49092 United States of America
- (72) Name(s) of Designer(s): **Bruce E. Smith and Mitchell Auerbach and Fred Brickley**
- (45) Registration Date: **29 August 2005**
- (30) Convention priority data:
 - (31) Number (32) Date (33) Country
 - 29215959 27 Oct 2004 UNITED STATES OF AMERICA**
- (56) Related Art Documents: **Not Applicable**
- (57) Statement of Newness and Distinctiveness: **Nil**



(19) AU

- (21) Design Number: **11130/2005**
- (22) Date of Filing Application: **22 March 2005**
- (24) Date from which industrial property rights may have effect: **22 March 2005**
- (54) Product in respect of which the design is registered: **A vehicle brake controller bracket**
- (51) International Design Classification: **08-08NES, 12-16M**
- (71) Name(s) and Address(s) of Applicant(s):
Cequent Electrical Products, Inc.
101 Spires Parkway Tekonsha Michigan 49092 United States of America
- (72) Name(s) of Designer(s): **Bruce E. Smith and Mitchell Auerbach and Fred Brickley**
- (45) Registration Date: **29 August 2005**
- (30) Convention priority data:

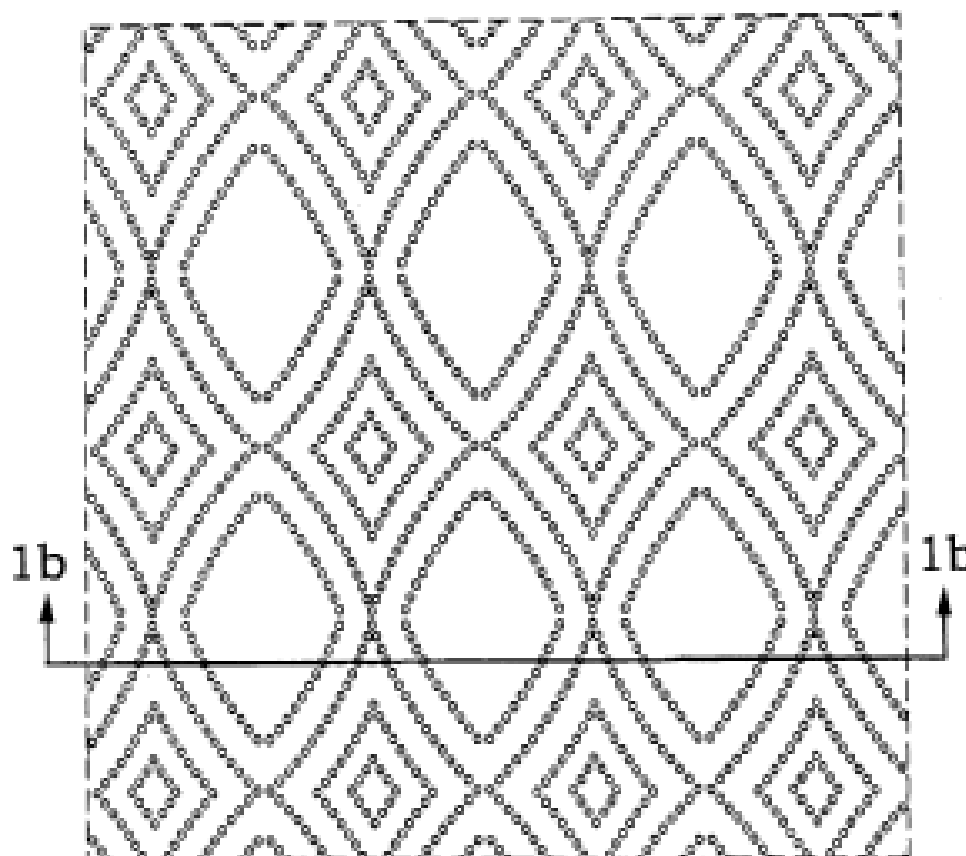
(31) Number	(32) Date	(33) Country
29215960	27 Oct 2004	UNITED STATES OF AMERICA
- (56) Related Art Documents: **Not Applicable**
- (57) Statement of Newness and Distinctiveness: **Nil**



(19) AU

- (21) Design Number: **11131/2005**
- (22) Date of Filing Application: **22 March 2005**
- (24) Date from which industrial property rights may have effect: **22 March 2005**
- (54) Product in respect of which the design is registered: **Non-woven material**
- (51) International Design Classification: **05-05B**
- (71) Name(s) and Address(s) of Applicant(s):
The Procter & Gamble Company
One Procter & Gamble Plaza Cincinnati Ohio 45202 United States of America
- (72) Name(s) of Designer(s): **Thorsten Knobloch and Luis Bernardo De La Rosa and Gregg Thomas Weaver and Jennifer Hope Dolan**
- (45) Registration Date: **29 August 2005**
- (30) Convention priority data:

(31) Number	(32) Date	(33) Country
29/213,823	23 Sep 2004	UNITED STATES OF AMERICA
- (56) Related Art Documents: **Not Applicable**
- (57) Statement of Newness and Distinctiveness: **Those features of the non-woven material depicted in continuous lines in the representations that are new and distinctive are the shape, pattern and ornamentation. The non-woven material may be of any length or width and the pattern and/or ornamentation may be repeated throughout the said material.**



(21) Design Number: **11133/2005**

(22) Date of Filing Application: **22 March 2005**

(24) Date from which industrial property rights may have effect: **22 March 2005**

(54) Product in respect of which the design is registered: **Handle for a toothbrush**

(51) International Design Classification: **04-02**

(71) Name(s) and Address(s) of Applicant(s):

Colgate-Palmolive Company
300 Park Avenue New York New York 10022 United States of America

(72) Name(s) of Designer(s): **Douglas J. Hohlbein**

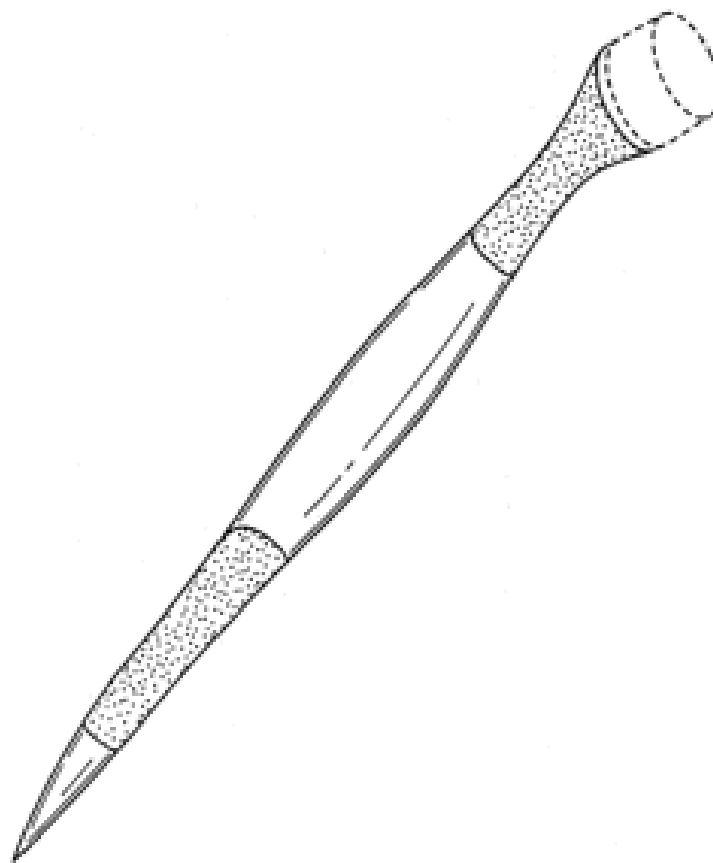
(45) Registration Date: **29 August 2005**

(30) Convention priority data:

(31) Number	(32) Date	(33) Country
29/213756	23 Sep 2004	UNITED STATES OF AMERICA

(56) Related Art Documents: **Not Applicable**

(57) Statement of Newness and Distinctiveness: **Each feature of the design considered separately or in combination with any other feature or features, except for the head shown in dashed lines which does not form part of the design.**



(21) Design Number: **11134/2005**

(22) Date of Filing Application: **22 March 2005**

(24) Date from which industrial property rights may have effect: **22 March 2005**

(54) Product in respect of which the design is registered: **Handle for a toothbrush**

(51) International Design Classification: **04-02**

(71) Name(s) and Address(s) of Applicant(s):

Colgate-Palmolive Company
300 Park Avenue New York New York 10022 United States of America

(72) Name(s) of Designer(s): **Douglas J. Hohlbein**

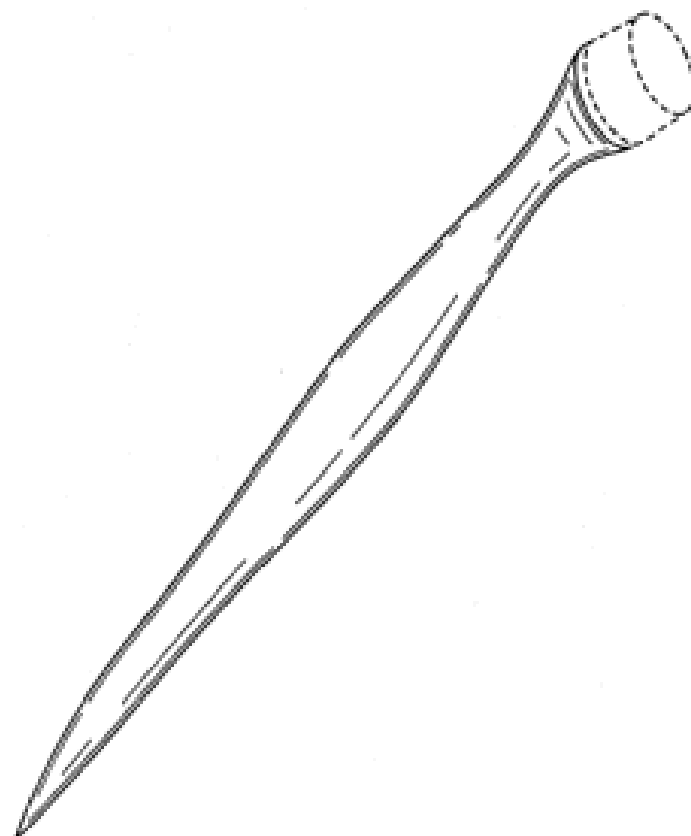
(45) Registration Date: **29 August 2005**

(30) Convention priority data:

(31) Number	(32) Date	(33) Country
29/213755	23 Sep 2004	UNITED STATES OF AMERICA

(56) Related Art Documents: **Not Applicable**

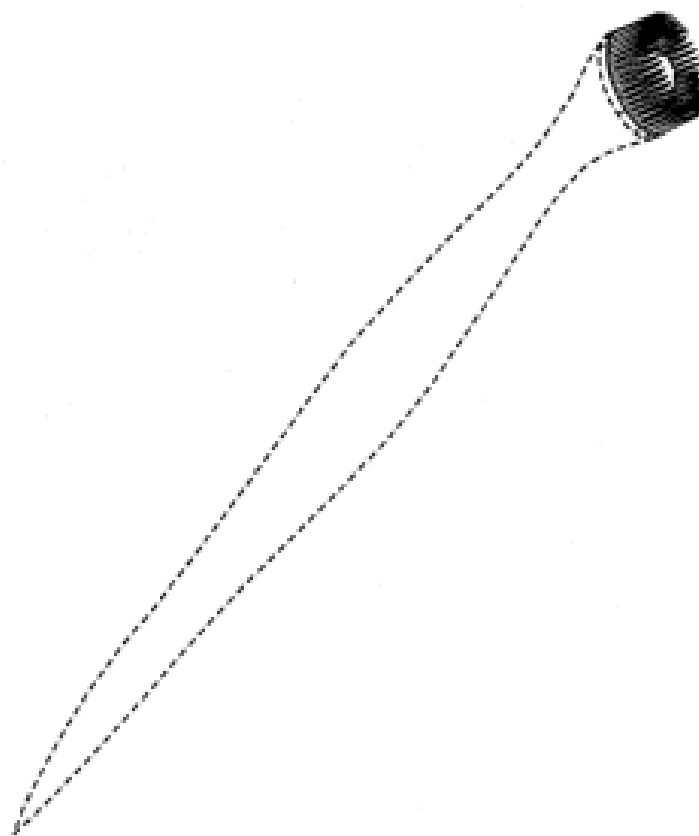
(57) Statement of Newness and Distinctiveness: **Each feature of the design considered separately or in combination with any other feature or features except for the head shown in dashed lines which does not form part of the design.**



(19) AU

- (21) Design Number: **11135/2005**
- (22) Date of Filing Application: **22 March 2005**
- (24) Date from which industrial property rights may have effect: **22 March 2005**
- (54) Product in respect of which the design is registered: **Bristle pattern for a toothbrush**
- (51) International Design Classification: **04-02**
- (71) Name(s) and Address(s) of Applicant(s):
Colgate-Palmolive Company
300 Park Avenue New York New York 10022 United States of America
- (72) Name(s) of Designer(s): **Douglas J. Hohlbein**
- (45) Registration Date: **29 August 2005**
- (30) Convention priority data:

(31) Number	(32) Date	(33) Country
29/213754	23 Sep 2004	UNITED STATES OF AMERICA
- (56) Related Art Documents: **Not Applicable**
- (57) Statement of Newness and Distinctiveness: **Each feature of the design considered separately or in combination with any other feature or features except for the handle portion shown in dashed lines which does not form part of the design.**



(19) AU

- (21) Design Number: **11136/2005**
- (22) Date of Filing Application: **22 March 2005**
- (24) Date from which industrial property rights may have effect: **22 March 2005**
- (54) Product in respect of which the design is registered: **Toothbrush**
- (51) International Design Classification: **04-02**
- (71) Name(s) and Address(s) of Applicant(s):
Colgate-Palmolive Company
300 Park Avenue New York New York 10022 United States of America
- (72) Name(s) of Designer(s): **Douglas J. Hohlbein**
- (45) Registration Date: **29 August 2005**
- (30) Convention priority data:

(31) Number	(32) Date	(33) Country
29/213758	23 Sep 2004	UNITED STATES OF AMERICA
- (56) Related Art Documents: **Not Applicable**
- (57) Statement of Newness and Distinctiveness: **Each feature of the design considered separately or in combination with any other feature or features.**



(21) Design Number: **14027/2004**

(22) Date of Filing Application: **23 August 2004**

(24) Date from which industrial property rights may have effect: **23 August 2004**

(54) Product in respect of which the design is registered: **Seat with arms of indefinite length**

(51) International Design Classification: **06-01F, 06-01NES**

(71) Name(s) and Address(s) of Applicant(s):

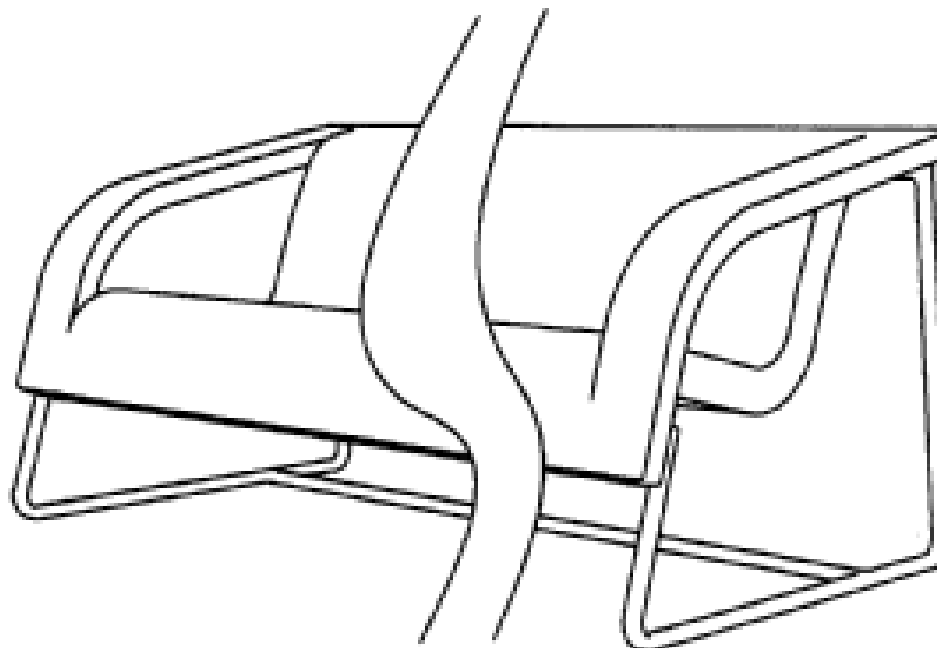
**Bang Design Pty Ltd
91 Beattie Street Balmain New South Wales 2041 Australia**

(72) Name(s) of Designer(s): **Bryan Marshall and Michelle Lorimer**

(45) Registration Date: **31 August 2005**

(56) Related Art Documents: **Not Applicable**

(57) Statement of Newness and Distinctiveness: **The new features of the design are the shape and configuration of the seat, arms and leg frame of the seat.**



(21) Design Number: **14028/2004**

(22) Date of Filing Application: **23 August 2004**

(24) Date from which industrial property rights may have effect: **23 August 2004**

(54) Product in respect of which the design is registered: **Seat or table of indefinite length**

(51) International Design Classification: **06-01E, 06-03A**

(71) Name(s) and Address(s) of Applicant(s):

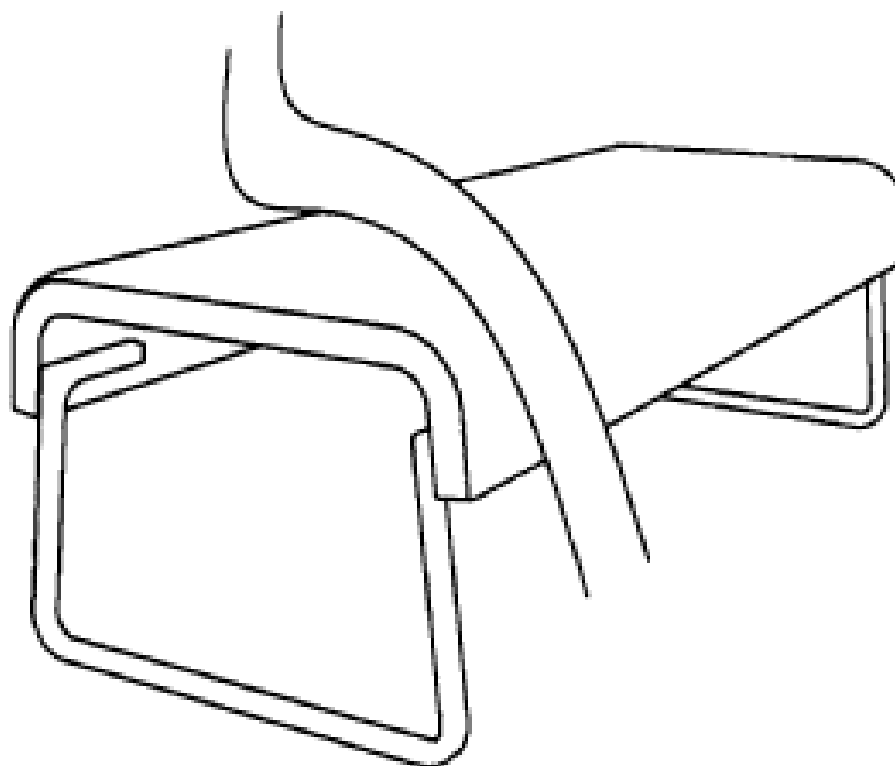
**Bang Design Pty Ltd
91 Beattie Street Balmain New South Wales 2041 Australia**

(72) Name(s) of Designer(s): **Bryan Marshall and Michelle Lorimer**

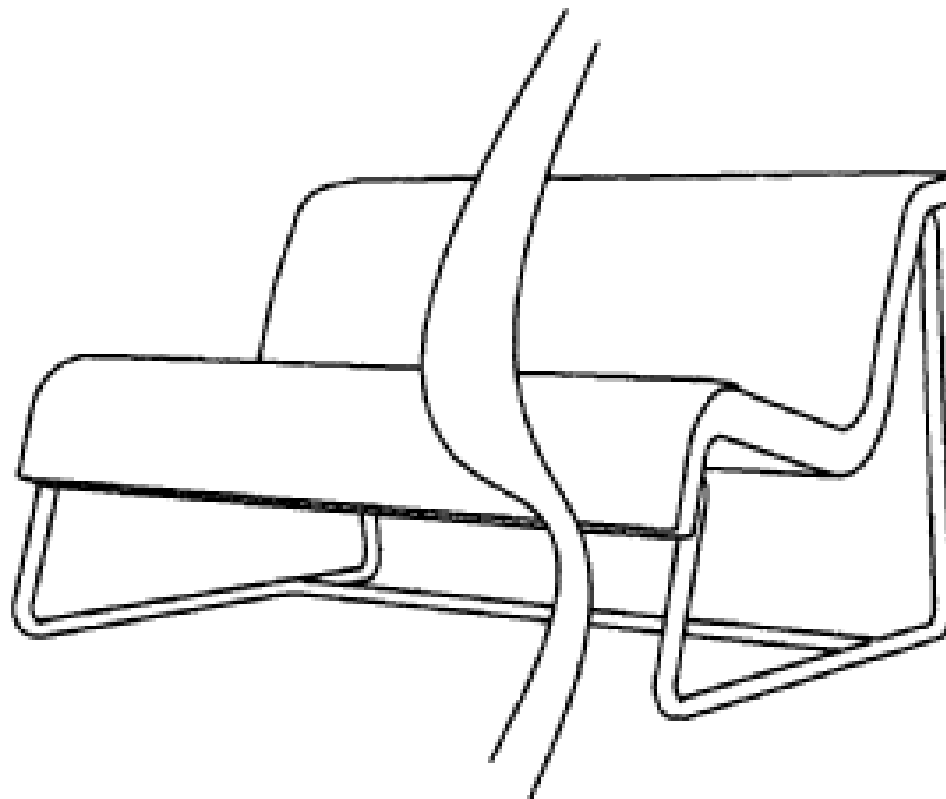
(45) Registration Date: **31 August 2005**

(56) Related Art Documents: **Not Applicable**

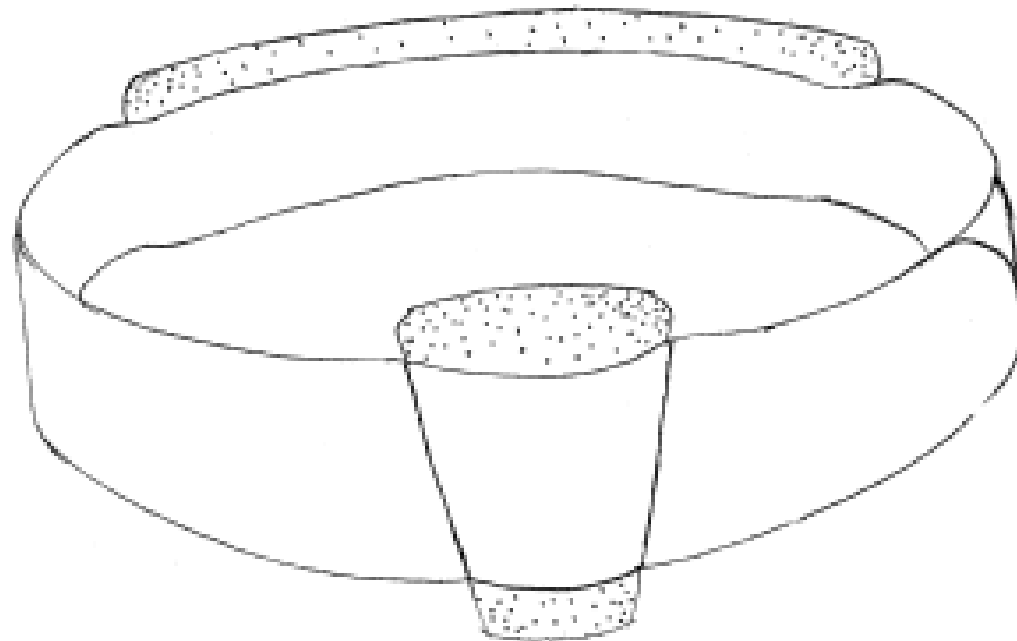
(57) Statement of Newness and Distinctiveness: **The new features of the design are the shape and configuration of the seat and leg frame of the seat or table.**



- (21) Design Number: **14029/2004**
(22) Date of Filing Application: **23 August 2004**
(24) Date from which industrial property rights may have effect: **23 August 2004**
(54) Product in respect of which the design is registered: **Seat without arms of indefinite length**
(51) International Design Classification: **06-01F, 06-01NES**
(71) Name(s) and Address(s) of Applicant(s):
Bang Design Pty Ltd
91 Beattie Street Balmain New South Wales 2041 Australia
(72) Name(s) of Designer(s): **Bryan Marshall and Michelle Lorimer**
(45) Registration Date: **31 August 2005**
(56) Related Art Documents: **Not Applicable**
(57) Statement of Newness and Distinctiveness: **The new features of the design are the shape and configuration of the seat.**



- (21) Design Number: **10038/2005**
(22) Date of Filing Application: **10 January 2005**
(24) Date from which industrial property rights may have effect: **10 January 2005**
(54) Product in respect of which the design is registered: **A labour of love - heat hug belt**
(51) International Design Classification: **24-04**
(71) Name(s) and Address(s) of Applicant(s):
Gabrielle Targett
1/44 Scott Street South Fremantle WA 6162
(72) Name(s) of Designer(s): **Gabrielle Targett**
(45) Registration Date: **31 August 2005**
(56) Related Art Documents: **Not Applicable**
(57) Statement of Newness and Distinctiveness: **This unique belt is for specific use when a woman is in labour. The belt has two pouches that contain/hold two specific heat pacs on the body at the front and back.**



- (21) Design Number: **10420/2005**
(22) Date of Filing Application: **03 February 2005**
(24) Date from which industrial property rights may have effect: **03 February 2005**
(54) Product in respect of which the design is registered: **T-shirts, clothing, polo shirts, hats, caps, headgear to be printed on any surface of articles**
(51) International Design Classification: **02-02NES, 02-03**
(71) Name(s) and Address(s) of Applicant(s):
David Chang
46 Sherwin Avenue Castle Hill New South Wales 2154 Australia
Jenny Joo Phaik Teow
46 Sherwin Avenue Castle Hill New South Wales 2154 Australia
(72) Name(s) of Designer(s): **David Chang and Jenny Joo Phaik Teow**
(45) Registration Date: **31 August 2005**
(56) Related Art Documents: **Not Applicable**
(57) Statement of Newness and Distinctiveness: **Monopoly is claimed in the features of configuration, shape, pattern and ornamentation as shown in the accompanying representation.**



- (21) Design Number: **10421/2005**
(22) Date of Filing Application: **03 February 2005**
(24) Date from which industrial property rights may have effect: **03 February 2005**
(54) Product in respect of which the design is registered: **T-shirts, clothing, polo shirts, hats, caps, headgear to be printed on any surface of articles**
(51) International Design Classification: **02-02NES, 02-03**
(71) Name(s) and Address(s) of Applicant(s):
David Chang
46 Sherwin Avenue Castle Hill New South Wales 2154 Australia
Jenny Joo Phaik Teow
46 Sherwin Avenue Castle Hill New South Wales 2154 Australia
(72) Name(s) of Designer(s): **David Chang and Jenny Joo Phaik Teow**
(45) Registration Date: **31 August 2005**
(56) Related Art Documents: **Not Applicable**
(57) Statement of Newness and Distinctiveness: **Monopoly is claimed in the features of configuration, shape, pattern and ornamentation as shown in the accompanying representation.**



- (21) Design Number: **10422/2005**
(22) Date of Filing Application: **03 February 2005**
(24) Date from which industrial property rights may have effect: **03 February 2005**
(54) Product in respect of which the design is registered: **T-shirts, clothing, polo shirts, hats, caps, headgear**
(51) International Design Classification: **02-02NES, 02-03**
(71) Name(s) and Address(s) of Applicant(s):
David Chang
46 Sherwin Avenue Castle Hill New South Wales 2154 Australia
Jenny Joo Phaik Teow
46 Sherwin Avenue Castle Hill New South Wales 2154 Australia
(72) Name(s) of Designer(s): **David Chang and Jenny Joo Phaik Teow**
(45) Registration Date: **31 August 2005**
(56) Related Art Documents: **Not Applicable**
(57) Statement of Newness and Distinctiveness: **Monopoly is claimed in the features of configuration, shape, pattern and ornamentation as shown in the accompanying representation.**



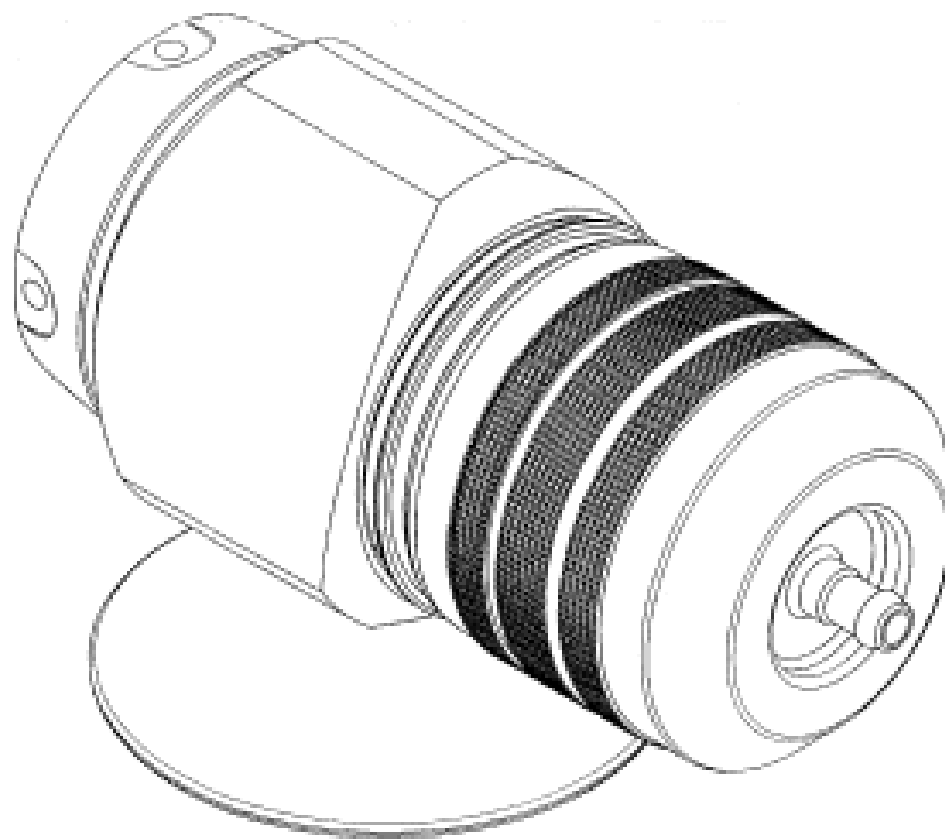
- (21) Design Number: **10423/2005**
(22) Date of Filing Application: **03 February 2005**
(24) Date from which industrial property rights may have effect: **03 February 2005**
(54) Product in respect of which the design is registered: **T-shirts, clothing, polo shirts, hats, caps, headgear to be printed on any surface of articles**
(51) International Design Classification: **02-02NES, 02-03**
(71) Name(s) and Address(s) of Applicant(s):
David Chang
46 Sherwin Avenue Castle Hill New South Wales 2154 Australia
Jenny Joo Phaik Teow
46 Sherwin Avenue Castle Hill New South Wales 2154 Australia
(72) Name(s) of Designer(s): **David Chang and Jenny Joo Phaik Teow**
(45) Registration Date: **31 August 2005**
(56) Related Art Documents: **Not Applicable**
(57) Statement of Newness and Distinctiveness: **Monopoly is claimed in the features of configuration, shape, pattern and ornamentation as shown in the accompanying representation.**



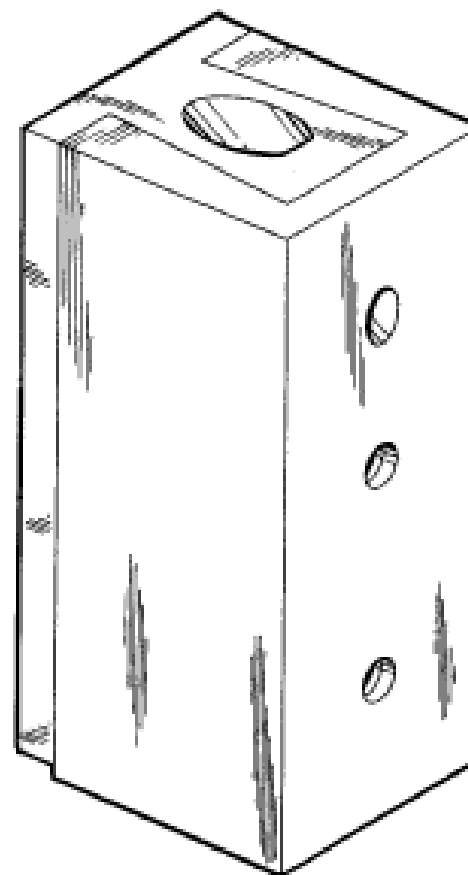
- (21) Design Number: **10424/2005**
(22) Date of Filing Application: **03 February 2005**
(24) Date from which industrial property rights may have effect: **03 February 2005**
(54) Product in respect of which the design is registered: **Caps, hat, headgear, T-shirts, polo shirts, clothing to be printed on any surface of articles**
(51) International Design Classification: **02-02NES**
(71) Name(s) and Address(s) of Applicant(s):
David Chang
46 Sherwin Avenue Castle Hill New South Wales 2154 Australia
Jenny Joo Phaik Teow
46 Sherwin Avenue Castle Hill New South Wales 2154 Australia
(72) Name(s) of Designer(s): **David Chang and Jenny Joo Phaik Teow**
(45) Registration Date: **31 August 2005**
(56) Related Art Documents: **Not Applicable**
(57) Statement of Newness and Distinctiveness: **Monopoly is claimed in the features of configuration, shape, pattern and ornamentation as shown in the accompanying representation.**



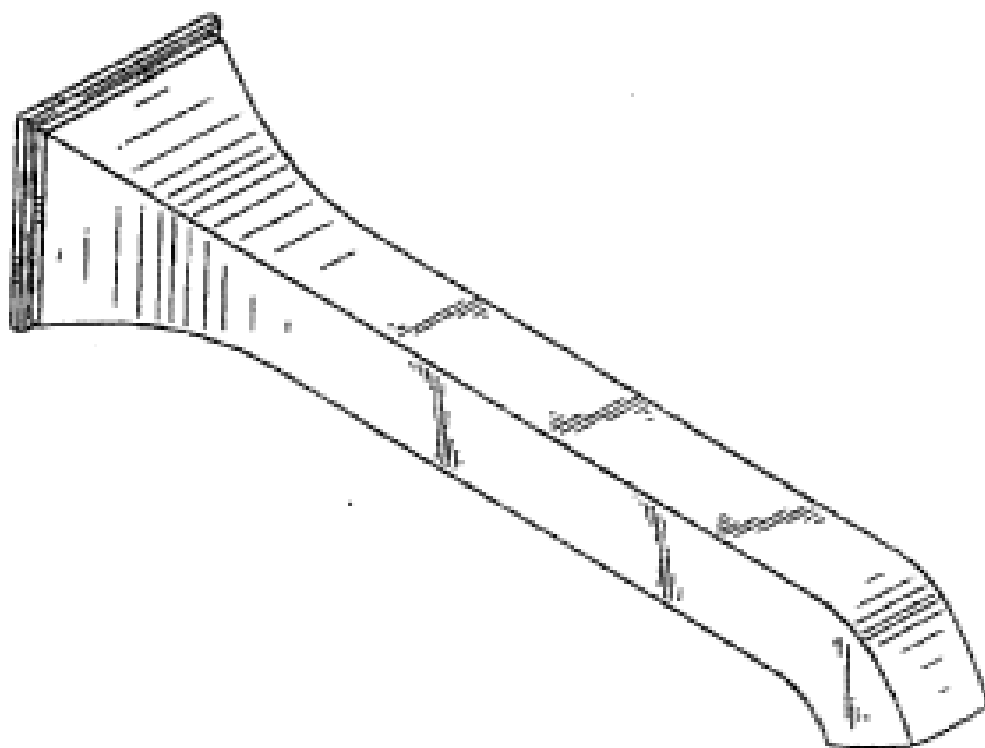
- (21) Design Number: **10500/2005**
(22) Date of Filing Application: **08 February 2005**
(24) Date from which industrial property rights may have effect: **08 February 2005**
(54) Product in respect of which the design is registered: **Blow off valve**
(51) International Design Classification: **15-01**
(71) Name(s) and Address(s) of Applicant(s):
TXS Pty Limited
6/43 Leighton Place Hornsby New South Wales 2077 Australia
(72) Name(s) of Designer(s): **Russell Mark Ingwersen and Benjamin Anthony Schippers**
(45) Registration Date: **31 August 2005**
(56) Related Art Documents: **Not Applicable**
(57) Statement of Newness and Distinctiveness: **Nil**



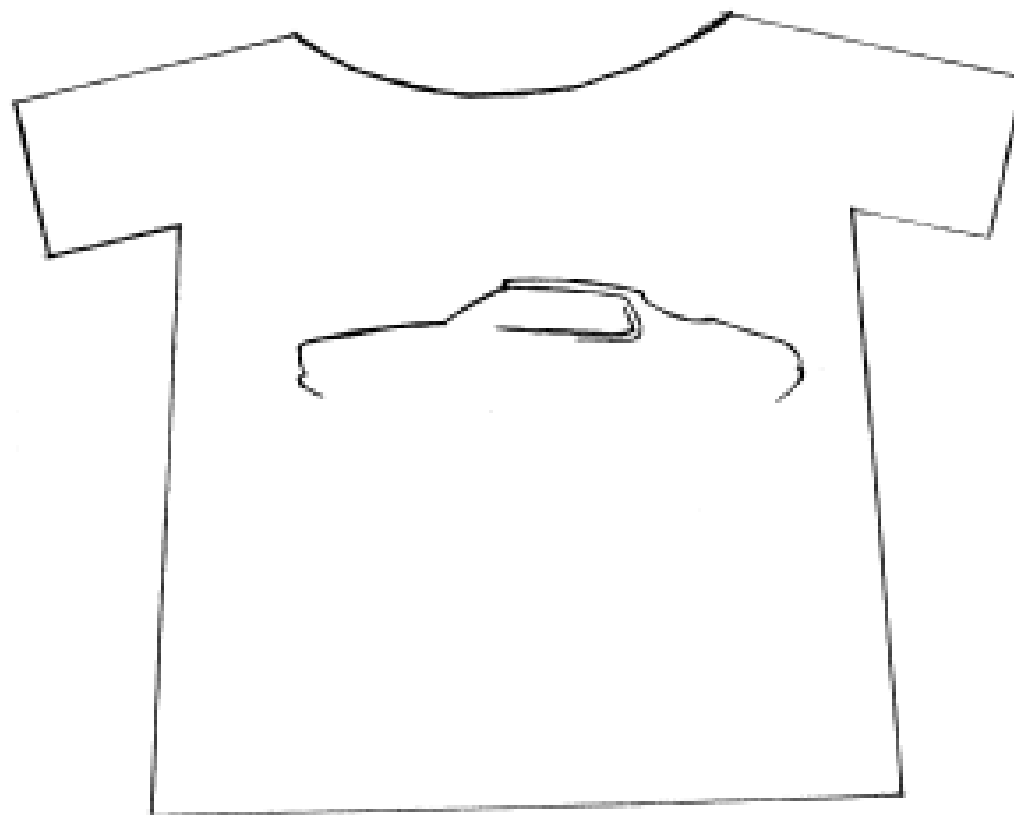
- (21) Design Number: **10527/2005**
(22) Date of Filing Application: **09 February 2005**
(24) Date from which industrial property rights may have effect: **09 February 2005**
(54) Product in respect of which the design is registered: **Bracket comprising of two parts**
(51) International Design Classification: **08-08NES**
(71) Name(s) and Address(s) of Applicant(s):
Phillip Blacker
250 Neerim North Road Neerim North Victoria 3821 Australia
(72) Name(s) of Designer(s): **Phillip Blacker**
(45) Registration Date: **31 August 2005**
(56) Related Art Documents: **Not Applicable**
(57) Statement of Newness and Distinctiveness: **Each feature of the design considered separately or in combination with any other feature or features.**



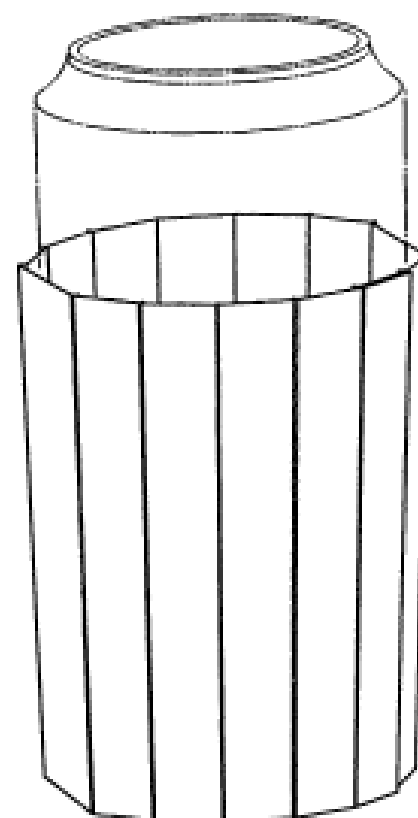
- (21) Design Number: **10570/2005**
(22) Date of Filing Application: **14 February 2005**
(24) Date from which industrial property rights may have effect: **14 February 2005**
(54) Product in respect of which the design is registered: **Spout**
(51) International Design Classification: **23-01H**
(71) Name(s) and Address(s) of Applicant(s):
Kohler Co.
444 Highland Drive Kohler WI 53044 United States of America
(72) Name(s) of Designer(s): **Elise A. Sutopo**
(45) Registration Date: **31 August 2005**
(30) Convention priority data:
(31) Number (32) Date (33) Country
29/211,218 12 Aug 2004 UNITED STATES OF AMERICA
(56) Related Art Documents: **Not Applicable**
(57) Statement of Newness and Distinctiveness: **Nil**



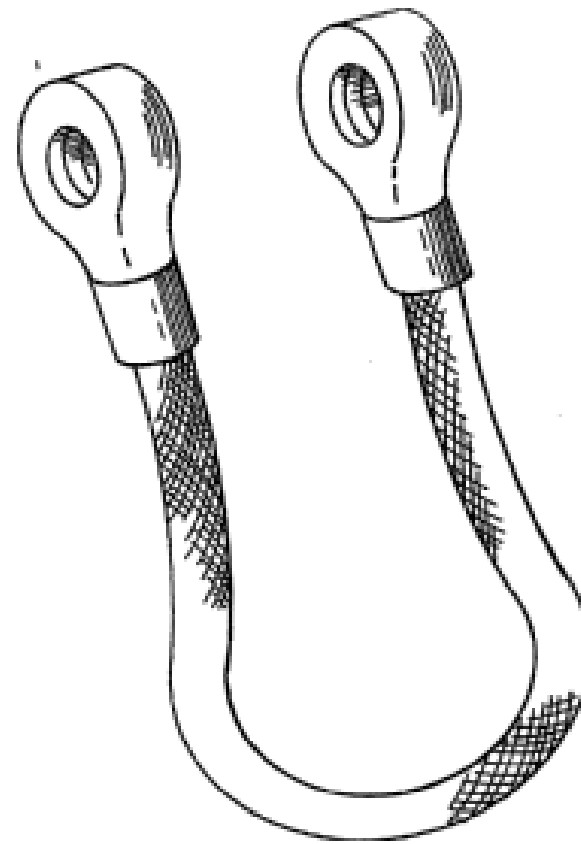
- (21) Design Number: **10571/2005**
(22) Date of Filing Application: **14 February 2005**
(24) Date from which industrial property rights may have effect: **14 February 2005**
(54) Product in respect of which the design is registered: **A shirt**
(51) International Design Classification: **02-02NES**
(71) Name(s) and Address(s) of Applicant(s):
Ron Windred
41 John Oxley Avenue Werrington County New South Wales 2747
Australia
(72) Name(s) of Designer(s): **Ron Windred**
(45) Registration Date: **31 August 2005**
(56) Related Art Documents: **Not Applicable**
(57) Statement of Newness and Distinctiveness: **Newness and distinctiveness is claimed in the features of pattern and/or ornamentation of a shirt as illustrated in the accompanying representations.**



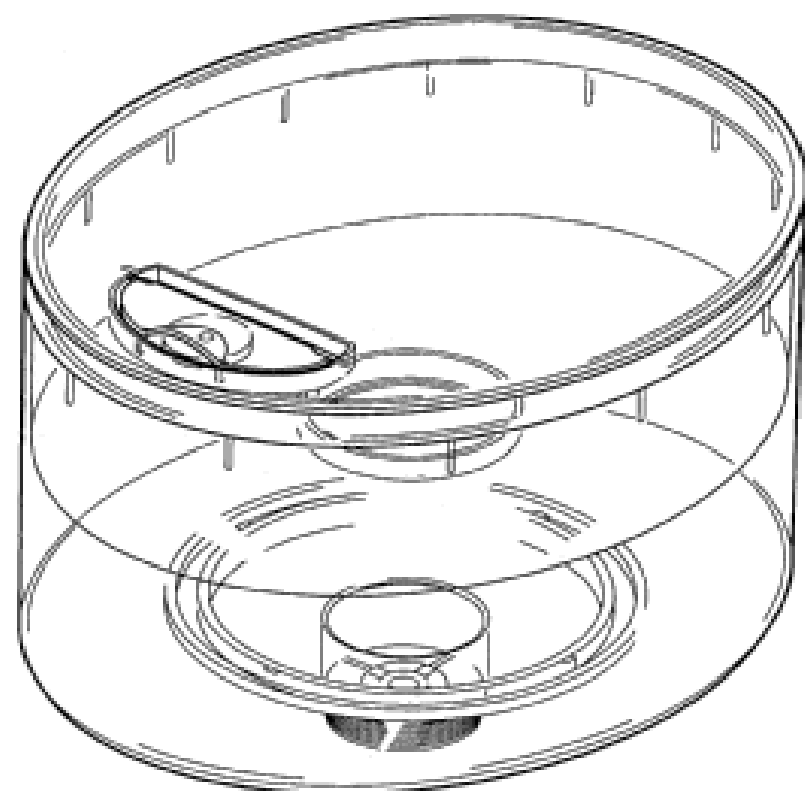
- (21) Design Number: **10604/2005**
(22) Date of Filing Application: **15 February 2005**
(24) Date from which industrial property rights may have effect: **15 February 2005**
(54) Product in respect of which the design is registered: **Bottle and can holder**
(51) International Design Classification: **07-06A**
(71) Name(s) and Address(s) of Applicant(s):
Dion James Scott
20 Pinedale Street Morningside Queensland 4170 Australia
Doug Glenn Beazley
14/276 Oxley Drive Runaway Bay Queensland 4216 Australia
(72) Name(s) of Designer(s): **Dion James Scott and Doug Glenn Beazley**
(45) Registration Date: **31 August 2005**
(56) Related Art Documents: **Not Applicable**
(57) Statement of Newness and Distinctiveness: **Monopoly is claimed in the features in shape and configuraiton of a bottle and can holder as illustrated in the accompanying representations. In considering the extent of monopoly protection, the phantom outline of a can in one of the perspective views is to be disregarded.**



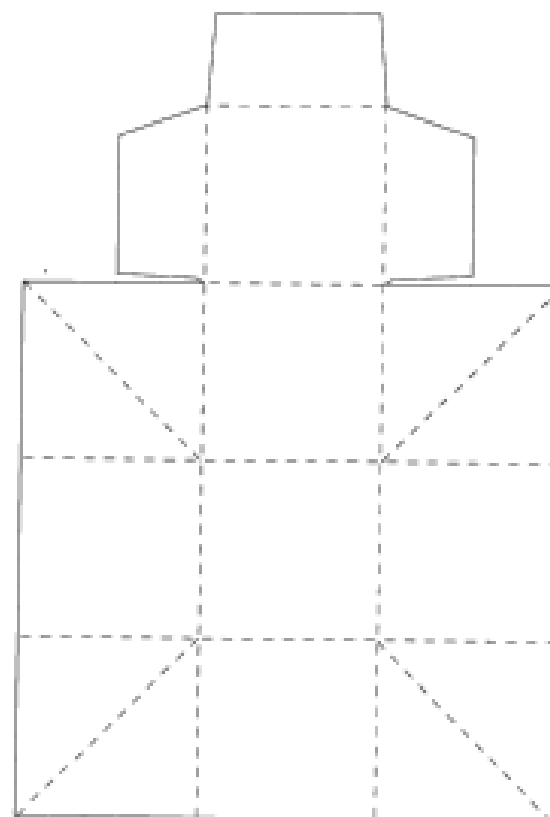
- (21) Design Number: **10607/2005**
- (22) Date of Filing Application: **17 February 2005**
- (24) Date from which industrial property rights may have effect: **17 February 2005**
- (54) Product in respect of which the design is registered: **Wire shackle**
- (51) International Design Classification: **08-99**
- (71) Name(s) and Address(s) of Applicant(s):
Brett Lucas
85 Lutzow Street Tarragindi Queensland 4121 Australia
- (72) Name(s) of Designer(s): **Brett Lucas**
- (45) Registration Date: **31 August 2005**
- (56) Related Art Documents: **Not Applicable**
- (57) Statement of Newness and Distinctiveness: **Wire rope shackle for use with hitch pin or hitch pin lock.**



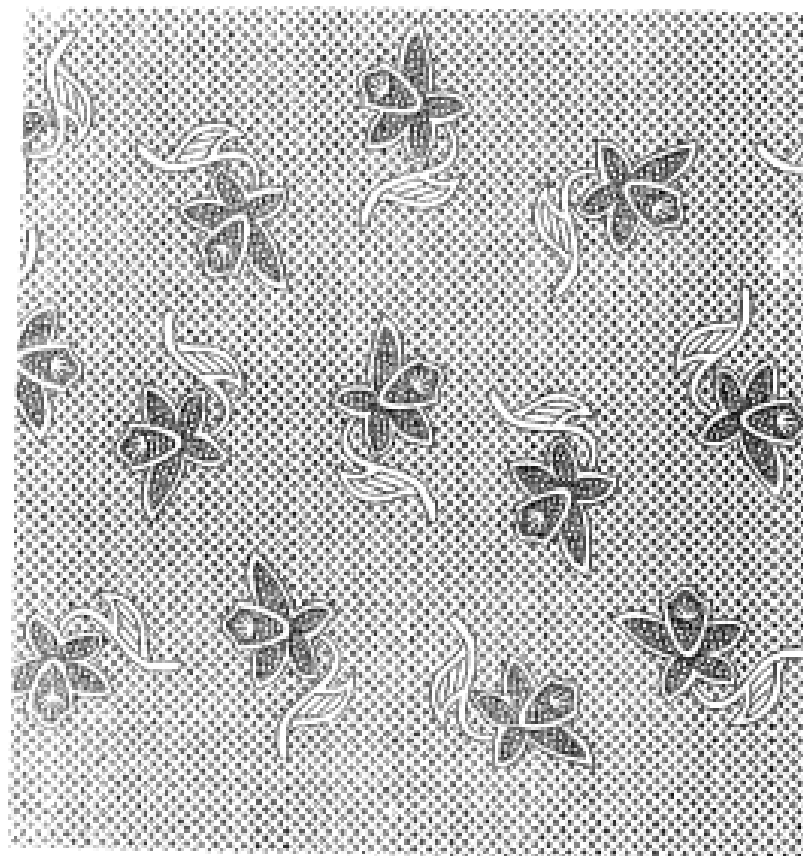
- (21) Design Number: **10656/2005**
- (22) Date of Filing Application: **22 February 2005**
- (24) Date from which industrial property rights may have effect: **22 February 2005**
- (54) Product in respect of which the design is registered: **A removable water storage bowl for a water dispenser**
- (51) International Design Classification: **07-01NES, 23-01NES**
- (71) Name(s) and Address(s) of Applicant(s):
Innovative Importers Pty Ltd
244 Grange Road Flinders Park South Australia 5025 Australia
- (72) Name(s) of Designer(s): **Domenic Mercuri**
- (45) Registration Date: **31 August 2005**
- (56) Related Art Documents: **Not Applicable**
- (57) Statement of Newness and Distinctiveness: **Newness and distinctiveness resides in the shape and configuration of a removable water storage bowl for a water dispenser as shown in the accompanying representations.**



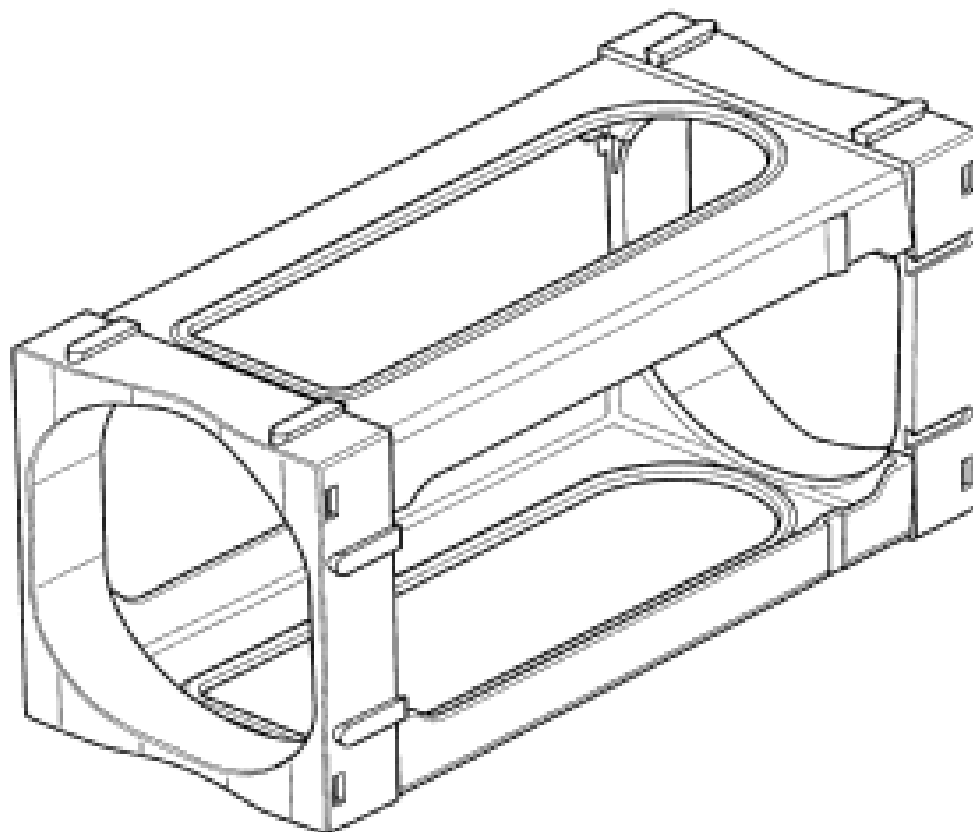
- (21) Design Number: **10663/2005**
(22) Date of Filing Application: **22 February 2005**
(24) Date from which industrial property rights may have effect: **22 February 2005**
(54) Product in respect of which the design is registered: **Carton blank**
(51) International Design Classification: **09-03NES**
(71) Name(s) and Address(s) of Applicant(s):
BHW and Partners Pty Ltd
Level 1 60 Liverpool Street Hobart Tasmania 7000 Australia
(72) Name(s) of Designer(s): **Gavin Brian Kerrison**
(45) Registration Date: **31 August 2005**
(56) Related Art Documents: **Not Applicable**
(57) Statement of Newness and Distinctiveness: **Newness and distinctiveness reside in features of shape and/or configuration of a carton blank as shown in the accompanying representation.**



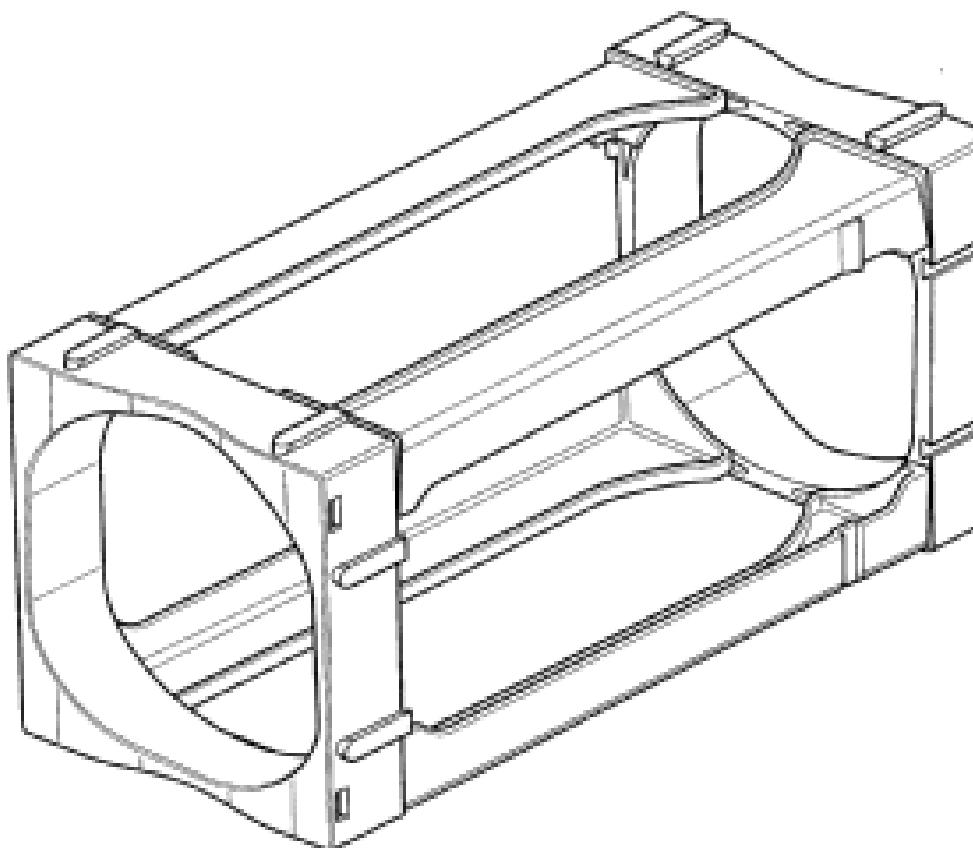
- (21) Design Number: **10665/2005**
(22) Date of Filing Application: **23 February 2005**
(24) Date from which industrial property rights may have effect: **23 February 2005**
(54) Product in respect of which the design is registered: **Paper**
(51) International Design Classification: **05-06NES**
(71) Name(s) and Address(s) of Applicant(s):
Michael Chenh
69 Dandenong Street Dandenong Victoria 3175 Australia
(72) Name(s) of Designer(s): **Michael Chenh**
(45) Registration Date: **31 August 2005**
(56) Related Art Documents: **Not Applicable**
(57) Statement of Newness and Distinctiveness: **Nil**



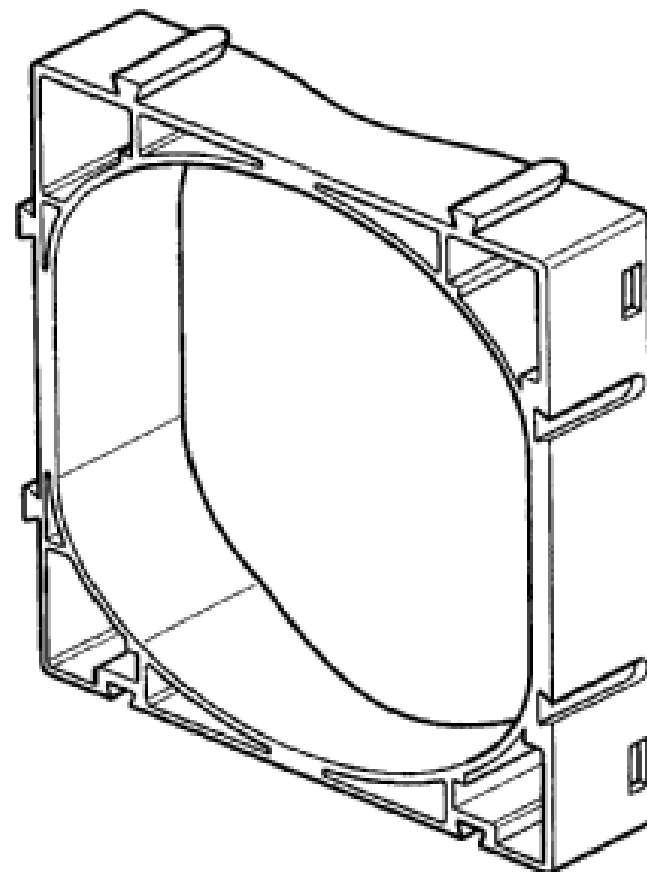
- (21) Design Number: **10666/2005**
(22) Date of Filing Application: **22 February 2005**
(24) Date from which industrial property rights may have effect: **22 February 2005**
(54) Product in respect of which the design is registered: **Bottle holder**
(51) International Design Classification: **06-04NES**
(71) Name(s) and Address(s) of Applicant(s):
Australian Wine Racks Pty Ltd
41 Anderson Street Thebarton South Australia 5031 Australia
(72) Name(s) of Designer(s): **Christopher Perrett and Bevan Quinn**
(45) Registration Date: **31 August 2005**
(56) Related Art Documents: **Not Applicable**
(57) Statement of Newness and Distinctiveness: **Nil**



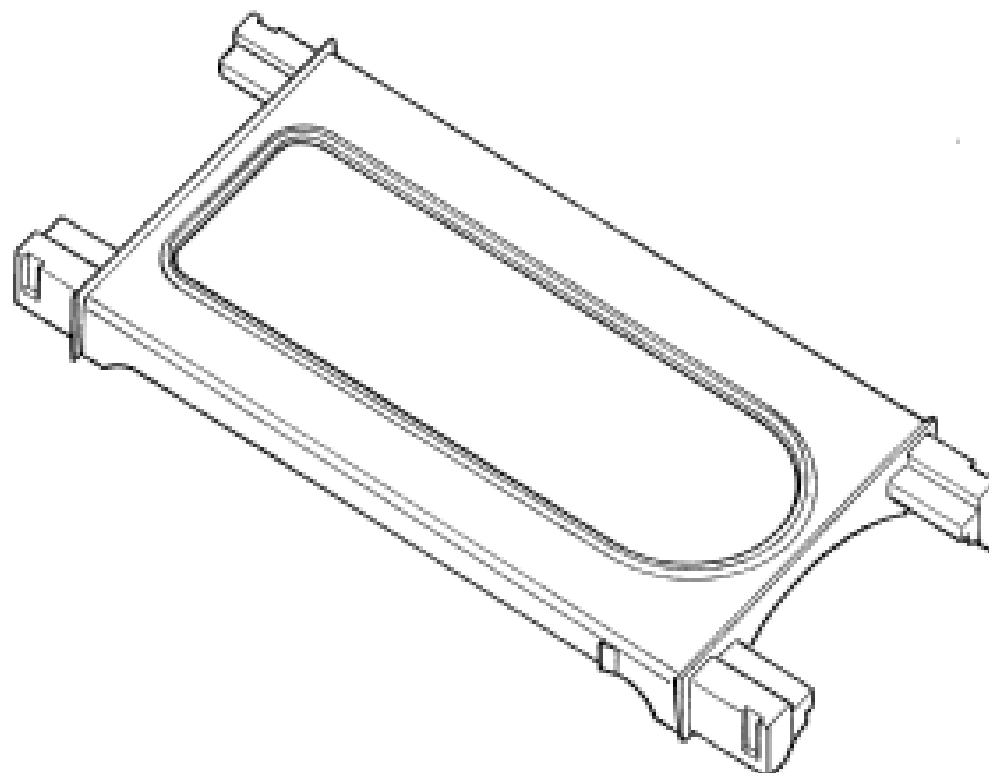
- (21) Design Number: **10667/2005**
(22) Date of Filing Application: **22 February 2005**
(24) Date from which industrial property rights may have effect: **22 February 2005**
(54) Product in respect of which the design is registered: **Bottle holder with split floor**
(51) International Design Classification: **06-04NES**
(71) Name(s) and Address(s) of Applicant(s):
Australian Wine Racks Pty Ltd
41 Anderson Street Thebarton South Australia 5031 Australia
(72) Name(s) of Designer(s): **Christopher Perrett and Bevan Quinn**
(45) Registration Date: **31 August 2005**
(56) Related Art Documents: **Not Applicable**
(57) Statement of Newness and Distinctiveness: **Nil**



- (21) Design Number: **10669/2005**
(22) Date of Filing Application: **22 February 2005**
(24) Date from which industrial property rights may have effect: **22 February 2005**
(54) Product in respect of which the design is registered: **End wall for modular bottle rack**
(51) International Design Classification: **06-04NES**
(71) Name(s) and Address(s) of Applicant(s):
Australian Wine Racks Pty Ltd
41 Anderson Street Thebarton South Australia 5031 Australia
(72) Name(s) of Designer(s): **Christopher Perrett and Bevan Quinn**
(45) Registration Date: **31 August 2005**
(56) Related Art Documents: **Not Applicable**
(57) Statement of Newness and Distinctiveness: **Nil**

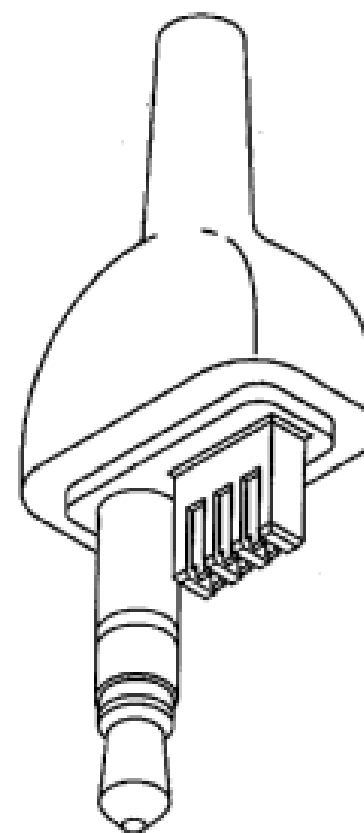


- (21) Design Number: **10670/2005**
(22) Date of Filing Application: **22 February 2005**
(24) Date from which industrial property rights may have effect: **22 February 2005**
(54) Product in respect of which the design is registered: **Floor for modular bottle rack**
(51) International Design Classification: **06-04NES**
(71) Name(s) and Address(s) of Applicant(s):
Australian Wine Racks Pty Ltd
41 Anderson Street Thebarton South Australia 5031 Australia
(72) Name(s) of Designer(s): **Christopher Perrett and Bevan Quinn**
(45) Registration Date: **31 August 2005**
(56) Related Art Documents: **Not Applicable**
(57) Statement of Newness and Distinctiveness: **Nil**



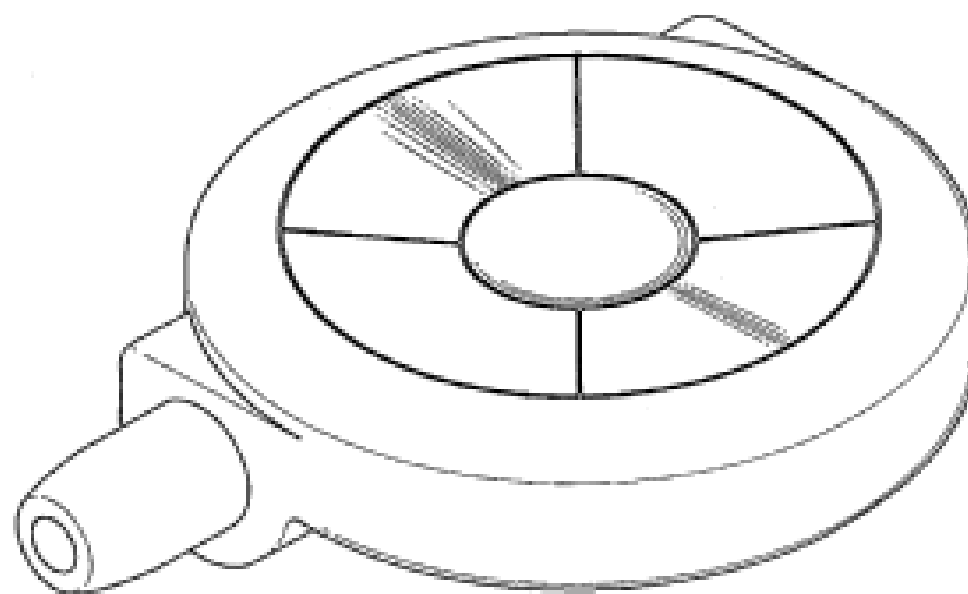
- (21) Design Number: **10681/2005**
- (22) Date of Filing Application: **22 February 2005**
- (24) Date from which industrial property rights may have effect: **22 February 2005**
- (54) Product in respect of which the design is registered: **Electric connector**
- (51) International Design Classification: **13-03B**
- (71) Name(s) and Address(s) of Applicant(s):
Sony Computer Entertainment Inc.
2-6-21 Minami-Aoyama Minato-ku Tokyo 107-0062 Japan
- (72) Name(s) of Designer(s): **Minoru Shimizu**
- (45) Registration Date: **31 August 2005**
- (30) Convention priority data:

(31) Number	(32) Date	(33) Country
D2004-28360	17 Sep 2004	JAPAN
- (56) Related Art Documents: **Not Applicable**
- (57) Statement of Newness and Distinctiveness: **Newness and distinctiveness resides in the shape and/or configuration of the electric connector as shown in the accompanying representations.**

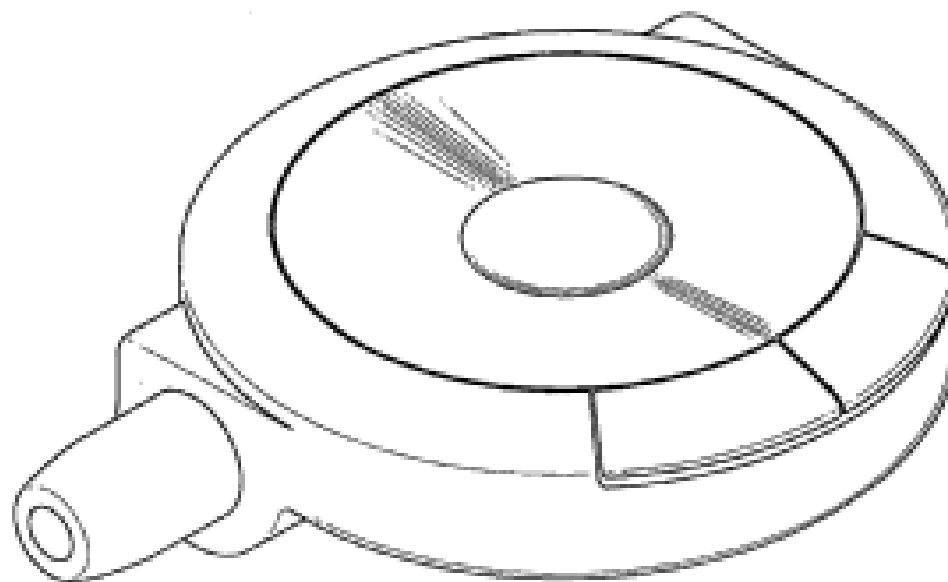


- (21) Design Number: **10682/2005**
- (22) Date of Filing Application: **22 February 2005**
- (24) Date from which industrial property rights may have effect: **22 February 2005**
- (54) Product in respect of which the design is registered: **Remote controller**
- (51) International Design Classification: **14-03NES**
- (71) Name(s) and Address(s) of Applicant(s):
Sony Computer Entertainment Inc.
2-6-21 Minami-Aoyama Minato-ku Tokyo 107-0062 Japan
- (72) Name(s) of Designer(s): **Minoru Shimizu**
- (45) Registration Date: **31 August 2005**
- (30) Convention priority data:

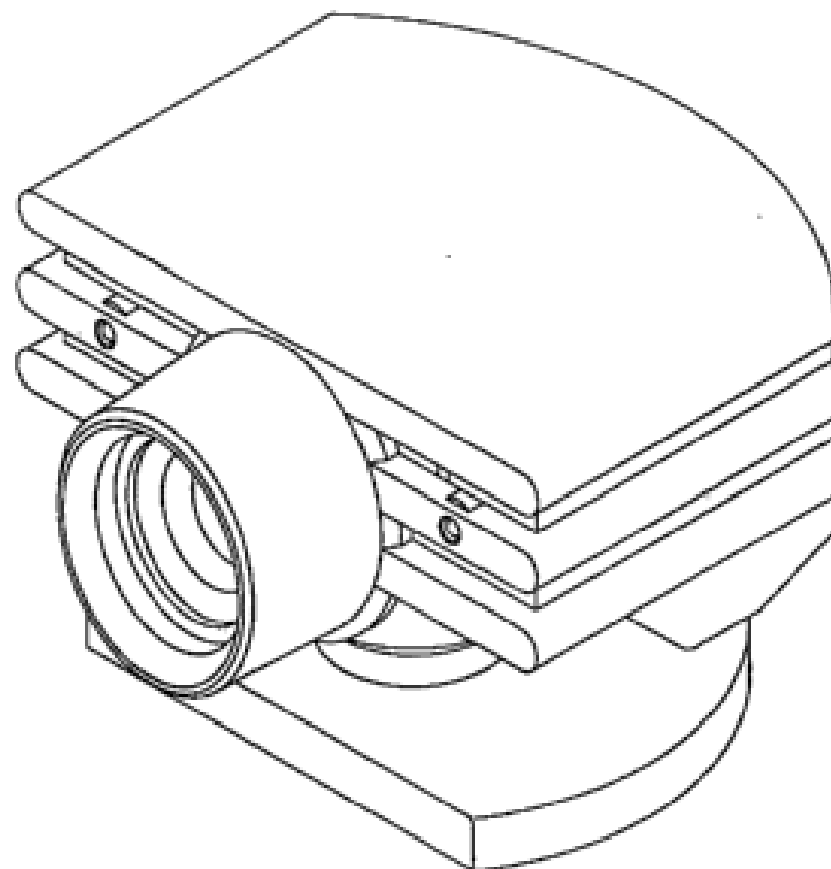
(31) Number	(32) Date	(33) Country
D2004-28359	17 Sep 2004	JAPAN
- (56) Related Art Documents: **Not Applicable**
- (57) Statement of Newness and Distinctiveness: **Newness and distinctiveness resides in the shape and/or configuration of the remote controller as shown in the accompanying representations.**



- (21) Design Number: **10683/2005**
(22) Date of Filing Application: **22 February 2005**
(24) Date from which industrial property rights may have effect: **22 February 2005**
(54) Product in respect of which the design is registered: **Remote controller**
(51) International Design Classification: **14-03NES**
(71) Name(s) and Address(s) of Applicant(s):
Sony Computer Entertainment Inc.
2-6-21 Minami-Aoyama Minato-ku Tokyo 107-0062 Japan
(72) Name(s) of Designer(s): **Minoru Shimizu**
(45) Registration Date: **31 August 2005**
(30) Convention priority data:
(31) Number (32) Date (33) Country
D2004-28358 17 Sep 2004 JAPAN
(56) Related Art Documents: **Not Applicable**
(57) Statement of Newness and Distinctiveness: **Newness and distinctiveness resides in the shape and/or configuration of the remote controller as shown in the accompanying representations.**

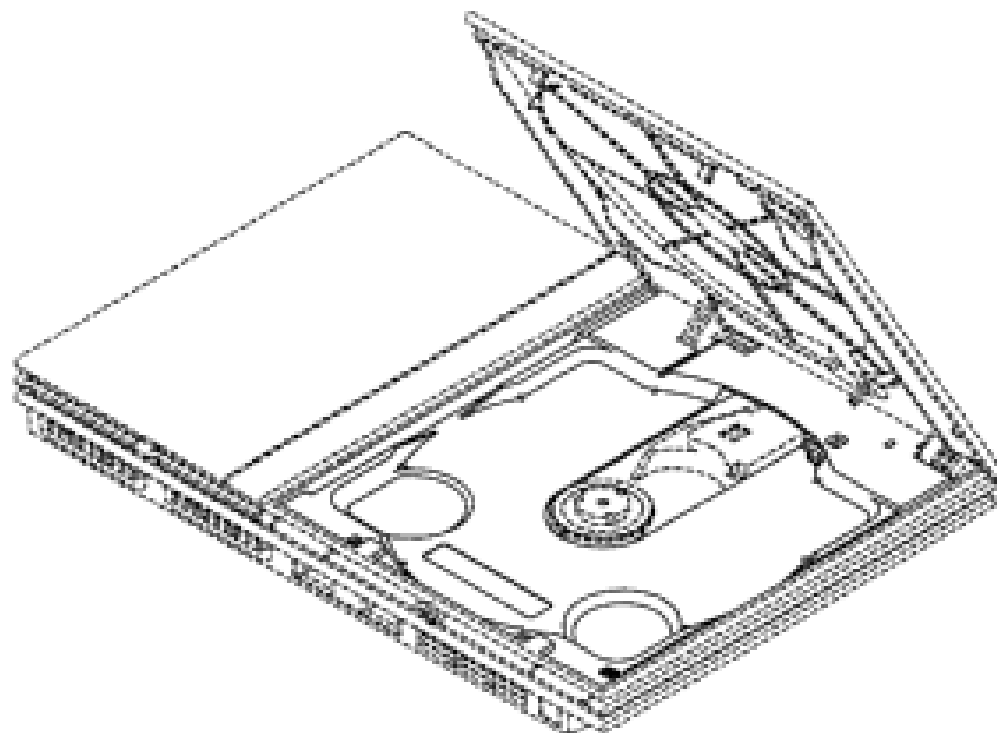


- (21) Design Number: **10684/2005**
(22) Date of Filing Application: **22 February 2005**
(24) Date from which industrial property rights may have effect: **22 February 2005**
(54) Product in respect of which the design is registered: **Image taking device**
(51) International Design Classification: **16-01**
(71) Name(s) and Address(s) of Applicant(s):
Sony Computer Entertainment Inc.
2-6-21 Minami-Aoyama Minato-ku Tokyo 107-0062 Japan
(72) Name(s) of Designer(s): **Teiyu Goto**
(45) Registration Date: **31 August 2005**
(30) Convention priority data:
(31) Number (32) Date (33) Country
D2004-28161 16 Sep 2004 JAPAN
(56) Related Art Documents: **Not Applicable**
(57) Statement of Newness and Distinctiveness: **Newness and distinctiveness resides in the shape and/or configuration of the image taking device as shown in the accompanying representations. The portions indicated in broken lines in the accompanying representations are for illustrative purposes only and form no part of the claimed design.**



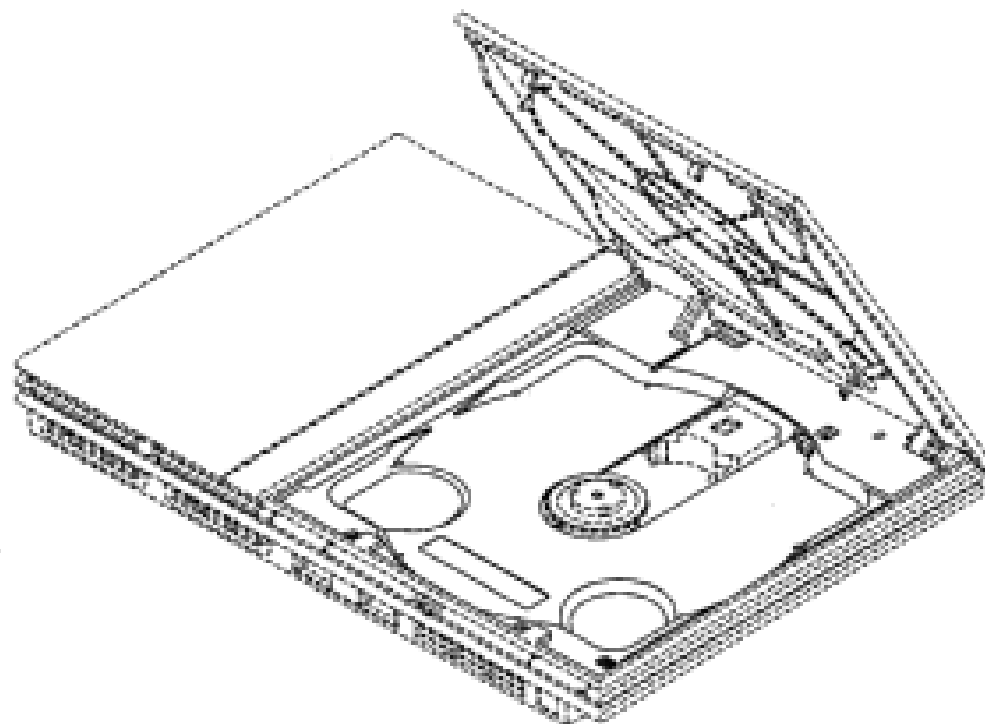
(19) AU

- (21) Design Number: **10685/2005**
(22) Date of Filing Application: **22 February 2005**
(24) Date from which industrial property rights may have effect: **22 February 2005**
(54) Product in respect of which the design is registered: **Arithmetic and control unit**
(51) International Design Classification: **14-02**
(71) Name(s) and Address(s) of Applicant(s):
Sony Computer Entertainment Inc.
2-6-21 Minami-Aoyama Minato-ku Tokyo 107-0062 Japan
(72) Name(s) of Designer(s): **Teiyu Goto**
(45) Registration Date: **31 August 2005**
(30) Convention priority data:
(31) Number (32) Date (33) Country
D2004-27970 14 Sep 2004 JAPAN
(56) Related Art Documents: **Not Applicable**
(57) Statement of Newness and Distinctiveness: **Newness and distinctiveness resides in the shape and/or configuration of the arithmetic and control unit as shown in the accompanying representations. The portions indicated in broken lines in the accompanying representations are for illustrative purposes only and form no part of the claimed design.**



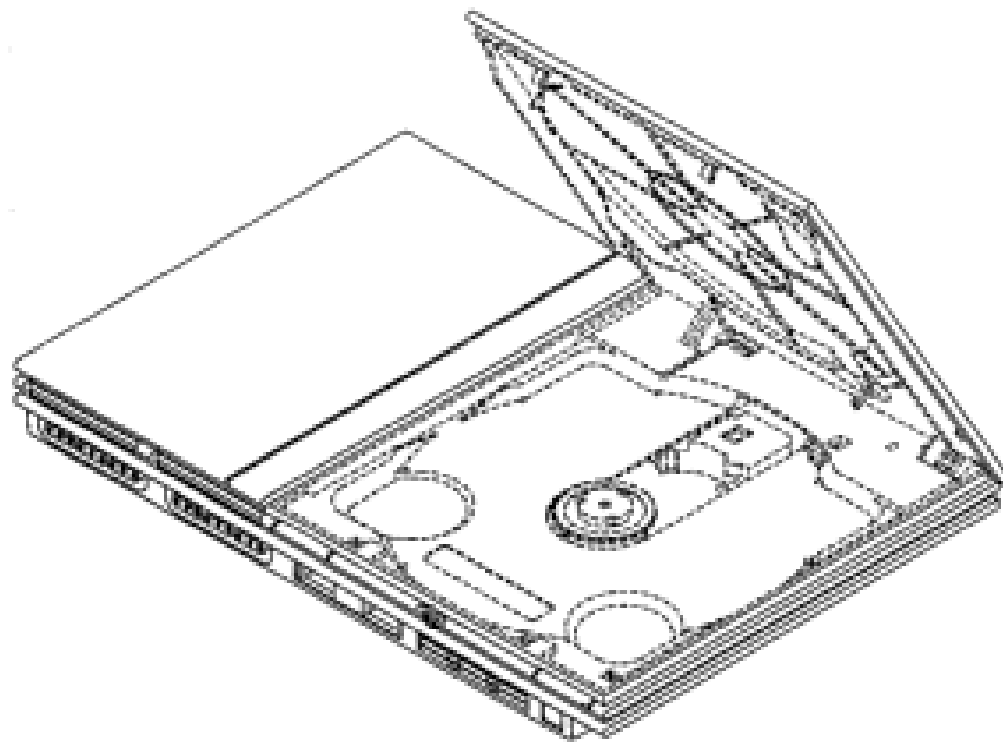
(19) AU

- (21) Design Number: **10686/2005**
(22) Date of Filing Application: **22 February 2005**
(24) Date from which industrial property rights may have effect: **22 February 2005**
(54) Product in respect of which the design is registered: **Arithmetic and control unit**
(51) International Design Classification: **14-02**
(71) Name(s) and Address(s) of Applicant(s):
Sony Computer Entertainment Inc.
2-6-21 Minami-Aoyama Minato-ku Tokyo 107-0062 Japan
(72) Name(s) of Designer(s): **Teiyu Goto**
(45) Registration Date: **31 August 2005**
(30) Convention priority data:
(31) Number (32) Date (33) Country
D2004-27969 14 Sep 2004 JAPAN
(56) Related Art Documents: **Not Applicable**
(57) Statement of Newness and Distinctiveness: **Newness and distinctiveness resides in the shape and/or configuration of the arithmetic and control unit as shown in the accompanying representations. The portions indicated in broken lines in the accompanying representations are for illustrative purposes only and form no part of the claimed design.**



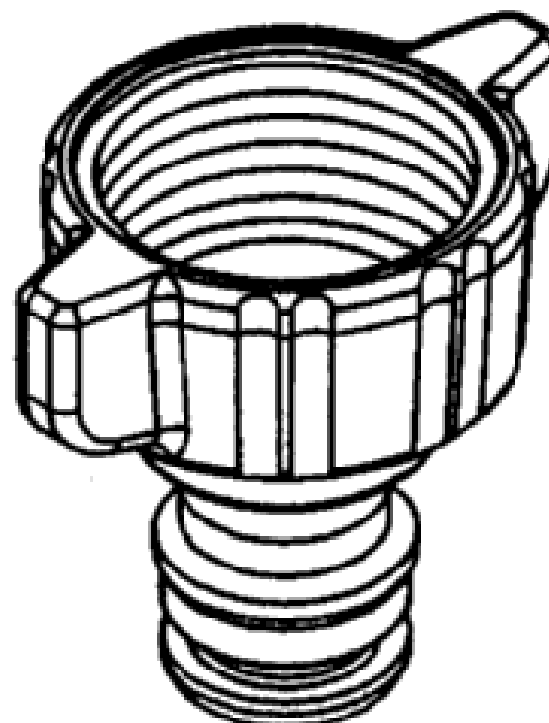
(19) AU

- (21) Design Number: **10687/2005**
(22) Date of Filing Application: **22 February 2005**
(24) Date from which industrial property rights may have effect: **22 February 2005**
(54) Product in respect of which the design is registered: **Arithmetic and control unit**
(51) International Design Classification: **14-02**
(71) Name(s) and Address(s) of Applicant(s):
Sony Computer Entertainment Inc.
2-6-21 Minami-Aoyama Minato-ku Tokyo 107-0062 Japan
(72) Name(s) of Designer(s): **Teiyu Goto**
(45) Registration Date: **31 August 2005**
(30) Convention priority data:
(31) Number (32) Date (33) Country
D2004-27967 14 Sep 2004 JAPAN
(56) Related Art Documents: **Not Applicable**
(57) Statement of Newness and Distinctiveness: **Newness and distinctiveness resides in the shape and/or configuration of the arithmetic and control unit as shown in the accompanying representations. The portions indicated in broken lines in the accompanying representations are for illustrative purposes only and form no part of the claimed design.**



(19) AU

- (21) Design Number: **10689/2005**
(22) Date of Filing Application: **22 February 2005**
(24) Date from which industrial property rights may have effect: **22 February 2005**
(54) Product in respect of which the design is registered: **Tap adaptor**
(51) International Design Classification: **23-01C**
(71) Name(s) and Address(s) of Applicant(s):
PPI Corporation Pty Ltd
275 Robinson Road East Geebung Queensland 4034 Australia
(72) Name(s) of Designer(s): **Wendy Trinder**
(45) Registration Date: **31 August 2005**
(56) Related Art Documents: **Not Applicable**
(57) Statement of Newness and Distinctiveness: **Newness and distinctiveness is claimed in the features of shape and configuration of the tap adaptor depicted in the representations.**



(21) Design Number: **10690/2005**

(22) Date of Filing Application: **22 February 2005**

(24) Date from which industrial property rights may have effect: **22 February 2005**

(54) Product in respect of which the design is registered: **Tap adaptor**

(51) International Design Classification: **23-01C**

(71) Name(s) and Address(s) of Applicant(s):

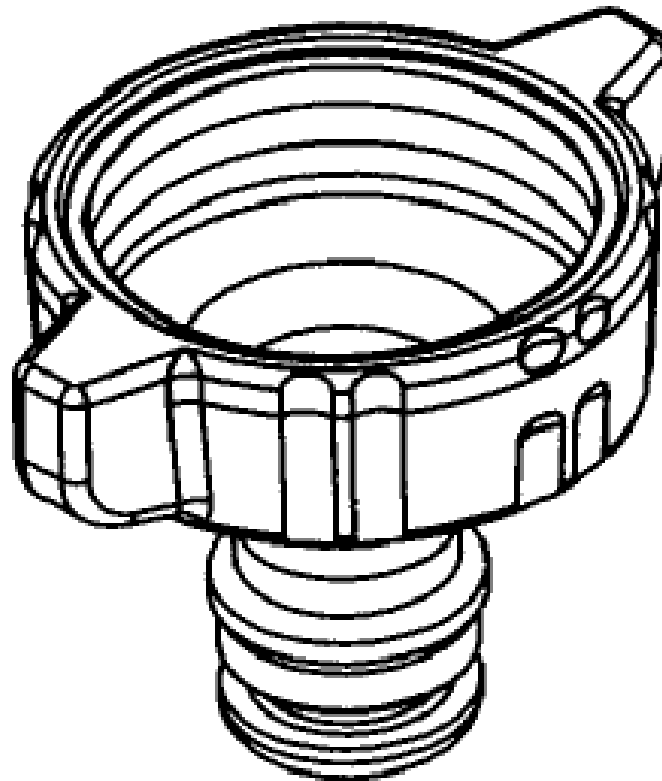
**PPI Corporation Pty Ltd
275 Robinson Road East Geebung Queensland 4034 Australia**

(72) Name(s) of Designer(s): **Wendy Trinder**

(45) Registration Date: **31 August 2005**

(56) Related Art Documents: **Not Applicable**

(57) Statement of Newness and Distinctiveness: **Newness and distinctiveness is claimed in the features of shape and configuration of the tap adaptor depicted in the representations.**



(21) Design Number: **10691/2005**

(22) Date of Filing Application: **22 February 2005**

(24) Date from which industrial property rights may have effect: **22 February 2005**

(54) Product in respect of which the design is registered: **Nut**

(51) International Design Classification: **23-01C**

(71) Name(s) and Address(s) of Applicant(s):

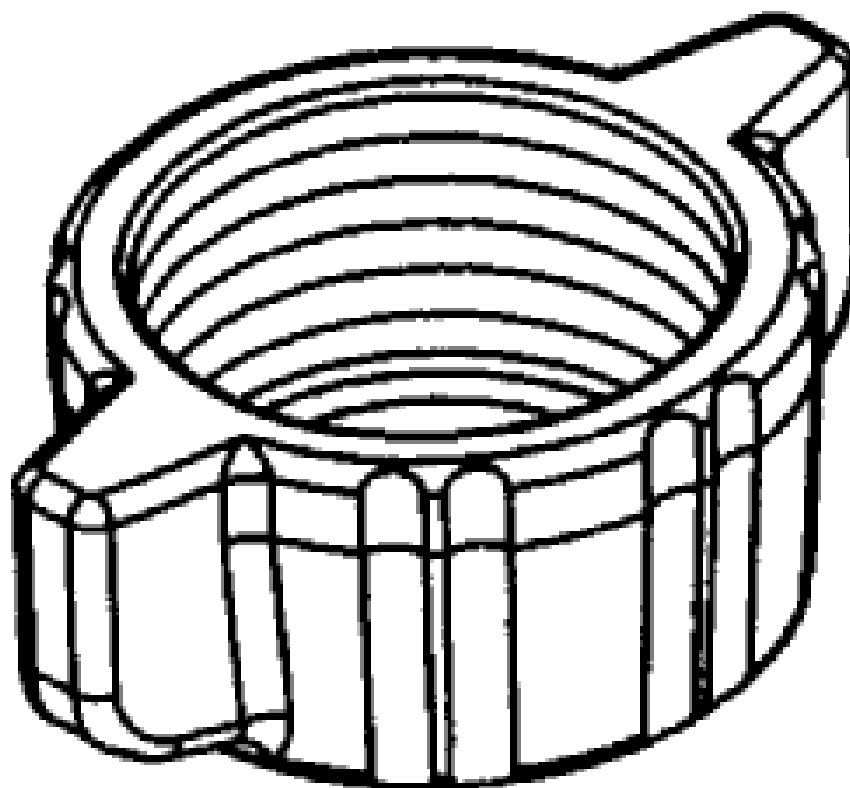
**PPI Corporation Pty Ltd
275 Robinson Road East Geebung Queensland 4034 Australia**

(72) Name(s) of Designer(s): **Wendy Trinder**

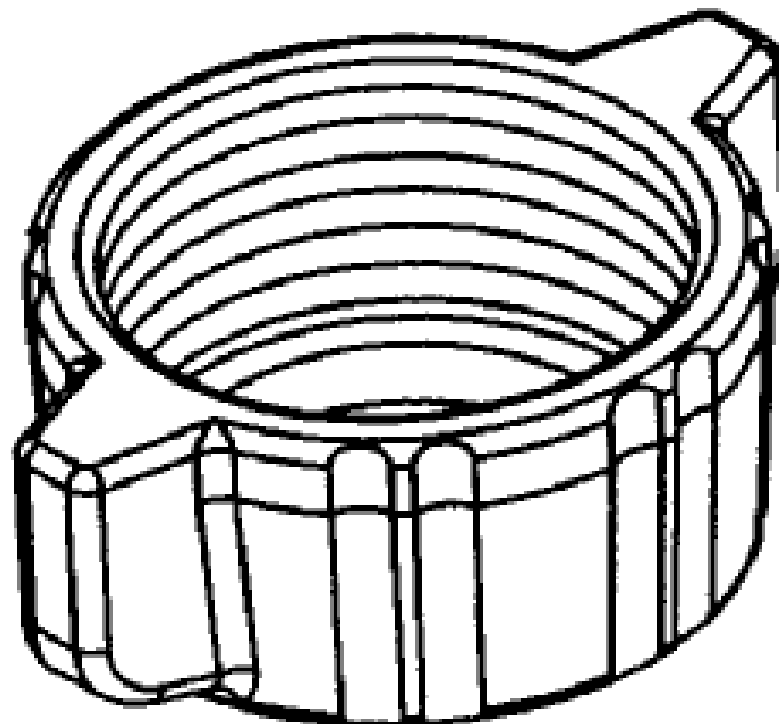
(45) Registration Date: **31 August 2005**

(56) Related Art Documents: **Not Applicable**

(57) Statement of Newness and Distinctiveness: **Newness and distinctiveness is claimed in the features of shape and configuration of the nut depicted in the representations.**



- (21) Design Number: **10692/2005**
(22) Date of Filing Application: **22 February 2005**
(24) Date from which industrial property rights may have effect: **22 February 2005**
(54) Product in respect of which the design is registered: **Nut**
(51) International Design Classification: **23-01C**
(71) Name(s) and Address(s) of Applicant(s):
PPI Corporation Pty Ltd
275 Robinson Road East Geebung Queensland 4034 Australia
(72) Name(s) of Designer(s): **Wendy Trinder**
(45) Registration Date: **31 August 2005**
(56) Related Art Documents: **Not Applicable**
(57) Statement of Newness and Distinctiveness: **Newness and distinctiveness is claimed in the features of shape and configuration of the nut depicted in the representations.**



- (21) Design Number: **10696/2005**
(22) Date of Filing Application: **23 February 2005**
(24) Date from which industrial property rights may have effect: **23 February 2005**
(54) Product in respect of which the design is registered: **Lingerie**
(51) International Design Classification: **02-01B**
(71) Name(s) and Address(s) of Applicant(s):
Courtaulds Textiles (Holdings) Limited
225 Bath Road Slough Berkshire SL1 4AU United Kingdom
(72) Name(s) of Designer(s): **Dawne Stubbs**
(45) Registration Date: **31 August 2005**
(30) Convention priority data:

(31) Number	(32) Date	(33) Country
221809-0001	24 Aug 2004	EUROPEAN COMMUNITY

(56) Related Art Documents: **Not Applicable**
(57) Statement of Newness and Distinctiveness: **Nil**



(21) Design Number: **10697/2005**
(22) Date of Filing Application: **23 February 2005**
(24) Date from which industrial property rights may have effect: **23 February 2005**
(54) Product in respect of which the design is registered: **A handset**
(51) International Design Classification: **14-03E**
(71) Name(s) and Address(s) of Applicant(s):

Nokia Corporation
Keilalahdentie 4 FIN-02150 Espoo Finland

(72) Name(s) of Designer(s): **Tej Chauhan and Tanja Fisher**

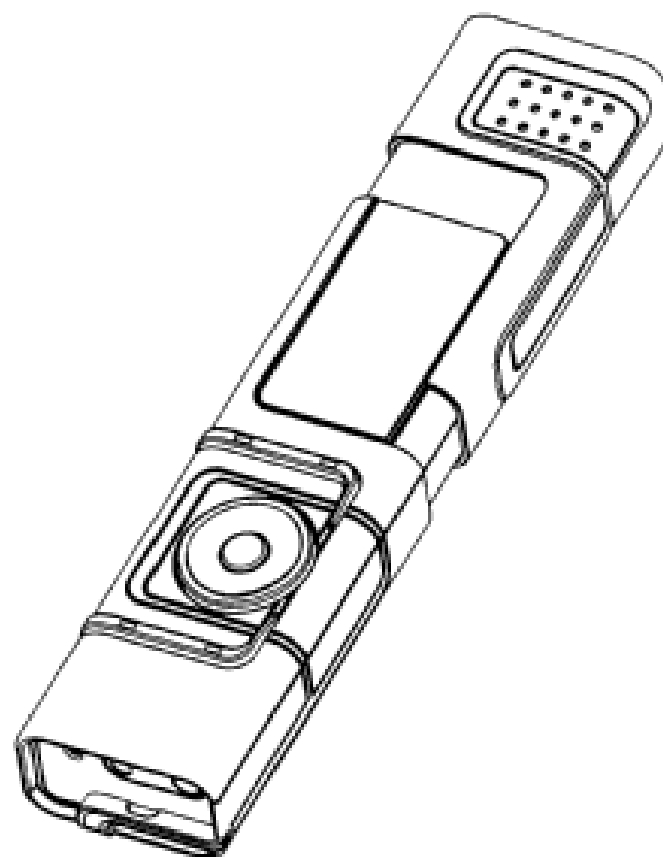
(45) Registration Date: **31 August 2005**

(30) Convention priority data:

(31) Number	(32) Date	(33) Country
M20040135	31 Aug 2004	FINLAND

(56) Related Art Documents: **Not Applicable**

(57) Statement of Newness and Distinctiveness: **Nil**



(21) Design Number: **10827/2005**
(22) Date of Filing Application: **02 March 2005**
(24) Date from which industrial property rights may have effect: **14 May 2004**
(54) Product in respect of which the design is registered: **Easy-open container and blank therefor**
(51) International Design Classification: **09-03M**
(71) Name(s) and Address(s) of Applicant(s):

Visy R & D Pty Ltd
Level 2 533 Little Lonsdale St Melbourne Victoria 3000 Australia

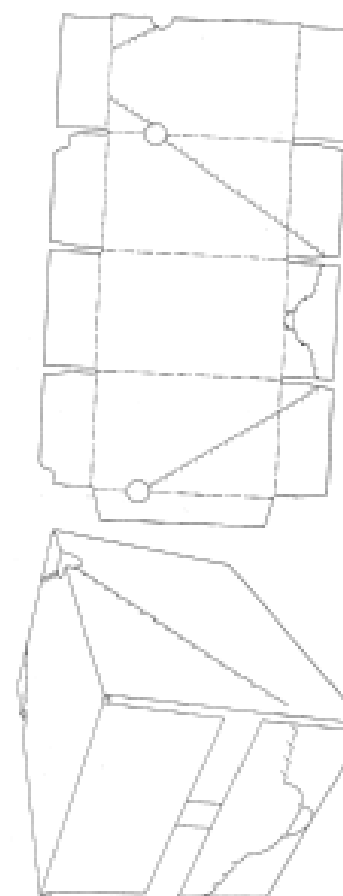
(72) Name(s) of Designer(s): **Richard Reid**

(45) Registration Date: **31 August 2005**

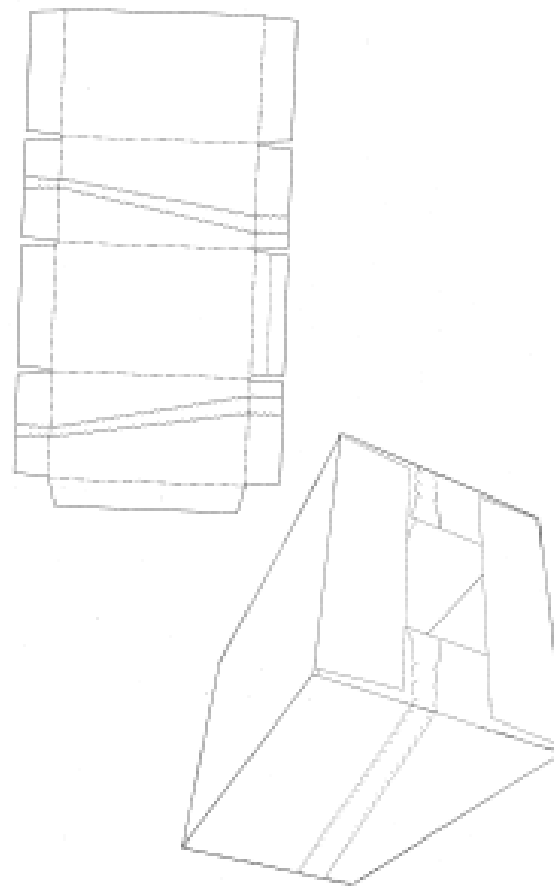
(62) Divisional of: **157938**

(56) Related Art Documents: **Not Applicable**

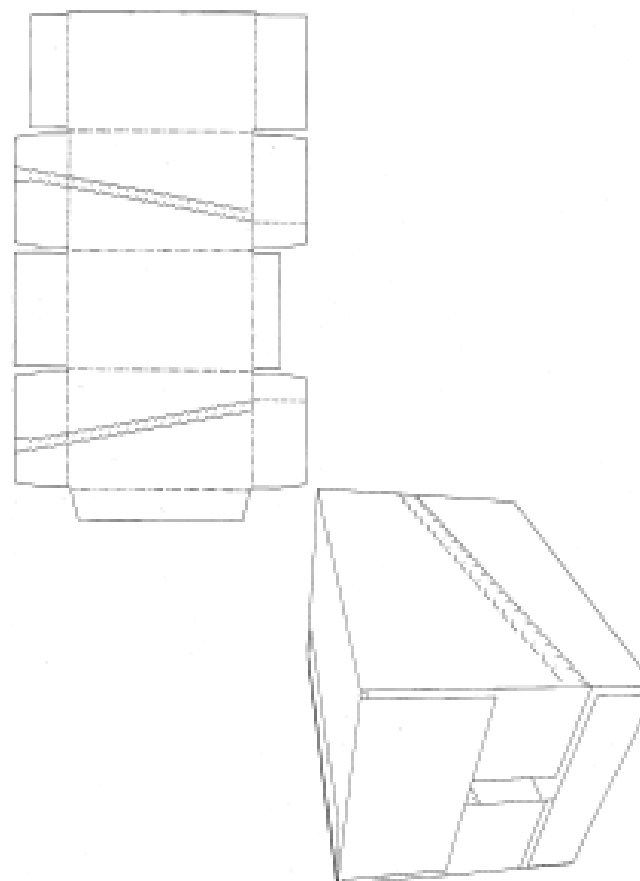
(57) Statement of Newness and Distinctiveness: **The new and distinctive feature of the design is the shape or configuration of the easy-open tear out strip extending across the front, sides and top of the container and the blank as illustrated in the accompanying representations.**



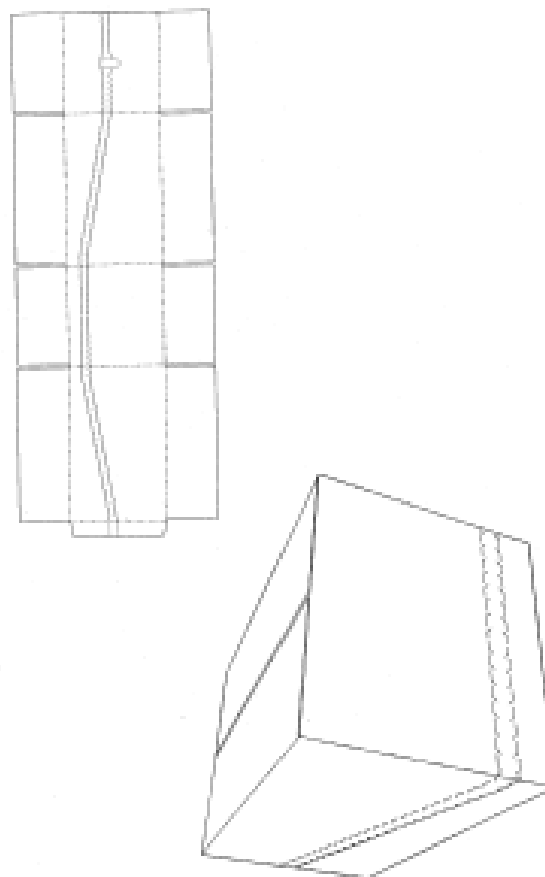
- (21) Design Number: **10828/2005**
(22) Date of Filing Application: **02 March 2005**
(24) Date from which industrial property rights may have effect: **14 May 2004**
(54) Product in respect of which the design is registered: **Easy-open container and blank therefor**
(51) International Design Classification: **09-03M**
(71) Name(s) and Address(s) of Applicant(s):
Visy R & D Pty Ltd
Level 2 533 Little Lonsdale St Melbourne Victoria 3000 Australia
(72) Name(s) of Designer(s): **Richard Reid**
(45) Registration Date: **31 August 2005**
(62) Divisional of: **157938**
(56) Related Art Documents: **Not Applicable**
(57) Statement of Newness and Distinctiveness: **The new and distinctive feature of the design is the shape or configuration of the easy-open tear out strip extending along the front end and sides of the container and the blank as illustrated in the accompanying representations.**



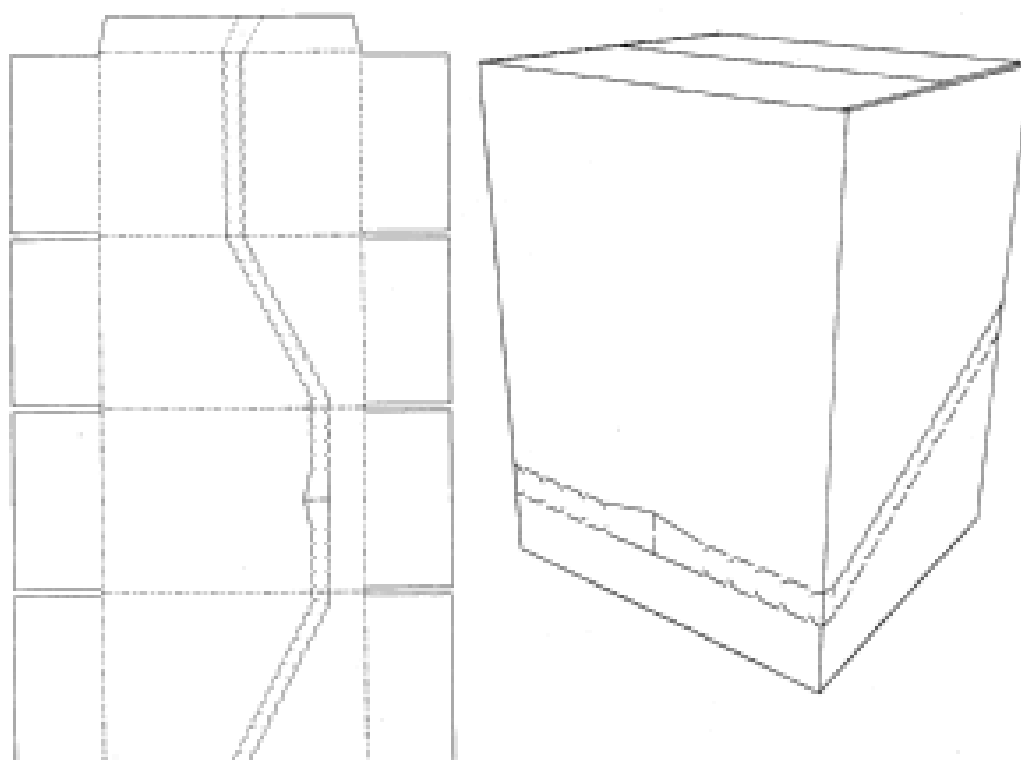
- (21) Design Number: **10829/2005**
(22) Date of Filing Application: **02 March 2005**
(24) Date from which industrial property rights may have effect: **14 May 2004**
(54) Product in respect of which the design is registered: **Easy-open container and blank therefor**
(51) International Design Classification: **09-03M**
(71) Name(s) and Address(s) of Applicant(s):
Visy R & D Pty Ltd
Level 2 533 Little Lonsdale St Melbourne Victoria 3000 Australia
(72) Name(s) of Designer(s): **Richard Reid**
(45) Registration Date: **31 August 2005**
(62) Divisional of: **157938**
(56) Related Art Documents: **Not Applicable**
(57) Statement of Newness and Distinctiveness: **The new and distinctive feature of the design is the shape or configuration of the easy-open tear out strip extending along the front end and sides of the container and the blank as illustrated in the accompanying representations.**



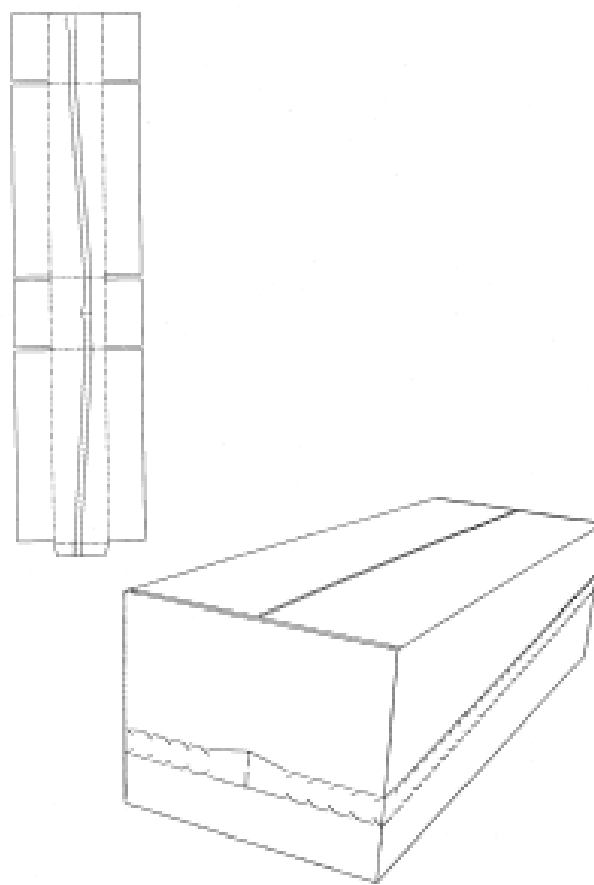
- (21) Design Number: **10830/2005**
(22) Date of Filing Application: **02 March 2005**
(24) Date from which industrial property rights may have effect: **14 May 2004**
(54) Product in respect of which the design is registered: **Easy-open container and blank therefor**
(51) International Design Classification: **09-03M**
(71) Name(s) and Address(s) of Applicant(s):
Visy R & D Pty Ltd
Level 2 533 Little Lonsdale St Melbourne Victoria 3000 Australia
(72) Name(s) of Designer(s): **Richard Reid**
(45) Registration Date: **31 August 2005**
(62) Divisional of: **157938**
(56) Related Art Documents: **Not Applicable**
(57) Statement of Newness and Distinctiveness: **The new and distinctive feature of the design is the shape or configuration of the easy-open tear out strip extending across the front end, sides and rear end of the container and the blank as illustrated in the accompanying representations.**



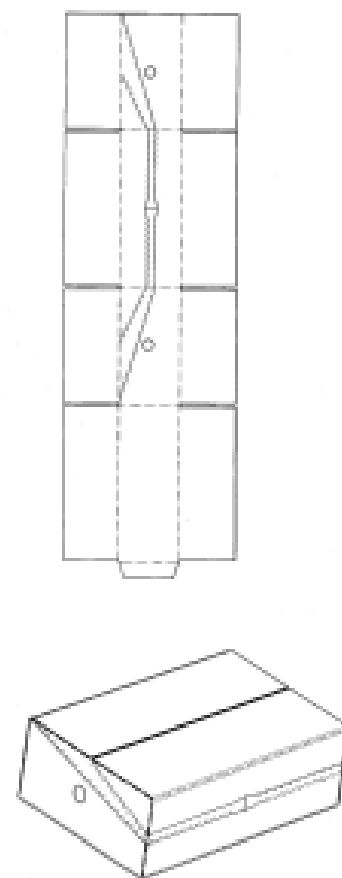
- (21) Design Number: **10831/2005**
(22) Date of Filing Application: **02 March 2005**
(24) Date from which industrial property rights may have effect: **14 May 2004**
(54) Product in respect of which the design is registered: **Easy-open container and blank therefor**
(51) International Design Classification: **09-03M**
(71) Name(s) and Address(s) of Applicant(s):
Visy R & D Pty Ltd
Level 2 533 Little Lonsdale St Melbourne Victoria 3000 Australia
(72) Name(s) of Designer(s): **Richard Reid**
(45) Registration Date: **31 August 2005**
(62) Divisional of: **157938**
(56) Related Art Documents: **Not Applicable**
(57) Statement of Newness and Distinctiveness: **The new and distinctive feature of the design is the shape or configuration of the easy-open tear out strip extending across the front end, sides and rear end of the container and the blank as illustrated in the accompanying representations.**



- (21) Design Number: **10832/2005**
- (22) Date of Filing Application: **02 March 2005**
- (24) Date from which industrial property rights may have effect: **14 May 2004**
- (54) Product in respect of which the design is registered: **Easy-open container and blank therefor**
- (51) International Design Classification: **09-03M**
- (71) Name(s) and Address(s) of Applicant(s):
Visy R & D Pty Ltd
Level 2 533 Little Lonsdale St Melbourne Victoria 3000 Australia
- (72) Name(s) of Designer(s): **Richard Reid**
- (45) Registration Date: **31 August 2005**
- (62) Divisional of: **157938**
- (56) Related Art Documents: **Not Applicable**
- (57) Statement of Newness and Distinctiveness: **The new and distinctive feature of the design is the shape or configuration of the easy-open tear out strip extending across the front end, sides and rear end of the container and the blank as illustrated in the accompanying representations.**



- (21) Design Number: **10836/2005**
- (22) Date of Filing Application: **02 March 2005**
- (24) Date from which industrial property rights may have effect: **14 May 2004**
- (54) Product in respect of which the design is registered: **Easy-open container and blank therefor**
- (51) International Design Classification: **09-03M**
- (71) Name(s) and Address(s) of Applicant(s):
Visy R & D Pty Ltd
Level 2 533 Little Lonsdale St Melbourne Victoria 3000 Australia
- (72) Name(s) of Designer(s): **Richard Reid**
- (45) Registration Date: **31 August 2005**
- (62) Divisional of: **157938**
- (56) Related Art Documents: **Not Applicable**
- (57) Statement of Newness and Distinctiveness: **The new and distinctive feature of the design is the shape or configuration of the easy-open tear out strip extending across the front end and sides of the container and the blank as illustrated in the accompanying representations.**



(21) Design Number: **10837/2005**

(22) Date of Filing Application: **02 March 2005**

(24) Date from which industrial property rights may have effect: **14 May 2004**

(54) Product in respect of which the design is registered: **Easy-open container and blank therefor**

(51) International Design Classification: **09-03M**

(71) Name(s) and Address(s) of Applicant(s):

Visy R & D Pty Ltd

Level 2 533 Little Lonsdale St Melbourne Victoria 3000 Australia

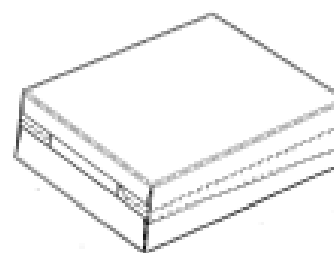
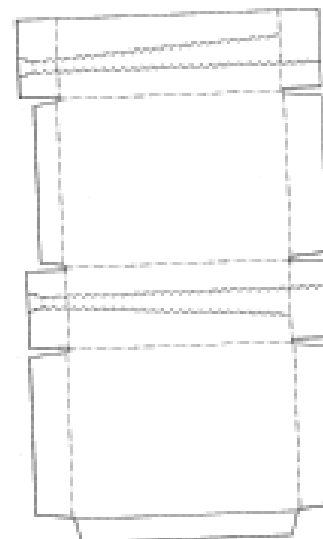
(72) Name(s) of Designer(s): **Richard Reid**

(45) Registration Date: **31 August 2005**

(62) Divisional of: **157938**

(56) Related Art Documents: **Not Applicable**

(57) Statement of Newness and Distinctiveness: **The new and distinctive feature of the design is the shape or configuration of the easy-open tear out strip extending along the front end and sides of the container and the blank as illustrated in the accompanying representations.**



(21) Design Number: **10840/2005**

(22) Date of Filing Application: **02 March 2005**

(24) Date from which industrial property rights may have effect: **14 May 2004**

(54) Product in respect of which the design is registered: **Easy-open container and blank therefor**

(51) International Design Classification: **09-03M**

(71) Name(s) and Address(s) of Applicant(s):

Visy R & D Pty Ltd

Level 2 533 Little Lonsdale St Melbourne Victoria 3000 Australia

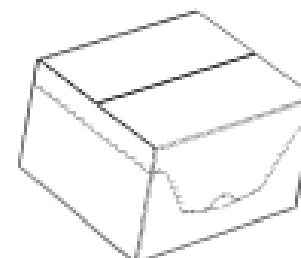
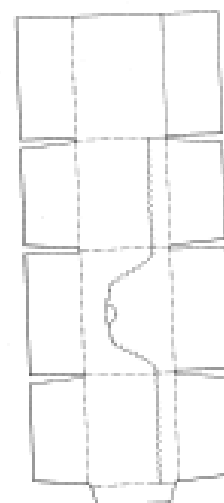
(72) Name(s) of Designer(s): **Richard Reid**

(45) Registration Date: **31 August 2005**

(62) Divisional of: **157938**

(56) Related Art Documents: **Not Applicable**

(57) Statement of Newness and Distinctiveness: **The new and distinctive feature of the design is the shape or configuration of the easy-open feature extending across the end and sides of the container and the blank as illustrated in the accompanying representations.**



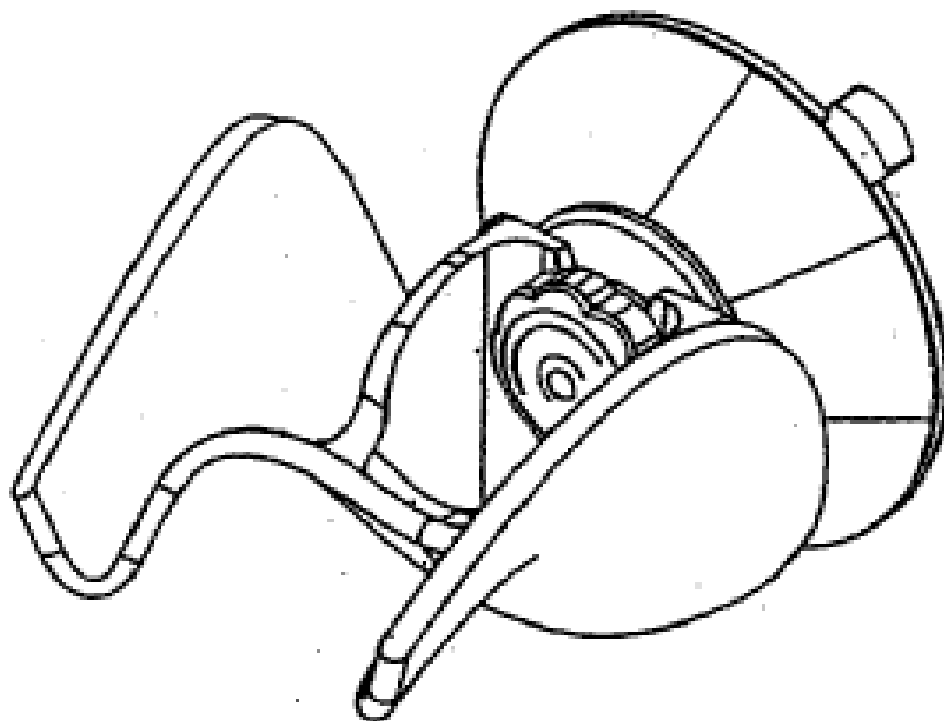
- (21) Design Number: **11156/2005**
(22) Date of Filing Application: **23 March 2005**
(24) Date from which industrial property rights may have effect: **23 March 2005**
(54) Product in respect of which the design is registered: **Razor handle**
(51) International Design Classification: **28-03A**
(71) Name(s) and Address(s) of Applicant(s):
Eveready Battery Company, Inc.
533 Maryville University Drive St Louis Missouri 63141 United States of America
(72) Name(s) of Designer(s): **Christine M. Ciccone and Paul R. Dansreau and David Dombrowski and Andrew Hitchcock and Sean Lukan and Dennis J. Peterlin and Michael O'Malley**
(45) Registration Date: **31 August 2005**
(30) Convention priority data:
(31) Number (32) Date (33) Country
29/214501 04 Oct 2004 UNITED STATES OF AMERICA
(56) Related Art Documents: **Not Applicable**
(57) Statement of Newness and Distinctiveness: **Nil**



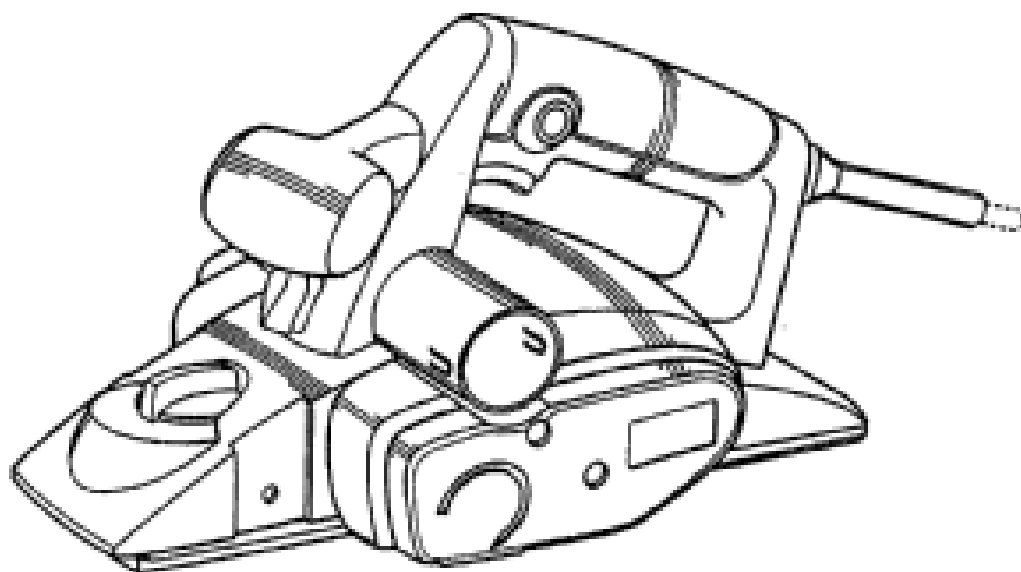
- (21) Design Number: **11157/2005**
(22) Date of Filing Application: **23 March 2005**
(24) Date from which industrial property rights may have effect: **23 March 2005**
(54) Product in respect of which the design is registered: **Guard bar**
(51) International Design Classification: **28-03A**
(71) Name(s) and Address(s) of Applicant(s):
Eveready Battery Company, Inc.
533 Maryville University Drive St Louis Missouri 63141 United States of America
(72) Name(s) of Designer(s): **Stephen Fischer and Jochen Thoene**
(45) Registration Date: **31 August 2005**
(30) Convention priority data:
(31) Number (32) Date (33) Country
29/214563 05 Oct 2004 UNITED STATES OF AMERICA
(56) Related Art Documents: **Not Applicable**
(57) Statement of Newness and Distinctiveness: **Nil**



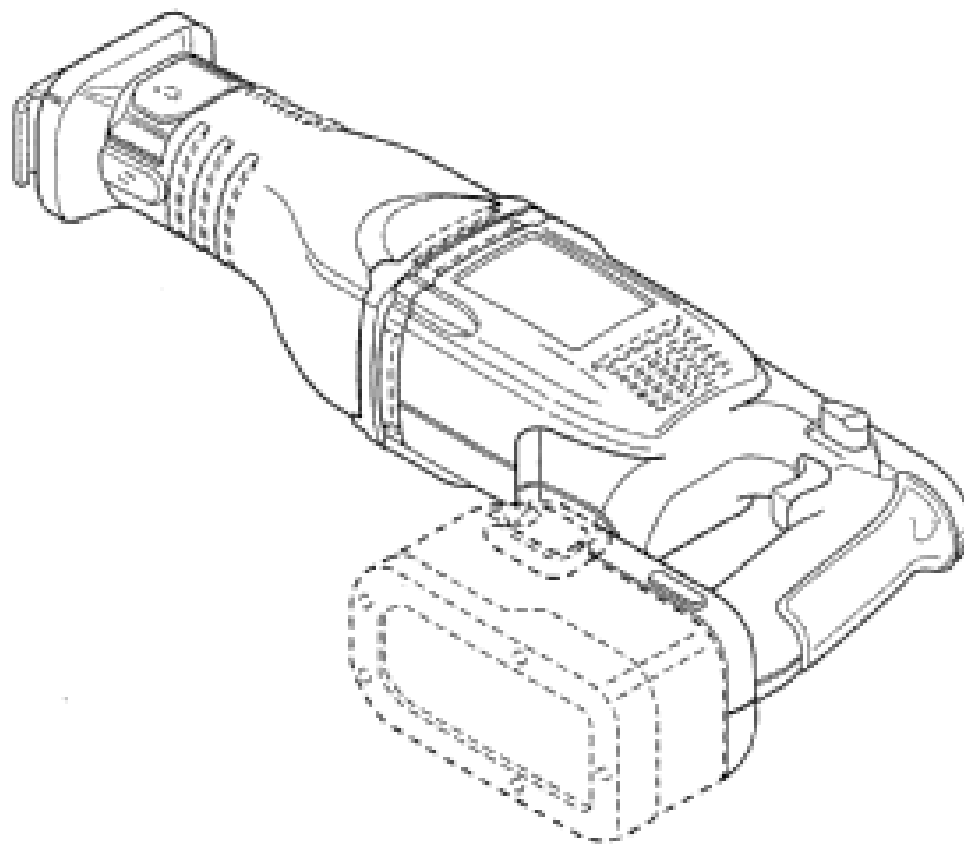
- (21) Design Number: **11158/2005**
(22) Date of Filing Application: **23 March 2005**
(24) Date from which industrial property rights may have effect: **23 March 2005**
(54) Product in respect of which the design is registered: **Caddy**
(51) International Design Classification: **28-03A**
(71) Name(s) and Address(s) of Applicant(s):
Eveready Battery Company, Inc.
533 Maryville University Drive St Louis Missouri 63141 United States of America
(72) Name(s) of Designer(s): **David Dombrowski and Chris Switalski and Winston Wu**
(45) Registration Date: **31 August 2005**
(30) Convention priority data:
(31) Number (32) Date (33) Country
29/214562 05 Oct 2004 UNITED STATES OF AMERICA
(56) Related Art Documents: **Not Applicable**
(57) Statement of Newness and Distinctiveness: **Nil**



- (21) Design Number: **11161/2005**
(22) Date of Filing Application: **23 March 2005**
(24) Date from which industrial property rights may have effect: **29 April 2004**
(54) Product in respect of which the design is registered: **Hand planer**
(51) International Design Classification: **08-03**
(71) Name(s) and Address(s) of Applicant(s):
One World Technologies Limited
Cedar House 41 Cedar Avenue Hamilton HM 12 Bermuda
(72) Name(s) of Designer(s): **Thomas Shea Tillman and Kenneth M. Brazell and Taku Ohi and Sham Kam Lun Tailun**
(45) Registration Date: **31 August 2005**
(62) Divisional of: **157957**
(56) Related Art Documents: **Not Applicable**
(57) Statement of Newness and Distinctiveness: **Newness and distinctiveness is claimed in the features of shape and configuration of a hand planer as shown in the accompanying representations.**



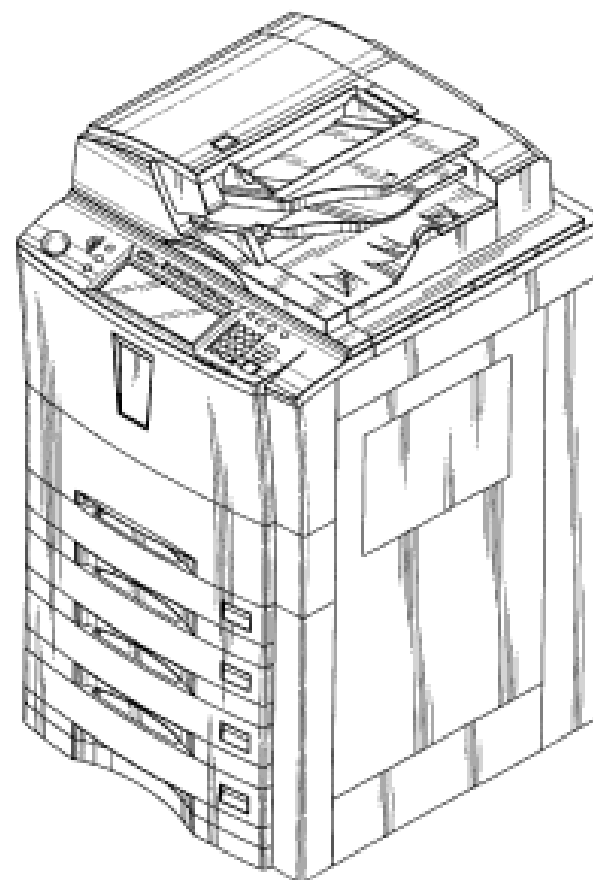
- (21) Design Number: **11162/2005**
(22) Date of Filing Application: **23 March 2005**
(24) Date from which industrial property rights may have effect: **24 December 2003**
(54) Product in respect of which the design is registered: **Reciprocating saw**
(51) International Design Classification: **08-03**
(71) Name(s) and Address(s) of Applicant(s):
One World Technologies Limited
Cedar House 41 Cedar Avenue Hamilton HM 12 Bermuda
(72) Name(s) of Designer(s): **Benson Chun Kit Cheung and Ken Brazell**
(45) Registration Date: **31 August 2005**
(62) Divisional of: **157906**
(56) Related Art Documents: **Not Applicable**
(57) Statement of Newness and Distinctiveness: **Newness and distinctiveness is claimed in the shape and configuration of a reciprocating saw as shown in the accompanying drawings. No newness or distinctiveness is claimed in the parts of the design shown in dashed lines in the accompanying drawings.**



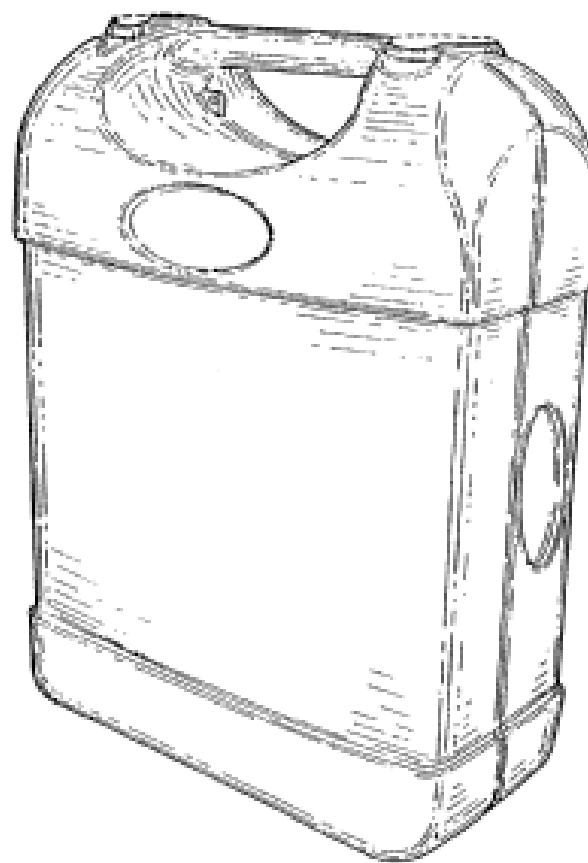
- (21) Design Number: **11163/2005**
(22) Date of Filing Application: **23 March 2005**
(24) Date from which industrial property rights may have effect: **23 March 2005**
(54) Product in respect of which the design is registered: **Electronic copying machine**
(51) International Design Classification: **16-03**
(71) Name(s) and Address(s) of Applicant(s):
Toshiba Tec Kabushiki Kaisha
2-17-2 Higashigotanda Shinagawa-ku Tokyo Japan
(72) Name(s) of Designer(s): **Hisaya Ishio**
(45) Registration Date: **31 August 2005**
(30) Convention priority data:

(31) Number	(32) Date	(33) Country
2004-029283	28 Sep 2004	JAPAN

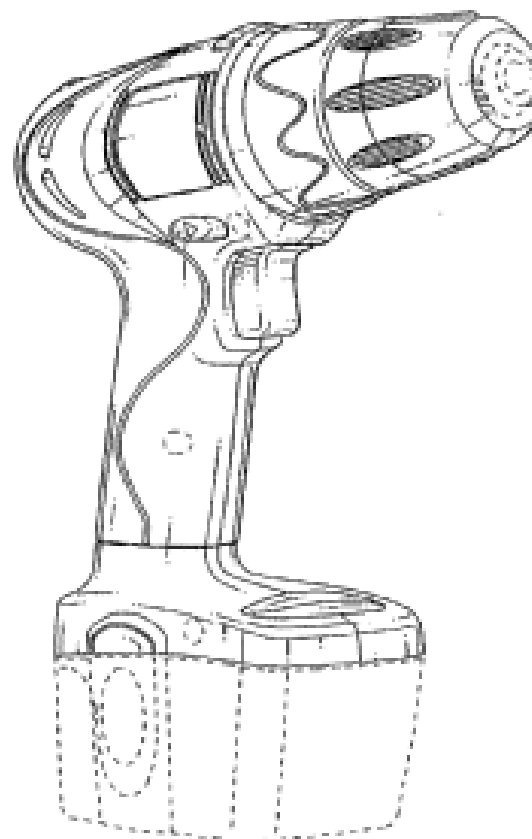
(56) Related Art Documents: **Not Applicable**
(57) Statement of Newness and Distinctiveness: **The shape and configuration of the electronic copying machine is new and distinctive.**



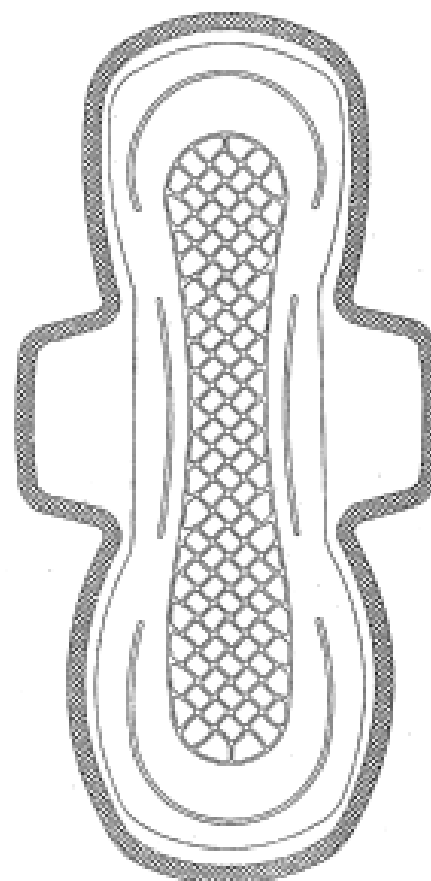
- (21) Design Number: **11164/2005**
(22) Date of Filing Application: **23 March 2005**
(24) Date from which industrial property rights may have effect: **23 March 2005**
(54) Product in respect of which the design is registered: **Protective case for a power tool**
(51) International Design Classification: **03-01D**
(71) Name(s) and Address(s) of Applicant(s):
Techtronic Industries Co., Ltd
24/F CDW Building 388 Castle Peak Road Tsuen Wan New Territories
Hong Kong
(72) Name(s) of Designer(s): **Carlton Russell Lay and Kenneth M. Brazell and Taku Ohi and Benjamin J. Thomas and Jeffrey S. Jones**
(45) Registration Date: **31 August 2005**
(30) Convention priority data:
(31) Number (32) Date (33) Country
29/213929 24 Sep 2004 UNITED STATES OF AMERICA
(56) Related Art Documents: **Not Applicable**
(57) Statement of Newness and Distinctiveness: **Newness and distinctiveness is claimed in the ornamental design of a protective case for a power tool which is shown in solid lines in the drawings. Any broken lines in the drawings are for illustrative purposes only and form no part of the claimed design.**



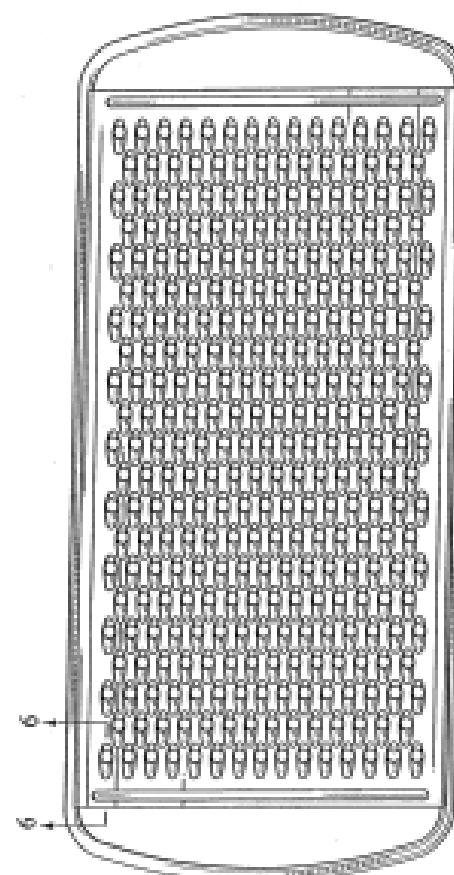
- (21) Design Number: **11171/2005**
(22) Date of Filing Application: **23 March 2005**
(24) Date from which industrial property rights may have effect: **23 March 2005**
(54) Product in respect of which the design is registered: **Drill driver**
(51) International Design Classification: **08-01**
(71) Name(s) and Address(s) of Applicant(s):
Techtronic Industries Co., Ltd
24/F CDW Building 388 Castle Peak Road Tsuen Wan New Territories
Hong Kong
(72) Name(s) of Designer(s): **Charles M. Wacker and Taku Ohi and Kenneth M. Brazell and James Huang Lua and Rusty Lay**
(45) Registration Date: **31 August 2005**
(30) Convention priority data:
(31) Number (32) Date (33) Country
29/214184 29 Sep 2004 UNITED STATES OF AMERICA
(56) Related Art Documents: **Not Applicable**
(57) Statement of Newness and Distinctiveness: **Newness and distinctiveness is claimed in the ornamental design of a drill driver as shown in solid lines in the drawings. Any broken lines in the drawings are for illustrative purposes only and form no part of the claimed design.**



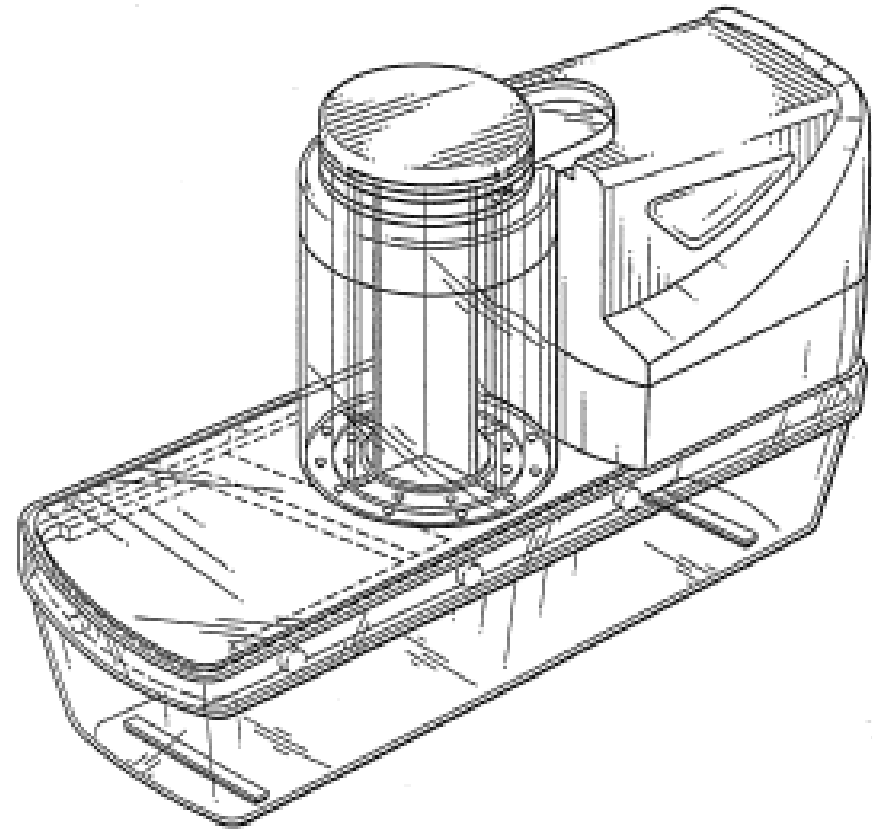
(21) Design Number: **11172/2005**
(22) Date of Filing Application: **15 December 2003**
(24) Date from which industrial property rights may have effect: **15 December 2003**
(54) Product in respect of which the design is registered: **Sanitary napkin**
(51) International Design Classification: **24-04**
(71) Name(s) and Address(s) of Applicant(s):
McNeil-PPC Inc.
Grandview Road Skillman New Jersey 08554 United States of America
(72) Name(s) of Designer(s): **Brian Michael Drzewiecki and Robert J. Graeme III and John Thomas Ulman**
(45) Registration Date: **31 August 2005**
(30) Convention priority data:
(31) Number (32) Date (33) Country
29/183896 17 Jun 2003 UNITED STATES OF AMERICA
(56) Related Art Documents: **Not Applicable**
(57) Statement of Newness and Distinctiveness: **Newness and distinctiveness resides in the shape and/or configuration of the sanitary napkin as shown in the accompanying representations.**



(21) Design Number: **11185/2005**
(22) Date of Filing Application: **29 March 2005**
(24) Date from which industrial property rights may have effect: **29 March 2005**
(54) Product in respect of which the design is registered: **Grater**
(51) International Design Classification: **07-04**
(71) Name(s) and Address(s) of Applicant(s):
Izumi Products Company
3039 Ooaza-Sasaga Matsumoto Nagano Japan
(72) Name(s) of Designer(s): **Tsuyoshi Nakano**
(45) Registration Date: **31 August 2005**
(30) Convention priority data:
(31) Number (32) Date (33) Country
29/223,230 10 Feb 2005 UNITED STATES OF AMERICA
(56) Related Art Documents: **Not Applicable**
(57) Statement of Newness and Distinctiveness: **Newness and distinctiveness is claimed in the features of shape and/or configuration of a grater as illustrated in the accompanying representations.**



- (21) Design Number: **11186/2005**
(22) Date of Filing Application: **29 March 2005**
(24) Date from which industrial property rights may have effect: **29 March 2005**
(54) Product in respect of which the design is registered: **Food processor**
(51) International Design Classification: **31-00**
(71) Name(s) and Address(s) of Applicant(s):
Izumi Products Company
3039 Ooaza-Sasaga Matsumoto Nagano Japan
(72) Name(s) of Designer(s): **Tsuyoshi Nakano**
(45) Registration Date: **31 August 2005**
(30) Convention priority data:
(31) Number (32) Date (33) Country
29/223,185 10 Feb 2005 UNITED STATES OF AMERICA
(56) Related Art Documents: **Not Applicable**
(57) Statement of Newness and Distinctiveness: **Newness and distinctiveness is claimed in the features of shape and/or configuration of a food processor as illustrated in the accompanying representations.**



- (21) Design Number: **11194/2005**
(22) Date of Filing Application: **24 March 2005**
(24) Date from which industrial property rights may have effect: **24 March 2005**
(54) Product in respect of which the design is registered: **3-Head dry shaver**
(51) International Design Classification: **28-03A**
(71) Name(s) and Address(s) of Applicant(s):
Koninklijke Philips Electronics N.V.
Groenwoudseweg 1 5621 BA Eindhoven The Netherlands
(72) Name(s) of Designer(s): **Martyn Beedham**
(45) Registration Date: **31 August 2005**
(30) Convention priority data:
(31) Number (32) Date (33) Country
002335720001 01 Oct 2004 EUROPEAN COMMUNITY
(56) Related Art Documents: **Not Applicable**
(57) Statement of Newness and Distinctiveness: **Each feature of the design considered separately or in combination with any other feature or features.**



(21) Design Number: **11243/2005**

(22) Date of Filing Application: **29 March 2005**

(24) Date from which industrial property rights may have effect: **29 March 2005**

(54) Product in respect of which the design is registered: **Sphygmomanometer**

(51) International Design Classification: **24-02**

(71) Name(s) and Address(s) of Applicant(s):

Omron Healthcare Co., Ltd.

**24 Yamanouchi Yamanoshita-cho Ukyo-ky Kyoto-shi Kyoto 615-0084
Japan**

(72) Name(s) of Designer(s): **Kenji Eda and Takahide Tanaka and Tadashi Koike and Hiroya Nakanishi and So Noguchi and Kiyoshi Motomura and Yosuke Fujii**

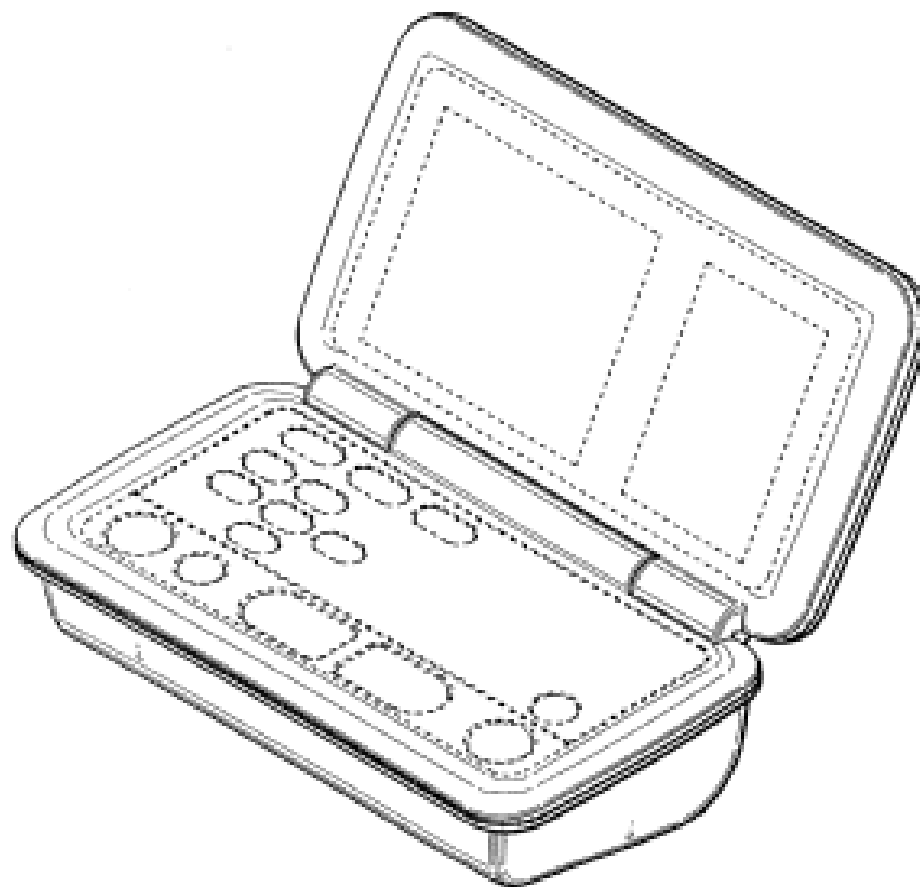
(45) Registration Date: **31 August 2005**

(30) Convention priority data:

(31) Number	(32) Date	(33) Country
2004-029417	29 Sep 2004	JAPAN

(56) Related Art Documents: **Not Applicable**

(57) Statement of Newness and Distinctiveness: **Those visual features of the sphygmomanometer depicted in continuous lines in the representations that are new and distinctive are the shape and/or configuration. The features shown in broken lines do not form part of the design and are to be disregarded when considering the overall impression of the design. The bottom view of the sphygmomanometer may or may not form part of the design.**



(21) Design Number: **11244/2005**

(22) Date of Filing Application: **29 March 2005**

(24) Date from which industrial property rights may have effect: **29 March 2005**

(54) Product in respect of which the design is registered: **Sphygmomanometer**

(51) International Design Classification: **24-02**

(71) Name(s) and Address(s) of Applicant(s):

Omron Healthcare Co., Ltd.

**24 Yamanouchi Yamanoshita-cho Ukyo-ky Kyoto-shi Kyoto 615-0084
Japan**

(72) Name(s) of Designer(s): **Kenji Eda and Takahide Tanaka and Yosuke Fujii and Tadashi Koike and Hiroya Nakanishi and So Noguchi and Kiyoshi Motomura**

(45) Registration Date: **31 August 2005**

(30) Convention priority data:

(31) Number	(32) Date	(33) Country
2004-029416	29 Sep 2004	JAPAN

(56) Related Art Documents: **Not Applicable**

(57) Statement of Newness and Distinctiveness: **Those visual features of the sphygmomanometer depicted in the representations that are new and distinctive are the shape and/or configuration. The features shown in Fig. 14 may or may not form part of the design.**



(21) Design Number: **11249/2005**
(22) Date of Filing Application: **29 March 2005**
(24) Date from which industrial property rights may have effect: **29 March 2005**
(54) Product in respect of which the design is registered: **Medicament holder**
(51) International Design Classification: **24-04**
(71) Name(s) and Address(s) of Applicant(s):

Cipla Limited
289 Bellasis Rd Mumbai Central Mumbai Mahashtra 400 008 India

(72) Name(s) of Designer(s): **Amar Lulla and Geena Malhotra**

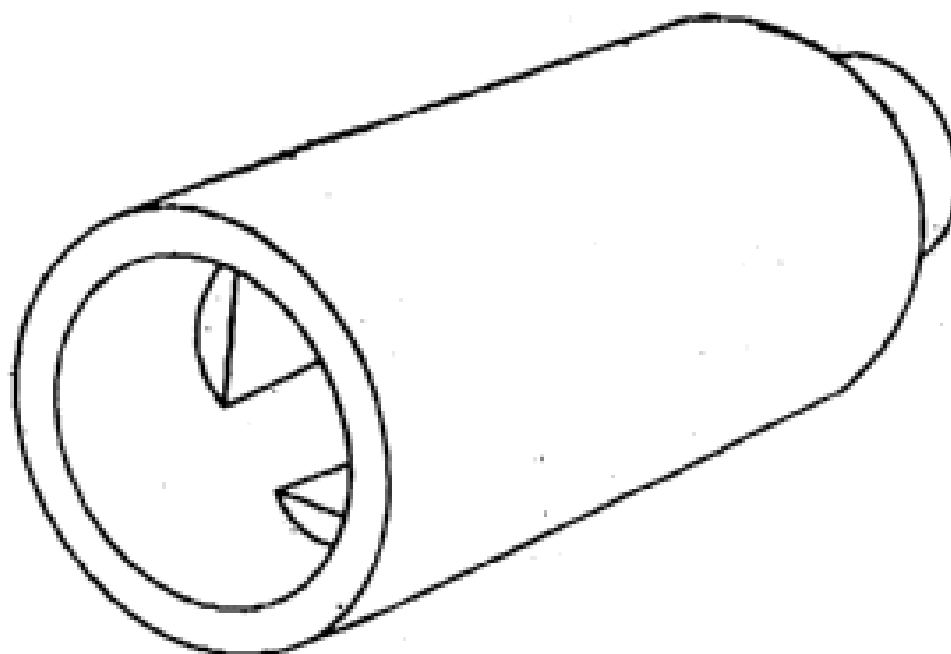
(45) Registration Date: **31 August 2005**

(30) Convention priority data:

(31) Number	(32) Date	(33) Country
197215	29 Sep 2004	INDIA

(56) Related Art Documents: **Not Applicable**

(57) Statement of Newness and Distinctiveness: **Newness and distinctiveness is claimed in the features of shape and/or configuration of a medicament holder as illustrated in the accompanying representations.**



(21) Design Number: **11257/2005**
(22) Date of Filing Application: **29 March 2005**
(24) Date from which industrial property rights may have effect: **29 March 2005**
(54) Product in respect of which the design is registered: **Pet chew**
(51) International Design Classification: **30-99**
(71) Name(s) and Address(s) of Applicant(s):

T.F.H. Publications Inc.
One T.F.H Plaza Third and Union Avenues Neptune City New Jersey
07753 United States of America

(72) Name(s) of Designer(s): **Glen S. Axelrod**

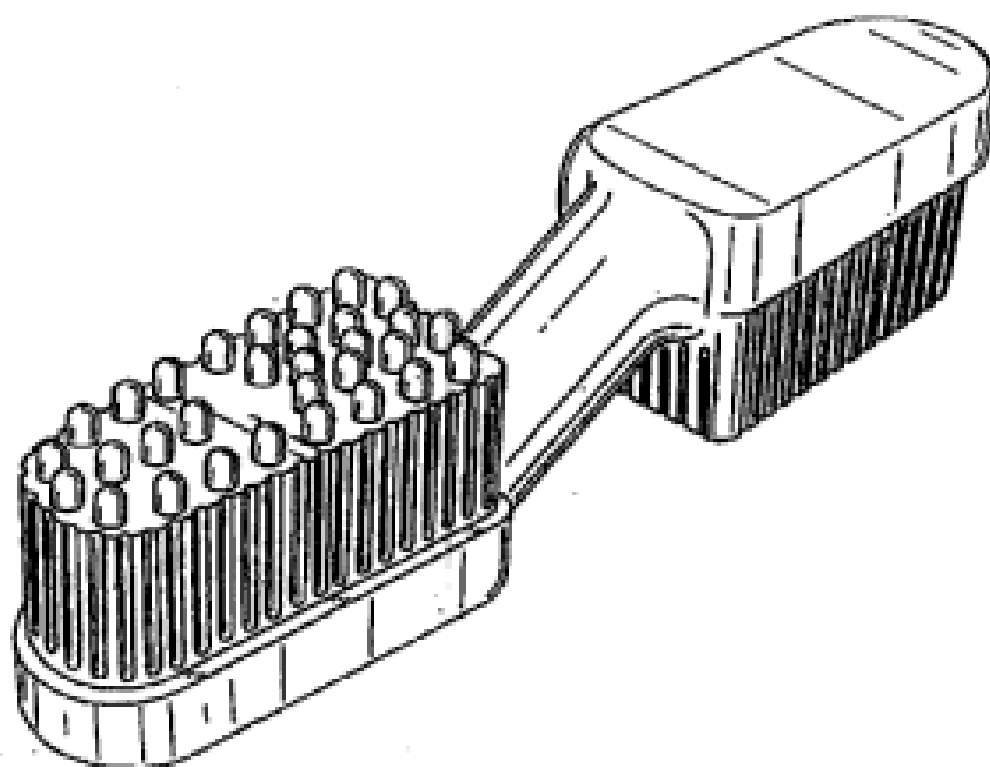
(45) Registration Date: **31 August 2005**

(30) Convention priority data:

(31) Number	(32) Date	(33) Country
29/214,226	29 Sep 2004	UNITED STATES OF AMERICA

(56) Related Art Documents: **Not Applicable**

(57) Statement of Newness and Distinctiveness: **Nil**



(21) Design Number: **14088/2004**

(22) Date of Filing Application: **25 August 2004**

(24) Date from which industrial property rights may have effect: **25 August 2004**

(54) Product in respect of which the design is registered: **Containers with lid**

(51) International Design Classification: **07-02N**

(71) Name(s) and Address(s) of Applicant(s):

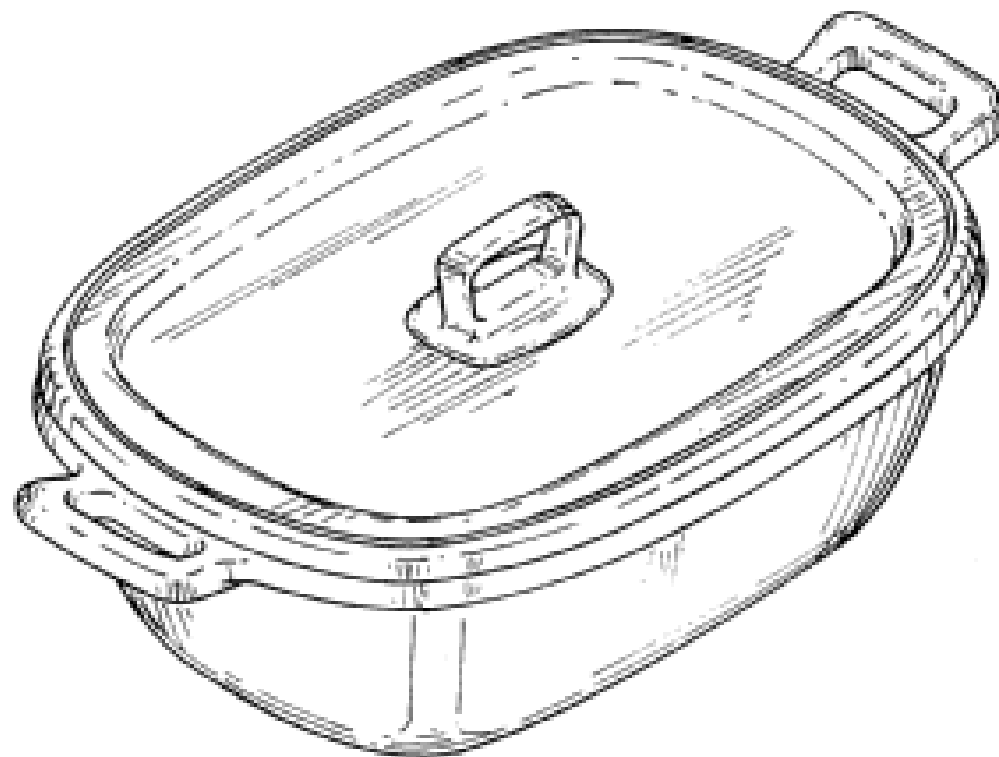
Star Maid International Pty Ltd
15 Bryants Road Dandenong Victoria 3175 Australia

(72) Name(s) of Designer(s): **Stuart Elford**

(45) Registration Date: **31 August 2005**

(56) Related Art Documents: **Not Applicable**

(57) Statement of Newness and Distinctiveness: **Newness and distinctiveness are claimed in the features of shape and/or configuration of a container with lid as illustrated in the accompanying representations.**



(21) Design Number: **14089/2004**

(22) Date of Filing Application: **25 August 2004**

(24) Date from which industrial property rights may have effect: **25 August 2004**

(54) Product in respect of which the design is registered: **Containers with lid**

(51) International Design Classification: **07-02N**

(71) Name(s) and Address(s) of Applicant(s):

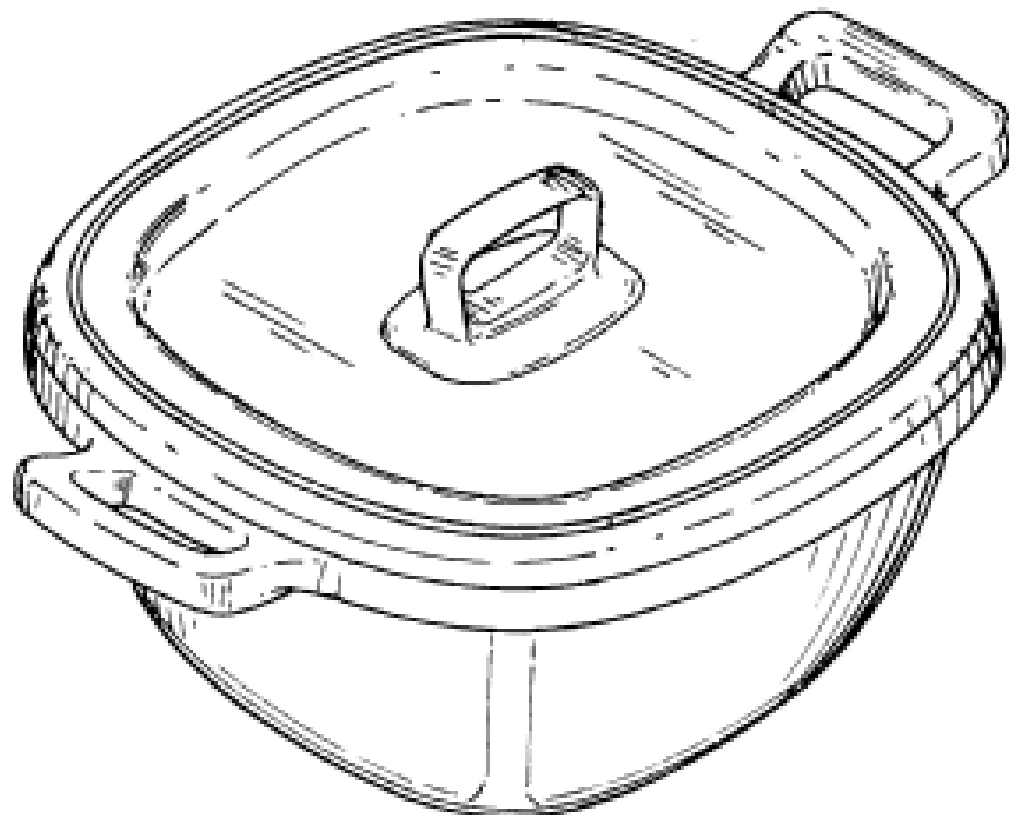
Star Maid International Pty Ltd
15 Bryants Road Dandenong Victoria 3175 Australia

(72) Name(s) of Designer(s): **Stuart Elford**

(45) Registration Date: **31 August 2005**

(56) Related Art Documents: **Not Applicable**

(57) Statement of Newness and Distinctiveness: **Newness and distinctiveness are claimed in the features of shape and/or configuration of a container with lid as illustrated in the accompanying representations.**



(21) Design Number: **14090/2004**

(22) Date of Filing Application: **25 August 2004**

(24) Date from which industrial property rights may have effect: **25 August 2004**

(54) Product in respect of which the design is registered: **Containers with lid**

(51) International Design Classification: **07-02N**

(71) Name(s) and Address(s) of Applicant(s):

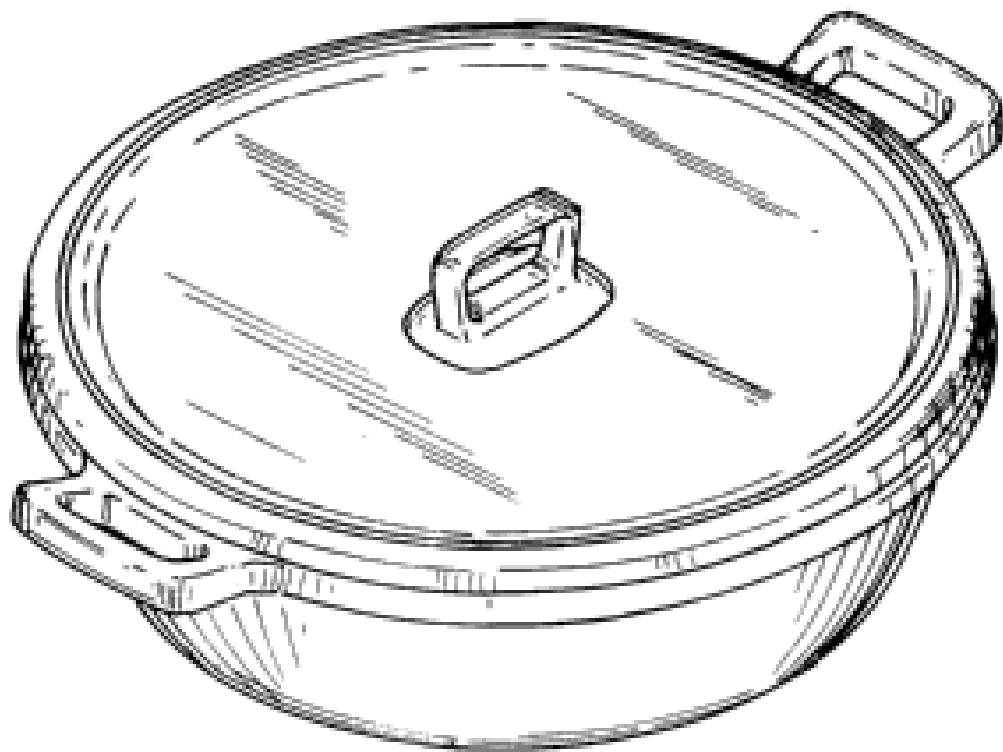
**Star Maid International Pty Ltd
15 Bryants Road Dandenong Victoria 3175 Australia**

(72) Name(s) of Designer(s): **Stuart Elford**

(45) Registration Date: **31 August 2005**

(56) Related Art Documents: **Not Applicable**

(57) Statement of Newness and Distinctiveness: **Newness and distinctiveness are claimed in the features of shape and/or configuration of a container with lid as illustrated in the accompanying representations.**



(21) Design Number: **14091/2004**

(22) Date of Filing Application: **25 August 2004**

(24) Date from which industrial property rights may have effect: **25 August 2004**

(54) Product in respect of which the design is registered: **Containers with Lid**

(51) International Design Classification: **07-02N**

(71) Name(s) and Address(s) of Applicant(s):

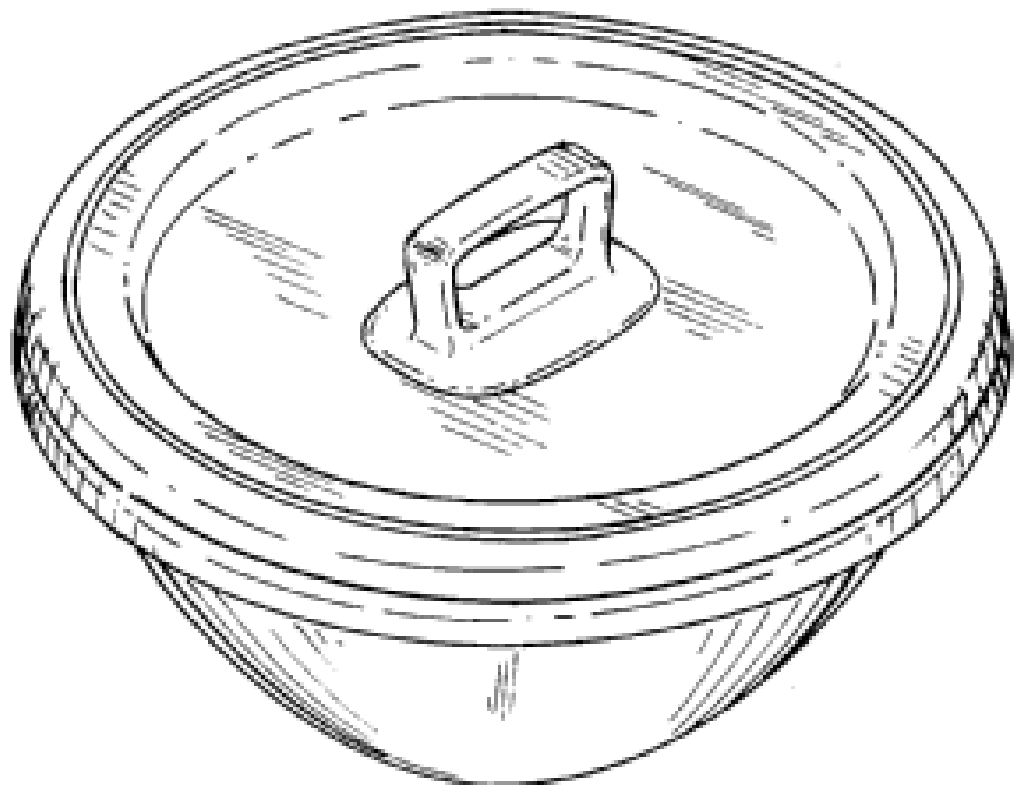
**Star Maid International Pty Ltd
15 Bryants Road Dandenong Victoria 3175 Australia**

(72) Name(s) of Designer(s): **Stuart Elford**

(45) Registration Date: **31 August 2005**

(56) Related Art Documents: **Not Applicable**

(57) Statement of Newness and Distinctiveness: **Newness and distinctiveness are claimed in the features of shape and/or configuration of a container with lid as illustrated in the accompanying representations.**



(21) Design Number: **10351/2005**

(22) Date of Filing Application: **31 January 2005**

(24) Date from which industrial property rights may have effect: **31 January 2005**

(54) Product in respect of which the design is registered: **Cleansing pad**

(51) International Design Classification: **28-03NES**

(71) Name(s) and Address(s) of Applicant(s):

The Procter & Gamble Company
One Procter & Gamble Plaza Cincinnati Ohio 45202 United States of America

(72) Name(s) of Designer(s): **Yamilca Del Garmen Thoms**

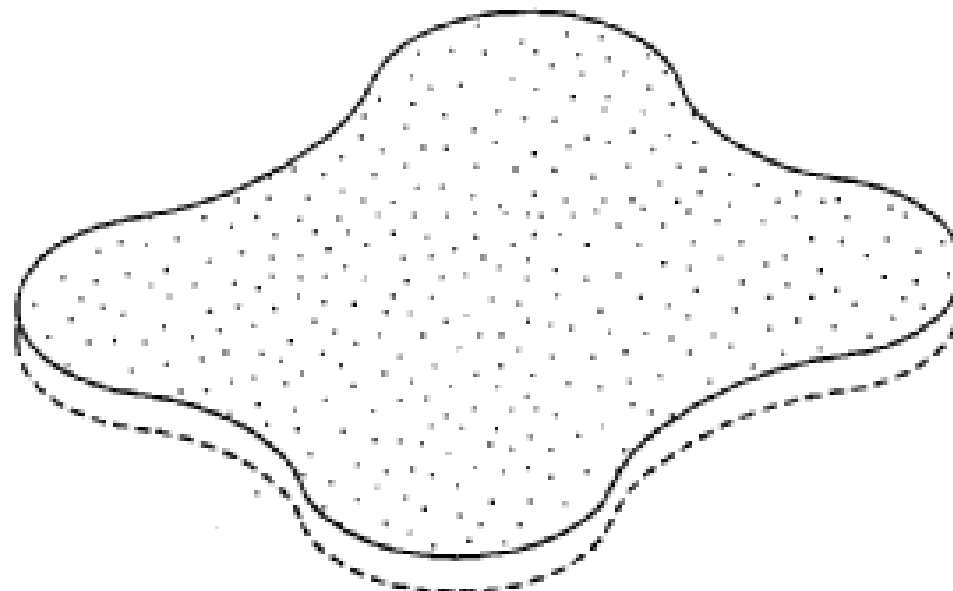
(45) Registration Date: **31 August 2005**

(30) Convention priority data:

(31) Number	(32) Date	(33) Country
29/210,766	05 Aug 2004	UNITED STATES OF AMERICA

(56) Related Art Documents: **Not Applicable**

(57) Statement of Newness and Distinctiveness: **Those visual features of the article for contacting surfaces depicted in continuous lines in the representations that are new and distinctive are the shape and/or configuration. The features shown in broken lines do not form part of the design and are to be disregarded when considering the overall impression of the design.**



(21) Design Number: **10987/2005**

(22) Date of Filing Application: **11 March 2005**

(24) Date from which industrial property rights may have effect: **11 March 2005**

(54) Product in respect of which the design is registered: **Tray**

(51) International Design Classification: **09-03F**

(71) Name(s) and Address(s) of Applicant(s):

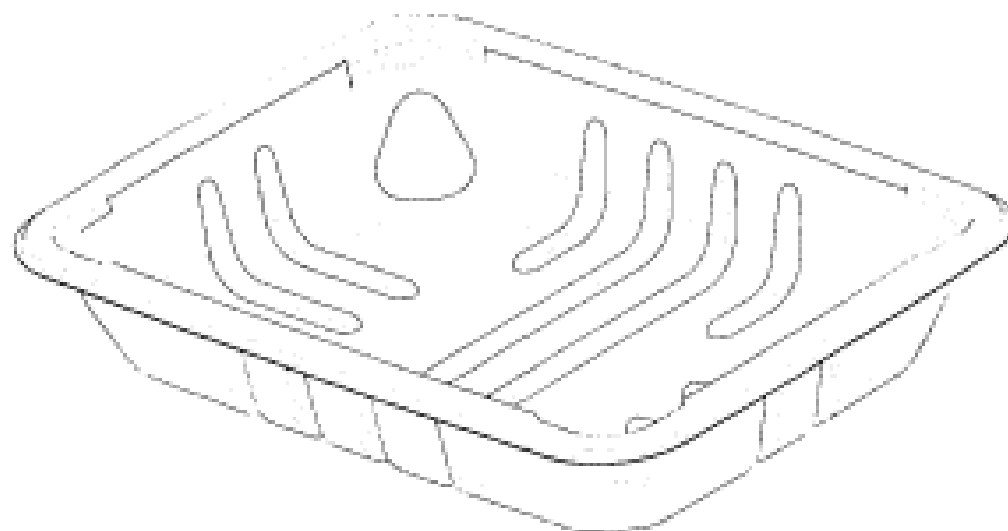
Cryovac Australia Pty Ltd
90 Keilor Park Drive Tullamarine Victoria 3043 Australia

(72) Name(s) of Designer(s): **Andrew Slodkiewicz and Michael Grima**

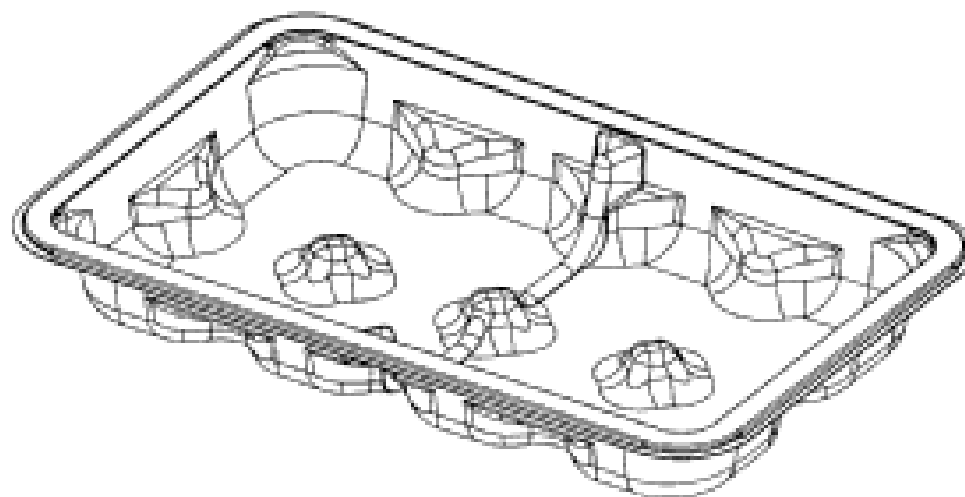
(45) Registration Date: **31 August 2005**

(56) Related Art Documents: **Not Applicable**

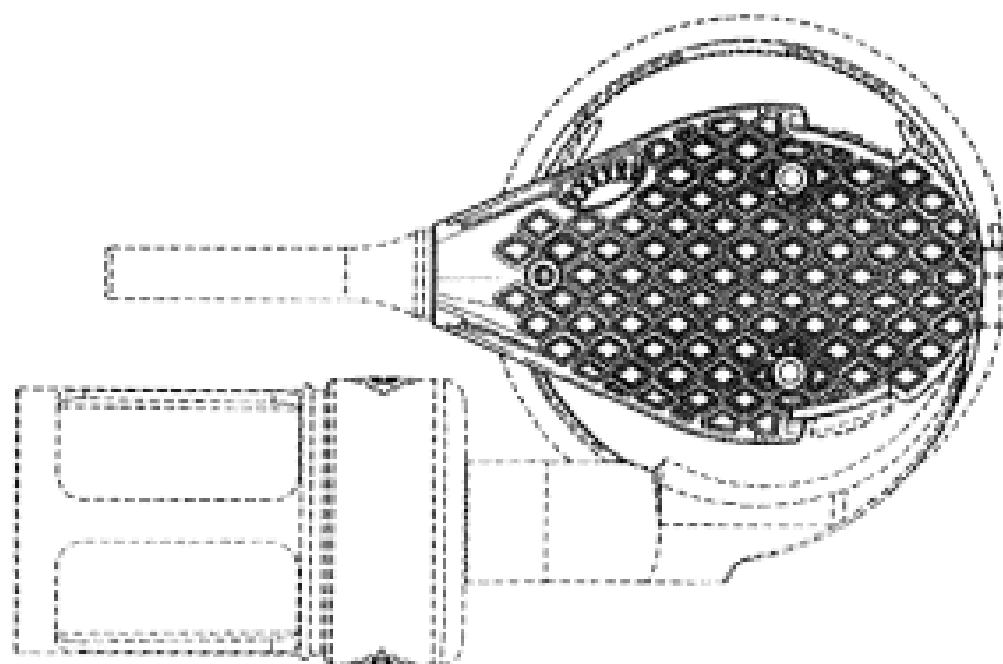
(57) Statement of Newness and Distinctiveness: **In considering the newness and distinctiveness of the design, regard is to be given to the overall shape and/or configuration of the design.**



- (21) Design Number: **10989/2005**
(22) Date of Filing Application: **11 March 2005**
(24) Date from which industrial property rights may have effect: **11 March 2005**
(54) Product in respect of which the design is registered: **Tray**
(51) International Design Classification: **09-03F**
(71) Name(s) and Address(s) of Applicant(s):
Cryovac Australia Pty Ltd
90 Keilor Park Drive Tullamarine Victoria 3043 Australia
(72) Name(s) of Designer(s): **Andrew Slodkiewicz**
(45) Registration Date: **31 August 2005**
(56) Related Art Documents: **Not Applicable**
(57) Statement of Newness and Distinctiveness: **In considering the newness and distinctiveness of the design, regard is to be given to the overall shape and/or configuration of the design.**



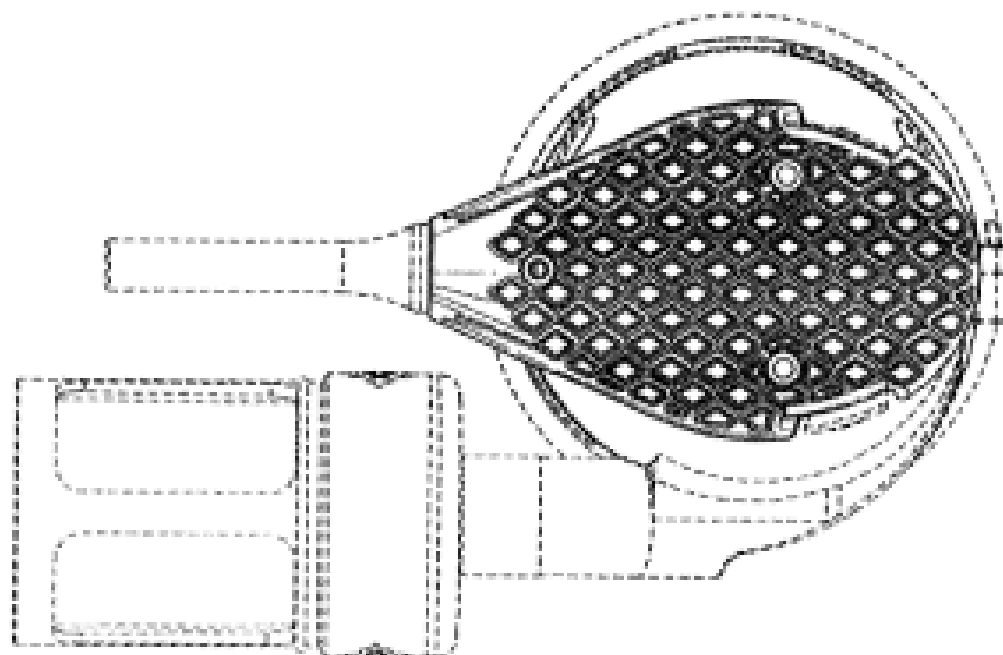
- (21) Design Number: **11228/2005**
(22) Date of Filing Application: **24 March 2005**
(24) Date from which industrial property rights may have effect: **24 March 2005**
(54) Product in respect of which the design is registered: **Overmold grip for a sander**
(51) International Design Classification: **08-05N**
(71) Name(s) and Address(s) of Applicant(s):
Techtronic Industries Co., Ltd
24/F CDW Building 388 Castle Peak Road Tsuen Wan New Territories Hong Kong
(72) Name(s) of Designer(s): **Russell C. Carlson and Daniel Alex Chunn and Ka Wai Chung**
(45) Registration Date: **31 August 2005**
(30) Convention priority data:
(31) Number (32) Date (33) Country
29/213904 24 Sep 2004 UNITED STATES OF AMERICA
(56) Related Art Documents: **Not Applicable**
(57) Statement of Newness and Distinctiveness: **Newness and distinctiveness is claimed in the ornamental design as shown in solid lines in the drawings. Any broken lines in the drawings are for illustrative purposes only and form no part of the claimed design.**



(19) AU

- (21) Design Number: **11229/2005**
- (22) Date of Filing Application: **24 March 2005**
- (24) Date from which industrial property rights may have effect: **24 March 2005**
- (54) Product in respect of which the design is registered: **Overmold grip for a sander**
- (51) International Design Classification: **08-05N**
- (71) Name(s) and Address(s) of Applicant(s):
Techtronic Industries Co., Ltd
24/F CDW Building 388 Castle Peak Road Tsuen Wan New Territories
Hong Kong
- (72) Name(s) of Designer(s): **Russell C. Carlson and Daniel Alex Chunn and Ka Wai Chung**
- (45) Registration Date: **31 August 2005**
- (30) Convention priority data:

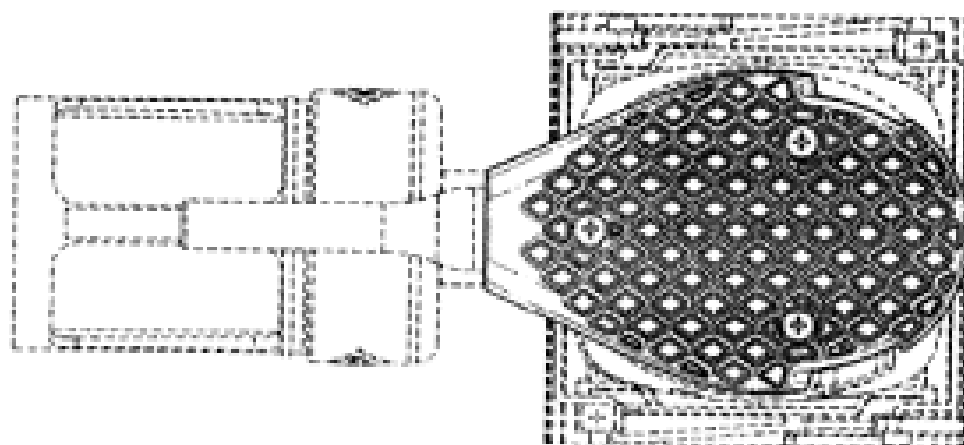
(31) Number	(32) Date	(33) Country
29/213904	24 Sep 2004	UNITED STATES OF AMERICA
- (56) Related Art Documents: **Not Applicable**
- (57) Statement of Newness and Distinctiveness: **Newness and distinctiveness is claimed in the ornamental design as shown in solid lines in the drawings. Any broken lines in the drawings are for illustrative purposes only and form no part of the claimed design.**



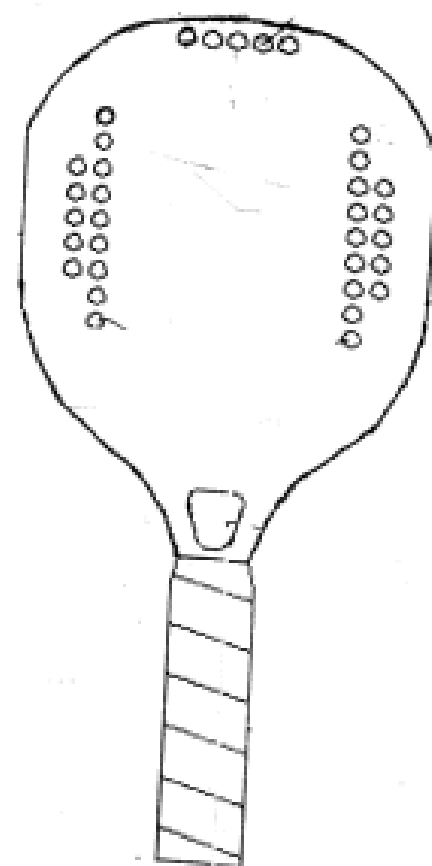
(19) AU

- (21) Design Number: **11230/2005**
- (22) Date of Filing Application: **24 March 2005**
- (24) Date from which industrial property rights may have effect: **24 March 2005**
- (54) Product in respect of which the design is registered: **Overmold grip for a sander**
- (51) International Design Classification: **08-05N**
- (71) Name(s) and Address(s) of Applicant(s):
Techtronic Industries Co., Ltd
24/F CDW Building 388 Castle Peak Road Tsuen Wan New Territories
Hong Kong
- (72) Name(s) of Designer(s): **Russell C. Carlson and Daniel Alex Chunn and Ka Wai Chung**
- (45) Registration Date: **31 August 2005**
- (30) Convention priority data:

(31) Number	(32) Date	(33) Country
29/213904	24 Sep 2004	UNITED STATES OF AMERICA
- (56) Related Art Documents: **Not Applicable**
- (57) Statement of Newness and Distinctiveness: **Newness and distinctiveness is claimed in the ornamental design as shown in solid lines in the drawings. Any broken lines in the drawings are for illustrative purposes only and form no part of the claimed design.**

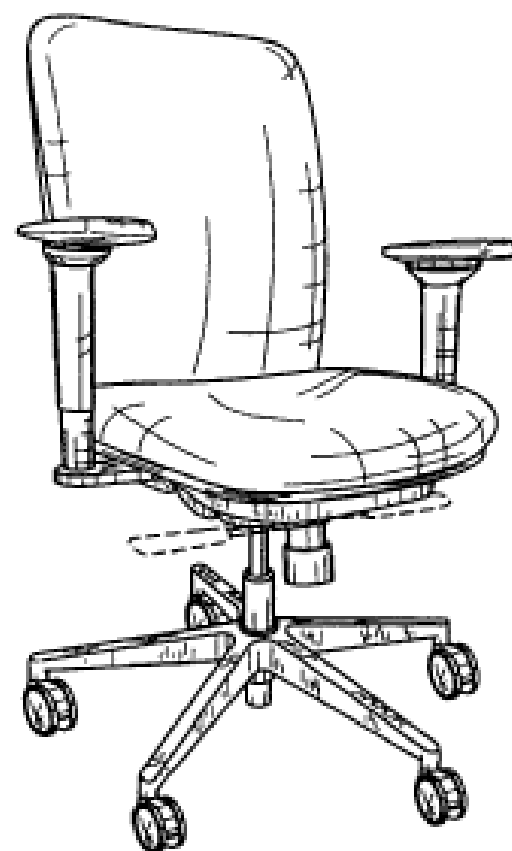


- (21) Design Number: **11290/2005**
- (22) Date of Filing Application: **30 March 2005**
- (24) Date from which industrial property rights may have effect: **30 March 2005**
- (54) Product in respect of which the design is registered: **Beach tennis racquet**
- (51) International Design Classification: **21-02B**
- (71) Name(s) and Address(s) of Applicant(s):
Recreational Equipment Pty Ltd
153 Farrell Street South Melbourne Victoria 3207 Australia
- (72) Name(s) of Designer(s): **Paul Mapley**
- (45) Registration Date: **31 August 2005**
- (56) Related Art Documents: **Not Applicable**
- (57) Statement of Newness and Distinctiveness: **Nil**

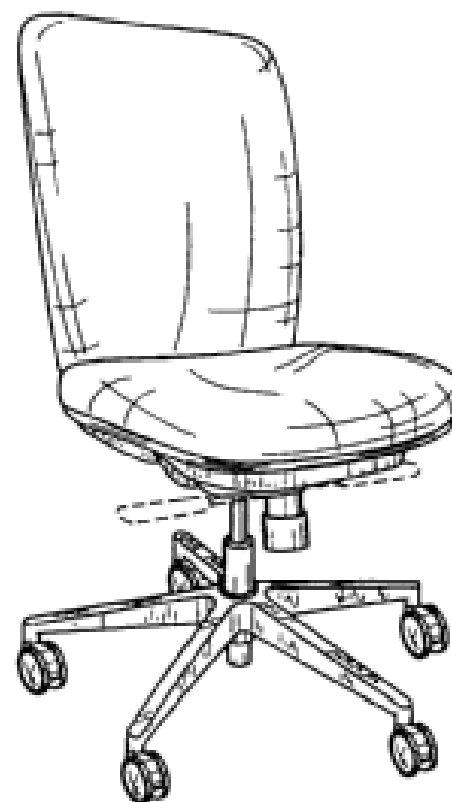


- (21) Design Number: **11302/2005**
- (22) Date of Filing Application: **31 March 2005**
- (24) Date from which industrial property rights may have effect: **31 March 2005**
- (54) Product in respect of which the design is registered: **Seating unit with arm rests**
- (51) International Design Classification: **06-01F**
- (71) Name(s) and Address(s) of Applicant(s):
Steelcase Development Corporation
6100 East Paris Caledonia Michigan 49316 United States of America
- (72) Name(s) of Designer(s): **Gardner Klaasen II and David Valdiserri and Kenneth Penning**
- (45) Registration Date: **31 August 2005**
- (30) Convention priority data:

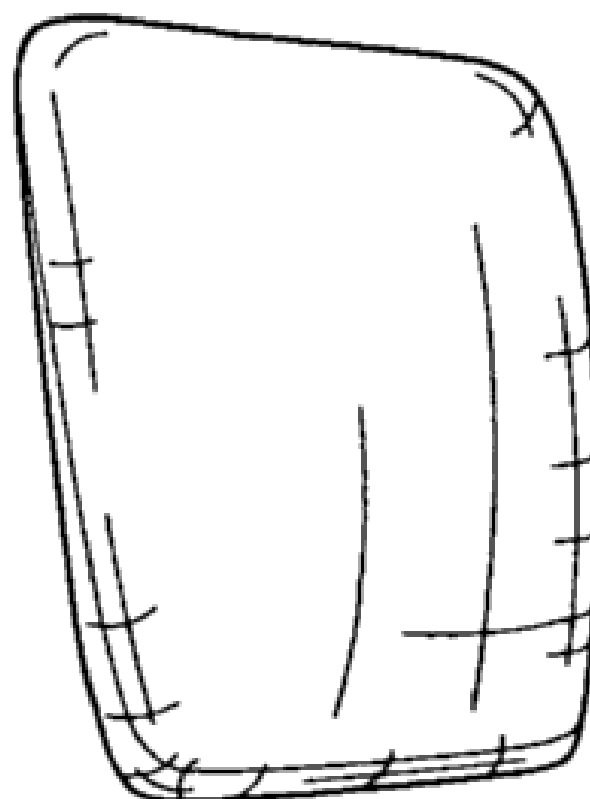
(31) Number	(32) Date	(33) Country
29/214,453	01 Oct 2004	UNITED STATES OF AMERICA
- (56) Related Art Documents: **Not Applicable**
- (57) Statement of Newness and Distinctiveness: **The shape and configuration of the product (other than those parts of the design shown by means of dashed lines) are new and distinctive.**



- (21) Design Number: **11303/2005**
(22) Date of Filing Application: **31 March 2005**
(24) Date from which industrial property rights may have effect: **31 March 2005**
(54) Product in respect of which the design is registered: **Seating unit without arms rests**
(51) International Design Classification: **06-01F**
(71) Name(s) and Address(s) of Applicant(s):
Steelcase Development Corporation
6100 East Paris Caledonia Michigan 49316 United States of America
(72) Name(s) of Designer(s): **Gardner Klaasen II and David Valdiserri and Kenneth Penning**
(45) Registration Date: **31 August 2005**
(30) Convention priority data:
(31) Number (32) Date (33) Country
29/214,453 01 Oct 2004 UNITED STATES OF AMERICA
(56) Related Art Documents: **Not Applicable**
(57) Statement of Newness and Distinctiveness: **The shape and configuration of the product (other than those parts of the design shown by means of dashed lines) are new and distinctive.**



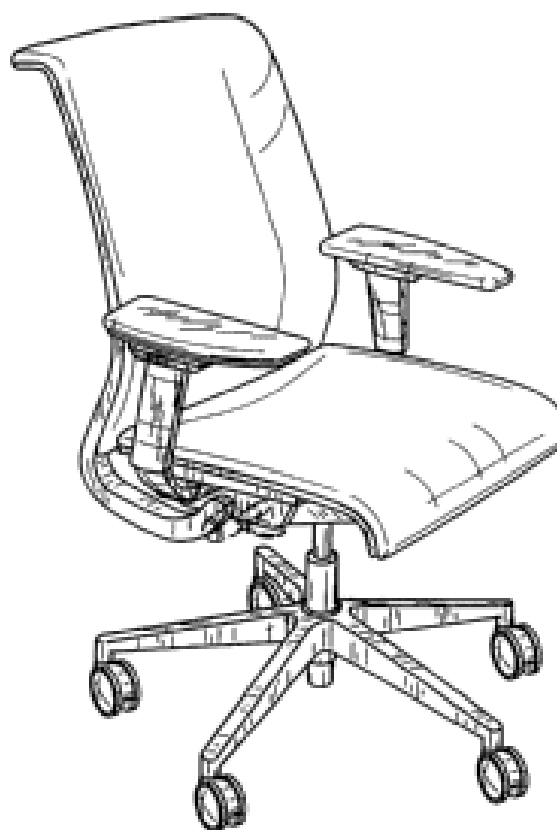
- (21) Design Number: **11304/2005**
(22) Date of Filing Application: **31 March 2005**
(24) Date from which industrial property rights may have effect: **31 March 2005**
(54) Product in respect of which the design is registered: **Back construction for a seating unit**
(51) International Design Classification: **06-06G**
(71) Name(s) and Address(s) of Applicant(s):
Steelcase Development Corporation
6100 East Paris Caledonia Michigan 49316 United States of America
(72) Name(s) of Designer(s): **Gardner Klaasen II and David Valdiserri and Kenneth Penning**
(45) Registration Date: **31 August 2005**
(30) Convention priority data:
(31) Number (32) Date (33) Country
29/214,453 01 Oct 2004 UNITED STATES OF AMERICA
(56) Related Art Documents: **Not Applicable**
(57) Statement of Newness and Distinctiveness: **Nil**



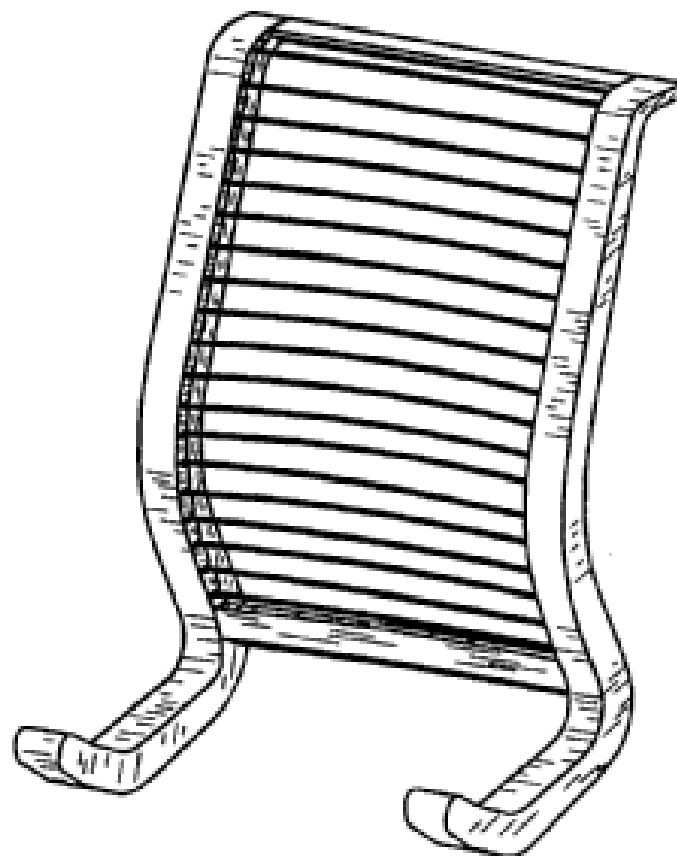
- (21) Design Number: **11305/2005**
(22) Date of Filing Application: **31 March 2005**
(24) Date from which industrial property rights may have effect: **03 March 2004**
(54) Product in respect of which the design is registered: **Seating unit**
(51) International Design Classification: **06-01F**
(71) Name(s) and Address(s) of Applicant(s):
Steelcase Development Corporation
6100 East Paris Caledonia Michigan 49316 United States of America
(72) Name(s) of Designer(s): **Glen Oliver Loew and Kurt R. Heidmann and Bruce M. Smith**
(45) Registration Date: **31 August 2005**
(62) Divisional of: **157947**
(56) Related Art Documents: **Not Applicable**
(57) Statement of Newness and Distinctiveness: **The shape, configuration, pattern and ornamentation of the product (other than those parts of the design shown by means of dashed lines) are new and distinctive.**



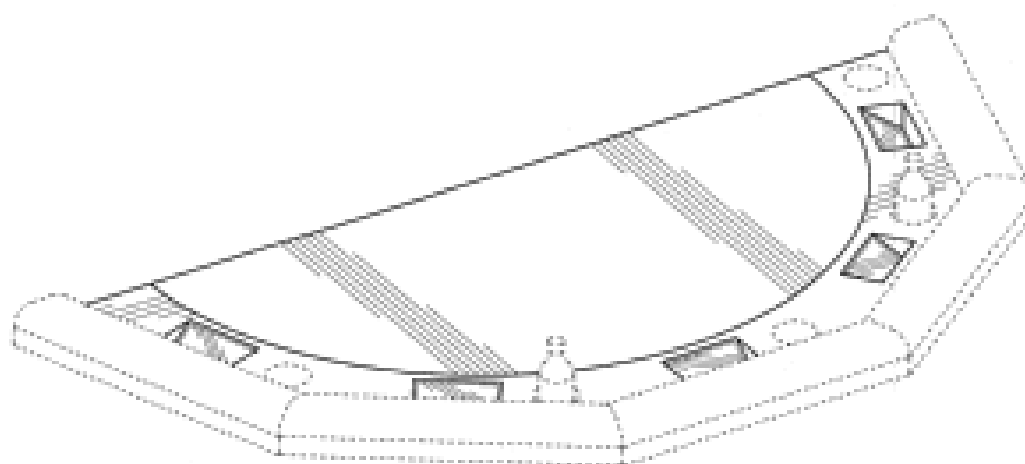
- (21) Design Number: **11306/2005**
(22) Date of Filing Application: **31 March 2005**
(24) Date from which industrial property rights may have effect: **03 March 2004**
(54) Product in respect of which the design is registered: **Seating unit**
(51) International Design Classification: **06-01F**
(71) Name(s) and Address(s) of Applicant(s):
Steelcase Development Corporation
6100 East Paris Caledonia Michigan 49316 United States of America
(72) Name(s) of Designer(s): **Glen Oliver Loew and Kurt R. Heidmann and Bruce M. Smith**
(45) Registration Date: **31 August 2005**
(62) Divisional of: **157947**
(56) Related Art Documents: **Not Applicable**
(57) Statement of Newness and Distinctiveness: **The shape, configuration, pattern and ornamentation of the product (other than those parts of the design shown by means of dashed lines) are new and distinctive.**



- (21) Design Number: **11307/2005**
(22) Date of Filing Application: **31 March 2005**
(24) Date from which industrial property rights may have effect: **03 March 2004**
(54) Product in respect of which the design is registered: **Back construction for a seating unit**
(51) International Design Classification: **06-06G**
(71) Name(s) and Address(s) of Applicant(s):
Steelcase Development Corporation
6100 East Paris Caledonia Michigan 49316 United States of America
(72) Name(s) of Designer(s): **Glen Oliver Loew and Kurt R. Heidmann and Bruce M. Smith**
(45) Registration Date: **31 August 2005**
(62) Divisional of: **157947**
(56) Related Art Documents: **Not Applicable**
(57) Statement of Newness and Distinctiveness: **Nil**



- (21) Design Number: **11310/2005**
(22) Date of Filing Application: **31 March 2005**
(24) Date from which industrial property rights may have effect: **31 March 2005**
(54) Product in respect of which the design is registered: **Personal table game kiosk**
(51) International Design Classification: **06-03D**
(71) Name(s) and Address(s) of Applicant(s):
Acres Gaming, Inc.
7115 Amigo Street Suite 150 Las Vegas Nevada 89119 United States of America
(72) Name(s) of Designer(s): **Richard E. Rowe and Scott A. Boyd and Kevan Wilkins**
(45) Registration Date: **31 August 2005**
(30) Convention priority data:
(31) Number (32) Date (33) Country
29/214,417 01 Oct 2004 UNITED STATES OF AMERICA
(56) Related Art Documents: **Not Applicable**
(57) Statement of Newness and Distinctiveness: **The player bumper, drink containers, drink container holders, and the outer edge of the personal table game kiosk, that are shown in broken lines in the accompanying representations, are not part of the design.**



(21) Design Number: **11311/2005**

(22) Date of Filing Application: **01 April 2005**

(24) Date from which industrial property rights may have effect: **01 April 2005**

(54) Product in respect of which the design is registered: **A power drill**

(51) International Design Classification: **08-01**

(71) Name(s) and Address(s) of Applicant(s):

GMCA Pty Ltd

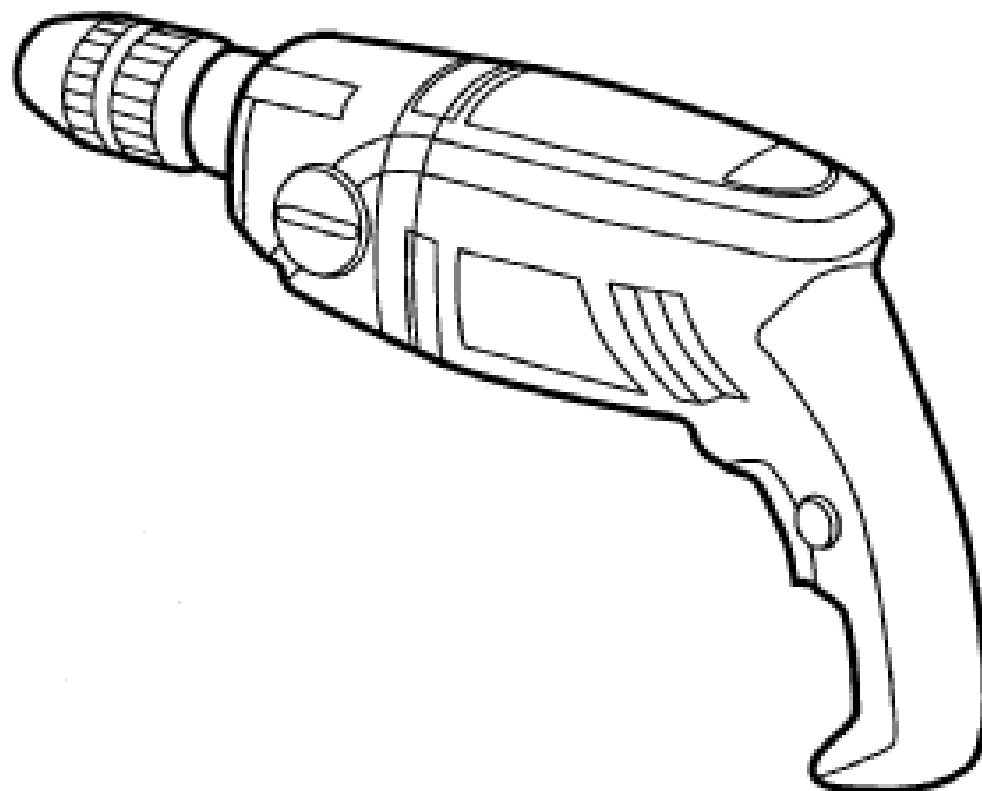
45-55 South Centre Road Melbourne Airport Victoria 3045 Australia

(72) Name(s) of Designer(s): **Michael Waldron**

(45) Registration Date: **31 August 2005**

(56) Related Art Documents: **Not Applicable**

(57) Statement of Newness and Distinctiveness: **Newness and distinctiveness resides in the shape and configuration of a power drill as shown in the accompanying representations.**



(21) Design Number: **11312/2005**

(22) Date of Filing Application: **01 April 2005**

(24) Date from which industrial property rights may have effect: **01 April 2005**

(54) Product in respect of which the design is registered: **A power drill**

(51) International Design Classification: **08-01**

(71) Name(s) and Address(s) of Applicant(s):

GMCA Pty Ltd

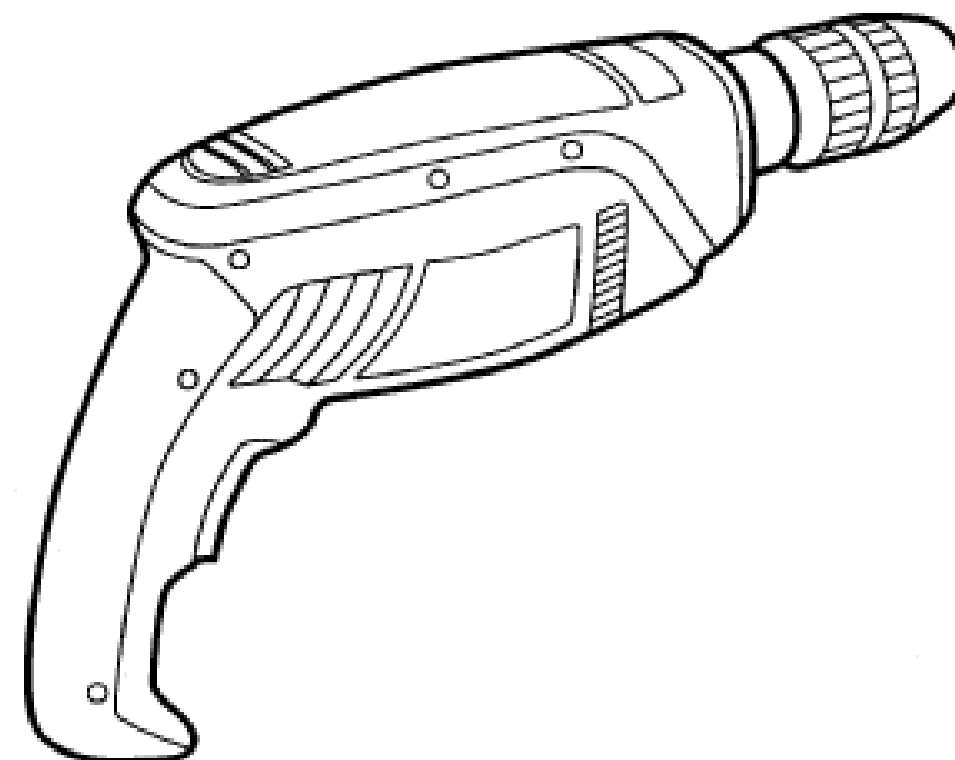
45-55 South Centre Road Melbourne Airport Victoria 3045 Australia

(72) Name(s) of Designer(s): **Michael Waldron**

(45) Registration Date: **31 August 2005**

(56) Related Art Documents: **Not Applicable**

(57) Statement of Newness and Distinctiveness: **Newness and distinctiveness resides in the shape and configuration of a power drill as shown in the accompanying representations.**



(21) Design Number: **13852/2004**

(22) Date of Filing Application: **12 August 2004**

(24) Date from which industrial property rights may have effect: **12 August 2004**

(54) Product in respect of which the design is registered: **A wheelchair**

(51) International Design Classification: **12-12**

(71) Name(s) and Address(s) of Applicant(s):

Invacare (UK) Limited
South Road Bridgend Industrial Estate Bridgend Wales CF31 3PY
United Kingdom

(72) Name(s) of Designer(s): **Huw Edward Thomas and Robert Joseph Walsh**

(45) Registration Date: **01 September 2005**

(56) Related Art Documents: **Not Applicable**

(57) Statement of Newness and Distinctiveness: **Nil**



(21) Design Number: **15657/2004**

(22) Date of Filing Application: **07 December 2004**

(24) Date from which industrial property rights may have effect: **07 December 2004**

(54) Product in respect of which the design is registered: **Seat**

(51) International Design Classification: **06-01D**

(71) Name(s) and Address(s) of Applicant(s):

UES (Int'l) Pty Ltd
2/42 Birnie Avenue Lidcombe New South Wales 2141 Australia

(72) Name(s) of Designer(s): **Johan Naess**

(45) Registration Date: **01 September 2005**

(56) Related Art Documents: **Not Applicable**

(57) Statement of Newness and Distinctiveness: **Nil**



(21) Design Number: **16059/2004**

(22) Date of Filing Application: **07 December 2004**

(24) Date from which industrial property rights may have effect: **07 December 2004**

(54) Product in respect of which the design is registered: **Seat**

(51) International Design Classification: **06-01D**

(71) Name(s) and Address(s) of Applicant(s):

UES (Int'l) Pty Ltd

2/42 Birnie Avenue Lidcombe New South Wales 2141 Australia

(72) Name(s) of Designer(s): **Johan Naess**

(45) Registration Date: **01 September 2005**

(56) Related Art Documents: **Not Applicable**

(57) Statement of Newness and Distinctiveness: **Nil**



(21) Design Number: **16060/2004**

(22) Date of Filing Application: **07 December 2004**

(24) Date from which industrial property rights may have effect: **07 December 2004**

(54) Product in respect of which the design is registered: **Seat**

(51) International Design Classification: **06-01D**

(71) Name(s) and Address(s) of Applicant(s):

UES (Int'l) Pty Ltd

2/42 Birnie Avenue Lidcombe New South Wales 2141 Australia

(72) Name(s) of Designer(s): **Johan Naess**

(45) Registration Date: **01 September 2005**

(56) Related Art Documents: **Not Applicable**

(57) Statement of Newness and Distinctiveness: **Nil**



- (21) Design Number: **16061/2004**
(22) Date of Filing Application: **07 December 2004**
(24) Date from which industrial property rights may have effect: **07 December 2004**
(54) Product in respect of which the design is registered: **Seat**
(51) International Design Classification: **06-01D**
(71) Name(s) and Address(s) of Applicant(s):
UES (Int'l) Pty Ltd
2/42 Birnie Avenue Lidcombe New South Wales 2141 Australia
(72) Name(s) of Designer(s): **Johan Naess**
(45) Registration Date: **01 September 2005**
(56) Related Art Documents: **Not Applicable**
(57) Statement of Newness and Distinctiveness: **Nil**



- (21) Design Number: **16062/2004**
(22) Date of Filing Application: **07 December 2004**
(24) Date from which industrial property rights may have effect: **07 December 2004**
(54) Product in respect of which the design is registered: **Seat**
(51) International Design Classification: **06-01D**
(71) Name(s) and Address(s) of Applicant(s):
UES (Int'l) Pty Ltd
2/42 Birnie Avenue Lidcombe New South Wales 2141 Australia
(72) Name(s) of Designer(s): **Johan Naess**
(45) Registration Date: **01 September 2005**
(56) Related Art Documents: **Not Applicable**
(57) Statement of Newness and Distinctiveness: **Nil**



- (21) Design Number: **10011/2005**
(22) Date of Filing Application: **04 January 2005**
(24) Date from which industrial property rights may have effect: **04 January 2005**
(54) Product in respect of which the design is registered: **A front fender with fairing for a motorcycle**
(51) International Design Classification: **12-11**
(71) Name(s) and Address(s) of Applicant(s):
Honda Motor Co. Ltd
1-1 Minami-Aoyama 2-Chome Minato-ku Tokyo Japan
(72) Name(s) of Designer(s): **Yoshiyuki Ishiguri and Hiroki Sakata**
(45) Registration Date: **01 September 2005**
(30) Convention priority data:
(31) Number (32) Date (33) Country
2004-20150 05 Jul 2004 JAPAN
(56) Related Art Documents: **Not Applicable**
(57) Statement of Newness and Distinctiveness: **Newness and distinctiveness is claimed in the features of shape and/or configuration of a front fender with fairing for a motorcycle as illustrated in the accompanying representations.**



- (21) Design Number: **10012/2005**
(22) Date of Filing Application: **04 January 2005**
(24) Date from which industrial property rights may have effect: **04 January 2005**
(54) Product in respect of which the design is registered: **A motorcycle**
(51) International Design Classification: **12-11**
(71) Name(s) and Address(s) of Applicant(s):
Honda Motor Co. Ltd
1-1 Minami-Aoyama 2-Chome Minato-ku Tokyo Japan
(72) Name(s) of Designer(s): **Toshiaki Kishi and Yoshiyuki Ishiguri**
(45) Registration Date: **01 September 2005**
(30) Convention priority data:
(31) Number (32) Date (33) Country
2004-20144 05 Jul 2004 JAPAN
(56) Related Art Documents: **Not Applicable**
(57) Statement of Newness and Distinctiveness: **Newness and distinctiveness is claimed in the features of shape and/or configuration of a motorcycle as illustrated in the accompanying representations.**



(19) AU

- (21) Design Number: **10017/2005**
(22) Date of Filing Application: **05 January 2005**
(24) Date from which industrial property rights may have effect: **05 January 2005**
(54) Product in respect of which the design is registered: **A fuel tank cover for a motorcycle**
(51) International Design Classification: **12-11**
(71) Name(s) and Address(s) of Applicant(s):
Honda Motor Co. Ltd
1-1 Minami-Aoyama 2-Chome Minato-ku Tokyo Japan
(72) Name(s) of Designer(s): **Toshiaki Kishi and Yoshiyuki Ishiguri**
(45) Registration Date: **01 September 2005**
(30) Convention priority data:
(31) Number (32) Date (33) Country
2004-20147 05 Jul 2004 JAPAN
(56) Related Art Documents: **Not Applicable**
(57) Statement of Newness and Distinctiveness: **Newness and distinctiveness is claimed in the features of shape and/or configuration of a fuel tank cover for a motorcycle as illustrated in the accompanying representations.**

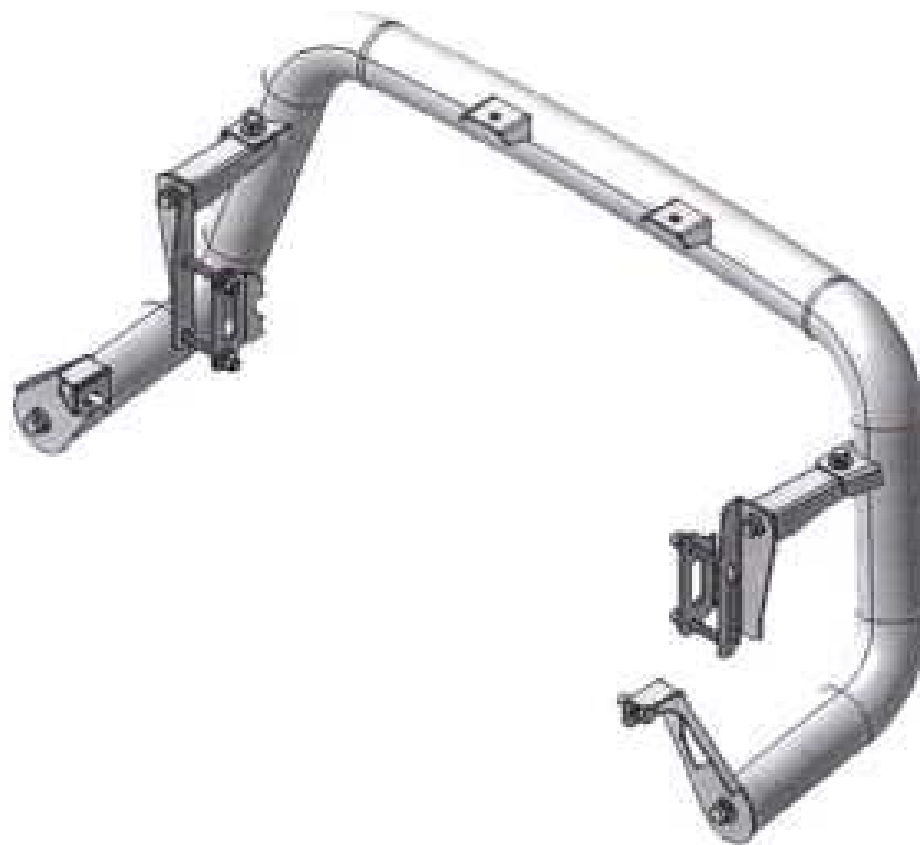


(19) AU

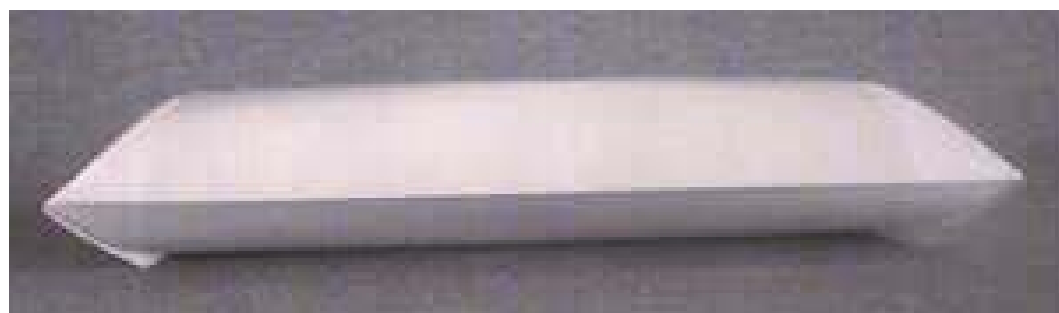
- (21) Design Number: **10018/2005**
(22) Date of Filing Application: **05 January 2005**
(24) Date from which industrial property rights may have effect: **05 January 2005**
(54) Product in respect of which the design is registered: **Tablet**
(51) International Design Classification: **28-01**
(71) Name(s) and Address(s) of Applicant(s):
Reckitt Benckiser Healthcare (UK) Limited
103-105 Bath Road Slough Berkshire SL1 3UH United Kingdom
(72) Name(s) of Designer(s): **Douglas Banning and Alistair Campbell and Ian Gordon Jolliffe**
(45) Registration Date: **01 September 2005**
(30) Convention priority data:
(31) Number (32) Date (33) Country
000203310 15 Jul 2004 EUROPEAN COMMUNITY
(56) Related Art Documents: **Not Applicable**
(57) Statement of Newness and Distinctiveness: **Each feature of the design considered separately or in combination with any other feature or features.**



- (21) Design Number: **10021/2005**
(22) Date of Filing Application: **05 January 2005**
(24) Date from which industrial property rights may have effect: **05 January 2005**
(54) Product in respect of which the design is registered: **Bumper bar for an automobile**
(51) International Design Classification: **12-16C**
(71) Name(s) and Address(s) of Applicant(s):
Toyota Motor Corporation Australia Limited
155 Bertie Street Port Melbourne Victoria 3207 Australia
(72) Name(s) of Designer(s): **Chris Howe and John Martin**
(45) Registration Date: **01 September 2005**
(56) Related Art Documents: **Not Applicable**
(57) Statement of Newness and Distinctiveness: **Nil**



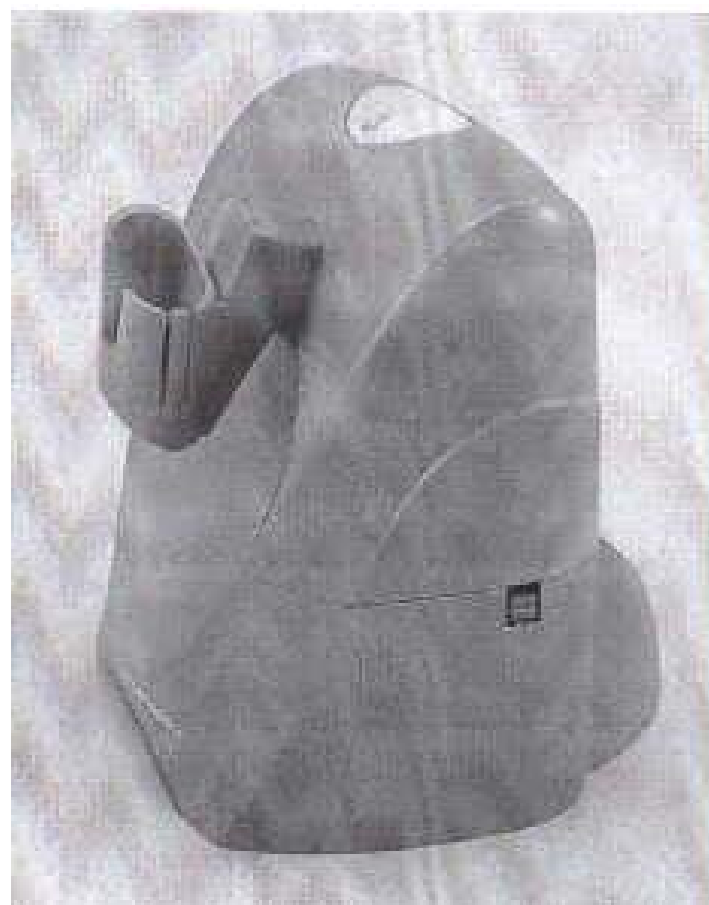
- (21) Design Number: **10053/2005**
(22) Date of Filing Application: **12 January 2005**
(24) Date from which industrial property rights may have effect: **12 January 2005**
(54) Product in respect of which the design is registered: **Box packaging**
(51) International Design Classification: **09-03NES**
(71) Name(s) and Address(s) of Applicant(s):
Elisabeth Schirmer
700 Dalwood Road Dalwood New South Wales 2335 Australia
(72) Name(s) of Designer(s): **Elisabeth Schirmer**
(45) Registration Date: **01 September 2005**
(56) Related Art Documents: **Not Applicable**
(57) Statement of Newness and Distinctiveness: **The distinctive features of the design are the provision of a transparent sleeve on one surface of the box for receiving advertising or content details. The design also features extended flaps on both ends of the box to prevent the curved shape rocking when placed on a flat surface.**



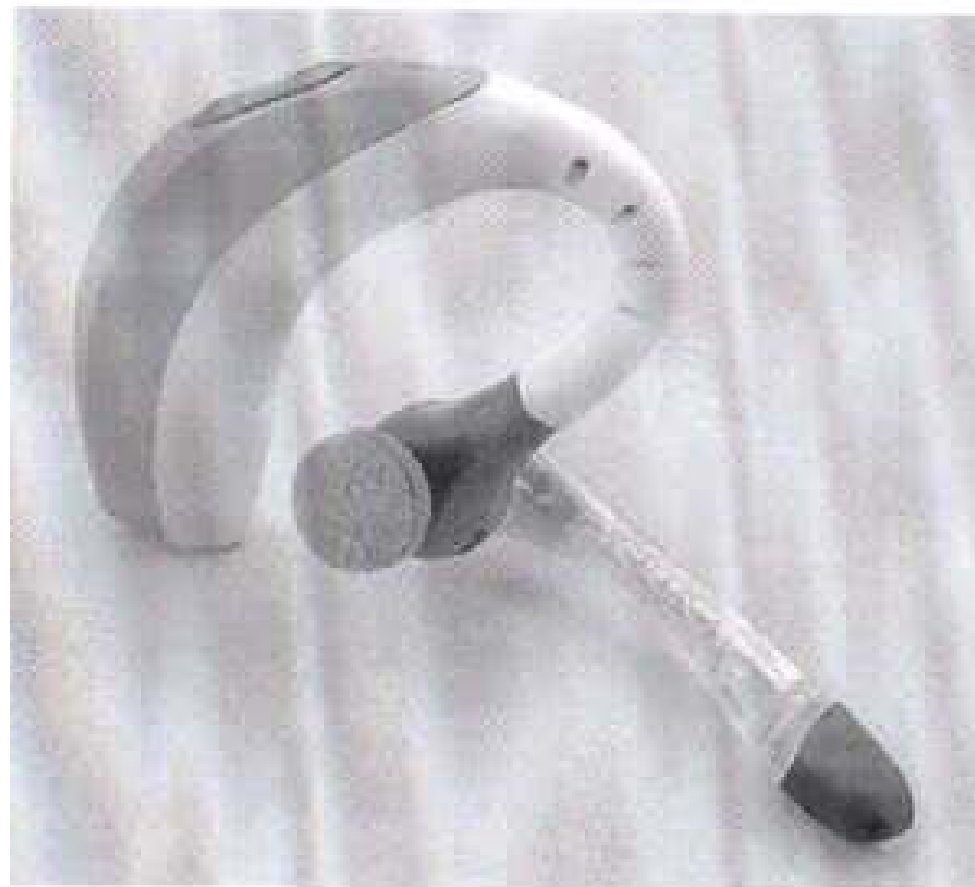
- (21) Design Number: **10064/2005**
(22) Date of Filing Application: **11 January 2005**
(24) Date from which industrial property rights may have effect: **11 January 2005**
(54) Product in respect of which the design is registered: **Rowing scull**
(51) International Design Classification: **12-06C**
(71) Name(s) and Address(s) of Applicant(s):
Kenneth Alexander Edwards
3 Jarvis Street O'Connor Western Australia 6163 Australia
(72) Name(s) of Designer(s): **Kenneth Alexander Edwards**
(45) Registration Date: **01 September 2005**
(56) Related Art Documents: **Not Applicable**
(57) Statement of Newness and Distinctiveness: **The shape and configuration of the boat hull, rigger, fins, footrest and stabilisers are all new and unique.**



- (21) Design Number: **10097/2005**
(22) Date of Filing Application: **12 January 2005**
(24) Date from which industrial property rights may have effect: **12 January 2005**
(54) Product in respect of which the design is registered: **Base cradle for communications headset**
(51) International Design Classification: **13-02, 14-01**
(71) Name(s) and Address(s) of Applicant(s):
Plantronics Inc.
345 Encinal Street Santa Cruz California 95060 United States of America
(72) Name(s) of Designer(s): **Soohyun Ham**
(45) Registration Date: **01 September 2005**
(30) Convention priority data:
(31) Number (32) Date (33) Country
29/212860 08 Sep 2004 UNITED STATES OF AMERICA
(56) Related Art Documents: **Not Applicable**
(57) Statement of Newness and Distinctiveness: **Newness and distinctiveness resides in the shape and/or configuration of the base cradle for communications headset as shown in the accompanying representations.**



- (21) Design Number: **10098/2005**
(22) Date of Filing Application: **12 January 2005**
(24) Date from which industrial property rights may have effect: **12 January 2005**
(54) Product in respect of which the design is registered: **Communications headset**
(51) International Design Classification: **14-01**
(71) Name(s) and Address(s) of Applicant(s):
Plantronics Inc.
345 Encinal Street Santa Cruz California 95060 United States of America
(72) Name(s) of Designer(s): **Soo Hyun Ham**
(45) Registration Date: **01 September 2005**
(30) Convention priority data:
(31) Number (32) Date (33) Country
29/212885 08 Sep 2004 UNITED STATES OF AMERICA
(56) Related Art Documents: **Not Applicable**
(57) Statement of Newness and Distinctiveness: **Newness and distinctiveness resides in the shape and/or configuration of the communications headset as shown in the accompanying representations.**



- (21) Design Number: **10106/2005**
(22) Date of Filing Application: **13 January 2005**
(24) Date from which industrial property rights may have effect: **13 January 2005**
(54) Product in respect of which the design is registered: **Iron**
(51) International Design Classification: **07-05A**
(71) Name(s) and Address(s) of Applicant(s):
Kenwood Marks Limited
New Lane Havant Hampshire PO9 2NH England
(72) Name(s) of Designer(s): **Jamie Weadon**
(45) Registration Date: **01 September 2005**
(30) Convention priority data:
(31) Number (32) Date (33) Country
000204177 21 Jul 2004 EUROPEAN COMMUNITY
(56) Related Art Documents: **Not Applicable**
(57) Statement of Newness and Distinctiveness: **Nil**



(21) Design Number: **10107/2005**
(22) Date of Filing Application: **13 January 2005**
(24) Date from which industrial property rights may have effect: **13 January 2005**
(54) Product in respect of which the design is registered: **Steam generator**
(51) International Design Classification: **07-05NES**
(71) Name(s) and Address(s) of Applicant(s):
Kenwood Marks Limited
New Lane Havant Hampshire PO9 2NH England
(72) Name(s) of Designer(s): **Jamie Weadon**
(45) Registration Date: **01 September 2005**
(30) Convention priority data:
(31) Number (32) Date (33) Country
000204177 21 Jul 2004 EUROPEAN COMMUNITY
(56) Related Art Documents: **Not Applicable**
(57) Statement of Newness and Distinctiveness: **Nil**



(21) Design Number: **10108/2005**
(22) Date of Filing Application: **13 January 2005**
(24) Date from which industrial property rights may have effect: **13 January 2005**
(54) Product in respect of which the design is registered: **Steam generator**
(51) International Design Classification: **07-05NES**
(71) Name(s) and Address(s) of Applicant(s):
Kenwood Marks Limited
New Lane Havant Hampshire PO9 2NH England
(72) Name(s) of Designer(s): **Jamie Weadon**
(45) Registration Date: **01 September 2005**
(30) Convention priority data:
(31) Number (32) Date (33) Country
000204177 21 Jul 2004 EUROPEAN COMMUNITY
(56) Related Art Documents: **Not Applicable**
(57) Statement of Newness and Distinctiveness: **Nil**



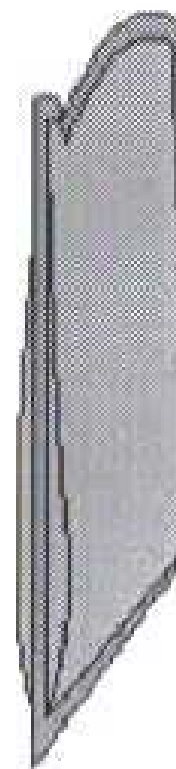
(21) Design Number: **10255/2005**
(22) Date of Filing Application: **25 January 2005**
(24) Date from which industrial property rights may have effect: **25 January 2005**
(54) Product in respect of which the design is registered: **Hat**
(51) International Design Classification: **02-03**
(71) Name(s) and Address(s) of Applicant(s):
Au Wing Kwong
Unit 3 68 Grey Street Bassendean Western Australia 6054 Australia
(72) Name(s) of Designer(s): **Au Wing Kwong**
(45) Registration Date: **01 September 2005**
(56) Related Art Documents: **Not Applicable**
(57) Statement of Newness and Distinctiveness: **The new shape and configuration of a hat.**



(21) Design Number: **10257/2005**
(22) Date of Filing Application: **24 January 2005**
(24) Date from which industrial property rights may have effect: **24 January 2005**
(54) Product in respect of which the design is registered: **A bag**
(51) International Design Classification: **09-05**
(71) Name(s) and Address(s) of Applicant(s):
Societe des Produits Nestle S.A.
1800 Vevey Switzerland
(72) Name(s) of Designer(s): **Roman Klis**
(45) Registration Date: **01 September 2005**
(30) Convention priority data:

(31) Number	(32) Date	(33) Country
209226/0001	03 Aug 2004	EUROPEAN COMMUNITY

(56) Related Art Documents: **Not Applicable**
(57) Statement of Newness and Distinctiveness: **Nil**



- (21) Design Number: **10281/2005**
(22) Date of Filing Application: **25 January 2005**
(24) Date from which industrial property rights may have effect: **25 January 2005**
(54) Product in respect of which the design is registered: **Drinking fountain (excluding base)**
(51) International Design Classification: **23-01NES**
(71) Name(s) and Address(s) of Applicant(s):
Bruce Phillip Carrick
12 Mark Street New Farm Queensland 4005 Australia
(72) Name(s) of Designer(s): **Bruce Phillip Carrick**
(45) Registration Date: **01 September 2005**
(56) Related Art Documents: **Not Applicable**
(57) Statement of Newness and Distinctiveness: **1. Intergrated lever button to activate water flow. 2. Open-ended drainage channel with slots to catch water.**



- (21) Design Number: **10651/2005**
(22) Date of Filing Application: **21 February 2005**
(24) Date from which industrial property rights may have effect: **21 February 2005**
(54) Product in respect of which the design is registered: **A vegetable product**
(51) International Design Classification: **01-02**
(71) Name(s) and Address(s) of Applicant(s):
Crispy Twisty Ltd
1 Wetherel Road Burton on Trent Staffordshire DE15 9GW United Kingdom
(72) Name(s) of Designer(s): **Alexia Botes**
(45) Registration Date: **01 September 2005**
(30) Convention priority data:
(31) Number (32) Date (33) Country
3018489 21 Aug 2004 UNITED KINGDOM
(56) Related Art Documents: **Not Applicable**
(57) Statement of Newness and Distinctiveness: **Newness and distinctiveness is claimed in the visual features of shape and/or configuration as applied to a vegetable product as illustrated in the representations.**



(21) Design Number: **10652/2005**

(22) Date of Filing Application: **21 February 2005**

(24) Date from which industrial property rights may have effect: **21 February 2005**

(54) Product in respect of which the design is registered: **Pouch packaging**

(51) International Design Classification: **09-03C**

(71) Name(s) and Address(s) of Applicant(s):

**Effem Foods Pty Ltd
4 Corella Close Wyong New South Wales 2259 Australia**

(72) Name(s) of Designer(s): **Employees of Effem Foods Pty Ltd**

(45) Registration Date: **01 September 2005**

(56) Related Art Documents: **Not Applicable**

(57) Statement of Newness and Distinctiveness: **Monopoly is claimed in the shape and configuration and the pattern and ornamentation of the features of the article as depicted in the accompanying representations.**



(21) Design Number: **10726/2005**

(22) Date of Filing Application: **24 February 2005**

(24) Date from which industrial property rights may have effect: **24 February 2005**

(54) Product in respect of which the design is registered: **Rear bumper for an automobile**

(51) International Design Classification: **12-16C**

(71) Name(s) and Address(s) of Applicant(s):

**Toyota Jidosha Kabushiki Kaisha
1 Toyota-cho Toyota-shi Aichi-ken 471-8571 Japan**

(72) Name(s) of Designer(s): **Hiroyuki Tada**

(45) Registration Date: **01 September 2005**

(56) Related Art Documents: **Not Applicable**

(57) Statement of Newness and Distinctiveness: **Newness and distinctiveness is claimed in the features of shape and/or configuration of a rear bumper for an automobile as illustrated in the accompanying representations.**



(21) Design Number: **10727/2005**

(22) Date of Filing Application: **24 February 2005**

(24) Date from which industrial property rights may have effect: **24 February 2005**

(54) Product in respect of which the design is registered: **Front combination lamp for an automobile**

(51) International Design Classification: **26-06**

(71) Name(s) and Address(s) of Applicant(s):

**Toyota Jidosha Kabushiki Kaisha
1 Toyota-cho Toyota-shi Aichi-ken 471-8571 Japan**

(72) Name(s) of Designer(s): **Ai Murai and Kenichi Hirai and Katsuhiko Suzuki and Keisuke Sakamoto**

(45) Registration Date: **01 September 2005**

(56) Related Art Documents: **Not Applicable**

(57) Statement of Newness and Distinctiveness: **Newness and distinctiveness is claimed in the features of shape and/or configuration of a front combination lamp for an automobile as illustrated in the accompanying representations.**



(21) Design Number: **10728/2005**

(22) Date of Filing Application: **24 February 2005**

(24) Date from which industrial property rights may have effect: **24 February 2005**

(54) Product in respect of which the design is registered: **Fog lamp for an automobile**

(51) International Design Classification: **26-06**

(71) Name(s) and Address(s) of Applicant(s):

**Toyota Jidosha Kabushiki Kaisha
1 Toyota-cho Toyota-shi Aichi-ken 471-8571 Japan**

(72) Name(s) of Designer(s): **Kenichi Hirai and Keisuke Sakamoto**

(45) Registration Date: **01 September 2005**

(56) Related Art Documents: **Not Applicable**

(57) Statement of Newness and Distinctiveness: **Newness and distinctiveness is claimed in the features of shape and/or configuration of a fog lamp for an automobile as illustrated in the accompanying representations.**



- (21) Design Number: **10729/2005**
(22) Date of Filing Application: **24 February 2005**
(24) Date from which industrial property rights may have effect: **24 February 2005**
(54) Product in respect of which the design is registered: **Door outside handle for an automobile**
(51) International Design Classification: **08-06**
(71) Name(s) and Address(s) of Applicant(s):
Toyota Jidosha Kabushiki Kaisha
1 Toyota-cho Toyota-shi Aichi-ken 471-8571 Japan
(72) Name(s) of Designer(s): **Keisuke Sakamoto and Akira Yagihashi**
(45) Registration Date: **01 September 2005**
(56) Related Art Documents: **Not Applicable**
(57) Statement of Newness and Distinctiveness: **Newness and distinctiveness is claimed in the features of shape and/or configuration of a door outside handle for an automobile as illustrated in the accompanying representations.**



- (21) Design Number: **10730/2005**
(22) Date of Filing Application: **24 February 2005**
(24) Date from which industrial property rights may have effect: **24 February 2005**
(54) Product in respect of which the design is registered: **Outer mirror for an automobile**
(51) International Design Classification: **12-16H**
(71) Name(s) and Address(s) of Applicant(s):
Toyota Jidosha Kabushiki Kaisha
1 Toyota-cho Toyota-shi Aichi-ken 471-8571 Japan
(72) Name(s) of Designer(s): **Yutaka Kubota and Keisuke Sakamoto**
(45) Registration Date: **01 September 2005**
(56) Related Art Documents: **Not Applicable**
(57) Statement of Newness and Distinctiveness: **Newness and distinctiveness is claimed in the features of shape and/or configuration of an outer mirror for an automobile as illustrated in the accompanying representations.**



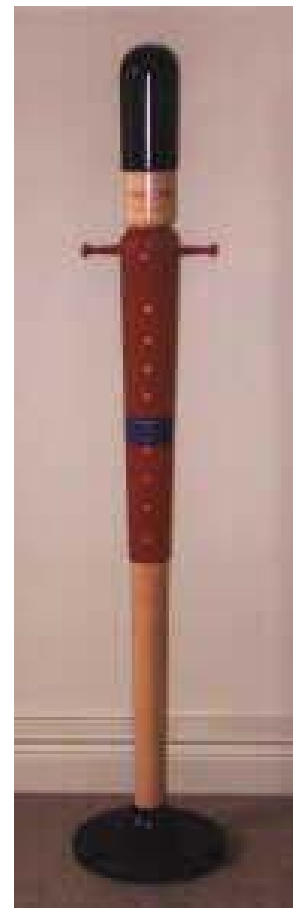
- (21) Design Number: **10731/2005**
(22) Date of Filing Application: **24 February 2005**
(24) Date from which industrial property rights may have effect: **24 February 2005**
(54) Product in respect of which the design is registered: **Front bumper for an automobile**
(51) International Design Classification: **12-16C**
(71) Name(s) and Address(s) of Applicant(s):
Toyota Jidosha Kabushiki Kaisha
1 Toyota-cho Toyota-shi Aichi-ken 471-8571 Japan
(72) Name(s) of Designer(s): **Katsuhiko Suzuki and Hiroyuki Tada and Kenichi Hirai and Keisuke Sakamoto**
(45) Registration Date: **01 September 2005**
(56) Related Art Documents: **Not Applicable**
(57) Statement of Newness and Distinctiveness: **Newness and distinctiveness is claimed in the features of shape and/or configuration of a front bumper of an automobile as illustrated in the accompanying representations.**



- (21) Design Number: **10788/2005**
(22) Date of Filing Application: **01 March 2005**
(24) Date from which industrial property rights may have effect: **01 March 2005**
(54) Product in respect of which the design is registered: **Bed head**
(51) International Design Classification: **06-06F**
(71) Name(s) and Address(s) of Applicant(s):
Halo Designs International Pty Ltd
317 Bobbin Head Road North Turramurra New South Wales 2074
Australia
(72) Name(s) of Designer(s): **Michael Halouvas and Pamela Halouvas**
(45) Registration Date: **01 September 2005**
(56) Related Art Documents: **Not Applicable**
(57) Statement of Newness and Distinctiveness: **Monopoly is claimed in the features of the shape or configuration of the bed head as illustrated in the representation.**



- (21) Design Number: **10789/2005**
(22) Date of Filing Application: **01 March 2005**
(24) Date from which industrial property rights may have effect: **01 March 2005**
(54) Product in respect of which the design is registered: **Clothes stand**
(51) International Design Classification: **06-06A**
(71) Name(s) and Address(s) of Applicant(s):
Halo Designs International Pty Ltd
317 Bobbin Head Road North Turramurra New South Wales 2074
Australia
(72) Name(s) of Designer(s): **Michael Halouvas and Pamela Halouvas**
(45) Registration Date: **01 September 2005**
(56) Related Art Documents: **Not Applicable**
(57) Statement of Newness and Distinctiveness: **Monopoly is claimed in the features of the shape or configuration of the clothes stand as illustrated in the representation.**



- (21) Design Number: **10991/2005**
(22) Date of Filing Application: **14 March 2005**
(24) Date from which industrial property rights may have effect: **14 March 2005**
(54) Product in respect of which the design is registered: **Beverage can**
(51) International Design Classification: **09-02NES**
(71) Name(s) and Address(s) of Applicant(s):
Ball Packaging Europe GmbH
Kaiserswerther Strasse 115 40880 Ratingen Germany
(72) Name(s) of Designer(s): **Willem Leendert Pieter Van Dam**
(45) Registration Date: **01 September 2005**
(30) Convention priority data:

(31) Number	(32) Date	(33) Country
40405388.2	17 Sep 2004	GERMANY

(56) Related Art Documents: **Not Applicable**
(57) Statement of Newness and Distinctiveness: **Each feature of the shape and configuration of the design considered separately or in combination with any other feature or features of shape and configuration, excluding the surface ornamentation which is disclaimed, the can being sized suitable for a 500 ml drink.**



(21) Design Number: **10992/2005**

(22) Date of Filing Application: **14 March 2005**

(24) Date from which industrial property rights may have effect: **14 March 2005**

(54) Product in respect of which the design is registered: **Beverage can**

(51) International Design Classification: **09-02NES**

(71) Name(s) and Address(s) of Applicant(s):

**Ball Packaging Europe GmbH
Kaiserswerther Strasse 115 40880 Ratingen Germany**

(72) Name(s) of Designer(s): **Willem Leendert Pieter Van Dam**

(45) Registration Date: **01 September 2005**

(30) Convention priority data:

(31) Number	(32) Date	(33) Country
40405388.2	17 Sep 2004	GERMANY

(56) Related Art Documents: **Not Applicable**

(57) Statement of Newness and Distinctiveness: **Each feature of the design considered separately or in combination with any other feature or features, the can having an aspect ratio of between 0.49 and 0.53, the preferred diameter of the can being between 72mm, and 74mm, and the preferred height of the can being between 141mm and 145mm.**



(21) Design Number: **10993/2005**

(22) Date of Filing Application: **14 March 2005**

(24) Date from which industrial property rights may have effect: **14 March 2005**

(54) Product in respect of which the design is registered: **Beverage can**

(51) International Design Classification: **09-02NES**

(71) Name(s) and Address(s) of Applicant(s):

**Ball Packaging Europe GmbH
Kaiserswerther Strasse 115 40880 Ratingen Germany**

(72) Name(s) of Designer(s): **Willem Leendert Pieter Van Dam**

(45) Registration Date: **01 September 2005**

(30) Convention priority data:

(31) Number	(32) Date	(33) Country
40405388.2	17 Sep 2004	GERMANY

(56) Related Art Documents: **Not Applicable**

(57) Statement of Newness and Distinctiveness: **Each feature of the design considered separately or in combination with any other feature or features except for the decoration and writing on the surface of the can which does not form part of the claimed design, the can being sized suitable for a 500ml beverage.**



(21) Design Number: **11284/2005**
(22) Date of Filing Application: **31 March 2005**
(24) Date from which industrial property rights may have effect: **31 March 2005**
(54) Product in respect of which the design is registered: **Funnel/filter with holder**
(51) International Design Classification: **07-02L**
(71) Name(s) and Address(s) of Applicant(s):
Pi-Design AG
Kantonsstrasse 100 Postfach 463 CH-6234 Triengen Switzerland
(72) Name(s) of Designer(s): **Jorgen Bodum**
(45) Registration Date: **01 September 2005**
(30) Convention priority data:
(31) Number (32) Date (33) Country
DA 2004 01 Oct 2004 DENMARK
00303
(56) Related Art Documents: **Not Applicable**
(57) Statement of Newness and Distinctiveness: **Nil**



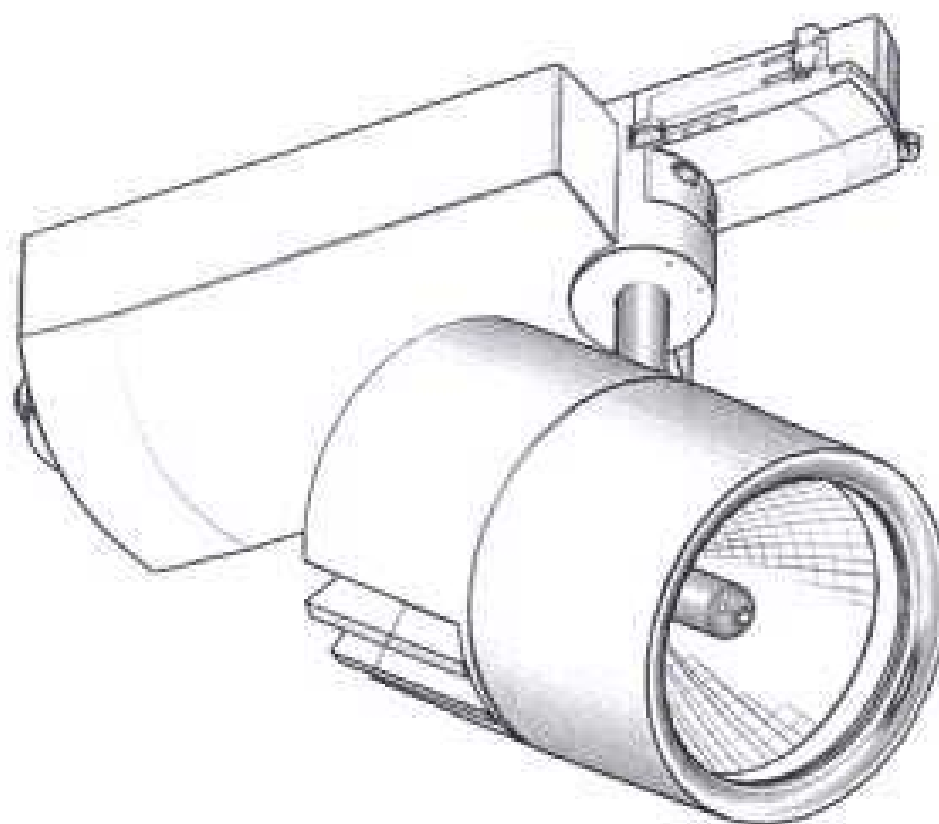
(21) Design Number: **11285/2005**
(22) Date of Filing Application: **31 March 2005**
(24) Date from which industrial property rights may have effect: **31 March 2005**
(54) Product in respect of which the design is registered: **Holder for funnel/filter**
(51) International Design Classification: **07-02L**
(71) Name(s) and Address(s) of Applicant(s):
Pi-Design AG
Kantonsstrasse 100 Postfach 463 CH-6234 Triengen Switzerland
(72) Name(s) of Designer(s): **Jorgen Bodum**
(45) Registration Date: **01 September 2005**
(30) Convention priority data:
(31) Number (32) Date (33) Country
DA 2004 01 Oct 2004 DENMARK
00303
(56) Related Art Documents: **Not Applicable**
(57) Statement of Newness and Distinctiveness: **Nil**



- (21) Design Number: **11287/2005**
(22) Date of Filing Application: **31 March 2005**
(24) Date from which industrial property rights may have effect: **31 March 2005**
(54) Product in respect of which the design is registered: **Sprout - resin light**
(51) International Design Classification: **26-05B**
(71) Name(s) and Address(s) of Applicant(s):
Patricia McMahon
1 Ford Crescent Thornbury Victoria 3071 Australia
(72) Name(s) of Designer(s): **Patricia McMahon**
(45) Registration Date: **01 September 2005**
(56) Related Art Documents: **Not Applicable**
(57) Statement of Newness and Distinctiveness: **Nil**



- (21) Design Number: **11288/2005**
(22) Date of Filing Application: **30 March 2005**
(24) Date from which industrial property rights may have effect: **30 March 2005**
(54) Product in respect of which the design is registered: **Lighting apparatus**
(51) International Design Classification: **26-05C**
(71) Name(s) and Address(s) of Applicant(s):
Zumtobel Staff GmbH & Co. KG
Grevenmarschstrasse 74-78 32657 Lemgo Germany
(72) Name(s) of Designer(s): **Harald Grundl and Gernot Bohmann and Martin Bergmann**
(45) Registration Date: **01 September 2005**
(30) Convention priority data:
(31) Number (32) Date (33) Country
000247 02 Nov 2004 EUROPEAN COMMUNITY
726-0001
(56) Related Art Documents: **Not Applicable**
(57) Statement of Newness and Distinctiveness: **Those visual features of the lighting apparatus depicted in the representations that are new and distinctive are the shape and/or configuration.**



- (21) Design Number: **11300/2005**
(22) Date of Filing Application: **31 March 2005**
(24) Date from which industrial property rights may have effect: **31 March 2005**
(54) Product in respect of which the design is registered: **Solar tent**
(51) International Design Classification: **21-04, 03-03, 25-03**
(71) Name(s) and Address(s) of Applicant(s):
Christophe Gyr
PO Box 1034 CH-6341 Baar Switzerland
Roland Fischer
Zurcherstr. 70 CH-8142 Uitikon Switzerland
(72) Name(s) of Designer(s): **Christophe Gyr and Roland Fischer**
(45) Registration Date: **01 September 2005**
(56) Related Art Documents: **Not Applicable**
(57) Statement of Newness and Distinctiveness: **Newness and distinctiveness is claimed in the features of shape and/or configuration of a solar tent as illustrated in the accompanying representations.**



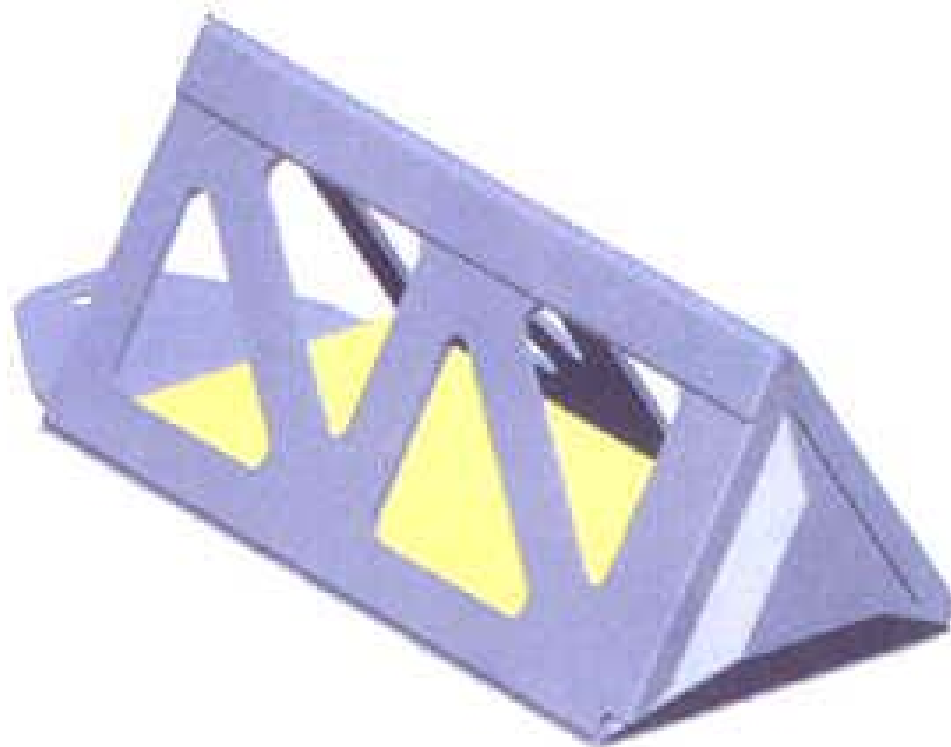
- (21) Design Number: **11301/2005**
(22) Date of Filing Application: **31 March 2005**
(24) Date from which industrial property rights may have effect: **31 March 2005**
(54) Product in respect of which the design is registered: **Solar tent**
(51) International Design Classification: **21-04, 03-03, 25-03**
(71) Name(s) and Address(s) of Applicant(s):
Christophe Gyr
PO Box 1034 CH-6341 Baar Switzerland
Roland Fischer
Zurcherstr. 70 CH-8142 Uitikon Switzerland
(72) Name(s) of Designer(s): **Christophe Gyr and Roland Fischer**
(45) Registration Date: **01 September 2005**
(56) Related Art Documents: **Not Applicable**
(57) Statement of Newness and Distinctiveness: **Newness and distinctiveness is claimed in the features of shape and/or configuration of a solar tent as illustrated in the accompanying representations.**



(21) Design Number: **11308/2005**
(22) Date of Filing Application: **01 April 2005**
(24) Date from which industrial property rights may have effect: **01 April 2005**
(54) Product in respect of which the design is registered: **Kayak**
(51) International Design Classification: **12-06C**
(71) Name(s) and Address(s) of Applicant(s):
Great Ideas Landscaping Ltd
35 Lagoon Place Tauranga New Zealand
(72) Name(s) of Designer(s): **Robert Lasslett**
(45) Registration Date: **01 September 2005**
(56) Related Art Documents: **Not Applicable**
(57) Statement of Newness and Distinctiveness: **Nil**



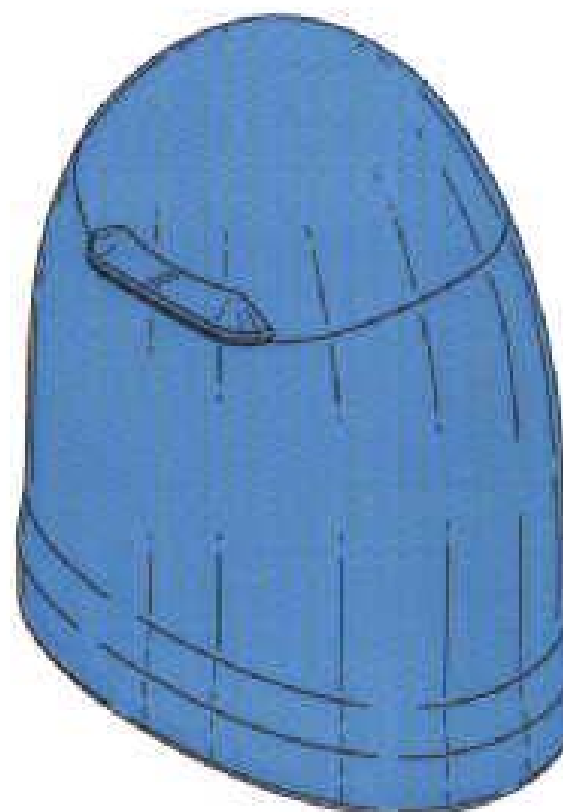
(21) Design Number: **11328/2005**
(22) Date of Filing Application: **01 April 2005**
(24) Date from which industrial property rights may have effect: **01 April 2005**
(54) Product in respect of which the design is registered: **Fly trap**
(51) International Design Classification: **22-06**
(71) Name(s) and Address(s) of Applicant(s):
Killgerm Group Limited
PO Box 2 Ossett WF5 9NA England
(72) Name(s) of Designer(s): **Paul Hoyes**
(45) Registration Date: **01 September 2005**
(30) Convention priority data:
(31) Number (32) Date (33) Country
000238951 04 Oct 2004 EUROPEAN COMMUNITY
(56) Related Art Documents: **Not Applicable**
(57) Statement of Newness and Distinctiveness: **The shape and configuration of the fly trap is new and distinctive.**



- (21) Design Number: **11378/2005**
(22) Date of Filing Application: **05 April 2005**
(24) Date from which industrial property rights may have effect: **05 April 2005**
(54) Product in respect of which the design is registered: **Pill dispenser**
(51) International Design Classification: **03-01D, 09-03NES**
(71) Name(s) and Address(s) of Applicant(s):
Reckitt Benckiser Healthcare (UK) Limited
103-105 Bath Road Slough Berkshire SL1 3UH United Kingdom
(72) Name(s) of Designer(s): **Andrew Howes and Steed Hubbard**
(45) Registration Date: **01 September 2005**
(30) Convention priority data:
(31) Number (32) Date (33) Country
000236971 08 Oct 2004 EUROPEAN COMMUNITY
(56) Related Art Documents: **Not Applicable**
(57) Statement of Newness and Distinctiveness: **Each feature of the design considered separately or in combination with any other feature or features.**



- (21) Design Number: **11379/2005**
(22) Date of Filing Application: **05 April 2005**
(24) Date from which industrial property rights may have effect: **05 April 2005**
(54) Product in respect of which the design is registered: **Pill dispenser**
(51) International Design Classification: **03-01D, 09-03NES**
(71) Name(s) and Address(s) of Applicant(s):
Reckitt Benckiser Healthcare (UK) Limited
103-105 Bath Road Slough Berkshire SL1 3UH United Kingdom
(72) Name(s) of Designer(s): **Andrew Howes and Steed Hubbard**
(45) Registration Date: **01 September 2005**
(30) Convention priority data:
(31) Number (32) Date (33) Country
000236971 08 Oct 2004 EUROPEAN COMMUNITY
(56) Related Art Documents: **Not Applicable**
(57) Statement of Newness and Distinctiveness: **Each feature of the design considered separately or in combination with any other feature or features.**



(21) Design Number: **11381/2005**

(22) Date of Filing Application: **05 April 2005**

(24) Date from which industrial property rights may have effect: **05 April 2005**

(54) Product in respect of which the design is registered: **Sports glasses**

(51) International Design Classification: **16-06**

(71) Name(s) and Address(s) of Applicant(s):

**Silhouette International Schmied A.G.
Ellbognerstrasse 24 A-4020 Linz Austria**

(72) Name(s) of Designer(s): **Gerhard Fuchs**

(45) Registration Date: **01 September 2005**

(30) Convention priority data:

(31) Number
277504

(32) Date
10 Jan 2005

(33) Country
EUROPEAN COMMUNITY

(56) Related Art Documents: **Not Applicable**

(57) Statement of Newness and Distinctiveness: **Nil**



(21) Design Number: **11398/2005**

(22) Date of Filing Application: **06 April 2005**

(24) Date from which industrial property rights may have effect: **06 April 2005**

(54) Product in respect of which the design is registered: **Golf trolley**

(51) International Design Classification: **12-02**

(71) Name(s) and Address(s) of Applicant(s):

**Powakaddy International Limited
Unit 4 Sittingbourne Industrial Park Sittingbourne Kent ME10 3JH
United Kingdom**

(72) Name(s) of Designer(s): **Alan Thomson**

(45) Registration Date: **01 September 2005**

(56) Related Art Documents: **Not Applicable**

(57) Statement of Newness and Distinctiveness: **Novelty resides in the shape or configuration of the trolley handle indentified by reference "A" as shown in the attached illustrations.**



- (21) Design Number: **14553/2004**
(22) Date of Filing Application: **27 September 2004**
(24) Date from which industrial property rights may have effect: **27 September 2004**
(54) Product in respect of which the design is registered: **Nursing sleepwear/breastfeeding top**
(51) International Design Classification: **02-01A, 02-01B**
(71) Name(s) and Address(s) of Applicant(s):
Teresa Pettinau
20/8-10 Deeban Walk Cronulla New South Wales 2230 Australia
(72) Name(s) of Designer(s): **Teresa Pettinau**
(45) Registration Date: **01 September 2005**
(56) Related Art Documents: **Not Applicable**
(57) Statement of Newness and Distinctiveness: **Currently the only option for nursing wear is to wear a nursing bra, there is no other option. This product incorporates the benefits of a nursing bra, but has all the comforts and style of regular sleepwear and/or top.**



- (21) Design Number: **10000/2005**
(22) Date of Filing Application: **04 January 2005**
(24) Date from which industrial property rights may have effect: **04 January 2005**
(54) Product in respect of which the design is registered: **Stent**
(51) International Design Classification: **24-03**
(71) Name(s) and Address(s) of Applicant(s):
Conor Medsystems, Inc
1003 Hamilton Court Menlo Park CA 94025 United States of America
(72) Name(s) of Designer(s): **John F. Shanley**
(45) Registration Date: **01 September 2005**
(30) Convention priority data:

(31) Number	(32) Date	(33) Country
29/208,885	06 Jul 2004	UNITED STATES OF AMERICA

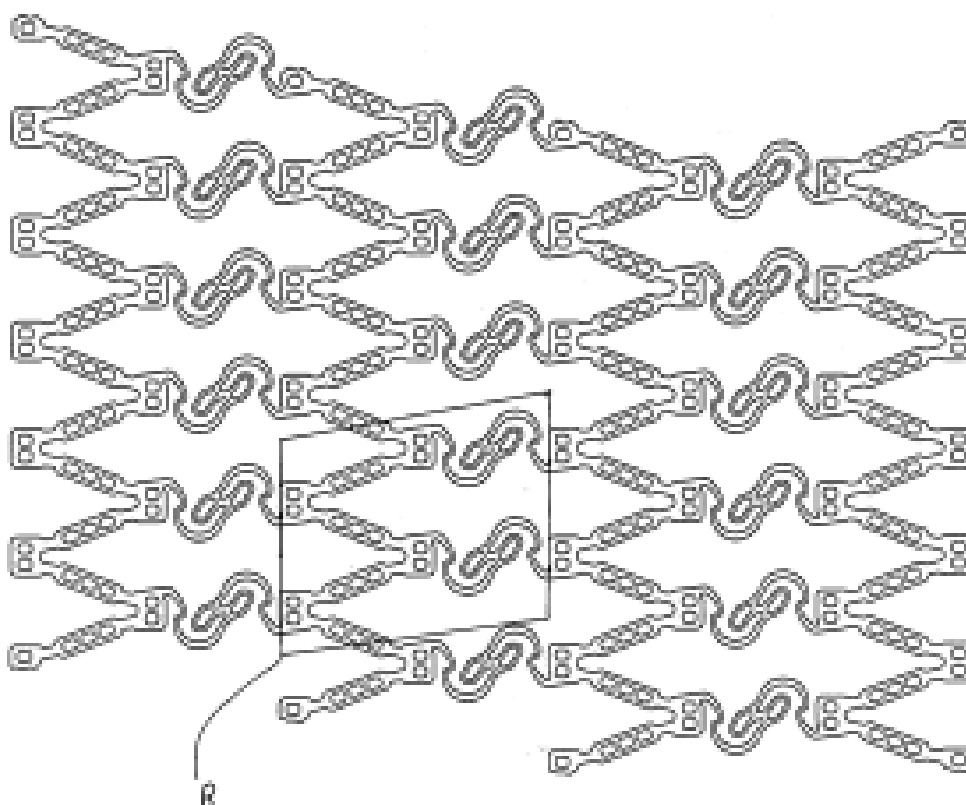
(56) Related Art Documents: **Not Applicable**
(57) Statement of Newness and Distinctiveness: **Newness and distinctiveness is claimed in the shape and/or configuration of the stent illustrated in the representations. The stent is of indefinite length and indefinite internal diameter (D).**



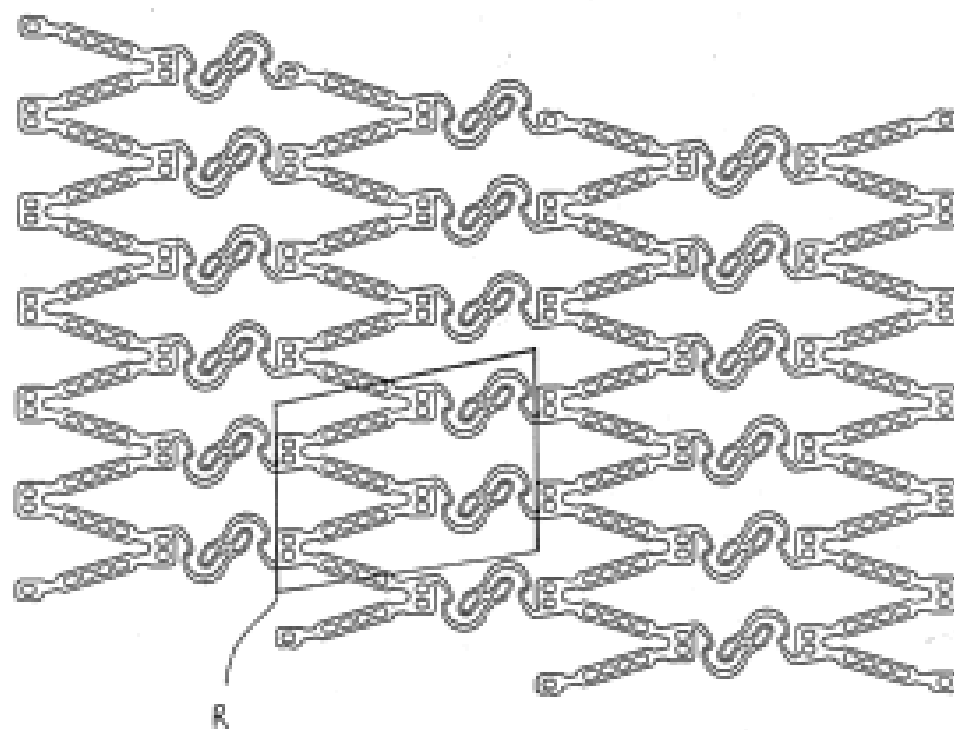
(21) Design Number: **10001/2005**
(22) Date of Filing Application: **04 January 2005**
(24) Date from which industrial property rights may have effect: **04 January 2005**
(54) Product in respect of which the design is registered: **Stent**
(51) International Design Classification: **24-03**
(71) Name(s) and Address(s) of Applicant(s):
Conor Medsystems, Inc
1003 Hamilton Court Menlo Park CA 94025 United States of America
(72) Name(s) of Designer(s): **John F. Shanley**
(45) Registration Date: **01 September 2005**
(30) Convention priority data:
(31) Number (32) Date (33) Country
29/208,885 06 Jul 2004 UNITED STATES OF AMERICA
(56) Related Art Documents: **Not Applicable**
(57) Statement of Newness and Distinctiveness: **Newness and distinctiveness is claimed in the shape and/or configuration of the stent illustrated in the representations. The stent is of indefinite length and indefinite internal diameter (D).**



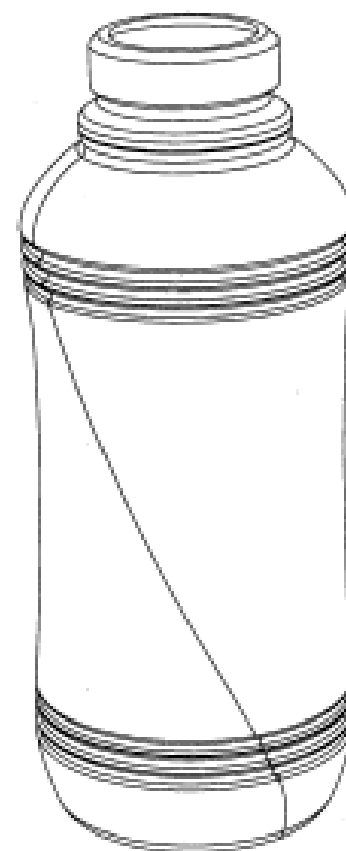
(21) Design Number: **10002/2005**
(22) Date of Filing Application: **04 January 2005**
(24) Date from which industrial property rights may have effect: **04 January 2005**
(54) Product in respect of which the design is registered: **Stent wall structure**
(51) International Design Classification: **24-03**
(71) Name(s) and Address(s) of Applicant(s):
Conor Medsystems, Inc
1003 Hamilton Court Menlo Park CA 94025 United States of America
(72) Name(s) of Designer(s): **John F. Shanley**
(45) Registration Date: **01 September 2005**
(30) Convention priority data:
(31) Number (32) Date (33) Country
29/208,885 06 Jul 2004 UNITED STATES OF AMERICA
(56) Related Art Documents: **Not Applicable**
(57) Statement of Newness and Distinctiveness: **Newness and distinctiveness is claimed in the shape and/or configuration of the repeating unit (R) of the stent wall structure as shown in the representation. The stent wall structure is of an indefinite length and an indefinite width.**



(21) Design Number: **10003/2005**
 (22) Date of Filing Application: **04 January 2005**
 (24) Date from which industrial property rights may have effect: **04 January 2005**
 (54) Product in respect of which the design is registered: **Stent wall structure**
 (51) International Design Classification: **24-03**
 (71) Name(s) and Address(s) of Applicant(s):
Conor Medsystems, Inc
1003 Hamilton Court Menlo Park CA 94025 United States of America
 (72) Name(s) of Designer(s): **John F. Shanley**
 (45) Registration Date: **01 September 2005**
 (30) Convention priority data:
 (31) Number (32) Date (33) Country
29/208,885 06 Jul 2004 UNITED STATES OF AMERICA
 (56) Related Art Documents: **Not Applicable**
 (57) Statement of Newness and Distinctiveness: **Newness and distinctiveness is claimed in the shape and/or configuration of the repeating unit (R) of the stent wall structure as shown in the representation. The stent wall structure is of an indefinite length and an indefinite width.**



(21) Design Number: **10005/2005**
 (22) Date of Filing Application: **04 January 2005**
 (24) Date from which industrial property rights may have effect: **04 January 2005**
 (54) Product in respect of which the design is registered: **Moove bottle shape**
 (51) International Design Classification: **09-01K**
 (71) Name(s) and Address(s) of Applicant(s):
Australian Co-operative Foods Limited
Quad 1, 8 Parkview Drive Sydney Olympic Park New South Wales
2127 Australia
 (72) Name(s) of Designer(s): **David Francis**
 (45) Registration Date: **01 September 2005**
 (56) Related Art Documents: **Not Applicable**
 (57) Statement of Newness and Distinctiveness: **Curved bottle shape.**



(21) Design Number: **10008/2005**

(22) Date of Filing Application: **04 January 2005**

(24) Date from which industrial property rights may have effect: **04 January 2005**

(54) Product in respect of which the design is registered: **Inhalation device**

(51) International Design Classification: **24-04**

(71) Name(s) and Address(s) of Applicant(s):

**AstraZeneca AB
Sodertalje SE-151 85 Sweden**

(72) Name(s) of Designer(s): **Laurence Huxham and Darren Hodson and William Treneman and Nick Harrison and Martin Bunce and William Davis**

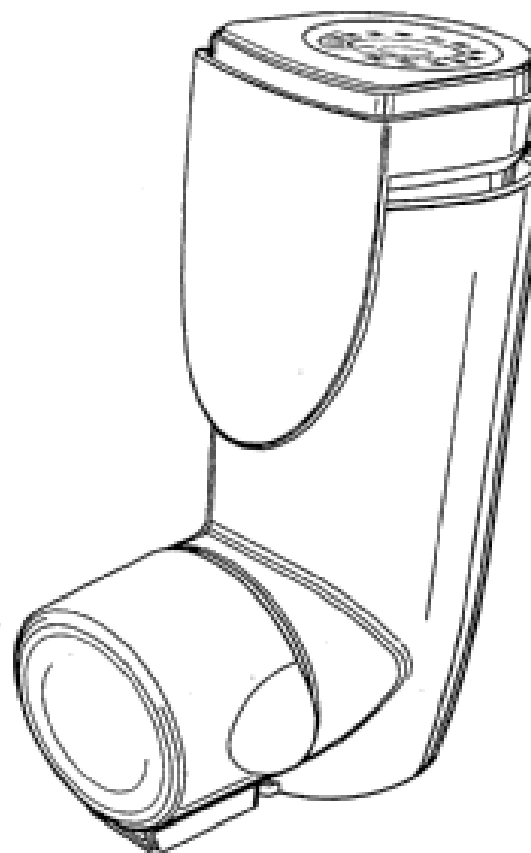
(45) Registration Date: **01 September 2005**

(30) Convention priority data:

(31) Number	(32) Date	(33) Country
04-0503	06 Jul 2004	SWEDEN

(56) Related Art Documents: **Not Applicable**

(57) Statement of Newness and Distinctiveness: **Nil**



(21) Design Number: **10013/2005**

(22) Date of Filing Application: **05 January 2005**

(24) Date from which industrial property rights may have effect: **05 January 2005**

(54) Product in respect of which the design is registered: **Mobile headset**

(51) International Design Classification: **14-03A**

(71) Name(s) and Address(s) of Applicant(s):

**Jabra Corporation
9171 Towne Centre Drive Suite 500 San Diego California 92122 United States of America**

(72) Name(s) of Designer(s): **Eric Olson and Medford Alan Dyer and Simon Sollberger and Stuart Karten and Thomas Henry Perszyk and Tracy Taylor Haugh**

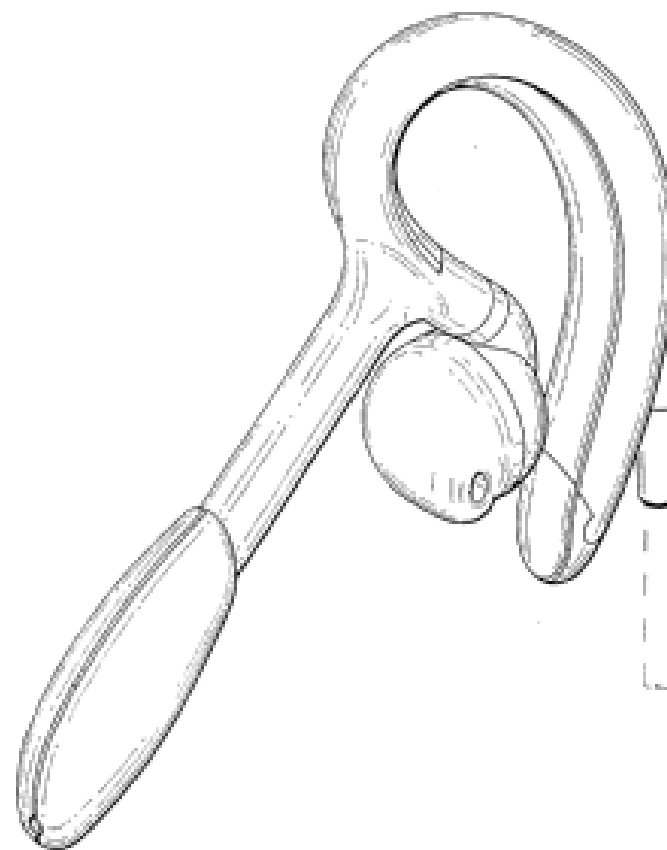
(45) Registration Date: **01 September 2005**

(30) Convention priority data:

(31) Number	(32) Date	(33) Country
29/209517	16 Jul 2004	UNITED STATES OF AMERICA

(56) Related Art Documents: **Not Applicable**

(57) Statement of Newness and Distinctiveness: **Nil**



(21) Design Number: **10014/2005**

(22) Date of Filing Application: **04 January 2005**

(24) Date from which industrial property rights may have effect: **04 January 2005**

(54) Product in respect of which the design is registered: **Sprinkling gun**

(51) International Design Classification: **23-01C**

(71) Name(s) and Address(s) of Applicant(s):

Gordon Chih

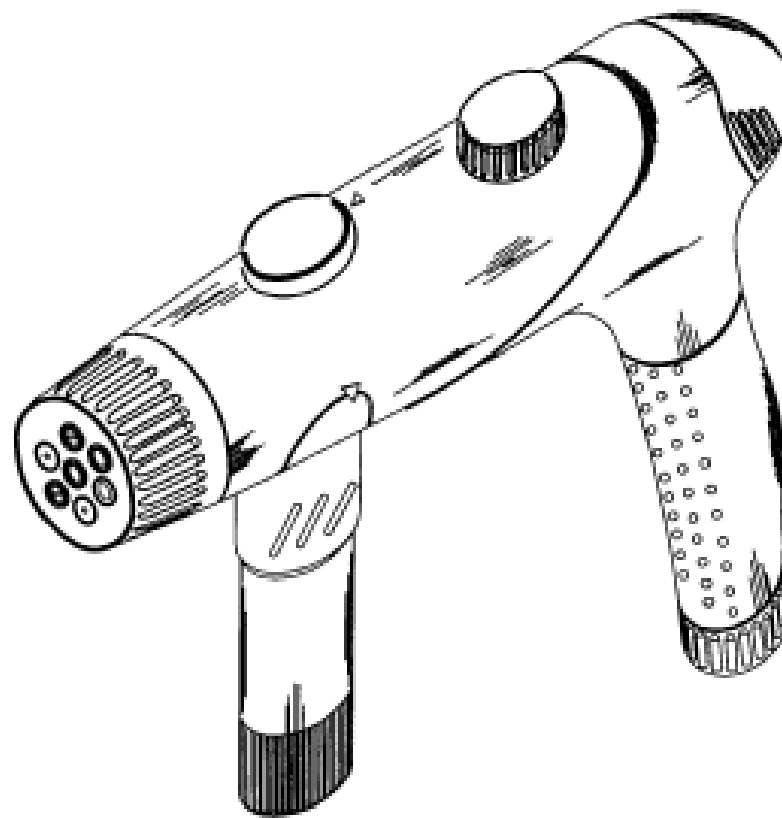
**No.33 Tien-Yang Lane Chao-an Li, Lu-Kang Chen Changhua Hsien
Taiwan**

(72) Name(s) of Designer(s): **Gordon Chih**

(45) Registration Date: **01 September 2005**

(56) Related Art Documents: **Not Applicable**

(57) Statement of Newness and Distinctiveness: **Newness and distinctiveness is claimed in respect of the shape and/or configuration of the product illustrated in the accompanying representations.**



(21) Design Number: **10019/2005**

(22) Date of Filing Application: **05 January 2005**

(24) Date from which industrial property rights may have effect: **05 January 2005**

(54) Product in respect of which the design is registered: **Hose holder**

(51) International Design Classification: **08-08E**

(71) Name(s) and Address(s) of Applicant(s):

Darcy Higgins

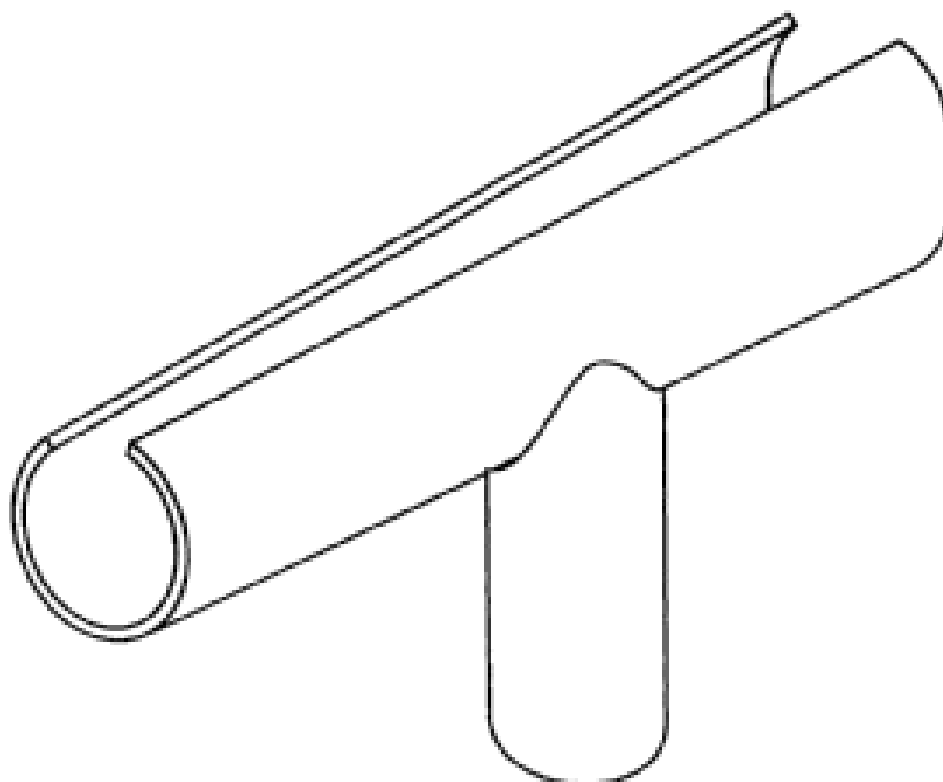
5 Pensilua Court Alexandra Hills Queensland 4161 Australia

(72) Name(s) of Designer(s): **Darcy Higgins**

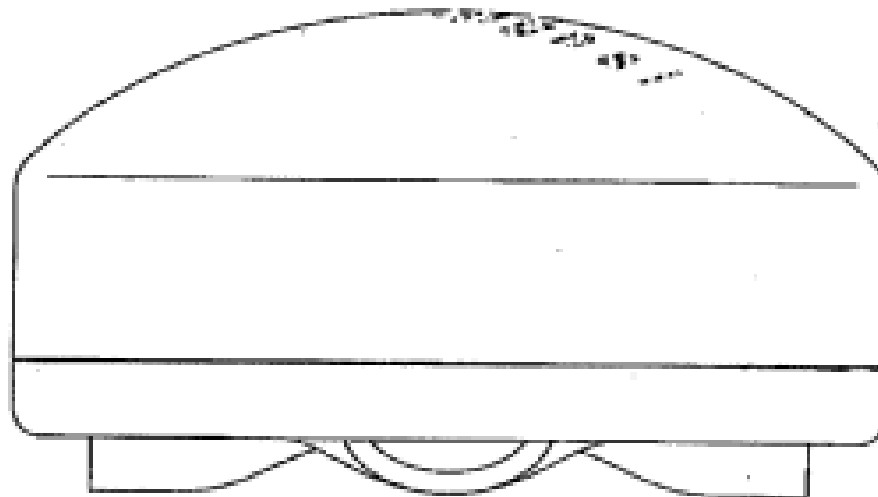
(45) Registration Date: **01 September 2005**

(56) Related Art Documents: **Not Applicable**

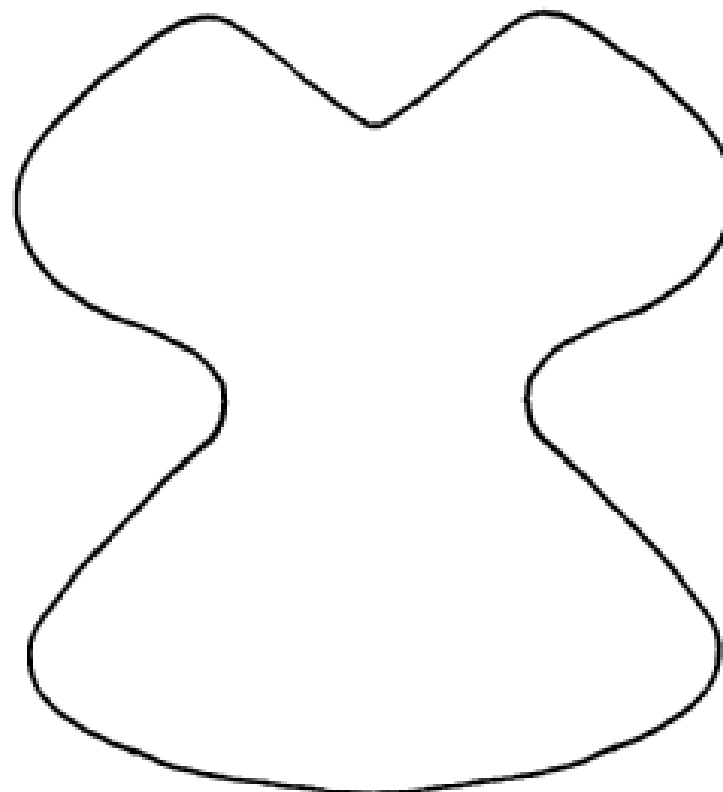
(57) Statement of Newness and Distinctiveness: **The newness and distinctiveness of the design resides in the shape and/or configuration of a hose holder shown in the representations.**



- (21) Design Number: **10020/2005**
(22) Date of Filing Application: **05 January 2005**
(24) Date from which industrial property rights may have effect: **05 January 2005**
(54) Product in respect of which the design is registered: **Soap case**
(51) International Design Classification: **09-01G**
(71) Name(s) and Address(s) of Applicant(s):
Otsuka Pharmaceutical Co., Ltd.
9 Kandatsukasa-cho 2-chome Chiyoda-ku Tokyo 101-8535 Japan
(72) Name(s) of Designer(s): **Tsutomu Egawa**
(45) Registration Date: **01 September 2005**
(30) Convention priority data:
(31) Number (32) Date (33) Country
2004-020980 12 Jul 2004 JAPAN
(56) Related Art Documents: **Not Applicable**
(57) Statement of Newness and Distinctiveness: **The visual features of shape and/or configuration of the design of a soap dish portion of the soap case shown by unbroken lines in the representations.**



- (21) Design Number: **10643/2005**
(22) Date of Filing Application: **21 February 2005**
(24) Date from which industrial property rights may have effect: **21 February 2005**
(54) Product in respect of which the design is registered: **Baby wrap (Design 1)**
(51) International Design Classification: **02-01B**
(71) Name(s) and Address(s) of Applicant(s):
Silvana Fick
34 Roberts Circuit Lambton New South Wales 2299 Australia
Anton Fick
34 Roberts Circuit Lambton New South Wales 2299 Australia
(72) Name(s) of Designer(s): **Silvana Fick**
(45) Registration Date: **06 September 2005**
(56) Related Art Documents: **Not Applicable**
(57) Statement of Newness and Distinctiveness: **A new revolutionary shaped wrap that continues to offer security and ease of use but also reduced bulk to improve baby's comfort.**



(21) Design Number: **11168/2005**

(22) Date of Filing Application: **23 March 2005**

(24) Date from which industrial property rights may have effect: **23 March 2005**

(54) Product in respect of which the design is registered: **Crate and blank therefor**

(51) International Design Classification: **09-03K**

(71) Name(s) and Address(s) of Applicant(s):

Visy R & D Pty Ltd

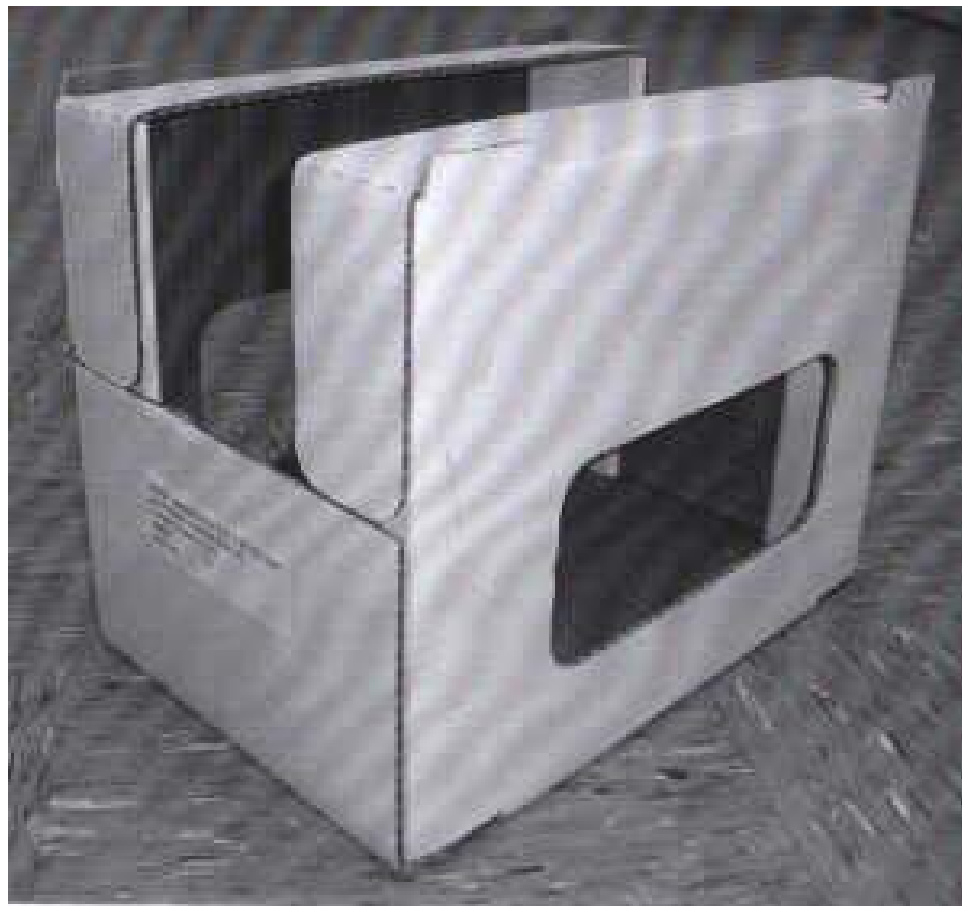
Level 2 533 Little Lonsdale St Melbourne Victoria 3000 Australia

(72) Name(s) of Designer(s): **Gregory Johnson**

(45) Registration Date: **06 September 2005**

(56) Related Art Documents: **Not Applicable**

(57) Statement of Newness and Distinctiveness: **The features of the design which are new and distinctive are the features of shape or configuration of the crate and the blank for forming the crate as illustrated in the accompanying representations.**



(21) Design Number: **11169/2005**

(22) Date of Filing Application: **23 March 2005**

(24) Date from which industrial property rights may have effect: **23 March 2005**

(54) Product in respect of which the design is registered: **Crate and blank therefor**

(51) International Design Classification: **09-03K**

(71) Name(s) and Address(s) of Applicant(s):

Visy R & D Pty Ltd

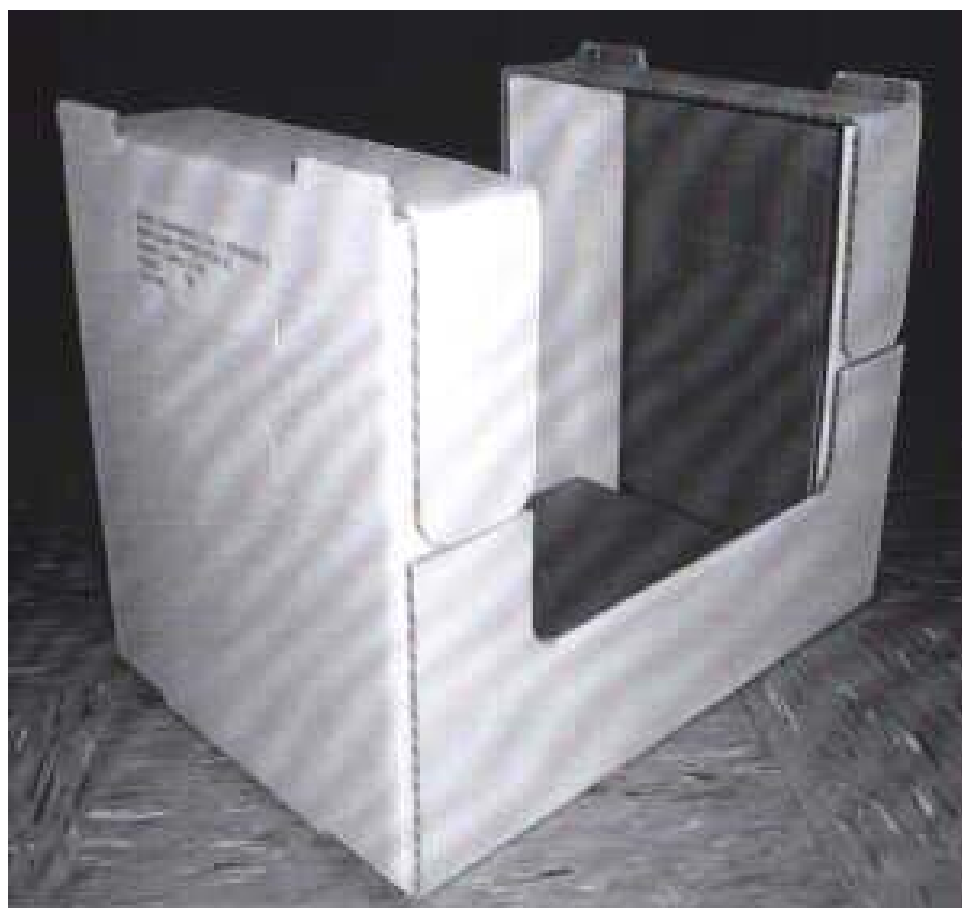
Level 2 533 Little Lonsdale St Melbourne Victoria 3000 Australia

(72) Name(s) of Designer(s): **Gregory Johnson**

(45) Registration Date: **06 September 2005**

(56) Related Art Documents: **Not Applicable**

(57) Statement of Newness and Distinctiveness: **The features of the design which are new and distinctive are the features of shape or configuration of the crate and the blank for forming the crate as illustrated in the accompanying representations.**



(21) Design Number: **11170/2005**

(22) Date of Filing Application: **23 March 2005**

(24) Date from which industrial property rights may have effect: **23 March 2005**

(54) Product in respect of which the design is registered: **Crate and blank therefor**

(51) International Design Classification: **09-03K**

(71) Name(s) and Address(s) of Applicant(s):

Visy R & D Pty Ltd

Level 2 533 Little Lonsdale St Melbourne Victoria 3000 Australia

(72) Name(s) of Designer(s): **Samuel Chee Kien Saw**

(45) Registration Date: **06 September 2005**

(56) Related Art Documents: **Not Applicable**

(57) Statement of Newness and Distinctiveness: **The features of the design which are new and distinctive are the features of shape or configuration of the crate and the blank for forming the crate as illustrated in the accompanying representations.**

