

**Australian Government**  

---

**IP Australia**

# **AUSTRALIAN OFFICIAL JOURNAL**

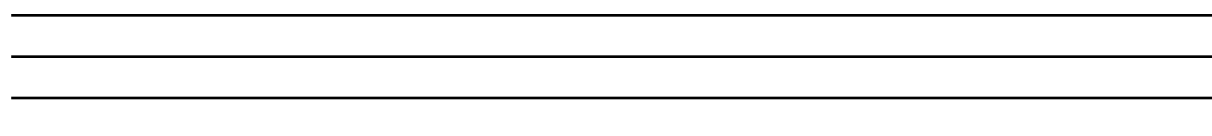
**OF**

# **DESIGNS**

Did you know a searchable version of this journal is now available online?  
It's FREE and EASY to SEARCH.

Find it at

<http://pericles.ipaustralia.gov.au/ols/epublish/content/olsEpublications.jsp>  
or using the "Online Journals" link on the IP Australia home page.



This Page Left Intentionally Blank

## Contents

### General Information & Notices

#### Proceedings Under the Designs Act 1906 preserved as a result of the provisions of Chapter 12 Part 2 of the Designs Act 2003

Application for Extension of Period of Registration .....	2446
Applications for Extension of Time .....	2448
Applications Assigned .....	2448
Applications Lapsed .....	2445
Corrigenda .....	2449
Extension of Period of Registration of Designs .....	2447
Extensions of Time Granted .....	2448
Names Registered - Alterations and Amendments .....	2448
Registration Proceedings	
Registration Number Range 158286 to 158300 .....	2450
Registrations Ceased .....	2448
Subsequent Owners Registered .....	2448

#### Proceedings Under the Designs Act 2003

Applications Lapsed .....	2468
Applications Lodged .....	2463
Applications Withdrawn .....	2467
Certificate of Examination .....	2471
Corrigenda .....	2470
Designs Excluded .....	2468
Extension of Time Granted Under Section 137 .....	
Publication and Registration Proceedings	
Designs Registered 303101 to 303268.....	2472
Subsequent Owners Registered .....	2469

This Page Left Intentionally Blank

## General Information

### EDITORIAL ENQUIRIES

All enquiries about official notices and general information in the Journal should be directed to IP Australia, (ABN No 38 113 072 755), PO Box 200 Woden ACT 2606

Or

Telephone 1300 651 010  
(International Callers +61 2 6283 2999 )  
Fax 02 6283 7999  
E-mail [assist@ipaustralia.gov.au](mailto:assist@ipaustralia.gov.au)

### CONTACT INFORMATION

Customer Service Network  
Telephone 1300 651 010 , Fax: 02 6283 7999  
E-mail: [assist@ipaustralia.gov.au](mailto:assist@ipaustralia.gov.au)

Customers can contact the Customer Service Network by telephone or by e-mail. Telephones are staffed between 9am and 5pm each working day.

Customers should contact the Customer Service Network for information about:

- All Patent Matters including PCT and Innovation Patents.
- All Trade Mark Matters.
- All Design Matters.

### Professional Standards Board for Patent and Trade Mark Attorneys.

Ph: 02 6283 2345 Fax: 02 6283 1048

### ORDERING PATENT DOCUMENTS

When ordering copies of Australian patent specifications, or abstracts and abridgments notified as open to public inspection on or after 26 October 1978, or as accepted on or after 16 November 1978, the documents should be referred to by application numbers only, preceded by letters AU-A or AU-B respectively.

### REQUESTS FOR INFORMATION UNDER SECTION 194 ( C )

A request for information under Section 194 ( C ) of the Patents Act 1990 should be made in the approved form and be accompanied by the prescribed fee. The request should be as detailed as possible.

### INFORMATION FROM REGISTERS

All requests for information from Register of Patents, Trade Marks or Designs, should be made in writing and accompanied by the prescribed fee. The Registers are located in Canberra and may be examined free of charge.

### COUNTRY CODES

For a listing of country codes used by IP Australia please refer to the Official Journals dated 7 November 1996.

### ABBREVIATIONS IN JOURNAL

Standard abbreviations are used in the name of companies and firms. Enquiries concerning the precise name should be directed to the Customer Service Network.

## FREEDOM OF INFORMATION ACT

What does it do?

- Gives you right to obtain information held by Commonwealth Ministers, Departments and most statutory bodies (these bodies are called agencies under the Act).
- Requires Commonwealth Government agencies to make available to members of the public:
  - Information about agencies, their functions and operations.
  - Information about rules and practices which are used in making decisions which affect you.
- Gives you a legal right to:
  - See non exempt documents held by agencies, and
  - appeal against a decision not to grant access to a document.

What documents can you see?

- The Act gives you a right to see documents lodged on or after 1 December 1977, or earlier if you need them to understand another document you have already.
- Documents include files, reports, computer printouts, maps, plans, photographs, tape recordings, films or videotapes.
- Documents which are available for purchase under the Patents Act 1990, the Trade Marks Act 1995 or Designs Act 2003 are not available under the Freedom of Information Act (Section 12 refers).

How do you apply?

Requests for access to documents must

- Be in writing
- Provide sufficient information so as to enable identification of the documents requested
- Specify an address in Australia where notices can be sent and
- Be accompanied by the application fee (currently \$30.00) or specify an IP Australia account to which the charges will be posted.

Requests for documents should be addressed to IP Australia, PO Box 200 Woden, ACT 2606, or Faxed to 02 6283 7999

## DECISIONS OF THE COMMISSIONER OF PATENTS AND REGISTRAR OF TRADE MARKS AND DESIGNS

- All decisions of the Commissioner and Registrars are available free of charge from AUSTLII's website

[www.austlii.edu.au](http://www.austlii.edu.au)

Copies of all written Patent and Design decisions are available (except if they would not be available under the provisions of the Freedom of Information legislation, e.g. if they would effectively disclose matter from documents that are not open to public inspection) on request for a cost of \$AU 25. They are also available for inspection in indexed volume series, dating from 1 January 1987, in the Office library, Canberra.

Copies of Trade Mark decisions may be accessed via IP Australia's website [www.ipaustralia.gov.au](http://www.ipaustralia.gov.au)

- Copies of the taped record of Patent and Design hearings are available (with the same exception as above) on request.
- When a written decision is issued the fact of the decision plus a brief head note will be published in the Official Notices section of the next available Patents, Trade Marks or Designs Journal.

## HEARINGS BEFORE THE COMMISSIONER OF PATENTS AND THE REGISTRARS OF TRADE MARKS AND DESIGNS

Hearings before the Commissioner of Patents and the Registrars of Trade Marks and Designs will be set down in Melbourne, Sydney, Adelaide, Perth and Brisbane during the periods indicated below.

### Patent Hearings Sessions 2005

Melbourne	9 – 11 May
Sydney	11 – 13 July
Adelaide	2 – 3 August
Perth	4 – 5 August
Brisbane	1 – 2 September

Note: Expert matters will have priority over other matters for allocation of a hearing in these sessions.

### Designs and Trade Marks Hearings Sessions 2005

Melbourne	14 – 18 February 6 – 10 June 12 – 16 September
Sydney	14 – 18 March 18 – 22 July 17 – 21 October
Adelaide	15 – 16 August
Perth	18 – 19 August
Brisbane	22 – 23 August

Persons who desire matters to be set down for hearing in Melbourne, Sydney, Adelaide, Perth or Brisbane must give at least one month's notice of their intention to be heard. If such notice is not given, it may be that there would be insufficient time to allow for the execution of official procedures

associated with the listing of hearings, and as a result, the matter involved might not be listed.

Subject to the convenience of this Office, hearings will be set down in Canberra at any time suitable to the parties.

## LIST OF STATE OFFICES

IP Australia State Offices are located in the Australian Capitals at the addresses given below. Requests for information may be obtained by calling at, phoning or writing to these offices or IP Australia, Canberra.

### Australian Capital Territory

Ground Floor  
Discovery House  
PHILLIP ACT 2606  
(PO Box 200, WODEN ACT 2606)  
Ph: 1300 651 010  
Fax: (02) 6283 7999

### New South Wales

Level 1  
45 Clarence Street  
SYDNEY NSW 2000  
Ph: 1300 651 010  
Fax: (02) 9249 5807

### Victoria

Level 6  
OCBC House  
565 Bourke Street  
MELBOURNE VIC 3000  
Ph: 1300 651 010  
Fax (03) 9612 9807

### Western Australia

2nd Floor  
East Point Plaza  
233 Adelaide Terrace  
PERTH WA 6000  
Ph: 1300 651 010  
Fax: (08) 9220 8907

### Queensland

Level 1  
Grant Thornton House  
102 Adelaide Street  
BRISBANE QLD 4000  
Ph: 1300 651 010  
Fax: (07) 3007 1107

### South Australia

Level 10  
Origin Energy House  
1 King William Street  
ADELAIDE SA 5000  
Ph: 1300 651 010  
Fax: (08) 8239 4507

### Tasmania

4th Floor  
AMP Building  
27 Elizabeth Street  
HOBART TAS 7000  
Ph: 1300 651 010  
Fax: (03) 6235 6307

# “INID” NUMBERS in use on Australian Design Documents

“INID” is an acronym for “Internationally agreed Numbers for the Identification of Data”.

## **(10) Data concerning the registration/renewal**

- (11) Serial number of the registration and/or number of the design document
- (12) Plain language designation of the kind of published document
- (19) Identification, using the two-letter code according to WIPO Standard ST.3, of the authority publishing or registering the industrial design

## **(20) Data concerning the application**

- (21) Serial number of the application
- (22) Date of filing of the application
- (24) Date from which the industrial design right has effect

## **(30) Data relating to priority under the Paris Convention**

- (31) Serial number assigned to the priority application
- (32) Date of filing of the priority application
- (33) Two-letter code, according to WIPO Standard ST.3, identifying the authority with which the priority application was made

## **(40) Date(s) of making information available to the public**

- (45) Date of publication of the registered industrial design by printing or similar process, or making it available to the public by any other means

## **(50) Miscellaneous Information**

- (51) International Classification for Industrial Designs (class and subclass of the Locarno Classification)
- (54) Designation of article(s) or product(s) covered by the industrial design or title of the industrial design
- (55) Reproduction of the industrial design (e.g., drawing, photograph) and explanations relating to the reproduction
- (56) List of prior art documents, if separate from descriptive text
- (57) Description of characteristic features of the industrial design including indication of colours

## **(60) References to other legally related application(s) and registration(s)**

- (62) Serial number(s) and, if available, filing date(s) of application(s), registration(s) or document(s) related by division
- (66) Serial number(s) of the application, or the registration, of the design(s) which is (are) a variant(s) of the present one

## **(70) Identification of parties concerned with the application or registration**

- (71) Name(s) and address(es) of the applicant(s)
- (72) Name(s) of the creator(s) if known to be such
- (74) Name(s) and address(es) of the representative(s)

This Page Left Intentionally Blank



Official Notice***Designs Act 2003***  
**Converted Designs**

The following transitional applications have been converted to an application under the *Designs Act 2003*:

<b>2003 Act Design Number</b>	<b>1906 Act Application Number</b>
13840/2005	587/2004
13911/2005	1125/2004

For more recent notifications of converted applications, please see the Australian Designs Data Searching system.

**Contact:** IP Australia  
**Phone:** 1300 651 010  
**Fax:** +61 2 6283 7999  
**E-mail:** [assist@ipaustrialia.gov.au](mailto:assist@ipaustrialia.gov.au)  
**Web:** [www.ipaustrialia.gov.au](http://www.ipaustrialia.gov.au)

---

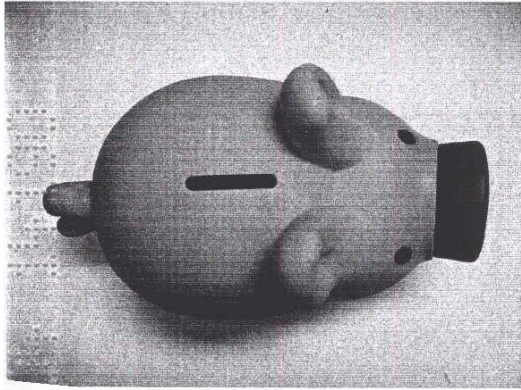
Official Notice

Revocation of Registration

**154574**

**Official Notice**

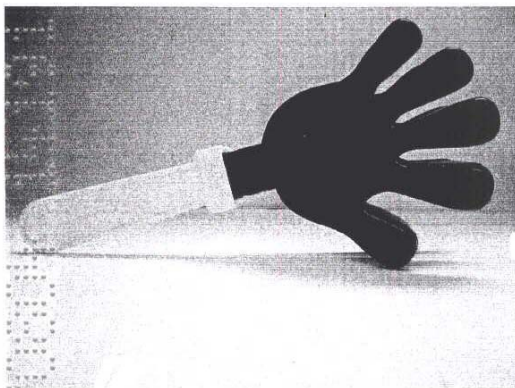
Australian Registered Design number 301365 as referred in corrigendum on page 2470 should appear as shown below:



---

**Official Notice**

Australian Registered Design number 301366 as referred in corrigendum on page 2470 should appear as shown below:



**Proceedings under the Designs Act 1906 preserved as a result of the provisions of Chapter 12 Part 2 of the Designs Act 2003.**

This Page Left Intentionally Blank

**Applications Lapsed**

00227 / 2004 (02-01B)

00233 / 2004 (20-02E)

01818 / 2004 (15-09)

00228 / 2004 (02-01B)

01687 / 2004 (25-03)

01973 / 2004 (03-01NES)

**Application for Extension of Period of Registration**

Applications under Section 27A(2) for extension of registration of the following designs have been lodged. In the event that a design is shown to be not new or original, the Registrar may refuse to extend the period of registration. Sub-section 27A(4) allows any person to lodge at the Designs Office material relevant to the question whether the design is not new or original. That material must be lodged within 11 months of the date when the registration of the design was made. Further details of the conditions and procedures for the lodgement of material are contained in Form 8 provided under the Designs Regulation 24.

Registration Number	Registered Owner	Registration Date	Registration Number	Registered Owner	Registration Date
156365	WAYNE JACOBS PLAYSCENE (AUSTRALIA) PTY LTD	07/09/2004	156599	OLIVER CLEMENS ROBERT KRATZER and GRANT EDWARD STEVENS	06/10/2004
156395	CLIPSAL AUSTRALIA PTY LTD	08/09/2004	156620	TERESA KAROLINA GRATKOWSKI	08/10/2004
156396	CLIPSAL AUSTRALIA PTY LTD	08/09/2004	156626	DAVID JOHN TASKER	12/10/2004
156404	NEW APPROACH PRODUCTS PTY LTD	10/09/2004	156631	MARTIN DUNN	12/10/2004
156405	NEW APPROACH PRODUCTS PTY LTD	10/09/2004	156652	FRANK PAUL BONOTTO TRADING AS SPLINE	12/10/2004
156406	NEW APPROACH PRODUCTS PTY LTD	10/09/2004	156679	DAVID JOHN TASKER	18/10/2004
156407	NEW APPROACH PRODUCTS PTY LTD	10/09/2004	156680	DAVID JOHN TASKER	18/10/2004
156413	CLIPSAL AUSTRALIA PTY LTD	10/09/2004	156724	DORF CLARK INDUSTRIES LIMITED	21/10/2004
156414	CLIPSAL AUSTRALIA PTY LTD	10/09/2004	156729	AUTO CONCEPTS AUSTRALIA PTY LTD	21/10/2004
156415	CLIPSAL AUSTRALIA PTY LTD	10/09/2004	156730	DAVID BRUCE WELLINGTON	21/10/2004
156416	CLIPSAL AUSTRALIA PTY LTD	10/09/2004	156762	LG ELECTRONICS INC.	25/10/2004
156417	CLIPSAL AUSTRALIA PTY LTD	10/09/2004	156779	WE-EF LEUCHTEN G.M.B.H. & CO. K.G.	25/10/2004
156419	CLIPSAL AUSTRALIA PTY LTD	10/09/2004	156780	WE-EF LEUCHTEN G.M.B.H. & CO. K.G.	25/10/2004
156420	CLIPSAL AUSTRALIA PTY LTD	10/09/2004	156803	DAVID JOHN TASKER	03/11/2004
156460	GMCA PTY LTD	21/09/2004	156806	JUSTIN CHUI	03/11/2004
156463	DAVID JOHN TASKER	22/09/2004	156811	PERUSAHAAN OTOMOBIL NASIONAL SDN. BHD.	03/11/2004
156476	SUI JIA HE	22/09/2004	156883	RELN PTY LIMITED	15/11/2004
156485	DAVID JOHN TASKER	24/09/2004	156928	SCOTT MESSENGER	17/11/2004
156492	NOVA CO. LTD	24/09/2004	156960	UNITEX GRANULAR MARBLE PTY LTD	29/11/2004
156499	BRIAN DANIEL LEVER	24/09/2004	156997	MASS TECHNOLOGY (H.K.) LTD	03/12/2004
156503	DAVID JOHN TASKER	27/09/2004	157001	K.C.S. PTY LTD	03/12/2004
156504	DAVID JOHN TASKER	27/09/2004	157047	FORD MOTOR COMPANY OF AUSTRALIA LIMITED	14/12/2004
156535	TERESA KAROLINA GRATKOWSKI	29/09/2004	157199	DAVID PETER IRELAND	07/01/2005
156542	ACTION JAPAN INC.	05/10/2004	157656	INTERNATIONAL GROCERY MANUFACTURER PTY LTD	01/03/2005
156548	ASTRAL PROPERTY PTY LIMITED	05/10/2004	157657	INTERNATIONAL GROCERY MANUFACTURER PTY LTD	01/03/2005
156549	ASTRAL PROPERTY PTY LIMITED	05/10/2004	157735	INTERNATIONAL GROCERY MANUFACTURER PTY LTD	15/03/2005
156561	ROBERT BOSCH G.M.B.H	05/10/2004	157773	INTERNATIONAL GROCERY MANUFACTURER PTY LTD	22/03/2005
			157846	INTERNATIONAL GROCERY MANUFACTURER PTY LTD	31/03/2005
			157847	INTERNATIONAL GROCERY MANUFACTURER PTY LTD	31/03/2005
			157918	AMCOR LIMITED	15/04/2005

Registration Number	Registered Owner	Registration Date			
			138605	138941	138942
			138943	138944	138945
158076	ONE WORLD TECHNOLOGIES LIMITED	06/06/2005	138946	138948	139029
			139133	139173	139174
158077	ONE WORLD TECHNOLOGIES LIMITED	06/06/2005	139790	139889	139980
			139992	140157	140158
158102	WET AND JUICY PTY LTD	20/06/2005	140159	140179	140180
			140237	140238	140239
158250	BARTLETT TRANSPORT IMPROVEMENTS PTY LTD	16/08/2005	140286	140300	140301
			140322	140324	140345
158251	WMS GAMING INC.	16/08/2005	140377	140378	140380
			140419	140420	140498
158252	WMS GAMING INC.	16/08/2005	140535	140589	140858
158258	ABA DIAMOND CORPORATION	18/08/2005	141065	141169	141231
			141246	141247	141248
158267	BECTON, DICKINSON AND COMPANY	26/08/2005	141296	141430	141450
158269	COORS GLOBAL PROPERTIES INC.	26/08/2005	141481	141569	141631
			141697	141915	141935
158270	KRA-MAR PET SUPPLIES PTY LTD	26/08/2005	141936	141937	142036
158273	MERZ & KRELL GMBH & CO. KGAA	05/09/2005	142634	142782	142823
			142825	142826	142827
158281	STOKELY-VAN CAMP INC.	05/09/2005	142873	142874	143045
158282	STOKELY-VAN CAMP INC.	05/09/2005	143046	143122	143384
158283	STOKELY-VAN CAMP INC.	05/09/2005	143424	143651	143652
			143653	143702	143724
158284	STOKELY-VAN CAMP INC.	05/09/2005	143844	144022	144264
158288	WAVEX CORPORATION	12/09/2005	144847	144958	145054
			145318	148133	148516
158289	PARK B. SMITH INC.	12/09/2005	149853	151971	156051
158290	PARK B. SMITH INC.	12/09/2005	156194		
158291	PARK B. SMITH INC.	12/09/2005			
158292	PARK B. SMITH INC.	12/09/2005			
158293	PARK B. SMITH INC.	12/09/2005			

**3rd Period (Section 27A(13))**

121159	123128	123320
123321	123347	123348
123349	123350	123351
123352	123353	123354
123355	123420	123443
123451	123461	123462
123475	123476	123477
123478	123479	123480
123485	123486	123487
123488	123489	123527
123535	123536	123537
123540	123547	123551
123552	123554	123556
123567	123568	123569
123570	123573	123747
123780	124003	124004
124126	124137	124138
124311	124598	124778
124931	124932	124933
124934	124935	125159
125332	125519	125642
125643	125829	125830
127075	127245	127355
127544	140724	156194

**Extension of Period of Registration of Designs**

**1st Period (Section 27A(8))**

156364	156365	156366
156367	156368	156371
156372	156373	156375
156377	156378	156379
156380	156381	156382
156383	156384	156385
156386	156387	156388
156389	156390	156391
156392	156393	156394
156395	156396	156402
156403	156404	156405
156406	156407	156408
156409	156410	156411
156412	156413	156414
156415	156416	156417
156419	156420	

**2nd Period (Section 27A(12))**

**Registrations Ceased**

Note: Some of the following Registrations may have been previously advertised as ceased. In this instance, the previous advertisement still prevails.

106969	107041	107053
107102	107169	107272
107392	107393	107713
109116	111587	111993
121375	121378	121410
121413	121433	121583
121772	122208	122366
122843	122844	123468
123513	138260	138261
138303	138434	139167
139689	140399	141996
142415	142433	156324
156326	156327	156328
156341	156353	156361
156362	156363	156370
156397		

**Subsequent Owners Registered**

	Trust ) CIC Plastics Pty Ltd
153247	( <b>CIC Plastics Pty Ltd as trustee for the Cicala Family Trust</b> ) CIC Plastics Pty Ltd
112255	( <b>SMB Harwal Electric Pty Ltd</b> ) Harwal Singapore Pte Ltd
112256	( <b>SMB Harwal Electric Pty Ltd</b> ) Harwal Singapore Pte Ltd
112257	( <b>SMB Harwal Electric Pty Ltd</b> ) Harwal Singapore Pte Ltd
112258	( <b>SMB Harwal Electric Pty Ltd</b> ) Harwal Singapore Pte Ltd

**Names Registered - Alterations and Amendments**

(The name in parentheses is the new name of the proprietor)

141610	( <b>Life Therapeutics Limited</b> ) Gradipore Limited
136831	( <b>Life Therapeutics Limited</b> ) Gradipore Limited
141480	( <b>Clipsal Australia Pty Ltd</b> ) Gerard Industries Pty Ltd

**Applications for Extension of time**

Applications for extension of time have been lodged. Objections must be lodged within 1 month from the date of this journal.

154231 **Robert Welch Designs Ltd** Extension of time to extend a registration. Address for Service: Robert Welsch Designs c/- Nadin Bambis Import Co p/IPO Box 195 Moreland Vic 3058

**Extensions of time granted**

Applications lodged for extension of time have been granted.

138605 **Graeme Seabrook Duncan** An Extension of time to extend a registration has been granted to 16/09/2005

02824/2003 **Peter Crook** An Extension of time to register an application has been granted to 28/11/2005

**Applications Assigned**

(The name in parentheses is that of the subsequent applicant)

00021/2004 ( **Surf Hardware International Pty Limited** ) Surfing Hardware International Holdings Pty Limited

**Subsequent Owners Registered**

(The name in parentheses is that of the subsequent owner)

146957	( <b>Leggett &amp; Platt Canada Co.</b> ) Leggett & Platt Ltd
146956	( <b>Leggett &amp; Platt Canada Co.</b> ) Leggett & Platt Ltd
137011	( <b>Leggett &amp; Platt Canada Co.</b> ) Leggett & Platt Ltd
136521	( <b>Leggett &amp; Platt Canada Co.</b> ) Leggett & Platt Ltd
145609	( <b>Leggett &amp; Platt Canada Co.</b> ) Leggett & Platt Ltd
128386	( <b>CIC Plastics Pty Ltd as trustee for the Cicala Family</b>



**Corrigenda**

Number

In Vol 19 , No 12 , page 1507 under the heading **Registrations Ceased**; 121159 should be deleted.

**Registration Proceedings**

**Designs Registered**

This section provides a concordance between application number and registration number of Designs covered in this journal. It also shows the main class and registration date.

This section covers Registration numbers 158286 to 158300.

The registration number shown below should be used in all future correspondence.

<b>Application Number</b>	<b>Registration Number</b>	<b>International Classification Code (IDC)</b>	<b>Registration Date</b>	<b>Application Number</b>	<b>Registration Number</b>	<b>International Classification Code (IDC)</b>	<b>Registration Date</b>
03899/2003	158300	12-10	12/09/2005	01296/2004	158299	25-02E	12/09/2005
04263/2003	158286	12-06A	12/09/2005	01567/2004	158289	06-10	12/09/2005
00253/2004	158287	08-08B	12/09/2005	01568/2004	158290	06-10	12/09/2005
00830/2004	158288	21-02B	12/09/2005	01573/2004	158291	06-10	12/09/2005
01087/2004	158295	04-01	12/09/2005	01574/2004	158292	06-10	12/09/2005
01293/2004	158296	25-02E	12/09/2005	01575/2004	158293	06-10	12/09/2005
01294/2004	158297	25-02E	12/09/2005	02468/2004	158294	09-03F	12/09/2005
01295/2004	158298	25-02E	12/09/2005				

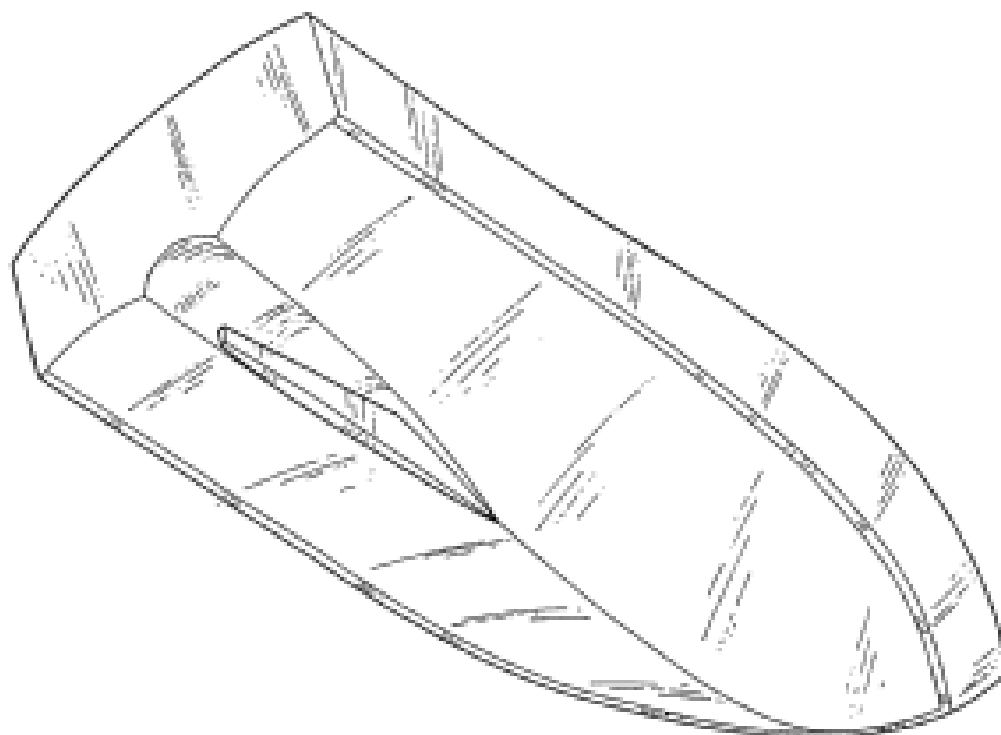
**Registration Proceedings**

**Class Listing of Designs Registered**

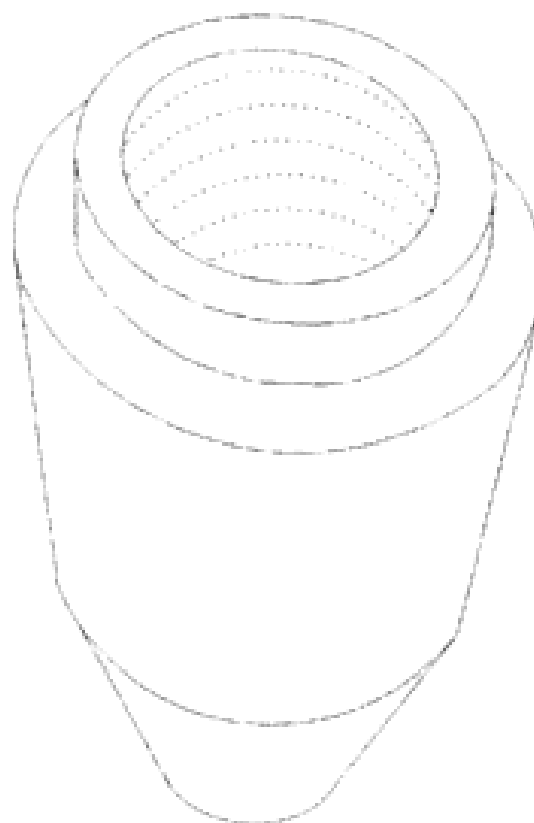
The following section shows an International Classification Code listing of the Registered Designs covered in this supplement.

<b>Classification</b>	<b>Registration Number</b>	<b>Application Number</b>	<b>Classification</b>	<b>Registration Number</b>	<b>Application Number</b>
04-01	158295	01087/2004	12-06 A	158286	04263/2003
06-10	158289	01567/2004	12-10	158300	03899/2003
06-10	158290	01568/2004	21-02 B	158288	00830/2004
06-10	158291	01573/2004	25-02 E	158296	01293/2004
06-10	158292	01574/2004	25-02 E	158297	01294/2004
06-10	158293	01575/2004	25-02 E	158298	01295/2004
08-08 B	158287	00253/2004	25-02 E	158299	01296/2004
09-03 F	158294	02468/2004			

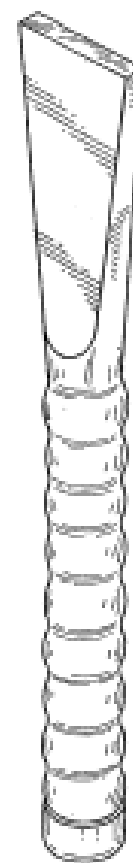
- (21) Application Number: **4263/2003**  
(22) Date of Filing Application: **01 December 2003**  
(24) Date from which industrial property rights may have effect: **30 May 2002**  
(54) Article in respect of which the design is registered: **Boat hull**  
(51) International Design Classification: **12-06A**  
(74) Name(s) of Attorney(s): **Ahearn Fox**  
(71) Name(s) and Address(s) of Applicant(s):  
**Ray Cerezo**  
**2 Glasson Drive Bethania Queensland 4205 Australia**  
(72) Name(s) of Author(s): **Barry Martin**  
(45) Registration Date: **12 September 2005**  
(62) Divisional of: **153987**  
(56) Related Art Documents: **Not Applicable**  
(57) Statement of Monopoly: **Monopoly is claimed in the shape and configuration of a boat hull as shown in the accompanying representations.**  
Statement of Novelty: **Nil**



- (21) Application Number: **0253/2004**  
(22) Date of Filing Application: **19 January 2004**  
(24) Date from which industrial property rights may have effect: **19 January 2004**  
(54) Article in respect of which the design is registered: **A head for a security hinge bolt**  
(51) International Design Classification: **08-08B**  
(71) Name(s) and Address(s) of Applicant(s):  
**Surite Pty Ltd**  
**20 Coonil Crescent North Shore Victoria 3214 Australia**  
(72) Name(s) of Author(s): **Brian Arthur Cook**  
(45) Registration Date: **12 September 2005**  
(56) Related Art Documents: **Not Applicable**  
(57) Statement of Monopoly: **Monopoly is claimed in the shape and configuration of a head as depicted in the accompanying representations. In considering the extent of monopoly protection, threadforms, millings, drillings, scoring or other variations in the internal surface of the cavity or blind hole in the head as exemplified by those shown in broken outline are to be disregarded.**  
Statement of Novelty: **Nil**



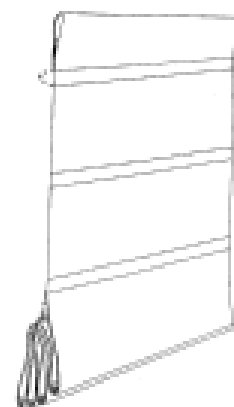
(21) Application Number: **0830/2004**  
 (22) Date of Filing Application: **03 March 2004**  
 (24) Date from which industrial property rights may have effect: **25 September 2002**  
 (54) Article in respect of which the design is registered: **Cricket bat handle**  
 (51) International Design Classification: **21-02B**  
 (74) Name(s) of Attorney(s): **Shelston IP**  
 (71) Name(s) and Address(s) of Applicant(s):  
**Wavex Corporation**  
**55 Adelaide Street East Suite 410 Toronto Ontario M5C 1K6 Canada**  
 (72) Name(s) of Author(s): **Thomas G. Larson**  
 (45) Registration Date: **12 September 2005**  
 (62) Divisional of: **154927**  
 (56) Related Art Documents: **Not Applicable**  
 (57) Statement of Monopoly: **Monopoly is claimed in the features of shape and/or configuration of a cricket bat handle as shown in the representations accompanying the application.**  
 Statement of Novelty: **Nil**



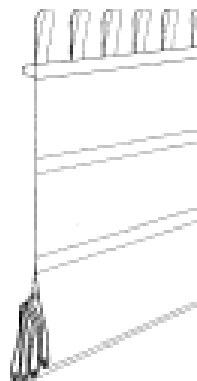
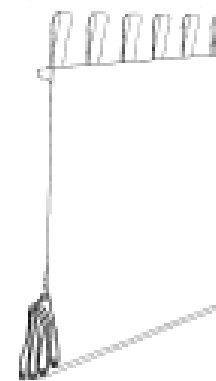
(21) Application Number: **1567/2004**  
 (22) Date of Filing Application: **23 April 2004**  
 (24) Date from which industrial property rights may have effect: **23 April 2004**  
 (54) Article in respect of which the design is registered: **A set of raisable panels**  
 (51) International Design Classification: **06-10**  
 (74) Name(s) of Attorney(s): **SPRUSON & FERGUSON**  
 (71) Name(s) and Address(s) of Applicant(s):  
**Park B. Smith Inc.**  
**295 Fifth Avenue New York New York 10022 United States of America**  
 (72) Name(s) of Author(s): **Park B. Smith and Linda Johnson**  
 (45) Registration Date: **12 September 2005**  
 (30) Convention priority data:  

(31) Number	(32) Date	(33) Country
<b>29/184069</b>	<b>21 Nov 2003</b>	<b>UNITED STATES OF AMERICA</b>

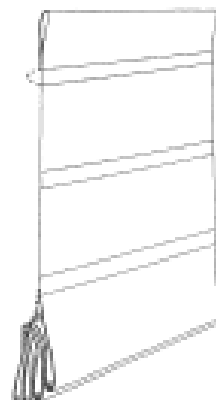
 (56) Related Art Documents: **Not Applicable**  
 (57) Statement of Monopoly: **Monopoly is claimed in the features of shape and/or configuration of a set of raisable panels as illustrated in the accompanying representations. In considering the extent of monopoly protection, the features depicted in phantom and the width of the panels are to be disregarded.**  
 Statement of Novelty: **Nil**



(21) Application Number: **1568/2004**  
 (22) Date of Filing Application: **23 April 2004**  
 (24) Date from which industrial property rights may have effect: **23 April 2004**  
 (54) Article in respect of which the design is registered: **A set of raisable panels**  
 (51) International Design Classification: **06-10**  
 (74) Name(s) of Attorney(s): **SPRUSON & FERGUSON**  
 (71) Name(s) and Address(s) of Applicant(s):  
**Park B. Smith Inc.**  
**295 Fifth Avenue New York New York 10022 United States of America**  
 (72) Name(s) of Author(s): **Park B. Smith and Linda Johnson**  
 (45) Registration Date: **12 September 2005**  
 (30) Convention priority data:  
 (31) Number      (32) Date      (33) Country  
**29/184071      21 Nov 2003      UNITED STATES OF AMERICA**  
 (56) Related Art Documents: **Not Applicable**  
 (57) Statement of Monopoly: **Monopoly is claimed in the features of shape and/or configuration of a set of raisable panels as illustrated in the accompanying representations. In considering the extent of monopoly protection, the features depicted in phantom and the width of the panels are to be disregarded.**  
 Statement of Novelty: **Nil**



(21) Application Number: **1573/2004**  
 (22) Date of Filing Application: **23 April 2004**  
 (24) Date from which industrial property rights may have effect: **23 April 2004**  
 (54) Article in respect of which the design is registered: **A set of raisable panels**  
 (51) International Design Classification: **06-10**  
 (74) Name(s) of Attorney(s): **SPRUSON & FERGUSON**  
 (71) Name(s) and Address(s) of Applicant(s):  
**Park B. Smith Inc.**  
**295 Fifth Avenue New York New York 10022 United States of America**  
 (72) Name(s) of Author(s): **Park B. Smith and Linda Johnson**  
 (45) Registration Date: **12 September 2005**  
 (30) Convention priority data:  
 (31) Number      (32) Date      (33) Country  
**29/199805      18 Feb 2004      UNITED STATES OF AMERICA**  
 (56) Related Art Documents: **Not Applicable**  
 (57) Statement of Monopoly: **Monopoly is claimed in the features of shape and/or configuration of a set of raisable panels as illustrated in the accompanying representations. In considering the extent of monopoly protection, the features depicted in phantom and the width of the panels are to be disregarded.**  
 Statement of Novelty: **Nil**



(21) Application Number: **1574/2004**  
 (22) Date of Filing Application: **23 April 2004**  
 (24) Date from which industrial property rights may have effect: **23 April 2004**  
 (54) Article in respect of which the design is registered: **A set of raisable panels**  
 (51) International Design Classification: **06-10**  
 (74) Name(s) of Attorney(s): **SPRUSON & FERGUSON**  
 (71) Name(s) and Address(s) of Applicant(s):

**Park B. Smith Inc.**  
**295 Fifth Avenue New York New York 10022 United States of America**

(72) Name(s) of Author(s): **Park B. Smith and Linda Johnson**

(45) Registration Date: **12 September 2005**

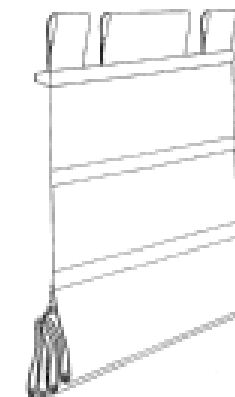
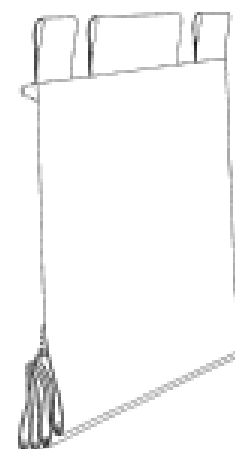
(30) Convention priority data:

(31) Number	(32) Date	(33) Country
<b>29/184072</b>	<b>21 Nov 2003</b>	<b>UNITED STATES OF AMERICA</b>

(56) Related Art Documents: **Not Applicable**

(57) Statement of Monopoly: **Monopoly is claimed in the features of shape and/or configuration of a set of raisable panels as illustrated in the accompanying representations. In considering the extent of monopoly protection, the features depicted in phantom and the width of the panels are to be disregarded.**

Statement of Novelty: **Nil**



(21) Application Number: **1575/2004**  
 (22) Date of Filing Application: **23 April 2004**  
 (24) Date from which industrial property rights may have effect: **23 April 2004**  
 (54) Article in respect of which the design is registered: **A set of raisable panels**  
 (51) International Design Classification: **06-10**  
 (74) Name(s) of Attorney(s): **SPRUSON & FERGUSON**  
 (71) Name(s) and Address(s) of Applicant(s):

**Park B. Smith Inc.**  
**295 Fifth Avenue New York New York 10022 United States of America**

(72) Name(s) of Author(s): **Park B. Smith and Linda Johnson**

(45) Registration Date: **12 September 2005**

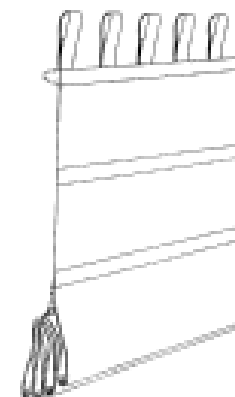
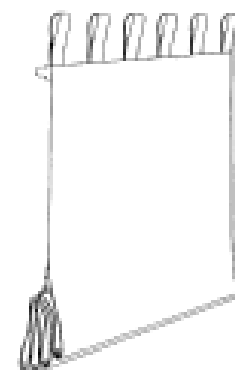
(30) Convention priority data:

(31) Number	(32) Date	(33) Country
<b>29/184071</b>	<b>21 Nov 2003</b>	<b>UNITED STATES OF AMERICA</b>

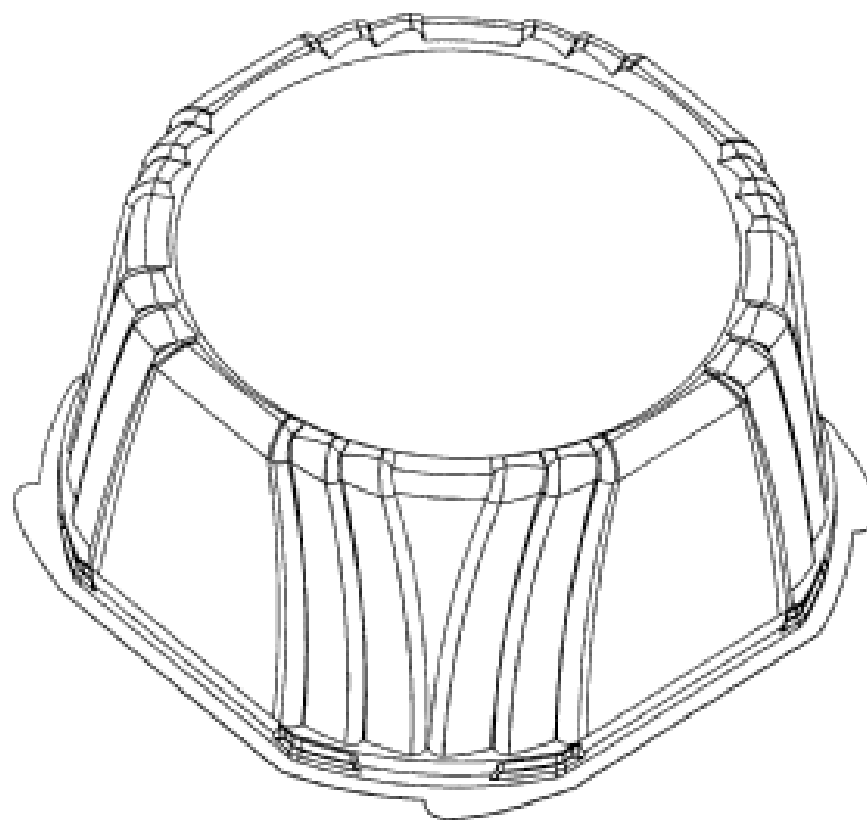
(56) Related Art Documents: **Not Applicable**

(57) Statement of Monopoly: **Monopoly is claimed in the features of shape and/or configuration of a set of raisable panels as illustrated in the accompanying representations. In considering the extent of monopoly protection, the features depicted in phantom and the width of the panels are to be disregarded.**

Statement of Novelty: **Nil**



(21) Application Number: **2468/2004**  
(22) Date of Filing Application: **16 June 2004**  
(24) Date from which industrial property rights may have effect: **16 June 2004**  
(54) Article in respect of which the design is registered: **Container**  
(51) International Design Classification: **09-03F**  
(74) Name(s) of Attorney(s): **PHILLIPS ORMONDE & FITZPATRICK**  
(71) Name(s) and Address(s) of Applicant(s):  
**Signum Specialities Pty Ltd**  
**47 Dallas Drive Broadmeadows Victoria 3047 Australia**  
(72) Name(s) of Author(s): **Ewan Macpherson**  
(45) Registration Date: **12 September 2005**  
(56) Related Art Documents: **AU-S-158180(09-03F)**  
(57) Statement of Monopoly: **Monopoly is claimed in the shape and/or configuration of a container as shown in the representations.**  
Statement of Novelty: **Nil**



(21) Application Number: **1087/2004**  
(22) Date of Filing Application: **23 March 2004**  
(24) Date from which industrial property rights may have effect: **23 March 2004**  
(54) Article in respect of which the design is registered: **A cobweb remover**  
(51) International Design Classification: **04-01**  
(71) Name(s) and Address(s) of Applicant(s):  
**Mia Middonte**  
**1/5 Pacific Highway Wahroonga New South Wales 2076 Australia**  
(72) Name(s) of Author(s): **Mia Middonte**  
(45) Registration Date: **12 September 2005**  
(56) Related Art Documents: **Not Applicable**  
(57) Statement of Monopoly: **Monopoly is claimed in the shape and configuration of a cobweb remover as shown in the representations.**  
Statement of Novelty: **Nil**





(21) Application Number: **1293/2004**

(22) Date of Filing Application: **05 April 2004**

(24) Date from which industrial property rights may have effect: **05 April 2004**

(54) Article in respect of which the design is registered: **A set of ceiling roses**

(51) International Design Classification: **25-02E**

(71) Name(s) and Address(s) of Applicant(s):

**Masoud Zarghami**

**27 Wedmore Road Boronia Victoria 3155 Australia**

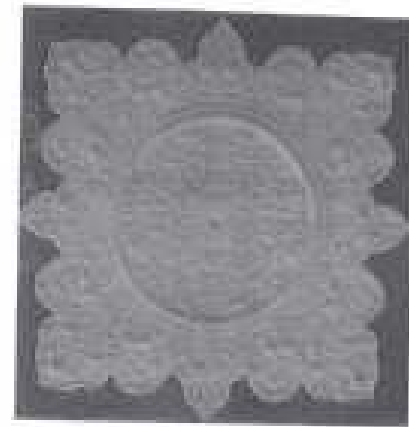
(72) Name(s) of Author(s): **Masoud Zarghami**

(45) Registration Date: **12 September 2005**

(56) Related Art Documents: **Not Applicable**

(57) Statement of Monopoly: **Nil**

Statement of Novelty: **Nil**



(21) Application Number: **1294/2004**

(22) Date of Filing Application: **05 April 2004**

(24) Date from which industrial property rights may have effect: **05 April 2004**

(54) Article in respect of which the design is registered: **Ceiling rose**

(51) International Design Classification: **25-02E**

(71) Name(s) and Address(s) of Applicant(s):

**Masoud Zarghami**

**27 Wedmore Road Boronia Victoria 3155 Australia**

(72) Name(s) of Author(s): **Masoud Zarghami**

(45) Registration Date: **12 September 2005**

(56) Related Art Documents: **Not Applicable**

(57) Statement of Monopoly: **Nil**

Statement of Novelty: **Nil**



(21) Application Number: **1295/2004**

(22) Date of Filing Application: **05 April 2004**

(24) Date from which industrial property rights may have effect: **05 April 2004**

(54) Article in respect of which the design is registered: **A set of ceiling roses**

(51) International Design Classification: **25-02E**

(71) Name(s) and Address(s) of Applicant(s):

**Masoud Zarghami**

**27 Wedmore Road Boronia Victoria 3155 Australia**

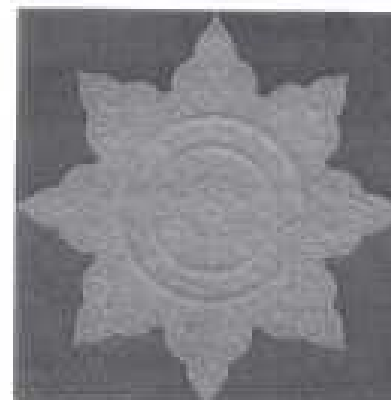
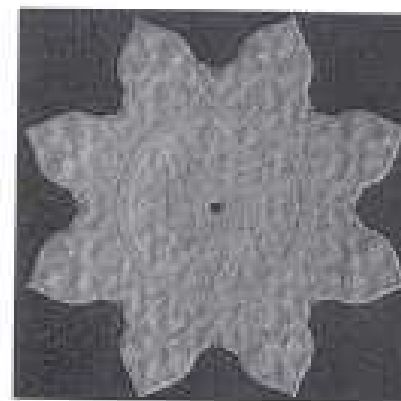
(72) Name(s) of Author(s): **Masoud Zarghami**

(45) Registration Date: **12 September 2005**

(56) Related Art Documents: **Not Applicable**

(57) Statement of Monopoly: **Nil**

Statement of Novelty: **Nil**



(21) Application Number: **1296/2004**

(22) Date of Filing Application: **05 April 2004**

(24) Date from which industrial property rights may have effect: **05 April 2004**

(54) Article in respect of which the design is registered: **Ceiling rose**

(51) International Design Classification: **25-02E**

(71) Name(s) and Address(s) of Applicant(s):

**Masoud Zarghami**

**27 Wedmore Road Boronia Victoria 3155 Australia**

(72) Name(s) of Author(s): **Masoud Zarghami**

(45) Registration Date: **12 September 2005**

(56) Related Art Documents: **Not Applicable**

(57) Statement of Monopoly: **Nil**

Statement of Novelty: **Nil**



- (21) Application Number: **3899/2003**  
(22) Date of Filing Application: **10 November 2003**  
(24) Date from which industrial property rights may have effect: **10 November 2003**  
(54) Article in respect of which the design is registered: **A frame**  
(51) International Design Classification: **12-10**  
(71) Name(s) and Address(s) of Applicant(s):  
**Graham John Howard**  
**2 Augusta Crescent Forest Lake Queensland 4078 Australia**  
(72) Name(s) of Author(s): **Graham John Howard**  
(45) Registration Date: **12 September 2005**  
(56) Related Art Documents: **Not Applicable**  
(57) Statement of Monopoly: **Monopoly is claimed in the shape and configuration of the frame as shown in the representations. No monopoly is claimed in the shape and configuration of the wheels and the towing hitch.**  
Statement of Novelty: **Nil**





**Proceedings under the Designs Act 2003.**

This Page Left Intentionally Blank

**Applications Lodged**

Lodgement information is in the following order: **Applicant's Name**; International Classification, Name of Product, Lodgement Date and **Design Number**. If the applicant claims an earlier priority date under an International Convention, the Convention Country and the associated filing date are shown in parentheses before the Lodgement Date. Divisional information will also appear in parentheses before the Lodgement Date.

<b>Advantage Air (Aust) Pty Ltd;</b> 13-03NES, Controller box (air conditioning), 08 Sep 2005	<b>13884/2005</b>	<b>Choi, Kwan Jun;</b> 21-04, Top supporting frame for a tent, 09 Sep 2005	<b>13937/2005</b>
<b>Andre Baron Design &amp; Production;</b> 06-04NES, Sets of four nesting cubes, and sets of four nesting rectangles, 12 Sep 2005	<b>13938/2005</b>	<b>Chromend Supply;</b> 12-16N, Automobile exhaust extension, 07 Sep 2005	<b>13823/2005</b>
<b>Antelco Pty Ltd;</b> 23-01E, An irrigation stake, 12 Sep 2005	<b>13942/2005</b>	<b>Crocs, Inc.;</b> 02-04NES, Footwear, (EM, 11 Mar 2005) 12 Sep 2005	<b>13966/2005</b>
<b>Antelco Pty Ltd;</b> 23-01E, An irrigation stake, 12 Sep 2005	<b>13941/2005</b>	<b>Crocs, Inc.;</b> 02-04NES, Footwear, (EM, 11 Mar 2005) 12 Sep 2005	<b>13965/2005</b>
<b>Argyle Wine Tools Pty Ltd;</b> 07-06D, Lever-pull corkscrew, 08 Sep 2005	<b>13873/2005</b>	<b>Crocs, Inc.;</b> 02-04NES, Footwear, (EM, 11 Mar 2005) 12 Sep 2005	<b>13967/2005</b>
<b>Argyle Wine Tools Pty Ltd;</b> 07-06D, Cork retriever, 08 Sep 2005	<b>13874/2005</b>	<b>Crocs, Inc.;</b> 02-04NES, Footwear, (EM, 11 Mar 2005) 12 Sep 2005	<b>13968/2005</b>
<b>Ascadia, Inc.;</b> 21-01B, Character figure, (US, 25 Mar 2005) 08 Sep 2005	<b>13885/2005</b>	<b>Crocs, Inc.;</b> 02-04NES, Footwear, (EM, 11 Mar 2005) 12 Sep 2005	<b>13969/2005</b>
<b>Australian Security Fencing Pty Ltd;</b> 25-02C, Security fencing, 14 Sep 2005	<b>13975/2005</b>	<b>Crocs, Inc.;</b> 02-04NES, Footwear, (EM, 11 Mar 2005) 12 Sep 2005	<b>13970/2005</b>
<b>Bacon, Judith;</b> 11-05, Crystal bridal bouquet - simply stunning, 14 Sep 2005	<b>13974/2005</b>	<b>Crocs, Inc.;</b> 02-04NES, Footwear, (EM, 11 Mar 2005) 12 Sep 2005	<b>13971/2005</b>
<b>Belkin Corporation;</b> 20-02E, Merchandise display, (US, 04 Mar 2005) 05 Sep 2005	<b>13811/2005</b>	<b>Cryovac Australia Pty Ltd;</b> 09-03F, Tray, 07 Sep 2005	<b>13828/2005</b>
<b>Bickle, Kylie Ann;</b> 06-01C, Streetscape furniture - bench seating, 08 Sep 2005	<b>13834/2005</b>	<b>Cryovac Australia Pty Ltd;</b> 09-03F, Tray, 07 Sep 2005	<b>13829/2005</b>
<b>Braun GmbH;</b> 13-02, Charger unit, (DE, 28 Apr 2005) 06 Sep 2005	<b>13817/2005</b>	<b>Cryovac Australia Pty Ltd;</b> 09-03F, Tray, 07 Sep 2005	<b>13830/2005</b>
<b>Braun GmbH;</b> 28-03NES, Handle for an electric toothbrush, (DE, 28 Apr 2005) 06 Sep 2005	<b>13818/2005</b>	<b>Cryovac Australia Pty Ltd;</b> 09-03F, Tray, 07 Sep 2005	<b>13827/2005</b>
<b>Bridgestone Corporation;</b> 12-15NES, A tyre, (JP, 30 Mar 2005) 07 Sep 2005	<b>13831/2005</b>	<b>CKI Utilities Development Limited; HEI Utilities Development Limited; CKI Utilities Holdings Limited; HEI Utilities Holdings Limited; CKI/HEI Utilities Distribution Limited;</b> 13-03B, An electrical conductor clamp, 07 Sep 2005	<b>13814/2005</b>
<b>Bridgestone Corporation;</b> 12-15NES, A tyre, (JP, 30 Mar 2005) 07 Sep 2005	<b>13832/2005</b>	<b>CKI Utilities Holdings Limited; CKI Utilities Development Limited; HEI Utilities Holdings Limited; CKI/HEI Utilities Distribution Limited;</b> 13-03B, An electrical conductor clamp, 07 Sep 2005	<b>13814/2005</b>
<b>Broadbent, Clare Elise;</b> 22-06, Housing for soil fumigator, 12 Sep 2005	<b>13959/2005</b>		
<b>Broadbent, Clare Elise;</b> 22-06, Chemical distributor, 12 Sep 2005	<b>13960/2005</b>		
<b>Broadhurst, Mark; Plested, Mike;</b> 17-99, Grip pick, 09 Sep 2005	<b>13940/2005</b>		
<b>Candy Canvas Pty Ltd;</b> 12-16NES, A camper, 09 Sep 2005	<b>13877/2005</b>		
<b>Cerebos (Australia) Limited;</b> 09-01C, A jar, 05 Sep 2005	<b>13807/2005</b>		

<b>CKI/HEI Utilities Distribution Limited; CKI Utilities Development Limited; HEI Utilities Development Limited; CKI Utilities Holdings Limited; HEI Utilities Holdings Limited;</b> 13-03B, An electrical conductor clamp, 07 Sep 2005	<b>13814/2005</b>	<b>Golin, Teresa; Kelsh, Josephine;</b> 19-08, Children's weekly planner, 16 Sep 2005	<b>13992/2005</b>
<b>Dalton Packaging Pty Ltd;</b> 19-02, Tape dispenser, 07 Sep 2005	<b>13819/2005</b>	<b>Goodyear Tire &amp; Rubber Company, The;</b> 12-15B, Tyre, (US, 24 Mar 2005) 14 Sep 2005	<b>13411/2005</b>
<b>De Gruccio, Dennis;</b> 21-02C, Putter grip and ball retriever, 08 Sep 2005	<b>13883/2005</b>	<b>Gostt, Nicholas; Gostt, Anthea;</b> 07-07A, Camping accessory, kitchen accessory, 12 Sep 2005	<b>13982/2005</b>
<b>Dennewald, Adrian;</b> 24-04, Product is intended to be applied as a neck orthotic, 15 Sep 2005	<b>13990/2005</b>	<b>Gostt, Anthea; Gostt, Nicholas;</b> 07-07A, Camping accessory, kitchen accessory, 12 Sep 2005	<b>13982/2005</b>
<b>Dorma Gmbh + Co. KG;</b> 08-09, Push bar, (DE, 08 Mar 2005) 09 Sep 2005	<b>13919/2005</b>	<b>Gostt, Nicholas; Gostt, Anthea;</b> 07-07A, Camping accessory, kitchen accessory, 12 Sep 2005	<b>13983/2005</b>
<b>Dorma Gmbh + Co. KG;</b> 08-09, Push bar, (DE, 08 Mar 2005) 09 Sep 2005	<b>13920/2005</b>	<b>Gostt, Anthea; Gostt, Nicholas;</b> 07-07A, Camping accessory, kitchen accessory, 12 Sep 2005	<b>13983/2005</b>
<b>Dorma Gmbh + Co. KG;</b> 08-09, Push bar, (DE, 08 Mar 2005) 09 Sep 2005	<b>13921/2005</b>	<b>Green, David John;</b> 23-02B, Shower base, 08 Sep 2005	<b>13891/2005</b>
<b>Dorma Gmbh + Co. KG;</b> 08-09, Push bar, (DE, 08 Mar 2005) 09 Sep 2005	<b>13922/2005</b>	<b>Green, David John;</b> 23-02B, Shower base, 08 Sep 2005	<b>13897/2005</b>
<b>Dorma Gmbh + Co. KG;</b> 08-09, Push bar, (DE, 08 Mar 2005) 09 Sep 2005	<b>13923/2005</b>	<b>Green, David John;</b> 23-02B, Shower base, 08 Sep 2005	<b>13898/2005</b>
<b>Dorma Gmbh + Co. KG;</b> 08-06, Push bar, (DE, 08 Mar 2005) 09 Sep 2005	<b>13924/2005</b>	<b>Green, David John;</b> 23-02B, Shower base, 08 Sep 2005	<b>13892/2005</b>
<b>Dorma Gmbh + Co. KG;</b> 08-06, Door handle, (DE, 08 Mar 2005) 09 Sep 2005	<b>13925/2005</b>	<b>Green, David John;</b> 23-02B, Shower base, 08 Sep 2005	<b>13893/2005</b>
<b>Dorma Gmbh + Co. KG;</b> 08-06, Door handle, (DE, 08 Mar 2005) 09 Sep 2005	<b>13926/2005</b>	<b>Green, David John;</b> 23-02B, Shower base, 08 Sep 2005	<b>13894/2005</b>
<b>Dorma Gmbh + Co. KG;</b> 08-06, Door handle, (DE, 08 Mar 2005) 09 Sep 2005	<b>13927/2005</b>	<b>Green, David John;</b> 23-02B, Shower base, 08 Sep 2005	<b>13895/2005</b>
<b>Dualit Limited;</b> 07-02F, Toaster, (EM, 08 Mar 2005) 08 Sep 2005	<b>13888/2005</b>	<b>Green, David John;</b> 23-02B, Shower base, 08 Sep 2005	<b>13896/2005</b>
<b>Dualit Limited;</b> 07-02F, Toaster, (EM, 08 Mar 2005) 08 Sep 2005	<b>13889/2005</b>	<b>Greenberg, Ronald Allan;</b> 03-01D, Cosmetic treatment console, 09 Sep 2005	<b>13876/2005</b>
<b>Durant, Andrew;</b> 08-05A, Watering container, (US, 07 Mar 2005) 07 Sep 2005	<b>13844/2005</b>	<b>GM Holden Ltd;</b> 12-08, 21-01C, A motor vehicle and a model vehicle, 09 Sep 2005	<b>13939/2005</b>
<b>Durant, Andrew;</b> 09-02B, Product container, (US, 07 Mar 2005) 07 Sep 2005	<b>13845/2005</b>	<b>He, Sui Jia;</b> 07-06A, Halo cup, 09 Sep 2005	<b>13913/2005</b>
<b>Farrugia, Andrew;</b> 21-01NES, A marble, 09 Sep 2005	<b>13916/2005</b>	<b>Henkel Kommanditgesellschaft auf Aktien;</b> 09-01NES, Bottle, (EM, 11 Apr 2005) 08 Sep 2005	<b>13871/2005</b>
<b>Farrugia, Andrew;</b> 20-02C, A display case, 09 Sep 2005	<b>13917/2005</b>	<b>Holding P.M.M. Hoff B.V.;</b> 09-03M, 09-03F, Container, (EM, 10 Jun 2005) 06 Sep 2005	<b>13820/2005</b>
<b>Ganley, Robert Norman;</b> 25-02C, Fence capping, 07 Sep 2005	<b>13822/2005</b>	<b>Honda Motor Co., Ltd;</b> 12-13, All terrain vehicle, (US, 01 Apr 2005) 09 Sep 2005	<b>13890/2005</b>
		<b>HEI Utilities Development Limited; CKI Utilities Development Limited; CKI Utilities Holdings Limited; HEI Utilities Holdings Limited; CKI/HEI Utilities Distribution Limited;</b> 13-03B, An electrical conductor clamp, 07 Sep 2005	<b>13814/2005</b>



<b>HEI Utilities Holdings Limited; CKI Utilities Development Limited; HEI Utilities Development Limited; CKI Utilities Holdings Limited; CKI/HEI Utilities Distribution Limited;</b> 13-03B, An electrical conductor clamp, 07 Sep 2005	<b>13814/2005</b>	<b>Mitchell, Roger;</b> 07-07A, Ice cooler, 13 Sep 2005	<b>13958/2005</b>
<b>International Grocery Manufacturer Pty Ltd;</b> 24-04, Sanitary pad, (Divisional of 00224/2004) 07 Sep 2005	<b>13824/2005</b>	<b>Mitchell, Stephen John;</b> 26-05D, Pendant lightshade, 16 Sep 2005	<b>13993/2005</b>
<b>IGC (Australia) Pty Ltd;</b> 29-02, Harness buckle, 13 Sep 2005	<b>13984/2005</b>	<b>Moduline Pty Ltd;</b> 13-03C, Movable ducting unit with video distribution amplifiers, 09 Sep 2005	<b>13929/2005</b>
<b>Kelsh, Josephine; Golin, Teresa;</b> 19-08, Children's weekly planner, 16 Sep 2005	<b>13992/2005</b>	<b>Moet Hennessy Asia Pacific Pte Ltd.;</b> 09-01H, Bottle, (US, 14 Mar 2005) 31 Aug 2005	<b>13813/2005</b>
<b>Klein, Annette;</b> 12-12, Prams : four wheelers and three wheelers pram and strollers, 14 Sep 2005	<b>13973/2005</b>	<b>Murray, Ian;</b> 06-07, Elfin archiver single frame, 12 Sep 2005	<b>13980/2005</b>
<b>Koninklijke Philips Electronics N.V.;</b> 26-05A, Ceiling luminaire, (EM, 30 Mar 2005) 08 Sep 2005	<b>13858/2005</b>	<b>Murray, Ian;</b> 06-07, Elfin archiver single frame, 12 Sep 2005	<b>13981/2005</b>
<b>Leader Products Pty Ltd;</b> 08-05B, 30-08, Tag applicator, 25 Mar 2004	<b>13911/2005</b>	<b>MQF Pty Limited;</b> 07-07A, 07-06A, Canned drink holder, 05 Sep 2005	<b>13812/2005</b>
<b>Leader Products Pty Ltd;</b> 08-05B, 30-08, Tag, 25 Mar 2004	<b>13912/2005</b>	<b>N.V. Nutricia;</b> 07-01E, 07-01NES, Baby food container, (EP, 26 Apr 2005) 15 Sep 2005	<b>13995/2005</b>
<b>Ledgard, Trevor;</b> 08-03, Pruning disc blade, 12 Sep 2005	<b>13935/2005</b>	<b>Nokia Corporation;</b> 14-03A, A holder for a handset, (FI, 08 Mar 2005) 07 Sep 2005	<b>13833/2005</b>
<b>LG Electronics Inc.;</b> 14-03NES, USB driver having MP3 function, (KR, 28 Jul 2005) 09 Sep 2005	<b>13914/2005</b>	<b>Nokia Corporation;</b> 14-03E, A handset, (FI, 11 Mar 2005) 09 Sep 2005	<b>13932/2005</b>
<b>LG Electronics Inc.;</b> 14-03NES, USB driver having MP3 function, (KR, 28 Jul 2005) 09 Sep 2005	<b>13915/2005</b>	<b>Nokia Corporation;</b> 14-03E, A handset, (US, 11 Mar 2005) 09 Sep 2005	<b>13933/2005</b>
<b>LG Electronics Inc.;</b> 07-02A, Oven range, (KR, 30 Mar 2005) 09 Sep 2005	<b>13928/2005</b>	<b>Orchowski, Krsysztof;</b> 15-05, A bendable attachment tool, 14 Sep 2005	<b>13410/2005</b>
<b>LG Electronics Inc.;</b> 15-05, Washing machine, (KR, 08 Mar 2005) 08 Sep 2005	<b>13882/2005</b>	<b>Pest Free Australia Pty Ltd;</b> 22-06, Pest repelling device, 12 Sep 2005	<b>13945/2005</b>
<b>Master Lock Company;</b> 08-07, Receiver pins, (US, 04 Sep 2003) 18 Feb 2004	<b>13842/2005</b>	<b>Plane, Scott Graeme;</b> 07-07A, 750ml bottle of wine, 06 Sep 2005	<b>13803/2005</b>
<b>Master Lock Company;</b> 08-07, Receiver pins, (US, 04 Sep 2003) 18 Feb 2004	<b>13843/2005</b>	<b>Plested, Mike; Broadhurst, Mark;</b> 17-99, Grip pick, 09 Sep 2005	<b>13940/2005</b>
<b>Master Lock Company;</b> 08-07, Lock shackle, (US, 03 Sep 2005) 07 Sep 2005	<b>13846/2005</b>	<b>Poulton, David; Trudgeon, Michael;</b> 14-02, Media bollard, 09 Sep 2005	<b>13934/2005</b>
<b>Master Lock Company;</b> 08-07, Receiver pins, (US, 04 Sep 2003) 18 Feb 2004	<b>13840/2005</b>	<b>Poynton, Denis Vincent;</b> 07-04, Chopping board, 05 Sep 2005	<b>13804/2005</b>
<b>Master Lock Company;</b> 08-07, Receiver pins, (US, 04 Sep 2003) 18 Feb 2004	<b>13841/2005</b>	<b>Poynton, Denis Vincent;</b> 07-04, Chopping board, 05 Sep 2005	<b>13805/2005</b>
<b>Merz &amp; Krell GmbH &amp; Co. KGaA;</b> 19-06, A component for a writing instrument, (Divisional of 00938/2004) 12 Sep 2005	<b>13943/2005</b>	<b>Poynton, Denis Vincent;</b> 07-04, Chopping board, 05 Sep 2005	<b>13806/2005</b>
<b>Merz &amp; Krell GmbH &amp; Co. KGaA;</b> 19-06, A component for a writing instrument, (Divisional of 00938/2004) 12 Sep 2005	<b>13944/2005</b>	<b>Procter &amp; Gamble Company, The;</b> 09-05, Container, (US, 10 Mar 2005) 08 Sep 2005	<b>13886/2005</b>
		<b>Procter &amp; Gamble Company, The;</b> 09-05, Container, (US, 10 Mar 2005) 08 Sep 2005	<b>13887/2005</b>
		<b>Prodrome Designs Pty Ltd;</b> 25-02A, A balustrading post, 09 Sep 2005	<b>13875/2005</b>
		<b>PACCAR Inc.;</b> 26-06, Surface configuration of truck headlamp, 12 Sep 2005	<b>13946/2005</b>

<b>PACCAR Inc.;</b> 26-06, Truck headlamp, 12 Sep 2005	<b>13947/2005</b>	<b>Reckitt Benckiser (UK) Limited;</b> 28-03A, Cap (in colour pink), (EM, 08 Mar 2005) 07 Sep 2005	<b>13849/2005</b>
<b>PACCAR Inc.;</b> 12-16B, Truck hood assembly, 12 Sep 2005	<b>13948/2005</b>	<b>Reckitt Benckiser (UK) Limited;</b> 28-03A, Epilator with cap, (EM, 08 Mar 2005) 07 Sep 2005	<b>13850/2005</b>
<b>PACCAR Inc.;</b> 12-16B, Fender panels for truck hood, 12 Sep 2005	<b>13949/2005</b>	<b>Reckitt Benckiser (UK) Limited;</b> 28-03A, Epilator with cap (in colour grey), (EM, 08 Mar 2005) 07 Sep 2005	<b>13851/2005</b>
<b>PACCAR Inc.;</b> 12-16B, Top panel for truck hood, 12 Sep 2005	<b>13950/2005</b>	<b>Reckitt Benckiser (UK) Limited;</b> 28-03A, Epilator with cap (in colour pink), (EM, 08 Mar 2005) 07 Sep 2005	<b>13852/2005</b>
<b>PACCAR Inc.;</b> 12-16B, Grille surround for truck, 12 Sep 2005	<b>13951/2005</b>	<b>Reckitt Benckiser (UK) Limited;</b> 28-03A, Epilator, 07 Sep 2005	<b>13855/2005</b>
<b>PACCAR Inc.;</b> 12-16C, Truck bumper component, 12 Sep 2005	<b>13952/2005</b>	<b>Reckitt Benckiser (UK) Limited;</b> 28-03A, Epilator (in colour grey), (EM, 08 Mar 2005) 07 Sep 2005	<b>13856/2005</b>
<b>PACCAR Inc.;</b> 12-16C, Truck bumper assembly, 12 Sep 2005	<b>13953/2005</b>	<b>Reckitt Benckiser N.V.;</b> 09-01A, Dishwasher cage, (EM, 18 Mar 2005) 13 Sep 2005	<b>13972/2005</b>
<b>PACCAR Inc.;</b> 12-16B, Truck forward chassis fairing, 12 Sep 2005	<b>13954/2005</b>	<b>Richardson, Paul;</b> 07-04, Cocotap, 02 Sep 2005	<b>13770/2005</b>
<b>PACCAR Inc.;</b> 12-16B, Truck center chassis fairing, 12 Sep 2005	<b>13955/2005</b>	<b>Ridley, Simon;</b> 23-03H, Storage water heater pad (plate), 12 Sep 2005	<b>13936/2005</b>
<b>PACCAR Inc.;</b> 12-16B, Truck rear chassis fairing, 12 Sep 2005	<b>13956/2005</b>	<b>Robert Bosch GmbH;</b> 08-05NES, Staple gun, (DE, 07 Jul 2005) 05 Sep 2005	<b>13802/2005</b>
<b>PACCAR Inc.;</b> 12-08, Truck body, 12 Sep 2005	<b>13957/2005</b>	<b>Roennholm, Karl J.;</b> 12-16P, Anchor, 15 Sep 2005	<b>13986/2005</b>
<b>QuickFrame Technologies Pty Ltd;</b> 08-08L, Roof bracket, 07 Sep 2005	<b>13835/2005</b>	<b>S.C. Johnson &amp; Son, Inc.;</b> 23-01D, Handle, (US, 15 Mar 2005) 15 Sep 2005	<b>13994/2005</b>
<b>QuickFrame Technologies Pty Ltd;</b> 08-08L, Roof connector, 07 Sep 2005	<b>13836/2005</b>	<b>Sew-Eurodrive GmbH &amp; Co. KG;</b> 13-03NES, Distribution box, (DE, 05 Apr 2005) 07 Sep 2005	<b>13825/2005</b>
<b>QuickFrame Technologies Pty Ltd;</b> 08-08L, Roof tie down member, 07 Sep 2005	<b>13837/2005</b>	<b>Sew-Eurodrive GmbH &amp; Co. KG;</b> 13-01, Electric motor, (DE, 25 Apr 2005) 08 Sep 2005	<b>13880/2005</b>
<b>QuickFrame Technologies Pty Ltd;</b> 08-08L, Wall frame joining bracket, 07 Sep 2005	<b>13838/2005</b>	<b>Sew-Eurodrive GmbH &amp; Co. KG;</b> 13-01, Electric motor, (DE, 25 Apr 2005) 08 Sep 2005	<b>13881/2005</b>
<b>QuickFrame Technologies Pty Ltd;</b> 08-08L, Roof hip plate, 07 Sep 2005	<b>13839/2005</b>	<b>Sew-Eurodrive GmbH &amp; Co. KG;</b> 13-01, Electric motor, (DE, 25 Apr 2005) 08 Sep 2005	<b>13879/2005</b>
<b>Raymond Corporation, The;</b> 12-16B, Base leg for a material handling vehicle, (Divisional of 00889/2004) 12 Sep 2005	<b>13961/2005</b>	<b>Sew-Eurodrive GmbH &amp; Co. KG;</b> 13-03NES, Distribution box, (DE, 05 Apr 2005) 07 Sep 2005	<b>13826/2005</b>
<b>Raymond Corporation, The;</b> 12-16B, Base leg for a material handling vehicle, (Divisional of 00889/2004) 12 Sep 2005	<b>13962/2005</b>	<b>Sharp Kabushiki Kaisha;</b> 07-02B, Microwave oven, (JP, 15 Mar 2005) 06 Sep 2005	<b>13816/2005</b>
<b>Raymond Corporation, The;</b> 12-16B, Base leg for a material handling vehicle, (Divisional of 00889/2004) 12 Sep 2005	<b>13963/2005</b>	<b>Shin, Kil Seung;</b> 28-03B, Hair dryer, 14 Sep 2005	<b>13985/2005</b>
<b>Reckitt Benckiser (UK) Limited;</b> 28-03A, Epilator, (EM, 08 Mar 2005) 07 Sep 2005	<b>13853/2005</b>	<b>Sugiharto, Indra Muliadi;</b> 27-06, 09-03M, 2 in 1 Cigarettes packaging with "Click" opening system, (ID, 26 May 2005) 15 Sep 2005	<b>13989/2005</b>
<b>Reckitt Benckiser (UK) Limited;</b> 04-01, Brush, (EM, 08 Mar 2005) 07 Sep 2005	<b>13854/2005</b>		
<b>Reckitt Benckiser (UK) Limited;</b> 28-03A, Cap, (EM, 08 Mar 2005) 07 Sep 2005	<b>13847/2005</b>		
<b>Reckitt Benckiser (UK) Limited;</b> 28-03A, Cap (in colour grey), (EM, 08 Mar 2005) 07 Sep 2005	<b>13848/2005</b>		

<b>Super Planning Co., Ltd.;</b> 03-01B, Bag, (JP, 14 Mar 2005) 08 Sep 2005	<b>13872/2005</b>	<b>Toyota Jidosha Kabushiki Kaisha;</b> 26-06, Rear combination lamp for an automobile, 08 Sep 2005	<b>13869/2005</b>
<b>Swarovski Aktiengesellschaft;</b> 11-02E, Ornamental object made of glass, (EP, 15 Apr 2005) 13 Sep 2005	<b>13978/2005</b>	<b>Toyota Jidosha Kabushiki Kaisha;</b> 26-06, Front combination lamp for an automobile, 08 Sep 2005	<b>13870/2005</b>
<b>Swarovski Aktiengesellschaft;</b> 11-02E, Ornamental object made of glass, (EP, 15 Apr 2005) 13 Sep 2005	<b>13979/2005</b>	<b>Trackex Pty Ltd;</b> 21-02NES, Pad for track links, 09 Sep 2005	<b>13918/2005</b>
<b>Swivel Consultants (NZ) Ltd;</b> 23-01B, Swivel fitting, 16 Sep 2005	<b>13991/2005</b>	<b>Trudgeon, Michael; Poulton, David;</b> 14-02, Media bollard, 09 Sep 2005	<b>13934/2005</b>
<b>SEB S.A.;</b> 07-02N, Pressure cooker, (FR, 09 Mar 2005) 09 Sep 2005	<b>13930/2005</b>	<b>Trydel Research Pty Ltd;</b> 09-01NES, Containers, 13 Sep 2005	<b>13976/2005</b>
<b>SEB S.A.;</b> 07-02N, Pressure cooker, (FR, 09 Mar 2005) 09 Sep 2005	<b>13931/2005</b>	<b>Trydel Research Pty Ltd;</b> 09-01NES, Container, 13 Sep 2005	<b>13977/2005</b>
<b>Tillie Lane Pty Limited;</b> 02-01A, 02-02A, A garment, 06 Sep 2005	<b>13821/2005</b>	<b>TNBT Holdings Pty Limited;</b> 08-06, Locking handle, 14 Sep 2005	<b>13987/2005</b>
<b>Toro Australia Pty Limited;</b> 23-01K, A valve, 07 Sep 2005	<b>13815/2005</b>	<b>TNBT Holdings Pty Limited;</b> 08-06, Locking handle, 14 Sep 2005	<b>13988/2005</b>
<b>Toyota Jidosha Kabushiki Kaisha;</b> 12-08, Automobile, 08 Sep 2005	<b>13859/2005</b>	<b>Uncle Tobys Company Limited, The;</b> 01-01, Fruit and cereal bar, 05 Sep 2005	<b>13800/2005</b>
<b>Toyota Jidosha Kabushiki Kaisha;</b> 12-08, Automobile, 08 Sep 2005	<b>13860/2005</b>	<b>Uncle Tobys Company Limited, The;</b> 01-01, Food bar, 05 Sep 2005	<b>13801/2005</b>
<b>Toyota Jidosha Kabushiki Kaisha;</b> 12-16C, Front bumper for an automobile, 08 Sep 2005	<b>13861/2005</b>	<b>Vector Products, Inc.;</b> 26-02, Two-way flashlight, (US, 11 Mar 2005) 09 Sep 2005	<b>13878/2005</b>
<b>Toyota Jidosha Kabushiki Kaisha;</b> 12-16C, Rear bumper for an automobile, 08 Sep 2005	<b>13862/2005</b>	<b>Wenzhou Hall Electrical Appliance Manufacture Co., Ltd;</b> 13-03E, Switch mechanism, 15 Aug 2005	<b>13857/2005</b>
<b>Toyota Jidosha Kabushiki Kaisha;</b> 12-16NES, Spare tyre cover for an automobile, 08 Sep 2005	<b>13863/2005</b>	<b>Yip, Chun Lun;</b> 31-00, Electric juice extractor, (CN, 11 Mar 2005) 12 Sep 2005	<b>13964/2005</b>
<b>Toyota Jidosha Kabushiki Kaisha;</b> 12-16C, Rear bumper for an automobile, 08 Sep 2005	<b>13864/2005</b>	<b>Zakhour, Sonia;</b> 24-04, Disposable G string pantyliner, 05 Sep 2005	<b>13799/2005</b>
<b>Toyota Jidosha Kabushiki Kaisha;</b> 12-16B, Front grill for an automobile, 08 Sep 2005	<b>13865/2005</b>	<b>Zandipour, Mehrdad;</b> 07-04, 08-05H, Combined peeler and sharpener accessory, 05 Sep 2005	<b>13808/2005</b>
<b>Toyota Jidosha Kabushiki Kaisha;</b> 12-08, Automobile, 08 Sep 2005	<b>13866/2005</b>	<b>Zandipour, Mehrdad;</b> 07-04, 08-05H, Combined peeler and sharpener accessory, 05 Sep 2005	<b>13809/2005</b>
<b>Toyota Jidosha Kabushiki Kaisha;</b> 12-08, Automobile, 08 Sep 2005	<b>13867/2005</b>	<b>Zandipour, Mehrdad;</b> 07-04, 08-05H, Combined peeler and sharpener accessory, 05 Sep 2005	<b>13810/2005</b>
<b>Toyota Jidosha Kabushiki Kaisha;</b> 26-06, Front combination lamp for an automobile, 08 Sep 2005	<b>13868/2005</b>		

### Applications Withdrawn

10804 / 2005 (07-07A)	10805 / 2005 (07-07A)	12709 / 2005 (20-02NES)	12711 / 2005 (20-02NES)
11852 / 2005 (03-01C)	11853 / 2005 (03-01C)	12712 / 2005 (20-02NES)	12713 / 2005 (20-02NES)
11854 / 2005 (03-01C)	12703 / 2005 (20-02NES)		
12704 / 2005 (20-02NES)	12705 / 2005 (20-02NES)		
12706 / 2005 (20-02NES)	12708 / 2005 (20-02NES)		

**Designs Excluded**

13386 / 2005

**Applications Lapsed**

13614 / 2004 (06-03A)	14442 / 2004 (22-05)	11964 / 2005 (02-02C)	11965 / 2005 (02-02C)
15550 / 2004 (25-01E)	15676 / 2004 (07-99NES)	11966 / 2005 (02-02C)	
15725 / 2004 (23-02NES)	15726 / 2004 (23-02NES)		
16007 / 2004 (08-03)	10054 / 2005 (01-01)		
10056 / 2005 (01-01)	11722 / 2005 (02-02NES)		
11723 / 2005 (02-02NES)	11724 / 2005 (02-02NES)		
11725 / 2005 (02-02NES)	11726 / 2005 (02-02C)		
11727 / 2005 (02-02NES)	11728 / 2005 (02-02C)		
11729 / 2005 (02-02C)	11730 / 2005 (02-02NES)		
11731 / 2005 (02-02C)	11732 / 2005 (02-02C)		
11733 / 2005 (02-02NES)	11734 / 2005 (02-02NES)		
11735 / 2005 (02-02NES)	11736 / 2005 (02-02B)		
11737 / 2005 (02-02B)	11738 / 2005 (02-02B)		
11739 / 2005 (02-02NES)	11740 / 2005 (02-02NES)		
11741 / 2005 (02-02C)	11742 / 2005 (02-02NES)		
11743 / 2005 (02-02NES)	11744 / 2005 (02-02C)		
11745 / 2005 (02-02NES)	11746 / 2005 (02-02C)		
11747 / 2005 (02-02C)	11748 / 2005 (02-02NES)		
11749 / 2005 (02-02NES)	11750 / 2005 (02-02NES)		
11751 / 2005 (02-02NES)	11752 / 2005 (02-02NES)		
11753 / 2005 (02-02NES)	11754 / 2005 (02-02NES)		
11755 / 2005 (02-02NES)	11756 / 2005 (02-05)		
11757 / 2005 (02-02NES)	11758 / 2005 (02-02NES)		
11759 / 2005 (02-02C)	11913 / 2005 (02-02A)		
11914 / 2005 (02-02C)	11915 / 2005 (02-02NES)		
11916 / 2005 (02-02NES)	11917 / 2005 (02-02C)		
11918 / 2005 (02-02NES)	11919 / 2005 (02-02A)		
11920 / 2005 (02-02NES)	11921 / 2005 (02-02NES)		
11922 / 2005 (02-02C)	11923 / 2005 (02-02C)		
11924 / 2005 (02-02NES)	11925 / 2005 (02-02C)		
11926 / 2005 (02-02C)	11927 / 2005 (02-02C)		
11928 / 2005 (02-02C)	11929 / 2005 (02-02NES)		
11930 / 2005 (02-02NES)	11931 / 2005 (02-02NES)		
11932 / 2005 (02-02NES)	11933 / 2005 (02-02NES)		
11934 / 2005 (02-02C)	11935 / 2005 (02-02C)		
11936 / 2005 (02-02NES)	11937 / 2005 (02-02C)		
11938 / 2005 (02-02C)	11939 / 2005 (02-02NES)		
11940 / 2005 (02-02C)	11941 / 2005 (02-02NES)		
11942 / 2005 (02-02C)	11943 / 2005 (02-02C)		
11944 / 2005 (02-02NES)	11945 / 2005 (02-02C)		
11946 / 2005 (02-02C)	11947 / 2005 (02-02C)		
11948 / 2005 (02-02C)	11949 / 2005 (02-02NES)		
11950 / 2005 (02-02NES)	11951 / 2005 (02-02C)		
11952 / 2005 (02-02A)	11953 / 2005 (02-02B)		
11954 / 2005 (02-02C)	11955 / 2005 (02-02NES)		
11956 / 2005 (02-02C)	11957 / 2005 (02-02C)		
11958 / 2005 (03-01B)	11959 / 2005 (02-04NES)		
11960 / 2005 (02-04NES)	11961 / 2005 (02-04NES)		
11962 / 2005 (02-04NES)	11963 / 2005 (02-04NES)		

**Extensions of time granted under Section 137**

Applications lodged under section 137 for extension of time have been granted.

14740/2004 **DyDo Drinco Kabushiki Kaisha**

15747/2004 **Bradley Phillip Ingram**

11405/2005 **Aussie Traveller Pty Ltd**

11476/2005 **Seafolly Pty Ltd**

11477/2005 **Seafolly Pty Ltd**

11478/2005 **Seafolly Pty Ltd**

11479/2005 **Seafolly Pty Ltd**

11480/2005 **Seafolly Pty Ltd**

11481/2005 **Seafolly Pty Ltd**

11482/2005 **Seafolly Pty Ltd**

11483/2005 **Seafolly Pty Ltd**

11484/2005 **Seafolly Pty Ltd**

11485/2005 **Seafolly Pty Ltd**

11486/2005 **Seafolly Pty Ltd**

11487/2005 **Seafolly Pty Ltd**

11488/2005 **Seafolly Pty Ltd**

11489/2005 **Seafolly Pty Ltd**

11490/2005 **Seafolly Pty Ltd**

11491/2005 **Seafolly Pty Ltd**

11492/2005 **Seafolly Pty Ltd**

11493/2005 **Seafolly Pty Ltd**

12173/2005 **Jonathan Noble**

12174/2005 **Jonathan Noble**

12536/2005 **Bambis Import Co. Pty Ltd**

12541/2005 **Bambis Import Co. Pty Ltd**

12542/2005 **Bambis Import Co. Pty Ltd**

12543/2005 **Bambis Import Co. Pty Ltd**

12544/2005 **Bambis Import Co. Pty Ltd**

12545/2005 **Bambis Import Co. Pty Ltd**

12546/2005 **Bambis Import Co. Pty Ltd**

12547/2005 **Bambis Import Co. Pty Ltd**

**Subsequent Owners Registered**

(The name in parentheses is that of the subsequent owner)

301931 ( **TechTronic Industries Co. Ltd** ) One World Technologies Limited

301932 ( **TechTronic Industries Co. Ltd** ) One World Technologies Limited

**Corrigenda**

Number 301365

In Vol 19 , No 9 , page 1219 under the heading **Australian Registered Design**; The correct representation for the above Registered Design should appear as shown in the General Notices section of this journal.

Number 301366

In Vol 19 , No 9 , page 1219 under the heading **Australian Registered Design**; The correct representation for the above Registered Design should appear as shown in the General Notices section of this journal.

**Certificate(s) of Examination**

Examination of the following Design Registration(s) has been completed. Infringement proceedings may now be commenced.

300026	06-01E	12/09/2005
300027	19-02	12/09/2005
300028	19-02	12/09/2005
300029	19-02	12/09/2005
300045	23-02B	16/09/2005
300071	28-99	15/09/2005
300078	28-99	15/09/2005
300082	09-01NES	15/09/2005
300095	28-99	15/09/2005
300096	28-99	15/09/2005
300097	28-99	15/09/2005
300100	28-99	15/09/2005
300389	09-01G	15/09/2005
300390	09-01G	15/09/2005
300402	03-01NES	16/09/2005
300403	03-01NES	16/09/2005
300415	09-03F	12/09/2005
300598	09-01G	14/09/2005
300619	09-01G	14/09/2005
300768	07-05E	13/09/2005
300817	06-04NES	14/09/2005
300917	25-01C	09/09/2005
300920	25-01C	09/09/2005
300921	28-03A	16/09/2005
300923	28-03A	16/09/2005
300942	22-06	15/09/2005
301239	07-04	16/09/2005
301437	15-02	16/09/2005
302647	02-04NES	13/09/2005
302668	23-02NES	16/09/2005

**Publication and Registration Proceedings**

**Designs Registered**

This section provides a concordance between design number and registration number of Designs covered in this journal. It also shows the main class and registration date.

This section covers Registration numbers 303101 to 303268 .

The registration number shown below should be used in all future correspondence.

Design Number	Registration Number	International Classification Code (IDC)	Registration Date	Design Number	Registration Number	International Classification Code (IDC)	Registration Date
14078/2004	303172	09-03NES	14/09/2005	10227/2005	303123	08-05A	14/09/2005
14079/2004	303173	09-03NES	14/09/2005	10229/2005	303124	23-01B	14/09/2005
14080/2004	303174	09-03NES	14/09/2005	10235/2005	303125	19-06	14/09/2005
14152/2004	303248	23-01F	20/09/2005	10236/2005	303126	23-01H	14/09/2005
14153/2004	303249	23-01F	20/09/2005	10237/2005	303127	23-01H	14/09/2005
14154/2004	303250	23-01F	20/09/2005	10238/2005	303128	23-01H	14/09/2005
14155/2004	303251	23-01F	20/09/2005	10239/2005	303129	23-01H	14/09/2005
14523/2004	303242	08-05A	15/09/2005	10240/2005	303130	12-15B	14/09/2005
14524/2004	303243	08-05A	15/09/2005	10258/2005	303131	28-03B	14/09/2005
14525/2004	303244	08-05A	15/09/2005	10259/2005	303132	11-02B	14/09/2005
14526/2004	303245	08-05A	15/09/2005	10261/2005	303133	02-02B	14/09/2005
14545/2004	303192	15-01	15/09/2005	10274/2005	303134	09-01NES	14/09/2005
14784/2004	303193	10-06	15/09/2005	10275/2005	303135	09-01NES	14/09/2005
15052/2004	303194	12-16A	15/09/2005	10276/2005	303136	09-01NES	14/09/2005
15053/2004	303195	12-16A	15/09/2005	10278/2005	303137	09-01NES	14/09/2005
15166/2004	303252	07-02F	20/09/2005	10295/2005	303177	13-03D	14/09/2005
15193/2004	303175	24-01	14/09/2005	10296/2005	303178	13-03D	14/09/2005
15194/2004	303176	24-01	14/09/2005	10297/2005	303179	13-03D	14/09/2005
15284/2004	303259	23-02C	20/09/2005	10298/2005	303180	13-03D	14/09/2005
15285/2004	303260	23-02C	20/09/2005	10299/2005	303181	13-03D	14/09/2005
15286/2004	303261	23-02C	20/09/2005	10316/2005	303138	24-01	14/09/2005
15561/2004	303191	08-05P	14/09/2005	10317/2005	303139	15-05	14/09/2005
15665/2004	303196	11-05	15/09/2005	10318/2005	303140	19-08	14/09/2005
15666/2004	303197	11-05	15/09/2005	10319/2005	303141	19-08	14/09/2005
16039/2004	303228	12-15C	15/09/2005	10320/2005	303142	19-08	14/09/2005
16040/2004	303246	12-15C	15/09/2005	10321/2005	303143	19-08	14/09/2005
16041/2004	303247	12-15C	15/09/2005	10327/2005	303144	14-03B	14/09/2005
10091/2005	303198	06-01F	15/09/2005	10329/2005	303152	24-04	14/09/2005
10092/2005	303199	06-01F	15/09/2005	10335/2005	303145	28-03NES	14/09/2005
10093/2005	303200	06-03A	15/09/2005	10343/2005	303146	09-03H	14/09/2005
10094/2005	303201	06-01H	15/09/2005	10344/2005	303147	09-03H	14/09/2005
10099/2005	303101	23-02F	14/09/2005	10415/2005	303148	07-02E	14/09/2005
10100/2005	303102	07-04	14/09/2005	10450/2005	303262	23-02F	20/09/2005
10105/2005	303103	08-01	14/09/2005	10451/2005	303263	23-02F	20/09/2005
10109/2005	303104	13-03A	14/09/2005	10453/2005	303202	09-01H	15/09/2005
10113/2005	303105	08-03	14/09/2005	10456/2005	303264	25-01K	20/09/2005
10114/2005	303106	08-05N	14/09/2005	10459/2005	303265	21-03	20/09/2005
10115/2005	303107	08-03	14/09/2005	10460/2005	303266	02-03	20/09/2005
10116/2005	303108	08-05N	14/09/2005	10579/2005	303267	14-03A	20/09/2005
10117/2005	303109	08-05N	14/09/2005	10580/2005	303268	14-03A	20/09/2005
10118/2005	303110	08-05P	14/09/2005	10605/2005	303182	06-01F	14/09/2005
10119/2005	303111	15-03B	14/09/2005	10606/2005	303183	06-01F	14/09/2005
10120/2005	303112	08-05N	14/09/2005	10634/2005	303203	02-02NES	15/09/2005
10121/2005	303113	08-01	14/09/2005	10635/2005	303204	02-02NES	15/09/2005
10122/2005	303114	08-01	14/09/2005	10645/2005	303153	23-04	14/09/2005
10138/2005	303115	23-02NES	14/09/2005	10646/2005	303154	23-04	14/09/2005
10139/2005	303116	23-02C	14/09/2005	10647/2005	303155	23-04	14/09/2005
10140/2005	303117	23-02C	14/09/2005	10648/2005	303156	23-04	14/09/2005
10148/2005	303118	26-04	14/09/2005	10649/2005	303157	23-04	14/09/2005
10151/2005	303119	09-05	14/09/2005	10650/2005	303158	22-06	14/09/2005
10224/2005	303120	14-02	14/09/2005	10653/2005	303159	01-01	14/09/2005
10225/2005	303121	14-02	14/09/2005	10655/2005	303160	10-04	14/09/2005
10226/2005	303122	13-03D	14/09/2005	10657/2005	303161	13-02	14/09/2005



Publication and Registration Proceedings - Designs Registered cont'd

Design Number	Registration Number	International Classification Code (IDC)	Registration Date	Design Number	Registration Number	International Classification Code (IDC)	Registration Date
10671/2005	303162	15-05	14/09/2005	11352/2005	303238	08-05N	15/09/2005
10672/2005	303163	15-05	14/09/2005	11353/2005	303239	08-05N	15/09/2005
10675/2005	303164	26-02	14/09/2005	11380/2005	303237	03-01D	15/09/2005
10676/2005	303165	26-02	14/09/2005	11382/2005	303240	23-04	15/09/2005
10679/2005	303166	13-02	14/09/2005	11407/2005	303209	07-01B	15/09/2005
10680/2005	303167	13-02	14/09/2005	11408/2005	303210	07-01B	15/09/2005
10703/2005	303168	15-01	14/09/2005	11409/2005	303211	07-01B	15/09/2005
10717/2005	303169	25-01K	14/09/2005	11423/2005	303212	23-02C	15/09/2005
10725/2005	303170	13-02	14/09/2005	11435/2005	303241	07-05D	15/09/2005
10764/2005	303205	02-02C	15/09/2005	11455/2005	303213	02-02NES	15/09/2005
10790/2005	303171	24-04	14/09/2005	11456/2005	303214	02-02C	15/09/2005
10806/2005	303258	14-03NES	20/09/2005	11465/2005	303215	15-01	15/09/2005
10818/2005	303253	25-02C	20/09/2005	11475/2005	303216	20-02E	15/09/2005
10851/2005	303206	09-03NES	15/09/2005	11525/2005	303217	15-01	15/09/2005
10866/2005	303207	09-03NES	15/09/2005	11526/2005	303218	15-01	15/09/2005
10980/2005	303150	06-08	14/09/2005	11527/2005	303219	15-01	15/09/2005
10996/2005	303229	09-01G	15/09/2005	11528/2005	303220	15-01	15/09/2005
10997/2005	303149	21-02C	14/09/2005	11529/2005	303221	15-01	15/09/2005
11195/2005	303230	07-07A	15/09/2005	11532/2005	303222	24-01	15/09/2005
11196/2005	303231	07-07A	15/09/2005	11533/2005	303223	24-01	15/09/2005
11197/2005	303232	07-07A	15/09/2005	11548/2005	303224	15-07	15/09/2005
11198/2005	303233	07-07A	15/09/2005	11549/2005	303225	08-99	15/09/2005
11199/2005	303234	07-07A	15/09/2005	11553/2005	303226	09-01NES	15/09/2005
11200/2005	303235	07-07A	15/09/2005	11571/2005	303227	19-08	15/09/2005
11299/2005	303208	08-05L	15/09/2005	11700/2005	303254	02-02NES	20/09/2005
11313/2005	303184	07-06C	14/09/2005	11703/2005	303255	02-02C	20/09/2005
11314/2005	303185	08-09	14/09/2005	11704/2005	303256	02-02NES	20/09/2005
11315/2005	303186	23-01L	14/09/2005	11714/2005	303257	02-02NES	20/09/2005
11317/2005	303187	15-99	14/09/2005	12172/2005	303151	11-05	14/09/2005
11321/2005	303188	03-01B	14/09/2005				
11326/2005	303189	08-05NES	14/09/2005				
11327/2005	303190	13-02	14/09/2005				
11329/2005	303236	14-02	15/09/2005				

**Publication and Registration Proceedings**  
**Class Listing of Designs Published or Registered**

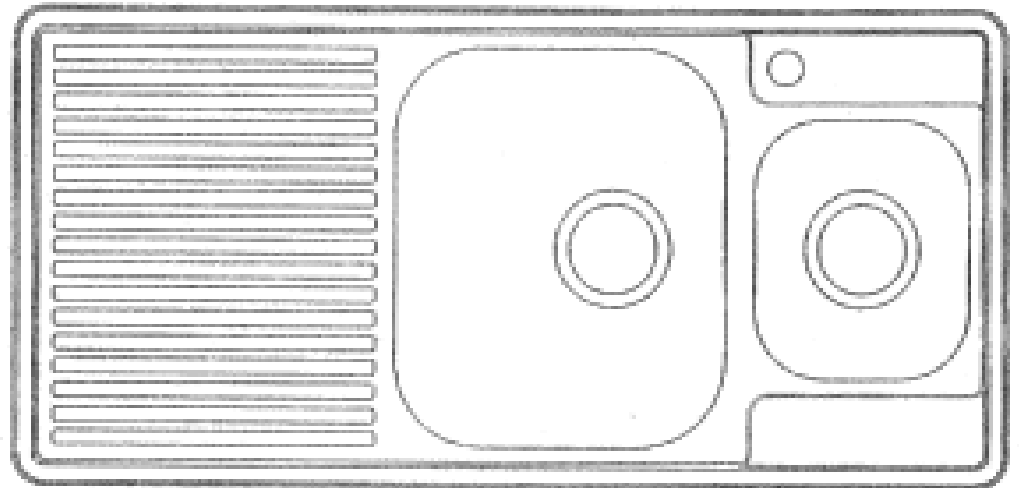
The following section shows an International Classification Code listing of the Registered or Published Designs covered in this supplement.

<b>Classification</b>	<b>Registration Number</b>	<b>Design Number</b>	<b>Classification</b>	<b>Registration Number</b>	<b>Design Number</b>
01-01	303159	10653/2005	08-05 P	303110	10118/2005
02-02 B	303133	10261/2005	08-05 P	303191	15561/2004
02-02 C	303205	10764/2005	08-09	303185	11314/2005
02-02 C	303214	11456/2005	08-99	303225	11549/2005
02-02 C	303255	11703/2005	09-01 G	303229	10996/2005
02-02 NES	303203	10634/2005	09-01 H	303202	10453/2005
02-02 NES	303204	10635/2005	09-01 NES	303134	10274/2005
02-02 NES	303213	11455/2005	09-01 NES	303135	10275/2005
02-02 NES	303254	11700/2005	09-01 NES	303136	10276/2005
02-02 NES	303256	11704/2005	09-01 NES	303137	10278/2005
02-02 NES	303257	11714/2005	09-01 NES	303226	11553/2005
02-03	303266	10460/2005	09-03 H	303146	10343/2005
03-01 B	303188	11321/2005	09-03 H	303147	10344/2005
03-01 D	303237	11380/2005	09-03 L	303192	14545/2004
06-01 F	303182	10605/2005	09-03 NES	303172	14078/2004
06-01 F	303183	10606/2005	09-03 NES	303173	14079/2004
06-01 F	303198	10091/2005	09-03 NES	303174	14080/2004
06-01 F	303199	10092/2005	09-03 NES	303206	10851/2005
06-01 H	303200	10093/2005	09-03 NES	303207	10866/2005
06-01 H	303201	10094/2005	09-03 NES	303237	11380/2005
06-03 A	303200	10093/2005	09-05	303119	10151/2005
06-03 B	303198	10091/2005	10-04	303160	10655/2005
06-08	303150	10980/2005	10-06	303193	14784/2004
07-01 B	303209	11407/2005	11-02 B	303132	10259/2005
07-01 B	303210	11408/2005	11-05	303151	12172/2005
07-01 B	303211	11409/2005	11-05	303196	15665/2004
07-02 E	303148	10415/2005	11-05	303197	15666/2004
07-02 F	303252	15166/2004	12-15 B	303130	10240/2005
07-04	303102	10100/2005	12-15 C	303228	16039/2004
07-05 D	303241	11435/2005	12-15 C	303246	16040/2004
07-06 C	303184	11313/2005	12-15 C	303247	16041/2004
07-07 A	303230	11195/2005	12-16 A	303194	15052/2004
07-07 A	303231	11196/2005	12-16 A	303195	15053/2004
07-07 A	303232	11197/2005	13-02	303161	10657/2005
07-07 A	303233	11198/2005	13-02	303166	10679/2005
07-07 A	303234	11199/2005	13-02	303167	10680/2005
07-07 A	303235	11200/2005	13-02	303170	10725/2005
08-01	303103	10105/2005	13-02	303190	11327/2005
08-01	303113	10121/2005	13-03 A	303104	10109/2005
08-01	303114	10122/2005	13-03 D	303122	10226/2005
08-02	303187	11317/2005	13-03 D	303177	10295/2005
08-03	303105	10113/2005	13-03 D	303178	10296/2005
08-03	303107	10115/2005	13-03 D	303179	10297/2005
08-05 A	303123	10227/2005	13-03 D	303180	10298/2005
08-05 A	303242	14523/2004	13-03 D	303181	10299/2005
08-05 A	303243	14524/2004	14-02	303120	10224/2005
08-05 A	303244	14525/2004	14-02	303121	10225/2005
08-05 A	303245	14526/2004	14-02	303236	11329/2005
08-05 L	303208	11299/2005	14-03 A	303267	10579/2005
08-05 N	303106	10114/2005	14-03 A	303268	10580/2005
08-05 N	303108	10116/2005	14-03 B	303144	10327/2005
08-05 N	303109	10117/2005	14-03 NES	303258	10806/2005
08-05 N	303112	10120/2005	15-01	303168	10703/2005
08-05 N	303238	11352/2005	15-01	303192	14545/2004
08-05 N	303239	11353/2005	15-01	303215	11465/2005
08-05 NES	303189	11326/2005	15-01	303217	11525/2005

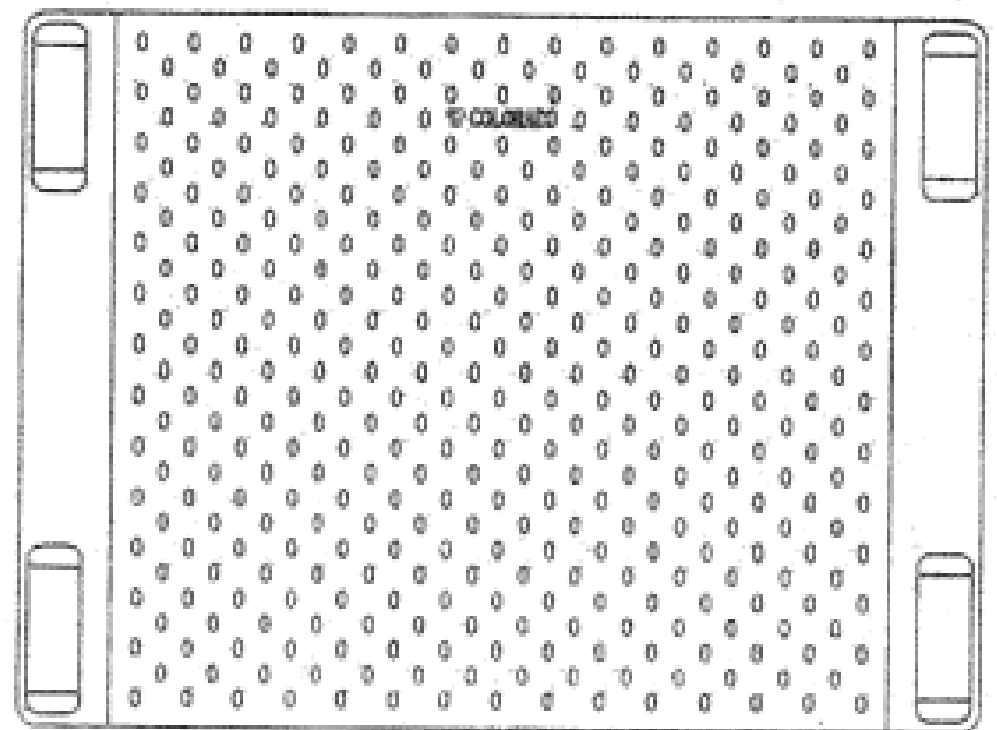
Registration Proceedings - Class Listing of Designs Published or Registered cont'd

Classification	Registration Number	Design Number	Classification	Registration Number	Design Number
15-01	303218	11526/2005	23-02 C	303117	10140/2005
15-01	303219	11527/2005	23-02 C	303212	11423/2005
15-01	303220	11528/2005	23-02 C	303259	15284/2004
15-01	303221	11529/2005	23-02 C	303260	15285/2004
15-03 B	303111	10119/2005	23-02 C	303261	15286/2004
15-05	303139	10317/2005	23-02 F	303101	10099/2005
15-05	303162	10671/2005	23-02 F	303262	10450/2005
15-05	303163	10672/2005	23-02 F	303263	10451/2005
15-07	303224	11548/2005	23-02 NES	303115	10138/2005
15-99	303187	11317/2005	23-04	303153	10645/2005
16-03	303120	10224/2005	23-04	303154	10646/2005
16-03	303121	10225/2005	23-04	303155	10647/2005
19-06	303125	10235/2005	23-04	303156	10648/2005
19-08	303140	10318/2005	23-04	303157	10649/2005
19-08	303141	10319/2005	23-04	303240	11382/2005
19-08	303142	10320/2005	24-01	303138	10316/2005
19-08	303143	10321/2005	24-01	303175	15193/2004
19-08	303227	11571/2005	24-01	303176	15194/2004
20-02 E	303216	11475/2005	24-01	303222	11532/2005
21-01 N	303125	10235/2005	24-01	303223	11533/2005
21-02 C	303149	10997/2005	24-04	303152	10329/2005
21-03	303265	10459/2005	24-04	303171	10790/2005
22-06	303158	10650/2005	25-01 K	303169	10717/2005
23-01 B	303124	10229/2005	25-01 K	303264	10456/2005
23-01 F	303248	14152/2004	25-02 C	303253	10818/2005
23-01 F	303249	14153/2004	26-02	303164	10675/2005
23-01 F	303250	14154/2004	26-02	303165	10676/2005
23-01 F	303251	14155/2004	26-04	303118	10148/2005
23-01 H	303126	10236/2005	26-05 NES	303138	10316/2005
23-01 H	303127	10237/2005	28-03 B	303131	10258/2005
23-01 H	303128	10238/2005	28-03 NES	303145	10335/2005
23-01 H	303129	10239/2005	28-03 NES	303208	11299/2005
23-01 L	303185	11314/2005			
23-01 L	303186	11315/2005			
23-02 C	303116	10139/2005			

- (21) Design Number: **10099/2005**
- (22) Date of Filing Application: **13 January 2005**
- (24) Date from which industrial property rights may have effect: **13 January 2005**
- (54) Product in respect of which the design is registered: **Sink**
- (51) International Design Classification: **23-02F**
- (71) Name(s) and Address(s) of Applicant(s):  
**Colorado Products Pty Ltd**  
**26-27/287 Victoria Road Rydalmere New South Wales 2116 Australia**
- (72) Name(s) of Designer(s): **Clare Shu Rong Huang**
- (45) Registration Date: **14 September 2005**
- (56) Related Art Documents: **Not Applicable**
- (57) Statement of Newness and Distinctiveness: **We claim a monopoly in the shapes and configuration of the design as shown in the representation.**



- (21) Design Number: **10100/2005**
- (22) Date of Filing Application: **13 January 2005**
- (24) Date from which industrial property rights may have effect: **13 January 2005**
- (54) Product in respect of which the design is registered: **Glass chopping board**
- (51) International Design Classification: **07-04**
- (71) Name(s) and Address(s) of Applicant(s):  
**Colorado Products Pty Ltd**  
**26-27/287 Victoria Road Rydalmere New South Wales 2116 Australia**
- (72) Name(s) of Designer(s): **Clare Shu Rong Huang**
- (45) Registration Date: **14 September 2005**
- (56) Related Art Documents: **Not Applicable**
- (57) Statement of Newness and Distinctiveness: **We claim a monopoly in the shapes and configuration of the design as shown in the representation.**



- (21) Design Number: **10105/2005**  
(22) Date of Filing Application: **13 January 2005**  
(24) Date from which industrial property rights may have effect: **13 January 2005**  
(54) Product in respect of which the design is registered: **Cordless power tool**  
(51) International Design Classification: **08-01**  
(71) Name(s) and Address(s) of Applicant(s):

**Robert Bosch G.m.b.H**  
**Wernerstrasse 1 D-70469 Stuttgart-Feuerbach Germany**

(72) Name(s) of Designer(s): **Hans-Peter Aglassinger**

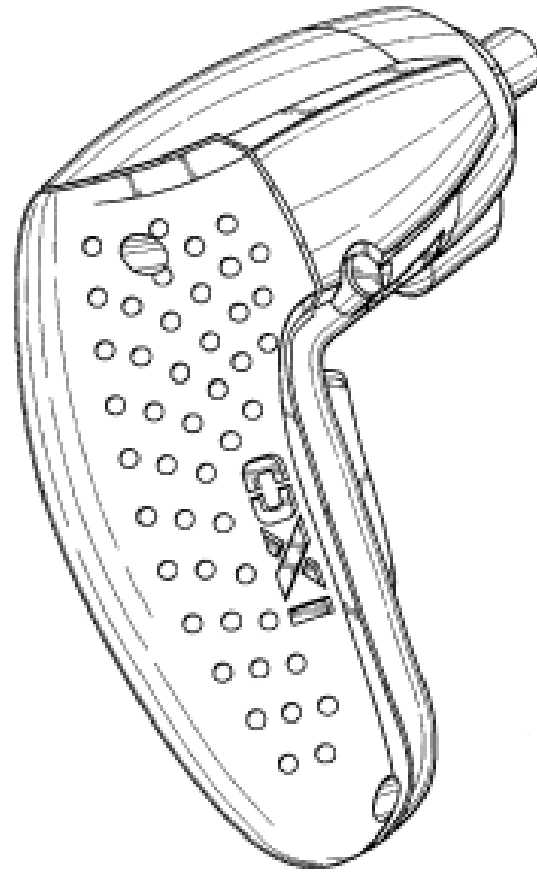
(45) Registration Date: **14 September 2005**

(30) Convention priority data:

(31) Number	(32) Date	(33) Country
<b>40406187.7</b>	<b>01 Nov 2004</b>	<b>GERMANY</b>

(56) Related Art Documents: **Not Applicable**

(57) Statement of Newness and Distinctiveness: **Newness is claimed in the features of shape and/or configuration of a cordless power tool as shown in the accompanying representations. In considering the scope of the newness protection and indicia on the cordless power tool is to be disregarded.**



- (21) Design Number: **10109/2005**  
(22) Date of Filing Application: **13 January 2005**  
(24) Date from which industrial property rights may have effect: **13 January 2005**  
(54) Product in respect of which the design is registered: **Power failure indicator**  
(51) International Design Classification: **13-03A**  
(71) Name(s) and Address(s) of Applicant(s):

**Auke Waaldyk**  
**5/21 Stud Road Bayswater Victoria 3153 Australia**

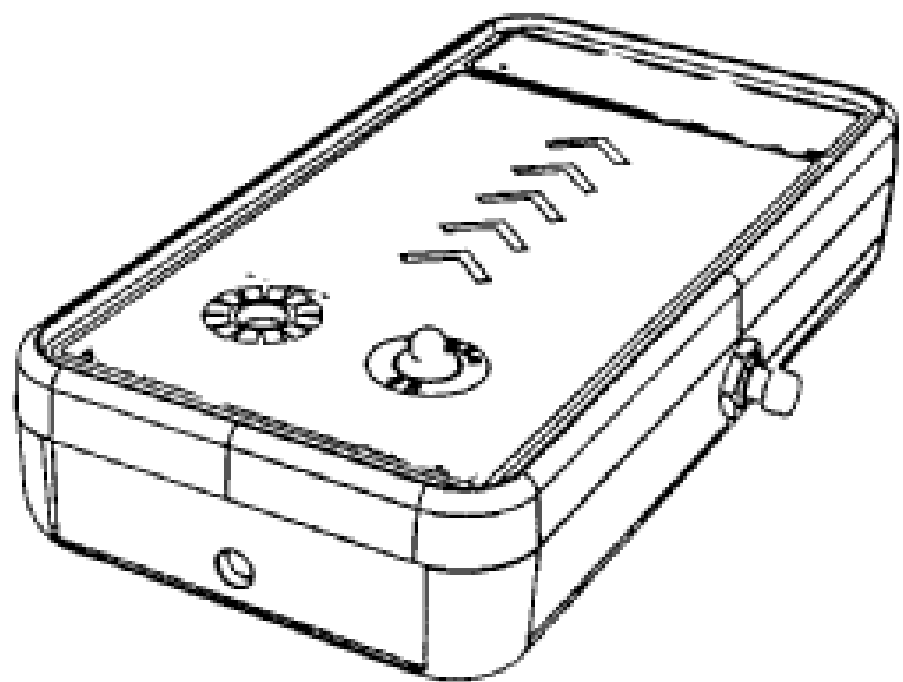
**Judith Waaldyk**  
**5/21 Stud Road Bayswater Victoria 3153 Australia**

(72) Name(s) of Designer(s): **Auke Waaldyk**

(45) Registration Date: **14 September 2005**

(56) Related Art Documents: **Not Applicable**

(57) Statement of Newness and Distinctiveness: **Nil**



(21) Design Number: **10113/2005**

(22) Date of Filing Application: **14 January 2005**

(24) Date from which industrial property rights may have effect: **14 January 2005**

(54) Product in respect of which the design is registered: **Jigsaw power tool**

(51) International Design Classification: **08-03**

(71) Name(s) and Address(s) of Applicant(s):

**GMCA Pty Ltd**  
**45-55 South Centre Road Melbourne Airport Victoria 3045 Australia**

(72) Name(s) of Designer(s): **Michael Waldron**

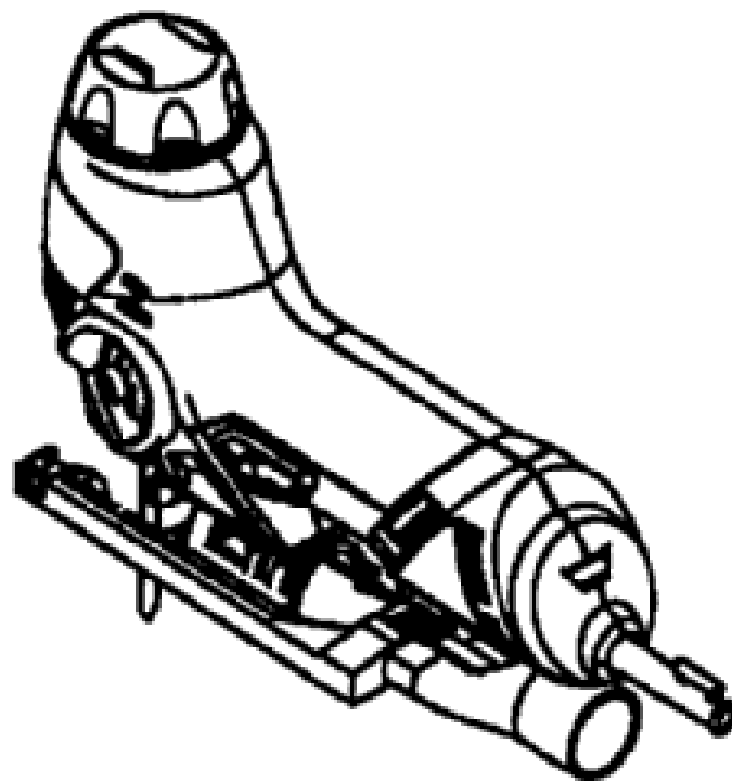
(45) Registration Date: **14 September 2005**

(30) Convention priority data:

(31) Number	(32) Date	(33) Country
<b>000263173</b>	<b>01 Dec 2004</b>	<b>EUROPEAN COMMUNITY</b>

(56) Related Art Documents: **Not Applicable**

(57) Statement of Newness and Distinctiveness: **Newness and distinctiveness resides in the features of shape and configuration of a jigsaw power tool as shown in the accompanying representations.**



(21) Design Number: **10114/2005**

(22) Date of Filing Application: **14 January 2005**

(24) Date from which industrial property rights may have effect: **14 January 2005**

(54) Product in respect of which the design is registered: **Sander power tool**

(51) International Design Classification: **08-05N**

(71) Name(s) and Address(s) of Applicant(s):

**GMCA Pty Ltd**  
**45-55 South Centre Road Melbourne Airport Victoria 3045 Australia**

(72) Name(s) of Designer(s): **Michael Waldron**

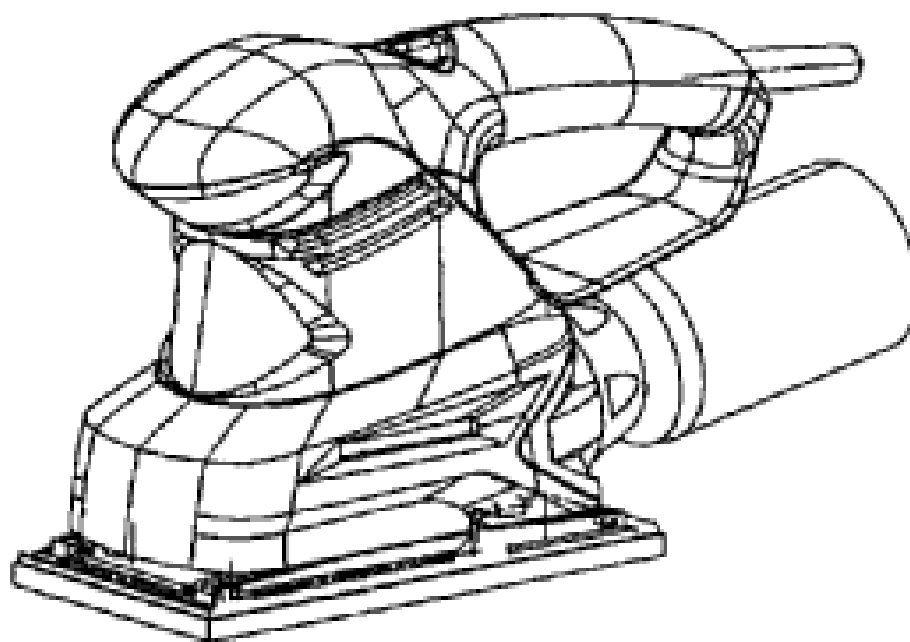
(45) Registration Date: **14 September 2005**

(30) Convention priority data:

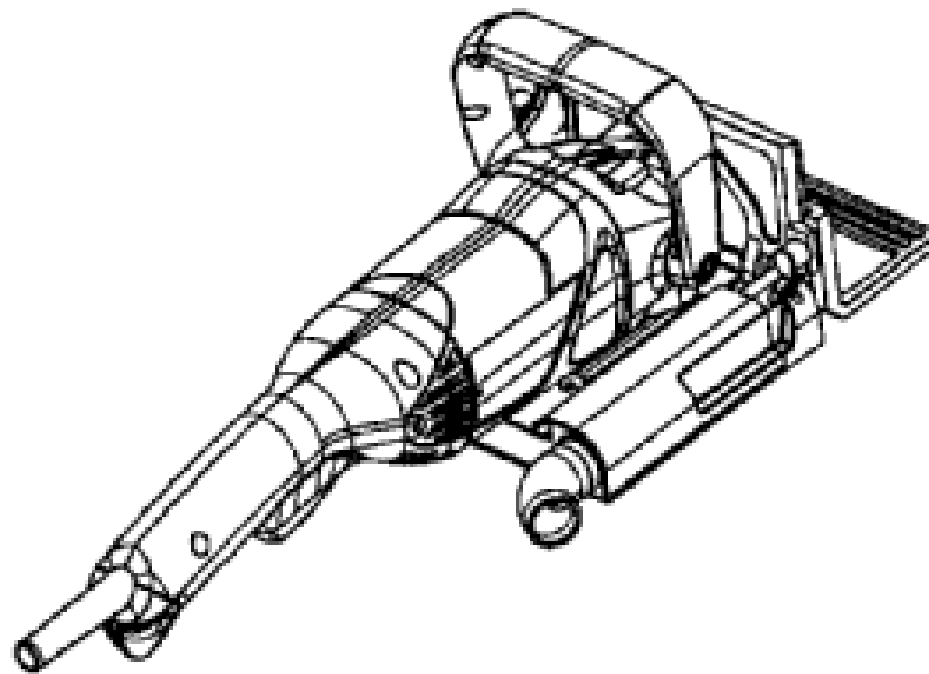
(31) Number	(32) Date	(33) Country
<b>000263173</b>	<b>01 Dec 2004</b>	<b>EUROPEAN COMMUNITY</b>

(56) Related Art Documents: **Not Applicable**

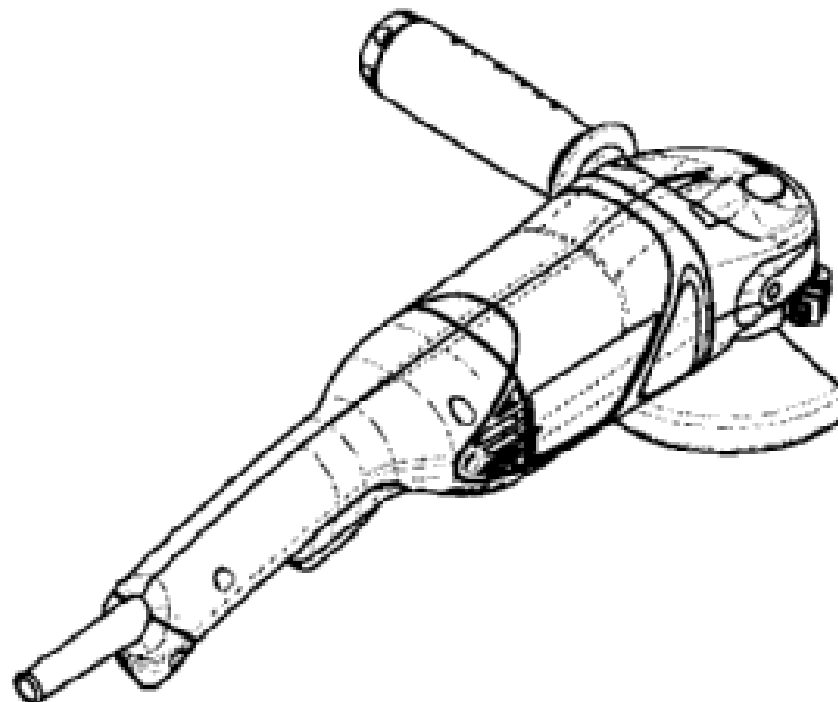
(57) Statement of Newness and Distinctiveness: **Newness and distinctiveness resides in the features of shape and configuration of a sander power tool as shown in the accompanying representations.**



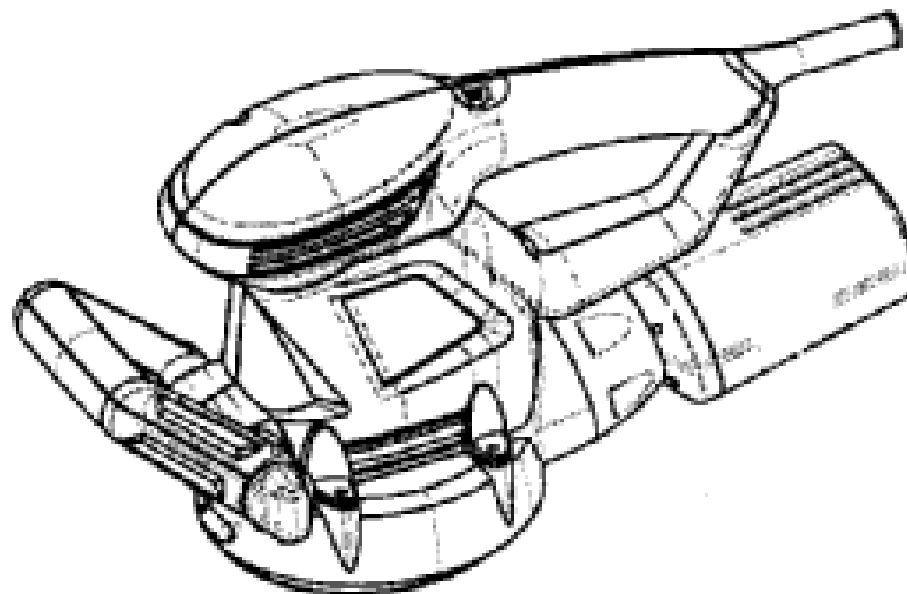
(21) Design Number: **10115/2005**  
(22) Date of Filing Application: **14 January 2005**  
(24) Date from which industrial property rights may have effect: **14 January 2005**  
(54) Product in respect of which the design is registered: **Biscuit jointer power tool**  
(51) International Design Classification: **08-03**  
(71) Name(s) and Address(s) of Applicant(s):  
**GMCA Pty Ltd**  
**45-55 South Centre Road Melbourne Airport Victoria 3045 Australia**  
(72) Name(s) of Designer(s): **Michael Waldron**  
(45) Registration Date: **14 September 2005**  
(30) Convention priority data:  
(31) Number (32) Date (33) Country  
**000262282 27 Nov 2004 EUROPEAN COMMUNITY**  
(56) Related Art Documents: **Not Applicable**  
(57) Statement of Newness and Distinctiveness: **Newness and distinctiveness resides in the features of shape and configuration of a biscuit jointer power tool as shown in the accompanying representations.**



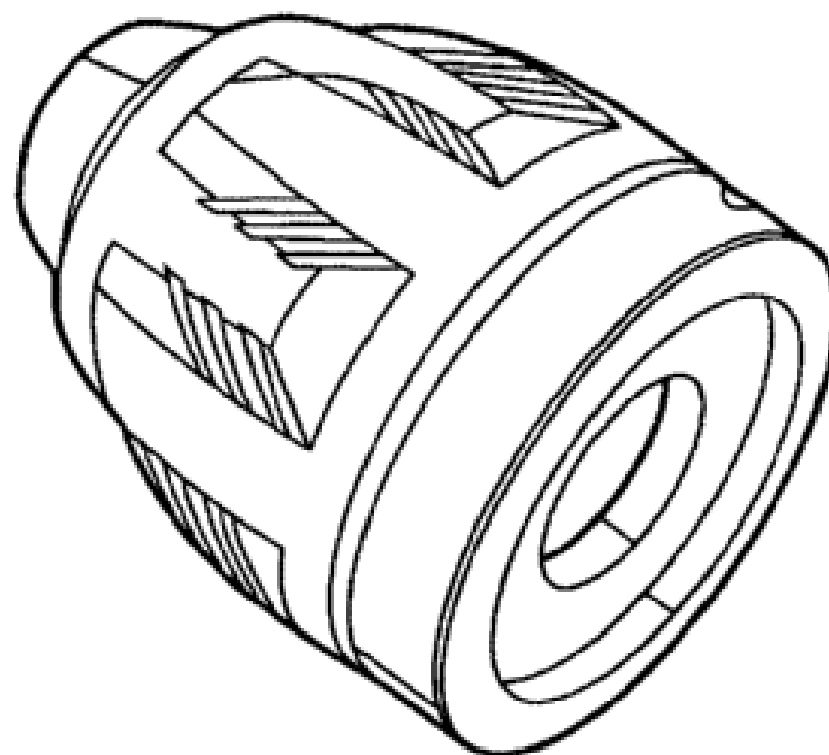
(21) Design Number: **10116/2005**  
(22) Date of Filing Application: **14 January 2005**  
(24) Date from which industrial property rights may have effect: **14 January 2005**  
(54) Product in respect of which the design is registered: **Angle grinder power tool**  
(51) International Design Classification: **08-05N**  
(71) Name(s) and Address(s) of Applicant(s):  
**GMCA Pty Ltd**  
**45-55 South Centre Road Melbourne Airport Victoria 3045 Australia**  
(72) Name(s) of Designer(s): **Michael Waldron**  
(45) Registration Date: **14 September 2005**  
(30) Convention priority data:  
(31) Number (32) Date (33) Country  
**000262282 27 Nov 2004 EUROPEAN COMMUNITY**  
(56) Related Art Documents: **Not Applicable**  
(57) Statement of Newness and Distinctiveness: **Newness and distinctiveness resides in the features of shape and configuration of an angle grinder power tool as shown in the accompanying representations.**



- (21) Design Number: **10117/2005**  
(22) Date of Filing Application: **14 January 2005**  
(24) Date from which industrial property rights may have effect: **14 January 2005**  
(54) Product in respect of which the design is registered: **Random orbital sander power tool**  
(51) International Design Classification: **08-05N**  
(71) Name(s) and Address(s) of Applicant(s):  
**GMCA Pty Ltd**  
**45-55 South Centre Road Melbourne Airport Victoria 3045 Australia**  
(72) Name(s) of Designer(s): **Michael Waldron**  
(45) Registration Date: **14 September 2005**  
(30) Convention priority data:  
(31) Number (32) Date (33) Country  
**000262282 27 Nov 2004 EUROPEAN COMMUNITY**  
(56) Related Art Documents: **Not Applicable**  
(57) Statement of Newness and Distinctiveness: **Newness and distinctiveness resides in the features of shape and configuration of a random orbital sander power tool as shown in the accompanying representations.**



- (21) Design Number: **10118/2005**  
(22) Date of Filing Application: **14 January 2005**  
(24) Date from which industrial property rights may have effect: **14 January 2005**  
(54) Product in respect of which the design is registered: **Tool bit chuck**  
(51) International Design Classification: **08-05P**  
(71) Name(s) and Address(s) of Applicant(s):  
**GMCA Pty Ltd**  
**45-55 South Centre Road Melbourne Airport Victoria 3045 Australia**  
(72) Name(s) of Designer(s): **Michael Waldron**  
(45) Registration Date: **14 September 2005**  
(30) Convention priority data:  
(31) Number (32) Date (33) Country  
**000267117 07 Dec 2004 EUROPEAN COMMUNITY**  
(56) Related Art Documents: **Not Applicable**  
(57) Statement of Newness and Distinctiveness: **Newness and distinctiveness resides in the features of shape and configuration of a tool bit chuck as shown in the accompanying representations.**





(21) Design Number: **10119/2005**  
(22) Date of Filing Application: **14 January 2005**  
(24) Date from which industrial property rights may have effect: **14 January 2005**  
(54) Product in respect of which the design is registered: **Hover mower**  
(51) International Design Classification: **15-03B**  
(71) Name(s) and Address(s) of Applicant(s):

**GMCA Pty Ltd**  
**45-55 South Centre Road Melbourne Airport Victoria 3045 Australia**

(72) Name(s) of Designer(s): **Michael Waldron**

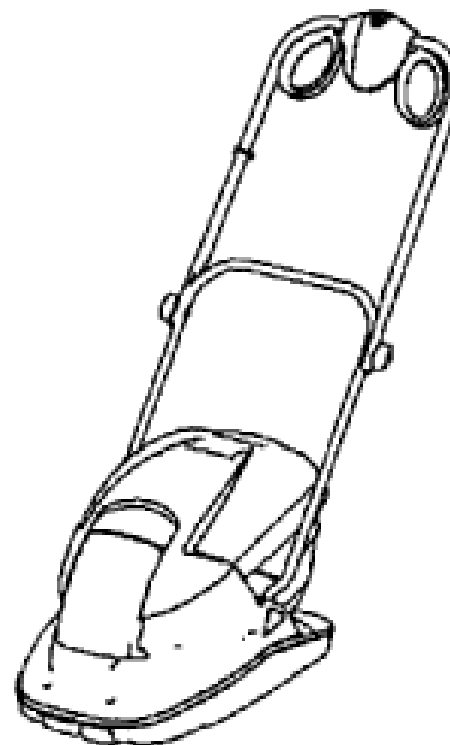
(45) Registration Date: **14 September 2005**

(30) Convention priority data:

(31) Number	(32) Date	(33) Country
<b>000265277</b>	<b>02 Dec 2004</b>	<b>EUROPEAN COMMUNITY</b>

(56) Related Art Documents: **Not Applicable**

(57) Statement of Newness and Distinctiveness: **Newness and distinctiveness resides in the features of shape and configuration of a hover mower as shown in the accompanying representations.**



(21) Design Number: **10120/2005**  
(22) Date of Filing Application: **14 January 2005**  
(24) Date from which industrial property rights may have effect: **14 January 2005**  
(54) Product in respect of which the design is registered: **Angle grinder**  
(51) International Design Classification: **08-05N**  
(71) Name(s) and Address(s) of Applicant(s):

**GMCA Pty Ltd**  
**45-55 South Centre Road Melbourne Airport Victoria 3045 Australia**

(72) Name(s) of Designer(s): **Michael Waldron**

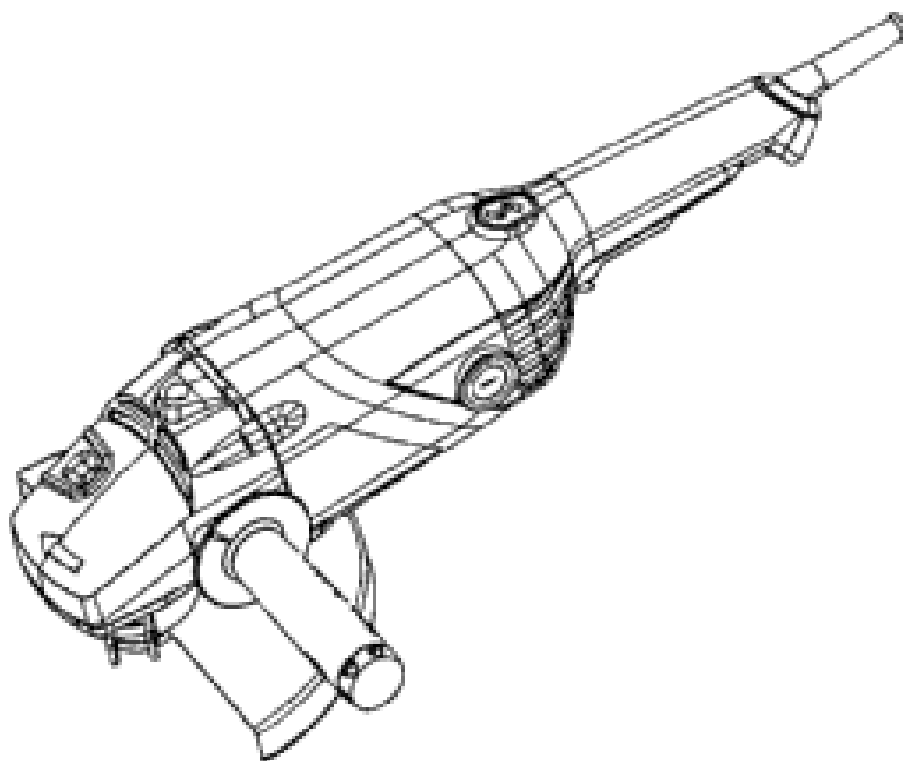
(45) Registration Date: **14 September 2005**

(30) Convention priority data:

(31) Number	(32) Date	(33) Country
<b>000259809</b>	<b>25 Nov 2004</b>	<b>EUROPEAN COMMUNITY</b>

(56) Related Art Documents: **Not Applicable**

(57) Statement of Newness and Distinctiveness: **Newness and distinctiveness resides in the features of shape and configuration of an angle grinder as shown in the accompanying representations.**



(21) Design Number: **10121/2005**

(22) Date of Filing Application: **14 January 2005**

(24) Date from which industrial property rights may have effect: **14 January 2005**

(54) Product in respect of which the design is registered: **Hammer drill with spindle lock**

(51) International Design Classification: **08-01**

(71) Name(s) and Address(s) of Applicant(s):

**GMCA Pty Ltd**

**45-55 South Centre Road Melbourne Airport Victoria 3045 Australia**

(72) Name(s) of Designer(s): **Michael Waldron**

(45) Registration Date: **14 September 2005**

(30) Convention priority data:

(31) Number  
**000261094**

(32) Date  
**25 Nov 2004**

(33) Country  
**EUROPEAN COMMUNITY**

(56) Related Art Documents: **Not Applicable**

(57) Statement of Newness and Distinctiveness: **Newness and distinctiveness resides in the features of shape and configuration of a hammer drill with spindle lock as shown in the accompanying representations.**



(21) Design Number: **10122/2005**

(22) Date of Filing Application: **14 January 2005**

(24) Date from which industrial property rights may have effect: **14 January 2005**

(54) Product in respect of which the design is registered: **Hammer drill non-spindle lock**

(51) International Design Classification: **08-01**

(71) Name(s) and Address(s) of Applicant(s):

**GMCA Pty Ltd**

**45-55 South Centre Road Melbourne Airport Victoria 3045 Australia**

(72) Name(s) of Designer(s): **Michael Waldron**

(45) Registration Date: **14 September 2005**

(30) Convention priority data:

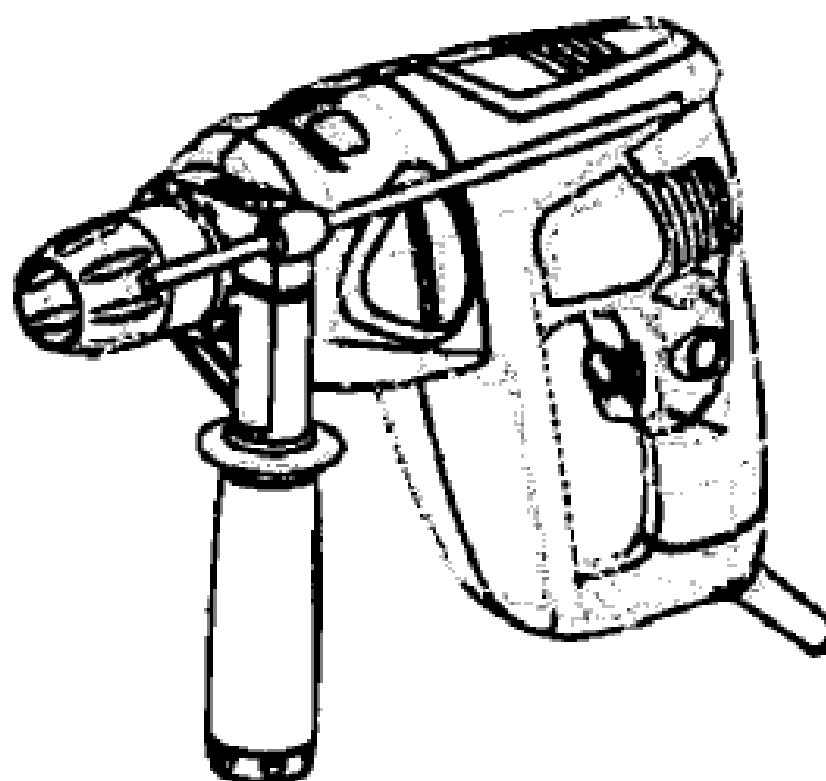
(31) Number  
**000261102**

(32) Date  
**25 Nov 2004**

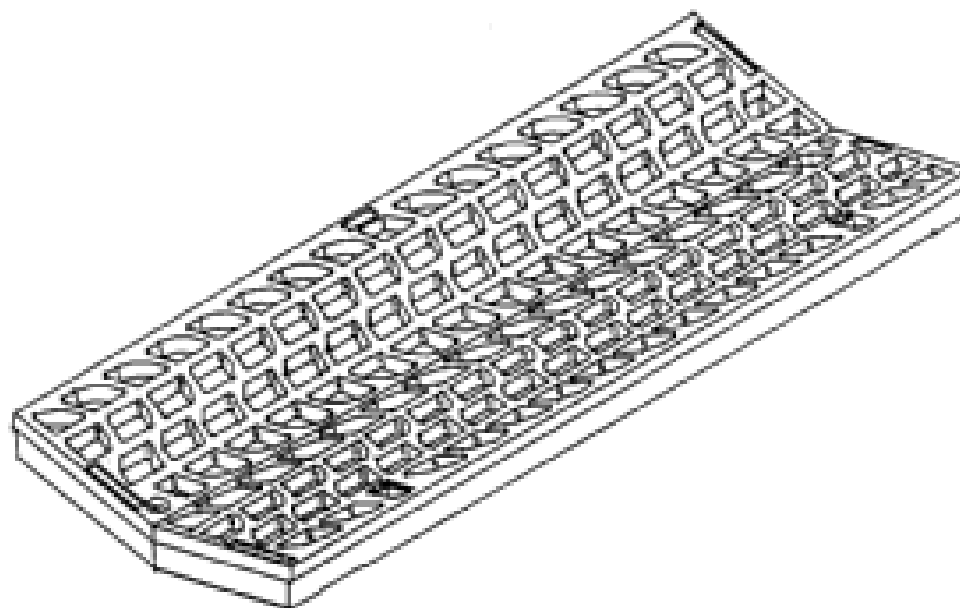
(33) Country  
**EUROPEAN COMMUNITY**

(56) Related Art Documents: **Not Applicable**

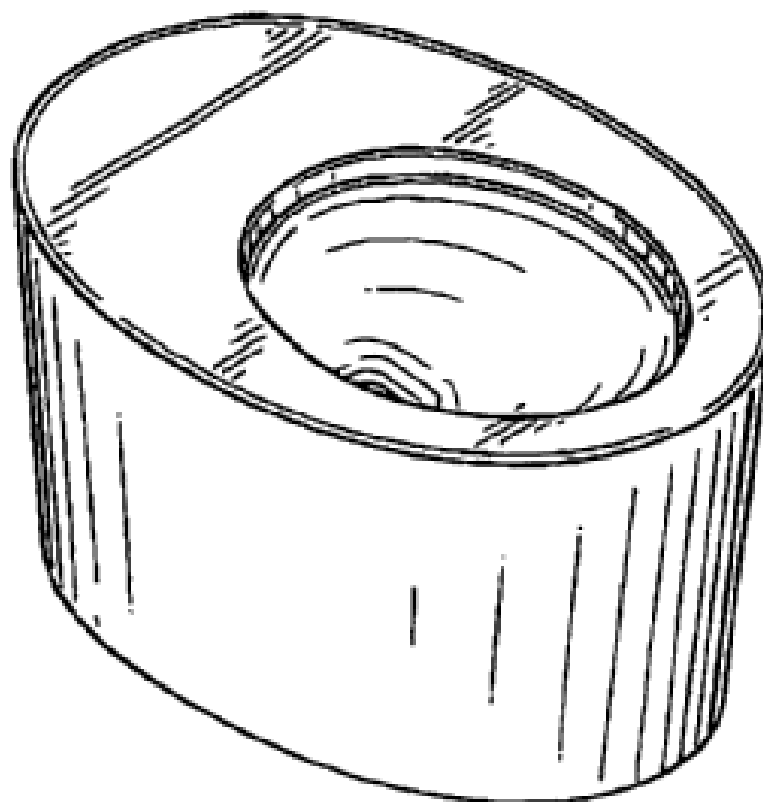
(57) Statement of Newness and Distinctiveness: **Newness and distinctiveness resides in the features of shape and configuration of a hammer drill non-spindle lock as shown in the accompanying representations.**



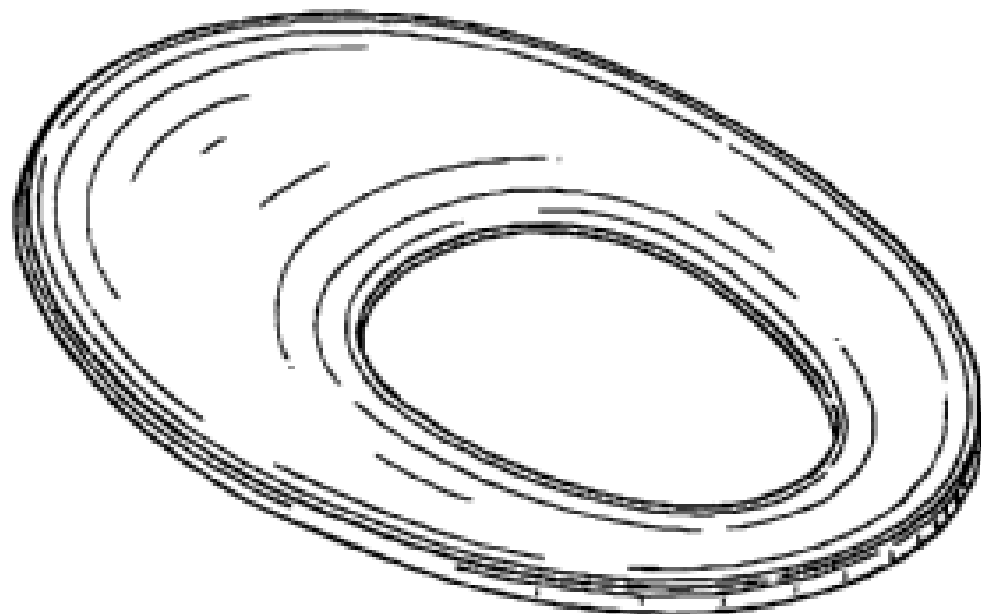
(21) Design Number: **10138/2005**  
(22) Date of Filing Application: **14 January 2005**  
(24) Date from which industrial property rights may have effect: **14 January 2005**  
(54) Product in respect of which the design is registered: **A grate**  
(51) International Design Classification: **23-02NES**  
(71) Name(s) and Address(s) of Applicant(s):  
**Gatic Pty Ltd**  
**197 Maidstone Street Altona Victoria 3018 Australia**  
(72) Name(s) of Designer(s): **Christopher Anderson**  
(45) Registration Date: **14 September 2005**  
(56) Related Art Documents: **Not Applicable**  
(57) Statement of Newness and Distinctiveness: **Nil**



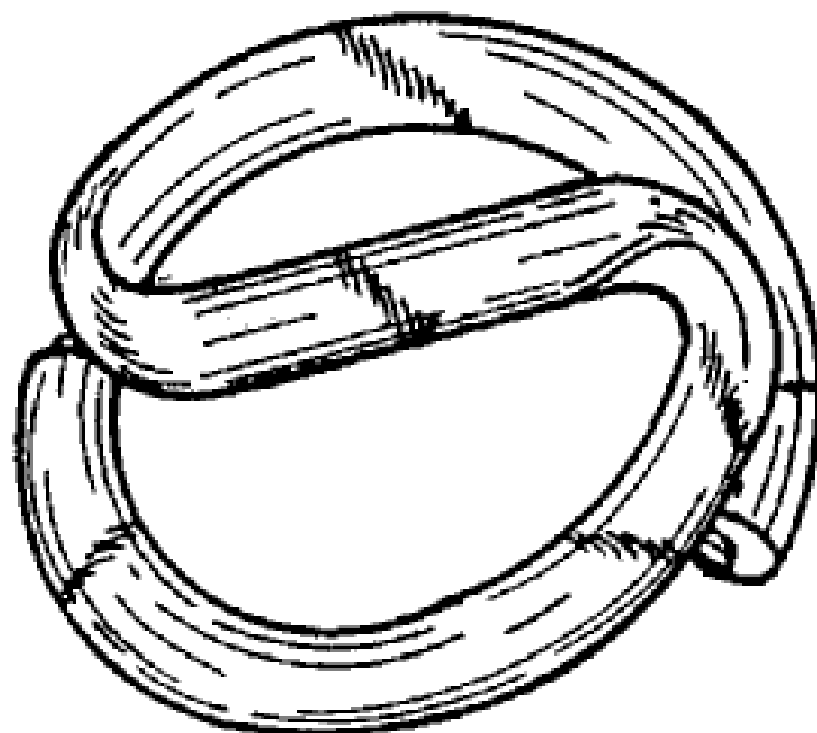
(21) Design Number: **10139/2005**  
(22) Date of Filing Application: **14 January 2005**  
(24) Date from which industrial property rights may have effect: **14 January 2005**  
(54) Product in respect of which the design is registered: **Toilet**  
(51) International Design Classification: **23-02C**  
(71) Name(s) and Address(s) of Applicant(s):  
**Kohler Co.**  
**444 Highland Drive Kohler WI 53044 United States of America**  
(72) Name(s) of Designer(s): **William F. Gordon**  
(45) Registration Date: **14 September 2005**  
(30) Convention priority data:  
(31) Number      (32) Date      (33) Country  
**29/209,290      14 Jul 2004      UNITED STATES OF AMERICA**  
(56) Related Art Documents: **Not Applicable**  
(57) Statement of Newness and Distinctiveness: **Nil**



(21) Design Number: **10140/2005**  
(22) Date of Filing Application: **14 January 2005**  
(24) Date from which industrial property rights may have effect: **14 January 2005**  
(54) Product in respect of which the design is registered: **Toilet seat**  
(51) International Design Classification: **23-02C**  
(71) Name(s) and Address(s) of Applicant(s):  
**Kohler Co.**  
**444 Highland Drive Kohler WI 53044 United States of America**  
(72) Name(s) of Designer(s): **William F. Gordon**  
(45) Registration Date: **14 September 2005**  
(30) Convention priority data:  
(31) Number (32) Date (33) Country  
**29/209,285 14 Jul 2004 UNITED STATES OF AMERICA**  
(56) Related Art Documents: **Not Applicable**  
(57) Statement of Newness and Distinctiveness: **Nil**



(21) Design Number: **10148/2005**  
(22) Date of Filing Application: **14 January 2005**  
(24) Date from which industrial property rights may have effect: **14 January 2005**  
(54) Product in respect of which the design is registered: **Compact fluorescent lamp glass tube**  
(51) International Design Classification: **26-04**  
(71) Name(s) and Address(s) of Applicant(s):  
**Dura Lamp S.p.A.**  
**Via di Limite 148 50013 Campi Bisenzio Florence Italy**  
(72) Name(s) of Designer(s): **Gabriele Cottoni**  
(45) Registration Date: **14 September 2005**  
(30) Convention priority data:  
(31) Number (32) Date (33) Country  
**000203864 15 Jul 2004 EUROPEAN COMMUNITY**  
(56) Related Art Documents: **Not Applicable**  
(57) Statement of Newness and Distinctiveness: **Newness and distinctiveness is claimed in the features of shape and/or configuration of a compact fluorescent lamp glass tube as illustrated in the accompanying representations and particularly the overall coiled and S-shaped configuration of the tube as seen in the top and bottom views.**



(21) Design Number: **10151/2005**

(22) Date of Filing Application: **14 January 2005**

(24) Date from which industrial property rights may have effect: **14 January 2005**

(54) Product in respect of which the design is registered: **Package**

(51) International Design Classification: **09-05**

(71) Name(s) and Address(s) of Applicant(s):

**Colgate-Palmolive Company**  
**300 Park Avenue New York New York 10022 United States of America**

(72) Name(s) of Designer(s): **Robert Moskovich and Alan Sorrentino**

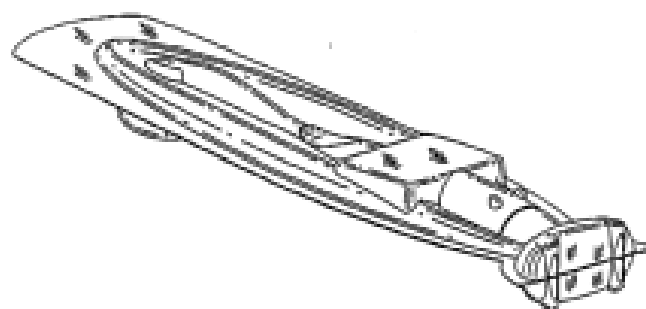
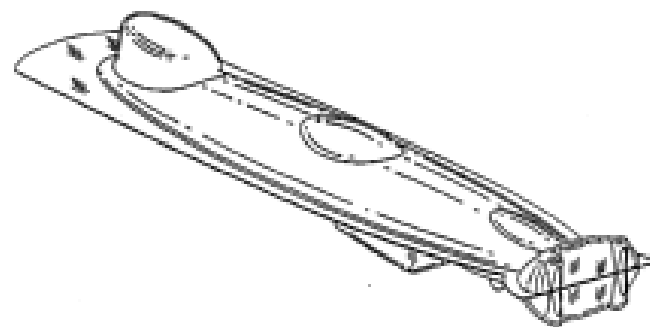
(45) Registration Date: **14 September 2005**

(30) Convention priority data:

(31) Number	(32) Date	(33) Country
<b>29/209688</b>	<b>20 Jul 2004</b>	<b>UNITED STATES OF AMERICA</b>

(56) Related Art Documents: **Not Applicable**

(57) Statement of Newness and Distinctiveness: **Each feature of the design considered separately or in combination with any other feature or features.**



(21) Design Number: **10224/2005**

(22) Date of Filing Application: **21 January 2005**

(24) Date from which industrial property rights may have effect: **21 January 2005**

(54) Product in respect of which the design is registered: **Photosensitive drum unit**

(51) International Design Classification: **14-02, 16-03**

(71) Name(s) and Address(s) of Applicant(s):

**Brother Industries Ltd**  
**15-1 Naeshiro-cho Mizuho-ku Nagoya-shi Aichi-ken Japan**

(72) Name(s) of Designer(s): **Makoto Ishi and Fumio Morita and Fumikaza Sato**

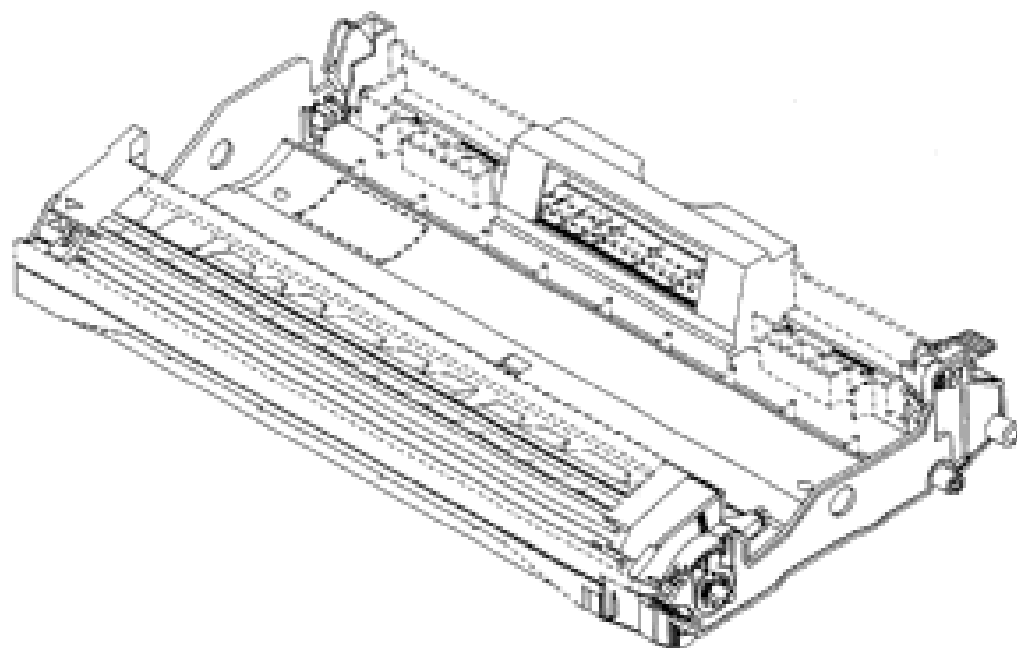
(45) Registration Date: **14 September 2005**

(30) Convention priority data:

(31) Number	(32) Date	(33) Country
<b>2004-032074</b>	<b>21 Oct 2004</b>	<b>JAPAN</b>

(56) Related Art Documents: **Not Applicable**

(57) Statement of Newness and Distinctiveness: **Monopoly is claimed in the shape and configuration of the features of the article as depicted in the accompanying representations. The applicant claims monopoly in the features of the article depicted in solid lines. No monopoly is claimed in the features depicted by broken lines in the accompanying representations.**



(21) Design Number: **10225/2005**

(22) Date of Filing Application: **21 January 2005**

(24) Date from which industrial property rights may have effect: **21 January 2005**

(54) Product in respect of which the design is registered: **Toner cartridge**

(51) International Design Classification: **14-02, 16-03**

(71) Name(s) and Address(s) of Applicant(s):

**Brother Industries Ltd**  
**15-1 Naeshiro-cho Mizuho-ku Nagoya-shi Aichi-ken Japan**

(72) Name(s) of Designer(s): **Makoto Ishi and Fumio Morita and Fumikaza Sato**

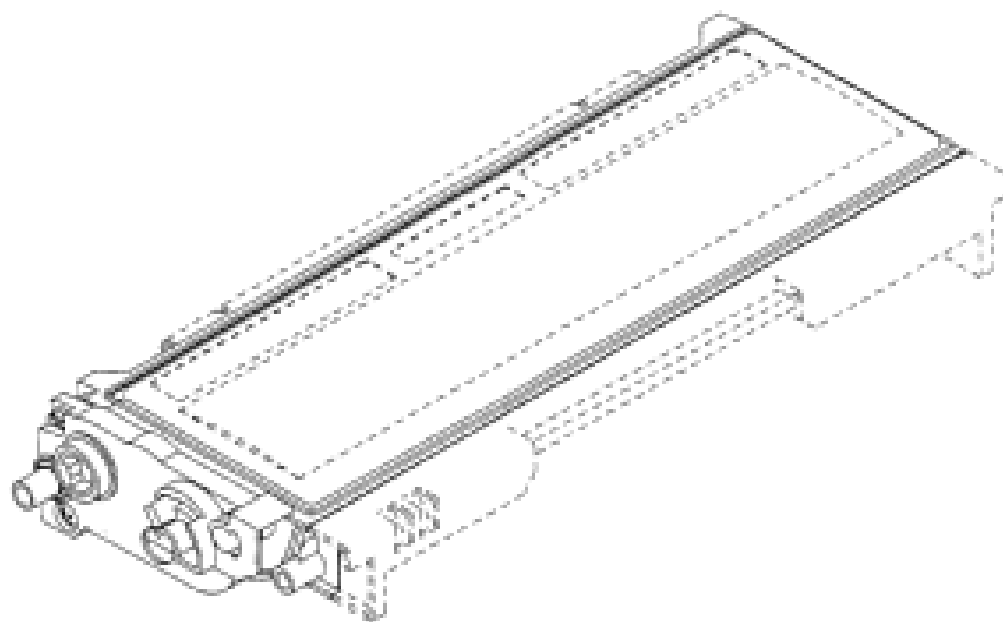
(45) Registration Date: **14 September 2005**

(30) Convention priority data:

(31) Number	(32) Date	(33) Country
<b>2004-024377</b>	<b>13 Aug 2004</b>	<b>JAPAN</b>

(56) Related Art Documents: **Not Applicable**

(57) Statement of Newness and Distinctiveness: **Monopoly is claimed in the shape and configuration of the features of the article as depicted in the accompanying representations. The applicant claims monopoly in the features of the article depicted in solid lines. No monopoly is claimed in the features of the article depicted by broken lines in the accompanying representations.**



(21) Design Number: **10226/2005**

(22) Date of Filing Application: **21 January 2005**

(24) Date from which industrial property rights may have effect: **21 January 2005**

(54) Product in respect of which the design is registered: **Power board with clip**

(51) International Design Classification: **13-03D**

(71) Name(s) and Address(s) of Applicant(s):

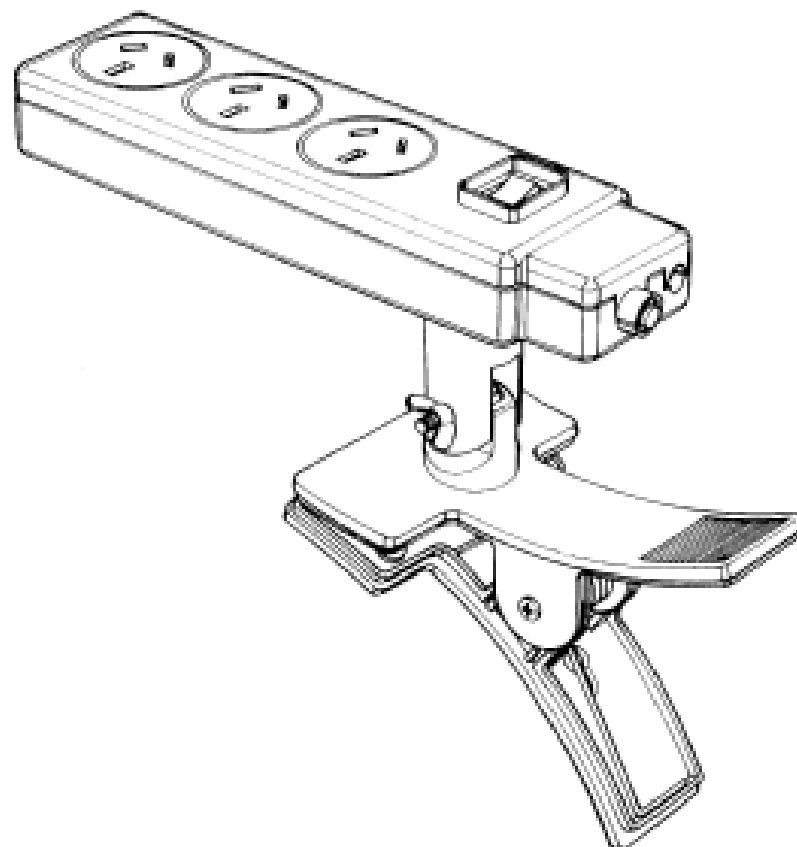
**Jackson Industries Pty Limited**  
**Building C 2 Hudson Avenue Castle Hill New South Wales 2154**  
**Australia**

(72) Name(s) of Designer(s): **Ross Alec Jackson**

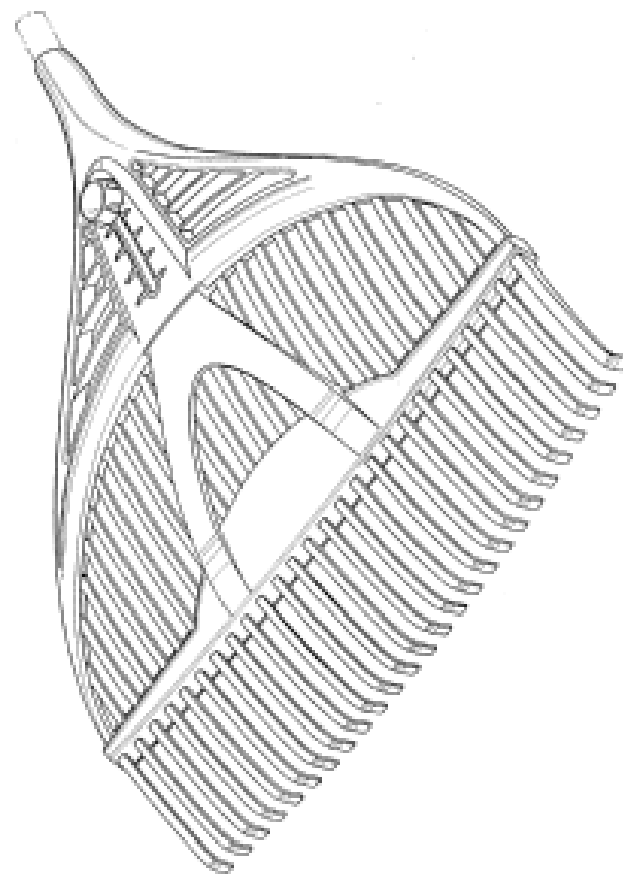
(45) Registration Date: **14 September 2005**

(56) Related Art Documents: **Not Applicable**

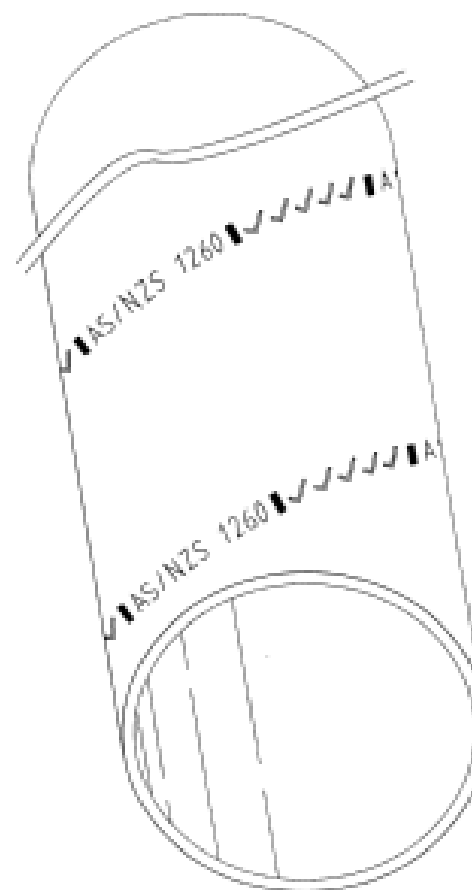
(57) Statement of Newness and Distinctiveness: **Newness and distinctiveness is claimed in the features of shape and/or configuration of the clip illustrated in the accompanying representations.**



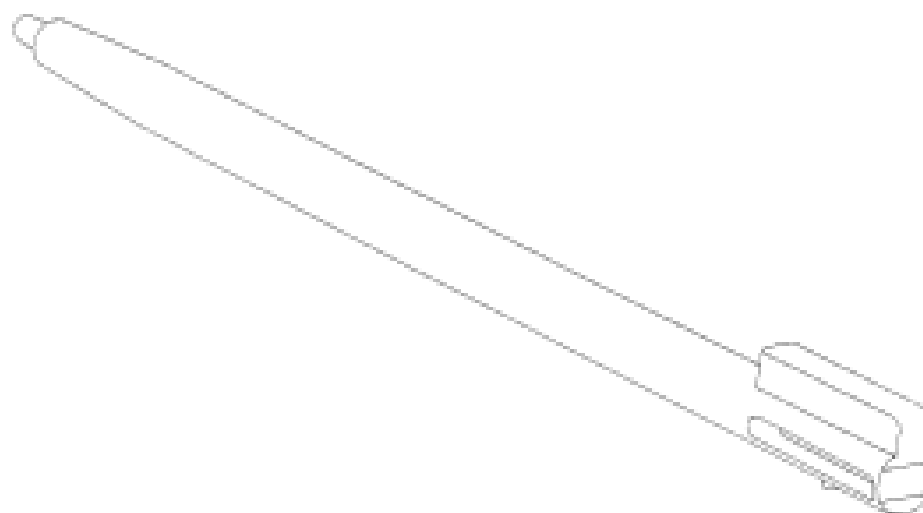
- (21) Design Number: **10227/2005**
- (22) Date of Filing Application: **21 January 2005**
- (24) Date from which industrial property rights may have effect: **21 January 2005**
- (54) Product in respect of which the design is registered: **Leaf rake**
- (51) International Design Classification: **08-05A**
- (71) Name(s) and Address(s) of Applicant(s):  
**UnionTools, Inc.**  
**390 W. Nationwide Blvd. Columbus Ohio 43215 United States of America**
- (72) Name(s) of Designer(s): **Brian J. Conaway and Terry M. Birchler and Brian Martin Shova and Donald James Staufenberg and Joshua Michael Broehl**
- (45) Registration Date: **14 September 2005**
- (56) Related Art Documents: **Not Applicable**
- (57) Statement of Newness and Distinctiveness: **Newness and distinctiveness is claimed in the features of shape and/or configuration of a leaf rake as illustrated in the accompanying representations and particularly the brace which extends across the tines and the lock which secures the brace in desired positions along the length of the tines.**



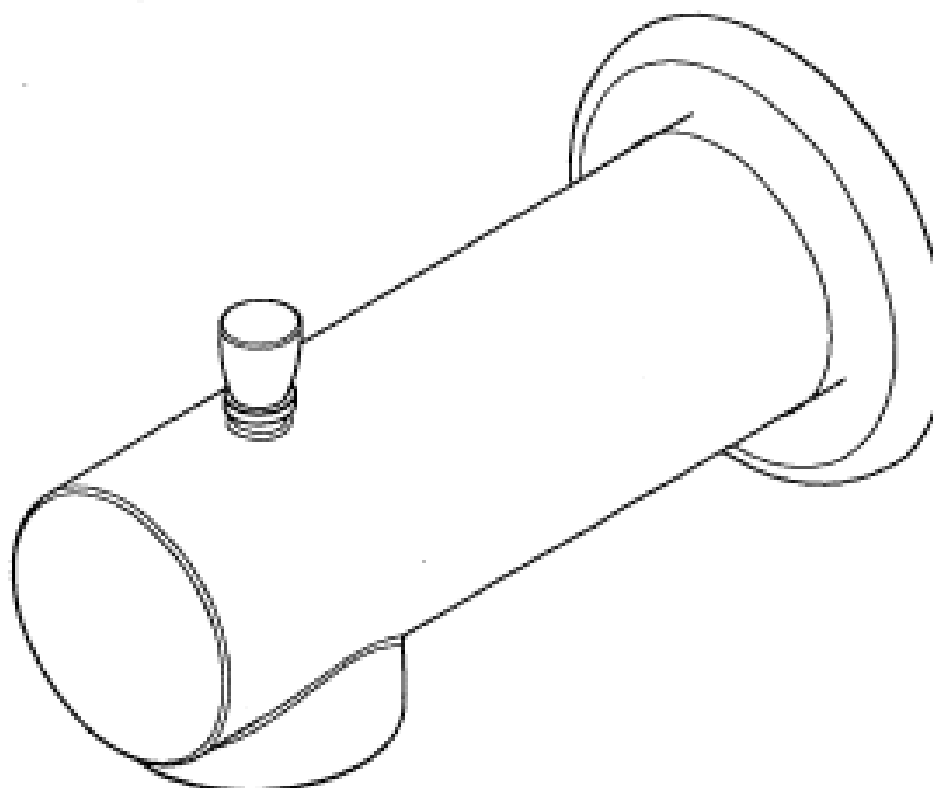
- (21) Design Number: **10229/2005**
- (22) Date of Filing Application: **24 January 2005**
- (24) Date from which industrial property rights may have effect: **24 January 2005**
- (54) Product in respect of which the design is registered: **Pipe**
- (51) International Design Classification: **23-01B**
- (71) Name(s) and Address(s) of Applicant(s):  
**Stephen Mark White**  
**57 Riddell Street Molong New South Wales 2866 Australia**
- (72) Name(s) of Designer(s): **Stephen Mark White**
- (45) Registration Date: **14 September 2005**
- (56) Related Art Documents: **Not Applicable**
- (57) Statement of Newness and Distinctiveness: **Nil**



(21) Design Number: **10235/2005**  
(22) Date of Filing Application: **21 January 2005**  
(24) Date from which industrial property rights may have effect: **21 January 2005**  
(54) Product in respect of which the design is registered: **A stylus pen for a hand-held electronic game machine**  
(51) International Design Classification: **19-06, 21-01N**  
(71) Name(s) and Address(s) of Applicant(s):  
**Nintendo Co., Ltd**  
**11-1 Hokotate-cho Kamitoba Minami-ku Kyoto-shi Kyoto Japan**  
(72) Name(s) of Designer(s): **Kenichi Sugino and Tomoyuki Sakiyama and Yui Ehara**  
(45) Registration Date: **14 September 2005**  
(30) Convention priority data:  
(31) Number      (32) Date      (33) Country  
**2004-022559      28 Jul 2004      JAPAN**  
(56) Related Art Documents: **Not Applicable**  
(57) Statement of Newness and Distinctiveness: **Nil**

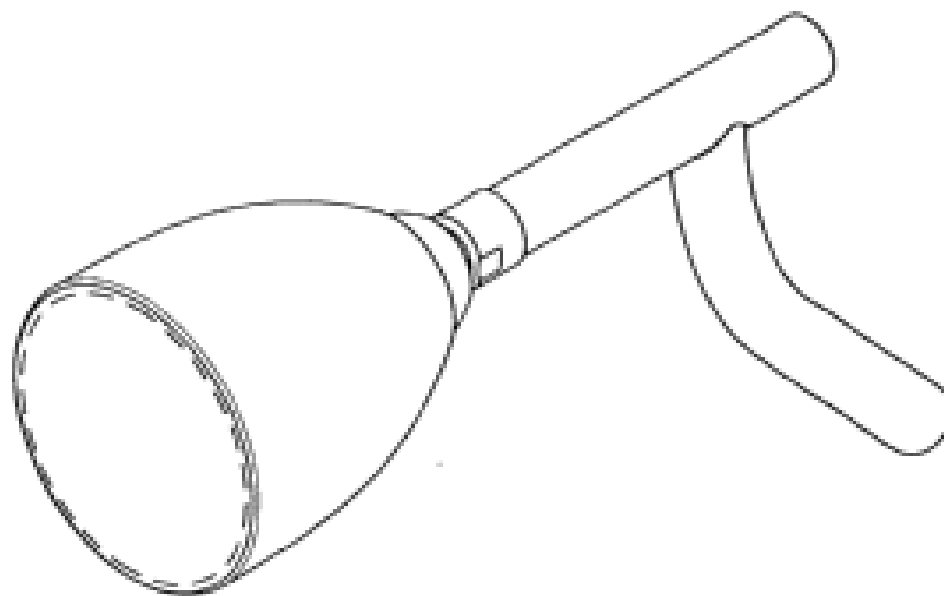


(21) Design Number: **10236/2005**  
(22) Date of Filing Application: **21 January 2005**  
(24) Date from which industrial property rights may have effect: **21 January 2005**  
(54) Product in respect of which the design is registered: **A spout**  
(51) International Design Classification: **23-01H**  
(71) Name(s) and Address(s) of Applicant(s):  
**Newfrey LLC**  
**1207 Drummond Plaza Newark Delaware 19711 United States of America**  
(72) Name(s) of Designer(s): **Angie L. Kosasih**  
(45) Registration Date: **14 September 2005**  
(30) Convention priority data:  
(31) Number      (32) Date      (33) Country  
**29209914      23 Jul 2004      UNITED STATES OF AMERICA**  
(56) Related Art Documents: **Not Applicable**  
(57) Statement of Newness and Distinctiveness: **Newness and distinctiveness is claimed in the visual features shown in solid lines in the representations.**

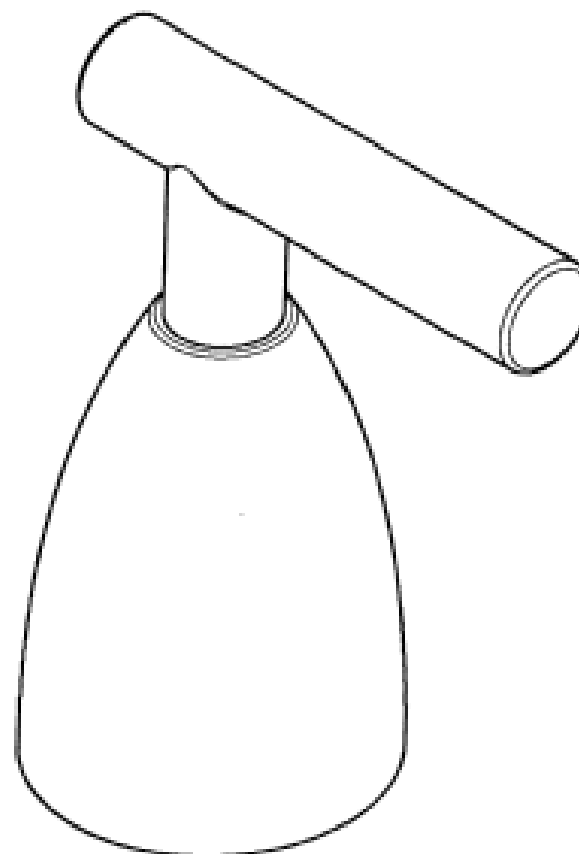




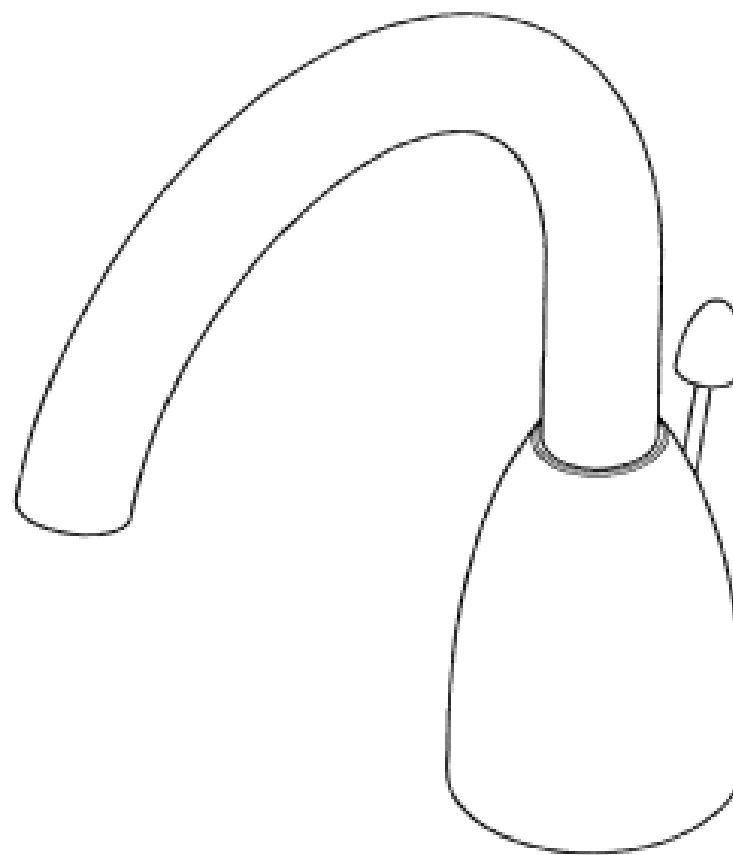
(21) Design Number: **10237/2005**  
(22) Date of Filing Application: **21 January 2005**  
(24) Date from which industrial property rights may have effect: **21 January 2005**  
(54) Product in respect of which the design is registered: **A showerhead with arm**  
(51) International Design Classification: **23-01H**  
(71) Name(s) and Address(s) of Applicant(s):  
**Newfrey LLC**  
**1207 Drummond Plaza Newark Delaware 19711 United States of America**  
(72) Name(s) of Designer(s): **Angie L. Kosasih**  
(45) Registration Date: **14 September 2005**  
(30) Convention priority data:  
(31) Number (32) Date (33) Country  
**29209915 23 Jul 2004 UNITED STATES OF AMERICA**  
(56) Related Art Documents: **Not Applicable**  
(57) Statement of Newness and Distinctiveness: **Newness and distinctiveness is claimed in the visual features shown in solid lines in the representations.**



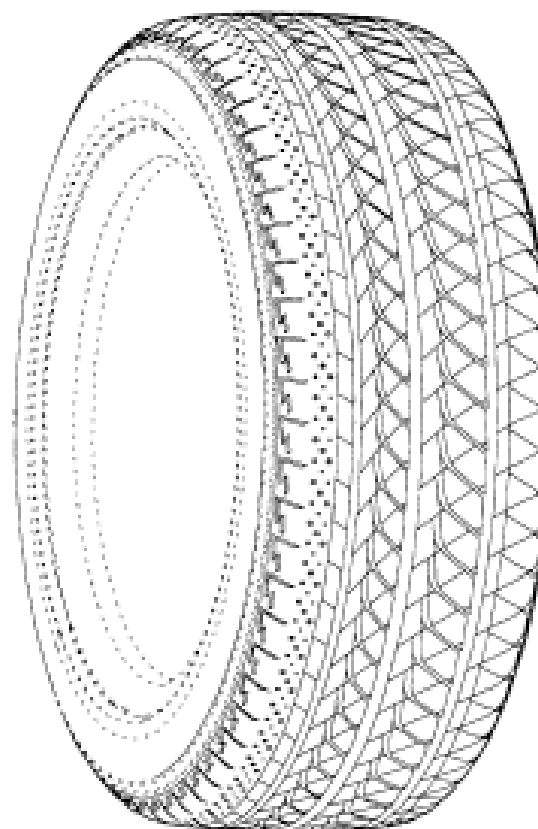
(21) Design Number: **10238/2005**  
(22) Date of Filing Application: **21 January 2005**  
(24) Date from which industrial property rights may have effect: **21 January 2005**  
(54) Product in respect of which the design is registered: **A tap handle and hub**  
(51) International Design Classification: **23-01H**  
(71) Name(s) and Address(s) of Applicant(s):  
**Newfrey LLC**  
**1207 Drummond Plaza Newark Delaware 19711 United States of America**  
(72) Name(s) of Designer(s): **Angie L. Kosasih**  
(45) Registration Date: **14 September 2005**  
(30) Convention priority data:  
(31) Number (32) Date (33) Country  
**29209916 23 Jul 2004 UNITED STATES OF AMERICA**  
(56) Related Art Documents: **Not Applicable**  
(57) Statement of Newness and Distinctiveness: **Newness and distinctiveness is claimed in the visual features shown in solid lines in the representations.**



(21) Design Number: **10239/2005**  
(22) Date of Filing Application: **21 January 2005**  
(24) Date from which industrial property rights may have effect: **21 January 2005**  
(54) Product in respect of which the design is registered: **A spout**  
(51) International Design Classification: **23-01H**  
(71) Name(s) and Address(s) of Applicant(s):  
**Newfrey LLC**  
**1207 Drummond Plaza Newark Delaware 19711 United States of America**  
(72) Name(s) of Designer(s): **Angie L. Kosasih**  
(45) Registration Date: **14 September 2005**  
(30) Convention priority data:  
(31) Number (32) Date (33) Country  
**29209917 23 Jul 2004 UNITED STATES OF AMERICA**  
(56) Related Art Documents: **Not Applicable**  
(57) Statement of Newness and Distinctiveness: **Newness and distinctiveness is claimed in the visual features shown in solid lines in the representations.**



(21) Design Number: **10240/2005**  
(22) Date of Filing Application: **21 January 2005**  
(24) Date from which industrial property rights may have effect: **21 January 2005**  
(54) Product in respect of which the design is registered: **An automobile tyre**  
(51) International Design Classification: **12-15B**  
(71) Name(s) and Address(s) of Applicant(s):  
**Bridgestone Corporation**  
**10-1 Kyobashi 1-chome Chuo-ku Tokyo Japan**  
(72) Name(s) of Designer(s): **Naoya Ochi**  
(45) Registration Date: **14 September 2005**  
(30) Convention priority data:  
(31) Number (32) Date (33) Country  
**2004-22697 29 Jul 2004 JAPAN**  
(56) Related Art Documents: **Not Applicable**  
(57) Statement of Newness and Distinctiveness: **Newness and distinctiveness is claimed in the visual features shown in solid lines in the representations.**



(21) Design Number: **10258/2005**

(22) Date of Filing Application: **24 January 2005**

(24) Date from which industrial property rights may have effect: **22 March 2004**

(54) Product in respect of which the design is registered: **Hair dryer with hood**

(51) International Design Classification: **28-03B**

(71) Name(s) and Address(s) of Applicant(s):

**Conair Corporation**

**1 Cummings Point Road Stamford 06904 United States of America**

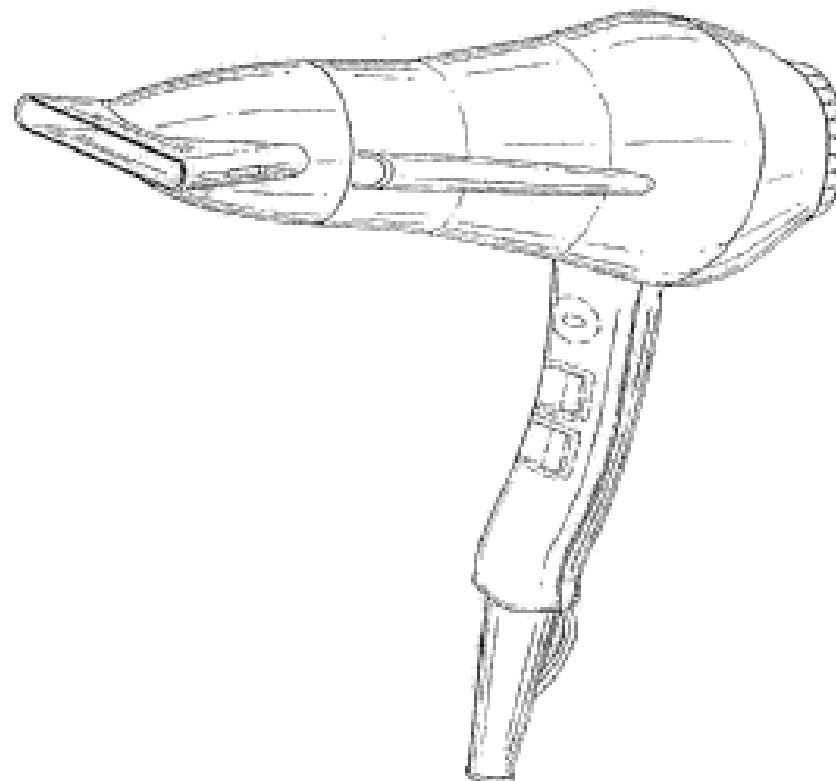
(72) Name(s) of Designer(s): **Leandro Rizzuto Jr**

(45) Registration Date: **14 September 2005**

(62) Divisional of: **157493**

(56) Related Art Documents: **Not Applicable**

(57) Statement of Newness and Distinctiveness: **Newness and distinctiveness is claimed in those features of shape and/or configuration of a hair dryer with hood illustrated in continuous lines in the accompanying representations.**



(21) Design Number: **10259/2005**

(22) Date of Filing Application: **25 January 2005**

(24) Date from which industrial property rights may have effect: **25 January 2005**

(54) Product in respect of which the design is registered: **Wall mountable moisture retaining plant pot**

(51) International Design Classification: **11-02B**

(71) Name(s) and Address(s) of Applicant(s):

**John Rodney Keats**

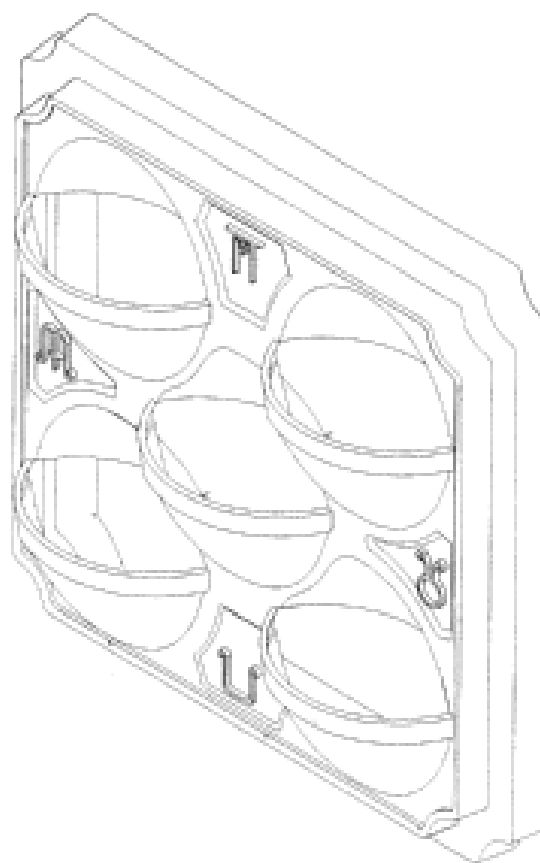
**22A Hill Street Lambton New South Wales 2299 Australia**

(72) Name(s) of Designer(s): **John Rodney Keats**

(45) Registration Date: **14 September 2005**

(56) Related Art Documents: **Not Applicable**

(57) Statement of Newness and Distinctiveness: **An outward facing front shell like facia panel defining a plurality of multiple horizontal openings formed by multiple lobe sections extending outward in a convex manner and multiple lobe sections extending inwards in a concave manner with artistic motifs or designs.**

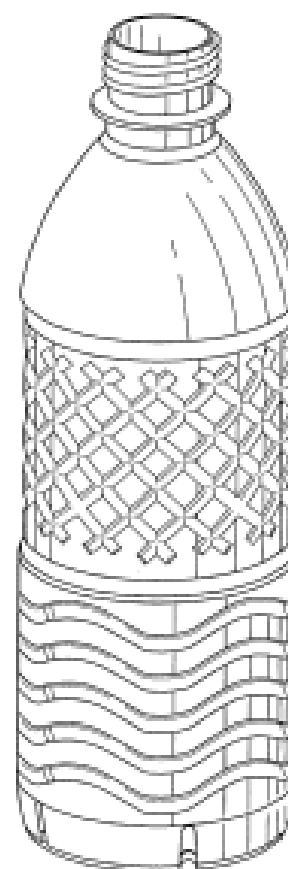


- (21) Design Number: **10261/2005**
- (22) Date of Filing Application: **25 January 2005**
- (24) Date from which industrial property rights may have effect: **25 January 2005**
- (54) Product in respect of which the design is registered: **A cape**
- (51) International Design Classification: **02-02B**
- (71) Name(s) and Address(s) of Applicant(s):  
**Ernest Jacobus Kruger**  
**1/13 Brodie Road Lonsdale South Australia 5160 Australia**
- (72) Name(s) of Designer(s): **Ernest Jacobus Kruger**
- (45) Registration Date: **14 September 2005**
- (56) Related Art Documents: **Not Applicable**
- (57) Statement of Newness and Distinctiveness: **Newness and distinctiveness is claimed in the features of shape and configuration of a cape as shown in the accompanying representations.**

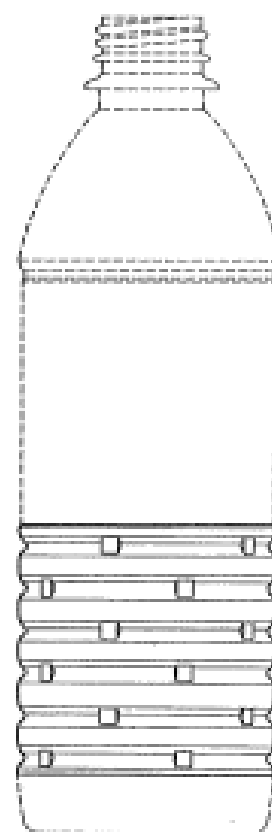


- (21) Design Number: **10274/2005**
- (22) Date of Filing Application: **25 January 2005**
- (24) Date from which industrial property rights may have effect: **25 January 2005**
- (54) Product in respect of which the design is registered: **Bottle**
- (51) International Design Classification: **09-01NES**
- (71) Name(s) and Address(s) of Applicant(s):  
**Ball Corporation**  
**10 Longs Peak Drive Broomfield Colorado 80021 United Sates of America**
- (72) Name(s) of Designer(s): **John J. Livingston and Brad M. Clutter and Brian D. Tyree and Michael L. Vaughn**
- (45) Registration Date: **14 September 2005**
- (30) Convention priority data:

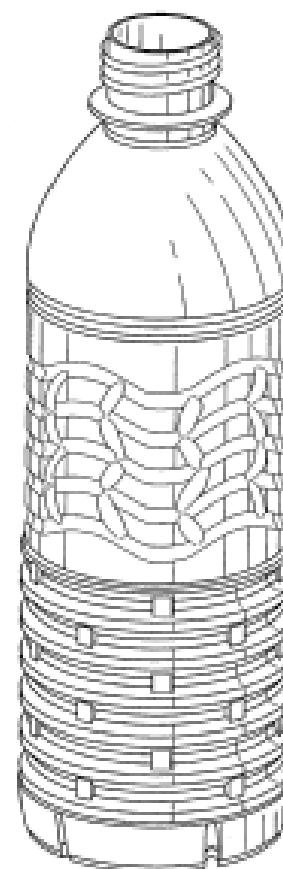
(31) Number	(32) Date	(33) Country
<b>29/212254</b>	<b>30 Aug 2004</b>	<b>UNITED STATES OF AMERICA</b>
- (56) Related Art Documents: **Not Applicable**
- (57) Statement of Newness and Distinctiveness: **Each feature of the design considered separately or in combination with any other feature or features.**



- (21) Design Number: **10275/2005**  
(22) Date of Filing Application: **25 January 2005**  
(24) Date from which industrial property rights may have effect: **25 January 2005**  
(54) Product in respect of which the design is registered: **Bottle**  
(51) International Design Classification: **09-01NES**  
(71) Name(s) and Address(s) of Applicant(s):  
**Ball Corporation**  
**10 Longs Peak Drive Broomfield Colorado 80021 United States of America**  
(72) Name(s) of Designer(s): **John J. Livingston**  
(45) Registration Date: **14 September 2005**  
(30) Convention priority data:  
(31) Number (32) Date (33) Country  
**29/212257 30 Aug 2004 UNITED STATES OF AMERICA**  
(56) Related Art Documents: **Not Applicable**  
(57) Statement of Newness and Distinctiveness: **Each feature of the design shown in solid lines considered separately or in combination with any other feature or features.**



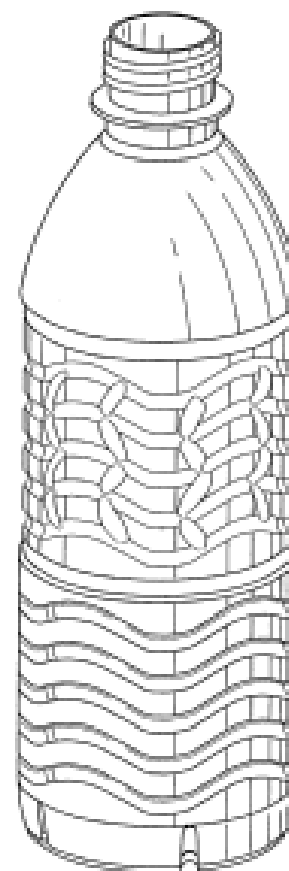
- (21) Design Number: **10276/2005**  
(22) Date of Filing Application: **25 January 2005**  
(24) Date from which industrial property rights may have effect: **25 January 2005**  
(54) Product in respect of which the design is registered: **Bottle**  
(51) International Design Classification: **09-01NES**  
(71) Name(s) and Address(s) of Applicant(s):  
**Ball Corporation**  
**10 Longs Peak Drive Broomfield Colorado 80021 United States of America**  
(72) Name(s) of Designer(s): **John J. Livingston**  
(45) Registration Date: **14 September 2005**  
(30) Convention priority data:  
(31) Number (32) Date (33) Country  
**29/212256 30 Aug 2004 UNITED STATES OF AMERICA**  
(56) Related Art Documents: **Not Applicable**  
(57) Statement of Newness and Distinctiveness: **Each feature of the design considered separately or in combination with any other feature or features.**



(19) AU

- (21) Design Number: **10278/2005**
- (22) Date of Filing Application: **25 January 2005**
- (24) Date from which industrial property rights may have effect: **25 January 2005**
- (54) Product in respect of which the design is registered: **Bottle**
- (51) International Design Classification: **09-01NES**
- (71) Name(s) and Address(s) of Applicant(s):  
**Ball Corporation**  
**10 Longs Peak Drive Broomfield Colorado 80021 United States of America**
- (72) Name(s) of Designer(s): **John J. Livingston and Erik E. Gatewood and Brian D. Tyree and Michael L. Vaughn**
- (45) Registration Date: **14 September 2005**
- (30) Convention priority data:  

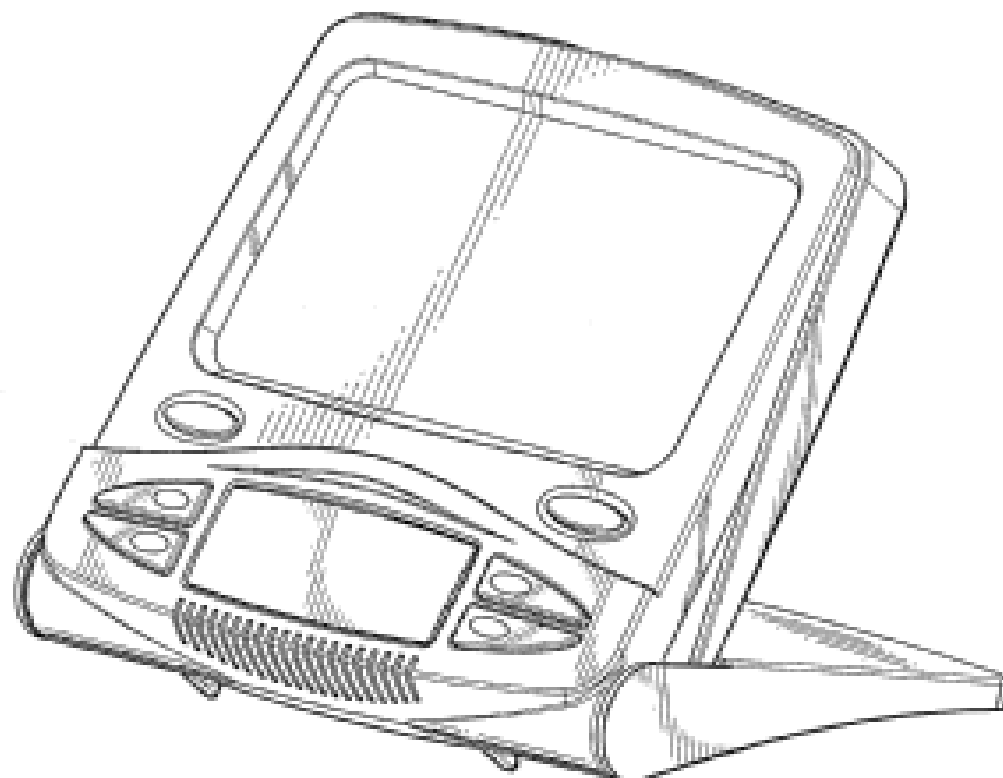
(31) Number	(32) Date	(33) Country
<b>29/212305</b>	<b>30 Aug 2004</b>	<b>UNITED STATES OF AMERICA</b>
- (56) Related Art Documents: **Not Applicable**
- (57) Statement of Newness and Distinctiveness: **Each feature of the design considered seperately or in combination with any other feature or features.**



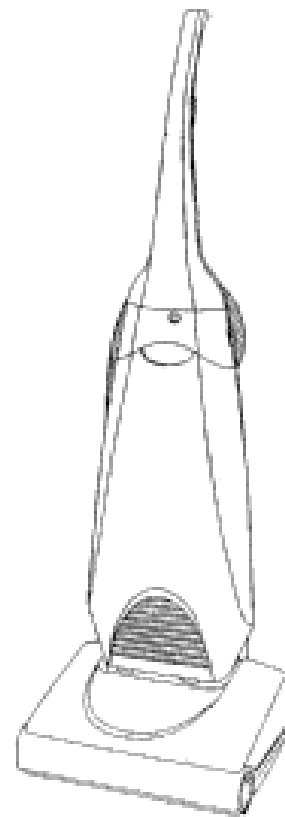
(19) AU

- (21) Design Number: **10316/2005**
- (22) Date of Filing Application: **28 January 2005**
- (24) Date from which industrial property rights may have effect: **28 January 2005**
- (54) Product in respect of which the design is registered: **Light therapy device**
- (51) International Design Classification: **24-01, 26-05NES**
- (71) Name(s) and Address(s) of Applicant(s):  
**Leto Holdings LLC**  
**352 West 1060 South Orem Utah 84058 United States of America**
- (72) Name(s) of Designer(s): **Steven D. Powell and Kent W. Savage and David Meyers**
- (45) Registration Date: **14 September 2005**
- (30) Convention priority data:  

(31) Number	(32) Date	(33) Country
<b>29/210415</b>	<b>30 Jul 2004</b>	<b>UNITED STATES OF AMERICA</b>
- (56) Related Art Documents: **Not Applicable**
- (57) Statement of Newness and Distinctiveness: **Newness and distinctiveness resides in the shape and/or configuration of a light therapy device as depicted in the accompanying representations.**

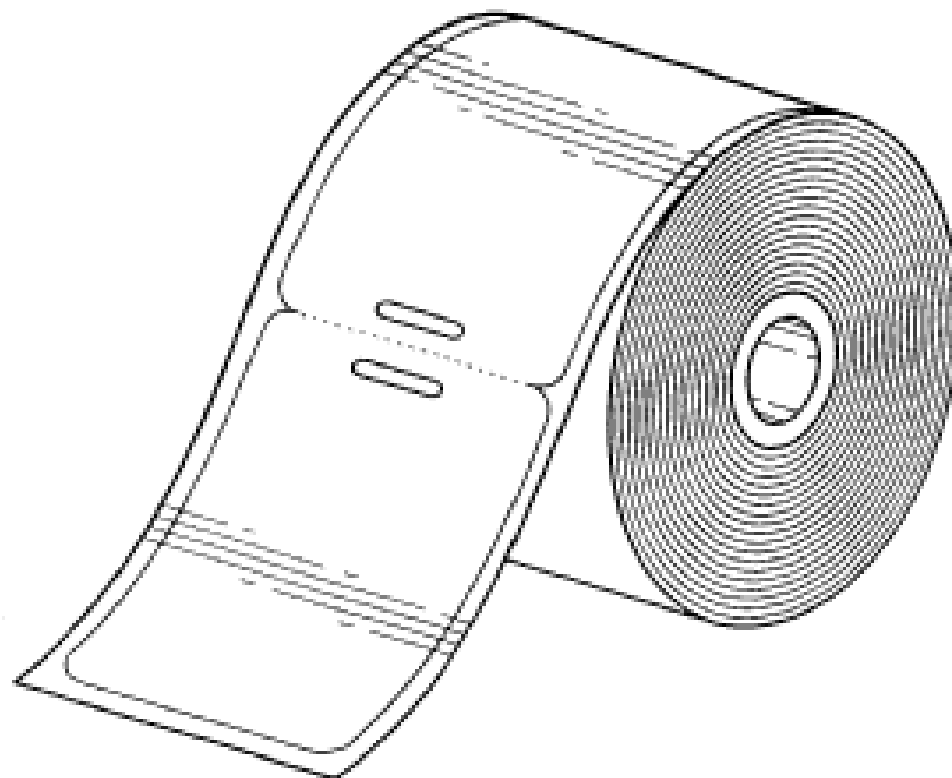


- (21) Design Number: **10317/2005**
- (22) Date of Filing Application: **28 January 2005**
- (24) Date from which industrial property rights may have effect: **28 January 2005**
- (54) Product in respect of which the design is registered: **Electric vacuum cleaner body**
- (51) International Design Classification: **15-05**
- (71) Name(s) and Address(s) of Applicant(s):  
**Matsushita Electric Industrial Co. Ltd**  
**1006 Oaza Kadoma Kadoma-shi Osaka 571-8501 Japan**
- (72) Name(s) of Designer(s): **Kiyoaki Konno and Erik Vogas**
- (45) Registration Date: **14 September 2005**
- (56) Related Art Documents: **Not Applicable**
- (57) Statement of Newness and Distinctiveness: **Newness and distinctiveness is claimed in the features of shape and/or configuration of an electric vacuum cleaner body as illustrated in the accompanying representations, and in particular the arch shaped exhaust outlet labelled X in the front view, and the slanted lines labelled Y in the front view.**

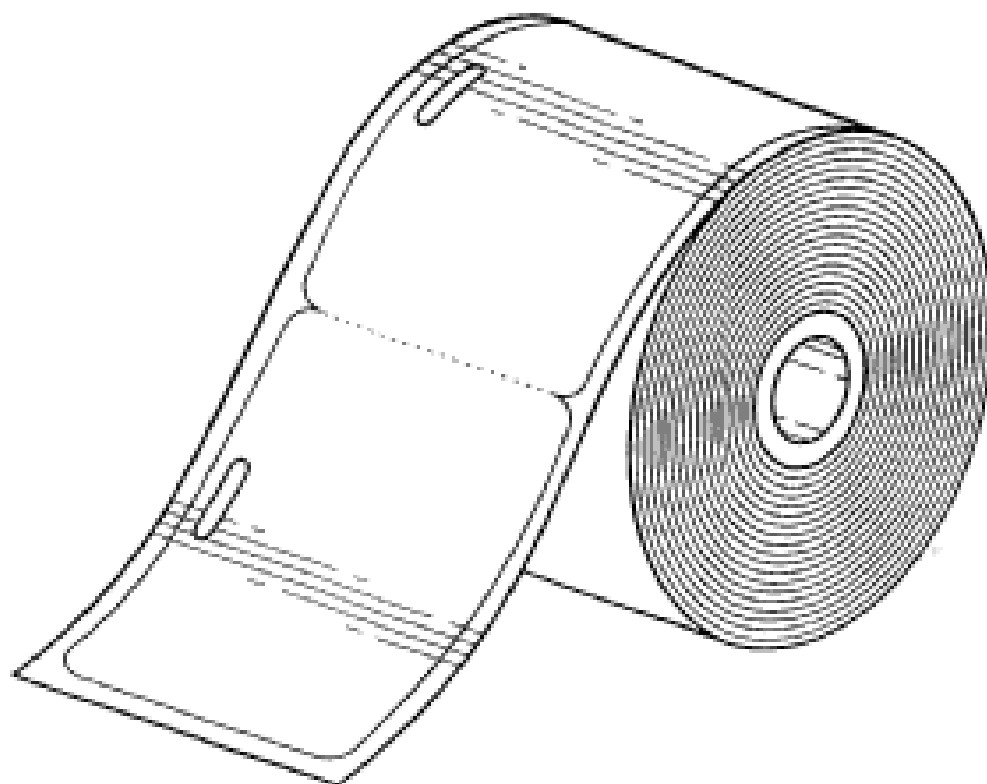


- (21) Design Number: **10318/2005**
- (22) Date of Filing Application: **28 January 2005**
- (24) Date from which industrial property rights may have effect: **28 January 2005**
- (54) Product in respect of which the design is registered: **A roll of printable name badges**
- (51) International Design Classification: **19-08**
- (71) Name(s) and Address(s) of Applicant(s):  
**Avery Dennison Corporation**  
**150 North Orange Grove Blvd Pasadena California 91103 United States of America**
- (72) Name(s) of Designer(s): **Jerry G. Hodsdon and Adam G. Bratter**
- (45) Registration Date: **14 September 2005**
- (30) Convention priority data:

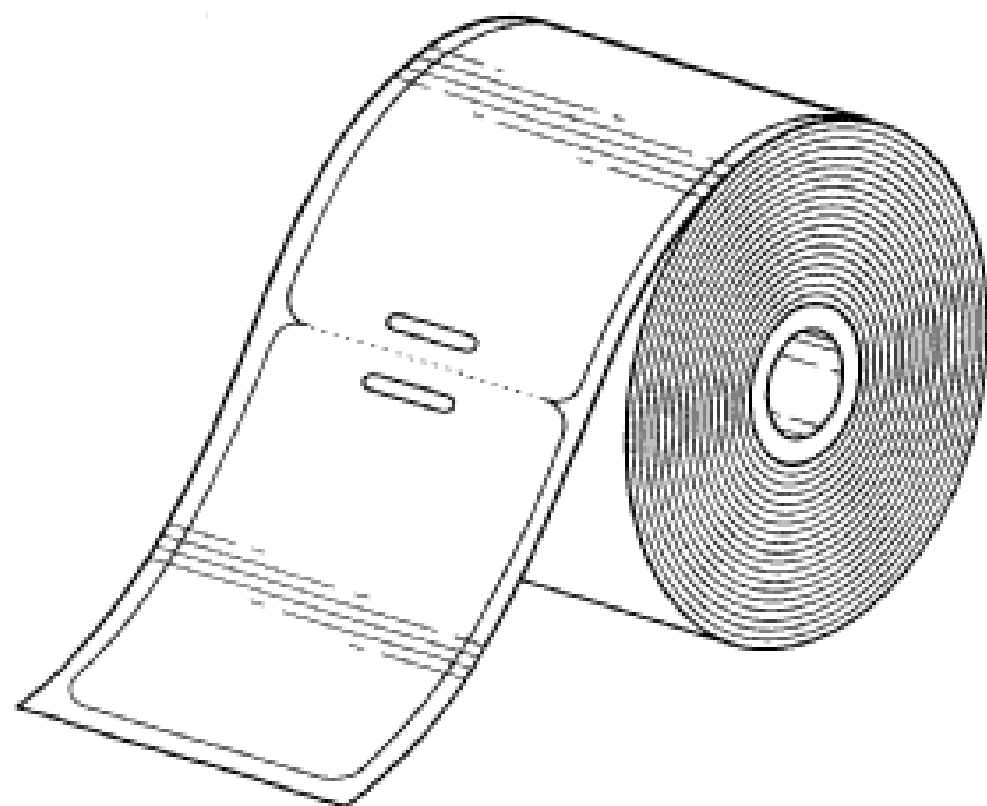
(31) Number	(32) Date	(33) Country
<b>29/210158</b>	<b>28 Jul 2004</b>	<b>UNITED STATES OF AMERICA</b>
- (56) Related Art Documents: **Not Applicable**
- (57) Statement of Newness and Distinctiveness: **Newness and distinctiveness is claimed in the features of shape and/or configuration of a badge blank of a roll of printable name badges as illustrated in the accompanying representations.**



- (21) Design Number: **10319/2005**  
(22) Date of Filing Application: **28 January 2005**  
(24) Date from which industrial property rights may have effect: **28 January 2005**  
(54) Product in respect of which the design is registered: **A roll of printable name badges**  
(51) International Design Classification: **19-08**  
(71) Name(s) and Address(s) of Applicant(s):  
**Avery Dennison Corporation**  
**150 North Orange Grove Blvd Pasadena California 91103 United States of America**  
(72) Name(s) of Designer(s): **Jerry G. Hodsdon and Adam G. Bratter**  
(45) Registration Date: **14 September 2005**  
(30) Convention priority data:  
(31) Number (32) Date (33) Country  
**29/210158 28 Jul 2004 UNITED STATES OF AMERICA**  
(56) Related Art Documents: **Not Applicable**  
(57) Statement of Newness and Distinctiveness: **Newness and distinctiveness is claimed in the features of shape and/or configuration of a badge blank of a roll of printable name badges as illustrated in the accompanying representations.**

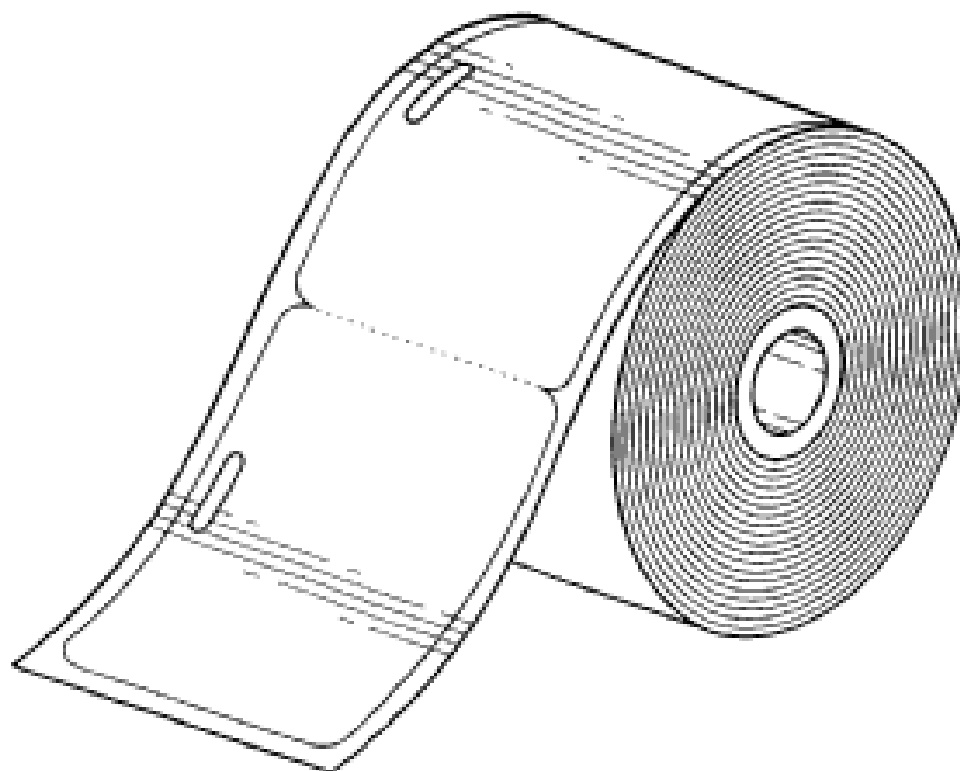


- (21) Design Number: **10320/2005**  
(22) Date of Filing Application: **28 January 2005**  
(24) Date from which industrial property rights may have effect: **28 January 2005**  
(54) Product in respect of which the design is registered: **A roll of printable name badges**  
(51) International Design Classification: **19-08**  
(71) Name(s) and Address(s) of Applicant(s):  
**Avery Dennison Corporation**  
**150 North Orange Grove Blvd Pasadena California 91103 United States of America**  
(72) Name(s) of Designer(s): **Jerry G. Hodsdon and Adam G. Bratter**  
(45) Registration Date: **14 September 2005**  
(30) Convention priority data:  
(31) Number (32) Date (33) Country  
**29/210158 28 Jul 2004 UNITED STATES OF AMERICA**  
(56) Related Art Documents: **Not Applicable**  
(57) Statement of Newness and Distinctiveness: **Newness and distinctiveness is claimed in the features of shape and/or configuration of a badge blank of a roll of printable name badges as illustrated in the accompanying representations.**

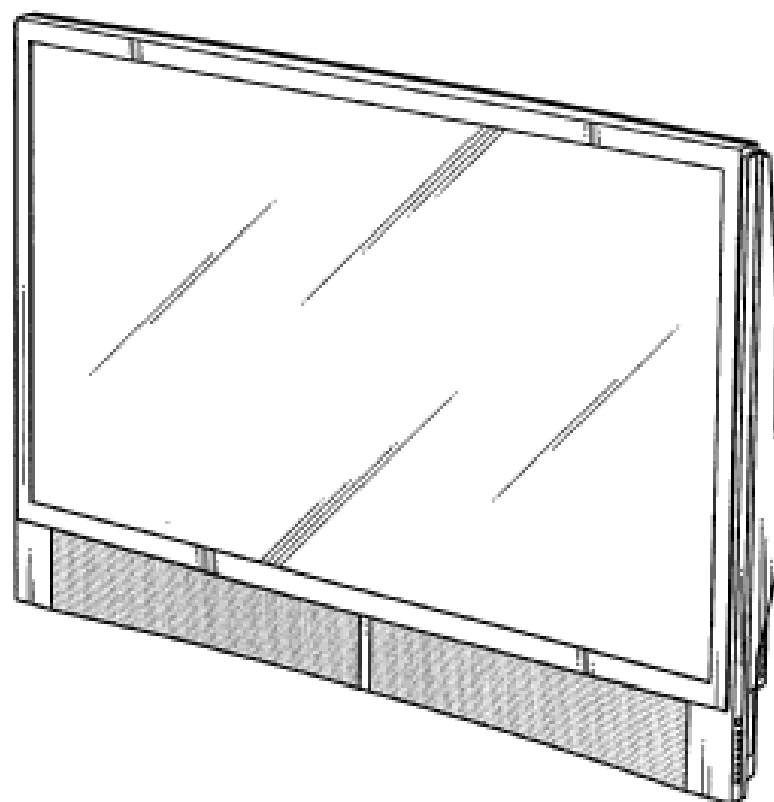




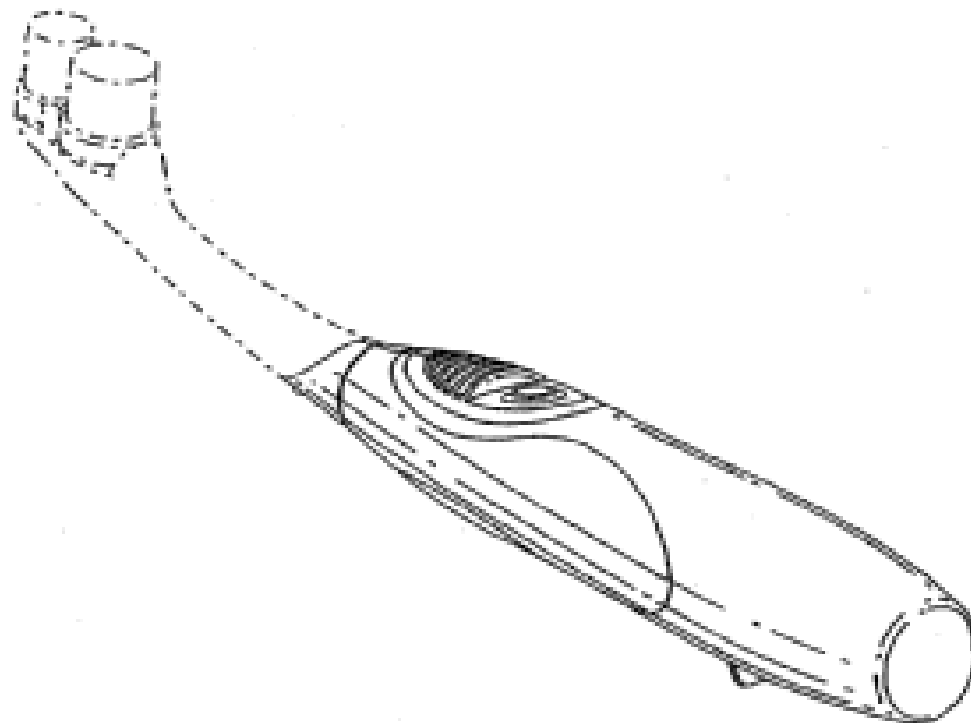
- (21) Design Number: **10321/2005**  
(22) Date of Filing Application: **28 January 2005**  
(24) Date from which industrial property rights may have effect: **28 January 2005**  
(54) Product in respect of which the design is registered: **A roll of printable name badges**  
(51) International Design Classification: **19-08**  
(71) Name(s) and Address(s) of Applicant(s):  
**Avery Dennison Corporation**  
**150 North Orange Grove Blvd Pasadena California 91103 United States of America**  
(72) Name(s) of Designer(s): **Jerry G. Hodsdon and Adam G. Bratter**  
(45) Registration Date: **14 September 2005**  
(30) Convention priority data:  
(31) Number (32) Date (33) Country  
**29/210158 28 Jul 2004 UNITED STATES OF AMERICA**  
(56) Related Art Documents: **Not Applicable**  
(57) Statement of Newness and Distinctiveness: **Newness and distinctiveness is claimed in the features of shape and/or configuration of a badge blank of a roll of printable name badges as illustrated in the accompanying representations.**



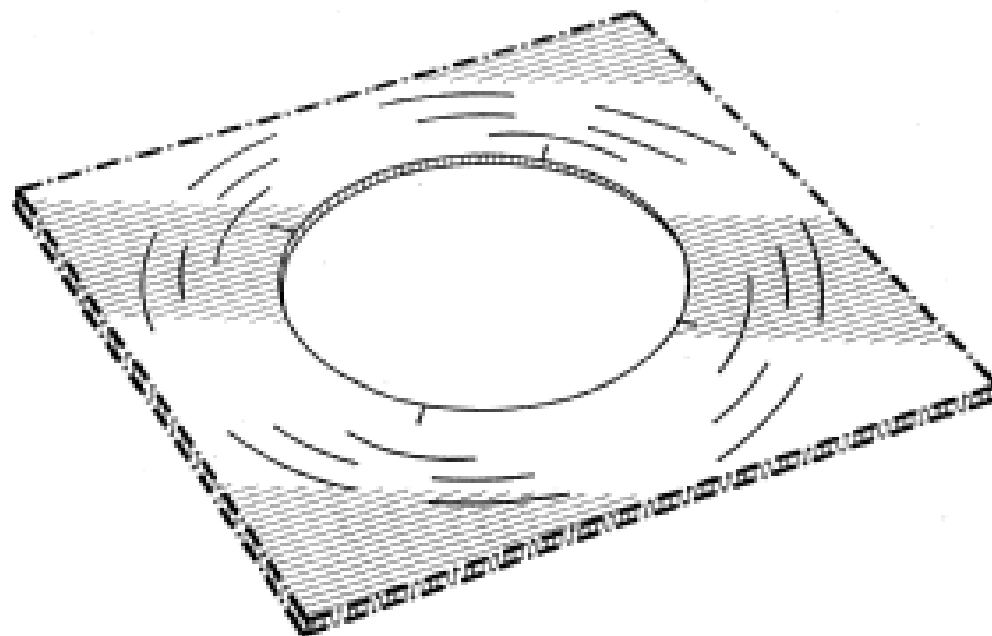
- (21) Design Number: **10327/2005**  
(22) Date of Filing Application: **28 January 2005**  
(24) Date from which industrial property rights may have effect: **28 January 2005**  
(54) Product in respect of which the design is registered: **Projection television set**  
(51) International Design Classification: **14-03B**  
(71) Name(s) and Address(s) of Applicant(s):  
**Kabushiki Kaisha Toshiba**  
**1-1 Shibaura 1-Chome Minato-Ku Tokyo 105-8001 Japan**  
(72) Name(s) of Designer(s): **Hiroshi Onoda and Yuichi Izu**  
(45) Registration Date: **14 September 2005**  
(30) Convention priority data:  
(31) Number (32) Date (33) Country  
**2004-039032 21 Dec 2004 JAPAN**  
(56) Related Art Documents: **Not Applicable**  
(57) Statement of Newness and Distinctiveness: **Nil**



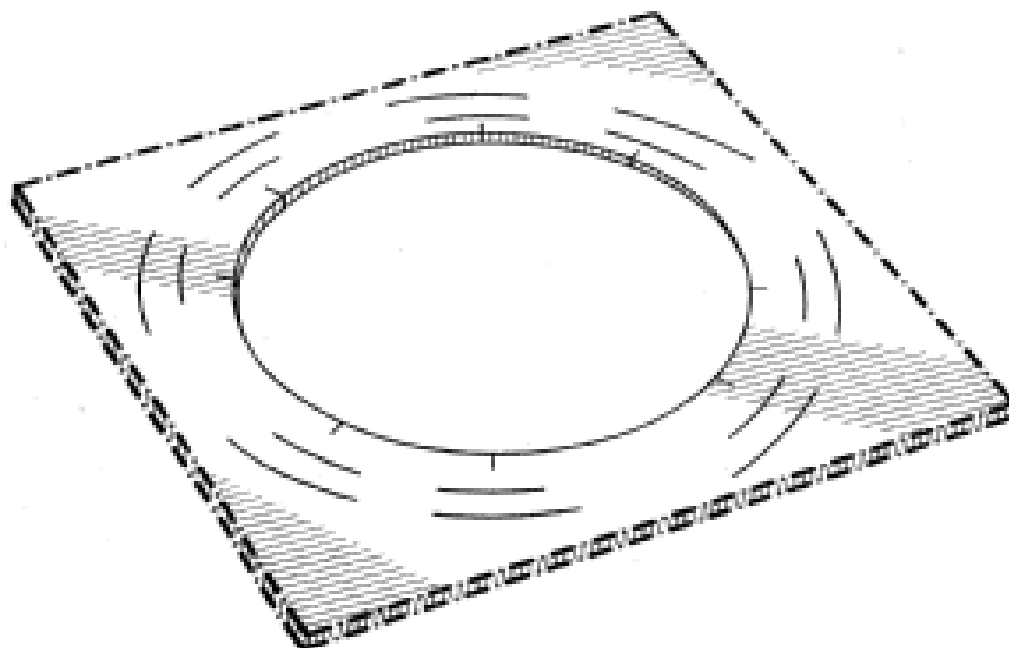
- (21) Design Number: **10335/2005**  
(22) Date of Filing Application: **31 January 2005**  
(24) Date from which industrial property rights may have effect: **31 January 2005**  
(54) Product in respect of which the design is registered: **Electric toothbrush handle**  
(51) International Design Classification: **28-03NES**  
(71) Name(s) and Address(s) of Applicant(s):  
**Colgate-Palmolive Company**  
**300 Park Avenue New York New York 10022 United States of America**  
(72) Name(s) of Designer(s): **Eduardo Jimenez and Dan Cuffaro and Christine Enderby and Thomas Swyst**  
(45) Registration Date: **14 September 2005**  
(56) Related Art Documents: **Not Applicable**  
(57) Statement of Newness and Distinctiveness: **Each feature of the design considered separately or in combination with any other feature or features.**



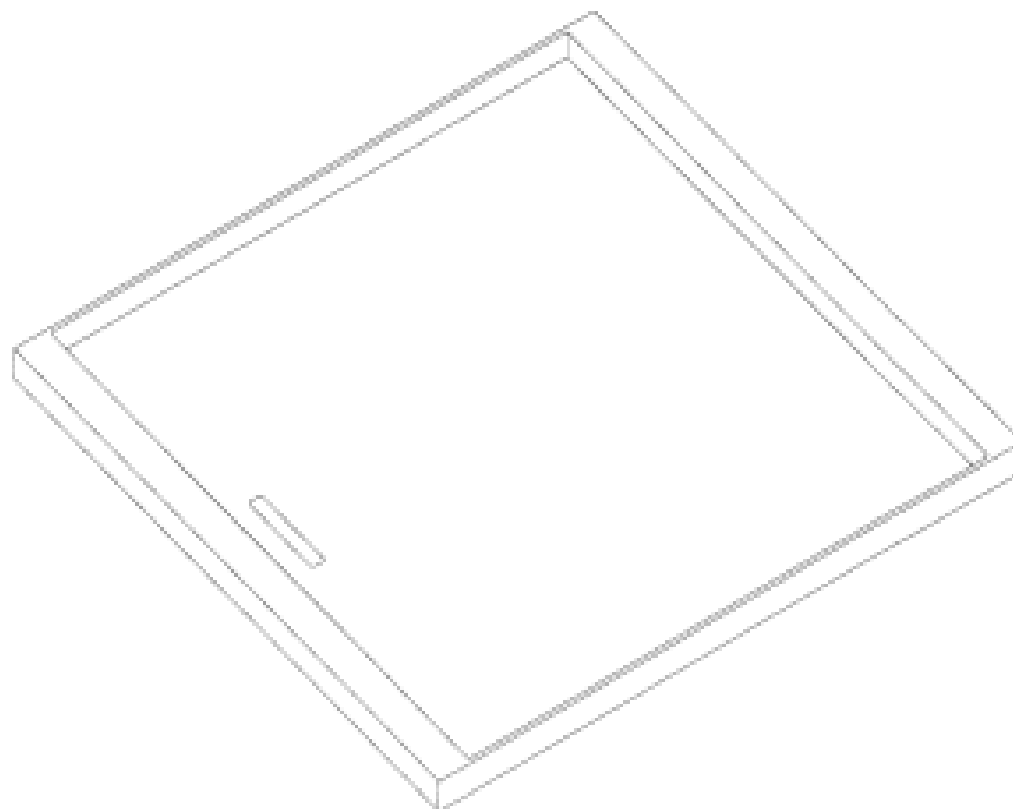
- (21) Design Number: **10343/2005**  
(22) Date of Filing Application: **31 January 2005**  
(24) Date from which industrial property rights may have effect: **31 January 2005**  
(54) Product in respect of which the design is registered: **An insert top cover for a paperboard carton**  
(51) International Design Classification: **09-03H**  
(71) Name(s) and Address(s) of Applicant(s):  
**MeadWestvaco Packaging Systems LLC**  
**1 High Ridge Park Stamford Connecticut 06905 United States of America**  
(72) Name(s) of Designer(s): **Philippe Lebras and Patrick Blin**  
(45) Registration Date: **14 September 2005**  
(30) Convention priority data:  
(31) Number (32) Date (33) Country  
**000209556 30 Jul 2004 EUROPEAN COMMUNITY**  
(56) Related Art Documents: **Not Applicable**  
(57) Statement of Newness and Distinctiveness: **Newness and distinctiveness is claimed in the features of shape and/or configuration of the cut lines about each hole in an insert top cover for a paperboard carton as illustrated in the accompanying representations.**



- (21) Design Number: **10344/2005**  
(22) Date of Filing Application: **31 January 2005**  
(24) Date from which industrial property rights may have effect: **31 January 2005**  
(54) Product in respect of which the design is registered: **An insert top cover for a paperboard carton**  
(51) International Design Classification: **09-03H**  
(71) Name(s) and Address(s) of Applicant(s):  
**MeadWestvaco Packaging Systems LLC**  
**1 High Ridge Park Stamford Connecticut 06905 United States of America**  
(72) Name(s) of Designer(s): **Philippe Lebras and Patrick Blin**  
(45) Registration Date: **14 September 2005**  
(30) Convention priority data:  
(31) Number (32) Date (33) Country  
**000209556 30 Jul 2004 EUROPEAN COMMUNITY**  
(56) Related Art Documents: **Not Applicable**  
(57) Statement of Newness and Distinctiveness: **Newness and distinctiveness is claimed in the features of shape and/or configuration of the cut lines about each hole in an insert top cover for a paperboard carton as illustrated in the accompanying representations.**



- (21) Design Number: **10415/2005**  
(22) Date of Filing Application: **03 February 2005**  
(24) Date from which industrial property rights may have effect: **03 February 2005**  
(54) Product in respect of which the design is registered: **Barbeque**  
(51) International Design Classification: **07-02E**  
(71) Name(s) and Address(s) of Applicant(s):  
**Equipment Tech Pty Ltd**  
**79 Percival Road Smithfield New South Wales 2164 Australia**  
(72) Name(s) of Designer(s): **Bruce Harding**  
(45) Registration Date: **14 September 2005**  
(56) Related Art Documents: **Not Applicable**  
(57) Statement of Newness and Distinctiveness: **Edges of cooking plate are bend to fit into appliance.**



(21) Design Number: **10997/2005**

(22) Date of Filing Application: **15 March 2005**

(24) Date from which industrial property rights may have effect: **15 March 2005**

(54) Product in respect of which the design is registered: **Golf iron head**

(51) International Design Classification: **21-02C**

(71) Name(s) and Address(s) of Applicant(s):

**Karsten Manufacturing Corporation  
2201 West Desert Cove Phoenix Arizona 85029 United States of  
America**

(72) Name(s) of Designer(s): **Richard R. Sanchez and Gary L. Tuerschmann**

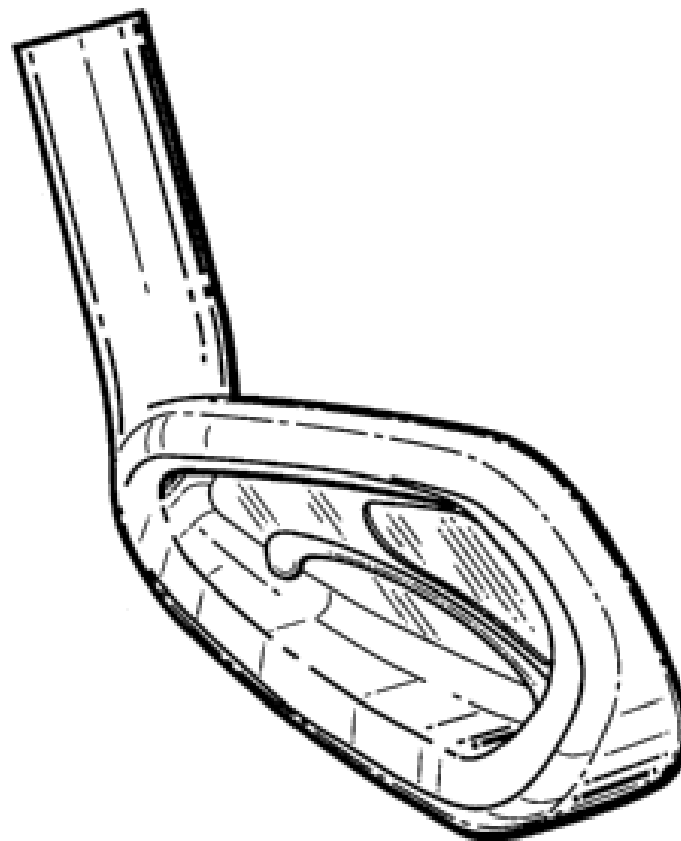
(45) Registration Date: **14 September 2005**

(30) Convention priority data:

(31) Number	(32) Date	(33) Country
<b>29/214245</b>	<b>28 Sep 2004</b>	<b>UNITED STATES OF AMERICA</b>

(56) Related Art Documents: **Not Applicable**

(57) Statement of Newness and Distinctiveness: **Nil**



(21) Design Number: **10980/2005**

(22) Date of Filing Application: **14 March 2005**

(24) Date from which industrial property rights may have effect: **14 March 2005**

(54) Product in respect of which the design is registered: **Clothes hangers**

(51) International Design Classification: **06-08**

(71) Name(s) and Address(s) of Applicant(s):

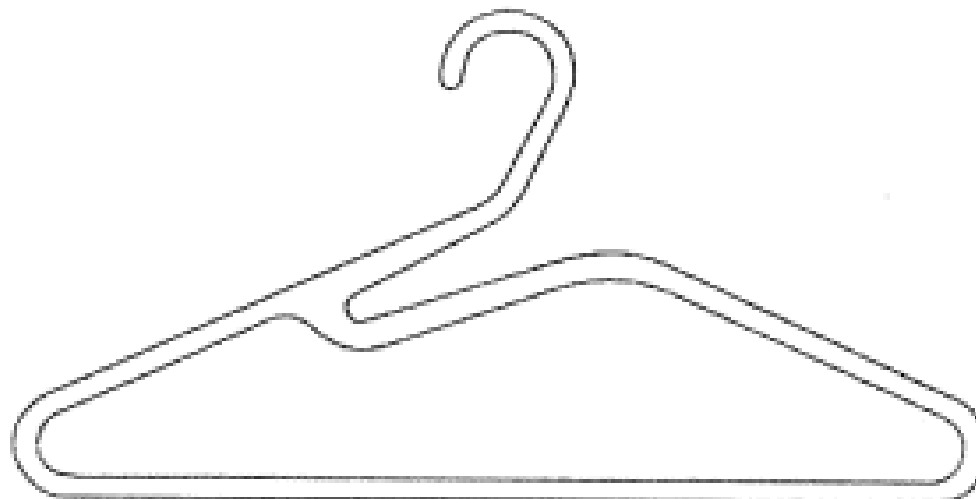
**Jason Benjamin Bullen  
2/132 Greenacre Drive Parkwood Queensland 4214 Australia**

(72) Name(s) of Designer(s): **Jason Benjamin Bullen**

(45) Registration Date: **14 September 2005**

(56) Related Art Documents: **Not Applicable**

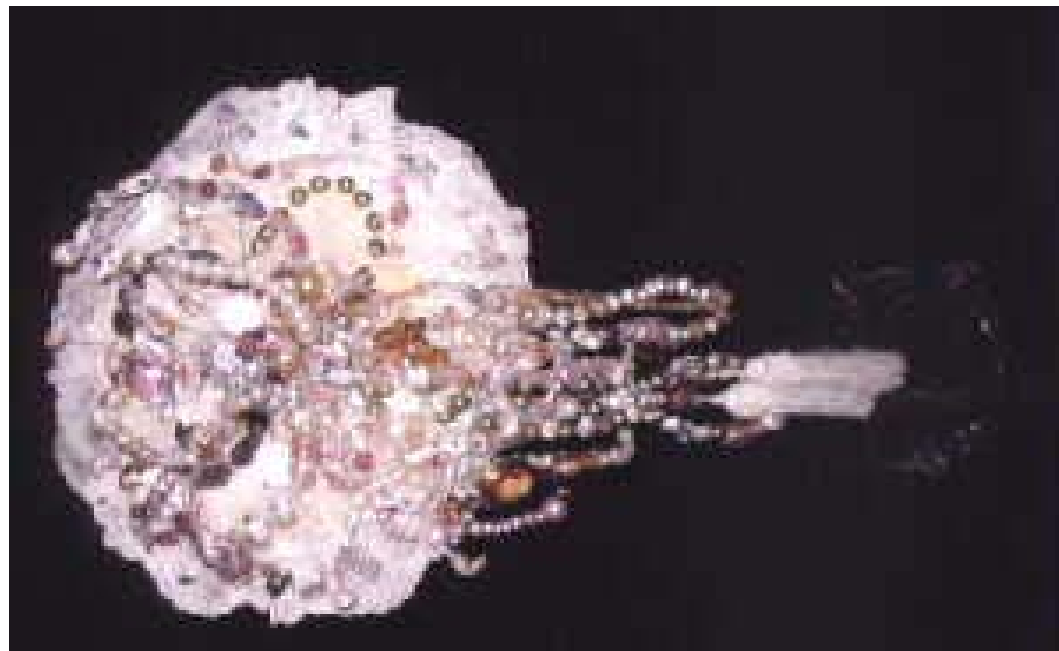
(57) Statement of Newness and Distinctiveness: **The channel under the hook allows the garment to be easily hung without stretching the neck.**



(21) Design Number: **12172/2005**  
(22) Date of Filing Application: **12 May 2005**  
(24) Date from which industrial property rights may have effect: **12 May 2005**  
(54) Product in respect of which the design is registered: **Wedding adornment**  
(51) International Design Classification: **11-05**  
(71) Name(s) and Address(s) of Applicant(s):

**Jillian Gay Dyball**  
**39 Brunette Drive Castle Hill New South Wales 2154 Australia**

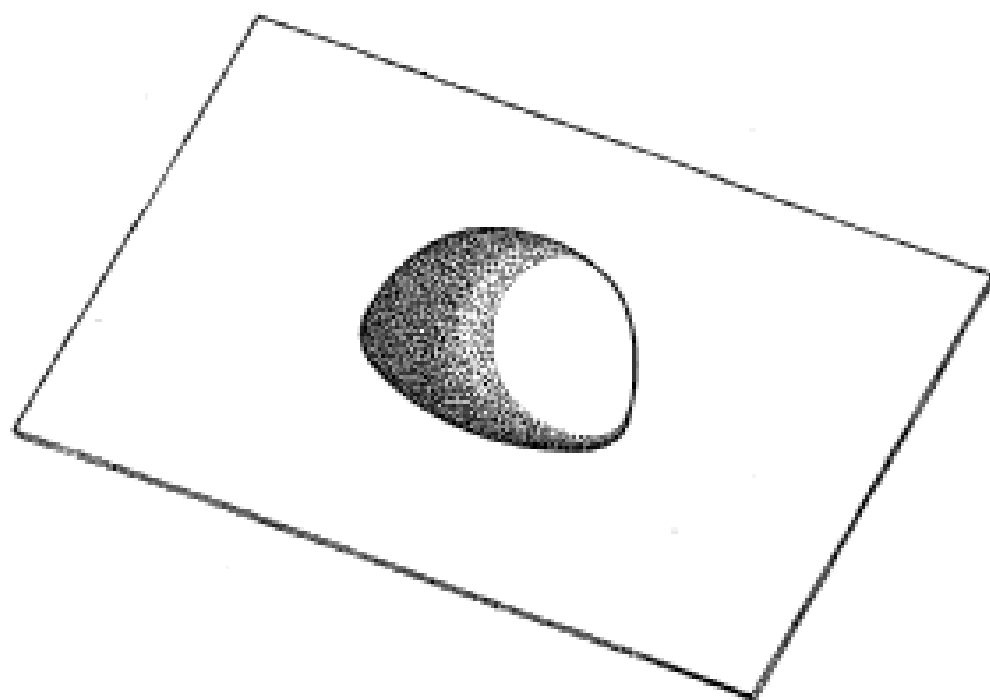
(72) Name(s) of Designer(s): **Jillian Gay Dyball**  
(45) Registration Date: **14 September 2005**  
(56) Related Art Documents: **Not Applicable**  
(57) Statement of Newness and Distinctiveness: **Bridal bouquet containing items from a granma's jewel box. Monopoly is claimed in the shape and configuration of the wedding adornment as shown in the representation. No monopoly is claimed in the stand shown in the representation.**



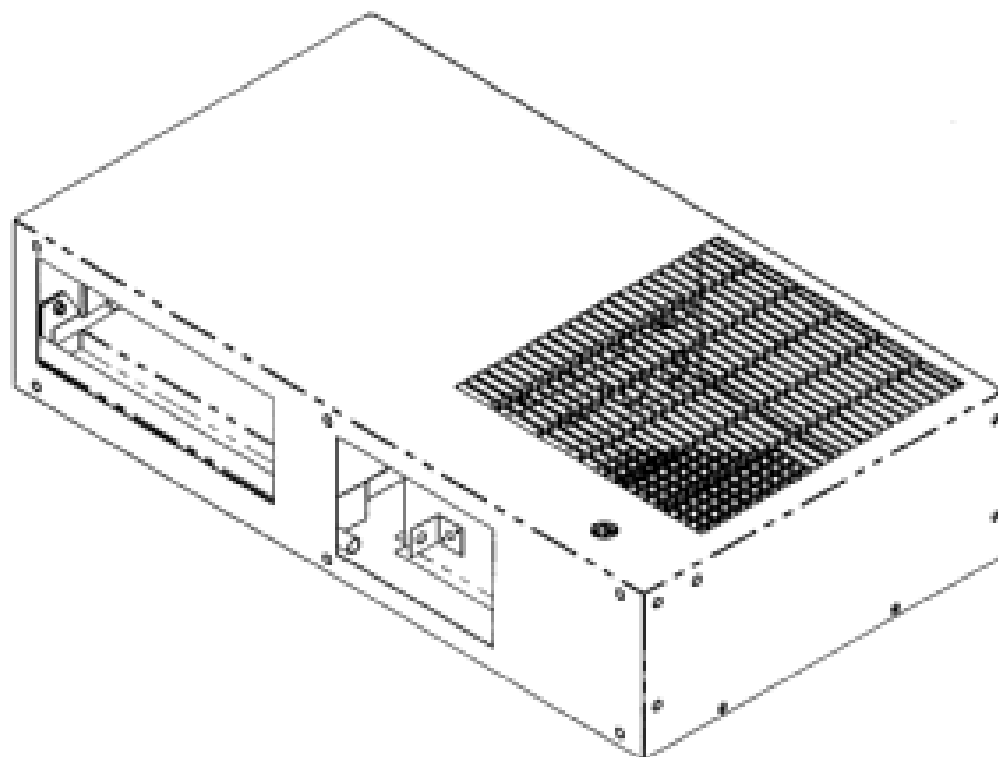
(21) Design Number: **10329/2005**  
(22) Date of Filing Application: **31 January 2005**  
(24) Date from which industrial property rights may have effect: **31 January 2005**  
(54) Product in respect of which the design is registered: **Medical dressing**  
(51) International Design Classification: **24-04**  
(71) Name(s) and Address(s) of Applicant(s):

**Infrain AG**  
**Markusstrasse 18 8006 Zurich Switzerland**

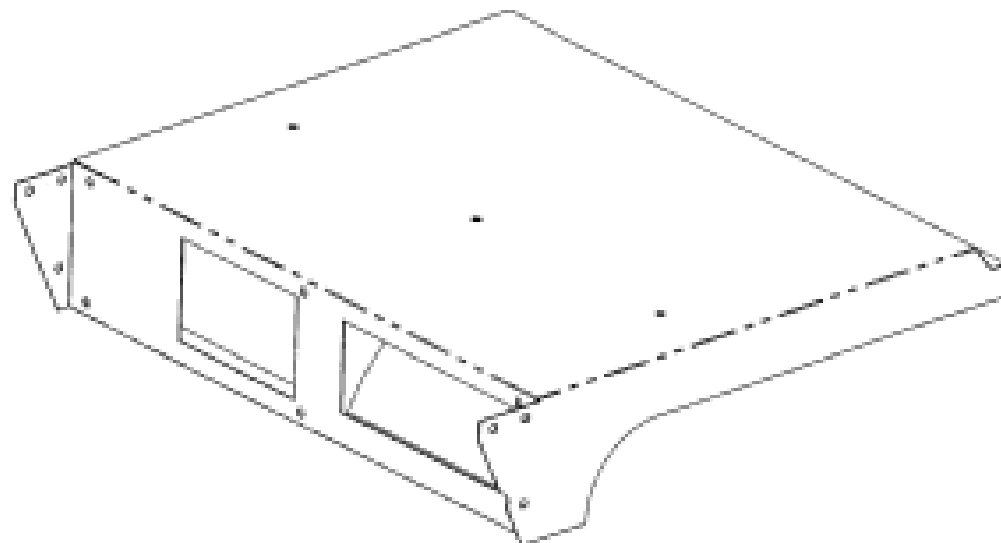
(72) Name(s) of Designer(s): **Ernst-Diethelm Harren and Emile Ernst Edelmann and Rainer Desombre**  
(45) Registration Date: **14 September 2005**  
(30) Convention priority data:  
(31) Number      (32) Date      (33) Country  
**130929      01 Aug 2004      SWITZERLAND**  
(56) Related Art Documents: **Not Applicable**  
(57) Statement of Newness and Distinctiveness: **Nil**



- (21) Design Number: **10645/2005**  
(22) Date of Filing Application: **22 February 2005**  
(24) Date from which industrial property rights may have effect: **22 February 2005**  
(54) Product in respect of which the design is registered: **Air conditioning module**  
(51) International Design Classification: **23-04**  
(71) Name(s) and Address(s) of Applicant(s):  
**Crisp Air Pty Ltd**  
**17 Colebard Street East Acacia Ridge Queensland 4110 Australia**  
(72) Name(s) of Designer(s): **Malcom Monk**  
(45) Registration Date: **14 September 2005**  
(56) Related Art Documents: **Not Applicable**  
(57) Statement of Newness and Distinctiveness: **The CR3 is distinctive by design as it is the only condenser and evaporator, air conditioning unit that is accommodated within one small unit that can be simply retrofitted to any vehicle, or piece of machinery.**



- (21) Design Number: **10646/2005**  
(22) Date of Filing Application: **22 February 2005**  
(24) Date from which industrial property rights may have effect: **22 February 2005**  
(54) Product in respect of which the design is registered: **Air conditioning module adaptor**  
(51) International Design Classification: **23-04**  
(71) Name(s) and Address(s) of Applicant(s):  
**Crisp Air Pty Ltd**  
**17 Colebard Street East Acacia Ridge Queensland 4110 Australia**  
(72) Name(s) of Designer(s): **Malcom Monk**  
(45) Registration Date: **14 September 2005**  
(56) Related Art Documents: **Not Applicable**  
(57) Statement of Newness and Distinctiveness: **The CR3 adaptor is distinctive as it allows the installer to decide as from which direction the installer will direct the airflow to the operator.**



(21) Design Number: **10647/2005**

(22) Date of Filing Application: **22 February 2005**

(24) Date from which industrial property rights may have effect: **22 February 2005**

(54) Product in respect of which the design is registered: **Air conditioning module**

(51) International Design Classification: **23-04**

(71) Name(s) and Address(s) of Applicant(s):

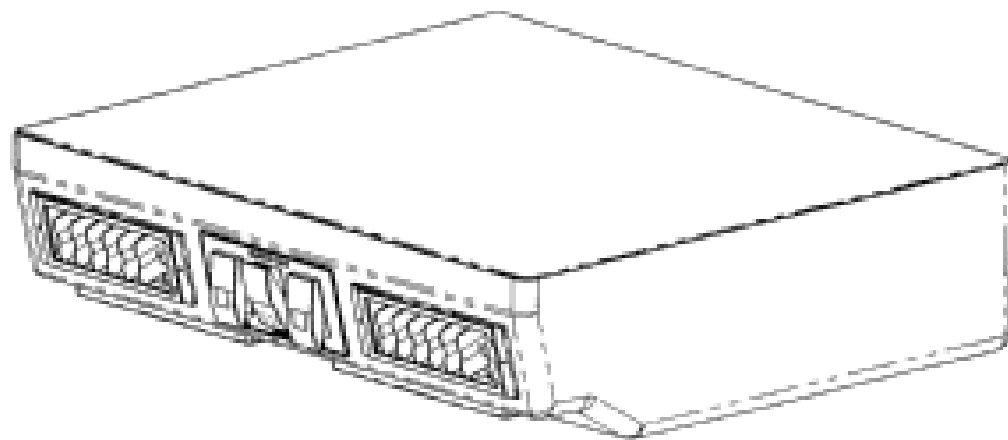
**Crisp Air Pty Ltd**  
**17 Colebard Street East Acacia Ridge Queensland 4110 Australia**

(72) Name(s) of Designer(s): **Malcom Monk**

(45) Registration Date: **14 September 2005**

(56) Related Art Documents: **Not Applicable**

(57) Statement of Newness and Distinctiveness: **The CP5's distinctiveness is by virtue of its low profile allowing greater headroom within the cabin.**



(21) Design Number: **10648/2005**

(22) Date of Filing Application: **22 February 2005**

(24) Date from which industrial property rights may have effect: **22 February 2005**

(54) Product in respect of which the design is registered: **Air conditioning module cover/duct**

(51) International Design Classification: **23-04**

(71) Name(s) and Address(s) of Applicant(s):

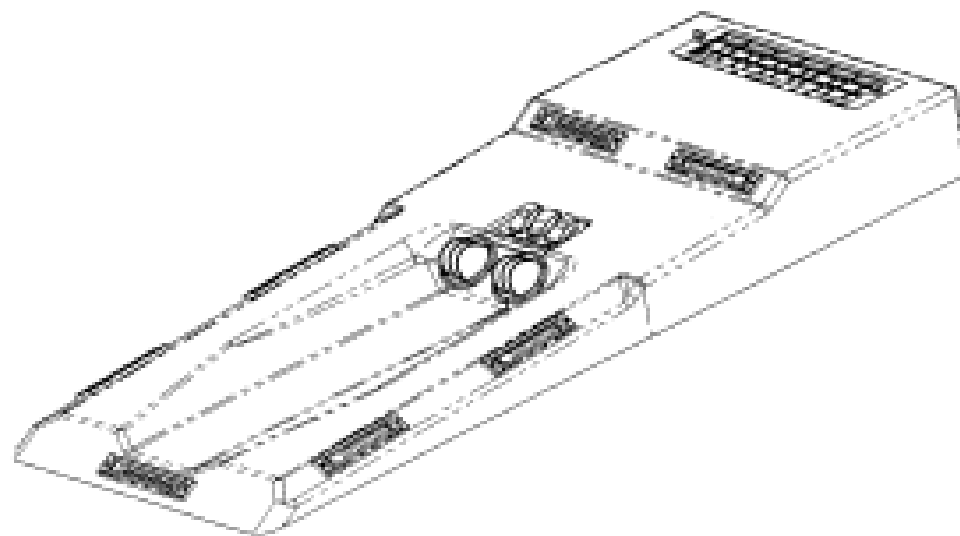
**Crisp Air Pty Ltd**  
**17 Colebard Street East Acacia Ridge Queensland 4110 Australia**

(72) Name(s) of Designer(s): **Malcom Monk**

(45) Registration Date: **14 September 2005**

(56) Related Art Documents: **Not Applicable**

(57) Statement of Newness and Distinctiveness: **The CP5 cover/duct is distinctive is by its' low profile and air ducts, offering a greater volume of air within the cabin.**



(21) Design Number: **10649/2005**

(22) Date of Filing Application: **22 February 2005**

(24) Date from which industrial property rights may have effect: **22 February 2005**

(54) Product in respect of which the design is registered: **Roof top air conditioning unit**

(51) International Design Classification: **23-04**

(71) Name(s) and Address(s) of Applicant(s):

**Crisp Air Pty Ltd**

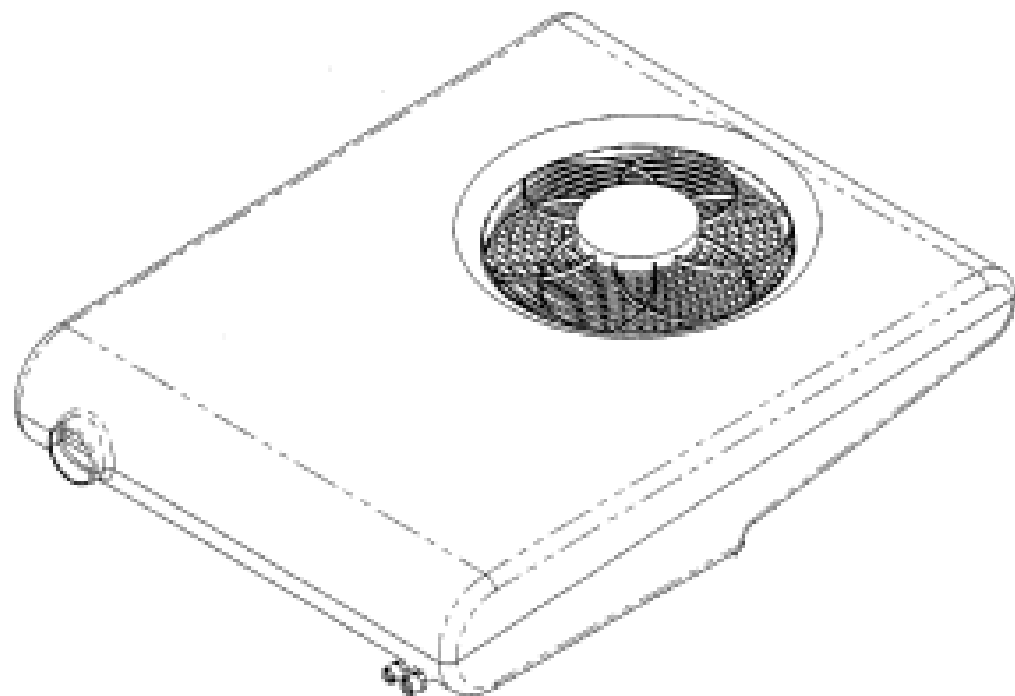
**17 Colebard Street East Acacia Ridge Queensland 4110 Australia**

(72) Name(s) of Designer(s): **Malcom Monk**

(45) Registration Date: **14 September 2005**

(56) Related Art Documents: **Not Applicable**

(57) Statement of Newness and Distinctiveness: **Nil**



(21) Design Number: **10650/2005**

(22) Date of Filing Application: **21 February 2005**

(24) Date from which industrial property rights may have effect: **21 February 2005**

(54) Product in respect of which the design is registered: **An insect trap**

(51) International Design Classification: **22-06**

(71) Name(s) and Address(s) of Applicant(s):

**PHS Technologies Pty Ltd**

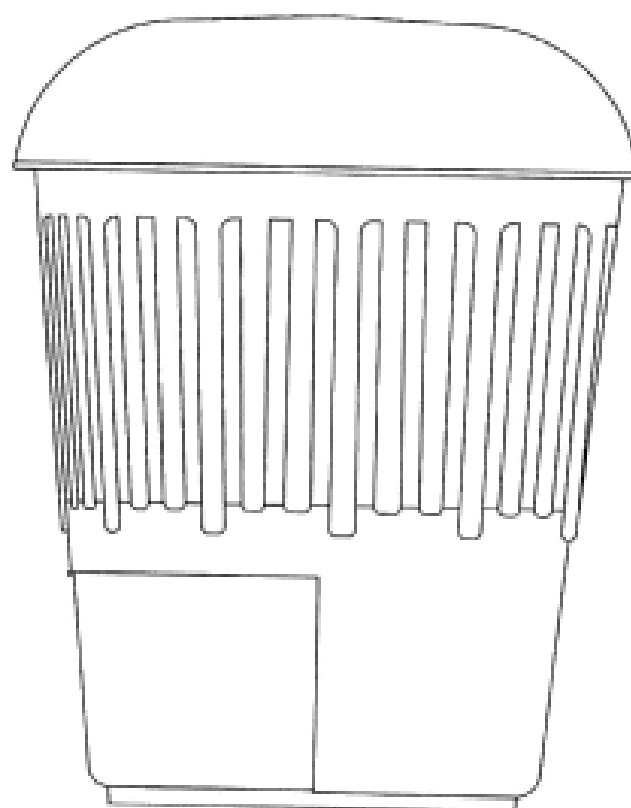
**7/37 Bailey Crescent Southport Queensland 4215 Australia**

(72) Name(s) of Designer(s): **Peter Henry Scott**

(45) Registration Date: **14 September 2005**

(56) Related Art Documents: **Not Applicable**

(57) Statement of Newness and Distinctiveness: **Nil**





(21) Design Number: **10653/2005**

(22) Date of Filing Application: **21 February 2005**

(24) Date from which industrial property rights may have effect: **21 February 2005**

(54) Product in respect of which the design is registered: **A biscuit**

(51) International Design Classification: **01-01**

(71) Name(s) and Address(s) of Applicant(s):

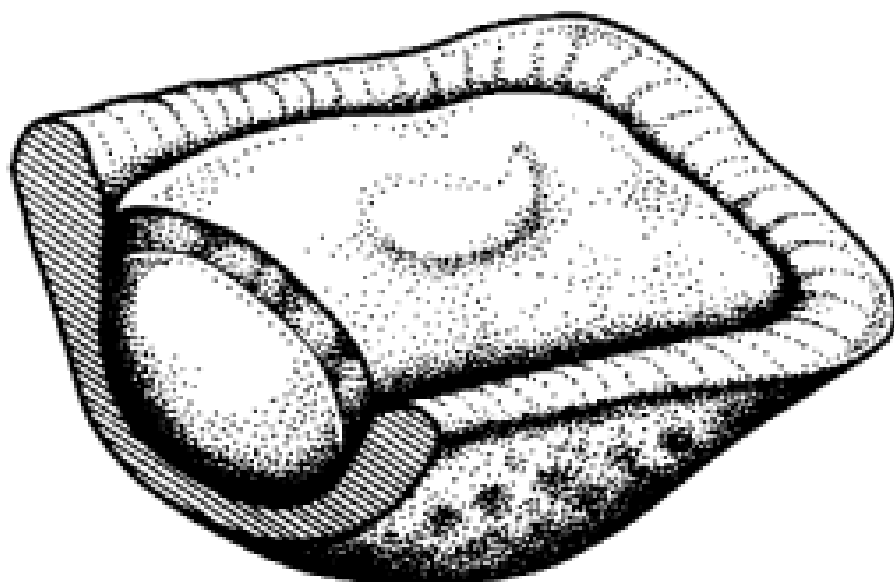
**Effem Foods Pty Ltd**  
**Ring Road Ballarat Victoria 3350 Australia**

(72) Name(s) of Designer(s): **Michael Jansen**

(45) Registration Date: **14 September 2005**

(56) Related Art Documents: **Not Applicable**

(57) Statement of Newness and Distinctiveness: **Monopoly is claimed in the shape and configuration of the features of the article as depicted in the accompanying representations.**



(21) Design Number: **10655/2005**

(22) Date of Filing Application: **22 February 2005**

(24) Date from which industrial property rights may have effect: **22 February 2005**

(54) Product in respect of which the design is registered: **Gradient indicator device**

(51) International Design Classification: **10-04**

(71) Name(s) and Address(s) of Applicant(s):

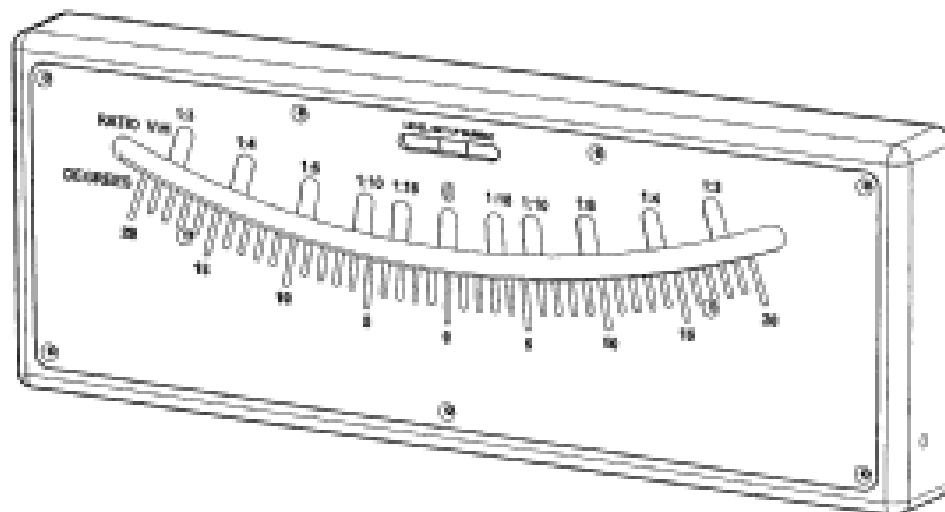
**Brenton K. Pearce**  
**1 Coolabah Street Leigh Creek South Australia 5731 Australia**

(72) Name(s) of Designer(s): **Brenton K. Pearce**

(45) Registration Date: **14 September 2005**

(56) Related Art Documents: **Not Applicable**

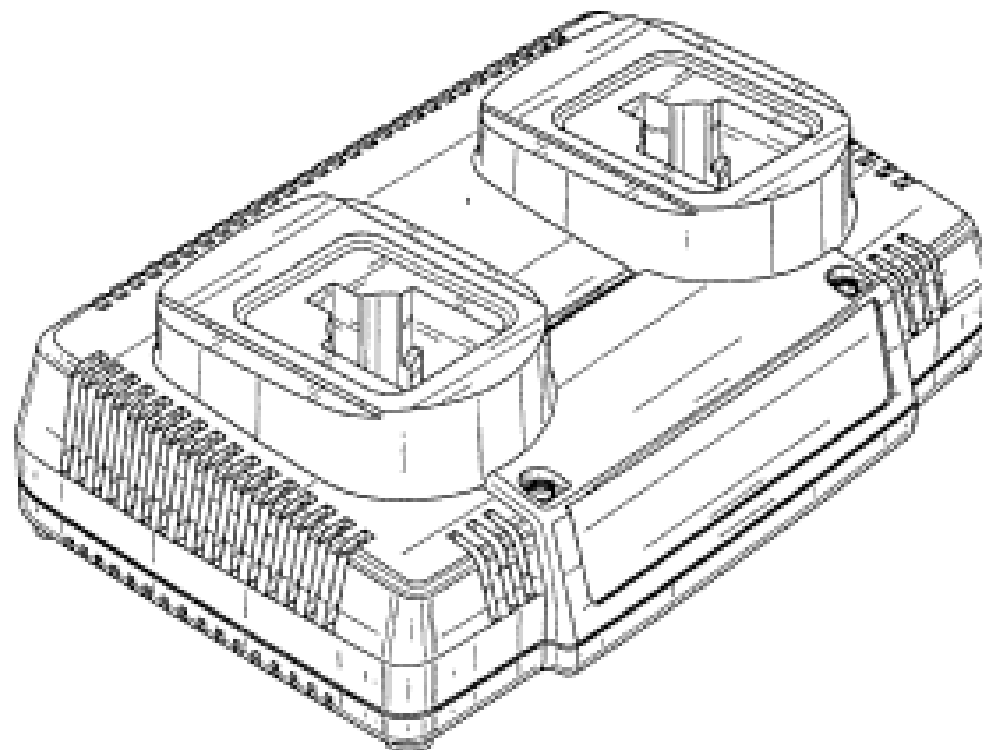
(57) Statement of Newness and Distinctiveness: **A device adapted to be mounted in grading machinery for indicating the slope of ground being graded.**



(19) AU

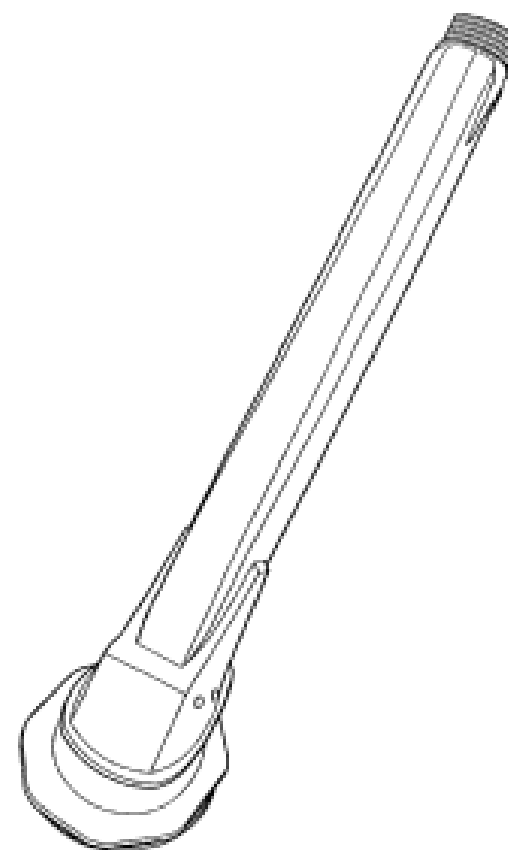
- (21) Design Number: **10657/2005**
- (22) Date of Filing Application: **22 February 2005**
- (24) Date from which industrial property rights may have effect: **22 February 2005**
- (54) Product in respect of which the design is registered: **A battery charger**
- (51) International Design Classification: **13-02**
- (71) Name(s) and Address(s) of Applicant(s):  
**Black & Decker, Inc.**  
**1207 Drummond Plaza Newark Delaware 19711 United States of America**
- (72) Name(s) of Designer(s): **James B. Watson**
- (45) Registration Date: **14 September 2005**
- (30) Convention priority data:

(31) Number	(32) Date	(33) Country
<b>29212540</b>	<b>02 Sep 2004</b>	<b>UNITED STATES OF AMERICA</b>
- (56) Related Art Documents: **Not Applicable**
- (57) Statement of Newness and Distinctiveness: **Nil**

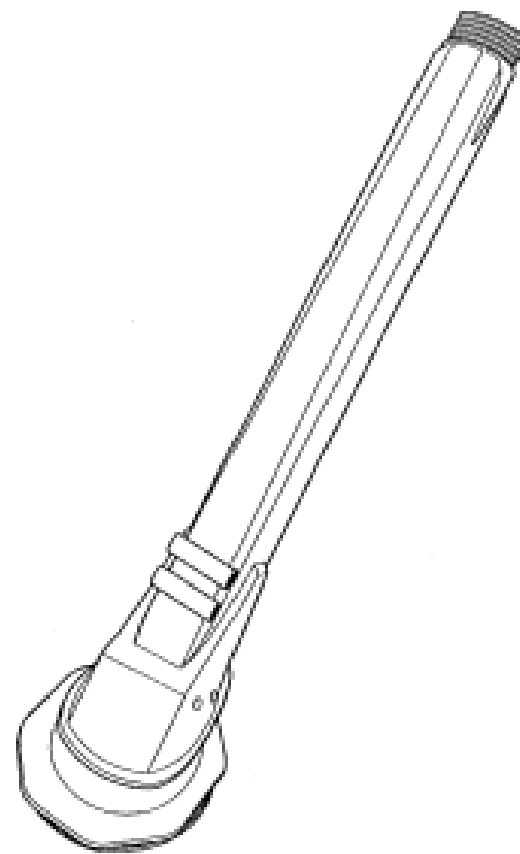


(19) AU

- (21) Design Number: **10671/2005**
- (22) Date of Filing Application: **22 February 2005**
- (24) Date from which industrial property rights may have effect: **22 February 2005**
- (54) Product in respect of which the design is registered: **Swimming pool cleaner body**
- (51) International Design Classification: **15-05**
- (71) Name(s) and Address(s) of Applicant(s):  
**Mocani (Proprietary) Limited**  
**Maclyn House 7 June Avenue Randburg 2125 Republic of South Africa**
- (72) Name(s) of Designer(s): **Claire Liese Rademeyer**
- (45) Registration Date: **14 September 2005**
- (56) Related Art Documents: **Not Applicable**
- (57) Statement of Newness and Distinctiveness: **Nil**

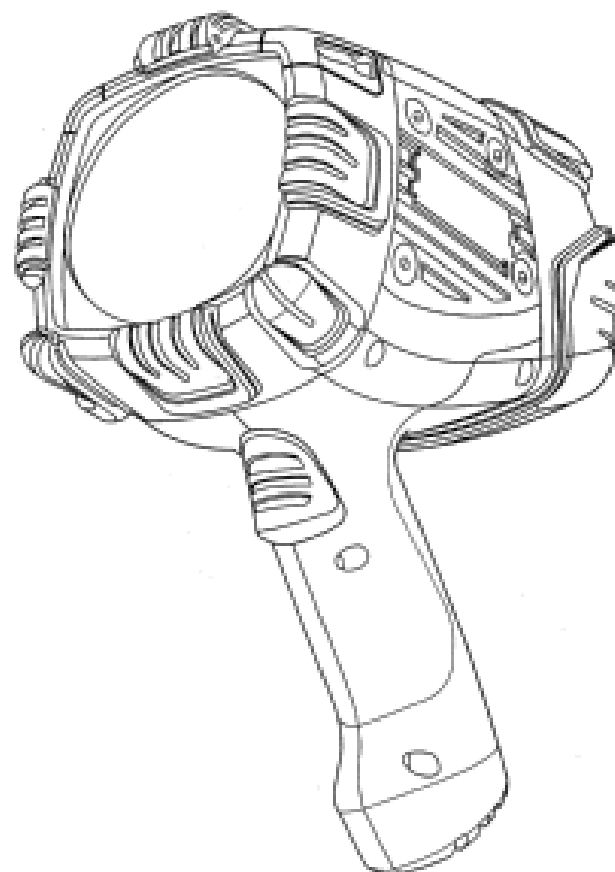


- (21) Design Number: **10672/2005**
- (22) Date of Filing Application: **22 February 2005**
- (24) Date from which industrial property rights may have effect: **22 February 2005**
- (54) Product in respect of which the design is registered: **Swimming pool cleaner body**
- (51) International Design Classification: **15-05**
- (71) Name(s) and Address(s) of Applicant(s):  
**Mocani (Proprietary) Limited**  
**Maclyn House 7 June Avenue Randburg 2125 Republic of South Africa**
- (72) Name(s) of Designer(s): **Claire Liese Rademeyer**
- (45) Registration Date: **14 September 2005**
- (56) Related Art Documents: **Not Applicable**
- (57) Statement of Newness and Distinctiveness: **Nil**

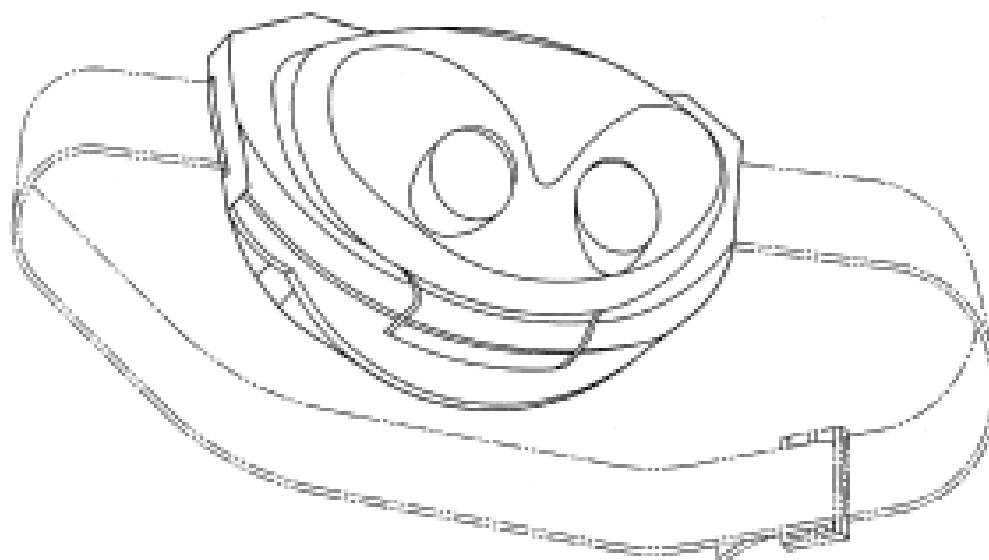


- (21) Design Number: **10675/2005**
- (22) Date of Filing Application: **22 February 2005**
- (24) Date from which industrial property rights may have effect: **22 February 2005**
- (54) Product in respect of which the design is registered: **A lighting device**
- (51) International Design Classification: **26-02**
- (71) Name(s) and Address(s) of Applicant(s):  
**Eveready Battery Company, Inc.**  
**533 Maryville University Drive St Louis Missouri 63141 United States of America**
- (72) Name(s) of Designer(s): **Scott W. Osiecki and Ronald J. Kingston**
- (45) Registration Date: **14 September 2005**
- (30) Convention priority data:

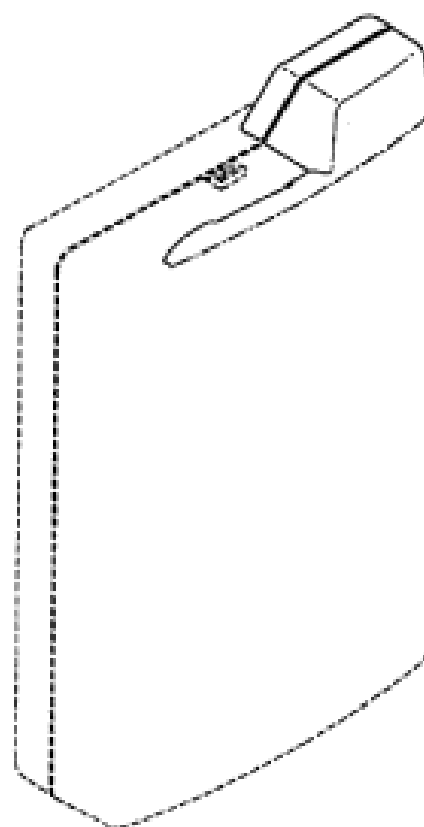
(31) Number	(32) Date	(33) Country
<b>29/212175</b>	<b>27 Aug 2004</b>	<b>UNITED STATES OF AMERICA</b>
- (56) Related Art Documents: **Not Applicable**
- (57) Statement of Newness and Distinctiveness: **The new and distinctive visual features of the design are those shown in unbroken lines in the representations.**



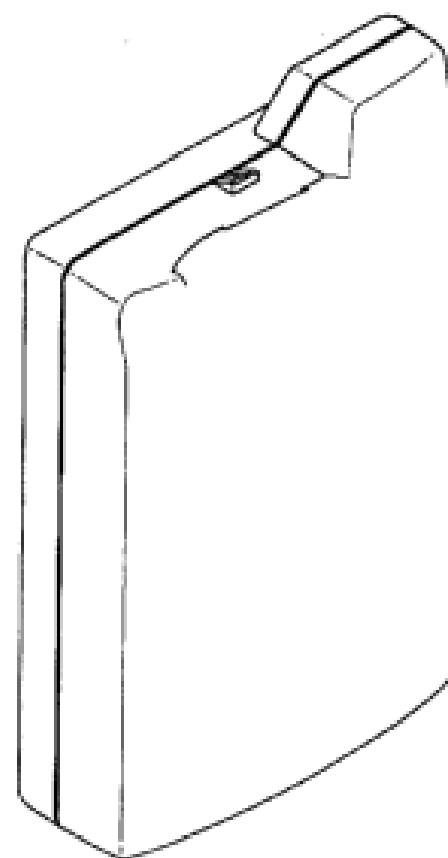
- (21) Design Number: **10676/2005**  
(22) Date of Filing Application: **22 February 2005**  
(24) Date from which industrial property rights may have effect: **22 February 2005**  
(54) Product in respect of which the design is registered: **A flashlight**  
(51) International Design Classification: **26-02**  
(71) Name(s) and Address(s) of Applicant(s):  
**Eveready Battery Company, Inc.**  
**533 Maryville University Drive St Louis Missouri 63141 United States of America**  
(72) Name(s) of Designer(s): **Donwoong Kang and Scott W. Osiecki**  
(45) Registration Date: **14 September 2005**  
(30) Convention priority data:  
(31) Number (32) Date (33) Country  
**29/212243 27 Aug 2004 UNITED STATES OF AMERICA**  
(56) Related Art Documents: **Not Applicable**  
(57) Statement of Newness and Distinctiveness: **The new and distinctive visual features of the design are those shown in unbroken lines in the representations.**



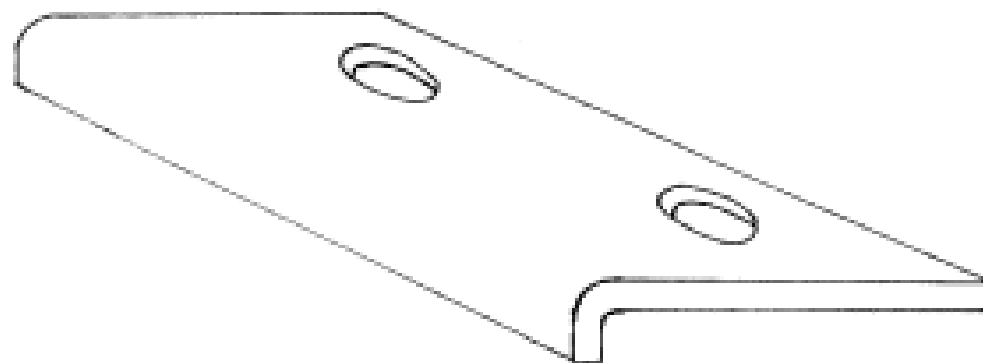
- (21) Design Number: **10679/2005**  
(22) Date of Filing Application: **22 February 2005**  
(24) Date from which industrial property rights may have effect: **22 February 2005**  
(54) Product in respect of which the design is registered: **Battery**  
(51) International Design Classification: **13-02**  
(71) Name(s) and Address(s) of Applicant(s):  
**Sony Computer Entertainment Inc.**  
**2-6-21 Minami-Aoyama Minato-ku Tokyo 107-0062 Japan**  
(72) Name(s) of Designer(s): **Kazuya Sugeno and Hajime Ishihara**  
(45) Registration Date: **14 September 2005**  
(30) Convention priority data:  
(31) Number (32) Date (33) Country  
**D2004-28466 21 Sep 2004 JAPAN**  
(56) Related Art Documents: **Not Applicable**  
(57) Statement of Newness and Distinctiveness: **Newness and distinctiveness resides in the shape and/or configuration of the battery as shown in the accompanying representations. The portions indicated in broken lines in the accompanying representations are for illustrative purposes only and form no part of the claimed design.**



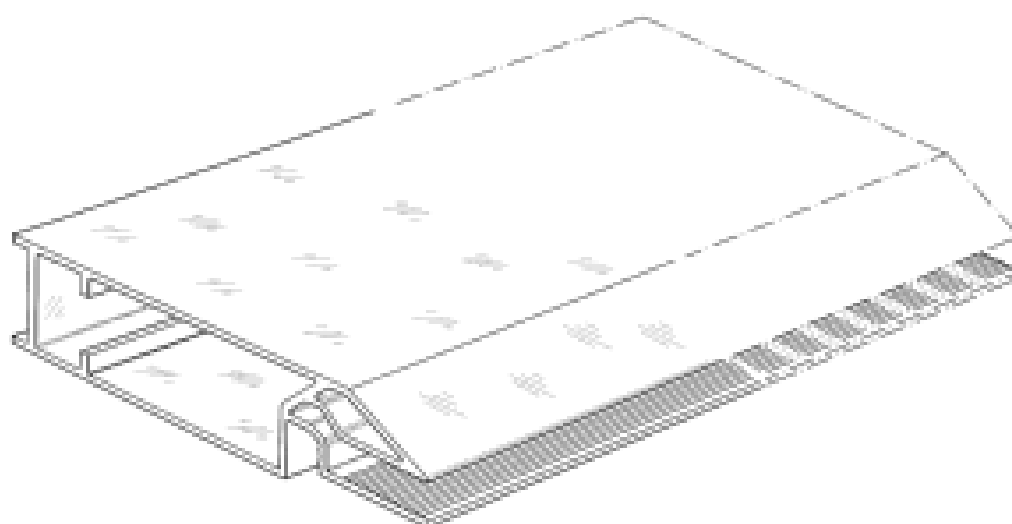
- (21) Design Number: **10680/2005**  
(22) Date of Filing Application: **22 February 2005**  
(24) Date from which industrial property rights may have effect: **22 February 2005**  
(54) Product in respect of which the design is registered: **Battery**  
(51) International Design Classification: **13-02**  
(71) Name(s) and Address(s) of Applicant(s):  
**Sony Computer Entertainment Inc.**  
**2-6-21 Minami-Aoyama Minato-ku Tokyo 107-0062 Japan**  
(72) Name(s) of Designer(s): **Kazuya Sugeno and Hajime Ishihara**  
(45) Registration Date: **14 September 2005**  
(30) Convention priority data:  
(31) Number      (32) Date      (33) Country  
**D2004-28465      21 Sep 2004      JAPAN**  
(56) Related Art Documents: **Not Applicable**  
(57) Statement of Newness and Distinctiveness: **Newness and distinctiveness resides in the shape and/or configuration of the battery as shown in the accompanying representations.**



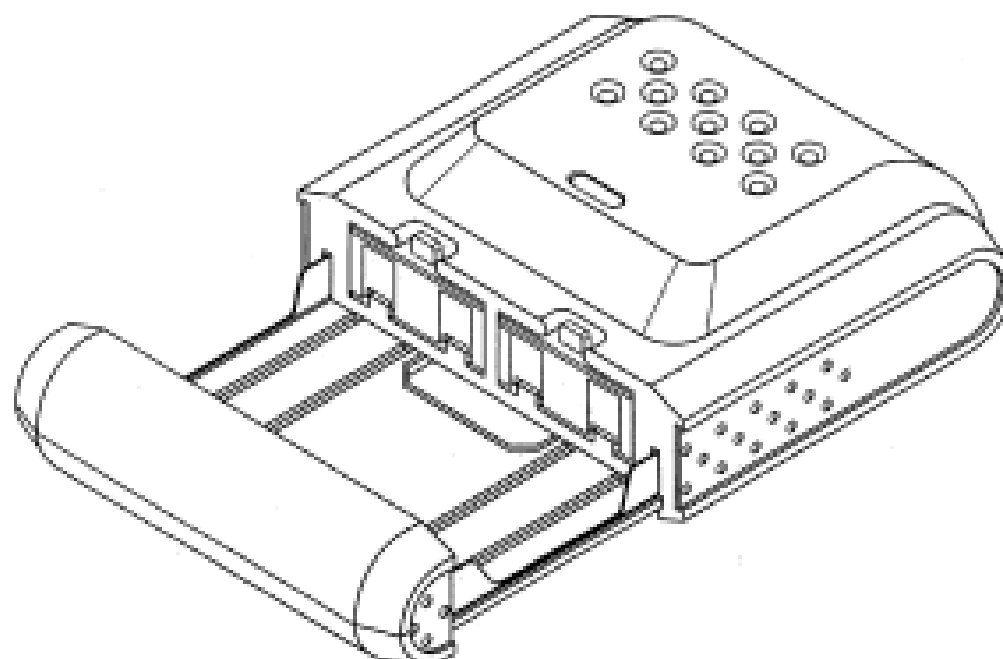
- (21) Design Number: **10703/2005**  
(22) Date of Filing Application: **24 February 2005**  
(24) Date from which industrial property rights may have effect: **24 February 2005**  
(54) Product in respect of which the design is registered: **Bracket to hold variable pressure solenoid in a BTR automatic transmission**  
(51) International Design Classification: **15-01**  
(71) Name(s) and Address(s) of Applicant(s):  
**Joseph Borg**  
**11 Cortina Place Avondale Heights Victoria 3034 Australia**  
(72) Name(s) of Designer(s): **Joseph Borg**  
(45) Registration Date: **14 September 2005**  
(56) Related Art Documents: **Not Applicable**  
(57) Statement of Newness and Distinctiveness: **Nil**



- (21) Design Number: **10717/2005**  
(22) Date of Filing Application: **22 February 2005**  
(24) Date from which industrial property rights may have effect: **22 February 2005**  
(54) Product in respect of which the design is registered: **Door extrusion**  
(51) International Design Classification: **25-01K**  
(71) Name(s) and Address(s) of Applicant(s):  
**Lock-U-Tite Security Pty Ltd**  
**12 Eastlink Drive Hallam Victoria 3803 Australia**  
(72) Name(s) of Designer(s): **Paul Joseph**  
(45) Registration Date: **14 September 2005**  
(56) Related Art Documents: **Not Applicable**  
(57) Statement of Newness and Distinctiveness: **The statement of newness and distinctiveness in respect of the design is in the features of shape and configuration of a door extrusion as shown in the accompanying representations.**



- (21) Design Number: **10725/2005**  
(22) Date of Filing Application: **24 February 2005**  
(24) Date from which industrial property rights may have effect: **24 February 2005**  
(54) Product in respect of which the design is registered: **Extendable battery charger**  
(51) International Design Classification: **13-02**  
(71) Name(s) and Address(s) of Applicant(s):  
**Eveready Battery Company, Inc.**  
**533 Maryville University Drive St Louis Missouri 63141 United States of America**  
(72) Name(s) of Designer(s): **Donwoong Kang and Scott W. Osiecki and Grahame P. Ward**  
(45) Registration Date: **14 September 2005**  
(30) Convention priority data:  
(31) Number      (32) Date      (33) Country  
**29/212760      08 Sep 2004      UNITED STATES OF AMERICA**  
(56) Related Art Documents: **Not Applicable**  
(57) Statement of Newness and Distinctiveness: **Nil**



(21) Design Number: **10790/2005**  
(22) Date of Filing Application: **28 February 2005**  
(24) Date from which industrial property rights may have effect: **28 February 2005**  
(54) Product in respect of which the design is registered: **Neck brace**  
(51) International Design Classification: **24-04**  
(71) Name(s) and Address(s) of Applicant(s):

**Christopher James Leatt**  
**4 De Cock Avenue Constantia 7800 South Africa**

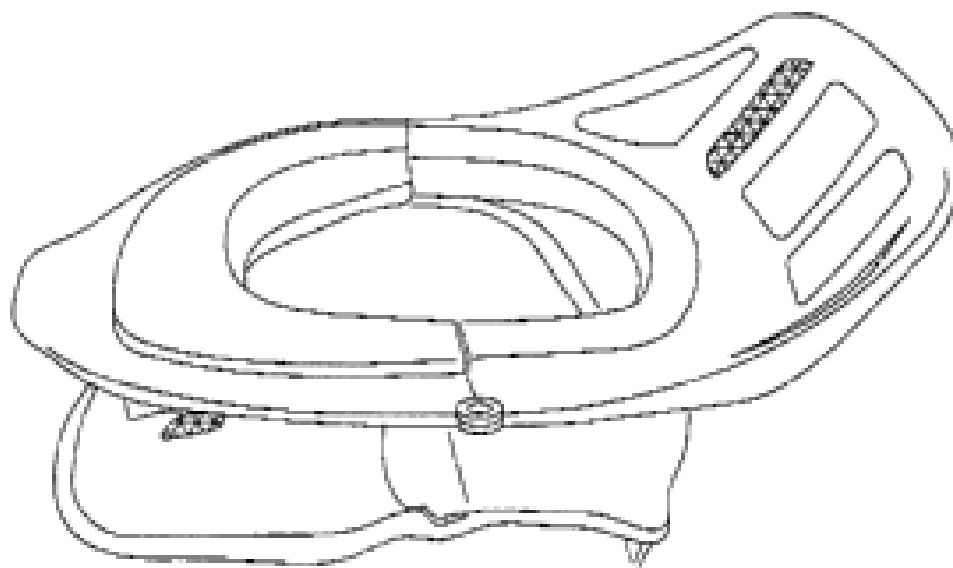
(72) Name(s) of Designer(s): **Christopher James Leatt**  
(45) Registration Date: **14 September 2005**

(30) Convention priority data:

(31) Number	(32) Date	(33) Country
<b>F2004/1128</b>	<b>27 Aug 2004</b>	<b>SOUTH AFRICA</b>

(56) Related Art Documents: **Not Applicable**

(57) Statement of Newness and Distinctiveness: **Nil**



(21) Design Number: **14078/2004**  
(22) Date of Filing Application: **25 August 2004**  
(24) Date from which industrial property rights may have effect: **01 July 2003**  
(54) Product in respect of which the design is registered: **Packaging carton**  
(51) International Design Classification: **09-03NES**  
(71) Name(s) and Address(s) of Applicant(s):

**Elopak Systems A.G.**  
**Cherstrasse 4 Postfach CH-8152 Glattbrugg Switzerland**

(72) Name(s) of Designer(s): **Ivica Franic**  
(45) Registration Date: **14 September 2005**

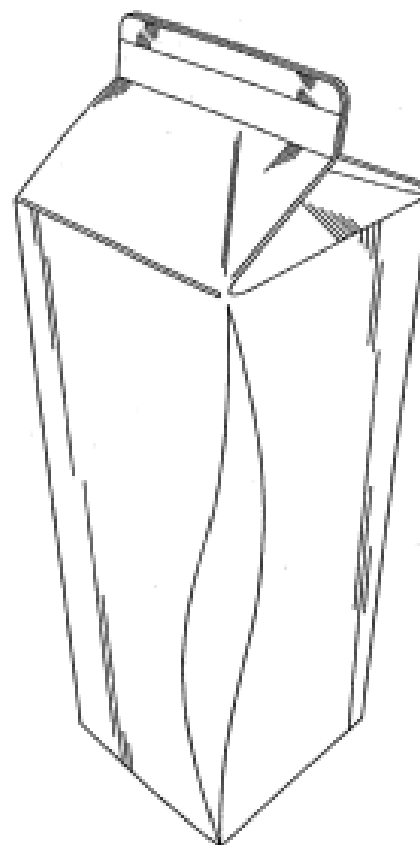
(30) Convention priority data:

(31) Number	(32) Date	(33) Country
<b>3011099</b>	<b>25 Feb 2003</b>	<b>UNITED KINGDOM</b>

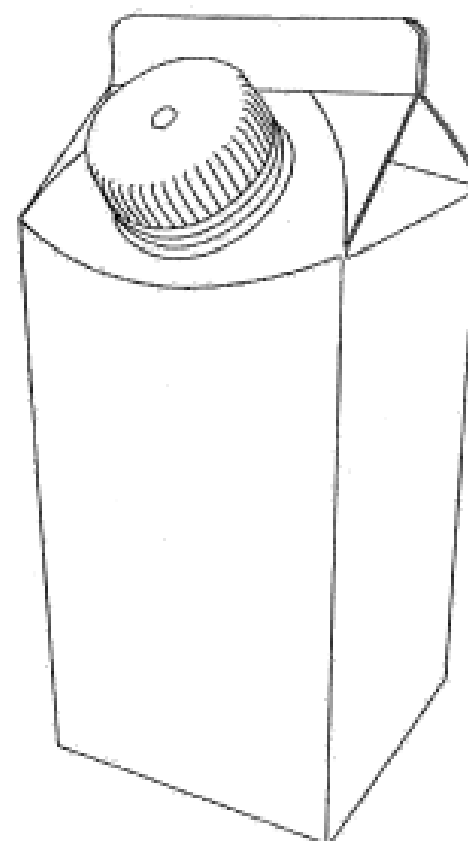
(62) Divisional of: **157181**

(56) Related Art Documents: **Not Applicable**

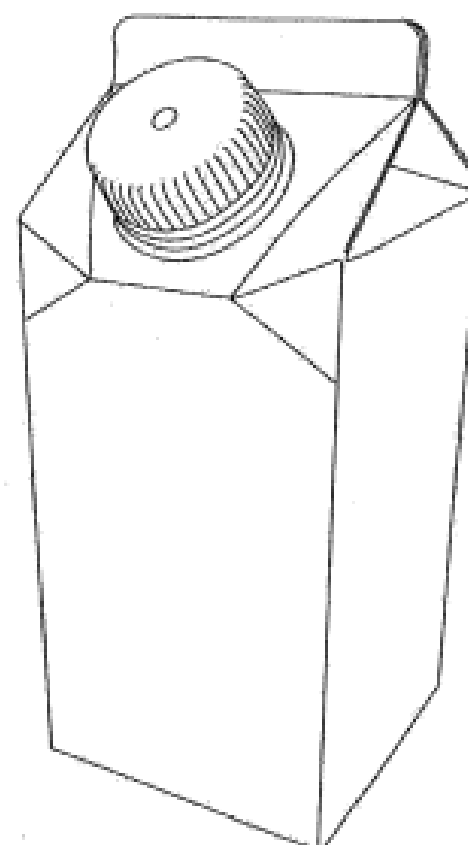
(57) Statement of Newness and Distinctiveness: **Nil**



(21) Design Number: **14079/2004**  
(22) Date of Filing Application: **25 August 2004**  
(24) Date from which industrial property rights may have effect: **01 July 2003**  
(54) Product in respect of which the design is registered: **Packaging carton**  
(51) International Design Classification: **09-03NES**  
(71) Name(s) and Address(s) of Applicant(s):  
**Elopak Systems A.G.**  
**Cherstrasse 4 Postfach CH-8152 Glattbrugg Switzerland**  
(72) Name(s) of Designer(s): **Ivica Franic**  
(45) Registration Date: **14 September 2005**  
(30) Convention priority data:  
(31) Number      (32) Date      (33) Country  
**3011099      25 Feb 2003      UNITED KINGDOM**  
(62) Divisional of: **157181**  
(56) Related Art Documents: **Not Applicable**  
(57) Statement of Newness and Distinctiveness: **Nil**

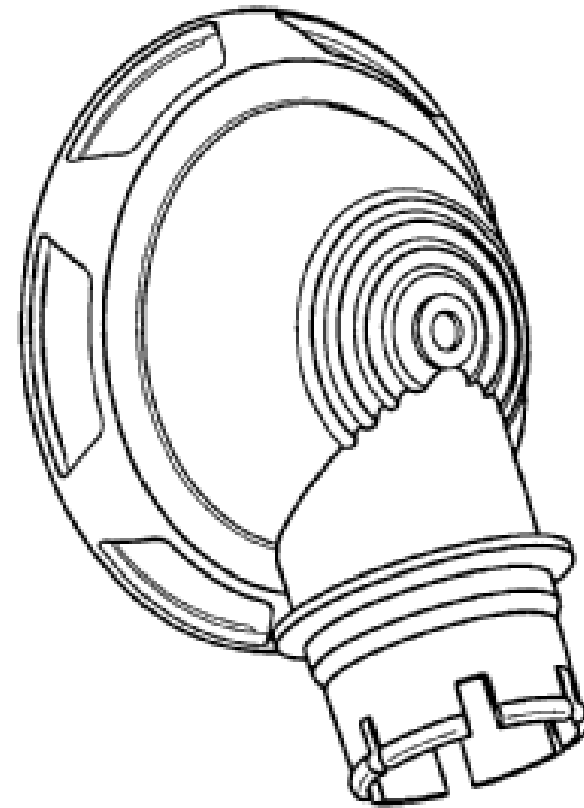


(21) Design Number: **14080/2004**  
(22) Date of Filing Application: **25 August 2004**  
(24) Date from which industrial property rights may have effect: **01 July 2003**  
(54) Product in respect of which the design is registered: **Packaging carton**  
(51) International Design Classification: **09-03NES**  
(71) Name(s) and Address(s) of Applicant(s):  
**Elopak Systems A.G.**  
**Cherstrasse 4 Postfach CH-8152 Glattbrugg Switzerland**  
(72) Name(s) of Designer(s): **Ivica Franic**  
(45) Registration Date: **14 September 2005**  
(30) Convention priority data:  
(31) Number      (32) Date      (33) Country  
**3009783      03 Jan 2003      UNITED KINGDOM**  
(62) Divisional of: **157181**  
(56) Related Art Documents: **Not Applicable**  
(57) Statement of Newness and Distinctiveness: **Nil**

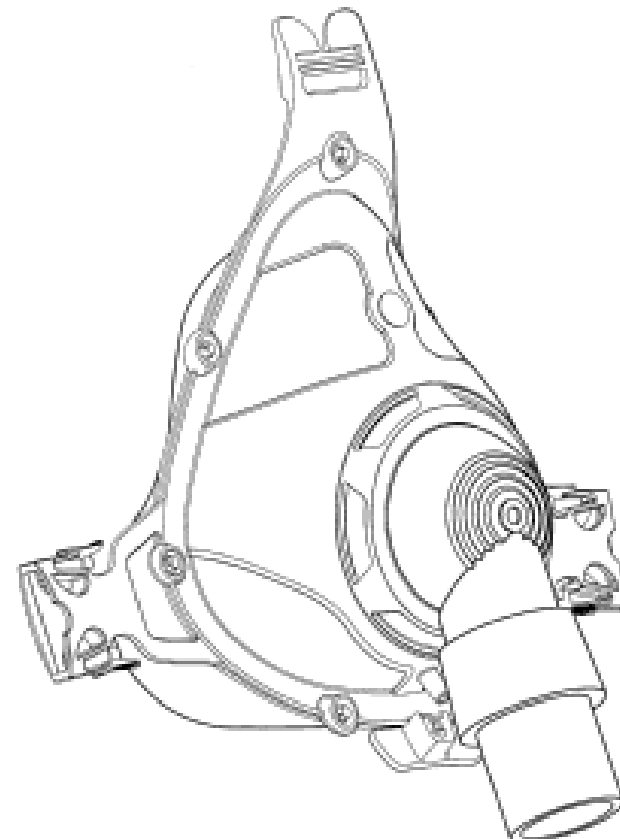




- (21) Design Number: **15193/2004**  
(22) Date of Filing Application: **08 November 2004**  
(24) Date from which industrial property rights may have effect: **08 November 2004**  
(54) Product in respect of which the design is registered: **Elbow for respiratory mask**  
(51) International Design Classification: **24-01**  
(71) Name(s) and Address(s) of Applicant(s):  
**ResMed Limited**  
**97 Waterloo Road North Ryde New South Wales 2113 Australia**  
(72) Name(s) of Designer(s): **Gregory Scott Smart and David John Worboys and Anthony Michael Ging and Muditha Pradeep Dantanarayana and John Michael Snow and Philip Thomas Stallard and Milind Chandrakant Raje**  
(45) Registration Date: **14 September 2005**  
(56) Related Art Documents: **Not Applicable**  
(57) Statement of Newness and Distinctiveness: **Nil**



- (21) Design Number: **15194/2004**  
(22) Date of Filing Application: **08 November 2004**  
(24) Date from which industrial property rights may have effect: **08 November 2004**  
(54) Product in respect of which the design is registered: **Assembly for respiratory mask**  
(51) International Design Classification: **24-01**  
(71) Name(s) and Address(s) of Applicant(s):  
**ResMed Limited**  
**97 Waterloo Road North Ryde New South Wales 2113 Australia**  
(72) Name(s) of Designer(s): **Gregory Scott Smart and David John Worboys and Anthony Michael Ging and Muditha Pradeep Dantanarayana and John Michael Snow and Philip Thomas Stallard and Milind Chandrakant Raje**  
(45) Registration Date: **14 September 2005**  
(56) Related Art Documents: **Not Applicable**  
(57) Statement of Newness and Distinctiveness: **Nil**



(21) Design Number: **10295/2005**

(22) Date of Filing Application: **27 January 2005**

(24) Date from which industrial property rights may have effect: **27 January 2005**

(54) Product in respect of which the design is registered: **A cover plate**

(51) International Design Classification: **13-03D**

(71) Name(s) and Address(s) of Applicant(s):

**H.P.M. Industries Pty Ltd**

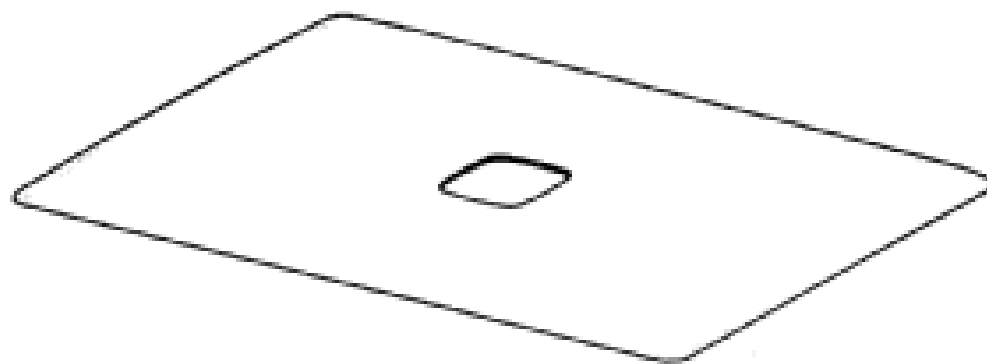
**Unit 4 44-48 O'Dea Avenue Waterloo New South Wales 2017 Australia**

(72) Name(s) of Designer(s): **Ross Andrews**

(45) Registration Date: **14 September 2005**

(56) Related Art Documents: **Not Applicable**

(57) Statement of Newness and Distinctiveness: **Nil**



(21) Design Number: **10296/2005**

(22) Date of Filing Application: **27 January 2005**

(24) Date from which industrial property rights may have effect: **27 January 2005**

(54) Product in respect of which the design is registered: **A cover plate**

(51) International Design Classification: **13-03D**

(71) Name(s) and Address(s) of Applicant(s):

**H.P.M. Industries Pty Ltd**

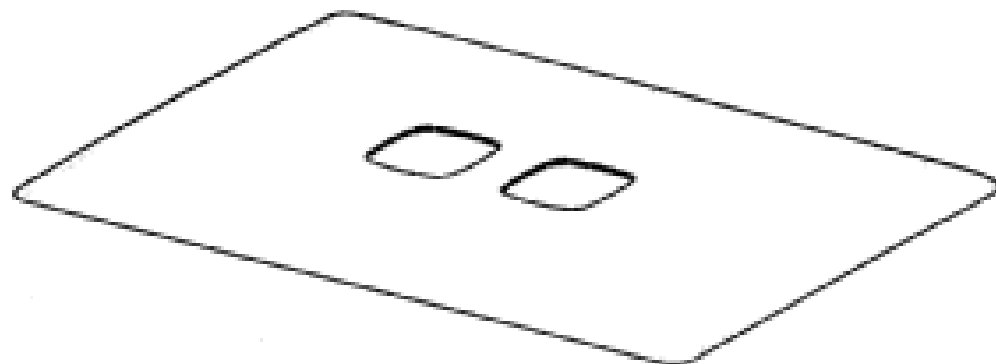
**Unit 4 44-48 O'Dea Avenue Waterloo New South Wales 2017 Australia**

(72) Name(s) of Designer(s): **Ross Andrews**

(45) Registration Date: **14 September 2005**

(56) Related Art Documents: **Not Applicable**

(57) Statement of Newness and Distinctiveness: **Nil**



(21) Design Number: **10297/2005**

(22) Date of Filing Application: **27 January 2005**

(24) Date from which industrial property rights may have effect: **27 January 2005**

(54) Product in respect of which the design is registered: **A cover plate**

(51) International Design Classification: **13-03D**

(71) Name(s) and Address(s) of Applicant(s):

**H.P.M. Industries Pty Ltd**

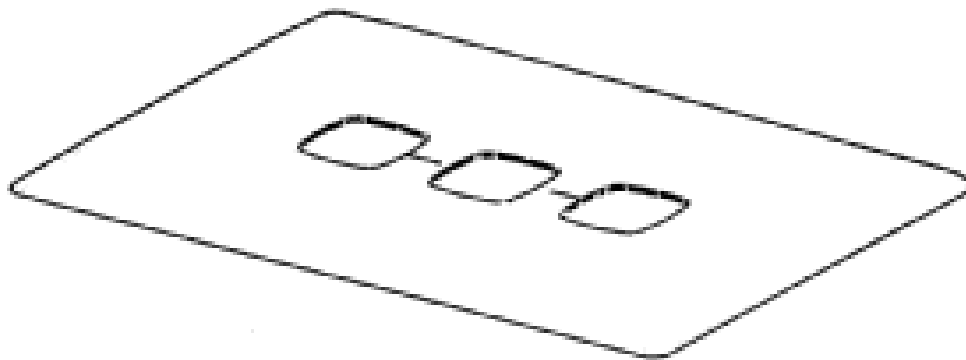
**Unit 4 44-48 O'Dea Avenue Waterloo New South Wales 2017 Australia**

(72) Name(s) of Designer(s): **Ross Andrews**

(45) Registration Date: **14 September 2005**

(56) Related Art Documents: **Not Applicable**

(57) Statement of Newness and Distinctiveness: **Nil**



(21) Design Number: **10298/2005**

(22) Date of Filing Application: **27 January 2005**

(24) Date from which industrial property rights may have effect: **27 January 2005**

(54) Product in respect of which the design is registered: **A cover plate**

(51) International Design Classification: **13-03D**

(71) Name(s) and Address(s) of Applicant(s):

**H.P.M. Industries Pty Ltd**

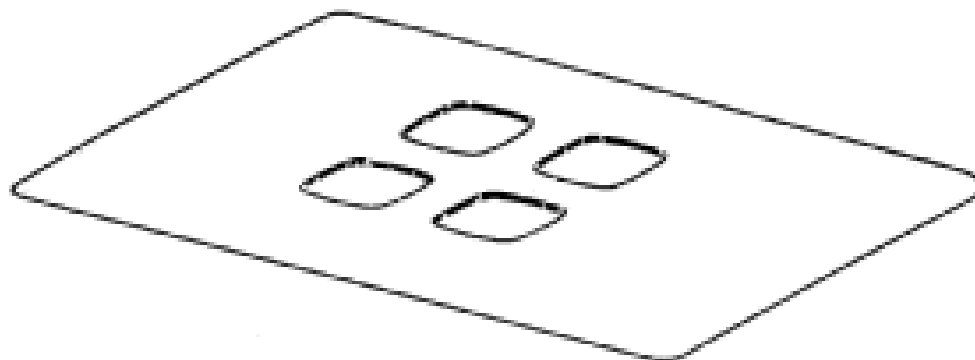
**Unit 4 44-48 O'Dea Avenue Waterloo New South Wales 2017 Australia**

(72) Name(s) of Designer(s): **Ross Andrews**

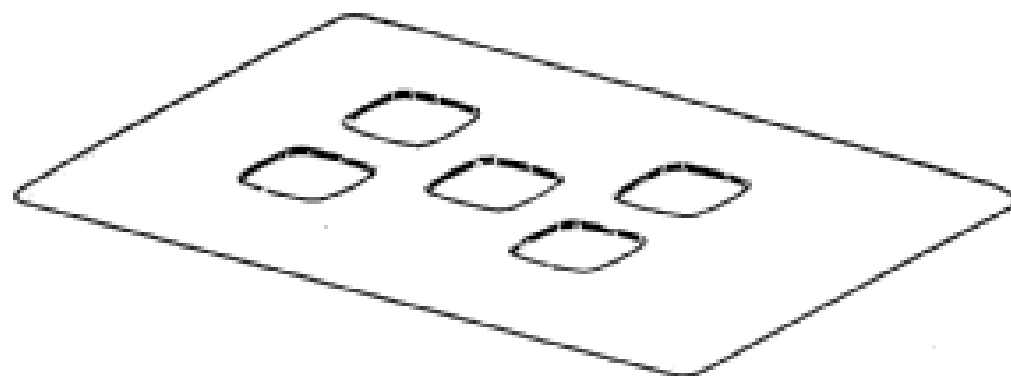
(45) Registration Date: **14 September 2005**

(56) Related Art Documents: **Not Applicable**

(57) Statement of Newness and Distinctiveness: **Nil**



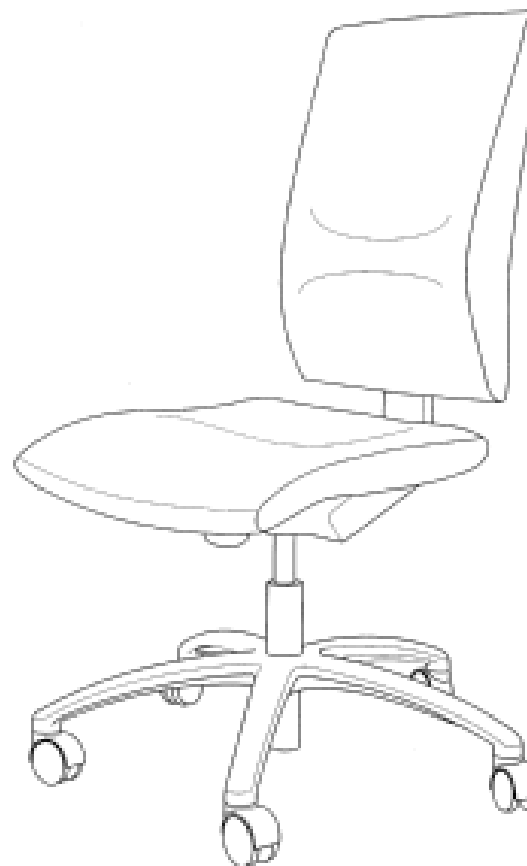
(21) Design Number: **10299/2005**  
(22) Date of Filing Application: **27 January 2005**  
(24) Date from which industrial property rights may have effect: **27 January 2005**  
(54) Product in respect of which the design is registered: **A cover plate**  
(51) International Design Classification: **13-03D**  
(71) Name(s) and Address(s) of Applicant(s):  
**H.P.M. Industries Pty Ltd**  
**Unit 4 44-48 O'Dea Avenue Waterloo New South Wales 2017 Australia**  
(72) Name(s) of Designer(s): **Ross Andrews**  
(45) Registration Date: **14 September 2005**  
(56) Related Art Documents: **Not Applicable**  
(57) Statement of Newness and Distinctiveness: **Nil**



(21) Design Number: **10605/2005**  
(22) Date of Filing Application: **17 February 2005**  
(24) Date from which industrial property rights may have effect: **17 February 2005**  
(54) Product in respect of which the design is registered: **A chair**  
(51) International Design Classification: **06-01F**  
(71) Name(s) and Address(s) of Applicant(s):  
**Atform Limited**  
**45 Kenepuru Drive Porirua Wellington New Zealand**  
(72) Name(s) of Designer(s): **Andrew Melles**  
(45) Registration Date: **14 September 2005**  
(30) Convention priority data:  

(31) Number	(32) Date	(33) Country
<b>405179</b>	<b>19 Aug 2004</b>	<b>NEW ZEALAND</b>

  
(56) Related Art Documents: **Not Applicable**  
(57) Statement of Newness and Distinctiveness: **The novelty claimed for the design resides in the features of shape and/or configuration all as shown in the representations.**



- (21) Design Number: **10606/2005**  
(22) Date of Filing Application: **17 February 2005**  
(24) Date from which industrial property rights may have effect: **17 February 2005**  
(54) Product in respect of which the design is registered: **A chair**  
(51) International Design Classification: **06-01F**  
(71) Name(s) and Address(s) of Applicant(s):

**Atform Limited**  
**45 Kenepuru Drive Porirua Wellington New Zealand**

(72) Name(s) of Designer(s): **Andrew Melles**

(45) Registration Date: **14 September 2005**

(30) Convention priority data:

(31) Number	(32) Date	(33) Country
<b>405178</b>	<b>19 Aug 2004</b>	<b>NEW ZEALAND</b>

(56) Related Art Documents: **Not Applicable**

(57) Statement of Newness and Distinctiveness: **The novelty claimed for the design resides in the features of shape and/or configuration of the arms of the chair as shown in the accompanying representations, excluding the shape and configuration of the back of the chair and the base of the chair and associated adjustment levers.**



- (21) Design Number: **11313/2005**  
(22) Date of Filing Application: **01 April 2005**  
(24) Date from which industrial property rights may have effect: **01 April 2005**  
(54) Product in respect of which the design is registered: **Spice mill**  
(51) International Design Classification: **07-06C**  
(71) Name(s) and Address(s) of Applicant(s):

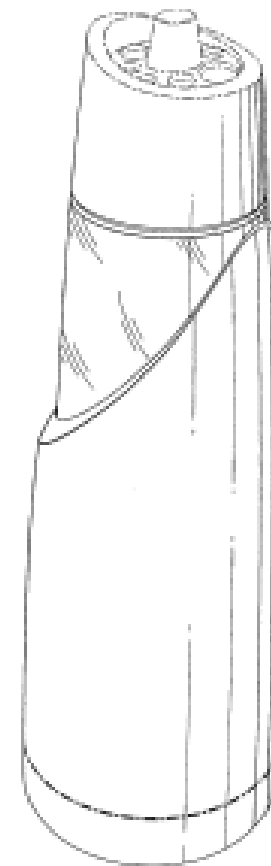
**Trudeau Corporation 1889 Inc.**  
**1600 Eiffel Boucherville Quebec J4Y 5B1 Canada**

(72) Name(s) of Designer(s): **Pierre Tardif**

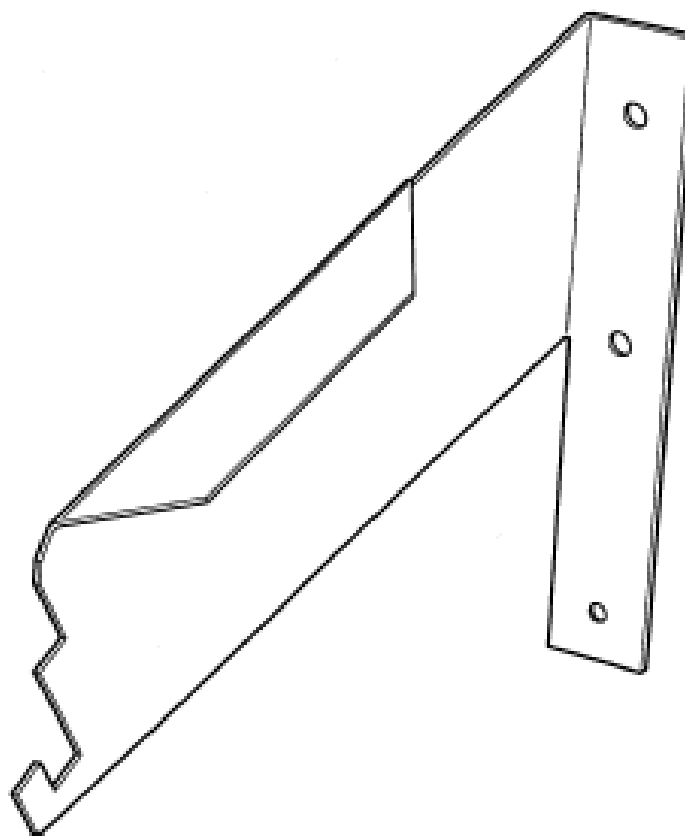
(45) Registration Date: **14 September 2005**

(56) Related Art Documents: **Not Applicable**

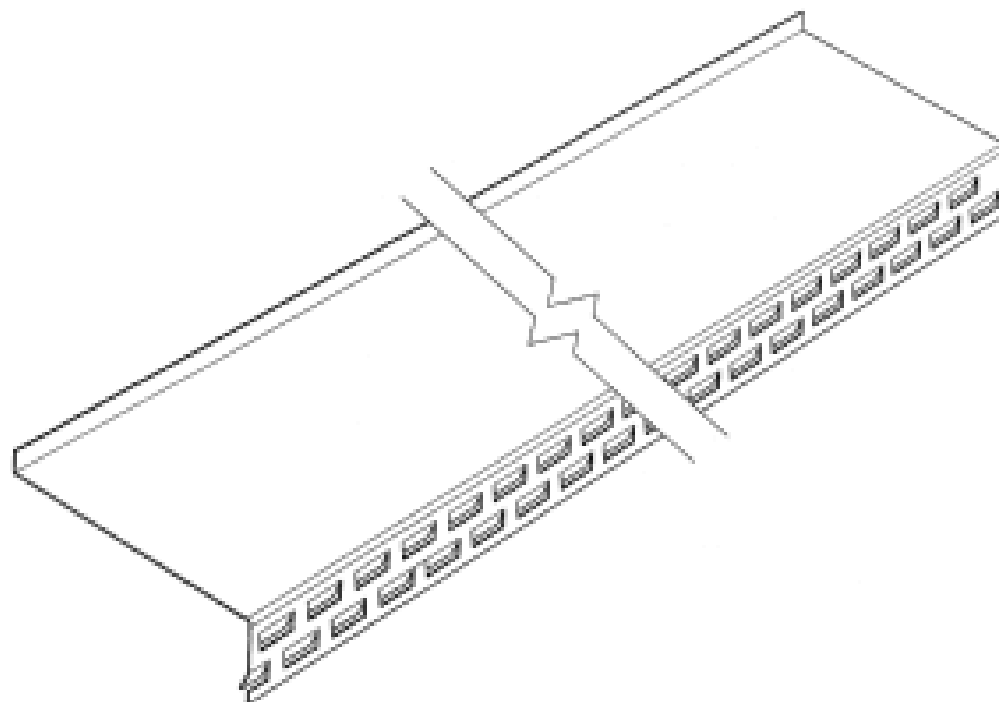
(57) Statement of Newness and Distinctiveness: **When considering the newness and distinctiveness of the design the features marked with dotted lines are to be disregarded.**



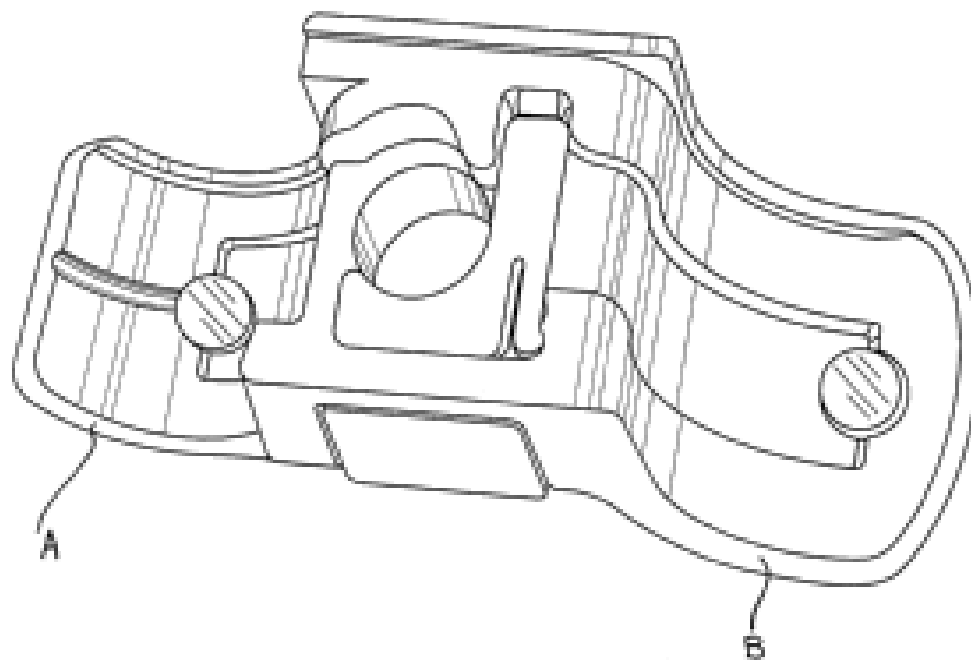
- (21) Design Number: **11314/2005**  
(22) Date of Filing Application: **01 April 2005**  
(24) Date from which industrial property rights may have effect: **01 April 2005**  
(54) Product in respect of which the design is registered: **A gutter guard cover support bracket**  
(51) International Design Classification: **08-09, 23-01L**  
(71) Name(s) and Address(s) of Applicant(s):  
**Richard Waddington**  
**42 Kanmantoo Road Aldgate South Australia 5154 Australia**  
(72) Name(s) of Designer(s): **Richard Waddington**  
(45) Registration Date: **14 September 2005**  
(56) Related Art Documents: **Not Applicable**  
(57) Statement of Newness and Distinctiveness: **Newness and distinctiveness resides in the features of shape and configuration of a gutter guard cover support bracket as shown in the accompanying representations.**



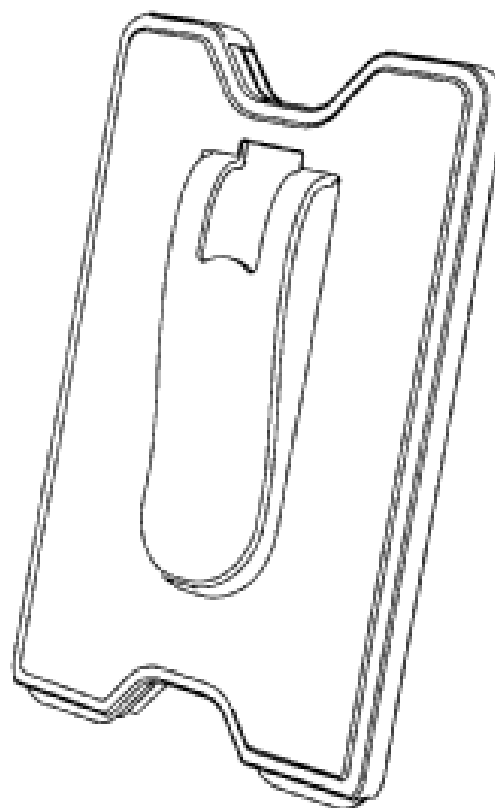
- (21) Design Number: **11315/2005**  
(22) Date of Filing Application: **01 April 2005**  
(24) Date from which industrial property rights may have effect: **01 April 2005**  
(54) Product in respect of which the design is registered: **A gutter guard cover**  
(51) International Design Classification: **23-01L**  
(71) Name(s) and Address(s) of Applicant(s):  
**Richard Waddington**  
**42 Kanmantoo Road Aldgate South Australia 5154 Australia**  
(72) Name(s) of Designer(s): **Richard Waddington**  
(45) Registration Date: **14 September 2005**  
(56) Related Art Documents: **Not Applicable**  
(57) Statement of Newness and Distinctiveness: **Newness and distinctiveness resides in the features of shape and configuration of a gutter guard cover as shown in the accompanying representations. The cover is of indefinite length.**



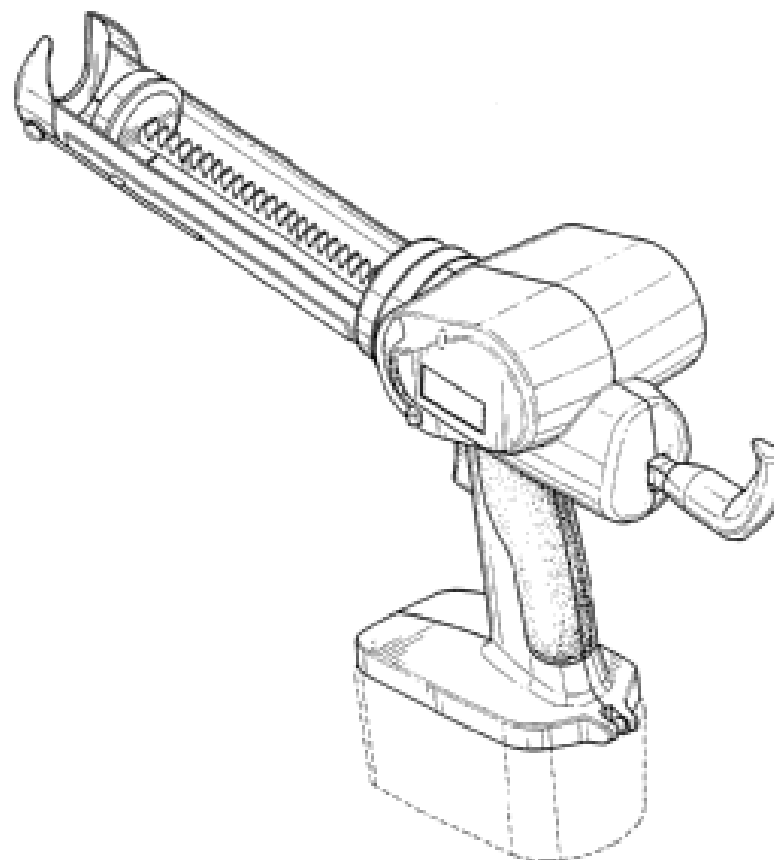
- (21) Design Number: **11317/2005**
- (22) Date of Filing Application: **06 April 2004**
- (24) Date from which industrial property rights may have effect: **06 April 2004**
- (54) Product in respect of which the design is registered: **Adaptor for a fastening tool**
- (51) International Design Classification: **15-99, 08-02**
- (71) Name(s) and Address(s) of Applicant(s):  
**Cetram Pty Limited**  
**3 Chester Street Oakleigh Victoria 3166 Australia**
- (72) Name(s) of Designer(s): **Tim Gamble and Andrew Crawford and Fred Blochlinger**
- (45) Registration Date: **14 September 2005**
- (56) Related Art Documents: **Not Applicable**
- (57) Statement of Newness and Distinctiveness: **Newness and distinctiveness is claimed in the features of the curved portions labelled "A" and "B" in the representations. The remaining features do not form part of the design.**



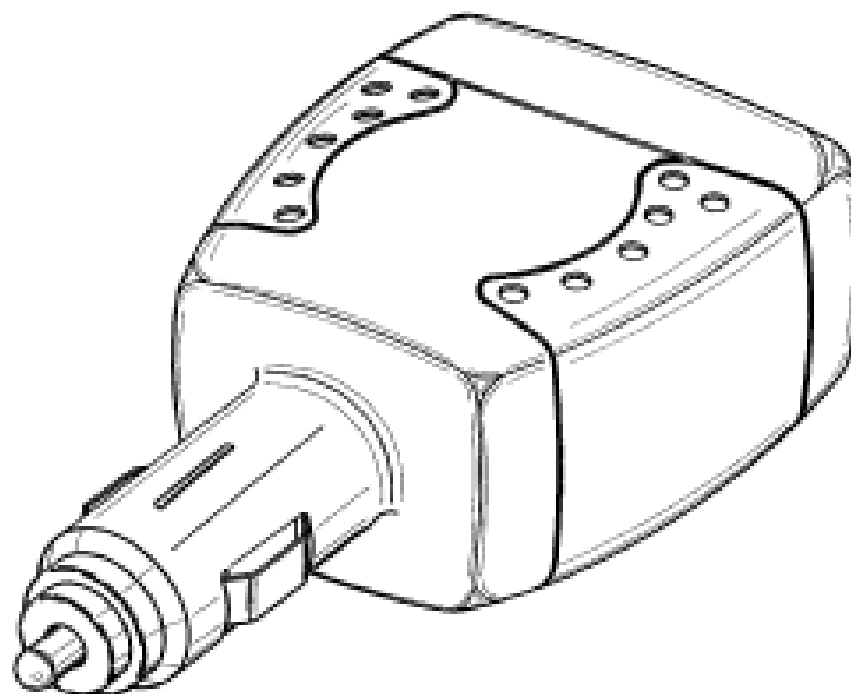
- (21) Design Number: **11321/2005**
- (22) Date of Filing Application: **01 April 2005**
- (24) Date from which industrial property rights may have effect: **01 April 2005**
- (54) Product in respect of which the design is registered: **A holder for cards and notes (money)**
- (51) International Design Classification: **03-01B**
- (71) Name(s) and Address(s) of Applicant(s):  
**Nox Pty Ltd**  
**Unit 18 17-21 Bowden Street Alexandria New South Wales 2015 Australia**
- (72) Name(s) of Designer(s): **Ted Esdaile-Watts and Braden Wilson and Stephen Procter**
- (45) Registration Date: **14 September 2005**
- (56) Related Art Documents: **Not Applicable**
- (57) Statement of Newness and Distinctiveness: **Monopoly is claimed on the shape and configuration of the card holder shown in the representations.**



- (21) Design Number: **11326/2005**  
(22) Date of Filing Application: **01 April 2005**  
(24) Date from which industrial property rights may have effect: **01 April 2005**  
(54) Product in respect of which the design is registered: **Caulk gun**  
(51) International Design Classification: **08-05NES**  
(71) Name(s) and Address(s) of Applicant(s):  
**One World Technologies Limited**  
**Cedar House 41 Cedar Avenue Hamilton HM 12 Bermuda**  
(72) Name(s) of Designer(s): **Borislav Popov and Kam Lun Tailun Gates Sham**  
(45) Registration Date: **14 September 2005**  
(30) Convention priority data:  
(31) Number (32) Date (33) Country  
**29/214849 07 Oct 2004 UNITED STATES OF AMERICA**  
(56) Related Art Documents: **Not Applicable**  
(57) Statement of Newness and Distinctiveness: **Newness and distinctiveness is claimed in the ornamental design which is shown in solid lines in the drawings. Any broken lines in the drawings are for illustrative purposes only and form no part of the claimed design.**



- (21) Design Number: **11327/2005**  
(22) Date of Filing Application: **01 April 2005**  
(24) Date from which industrial property rights may have effect: **01 April 2005**  
(54) Product in respect of which the design is registered: **Inverter**  
(51) International Design Classification: **13-02**  
(71) Name(s) and Address(s) of Applicant(s):  
**Augusto Tucci**  
**6 Kylie Place Moorabbin Victoria 3189 Australia**  
(72) Name(s) of Designer(s): **Augusto Tucci**  
(45) Registration Date: **14 September 2005**  
(56) Related Art Documents: **Not Applicable**  
(57) Statement of Newness and Distinctiveness: **The newness and distinctiveness of the present design relates to the shape and configuration of the design applied to an inverter as shown in the accompanying representations, including the shape and configuration of the plug portion or the body portion or the combination of the plug portion and body portion of the inverter.**





- (21) Design Number: **15561/2004**  
(22) Date of Filing Application: **01 December 2004**  
(24) Date from which industrial property rights may have effect: **01 December 2004**  
(54) Product in respect of which the design is registered: **Pulley locking/removal tool**  
(51) International Design Classification: **08-05P**  
(71) Name(s) and Address(s) of Applicant(s):  
**Leslaw Waldemar Kuciel**  
**39 Jagger Crescent Woodcroft South Australia 5162 Australia**  
(72) Name(s) of Designer(s): **Leslaw Waldemar Kuciel**  
(45) Registration Date: **14 September 2005**  
(56) Related Art Documents: **Not Applicable**  
(57) Statement of Newness and Distinctiveness: **Nil**



- (21) Design Number: **14545/2004**  
(22) Date of Filing Application: **24 September 2004**  
(24) Date from which industrial property rights may have effect: **24 September 2004**  
(54) Product in respect of which the design is registered: **A cylinder**  
(51) International Design Classification: **15-01, 09-03L**  
(71) Name(s) and Address(s) of Applicant(s):  
**SDS Digger Tools Pty Ltd**  
**47-51 Vulcan Road Canning Vale Western Australia 6970 Australia**  
(72) Name(s) of Designer(s): **Brian Thomas Sanfead**  
(45) Registration Date: **15 September 2005**  
(56) Related Art Documents: **Not Applicable**  
(57) Statement of Newness and Distinctiveness: **Newness and distinctiveness is claimed in the features of shape and configuration of a cylinder as illustrated in the accompanying drawings.**



- (21) Design Number: **14784/2004**  
(22) Date of Filing Application: **08 October 2004**  
(24) Date from which industrial property rights may have effect: **08 October 2004**  
(54) Product in respect of which the design is registered: **A hand gesture recognition device**  
(51) International Design Classification: **10-06**  
(71) Name(s) and Address(s) of Applicant(s):  
**Australasian CRC for Interaction Design Pty Ltd**  
**Level 3 Room 312 34 Parer Place Kelvin Grove Queensland 4059**  
**Australia**  
(72) Name(s) of Designer(s): **Sam Bucolo and Margot Brereton and Duane Varan and Alf Fjelland and Jared Donovan and Andrew Turk and Deb Polson and Kim Montgomery and Gael McIndoe and Corin Edwards**  
(45) Registration Date: **15 September 2005**  
(56) Related Art Documents: **Not Applicable**  
(57) Statement of Newness and Distinctiveness: **Nil**



- (21) Design Number: **15052/2004**  
(22) Date of Filing Application: **28 October 2004**  
(24) Date from which industrial property rights may have effect: **28 October 2004**  
(54) Product in respect of which the design is registered: **A wheel**  
(51) International Design Classification: **12-16A**  
(71) Name(s) and Address(s) of Applicant(s):  
**Ford Motor Company of Australia Limited**  
**1735 Sydney Road Campbellfield Victoria 3061 Australia**  
(72) Name(s) of Designer(s): **Graham Wadsworth**  
(45) Registration Date: **15 September 2005**  
(56) Related Art Documents: **Not Applicable**  
(57) Statement of Newness and Distinctiveness: **Newness and distinctiveness is claimed in the visual features of shape and/or configuration applicable to a wheel for a vehicle as illustrated in the representations.**



(21) Design Number: **15053/2004**

(22) Date of Filing Application: **28 October 2004**

(24) Date from which industrial property rights may have effect: **28 October 2004**

(54) Product in respect of which the design is registered: **A wheel**

(51) International Design Classification: **12-16A**

(71) Name(s) and Address(s) of Applicant(s):

**Ford Motor Company of Australia Limited  
1735 Sydney Road Campbellfield Victoria 3061 Australia**

(72) Name(s) of Designer(s): **Graham Wadsworth**

(45) Registration Date: **15 September 2005**

(56) Related Art Documents: **Not Applicable**

(57) Statement of Newness and Distinctiveness: **Newness and distinctiveness is claimed in the visual features of shape and/or configuration applicable to a for a wheel for a vehicle as illustrated in the representations.**



(21) Design Number: **15665/2004**

(22) Date of Filing Application: **08 December 2004**

(24) Date from which industrial property rights may have effect: **08 December 2004**

(54) Product in respect of which the design is registered: **Crystal bridal bouquet - everlasting love**

(51) International Design Classification: **11-05**

(71) Name(s) and Address(s) of Applicant(s):

**Judith Bacon  
13 Quintana Avenue Baulkham Hills New South Wales 2153 Australia**

(72) Name(s) of Designer(s): **Judith Bacon**

(45) Registration Date: **15 September 2005**

(56) Related Art Documents: **Not Applicable**

(57) Statement of Newness and Distinctiveness: **Crescent shape bouquet completely made of crystals. Individual flowers formed with crystal beads.**



- (21) Design Number: **15666/2004**  
(22) Date of Filing Application: **08 December 2004**  
(24) Date from which industrial property rights may have effect: **08 December 2004**  
(54) Product in respect of which the design is registered: **Crystal bridal bouquets - unbelievable**  
(51) International Design Classification: **11-05**  
(71) Name(s) and Address(s) of Applicant(s):  
**Judith Bacon**  
**13 Quintana Avenue Baulkham Hills New South Wales 2153 Australia**  
(72) Name(s) of Designer(s): **Judith Bacon**  
(45) Registration Date: **15 September 2005**  
(56) Related Art Documents: **Not Applicable**  
(57) Statement of Newness and Distinctiveness: **"S" shape bouquet completely made of crystals individual flowers formed with crystal beads.**



- (21) Design Number: **10091/2005**  
(22) Date of Filing Application: **12 January 2005**  
(24) Date from which industrial property rights may have effect: **12 January 2005**  
(54) Product in respect of which the design is registered: **Table and chairs**  
(51) International Design Classification: **06-01F, 06-03B**  
(71) Name(s) and Address(s) of Applicant(s):  
**Nique Enterprises Pty Ltd**  
**2 Ainsley Close Somersby New South Wales 2250 Australia**  
(72) Name(s) of Designer(s): **Tom Bihari**  
(45) Registration Date: **15 September 2005**  
(56) Related Art Documents: **Not Applicable**  
(57) Statement of Newness and Distinctiveness: **Newness and distinctiveness is claimed in respect of the shape and configuration of the combined table with chairs as illustrated in the accompanying representations.**



- (21) Design Number: **10092/2005**  
(22) Date of Filing Application: **12 January 2005**  
(24) Date from which industrial property rights may have effect: **12 January 2005**  
(54) Product in respect of which the design is registered: **Chair**  
(51) International Design Classification: **06-01F**  
(71) Name(s) and Address(s) of Applicant(s):  
**Nique Enterprises Pty Ltd**  
**2 Ainsley Close Somersby New South Wales 2250 Australia**  
(72) Name(s) of Designer(s): **Tom Bihari**  
(45) Registration Date: **15 September 2005**  
(56) Related Art Documents: **Not Applicable**  
(57) Statement of Newness and Distinctiveness: **Nil**



- (21) Design Number: **10093/2005**  
(22) Date of Filing Application: **12 January 2005**  
(24) Date from which industrial property rights may have effect: **12 January 2005**  
(54) Product in respect of which the design is registered: **Table and chairs**  
(51) International Design Classification: **06-03A, 06-01H**  
(71) Name(s) and Address(s) of Applicant(s):  
**Nique Enterprises Pty Ltd**  
**2 Ainsley Close Somersby New South Wales 2250 Australia**  
(72) Name(s) of Designer(s): **Tom Bihari**  
(45) Registration Date: **15 September 2005**  
(56) Related Art Documents: **Not Applicable**  
(57) Statement of Newness and Distinctiveness: **Newness and distinctiveness is claimed in respect of the shape and configuration of the combined seating table with chairs as illustrated in the accompanying representations.**



- (21) Design Number: **10094/2005**  
(22) Date of Filing Application: **12 January 2005**  
(24) Date from which industrial property rights may have effect: **12 January 2005**  
(54) Product in respect of which the design is registered: **Chair**  
(51) International Design Classification: **06-01H**  
(71) Name(s) and Address(s) of Applicant(s):  
**Nique Enterprises Pty Ltd**  
**2 Ainsley Close Somersby New South Wales 2250 Australia**  
(72) Name(s) of Designer(s): **Tom Bihari**  
(45) Registration Date: **15 September 2005**  
(56) Related Art Documents: **Not Applicable**  
(57) Statement of Newness and Distinctiveness: **Nil**



- (21) Design Number: **10453/2005**  
(22) Date of Filing Application: **04 February 2005**  
(24) Date from which industrial property rights may have effect: **04 February 2005**  
(54) Product in respect of which the design is registered: **Bottle**  
(51) International Design Classification: **09-01H**  
(71) Name(s) and Address(s) of Applicant(s):  
**Societe Autonome de Verreries**  
**Place de la Gare 60960 Feuquieres France**  
(72) Name(s) of Designer(s): **Didier Rica**  
(45) Registration Date: **15 September 2005**  
(30) Convention priority data:  

(31) Number	(32) Date	(33) Country
<b>000215900</b>	<b>13 Aug 2004</b>	<b>EUROPEAN COMMUNITY</b>

  
(56) Related Art Documents: **Not Applicable**  
(57) Statement of Newness and Distinctiveness: **The originality of the design resides in the rectangular section of the bottle, its high and conical shape, the flat faces and four sharp angles, an almost horizontal shoulder, a long cylindrical neck that accepts different types of neck finishes, and in the variation in the thickness of glass thickness distribution, especially at the base where the glass is thicker.**



- (21) Design Number: **10634/2005**  
(22) Date of Filing Application: **18 February 2005**  
(24) Date from which industrial property rights may have effect: **18 February 2005**  
(54) Product in respect of which the design is registered: **Garment**  
(51) International Design Classification: **02-02NES**  
(71) Name(s) and Address(s) of Applicant(s):  
**Australian Football League**  
**140 Harbour Esplanade Docklands Victoria 3008 Australia**  
(72) Name(s) of Designer(s): **Brett McMahon**  
(45) Registration Date: **15 September 2005**  
(56) Related Art Documents: **Not Applicable**  
(57) Statement of Newness and Distinctiveness: **Those visual features of the garment depicted in the representations that are new and distinctive are the pattern and/or ornamentation. The design may be in any colour combination.**



- (21) Design Number: **10635/2005**  
(22) Date of Filing Application: **18 February 2005**  
(24) Date from which industrial property rights may have effect: **18 February 2005**  
(54) Product in respect of which the design is registered: **Garment**  
(51) International Design Classification: **02-02NES**  
(71) Name(s) and Address(s) of Applicant(s):  
**Australian Football League**  
**140 Harbour Esplanade Docklands Victoria 3008 Australia**  
(72) Name(s) of Designer(s): **Brett McMahon**  
(45) Registration Date: **15 September 2005**  
(56) Related Art Documents: **Not Applicable**  
(57) Statement of Newness and Distinctiveness: **Those visual features of the garment depicted in the representations that are new and distinctive are the pattern and/or ornamentation. The design may be in any colour combination.**



- (21) Design Number: **10764/2005**  
(22) Date of Filing Application: **25 February 2005**  
(24) Date from which industrial property rights may have effect: **25 February 2005**  
(54) Product in respect of which the design is registered: **A skirt**  
(51) International Design Classification: **02-02C**  
(71) Name(s) and Address(s) of Applicant(s):  
**Morrison IP Pty Ltd as Trustee for Morrison IP**  
**Level 1 88 High Street Fremantle Western Australia 6160 Australia**  
(72) Name(s) of Designer(s): **Kylie-Jane Radford**  
(45) Registration Date: **15 September 2005**  
(56) Related Art Documents: **Not Applicable**  
(57) Statement of Newness and Distinctiveness: **The skirt has a large pleat on the front of which a pocket is attached and which continues around the side of the skirt. Skirt also has a fold over top band.**



- (21) Design Number: **10851/2005**  
(22) Date of Filing Application: **07 March 2005**  
(24) Date from which industrial property rights may have effect: **07 March 2005**  
(54) Product in respect of which the design is registered: **Laundry powder storage container**  
(51) International Design Classification: **09-03NES**  
(71) Name(s) and Address(s) of Applicant(s):  
**Steadysticks Pty Ltd**  
**Unit 3 5-7 Prosperity Parade Warriewood New South Wales 2102 Australia**  
(72) Name(s) of Designer(s): **Tracey Swensen**  
(45) Registration Date: **15 September 2005**  
(56) Related Art Documents: **Not Applicable**  
(57) Statement of Newness and Distinctiveness: **No such container exists to purposely store laundry powder, complete with lid and measuring cup - designed to accommodate concentrate powder.**

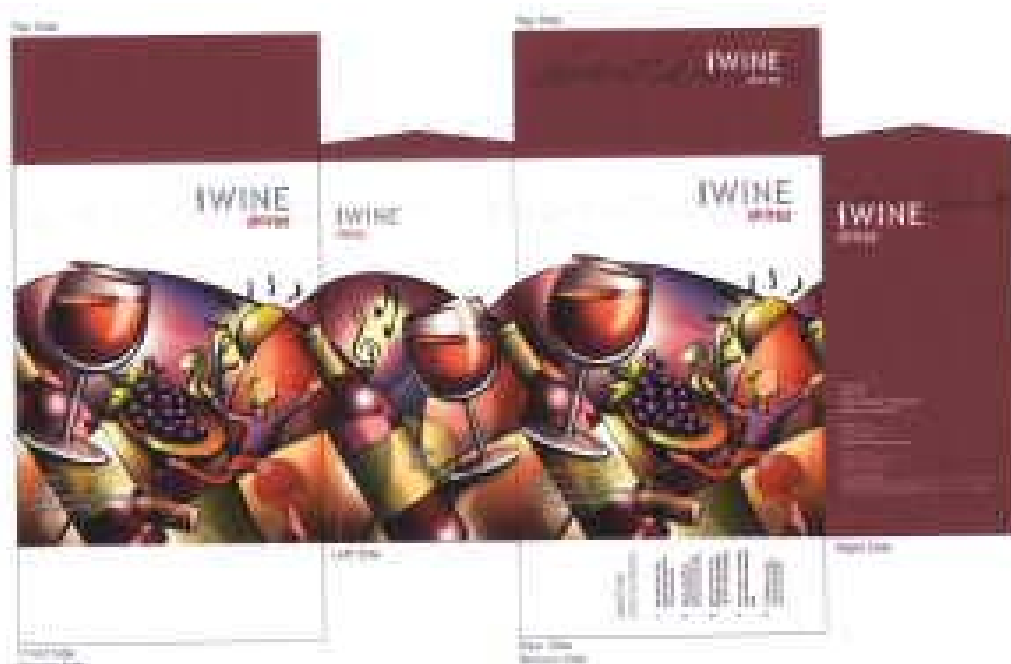




- (21) Design Number: **10866/2005**  
(22) Date of Filing Application: **07 March 2005**  
(24) Date from which industrial property rights may have effect: **07 March 2005**  
(54) Product in respect of which the design is registered: **Cask wine packaging**  
(51) International Design Classification: **09-03NES**  
(71) Name(s) and Address(s) of Applicant(s):

**MD Nivada Pte Ltd**  
**Thomson Road PO Box 153 915706 Singapore**

- (72) Name(s) of Designer(s): **Aik Kian Leow**  
(45) Registration Date: **15 September 2005**  
(56) Related Art Documents: **Not Applicable**  
(57) Statement of Newness and Distinctiveness: **The iWINE packaging design uses a wholly customised illustration as the principal design generator. This original illustration is conceptualized, custom-drawn and rendered to specifically reflect the brand philosophy of iWINE. Vibrant, celebratory, optimism, free-spirited, warmth, cheerful and fun loving are some of the core brand qualities of iWINE that are specifically designed and manifested in this illustration. In addition to the distinctive illustration, the final packaging design employs a refreshing and innovative approach whereby the illustration was drawn and extended to form a continuous image on three vertical sides of the box packaging. This exciting idea was taken even further to consider a continuity of this illustration when two or more products are displayed side by side on the retail shelf, regardless of which side they are displayed. This unique packaging design, together with the highly intricate and customised illustration, has successfully demonstrated iWINE's exclusive brand values and differentiated iWINE products in an innovative, exciting and distinctive way.**



- (21) Design Number: **11299/2005**  
(22) Date of Filing Application: **31 March 2005**  
(24) Date from which industrial property rights may have effect: **31 March 2005**  
(54) Product in respect of which the design is registered: **Tanning spray kit**  
(51) International Design Classification: **08-05L, 28-03NES**  
(71) Name(s) and Address(s) of Applicant(s):

**Earlex Limited**  
**Moorfield Road Slyfield Industrial Estate Guildford Surrey GU1 1RU**  
**United Kingdom**

- (72) Name(s) of Designer(s): **Timothy G. Hopper**  
(45) Registration Date: **15 September 2005**  
(30) Convention priority data:  
(31) Number      (32) Date      (33) Country  
**3019116      18 Oct 2004      UNITED KINGDOM**  
(56) Related Art Documents: **Not Applicable**  
(57) Statement of Newness and Distinctiveness: **Nil**



(21) Design Number: **11407/2005**

(22) Date of Filing Application: **06 April 2005**

(24) Date from which industrial property rights may have effect: **06 April 2005**

(54) Product in respect of which the design is registered: **Food tray**

(51) International Design Classification: **07-01B**

(71) Name(s) and Address(s) of Applicant(s):

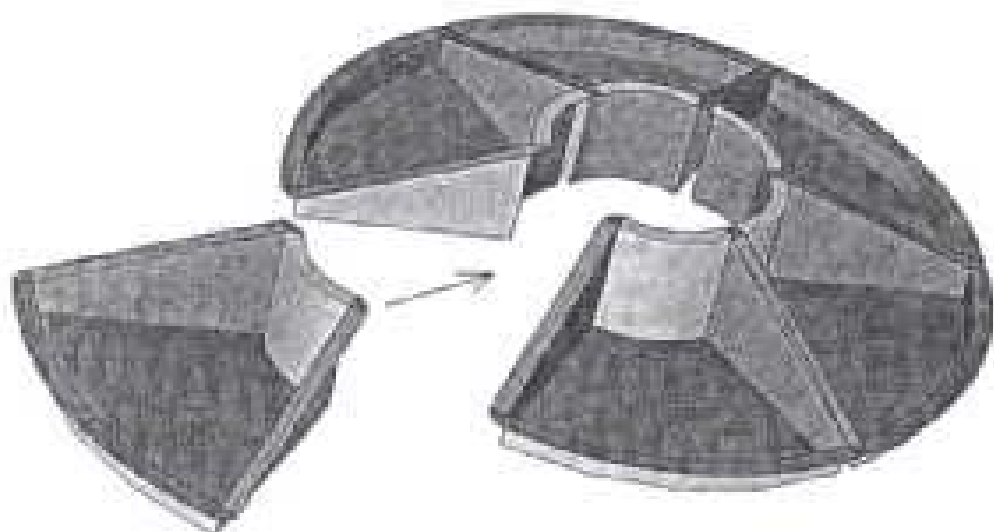
**MQF Pty Limited**  
**Presto Bldg 37-39 Wentworth St Greenacre New South Wales 2190**  
**Australia**

(72) Name(s) of Designer(s): **Laszlo (Les) Knebl**

(45) Registration Date: **15 September 2005**

(56) Related Art Documents: **Not Applicable**

(57) Statement of Newness and Distinctiveness: **Monopoly is claimed in the shape and configuration of the features of the article as depicted in the accompanying representations. The applicant claims monopoly in the features of the article depicted in solid lines.**



(21) Design Number: **11408/2005**

(22) Date of Filing Application: **06 April 2005**

(24) Date from which industrial property rights may have effect: **06 April 2005**

(54) Product in respect of which the design is registered: **Food tray**

(51) International Design Classification: **07-01B**

(71) Name(s) and Address(s) of Applicant(s):

**MQF Pty Limited**  
**Presto Bldg 37-39 Wentworth St Greenacre New South Wales 2190**  
**Australia**

(72) Name(s) of Designer(s): **Laszlo (Les) Knebl**

(45) Registration Date: **15 September 2005**

(56) Related Art Documents: **Not Applicable**

(57) Statement of Newness and Distinctiveness: **Monopoly is claimed in the shape and configuration of the features of the article as depicted in the accompanying representations. The applicant claims monopoly in the features of the article depicted in solid lines.**



(21) Design Number: **11409/2005**

(22) Date of Filing Application: **06 April 2005**

(24) Date from which industrial property rights may have effect: **06 April 2005**

(54) Product in respect of which the design is registered: **Food tray**

(51) International Design Classification: **07-01B**

(71) Name(s) and Address(s) of Applicant(s):

**MQF Pty Limited**

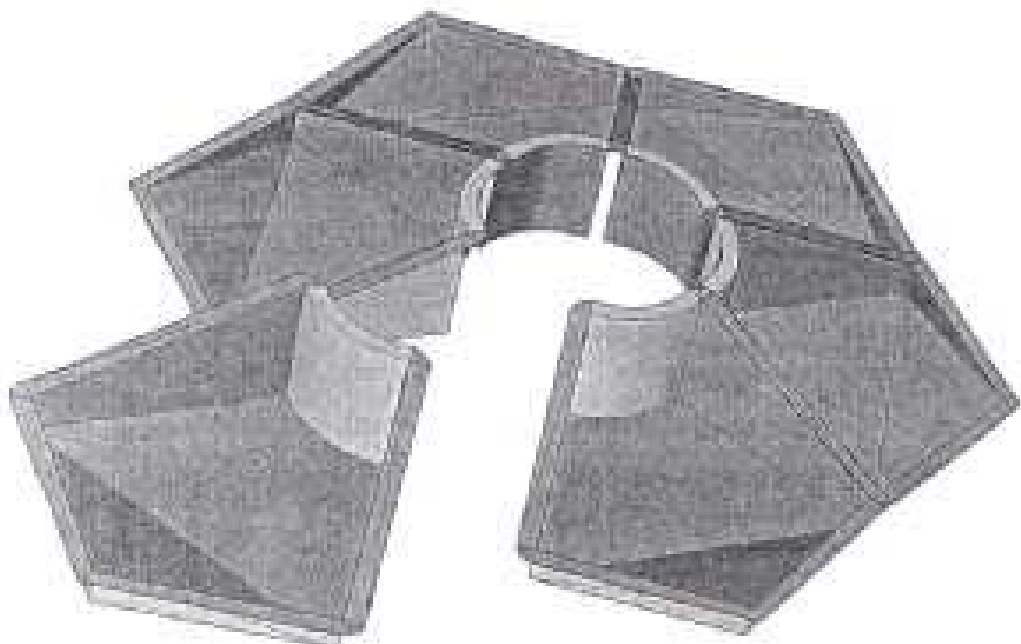
**Presto Bldg 37-39 Wentworth St Greenacre New South Wales 2190  
Australia**

(72) Name(s) of Designer(s): **Laszlo (Les) Knebl**

(45) Registration Date: **15 September 2005**

(56) Related Art Documents: **Not Applicable**

(57) Statement of Newness and Distinctiveness: **Monopoly is claimed in the shape and configuration of the features of the article as depicted in the accompanying representations. The applicant claims monopoly in the features of the article depicted in solid lines.**



(21) Design Number: **11423/2005**

(22) Date of Filing Application: **08 April 2005**

(24) Date from which industrial property rights may have effect: **08 April 2005**

(54) Product in respect of which the design is registered: **Toilet seat tissue cover**

(51) International Design Classification: **23-02C**

(71) Name(s) and Address(s) of Applicant(s):

**Faris Matti Said**

**3/17-19 Thelma Street Liverpool New South Wales 2170 Australia**

**Bahram Behdarvand**

**3/17-19 Thelma Street Liverpool New South Wales 2170 Australia**

(72) Name(s) of Designer(s): **Faris Matti Said and Bahram Behdarvand**

(45) Registration Date: **15 September 2005**

(56) Related Art Documents: **Not Applicable**

(57) Statement of Newness and Distinctiveness: **Nil**



(21) Design Number: **11455/2005**

(22) Date of Filing Application: **11 April 2005**

(24) Date from which industrial property rights may have effect: **11 April 2005**

(54) Product in respect of which the design is registered: **Jacket for nursing mothers**

(51) International Design Classification: **02-02NES**

(71) Name(s) and Address(s) of Applicant(s):

**Julia Booth**

**26 Knox Street Clovelly New South Wales 2031 Australia**

(72) Name(s) of Designer(s): **Julia Booth**

(45) Registration Date: **15 September 2005**

(56) Related Art Documents: **Not Applicable**

(57) Statement of Newness and Distinctiveness: **Each feature of the design considered separately or in combination with any other feature of features.**



(21) Design Number: **11456/2005**

(22) Date of Filing Application: **11 April 2005**

(24) Date from which industrial property rights may have effect: **11 April 2005**

(54) Product in respect of which the design is registered: **Dress for nursing mothers**

(51) International Design Classification: **02-02C**

(71) Name(s) and Address(s) of Applicant(s):

**Julia Booth**

**26 Knox Street Clovelly New South Wales 2031 Australia**

(72) Name(s) of Designer(s): **Julia Booth**

(45) Registration Date: **15 September 2005**

(56) Related Art Documents: **Not Applicable**

(57) Statement of Newness and Distinctiveness: **Each feature of the design considered separately or in combination with any other feature of features.**



- (21) Design Number: **11465/2005**  
(22) Date of Filing Application: **12 April 2005**  
(24) Date from which industrial property rights may have effect: **12 April 2005**  
(54) Product in respect of which the design is registered: **Marine reversing gearbox**  
(51) International Design Classification: **15-01**  
(71) Name(s) and Address(s) of Applicant(s):  
**Colin Robert Zadow**  
**47 O'Neil Road Beaconsfield Victoria 3807 Australia**  
(72) Name(s) of Designer(s): **Colin Robert Zadow and Edward Duignan Thomas and Kenneth Edward Thomas**  
(45) Registration Date: **15 September 2005**  
(56) Related Art Documents: **Not Applicable**  
(57) Statement of Newness and Distinctiveness: **A gearbox providing reverse for inboard powered boats. The gearbox is attached to the engines clutch (either soft clutch or ski clutch) via an adaptor plate to suit.**



- (21) Design Number: **11475/2005**  
(22) Date of Filing Application: **12 April 2005**  
(24) Date from which industrial property rights may have effect: **12 April 2005**  
(54) Product in respect of which the design is registered: **Jewellery stand**  
(51) International Design Classification: **20-02E**  
(71) Name(s) and Address(s) of Applicant(s):  
**Design and Everything Pty Ltd**  
**3 Morris Street Ulladulla New South Wales 2539 Australia**  
(72) Name(s) of Designer(s): **Fiona Mills**  
(45) Registration Date: **15 September 2005**  
(56) Related Art Documents: **Not Applicable**  
(57) Statement of Newness and Distinctiveness: **Newness and distinctiveness is claimed in the features of shape and/or configuration of a jewellery stand as illustrated in the accompanying representations.**



- (21) Design Number: **11525/2005**  
(22) Date of Filing Application: **14 April 2005**  
(24) Date from which industrial property rights may have effect: **14 April 2005**  
(54) Product in respect of which the design is registered: **An air cleaner for an internal-combustion engine**  
(51) International Design Classification: **15-01**  
(71) Name(s) and Address(s) of Applicant(s):  
**Honda Motor Co. Ltd**  
**1-1 Minami-Aoyama 2-Chome Minato-ku Tokyo Japan**  
(72) Name(s) of Designer(s): **Joji Maeda and Masayuki Osumi**  
(45) Registration Date: **15 September 2005**  
(30) Convention priority data:  
(31) Number      (32) Date      (33) Country  
**2004-031407      15 Oct 2004      JAPAN**  
(56) Related Art Documents: **Not Applicable**  
(57) Statement of Newness and Distinctiveness: **Newness and distinctiveness is claimed in the features of shape and/or configuration of an air cleaner for an internal-combustion engine as illustrated in the accompanying representations.**



- (21) Design Number: **11526/2005**  
(22) Date of Filing Application: **14 April 2005**  
(24) Date from which industrial property rights may have effect: **14 April 2005**  
(54) Product in respect of which the design is registered: **A recoil starter for an internal-combustion engine**  
(51) International Design Classification: **15-01**  
(71) Name(s) and Address(s) of Applicant(s):  
**Honda Motor Co. Ltd**  
**1-1 Minami-Aoyama 2-Chome Minato-ku Tokyo Japan**  
(72) Name(s) of Designer(s): **Joji Maeda and Masayuki Osumi**  
(45) Registration Date: **15 September 2005**  
(30) Convention priority data:  
(31) Number      (32) Date      (33) Country  
**2004-031410      15 Oct 2004      JAPAN**  
(56) Related Art Documents: **Not Applicable**  
(57) Statement of Newness and Distinctiveness: **Newness and distinctiveness is claimed in the features of shape and/or configuration of a recoil starter for an internal-combustion engine as illustrated in the accompanying representations.**



- (21) Design Number: **11527/2005**  
(22) Date of Filing Application: **14 April 2005**  
(24) Date from which industrial property rights may have effect: **14 April 2005**  
(54) Product in respect of which the design is registered: **A control panel for an internal-combustion engine**  
(51) International Design Classification: **15-01**  
(71) Name(s) and Address(s) of Applicant(s):  
**Honda Motor Co. Ltd**  
**1-1 Minami-Aoyama 2-Chome Minato-ku Tokyo Japan**  
(72) Name(s) of Designer(s): **Joji Maeda and Masayuki Osumi**  
(45) Registration Date: **15 September 2005**  
(30) Convention priority data:  
(31) Number      (32) Date      (33) Country  
**2004-031411      15 Oct 2004      JAPAN**  
(56) Related Art Documents: **Not Applicable**  
(57) Statement of Newness and Distinctiveness: **Newness and distinctiveness is claimed in the features of shape and/or configuration of a control panel for an internal-combustion engine as illustrated in the accompanying representations.**



- (21) Design Number: **11528/2005**  
(22) Date of Filing Application: **14 April 2005**  
(24) Date from which industrial property rights may have effect: **14 April 2005**  
(54) Product in respect of which the design is registered: **An internal-combustion engine**  
(51) International Design Classification: **15-01**  
(71) Name(s) and Address(s) of Applicant(s):  
**Honda Motor Co. Ltd**  
**1-1 Minami-Aoyama 2-Chome Minato-ku Tokyo Japan**  
(72) Name(s) of Designer(s): **Joji Maeda and Masayuki Osumi**  
(45) Registration Date: **15 September 2005**  
(30) Convention priority data:  
(31) Number      (32) Date      (33) Country  
**2004-031405      15 Oct 2004      JAPAN**  
(56) Related Art Documents: **Not Applicable**  
(57) Statement of Newness and Distinctiveness: **Newness and distinctiveness is claimed in the features of shape and/or configuration of an internal-combustion engine as illustrated in the accompanying representations.**



(21) Design Number: **11529/2005**

(22) Date of Filing Application: **14 April 2005**

(24) Date from which industrial property rights may have effect: **14 April 2005**

(54) Product in respect of which the design is registered: **A muffler protector for an internal-combustion engine**

(51) International Design Classification: **15-01**

(71) Name(s) and Address(s) of Applicant(s):

**Honda Motor Co. Ltd**

**1-1 Minami-Aoyama 2-Chome Minato-ku Tokyo Japan**

(72) Name(s) of Designer(s): **Joji Maeda and Masayuki Osumi**

(45) Registration Date: **15 September 2005**

(30) Convention priority data:

(31) Number  
**2004-031406**

(32) Date  
**15 Oct 2004**

(33) Country  
**JAPAN**

(56) Related Art Documents: **Not Applicable**

(57) Statement of Newness and Distinctiveness: **Newness and distinctiveness is claimed in the features of shape and/or configuration of a muffler protector for an internal-combustion engine as illustrated in the accompanying representations.**



(21) Design Number: **11532/2005**

(22) Date of Filing Application: **14 April 2005**

(24) Date from which industrial property rights may have effect: **14 April 2005**

(54) Product in respect of which the design is registered: **Multifunctional physiotherapy capsule**

(51) International Design Classification: **24-01**

(71) Name(s) and Address(s) of Applicant(s):

**Neoqi AS**

**Piirimae 15 Tanassilma Kula Saku Vald 76401 Harju Maakond Estonia**

(72) Name(s) of Designer(s): **Andri Sinka and Sten Ader**

(45) Registration Date: **15 September 2005**

(30) Convention priority data:

(31) Number  
**D200400114**

(32) Date  
**15 Oct 2004**

(33) Country  
**ESTONIA**

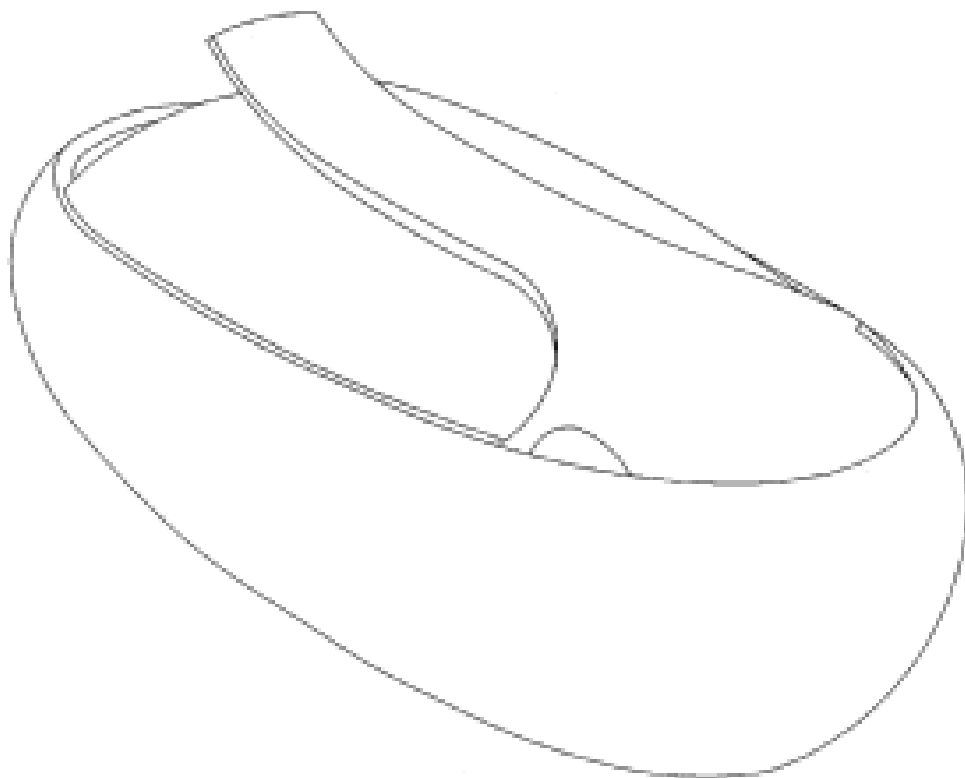
(56) Related Art Documents: **Not Applicable**

(57) Statement of Newness and Distinctiveness: **Nil**





- (21) Design Number: **11533/2005**  
(22) Date of Filing Application: **14 April 2005**  
(24) Date from which industrial property rights may have effect: **14 April 2005**  
(54) Product in respect of which the design is registered: **Multifunctional physiotherapy capsule**  
(51) International Design Classification: **24-01**  
(71) Name(s) and Address(s) of Applicant(s):  
**Neogi AS**  
**Piirimae 15 Tanassilma Kula Saku Vald 76401 Harju Maakond Estonia**  
(72) Name(s) of Designer(s): **Andri Sinka and Sten Ader**  
(45) Registration Date: **15 September 2005**  
(30) Convention priority data:  
(31) Number (32) Date (33) Country  
**D200400114 15 Oct 2004 ESTONIA**  
(56) Related Art Documents: **Not Applicable**  
(57) Statement of Newness and Distinctiveness: **Nil**



- (21) Design Number: **11548/2005**  
(22) Date of Filing Application: **18 April 2005**  
(24) Date from which industrial property rights may have effect: **18 April 2005**  
(54) Product in respect of which the design is registered: **Fridge**  
(51) International Design Classification: **15-07**  
(71) Name(s) and Address(s) of Applicant(s):  
**Duke Trafford Rathjen**  
**53 Devonshire Crescent Old Reynella South Australia 5161 Australia**  
(72) Name(s) of Designer(s): **Duke Trafford Rathjen**  
(45) Registration Date: **15 September 2005**  
(56) Related Art Documents: **Not Applicable**  
(57) Statement of Newness and Distinctiveness: **A fridge painted in any company colour with any company logo place on the front of the fridge and any company name on the side.**



- (21) Design Number: **11549/2005**
- (22) Date of Filing Application: **15 April 2005**
- (24) Date from which industrial property rights may have effect: **15 April 2005**
- (54) Product in respect of which the design is registered: **Folding firewood sawhorse**
- (51) International Design Classification: **08-99**
- (71) Name(s) and Address(s) of Applicant(s):  
**Len Kitson**  
**35 Wolseley Terrace Ascot Park South Australia 5043 Australia**
- (72) Name(s) of Designer(s): **Len Kitson**
- (45) Registration Date: **15 September 2005**
- (56) Related Art Documents: **Not Applicable**
- (57) Statement of Newness and Distinctiveness: **Top rail serves as a foot rest small support allows cutting of short pieces of wood folds flat.**

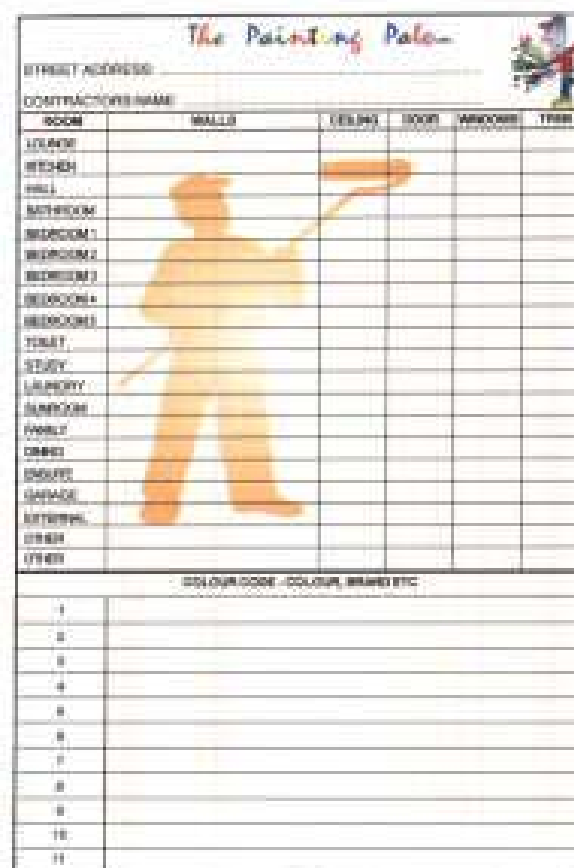


- (21) Design Number: **11553/2005**
- (22) Date of Filing Application: **18 April 2005**
- (24) Date from which industrial property rights may have effect: **18 April 2005**
- (54) Product in respect of which the design is registered: **Bottle**
- (51) International Design Classification: **09-01NES**
- (71) Name(s) and Address(s) of Applicant(s):  
**Fraser and Neave Limited**  
**#21-00 Alexandra Point 438 Alexandra Road 119958 Singapore**
- (72) Name(s) of Designer(s): **Laurent Robin-Prevallee**
- (45) Registration Date: **15 September 2005**
- (30) Convention priority data:

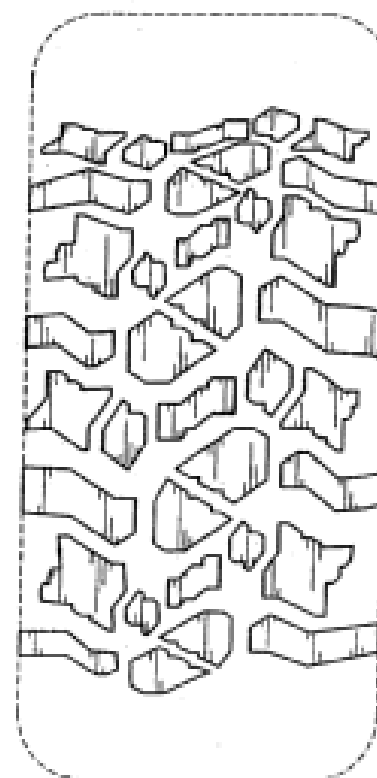
(31) Number	(32) Date	(33) Country
<b>D2005/86/B</b>	<b>25 Jan 2005</b>	<b>SINGAPORE</b>
- (56) Related Art Documents: **Not Applicable**
- (57) Statement of Newness and Distinctiveness: **Newness and distinctiveness in the design as applied to a bottle resides in the shape and/or configuration as shown in the accompanying representations. In assessing newness and distinctiveness, the shape of the petaloid base of the bottle encircled and denoted by "A" should be disregarded.**



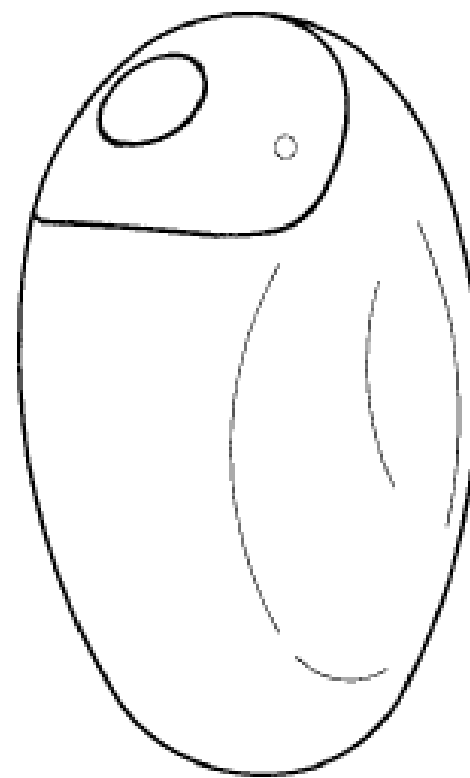
- (21) Design Number: **11571/2005**  
(22) Date of Filing Application: **19 April 2005**  
(24) Date from which industrial property rights may have effect: **19 April 2005**  
(54) Product in respect of which the design is registered: **Paint identification chart**  
(51) International Design Classification: **19-08**  
(71) Name(s) and Address(s) of Applicant(s):  
**Mark Anthony Haslop**  
**5 Albert Street Oberon New South Wales 2787 Australia**  
(72) Name(s) of Designer(s): **Mark Anthony Haslop**  
(45) Registration Date: **15 September 2005**  
(56) Related Art Documents: **Not Applicable**  
(57) Statement of Newness and Distinctiveness: **Self adhesive backing. Grid pattern layout.**



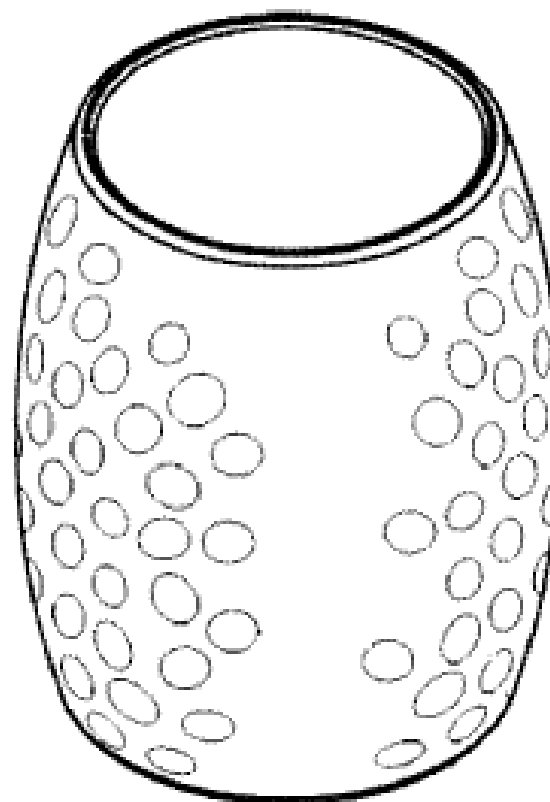
- (21) Design Number: **16039/2004**  
(22) Date of Filing Application: **30 December 2004**  
(24) Date from which industrial property rights may have effect: **30 December 2004**  
(54) Product in respect of which the design is registered: **Tyre**  
(51) International Design Classification: **12-15C**  
(71) Name(s) and Address(s) of Applicant(s):  
**Tire Mart, Inc**  
**1815 Locust Street St Louis Missouri 63103-1797 United States of America**  
(72) Name(s) of Designer(s): **Michael L. Green and Matthew Reedy**  
(45) Registration Date: **15 September 2005**  
(30) Convention priority data:  
(31) Number (32) Date (33) Country  
**29/207,301 01 Jul 2004 UNITED STATES OF AMERICA**  
(56) Related Art Documents: **Not Applicable**  
(57) Statement of Newness and Distinctiveness: **Each feature of the repeating pattern of the design shown in the solid lines considered seperately or in combination with any other feature or features.**



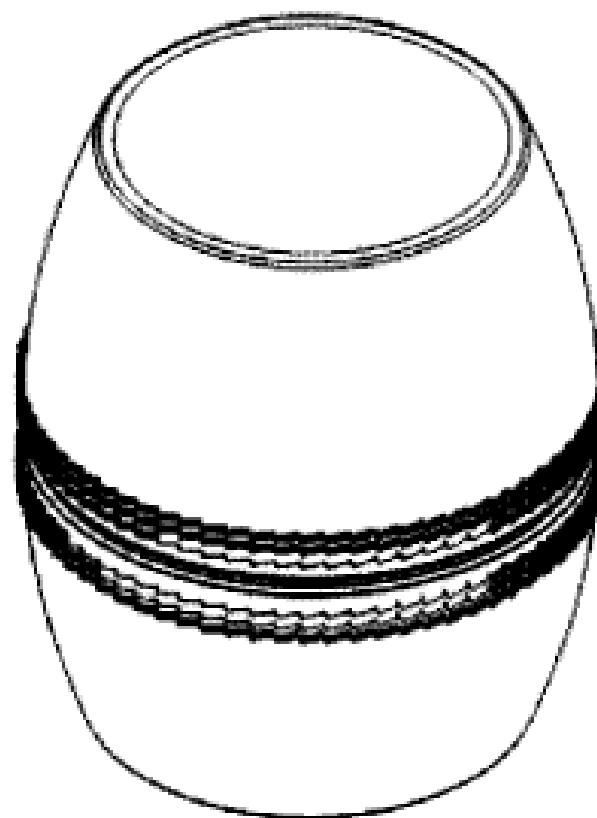
(21) Design Number: **10996/2005**  
(22) Date of Filing Application: **11 March 2005**  
(24) Date from which industrial property rights may have effect: **11 March 2005**  
(54) Product in respect of which the design is registered: **Flask for perfumery products**  
(51) International Design Classification: **09-01G**  
(71) Name(s) and Address(s) of Applicant(s):  
**Kenzo S.A.**  
**1 rue du Pont Neuf 75001 Paris France**  
(72) Name(s) of Designer(s): **Karim Rashid**  
(45) Registration Date: **15 September 2005**  
(30) Convention priority data:  
(31) Number (32) Date (33) Country  
**000227574 16 Sep 2004 EUROPEAN COMMUNITY**  
(56) Related Art Documents: **Not Applicable**  
(57) Statement of Newness and Distinctiveness: **Nil**



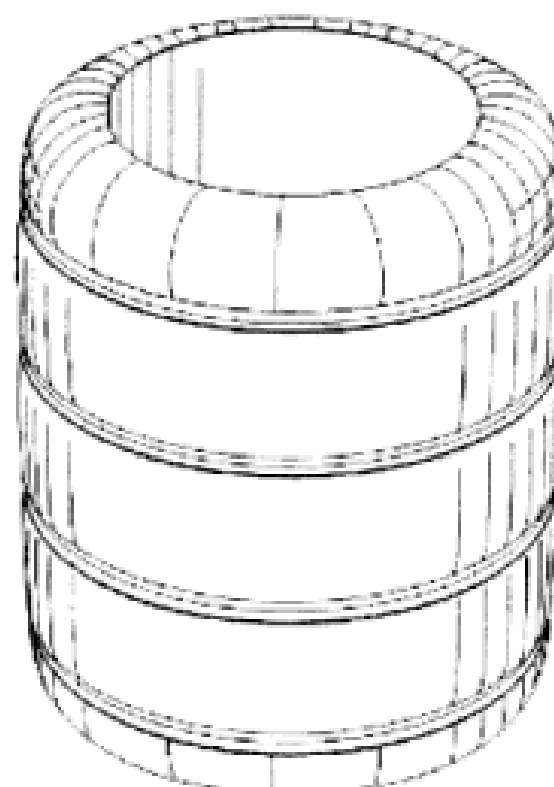
(21) Design Number: **11195/2005**  
(22) Date of Filing Application: **24 March 2005**  
(24) Date from which industrial property rights may have effect: **24 March 2005**  
(54) Product in respect of which the design is registered: **A beverage holder**  
(51) International Design Classification: **07-07A**  
(71) Name(s) and Address(s) of Applicant(s):  
**Coolaballs Pty Ltd**  
**C/-N. Morgan 20 Dalston Street Newmarket Queensland 4051 Australia**  
(72) Name(s) of Designer(s): **Jolyon Reed and Neil Morgan and Glenn Bevan and Caroline Francis and Paul Harrey**  
(45) Registration Date: **15 September 2005**  
(30) Convention priority data:  
(31) Number (32) Date (33) Country  
**29/220,821 22 Dec 2004 UNITED STATES OF AMERICA**  
(56) Related Art Documents: **Not Applicable**  
(57) Statement of Newness and Distinctiveness: **Nil**



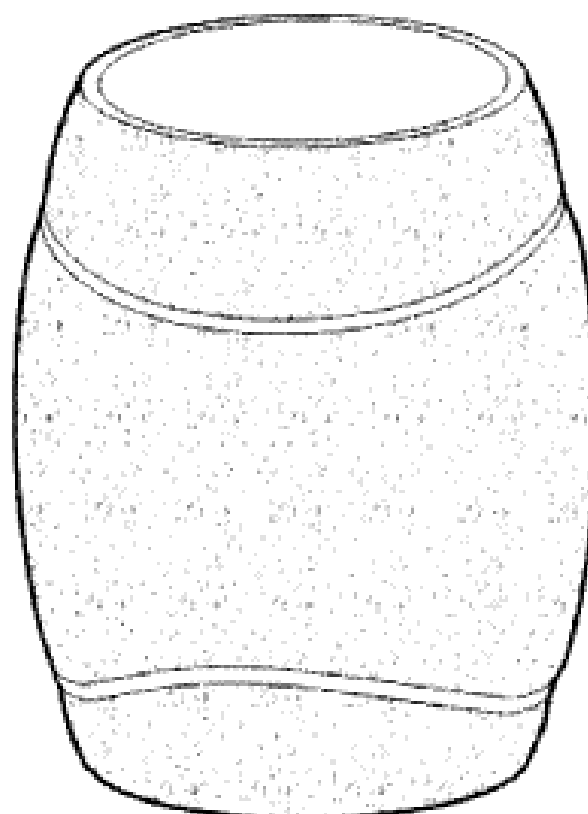
(21) Design Number: **11196/2005**  
(22) Date of Filing Application: **24 March 2005**  
(24) Date from which industrial property rights may have effect: **24 March 2005**  
(54) Product in respect of which the design is registered: **A beverage holder**  
(51) International Design Classification: **07-07A**  
(71) Name(s) and Address(s) of Applicant(s):  
**Coolaballs Pty Ltd**  
**C/-N. Morgan 20 Dalston Street Newmarket Queensland 4051 Australia**  
(72) Name(s) of Designer(s): **Jolyon Reed and Neil Morgan and Glenn Bevan and Caroline Francis and Paul Harrey**  
(45) Registration Date: **15 September 2005**  
(30) Convention priority data:  
(31) Number (32) Date (33) Country  
**29/220,821 22 Dec 2004 UNITED STATES OF AMERICA**  
(56) Related Art Documents: **Not Applicable**  
(57) Statement of Newness and Distinctiveness: **Nil**



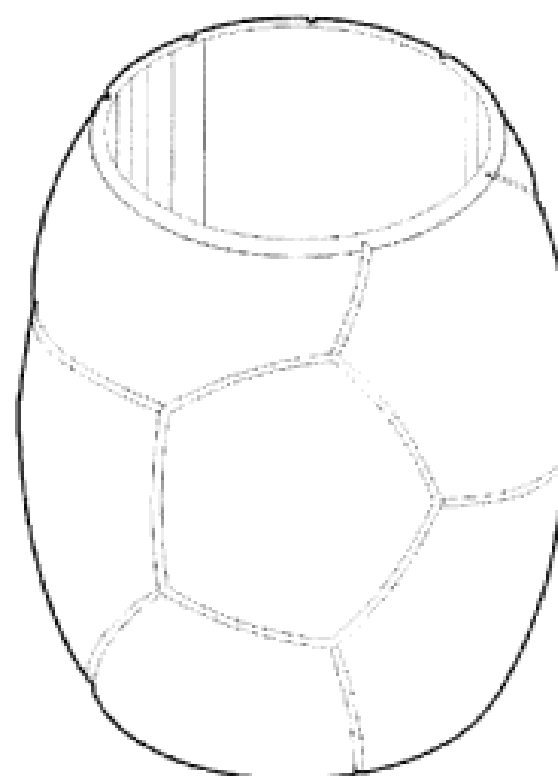
(21) Design Number: **11197/2005**  
(22) Date of Filing Application: **24 March 2005**  
(24) Date from which industrial property rights may have effect: **24 March 2005**  
(54) Product in respect of which the design is registered: **A beverage holder**  
(51) International Design Classification: **07-07A**  
(71) Name(s) and Address(s) of Applicant(s):  
**Coolaballs Pty Ltd**  
**C/-N. Morgan 20 Dalston Street Newmarket Queensland 4051 Australia**  
(72) Name(s) of Designer(s): **Jolyon Reed and Neil Morgan and Glenn Bevan and Caroline Francis and Paul Harrey**  
(45) Registration Date: **15 September 2005**  
(30) Convention priority data:  
(31) Number (32) Date (33) Country  
**29/220,821 22 Dec 2004 UNITED STATES OF AMERICA**  
(56) Related Art Documents: **Not Applicable**  
(57) Statement of Newness and Distinctiveness: **Nil**



(21) Design Number: **11198/2005**  
(22) Date of Filing Application: **24 March 2005**  
(24) Date from which industrial property rights may have effect: **24 March 2005**  
(54) Product in respect of which the design is registered: **A beverage holder**  
(51) International Design Classification: **07-07A**  
(71) Name(s) and Address(s) of Applicant(s):  
**Coolaballs Pty Ltd**  
**C/-N. Morgan 20 Dalston Street Newmarket Queensland 4051 Australia**  
(72) Name(s) of Designer(s): **Jolyon Reed and Neil Morgan and Glenn Bevan and Caroline Francis and Paul Harrey**  
(45) Registration Date: **15 September 2005**  
(30) Convention priority data:  
(31) Number (32) Date (33) Country  
**29/220,821 22 Dec 2004 UNITED STATES OF AMERICA**  
(56) Related Art Documents: **Not Applicable**  
(57) Statement of Newness and Distinctiveness: **Nil**



(21) Design Number: **11199/2005**  
(22) Date of Filing Application: **24 March 2005**  
(24) Date from which industrial property rights may have effect: **24 March 2005**  
(54) Product in respect of which the design is registered: **A beverage holder**  
(51) International Design Classification: **07-07A**  
(71) Name(s) and Address(s) of Applicant(s):  
**Coolaballs Pty Ltd**  
**C/-N. Morgan 20 Dalston Street Newmarket Queensland 4051 Australia**  
(72) Name(s) of Designer(s): **Jolyon Reed and Neil Morgan and Glenn Bevan and Caroline Francis and Paul Harrey**  
(45) Registration Date: **15 September 2005**  
(30) Convention priority data:  
(31) Number (32) Date (33) Country  
**29/220,821 22 Dec 2004 UNITED STATES OF AMERICA**  
(56) Related Art Documents: **Not Applicable**  
(57) Statement of Newness and Distinctiveness: **Nil**



(21) Design Number: **11200/2005**

(22) Date of Filing Application: **24 March 2005**

(24) Date from which industrial property rights may have effect: **24 March 2005**

(54) Product in respect of which the design is registered: **A beverage holder**

(51) International Design Classification: **07-07A**

(71) Name(s) and Address(s) of Applicant(s):

**Coolaballs Pty Ltd**

**C/-N. Morgan 20 Dalston Street Newmarket Queensland 4051 Australia**

(72) Name(s) of Designer(s): **Jolyon Reed and Neil Morgan and Glenn Bevan and Caroline Francis and Paul Harrey**

(45) Registration Date: **15 September 2005**

(30) Convention priority data:

(31) Number

(32) Date

(33) Country

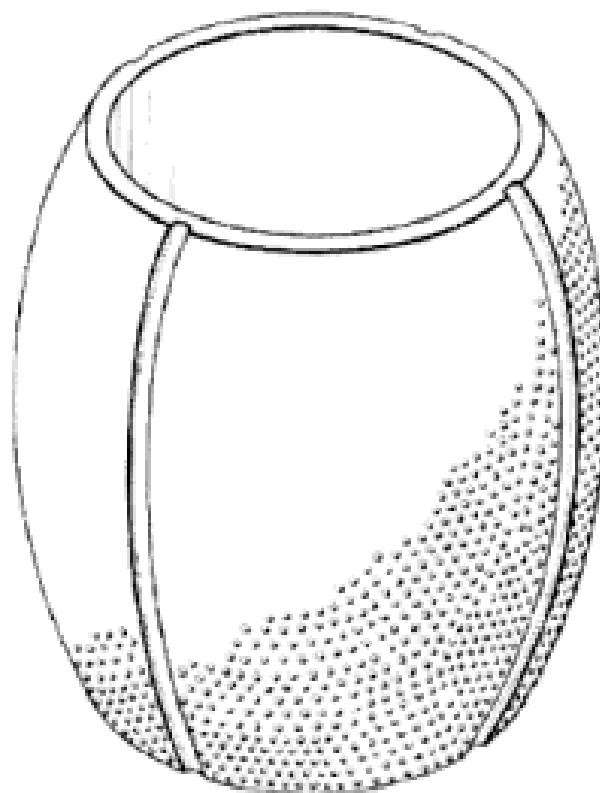
**29/220,821**

**22 Dec 2004**

**UNITED STATES OF AMERICA**

(56) Related Art Documents: **Not Applicable**

(57) Statement of Newness and Distinctiveness: **The particular visual feature of the beverage holder that is to be regarded as new and distinctive is: shape and configuration of the beverage holder without regard to the surface texturing indicated in the representations.**



(21) Design Number: **11329/2005**

(22) Date of Filing Application: **01 April 2005**

(24) Date from which industrial property rights may have effect: **01 April 2005**

(54) Product in respect of which the design is registered: **A network device**

(51) International Design Classification: **14-02**

(71) Name(s) and Address(s) of Applicant(s):

**Cisco Technology Inc.**

**170 West Tasman Drive San Jose California 95134-1706 United States of America**

(72) Name(s) of Designer(s): **Torence Lu and Hsi-Sheng Chen and George Youzhi Yi and Hsu Kuang Hsin and William Jeffrey Lewis**

(45) Registration Date: **15 September 2005**

(30) Convention priority data:

(31) Number

(32) Date

(33) Country

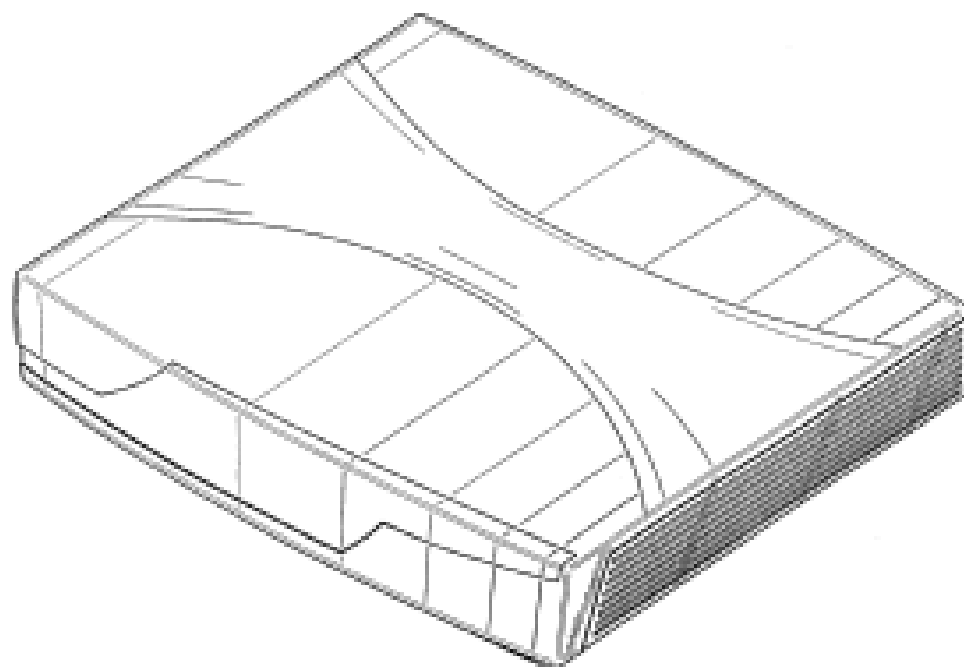
**29214683**

**06 Oct 2004**

**UNITED STATES OF AMERICA**

(56) Related Art Documents: **Not Applicable**

(57) Statement of Newness and Distinctiveness: **Nil**



(21) Design Number: **11380/2005**

(22) Date of Filing Application: **05 April 2005**

(24) Date from which industrial property rights may have effect: **05 April 2005**

(54) Product in respect of which the design is registered: **Pill dispenser**

(51) International Design Classification: **03-01D, 09-03NES**

(71) Name(s) and Address(s) of Applicant(s):

**Reckitt Benckiser Healthcare (UK) Limited**  
**103-105 Bath Road Slough Berkshire SL1 3UH United Kingdom**

(72) Name(s) of Designer(s): **Andrew Howes and Steed Hubbard**

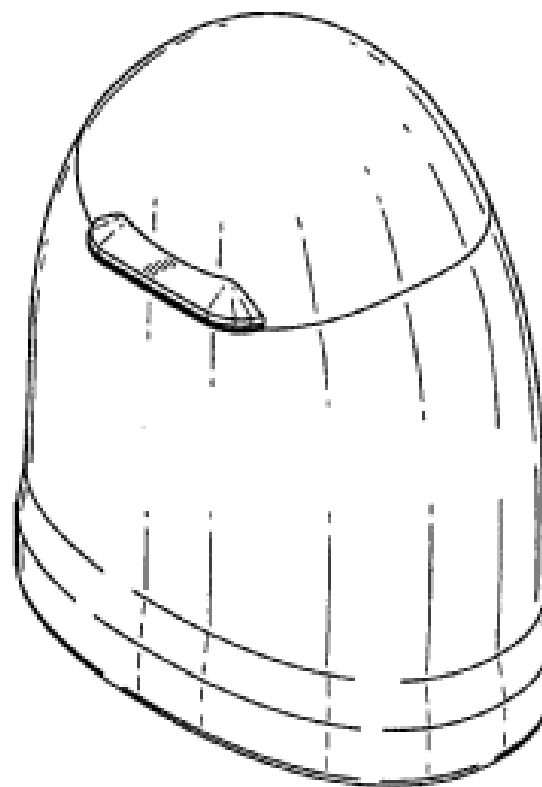
(45) Registration Date: **15 September 2005**

(30) Convention priority data:

(31) Number	(32) Date	(33) Country
<b>000236971</b>	<b>08 Oct 2004</b>	<b>EUROPEAN COMMUNITY</b>

(56) Related Art Documents: **Not Applicable**

(57) Statement of Newness and Distinctiveness: **Each feature of the design considered separately or in combination with any other feature or features.**



(21) Design Number: **11352/2005**

(22) Date of Filing Application: **06 April 2005**

(24) Date from which industrial property rights may have effect: **06 April 2005**

(54) Product in respect of which the design is registered: **Power sander**

(51) International Design Classification: **08-05N**

(71) Name(s) and Address(s) of Applicant(s):

**GMCA Pty Ltd**  
**45-55 South Centre Road Melbourne Airport Victoria 3045 Australia**

(72) Name(s) of Designer(s): **Michael Waldron**

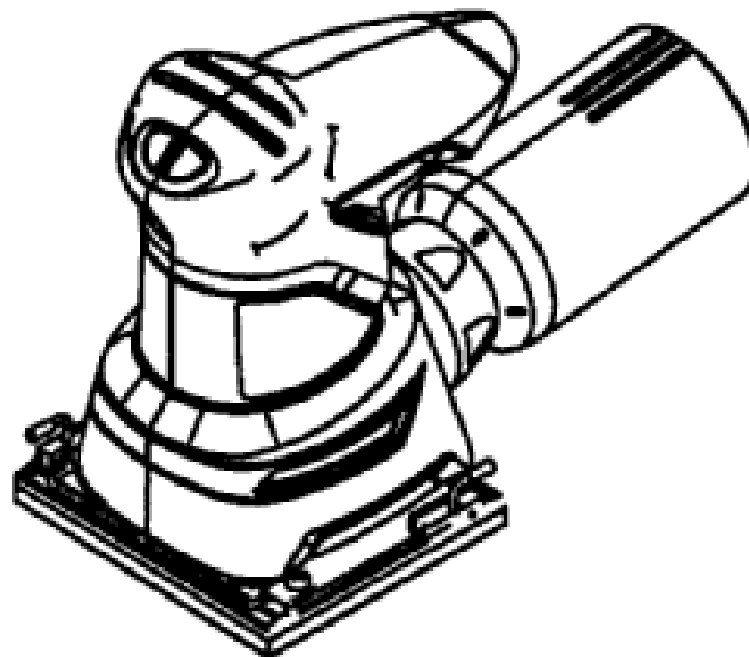
(45) Registration Date: **15 September 2005**

(30) Convention priority data:

(31) Number	(32) Date	(33) Country
<b>000306824</b>	<b>28 Feb 2005</b>	<b>EUROPEAN COMMUNITY</b>

(56) Related Art Documents: **Not Applicable**

(57) Statement of Newness and Distinctiveness: **Newness and distinctiveness reside in the shape and configuration of a power sander as shown in the accompanying representations.**





(21) Design Number: **11353/2005**

(22) Date of Filing Application: **06 April 2005**

(24) Date from which industrial property rights may have effect: **06 April 2005**

(54) Product in respect of which the design is registered: **A power sander**

(51) International Design Classification: **08-05N**

(71) Name(s) and Address(s) of Applicant(s):

**GMCA Pty Ltd**

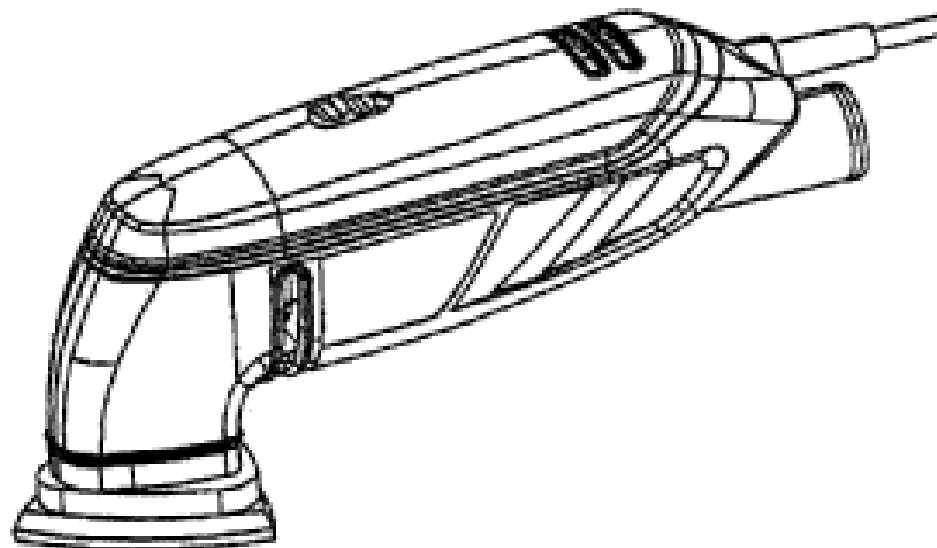
**45-55 South Centre Road Melbourne Airport Victoria 3045 Australia**

(72) Name(s) of Designer(s): **Michael Waldron**

(45) Registration Date: **15 September 2005**

(56) Related Art Documents: **Not Applicable**

(57) Statement of Newness and Distinctiveness: **Newness and distinctiveness reside in the features of shape and configuration of a power sander as shown in the accompanying representations.**



(21) Design Number: **11382/2005**

(22) Date of Filing Application: **05 April 2005**

(24) Date from which industrial property rights may have effect: **05 April 2005**

(54) Product in respect of which the design is registered: **Air conditioner**

(51) International Design Classification: **23-04**

(71) Name(s) and Address(s) of Applicant(s):

**Mitsubishi Denki Kabushiki Kaisha**

**2-3 Marunouchi 2-Chome Chiyoda-Ku Tokyo 100-8310 Japan**

(72) Name(s) of Designer(s): **Yutaka Nikaido and Masataka Nagahori**

(45) Registration Date: **15 September 2005**

(30) Convention priority data:

(31) Number

(32) Date

(33) Country

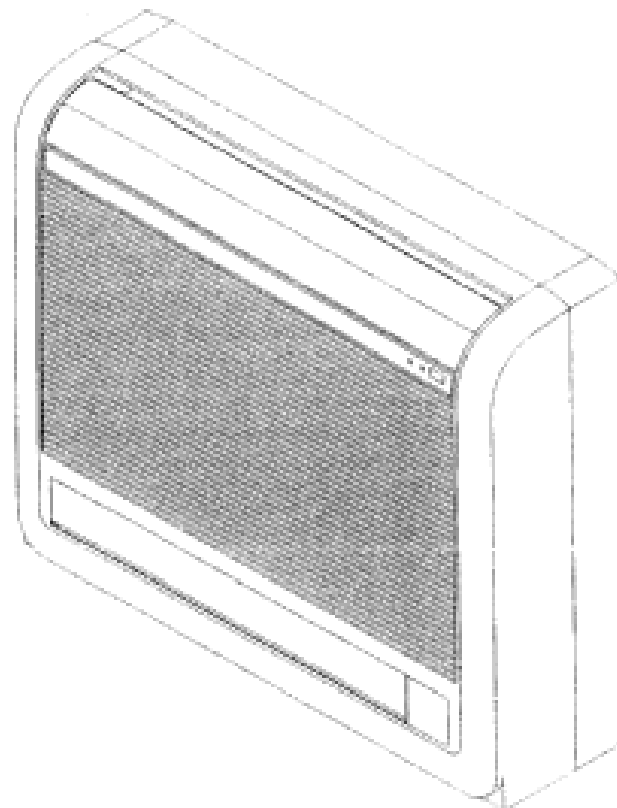
**2004-032299**

**25 Oct 2004**

**JAPAN**

(56) Related Art Documents: **Not Applicable**

(57) Statement of Newness and Distinctiveness: **Nil**



(21) Design Number: **11435/2005**

(22) Date of Filing Application: **07 April 2005**

(24) Date from which industrial property rights may have effect: **07 April 2005**

(54) Product in respect of which the design is registered: **Brassiere drier**

(51) International Design Classification: **07-05D**

(71) Name(s) and Address(s) of Applicant(s):

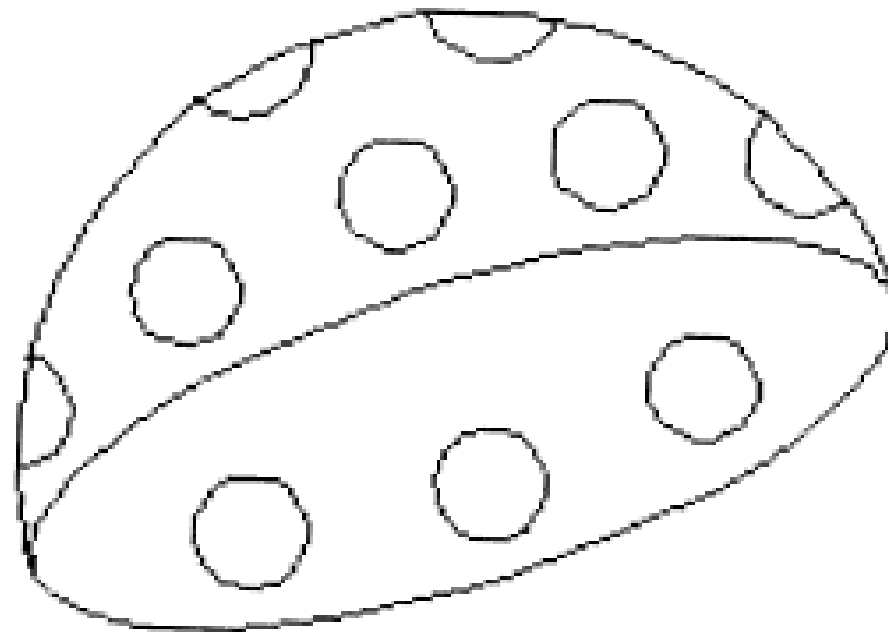
**Rosemary Jannette Francis**  
**7 Norfolk Avenue Ringwood Victoria 3134 Australia**

(72) Name(s) of Designer(s): **Rosemary Jannette Francis**

(45) Registration Date: **15 September 2005**

(56) Related Art Documents: **Not Applicable**

(57) Statement of Newness and Distinctiveness: **Nil**



(21) Design Number: **14523/2004**

(22) Date of Filing Application: **23 September 2004**

(24) Date from which industrial property rights may have effect: **23 September 2004**

(54) Product in respect of which the design is registered: **Garden lawn rake**

(51) International Design Classification: **08-05A**

(71) Name(s) and Address(s) of Applicant(s):

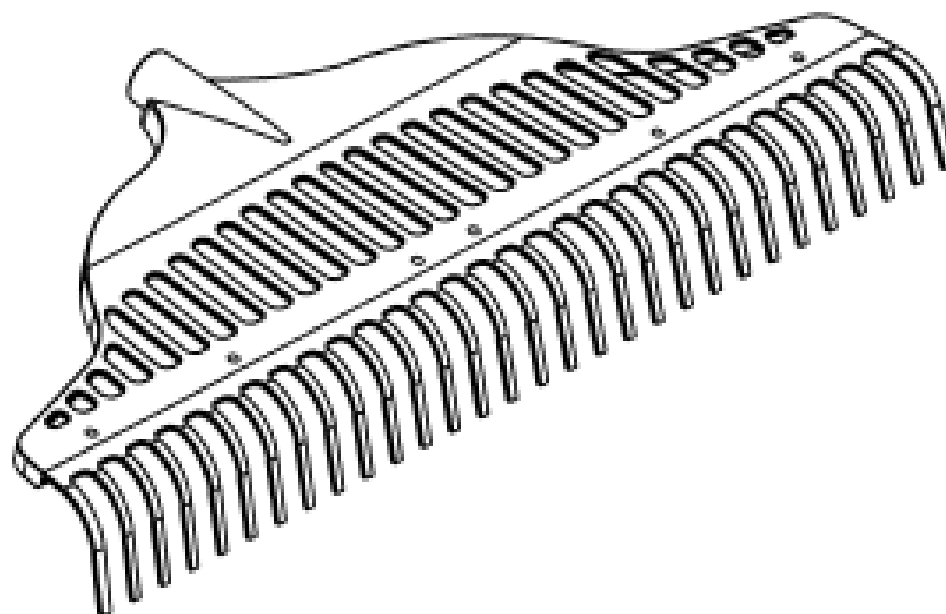
**Douglas Arthur Cooper**  
**5/50 Achievement Way Wangara Western Australia 6065 Australia**

(72) Name(s) of Designer(s): **Douglas Arthur Cooper**

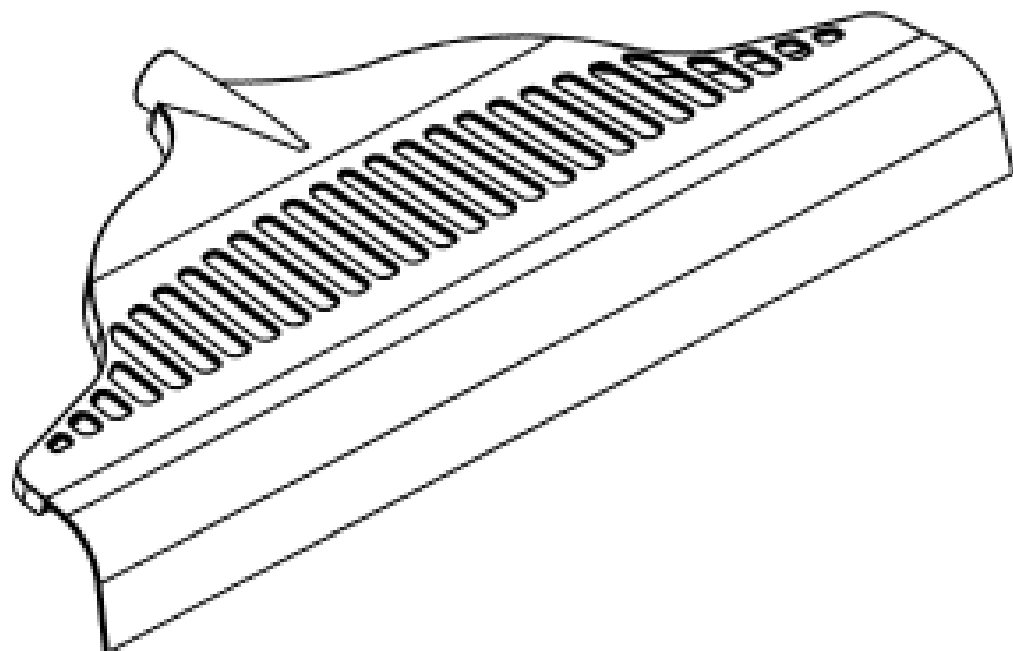
(45) Registration Date: **15 September 2005**

(56) Related Art Documents: **Not Applicable**

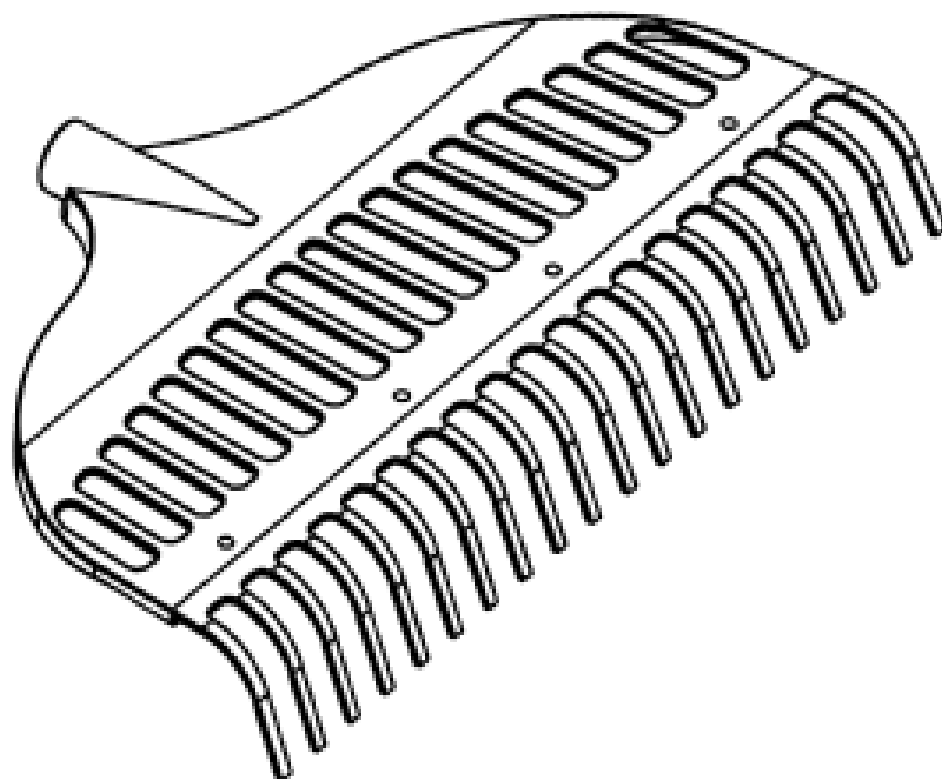
(57) Statement of Newness and Distinctiveness: **The new feature of the design is the shape and configuration of the garden lawn rake.**



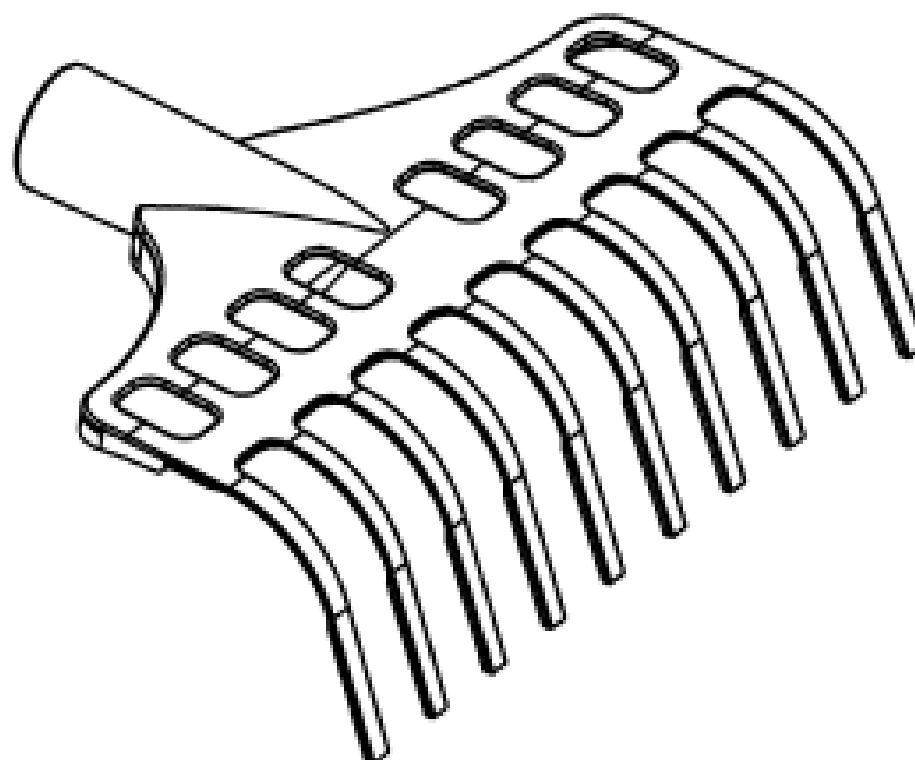
- (21) Design Number: **14524/2004**  
(22) Date of Filing Application: **23 September 2004**  
(24) Date from which industrial property rights may have effect: **23 September 2004**  
(54) Product in respect of which the design is registered: **Garden lawn rake**  
(51) International Design Classification: **08-05A**  
(71) Name(s) and Address(s) of Applicant(s):  
**Douglas Arthur Cooper**  
**5/50 Achievement Way Wangara Western Australia 6065 Australia**  
(72) Name(s) of Designer(s): **Douglas Arthur Cooper**  
(45) Registration Date: **15 September 2005**  
(56) Related Art Documents: **Not Applicable**  
(57) Statement of Newness and Distinctiveness: **The new feature of the design is the shape and configuration of the garden lawn rake.**



- (21) Design Number: **14525/2004**  
(22) Date of Filing Application: **23 September 2004**  
(24) Date from which industrial property rights may have effect: **23 September 2004**  
(54) Product in respect of which the design is registered: **Garden lawn rake**  
(51) International Design Classification: **08-05A**  
(71) Name(s) and Address(s) of Applicant(s):  
**Douglas Arthur Cooper**  
**5/50 Achievement Way Wangara Western Australia 6065 Australia**  
(72) Name(s) of Designer(s): **Douglas Arthur Cooper**  
(45) Registration Date: **15 September 2005**  
(56) Related Art Documents: **Not Applicable**  
(57) Statement of Newness and Distinctiveness: **The new feature of the design is the shape and configuration of the garden lawn rake.**



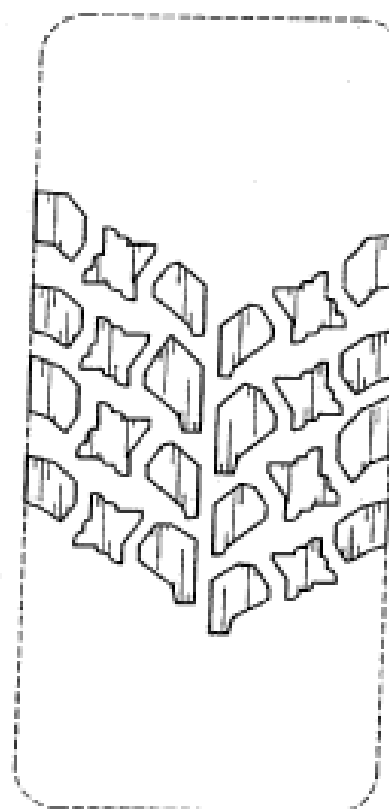
(21) Design Number: **14526/2004**  
 (22) Date of Filing Application: **23 September 2004**  
 (24) Date from which industrial property rights may have effect: **23 September 2004**  
 (54) Product in respect of which the design is registered: **Garden lawn rake**  
 (51) International Design Classification: **08-05A**  
 (71) Name(s) and Address(s) of Applicant(s):  
**Douglas Arthur Cooper**  
**5/50 Achievement Way Wangara Western Australia 6065 Australia**  
 (72) Name(s) of Designer(s): **Douglas Arthur Cooper**  
 (45) Registration Date: **15 September 2005**  
 (56) Related Art Documents: **Not Applicable**  
 (57) Statement of Newness and Distinctiveness: **The new feature of the design is the shape and configuration of the garden lawn rake.**



(21) Design Number: **16040/2004**  
 (22) Date of Filing Application: **30 December 2004**  
 (24) Date from which industrial property rights may have effect: **30 December 2004**  
 (54) Product in respect of which the design is registered: **Tyre**  
 (51) International Design Classification: **12-15C**  
 (71) Name(s) and Address(s) of Applicant(s):  
**Tire Mart, Inc**  
**1815 Locust Street St Louis Missouri 63103-1797 United States of America**  
 (72) Name(s) of Designer(s): **Michael L. Green and Matthew Reedy**  
 (45) Registration Date: **15 September 2005**  
 (30) Convention priority data:  

(31) Number	(32) Date	(33) Country
<b>29/207,303</b>	<b>01 Jul 2004</b>	<b>UNITED STATES OF AMERICA</b>

 (56) Related Art Documents: **Not Applicable**  
 (57) Statement of Newness and Distinctiveness: **Each feature of the repeating pattern of the design shown in the solid lines considered separately or in combination with any other feature or features.**



- (21) Design Number: **16041/2004**
- (22) Date of Filing Application: **30 December 2004**
- (24) Date from which industrial property rights may have effect: **30 December 2004**
- (54) Product in respect of which the design is registered: **Tyre**
- (51) International Design Classification: **12-15C**
- (71) Name(s) and Address(s) of Applicant(s):

**Tire Mart, Inc**  
**1815 Locust Street St Louis Missouri 63103-1797 United States of America**

- (72) Name(s) of Designer(s): **Michael L. Green and Matthew Reedy**

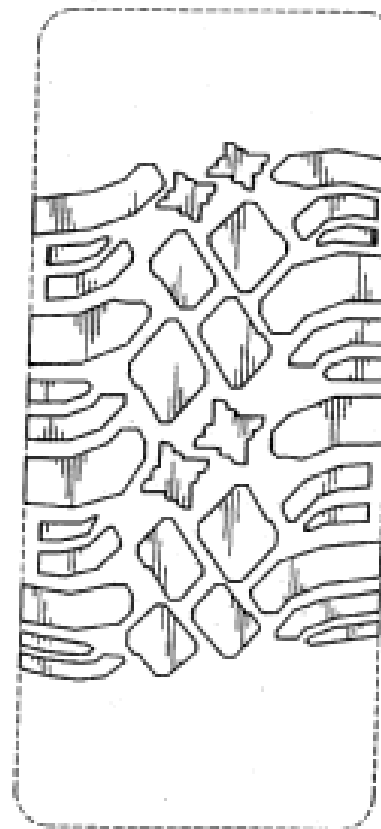
- (45) Registration Date: **15 September 2005**

- (30) Convention priority data:

(31) Number	(32) Date	(33) Country
<b>29/207,304</b>	<b>01 Jul 2004</b>	<b>UNITED STATES OF AMERICA</b>

- (56) Related Art Documents: **Not Applicable**

- (57) Statement of Newness and Distinctiveness: **Each feature of the repeating pattern of the design shown in the solid lines considered separately or in combination with any other feature or features.**



- (21) Design Number: **14152/2004**
- (22) Date of Filing Application: **31 August 2004**
- (24) Date from which industrial property rights may have effect: **31 August 2004**
- (54) Product in respect of which the design is registered: **Storage tank body**
- (51) International Design Classification: **23-01F**
- (71) Name(s) and Address(s) of Applicant(s):

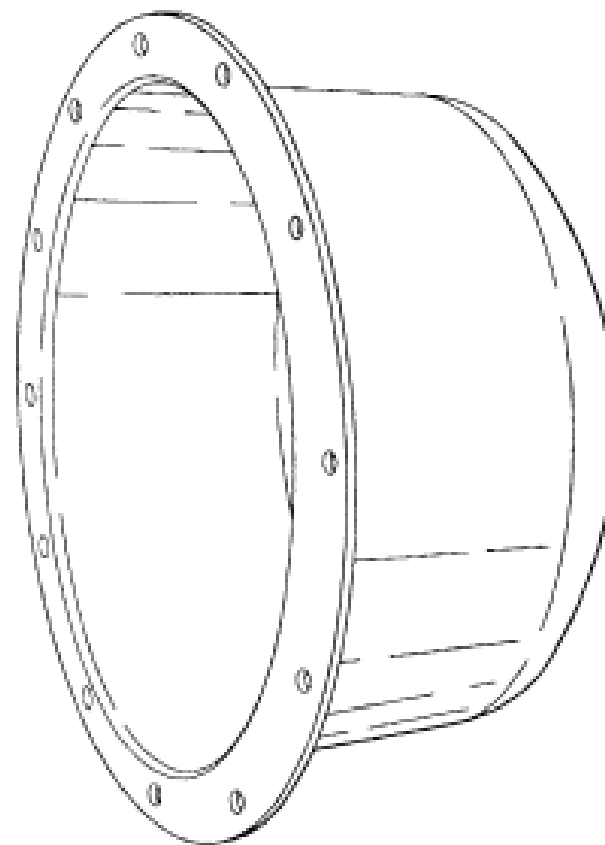
**Ernest Graham Beagley**  
**3 Nalya Close Toronto New South Wales 2283 Australia**

- (72) Name(s) of Designer(s): **Ernest Graham Beagley**

- (45) Registration Date: **20 September 2005**

- (56) Related Art Documents: **Not Applicable**

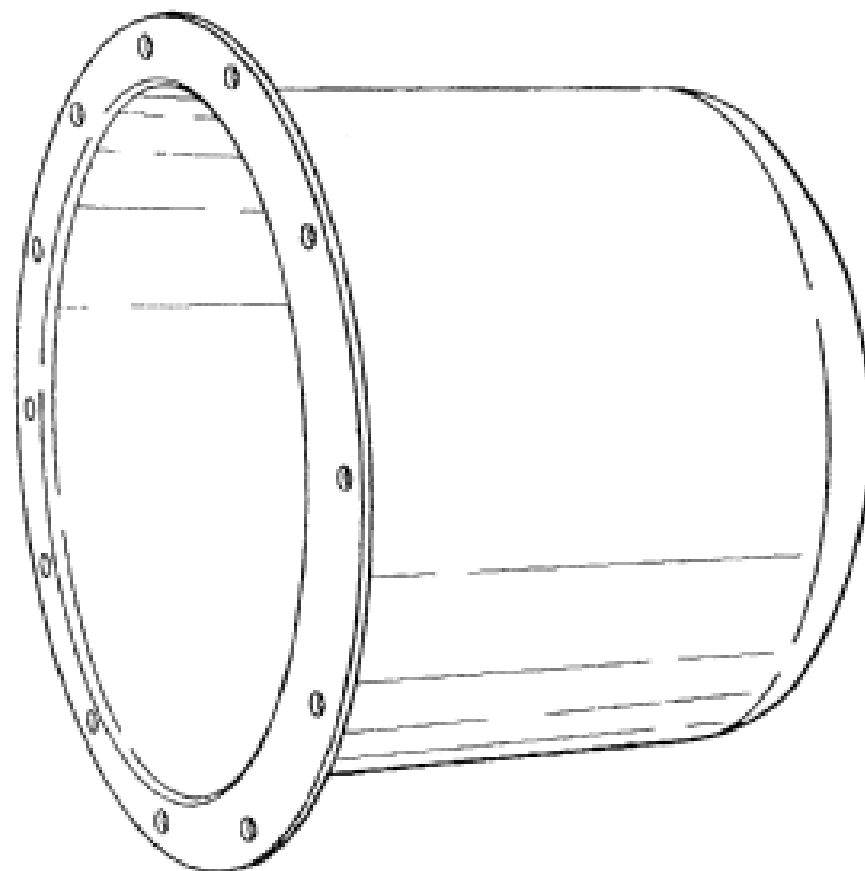
- (57) Statement of Newness and Distinctiveness: **Nil**



- (21) Design Number: **14153/2004**
- (22) Date of Filing Application: **31 August 2004**
- (24) Date from which industrial property rights may have effect: **31 August 2004**
- (54) Product in respect of which the design is registered: **Storage tank body**
- (51) International Design Classification: **23-01F**
- (71) Name(s) and Address(s) of Applicant(s):

**Ernest Graham Beagley**  
**3 Nalya Close Toronto New South Wales 2283 Australia**

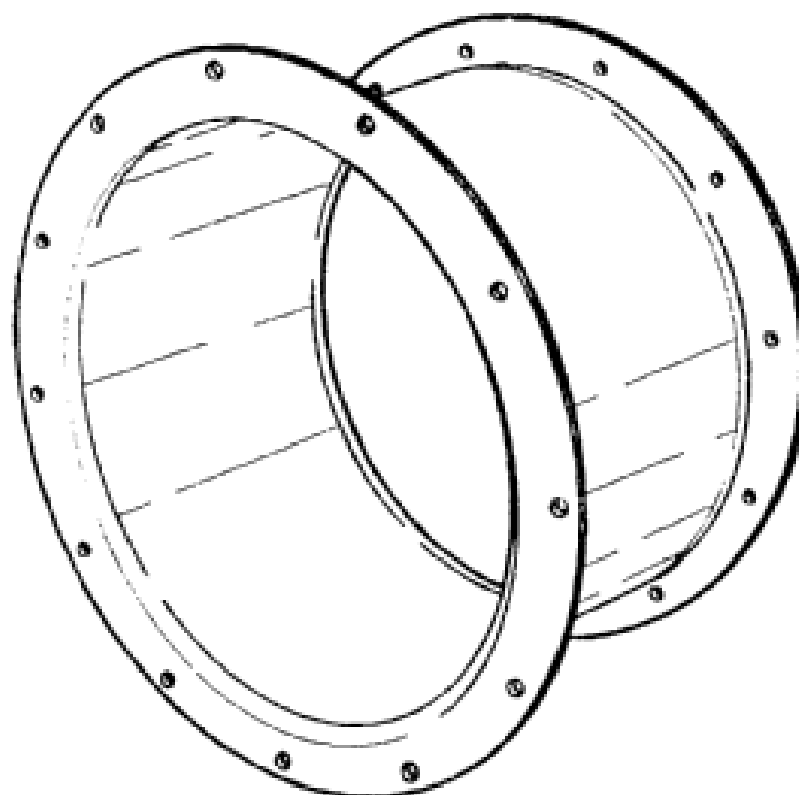
- (72) Name(s) of Designer(s): **Ernest Graham Beagley**
- (45) Registration Date: **20 September 2005**
- (56) Related Art Documents: **Not Applicable**
- (57) Statement of Newness and Distinctiveness: **Nil**



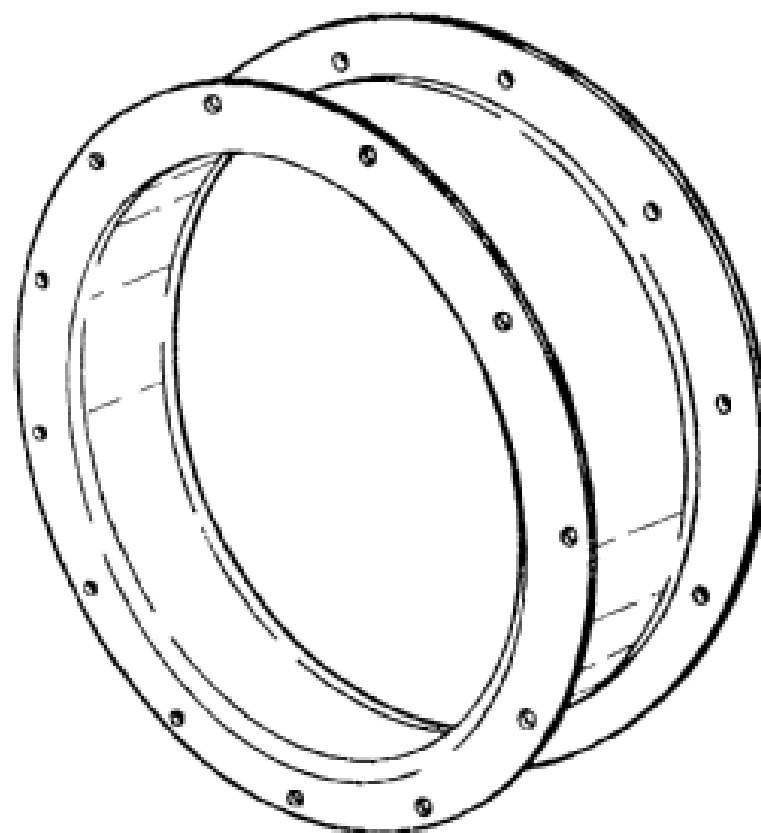
- (21) Design Number: **14154/2004**
- (22) Date of Filing Application: **31 August 2004**
- (24) Date from which industrial property rights may have effect: **31 August 2004**
- (54) Product in respect of which the design is registered: **Storage tank expander module body**
- (51) International Design Classification: **23-01F**
- (71) Name(s) and Address(s) of Applicant(s):

**Ernest Graham Beagley**  
**3 Nalya Close Toronto New South Wales 2283 Australia**

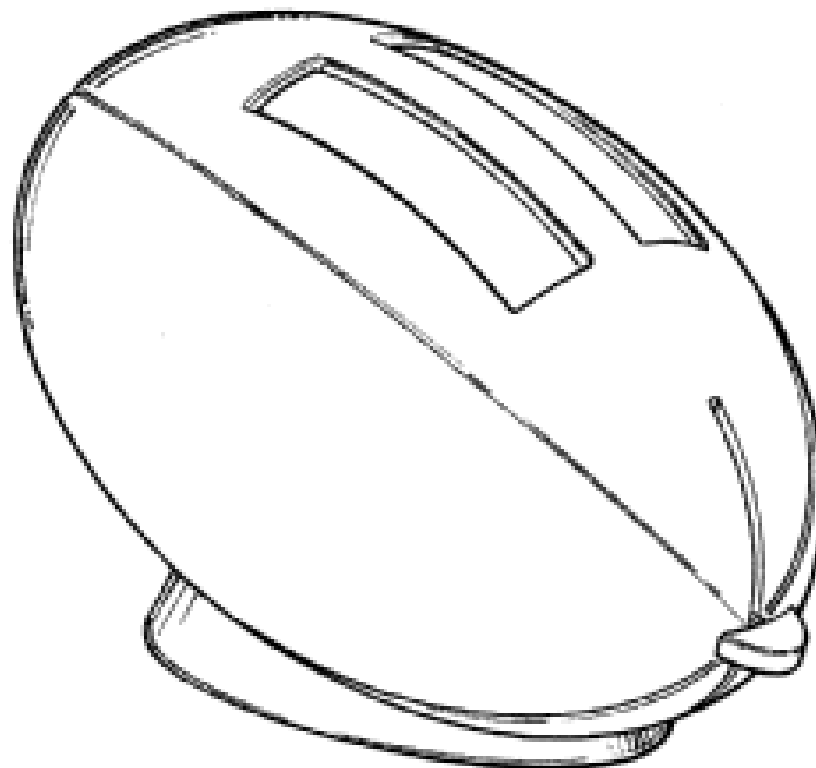
- (72) Name(s) of Designer(s): **Ernest Graham Beagley**
- (45) Registration Date: **20 September 2005**
- (56) Related Art Documents: **Not Applicable**
- (57) Statement of Newness and Distinctiveness: **Nil**



- (21) Design Number: **14155/2004**  
(22) Date of Filing Application: **31 August 2004**  
(24) Date from which industrial property rights may have effect: **31 August 2004**  
(54) Product in respect of which the design is registered: **Storage tank expander module body**  
(51) International Design Classification: **23-01F**  
(71) Name(s) and Address(s) of Applicant(s):  
**Ernest Graham Beagley**  
**3 Nalya Close Toronto New South Wales 2283 Australia**  
(72) Name(s) of Designer(s): **Ernest Graham Beagley**  
(45) Registration Date: **20 September 2005**  
(56) Related Art Documents: **Not Applicable**  
(57) Statement of Newness and Distinctiveness: **Nil**



- (21) Design Number: **15166/2004**  
(22) Date of Filing Application: **05 November 2004**  
(24) Date from which industrial property rights may have effect: **05 November 2004**  
(54) Product in respect of which the design is registered: **A toaster**  
(51) International Design Classification: **07-02F**  
(71) Name(s) and Address(s) of Applicant(s):  
**Moustafa Nassereddine**  
**70 Albert Street Revesby New South Wales 2212 Australia**  
**Hilal Charafeddine**  
**612 Homer Street Kingsgrove New South Wales 2208 Australia**  
(72) Name(s) of Designer(s): **Moustafa Nassereddine and Hilal Charafeddine**  
(45) Registration Date: **20 September 2005**  
(56) Related Art Documents: **Not Applicable**  
(57) Statement of Newness and Distinctiveness: **Nil**



(21) Design Number: **10818/2005**

(22) Date of Filing Application: **03 March 2005**

(24) Date from which industrial property rights may have effect: **03 March 2005**

(54) Product in respect of which the design is registered: **Balustrade**

(51) International Design Classification: **25-02C**

(71) Name(s) and Address(s) of Applicant(s):

**Neil T. Garrad**

**24 Lyon Street Bellingen New South Wales 2454 Australia**

(72) Name(s) of Designer(s): **Neil Thomas Garrad**

(45) Registration Date: **20 September 2005**

(56) Related Art Documents: **Not Applicable**

(57) Statement of Newness and Distinctiveness: **Newness and distinctiveness is claimed in the shape and configuration of the twisted plain wire balustrade as shown in the representation irrespective of height or length.**



(21) Design Number: **11700/2005**

(22) Date of Filing Application: **18 April 2005**

(24) Date from which industrial property rights may have effect: **18 April 2005**

(54) Product in respect of which the design is registered: **Tucked hook and eye shirt**

(51) International Design Classification: **02-02NES**

(71) Name(s) and Address(s) of Applicant(s):

**Review Australia Pty Ltd**

**25-31 Rokeby Street Collingwood Victoria 3066 Australia**

(72) Name(s) of Designer(s): **Jayne Ellis**

(45) Registration Date: **20 September 2005**

(56) Related Art Documents: **Not Applicable**

(57) Statement of Newness and Distinctiveness: **Hook and eye shirt, gathered at the chest.**





- (21) Design Number: **11703/2005**
- (22) Date of Filing Application: **18 April 2005**
- (24) Date from which industrial property rights may have effect: **18 April 2005**
- (54) Product in respect of which the design is registered: **Print knit wrap dress**
- (51) International Design Classification: **02-02C**
- (71) Name(s) and Address(s) of Applicant(s):  
**Review Australia Pty Ltd**  
**25-31 Rokeby Street Collingwood Victoria 3066 Australia**
- (72) Name(s) of Designer(s): **Jayne Ellis**
- (45) Registration Date: **20 September 2005**
- (56) Related Art Documents: **Not Applicable**
- (57) Statement of Newness and Distinctiveness: **Wrap dress with a long wrap tie.**



- (21) Design Number: **11704/2005**
- (22) Date of Filing Application: **18 April 2005**
- (24) Date from which industrial property rights may have effect: **18 April 2005**
- (54) Product in respect of which the design is registered: **Vintage lace shirt**
- (51) International Design Classification: **02-02NES**
- (71) Name(s) and Address(s) of Applicant(s):  
**Review Australia Pty Ltd**  
**25-31 Rokeby Street Collingwood Victoria 3066 Australia**
- (72) Name(s) of Designer(s): **Jayne Ellis**
- (45) Registration Date: **20 September 2005**
- (56) Related Art Documents: **Not Applicable**
- (57) Statement of Newness and Distinctiveness: **Shirt with vintage lace panels, and high collar.**



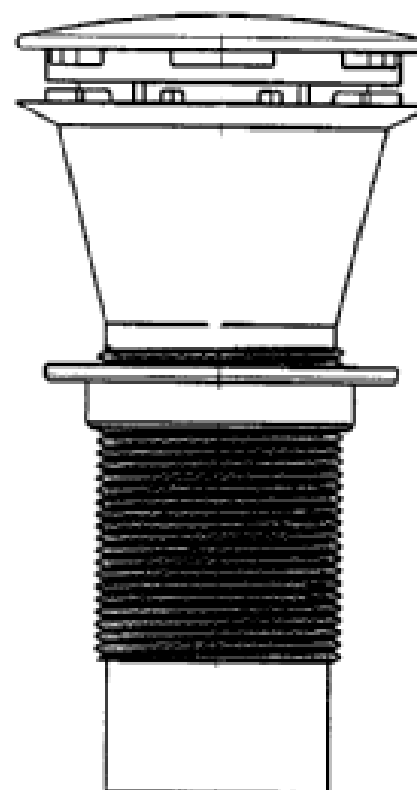
- (21) Design Number: **11714/2005**  
(22) Date of Filing Application: **18 April 2005**  
(24) Date from which industrial property rights may have effect: **18 April 2005**  
(54) Product in respect of which the design is registered: **Crochet trim crop cardigan**  
(51) International Design Classification: **02-02NES**  
(71) Name(s) and Address(s) of Applicant(s):  
**Review Australia Pty Ltd**  
**25-31 Rokeby Street Collingwood Victoria 3066 Australia**  
(72) Name(s) of Designer(s): **Jayne Ellis**  
(45) Registration Date: **20 September 2005**  
(56) Related Art Documents: **Not Applicable**  
(57) Statement of Newness and Distinctiveness: **Cropped crochet cardigan with fluffy crochet trim.**



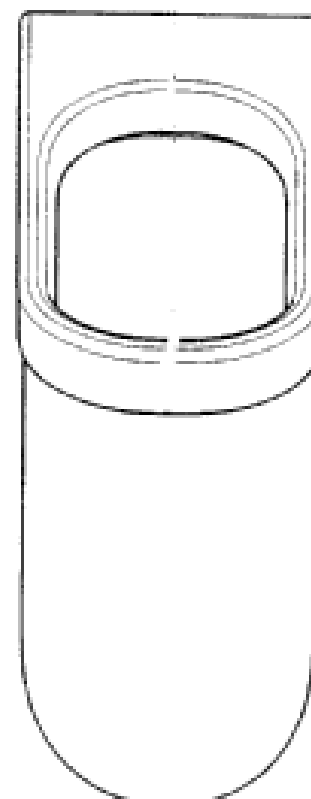
- (21) Design Number: **10806/2005**  
(22) Date of Filing Application: **02 March 2005**  
(24) Date from which industrial property rights may have effect: **02 March 2005**  
(54) Product in respect of which the design is registered: **Mobile home/caravan TV aerial**  
(51) International Design Classification: **14-03NES**  
(71) Name(s) and Address(s) of Applicant(s):  
**Hans Franke**  
**72/108 Elizabeth Bay Road Elizabeth Bay New South Wales 2011 Australia**  
(72) Name(s) of Designer(s): **Hans Franke**  
(45) Registration Date: **20 September 2005**  
(56) Related Art Documents: **Not Applicable**  
(57) Statement of Newness and Distinctiveness: **Low cost, low tech functionality.**



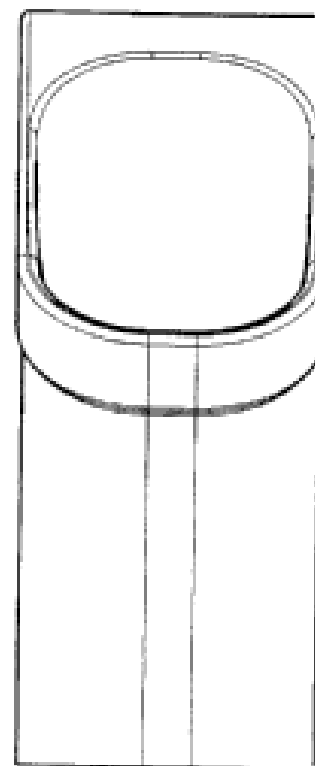
- (21) Design Number: **15284/2004**  
(22) Date of Filing Application: **15 November 2004**  
(24) Date from which industrial property rights may have effect: **15 November 2004**  
(54) Product in respect of which the design is registered: **A valve cartridge for a waterless urinal**  
(51) International Design Classification: **23-02C**  
(71) Name(s) and Address(s) of Applicant(s):  
**Caroma Industries Limited**  
**Level 3 159 Coronation Drive Milton Queensland 4064 Australia**  
(72) Name(s) of Designer(s): **Stephen John Cummings**  
(45) Registration Date: **20 September 2005**  
(56) Related Art Documents: **Not Applicable**  
(57) Statement of Newness and Distinctiveness: **Newness and distinctiveness is claimed in the features of shape and/or configuration of a valve cartridge for a waterless urinal as illustrated in the accompanying representations.**



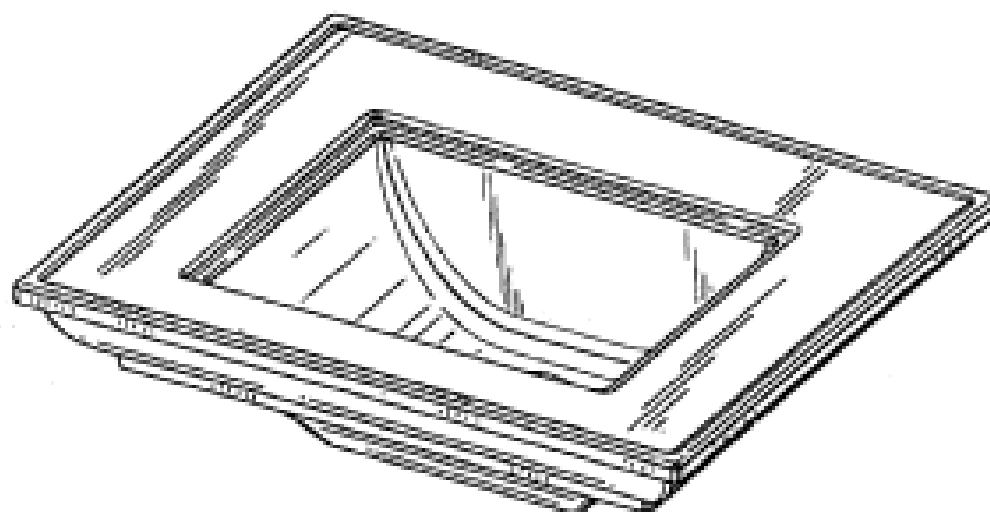
- (21) Design Number: **15285/2004**  
(22) Date of Filing Application: **15 November 2004**  
(24) Date from which industrial property rights may have effect: **15 November 2004**  
(54) Product in respect of which the design is registered: **A waterless urinal**  
(51) International Design Classification: **23-02C**  
(71) Name(s) and Address(s) of Applicant(s):  
**Caroma Industries Limited**  
**Level 3 159 Coronation Drive Milton Queensland 4064 Australia**  
(72) Name(s) of Designer(s): **Stephen John Cummings**  
(45) Registration Date: **20 September 2005**  
(56) Related Art Documents: **Not Applicable**  
(57) Statement of Newness and Distinctiveness: **Newness and distinctiveness is claimed in the features of shape and/or configuration of a waterless urinal as illustrated in the accompanying representations.**



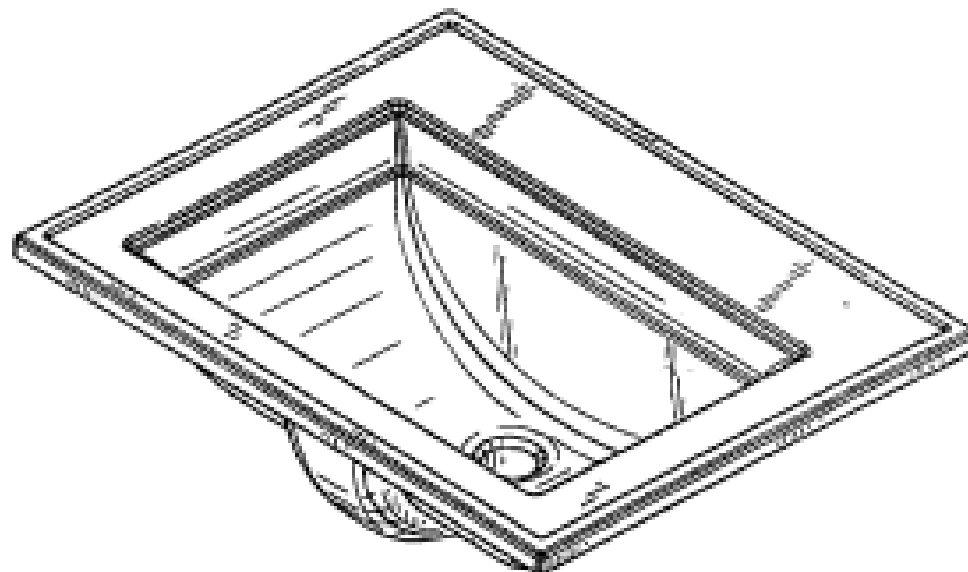
(21) Design Number: **15286/2004**  
(22) Date of Filing Application: **15 November 2004**  
(24) Date from which industrial property rights may have effect: **15 November 2004**  
(54) Product in respect of which the design is registered: **A waterless urinal**  
(51) International Design Classification: **23-02C**  
(71) Name(s) and Address(s) of Applicant(s):  
**Caroma Industries Limited**  
**Level 3 159 Coronation Drive Milton Queensland 4064 Australia**  
(72) Name(s) of Designer(s): **Stephen John Cummings**  
(45) Registration Date: **20 September 2005**  
(56) Related Art Documents: **Not Applicable**  
(57) Statement of Newness and Distinctiveness: **Newness and distinctiveness is claimed in the features of shape and/or configuration of a waterless urinal as illustrated in the accompanying representations.**



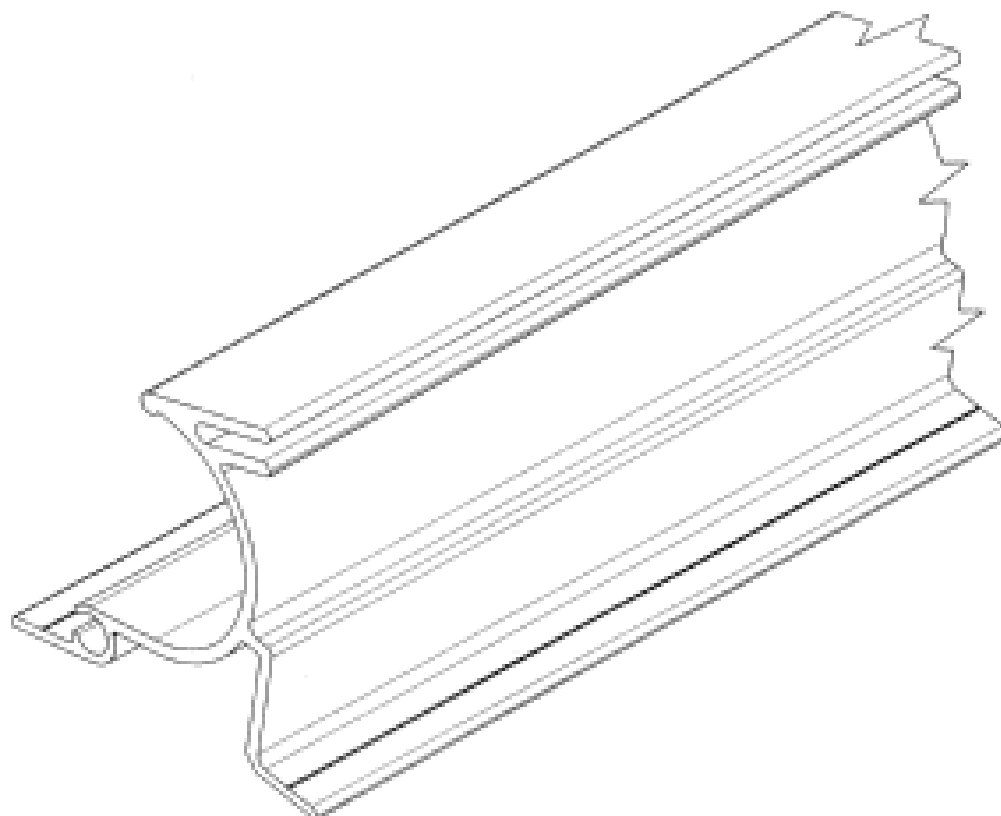
(21) Design Number: **10450/2005**  
(22) Date of Filing Application: **04 February 2005**  
(24) Date from which industrial property rights may have effect: **04 February 2005**  
(54) Product in respect of which the design is registered: **Hand basin**  
(51) International Design Classification: **23-02F**  
(71) Name(s) and Address(s) of Applicant(s):  
**Kohler Co.**  
**444 Highland Drive Kohler WI 53044 United States of America**  
(72) Name(s) of Designer(s): **Elise A. Sutopo**  
(45) Registration Date: **20 September 2005**  
(30) Convention priority data:  
(31) Number      (32) Date      (33) Country  
**29/210642      04 Aug 2004      UNITED STATES OF AMERICA**  
(56) Related Art Documents: **Not Applicable**  
(57) Statement of Newness and Distinctiveness: **Nil**



(21) Design Number: **10451/2005**  
(22) Date of Filing Application: **04 February 2005**  
(24) Date from which industrial property rights may have effect: **04 February 2005**  
(54) Product in respect of which the design is registered: **Hand basin**  
(51) International Design Classification: **23-02F**  
(71) Name(s) and Address(s) of Applicant(s):  
**Kohler Co.**  
**444 Highland Drive Kohler WI 53044 United States of America**  
(72) Name(s) of Designer(s): **Elise A. Sutopo**  
(45) Registration Date: **20 September 2005**  
(30) Convention priority data:  
(31) Number (32) Date (33) Country  
**29/210,643 04 Aug 2004 UNITED STATES OF AMERICA**  
(56) Related Art Documents: **Not Applicable**  
(57) Statement of Newness and Distinctiveness: **Nil**



(21) Design Number: **10456/2005**  
(22) Date of Filing Application: **04 February 2005**  
(24) Date from which industrial property rights may have effect: **04 February 2005**  
(54) Product in respect of which the design is registered: **Extrusion**  
(51) International Design Classification: **25-01K**  
(71) Name(s) and Address(s) of Applicant(s):  
**Byrne Trailer Manufacturing (Wagga Wagga) Pty Limited**  
**278 Hammond Avenue Wagga Wagga New South Wales 2650**  
**Australia**  
(72) Name(s) of Designer(s): **Laurence Michael Byrne**  
(45) Registration Date: **20 September 2005**  
(56) Related Art Documents: **Not Applicable**  
(57) Statement of Newness and Distinctiveness: **The particular visual features of the design which are new and distinctive comprise the cross section of an extrusion of indefinite length.**



(19) AU

(21) Design Number: 10459/2005

(22) Date of Filing Application: 04 February 2005

(24) Date from which industrial property rights may have effect: 04 February 2005

(54) Product in respect of which the design is registered: Game machine

(51) International Design Classification: 21-03

(71) Name(s) and Address(s) of Applicant(s):

**Aruze Corporation**

**Ariake Frontier Bldg. A 1-25 Ariake 3-chome Koto-ku Tokyo 135-0063  
Japan**

(72) Name(s) of Designer(s): Jun Hirato and Yu Suzuki

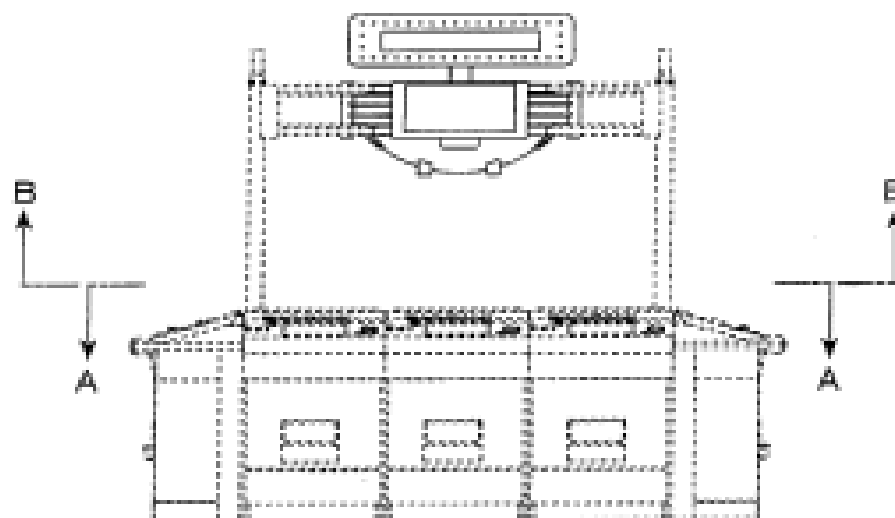
(45) Registration Date: 20 September 2005

(30) Convention priority data:

(31) Number	(32) Date	(33) Country
D2004-037901	10 Dec 2004	JAPAN

(56) Related Art Documents: Not Applicable

(57) Statement of Newness and Distinctiveness: **Newness and distinctiveness resides in the features of shape and/or configuration applied to a game machine as depicted in the accompanying representations. It is to be noted that those features shown in broken line do not constitute part of the claimed design.**



(19) AU

(21) Design Number: 10460/2005

(22) Date of Filing Application: 04 February 2005

(24) Date from which industrial property rights may have effect: 04 February 2005

(54) Product in respect of which the design is registered: Hat

(51) International Design Classification: 02-03

(71) Name(s) and Address(s) of Applicant(s):

**Naomi Englander**

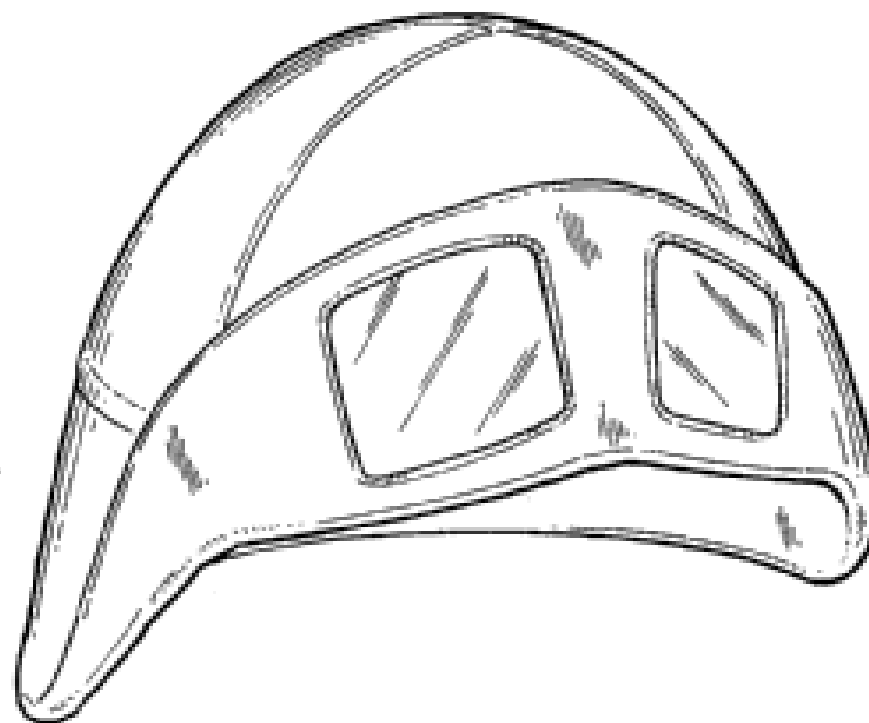
**44 Cromwell Street North Caulfield Victoria 3161 Australia**

(72) Name(s) of Designer(s): Naomi Englander

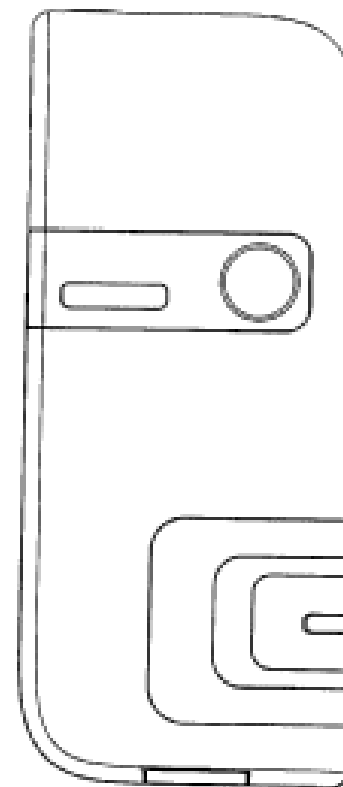
(45) Registration Date: 20 September 2005

(56) Related Art Documents: Not Applicable

(57) Statement of Newness and Distinctiveness: Nil



(21) Design Number: **10579/2005**  
(22) Date of Filing Application: **15 February 2005**  
(24) Date from which industrial property rights may have effect: **15 February 2005**  
(54) Product in respect of which the design is registered: **A back cover for a handset**  
(51) International Design Classification: **14-03A**  
(71) Name(s) and Address(s) of Applicant(s):  
**Nokia Corporation**  
**Keilalahdentie 4 FIN-02150 Espoo Finland**  
(72) Name(s) of Designer(s): **Shunjiro Eguchi**  
(45) Registration Date: **20 September 2005**  
(30) Convention priority data:  
(31) Number (32) Date (33) Country  
**29211455 17 Aug 2004 UNITED STATES OF AMERICA**  
(56) Related Art Documents: **Not Applicable**  
(57) Statement of Newness and Distinctiveness: **Nil**



(21) Design Number: **10580/2005**  
(22) Date of Filing Application: **15 February 2005**  
(24) Date from which industrial property rights may have effect: **15 February 2005**  
(54) Product in respect of which the design is registered: **A front cover for a handset**  
(51) International Design Classification: **14-03A**  
(71) Name(s) and Address(s) of Applicant(s):  
**Nokia Corporation**  
**Keilalahdentie 4 FIN-02150 Espoo Finland**  
(72) Name(s) of Designer(s): **Shunjiro Eguchi**  
(45) Registration Date: **20 September 2005**  
(30) Convention priority data:  
(31) Number (32) Date (33) Country  
**29211455 17 Aug 2004 UNITED STATES OF AMERICA**  
(56) Related Art Documents: **Not Applicable**  
(57) Statement of Newness and Distinctiveness: **Nil**

