

Australian Government

IP Australia

AUSTRALIAN OFFICIAL JOURNAL

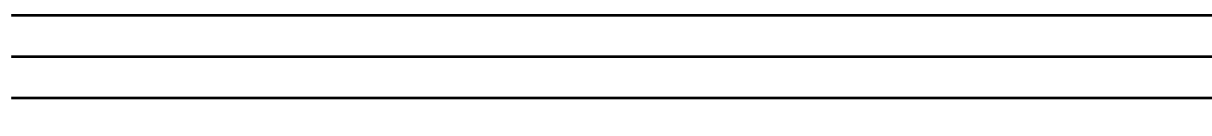
OF

DESIGNS

Did you know a searchable version of this journal is now available online?
It's FREE and EASY to SEARCH.

Find it at

<http://pericles.ipaustralia.gov.au/ols/epublish/content/olsEpublications.jsp>
or using the "Online Journals" link on the IP Australia home page.



This Page Left Intentionally Blank

Contents

General Information & Notices

Proceedings Under the Designs Act 1906 preserved as a result of the provisions of Chapter 12 Part 2 of the Designs Act 2003

Application for Extension of Period of Registration	2562
Extension of Period of Registration of Designs	2562
Extensions of Time Granted	2563
Names Registered - Alterations and Amendments	2564
Registration Proceedings	
Registration Number Range 158301 to 158332	2565
Registrations Ceased	2563
Subsequent Owners Registered	2563

Proceedings Under the Designs Act 2003

Applications Assigned	2590
Applications Lapsed	2589
Applications Lodged	2585
Applications Withdrawn	2589
Certificate of Examination	2591
Publication and Registration Proceedings	
Designs Registered 303269 to 303320	2592
Subsequent Owners Registered	2590

This Page Left Intentionally Blank

General Information

EDITORIAL ENQUIRIES

All enquiries about official notices and general information in the Journal should be directed to IP Australia, (ABN No 38 113 072 755), PO Box 200 Woden ACT 2606

Or

Telephone 1300 651 010
(International Callers +61 2 6283 2999)
Fax 02 6283 7999
E-mail assist@ipaustralia.gov.au

CONTACT INFORMATION

Customer Service Network
Telephone 1300 651 010 , Fax: 02 6283 7999
E-mail: assist@ipaustralia.gov.au

Customers can contact the Customer Service Network by telephone or by e-mail. Telephones are staffed between 9am and 5pm each working day.

Customers should contact the Customer Service Network for information about:

- All Patent Matters including PCT and Innovation Patents.
- All Trade Mark Matters.
- All Design Matters.

Professional Standards Board for Patent and Trade Mark Attorneys.

Ph: 02 6283 2345 Fax: 02 6283 1048

ORDERING PATENT DOCUMENTS

When ordering copies of Australian patent specifications, or abstracts and abridgments notified as open to public inspection on or after 26 October 1978, or as accepted on or after 16 November 1978, the documents should be referred to by application numbers only, preceded by letters AU-A or AU-B respectively.

REQUESTS FOR INFORMATION UNDER SECTION 194 (C)

A request for information under Section 194 (C) of the Patents Act 1990 should be made in the approved form and be accompanied by the prescribed fee. The request should be as detailed as possible.

INFORMATION FROM REGISTERS

All requests for information from Register of Patents, Trade Marks or Designs, should be made in writing and accompanied by the prescribed fee. The Registers are located in Canberra and may be examined free of charge.

COUNTRY CODES

For a listing of country codes used by IP Australia please refer to the Official Journals dated 7 November 1996.

ABBREVIATIONS IN JOURNAL

Standard abbreviations are used in the name of companies and firms. Enquiries concerning the precise name should be directed to the Customer Service Network.

FREEDOM OF INFORMATION ACT

What does it do?

- Gives you right to obtain information held by Commonwealth Ministers, Departments and most statutory bodies (these bodies are called agencies under the Act).
- Requires Commonwealth Government agencies to make available to members of the public:
 - Information about agencies, their functions and operations.
 - Information about rules and practices which are used in making decisions which affect you.
- Gives you a legal right to:
 - See non exempt documents held by agencies, and
 - appeal against a decision not to grant access to a document.

What documents can you see?

- The Act gives you a right to see documents lodged on or after 1 December 1977, or earlier if you need them to understand another document you have already.
- Documents include files, reports, computer printouts, maps, plans, photographs, tape recordings, films or videotapes.
- Documents which are available for purchase under the Patents Act 1990, the Trade Marks Act 1995 or Designs Act 2003 are not available under the Freedom of Information Act (Section 12 refers).

How do you apply?

Requests for access to documents must

- Be in writing
- Provide sufficient information so as to enable identification of the documents requested
- Specify an address in Australia where notices can be sent and
- Be accompanied by the application fee (currently \$30.00) or specify an IP Australia account to which the charges will be posted.

Requests for documents should be addressed to IP Australia, PO Box 200 Woden, ACT 2606, or Faxed to 02 6283 7999

DECISIONS OF THE COMMISSIONER OF PATENTS AND REGISTRAR OF TRADE MARKS AND DESIGNS

- All decisions of the Commissioner and Registrars are available free of charge from AUSTLII's website

www.austlii.edu.au

Copies of all written Patent and Design decisions are available (except if they would not be available under the provisions of the Freedom of Information legislation, e.g. if they would effectively disclose matter from documents that are not open to public inspection) on request for a cost of \$AU 25. They are also available for inspection in indexed volume series, dating from 1 January 1987, in the Office library, Canberra.

Copies of Trade Mark decisions may be accessed via IP Australia's website www.ipaustralia.gov.au

- Copies of the taped record of Patent and Design hearings are available (with the same exception as above) on request.
- When a written decision is issued the fact of the decision plus a brief head note will be published in the Official Notices section of the next available Patents, Trade Marks or Designs Journal.

HEARINGS BEFORE THE COMMISSIONER OF PATENTS AND THE REGISTRARS OF TRADE MARKS AND DESIGNS

Hearings before the Commissioner of Patents and the Registrars of Trade Marks and Designs will be set down in Melbourne, Sydney, Adelaide, Perth and Brisbane during the periods indicated below.

Patent Hearings Sessions 2005

Melbourne	9 – 11 May
Sydney	11 – 13 July
Adelaide	2 – 3 August
Perth	4 – 5 August
Brisbane	1 – 2 September

Note: Expert matters will have priority over other matters for allocation of a hearing in these sessions.

Designs and Trade Marks Hearings Sessions 2005

Melbourne	14 – 18 February 6 – 10 June 12 – 16 September
Sydney	14 – 18 March 18 – 22 July 17 – 21 October
Adelaide	15 – 16 August
Perth	18 – 19 August
Brisbane	22 – 23 August

Persons who desire matters to be set down for hearing in Melbourne, Sydney, Adelaide, Perth or Brisbane must give at least one month's notice of their intention to be heard. If such notice is not given, it may be that there would be insufficient time to allow for the execution of official procedures

associated with the listing of hearings, and as a result, the matter involved might not be listed.

Subject to the convenience of this Office, hearings will be set down in Canberra at any time suitable to the parties.

LIST OF STATE OFFICES

IP Australia State Offices are located in the Australian Capitals at the addresses given below. Requests for information may be obtained by calling at, phoning or writing to these offices or IP Australia, Canberra.

Australian Capital Territory

Ground Floor
Discovery House
PHILLIP ACT 2606
(PO Box 200, WODEN ACT 2606)
Ph: 1300 651 010
Fax: (02) 6283 7999

New South Wales

Level 1
45 Clarence Street
SYDNEY NSW 2000
Ph: 1300 651 010
Fax: (02) 9249 5807

Victoria

Level 6
OCBC House
565 Bourke Street
MELBOURNE VIC 3000
Ph: 1300 651 010
Fax (03) 9612 9807

Western Australia

2nd Floor
East Point Plaza
233 Adelaide Terrace
PERTH WA 6000
Ph: 1300 651 010
Fax: (08) 9220 8907

Queensland

Level 1
Grant Thornton House
102 Adelaide Street
BRISBANE QLD 4000
Ph: 1300 651 010
Fax: (07) 3007 1107

South Australia

Level 10
Origin Energy House
1 King William Street
ADELAIDE SA 5000
Ph: 1300 651 010
Fax: (08) 8239 4507

Tasmania

4th Floor
AMP Building
27 Elizabeth Street
HOBART TAS 7000
Ph: 1300 651 010
Fax: (03) 6235 6307

“INID” NUMBERS in use on Australian Design Documents

“INID” is an acronym for “Internationally agreed Numbers for the Identification of Data”.

(10) Data concerning the registration/renewal

- (11) Serial number of the registration and/or number of the design document
- (12) Plain language designation of the kind of published document
- (19) Identification, using the two-letter code according to WIPO Standard ST.3, of the authority publishing or registering the industrial design

(20) Data concerning the application

- (21) Serial number of the application
- (22) Date of filing of the application
- (24) Date from which the industrial design right has effect

(30) Data relating to priority under the Paris Convention

- (31) Serial number assigned to the priority application
- (32) Date of filing of the priority application
- (33) Two-letter code, according to WIPO Standard ST.3, identifying the authority with which the priority application was made

(40) Date(s) of making information available to the public

- (45) Date of publication of the registered industrial design by printing or similar process, or making it available to the public by any other means

(50) Miscellaneous Information

- (51) International Classification for Industrial Designs (class and subclass of the Locarno Classification)
- (54) Designation of article(s) or product(s) covered by the industrial design or title of the industrial design
- (55) Reproduction of the industrial design (e.g., drawing, photograph) and explanations relating to the reproduction
- (56) List of prior art documents, if separate from descriptive text
- (57) Description of characteristic features of the industrial design including indication of colours

(60) References to other legally related application(s) and registration(s)

- (62) Serial number(s) and, if available, filing date(s) of application(s), registration(s) or document(s) related by division
- (66) Serial number(s) of the application, or the registration, of the design(s) which is (are) a variant(s) of the present one

(70) Identification of parties concerned with the application or registration

- (71) Name(s) and address(es) of the applicant(s)
- (72) Name(s) of the creator(s) if known to be such
- (74) Name(s) and address(es) of the representative(s)

This Page Left Intentionally Blank

This Page Left Intentionally Blank

**Proceedings under the Designs Act 1906 preserved as a
result of the provisions of Chapter 12 Part 2 of the Designs
Act 2003.**

This Page Left Intentionally Blank

Applications Lapsed

There were no Applications Lapsed under this section

Application for Extension of Period of Registration

Applications under Section 27A(2) for extension of registration of the following designs have been lodged. In the event that a design is shown to be not new or original, the Registrar may refuse to extend the period of registration. Sub-section 27A(4) allows any person to lodge at the Designs Office material relevant to the question whether the design is not new or original. That material must be lodged within 11 months of the date when the registration of the design was made. Further details of the conditions and procedures for the lodgement of material are contained in Form 8 provided under the Designs Regulation 24.

Registration Number	Registered Owner	Registration Date
157040	PHILIP ZEPTER	14/12/2004
157042	CHERVON INTERNATIONAL TRADING CO. LTD	14/12/2004
157049	AUTOMATIC TECHNOLOGY AUSTRALIA PTY LTD	14/12/2004
158260	BRAUN G.M.B.H	18/08/2005
158304	WAHL CLIPPER CORPORATION	23/09/2005

Registration Number	Registered Owner	Registration Date
154324	STEPHEN WAYNE ROYCE	22/01/2004
154747	GUIDO CONTI-NIBALI and DEBORAH MARREE CONTI-NIBALI	01/03/2004
156516	MICHAEL INESON and LEANNE ROBYN INESON	27/09/2004
156517	GMCA PTY LTD	27/09/2004
156518	PHILLIP VAFIADIS	27/09/2004
156541	FEDERICK DAVID GIBSON and BRIAN RUSSELL GIBSON and ANTHONY WILLIAM GIBSON	05/10/2004
156579	VESSEL ENGINEERING SERVICES PTY LTD	05/10/2004
156598	SWAROVSKI AKTIENGESELLSCHAFT	06/10/2004
156608	MICHAEL INESON and LEANNE ROBYN INESON	08/10/2004
156704	MASTER LOCK COMPANY	20/10/2004
156717	PEPSICO INC.	20/10/2004
156764	ROBERT WELCH DESIGNS LTD	25/10/2004
156827	TUBELOK METALS AUSTRALIA PTY LTD	08/11/2004
156836	COOTAMUNDRA COMPONENTS PTY LTD	08/11/2004
156843	TUBELOK METALS AUSTRALIA PTY LTD	11/11/2004
156910	BRIAN WUILLEMIN and HEATHER WUILLEMIN	16/11/2004
156915	JOHN FLINT and LYNNE OLDFIELD	16/11/2004
156917	BRETT AARON NANSEN and BERNARD WAYNE NANSEN	16/11/2004
156921	LEADER PRODUCTS PTY LTD	17/11/2004
156976	CHERVON INTERNATIONAL TRADING CO. LTD	02/12/2004
156977	CHERVON INTERNATIONAL TRADING CO. LTD	02/12/2004
156978	CHERVON INTERNATIONAL TRADING CO. LTD	02/12/2004

Extension of Period of Registration of Designs

1st Period (Section 27A(8))

154324	154747	156421
156423	156424	156425
156426	156427	156428
156429	156430	156431
156432	156433	156434
156435	156436	156437
156438	156439	156440
156441	156442	156443
156444	156445	156446
156447	156448	156449
156450	156451	156452
156455	156456	156457
156458	156459	156460
156461	156462	156463
156464	156465	156466
156467	156468	156469
156470	156471	156472
156473	156474	156477
156478	156481	156482
156483	156484	156485
156486	156487	156488
156489	156490	156491
156492	156493	156494
156495	156496	156497
156498	156499	156500
156501	156503	156504
156506	156507	156509
156510	156511	156512
156513	156514	156515
156516	156517	156518
156520	156521	156523
156524	156525	156526
156527	156528	156529
156530	156531	156532
156534	156535	156537
156538		

2nd Period (Section 27A(12))

134214	138954	138955
138956	138957	138958
138959	138981	140035
140218	140233	140234

140235	140236	140254	121653	121977	122007
140272	140395	140396	122095	122096	122097
140397	140422	140423	122098	122478	122850
140437	140438	140439	122891	123276	124116
140559	140676	140707	124189	125241	125389
140708	141149	141435	136925	136926	136946
141480	141482	141483	137061	137241	137271
141648	141667	141827	138304	138306	138307
141874	143365	143366	138311	138346	138440
143367	143368	143369	138442	138449	138547
143370	143371	143372	138548	138562	138563
143373	143374	143425	138564	138565	138569
143508	143509	143777	138617	138621	138625
156192	156421		138692	138772	138774

3rd Period (Section 27A(13))

123707	123708	123709	138868	138881	138883
123796	123815	123896	138884	139289	139291
123897	123918	124101	139292	139293	139295
124136	124158	124195	139297	139298	139301
124196	124197	124198	139434	139512	139551
124334	124388	124439	139652	139731	139732
124671	124672	124725	139733	139735	139736
124726	125026	125621	139738	139921	139990
125623	125624	125625	140164	140165	140186
125626	125627	125628	140187	140208	140331
125767	125831	125870	140332	140401	140402
125871	126433	126649	140457	140458	140654
127198	127199	127200	140813	141382	141442
127201	127202	127203	141499	141787	141788
127295	127297	127298	142416	142518	142552
127299	136371	138484	142591	142671	142672
156192			143320	143501	156418
			156453	156454	156475
			156479		

Registrations Ceased

Note: Some of the following Registrations may have been previously advertised as ceased. In this instance, the previous advertisement still prevails.

107174	107188	107211
107212	107213	107214
107288	107292	107293
107294	107295	107296
107488	107489	107490
107491	107492	107493
107494	107495	107496
107497	107498	107499
107500	107502	107503
107690	107697	107699
107745	107879	108189
108294	108543	108705
109181	109936	111011
111523	111525	111526
111527	121404	121408
121439	121472	121482
121483	121561	121562
121593	121614	121624

Extensions of time granted

Applications lodged for extension of time have been granted.

- 134214 **Butt-Out Australia Pty Ltd** An Extension of time to extend a registration has been granted to 17/03/2005
- 154324 **Stephen Wayne Royce** An Extension of time to extend a registration has been granted to 12/07/2005
- 04532/2003 **Billion Limited** An Extension of time to register an application has been granted to 29/01/2006
- 04533/2003 **Billion Limited** An Extension of time to register an application has been granted to 29/01/2006
- 04534/2003 **Billion Limited** An Extension of time to register an application has been granted to 29/01/2006
- 04535/2003 **Billion Limited** An Extension of time to register an application has been granted to 29/01/2006
- 154747 **Guido Conti-Nibali** An Extension of time to extend a registration has been granted to 29/07/2005

Subsequent Owners Registered

(The name in parentheses is that of the subsequent owner)

Subsequent Owners Registered

155369 **(Mantc Holdings Pty Ltd)** Andrew Bernadou
155658 **(Mantc Holdings Pty Ltd)** Andrew Bernadou
155218 **(Mantc Holdings Pty Ltd)** Andrew Bernadou
149468 **(Mantc Holdings Pty Ltd)** Andrew Bernadou
134072 **(Shanghai Automotive Industry Corporation (Group))**
 Rover Group Limited

Names Registered - Alterations and Amendments

(The name in parentheses is the new name of the proprietor)

136830 **(Life Therapeutics Limited)** Gradipore Limited

Registration Proceedings

Designs Registered

This section provides a concordance between application number and registration number of Designs covered in this journal. It also shows the main class and registration date.

This section covers Registration numbers 158301 to 158332.

The registration number shown below should be used in all future correspondence.

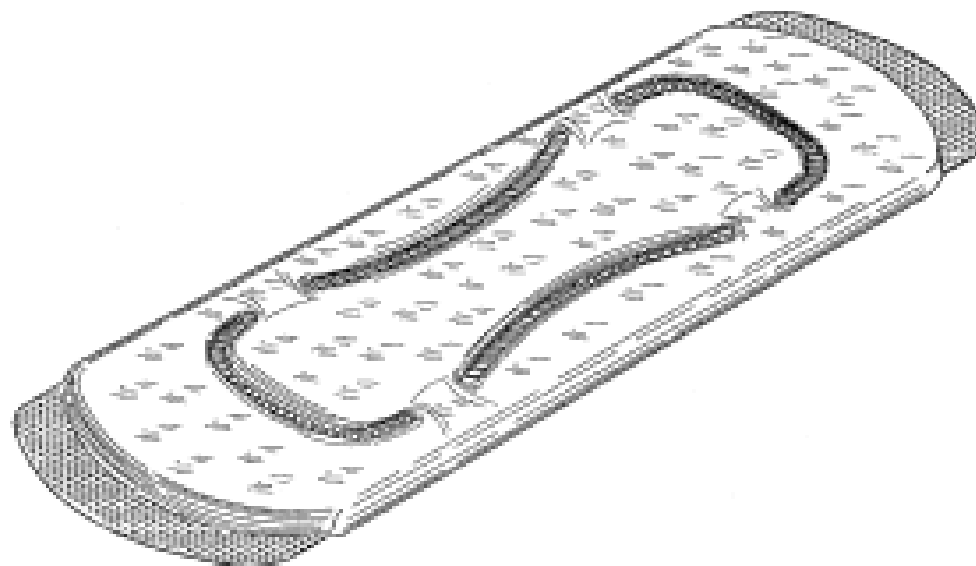
Application Number	Registration Number	International Classification Code (IDC)	Registration Date	Application Number	Registration Number	International Classification Code (IDC)	Registration Date
00224/2004	158301	24-04	23/09/2005	01066/2004	158305	09-01NES	23/09/2005
00263/2004	158312	15-09	27/09/2005	01067/2004	158306	09-01NES	23/09/2005
00407/2004	158323	05-05A	30/09/2005	01317/2004	158307	09-07A	23/09/2005
00478/2004	158313	03-01C	27/09/2005	01453/2004	158324	11-03	30/09/2005
00479/2004	158302	03-01C	23/09/2005	01454/2004	158325	11-03	30/09/2005
00694/2004	158314	23-02F	27/09/2005	01455/2004	158326	11-03	30/09/2005
00778/2004	158315	08-06	27/09/2005	01456/2004	158327	11-03	30/09/2005
00779/2004	158316	08-06	27/09/2005	01457/2004	158329	23-01H	04/10/2005
00780/2004	158317	08-06	27/09/2005	01703/2004	158308	24-02	23/09/2005
00781/2004	158318	08-06	27/09/2005	01706/2004	158309	06-08	23/09/2005
00785/2004	158319	07-05D	27/09/2005	01707/2004	158310	06-08	23/09/2005
00786/2004	158320	08-06	27/09/2005	01941/2004	158311	28-99	23/09/2005
00787/2004	158321	08-06	27/09/2005	02194/2004	158322	13-03B	27/09/2005
00883/2004	158328	03-01B	04/10/2005	02484/2004	158330	21-02C	04/10/2005
00938/2004	158303	19-06	23/09/2005	02485/2004	158331	21-02C	04/10/2005
00983/2004	158304	28-03D	23/09/2005	02487/2004	158332	09-07A	04/10/2005

Registration Proceedings
Class Listing of Designs Registered

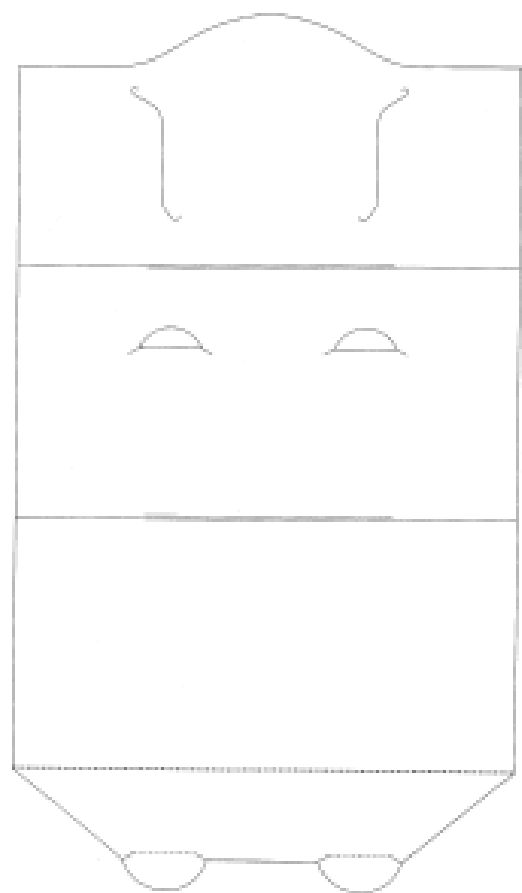
The following section shows an International Classification Code listing of the Registered Designs covered in this supplement.

Classification	Registration Number	Application Number	Classification	Registration Number	Application Number
03-01 B	158328	00883/2004	09-07 A	158307	01317/2004
03-01 C	158302	00479/2004	09-07 A	158332	02487/2004
03-01 C	158313	00478/2004	11-03	158324	01453/2004
05-05 A	158323	00407/2004	11-03	158325	01454/2004
06-08	158309	01706/2004	11-03	158326	01455/2004
06-08	158310	01707/2004	11-03	158327	01456/2004
07-05 D	158319	00785/2004	13-03 B	158322	02194/2004
08-05 K	158312	00263/2004	15-09	158312	00263/2004
08-06	158315	00778/2004	19-06	158303	00938/2004
08-06	158316	00779/2004	21-02 C	158330	02484/2004
08-06	158317	00780/2004	21-02 C	158331	02485/2004
08-06	158318	00781/2004	23-01 H	158329	01457/2004
08-06	158320	00786/2004	23-02 F	158314	00694/2004
08-06	158321	00787/2004	24-02	158308	01703/2004
09-01 NES	158305	01066/2004	24-04	158301	00224/2004
09-01 NES	158306	01067/2004	28-03 D	158304	00983/2004
09-05	158302	00479/2004	28-99	158311	01941/2004
09-05	158313	00478/2004			

(21) Application Number: **0224/2004**
(22) Date of Filing Application: **15 January 2004**
(24) Date from which industrial property rights may have effect: **15 January 2004**
(54) Article in respect of which the design is registered: **Sanitary pad**
(51) International Design Classification: **24-04**
(74) Name(s) of Attorney(s): **Griffith Hack**
(71) Name(s) and Address(s) of Applicant(s):
International Grocery Manufacturer Pty Ltd
Level 9 43-51 Queen Street Melbourne Victoria 3000 Australia
(72) Name(s) of Author(s): **Philip Withers**
(45) Registration Date: **23 September 2005**
(56) Related Art Documents: **Not Applicable**
(57) Statement of Monopoly: **Monopoly is claimed in the features of shape and configuration of a sanitary pad as shown in the accompanying representations.**
Statement of Novelty: **Nil**

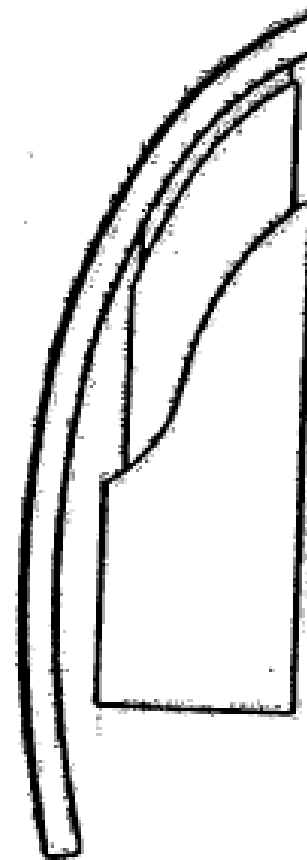


(21) Application Number: **0479/2004**
(22) Date of Filing Application: **09 February 2004**
(24) Date from which industrial property rights may have effect: **09 February 2004**
(54) Article in respect of which the design is registered: **A blank for a CD wallet**
(51) International Design Classification: **03-01C, 09-05**
(74) Name(s) of Attorney(s): **Griffith Hack**
(71) Name(s) and Address(s) of Applicant(s):
Media Technology Pty Ltd
Unit 3 9 Orion Road Lane Cove New South Wales 2066 Australia
(72) Name(s) of Author(s): **Allan Morton**
(45) Registration Date: **23 September 2005**
(61) Additional to: **147943**
(56) Related Art Documents: **Not Applicable**
(57) Statement of Monopoly: **Monopoly is claimed in the features of shape and configuration of a blank for a CD wallet as shown in the attached representations.**
Statement of Novelty: **Nil**



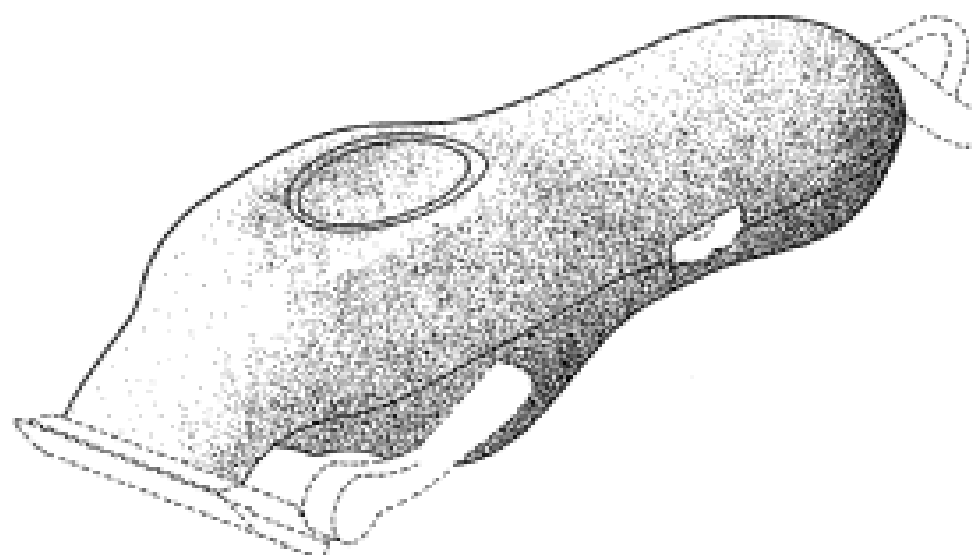
(19) AU

- (21) Application Number: **0938/2004**
(22) Date of Filing Application: **10 March 2004**
(24) Date from which industrial property rights may have effect: **10 March 2004**
(54) Article in respect of which the design is registered: **A component for a writing instrument**
(51) International Design Classification: **19-06**
(74) Name(s) of Attorney(s): **F B Rice & Co**
(71) Name(s) and Address(s) of Applicant(s):
Merz & Krell G.m.b.H. & Co. K.G.a.A.
Bahnhofstrasse 76 64401 Gross-Bieberau Germany
(72) Name(s) of Author(s): **Vokmar Rommel**
(45) Registration Date: **23 September 2005**
(30) Convention priority data:
(31) Number (32) Date (33) Country
40306002.8 12 Sep 2003 GERMANY
(56) Related Art Documents: **Not Applicable**
(57) Statement of Monopoly: **Those features of the representations in respect of which the applicant for registration of the design wishes to claim a monopoly are the features of shape and configuration in combination.**
Statement of Novelty: **Nil**

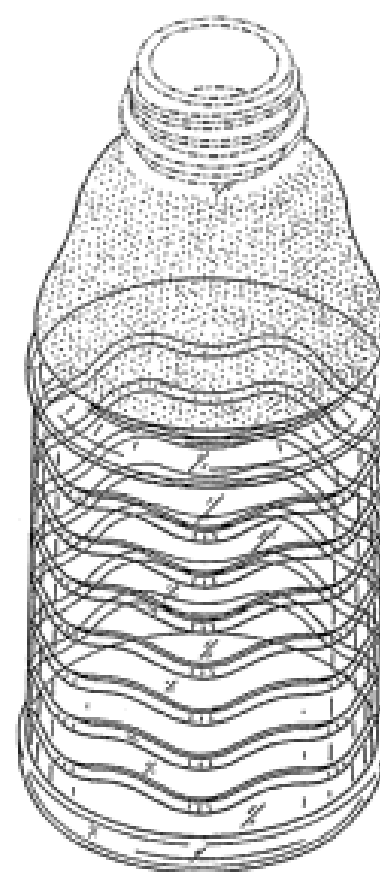


(19) AU

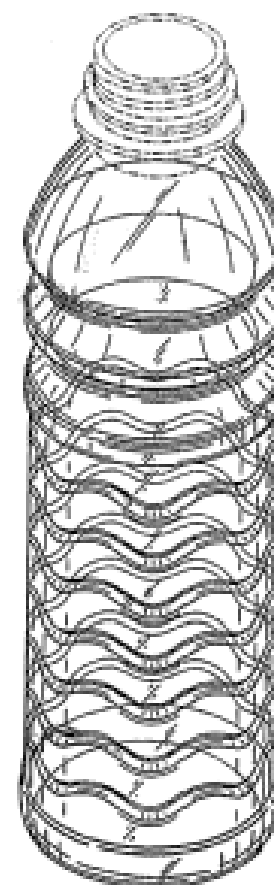
- (21) Application Number: **0983/2004**
(22) Date of Filing Application: **09 March 2004**
(24) Date from which industrial property rights may have effect: **09 March 2004**
(54) Article in respect of which the design is registered: **Consumer clipper**
(51) International Design Classification: **28-03D**
(74) Name(s) of Attorney(s): **F.B. Rice & Co.**
(71) Name(s) and Address(s) of Applicant(s):
Wahl Clipper Corporation
2900 North Locust Street Sterling Illinois 61081 United States of America
(72) Name(s) of Author(s): **Scott A. Melton and Michael Eddinger and Raymond A. Nielsen**
(45) Registration Date: **23 September 2005**
(30) Convention priority data:
(31) Number (32) Date (33) Country
29/189,666 9 Sep 2003 UNITED STATES OF AMERICA
(56) Related Art Documents: **Not Applicable**
(57) Statement of Monopoly: **Monopoly is claimed in the shape and configuration of a consumer clipper as shown in the accompanying drawings. The broken lines are for purposes of illustration only and do not form part of the design.**
Statement of Novelty: **Nil**



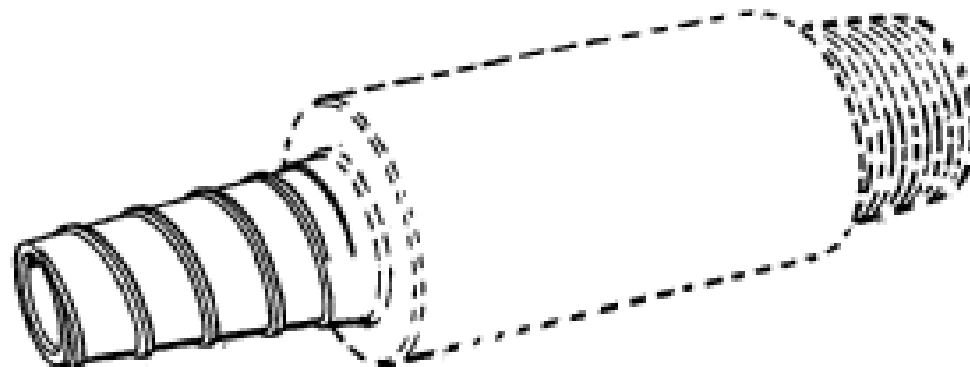
(21) Application Number: **1066/2004**
 (22) Date of Filing Application: **19 March 2004**
 (24) Date from which industrial property rights may have effect: **19 March 2004**
 (54) Article in respect of which the design is registered: **Bottle**
 (51) International Design Classification: **09-01NES**
 (74) Name(s) of Attorney(s): **SPRUSON & FERGUSON**
 (71) Name(s) and Address(s) of Applicant(s):
Stokely-Van Camp Inc.
555 W. Monroe Street Suite 11-12 Chicago Illinois 60661 United States of America
 (72) Name(s) of Author(s): **Gerald Zboch and Tracy M. Momany and Robert J. Groll**
 (45) Registration Date: **23 September 2005**
 (30) Convention priority data:
 (31) Number (32) Date (33) Country
29/190385 19 Sep 2003 UNITED STATES OF AMERICA
 (56) Related Art Documents: **Not Applicable**
 (57) Statement of Monopoly: **Monopoly is claimed in the features of shape and/or configuration of a bottle as illustrated in the accompanying representations. When considering the extent of monopoly protection, the features shown in phantom are to be disregarded.**
 Statement of Novelty: **Nil**



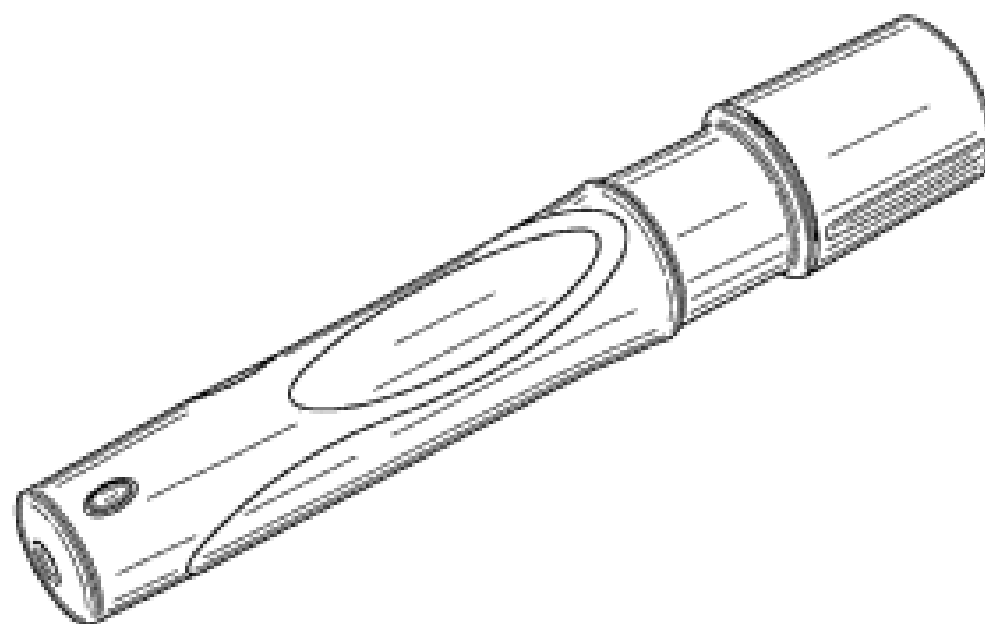
(21) Application Number: **1067/2004**
 (22) Date of Filing Application: **19 March 2004**
 (24) Date from which industrial property rights may have effect: **19 March 2004**
 (54) Article in respect of which the design is registered: **Bottle**
 (51) International Design Classification: **09-01NES**
 (74) Name(s) of Attorney(s): **SPRUSON & FERGUSON**
 (71) Name(s) and Address(s) of Applicant(s):
Stokely-Van Camp Inc.
555 W. Monroe Street Suite 11-12 Chicago Illinois 60661 United States of America
 (72) Name(s) of Author(s): **Gerald Zboch and Tracy M. Momany and Robert J. Groll**
 (45) Registration Date: **23 September 2005**
 (30) Convention priority data:
 (31) Number (32) Date (33) Country
29/190387 19 Sep 2003 UNITED STATES OF AMERICA
 (56) Related Art Documents: **Not Applicable**
 (57) Statement of Monopoly: **Monopoly is claimed in the features of shape and/or configuration of a bottle as illustrated in the accompanying representations. When considering the the extent of monopoly protection, the features shown in phantom are to be disregarded.**
 Statement of Novelty: **Nil**



(21) Application Number: **1317/2004**
(22) Date of Filing Application: **05 April 2004**
(24) Date from which industrial property rights may have effect: **05 April 2004**
(54) Article in respect of which the design is registered: **A grouting nozzle**
(51) International Design Classification: **09-07A**
(74) Name(s) of Attorney(s): **Fraser Old & Sohn**
(71) Name(s) and Address(s) of Applicant(s):
Industrial Roll Formers Pty Ltd
8 Tarlington Place Smithfield New South Wales 2164 Australia
(72) Name(s) of Author(s): **David James Fergusson**
(45) Registration Date: **23 September 2005**
(56) Related Art Documents: **Not Applicable**
(57) Statement of Monopoly: **Monopoly is claimed in the shape and/or configuration of a grouting nozzle as illustrated in the accompanying representations and in considering the extent of the monopoly protection the shape and/or configuration of the body of the nozzle illustrated in phantom is to be disregarded.**
Statement of Novelty: **Novelty and/or originality is claimed in respect of the shape and/or configuration of the nozzle and exterior spiral thread.**



(21) Application Number: **1703/2004**
(22) Date of Filing Application: **07 May 2004**
(24) Date from which industrial property rights may have effect: **07 May 2004**
(54) Article in respect of which the design is registered: **Container**
(51) International Design Classification: **24-02**
(74) Name(s) of Attorney(s): **PHILLIPS ORMONDE & FITZPATRICK**
(71) Name(s) and Address(s) of Applicant(s):
Meridian Medical Technologies Inc.
10240 Old Columbia Road Columbia Maryland 21046 United States of America
(72) Name(s) of Author(s): **Sophie R. Raven and Matthew E. Young and Paul Greenhalgh and Steve P. Kirkwood and Colin J. Mathews and Joseph W. Daintrey and John G. Wilmot**
(45) Registration Date: **23 September 2005**
(30) Convention priority data:
(31) Number (32) Date (33) Country
29/193,242 7 Nov 2003 UNITED STATES OF AMERICA
(56) Related Art Documents: **Not Applicable**
(57) Statement of Monopoly: **Monopoly is claimed in the shape and/or configuration of a container with cap as shown in the representations. In considering the extent of the monopoly protection the dimpled portion in the bottom surface is to be disregarded.**
Statement of Novelty: **Nil**



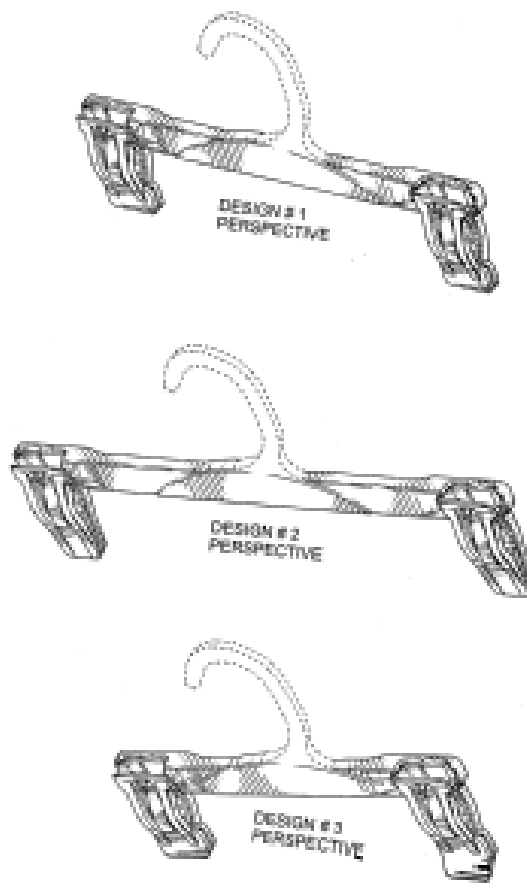
(19) AU

- (21) Application Number: **1706/2004**
- (22) Date of Filing Application: **07 May 2004**
- (24) Date from which industrial property rights may have effect: **07 May 2004**
- (54) Article in respect of which the design is registered: **A set of garment hangers**
- (51) International Design Classification: **06-08**
- (74) Name(s) of Attorney(s): **Freehills Patent & Trade Mark Attorneys**
- (71) Name(s) and Address(s) of Applicant(s):

Spotless Plastics Pty Ltd
20-26 Sullivan Street Moorabbin Victoria 3189 Australia

- (72) Name(s) of Author(s): **Stanley F. Gouldson**
- (45) Registration Date: **23 September 2005**
- (56) Related Art Documents: **Not Applicable**
- (57) Statement of Monopoly: **Monopoly is claimed in the shape or configuration of a set of garment hangers as shown in the accompanying representations. In considering the extent of monopoly protection, the hook portion shown in phantom is to be disregarded. Additionally the length of the transverse bar of the hangers is of indefinite length.**

Statement of Novelty: **Nil**



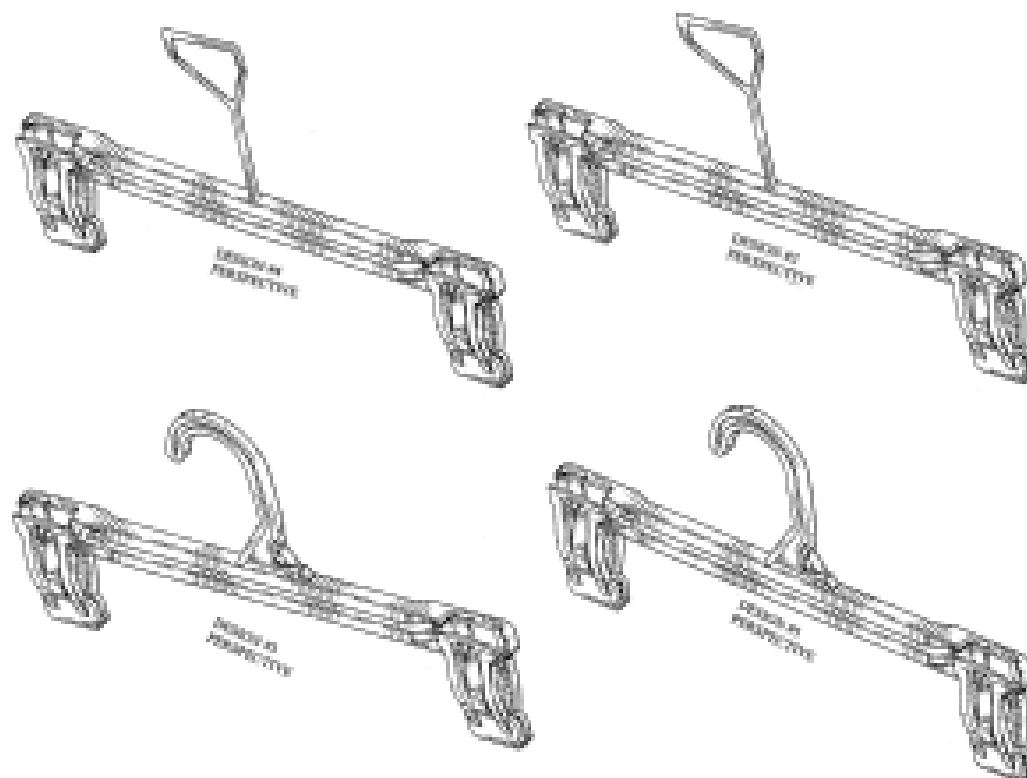
(19) AU

- (21) Application Number: **1707/2004**
- (22) Date of Filing Application: **07 May 2004**
- (24) Date from which industrial property rights may have effect: **07 May 2004**
- (54) Article in respect of which the design is registered: **A set of garment hangers**
- (51) International Design Classification: **06-08**
- (74) Name(s) of Attorney(s): **Freehills Patent & Trade Mark Attorneys**
- (71) Name(s) and Address(s) of Applicant(s):

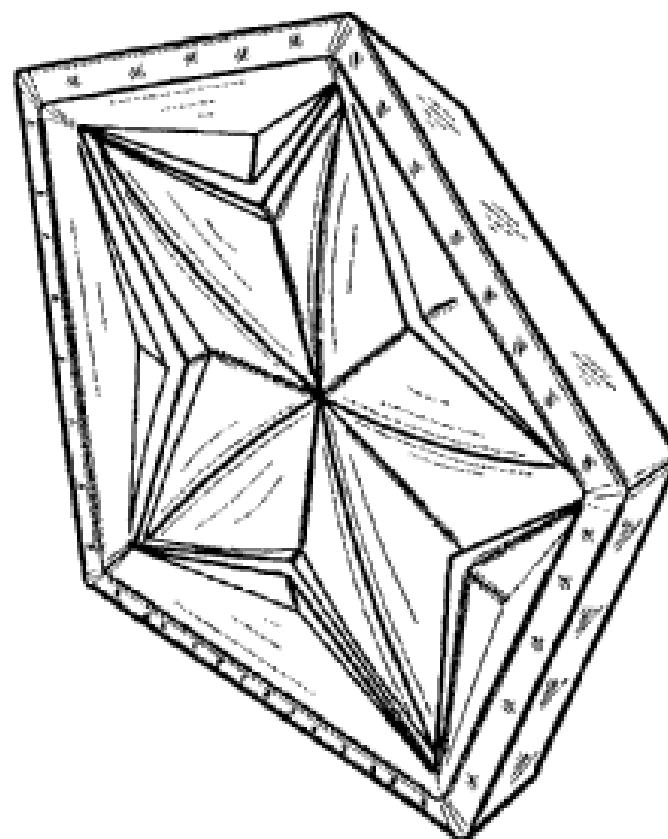
Spotless Plastics Pty Ltd
20-26 Sullivan Street Moorabbin Victoria 3189 Australia

- (72) Name(s) of Author(s): **Stanley F. Gouldson**
- (45) Registration Date: **23 September 2005**
- (56) Related Art Documents: **Not Applicable**
- (57) Statement of Monopoly: **Monopoly is claimed in the shape or configuration of a set of garment hangers as shown in the accompanying representations. In considering the extent of monopoly protection, the hook or loop portion extending from the transverse bar is to be disregarded. Additionally, the length of the transverse bar of the hangers is indefinite.**

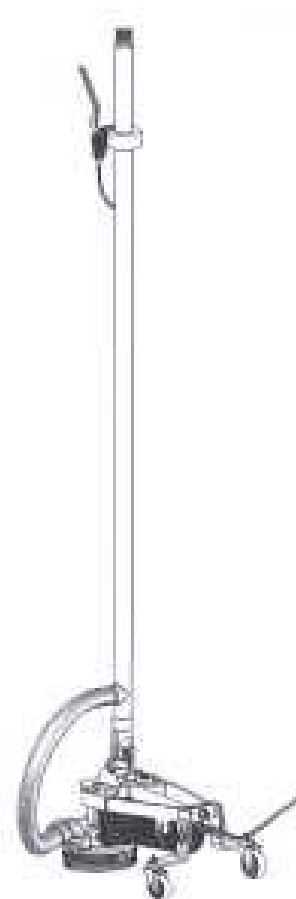
Statement of Novelty: **Nil**



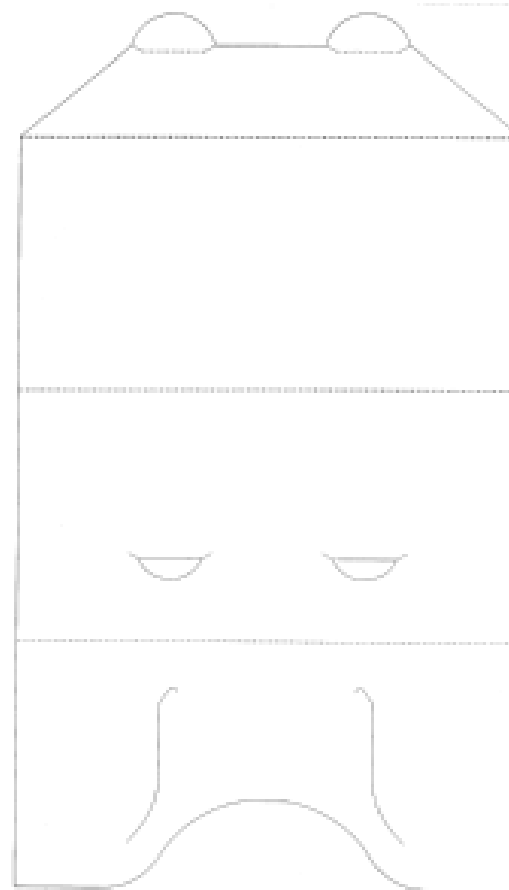
- (21) Application Number: **1941/2004**
(22) Date of Filing Application: **24 May 2004**
(24) Date from which industrial property rights may have effect: **24 May 2004**
(54) Article in respect of which the design is registered: **Air freshener**
(51) International Design Classification: **28-99**
(74) Name(s) of Attorney(s): **Griffith Hack**
(71) Name(s) and Address(s) of Applicant(s):
International Grocery Manufacturer Pty Ltd
9/51 Queen Street Melbourne Victoria 3000 Australia
(72) Name(s) of Author(s): **Philip Withers**
(45) Registration Date: **23 September 2005**
(56) Related Art Documents: **Not Applicable**
(57) Statement of Monopoly: **Monopoly is claimed in the features of shape and configuration of an air freshener as illustrated in the accompanying representations. No monopoly is claimed in the composition of the air freshener material in the form of a gel.**
Statement of Novelty: **Nil**



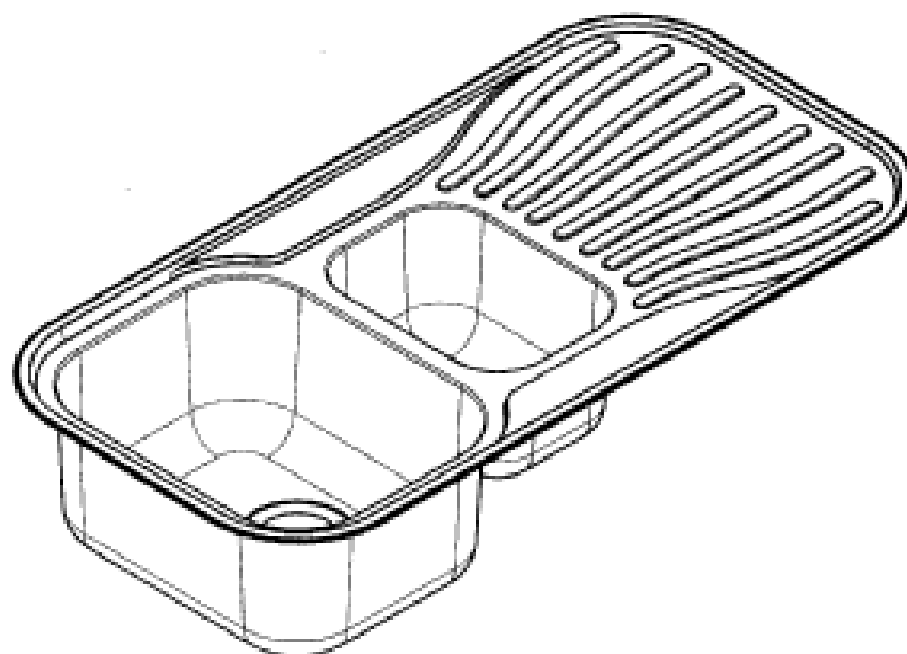
- (21) Application Number: **0263/2004**
(22) Date of Filing Application: **21 January 2004**
(24) Date from which industrial property rights may have effect: **21 January 2004**
(54) Article in respect of which the design is registered: **Concrete renovator tool**
(51) International Design Classification: **15-09, 08-05K**
(71) Name(s) and Address(s) of Applicant(s):
Mathew Norton
24 Dapper Street Sunnybank Hills Queensland 4109 Australia
(72) Name(s) of Author(s): **Mathew Norton**
(45) Registration Date: **27 September 2005**
(56) Related Art Documents: **Not Applicable**
(57) Statement of Monopoly: **Monopoly is claimed in the features of shape and configuration of a concrete renovator tool as shown in the accompanying representations.**
Statement of Novelty: **Nil**



(21) Application Number: **0478/2004**
(22) Date of Filing Application: **09 February 2004**
(24) Date from which industrial property rights may have effect: **09 February 2004**
(54) Article in respect of which the design is registered: **A blank for a CD wallet**
(51) International Design Classification: **03-01C, 09-05**
(74) Name(s) of Attorney(s): **Griffith Hack**
(71) Name(s) and Address(s) of Applicant(s):
Media Technology Pty Ltd
Unit 3 9 Orion Road Lane Cove New South Wales 2066 Australia
(72) Name(s) of Author(s): **Allan Morton**
(45) Registration Date: **27 September 2005**
(61) Additional to: **147943**
(56) Related Art Documents: **Not Applicable**
(57) Statement of Monopoly: **Monopoly is claimed in the features of shape and configuration of a blank for a CD wallet as shown in the attached representations.**
Statement of Novelty: **Nil**



(21) Application Number: **0694/2004**
(22) Date of Filing Application: **24 February 2004**
(24) Date from which industrial property rights may have effect: **24 February 2004**
(54) Article in respect of which the design is registered: **Sink**
(51) International Design Classification: **23-02F**
(74) Name(s) of Attorney(s): **Allens Arthur Robinson**
(71) Name(s) and Address(s) of Applicant(s):
Dorf Clark Industries Limited
194 Milperra Road Revesby New South Wales 2212 Australia
(72) Name(s) of Author(s): **Stuart Morley**
(45) Registration Date: **27 September 2005**
(56) Related Art Documents: **Not Applicable**
(57) Statement of Monopoly: **Monopoly is claimed in the features of shape and configuration of the sink shown in the accompanying representations. In considering the scope of monopoly protection the position of the sink drainage holes is to be disregarded.**
Statement of Novelty: **Nil**



- (21) Application Number: **0778/2004**
(22) Date of Filing Application: **01 March 2004**
(24) Date from which industrial property rights may have effect: **01 March 2004**
(54) Article in respect of which the design is registered: **Joinery rail**
(51) International Design Classification: **08-06**
(71) Name(s) and Address(s) of Applicant(s):

Industrial Expression Pty Ltd
254-252 St Kilda Road St Kilda Victoria 3182 Australia

- (72) Name(s) of Author(s): **Stephen Mason**
(45) Registration Date: **27 September 2005**
(56) Related Art Documents: **Not Applicable**
(57) Statement of Monopoly: **Monopoly is claimed in the shape and configuration of the joinery rail as shown in the representations. The rail is of indefinite length.**
Statement of Novelty: **Nil**



- (21) Application Number: **0779/2004**
(22) Date of Filing Application: **01 March 2004**
(24) Date from which industrial property rights may have effect: **01 March 2004**
(54) Article in respect of which the design is registered: **Joinery rail**
(51) International Design Classification: **08-06**
(71) Name(s) and Address(s) of Applicant(s):

Industrial Expression Pty Ltd
254-252 St Kilda Road St Kilda Victoria 3182 Australia

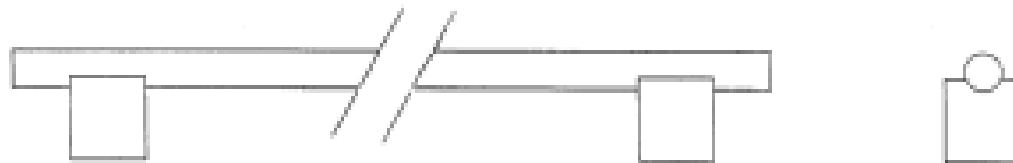
- (72) Name(s) of Author(s): **Stephen Mason**
(45) Registration Date: **27 September 2005**
(56) Related Art Documents: **Not Applicable**
(57) Statement of Monopoly: **Monopoly is claimed in the shape and configuration of the joinery rail as shown in the representations. The rail is of indefinite length.**
Statement of Novelty: **Nil**



- (21) Application Number: **0780/2004**
(22) Date of Filing Application: **01 March 2004**
(24) Date from which industrial property rights may have effect: **01 March 2004**
(54) Article in respect of which the design is registered: **Joinery rail**
(51) International Design Classification: **08-06**
(71) Name(s) and Address(s) of Applicant(s):

Industrial Expression Pty Ltd
254-252 St Kilda Road St Kilda Victoria 3182 Australia

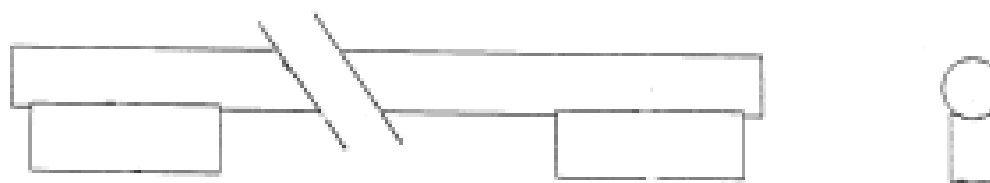
- (72) Name(s) of Author(s): **Stephen Mason**
(45) Registration Date: **27 September 2005**
(56) Related Art Documents: **Not Applicable**
(57) Statement of Monopoly: **Monopoly is claimed in the shape and configuration of the joinery rail as shown in the representations. The rail is of indefinite length.**
Statement of Novelty: **Nil**



- (21) Application Number: **0781/2004**
(22) Date of Filing Application: **01 March 2004**
(24) Date from which industrial property rights may have effect: **01 March 2004**
(54) Article in respect of which the design is registered: **Joinery rail**
(51) International Design Classification: **08-06**
(71) Name(s) and Address(s) of Applicant(s):

Industrial Expression Pty Ltd
254-252 St Kilda Road St Kilda Victoria 3182 Australia

- (72) Name(s) of Author(s): **Stephen Mason**
(45) Registration Date: **27 September 2005**
(56) Related Art Documents: **Not Applicable**
(57) Statement of Monopoly: **Monopoly is claimed in the shape and configuration of the joinery rail as shown in the representations. The rail is of indefinite length.**
Statement of Novelty: **Nil**



- (21) Application Number: **0785/2004**
(22) Date of Filing Application: **01 March 2004**
(24) Date from which industrial property rights may have effect: **01 March 2004**
(54) Article in respect of which the design is registered: **Towel rail**
(51) International Design Classification: **07-05D**
(71) Name(s) and Address(s) of Applicant(s):

Industrial Expression Pty Ltd
254-252 St Kilda Road St Kilda Victoria 3182 Australia

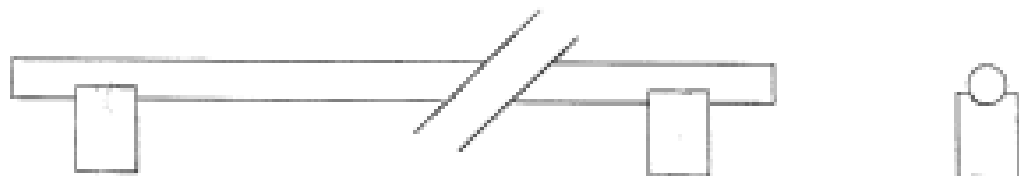
- (72) Name(s) of Author(s): **Stephen Mason**
(45) Registration Date: **27 September 2005**
(56) Related Art Documents: **Not Applicable**
(57) Statement of Monopoly: **Monopoly is claimed in the shape and configuration of the towel rail as shown in the representations. The rail is of indefinite length.**
Statement of Novelty: **Nil**



- (21) Application Number: **0786/2004**
(22) Date of Filing Application: **01 March 2004**
(24) Date from which industrial property rights may have effect: **01 March 2004**
(54) Article in respect of which the design is registered: **Joinery rail**
(51) International Design Classification: **08-06**
(71) Name(s) and Address(s) of Applicant(s):

Industrial Expression Pty Ltd
254-252 St Kilda Road St Kilda Victoria 3182 Australia

- (72) Name(s) of Author(s): **Stephen Mason**
(45) Registration Date: **27 September 2005**
(56) Related Art Documents: **Not Applicable**
(57) Statement of Monopoly: **Monopoly is claimed in the shape and configuration of the joinery rail as shown in the representations. The rail is of indefinite length.**
Statement of Novelty: **Nil**



- (21) Application Number: **0787/2004**
(22) Date of Filing Application: **01 March 2004**
(24) Date from which industrial property rights may have effect: **01 March 2004**
(54) Article in respect of which the design is registered: **Joinery rail**
(51) International Design Classification: **08-06**
(71) Name(s) and Address(s) of Applicant(s):

Industrial Expression Pty Ltd
254-252 St Kilda Road St Kilda Victoria 3182 Australia

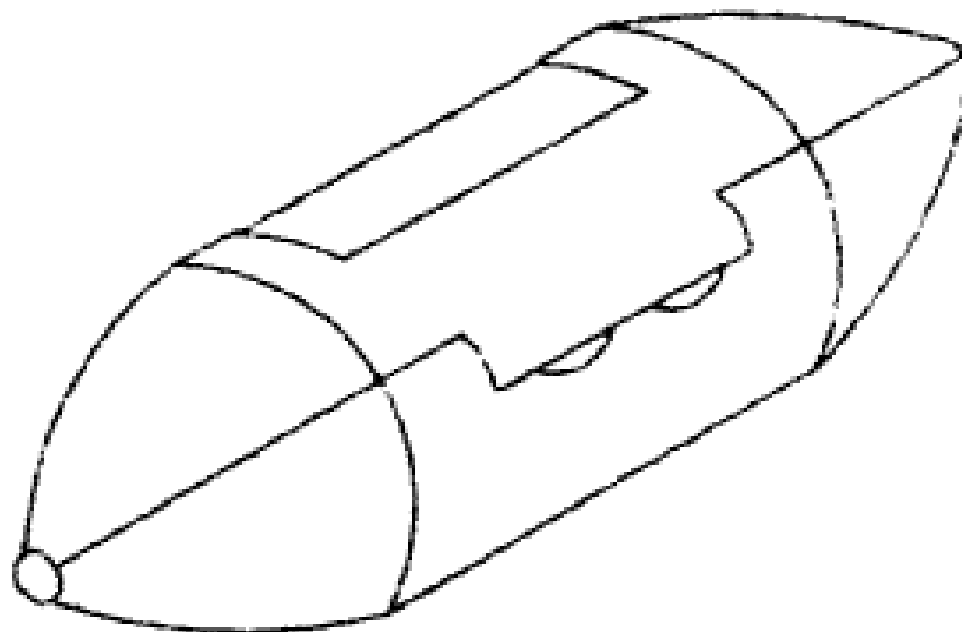
- (72) Name(s) of Author(s): **Stephen Mason**
(45) Registration Date: **27 September 2005**
(56) Related Art Documents: **Not Applicable**
(57) Statement of Monopoly: **Monopoly is claimed in the shape and configuration of the joinery rail as shown in the representations. The rail is of indefinite length.**
Statement of Novelty: **Nil**



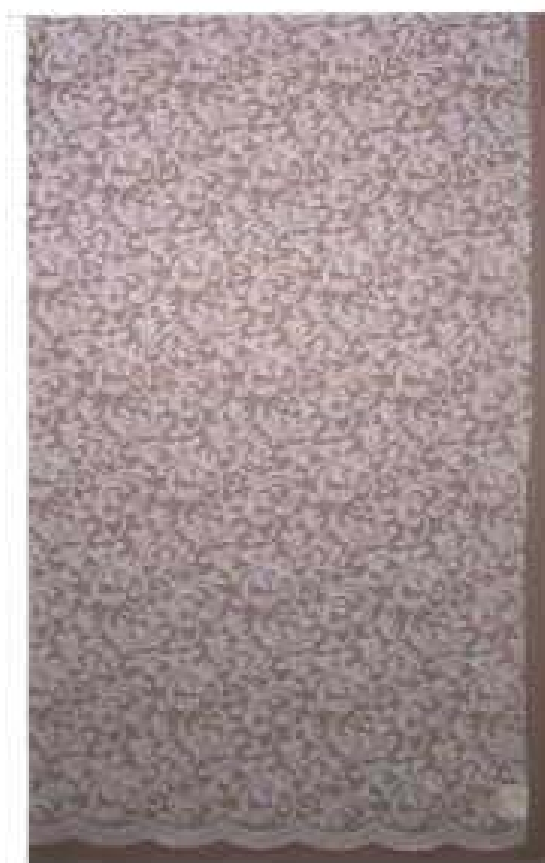
- (21) Application Number: **2194/2004**
(22) Date of Filing Application: **08 June 2004**
(24) Date from which industrial property rights may have effect: **08 June 2004**
(54) Article in respect of which the design is registered: **Plug capsule**
(51) International Design Classification: **13-03B**
(71) Name(s) and Address(s) of Applicant(s):

Paul Raymond Rogers
54 Riverside Road Frankton Queenstown 9197 New Zealand

- (72) Name(s) of Author(s): **Paul Rogers**
(45) Registration Date: **27 September 2005**
(30) Convention priority data:
(31) Number (32) Date (33) Country
404723 5 Apr 2004 NEW ZEALAND
(56) Related Art Documents: **Not Applicable**
(57) Statement of Monopoly: **The design is to be applied to a plug capsule and the monopoly resides in the features of shape and configuration of the article as shown in the accompanying representations.**
Statement of Novelty: **Nil**



- (21) Application Number: **0407/2004**
(22) Date of Filing Application: **03 February 2004**
(24) Date from which industrial property rights may have effect: **08 September 1997**
(54) Article in respect of which the design is registered: **Fabric**
(51) International Design Classification: **05-05A**
(71) Name(s) and Address(s) of Applicant(s):
Filigree Textiles Pty Ltd
150 Victoria Street North Geelong Victoria 3215 Australia
(72) Name(s) of Author(s): **Alex Mancebo**
(45) Registration Date: **30 September 2005**
(62) Divisional of: **154562**
(56) Related Art Documents: **Not Applicable**
(57) Statement of Monopoly: **Monopoly is claimed in the pattern of the fabric shown in the representations.**
Statement of Novelty: **Nil**



- (21) Application Number: **1453/2004**
(22) Date of Filing Application: **16 April 2004**
(24) Date from which industrial property rights may have effect: **16 April 2004**
(54) Article in respect of which the design is registered: **Service medallion**
(51) International Design Classification: **11-03**
(71) Name(s) and Address(s) of Applicant(s):
WA Rangers Association Inc.
C/-Suite 1/300 Vahland Avenue Willetton Western Australia 6155
Australia
(72) Name(s) of Author(s): **David Michael White**
(45) Registration Date: **30 September 2005**
(56) Related Art Documents: **Not Applicable**
(57) Statement of Monopoly: **Monopoly is claimed in the shape, configuration, pattern and ornamentation of the service medallion as shown in the representations. The pattern of the ribbon is made up of the colours red, blue and yellow.**
Statement of Novelty: **Nil**



- (21) Application Number: **1454/2004**
(22) Date of Filing Application: **16 April 2004**
(24) Date from which industrial property rights may have effect: **16 April 2004**
(54) Article in respect of which the design is registered: **10 year service medallion**
(51) International Design Classification: **11-03**
(71) Name(s) and Address(s) of Applicant(s):
WA Rangers Association Inc.
C/-Suite 1/300 Vahland Avenue Willetton Western Australia 6155
Australia
(72) Name(s) of Author(s): **David Michael White**
(45) Registration Date: **30 September 2005**
(56) Related Art Documents: **Not Applicable**
(57) Statement of Monopoly: **Monopoly is claimed in the shape, configuration, pattern and ornamentation of the service medallion as shown in the representations. The pattern of the ribbon is made up of the colours red, blue and yellow.**
Statement of Novelty: **Nil**



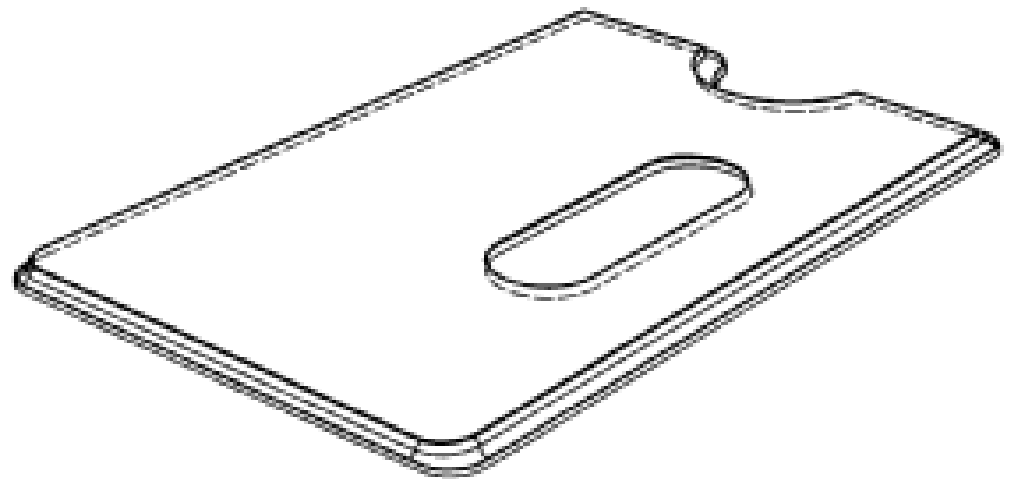
- (21) Application Number: **1455/2004**
(22) Date of Filing Application: **16 April 2004**
(24) Date from which industrial property rights may have effect: **16 April 2004**
(54) Article in respect of which the design is registered: **15 year service medallion**
(51) International Design Classification: **11-03**
(71) Name(s) and Address(s) of Applicant(s):
WA Rangers Association Inc.
C/-Suite 1/300 Vahland Avenue Willetton Western Australia 6155
Australia
(72) Name(s) of Author(s): **David Michael White**
(45) Registration Date: **30 September 2005**
(56) Related Art Documents: **Not Applicable**
(57) Statement of Monopoly: **Monopoly is claimed in the shape, configuration, pattern and ornamentation of the service medallion as shown in the representations. The pattern of the ribbon is made up of the colours red, blue and yellow.**
Statement of Novelty: **Nil**



- (21) Application Number: **1456/2004**
(22) Date of Filing Application: **16 April 2004**
(24) Date from which industrial property rights may have effect: **16 April 2004**
(54) Article in respect of which the design is registered: **20 year service medallion**
(51) International Design Classification: **11-03**
(71) Name(s) and Address(s) of Applicant(s):
WA Rangers Association Inc.
C/-Suite 1/300 Vahland Avenue Willetton Western Australia 6155
Australia
(72) Name(s) of Author(s): **David Michael White**
(45) Registration Date: **30 September 2005**
(56) Related Art Documents: **Not Applicable**
(57) Statement of Monopoly: **Monopoly is claimed in the shape, configuration, pattern and ornamentation of the service medallion as shown in the representations. The pattern of the ribbon is made up of the colours red, blue and yellow.**
Statement of Novelty: **Nil**



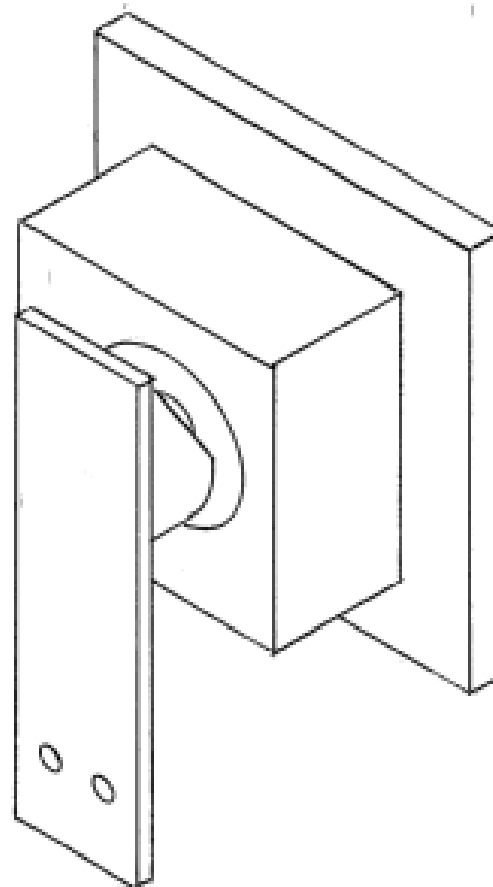
- (21) Application Number: **0883/2004**
(22) Date of Filing Application: **08 March 2004**
(24) Date from which industrial property rights may have effect: **08 March 2004**
(54) Article in respect of which the design is registered: **Card protector**
(51) International Design Classification: **03-01B**
(74) Name(s) of Attorney(s): **Fisher Adams Kelly**
(71) Name(s) and Address(s) of Applicant(s):
Antonio Roberto Rocca
368 Varley Street Yorkeys Knob Queensland 4878 Australia
(72) Name(s) of Author(s): **Antonio Roberto Rocca**
(45) Registration Date: **04 October 2005**
(56) Related Art Documents: **Not Applicable**
(57) Statement of Monopoly: **Monopoly is claimed in the shape and/or configuration of a card protector as illustrated in the accompanying representations.**
Statement of Novelty: **Nil**



- (21) Application Number: **1457/2004**
- (22) Date of Filing Application: **19 April 2004**
- (24) Date from which industrial property rights may have effect: **19 April 2004**
- (54) Article in respect of which the design is registered: **Mixer tap**
- (51) International Design Classification: **23-01H**
- (71) Name(s) and Address(s) of Applicant(s):

Geoff Davidson
80 Mowbray Road Willoughby New South Wales 2068 Australia

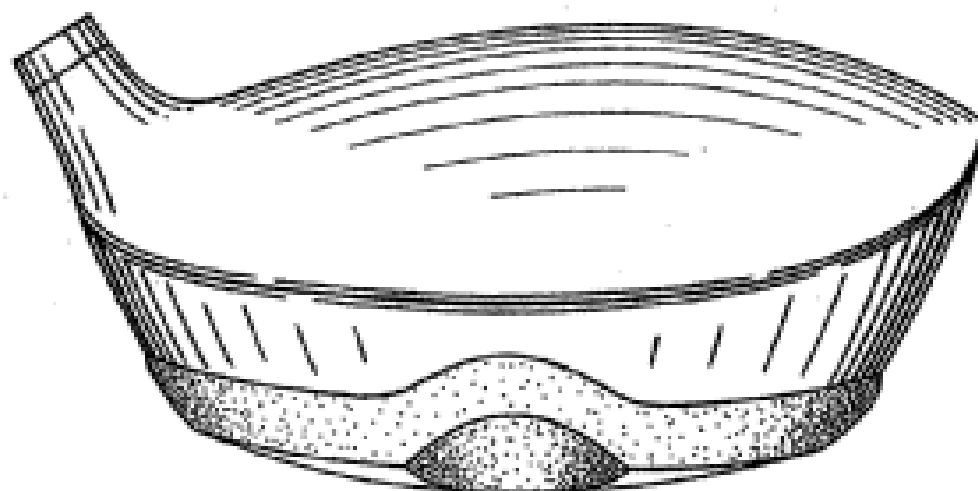
- (72) Name(s) of Author(s): **Geoffrey Noel Davidson**
- (45) Registration Date: **04 October 2005**
- (56) Related Art Documents: **Not Applicable**
- (57) Statement of Monopoly: **Monopoly is claimed in the features of shape or configuration of the mixer tap as illustrated in the representations.**
Statement of Novelty: **Nil**



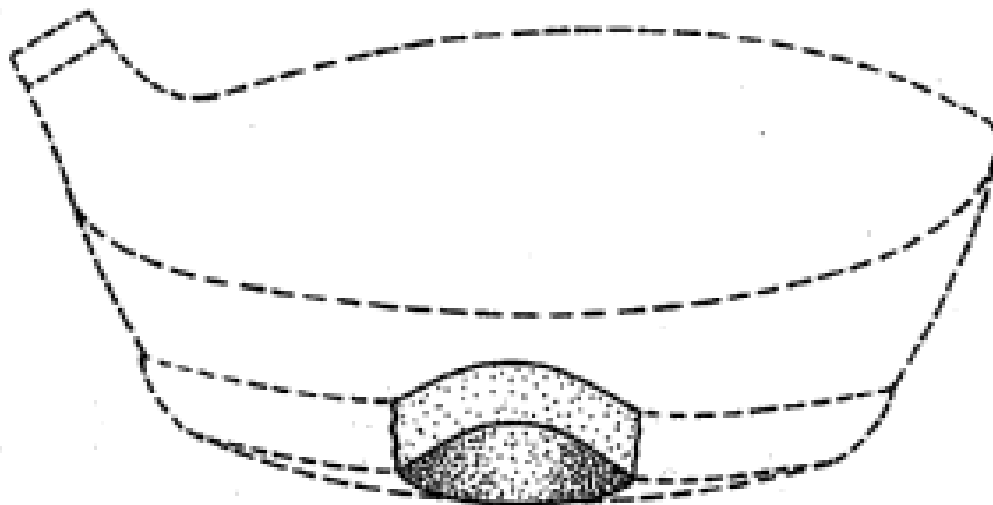
- (21) Application Number: **2484/2004**
- (22) Date of Filing Application: **16 June 2004**
- (24) Date from which industrial property rights may have effect: **09 April 2003**
- (54) Article in respect of which the design is registered: **Golf club head**
- (51) International Design Classification: **21-02C**
- (74) Name(s) of Attorney(s): **F B Rice & Co**
- (71) Name(s) and Address(s) of Applicant(s):

MacGregor Golf Company
1000 Pecan Grove Drive Albany Georgia 31707 United States of America

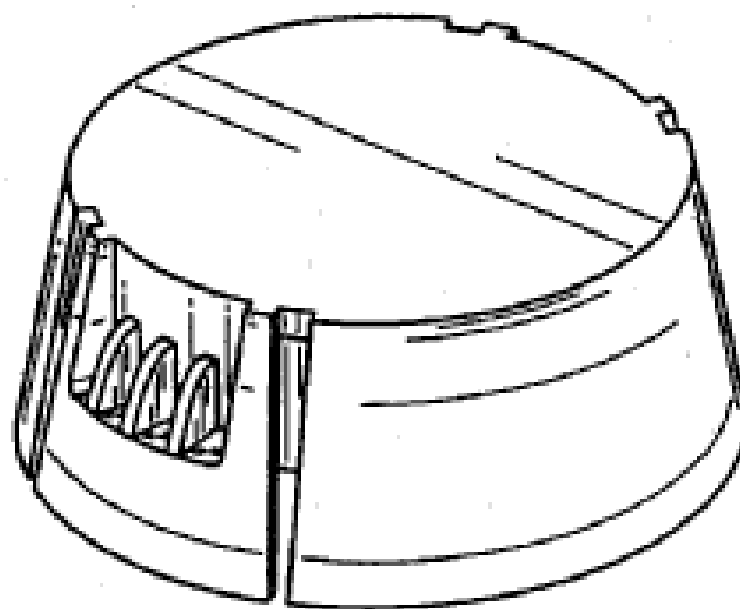
- (72) Name(s) of Author(s): **David Alexander Wood**
- (45) Registration Date: **04 October 2005**
- (62) Divisional of: **156181**
- (56) Related Art Documents: **Not Applicable**
- (57) Statement of Monopoly: **Those features of the representations in respect of which the applicant for registration of the design wishes to claim a monopoly are the features of shape and configuration in combination but excluding the shape and configuration of those parts of a golf club as shown in dot-dash lines in the representations.**
Statement of Novelty: **Nil**



(21) Application Number: **2485/2004**
(22) Date of Filing Application: **16 June 2004**
(24) Date from which industrial property rights may have effect: **09 April 2003**
(54) Article in respect of which the design is registered: **Golf club head**
(51) International Design Classification: **21-02C**
(74) Name(s) of Attorney(s): **F B Rice & Co**
(71) Name(s) and Address(s) of Applicant(s):
MacGregor Golf Company
1000 Pecan Grove Drive Albany Georgia 31707 United States of America
(72) Name(s) of Author(s): **David Alexander Wood**
(45) Registration Date: **04 October 2005**
(62) Divisional of: **156181**
(56) Related Art Documents: **Not Applicable**
(57) Statement of Monopoly: **Those features of the representations in respect of which the applicant for registration of the design wishes to claim a monopoly are the features of shape and configuration in combination but excluding the shape and configuration of those parts of a golf club as shown in dot-dash lines in the representations.**
Statement of Novelty: **Nil**



(21) Application Number: **2487/2004**
(22) Date of Filing Application: **16 June 2004**
(24) Date from which industrial property rights may have effect: **16 June 2004**
(54) Article in respect of which the design is registered: **Container cap with tabs**
(51) International Design Classification: **09-07A**
(74) Name(s) of Attorney(s): **F B Rice & Co**
(71) Name(s) and Address(s) of Applicant(s):
Wyeth
Five Giralda Farms Madison New Jersey 07940 United States of America
(72) Name(s) of Author(s): **Gerald J. Forte**
(45) Registration Date: **04 October 2005**
(30) Convention priority data:
(31) Number (32) Date (33) Country
29/195651 17 Dec 2003 UNITED STATES OF AMERICA
(56) Related Art Documents: **Not Applicable**
(57) Statement of Monopoly: **Those features of the representations in respect of which the applicant for registration of the design wishes to claim a monopoly are the features of shape and configuration in combination.**
Statement of Novelty: **Nil**



Proceedings under the Designs Act 2003.

This Page Left Intentionally Blank

Applications Lodged

Lodgement information is in the following order: **Applicant's Name**; International Classification, Name of Product, Lodgement Date and **Design Number**. If the applicant claims an earlier priority date under an International Convention, the Convention Country and the associated filing date are shown in parentheses before the Lodgement Date. Divisional information will also appear in parentheses before the Lodgement Date.

Acco Australia Pty Ltd; 19-01, 19-02, A sheet having a writing instrument holder, 16 Sep 2005	14009/2005	B.A.T. Trims Pty Ltd; 25-01K, Extrusion for tile work (1 leg), 22 Sep 2005	14074/2005
Ajay Fibreglass Industries Pty Limited, ATF The Fleming Family Trust; 23-01F, A tank, 19 Sep 2005	14029/2005	Bang & Olufsen A/S; 14-03B, A television, (DK, 22 Mar 2005) 21 Sep 2005	14066/2005
Ajay Fibreglass Industries Pty Limited, ATF The Fleming Family Trust; 23-01F, A tank, 19 Sep 2005	14030/2005	Bang & Olufsen A/S; 14-01, A loudspeaker, (DK, 22 Mar 2005) 21 Sep 2005	14067/2005
Aktiebolaget Electrolux; 15-03B, An automatic lawn mower, (Divisional of 00960/2004) 26 Sep 2005	14150/2005	Bang & Olufsen A/S; 14-01, A music system, (DK, 22 Mar 2005) 21 Sep 2005	14063/2005
Aloi, Pauline; Ayres, Aleta; 07-07A, Smaller bottled alcoholic mixer drinks and designer beers in 275ml to 375ml bottles as an insulator, (Divisional of 13067/2005) 20 Sep 2005	14034/2005	Bang & Olufsen A/S; 14-03E, A mobile phone, (DK, 29 Mar 2005) 21 Sep 2005	14064/2005
Alt Wiener Schnapsmuseum GmbH; 07-01D, 09-01D, Glass with the appearance of a golfball with a handle designed like a golf club; volumetric capacity 0,33 litre, 22 Sep 2005	14075/2005	Bang & Olufsen A/S; 14-01, A music system, (DK, 22 Mar 2005) 21 Sep 2005	14065/2005
Amcor Limited; 09-03K, 09-03F, Tray and blank therefor, 22 Sep 2005	14083/2005	Barber, Arthur Brian; 25-01NES, 25-01G, Concrete or synthetic materials excluded or moulded to enable improvement in production and or manufacture, 22 Sep 2005	14089/2005
Amcor Limited; 09-03K, Tray and blank therefor, 22 Sep 2005	14084/2005	Belkin Corporation; 20-02NES, Merchandise display, (US, 22 Mar 2005) 22 Sep 2005	14078/2005
Austral Brick Company Pty Ltd, The; 25-01C, 25-01NES, Rail clip, 23 Sep 2005	14108/2005	Belkin Corporation; 13-03B, Cable housing, (US, 17 Mar 2005) 16 Sep 2005	14012/2005
Austral Brick Company Pty Ltd, The; 25-01C, 25-01NES, Rail clip, 23 Sep 2005	14109/2005	Braun GmbH; 28-03A, Electric shaver, (EM, 26 Jul 2005) 20 Sep 2005	14028/2005
Austral Brick Company Pty Ltd, The; 25-01C, 25-01NES, Rail clip, 23 Sep 2005	14110/2005	Briggs & Stratton Corporation; 15-01, 15-03B, Valve cover, (US, 23 Mar 2005) 20 Sep 2005	14045/2005
Austral Brick Company Pty Ltd, The; 25-01C, 25-01NES, Rail clip, 23 Sep 2005	14111/2005	Briggs & Stratton Corporation; 15-01, Air cleaner cover, (US, 23 Mar 2005) 20 Sep 2005	14046/2005
Austral Brick Company Pty Ltd, The; 25-01C, 25-01NES, Rail clip, 23 Sep 2005	14112/2005	Browne, David; 15-05, 04-01, Vacuum cleaner tools, 21 Sep 2005	14053/2005
Austral Brick Company Pty Ltd, The; 25-01C, 25-01NES, Rail clip, 23 Sep 2005	14113/2005	Browne, David; 15-05, 04-01, Vacuum cleaner tools, 21 Sep 2005	14054/2005
Australian Garlic Producers; 09-01C, Garlic paste, 20 Sep 2005	14052/2005	BTICINO S.p.A.; 13-03A, 13-03D, Electrical apparatus, (EM, 07 Apr 2005) 23 Sep 2005	14114/2005
Automatic Technology Australia Pty Ltd; 12-05, Door drive unit, 19 Sep 2005	14033/2005	BTICINO S.p.A.; 13-03A, 13-03D, Electrical apparatus, (EM, 07 Apr 2005) 23 Sep 2005	14115/2005
Ayres, Aleta; Aloi, Pauline; 07-07A, Smaller bottled alcoholic mixer drinks and designer beers in 275ml to 375ml bottles as an insulator, (Divisional of 13067/2005) 20 Sep 2005	14034/2005	BTICINO S.p.A.; 13-03D, Cover plate, (EM, 07 Apr 2005) 23 Sep 2005	14116/2005
Azuma Design Pty Limited; 08-06, Door furniture for a lock, 19 Sep 2005	14025/2005		

BTICINO S.p.A.; 13-03D, Cover plate, (EM, 07 Apr 2005) 23 Sep 2005	14117/2005	Eveready Battery Company, Inc.; 28-03A, Razor handle buttons, (US, 04 Apr 2005) 21 Sep 2005	14056/2005
BTICINO S.p.A.; 13-03D, Cover plate, (EM, 07 Apr 2005) 23 Sep 2005	14118/2005	Eveready Battery Company, Inc.; 28-03A, Razor handle, (US, 04 Apr 2005) 21 Sep 2005	14057/2005
BTICINO S.p.A.; 13-03D, Cover plate, (EM, 07 Apr 2005) 23 Sep 2005	14119/2005	Eveready Battery Company, Inc.; 28-03A, Razor handle, (US, 04 Apr 2005) 21 Sep 2005	14058/2005
Cheong, Ameline; 30-02, Fish tank, 27 Sep 2005	14140/2005	Eveready Battery Company, Inc.; 28-03A, Tray, (US, 04 Apr 2005) 21 Sep 2005	14059/2005
Cheong, Ameline; 30-02, Fish tank, 27 Sep 2005	14141/2005	Eveready Battery Company, Inc.; 28-03A, Razor cartridge, (US, 04 Apr 2005) 21 Sep 2005	14060/2005
Chromend Supply; 12-16N, Automobile exhaust extension, 26 Sep 2005	14099/2005	Eveready Battery Company, Inc.; 28-03A, Caddy, (US, 04 Apr 2005) 21 Sep 2005	14061/2005
Codyvassallo Pty Ltd; 21-02D, Swim fin, 22 Sep 2005	14156/2005	Farm Pride Foods Limited; 09-03D, Egg carton, 19 Sep 2005	14014/2005
Colorado Products Pty Ltd; 23-02F, Colorado wall hang S/square basin, 19 Sep 2005	14002/2005	Feltex Carpets Pty Ltd; 06-11, Applied to carpet, 23 Sep 2005	14166/2005
Colorado Products Pty Ltd; 23-02F, Colorado wall hang S/round basin, 19 Sep 2005	14003/2005	Feltex Carpets Pty Ltd; 06-11, Applied to carpet, 23 Sep 2005	14167/2005
Colorado Products Pty Ltd; 23-02F, Colorado wall hang D/decks basin, 19 Sep 2005	14004/2005	Feltex Carpets Pty Ltd; 06-11, Applied to carpet, 23 Sep 2005	14168/2005
Colorado Products Pty Ltd; 23-02F, Colorado wall hang D/round basin, 19 Sep 2005	14005/2005	Flauraud S.A.; 28-99, Deodoriser for vehicle, (EM, 22 Mar 2005) 16 Sep 2005	14017/2005
Combotronic Limited; 13-03D, Power adapter, (HK, 16 Aug 2005) 19 Sep 2005	14027/2005	Flauraud S.A.; 28-99, Deodoriser for vehicle, (EM, 22 Mar 2005) 16 Sep 2005	14018/2005
Condo, Donatella; 06-08, Garment hanger, 23 Sep 2005	14142/2005	Flauraud S.A.; 28-99, Deodoriser for vehicle, (EM, 22 Mar 2005) 16 Sep 2005	14019/2005
Condo, Donatella; 06-08, Garment hanger, 23 Sep 2005	14143/2005	Gauci, John; 07-05C, A clothes peg, 20 Sep 2005	14040/2005
Creative Technology Ltd; 14-01, Media player, (US, 08 Jun 2005) 22 Sep 2005	14076/2005	GM Global Technology Operations, Inc.; 12-08, An automobile, (EM, 21 Mar 2005) 20 Sep 2005	14043/2005
Creative Technology Ltd; 14-01, Media player, (US, 06 Jul 2005) 22 Sep 2005	14077/2005	GMCA Pty Ltd; 08-01, A powered router tool, (EM, 01 Sep 2005) 19 Sep 2005	14021/2005
Currey, Robert; Neugebauer, Dirk; Neugebauer, Cathy; 23-01F, Water storage, 26 Sep 2005	14100/2005	GMCA Pty Ltd; 15-09, 08-03, Chop saw, (GB, 06 Aug 2005) 19 Sep 2005	14022/2005
Daka Research Inc.; 12-11, Bicycle, 16 Sep 2005	14049/2005	Harper-Hughan, Christopher; 06-07, 19-08, Advertising mirror - the design is to be applied to a reflective surface (ie a mirror), 26 Sep 2005	14164/2005
Denman, Philip; 08-07, 12-16NES, An immobiliser for a vehicle wheel, 16 Sep 2005	14016/2005	Harper-Hughan, Christopher; 06-07, 19-08, Advertising mirror-the design is to be applied to a reflective surface (ie. a mirror), 26 Sep 2005	14165/2005
Esselte Australia Pty Ltd; 19-02, Magazine file, 23 Sep 2005	14123/2005	Henderson, Matthew; 08-07, 08-09, Shipping container RFID seal, 23 Sep 2005	14088/2005
Eveready Battery Company, Inc.; 28-03A, Guard bar, (US, 04 Apr 2005) 21 Sep 2005	14055/2005	Home Ice Cream Pty Ltd; 07-01NES, Container and lid, 23 Sep 2005	14127/2005

Hunter Pacific International Pty Ltd; 23-04, Ceiling fan, 26 Sep 2005	14151/2005	Lacoste; 02-04NES, Shoe, (EM, 12 May 2005) 23 Sep 2005	14125/2005
HAG Import Corporation (Aust) Pty Ltd; 07-01D, 07-01F, 07-06C, Handle, 20 Sep 2005	14047/2005	Lacoste; 02-04NES, Shoe, (EM, 25 Mar 2005) 23 Sep 2005	14126/2005
HAG Import Corporation (Aust) Pty Ltd; 07-01D, 07-01F, 07-06C, Handle, 20 Sep 2005	14048/2005	Master Lock Company; 08-07, Lock, (US, 29 Mar 2005) 16 Sep 2005	14015/2005
Infratec International Pty Ltd; 23-01K, Valve surround, 21 Sep 2005	14073/2005	McEvoy, Paul; 30-02, 24-01, Micro isolator for laboratory mice, 23 Sep 2005	14096/2005
IAMS Company, The; 01-06, 30-99, Animal food supplement and gnaw, (US, 28 Mar 2005) 20 Sep 2005	14039/2005	Med-Eng Systems Inc.; 14-03NES, Radio transmitter unit, (US, 24 Mar 2005) 21 Sep 2005	14069/2005
J Bloch Pty Ltd; 02-04B, Shoe, 19 Sep 2005	14035/2005	Modular Horse Shelters; 30-02, A horse shelter, 22 Sep 2005	14068/2005
J Bloch Pty Ltd; 02-04NES, Shoe, 19 Sep 2005	14036/2005	Neeson Murcutt Architects; 21-04, 06-02, Tourism accomodation (temporary), 23 Sep 2005	14097/2005
J Bloch Pty Ltd; 02-04NES, 02-07B, Shoe, 19 Sep 2005	14037/2005	Neugebauer, Dirk; Neugebauer, Cathy; 23-01F, Water storage, 26 Sep 2005	14100/2005
J Bloch Pty Ltd; 02-07B, Clip for a shoe, 19 Sep 2005	14024/2005	Neugebauer, Cathy; Neugebauer, Dirk; 23-01F, Water storage, 26 Sep 2005	14100/2005
Jackson Industries Pty Limited; 13-03D, A power board, 26 Sep 2005	14136/2005	Newman, Peter Neil; 25-02C, 25-02NES, Barrier wall, 19 Sep 2005	14041/2005
Jackson Industries Pty Limited; 13-03D, A power board, 26 Sep 2005	14137/2005	Newman, Peter Neil; 25-02NES, Divider barrier, 19 Sep 2005	14042/2005
Jackson Industries Pty Limited; 13-03D, A power board, 26 Sep 2005	14138/2005	Nokia Corporation; 14-03E, A handset, (FI, 23 Mar 2005) 22 Sep 2005	14085/2005
Jestomic Pty Ltd; 08-08D, 12-11, Bicycle push handle seat post clamp (Type 2), 19 Sep 2005	14006/2005	Nokia Corporation; 14-03E, A handset, (FI, 23 Mar 2005) 22 Sep 2005	14086/2005
Jurecky, Jason; 06-01E, 06-01G, Clear herison, 19 Sep 2005	14159/2005	Nokia Corporation; 14-03E, A handset/music device, (US, 23 Mar 2005) 22 Sep 2005	14087/2005
Jurecky, Jason; 06-01E, 'Bob' - up/down/swirel gas lift stools, 19 Sep 2005	14160/2005	Orford Refrigeration Pty Ltd; 20-02E, A display stand, 23 Sep 2005	14128/2005
Jurecky, Jason; 06-01E, Bob, 19 Sep 2005	14161/2005	Orford Refrigeration Pty Ltd; 20-02E, A display stand, 23 Sep 2005	14129/2005
Jurecky, Jason; 06-01E, Bob, 19 Sep 2005	14162/2005	Pacific Worldwide Pty Ltd; 09-05, Peking duck pastry, 27 Sep 2005	14153/2005
Jurecky, Jason; 06-01E, Bob, 19 Sep 2005	14163/2005	Pacific Worldwide Pty Ltd; 09-03K, Sweet tamarind (me dot thai ngot) tamarind packaging, 16 Sep 2005	14091/2005
Keiltari Pty Ltd, Trading as Truck Art; 12-16B, Guard cover, 22 Sep 2005	14081/2005	Pacific Worldwide Pty Ltd; 09-03K, Sweet and sour (me dot thai chua) tamarind packaging, 16 Sep 2005	14092/2005
Keiltari Pty Ltd, Trading as Truck Art; 12-16B, Guard cover, 22 Sep 2005	14082/2005	Phoenix Industries Pty Ltd; 23-01H, Mixer tapware, 23 Sep 2005	14093/2005
Kimberly-Clark Kenko Industria E Comercio Ltda; 24-04, An absorbent article, (BR, 31 Mar 2005) 21 Sep 2005	14062/2005	Phoenix Industries Pty Ltd; 23-01H, Mixer tapware, 23 Sep 2005	14094/2005
Kohler Co.; 23-01H, Faucet handle, 19 Sep 2005	14026/2005	Phoenix Industries Pty Ltd; 23-01H, A set of mixer tapware (basin, sink, bath, shower, shower arm), 23 Sep 2005	14095/2005
Lacoste; 02-04NES, Shoe, (EM, 01 Apr 2005) 26 Sep 2005	14139/2005		
Lacoste; 02-04NES, Shoe, (EM, 25 Mar 2005) 23 Sep 2005	14124/2005		

Pilot, John; 12-06B, Catamaran, 26 Sep 2005	14101/2005	TechTronic Industries Co., Ltd; 15-99, Clipped head framing nailer, 23 Sep 2005	14102/2005
Playtex Products Inc.; 07-01C, Cup, (US, 25 Mar 2005) 23 Sep 2005	14120/2005	TechTronic Industries Co., Ltd; 15-99, Straight finish nailer, 23 Sep 2005	14103/2005
Playtex Products Inc.; 07-01C, 07-01NES, Cap, (US, 25 Mar 2005) 23 Sep 2005	14121/2005	TechTronic Industries Co., Ltd; 15-99, Coil roofing nailer, 23 Sep 2005	14104/2005
Playtex Products Inc.; 07-01C, Cup, (US, 25 Mar 2005) 23 Sep 2005	14122/2005	TechTronic Industries Co., Ltd; 15-99, Round head framing nailer, 23 Sep 2005	14105/2005
Podware Pty Ltd; 21-02D, Swim fin, 22 Sep 2005	14155/2005	TechTronic Industries Co., Ltd; 15-99, Angled finish nailer, 23 Sep 2005	14106/2005
Portola Packaging Limited; 09-07A, Closure for container, (EM, 17 Mar 2005) 19 Sep 2005	14031/2005	TechTronic Industries Co., Ltd; 15-99, Finish stapler, 23 Sep 2005	14107/2005
Portola Packaging Limited; 09-07A, 09-07C, Closure for container, (EM, 17 Mar 2005) 19 Sep 2005	14032/2005	Trydel Research Pty Ltd; 09-01NES, Containers, 23 Sep 2005	14130/2005
Procter & Gamble Company, The; 28-03NES, Applicator, (US, 30 Mar 2005) 21 Sep 2005	14072/2005	Trydel Research Pty Ltd; 09-01NES, Containers, 23 Sep 2005	14131/2005
Ramos, Cheryll-Rose; 06-13NES, 02-02B, Garment protector/covers, 26 Sep 2005	14154/2005	TAG Heuer SA; 10-07, Watch dial, (WO, 30 Mar 2005) 16 Sep 2005	14020/2005
Reckitt Benckiser (UK) Limited; 09-01G, 09-01NES, Roll-on bottle device, (EM, 29 Mar 2005) 22 Sep 2005	14080/2005	Uvex Arbeitsschutz GmbH; 16-06, Safety glasses, 21 Sep 2005	14070/2005
Reckitt Benckiser N.V.; 28-99, 09-01NES, Bottle, (EP, 26 Apr 2005) 26 Sep 2005	14135/2005	Uvex Arbeitsschutz GmbH; 16-06, Eyewear, (EM, 13 Jun 2005) 26 Sep 2005	14152/2005
Scanlan & Theodore; 02-02C, Dress, 27 Sep 2005	14157/2005	Uvex Arbeitsschutz GmbH; 16-06, Safety glasses, 21 Sep 2005	14071/2005
Schneider Electric New Zealand Holdings Limited; 13-03D, A set of electrical fittings, (NZ, 23 Mar 2005) 23 Sep 2005	14098/2005	Vax Limited; 04-03, 15-05, Brush for a cleaner, (EP, 08 Apr 2005) 26 Sep 2005	14145/2005
Schneider Electric New Zealand Holdings Limited; 13-03E, A set of electrical fittings, (NZ, 23 Mar 2005) 21 Sep 2005	14044/2005	Vax Limited; 15-05, A cleaner, (EP, 08 Apr 2005) 26 Sep 2005	14146/2005
Sonny Elegant Knitwear Ltd; 02-02C, Dress (including pattern on fabric), 27 Sep 2005	14133/2005	Vax Limited; 15-05, A cleaner with tools, (EP, 08 Apr 2005) 26 Sep 2005	14147/2005
Sonny Elegant Knitwear Ltd; 02-02C, Dress (including pattern on fabric), 27 Sep 2005	14134/2005	Vax Limited; 15-05, A cleaner, (EP, 08 Apr 2005) 26 Sep 2005	14148/2005
Springday Holdings Pty Ltd, as trustee for the Miller Family Trust; 06-04NES, Storage device, 23 Sep 2005	14144/2005	Vax Limited; 15-05, Hose handle for cleaner, (EP, 08 Apr 2005) 26 Sep 2005	14149/2005
Stokely-Van Camp, Inc.; 09-01NES, Bottle, (Divisional of 01066/2004) 16 Sep 2005	14013/2005	Webber, Jenny; 06-09, Shopping trolleys, 16 Sep 2005	14007/2005
Stokely-Van Camp, Inc.; 09-01NES, Bottle, (Divisional of 01067/2004) 16 Sep 2005	14010/2005	White, Lindsay R.; 08-08B, 25-01B, 08-05K, A spacer, 16 Sep 2005	14008/2005
Stokely-Van Camp, Inc.; 09-01NES, Bottle, (Divisional of 01066/2004) 16 Sep 2005	14011/2005	Wu, Cheng Shi; 23-01F, Water tank, 27 Sep 2005	14132/2005
		Zumtobel Staff GmbH & Co. KG; 26-05C, Light fixture with moving head, (EM, 23 Mar 2005) 22 Sep 2005	14079/2005
		141 Worldwide, a division of Ogilvy & Mather Limited; 20-02NES, Display equipment, (EM, 23 Mar 2005) 22 Sep 2005	14158/2005

Applications Withdrawn

15820 / 2004 (06-11)

12145 / 2005 (08-07)

Applications Lapsed

13229 / 2004 (06-01E)

13360 / 2004 (11-02B)

14610 / 2004 (06-02)

15013 / 2004 (15-01)

15133 / 2004 (23-04)

15134 / 2004 (23-04)

15190 / 2004 (25-02NES)

15510 / 2004 (25-01E)

15511 / 2004 (25-02C)

15535 / 2004 (15-04)

15539 / 2004 (02-02C)

15659 / 2004 (02-04NES)

15679 / 2004 (23-01H)

15680 / 2004 (23-01H)

15682 / 2004 (23-01H)

15753 / 2004 (12-16NES)

15773 / 2004 (12-16A)

10007 / 2005 (06-01H)

10244 / 2005 (12-16NES)

10245 / 2005 (12-16NES)

10260 / 2005 (23-03D)

10466 / 2005 (15-07)

10550 / 2005 (23-04)

10565 / 2005 (02-02NES)

10842 / 2005 (19-08)

10843 / 2005 (19-08)

10844 / 2005 (19-08)

10874 / 2005 (23-01NES)

10924 / 2005 (02-02NES)

10925 / 2005 (02-02NES)

10926 / 2005 (02-02NES)

11063 / 2005 (06-07)

11064 / 2005 (06-07)

11065 / 2005 (06-07)

11231 / 2005 (02-02NES)

11232 / 2005 (02-02NES)

11233 / 2005 (02-02NES)

11234 / 2005 (02-02NES)

12828 / 2005 (07-05A)

12843 / 2005 (03-01A)

12844 / 2005 (03-01A)

12845 / 2005 (03-01A)

12846 / 2005 (03-01A)

12851 / 2005 (19-08)

12852 / 2005 (19-08)

12853 / 2005 (19-08)

12854 / 2005 (19-08)

12855 / 2005 (19-08)

12856 / 2005 (19-08)

12857 / 2005 (19-08)

12858 / 2005 (19-08)

13012 / 2005 (21-01L)

Applications Assigned

(The name in parentheses is that of the subsequent applicant)

10279/2005 (**Intelligent Packaging Systems Group S.A.**) Keltub
B.V.

10280/2005 (**Intelligent Packaging Systems Group S.A.**) Keltub
B.V.

Subsequent Owners Registered

(The name in parentheses is that of the subsequent owner)

301328 (**Mantc Holdings Pty Ltd**) Andrew Bernadou

301329 (**Mantc Holdings Pty Ltd**) Andrew Bernadou

Certificate(s) of Examination

Examination of the following Design Registration(s) has been completed. Infringement proceedings may now be commenced.

300827	26-03	28/09/2005
300906	30-08	28/09/2005
300967	14-01	04/10/2005
300989	14-01	04/10/2005
300990	16-06	28/09/2005
301009	08-07	28/09/2005
301010	08-07	28/09/2005
301073	08-08NES	05/10/2005
301074	08-08NES	05/10/2005
301075	08-08NES	05/10/2005
301138	09-01A	30/09/2005
301139	09-01K	30/09/2005
301140	09-01K	30/09/2005
301145	09-07A	28/09/2005
301151	09-01A	30/09/2005
301229	09-05	28/09/2005
301230	23-04	29/09/2005
301244	13-03D	30/09/2005
301258	09-07A	06/10/2005
301268	15-05	04/10/2005
301321	02-01B	30/09/2005
301331	15-05	30/09/2005
301370	15-05	30/09/2005
301612	28-03NES	04/10/2005
301635	06-02	05/10/2005
301636	06-02	05/10/2005
301637	06-02	05/10/2005
301638	06-02	05/10/2005
301804	02-01B	06/10/2005
301805	02-01B	06/10/2005
302000	06-03D	06/10/2005
303254	02-02NES	28/09/2005

Publication and Registration Proceedings

Designs Registered

This section provides a concordance between design number and registration number of Designs covered in this journal. It also shows the main class and registration date.

This section covers Registration numbers 303269 to 303320 .

The registration number shown below should be used in all future correspondence.

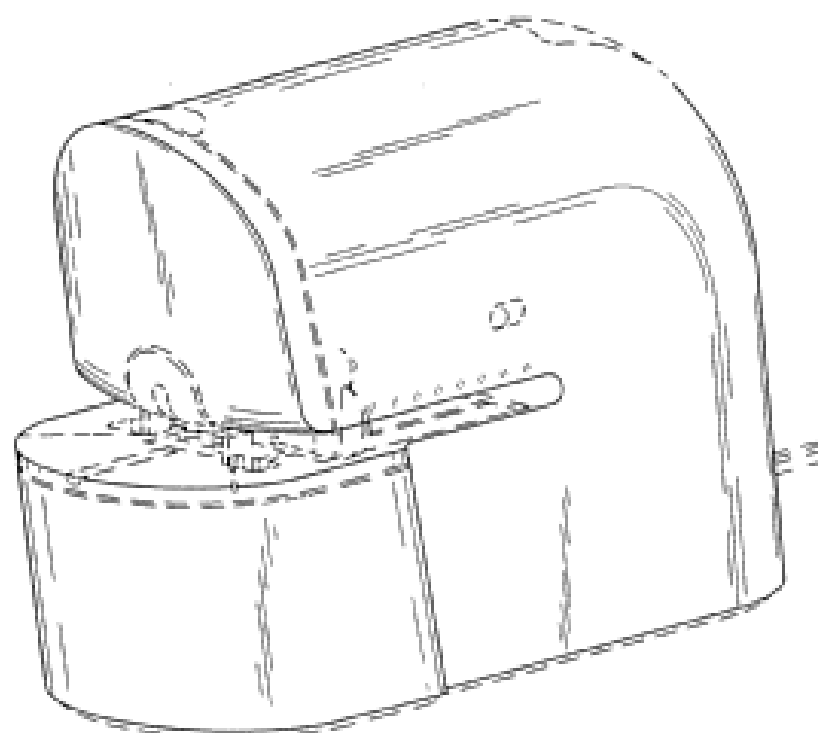
Design Number	Registration Number	International Classification Code (IDC)	Registration Date	Design Number	Registration Number	International Classification Code (IDC)	Registration Date
13356/2004	303301	07-07NES	04/10/2005	11384/2005	303313	20-02NES	04/10/2005
14918/2004	303302	23-02F	04/10/2005	11385/2005	303314	20-02NES	04/10/2005
14964/2004	303269	19-02	26/09/2005	11401/2005	303283	07-07A	04/10/2005
14965/2004	303270	19-02	26/09/2005	11402/2005	303284	07-07A	04/10/2005
14966/2004	303271	19-02	26/09/2005	11406/2005	303285	23-01H	04/10/2005
14967/2004	303272	19-02	26/09/2005	11419/2005	303287	14-01	04/10/2005
14968/2004	303273	19-02	26/09/2005	11424/2005	303286	15-05	04/10/2005
14969/2004	303274	19-02	26/09/2005	11425/2005	303288	12-16N	04/10/2005
10080/2005	303281	09-01B	04/10/2005	11427/2005	303289	03-01D	04/10/2005
10084/2005	303280	08-08M	04/10/2005	11428/2005	303290	12-16A	04/10/2005
10085/2005	303303	08-08M	04/10/2005	11431/2005	303291	12-12	04/10/2005
10087/2005	303304	14-01	04/10/2005	11432/2005	303315	03-01B	04/10/2005
10095/2005	303305	14-01	04/10/2005	11437/2005	303292	09-03F	04/10/2005
10096/2005	303306	13-02	04/10/2005	11438/2005	303293	24-99	04/10/2005
10232/2005	303307	03-01NES	04/10/2005	11439/2005	303294	24-99	04/10/2005
10233/2005	303308	03-01NES	04/10/2005	11454/2005	303316	25-01E	04/10/2005
10234/2005	303309	03-01NES	04/10/2005	11457/2005	303295	02-07A	04/10/2005
10452/2005	303275	01-06	26/09/2005	11458/2005	303296	21-02C	04/10/2005
10636/2005	303276	28-03D	26/09/2005	11459/2005	303297	21-02C	04/10/2005
10637/2005	303277	28-03D	26/09/2005	11460/2005	303298	02-03	04/10/2005
10718/2005	303310	08-06	04/10/2005	11461/2005	303299	02-03	04/10/2005
11187/2005	303282	12-16NES	04/10/2005	11463/2005	303317	19-06	04/10/2005
11309/2005	303311	12-05	04/10/2005	11464/2005	303318	20-03NES	04/10/2005
11350/2005	303278	08-01	26/09/2005	11466/2005	303319	07-01NES	04/10/2005
11351/2005	303279	08-05N	26/09/2005	11570/2005	303300	12-16L	04/10/2005
11383/2005	303312	20-02NES	04/10/2005	11871/2005	303320	06-01NES	04/10/2005

Publication and Registration Proceedings
Class Listing of Designs Published or Registered

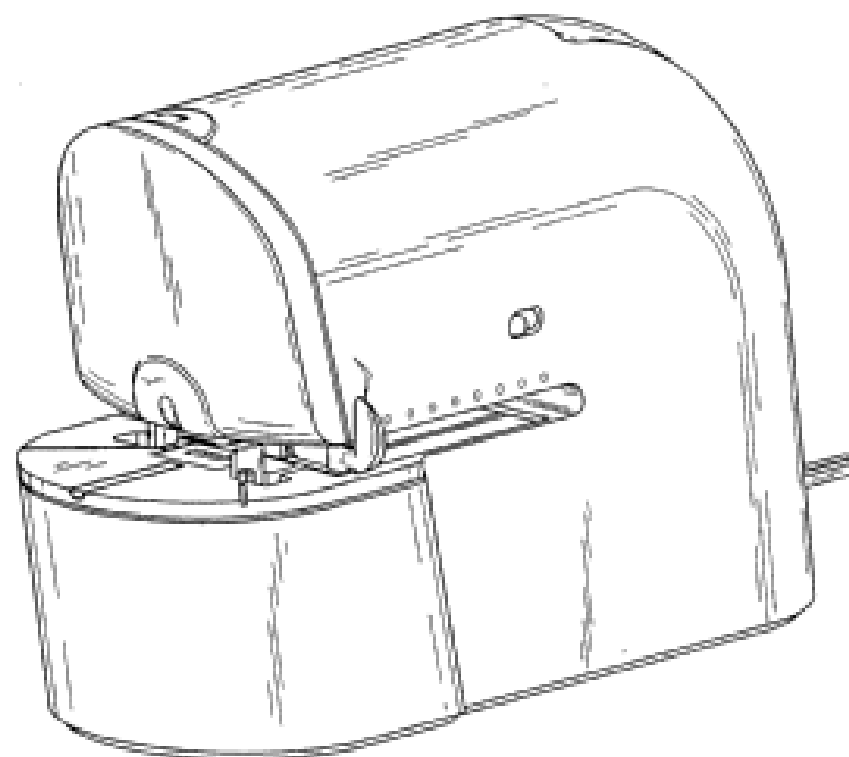
The following section shows an International Classification Code listing of the Registered or Published Designs covered in this supplement.

Classification	Registration Number	Design Number	Classification	Registration Number	Design Number
01-06	303275	10452/2005	14-01	303287	11419/2005
02-03	303298	11460/2005	14-01	303304	10087/2005
02-03	303299	11461/2005	14-01	303305	10095/2005
02-07 A	303295	11457/2005	14-01	303306	10096/2005
03-01 B	303315	11432/2005	15-05	303286	11424/2005
03-01 D	303289	11427/2005	19-02	303269	14964/2004
03-01 NES	303307	10232/2005	19-02	303270	14965/2004
03-01 NES	303308	10233/2005	19-02	303271	14966/2004
03-01 NES	303309	10234/2005	19-02	303272	14967/2004
06-01 NES	303291	11431/2005	19-02	303273	14968/2004
06-01 NES	303320	11871/2005	19-02	303274	14969/2004
06-04 NES	303289	11427/2005	19-06	303317	11463/2005
07-01 NES	303319	11466/2005	19-07	303317	11463/2005
07-07 A	303283	11401/2005	20-02 E	303312	11383/2005
07-07 A	303284	11402/2005	20-02 E	303313	11384/2005
07-07 NES	303301	13356/2004	20-02 E	303314	11385/2005
08-01	303278	11350/2005	20-02 NES	303312	11383/2005
08-05 N	303279	11351/2005	20-02 NES	303313	11384/2005
08-06	303310	10718/2005	20-02 NES	303314	11385/2005
08-08 M	303280	10084/2005	20-02 NES	303318	11464/2005
08-08 M	303303	10085/2005	20-03 NES	303318	11464/2005
09-01 B	303281	10080/2005	21-02 C	303296	11458/2005
09-03 F	303292	11437/2005	21-02 C	303297	11459/2005
09-03 M	303312	11383/2005	23-01 H	303285	11406/2005
09-03 M	303313	11384/2005	23-02 F	303302	14918/2004
09-03 M	303314	11385/2005	24-99	303293	11438/2005
09-07 B	303319	11466/2005	24-99	303294	11439/2005
12-05	303311	11309/2005	25-01 B	303311	11309/2005
12-12	303291	11431/2005	25-01 E	303316	11454/2005
12-16 A	303290	11428/2005	28-03 D	303276	10636/2005
12-16 L	303300	11570/2005	28-03 D	303277	10637/2005
12-16 N	303288	11425/2005			
12-16 NES	303282	11187/2005			
13-02	303306	10096/2005			

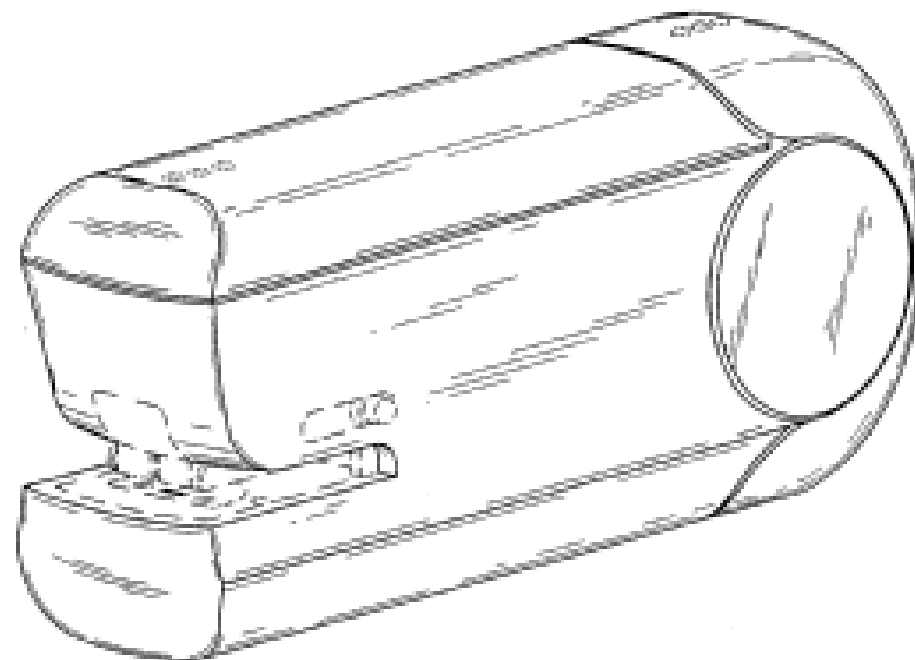
- (21) Design Number: **14964/2004**
(22) Date of Filing Application: **20 October 2004**
(24) Date from which industrial property rights may have effect: **20 October 2004**
(54) Product in respect of which the design is registered: **Stapler**
(51) International Design Classification: **19-02**
(71) Name(s) and Address(s) of Applicant(s):
Acco Brands Inc.
300 Tower Parkway Lincolnshire IL 60069 United States of America
(72) Name(s) of Designer(s): **David P. Adams and Joel G. Delman and Melanie Lyn Conklin and Stephen John Gaynes and Michael F. De Rossi**
(45) Registration Date: **26 September 2005**
(30) Convention priority data:
(31) Number (32) Date (33) Country
29/203838 20 Apr 2004 UNITED STATES OF AMERICA
(56) Related Art Documents: **Not Applicable**
(57) Statement of Newness and Distinctiveness: **When deciding whether the design 1 is substantially similar in overall impression to another design, no regard should be had to those features shown in dotted outline.**



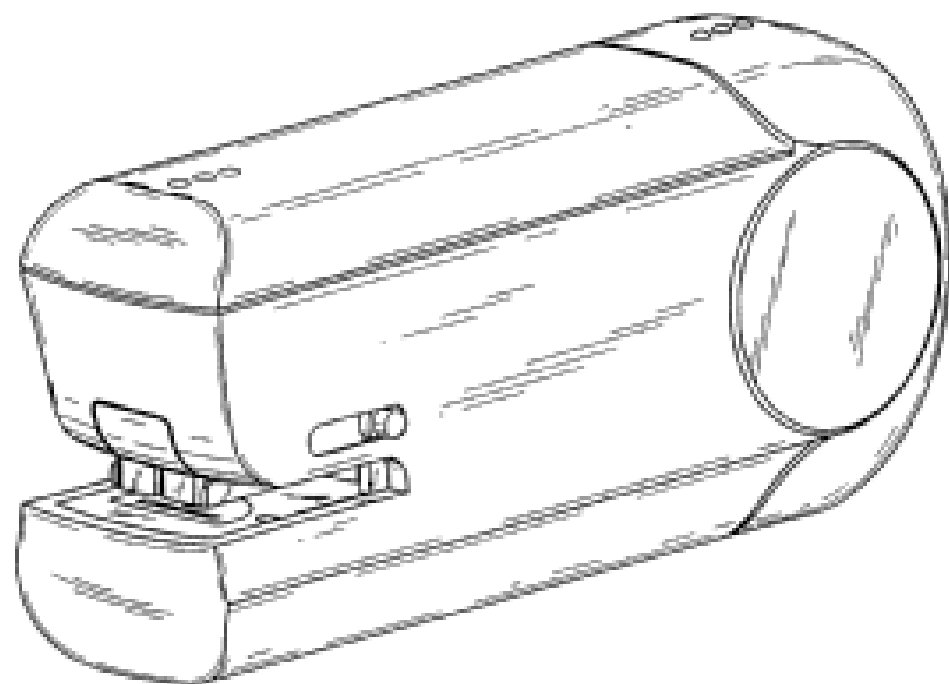
- (21) Design Number: **14965/2004**
(22) Date of Filing Application: **20 October 2004**
(24) Date from which industrial property rights may have effect: **20 October 2004**
(54) Product in respect of which the design is registered: **Stapler**
(51) International Design Classification: **19-02**
(71) Name(s) and Address(s) of Applicant(s):
Acco Brands Inc.
300 Tower Parkway Lincolnshire IL 60069 United States of America
(72) Name(s) of Designer(s): **David P. Adams and Joel G. Delman and Melanie Lyn Conklin and Stephen John Gaynes and Michael F. De Rossi**
(45) Registration Date: **26 September 2005**
(30) Convention priority data:
(31) Number (32) Date (33) Country
29/203838 20 Apr 2004 UNITED STATES OF AMERICA
(56) Related Art Documents: **Not Applicable**
(57) Statement of Newness and Distinctiveness: **When deciding whether the design 1 is substantially similar in overall impression to another design, no regard should be had to those features shown in dotted outline.**



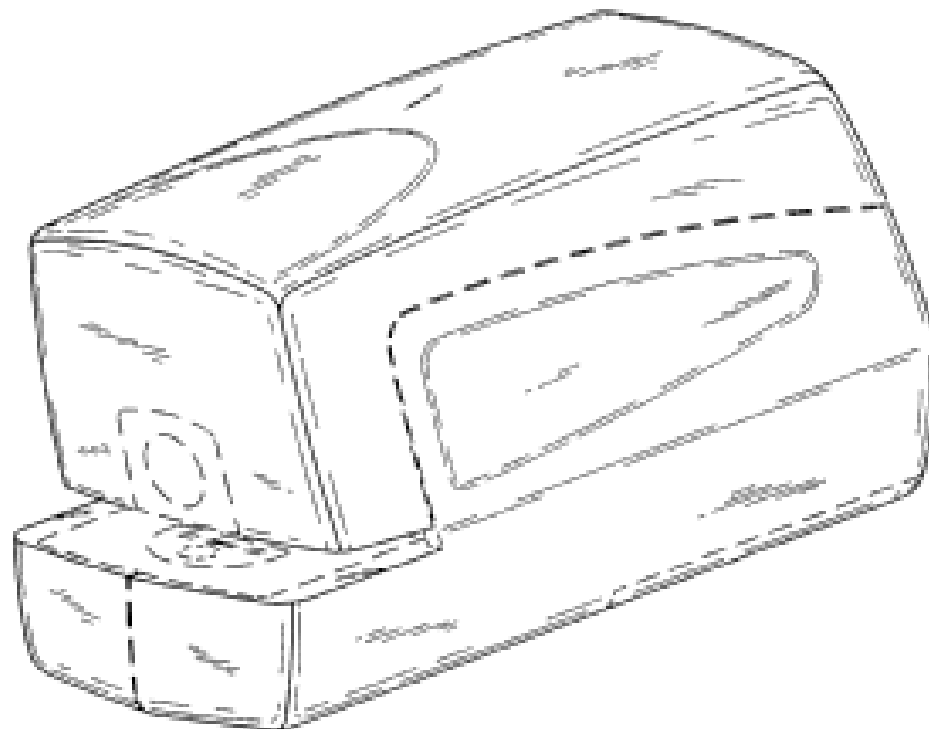
- (21) Design Number: **14966/2004**
(22) Date of Filing Application: **20 October 2004**
(24) Date from which industrial property rights may have effect: **20 October 2004**
(54) Product in respect of which the design is registered: **Stapler**
(51) International Design Classification: **19-02**
(71) Name(s) and Address(s) of Applicant(s):
Acco Brands Inc.
300 Tower Parkway Lincolnshire IL 60069 United States of America
(72) Name(s) of Designer(s): **David P. Adams and Joel G. Delman and Melanie Lyn Conklin and Stephen John Gaynes and Michael F. De Rossi**
(45) Registration Date: **26 September 2005**
(30) Convention priority data:
(31) Number (32) Date (33) Country
29/203829 20 Apr 2004 UNITED STATES OF AMERICA
(56) Related Art Documents: **Not Applicable**
(57) Statement of Newness and Distinctiveness: **When deciding whether the design 1 is substantially similar in overall impression to another design, no regard should be had to those features shown in dotted outline.**



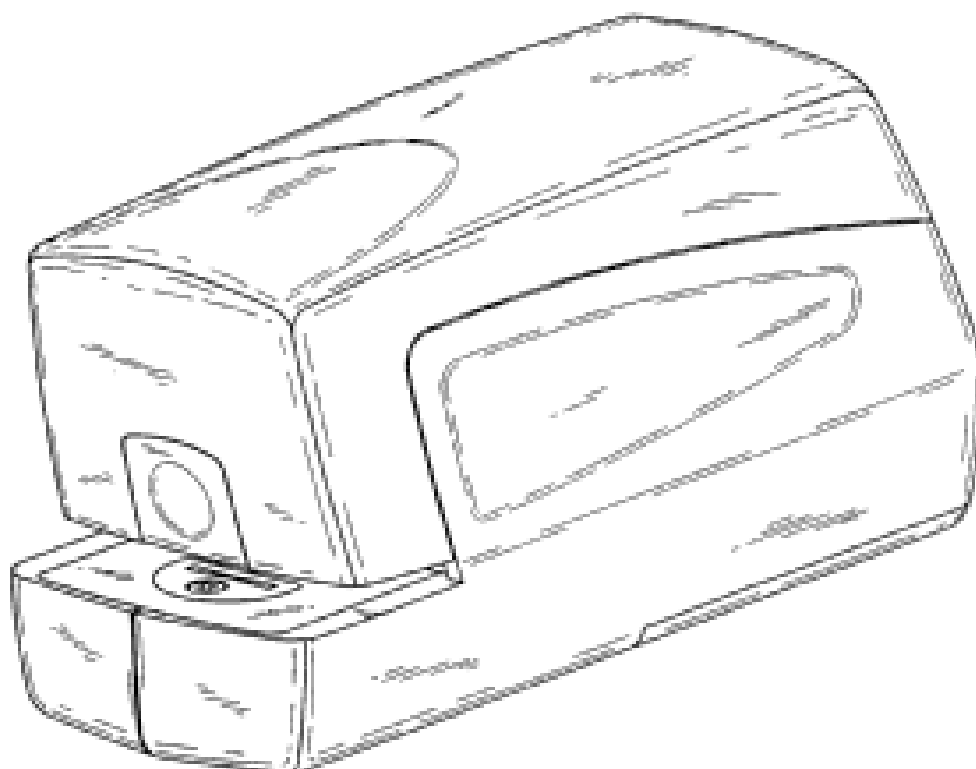
- (21) Design Number: **14967/2004**
(22) Date of Filing Application: **20 October 2004**
(24) Date from which industrial property rights may have effect: **20 October 2004**
(54) Product in respect of which the design is registered: **Stapler**
(51) International Design Classification: **19-02**
(71) Name(s) and Address(s) of Applicant(s):
Acco Brands Inc.
300 Tower Parkway Lincolnshire IL 60069 United States of America
(72) Name(s) of Designer(s): **David P. Adams and Joel G. Delman and Melanie Lyn Conklin and Stephen John Gaynes and Michael F. De Rossi**
(45) Registration Date: **26 September 2005**
(30) Convention priority data:
(31) Number (32) Date (33) Country
29/203829 20 Apr 2004 UNITED STATES OF AMERICA
(56) Related Art Documents: **Not Applicable**
(57) Statement of Newness and Distinctiveness: **When deciding whether the design 1 is substantially similar in overall impression to another design, no regard should be had to those features shown in dotted outline.**



- (21) Design Number: **14968/2004**
(22) Date of Filing Application: **20 October 2004**
(24) Date from which industrial property rights may have effect: **20 October 2004**
(54) Product in respect of which the design is registered: **Stapler**
(51) International Design Classification: **19-02**
(71) Name(s) and Address(s) of Applicant(s):
Acco Brands Inc.
300 Tower Parkway Lincolnshire IL 60069 United States of America
(72) Name(s) of Designer(s): **Mark Harris**
(45) Registration Date: **26 September 2005**
(30) Convention priority data:
(31) Number (32) Date (33) Country
29/203839 20 Apr 2004 UNITED STATES OF AMERICA
(56) Related Art Documents: **Not Applicable**
(57) Statement of Newness and Distinctiveness: **When deciding whether the design 1 is substantially similar in overall impression to another design, no regard should be had to those features shown in dotted outline.**



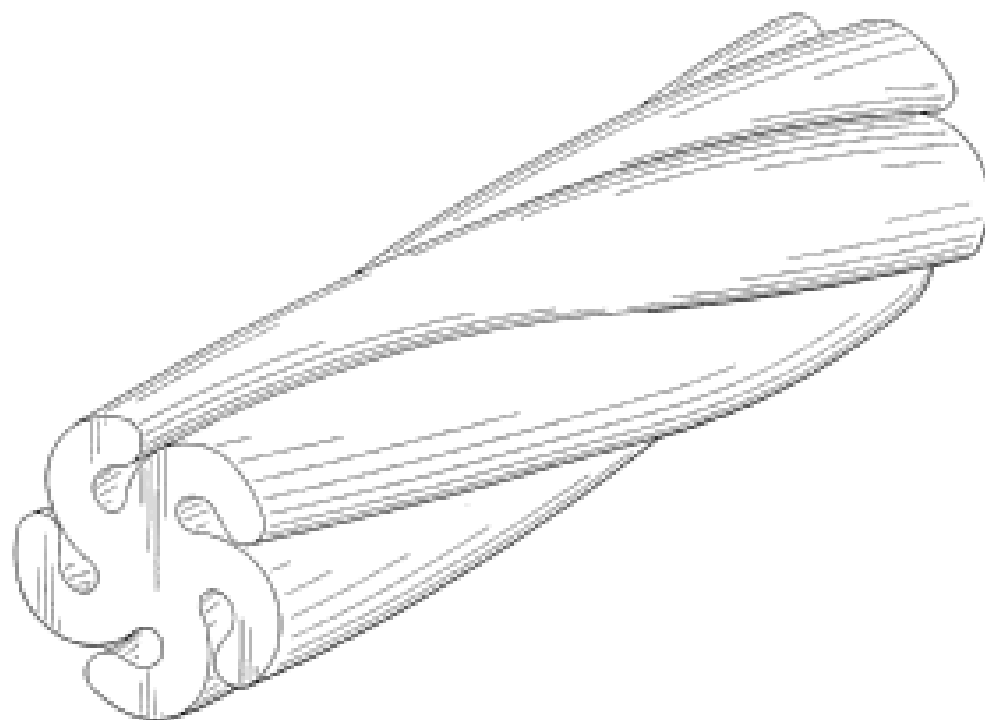
- (21) Design Number: **14969/2004**
(22) Date of Filing Application: **20 October 2004**
(24) Date from which industrial property rights may have effect: **20 October 2004**
(54) Product in respect of which the design is registered: **Stapler**
(51) International Design Classification: **19-02**
(71) Name(s) and Address(s) of Applicant(s):
Acco Brands Inc.
300 Tower Parkway Lincolnshire IL 60069 United States of America
(72) Name(s) of Designer(s): **Mark Harris**
(45) Registration Date: **26 September 2005**
(30) Convention priority data:
(31) Number (32) Date (33) Country
29/203839 20 Apr 2004 UNITED STATES OF AMERICA
(56) Related Art Documents: **Not Applicable**
(57) Statement of Newness and Distinctiveness: **When deciding whether the design 1 is substantially similar in overall impression to another design, no regard should be had to those features shown in dotted outline.**



(19) AU

- (21) Design Number: **10452/2005**
- (22) Date of Filing Application: **04 February 2005**
- (24) Date from which industrial property rights may have effect: **04 February 2005**
- (54) Product in respect of which the design is registered: **Pet food**
- (51) International Design Classification: **01-06**
- (71) Name(s) and Address(s) of Applicant(s):
Societe des Produits Nestle S.A.
PO Box 353 1800 Vevey Switzerland
- (72) Name(s) of Designer(s): **Michael Leiweke and Gary Etheridge and Mukundan Parthasarathy and Wolfgang Oelsner**
- (45) Registration Date: **26 September 2005**
- (30) Convention priority data:

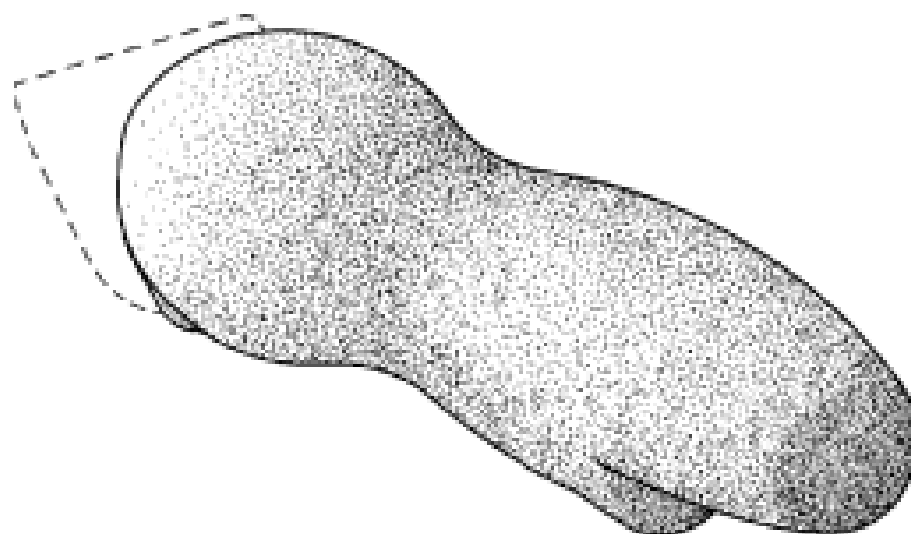
(31) Number	(32) Date	(33) Country
29/212,028	25 Aug 2004	UNITED STATES OF AMERICA
- (56) Related Art Documents: **Not Applicable**
- (57) Statement of Newness and Distinctiveness: **Nil**



(19) AU

- (21) Design Number: **10636/2005**
- (22) Date of Filing Application: **18 February 2005**
- (24) Date from which industrial property rights may have effect: **18 February 2005**
- (54) Product in respect of which the design is registered: **Hair clipper**
- (51) International Design Classification: **28-03D**
- (71) Name(s) and Address(s) of Applicant(s):
Wahl Clipper Corporation
2900 North Locust Street Sterling IL 61081 United States of America
- (72) Name(s) of Designer(s): **Keith W. Dirks and Charles Choi**
- (45) Registration Date: **26 September 2005**
- (30) Convention priority data:

(31) Number	(32) Date	(33) Country
29/212,127	26 Aug 2004	UNITED STATES OF AMERICA
- (56) Related Art Documents: **Not Applicable**
- (57) Statement of Newness and Distinctiveness: **Newness and distinctiveness is claimed in the features of shape and configuration of a hair clipper as shown in the representations. The features shown in dashed outline in the representations do not form part of the new and distinct features and may be varied from that shown.**



(21) Design Number: **10637/2005**

(22) Date of Filing Application: **18 February 2005**

(24) Date from which industrial property rights may have effect: **18 February 2005**

(54) Product in respect of which the design is registered: **Hair clipper**

(51) International Design Classification: **28-03D**

(71) Name(s) and Address(s) of Applicant(s):

Wahl Clipper Corporation

2900 North Locust Street Sterling IL 61081 United States of America

(72) Name(s) of Designer(s): **Keith W. Dirks and Charles Choi**

(45) Registration Date: **26 September 2005**

(30) Convention priority data:

(31) Number

(32) Date

(33) Country

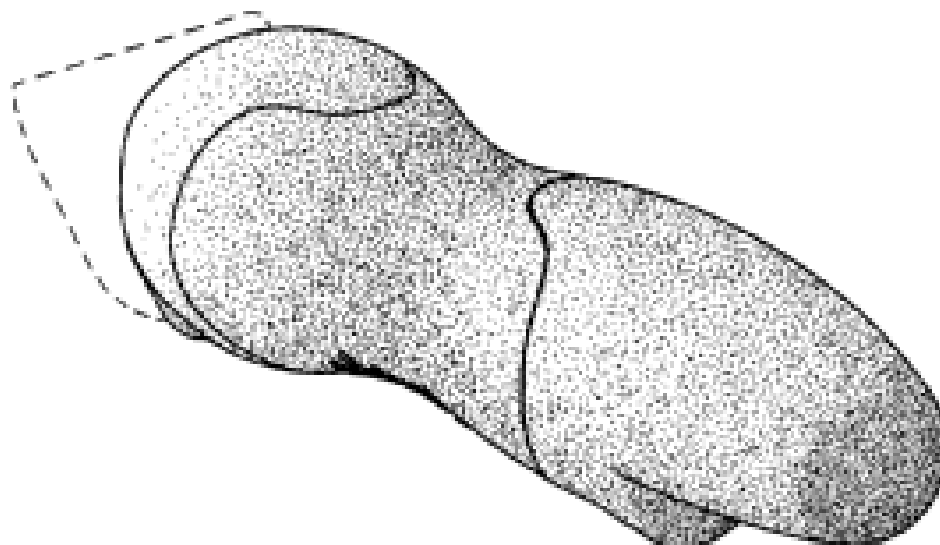
29/212,127

26 Aug 2004

UNITED STATES OF AMERICA

(56) Related Art Documents: **Not Applicable**

(57) Statement of Newness and Distinctiveness: **Newness and distinctiveness is claimed in the features of shape and configuration of a hair clipper as shown in the representations. The features shown in dashed outline in the representations do not form part of the new and distinct features and may be varied from that shown.**



(21) Design Number: **11350/2005**

(22) Date of Filing Application: **06 April 2005**

(24) Date from which industrial property rights may have effect: **06 April 2005**

(54) Product in respect of which the design is registered: **A router**

(51) International Design Classification: **08-01**

(71) Name(s) and Address(s) of Applicant(s):

GMCA Pty Ltd

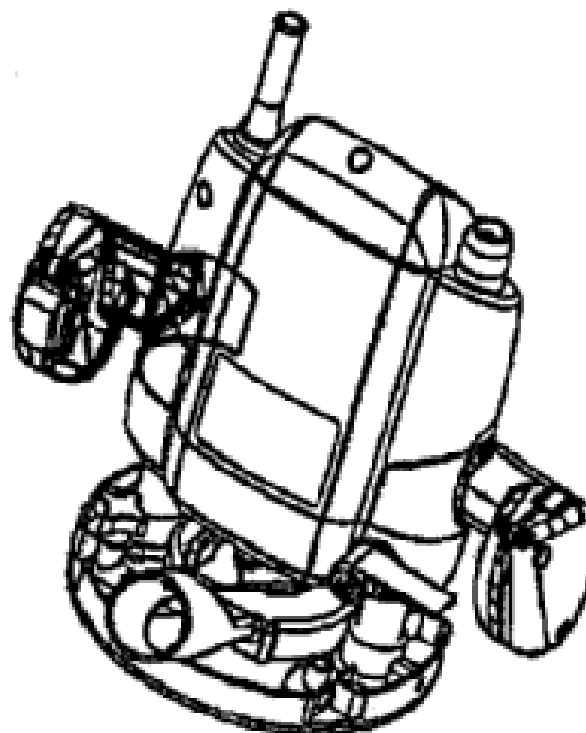
45-55 South Centre Road Melbourne Airport Victoria 3045 Australia

(72) Name(s) of Designer(s): **Michael Waldron**

(45) Registration Date: **26 September 2005**

(56) Related Art Documents: **Not Applicable**

(57) Statement of Newness and Distinctiveness: **Newness and distinctiveness reside in the features of shape and configuration of a router as shown in the accompanying representations.**



(21) Design Number: **11351/2005**

(22) Date of Filing Application: **06 April 2005**

(24) Date from which industrial property rights may have effect: **06 April 2005**

(54) Product in respect of which the design is registered: **Power sander**

(51) International Design Classification: **08-05N**

(71) Name(s) and Address(s) of Applicant(s):

GMCA Pty Ltd

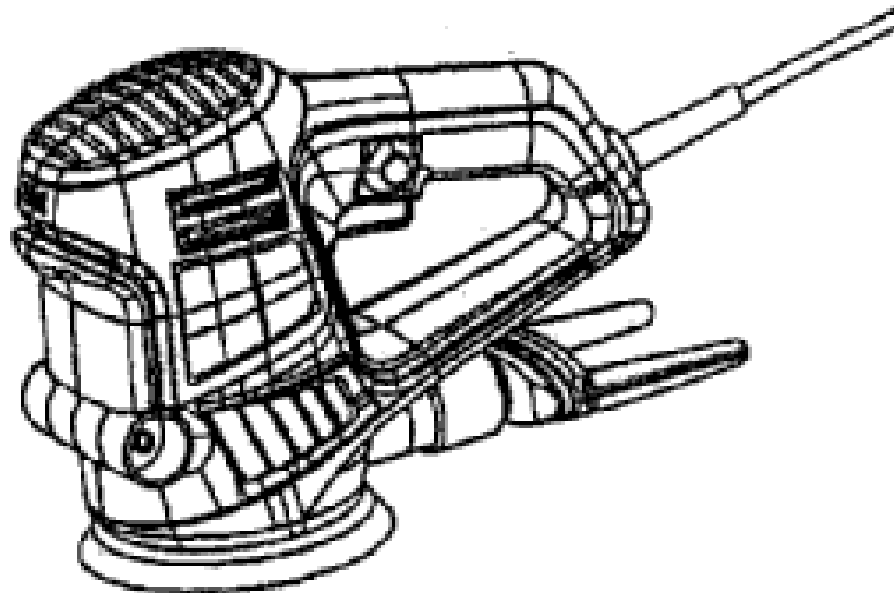
45-55 South Centre Road Melbourne Airport Victoria 3045 Australia

(72) Name(s) of Designer(s): **Michael Waldron**

(45) Registration Date: **26 September 2005**

(56) Related Art Documents: **Not Applicable**

(57) Statement of Newness and Distinctiveness: **Newness and distinctiveness reside in the features of shape and configuration of a power sander as shown in the accompanying representations.**



(21) Design Number: **10084/2005**

(22) Date of Filing Application: **12 January 2005**

(24) Date from which industrial property rights may have effect: **12 January 2005**

(54) Product in respect of which the design is registered: **A bracket**

(51) International Design Classification: **08-08M**

(71) Name(s) and Address(s) of Applicant(s):

Jim Holland

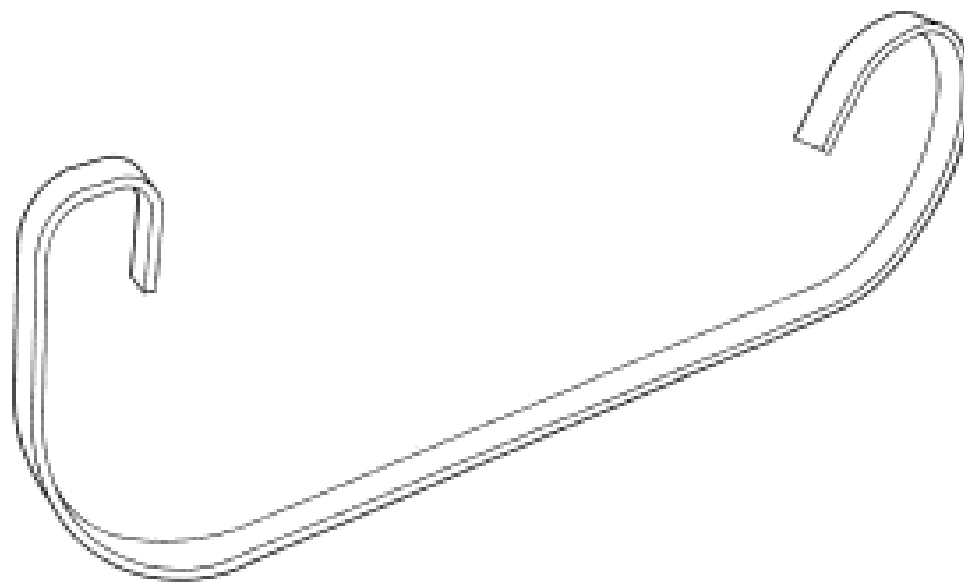
34 Christel Avenue Carlingford New South Wales 2118 Australia

(72) Name(s) of Designer(s): **Jim Holland**

(45) Registration Date: **04 October 2005**

(56) Related Art Documents: **Not Applicable**

(57) Statement of Newness and Distinctiveness: **Newness and distinctiveness is claimed in the features of shape and/or configuration of a bracket as illustrated in the accompanying representations.**



- (21) Design Number: **10080/2005**
- (22) Date of Filing Application: **12 January 2005**
- (24) Date from which industrial property rights may have effect: **12 January 2005**
- (54) Product in respect of which the design is registered: **A bottle**
- (51) International Design Classification: **09-01B**
- (71) Name(s) and Address(s) of Applicant(s):

Reckitt Benckiser (UK) Limited
103-105 Bath Road Slough Berkshire SL1 3UH United Kingdom

(72) Name(s) of Designer(s): **David Helps**

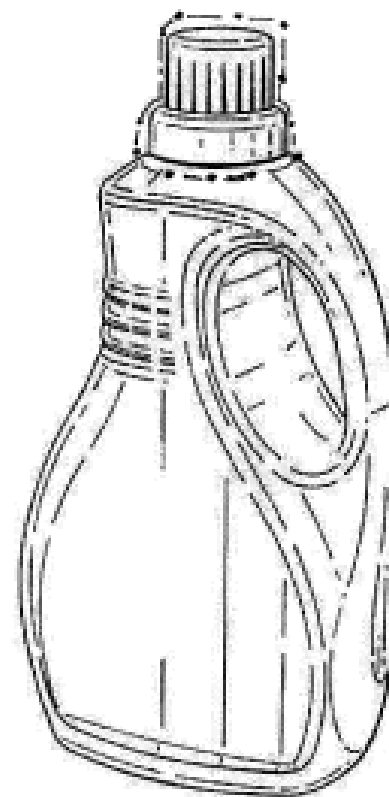
(45) Registration Date: **04 October 2005**

(30) Convention priority data:

(31) Number	(32) Date	(33) Country
000212873	04 Aug 2004	EUROPEAN COMMUNITY

(56) Related Art Documents: **Not Applicable**

(57) Statement of Newness and Distinctiveness: **Each feature of the design shown in solid lines considered separately or in combination with any other feature or features excluding the feature of the cap as defined within broken lines.**



- (21) Design Number: **11187/2005**
- (22) Date of Filing Application: **29 March 2005**
- (24) Date from which industrial property rights may have effect: **29 March 2005**
- (54) Product in respect of which the design is registered: **Vehicle petrol/bowser protector**
- (51) International Design Classification: **12-16NES**
- (71) Name(s) and Address(s) of Applicant(s):

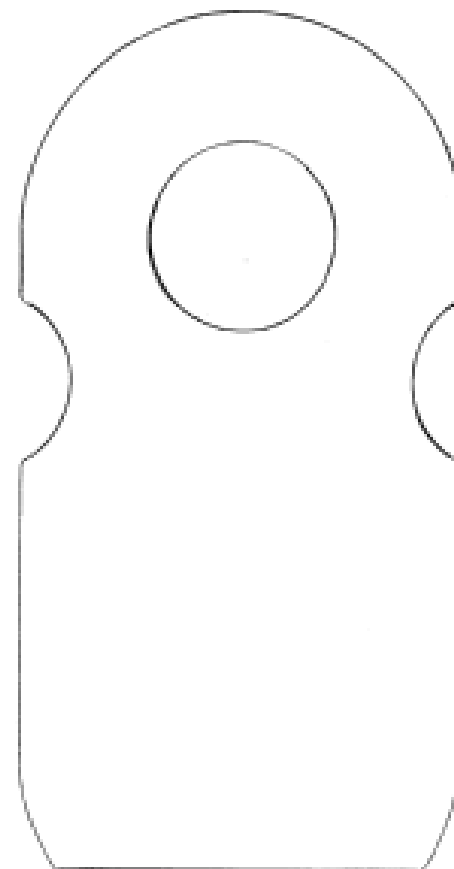
John Stewart Davies
7 Meadow Court Blackburn South Victoria 3130 Australia

(72) Name(s) of Designer(s): **John Stewart Davies**

(45) Registration Date: **04 October 2005**

(56) Related Art Documents: **Not Applicable**

(57) Statement of Newness and Distinctiveness: **Nil**



(21) Design Number: **11401/2005**

(22) Date of Filing Application: **06 April 2005**

(24) Date from which industrial property rights may have effect: **06 April 2005**

(54) Product in respect of which the design is registered: **Portable cooler**

(51) International Design Classification: **07-07A**

(71) Name(s) and Address(s) of Applicant(s):

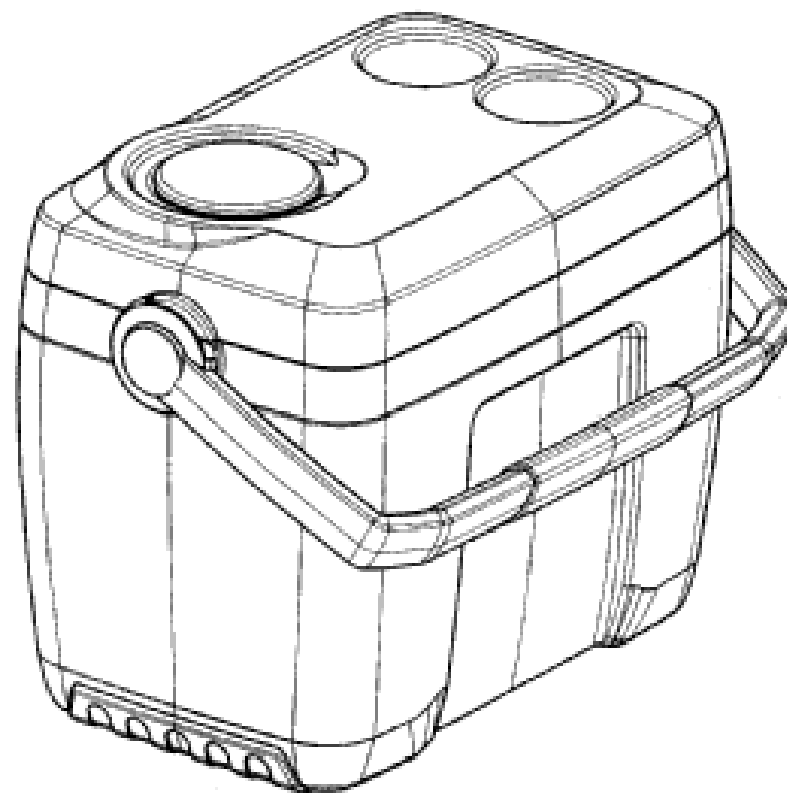
HomeLeisure Limited
5 Dividend Street Mansfield Queensland 4122 Australia

(72) Name(s) of Designer(s): **Dean Holmes**

(45) Registration Date: **04 October 2005**

(56) Related Art Documents: **Not Applicable**

(57) Statement of Newness and Distinctiveness: **Those features of the portable cooler depicted in the representations that are new and distinctive are the shape and/or configuration. Any lettering depicted in the representations does not form part of the design.**



(21) Design Number: **11402/2005**

(22) Date of Filing Application: **06 April 2005**

(24) Date from which industrial property rights may have effect: **06 April 2005**

(54) Product in respect of which the design is registered: **Portable cooler**

(51) International Design Classification: **07-07A**

(71) Name(s) and Address(s) of Applicant(s):

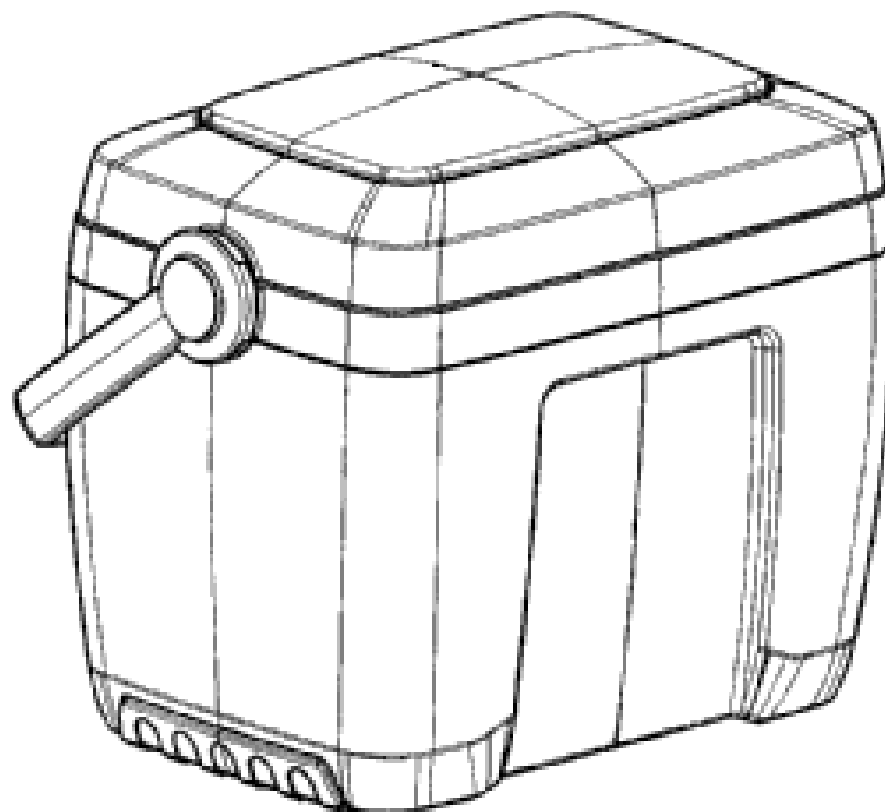
HomeLeisure Limited
5 Dividend Street Mansfield Queensland 4122 Australia

(72) Name(s) of Designer(s): **Dean Holmes**

(45) Registration Date: **04 October 2005**

(56) Related Art Documents: **Not Applicable**

(57) Statement of Newness and Distinctiveness: **Those features of the portable cooler depicted in the representations that are new and distinctive are the shape and/or configuration. Any lettering depicted in the representations does not form part of the design.**



(21) Design Number: **11406/2005**

(22) Date of Filing Application: **06 April 2005**

(24) Date from which industrial property rights may have effect: **06 April 2005**

(54) Product in respect of which the design is registered: **Tap handle**

(51) International Design Classification: **23-01H**

(71) Name(s) and Address(s) of Applicant(s):

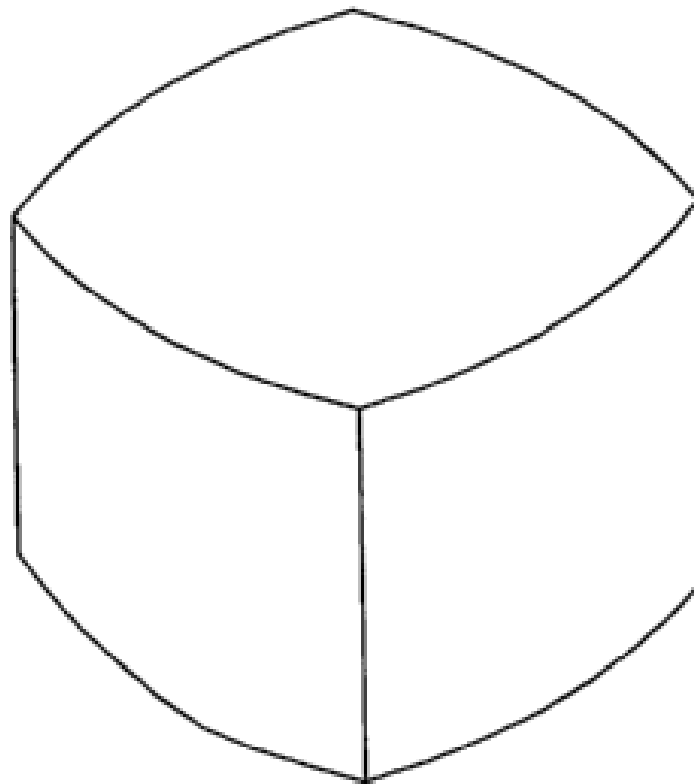
Crane Distribution Limited
Level 14 Philips House 15 Blue Street North Sydney New South Wales
2060 Australia

(72) Name(s) of Designer(s): **Ivan Davidson Webb**

(45) Registration Date: **04 October 2005**

(56) Related Art Documents: **Not Applicable**

(57) Statement of Newness and Distinctiveness: **Newness and distinctiveness resides in the features of shape and/or configuration of the tap handle as shown in the accompanying representations.**



(21) Design Number: **11424/2005**

(22) Date of Filing Application: **08 April 2005**

(24) Date from which industrial property rights may have effect: **08 April 2005**

(54) Product in respect of which the design is registered: **A vacuum cleaner**

(51) International Design Classification: **15-05**

(71) Name(s) and Address(s) of Applicant(s):

GMCA Pty Ltd
45-55 South Centre Road Melbourne Airport Victoria 3045 Australia

(72) Name(s) of Designer(s): **Michael Waldron**

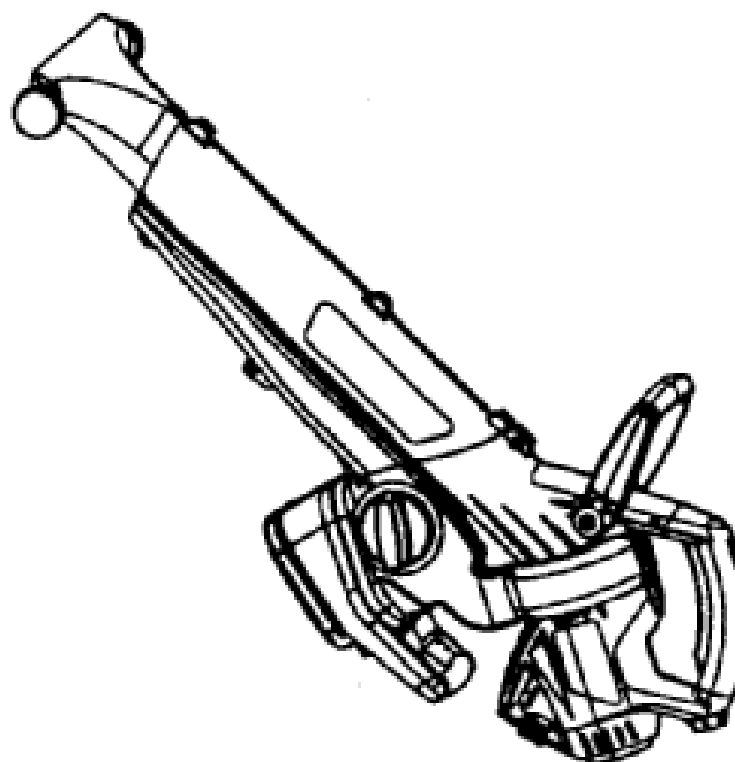
(45) Registration Date: **04 October 2005**

(30) Convention priority data:

(31) Number	(32) Date	(33) Country
000265269-0001	02 Dec 2004	EUROPEAN COMMUNITY

(56) Related Art Documents: **Not Applicable**

(57) Statement of Newness and Distinctiveness: **Newness and distinctiveness resides in the shape and configuration of a vacuum cleaner as shown in the accompanying representations.**



(21) Design Number: **11419/2005**

(22) Date of Filing Application: **07 April 2005**

(24) Date from which industrial property rights may have effect: **07 April 2005**

(54) Product in respect of which the design is registered: **Media player**

(51) International Design Classification: **14-01**

(71) Name(s) and Address(s) of Applicant(s):

**Creative Technology Ltd
31 International Business Park Creative Resource Singapore 609921**

(72) Name(s) of Designer(s): **Yu Weng Alvin Sitoh**

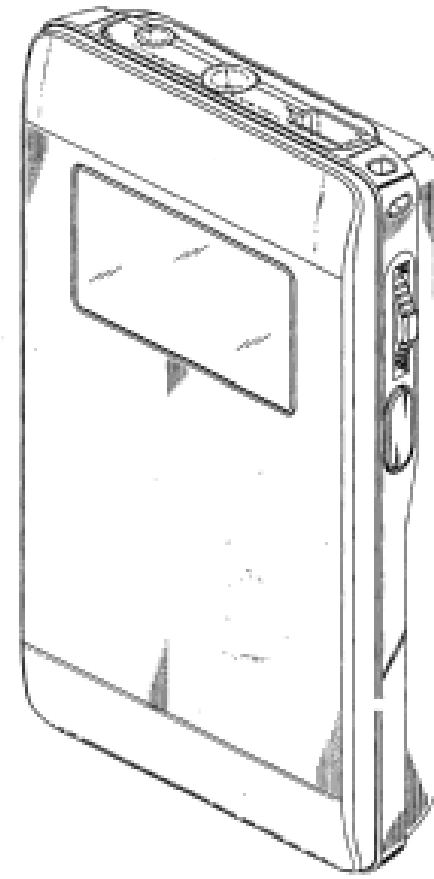
(45) Registration Date: **04 October 2005**

(30) Convention priority data:

(31) Number	(32) Date	(33) Country
29/218,512	03 Dec 2004	UNITED STATES OF AMERICA

(56) Related Art Documents: **Not Applicable**

(57) Statement of Newness and Distinctiveness: **Monopoly is claimed in the shape and configuration of the features of the article as depicted in the accompanying representations. The applicant claims monopoly in the features of the article depicted in solid lines. No monopoly is claimed in the features depicted in dashed lines in the accompanying representations.**



(21) Design Number: **11425/2005**

(22) Date of Filing Application: **08 April 2005**

(24) Date from which industrial property rights may have effect: **08 April 2005**

(54) Product in respect of which the design is registered: **An exhaust manifold**

(51) International Design Classification: **12-16N**

(71) Name(s) and Address(s) of Applicant(s):

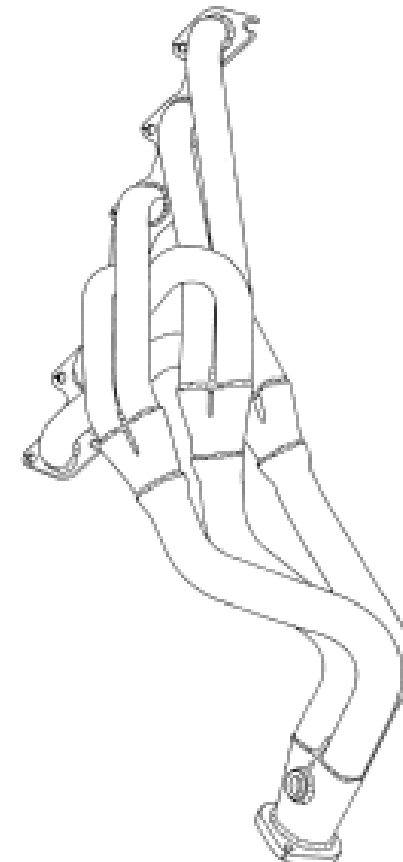
**Pacemaker Headers Pty Ltd
6 Reese Avenue Richmond South Australia 5033 Australia**

(72) Name(s) of Designer(s): **Michael Richter**

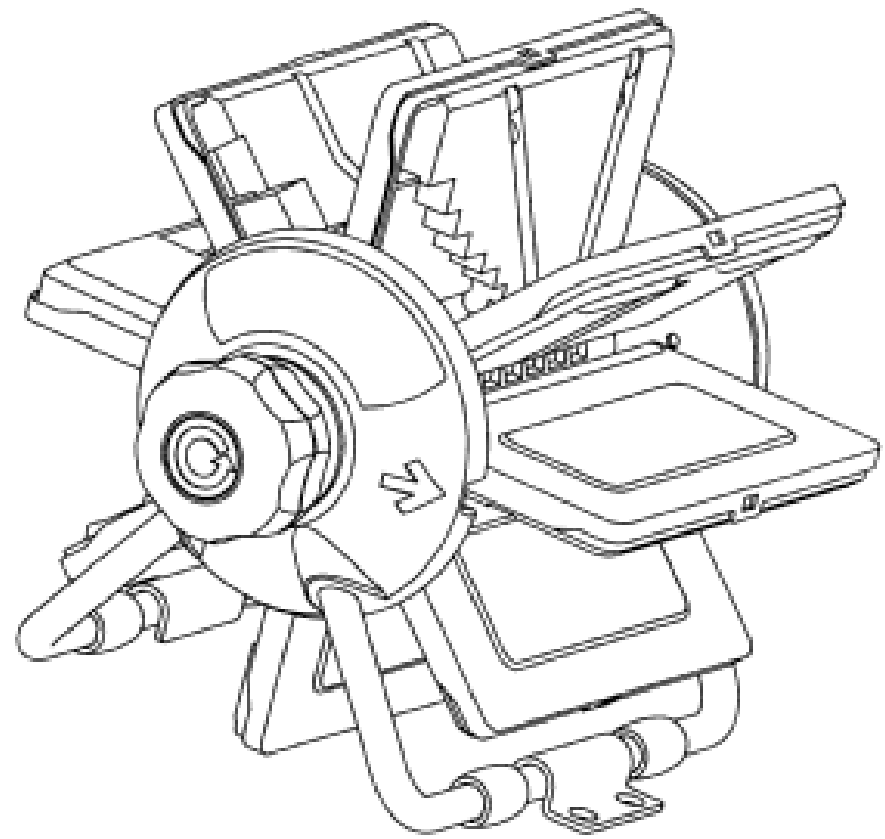
(45) Registration Date: **04 October 2005**

(56) Related Art Documents: **Not Applicable**

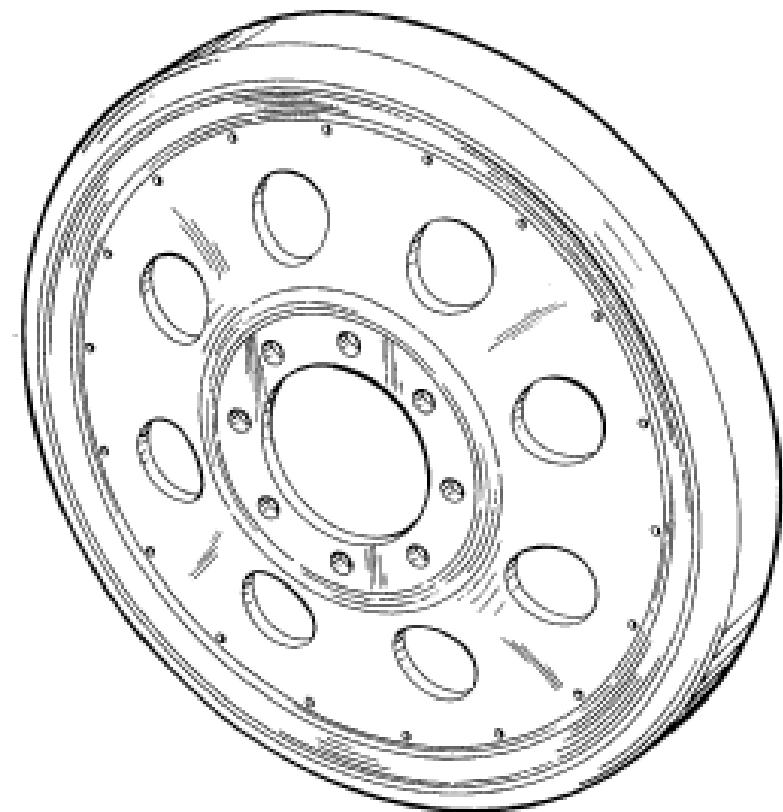
(57) Statement of Newness and Distinctiveness: **Nil**



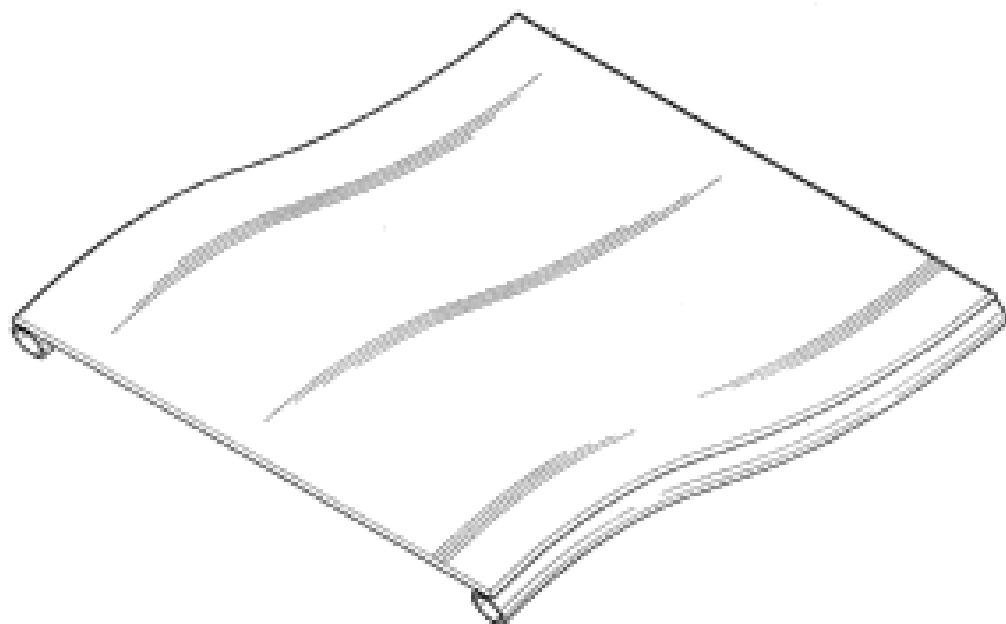
(21) Design Number: **11427/2005**
(22) Date of Filing Application: **07 April 2005**
(24) Date from which industrial property rights may have effect: **07 April 2005**
(54) Product in respect of which the design is registered: **Tool case**
(51) International Design Classification: **03-01D, 06-04NES**
(71) Name(s) and Address(s) of Applicant(s):
Positec Power Tools (Suzhou) Co., Ltd
461 East Ganjiang Road Suzhou 215006 China
(72) Name(s) of Designer(s): **Paolo Andriolo**
(45) Registration Date: **04 October 2005**
(30) Convention priority data:
(31) Number (32) Date (33) Country
200430100836.6 10 Oct 2004 CHINA
(56) Related Art Documents: **Not Applicable**
(57) Statement of Newness and Distinctiveness: **Nil**



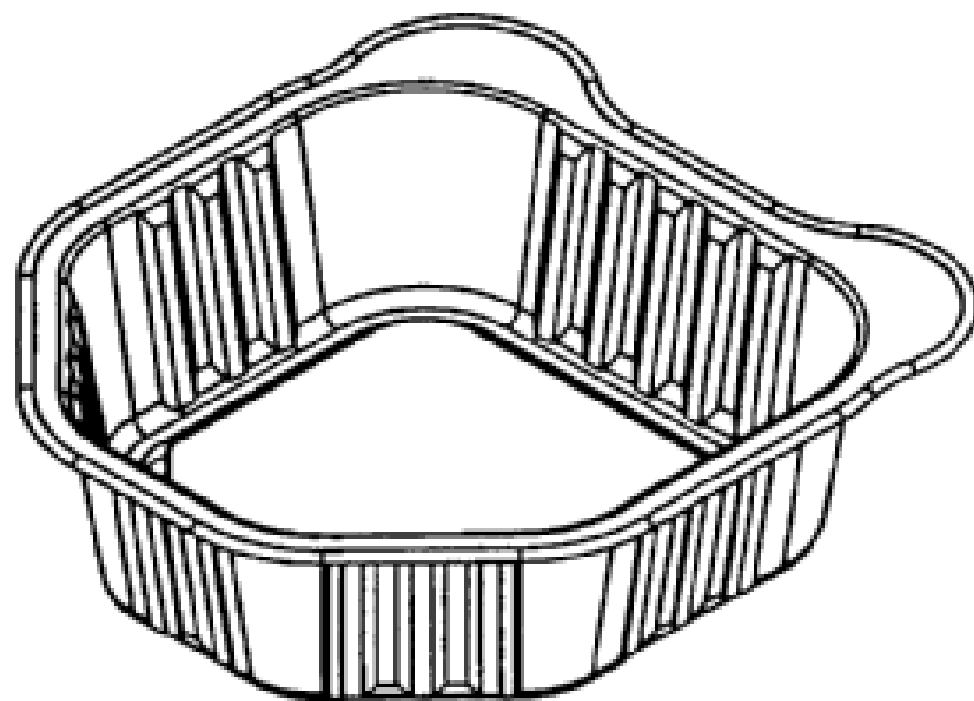
(21) Design Number: **11428/2005**
(22) Date of Filing Application: **07 April 2005**
(24) Date from which industrial property rights may have effect: **07 April 2005**
(54) Product in respect of which the design is registered: **Vehicle wheel**
(51) International Design Classification: **12-16A**
(71) Name(s) and Address(s) of Applicant(s):
Baron Rubber Pty Ltd
3 Sheppard Street Coburg Victoria 3058 Australia
(72) Name(s) of Designer(s): **David Lee**
(45) Registration Date: **04 October 2005**
(56) Related Art Documents: **Not Applicable**
(57) Statement of Newness and Distinctiveness: **Each feature of the design considered separately or in combination with any other feature or feautres.**



- (21) Design Number: **11431/2005**
(22) Date of Filing Application: **08 April 2005**
(24) Date from which industrial property rights may have effect: **08 April 2005**
(54) Product in respect of which the design is registered: **Wheelchair seat**
(51) International Design Classification: **12-12, 06-01NES**
(71) Name(s) and Address(s) of Applicant(s):
Karma Medical Products Co. Ltd
No. 2363 Sec. 2 Da Xue Road Min Xiong Shiang Chiayi Hsien Taiwan
(72) Name(s) of Designer(s): **Yung-shen Hsiao**
(45) Registration Date: **04 October 2005**
(56) Related Art Documents: **Not Applicable**
(57) Statement of Newness and Distinctiveness: **The newness and distinctiveness of the design resides in the shape and configuration of the wheelchair seat shown in the accompanying representations.**



- (21) Design Number: **11437/2005**
(22) Date of Filing Application: **08 April 2005**
(24) Date from which industrial property rights may have effect: **08 April 2005**
(54) Product in respect of which the design is registered: **Container**
(51) International Design Classification: **09-03F**
(71) Name(s) and Address(s) of Applicant(s):
Alcan Technology & Management Ltd
Badische Bahnhofstr. 16 CH-8212 Neuhausen am Rheinfall
Switzerland
(72) Name(s) of Designer(s): **Arjon Middlebrink**
(45) Registration Date: **04 October 2005**
(30) Convention priority data:
(31) Number (32) Date (33) Country
000267 15 Dec 2004 EUROPEAN COMMUNITY
703-0001
(56) Related Art Documents: **Not Applicable**
(57) Statement of Newness and Distinctiveness: **Those visual features of the container depicted in the representations that are new and distinctive are the shape and/or configuration.**



(19) AU

(21) Design Number: **11438/2005**

(22) Date of Filing Application: **08 April 2005**

(24) Date from which industrial property rights may have effect: **08 April 2005**

(54) Product in respect of which the design is registered: **Connecting piece for hearing aid**

(51) International Design Classification: **24-99**

(71) Name(s) and Address(s) of Applicant(s):

Widex A/S

Ny Vestergaardsvej 25 DK-3500 Vaerlose Denmark

(72) Name(s) of Designer(s): **Christian Bohl Espersen**

(45) Registration Date: **04 October 2005**

(30) Convention priority data:

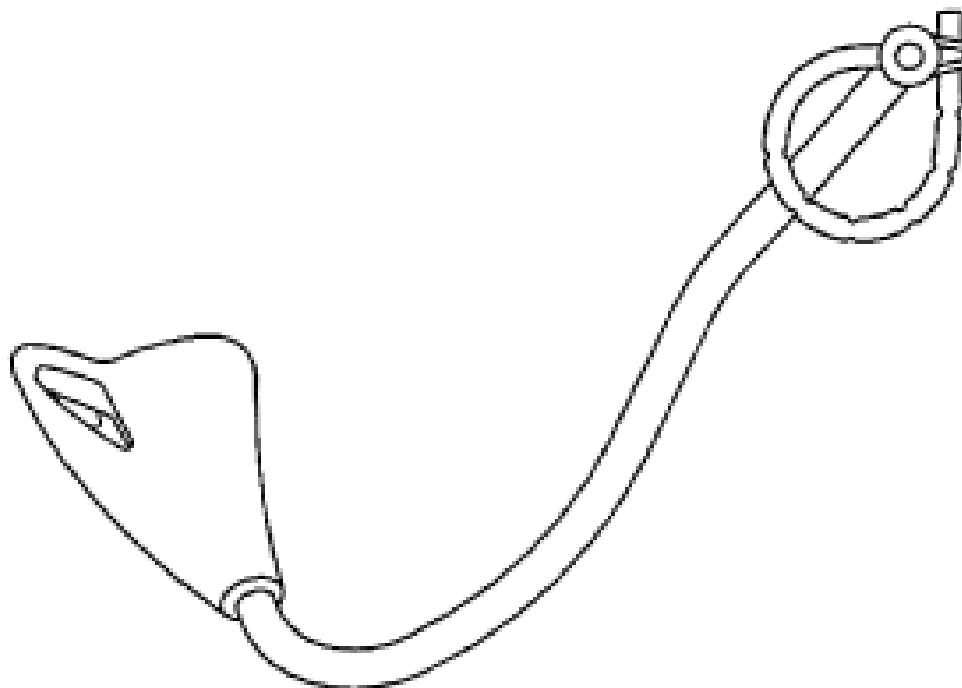
(31) Number
000238704

(32) Date
08 Oct 2004

(33) Country
EUROPEAN COMMUNITY

(56) Related Art Documents: **Not Applicable**

(57) Statement of Newness and Distinctiveness: **Nil**



(19) AU

(21) Design Number: **11439/2005**

(22) Date of Filing Application: **08 April 2005**

(24) Date from which industrial property rights may have effect: **08 April 2005**

(54) Product in respect of which the design is registered: **Hearing aid with earplug**

(51) International Design Classification: **24-99**

(71) Name(s) and Address(s) of Applicant(s):

Widex A/S

Ny Vestergaardsvej 25 DK-3500 Vaerlose Denmark

(72) Name(s) of Designer(s): **Christian Bohl Espersen**

(45) Registration Date: **04 October 2005**

(30) Convention priority data:

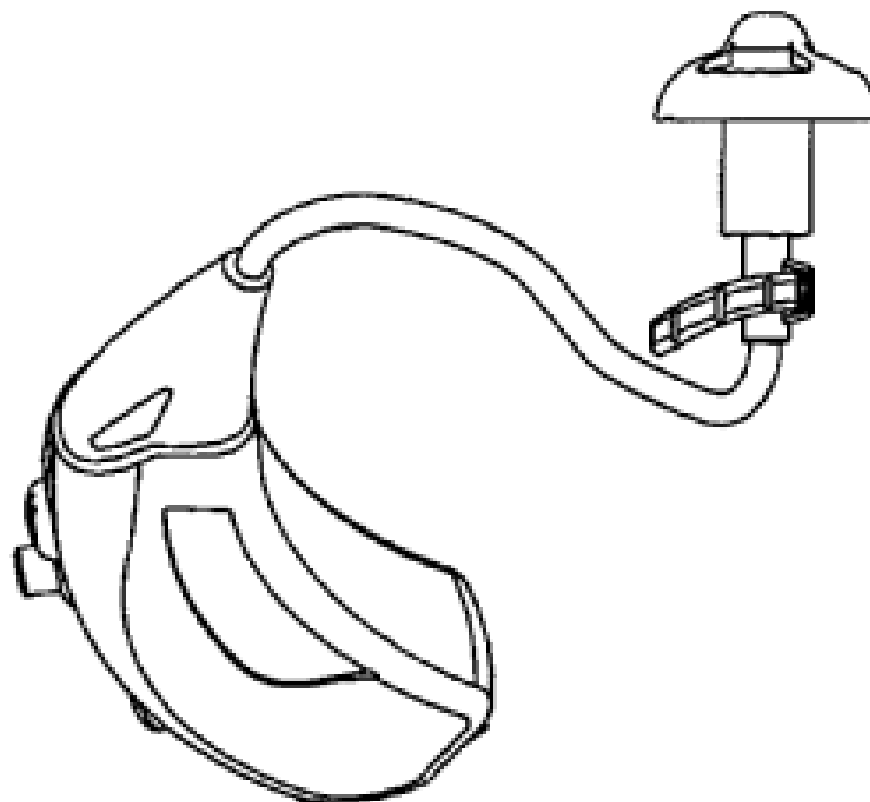
(31) Number
000238704

(32) Date
08 Oct 2004

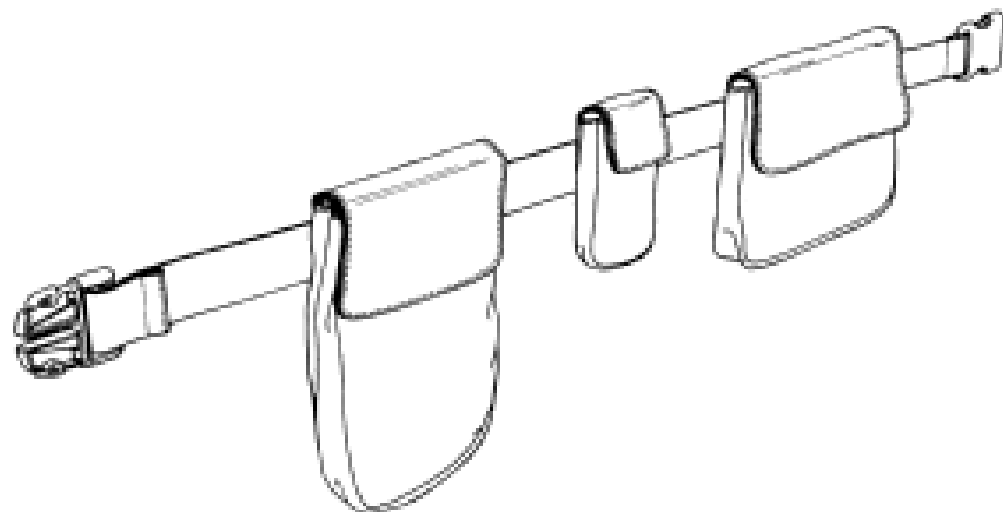
(33) Country
EUROPEAN COMMUNITY

(56) Related Art Documents: **Not Applicable**

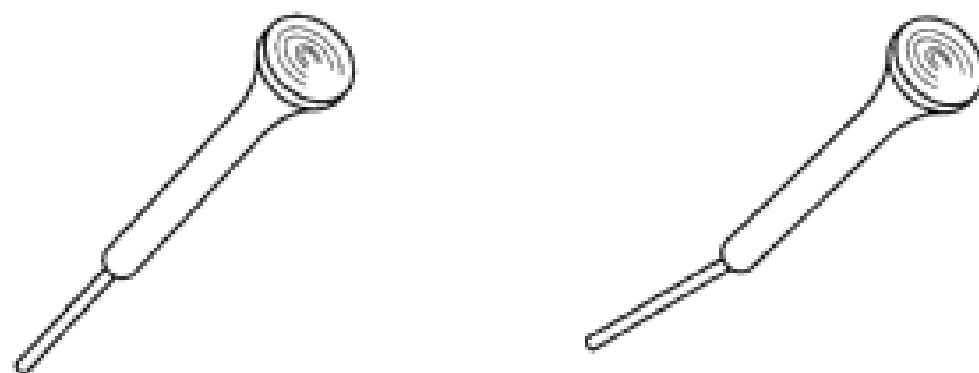
(57) Statement of Newness and Distinctiveness: **Nil**



- (21) Design Number: **11457/2005**
- (22) Date of Filing Application: **11 April 2005**
- (24) Date from which industrial property rights may have effect: **11 April 2005**
- (54) Product in respect of which the design is registered: **Belt**
- (51) International Design Classification: **02-07A**
- (71) Name(s) and Address(s) of Applicant(s):
Julia Booth
26 Knox Street Clovelly New South Wales 2031 Australia
- (72) Name(s) of Designer(s): **Julia Booth**
- (45) Registration Date: **04 October 2005**
- (56) Related Art Documents: **Not Applicable**
- (57) Statement of Newness and Distinctiveness: **Each feature of the design considered separately or in combination with any other feature of features.**



- (21) Design Number: **11458/2005**
- (22) Date of Filing Application: **11 April 2005**
- (24) Date from which industrial property rights may have effect: **11 April 2005**
- (54) Product in respect of which the design is registered: **Golf tee**
- (51) International Design Classification: **21-02C**
- (71) Name(s) and Address(s) of Applicant(s):
George E. Bevan
111 Blues Point Road McMahons Point New South Wales 2060 Australia
- (72) Name(s) of Designer(s): **George E. Bevan**
- (45) Registration Date: **04 October 2005**
- (56) Related Art Documents: **Not Applicable**
- (57) Statement of Newness and Distinctiveness: **Newness and distinctiveness resides in the shape and configuration of the golf tee and particularly in the relatively narrower portion which depends from the relatively thicker body of the golf tee. In the narrower portion in the representations, the left hand side views show the depending portion straight, with the depending portion shown in an alternative deflected position in the right hand side views.**



- (21) Design Number: **11459/2005**
- (22) Date of Filing Application: **11 April 2005**
- (24) Date from which industrial property rights may have effect: **11 April 2005**
- (54) Product in respect of which the design is registered: **Golf tee**
- (51) International Design Classification: **21-02C**
- (71) Name(s) and Address(s) of Applicant(s):

George E. Bevan
111 Blues Point Road McMahons Point New South Wales 2060
Australia

(72) Name(s) of Designer(s): **George E. Bevan**

(45) Registration Date: **04 October 2005**

(56) Related Art Documents: **Not Applicable**

(57) Statement of Newness and Distinctiveness: **Newness and distinctiveness resides in the shape and configuration of the golf tee and particularly in the relatively narrower portion which depends from the relatively thicker body of the golf tee. In the narrower portion in the representations, the left hand side views show the depending portion straight, with the depending portion shown in an alternative deflected position in the right hand side views.**



- (21) Design Number: **11460/2005**
- (22) Date of Filing Application: **11 April 2005**
- (24) Date from which industrial property rights may have effect: **11 April 2005**
- (54) Product in respect of which the design is registered: **Chin portion of welding helmet visor**
- (51) International Design Classification: **02-03**
- (71) Name(s) and Address(s) of Applicant(s):

3M Innovative Properties Company
3M Center Saint Paul Minnesota 55133-3427 United States of America

(72) Name(s) of Designer(s): **Peter David Lee and Desmond Terence Curran and Daniel Martin**

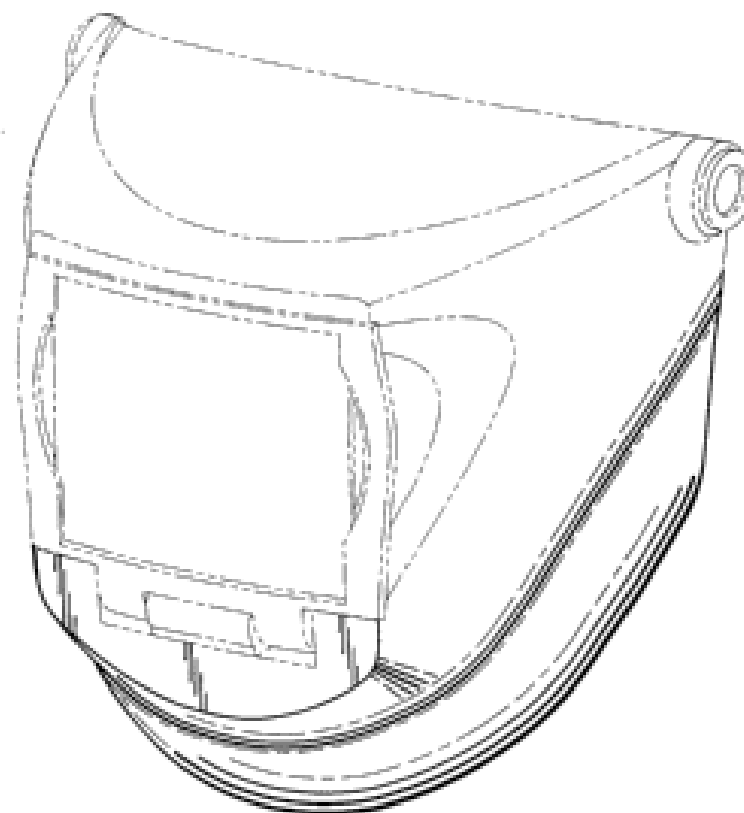
(45) Registration Date: **04 October 2005**

(30) Convention priority data:

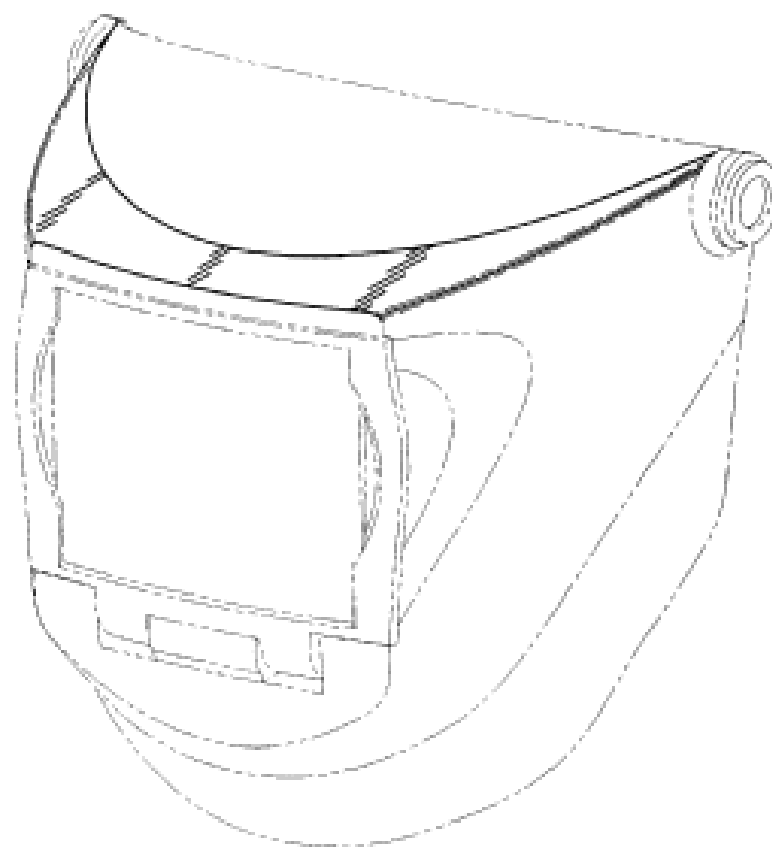
(31) Number	(32) Date	(33) Country
29/217155	12 Nov 2004	UNITED STATES OF AMERICA

(56) Related Art Documents: **Not Applicable**

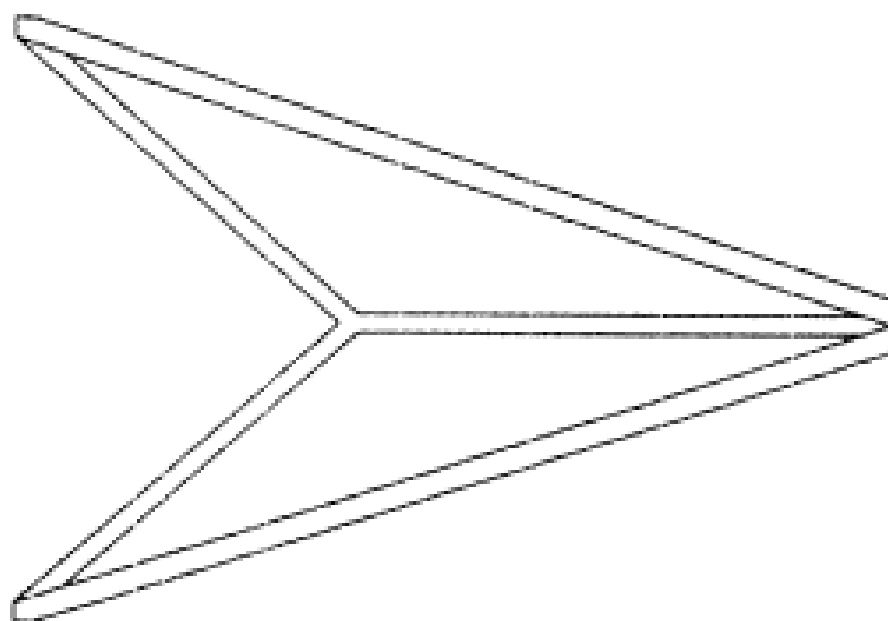
(57) Statement of Newness and Distinctiveness: **Newness and distinctiveness is claimed in the visual features shown in solid lines in the representations.**



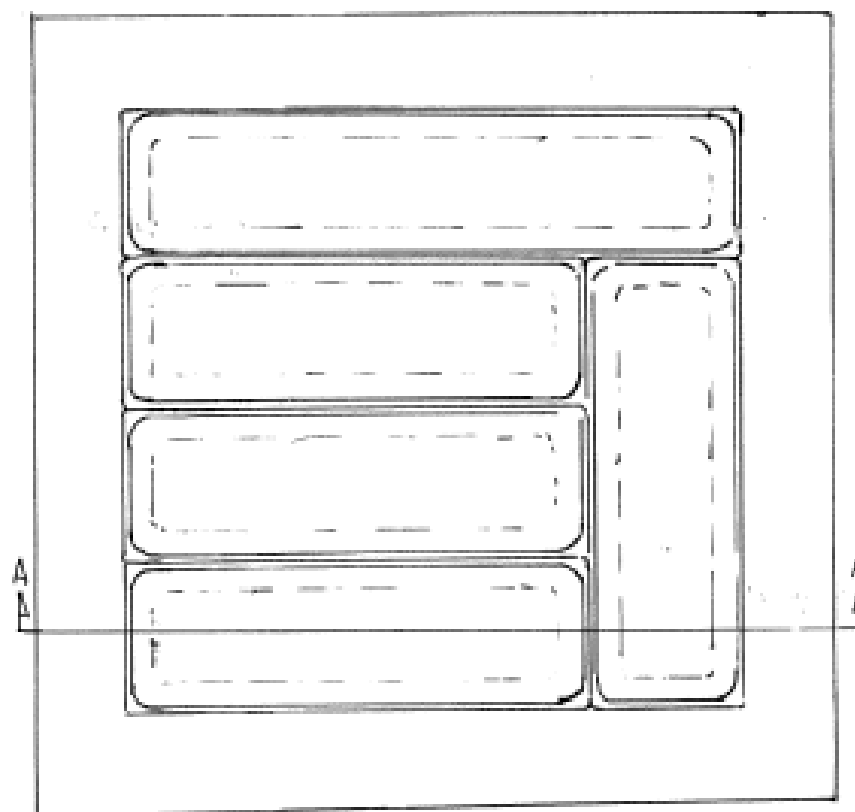
(21) Design Number: **11461/2005**
 (22) Date of Filing Application: **11 April 2005**
 (24) Date from which industrial property rights may have effect: **11 April 2005**
 (54) Product in respect of which the design is registered: **Top portion of a welding helmet**
 (51) International Design Classification: **02-03**
 (71) Name(s) and Address(s) of Applicant(s):
3M Innovative Properties Company
3M Center Saint Paul Minnesota 55133-3427 United States of America
 (72) Name(s) of Designer(s): **Desmond Terence Curran and Peter David Lee and Daniel Martin**
 (45) Registration Date: **04 October 2005**
 (30) Convention priority data:
 (31) Number (32) Date (33) Country
29/217107 12 Nov 2004 UNITED STATES OF AMERICA
 (56) Related Art Documents: **Not Applicable**
 (57) Statement of Newness and Distinctiveness: **Newness and distinctiveness is claimed in the visual features shown in solid lines in the representations.**



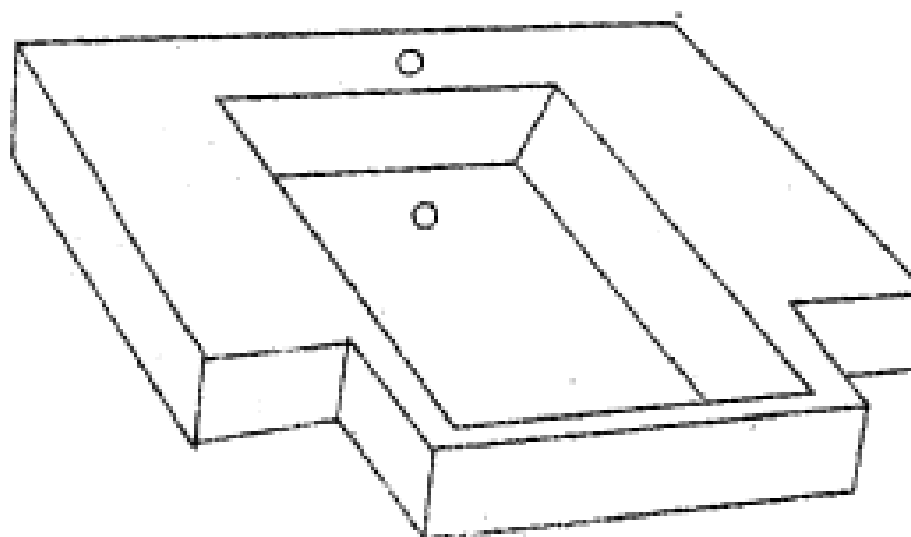
(21) Design Number: **11570/2005**
 (22) Date of Filing Application: **08 April 2005**
 (24) Date from which industrial property rights may have effect: **08 April 2005**
 (54) Product in respect of which the design is registered: **Draw bar**
 (51) International Design Classification: **12-16L**
 (71) Name(s) and Address(s) of Applicant(s):
Carolynn Jamieson
7 Matthews Way Devonport Tasmania 7310 Australia
Wayne Arnol
7 Matthews Way Devonport Tasmania 7310 Australia
 (72) Name(s) of Designer(s): **Carolynn Jamieson and Wayne Arnol and Andrew Henzell**
 (45) Registration Date: **04 October 2005**
 (56) Related Art Documents: **Not Applicable**
 (57) Statement of Newness and Distinctiveness: **Appearance of an inverted 3 slided pyramid with central support beam.**



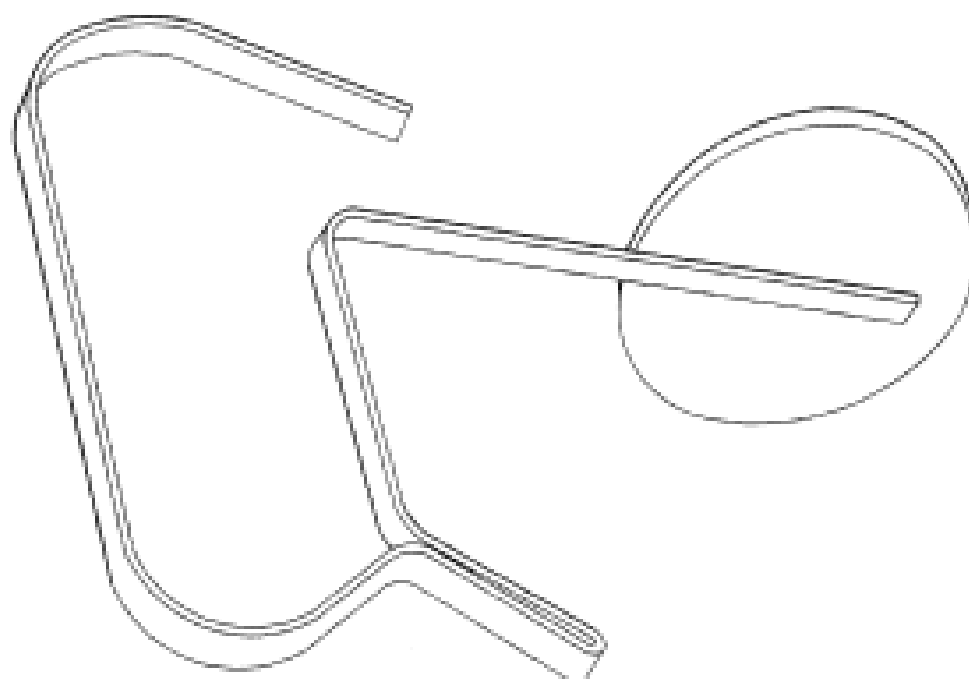
- (21) Design Number: **13356/2004**
- (22) Date of Filing Application: **20 July 2004**
- (24) Date from which industrial property rights may have effect: **20 July 2004**
- (54) Product in respect of which the design is registered: **Drawer insert**
- (51) International Design Classification: **07-07NES**
- (71) Name(s) and Address(s) of Applicant(s):
Kimberley Products Pty Ltd
58-60 Alex Avenue Moorabbin Victoria 3189 Australia
- (72) Name(s) of Designer(s): **Frederick Thomas Kimberley and Frederick Andrew Ernest Kimberley**
- (45) Registration Date: **04 October 2005**
- (56) Related Art Documents: **Not Applicable**
- (57) Statement of Newness and Distinctiveness: **New and distinctive features of the drawer insert design are; each tray is separately removeable from the placeable back into the frame surround which is of new design.**



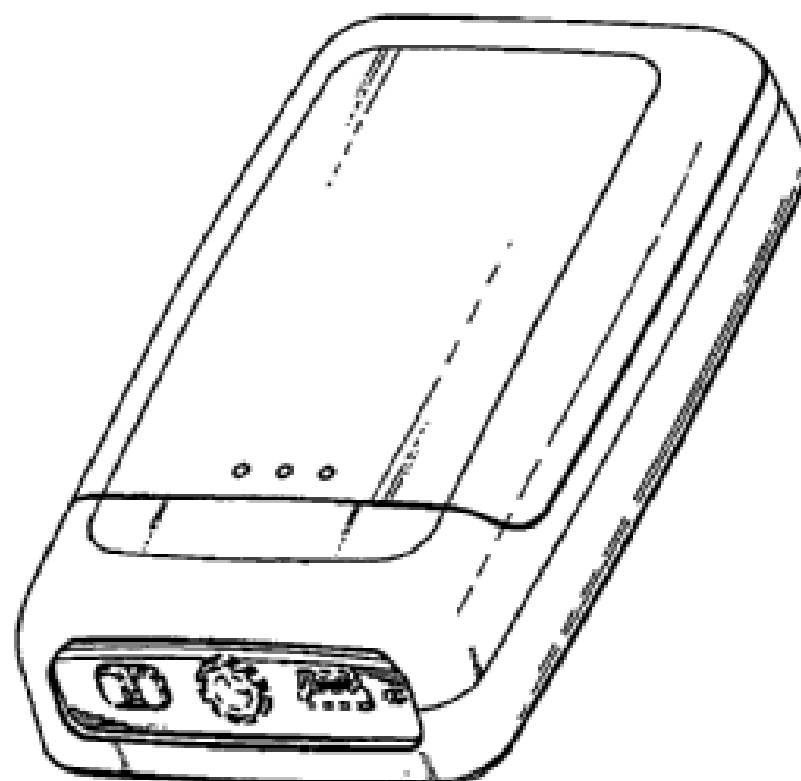
- (21) Design Number: **14918/2004**
- (22) Date of Filing Application: **18 October 2004**
- (24) Date from which industrial property rights may have effect: **18 October 2004**
- (54) Product in respect of which the design is registered: **Basin top**
- (51) International Design Classification: **23-02F**
- (71) Name(s) and Address(s) of Applicant(s):
Colorado Products Pty Ltd
26-27/287 Victoria Road Rydalmere New South Wales 2116 Australia
- (72) Name(s) of Designer(s): **Clare Shu Rong Huang**
- (45) Registration Date: **04 October 2005**
- (56) Related Art Documents: **Not Applicable**
- (57) Statement of Newness and Distinctiveness: **We claim a monopoly in the shapes and configuration of the design as shown in the representation.**



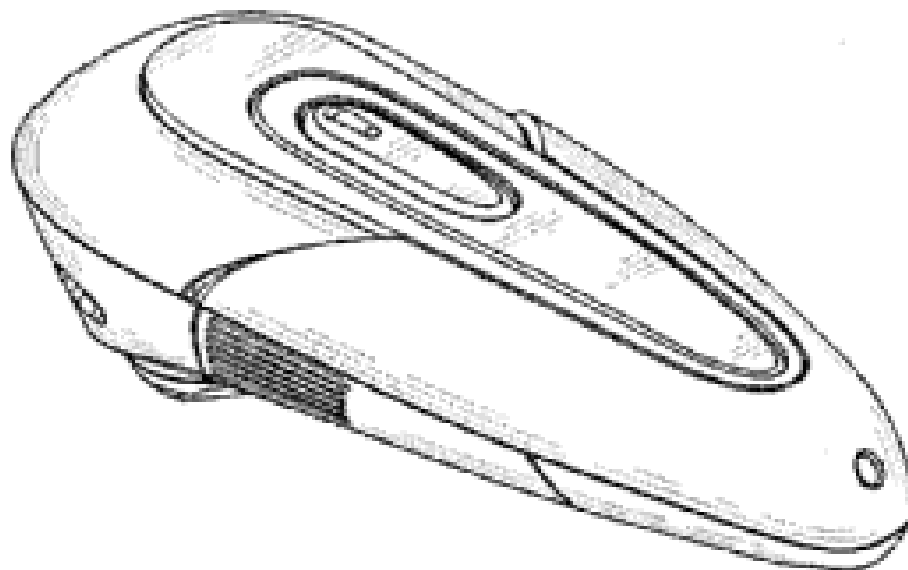
- (21) Design Number: **10085/2005**
(22) Date of Filing Application: **12 January 2005**
(24) Date from which industrial property rights may have effect: **12 January 2005**
(54) Product in respect of which the design is registered: **A bracket and counterweight**
(51) International Design Classification: **08-08M**
(71) Name(s) and Address(s) of Applicant(s):
Jim Holland
34 Christel Avenue Carlingford New South Wales 2118 Australia
(72) Name(s) of Designer(s): **Jim Holland**
(45) Registration Date: **04 October 2005**
(56) Related Art Documents: **Not Applicable**
(57) Statement of Newness and Distinctiveness: **Newness and distinctiveness is claimed in the features of shape and/or configuration of the bracket portion of the bracket counterweight as illustrated in the accompanying representations.**



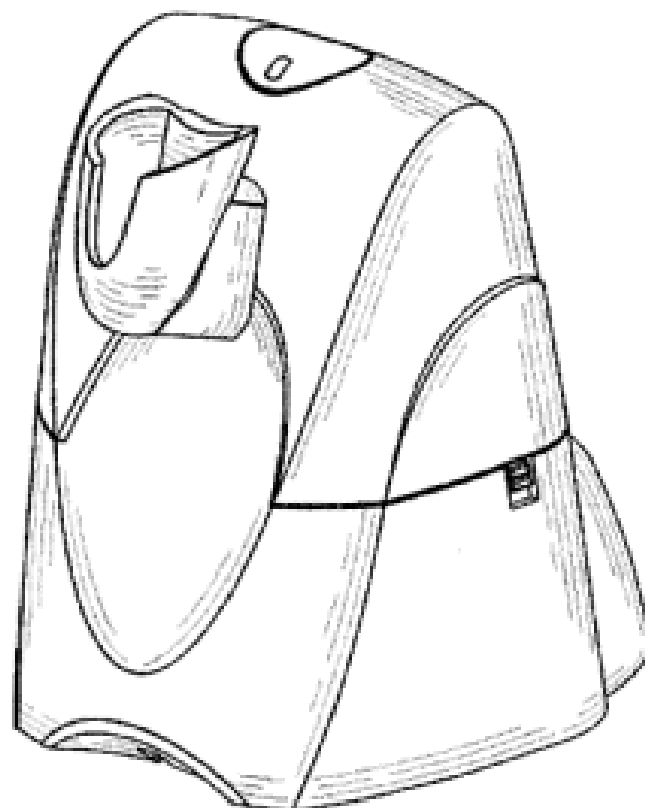
- (21) Design Number: **10087/2005**
(22) Date of Filing Application: **12 January 2005**
(24) Date from which industrial property rights may have effect: **12 January 2005**
(54) Product in respect of which the design is registered: **Media player**
(51) International Design Classification: **14-01**
(71) Name(s) and Address(s) of Applicant(s):
Creative Technology Ltd
31 International Business Park Creative Resource Singapore 609921
(72) Name(s) of Designer(s): **Kin Fui Chong and Kittichai Reawsanguanwong and Boon Keat Eddy Toh**
(45) Registration Date: **04 October 2005**
(30) Convention priority data:
(31) Number (32) Date (33) Country
29/214,431 01 Oct 2004 UNITED STATES OF AMERICA
(56) Related Art Documents: **Not Applicable**
(57) Statement of Newness and Distinctiveness: **Monopoly is claimed in the shape and configuration of the features of the article as depicted in the accompanying representations. The applicant claims monopoly in the features of the article depicted in solid lines. No monopoly is claimed in the features depicted in dashed lines in the accompanying representations.**



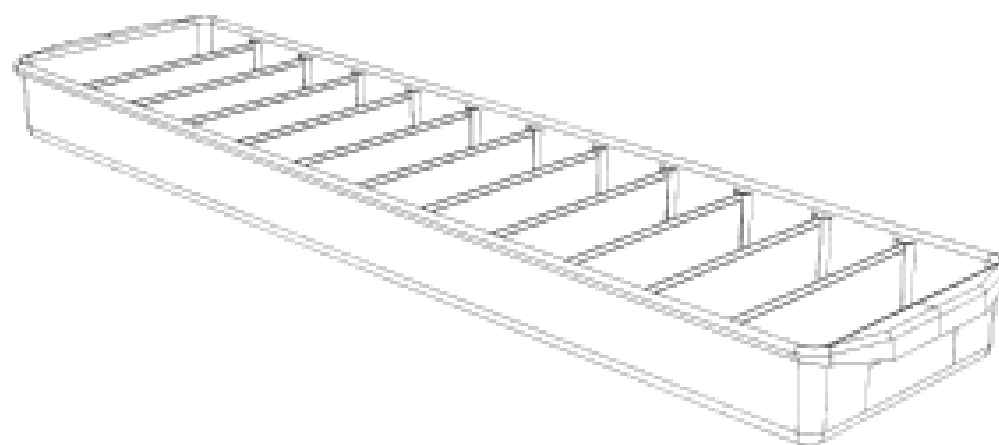
- (21) Design Number: **10095/2005**
(22) Date of Filing Application: **12 January 2005**
(24) Date from which industrial property rights may have effect: **12 January 2005**
(54) Product in respect of which the design is registered: **Communications headset**
(51) International Design Classification: **14-01**
(71) Name(s) and Address(s) of Applicant(s):
Plantronics Inc.
345 Encinal Street Santa Cruz California 95060 United States of America
(72) Name(s) of Designer(s): **Gerald W. Skulley and Larry R. Linville**
(45) Registration Date: **04 October 2005**
(30) Convention priority data:
(31) Number (32) Date (33) Country
29/211650 19 Aug 2004 UNITED STATES OF AMERICA
(56) Related Art Documents: **Not Applicable**
(57) Statement of Newness and Distinctiveness: **Newness and distinctiveness resides in the shape and/or configuration of the communications headset as shown in the accompanying representations.**



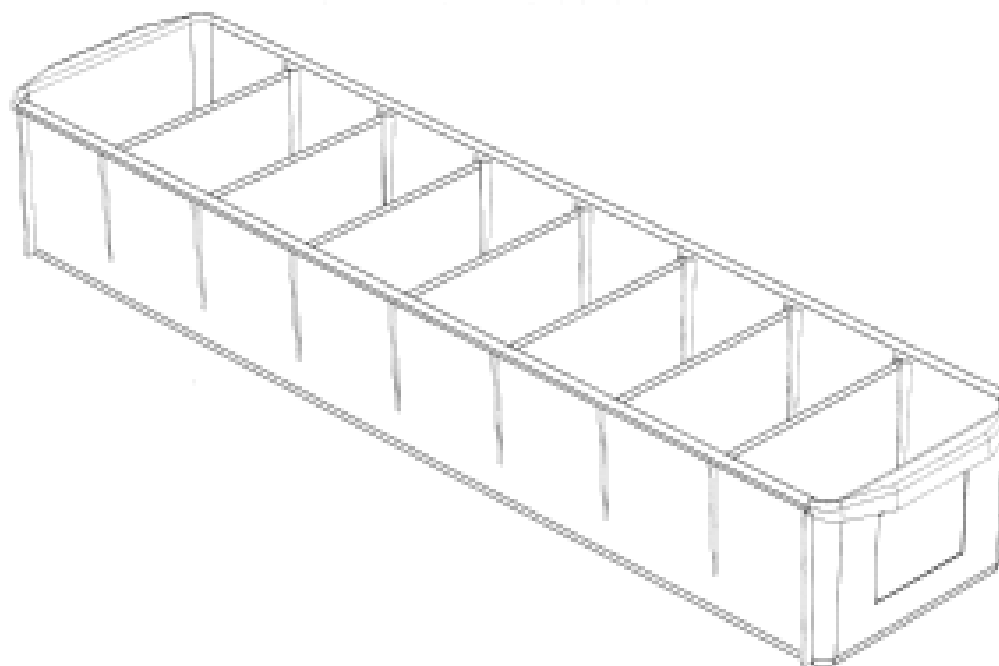
- (21) Design Number: **10096/2005**
(22) Date of Filing Application: **12 January 2005**
(24) Date from which industrial property rights may have effect: **12 January 2005**
(54) Product in respect of which the design is registered: **Base cradle for communications headset**
(51) International Design Classification: **13-02, 14-01**
(71) Name(s) and Address(s) of Applicant(s):
Plantronics Inc.
345 Encinal Street Santa Cruz California 95060 United States of America
(72) Name(s) of Designer(s): **Gerald W. Skulley and Larry R. Linville**
(45) Registration Date: **04 October 2005**
(30) Convention priority data:
(31) Number (32) Date (33) Country
29/211507 19 Aug 2004 UNITED STATES OF AMERICA
(56) Related Art Documents: **Not Applicable**
(57) Statement of Newness and Distinctiveness: **Newness and distinctiveness resides in the shape and/or configuration of the base cradle for communications headset as shown in the accompanying representations.**



(21) Design Number: **10232/2005**
(22) Date of Filing Application: **24 January 2005**
(24) Date from which industrial property rights may have effect: **24 January 2005**
(54) Product in respect of which the design is registered: **Storage tray**
(51) International Design Classification: **03-01NES**
(71) Name(s) and Address(s) of Applicant(s):
Genna Thurstans
4 McIntyre Street Mornington Tasmania 7018 Australia
(72) Name(s) of Designer(s): **Glenn Thurstans**
(45) Registration Date: **04 October 2005**
(56) Related Art Documents: **Not Applicable**
(57) Statement of Newness and Distinctiveness: **Handle, naming label, dividers.**



(21) Design Number: **10233/2005**
(22) Date of Filing Application: **24 January 2005**
(24) Date from which industrial property rights may have effect: **24 January 2005**
(54) Product in respect of which the design is registered: **Storage tray**
(51) International Design Classification: **03-01NES**
(71) Name(s) and Address(s) of Applicant(s):
Genna Thurstans
4 McIntyre Street Mornington Tasmania 7018 Australia
(72) Name(s) of Designer(s): **Glenn Thurstans**
(45) Registration Date: **04 October 2005**
(56) Related Art Documents: **Not Applicable**
(57) Statement of Newness and Distinctiveness: **Handle, naming label, dividers.**



(21) Design Number: **10234/2005**

(22) Date of Filing Application: **24 January 2005**

(24) Date from which industrial property rights may have effect: **24 January 2005**

(54) Product in respect of which the design is registered: **Storage tray**

(51) International Design Classification: **03-01NES**

(71) Name(s) and Address(s) of Applicant(s):

Genna Thurstans

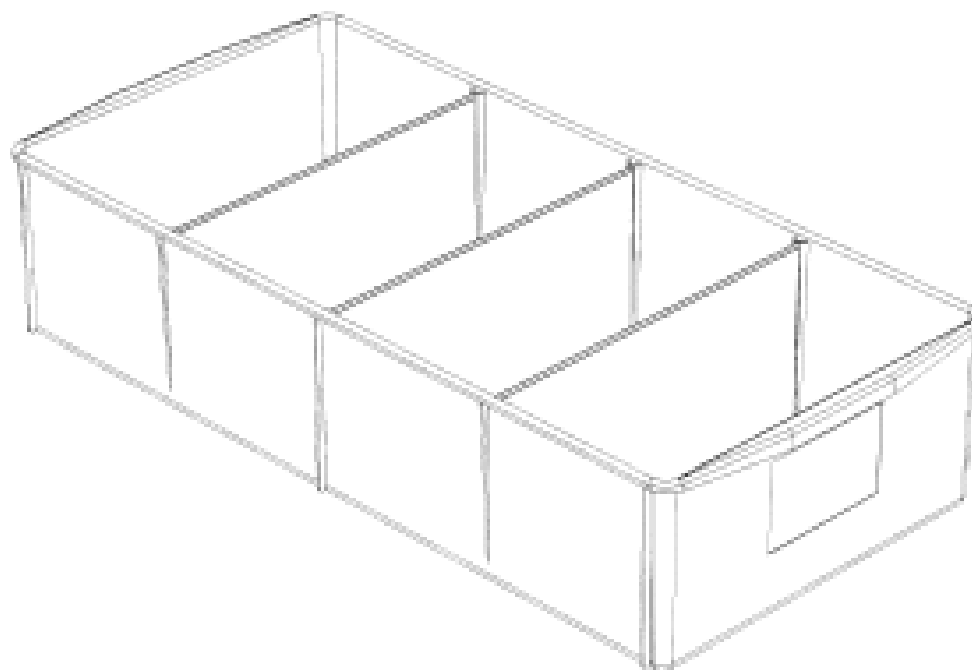
4 McIntyre Street Mornington Tasmania 7018 Australia

(72) Name(s) of Designer(s): **Glenn Thurstans**

(45) Registration Date: **04 October 2005**

(56) Related Art Documents: **Not Applicable**

(57) Statement of Newness and Distinctiveness: **Handle, naming label, dividers.**



(21) Design Number: **10718/2005**

(22) Date of Filing Application: **25 February 2005**

(24) Date from which industrial property rights may have effect: **25 February 2005**

(54) Product in respect of which the design is registered: **A pivot hinge**

(51) International Design Classification: **08-06**

(71) Name(s) and Address(s) of Applicant(s):

John Howard Styles

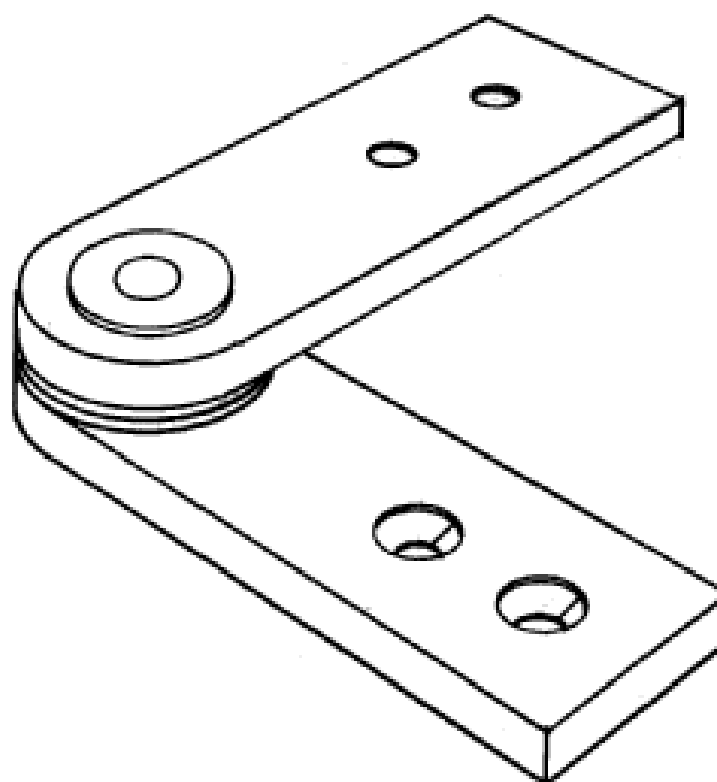
25A Wentworth Court 43-51 Giles Street Kingston ACT 2604 Australia

(72) Name(s) of Designer(s): **John Howard Styles**

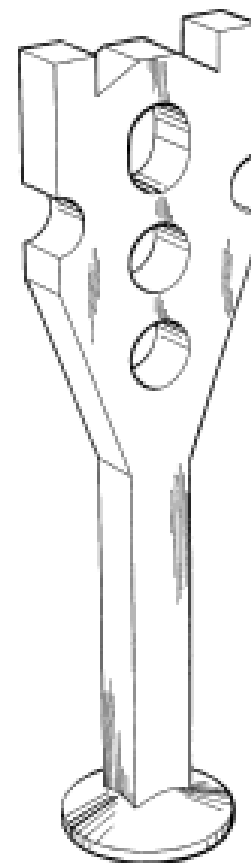
(45) Registration Date: **04 October 2005**

(56) Related Art Documents: **Not Applicable**

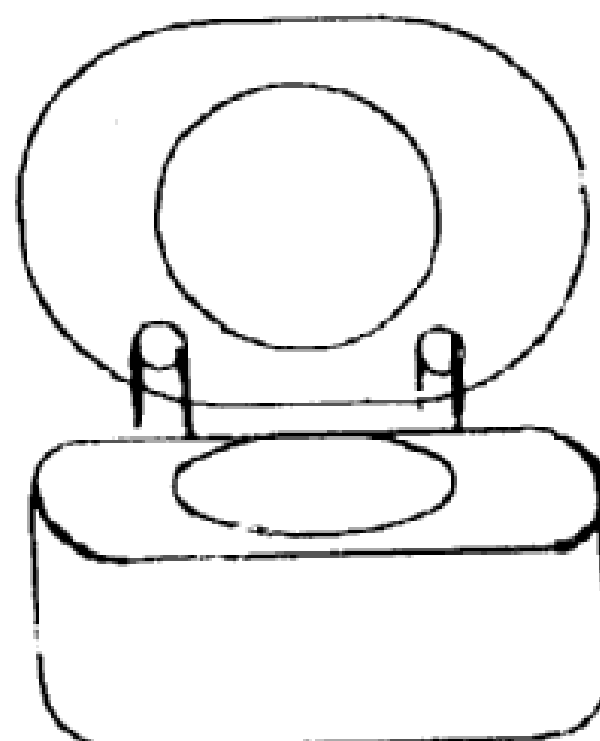
(57) Statement of Newness and Distinctiveness: **Nil**



(21) Design Number: **11309/2005**
(22) Date of Filing Application: **31 March 2005**
(24) Date from which industrial property rights may have effect: **31 March 2005**
(54) Product in respect of which the design is registered: **Lifting anchor**
(51) International Design Classification: **12-05, 25-01B**
(71) Name(s) and Address(s) of Applicant(s):
Tilt-Lift Equipment Pty Ltd
2 Arnold Street Cheltenham Victoria 3192 Australia
(72) Name(s) of Designer(s): **Mark Hilbert**
(45) Registration Date: **04 October 2005**
(56) Related Art Documents: **Not Applicable**
(57) Statement of Newness and Distinctiveness: **Nil**



(21) Design Number: **11383/2005**
(22) Date of Filing Application: **05 April 2005**
(24) Date from which industrial property rights may have effect: **05 April 2005**
(54) Product in respect of which the design is registered: **Display container**
(51) International Design Classification: **20-02NES, 20-02E, 09-03M**
(71) Name(s) and Address(s) of Applicant(s):
Zinnee Pty Ltd
Unit 14 176 South Creek Road Cromer New South Wales 2099
Australia
(72) Name(s) of Designer(s): **David Petrie and Bette Petrie**
(45) Registration Date: **04 October 2005**
(56) Related Art Documents: **Not Applicable**
(57) Statement of Newness and Distinctiveness: **Nil**



(21) Design Number: **11384/2005**

(22) Date of Filing Application: **05 April 2005**

(24) Date from which industrial property rights may have effect: **05 April 2005**

(54) Product in respect of which the design is registered: **Display container**

(51) International Design Classification: **20-02NES, 20-02E, 09-03M**

(71) Name(s) and Address(s) of Applicant(s):

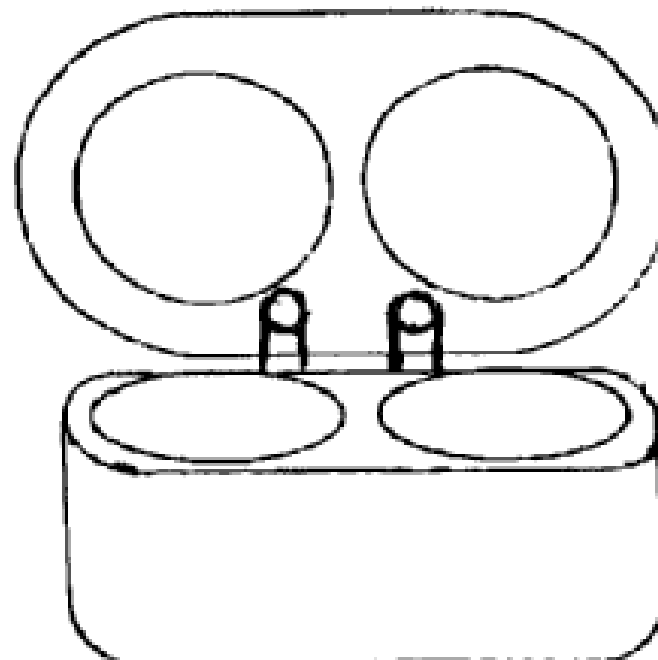
Zinnee Pty Ltd
Unit 14 176 South Creek Road Cromer New South Wales 2099
Australia

(72) Name(s) of Designer(s): **David Petrie and Bette Petrie**

(45) Registration Date: **04 October 2005**

(56) Related Art Documents: **Not Applicable**

(57) Statement of Newness and Distinctiveness: **Nil**



(21) Design Number: **11385/2005**

(22) Date of Filing Application: **05 April 2005**

(24) Date from which industrial property rights may have effect: **05 April 2005**

(54) Product in respect of which the design is registered: **Display container**

(51) International Design Classification: **20-02NES, 20-02E, 09-03M**

(71) Name(s) and Address(s) of Applicant(s):

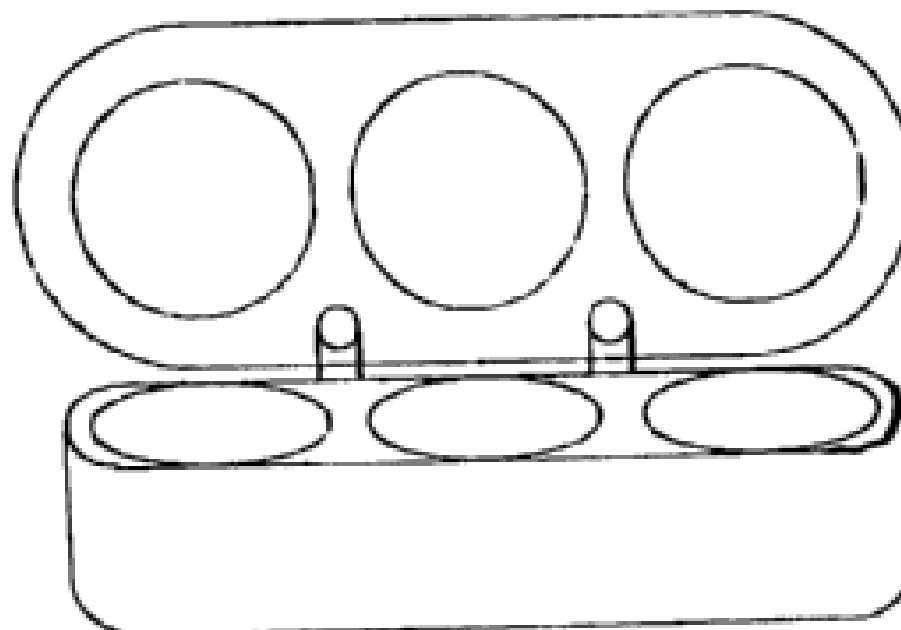
Zinnee Pty Ltd
Unit 14 176 South Creek Road Cromer New South Wales 2099
Australia

(72) Name(s) of Designer(s): **David Petrie and Bette Petrie**

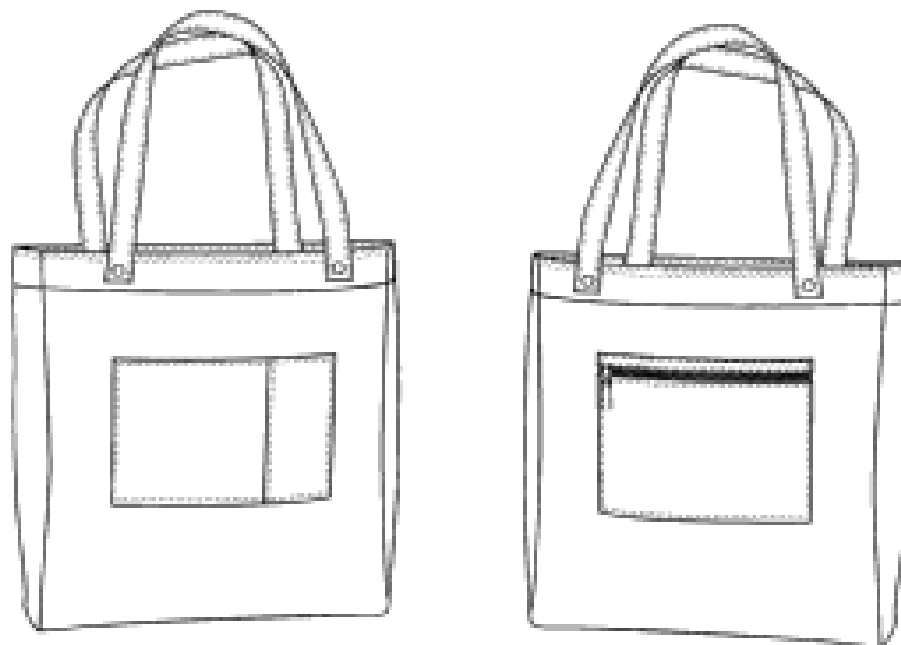
(45) Registration Date: **04 October 2005**

(56) Related Art Documents: **Not Applicable**

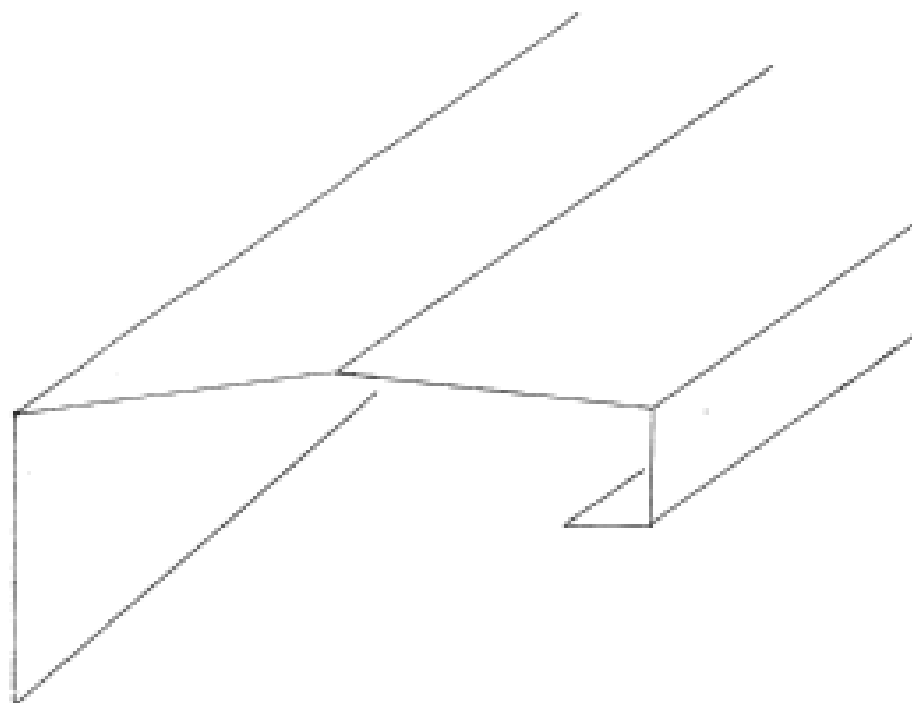
(57) Statement of Newness and Distinctiveness: **Nil**



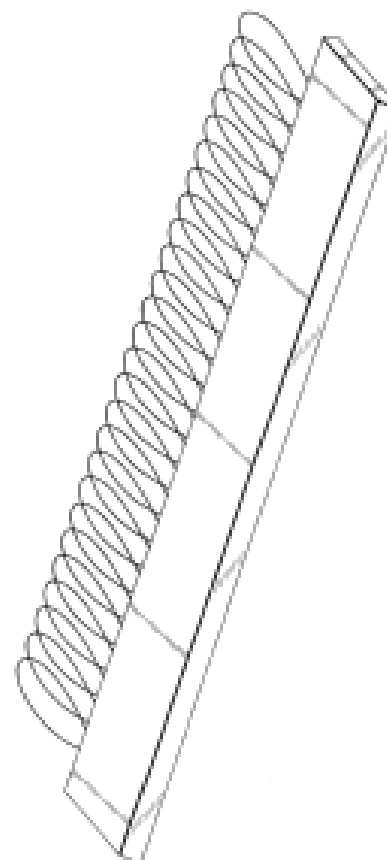
- (21) Design Number: **11432/2005**
- (22) Date of Filing Application: **11 April 2005**
- (24) Date from which industrial property rights may have effect: **11 April 2005**
- (54) Product in respect of which the design is registered: **Design 1: A bag**
- (51) International Design Classification: **03-01B**
- (71) Name(s) and Address(s) of Applicant(s):
Anita Lee Forte
1/2-6 Docker Street Richmond Victoria 3121 Australia
- (72) Name(s) of Designer(s): **Anita Lee Forte**
- (45) Registration Date: **04 October 2005**
- (56) Related Art Documents: **Not Applicable**
- (57) Statement of Newness and Distinctiveness: **A handbag with replaceable cover and straps.**



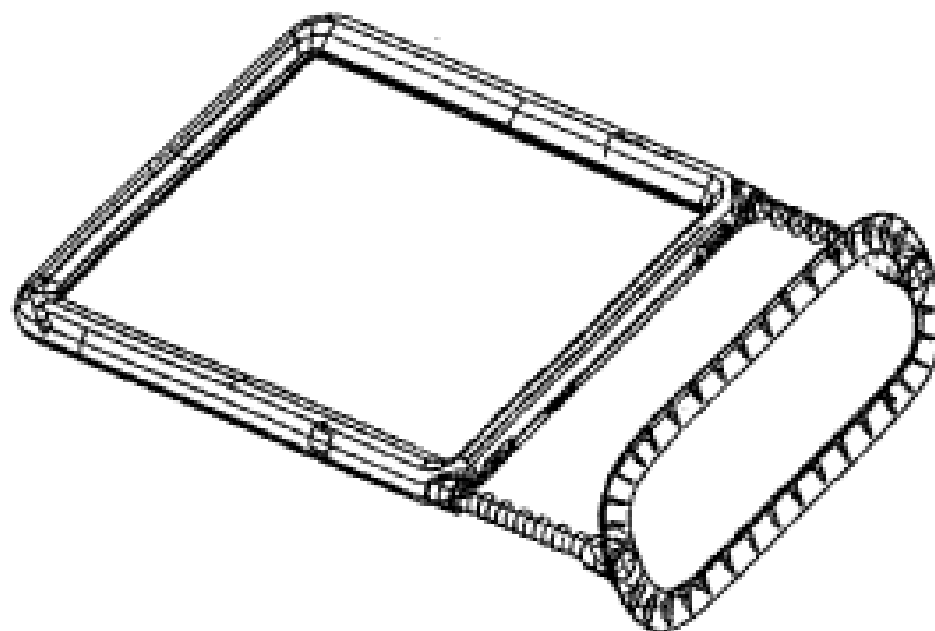
- (21) Design Number: **11454/2005**
- (22) Date of Filing Application: **12 April 2005**
- (24) Date from which industrial property rights may have effect: **12 April 2005**
- (54) Product in respect of which the design is registered: **Sheet metal cap for lap and cap pailing fence**
- (51) International Design Classification: **25-01E**
- (71) Name(s) and Address(s) of Applicant(s):
James Haydon
2 Twenty Second Avenue West Hoxton New South Wales 2171 Australia
- (72) Name(s) of Designer(s): **James Haydon**
- (45) Registration Date: **04 October 2005**
- (56) Related Art Documents: **Not Applicable**
- (57) Statement of Newness and Distinctiveness: **I am the author of this design and it is original.**



- (21) Design Number: **11463/2005**
(22) Date of Filing Application: **11 April 2005**
(24) Date from which industrial property rights may have effect: **11 April 2005**
(54) Product in respect of which the design is registered: **Writing guide**
(51) International Design Classification: **19-06, 19-07**
(71) Name(s) and Address(s) of Applicant(s):
The Antioch Company
888 Dayton Street Yellow Springs Ohio 45387 United States of America
(72) Name(s) of Designer(s): **Carmen Lira-Nunez**
(45) Registration Date: **04 October 2005**
(30) Convention priority data:
(31) Number (32) Date (33) Country
29/221873 19 Jan 2005 UNITED STATES OF AMERICA
(56) Related Art Documents: **Not Applicable**
(57) Statement of Newness and Distinctiveness: **Newness and distinctiveness is claimed in the features of shape and/or configuration of a writing guide as illustrated in the accompanying representations.**



- (21) Design Number: **11464/2005**
(22) Date of Filing Application: **11 April 2005**
(24) Date from which industrial property rights may have effect: **11 April 2005**
(54) Product in respect of which the design is registered: **Display stand**
(51) International Design Classification: **20-03NES, 20-02NES**
(71) Name(s) and Address(s) of Applicant(s):
Walton International Limited
PO Box 1586 George Town Grand Cayman Cayman Islands
(72) Name(s) of Designer(s): **Ng Sui Wang Chris**
(45) Registration Date: **04 October 2005**
(30) Convention priority data:
(31) Number (32) Date (33) Country
0500591.7 23 Mar 2005 HONG KONG
(56) Related Art Documents: **Not Applicable**
(57) Statement of Newness and Distinctiveness: **Nil**



(21) Design Number: **11466/2005**

(22) Date of Filing Application: **11 April 2005**

(24) Date from which industrial property rights may have effect: **11 April 2005**

(54) Product in respect of which the design is registered: **Lid**

(51) International Design Classification: **07-01NES, 09-07B**

(71) Name(s) and Address(s) of Applicant(s):

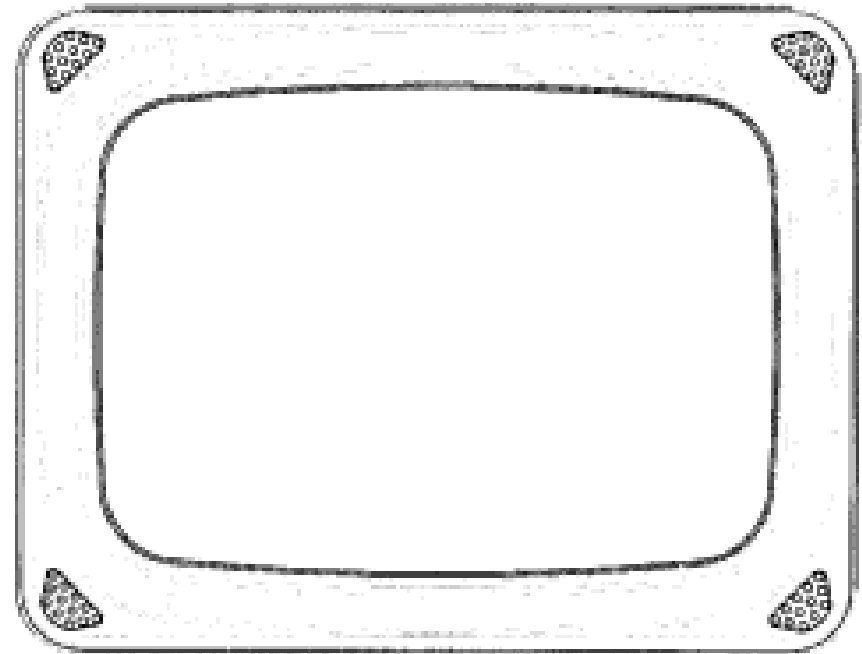
**Cryovac Australia Pty Ltd
90 Keilor Park Drive Tullamarine Victoria 3043 Australia**

(72) Name(s) of Designer(s): **Michael Grima and Andrew Slodkiewicz**

(45) Registration Date: **04 October 2005**

(56) Related Art Documents: **Not Applicable**

(57) Statement of Newness and Distinctiveness: **In considering the newness and distinctiveness of the design, regard is to be given to the overall shape and/or configuration of the design.**



(21) Design Number: **11871/2005**

(22) Date of Filing Application: **04 May 2005**

(24) Date from which industrial property rights may have effect: **04 May 2005**

(54) Product in respect of which the design is registered: **Outdoor patio chair**

(51) International Design Classification: **06-01NES**

(71) Name(s) and Address(s) of Applicant(s):

**Michael-Anthony Taylor
49 Dymock Street Balgownie New South Wales 2519 Australia**

(72) Name(s) of Designer(s): **Michael-Anthony Taylor**

(45) Registration Date: **04 October 2005**

(56) Related Art Documents: **Not Applicable**

(57) Statement of Newness and Distinctiveness: **Suspended wood frame and cloth covered chair with combo foot/head rest. Converts from upright to decline positions to users comfort. Poly roping and steel hooks and bolts construction.**

