

Australian Government

IP Australia

AUSTRALIAN OFFICIAL JOURNAL

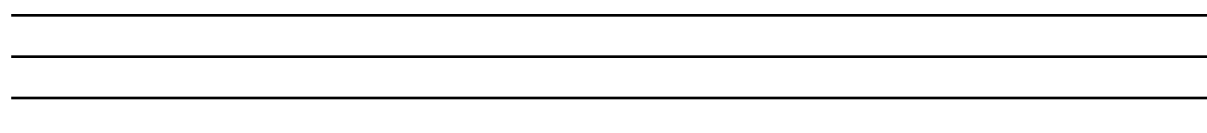
OF

DESIGNS

Did you know a searchable version of this journal is now available online?
It's FREE and EASY to SEARCH.

Find it at

<http://pericles.ipaustralia.gov.au/ols/epublish/content/olsEpublications.jsp>
or using the "Online Journals" link on the IP Australia home page.



This Page Left Intentionally Blank

Contents

General Information & Notices

Proceedings Under the Designs Act 1906 preserved as a result of the provisions of Chapter 12 Part 2 of the Designs Act 2003

Application for Extension of Period of Registration	2622
Applications for Extension of Time	2624
Applications Lapsed	2621
Corrigenda	2626
Extension of Period of Registration of Designs	2623
Extensions of Time Granted	2624
Names Registered - Alterations and Amendments	2624
Registration Proceedings	
Registration Number Range 158333 to 158358	2627
Registrations Ceased	2624
Subsequent Owners Registered	2624

Proceedings Under the Designs Act 2003

Applications Lapsed	2651
Applications Lodged	2645
Applications Withdrawn	2650
Certificate of Examination	2654
Corrigenda	2653
Extension of Time Granted Under Section 137	
Publication and Registration Proceedings	
Designs Registered 303321 to 303523	2655

This Page Left Intentionally Blank

General Information

EDITORIAL ENQUIRIES

All enquiries about official notices and general information in the Journal should be directed to IP Australia, (ABN No 38 113 072 755), PO Box 200 Woden ACT 2606

Or

Telephone 1300 651 010
(International Callers +61 2 6283 2999)
Fax 02 6283 7999
E-mail assist@ipaustralia.gov.au

CONTACT INFORMATION

Customer Service Network
Telephone 1300 651 010 , Fax: 02 6283 7999
E-mail: assist@ipaustralia.gov.au

Customers can contact the Customer Service Network by telephone or by e-mail. Telephones are staffed between 9am and 5pm each working day.

Customers should contact the Customer Service Network for information about:

- All Patent Matters including PCT and Innovation Patents.
- All Trade Mark Matters.
- All Design Matters.

Professional Standards Board for Patent and Trade Mark Attorneys.

Ph: 02 6283 2345 Fax: 02 6283 1048

ORDERING PATENT DOCUMENTS

When ordering copies of Australian patent specifications, or abstracts and abridgments notified as open to public inspection on or after 26 October 1978, or as accepted on or after 16 November 1978, the documents should be referred to by application numbers only, preceded by letters AU-A or AU-B respectively.

REQUESTS FOR INFORMATION UNDER SECTION 194 (C)

A request for information under Section 194 (C) of the Patents Act 1990 should be made in the approved form and be accompanied by the prescribed fee. The request should be as detailed as possible.

INFORMATION FROM REGISTERS

All requests for information from Register of Patents, Trade Marks or Designs, should be made in writing and accompanied by the prescribed fee. The Registers are located in Canberra and may be examined free of charge.

COUNTRY CODES

For a listing of country codes used by IP Australia please refer to the Official Journals dated 7 November 1996.

ABBREVIATIONS IN JOURNAL

Standard abbreviations are used in the name of companies and firms. Enquiries concerning the precise name should be directed to the Customer Service Network.

FREEDOM OF INFORMATION ACT

What does it do?

- Gives you right to obtain information held by Commonwealth Ministers, Departments and most statutory bodies (these bodies are called agencies under the Act).
- Requires Commonwealth Government agencies to make available to members of the public:
 - Information about agencies, their functions and operations.
 - Information about rules and practices which are used in making decisions which affect you.
- Gives you a legal right to:
 - See non exempt documents held by agencies, and
 - appeal against a decision not to grant access to a document.

What documents can you see?

- The Act gives you a right to see documents lodged on or after 1 December 1977, or earlier if you need them to understand another document you have already.
- Documents include files, reports, computer printouts, maps, plans, photographs, tape recordings, films or videotapes.
- Documents which are available for purchase under the Patents Act 1990, the Trade Marks Act 1995 or Designs Act 2003 are not available under the Freedom of Information Act (Section 12 refers).

How do you apply?

Requests for access to documents must

- Be in writing
- Provide sufficient information so as to enable identification of the documents requested
- Specify an address in Australia where notices can be sent and
- Be accompanied by the application fee (currently \$30.00) or specify an IP Australia account to which the charges will be posted.

Requests for documents should be addressed to IP Australia, PO Box 200 Woden, ACT 2606, or Faxed to 02 6283 7999

DECISIONS OF THE COMMISSIONER OF PATENTS AND REGISTRAR OF TRADE MARKS AND DESIGNS

- All decisions of the Commissioner and Registrars are available free of charge from AUSTLII's website

www.austlii.edu.au

Copies of all written Patent and Design decisions are available (except if they would not be available under the provisions of the Freedom of Information legislation, e.g. if they would effectively disclose matter from documents that are not open to public inspection) on request for a cost of \$AU 25. They are also available for inspection in indexed volume series, dating from 1 January 1987, in the Office library, Canberra.

Copies of Trade Mark decisions may be accessed via IP Australia's website www.ipaustralia.gov.au

- Copies of the taped record of Patent and Design hearings are available (with the same exception as above) on request.
- When a written decision is issued the fact of the decision plus a brief head note will be published in the Official Notices section of the next available Patents, Trade Marks or Designs Journal.

HEARINGS BEFORE THE COMMISSIONER OF PATENTS

Hearings before the Commissioner of Patents will usually be conducted at the Patent Office in Canberra and interstate hearing sessions are not provided. However, the Commissioner will conduct hearings outside of Canberra at a convenient time to all parties provided that the parties bear the travel costs of the hearing officer.

The various options for hearings are set out in the document "Options for Hearings" available on IP Australia's website at: www.ipaustralia.gov.au/pdfs/patents/optionsforhearings.PDF

HEARINGS BEFORE THE REGISTRARS OF TRADE MARKS AND DESIGNS

Hearings before the Registrars of Trade Marks and Designs will be set down in Melbourne, Sydney, Adelaide, Perth and Brisbane during the periods indicated below.

Designs and Trade Marks Hearings Sessions 2006

Melbourne	13 – 17 February 5 – 9 June 11 – 15 September
Sydney	13 – 17 March 17 – 21 July 16 – 20 October
Adelaide	14 – 15 August
Perth	17 – 18 August
Brisbane	24 – 25 August

Persons who desire matters to be set down for hearing in Melbourne, Sydney, Adelaide, Perth or Brisbane must give at least one month's notice of their intention to be heard. If such notice is not given, it may be that there would be insufficient time to allow for the execution of official procedures associated with the listing of hearings, and as a result, the matter involved might not be listed.

Subject to the convenience of this Office, hearings will be set down in Canberra at any time suitable to the parties.

LIST OF STATE OFFICES

IP Australia State Offices are located in the Australian Capitals at the addresses given below. Requests for information may be obtained by calling at, phoning or writing to these offices or IP Australia, Canberra.

Australian Capital Territory

Ground Floor
Discovery House
PHILLIP ACT 2606
(PO Box 200, WODEN ACT 2606)
Ph: 1300 651 010
Fax: (02) 6283 7999

New South Wales

Level 1
45 Clarence Street
SYDNEY NSW 2000
Ph: 1300 651 010
Fax: (02) 9249 5807

Victoria

Level 6
OCBC House
565 Bourke Street
MELBOURNE VIC 3000
Ph: 1300 651 010
Fax (03) 9612 9807

Western Australia

2nd Floor
East Point Plaza
233 Adelaide Terrace
PERTH WA 6000
Ph: 1300 651 010
Fax: (08) 9220 8907

Queensland

Level 1
Grant Thornton House
102 Adelaide Street
BRISBANE QLD 4000
Ph: 1300 651 010
Fax: (07) 3007 1107

South Australia

Level 10
Origin Energy House
1 King William Street
ADELAIDE SA 5000
Ph: 1300 651 010
Fax: (08) 8239 4507

Tasmania

4th Floor
AMP Building
27 Elizabeth Street
HOBART TAS 7000
Ph: 1300 651 010
Fax: (03) 6235 6307

“INID” NUMBERS in use on Australian Design Documents

“INID” is an acronym for “Internationally agreed Numbers for the Identification of Data”.

(10) Data concerning the registration/renewal

- (11) Serial number of the registration and/or number of the design document
- (12) Plain language designation of the kind of published document
- (19) Identification, using the two-letter code according to WIPO Standard ST.3, of the authority publishing or registering the industrial design

(20) Data concerning the application

- (21) Serial number of the application
- (22) Date of filing of the application
- (24) Date from which the industrial design right has effect

(30) Data relating to priority under the Paris Convention

- (31) Serial number assigned to the priority application
- (32) Date of filing of the priority application
- (33) Two-letter code, according to WIPO Standard ST.3, identifying the authority with which the priority application was made

(40) Date(s) of making information available to the public

- (45) Date of publication of the registered industrial design by printing or similar process, or making it available to the public by any other means

(50) Miscellaneous Information

- (51) International Classification for Industrial Designs (class and subclass of the Locarno Classification)
- (54) Designation of article(s) or product(s) covered by the industrial design or title of the industrial design
- (55) Reproduction of the industrial design (e.g., drawing, photograph) and explanations relating to the reproduction
- (56) List of prior art documents, if separate from descriptive text
- (57) Description of characteristic features of the industrial design including indication of colours

(60) References to other legally related application(s) and registration(s)

- (62) Serial number(s) and, if available, filing date(s) of application(s), registration(s) or document(s) related by division
- (66) Serial number(s) of the application, or the registration, of the design(s) which is (are) a variant(s) of the present one

(70) Identification of parties concerned with the application or registration

- (71) Name(s) and address(es) of the applicant(s)
- (72) Name(s) of the creator(s) if known to be such
- (74) Name(s) and address(es) of the representative(s)

This Page Left Intentionally Blank

This Page Left Intentionally Blank

**Proceedings under the Designs Act 1906 preserved as a
result of the provisions of Chapter 12 Part 2 of the Designs
Act 2003.**

This Page Left Intentionally Blank

Applications Lapsed

00221 / 2004 (23-02E)	00252 / 2004 (03-01NES)
00255 / 2004 (28-99)	00272 / 2004 (25-01K)
00274 / 2004 (12-16C)	00300 / 2004 (09-03G)
00314 / 2004 (09-07C)	00320 / 2004 (22-05)
01689 / 2004 (25-02NES)	01878 / 2004 (07-06B)
02109 / 2004 (21-02D)	02337 / 2004 (07-01NES)
02343 / 2004 (07-01G)	02513 / 2004 (07-01G)
02514 / 2004 (07-01G)	02516 / 2004 (07-06C)
02517 / 2004 (07-06C)	

Application for Extension of Period of Registration

Applications under Section 27A(2) for extension of registration of the following designs have been lodged. In the event that a design is shown to be not new or original, the Registrar may refuse to extend the period of registration. Sub-section 27A(4) allows any person to lodge at the Designs Office material relevant to the question whether the design is not new or original. That material must be lodged within 11 months of the date when the registration of the design was made. Further details of the conditions and procedures for the lodgement of material are contained in Form 8 provided under the Designs Regulation 24.

Registration Number	Registered Owner	Registration Date	Registration Number	Registered Owner	Registration Date
156770	MORODAY PRODUCTS PTY LTD	25/10/2004	156770	MORODAY PRODUCTS PTY LTD	25/10/2004
156795	ARIETE S.P.A.	01/11/2004	156795	ARIETE S.P.A.	01/11/2004
156796	ARIETE S.P.A.	01/11/2004	156796	ARIETE S.P.A.	01/11/2004
156798	JUDITH TURNER	01/11/2004	156798	JUDITH TURNER	01/11/2004
156799	KDB ENGINEERING PTY LTD	01/11/2004	156799	KDB ENGINEERING PTY LTD	01/11/2004
156810	PAUL JEREMY LANGLEY	03/11/2004	156810	PAUL JEREMY LANGLEY	03/11/2004
156838	ROBERT JOHN CLIFFORD CURTIN	08/11/2004	156838	ROBERT JOHN CLIFFORD CURTIN	08/11/2004
156875	EVAGELOS DOUNIS and PAUL KOUPPAS	15/11/2004	156875	EVAGELOS DOUNIS and PAUL KOUPPAS	15/11/2004
156876	EVAGELOS DOUNIS and PAUL KOUPPAS	15/11/2004	156876	EVAGELOS DOUNIS and PAUL KOUPPAS	15/11/2004
156881	TYGER PTY LTD	15/11/2004	156881	TYGER PTY LTD	15/11/2004
156882	TYGER PTY LTD	15/11/2004	156882	TYGER PTY LTD	15/11/2004
156916	ROBERT JOHN HADAWAY	16/11/2004	156916	ROBERT JOHN HADAWAY	16/11/2004
156929	FREEHAVEN INVESTMENTS LTD	17/11/2004	156929	FREEHAVEN INVESTMENTS LTD	17/11/2004
156930	HITEN MANUFACTURING PTY LTD	17/11/2004	156930	HITEN MANUFACTURING PTY LTD	17/11/2004
156951	TRISTAR HOUSEWARE AUSTRALIA PTY LTD	29/11/2004	156951	TRISTAR HOUSEWARE AUSTRALIA PTY LTD	29/11/2004
156994	KOHLER CO.	03/12/2004	156994	KOHLER CO.	03/12/2004
157013	JOHN WILDER	10/12/2004	157013	JOHN WILDER	10/12/2004
157015	LOIS RIEGEL	10/12/2004	157015	LOIS RIEGEL	10/12/2004
157016	LOIS RIEGEL	10/12/2004	157016	LOIS RIEGEL	10/12/2004
158078	ONE WORLD TECHNOLOGIES LIMITED	06/06/2005	158078	ONE WORLD TECHNOLOGIES LIMITED	06/06/2005
158145	HOLDEN LTD	22/07/2005	158145	HOLDEN LTD	22/07/2005
158146	HOLDEN LTD	22/07/2005	158146	HOLDEN LTD	22/07/2005
158147	HOLDEN LTD	22/07/2005	158147	HOLDEN LTD	22/07/2005
158151	HOLDEN LTD	25/07/2005	158151	HOLDEN LTD	25/07/2005
158152	HOLDEN LTD	25/07/2005	158152	HOLDEN LTD	25/07/2005
158168	D & B WHOLESALE PTY LTD	25/07/2005	158168	D & B WHOLESALE PTY LTD	25/07/2005
158170	WATERWALL SOLUTIONS PTY LTD	25/07/2005	158170	WATERWALL SOLUTIONS PTY LTD	25/07/2005
158171	LIFETIME PRODUCTS INC.	26/07/2005	158171	LIFETIME PRODUCTS INC.	26/07/2005
158174	GLAXOSMITHKLINE CONSUMER HEALTHCARE GMBH & CO. KG	26/07/2005	158174	GLAXOSMITHKLINE CONSUMER HEALTHCARE GMBH & CO. KG	26/07/2005
158180	SIGNUM SPECIALITIES PTY LTD	26/07/2005	158180	SIGNUM SPECIALITIES PTY LTD	26/07/2005
158182	HOLDEN LTD	29/07/2005	158182	HOLDEN LTD	29/07/2005
158183	HOLDEN LTD	29/07/2005	158183	HOLDEN LTD	29/07/2005
158188	O & S HOLDINGS (VIC) PTY LTD	29/07/2005	158188	O & S HOLDINGS (VIC) PTY LTD	29/07/2005
158189	O & S HOLDINGS (VIC) PTY LTD	29/07/2005	158189	O & S HOLDINGS (VIC) PTY LTD	29/07/2005
158197	GAMBRO LUNDIA AB	01/08/2005	158197	GAMBRO LUNDIA AB	01/08/2005
158212	HOLDEN LTD	01/08/2005	158212	HOLDEN LTD	01/08/2005

Registration Number	Registered Owner	Registration Date	156672	156673	156674
158213	HOLDEN LTD	01/08/2005	156675	156676	156677
158303	MERZ & KRELL G.M.B.H. & CO. K.G.A.A.	23/09/2005	156678	156679	156680
158305	STOKELY-VAN CAMP INC.	23/09/2005	158187	158246	
158306	STOKELY-VAN CAMP INC.	23/09/2005			
158307	INDUSTRIAL ROLL FORMERS PTY LTD	23/09/2005			
158330	MACGREGOR GOLF COMPANY	04/10/2005			
158331	MACGREGOR GOLF COMPANY	04/10/2005			
158332	WYETH	04/10/2005			

2nd Period (Section 27A(12))

Extension of Period of Registration of Designs

1st Period (Section 27A(8))

156541	156542	156543	140821	140838	140861
156544	156545	156546	140887	140899	140900
156547	156548	156549	140901	140902	140962
156550	156551	156552	140979	140982	141042
156553	156554	156555	141046	141084	141085
156556	156557	156559	141090	141093	141094
156560	156561	156562	141095	141096	141146
156564	156565	156566	141152	141171	141232
156567	156568	156569	141274	141275	141301
156570	156571	156572	141398	141399	141448
156573	156575	156576	141449	141486	141496
156577	156578	156579	141533	141534	141535
156580	156581	156582	141536	141537	141571
156585	156586	156587	141632	141735	141736
156588	156590	156591	141873	141875	141947
156592	156594	156595	141984	141985	142037
156596	156598	156599	142057	142077	142129
156600	156601	156602	142206	142280	142333
156605	156606	156607	142427	142479	142784
156608	156609	156610	143034	143070	143071
156611	156612	156613	143087	143225	143226
156614	156615	156616	143466	143467	143468
156617	156618	156619	143469	143624	143625
156620	156621	156622	143626	143627	143941
156623	156624	156625	144061	144084	144086
156626	156628	156631	144094	144126	144192
156632	156633	156635	144291	144292	144458
156636	156638	156639	144465	144621	144727
156641	156642	156643	144959	145053	145175
156644	156645	156646	145222	145704	145710
156647	156648	156649	146569	146602	147411
156650	156652	156653	148187	149920	
156654	156655	156656			
156657	156658	156659			
156660	156661	156662			
156663	156664	156665			
156666	156667	156668			
156669	156670	156671			

3rd Period (Section 27A(13))

123345	123649	123723
123755	123756	123790
123859	123903	123934
123935	123974	123976
123977	124095	124124
124170	124199	124204
124246	124323	124326
124348	124349	124350

124351	124352	124507
124608	124675	124727
124751	124782	125482
125972	126100	126235
126236	126490	126662
126873	126874	127857
127946	128187	128188
128420	129603	135900
136906	143034	143087
154284	154285	

Registrations Ceased

Note: Some of the following Registrations may have been previously advertised as ceased. In this instance, the previous advertisement still prevails.

107341	107343	107345
107349	107350	107433
107450	107453	107465
107577	107578	107666
107674	107688	107706
107816	107945	108031
108054	108175	108176
108177	108187	108188
108237	108823	108906
109042	109285	109828
109829	110583	110791
110822	110991	110992
110993	111051	111742
111811	111812	111813
111885	112249	119991
119994	120642	120664
120668	121651	121668
121736	121749	122275
122390	122438	122439
122958	123010	123359
123360	123361	123362
123381	123382	123399
123474	125640	125713
125844	126569	127671
137222	137223	137876
138159	138626	138630
138634	138635	138697
138699	138706	138776
138869	139025	139095
139303	139415	139571
140409	140639	140759
140814	140868	141539
141767	141768	141769
141770	141771	141772
141807	142053	143905
143906	143907	143908
143909	143910	156505
156519	156533	156536
156539	156540	156563
156574	156583	156584
156597	156603	156604

Applications for Extension of time

Applications for extension of time have been lodged. Objections must be lodged within 1 month from the date of this journal.

153588 **E.B. Hollaway Pty Ltd** Extension of time to extend a registration. Address for Service: WRAY & ASSOCIATES Level 4 The Quadrant 1 William Street PERTH WA 6000

154508 **Altronic Distributors Pty Ltd** Extension of time to extend a registration. Address for Service: WRAY & ASSOCIATES Level 4 The Quadrant 1 William Street PERTH WA 6000

Extensions of time granted

Applications lodged for extension of time have been granted.

156224 **Patrick Thornton** An Extension of time to extend a registration has been granted to 14/09/2005

Subsequent Owners Registered

(The name in parentheses is that of the subsequent owner)

151270	(Integral Orthopedics Inc.) Bio-Support Industries Ltd
128297	(Linpac Materials Handling Limited) CG Paxton Limited
143375	(DeTeWe Systems GmbH) DeTeWe-Deutsche Telephonwerke Aktiengesellschaft & Co.
143376	(DeTeWe Systems GmbH) DeTeWe-Deutsche Telephonwerke Aktiengesellschaft & Co.
139924	(Fethers Glazing Systems Pty Ltd) George Fethers & Co. Trading Pty Ltd
139882	(Fethers Glazing Systems Pty Ltd) George Fethers & Co. Trading Pty Ltd
139883	(Fethers Glazing Systems Pty Ltd) George Fethers & Co. Trading Pty Ltd
139881	(Fethers Glazing Systems Pty Ltd) George Fethers & Co. Trading Pty Ltd
136128	(Fethers Glazing Systems Pty Ltd) George Fethers & Co. Trading Pty Ltd
136127	(Fethers Glazing Systems Pty Ltd) George Fethers & Co. Trading Pty Ltd
133738	(Fethers Glazing Systems Pty Ltd) George Fethers & Co. Trading Pty Ltd
133737	(Fethers Glazing Systems Pty Ltd) George Fethers & Co. Trading Pty Ltd
114479	(John Cleaves Richards) Northern Fencing & Gates Pty Ltd
129523	(John Cleaves Richards) Northern Fencing & Gates Pty Ltd
127373	(John Cleaves Richards) Northern Fencing & Gates Pty Ltd

Names Registered - Alterations and Amendments

(The name in parentheses is the new name of the proprietor)

122897	(Clearlight Investments Pty Ltd) San Remo Macaroni
--------	-------------------------------------------------------------

Company Proprietary Limited
142663 (**Dan-Foam ApS**) Dan-Foam A/S
151744 (**GE Healthcare Limited**) Amersham plc

Corrigenda

Number

In Vol 19 , No 18 , page 2291 under the heading **Registrations Ceased**; 140224 should be deleted.

Number

In Vol 19 , No 3 , page 238 under the heading **Registrations Ceased**; 156764 should be deleted.

Number

In Vol 18 , No 22 , page 1721 under the heading **Australian Registered Design**; (61) Additional to: 154231 should read (62) Divisional of: 154231.

Registration Proceedings

Designs Registered

This section provides a concordance between application number and registration number of Designs covered in this journal. It also shows the main class and registration date.

This section covers Registration numbers 158333 to 158358.

The registration number shown below should be used in all future correspondence.

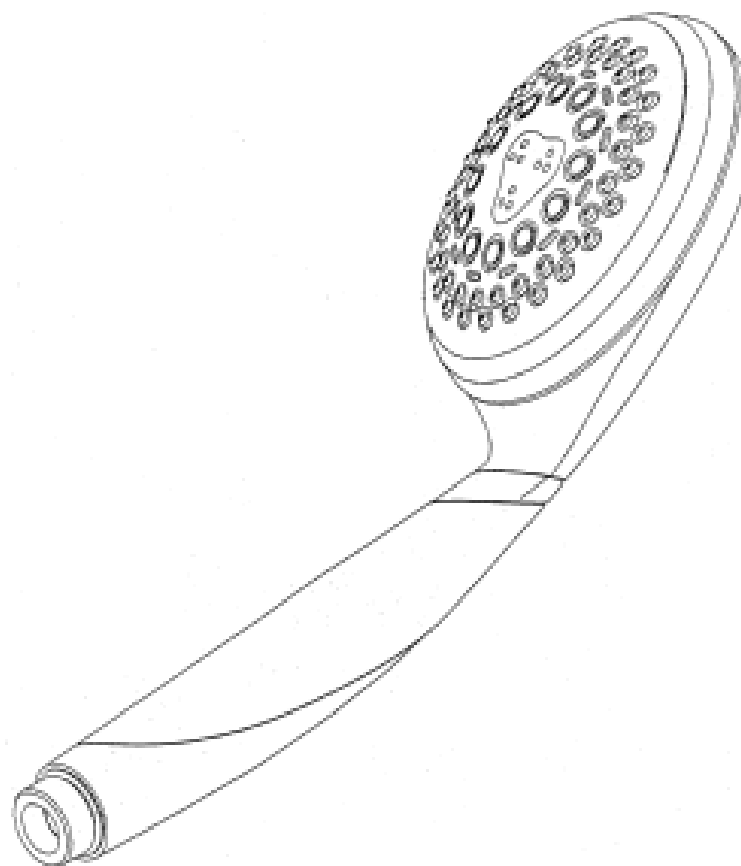
Application Number	Registration Number	International Classification Code (IDC)	Registration Date	Application Number	Registration Number	International Classification Code (IDC)	Registration Date
03857/2003	158338	25-01K	11/10/2005	01654/2004	158334	09-03M	10/10/2005
04387/2003	158353	15-03B	14/10/2005	01669/2004	158335	09-05	10/10/2005
00693/2004	158348	07-06A	12/10/2005	01822/2004	158347	25-01F	12/10/2005
00698/2004	158343	11-01H	12/10/2005	01823/2004	158354	25-01F	14/10/2005
00699/2004	158344	11-01H	12/10/2005	01824/2004	158355	25-01F	14/10/2005
00782/2004	158349	23-02A	12/10/2005	01825/2004	158356	25-01F	14/10/2005
00784/2004	158350	08-06	12/10/2005	01826/2004	158357	25-01F	14/10/2005
01085/2004	158339	26-05C	11/10/2005	02098/2004	158352	08-08NES	12/10/2005
01095/2004	158345	08-06	12/10/2005	02099/2004	158358	08-08C	14/10/2005
01096/2004	158346	08-06	12/10/2005	02340/2004	158336	07-01D	10/10/2005
01191/2004	158333	23-02B	10/10/2005	02515/2004	158337	07-01G	10/10/2005
01475/2004	158351	21-02C	12/10/2005	02518/2004	158341	07-01G	11/10/2005
01534/2004	158340	19-08	11/10/2005	02546/2004	158342	09-01NES	11/10/2005

Registration Proceedings
Class Listing of Designs Registered

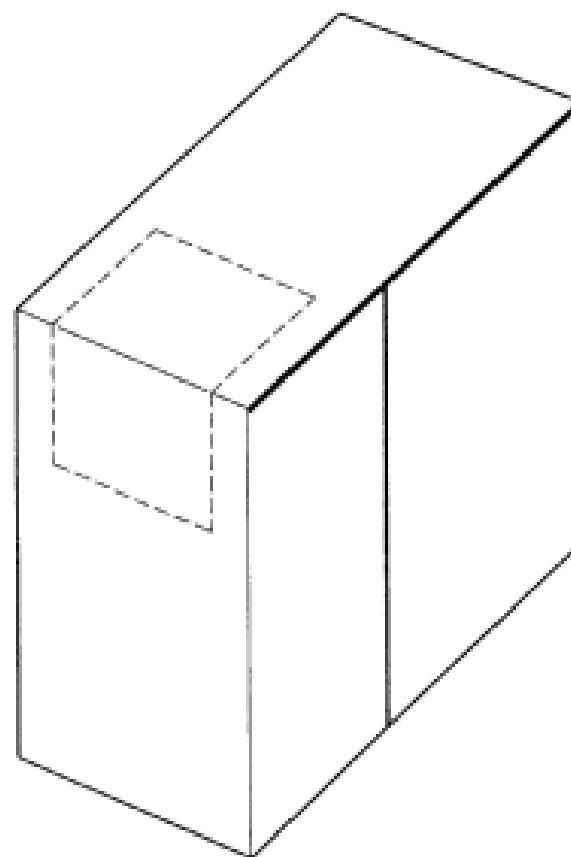
The following section shows an International Classification Code listing of the Registered Designs covered in this supplement.

Classification	Registration Number	Application Number	Classification	Registration Number	Application Number
07-01 D	158336	02340/2004	19-08	158340	01534/2004
07-01 G	158336	02340/2004	21-02 C	158351	01475/2004
07-01 G	158337	02515/2004	23-02 A	158349	00782/2004
07-01 G	158341	02518/2004	23-02 B	158333	01191/2004
07-06 A	158337	02515/2004	25-01 F	158347	01822/2004
07-06 A	158348	00693/2004	25-01 F	158354	01823/2004
08-06	158345	01095/2004	25-01 F	158355	01824/2004
08-06	158346	01096/2004	25-01 F	158356	01825/2004
08-06	158350	00784/2004	25-01 F	158357	01826/2004
08-08 C	158358	02099/2004	25-01 K	158338	03857/2003
08-08 NES	158352	02098/2004	26-05 C	158339	01085/2004
09-01 NES	158342	02546/2004	26-05 C	158347	01822/2004
09-03 M	158334	01654/2004	26-05 C	158354	01823/2004
09-05	158335	01669/2004	26-05 C	158355	01824/2004
11-01 H	158343	00698/2004	26-05 C	158356	01825/2004
11-01 H	158344	00699/2004	26-05 C	158357	01826/2004
13-03 B	158352	02098/2004			
15-03 B	158353	04387/2003			

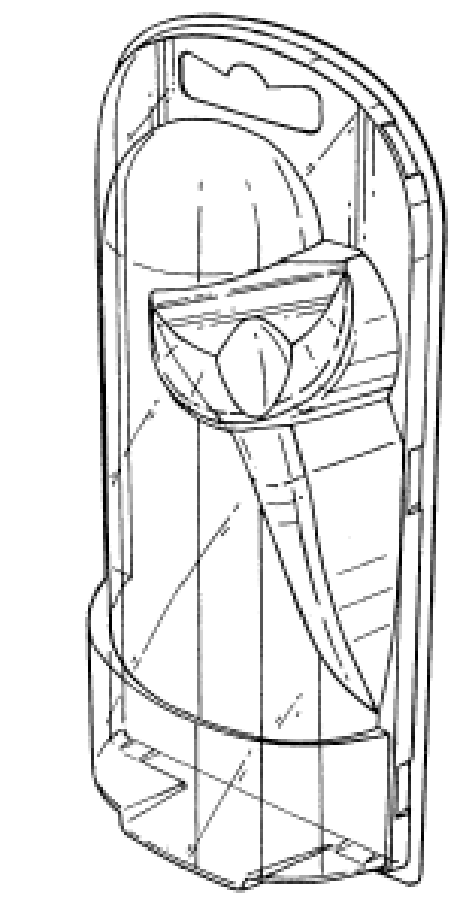
(21) Application Number: **1191/2004**
(22) Date of Filing Application: **31 March 2004**
(24) Date from which industrial property rights may have effect: **31 March 2004**
(54) Article in respect of which the design is registered: **Shower head with handle**
(51) International Design Classification: **23-02B**
(74) Name(s) of Attorney(s): **Davies Collison Cave**
(71) Name(s) and Address(s) of Applicant(s):
Interbath Inc.
665 N Baldwin Park Boulevard City of Industry California 91746 United States of America
(72) Name(s) of Author(s): **Claus D. Zieger**
(45) Registration Date: **10 October 2005**
(30) Convention priority data:
(31) Number (32) Date (33) Country
29/192118 16 Oct 2003 UNITED STATES OF AMERICA
(56) Related Art Documents: **Not Applicable**
(57) Statement of Monopoly: **Monopoly is claimed in the shape and configuration of a showerhead as illustrated in the accompanying representations.**
Statement of Novelty: **Nil**



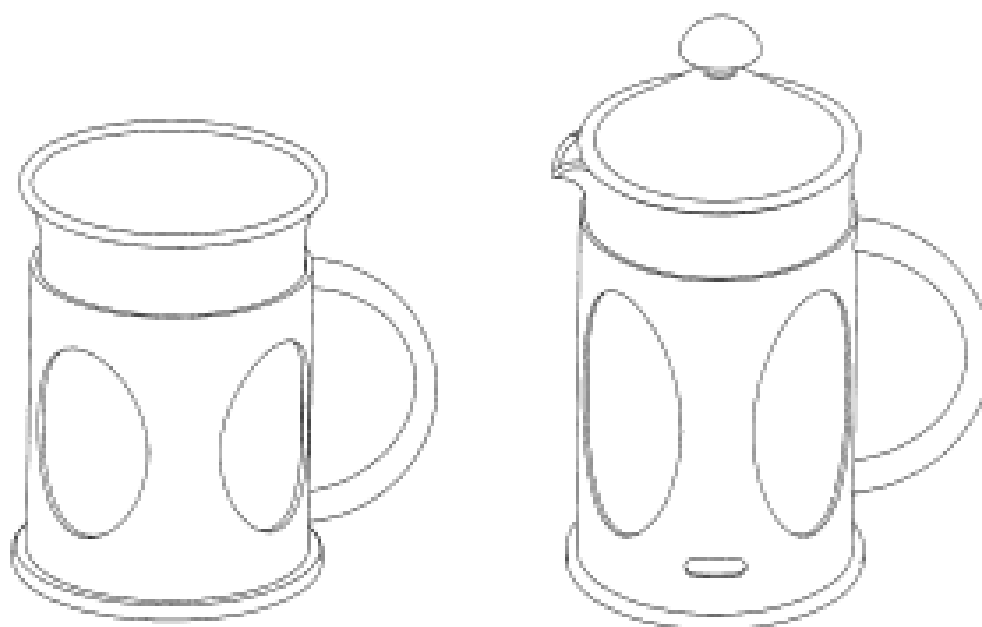
(21) Application Number: **1654/2004**
(22) Date of Filing Application: **04 May 2004**
(24) Date from which industrial property rights may have effect: **04 May 2004**
(54) Article in respect of which the design is registered: **A box**
(51) International Design Classification: **09-03M**
(74) Name(s) of Attorney(s): **MORCOM PERNAT**
(71) Name(s) and Address(s) of Applicant(s):
Moroday Products Pty Ltd
6-8 Crawford Street Braeside Victoria 3195 Australia
(72) Name(s) of Author(s): **Johann Ferdinands and Damian Casey**
(45) Registration Date: **10 October 2005**
(56) Related Art Documents: **Not Applicable**
(57) Statement of Monopoly: **Monopoly is claimed in the shape and configuration of a box as illustrated in the representations.**
Statement of Novelty: **Nil**



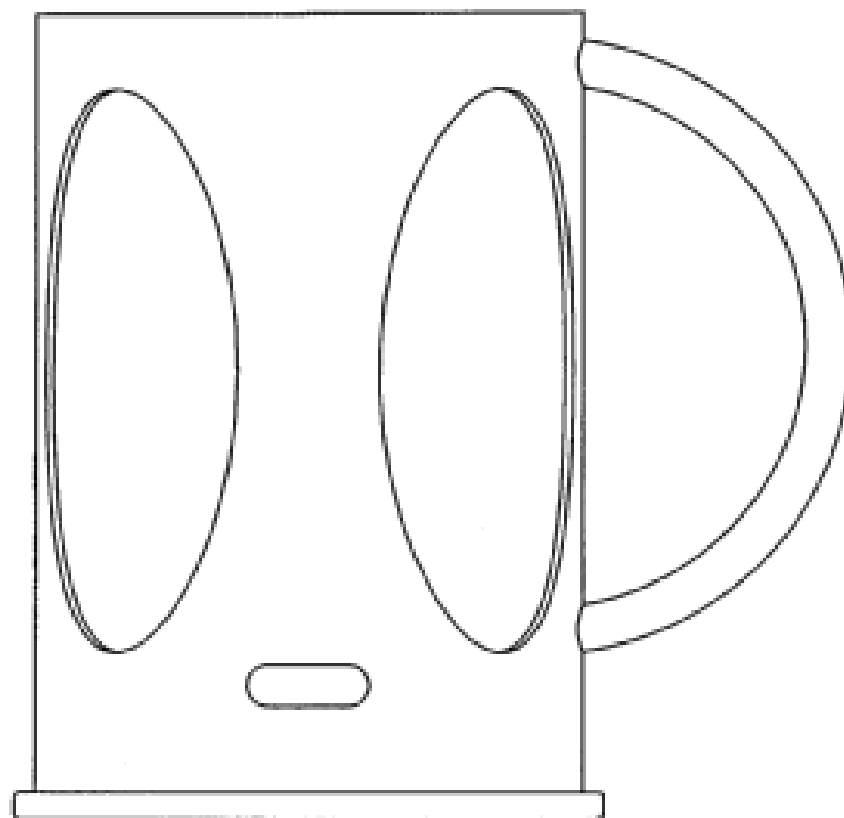
(21) Application Number: **1669/2004**
 (22) Date of Filing Application: **04 May 2004**
 (24) Date from which industrial property rights may have effect: **04 May 2004**
 (54) Article in respect of which the design is registered: **Blister pack**
 (51) International Design Classification: **09-05**
 (74) Name(s) of Attorney(s): **F B Rice & Co**
 (71) Name(s) and Address(s) of Applicant(s):
Reckitt Benckiser (UK) Limited
103-105 Bath Road Slough Berkshire SL1 3UH United Kingdom
 (72) Name(s) of Author(s): **Carl Dibnah and Jean-Francois Lhoste and Andrew Robert McLeish**
 (45) Registration Date: **10 October 2005**
 (30) Convention priority data:
 (31) Number (32) Date (33) Country
3015203 15 Nov 2003 UNITED KINGDOM
 (56) Related Art Documents: **Not Applicable**
 (57) Statement of Monopoly: **Those features of the representations in respect of which the applicant for registration of the design wishes to claim a monopoly are the features of shape and configuration in combination.**
 Statement of Novelty: **Nil**



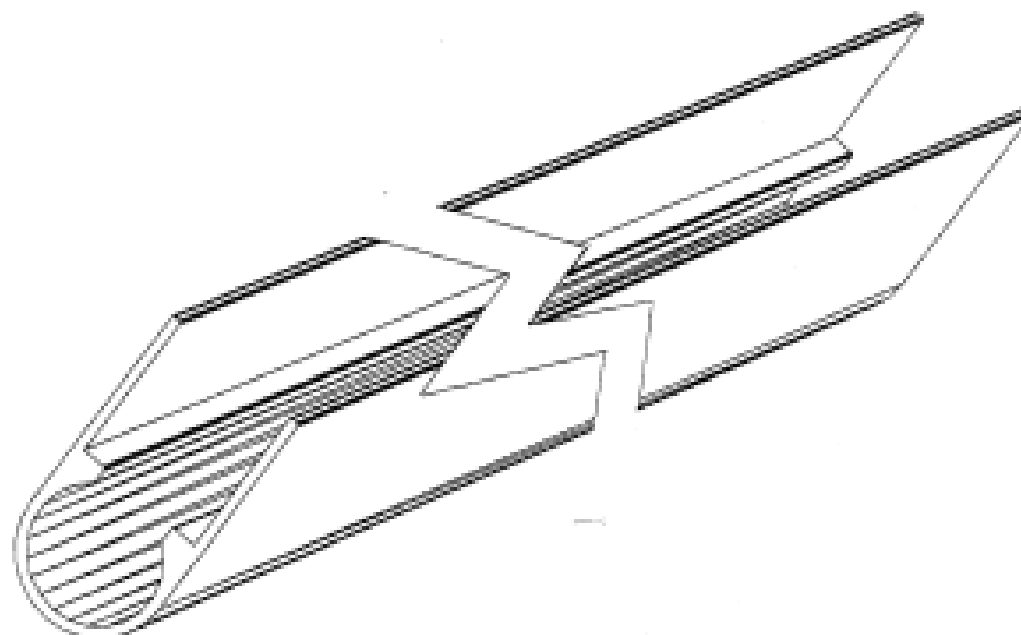
(21) Application Number: **2340/2004**
 (22) Date of Filing Application: **15 June 2004**
 (24) Date from which industrial property rights may have effect: **20 June 2003**
 (54) Article in respect of which the design is registered: **Coffee/tea drinking set**
 (51) International Design Classification: **07-01D, 07-01G**
 (74) Name(s) of Attorney(s): **Mills Oakley Patent Attorneys**
 (71) Name(s) and Address(s) of Applicant(s):
Tristar Houseware Australia Pty Ltd
14-16 Cook Street Sunshine Victoria 3020 Australia
 (72) Name(s) of Author(s): **Steven Lien**
 (45) Registration Date: **10 October 2005**
 (62) Divisional of: **155840**
 (56) Related Art Documents: **Not Applicable**
 (57) Statement of Monopoly: **Monopoly is claimed in the features of shape and configuration of a coffee/tea drinking set as illustrated in the accompanying representations.**
 Statement of Novelty: **Nil**



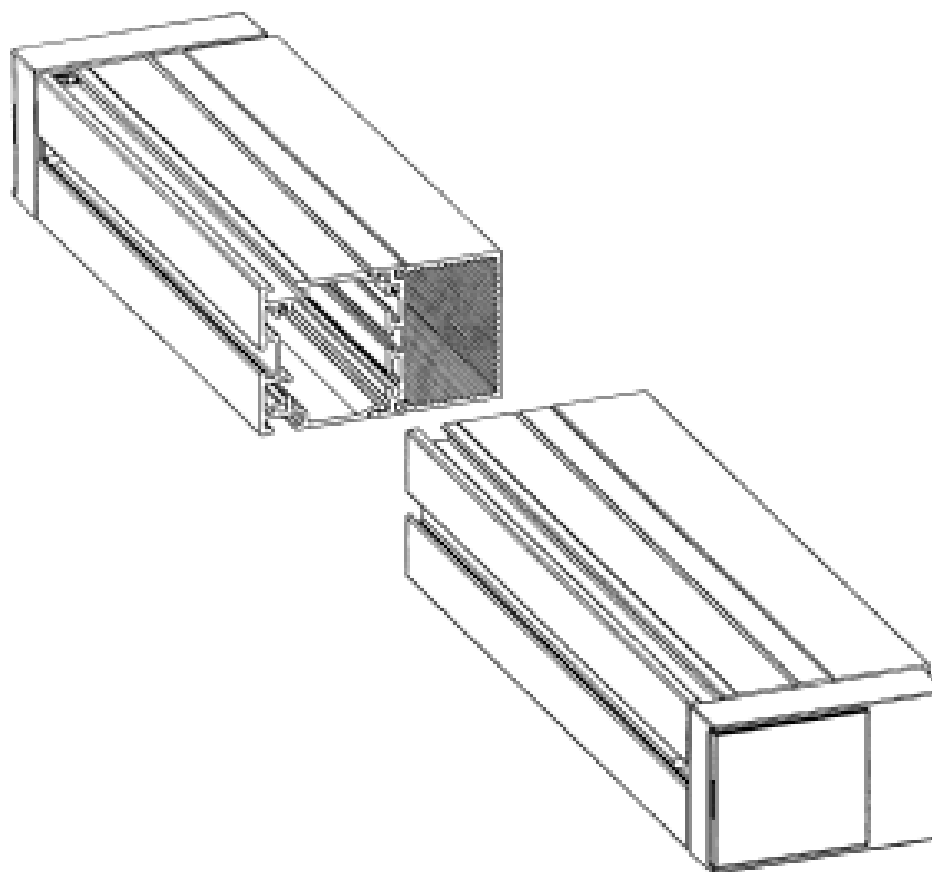
- (21) Application Number: **2515/2004**
(22) Date of Filing Application: **16 June 2004**
(24) Date from which industrial property rights may have effect: **20 June 2003**
(54) Article in respect of which the design is registered: **A receptacle for a beverage container**
(51) International Design Classification: **07-01G, 07-06A**
(74) Name(s) of Attorney(s): **Mills Oakley Patent Attorneys**
(71) Name(s) and Address(s) of Applicant(s):
Tristar Houseware Australia Pty Ltd
14-16 Cook Street Sunshine Victoria 3020 Australia
(72) Name(s) of Author(s): **Steven Lien**
(45) Registration Date: **10 October 2005**
(62) Divisional of: **155840**
(56) Related Art Documents: **Not Applicable**
(57) Statement of Monopoly: **Monopoly is claimed in the features of shape and configuration of a receptacle for a beverage container as shown in the accompanying representations.**
Statement of Novelty: **Nil**



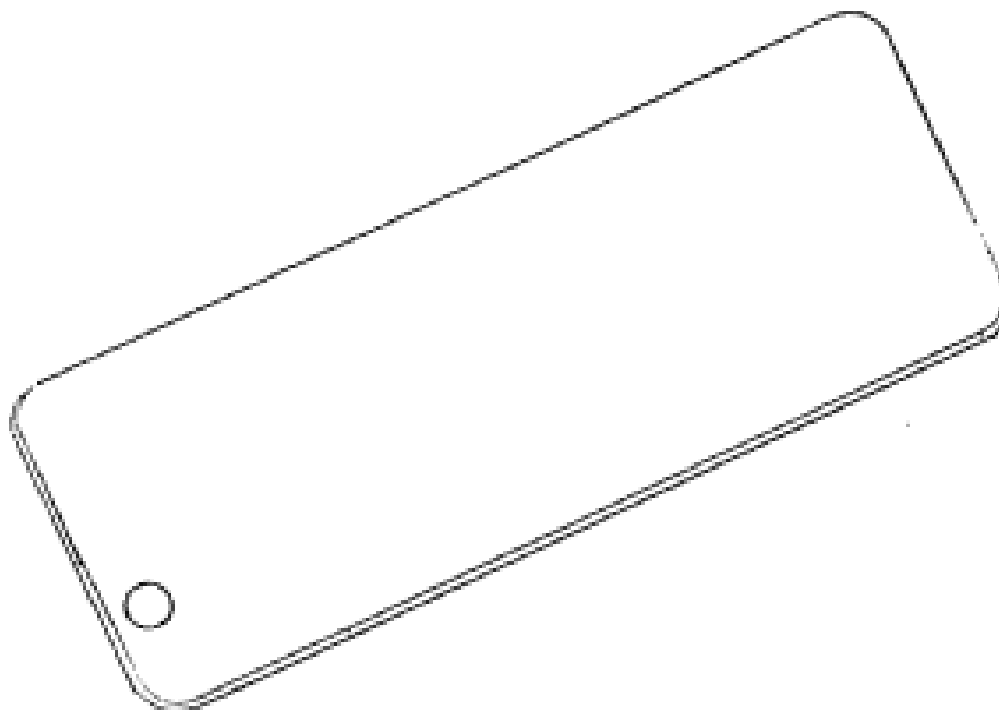
- (21) Application Number: **3857/2003**
(22) Date of Filing Application: **06 November 2003**
(24) Date from which industrial property rights may have effect: **06 November 2003**
(54) Article in respect of which the design is registered: **Extrusion**
(51) International Design Classification: **25-01K**
(71) Name(s) and Address(s) of Applicant(s):
Ryan D'Arcy
113 Riseley Street Ardross Western Australia 6153 Australia
(72) Name(s) of Author(s): **Ryan D'Arcy**
(45) Registration Date: **11 October 2005**
(56) Related Art Documents: **Not Applicable**
(57) Statement of Monopoly: **Monopoly is claimed in the feature of shape and configuration of the extrusion of indefinite length as illustrated in the representations.**
Statement of Novelty: **Nil**



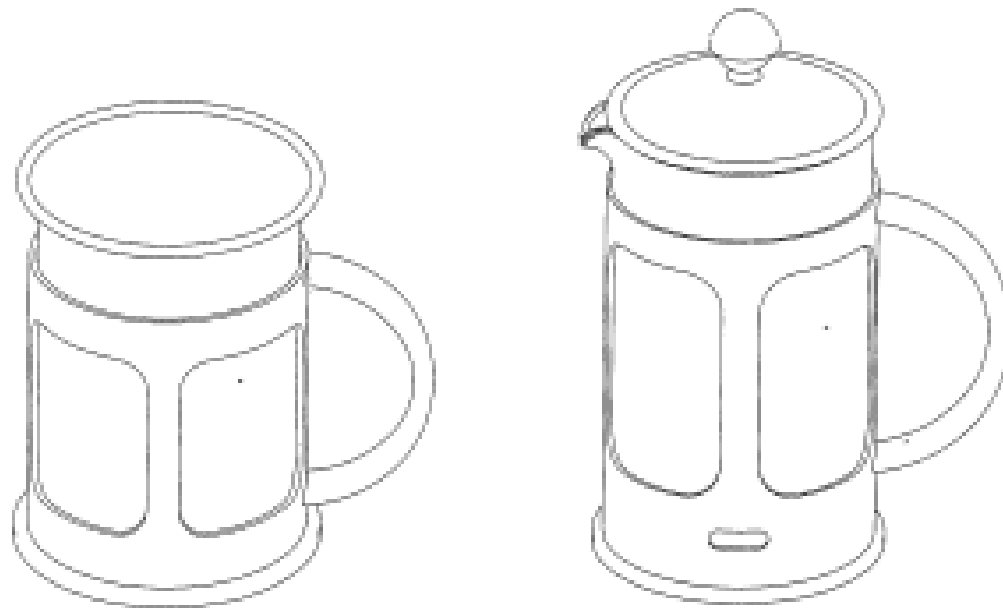
(21) Application Number: **1085/2004**
(22) Date of Filing Application: **23 March 2004**
(24) Date from which industrial property rights may have effect: **23 March 2004**
(54) Article in respect of which the design is registered: **Lighting fixture**
(51) International Design Classification: **26-05C**
(71) Name(s) and Address(s) of Applicant(s):
Intralux Australia Pty Ltd
23 Enterprise Street Richlands Queensland 4077 Australia
(72) Name(s) of Author(s): **Sarah Matthews**
(45) Registration Date: **11 October 2005**
(56) Related Art Documents: **Not Applicable**
(57) Statement of Monopoly: **We claim a monopoly in the shape and configuration of the lighting fixture as shown in the representations. This fitting is of indefinite length.**
Statement of Novelty: **Nil**



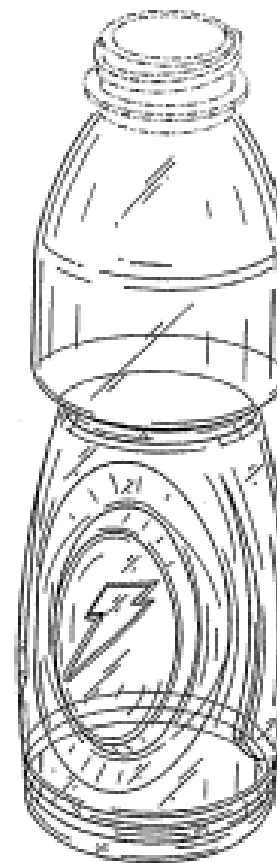
(21) Application Number: **1534/2004**
(22) Date of Filing Application: **22 April 2004**
(24) Date from which industrial property rights may have effect: **22 April 2004**
(54) Article in respect of which the design is registered: **A credit card/cash type card**
(51) International Design Classification: **19-08**
(71) Name(s) and Address(s) of Applicant(s):
Todd Patrick Richard Ryan
2 Young Street Burra South Australia 5417 Australia
(72) Name(s) of Author(s): **Todd Patrick Richard Ryan**
(45) Registration Date: **11 October 2005**
(56) Related Art Documents: **Not Applicable**
(57) Statement of Monopoly: **Monopoly is claimed in the features of shape and/or configuration of a credit/debit/cash type card as shown in the accompanying representations, and when considering the extent of the monopoly protection, the stripe on the rear of the credit/debit/cash type card is to be disregarded.**
Statement of Novelty: **Nil**



- (21) Application Number: **2518/2004**
(22) Date of Filing Application: **16 June 2004**
(24) Date from which industrial property rights may have effect: **20 June 2003**
(54) Article in respect of which the design is registered: **A coffee/tea set**
(51) International Design Classification: **07-01G**
(74) Name(s) of Attorney(s): **Mills Oakley Patent Attorneys**
(71) Name(s) and Address(s) of Applicant(s):
Tristar Houseware Australia Pty Ltd
14-16 Cook Street Sunshine Victoria 3020 Australia
(72) Name(s) of Author(s): **Steven Lien**
(45) Registration Date: **11 October 2005**
(62) Divisional of: **155840**
(56) Related Art Documents: **Not Applicable**
(57) Statement of Monopoly: **Monopoly is claimed in the features of shape and configuration of a coffee/tea set as illustrated in the accompanying representations.**
Statement of Novelty: **Nil**



- (21) Application Number: **2546/2004**
(22) Date of Filing Application: **16 June 2004**
(24) Date from which industrial property rights may have effect: **11 February 2004**
(54) Article in respect of which the design is registered: **Bottle**
(51) International Design Classification: **09-01NES**
(74) Name(s) of Attorney(s): **SPRUSON & FERGUSON**
(71) Name(s) and Address(s) of Applicant(s):
Stokely-Van Camp Inc.
555 W. Monroe Street Suite 11-12 Chicago Illinois 60661 United States of America
(72) Name(s) of Author(s): **Machelle D. Stockwell and Stuart M. Leslie and Charles A. Curtiss and Tomohito Asano and David A. Deemer and Hassan Mourad**
(45) Registration Date: **11 October 2005**
(62) Divisional of: **00500/2004**
(56) Related Art Documents: **Not Applicable**
(57) Statement of Monopoly: **Monopoly is claimed in the features of shape and/or configuration of a bottle as illustrated in the accompanying representations. When considering the extent of monopoly protection, the portions of the bottle shown in phantom are to be disregarded.**
Statement of Novelty: **Nil**



(21) Application Number: **0698/2004**
(22) Date of Filing Application: **25 February 2004**
(24) Date from which industrial property rights may have effect: **25 February 2004**
(54) Article in respect of which the design is registered: **A brooch**
(51) International Design Classification: **11-01H**
(71) Name(s) and Address(s) of Applicant(s):
Christine Anne Pyman
11 Ridgeway Avenue Enfield South Australia 5085 Australia
(72) Name(s) of Author(s): **Christine Anne Pyman**
(45) Registration Date: **12 October 2005**
(56) Related Art Documents: **Not Applicable**
(57) Statement of Monopoly: **Nil**
Statement of Novelty: **Nil**



(21) Application Number: **0699/2004**
(22) Date of Filing Application: **25 February 2004**
(24) Date from which industrial property rights may have effect: **25 February 2004**
(54) Article in respect of which the design is registered: **A brooch**
(51) International Design Classification: **11-01H**
(71) Name(s) and Address(s) of Applicant(s):
Christine Anne Pyman
11 Ridgeway Avenue Enfield South Australia 5085 Australia
(72) Name(s) of Author(s): **Christine Anne Pyman**
(45) Registration Date: **12 October 2005**
(56) Related Art Documents: **Not Applicable**
(57) Statement of Monopoly: **Nil**
Statement of Novelty: **Nil**



- (21) Application Number: **1095/2004**
(22) Date of Filing Application: **23 March 2004**
(24) Date from which industrial property rights may have effect: **23 March 2004**
(54) Article in respect of which the design is registered: **Lever with rose**
(51) International Design Classification: **08-06**
(71) Name(s) and Address(s) of Applicant(s):
Door Hardware Development and Testing Pty Ltd
8 Ross Street South Melbourne Victoria 3205 Australia
(72) Name(s) of Author(s): **David Greenbury**
(45) Registration Date: **12 October 2005**
(56) Related Art Documents: **Not Applicable**
(57) Statement of Monopoly: **Monopoly is claimed in the shape and configuration of a lever with rose as shown in the representations. No monopoly is claimed in the shape and configuration of the cylinder portion shown within the dotted lines marked (3).**
Statement of Novelty: **Nil**



- (21) Application Number: **1096/2004**
(22) Date of Filing Application: **23 March 2004**
(24) Date from which industrial property rights may have effect: **23 March 2004**
(54) Article in respect of which the design is registered: **Lever with rose**
(51) International Design Classification: **08-06**
(71) Name(s) and Address(s) of Applicant(s):
Door Hardware Development and Testing Pty Ltd
8 Ross Street South Melbourne Victoria 3205 Australia
(72) Name(s) of Author(s): **David Greenbury**
(45) Registration Date: **12 October 2005**
(56) Related Art Documents: **Not Applicable**
(57) Statement of Monopoly: **Monopoly is claimed in the shape and configuration of a lever with rose as shown in the representations. No monopoly is claimed in the shape and configuration of the cylinder shown within the dotted lines marked (2).**
Statement of Novelty: **Nil**



- (21) Application Number: **1822/2004**
(22) Date of Filing Application: **14 May 2004**
(24) Date from which industrial property rights may have effect: **08 November 2002**
(54) Article in respect of which the design is registered: **Luminaire**
(51) International Design Classification: **25-01F, 26-05C**
(71) Name(s) and Address(s) of Applicant(s):
Hunza Holdings Ltd
31 Thomas Peacock Parade Auckland New Zealand
(72) Name(s) of Author(s): **Andrew Cunningham and Mike Graham**
(45) Registration Date: **12 October 2005**
(62) Divisional of: **03517/2002**
(56) Related Art Documents: **Not Applicable**
(57) Statement of Monopoly: **Monopoly is claimed in the features of shape and configuration of the luminaire as shown in the accompanying representations.**
Statement of Novelty: **Nil**



- (21) Application Number: **0693/2004**
(22) Date of Filing Application: **24 February 2004**
(24) Date from which industrial property rights may have effect: **24 February 2004**
(54) Article in respect of which the design is registered: **A cup holder and blank therefore**
(51) International Design Classification: **07-06A**
(71) Name(s) and Address(s) of Applicant(s):
Bree Mankin
1/5 Pearson Street East Balmain New South Wales 2041 Australia
(72) Name(s) of Author(s): **Bree Mankin**
(45) Registration Date: **12 October 2005**
(56) Related Art Documents: **Not Applicable**
(57) Statement of Monopoly: **Monopoly is claimed in the features of shape and configuration of a cup holder and blank therefore as shown in the representations.**
Statement of Novelty: **Nil**



(21) Application Number: **0782/2004**

(22) Date of Filing Application: **01 March 2004**

(24) Date from which industrial property rights may have effect: **01 March 2004**

(54) Article in respect of which the design is registered: **Toilet roll holder**

(51) International Design Classification: **23-02A**

(71) Name(s) and Address(s) of Applicant(s):

**Industrial Expression Pty Ltd
254-252 St Kilda Road St Kilda Victoria 3182 Australia**

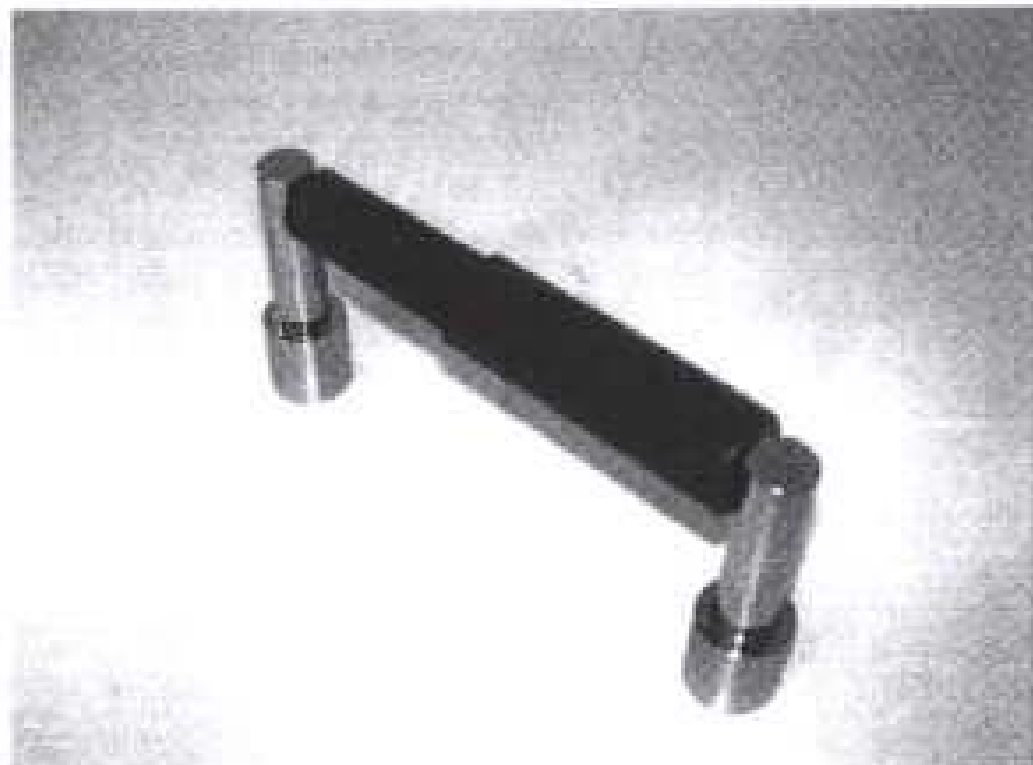
(72) Name(s) of Author(s): **Stephen Mason**

(45) Registration Date: **12 October 2005**

(56) Related Art Documents: **Not Applicable**

(57) Statement of Monopoly: **Monopoly is claimed in the shape and configuration of the toilet roll holder as shown in the representations.**

Statement of Novelty: **Nil**



(21) Application Number: **0784/2004**

(22) Date of Filing Application: **01 March 2004**

(24) Date from which industrial property rights may have effect: **01 March 2004**

(54) Article in respect of which the design is registered: **Handle**

(51) International Design Classification: **08-06**

(71) Name(s) and Address(s) of Applicant(s):

**Industrial Expression Pty Ltd
254-252 St Kilda Road St Kilda Victoria 3182 Australia**

(72) Name(s) of Author(s): **Stephen Mason**

(45) Registration Date: **12 October 2005**

(56) Related Art Documents: **Not Applicable**

(57) Statement of Monopoly: **Monopoly is claimed in the shape and/or configuration of the article represented.**

Statement of Novelty: **Nil**



(21) Application Number: **1475/2004**
(22) Date of Filing Application: **19 April 2004**
(24) Date from which industrial property rights may have effect: **19 April 2004**
(54) Article in respect of which the design is registered: **Iron golf club head**
(51) International Design Classification: **21-02C**
(74) Name(s) of Attorney(s): **Allens Arthur Robinson**
(71) Name(s) and Address(s) of Applicant(s):

Bridgestone Sports Co. Ltd
6-22-7 Minami-oi Shinagawa-ku Tokyo Japan

(72) Name(s) of Author(s): **Koki Motoyoshi and Masafumi Nishitani**

(45) Registration Date: **12 October 2005**

(30) Convention priority data:

(31) Number	(32) Date	(33) Country
2004-003071	6 Feb 2004	JAPAN

(56) Related Art Documents: **Not Applicable**

(57) Statement of Monopoly: **Monopoly is claimed in the features of shape and/or configuration applicable to an iron golf club head as illustrated in the accompanying representations. No monopoly is claimed in the wording and symbol shown on the rear face of the club head nor in the letter's' shown on the underside of the club head.**

Statement of Novelty: **Nil**



(21) Application Number: **2098/2004**
(22) Date of Filing Application: **01 June 2004**
(24) Date from which industrial property rights may have effect: **01 June 2004**
(54) Article in respect of which the design is registered: **A clip**
(51) International Design Classification: **08-08NES, 13-03B**
(74) Name(s) of Attorney(s): **Davies Collison Cave**
(71) Name(s) and Address(s) of Applicant(s):

ITW Construction Products Italy S.r.l.
Viale Regione Veneto 5 35127 Padova Italy

(72) Name(s) of Author(s): **Federico Cabrele**

(45) Registration Date: **12 October 2005**

(56) Related Art Documents: **Not Applicable**

(57) Statement of Monopoly: **Monopoly is claimed in the features of shape and/or configuration of the clip shown in the representations.**

Statement of Novelty: **Nil**



- (21) Application Number: **4387/2003**
(22) Date of Filing Application: **10 December 2003**
(24) Date from which industrial property rights may have effect: **10 December 2003**
(54) Article in respect of which the design is registered: **A stump grinder**
(51) International Design Classification: **15-03B**
(71) Name(s) and Address(s) of Applicant(s):
Garry Constable
2/67 St Hellier Street Heidelberg Heights Victoria 3081 Australia
(72) Name(s) of Author(s): **Garry Constable**
(45) Registration Date: **14 October 2005**
(56) Related Art Documents: **Not Applicable**
(57) Statement of Monopoly: **Monopoly is claimed in the features of shape and configuration of the stump grinder as shown in the accompanying representations.**
Statement of Novelty: **Nil**



- (21) Application Number: **1823/2004**
(22) Date of Filing Application: **14 May 2004**
(24) Date from which industrial property rights may have effect: **08 November 2002**
(54) Article in respect of which the design is registered: **Luminaire**
(51) International Design Classification: **25-01F, 26-05C**
(71) Name(s) and Address(s) of Applicant(s):
Hunza Holdings Ltd
31 Thomas Peacock Parade Auckland New Zealand
(72) Name(s) of Author(s): **Andrew Cunningham and Mike Graham**
(45) Registration Date: **14 October 2005**
(62) Divisional of: **03517/2002**
(56) Related Art Documents: **Not Applicable**
(57) Statement of Monopoly: **Monopoly is claimed in the features of shape and configuration of the luminaire as shown in the accompanying representations.**
Statement of Novelty: **Nil**



(21) Application Number: **1824/2004**
(22) Date of Filing Application: **14 May 2004**
(24) Date from which industrial property rights may have effect: **08 November 2002**
(54) Article in respect of which the design is registered: **Luminaire**
(51) International Design Classification: **25-01F, 26-05C**
(71) Name(s) and Address(s) of Applicant(s):
Hunza Holdings Ltd
31 Thomas Peacock Parade Auckland New Zealand
(72) Name(s) of Author(s): **Andrew Cunningham and Mike Graham**
(45) Registration Date: **14 October 2005**
(62) Divisional of: **03517/2002**
(56) Related Art Documents: **Not Applicable**
(57) Statement of Monopoly: **Monopoly is claimed in the features of shape and configuration of the luminaire as shown in the accompanying representations.**
Statement of Novelty: **Nil**



(21) Application Number: **1825/2004**
(22) Date of Filing Application: **14 May 2004**
(24) Date from which industrial property rights may have effect: **08 November 2002**
(54) Article in respect of which the design is registered: **Luminaire**
(51) International Design Classification: **25-01F, 26-05C**
(71) Name(s) and Address(s) of Applicant(s):
Hunza Holdings Ltd
31 Thomas Peacock Parade Auckland New Zealand
(72) Name(s) of Author(s): **Andrew Cunningham and Mike Graham**
(45) Registration Date: **14 October 2005**
(62) Divisional of: **03517/2002**
(56) Related Art Documents: **Not Applicable**
(57) Statement of Monopoly: **Monopoly is claimed in the features of shape and configuration of the luminaire as shown in the accompanying representations.**
Statement of Novelty: **Nil**



(21) Application Number: **1826/2004**

(22) Date of Filing Application: **14 May 2004**

(24) Date from which industrial property rights may have effect: **08 November 2002**

(54) Article in respect of which the design is registered: **Luminaire**

(51) International Design Classification: **25-01F, 26-05C**

(71) Name(s) and Address(s) of Applicant(s):

Hunza Holdings Ltd

31 Thomas Peacock Parade Auckland New Zealand

(72) Name(s) of Author(s): **Andrew Cunningham and Mike Graham**

(45) Registration Date: **14 October 2005**

(62) Divisional of: **03517/2002**

(56) Related Art Documents: **Not Applicable**

(57) Statement of Monopoly: **Monopoly is claimed in the features of shape and configuration of the luminaire as shown in the accompanying representations.**

Statement of Novelty: **Nil**



(21) Application Number: **2099/2004**

(22) Date of Filing Application: **01 June 2004**

(24) Date from which industrial property rights may have effect: **01 June 2004**

(54) Article in respect of which the design is registered: **A clip**

(51) International Design Classification: **08-08C**

(74) Name(s) of Attorney(s): **Davies Collison Cave**

(71) Name(s) and Address(s) of Applicant(s):

ITW Construction Products Italy S.r.l.

Viale Regione Veneto 5 35127 Padova Italy

(72) Name(s) of Author(s): **Federico Cabrele**

(45) Registration Date: **14 October 2005**

(56) Related Art Documents: **Not Applicable**

(57) Statement of Monopoly: **Monopoly is claimed in the features of shape and/or configuration of the clip shown in the representations.**

Statement of Novelty: **Nil**



Proceedings under the Designs Act 2003.

This Page Left Intentionally Blank

Applications Lodged

Lodgement information is in the following order: **Applicant's Name**; International Classification, Name of Product, Lodgement Date and **Design Number**. If the applicant claims an earlier priority date under an International Convention, the Convention Country and the associated filing date are shown in parentheses before the Lodgement Date. Divisional information will also appear in parentheses before the Lodgement Date.

Advanced Pavement Technology Inc.; 25-01A, A paver, (US, 01 Apr 2005) 04 Oct 2005	14331/2005	Colorado Products Pty Ltd; 07-04, Product name listed, 04 Oct 2005	14311/2005
American Express Travel Related Services Company, Inc.; 03-01B, Foldable transaction card case, (US, 31 Mar 2005) 30 Sep 2005	14317/2005	Colorado Products Pty Ltd; 23-02F, Product name not listed, 04 Oct 2005	14312/2005
Arien Displays Pty Limited; Nivin Consulting Pty Limited; 25-03, Kiosk, 27 Sep 2005	14172/2005	Colorado Products Pty Ltd; 23-02F, Product name not listed, 04 Oct 2005	14310/2005
Aunger Carcraft Pty Ltd; 12-16G, Wiper blade holder, 30 Sep 2005	14252/2005	Combe Incorporated; 04-01, 07-04, Combination brush and spatula, (US, 12 Apr 2005) 30 Sep 2005	14265/2005
Axcess Oss Pty Ltd; 99-00, Coffin draperies (linings), 07 Oct 2005	14355/2005	Comchoice Corp; Pittard, William B.; 21-01N, Controller, (US, 28 Mar 2005) 28 Sep 2005	14216/2005
Black & Decker, Inc.; 15-05, A hand vacuum cleaner, (EM, 30 Jun 2005) 06 Oct 2005	14358/2005	Comchoice Corp; Pittard, William B.; 21-01N, Controller, (US, 28 Mar 2005) 28 Sep 2005	14217/2005
Bridgestone Corporation; 12-15NES, An automobile tyre, (JP, 07 Apr 2005) 06 Oct 2005	14357/2005	Cooper Brands, Inc.; 08-05P, Adjustable wrench, (US, 17 May 2005) 05 Oct 2005	14337/2005
Broome, Claire; 07-06NES, Cooking tongs, 28 Sep 2005	14215/2005	Crane Enfield Metals Pty Ltd; 08-06, Latch handle extrusion, 27 Sep 2005	14179/2005
Caroma Industries Limited; 23-02C, 23-01K, A valve cartridge for a waterless urinal, 29 Sep 2005	14249/2005	Crane Enfield Metals Pty Ltd; 25-01K, 25-02H, Mullion extrusion, 27 Sep 2005	14180/2005
Caroma Industries Limited; 23-02C, 23-01K, A valve cartridge for a waterless urinal, 29 Sep 2005	14250/2005	Crane Enfield Metals Pty Ltd; 25-01K, 25-02H, Frame extrusion, 27 Sep 2005	14181/2005
Cho, Young-Do; 08-05L, Paint roller, (Divisional of 01210/2004) 05 Oct 2005	14336/2005	Crane Enfield Metals Pty Ltd; 25-01K, 08-06, Latch base extrusion, 27 Sep 2005	14182/2005
Coca-Cola Company, The; 09-01NES, Bottle, (Divisional of 11471/2005) 06 Oct 2005	14362/2005	Crocs, Inc.; 02-04NES, Footwear, (US, 31 Mar 2005) 27 Sep 2005	14183/2005
Colgate-Palmolive Company; 04-02, Toothbrush, (US, 08 Apr 2005) 06 Oct 2005	14359/2005	Crocs, Inc.; 02-04NES, Footwear, (US, 31 Mar 2005) 27 Sep 2005	14184/2005
Colgate-Palmolive Company; 04-02, Toothbrush, (US, 08 Apr 2005) 06 Oct 2005	14360/2005	Crown Equipment Corporation; 08-08NES, 12-05, Tiller bracket for a pallet truck, (US, 07 Apr 2005) 29 Sep 2005	14255/2005
Colgate-Palmolive Company; 04-02, Toothbrush, (US, 08 Apr 2005) 06 Oct 2005	14361/2005	Crown Equipment Corporation; 15-02, 12-05, Pallet truck pump housing, (US, 12 Apr 2005) 29 Sep 2005	14256/2005
Colgate-Palmolive Company; 04-02, Toothbrush, (US, 01 Apr 2005) 29 Sep 2005	14274/2005	Crown Equipment Corporation; 12-05, Pallet truck, (DE, 12 Apr 2005) 29 Sep 2005	14257/2005
Colgate-Palmolive Company; 04-02, Toothbrush, (US, 01 Apr 2005) 29 Sep 2005	14275/2005	Crown Equipment Corporation; 12-05, Apron cap for a pallet truck, (US, 07 Apr 2005) 29 Sep 2005	14258/2005
Colgate-Palmolive Company; 04-02, Toothbrush, (US, 01 Apr 2005) 29 Sep 2005	14276/2005	Crown Equipment Corporation; 12-05, Apron for a pallet truck, (US, 07 Apr 2005) 29 Sep 2005	14259/2005
Colgate-Palmolive Company; 04-02, Toothbrush, (US, 01 Apr 2005) 29 Sep 2005		De Code, Noms; 09-01G, 09-01NES, Double flask, 27 Sep 2005	14173/2005

De Code, Noms; 09-01G, 09-01NES, Simple flask, 27 Sep 2005	14174/2005	Fisher, Elliott; 30-05, Spur neck, 30 Sep 2005	14335/2005
Dorf Clark Industries Limited; 23-01H, Tap handle, 29 Sep 2005	14286/2005	Foots, Ken; Hunt, Martin; 23-03H, Hot water tank, 05 Oct 2005	14320/2005
Dorf Clark Industries Limited; 23-01H, Handle and flange, 29 Sep 2005	14302/2005	Ford Motor Company of Australia Limited; 12-16C, Bumper bar for a vehicle, 07 Oct 2005	14408/2005
Dorf Clark Industries Limited; 23-01H, Tap handle, 29 Sep 2005	14303/2005	Ford Motor Company of Australia Limited; 12-16C, Bumper bar for a vehicle, 07 Oct 2005	14409/2005
Dorf Clark Industries Limited; 23-01H, Handle and flange, 29 Sep 2005	14304/2005	Ford Motor Company of Australia Limited; 12-16C, Bumper bar for a vehicle, 07 Oct 2005	14410/2005
Dorf Clark Industries Limited; 23-01H, Handle and flange, 29 Sep 2005	14298/2005	Ford Motor Company of Australia Limited; 26-06, Lamp for a vehicle, 07 Oct 2005	14411/2005
Dorf Clark Industries Limited; 23-01H, Flange, 29 Sep 2005	14287/2005	Ford Motor Company of Australia Limited; 12-16A, Wheel, 07 Oct 2005	14412/2005
Dorf Clark Industries Limited; 07-05D, Accessories holder, 07 Oct 2005	14401/2005	Ford Motor Company of Australia Limited; 12-16A, Wheel, 07 Oct 2005	14413/2005
Dorf Clark Industries Limited; 23-02A, Toilet roll holder, 07 Oct 2005	14402/2005	Ford Motor Company of Australia Limited; 12-16A, Wheel, 07 Oct 2005	14414/2005
Dorf Clark Industries Limited; 07-05D, Towel ring, 07 Oct 2005	14403/2005	Ford Motor Company of Australia Limited; 12-16A, Wheel, 07 Oct 2005	14415/2005
Dorf Clark Industries Limited; 08-08G, Double robe hook, 07 Oct 2005	14404/2005	Ford Motor Company of Australia Limited; 12-16A, Wheel, 07 Oct 2005	14416/2005
Dorf Clark Industries Limited; 08-08N, Shelf base, 07 Oct 2005	14405/2005	Ford Motor Company of Australia Limited; 12-16A, Wheel, 07 Oct 2005	14417/2005
Dorf Clark Industries Limited; 07-05D, Single towel rail, 07 Oct 2005	14406/2005	Ford Motor Company of Australia Limited; 12-16A, Wheel, 07 Oct 2005	14418/2005
Dorf Clark Industries Limited; 07-05D, Double towel rail, 07 Oct 2005	14407/2005	Ford Motor Company of Australia Limited; 12-16A, Wheel, 07 Oct 2005	14419/2005
Dorf Clark Industries Limited; 23-01H, Outlet, 29 Sep 2005	14288/2005	Ford Motor Company of Australia Limited; 12-16A, Wheel, 07 Oct 2005	14420/2005
Dorf Clark Industries Limited; 23-01H, Handle, 29 Sep 2005	14295/2005	Gillette Company, The; 28-03A, Razor handle, (US, 28 Mar 2005) 27 Sep 2005	14187/2005
Dorf Clark Industries Limited; 23-01H, Handle and flange, 29 Sep 2005	14296/2005	Gillette Company, The; 04-02, Toothbrush, (EM, 27 Apr 2005) 05 Oct 2005	14344/2005
Dorf Clark Industries Limited; 23-01H, Handle, 29 Sep 2005	14297/2005	Gillette Company, The; 04-02, Toothbrush handle, (EM, 27 Apr 2005) 05 Oct 2005	14345/2005
Dorf Clark Industries Limited; 23-01H, Handle and flange, 29 Sep 2005	14300/2005	Gillette Company, The; 04-02, Toothbrush head, (EM, 27 Apr 2005) 05 Oct 2005	14346/2005
Dorf Clark Industries Limited; 23-01H, Handle, 29 Sep 2005	14301/2005	Gillette Company, The; 28-03A, Razor handle, (US, 28 Mar 2005) 27 Sep 2005	14188/2005
Family Co., Ltd; 06-01NES, Massage chair, (JP, 08 Apr 2005) 05 Oct 2005	14338/2005	Gillette Company, The; 28-03A, Razor, (US, 28 Mar 2005) 27 Sep 2005	14189/2005
Family Co., Ltd; 06-01NES, Massage chair, (JP, 08 Apr 2005) 05 Oct 2005	14339/2005	Gillette Company, The; 28-03A, Razor handle, (US, 28 Mar 2005) 27 Sep 2005	14190/2005
Fantuzzi, Robert; 21-01L, Money matters - the board game, 04 Oct 2005	14313/2005	Glaxo Group Limited; 09-07A, 09-07C, A cap, (GB, 07 Apr 2005) 30 Sep 2005	14267/2005
Ferrari S.p.A.; 12-08, 21-01C, Car and toy car, (EM, 05 Apr 2005) 30 Sep 2005	14266/2005	Glaxo Group Limited; 09-05, A tube, (GB, 07 Apr 2005) 30 Sep 2005	14268/2005

Golf Girl Australia Pty Ltd; 03-01C, Practice makes perfect driving range bag, 30 Sep 2005	14309/2005	Ingram, Bradley Phillip; 21-03, Playframe apparatus, 29 Sep 2005	14231/2005
Granger, Janine Patrice; Smith, Alan Michael; 02-04NES, Footwear, 29 Sep 2005	14334/2005	Ingram, Bradley Phillip; 21-03, Playframe apparatus, 29 Sep 2005	14232/2005
Granger, Janine Patrice; Smith, Alan Michael; 02-04NES, Footwear, 29 Sep 2005	14213/2005	Ingram, Bradley Phillip; 21-03, Playframe apparatus, 29 Sep 2005	14233/2005
Granger, Janine Patrice; Smith, Alan Michael; 02-04NES, Footwear, 29 Sep 2005	14214/2005	Ingram, Bradley Phillip; 21-03, Playframe apparatus, 29 Sep 2005	14234/2005
Great Waves Pty Ltd; 21-02D, A cord end, 30 Sep 2005	14314/2005	Ingram, Bradley Phillip; 21-03, Playframe apparatus, 29 Sep 2005	14235/2005
Hansgrohe AG; 23-01H, Sanitary fittings, (EM, 08 Apr 2005) 05 Oct 2005	14342/2005	Ingram, Bradley Phillip; 21-03, Playframe apparatus, 29 Sep 2005	14236/2005
Hansgrohe AG; 23-01H, Sanitary fittings, (EM, 08 Apr 2005) 05 Oct 2005	14343/2005	Ingram, Bradley Phillip; 21-03, Playframe apparatus, 29 Sep 2005	14237/2005
Hay, Donna; 07-01B, Design 1: Footed comport, 07 Oct 2005	14421/2005	Ingram, Bradley Phillip; 21-03, Playframe apparatus, 29 Sep 2005	14238/2005
Hay, Donna; 07-02N, Design 2: Rectangular baking tray, 07 Oct 2005	14422/2005	Ingram, Bradley Phillip; 21-03, Playframe apparatus, 29 Sep 2005	14239/2005
Hay, Donna; 07-04, Design 3: Colander, 07 Oct 2005	14423/2005	Interbath Inc.; 23-02B, Showerhead, (Divisional of 01374/2004) 27 Sep 2005	14240/2005
Honda Motor Co., Ltd; 12-11, Front cowl for a motorcycle, (JP, 31 Mar 2005) 29 Sep 2005	14248/2005	Interbath Inc.; 23-02B, Shower head with handle, (Divisional of 01191/2004) 27 Sep 2005	14170/2005
Honda Motor Co., Ltd; 12-11, Front cowl for a motorcycle, (JP, 31 Mar 2005) 29 Sep 2005	14247/2005	K.J. Ross Security Locks Pty Ltd; 08-07, A lock, 27 Sep 2005	14169/2005
Howard Leight Industries, LLC; 24-04, Earplug, (US, 23 May 2005) 03 Oct 2005	14318/2005	K.J. Ross Security Locks Pty Ltd; 08-07, A key, 27 Sep 2005	14175/2005
Hunt, Martin; Fouts, Ken; 23-03H, Hot water tank, 05 Oct 2005	14320/2005	Karsten Manufacturing Corporation; 21-02C, Golf club head, (US, 01 Apr 2005) 29 Sep 2005	14176/2005
Ingram, Bradley Phillip; 21-03, Playframe apparatus, 29 Sep 2005	14241/2005	Karsten Manufacturing Corporation; 21-02C, Golf club head, (US, 01 Apr 2005) 29 Sep 2005	14270/2005
Ingram, Bradley Phillip; 21-03, Playframe apparatus, 29 Sep 2005	14242/2005	Kempton, Norman Boughton; 07-99NES, Funnel with caps each end, 10 Oct 2005	14271/2005
Ingram, Bradley Phillip; 21-03, Playframe apparatus, 29 Sep 2005	14243/2005	Kempton, Norman Boughton; 25-01E, Support post for cement fibre fence, 10 Oct 2005	14399/2005
Ingram, Bradley Phillip; 06-02, Bed, 29 Sep 2005	14225/2005	Keso AG; 08-07, Security key with cap and cap for a security key, (CH, 13 Apr 2005) 29 Sep 2005	14400/2005
Ingram, Bradley Phillip; 25-03, Playframe apparatus, 29 Sep 2005	14226/2005	Keso AG; 08-07, Security key with cap and cap for a security key, (CH, 13 Apr 2005) 29 Sep 2005	14272/2005
Ingram, Bradley Phillip; 21-03, Playframe apparatus, 29 Sep 2005	14227/2005	Kohler Co.; 07-05D, 08-08NES, Wall mountable support, (US, 28 Mar 2005) 28 Sep 2005	14273/2005
Ingram, Bradley Phillip; 21-03, Playframe apparatus, 29 Sep 2005	14228/2005	Kohler Co.; 07-05D, 23-01H, Fitting escutcheon, (US, 28 Mar 2005) 28 Sep 2005	14220/2005
Ingram, Bradley Phillip; 21-03, Playframe apparatus, 29 Sep 2005	14229/2005	Kohler Co.; 23-01H, Fitting escutcheon, (US, 28 Mar 2005) 28 Sep 2005	14221/2005
Ingram, Bradley Phillip; 21-03, Playframe apparatus, 29 Sep 2005	14230/2005	Kohler Co.; 23-01H, Fitting escutcheon, (US, 28 Mar 2005) 28 Sep 2005	14219/2005

Koninklijke Philips Electronics N.V.; 07-05A, Electric steam iron, (EM, 08 Apr 2005) 28 Sep 2005	14218/2005	Kraft Foods Holdings, Inc.; 01-01, Baked snack chips with irregular shape having notched edges, (US, 08 Apr 2005) 06 Oct 2005	14377/2005
Kraft Foods Holdings, Inc.; 01-01, Baked snack chips with irregular shape having notched edges, (US, 08 Apr 2005) 06 Oct 2005	14365/2005	Kraft Foods Holdings, Inc.; 01-01, Baked snack chips with irregular shape having notched edges, (US, 08 Apr 2005) 06 Oct 2005	14378/2005
Kraft Foods Holdings, Inc.; 01-01, Baked snack chips with irregular shape having notched edges, (US, 08 Apr 2005) 06 Oct 2005	14381/2005	Kraft Foods Holdings, Inc.; 01-01, Baked snack chips with irregular shape having notched edges, (US, 08 Apr 2005) 06 Oct 2005	14379/2005
Kraft Foods Holdings, Inc.; 01-01, Baked snack chips with irregular shape having notched edges, (US, 08 Apr 2005) 06 Oct 2005	14382/2005	Kraft Foods Holdings, Inc.; 01-01, Baked snack chips with irregular shape having notched edges, (US, 08 Apr 2005) 06 Oct 2005	14380/2005
Kraft Foods Holdings, Inc.; 01-01, Baked snack chips with irregular shape having notched edges, (US, 08 Apr 2005) 06 Oct 2005	14366/2005	Kratzer, Oliver Clemens Robert; Stevens, Grant Edward; 08-05N, Sanding block, 28 Sep 2005	14348/2005
Kraft Foods Holdings, Inc.; 01-01, Baked snack chips with irregular shape having notched edges, (US, 08 Apr 2005) 06 Oct 2005	14367/2005	Kratzer, Oliver Clemens Robert; Stevens, Grant Edward; 07-01NES, 07-03, Lid with spoon, 28 Sep 2005	14347/2005
Kraft Foods Holdings, Inc.; 01-01, Baked snack chips with irregular shape having notched edges, (US, 08 Apr 2005) 06 Oct 2005	14368/2005	Lacoste; 02-04NES, Shoe, (EM, 01 Apr 2005) 27 Sep 2005	14171/2005
Kraft Foods Holdings, Inc.; 01-01, Baked snack chips with irregular shape having notched edges, (US, 08 Apr 2005) 06 Oct 2005	14369/2005	Loton Investments Pty Ltd; 15-99, Bushing, 04 Oct 2005	14315/2005
Kraft Foods Holdings, Inc.; 01-01, Baked snack chips with irregular shape having notched edges, (US, 08 Apr 2005) 06 Oct 2005	14370/2005	LED Technologies Pty Ltd; 26-05A, Lighting assembly, 30 Sep 2005	14263/2005
Kraft Foods Holdings, Inc.; 01-01, Baked snack chips with irregular shape having notched edges, (US, 08 Apr 2005) 06 Oct 2005	14371/2005	Maxtor Corporation; 14-99, One button external backup storage, (US, 12 Apr 2005) 30 Sep 2005	14264/2005
Kraft Foods Holdings, Inc.; 01-01, Baked snack chips with irregular shape having notched edges, (US, 08 Apr 2005) 06 Oct 2005	14372/2005	Michelin Recherche et Technique S.A.; Societe De Technologie Michelin; 12-15B, A pneumatic tyre, (FR, 11 Apr 2005) 06 Oct 2005	14356/2005
Kraft Foods Holdings, Inc.; 01-01, Baked snack chips with irregular shape having notched edges, (US, 08 Apr 2005) 06 Oct 2005	14373/2005	Nissan Jidosha Kabushiki Kaisha; 12-16B, Cabin for automobile, (JP, 14 Apr 2005) 28 Sep 2005	14210/2005
Kraft Foods Holdings, Inc.; 01-01, Baked snack chips with irregular shape having notched edges, (US, 08 Apr 2005) 06 Oct 2005	14374/2005	Nissan Jidosha Kabushiki Kaisha; 12-16C, Front bumper for automobile, (JP, 14 Apr 2005) 28 Sep 2005	14211/2005
Kraft Foods Holdings, Inc.; 01-01, Baked snack chips with irregular shape having notched edges, (US, 08 Apr 2005) 06 Oct 2005	14375/2005	Nissan Jidosha Kabushiki Kaisha; 12-16B, Radiator grill for automobile, (JP, 14 Apr 2005) 28 Sep 2005	14212/2005
Kraft Foods Holdings, Inc.; 01-01, Baked snack chips with irregular shape having notched edges, (US, 08 Apr 2005) 06 Oct 2005	14376/2005	Nivin Consulting Pty Limited; Arien Displays Pty Limited; 25-03, Kiosk, 27 Sep 2005	14172/2005
		Norbury Pty Ltd; 09-03K, 09-03M, Stackable storage carton, 29 Sep 2005	14195/2005
		Pelco; 14-02, Housing for electronic device, (US, 05 Apr 2005) 29 Sep 2005	14260/2005
		Pelco; 14-02, Housing for electronic device, (US, 05 Apr 2005) 29 Sep 2005	14261/2005

Pelco; 14-02, Housing for electronic device, (US, 05 Apr 2005) 29 Sep 2005	14262/2005	Sew-Eurodrive GmbH & Co. KG; 15-01, Heavy industrial gear unit, (DE, 18 Apr 2005) 06 Oct 2005	14354/2005
PepsiCo, Inc.; 09-01NES, Bottle, (US, 29 Mar 2005) 27 Sep 2005	14185/2005	Shoprider Pty Ltd; 12-16K, A bag carrier for a scooter vehicle, 07 Oct 2005	14350/2005
PepsiCo, Inc.; 09-01NES, Bottle, (US, 29 Mar 2005) 27 Sep 2005	14186/2005	Smith, Alan Michael; Granger, Janine Patrice; 02-04NES, Footwear, 29 Sep 2005	14334/2005
Pittard, William B.; Comchoice Corp; 21-01N, Controller, (US, 28 Mar 2005) 28 Sep 2005	14216/2005	Smith, Alan Michael; Granger, Janine Patrice; 02-04NES, Footwear, 29 Sep 2005	14214/2005
Pittard, William B.; Comchoice Corp; 21-01N, Controller, (US, 28 Mar 2005) 28 Sep 2005	14217/2005	Smith, Alan Michael; Granger, Janine Patrice; 02-04NES, Footwear, 29 Sep 2005	14213/2005
Procter & Gamble Company, The; 09-07A, Container top, (US, 30 Mar 2005) 27 Sep 2005	14193/2005	Snaith Industries Pty Ltd; 07-01NES, A container, 28 Sep 2005	14222/2005
Procter & Gamble Company, The; 09-07A, Container top, (US, 30 Mar 2005) 27 Sep 2005	14194/2005	Snaith Industries Pty Ltd; 07-01NES, A container, 28 Sep 2005	14223/2005
PCH Group Limited; 19-02, Tag holder, 29 Sep 2005	14251/2005	Societe Autonome de Verreries; 09-01G, Bottle, 04 Oct 2005	14321/2005
Rachele, Angelo; 08-08NES, Backing plate, 05 Oct 2005	14340/2005	Societe Autonome de Verreries; 09-01NES, Bottle, 04 Oct 2005	14322/2005
Rachele, Angelo; 08-08NES, Backing plate, 05 Oct 2005	14341/2005	Societe Autonome de Verreries; 09-01G, Bottle, 04 Oct 2005	14323/2005
Review Australia Pty Ltd; 02-02C, Ladies garment, 04 Oct 2005	14333/2005	Societe Autonome de Verreries; 09-07C, Stopper, 04 Oct 2005	14324/2005
Ritter, Anthony Luke; 06-05, 07-02E, Mobile combined and covered barbaque and dining unit, 04 Oct 2005	14308/2005	Societe Autonome de Verreries; 09-07C, Stopper, 04 Oct 2005	14325/2005
Robert Bosch GmbH; 03-01D, Container, (DE, 02 Jun 2005) 04 Oct 2005	14332/2005	Societe Autonome de Verreries; 09-07C, Stopper, 04 Oct 2005	14326/2005
Ronald E. Graham (Holdings) Pty Limited; 25-01C, A lintel, 29 Sep 2005	14246/2005	Societe Autonome de Verreries; 09-01H, Bottle, 04 Oct 2005	14327/2005
S.C. Johnson & Son, Inc.; 28-99, Diffuser, (US, 31 Mar 2005) 30 Sep 2005	14316/2005	Societe Autonome de Verreries; 09-01NES, Bottle, 04 Oct 2005	14328/2005
Samsonite Corporation; 03-01A, Upright luggage case, (US, 09 Apr 2005) 27 Sep 2005	14177/2005	Societe Autonome de Verreries; 09-01H, Bottle, 04 Oct 2005	14329/2005
Samsonite Corporation; 03-01A, Duffel, (US, 09 May 2005) 27 Sep 2005	14178/2005	Societe Autonome de Verreries; 09-01NES, Bottle, 04 Oct 2005	14330/2005
Satake Corporation; 31-00, Roll mill, (JP, 21 Apr 2005) 07 Oct 2005	14351/2005	Societe De Technologie Michelin; Michelin Recherche et Technique S.A.; 12-15B, A pneumatic tyre, (FR, 11 Apr 2005) 06 Oct 2005	14356/2005
Satake Corporation; 31-00, Roll mill, (JP, 21 Apr 2005) 07 Oct 2005	14352/2005	Somfy SAS; 14-03NES, Remote control, (EM, 11 Apr 2005) 06 Oct 2005	14364/2005
Seiko Instruments, Inc.; 18-99, Label printer, (US, 18 May 2005) 06 Oct 2005	14363/2005	Stevens, Grant Edward; Kratzer, Oliver Clemens Robert; 08-05N, Sanding block, 28 Sep 2005	14348/2005
Sew-Eurodrive GmbH & Co. KG; 15-01, Heavy industrial gear unit, (DE, 18 Apr 2005) 06 Oct 2005	14353/2005	Stevens, Grant Edward; Kratzer, Oliver Clemens Robert; 07-01NES, 07-03, Lid with spoon, 28 Sep 2005	14347/2005
		Stokely-Van Camp; 09-01NES, Bottle, 30 Sep 2005	14269/2005
		Stokke AS; 12-12, Baby bag for trolley, (NO, 01 Apr 2005) 29 Sep 2005	14244/2005

Stokke AS; 12-12, 06-06F, Baby bag for trolley, (NO, 01 Apr 2005) 29 Sep 2005	14245/2005	Toyota Jidosha Kabushiki Kaisha; 12-16C, Bumper, 28 Sep 2005	14205/2005
Thomson, David; 19-02, Wire end cut plier holder incorporating marking media holder, 04 Oct 2005	14307/2005	Toyota Jidosha Kabushiki Kaisha; 12-08, Automobile, 28 Sep 2005	14206/2005
Toyota Jidosha Kabushiki Kaisha; 12-08, Automobile, 28 Sep 2005	14196/2005	Toyota Jidosha Kabushiki Kaisha; 12-16C, Bumper, 28 Sep 2005	14207/2005
Toyota Jidosha Kabushiki Kaisha; 12-08, Automobile, 30 Sep 2005	14281/2005	Toyota Jidosha Kabushiki Kaisha; 12-16B, Grille, 28 Sep 2005	14208/2005
Toyota Jidosha Kabushiki Kaisha; 12-16B, Side window moulding for an automobile, 30 Sep 2005	14282/2005	Toyota Jidosha Kabushiki Kaisha; 12-08, Automobile, 28 Sep 2005	14209/2005
Toyota Jidosha Kabushiki Kaisha; 12-16C, Front bumper for an automobile, 30 Sep 2005	14283/2005	Tru Vision Pty Ltd; 12-16G, Product name not listed, 27 Sep 2005	14191/2005
Toyota Jidosha Kabushiki Kaisha; 12-16C, Rear bumper for an automobile, 30 Sep 2005	14284/2005	TNBT Holdings Pty Ltd; 08-07, Re-keyable padlock, 30 Sep 2005	14349/2005
Toyota Jidosha Kabushiki Kaisha; 12-16B, Front grille for an automobile, 30 Sep 2005	14285/2005	Vargas, Alejandro; 07-01F, 11-99, Souvenir wine bottle decanter, 30 Sep 2005	14253/2005
Toyota Jidosha Kabushiki Kaisha; 26-06, Combination lamp for automobile, 28 Sep 2005	14197/2005	Venbro Pty Ltd; 08-09, 23-01L, Gutter bracket, 28 Sep 2005	14224/2005
Toyota Jidosha Kabushiki Kaisha; 26-06, Combination lamp for automobile, 28 Sep 2005	14198/2005	Villella, Joe; 26-05D, 23-04, Fanaway - retractable blade ceiling fan and light, 04 Oct 2005	14424/2005
Toyota Jidosha Kabushiki Kaisha; 12-16C, Bumper, 28 Sep 2005	14199/2005	Villeroy & Boch AG.; 07-01B, Bowl, (EM, 11 Apr 2005) 29 Sep 2005	14254/2005
Toyota Jidosha Kabushiki Kaisha; 12-16B, Grille, 28 Sep 2005	14200/2005	Whelan, Dennis; 06-07, A device which enables photograph, or stand alone picture frames, which have a damaged mounting or stand up leg, to be, repaired without removal of glass or damaged component, 22 Sep 2005	14319/2005
Toyota Jidosha Kabushiki Kaisha; 12-16C, Bumper, 28 Sep 2005	14201/2005	Whelan, Dennis; 06-07, A free standing photograph frame in wood or aluminium with clear plastic picture retainer and cover for holding, multiple photographs which can be changed easily with out major dismantling of the frame. The rear fo the picture, serves as a notice or reminder board the whole free standing, 22 Sep 2005	14306/2005
Toyota Jidosha Kabushiki Kaisha; 12-16B, Liftgate panel, 28 Sep 2005	14202/2005		
Toyota Jidosha Kabushiki Kaisha; 12-08, Automobile, 28 Sep 2005	14203/2005		
Toyota Jidosha Kabushiki Kaisha; 12-16C, Bumper, 28 Sep 2005	14204/2005		

Applications Withdrawn

11723 / 2005 (02-02NES)	11724 / 2005 (02-02NES)	11923 / 2005 (02-02C)	11926 / 2005 (02-02C)
11726 / 2005 (02-02C)	11727 / 2005 (02-02NES)	11927 / 2005 (02-02C)	11928 / 2005 (02-02C)
11728 / 2005 (02-02C)	11729 / 2005 (02-02C)	11929 / 2005 (02-02NES)	11930 / 2005 (02-02NES)
11732 / 2005 (02-02C)	11733 / 2005 (02-02NES)	11933 / 2005 (02-02NES)	11938 / 2005 (02-02C)
11735 / 2005 (02-02NES)	11741 / 2005 (02-02C)	11939 / 2005 (02-02NES)	11941 / 2005 (02-02NES)
11744 / 2005 (02-02C)	11746 / 2005 (02-02C)	11942 / 2005 (02-02C)	11943 / 2005 (02-02C)
11749 / 2005 (02-02NES)	11751 / 2005 (02-02NES)	11944 / 2005 (02-02NES)	11945 / 2005 (02-02C)
11755 / 2005 (02-02NES)	11756 / 2005 (02-05)	11946 / 2005 (02-02C)	11948 / 2005 (02-02C)
11759 / 2005 (02-02C)	11913 / 2005 (02-02A)	11949 / 2005 (02-02NES)	11950 / 2005 (02-02NES)
11915 / 2005 (02-02NES)	11916 / 2005 (02-02NES)	11951 / 2005 (02-02C)	11952 / 2005 (02-02A)
11917 / 2005 (02-02C)	11918 / 2005 (02-02NES)	11953 / 2005 (02-02B)	11954 / 2005 (02-02C)
11919 / 2005 (02-02A)	11921 / 2005 (02-02NES)	11955 / 2005 (02-02NES)	11956 / 2005 (02-02C)

11957 / 2005 (02-02C)	11958 / 2005 (03-01B)	12348 / 2005 (06-13NES)	12349 / 2005 (06-13NES)
11961 / 2005 (02-04NES)	11962 / 2005 (02-04NES)		
11963 / 2005 (02-04NES)	11964 / 2005 (02-02C)		
11965 / 2005 (02-02C)	12347 / 2005 (06-13NES)		

Applications Lapsed

15376 / 2004 (19-07)	15513 / 2004 (21-01D)
15770 / 2004 (21-01C)	10217 / 2005 (03-03)
10330 / 2005 (26-05NES)	10496 / 2005 (15-02)
10538 / 2005 (02-02C)	10539 / 2005 (21-01C)
10585 / 2005 (20-02E)	10610 / 2005 (21-01L)
10872 / 2005 (06-04NES)	10929 / 2005 (05-06NES)
10958 / 2005 (04-01)	10998 / 2005 (13-03D)
10999 / 2005 (13-03D)	11000 / 2005 (13-03D)
11001 / 2005 (13-03D)	11002 / 2005 (13-03D)
11003 / 2005 (13-03D)	11004 / 2005 (13-03D)
11005 / 2005 (13-03D)	11006 / 2005 (13-03D)
11291 / 2005 (02-02NES)	11292 / 2005 (02-02NES)
11293 / 2005 (02-02NES)	11294 / 2005 (02-02NES)
11295 / 2005 (02-02NES)	11296 / 2005 (02-02NES)
11297 / 2005 (02-02NES)	11372 / 2005 (12-16NES)
11374 / 2005 (12-16NES)	11420 / 2005 (26-02)
11517 / 2005 (26-02)	11519 / 2005 (26-02)
13339 / 2005 (02-03)	13365 / 2005 (07-05A)

Extensions of time granted under Section 137

Applications lodged under section 137 for extension of time have been granted.

13487/2004 **Tony Spada Trading as Allsafe Safety Guardrail**

14023/2004 **Panther Engineering (Aust) Pty Ltd**

14024/2004 **Panther Engineering (Aust) Pty Ltd**

12843/2005 **Janet Parsons**

12844/2005 **Janet Parsons**

12845/2005 **Janet Parsons**

12846/2005 **Janet Parsons**

Corrigenda

Number 11063/2005

In Vol 19 , No 20 , page 2589 under the heading **Applications Lapsed**; Design No. 11063/2005 should be deleted.

Number 11064/2005

In Vol 19 , No 20 , page 2589 under the heading **Applications Lapsed**; Design No. 11064/2005 should be deleted.

Number 11065/2005

In Vol 19 , No 20 , page 2589 under the heading **Applications Lapsed**; Design No. 11065/2005 should be deleted.

Number 11698/2005

In Vol 19 , No 15 , page 1954 under the heading **Applications Lapsed**; Design No. 11698/2005 should be deleted.

Number 11699/2005

In Vol 19 , No 15 , page 1954 under the heading **Application Lapsed**; Design No. 11699/2005 should be deleted.

Certificate(s) of Examination

Examination of the following Design Registration(s) has been completed. Infringement proceedings may now be commenced.

300094	28-99	13/10/2005
300098	28-99	14/10/2005
300099	28-99	14/10/2005
300388	09-03M	20/10/2005
300833	12-16NES	07/10/2005
300869	07-02B	17/10/2005
300922	28-03A	14/10/2005
300941	22-06	06/10/2005
300943	22-06	17/10/2005
301036	23-01E	07/10/2005
301048	25-03	07/10/2005
301049	25-03	07/10/2005
301050	25-03	07/10/2005
301118	19-06	07/10/2005
301119	19-06	07/10/2005
301120	19-06	14/10/2005
301392	23-01G	20/10/2005
301393	15-05	20/10/2005
301394	15-05	20/10/2005
301395	15-05	20/10/2005
301396	15-05	20/10/2005
301491	25-02B	17/10/2005
301562	14-03NES	06/10/2005
301563	14-03NES	06/10/2005
301564	14-03NES	06/10/2005
301604	23-02B	11/10/2005
301764	28-03D	20/10/2005
301769	09-01K	10/10/2005
301770	09-07A	10/10/2005
301830	12-16L	11/10/2005
301960	07-02E	07/10/2005
302025	14-01	07/10/2005
302342	09-03NES	07/10/2005

Publication and Registration Proceedings

Designs Registered

This section provides a concordance between design number and registration number of Designs covered in this journal. It also shows the main class and registration date.

This section covers Registration numbers 303321 to 303523 .

The registration number shown below should be used in all future correspondence.

Design Number	Registration Number	International Classification Code (IDC)	Registration Date	Design Number	Registration Number	International Classification Code (IDC)	Registration Date
13029/2004	303351	07-01D	12/10/2005	10273/2005	303474	19-04	18/10/2005
13569/2004	303392	10-01	17/10/2005	10277/2005	303475	09-01NES	18/10/2005
14264/2004	303455	13-03C	18/10/2005	10285/2005	303476	09-05	18/10/2005
14325/2004	303352	15-04	12/10/2005	10334/2005	303395	23-02E	17/10/2005
14822/2004	303450	13-03NES	18/10/2005	10336/2005	303477	07-02C	18/10/2005
14823/2004	303451	13-03NES	18/10/2005	10352/2005	303396	03-01A	17/10/2005
14944/2004	303452	13-03D	18/10/2005	10353/2005	303478	12-08	18/10/2005
14945/2004	303453	13-03D	18/10/2005	10457/2005	303397	21-03	17/10/2005
15504/2004	303393	19-06	17/10/2005	10458/2005	303398	21-03	17/10/2005
15677/2004	303349	12-15NES	11/10/2005	10505/2005	303479	21-01L	18/10/2005
15809/2004	303321	06-11	10/10/2005	10506/2005	303482	08-06	18/10/2005
15810/2004	303322	06-11	10/10/2005	10526/2005	303481	08-06	18/10/2005
15811/2004	303323	06-11	10/10/2005	10541/2005	303399	07-99C	17/10/2005
15812/2004	303324	06-11	10/10/2005	10566/2005	303401	26-03	17/10/2005
15813/2004	303325	06-11	10/10/2005	10567/2005	303402	26-03	17/10/2005
15814/2004	303326	06-11	10/10/2005	10568/2005	303403	26-03	17/10/2005
15815/2004	303327	06-11	10/10/2005	10584/2005	303404	25-02C	17/10/2005
15816/2004	303328	06-11	10/10/2005	10609/2005	303483	30-99	18/10/2005
15817/2004	303329	06-11	10/10/2005	10617/2005	303358	27-06	12/10/2005
15818/2004	303330	06-11	10/10/2005	10618/2005	303359	27-06	12/10/2005
15819/2004	303331	06-11	10/10/2005	10619/2005	303360	27-06	12/10/2005
15821/2004	303332	06-11	10/10/2005	10622/2005	303484	09-01NES	18/10/2005
15822/2004	303333	06-11	10/10/2005	10624/2005	303361	13-03NES	12/10/2005
15823/2004	303334	06-11	10/10/2005	10627/2005	303501	08-03	18/10/2005
15962/2004	303454	11-01NES	18/10/2005	10720/2005	303362	09-09	12/10/2005
16055/2004	303511	07-01NES	18/10/2005	10737/2005	303335	07-01A	10/10/2005
16056/2004	303512	09-07B	18/10/2005	10738/2005	303336	07-01B	10/10/2005
10075/2005	303353	04-02	12/10/2005	10835/2005	303485	09-03M	18/10/2005
10076/2005	303354	04-02	12/10/2005	10845/2005	303350	10-04	11/10/2005
10101/2005	303417	05-05C	17/10/2005	10857/2005	303337	23-99	10/10/2005
10123/2005	303456	12-11	18/10/2005	10858/2005	303338	23-99	10/10/2005
10124/2005	303457	12-11	18/10/2005	10859/2005	303405	11-02F	17/10/2005
10125/2005	303458	12-11	18/10/2005	10860/2005	303406	11-02F	17/10/2005
10126/2005	303459	12-11	18/10/2005	10861/2005	303407	11-02F	17/10/2005
10131/2005	303355	23-01L	12/10/2005	10862/2005	303408	11-02F	17/10/2005
10149/2005	303356	08-07	12/10/2005	10863/2005	303409	12-08	17/10/2005
10150/2005	303357	08-07	12/10/2005	10868/2005	303410	21-01L	17/10/2005
10169/2005	303460	24-04	18/10/2005	10869/2005	303411	21-03	17/10/2005
10181/2005	303400	21-02D	17/10/2005	10870/2005	303412	21-03	17/10/2005
10230/2005	303461	10-04	18/10/2005	10879/2005	303413	12-08	17/10/2005
10241/2005	303462	09-01NES	18/10/2005	10884/2005	303414	23-01H	17/10/2005
10242/2005	303463	09-01NES	18/10/2005	10886/2005	303415	23-02B	17/10/2005
10243/2005	303464	09-01NES	18/10/2005	10912/2005	303416	07-03	17/10/2005
10250/2005	303465	13-03NES	18/10/2005	10937/2005	303487	15-03A	18/10/2005
10251/2005	303466	13-03NES	18/10/2005	10943/2005	303339	12-16NES	10/10/2005
10252/2005	303467	13-03NES	18/10/2005	10952/2005	303488	09-01NES	18/10/2005
10253/2005	303468	13-03NES	18/10/2005	11109/2005	303419	01-01	17/10/2005
10256/2005	303394	23-02C	17/10/2005	11110/2005	303420	01-01	17/10/2005
10268/2005	303469	19-04	18/10/2005	11111/2005	303421	01-01	17/10/2005
10269/2005	303470	19-04	18/10/2005	11112/2005	303422	01-01	17/10/2005
10270/2005	303471	19-04	18/10/2005	11113/2005	303423	01-01	17/10/2005
10271/2005	303472	19-04	18/10/2005	11114/2005	303424	01-01	17/10/2005
10272/2005	303473	19-04	18/10/2005	11115/2005	303425	01-01	17/10/2005

Publication and Registration Proceedings - Designs Registered cont'd

Design Number	Registration Number	International Classification Code (IDC)	Registration Date	Design Number	Registration Number	International Classification Code (IDC)	Registration Date
11138/2005	303489	06-03A	18/10/2005	11555/2005	303384	25-04	12/10/2005
11139/2005	303490	06-04B	18/10/2005	11556/2005	303385	06-06NES	12/10/2005
11140/2005	303491	06-03A	18/10/2005	11558/2005	303386	10-04	12/10/2005
11141/2005	303492	06-03A	18/10/2005	11559/2005	303387	08-05L	12/10/2005
11150/2005	303418	25-02C	17/10/2005	11572/2005	303432	14-03B	17/10/2005
11246/2005	303493	14-03NES	18/10/2005	11582/2005	303388	06-01G	12/10/2005
11247/2005	303494	14-03NES	18/10/2005	11583/2005	303389	06-06G	12/10/2005
11248/2005	303495	14-03NES	18/10/2005	11586/2005	303390	06-01G	12/10/2005
11347/2005	303363	07-01NES	12/10/2005	11618/2005	303433	25-01K	17/10/2005
11348/2005	303364	07-01NES	12/10/2005	11620/2005	303391	21-01M	12/10/2005
11396/2005	303365	23-01F	12/10/2005	11621/2005	303434	21-01M	17/10/2005
11397/2005	303366	23-01F	12/10/2005	11624/2005	303435	12-10	17/10/2005
11418/2005	303496	07-02K	18/10/2005	11625/2005	303436	21-01A	17/10/2005
11433/2005	303426	21-01L	17/10/2005	11626/2005	303437	21-01A	17/10/2005
11436/2005	303367	09-07C	12/10/2005	11630/2005	303504	21-03	18/10/2005
11440/2005	303368	24-04	12/10/2005	11631/2005	303505	21-03	18/10/2005
11446/2005	303369	07-02N	12/10/2005	11632/2005	303506	21-03	18/10/2005
11462/2005	303497	04-02	18/10/2005	11633/2005	303507	21-03	18/10/2005
11468/2005	303498	24-02	18/10/2005	11636/2005	303508	21-03	18/10/2005
11469/2005	303499	12-16NES	18/10/2005	11637/2005	303509	12-15B	18/10/2005
11474/2005	303340	23-01H	10/10/2005	11638/2005	303510	01-06	18/10/2005
11494/2005	303341	09-03K	10/10/2005	11639/2005	303438	07-01D	17/10/2005
11495/2005	303503	09-03H	18/10/2005	11640/2005	303439	07-01D	17/10/2005
11496/2005	303342	08-07	10/10/2005	11641/2005	303440	07-01D	17/10/2005
11497/2005	303343	24-01	10/10/2005	11642/2005	303441	07-01D	17/10/2005
11498/2005	303500	14-02	18/10/2005	11643/2005	303442	07-01D	17/10/2005
11499/2005	303427	07-99NES	17/10/2005	11644/2005	303443	07-01D	17/10/2005
11501/2005	303344	24-04	10/10/2005	11645/2005	303444	07-01D	17/10/2005
11503/2005	303345	28-03B	10/10/2005	11649/2005	303445	02-01B	17/10/2005
11511/2005	303346	08-04	10/10/2005	11674/2005	303446	10-05	17/10/2005
11512/2005	303428	09-01C	17/10/2005	11675/2005	303447	22-06	17/10/2005
11513/2005	303347	09-01C	10/10/2005	11677/2005	303448	20-03NES	17/10/2005
11520/2005	303370	08-06	12/10/2005	13201/2005	303449	06-01L	17/10/2005
11521/2005	303371	08-06	12/10/2005	13751/2005	303480	21-01L	18/10/2005
11522/2005	303372	08-06	12/10/2005	13900/2005	303513	07-01NES	18/10/2005
11523/2005	303373	08-06	12/10/2005	13901/2005	303514	07-01NES	18/10/2005
11524/2005	303374	16-01	12/10/2005	13902/2005	303515	07-01NES	18/10/2005
11537/2005	303375	08-05N	12/10/2005	13903/2005	303516	07-01NES	18/10/2005
11538/2005	303376	21-02C	12/10/2005	13904/2005	303517	07-01NES	18/10/2005
11539/2005	303377	26-06	12/10/2005	13905/2005	303518	07-01NES	18/10/2005
11540/2005	303378	12-08	12/10/2005	13906/2005	303519	07-01NES	18/10/2005
11541/2005	303429	26-06	17/10/2005	13907/2005	303520	07-01NES	18/10/2005
11542/2005	303430	12-16B	17/10/2005	13908/2005	303521	07-01NES	18/10/2005
11543/2005	303431	26-06	17/10/2005	13909/2005	303522	07-01NES	18/10/2005
11544/2005	303379	12-08	12/10/2005	13910/2005	303523	07-01NES	18/10/2005
11545/2005	303380	12-16B	12/10/2005	14090/2005	303486	09-03M	18/10/2005
11546/2005	303381	08-03	12/10/2005	14305/2005	303502	08-03	18/10/2005
11547/2005	303348	15-09	10/10/2005				
11550/2005	303382	07-07A	12/10/2005				
11554/2005	303383	06-06NES	12/10/2005				

Publication and Registration Proceedings
Class Listing of Designs Published or Registered

The following section shows an International Classification Code listing of the Registered or Published Designs covered in this supplement.

Classification	Registration Number	Design Number	Classification	Registration Number	Design Number
01-01	303419	11109/2005	07-01 NES	303511	16055/2004
01-01	303420	11110/2005	07-01 NES	303512	16056/2004
01-01	303421	11111/2005	07-01 NES	303513	13900/2005
01-01	303422	11112/2005	07-01 NES	303514	13901/2005
01-01	303423	11113/2005	07-01 NES	303515	13902/2005
01-01	303424	11114/2005	07-01 NES	303516	13903/2005
01-01	303425	11115/2005	07-01 NES	303517	13904/2005
01-06	303510	11638/2005	07-01 NES	303518	13905/2005
02-01 B	303445	11649/2005	07-01 NES	303519	13906/2005
02-04 A	303460	10169/2005	07-01 NES	303520	13907/2005
03-01 A	303396	10352/2005	07-01 NES	303521	13908/2005
03-01 D	303396	10352/2005	07-01 NES	303522	13909/2005
04-02	303353	10075/2005	07-01 NES	303523	13910/2005
04-02	303354	10076/2005	07-02 C	303477	10336/2005
04-02	303497	11462/2005	07-02 K	303496	11418/2005
05-05 C	303417	10101/2005	07-02 N	303369	11446/2005
06-01 G	303388	11582/2005	07-03	303416	10912/2005
06-01 G	303390	11586/2005	07-07 A	303382	11550/2005
06-01 L	303449	13201/2005	07-99 C	303399	10541/2005
06-03 A	303489	11138/2005	07-99 NES	303427	11499/2005
06-03 A	303491	11140/2005	08-01	303346	11511/2005
06-03 A	303492	11141/2005	08-03	303381	11546/2005
06-03 C	303489	11138/2005	08-03	303501	10627/2005
06-03 C	303491	11140/2005	08-03	303502	14305/2005
06-03 C	303492	11141/2005	08-04	303346	11511/2005
06-04 B	303490	11139/2005	08-05 L	303387	11559/2005
06-04 F	303490	11139/2005	08-05 N	303375	11537/2005
06-06 G	303389	11583/2005	08-06	303370	11520/2005
06-06 NES	303383	11554/2005	08-06	303371	11521/2005
06-06 NES	303385	11556/2005	08-06	303372	11522/2005
06-11	303321	15809/2004	08-06	303373	11523/2005
06-11	303322	15810/2004	08-06	303459	10126/2005
06-11	303323	15811/2004	08-06	303481	10526/2005
06-11	303324	15812/2004	08-06	303482	10506/2005
06-11	303325	15813/2004	08-07	303342	11496/2005
06-11	303326	15814/2004	08-07	303356	10149/2005
06-11	303327	15815/2004	08-07	303357	10150/2005
06-11	303328	15816/2004	08-08 D	303456	10123/2005
06-11	303329	15817/2004	08-08 D	303457	10124/2005
06-11	303330	15818/2004	08-08 D	303458	10125/2005
06-11	303331	15819/2004	09-01 C	303347	11513/2005
06-11	303332	15821/2004	09-01 C	303428	11512/2005
06-11	303333	15822/2004	09-01 NES	303462	10241/2005
06-11	303334	15823/2004	09-01 NES	303463	10242/2005
07-01 A	303335	10737/2005	09-01 NES	303464	10243/2005
07-01 B	303336	10738/2005	09-01 NES	303475	10277/2005
07-01 D	303351	13029/2004	09-01 NES	303484	10622/2005
07-01 D	303438	11639/2005	09-01 NES	303488	10952/2005
07-01 D	303439	11640/2005	09-03 H	303503	11495/2005
07-01 D	303440	11641/2005	09-03 K	303341	11494/2005
07-01 D	303441	11642/2005	09-03 M	303485	10835/2005
07-01 D	303442	11643/2005	09-03 M	303486	14090/2005
07-01 D	303443	11644/2005	09-03 NES	303511	16055/2004
07-01 D	303444	11645/2005	09-03 NES	303513	13900/2005
07-01 NES	303363	11347/2005	09-03 NES	303514	13901/2005
07-01 NES	303364	11348/2005	09-03 NES	303515	13902/2005

Registration Proceedings - Class Listing of Designs Published or Registered cont'd

Classification	Registration Number	Design Number	Classification	Registration Number	Design Number
09-03 NES	303516	13903/2005	19-04	303469	10268/2005
09-03 NES	303517	13904/2005	19-04	303470	10269/2005
09-03 NES	303518	13905/2005	19-04	303471	10270/2005
09-03 NES	303519	13906/2005	19-04	303472	10271/2005
09-03 NES	303520	13907/2005	19-04	303473	10272/2005
09-03 NES	303521	13908/2005	19-04	303474	10273/2005
09-03 NES	303522	13909/2005	19-06	303393	15504/2004
09-03 NES	303523	13910/2005	20-03 NES	303448	11677/2005
09-05	303476	10285/2005	21-01 A	303436	11625/2005
09-07 B	303512	16056/2004	21-01 A	303437	11626/2005
09-07 C	303367	11436/2005	21-01 D	303405	10859/2005
09-09	303362	10720/2005	21-01 D	303406	10860/2005
10-01	303392	13569/2004	21-01 D	303407	10861/2005
10-04	303350	10845/2005	21-01 D	303408	10862/2005
10-04	303386	11558/2005	21-01 L	303410	10868/2005
10-04	303461	10230/2005	21-01 L	303426	11433/2005
10-05	303446	11674/2005	21-01 L	303479	10505/2005
10-05	303499	11469/2005	21-01 L	303480	13751/2005
11-01 NES	303454	15962/2004	21-01 M	303391	11620/2005
11-02 F	303405	10859/2005	21-01 M	303434	11621/2005
11-02 F	303406	10860/2005	21-02 C	303376	11538/2005
11-02 F	303407	10861/2005	21-02 D	303400	10181/2005
11-02 F	303408	10862/2005	21-03	303397	10457/2005
12-08	303378	11540/2005	21-03	303398	10458/2005
12-08	303379	11544/2005	21-03	303411	10869/2005
12-08	303409	10863/2005	21-03	303412	10870/2005
12-08	303413	10879/2005	21-03	303504	11630/2005
12-08	303478	10353/2005	21-03	303505	11631/2005
12-10	303435	11624/2005	21-03	303506	11632/2005
12-11	303456	10123/2005	21-03	303507	11633/2005
12-11	303457	10124/2005	21-03	303508	11636/2005
12-11	303458	10125/2005	22-06	303447	11675/2005
12-11	303459	10126/2005	23-01 F	303365	11396/2005
12-15 B	303509	11637/2005	23-01 F	303366	11397/2005
12-15 NES	303349	15677/2004	23-01 G	303337	10857/2005
12-16 B	303380	11545/2005	23-01 G	303338	10858/2005
12-16 B	303430	11542/2005	23-01 H	303340	11474/2005
12-16 NES	303339	10943/2005	23-01 H	303414	10884/2005
12-16 NES	303499	11469/2005	23-01 L	303355	10131/2005
13-03 C	303455	14264/2004	23-02 B	303415	10886/2005
13-03 D	303452	14944/2004	23-02 C	303394	10256/2005
13-03 D	303453	14945/2004	23-02 E	303395	10334/2005
13-03 NES	303361	10624/2005	23-99	303337	10857/2005
13-03 NES	303450	14822/2004	23-99	303338	10858/2005
13-03 NES	303451	14823/2004	24-01	303343	11497/2005
13-03 NES	303465	10250/2005	24-02	303498	11468/2005
13-03 NES	303466	10251/2005	24-04	303344	11501/2005
13-03 NES	303467	10252/2005	24-04	303368	11440/2005
13-03 NES	303468	10253/2005	24-04	303460	10169/2005
14-02	303499	11469/2005	25-01 G	303433	11618/2005
14-02	303500	11498/2005	25-01 K	303433	11618/2005
14-03 B	303432	11572/2005	25-02 C	303404	10584/2005
14-03 NES	303493	11246/2005	25-02 C	303418	11150/2005
14-03 NES	303494	11247/2005	25-02 NES	303385	11556/2005
14-03 NES	303495	11248/2005	25-04	303384	11555/2005
15-03 A	303487	10937/2005	26-03	303401	10566/2005
15-04	303352	14325/2004	26-03	303402	10567/2005
15-09	303348	11547/2005	26-03	303403	10568/2005
16-01	303374	11524/2005	26-06	303377	11539/2005

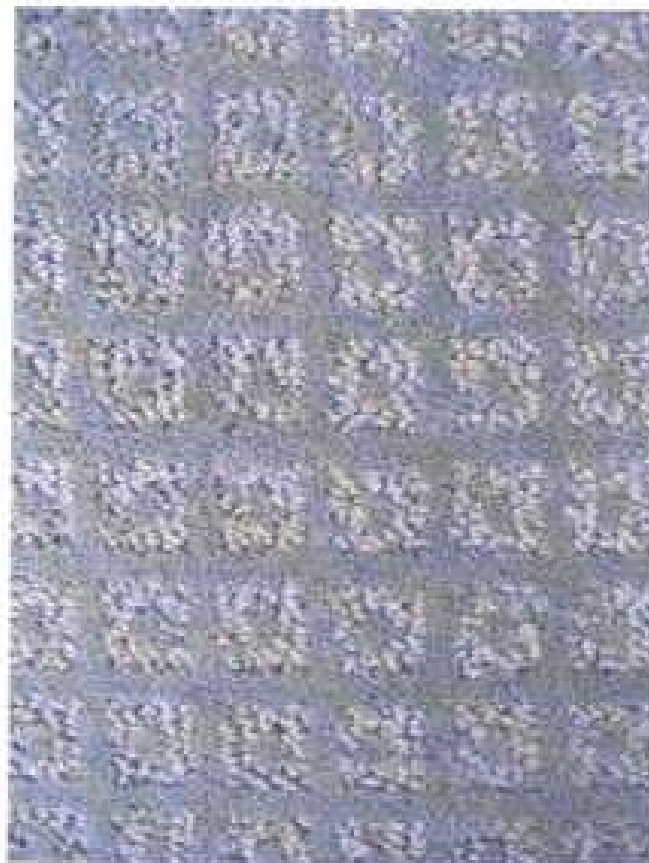
Registration Proceedings - Class Listing of Designs Published or Registered cont'd

Classification	Registration Number	Design Number	Classification	Registration Number	Design Number
26-06	303429	11541/2005	27-06	303360	10619/2005
26-06	303431	11543/2005	28-03 B	303345	11503/2005
27-06	303358	10617/2005	30-99	303483	10609/2005
27-06	303359	10618/2005			

- (21) Design Number: **15809/2004**
(22) Date of Filing Application: **15 December 2004**
(24) Date from which industrial property rights may have effect: **15 December 2004**
(54) Product in respect of which the design is registered: **Carpet**
(51) International Design Classification: **06-11**
(71) Name(s) and Address(s) of Applicant(s):
Feltex Carpets Pty Ltd
35-65 Paramount Road Tottenham Victoria 3012 Australia
(72) Name(s) of Designer(s): **Ray Prociw**
(45) Registration Date: **10 October 2005**
(56) Related Art Documents: **Not Applicable**
(57) Statement of Newness and Distinctiveness: **Synthetic using new design, technology (level cut loop) and tufting.**



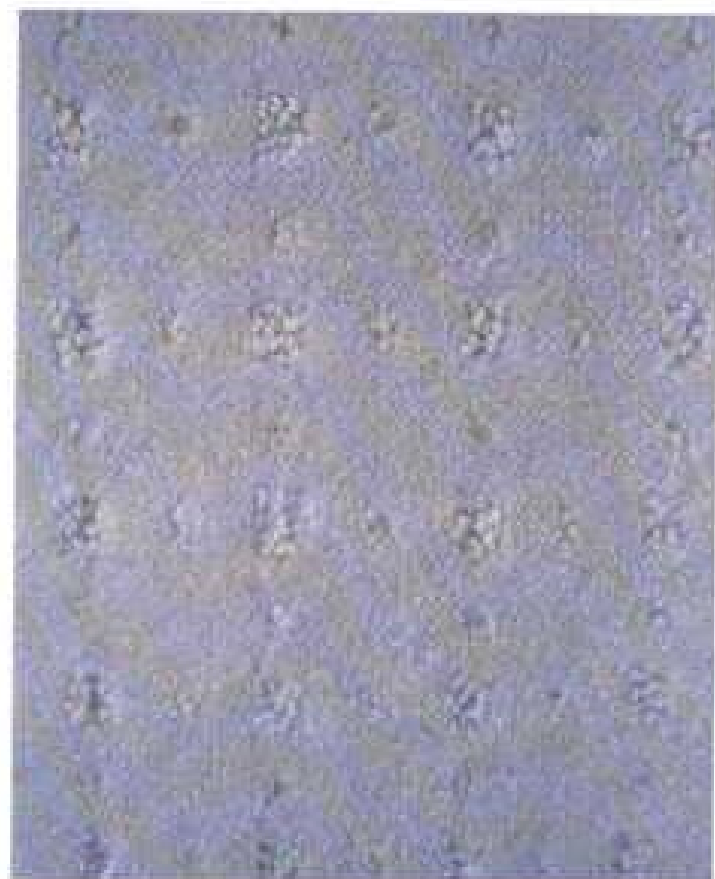
- (21) Design Number: **15810/2004**
(22) Date of Filing Application: **15 December 2004**
(24) Date from which industrial property rights may have effect: **15 December 2004**
(54) Product in respect of which the design is registered: **Carpet**
(51) International Design Classification: **06-11**
(71) Name(s) and Address(s) of Applicant(s):
Feltex Carpets Pty Ltd
35-65 Paramount Road Tottenham Victoria 3012 Australia
(72) Name(s) of Designer(s): **Ray Prociw**
(45) Registration Date: **10 October 2005**
(56) Related Art Documents: **Not Applicable**
(57) Statement of Newness and Distinctiveness: **Synthetic using new design, technology (level cut loop) and tufting.**



- (21) Design Number: **15811/2004**
(22) Date of Filing Application: **15 December 2004**
(24) Date from which industrial property rights may have effect: **15 December 2004**
(54) Product in respect of which the design is registered: **Carpet**
(51) International Design Classification: **06-11**
(71) Name(s) and Address(s) of Applicant(s):
Feltex Carpets Pty Ltd
35-65 Paramount Road Tottenham Victoria 3012 Australia
(72) Name(s) of Designer(s): **Ray Prociw**
(45) Registration Date: **10 October 2005**
(56) Related Art Documents: **Not Applicable**
(57) Statement of Newness and Distinctiveness: **Synthetic using new design, technology (level cut loop) and tufting.**



- (21) Design Number: **15812/2004**
(22) Date of Filing Application: **15 December 2004**
(24) Date from which industrial property rights may have effect: **15 December 2004**
(54) Product in respect of which the design is registered: **Carpet**
(51) International Design Classification: **06-11**
(71) Name(s) and Address(s) of Applicant(s):
Feltex Carpets Pty Ltd
35-65 Paramount Road Tottenham Victoria 3012 Australia
(72) Name(s) of Designer(s): **Ray Prociw**
(45) Registration Date: **10 October 2005**
(56) Related Art Documents: **Not Applicable**
(57) Statement of Newness and Distinctiveness: **Synthetic using new design, technology (level cut loop) and tufting.**



- (21) Design Number: **15813/2004**
(22) Date of Filing Application: **15 December 2004**
(24) Date from which industrial property rights may have effect: **15 December 2004**
(54) Product in respect of which the design is registered: **Carpet**
(51) International Design Classification: **06-11**
(71) Name(s) and Address(s) of Applicant(s):
Feltex Carpets Pty Ltd
35-65 Paramount Road Tottenham Victoria 3012 Australia
(72) Name(s) of Designer(s): **Ray Prociw**
(45) Registration Date: **10 October 2005**
(56) Related Art Documents: **Not Applicable**
(57) Statement of Newness and Distinctiveness: **Synthetic using new design, technology (level cut loop) and tufting.**



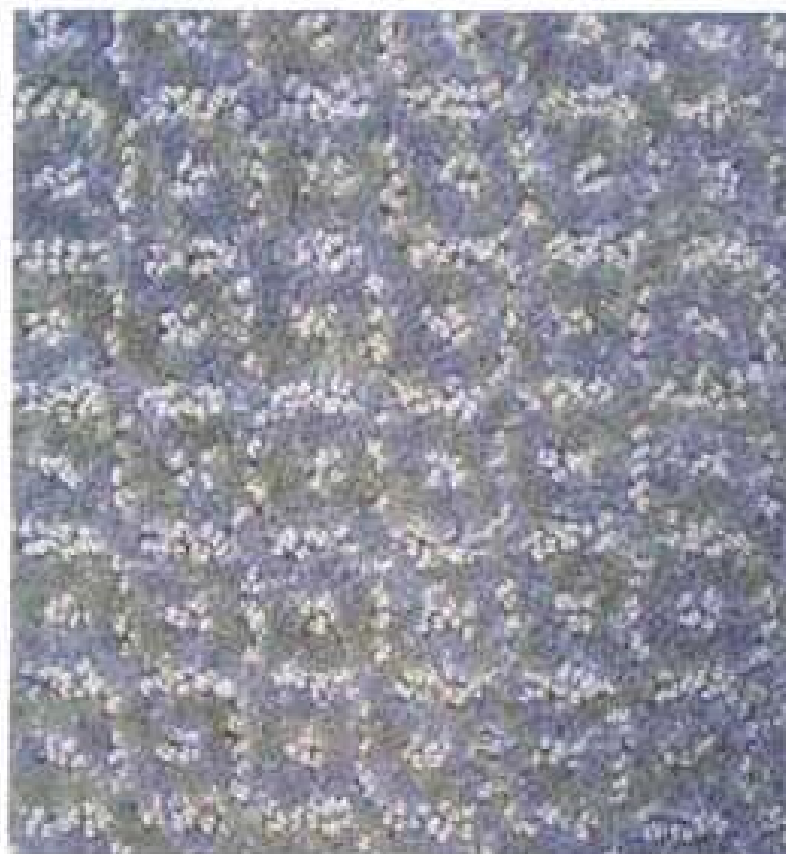
- (21) Design Number: **15814/2004**
(22) Date of Filing Application: **15 December 2004**
(24) Date from which industrial property rights may have effect: **15 December 2004**
(54) Product in respect of which the design is registered: **Carpet**
(51) International Design Classification: **06-11**
(71) Name(s) and Address(s) of Applicant(s):
Feltex Carpets Pty Ltd
35-65 Paramount Road Tottenham Victoria 3012 Australia
(72) Name(s) of Designer(s): **Ray Prociw**
(45) Registration Date: **10 October 2005**
(56) Related Art Documents: **Not Applicable**
(57) Statement of Newness and Distinctiveness: **Synthetic using new design, technology (level cut loop) and tufting.**



- (21) Design Number: **15815/2004**
(22) Date of Filing Application: **15 December 2004**
(24) Date from which industrial property rights may have effect: **15 December 2004**
(54) Product in respect of which the design is registered: **Carpet**
(51) International Design Classification: **06-11**
(71) Name(s) and Address(s) of Applicant(s):
Feltex Carpets Pty Ltd
35-65 Paramount Road Tottenham Victoria 3012 Australia
(72) Name(s) of Designer(s): **Ray Prociw**
(45) Registration Date: **10 October 2005**
(56) Related Art Documents: **Not Applicable**
(57) Statement of Newness and Distinctiveness: **Synthetic using new design, technology (level cut loop) and tufting.**



- (21) Design Number: **15816/2004**
(22) Date of Filing Application: **15 December 2004**
(24) Date from which industrial property rights may have effect: **15 December 2004**
(54) Product in respect of which the design is registered: **Carpet**
(51) International Design Classification: **06-11**
(71) Name(s) and Address(s) of Applicant(s):
Feltex Carpets Pty Ltd
35-65 Paramount Road Tottenham Victoria 3012 Australia
(72) Name(s) of Designer(s): **Ray Prociw**
(45) Registration Date: **10 October 2005**
(56) Related Art Documents: **Not Applicable**
(57) Statement of Newness and Distinctiveness: **Synthetic using new design, technology (level cut loop) and tufting.**



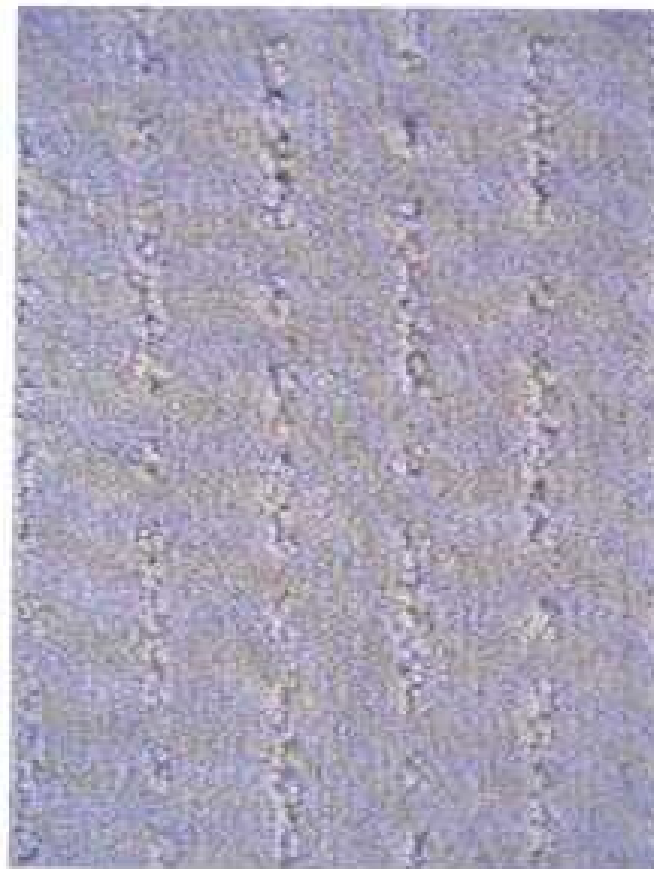
- (21) Design Number: **15817/2004**
(22) Date of Filing Application: **15 December 2004**
(24) Date from which industrial property rights may have effect: **15 December 2004**
(54) Product in respect of which the design is registered: **Carpet**
(51) International Design Classification: **06-11**
(71) Name(s) and Address(s) of Applicant(s):
Feltex Carpets Pty Ltd
35-65 Paramount Road Tottenham Victoria 3012 Australia
(72) Name(s) of Designer(s): **Ray Prociw**
(45) Registration Date: **10 October 2005**
(56) Related Art Documents: **Not Applicable**
(57) Statement of Newness and Distinctiveness: **Synthetic using new design, technology (level cut loop) and tufting.**



- (21) Design Number: **15818/2004**
(22) Date of Filing Application: **15 December 2004**
(24) Date from which industrial property rights may have effect: **15 December 2004**
(54) Product in respect of which the design is registered: **Carpet**
(51) International Design Classification: **06-11**
(71) Name(s) and Address(s) of Applicant(s):
Feltex Carpets Pty Ltd
35-65 Paramount Road Tottenham Victoria 3012 Australia
(72) Name(s) of Designer(s): **Ray Prociw**
(45) Registration Date: **10 October 2005**
(56) Related Art Documents: **Not Applicable**
(57) Statement of Newness and Distinctiveness: **Synthetic using new design, technology (level cut loop) and tufting.**



- (21) Design Number: **15819/2004**
(22) Date of Filing Application: **15 December 2004**
(24) Date from which industrial property rights may have effect: **15 December 2004**
(54) Product in respect of which the design is registered: **Carpet**
(51) International Design Classification: **06-11**
(71) Name(s) and Address(s) of Applicant(s):
Feltex Carpets Pty Ltd
35-65 Paramount Road Tottenham Victoria 3012 Australia
(72) Name(s) of Designer(s): **Ray Prociw**
(45) Registration Date: **10 October 2005**
(56) Related Art Documents: **Not Applicable**
(57) Statement of Newness and Distinctiveness: **Synthetic using new design, technology (level cut loop) and tufting.**



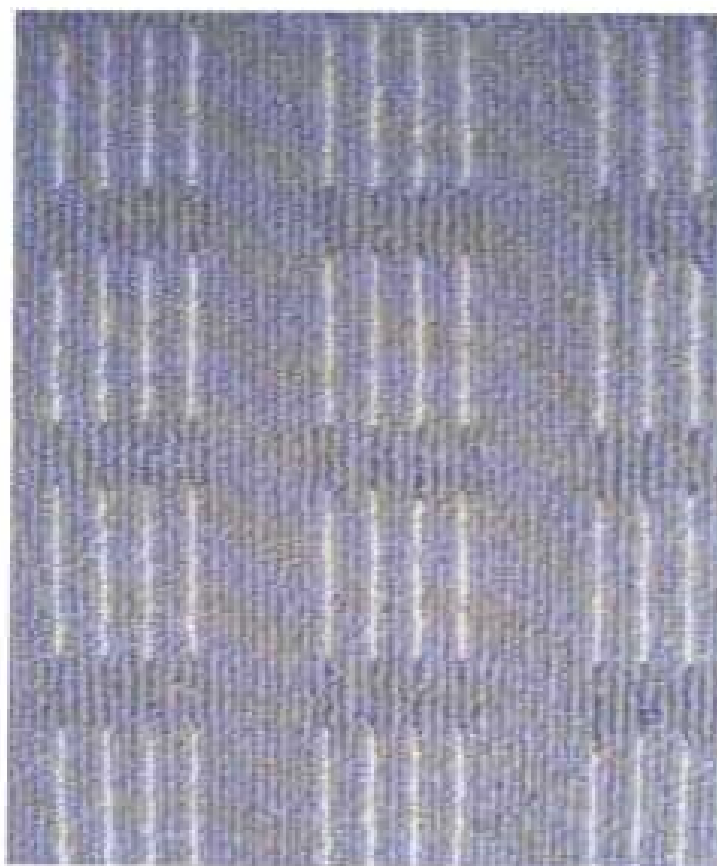
- (21) Design Number: **15821/2004**
(22) Date of Filing Application: **15 December 2004**
(24) Date from which industrial property rights may have effect: **15 December 2004**
(54) Product in respect of which the design is registered: **Carpet**
(51) International Design Classification: **06-11**
(71) Name(s) and Address(s) of Applicant(s):
Feltex Carpets Pty Ltd
35-65 Paramount Road Tottenham Victoria 3012 Australia
(72) Name(s) of Designer(s): **Ray Prociw**
(45) Registration Date: **10 October 2005**
(56) Related Art Documents: **Not Applicable**
(57) Statement of Newness and Distinctiveness: **Synthetic using new design, technology (level cut loop) and tufting.**



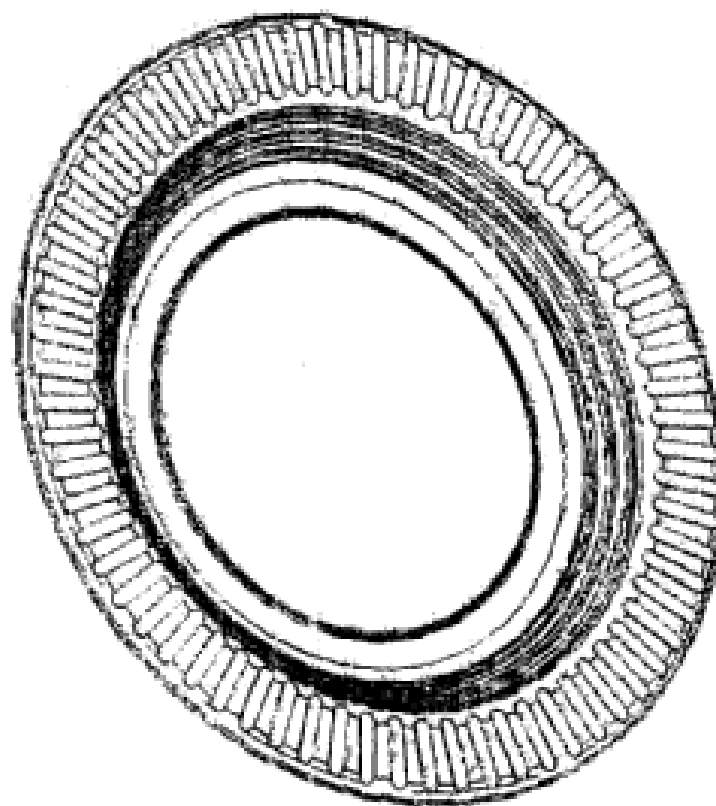
- (21) Design Number: **15822/2004**
(22) Date of Filing Application: **15 December 2004**
(24) Date from which industrial property rights may have effect: **15 December 2004**
(54) Product in respect of which the design is registered: **Carpet**
(51) International Design Classification: **06-11**
(71) Name(s) and Address(s) of Applicant(s):
Feltex Carpets Pty Ltd
35-65 Paramount Road Tottenham Victoria 3012 Australia
(72) Name(s) of Designer(s): **Ray Prociw**
(45) Registration Date: **10 October 2005**
(56) Related Art Documents: **Not Applicable**
(57) Statement of Newness and Distinctiveness: **Synthetic using new design, technology (level cut loop) and tufting.**



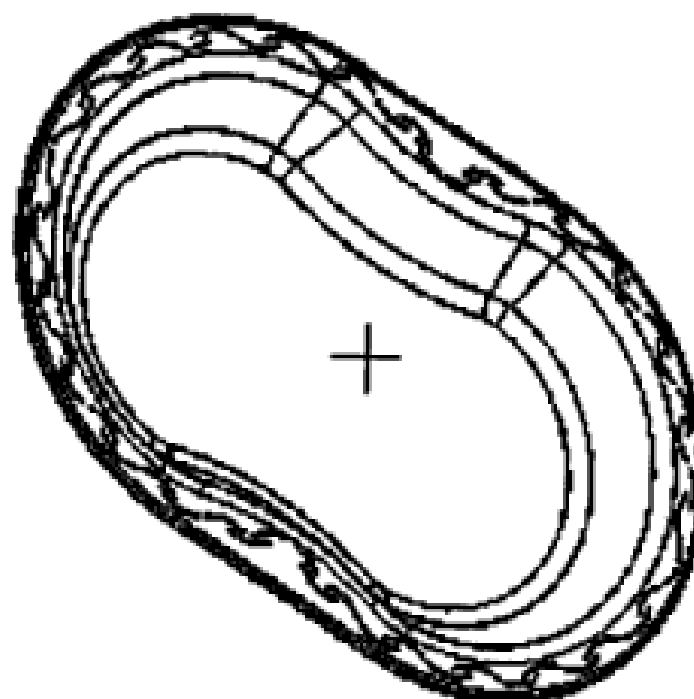
- (21) Design Number: **15823/2004**
(22) Date of Filing Application: **15 December 2004**
(24) Date from which industrial property rights may have effect: **15 December 2004**
(54) Product in respect of which the design is registered: **Carpet**
(51) International Design Classification: **06-11**
(71) Name(s) and Address(s) of Applicant(s):
Feltex Carpets Pty Ltd
35-65 Paramount Road Tottenham Victoria 3012 Australia
(72) Name(s) of Designer(s): **Max Watson**
(45) Registration Date: **10 October 2005**
(56) Related Art Documents: **Not Applicable**
(57) Statement of Newness and Distinctiveness: **Wool product using new design and multi level loop technology.**



- (21) Design Number: **10737/2005**
- (22) Date of Filing Application: **28 February 2005**
- (24) Date from which industrial property rights may have effect: **28 February 2005**
- (54) Product in respect of which the design is registered: **Plate**
- (51) International Design Classification: **07-01A**
- (71) Name(s) and Address(s) of Applicant(s):
Pakway Australia Pty Ltd
27-29 Marni Street Dandenong South Victoria 3175 Australia
- (72) Name(s) of Designer(s): **Chinh Phi To**
- (45) Registration Date: **10 October 2005**
- (56) Related Art Documents: **Not Applicable**
- (57) Statement of Newness and Distinctiveness: **Nil**



- (21) Design Number: **10738/2005**
- (22) Date of Filing Application: **28 February 2005**
- (24) Date from which industrial property rights may have effect: **28 February 2005**
- (54) Product in respect of which the design is registered: **Oval plate**
- (51) International Design Classification: **07-01B**
- (71) Name(s) and Address(s) of Applicant(s):
Pakway Australia Pty Ltd
27-29 Marni Street Dandenong South Victoria 3175 Australia
- (72) Name(s) of Designer(s): **Chinh Phi To**
- (45) Registration Date: **10 October 2005**
- (56) Related Art Documents: **Not Applicable**
- (57) Statement of Newness and Distinctiveness: **Nil**



(21) Design Number: **10857/2005**

(22) Date of Filing Application: **04 March 2005**

(24) Date from which industrial property rights may have effect: **04 March 2005**

(54) Product in respect of which the design is registered: **Water desalinator**

(51) International Design Classification: **23-99, 23-01G**

(71) Name(s) and Address(s) of Applicant(s):

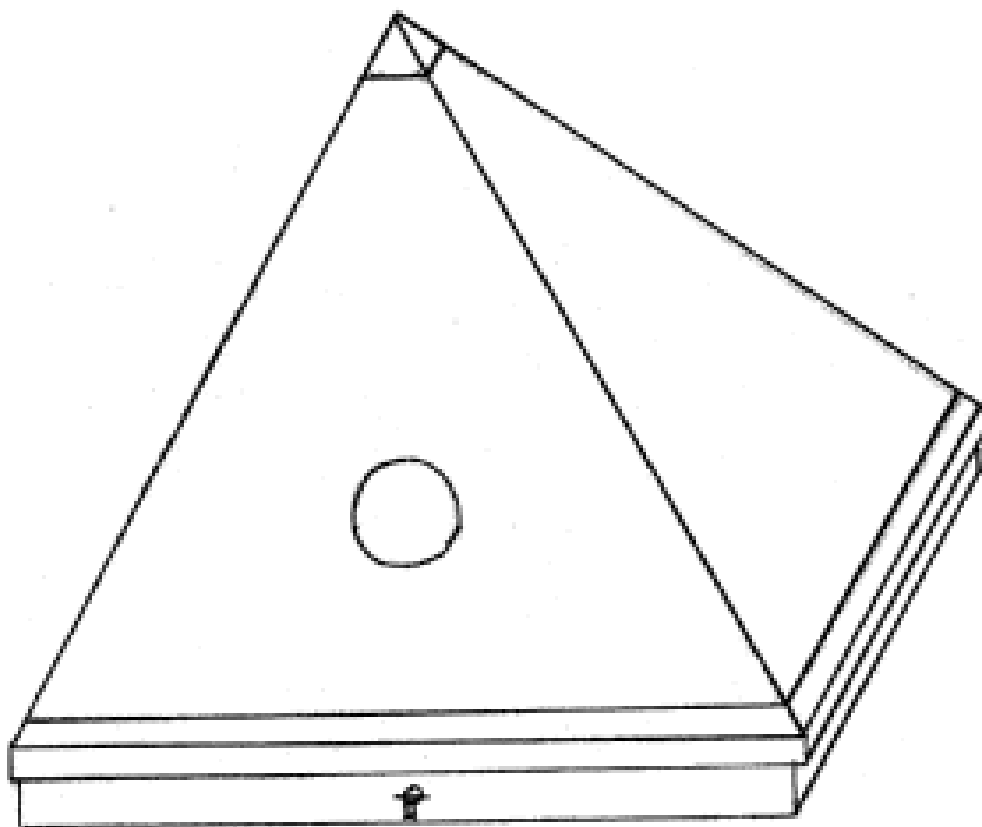
Muscatstone Pty Ltd
242 Holmes Street Brighton Queensland 4017 Australia

(72) Name(s) of Designer(s): **Gary Albert De Vries and Julie Lynette De Vries**

(45) Registration Date: **10 October 2005**

(56) Related Art Documents: **Not Applicable**

(57) Statement of Newness and Distinctiveness: **Piramid and window for homes or buildings etc.**



(21) Design Number: **10858/2005**

(22) Date of Filing Application: **04 March 2005**

(24) Date from which industrial property rights may have effect: **04 March 2005**

(54) Product in respect of which the design is registered: **Water desalinator**

(51) International Design Classification: **23-99, 23-01G**

(71) Name(s) and Address(s) of Applicant(s):

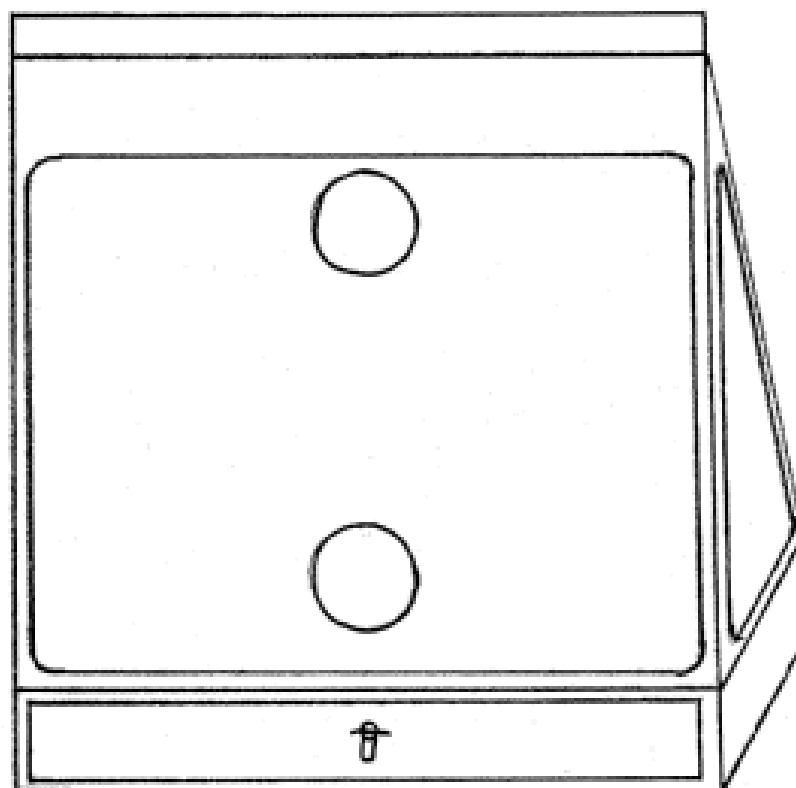
Muscatstone Pty Ltd
242 Holmes Street Brighton Queensland 4017 Australia

(72) Name(s) of Designer(s): **Gary Albert De Vries and Julie Lynette De Vries**

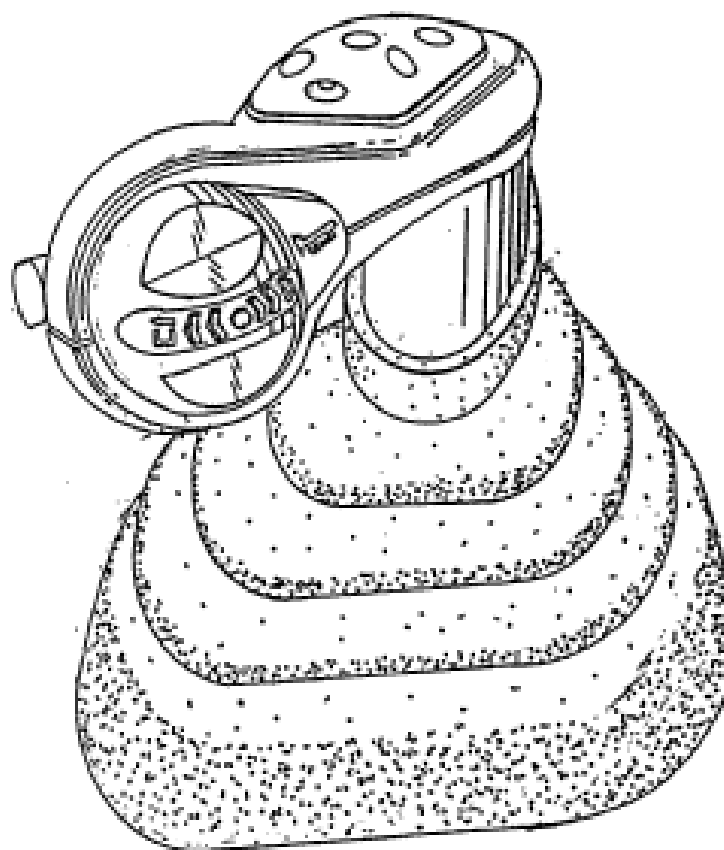
(45) Registration Date: **10 October 2005**

(56) Related Art Documents: **Not Applicable**

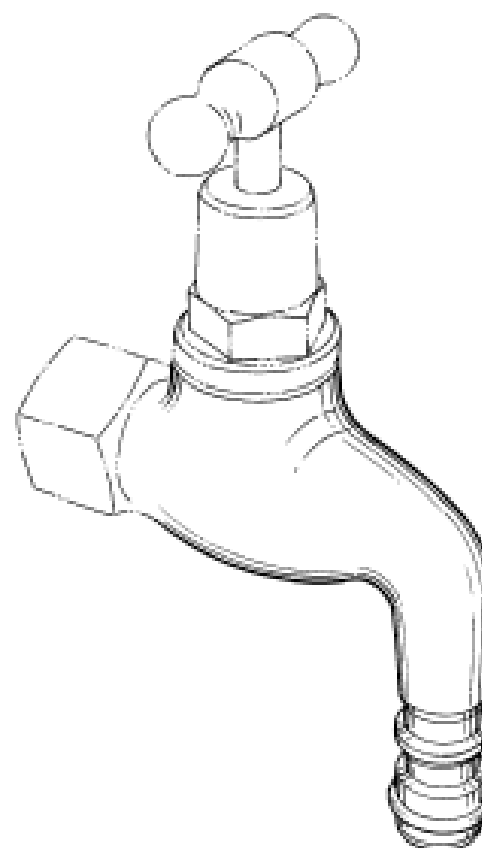
(57) Statement of Newness and Distinctiveness: **Piramid and window for homes or buildings etc.**



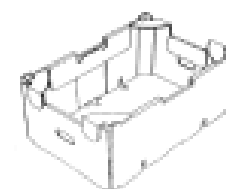
- (21) Design Number: **10943/2005**
(22) Date of Filing Application: **10 March 2005**
(24) Date from which industrial property rights may have effect: **10 March 2005**
(54) Product in respect of which the design is registered: **Controller for a materials handling vehicle**
(51) International Design Classification: **12-16NES**
(71) Name(s) and Address(s) of Applicant(s):
Crown Equipment Corporation
40 South Washington Street New Bremen OH 45869 United States of America
(72) Name(s) of Designer(s): **Brent A. Bergman and Michael P. Gallagher and Robert J. Henshaw and Russell J. Kroll and Philip D. Palermo and Steven R. Pulskamp and Craig J. Rekow and Douglas J. Rinderle and Adam M. Ruppert**
(45) Registration Date: **10 October 2005**
(30) Convention priority data:
(31) Number (32) Date (33) Country
29/213857 23 Sep 2004 UNITED STATES OF AMERICA
(56) Related Art Documents: **Not Applicable**
(57) Statement of Newness and Distinctiveness: **The shape and configuration of the product other than those parts of the design shown by means of broken lines in the representations is new and distinctive.**



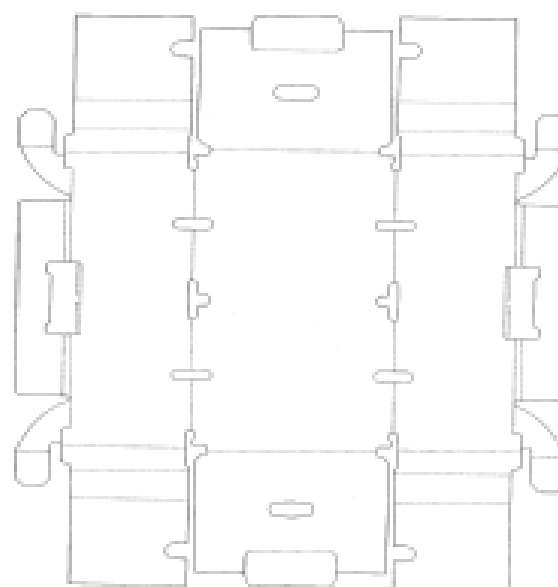
- (21) Design Number: **11474/2005**
(22) Date of Filing Application: **12 April 2005**
(24) Date from which industrial property rights may have effect: **12 April 2005**
(54) Product in respect of which the design is registered: **A tap**
(51) International Design Classification: **23-01H**
(71) Name(s) and Address(s) of Applicant(s):
Tailor Built Homes Pty Ltd
Level 1 8 Inkerman Street North Geelong Victoria 3215 Australia
(72) Name(s) of Designer(s): **Vince Modica and Peter Modica**
(45) Registration Date: **10 October 2005**
(56) Related Art Documents: **Not Applicable**
(57) Statement of Newness and Distinctiveness: **Newness and distinctiveness are provided by the shape and/or configuration of the design shown in the representations. The features shown in broken lines in the representations are for illustrative purposes only and should not be considered when construing visual features of the design.**



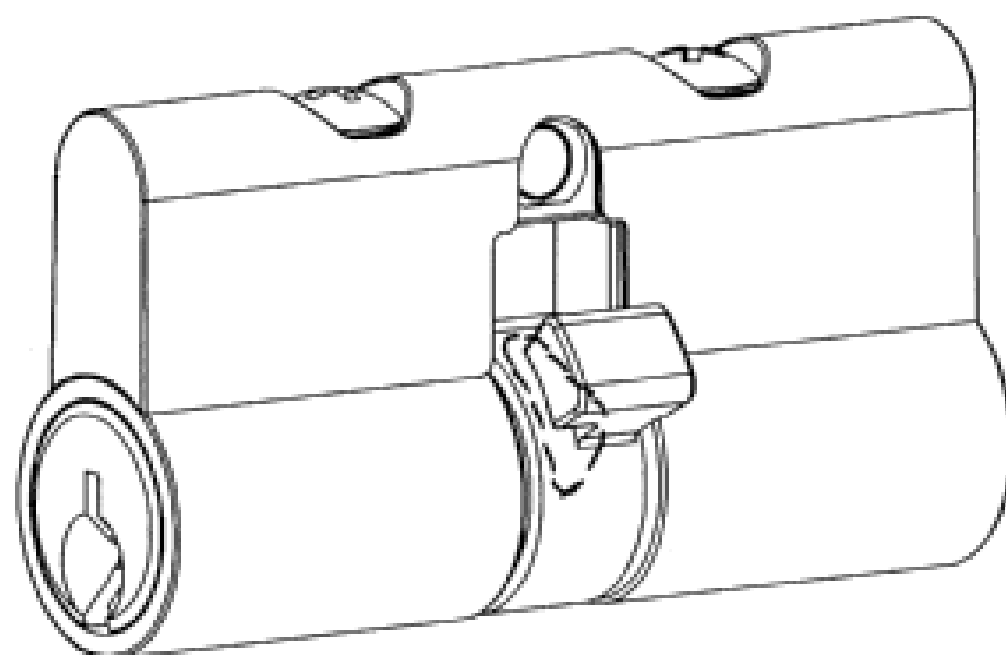
- (21) Design Number: **11494/2005**
(22) Date of Filing Application: **13 April 2005**
(24) Date from which industrial property rights may have effect: **13 April 2005**
(54) Product in respect of which the design is registered: **A container and blank therefor**
(51) International Design Classification: **09-03K**
(71) Name(s) and Address(s) of Applicant(s):
Amcor Limited
679 Victoria Street Abbotsford Victoria 3067 Australia
(72) Name(s) of Designer(s): **Gordon Mellis and Ashley Tyson**
(45) Registration Date: **10 October 2005**
(56) Related Art Documents: **Not Applicable**
(57) Statement of Newness and Distinctiveness: **The newness and distinctiveness of the container resides in the corner configurations, fold over flaps on the long side walls and the length to width ratio of the container. The height of the container should be disregarded for the purposes of determining the newness and distinctiveness.**



PERSPECTIVE VIEW



- (21) Design Number: **11496/2005**
(22) Date of Filing Application: **14 April 2005**
(24) Date from which industrial property rights may have effect: **14 April 2005**
(54) Product in respect of which the design is registered: **Lock cylinder**
(51) International Design Classification: **08-07**
(71) Name(s) and Address(s) of Applicant(s):
Yarra Ridge Pty Ltd
8 Ross Street South Melbourne Victoria 3205 Australia
(72) Name(s) of Designer(s): **J. Russell Watts**
(45) Registration Date: **10 October 2005**
(56) Related Art Documents: **Not Applicable**
(57) Statement of Newness and Distinctiveness: **Novelty is claimed in relation to the recess in the side of the cam adjacent to the substantially cylindrical portion of the lock cylinders, this recess being within the dotted line shown in the representations.**



- (21) Design Number: **11497/2005**
(22) Date of Filing Application: **13 April 2005**
(24) Date from which industrial property rights may have effect: **13 April 2005**
(54) Product in respect of which the design is registered: **Blood recovery unit**
(51) International Design Classification: **24-01**
(71) Name(s) and Address(s) of Applicant(s):

Astra Tech AB
Aminogatan 1 SE-431 21 Molndal Sweden

(72) Name(s) of Designer(s): **Yutaka Kataoka**

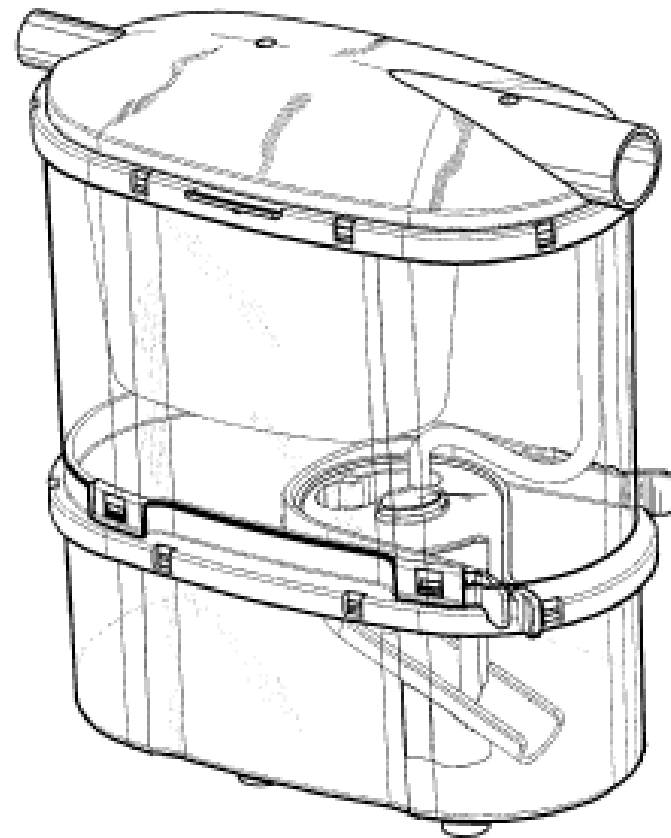
(45) Registration Date: **10 October 2005**

(30) Convention priority data:

(31) Number	(32) Date	(33) Country
000239454	14 Oct 2004	EUROPEAN COMMUNITY

(56) Related Art Documents: **Not Applicable**

(57) Statement of Newness and Distinctiveness: **Those visual features of the blood recovery unit depicted in the representations that are new and distinctive are the shape and/or configuration. The internal features of the product shown in faint lines do not form part of the design and should be disregarded when considering the overall impression of the design.**



- (21) Design Number: **11501/2005**
(22) Date of Filing Application: **14 April 2005**
(24) Date from which industrial property rights may have effect: **14 April 2005**
(54) Product in respect of which the design is registered: **Orthotic innersoles**
(51) International Design Classification: **24-04**
(71) Name(s) and Address(s) of Applicant(s):

Docpods IP Pty Ltd as trustee for the Kent Elliot Trust
1/20 Denman Street Alderley Queensland 4051 Australia

(72) Name(s) of Designer(s): **Kent Elliot**

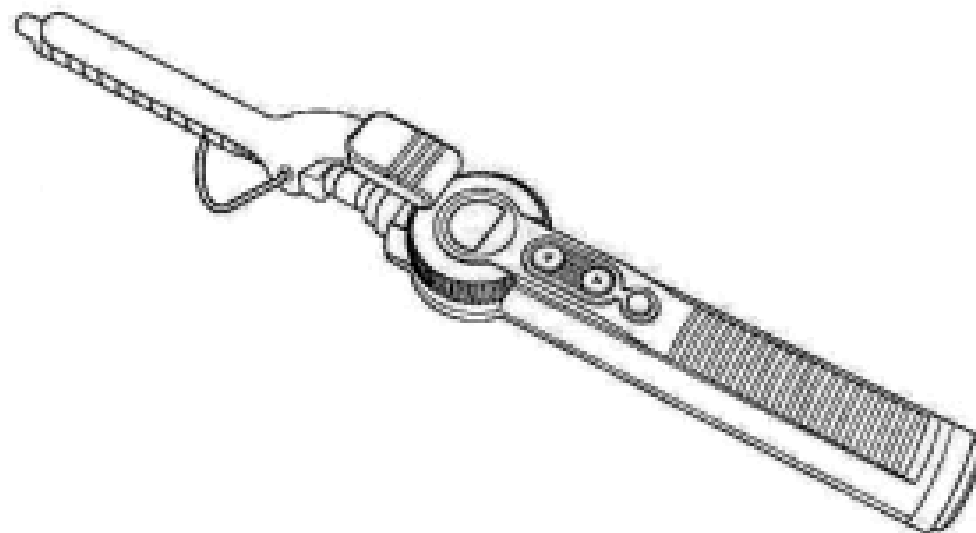
(45) Registration Date: **10 October 2005**

(56) Related Art Documents: **Not Applicable**

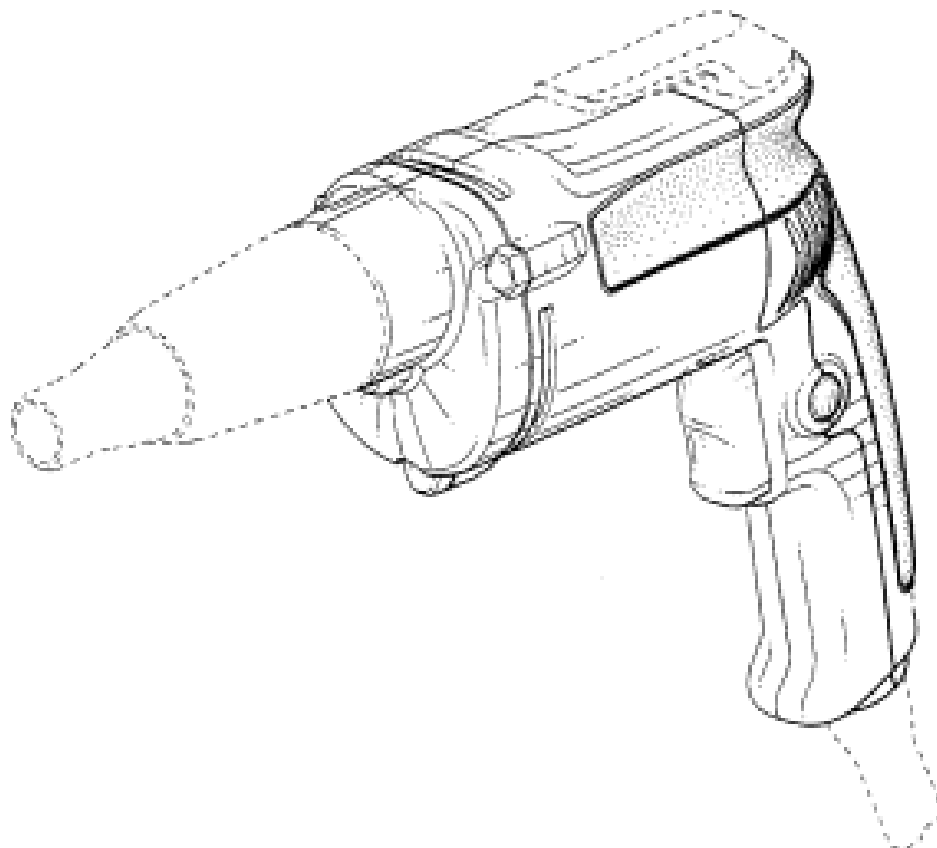
(57) Statement of Newness and Distinctiveness: **Distinctiveness is claimed in the features of shape and configuration of the orthotic innersole as shown in the accompanying representations.**



- (21) Design Number: **11503/2005**
(22) Date of Filing Application: **14 April 2005**
(24) Date from which industrial property rights may have effect: **14 April 2005**
(54) Product in respect of which the design is registered: **Electric hair curling tongs**
(51) International Design Classification: **28-03B**
(71) Name(s) and Address(s) of Applicant(s):
Kil Seung Shin
1060-5 Wolmun-1li Wabu-eup Namyangju-si Gyeonggi-do Republic of Korea
(72) Name(s) of Designer(s): **Kil Seung Shin**
(45) Registration Date: **10 October 2005**
(30) Convention priority data:
(31) Number (32) Date (33) Country
30-2004-0031732 15 Oct 2004 REPUBLIC OF KOREA
(56) Related Art Documents: **Not Applicable**
(57) Statement of Newness and Distinctiveness: **Nil**



- (21) Design Number: **11511/2005**
(22) Date of Filing Application: **14 April 2005**
(24) Date from which industrial property rights may have effect: **14 April 2005**
(54) Product in respect of which the design is registered: **Screw gun**
(51) International Design Classification: **08-04, 08-01**
(71) Name(s) and Address(s) of Applicant(s):
One World Technologies Limited
Cedar House 41 Cedar Avenue Hamilton HM 12 Bermuda
(72) Name(s) of Designer(s): **Ka Wai Chung and Taku Ohi**
(45) Registration Date: **10 October 2005**
(30) Convention priority data:
(31) Number (32) Date (33) Country
29/215835 26 Oct 2004 UNITED STATES OF AMERICA
(56) Related Art Documents: **Not Applicable**
(57) Statement of Newness and Distinctiveness: **Newness and distinctiveness is claimed in the ornamental design for a screw gun as shown. Any broken lines in the drawings are for illustrative purposes only and form no part of the claimed design.**



(21) Design Number: **11513/2005**

(22) Date of Filing Application: **14 April 2005**

(24) Date from which industrial property rights may have effect: **14 April 2005**

(54) Product in respect of which the design is registered: **Cap**

(51) International Design Classification: **09-01C**

(71) Name(s) and Address(s) of Applicant(s):

Societe Bic

14 rue Jeanne d'Asnieres 92110 Clichy France

(72) Name(s) of Designer(s): **Ray Eddington and Alexander Benn**

(45) Registration Date: **10 October 2005**

(30) Convention priority data:

(31) Number

(32) Date

(33) Country

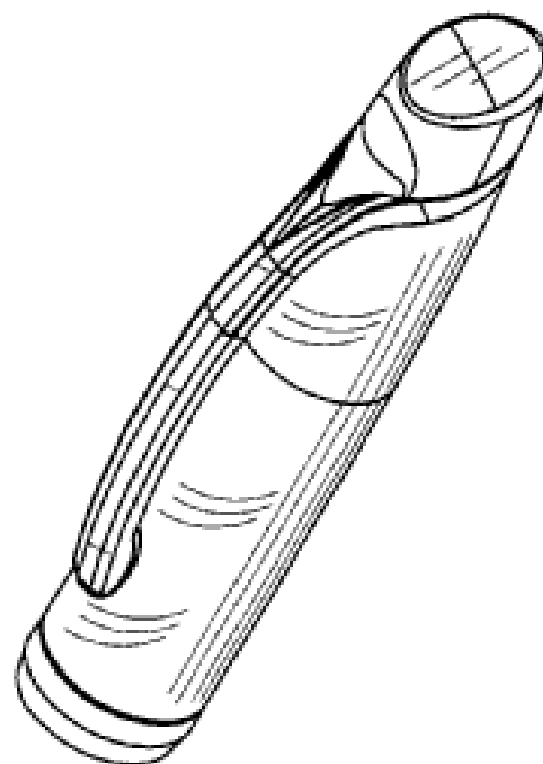
29/215,731

22 Oct 2004

UNITED STATES OF AMERICA

(56) Related Art Documents: **Not Applicable**

(57) Statement of Newness and Distinctiveness: **Nil**



(21) Design Number: **11547/2005**

(22) Date of Filing Application: **18 April 2005**

(24) Date from which industrial property rights may have effect: **18 April 2005**

(54) Product in respect of which the design is registered: **A formwork bracket**

(51) International Design Classification: **15-09**

(71) Name(s) and Address(s) of Applicant(s):

Tiltform Technologies Ltd

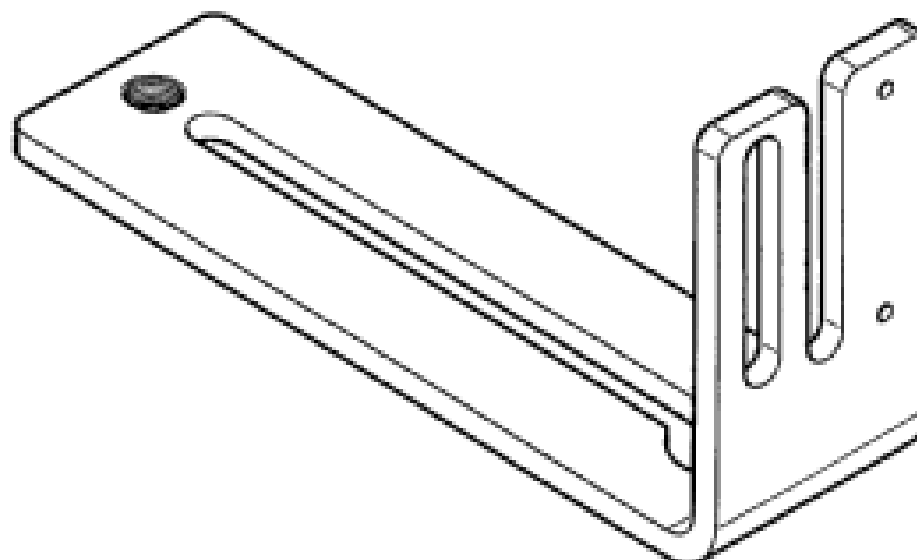
77 Palmer Place North Adelaide South Australia 5006 Australia

(72) Name(s) of Designer(s): **James Gordon Pearce**

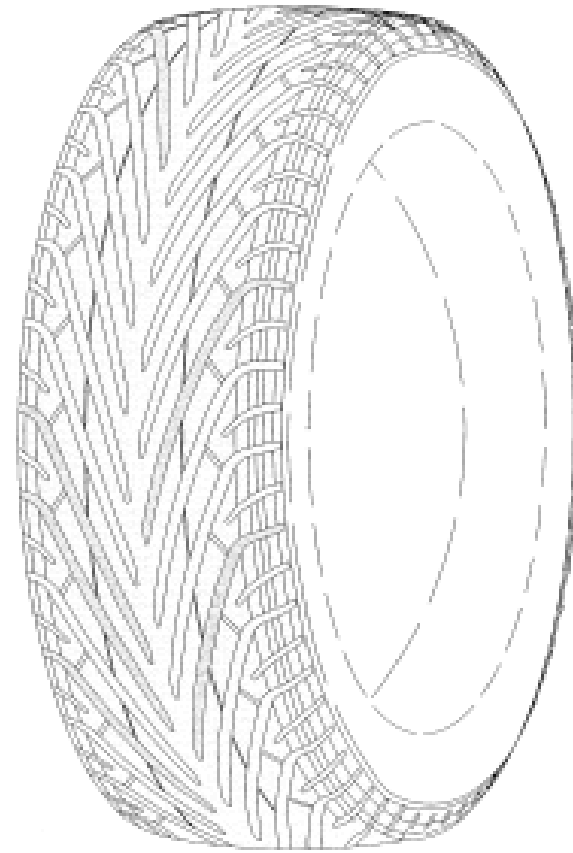
(45) Registration Date: **10 October 2005**

(56) Related Art Documents: **Not Applicable**

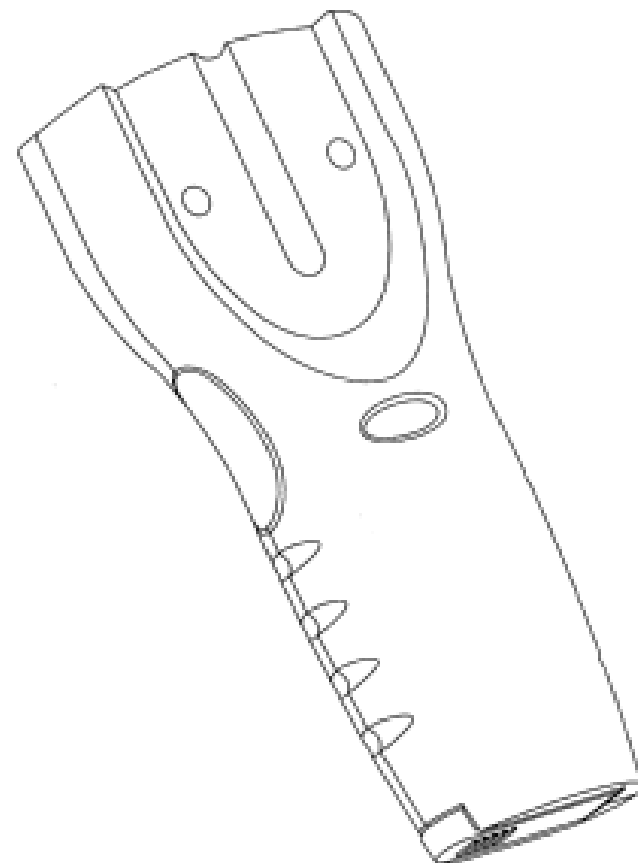
(57) Statement of Newness and Distinctiveness: **Newness and distinctiveness resides in the shape and configuration of a formwork bracket as shown in the accompanying representations.**



- (21) Design Number: **15677/2004**
(22) Date of Filing Application: **07 December 2004**
(24) Date from which industrial property rights may have effect: **07 December 2004**
(54) Product in respect of which the design is registered: **Tyre**
(51) International Design Classification: **12-15NES**
(71) Name(s) and Address(s) of Applicant(s):
Shandong Linglong Rubber Co, Ltd
No. 170 Jincheng Road Zhaoyuan Shandong 265400 China
(72) Name(s) of Designer(s): **Feng Wang and Maohua Dong and Wenping Cheng**
(45) Registration Date: **11 October 2005**
(30) Convention priority data:
(31) Number (32) Date (33) Country
2004300475879 24 Jul 2004 CHINA
(56) Related Art Documents: **Not Applicable**
(57) Statement of Newness and Distinctiveness: **Each feature of the design of the tyre tread as illustrated in the accompanying representations considered separately or in combination with any other feature or features. The features of the design other than the tyre tread and shown in broken lines do not form a part of the design.**



- (21) Design Number: **10845/2005**
(22) Date of Filing Application: **03 March 2005**
(24) Date from which industrial property rights may have effect: **03 March 2005**
(54) Product in respect of which the design is registered: **Stud finder**
(51) International Design Classification: **10-04**
(71) Name(s) and Address(s) of Applicant(s):
Nanjing Chervon Industry Co. Ltd
No. 9 Shengli West Road Jiangning Economic & Technical
Development Zone Nanjing Jiangsu 211100 China
(72) Name(s) of Designer(s): **Yi Liu**
(45) Registration Date: **11 October 2005**
(56) Related Art Documents: **Not Applicable**
(57) Statement of Newness and Distinctiveness: **Each feature of the design considered separately or in combination with any other feature or features.**



(21) Design Number: **13029/2004**

(22) Date of Filing Application: **18 June 2004**

(24) Date from which industrial property rights may have effect: **18 June 2004**

(54) Product in respect of which the design is registered: **Bowls, dishes, plates, saucers and drinking vessels**

(51) International Design Classification: **07-01D**

(71) Name(s) and Address(s) of Applicant(s):

**HAG Import Corporation (Aust) Pty Ltd
77G Millers Road Altona North Victoria 3025 Australia**

(72) Name(s) of Designer(s): **Elana Vanlier**

(45) Registration Date: **12 October 2005**

(56) Related Art Documents: **Not Applicable**

(57) Statement of Newness and Distinctiveness: **Monopoly is claimed in the shape and configuration of a protrusion and corresponding recess as applied to more than one product constituting a set of tableware. In considering the scope of the monopoly no regard shall be had to the parts of the tableware depicted in the drawings by broken lines.**



(21) Design Number: **14325/2004**

(22) Date of Filing Application: **10 September 2004**

(24) Date from which industrial property rights may have effect: **10 September 2004**

(54) Product in respect of which the design is registered: **Backhoe bucket**

(51) International Design Classification: **15-04**

(71) Name(s) and Address(s) of Applicant(s):

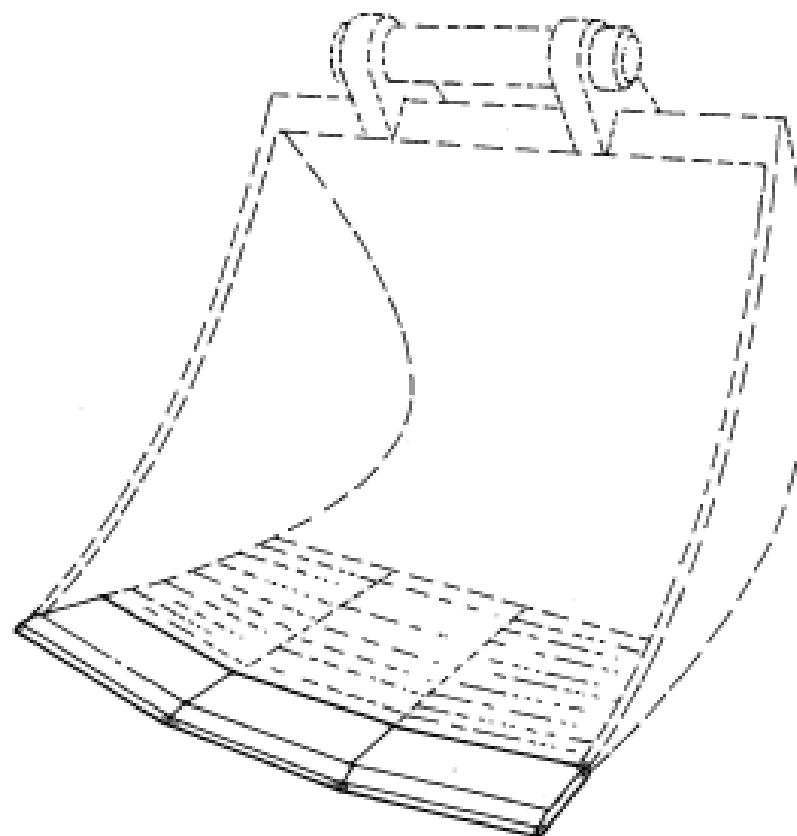
**Goldring Corporation Pty Ltd
PO Box 382 Waroona Western Australia 6215 Australia**

(72) Name(s) of Designer(s): **Paul Jay Tsacalis**

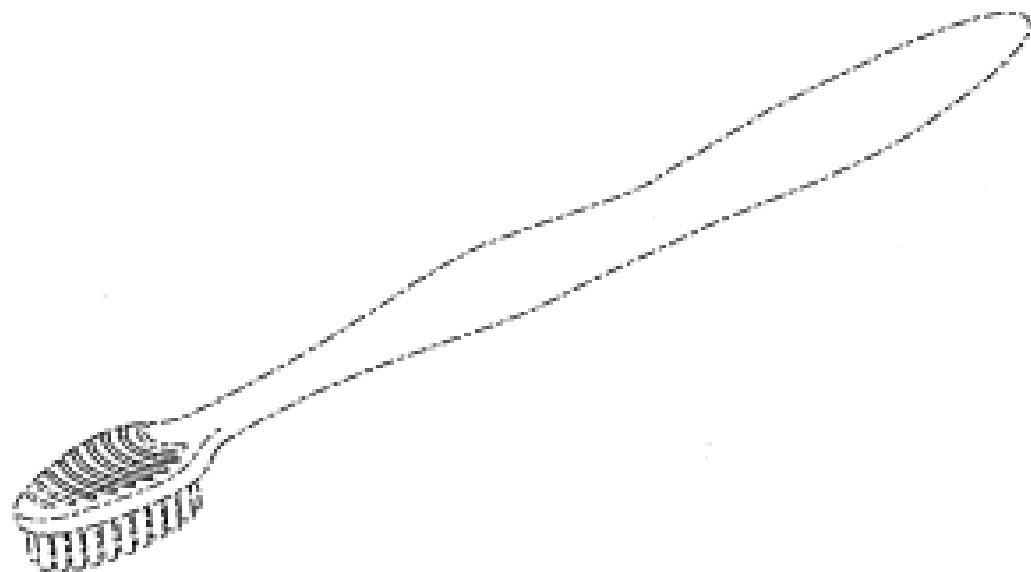
(45) Registration Date: **12 October 2005**

(56) Related Art Documents: **Not Applicable**

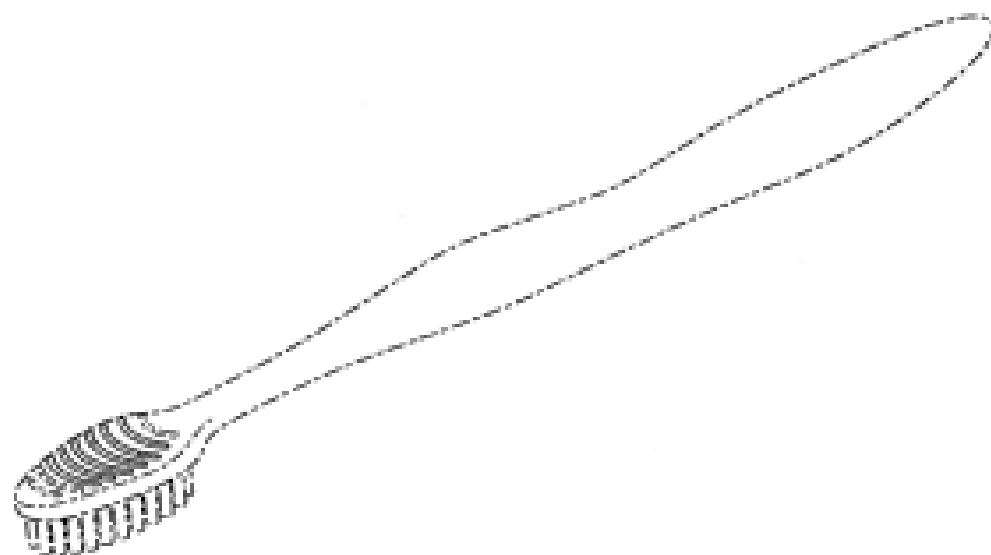
(57) Statement of Newness and Distinctiveness: **The particular visual features of the design which are new and distinctive are the shape and configuration of the bucket lip, being in three substantially straight portions which are angled with respect to each other.**



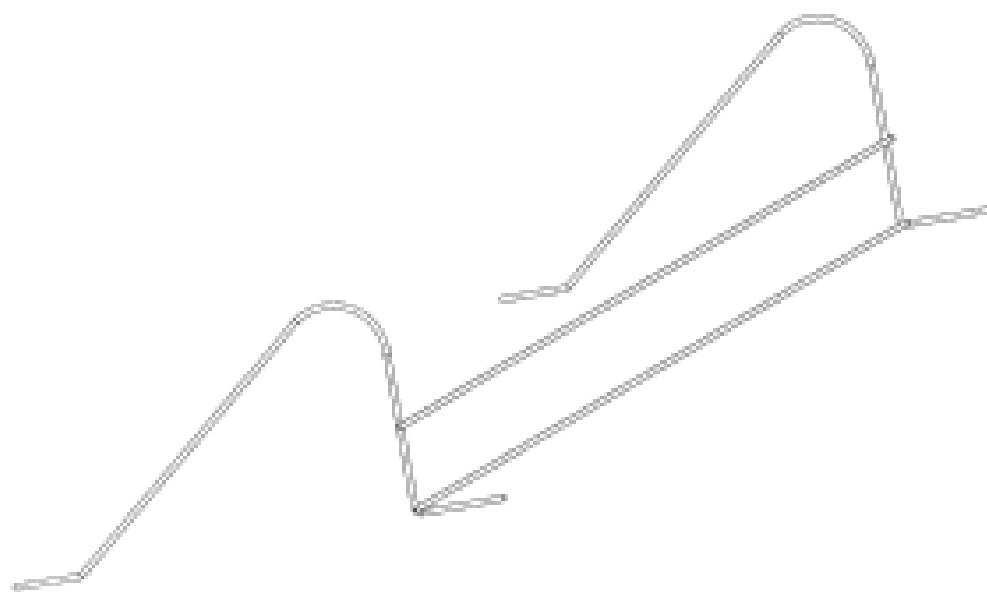
- (21) Design Number: **10075/2005**
(22) Date of Filing Application: **13 January 2005**
(24) Date from which industrial property rights may have effect: **13 January 2005**
(54) Product in respect of which the design is registered: **Toothbrush or portion thereof**
(51) International Design Classification: **04-02**
(71) Name(s) and Address(s) of Applicant(s):
Colgate-Palmolive Company
300 Park Avenue New York New York 10022 United States of America
(72) Name(s) of Designer(s): **Robert Moskovich**
(45) Registration Date: **12 October 2005**
(30) Convention priority data:
(31) Number (32) Date (33) Country
29/209242 14 Jul 2004 UNITED STATES OF AMERICA
(56) Related Art Documents: **Not Applicable**
(57) Statement of Newness and Distinctiveness: **Each feature of the design considered separately or in combination with any other feature or features. The broken lines showing the remainder of the toothbrush is for illustrative purposes only and form no part of the claimed design.**



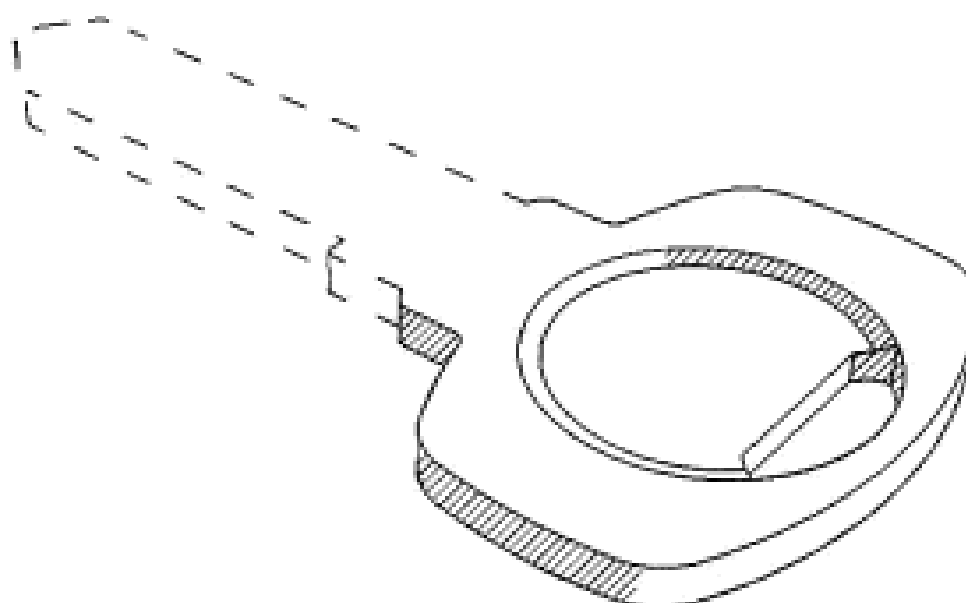
- (21) Design Number: **10076/2005**
(22) Date of Filing Application: **13 January 2005**
(24) Date from which industrial property rights may have effect: **13 January 2005**
(54) Product in respect of which the design is registered: **Toothbrush or portion thereof**
(51) International Design Classification: **04-02**
(71) Name(s) and Address(s) of Applicant(s):
Colgate-Palmolive Company
300 Park Avenue New York New York 10022 United States of America
(72) Name(s) of Designer(s): **Robert Moskovich**
(45) Registration Date: **12 October 2005**
(30) Convention priority data:
(31) Number (32) Date (33) Country
29/209244 14 Jul 2004 UNITED STATES OF AMERICA
(56) Related Art Documents: **Not Applicable**
(57) Statement of Newness and Distinctiveness: **Each feature of the design considered separately or in combination with any other feature or features. The broken lines showing the remainder of the toothbrush is for illustrative purposes only and form no part of the claimed design.**



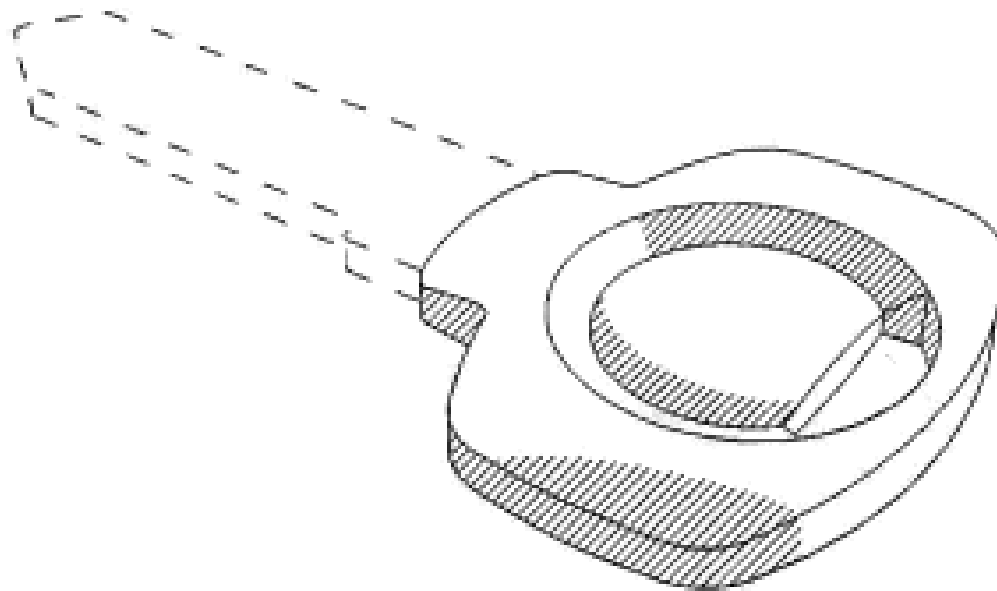
- (21) Design Number: **10131/2005**
(22) Date of Filing Application: **14 January 2005**
(24) Date from which industrial property rights may have effect: **14 January 2005**
(54) Product in respect of which the design is registered: **A gutter protector**
(51) International Design Classification: **23-01L**
(71) Name(s) and Address(s) of Applicant(s):
Milan Debevc
77 Arthur Street St Albans Victoria Australia
(72) Name(s) of Designer(s): **Milan Debevc**
(45) Registration Date: **12 October 2005**
(56) Related Art Documents: **Not Applicable**
(57) Statement of Newness and Distinctiveness: **Nil**



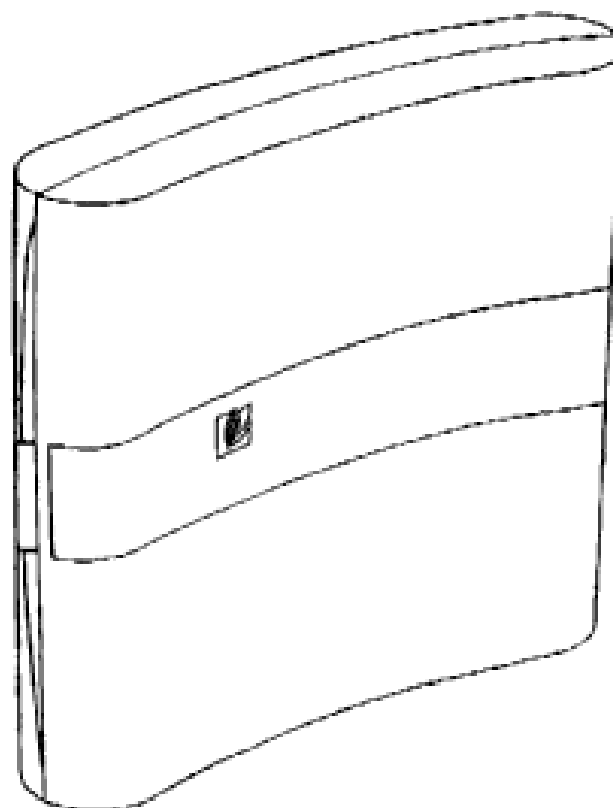
- (21) Design Number: **10149/2005**
(22) Date of Filing Application: **14 January 2005**
(24) Date from which industrial property rights may have effect: **14 January 2005**
(54) Product in respect of which the design is registered: **Key**
(51) International Design Classification: **08-07**
(71) Name(s) and Address(s) of Applicant(s):
Assa Abloy AB
PO Box 70340 107 23 Stockholm Sweden
(72) Name(s) of Designer(s): **Jens O. Johansson**
(45) Registration Date: **12 October 2005**
(30) Convention priority data:
(31) Number (32) Date (33) Country
000208244 16 Jul 2004 EUROPEAN COMMUNITY
(56) Related Art Documents: **Not Applicable**
(57) Statement of Newness and Distinctiveness: **Each feature of the design shown in solid lines considered separately or in combination with any other feature or features shown in solid lines.**



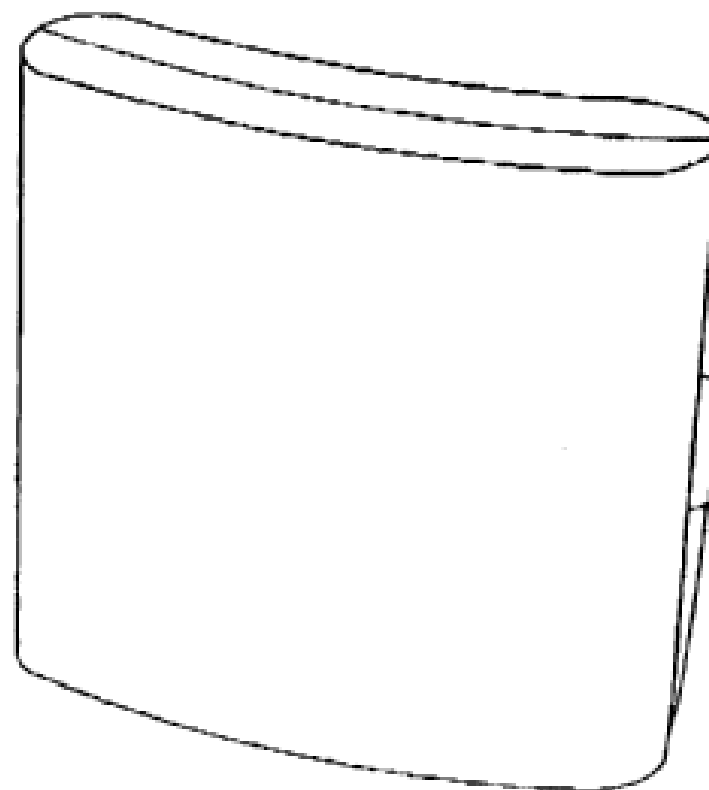
- (21) Design Number: **10150/2005**
(22) Date of Filing Application: **14 January 2005**
(24) Date from which industrial property rights may have effect: **14 January 2005**
(54) Product in respect of which the design is registered: **Key**
(51) International Design Classification: **08-07**
(71) Name(s) and Address(s) of Applicant(s):
Assa Abloy AB
PO Box 70340 107 23 Stockholm Sweden
(72) Name(s) of Designer(s): **Jens O. Johansson**
(45) Registration Date: **12 October 2005**
(30) Convention priority data:
(31) Number (32) Date (33) Country
000208244 16 Jul 2004 EUROPEAN COMMUNITY
(56) Related Art Documents: **Not Applicable**
(57) Statement of Newness and Distinctiveness: **Each feature of the design shown in solid lines considered separately or in combination with any other feature or features shown in solid lines.**



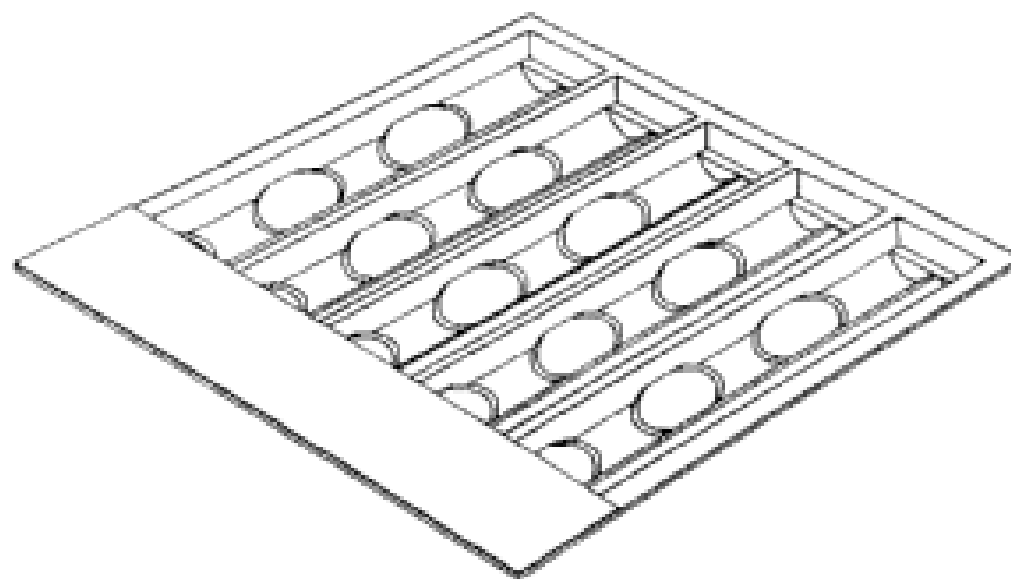
- (21) Design Number: **10617/2005**
(22) Date of Filing Application: **17 February 2005**
(24) Date from which industrial property rights may have effect: **17 February 2005**
(54) Product in respect of which the design is registered: **Cigarette packing and smoker's supplies container**
(51) International Design Classification: **27-06**
(71) Name(s) and Address(s) of Applicant(s):
Philip Morris Products S.A.
Quai Jeanrenaud 3 CH-2000 Neuchatel Switzerland
(72) Name(s) of Designer(s): **Robert Bagaric and Steven Kepper and Michael Staniford**
(45) Registration Date: **12 October 2005**
(56) Related Art Documents: **Not Applicable**
(57) Statement of Newness and Distinctiveness: **Newness and distinctiveness is claimed in the features of shape and/or configuration of a cigarette packing and smoker's supplies container as illustrated in the accompanying representations.**



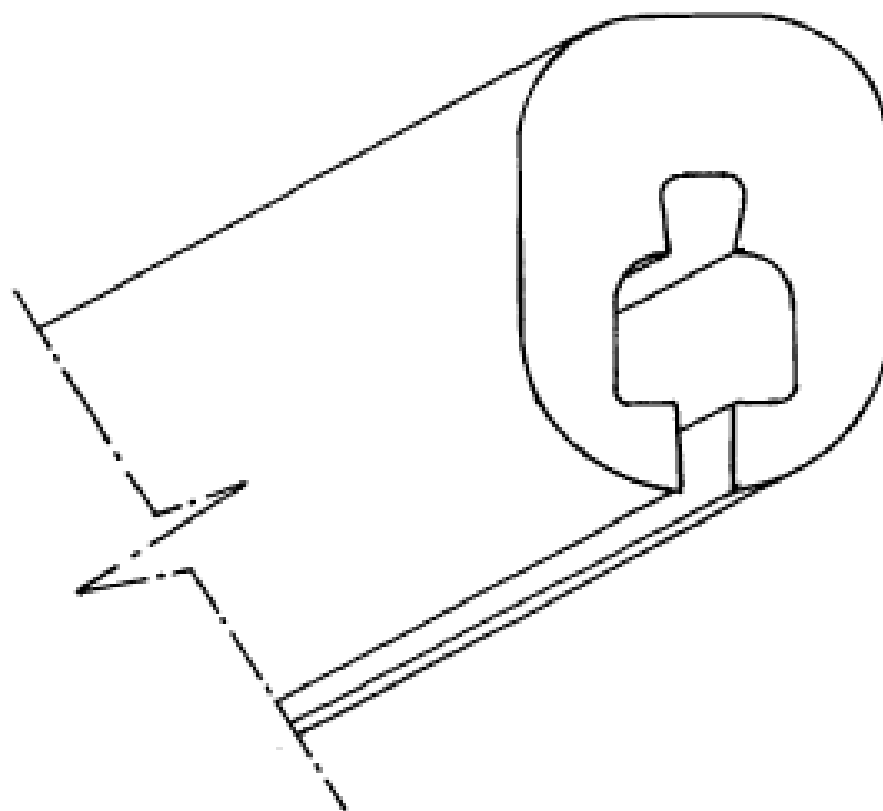
- (21) Design Number: **10618/2005**
(22) Date of Filing Application: **17 February 2005**
(24) Date from which industrial property rights may have effect: **17 February 2005**
(54) Product in respect of which the design is registered: **Cigarette packing and smoker's supplies container**
(51) International Design Classification: **27-06**
(71) Name(s) and Address(s) of Applicant(s):
Philip Morris Products S.A.
Quai Jeanrenaud 3 CH-2000 Neuchatel Switzerland
(72) Name(s) of Designer(s): **Robert Bagaric and Steven Kepper and Michael Staniford**
(45) Registration Date: **12 October 2005**
(56) Related Art Documents: **Not Applicable**
(57) Statement of Newness and Distinctiveness: **Newness and distinctiveness is claimed in the features of shape and/or configuration of a cigarette packing and smoker's supplies container as illustrated in the accompanying representations.**



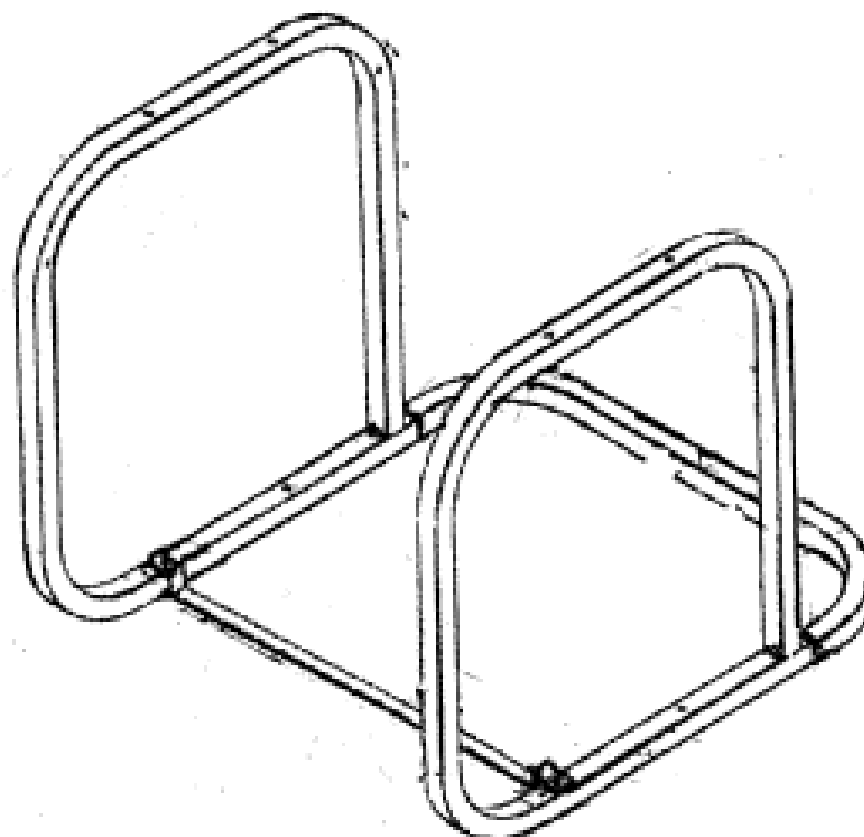
- (21) Design Number: **10619/2005**
(22) Date of Filing Application: **17 February 2005**
(24) Date from which industrial property rights may have effect: **17 February 2005**
(54) Product in respect of which the design is registered: **An insert for a cigarette packing and smoker's supplies container**
(51) International Design Classification: **27-06**
(71) Name(s) and Address(s) of Applicant(s):
Philip Morris Products S.A.
Quai Jeanrenaud 3 CH-2000 Neuchatel Switzerland
(72) Name(s) of Designer(s): **Robert Bagaric and Steven Kepper and Michael Staniford**
(45) Registration Date: **12 October 2005**
(56) Related Art Documents: **Not Applicable**
(57) Statement of Newness and Distinctiveness: **Newness and distinctiveness is claimed in the features of shape and/or configuration of an insert for a cigarette packing and smoker's supplies container as illustrated in the accompanying representations.**



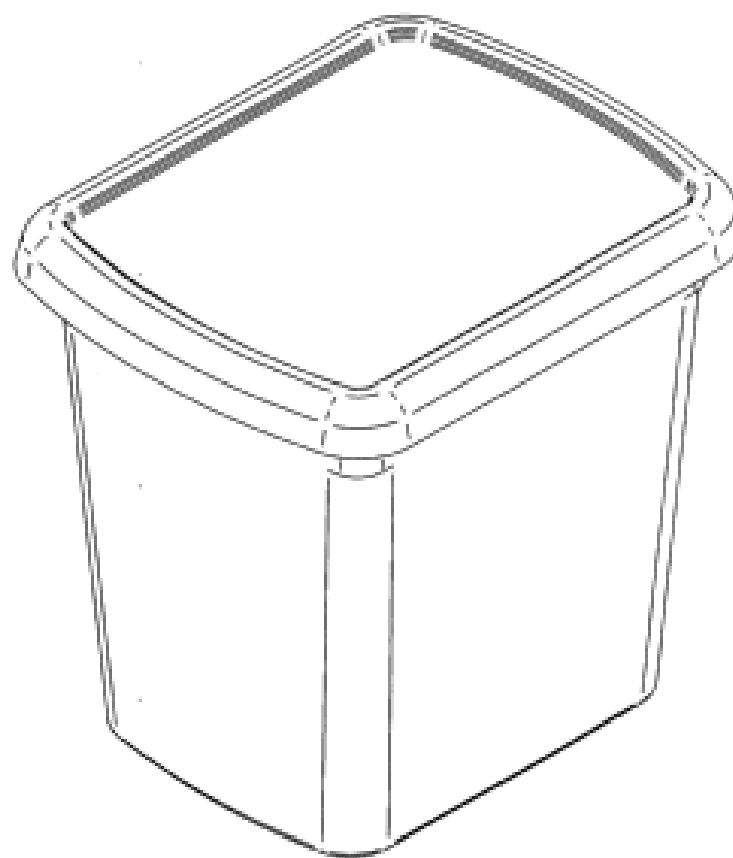
- (21) Design Number: **10624/2005**
(22) Date of Filing Application: **17 February 2005**
(24) Date from which industrial property rights may have effect: **17 February 2005**
(54) Product in respect of which the design is registered: **Electrode plate cover edge strip**
(51) International Design Classification: **13-03NES**
(71) Name(s) and Address(s) of Applicant(s):
Icon Plastics Pty Ltd
19-21 Hallam Road South Hallam Victoria 3803 Australia
(72) Name(s) of Designer(s): **Owen Perham**
(45) Registration Date: **12 October 2005**
(56) Related Art Documents: **Not Applicable**
(57) Statement of Newness and Distinctiveness: **Novelty resides in the internal cross-sectional shape of the electrode plate cover edge strip of indefinite length as shown in the drawings.**



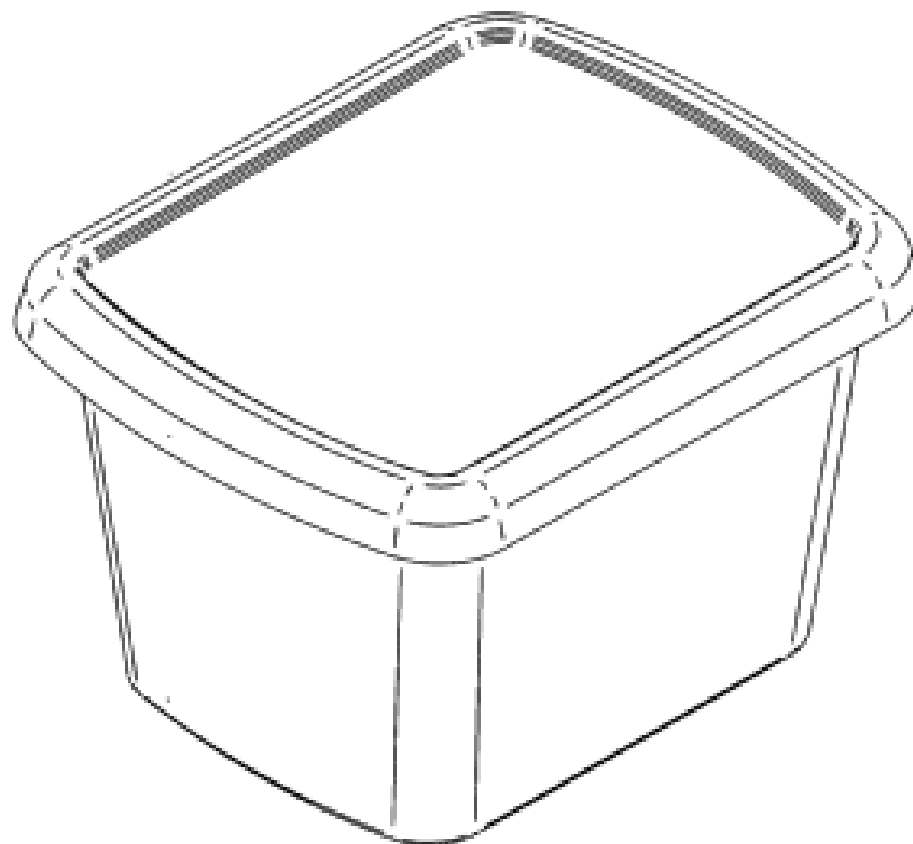
- (21) Design Number: **10720/2005**
(22) Date of Filing Application: **23 February 2005**
(24) Date from which industrial property rights may have effect: **23 February 2005**
(54) Product in respect of which the design is registered: **Support frame for bin unit**
(51) International Design Classification: **09-09**
(71) Name(s) and Address(s) of Applicant(s):
Kimberley Products Pty Ltd
58-60 Alex Avenue Moorabbin Victoria 3189 Australia
(72) Name(s) of Designer(s): **Frederick Thomas Kimberley and Frederick Andrews Ernest Kimberley**
(45) Registration Date: **12 October 2005**
(56) Related Art Documents: **Not Applicable**
(57) Statement of Newness and Distinctiveness: **Nil**



- (21) Design Number: **11347/2005**
(22) Date of Filing Application: **06 April 2005**
(24) Date from which industrial property rights may have effect: **06 April 2005**
(54) Product in respect of which the design is registered: **A container**
(51) International Design Classification: **07-01NES**
(71) Name(s) and Address(s) of Applicant(s):
Huhtamaki Australia Limited
225 Wellington Road Mulgrave Victoria 3170 Australia
(72) Name(s) of Designer(s): **Paul Dauffurn**
(45) Registration Date: **12 October 2005**
(56) Related Art Documents: **Not Applicable**
(57) Statement of Newness and Distinctiveness: **In considering the newness or distinctiveness of the design, regard is to be given to the overall shape and/or configuration of a container having a base and lid as shown in the representations.**



- (21) Design Number: **11348/2005**
(22) Date of Filing Application: **06 April 2005**
(24) Date from which industrial property rights may have effect: **06 April 2005**
(54) Product in respect of which the design is registered: **A container**
(51) International Design Classification: **07-01NES**
(71) Name(s) and Address(s) of Applicant(s):
Huhtamaki Australia Limited
225 Wellington Road Mulgrave Victoria 3170 Australia
(72) Name(s) of Designer(s): **Paul Dauffurn**
(45) Registration Date: **12 October 2005**
(56) Related Art Documents: **Not Applicable**
(57) Statement of Newness and Distinctiveness: **In considering the newness or distinctiveness of the design, regard is to be given to the overall shape and/or configuration of a container having a base and lid as shown in the representations.**



(21) Design Number: **11396/2005**

(22) Date of Filing Application: **06 April 2005**

(24) Date from which industrial property rights may have effect: **06 April 2005**

(54) Product in respect of which the design is registered: **Tank**

(51) International Design Classification: **23-01F**

(71) Name(s) and Address(s) of Applicant(s):

David Mark Steele

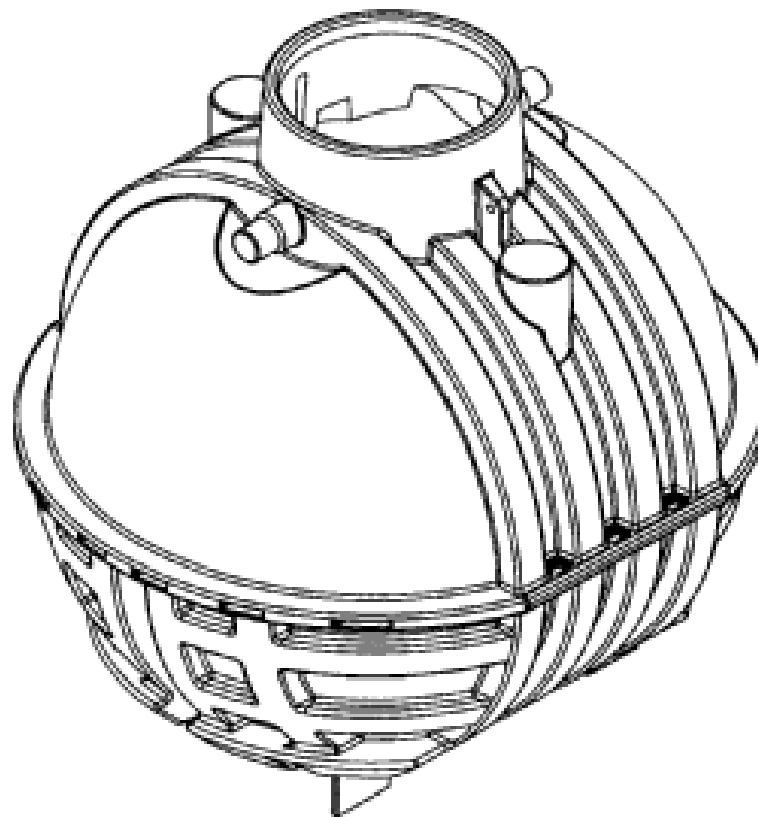
56 Pye Street Swan Hill Victoria 3585 Australia

(72) Name(s) of Designer(s): **David Mark Steele**

(45) Registration Date: **12 October 2005**

(56) Related Art Documents: **Not Applicable**

(57) Statement of Newness and Distinctiveness: **Those visual features of the tank depicted in the representations that are new and distinctive are the shape and/or configuration.**



(21) Design Number: **11397/2005**

(22) Date of Filing Application: **06 April 2005**

(24) Date from which industrial property rights may have effect: **06 April 2005**

(54) Product in respect of which the design is registered: **Tank**

(51) International Design Classification: **23-01F**

(71) Name(s) and Address(s) of Applicant(s):

David Mark Steele

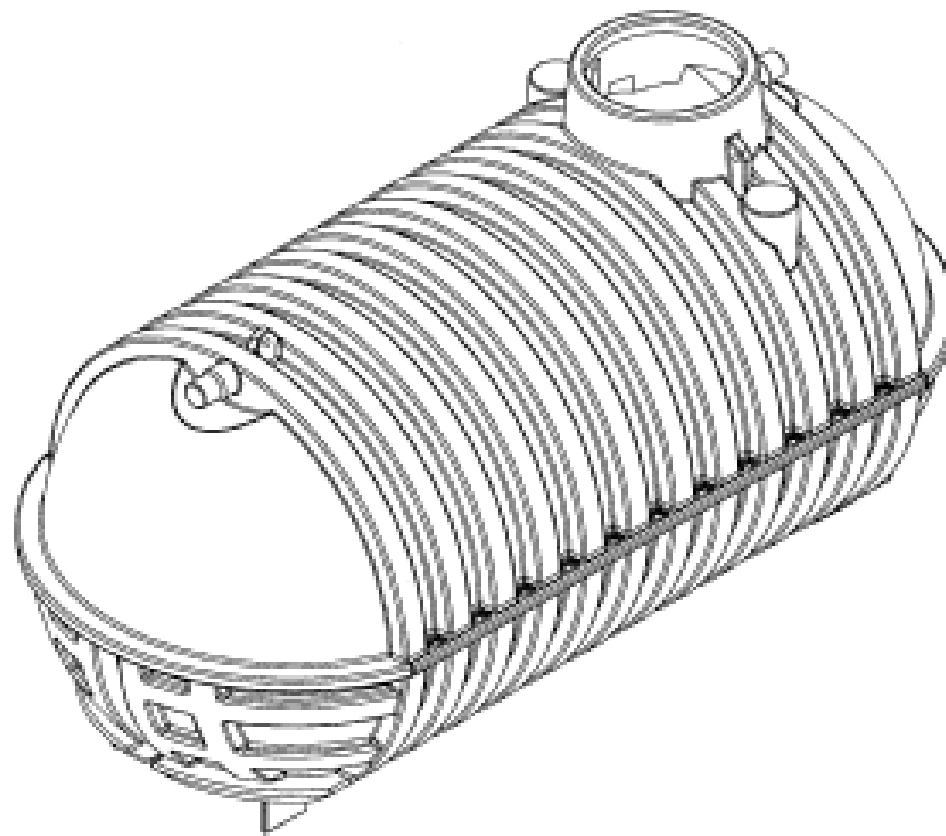
56 Pye Street Swan Hill Victoria 3585 Australia

(72) Name(s) of Designer(s): **David Mark Steele**

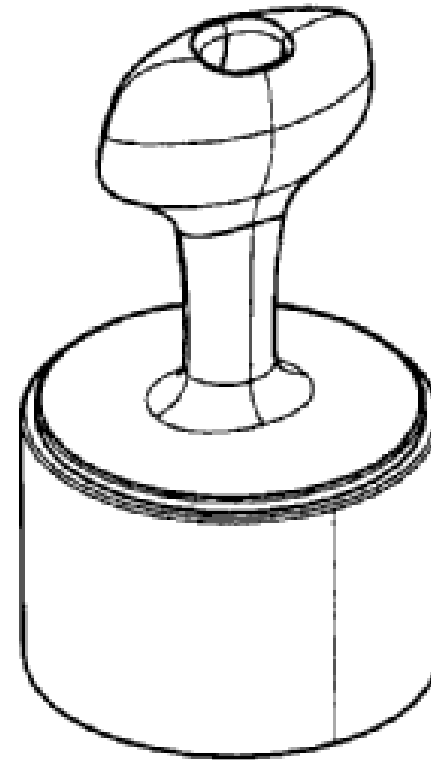
(45) Registration Date: **12 October 2005**

(56) Related Art Documents: **Not Applicable**

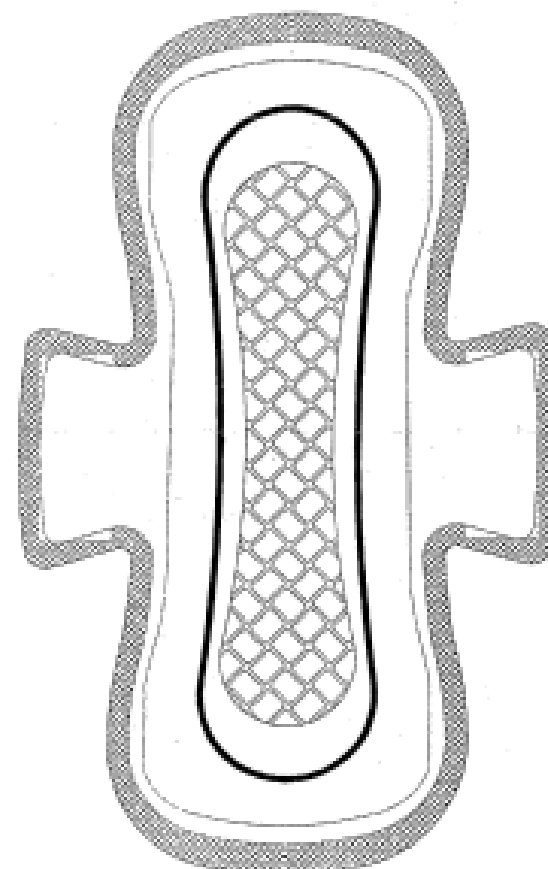
(57) Statement of Newness and Distinctiveness: **Those visual features of the tank depicted in the representations that are new and distinctive are the shape and/or configuration.**



- (21) Design Number: **11436/2005**
(22) Date of Filing Application: **08 April 2005**
(24) Date from which industrial property rights may have effect: **08 April 2005**
(54) Product in respect of which the design is registered: **Closure to the opening of a bottle**
(51) International Design Classification: **09-07C**
(71) Name(s) and Address(s) of Applicant(s):
Smilestraw Pty Ltd
128 Kooyong Road Armadale Victoria 3143 Australia
(72) Name(s) of Designer(s): **Julia McKinley Anderson**
(45) Registration Date: **12 October 2005**
(56) Related Art Documents: **Not Applicable**
(57) Statement of Newness and Distinctiveness: **New because the narrowest point is at the base of the bottle cup. New because the top is wider than the base.**



- (21) Design Number: **11440/2005**
(22) Date of Filing Application: **08 April 2005**
(24) Date from which industrial property rights may have effect: **15 December 2003**
(54) Product in respect of which the design is registered: **Sanitary napkin**
(51) International Design Classification: **24-04**
(71) Name(s) and Address(s) of Applicant(s):
McNeil-PPC Inc.
Grandview Road Skillman New Jersey 08554 United States of America
(72) Name(s) of Designer(s): **Brian Michael Drzewiecki and Robert J. Graeme III and John Thomas Ulman**
(45) Registration Date: **12 October 2005**
(62) Divisional of: **04446/2003**
(56) Related Art Documents: **Not Applicable**
(57) Statement of Newness and Distinctiveness: **Newness and distinctiveness resides in the shape and/or configuration of the sanitary napkin as shown in the accompanying representations.**



(21) Design Number: **11446/2005**

(22) Date of Filing Application: **08 April 2005**

(24) Date from which industrial property rights may have effect: **08 April 2005**

(54) Product in respect of which the design is registered: **Baking dish for the home ovens**

(51) International Design Classification: **07-02N**

(71) Name(s) and Address(s) of Applicant(s):

Equipment Tech Pty Ltd

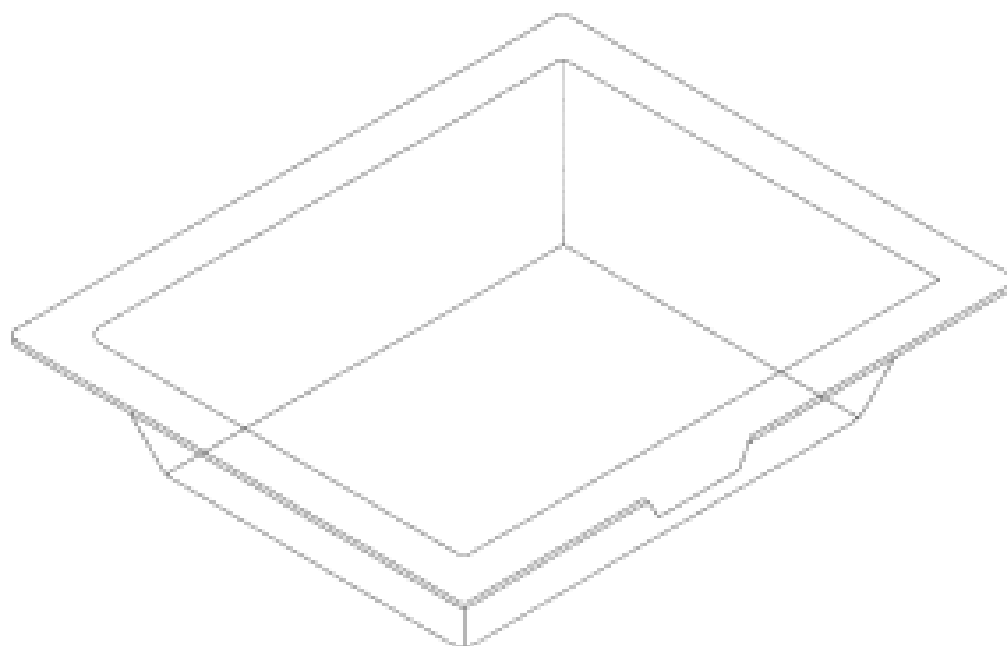
79 Percival Road Smithfield New South Wales 2164 Australia

(72) Name(s) of Designer(s): **Bruce Harding**

(45) Registration Date: **12 October 2005**

(56) Related Art Documents: **Not Applicable**

(57) Statement of Newness and Distinctiveness: **The shape and configuration which is needed for the baking dish to fit in to all home ovens.**



(21) Design Number: **11520/2005**

(22) Date of Filing Application: **14 April 2005**

(24) Date from which industrial property rights may have effect: **14 April 2005**

(54) Product in respect of which the design is registered: **Lever handle**

(51) International Design Classification: **08-06**

(71) Name(s) and Address(s) of Applicant(s):

Assa Abloy Australia Pty Limited

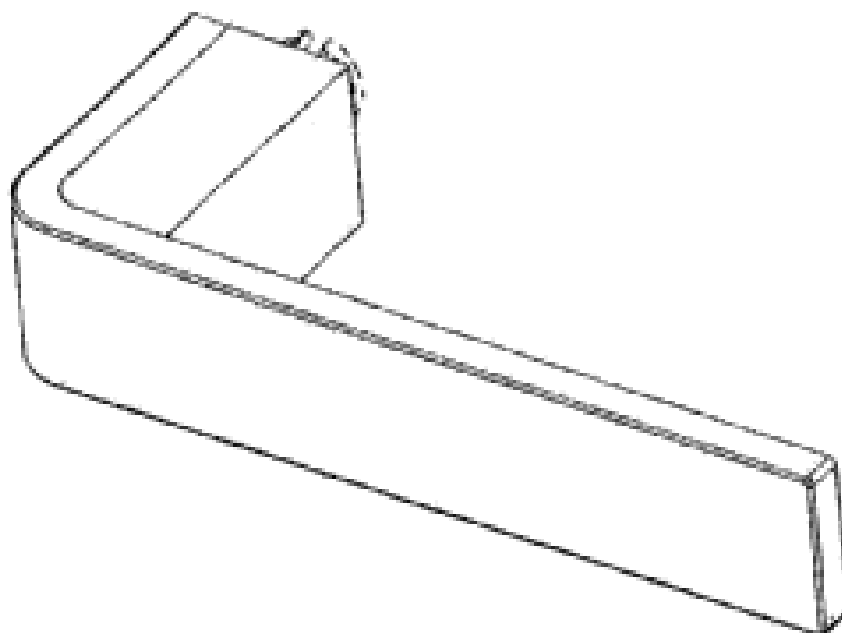
50 Edward Street Oakleigh Victoria 3166 Australia

(72) Name(s) of Designer(s): **Shareen Joel**

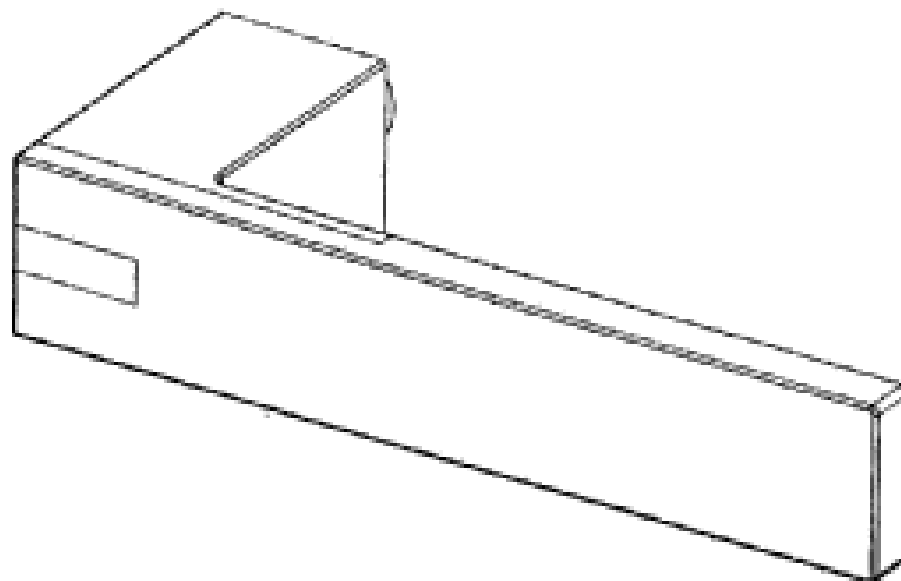
(45) Registration Date: **12 October 2005**

(56) Related Art Documents: **Not Applicable**

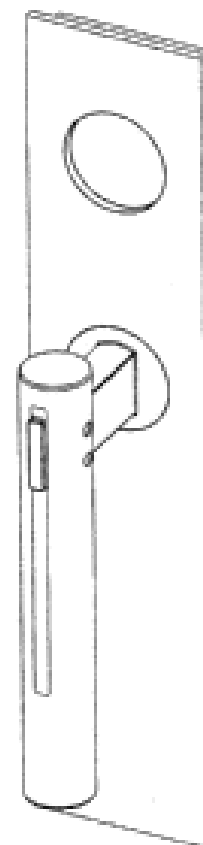
(57) Statement of Newness and Distinctiveness: **Nil**



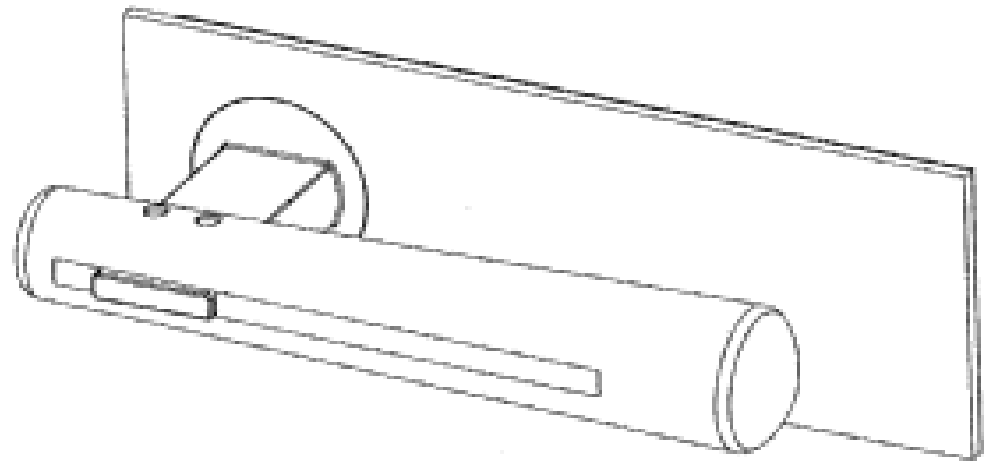
(21) Design Number: **11521/2005**
(22) Date of Filing Application: **14 April 2005**
(24) Date from which industrial property rights may have effect: **14 April 2005**
(54) Product in respect of which the design is registered: **Lever handle**
(51) International Design Classification: **08-06**
(71) Name(s) and Address(s) of Applicant(s):
Asa Abloy Australia Pty Limited
50 Edward Street Oakleigh Victoria 3166 Australia
(72) Name(s) of Designer(s): **Shareen Joel**
(45) Registration Date: **12 October 2005**
(56) Related Art Documents: **Not Applicable**
(57) Statement of Newness and Distinctiveness: **Nil**



(21) Design Number: **11522/2005**
(22) Date of Filing Application: **14 April 2005**
(24) Date from which industrial property rights may have effect: **14 April 2005**
(54) Product in respect of which the design is registered: **Lever handle & plate**
(51) International Design Classification: **08-06**
(71) Name(s) and Address(s) of Applicant(s):
Asa Abloy Australia Pty Limited
50 Edward Street Oakleigh Victoria 3166 Australia
(72) Name(s) of Designer(s): **Craig Rossetti**
(45) Registration Date: **12 October 2005**
(56) Related Art Documents: **Not Applicable**
(57) Statement of Newness and Distinctiveness: **Nil**



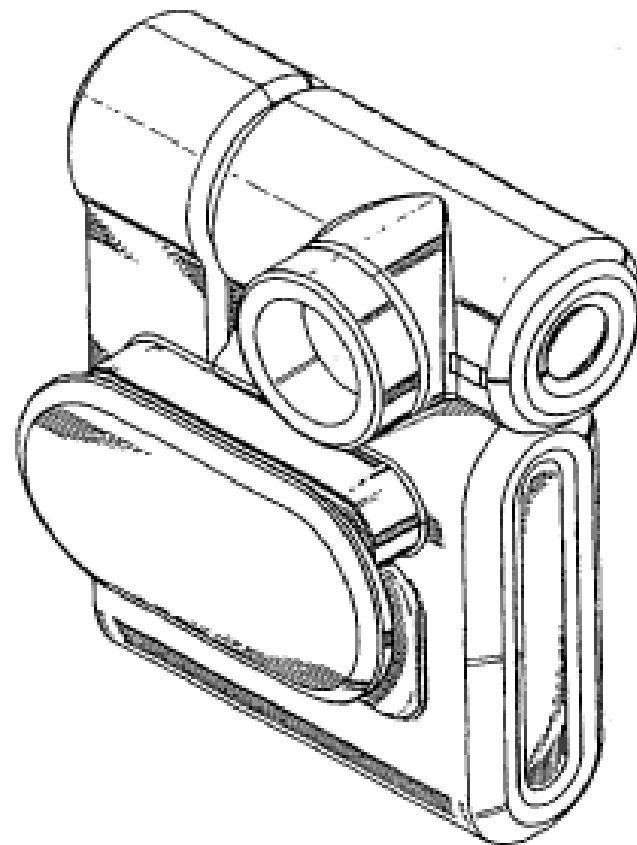
(21) Design Number: **11523/2005**
(22) Date of Filing Application: **14 April 2005**
(24) Date from which industrial property rights may have effect: **14 April 2005**
(54) Product in respect of which the design is registered: **Lever handle & plate**
(51) International Design Classification: **08-06**
(71) Name(s) and Address(s) of Applicant(s):
Assa Abloy Australia Pty Limited
50 Edward Street Oakleigh Victoria 3166 Australia
(72) Name(s) of Designer(s): **Craig Rossetti**
(45) Registration Date: **12 October 2005**
(56) Related Art Documents: **Not Applicable**
(57) Statement of Newness and Distinctiveness: **Nil**



(21) Design Number: **11524/2005**
(22) Date of Filing Application: **14 April 2005**
(24) Date from which industrial property rights may have effect: **14 April 2005**
(54) Product in respect of which the design is registered: **Camera**
(51) International Design Classification: **16-01**
(71) Name(s) and Address(s) of Applicant(s):
Creative Technology Ltd
31 International Business Park Creative Resource Singapore 609921
(72) Name(s) of Designer(s): **Jason Tan**
(45) Registration Date: **12 October 2005**
(30) Convention priority data:

(31) Number	(32) Date	(33) Country
29/222,548	31 Jan 2005	UNITED STATES OF AMERICA

(56) Related Art Documents: **Not Applicable**
(57) Statement of Newness and Distinctiveness: **Monopoly is claimed in the shape and configuration of the features of the article as depicted in the accompanying representations. The applicant claims monopoly in the features of the article depicted in solid lines.**



(21) Design Number: **11537/2005**
(22) Date of Filing Application: **15 April 2005**
(24) Date from which industrial property rights may have effect: **15 April 2005**
(54) Product in respect of which the design is registered: **Grinding tool**
(51) International Design Classification: **08-05N**
(71) Name(s) and Address(s) of Applicant(s):

Robert Bosch G.m.b.H
Postfach 30 02 20 D-70442 Stuttgart Germany

(72) Name(s) of Designer(s): **V. Hans-Peter Aglassinger**

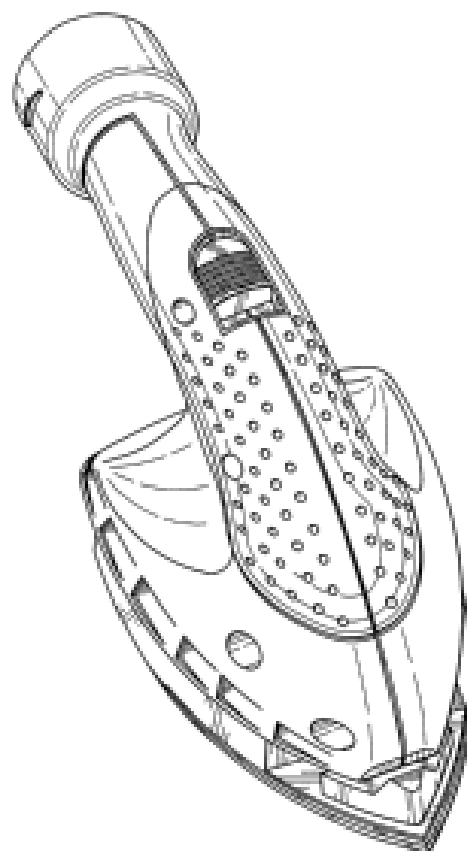
(45) Registration Date: **12 October 2005**

(30) Convention priority data:

(31) Number	(32) Date	(33) Country
40501033.8	22 Feb 2005	GERMANY

(56) Related Art Documents: **Not Applicable**

(57) Statement of Newness and Distinctiveness: **Nil**



(21) Design Number: **11538/2005**
(22) Date of Filing Application: **15 April 2005**
(24) Date from which industrial property rights may have effect: **15 April 2005**
(54) Product in respect of which the design is registered: **A golf club head**
(51) International Design Classification: **21-02C**
(71) Name(s) and Address(s) of Applicant(s):

Callaway Golf Company
2180 Rutherford Road Carlsbad California 92008 United States of America

(72) Name(s) of Designer(s): **Catherine Brookshire-Herron and Garth W. Smith**

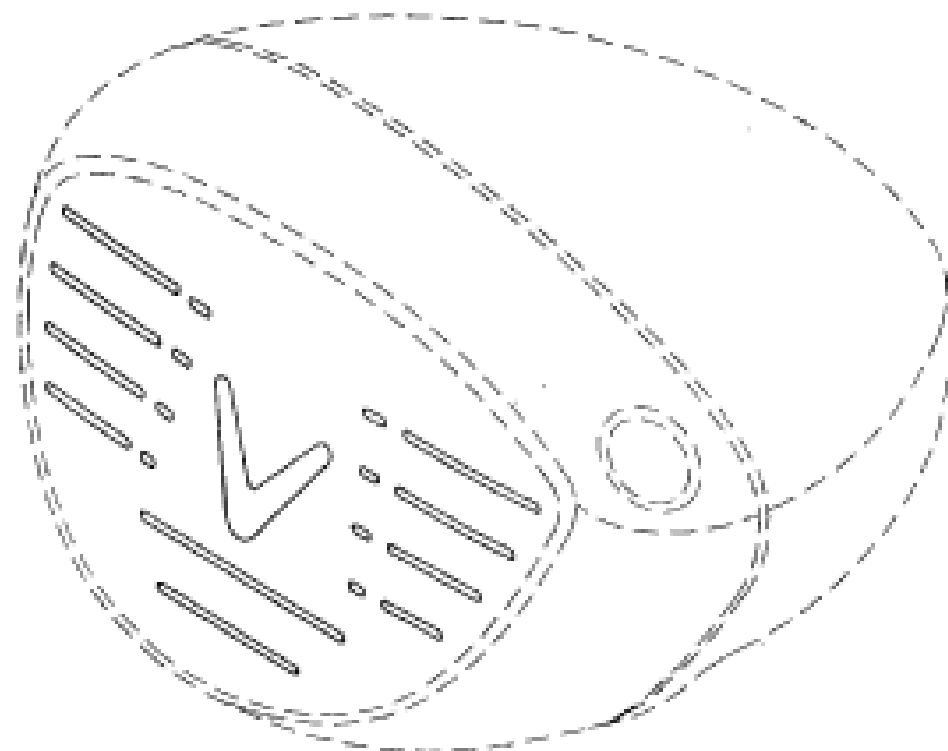
(45) Registration Date: **12 October 2005**

(30) Convention priority data:

(31) Number	(32) Date	(33) Country
29/215225	15 Oct 2004	UNITED STATES OF AMERICA

(56) Related Art Documents: **Not Applicable**

(57) Statement of Newness and Distinctiveness: **Newness and distinctiveness is claimed in the features of a scoreline pattern of a golf club head as illustrated in the accompanying representations.**



- (21) Design Number: **11539/2005**
(22) Date of Filing Application: **15 April 2005**
(24) Date from which industrial property rights may have effect: **15 April 2005**
(54) Product in respect of which the design is registered: **Rear combination lamp for an automobile**
(51) International Design Classification: **26-06**
(71) Name(s) and Address(s) of Applicant(s):
Toyota Jidosha Kabushiki Kaisha
1 Toyota-cho Toyota-shi Aichi-ken 471-8571 Japan
(72) Name(s) of Designer(s): **Ryosuke Tairadate**
(45) Registration Date: **12 October 2005**
(56) Related Art Documents: **Not Applicable**
(57) Statement of Newness and Distinctiveness: **Newness and distinctiveness is claimed in the features of shape and/or configuration of a rear combination lamp for an automobile as illustrated in the accompanying representations.**



- (21) Design Number: **11540/2005**
(22) Date of Filing Application: **15 April 2005**
(24) Date from which industrial property rights may have effect: **15 April 2005**
(54) Product in respect of which the design is registered: **Automobile**
(51) International Design Classification: **12-08**
(71) Name(s) and Address(s) of Applicant(s):
Toyota Jidosha Kabushiki Kaisha
1 Toyota-cho Toyota-shi Aichi-ken 471-8571 Japan
(72) Name(s) of Designer(s): **Hiroya Kitazumi**
(45) Registration Date: **12 October 2005**
(56) Related Art Documents: **Not Applicable**
(57) Statement of Newness and Distinctiveness: **Newness and distinctiveness is claimed in the features of shape and/or configuration of an automobile as illustrated in the accompanying representations.**



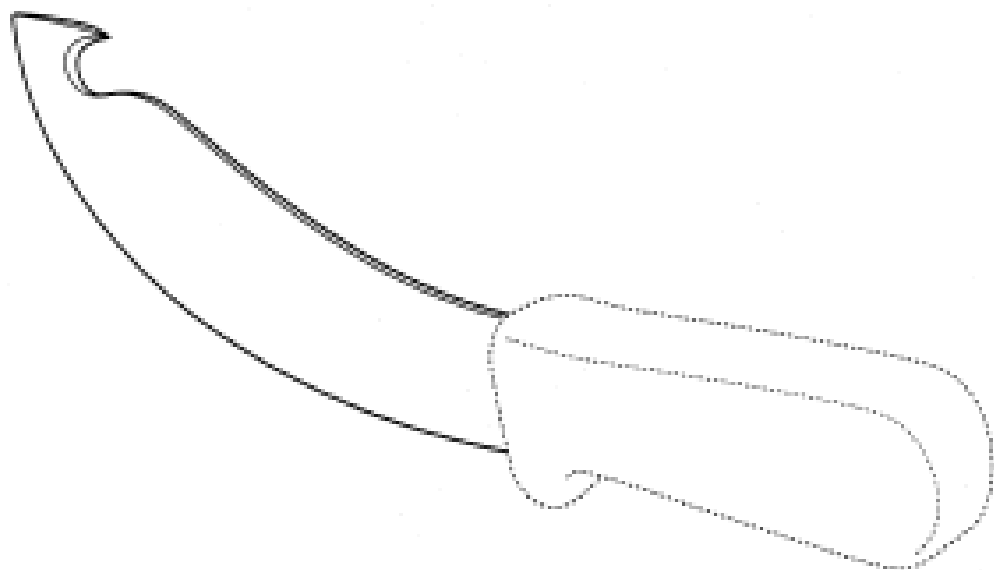
- (21) Design Number: **11544/2005**
(22) Date of Filing Application: **15 April 2005**
(24) Date from which industrial property rights may have effect: **15 April 2005**
(54) Product in respect of which the design is registered: **Automobile**
(51) International Design Classification: **12-08**
(71) Name(s) and Address(s) of Applicant(s):
Toyota Jidosha Kabushiki Kaisha
1 Toyota-cho Toyota-shi Aichi-ken 471-8571 Japan
(72) Name(s) of Designer(s): **Hiroya Kitazumi**
(45) Registration Date: **12 October 2005**
(56) Related Art Documents: **Not Applicable**
(57) Statement of Newness and Distinctiveness: **Newness and distinctiveness is claimed in the features of shape and/or configuration of an automobile as illustrated in the accompanying representations.**



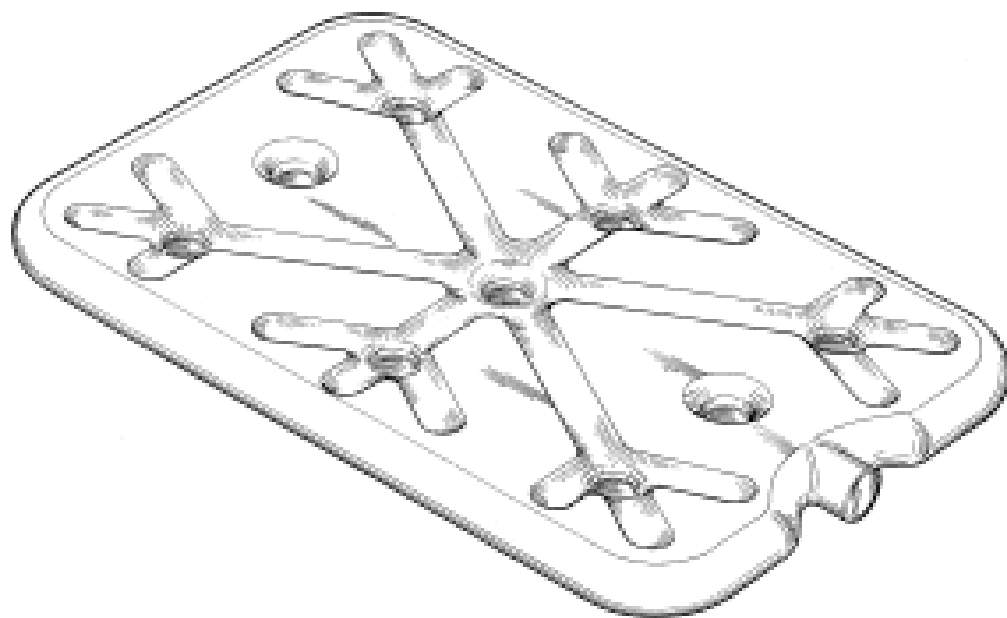
- (21) Design Number: **11545/2005**
(22) Date of Filing Application: **15 April 2005**
(24) Date from which industrial property rights may have effect: **15 April 2005**
(54) Product in respect of which the design is registered: **Front grill for an automobile**
(51) International Design Classification: **12-16B**
(71) Name(s) and Address(s) of Applicant(s):
Toyota Jidosha Kabushiki Kaisha
1 Toyota-cho Toyota-shi Aichi-ken 471-8571 Japan
(72) Name(s) of Designer(s): **Shigetoshi Kouzai**
(45) Registration Date: **12 October 2005**
(56) Related Art Documents: **Not Applicable**
(57) Statement of Newness and Distinctiveness: **Newness and distinctiveness is claimed in the features of shape and/or configuration of a front grill for an automobile as illustrated in the accompanying representations.**



- (21) Design Number: **11546/2005**
(22) Date of Filing Application: **18 April 2005**
(24) Date from which industrial property rights may have effect: **18 April 2005**
(54) Product in respect of which the design is registered: **A bile duct knife**
(51) International Design Classification: **08-03**
(71) Name(s) and Address(s) of Applicant(s):
Richard Sydney Wigg
98 Macalister Street Murgon Queensland 4605 Australia
Kelie Ann Wigg
98 Macalister Street Murgon Queensland 4605 Australia
(72) Name(s) of Designer(s): **Richard Sydney Wigg and Kelie Ann Wigg**
(45) Registration Date: **12 October 2005**
(56) Related Art Documents: **Not Applicable**
(57) Statement of Newness and Distinctiveness: **Newness and distinctiveness resides in the shape and configuration of a bile duct knife as shown in the accompanying representations. Those parts of the knife which are shown in dotted lines are to be disregarded.**



- (21) Design Number: **11550/2005**
(22) Date of Filing Application: **18 April 2005**
(24) Date from which industrial property rights may have effect: **18 April 2005**
(54) Product in respect of which the design is registered: **Cooler block**
(51) International Design Classification: **07-07A**
(71) Name(s) and Address(s) of Applicant(s):
The Decor Corporation Pty Ltd
1314 Ferntree Gully Road Scoresby Victoria 3179 Australia
(72) Name(s) of Designer(s): **Arthur Richard Carlson**
(45) Registration Date: **12 October 2005**
(56) Related Art Documents: **Not Applicable**
(57) Statement of Newness and Distinctiveness: **Nil**



(21) Design Number: **11554/2005**

(22) Date of Filing Application: **19 April 2005**

(24) Date from which industrial property rights may have effect: **19 April 2005**

(54) Product in respect of which the design is registered: **Platform module**

(51) International Design Classification: **06-06NES**

(71) Name(s) and Address(s) of Applicant(s):

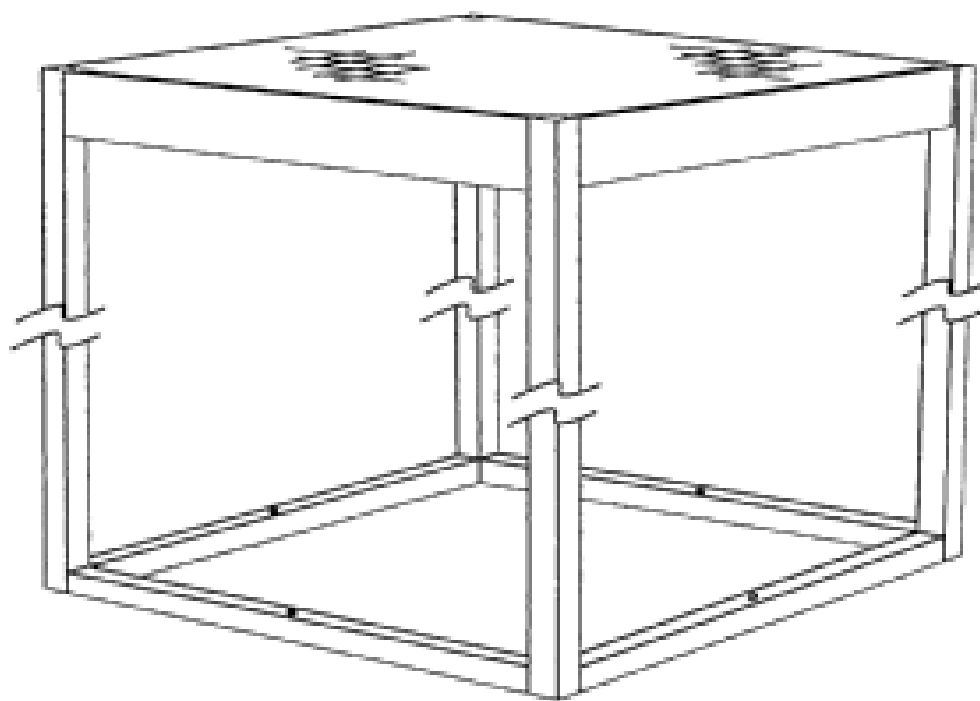
John Curtis Wilson
Cnr Union and Merewether Sts Merewether New South Wales 2291
Australia

(72) Name(s) of Designer(s): **John Curtis Wilson**

(45) Registration Date: **12 October 2005**

(56) Related Art Documents: **Not Applicable**

(57) Statement of Newness and Distinctiveness: **Nil**



(21) Design Number: **11555/2005**

(22) Date of Filing Application: **19 April 2005**

(24) Date from which industrial property rights may have effect: **19 April 2005**

(54) Product in respect of which the design is registered: **Staircase module**

(51) International Design Classification: **25-04**

(71) Name(s) and Address(s) of Applicant(s):

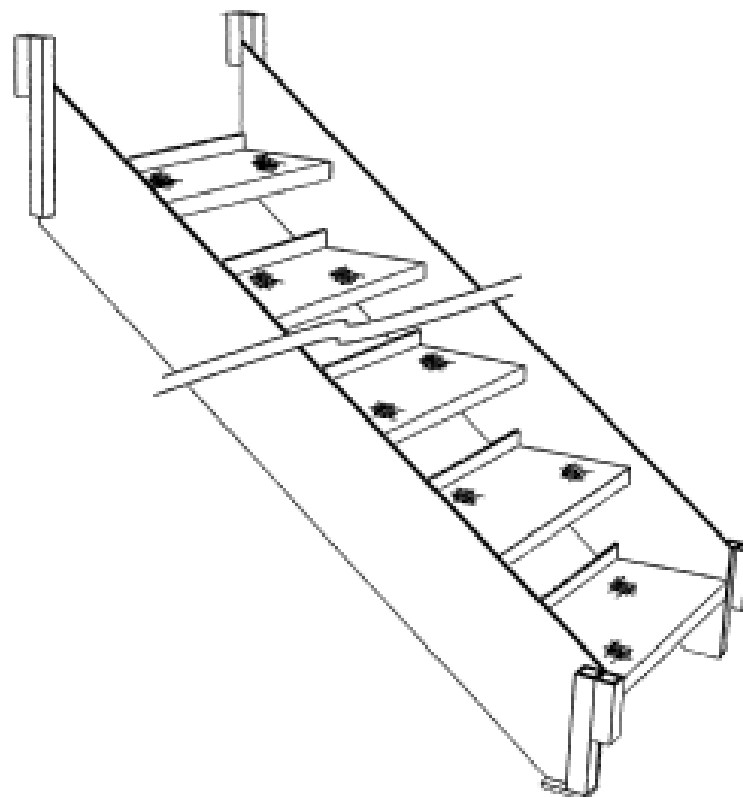
John Curtis Wilson
Cnr Union and Merewether Sts Merewether New South Wales 2291
Australia

(72) Name(s) of Designer(s): **John Curtis Wilson**

(45) Registration Date: **12 October 2005**

(56) Related Art Documents: **Not Applicable**

(57) Statement of Newness and Distinctiveness: **Nil**



(21) Design Number: **11556/2005**

(22) Date of Filing Application: **19 April 2005**

(24) Date from which industrial property rights may have effect: **19 April 2005**

(54) Product in respect of which the design is registered: **Platform module**

(51) International Design Classification: **06-06NES, 25-02NES**

(71) Name(s) and Address(s) of Applicant(s):

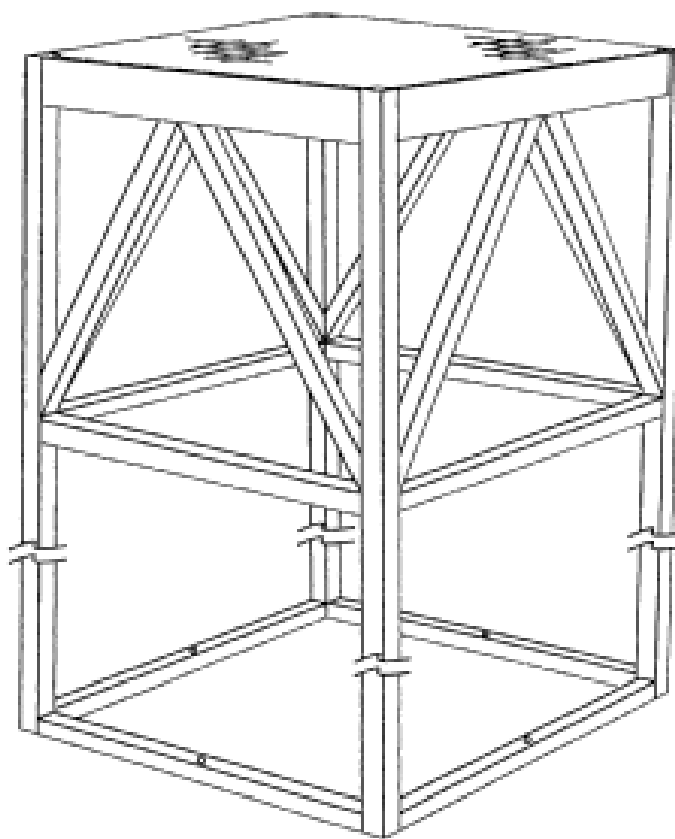
John Curtis Wilson
Cnr Union and Merewether Sts Merewether New South Wales 2291
Australia

(72) Name(s) of Designer(s): **John Curtis Wilson**

(45) Registration Date: **12 October 2005**

(56) Related Art Documents: **Not Applicable**

(57) Statement of Newness and Distinctiveness: **Nil**



(21) Design Number: **11558/2005**

(22) Date of Filing Application: **18 April 2005**

(24) Date from which industrial property rights may have effect: **18 April 2005**

(54) Product in respect of which the design is registered: **Water meter cover**

(51) International Design Classification: **10-04**

(71) Name(s) and Address(s) of Applicant(s):

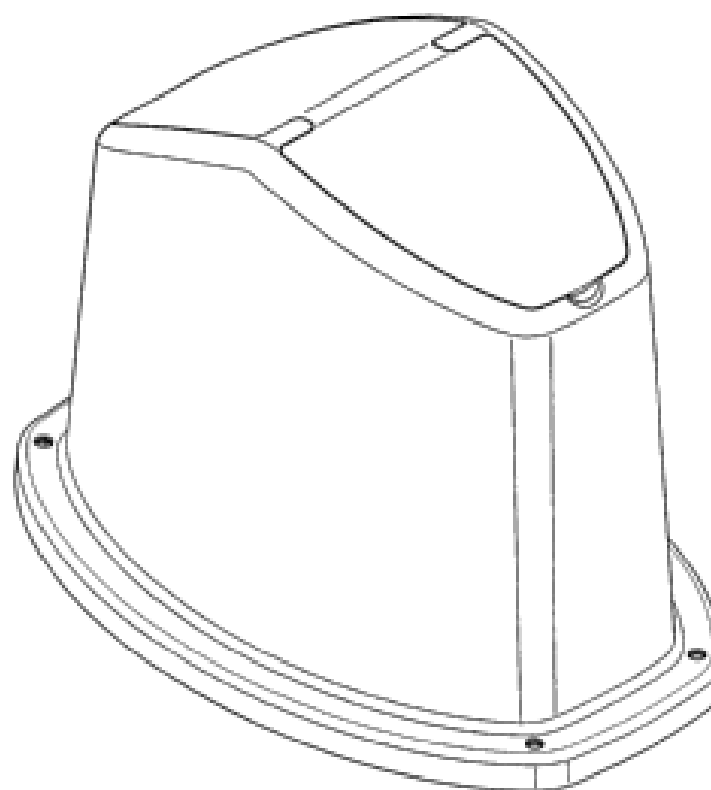
Scott Edward Murphy
10 Hallett Close Sheidow Park South Australia 5158 Australia

(72) Name(s) of Designer(s): **Scott Edward Murphy**

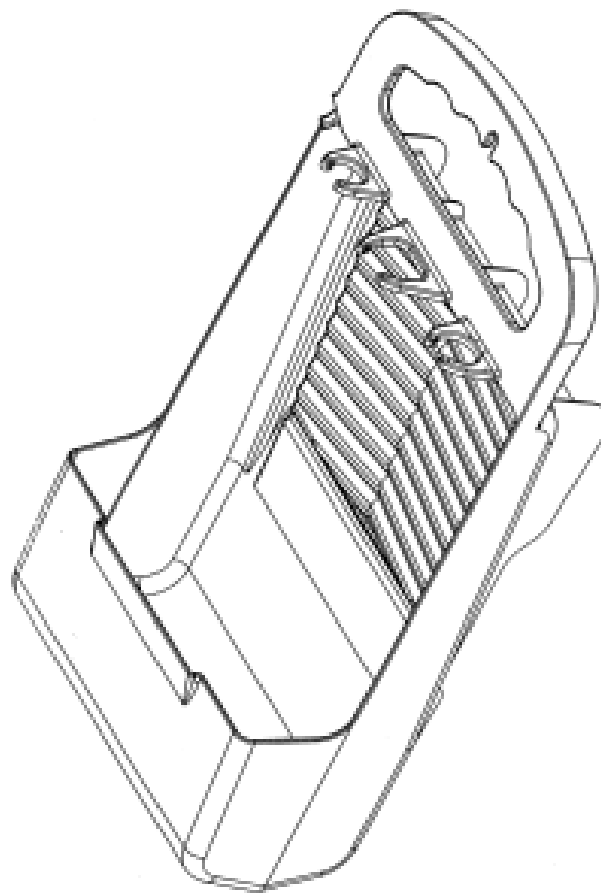
(45) Registration Date: **12 October 2005**

(56) Related Art Documents: **Not Applicable**

(57) Statement of Newness and Distinctiveness: **Nil**



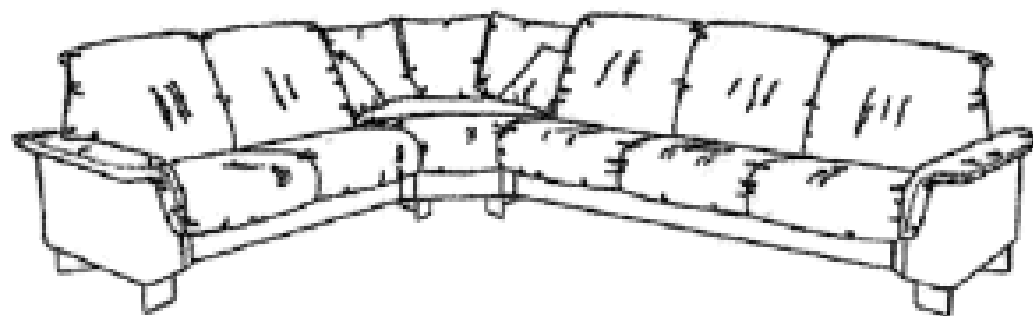
- (21) Design Number: **11559/2005**
(22) Date of Filing Application: **18 April 2005**
(24) Date from which industrial property rights may have effect: **18 April 2005**
(54) Product in respect of which the design is registered: **Vertical paint tray and paint bucket**
(51) International Design Classification: **08-05L**
(71) Name(s) and Address(s) of Applicant(s):
Uni-Pro Painting Equipment Pty Ltd
Factory 9 78/80 Bayfield Road Bayswater Victoria 3153 Australia
(72) Name(s) of Designer(s): **Ken Simpson**
(45) Registration Date: **12 October 2005**
(56) Related Art Documents: **Not Applicable**
(57) Statement of Newness and Distinctiveness: **The shape and configuration of the product is new and distinctive.**



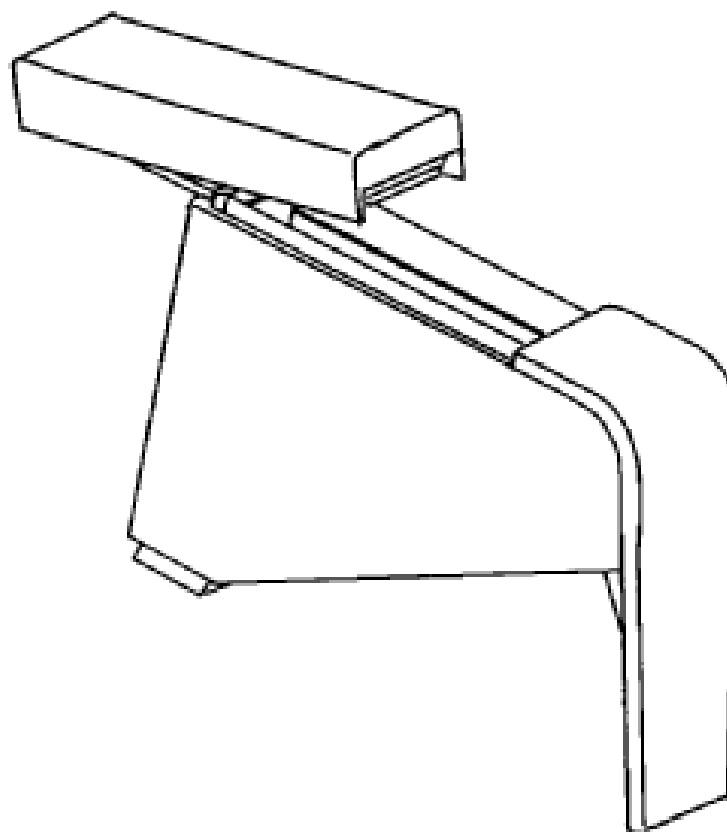
- (21) Design Number: **11582/2005**
(22) Date of Filing Application: **19 April 2005**
(24) Date from which industrial property rights may have effect: **19 April 2005**
(54) Product in respect of which the design is registered: **Sofa**
(51) International Design Classification: **06-01G**
(71) Name(s) and Address(s) of Applicant(s):
Ekornes ASA
N-6222 Ikornnes Norway
(72) Name(s) of Designer(s): **Jan Lade**
(45) Registration Date: **12 October 2005**
(30) Convention priority data:

(31) Number	(32) Date	(33) Country
20040597	20 Oct 2004	NORWAY

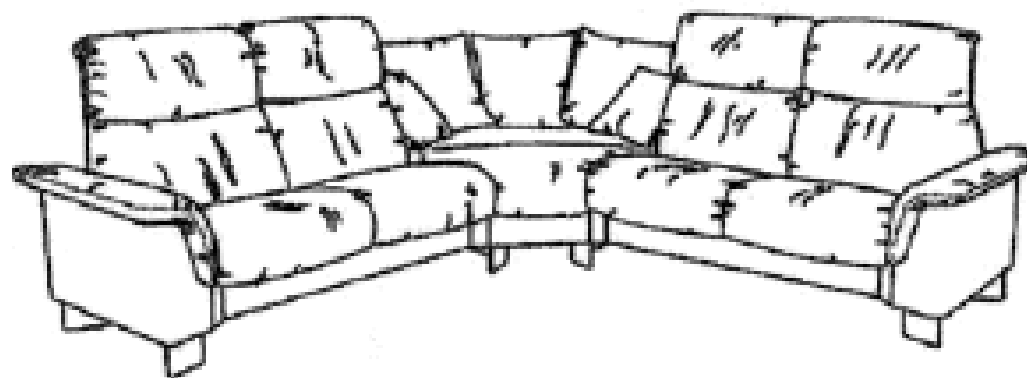
(56) Related Art Documents: **Not Applicable**
(57) Statement of Newness and Distinctiveness: **Nil**



(21) Design Number: **11583/2005**
(22) Date of Filing Application: **19 April 2005**
(24) Date from which industrial property rights may have effect: **19 April 2005**
(54) Product in respect of which the design is registered: **Side member for a sofa or the like**
(51) International Design Classification: **06-06G**
(71) Name(s) and Address(s) of Applicant(s):
Ekornes ASA
N-6222 Ikornnes Norway
(72) Name(s) of Designer(s): **Harald Relling**
(45) Registration Date: **12 October 2005**
(30) Convention priority data:
(31) Number (32) Date (33) Country
20040596 20 Oct 2004 NORWAY
(56) Related Art Documents: **Not Applicable**
(57) Statement of Newness and Distinctiveness: **Nil**



(21) Design Number: **11586/2005**
(22) Date of Filing Application: **19 April 2005**
(24) Date from which industrial property rights may have effect: **19 April 2005**
(54) Product in respect of which the design is registered: **Sofa**
(51) International Design Classification: **06-01G**
(71) Name(s) and Address(s) of Applicant(s):
Ekornes ASA
N-6222 Ikornnes Norway
(72) Name(s) of Designer(s): **Jan Lade**
(45) Registration Date: **12 October 2005**
(30) Convention priority data:
(31) Number (32) Date (33) Country
20040597 20 Oct 2004 NORWAY
(56) Related Art Documents: **Not Applicable**
(57) Statement of Newness and Distinctiveness: **Nil**



(21) Design Number: **11620/2005**

(22) Date of Filing Application: **21 April 2005**

(24) Date from which industrial property rights may have effect: **21 April 2005**

(54) Product in respect of which the design is registered: **A cylindrical jigsaw puzzle**

(51) International Design Classification: **21-01M**

(71) Name(s) and Address(s) of Applicant(s):

Shih-Hung Chuang

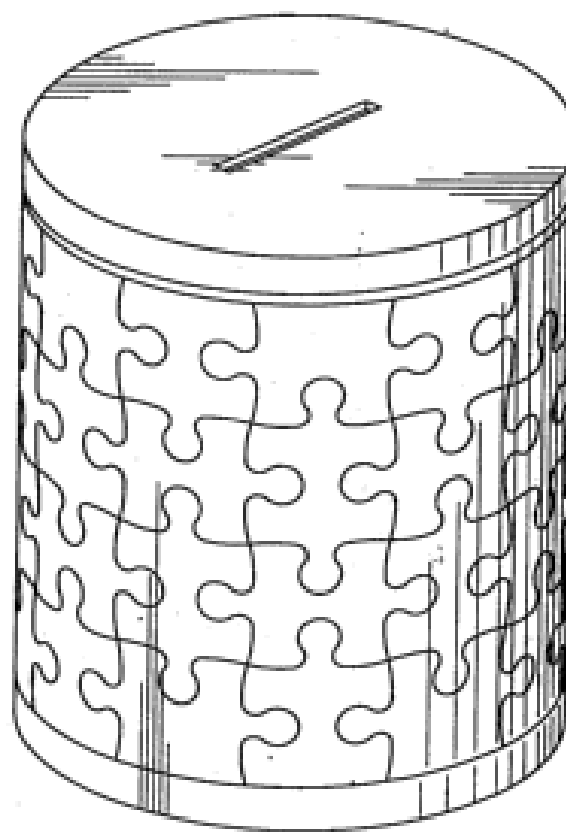
14F-2 No.343 Chungho Road Yungho City Taipei Hsien Taiwan

(72) Name(s) of Designer(s): **Shih-Hung Chuang**

(45) Registration Date: **12 October 2005**

(56) Related Art Documents: **Not Applicable**

(57) Statement of Newness and Distinctiveness: **Newness and distinctiveness resides in the features of shape, configuration and pattern of a cylindrical jigsaw puzzle as illustrated in the accompanying representations.**



(21) Design Number: **13569/2004**

(22) Date of Filing Application: **29 July 2004**

(24) Date from which industrial property rights may have effect: **29 July 2004**

(54) Product in respect of which the design is registered: **Clock**

(51) International Design Classification: **10-01**

(71) Name(s) and Address(s) of Applicant(s):

Veronica McMahon

80 Marillana Drive Golden Bay Western Australia 6174 Australia

(72) Name(s) of Designer(s): **Veronica McMahon**

(45) Registration Date: **17 October 2005**

(56) Related Art Documents: **Not Applicable**

(57) Statement of Newness and Distinctiveness: **Design is intended to be in carved jigsaw form - inlayed on wood - alternatively in plastic.**



(21) Design Number: **15504/2004**

(22) Date of Filing Application: **29 November 2004**

(24) Date from which industrial property rights may have effect: **29 November 2004**

(54) Product in respect of which the design is registered: **Eraser**

(51) International Design Classification: **19-06**

(71) Name(s) and Address(s) of Applicant(s):

Keith Livingstone Elder

Unit 10-2 James Street Shenton Park Western Australia 6008 Australia

(72) Name(s) of Designer(s): **Keith Livingstone Elder**

(45) Registration Date: **17 October 2005**

(56) Related Art Documents: **Not Applicable**

(57) Statement of Newness and Distinctiveness: **This new feature of the design are the shape and configuration of the eraser as shown in the accompanying representations.**



(21) Design Number: **10256/2005**

(22) Date of Filing Application: **24 January 2005**

(24) Date from which industrial property rights may have effect: **24 January 2005**

(54) Product in respect of which the design is registered: **Bidet (bid let)**

(51) International Design Classification: **23-02C**

(71) Name(s) and Address(s) of Applicant(s):

Kila El Amarna

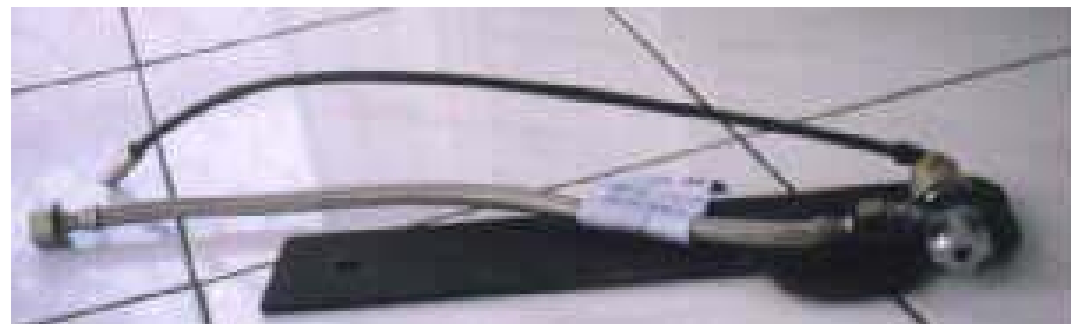
164 Hornibrook Esplanade Clontarf Queensland 4019 Australia

(72) Name(s) of Designer(s): **Kila El Amarna**

(45) Registration Date: **17 October 2005**

(56) Related Art Documents: **Not Applicable**

(57) Statement of Newness and Distinctiveness: **This bidet is totally portable - does not attach to the seat.**



- (21) Design Number: **10334/2005**
(22) Date of Filing Application: **28 January 2005**
(24) Date from which industrial property rights may have effect: **28 January 2005**
(54) Product in respect of which the design is registered: **Basket waste**
(51) International Design Classification: **23-02E**
(71) Name(s) and Address(s) of Applicant(s):
Art Plastics Pty Ltd
14 White Street Bayswater Western Australia 6053 Australia
(72) Name(s) of Designer(s): **Scott Johnstone**
(45) Registration Date: **17 October 2005**
(56) Related Art Documents: **Not Applicable**
(57) Statement of Newness and Distinctiveness: **Lower profile of body.**



- (21) Design Number: **10352/2005**
(22) Date of Filing Application: **31 January 2005**
(24) Date from which industrial property rights may have effect: **31 January 2005**
(54) Product in respect of which the design is registered: **Handbag**
(51) International Design Classification: **03-01A, 03-01D**
(71) Name(s) and Address(s) of Applicant(s):
Robyn Lucienne
5/45 Lamington Terrace Dutton Park Queensland 4102 Australia
(72) Name(s) of Designer(s): **Robyn Barbara Lucienne**
(45) Registration Date: **17 October 2005**
(56) Related Art Documents: **Not Applicable**
(57) Statement of Newness and Distinctiveness: **A monopoly is claimed over the locking case used as a handbag, called a handcase. Description and configurations. Ideal size 8"X 5"X 3". Lid depth 2"X 1" 3/4" overlap. Latch lock chain and peg. Corner protector covers caps. Padded pocket lining. See attached accompanying representations 1,2,3.**



(21) Design Number: **10457/2005**
 (22) Date of Filing Application: **04 February 2005**
 (24) Date from which industrial property rights may have effect: **04 February 2005**
 (54) Product in respect of which the design is registered: **Game machine**
 (51) International Design Classification: **21-03**
 (71) Name(s) and Address(s) of Applicant(s):

Aruze Corporation
Ariake Frontier Bldg. A 1-25 Ariake 3-chome Koto-ku Tokyo 135-0063
Japan

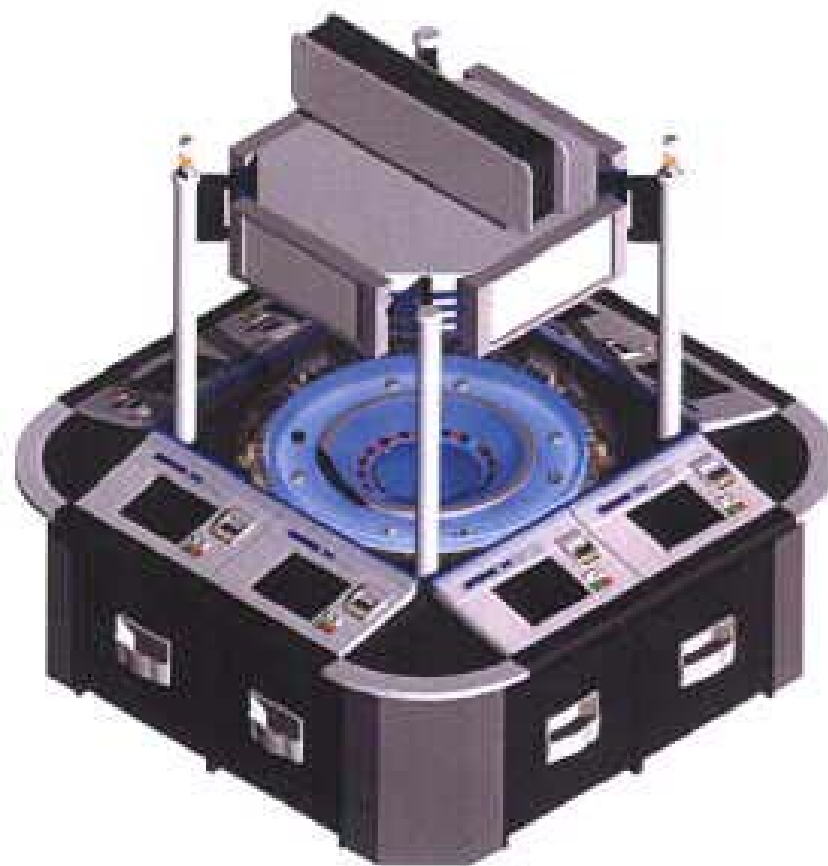
(72) Name(s) of Designer(s): **Jun Hirato and Yu Suzuki**
 (45) Registration Date: **17 October 2005**

(30) Convention priority data:

(31) Number	(32) Date	(33) Country
D2004-037902	10 Dec 2004	JAPAN

(56) Related Art Documents: **Not Applicable**

(57) Statement of Newness and Distinctiveness: **Newness and distinctiveness resides in the features of shape and/or configuration of a game machine as depicted in the accompanying representations. It is to be noted that the shaded portion in the drawing marked "A-A Cross-Section View Showing the Transparent Portion" and the protective plate in the drawing marked "C-C Cross-Section View with the Internal Mechanism Omitted" are transparent.**



(21) Design Number: **10458/2005**
 (22) Date of Filing Application: **04 February 2005**
 (24) Date from which industrial property rights may have effect: **04 February 2005**
 (54) Product in respect of which the design is registered: **Game machine**
 (51) International Design Classification: **21-03**
 (71) Name(s) and Address(s) of Applicant(s):

Aruze Corporation
Ariake Frontier Bldg. A 1-25 Ariake 3-chome Koto-ku Tokyo 135-0063
Japan

(72) Name(s) of Designer(s): **Jun Hirato and Yu Suzuki**
 (45) Registration Date: **17 October 2005**

(30) Convention priority data:

(31) Number	(32) Date	(33) Country
D2004-037900	10 Dec 2004	JAPAN

(56) Related Art Documents: **Not Applicable**

(57) Statement of Newness and Distinctiveness: **Newness and distinctiveness resides in the features of shape and/or configuration of a game machine as depicted in the accompanying representations.**



- (21) Design Number: **10541/2005**
(22) Date of Filing Application: **11 February 2005**
(24) Date from which industrial property rights may have effect: **11 February 2005**
(54) Product in respect of which the design is registered: **Storage rack**
(51) International Design Classification: **07-99C**
(71) Name(s) and Address(s) of Applicant(s):
Roy Weddell
No. 29 Drevesen Avenue Cleveland Queensland 4163 Australia
(72) Name(s) of Designer(s): **Roy Weddell**
(45) Registration Date: **17 October 2005**
(56) Related Art Documents: **Not Applicable**
(57) Statement of Newness and Distinctiveness: **The tube has had the top cut out of it to allow each section to be mounted on top or each other. The top section remains a full circle, and the tubes are mounted on a base to give stability. This system allows both square and round items to sit evenly in the tube.**



- (21) Design Number: **10181/2005**
(22) Date of Filing Application: **18 January 2005**
(24) Date from which industrial property rights may have effect: **18 January 2005**
(54) Product in respect of which the design is registered: **Surfboard**
(51) International Design Classification: **21-02D**
(71) Name(s) and Address(s) of Applicant(s):
Rowan McMath
47 Griffell Way Duncraig Western Australia 6023 Australia
(72) Name(s) of Designer(s): **Rowan McMath**
(45) Registration Date: **17 October 2005**
(56) Related Art Documents: **Not Applicable**
(57) Statement of Newness and Distinctiveness: **Originally (and now) when I created the design in 1984 I thought it had an artistic quality that lent itself to look like a walking humanoid, amongst other things.**



- (21) Design Number: **10566/2005**
(22) Date of Filing Application: **14 February 2005**
(24) Date from which industrial property rights may have effect: **14 February 2005**
(54) Product in respect of which the design is registered: **Lamps**
(51) International Design Classification: **26-03**
(71) Name(s) and Address(s) of Applicant(s):

Prince Joycen Doda
Gerhart-Hauptmann-Strasse 3 D26802 Moormerland- Warsingsfehn
Niedrsachsen Germany

(72) Name(s) of Designer(s): **Prince Joycen Doda**

(45) Registration Date: **17 October 2005**

(30) Convention priority data:

(31) Number	(32) Date	(33) Country
000216114-0001	03 Nov 2004	SPAIN

(56) Related Art Documents: **Not Applicable**

(57) Statement of Newness and Distinctiveness: **6 Pictures solar street lamps din A4, 6 pictures solar lamps din A4, 6 pictures solar wireless Lan din A4, 26, 05, ?wireless.**



- (21) Design Number: **10567/2005**
(22) Date of Filing Application: **14 February 2005**
(24) Date from which industrial property rights may have effect: **14 February 2005**
(54) Product in respect of which the design is registered: **Solar street lamps**
(51) International Design Classification: **26-03**
(71) Name(s) and Address(s) of Applicant(s):

Prince Joycen Doda
Gerhart-Hauptmann-Strasse 3 D26802 Moormerland- Warsingsfehn
Niedrsachsen Germany

(72) Name(s) of Designer(s): **Prince Joycen Doda**

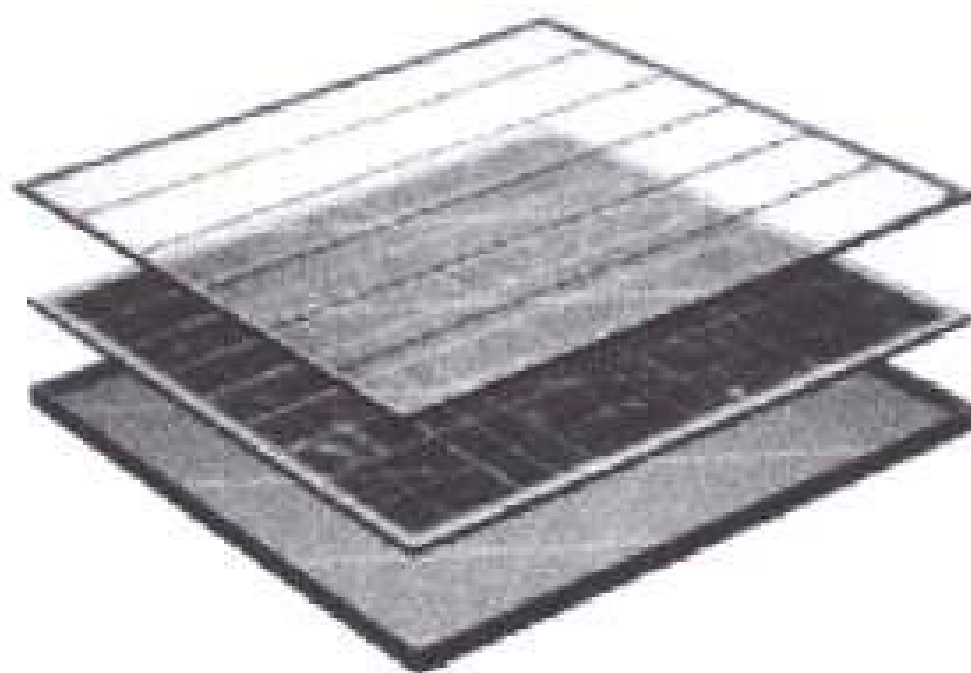
(45) Registration Date: **17 October 2005**

(30) Convention priority data:

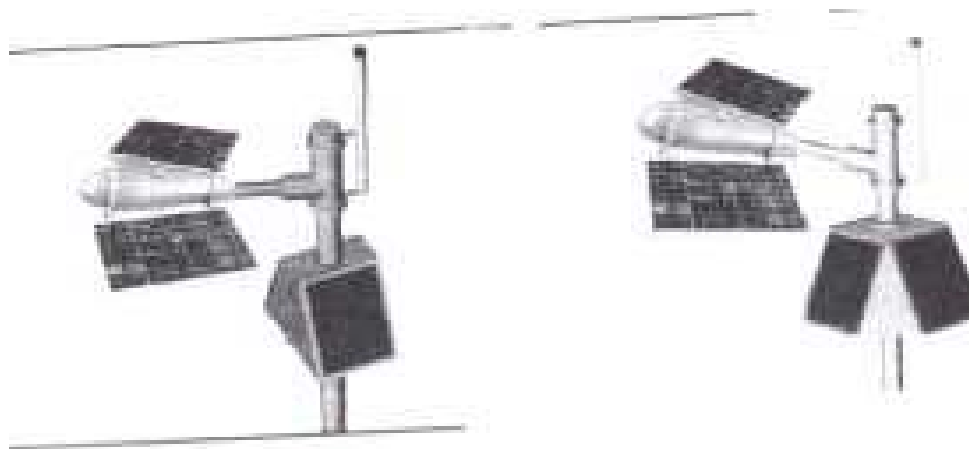
(31) Number	(32) Date	(33) Country
000216114-0001	03 Nov 2004	SPAIN

(56) Related Art Documents: **Not Applicable**

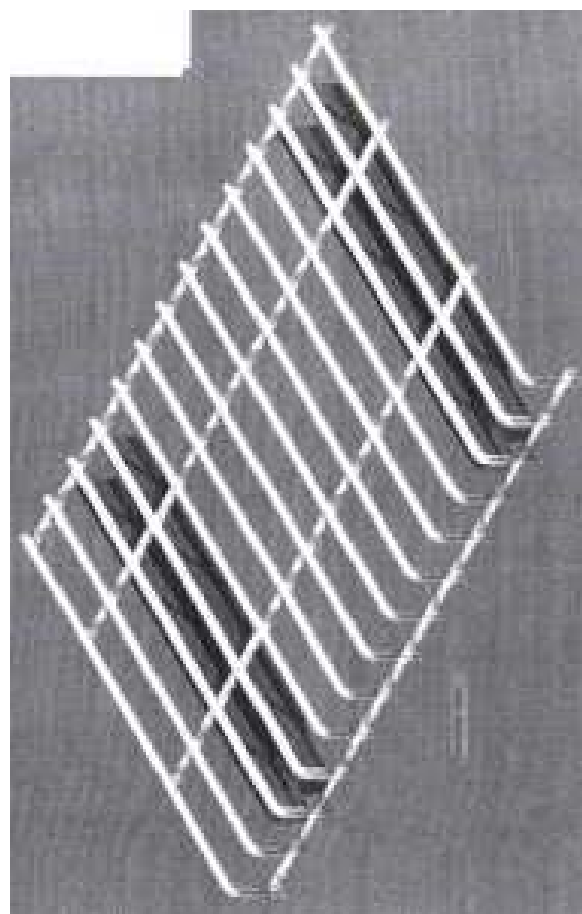
(57) Statement of Newness and Distinctiveness: **6 pictures solar street lamps din A4, 6 pictures solar lamps din A4, 6 pictures solar wireless lan din A4, 26, 05, ?wireless.**



(21) Design Number: **10568/2005**
(22) Date of Filing Application: **14 February 2005**
(24) Date from which industrial property rights may have effect: **14 February 2005**
(54) Product in respect of which the design is registered: **Wireless butterfly lamp**
(51) International Design Classification: **26-03**
(71) Name(s) and Address(s) of Applicant(s):
Prince Joycen Doda
Gerhart-Hauptmann-Strasse 3 D26802 Moormerland- Warsingsfehn
Niedrsachsen Germany
(72) Name(s) of Designer(s): **Prince Joycen Doda**
(45) Registration Date: **17 October 2005**
(30) Convention priority data:
(31) Number (32) Date (33) Country
000216114-0001 03 Nov 2004 SPAIN
(56) Related Art Documents: **Not Applicable**
(57) Statement of Newness and Distinctiveness: **6 pictures solar street lamps**
din A4, 6 pictures solar lamps din A4, 6 pictures solar wireless lan din
A4, 26, 05, ?wireless.



(21) Design Number: **10584/2005**
(22) Date of Filing Application: **15 February 2005**
(24) Date from which industrial property rights may have effect: **15 February 2005**
(54) Product in respect of which the design is registered: **A wire mesh deck**
support channel
(51) International Design Classification: **25-02C**
(71) Name(s) and Address(s) of Applicant(s):
Gisler Wire Products Pty Ltd
84 Ingleston Road Wakerley Queensland 4154 Australia
(72) Name(s) of Designer(s): **Jason Kenneth Gisler**
(45) Registration Date: **17 October 2005**
(56) Related Art Documents: **Not Applicable**
(57) Statement of Newness and Distinctiveness: **Monopoly is claimed in the**
shape and configuration of a wire mesh deck support channel as shown
in the accompanying representations. Novelty resides in the shape and
configuration of the support channels supporting the mesh deck.



(21) Design Number: **10859/2005**

(22) Date of Filing Application: **07 March 2005**

(24) Date from which industrial property rights may have effect: **07 March 2005**

(54) Product in respect of which the design is registered: **A moulded landscape for use with miniature figurines**

(51) International Design Classification: **11-02F, 21-01D**

(71) Name(s) and Address(s) of Applicant(s):

Glen W. Devison

18 Herbert Avenue Hoppers Crossing Victoria 3029 Australia

(72) Name(s) of Designer(s): **Glen W. Devison**

(45) Registration Date: **17 October 2005**

(56) Related Art Documents: **Not Applicable**

(57) Statement of Newness and Distinctiveness: **The item is designed to be a portable landscape with terrain features suitable for the type of miniature figurine.**



(21) Design Number: **10860/2005**

(22) Date of Filing Application: **07 March 2005**

(24) Date from which industrial property rights may have effect: **07 March 2005**

(54) Product in respect of which the design is registered: **A fold-up moulded landscape for use with miniature figurines**

(51) International Design Classification: **11-02F, 21-01D**

(71) Name(s) and Address(s) of Applicant(s):

Glen W. Devison

18 Herbert Avenue Hoppers Crossing Victoria 3029 Australia

(72) Name(s) of Designer(s): **Glen W. Devison**

(45) Registration Date: **17 October 2005**

(56) Related Art Documents: **Not Applicable**

(57) Statement of Newness and Distinctiveness: **This portable landscape can be folded into a compact size for ease of packing and storage.**



(21) Design Number: **10861/2005**

(22) Date of Filing Application: **07 March 2005**

(24) Date from which industrial property rights may have effect: **07 March 2005**

(54) Product in respect of which the design is registered: **A portable moulded landscape for use with miniature figurines**

(51) International Design Classification: **11-02F, 21-01D**

(71) Name(s) and Address(s) of Applicant(s):

Glen W. Devison

18 Herbert Avenue Hoppers Crossing Victoria 3029 Australia

(72) Name(s) of Designer(s): **Glen W. Devison**

(45) Registration Date: **17 October 2005**

(56) Related Art Documents: **Not Applicable**

(57) Statement of Newness and Distinctiveness: **The design is a sectional moulded landscape that can be clipped together/unclipped for ease of storage and packing.**



(21) Design Number: **10862/2005**

(22) Date of Filing Application: **07 March 2005**

(24) Date from which industrial property rights may have effect: **07 March 2005**

(54) Product in respect of which the design is registered: **A moulded landscape for use with miniature figurines**

(51) International Design Classification: **11-02F, 21-01D**

(71) Name(s) and Address(s) of Applicant(s):

Glen W. Devison

18 Herbert Avenue Hoppers Crossing Victoria 3029 Australia

(72) Name(s) of Designer(s): **Glen W. Devison**

(45) Registration Date: **17 October 2005**

(56) Related Art Documents: **Not Applicable**

(57) Statement of Newness and Distinctiveness: **A fold-up moulded landscape with panels of varying size to enable compact storage and portability.**



(21) Design Number: **10863/2005**
(22) Date of Filing Application: **07 March 2005**
(24) Date from which industrial property rights may have effect: **07 March 2005**
(54) Product in respect of which the design is registered: **Truck**
(51) International Design Classification: **12-08**
(71) Name(s) and Address(s) of Applicant(s):
R&D Industries S.a.r.l.
3 Chemin des Chenes 78490 Galluis France
(72) Name(s) of Designer(s): **Dominique Delamour**
(45) Registration Date: **17 October 2005**
(30) Convention priority data:
(31) Number (32) Date (33) Country
225-495-0003 07 Sep 2004 EUROPEAN COMMUNITY
(56) Related Art Documents: **Not Applicable**
(57) Statement of Newness and Distinctiveness: **Nil**



(21) Design Number: **10868/2005**
(22) Date of Filing Application: **08 March 2005**
(24) Date from which industrial property rights may have effect: **08 March 2005**
(54) Product in respect of which the design is registered: **Vaughan's stratagem game board**
(51) International Design Classification: **21-01L**
(71) Name(s) and Address(s) of Applicant(s):
Michael Fenton
37 Craig Drive Bellbridge Victoria 3691 Australia
Fred Chapman
37 Craig Drive Bellbridge Victoria 3691 Australia
(72) Name(s) of Designer(s): **Michael Fenton and Fred Chapman**
(45) Registration Date: **17 October 2005**
(56) Related Art Documents: **Not Applicable**
(57) Statement of Newness and Distinctiveness: **This is an eight sided board which can be used in a four, six or eight person stratagem. It's designed as a distinctive board for use solely for Vaughan's stratagem.**



(21) Design Number: **10869/2005**

(22) Date of Filing Application: **08 March 2005**

(24) Date from which industrial property rights may have effect: **08 March 2005**

(54) Product in respect of which the design is registered: **Top of gaming machine**

(51) International Design Classification: **21-03**

(71) Name(s) and Address(s) of Applicant(s):

**Cootamundra Components Pty Ltd
Cnr Cowcumbra Street and Gundagai Road Cootamundra New South
Wales 2590 Australia**

(72) Name(s) of Designer(s): **Darryl Philpott**

(45) Registration Date: **17 October 2005**

(56) Related Art Documents: **Not Applicable**

(57) Statement of Newness and Distinctiveness: **Statement of newness and distinctiveness is claimed in configuration of the top with the recieval hole on left hand side to spa two cabinet halves to be used with one right hand half top, giving seenless joins.**



(21) Design Number: **10870/2005**

(22) Date of Filing Application: **08 March 2005**

(24) Date from which industrial property rights may have effect: **08 March 2005**

(54) Product in respect of which the design is registered: **Gaming machine end cabinet removable protection corner**

(51) International Design Classification: **21-03**

(71) Name(s) and Address(s) of Applicant(s):

**Cootamundra Components Pty Ltd
Cnr Cowcumbra Street and Gundagai Road Cootamundra New South
Wales 2590 Australia**

(72) Name(s) of Designer(s): **Darryl Philpott**

(45) Registration Date: **17 October 2005**

(56) Related Art Documents: **Not Applicable**

(57) Statement of Newness and Distinctiveness: **Statement of newness and distinctiveness on the replacable corner protection of end cabinet.**



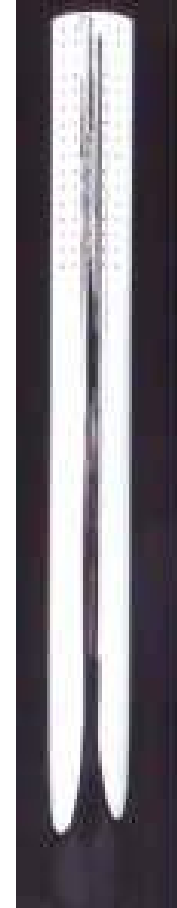
(21) Design Number: **10879/2005**
(22) Date of Filing Application: **04 March 2005**
(24) Date from which industrial property rights may have effect: **04 March 2005**
(54) Product in respect of which the design is registered: **Motor bus**
(51) International Design Classification: **12-08**
(71) Name(s) and Address(s) of Applicant(s):
R&D Industries S.a.r.l.
3 Chemin des Chenes 78490 Galluis France
(72) Name(s) of Designer(s): **Dominique Delamour**
(45) Registration Date: **17 October 2005**
(30) Convention priority data:
(31) Number (32) Date (33) Country
225 495-0001 07 Sep 2004 EUROPEAN COMMUNITY
(56) Related Art Documents: **Not Applicable**
(57) Statement of Newness and Distinctiveness: **Nil**



(21) Design Number: **10884/2005**
(22) Date of Filing Application: **09 March 2005**
(24) Date from which industrial property rights may have effect: **09 March 2005**
(54) Product in respect of which the design is registered: **A tap**
(51) International Design Classification: **23-01H**
(71) Name(s) and Address(s) of Applicant(s):
Sussex Taps Pty Ltd
126-128 Freight Drive Somerton Victoria 3062 Australia
(72) Name(s) of Designer(s): **Mike Morris**
(45) Registration Date: **17 October 2005**
(56) Related Art Documents: **Not Applicable**
(57) Statement of Newness and Distinctiveness: **Nil**



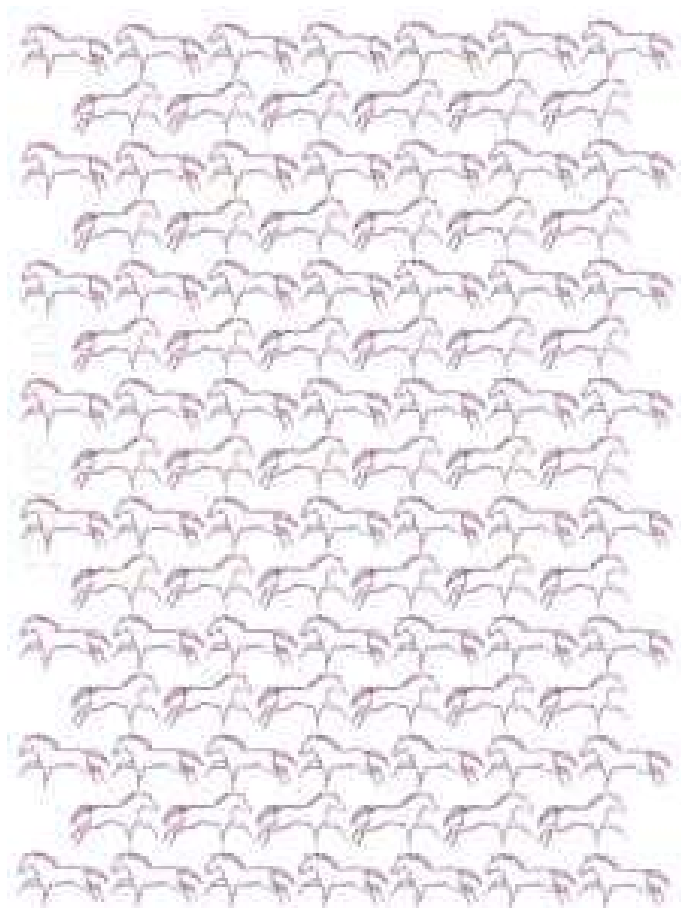
- (21) Design Number: **10886/2005**
(22) Date of Filing Application: **09 March 2005**
(24) Date from which industrial property rights may have effect: **09 March 2005**
(54) Product in respect of which the design is registered: **A shower head**
(51) International Design Classification: **23-02B**
(71) Name(s) and Address(s) of Applicant(s):
Sussex Taps Pty Ltd
126-128 Freight Drive Somerton Victoria 3062 Australia
(72) Name(s) of Designer(s): **Mike Morris**
(45) Registration Date: **17 October 2005**
(56) Related Art Documents: **Not Applicable**
(57) Statement of Newness and Distinctiveness: **Nil**



- (21) Design Number: **10912/2005**
(22) Date of Filing Application: **11 March 2005**
(24) Date from which industrial property rights may have effect: **11 March 2005**
(54) Product in respect of which the design is registered: **Feeder spoon**
(51) International Design Classification: **07-03**
(71) Name(s) and Address(s) of Applicant(s):
David Cotric
3/5 Gregory Street Queanbeyan New South Wales 2620 Australia
Vlad Rakic
3/5 Gregory Street Queanbeyan New South Wales 2620 Australia
(72) Name(s) of Designer(s): **David Cotric and Vlad Rakic and Quan Han Huynh**
(45) Registration Date: **17 October 2005**
(56) Related Art Documents: **Not Applicable**
(57) Statement of Newness and Distinctiveness: **Spoon attachment to allow food to pass through like a straw on to the spoon for feeding.**



- (21) Design Number: **10101/2005**
(22) Date of Filing Application: **13 January 2005**
(24) Date from which industrial property rights may have effect: **13 January 2005**
(54) Product in respect of which the design is registered: **Textile fabric**
(51) International Design Classification: **05-05C**
(71) Name(s) and Address(s) of Applicant(s):
Katja Weimann
75 Bimbimbie Drive Dewhurst Victoria 3808 Australia
(72) Name(s) of Designer(s): **Katja Weimann**
(45) Registration Date: **17 October 2005**
(56) Related Art Documents: **Not Applicable**
(57) Statement of Newness and Distinctiveness: **Nil**



- (21) Design Number: **11150/2005**
(22) Date of Filing Application: **23 March 2005**
(24) Date from which industrial property rights may have effect: **23 March 2005**
(54) Product in respect of which the design is registered: **A bracket**
(51) International Design Classification: **25-02C**
(71) Name(s) and Address(s) of Applicant(s):
Polymedic Pty Ltd
397-401 Nerang Road Ashmore Queensland 4214 Australia
(72) Name(s) of Designer(s): **Timothy Lunn**
(45) Registration Date: **17 October 2005**
(56) Related Art Documents: **Not Applicable**
(57) Statement of Newness and Distinctiveness: **Monopoly is claimed in the features of shape and configuration of the bracket as illustrated in the accompanying illustrations. In construing the scope of the monopoly, the features of ribbed surface of the attachment spigot and the features of the shape, number and configuration of the openings in the base of the bracket are to be disregarded.**



(21) Design Number: **11109/2005**

(22) Date of Filing Application: **22 March 2005**

(24) Date from which industrial property rights may have effect: **22 March 2005**

(54) Product in respect of which the design is registered: **Lollypops**

(51) International Design Classification: **01-01**

(71) Name(s) and Address(s) of Applicant(s):

Network Foods Limited

42-44 Sheehan Road West Heidelberg Victoria 3081 Australia

(72) Name(s) of Designer(s): **Ben Grosz**

(45) Registration Date: **17 October 2005**

(56) Related Art Documents: **Not Applicable**

(57) Statement of Newness and Distinctiveness: **Lolly jar wot? popz is a large of lolly popz in the shape of body parts which is new in the market.**



(21) Design Number: **11110/2005**

(22) Date of Filing Application: **22 March 2005**

(24) Date from which industrial property rights may have effect: **22 March 2005**

(54) Product in respect of which the design is registered: **Lollypops**

(51) International Design Classification: **01-01**

(71) Name(s) and Address(s) of Applicant(s):

Network Foods Limited

42-44 Sheehan Road West Heidelberg Victoria 3081 Australia

(72) Name(s) of Designer(s): **Ben Grosz**

(45) Registration Date: **17 October 2005**

(56) Related Art Documents: **Not Applicable**

(57) Statement of Newness and Distinctiveness: **Lolly jar wot? popz is a large of lolly popz in the shape of body parts which is new in the market.**



(21) Design Number: **11111/2005**

(22) Date of Filing Application: **22 March 2005**

(24) Date from which industrial property rights may have effect: **22 March 2005**

(54) Product in respect of which the design is registered: **Lollypops**

(51) International Design Classification: **01-01**

(71) Name(s) and Address(s) of Applicant(s):

Network Foods Limited

42-44 Sheehan Road West Heidelberg Victoria 3081 Australia

(72) Name(s) of Designer(s): **Ben Grosz**

(45) Registration Date: **17 October 2005**

(56) Related Art Documents: **Not Applicable**

(57) Statement of Newness and Distinctiveness: **Lolly jar wot? popz is a large of lolly popz in the shape of body parts which is new in the market.**



(21) Design Number: **11112/2005**

(22) Date of Filing Application: **22 March 2005**

(24) Date from which industrial property rights may have effect: **22 March 2005**

(54) Product in respect of which the design is registered: **Lollypops**

(51) International Design Classification: **01-01**

(71) Name(s) and Address(s) of Applicant(s):

Network Foods Limited

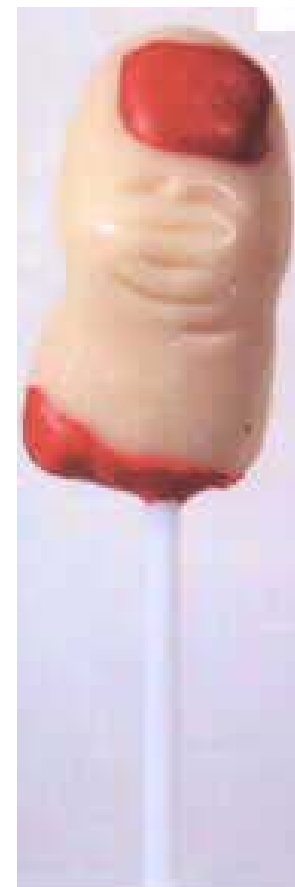
42-44 Sheehan Road West Heidelberg Victoria 3081 Australia

(72) Name(s) of Designer(s): **Ben Grosz**

(45) Registration Date: **17 October 2005**

(56) Related Art Documents: **Not Applicable**

(57) Statement of Newness and Distinctiveness: **Lolly jar wot? popz is a large of lolly popz in the shape of body parts which is new in the market.**



(21) Design Number: **11113/2005**

(22) Date of Filing Application: **22 March 2005**

(24) Date from which industrial property rights may have effect: **22 March 2005**

(54) Product in respect of which the design is registered: **Lollypops**

(51) International Design Classification: **01-01**

(71) Name(s) and Address(s) of Applicant(s):

Network Foods Limited

42-44 Sheehan Road West Heidelberg Victoria 3081 Australia

(72) Name(s) of Designer(s): **Ben Grosz**

(45) Registration Date: **17 October 2005**

(56) Related Art Documents: **Not Applicable**

(57) Statement of Newness and Distinctiveness: **Lolly jar wot? popz is a large of lolly popz in the shape of body parts which is new in the market.**



(21) Design Number: **11114/2005**

(22) Date of Filing Application: **22 March 2005**

(24) Date from which industrial property rights may have effect: **22 March 2005**

(54) Product in respect of which the design is registered: **Lollypops**

(51) International Design Classification: **01-01**

(71) Name(s) and Address(s) of Applicant(s):

Network Foods Limited

42-44 Sheehan Road West Heidelberg Victoria 3081 Australia

(72) Name(s) of Designer(s): **Ben Grosz**

(45) Registration Date: **17 October 2005**

(56) Related Art Documents: **Not Applicable**

(57) Statement of Newness and Distinctiveness: **Lolly jar wot? popz is a large of lolly popz in the shape of body parts which is new in the market.**



(21) Design Number: **11115/2005**

(22) Date of Filing Application: **22 March 2005**

(24) Date from which industrial property rights may have effect: **22 March 2005**

(54) Product in respect of which the design is registered: **Lollypops**

(51) International Design Classification: **01-01**

(71) Name(s) and Address(s) of Applicant(s):

Network Foods Limited
42-44 Sheehan Road West Heidelberg Victoria 3081 Australia

(72) Name(s) of Designer(s): **Ben Grosz**

(45) Registration Date: **17 October 2005**

(56) Related Art Documents: **Not Applicable**

(57) Statement of Newness and Distinctiveness: **Lolly jar wot? popz is a large of lolly popz in the shape of body parts which is new in the market.**



(21) Design Number: **11433/2005**

(22) Date of Filing Application: **11 April 2005**

(24) Date from which industrial property rights may have effect: **11 April 2005**

(54) Product in respect of which the design is registered: **Game board**

(51) International Design Classification: **21-01L**

(71) Name(s) and Address(s) of Applicant(s):

Michelle Jo-anne Peters
6 Kellie Court Crestmead Queensland 4132 Australia

Evie McKinna
6 Kellie Court Crestmead Queensland 4132 Australia

Sally Anne Turner
6 Kellie Court Crestmead Queensland 4132 Australia

(72) Name(s) of Designer(s): **Evie McKinna and Sally Turner and Shelley Peters**

(45) Registration Date: **17 October 2005**

(56) Related Art Documents: **Not Applicable**

(57) Statement of Newness and Distinctiveness: **Original artwork - Shelley Peters. Board - original design - Evie McKinna. Card literature - Sally Turner. Instruction booklet Evie McKinna.**



(21) Design Number: **11499/2005**

(22) Date of Filing Application: **15 April 2005**

(24) Date from which industrial property rights may have effect: **15 April 2005**

(54) Product in respect of which the design is registered: **Feedmaxx feed scoop**

(51) International Design Classification: **07-99NES**

(71) Name(s) and Address(s) of Applicant(s):

**Fjord Manufacturing Pty Ltd
64 Catherine Crescent Lavington New South Wales 2641 Australia**

(72) Name(s) of Designer(s): **Lindsay R Jensen**

(45) Registration Date: **17 October 2005**

(56) Related Art Documents: **Not Applicable**

(57) Statement of Newness and Distinctiveness: **The scoop is designed to stack, be free standing, to scoop feeds, grain or any granular product from bags, bins or any flat surface and to get into the corners of the afore mentioned containers.**



(21) Design Number: **11512/2005**

(22) Date of Filing Application: **14 April 2005**

(24) Date from which industrial property rights may have effect: **14 April 2005**

(54) Product in respect of which the design is registered: **Jar**

(51) International Design Classification: **09-01C**

(71) Name(s) and Address(s) of Applicant(s):

**Milagro Food Industries Ltd
113 Bonner Hill Road Kingston-Upon-Thames Surrey KT1 3HE
England**

(72) Name(s) of Designer(s): **Shimon Forman**

(45) Registration Date: **17 October 2005**

(56) Related Art Documents: **Not Applicable**

(57) Statement of Newness and Distinctiveness: **Nil**



- (21) Design Number: **11541/2005**
(22) Date of Filing Application: **15 April 2005**
(24) Date from which industrial property rights may have effect: **15 April 2005**
(54) Product in respect of which the design is registered: **Rear combination lamp for an automobile**
(51) International Design Classification: **26-06**
(71) Name(s) and Address(s) of Applicant(s):
Toyota Jidosha Kabushiki Kaisha
1 Toyota-cho Toyota-shi Aichi-ken 471-8571 Japan
(72) Name(s) of Designer(s): **Naohiko Suzuki**
(45) Registration Date: **17 October 2005**
(56) Related Art Documents: **Not Applicable**
(57) Statement of Newness and Distinctiveness: **Newness and distinctiveness is claimed in the features of shape and/or configuration of a rear combination lamp for an automobile as illustrated in the accompanying representations.**



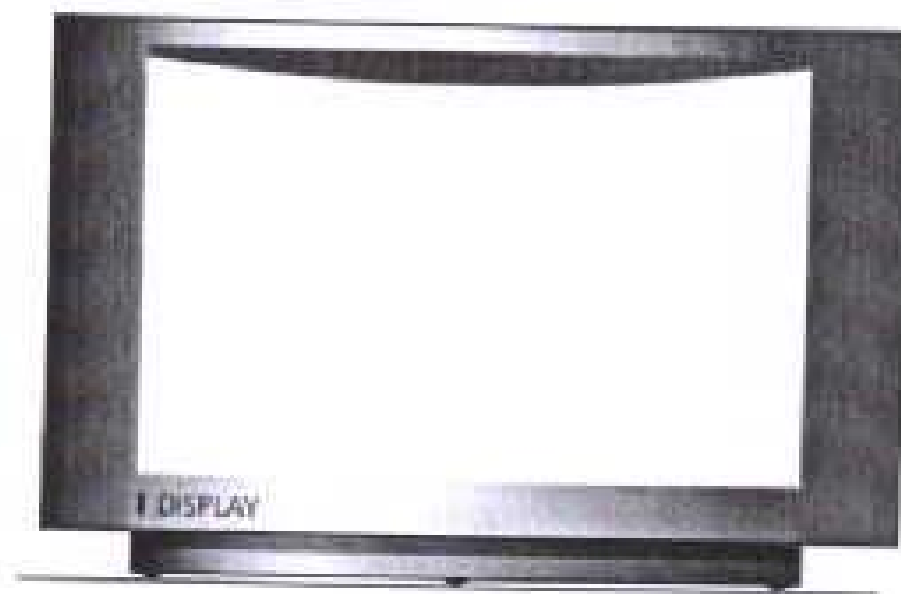
- (21) Design Number: **11542/2005**
(22) Date of Filing Application: **15 April 2005**
(24) Date from which industrial property rights may have effect: **15 April 2005**
(54) Product in respect of which the design is registered: **Front grill for an automobile**
(51) International Design Classification: **12-16B**
(71) Name(s) and Address(s) of Applicant(s):
Toyota Jidosha Kabushiki Kaisha
1 Toyota-cho Toyota-shi Aichi-ken 471-8571 Japan
(72) Name(s) of Designer(s): **Hiroya Kitazumi**
(45) Registration Date: **17 October 2005**
(56) Related Art Documents: **Not Applicable**
(57) Statement of Newness and Distinctiveness: **Newness and distinctiveness is claimed in the features of shape and/or configuration of a front grill for an automobile as illustrated in the accompanying representations.**



- (21) Design Number: **11543/2005**
(22) Date of Filing Application: **15 April 2005**
(24) Date from which industrial property rights may have effect: **15 April 2005**
(54) Product in respect of which the design is registered: **Front combination lamp for an automobile**
(51) International Design Classification: **26-06**
(71) Name(s) and Address(s) of Applicant(s):
Toyota Jidosha Kabushiki Kaisha
1 Toyota-cho Toyota-shi Aichi-ken 471-8571 Japan
(72) Name(s) of Designer(s): **Naohiko Suzuki and Shigetoshi Kouzai**
(45) Registration Date: **17 October 2005**
(56) Related Art Documents: **Not Applicable**
(57) Statement of Newness and Distinctiveness: **Newness and distinctiveness is claimed in the features of shape and/or configuration of a front combination lamp for an automobile as illustrated in the accompanying representations.**



- (21) Design Number: **11572/2005**
(22) Date of Filing Application: **15 April 2005**
(24) Date from which industrial property rights may have effect: **15 April 2005**
(54) Product in respect of which the design is registered: **1 dual sided television**
(51) International Design Classification: **14-03B**
(71) Name(s) and Address(s) of Applicant(s):
Advanced Display Technology Pty Ltd
Suite 23 Level 11 809 Pacific Highway Chatswood New South Wales
2067 Australia
(72) Name(s) of Designer(s): **Phil Slattery**
(45) Registration Date: **17 October 2005**
(56) Related Art Documents: **Not Applicable**
(57) Statement of Newness and Distinctiveness: **Large mobile double sided projection screen for multimedia display.**



(21) Design Number: **11618/2005**

(22) Date of Filing Application: **21 April 2005**

(24) Date from which industrial property rights may have effect: **21 April 2005**

(54) Product in respect of which the design is registered: **A panel**

(51) International Design Classification: **25-01K, 25-01G**

(71) Name(s) and Address(s) of Applicant(s):

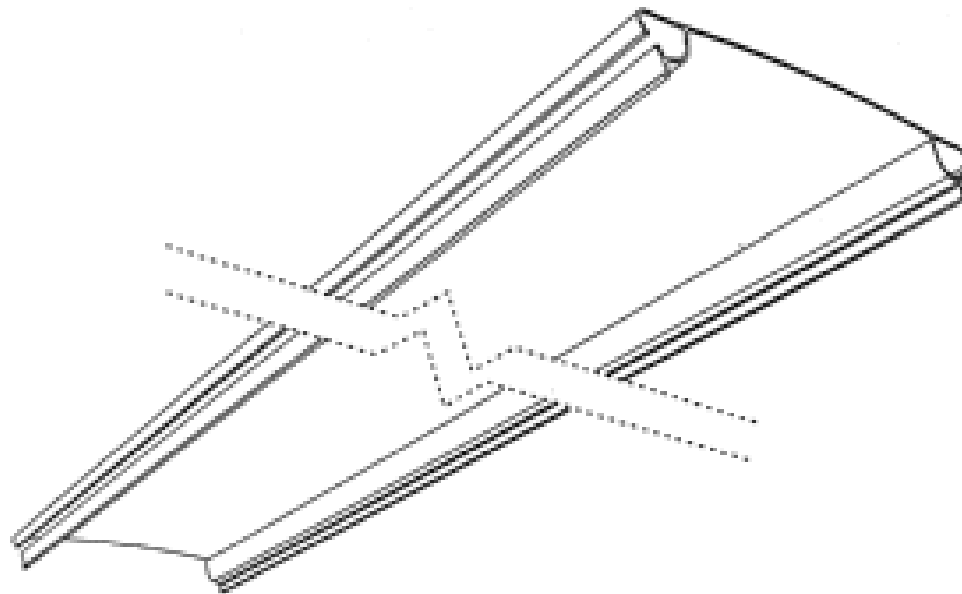
Stratco (Australia) Pty Limited
125 Cavan Road Gepps Cross South Australia 5094 Australia

(72) Name(s) of Designer(s): **James Matthew Jansen**

(45) Registration Date: **17 October 2005**

(56) Related Art Documents: **Not Applicable**

(57) Statement of Newness and Distinctiveness: **Newness and distinctiveness is claimed in the shape and/or configuration of the panel illustrated in the representations. The panel is of indefinite length.**



(21) Design Number: **11621/2005**

(22) Date of Filing Application: **21 April 2005**

(24) Date from which industrial property rights may have effect: **21 April 2005**

(54) Product in respect of which the design is registered: **A cubic jigsaw puzzle**

(51) International Design Classification: **21-01M**

(71) Name(s) and Address(s) of Applicant(s):

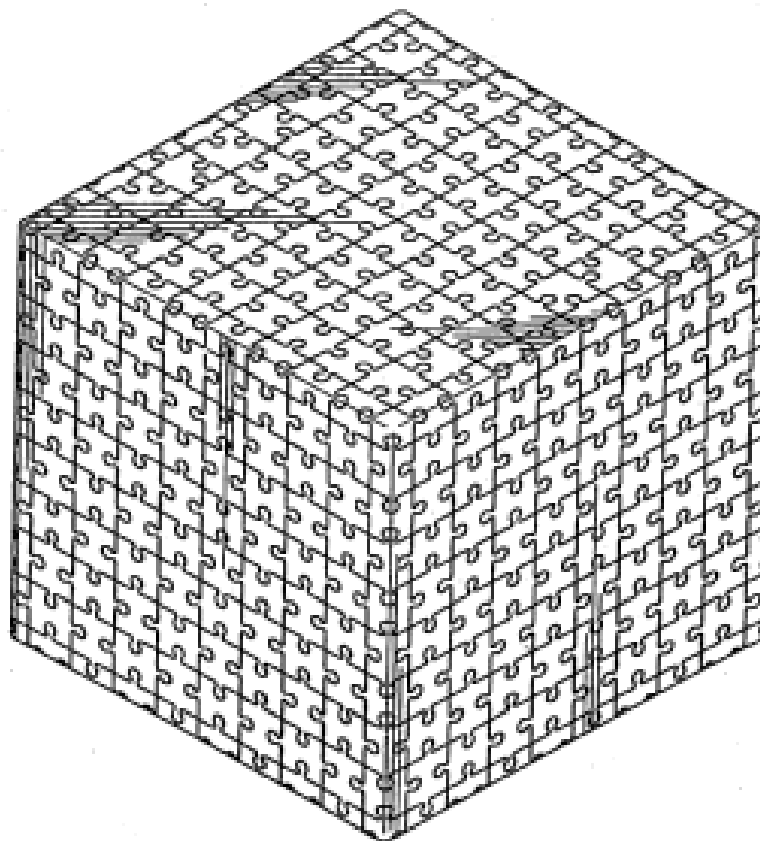
Shih-Hung Chuang
14F-2 No.343 Chungho Road Yungho City Taipei Hsien Taiwan

(72) Name(s) of Designer(s): **Shih-Hung Chuang**

(45) Registration Date: **17 October 2005**

(56) Related Art Documents: **Not Applicable**

(57) Statement of Newness and Distinctiveness: **Newness and distinctiveness resides in the features of shape, configuration and pattern of a cubic jigsaw puzzle as illustrated in the accompanying representations.**



(21) Design Number: **11624/2005**

(22) Date of Filing Application: **21 April 2005**

(24) Date from which industrial property rights may have effect: **21 April 2005**

(54) Product in respect of which the design is registered: **Aluminium boat roller**

(51) International Design Classification: **12-10**

(71) Name(s) and Address(s) of Applicant(s):

Phillip Black

10 Pindari Road Forster New South Wales 2428 Australia

(72) Name(s) of Designer(s): **Phillip Black**

(45) Registration Date: **17 October 2005**

(56) Related Art Documents: **Not Applicable**

(57) Statement of Newness and Distinctiveness: **The design includes a distinctive helix shape which provides for a more accurate and smooth functioning of the roller together with the additional design feature of oblong shaped borings at each end of the design which provide the product with additional cushioning.**



(21) Design Number: **11625/2005**

(22) Date of Filing Application: **21 April 2005**

(24) Date from which industrial property rights may have effect: **21 April 2005**

(54) Product in respect of which the design is registered: **Canoe koala soft toy**

(51) International Design Classification: **21-01A**

(71) Name(s) and Address(s) of Applicant(s):

Hana Trading Pty Ltd

2-12 Tennyson Road Gladesville New South Wales 2111 Australia

(72) Name(s) of Designer(s): **Sun-Young Ahn**

(45) Registration Date: **17 October 2005**

(56) Related Art Documents: **Not Applicable**

(57) Statement of Newness and Distinctiveness: **Monopoly is claimed in the features of shape and configuration of canoe koala soft toy as illustrated in the accompanying representations.**



- (21) Design Number: **11626/2005**
(22) Date of Filing Application: **21 April 2005**
(24) Date from which industrial property rights may have effect: **21 April 2005**
(54) Product in respect of which the design is registered: **Canoe kangaroo soft toy**
(51) International Design Classification: **21-01A**
(71) Name(s) and Address(s) of Applicant(s):
Hana Trading Pty Ltd
2-12 Tennyson Road Gladesville New South Wales 2111 Australia
(72) Name(s) of Designer(s): **Sun-Young Ahn**
(45) Registration Date: **17 October 2005**
(56) Related Art Documents: **Not Applicable**
(57) Statement of Newness and Distinctiveness: **Monopoly is claimed in the features of shape and configuration of canoe kangaroo soft toy as illustrated in the accompanying representations.**



- (21) Design Number: **11639/2005**
(22) Date of Filing Application: **21 April 2005**
(24) Date from which industrial property rights may have effect: **21 April 2005**
(54) Product in respect of which the design is registered: **Saucer**
(51) International Design Classification: **07-01D**
(71) Name(s) and Address(s) of Applicant(s):
Villeroy & Boch AG.
Saaruferstrasse 14-18 D-66693 Mettlach Germany
(72) Name(s) of Designer(s): **Eldine Laquitaine**
(45) Registration Date: **17 October 2005**
(30) Convention priority data:

(31) Number	(32) Date	(33) Country
000 250 428	27 Oct 2004	EUROPEAN COMMUNITY

(56) Related Art Documents: **Not Applicable**
(57) Statement of Newness and Distinctiveness: **Any person required to decide whether the design is substantially similar in overall impression to another design should have particular regard to the pattern and ornamentation of the product (other than the trade marks and text shown on the under-side of the product).**



(21) Design Number: **11640/2005**

(22) Date of Filing Application: **21 April 2005**

(24) Date from which industrial property rights may have effect: **21 April 2005**

(54) Product in respect of which the design is registered: **Cup**

(51) International Design Classification: **07-01D**

(71) Name(s) and Address(s) of Applicant(s):

Villeroy & Boch AG.

Saaruferstrasse 14-18 D-66693 Mettlach Germany

(72) Name(s) of Designer(s): **Francoise Jeanmoye-Boeur**

(45) Registration Date: **17 October 2005**

(30) Convention priority data:

(31) Number
000 250 428

(32) Date
27 Oct 2004

(33) Country
EUROPEAN COMMUNITY

(56) Related Art Documents: **Not Applicable**

(57) Statement of Newness and Distinctiveness: **Any person required to decide whether the design is substantially similar in overall impression to another design should have particular regard to the pattern and ornamentation of the product (other than the trade marks and text shown on the under-side of the product).**



(21) Design Number: **11641/2005**

(22) Date of Filing Application: **21 April 2005**

(24) Date from which industrial property rights may have effect: **21 April 2005**

(54) Product in respect of which the design is registered: **Cup**

(51) International Design Classification: **07-01D**

(71) Name(s) and Address(s) of Applicant(s):

Villeroy & Boch AG.

Saaruferstrasse 14-18 D-66693 Mettlach Germany

(72) Name(s) of Designer(s): **Francoise Jeanmoye-Boeur**

(45) Registration Date: **17 October 2005**

(30) Convention priority data:

(31) Number
000 250 428

(32) Date
27 Oct 2004

(33) Country
EUROPEAN COMMUNITY

(56) Related Art Documents: **Not Applicable**

(57) Statement of Newness and Distinctiveness: **Any person required to decide whether the design is substantially similar in overall impression to another design should have particular regard to the pattern and ornamentation of the product (other than the trade marks and text shown on the under-side of the product).**



(21) Design Number: **11642/2005**

(22) Date of Filing Application: **21 April 2005**

(24) Date from which industrial property rights may have effect: **21 April 2005**

(54) Product in respect of which the design is registered: **Cup**

(51) International Design Classification: **07-01D**

(71) Name(s) and Address(s) of Applicant(s):

Villeroy & Boch AG.

Saaruferstrasse 14-18 D-66693 Mettlach Germany

(72) Name(s) of Designer(s): **Rosemarie Benedikt**

(45) Registration Date: **17 October 2005**

(30) Convention priority data:

(31) Number

(32) Date

(33) Country

000 250 428

27 Oct 2004

EUROPEAN COMMUNITY

(56) Related Art Documents: **Not Applicable**

(57) Statement of Newness and Distinctiveness: **Any person required to decide whether the design is substantially similar in overall impression to another design should have particular regard to the pattern and ornamentation of the product (other than the trade marks and text shown on the under-side of the product).**



(21) Design Number: **11643/2005**

(22) Date of Filing Application: **21 April 2005**

(24) Date from which industrial property rights may have effect: **21 April 2005**

(54) Product in respect of which the design is registered: **Saucer**

(51) International Design Classification: **07-01D**

(71) Name(s) and Address(s) of Applicant(s):

Villeroy & Boch AG.

Saaruferstrasse 14-18 D-66693 Mettlach Germany

(72) Name(s) of Designer(s): **Rosemarie Benedikt**

(45) Registration Date: **17 October 2005**

(30) Convention priority data:

(31) Number

(32) Date

(33) Country

000 250 428

27 Oct 2004

EUROPEAN COMMUNITY

(56) Related Art Documents: **Not Applicable**

(57) Statement of Newness and Distinctiveness: **Any person required to decide whether the design is substantially similar in overall impression to another design should have particular regard to the pattern and ornamentation of the product (other than the trade marks and text shown on the under-side of the product).**



(21) Design Number: **11644/2005**

(22) Date of Filing Application: **21 April 2005**

(24) Date from which industrial property rights may have effect: **21 April 2005**

(54) Product in respect of which the design is registered: **Cup**

(51) International Design Classification: **07-01D**

(71) Name(s) and Address(s) of Applicant(s):

Villeroy & Boch AG.

Saaruferstrasse 14-18 D-66693 Mettlach Germany

(72) Name(s) of Designer(s): **Rosemarie Benedikt**

(45) Registration Date: **17 October 2005**

(30) Convention priority data:

(31) Number
000 250 428

(32) Date
27 Oct 2004

(33) Country
EUROPEAN COMMUNITY

(56) Related Art Documents: **Not Applicable**

(57) Statement of Newness and Distinctiveness: **Any person required to decide whether the design is substantially similar in overall impression to another design should have particular regard to the pattern and ornamentation of the product (other than the trade marks and text shown on the under-side of the product).**



(21) Design Number: **11645/2005**

(22) Date of Filing Application: **21 April 2005**

(24) Date from which industrial property rights may have effect: **21 April 2005**

(54) Product in respect of which the design is registered: **Saucer**

(51) International Design Classification: **07-01D**

(71) Name(s) and Address(s) of Applicant(s):

Villeroy & Boch AG.

Saaruferstrasse 14-18 D-66693 Mettlach Germany

(72) Name(s) of Designer(s): **Rosemarie Benedikt**

(45) Registration Date: **17 October 2005**

(30) Convention priority data:

(31) Number
000 250 428

(32) Date
27 Oct 2004

(33) Country
EUROPEAN COMMUNITY

(56) Related Art Documents: **Not Applicable**

(57) Statement of Newness and Distinctiveness: **Any person required to decide whether the design is substantially similar in overall impression to another design should have particular regard to the pattern and ornamentation of the product (other than the trade marks and text shown on the under-side of the product).**



(21) Design Number: **11649/2005**
(22) Date of Filing Application: **22 April 2005**
(24) Date from which industrial property rights may have effect: **22 April 2005**
(54) Product in respect of which the design is registered: **Slimming belt**
(51) International Design Classification: **02-01B**
(71) Name(s) and Address(s) of Applicant(s):

ACTERVIS GmbH
c/o Schild Treuhand AG Grafenauweg 8 6304 Zug Switzerland

(72) Name(s) of Designer(s): **Juan Jose Campdera Lozano**

(45) Registration Date: **17 October 2005**

(30) Convention priority data:

(31) Number	(32) Date	(33) Country
245329	26 Oct 2004	EUROPEAN COMMUNITY

(56) Related Art Documents: **Not Applicable**

(57) Statement of Newness and Distinctiveness: **Newness and distinctiveness is claimed in the features of shape and/or configuration of the oval design of the temperature controller; front part of the belt and the edges; the positioning of the temperature controller on the electric cable that attaches to the belt; positioning of the electric cable connected to the belt; back part of the belt and fastening system of a slimming belt as illustrated in the accompanying representations.**



(21) Design Number: **11674/2005**
(22) Date of Filing Application: **26 April 2005**
(24) Date from which industrial property rights may have effect: **26 April 2005**
(54) Product in respect of which the design is registered: **Alarm**
(51) International Design Classification: **10-05**
(71) Name(s) and Address(s) of Applicant(s):

Eyston Company Limited
B2 3rd Floor Fortune Factory Building 40 Lee Chung Street Chai Wan Hong Kong

(72) Name(s) of Designer(s): **Malcolm Wai Wing Lam**

(45) Registration Date: **17 October 2005**

(56) Related Art Documents: **Not Applicable**

(57) Statement of Newness and Distinctiveness: **Those visual features of the alarm depicted in the representations that are new and distinctive are the shape and/or configuration.**



(21) Design Number: **11675/2005**

(22) Date of Filing Application: **26 April 2005**

(24) Date from which industrial property rights may have effect: **26 April 2005**

(54) Product in respect of which the design is registered: **Fly trap**

(51) International Design Classification: **22-06**

(71) Name(s) and Address(s) of Applicant(s):

**Killgerm Group Limited
PO Box 2 Ossett WF5 9NA United Kingdom**

(72) Name(s) of Designer(s): **Paul Hoyes**

(45) Registration Date: **17 October 2005**

(30) Convention priority data:

(31) Number	(32) Date	(33) Country
000283288	18 Jan 2005	EUROPEAN COMMUNITY

(56) Related Art Documents: **Not Applicable**

(57) Statement of Newness and Distinctiveness: **The shape and configuration of the fly trap is new and distinctive.**



(21) Design Number: **11677/2005**

(22) Date of Filing Application: **26 April 2005**

(24) Date from which industrial property rights may have effect: **26 April 2005**

(54) Product in respect of which the design is registered: **Bidding paddles for registered auctions**

(51) International Design Classification: **20-03NES**

(71) Name(s) and Address(s) of Applicant(s):

**Geoffrey James Ohmsen
79 Jean Street Grange Queensland 4051 Australia**

**Grant Stuart Penrose
79 Jean Street Grange Queensland 4051 Australia**

(72) Name(s) of Designer(s): **Geoff Ohmsen and Grant Penrose**

(45) Registration Date: **17 October 2005**

(56) Related Art Documents: **Not Applicable**

(57) Statement of Newness and Distinctiveness: **Nil**



- (21) Design Number: **13201/2005**
- (22) Date of Filing Application: **28 July 2005**
- (24) Date from which industrial property rights may have effect: **28 July 2005**
- (54) Product in respect of which the design is registered: **Design : chair**
- (51) International Design Classification: **06-01L**
- (71) Name(s) and Address(s) of Applicant(s):

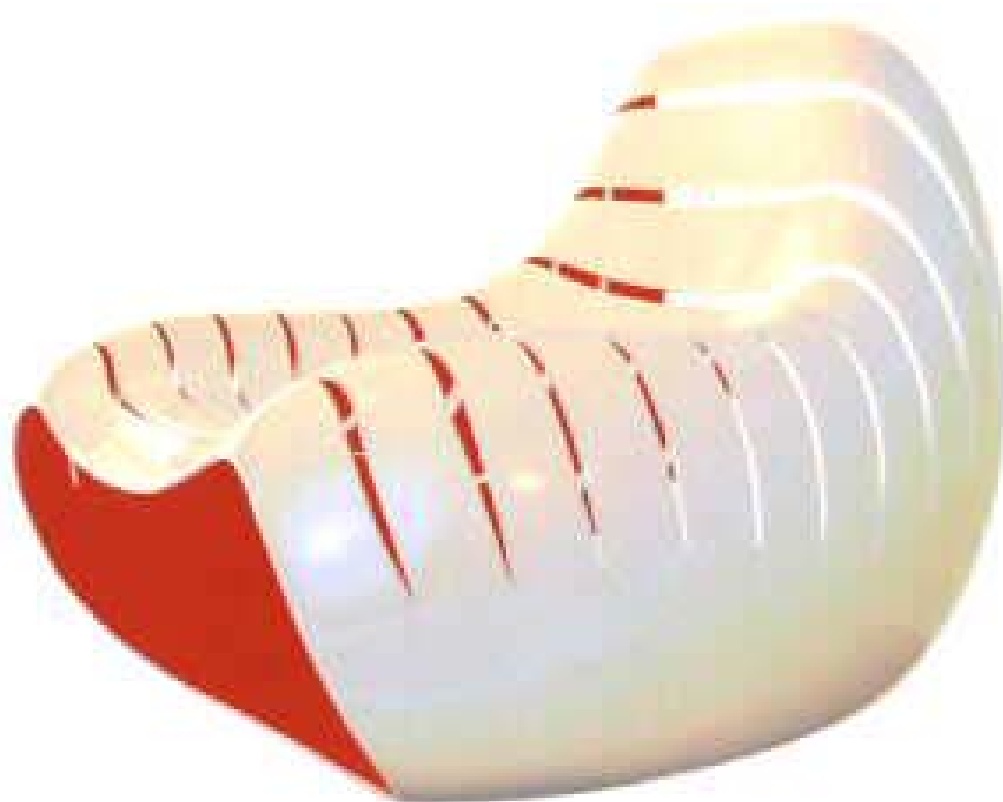
Dennis Abalos
17 Glendower Street Rosemeadow New South Wales 2560 Australia

(72) Name(s) of Designer(s): **Dennis Abalos**

(45) Registration Date: **17 October 2005**

(56) Related Art Documents: **Not Applicable**

(57) Statement of Newness and Distinctiveness: **The snug chair is designed to be used in different environments from the modern lounge room to a teenager's bedroom. With its unique style and pearlescent colours combined with a funky flair, the snug chair infuses fun and excitement into clubs and bars or into any social scenery. Designed to look elegant as well as flamboyant with its curves and flowing arches, the snug chair can also be used to complement public spaces such as hotels and corporate buildings. The snub chair design's form offers users comfortable, flexible seating and back support to give a feeling of weightlessness and relaxation when sat on. The concept came from an eperimentation of a one piece material such as a cylinder, moulded, and twisted to form the base, backrest, armrests and seat area in an ergonomic and stylistic way. The design intent is for the chair to start with the front mouth opening and extend and flair out to form the back rest and back opening. The seat area is an ergonomically designed dip and the arm rests are a result of this. No area of the snug has a sharp edge. All surfaces are curved and organic, and the edges are all filleted and smooth. One of the main design features of the snug is the flexible low comfort seating it provides. The repeated and evenly spaces slats of the chair are flexible enough to follow the contours of the user's body when sat on yet strong and wide enough to carry a great load. Combined with the glossy bright orange finish on the underside of the chair along with it's the curvaceous form, the snug's cuts and the slats gave..... and low sitting comfort.**



- (21) Design Number: **14822/2004**
- (22) Date of Filing Application: **13 October 2004**
- (24) Date from which industrial property rights may have effect: **13 October 2004**
- (54) Product in respect of which the design is registered: **Electrode plate retainer strip for a protective edge cover**
- (51) International Design Classification: **13-03NES**
- (71) Name(s) and Address(s) of Applicant(s):

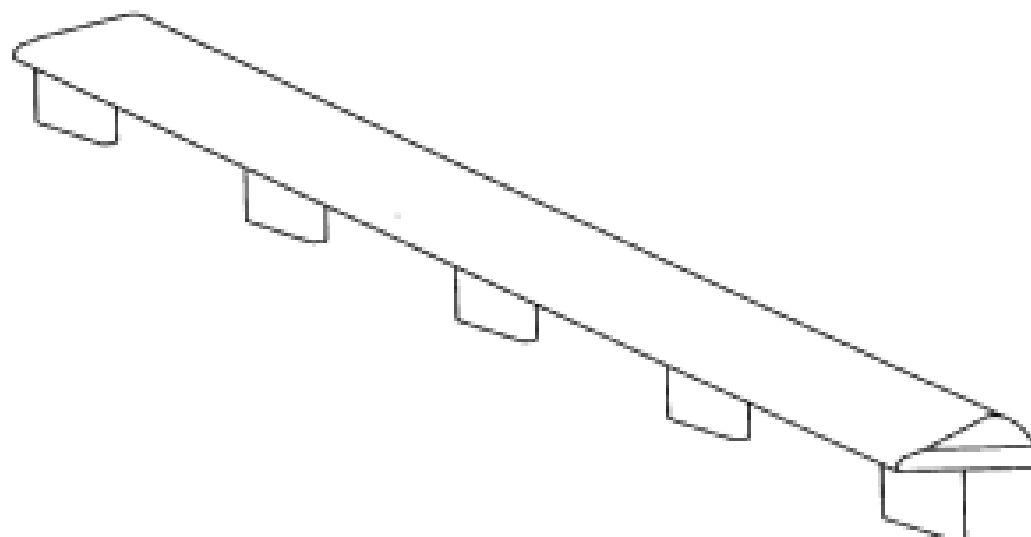
Icon Plastics Pty Ltd
19 Hallam Road South Hallam Victoria 3803 Australia

(72) Name(s) of Designer(s): **Owen Perham**

(45) Registration Date: **18 October 2005**

(56) Related Art Documents: **Not Applicable**

(57) Statement of Newness and Distinctiveness: **The electrode plate retainer strip for a protective edge cover and the electrode plate cover edge strip are each of indefinite length.**



(21) Design Number: **14823/2004**

(22) Date of Filing Application: **13 October 2004**

(24) Date from which industrial property rights may have effect: **13 October 2004**

(54) Product in respect of which the design is registered: **Electrode plate cover edge strip**

(51) International Design Classification: **13-03NES**

(71) Name(s) and Address(s) of Applicant(s):

Icon Plastics Pty Ltd

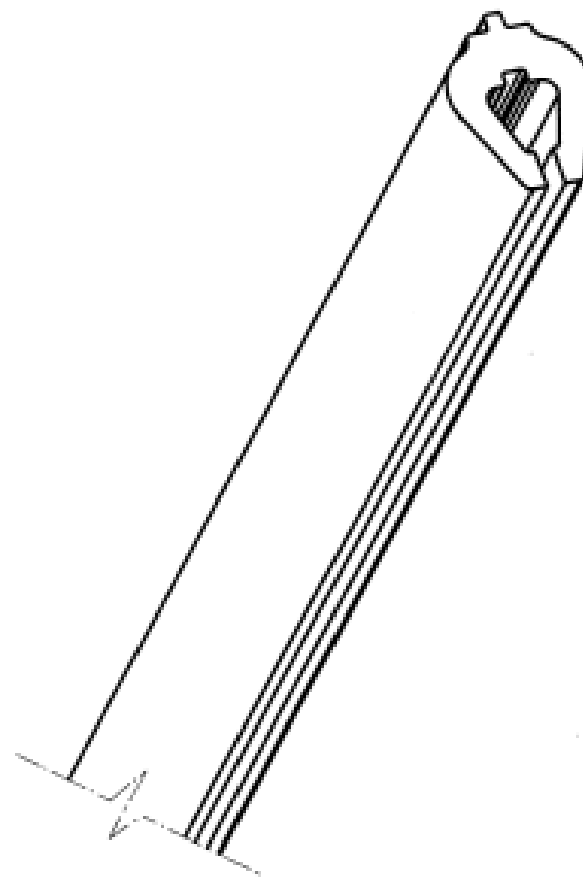
19 Hallam Road South Hallam Victoria 3803 Australia

(72) Name(s) of Designer(s): **Owen Perham**

(45) Registration Date: **18 October 2005**

(56) Related Art Documents: **Not Applicable**

(57) Statement of Newness and Distinctiveness: **The electrode plate retainer strip for a protective edge cover and the electrode plate cover edge strip are each of indefinite length.**



(21) Design Number: **14944/2004**

(22) Date of Filing Application: **21 October 2004**

(24) Date from which industrial property rights may have effect: **21 October 2004**

(54) Product in respect of which the design is registered: **Electrical switch**

(51) International Design Classification: **13-03D**

(71) Name(s) and Address(s) of Applicant(s):

T & J Electric International Limited

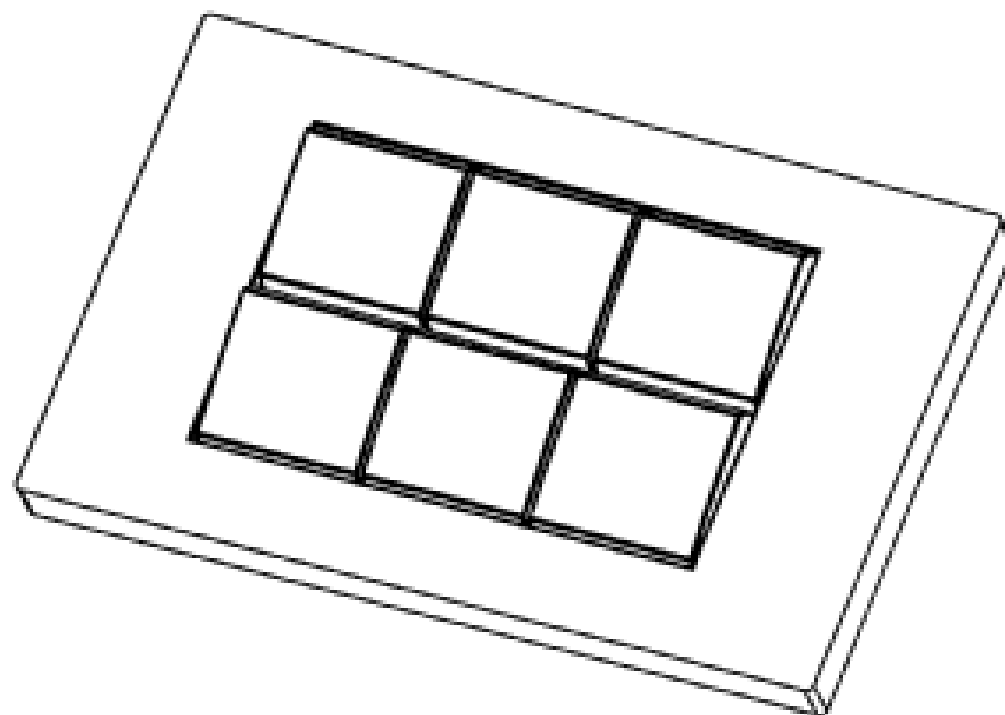
Unit B 4th Floor Young Ya Ind. Building 389 Sha Tsui Road Tsuen Wan KLN Hong Kong

(72) Name(s) of Designer(s): **Yip Ping Tung**

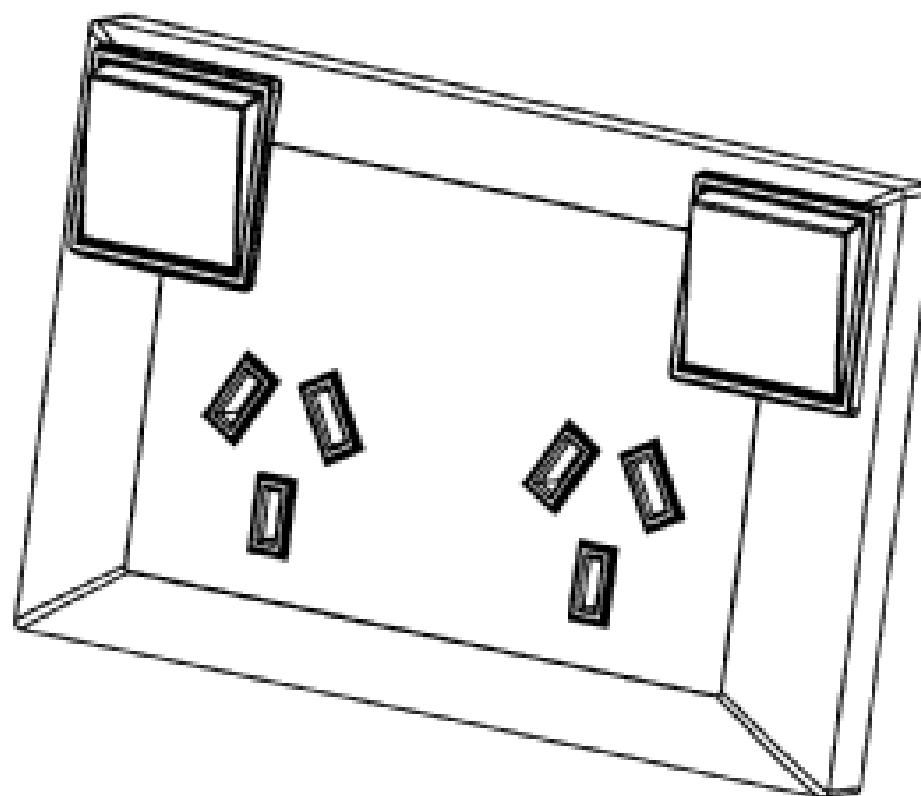
(45) Registration Date: **18 October 2005**

(56) Related Art Documents: **Not Applicable**

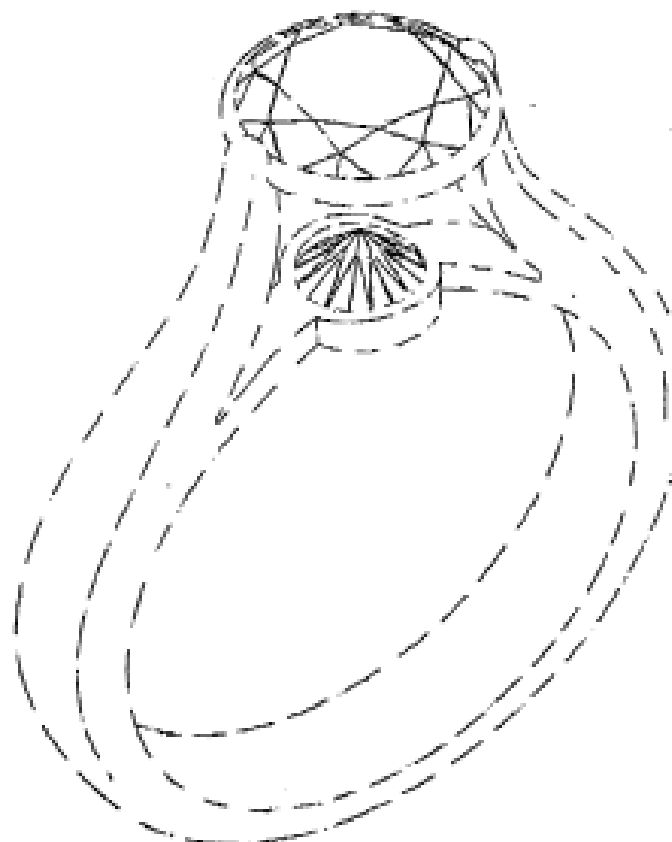
(57) Statement of Newness and Distinctiveness: **Nil**



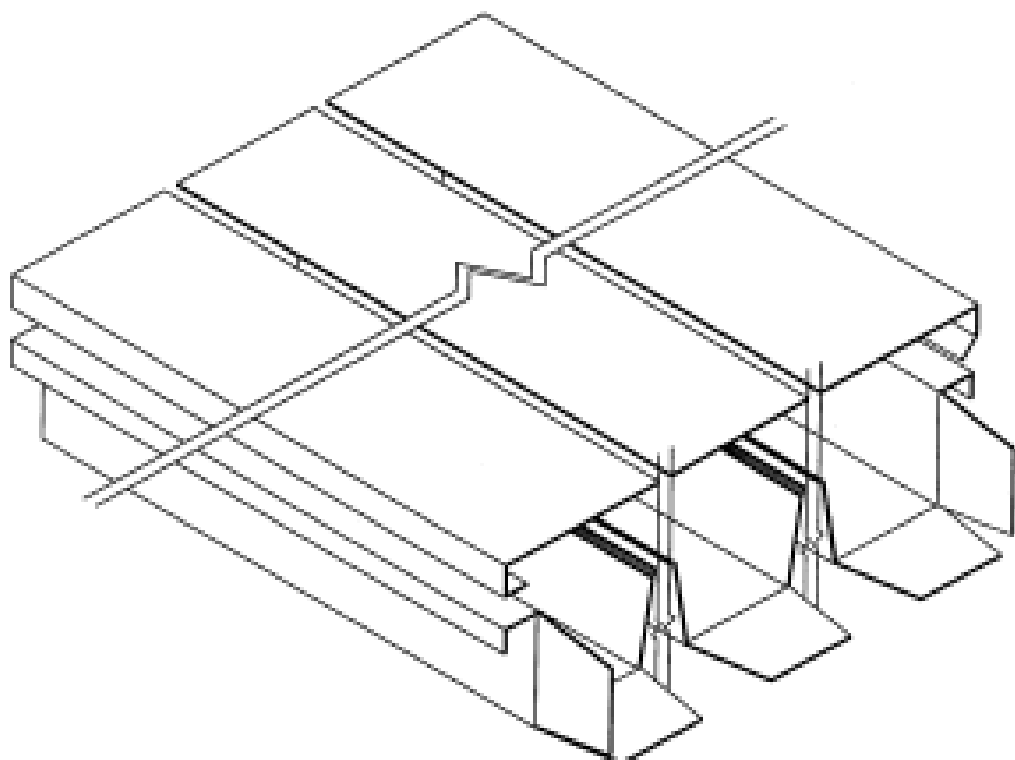
(21) Design Number: **14945/2004**
(22) Date of Filing Application: **21 October 2004**
(24) Date from which industrial property rights may have effect: **21 October 2004**
(54) Product in respect of which the design is registered: **Electrical socket**
(51) International Design Classification: **13-03D**
(71) Name(s) and Address(s) of Applicant(s):
T & J Electric International Limited
Unit B 4th Floor Young Ya Ind. Building 389 Sha Tsui Road Tsuen
Wan KLN Hong Kong
(72) Name(s) of Designer(s): **Yip Ping Tung**
(45) Registration Date: **18 October 2005**
(56) Related Art Documents: **Not Applicable**
(57) Statement of Newness and Distinctiveness: **Nil**



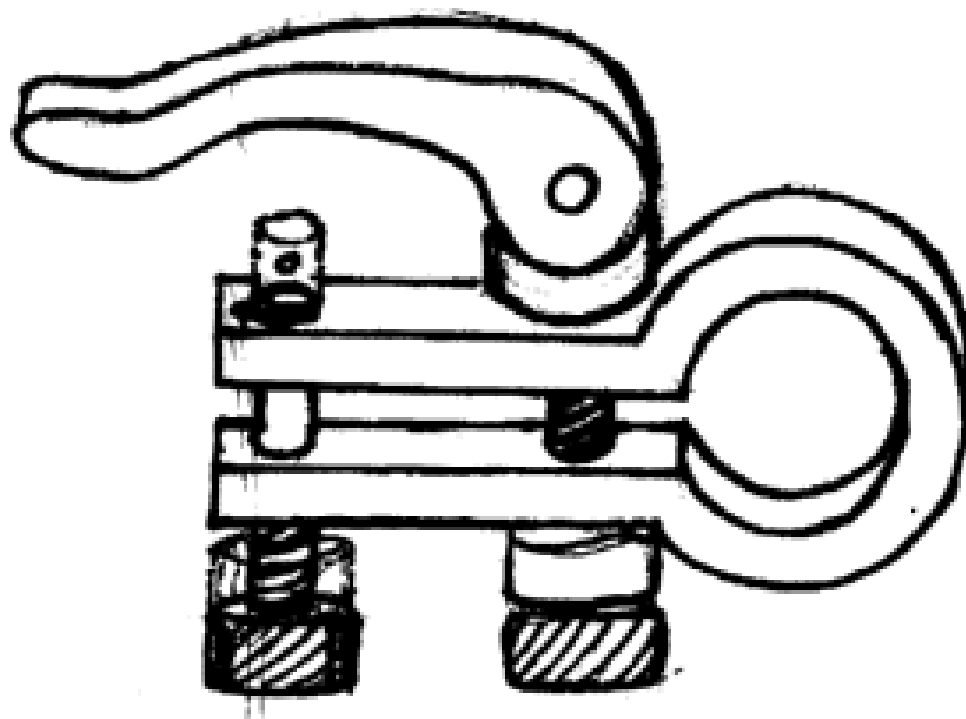
(21) Design Number: **15962/2004**
(22) Date of Filing Application: **21 December 2004**
(24) Date from which industrial property rights may have effect: **21 December 2004**
(54) Product in respect of which the design is registered: **Jewelry**
(51) International Design Classification: **11-01NES**
(71) Name(s) and Address(s) of Applicant(s):
Continental Jewelry USA Inc.
115 West 30th Street New York NY 10001 United States of America
(72) Name(s) of Designer(s): **Vicki Chan**
(45) Registration Date: **18 October 2005**
(30) Convention priority data:
(31) Number (32) Date (33) Country
29/208715 01 Jul 2004 UNITED STATES OF AMERICA
(56) Related Art Documents: **Not Applicable**
(57) Statement of Newness and Distinctiveness: **Newness and distinctiveness of the design resides in the configuration of the gemstones in jewelry, as shown in the accompanying representations. When considering whether the design is substantially similar in overall impression to another design, no regard is to be given to the features shown in broken lines.**



- (21) Design Number: **14264/2004**
(22) Date of Filing Application: **07 September 2004**
(24) Date from which industrial property rights may have effect: **07 September 2004**
(54) Product in respect of which the design is registered: **Multi-channel duct**
(51) International Design Classification: **13-03C**
(71) Name(s) and Address(s) of Applicant(s):
Kounis Metal Industries Pty Ltd
84 Norma Road Booragoon Western Australia 6154 Australia
(72) Name(s) of Designer(s): **Paul Basil Kounis**
(45) Registration Date: **18 October 2005**
(56) Related Art Documents: **Not Applicable**
(57) Statement of Newness and Distinctiveness: **The particular visual features of the design which are new and distinctive are the features of shape and configuration of a multi-channel duct of an indefinite length and width. The multi-channel duct has a width that varies according to a regular pattern corresponding to the number of channels, there being at least two channels as shown in the accompanying representations.**



- (21) Design Number: **10123/2005**
(22) Date of Filing Application: **14 January 2005**
(24) Date from which industrial property rights may have effect: **14 January 2005**
(54) Product in respect of which the design is registered: **Bicycle push handle seat post clamp**
(51) International Design Classification: **12-11, 08-08D**
(71) Name(s) and Address(s) of Applicant(s):
Jestomic Pty Ltd
2/3 Wirth Terrace Highland Park Queensland 4211 Australia
(72) Name(s) of Designer(s): **Michael Pyke**
(45) Registration Date: **18 October 2005**
(56) Related Art Documents: **Not Applicable**
(57) Statement of Newness and Distinctiveness: **Nil**



(21) Design Number: **10124/2005**

(22) Date of Filing Application: **14 January 2005**

(24) Date from which industrial property rights may have effect: **14 January 2005**

(54) Product in respect of which the design is registered: **Bicycle push handle seat post clamp**

(51) International Design Classification: **12-11, 08-08D**

(71) Name(s) and Address(s) of Applicant(s):

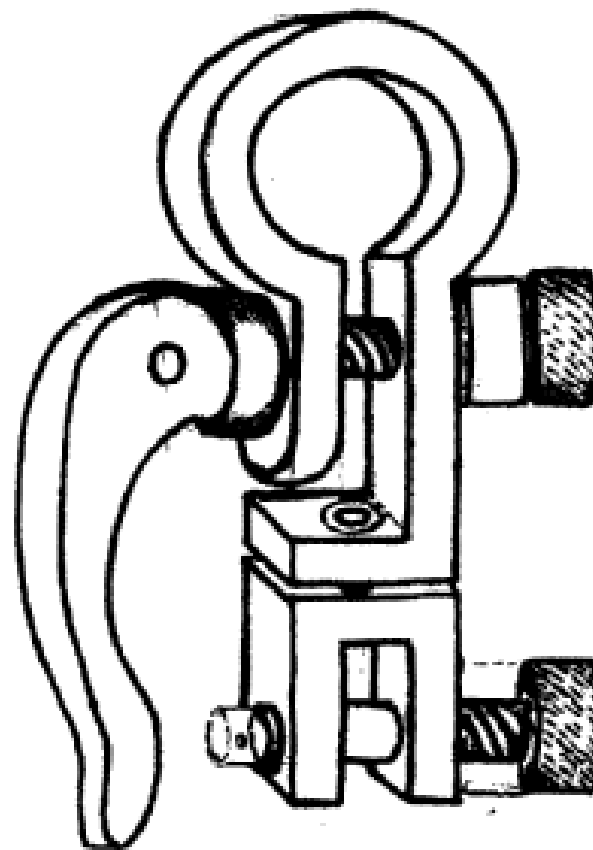
Jestomic Pty Ltd
2/3 Wirth Terrace Highland Park Queensland 4211 Australia

(72) Name(s) of Designer(s): **Michael Pyke**

(45) Registration Date: **18 October 2005**

(56) Related Art Documents: **Not Applicable**

(57) Statement of Newness and Distinctiveness: **Nil**



(21) Design Number: **10125/2005**

(22) Date of Filing Application: **14 January 2005**

(24) Date from which industrial property rights may have effect: **14 January 2005**

(54) Product in respect of which the design is registered: **Bicycle push handle seat post clamp with hinged back**

(51) International Design Classification: **12-11, 08-08D**

(71) Name(s) and Address(s) of Applicant(s):

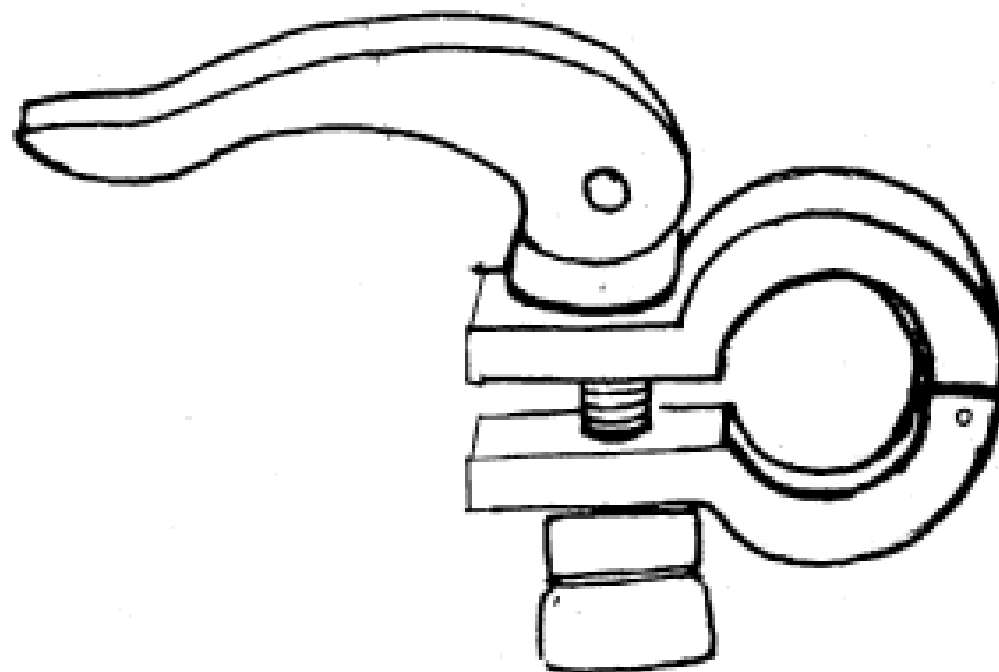
Jestomic Pty Ltd
2/3 Wirth Terrace Highland Park Queensland 4211 Australia

(72) Name(s) of Designer(s): **Michael Pyke**

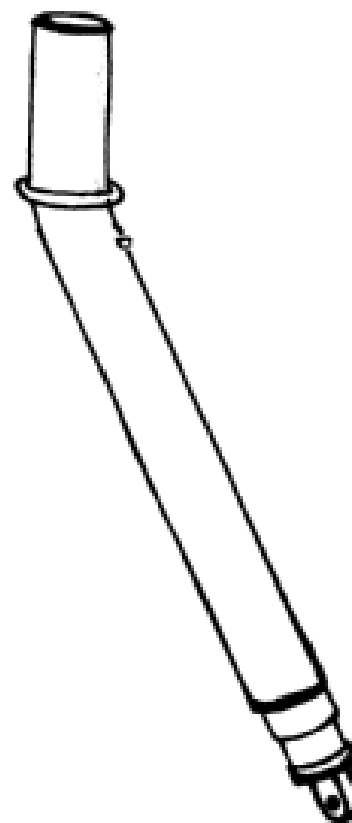
(45) Registration Date: **18 October 2005**

(56) Related Art Documents: **Not Applicable**

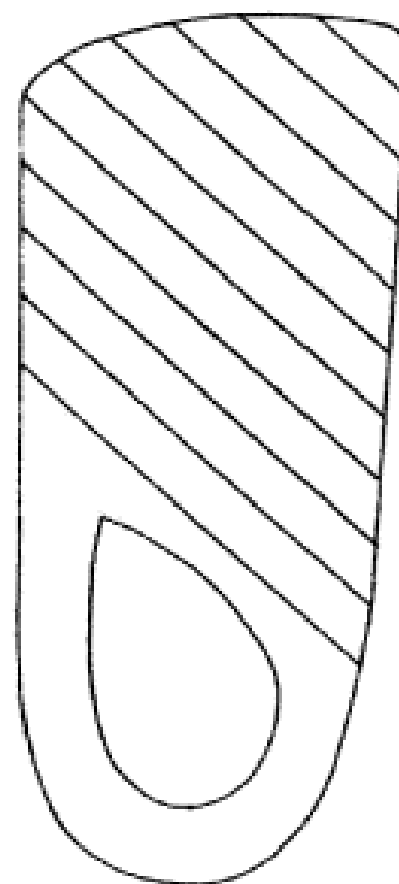
(57) Statement of Newness and Distinctiveness: **Nil**



- (21) Design Number: **10126/2005**
(22) Date of Filing Application: **14 January 2005**
(24) Date from which industrial property rights may have effect: **14 January 2005**
(54) Product in respect of which the design is registered: **Bicycle telescopic push handle**
(51) International Design Classification: **12-11, 08-06**
(71) Name(s) and Address(s) of Applicant(s):
Jestomic Pty Ltd
2/3 Wirth Terrace Highland Park Queensland 4211 Australia
(72) Name(s) of Designer(s): **Michael Pyke**
(45) Registration Date: **18 October 2005**
(56) Related Art Documents: **Not Applicable**
(57) Statement of Newness and Distinctiveness: **Nil**



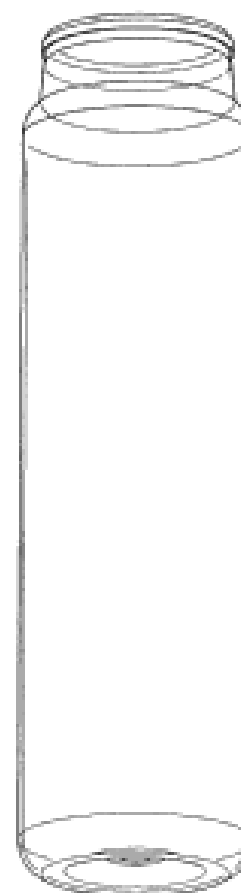
- (21) Design Number: **10169/2005**
(22) Date of Filing Application: **17 January 2005**
(24) Date from which industrial property rights may have effect: **17 January 2005**
(54) Product in respect of which the design is registered: **Orthotic device**
(51) International Design Classification: **24-04, 02-04A**
(71) Name(s) and Address(s) of Applicant(s):
Luke Douglas Sinclair
Shop 1046 Australia Fair Shopping Southport Queensland 4215 Australia
Melissa Jane Sinclair
Shop 1046 Australia Fair Shopping Southport Queensland 4215 Australia
(72) Name(s) of Designer(s): **Luke Douglas Sinclair and Melissa Jane Sinclair**
(45) Registration Date: **18 October 2005**
(56) Related Art Documents: **Not Applicable**
(57) Statement of Newness and Distinctiveness: **Newness and distinctiveness resides in the shape and configuration of an orthotic device as shown in the representations.**



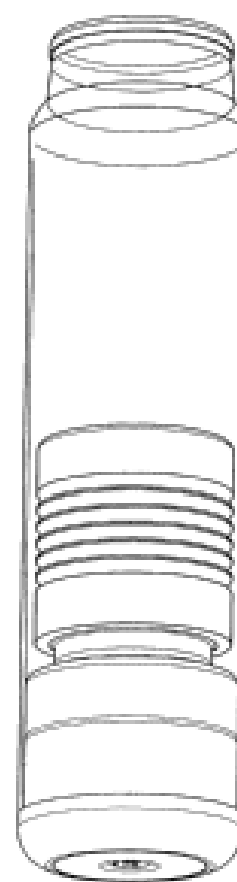
- (21) Design Number: **10230/2005**
(22) Date of Filing Application: **21 January 2005**
(24) Date from which industrial property rights may have effect: **21 January 2005**
(54) Product in respect of which the design is registered: **A neck measuring device**
(51) International Design Classification: **10-04**
(71) Name(s) and Address(s) of Applicant(s):
Healthcare Alliance Pty Ltd
8 McLaren Street North Sydney New South Wales 2060 Australia
(72) Name(s) of Designer(s): **Andrew Robert Macfarlane**
(45) Registration Date: **18 October 2005**
(56) Related Art Documents: **Not Applicable**
(57) Statement of Newness and Distinctiveness: **Newness and distinctiveness is claimed in respect of the shape and/or configuration of the product illustrated in the accompanying representations.**



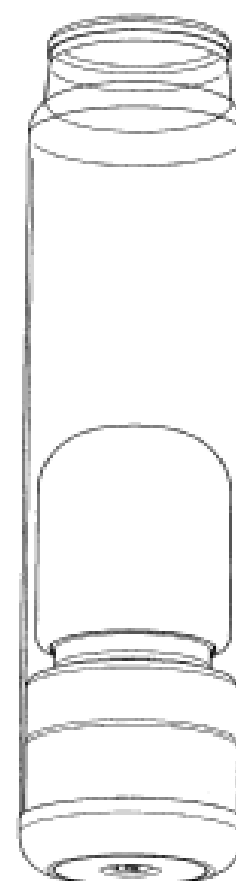
- (21) Design Number: **10241/2005**
(22) Date of Filing Application: **21 January 2005**
(24) Date from which industrial property rights may have effect: **21 January 2005**
(54) Product in respect of which the design is registered: **Container**
(51) International Design Classification: **09-01NES**
(71) Name(s) and Address(s) of Applicant(s):
Intelligent Packaging Systems Group S.A.
Les Jonquilles 46 Route de la Fin CH-1874 Champéry Switzerland
(72) Name(s) of Designer(s): **J.H.J.M Kelders and R.E. Van Swieten**
(45) Registration Date: **18 October 2005**
(30) Convention priority data:
(31) Number (32) Date (33) Country
000209150-0005 30 Jul 2004 EUROPEAN COMMUNITY
(56) Related Art Documents: **Not Applicable**
(57) Statement of Newness and Distinctiveness: **Nil**



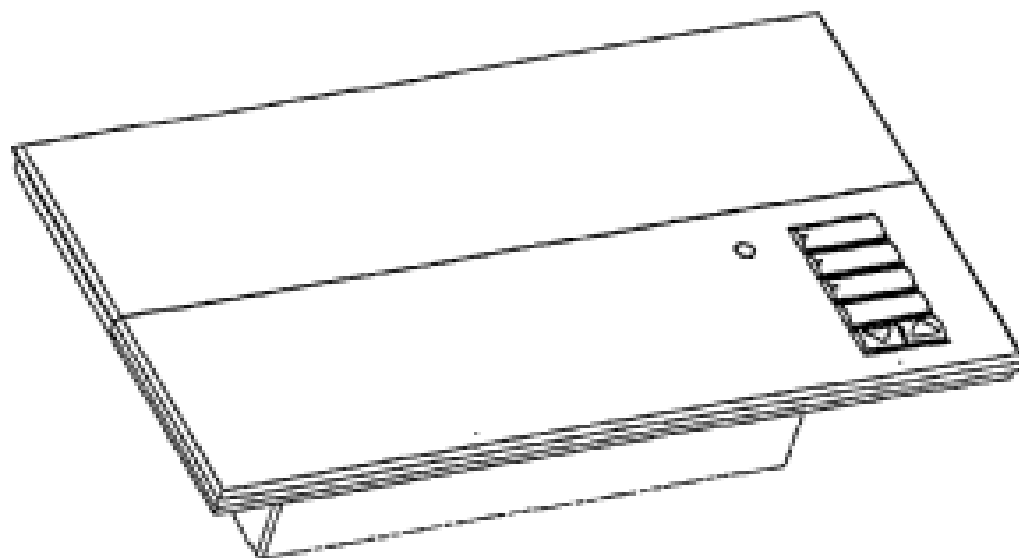
(21) Design Number: **10242/2005**
(22) Date of Filing Application: **21 January 2005**
(24) Date from which industrial property rights may have effect: **21 January 2005**
(54) Product in respect of which the design is registered: **Container**
(51) International Design Classification: **09-01NES**
(71) Name(s) and Address(s) of Applicant(s):
Intelligent Packaging Systems Group S.A.
Les Jonquilles 46 Route de la Fin CH-1874 Champéry Switzerland
(72) Name(s) of Designer(s): **J.H.J.M Kelders and R.E. Van Swieten**
(45) Registration Date: **18 October 2005**
(30) Convention priority data:
(31) Number (32) Date (33) Country
000209150-0004 30 Jul 2004 EUROPEAN COMMUNITY
(56) Related Art Documents: **Not Applicable**
(57) Statement of Newness and Distinctiveness: **Nil**



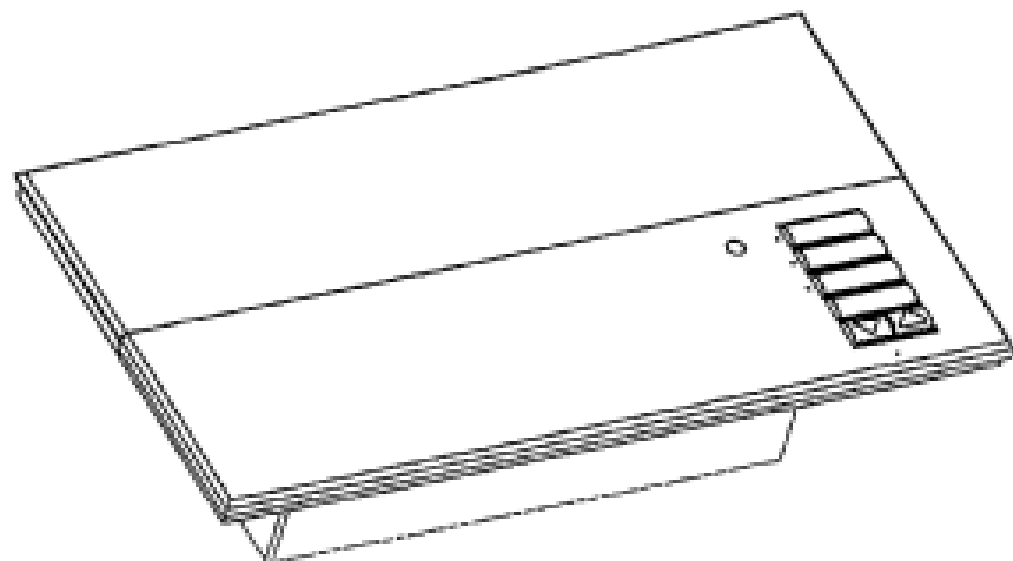
(21) Design Number: **10243/2005**
(22) Date of Filing Application: **21 January 2005**
(24) Date from which industrial property rights may have effect: **21 January 2005**
(54) Product in respect of which the design is registered: **Container**
(51) International Design Classification: **09-01NES**
(71) Name(s) and Address(s) of Applicant(s):
Intelligent Packaging Systems Group S.A.
Les Jonquilles 46 Route de la Fin CH-1874 Champéry Switzerland
(72) Name(s) of Designer(s): **J.H.J.M Kelders and R.E. Van Swieten**
(45) Registration Date: **18 October 2005**
(30) Convention priority data:
(31) Number (32) Date (33) Country
000209150-0003 30 Jul 2004 EUROPEAN COMMUNITY
(56) Related Art Documents: **Not Applicable**
(57) Statement of Newness and Distinctiveness: **Nil**



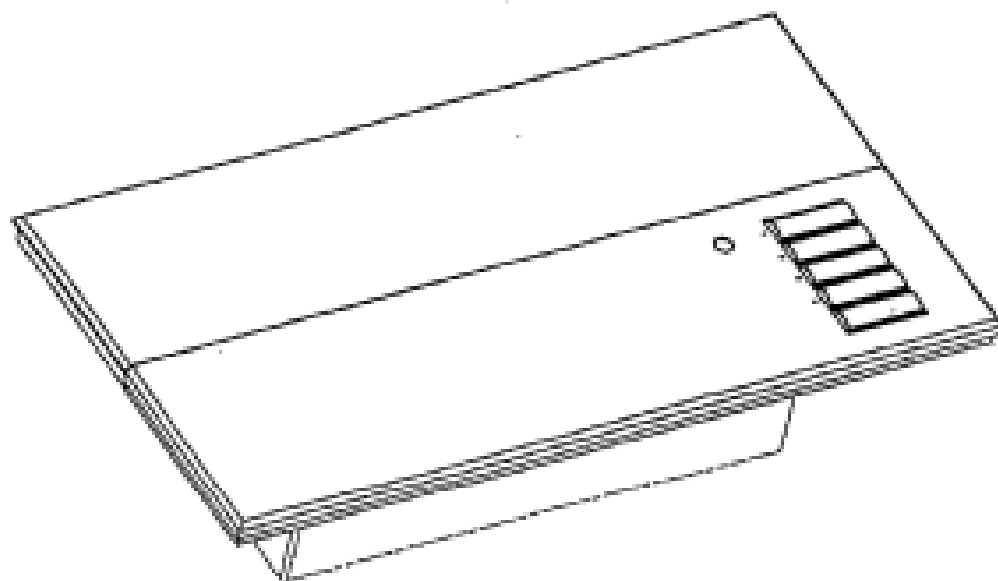
- (21) Design Number: **10250/2005**
(22) Date of Filing Application: **21 January 2005**
(24) Date from which industrial property rights may have effect: **21 January 2005**
(54) Product in respect of which the design is registered: **Wall-mountable control panel**
(51) International Design Classification: **13-03NES**
(71) Name(s) and Address(s) of Applicant(s):
Lutron Electronics Co. Inc.
7200 Suter Road Coopersburg Pennsylvania 18036-1299 United States of America
(72) Name(s) of Designer(s): **Nathan J. Butler and Timothy S. Majewski and Stephen S. Thompson and Elliot G. Jacoby and Noel Mayo and Joel S. Spira**
(45) Registration Date: **18 October 2005**
(30) Convention priority data:
(31) Number (32) Date (33) Country
29/209,996 23 Jul 2004 UNITED STATES OF AMERICA
(56) Related Art Documents: **Not Applicable**
(57) Statement of Newness and Distinctiveness: **Nil**



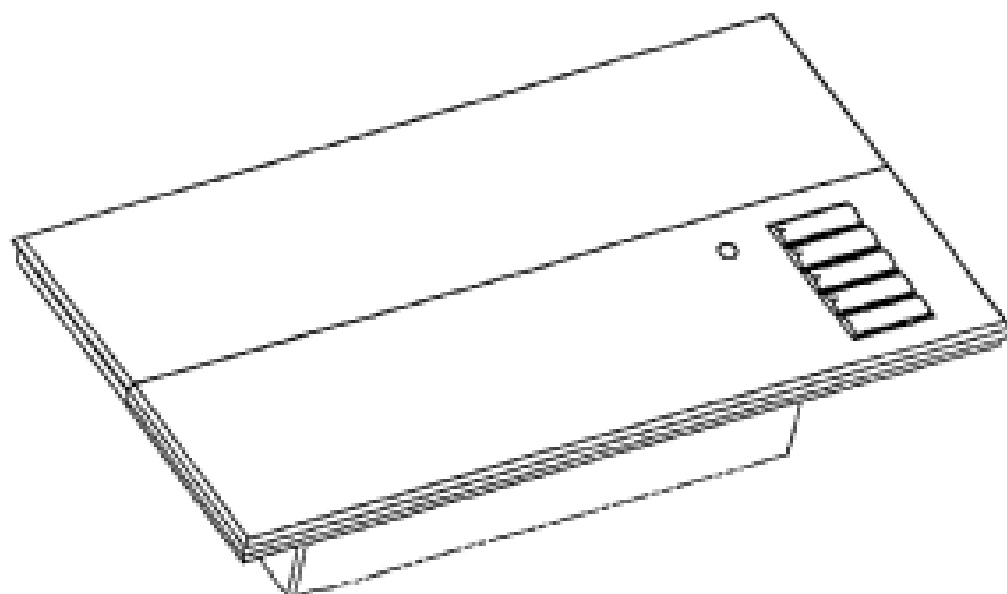
- (21) Design Number: **10251/2005**
(22) Date of Filing Application: **21 January 2005**
(24) Date from which industrial property rights may have effect: **21 January 2005**
(54) Product in respect of which the design is registered: **Wall-mountable control panel**
(51) International Design Classification: **13-03NES**
(71) Name(s) and Address(s) of Applicant(s):
Lutron Electronics Co. Inc.
7200 Suter Road Coopersburg Pennsylvania 18036-1299 United States of America
(72) Name(s) of Designer(s): **Nathan J. Butler and Timothy S. Majewski and Stephen S. Thompson and Elliot G. Jacoby and Noel Mayo and Joel S. Spira**
(45) Registration Date: **18 October 2005**
(30) Convention priority data:
(31) Number (32) Date (33) Country
29/209,996 23 Jul 2004 UNITED STATES OF AMERICA
(56) Related Art Documents: **Not Applicable**
(57) Statement of Newness and Distinctiveness: **Nil**



- (21) Design Number: **10252/2005**
(22) Date of Filing Application: **21 January 2005**
(24) Date from which industrial property rights may have effect: **21 January 2005**
(54) Product in respect of which the design is registered: **Wall-mountable control panel**
(51) International Design Classification: **13-03NES**
(71) Name(s) and Address(s) of Applicant(s):
Lutron Electronics Co. Inc.
7200 Suter Road Coopersburg Pennsylvania 18036-1299 United States of America
(72) Name(s) of Designer(s): **Nathan J. Butler and Timothy S. Majewski and Stephen S. Thompson and Elliot G. Jacoby and Noel Mayo and Joel S. Spira**
(45) Registration Date: **18 October 2005**
(30) Convention priority data:
(31) Number (32) Date (33) Country
29/209,921 23 Jul 2004 UNITED STATES OF AMERICA
(56) Related Art Documents: **Not Applicable**
(57) Statement of Newness and Distinctiveness: **Nil**



- (21) Design Number: **10253/2005**
(22) Date of Filing Application: **21 January 2005**
(24) Date from which industrial property rights may have effect: **21 January 2005**
(54) Product in respect of which the design is registered: **Wall-mountable control panel**
(51) International Design Classification: **13-03NES**
(71) Name(s) and Address(s) of Applicant(s):
Lutron Electronics Co. Inc.
7200 Suter Road Coopersburg Pennsylvania 18036-1299 United States of America
(72) Name(s) of Designer(s): **Nathan J. Butler and Timothy S. Majewski and Stephen S. Thompson and Elliot G. Jacoby and Noel Mayo and Joel S. Spira**
(45) Registration Date: **18 October 2005**
(30) Convention priority data:
(31) Number (32) Date (33) Country
29/209,921 23 Jul 2004 UNITED STATES OF AMERICA
(56) Related Art Documents: **Not Applicable**
(57) Statement of Newness and Distinctiveness: **Nil**



(21) Design Number: **10268/2005**

(22) Date of Filing Application: **27 January 2005**

(24) Date from which industrial property rights may have effect: **27 January 2005**

(54) Product in respect of which the design is registered: **Book cover with pocket (right) and window for nametag**

(51) International Design Classification: **19-04**

(71) Name(s) and Address(s) of Applicant(s):

Agnieszka Benet

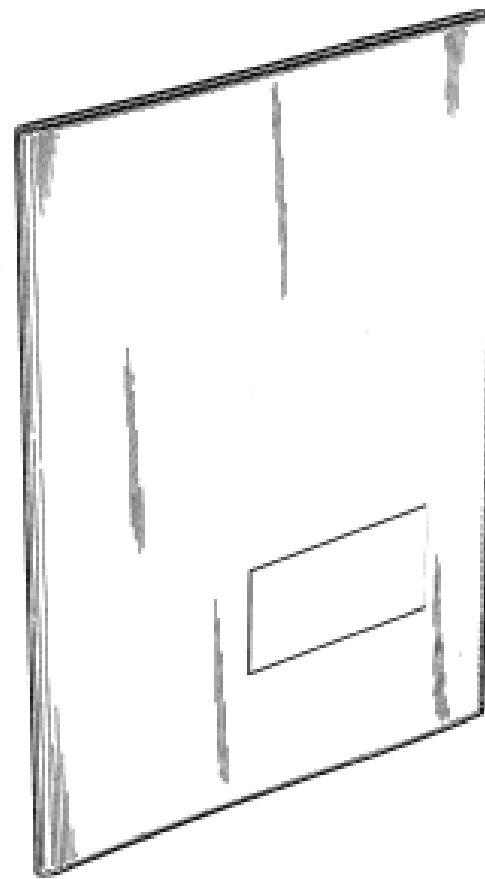
Unit 2 33 Denver Street East Bentleigh Victoria 3165 Australia

(72) Name(s) of Designer(s): **Agnieszka Benet**

(45) Registration Date: **18 October 2005**

(56) Related Art Documents: **Not Applicable**

(57) Statement of Newness and Distinctiveness: **Nil**



(21) Design Number: **10269/2005**

(22) Date of Filing Application: **27 January 2005**

(24) Date from which industrial property rights may have effect: **27 January 2005**

(54) Product in respect of which the design is registered: **Book cover with window for nametag**

(51) International Design Classification: **19-04**

(71) Name(s) and Address(s) of Applicant(s):

Agnieszka Benet

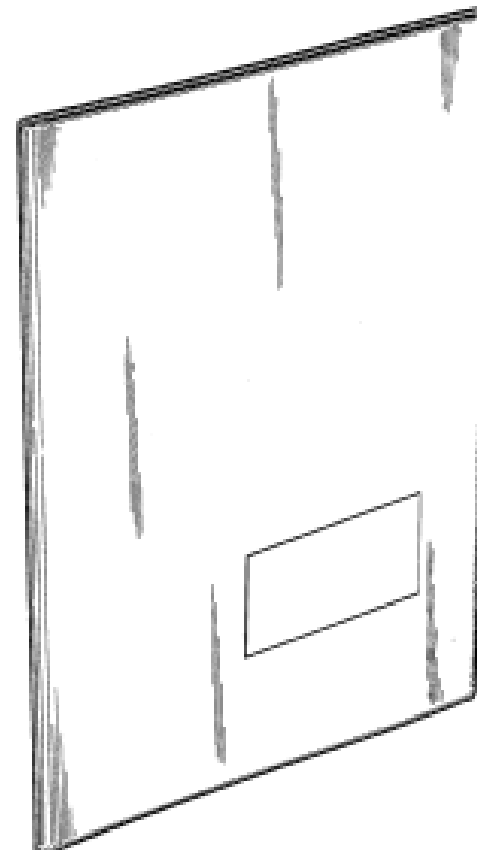
Unit 2 33 Denver Street East Bentleigh Victoria 3165 Australia

(72) Name(s) of Designer(s): **Agnieszka Benet**

(45) Registration Date: **18 October 2005**

(56) Related Art Documents: **Not Applicable**

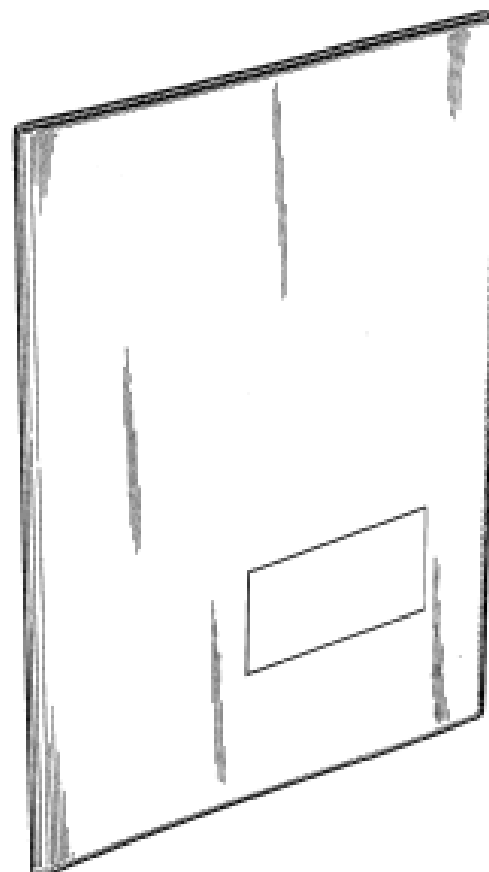
(57) Statement of Newness and Distinctiveness: **Nil**



- (21) Design Number: **10270/2005**
(22) Date of Filing Application: **27 January 2005**
(24) Date from which industrial property rights may have effect: **27 January 2005**
(54) Product in respect of which the design is registered: **Book cover with two pocket**
(51) International Design Classification: **19-04**
(71) Name(s) and Address(s) of Applicant(s):
Agnieszka Benet
Unit 2 33 Denver Street East Bentleigh Victoria 3165 Australia
(72) Name(s) of Designer(s): **Agnieszka Benet**
(45) Registration Date: **18 October 2005**
(56) Related Art Documents: **Not Applicable**
(57) Statement of Newness and Distinctiveness: **Nil**



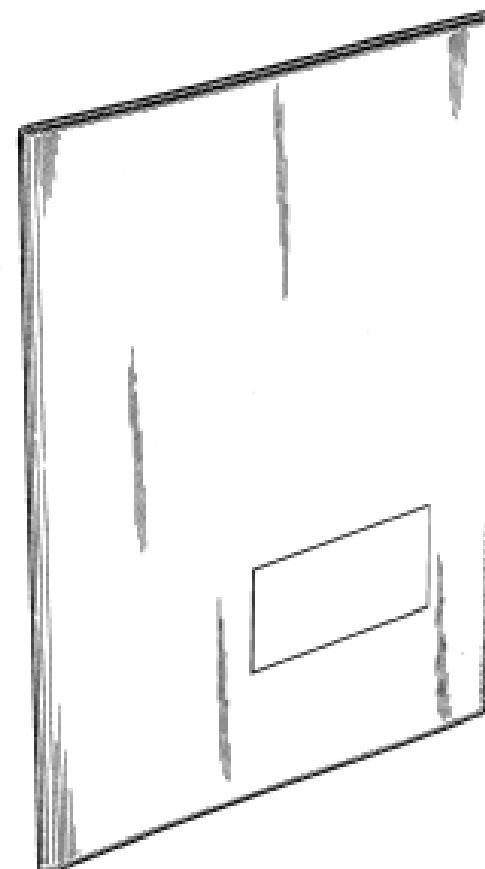
- (21) Design Number: **10271/2005**
(22) Date of Filing Application: **27 January 2005**
(24) Date from which industrial property rights may have effect: **27 January 2005**
(54) Product in respect of which the design is registered: **Book cover with 2 pocket and window for nametag**
(51) International Design Classification: **19-04**
(71) Name(s) and Address(s) of Applicant(s):
Agnieszka Benet
Unit 2 33 Denver Street East Bentleigh Victoria 3165 Australia
(72) Name(s) of Designer(s): **Agnieszka Benet**
(45) Registration Date: **18 October 2005**
(56) Related Art Documents: **Not Applicable**
(57) Statement of Newness and Distinctiveness: **Nil**



- (21) Design Number: **10272/2005**
(22) Date of Filing Application: **27 January 2005**
(24) Date from which industrial property rights may have effect: **27 January 2005**
(54) Product in respect of which the design is registered: **Book cover with pocket (left)**
(51) International Design Classification: **19-04**
(71) Name(s) and Address(s) of Applicant(s):
Agnieszka Benet
Unit 2 33 Denver Street East Bentleigh Victoria 3165 Australia
(72) Name(s) of Designer(s): **Agnieszka Benet**
(45) Registration Date: **18 October 2005**
(56) Related Art Documents: **Not Applicable**
(57) Statement of Newness and Distinctiveness: **Nil**

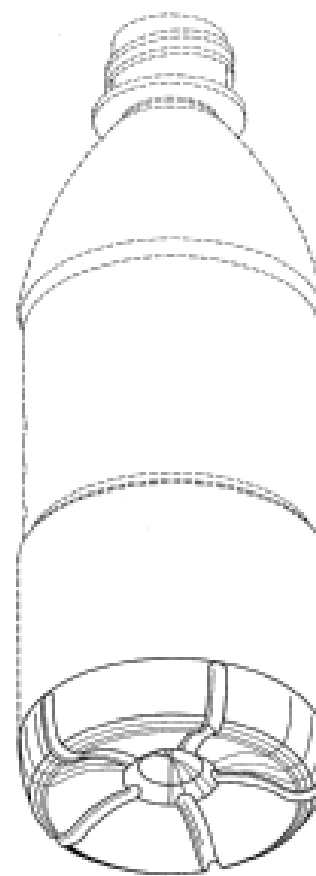


- (21) Design Number: **10273/2005**
(22) Date of Filing Application: **27 January 2005**
(24) Date from which industrial property rights may have effect: **27 January 2005**
(54) Product in respect of which the design is registered: **Book cover with pocket and window for nametag**
(51) International Design Classification: **19-04**
(71) Name(s) and Address(s) of Applicant(s):
Agnieszka Benet
Unit 2 33 Denver Street East Bentleigh Victoria 3165 Australia
(72) Name(s) of Designer(s): **Agnieszka Benet**
(45) Registration Date: **18 October 2005**
(56) Related Art Documents: **Not Applicable**
(57) Statement of Newness and Distinctiveness: **Nil**



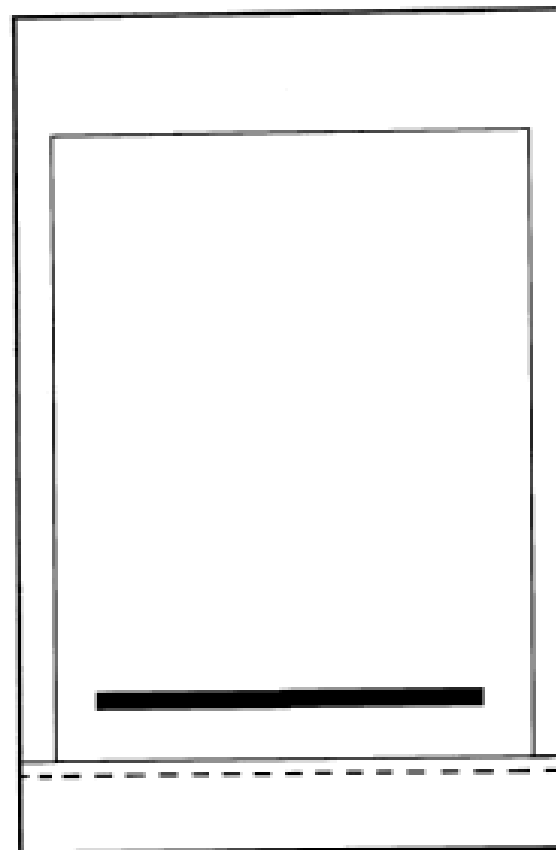
- (21) Design Number: **10277/2005**
- (22) Date of Filing Application: **25 January 2005**
- (24) Date from which industrial property rights may have effect: **25 January 2005**
- (54) Product in respect of which the design is registered: **A bottle**
- (51) International Design Classification: **09-01NES**
- (71) Name(s) and Address(s) of Applicant(s):
Ball Corporation
10 Longs Peak Drive Broomfield Colorado 80021 United Sates of America
- (72) Name(s) of Designer(s): **John J. Livingston**
- (45) Registration Date: **18 October 2005**
- (30) Convention priority data:

(31) Number	(32) Date	(33) Country
29/212255	30 Aug 2004	UNITED STATES OF AMERICA
- (56) Related Art Documents: **Not Applicable**
- (57) Statement of Newness and Distinctiveness: **Each feature of the design shown in solid lines considered separately or in combination with any other feature or features shown in solid lines.**

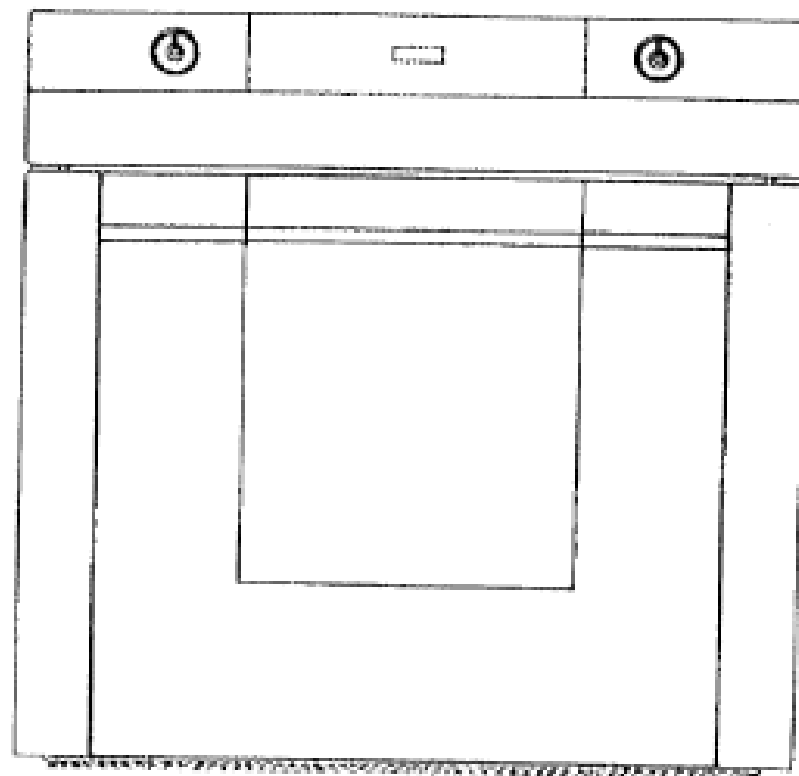


- (21) Design Number: **10285/2005**
- (22) Date of Filing Application: **28 January 2005**
- (24) Date from which industrial property rights may have effect: **28 January 2005**
- (54) Product in respect of which the design is registered: **Bag in a bag**
- (51) International Design Classification: **09-05**
- (71) Name(s) and Address(s) of Applicant(s):
FPSInternational (New Zealand) Limited
68 Carmen Road Christchurch New Zealand
Tegel Foods Limited
Level 4 Tower B 100 Carlton Gore Road Newmarket Auckland New Zealand
- (72) Name(s) of Designer(s): **Martin Pidcock and Peter Snopko**
- (45) Registration Date: **18 October 2005**
- (30) Convention priority data:

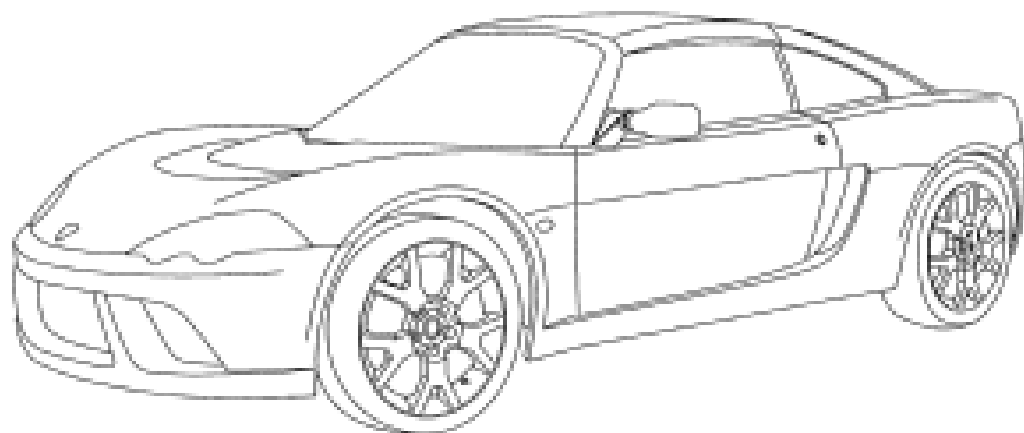
(31) Number	(32) Date	(33) Country
405098	29 Jul 2004	NEW ZEALAND
- (56) Related Art Documents: **Not Applicable**
- (57) Statement of Newness and Distinctiveness: **A statement of newness and distinctiveness is claimed in the shape and configuration of a bag in a bag as illustrated in the accompanying representations.**



(21) Design Number: **10336/2005**
(22) Date of Filing Application: **31 January 2005**
(24) Date from which industrial property rights may have effect: **31 January 2005**
(54) Product in respect of which the design is registered: **Oven door**
(51) International Design Classification: **07-02C**
(71) Name(s) and Address(s) of Applicant(s):
Smeg S.p.A.
42016 Guastalla (Italy) Via Circonvallazione Nord 36 Italy
(72) Name(s) of Designer(s): **Gabriele Centazzo**
(45) Registration Date: **18 October 2005**
(30) Convention priority data:
(31) Number (32) Date (33) Country
000210133 30 Jul 2004 EUROPEAN COMMUNITY
(56) Related Art Documents: **Not Applicable**
(57) Statement of Newness and Distinctiveness: **For the purpose of determining the newness and/or distinctiveness of the instant design, no account should be taken of those aspects detailed in broken lines.**



(21) Design Number: **10353/2005**
(22) Date of Filing Application: **31 January 2005**
(24) Date from which industrial property rights may have effect: **31 January 2005**
(54) Product in respect of which the design is registered: **An automobile**
(51) International Design Classification: **12-08**
(71) Name(s) and Address(s) of Applicant(s):
Perusahaan Otomobil Nasional SDN. BHD.
HICOM Industrial Estate 40000 Shah Alam Selangor Darul Ehsan
Malaysia
(72) Name(s) of Designer(s): **Anthony John Bushell and Barney Joe Hatt**
(45) Registration Date: **18 October 2005**
(30) Convention priority data:
(31) Number (32) Date (33) Country
3018262 30 Jul 2004 UNITED KINGDOM
(56) Related Art Documents: **Not Applicable**
(57) Statement of Newness and Distinctiveness: **Nil**



(21) Design Number: **10505/2005**

(22) Date of Filing Application: **09 February 2005**

(24) Date from which industrial property rights may have effect: **09 February 2005**

(54) Product in respect of which the design is registered: **Dice for sports games**

(51) International Design Classification: **21-01L**

(71) Name(s) and Address(s) of Applicant(s):

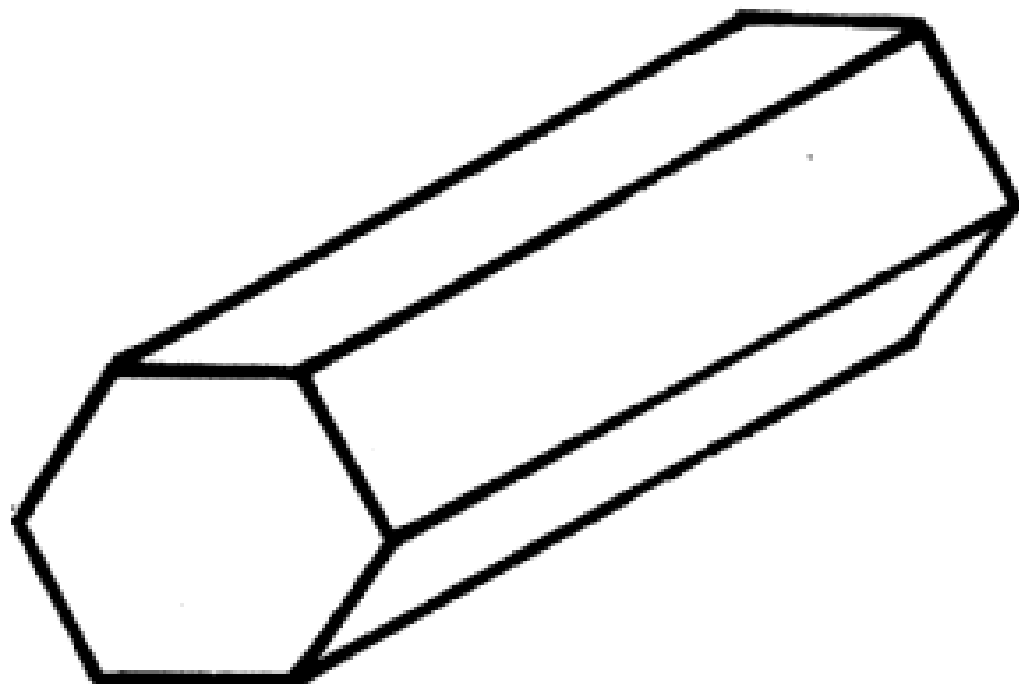
Stephen Francis Ryan

171 Barrenjoey Road Ettalong New South Wales 2257 Australia

(72) Name(s) of Designer(s): **Stephen Francis Ryan**

(45) Registration Date: **18 October 2005**

(56) Related Art Documents: **Not Applicable**



(21) Design Number: **13751/2005**

(22) Date of Filing Application: **09 February 2005**

(24) Date from which industrial property rights may have effect: **09 February 2005**

(54) Product in respect of which the design is registered: **Dice for sports games**

(51) International Design Classification: **21-01L**

(71) Name(s) and Address(s) of Applicant(s):

Stephen Francis Ryan

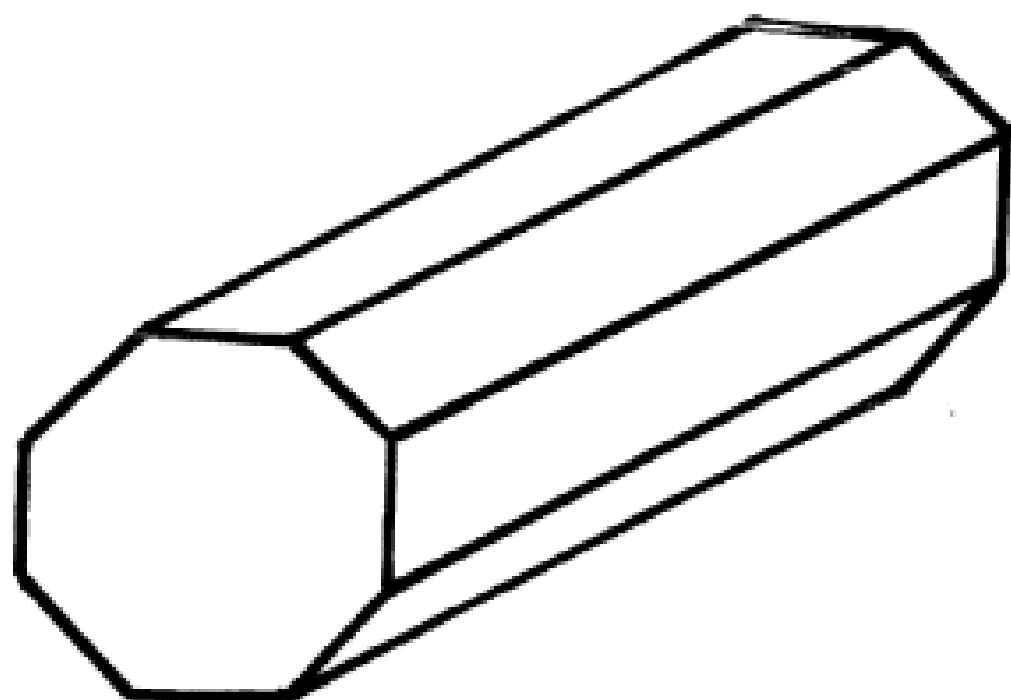
171 Barrenjoey Road Ettalong New South Wales 2257 Australia

(72) Name(s) of Designer(s): **Stephen Francis Ryan**

(45) Registration Date: **18 October 2005**

(56) Related Art Documents: **Not Applicable**

(57) Statement of Newness and Distinctiveness: **Nil**



(21) Design Number: **10526/2005**

(22) Date of Filing Application: **09 February 2005**

(24) Date from which industrial property rights may have effect: **09 February 2005**

(54) Product in respect of which the design is registered: **A door handle**

(51) International Design Classification: **08-06**

(71) Name(s) and Address(s) of Applicant(s):

Azuma Design Pty Limited

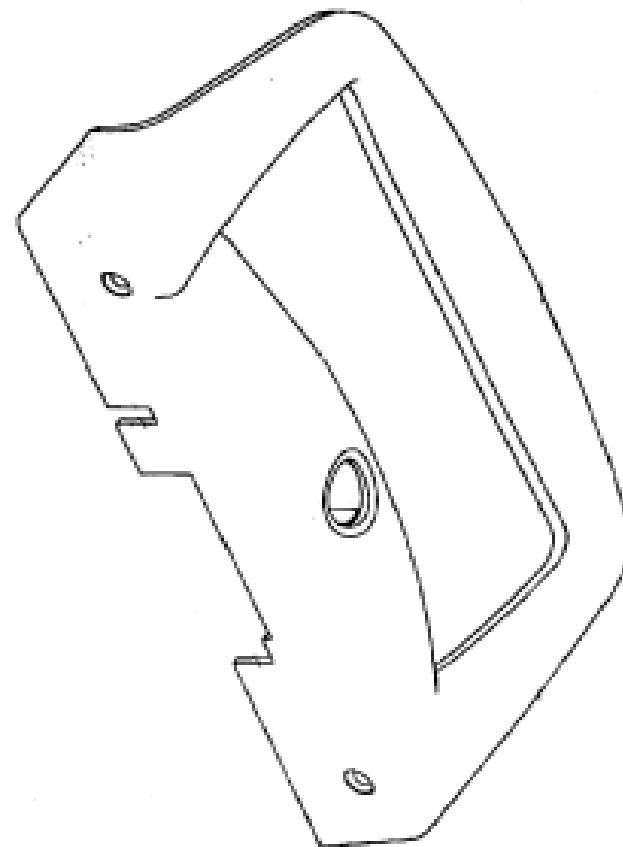
160-162 Newton Road Wetherill Park New South Wales 2164 Australia

(72) Name(s) of Designer(s): **Richard Zitzelsperger and Michael Brian Alchin**

(45) Registration Date: **18 October 2005**

(56) Related Art Documents: **Not Applicable**

(57) Statement of Newness and Distinctiveness: **Newness and distinctiveness is claimed in the features of shape and/or configuration of a door handle as illustrated in the accompanying representations.**



(21) Design Number: **10506/2005**

(22) Date of Filing Application: **10 February 2005**

(24) Date from which industrial property rights may have effect: **10 February 2005**

(54) Product in respect of which the design is registered: **A lever**

(51) International Design Classification: **08-06**

(71) Name(s) and Address(s) of Applicant(s):

Yarra Ridge Pty Ltd

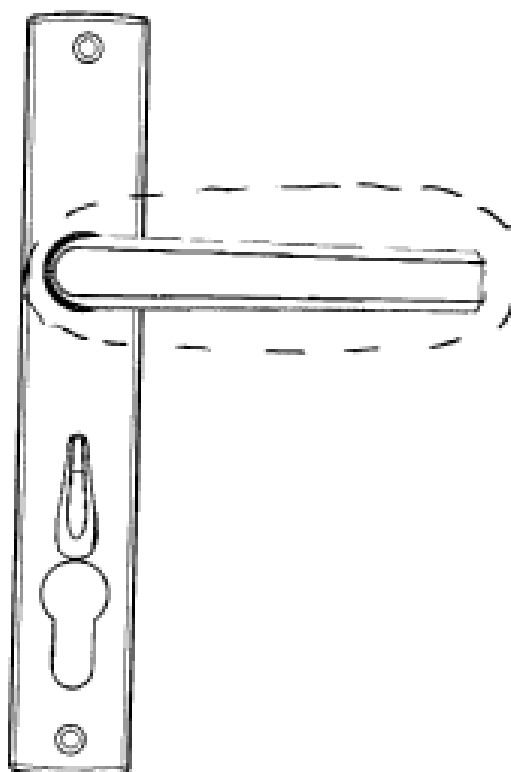
8 Ross Street South Melbourne Victoria 3205 Australia

(72) Name(s) of Designer(s): **Brendan George**

(45) Registration Date: **18 October 2005**

(56) Related Art Documents: **Not Applicable**

(57) Statement of Newness and Distinctiveness: **Monopoly is claimed in the shape of the article as illustrated in the representations and in considering the extent of the monopoly protection, no regard is to be had to the shape outside the closed dotted line.**



(21) Design Number: **10609/2005**

(22) Date of Filing Application: **16 February 2005**

(24) Date from which industrial property rights may have effect: **16 February 2005**

(54) Product in respect of which the design is registered: **Equine sports obstacle**

(51) International Design Classification: **30-99**

(71) Name(s) and Address(s) of Applicant(s):

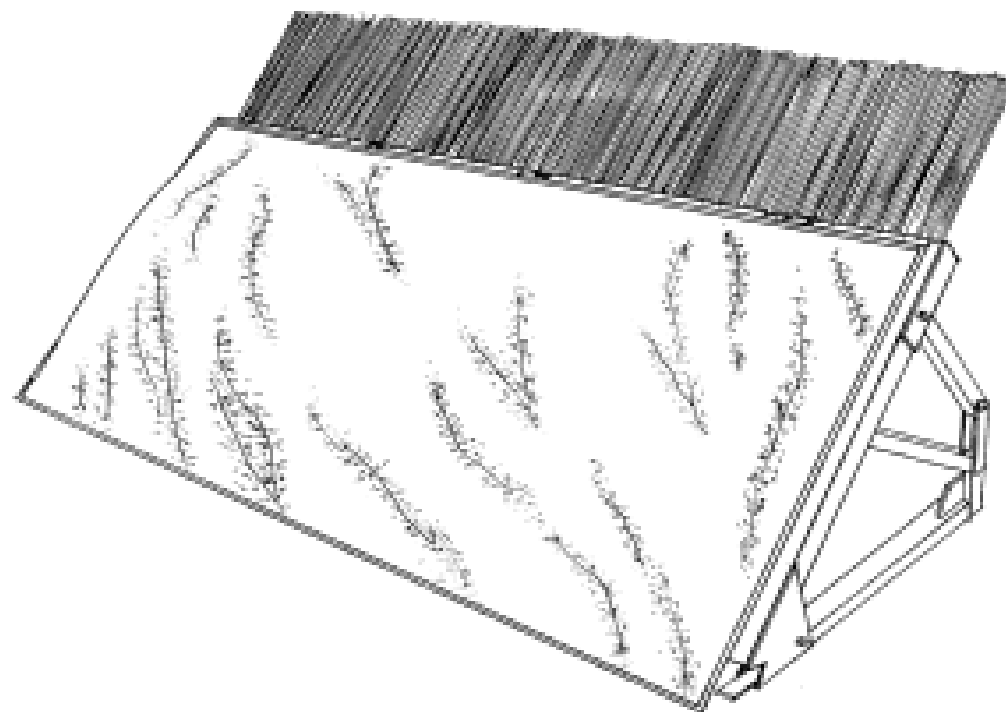
**Racing Victoria Limited
400 Epsom Road Flemington Victoria 3031 Australia**

(72) Name(s) of Designer(s): **Dean Cruise**

(45) Registration Date: **18 October 2005**

(56) Related Art Documents: **Not Applicable**

(57) Statement of Newness and Distinctiveness: **Those visual features of the equine sports obstacle depicted in the representations that are new and distinctive are the shape and/or configuration.**



(21) Design Number: **10622/2005**

(22) Date of Filing Application: **18 February 2005**

(24) Date from which industrial property rights may have effect: **18 February 2005**

(54) Product in respect of which the design is registered: **Bottle**

(51) International Design Classification: **09-01NES**

(71) Name(s) and Address(s) of Applicant(s):

**Diageo Espana S.A.
Avda. Dos Castillas 33 Atica 7 Edificio Il Pozuelo de Alarcon Madrid
Spain**

(72) Name(s) of Designer(s): **Alberto Herencia and Carola Bachiller**

(45) Registration Date: **18 October 2005**

(30) Convention priority data:

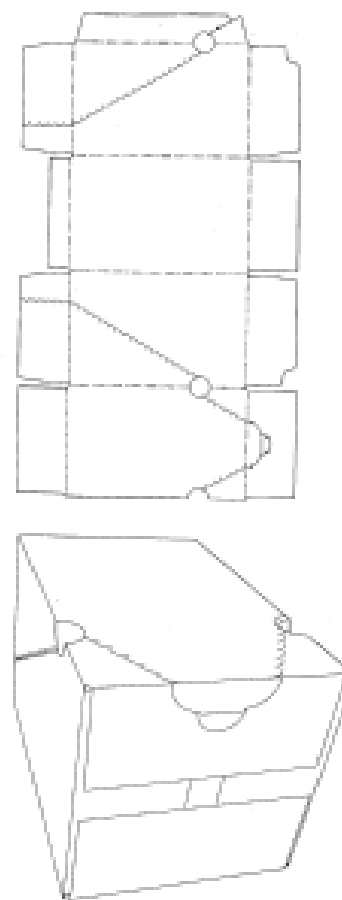
(31) Number	(32) Date	(33) Country
500 166-8	20 Aug 2004	SPAIN

(56) Related Art Documents: **Not Applicable**

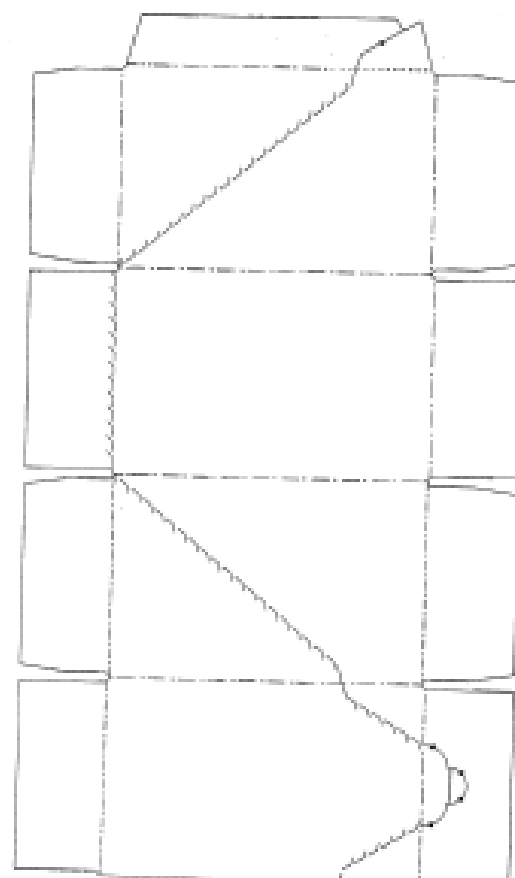
(57) Statement of Newness and Distinctiveness: **Nil**



- (21) Design Number: **10835/2005**
(22) Date of Filing Application: **02 March 2005**
(24) Date from which industrial property rights may have effect: **14 May 2004**
(54) Product in respect of which the design is registered: **Easy-open container and blank therefor**
(51) International Design Classification: **09-03M**
(71) Name(s) and Address(s) of Applicant(s):
Visy R & D Pty Ltd
Level 2 533 Little Lonsdale St Melbourne Victoria 3000 Australia
(72) Name(s) of Designer(s): **Richard Reid**
(45) Registration Date: **18 October 2005**
(62) Divisional of: **157938**
(56) Related Art Documents: **Not Applicable**
(57) Statement of Newness and Distinctiveness: **The new and distinctive feature of the design is the shape or configuration of the easy-open tear out strip extending across the front, top and sides of the container and the blank as illustrated in the accompanying representations.**



- (21) Design Number: **14090/2005**
(22) Date of Filing Application: **02 March 2005**
(24) Date from which industrial property rights may have effect: **14 May 2004**
(54) Product in respect of which the design is registered: **Easy-open container and blank therefor**
(51) International Design Classification: **09-03M**
(71) Name(s) and Address(s) of Applicant(s):
Visy R & D Pty Ltd
Level 2 533 Little Lonsdale St Melbourne Victoria 3000 Australia
(72) Name(s) of Designer(s): **Richard Reid**
(45) Registration Date: **18 October 2005**
(62) Divisional of: **157938**
(56) Related Art Documents: **Not Applicable**
(57) Statement of Newness and Distinctiveness: **The new and distinctive feature of the design is the shape or configuration of the easy-open tear out strip extending across the front, top and sides of the container and the blank as illustrated in the accompanying representations.**



(21) Design Number: **10937/2005**

(22) Date of Filing Application: **09 March 2005**

(24) Date from which industrial property rights may have effect: **09 March 2005**

(54) Product in respect of which the design is registered: **Extension bracket**

(51) International Design Classification: **15-03A**

(71) Name(s) and Address(s) of Applicant(s):

Limthono Pty Ltd

Main Street Mt Tyson Queensland 4356 Australia

Prime Grain Pty Ltd

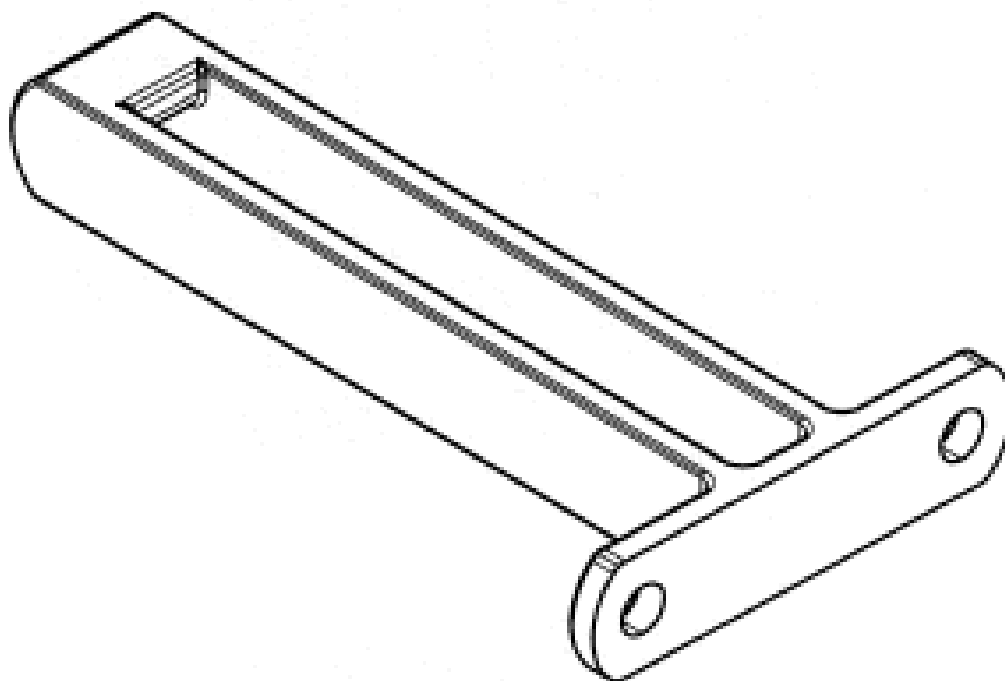
Main Street Mt Tyson Queensland 4356 Australia

(72) Name(s) of Designer(s): **Luke Hogan**

(45) Registration Date: **18 October 2005**

(56) Related Art Documents: **Not Applicable**

(57) Statement of Newness and Distinctiveness: **Newness and distinctiveness are claimed in the features of shape and configuration of the extension bracket depicted in the representations. When considering the extent of the monopoly, features of pattern and ornamentation are to be disregarded.**



(21) Design Number: **10952/2005**

(22) Date of Filing Application: **10 March 2005**

(24) Date from which industrial property rights may have effect: **10 March 2005**

(54) Product in respect of which the design is registered: **A bottle**

(51) International Design Classification: **09-01NES**

(71) Name(s) and Address(s) of Applicant(s):

Concept 2001 Pty. Ltd.

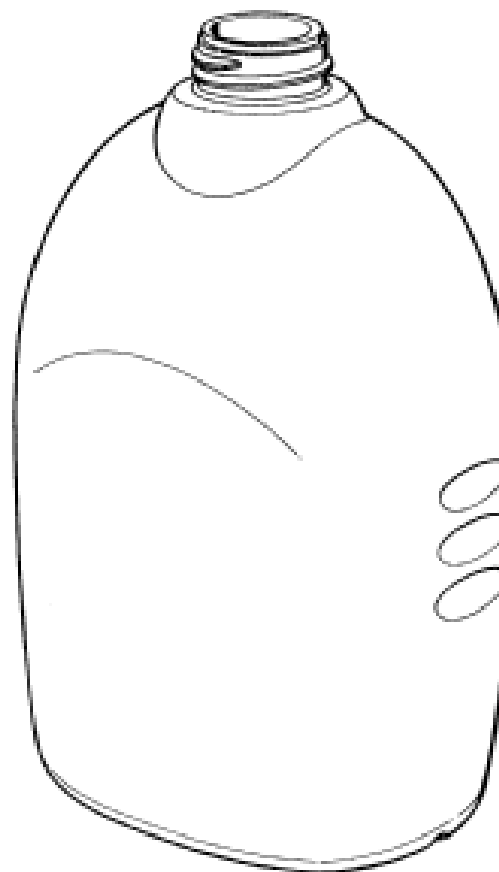
3 Reagh's Farm Road Minto New South Wales 2566 Australia

(72) Name(s) of Designer(s): **James Kinross**

(45) Registration Date: **18 October 2005**

(56) Related Art Documents: **Not Applicable**

(57) Statement of Newness and Distinctiveness: **Newness and distinctiveness is claimed in the features of shape and/or configuration of a bottle as illustrated in the accompanying representations.**



(21) Design Number: **11138/2005**
(22) Date of Filing Application: **22 March 2005**
(24) Date from which industrial property rights may have effect: **22 March 2005**
(54) Product in respect of which the design is registered: **Bench**
(51) International Design Classification: **06-03A, 06-03C**
(71) Name(s) and Address(s) of Applicant(s):

GESIKA Buromobelwerk GmbH
Salzkottener Strasse 65 59590 Geseke Germany

(72) Name(s) of Designer(s): **Mathias Seiler**

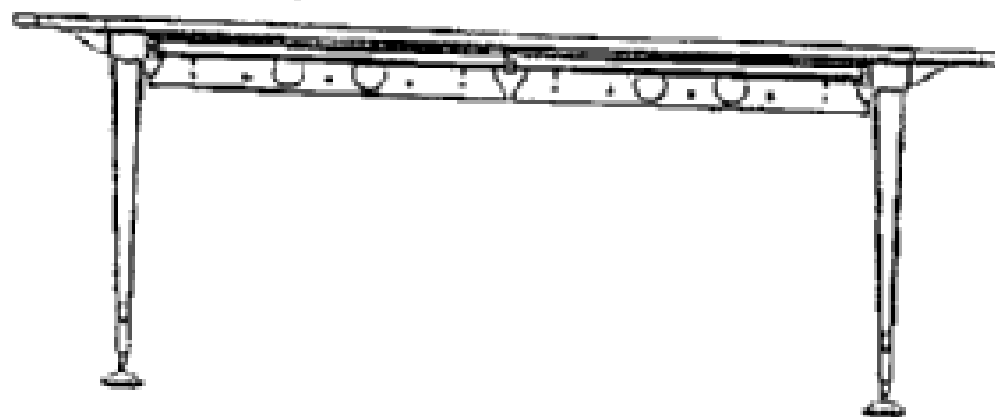
(45) Registration Date: **18 October 2005**

(30) Convention priority data:

(31) Number	(32) Date	(33) Country
404 05 400.5	22 Sep 2004	GERMANY

(56) Related Art Documents: **Not Applicable**

(57) Statement of Newness and Distinctiveness: **Nil**



(21) Design Number: **11139/2005**
(22) Date of Filing Application: **22 March 2005**
(24) Date from which industrial property rights may have effect: **22 March 2005**
(54) Product in respect of which the design is registered: **Drawer unit**
(51) International Design Classification: **06-04B, 06-04F**
(71) Name(s) and Address(s) of Applicant(s):

GESIKA Buromobelwerk GmbH
Salzkottener Strasse 65 59590 Geseke Germany

(72) Name(s) of Designer(s): **Mathias Seiler**

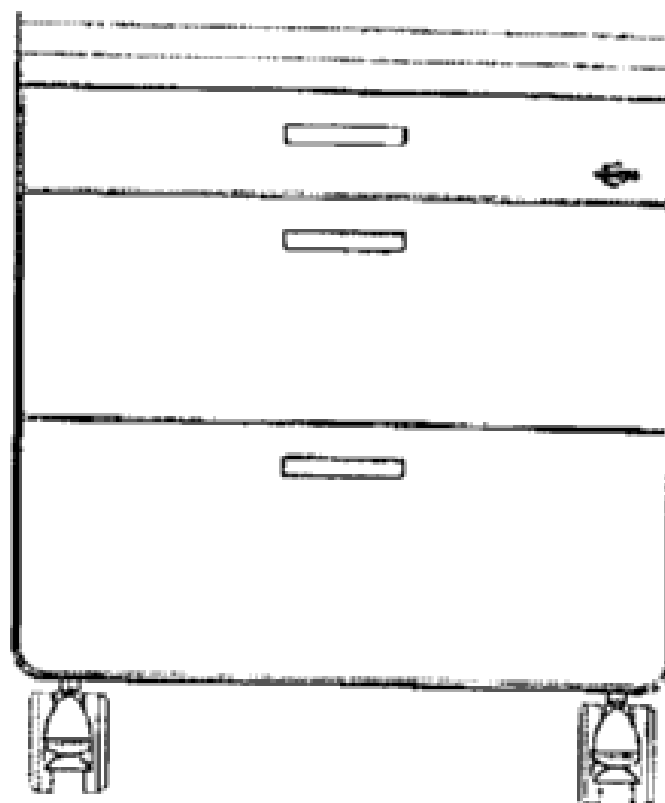
(45) Registration Date: **18 October 2005**

(30) Convention priority data:

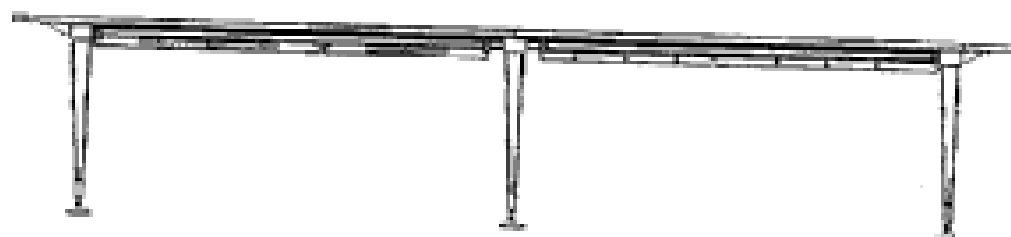
(31) Number	(32) Date	(33) Country
404 05 400.5	22 Sep 2004	GERMANY

(56) Related Art Documents: **Not Applicable**

(57) Statement of Newness and Distinctiveness: **Nil**



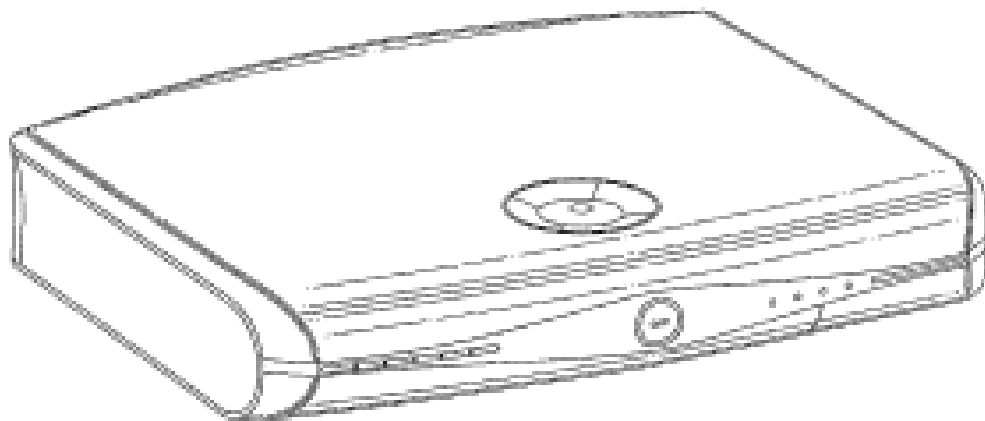
(21) Design Number: **11140/2005**
(22) Date of Filing Application: **22 March 2005**
(24) Date from which industrial property rights may have effect: **22 March 2005**
(54) Product in respect of which the design is registered: **Bench**
(51) International Design Classification: **06-03A, 06-03C**
(71) Name(s) and Address(s) of Applicant(s):
GESIKA Buromobelwerk GmbH
Salzkottener Strasse 65 59590 Geseke Germany
(72) Name(s) of Designer(s): **Mathias Seiler**
(45) Registration Date: **18 October 2005**
(30) Convention priority data:
(31) Number (32) Date (33) Country
404 05 400.5 22 Sep 2004 GERMANY
(56) Related Art Documents: **Not Applicable**
(57) Statement of Newness and Distinctiveness: **Nil**



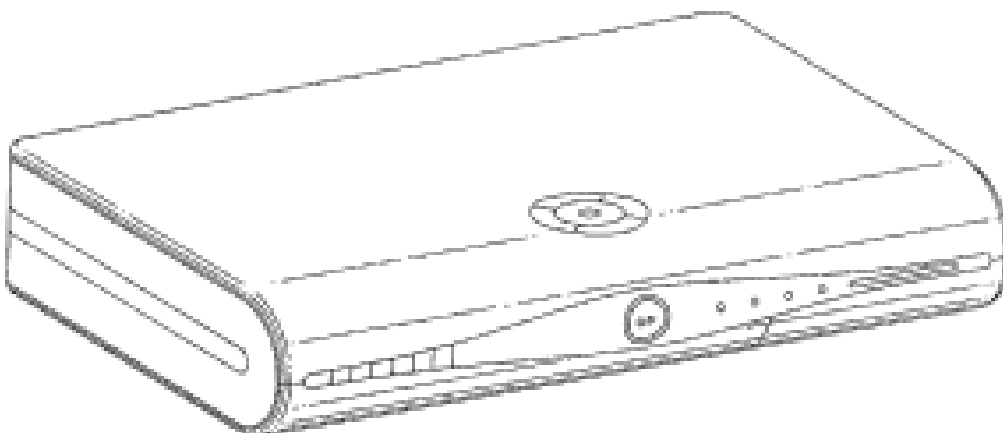
(21) Design Number: **11141/2005**
(22) Date of Filing Application: **22 March 2005**
(24) Date from which industrial property rights may have effect: **22 March 2005**
(54) Product in respect of which the design is registered: **Bench**
(51) International Design Classification: **06-03A, 06-03C**
(71) Name(s) and Address(s) of Applicant(s):
GESIKA Buromobelwerk GmbH
Salzkottener Strasse 65 59590 Geseke Germany
(72) Name(s) of Designer(s): **Mathias Seiler**
(45) Registration Date: **18 October 2005**
(30) Convention priority data:
(31) Number (32) Date (33) Country
404 05 400.5 22 Sep 2004 GERMANY
(56) Related Art Documents: **Not Applicable**
(57) Statement of Newness and Distinctiveness: **Nil**



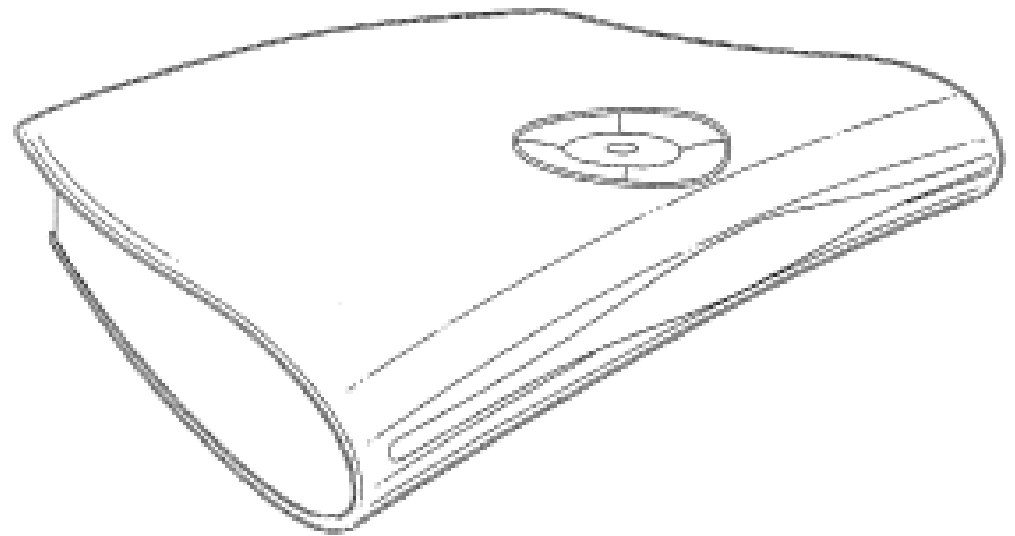
- (21) Design Number: **11246/2005**
(22) Date of Filing Application: **29 March 2005**
(24) Date from which industrial property rights may have effect: **29 March 2005**
(54) Product in respect of which the design is registered: **A set-top box**
(51) International Design Classification: **14-03NES**
(71) Name(s) and Address(s) of Applicant(s):
British Sky Broadcasting Ltd
Grant Way Isleworth Middlesex TW7 5QD United Kingdom
(72) Name(s) of Designer(s): **James Whittaker and Andrew Wong and Robert Curtis**
(45) Registration Date: **18 October 2005**
(30) Convention priority data:
(31) Number (32) Date (33) Country
000294467 07 Feb 2005 EUROPEAN COMMUNITY
(56) Related Art Documents: **Not Applicable**
(57) Statement of Newness and Distinctiveness: **Newness and distinctiveness resides in the shape and/or configuration of a set-top box as depicted in the accompanying drawings.**



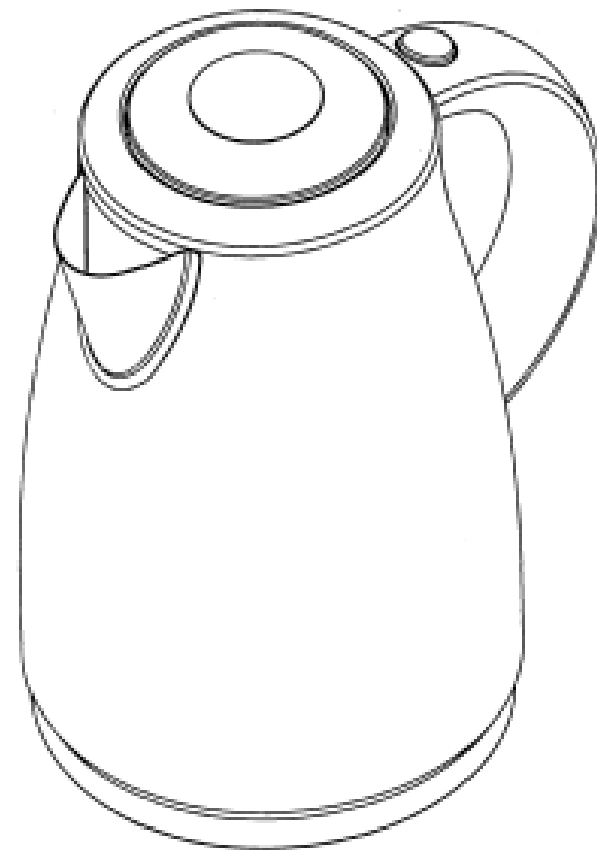
- (21) Design Number: **11247/2005**
(22) Date of Filing Application: **29 March 2005**
(24) Date from which industrial property rights may have effect: **29 March 2005**
(54) Product in respect of which the design is registered: **A set-top box**
(51) International Design Classification: **14-03NES**
(71) Name(s) and Address(s) of Applicant(s):
British Sky Broadcasting Ltd
Grant Way Isleworth Middlesex TW7 5QD United Kingdom
(72) Name(s) of Designer(s): **James Whittaker and Andrew Wong and Robert Curtis**
(45) Registration Date: **18 October 2005**
(30) Convention priority data:
(31) Number (32) Date (33) Country
000294467 07 Feb 2005 EUROPEAN COMMUNITY
(56) Related Art Documents: **Not Applicable**
(57) Statement of Newness and Distinctiveness: **Newness and distinctiveness resides in the shape and/or configuration of a set-top box as depicted in the accompanying representations.**



- (21) Design Number: **11248/2005**
(22) Date of Filing Application: **29 March 2005**
(24) Date from which industrial property rights may have effect: **29 March 2005**
(54) Product in respect of which the design is registered: **A set-top box**
(51) International Design Classification: **14-03NES**
(71) Name(s) and Address(s) of Applicant(s):
British Sky Broadcasting Ltd
Grant Way Isleworth Middlesex TW7 5QD United Kingdom
(72) Name(s) of Designer(s): **James Whittaker and Andrew Wong and Robert Curtis**
(45) Registration Date: **18 October 2005**
(30) Convention priority data:
(31) Number (32) Date (33) Country
000294467 07 Feb 2005 EUROPEAN COMMUNITY
(56) Related Art Documents: **Not Applicable**
(57) Statement of Newness and Distinctiveness: **Newness and distinctiveness resides in the shape and/or configuration of a set-top box as depicted in the accompanying representations.**



- (21) Design Number: **11418/2005**
(22) Date of Filing Application: **07 April 2005**
(24) Date from which industrial property rights may have effect: **07 April 2005**
(54) Product in respect of which the design is registered: **Kettle**
(51) International Design Classification: **07-02K**
(71) Name(s) and Address(s) of Applicant(s):
Breville Pty Limited
Building 2 Port Air Industrial Estate 1A Hale St Botany New South Wales 2019 Australia
(72) Name(s) of Designer(s): **Paul Cohen**
(45) Registration Date: **18 October 2005**
(56) Related Art Documents: **Not Applicable**
(57) Statement of Newness and Distinctiveness: **Newness is claimed in the features of shape and configuration of the kettle as shown in the accompanying representations.**



(21) Design Number: **11462/2005**

(22) Date of Filing Application: **11 April 2005**

(24) Date from which industrial property rights may have effect: **11 April 2005**

(54) Product in respect of which the design is registered: **A toothbrush**

(51) International Design Classification: **04-02**

(71) Name(s) and Address(s) of Applicant(s):

Colgate-Palmolive Company
300 Park Avenue New York New York 10022 United States of America

(72) Name(s) of Designer(s): **Eduardo Jimenez and Al Sprosta**

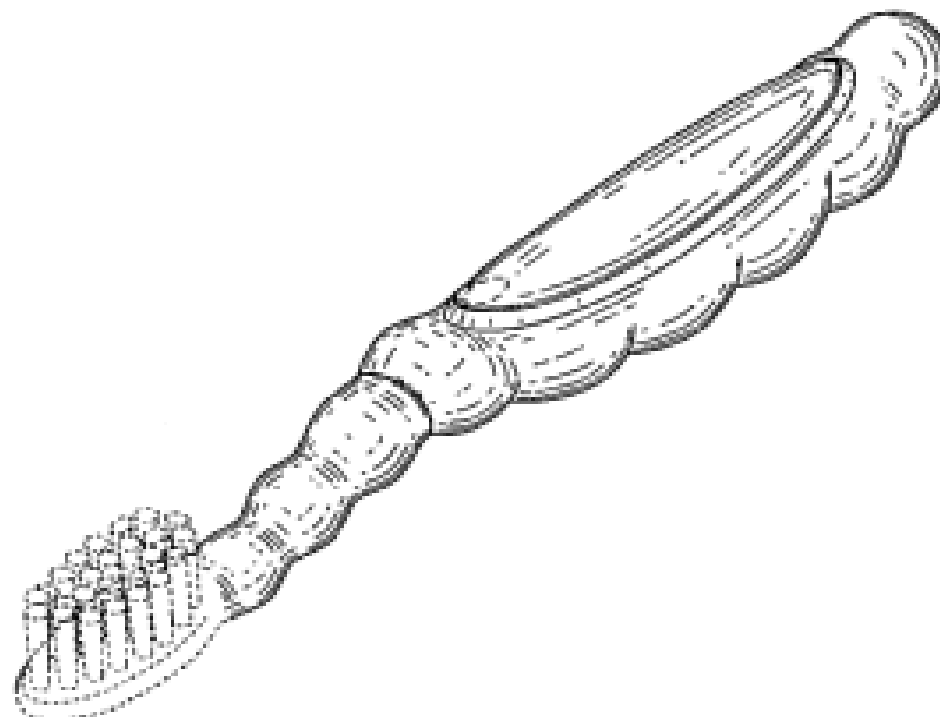
(45) Registration Date: **18 October 2005**

(30) Convention priority data:

(31) Number	(32) Date	(33) Country
29/214978	12 Oct 2004	UNITED STATES OF AMERICA

(56) Related Art Documents: **Not Applicable**

(57) Statement of Newness and Distinctiveness: **Each feature of the design shown in solid lines considered separately or in combination with any other feature or features.**



(21) Design Number: **11468/2005**

(22) Date of Filing Application: **13 April 2005**

(24) Date from which industrial property rights may have effect: **13 April 2005**

(54) Product in respect of which the design is registered: **An orthotic innersole**

(51) International Design Classification: **24-02**

(71) Name(s) and Address(s) of Applicant(s):

Docpods IP Pty Ltd as trustee for the Kent Elliot Trust
1/20 Denman Street Alderley Queensland 4051 Australia

(72) Name(s) of Designer(s): **Kent Andrew Elliot**

(45) Registration Date: **18 October 2005**

(56) Related Art Documents: **Not Applicable**

(57) Statement of Newness and Distinctiveness: **Monopoly is claimed in the shape and configuration of this orthotic innersole as shown in the accompanying representations.**



- (21) Design Number: **11469/2005**
(22) Date of Filing Application: **12 April 2005**
(24) Date from which industrial property rights may have effect: **12 April 2005**
(54) Product in respect of which the design is registered: **A display for a navigation system**
(51) International Design Classification: **12-16NES, 14-02, 10-05**
(71) Name(s) and Address(s) of Applicant(s):

TomTom B.V.
Rembrandtplein 35 1017 Amsterdam CT The Netherlands

(72) Name(s) of Designer(s): **Martin Riddiford**

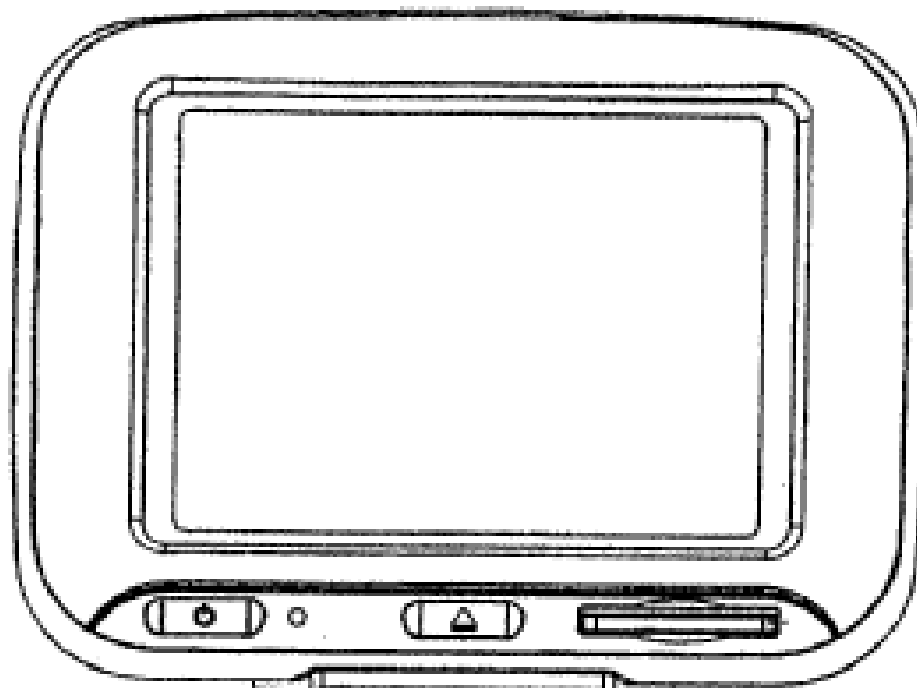
(45) Registration Date: **18 October 2005**

(30) Convention priority data:

(31) Number	(32) Date	(33) Country
000267968	15 Dec 2004	EUROPEAN COMMUNITY

(56) Related Art Documents: **Not Applicable**

(57) Statement of Newness and Distinctiveness: **Any person required to decide whether the design is substantially similar in overall impression should have particular regard to the shape and configuration of the product other than the shape and configuration of the sockets for connecting cables or buses.**



- (21) Design Number: **11498/2005**
(22) Date of Filing Application: **13 April 2005**
(24) Date from which industrial property rights may have effect: **13 April 2005**
(54) Product in respect of which the design is registered: **Input device for computer-controlled systems**
(51) International Design Classification: **14-02**
(71) Name(s) and Address(s) of Applicant(s):

3Dconnexion GmbH
An der Hartmuhle 8 82229 Seefeld Germany

(72) Name(s) of Designer(s): **Michael Schroeder**

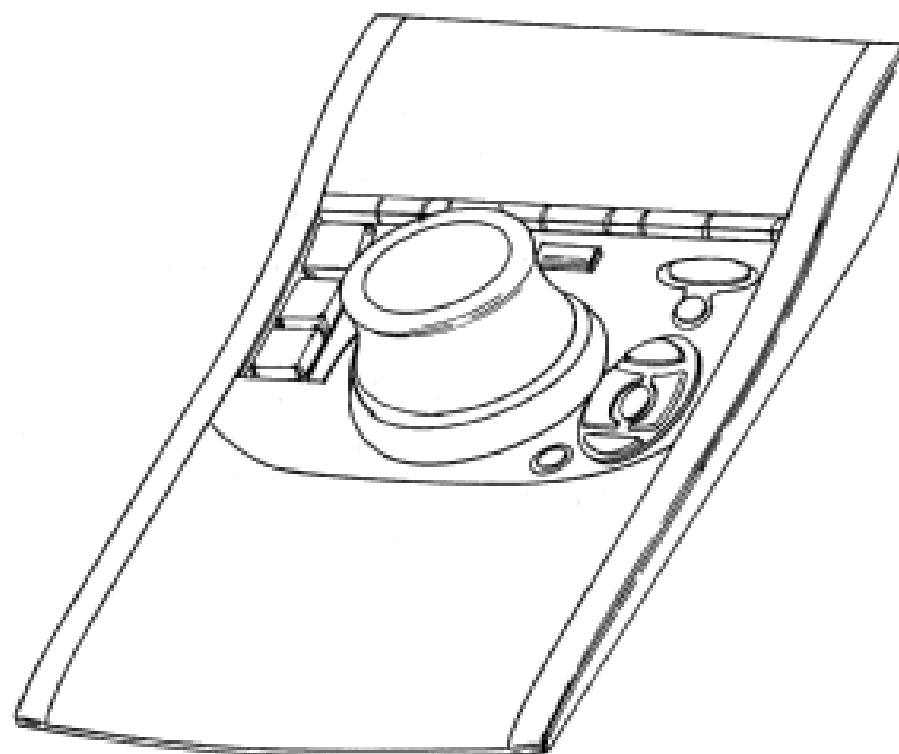
(45) Registration Date: **18 October 2005**

(30) Convention priority data:

(31) Number	(32) Date	(33) Country
0250071-001/009	04 Nov 2004	EUROPEAN COMMUNITY

(56) Related Art Documents: **Not Applicable**

(57) Statement of Newness and Distinctiveness: **Nil**



(21) Design Number: **10627/2005**

(22) Date of Filing Application: **18 February 2005**

(24) Date from which industrial property rights may have effect: **18 February 2005**

(54) Product in respect of which the design is registered: **Cutter for sliding cutter assembly**

(51) International Design Classification: **08-03**

(71) Name(s) and Address(s) of Applicant(s):

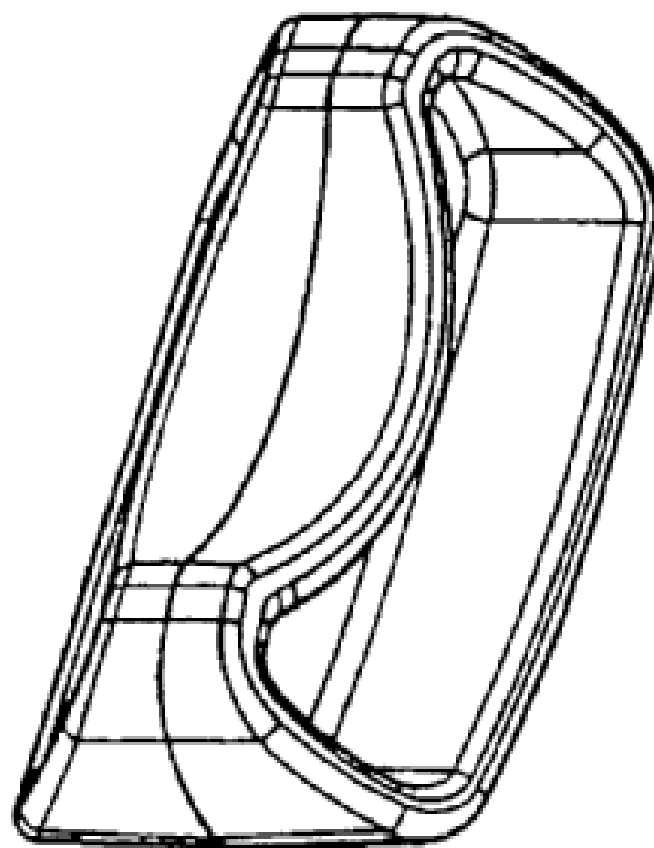
**International Consolidated Business Pty Ltd
Level 9 51 Queen Street Melbourne Victoria 3000 Australia**

(72) Name(s) of Designer(s): **Daniel Bobik and Philip Withers**

(45) Registration Date: **18 October 2005**

(56) Related Art Documents: **Not Applicable**

(57) Statement of Newness and Distinctiveness: **Nil**



(21) Design Number: **14305/2005**

(22) Date of Filing Application: **30 September 2005**

(24) Date from which industrial property rights may have effect: **30 September 2005**

(54) Product in respect of which the design is registered: **Sliding cutter assembly with slider track and cutter**

(51) International Design Classification: **08-03**

(71) Name(s) and Address(s) of Applicant(s):

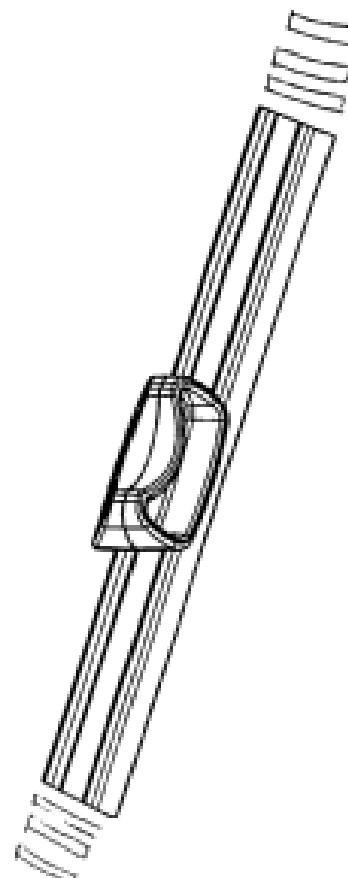
**International Consolidated Business Pty Ltd
Level 9 51 Queen Street Melbourne Victoria 3000 Australia**

(72) Name(s) of Designer(s): **Daniel Bobik and Philip Withers**

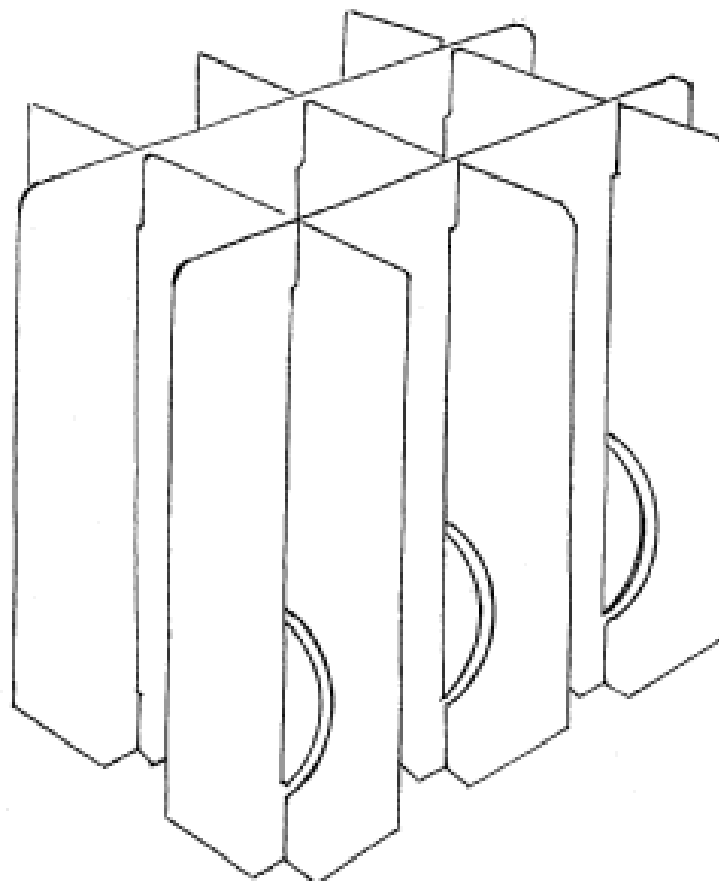
(45) Registration Date: **18 October 2005**

(56) Related Art Documents: **Not Applicable**

(57) Statement of Newness and Distinctiveness: **Nil**



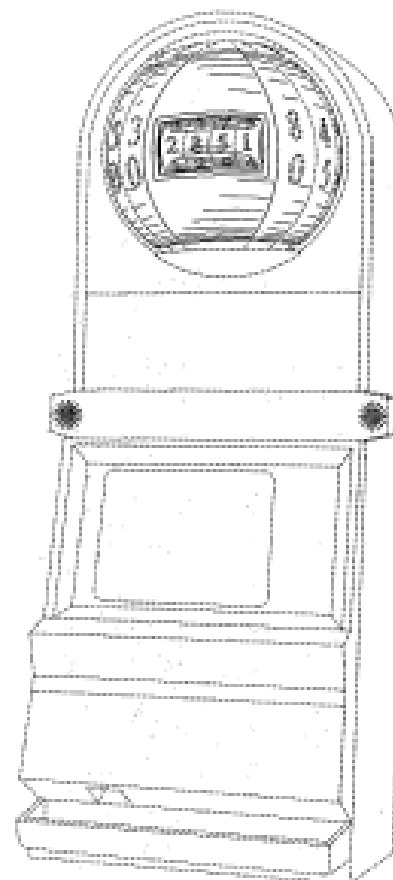
(21) Design Number: **11495/2005**
 (22) Date of Filing Application: **14 April 2005**
 (24) Date from which industrial property rights may have effect: **14 April 2005**
 (54) Product in respect of which the design is registered: **Carton divider with partition interlock**
 (51) International Design Classification: **09-03H**
 (71) Name(s) and Address(s) of Applicant(s):
Leon Ung
65 Ledger Road Beverley South Australia 5009 Australia
 (72) Name(s) of Designer(s): **Leon Ung**
 (45) Registration Date: **18 October 2005**
 (56) Related Art Documents: **Not Applicable**
 (57) Statement of Newness and Distinctiveness: **The new and distinctive of the design is slot extension in the form of a lip. This features allows or acts as a locking mechanism.**



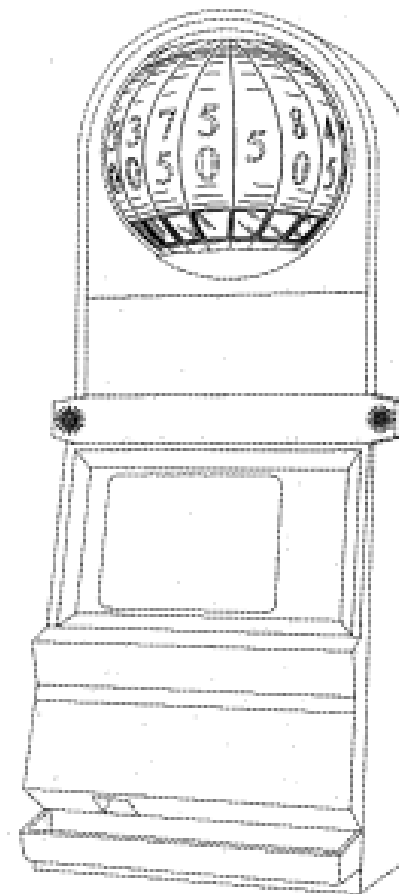
(21) Design Number: **11630/2005**
 (22) Date of Filing Application: **21 April 2005**
 (24) Date from which industrial property rights may have effect: **10 March 2004**
 (54) Product in respect of which the design is registered: **A gaming device**
 (51) International Design Classification: **21-03**
 (71) Name(s) and Address(s) of Applicant(s):
IGT
9295 Prototype Drive Reno Nevada 89521 United States of America
 (72) Name(s) of Designer(s): **Anthony J. Baerlocher**
 (45) Registration Date: **18 October 2005**
 (30) Convention priority data:

(31) Number	(32) Date	(33) Country
29/189,886	10 Sep 2003	UNITED STATES OF AMERICA

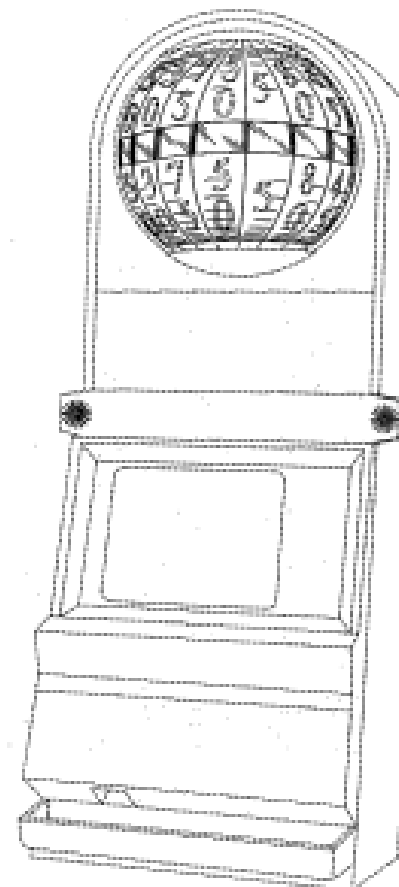
 (62) Divisional of: **00941/2004**
 (56) Related Art Documents: **Not Applicable**
 (57) Statement of Newness and Distinctiveness: **In considering the extent of the monopoly sought, those features shown in phantom and the two "star" features are to be disregarded.**



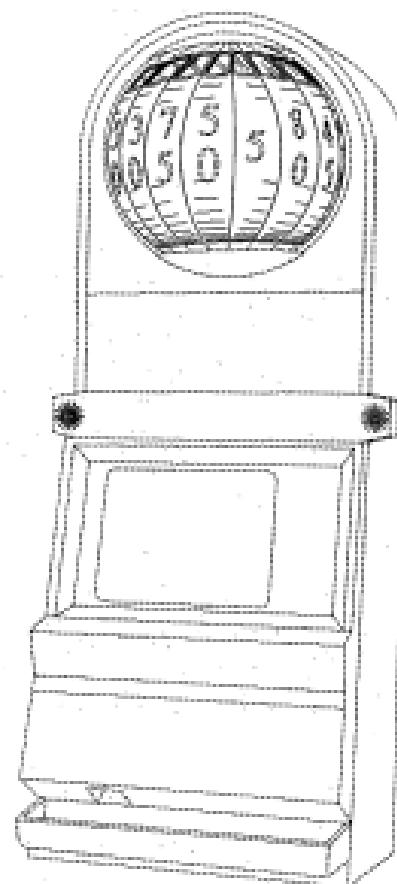
(21) Design Number: **11631/2005**
 (22) Date of Filing Application: **21 April 2005**
 (24) Date from which industrial property rights may have effect: **10 March 2004**
 (54) Product in respect of which the design is registered: **A gaming device**
 (51) International Design Classification: **21-03**
 (71) Name(s) and Address(s) of Applicant(s):
IGT
9295 Prototype Drive Reno Nevada 89521 United States of America
 (72) Name(s) of Designer(s): **Anthony J. Baerlocher**
 (45) Registration Date: **18 October 2005**
 (30) Convention priority data:
 (31) Number (32) Date (33) Country
29/189,903 10 Sep 2003 UNITED STATES OF AMERICA
 (62) Divisional of: **158023**
 (56) Related Art Documents: **Not Applicable**
 (57) Statement of Newness and Distinctiveness: **In considering the extent of the monopoly sought, those features shown in phantom and the two "star" features are to be disregarded.**



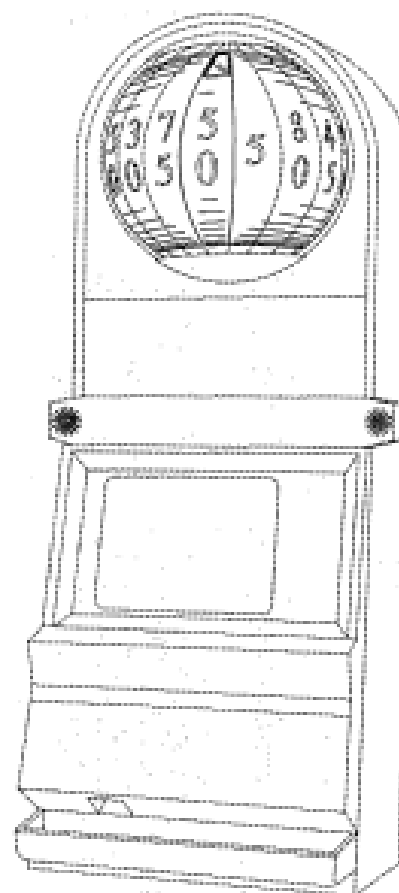
(21) Design Number: **11632/2005**
 (22) Date of Filing Application: **21 April 2005**
 (24) Date from which industrial property rights may have effect: **10 March 2004**
 (54) Product in respect of which the design is registered: **A gaming device**
 (51) International Design Classification: **21-03**
 (71) Name(s) and Address(s) of Applicant(s):
IGT
9295 Prototype Drive Reno Nevada 89521 United States of America
 (72) Name(s) of Designer(s): **Anthony J. Baerlocher**
 (45) Registration Date: **18 October 2005**
 (30) Convention priority data:
 (31) Number (32) Date (33) Country
29/189,903 10 Sep 2003 UNITED STATES OF AMERICA
 (62) Divisional of: **158023**
 (56) Related Art Documents: **Not Applicable**
 (57) Statement of Newness and Distinctiveness: **In considering the extent of the monopoly sought, those features shown in phantom and the two "star" features are to be disregarded.**



(21) Design Number: **11633/2005**
 (22) Date of Filing Application: **21 April 2005**
 (24) Date from which industrial property rights may have effect: **10 March 2004**
 (54) Product in respect of which the design is registered: **A gaming device**
 (51) International Design Classification: **21-03**
 (71) Name(s) and Address(s) of Applicant(s):
IGT
9295 Prototype Drive Reno Nevada 89521 United States of America
 (72) Name(s) of Designer(s): **Anthony J. Baerlocher**
 (45) Registration Date: **18 October 2005**
 (30) Convention priority data:
 (31) Number (32) Date (33) Country
29/189,903 10 Sep 2003 UNITED STATES OF AMERICA
 (62) Divisional of: **158023**
 (56) Related Art Documents: **Not Applicable**
 (57) Statement of Newness and Distinctiveness: **In considering the extent of the monopoly sought, those features shown in phantom and the two "star" features are to be disregarded.**



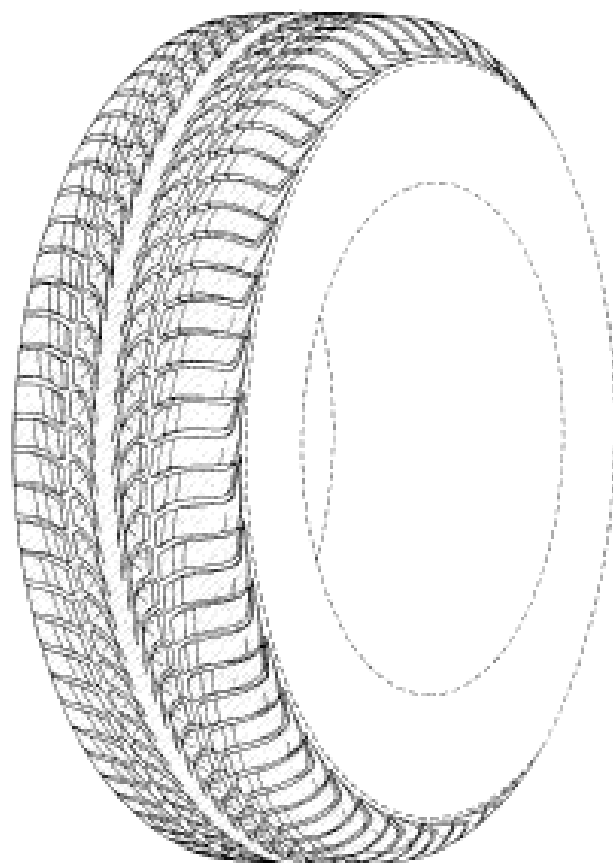
(21) Design Number: **11636/2005**
 (22) Date of Filing Application: **21 April 2005**
 (24) Date from which industrial property rights may have effect: **10 March 2004**
 (54) Product in respect of which the design is registered: **A gaming device**
 (51) International Design Classification: **21-03**
 (71) Name(s) and Address(s) of Applicant(s):
IGT
9295 Prototype Drive Reno Nevada 89521 United States of America
 (72) Name(s) of Designer(s): **Anthony J. Baerlocher**
 (45) Registration Date: **18 October 2005**
 (30) Convention priority data:
 (31) Number (32) Date (33) Country
29/189,903 10 Sep 2003 UNITED STATES OF AMERICA
 (62) Divisional of: **158023**
 (56) Related Art Documents: **Not Applicable**
 (57) Statement of Newness and Distinctiveness: **In considering the extend of the monopoly sought, those features shown in phantom and the two "star" features are to be disregarded.**



(19) AU

- (21) Design Number: **11637/2005**
- (22) Date of Filing Application: **21 April 2005**
- (24) Date from which industrial property rights may have effect: **21 April 2005**
- (54) Product in respect of which the design is registered: **Tyre**
- (51) International Design Classification: **12-15B**
- (71) Name(s) and Address(s) of Applicant(s):
The Goodyear Tire & Rubber Company
1144 East Market Street Akron Ohio 44316-0001 United States of America
- (72) Name(s) of Designer(s): **Jonathan James Shondel and Paul Bryan Maxwell and Joseph Henry Laco**
- (45) Registration Date: **18 October 2005**
- (30) Convention priority data:

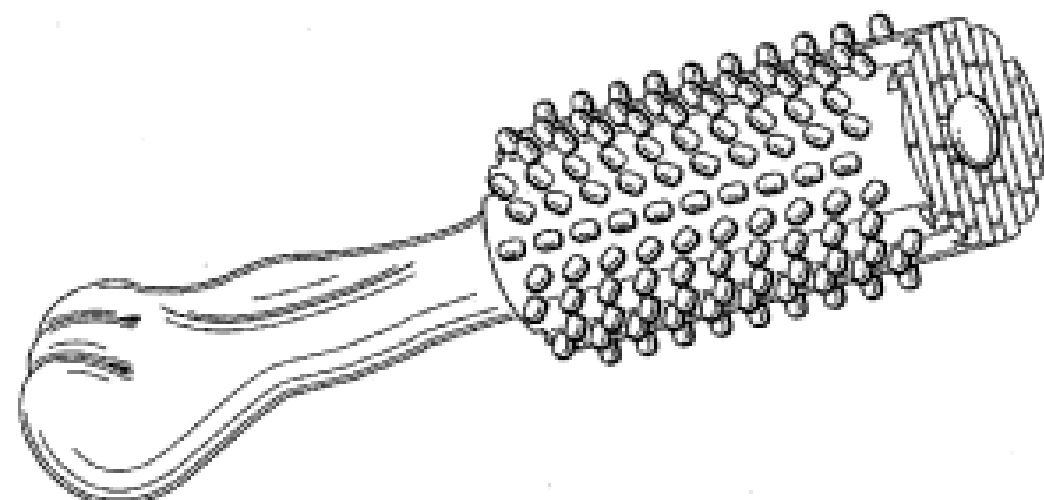
(31) Number	(32) Date	(33) Country
29/216491	04 Nov 2004	UNITED STATES OF AMERICA
- (56) Related Art Documents: **Not Applicable**
- (57) Statement of Newness and Distinctiveness: **Newness and distinctiveness is claimed in the features of shape and/or configuration of the tread of a tyre as illustrated in continuous lines in the accompanying representations, wherein the shape and/or configuration of the tread is repeated throughout the circumference of the tyre.**



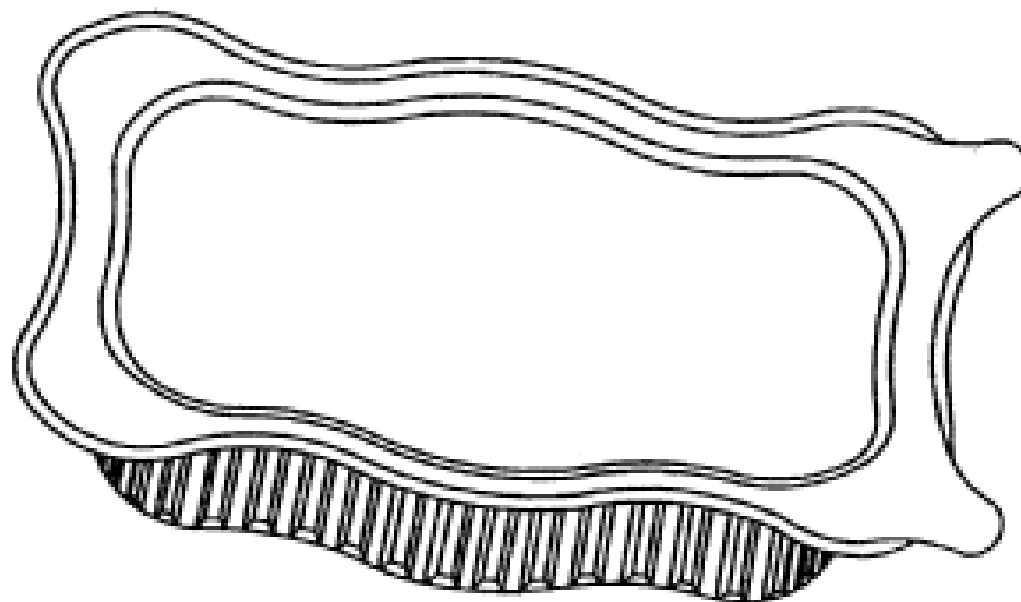
(19) AU

- (21) Design Number: **11638/2005**
- (22) Date of Filing Application: **21 April 2005**
- (24) Date from which industrial property rights may have effect: **21 April 2005**
- (54) Product in respect of which the design is registered: **Dog chew**
- (51) International Design Classification: **01-06**
- (71) Name(s) and Address(s) of Applicant(s):
T.F.H. Publications, Inc.
One TFH Plaza Third and Union Avenues Neptune City NJ 07753 United States of America
- (72) Name(s) of Designer(s): **Glen S. Axelrod**
- (45) Registration Date: **18 October 2005**
- (30) Convention priority data:

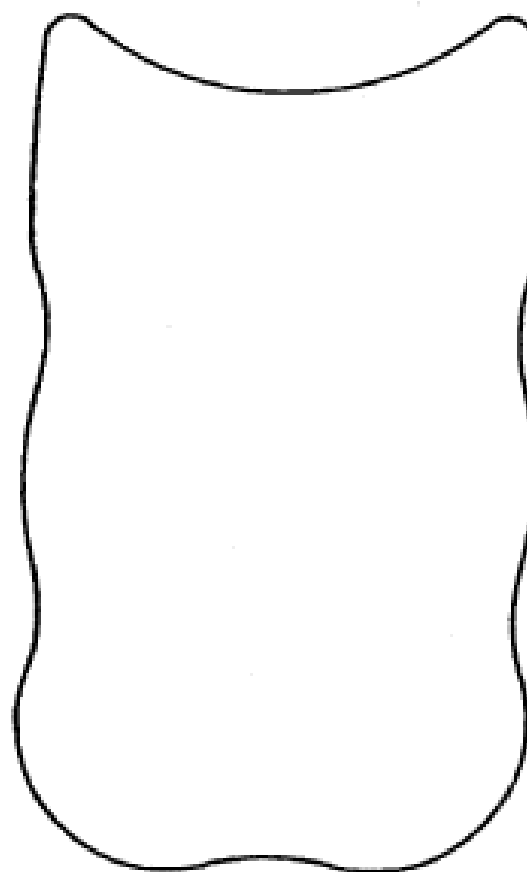
(31) Number	(32) Date	(33) Country
29/215,575	21 Oct 2004	UNITED STATES OF AMERICA
- (56) Related Art Documents: **Not Applicable**
- (57) Statement of Newness and Distinctiveness: **Nil**



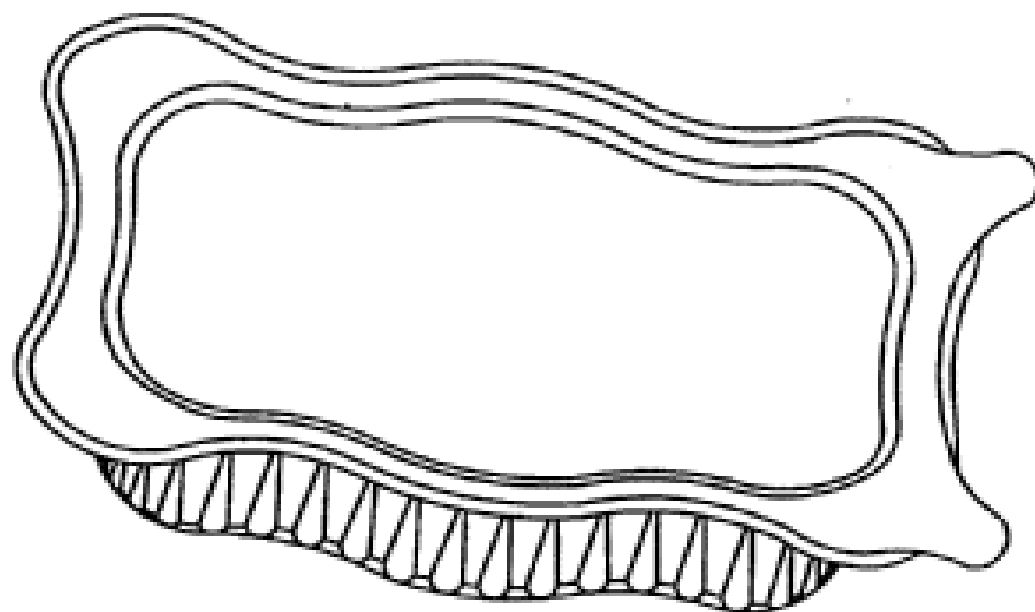
(21) Design Number: **16055/2004**
(22) Date of Filing Application: **20 April 2004**
(24) Date from which industrial property rights may have effect: **20 April 2004**
(54) Product in respect of which the design is registered: **A container**
(51) International Design Classification: **07-01NES, 09-03NES**
(71) Name(s) and Address(s) of Applicant(s):
Teich Aktiengesellschaft
Muhlhofen 4 A-3200 Weinburg Austria
(72) Name(s) of Designer(s): **Peter Wallach**
(45) Registration Date: **18 October 2005**
(30) Convention priority data:
(31) Number (32) Date (33) Country
0000 95 484 22 Oct 2003 EUROPEAN COMMUNITY
(56) Related Art Documents: **Not Applicable**
(57) Statement of Newness and Distinctiveness: **The new and distinctive features of the design are the visual features of the container. No claim is made to the visual features of the lid.**



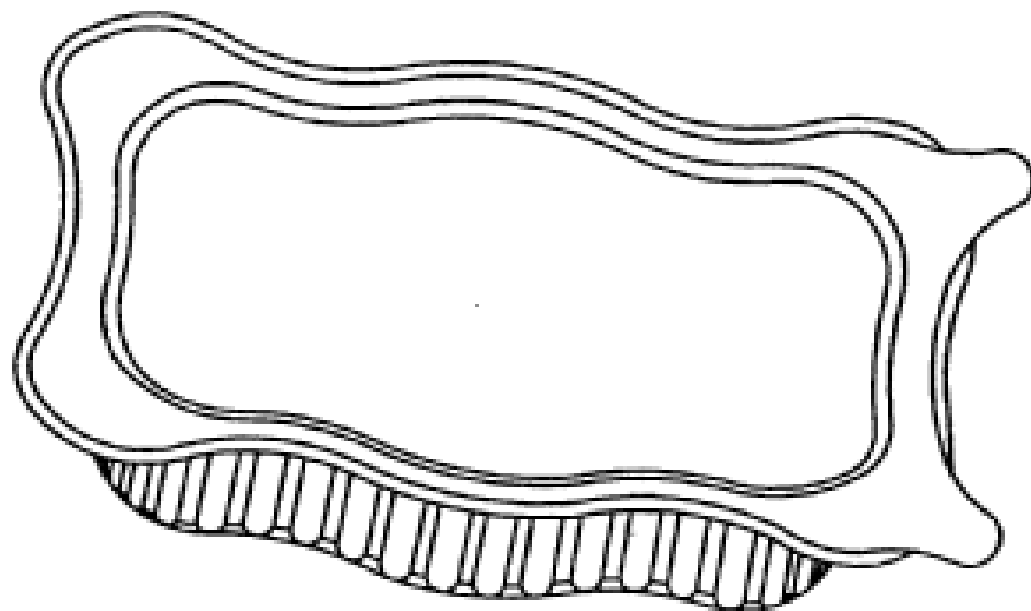
(21) Design Number: **16056/2004**
(22) Date of Filing Application: **20 April 2004**
(24) Date from which industrial property rights may have effect: **20 April 2004**
(54) Product in respect of which the design is registered: **A lid**
(51) International Design Classification: **09-07B, 07-01NES**
(71) Name(s) and Address(s) of Applicant(s):
Teich Aktiengesellschaft
Muhlhofen 4 A-3200 Weinburg Austria
(72) Name(s) of Designer(s): **Peter Wallach**
(45) Registration Date: **18 October 2005**
(30) Convention priority data:
(31) Number (32) Date (33) Country
0000 95 484 22 Oct 2003 EUROPEAN COMMUNITY
(56) Related Art Documents: **Not Applicable**
(57) Statement of Newness and Distinctiveness: **Nil**



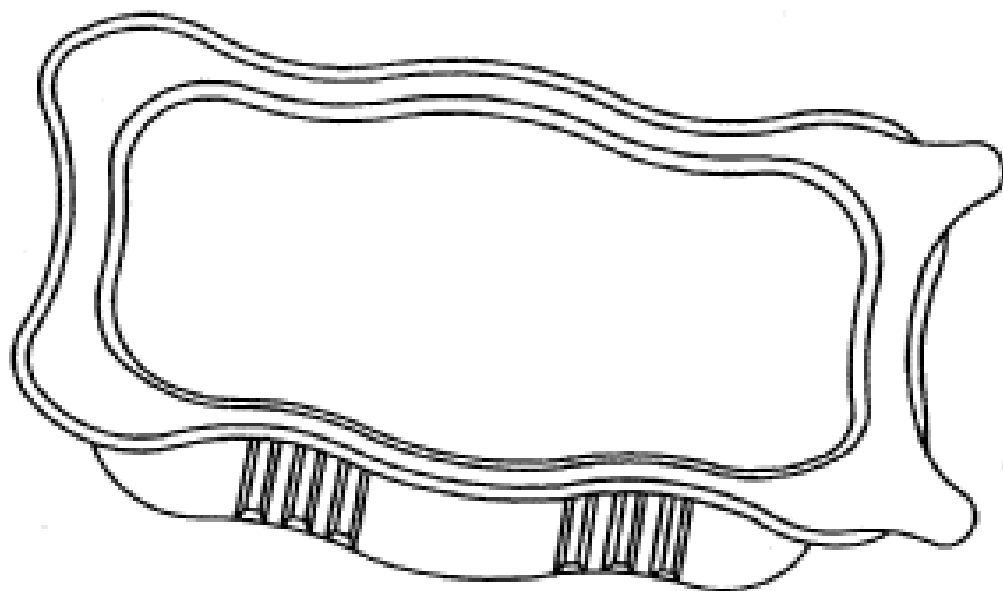
- (21) Design Number: **13900/2005**
(22) Date of Filing Application: **20 April 2004**
(24) Date from which industrial property rights may have effect: **20 April 2004**
(54) Product in respect of which the design is registered: **A container**
(51) International Design Classification: **07-01NES, 09-03NES**
(71) Name(s) and Address(s) of Applicant(s):
Teich Aktiengesellschaft
Muhlhofen 4 A-3200 Weinburg Austria
(72) Name(s) of Designer(s): **Peter Wallach**
(45) Registration Date: **18 October 2005**
(56) Related Art Documents: **Not Applicable**
(57) Statement of Newness and Distinctiveness: **The new and distinctive features of the design are the visual features of the container. No claim is made to the visual features of the lid.**



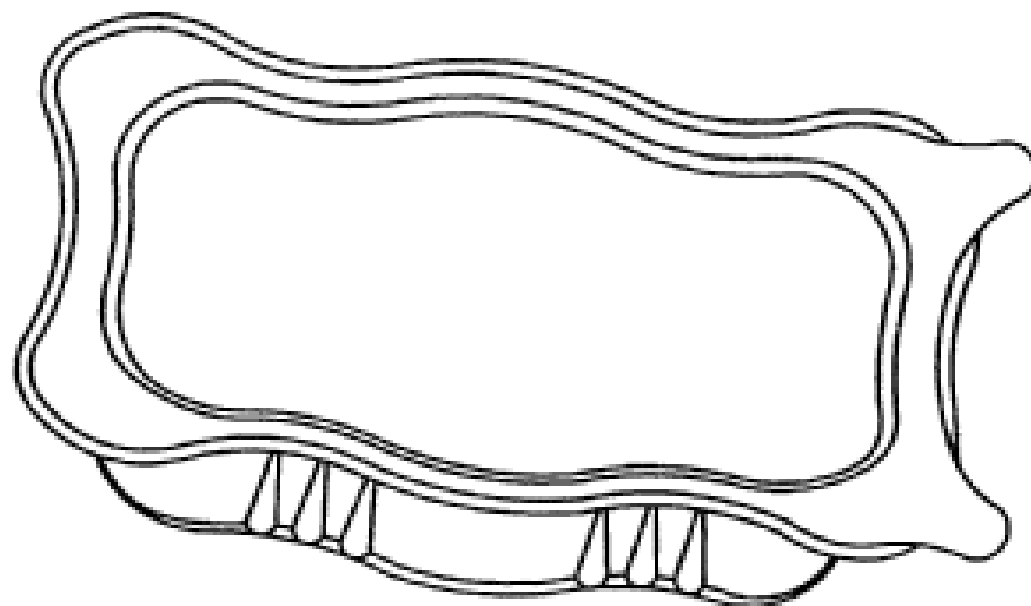
- (21) Design Number: **13901/2005**
(22) Date of Filing Application: **20 April 2004**
(24) Date from which industrial property rights may have effect: **20 April 2004**
(54) Product in respect of which the design is registered: **A container**
(51) International Design Classification: **07-01NES, 09-03NES**
(71) Name(s) and Address(s) of Applicant(s):
Teich Aktiengesellschaft
Muhlhofen 4 A-3200 Weinburg Austria
(72) Name(s) of Designer(s): **Peter Wallach**
(45) Registration Date: **18 October 2005**
(56) Related Art Documents: **Not Applicable**
(57) Statement of Newness and Distinctiveness: **The new and distinctive features of the design are the visual features of the container. No claim is made to the visual features of the lid.**



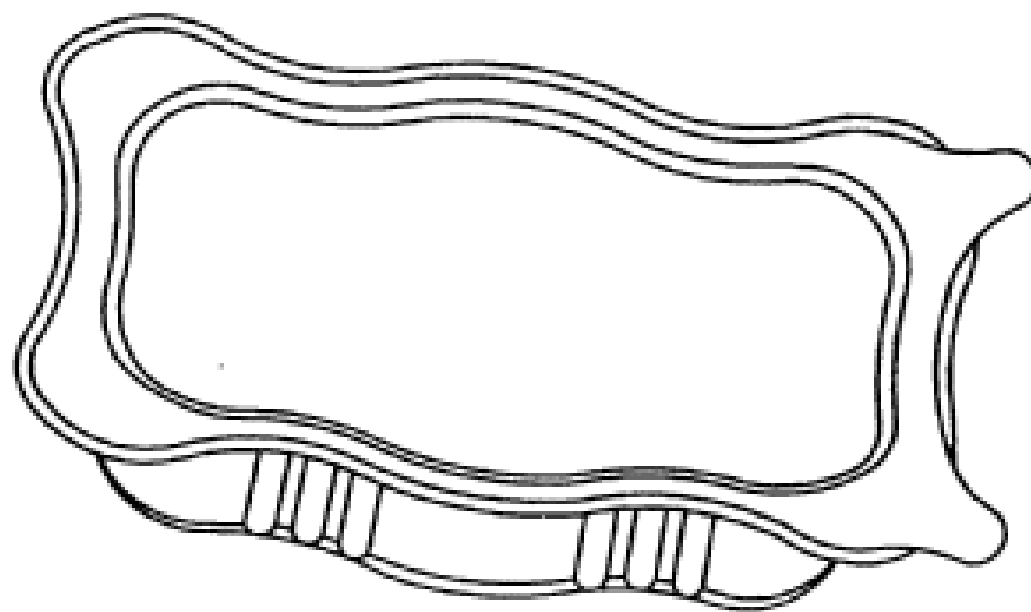
- (21) Design Number: **13902/2005**
(22) Date of Filing Application: **20 April 2004**
(24) Date from which industrial property rights may have effect: **20 April 2004**
(54) Product in respect of which the design is registered: **A container**
(51) International Design Classification: **07-01NES, 09-03NES**
(71) Name(s) and Address(s) of Applicant(s):
Teich Aktiengesellschaft
Muhlhofen 4 A-3200 Weinburg Austria
(72) Name(s) of Designer(s): **Peter Wallach**
(45) Registration Date: **18 October 2005**
(56) Related Art Documents: **Not Applicable**
(57) Statement of Newness and Distinctiveness: **The new and distinctive features of the design are the visual features of the container. No claim is made to be visual features of the lid.**



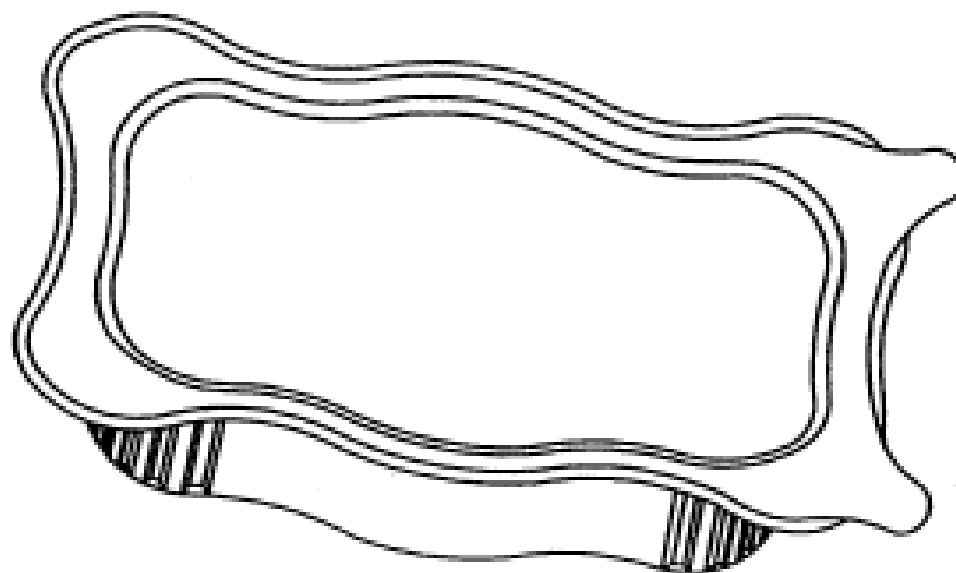
- (21) Design Number: **13903/2005**
(22) Date of Filing Application: **20 April 2004**
(24) Date from which industrial property rights may have effect: **20 April 2004**
(54) Product in respect of which the design is registered: **A container**
(51) International Design Classification: **07-01NES, 09-03NES**
(71) Name(s) and Address(s) of Applicant(s):
Teich Aktiengesellschaft
Muhlhofen 4 A-3200 Weinburg Austria
(72) Name(s) of Designer(s): **Peter Wallach**
(45) Registration Date: **18 October 2005**
(56) Related Art Documents: **Not Applicable**
(57) Statement of Newness and Distinctiveness: **The new and distinctive features of the design are the visual features of the container. No claim is made to the visual features of the lid.**



- (21) Design Number: **13904/2005**
(22) Date of Filing Application: **20 April 2004**
(24) Date from which industrial property rights may have effect: **20 April 2004**
(54) Product in respect of which the design is registered: **A container**
(51) International Design Classification: **07-01NES, 09-03NES**
(71) Name(s) and Address(s) of Applicant(s):
Teich Aktiengesellschaft
Muhlhofen 4 A-3200 Weinburg Austria
(72) Name(s) of Designer(s): **Peter Wallach**
(45) Registration Date: **18 October 2005**
(56) Related Art Documents: **Not Applicable**
(57) Statement of Newness and Distinctiveness: **The new and distinctive features of the design are the visual features of the container. No claim is made to the visual features of the lid.**



- (21) Design Number: **13905/2005**
(22) Date of Filing Application: **20 April 2004**
(24) Date from which industrial property rights may have effect: **20 April 2004**
(54) Product in respect of which the design is registered: **A container**
(51) International Design Classification: **07-01NES, 09-03NES**
(71) Name(s) and Address(s) of Applicant(s):
Teich Aktiengesellschaft
Muhlhofen 4 A-3200 Weinburg Austria
(72) Name(s) of Designer(s): **Peter Wallach**
(45) Registration Date: **18 October 2005**
(56) Related Art Documents: **Not Applicable**
(57) Statement of Newness and Distinctiveness: **The new and distinctive features of the design are the visual features of the container. No claim is made to the visual features of the lid.**



(21) Design Number: **13906/2005**

(22) Date of Filing Application: **20 April 2004**

(24) Date from which industrial property rights may have effect: **20 April 2004**

(54) Product in respect of which the design is registered: **A container**

(51) International Design Classification: **07-01NES, 09-03NES**

(71) Name(s) and Address(s) of Applicant(s):

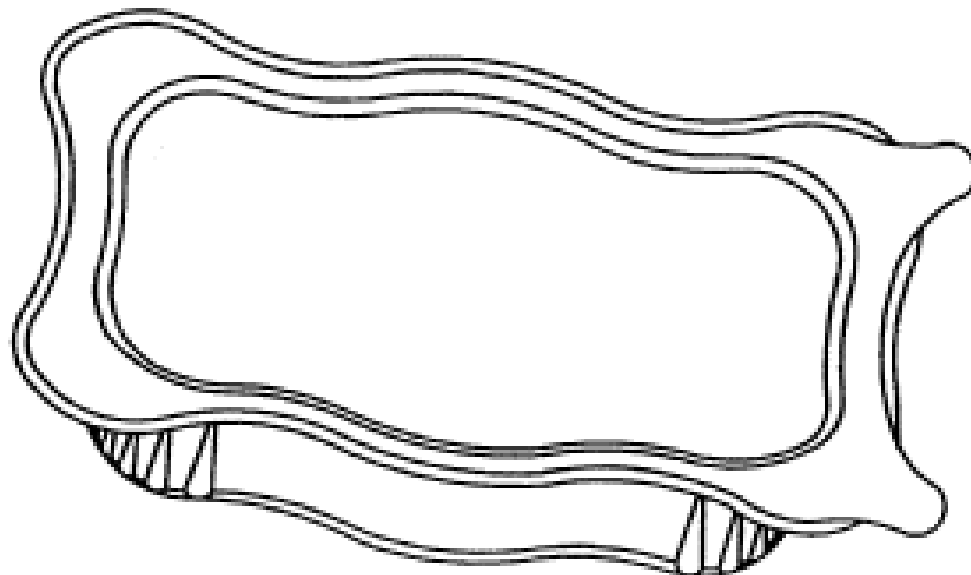
**Teich Aktiengesellschaft
Muhlhofen 4 A-3200 Weinburg Austria**

(72) Name(s) of Designer(s): **Peter Wallach**

(45) Registration Date: **18 October 2005**

(56) Related Art Documents: **Not Applicable**

(57) Statement of Newness and Distinctiveness: **The new and distinctive features of the design are the visual features of the container. No claim is made to the visual features of the lid.**



(21) Design Number: **13907/2005**

(22) Date of Filing Application: **20 April 2004**

(24) Date from which industrial property rights may have effect: **20 April 2004**

(54) Product in respect of which the design is registered: **A container**

(51) International Design Classification: **07-01NES, 09-03NES**

(71) Name(s) and Address(s) of Applicant(s):

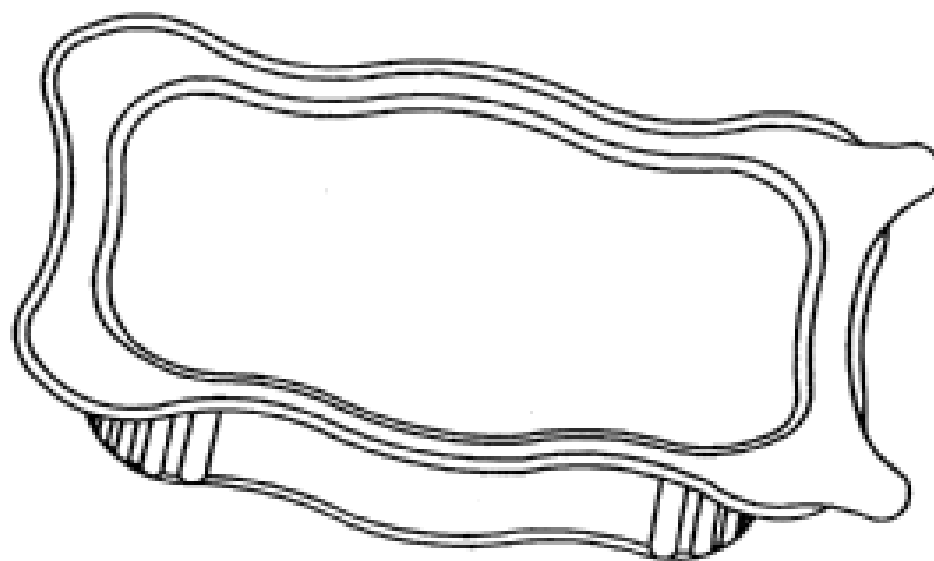
**Teich Aktiengesellschaft
Muhlhofen 4 A-3200 Weinburg Austria**

(72) Name(s) of Designer(s): **Peter Wallach**

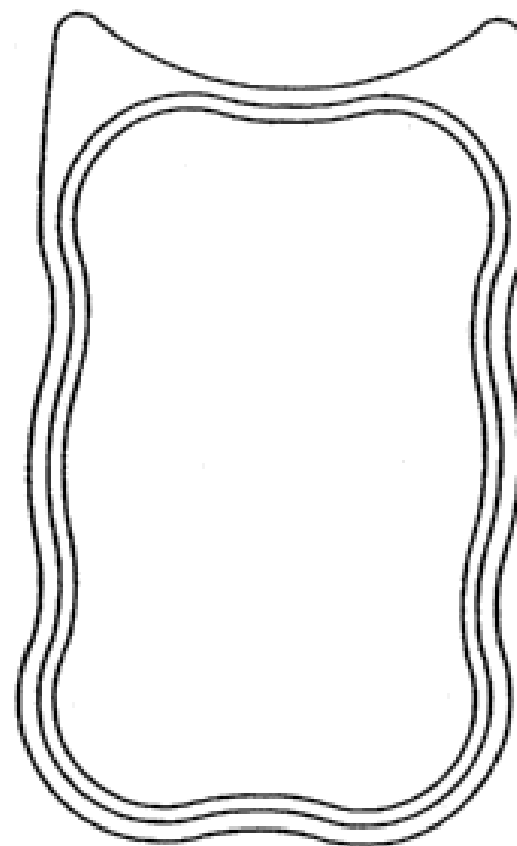
(45) Registration Date: **18 October 2005**

(56) Related Art Documents: **Not Applicable**

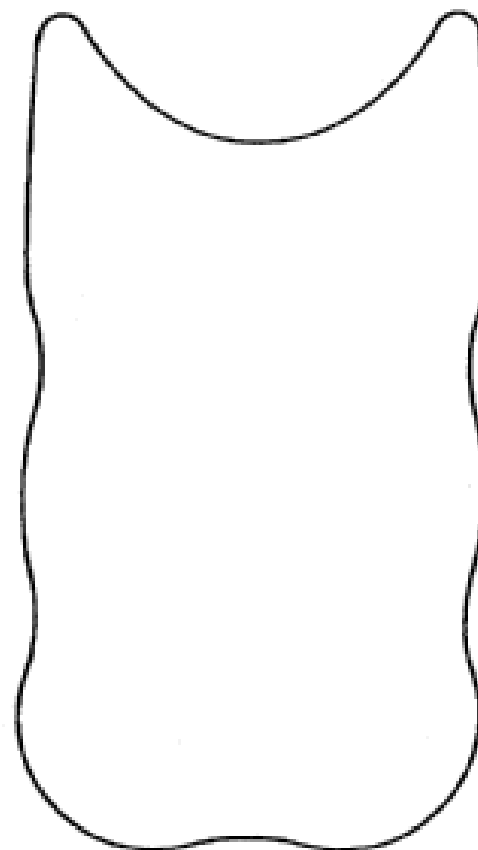
(57) Statement of Newness and Distinctiveness: **The new and distinctive features of the design are the visual features of the container. No claim is made to the visual features of the lid.**



- (21) Design Number: **13908/2005**
- (22) Date of Filing Application: **20 April 2004**
- (24) Date from which industrial property rights may have effect: **20 April 2004**
- (54) Product in respect of which the design is registered: **A lid**
- (51) International Design Classification: **07-01NES, 09-03NES**
- (71) Name(s) and Address(s) of Applicant(s):
Teich Aktiengesellschaft
Muhlhofen 4 A-3200 Weinburg Austria
- (72) Name(s) of Designer(s): **Peter Wallach**
- (45) Registration Date: **18 October 2005**
- (56) Related Art Documents: **Not Applicable**
- (57) Statement of Newness and Distinctiveness: **Nil**



- (21) Design Number: **13909/2005**
- (22) Date of Filing Application: **20 April 2004**
- (24) Date from which industrial property rights may have effect: **20 April 2004**
- (54) Product in respect of which the design is registered: **A lid**
- (51) International Design Classification: **07-01NES, 09-03NES**
- (71) Name(s) and Address(s) of Applicant(s):
Teich Aktiengesellschaft
Muhlhofen 4 A-3200 Weinburg Austria
- (72) Name(s) of Designer(s): **Peter Wallach**
- (45) Registration Date: **18 October 2005**
- (56) Related Art Documents: **Not Applicable**
- (57) Statement of Newness and Distinctiveness: **Nil**



- (21) Design Number: **13910/2005**
(22) Date of Filing Application: **20 April 2004**
(24) Date from which industrial property rights may have effect: **20 April 2004**
(54) Product in respect of which the design is registered: **A lid**
(51) International Design Classification: **07-01NES, 09-03NES**
(71) Name(s) and Address(s) of Applicant(s):
Teich Aktiengesellschaft
Muhlhofen 4 A-3200 Weinburg Austria
(72) Name(s) of Designer(s): **Peter Wallach**
(45) Registration Date: **18 October 2005**
(56) Related Art Documents: **Not Applicable**
(57) Statement of Newness and Distinctiveness: **Nil**

