



Australian Government

IP Australia

AUSTRALIAN OFFICIAL JOURNAL

OF

DESIGNS

Did you know a searchable version of this journal is now available online?

It's FREE and EASY to SEARCH.

Find it at

<http://pericles.ipaustralia.gov.au/ols/epublish/content/olsEpublications.jsp>
or using the "Online Journals" link on the IP Australia home page.

This Page Left Intentionally Blank

Contents

General Information & Notices

Proceedings Under the Designs Act 1906 preserved as a result of the provisions of Chapter 12 Part 2 of the Designs Act 2003

Application for Extension of Period of Registration	2764
Applications Assigned	2766
Applications Lapsed	2763
Extension of Period of Registration of Designs	2764
Extensions of Time Granted	2766
Licences Registered	2766
Names Registered - Alterations and Amendments	2766
Registration Proceedings	
Registration Number Range 158359 to 158372	2768
Registrations Ceased	2765
Subsequent Owners Registered	2766

Proceedings Under the Designs Act 2003

Applications Lapsed	2786
Applications Lodged	2779
Applications Withdrawn	2786
Certificate of Examination	2790
Corrigenda	2789
Extension of Time Granted Under Section 137	2788
Publication and Registration Proceedings	
Designs Registered 303524 to 303821	2791
Subsequent Owners Registered	2788

This Page Left Intentionally Blank

General Information

EDITORIAL ENQUIRIES

All enquiries about official notices and general information in the Journal should be directed to IP Australia, (ABN No 38 113 072 755), PO Box 200 Woden ACT 2606

Or

Telephone 1300 651 010
(International Callers +61 2 6283 2999)
Fax 02 6283 7999
E-mail assist@ipaustralia.gov.au

CONTACT INFORMATION

Customer Service Network
Telephone 1300 651 010 , Fax: 02 6283 7999
E-mail: assist@ipaustralia.gov.au

Customers can contact the Customer Service Network by telephone or by e-mail. Telephones are staffed between 9am and 5pm each working day.

Customers should contact the Customer Service Network for information about:

- All Patent Matters including PCT and Innovation Patents.
- All Trade Mark Matters.
- All Design Matters.

Professional Standards Board for Patent and Trade Mark Attorneys.

Ph: 02 6283 2345 Fax: 02 6283 1048

ORDERING PATENT DOCUMENTS

When ordering copies of Australian patent specifications, or abstracts and abridgments notified as open to public inspection on or after 26 October 1978, or as accepted on or after 16 November 1978, the documents should be referred to by application numbers only, preceded by letters AU-A or AU-B respectively.

REQUESTS FOR INFORMATION UNDER SECTION 194 (C)

A request for information under Section 194 (C) of the Patents Act 1990 should be made in the approved form and be accompanied by the prescribed fee. The request should be as detailed as possible.

INFORMATION FROM REGISTERS

All requests for information from Register of Patents, Trade Marks or Designs, should be made in writing and accompanied by the prescribed fee. The Registers are located in Canberra and may be examined free of charge.

COUNTRY CODES

For a listing of country codes used by IP Australia please refer to the Official Journals dated 7 November 1996.

ABBREVIATIONS IN JOURNAL

Standard abbreviations are used in the name of companies and firms. Enquiries concerning the precise name should be directed to the Customer Service Network.

FREEDOM OF INFORMATION ACT

What does it do?

- Gives you right to obtain information held by Commonwealth Ministers, Departments and most statutory bodies (these bodies are called agencies under the Act).
- Requires Commonwealth Government agencies to make available to members of the public:
 - Information about agencies, their functions and operations.
 - Information about rules and practices which are used in making decisions which affect you.
- Gives you a legal right to:
 - See non exempt documents held by agencies, and
 - appeal against a decision not to grant access to a document.

What documents can you see?

- The Act gives you a right to see documents lodged on or after 1 December 1977, or earlier if you need them to understand another document you have already.
- Documents include files, reports, computer printouts, maps, plans, photographs, tape recordings, films or videotapes.
- Documents which are available for purchase under the Patents Act 1990, the Trade Marks Act 1995 or Designs Act 2003 are not available under the Freedom of Information Act (Section 12 refers).

How do you apply?

Requests for access to documents must

- Be in writing
- Provide sufficient information so as to enable identification of the documents requested
- Specify an address in Australia where notices can be sent and
- Be accompanied by the application fee (currently \$30.00) or specify an IP Australia account to which the charges will be posted.

Requests for documents should be addressed to IP Australia, PO Box 200 Woden, ACT 2606, or Faxed to 02 6283 7999

DECISIONS OF THE COMMISSIONER OF PATENTS AND REGISTRAR OF TRADE MARKS AND DESIGNS

- All decisions of the Commissioner and Registrars are available free of charge from AUSTLII's website

www.austlii.edu.au

Copies of all written Patent and Design decisions are available (except if they would not be available under the provisions of the Freedom of Information legislation, e.g. if they would effectively disclose matter from documents that are not open to public inspection) on request for a cost of \$AU 25. They are also available for inspection in indexed volume series, dating from 1 January 1987, in the Office library, Canberra.

Copies of Trade Mark decisions may be accessed via IP Australia's website www.ipaustralia.gov.au

- Copies of the taped record of Patent and Design hearings are available (with the same exception as above) on request.
- When a written decision is issued the fact of the decision plus a brief head note will be published in the Official Notices section of the next available Patents, Trade Marks or Designs Journal.

HEARINGS BEFORE THE COMMISSIONER OF PATENTS

Hearings before the Commissioner of Patents will usually be conducted at the Patent Office in Canberra and interstate hearing sessions are not provided. However, the Commissioner will conduct hearings outside of Canberra at a convenient time to all parties provided that the parties bear the travel costs of the hearing officer.

The various options for hearings are set out in the document "Options for Hearings" available on IP Australia's website at: www.ipaustralia.gov.au/pdfs/patents/optionsforhearings.PDF

HEARINGS BEFORE THE REGISTRARS OF TRADE MARKS AND DESIGNS

Hearings before the Registrars of Trade Marks and Designs will be set down in Melbourne, Sydney, Adelaide, Perth and Brisbane during the periods indicated below.

Designs and Trade Marks Hearings Sessions 2006

Melbourne	13 – 17 February 5 – 9 June 11 – 15 September
Sydney	13 – 17 March 17 – 21 July 16 – 20 October
Adelaide	14 – 15 August
Perth	17 – 18 August
Brisbane	24 – 25 August

Persons who desire matters to be set down for hearing in Melbourne, Sydney, Adelaide, Perth or Brisbane must give at least one month's notice of their intention to be heard. If such notice is not given, it may be that there would be insufficient time to allow for the execution of official procedures associated with the listing of hearings, and as a result, the matter involved might not be listed.

Subject to the convenience of this Office, hearings will be set down in Canberra at any time suitable to the parties.

LIST OF STATE OFFICES

IP Australia State Offices are located in the Australian Capitals at the addresses given below. Requests for information may be obtained by calling at, phoning or writing to these offices or IP Australia, Canberra.

Australian Capital Territory

Ground Floor
Discovery House
PHILLIP ACT 2606
(PO Box 200, WODEN ACT 2606)
Ph: 1300 651 010
Fax: (02) 6283 7999

New South Wales

Level 1
45 Clarence Street
SYDNEY NSW 2000
Ph: 1300 651 010
Fax: (02) 9249 5807

Victoria

Level 6
OCBC House
565 Bourke Street
MELBOURNE VIC 3000
Ph: 1300 651 010
Fax (03) 9612 9807

Western Australia

2nd Floor
East Point Plaza
233 Adelaide Terrace
PERTH WA 6000
Ph: 1300 651 010
Fax: (08) 9220 8907

Queensland

Level 1
Grant Thornton House
102 Adelaide Street
BRISBANE QLD 4000
Ph: 1300 651 010
Fax: (07) 3007 1107

South Australia

Level 10
Origin Energy House
1 King William Street
ADELAIDE SA 5000
Ph: 1300 651 010
Fax: (08) 8239 4507

Tasmania

4th Floor
AMP Building
27 Elizabeth Street
HOBART TAS 7000
Ph: 1300 651 010
Fax: (03) 6235 6307

“INID” NUMBERS in use on Australian Design Documents

“INID” is an acronym for “Internationally agreed Numbers for the Identification of Data”.

(10) Data concerning the registration/renewal

- (11) Serial number of the registration and/or number of the design document
- (12) Plain language designation of the kind of published document
- (19) Identification, using the two-letter code according to WIPO Standard ST.3, of the authority publishing or registering the industrial design

(20) Data concerning the application

- (21) Serial number of the application
- (22) Date of filing of the application
- (24) Date from which the industrial design right has effect

(30) Data relating to priority under the Paris Convention

- (31) Serial number assigned to the priority application
- (32) Date of filing of the priority application
- (33) Two-letter code, according to WIPO Standard ST.3, identifying the authority with which the priority application was made

(40) Date(s) of making information available to the public

- (45) Date of publication of the registered industrial design by printing or similar process, or making it available to the public by any other means

(50) Miscellaneous Information

- (51) International Classification for Industrial Designs (class and subclass of the Locarno Classification)
- (54) Designation of article(s) or product(s) covered by the industrial design or title of the industrial design
- (55) Reproduction of the industrial design (e.g., drawing, photograph) and explanations relating to the reproduction
- (56) List of prior art documents, if separate from descriptive text
- (57) Description of characteristic features of the industrial design including indication of colours

(60) References to other legally related application(s) and registration(s)

- (62) Serial number(s) and, if available, filing date(s) of application(s), registration(s) or document(s) related by division
- (66) Serial number(s) of the application, or the registration, of the design(s) which is (are) a variant(s) of the present one

(70) Identification of parties concerned with the application or registration

- (71) Name(s) and address(es) of the applicant(s)
- (72) Name(s) of the creator(s) if known to be such
- (74) Name(s) and address(es) of the representative(s)

This Page Left Intentionally Blank

Official Notices**DESIGNS & TRADE MARKS HEARING SESSIONS 2006**

Hearings before the Registrars of Trade Marks and Designs will be set down in Melbourne, Sydney, Adelaide, Perth and Brisbane during the periods indicated below.

Melbourne	13-17 February
Melbourne	5-9 June
Melbourne	11-15 September
Sydney	13-17 March
Sydney	17-21 July
Sydney	16-20 October
Adelaide	14-15 August
Perth	17-18 August
Brisbane	24-25 August

Persons who desire matters to be set down for hearing in Melbourne, Sydney, Adelaide, Perth or Brisbane must give at least one month's notice of their intention to be heard. If such notice is not given, it may be that there would be insufficient time to allow for the execution of official procedures associated with the listing of hearings, and as a result, the matter involved might not be listed. Subject to the convenience of this Office, hearings will be set down in Canberra at any time suitable to the parties.

IP Australia 2005 Christmas Holiday Close Down

IP Australia's Certified Agreement provides for a Christmas close down period between Christmas Day and New Year's Day. This means that the majority of IP Australia's staff will be on leave for the period 24 December 2005 until 2 January 2006 inclusive. However, Thursday 29 and Friday 30 December 2005 are not public holidays for the purposes of the Patents, Trade Marks, Designs or Plant Breeder's Rights Acts. This means that all deadlines that fall due on the 29 and 30 December will still need to be met by customers.

In order to provide essential services to our customers on the days of 29 and 30 December, all State Offices with the exception of Hobart, will remain open during this period to receive applications, payments and other documents and to provide searching facilities. Our Customer Service Number, 1300 651 010, will also be available to answer enquiries.

Tasmanian customers requiring essential services during the close down are asked to use the national customer service number 1300 651 010.

Customers calling from outside Australia should call +61 2 6283 2999.

However all processing and examination work will occur outside of this period.

To assist us to deal with urgent matters, customers are requested to send all non-urgent work outside of the Christmas close down period.

Where critical deadlines fall due on a day during the Christmas close down (24 December 2005 to 2 January 2006 inclusive), customers are advised to undertake necessary action prior to the Christmas close down. Some examples of these critical deadlines include:

- the 21-month finalisation date for patent examination;
- making a response to place a design application in order for registration;
- urgent requirement for a certified copy;
- the end of the 6 month period in which a person may file an application for registration of a trade mark in Australia and claim a right of priority from an application they filed overseas in a convention country for the same trade mark;
- final date for acceptance of a trade mark;
- the end of the 15 month period in which a request for deferment of acceptance of a trade mark application may be made; and
- lodgement of Part 1 applications for Plant Breeder's Rights where the period for prior sale is likely to expire during the closedown period.

If you have any specific enquiries regarding the close down period please contact the Customer Service Numbers provided below for referral to a designated contact officer, depending on the nature of your enquiry.

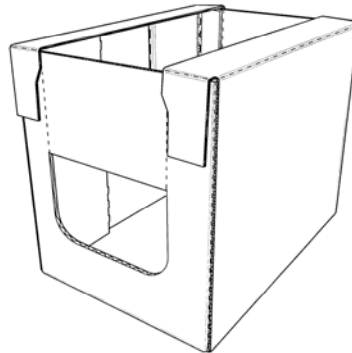
Customers are also reminded of IP Australia's contact details, as listed below. All business correspondence should be via these means. It is particularly important to use these details over the Christmas close down period, as other numbers may not be staffed.

Queries: Gary Flint
Customer Services Network
+61 2 6283 2489

Contact: IP Australia
Phone: 1300 651 010
Fax: +61 2 6283 7999
E-mail: assist@ipaustralia.gov.au
Web: www.ipaustralia.gov.au

Corrigenda

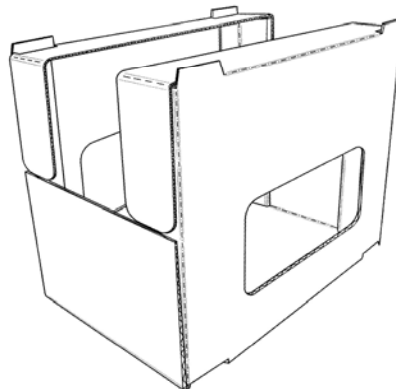
Australian Registered Design number 302892 as referred in corrigendum on page 2788 should appear as shown below:



FRONT PERSPECTIVE VIEW

Corrigenda

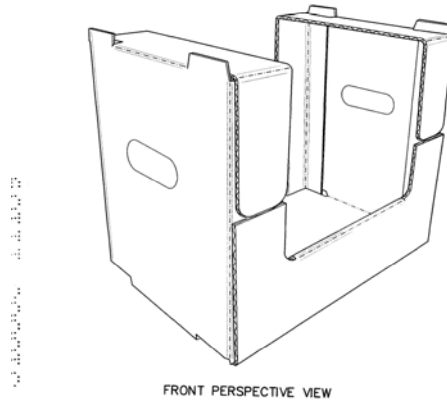
Australian Registered Design number 303098 as referred in corrigendum on page 2788 should appear as shown below:



FRONT PERSPECTIVE VIEW

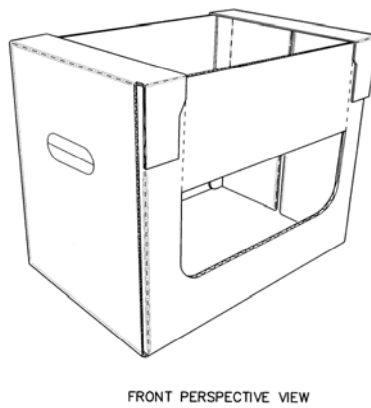
Corrigenda

Australian Registered Design number 303099 as referred in corrigendum on page 2788 should appear as shown below:



Corrigenda

Australian Registered Design number 303100 as referred in corrigendum on page 2788 should appear as shown below:



This Page Left Intentionally Blank

Proceedings under the Designs Act 1906 preserved as a result of the provisions of Chapter 12 Part 2 of the Designs Act 2003.

This Page Left Intentionally Blank

Applications Lapsed

00330 / 2004 (02-01NES)	00348 / 2004 (06-04NES)
00356 / 2004 (07-99A)	00359 / 2004 (21-01A)
00360 / 2004 (21-01A)	00361 / 2004 (21-01A)
00363 / 2004 (21-01A)	00364 / 2004 (21-01A)
00365 / 2004 (21-01A)	00387 / 2004 (11-01A)
00389 / 2004 (06-06G)	00463 / 2004 (21-01C)
00466 / 2004 (09-05)	01838 / 2004 (12-10)

Application for Extension of Period of Registration

Applications under Section 27A(2) for extension of registration of the following designs have been lodged. In the event that a design is shown to be not new or original, the Registrar may refuse to extend the period of registration. Sub-section 27A(4) allows any person to lodge at the Designs Office material relevant to the question whether the design is not new or original. That material must be lodged within 11 months of the date when the registration of the design was made. Further details of the conditions and procedures for the lodgement of material are contained in Form 8 provided under the Designs Regulation 24.

Registration Number	Registered Owner	Registration Date
154254	ZOOM PRODUCTS INTERNATIONAL PTY LTD	09/01/2004
155729	BELWAR INDUSTRIES PROPRIETARY LIMITED	16/06/2004
155730	BELWAR INDUSTRIES PROPRIETARY LIMITED	16/06/2004
155731	BELWAR INDUSTRIES PROPRIETARY LIMITED	16/06/2004
155732	BELWAR INDUSTRIES PROPRIETARY LIMITED	16/06/2004
155733	BELWAR INDUSTRIES PROPRIETARY LIMITED	16/06/2004
155734	BELWAR INDUSTRIES PROPRIETARY LIMITED	16/06/2004
155735	BELWAR INDUSTRIES PROPRIETARY LIMITED	16/06/2004
155736	BELWAR INDUSTRIES PROPRIETARY LIMITED	16/06/2004
155737	BELWAR INDUSTRIES PROPRIETARY LIMITED	16/06/2004
156224	PATRICK THORNTON	20/08/2004
156710	QUINNTech PTY LTD	20/10/2004
156736	ALIQANTUM PTY LTD	21/10/2004
156773	TODD PATRICK RICHARD RYAN	25/10/2004
156774	TODD PATRICK RICHARD RYAN	25/10/2004
156775	TODD PATRICK RICHARD RYAN	25/10/2004
156776	TODD PATRICK RICHARD RYAN	25/10/2004
156777	TODD PATRICK RICHARD RYAN	25/10/2004
156786	RECKITT BENCKISER (UK) LIMITED	01/11/2004
156787	RECKITT BENCKISER (UK) LIMITED	01/11/2004
156788	RECKITT BENCKISER (UK) LIMITED	01/11/2004
156790	MICHAEL PETER JOLLY	01/11/2004
156791	DOMINANT HOLDINGS PTY LTD	01/11/2004
156792	GMCA PTY LTD	01/11/2004
156807	GMCA PTY LTD	03/11/2004

Registration Number	Registered Owner	Registration Date
156812	LETTERBOX MAN ENTERPRISES PTY LTD	03/11/2004
156813	LETTERBOX MAN ENTERPRISES PTY LTD	03/11/2004
156814	LETTERBOX MAN ENTERPRISES PTY LTD	03/11/2004
156857	HILLS INDUSTRIES LIMITED	11/11/2004
156858	TEAM POLY PTY LTD	11/11/2004
156900	ANGELA DIONYSOPOULOS and DUSKO DOBRIC	15/11/2004
156903	LARS DORTELMAN	16/11/2004
156920	KENNETH PAUL PETEK	16/11/2004
156970	KENNETH JOHN FALLAND	29/11/2004
156971	PEAK INNOVATIONS INC.	02/12/2004
156972	PEAK INNOVATIONS INC.	02/12/2004
156973	PEAK INNOVATIONS INC.	02/12/2004
156974	PEAK INNOVATIONS INC.	02/12/2004
156975	PEAK INNOVATIONS INC.	02/12/2004
157041	TUBELOK METALS AUSTRALIA PTY LTD	14/12/2004
157076	PERUSAHAAN OTOMOBIL NASIONAL SDN. BHD.	23/12/2004
157110	CASTROL LIMITED	04/01/2005
157300	E.D. OATES PTY LTD	17/01/2005
157301	E.D. OATES PTY LTD	17/01/2005
157302	E.D. OATES PTY LTD	17/01/2005
157303	GRIPPLE LIMITED	17/01/2005
157304	DYSON LIMITED	17/01/2005
158333	INTERBATH INC.	10/10/2005
158342	STOKELY-VAN CAMP INC.	11/10/2005
158360	STOKELY-VAN CAMP INC.	24/10/2005
158362	THE RAYMOND CORPORATION	24/10/2005

Extension of Period of Registration of Designs

1st Period (Section 27A(8))

154254	155729	155730
155731	155732	155733
155734	155735	155736
155737	156224	156696
156697	156698	156699
156700	156702	156704
156705	156706	156707
156708	156709	156711
156712	156713	156714

156715	156716	156717	124325	124333	124335
156719	156720	156724	124434	124712	124840
156727	156728	156729	124859	125306	125333
156730	156731	156732	126276	126453	127076
156733	156734	156735	127624	127625	127626
156736	156737	156738	127627	127628	127629
156740	156741	156742	127791	127874	128876
156743	156744	156745	131945	131946	131947
156746	156747	156748	131948	131949	131950
156749	156750	156751	131951	131952	131953
156753	156754	156755	131954	131955	131983
156756	156757	156758	132313	132692	132693
156759	156760	156761	132694	133067	133068
156762	156763	156764	134462	134569	
156765	156767	156768			
156770	156771	156772			
156773	156774	156775			
156776	156777	156778			
156779	156780	156802			
156808	157233	157234			

Registrations Ceased

Note: Some of the following Registrations may have been previously advertised as ceased. In this instance, the previous advertisement still prevails.

2nd Period (Section 27A(12))

135130	138640	138953
139183	139184	139185
139404	140459	140460
140514	140517	140629
140630	140631	140667
140787	140799	140800
140810	140885	141043
141130	141131	141132
141192	141253	141298
141335	141484	141530
141834	141835	141848
141849	141850	141851
141852	141853	141854
141855	141856	141857
141858	142058	142225
142226	142227	142228
142252	142369	142535
143722	144062	144960
144961	145014	145015
145016	145017	145018
145058	145059	145060
145061	145062	145063
145744	146442	151034
151035	153515	154622

107404	107527	107528
107642	107643	107649
107667	107683	107684
107689	107705	107755
107827	107828	107943
108084	108292	108326
108352	108353	108385
108413	108414	108415
108416	108710	108773
108873	109211	110181
110257	110323	110328
110329	110821	111776
111777	112404	112582
113177	113589	113691
121860	121864	121869
121883	121907	121935
121936	121937	121938
122052	122062	122174
122207	122276	122277
122370	122570	122571
122573	122574	122575
122576	122577	122578
122579	122580	122591
122788	123915	123919
123920	125715	125731
126152	128616	129024
137330	137489	138207
138314	138487	138581
138582	138583	138636
138639	138644	138660
138661	138662	138779
138793	138794	138795
138796	138797	138799
138800	138801	138802
138874	138900	138901
138902	138903	138970
138971	138972	138973

3rd Period (Section 27A(13))

122278	123401	123750
123751	123752	123753
123785	123791	123792
123802	123803	123804
123805	123806	123939
123979	123980	124035
124036	124052	124053
124055	124252	124277
124278	124279	124280

138974	138975	138995
139120	139126	139134
139145	139146	139166
139178	139179	139201
139306	139307	139308
139309	139310	139416
139477	139478	139611
139653	139727	139739
139740	139741	139742
139743	139755	139922
140209	140210	140355
140470	140690	141540
142174	142351	142352
142478	155175	156627
156629	156630	156634
156637	156640	156681
156682	156683	156684
156685	156686	156687
156688	156689	156690
156691	156692	156693
156694	156695	156718
156721	156722	156725
156726	156766	156769

Extensions of time granted

Applications lodged for extension of time have been granted.

135130 **Good Nuts Pty Limited** An Extension of time to extend a registration has been granted to 29/08/2005

154254 **Zoom Products International Pty Ltd** An Extension of time to extend a registration has been granted to 05/09/2005

155729 **Belwar Industries Proprietary Limited** An Extension of time to extend a registration has been granted to 17/07/2005

155730 **Belwar Industries Proprietary Limited** An Extension of time to extend a registration has been granted to 17/07/2005

155731 **Belwar Industries Proprietary Limited** An Extension of time to extend a registration has been granted to 17/07/2005

155732 **Belwar Industries Proprietary Limited** An Extension of time to extend a registration has been granted to 17/07/2005

155733 **Belwar Industries Proprietary Limited** An Extension of time to extend a registration has been granted to 17/07/2005

155734 **Belwar Industries Proprietary Limited** An Extension of time to extend a registration has been granted to 17/07/2005

155735 **Belwar Industries Proprietary Limited** An Extension of time to extend a registration has been granted to 17/07/2005

155736 **Belwar Industries Proprietary Limited** An Extension of time to extend a registration has been granted to 17/07/2005

155737 **Belwar Industries Proprietary Limited** An Extension of time to extend a registration has been granted to 17/07/2005

Applications Assigned

(The name in parentheses is that of the subsequent applicant)

01550/2004	(Sole Surfer International Pty Ltd) Sole Surfer Pty Ltd
00423/2004	(Healthcare Manufacturing Group Limited) Galantai Plastics Group Limited

Subsequent Owners Registered

(The name in parentheses is that of the subsequent owner)

147420	(Big Bottle I.P. Pty Ltd) Winestock Fine Wine Wholesale Pty Ltd
158264	(Donald Frederick Geater McCullough;Lorraine Rita McCullough) Green Build Australia Pty Ltd
153984	(Paul Edwards) Quadroprint Limited
154427	(Sole Surfer International Pty Ltd) Sole Surfer Pty Ltd
154234	(Sole Surfer International Pty Ltd) Sole Surfer Pty Ltd
154428	(Sole Surfer International Pty Ltd) Sole Surfer Pty Ltd
149298	(Wovin Wall IP Pty Ltd) Box & Dice Pty Ltd
149148	(Wovin Wall IP Pty Ltd) Box & Dice Pty Ltd
148504	(Wovin Wall IP Pty Ltd) Box & Dice Pty Ltd
148503	(Wovin Wall IP Pty Ltd) Box & Dice Pty Ltd
153249	(Wovin Wall IP Pty Ltd) Box & Dice Pty Ltd
153248	(Wovin Wall IP Pty Ltd) Box & Dice Pty Ltd
153382	(Paul Edwards) Quadroprint Limited
135130	(Good Nuts Pty Limited) Noel William Sadler
131060	(CMR Group Pty Ltd) Head for the Hills Pty Ltd
137678	(Laminar Air Flow Pty Limited) AES Environmental Pty Ltd
137677	(Laminar Air Flow Pty Limited) AES Environmental Pty Ltd
137655	(Laminar Air Flow Pty Limited) AES Environmental Pty Ltd
134530	(Laminar Air Flow Pty Limited) AES Environmental Pty Ltd
134529	(Laminar Air Flow Pty Limited) AES Environmental Pty Ltd
137826	(Bucam Pty Ltd) Bucam Investments Pty Ltd
137794	(Bucam Pty Ltd) Bucam Investments Pty Ltd
137664	(Bucam Pty Ltd) Bucam Investments Pty Ltd
137424	(Bucam Pty Ltd) Bucam Investments Pty Ltd

Names Registered - Alterations and Amendments

(The name in parentheses is the new name of the proprietor)

123422	(Rexel Australia Limited) GEC Australia Limited
124602	(Rinker Australia Pty Limited) Readymix Holdings Pty Limited
124601	(Rinker Australia Pty Limited) Readymix Holdings Pty Limited
120659	(Rinker Australia Pty Limited) Readymix Holdings Pty Limited
124079	(Lawtools Pty Ltd) Lawtools
120783	(Lawtools Pty Ltd) Lawtools
124176	(Lawtools Pty Ltd) Lawtools

Licences Registered

144505 A licence has been granted to **Black & Decker
(Australia) Pty Limited**

Registration Proceedings

Designs Registered

This section provides a concordance between application number and registration number of Designs covered in this journal. It also shows the main class and registration date.

This section covers Registration numbers 158359 to 158372.

The registration number shown below should be used in all future correspondence.

Application Number	Registration Number	International Classification Code (IDC)	Registration Date	Application Number	Registration Number	International Classification Code (IDC)	Registration Date
00021/2004	158365	21-02D	01/11/2005	01545/2004	158363	08-05N	24/10/2005
00378/2004	158359	08-99	24/10/2005	01563/2004	158368	23-02B	01/11/2005
00500/2004	158360	09-01NES	24/10/2005	01655/2004	158364	09-03M	24/10/2005
00537/2004	158361	24-02	24/10/2005	01752/2004	158369	09-07B	01/11/2005
00888/2004	158362	12-16NES	24/10/2005	01861/2004	158370	24-01	01/11/2005
01025/2004	158366	12-02	01/11/2005	01862/2004	158371	24-01	01/11/2005
01439/2004	158367	11-02NES	01/11/2005	01863/2004	158372	24-01	01/11/2005

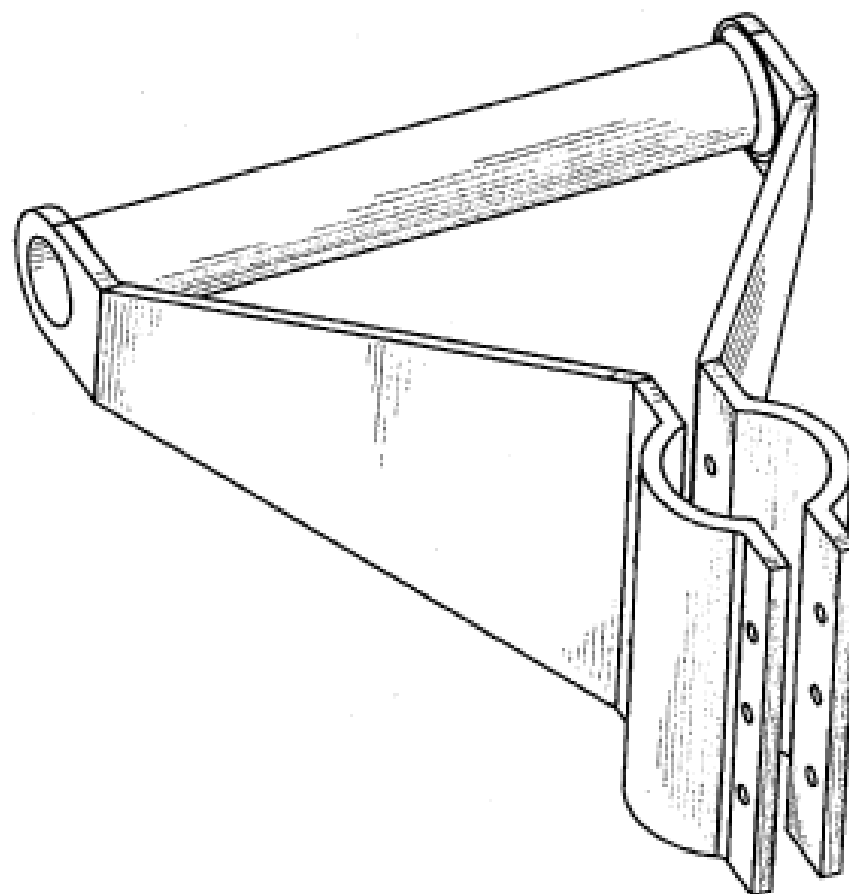
Registration Proceedings
Class Listing of Designs Registered

The following section shows an International Classification Code listing of the Registered Designs covered in this supplement.

Classification	Registration Number	Application Number	Classification	Registration Number	Application Number
08-05 N	158363	01545/2004	21-02 D	158365	00021/2004
08-99	158359	00378/2004	23-02 B	158368	01563/2004
09-01 NES	158360	00500/2004	24-01	158370	01861/2004
09-03 M	158364	01655/2004	24-01	158371	01862/2004
09-07 B	158369	01752/2004	24-01	158372	01863/2004
11-02 NES	158367	01439/2004	24-02	158361	00537/2004
12-02	158366	01025/2004			
12-16 NES	158362	00888/2004			

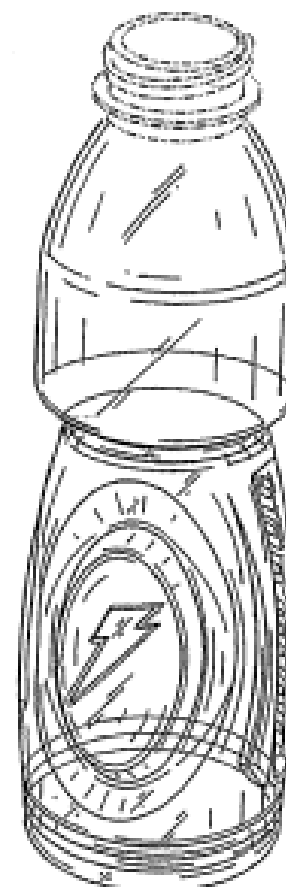
(19) AU

(21) Application Number: **0378/2004**
 (22) Date of Filing Application: **30 January 2004**
 (24) Date from which industrial property rights may have effect: **30 January 2004**
 (54) Article in respect of which the design is registered: **Auxiliary handle**
 (51) International Design Classification: **08-99**
 (74) Name(s) of Attorney(s): **Freehills Patent & Trade Mark Attorneys**
 (71) Name(s) and Address(s) of Applicant(s):
Ronald C. Stout
8310 Peck Avenue Anchorage Alaska United States of America
 (72) Name(s) of Author(s): **Ronald C. Stout**
 (45) Registration Date: **24 October 2005**
 (30) Convention priority data:
 (31) Number (32) Date (33) Country
29/187,717 5 Aug 2003 UNITED STATES OF AMERICA
 (56) Related Art Documents: **Not Applicable**
 (57) Statement of Monopoly: **Monopoly is claimed in the shape or configuration of an auxiliary handle as shown in the accompanying representations.**
 Statement of Novelty: **Nil**

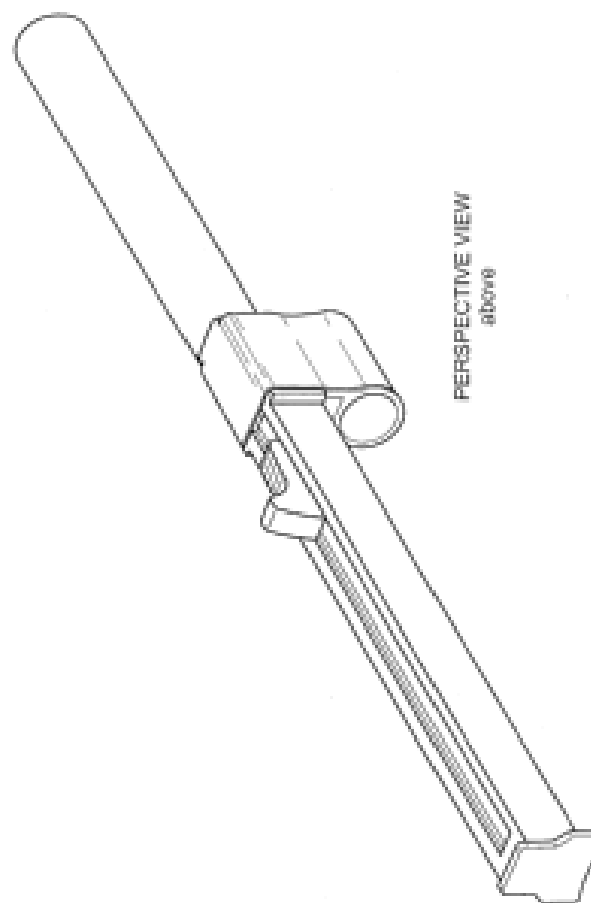


(19) AU

(21) Application Number: **0500/2004**
 (22) Date of Filing Application: **11 February 2004**
 (24) Date from which industrial property rights may have effect: **11 February 2004**
 (54) Article in respect of which the design is registered: **Bottle**
 (51) International Design Classification: **09-01NES**
 (74) Name(s) of Attorney(s): **SPRUSON & FERGUSON**
 (71) Name(s) and Address(s) of Applicant(s):
Stokely-Van Camp Inc.
555 W. Monroe Street Suite 11-12 Chicago Illinois 60661 United States of America
 (72) Name(s) of Author(s): **Machelle D. Stockwell and Stuart M. Leslie and Charles A. Curtiss and Tomohito Asano and David A. Deemer and Hassan Mourad**
 (45) Registration Date: **24 October 2005**
 (30) Convention priority data:
 (31) Number (32) Date (33) Country
29/188009 11 Aug 2003 UNITED STATES OF AMERICA
 (56) Related Art Documents: **AU-S-153427(09-01Z)**
 (57) Statement of Monopoly: **Monopoly is claimed in the features of shape and/or configuration of a bottle as illustrated in the accompanying representations. When considering the extent of monopoly protection, the portions of the bottle shown in phantom and the word "Gatorade" are to be disregarded.**
 Statement of Novelty: **Nil**



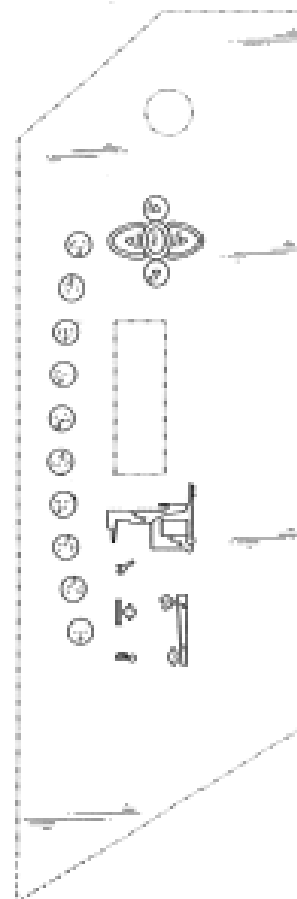
(21) Application Number: **0537/2004**
 (22) Date of Filing Application: **13 February 2004**
 (24) Date from which industrial property rights may have effect: **13 February 2004**
 (54) Article in respect of which the design is registered: **Attachment for a parenteral device**
 (51) International Design Classification: **24-02**
 (74) Name(s) of Attorney(s): **WRAY & ASSOCIATES**
 (71) Name(s) and Address(s) of Applicant(s):
Eastland Medical Systems Ltd
Unit 6 680 Murray Street West Perth Western Australia 6005 Australia
 (72) Name(s) of Author(s): **Douglas Arthur Sims**
 (45) Registration Date: **24 October 2005**
 (56) Related Art Documents: **Not Applicable**
 (57) Statement of Monopoly: **Monopoly is claimed in the features of shape and configuration of an attachment for a parenteral device as depicted in the attached representations.**
 Statement of Novelty: **Nil**



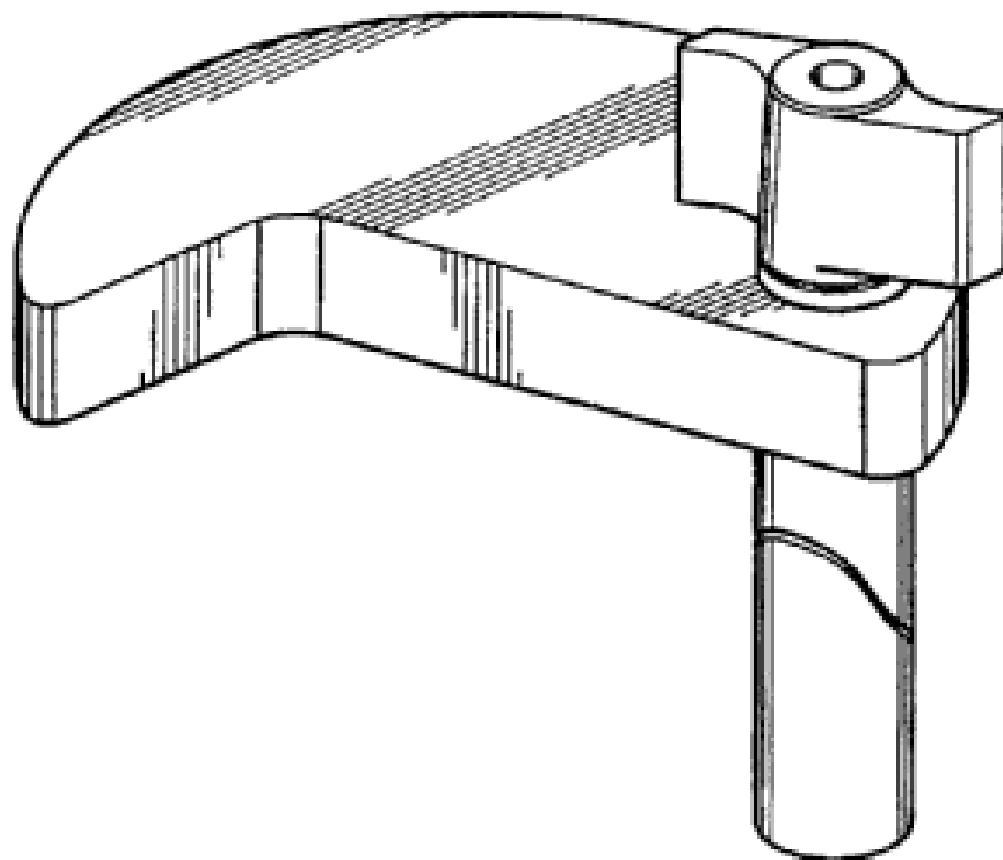
(21) Application Number: **0888/2004**
 (22) Date of Filing Application: **08 March 2004**
 (24) Date from which industrial property rights may have effect: **08 March 2004**
 (54) Article in respect of which the design is registered: **Display panel for a material handling vehicle**
 (51) International Design Classification: **12-16NES**
 (74) Name(s) of Attorney(s): **PIZZEYS**
 (71) Name(s) and Address(s) of Applicant(s):
The Raymond Corporation
20 South Canal Street Greene New York 13778 United States of America
 (72) Name(s) of Author(s): **Gregory W. Smiley**
 (45) Registration Date: **24 October 2005**
 (30) Convention priority data:

(31) Number	(32) Date	(33) Country
29/189,707	9 Sep 2003	UNITED STATES OF AMERICA

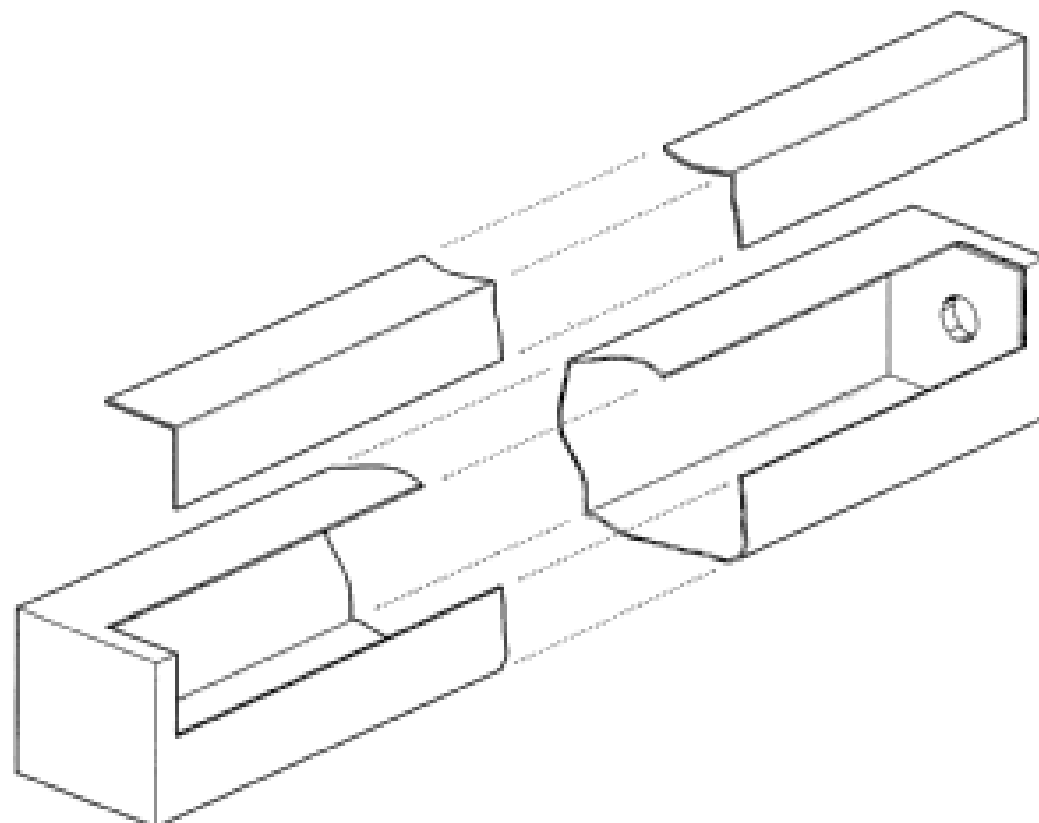
 (56) Related Art Documents: **Not Applicable**
 (57) Statement of Monopoly: **Monopoly is claimed in the features of shape and/or configuration of a display panel for a material handling vehicle as illustrated in the attached representations. When construing the extent of monopoly protection the features illustrated in dotted lines in the representations are to be disregarded.**
 Statement of Novelty: **Nil**



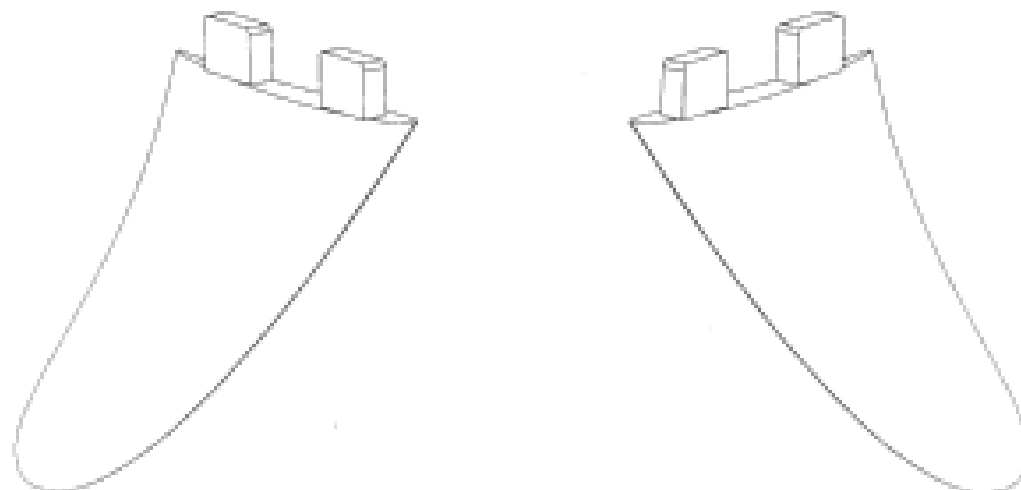
(21) Application Number: **1545/2004**
(22) Date of Filing Application: **22 April 2004**
(24) Date from which industrial property rights may have effect: **22 April 2004**
(54) Article in respect of which the design is registered: **Crown molding stop**
(51) International Design Classification: **08-05N**
(74) Name(s) of Attorney(s): **Griffith Hack**
(71) Name(s) and Address(s) of Applicant(s):
One World Technologies Limited
Cedar House 41 Cedar Avenue Hamilton HM 12 Bermuda
(72) Name(s) of Author(s): **Christopher J. Lewis**
(45) Registration Date: **24 October 2005**
(30) Convention priority data:
(31) Number (32) Date (33) Country
29/198,845 5 Feb 2004 UNITED STATES OF AMERICA
(56) Related Art Documents: **Not Applicable**
(57) Statement of Monopoly: **Monopoly is claimed in the features of shape and configuration of a crown molding stop as illustrated in the accompanying drawings.**
Statement of Novelty: **Nil**



(21) Application Number: **1655/2004**
(22) Date of Filing Application: **04 May 2004**
(24) Date from which industrial property rights may have effect: **04 May 2004**
(54) Article in respect of which the design is registered: **A box**
(51) International Design Classification: **09-03M**
(74) Name(s) of Attorney(s): **MORCOM PERNAT**
(71) Name(s) and Address(s) of Applicant(s):
Moroday Products Pty Ltd
6-8 Crawford Street Braeside Victoria 3195 Australia
(72) Name(s) of Author(s): **Michael Egan and Paul Decastella**
(45) Registration Date: **24 October 2005**
(56) Related Art Documents: **Not Applicable**
(57) Statement of Monopoly: **Monopoly is claimed in the shape and configuration of a box as illustrated in the representations. In considering the scope of the design the length of the portion of the box shown by dotted lines is to be disregarded.**
Statement of Novelty: **Nil**



(21) Application Number: **0021/2004**
(22) Date of Filing Application: **06 January 2004**
(24) Date from which industrial property rights may have effect: **06 January 2004**
(54) Article in respect of which the design is registered: **Set of fins for surfcraft**
(51) International Design Classification: **21-02D**
(74) Name(s) of Attorney(s): **Allens Arthur Robinson**
(71) Name(s) and Address(s) of Applicant(s):
Surf Hardware International Pty Limited
5-7 By the Sea Road Mona Vale New South Wales 2103 Australia
(72) Name(s) of Author(s): **Andrew Dovell**
(45) Registration Date: **01 November 2005**
(56) Related Art Documents: **Not Applicable**
(57) Statement of Monopoly: **Nil**
Statement of Novelty: **Nil**



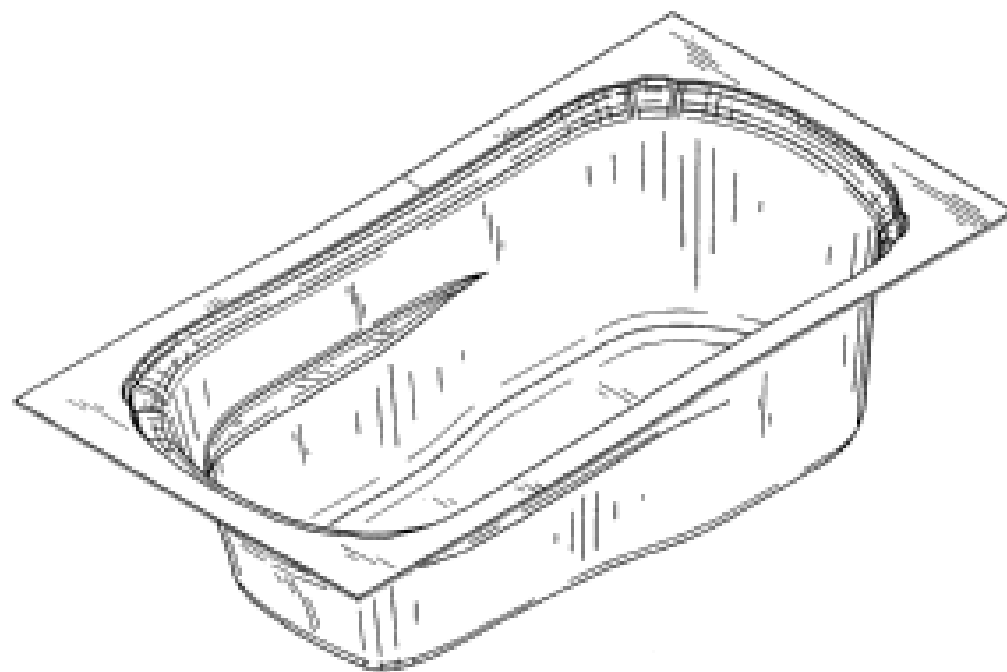
(21) Application Number: **1025/2004**
(22) Date of Filing Application: **16 March 2004**
(24) Date from which industrial property rights may have effect: **16 March 2004**
(54) Article in respect of which the design is registered: **Kayak/canoe trolley**
(51) International Design Classification: **12-02**
(71) Name(s) and Address(s) of Applicant(s):
Gerard Boterman Trading as GB Tool Design
21 Awaruku Road Torbay Auckland New Zealand
(72) Name(s) of Author(s): **Gerard Boterman**
(45) Registration Date: **01 November 2005**
(30) Convention priority data:
(31) Number (32) Date (33) Country
404 039 11 Dec 2003 NEW ZEALAND
(56) Related Art Documents: **Not Applicable**
(57) Statement of Monopoly: **Monopoly is claimed in the shape and configuration of the kayak/canoe trolley as shown in the representations.**
Statement of Novelty: **Nil**



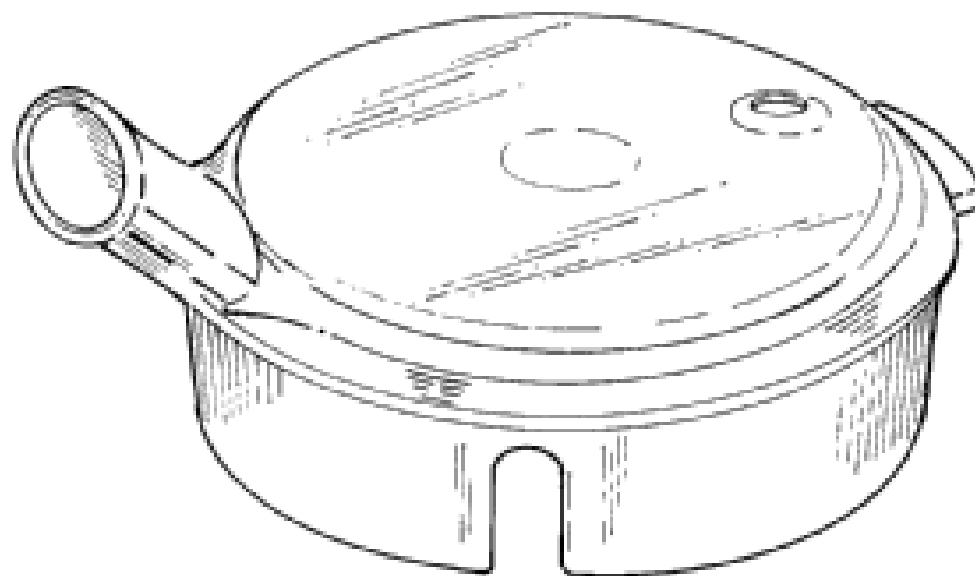
(21) Application Number: **1439/2004**
(22) Date of Filing Application: **16 April 2004**
(24) Date from which industrial property rights may have effect: **16 April 2004**
(54) Article in respect of which the design is registered: **Ornament**
(51) International Design Classification: **11-02NES**
(71) Name(s) and Address(s) of Applicant(s):
Henry Kevin Foster
6 Pearl Crescent Caboolture Queensland 4510 Australia
(72) Name(s) of Author(s): **Henry Kevin Foster**
(45) Registration Date: **01 November 2005**
(56) Related Art Documents: **Not Applicable**
(57) Statement of Monopoly: **Monopoly is claimed in the shape and configuration of the horseshoe ornament as shown in the representations.**
Statement of Novelty: **Nil**



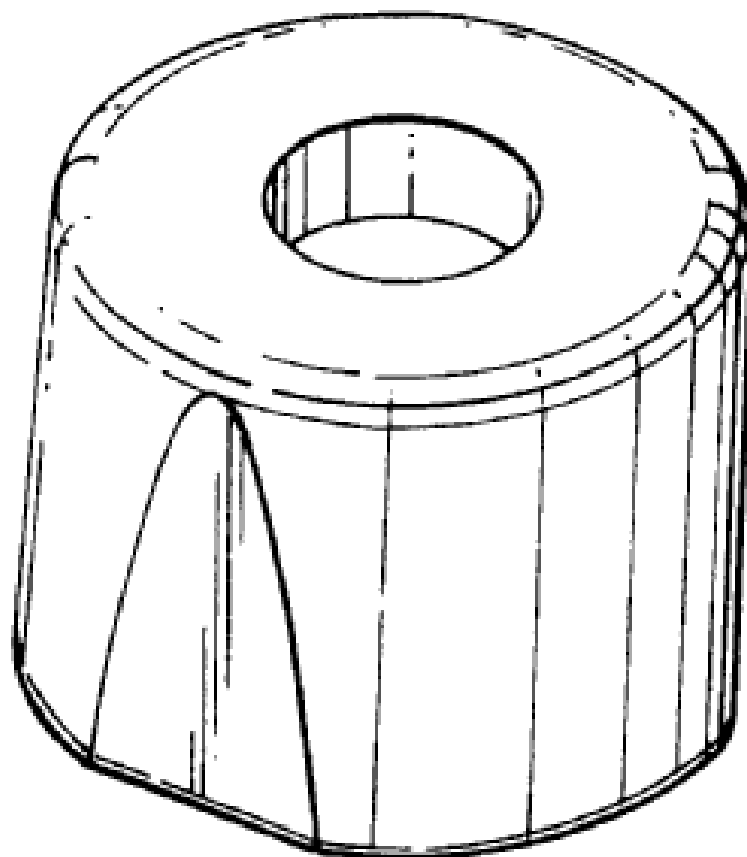
(21) Application Number: **1563/2004**
(22) Date of Filing Application: **22 April 2004**
(24) Date from which industrial property rights may have effect: **22 April 2004**
(54) Article in respect of which the design is registered: **Tub for bathing**
(51) International Design Classification: **23-02B**
(74) Name(s) of Attorney(s): **Griffith Hack**
(71) Name(s) and Address(s) of Applicant(s):
Kohler Co.
444 Highland Drive Kohler WI 53044 United States of America
(72) Name(s) of Author(s): **Michael R. Bates**
(45) Registration Date: **01 November 2005**
(30) Convention priority data:
(31) Number (32) Date (33) Country
29/192,304 22 Oct 2003 UNITED STATES OF AMERICA
(56) Related Art Documents:
AU-S-150949(23-02B);AU-S-150219(23-02B);AU-S-154722(23-02B)
(57) Statement of Monopoly: **Monopoly is claimed in the shape and/or configuration of a tub for bathing as shown in the accompanying representations.**
Statement of Novelty: **Nil**



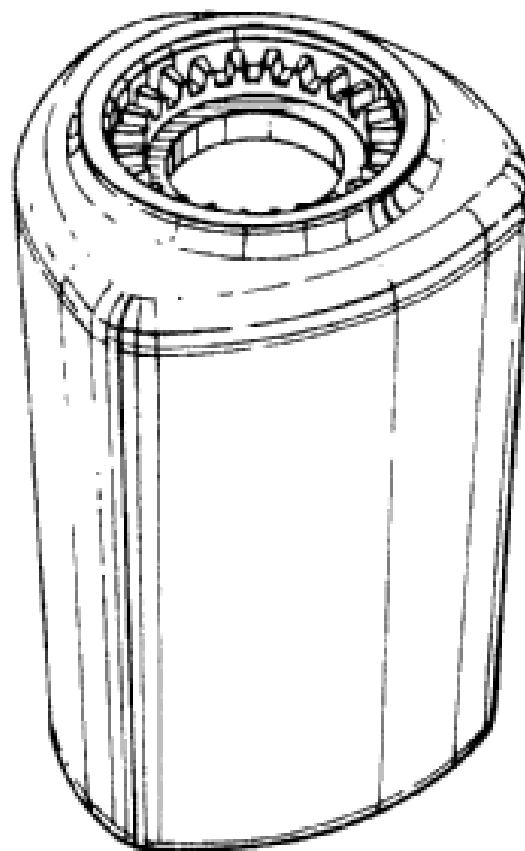
- (21) Application Number: **1752/2004**
(22) Date of Filing Application: **10 May 2004**
(24) Date from which industrial property rights may have effect: **10 May 2004**
(54) Article in respect of which the design is registered: **Anti-spill lid**
(51) International Design Classification: **09-07B**
(74) Name(s) of Attorney(s): **PATENT ATTORNEY SERVICES**
(71) Name(s) and Address(s) of Applicant(s):
Douglas Bean (Australia) Pty Ltd
84 Lewis Road Wantirna South Victoria 3152 Australia
(72) Name(s) of Author(s): **Douglas Colin Bean**
(45) Registration Date: **01 November 2005**
(56) Related Art Documents: **Not Applicable**
(57) Statement of Monopoly: **Monopoly is claimed in the features of shape and configuration of an anti-spill lid as shown in the representations.**
Statement of Novelty: **Nil**



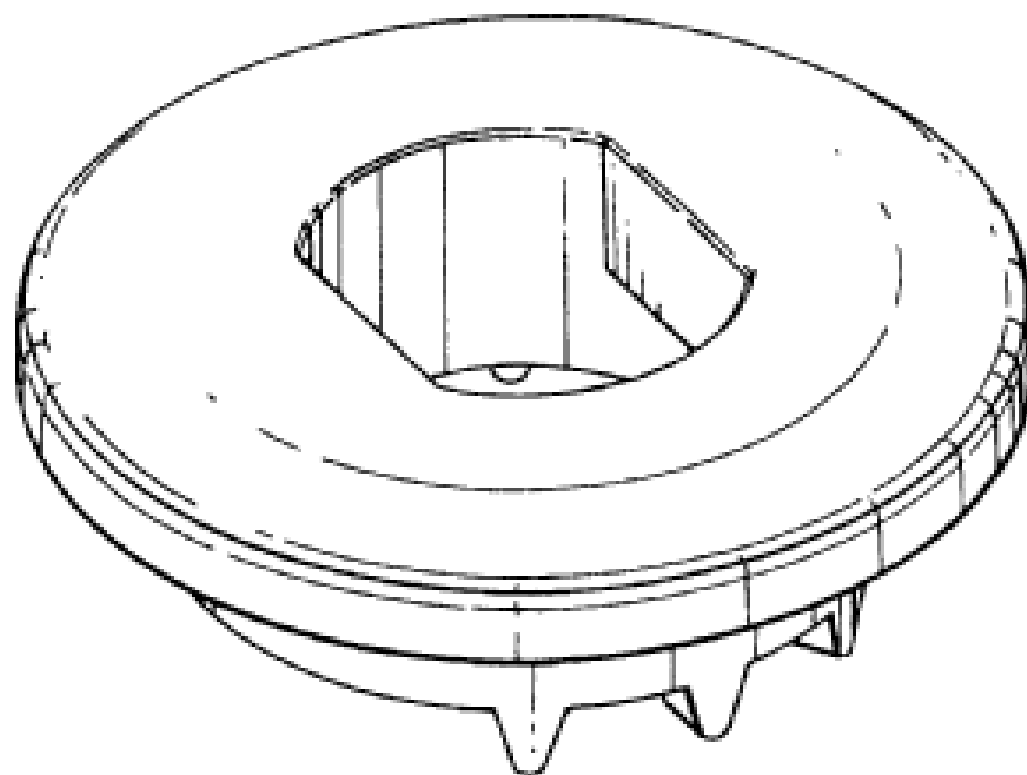
- (21) Application Number: **1861/2004**
(22) Date of Filing Application: **18 May 2004**
(24) Date from which industrial property rights may have effect: **13 May 2003**
(54) Article in respect of which the design is registered: **An end piece for a chromatography column**
(51) International Design Classification: **24-01**
(74) Name(s) of Attorney(s): **Davies Collison Cave**
(71) Name(s) and Address(s) of Applicant(s):
Amersham Biosciences A.B.
Bjorkgatan 30 Uppsala 751 84 Sweden
(72) Name(s) of Author(s): **Karl-Gunnar Hellstrom**
(45) Registration Date: **01 November 2005**
(62) Divisional of: **155900**
(56) Related Art Documents: **Not Applicable**
(57) Statement of Monopoly: **Monopoly is claimed in the features of shape and/or configuration of the end piece shown in the representations.**
Statement of Novelty: **Nil**



- (21) Application Number: **1862/2004**
(22) Date of Filing Application: **18 May 2004**
(24) Date from which industrial property rights may have effect: **13 May 2003**
(54) Article in respect of which the design is registered: **An end piece for a chromatography column**
(51) International Design Classification: **24-01**
(74) Name(s) of Attorney(s): **Davies Collison Cave**
(71) Name(s) and Address(s) of Applicant(s):
Amersham Biosciences A.B.
Bjorkgatan 30 Uppsala 751 84 Sweden
(72) Name(s) of Author(s): **Karl-Gunnar Hellstrom**
(45) Registration Date: **01 November 2005**
(62) Divisional of: **155900**
(56) Related Art Documents: **Not Applicable**
(57) Statement of Monopoly: **Monopoly is claimed in the features of shape and configuration of the end piece shown in the representations.**
Statement of Novelty: **Nil**



- (21) Application Number: **1863/2004**
(22) Date of Filing Application: **18 May 2004**
(24) Date from which industrial property rights may have effect: **13 May 2003**
(54) Article in respect of which the design is registered: **A cap for an end piece of a chromatography column**
(51) International Design Classification: **24-01**
(74) Name(s) of Attorney(s): **Davies Collison Cave**
(71) Name(s) and Address(s) of Applicant(s):
Amersham Biosciences A.B.
Bjorkgatan 30 Uppsala 751 84 Sweden
(72) Name(s) of Author(s): **Karl-Gunnar Hellstrom**
(45) Registration Date: **01 November 2005**
(62) Divisional of: **155900**
(56) Related Art Documents: **Not Applicable**
(57) Statement of Monopoly: **Monopoly is claimed in the features of shape and/or configuration of the cap shown in the representations.**
Statement of Novelty: **Nil**



Proceedings under the Designs Act 2003.

This Page Left Intentionally Blank

Applications Lodged

Lodgement information is in the following order: **Applicant's Name**; International Classification, Name of Product, Lodgement Date and **Design Number**. If the applicant claims an earlier priority date under an International Convention, the Convention Country and the associated filing date are shown in parentheses before the Lodgement Date. Divisional information will also appear in parentheses before the Lodgement Date.

Abdulla, Zainodein; Parker, Zainul Abedeen; 03-03, 25-03, A shade, 13 Oct 2005	14526/2005	Bargo Stencils & Design; 09-03F, CD/DVD cardboard mailer, 31 Oct 2005	14777/2005
Airpak Pty Ltd; 09-03F, Collapsible carton component, 18 Oct 2005	14572/2005	Beaumont, Ian; Cattermoul, Stewart; Tibbits, W.; 22-05, Easy baiter net fishing bait basket, 06 Oct 2005	14428/2005
Airpak Pty Ltd; 09-03F, Collapsible carton component, 18 Oct 2005	14573/2005	Berger, Udo; 12-12, 21-01NES, Baby or doll carriage, 25 Oct 2005	14720/2005
Apple Computer, Inc.; 14-02, A dock insert, (US, 24 Aug 2005) 21 Oct 2005	14636/2005	Berger, Udo; 12-12, 21-01NES, Baby or doll carriage, 25 Oct 2005	14721/2005
Apple Computer, Inc.; 14-02, A docking station, (US, 24 Aug 2005) 21 Oct 2005	14637/2005	Berger, Udo; 12-12, 21-01NES, Baby or doll carriage, 25 Oct 2005	14722/2005
Apple Computer, Inc.; 14-02, A docking station, (US, 24 Aug 2005) 21 Oct 2005	14638/2005	Berger, Udo; 12-12, 21-01NES, Baby or doll carriage, 25 Oct 2005	14723/2005
Apple Computer, Inc.; 14-02, A dock insert, (US, 24 Aug 2005) 21 Oct 2005	14639/2005	Berger, Udo; 12-12, 21-01NES, Baby or doll carriage, 25 Oct 2005	14719/2005
Apple Computer, Inc.; 14-02, A dock insert, (US, 24 Aug 2005) 21 Oct 2005	14640/2005	Black & Decker, Inc.; 08-01, A hammer drill, (EM, 28 Apr 2005) 19 Oct 2005	14590/2005
Apple Computer, Inc.; 14-02, A dock insert, (US, 24 Aug 2005) 21 Oct 2005	14641/2005	Black & Decker, Inc.; 08-01, A hammer drill, (EM, 28 Apr 2005) 19 Oct 2005	14591/2005
Aryaie, Babak; 06-01E, Stool, 20 Oct 2005	14579/2005	Black & Decker, Inc.; 08-03, A router, (GB, 22 Jun 2005) 18 Oct 2005	14570/2005
Auckland UniServices Limited; 13-03D, Electrical socket, (Divisional of 01542/2004) 21 Oct 2005	14681/2005	Bloomfield Advertising Pty Ltd; 20-01, Vending machine with lcd digital television screen, 12 Oct 2005	14458/2005
Aussie Cooler Company; 07-06A, Can stubby holder, 29 Sep 2005	14426/2005	Braun GmbH; 13-02, Combination of a charger unit and holding device, (DE, 28 Apr 2005) 18 Oct 2005	14571/2005
Aussie Cooler Company; 07-06A, Bottle stubby holder, 29 Sep 2005	14427/2005	Breville Pty Limited; 31-00, Blender, 18 Oct 2005	14554/2005
Australian Manufacturing & Engineering Pty Ltd; 25-01E, Spear point for a fence post, 11 Oct 2005	14443/2005	Breville Pty Limited; 07-02L, 31-00, Espresso maker, 21 Oct 2005	14618/2005
Australian Manufacturing & Engineering Pty Ltd; 25-01E, Decorative point for a fence post, 11 Oct 2005	14444/2005	Breville Pty Limited; 31-00, Blender, 18 Oct 2005	14553/2005
ARPER S.P.A.; 06-03B, Table, (EM, 06 May 2005) 25 Oct 2005	14725/2005	Browns Brushware Limited; 04-01, 04-99, Brush attachment, (NZ, 06 May 2005) 28 Oct 2005	14784/2005
ARPER S.P.A.; 06-03B, Table, (EM, 06 May 2005) 25 Oct 2005	14726/2005	Butt, Timothy; 07-02B, Bantam microwave oven, 17 Oct 2005	14556/2005
ARPER S.P.A.; 06-03B, Table, (EM, 06 May 2005) 25 Oct 2005	14727/2005	BISSELL Homecare, Inc.; 15-05, Portable extractor, (US, 04 May 2005) 21 Oct 2005	14646/2005

BISSELL Homecare, Inc.; 15-05, Portable extractor, (US, 04 May 2005) 21 Oct 2005	14647/2005	Colman Group, Inc., The; 14-03NES, Faceplate, 28 Oct 2005	14781/2005
C C P Pty Ltd; 23-02NES, Drainage crate, 31 Oct 2005	14773/2005	Colman Group, Inc., The; 14-03NES, Faceplate, (US, 28 Apr 2005) 28 Oct 2005	14782/2005
Calor; 07-05A, Steam iron, (FR, 18 Apr 2005) 12 Oct 2005	14500/2005	Decoin Pty Ltd; 25-03, Pergola, carport, patio, shade-structure, 12 Oct 2005	14469/2005
Canine Hardware Inc.; 21-02A, Ball, (US, 29 Apr 2005) 28 Oct 2005	14772/2005	Decoin Pty Ltd; 25-03, Pergola, carport, patio, shade-structure, 12 Oct 2005	14470/2005
Cattermoul, Stewart; Beaumont, Ian; Tibbits, W.; 22-05, Easy baiter net fishing bait basket, 06 Oct 2005	14428/2005	Decoin Pty Ltd; 25-03, Pergola, carport, patio, shade-structure, 12 Oct 2005	14471/2005
Celter B.V.; 12-02, A cart, 10 Oct 2005	14438/2005	Decor Corporation Pty Ltd, The; 07-01NES, Long lunch container, 10 Oct 2005	14440/2005
Celter B.V.; 12-02, A cart, 10 Oct 2005	14439/2005	Decor Corporation Pty Ltd, The; 09-07A, Cap, 17 Oct 2005	14559/2005
Centrotex Aust Pty Ltd; 03-01NES, Display and storage bags for textile based products, 13 Oct 2005	14490/2005	Decor Corporation Pty Ltd, The; 07-01NES, Deep lunch container, 10 Oct 2005	14441/2005
Cho, Chang Shin; 08-03, Cutting blade for a circular saw, (KR, 29 Apr 2005) 10 Oct 2005	14446/2005	Di Anna, Guiseppe; 15-03B, Shredding chamber screen, (US, 30 Apr 2005) 10 Oct 2005	14449/2005
Chromend Supply; 12-16N, Automobile exhaust extension, 24 Oct 2005	14632/2005	Dranganoudis, Lambrini; 28-03A, 28-03NES, Depilation template, (Divisional of 00440/2004) 07 Oct 2005	14389/2005
Chuen Fung Spectacles Services Manufactory Limited; 16-06, Clip-on accessory for eyeglasses, 21 Oct 2005	14614/2005	Elson Australasia Pty Ltd; 08-06, Handle and flange, 24 Oct 2005	14648/2005
Claridge, Anthony S.F.; 07-01C, Drinking glass to fit the top of a beverage can, 21 Oct 2005	14628/2005	Elson Australasia Pty Ltd; 23-01H, Spout, 24 Oct 2005	14649/2005
Coca-Cola Company, The; 09-01K, Bottle, (US, 04 May 2005) 17 Oct 2005	14558/2005	Elson Australasia Pty Ltd; 23-01H, Spout, 24 Oct 2005	14650/2005
Col-Ven S.A.; 12-16A, Wheel hub cover for rotary air coupling, 11 Oct 2005	14457/2005	Elson Australasia Pty Ltd; 23-01H, Spout, 24 Oct 2005	14651/2005
Colgate-Palmolive Company; 28-02, Dentifrice, (US, 13 Apr 2005) 12 Oct 2005	14484/2005	Elson Australasia Pty Ltd; 23-01H, Spout, 24 Oct 2005	14652/2005
Colgate-Palmolive Company; 28-02, Dentifrice, (US, 13 Apr 2005) 12 Oct 2005	14485/2005	Elson Australasia Pty Ltd; 23-02B, Shower, 24 Oct 2005	14653/2005
Colgate-Palmolive Company; 28-02, Dentifrice, (US, 13 Apr 2005) 12 Oct 2005	14486/2005	Elson Australasia Pty Ltd; 23-02B, Shower, 24 Oct 2005	14654/2005
Colgate-Palmolive Company; 28-02, Dentifrice, (US, 13 Apr 2005) 12 Oct 2005	14487/2005	Emile Henry Industrie; 07-02N, 07-01B, Cooking vessel, (FR, 22 Apr 2005) 21 Oct 2005	14611/2005
Colgate-Palmolive Company; 28-02, Dentifrice, (US, 13 Apr 2005) 12 Oct 2005	14488/2005	Emile Henry Industrie; 07-02N, 07-01B, Cooking vessel, (FR, 22 Apr 2005) 21 Oct 2005	14612/2005
Colgate-Palmolive Company; 28-02, Dentifrice, (US, 13 Apr 2005) 12 Oct 2005	14489/2005	Esselte Leitz GmbH & Co KG; 19-02, Office stapler, (EM, 08 Jun 2005) 24 Oct 2005	14633/2005
Colgate-Palmolive Company; 28-02, Dentifrice, (US, 13 Apr 2005) 12 Oct 2005	14489/2005	Esselte Leitz GmbH & Co KG; 19-02, Office punch, (EM, 08 Jun 2005) 24 Oct 2005	14634/2005
Colgate-Palmolive Company; 28-02, Dentifrice, (US, 13 Apr 2005) 12 Oct 2005	14489/2005	Ezee Whip Ice-Cream Limited; 09-01C, Container, (EM, 12 Oct 2005) 14 Oct 2005	14546/2005

EVVA-WERK Spezialerzeugung von Zylinder-und Sicherheitsschlossern;, Gesellschaft m.b.H & Co. Kommanditgesellschaft; 08-07, Key blank, 13 Oct 2005	14506/2005	Gostt, Nicholas; Gostt, Anthea; 06-13C, Camping accessory, kitchen accessory, 19 Oct 2005	14603/2005
Fitzgerald, Peter; Fitzgerald, John; 13-03D, Recessed mounting for wall outlet, 13 Oct 2005	14531/2005	Gostt, Anthea; Gostt, Nicholas; 06-13C, Camping accessory, kitchen accessory, 19 Oct 2005	14603/2005
Fitzgerald, John; Fitzgerald, Peter; 13-03D, Recessed mounting for wall outlet, 13 Oct 2005	14531/2005	Gostt, Nicholas; Gostt, Anthea; 06-13C, Camping accessory, kitchen accessory, 19 Oct 2005	14604/2005
Fitzgerald, Peter; Fitzgerald, John; 13-03D, Recessed mounting for wall outlet, 13 Oct 2005	14532/2005	Gostt, Anthea; Gostt, Nicholas; 06-13C, Camping accessory, kitchen accessory, 19 Oct 2005	14604/2005
Fitzgerald, John; Fitzgerald, Peter; 13-03D, Recessed mounting for wall outlet, 13 Oct 2005	14532/2005	Gostt, Nicholas; Gostt, Anthea; 06-13C, Camping accessory, kitchen accessory, 19 Oct 2005	14605/2005
Ford Motor Company of Australia Limited; 12-16A, Wheel, 12 Oct 2005	14496/2005	Gostt, Anthea; Gostt, Nicholas; 06-13C, Camping accessory, kitchen accessory, 19 Oct 2005	14605/2005
Ford Motor Company of Australia Limited; 12-16C, Bumper bar for a vehicle, 12 Oct 2005	14492/2005	Gostt, Nicholas; Gostt, Anthea; 06-13C, Camping accessory, kitchen accessory, 19 Oct 2005	14606/2005
Ford Motor Company of Australia Limited; 12-16C, Bumper bar for a vehicle, 12 Oct 2005	14493/2005	Gostt, Anthea; Gostt, Nicholas; 06-13C, Camping accessory, kitchen accessory, 19 Oct 2005	14606/2005
Ford Motor Company of Australia Limited; 12-16C, Bumper bar for a vehicle, 12 Oct 2005	14494/2005	Gostt, Nicholas; Gostt, Anthea; 06-13C, Camping accessory, kitchen accessory, 19 Oct 2005	14607/2005
Ford Motor Company of Australia Limited; 12-16C, Bumper bar for a vehicle, 12 Oct 2005	14495/2005	Gostt, Anthea; Gostt, Nicholas; 06-13C, Camping accessory, kitchen accessory, 19 Oct 2005	14607/2005
Frito-Lay North America, Inc.; 01-01, Snack food product, (US, 27 Apr 2005) 07 Oct 2005	14390/2005	Grant Olver Investments Pty Ltd; 02-02C, Dress, 17 Oct 2005	14548/2005
FMC Australasia Pty Ltd; 23-01A, Conduit collar, 13 Oct 2005	14520/2005	Green, David John; 23-02B, Shower base, 19 Oct 2005	14595/2005
FMC Australasia Pty Ltd; 23-01A, Conduit collar, 13 Oct 2005	14521/2005	Green, David John; 23-02B, Shower base, 19 Oct 2005	14596/2005
FMC Australasia Pty Ltd; 23-01A, Conduit collar, 13 Oct 2005	14522/2005	Gripple Limited; 13-03D, Wire termination device, 25 Oct 2005	14699/2005
FMC Australasia Pty Ltd; 23-01A, Conduit collar, 13 Oct 2005	14523/2005	Groupe Lucien Barriere; 12-16K, Mug holder, (EM, 28 Apr 2005) 28 Oct 2005	14769/2005
Girdlestone, Victor George; 08-05NES, 08-05K, Taping tool, 28 Oct 2005	14783/2005	Groupe Lucien Barriere; 12-16K, Mug holder, (EM, 28 Apr 2005) 28 Oct 2005	14770/2005
Goldberg, Brian; 02-04B, Shoe sole, 17 Oct 2005	14557/2005	Groupe Lucien Barriere; 27-03, Ashtray, (EM, 28 Apr 2005) 28 Oct 2005	14771/2005
Goldsmith, Deanne; Tsamoudakis, Jacqueline; 06-13NES, Baby change mat and mess minimising guard, 10 Oct 2005	14384/2005	GMCA Pty Ltd; 15-03B, A hovermower, (EM, 07 Jul 2005) 18 Oct 2005	14560/2005
Gostt, Nicholas; Gostt, Anthea; 06-13C, Camping accessory, kitchen accessory, 19 Oct 2005	14601/2005	Hamilton, Hamish William; McCormack, Rex; 09-01A, A fuel cannister with refillable dosage valve, (NZ, 18 Apr 2005) 18 Oct 2005	14568/2005
Gostt, Anthea; Gostt, Nicholas; 06-13C, Camping accessory, kitchen accessory, 19 Oct 2005	14601/2005	Hannspree, Inc.; 14-03B, Television, 19 Oct 2005	14592/2005
Gostt, Nicholas; Gostt, Anthea; 06-13C, Camping accessory, kitchen accessory, 19 Oct 2005	14602/2005	Hannspree, Inc.; 14-03B, Television, 19 Oct 2005	14593/2005
Gostt, Anthea; Gostt, Nicholas; 06-13C, Camping accessory, kitchen accessory, 19 Oct 2005	14602/2005		

Hasbro, Inc.; 21-01A, Electronic toy, (EM, 26 Apr 2005) 19 Oct 2005	14581/2005	International Consolidated Business Pty Ltd; 09-05, Plastic bag, 25 Oct 2005	14671/2005
Hasbro, Inc.; 21-01A, Electronic toy, (EM, 26 Apr 2005) 19 Oct 2005	14582/2005	International Consolidated Business Pty Ltd; 09-05, Plastic bag, 25 Oct 2005	14672/2005
Hasbro, Inc.; 21-01A, Electronic toy, (EM, 26 Apr 2005) 19 Oct 2005	14583/2005	International Consolidated Business Pty Ltd; 09-05, Plastic bag, 25 Oct 2005	14673/2005
Hasbro, Inc.; 21-01A, Electronic toy, (EM, 26 Apr 2005) 19 Oct 2005	14584/2005	Intralux Australia Pty Limited; 25-03, Frame T5, 19 Oct 2005	14629/2005
Hasbro, Inc.; 21-01A, Electronic toy, (EM, 26 Apr 2005) 19 Oct 2005	14585/2005	Inyakart Pty Ltd; 12-02, Hand cart, 24 Oct 2005	14635/2005
Hasbro, Inc.; 21-01A, Electronic toy, (EM, 26 Apr 2005) 19 Oct 2005	14580/2005	IDMoS plc; 28-03NES, Dental apparatus, (EM, 26 Apr 2005) 26 Oct 2005	14692/2005
Henley, Michael; 19-08, Tag, (EM, 28 Apr 2005) 28 Oct 2005	14774/2005	IDMoS plc; 28-03NES, Dental apparatus, (EM, 26 Apr 2005) 26 Oct 2005	14693/2005
Hills, Craig; 28-03NES, Electric toothbrush holder, 06 Oct 2005	14388/2005	IDMoS plc; 28-03NES, Dental apparatus, (EM, 26 Apr 2005) 26 Oct 2005	14694/2005
Hudson, Ashley Simon; 06-04NES, Compact disc (C,Ds) + D.V.D's and their covers, 21 Oct 2005	14610/2005	IDMoS plc; 28-03NES, Dental apparatus, (EM, 26 Apr 2005) 26 Oct 2005	14695/2005
Huxley, Ross Sydney; 02-02B, Shoulder protector, 17 Oct 2005	14552/2005	Jinks, G.K.; 08-01, Weeder, 24 Oct 2005	14631/2005
Industrial Evolution Designs Pty Ltd; 08-08NES, 14-02, Rubber casing for computer mounting post, 07 Oct 2005	14387/2005	JFC Manufacturing Company Limited; 23-01A, Pipe connector, (EM, 28 Jan 2005) 28 Jul 2005	13388/2005
Intellectual Property Development Corporation Pty Ltd; 28-99, Scent dispensing device, 18 Oct 2005	14574/2005	Karsten Manufacturing Corporation; 21-02C, Golf iron head, (US, 25 May 2005) 24 Oct 2005	14658/2005
Intellectual Property Development Corporation Pty Ltd; 28-99, Scent dispensing device, 18 Oct 2005	14575/2005	Karsten Manufacturing Corporation; 21-02C, Golf club head, (US, 06 Jun 2005) 28 Oct 2005	14778/2005
Intellectual Property Development Corporation Pty Ltd; 28-99, Scent dispensing device, 18 Oct 2005	14576/2005	Karsten Manufacturing Corporation; 21-02C, Golf driver head, (US, 06 Jun 2005) 28 Oct 2005	14779/2005
Intellectual Property Development Corporation Pty Ltd; 05-99, Embossing pattern, 18 Oct 2005	14569/2005	Karsten Manufacturing Corporation; 21-02C, Golf iron head, (US, 25 May 2005) 24 Oct 2005	14659/2005
Intellectual Property Development Corporation Pty Ltd; 09-07A, Cap for aerosol can, 13 Oct 2005	14528/2005	Karsten Manufacturing Corporation; 21-02C, Golf iron head, (US, 25 May 2005) 24 Oct 2005	14660/2005
Intellectual Property Development Corporation Pty Ltd; 09-07A, Cap for aerosol can, 13 Oct 2005	14529/2005	Karsten Manufacturing Corporation; 21-02C, Golf putter head, (US, 23 May 2005) 20 Oct 2005	14627/2005
Intellectual Property Development Corporation Pty Ltd; 09-07A, Cap for aerosol can, 13 Oct 2005	14527/2005	Kendall, Alan Brian; 12-16B, Automobile side skirt, 11 Oct 2005	14464/2005
International Consolidated Business Pty Ltd; 09-05, Plastic bag, 25 Oct 2005	14669/2005	Kendall, Alan Brian; 12-16B, Automobile front skirt, 11 Oct 2005	14463/2005
International Consolidated Business Pty Ltd; 09-05, Plastic bag, 25 Oct 2005	14670/2005	Kirin Beverage Kabushiki Kaisha (also trading as Kirin Beverage Corporation); 09-01NES, Container for beverages, 12 Oct 2005	14501/2005

Kiwi Outsource IT Ltd; 03-01NES, Cable - cable collecting box, (NZ, 07 Oct 2005) 17 Oct 2005	14547/2005	LG Electronics Inc.; 15-05, Drum washing machine, (KR, 21 Apr 2005) 20 Oct 2005	14622/2005
Koninklijke Philips Electronics N.V.; 26-05A, Luminaire (batten), (EM, 27 Apr 2005) 13 Oct 2005	14518/2005	LRC Products Limited; 24-04, Bunion cushion, (EM, 03 Jun 2005) 07 Oct 2005	14394/2005
Koninklijke Philips Electronics N.V.; 26-05A, Luminaire (batten), (EM, 27 Apr 2005) 13 Oct 2005	14519/2005	Massey, Ian J.; 30-02, 08-07, Locking apparatus for animal cage, 17 Oct 2005	14549/2005
Kyvelos, Peter; 12-16NES, To be used on utilities/trays/utes etc, 18 Oct 2005	14551/2005	Masterson, Philip A.; 12-16NES, Removable roof post for truck bodies or trailers, 13 Oct 2005	14510/2005
KD Concepts Pty Ltd; 06-04D, Buffet, 06 Oct 2005	14429/2005	Matchmaster Communications Pty Ltd; 14-03NES, Antenna, 19 Oct 2005	14587/2005
KD Concepts Pty Ltd; 06-04E, Console, 06 Oct 2005	14430/2005	McAuley, Kenneth Richard; 22-05, Guide less fishing rod, 19 Oct 2005	14682/2005
KD Concepts Pty Ltd; 06-03A, Coffee table, 06 Oct 2005	14431/2005	McCann, James Stephen; 08-08G, Cord storage means, 24 Oct 2005	14666/2005
KD Concepts Pty Ltd; 06-04NES, Entertainment unit, 06 Oct 2005	14432/2005	McCormack, Rex; Hamilton, Hamish William; 09-01A, A fuel cannister with refillable dosage valve, (NZ, 18 Apr 2005) 18 Oct 2005	14568/2005
KD Concepts Pty Ltd; 06-04F, Side table/storage, 06 Oct 2005	14433/2005	McGuire, Joseph E.; 23-02C, Water closet pan, 21 Oct 2005	14609/2005
KD Concepts Pty Ltd; 06-04NES, Storage tower, 06 Oct 2005	14434/2005	Microsoft Corporation; 14-02, 21-01N, Housing for a memory device, (US, 14 Apr 2005) 12 Oct 2005	14472/2005
KD Concepts Pty Ltd; 06-04NES, Wall shelf, 06 Oct 2005	14435/2005	Microsoft Corporation; 14-02, A display and controls for a portable computing device, (US, 22 Apr 2005) 20 Oct 2005	14617/2005
Landson Industrial (Aust) Pty Ltd; 08-09, Stile of indefinite length, 19 Oct 2005	14586/2005	Microsoft Corporation; 14-02, 21-01N, Housing for a memory device, (US, 14 Apr 2005) 12 Oct 2005	14473/2005
Lee, Alan Sian Ghee; 12-05, Slope adjustable head for pedestal jack, 28 Oct 2005	14780/2005	Microsoft Corporation; 21-01N, Portion of a game controller, (US, 14 Apr 2005) 12 Oct 2005	14474/2005
Logo-Line Australia Pty Ltd; 03-01NES, Football money box, 25 Oct 2005	14655/2005	Microsoft Corporation; 21-01N, 14-02, Front panel for an electronic housing, (US, 14 Apr 2005) 12 Oct 2005	14475/2005
Logo-Line Australia Pty Ltd; 03-01NES, Money bag money box, 25 Oct 2005	14656/2005	Microsoft Corporation; 21-01N, 14-02, Portion of a game controller, (US, 14 Apr 2005) 12 Oct 2005	14476/2005
Louver-Lite Limited; 08-08H, Angle joint, (EM, 12 Apr 2005) 12 Oct 2005	14502/2005	Microsoft Corporation; 21-01N, 14-02, Top portion of an electronic housing, (US, 14 Apr 2005) 12 Oct 2005	14477/2005
Louver-Lite Limited; 25-01K, Extrusion, (EM, 22 Apr 2005) 12 Oct 2005	14503/2005	Microsoft Corporation; 13-02, Housing for a battery, (US, 14 Apr 2005) 12 Oct 2005	14478/2005
Louver-Lite Limited; 08-08C, 08-08H, Clip, (EM, 22 Apr 2005) 12 Oct 2005	14504/2005	Microsoft Corporation; 21-01N, 14-02, Front portion of an electronic housing, (US, 14 Apr 2005) 12 Oct 2005	14479/2005
Louver-Lite Limited; 08-08C, 08-08H, Clip, (EM, 22 Apr 2005) 12 Oct 2005	14505/2005	Microsoft Corporation; 21-01N, 14-02, Side portion of an electronic housing, (US, 14 Apr 2005) 12 Oct 2005	14480/2005
LG Electronics Inc.; 15-05, Drum washing machine, (KR, 21 Apr 2005) 20 Oct 2005	14619/2005	Microsoft Corporation; 13-02, Housing for a battery charger, (US, 14 Apr 2005) 12 Oct 2005	14481/2005
LG Electronics Inc.; 15-05, Drum washing machine, (KR, 21 Apr 2005) 20 Oct 2005	14620/2005		
LG Electronics Inc.; 15-05, Drum washing machine, (KR, 21 Apr 2005) 20 Oct 2005	14621/2005		

Microsoft Corporation; 21-01N, 14-02, Portion of a game controller, (US, 14 Apr 2005) 12 Oct 2005	14482/2005	Otsuka Pharmaceutical Co., Ltd.; 09-05, Container, (JP, 27 Apr 2005) 20 Oct 2005	14623/2005
Microsoft Corporation; 14-02, 21-01N, Housing for a memory device, (US, 14 Apr 2005) 12 Oct 2005	14483/2005	Otsuka Pharmaceutical Co., Ltd.; 09-03M, Box, (JP, 27 Apr 2005) 20 Oct 2005	14624/2005
Mountain Corporation, Inc., The; 25-02NES, Enclosure assembly, (US, 15 Apr 2005) 14 Oct 2005	14537/2005	Otsuka Pharmaceutical Co., Ltd.; 09-01G, 28-03NES, Container, (JP, 27 Apr 2005) 20 Oct 2005	14625/2005
Mountain Corporation, Inc., The; 25-02NES, Enclosure assembly, (US, 15 Apr 2005) 14 Oct 2005	14538/2005	Otsuka Pharmaceutical Co., Ltd.; 09-01G, Container, (JP, 27 Apr 2005) 20 Oct 2005	14626/2005
Mountford, Gary; 06-02, Hammock, 21 Oct 2005	14678/2005	Pacific Enterprises (Aust) Pty Ltd; 08-06, Pivot block for doors or windows, 12 Oct 2005	14459/2005
Mountford, Gary; 28-01, 01-01, Tablet, (US, 22 Apr 2005) 21 Oct 2005	14679/2005	Parker, Zainul Abedeen; Abdulla, Zainodein; 03-03, 25-03, A shade, 13 Oct 2005	14526/2005
Mountford, Gary; 28-01, 01-01, Tablet, (US, 22 Apr 2005) 21 Oct 2005	14680/2005	Pennisi, Giovanni; Vasta, Celia; 22-06, A container, 25 Oct 2005	14697/2005
MP & R Geyer, trading as Cloud Juice; 21-01L, Board games, games, playthings, 20 Oct 2005	14594/2005	Pennisi, Giovanni; Vasta, Celia; 09-03K, A container, 25 Oct 2005	14698/2005
Nguyen, Thanh-an; 08-01, Gardening tool, 24 Oct 2005	14667/2005	Phiboonchair Maepranom Thai Chili Paste Co., Ltd; 09-01NES, Bottle, 07 Oct 2005	14398/2005
Nifty Retractable Antenna's; 14-03NES, TV antenna's for fitting to caravans and mobile homes, 25 Oct 2005	14668/2005	Philmac Pty Ltd; 23-01A, O-ring for sealing the end of a pipe in a pipe coupling, 12 Oct 2005	14491/2005
Nique Enterprises Pty Limited; 06-01E, 06-01G, 06-01H, Chair and table, 11 Oct 2005	14462/2005	PolarGruppen AS; 22-05, Bucket with lid, (NO, 12 Apr 2005) 10 Oct 2005	14451/2005
Northwest Packaging; 09-03E, 6 Cell bottle carry, 31 Oct 2005	14775/2005	Procter & Gamble Company, The; 28-03A, 28-03NES, 04-02, Handle, (US, 26 Sep 2005) 24 Oct 2005	14663/2005
Northwest Packaging; 09-03F, Rialto, 31 Oct 2005	14776/2005	Raven Products Pty Ltd; 08-07, Escutcheon plate lock, 14 Oct 2005	14597/2005
NCI Packaging Pty Ltd; 09-03K, Container, 18 Oct 2005	14563/2005	Raven Products Pty Ltd; 08-07, Escutcheon plate lock, 14 Oct 2005	14598/2005
NCI Packaging Pty Ltd; 09-03M, 07-01NES, Container, 18 Oct 2005	14564/2005	Raven Products Pty Ltd; 08-07, Escutcheon plate lock, 14 Oct 2005	14599/2005
NCI Packaging Pty Ltd; 07-04, Strainer, 07 Oct 2005	14397/2005	Raven Products Pty Ltd; 08-09, Door seal base extension, 14 Oct 2005	14600/2005
NEC Corporation; 14-03E, Portable wireless telephone, (JP, 01 Aug 2005) 11 Oct 2005	14461/2005	Reckitt Benckiser N.V.; 09-01NES, Bottle, (EM, 25 Apr 2005) 24 Oct 2005	14665/2005
Oakley, Inc.; 16-06, Ear stems for eyeglasses, (US, 13 Apr 2005) 07 Oct 2005	14392/2005	Reid, Wende (aka Wendy); 06-03A, Tables, 28 Oct 2005	14803/2005
Oakley, Inc.; 16-06, Eyeglasses, (US, 13 Apr 2005) 07 Oct 2005	14393/2005	Reid, Wende (aka Wendy); 06-03A, 06-01C, 06-01E, Tables, benches, ottomans, consoles, 28 Oct 2005	14804/2005
Officer, Mark; 21-02C, The design is to be applied to the product itself. The product is designed to be attached to a golf club or putter, 13 Oct 2005	14507/2005	Reid, Wende (aka Wendy); 06-03A, 06-01E, Tables, stools, seating, 28 Oct 2005	14805/2005
Onesteel Trading Pty Limited; 08-08NES, Coupling, 24 Oct 2005	14661/2005	Reid, Wende (aka Wendy); 06-01F, Chairs, benches, setees - depending on length All shaped as drawings, 28 Oct 2005	14806/2005
Ord, Timothy James; 06-04NES, Filing rack, 13 Oct 2005	14533/2005	Reid, Wende (aka Wendy); 06-01G, Upholstered chaise lounge, 28 Oct 2005	14807/2005

Reid, Wende (aka Wendy); 06-01G, Sofas, chaises, banquettes, 28 Oct 2005	14808/2005	Societe des Produits Nestle S.A.; 09-01C, A container, 17 Oct 2005	14545/2005
Reid, Wende (aka Wendy); 06-03A, Tables, coffee tables, consoles - depending on height, 28 Oct 2005	14809/2005	Societe Des Produits Nestle S.A.; 09-05, 09-99, Capsule, (CH, 23 May 2005) 25 Oct 2005	14691/2005
Reid, Wende (aka Wendy); 07-01B, Serving traps, 28 Oct 2005	14810/2005	Sole Surfer International Pty Ltd; 02-04NES, Footwear, (Divisional of 01550/2004) 18 Oct 2005	14577/2005
Reid, Wende (aka Wendy); 06-03A, Side table, bedside table, book shelf, 28 Oct 2005	14811/2005	Sole Surfer International Pty Ltd; 02-04NES, Footwear, (Divisional of 01550/2004) 18 Oct 2005	14578/2005
Reid, Wende (aka Wendy); 06-01F, Chairs, 28 Oct 2005	14812/2005	Sony Computer Entertainment Inc.; 14-01, Microphone, (JP, 15 Jul 2005) 13 Oct 2005	14512/2005
ResMed Limited; 24-01, 24-02, Nasal mask, (US, 20 Apr 2005) 10 Oct 2005	14445/2005	Sony Computer Entertainment Inc.; 14-01, Microphone, (JP, 15 Jul 2005) 13 Oct 2005	14513/2005
Review Australia Pty Ltd; 02-02C, 02-02NES, Ladies garments, 13 Oct 2005	14530/2005	Sony Computer Entertainment Inc.; 14-02, 21-01N, Controller for arithmetic and control unit, (JP, 16 May 2005) 13 Oct 2005	14514/2005
Robertson, Andrew Matthew; 25-02NES, Security-car park/building entrance. Both business and residential applications, 21 Oct 2005	14613/2005	Sony Computer Entertainment Inc.; 14-02, Arithmetic and control unit, (JP, 16 May 2005) 13 Oct 2005	14515/2005
Samar, LLC; 28-99, Refill for air deodorising apparatus, (EM, 12 Aug 2005) 18 Oct 2005	14565/2005	Sony Computer Entertainment Inc.; 14-02, Arithmetic and control unit, (JP, 16 May 2005) 13 Oct 2005	14516/2005
Samar, LLC; 28-99, Air deodorising apparatus, (EM, 12 Aug 2005) 18 Oct 2005	14566/2005	Sony Computer Entertainment Inc.; 14-02, 21-01N, Controller for arithmetic and control unit, (JP, 16 May 2005) 13 Oct 2005	14517/2005
Scan Optics Pty Ltd; 16-01, A fundus camera, 10 Oct 2005	14442/2005	Specialdays Pty Ltd; 19-08, 19-04, Pubs and clubs magazine, 24 Oct 2005	14630/2005
Schreder; 26-05D, 26-05NES, Lighting apparatus, (EM, 13 Apr 2005) 07 Oct 2005	14391/2005	Stuey's Roofing Pty Ltd; 08-08L, 29-02, Roofing safety rail, 19 Oct 2005	14588/2005
Sharp Kabushiki Kaisha; 14-03E, Portable telephone, (JP, 01 Jun 2005) 10 Oct 2005	14450/2005	Stuey's Roofing Pty Ltd; 08-08L, 29-02, Roofing safety rail, 19 Oct 2005	14589/2005
Sibley, Andrew; 21-01L, 3 Person chess board, 13 Oct 2005	14511/2005	SCA Hygiene Products AB; 05-06NES, Embossed sheet material, (EM, 28 Apr 2005) 07 Oct 2005	14395/2005
Sikki Pty Ltd; 26-05D, Ceiling mounted light fitting, 14 Oct 2005	14550/2005	SKL Solutions International Pty Ltd; 28-03NES, Lotion applicator, 10 Oct 2005	14447/2005
Smith, Robert Malcolm; 25-01K, Extrusion, 21 Oct 2005	14615/2005	T.W. Ingham & Sons Pty Ltd; 25-02E, Cornice (fibrous plaster), 24 Oct 2005	14677/2005
Smith, Robert Malcolm; 25-01K, Extrusion, 21 Oct 2005	14616/2005	T.W. Ingham & Sons Pty Ltd; 25-02E, Cornice (fibrous plaster), 24 Oct 2005	14674/2005
Societe des Produits Nestle S.A.; 09-01C, A container, 17 Oct 2005	14540/2005	T.W. Ingham & Sons Pty Ltd; 25-02E, Cornice (fibrous plaster), 24 Oct 2005	14675/2005
Societe des Produits Nestle S.A.; 09-01C, A container, 17 Oct 2005	14541/2005	T.W. Ingham & Sons Pty Ltd; 25-02E, Cornice (fibrous plaster), 24 Oct 2005	14676/2005
Societe des Produits Nestle S.A.; 09-07B, A closure, 17 Oct 2005	14542/2005	TechTronic Industries Co., Ltd; 08-03, Band saw, (US, 25 Apr 2005) 21 Oct 2005	14644/2005
Societe des Produits Nestle S.A.; 09-07B, A closure, 17 Oct 2005	14543/2005	Tibbits, W.; Cattermoul, Stewart; Beaumont, Ian; 22-05, Easy baiter net fishing bait basket, 06 Oct 2005	14428/2005
Societe des Produits Nestle S.A.; 09-01C, A container, 17 Oct 2005	14544/2005		

Toshiyuki Kita; 06-06G, Footrest, (NO, 12 Apr 2005) 10 Oct 2005	14452/2005	Vasta, Celia; Pennisi, Giovanni; 22-06, A container, 25 Oct 2005	14697/2005
Toshiyuki Kita; 06-06G, Chair body, (NO, 12 Apr 2005) 10 Oct 2005	14453/2005	Veal, Ray; 06-03C, Foldable workbench, 07 Oct 2005	14396/2005
Toshiyuki Kita; 06-06G, Chair body, (NO, 12 Apr 2005) 10 Oct 2005	14454/2005	Vic-Mack Worldwide Pty Ltd; 12-02, Carry-master, 07 Oct 2005	14425/2005
Toshiyuki Kita; 06-06G, Footrest, (NO, 12 Apr 2005) 10 Oct 2005	14455/2005	Wavin B.V.; 08-08B, A fitting, (EM, 12 Apr 2005) 12 Oct 2005	14497/2005
Toshiyuki Kita; 06-01NES, Reclining chair, (NO, 12 Apr 2005) 10 Oct 2005	14456/2005	Wavin B.V.; 08-08B, A fitting, (EM, 12 Apr 2005) 12 Oct 2005	14498/2005
Toyota Jidosha Kabushiki Kaisha; 12-08, Automobile, 24 Oct 2005	14664/2005	Wavin B.V.; 08-08B, A fitting, (EM, 12 Apr 2005) 12 Oct 2005	14499/2005
Tsamoudakis, Jacqueline; Goldsmith, Deanne; 06-13NES, Baby change mat and mess minimising guard, 10 Oct 2005	14384/2005	Wei, Xiao Qiong; 02-02NES, T-shirt, 05 Oct 2005	14508/2005
Tyrrells Administrations Pty Ltd; 21-02A, Basketball, 17 Oct 2005	14555/2005	Wei, Xiao Qiong; 02-02NES, T-shirt, 05 Oct 2005	14509/2005
Ullrich Aluminium Pty Limited; 08-09, Stile, 13 Oct 2005	14524/2005	William Levene Limited; 07-01G, Teapot, (EM, 27 Apr 2005) 26 Oct 2005	14696/2005
Unilever PLC; 23-02A, Dispensing machine, (GB, 28 Apr 2005) 24 Oct 2005	14657/2005	Wm. Wrigley Jr. Company; 01-01, 09-03L, Product dispenser, (US, 09 May 2005) 14 Oct 2005	14536/2005
Unilever PLC; 21-01L, 11-03, Token, (GB, 28 Apr 2005) 10 Oct 2005	14448/2005	Yeates, Arthur; 12-10, A trailer tray, 11 Oct 2005	14466/2005
University of Western Australia; 16-05, 16-99, A versatile and affordable camera mount for attaching standard digital cameras to a microscope or telescope, 10 Oct 2005	14385/2005	Zhang, Da Wei; 07-01C, Cup, 18 Oct 2005	14567/2005
Vanja, Sertic; 20-03NES, 20-99, Moving board, 07 Oct 2005	14386/2005	Zhang, Da Wei; 07-01C, 07-01D, Cups, 25 Oct 2005	14662/2005
Vasta, Celia; Pennisi, Giovanni; 09-03K, A container, 25 Oct 2005	14698/2005	Zumtobel Staff GmbH & Co. KG; 26-05C, Light fitting, (Divisional of 10282/2005) 13 Oct 2005	14525/2005
		888 AAA Abundance Assets & Add Ventures Pty Limited; 21-01L, Board game, 21 Oct 2005	14645/2005

Applications Withdrawn

11116 / 2005 (11-01NES)	11477 / 2005 (02-02A)
11478 / 2005 (02-02A)	11480 / 2005 (02-02A)
11483 / 2005 (02-02A)	11485 / 2005 (02-02A)
11487 / 2005 (02-02A)	

Applications Lapsed

13413 / 2004 (23-03D)	15678 / 2004 (23-01H)	11166 / 2005 (09-05)	11647 / 2005 (23-02B)
15684 / 2004 (25-99)	15859 / 2004 (07-04)	13448 / 2005 (06-11)	13575 / 2005 (03-01B)
10549 / 2005 (08-09)	10838 / 2005 (09-05)	13576 / 2005 (06-11)	13577 / 2005 (06-11)
10865 / 2005 (03-01A)	11165 / 2005 (09-05)	13578 / 2005 (24-01)	13579 / 2005 (08-09)

13655 / 2005 (02-01B)

Extensions of time granted under Section 137

Applications lodged under section 137 for extension of time have been granted.

13224/2004 **Karmy Pty Ltd**

13225/2004 **Karmy Pty Ltd**

13229/2004 **Vicki-Ann Stahl**

13769/2004 **David Fealy**

13769/2004 **David Fealy**

14345/2004 **David Fealy**

14345/2004 **David Fealy**

15659/2004 **Lisa Maree Keogh**

15745/2004 **Bradley Phillip Ingram**

15746/2004 **Bradley Phillip Ingram**

15747/2004 **Bradley Phillip Ingram**

15748/2004 **Bradley Phillip Ingram**

10330/2005 **Ian Thomas Craig**

10874/2005 **David Shaw**

10929/2005 **Simon Skirrow**

13097/2005 **Bradley Phillip Ingram**

13098/2005 **Bradley Phillip Ingram**

13099/2005 **Bradley Phillip Ingram**

13100/2005 **Bradley Phillip Ingram**

13846/2005 **Master Lock Company**

Subsequent Owners Registered

(The name in parentheses is that of the subsequent owner)

300700 **(Greif International Holding B.V.)** Greif South Africa
Pty Ltd

Corrigenda

Number 302892

In Vol 19 , No 18 , page 2339 under the heading **Australian Registered Design**; The correct representation for the above Registered Design should appear as shown near the General Notices section of this journal.

Number 303098

In Vol 19 , No 18 , page 2442 under the heading **Australian Registered Design**; The correct representation for the above Registered Design should appear as shown near the General Notices section of this journal.

Number 303099

In Vol 19 , No 18 , page 2442 under the heading **Australian Registered Design**; The correct representation for the above Registered Design should appear as shown near the General Notices section of this journal.

Number 303100

In Vol 19 , No 18 , page 2443 under the heading **Australian Registered Design**; The correct representation for the above Registered Design should appear as shown near the General Notices section of this journal.

Certificate(s) of Examination

Examination of the following Design Registration(s) has been completed. Infringement proceedings may now be commenced.

302306	11-05	03/11/2005
302381	30-06	03/11/2005
302467	07-05A	03/11/2005
302545	07-01B	03/11/2005

300278	28-99	31/10/2005
300870	14-03E	25/10/2005
300927	09-04	31/10/2005
301029	19-02	24/10/2005
301046	22-05	24/10/2005
301047	25-03	01/11/2005
301101	24-02	27/10/2005
301103	24-02	21/10/2005
301104	24-02	21/10/2005
301105	24-02	27/10/2005
301106	24-02	27/10/2005
301109	24-02	27/10/2005
301143	16-06	27/10/2005
301191	21-01L	21/10/2005
301196	14-03E	27/10/2005
301197	14-03E	27/10/2005
301211	09-07B	24/10/2005
301330	13-02	03/11/2005
301347	08-06	21/10/2005
301348	09-01K	27/10/2005
301349	09-01K	27/10/2005
301453	09-09	31/10/2005
301464	10-04	26/10/2005
301492	25-02B	25/10/2005
301585	08-01	28/10/2005
301586	08-01	28/10/2005
301593	09-03F	24/10/2005
301648	14-03E	25/10/2005
301649	14-03E	25/10/2005
301651	14-03E	25/10/2005
301652	14-03E	25/10/2005
301653	14-03E	25/10/2005
301654	14-03E	25/10/2005
301655	14-03E	25/10/2005
301657	14-03E	25/10/2005
301658	14-03E	25/10/2005
301734	14-03E	25/10/2005
301735	14-03E	25/10/2005
301736	14-03E	25/10/2005
301737	14-03E	25/10/2005
301738	14-03E	25/10/2005
301739	14-03E	25/10/2005
301740	14-03E	25/10/2005
301741	14-03E	25/10/2005
301745	14-03E	25/10/2005
301746	14-03E	25/10/2005
301756	09-03M	31/10/2005
301757	09-03M	31/10/2005
301763	23-01E	28/10/2005
301839	23-01A	02/11/2005
301840	23-01A	02/11/2005
301846	25-01C	31/10/2005
301983	23-01F	31/10/2005
301987	19-06	26/10/2005
302026	15-01	28/10/2005
302027	15-01	28/10/2005
302046	15-01	28/10/2005
302047	15-01	28/10/2005
302115	15-01	28/10/2005
302204	13-03D	03/11/2005
302210	15-01	28/10/2005
302242	26-02	31/10/2005
302275	02-02B	26/10/2005

Publication and Registration Proceedings

Designs Registered

This section provides a concordance between design number and registration number of Designs covered in this journal. It also shows the main class and registration date.

This section covers Registration numbers 303524 to 303821 .

The registration number shown below should be used in all future correspondence.

Design Number	Registration Number	International Classification Code (IDC)	Registration Date	Design Number	Registration Number	International Classification Code (IDC)	Registration Date
13224/2004	303694	25-01F	02/11/2005	11449/2005	303603	12-16NES	26/10/2005
13225/2004	303695	25-01F	02/11/2005	11467/2005	303716	11-05	02/11/2005
13487/2004	303635	25-02C	26/10/2005	11471/2005	303604	09-01NES	26/10/2005
13870/2004	303640	08-05P	26/10/2005	11472/2005	303605	09-01NES	26/10/2005
14023/2004	303696	12-11	02/11/2005	11500/2005	303540	09-01K	24/10/2005
14024/2004	303697	12-11	02/11/2005	11506/2005	303525	14-02	21/10/2005
14997/2004	303589	12-11	26/10/2005	11507/2005	303526	14-02	21/10/2005
15291/2004	303616	23-03NES	26/10/2005	11508/2005	303527	14-02	21/10/2005
15415/2004	303679	26-03	28/10/2005	11509/2005	303528	14-02	21/10/2005
15607/2004	303590	08-06	26/10/2005	11514/2005	303541	19-06	24/10/2005
15608/2004	303591	08-06	26/10/2005	11515/2005	303717	15-02	02/11/2005
15609/2004	303592	08-06	26/10/2005	11534/2005	303542	25-01K	24/10/2005
15610/2004	303593	08-09	26/10/2005	11552/2005	303618	13-03B	26/10/2005
15638/2004	303698	10-02	02/11/2005	11579/2005	303641	06-03A	26/10/2005
15659/2004	303699	02-04NES	02/11/2005	11580/2005	303642	06-03B	26/10/2005
10077/2005	303564	09-01G	25/10/2005	11584/2005	303643	06-03A	26/10/2005
10279/2005	303566	09-01NES	25/10/2005	11585/2005	303644	06-01G	26/10/2005
10280/2005	303567	09-01NES	25/10/2005	11590/2005	303529	02-04A	21/10/2005
10282/2005	303594	26-05C	26/10/2005	11591/2005	303530	21-02A	21/10/2005
10411/2005	303700	03-01NES	02/11/2005	11627/2005	303718	07-05C	02/11/2005
10412/2005	303701	03-01A	02/11/2005	11629/2005	303543	21-03	24/10/2005
10413/2005	303702	03-01A	02/11/2005	11648/2005	303544	09-05	24/10/2005
10414/2005	303703	03-01A	02/11/2005	11650/2005	303545	03-01NES	24/10/2005
10437/2005	303704	23-02B	02/11/2005	11651/2005	303546	25-01K	24/10/2005
10492/2005	303568	24-01	25/10/2005	11653/2005	303547	29-02	24/10/2005
10493/2005	303705	24-01	02/11/2005	11655/2005	303548	25-01K	24/10/2005
10494/2005	303569	24-01	25/10/2005	11656/2005	303549	23-03A	24/10/2005
10495/2005	303570	24-01	25/10/2005	11657/2005	303550	23-03NES	24/10/2005
10638/2005	303706	10-04	02/11/2005	11659/2005	303551	09-01G	24/10/2005
10644/2005	303707	02-04NES	02/11/2005	11660/2005	303552	08-01	24/10/2005
10702/2005	303669	09-01D	27/10/2005	11661/2005	303553	08-01	24/10/2005
10716/2005	303524	02-02NES	21/10/2005	11662/2005	303554	08-01	24/10/2005
11050/2005	303708	12-02	02/11/2005	11663/2005	303555	08-04	24/10/2005
11132/2005	303595	04-01	26/10/2005	11664/2005	303556	08-04	24/10/2005
11137/2005	303538	25-02NES	24/10/2005	11666/2005	303557	28-03A	24/10/2005
11159/2005	303709	19-08	02/11/2005	11668/2005	303558	09-03L	24/10/2005
11160/2005	303710	19-08	02/11/2005	11669/2005	303559	23-04	24/10/2005
11173/2005	303711	19-08	02/11/2005	11670/2005	303560	15-01	24/10/2005
11258/2005	303712	12-10	02/11/2005	11671/2005	303561	06-04B	24/10/2005
11260/2005	303713	06-04F	02/11/2005	11672/2005	303562	06-04B	24/10/2005
11324/2005	303714	15-05	02/11/2005	11673/2005	303572	14-03E	25/10/2005
11325/2005	303715	15-05	02/11/2005	11681/2005	303579	25-99	25/10/2005
11334/2005	303596	10-02	26/10/2005	11682/2005	303719	03-01NES	02/11/2005
11371/2005	303670	15-04	27/10/2005	11683/2005	303720	03-01NES	02/11/2005
11377/2005	303571	29-02	25/10/2005	11684/2005	303721	03-01NES	02/11/2005
11400/2005	303539	07-01NES	24/10/2005	11685/2005	303722	03-01NES	02/11/2005
11410/2005	303617	21-01E	26/10/2005	11686/2005	303723	03-01NES	02/11/2005
11422/2005	303597	12-02	26/10/2005	11687/2005	303724	03-01NES	02/11/2005
11441/2005	303598	14-01	26/10/2005	11688/2005	303580	08-05P	25/10/2005
11442/2005	303599	14-01	26/10/2005	11689/2005	303581	13-02	25/10/2005
11443/2005	303600	14-01	26/10/2005	11690/2005	303582	13-02	25/10/2005
11444/2005	303601	14-01	26/10/2005	11691/2005	303583	13-02	25/10/2005
11445/2005	303602	14-01	26/10/2005	11692/2005	303584	13-02	25/10/2005

Publication and Registration Proceedings - Designs Registered cont'd

Design Number	Registration Number	International Classification Code (IDC)	Registration Date	Design Number	Registration Number	International Classification Code (IDC)	Registration Date
11693/2005	303585	13-02	25/10/2005	11842/2005	303686	23-02A	28/10/2005
11694/2005	303586	13-02	25/10/2005	11843/2005	303687	08-08G	28/10/2005
11695/2005	303587	13-02	25/10/2005	11844/2005	303688	07-05D	28/10/2005
11696/2005	303673	08-03	27/10/2005	11845/2005	303689	07-05D	28/10/2005
11697/2005	303588	02-02C	25/10/2005	11857/2005	303627	14-01	26/10/2005
11761/2005	303573	14-03E	25/10/2005	11859/2005	303690	26-02	28/10/2005
11762/2005	303574	14-03A	25/10/2005	11860/2005	303691	26-02	28/10/2005
11763/2005	303531	08-08L	21/10/2005	11861/2005	303692	26-02	28/10/2005
11764/2005	303532	08-08NES	21/10/2005	11862/2005	303693	26-02	28/10/2005
11765/2005	303533	15-09	21/10/2005	11864/2005	303628	14-03D	26/10/2005
11768/2005	303534	14-02	21/10/2005	11865/2005	303629	14-03D	26/10/2005
11769/2005	303535	28-03D	21/10/2005	11866/2005	303630	25-01K	26/10/2005
11770/2005	303536	28-03B	21/10/2005	11867/2005	303631	25-01K	26/10/2005
11771/2005	303575	07-02E	25/10/2005	11868/2005	303632	25-01K	26/10/2005
11772/2005	303537	21-02C	21/10/2005	11873/2005	303633	14-03E	26/10/2005
11773/2005	303576	23-01NES	25/10/2005	11874/2005	303634	14-03E	26/10/2005
11774/2005	303577	23-01NES	25/10/2005	11904/2005	303645	16-01	26/10/2005
11776/2005	303725	25-02H	02/11/2005	11909/2005	303646	10-05	26/10/2005
11777/2005	303726	25-02H	02/11/2005	11911/2005	303735	02-02C	02/11/2005
11778/2005	303727	25-02H	02/11/2005	11912/2005	303736	02-02C	02/11/2005
11779/2005	303606	07-02B	26/10/2005	11967/2005	303647	21-01C	26/10/2005
11780/2005	303578	07-02B	25/10/2005	11969/2005	303737	19-06	02/11/2005
11781/2005	303607	08-07	26/10/2005	11971/2005	303648	08-01	26/10/2005
11782/2005	303728	12-11	02/11/2005	11973/2005	303649	20-02E	26/10/2005
11784/2005	303608	15-03B	26/10/2005	11974/2005	303650	20-02E	26/10/2005
11785/2005	303609	14-03E	26/10/2005	11975/2005	303651	20-02E	26/10/2005
11786/2005	303610	22-05	26/10/2005	11976/2005	303652	20-02E	26/10/2005
11787/2005	303611	14-03A	26/10/2005	11977/2005	303653	20-02E	26/10/2005
11788/2005	303612	14-03E	26/10/2005	11978/2005	303654	20-02E	26/10/2005
11789/2005	303613	09-01B	26/10/2005	11979/2005	303655	20-02E	26/10/2005
11790/2005	303614	09-01B	26/10/2005	11980/2005	303656	20-02E	26/10/2005
11795/2005	303729	09-05	02/11/2005	11981/2005	303657	20-02E	26/10/2005
11796/2005	303680	25-01E	28/10/2005	11982/2005	303658	20-02E	26/10/2005
11797/2005	303730	23-02B	02/11/2005	11983/2005	303659	20-02E	26/10/2005
11798/2005	303731	23-01H	02/11/2005	11984/2005	303660	20-02E	26/10/2005
11799/2005	303732	23-01H	02/11/2005	11985/2005	303661	20-02E	26/10/2005
11800/2005	303733	23-02B	02/11/2005	11986/2005	303662	20-02E	26/10/2005
11801/2005	303734	23-01H	02/11/2005	11987/2005	303663	20-02E	26/10/2005
11802/2005	303615	08-07	26/10/2005	11988/2005	303664	20-02E	26/10/2005
11804/2005	303675	03-01B	27/10/2005	11989/2005	303665	20-02E	26/10/2005
11806/2005	303676	23-01A	27/10/2005	11990/2005	303666	02-03	26/10/2005
11808/2005	303677	25-03	27/10/2005	11994/2005	303667	23-02F	26/10/2005
11809/2005	303678	25-03	27/10/2005	11995/2005	303668	23-02F	26/10/2005
11811/2005	303671	09-01H	27/10/2005	11996/2005	303738	16-06	02/11/2005
11812/2005	303672	09-01H	27/10/2005	11999/2005	303674	08-03	27/10/2005
11813/2005	303619	23-01G	26/10/2005	12063/2005	303778	09-03M	02/11/2005
11815/2005	303620	08-06	26/10/2005	12085/2005	303779	25-01A	02/11/2005
11816/2005	303621	08-06	26/10/2005	12086/2005	303780	25-01A	02/11/2005
11817/2005	303622	08-06	26/10/2005	12087/2005	303781	25-01A	02/11/2005
11818/2005	303623	08-06	26/10/2005	12092/2005	303739	06-01H	02/11/2005
11819/2005	303624	08-06	26/10/2005	12093/2005	303740	06-01H	02/11/2005
11820/2005	303625	08-06	26/10/2005	12094/2005	303741	06-03NES	02/11/2005
11821/2005	303626	08-06	26/10/2005	12095/2005	303742	06-03A	02/11/2005
11835/2005	303681	14-03E	28/10/2005	12096/2005	303743	06-03A	02/11/2005
11838/2005	303682	12-16NES	28/10/2005	12097/2005	303744	06-03A	02/11/2005
11839/2005	303683	12-16NES	28/10/2005	12098/2005	303745	06-03B	02/11/2005
11840/2005	303684	12-16NES	28/10/2005	12099/2005	303746	06-01E	02/11/2005
11841/2005	303685	12-16NES	28/10/2005	12100/2005	303747	06-01E	02/11/2005

Publication and Registration Proceedings - Designs Registered cont'd

Design Number	Registration Number	International Classification Code (IDC)	Registration Date	Design Number	Registration Number	International Classification Code (IDC)	Registration Date
12101/2005	303748	06-01G	02/11/2005	12578/2005	303805	08-01	02/11/2005
12102/2005	303749	06-01H	02/11/2005	12809/2005	303806	13-02	02/11/2005
12103/2005	303750	06-03A	02/11/2005	12810/2005	303807	26-05NES	02/11/2005
12104/2005	303751	06-03B	02/11/2005	12812/2005	303808	26-05NES	02/11/2005
12105/2005	303752	06-01F	02/11/2005	12813/2005	303809	26-05NES	02/11/2005
12106/2005	303753	06-01G	02/11/2005	12814/2005	303810	12-12	02/11/2005
12107/2005	303754	06-01G	02/11/2005	12954/2005	303811	15-03A	02/11/2005
12108/2005	303755	06-01E	02/11/2005	12955/2005	303812	15-03A	02/11/2005
12109/2005	303756	06-01G	02/11/2005	13016/2005	303813	14-02	02/11/2005
12110/2005	303757	06-01NES	02/11/2005	13085/2005	303814	09-03L	02/11/2005
12111/2005	303758	06-01NES	02/11/2005	13216/2005	303789	12-08	02/11/2005
12112/2005	303759	06-03B	02/11/2005	13217/2005	303790	12-08	02/11/2005
12113/2005	303760	06-01G	02/11/2005	13218/2005	303791	12-16C	02/11/2005
12114/2005	303761	06-01G	02/11/2005	13219/2005	303792	12-16B	02/11/2005
12115/2005	303762	06-01H	02/11/2005	13220/2005	303793	12-16C	02/11/2005
12116/2005	303763	06-01H	02/11/2005	13221/2005	303794	12-16B	02/11/2005
12117/2005	303764	06-03A	02/11/2005	13222/2005	303795	12-08	02/11/2005
12118/2005	303765	06-03A	02/11/2005	13223/2005	303796	12-08	02/11/2005
12119/2005	303766	06-03A	02/11/2005	13224/2005	303797	12-16C	02/11/2005
12120/2005	303767	06-03B	02/11/2005	13225/2005	303798	12-16C	02/11/2005
12121/2005	303768	06-01E	02/11/2005	13282/2005	303637	11-02NES	26/10/2005
12122/2005	303769	06-01H	02/11/2005	13283/2005	303638	11-02NES	26/10/2005
12123/2005	303770	06-01H	02/11/2005	13284/2005	303639	11-02NES	26/10/2005
12124/2005	303771	06-03A	02/11/2005	13380/2005	303563	08-08B	24/10/2005
12125/2005	303772	06-01F	02/11/2005	13487/2005	303799	26-06	02/11/2005
12126/2005	303773	06-01F	02/11/2005	13853/2005	303815	28-03A	02/11/2005
12127/2005	303774	06-01F	02/11/2005	13855/2005	303800	28-03A	02/11/2005
12128/2005	303775	06-03B	02/11/2005	13856/2005	303801	28-03A	02/11/2005
12129/2005	303776	06-06NES	02/11/2005	13972/2005	303816	09-01A	02/11/2005
12130/2005	303777	06-06NES	02/11/2005	14057/2005	303817	28-03A	02/11/2005
12134/2005	303782	28-03B	02/11/2005	14058/2005	303818	28-03A	02/11/2005
12135/2005	303783	28-03B	02/11/2005	14059/2005	303819	28-03A	02/11/2005
12164/2005	303802	29-02	02/11/2005	14060/2005	303820	28-03A	02/11/2005
12166/2005	303784	09-02A	02/11/2005	14061/2005	303821	28-03A	02/11/2005
12193/2005	303785	06-01D	02/11/2005	14383/2005	303565	09-01G	25/10/2005
12194/2005	303786	06-01D	02/11/2005	14539/2005	303636	25-02C	26/10/2005
12195/2005	303787	06-01D	02/11/2005				
12196/2005	303788	25-04	02/11/2005				
12237/2005	303803	23-01G	02/11/2005				
12238/2005	303804	23-01G	02/11/2005				

Publication and Registration Proceedings
Class Listing of Designs Published or Registered

The following section shows an International Classification Code listing of the Registered or Published Designs covered in this supplement.

Classification	Registration Number	Design Number	Classification	Registration Number	Design Number
02-01 A	303524	10716/2005	06-01 H	303774	12127/2005
02-02 C	303588	11697/2005	06-01 NES	303757	12110/2005
02-02 C	303735	11911/2005	06-01 NES	303758	12111/2005
02-02 C	303736	11912/2005	06-03 A	303641	11579/2005
02-02 NES	303524	10716/2005	06-03 A	303643	11584/2005
02-03	303666	11990/2005	06-03 A	303742	12095/2005
02-04 A	303529	11590/2005	06-03 A	303743	12096/2005
02-04 NES	303699	15659/2004	06-03 A	303744	12097/2005
02-04 NES	303707	10644/2005	06-03 A	303750	12103/2005
03-01 A	303701	10412/2005	06-03 A	303764	12117/2005
03-01 A	303702	10413/2005	06-03 A	303765	12118/2005
03-01 A	303703	10414/2005	06-03 A	303766	12119/2005
03-01 B	303675	11804/2005	06-03 A	303771	12124/2005
03-01 NES	303545	11650/2005	06-03 B	303642	11580/2005
03-01 NES	303645	11904/2005	06-03 B	303745	12098/2005
03-01 NES	303700	10411/2005	06-03 B	303751	12104/2005
03-01 NES	303701	10412/2005	06-03 B	303759	12112/2005
03-01 NES	303702	10413/2005	06-03 B	303767	12120/2005
03-01 NES	303703	10414/2005	06-03 B	303775	12128/2005
03-01 NES	303719	11682/2005	06-03 NES	303741	12094/2005
03-01 NES	303720	11683/2005	06-04 B	303561	11671/2005
03-01 NES	303721	11684/2005	06-04 B	303562	11672/2005
03-01 NES	303722	11685/2005	06-04 F	303713	11260/2005
03-01 NES	303723	11686/2005	06-04 NES	303663	11987/2005
03-01 NES	303724	11687/2005	06-06 NES	303538	11137/2005
04-01	303595	11132/2005	06-06 NES	303776	12129/2005
06-01 D	303785	12193/2005	06-06 NES	303777	12130/2005
06-01 D	303786	12194/2005	07-01 NES	303539	11400/2005
06-01 D	303787	12195/2005	07-02 B	303578	11780/2005
06-01 E	303746	12099/2005	07-02 B	303606	11779/2005
06-01 E	303747	12100/2005	07-02 E	303575	11771/2005
06-01 E	303755	12108/2005	07-05 C	303718	11627/2005
06-01 E	303768	12121/2005	07-05 D	303688	11844/2005
06-01 F	303752	12105/2005	07-05 D	303689	11845/2005
06-01 F	303772	12125/2005	08-01	303552	11660/2005
06-01 F	303773	12126/2005	08-01	303553	11661/2005
06-01 F	303774	12127/2005	08-01	303554	11662/2005
06-01 G	303644	11585/2005	08-01	303648	11971/2005
06-01 G	303748	12101/2005	08-01	303805	12578/2005
06-01 G	303753	12106/2005	08-03	303673	11696/2005
06-01 G	303754	12107/2005	08-03	303674	11999/2005
06-01 G	303756	12109/2005	08-04	303555	11663/2005
06-01 G	303760	12113/2005	08-04	303556	11664/2005
06-01 G	303761	12114/2005	08-05 P	303580	11688/2005
06-01 H	303739	12092/2005	08-05 P	303640	13870/2004
06-01 H	303740	12093/2005	08-06	303590	15607/2004
06-01 H	303748	12101/2005	08-06	303591	15608/2004
06-01 H	303749	12102/2005	08-06	303592	15609/2004
06-01 H	303760	12113/2005	08-06	303620	11815/2005
06-01 H	303761	12114/2005	08-06	303621	11816/2005
06-01 H	303762	12115/2005	08-06	303622	11817/2005
06-01 H	303763	12116/2005	08-06	303623	11818/2005
06-01 H	303769	12122/2005	08-06	303624	11819/2005
06-01 H	303770	12123/2005	08-06	303625	11820/2005
06-01 H	303772	12125/2005	08-06	303626	11821/2005
06-01 H	303773	12126/2005	08-07	303607	11781/2005

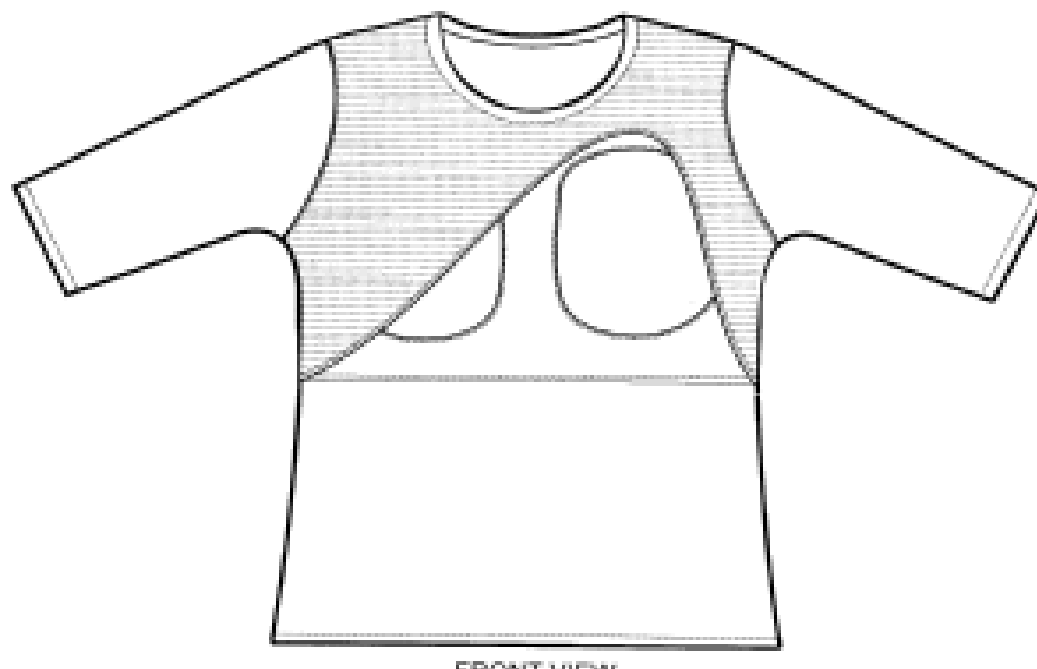
Registration Proceedings - Class Listing of Designs Published or Registered cont'd

Classification	Registration Number	Design Number	Classification	Registration Number	Design Number
08-07	303615	11802/2005	12-16 NES	303685	11841/2005
08-08 B	303563	13380/2005	13-02	303581	11689/2005
08-08 G	303687	11843/2005	13-02	303582	11690/2005
08-08 L	303531	11763/2005	13-02	303583	11691/2005
08-08 NES	303531	11763/2005	13-02	303584	11692/2005
08-08 NES	303532	11764/2005	13-02	303585	11693/2005
08-09	303593	15610/2004	13-02	303586	11694/2005
09-01 A	303816	13972/2005	13-02	303587	11695/2005
09-01 B	303613	11789/2005	13-02	303806	12809/2005
09-01 B	303614	11790/2005	13-02	303807	12810/2005
09-01 D	303669	10702/2005	13-03 B	303618	11552/2005
09-01 G	303551	11659/2005	14-01	303598	11441/2005
09-01 G	303564	10077/2005	14-01	303599	11442/2005
09-01 G	303565	14383/2005	14-01	303600	11443/2005
09-01 H	303671	11811/2005	14-01	303601	11444/2005
09-01 H	303672	11812/2005	14-01	303602	11445/2005
09-01 K	303540	11500/2005	14-01	303627	11857/2005
09-01 NES	303566	10279/2005	14-02	303525	11506/2005
09-01 NES	303567	10280/2005	14-02	303526	11507/2005
09-01 NES	303604	11471/2005	14-02	303527	11508/2005
09-01 NES	303605	11472/2005	14-02	303528	11509/2005
09-01 NES	303613	11789/2005	14-02	303534	11768/2005
09-02 A	303784	12166/2005	14-02	303813	13016/2005
09-03 L	303558	11668/2005	14-03 A	303574	11762/2005
09-03 L	303814	13085/2005	14-03 A	303611	11787/2005
09-03 M	303558	11668/2005	14-03 D	303628	11864/2005
09-03 M	303778	12063/2005	14-03 D	303629	11865/2005
09-05	303544	11648/2005	14-03 E	303572	11673/2005
09-05	303729	11795/2005	14-03 E	303573	11761/2005
10-02	303596	11334/2005	14-03 E	303609	11785/2005
10-02	303698	15638/2004	14-03 E	303612	11788/2005
10-04	303706	10638/2005	14-03 E	303633	11873/2005
10-05	303646	11909/2005	14-03 E	303634	11874/2005
11-02 NES	303637	13282/2005	14-03 E	303681	11835/2005
11-02 NES	303638	13283/2005	15-01	303560	11670/2005
11-02 NES	303639	13284/2005	15-02	303717	11515/2005
11-05	303716	11467/2005	15-03 A	303811	12954/2005
12-02	303597	11422/2005	15-03 A	303812	12955/2005
12-02	303708	11050/2005	15-03 B	303608	11784/2005
12-08	303789	13216/2005	15-04	303670	11371/2005
12-08	303790	13217/2005	15-05	303714	11324/2005
12-08	303795	13222/2005	15-05	303715	11325/2005
12-08	303796	13223/2005	15-05	303816	13972/2005
12-10	303712	11258/2005	15-09	303533	11765/2005
12-11	303589	14997/2004	16-01	303645	11904/2005
12-11	303696	14023/2004	16-03	303534	11768/2005
12-11	303697	14024/2004	16-06	303738	11996/2005
12-11	303728	11782/2005	19-06	303541	11514/2005
12-12	303810	12814/2005	19-06	303737	11969/2005
12-16 B	303792	13219/2005	19-08	303709	11159/2005
12-16 B	303794	13221/2005	19-08	303710	11160/2005
12-16 C	303791	13218/2005	19-08	303711	11173/2005
12-16 C	303793	13220/2005	20-02 E	303649	11973/2005
12-16 C	303797	13224/2005	20-02 E	303650	11974/2005
12-16 C	303798	13225/2005	20-02 E	303651	11975/2005
12-16 NES	303603	11449/2005	20-02 E	303652	11976/2005
12-16 NES	303682	11838/2005	20-02 E	303653	11977/2005
12-16 NES	303683	11839/2005	20-02 E	303654	11978/2005
12-16 NES	303684	11840/2005	20-02 E	303655	11979/2005

Registration Proceedings - Class Listing of Designs Published or Registered cont'd

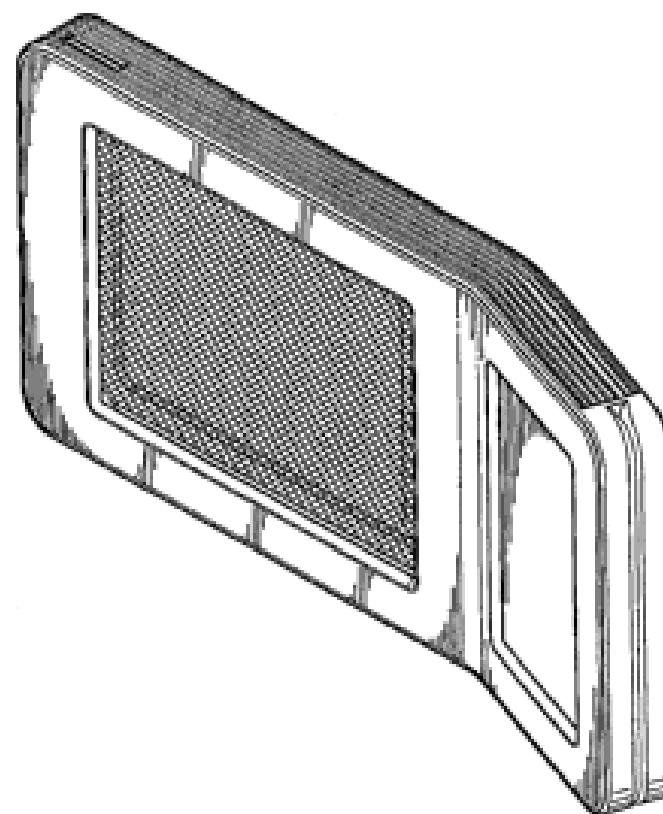
Classification	Registration Number	Design Number	Classification	Registration Number	Design Number
20-02 E	303656	11980/2005	25-01 F	303694	13224/2004
20-02 E	303657	11981/2005	25-01 F	303695	13225/2004
20-02 E	303658	11982/2005	25-01 K	303542	11534/2005
20-02 E	303659	11983/2005	25-01 K	303546	11651/2005
20-02 E	303660	11984/2005	25-01 K	303548	11655/2005
20-02 E	303661	11985/2005	25-01 K	303630	11866/2005
20-02 E	303662	11986/2005	25-01 K	303631	11867/2005
20-02 E	303663	11987/2005	25-01 K	303632	11868/2005
20-02 E	303664	11988/2005	25-02 C	303635	13487/2004
20-02 E	303665	11989/2005	25-02 C	303636	14539/2005
20-02 NES	303525	11506/2005	25-02 H	303725	11776/2005
20-02 NES	303526	11507/2005	25-02 H	303726	11777/2005
20-02 NES	303527	11508/2005	25-02 H	303727	11778/2005
20-02 NES	303528	11509/2005	25-02 NES	303538	11137/2005
20-02 NES	303678	11809/2005	25-03	303677	11808/2005
21-01 C	303647	11967/2005	25-03	303678	11809/2005
21-01 E	303617	11410/2005	25-04	303788	12196/2005
21-02 A	303530	11591/2005	25-99	303579	11681/2005
21-02 C	303537	11772/2005	26-02	303690	11859/2005
21-03	303543	11629/2005	26-02	303691	11860/2005
22-05	303610	11786/2005	26-02	303692	11861/2005
23-01 A	303676	11806/2005	26-02	303693	11862/2005
23-01 G	303619	11813/2005	26-03	303679	15415/2004
23-01 G	303803	12237/2005	26-05 C	303594	10282/2005
23-01 G	303804	12238/2005	26-05 NES	303807	12810/2005
23-01 H	303731	11798/2005	26-05 NES	303808	12812/2005
23-01 H	303732	11799/2005	26-05 NES	303809	12813/2005
23-01 H	303734	11801/2005	26-05 NES	303810	12814/2005
23-01 NES	303576	11773/2005	26-06	303799	13487/2005
23-01 NES	303577	11774/2005	28-02	303568	10492/2005
23-02 A	303686	11842/2005	28-02	303569	10494/2005
23-02 A	303689	11845/2005	28-02	303570	10495/2005
23-02 B	303704	10437/2005	28-02	303705	10493/2005
23-02 B	303730	11797/2005	28-03 A	303557	11666/2005
23-02 B	303733	11800/2005	28-03 A	303800	13855/2005
23-02 F	303667	11994/2005	28-03 A	303801	13856/2005
23-02 F	303668	11995/2005	28-03 A	303815	13853/2005
23-03 A	303549	11656/2005	28-03 A	303817	14057/2005
23-03 NES	303550	11657/2005	28-03 A	303818	14058/2005
23-03 NES	303616	15291/2004	28-03 A	303819	14059/2005
23-04	303559	11669/2005	28-03 A	303820	14060/2005
24-01	303568	10492/2005	28-03 A	303821	14061/2005
24-01	303569	10494/2005	28-03 B	303536	11770/2005
24-01	303570	10495/2005	28-03 B	303782	12134/2005
24-01	303705	10493/2005	28-03 B	303783	12135/2005
24-01	303806	12809/2005	28-03 D	303535	11769/2005
24-01	303807	12810/2005	28-99	303816	13972/2005
24-01	303808	12812/2005	29-02	303547	11653/2005
24-01	303810	12814/2005	29-02	303571	11377/2005
25-01 A	303779	12085/2005	29-02	303802	12164/2005
25-01 A	303780	12086/2005			
25-01 A	303781	12087/2005			
25-01 E	303680	11796/2005			

- (21) Design Number: **10716/2005**
- (22) Date of Filing Application: **25 February 2005**
- (24) Date from which industrial property rights may have effect: **25 February 2005**
- (54) Product in respect of which the design is registered: **Clothing for breastfeeding**
- (51) International Design Classification: **02-02NES, 02-01A**
- (71) Name(s) and Address(s) of Applicant(s):
Rebecca Jane Rance
127 Flinders Avenue Hillarys Western Australia 6025 Australia
- (72) Name(s) of Designer(s): **Rebecca Jane Rance**
- (45) Registration Date: **21 October 2005**
- (56) Related Art Documents: **Not Applicable**
- (57) Statement of Newness and Distinctiveness: **Each garment comprises of the hidden underlay with cut outs around the breast, this is covered by a top layer. Access to the underlayer is through a horizontal opening under the bustline of the top layer.**

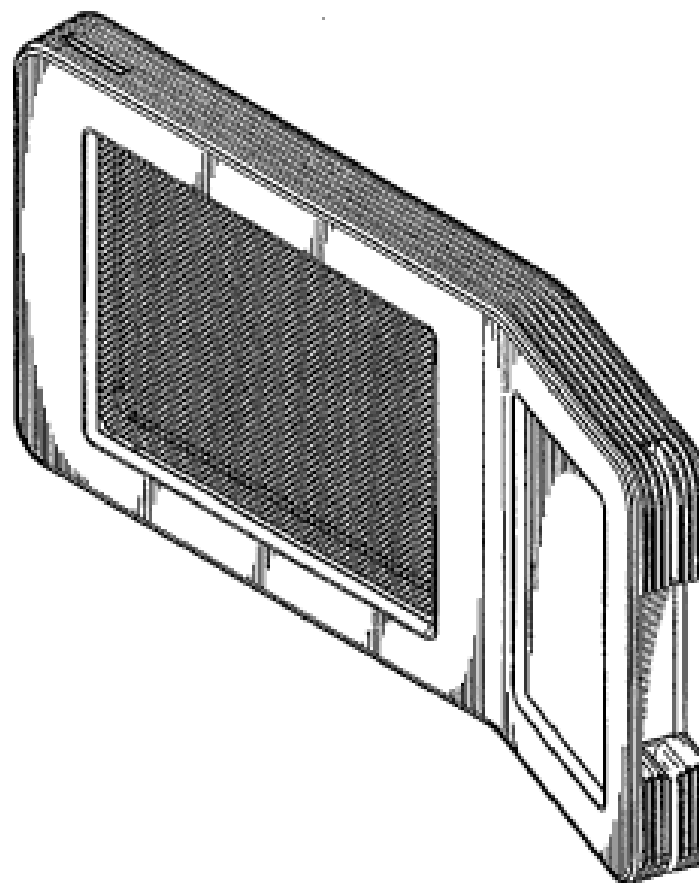


- (21) Design Number: **11506/2005**
- (22) Date of Filing Application: **14 April 2005**
- (24) Date from which industrial property rights may have effect: **14 April 2005**
- (54) Product in respect of which the design is registered: **Media display device**
- (51) International Design Classification: **14-02, 20-02NES**
- (71) Name(s) and Address(s) of Applicant(s):
Starbucks Corporation
2401 Utah Avenue South Seattle Washington 98134 United States of America
- (72) Name(s) of Designer(s): **Timothy Jude Kennedy and Agente Enga and Boris Kontorovich and Luis Arsenio Garcia Monsalve and Dominik Langhammer and Howard L. Wollner and Darren Medina**
- (45) Registration Date: **21 October 2005**
- (30) Convention priority data:

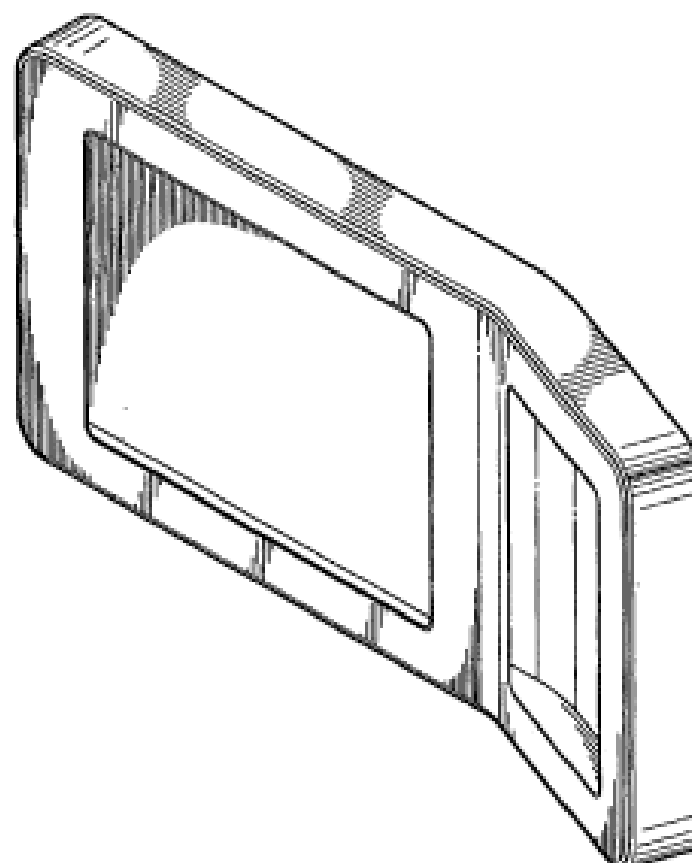
(31) Number	(32) Date	(33) Country
29/215304	14 Oct 2004	UNITED STATES OF AMERICA
- (56) Related Art Documents: **Not Applicable**
- (57) Statement of Newness and Distinctiveness: **Newness and distinctiveness of the design resides in the shape and/or configuration of the media display device as shown in the accompanying representations.**



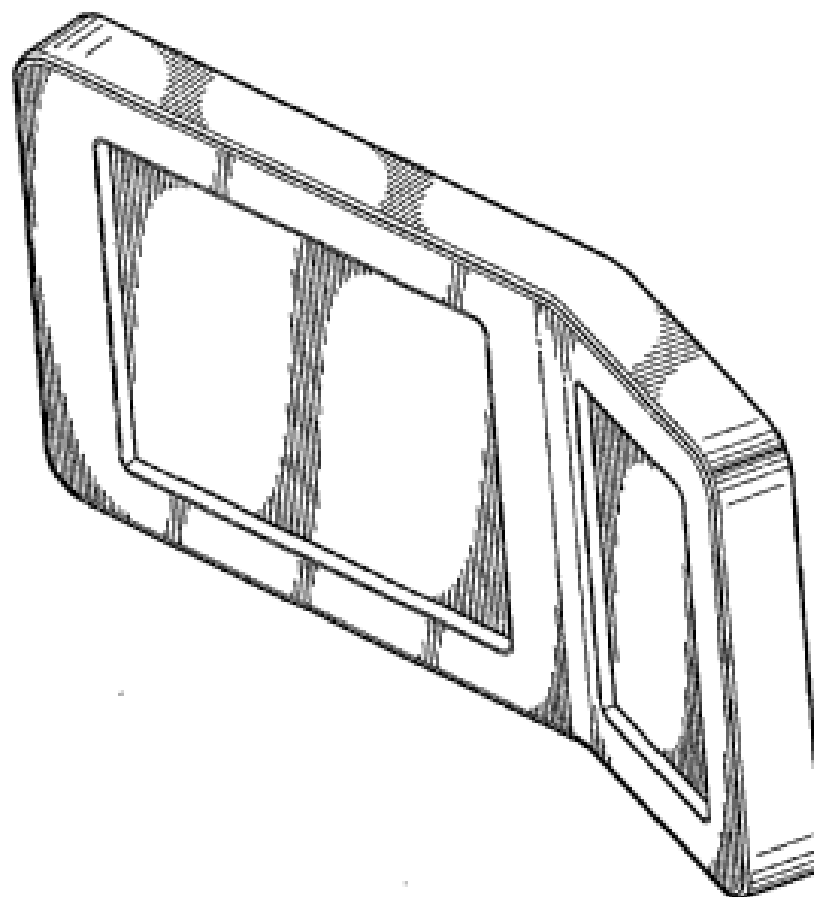
- (21) Design Number: **11507/2005**
(22) Date of Filing Application: **14 April 2005**
(24) Date from which industrial property rights may have effect: **14 April 2005**
(54) Product in respect of which the design is registered: **Media display device**
(51) International Design Classification: **14-02, 20-02NES**
(71) Name(s) and Address(s) of Applicant(s):
Starbucks Corporation
2401 Utah Avenue South Seattle Washington 98134 United States of America
(72) Name(s) of Designer(s): **Timothy Jude Kennedy and Agente Enga and Boris Kontorovich and Luis Arsenio Garcia Monsalve and Dominik Langhammer and Howard L. Wollner and Darren Medina**
(45) Registration Date: **21 October 2005**
(30) Convention priority data:
(31) Number (32) Date (33) Country
29/215304 14 Oct 2004 UNITED STATES OF AMERICA
(56) Related Art Documents: **Not Applicable**
(57) Statement of Newness and Distinctiveness: **Newness and distinctiveness of the design resides in the shape and/or configuration of the media display device as shown in the accomapnying representations.**



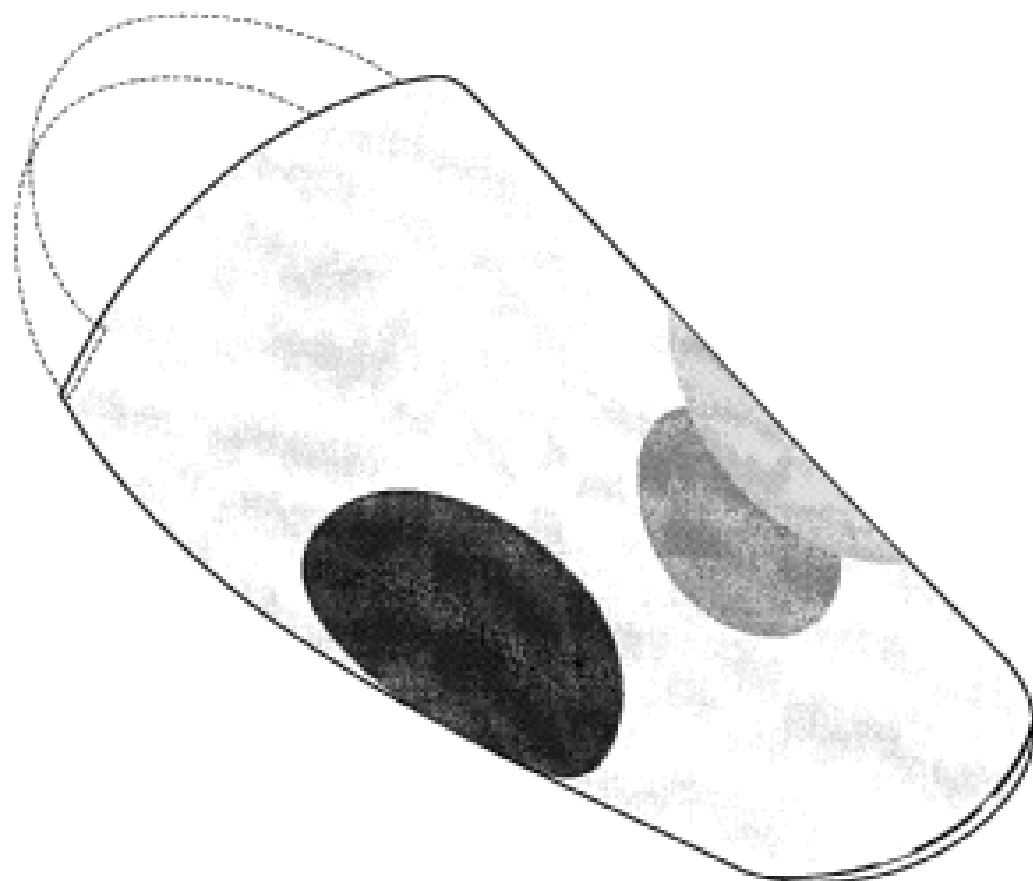
- (21) Design Number: **11508/2005**
(22) Date of Filing Application: **14 April 2005**
(24) Date from which industrial property rights may have effect: **14 April 2005**
(54) Product in respect of which the design is registered: **Media display device**
(51) International Design Classification: **14-02, 20-02NES**
(71) Name(s) and Address(s) of Applicant(s):
Starbucks Corporation
2401 Utah Avenue South Seattle Washington 98134 United States of America
(72) Name(s) of Designer(s): **Timothy Jude Kennedy and Agente Enga and Boris Kontorovich and Luis Arsenio Garcia Monsalve and Dominik Langhammer and Howard L. Wollner and Darren Medina**
(45) Registration Date: **21 October 2005**
(30) Convention priority data:
(31) Number (32) Date (33) Country
29/215304 14 Oct 2004 UNITED STATES OF AMERICA
(56) Related Art Documents: **Not Applicable**
(57) Statement of Newness and Distinctiveness: **Newness and distinctiveness of the design resides in the shape and/or configuration of the media display device as shown in the accomapnying representations.**



- (21) Design Number: **11509/2005**
(22) Date of Filing Application: **14 April 2005**
(24) Date from which industrial property rights may have effect: **14 April 2005**
(54) Product in respect of which the design is registered: **Media display device**
(51) International Design Classification: **14-02, 20-02NES**
(71) Name(s) and Address(s) of Applicant(s):
Starbucks Corporation
2401 Utah Avenue South Seattle Washington 98134 United States of America
(72) Name(s) of Designer(s): **Timothy Jude Kennedy and Agente Enga and Boris Kontorovich and Luis Arsenio Garcia Monsalve and Dominik Langhammer and Howard L. Wollner and Darren Medina**
(45) Registration Date: **21 October 2005**
(30) Convention priority data:
(31) Number (32) Date (33) Country
29/215304 14 Oct 2004 UNITED STATES OF AMERICA
(56) Related Art Documents: **Not Applicable**
(57) Statement of Newness and Distinctiveness: **Newness and distinctiveness of the design resides in the shape and/or configuration of the media display device as shown in the accomapnying representations.**



- (21) Design Number: **11590/2005**
(22) Date of Filing Application: **19 April 2005**
(24) Date from which industrial property rights may have effect: **19 April 2005**
(54) Product in respect of which the design is registered: **A boot glove**
(51) International Design Classification: **02-04A**
(71) Name(s) and Address(s) of Applicant(s):
Jogo Bonito Pty Ltd
12 Sabotka Place Winthrop Western Australia 6150 Australia
(72) Name(s) of Designer(s): **Wendy Balestri**
(45) Registration Date: **21 October 2005**
(56) Related Art Documents: **Not Applicable**
(57) Statement of Newness and Distinctiveness: **The design is directed to the pattern appearing on the upper surface of a covering for the toe and central portion of an item of footwear. The newness and distinctiveness of the design comprises the particular size, shape and arrangement of a series of markings configured over the covering.**



(21) Design Number: **11591/2005**

(22) Date of Filing Application: **19 April 2005**

(24) Date from which industrial property rights may have effect: **19 April 2005**

(54) Product in respect of which the design is registered: **A soccer ball**

(51) International Design Classification: **21-02A**

(71) Name(s) and Address(s) of Applicant(s):

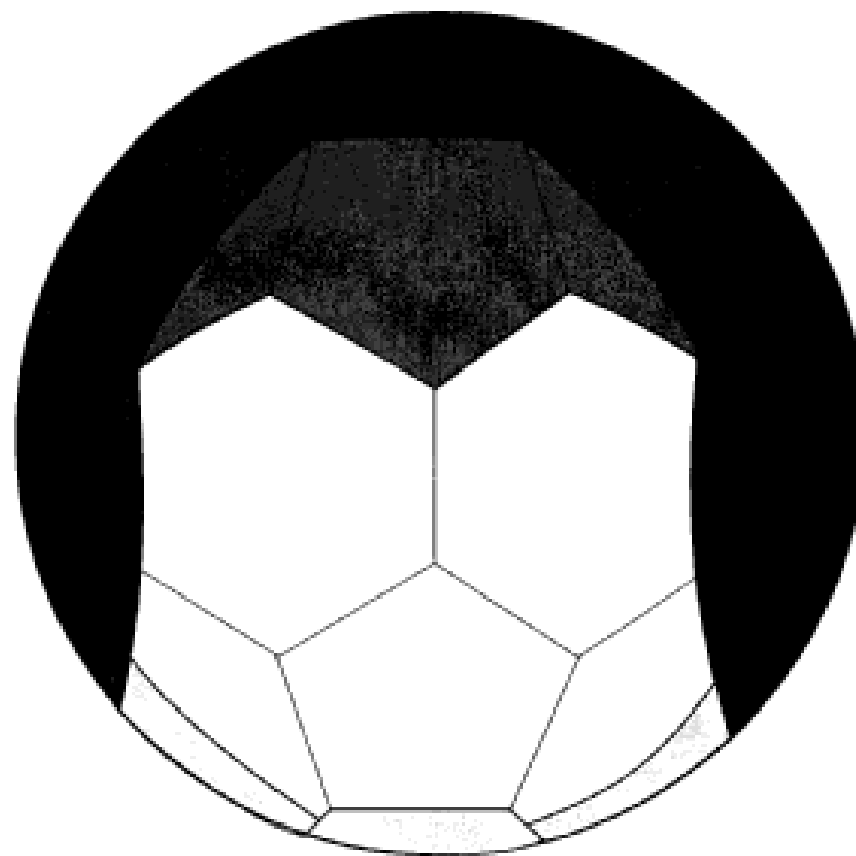
**Jogo Bonito Pty Ltd
12 Sabotka Place Winthrop Western Australia 6150 Australia**

(72) Name(s) of Designer(s): **Wendy Balestri**

(45) Registration Date: **21 October 2005**

(56) Related Art Documents: **Not Applicable**

(57) Statement of Newness and Distinctiveness: **The design is directed to the pattern appearing on the surface of a football. The newness and distinctiveness of the design comprises the relative size, shape and disposition of the series of markings as configured over the surface as illustrated in the attached representations.**



(21) Design Number: **11763/2005**

(22) Date of Filing Application: **27 April 2005**

(24) Date from which industrial property rights may have effect: **27 April 2005**

(54) Product in respect of which the design is registered: **A brace for use with a lifting anchor**

(51) International Design Classification: **08-08L, 08-08NES**

(71) Name(s) and Address(s) of Applicant(s):

**ITW New Zealand Limited
298 Neilson Street Te Papapa Auckland New Zealand**

(72) Name(s) of Designer(s): **Roydon Gilmour**

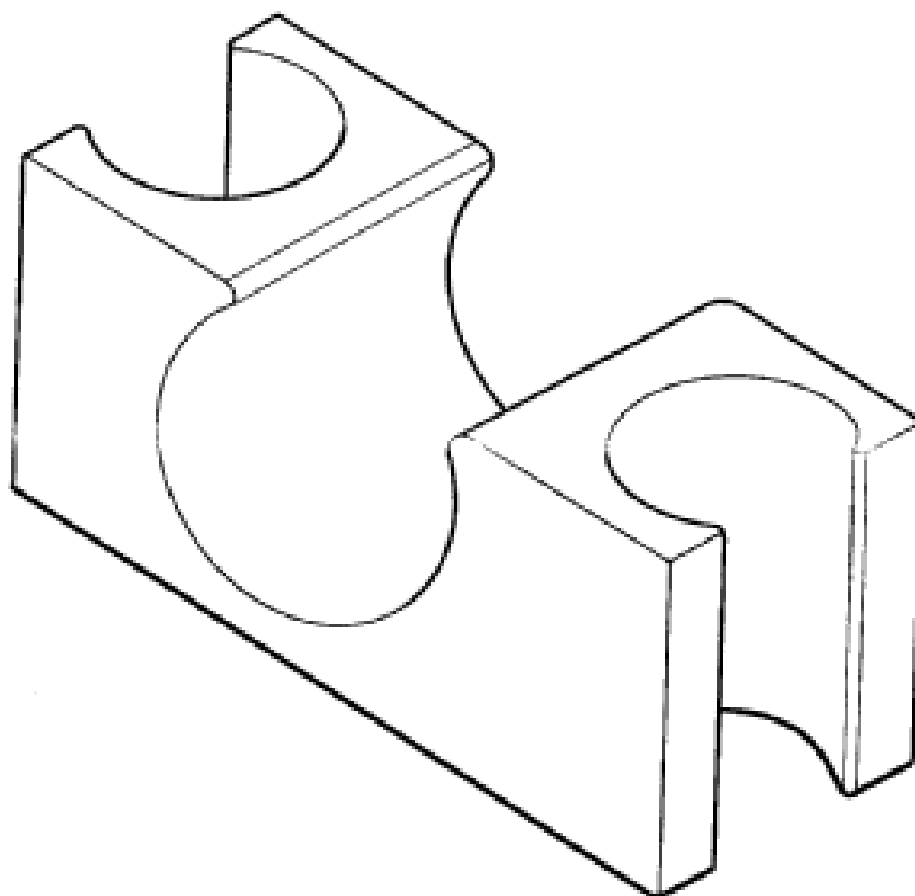
(45) Registration Date: **21 October 2005**

(30) Convention priority data:

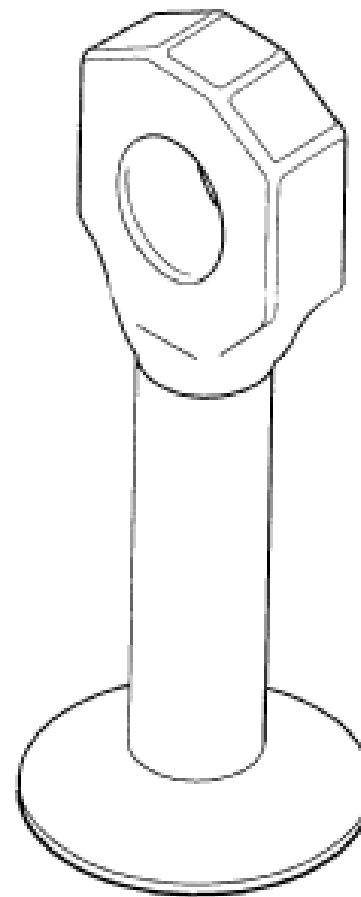
(31) Number	(32) Date	(33) Country
405445	28 Oct 2004	NEW ZEALAND

(56) Related Art Documents: **Not Applicable**

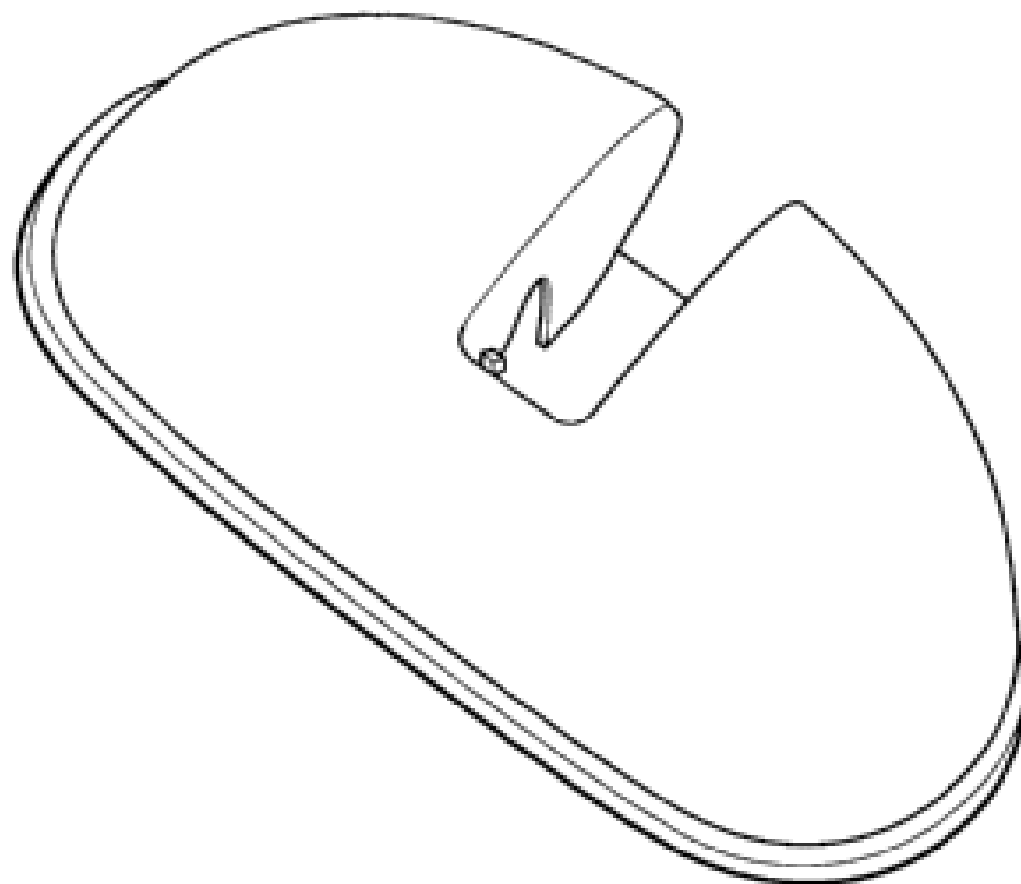
(57) Statement of Newness and Distinctiveness: **Nil**



(21) Design Number: **11764/2005**
(22) Date of Filing Application: **27 April 2005**
(24) Date from which industrial property rights may have effect: **27 April 2005**
(54) Product in respect of which the design is registered: **A lifting anchor for incorporation into a concrete component**
(51) International Design Classification: **08-08NES**
(71) Name(s) and Address(s) of Applicant(s):
ITW New Zealand Limited
298 Neilson Street Te Papapa Auckland New Zealand
(72) Name(s) of Designer(s): **Roydon Gilmour**
(45) Registration Date: **21 October 2005**
(30) Convention priority data:
(31) Number (32) Date (33) Country
405447 28 Oct 2004 NEW ZEALAND
(56) Related Art Documents: **Not Applicable**
(57) Statement of Newness and Distinctiveness: **Nil**



(21) Design Number: **11765/2005**
(22) Date of Filing Application: **27 April 2005**
(24) Date from which industrial property rights may have effect: **27 April 2005**
(54) Product in respect of which the design is registered: **A recess former**
(51) International Design Classification: **15-09**
(71) Name(s) and Address(s) of Applicant(s):
ITW New Zealand Limited
298 Neilson Street Te Papapa Auckland New Zealand
(72) Name(s) of Designer(s): **Roydon Gilmour**
(45) Registration Date: **21 October 2005**
(30) Convention priority data:
(31) Number (32) Date (33) Country
405446 28 Oct 2004 NEW ZEALAND
(56) Related Art Documents: **Not Applicable**
(57) Statement of Newness and Distinctiveness: **Nil**



(21) Design Number: **11768/2005**
(22) Date of Filing Application: **27 April 2005**
(24) Date from which industrial property rights may have effect: **27 April 2005**
(54) Product in respect of which the design is registered: **Toner cartridge**
(51) International Design Classification: **14-02, 16-03**
(71) Name(s) and Address(s) of Applicant(s):

Kyocera Mita Corporation
2-28 Tamatsukuri 1-Chome Chuo-ku Osaka 540 8585 Japan

(72) Name(s) of Designer(s): **Yuki Komai**

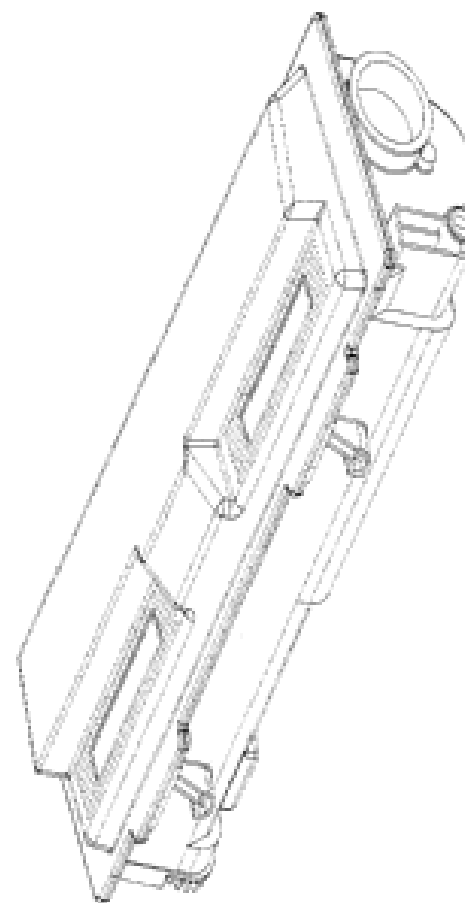
(45) Registration Date: **21 October 2005**

(30) Convention priority data:

(31) Number	(32) Date	(33) Country
2004-033547	04 Nov 2004	JAPAN

(56) Related Art Documents: **Not Applicable**

(57) Statement of Newness and Distinctiveness: **Nil**



(21) Design Number: **11769/2005**
(22) Date of Filing Application: **27 April 2005**
(24) Date from which industrial property rights may have effect: **27 April 2005**
(54) Product in respect of which the design is registered: **Electric hair clipper**
(51) International Design Classification: **28-03D**
(71) Name(s) and Address(s) of Applicant(s):

Kil Seung Shin
1060-5 Wolmun-1li Wabu-eup Namyangju-si Gyeonggi-do Republic of Korea

(72) Name(s) of Designer(s): **Kil Seung Shin**

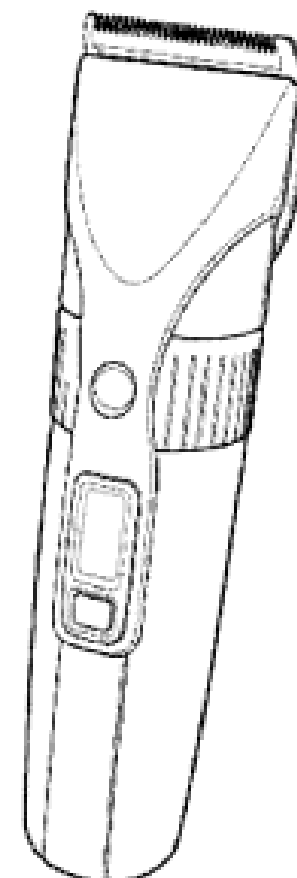
(45) Registration Date: **21 October 2005**

(30) Convention priority data:

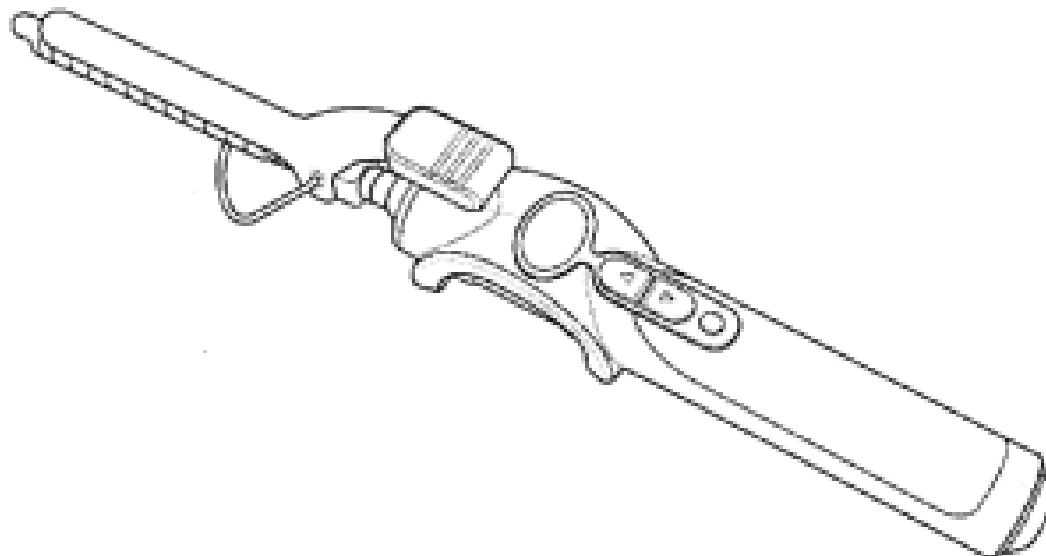
(31) Number	(32) Date	(33) Country
30-2004-0032940	27 Oct 2004	REPUBLIC OF KOREA

(56) Related Art Documents: **Not Applicable**

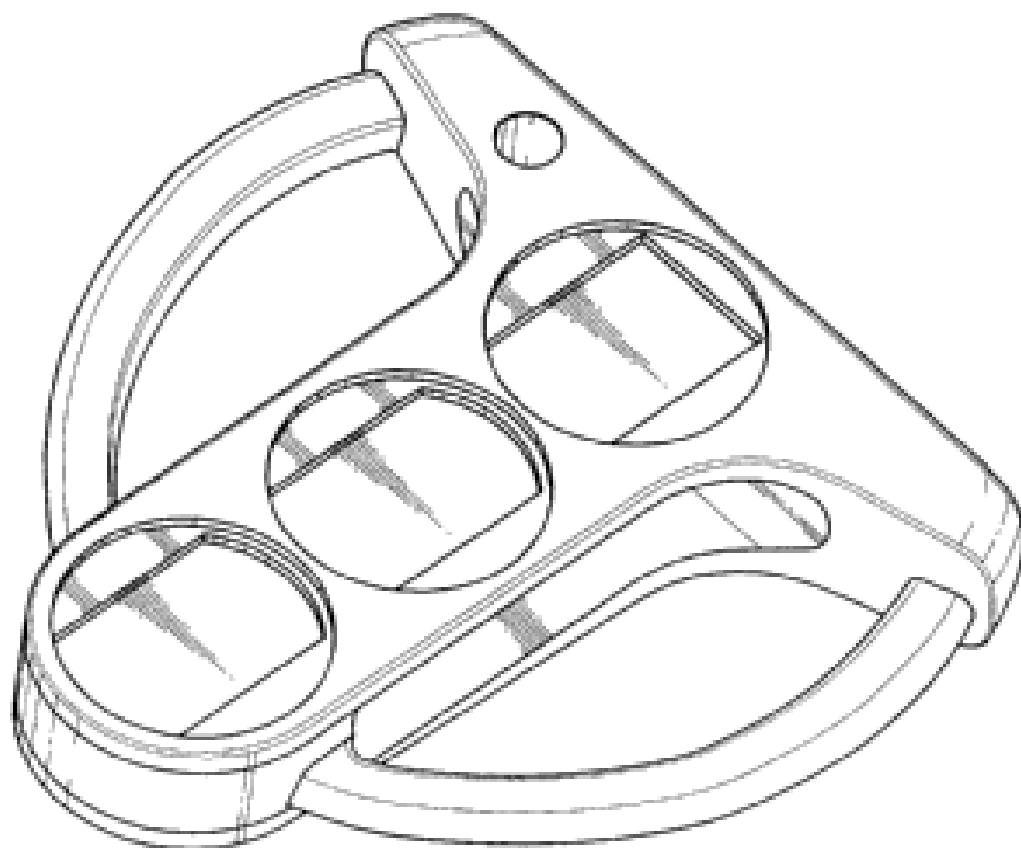
(57) Statement of Newness and Distinctiveness: **Nil**



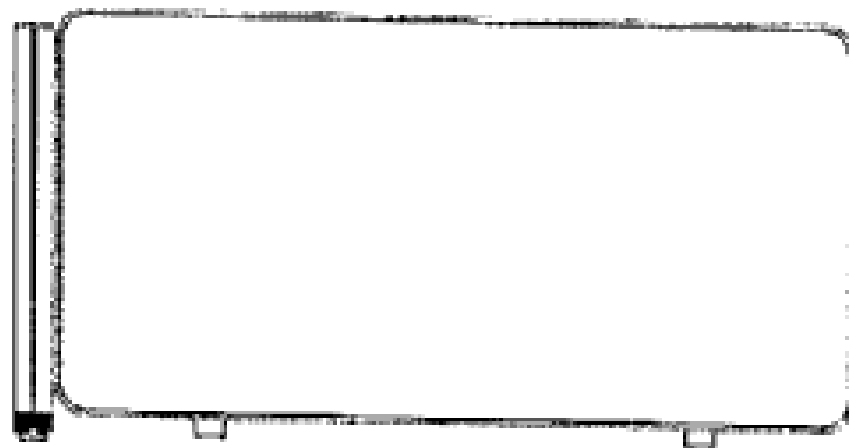
(21) Design Number: **11770/2005**
(22) Date of Filing Application: **27 April 2005**
(24) Date from which industrial property rights may have effect: **27 April 2005**
(54) Product in respect of which the design is registered: **Electric hair curling tongs**
(51) International Design Classification: **28-03B**
(71) Name(s) and Address(s) of Applicant(s):
Kil Seung Shin
1060-5 Wolmun-1li Wabu-eup Namyangju-si Gyeonggi-do Republic of Korea
(72) Name(s) of Designer(s): **Kil Seung Shin**
(45) Registration Date: **21 October 2005**
(30) Convention priority data:
(31) Number (32) Date (33) Country
30-2004-0032939 27 Oct 2004 REPUBLIC OF KOREA
(56) Related Art Documents: **Not Applicable**
(57) Statement of Newness and Distinctiveness: **Nil**



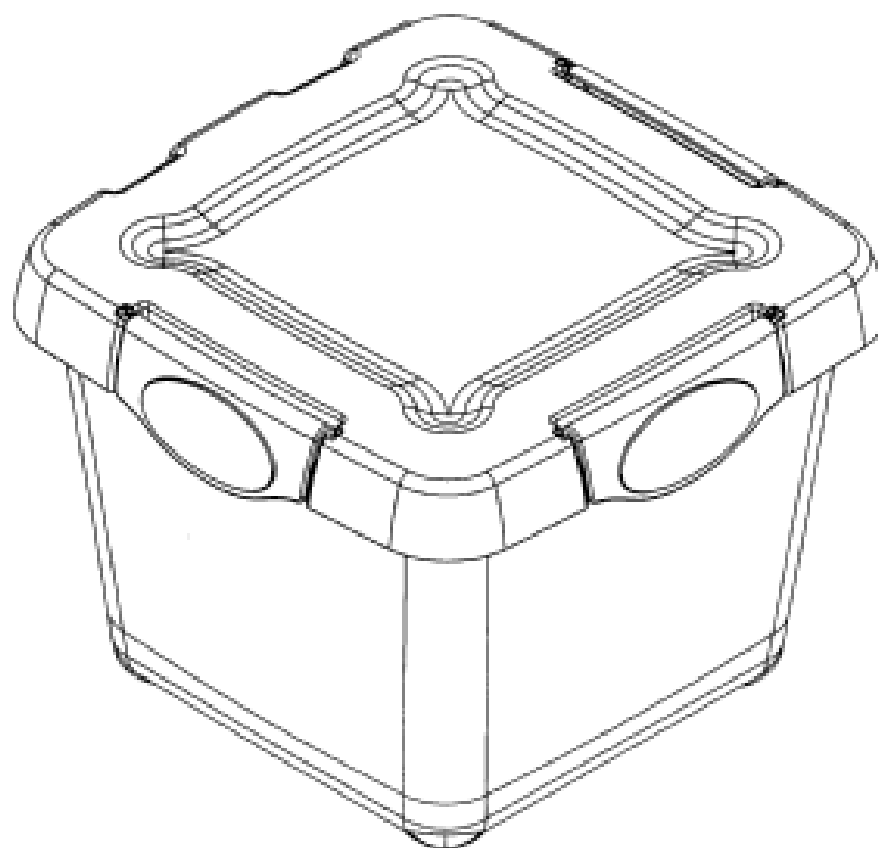
(21) Design Number: **11772/2005**
(22) Date of Filing Application: **27 April 2005**
(24) Date from which industrial property rights may have effect: **27 April 2005**
(54) Product in respect of which the design is registered: **Putter head**
(51) International Design Classification: **21-02C**
(71) Name(s) and Address(s) of Applicant(s):
Callaway Golf Company
2180 Rutherford Road Carlsbad California 92008 United States of America
(72) Name(s) of Designer(s): **Larry G. Tang and Augustin W. Rollinson and Roger Cleveland**
(45) Registration Date: **21 October 2005**
(30) Convention priority data:
(31) Number (32) Date (33) Country
29/216038 27 Oct 2004 UNITED STATES OF AMERICA
(56) Related Art Documents: **Not Applicable**
(57) Statement of Newness and Distinctiveness: **Newness and distinctiveness is claimed in the features of shape and/or configuration of a putter head as illustrated in the accompanying representations and in the features of pattern and/or ornamentation of the three circles on the upper surface of the putter head.**



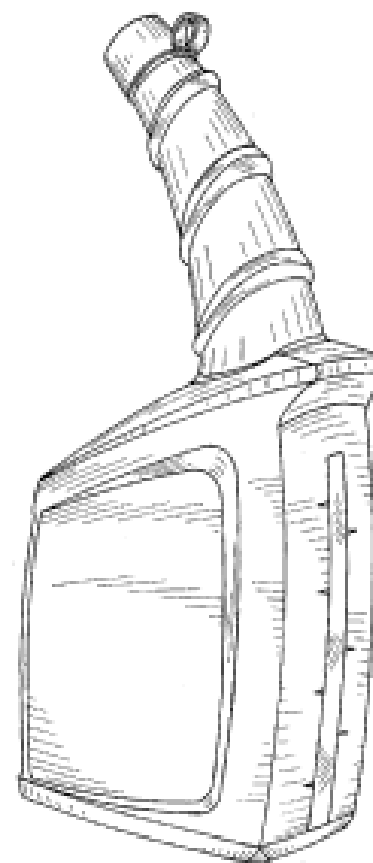
(21) Design Number: **11137/2005**
(22) Date of Filing Application: **22 March 2005**
(24) Date from which industrial property rights may have effect: **22 March 2005**
(54) Product in respect of which the design is registered: **Panel**
(51) International Design Classification: **25-02NES, 06-06NES**
(71) Name(s) and Address(s) of Applicant(s):
GESIKA Buromobelwerk GmbH
Salzkottener Strasse 65 59590 Geseke Germany
(72) Name(s) of Designer(s): **Mathias Seiler**
(45) Registration Date: **24 October 2005**
(30) Convention priority data:
(31) Number (32) Date (33) Country
404 05 400.5 22 Sep 2004 GERMANY
(56) Related Art Documents: **Not Applicable**
(57) Statement of Newness and Distinctiveness: **Nil**



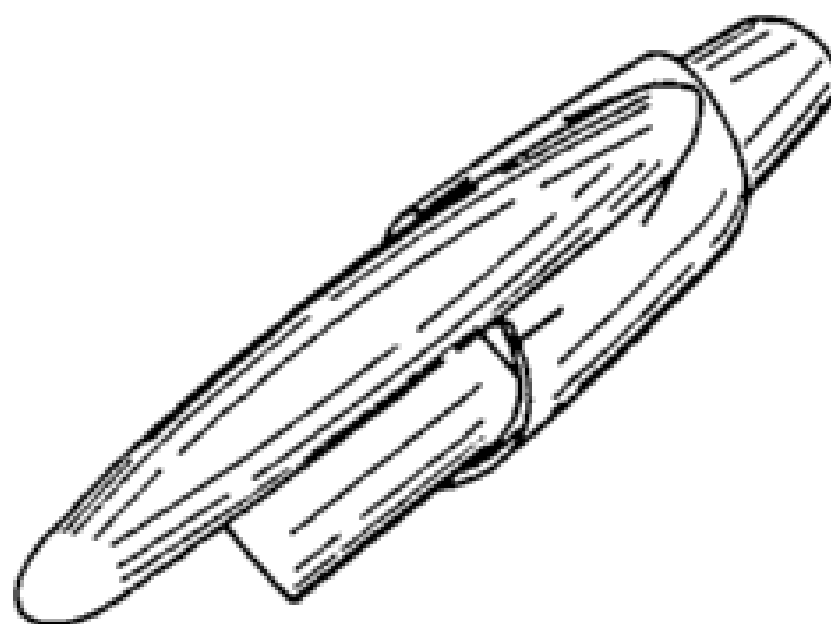
(21) Design Number: **11400/2005**
(22) Date of Filing Application: **06 April 2005**
(24) Date from which industrial property rights may have effect: **06 April 2005**
(54) Product in respect of which the design is registered: **Container with lid**
(51) International Design Classification: **07-01NES**
(71) Name(s) and Address(s) of Applicant(s):
HomeLeisure Limited
5 Dividend Street Mansfield Queensland 4122 Australia
(72) Name(s) of Designer(s): **Dean Holmes**
(45) Registration Date: **24 October 2005**
(56) Related Art Documents: **Not Applicable**
(57) Statement of Newness and Distinctiveness: **Those features of the container and lid depicted in the representations that are new and distinctive are the shape and/or configuration.**



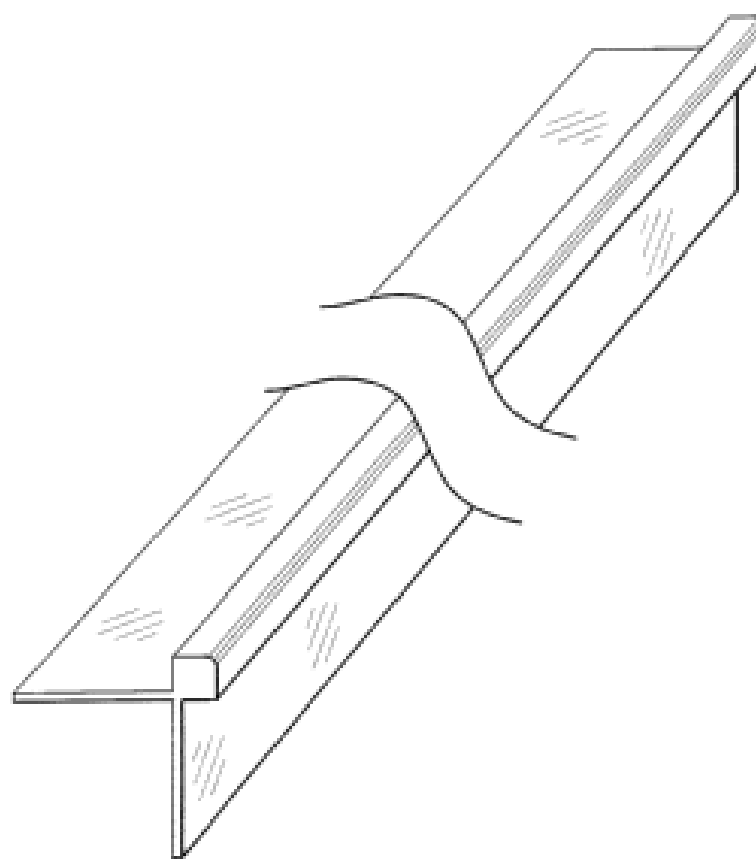
(21) Design Number: **11500/2005**
(22) Date of Filing Application: **14 April 2005**
(24) Date from which industrial property rights may have effect: **14 April 2005**
(54) Product in respect of which the design is registered: **Container and cap**
(51) International Design Classification: **09-01K**
(71) Name(s) and Address(s) of Applicant(s):
The Lubrizol Corporation
29400 Lakeland Boulevard Wickliffe Ohio 44092-2298 United States of America
(72) Name(s) of Designer(s): **Steven A. Goodlive and William D. Byfleet**
(45) Registration Date: **24 October 2005**
(30) Convention priority data:
(31) Number (32) Date (33) Country
29/215,113 13 Oct 2004 UNITED STATES OF AMERICA
(56) Related Art Documents: **Not Applicable**
(57) Statement of Newness and Distinctiveness: **Nil**



(21) Design Number: **11514/2005**
(22) Date of Filing Application: **14 April 2005**
(24) Date from which industrial property rights may have effect: **14 April 2005**
(54) Product in respect of which the design is registered: **Cap**
(51) International Design Classification: **19-06**
(71) Name(s) and Address(s) of Applicant(s):
Societe Bic
14 rue Jeanne d'Asnieres 92110 Clichy France
(72) Name(s) of Designer(s): **Michael Kent**
(45) Registration Date: **24 October 2005**
(30) Convention priority data:
(31) Number (32) Date (33) Country
29/215,732 22 Oct 2004 UNITED STATES OF AMERICA
(56) Related Art Documents: **Not Applicable**
(57) Statement of Newness and Distinctiveness: **Those visual features of the cap depicted in the representations that are new and distinctive are the shape and/or configuration.**

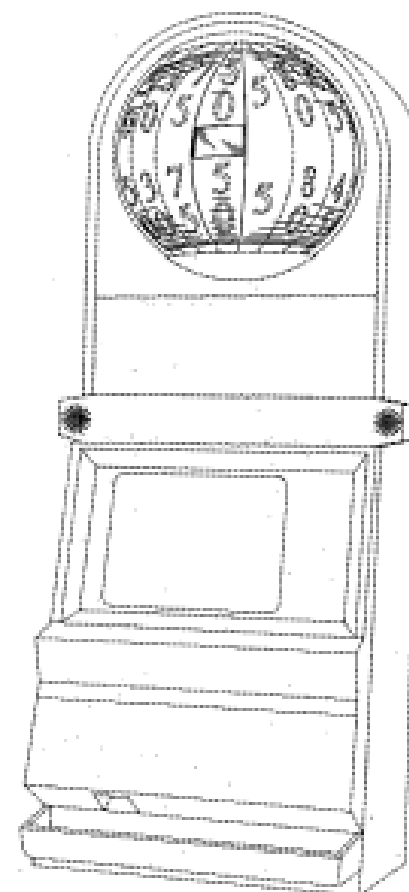


- (21) Design Number: **11534/2005**
- (22) Date of Filing Application: **13 April 2005**
- (24) Date from which industrial property rights may have effect: **13 April 2005**
- (54) Product in respect of which the design is registered: **Metal extrusion for tilework**
- (51) International Design Classification: **25-01K**
- (71) Name(s) and Address(s) of Applicant(s):
B.A.T. Trims Pty Ltd
51-53 Nissan Drive Dandenong South Victoria 3175 Australia
- (72) Name(s) of Designer(s): **Michael Gerhard Flechsig**
- (45) Registration Date: **24 October 2005**
- (56) Related Art Documents: **Not Applicable**
- (57) Statement of Newness and Distinctiveness: **Newness and distinctiveness reside in the extrusion for tilework (1 leg) as shown in the accompanying representations.**

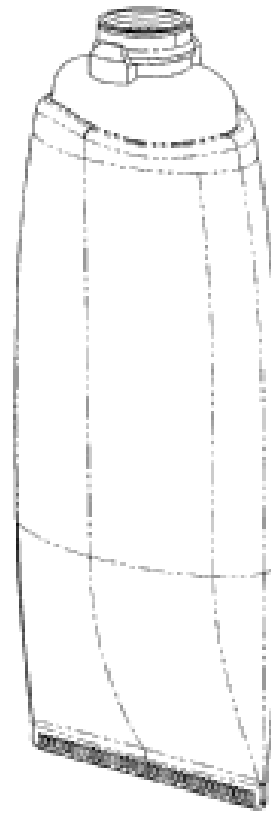


- (21) Design Number: **11629/2005**
- (22) Date of Filing Application: **21 April 2005**
- (24) Date from which industrial property rights may have effect: **10 March 2004**
- (54) Product in respect of which the design is registered: **A gaming device**
- (51) International Design Classification: **21-03**
- (71) Name(s) and Address(s) of Applicant(s):
IGT
9295 Prototype Drive Reno Nevada 89521 United States of America
- (72) Name(s) of Designer(s): **Anthony J. Baerlocher**
- (45) Registration Date: **24 October 2005**
- (30) Convention priority data:

(31) Number	(32) Date	(33) Country
29/189,903	10 Sep 2003	UNITED STATES OF AMERICA
- (62) Divisional of: **158023**
- (56) Related Art Documents: **Not Applicable**
- (57) Statement of Newness and Distinctiveness: **In considering the extent of the monopoly sought, those features shown in phantom and the two "star" features are to be disregarded.**



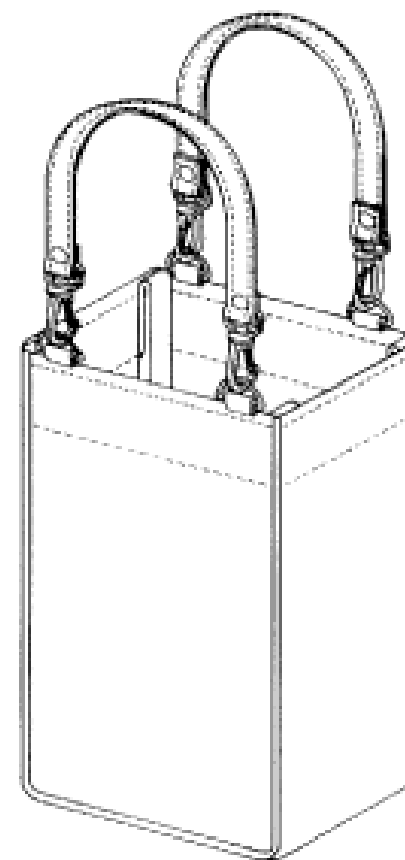
- (21) Design Number: **11648/2005**
(22) Date of Filing Application: **22 April 2005**
(24) Date from which industrial property rights may have effect: **22 April 2005**
(54) Product in respect of which the design is registered: **A squeeze tube**
(51) International Design Classification: **09-05**
(71) Name(s) and Address(s) of Applicant(s):
Plaspak JWS Pty Limited
25-27 Warratah Street Kirrawee New South Wales 2232 Australia
(72) Name(s) of Designer(s): **Stephan Beyer**
(45) Registration Date: **24 October 2005**
(56) Related Art Documents: **Not Applicable**
(57) Statement of Newness and Distinctiveness: **Newness and distinctiveness is claimed in the features of shape and/or configuration of the parallel front and rear wall portions of a squeeze tube as illustrated in the accompanying representations.**



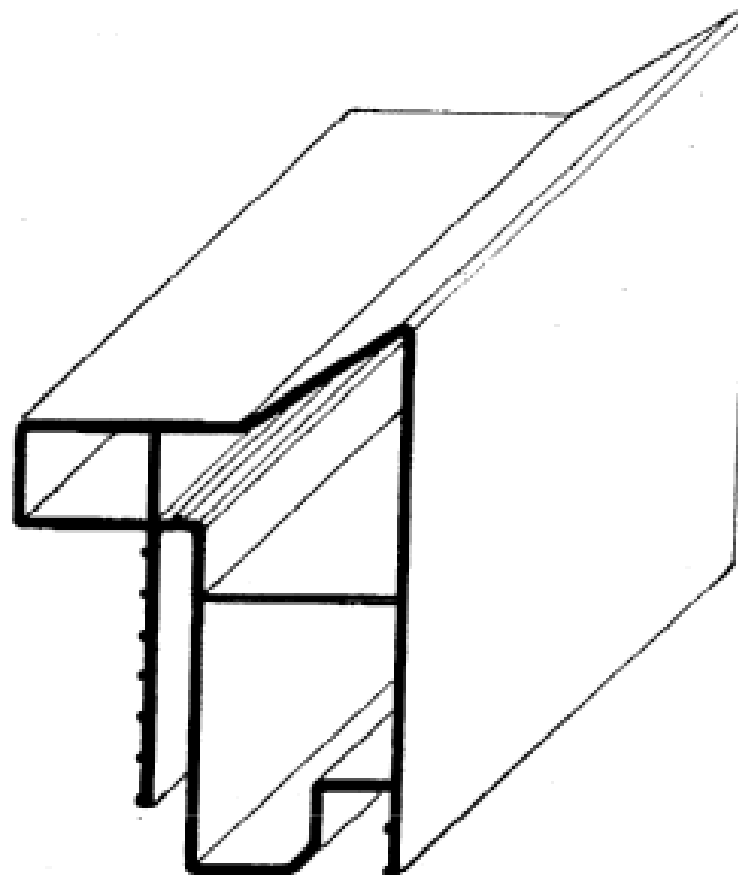
- (21) Design Number: **11650/2005**
(22) Date of Filing Application: **22 April 2005**
(24) Date from which industrial property rights may have effect: **22 April 2005**
(54) Product in respect of which the design is registered: **Mobile phone case**
(51) International Design Classification: **03-01NES**
(71) Name(s) and Address(s) of Applicant(s):
Super Planning Co. Ltd
1937 Uriuchi-cho Hamamatsu-shi Shizuoka-ken Japan
(72) Name(s) of Designer(s): **Takahisa Kamiya**
(45) Registration Date: **24 October 2005**
(30) Convention priority data:

(31) Number	(32) Date	(33) Country
2005-3149	07 Feb 2005	JAPAN

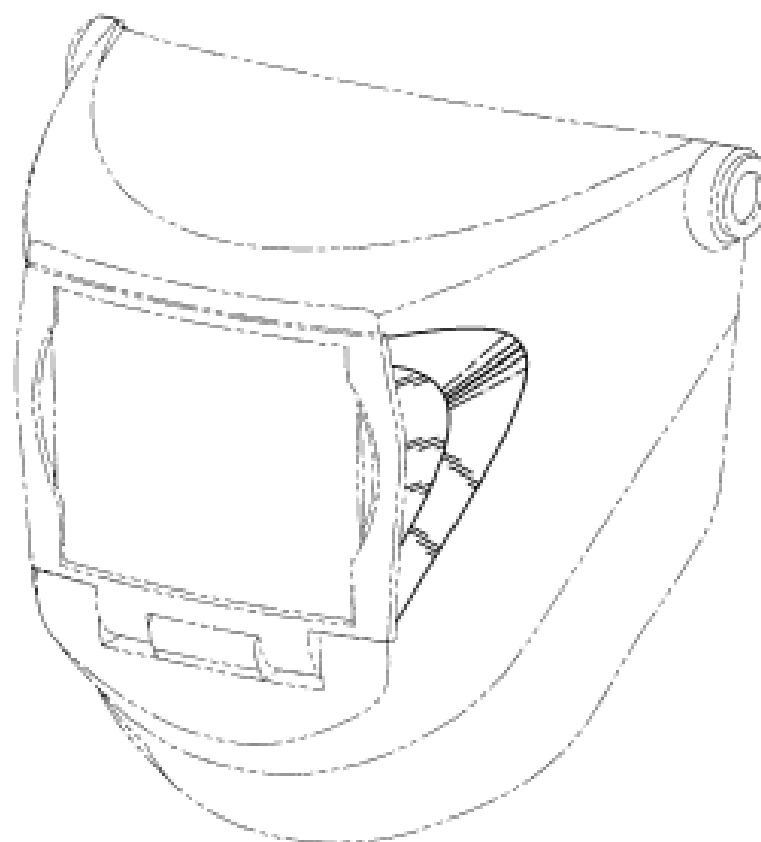
(56) Related Art Documents: **Not Applicable**
(57) Statement of Newness and Distinctiveness: **Newness and distinctiveness is claimed in the features of shape and/or configuration of a mobile phone case as illustrated in the accompanying representations.**



(21) Design Number: **11651/2005**
(22) Date of Filing Application: **22 April 2005**
(24) Date from which industrial property rights may have effect: **22 April 2005**
(54) Product in respect of which the design is registered: **Extrusion**
(51) International Design Classification: **25-01K**
(71) Name(s) and Address(s) of Applicant(s):
Rodric Lindsay Fooks
57 Wellington Street Riverstone New South Wales 2765 Australia
(72) Name(s) of Designer(s): **Rodric Lindsay Fooks**
(45) Registration Date: **24 October 2005**
(56) Related Art Documents: **Not Applicable**
(57) Statement of Newness and Distinctiveness: **Nil**



(21) Design Number: **11653/2005**
(22) Date of Filing Application: **22 April 2005**
(24) Date from which industrial property rights may have effect: **22 April 2005**
(54) Product in respect of which the design is registered: **Side portion of a welding helmet**
(51) International Design Classification: **29-02**
(71) Name(s) and Address(s) of Applicant(s):
3M Innovative Properties Company
3M Center Saint Paul Minnesota 55133-3427 United States of America
(72) Name(s) of Designer(s): **Peter David Lee and Desmond Terence Curran and Daniel Martin**
(45) Registration Date: **24 October 2005**
(30) Convention priority data:
(31) Number (32) Date (33) Country
D-29/217154 12 Nov 2004 UNITED STATES OF AMERICA
(56) Related Art Documents: **Not Applicable**
(57) Statement of Newness and Distinctiveness: **Nil**



(21) Design Number: **11655/2005**

(22) Date of Filing Application: **26 April 2005**

(24) Date from which industrial property rights may have effect: **26 April 2005**

(54) Product in respect of which the design is registered: **A metal section**

(51) International Design Classification: **25-01K**

(71) Name(s) and Address(s) of Applicant(s):

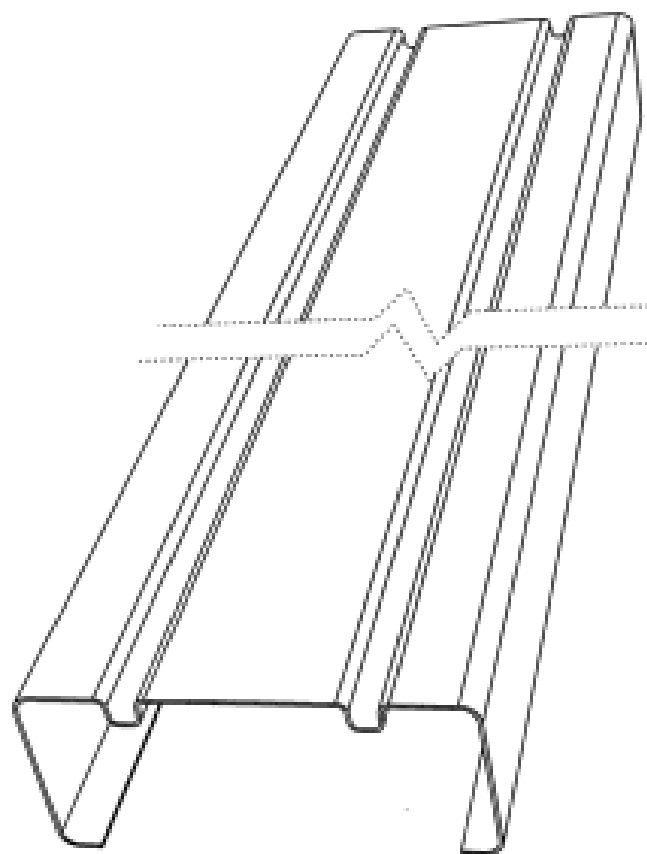
Stratco (Australia) Pty Limited
125 Cavan Road Gepps Cross South Australia 5094 Australia

(72) Name(s) of Designer(s): **Matthew Jansen**

(45) Registration Date: **24 October 2005**

(56) Related Art Documents: **Not Applicable**

(57) Statement of Newness and Distinctiveness: **Newness and distinctiveness is claimed in the features of shape and configuration of a metal section as shown in the accompanying representations.**



(21) Design Number: **11656/2005**

(22) Date of Filing Application: **22 April 2005**

(24) Date from which industrial property rights may have effect: **22 April 2005**

(54) Product in respect of which the design is registered: **Heater**

(51) International Design Classification: **23-03A**

(71) Name(s) and Address(s) of Applicant(s):

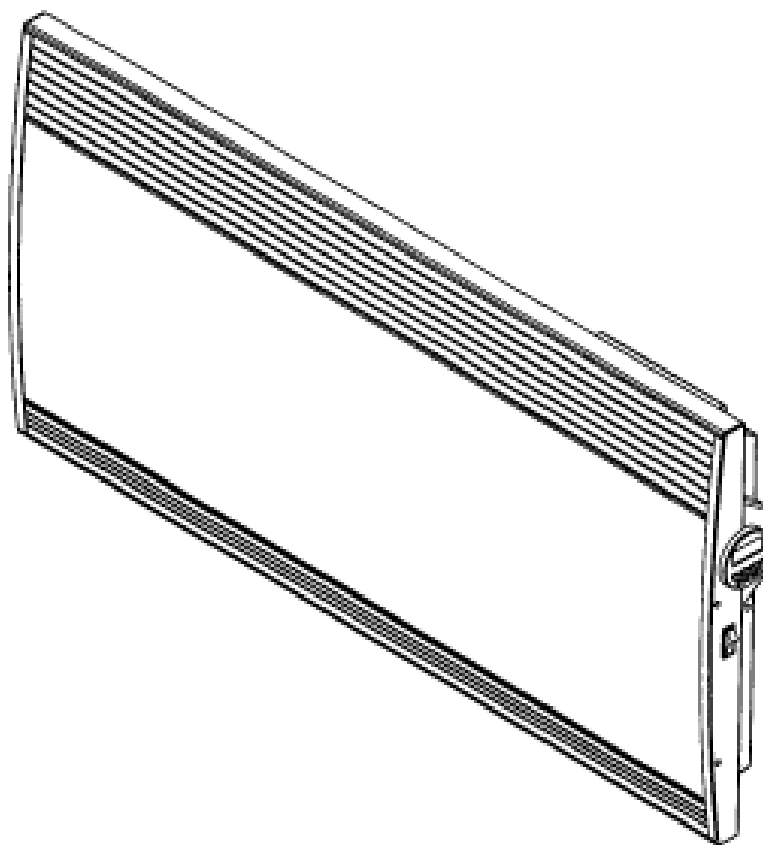
Backwell Ixl Pty Ltd
Wood Street East Geelong Victoria 3219 Australia

(72) Name(s) of Designer(s): **Kevin Brighton**

(45) Registration Date: **24 October 2005**

(56) Related Art Documents: **Not Applicable**

(57) Statement of Newness and Distinctiveness: **Those visual features of the heater depicted in the representations that are new and distinctive are the shape and/or configuration.**



(21) Design Number: **11657/2005**

(22) Date of Filing Application: **22 April 2005**

(24) Date from which industrial property rights may have effect: **22 April 2005**

(54) Product in respect of which the design is registered: **Blower**

(51) International Design Classification: **23-03NES**

(71) Name(s) and Address(s) of Applicant(s):

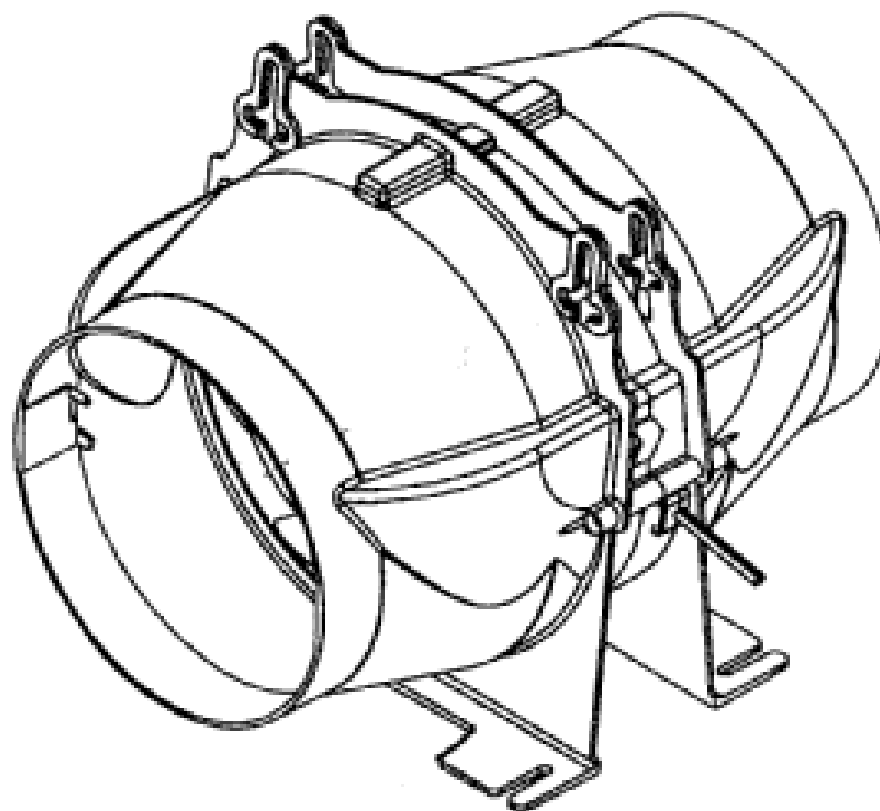
Backwell Ixl Pty Ltd
Wood Street East Geelong Victoria 3219 Australia

(72) Name(s) of Designer(s): **Kevin Brighton**

(45) Registration Date: **24 October 2005**

(56) Related Art Documents: **Not Applicable**

(57) Statement of Newness and Distinctiveness: **Those visual features of the blower depicted in the representations that are new and distinctiveness are the shape and/or configuration.**



(21) Design Number: **11659/2005**

(22) Date of Filing Application: **22 April 2005**

(24) Date from which industrial property rights may have effect: **22 April 2005**

(54) Product in respect of which the design is registered: **Flask for perfumery products**

(51) International Design Classification: **09-01G**

(71) Name(s) and Address(s) of Applicant(s):

Parfums Givenchy
77 Rue Anatole France 92 300 Levallois-Perret France

(72) Name(s) of Designer(s): **Pablo Reinoso**

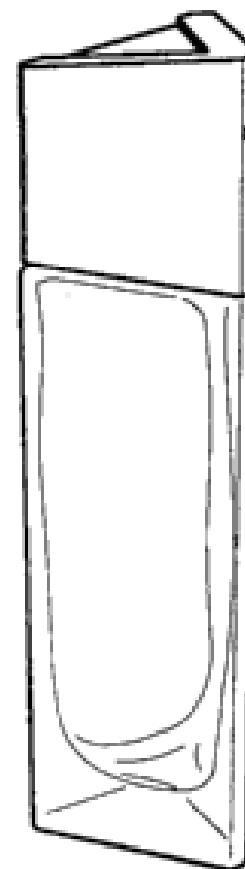
(45) Registration Date: **24 October 2005**

(30) Convention priority data:

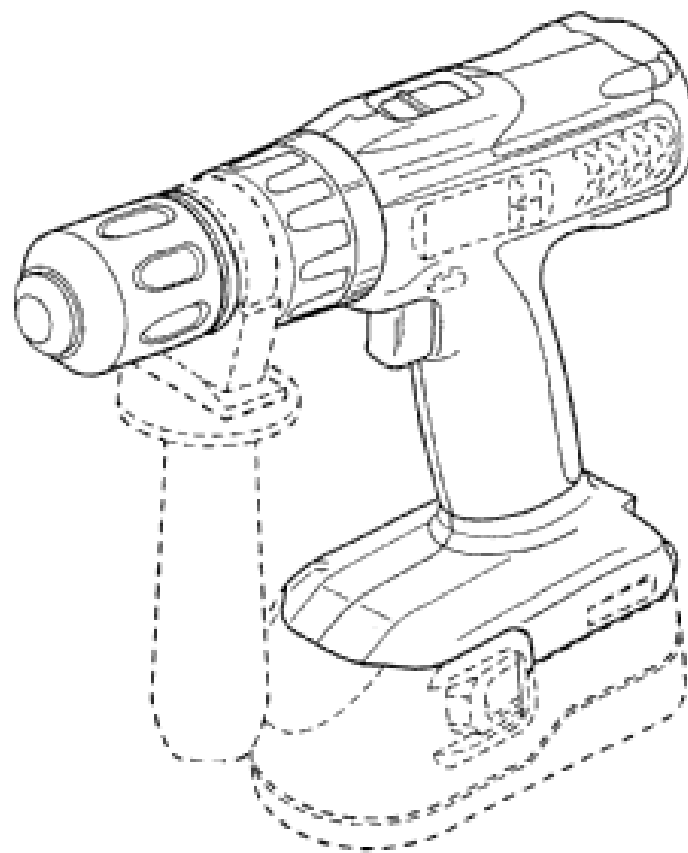
(31) Number	(32) Date	(33) Country
04 5114	26 Oct 2004	FRANCE

(56) Related Art Documents: **Not Applicable**

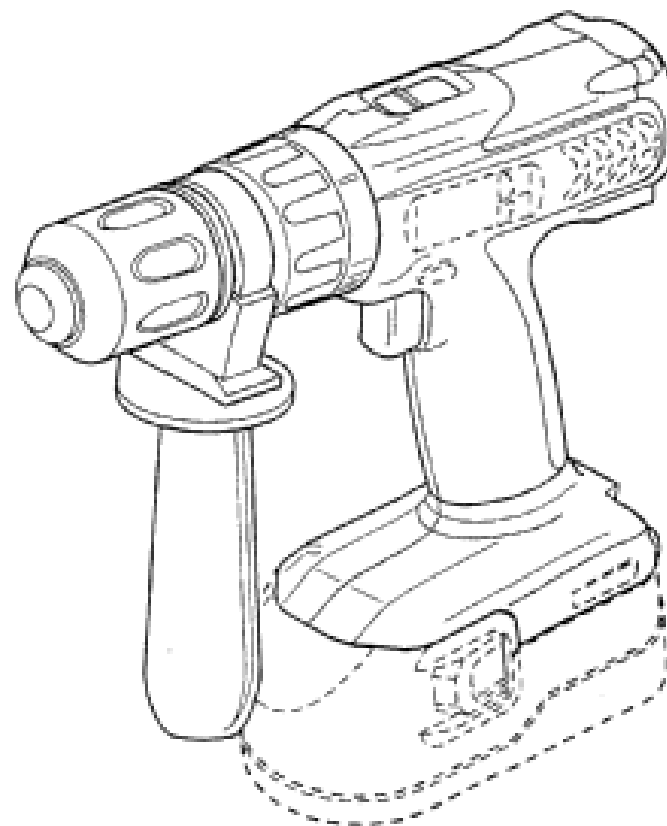
(57) Statement of Newness and Distinctiveness: **Newness and distinctiveness is claimed in the shape and configuration of a flask for perfumery products as shown in the accompanying illustrations.**



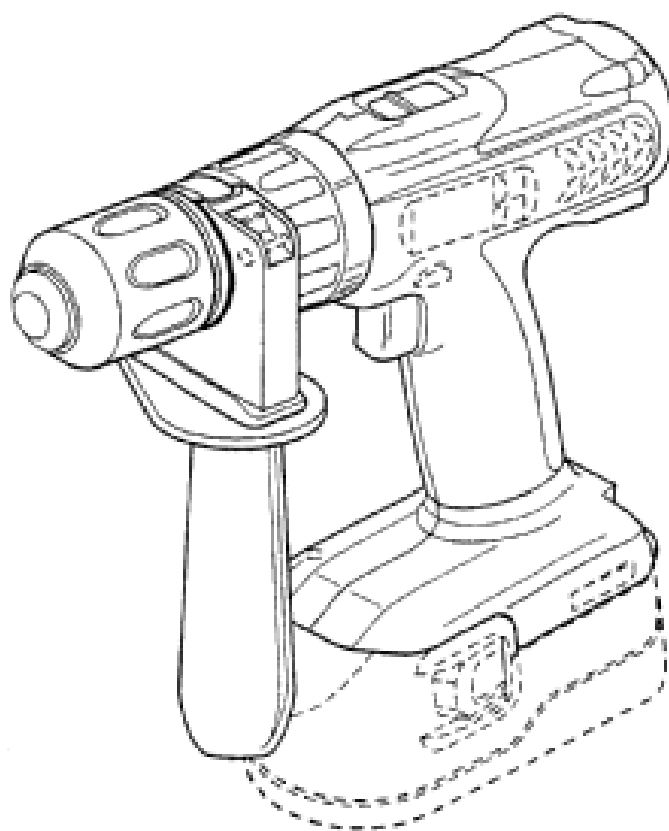
- (21) Design Number: **11660/2005**
(22) Date of Filing Application: **22 April 2005**
(24) Date from which industrial property rights may have effect: **24 December 2003**
(54) Product in respect of which the design is registered: **Cordless drill**
(51) International Design Classification: **08-01**
(71) Name(s) and Address(s) of Applicant(s):
One World Technologies Limited
Cedar House 41 Cedar Avenue Hamilton HM 12 Bermuda
(72) Name(s) of Designer(s): **Thomas Kam Kee Wong and Ed Lawing and Tac Ohi**
(45) Registration Date: **24 October 2005**
(62) Divisional of: **158078**
(56) Related Art Documents: **Not Applicable**
(57) Statement of Newness and Distinctiveness: **Newness and distinctiveness is claimed in the shape and configuration of a cordless drill as shown in the accompanying drawings. The features shown in broken lines are for illustrative purposes only and form no part of the claimed design.**



- (21) Design Number: **11661/2005**
(22) Date of Filing Application: **22 April 2005**
(24) Date from which industrial property rights may have effect: **24 December 2003**
(54) Product in respect of which the design is registered: **Cordless drill**
(51) International Design Classification: **08-01**
(71) Name(s) and Address(s) of Applicant(s):
One World Technologies Limited
Cedar House 41 Cedar Avenue Hamilton HM 12 Bermuda
(72) Name(s) of Designer(s): **Thomas Kam Kee Wong and Ed Lawing and Tac Ohi**
(45) Registration Date: **24 October 2005**
(62) Divisional of: **158078**
(56) Related Art Documents: **Not Applicable**
(57) Statement of Newness and Distinctiveness: **Newness and distinctiveness is claimed in the shape and configuration of a cordless drill as shown in the accompanying drawings. The features shown in broken lines are for illustrative purposes only and form no part of the claimed design.**

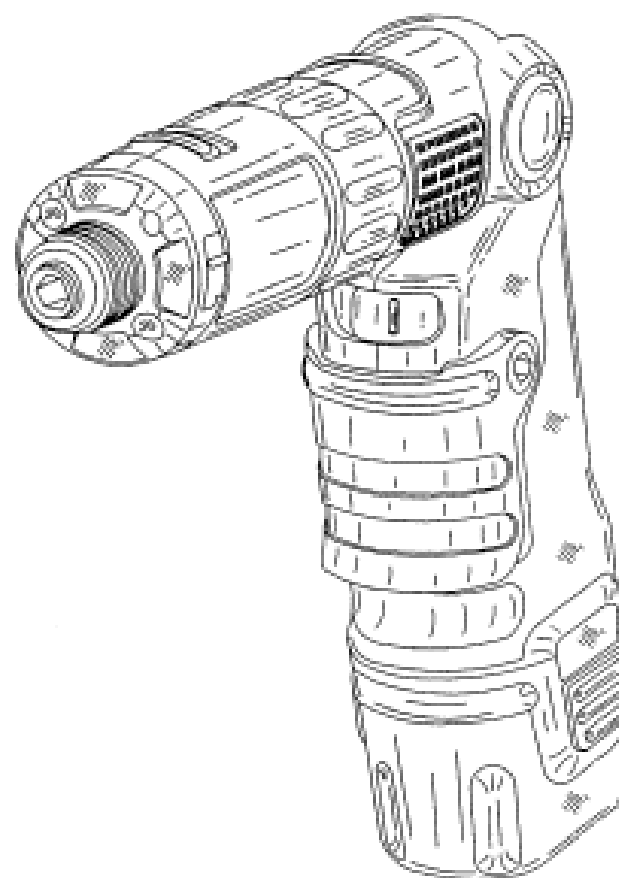


- (21) Design Number: **11662/2005**
- (22) Date of Filing Application: **22 April 2005**
- (24) Date from which industrial property rights may have effect: **24 December 2003**
- (54) Product in respect of which the design is registered: **Cordless drill**
- (51) International Design Classification: **08-01**
- (71) Name(s) and Address(s) of Applicant(s):
One World Technologies Limited
Cedar House 41 Cedar Avenue Hamilton HM 12 Bermuda
- (72) Name(s) of Designer(s): **Thomas Kam Kee Wong and Ed Lawing and Tac Ohi**
- (45) Registration Date: **24 October 2005**
- (62) Divisional of: **158078**
- (56) Related Art Documents: **Not Applicable**
- (57) Statement of Newness and Distinctiveness: **Newness and distinctiveness is claimed in the shape and configuration of a cordless drill as shown in the accompanying drawings. The features shown in broken lines are for illustrative purposes only and form no part of the claimed design.**

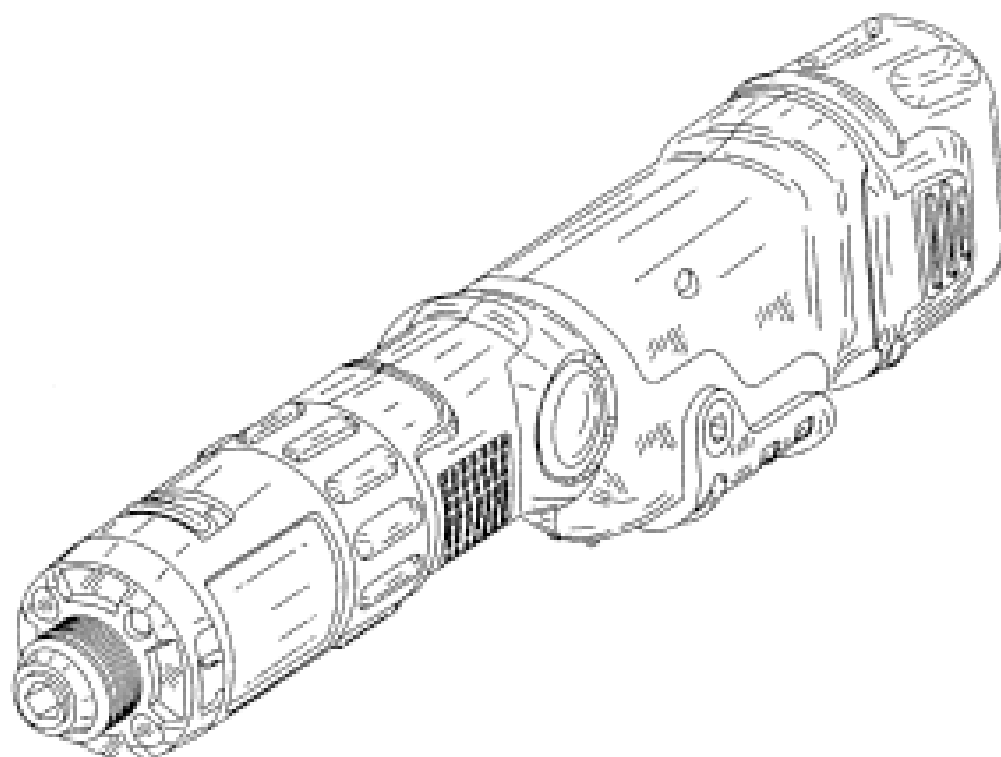


- (21) Design Number: **11663/2005**
- (22) Date of Filing Application: **22 April 2005**
- (24) Date from which industrial property rights may have effect: **22 April 2005**
- (54) Product in respect of which the design is registered: **A handheld cordless screwdriver**
- (51) International Design Classification: **08-04**
- (71) Name(s) and Address(s) of Applicant(s):
Black & Decker, Inc.
1207 Drummond Plaza Newark Delaware 19711 United States of America
- (72) Name(s) of Designer(s): **Sion Netzler**
- (45) Registration Date: **24 October 2005**
- (30) Convention priority data:

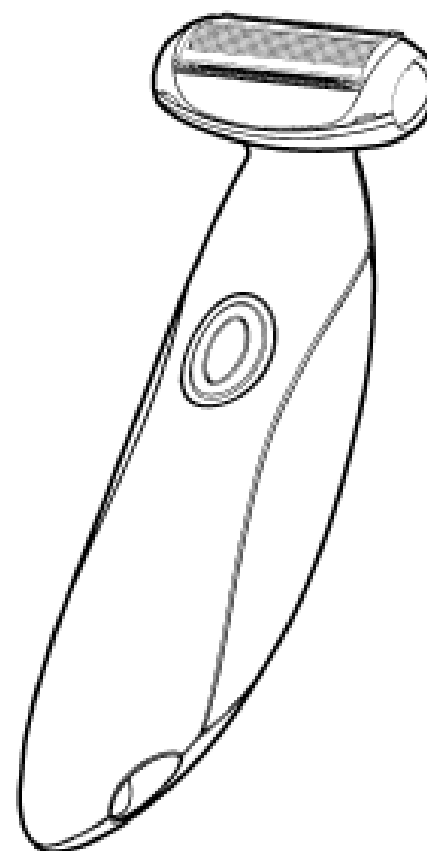
(31) Number	(32) Date	(33) Country
000255641	19 Nov 2004	EUROPEAN COMMUNITY
- (56) Related Art Documents: **Not Applicable**
- (57) Statement of Newness and Distinctiveness: **Nil**



- (21) Design Number: **11664/2005**
(22) Date of Filing Application: **22 April 2005**
(24) Date from which industrial property rights may have effect: **22 April 2005**
(54) Product in respect of which the design is registered: **A handheld cordless screwdriver**
(51) International Design Classification: **08-04**
(71) Name(s) and Address(s) of Applicant(s):
Black & Decker, Inc.
1207 Drummond Plaza Newark Delaware 19711 United States of America
(72) Name(s) of Designer(s): **Sion Netzler**
(45) Registration Date: **24 October 2005**
(30) Convention priority data:
(31) Number (32) Date (33) Country
000255641 19 Nov 2004 EUROPEAN COMMUNITY
(56) Related Art Documents: **Not Applicable**
(57) Statement of Newness and Distinctiveness: **Nil**



- (21) Design Number: **11666/2005**
(22) Date of Filing Application: **26 April 2005**
(24) Date from which industrial property rights may have effect: **26 April 2005**
(54) Product in respect of which the design is registered: **Total body shaver**
(51) International Design Classification: **28-03A**
(71) Name(s) and Address(s) of Applicant(s):
Koninklijke Philips Electronics N.V.
Groenwoudseweg 1 5621 BA Eindhoven The Netherlands
(72) Name(s) of Designer(s): **Dean Butcher**
(45) Registration Date: **24 October 2005**
(30) Convention priority data:
(31) Number (32) Date (33) Country
000255492-0001 17 Nov 2004 EUROPEAN COMMUNITY
(56) Related Art Documents: **Not Applicable**
(57) Statement of Newness and Distinctiveness: **Each feature of the design considered separately or in combination with any other feature or features.**



- (21) Design Number: **11668/2005**
(22) Date of Filing Application: **26 April 2005**
(24) Date from which industrial property rights may have effect: **12 December 2003**
(54) Product in respect of which the design is registered: **Packaging carton**
(51) International Design Classification: **09-03L, 09-03M**
(71) Name(s) and Address(s) of Applicant(s):

Elopak Systems A.G.
Cherstrasse 4 Postfach CH-8152 Glattbrugg Switzerland

(72) Name(s) of Designer(s): **Arne Nicolay Mohn**

(45) Registration Date: **24 October 2005**

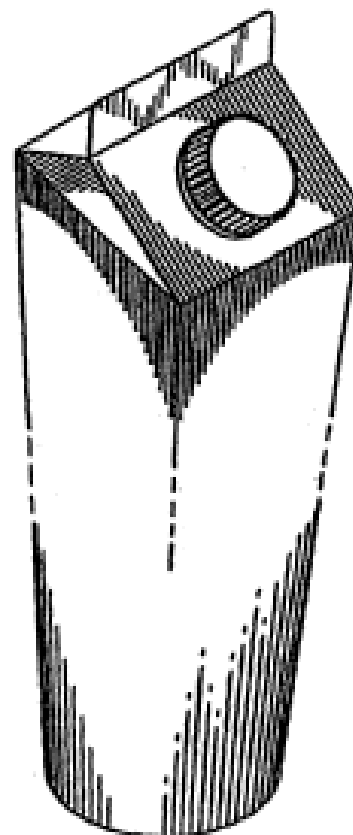
(30) Convention priority data:

(31) Number	(32) Date	(33) Country
40126	12 Jun 2003	EUROPEAN COMMUNITY

(62) Divisional of: **158196**

(56) Related Art Documents: **Not Applicable**

(57) Statement of Newness and Distinctiveness: **When considering the extent of newness and distinctiveness in the packaging carton, the length of the packaging carton is to be disregarded.**



- (21) Design Number: **11669/2005**
(22) Date of Filing Application: **26 April 2005**
(24) Date from which industrial property rights may have effect: **26 April 2005**
(54) Product in respect of which the design is registered: **Air cleaner housing**
(51) International Design Classification: **23-04**
(71) Name(s) and Address(s) of Applicant(s):

Briggs & Stratton Corporation
12301 West Wirth Street Wauwatosa Wisconsin 53222 United States of America

(72) Name(s) of Designer(s): **Kurt J. Schmitt and Paul D. Kluck and Kip Stevens and Richard C. Geisheker**

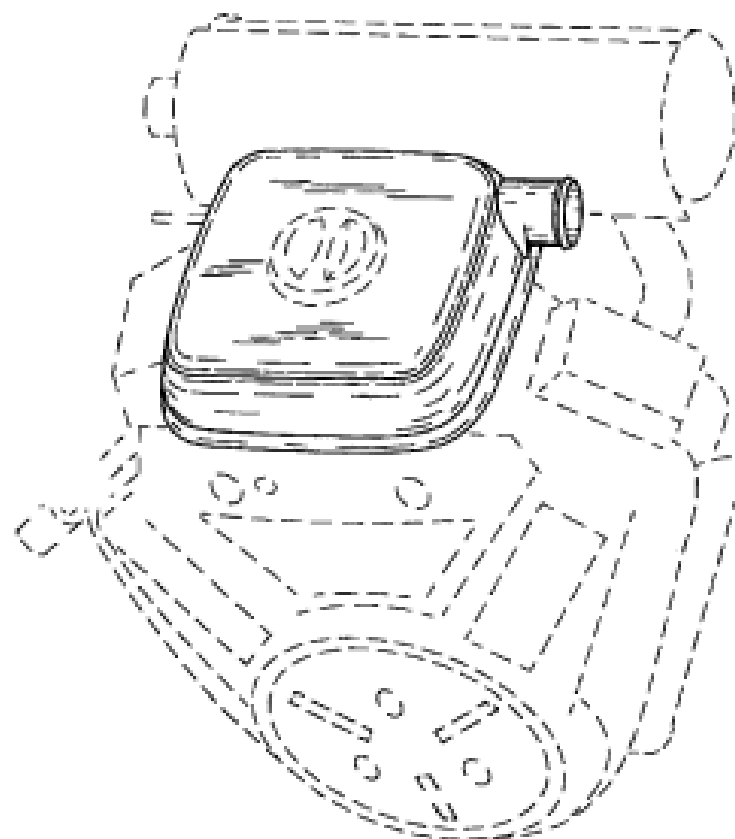
(45) Registration Date: **24 October 2005**

(30) Convention priority data:

(31) Number	(32) Date	(33) Country
29/216,562	04 Nov 2004	UNITED STATES OF AMERICA

(56) Related Art Documents: **Not Applicable**

(57) Statement of Newness and Distinctiveness: **Newness and distinctiveness are provided by the shape and/or configuration of the design shown in the representations. The features shown in broken lines in the representations are for illustrative purposes only and should not be considered when construing visual features of the design.**



(19) AU

(21) Design Number: 11670/2005

(22) Date of Filing Application: 26 April 2005

(24) Date from which industrial property rights may have effect: 26 April 2005

(54) Product in respect of which the design is registered: Engine shroud

(51) International Design Classification: 15-01

(71) Name(s) and Address(s) of Applicant(s):

Briggs & Stratton Corporation
12301 West Wirth Street Wauwatosa Wisconsin 53222 United States of America

(72) Name(s) of Designer(s): Richard C. Geisheker and Charles J. Hofmann

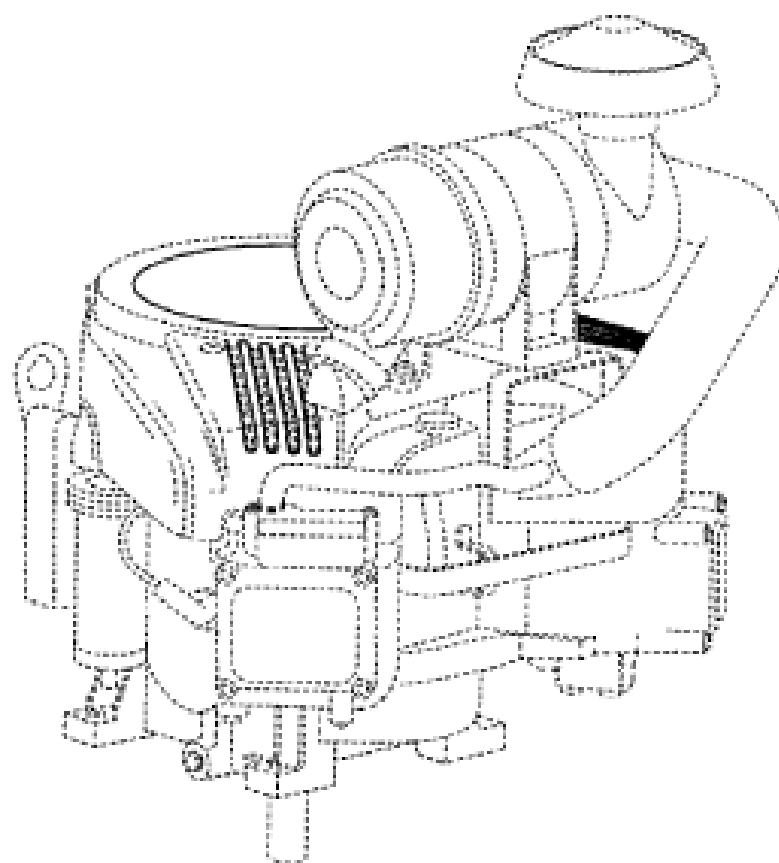
(45) Registration Date: 24 October 2005

(30) Convention priority data:

(31) Number	(32) Date	(33) Country
29/216,565	04 Nov 2004	UNITED STATES OF AMERICA

(56) Related Art Documents: Not Applicable

(57) Statement of Newness and Distinctiveness: **Newness and distinctiveness are provided by the shape and/or configuration of the design shown in the representations. The features shown in broken lines in the representations are for illustrative purposes only and should not be considered when construing visual features of the design.**



(19) AU

(21) Design Number: 11671/2005

(22) Date of Filing Application: 26 April 2005

(24) Date from which industrial property rights may have effect: 26 April 2005

(54) Product in respect of which the design is registered: Lockbox

(51) International Design Classification: 06-04B

(71) Name(s) and Address(s) of Applicant(s):

Master Lock Company
137 West Forest Avenue PO Box 927 Oak Creek Wisconsin 53154 United States of America

(72) Name(s) of Designer(s): Mark Van Handel

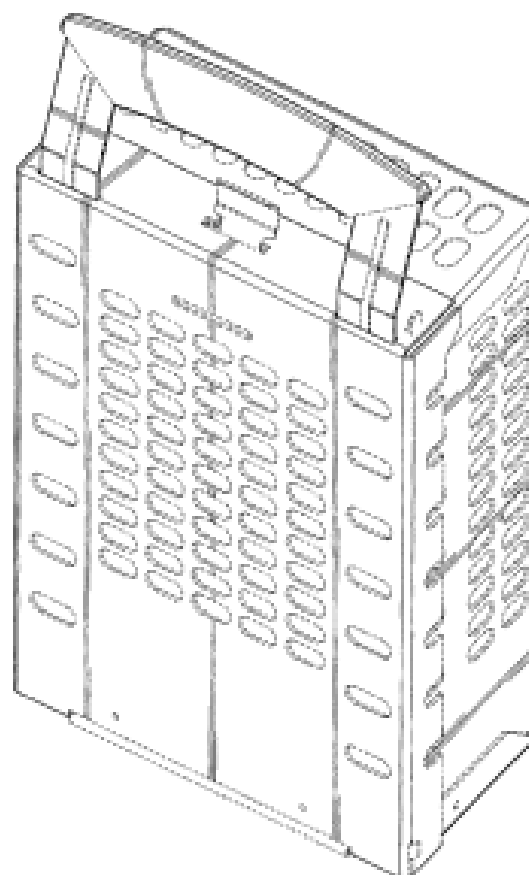
(45) Registration Date: 24 October 2005

(30) Convention priority data:

(31) Number	(32) Date	(33) Country
29/216,170	29 Oct 2004	UNITED STATES OF AMERICA

(56) Related Art Documents: Not Applicable

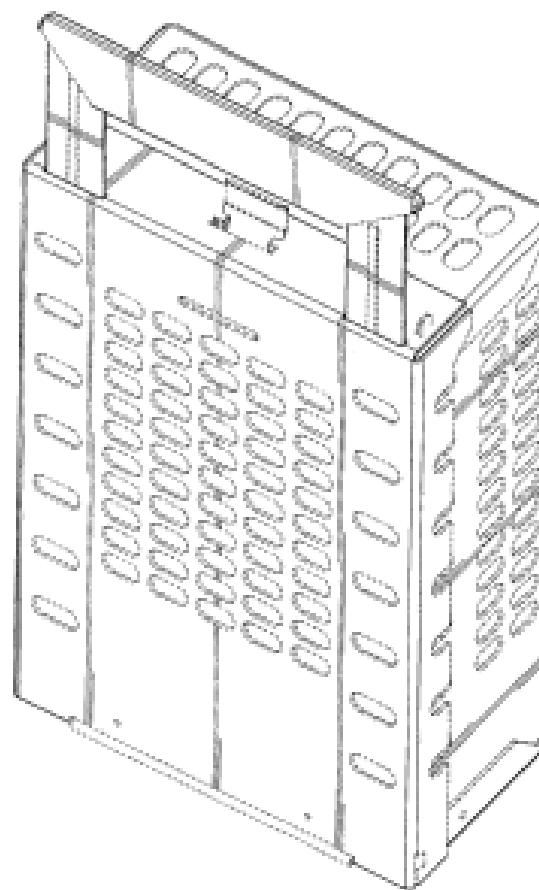
(57) Statement of Newness and Distinctiveness: **Newness and distinctiveness are provided by the shape and/or configuration of the design shown in the representations. The features shown in broken lines in the representations are for illustrative purposes only and should not be considered when construing visual features of the design.**



(19) AU

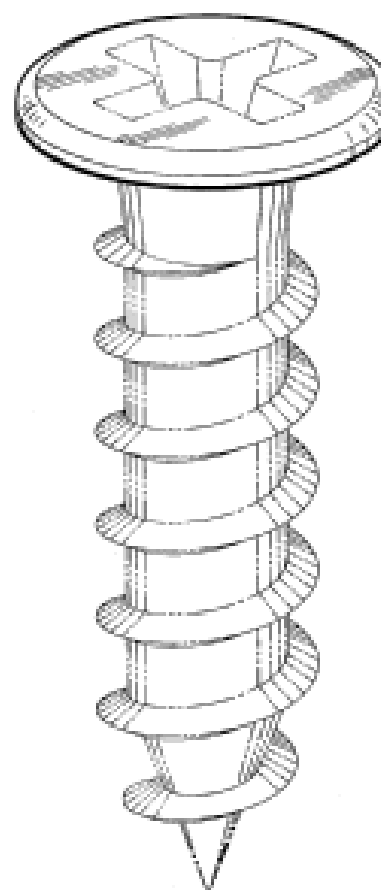
- (21) Design Number: **11672/2005**
- (22) Date of Filing Application: **26 April 2005**
- (24) Date from which industrial property rights may have effect: **26 April 2005**
- (54) Product in respect of which the design is registered: **Lockbox**
- (51) International Design Classification: **06-04B**
- (71) Name(s) and Address(s) of Applicant(s):
Master Lock Company
137 West Forest Avenue PO Box 927 Oak Creek Wisconsin 53154
United States of America
- (72) Name(s) of Designer(s): **Mark Van Handel**
- (45) Registration Date: **24 October 2005**
- (30) Convention priority data:

(31) Number	(32) Date	(33) Country
29/216,170	29 Oct 2004	UNITED STATES OF AMERICA
- (56) Related Art Documents: **Not Applicable**
- (57) Statement of Newness and Distinctiveness: **Newness and distinctiveness are provided by the shape and/or configuration of the design shown in the representations. The features shown in broken lines in the representations are for illustrative purposes only and should not be considered when construing visual features of the design.**



(19) AU

- (21) Design Number: **13380/2005**
- (22) Date of Filing Application: **09 August 2005**
- (24) Date from which industrial property rights may have effect: **09 August 2005**
- (54) Product in respect of which the design is registered: **Flat top fastener**
- (51) International Design Classification: **08-08B**
- (71) Name(s) and Address(s) of Applicant(s):
Powers Fasteners Australasia Pty Ltd
Factory 3 205 Abbots Road Dandenong South Victoria 3175 Australia
- (72) Name(s) of Designer(s): **Mark Baker**
- (45) Registration Date: **24 October 2005**
- (56) Related Art Documents: **Not Applicable**
- (57) Statement of Newness and Distinctiveness: **Each feature of the design considered separately or in combination with any other feature or features as shown in the accompanying representation where the drive configuration shown in phantom is to be disregarded.**



(21) Design Number: **10077/2005**

(22) Date of Filing Application: **13 January 2005**

(24) Date from which industrial property rights may have effect: **13 January 2005**

(54) Product in respect of which the design is registered: **Container and cap**

(51) International Design Classification: **09-01G**

(71) Name(s) and Address(s) of Applicant(s):

**Colgate-Palmolive Company
300 Park Avenue New York New York 10022 United States of America**

(72) Name(s) of Designer(s): **Bruce Cummings and Werner Ludewigs**

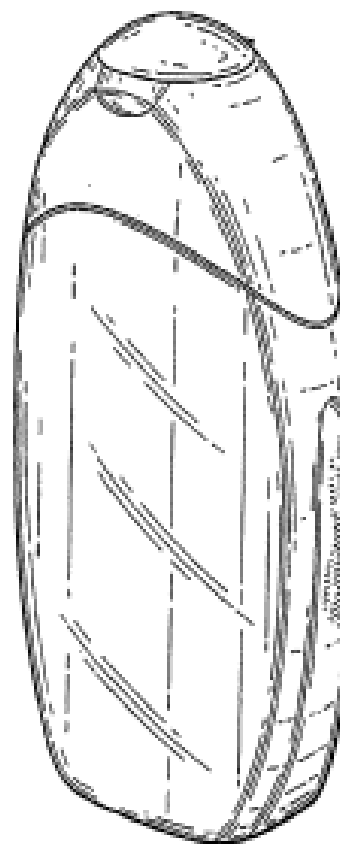
(45) Registration Date: **25 October 2005**

(30) Convention priority data:

(31) Number	(32) Date	(33) Country
29/209811	22 Jul 2004	UNITED STATES OF AMERICA

(56) Related Art Documents: **Not Applicable**

(57) Statement of Newness and Distinctiveness: **The features of shape and configuration of the design considered separately or in combination.**



(21) Design Number: **14383/2005**

(22) Date of Filing Application: **13 January 2005**

(24) Date from which industrial property rights may have effect: **13 January 2005**

(54) Product in respect of which the design is registered: **Container and cap**

(51) International Design Classification: **09-01G**

(71) Name(s) and Address(s) of Applicant(s):

**Colgate-Palmolive Company
300 Park Avenue New York New York 10022 United States of America**

(72) Name(s) of Designer(s): **Bruce Cummings and Werner Ludewigs**

(45) Registration Date: **25 October 2005**

(30) Convention priority data:

(31) Number	(32) Date	(33) Country
29/209811	22 Jul 2004	UNITED STATES OF AMERICA

(56) Related Art Documents: **Not Applicable**

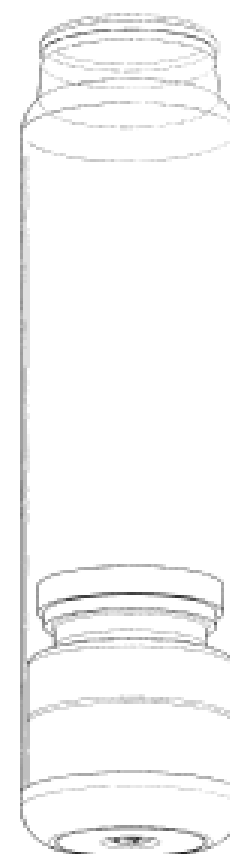
(57) Statement of Newness and Distinctiveness: **The features of shape and configuration of the design considered separately or in combination.**



(21) Design Number: **10279/2005**
(22) Date of Filing Application: **25 January 2005**
(24) Date from which industrial property rights may have effect: **25 January 2005**
(54) Product in respect of which the design is registered: **Container**
(51) International Design Classification: **09-01NES**
(71) Name(s) and Address(s) of Applicant(s):
Intelligent Packaging Systems Group S.A.
Les Jonquilles 46 Route de la Fin CH-1874 Champéry Switzerland
(72) Name(s) of Designer(s): **J.H.J.M Kelders and R.E. van Swieten**
(45) Registration Date: **25 October 2005**
(30) Convention priority data:
(31) Number (32) Date (33) Country
000209150-0001 30 Jul 2004 EUROPEAN COMMUNITY
(56) Related Art Documents: **Not Applicable**
(57) Statement of Newness and Distinctiveness: **Nil**



(21) Design Number: **10280/2005**
(22) Date of Filing Application: **25 January 2005**
(24) Date from which industrial property rights may have effect: **25 January 2005**
(54) Product in respect of which the design is registered: **Container**
(51) International Design Classification: **09-01NES**
(71) Name(s) and Address(s) of Applicant(s):
Intelligent Packaging Systems Group S.A.
Les Jonquilles 46 Route de la Fin CH-1874 Champéry Switzerland
(72) Name(s) of Designer(s): **J.H.J.M Kelders and R.E. van Swieten**
(45) Registration Date: **25 October 2005**
(30) Convention priority data:
(31) Number (32) Date (33) Country
000209150-0001 30 Jul 2004 EUROPEAN COMMUNITY
(56) Related Art Documents: **Not Applicable**
(57) Statement of Newness and Distinctiveness: **Nil**



(21) Design Number: **10492/2005**
(22) Date of Filing Application: **06 February 2005**
(24) Date from which industrial property rights may have effect: **20 October 2003**
(54) Product in respect of which the design is registered: **Flexible arm**
(51) International Design Classification: **24-01, 28-02**
(71) Name(s) and Address(s) of Applicant(s):

MDE Medizintechnik G.m.b.H.
PO Box 1016 CH-8201 Schaffhausen Switzerland

(72) Name(s) of Designer(s): **Eric Lansohn**

(45) Registration Date: **25 October 2005**

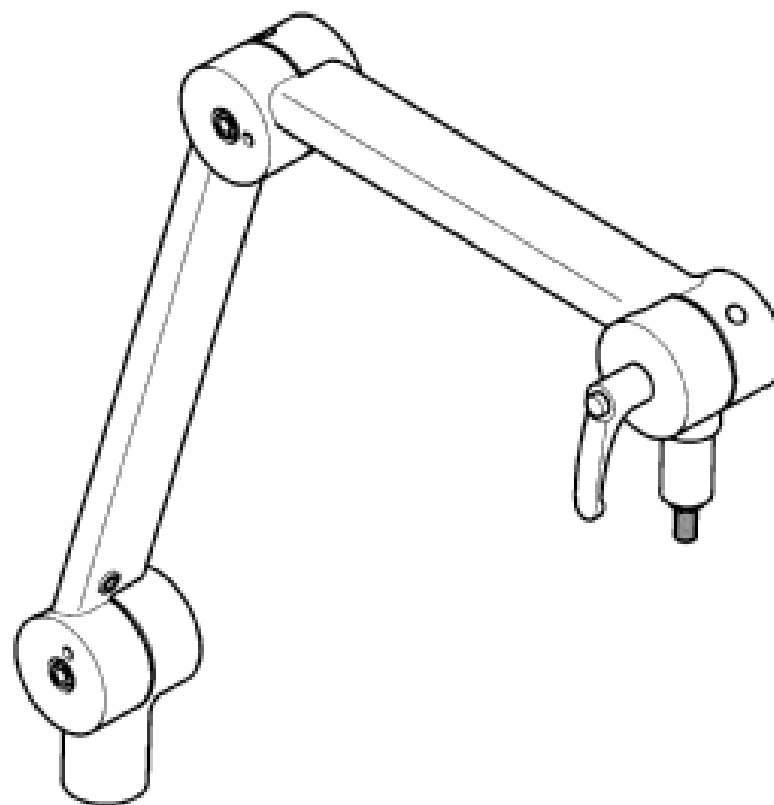
(30) Convention priority data:

(31) Number	(32) Date	(33) Country
129673	19 Apr 2003	SWITZERLAND

(62) Divisional of: **158169**

(56) Related Art Documents: **Not Applicable**

(57) Statement of Newness and Distinctiveness: **Nil**



(21) Design Number: **10494/2005**
(22) Date of Filing Application: **06 February 2005**
(24) Date from which industrial property rights may have effect: **20 October 2003**
(54) Product in respect of which the design is registered: **Therapy applicator head**
(51) International Design Classification: **24-01, 28-02**
(71) Name(s) and Address(s) of Applicant(s):

MDE Medizintechnik G.m.b.H.
PO Box 1016 CH-8201 Schaffhausen Switzerland

(72) Name(s) of Designer(s): **Eric Lansohn**

(45) Registration Date: **25 October 2005**

(30) Convention priority data:

(31) Number	(32) Date	(33) Country
129673	19 Apr 2003	SWITZERLAND

(62) Divisional of: **158169**

(56) Related Art Documents: **Not Applicable**

(57) Statement of Newness and Distinctiveness: **Nil**



(21) Design Number: **10495/2005**
(22) Date of Filing Application: **06 February 2005**
(24) Date from which industrial property rights may have effect: **20 October 2003**
(54) Product in respect of which the design is registered: **Therapy emitter head**
(51) International Design Classification: **24-01, 28-02**
(71) Name(s) and Address(s) of Applicant(s):

MDE Medizintechnik G.m.b.H.
PO Box 1016 CH-8201 Schaffhausen Switzerland

(72) Name(s) of Designer(s): **Eric Lansohn**

(45) Registration Date: **25 October 2005**

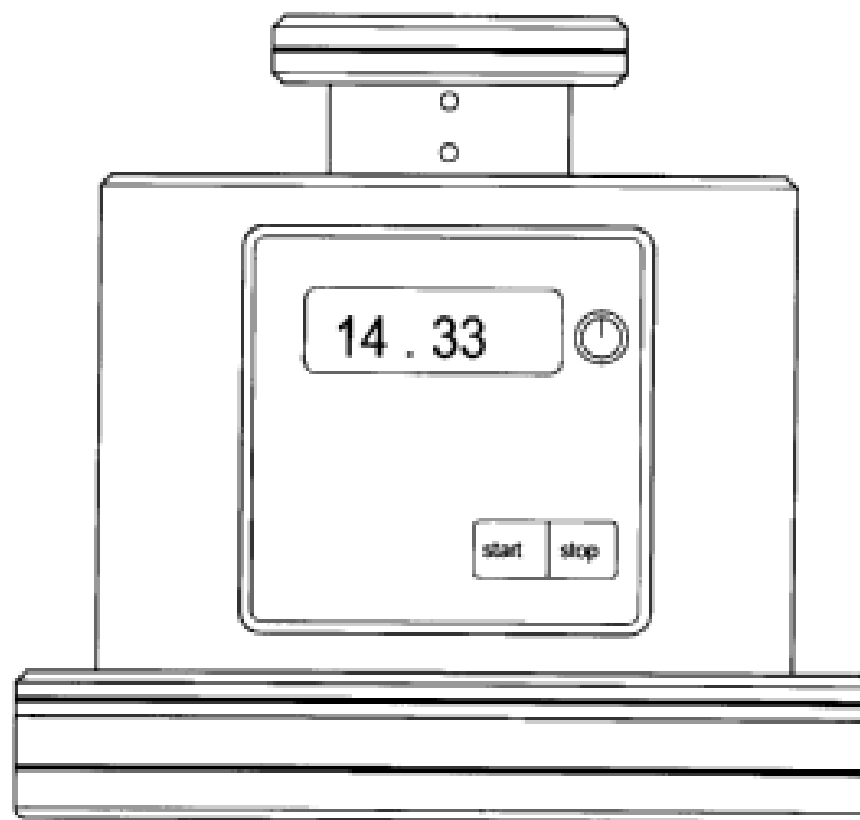
(30) Convention priority data:

(31) Number	(32) Date	(33) Country
129673	19 Apr 2003	SWITZERLAND

(62) Divisional of: **158169**

(56) Related Art Documents: **Not Applicable**

(57) Statement of Newness and Distinctiveness: **Nil**



(21) Design Number: **11377/2005**
(22) Date of Filing Application: **06 April 2005**
(24) Date from which industrial property rights may have effect: **06 April 2005**
(54) Product in respect of which the design is registered: **Vehicle seat belt buckle guard**

(51) International Design Classification: **29-02**

(71) Name(s) and Address(s) of Applicant(s):

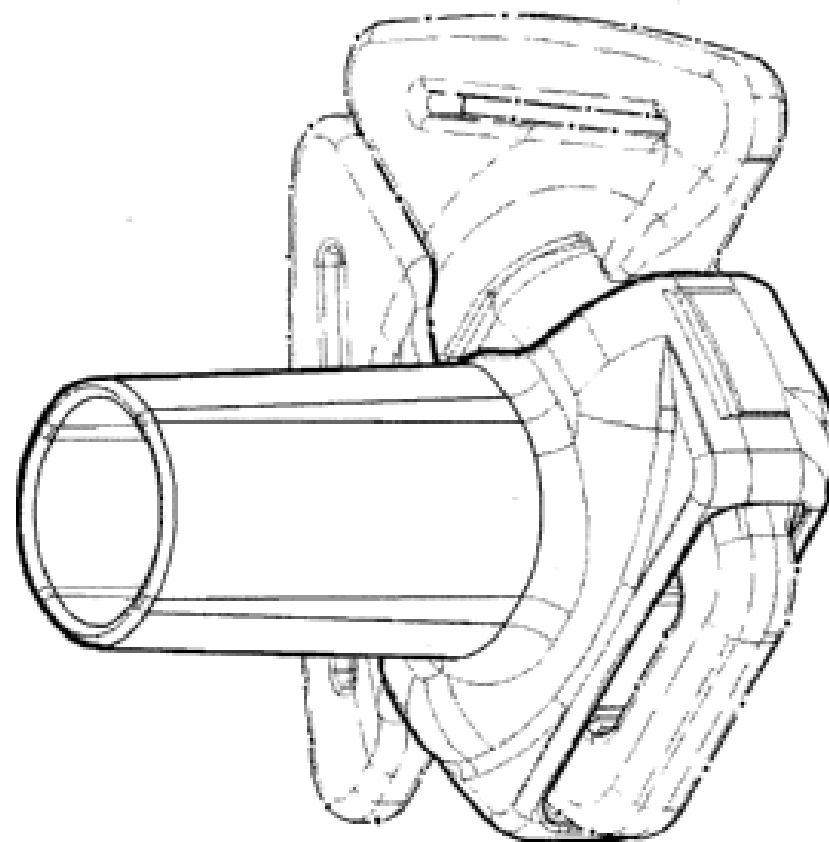
Charles Portelli
2B Kerferd Street Hampton Victoria 3188 Australia

(72) Name(s) of Designer(s): **Charles Portelli**

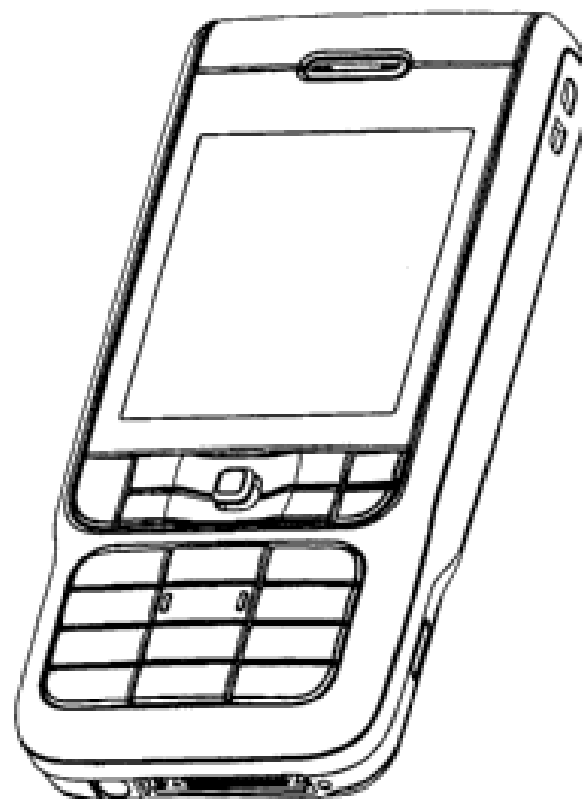
(45) Registration Date: **25 October 2005**

(56) Related Art Documents: **Not Applicable**

(57) Statement of Newness and Distinctiveness: **Nil**



(21) Design Number: **11673/2005**
(22) Date of Filing Application: **26 April 2005**
(24) Date from which industrial property rights may have effect: **26 April 2005**
(54) Product in respect of which the design is registered: **A handset**
(51) International Design Classification: **14-03E**
(71) Name(s) and Address(s) of Applicant(s):
Nokia Corporation
Keilalahdentie 4 FIN-02150 Espoo Finland
(72) Name(s) of Designer(s): **Duncan Burns**
(45) Registration Date: **25 October 2005**
(30) Convention priority data:
(31) Number (32) Date (33) Country
29216098 28 Oct 2004 UNITED STATES OF AMERICA
(56) Related Art Documents: **Not Applicable**
(57) Statement of Newness and Distinctiveness: **Nil**



(21) Design Number: **11761/2005**
(22) Date of Filing Application: **27 April 2005**
(24) Date from which industrial property rights may have effect: **27 April 2005**
(54) Product in respect of which the design is registered: **A handset**
(51) International Design Classification: **14-03E**
(71) Name(s) and Address(s) of Applicant(s):
Nokia Corporation
Keilalahdentie 4 FIN-02150 Espoo Finland
(72) Name(s) of Designer(s): **Anton Fahlgren**
(45) Registration Date: **25 October 2005**
(30) Convention priority data:
(31) Number (32) Date (33) Country
M20040171 29 Oct 2004 FINLAND
(56) Related Art Documents: **Not Applicable**
(57) Statement of Newness and Distinctiveness: **Nil**



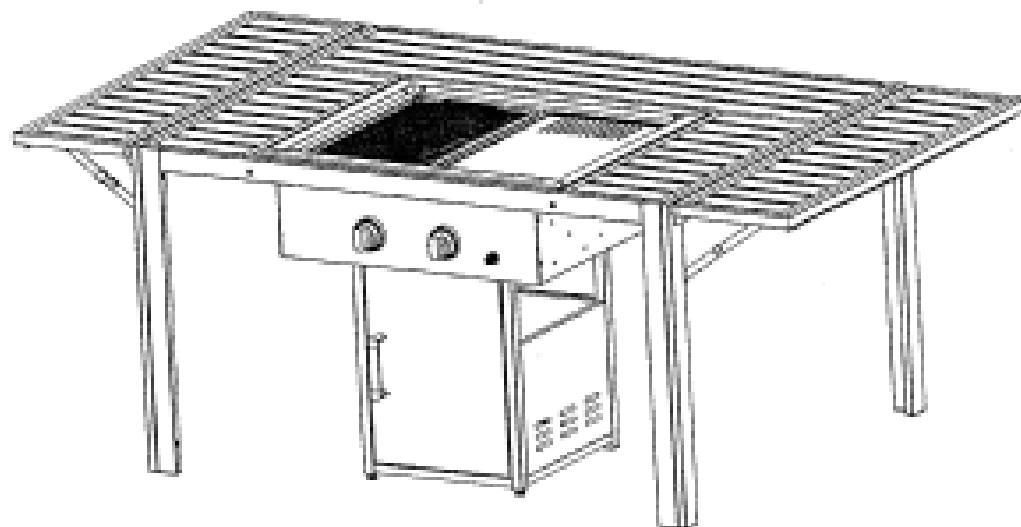
(19) AU

- (21) Design Number: **11762/2005**
(22) Date of Filing Application: **27 April 2005**
(24) Date from which industrial property rights may have effect: **27 April 2005**
(54) Product in respect of which the design is registered: **A front cover for a handset**
(51) International Design Classification: **14-03A**
(71) Name(s) and Address(s) of Applicant(s):
Nokia Corporation
Keilalahdentie 4 FIN-02150 Espoo Finland
(72) Name(s) of Designer(s): **Anton Fahlgren**
(45) Registration Date: **25 October 2005**
(30) Convention priority data:
(31) Number (32) Date (33) Country
M20040171 29 Oct 2004 FINLAND
(56) Related Art Documents: **Not Applicable**
(57) Statement of Newness and Distinctiveness: **Nil**

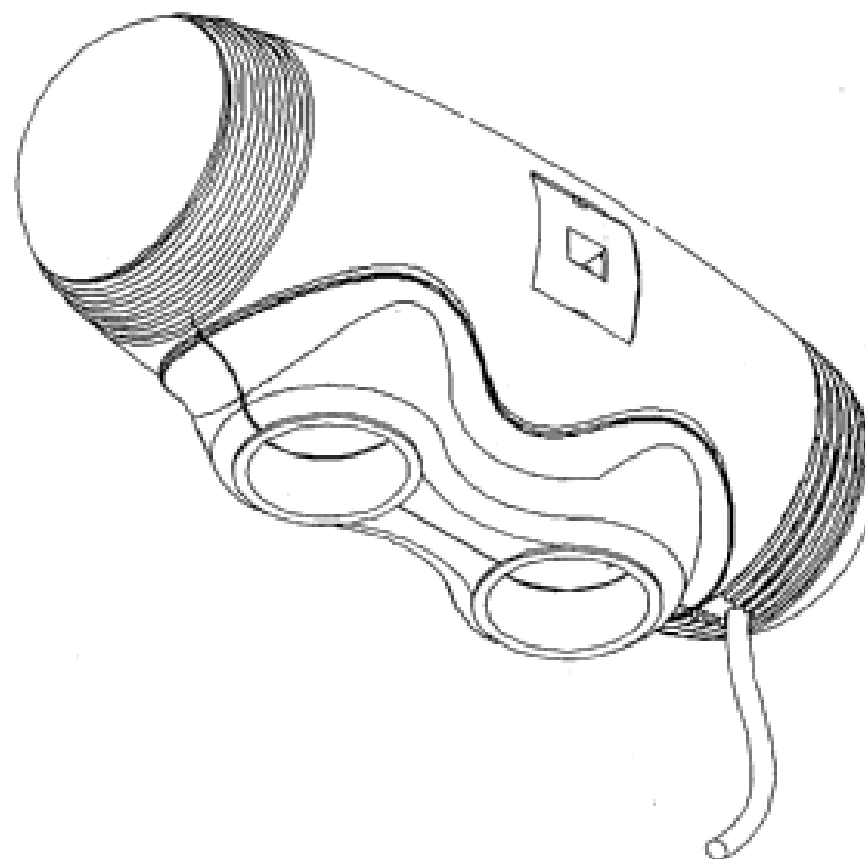


(19) AU

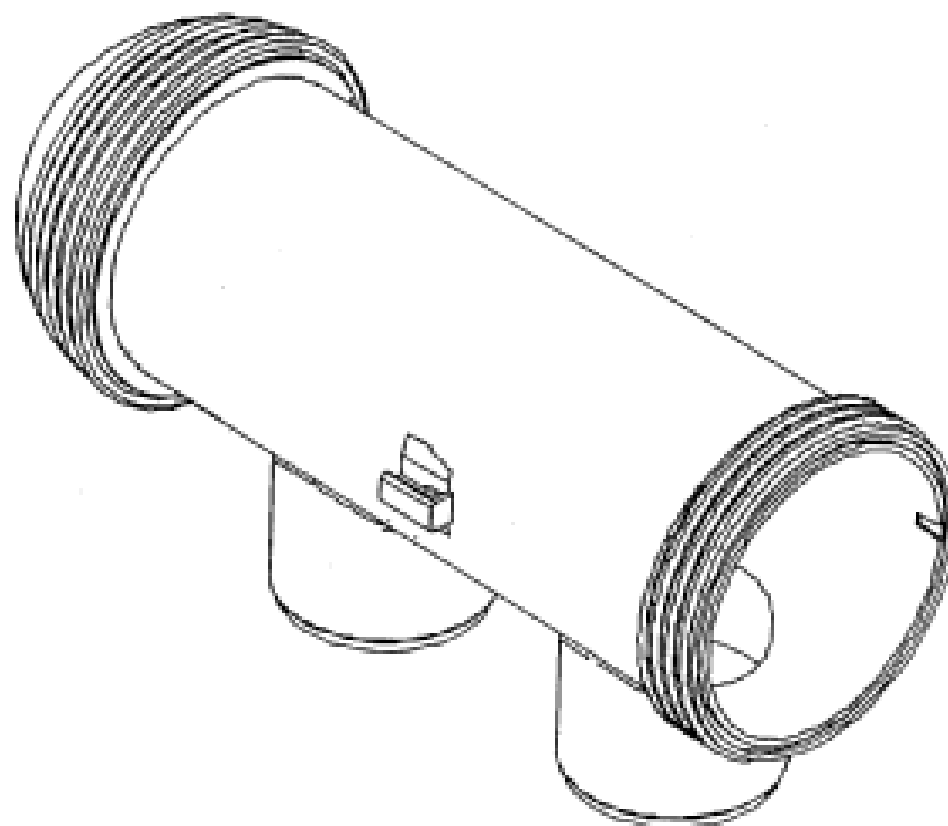
- (21) Design Number: **11771/2005**
(22) Date of Filing Application: **27 April 2005**
(24) Date from which industrial property rights may have effect: **27 April 2005**
(54) Product in respect of which the design is registered: **A barbecue**
(51) International Design Classification: **07-02E**
(71) Name(s) and Address(s) of Applicant(s):
Test Rite International (Australia) Pty Ltd
Unit 1 10 Anella Avenue Castle Hill New South Wales 2154 Australia
(72) Name(s) of Designer(s): **I. Shun Lin and Chiu Meng (Jackie) Tseng**
(45) Registration Date: **25 October 2005**
(56) Related Art Documents: **Not Applicable**
(57) Statement of Newness and Distinctiveness: **Newness and distinctiveness resides in the shape and/or configuration of a barbecue as illustrated in the accompanying drawings.**



(21) Design Number: **11773/2005**
 (22) Date of Filing Application: **27 April 2005**
 (24) Date from which industrial property rights may have effect: **27 April 2005**
 (54) Product in respect of which the design is registered: **Chlorinator**
 (51) International Design Classification: **23-01NES**
 (71) Name(s) and Address(s) of Applicant(s):
Zodiac Pool Care, Inc.
2028 N.W. 25th Avenue Pompano Beach Florida 33069 United States of America
 (72) Name(s) of Designer(s): **Raymond Albert Hin and Peter Baden Farrer and Gary Andrew Kennedy**
 (45) Registration Date: **25 October 2005**
 (30) Convention priority data:
 (31) Number (32) Date (33) Country
29/216162 29 Oct 2004 UNITED STATES OF AMERICA
 (56) Related Art Documents: **Not Applicable**
 (57) Statement of Newness and Distinctiveness: **Newness and distinctiveness is claimed in the features of shape and/or configuration of a chlorinator as illustrated in the accompanying representations.**



(21) Design Number: **11774/2005**
 (22) Date of Filing Application: **27 April 2005**
 (24) Date from which industrial property rights may have effect: **27 April 2005**
 (54) Product in respect of which the design is registered: **Indicator**
 (51) International Design Classification: **23-01NES**
 (71) Name(s) and Address(s) of Applicant(s):
Zodiac Pool Care, Inc.
2028 N.W. 25th Avenue Pompano Beach Florida 33069 United States of America
 (72) Name(s) of Designer(s): **Raymond Albert Hin and Peter Baden Farrer and Gary Andrew Kennedy**
 (45) Registration Date: **25 October 2005**
 (30) Convention priority data:
 (31) Number (32) Date (33) Country
29/216258 29 Oct 2004 UNITED STATES OF AMERICA
 (56) Related Art Documents: **Not Applicable**
 (57) Statement of Newness and Distinctiveness: **Newness and distinctiveness is claimed in the features of shape and/or configuration of an indicator as illustrated in the accompanying representations.**



(21) Design Number: **11780/2005**

(22) Date of Filing Application: **28 April 2005**

(24) Date from which industrial property rights may have effect: **28 April 2005**

(54) Product in respect of which the design is registered: **Microwave oven**

(51) International Design Classification: **07-02B**

(71) Name(s) and Address(s) of Applicant(s):

LG Electronics Inc.

20 Yoido-dong Youngdungpo-gu Seoul 150-721 Republic of Korea

(72) Name(s) of Designer(s): **Mun Woo Lee and Hyun Jung Hwang**

(45) Registration Date: **25 October 2005**

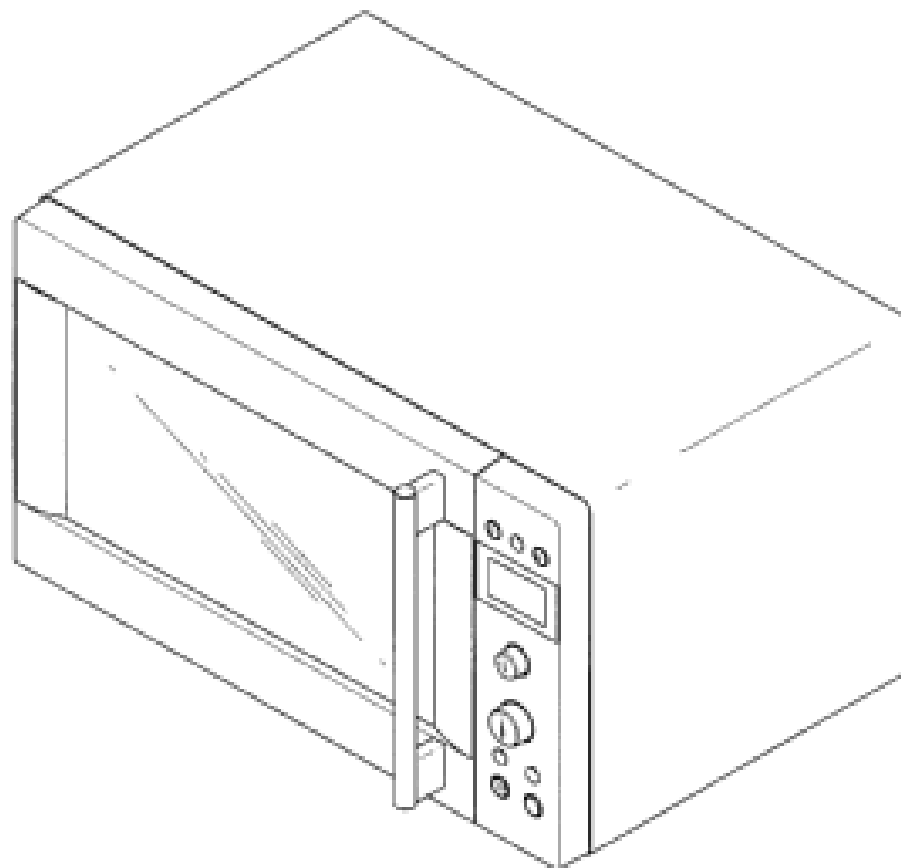
(30) Convention priority data:

(31) Number (32) Date
30-2004-0033231 29 Oct 2004

(33) Country
REPUBLIC OF KOREA

(56) Related Art Documents: **Not Applicable**

(57) Statement of Newness and Distinctiveness: **Newness and distinctiveness in the design as applied to a microwave oven resides in the shape and/or configuration thereof as is illustrated in the accompanying representations.**



(21) Design Number: **11681/2005**

(22) Date of Filing Application: **27 April 2005**

(24) Date from which industrial property rights may have effect: **27 April 2005**

(54) Product in respect of which the design is registered: **Waterstop doorline - an extrusion**

(51) International Design Classification: **25-99**

(71) Name(s) and Address(s) of Applicant(s):

Gleda Pty Ltd

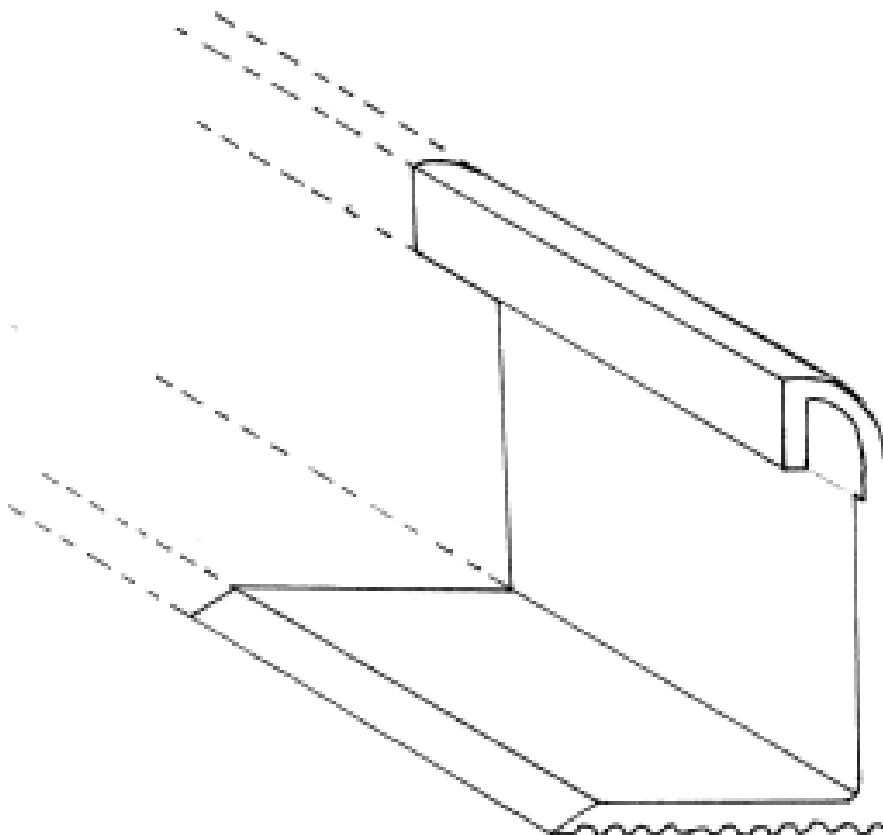
PO Box 258 Lowood Queensland 4311 Australia

(72) Name(s) of Designer(s): **Jason Reid and Glen Cleland**

(45) Registration Date: **25 October 2005**

(56) Related Art Documents: **Not Applicable**

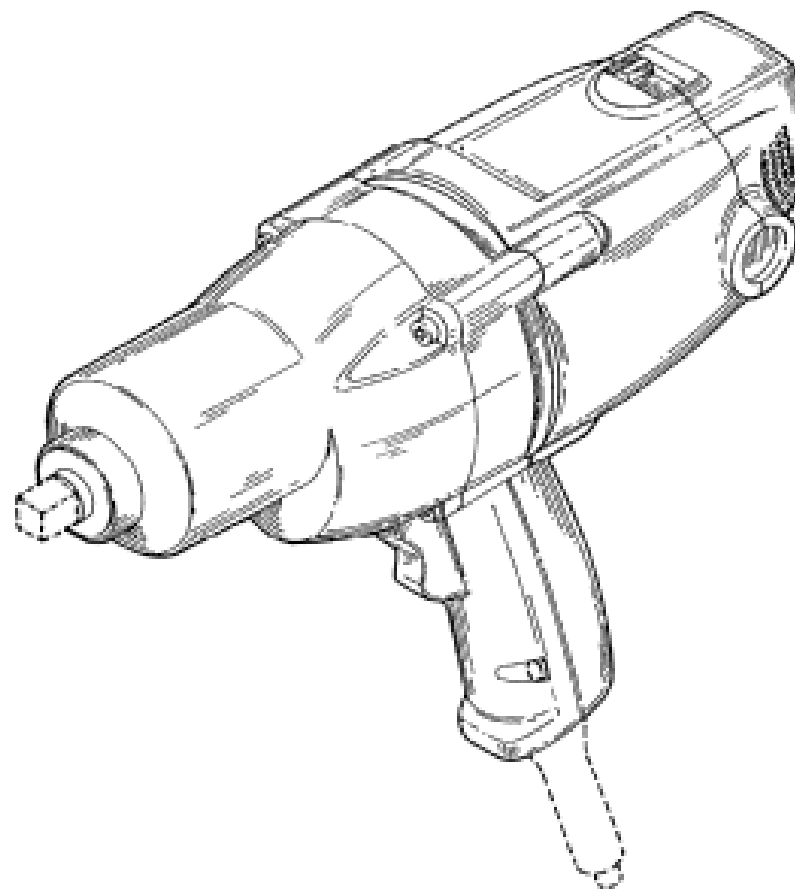
(57) Statement of Newness and Distinctiveness: **Monopoly is claimed in the shape and configuration of an extrusion of indefinite length and constant cross sectional shape as shown in the accompanying representations.**



(21) Design Number: **11688/2005**
 (22) Date of Filing Application: **26 April 2005**
 (24) Date from which industrial property rights may have effect: **26 April 2005**
 (54) Product in respect of which the design is registered: **Impact wrench**
 (51) International Design Classification: **08-05P**
 (71) Name(s) and Address(s) of Applicant(s):
One World Technologies Limited
Cedar House 41 Cedar Avenue Hamilton HM 12 Bermuda
 (72) Name(s) of Designer(s): **Ka Wai Chung and Benjamin J. Thomas**
 (45) Registration Date: **25 October 2005**
 (30) Convention priority data:

(31) Number	(32) Date	(33) Country
29/215,827	26 Oct 2004	UNITED STATES OF AMERICA

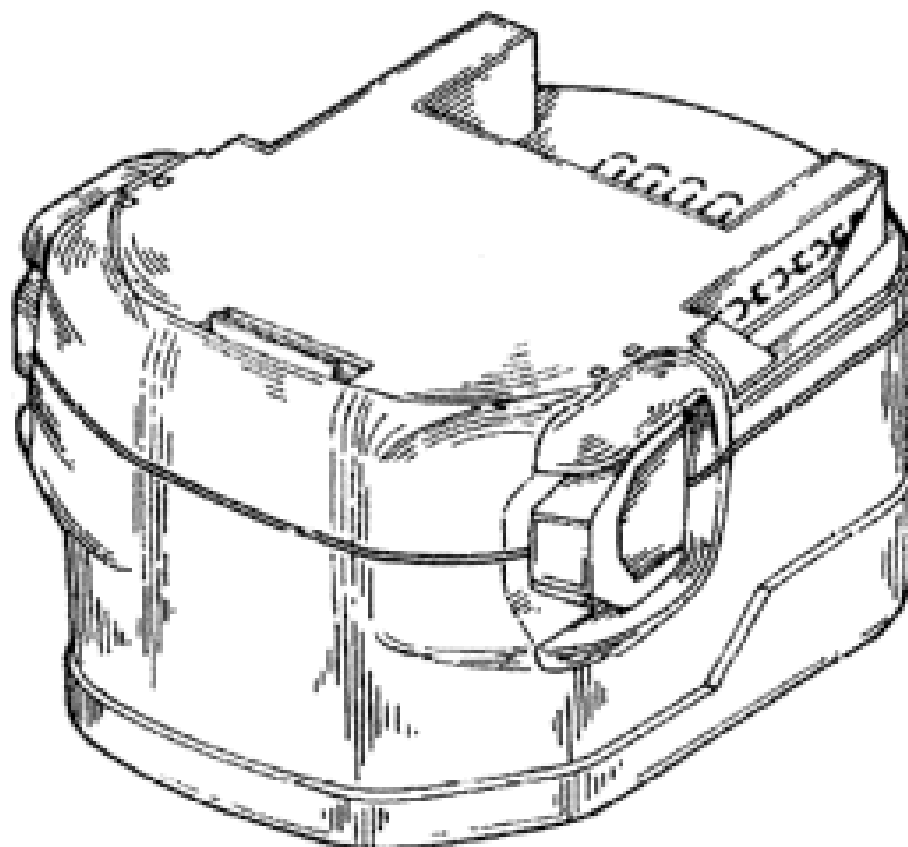
 (56) Related Art Documents: **Not Applicable**
 (57) Statement of Newness and Distinctiveness: **Newness and distinctiveness is claimed in the ornamental design of an impact wrench as shown in the drawings. Any broken lines in the drawings are for illustrative purposes only and form no part of the claimed design.**



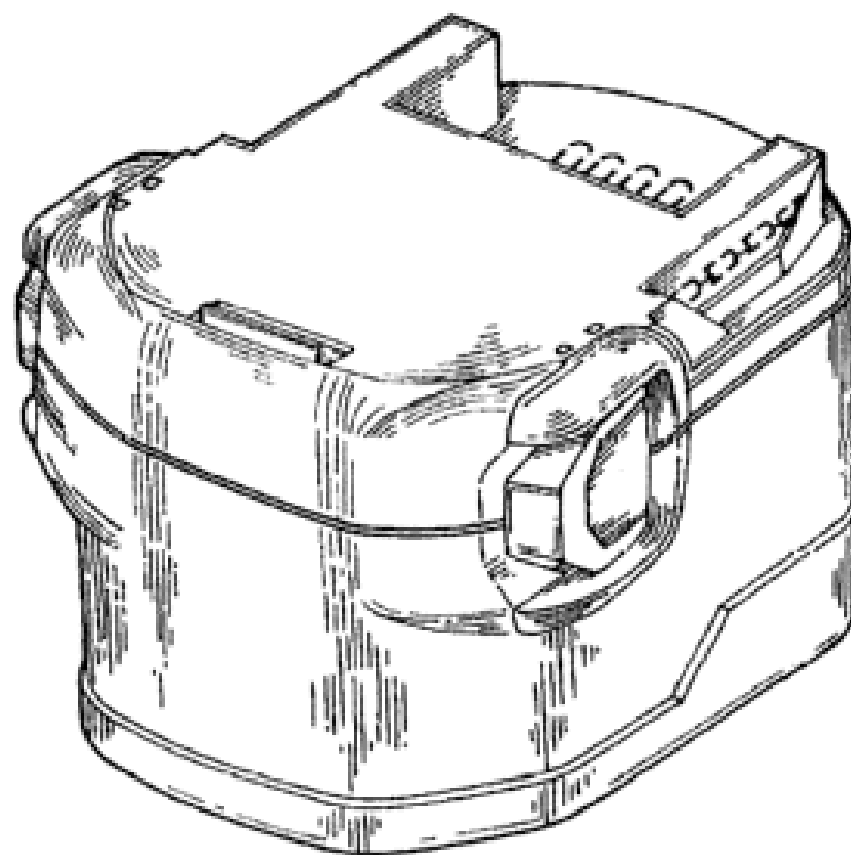
(21) Design Number: **11689/2005**
 (22) Date of Filing Application: **26 April 2005**
 (24) Date from which industrial property rights may have effect: **26 April 2005**
 (54) Product in respect of which the design is registered: **Battery pack**
 (51) International Design Classification: **13-02**
 (71) Name(s) and Address(s) of Applicant(s):
One World Technologies Limited
Cedar House 41 Cedar Avenue Hamilton HM 12 Bermuda
 (72) Name(s) of Designer(s): **Kam Kee Wong and Daniel Alex Chunn and Taku Ohi**
 (45) Registration Date: **25 October 2005**
 (30) Convention priority data:

(31) Number	(32) Date	(33) Country
29/215,834	26 Oct 2004	UNITED STATES OF AMERICA

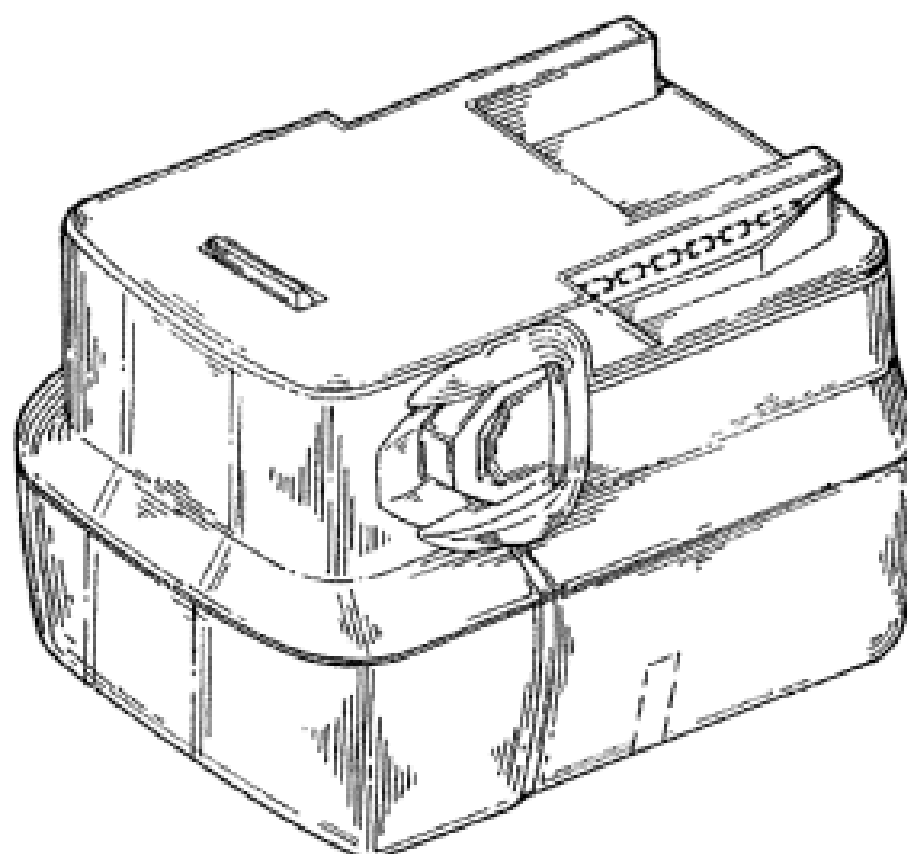
 (56) Related Art Documents: **Not Applicable**
 (57) Statement of Newness and Distinctiveness: **Newness and distinctiveness is claimed in the ornamental design for a battery pack as shown in the drawings. Any broken lines in the drawings are for illustrative purposes only and form no part of the claimed design.**



- (21) Design Number: **11690/2005**
(22) Date of Filing Application: **26 April 2005**
(24) Date from which industrial property rights may have effect: **26 April 2005**
(54) Product in respect of which the design is registered: **Battery pack**
(51) International Design Classification: **13-02**
(71) Name(s) and Address(s) of Applicant(s):
One World Technologies Limited
Cedar House 41 Cedar Avenue Hamilton HM 12 Bermuda
(72) Name(s) of Designer(s): **Kam Kee Wong and Daniel Alex Chunn and Taku Ohi**
(45) Registration Date: **25 October 2005**
(30) Convention priority data:
(31) Number (32) Date (33) Country
29/215,834 26 Oct 2004 UNITED STATES OF AMERICA
(56) Related Art Documents: **Not Applicable**
(57) Statement of Newness and Distinctiveness: **Newness and distinctiveness is claimed in the ornamental design for a battery pack as shown in the drawings. Any broken lines in the drawings are for illustrative purposes only and form no part of the claimed design.**

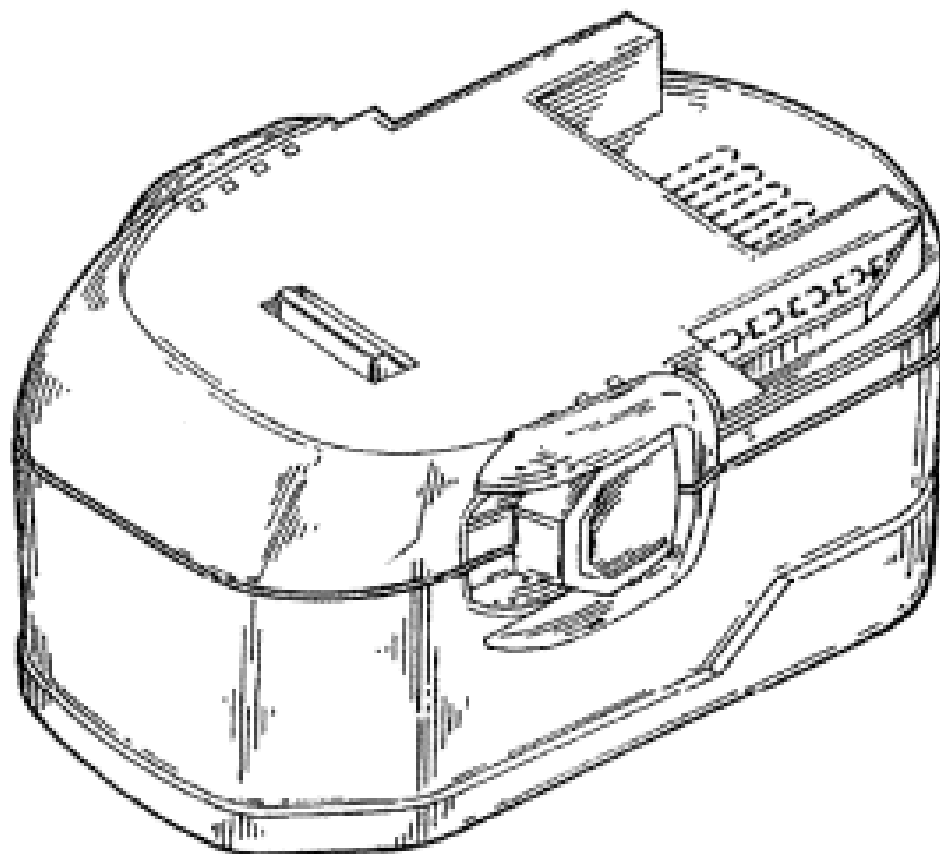


- (21) Design Number: **11691/2005**
(22) Date of Filing Application: **26 April 2005**
(24) Date from which industrial property rights may have effect: **26 April 2005**
(54) Product in respect of which the design is registered: **Battery pack**
(51) International Design Classification: **13-02**
(71) Name(s) and Address(s) of Applicant(s):
One World Technologies Limited
Cedar House 41 Cedar Avenue Hamilton HM 12 Bermuda
(72) Name(s) of Designer(s): **Kam Kee Wong and Daniel Alex Chunn and Taku Ohi**
(45) Registration Date: **25 October 2005**
(30) Convention priority data:
(31) Number (32) Date (33) Country
29/215,834 26 Oct 2004 UNITED STATES OF AMERICA
(56) Related Art Documents: **Not Applicable**
(57) Statement of Newness and Distinctiveness: **Newness and distinctiveness is claimed in the ornamental design for a battery pack as shown in the drawings. Any broken lines in the drawings are for illustrative purposes only and form no part of the claimed design.**



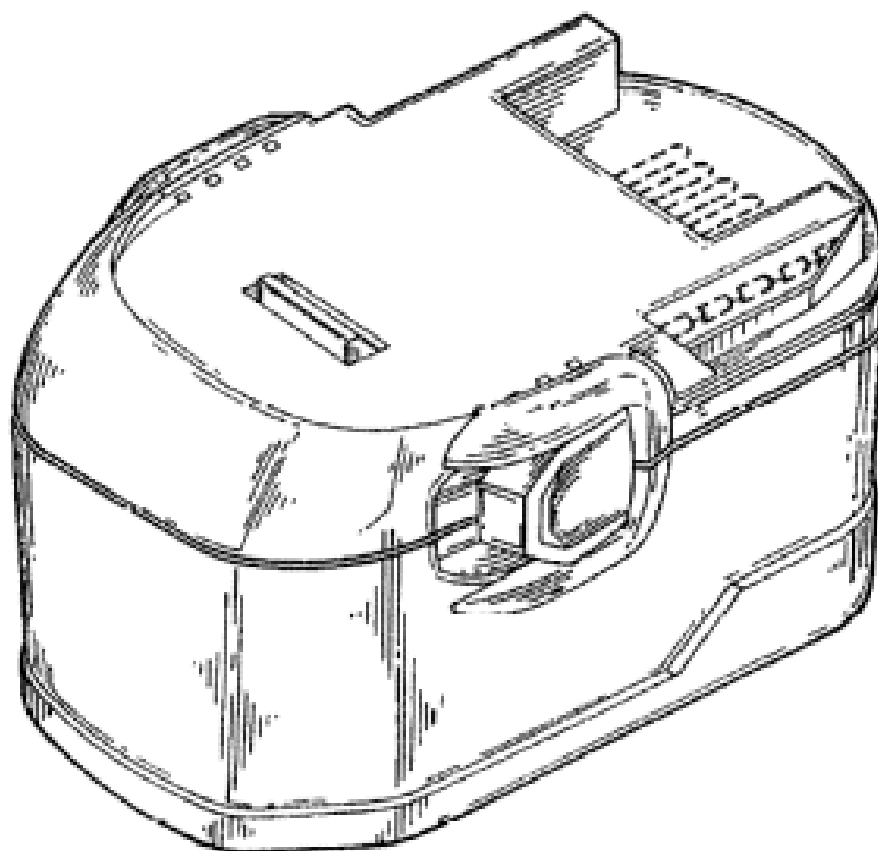
(19) AU

- (21) Design Number: **11692/2005**
(22) Date of Filing Application: **26 April 2005**
(24) Date from which industrial property rights may have effect: **26 April 2005**
(54) Product in respect of which the design is registered: **Battery pack**
(51) International Design Classification: **13-02**
(71) Name(s) and Address(s) of Applicant(s):
One World Technologies Limited
Cedar House 41 Cedar Avenue Hamilton HM 12 Bermuda
(72) Name(s) of Designer(s): **Kam Kee Wong and Daniel Alex Chunn and Taku Ohi**
(45) Registration Date: **25 October 2005**
(30) Convention priority data:
(31) Number (32) Date (33) Country
29/215,834 26 Oct 2004 UNITED STATES OF AMERICA
(56) Related Art Documents: **Not Applicable**
(57) Statement of Newness and Distinctiveness: **Newness and distinctiveness is claimed in the ornamental design for a battery pack as shown in the drawings. Any broken lines in the drawings are for illustrative purposes only and form no part of the claimed design.**



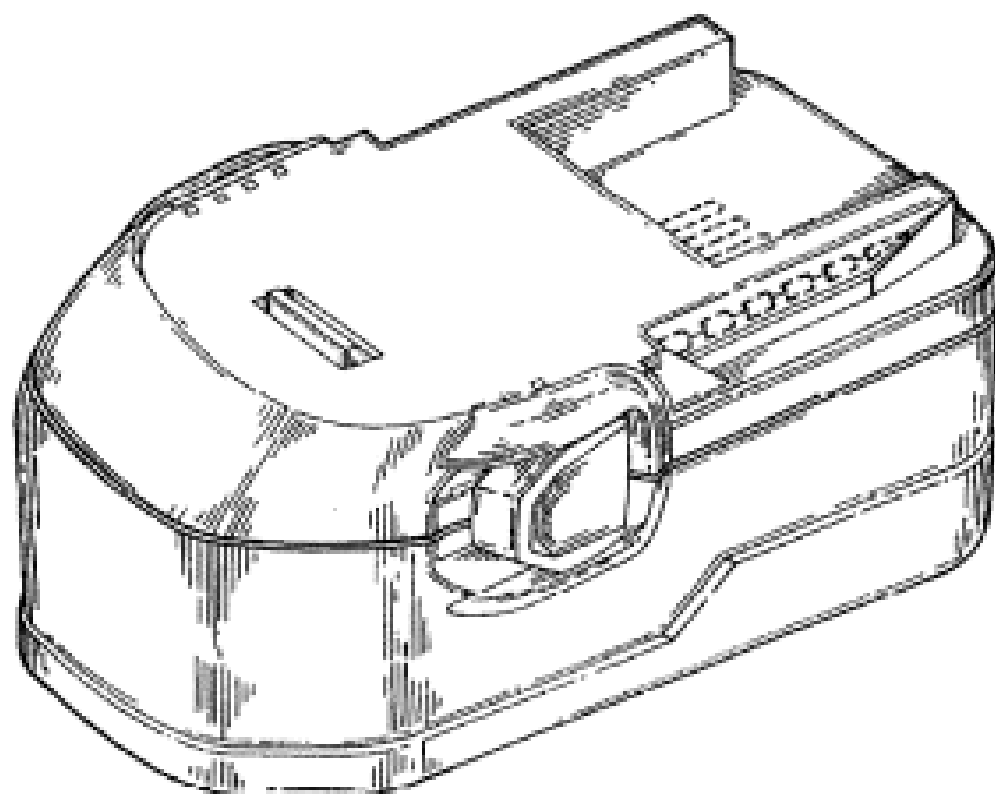
(19) AU

- (21) Design Number: **11693/2005**
(22) Date of Filing Application: **26 April 2005**
(24) Date from which industrial property rights may have effect: **26 April 2005**
(54) Product in respect of which the design is registered: **Battery pack**
(51) International Design Classification: **13-02**
(71) Name(s) and Address(s) of Applicant(s):
One World Technologies Limited
Cedar House 41 Cedar Avenue Hamilton HM 12 Bermuda
(72) Name(s) of Designer(s): **Kam Kee Wong and Daniel Alex Chunn and Taku Ohi**
(45) Registration Date: **25 October 2005**
(30) Convention priority data:
(31) Number (32) Date (33) Country
29/215,834 26 Oct 2004 UNITED STATES OF AMERICA
(56) Related Art Documents: **Not Applicable**
(57) Statement of Newness and Distinctiveness: **Newness and distinctiveness is claimed in the ornamental design for a battery pack as shown in the drawings. Any broken lines in the drawings are for illustrative purposes only and form no part of the claimed design.**



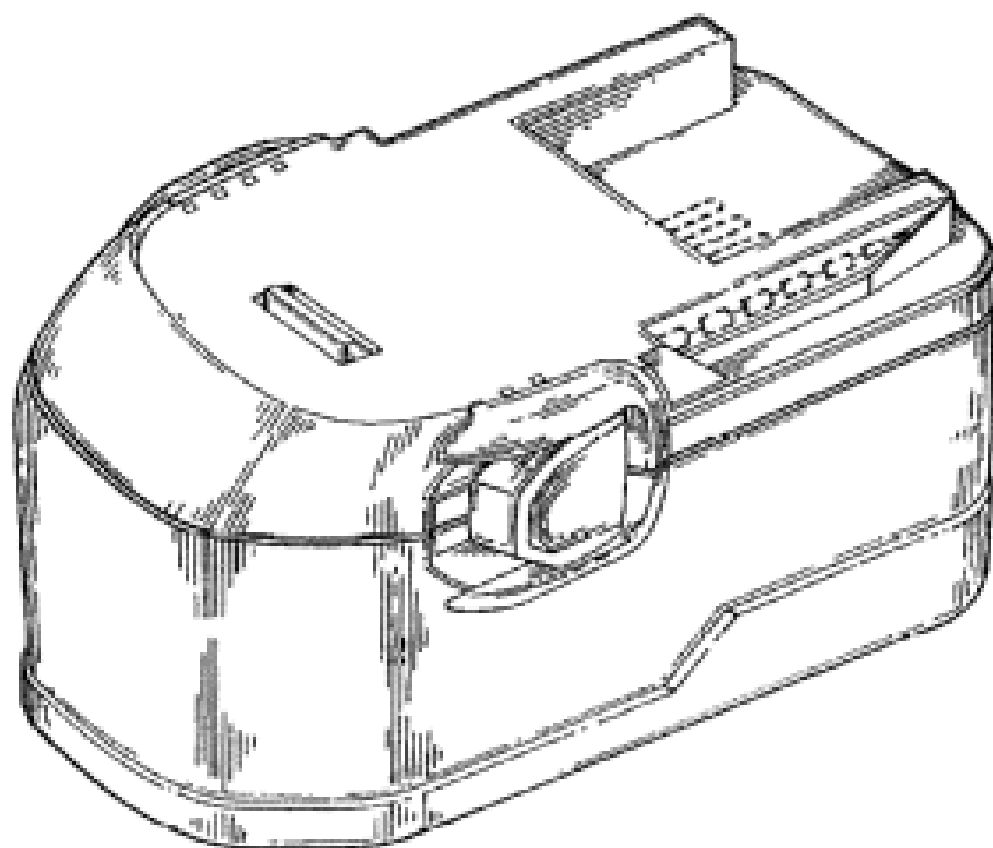
(19) AU

- (21) Design Number: **11694/2005**
(22) Date of Filing Application: **26 April 2005**
(24) Date from which industrial property rights may have effect: **26 April 2005**
(54) Product in respect of which the design is registered: **Battery pack**
(51) International Design Classification: **13-02**
(71) Name(s) and Address(s) of Applicant(s):
One World Technologies Limited
Cedar House 41 Cedar Avenue Hamilton HM 12 Bermuda
(72) Name(s) of Designer(s): **Kam Kee Wong and Daniel Alex Chunn and Taku Ohi**
(45) Registration Date: **25 October 2005**
(30) Convention priority data:
(31) Number (32) Date (33) Country
29/215,834 26 Oct 2004 UNITED STATES OF AMERICA
(56) Related Art Documents: **Not Applicable**
(57) Statement of Newness and Distinctiveness: **Newness and distinctiveness is claimed in the ornamental design for a battery pack as shown in the drawings. Any broken lines in the drawings are for illustrative purposes only and form no part of the claimed design.**



(19) AU

- (21) Design Number: **11695/2005**
(22) Date of Filing Application: **26 April 2005**
(24) Date from which industrial property rights may have effect: **26 April 2005**
(54) Product in respect of which the design is registered: **Battery pack**
(51) International Design Classification: **13-02**
(71) Name(s) and Address(s) of Applicant(s):
One World Technologies Limited
Cedar House 41 Cedar Avenue Hamilton HM 12 Bermuda
(72) Name(s) of Designer(s): **Kam Kee Wong and Daniel Alex Chunn and Taku Ohi**
(45) Registration Date: **25 October 2005**
(30) Convention priority data:
(31) Number (32) Date (33) Country
29/215,834 26 Oct 2004 UNITED STATES OF AMERICA
(56) Related Art Documents: **Not Applicable**
(57) Statement of Newness and Distinctiveness: **Newness and distinctiveness is claimed in the ornamental design for a battery pack as shown in the drawings. Any broken lines in the drawings are for illustrative purposes only and form no part of the claimed design.**



- (21) Design Number: **11697/2005**
- (22) Date of Filing Application: **27 April 2005**
- (24) Date from which industrial property rights may have effect: **27 April 2005**
- (54) Product in respect of which the design is registered: **Baby feeder coverall**
- (51) International Design Classification: **02-02C**
- (71) Name(s) and Address(s) of Applicant(s):

Annette Edith Hanna
F45/592 Ann Street Fortitude Valley Queensland 4006 Australia

- (72) Name(s) of Designer(s): **Annette Edith Hanna**

- (45) Registration Date: **25 October 2005**

- (56) Related Art Documents: **Not Applicable**

- (57) Statement of Newness and Distinctiveness: **1. Use of hygienic, wipe clean fabric (2) Use of velcro straps to facilitate fastening and removal of garment. (3) Large dimension easy to clean dropped food catcher. (4) Garment has wide front profile to channel dropped food into catcher. (5) Garment has long sleeves providing further protection for wearers skin and clothing.**



- (21) Design Number: **14997/2004**
- (22) Date of Filing Application: **21 October 2004**
- (24) Date from which industrial property rights may have effect: **21 October 2004**
- (54) Product in respect of which the design is registered: **Forward chassis and support for a cycle**
- (51) International Design Classification: **12-11**
- (71) Name(s) and Address(s) of Applicant(s):

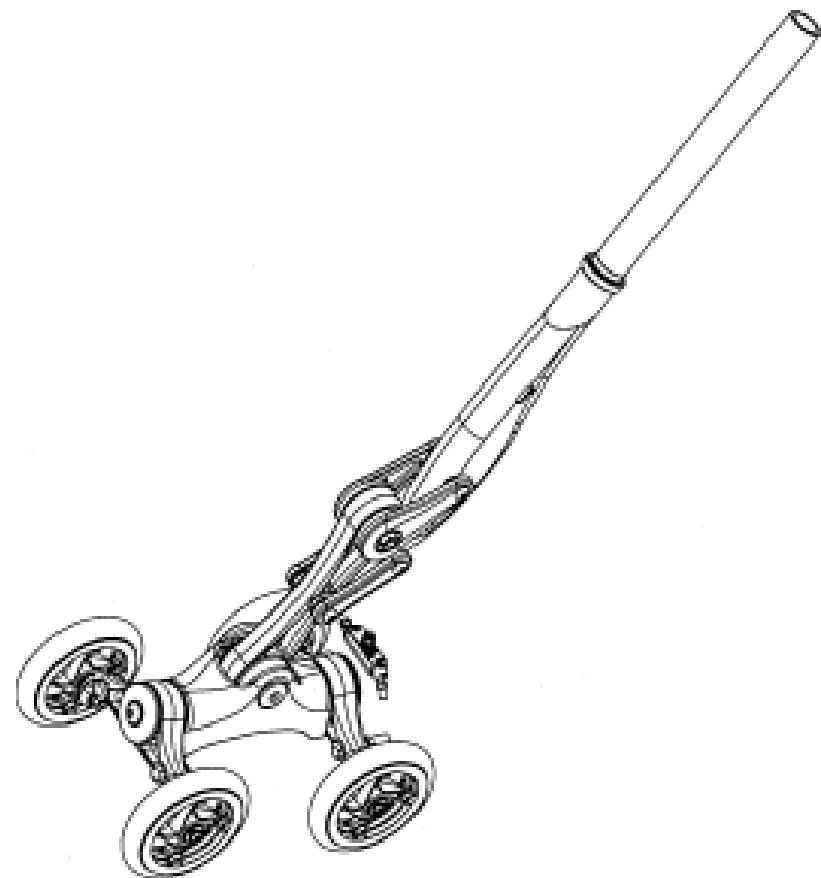
AV International Corporation
4th Floor Ellen L. Skelton Bldg 3076 Drakes Highway Road Town
Tortola British Virgin Islands

- (72) Name(s) of Designer(s): **Aldo Contarino**

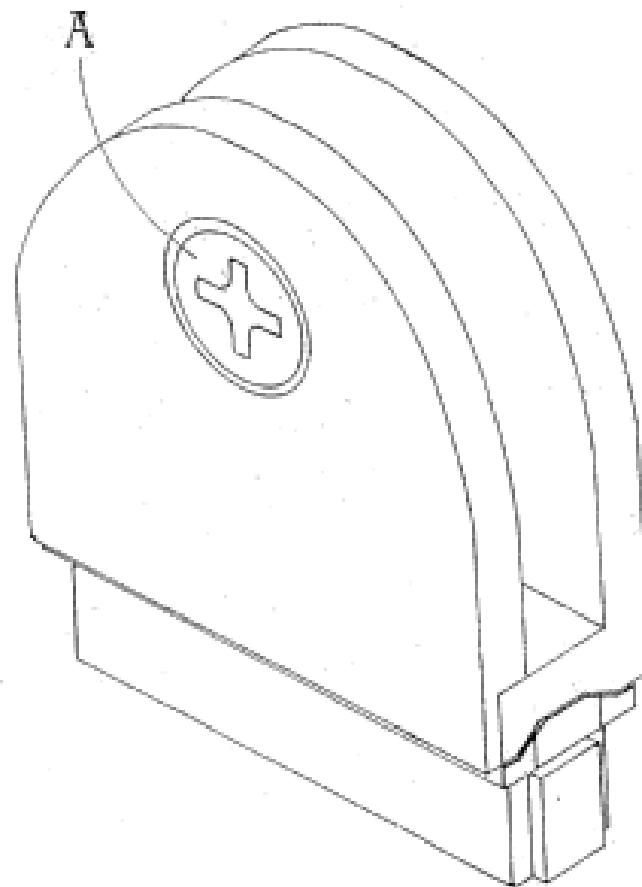
- (45) Registration Date: **26 October 2005**

- (56) Related Art Documents: **Not Applicable**

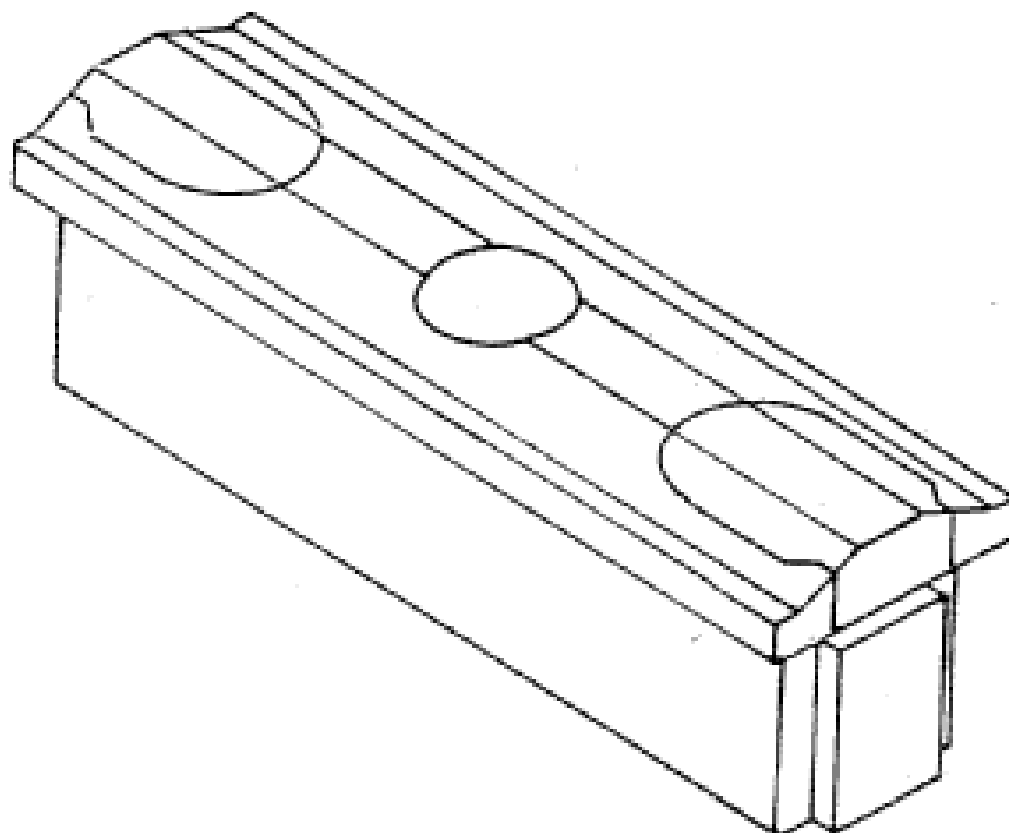
- (57) Statement of Newness and Distinctiveness: **Newness and distinctiveness is claimed in the features of shape and/or configuration of the forward chassis and support for a cycle as shown in the attached representations. The forward chassis is designated A whilst the support is designated B. In considering the scope of the design no consideration is to be given to the remainder of the cycle frame that may be depicted.**



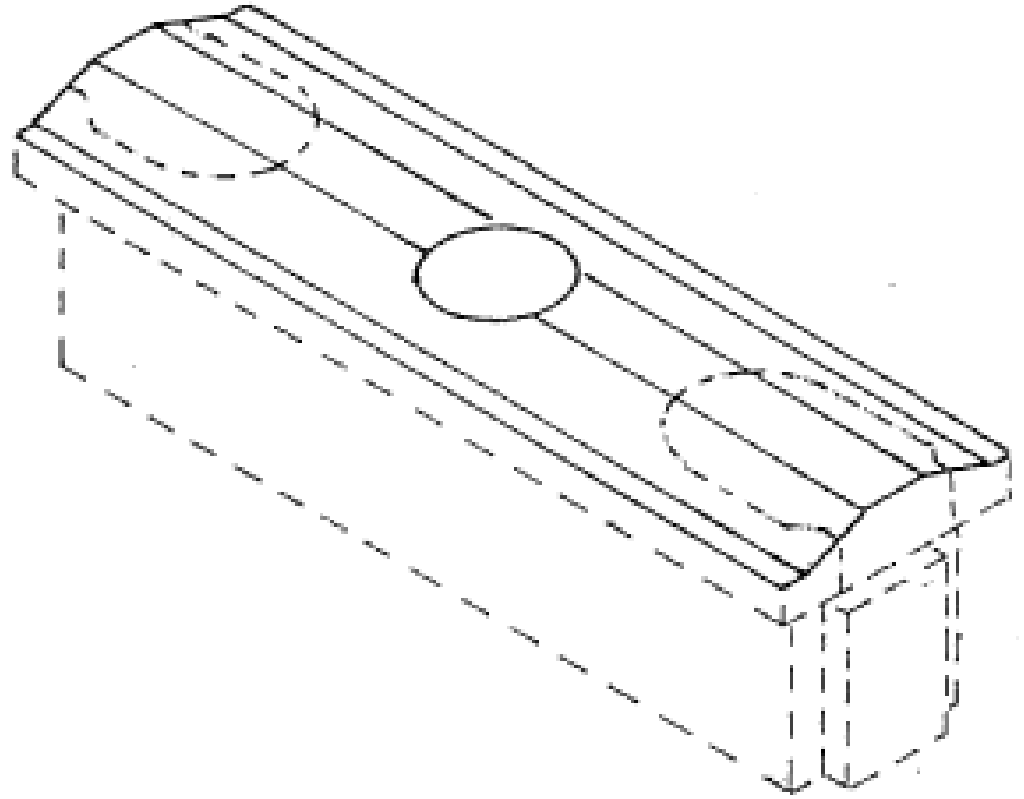
- (21) Design Number: **15607/2004**
(22) Date of Filing Application: **03 December 2004**
(24) Date from which industrial property rights may have effect: **03 December 2004**
(54) Product in respect of which the design is registered: **Pivot**
(51) International Design Classification: **08-06**
(71) Name(s) and Address(s) of Applicant(s):
Pacific Enterprises (Aust.) Pty Ltd
6 Mosrael Place Rowville Victoria 3178 Australia
(72) Name(s) of Designer(s): **Graeme Byrne and David Li**
(45) Registration Date: **26 October 2005**
(56) Related Art Documents: **Not Applicable**
(57) Statement of Newness and Distinctiveness: **Visual features of the design which are new and distinctive are the features of shape and configuration of a pivot including a bearing block and a clamp as illustrated in the representations. The screw marked "A" is to be disregarded.**



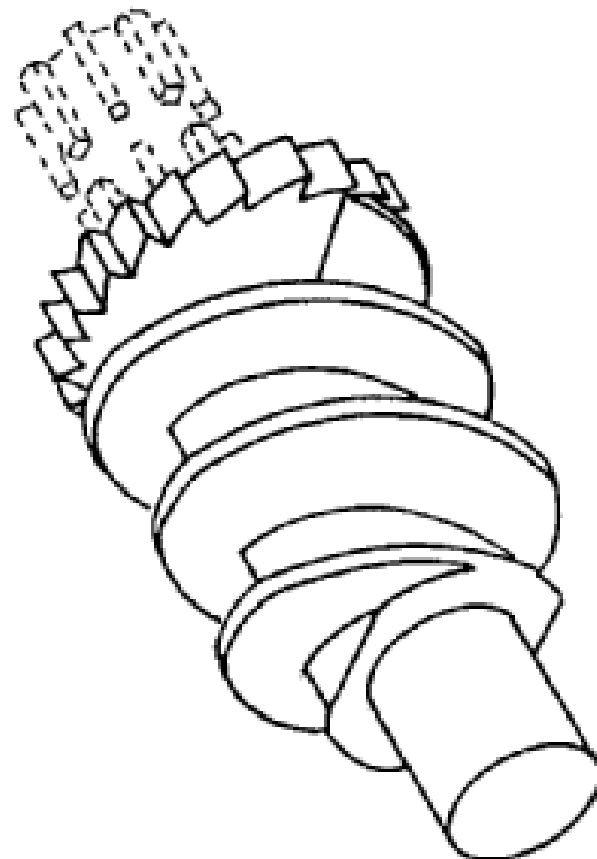
- (21) Design Number: **15608/2004**
(22) Date of Filing Application: **03 December 2004**
(24) Date from which industrial property rights may have effect: **03 December 2004**
(54) Product in respect of which the design is registered: **Pivot pin bearing block**
(51) International Design Classification: **08-06**
(71) Name(s) and Address(s) of Applicant(s):
Pacific Enterprises (Aust.) Pty Ltd
6 Mosrael Place Rowville Victoria 3178 Australia
(72) Name(s) of Designer(s): **Graeme Byrne and David Li**
(45) Registration Date: **26 October 2005**
(56) Related Art Documents: **Not Applicable**
(57) Statement of Newness and Distinctiveness: **Visual features of the design which are new and distinctive are the features of shape and configuration of the pivot pin bearing block as illustrated in the representations.**



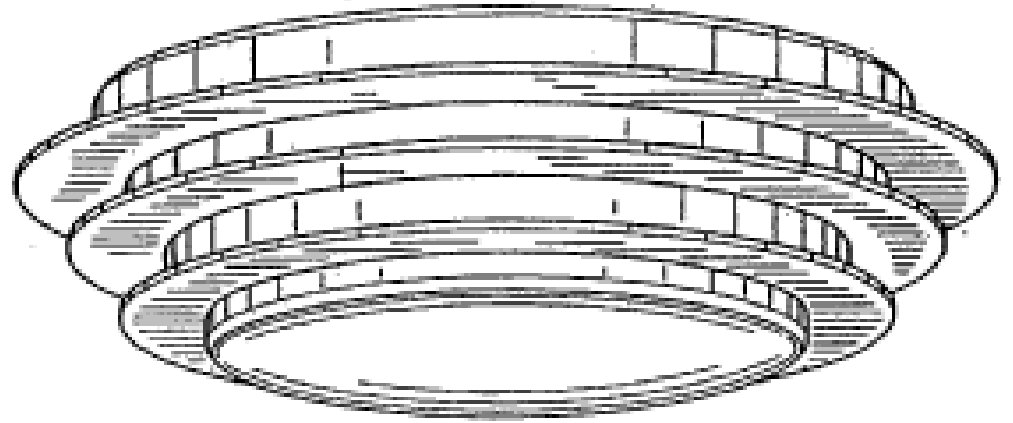
- (21) Design Number: **15609/2004**
(22) Date of Filing Application: **03 December 2004**
(24) Date from which industrial property rights may have effect: **03 December 2004**
(54) Product in respect of which the design is registered: **Pivot pin bearing block**
(51) International Design Classification: **08-06**
(71) Name(s) and Address(s) of Applicant(s):
Pacific Enterprises (Aust.) Pty Ltd
6 Mosrael Place Rowville Victoria 3178 Australia
(72) Name(s) of Designer(s): **Graeme Byrne and David Li**
(45) Registration Date: **26 October 2005**
(56) Related Art Documents: **Not Applicable**
(57) Statement of Newness and Distinctiveness: **Visual features of the design which are new and distinctive are the features of shape and configuration of bearing surface of a pivot pin bearing block as illustrated in the representations. The shape and configuration of those parts shown in broken line are to be disregarded.**



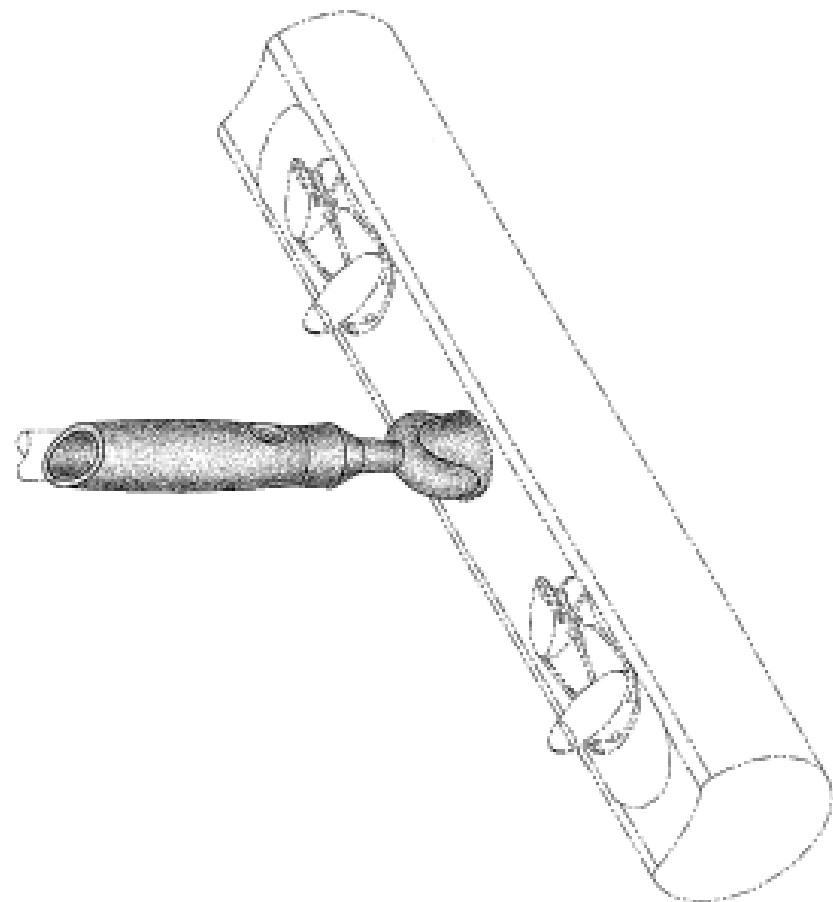
- (21) Design Number: **15610/2004**
(22) Date of Filing Application: **03 December 2004**
(24) Date from which industrial property rights may have effect: **03 December 2004**
(54) Product in respect of which the design is registered: **Drive component for a chain winder**
(51) International Design Classification: **08-09**
(71) Name(s) and Address(s) of Applicant(s):
Pacific Enterprises (Aust) Pty Ltd
6 Mosrael Place Rowville Victoria 3178 Australia
(72) Name(s) of Designer(s): **Graeme Byrne and David Li**
(45) Registration Date: **26 October 2005**
(56) Related Art Documents: **Not Applicable**
(57) Statement of Newness and Distinctiveness: **Visual features of the design which are new and distinctive are the features of shape and configuration of a drive component for a chain winder as illustrated in the representations. The shape and configuration of those parts shown in broken line are to be disregarded.**



(21) Design Number: **10282/2005**
(22) Date of Filing Application: **25 January 2005**
(24) Date from which industrial property rights may have effect: **25 January 2005**
(54) Product in respect of which the design is registered: **Light fitting**
(51) International Design Classification: **26-05C**
(71) Name(s) and Address(s) of Applicant(s):
Zumtobel Staff GMBH & Co. KG
Grevenmarschstrasse 74-78 D-32657 Lemgo Germany
(72) Name(s) of Designer(s): **Luciano Cesaro**
(45) Registration Date: **26 October 2005**
(30) Convention priority data:
(31) Number (32) Date (33) Country
000207758-0001 30 Jul 2004 EUROPEAN COMMUNITY
(56) Related Art Documents: **Not Applicable**
(57) Statement of Newness and Distinctiveness: **Nil**



(21) Design Number: **11132/2005**
(22) Date of Filing Application: **22 March 2005**
(24) Date from which industrial property rights may have effect: **22 March 2005**
(54) Product in respect of which the design is registered: **Handle having a single axis joint**
(51) International Design Classification: **04-01**
(71) Name(s) and Address(s) of Applicant(s):
Unger Marketing International L.L.C.
425 Asylum Street Bridgeport Connecticut 06610 United States of America
(72) Name(s) of Designer(s): **Paul Lacotta and William Fiebel and John Moldauer**
(45) Registration Date: **26 October 2005**
(56) Related Art Documents: **Not Applicable**
(57) Statement of Newness and Distinctiveness: **Those visual features of the single axis joint depicted in continuous lines in the representations that are new and distinctive are the shape and/or configuration. The features shown in broke lines do not form part of the design and should be disregarded when considering the overall impression of the design.**



- (21) Design Number: **11334/2005**
- (22) Date of Filing Application: **04 April 2005**
- (24) Date from which industrial property rights may have effect: **04 April 2005**
- (54) Product in respect of which the design is registered: **Horologe**
- (51) International Design Classification: **10-02**
- (71) Name(s) and Address(s) of Applicant(s):

Giochi Preziosi S.P.A.
Via Camperio 9 20123 Milano (MI) Italy

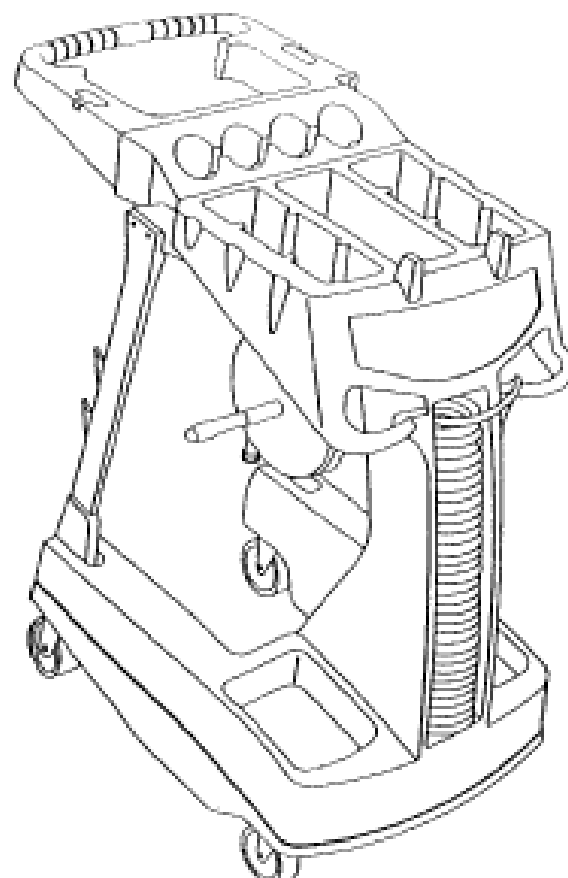
- (72) Name(s) of Designer(s): **Sostene Migliorati**
- (45) Registration Date: **26 October 2005**
- (30) Convention priority data:
 - (31) Number (32) Date (33) Country
 - 000246897 06 Oct 2004 EUROPEAN COMMUNITY**
- (56) Related Art Documents: **Not Applicable**
- (57) Statement of Newness and Distinctiveness: **Those visual features of the horologe depicted in the representations that are new and distinctive are the shape and/or configuration. The face of the horologe does not form part of the design and is to be disregarded when considering the overall impression of the design.**



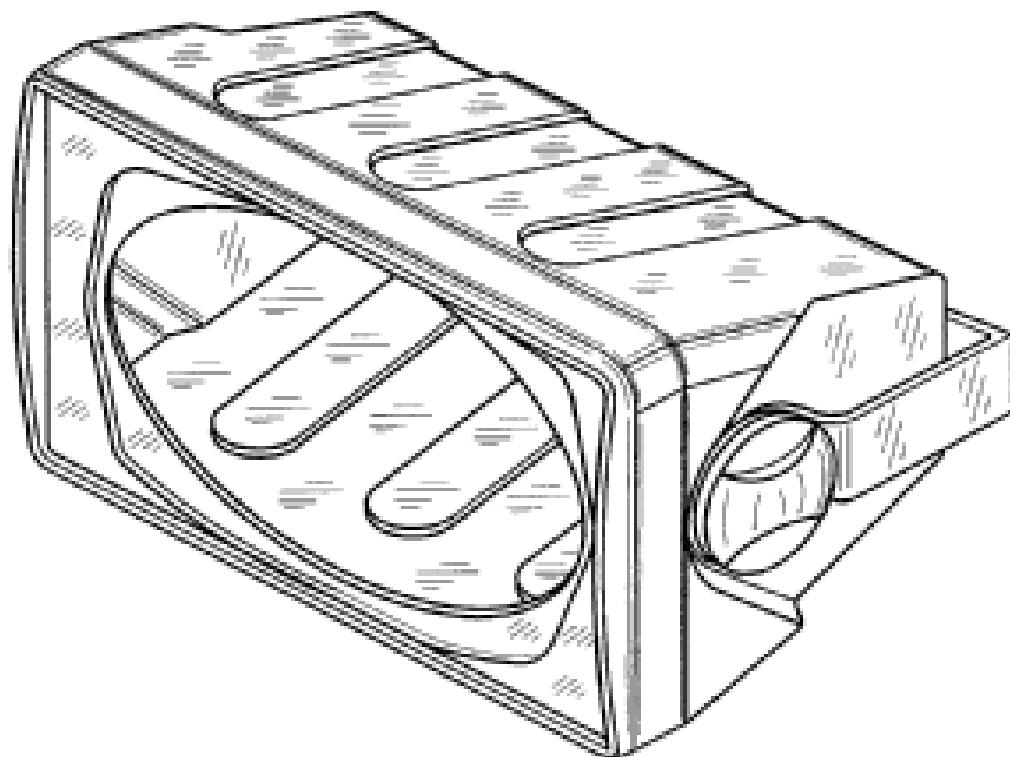
- (21) Design Number: **11422/2005**
- (22) Date of Filing Application: **07 April 2005**
- (24) Date from which industrial property rights may have effect: **07 April 2005**
- (54) Product in respect of which the design is registered: **Cleaning cart**
- (51) International Design Classification: **12-02**
- (71) Name(s) and Address(s) of Applicant(s):

JohnsonDiversey, Inc.
8310 16th Street Sturtevant Wisconsin 53177-0902 United States of America

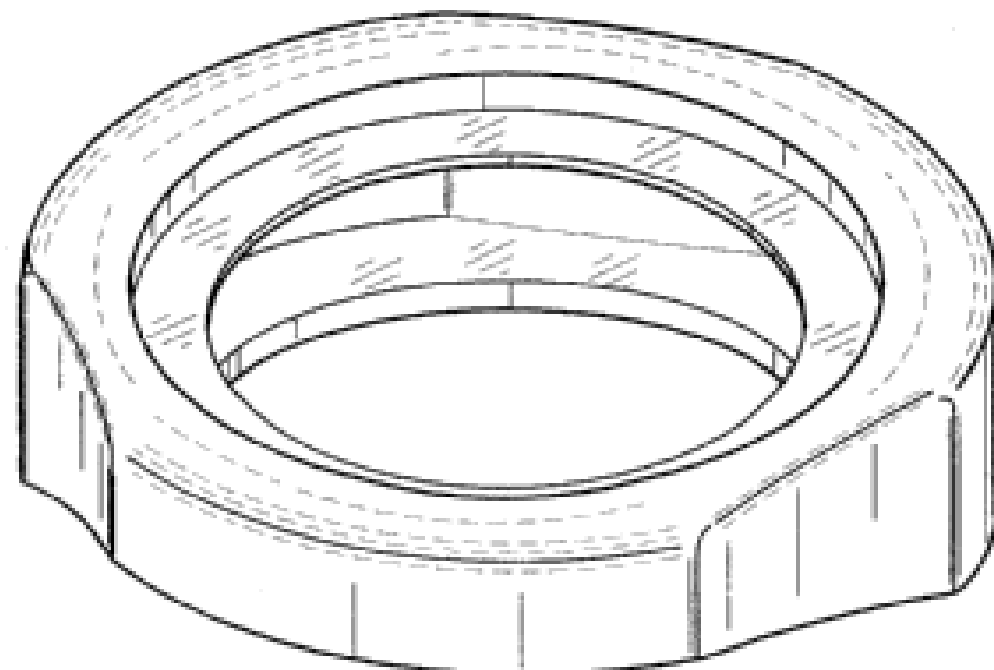
- (72) Name(s) of Designer(s): **Michael H. Bertucci and Daniel T. Dub and Christopher F. Lang and Steven E. Schiller**
- (45) Registration Date: **26 October 2005**
- (30) Convention priority data:
 - (31) Number (32) Date (33) Country
 - 29/217032 12 Nov 2004 UNITED STATES OF AMERICA**
- (56) Related Art Documents: **Not Applicable**
- (57) Statement of Newness and Distinctiveness: **Newness and distinctiveness is claimed in the features of shape and/or configuration of a cleaning cart as illustrated in continuous lines in the accompanying representations.**



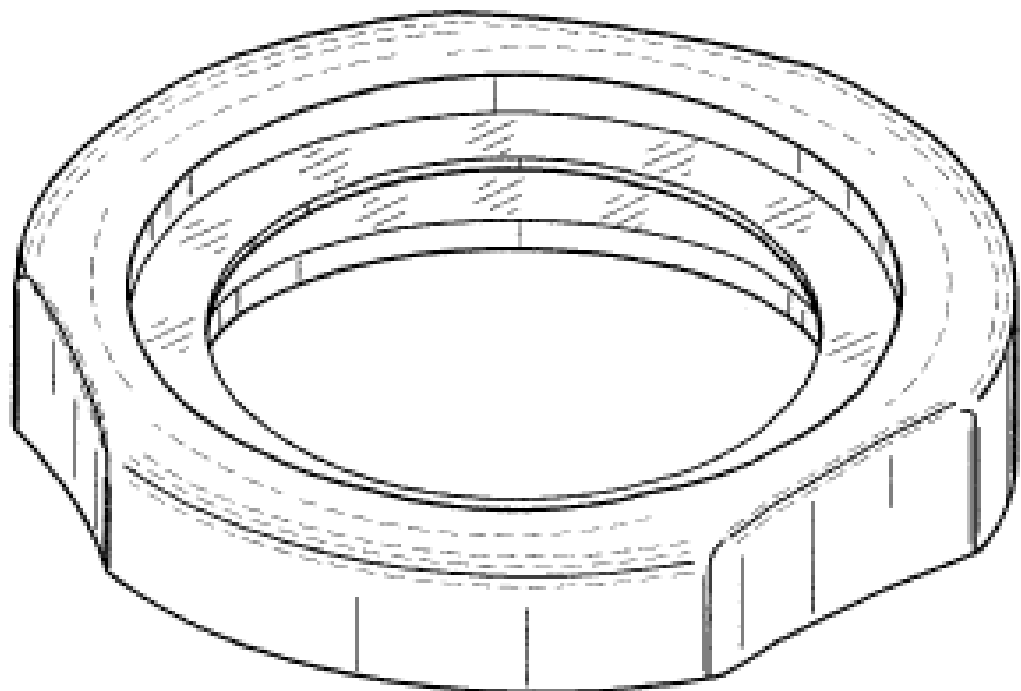
(21) Design Number: **11441/2005**
(22) Date of Filing Application: **08 April 2005**
(24) Date from which industrial property rights may have effect: **08 April 2005**
(54) Product in respect of which the design is registered: **Speaker box**
(51) International Design Classification: **14-01**
(71) Name(s) and Address(s) of Applicant(s):
Augusto Tucci
6 Kylie Place Moorabbin Victoria 3189 Australia
(72) Name(s) of Designer(s): **Marcus Ward Curran**
(45) Registration Date: **26 October 2005**
(56) Related Art Documents: **Not Applicable**
(57) Statement of Newness and Distinctiveness: **Nil**



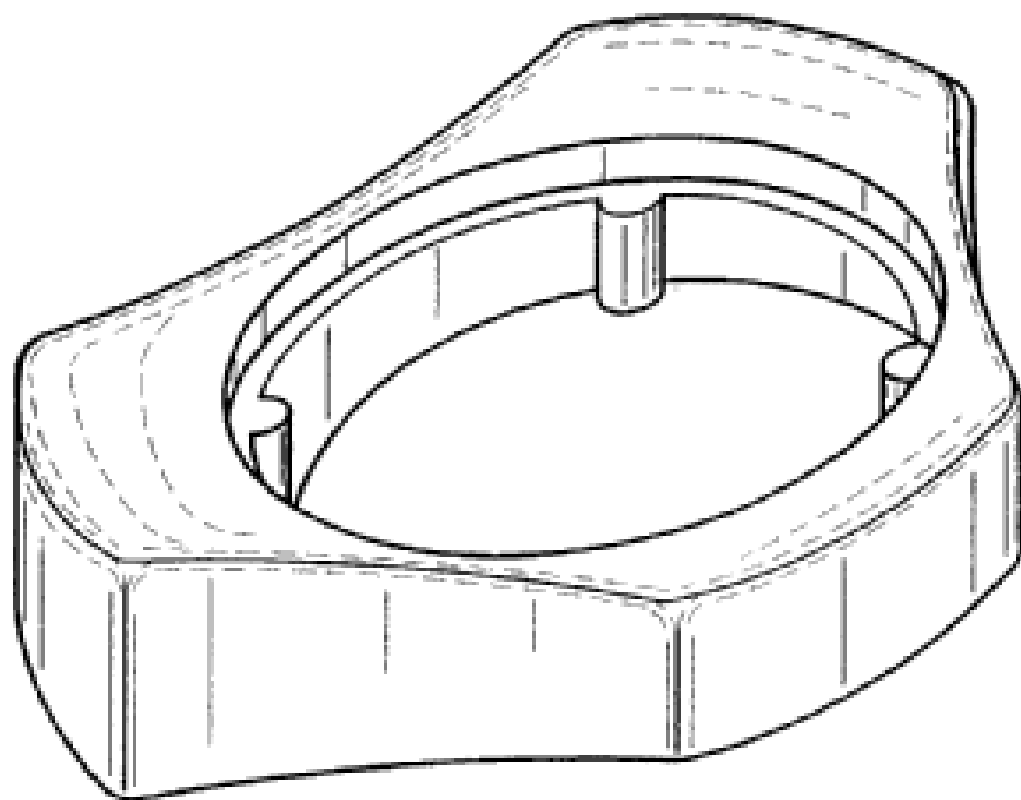
(21) Design Number: **11442/2005**
(22) Date of Filing Application: **08 April 2005**
(24) Date from which industrial property rights may have effect: **08 April 2005**
(54) Product in respect of which the design is registered: **Speaker spacers**
(51) International Design Classification: **14-01**
(71) Name(s) and Address(s) of Applicant(s):
Augusto Tucci
6 Kylie Place Moorabbin Victoria 3189 Australia
(72) Name(s) of Designer(s): **Marcus Ward Curran**
(45) Registration Date: **26 October 2005**
(56) Related Art Documents: **Not Applicable**
(57) Statement of Newness and Distinctiveness: **Nil**



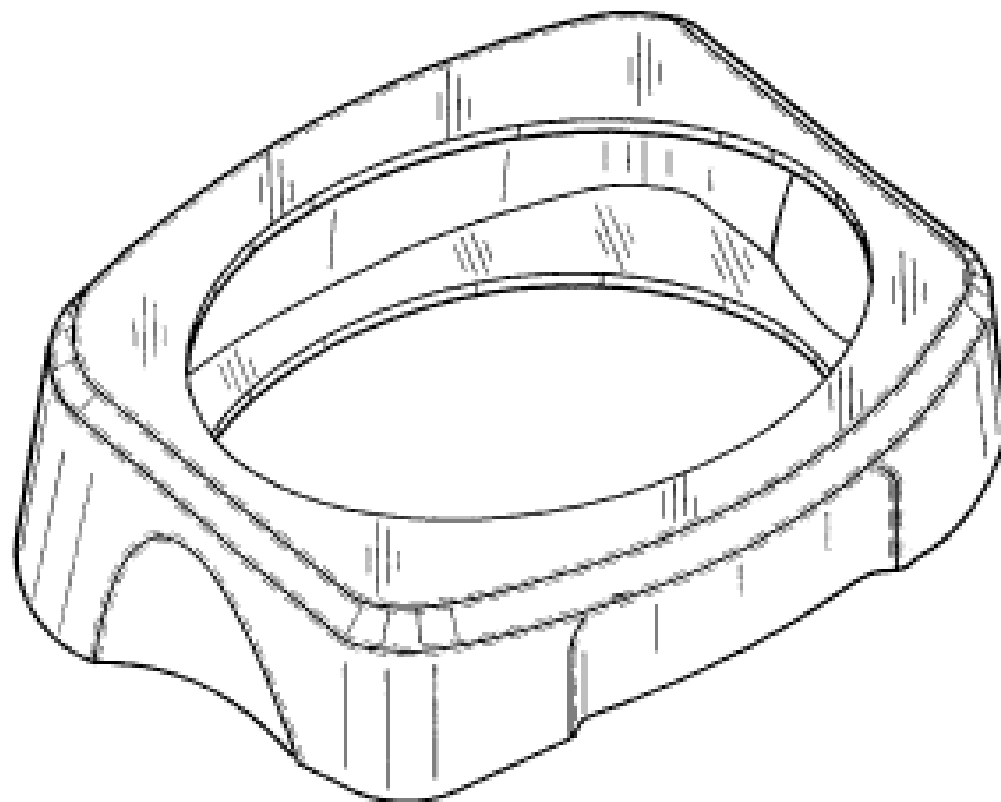
(21) Design Number: **11443/2005**
(22) Date of Filing Application: **08 April 2005**
(24) Date from which industrial property rights may have effect: **08 April 2005**
(54) Product in respect of which the design is registered: **Speaker spacers**
(51) International Design Classification: **14-01**
(71) Name(s) and Address(s) of Applicant(s):
Augusto Tucci
6 Kylie Place Moorabbin Victoria 3189 Australia
(72) Name(s) of Designer(s): **Marcus Ward Curran**
(45) Registration Date: **26 October 2005**
(56) Related Art Documents: **Not Applicable**
(57) Statement of Newness and Distinctiveness: **Nil**



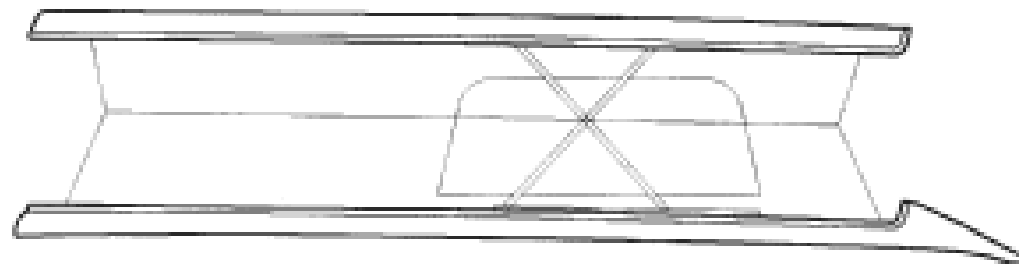
(21) Design Number: **11444/2005**
(22) Date of Filing Application: **08 April 2005**
(24) Date from which industrial property rights may have effect: **08 April 2005**
(54) Product in respect of which the design is registered: **Speaker spacers**
(51) International Design Classification: **14-01**
(71) Name(s) and Address(s) of Applicant(s):
Augusto Tucci
6 Kylie Place Moorabbin Victoria 3189 Australia
(72) Name(s) of Designer(s): **Marcus Ward Curran**
(45) Registration Date: **26 October 2005**
(56) Related Art Documents: **Not Applicable**
(57) Statement of Newness and Distinctiveness: **Nil**



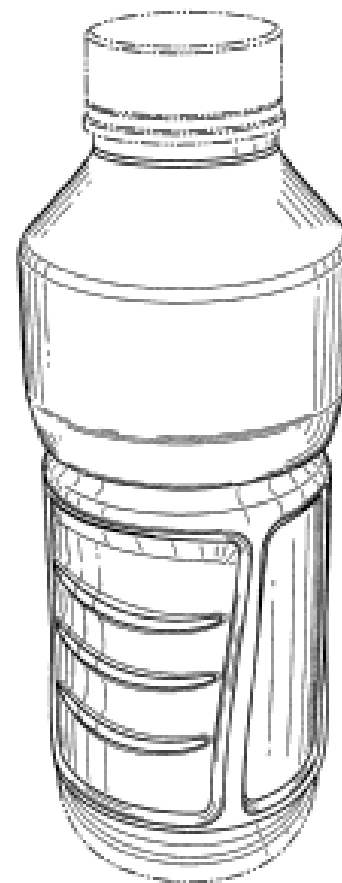
- (21) Design Number: **11445/2005**
(22) Date of Filing Application: **08 April 2005**
(24) Date from which industrial property rights may have effect: **08 April 2005**
(54) Product in respect of which the design is registered: **Speaker spacers**
(51) International Design Classification: **14-01**
(71) Name(s) and Address(s) of Applicant(s):
Augusto Tucci
6 Kylie Place Moorabbin Victoria 3189 Australia
(72) Name(s) of Designer(s): **Marcus Ward Curran**
(45) Registration Date: **26 October 2005**
(56) Related Art Documents: **Not Applicable**
(57) Statement of Newness and Distinctiveness: **Nil**



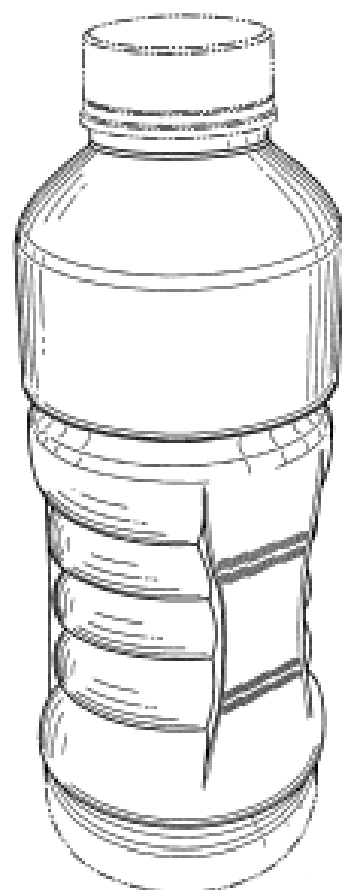
- (21) Design Number: **11449/2005**
(22) Date of Filing Application: **12 April 2005**
(24) Date from which industrial property rights may have effect: **12 April 2005**
(54) Product in respect of which the design is registered: **Pop-up roof**
(51) International Design Classification: **12-16NES**
(71) Name(s) and Address(s) of Applicant(s):
Frontline Camper Conversions Pty Ltd
36 Cross Street Brookvale New South Wales 2100 Australia
(72) Name(s) of Designer(s): **Peter Farrugia**
(45) Registration Date: **26 October 2005**
(56) Related Art Documents: **Not Applicable**
(57) Statement of Newness and Distinctiveness: **Monopoly is claimed in respect of the shape and configuration of a pop up roof as shown in the attached representations.**



- (21) Design Number: **11471/2005**
(22) Date of Filing Application: **12 April 2005**
(24) Date from which industrial property rights may have effect: **12 April 2005**
(54) Product in respect of which the design is registered: **Bottle**
(51) International Design Classification: **09-01NES**
(71) Name(s) and Address(s) of Applicant(s):
The Coca-Cola Company
One Coca-Cola Plaza NW Atlanta Georgia 30313 United States of America
(72) Name(s) of Designer(s): **Carie Davis and Randy Brown and David Melrose and Campbell Melrose-Allen and Andrew Candy**
(45) Registration Date: **26 October 2005**
(30) Convention priority data:
(31) Number (32) Date (33) Country
29/215,396 19 Oct 2004 UNITED STATES OF AMERICA
(56) Related Art Documents: **Not Applicable**
(57) Statement of Newness and Distinctiveness: **Those visual features of the bottle depicted in continuous lines in the representations that are new and distinctive are the shape and/or configuration. The features shown in broken lines are to be disregarded when considering the overall impression of the design.**



- (21) Design Number: **11472/2005**
(22) Date of Filing Application: **12 April 2005**
(24) Date from which industrial property rights may have effect: **12 April 2005**
(54) Product in respect of which the design is registered: **Bottle**
(51) International Design Classification: **09-01NES**
(71) Name(s) and Address(s) of Applicant(s):
The Coca-Cola Company
One Coca-Cola Plaza NW Atlanta Georgia 30313 United States of America
(72) Name(s) of Designer(s): **Carie A. Davis and Randall S. Brown**
(45) Registration Date: **26 October 2005**
(30) Convention priority data:
(31) Number (32) Date (33) Country
29/215,419 19 Oct 2004 UNITED STATES OF AMERICA
(56) Related Art Documents: **Not Applicable**
(57) Statement of Newness and Distinctiveness: **Those visual features of the bottle depicted in continuous lines in the representations that are new and distinctive are the shape and/or configuration. The features shown in broken lines are to be disregarded when considering the overall impression of the design.**



(21) Design Number: **11779/2005**

(22) Date of Filing Application: **28 April 2005**

(24) Date from which industrial property rights may have effect: **28 April 2005**

(54) Product in respect of which the design is registered: **Microwave oven**

(51) International Design Classification: **07-02B**

(71) Name(s) and Address(s) of Applicant(s):

LG Electronics Inc.

20 Yoido-dong Youngdungpo-gu Seoul 150-721 Republic of Korea

(72) Name(s) of Designer(s): **Mun Woo Lee and Hyun Jung Hwang**

(45) Registration Date: **26 October 2005**

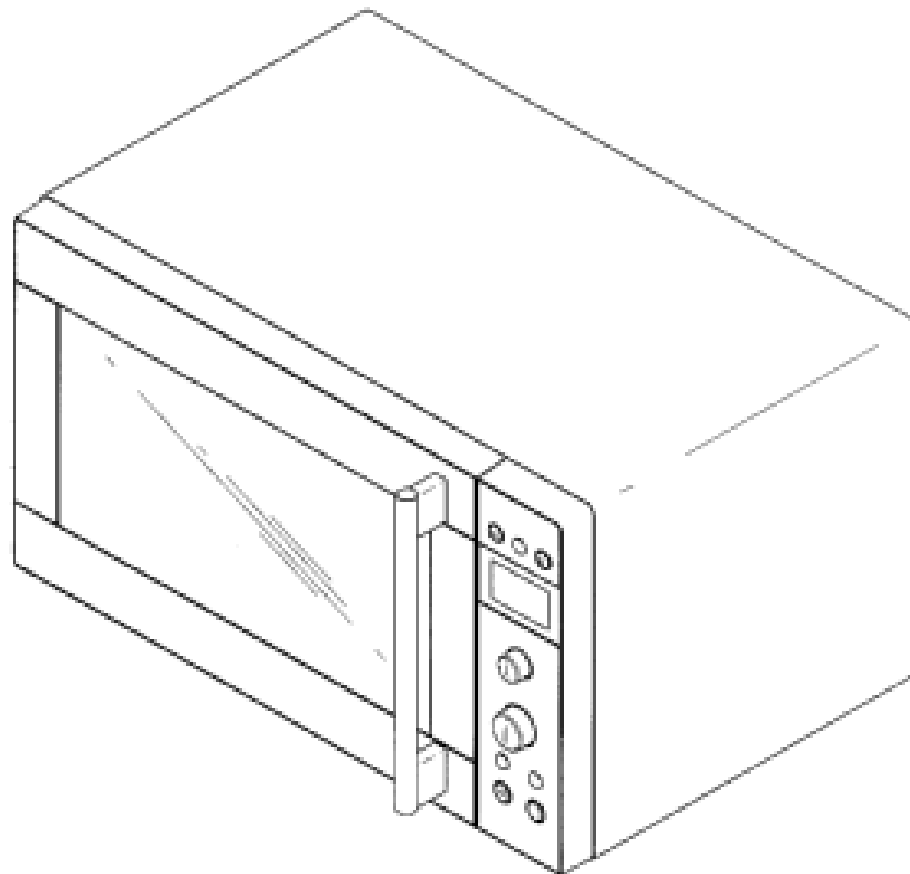
(30) Convention priority data:

(31) Number (32) Date
30-2004-0033230 29 Oct 2004

(33) Country
REPUBLIC OF KOREA

(56) Related Art Documents: **Not Applicable**

(57) Statement of Newness and Distinctiveness: **Newness and distinctiveness in the design as applied to a microwave oven resides in the shape and/or configuration thereof as is illustrated in the accompanying representations.**



(21) Design Number: **11781/2005**

(22) Date of Filing Application: **28 April 2005**

(24) Date from which industrial property rights may have effect: **18 May 2004**

(54) Product in respect of which the design is registered: **Over centre fastener**

(51) International Design Classification: **08-07**

(71) Name(s) and Address(s) of Applicant(s):

Lars Eriksson

Hattinge 3445 S-635 05 Eskilstuna Sweden

(72) Name(s) of Designer(s): **Lars Eriksson**

(45) Registration Date: **26 October 2005**

(30) Convention priority data:

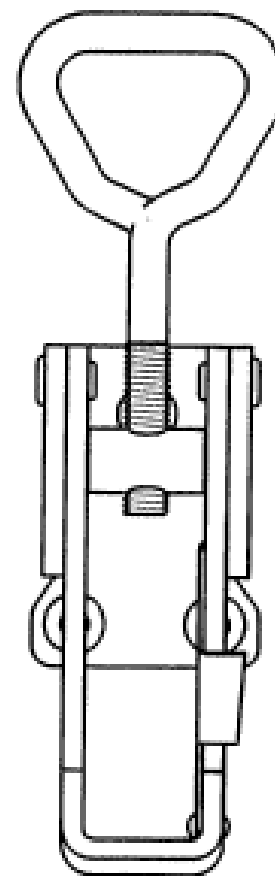
(31) Number (32) Date
000106851 19 Nov 2003

(33) Country
EUROPEAN COMMUNITY

(62) Divisional of: **01869/2004**

(56) Related Art Documents: **Not Applicable**

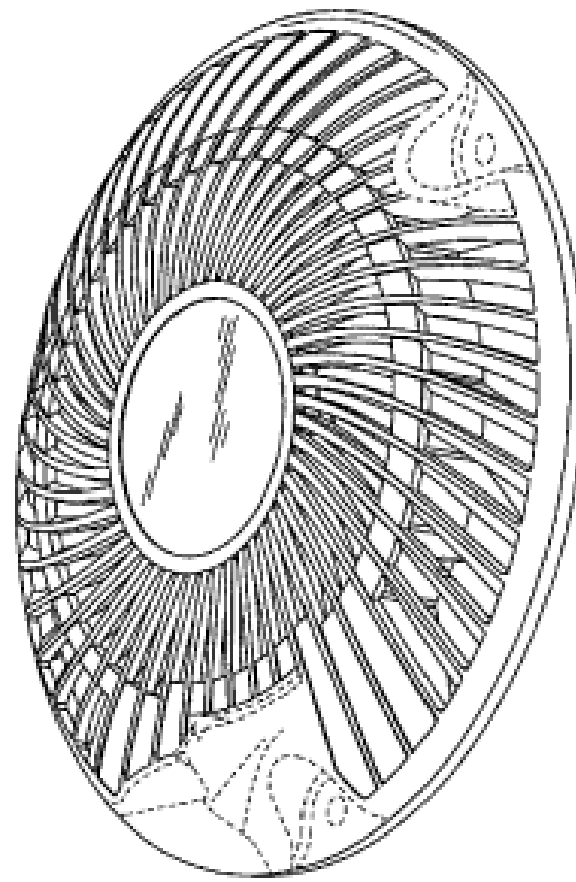
(57) Statement of Newness and Distinctiveness: **Newness and distinctiveness is claimed in the features of shape and/or configuration of an over centre fastener as illustrated in the accompanying representations.**



(19) AU

- (21) Design Number: **11784/2005**
- (22) Date of Filing Application: **28 April 2005**
- (24) Date from which industrial property rights may have effect: **28 April 2005**
- (54) Product in respect of which the design is registered: **Rewind cover**
- (51) International Design Classification: **15-03B**
- (71) Name(s) and Address(s) of Applicant(s):
Briggs & Stratton Corporation
12301 West Wirth Street Wauwatosa Wisconsin 53222 United States of America
- (72) Name(s) of Designer(s): **Timothy B. Strandell and Mark Brenneman and Daniel J. DeLay**
- (45) Registration Date: **26 October 2005**
- (30) Convention priority data:

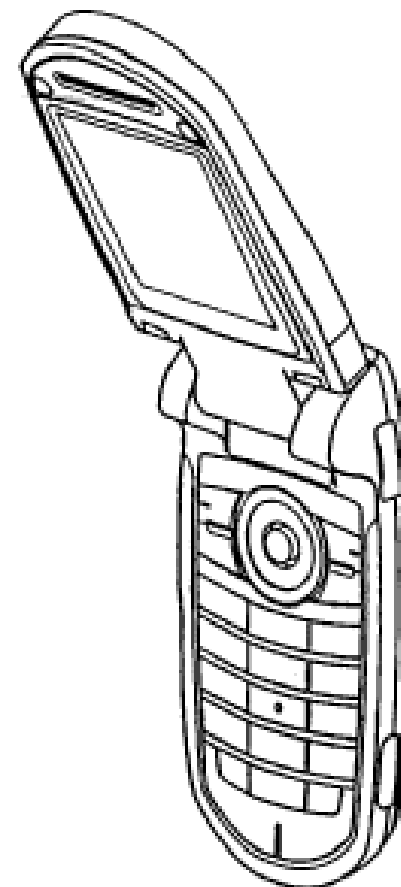
(31) Number	(32) Date	(33) Country
29/216,539	04 Nov 2004	UNITED STATES OF AMERICA
- (56) Related Art Documents: **Not Applicable**
- (57) Statement of Newness and Distinctiveness: **Newness and distinctiveness are provided by the shape and/or configuration of the design shown in the representations. The features shown in broken lines in the representations are for illustrative purposes only and should not be considered when construing visual features of the design.**



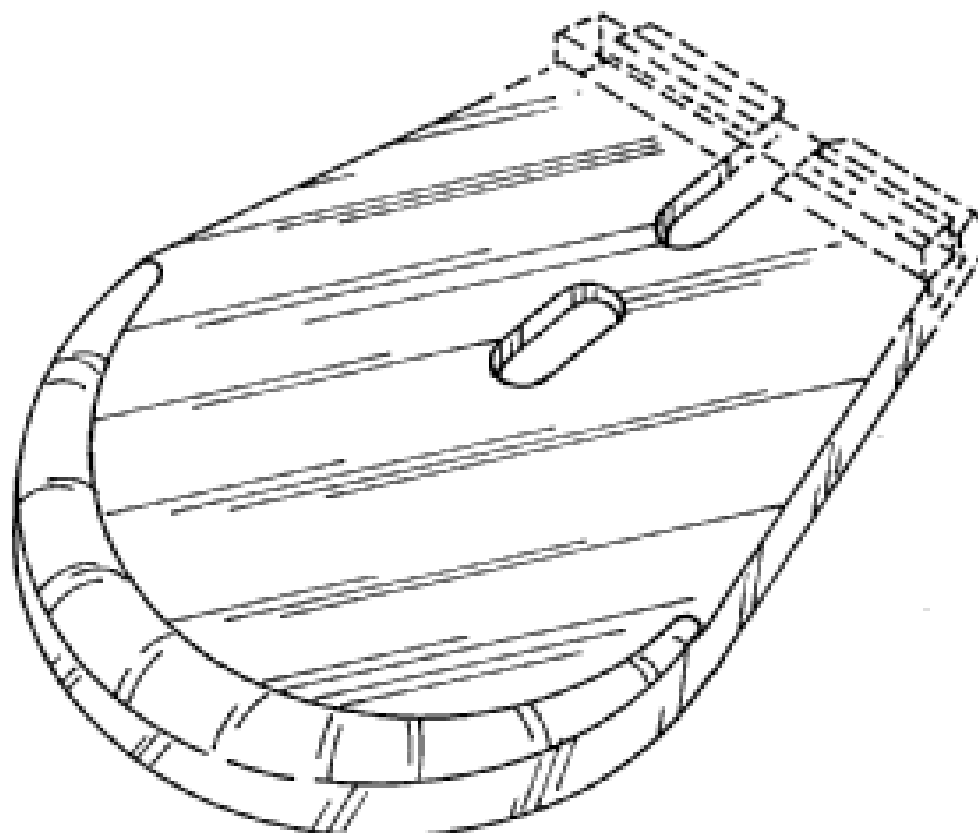
(19) AU

- (21) Design Number: **11785/2005**
- (22) Date of Filing Application: **28 April 2005**
- (24) Date from which industrial property rights may have effect: **28 April 2005**
- (54) Product in respect of which the design is registered: **Portable wireless telephone**
- (51) International Design Classification: **14-03E**
- (71) Name(s) and Address(s) of Applicant(s):
NEC Corporation
7-1 Shiba 5-Chome Minato-ku Tokyo Japan
- (72) Name(s) of Designer(s): **Jun Watanabe and Hiroyuki Kuzumoto and Kenji Iikura and Mitsuaki Kanada and Kazuhiko Yamaoka**
- (45) Registration Date: **26 October 2005**
- (30) Convention priority data:

(31) Number	(32) Date	(33) Country
2004-040271	28 Dec 2004	JAPAN
- (56) Related Art Documents: **Not Applicable**
- (57) Statement of Newness and Distinctiveness: **Nil**



(21) Design Number: **11786/2005**
(22) Date of Filing Application: **29 April 2005**
(24) Date from which industrial property rights may have effect: **29 April 2005**
(54) Product in respect of which the design is registered: **Bib for a fishing lure**
(51) International Design Classification: **22-05**
(71) Name(s) and Address(s) of Applicant(s):
Halco Pty Ltd
8 Pakenham Street Fremantle Western Australia 6159 Australia
(72) Name(s) of Designer(s): **Benjamin Neil Patrick**
(45) Registration Date: **26 October 2005**
(56) Related Art Documents: **Not Applicable**
(57) Statement of Newness and Distinctiveness: **Nil**



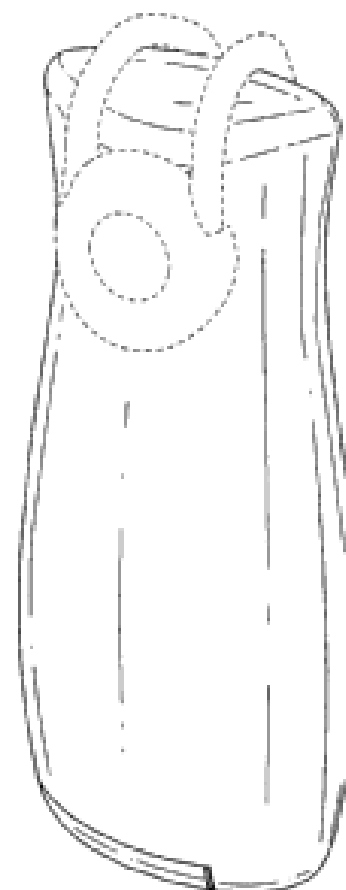
(21) Design Number: **11787/2005**
(22) Date of Filing Application: **28 April 2005**
(24) Date from which industrial property rights may have effect: **28 April 2005**
(54) Product in respect of which the design is registered: **A front cover for a handset**
(51) International Design Classification: **14-03A**
(71) Name(s) and Address(s) of Applicant(s):
Nokia Corporation
Keilalahdentie 4 FIN-02150 Espoo Finland
(72) Name(s) of Designer(s): **Justin Lyles**
(45) Registration Date: **26 October 2005**
(30) Convention priority data:
(31) Number (32) Date (33) Country
29216092 29 Oct 2004 UNITED STATES OF AMERICA
(56) Related Art Documents: **Not Applicable**
(57) Statement of Newness and Distinctiveness: **Nil**



(21) Design Number: **11788/2005**
(22) Date of Filing Application: **28 April 2005**
(24) Date from which industrial property rights may have effect: **28 April 2005**
(54) Product in respect of which the design is registered: **A handset**
(51) International Design Classification: **14-03E**
(71) Name(s) and Address(s) of Applicant(s):
Nokia Corporation
Keilalahdentie 4 FIN-02150 Espoo Finland
(72) Name(s) of Designer(s): **Justin Lyles**
(45) Registration Date: **26 October 2005**
(30) Convention priority data:
(31) Number (32) Date (33) Country
29216092 29 Oct 2004 UNITED STATES OF AMERICA
(56) Related Art Documents: **Not Applicable**
(57) Statement of Newness and Distinctiveness: **Nil**



(21) Design Number: **11789/2005**
(22) Date of Filing Application: **28 April 2005**
(24) Date from which industrial property rights may have effect: **28 April 2005**
(54) Product in respect of which the design is registered: **Container**
(51) International Design Classification: **09-01B, 09-01NES**
(71) Name(s) and Address(s) of Applicant(s):
The Procter & Gamble Company
One Procter & Gamble Plaza Cincinnati Ohio 45202 United States of America
(72) Name(s) of Designer(s): **Roberto Escobosa and Chow-chi Huang and Yamilca Del Carmen Thoms**
(45) Registration Date: **26 October 2005**
(30) Convention priority data:
(31) Number (32) Date (33) Country
29/216,779 08 Nov 2004 UNITED STATES OF AMERICA
(56) Related Art Documents: **Not Applicable**
(57) Statement of Newness and Distinctiveness: **Those visual features of the container depicted in continuous lines in the representations that are new and distinctive are the shape and/or configuration. The features shown in broken lines do not form part of the design and are to be disregarded when considering the overall impression fo the design.**



(21) Design Number: **11790/2005**

(22) Date of Filing Application: **28 April 2005**

(24) Date from which industrial property rights may have effect: **28 April 2005**

(54) Product in respect of which the design is registered: **Container**

(51) International Design Classification: **09-01B**

(71) Name(s) and Address(s) of Applicant(s):

The Procter & Gamble Company
One Procter & Gamble Plaza Cincinnati Ohio 45202 United States of America

(72) Name(s) of Designer(s): **Roberto Escobosa and Chow-chi Huang and Yamilca Del Carmen Thoms**

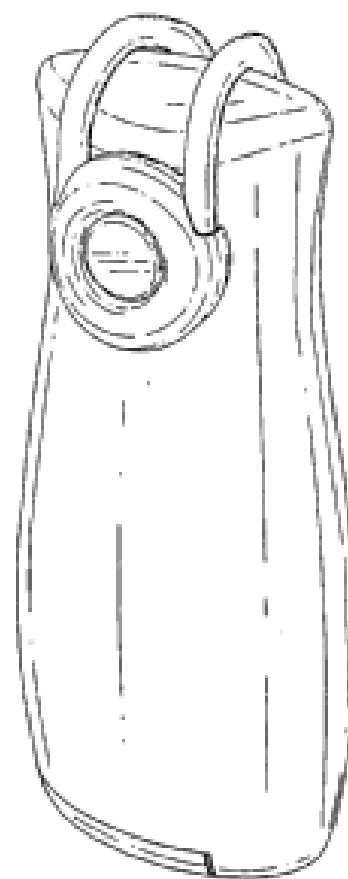
(45) Registration Date: **26 October 2005**

(30) Convention priority data:

(31) Number	(32) Date	(33) Country
29/216,780	08 Nov 2004	UNITED STATES OF AMERICA

(56) Related Art Documents: **Not Applicable**

(57) Statement of Newness and Distinctiveness: **Those visual features of the container depicted in the representations that are new and distinctive are the shape and/or configuration.**



(21) Design Number: **11802/2005**

(22) Date of Filing Application: **18 May 2004**

(24) Date from which industrial property rights may have effect: **18 May 2004**

(54) Product in respect of which the design is registered: **Over centre fastener**

(51) International Design Classification: **08-07**

(71) Name(s) and Address(s) of Applicant(s):

Lars Eriksson
Hattinge 3445 S-635 05 Eskilstuna Sweden

(72) Name(s) of Designer(s): **Lars Eriksson**

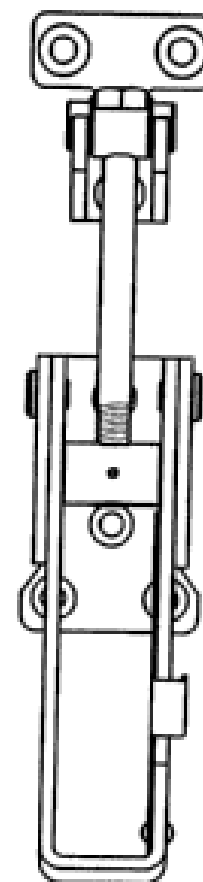
(45) Registration Date: **26 October 2005**

(30) Convention priority data:

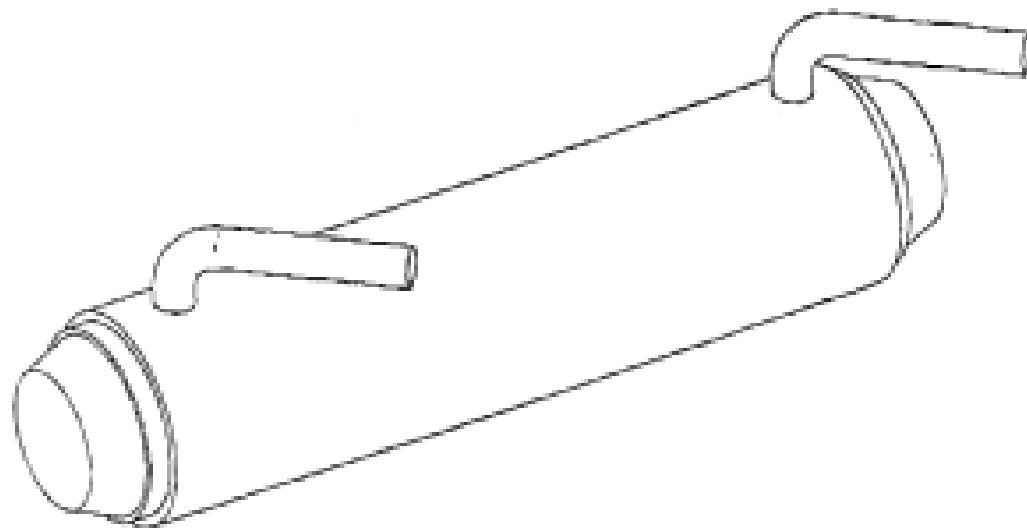
(31) Number	(32) Date	(33) Country
000106851	19 Nov 2003	EUROPEAN COMMUNITY

(56) Related Art Documents: **Not Applicable**

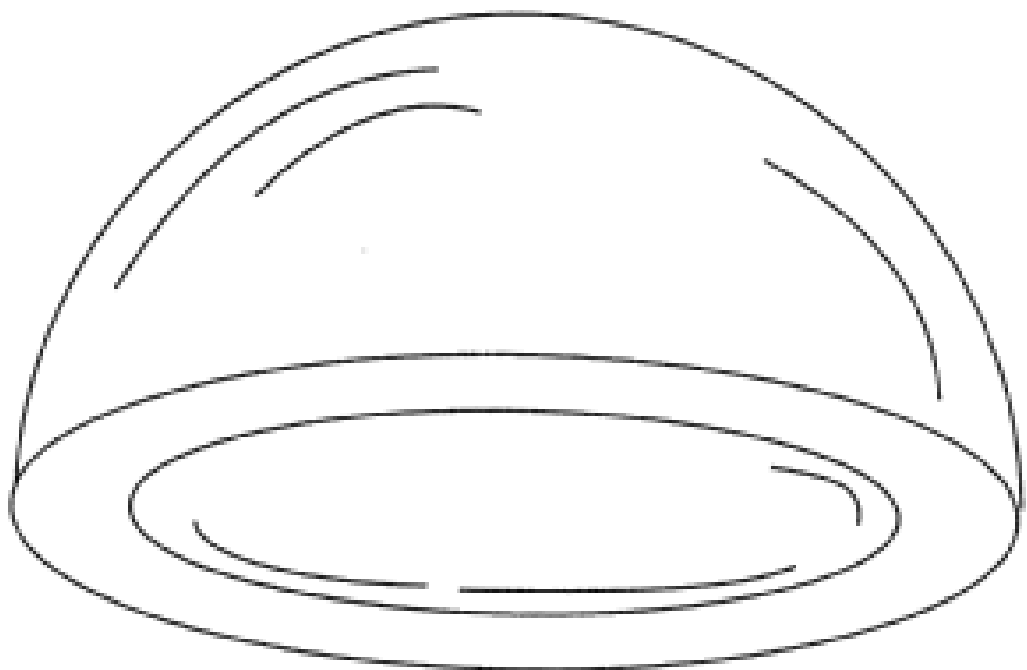
(57) Statement of Newness and Distinctiveness: **Newness and distinctiveness is claimed in the features of shape and/or configuration of an over centre fastener as illustrated in the accompanying representations.**



- (21) Design Number: **15291/2004**
(22) Date of Filing Application: **15 November 2004**
(24) Date from which industrial property rights may have effect: **15 November 2004**
(54) Product in respect of which the design is registered: **Heating device**
(51) International Design Classification: **23-03NES**
(71) Name(s) and Address(s) of Applicant(s):
Vehicle Geyser (PTY) Ltd
1 Klein Rustenburg 8 Main Road Rondebosch 7700 Western Cape
Province South Africa
(72) Name(s) of Designer(s): **Johan Gerard Smal**
(45) Registration Date: **26 October 2005**
(30) Convention priority data:
(31) Number (32) Date (33) Country
F2004/1426(1) 19 Oct 2004 SOUTH AFRICA
(56) Related Art Documents: **Not Applicable**
(57) Statement of Newness and Distinctiveness: **Newness and distinctiveness is claimed in the features of shape and configuration of the article heating device as shown in the accompanying representations.**



- (21) Design Number: **11410/2005**
(22) Date of Filing Application: **06 April 2005**
(24) Date from which industrial property rights may have effect: **06 April 2005**
(54) Product in respect of which the design is registered: **An invertible plastic cap adapted to pop up when used as a toy**
(51) International Design Classification: **21-01E**
(71) Name(s) and Address(s) of Applicant(s):
Dracco Company Ltd
Unit 808 8th Floor Star House 3 Salisbury Road Tsim Sha Tsui
Kowloon Hong Kong
(72) Name(s) of Designer(s): **Jacob Ranis Andersen**
(45) Registration Date: **26 October 2005**
(30) Convention priority data:
(31) Number (32) Date (33) Country
000244173 26 Oct 2004 EUROPEAN COMMUNITY
(56) Related Art Documents: **Not Applicable**
(57) Statement of Newness and Distinctiveness: **Newness and distinctiveness is claimed in the shape and/or configuration of an "An invertible plastic cap adapted to pop up when used as a toy" as illustrated in the representations.**



(19) AU

(21) Design Number: **11552/2005**

(22) Date of Filing Application: **18 April 2005**

(24) Date from which industrial property rights may have effect: **18 April 2005**

(54) Product in respect of which the design is registered: **A connector device**

(51) International Design Classification: **13-03B**

(71) Name(s) and Address(s) of Applicant(s):

Apple Computer, Inc.

PAT-38 1 Infinite Loop Cupertino California 95014 United States of America

(72) Name(s) of Designer(s): **Donald J. Novotney and Evans Hankey and Stephen Zadesky and Timothy J. Wells**

(45) Registration Date: **26 October 2005**

(30) Convention priority data:

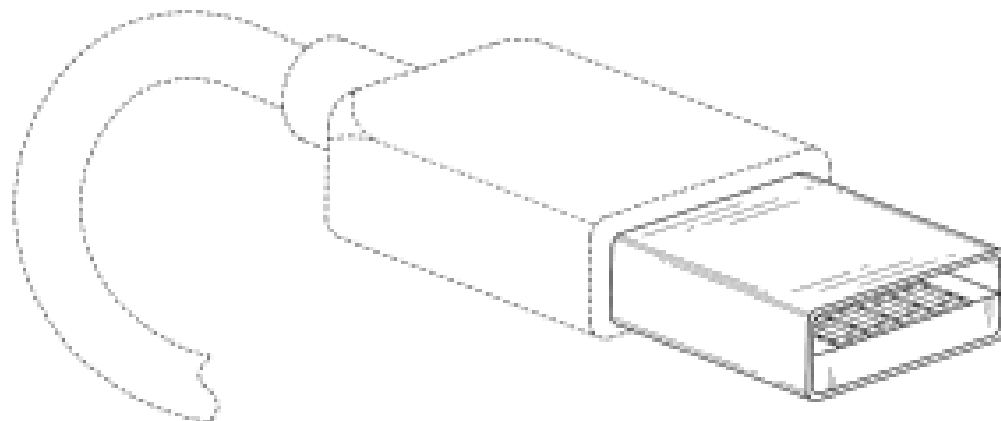
(31) Number
29/220837

(32) Date
07 Jan 2005

(33) Country
UNITED STATES OF AMERICA

(56) Related Art Documents: **Not Applicable**

(57) Statement of Newness and Distinctiveness: **Nil**



(19) AU

(21) Design Number: **11813/2005**

(22) Date of Filing Application: **29 April 2005**

(24) Date from which industrial property rights may have effect: **14 April 2004**

(54) Product in respect of which the design is registered: **Filter cartridge**

(51) International Design Classification: **23-01G**

(71) Name(s) and Address(s) of Applicant(s):

3M Innovative Properties Company

3M Center PO Box 33427 Saint Paul Minnesota 55133-3427 United States of America

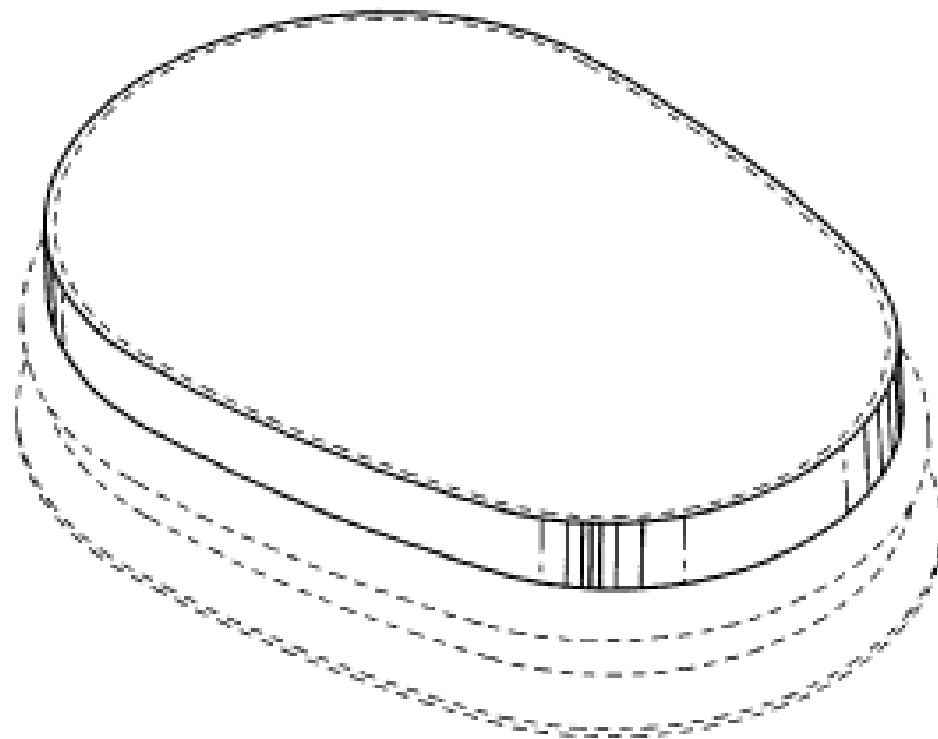
(72) Name(s) of Designer(s): **Audra A. Wilson and Brian Cormack and Malcolm R. Watson and Christopher P. Henderson and Desmond T. Curran and Elfed I. Williams and Graham V. Jackson**

(45) Registration Date: **26 October 2005**

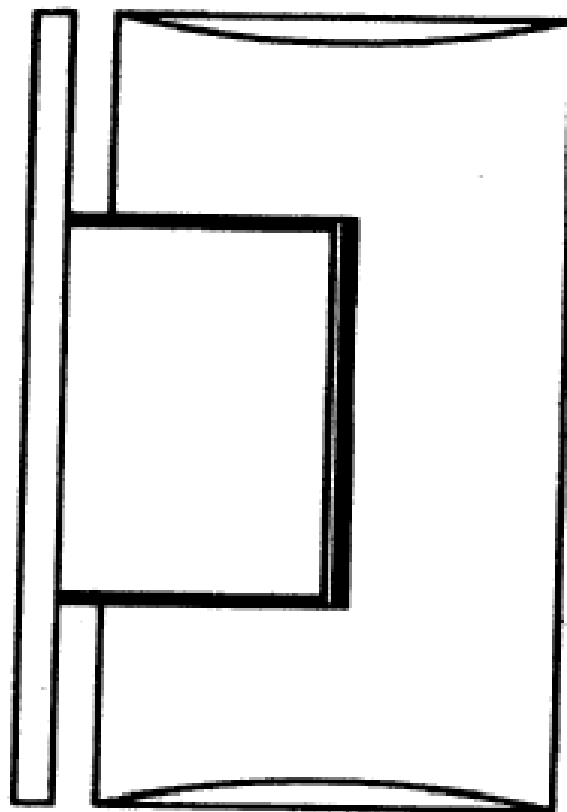
(62) Divisional of: **158018**

(56) Related Art Documents: **Not Applicable**

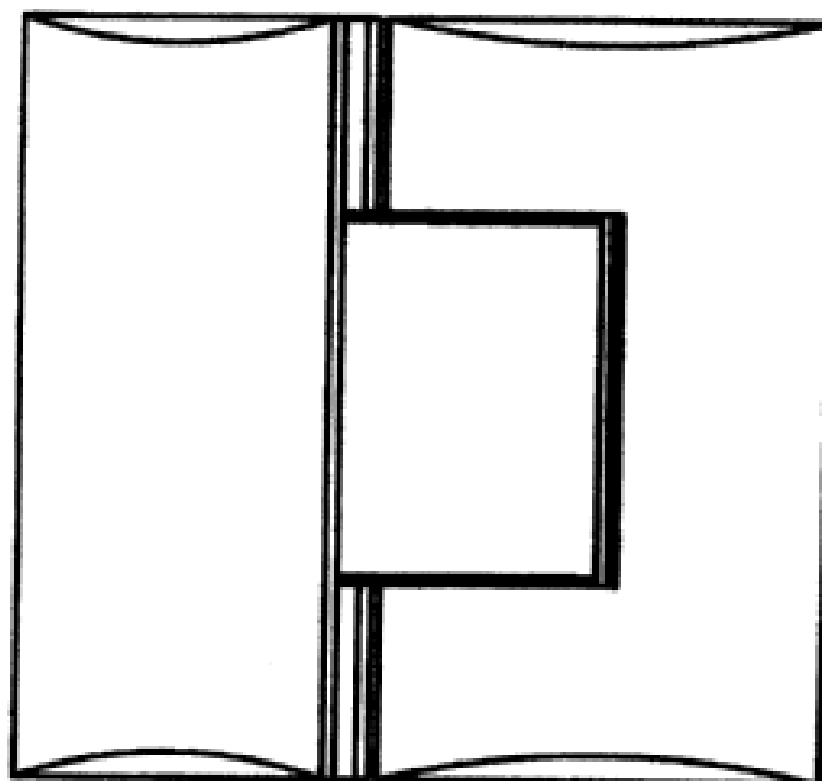
(57) Statement of Newness and Distinctiveness: **Nil**



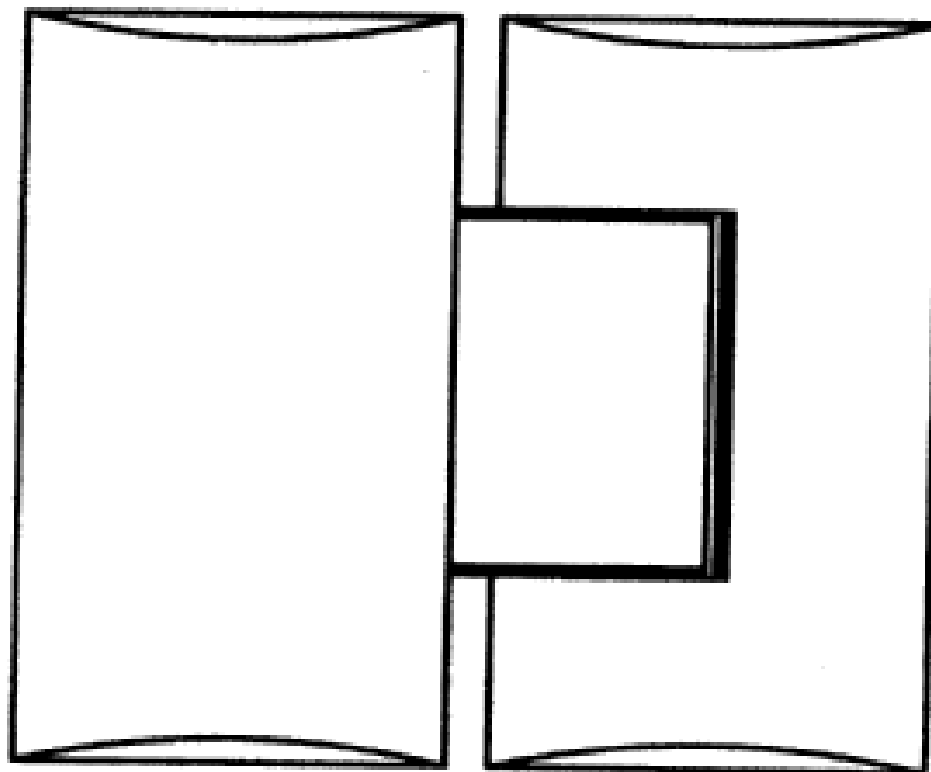
- (21) Design Number: **11815/2005**
- (22) Date of Filing Application: **02 May 2005**
- (24) Date from which industrial property rights may have effect: **02 May 2005**
- (54) Product in respect of which the design is registered: **90 degrees Glass to wall hinge for frameless shower screen**
- (51) International Design Classification: **08-06**
- (71) Name(s) and Address(s) of Applicant(s):
Mercupond Australia Pty Ltd
188 Bondi Road Bondi New South Wales 2026 Australia
- (72) Name(s) of Designer(s): **Chonghai Hou**
- (45) Registration Date: **26 October 2005**
- (56) Related Art Documents: **Not Applicable**
- (57) Statement of Newness and Distinctiveness: **Two curved edges on two sides.**



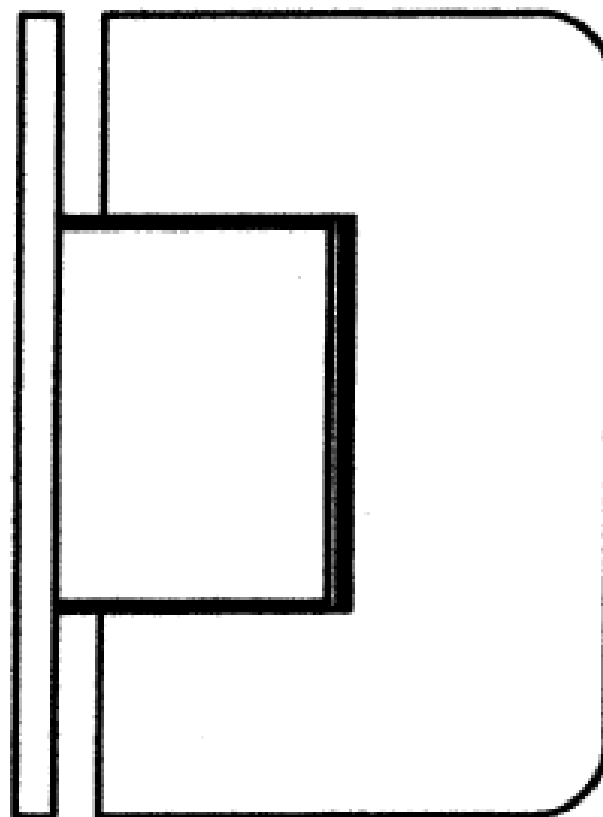
- (21) Design Number: **11816/2005**
- (22) Date of Filing Application: **02 May 2005**
- (24) Date from which industrial property rights may have effect: **02 May 2005**
- (54) Product in respect of which the design is registered: **135 degrees Glass to glass hinge for frameless shower screen**
- (51) International Design Classification: **08-06**
- (71) Name(s) and Address(s) of Applicant(s):
Mercupond Australia Pty Ltd
188 Bondi Road Bondi New South Wales 2026 Australia
- (72) Name(s) of Designer(s): **Chonghai Hou**
- (45) Registration Date: **26 October 2005**
- (56) Related Art Documents: **Not Applicable**
- (57) Statement of Newness and Distinctiveness: **4 Curved hedges on 4 sides.**



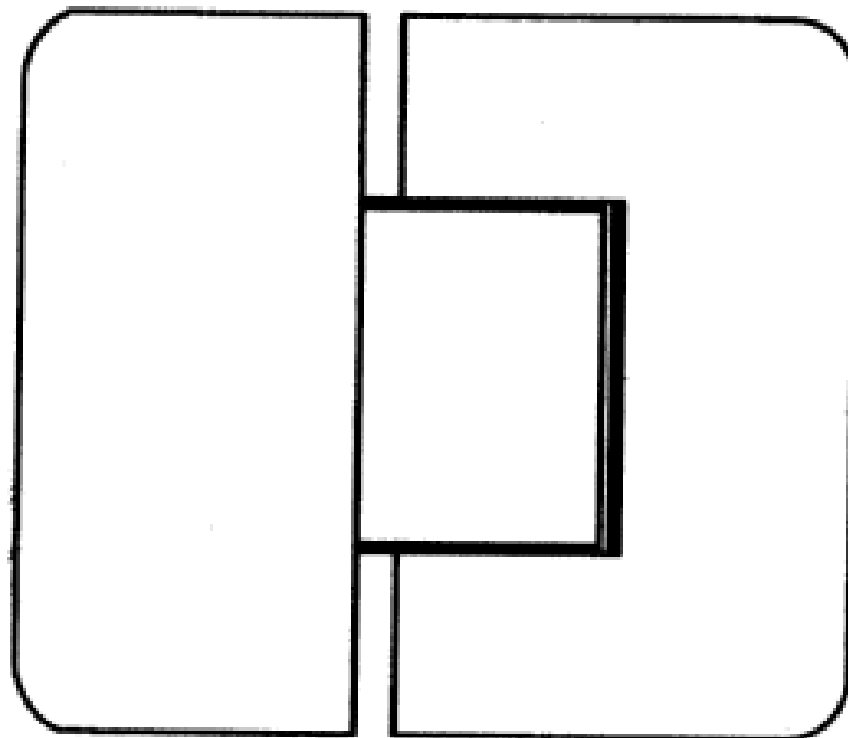
- (21) Design Number: **11817/2005**
- (22) Date of Filing Application: **02 May 2005**
- (24) Date from which industrial property rights may have effect: **02 May 2005**
- (54) Product in respect of which the design is registered: **180 degrees Glass to glass hinge for frameless shower screen**
- (51) International Design Classification: **08-06**
- (71) Name(s) and Address(s) of Applicant(s):
Mercupond Australia Pty Ltd
188 Bondi Road Bondi New South Wales 2026 Australia
- (72) Name(s) of Designer(s): **Chonghai Hou**
- (45) Registration Date: **26 October 2005**
- (56) Related Art Documents: **Not Applicable**
- (57) Statement of Newness and Distinctiveness: **4 Curved edges on 4 sides.**



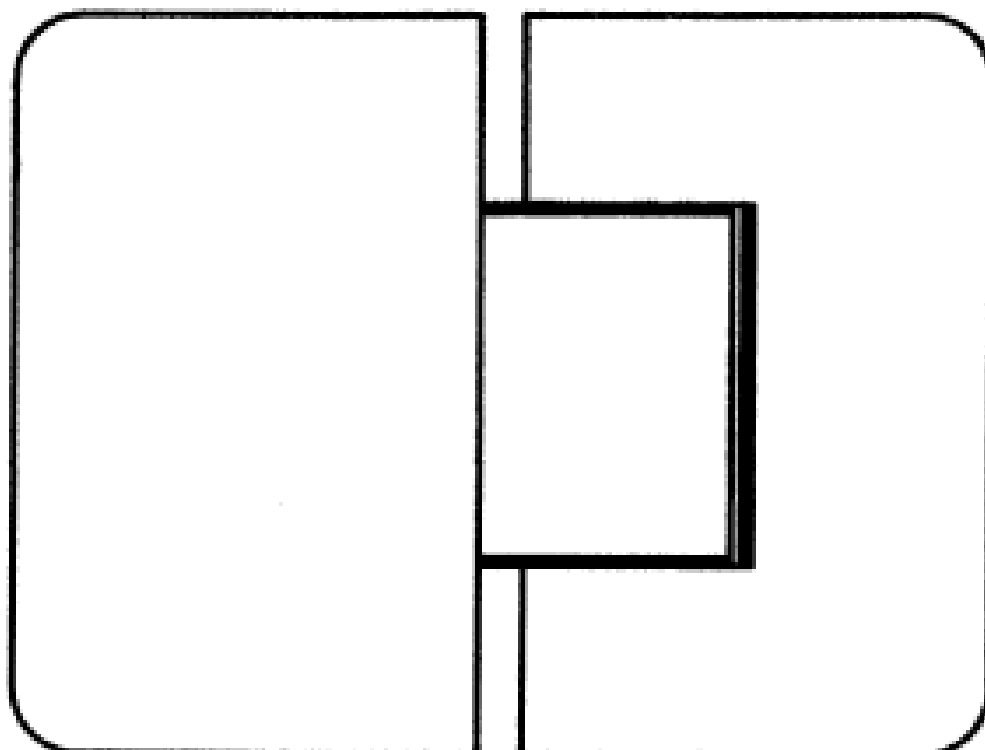
- (21) Design Number: **11818/2005**
- (22) Date of Filing Application: **02 May 2005**
- (24) Date from which industrial property rights may have effect: **02 May 2005**
- (54) Product in respect of which the design is registered: **90 degrees Glass to wall hinge for frameless shower screen**
- (51) International Design Classification: **08-06**
- (71) Name(s) and Address(s) of Applicant(s):
Mercupond Australia Pty Ltd
188 Bondi Road Bondi New South Wales 2026 Australia
- (72) Name(s) of Designer(s): **Chonghai Hou**
- (45) Registration Date: **26 October 2005**
- (56) Related Art Documents: **Not Applicable**
- (57) Statement of Newness and Distinctiveness: **Smooth round corners.**



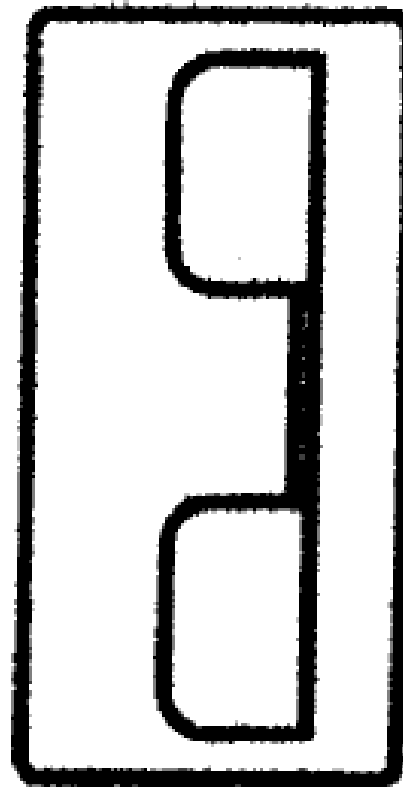
- (21) Design Number: **11819/2005**
- (22) Date of Filing Application: **02 May 2005**
- (24) Date from which industrial property rights may have effect: **02 May 2005**
- (54) Product in respect of which the design is registered: **135 degrees Glass to glass hinge for frameless shower screen**
- (51) International Design Classification: **08-06**
- (71) Name(s) and Address(s) of Applicant(s):
Mercupond Australia Pty Ltd
188 Bondi Road Bondi New South Wales 2026 Australia
- (72) Name(s) of Designer(s): **Chonghai Hou**
- (45) Registration Date: **26 October 2005**
- (56) Related Art Documents: **Not Applicable**
- (57) Statement of Newness and Distinctiveness: **Smooth round corners.**



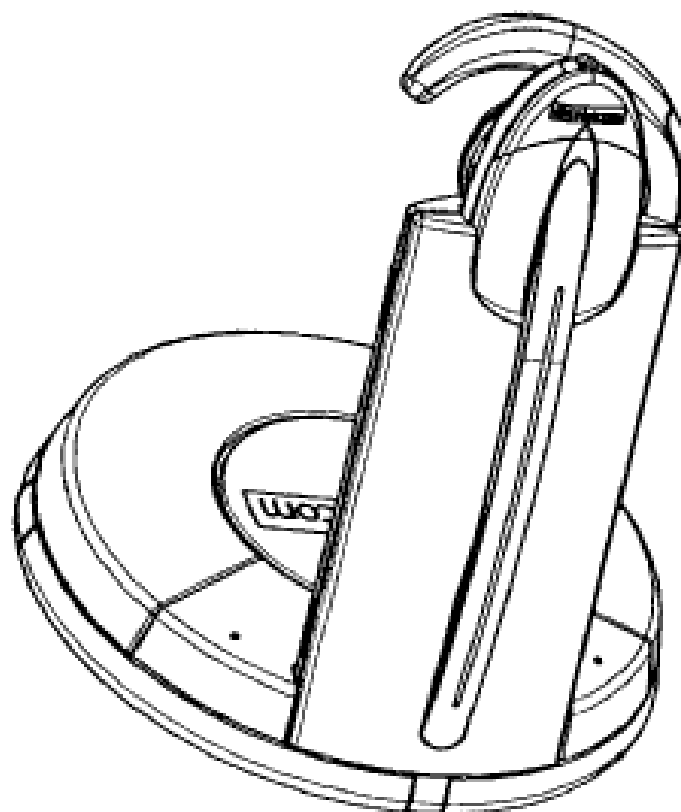
- (21) Design Number: **11820/2005**
- (22) Date of Filing Application: **02 May 2005**
- (24) Date from which industrial property rights may have effect: **02 May 2005**
- (54) Product in respect of which the design is registered: **180 degrees Glass to glass hinge for frameless shower screen**
- (51) International Design Classification: **08-06**
- (71) Name(s) and Address(s) of Applicant(s):
Mercupond Australia Pty Ltd
188 Bondi Road Bondi New South Wales 2026 Australia
- (72) Name(s) of Designer(s): **Chonghai Hou**
- (45) Registration Date: **26 October 2005**
- (56) Related Art Documents: **Not Applicable**
- (57) Statement of Newness and Distinctiveness: **Smooth round corners.**



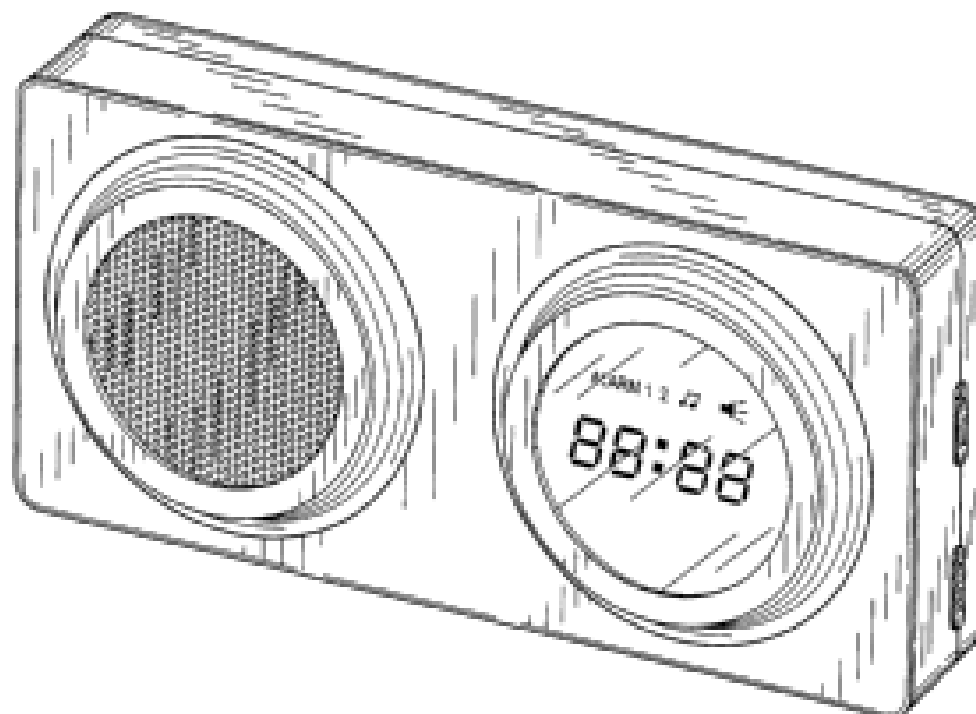
- (21) Design Number: **11821/2005**
(22) Date of Filing Application: **02 May 2005**
(24) Date from which industrial property rights may have effect: **02 May 2005**
(54) Product in respect of which the design is registered: **Anti-shock nylon 10 10 insert for hinge**
(51) International Design Classification: **08-06**
(71) Name(s) and Address(s) of Applicant(s):
Mercupond Australia Pty Ltd
188 Bondi Road Bondi New South Wales 2026 Australia
(72) Name(s) of Designer(s): **Chonghai Hou**
(45) Registration Date: **26 October 2005**
(56) Related Art Documents: **Not Applicable**
(57) Statement of Newness and Distinctiveness: **Nil**



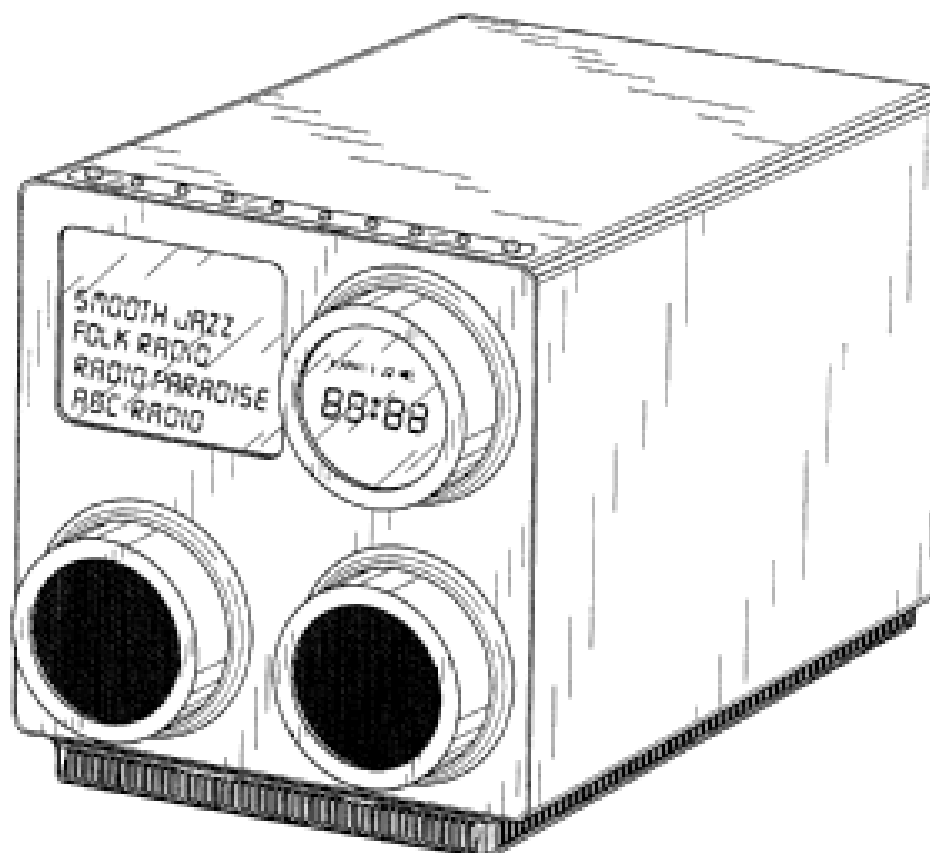
- (21) Design Number: **11857/2005**
(22) Date of Filing Application: **03 May 2005**
(24) Date from which industrial property rights may have effect: **03 May 2005**
(54) Product in respect of which the design is registered: **A base unit with a headset**
(51) International Design Classification: **14-01**
(71) Name(s) and Address(s) of Applicant(s):
GN Netcom A/S
Metalbuen 66 DK-2750 Ballerup Denmark
(72) Name(s) of Designer(s): **Klaus Rath**
(45) Registration Date: **26 October 2005**
(30) Convention priority data:
(31) Number (32) Date (33) Country
000258199 22 Nov 2004 EUROPEAN COMMUNITY
(56) Related Art Documents: **Not Applicable**
(57) Statement of Newness and Distinctiveness: **Nil**



- (21) Design Number: **11864/2005**
(22) Date of Filing Application: **03 May 2005**
(24) Date from which industrial property rights may have effect: **03 May 2005**
(54) Product in respect of which the design is registered: **Radio**
(51) International Design Classification: **14-03D**
(71) Name(s) and Address(s) of Applicant(s):
Eton Corporation
1015 Corporation Way Palo Alto California 94303 United States of America
(72) Name(s) of Designer(s): **Joerg Tragatschnig**
(45) Registration Date: **26 October 2005**
(30) Convention priority data:
(31) Number (32) Date (33) Country
29/216,639 05 Nov 2004 UNITED STATES OF AMERICA
(56) Related Art Documents: **Not Applicable**
(57) Statement of Newness and Distinctiveness: **Those features of the radio depicted in the representations that are new and distinctive are the shape and/or configuration. The words, numerals and icons are not part of the design and are to be disregarded when considering the overall impression of the design. The bottom view (Fig.3) may or may not form part of the design.**



- (21) Design Number: **11865/2005**
(22) Date of Filing Application: **03 May 2005**
(24) Date from which industrial property rights may have effect: **03 May 2005**
(54) Product in respect of which the design is registered: **Radio**
(51) International Design Classification: **14-03D**
(71) Name(s) and Address(s) of Applicant(s):
Eton Corporation
1015 Corporation Way Palo Alto California 94303 United States of America
(72) Name(s) of Designer(s): **Joerg Tragatschnig**
(45) Registration Date: **26 October 2005**
(30) Convention priority data:
(31) Number (32) Date (33) Country
29/216,640 05 Nov 2004 UNITED STATES OF AMERICA
(56) Related Art Documents: **Not Applicable**
(57) Statement of Newness and Distinctiveness: **Those features of the radio depicted in the representations that are new and distinctive are the shape and/or configuration. The features shown in broken lines and the words and numerals are not part of the design and are to be disregarded when considering the overall impression of the design. The bottom view (Fig.6) may or may not form part of the design.**



(21) Design Number: **11866/2005**

(22) Date of Filing Application: **03 May 2005**

(24) Date from which industrial property rights may have effect: **03 May 2005**

(54) Product in respect of which the design is registered: **Extruded frame part**

(51) International Design Classification: **25-01K**

(71) Name(s) and Address(s) of Applicant(s):

Crane Enfield Metals Pty Ltd
2115 Castlereagh Road Penrith New South Wales 2750 Australia

(72) Name(s) of Designer(s): **Benjamin Ian Tilley**

(45) Registration Date: **26 October 2005**

(56) Related Art Documents: **Not Applicable**

(57) Statement of Newness and Distinctiveness: **The product may be of any desired length but of constant cross section throughout that length.**



(21) Design Number: **11867/2005**

(22) Date of Filing Application: **03 May 2005**

(24) Date from which industrial property rights may have effect: **03 May 2005**

(54) Product in respect of which the design is registered: **Extruded frame part**

(51) International Design Classification: **25-01K**

(71) Name(s) and Address(s) of Applicant(s):

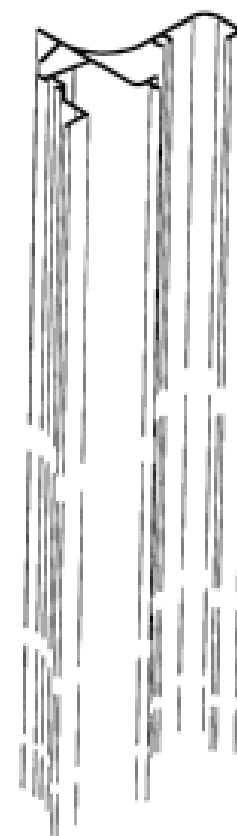
Crane Enfield Metals Pty Ltd
2115 Castlereagh Road Penrith New South Wales 2750 Australia

(72) Name(s) of Designer(s): **Benjamin Ian Tilley**

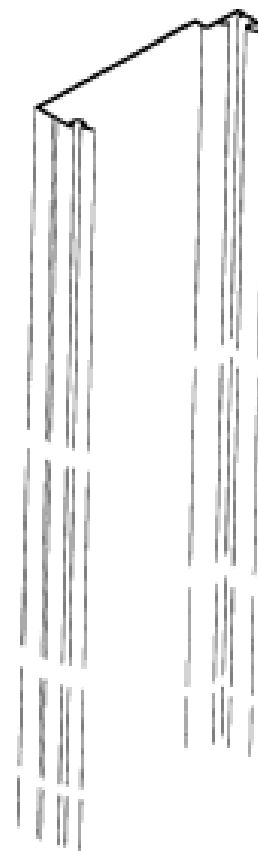
(45) Registration Date: **26 October 2005**

(56) Related Art Documents: **Not Applicable**

(57) Statement of Newness and Distinctiveness: **The product may be of any desired length but of constant cross section throughout that length.**



- (21) Design Number: **11868/2005**
- (22) Date of Filing Application: **03 May 2005**
- (24) Date from which industrial property rights may have effect: **03 May 2005**
- (54) Product in respect of which the design is registered: **Extruded frame part**
- (51) International Design Classification: **25-01K**
- (71) Name(s) and Address(s) of Applicant(s):
Crane Enfield Metals Pty Ltd
2115 Castlereagh Road Penrith New South Wales 2750 Australia
- (72) Name(s) of Designer(s): **Benjamin Ian Tilley**
- (45) Registration Date: **26 October 2005**
- (56) Related Art Documents: **Not Applicable**
- (57) Statement of Newness and Distinctiveness: **The product may be of any desired length but of constant cross section throughout that length.**



- (21) Design Number: **11873/2005**
- (22) Date of Filing Application: **03 May 2005**
- (24) Date from which industrial property rights may have effect: **03 May 2005**
- (54) Product in respect of which the design is registered: **A handset**
- (51) International Design Classification: **14-03E**
- (71) Name(s) and Address(s) of Applicant(s):
Nokia Corporation
Keilalahdentie 4 FIN-02150 Espoo Finland
- (72) Name(s) of Designer(s): **Anton Fahlgren**
- (45) Registration Date: **26 October 2005**
- (30) Convention priority data:

(31) Number	(32) Date	(33) Country
M20040173	04 Nov 2004	FINLAND
- (56) Related Art Documents: **Not Applicable**
- (57) Statement of Newness and Distinctiveness: **Nil**



- (21) Design Number: **11874/2005**
- (22) Date of Filing Application: **03 May 2005**
- (24) Date from which industrial property rights may have effect: **03 May 2005**
- (54) Product in respect of which the design is registered: **A handset**
- (51) International Design Classification: **14-03E**
- (71) Name(s) and Address(s) of Applicant(s):

Nokia Corporation
Keilalahdentie 4 FIN-02150 Espoo Finland

- (72) Name(s) of Designer(s): **Anton Fahlgren**

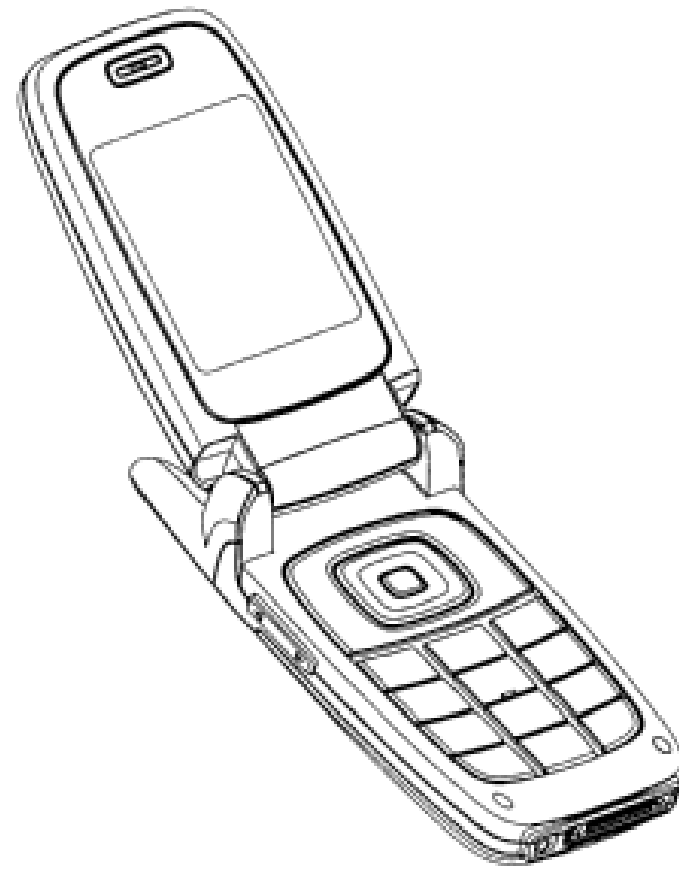
- (45) Registration Date: **26 October 2005**

- (30) Convention priority data:

(31) Number	(32) Date	(33) Country
M20040173	04 Nov 2004	FINLAND

- (56) Related Art Documents: **Not Applicable**

- (57) Statement of Newness and Distinctiveness: **Nil**



- (21) Design Number: **13487/2004**
- (22) Date of Filing Application: **27 July 2004**
- (24) Date from which industrial property rights may have effect: **27 July 2004**
- (54) Product in respect of which the design is registered: **A safety guardrail support post**

- (51) International Design Classification: **25-02C**

- (71) Name(s) and Address(s) of Applicant(s):

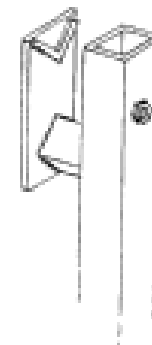
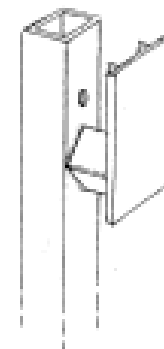
Tony Spada Trading as Allsafe Safety Guardrail
9 Leddy Street Forest Hill Victoria 3131 Australia

- (72) Name(s) of Designer(s): **Tony Spada**

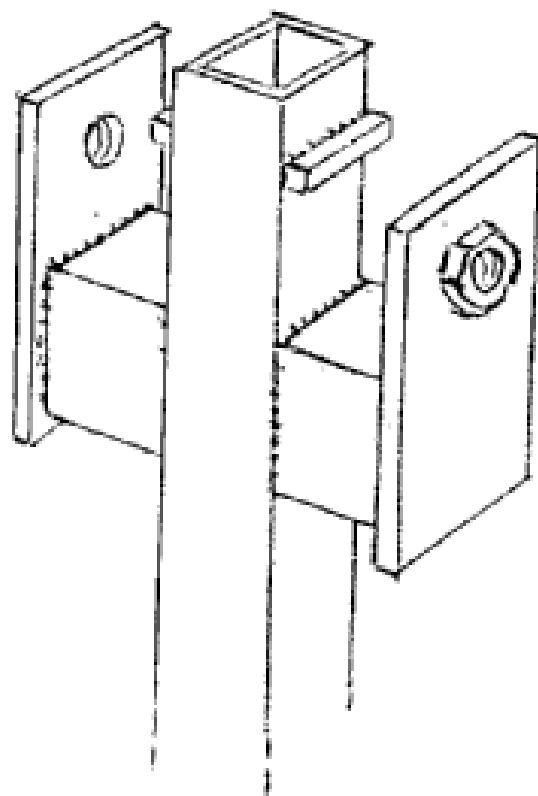
- (45) Registration Date: **26 October 2005**

- (56) Related Art Documents: **Not Applicable**

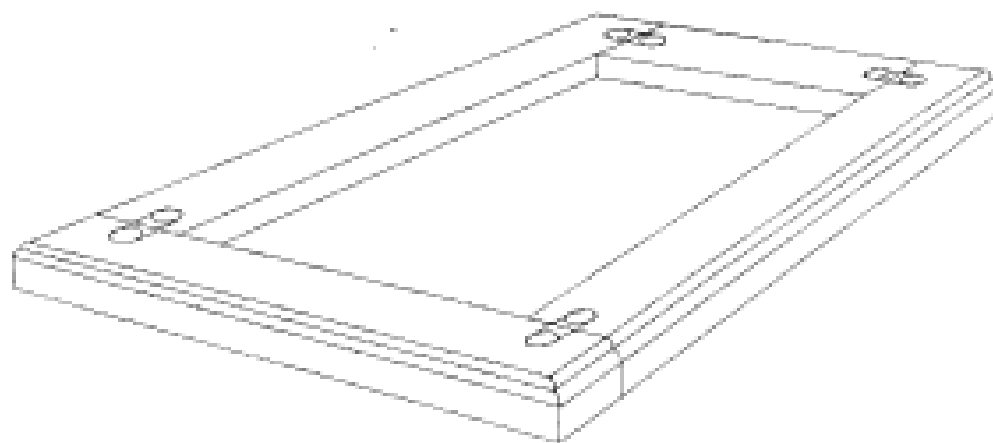
- (57) Statement of Newness and Distinctiveness: **Visual features of the design which are new and distinctive are the features of shape and configuration of a safety guardrail support post as illustrated in the representations.**



- (21) Design Number: **14539/2005**
(22) Date of Filing Application: **27 July 2004**
(24) Date from which industrial property rights may have effect: **27 July 2004**
(54) Product in respect of which the design is registered: **A safety guardrail support post**
(51) International Design Classification: **25-02C**
(71) Name(s) and Address(s) of Applicant(s):
Tony Spada Trading as Allsafe Safety Guardrail
9 Leddy Street Forest Hill Victoria 3131 Australia
(72) Name(s) of Designer(s): **Tony Spada**
(45) Registration Date: **26 October 2005**
(56) Related Art Documents: **Not Applicable**
(57) Statement of Newness and Distinctiveness: **Visual features of the design which are new and distinctive are the features of shape and configuration of a safety guardrail support as illustrated in the representations.**



- (21) Design Number: **13282/2005**
(22) Date of Filing Application: **02 August 2005**
(24) Date from which industrial property rights may have effect: **02 August 2005**
(54) Product in respect of which the design is registered: **Double bullnosed ashlar sculpture**
(51) International Design Classification: **11-02NES**
(71) Name(s) and Address(s) of Applicant(s):
A. Giannarelli & Sons
121 Trawalla Avenue Thomastown Victoria 3074 Australia
(72) Name(s) of Designer(s): **Emileo Giannarelli**
(45) Registration Date: **26 October 2005**
(56) Related Art Documents: **Not Applicable**
(57) Statement of Newness and Distinctiveness: **Nil**



(21) Design Number: **13283/2005**

(22) Date of Filing Application: **02 August 2005**

(24) Date from which industrial property rights may have effect: **02 August 2005**

(54) Product in respect of which the design is registered: **Stone scroll sculpture**

(51) International Design Classification: **11-02NES**

(71) Name(s) and Address(s) of Applicant(s):

A. Giannarelli & Sons

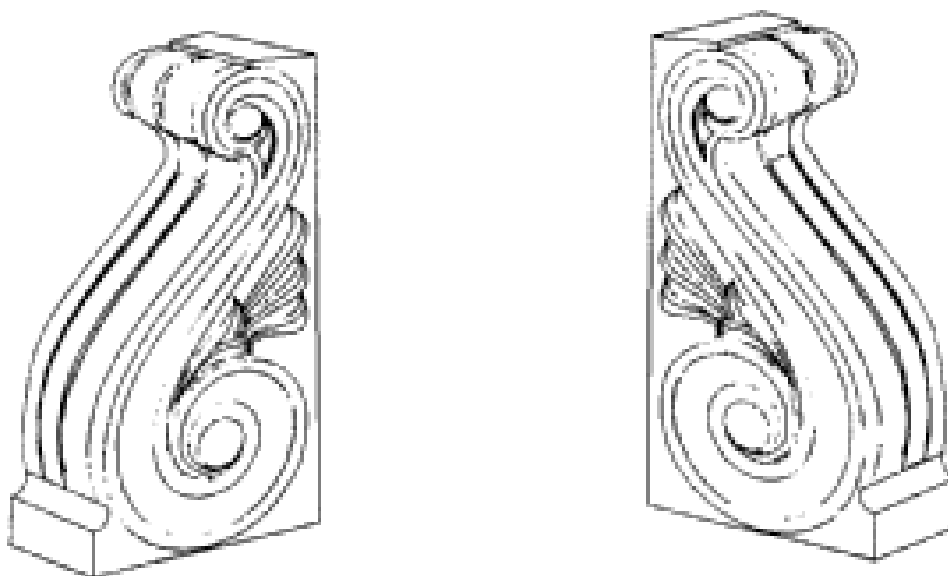
121 Trawalla Avenue Thomastown Victoria 3074 Australia

(72) Name(s) of Designer(s): **Emileo Giannarelli**

(45) Registration Date: **26 October 2005**

(56) Related Art Documents: **Not Applicable**

(57) Statement of Newness and Distinctiveness: **Nil**



(21) Design Number: **13284/2005**

(22) Date of Filing Application: **02 August 2005**

(24) Date from which industrial property rights may have effect: **02 August 2005**

(54) Product in respect of which the design is registered: **Rectangular heart design sculpture**

(51) International Design Classification: **11-02NES**

(71) Name(s) and Address(s) of Applicant(s):

A. Giannarelli & Sons

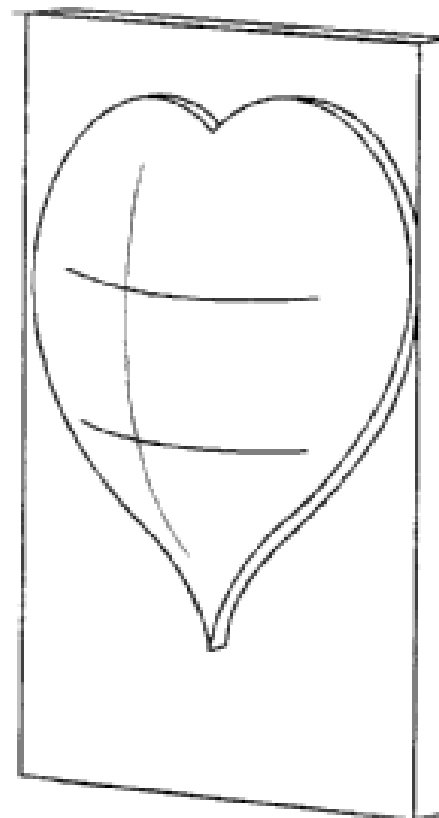
121 Trawalla Avenue Thomastown Victoria 3074 Australia

(72) Name(s) of Designer(s): **Emileo Giannarelli**

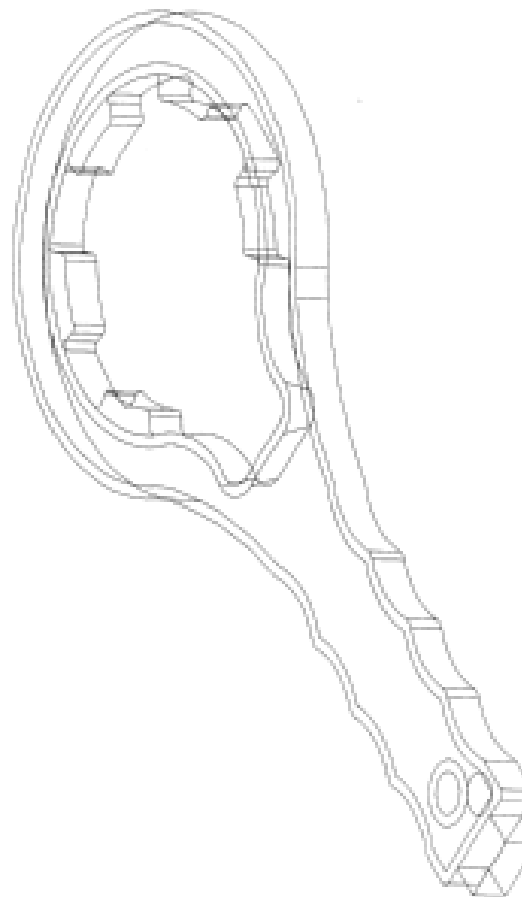
(45) Registration Date: **26 October 2005**

(56) Related Art Documents: **Not Applicable**

(57) Statement of Newness and Distinctiveness: **Nil**



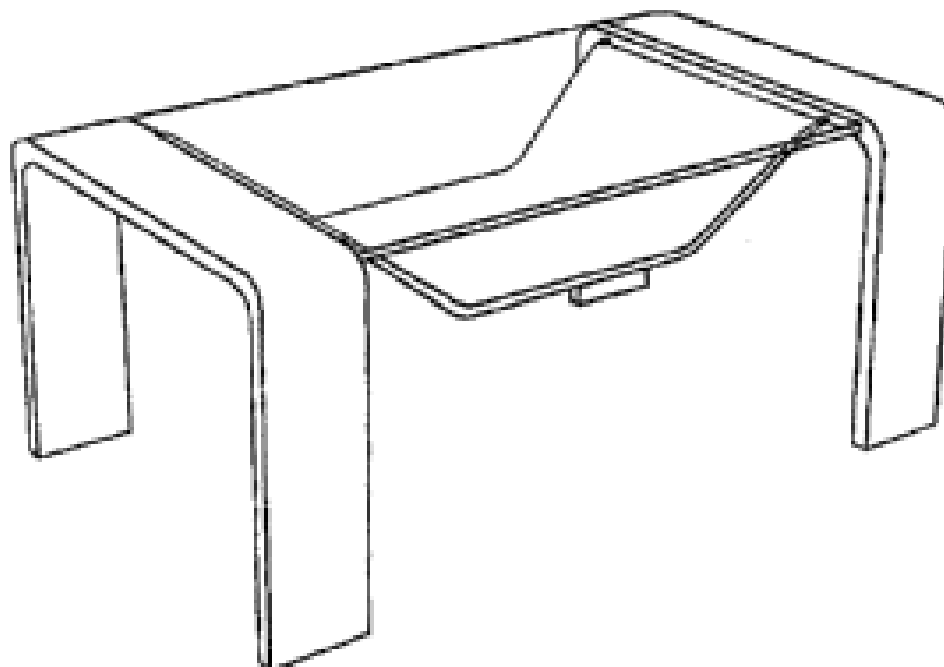
- (21) Design Number: **13870/2004**
(22) Date of Filing Application: **16 August 2004**
(24) Date from which industrial property rights may have effect: **16 August 2004**
(54) Product in respect of which the design is registered: **Cap spanner - chemical drums 15ltr and 20ltr**
(51) International Design Classification: **08-05P**
(71) Name(s) and Address(s) of Applicant(s):
Wilroof Products (WA) Pty Ltd
Unit 32/86 Beechboro Road Bayswater Western Australia 6053
Australia
(72) Name(s) of Designer(s): **Jim Larmont**
(45) Registration Date: **26 October 2005**
(56) Related Art Documents: **Not Applicable**
(57) Statement of Newness and Distinctiveness: **Finger grip handle and hollow in spanner to enable spanner to go over cap with tap.**



- (21) Design Number: **11579/2005**
(22) Date of Filing Application: **19 April 2005**
(24) Date from which industrial property rights may have effect: **19 April 2005**
(54) Product in respect of which the design is registered: **Table**
(51) International Design Classification: **06-03A**
(71) Name(s) and Address(s) of Applicant(s):
Ekornes ASA
N-6222 Ikkornnes Norway
(72) Name(s) of Designer(s): **Harald Relling**
(45) Registration Date: **26 October 2005**
(30) Convention priority data:

(31) Number	(32) Date	(33) Country
20040606	22 Oct 2004	NORWAY

(56) Related Art Documents: **Not Applicable**
(57) Statement of Newness and Distinctiveness: **Nil**



(21) Design Number: **11580/2005**
(22) Date of Filing Application: **19 April 2005**
(24) Date from which industrial property rights may have effect: **19 April 2005**
(54) Product in respect of which the design is registered: **Table**
(51) International Design Classification: **06-03B**
(71) Name(s) and Address(s) of Applicant(s):

Ekornes ASA
N-6222 Ikornnes Norway

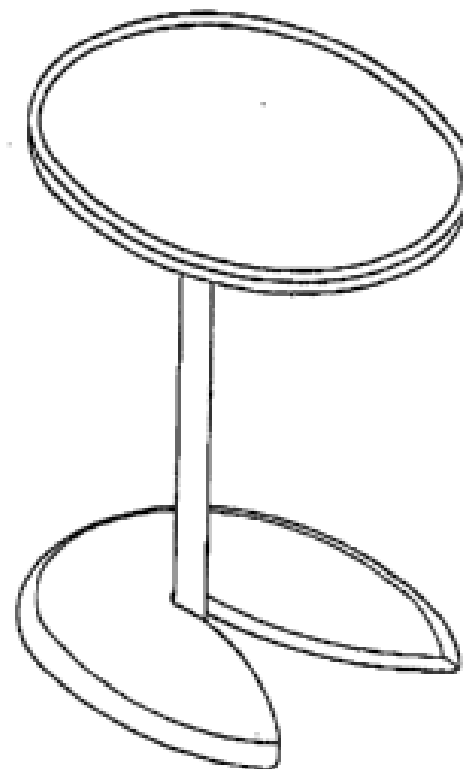
(72) Name(s) of Designer(s): **Jan Lade**
(45) Registration Date: **26 October 2005**

(30) Convention priority data:

(31) Number	(32) Date	(33) Country
20040603	22 Oct 2004	NORWAY

(56) Related Art Documents: **Not Applicable**

(57) Statement of Newness and Distinctiveness: **Nil**



(21) Design Number: **11584/2005**
(22) Date of Filing Application: **19 April 2005**
(24) Date from which industrial property rights may have effect: **19 April 2005**
(54) Product in respect of which the design is registered: **Table**
(51) International Design Classification: **06-03A**
(71) Name(s) and Address(s) of Applicant(s):

Ekornes ASA
N-6222 Ikornnes Norway

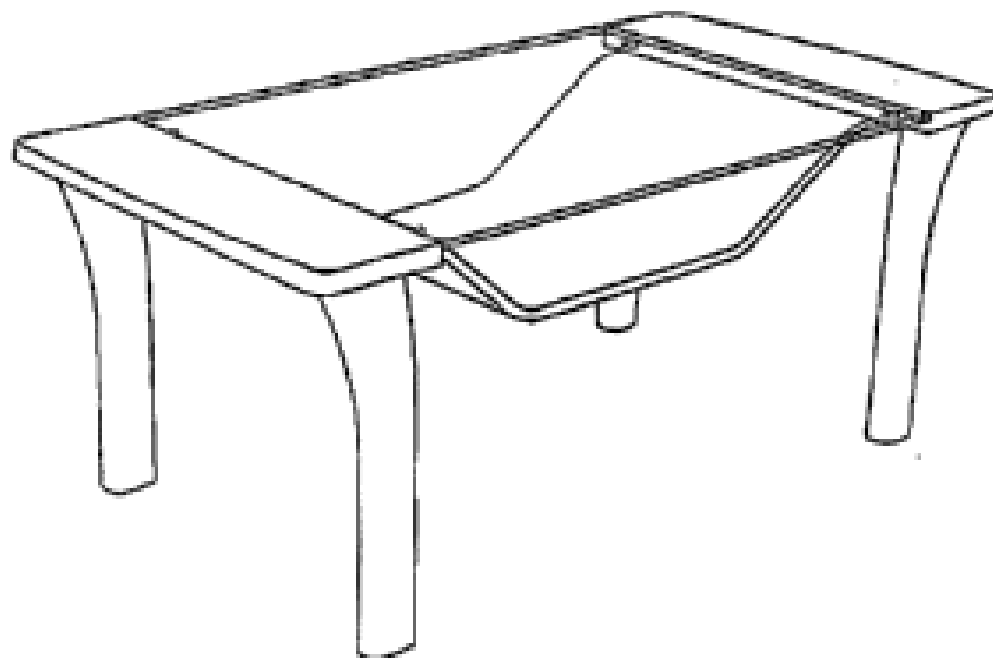
(72) Name(s) of Designer(s): **Harald Relling**
(45) Registration Date: **26 October 2005**

(30) Convention priority data:

(31) Number	(32) Date	(33) Country
20040605	22 Oct 2004	NORWAY

(56) Related Art Documents: **Not Applicable**

(57) Statement of Newness and Distinctiveness: **Nil**



(21) Design Number: **11585/2005**
(22) Date of Filing Application: **19 April 2005**
(24) Date from which industrial property rights may have effect: **19 April 2005**
(54) Product in respect of which the design is registered: **Sofa**
(51) International Design Classification: **06-01G**
(71) Name(s) and Address(s) of Applicant(s):

Ekornes ASA
N-6222 Ikornnes Norway

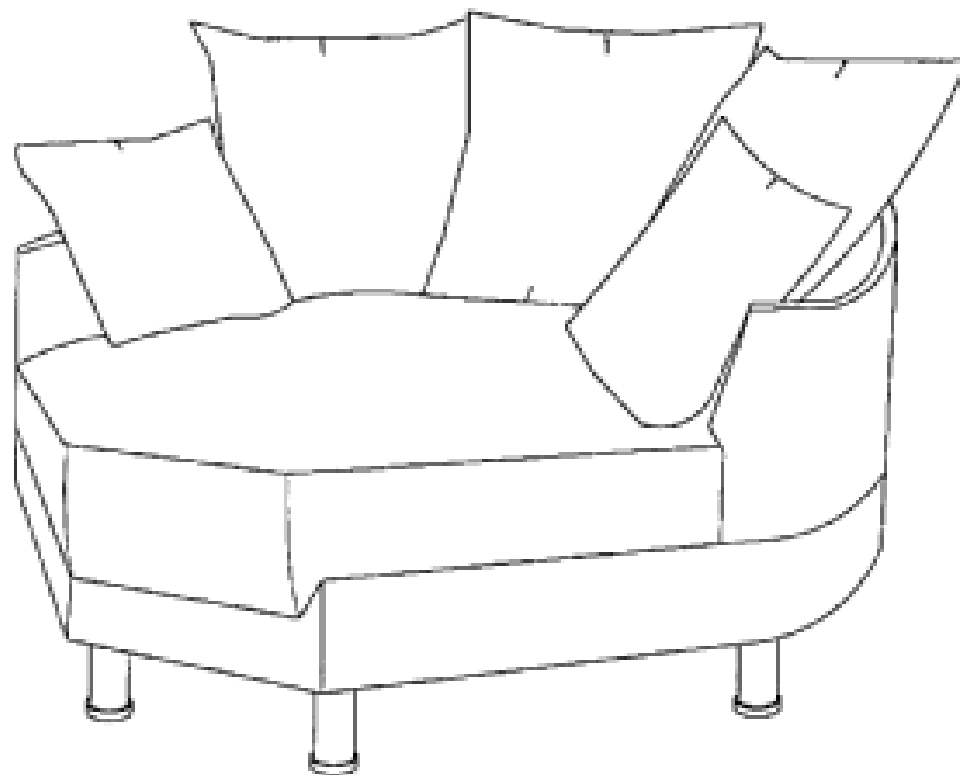
(72) Name(s) of Designer(s): **Jan Lade**
(45) Registration Date: **26 October 2005**

(30) Convention priority data:

(31) Number	(32) Date	(33) Country
20040597	20 Oct 2004	NORWAY

(56) Related Art Documents: **Not Applicable**

(57) Statement of Newness and Distinctiveness: **Nil**



(21) Design Number: **11904/2005**
(22) Date of Filing Application: **05 May 2005**
(24) Date from which industrial property rights may have effect: **05 May 2005**
(54) Product in respect of which the design is registered: **Camera casing**
(51) International Design Classification: **16-01, 03-01NES**
(71) Name(s) and Address(s) of Applicant(s):

Matthew Alan Carroll
c/o Sampak & Co King George Chambers Suite 415 375 George Street
New South Wales 2000 Sydney

(72) Name(s) of Designer(s): **Matthew Alan Carroll**

(45) Registration Date: **26 October 2005**

(56) Related Art Documents: **Not Applicable**

(57) Statement of Newness and Distinctiveness: **Nil**



(21) Design Number: **11909/2005**
 (22) Date of Filing Application: **05 May 2005**
 (24) Date from which industrial property rights may have effect: **05 May 2005**
 (54) Product in respect of which the design is registered: **Thermal detector**
 (51) International Design Classification: **10-05**
 (71) Name(s) and Address(s) of Applicant(s):

HOCHIKI Corporation
10-43 Kamiosaki 2-chome Shinagawa-ku Tokyo 141-8660 Japan

(72) Name(s) of Designer(s): **Yoshimi Kawabata**

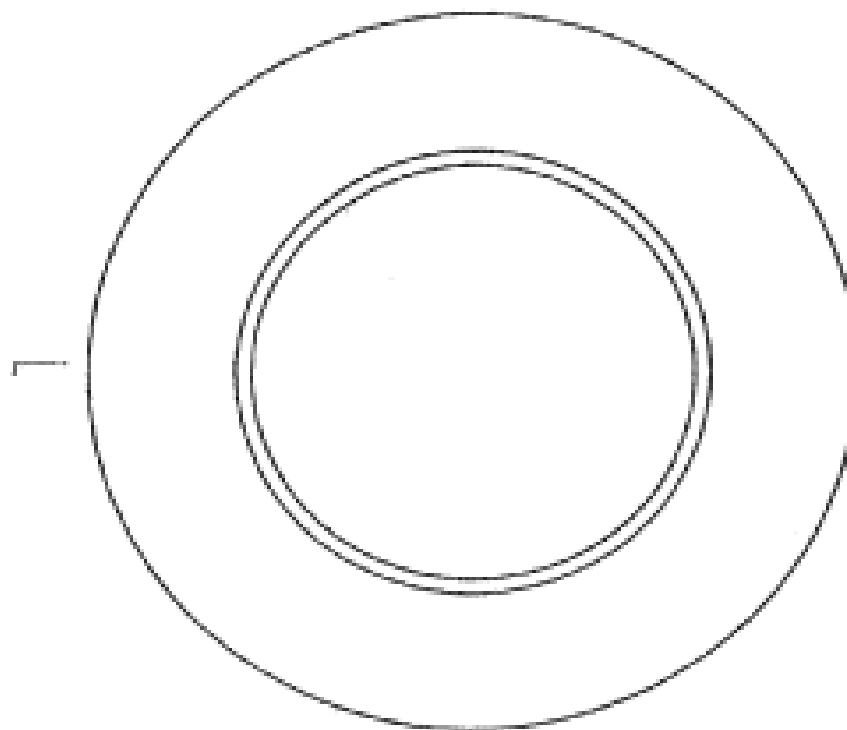
(45) Registration Date: **26 October 2005**

(30) Convention priority data:

(31) Number	(32) Date	(33) Country
2004-34428	11 Nov 2004	JAPAN

(56) Related Art Documents: **Not Applicable**

(57) Statement of Newness and Distinctiveness: **Nil**



(21) Design Number: **11967/2005**
 (22) Date of Filing Application: **05 May 2005**
 (24) Date from which industrial property rights may have effect: **05 May 2005**
 (54) Product in respect of which the design is registered: **Hovercraft toy vehicle**
 (51) International Design Classification: **21-01C**
 (71) Name(s) and Address(s) of Applicant(s):

Leynian Ltd. Co.,
4704 Van Kleeck Drive New Smyrna Beach Florida 32169 United States of America

(72) Name(s) of Designer(s): **Neil Tilbor**

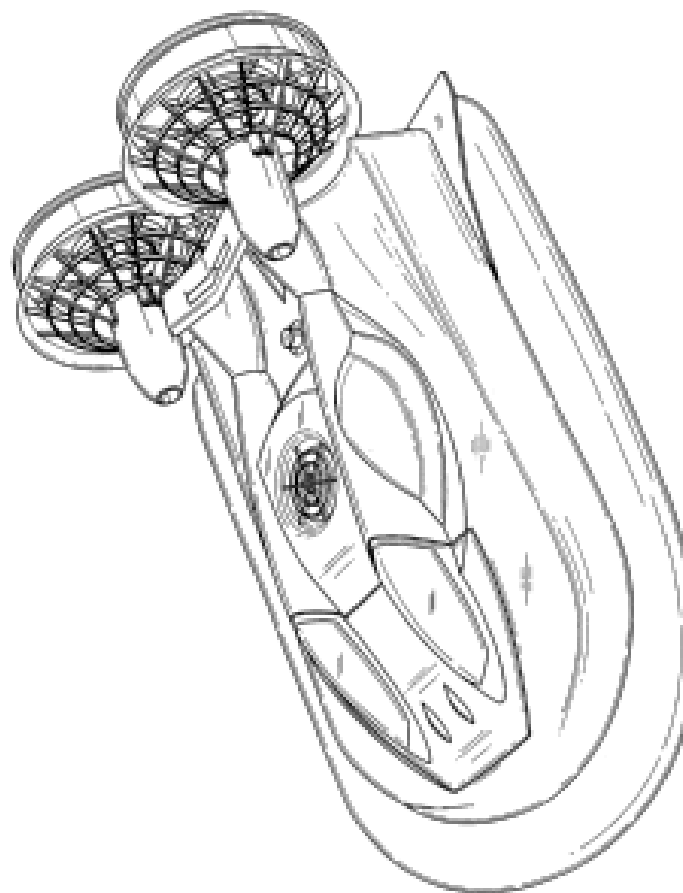
(45) Registration Date: **26 October 2005**

(30) Convention priority data:

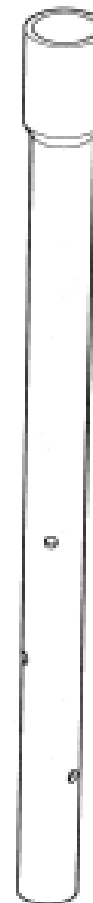
(31) Number	(32) Date	(33) Country
29/216,754	08 Nov 2004	UNITED STATES OF AMERICA

(56) Related Art Documents: **Not Applicable**

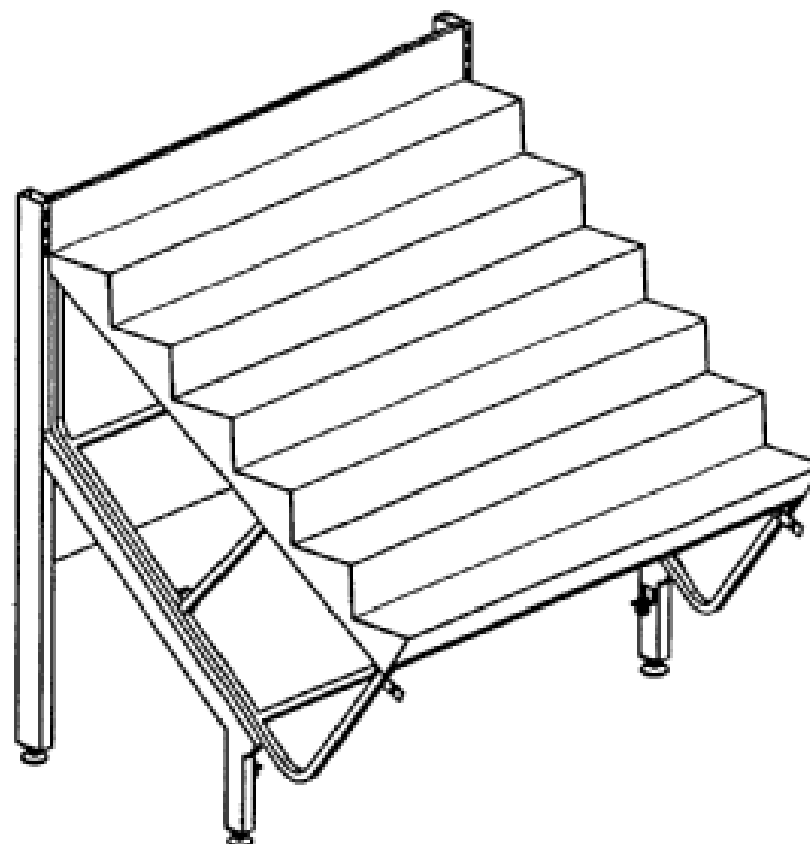
(57) Statement of Newness and Distinctiveness: **Those visual features of the hovercraft toy vehicle depicted in the representations that are new and distinctive are the shape and/or configuration.**



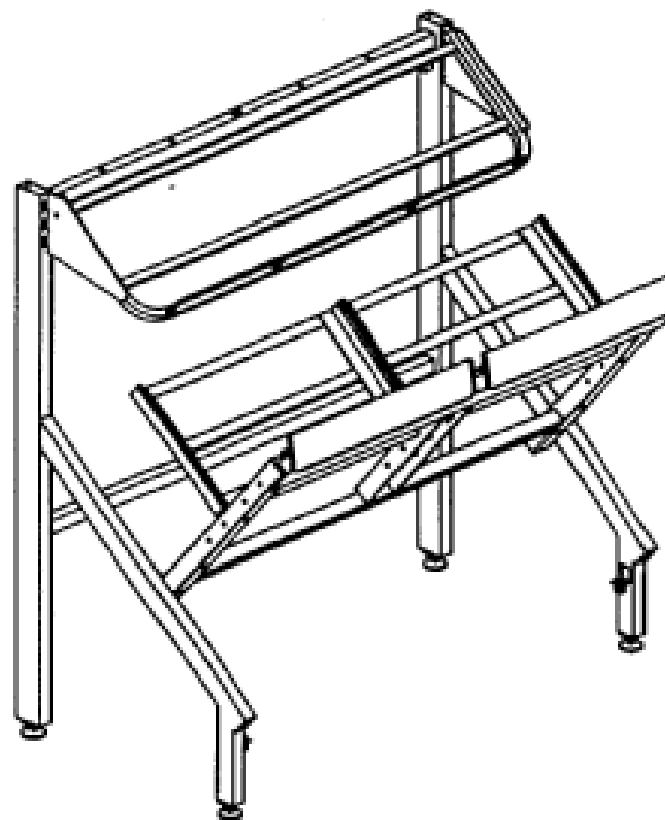
- (21) Design Number: **11971/2005**
(22) Date of Filing Application: **05 May 2005**
(24) Date from which industrial property rights may have effect: **05 May 2005**
(54) Product in respect of which the design is registered: **A resin injection nozzle fitting for a rock bolt drilling machine**
(51) International Design Classification: **08-01**
(71) Name(s) and Address(s) of Applicant(s):
Nicholas Ian McLoughney
4 Surrey Crescent Lower Mitcham South Australia 5062 Australia
(72) Name(s) of Designer(s): **Nicholas Ian McLoughney**
(45) Registration Date: **26 October 2005**
(56) Related Art Documents: **Not Applicable**
(57) Statement of Newness and Distinctiveness: **Newness and distinctiveness resides in the shape and configuration of a resin injection nozzle fitting for a rock bolt drilling machine as shown in the accompanying representations.**



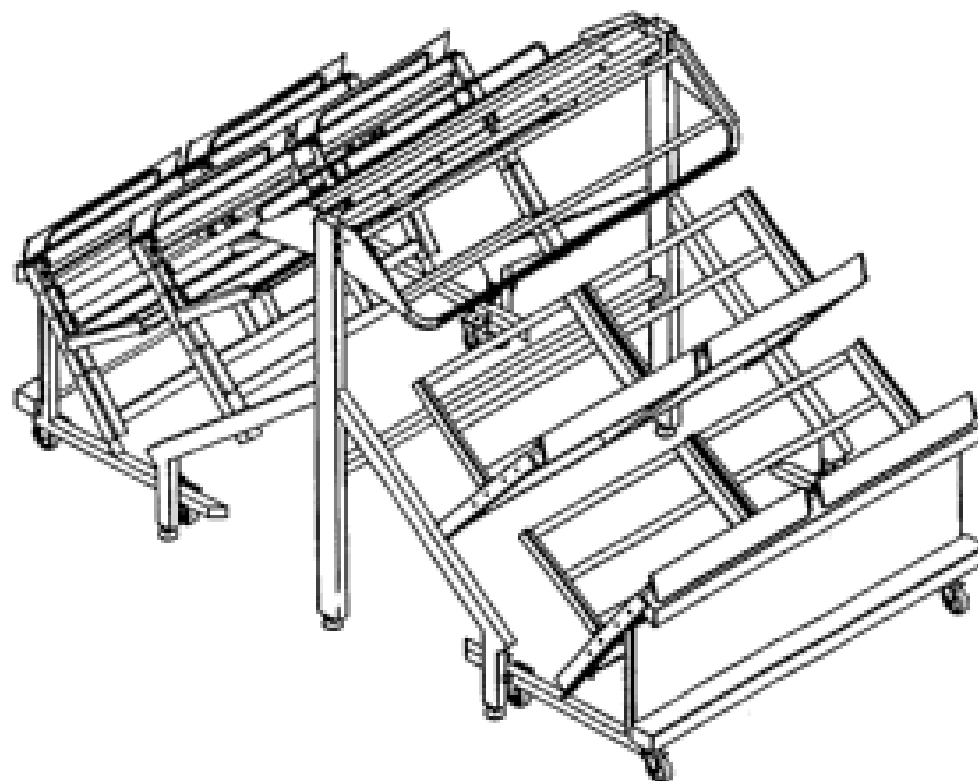
- (21) Design Number: **11973/2005**
(22) Date of Filing Application: **05 May 2005**
(24) Date from which industrial property rights may have effect: **05 May 2005**
(54) Product in respect of which the design is registered: **Produce display structure**
(51) International Design Classification: **20-02E**
(71) Name(s) and Address(s) of Applicant(s):
Woolworths Limited
Level 5 540 George Street Sydney New South Wales 2000 Australia
(72) Name(s) of Designer(s): **Brian Hollis and Ito Korjenic and Simon Cai and Greg Wilson and Gary Raynor and Guy Arad and Peter Smith and Stephen Bate and Michael Burow and Mark Joyce and Michael Batycki**
(45) Registration Date: **26 October 2005**
(56) Related Art Documents: **Not Applicable**
(57) Statement of Newness and Distinctiveness: **Newness and distinctiveness is claimed in the features of shape and/or configuration of a produce display structure as illustrated in the accompanying representations.**



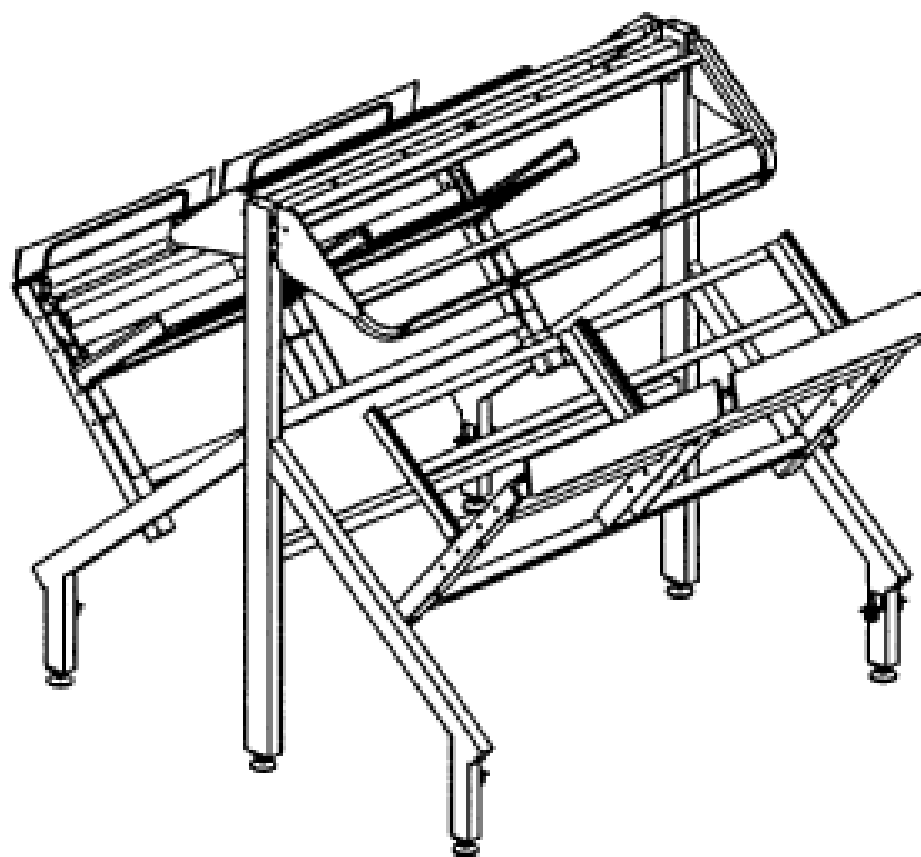
- (21) Design Number: **11974/2005**
(22) Date of Filing Application: **05 May 2005**
(24) Date from which industrial property rights may have effect: **05 May 2005**
(54) Product in respect of which the design is registered: **Produce display structure**
(51) International Design Classification: **20-02E**
(71) Name(s) and Address(s) of Applicant(s):
Woolworths Limited
Level 5 540 George Street Sydney New South Wales 2000 Australia
(72) Name(s) of Designer(s): **Brian Hollis and Ito Korjenic and Simon Cai and Greg Wilson and Gary Raynor and Guy Arad and Peter Smith and Stephen Bate and Michael Burow and Mark Joyce and Michael Batycki**
(45) Registration Date: **26 October 2005**
(56) Related Art Documents: **Not Applicable**
(57) Statement of Newness and Distinctiveness: **Newness and distinctiveness is claimed in the features of shape and/or configuration of a produce display structure as illustrated in the accompanying representations.**



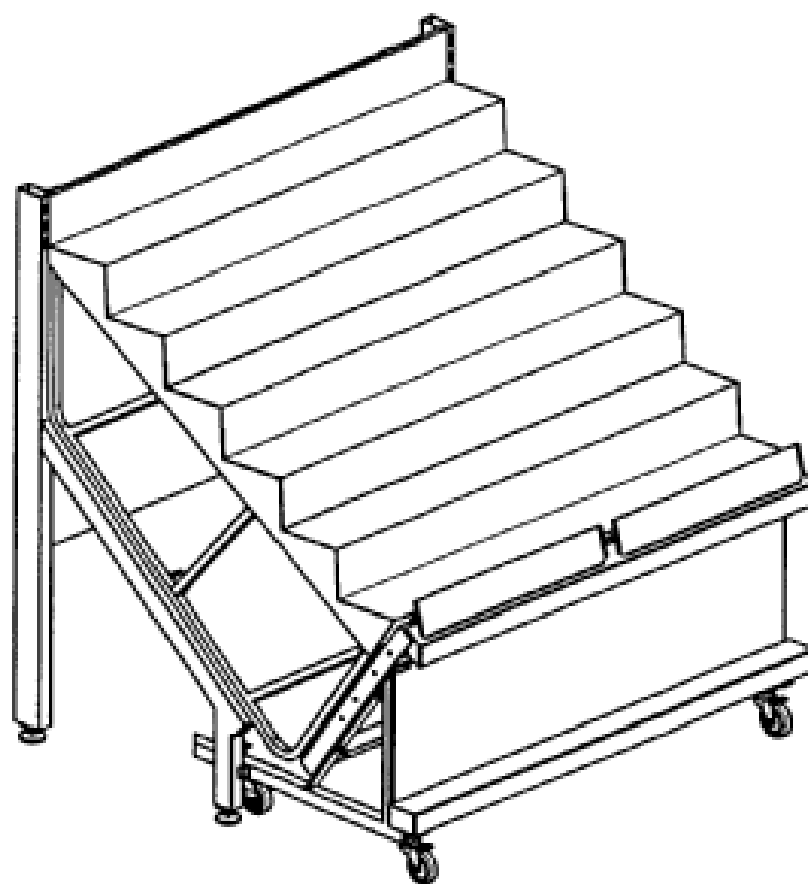
- (21) Design Number: **11975/2005**
(22) Date of Filing Application: **05 May 2005**
(24) Date from which industrial property rights may have effect: **05 May 2005**
(54) Product in respect of which the design is registered: **Produce display structure**
(51) International Design Classification: **20-02E**
(71) Name(s) and Address(s) of Applicant(s):
Woolworths Limited
Level 5 540 George Street Sydney New South Wales 2000 Australia
(72) Name(s) of Designer(s): **Brian Hollis and Ito Korjenic and Simon Cai and Greg Wilson and Gary Raynor and Guy Arad and Peter Smith and Stephen Bate and Michael Burow and Mark Joyce and Michael Batycki**
(45) Registration Date: **26 October 2005**
(56) Related Art Documents: **Not Applicable**
(57) Statement of Newness and Distinctiveness: **Newness and distinctiveness is claimed in the features of shape and/or configuration of a produce display structure as illustrated in the accompanying representations.**



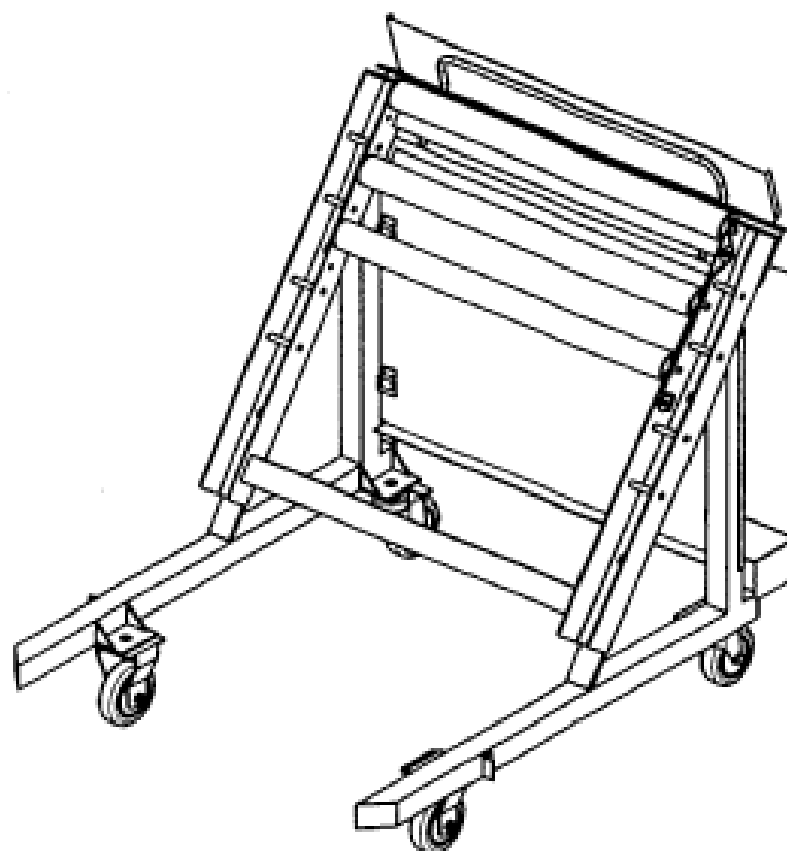
- (21) Design Number: **11976/2005**
(22) Date of Filing Application: **05 May 2005**
(24) Date from which industrial property rights may have effect: **05 May 2005**
(54) Product in respect of which the design is registered: **Produce display structure**
(51) International Design Classification: **20-02E**
(71) Name(s) and Address(s) of Applicant(s):
Woolworths Limited
Level 5 540 George Street Sydney New South Wales 2000 Australia
(72) Name(s) of Designer(s): **Brian Hollis and Ito Korjenic and Simon Cai and Greg Wilson and Gary Raynor and Guy Arad and Peter Smith and Stephen Bate and Michael Burow and Mark Joyce and Michael Batycki**
(45) Registration Date: **26 October 2005**
(56) Related Art Documents: **Not Applicable**
(57) Statement of Newness and Distinctiveness: **Newness and distinctiveness is claimed in the features of shape and/or configuration of a produce display structure as illustrated in the accompanying representations.**



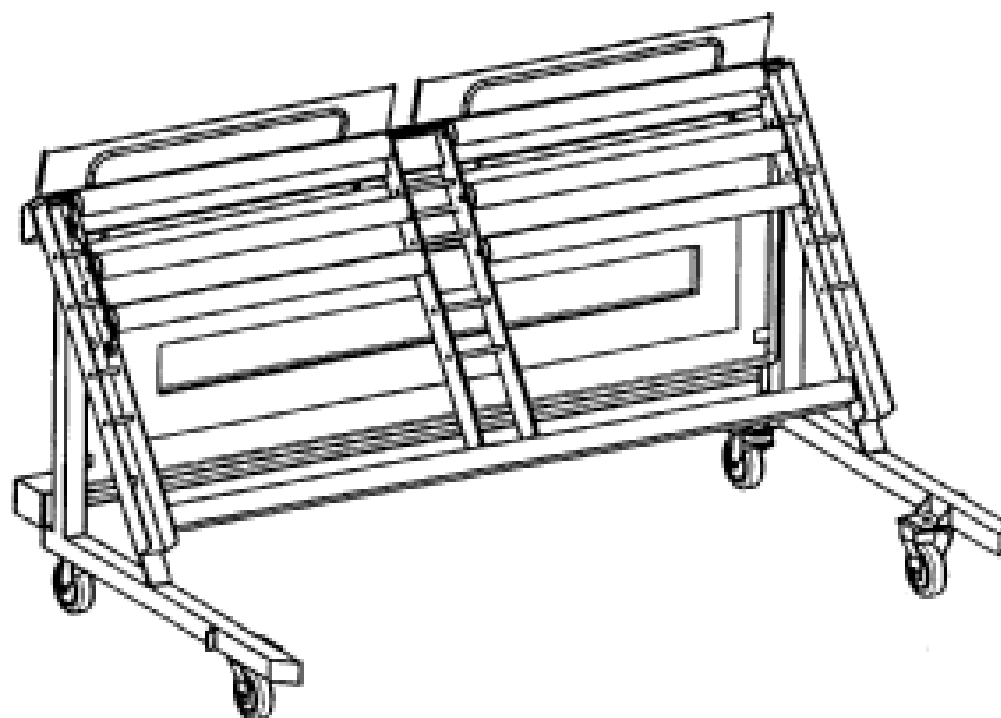
- (21) Design Number: **11977/2005**
(22) Date of Filing Application: **05 May 2005**
(24) Date from which industrial property rights may have effect: **05 May 2005**
(54) Product in respect of which the design is registered: **Produce display structure**
(51) International Design Classification: **20-02E**
(71) Name(s) and Address(s) of Applicant(s):
Woolworths Limited
Level 5 540 George Street Sydney New South Wales 2000 Australia
(72) Name(s) of Designer(s): **Brian Hollis and Ito Korjenic and Simon Cai and Greg Wilson and Gary Raynor and Guy Arad and Peter Smith and Stephen Bate and Michael Burow and Mark Joyce and Michael Batycki**
(45) Registration Date: **26 October 2005**
(56) Related Art Documents: **Not Applicable**
(57) Statement of Newness and Distinctiveness: **Newness and distinctiveness is claimed in the features of shape and/or configuration of a produce display structure as illustrated in the accompanying representations.**



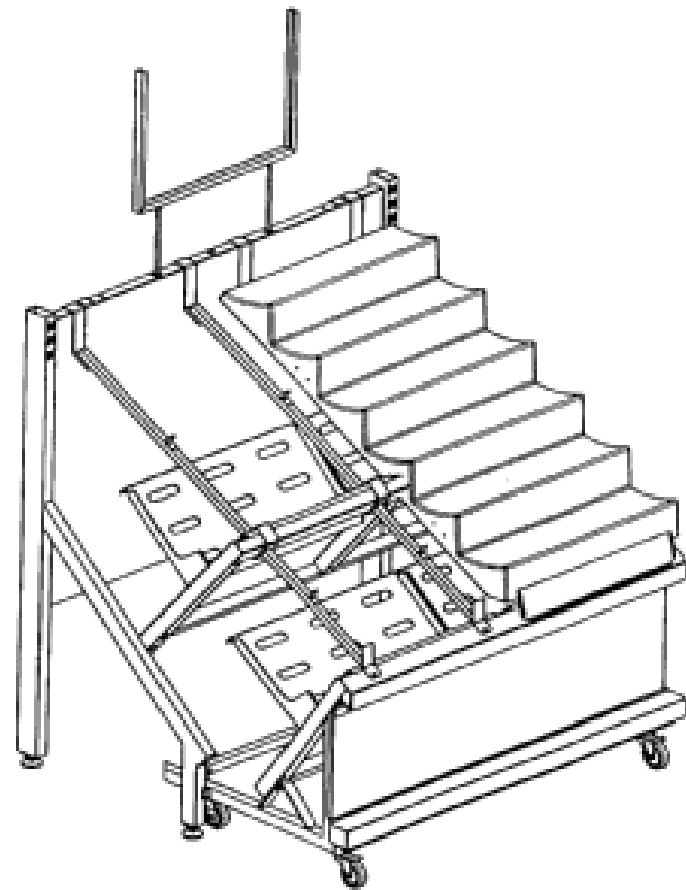
- (21) Design Number: **11978/2005**
(22) Date of Filing Application: **05 May 2005**
(24) Date from which industrial property rights may have effect: **05 May 2005**
(54) Product in respect of which the design is registered: **Produce display structure mobile base**
(51) International Design Classification: **20-02E**
(71) Name(s) and Address(s) of Applicant(s):
Woolworths Limited
Level 5 540 George Street Sydney New South Wales 2000 Australia
(72) Name(s) of Designer(s): **Brian Hollis and Ito Korjenic and Simon Cai and Greg Wilson and Gary Raynor and Guy Arad and Peter Smith and Stephen Bate and Michael Burow and Mark Joyce and Michael Batycki**
(45) Registration Date: **26 October 2005**
(56) Related Art Documents: **Not Applicable**
(57) Statement of Newness and Distinctiveness: **Newness and distinctiveness is claimed in the features of shape and/or configuration of a produce display structure mobile base as illustrated in the accompanying representations.**



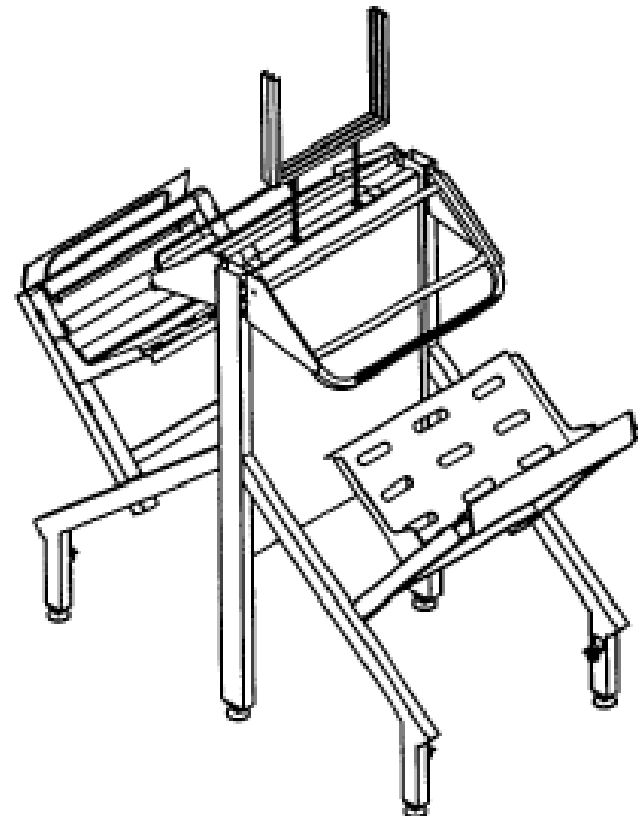
- (21) Design Number: **11979/2005**
(22) Date of Filing Application: **05 May 2005**
(24) Date from which industrial property rights may have effect: **05 May 2005**
(54) Product in respect of which the design is registered: **Produce display structure mobile base**
(51) International Design Classification: **20-02E**
(71) Name(s) and Address(s) of Applicant(s):
Woolworths Limited
Level 5 540 George Street Sydney New South Wales 2000 Australia
(72) Name(s) of Designer(s): **Brian Hollis and Ito Korjenic and Simon Cai and Greg Wilson and Gary Raynor and Guy Arad and Peter Smith and Stephen Bate and Michael Burow and Mark Joyce and Michael Batycki**
(45) Registration Date: **26 October 2005**
(56) Related Art Documents: **Not Applicable**
(57) Statement of Newness and Distinctiveness: **Newness and distinctiveness is claimed in the features of shape and/or configuration of a produce display structure mobile base as illustrated in the accompanying representations.**



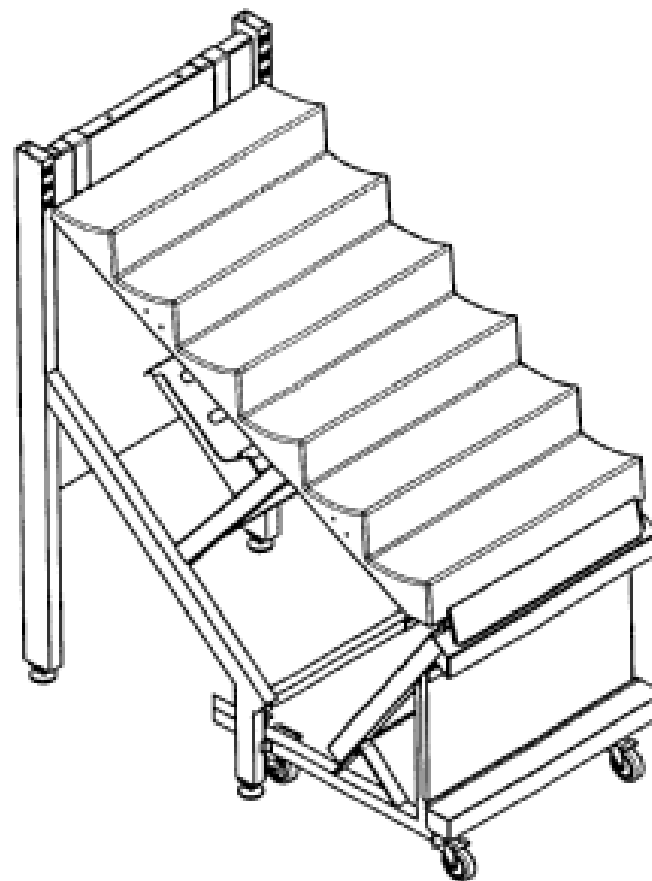
- (21) Design Number: **11980/2005**
(22) Date of Filing Application: **05 May 2005**
(24) Date from which industrial property rights may have effect: **05 May 2005**
(54) Product in respect of which the design is registered: **Produce display structure**
(51) International Design Classification: **20-02E**
(71) Name(s) and Address(s) of Applicant(s):
Woolworths Limited
Level 5 540 George Street Sydney New South Wales 2000 Australia
(72) Name(s) of Designer(s): **Brian Hollis and Ito Korjenic and Simon Cai and Greg Wilson and Gary Raynor and Guy Arad and Peter Smith and Stephen Bate and Michael Burow and Mark Joyce and Michael Batycki**
(45) Registration Date: **26 October 2005**
(56) Related Art Documents: **Not Applicable**
(57) Statement of Newness and Distinctiveness: **Newness and distinctiveness is claimed in the features of shape and/or configuration of a produce display structure as illustrated in the accompanying representations.**



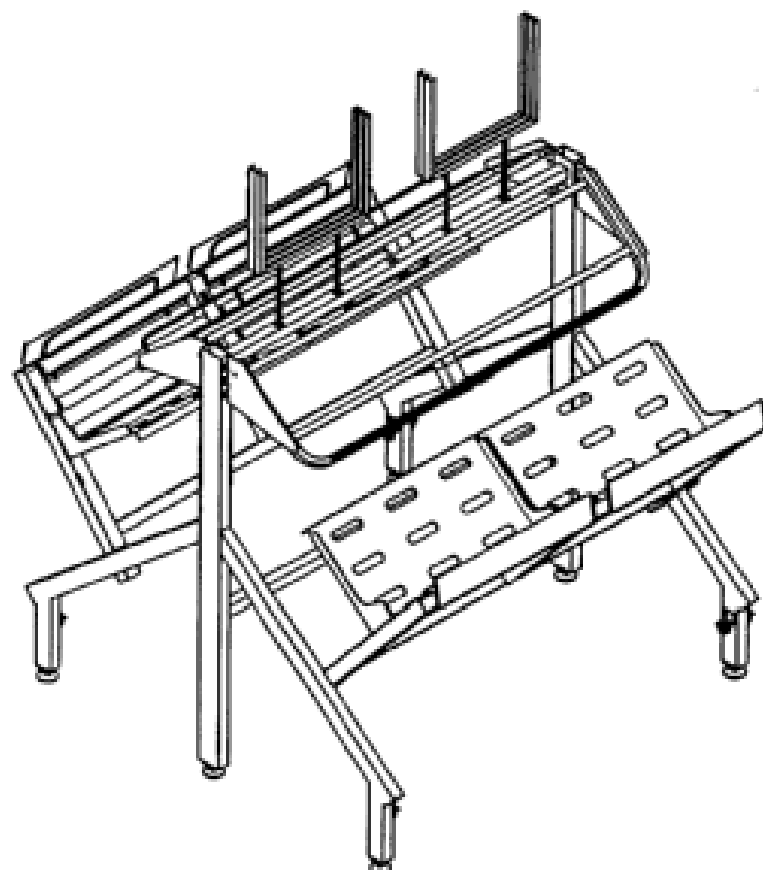
- (21) Design Number: **11981/2005**
(22) Date of Filing Application: **05 May 2005**
(24) Date from which industrial property rights may have effect: **05 May 2005**
(54) Product in respect of which the design is registered: **Produce display structure**
(51) International Design Classification: **20-02E**
(71) Name(s) and Address(s) of Applicant(s):
Woolworths Limited
Level 5 540 George Street Sydney New South Wales 2000 Australia
(72) Name(s) of Designer(s): **Brian Hollis and Ito Korjenic and Simon Cai and Greg Wilson and Gary Raynor and Guy Arad and Peter Smith and Stephen Bate and Michael Burow and Mark Joyce and Michael Batycki**
(45) Registration Date: **26 October 2005**
(56) Related Art Documents: **Not Applicable**
(57) Statement of Newness and Distinctiveness: **Newness and distinctiveness is claimed in the features of shape and/or configuration of a produce display structure as illustrated in the accompanying representations.**



- (21) Design Number: **11982/2005**
(22) Date of Filing Application: **05 May 2005**
(24) Date from which industrial property rights may have effect: **05 May 2005**
(54) Product in respect of which the design is registered: **Produce display structure**
(51) International Design Classification: **20-02E**
(71) Name(s) and Address(s) of Applicant(s):
Woolworths Limited
Level 5 540 George Street Sydney New South Wales 2000 Australia
(72) Name(s) of Designer(s): **Brian Hollis and Ito Korjenic and Simon Cai and Greg Wilson and Gary Raynor and Guy Arad and Peter Smith and Stephen Bate and Michael Burow and Mark Joyce and Michael Batycki**
(45) Registration Date: **26 October 2005**
(56) Related Art Documents: **Not Applicable**
(57) Statement of Newness and Distinctiveness: **Newness and distinctiveness is claimed in the features of shape and/or configuration of a produce display structure as illustrated in the accompanying representations.**



- (21) Design Number: **11983/2005**
(22) Date of Filing Application: **05 May 2005**
(24) Date from which industrial property rights may have effect: **05 May 2005**
(54) Product in respect of which the design is registered: **Produce display structure**
(51) International Design Classification: **20-02E**
(71) Name(s) and Address(s) of Applicant(s):
Woolworths Limited
Level 5 540 George Street Sydney New South Wales 2000 Australia
(72) Name(s) of Designer(s): **Brian Hollis and Ito Korjenic and Simon Cai and Greg Wilson and Gary Raynor and Guy Arad and Peter Smith and Stephen Bate and Michael Burow and Mark Joyce and Michael Batycki**
(45) Registration Date: **26 October 2005**
(56) Related Art Documents: **Not Applicable**
(57) Statement of Newness and Distinctiveness: **Newness and distinctiveness is claimed in the features of shape and/or configuration of a produce display structure as illustrated in the accompanying representations.**



(21) Design Number: **11984/2005**

(22) Date of Filing Application: **05 May 2005**

(24) Date from which industrial property rights may have effect: **05 May 2005**

(54) Product in respect of which the design is registered: **Produce display structure**

(51) International Design Classification: **20-02E**

(71) Name(s) and Address(s) of Applicant(s):

Woolworths Limited

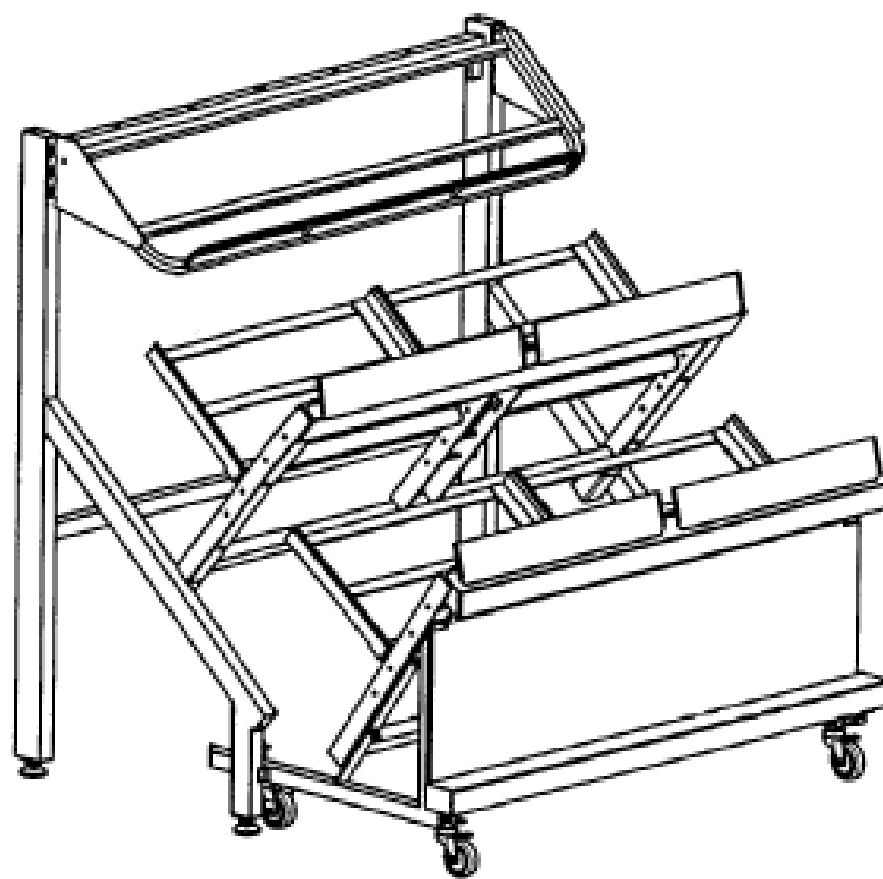
Level 5 540 George Street Sydney New South Wales 2000 Australia

(72) Name(s) of Designer(s): **Brian Hollis and Ito Korjenic and Simon Cai and Greg Wilson and Gary Raynor and Guy Arad and Peter Smith and Stephen Bate and Michael Burow and Mark Joyce and Michael Batycki**

(45) Registration Date: **26 October 2005**

(56) Related Art Documents: **Not Applicable**

(57) Statement of Newness and Distinctiveness: **Newness and distinctiveness is claimed in the features of shape and/or configuration of a produce display structure as illustrated in the accompanying representations.**



(21) Design Number: **11985/2005**

(22) Date of Filing Application: **05 May 2005**

(24) Date from which industrial property rights may have effect: **05 May 2005**

(54) Product in respect of which the design is registered: **Produce display structure**

(51) International Design Classification: **20-02E**

(71) Name(s) and Address(s) of Applicant(s):

Woolworths Limited

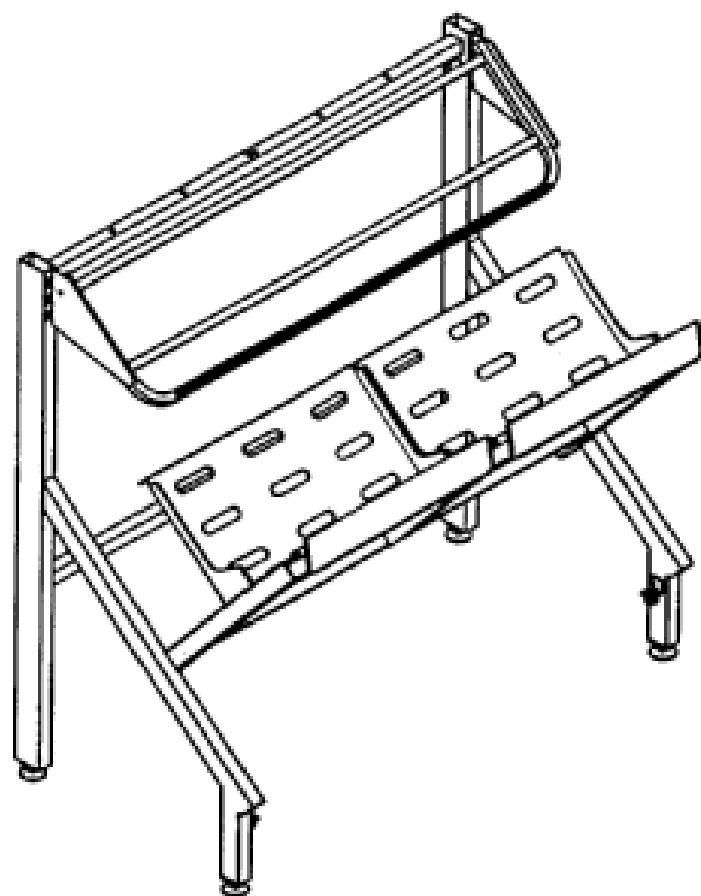
Level 5 540 George Street Sydney New South Wales 2000 Australia

(72) Name(s) of Designer(s): **Brian Hollis and Ito Korjenic and Simon Cai and Greg Wilson and Gary Raynor and Guy Arad and Peter Smith and Stephen Bate and Michael Burow and Mark Joyce and Michael Batycki**

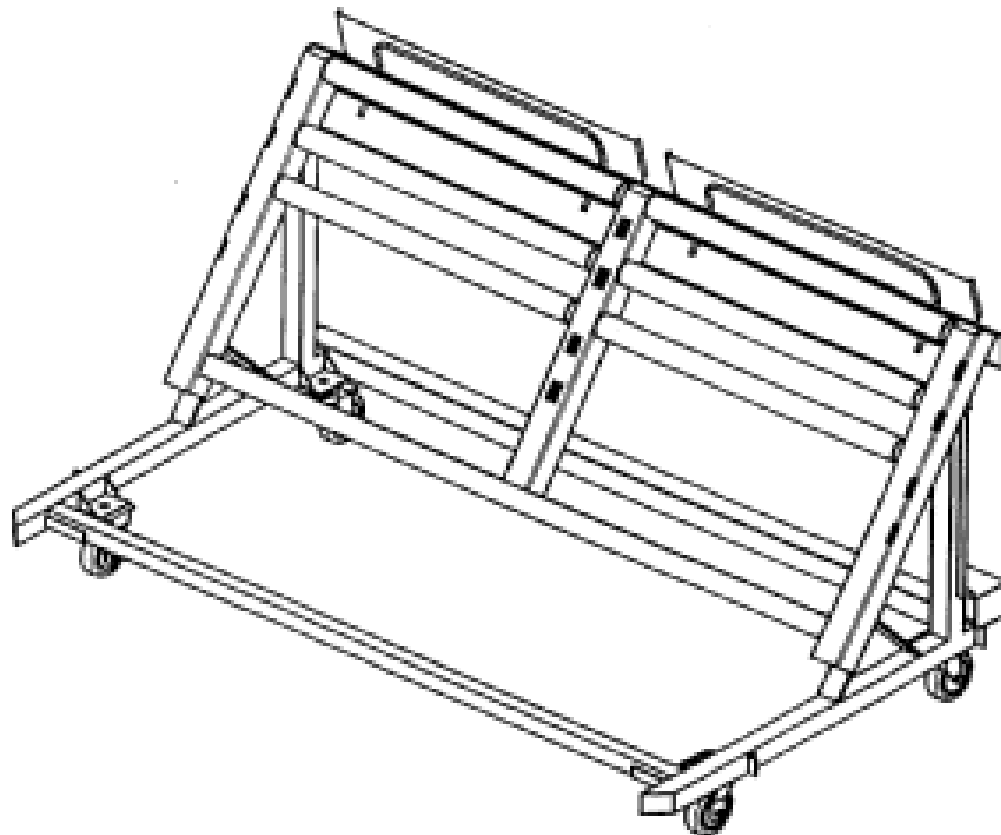
(45) Registration Date: **26 October 2005**

(56) Related Art Documents: **Not Applicable**

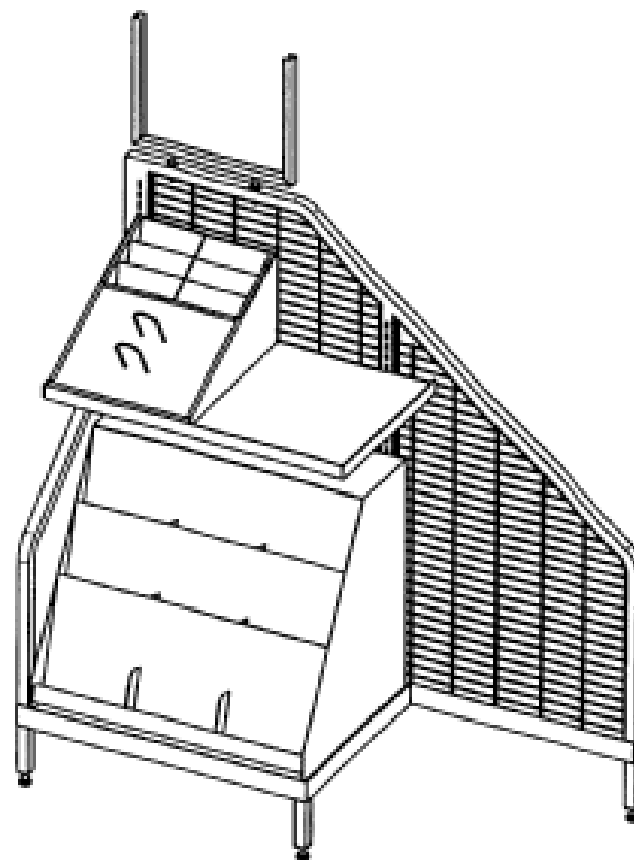
(57) Statement of Newness and Distinctiveness: **Newness and distinctiveness is claimed in the features of shape and/or configuration of a produce display structure as illustrated in the accompanying representations.**



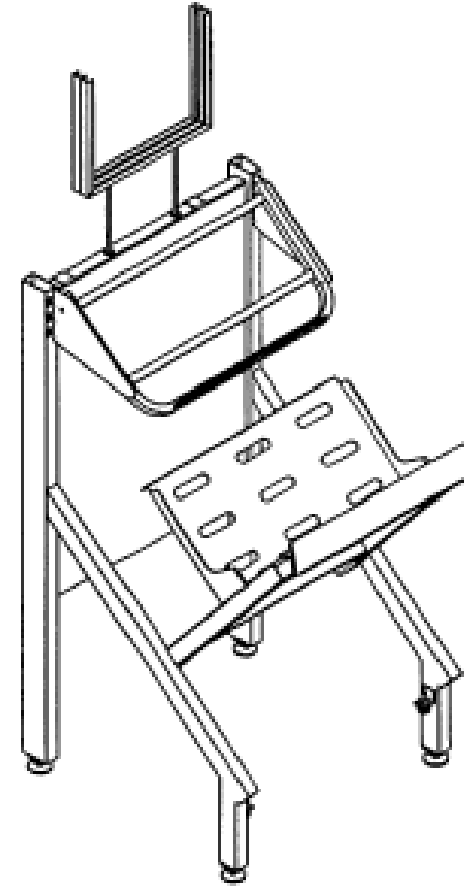
- (21) Design Number: **11986/2005**
- (22) Date of Filing Application: **05 May 2005**
- (24) Date from which industrial property rights may have effect: **05 May 2005**
- (54) Product in respect of which the design is registered: **Produce display structure mobile base**
- (51) International Design Classification: **20-02E**
- (71) Name(s) and Address(s) of Applicant(s):
Woolworths Limited
Level 5 540 George Street Sydney New South Wales 2000 Australia
- (72) Name(s) of Designer(s): **Brian Hollis and Ito Korjenic and Simon Cai and Greg Wilson and Gary Raynor and Guy Arad and Peter Smith and Stephen Bate and Michael Burow and Mark Joyce and Michael Batycki**
- (45) Registration Date: **26 October 2005**
- (56) Related Art Documents: **Not Applicable**
- (57) Statement of Newness and Distinctiveness: **Newness and distinctiveness is claimed in the features of shape and/or configuration of a produce display structure mobile base as illustrated in the accompanying representations.**



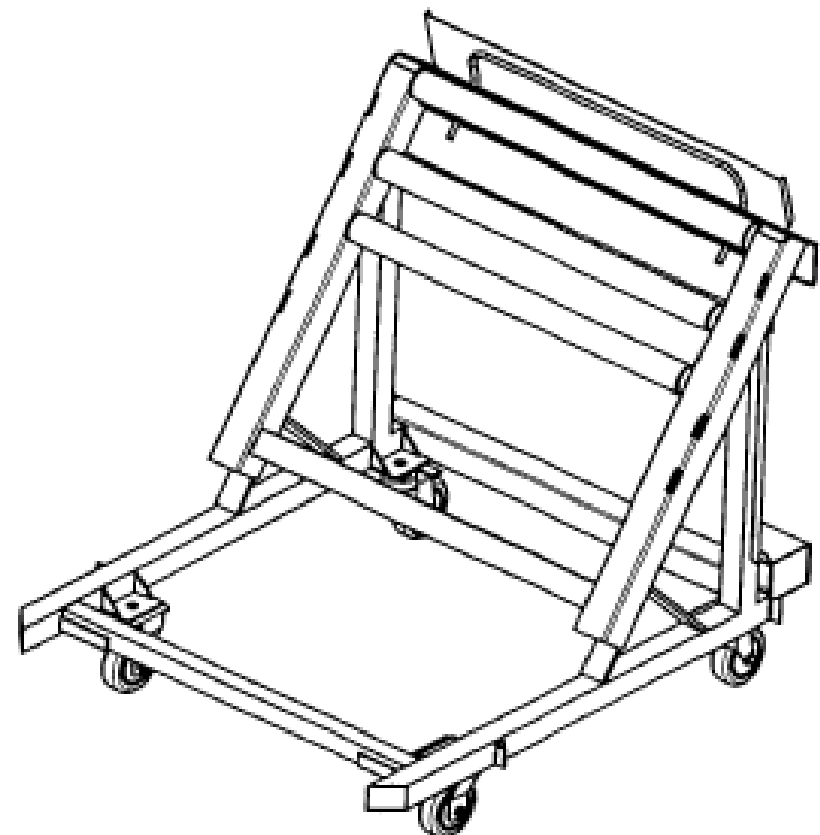
- (21) Design Number: **11987/2005**
- (22) Date of Filing Application: **05 May 2005**
- (24) Date from which industrial property rights may have effect: **05 May 2005**
- (54) Product in respect of which the design is registered: **Display structure**
- (51) International Design Classification: **20-02E, 06-04NES**
- (71) Name(s) and Address(s) of Applicant(s):
Woolworths Limited
Level 5 540 George Street Sydney New South Wales 2000 Australia
- (72) Name(s) of Designer(s): **Brian Hollis and Ito Korjenic and Simon Cai and Greg Wilson and Gary Raynor and Guy Arad and Peter Smith and Stephen Bate and Michael Burow and Mark Joyce and Michael Batycki**
- (45) Registration Date: **26 October 2005**
- (56) Related Art Documents: **Not Applicable**
- (57) Statement of Newness and Distinctiveness: **Newness and distinctiveness is claimed in the features of shape and/or configuration of a display structure as illustrated in the accompanying representations.**



- (21) Design Number: **11988/2005**
(22) Date of Filing Application: **05 May 2005**
(24) Date from which industrial property rights may have effect: **05 May 2005**
(54) Product in respect of which the design is registered: **Produce display structure**
(51) International Design Classification: **20-02E**
(71) Name(s) and Address(s) of Applicant(s):
Woolworths Limited
Level 5 540 George Street Sydney New South Wales 2000 Australia
(72) Name(s) of Designer(s): **Brian Hollis and Ito Korjenic and Simon Cai and Greg Wilson and Gary Raynor and Guy Arad and Peter Smith and Stephen Bate and Michael Burow and Mark Joyce and Michael Batycki**
(45) Registration Date: **26 October 2005**
(56) Related Art Documents: **Not Applicable**
(57) Statement of Newness and Distinctiveness: **Newness and distinctiveness is claimed in the features of shape and/or configuration of a produce display structure as illustrated in the accompanying representations.**

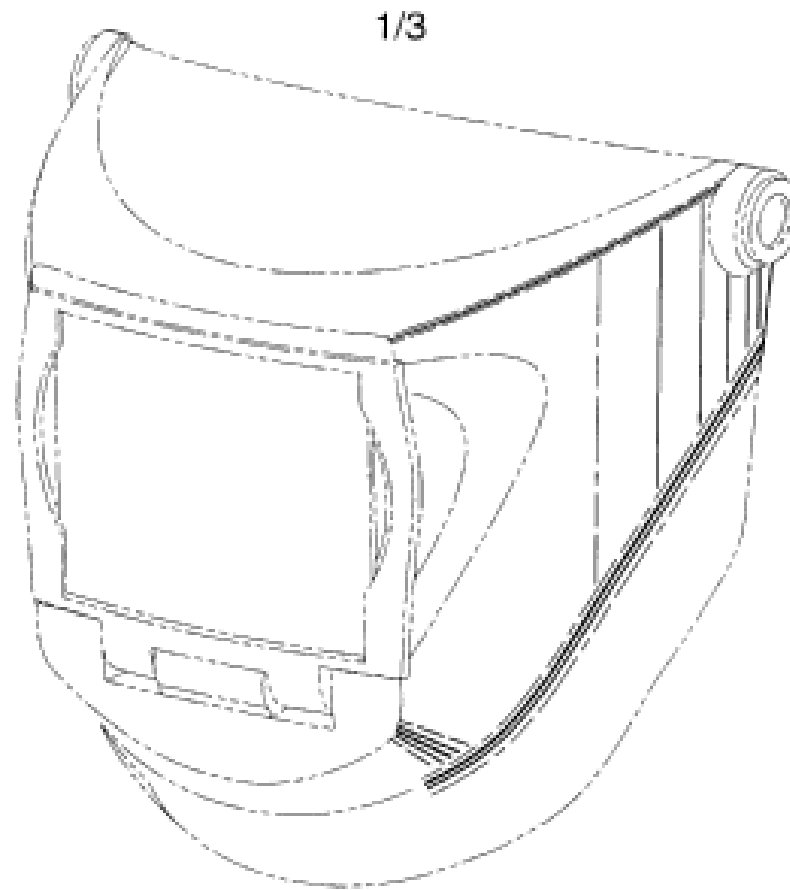


- (21) Design Number: **11989/2005**
(22) Date of Filing Application: **05 May 2005**
(24) Date from which industrial property rights may have effect: **05 May 2005**
(54) Product in respect of which the design is registered: **Produce display structure mobile base**
(51) International Design Classification: **20-02E**
(71) Name(s) and Address(s) of Applicant(s):
Woolworths Limited
Level 5 540 George Street Sydney New South Wales 2000 Australia
(72) Name(s) of Designer(s): **Brian Hollis and Ito Korjenic and Simon Cai and Greg Wilson and Gary Raynor and Guy Arad and Peter Smith and Stephen Bate and Michael Burow and Mark Joyce and Michael Batycki**
(45) Registration Date: **26 October 2005**
(56) Related Art Documents: **Not Applicable**
(57) Statement of Newness and Distinctiveness: **Newness and distinctiveness is claimed in the features of shape and/or configuration of a produce display structure mobile base as illustrated in the accompanying representations.**



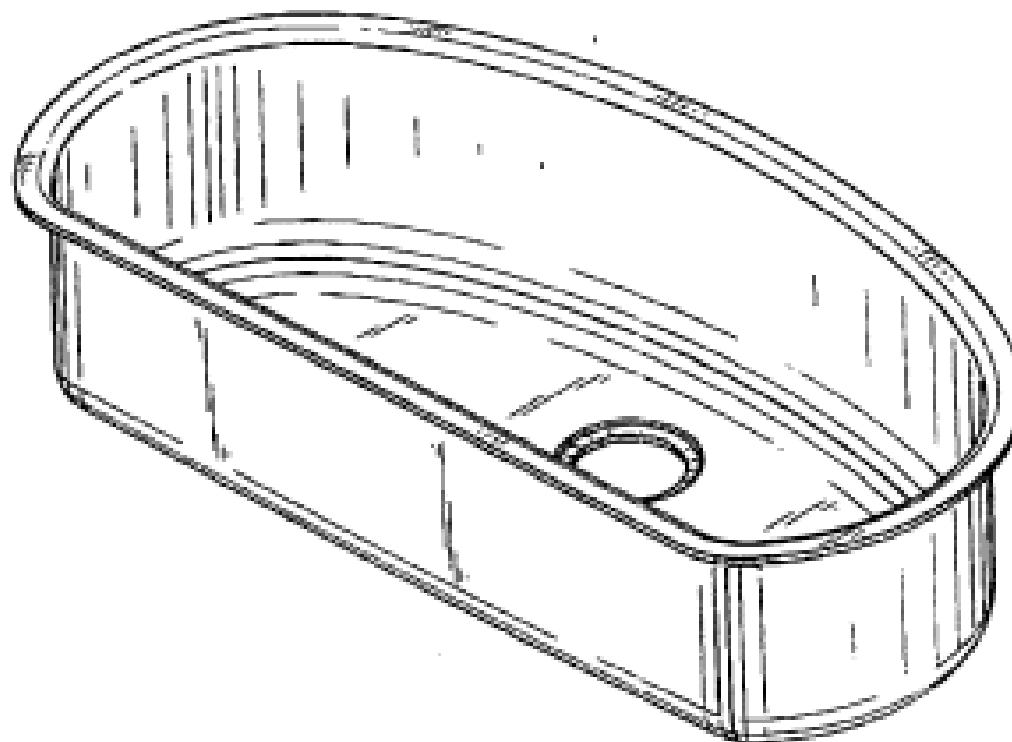
(19) AU

- (21) Design Number: **11990/2005**
(22) Date of Filing Application: **05 May 2005**
(24) Date from which industrial property rights may have effect: **05 May 2005**
(54) Product in respect of which the design is registered: **Side portion of a welding helmet**
(51) International Design Classification: **02-03**
(71) Name(s) and Address(s) of Applicant(s):
3M Innovative Properties Company
3M Center Saint Paul Minnesota 55133-3427 United States of America
(72) Name(s) of Designer(s): **Desmond Terence Curran and Peter David Lee and Daniel Martin**
(45) Registration Date: **26 October 2005**
(30) Convention priority data:
(31) Number (32) Date (33) Country
29/217156 12 Nov 2004 UNITED STATES OF AMERICA
(56) Related Art Documents: **Not Applicable**
(57) Statement of Newness and Distinctiveness: **Nil**



(19) AU

- (21) Design Number: **11994/2005**
(22) Date of Filing Application: **05 May 2005**
(24) Date from which industrial property rights may have effect: **05 May 2005**
(54) Product in respect of which the design is registered: **Sink**
(51) International Design Classification: **23-02F**
(71) Name(s) and Address(s) of Applicant(s):
Kohler Co.
444 Highland Drive Kohler WI 53044 United States of America
(72) Name(s) of Designer(s): **Elise A. Sutopo**
(45) Registration Date: **26 October 2005**
(30) Convention priority data:
(31) Number (32) Date (33) Country
29/216578 05 Nov 2004 UNITED STATES OF AMERICA
(56) Related Art Documents: **Not Applicable**
(57) Statement of Newness and Distinctiveness: **Nil**



(21) Design Number: **11995/2005**
(22) Date of Filing Application: **05 May 2005**
(24) Date from which industrial property rights may have effect: **05 May 2005**
(54) Product in respect of which the design is registered: **Lavatory**
(51) International Design Classification: **23-02F**
(71) Name(s) and Address(s) of Applicant(s):

Kohler Co.
444 Highland Drive Kohler WI 53044 United States of America

(72) Name(s) of Designer(s): **Elise A. Sutopo**

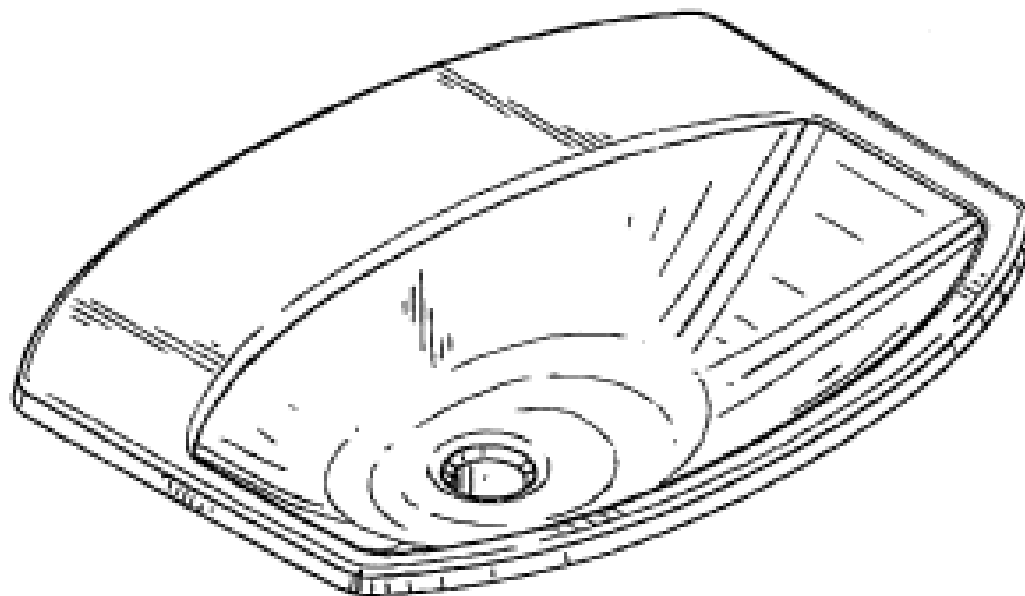
(45) Registration Date: **26 October 2005**

(30) Convention priority data:

(31) Number	(32) Date	(33) Country
29/216581	05 Nov 2004	UNITED STATES OF AMERICA

(56) Related Art Documents: **Not Applicable**

(57) Statement of Newness and Distinctiveness: **Nil**



(21) Design Number: **10702/2005**
(22) Date of Filing Application: **23 February 2005**
(24) Date from which industrial property rights may have effect: **23 February 2005**
(54) Product in respect of which the design is registered: **Plastic bottles that contain drinkable beverages**
(51) International Design Classification: **09-01D**
(71) Name(s) and Address(s) of Applicant(s):

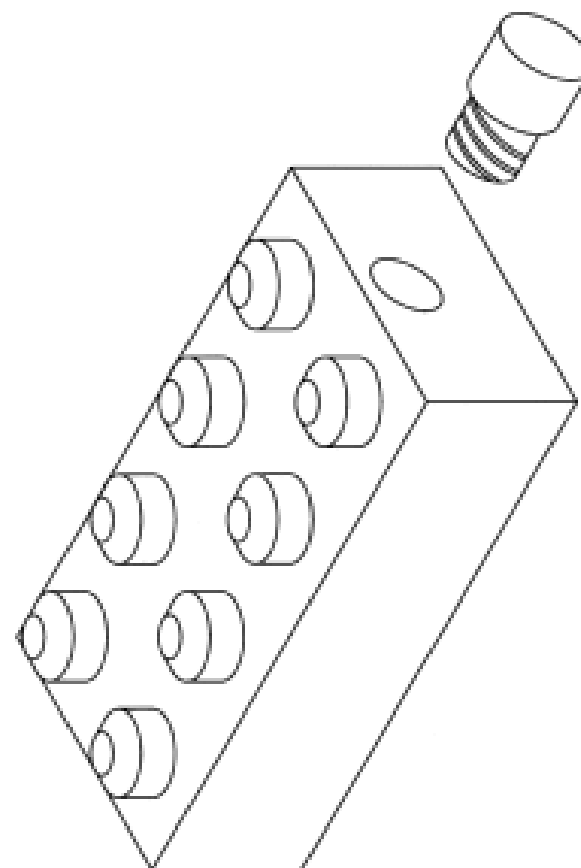
Tanian Pty Limited
82 Newton Circuit Thurgoona New South Wales 2640 Australia
Andrew Laszlo Konecnik
82 Newton Circuit Thurgoona New South Wales 2640 Australia

(72) Name(s) of Designer(s): **Andrew Laszlo Konecnik**

(45) Registration Date: **27 October 2005**

(56) Related Art Documents: **Not Applicable**

(57) Statement of Newness and Distinctiveness: **The design of the "bottle-block" is very distinctive from other plastic beverage containers, (bottles) in that it is in the shape of a child's toy building block. The design of the bottle allows it to connect/interlock with other bottles of a similar type. Also distinctive is that the bottle may not be disposed of as waste, but rather collected by purchaser's to be interlocked with other bottle's.**



(21) Design Number: **11371/2005**
(22) Date of Filing Application: **05 April 2005**
(24) Date from which industrial property rights may have effect: **05 April 2005**
(54) Product in respect of which the design is registered: **Front loader**
(51) International Design Classification: **15-04**
(71) Name(s) and Address(s) of Applicant(s):

Alo AB
Brannland 300 901 37 Umea Sweden

(72) Name(s) of Designer(s): **Tommy Nilsson**

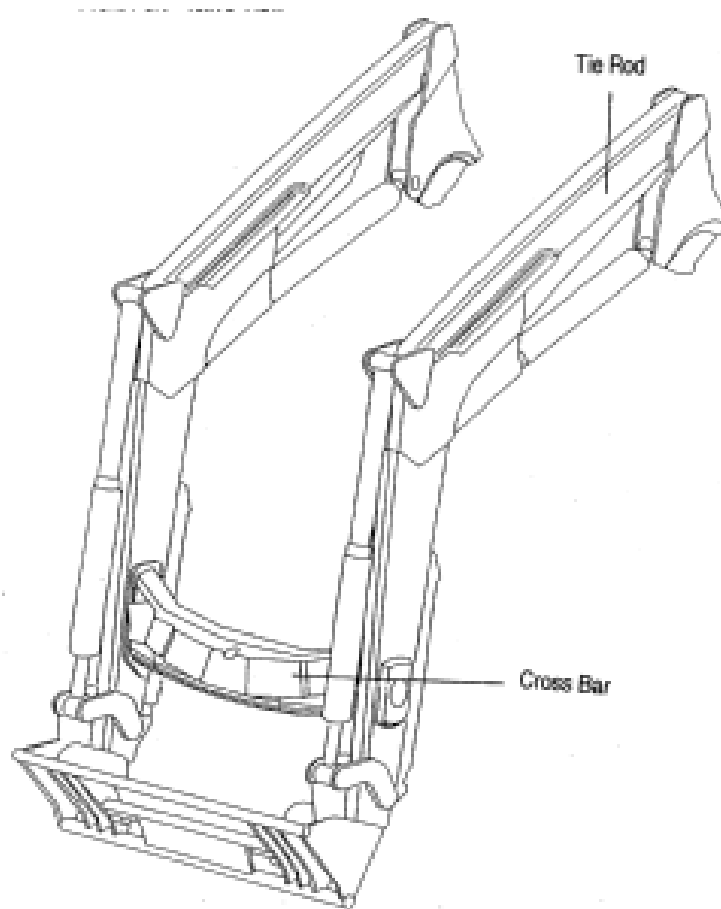
(45) Registration Date: **27 October 2005**

(30) Convention priority data:

(31) Number	(32) Date	(33) Country
238670-0001	12 Oct 2004	EUROPEAN COMMUNITY

(56) Related Art Documents: **Not Applicable**

(57) Statement of Newness and Distinctiveness: **Nil**



(21) Design Number: **11811/2005**
(22) Date of Filing Application: **29 April 2005**
(24) Date from which industrial property rights may have effect: **29 April 2005**
(54) Product in respect of which the design is registered: **Bottle**
(51) International Design Classification: **09-01H**
(71) Name(s) and Address(s) of Applicant(s):

Companhia Brasileira De Bebidas
Avenida Antartica 1891 (parte) Fazenda Santa Ursula 13820-000
Jaguariuna Sao Paulo Brazil

(72) Name(s) of Designer(s): **Maaike Van Besien and Jose Gretry and David Van Wees and Devin Kelly**

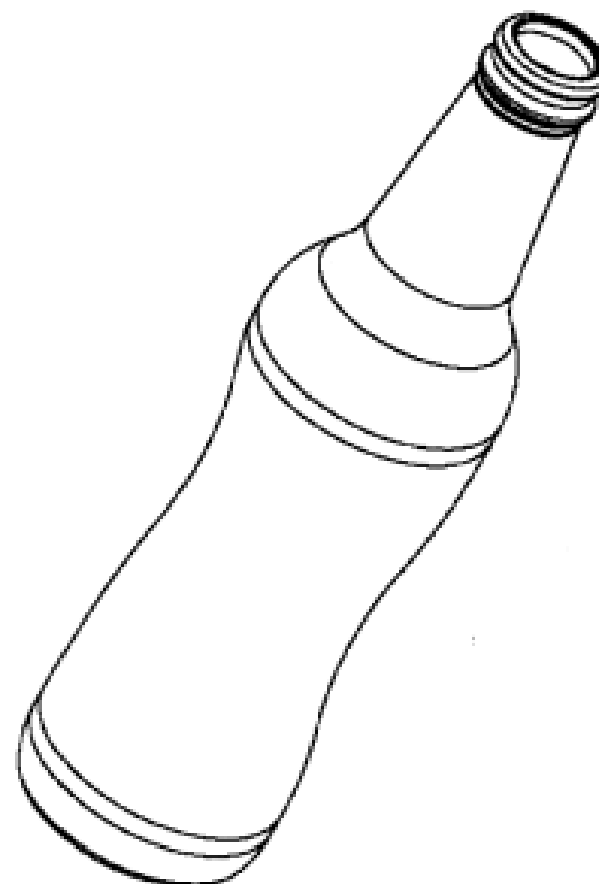
(45) Registration Date: **27 October 2005**

(30) Convention priority data:

(31) Number	(32) Date	(33) Country
DI6403980-3	09 Nov 2004	BRAZIL

(56) Related Art Documents: **Not Applicable**

(57) Statement of Newness and Distinctiveness: **Nil**



(21) Design Number: **11812/2005**

(22) Date of Filing Application: **29 April 2005**

(24) Date from which industrial property rights may have effect: **29 April 2005**

(54) Product in respect of which the design is registered: **Bottle**

(51) International Design Classification: **09-01H**

(71) Name(s) and Address(s) of Applicant(s):

**Companhia Brasileira De Bebidas
Avenida Antartica 1891 (parte) Fazenda Santa Ursula 13820-000
Jaguariuna Sao Paulo Brazil**

(72) Name(s) of Designer(s): **Maaik Van Besien and Jose Gretry and David Van Wees and Devin Kelly**

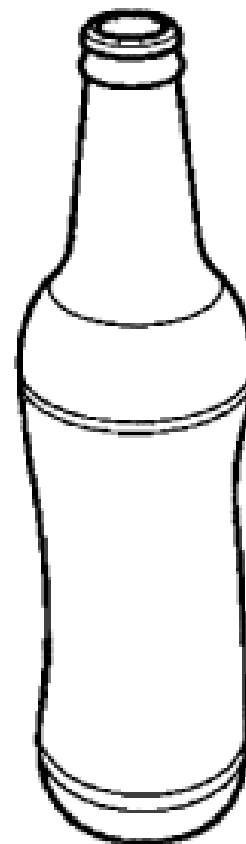
(45) Registration Date: **27 October 2005**

(30) Convention priority data:

(31) Number	(32) Date	(33) Country
DI6403980-3	09 Nov 2004	BRAZIL

(56) Related Art Documents: **Not Applicable**

(57) Statement of Newness and Distinctiveness: **Nil**



(21) Design Number: **11696/2005**

(22) Date of Filing Application: **07 November 2003**

(24) Date from which industrial property rights may have effect: **07 November 2003**

(54) Product in respect of which the design is registered: **Scissors**

(51) International Design Classification: **08-03**

(71) Name(s) and Address(s) of Applicant(s):

**Alterra Holdings Corporation
14200 Southwest 72nd Avenue Portland Oregon 97224 United States
of America**

(72) Name(s) of Designer(s): **Mark A. McLean**

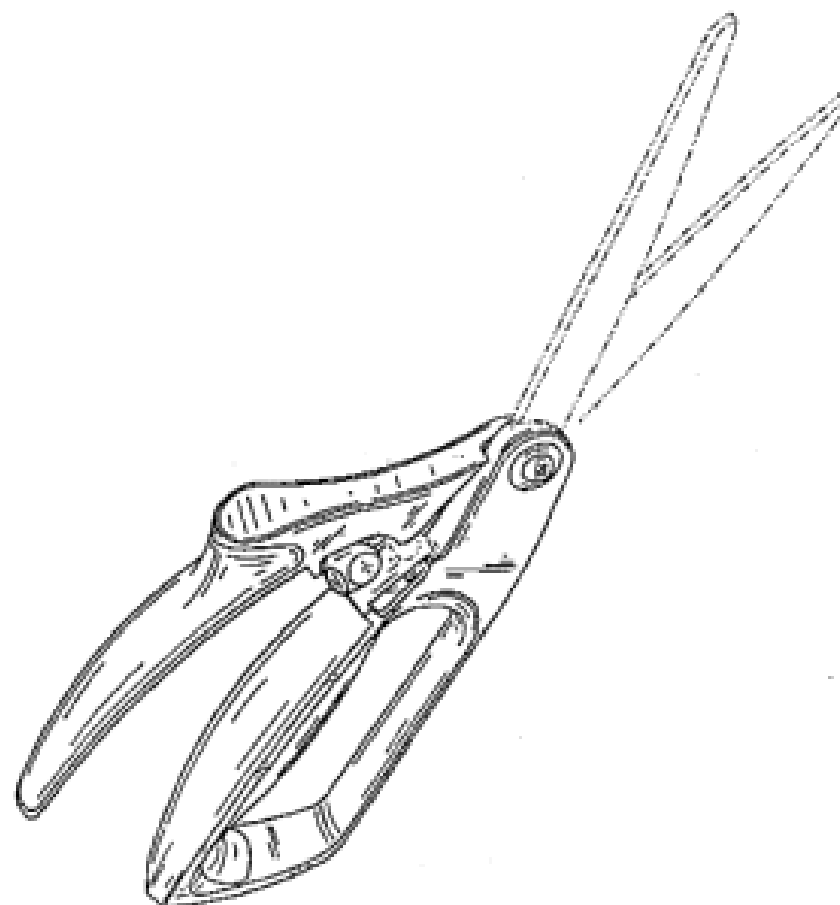
(45) Registration Date: **27 October 2005**

(30) Convention priority data:

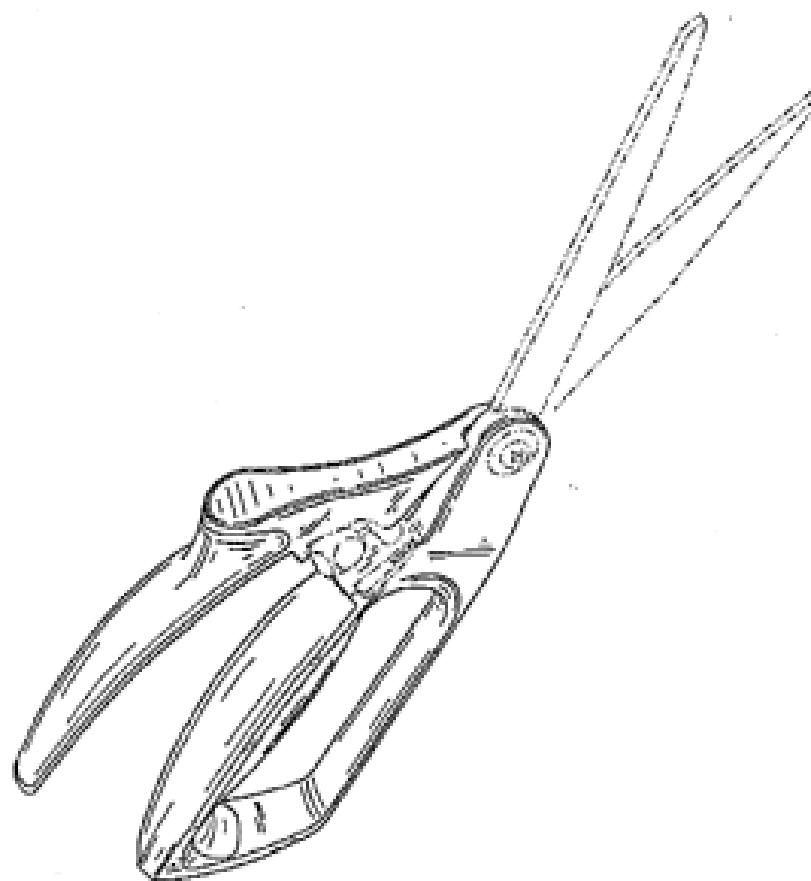
(31) Number	(32) Date	(33) Country
29/181329	08 May 2003	UNITED STATES OF AMERICA

(56) Related Art Documents: **Not Applicable**

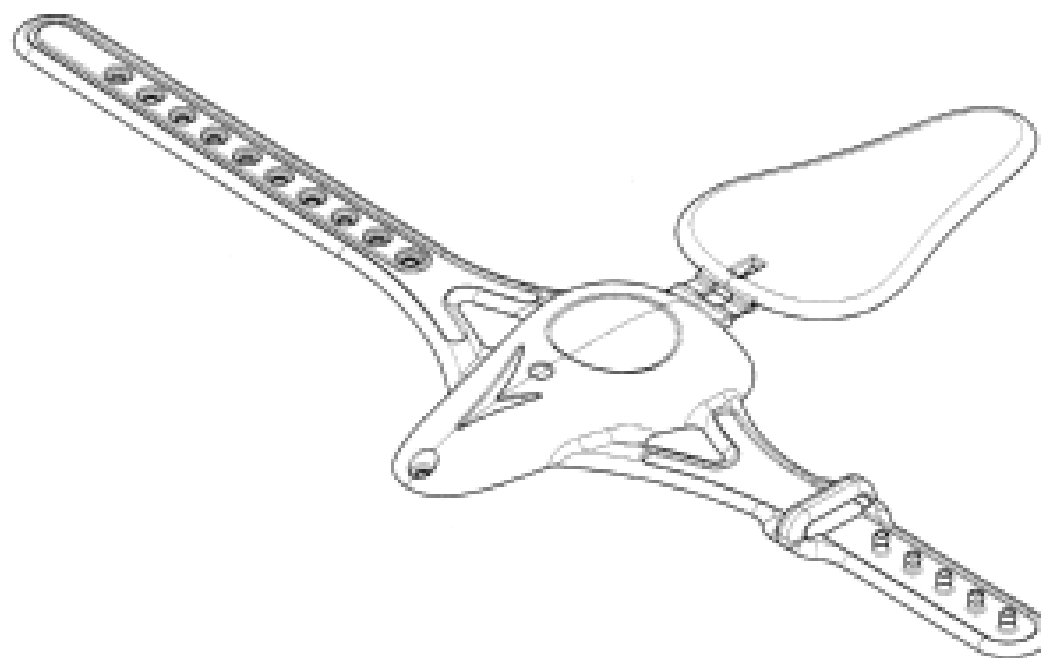
(57) Statement of Newness and Distinctiveness: **Newness and distinctiveness resides in the features of shape and configuration of the scissors shown in solid lines.**



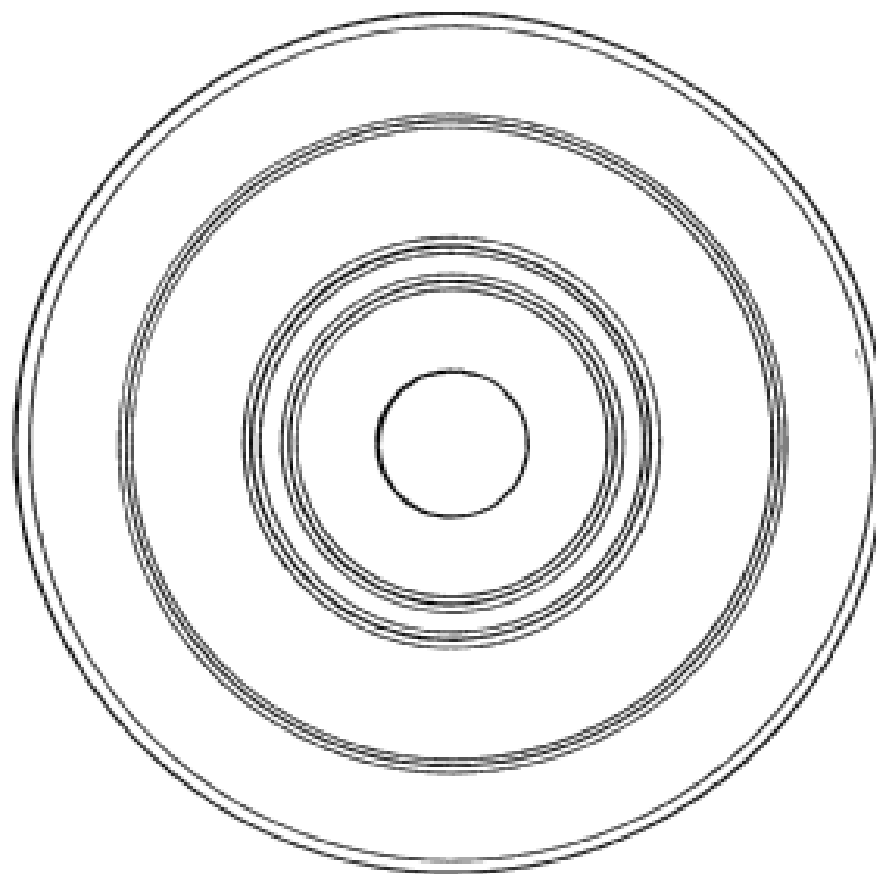
- (21) Design Number: **11999/2005**
(22) Date of Filing Application: **07 November 2003**
(24) Date from which industrial property rights may have effect: **07 November 2003**
(54) Product in respect of which the design is registered: **Scissors**
(51) International Design Classification: **08-03**
(71) Name(s) and Address(s) of Applicant(s):
Alterra Holdings Corporation
14200 Southwest 72nd Avenue Portland Oregon 97224 United States of America
(72) Name(s) of Designer(s): **Mark A. McLean**
(45) Registration Date: **27 October 2005**
(30) Convention priority data:
(31) Number (32) Date (33) Country
29/181329 08 May 2003 UNITED STATES OF AMERICA
(56) Related Art Documents: **Not Applicable**
(57) Statement of Newness and Distinctiveness: **Newness and distinctiveness resides in the features of shape and configuration of the scissors shown in solid lines.**



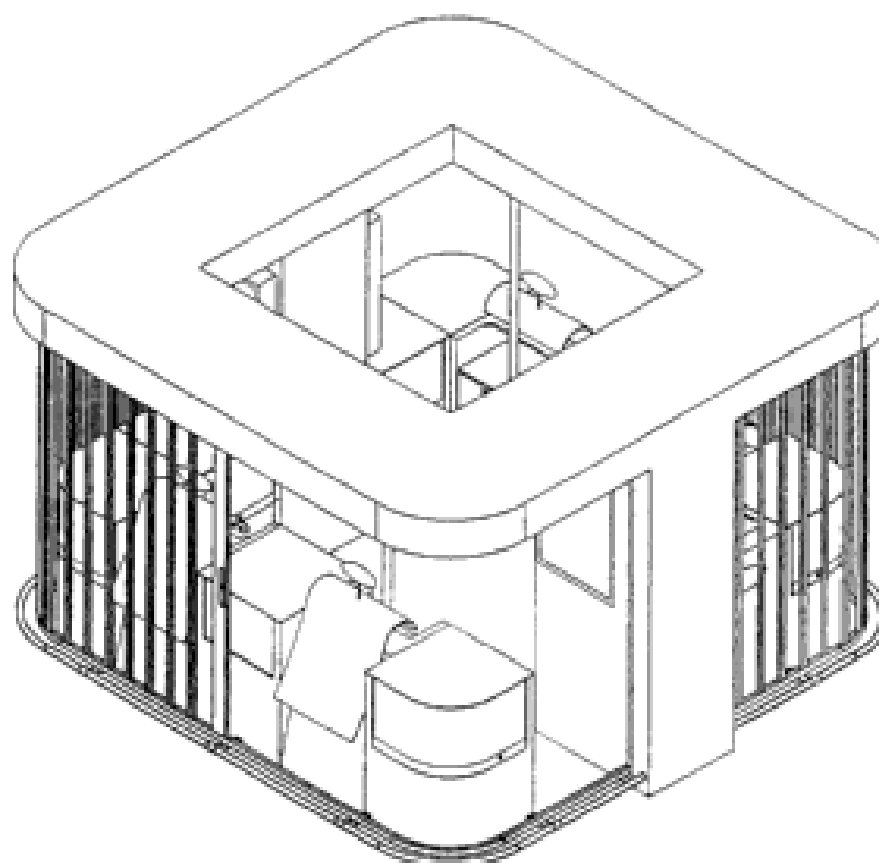
- (21) Design Number: **11804/2005**
(22) Date of Filing Application: **02 May 2005**
(24) Date from which industrial property rights may have effect: **02 May 2005**
(54) Product in respect of which the design is registered: **Personal key holder**
(51) International Design Classification: **03-01B**
(71) Name(s) and Address(s) of Applicant(s):
Andrew Glance
7/66 Addison Road Manly New South Wales 2095 Australia
Steven Mansfield
5/67 Addison Road Manly New South Wales 2095 Australia
(72) Name(s) of Designer(s): **Andrew Glance and Steven Mansfield**
(45) Registration Date: **27 October 2005**
(56) Related Art Documents: **Not Applicable**
(57) Statement of Newness and Distinctiveness: **Newness and distinctiveness is claimed in the shape and/or configuration of a personal key holder as illustrated in the representations. In considering the newness and distinctiveness of the personal key holder the shape and/or configuration of the internal section of the personal key holder shown dotted is to be disregarded.**



(21) Design Number: **11806/2005**
(22) Date of Filing Application: **29 April 2005**
(24) Date from which industrial property rights may have effect: **29 April 2005**
(54) Product in respect of which the design is registered: **Cover flange**
(51) International Design Classification: **23-01A**
(71) Name(s) and Address(s) of Applicant(s):
Darren William Lenthall
41 Alston Street Como Western Australia 6152 Australia
(72) Name(s) of Designer(s): **Darren William Lenthall**
(45) Registration Date: **27 October 2005**
(56) Related Art Documents: **Not Applicable**
(57) Statement of Newness and Distinctiveness: **Nil**



(21) Design Number: **11808/2005**
(22) Date of Filing Application: **29 April 2005**
(24) Date from which industrial property rights may have effect: **29 April 2005**
(54) Product in respect of which the design is registered: **Sales kiosk**
(51) International Design Classification: **25-03**
(71) Name(s) and Address(s) of Applicant(s):
Swatch A.G. (Swatch S.A.) (Swatch Ltd)
94 rue Jakob Stampfli Bienne Switzerland
(72) Name(s) of Designer(s): **Luca Tonella**
(45) Registration Date: **27 October 2005**
(30) Convention priority data:
(31) Number (32) Date (33) Country
**DM/066 005 04 Nov 2004 WORLD INTELLECTUAL
PROPERTY ORGANIZATION
(WIPO)**
(56) Related Art Documents: **Not Applicable**
(57) Statement of Newness and Distinctiveness: **Nil**



(21) Design Number: **11809/2005**

(22) Date of Filing Application: **29 April 2005**

(24) Date from which industrial property rights may have effect: **29 April 2005**

(54) Product in respect of which the design is registered: **Display**

(51) International Design Classification: **25-03, 20-02NES**

(71) Name(s) and Address(s) of Applicant(s):

Swatch A.G. (Swatch S.A.) (Swatch Ltd)
94 rue Jakob Stampfli Bienne Switzerland

(72) Name(s) of Designer(s): **Luca Tonella**

(45) Registration Date: **27 October 2005**

(30) Convention priority data:

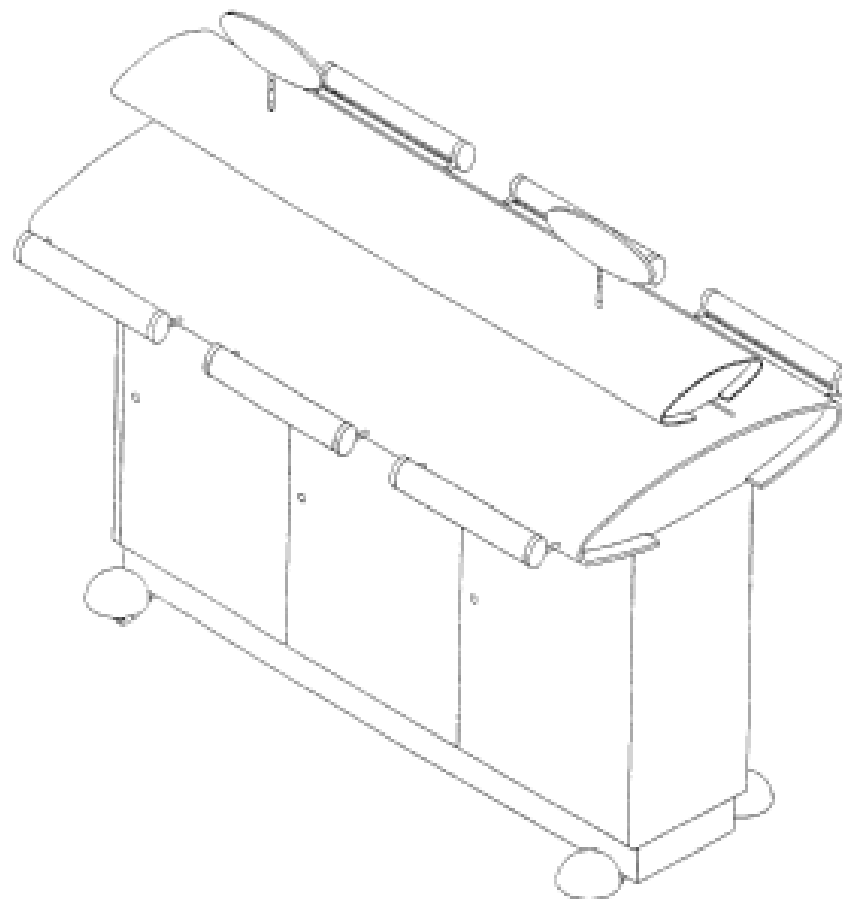
(31) Number
DM/066 245

(32) Date
07 Jan 2005

(33) Country
**WORLD INTELLECTUAL
PROPERTY ORGANIZATION
(WIPO)**

(56) Related Art Documents: **Not Applicable**

(57) Statement of Newness and Distinctiveness: **Nil**



(21) Design Number: **15415/2004**

(22) Date of Filing Application: **23 November 2004**

(24) Date from which industrial property rights may have effect: **23 November 2004**

(54) Product in respect of which the design is registered: **Flood light**

(51) International Design Classification: **26-03**

(71) Name(s) and Address(s) of Applicant(s):

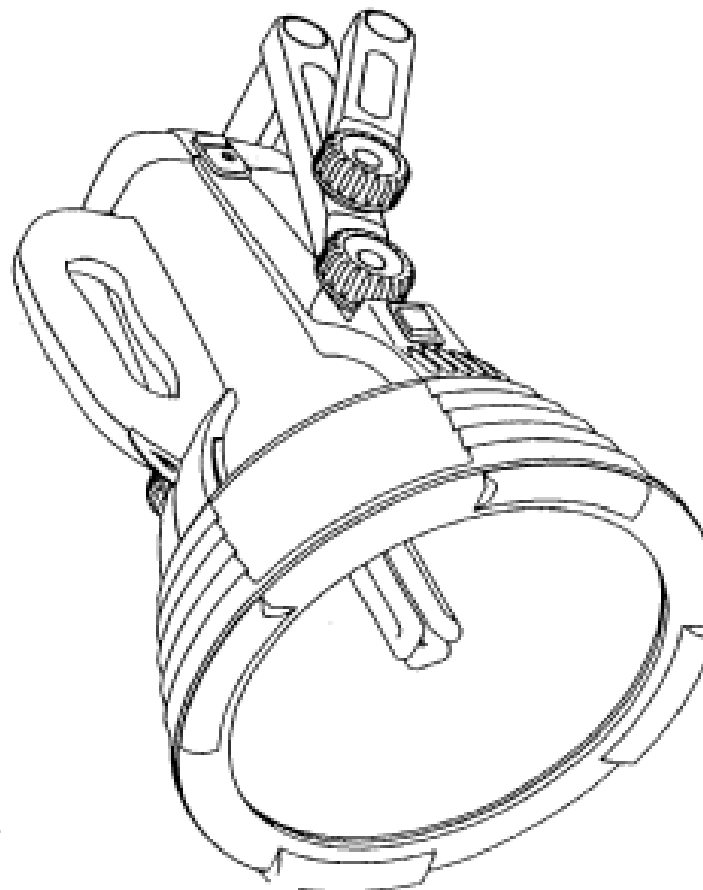
John Manufacturing Limited
**6/F Yau Lee Centre 45 Hoi Yuen Road Kwun Tong Kowloon Hong
Kong**

(72) Name(s) of Designer(s): **Se Kit Yuen**

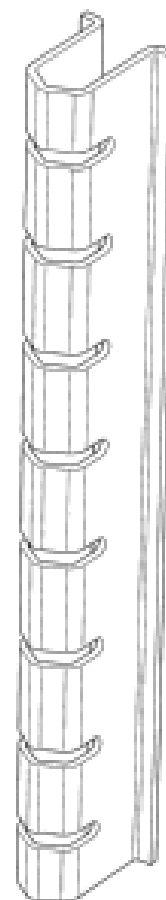
(45) Registration Date: **28 October 2005**

(56) Related Art Documents: **Not Applicable**

(57) Statement of Newness and Distinctiveness: **Nil**



- (21) Design Number: **11796/2005**
(22) Date of Filing Application: **29 April 2005**
(24) Date from which industrial property rights may have effect: **29 April 2005**
(54) Product in respect of which the design is registered: **Fence spacer**
(51) International Design Classification: **25-01E**
(71) Name(s) and Address(s) of Applicant(s):
Graham Wurst
Box 39 Parndana South Australia 5230 Australia
(72) Name(s) of Designer(s): **Graham Wurst**
(45) Registration Date: **28 October 2005**
(56) Related Art Documents: **Not Applicable**
(57) Statement of Newness and Distinctiveness: **When deciding whether the design is substantially similar in overall impression to another design, regard should be had to the fact that the fence spacer is of indefinite length.**



- (21) Design Number: **11835/2005**
(22) Date of Filing Application: **02 May 2005**
(24) Date from which industrial property rights may have effect: **02 May 2005**
(54) Product in respect of which the design is registered: **Mobile phone**
(51) International Design Classification: **14-03E**
(71) Name(s) and Address(s) of Applicant(s):
Siemens Aktiengesellschaft
Wittelsbacherplatz 2 80333 Munchen Germany
(72) Name(s) of Designer(s): **Alf Hackenberg and Jan Schminke**
(45) Registration Date: **28 October 2005**
(30) Convention priority data:
(31) Number (32) Date (33) Country
000255690 02 Nov 2004 EUROPEAN COMMUNITY
(56) Related Art Documents: **Not Applicable**
(57) Statement of Newness and Distinctiveness: **Newness and distinctiveness is claimed in the features of shape and/or configuration of a mobile phone as illustrated in the accompanying representations, having regard to the following particular features: (i) the curved speaker recess on the front face of the mobile phone; (ii) the central function key and side function keys; (iii) the curved rows of the alphanumeric keys; (iv) the U-shaped frame tapering inwardly towards the top of the front face of the mobile phone; and (v) the recesses extending partly along the lateral edges of the mobile phone.**



(21) Design Number: **11838/2005**

(22) Date of Filing Application: **29 April 2005**

(24) Date from which industrial property rights may have effect: **29 April 2005**

(54) Product in respect of which the design is registered: **A number plate**

(51) International Design Classification: **12-16NES**

(71) Name(s) and Address(s) of Applicant(s):

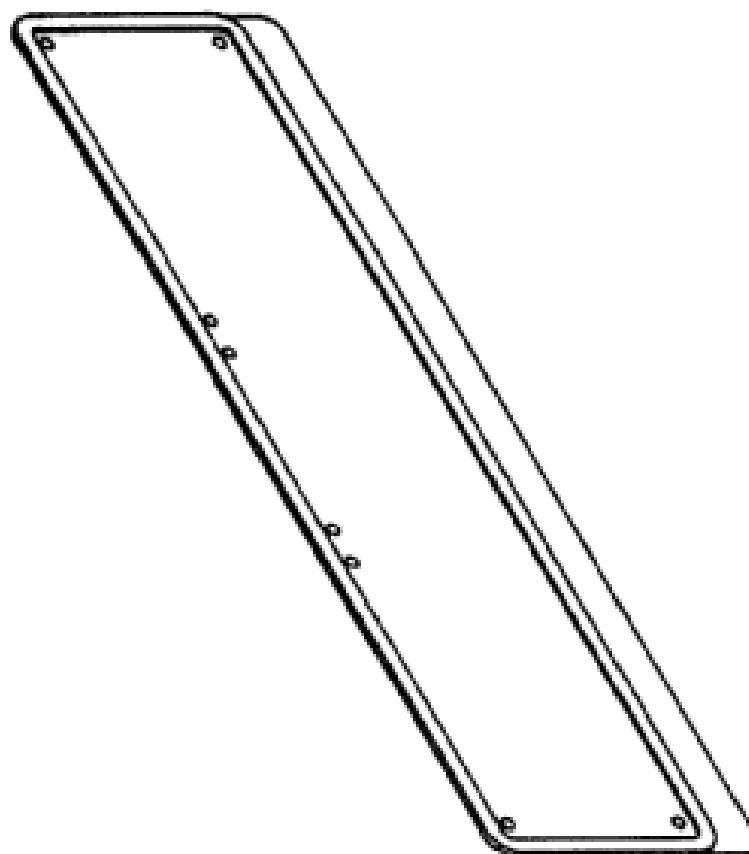
Licensys Pty Ltd
57 Campbell Avenue Wacol Queensland 4076 Australia

(72) Name(s) of Designer(s): **Darryl Hollands**

(45) Registration Date: **28 October 2005**

(56) Related Art Documents: **Not Applicable**

(57) Statement of Newness and Distinctiveness: **Newness and distinctiveness are claimed in the features of shape and configuration of the number plate depicted in the representations.**



(21) Design Number: **11839/2005**

(22) Date of Filing Application: **29 April 2005**

(24) Date from which industrial property rights may have effect: **29 April 2005**

(54) Product in respect of which the design is registered: **A number plate**

(51) International Design Classification: **12-16NES**

(71) Name(s) and Address(s) of Applicant(s):

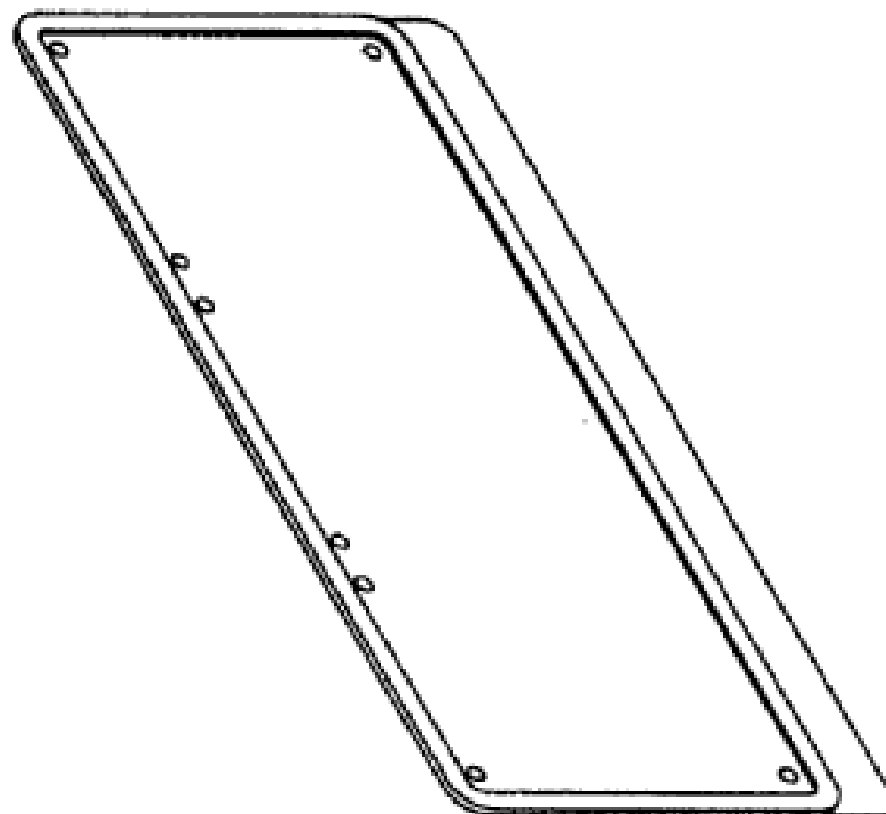
Licensys Pty Ltd
57 Campbell Avenue Wacol Queensland 4076 Australia

(72) Name(s) of Designer(s): **Darryl Hollands**

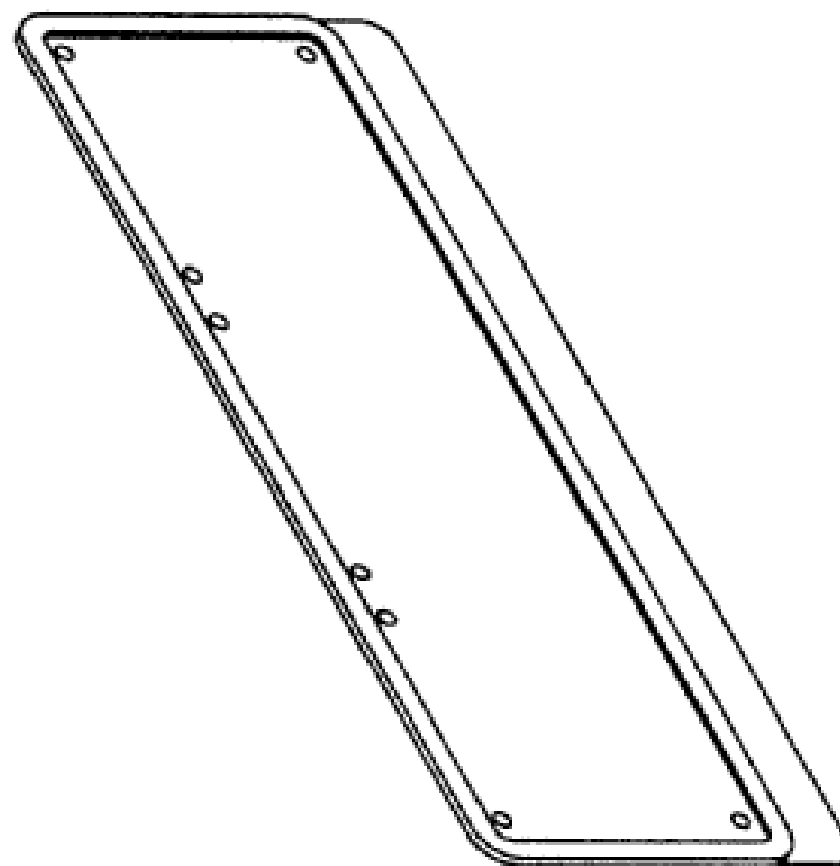
(45) Registration Date: **28 October 2005**

(56) Related Art Documents: **Not Applicable**

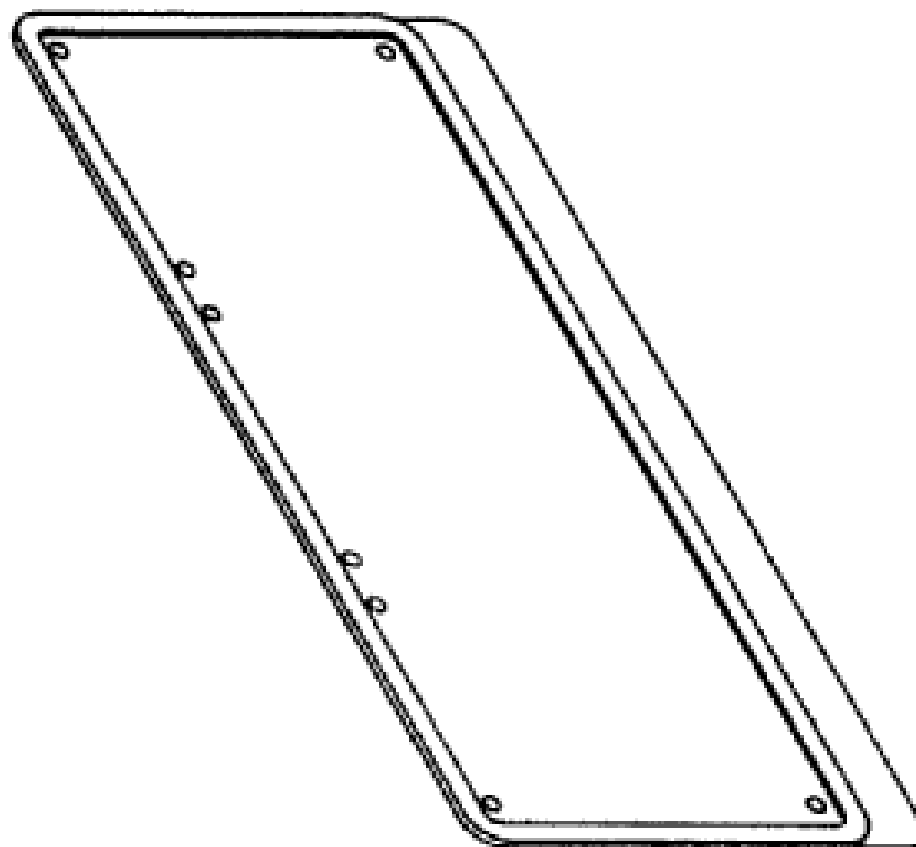
(57) Statement of Newness and Distinctiveness: **Newness and distinctiveness are claimed in the features of shape and configuration of the number plate depicted in the representations.**



- (21) Design Number: **11840/2005**
(22) Date of Filing Application: **29 April 2005**
(24) Date from which industrial property rights may have effect: **29 April 2005**
(54) Product in respect of which the design is registered: **A number plate**
(51) International Design Classification: **12-16NES**
(71) Name(s) and Address(s) of Applicant(s):
Licensys Pty Ltd
57 Campbell Avenue Wacol Queensland 4076 Australia
(72) Name(s) of Designer(s): **Darryl Hollands**
(45) Registration Date: **28 October 2005**
(56) Related Art Documents: **Not Applicable**
(57) Statement of Newness and Distinctiveness: **Newness and distinctiveness are claimed in the features of shape and configuration of the number plate depicted in the representations.**



- (21) Design Number: **11841/2005**
(22) Date of Filing Application: **29 April 2005**
(24) Date from which industrial property rights may have effect: **29 April 2005**
(54) Product in respect of which the design is registered: **A number plate**
(51) International Design Classification: **12-16NES**
(71) Name(s) and Address(s) of Applicant(s):
Licensys Pty Ltd
57 Campbell Avenue Wacol Queensland 4076 Australia
(72) Name(s) of Designer(s): **Darryl Hollands**
(45) Registration Date: **28 October 2005**
(56) Related Art Documents: **Not Applicable**
(57) Statement of Newness and Distinctiveness: **Newness and distinctiveness are claimed in the features of shape and configuration of the number plate depicted in the representations.**



(21) Design Number: **11842/2005**

(22) Date of Filing Application: **02 May 2005**

(24) Date from which industrial property rights may have effect: **02 May 2005**

(54) Product in respect of which the design is registered: **A toilet paper holder**

(51) International Design Classification: **23-02A**

(71) Name(s) and Address(s) of Applicant(s):

Sonia, S.A.

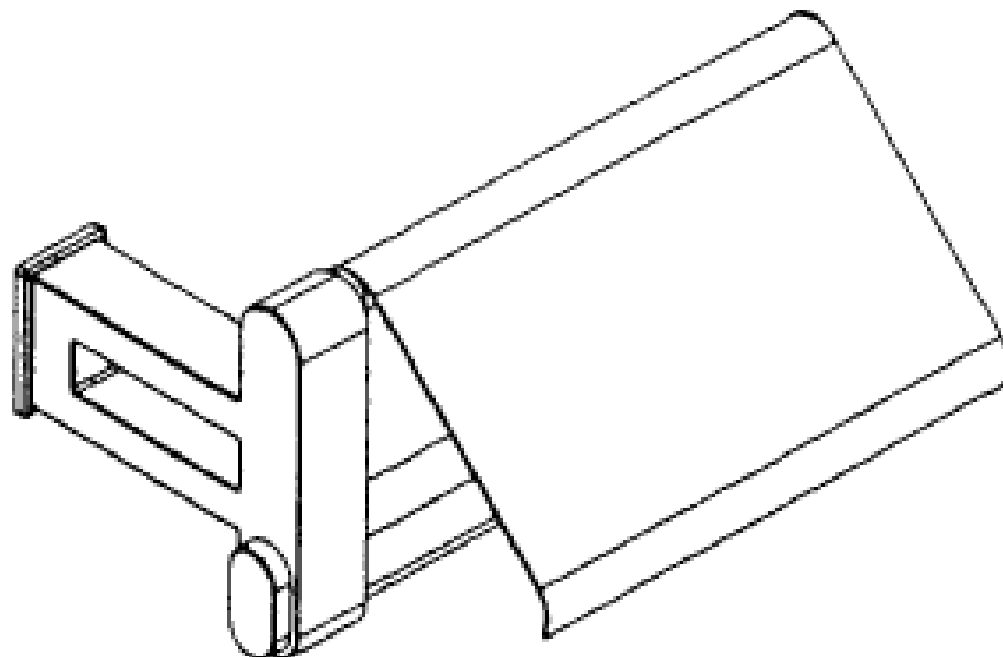
Ctra. de Barcelona 35 Bonrepos (Valencia) 46131 Spain

(72) Name(s) of Designer(s): **Jose Maria Ferrer Beltran**

(45) Registration Date: **28 October 2005**

(56) Related Art Documents: **Not Applicable**

(57) Statement of Newness and Distinctiveness: **Nil**



(21) Design Number: **11843/2005**

(22) Date of Filing Application: **02 May 2005**

(24) Date from which industrial property rights may have effect: **02 May 2005**

(54) Product in respect of which the design is registered: **A hanger**

(51) International Design Classification: **08-08G**

(71) Name(s) and Address(s) of Applicant(s):

Sonia, S.A.

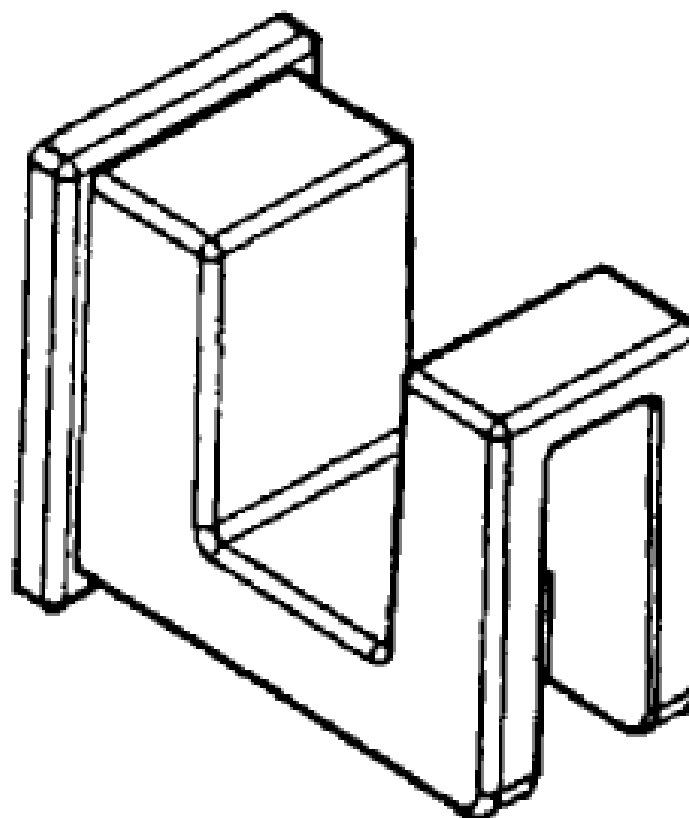
Ctra. de Barcelona 35 Bonrepos (Valencia) 46131 Spain

(72) Name(s) of Designer(s): **Jose Maria Ferrer Beltran**

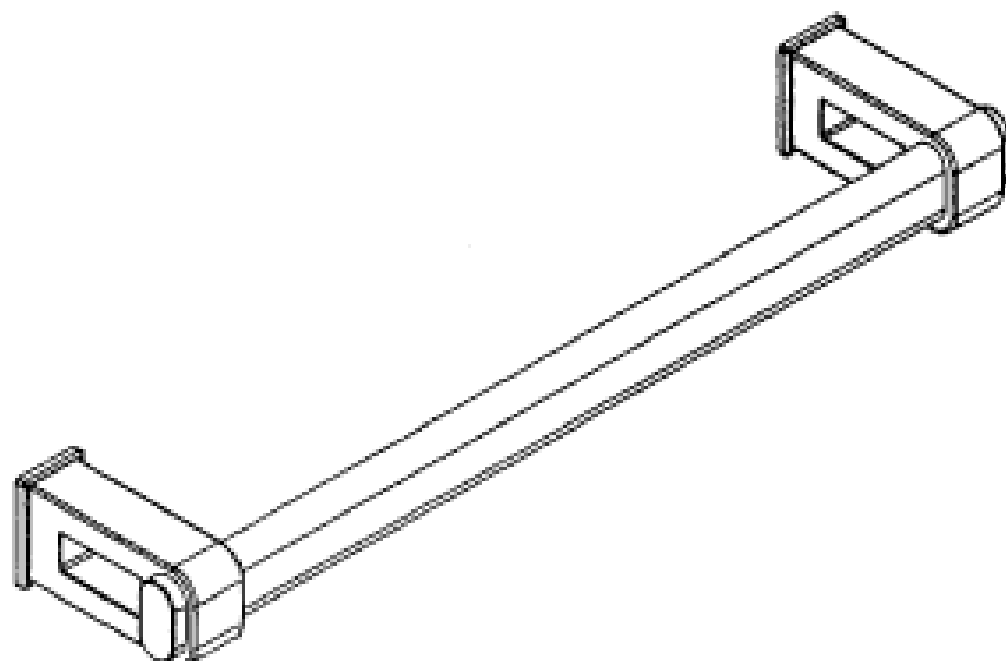
(45) Registration Date: **28 October 2005**

(56) Related Art Documents: **Not Applicable**

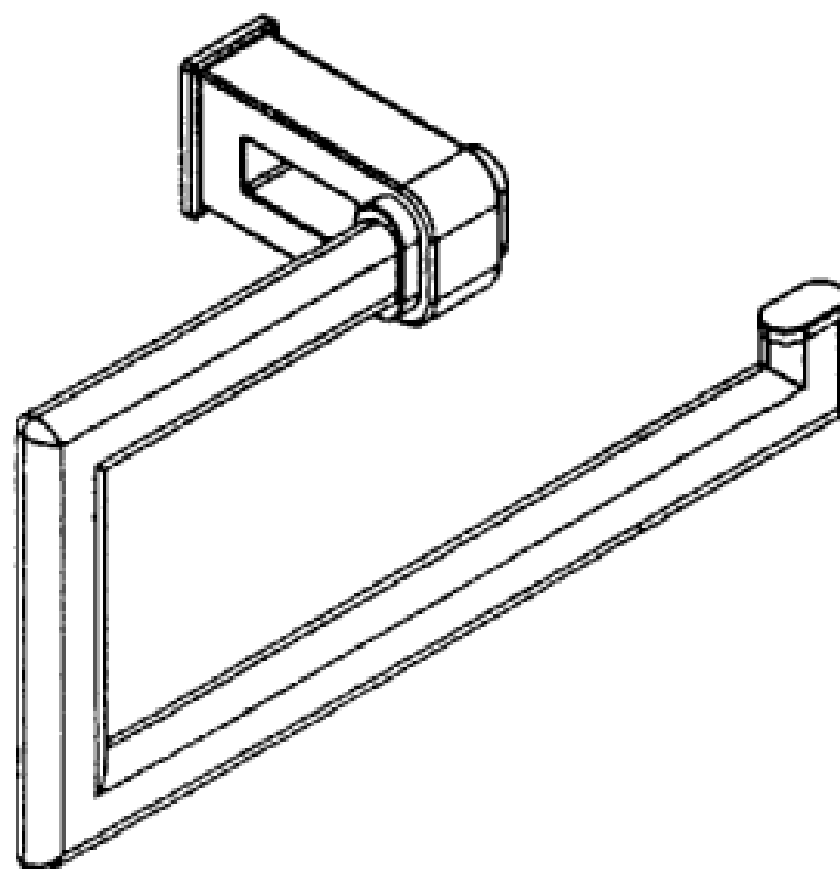
(57) Statement of Newness and Distinctiveness: **Nil**



(21) Design Number: **11844/2005**
(22) Date of Filing Application: **02 May 2005**
(24) Date from which industrial property rights may have effect: **02 May 2005**
(54) Product in respect of which the design is registered: **A towel rail**
(51) International Design Classification: **07-05D**
(71) Name(s) and Address(s) of Applicant(s):
Sonia, S.A.
Ctra. de Barcelona 35 Bonrepos (Valencia) 46131 Spain
(72) Name(s) of Designer(s): **Jose Maria Ferrer Beltran**
(45) Registration Date: **28 October 2005**
(56) Related Art Documents: **Not Applicable**
(57) Statement of Newness and Distinctiveness: **Nil**

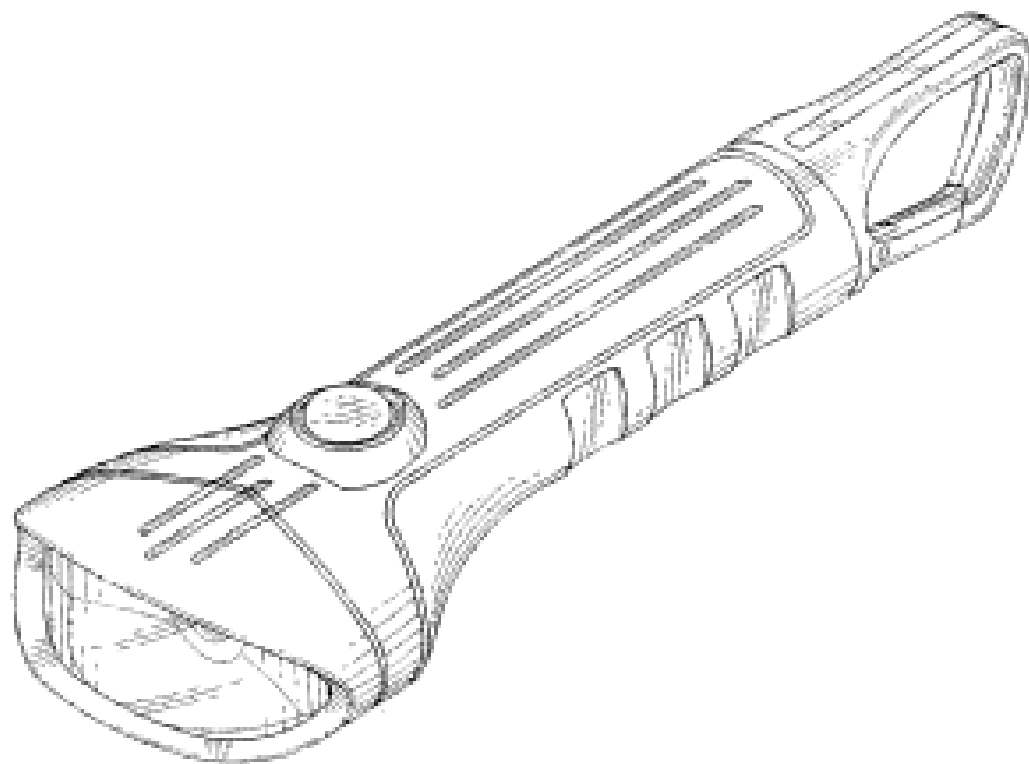


(21) Design Number: **11845/2005**
(22) Date of Filing Application: **02 May 2005**
(24) Date from which industrial property rights may have effect: **02 May 2005**
(54) Product in respect of which the design is registered: **A towel holder**
(51) International Design Classification: **07-05D, 23-02A**
(71) Name(s) and Address(s) of Applicant(s):
Sonia, S.A.
Ctra. de Barcelona 35 Bonrepos (Valencia) 46131 Spain
(72) Name(s) of Designer(s): **Jose Maria Ferrer Beltran**
(45) Registration Date: **28 October 2005**
(56) Related Art Documents: **Not Applicable**
(57) Statement of Newness and Distinctiveness: **Nil**



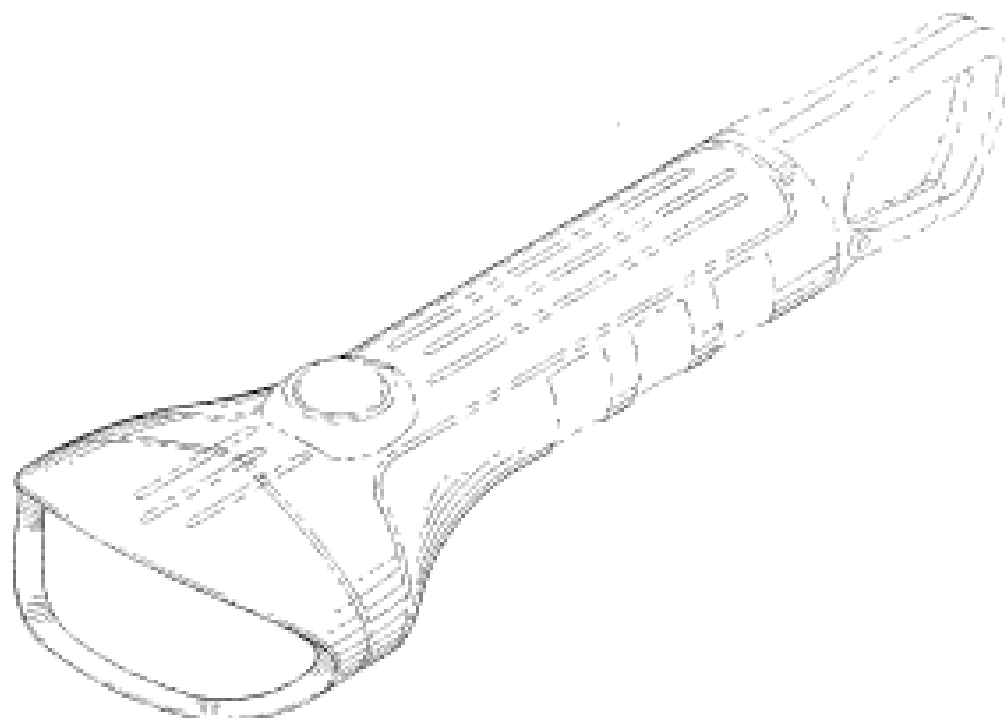
- (21) Design Number: **11859/2005**
- (22) Date of Filing Application: **03 May 2005**
- (24) Date from which industrial property rights may have effect: **03 May 2005**
- (54) Product in respect of which the design is registered: **Flashlight**
- (51) International Design Classification: **26-02**
- (71) Name(s) and Address(s) of Applicant(s):
The Coleman Company, Inc.
3600 North Hydraulic Wichita KS 67219 United States of America
- (72) Name(s) of Designer(s): **Philip M. Holsinger and David C. Thornhill**
- (45) Registration Date: **28 October 2005**
- (30) Convention priority data:

(31) Number	(32) Date	(33) Country
29/216937	10 Nov 2004	UNITED STATES OF AMERICA
- (56) Related Art Documents: **Not Applicable**
- (57) Statement of Newness and Distinctiveness: **Nil Figure 1 is a top, right from perspective view; Figure 2 is a front view; Figure 3 is a rear view; Figure 4 is a left side view; Figure 5 is a right side view; Figure 6 is a top view, and Figure 7 is a bottom view.**



- (21) Design Number: **11860/2005**
- (22) Date of Filing Application: **03 May 2005**
- (24) Date from which industrial property rights may have effect: **03 May 2005**
- (54) Product in respect of which the design is registered: **Flashlight**
- (51) International Design Classification: **26-02**
- (71) Name(s) and Address(s) of Applicant(s):
The Coleman Company, Inc.
3600 North Hydraulic Wichita KS 67219 United States of America
- (72) Name(s) of Designer(s): **Philip M. Holsinger and David C. Thornhill**
- (45) Registration Date: **28 October 2005**
- (30) Convention priority data:

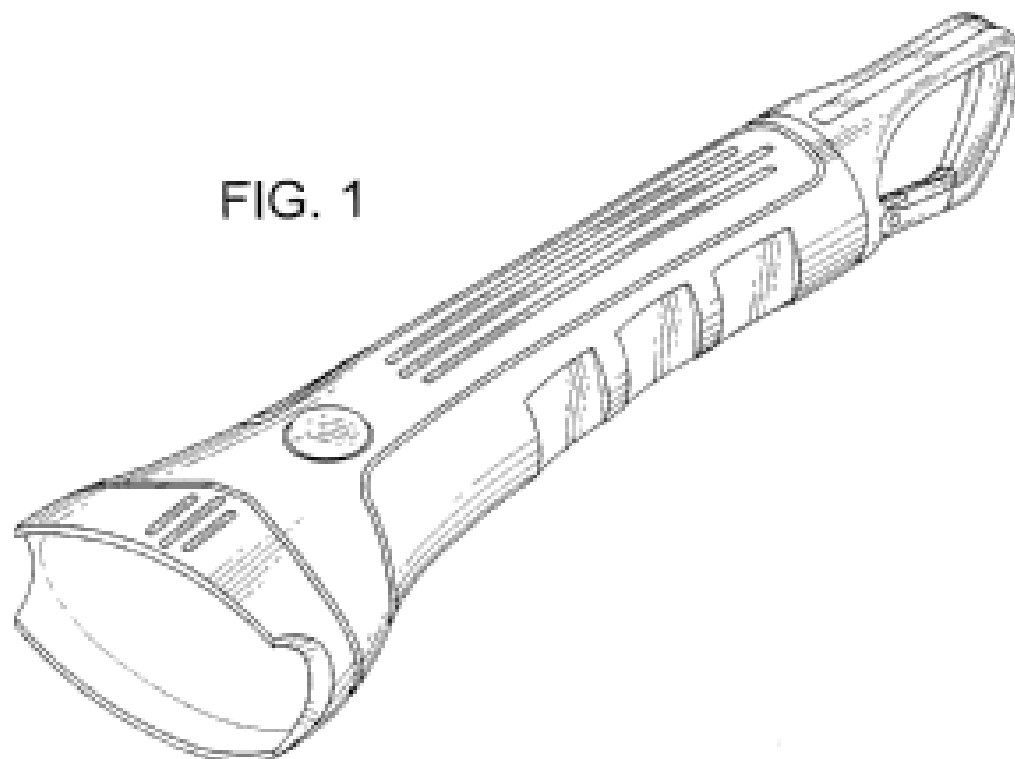
(31) Number	(32) Date	(33) Country
29/216937	10 Nov 2004	UNITED STATES OF AMERICA
- (56) Related Art Documents: **Not Applicable**
- (57) Statement of Newness and Distinctiveness: **Nil below, in which broken lines represent structure which form no part of the design of which: Figure 8 is a top, right front perspective view; Figure 9 is a front view; Figure 10 is a rear view; Figure 11 is a left side view; Figure 12 is a right side view; Figure 13 is a top view; and Figure 14 is a bottom view.**



- (21) Design Number: **11861/2005**
- (22) Date of Filing Application: **03 May 2005**
- (24) Date from which industrial property rights may have effect: **03 May 2005**
- (54) Product in respect of which the design is registered: **Flashlight**
- (51) International Design Classification: **26-02**
- (71) Name(s) and Address(s) of Applicant(s):
The Coleman Company, Inc.
3600 North Hydraulic Wichita KS 67219 United States of America
- (72) Name(s) of Designer(s): **Duane D. Marshall and Philip M. Holsinger**
- (45) Registration Date: **28 October 2005**
- (30) Convention priority data:

(31) Number	(32) Date	(33) Country
29/216918	10 Nov 2004	UNITED STATES OF AMERICA
- (56) Related Art Documents: **Not Applicable**
- (57) Statement of Newness and Distinctiveness: **Nil Figure 1 is a top, right front perspective view; Figure 2 is a front view; Figure 3 is a rear view; Figure 4 is a left side view; Figure 5 is a right side view; Figure 6 is a top side view; Figure 7 is a bottom view.**

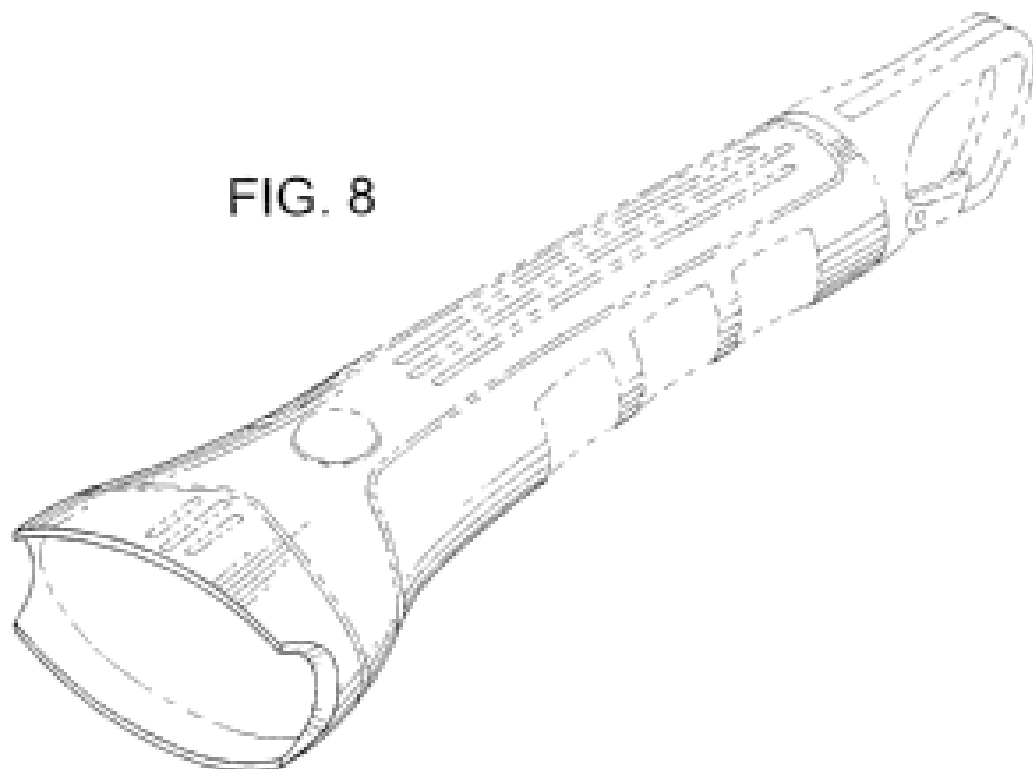
FIG. 1



- (21) Design Number: **11862/2005**
- (22) Date of Filing Application: **03 May 2005**
- (24) Date from which industrial property rights may have effect: **03 May 2005**
- (54) Product in respect of which the design is registered: **Flashlight**
- (51) International Design Classification: **26-02**
- (71) Name(s) and Address(s) of Applicant(s):
The Coleman Company, Inc.
3600 North Hydraulic Wichita KS 67219 United States of America
- (72) Name(s) of Designer(s): **Duane D. Marshall and Philip M. Holsinger**
- (45) Registration Date: **28 October 2005**
- (30) Convention priority data:

(31) Number	(32) Date	(33) Country
29/216918	10 Nov 2004	UNITED STATES OF AMERICA
- (56) Related Art Documents: **Not Applicable**
- (57) Statement of Newness and Distinctiveness: **Nil in which broken lines represent structure which form no part of the design of which: Figure 8 is a top, right front perspective view; Figure 9 is a front view; Figure 10 is a rear view; Figure 11 is a left side view; Figure 12 is a right side view; Figure 13 is a top view; and Figure 14 is a bottom view.**

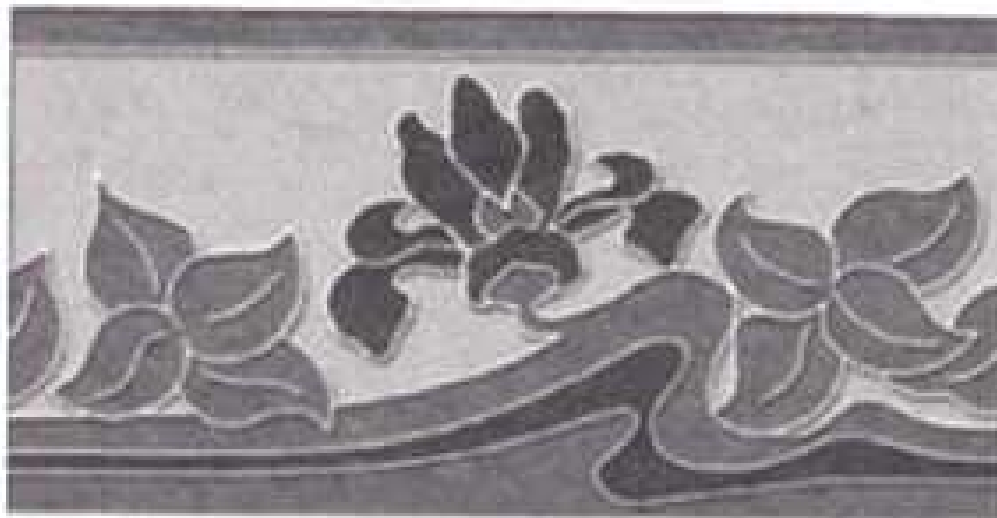
FIG. 8



- (21) Design Number: **13224/2004**
(22) Date of Filing Application: **09 July 2004**
(24) Date from which industrial property rights may have effect: **09 July 2004**
(54) Product in respect of which the design is registered: **Tile**
(51) International Design Classification: **25-01F**
(71) Name(s) and Address(s) of Applicant(s):

Karmy Pty Ltd
400 Hoddle Street Clifton Hill Victoria 3068 Australia

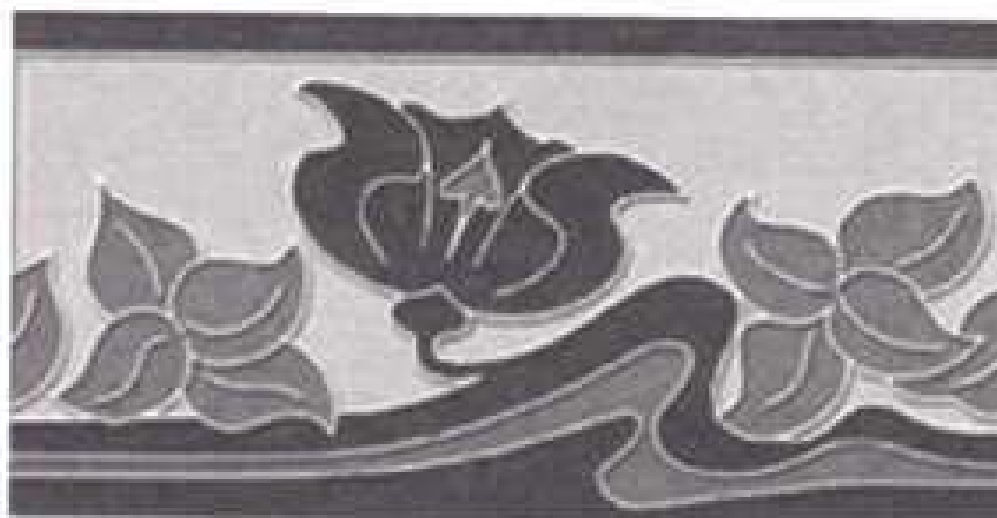
- (72) Name(s) of Designer(s): **Neville Bruce William Schot**
(45) Registration Date: **02 November 2005**
(56) Related Art Documents: **Not Applicable**
(57) Statement of Newness and Distinctiveness: **Monopoly is claimed on the features and shape and configuration of the set of tiles shown in the accompanying representations.**



- (21) Design Number: **13225/2004**
(22) Date of Filing Application: **09 July 2004**
(24) Date from which industrial property rights may have effect: **09 July 2004**
(54) Product in respect of which the design is registered: **Tile**
(51) International Design Classification: **25-01F**
(71) Name(s) and Address(s) of Applicant(s):

Karmy Pty Ltd
400 Hoddle Street Clifton Hill Victoria 3068 Australia

- (72) Name(s) of Designer(s): **Neville Bruce William Schot**
(45) Registration Date: **02 November 2005**
(56) Related Art Documents: **Not Applicable**
(57) Statement of Newness and Distinctiveness: **Monopoly is claimed on the features and shape and configuration of the set of tiles shown in the accompanying representations.**



(21) Design Number: **14023/2004**

(22) Date of Filing Application: **24 August 2004**

(24) Date from which industrial property rights may have effect: **24 August 2004**

(54) Product in respect of which the design is registered: **Logo applied to a motortricycle**

(51) International Design Classification: **12-11**

(71) Name(s) and Address(s) of Applicant(s):

**Panther Engineering (Aust) Pty Ltd
Unit 7 379 Manns Road West Gosford New South Wales 2250
Australia**

(72) Name(s) of Designer(s): **Josef Furrer**

(45) Registration Date: **02 November 2005**

(56) Related Art Documents: **Not Applicable**

(57) Statement of Newness and Distinctiveness: **Monopoly is claimed in the shape and configuration of the logo applied to a motortricycle as shown in the representations.**



(21) Design Number: **14024/2004**

(22) Date of Filing Application: **24 August 2004**

(24) Date from which industrial property rights may have effect: **24 August 2004**

(54) Product in respect of which the design is registered: **A motortricycle**

(51) International Design Classification: **12-11**

(71) Name(s) and Address(s) of Applicant(s):

**Panther Engineering (Aust) Pty Ltd
Unit 7 379 Manns Road West Gosford New South Wales 2250
Australia**

(72) Name(s) of Designer(s): **Josef Furrer**

(45) Registration Date: **02 November 2005**

(56) Related Art Documents: **Not Applicable**

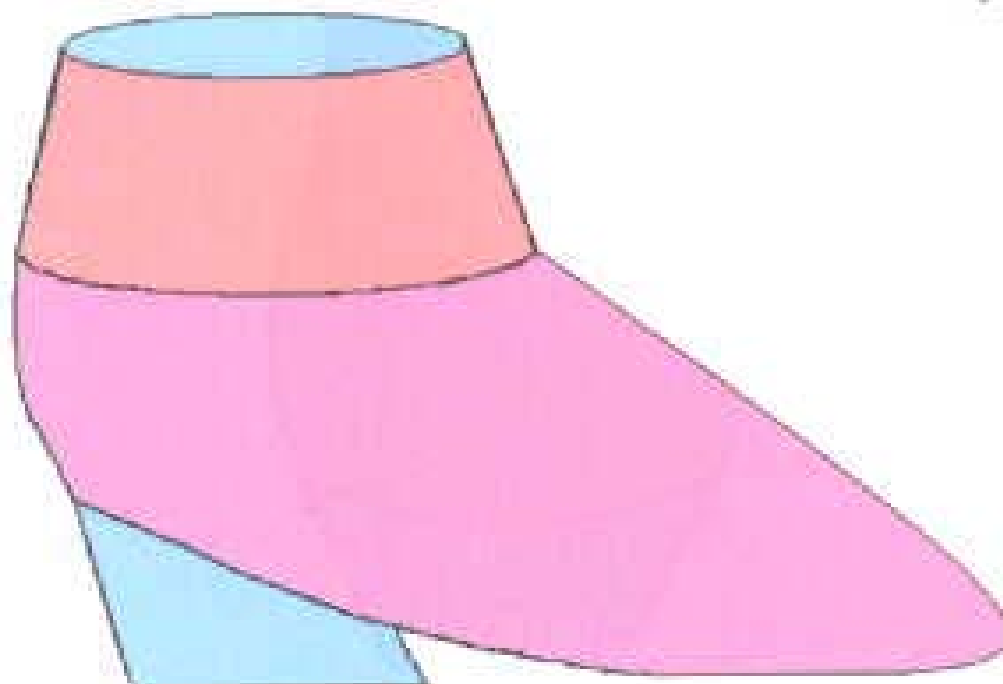
(57) Statement of Newness and Distinctiveness: **The monopoly is claimed in the shape appearance and configuration of the motortricycle.**



- (21) Design Number: **15638/2004**
(22) Date of Filing Application: **06 December 2004**
(24) Date from which industrial property rights may have effect: **06 December 2004**
(54) Product in respect of which the design is registered: **Timepiece**
(51) International Design Classification: **10-02**
(71) Name(s) and Address(s) of Applicant(s):
Jean Gabriel
62 Hilltop Road Merrylands New South Wales 2160 Australia
(72) Name(s) of Designer(s): **Jean Gabriel**
(45) Registration Date: **02 November 2005**
(56) Related Art Documents: **Not Applicable**
(57) Statement of Newness and Distinctiveness: **The hour-markers circle is independant from the minutes/seconds circle. The big hand shows the hours the small hand shows the minutes.**



- (21) Design Number: **15659/2004**
(22) Date of Filing Application: **06 December 2004**
(24) Date from which industrial property rights may have effect: **06 December 2004**
(54) Product in respect of which the design is registered: **Baby bootie**
(51) International Design Classification: **02-04NES**
(71) Name(s) and Address(s) of Applicant(s):
Lisa Maree Keogh
"North Dalziel" Taroom Queensland 4420 Australia
(72) Name(s) of Designer(s): **Lisa Maree Keogh**
(45) Registration Date: **02 November 2005**
(56) Related Art Documents: **Not Applicable**
(57) Statement of Newness and Distinctiveness: **Baby bootie with mock fabric fashion heel. Toe + heel shape will reflect current fashion trends as well as fabric selection and decoration of bootie.**



(21) Design Number: **10411/2005**

(22) Date of Filing Application: **04 February 2005**

(24) Date from which industrial property rights may have effect: **04 February 2005**

(54) Product in respect of which the design is registered: **Baby bottle bag**

(51) International Design Classification: **03-01NES**

(71) Name(s) and Address(s) of Applicant(s):

**Kapoochi Australia Pty Ltd
2 Spring Pastures Drive Mapleton Queensland 4560 Australia**

(72) Name(s) of Designer(s): **Lucy Ormsby**

(45) Registration Date: **02 November 2005**

(56) Related Art Documents: **Not Applicable**

(57) Statement of Newness and Distinctiveness: **Unique shapes and striking colours.**



(21) Design Number: **10412/2005**

(22) Date of Filing Application: **04 February 2005**

(24) Date from which industrial property rights may have effect: **04 February 2005**

(54) Product in respect of which the design is registered: **Baby nappy bag**

(51) International Design Classification: **03-01A, 03-01NES**

(71) Name(s) and Address(s) of Applicant(s):

**Kapoochi Australia Pty Ltd
2 Spring Pastures Drive Mapleton Queensland 4560 Australia**

(72) Name(s) of Designer(s): **Lucy Ormsby**

(45) Registration Date: **02 November 2005**

(56) Related Art Documents: **Not Applicable**

(57) Statement of Newness and Distinctiveness: **Unique shapes and striking colours.**



(21) Design Number: **10413/2005**

(22) Date of Filing Application: **04 February 2005**

(24) Date from which industrial property rights may have effect: **04 February 2005**

(54) Product in respect of which the design is registered: **Baby nappy bag**

(51) International Design Classification: **03-01A, 03-01NES**

(71) Name(s) and Address(s) of Applicant(s):

**Kapoochi Australia Pty Ltd
2 Spring Pastures Drive Mapleton Queensland 4560 Australia**

(72) Name(s) of Designer(s): **Lucy Ormsby**

(45) Registration Date: **02 November 2005**

(56) Related Art Documents: **Not Applicable**

(57) Statement of Newness and Distinctiveness: **Unique shapes and striking colours.**



(21) Design Number: **10414/2005**

(22) Date of Filing Application: **04 February 2005**

(24) Date from which industrial property rights may have effect: **04 February 2005**

(54) Product in respect of which the design is registered: **Baby nappy bag**

(51) International Design Classification: **03-01A, 03-01NES**

(71) Name(s) and Address(s) of Applicant(s):

**Kapoochi Australia Pty Ltd
2 Spring Pastures Drive Mapleton Queensland 4560 Australia**

(72) Name(s) of Designer(s): **Lucy Ormsby**

(45) Registration Date: **02 November 2005**

(56) Related Art Documents: **Not Applicable**

(57) Statement of Newness and Distinctiveness: **Unique shapes and striking colours.**



- (21) Design Number: **10437/2005**
(22) Date of Filing Application: **03 February 2005**
(24) Date from which industrial property rights may have effect: **03 February 2005**
(54) Product in respect of which the design is registered: **Hydrotherapy vessel**
(51) International Design Classification: **23-02B**
(71) Name(s) and Address(s) of Applicant(s):
HydroCo (Australia) Pty Ltd
22 Pascal Road Seaford Victoria 3198 Australia
(72) Name(s) of Designer(s): **Brian Gay**
(45) Registration Date: **02 November 2005**
(56) Related Art Documents: **Not Applicable**
(57) Statement of Newness and Distinctiveness: **Novelty resides in the features of shape and configuration of a base structure and frame as illustrated in the representations.**



- (21) Design Number: **10493/2005**
(22) Date of Filing Application: **06 February 2005**
(24) Date from which industrial property rights may have effect: **20 October 2003**
(54) Product in respect of which the design is registered: **Pen-shaped applicator**
(51) International Design Classification: **24-01, 28-02**
(71) Name(s) and Address(s) of Applicant(s):
MDE Medizintechnik G.m.b.H.
PO Box 1016 CH-8201 Schaffhausen Switzerland
(72) Name(s) of Designer(s): **Eric Lansohn**
(45) Registration Date: **02 November 2005**
(30) Convention priority data:

(31) Number	(32) Date	(33) Country
129673	19 Apr 2003	SWITZERLAND

(62) Divisional of: **158169**
(56) Related Art Documents: **Not Applicable**
(57) Statement of Newness and Distinctiveness: **Nil**



- (21) Design Number: **10638/2005**
- (22) Date of Filing Application: **18 February 2005**
- (24) Date from which industrial property rights may have effect: **18 February 2005**
- (54) Product in respect of which the design is registered: **Bioassay reader**
- (51) International Design Classification: **10-04**
- (71) Name(s) and Address(s) of Applicant(s):
Cleveland Biosensors Pty Ltd
Bldg 4b Garden City Office Pk 2404 Logan Road Eight Mile Plains
Queensland 4113 Australia
- (72) Name(s) of Designer(s): **Alan Morris**
- (45) Registration Date: **02 November 2005**
- (56) Related Art Documents: **Not Applicable**
- (57) Statement of Newness and Distinctiveness: **The newness and distinctiveness of the design resides in the shape and configuration of the reader as depicted in the accompanying representations.**



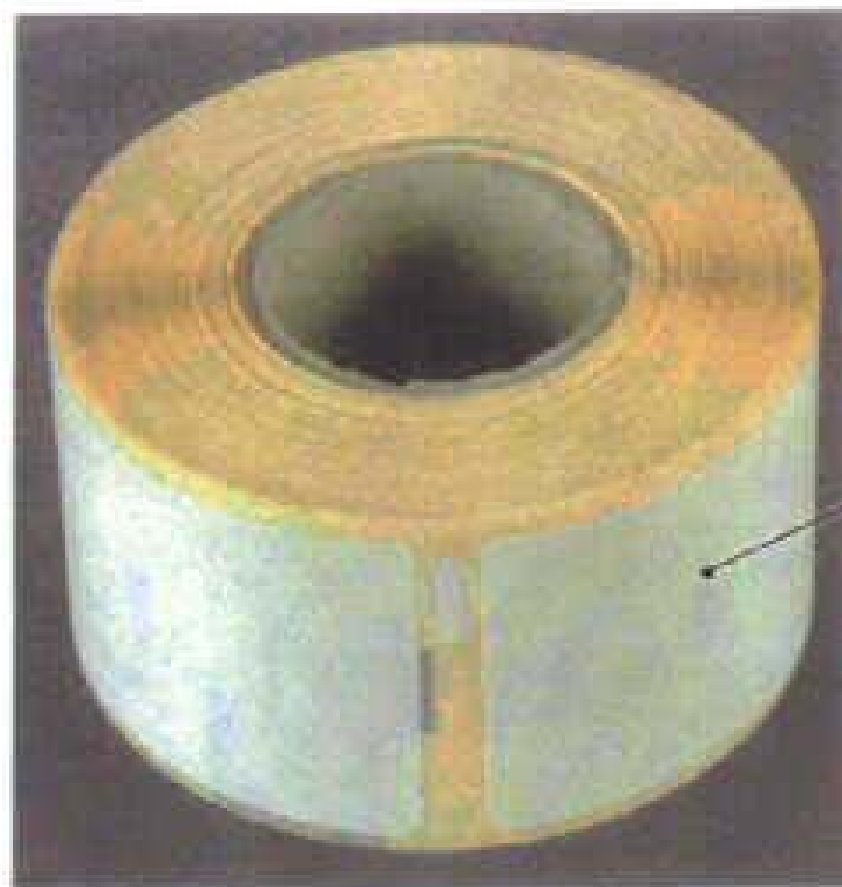
- (21) Design Number: **10644/2005**
- (22) Date of Filing Application: **22 February 2005**
- (24) Date from which industrial property rights may have effect: **22 February 2005**
- (54) Product in respect of which the design is registered: **Steel toe childrens pony club elastic sided boot**
- (51) International Design Classification: **02-04NES**
- (71) Name(s) and Address(s) of Applicant(s):
Thomas Cook Boot + Clothing Co. Pty Ltd
8/100 Station Street Nunawading Victoria 3131 Australia
- (72) Name(s) of Designer(s): **Murray Cook**
- (45) Registration Date: **02 November 2005**
- (56) Related Art Documents: **Not Applicable**
- (57) Statement of Newness and Distinctiveness: **Childrens pony club boots have never been available with a steel toe - infact children have never had access to any steel toe boots.**



(21) Design Number: **11050/2005**
(22) Date of Filing Application: **16 March 2005**
(24) Date from which industrial property rights may have effect: **16 March 2005**
(54) Product in respect of which the design is registered: **Golf trolley**
(51) International Design Classification: **12-02**
(71) Name(s) and Address(s) of Applicant(s):
Anthony Douglas Moll
Pine Forest Lodge Edgehills Littledean Gloucestershire GL14 3LQ
England
(72) Name(s) of Designer(s): **Anthony Douglas Moll**
(45) Registration Date: **02 November 2005**
(30) Convention priority data:
(31) Number (32) Date (33) Country
000230974 18 Sep 2004 EUROPEAN COMMUNITY
(56) Related Art Documents: **Not Applicable**
(57) Statement of Newness and Distinctiveness: **Nil**



(21) Design Number: **11159/2005**
(22) Date of Filing Application: **23 March 2005**
(24) Date from which industrial property rights may have effect: **08 April 2004**
(54) Product in respect of which the design is registered: **Roll of labels**
(51) International Design Classification: **19-08**
(71) Name(s) and Address(s) of Applicant(s):
Esselte
Industriepark-Noord 30 9100 Sint Niklass Belgium
(72) Name(s) of Designer(s): **James Craig**
(45) Registration Date: **02 November 2005**
(30) Convention priority data:
(31) Number (32) Date (33) Country
000141999 20 Feb 2005 EUROPEAN COMMUNITY
(62) Divisional of: **303711**
(56) Related Art Documents: **Not Applicable**
(57) Statement of Newness and Distinctiveness: **Newness and distinctiveness in the design as applied to a roll of removable labels on a backing strip resides in the pattern and/or ornamentation of the regular rectangular markings on the reverse side of the backing strip, as denoted by (A) in the accompanying representations. In assessing newness and distinctiveness, the shape of the labels on the obverse side of the backing strip denoted by (B) in the representations, the text on the reverse side of the backing strip, denoted by (C) in the representations, and the cut-out slots through the backing strip, denoted by (D) in the representations, should be disregarded.**



(21) Design Number: 11160/2005

(22) Date of Filing Application: 23 March 2005

(24) Date from which industrial property rights may have effect: 08 April 2004

(54) Product in respect of which the design is registered: Roll of labels

(51) International Design Classification: 19-08

(71) Name(s) and Address(s) of Applicant(s):

Esselte

Industriepark-Noord 30 9100 Sint Niklass Belgium

(72) Name(s) of Designer(s): James Craig

(45) Registration Date: 02 November 2005

(30) Convention priority data:

(31) Number
000141999

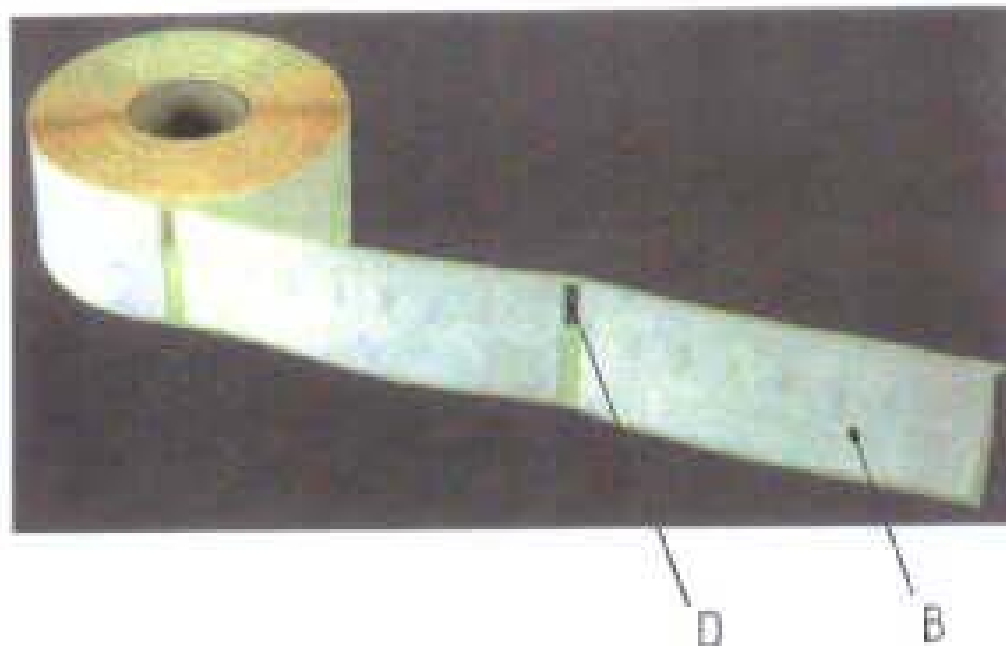
(32) Date
20 Feb 2005

(33) Country
EUROPEAN COMMUNITY

(62) Divisional of: 303711

(56) Related Art Documents: Not Applicable

(57) Statement of Newness and Distinctiveness: **Newness and distinctiveness in the design as applied to a roll of removable labels on a backing strip resides in the pattern and/or ornamentation of the regular rectangular markings on the reverse side of the backing strip, as denoted by (A) in the accompanying representations. In assessing newness and distinctiveness, the shape of the labels on the obverse side of the backing strip denoted by (B) in the representations, the text on the reverse side of the backing strip, denoted by (C) in the representations, and the cut-out slots through the backing strip, denoted by (D) in the representations, should be disregarded.**



(21) Design Number: 11173/2005

(22) Date of Filing Application: 08 April 2004

(24) Date from which industrial property rights may have effect: 08 April 2004

(54) Product in respect of which the design is registered: Roll of labels

(51) International Design Classification: 19-08

(71) Name(s) and Address(s) of Applicant(s):

Esselte

Industriepark-Noord 30 9100 Sint Niklass Belgium

(72) Name(s) of Designer(s): James Craig

(45) Registration Date: 02 November 2005

(30) Convention priority data:

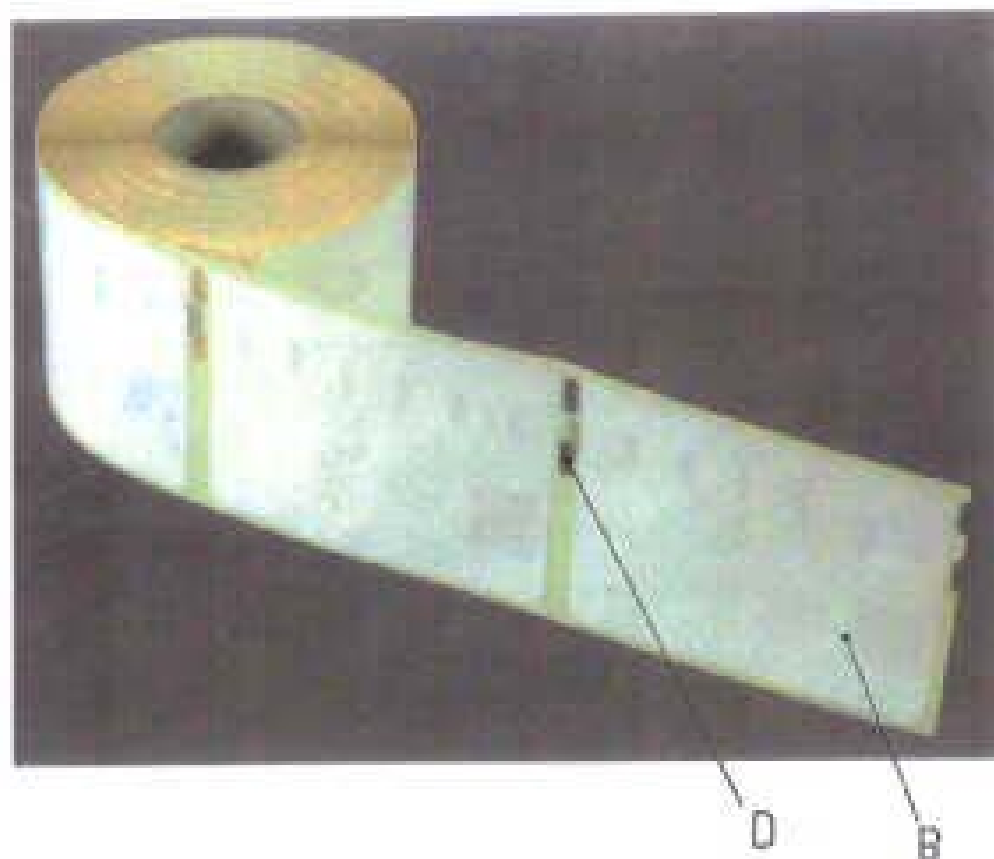
(31) Number
000141999

(32) Date
20 Feb 2004

(33) Country
EUROPEAN COMMUNITY

(56) Related Art Documents: Not Applicable

(57) Statement of Newness and Distinctiveness: **Newness and distinctiveness in the design as applied to a roll of removable labels on a backing strip resides in the pattern and/or ornamentation of the regular rectangular markings on the reverse side of the backing strip, as denoted by (A) in the accompanying representations. In assessing newness and distinctiveness, the shape of the labels on the obverse side of the backing strip denoted by (B) in the representations, the text on the reverse side of the backing strip, denoted by (C) in the representations, and the cut-out slots through the backing strip, denoted by (D) in the representations, should be disregarded.**



(21) Design Number: **11258/2005**

(22) Date of Filing Application: **31 March 2005**

(24) Date from which industrial property rights may have effect: **31 March 2005**

(54) Product in respect of which the design is registered: **Fully enclosed fibreglass trailer**

(51) International Design Classification: **12-10**

(71) Name(s) and Address(s) of Applicant(s):

Charles Hugh McAnoy
429 Golden Four Drive Tugun Queensland 4224 Australia

(72) Name(s) of Designer(s): **Charles Hugh McAnoy**

(45) Registration Date: **02 November 2005**

(56) Related Art Documents: **Not Applicable**

(57) Statement of Newness and Distinctiveness: **Monopoly on front top half of trailer unit incorporating fibreglass shoe box flange joiner to top and bottom half of unit as illustrated in the representations.**



(21) Design Number: **11260/2005**

(22) Date of Filing Application: **29 March 2005**

(24) Date from which industrial property rights may have effect: **29 March 2005**

(54) Product in respect of which the design is registered: **A dresser**

(51) International Design Classification: **06-04F**

(71) Name(s) and Address(s) of Applicant(s):

Burgess Furniture Pty Ltd
45 Raglan Street Preston Victoria 3072 Australia

(72) Name(s) of Designer(s): **Mette Stryhn**

(45) Registration Date: **02 November 2005**

(56) Related Art Documents: **Not Applicable**

(57) Statement of Newness and Distinctiveness: **Visual features of the design which are new and distinctive are the features of shape and configuration of a set of furniture pieces, the set comprising a dresser with retractable desk, a bedside unit with sliding top, and a wardrobe, all as illustrated in the representations. The door and drawer handle shape does not form part of the design and is to be disregarded: the numbers and configuration of drawers and shelves in the dresser and in the wardrobe do not form part of the design and are to be disregarded.**



(21) Design Number: **11324/2005**
(22) Date of Filing Application: **01 April 2005**
(24) Date from which industrial property rights may have effect: **01 April 2005**
(54) Product in respect of which the design is registered: **Portable pressure washer**
(51) International Design Classification: **15-05**
(71) Name(s) and Address(s) of Applicant(s):
Brendon Limited
Units 1-5 Station Road Industrial Estate Wiveliscombe Taunton TA4 2LX United Kingdom
(72) Name(s) of Designer(s): **R.J. Hendy**
(45) Registration Date: **02 November 2005**
(30) Convention priority data:
(31) Number (32) Date (33) Country
00235429 01 Oct 2004 EUROPEAN COMMUNITY
(56) Related Art Documents: **Not Applicable**
(57) Statement of Newness and Distinctiveness: **Nil**



(21) Design Number: **11325/2005**
(22) Date of Filing Application: **01 April 2005**
(24) Date from which industrial property rights may have effect: **01 April 2005**
(54) Product in respect of which the design is registered: **Bowser washer**
(51) International Design Classification: **15-05**
(71) Name(s) and Address(s) of Applicant(s):
Brendon Limited
Units 1-5 Station Road Industrial Estate Wiveliscombe Taunton TA4 2LX United Kingdom
(72) Name(s) of Designer(s): **R.J. Hendy**
(45) Registration Date: **02 November 2005**
(30) Convention priority data:
(31) Number (32) Date (33) Country
00235429 01 Oct 2004 EUROPEAN COMMUNITY
(56) Related Art Documents: **Not Applicable**
(57) Statement of Newness and Distinctiveness: **Nil**



(21) Design Number: **11467/2005**

(22) Date of Filing Application: **13 April 2005**

(24) Date from which industrial property rights may have effect: **13 April 2005**

(54) Product in respect of which the design is registered: **Flag**

(51) International Design Classification: **11-05**

(71) Name(s) and Address(s) of Applicant(s):

Jim Tait

56 McPhails Road Huonbrook New South Wales 2482 Australia

(72) Name(s) of Designer(s): **Jim Tait**

(45) Registration Date: **02 November 2005**

(56) Related Art Documents: **Not Applicable**

(57) Statement of Newness and Distinctiveness: **Use of 'Green & Gold' national colours in conjunction with Aboriginal Land Rights flag in lieu of Union Jack. Use of diagonally orientated Southern Cross with no Commonwealth Star.**



(21) Design Number: **11515/2005**

(22) Date of Filing Application: **14 April 2005**

(24) Date from which industrial property rights may have effect: **14 April 2005**

(54) Product in respect of which the design is registered: **A pump**

(51) International Design Classification: **15-02**

(71) Name(s) and Address(s) of Applicant(s):

Davey Products Pty Ltd

6 Lakeview Drive Scoresby Victoria 3179 Australia

(72) Name(s) of Designer(s): **Christopher George Lacey**

(45) Registration Date: **02 November 2005**

(56) Related Art Documents: **Not Applicable**

(57) Statement of Newness and Distinctiveness: **Those visual features of the pump depicted in the representations that are new and distinctive are the shape and/or configuration.**



(21) Design Number: **11627/2005**

(22) Date of Filing Application: **20 April 2005**

(24) Date from which industrial property rights may have effect: **20 April 2005**

(54) Product in respect of which the design is registered: **Clothes peg**

(51) International Design Classification: **07-05C**

(71) Name(s) and Address(s) of Applicant(s):

Bradley Leckie

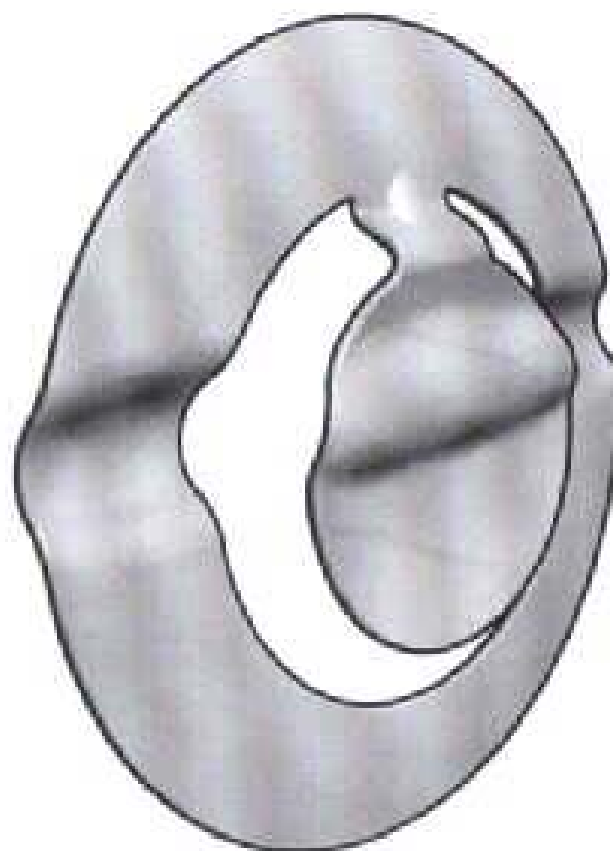
14 Cottonwood Place O'Connor Western Australia 6163 Australia

(72) Name(s) of Designer(s): **Bradley Steven Leckie**

(45) Registration Date: **02 November 2005**

(56) Related Art Documents: **Not Applicable**

(57) Statement of Newness and Distinctiveness: **Nil**



(21) Design Number: **11682/2005**

(22) Date of Filing Application: **26 April 2005**

(24) Date from which industrial property rights may have effect: **26 April 2005**

(54) Product in respect of which the design is registered: **Basket ball jewelry box**

(51) International Design Classification: **03-01NES**

(71) Name(s) and Address(s) of Applicant(s):

Lisa Anne Cogger

14 Oakhurst Close Wickford Essex SS12-ONP England

(72) Name(s) of Designer(s): **Lisa Anne Cogger**

(45) Registration Date: **02 November 2005**

(56) Related Art Documents: **Not Applicable**

(57) Statement of Newness and Distinctiveness: **Nil**



(21) Design Number: **11683/2005**

(22) Date of Filing Application: **26 April 2005**

(24) Date from which industrial property rights may have effect: **26 April 2005**

(54) Product in respect of which the design is registered: **Pool 8ball jewelry box**

(51) International Design Classification: **03-01NES**

(71) Name(s) and Address(s) of Applicant(s):

Lisa Anne Cogger

14 Oakhurst Close Wickford Essex SS12-ONP England

(72) Name(s) of Designer(s): **Lisa Anne Cogger**

(45) Registration Date: **02 November 2005**

(56) Related Art Documents: **Not Applicable**

(57) Statement of Newness and Distinctiveness: **Nil**



(21) Design Number: **11684/2005**

(22) Date of Filing Application: **26 April 2005**

(24) Date from which industrial property rights may have effect: **26 April 2005**

(54) Product in respect of which the design is registered: **Scuba tank jewelry box**

(51) International Design Classification: **03-01NES**

(71) Name(s) and Address(s) of Applicant(s):

Lisa Anne Cogger

14 Oakhurst Close Wickford Essex SS12-ONP England

(72) Name(s) of Designer(s): **Lisa Anne Cogger**

(45) Registration Date: **02 November 2005**

(56) Related Art Documents: **Not Applicable**

(57) Statement of Newness and Distinctiveness: **Nil**



(21) Design Number: **11685/2005**

(22) Date of Filing Application: **26 April 2005**

(24) Date from which industrial property rights may have effect: **26 April 2005**

(54) Product in respect of which the design is registered: **Riding hat jewelry box**

(51) International Design Classification: **03-01NES**

(71) Name(s) and Address(s) of Applicant(s):

Lisa Anne Cogger

14 Oakhurst Close Wickford Essex SS12-ONP England

(72) Name(s) of Designer(s): **Lisa Anne Cogger**

(45) Registration Date: **02 November 2005**

(56) Related Art Documents: **Not Applicable**

(57) Statement of Newness and Distinctiveness: **Nil**



(21) Design Number: **11686/2005**

(22) Date of Filing Application: **26 April 2005**

(24) Date from which industrial property rights may have effect: **26 April 2005**

(54) Product in respect of which the design is registered: **Sports locker jewelry box**

(51) International Design Classification: **03-01NES**

(71) Name(s) and Address(s) of Applicant(s):

Lisa Anne Cogger

14 Oakhurst Close Wickford Essex SS12-ONP England

(72) Name(s) of Designer(s): **Lisa Anne Cogger**

(45) Registration Date: **02 November 2005**

(56) Related Art Documents: **Not Applicable**

(57) Statement of Newness and Distinctiveness: **Nil**



- (21) Design Number: **11687/2005**
(22) Date of Filing Application: **26 April 2005**
(24) Date from which industrial property rights may have effect: **26 April 2005**
(54) Product in respect of which the design is registered: **Sports cap jewelry box**
(51) International Design Classification: **03-01NES**
(71) Name(s) and Address(s) of Applicant(s):
Lisa Anne Cogger
14 Oakhurst Close Wickford Essex SS12-ONP England
(72) Name(s) of Designer(s): **Lisa Anne Cogger**
(45) Registration Date: **02 November 2005**
(56) Related Art Documents: **Not Applicable**
(57) Statement of Newness and Distinctiveness: **Nil**



- (21) Design Number: **11776/2005**
(22) Date of Filing Application: **29 April 2005**
(24) Date from which industrial property rights may have effect: **29 April 2005**
(54) Product in respect of which the design is registered: **Awnings**
(51) International Design Classification: **25-02H**
(71) Name(s) and Address(s) of Applicant(s):
Aliquantum Pty Ltd
13A Whitfeld Street Floreat Western Australia 6014 Australia
(72) Name(s) of Designer(s): **Russell Collier**
(45) Registration Date: **02 November 2005**
(56) Related Art Documents: **Not Applicable**
(57) Statement of Newness and Distinctiveness: **Monopoly is claimed in the features of shape or configuration of an awning railing arm as illustrated in the accompanying representations.**



(21) Design Number: **11777/2005**

(22) Date of Filing Application: **29 April 2005**

(24) Date from which industrial property rights may have effect: **29 April 2005**

(54) Product in respect of which the design is registered: **Awnings**

(51) International Design Classification: **25-02H**

(71) Name(s) and Address(s) of Applicant(s):

Aliquantum Pty Ltd
13A Whitfeld Street Floreat Western Australia 6014 Australia

(72) Name(s) of Designer(s): **Russell Collier**

(45) Registration Date: **02 November 2005**

(56) Related Art Documents: **Not Applicable**

(57) Statement of Newness and Distinctiveness: **Monopoly is claimed in the features of shape or configuration of an awning assembly as illustrated in the accompanying representations.**



(21) Design Number: **11778/2005**

(22) Date of Filing Application: **29 April 2005**

(24) Date from which industrial property rights may have effect: **29 April 2005**

(54) Product in respect of which the design is registered: **Awnings**

(51) International Design Classification: **25-02H**

(71) Name(s) and Address(s) of Applicant(s):

Aliquantum Pty Ltd
13A Whitfeld Street Floreat Western Australia 6014 Australia

(72) Name(s) of Designer(s): **Russell Collier**

(45) Registration Date: **02 November 2005**

(56) Related Art Documents: **Not Applicable**

(57) Statement of Newness and Distinctiveness: **Monopoly is claimed in the features of shape or configuration of an awning assembly as illustrated in the accompanying representations.**



(19) AU

- (21) Design Number: **11782/2005**
- (22) Date of Filing Application: **28 April 2005**
- (24) Date from which industrial property rights may have effect: **28 April 2005**
- (54) Product in respect of which the design is registered: **A front fairing for a motorcycle**
- (51) International Design Classification: **12-11**
- (71) Name(s) and Address(s) of Applicant(s):
Honda Motor Co. Ltd
1-1 Minami-Aoyama 2-Chome Minato-ku Tokyo Japan
- (72) Name(s) of Designer(s): **Tetsuo Ban and Daisuke Soeno and Hirotohi Noguchi**
- (45) Registration Date: **02 November 2005**
- (30) Convention priority data:

(31) Number	(32) Date	(33) Country
2004-33080	29 Oct 2004	JAPAN
- (56) Related Art Documents: **Not Applicable**
- (57) Statement of Newness and Distinctiveness: **Newness and distinctiveness is claimed in the features of shape and/or configuration of a front fairing for a motorcycle as illustrated in the accompanying representations.**



(19) AU

- (21) Design Number: **11795/2005**
- (22) Date of Filing Application: **28 April 2005**
- (24) Date from which industrial property rights may have effect: **28 April 2005**
- (54) Product in respect of which the design is registered: **Packaging**
- (51) International Design Classification: **09-05**
- (71) Name(s) and Address(s) of Applicant(s):
PT. Pepami Indonesia
c/o Jl. Palmerah Barat No. 9 Jakarta Indonesia
- (72) Name(s) of Designer(s): **Soeharto Djojonegoro**
- (45) Registration Date: **02 November 2005**
- (56) Related Art Documents: **Not Applicable**
- (57) Statement of Newness and Distinctiveness: **The newness and distinctiveness of the design resides in the two dimensional features of pattern and ornamentation of the design when applied to packaging as shown in the representations. The monopoly claimed is not restricted to the colours shown in Figs 1 and 2.**



(21) Design Number: **11797/2005**

(22) Date of Filing Application: **28 April 2005**

(24) Date from which industrial property rights may have effect: **28 April 2005**

(54) Product in respect of which the design is registered: **A shower**

(51) International Design Classification: **23-02B**

(71) Name(s) and Address(s) of Applicant(s):

**Grohe Water Technology A.G. & Co. K.G.
Hauptstrasse 137 D-58675 Hemer Germany**

(72) Name(s) of Designer(s): **Hans Lobermeier**

(45) Registration Date: **02 November 2005**

(30) Convention priority data:

(31) Number	(32) Date	(33) Country
000 282322	20 Jan 2005	EUROPEAN COMMUNITY

(56) Related Art Documents: **Not Applicable**

(57) Statement of Newness and Distinctiveness: **Nil**



(21) Design Number: **11798/2005**

(22) Date of Filing Application: **28 April 2005**

(24) Date from which industrial property rights may have effect: **28 April 2005**

(54) Product in respect of which the design is registered: **Basin mixer**

(51) International Design Classification: **23-01H**

(71) Name(s) and Address(s) of Applicant(s):

**Grohe Water Technology A.G. & Co. K.G.
Hauptstrasse 137 D-58675 Hemer Germany**

(72) Name(s) of Designer(s): **Jochen Allard**

(45) Registration Date: **02 November 2005**

(56) Related Art Documents: **Not Applicable**

(57) Statement of Newness and Distinctiveness: **Nil**



(21) Design Number: **11799/2005**

(22) Date of Filing Application: **28 April 2005**

(24) Date from which industrial property rights may have effect: **28 April 2005**

(54) Product in respect of which the design is registered: **Basin mixer**

(51) International Design Classification: **23-01H**

(71) Name(s) and Address(s) of Applicant(s):

**Grohe Water Technology A.G. & Co. K.G.
Hauptstrasse 137 D-58675 Hemer Germany**

(72) Name(s) of Designer(s): **Jochen Allard and Andreas Enslin**

(45) Registration Date: **02 November 2005**

(56) Related Art Documents: **Not Applicable**

(57) Statement of Newness and Distinctiveness: **Nil**



(21) Design Number: **11800/2005**

(22) Date of Filing Application: **28 April 2005**

(24) Date from which industrial property rights may have effect: **28 April 2005**

(54) Product in respect of which the design is registered: **A shower**

(51) International Design Classification: **23-02B**

(71) Name(s) and Address(s) of Applicant(s):

**Grohe Water Technology A.G. & Co. K.G.
Hauptstrasse 137 D-58675 Hemer Germany**

(72) Name(s) of Designer(s): **Hans Lobermeier**

(45) Registration Date: **02 November 2005**

(56) Related Art Documents: **Not Applicable**

(57) Statement of Newness and Distinctiveness: **Nil**



(21) Design Number: **11801/2005**

(22) Date of Filing Application: **28 April 2005**

(24) Date from which industrial property rights may have effect: **28 April 2005**

(54) Product in respect of which the design is registered: **Spout**

(51) International Design Classification: **23-01H**

(71) Name(s) and Address(s) of Applicant(s):

**Grohe Water Technology A.G. & Co. K.G.
Hauptstrasse 137 D-58675 Hemer Germany**

(72) Name(s) of Designer(s): **Simon Fraser and Ferdinand Alexander Porsche
and Christian Schwamkrug**

(45) Registration Date: **02 November 2005**

(56) Related Art Documents: **Not Applicable**

(57) Statement of Newness and Distinctiveness: **Nil**



(21) Design Number: **11911/2005**

(22) Date of Filing Application: **26 April 2005**

(24) Date from which industrial property rights may have effect: **26 April 2005**

(54) Product in respect of which the design is registered: **A skirt**

(51) International Design Classification: **02-02C**

(71) Name(s) and Address(s) of Applicant(s):

**Morrison IP Pty Ltd as Trustee for Morrison IP Trust
Level 1 88 High Street Fremantle Western Australia 6160 Australia**

(72) Name(s) of Designer(s): **Kylie Jane Radford**

(45) Registration Date: **02 November 2005**

(56) Related Art Documents: **Not Applicable**

(57) Statement of Newness and Distinctiveness: **A wrap around skirt with a
distinctive belt around waist which closes at front of skirt.**



(21) Design Number: **11912/2005**

(22) Date of Filing Application: **26 April 2005**

(24) Date from which industrial property rights may have effect: **26 April 2005**

(54) Product in respect of which the design is registered: **Pair of pants**

(51) International Design Classification: **02-02C**

(71) Name(s) and Address(s) of Applicant(s):

**Morrison IP Pty Ltd as Trustee for Morrison IP Trust
Level 1 88 High Street Fremantle Western Australia 6160 Australia**

(72) Name(s) of Designer(s): **Kylie-Jane Radford**

(45) Registration Date: **02 November 2005**

(56) Related Art Documents: **Not Applicable**

(57) Statement of Newness and Distinctiveness: **A pair of pants featuring a distinctive belt attached to front of pants. Has zip on back of pants.**



(21) Design Number: **11969/2005**

(22) Date of Filing Application: **05 May 2005**

(24) Date from which industrial property rights may have effect: **05 May 2005**

(54) Product in respect of which the design is registered: **Writing instrument and cap**

(51) International Design Classification: **19-06**

(71) Name(s) and Address(s) of Applicant(s):

**SOCIETE BIC
14 RUE Jeanne d'Ashieres 92 110 Clichy France**

(72) Name(s) of Designer(s): **Michael Kent and Franek Rolion and Serge Vigouroux**

(45) Registration Date: **02 November 2005**

(30) Convention priority data:

(31) Number	(32) Date	(33) Country
29/216,985	10 Nov 2004	UNITED STATES OF AMERICA

(56) Related Art Documents: **Not Applicable**

(57) Statement of Newness and Distinctiveness: **Those features of the writing instrument with cap depicted in the representations that are new and distinctive are the shape and/or configuration.**



(21) Design Number: **11996/2005**
(22) Date of Filing Application: **05 May 2005**
(24) Date from which industrial property rights may have effect: **05 May 2005**
(54) Product in respect of which the design is registered: **Eyeglasses**
(51) International Design Classification: **16-06**
(71) Name(s) and Address(s) of Applicant(s):
Silhouette International Schmied A.G.
Ellbognerstrasse 24 A-4020 Linz Austria
(72) Name(s) of Designer(s): **Gerhard Fuchs**
(45) Registration Date: **02 November 2005**
(30) Convention priority data:
(31) Number (32) Date (33) Country
321146 06 Apr 2005 EUROPEAN COMMUNITY
(56) Related Art Documents: **Not Applicable**
(57) Statement of Newness and Distinctiveness: **Nil**



(21) Design Number: **12092/2005**
(22) Date of Filing Application: **11 May 2005**
(24) Date from which industrial property rights may have effect: **11 May 2005**
(54) Product in respect of which the design is registered: **2-Seater chair 1**
(51) International Design Classification: **06-01H**
(71) Name(s) and Address(s) of Applicant(s):
DEDON GmbH
Marie-Curie-Strasse 1 21337 Luneburg Germany
(72) Name(s) of Designer(s): **Nicolas Thomkins**
(45) Registration Date: **02 November 2005**
(56) Related Art Documents: **Not Applicable**
(57) Statement of Newness and Distinctiveness: **Nil**



(21) Design Number: **12093/2005**
(22) Date of Filing Application: **11 May 2005**
(24) Date from which industrial property rights may have effect: **11 May 2005**
(54) Product in respect of which the design is registered: **Armchair 1**
(51) International Design Classification: **06-01H**
(71) Name(s) and Address(s) of Applicant(s):
DEDON GmbH
Marie-Curie-Strasse 1 21337 Luneburg Germany
(72) Name(s) of Designer(s): **Nicolas Thomkins**
(45) Registration Date: **02 November 2005**
(56) Related Art Documents: **Not Applicable**
(57) Statement of Newness and Distinctiveness: **Nil**



(21) Design Number: **12094/2005**
(22) Date of Filing Application: **11 May 2005**
(24) Date from which industrial property rights may have effect: **11 May 2005**
(54) Product in respect of which the design is registered: **Bar wagon 1**
(51) International Design Classification: **06-03NES**
(71) Name(s) and Address(s) of Applicant(s):
DEDON GmbH
Marie-Curie-Strasse 1 21337 Luneburg Germany
(72) Name(s) of Designer(s): **Nicolas Thomkins**
(45) Registration Date: **02 November 2005**
(56) Related Art Documents: **Not Applicable**
(57) Statement of Newness and Distinctiveness: **Nil**



- (21) Design Number: **12095/2005**
(22) Date of Filing Application: **11 May 2005**
(24) Date from which industrial property rights may have effect: **11 May 2005**
(54) Product in respect of which the design is registered: **Coffee table 1**
(51) International Design Classification: **06-03A**
(71) Name(s) and Address(s) of Applicant(s):
DEDON GmbH
Marie-Curie-Strasse 1 21337 Luneburg Germany
(72) Name(s) of Designer(s): **Nicolas Thomkins**
(45) Registration Date: **02 November 2005**
(56) Related Art Documents: **Not Applicable**
(57) Statement of Newness and Distinctiveness: **Nil**



- (21) Design Number: **12096/2005**
(22) Date of Filing Application: **11 May 2005**
(24) Date from which industrial property rights may have effect: **11 May 2005**
(54) Product in respect of which the design is registered: **Square dining table 1**
(51) International Design Classification: **06-03A**
(71) Name(s) and Address(s) of Applicant(s):
DEDON GmbH
Marie-Curie-Strasse 1 21337 Luneburg Germany
(72) Name(s) of Designer(s): **Nicolas Thomkins**
(45) Registration Date: **02 November 2005**
(56) Related Art Documents: **Not Applicable**
(57) Statement of Newness and Distinctiveness: **Nil**



(21) Design Number: **12097/2005**

(22) Date of Filing Application: **11 May 2005**

(24) Date from which industrial property rights may have effect: **11 May 2005**

(54) Product in respect of which the design is registered: **Rectangular dining table**

(51) International Design Classification: **06-03A**

(71) Name(s) and Address(s) of Applicant(s):

DEDON GmbH

Marie-Curie-Strasse 1 21337 Luneburg Germany

(72) Name(s) of Designer(s): **Nicolas Thomkins**

(45) Registration Date: **02 November 2005**

(56) Related Art Documents: **Not Applicable**

(57) Statement of Newness and Distinctiveness: **Nil**



(21) Design Number: **12098/2005**

(22) Date of Filing Application: **11 May 2005**

(24) Date from which industrial property rights may have effect: **11 May 2005**

(54) Product in respect of which the design is registered: **Round dining table 1**

(51) International Design Classification: **06-03B**

(71) Name(s) and Address(s) of Applicant(s):

DEDON GmbH

Marie-Curie-Strasse 1 21337 Luneburg Germany

(72) Name(s) of Designer(s): **Nicolas Thomkins**

(45) Registration Date: **02 November 2005**

(56) Related Art Documents: **Not Applicable**

(57) Statement of Newness and Distinctiveness: **Nil**



(21) Design Number: **12099/2005**
(22) Date of Filing Application: **11 May 2005**
(24) Date from which industrial property rights may have effect: **11 May 2005**
(54) Product in respect of which the design is registered: **Footstool 1**
(51) International Design Classification: **06-01E**
(71) Name(s) and Address(s) of Applicant(s):
DEDON GmbH
Marie-Curie-Strasse 1 21337 Luneburg Germany
(72) Name(s) of Designer(s): **Nicolas Thomkins**
(45) Registration Date: **02 November 2005**
(56) Related Art Documents: **Not Applicable**
(57) Statement of Newness and Distinctiveness: **Nil**



(21) Design Number: **12100/2005**
(22) Date of Filing Application: **11 May 2005**
(24) Date from which industrial property rights may have effect: **11 May 2005**
(54) Product in respect of which the design is registered: **Footstool 2**
(51) International Design Classification: **06-01E**
(71) Name(s) and Address(s) of Applicant(s):
DEDON GmbH
Marie-Curie-Strasse 1 21337 Luneburg Germany
(72) Name(s) of Designer(s): **Nicolas Thomkins**
(45) Registration Date: **02 November 2005**
(56) Related Art Documents: **Not Applicable**
(57) Statement of Newness and Distinctiveness: **Nil**



- (21) Design Number: **12101/2005**
(22) Date of Filing Application: **11 May 2005**
(24) Date from which industrial property rights may have effect: **11 May 2005**
(54) Product in respect of which the design is registered: **Lounge chair 1**
(51) International Design Classification: **06-01G, 06-01H**
(71) Name(s) and Address(s) of Applicant(s):
DEDON GmbH
Marie-Curie-Strasse 1 21337 Luneburg Germany
(72) Name(s) of Designer(s): **Nicolas Thomkins**
(45) Registration Date: **02 November 2005**
(56) Related Art Documents: **Not Applicable**
(57) Statement of Newness and Distinctiveness: **Nil**



- (21) Design Number: **12102/2005**
(22) Date of Filing Application: **11 May 2005**
(24) Date from which industrial property rights may have effect: **11 May 2005**
(54) Product in respect of which the design is registered: **Lounge chair 2**
(51) International Design Classification: **06-01H**
(71) Name(s) and Address(s) of Applicant(s):
DEDON GmbH
Marie-Curie-Strasse 1 21337 Luneburg Germany
(72) Name(s) of Designer(s): **Nicolas Thomkins**
(45) Registration Date: **02 November 2005**
(56) Related Art Documents: **Not Applicable**
(57) Statement of Newness and Distinctiveness: **Nil**



- (21) Design Number: **12103/2005**
(22) Date of Filing Application: **11 May 2005**
(24) Date from which industrial property rights may have effect: **11 May 2005**
(54) Product in respect of which the design is registered: **Square side table**
(51) International Design Classification: **06-03A**
(71) Name(s) and Address(s) of Applicant(s):
DEDON GmbH
Marie-Curie-Strasse 1 21337 Luneburg Germany
(72) Name(s) of Designer(s): **Nicolas Thomkins**
(45) Registration Date: **02 November 2005**
(56) Related Art Documents: **Not Applicable**
(57) Statement of Newness and Distinctiveness: **Nil**



- (21) Design Number: **12104/2005**
(22) Date of Filing Application: **11 May 2005**
(24) Date from which industrial property rights may have effect: **11 May 2005**
(54) Product in respect of which the design is registered: **Round side table**
(51) International Design Classification: **06-03B**
(71) Name(s) and Address(s) of Applicant(s):
DEDON GmbH
Marie-Curie-Strasse 1 21337 Luneburg Germany
(72) Name(s) of Designer(s): **Nicolas Thomkins**
(45) Registration Date: **02 November 2005**
(56) Related Art Documents: **Not Applicable**
(57) Statement of Newness and Distinctiveness: **Nil**



- (21) Design Number: **12105/2005**
(22) Date of Filing Application: **11 May 2005**
(24) Date from which industrial property rights may have effect: **11 May 2005**
(54) Product in respect of which the design is registered: **Side chair 1**
(51) International Design Classification: **06-01F**
(71) Name(s) and Address(s) of Applicant(s):
DEDON GmbH
Marie-Curie-Strasse 1 21337 Luneburg Germany
(72) Name(s) of Designer(s): **Nicolas Thomkins**
(45) Registration Date: **02 November 2005**
(56) Related Art Documents: **Not Applicable**
(57) Statement of Newness and Distinctiveness: **Nil**



- (21) Design Number: **12106/2005**
(22) Date of Filing Application: **11 May 2005**
(24) Date from which industrial property rights may have effect: **11 May 2005**
(54) Product in respect of which the design is registered: **2-Seater chair 2**
(51) International Design Classification: **06-01G**
(71) Name(s) and Address(s) of Applicant(s):
DEDON GmbH
Marie-Curie-Strasse 1 21337 Luneburg Germany
(72) Name(s) of Designer(s): **Richard Frinier**
(45) Registration Date: **02 November 2005**
(56) Related Art Documents: **Not Applicable**
(57) Statement of Newness and Distinctiveness: **Nil**



- (21) Design Number: **12107/2005**
- (22) Date of Filing Application: **11 May 2005**
- (24) Date from which industrial property rights may have effect: **11 May 2005**
- (54) Product in respect of which the design is registered: **3-Seater chair**
- (51) International Design Classification: **06-01G**
- (71) Name(s) and Address(s) of Applicant(s):
DEDON GmbH
Marie-Curie-Strasse 1 21337 Luneburg Germany
- (72) Name(s) of Designer(s): **Richard Frinier**
- (45) Registration Date: **02 November 2005**
- (56) Related Art Documents: **Not Applicable**
- (57) Statement of Newness and Distinctiveness: **Nil**



- (21) Design Number: **12108/2005**
- (22) Date of Filing Application: **11 May 2005**
- (24) Date from which industrial property rights may have effect: **11 May 2005**
- (54) Product in respect of which the design is registered: **Footstool 3**
- (51) International Design Classification: **06-01E**
- (71) Name(s) and Address(s) of Applicant(s):
DEDON GmbH
Marie-Curie-Strasse 1 21337 Luneburg Germany
- (72) Name(s) of Designer(s): **Richard Frinier**
- (45) Registration Date: **02 November 2005**
- (56) Related Art Documents: **Not Applicable**
- (57) Statement of Newness and Distinctiveness: **Nil**



(21) Design Number: **12109/2005**
(22) Date of Filing Application: **11 May 2005**
(24) Date from which industrial property rights may have effect: **11 May 2005**
(54) Product in respect of which the design is registered: **Lounge chair 3**
(51) International Design Classification: **06-01G**
(71) Name(s) and Address(s) of Applicant(s):
DEDON GmbH
Marie-Curie-Strasse 1 21337 Luneburg Germany
(72) Name(s) of Designer(s): **Richard Frinier**
(45) Registration Date: **02 November 2005**
(56) Related Art Documents: **Not Applicable**
(57) Statement of Newness and Distinctiveness: **Nil**



(21) Design Number: **12110/2005**
(22) Date of Filing Application: **11 May 2005**
(24) Date from which industrial property rights may have effect: **11 May 2005**
(54) Product in respect of which the design is registered: **Beach chair 1**
(51) International Design Classification: **06-01NES**
(71) Name(s) and Address(s) of Applicant(s):
DEDON GmbH
Marie-Curie-Strasse 1 21337 Luneburg Germany
(72) Name(s) of Designer(s): **Frank Ligthart**
(45) Registration Date: **02 November 2005**
(56) Related Art Documents: **Not Applicable**
(57) Statement of Newness and Distinctiveness: **Nil**



- (21) Design Number: **12111/2005**
- (22) Date of Filing Application: **11 May 2005**
- (24) Date from which industrial property rights may have effect: **11 May 2005**
- (54) Product in respect of which the design is registered: **Beach chair 2**
- (51) International Design Classification: **06-01NES**
- (71) Name(s) and Address(s) of Applicant(s):
DEDON GmbH
Marie-Curie-Strasse 1 21337 Luneburg Germany
- (72) Name(s) of Designer(s): **Frank Ligthart**
- (45) Registration Date: **02 November 2005**
- (56) Related Art Documents: **Not Applicable**
- (57) Statement of Newness and Distinctiveness: **Nil**



- (21) Design Number: **12112/2005**
- (22) Date of Filing Application: **11 May 2005**
- (24) Date from which industrial property rights may have effect: **11 May 2005**
- (54) Product in respect of which the design is registered: **Side table 1**
- (51) International Design Classification: **06-03B**
- (71) Name(s) and Address(s) of Applicant(s):
DEDON GmbH
Marie-Curie-Strasse 1 21337 Luneburg Germany
- (72) Name(s) of Designer(s): **Frank Ligthart**
- (45) Registration Date: **02 November 2005**
- (56) Related Art Documents: **Not Applicable**
- (57) Statement of Newness and Distinctiveness: **Nil**



(21) Design Number: **12113/2005**
(22) Date of Filing Application: **11 May 2005**
(24) Date from which industrial property rights may have effect: **11 May 2005**
(54) Product in respect of which the design is registered: **Lounge chair 3**
(51) International Design Classification: **06-01G, 06-01H**
(71) Name(s) and Address(s) of Applicant(s):
DEDON GmbH
Marie-Curie-Strasse 1 21337 Luneburg Germany
(72) Name(s) of Designer(s): **Frank Ligthart**
(45) Registration Date: **02 November 2005**
(56) Related Art Documents: **Not Applicable**
(57) Statement of Newness and Distinctiveness: **Nil**



(21) Design Number: **12114/2005**
(22) Date of Filing Application: **11 May 2005**
(24) Date from which industrial property rights may have effect: **11 May 2005**
(54) Product in respect of which the design is registered: **2-Seater chair 3**
(51) International Design Classification: **06-01G, 06-01H**
(71) Name(s) and Address(s) of Applicant(s):
DEDON GmbH
Marie-Curie-Strasse 1 21337 Luneburg Germany
(72) Name(s) of Designer(s): **Richard Frinier**
(45) Registration Date: **02 November 2005**
(56) Related Art Documents: **Not Applicable**
(57) Statement of Newness and Distinctiveness: **Nil**



- (21) Design Number: **12115/2005**
- (22) Date of Filing Application: **11 May 2005**
- (24) Date from which industrial property rights may have effect: **11 May 2005**
- (54) Product in respect of which the design is registered: **Armchair 2**
- (51) International Design Classification: **06-01H**
- (71) Name(s) and Address(s) of Applicant(s):
DEDON GmbH
Marie-Curie-Strasse 1 21337 Luneburg Germany
- (72) Name(s) of Designer(s): **Richard Frinier**
- (45) Registration Date: **02 November 2005**
- (56) Related Art Documents: **Not Applicable**
- (57) Statement of Newness and Distinctiveness: **Nil**



- (21) Design Number: **12116/2005**
- (22) Date of Filing Application: **11 May 2005**
- (24) Date from which industrial property rights may have effect: **11 May 2005**
- (54) Product in respect of which the design is registered: **Adjustable beach chair**
- (51) International Design Classification: **06-01H**
- (71) Name(s) and Address(s) of Applicant(s):
DEDON GmbH
Marie-Curie-Strasse 1 21337 Luneburg Germany
- (72) Name(s) of Designer(s): **Richard Frinier**
- (45) Registration Date: **02 November 2005**
- (56) Related Art Documents: **Not Applicable**
- (57) Statement of Newness and Distinctiveness: **Nil**



(21) Design Number: **12117/2005**
(22) Date of Filing Application: **11 May 2005**
(24) Date from which industrial property rights may have effect: **11 May 2005**
(54) Product in respect of which the design is registered: **Coffee table 2**
(51) International Design Classification: **06-03A**
(71) Name(s) and Address(s) of Applicant(s):
DEDON GmbH
Marie-Curie-Strasse 1 21337 Luneburg Germany
(72) Name(s) of Designer(s): **Richard Frinier**
(45) Registration Date: **02 November 2005**
(56) Related Art Documents: **Not Applicable**
(57) Statement of Newness and Distinctiveness: **Nil**



(21) Design Number: **12118/2005**
(22) Date of Filing Application: **11 May 2005**
(24) Date from which industrial property rights may have effect: **11 May 2005**
(54) Product in respect of which the design is registered: **Square dining table 2**
(51) International Design Classification: **06-03A**
(71) Name(s) and Address(s) of Applicant(s):
DEDON GmbH
Marie-Curie-Strasse 1 21337 Luneburg Germany
(72) Name(s) of Designer(s): **Richard Frinier**
(45) Registration Date: **02 November 2005**
(56) Related Art Documents: **Not Applicable**
(57) Statement of Newness and Distinctiveness: **Nil**



- (21) Design Number: **12119/2005**
(22) Date of Filing Application: **11 May 2005**
(24) Date from which industrial property rights may have effect: **11 May 2005**
(54) Product in respect of which the design is registered: **Rectangular dining table 2**
(51) International Design Classification: **06-03A**
(71) Name(s) and Address(s) of Applicant(s):
DEDON GmbH
Marie-Curie-Strasse 1 21337 Luneburg Germany
(72) Name(s) of Designer(s): **Richard Frinier**
(45) Registration Date: **02 November 2005**
(56) Related Art Documents: **Not Applicable**
(57) Statement of Newness and Distinctiveness: **Nil**



- (21) Design Number: **12120/2005**
(22) Date of Filing Application: **11 May 2005**
(24) Date from which industrial property rights may have effect: **11 May 2005**
(54) Product in respect of which the design is registered: **Round dining table 2**
(51) International Design Classification: **06-03B**
(71) Name(s) and Address(s) of Applicant(s):
DEDON GmbH
Marie-Curie-Strasse 1 21337 Luneburg Germany
(72) Name(s) of Designer(s): **Richard Frinier**
(45) Registration Date: **02 November 2005**
(56) Related Art Documents: **Not Applicable**
(57) Statement of Newness and Distinctiveness: **Nil**



- (21) Design Number: **12121/2005**
- (22) Date of Filing Application: **11 May 2005**
- (24) Date from which industrial property rights may have effect: **11 May 2005**
- (54) Product in respect of which the design is registered: **Foot stool 4**
- (51) International Design Classification: **06-01E**
- (71) Name(s) and Address(s) of Applicant(s):
DEDON GmbH
Marie-Curie-Strasse 1 21337 Luneburg Germany
- (72) Name(s) of Designer(s): **Richard Frinier**
- (45) Registration Date: **02 November 2005**
- (56) Related Art Documents: **Not Applicable**
- (57) Statement of Newness and Distinctiveness: **Nil**



- (21) Design Number: **12122/2005**
- (22) Date of Filing Application: **11 May 2005**
- (24) Date from which industrial property rights may have effect: **11 May 2005**
- (54) Product in respect of which the design is registered: **Lounge chair 4**
- (51) International Design Classification: **06-01H**
- (71) Name(s) and Address(s) of Applicant(s):
DEDON GmbH
Marie-Curie-Strasse 1 21337 Luneburg Germany
- (72) Name(s) of Designer(s): **Richard Frinier**
- (45) Registration Date: **02 November 2005**
- (56) Related Art Documents: **Not Applicable**
- (57) Statement of Newness and Distinctiveness: **Nil**



- (21) Design Number: **12123/2005**
- (22) Date of Filing Application: **11 May 2005**
- (24) Date from which industrial property rights may have effect: **11 May 2005**
- (54) Product in respect of which the design is registered: **Recliner chair**
- (51) International Design Classification: **06-01H**
- (71) Name(s) and Address(s) of Applicant(s):
DEDON GmbH
Marie-Curie-Strasse 1 21337 Luneburg Germany
- (72) Name(s) of Designer(s): **Richard Frinier**
- (45) Registration Date: **02 November 2005**
- (56) Related Art Documents: **Not Applicable**
- (57) Statement of Newness and Distinctiveness: **Nil**



- (21) Design Number: **12124/2005**
- (22) Date of Filing Application: **11 May 2005**
- (24) Date from which industrial property rights may have effect: **11 May 2005**
- (54) Product in respect of which the design is registered: **Side table 2**
- (51) International Design Classification: **06-03A**
- (71) Name(s) and Address(s) of Applicant(s):
DEDON GmbH
Marie-Curie-Strasse 1 21337 Luneburg Germany
- (72) Name(s) of Designer(s): **Richard Frinier**
- (45) Registration Date: **02 November 2005**
- (56) Related Art Documents: **Not Applicable**
- (57) Statement of Newness and Distinctiveness: **Nil**



(21) Design Number: **12125/2005**

(22) Date of Filing Application: **11 May 2005**

(24) Date from which industrial property rights may have effect: **11 May 2005**

(54) Product in respect of which the design is registered: **Side chair 2**

(51) International Design Classification: **06-01F, 06-01H**

(71) Name(s) and Address(s) of Applicant(s):

DEDON GmbH

Marie-Curie-Strasse 1 21337 Luneburg Germany

(72) Name(s) of Designer(s): **Richard Frinier**

(45) Registration Date: **02 November 2005**

(56) Related Art Documents: **Not Applicable**

(57) Statement of Newness and Distinctiveness: **Nil**



(21) Design Number: **12126/2005**

(22) Date of Filing Application: **11 May 2005**

(24) Date from which industrial property rights may have effect: **11 May 2005**

(54) Product in respect of which the design is registered: **Lounge chair 4**

(51) International Design Classification: **06-01F, 06-01H**

(71) Name(s) and Address(s) of Applicant(s):

DEDON GmbH

Marie-Curie-Strasse 1 21337 Luneburg Germany

(72) Name(s) of Designer(s): **Frank Ligthart**

(45) Registration Date: **02 November 2005**

(56) Related Art Documents: **Not Applicable**

(57) Statement of Newness and Distinctiveness: **Nil**



- (21) Design Number: **12127/2005**
- (22) Date of Filing Application: **11 May 2005**
- (24) Date from which industrial property rights may have effect: **11 May 2005**
- (54) Product in respect of which the design is registered: **Lounge chair 5**
- (51) International Design Classification: **06-01F, 06-01H**
- (71) Name(s) and Address(s) of Applicant(s):
DEDON GmbH
Marie-Curie-Strasse 1 21337 Luneburg Germany
- (72) Name(s) of Designer(s): **Frank Ligthart**
- (45) Registration Date: **02 November 2005**
- (56) Related Art Documents: **Not Applicable**
- (57) Statement of Newness and Distinctiveness: **Nil**



- (21) Design Number: **12128/2005**
- (22) Date of Filing Application: **11 May 2005**
- (24) Date from which industrial property rights may have effect: **11 May 2005**
- (54) Product in respect of which the design is registered: **Table**
- (51) International Design Classification: **06-03B**
- (71) Name(s) and Address(s) of Applicant(s):
DEDON GmbH
Marie-Curie-Strasse 1 21337 Luneburg Germany
- (72) Name(s) of Designer(s): **Frank Ligthart**
- (45) Registration Date: **02 November 2005**
- (56) Related Art Documents: **Not Applicable**
- (57) Statement of Newness and Distinctiveness: **Nil**



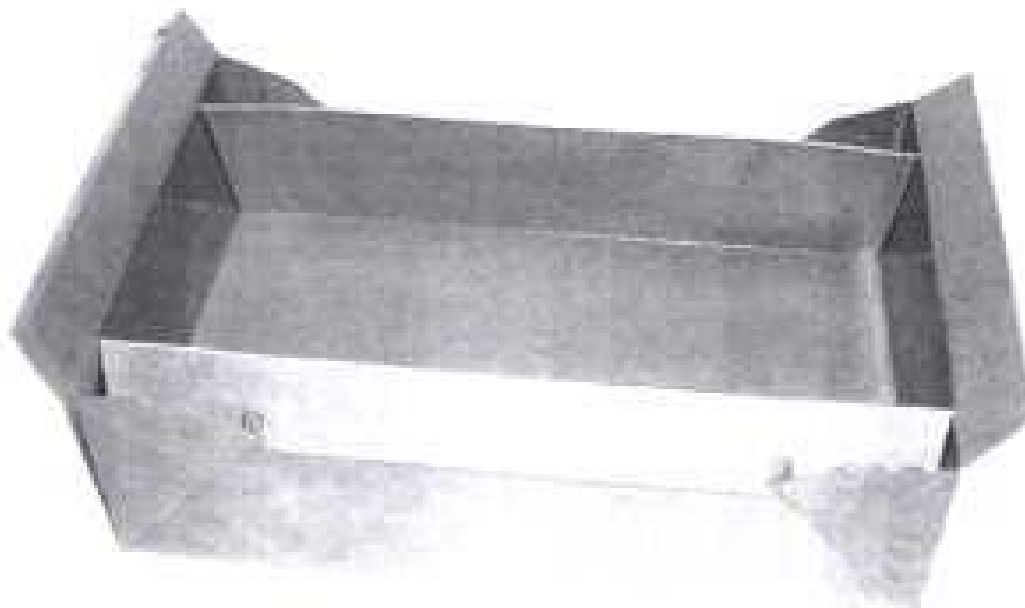
- (21) Design Number: **12129/2005**
- (22) Date of Filing Application: **11 May 2005**
- (24) Date from which industrial property rights may have effect: **11 May 2005**
- (54) Product in respect of which the design is registered: **Tower 1**
- (51) International Design Classification: **06-06NES**
- (71) Name(s) and Address(s) of Applicant(s):
DEDON GmbH
Marie-Curie-Strasse 1 21337 Luneburg Germany
- (72) Name(s) of Designer(s): **Frank Ligthart**
- (45) Registration Date: **02 November 2005**
- (56) Related Art Documents: **Not Applicable**
- (57) Statement of Newness and Distinctiveness: **Nil**



- (21) Design Number: **12130/2005**
- (22) Date of Filing Application: **11 May 2005**
- (24) Date from which industrial property rights may have effect: **11 May 2005**
- (54) Product in respect of which the design is registered: **Tower 2**
- (51) International Design Classification: **06-06NES**
- (71) Name(s) and Address(s) of Applicant(s):
DEDON GmbH
Marie-Curie-Strasse 1 21337 Luneburg Germany
- (72) Name(s) of Designer(s): **Frank Ligthart**
- (45) Registration Date: **02 November 2005**
- (56) Related Art Documents: **Not Applicable**
- (57) Statement of Newness and Distinctiveness: **Nil**



- (21) Design Number: **12063/2005**
(22) Date of Filing Application: **09 May 2005**
(24) Date from which industrial property rights may have effect: **09 May 2005**
(54) Product in respect of which the design is registered: **A container and blank therefor**
(51) International Design Classification: **09-03M**
(71) Name(s) and Address(s) of Applicant(s):
Amcor Limited
679 Victoria Road Abbotsford Victoria 3067 Australia
(72) Name(s) of Designer(s): **Ashley Tyson**
(45) Registration Date: **02 November 2005**
(56) Related Art Documents: **Not Applicable**
(57) Statement of Newness and Distinctiveness: **Newness and distinctiveness are claimed in the features of shape and configuration of the container and blank therefor as depicted in the accompanying representations.**



- (21) Design Number: **12085/2005**
(22) Date of Filing Application: **10 May 2005**
(24) Date from which industrial property rights may have effect: **10 May 2005**
(54) Product in respect of which the design is registered: **Building block**
(51) International Design Classification: **25-01A**
(71) Name(s) and Address(s) of Applicant(s):
Richard Eacon Taplin
16 Wylie Street Narrabundah ACT 2603 Australia
Craige Jonathan Henrick
6 Craddock Road Tuross Head New South Wales 2537 Australia
(72) Name(s) of Designer(s): **Richard Eacon Taplin and Craige Jonathan Henrick**
(45) Registration Date: **02 November 2005**
(56) Related Art Documents: **Not Applicable**
(57) Statement of Newness and Distinctiveness: **The features of shape and configuration of the building block shown in the accompanying representations are considered to be new and distinctive.**



- (21) Design Number: **12086/2005**
(22) Date of Filing Application: **10 May 2005**
(24) Date from which industrial property rights may have effect: **10 May 2005**
(54) Product in respect of which the design is registered: **Building block**
(51) International Design Classification: **25-01A**
(71) Name(s) and Address(s) of Applicant(s):
Richard Eacon Taplin
16 Wylie Street Narrabundah ACT 2603 Australia
Craige Jonathan Henrick
6 Craddock Road Tuross Head New South Wales 2537 Australia
(72) Name(s) of Designer(s): **Richard Eacon Taplin and Craige Jonathan Henrick**
(45) Registration Date: **02 November 2005**
(56) Related Art Documents: **Not Applicable**
(57) Statement of Newness and Distinctiveness: **The features of shape and configuration of the building block shown in the accompanying representations are considered to be new and distinctive.**



- (21) Design Number: **12087/2005**
(22) Date of Filing Application: **10 May 2005**
(24) Date from which industrial property rights may have effect: **10 May 2005**
(54) Product in respect of which the design is registered: **Building block**
(51) International Design Classification: **25-01A**
(71) Name(s) and Address(s) of Applicant(s):
Richard Eacon Taplin
16 Wylie Street Narrabundah ACT 2603 Australia
Craige Jonathan Henrick
6 Craddock Road Tuross Head New South Wales 2537 Australia
(72) Name(s) of Designer(s): **Richard Eacon Taplin and Craige Jonathan Henrick**
(45) Registration Date: **02 November 2005**
(56) Related Art Documents: **Not Applicable**
(57) Statement of Newness and Distinctiveness: **The features of shape and configuration of the building block shown in the accompanying representations are considered to be new and distinctive.**



(21) Design Number: **12134/2005**
(22) Date of Filing Application: **12 May 2005**
(24) Date from which industrial property rights may have effect: **12 May 2005**
(54) Product in respect of which the design is registered: **Hairstyler with a cover**
(51) International Design Classification: **28-03B**
(71) Name(s) and Address(s) of Applicant(s):
Braun GmbH
Frankfurter Str. 145 61476 Kronberg Germany
(72) Name(s) of Designer(s): **Duy Pong Vu**
(45) Registration Date: **02 November 2005**
(30) Convention priority data:
(31) Number (32) Date (33) Country
000256581 18 Nov 2004 EUROPEAN COMMUNITY
(56) Related Art Documents: **Not Applicable**
(57) Statement of Newness and Distinctiveness: **Nil**



(21) Design Number: **12135/2005**
(22) Date of Filing Application: **12 May 2005**
(24) Date from which industrial property rights may have effect: **12 May 2005**
(54) Product in respect of which the design is registered: **Hairstyler**
(51) International Design Classification: **28-03B**
(71) Name(s) and Address(s) of Applicant(s):
Braun GmbH
Frankfurter Str. 145 61476 Kronberg Germany
(72) Name(s) of Designer(s): **Duy Pong Vu**
(45) Registration Date: **02 November 2005**
(30) Convention priority data:
(31) Number (32) Date (33) Country
000256581 18 Nov 2004 EUROPEAN COMMUNITY
(56) Related Art Documents: **Not Applicable**
(57) Statement of Newness and Distinctiveness: **Nil**



(21) Design Number: **12166/2005**

(22) Date of Filing Application: **13 May 2005**

(24) Date from which industrial property rights may have effect: **13 May 2005**

(54) Product in respect of which the design is registered: **A freight container**

(51) International Design Classification: **09-02A**

(71) Name(s) and Address(s) of Applicant(s):

**S.C.F. Containers International Pty Ltd
107 Greenhill Road Unley South Australia 5061 Australia**

(72) Name(s) of Designer(s): **Richard Sykes**

(45) Registration Date: **02 November 2005**

(56) Related Art Documents: **Not Applicable**

(57) Statement of Newness and Distinctiveness: **Newness and distinctiveness resides in the shape and configuration of a freight container as shown in the accompanying representations.**



(21) Design Number: **12193/2005**

(22) Date of Filing Application: **17 May 2005**

(24) Date from which industrial property rights may have effect: **17 May 2005**

(54) Product in respect of which the design is registered: **Marine yaught seat**

(51) International Design Classification: **06-01D**

(71) Name(s) and Address(s) of Applicant(s):

**Gary Rimmer
18 Peterlyn Court Beerwah Queensland 4519 Australia**

(72) Name(s) of Designer(s): **Gary Rimmer**

(45) Registration Date: **02 November 2005**

(56) Related Art Documents: **Not Applicable**

(57) Statement of Newness and Distinctiveness: **Nil**



(21) Design Number: **12194/2005**

(22) Date of Filing Application: **17 May 2005**

(24) Date from which industrial property rights may have effect: **17 May 2005**

(54) Product in respect of which the design is registered: **Marine small boat seat**

(51) International Design Classification: **06-01D**

(71) Name(s) and Address(s) of Applicant(s):

Gary Rimmer

18 Peterlyn Court Beerwah Queensland 4519 Australia

(72) Name(s) of Designer(s): **Gary Rimmer**

(45) Registration Date: **02 November 2005**

(56) Related Art Documents: **Not Applicable**

(57) Statement of Newness and Distinctiveness: **The cutouts on the seat back cushion allow you to see whatever colour the seat shell is behind. This has not been possible before in a weatherproof outdoor boat seat.**



(21) Design Number: **12195/2005**

(22) Date of Filing Application: **17 May 2005**

(24) Date from which industrial property rights may have effect: **17 May 2005**

(54) Product in respect of which the design is registered: **Marine small and large boat seat**

(51) International Design Classification: **06-01D**

(71) Name(s) and Address(s) of Applicant(s):

Gary Rimmer

18 Peterlyn Court Beerwah Queensland 4519 Australia

(72) Name(s) of Designer(s): **Gary Rimmer**

(45) Registration Date: **02 November 2005**

(56) Related Art Documents: **Not Applicable**

(57) Statement of Newness and Distinctiveness: **The cut outs on the back cushion allow you to see whatever colour the seat shell is behind.**



- (21) Design Number: **12196/2005**
(22) Date of Filing Application: **13 May 2005**
(24) Date from which industrial property rights may have effect: **13 May 2005**
(54) Product in respect of which the design is registered: **Collapsible extension ladder and platform for servicing horizontal tanks**
(51) International Design Classification: **25-04**
(71) Name(s) and Address(s) of Applicant(s):
Garry Toulmin
31 Coppards Road Moolap Victoria 3221 Australia
(72) Name(s) of Designer(s): **Garry Toulmin**
(45) Registration Date: **02 November 2005**
(56) Related Art Documents: **Not Applicable**
(57) Statement of Newness and Distinctiveness: **This ladder has a workman's fixed platform which locks in place.**



- (21) Design Number: **13216/2005**
(22) Date of Filing Application: **28 July 2005**
(24) Date from which industrial property rights may have effect: **28 July 2005**
(54) Product in respect of which the design is registered: **Automobile**
(51) International Design Classification: **12-08**
(71) Name(s) and Address(s) of Applicant(s):
Toyota Jidosha Kabushiki Kaisha
1 Toyota-cho Toyota-shi Aichi-ken 471-8571 Japan
(72) Name(s) of Designer(s): **Yuji Fujiwara and Takashi Hagino and Sotiris Kovos**
(45) Registration Date: **02 November 2005**
(56) Related Art Documents: **Not Applicable**
(57) Statement of Newness and Distinctiveness: **Each feature of the design considered separately or in combination with any other feature of features.**



-
- (21) Design Number: **13217/2005**
(22) Date of Filing Application: **28 July 2005**
(24) Date from which industrial property rights may have effect: **28 July 2005**
(54) Product in respect of which the design is registered: **Automobile**
(51) International Design Classification: **12-08**
(71) Name(s) and Address(s) of Applicant(s):
Toyota Jidosha Kabushiki Kaisha
1 Toyota-cho Toyota-shi Aichi-ken 471-8571 Japan
(72) Name(s) of Designer(s): **Yuji Fujiwara and Takashi Hagino and Sotiris Kovos**
(45) Registration Date: **02 November 2005**
(56) Related Art Documents: **Not Applicable**
(57) Statement of Newness and Distinctiveness: **Each feature of the design considered separately or in combination with any other feature of features.**

-
- (21) Design Number: **13218/2005**
(22) Date of Filing Application: **28 July 2005**
(24) Date from which industrial property rights may have effect: **28 July 2005**
(54) Product in respect of which the design is registered: **Front bumper for an automobile**
(51) International Design Classification: **12-16C**
(71) Name(s) and Address(s) of Applicant(s):
Toyota Jidosha Kabushiki Kaisha
1 Toyota-cho Toyota-shi Aichi-ken 471-8571 Japan
(72) Name(s) of Designer(s): **Yuji Fujiwara and Sotiris Kovos**
(45) Registration Date: **02 November 2005**
(56) Related Art Documents: **Not Applicable**
(57) Statement of Newness and Distinctiveness: **Each feature of the design considered separately or in combination with any other feature of features.**



(21) Design Number: **13219/2005**

(22) Date of Filing Application: **28 July 2005**

(24) Date from which industrial property rights may have effect: **28 July 2005**

(54) Product in respect of which the design is registered: **Front grill for an automobile**

(51) International Design Classification: **12-16B**

(71) Name(s) and Address(s) of Applicant(s):

Toyota Jidosha Kabushiki Kaisha
1 Toyota-cho Toyota-shi Aichi-ken 471-8571 Japan

(72) Name(s) of Designer(s): **Shunsuke Sudo**

(45) Registration Date: **02 November 2005**

(56) Related Art Documents: **Not Applicable**

(57) Statement of Newness and Distinctiveness: **Each feature of the design considered separately or in combination with any other feature of features.**



(21) Design Number: **13220/2005**

(22) Date of Filing Application: **28 July 2005**

(24) Date from which industrial property rights may have effect: **28 July 2005**

(54) Product in respect of which the design is registered: **Rear bumper for an automobile**

(51) International Design Classification: **12-16C**

(71) Name(s) and Address(s) of Applicant(s):

Toyota Jidosha Kabushiki Kaisha
1 Toyota-cho Toyota-shi Aichi-ken 471-8571 Japan

(72) Name(s) of Designer(s): **Takashi Hagino**

(45) Registration Date: **02 November 2005**

(56) Related Art Documents: **Not Applicable**

(57) Statement of Newness and Distinctiveness: **Each feature of the design considered separately or in combination with any other feature of features.**



- (21) Design Number: **13221/2005**
(22) Date of Filing Application: **28 July 2005**
(24) Date from which industrial property rights may have effect: **28 July 2005**
(54) Product in respect of which the design is registered: **Back door for an automobile**
(51) International Design Classification: **12-16B**
(71) Name(s) and Address(s) of Applicant(s):
Toyota Jidosha Kabushiki Kaisha
1 Toyota-cho Toyota-shi Aichi-ken 471-8571 Japan
(72) Name(s) of Designer(s): **Takashi Hagino**
(45) Registration Date: **02 November 2005**
(56) Related Art Documents: **Not Applicable**
(57) Statement of Newness and Distinctiveness: **Each feature of the design considered separately or in combination with any other feature of features.**



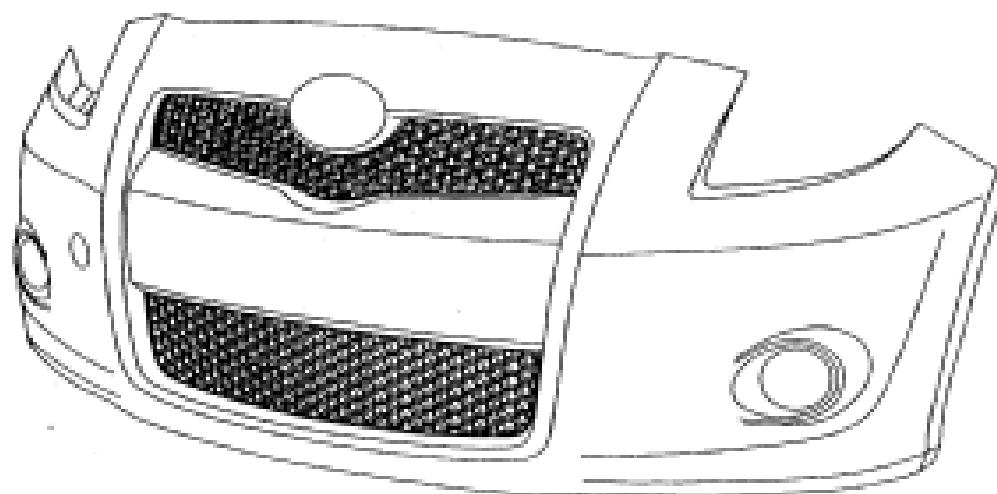
- (21) Design Number: **13222/2005**
(22) Date of Filing Application: **28 July 2005**
(24) Date from which industrial property rights may have effect: **28 July 2005**
(54) Product in respect of which the design is registered: **Automobile**
(51) International Design Classification: **12-08**
(71) Name(s) and Address(s) of Applicant(s):
Toyota Jidosha Kabushiki Kaisha
1 Toyota-cho Toyota-shi Aichi-ken 471-8571 Japan
(72) Name(s) of Designer(s): **Tadayuki Yakushi and Daisuke Iguchi and Atsushi Hirose and Naoyuki Nakamura and Yuji Fujiwara and Takashi Hagino and Sotiris Kovos**
(45) Registration Date: **02 November 2005**
(56) Related Art Documents: **Not Applicable**
(57) Statement of Newness and Distinctiveness: **Each feature of the design considered separately or in combination with any other feature of features.**



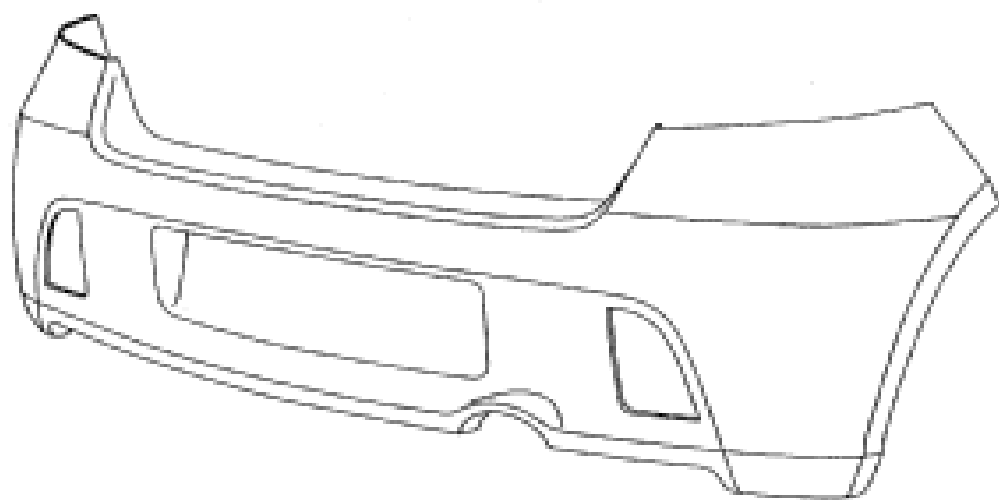
- (21) Design Number: **13223/2005**
(22) Date of Filing Application: **28 July 2005**
(24) Date from which industrial property rights may have effect: **28 July 2005**
(54) Product in respect of which the design is registered: **Automobile**
(51) International Design Classification: **12-08**
(71) Name(s) and Address(s) of Applicant(s):
Toyota Jidosha Kabushiki Kaisha
1 Toyota-cho Toyota-shi Aichi-ken 471-8571 Japan
(72) Name(s) of Designer(s): **Tadayuki Yakushi and Daisuke Iguchi and Atsushi Hirose and Naoyuki Nakamura and Yuji Fujiwara and Takashi Hagino and Sotiris Kovos**
(45) Registration Date: **02 November 2005**
(56) Related Art Documents: **Not Applicable**
(57) Statement of Newness and Distinctiveness: **Each feature of the design considered separately or in combination with any other feature of features.**



- (21) Design Number: **13224/2005**
(22) Date of Filing Application: **28 July 2005**
(24) Date from which industrial property rights may have effect: **28 July 2005**
(54) Product in respect of which the design is registered: **Front bumper for an automobile**
(51) International Design Classification: **12-16C**
(71) Name(s) and Address(s) of Applicant(s):
Toyota Jidosha Kabushiki Kaisha
1 Toyota-cho Toyota-shi Aichi-ken 471-8571 Japan
(72) Name(s) of Designer(s): **Tadayuki Yakushi**
(45) Registration Date: **02 November 2005**
(56) Related Art Documents: **Not Applicable**
(57) Statement of Newness and Distinctiveness: **Each feature of the design considered separately or in combination with any other feature of features.**



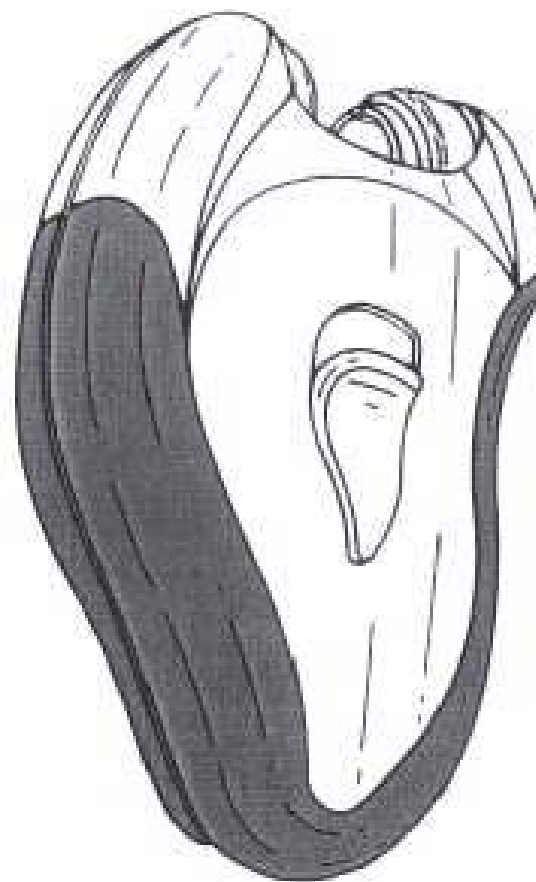
- (21) Design Number: **13225/2005**
(22) Date of Filing Application: **28 July 2005**
(24) Date from which industrial property rights may have effect: **28 July 2005**
(54) Product in respect of which the design is registered: **Rear bumper for an automobile**
(51) International Design Classification: **12-16C**
(71) Name(s) and Address(s) of Applicant(s):
Toyota Jidosha Kabushiki Kaisha
1 Toyota-cho Toyota-shi Aichi-ken 471-8571 Japan
(72) Name(s) of Designer(s): **Daisuke Iguchi and Atsushi Hirose**
(45) Registration Date: **02 November 2005**
(56) Related Art Documents: **Not Applicable**
(57) Statement of Newness and Distinctiveness: **Each feature of the design considered separately or in combination with any other feature of features.**



- (21) Design Number: **13487/2005**
(22) Date of Filing Application: **15 August 2005**
(24) Date from which industrial property rights may have effect: **15 August 2005**
(54) Product in respect of which the design is registered: **A rear combination lamp for an automobile**
(51) International Design Classification: **26-06**
(71) Name(s) and Address(s) of Applicant(s):
Honda Motor Co., Ltd
1-1 Minami-Aoyama 2-chome Minato-ku Tokyo Japan
(72) Name(s) of Designer(s): **Hisakazu Hanaoka and Chiaki Kato**
(45) Registration Date: **02 November 2005**
(30) Convention priority data:
(31) Number (32) Date (33) Country
2005-14670 23 May 2005 JAPAN
(56) Related Art Documents: **Not Applicable**
(57) Statement of Newness and Distinctiveness: **Newness and distinctiveness is claimed in the features of shape and/or configuration of a rear combination lamp for an automobile as illustrated in the accompanying representations.**

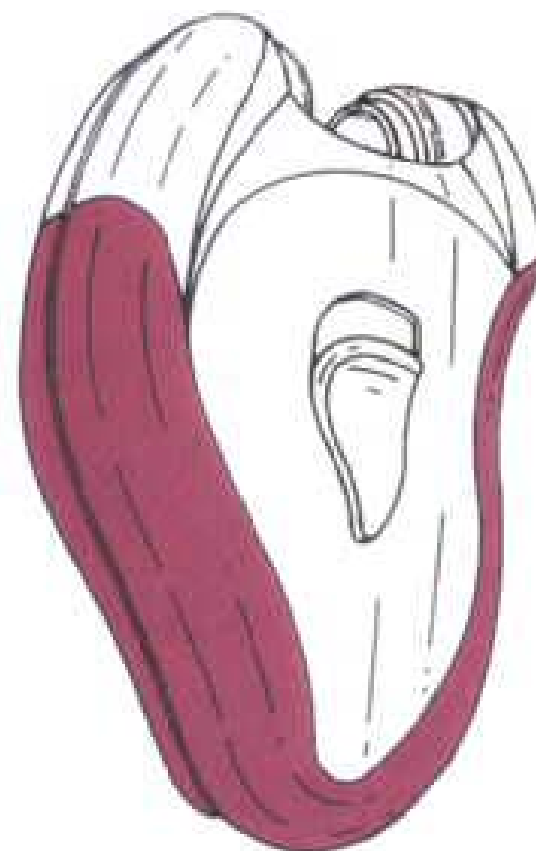


- (21) Design Number: **13855/2005**
- (22) Date of Filing Application: **07 September 2005**
- (24) Date from which industrial property rights may have effect: **07 September 2005**
- (54) Product in respect of which the design is registered: **Epilator (in colour grey)**
- (51) International Design Classification: **28-03A**
- (71) Name(s) and Address(s) of Applicant(s):
Reckitt Benckiser (UK) Limited
103-105 Bath Road Slough Berkshire SL1 3UH United Kingdom
- (72) Name(s) of Designer(s): **James Pryor**
- (45) Registration Date: **02 November 2005**
- (56) Related Art Documents: **Not Applicable**
- (57) Statement of Newness and Distinctiveness: **Each feature of the design considered separately or in combination with any other feature or features.**



- (21) Design Number: **13856/2005**
- (22) Date of Filing Application: **07 September 2005**
- (24) Date from which industrial property rights may have effect: **07 September 2005**
- (54) Product in respect of which the design is registered: **Epilator (in colour pink)**
- (51) International Design Classification: **28-03A**
- (71) Name(s) and Address(s) of Applicant(s):
Reckitt Benckiser (UK) Limited
103-105 Bath Road Slough Berkshire SL1 3UH United Kingdom
- (72) Name(s) of Designer(s): **James Pryor**
- (45) Registration Date: **02 November 2005**
- (30) Convention priority data:

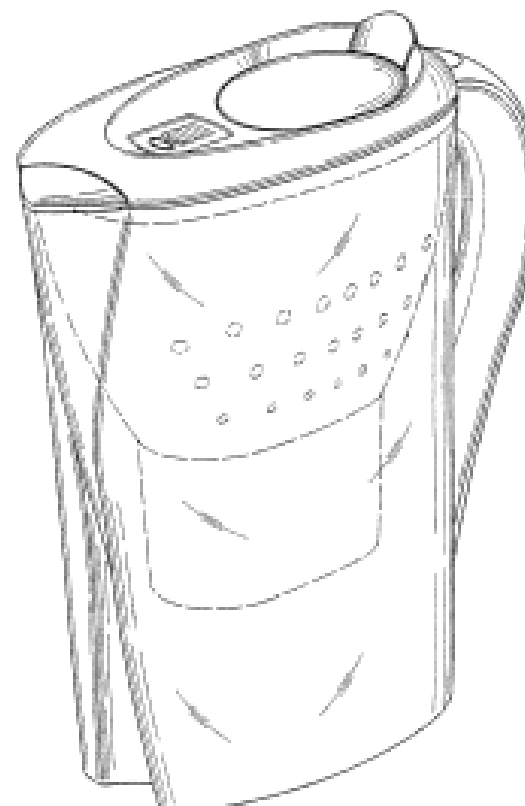
(31) Number	(32) Date	(33) Country
000306915	08 Mar 2005	EUROPEAN COMMUNITY
- (56) Related Art Documents: **Not Applicable**
- (57) Statement of Newness and Distinctiveness: **Each feature of the design considered separately or in combination with any other feature or features.**



(21) Design Number: **12164/2005**
(22) Date of Filing Application: **12 May 2005**
(24) Date from which industrial property rights may have effect: **12 May 2005**
(54) Product in respect of which the design is registered: **Safety cone for warning of slippery conditions**
(51) International Design Classification: **29-02**
(71) Name(s) and Address(s) of Applicant(s):
Charles E. Neff
1036 Devonshire Road Grosse Pointe Park MI 48314 United States of America
(72) Name(s) of Designer(s): **Charles E. Neff**
(45) Registration Date: **02 November 2005**
(30) Convention priority data:
(31) Number (32) Date (33) Country
29/218,719 29 Nov 2004 UNITED STATES OF AMERICA
(56) Related Art Documents: **Not Applicable**
(57) Statement of Newness and Distinctiveness: **Nil**



(21) Design Number: **12237/2005**
(22) Date of Filing Application: **20 May 2005**
(24) Date from which industrial property rights may have effect: **20 May 2005**
(54) Product in respect of which the design is registered: **Water filtration system**
(51) International Design Classification: **23-01G**
(71) Name(s) and Address(s) of Applicant(s):
Brita GmbH
Heinrich-Hertz-Strasse 4 65232 Taunusstein Germany
(72) Name(s) of Designer(s): **Eckhard Ruoff**
(45) Registration Date: **02 November 2005**
(30) Convention priority data:
(31) Number (32) Date (33) Country
404 06 643.7 25 Nov 2004 GERMANY
(56) Related Art Documents: **Not Applicable**
(57) Statement of Newness and Distinctiveness: **Nil**



(21) Design Number: **12238/2005**
(22) Date of Filing Application: **20 May 2005**
(24) Date from which industrial property rights may have effect: **20 May 2005**
(54) Product in respect of which the design is registered: **Water filtration system**
(51) International Design Classification: **23-01G**
(71) Name(s) and Address(s) of Applicant(s):

Brita GmbH
Heinrich-Hertz-Strasse 4 65232 Taunusstein Germany

(72) Name(s) of Designer(s): **Eckhard Ruoff**

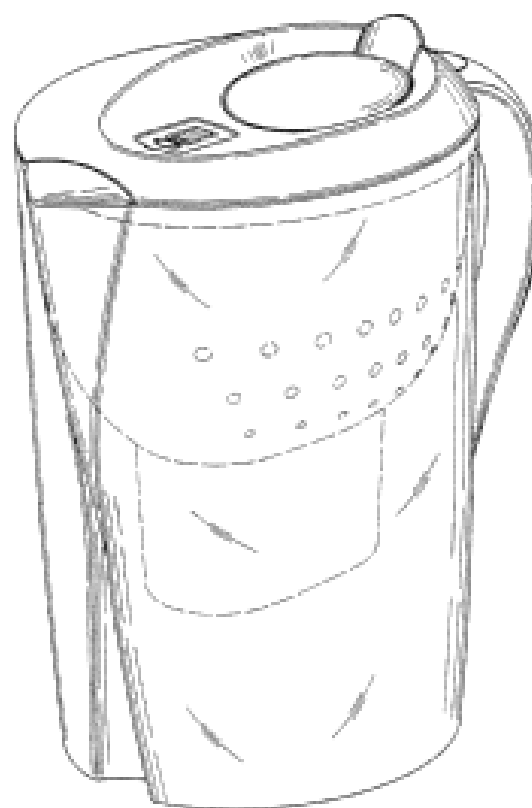
(45) Registration Date: **02 November 2005**

(30) Convention priority data:

(31) Number	(32) Date	(33) Country
404 06 643.7	25 Nov 2004	GERMANY

(56) Related Art Documents: **Not Applicable**

(57) Statement of Newness and Distinctiveness: **Nil**



(21) Design Number: **12578/2005**
(22) Date of Filing Application: **17 June 2005**
(24) Date from which industrial property rights may have effect: **17 June 2005**
(54) Product in respect of which the design is registered: **Rotary tool**
(51) International Design Classification: **08-01**
(71) Name(s) and Address(s) of Applicant(s):

Credo Technology Corporation
2800 South 25th Avenue Broadview Illinois 60135 United States of America

(72) Name(s) of Designer(s): **Josh Davis and Daniel Williams**

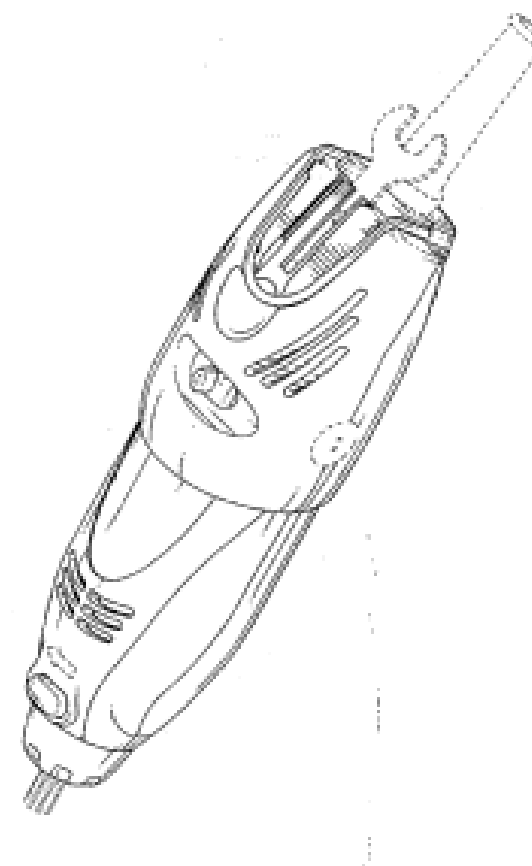
(45) Registration Date: **02 November 2005**

(30) Convention priority data:

(31) Number	(32) Date	(33) Country
29/228,843	30 Apr 2005	UNITED STATES OF AMERICA

(56) Related Art Documents: **Not Applicable**

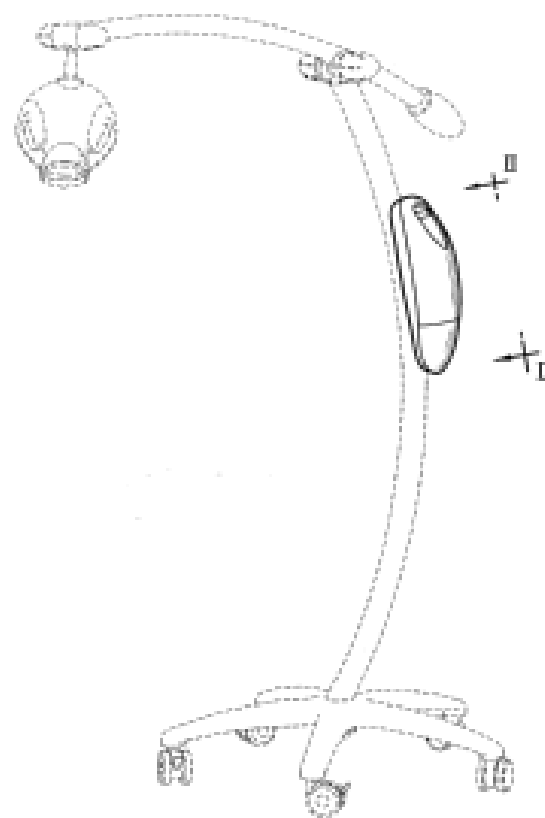
(57) Statement of Newness and Distinctiveness: **Visual features of the design which are new and distinctive are the features of shape and configuration of a rotary tool as illustrated in the representations. The features of shape and configuration of the components shown in broken line do not form part of the design and are to be disregarded.**



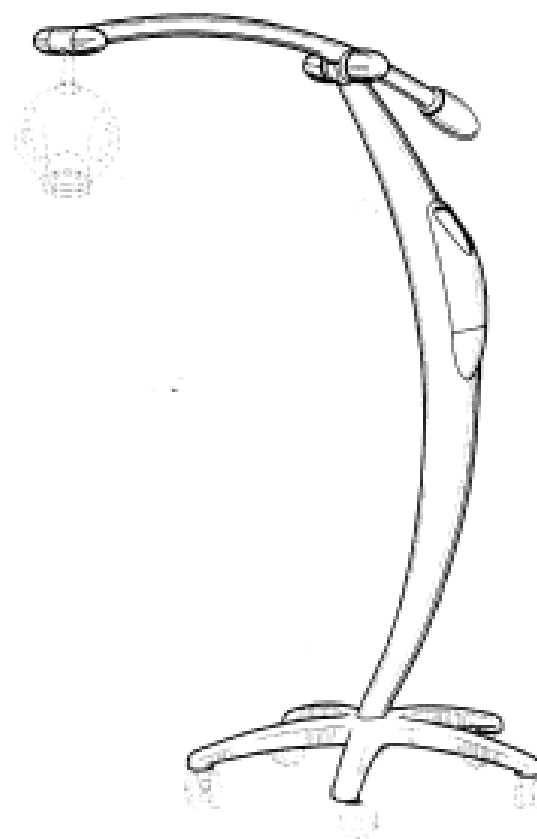
(21) Design Number: **12809/2005**
 (22) Date of Filing Application: **01 July 2005**
 (24) Date from which industrial property rights may have effect: **01 July 2005**
 (54) Product in respect of which the design is registered: **Power pack for dentistry applications**
 (51) International Design Classification: **13-02, 24-01**
 (71) Name(s) and Address(s) of Applicant(s):
Discus Dental Impressions, Inc.
8550 Higuera Street Culver City CA 90232 United States of America
 (72) Name(s) of Designer(s): **Eric P. Rose**
 (45) Registration Date: **02 November 2005**
 (30) Convention priority data:

(31) Number	(32) Date	(33) Country
29/220,679	04 Jan 2005	UNITED STATES OF AMERICA

 (56) Related Art Documents: **Not Applicable**
 (57) Statement of Newness and Distinctiveness: **Nil**



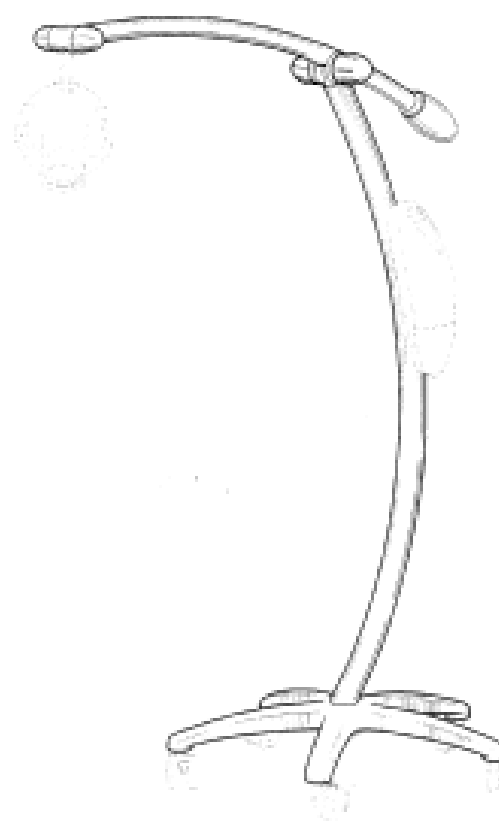
(21) Design Number: **12810/2005**
 (22) Date of Filing Application: **01 July 2005**
 (24) Date from which industrial property rights may have effect: **01 July 2005**
 (54) Product in respect of which the design is registered: **Support structure for dentistry applications**
 (51) International Design Classification: **26-05NES, 24-01, 13-02**
 (71) Name(s) and Address(s) of Applicant(s):
Discus Dental Impressions, Inc.
8550 Higuera Street Culver City CA 90232 United States of America
 (72) Name(s) of Designer(s): **Eric P. Rose and Douglas H. Grambush**
 (45) Registration Date: **02 November 2005**
 (56) Related Art Documents: **Not Applicable**
 (57) Statement of Newness and Distinctiveness: **Nil**



(21) Design Number: **12812/2005**
 (22) Date of Filing Application: **01 July 2005**
 (24) Date from which industrial property rights may have effect: **01 July 2005**
 (54) Product in respect of which the design is registered: **Support structure for a lamp for dentistry applications**
 (51) International Design Classification: **26-05NES, 24-01**
 (71) Name(s) and Address(s) of Applicant(s):
Discus Dental Impressions, Inc.
8550 Higuera Street Culver City CA 90232 United States of America
 (72) Name(s) of Designer(s): **Eric P. Rose**
 (45) Registration Date: **02 November 2005**
 (30) Convention priority data:

(31) Number	(32) Date	(33) Country
29/220,712	04 Jan 2005	UNITED STATES OF AMERICA

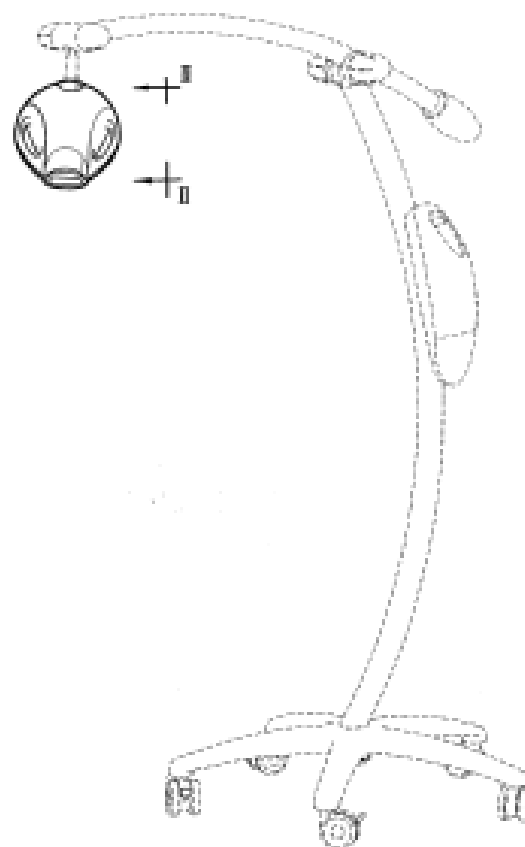
 (56) Related Art Documents: **Not Applicable**
 (57) Statement of Newness and Distinctiveness: **Nil**



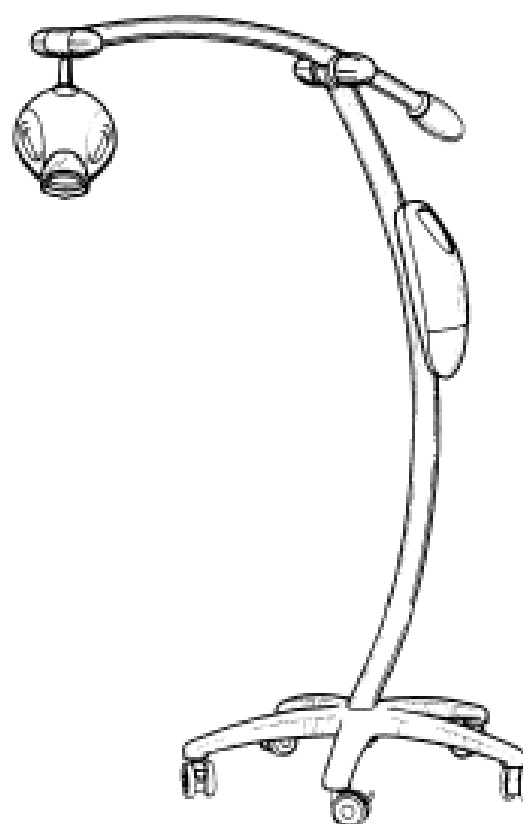
(21) Design Number: **12813/2005**
 (22) Date of Filing Application: **01 July 2005**
 (24) Date from which industrial property rights may have effect: **01 July 2005**
 (54) Product in respect of which the design is registered: **Lamp for dentistry applications**
 (51) International Design Classification: **26-05NES**
 (71) Name(s) and Address(s) of Applicant(s):
Discus Dental Impressions, Inc.
8550 Higuera Street Culver City CA 90232 United States of America
 (72) Name(s) of Designer(s): **Eric P. Rose**
 (45) Registration Date: **02 November 2005**
 (30) Convention priority data:

(31) Number	(32) Date	(33) Country
29/220,642	04 Jan 2005	UNITED STATES OF AMERICA

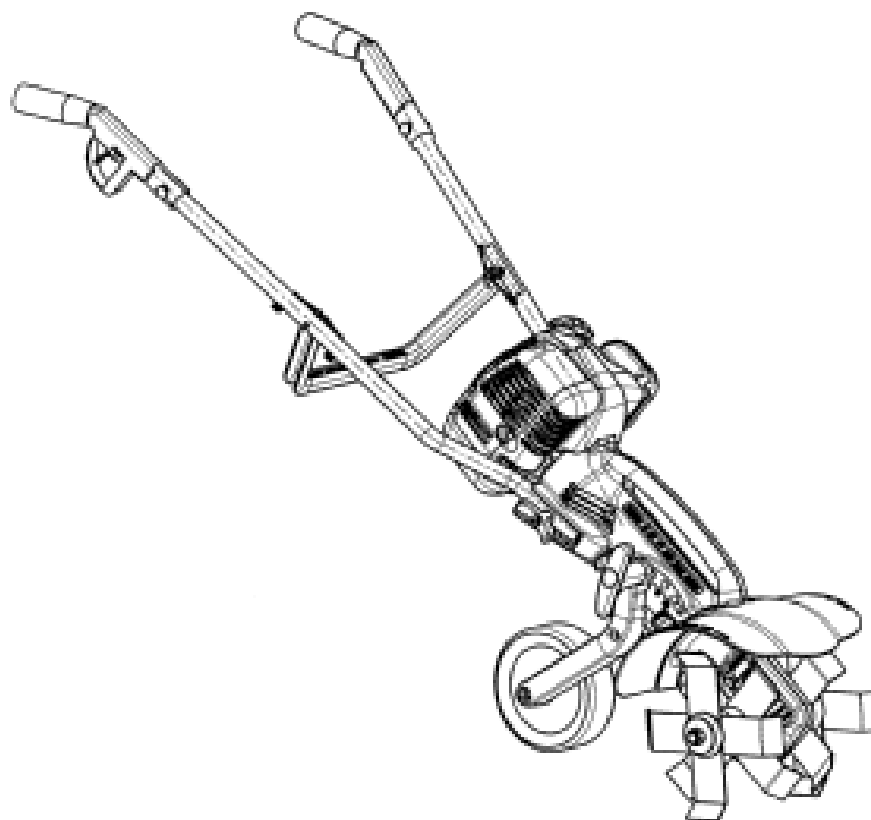
 (56) Related Art Documents: **Not Applicable**
 (57) Statement of Newness and Distinctiveness: **Nil**



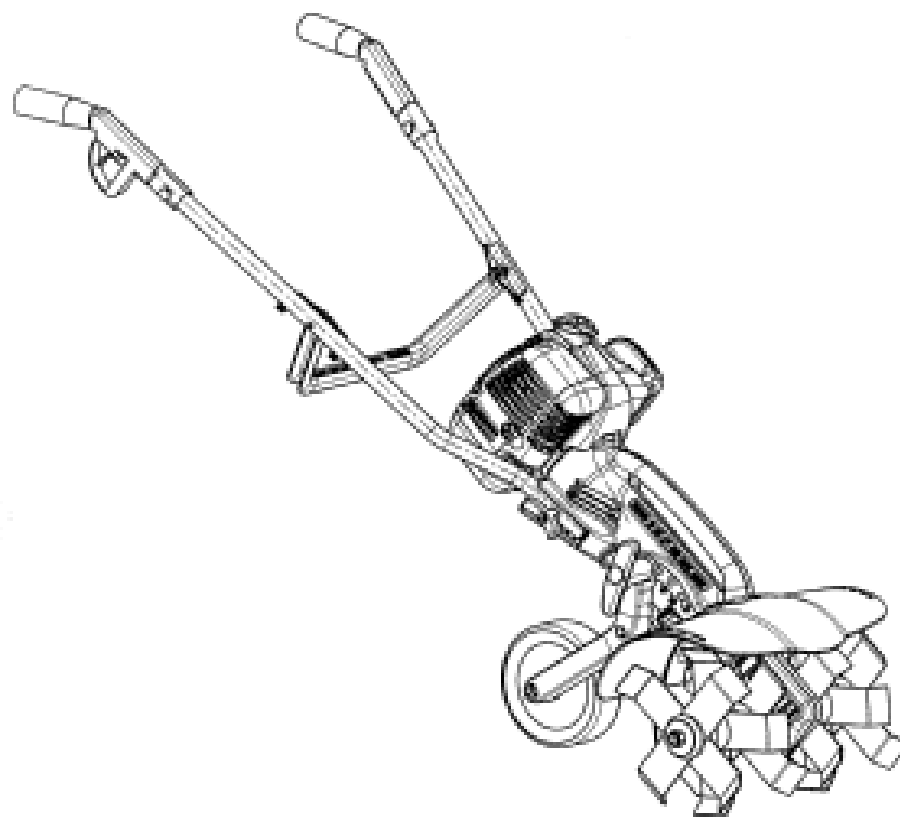
(21) Design Number: **12814/2005**
(22) Date of Filing Application: **01 July 2005**
(24) Date from which industrial property rights may have effect: **01 July 2005**
(54) Product in respect of which the design is registered: **Support structure for dentistry applications**
(51) International Design Classification: **12-12, 24-01, 26-05NES**
(71) Name(s) and Address(s) of Applicant(s):
Discus Dental Impressions, Inc.
8550 Higuera Street Culver City CA 90232 United States of America
(72) Name(s) of Designer(s): **Eric P. Rose**
(45) Registration Date: **02 November 2005**
(30) Convention priority data:
(31) Number (32) Date (33) Country
29/232670 22 Jun 2005 UNITED STATES OF AMERICA
(56) Related Art Documents: **Not Applicable**
(57) Statement of Newness and Distinctiveness: **Nil**



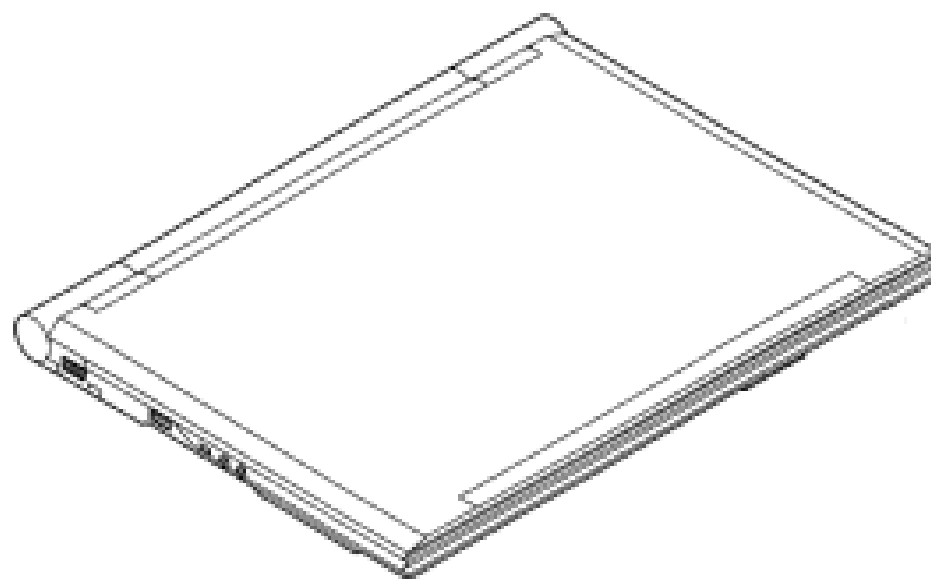
(21) Design Number: **12954/2005**
(22) Date of Filing Application: **06 July 2005**
(24) Date from which industrial property rights may have effect: **06 July 2005**
(54) Product in respect of which the design is registered: **A cultivator**
(51) International Design Classification: **15-03A**
(71) Name(s) and Address(s) of Applicant(s):
John Arthur Notaras
9 Fred Street Lilyfield New South Wales 2040 Australia
Angelo Lambrinos Notaras
9 Fred Street Lilyfield New South Wales 2040 Australia
(72) Name(s) of Designer(s): **John Arthur Notaras and Angelo Lambrinos Notaras**
(45) Registration Date: **02 November 2005**
(56) Related Art Documents: **Not Applicable**
(57) Statement of Newness and Distinctiveness: **Newness and distinctiveness is claimed in respect of the shape and/or configuration of the product illustrated in the accompanying representations.**



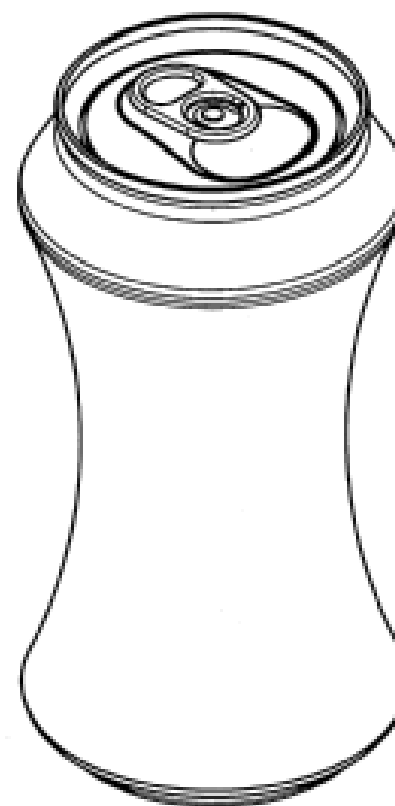
- (21) Design Number: **12955/2005**
(22) Date of Filing Application: **06 July 2005**
(24) Date from which industrial property rights may have effect: **06 July 2005**
(54) Product in respect of which the design is registered: **A cultivator**
(51) International Design Classification: **15-03A**
(71) Name(s) and Address(s) of Applicant(s):
John Arthur Notaras
9 Fred Street Lilyfield New South Wales 2040 Australia
Angelo Lambrinos Notaras
9 Fred Street Lilyfield New South Wales 2040 Australia
(72) Name(s) of Designer(s): **John Arthur Notaras and Angelo Lambrinos Notaras**
(45) Registration Date: **02 November 2005**
(56) Related Art Documents: **Not Applicable**
(57) Statement of Newness and Distinctiveness: **Newness and distinctiveness is claimed in respect of the shape and/or configuration of the product illustrated in the accompanying representations.**



- (21) Design Number: **13016/2005**
(22) Date of Filing Application: **14 July 2005**
(24) Date from which industrial property rights may have effect: **14 July 2005**
(54) Product in respect of which the design is registered: **Notebook computer**
(51) International Design Classification: **14-02**
(71) Name(s) and Address(s) of Applicant(s):
Samsung Electronics Co., Ltd
416 Maetan 3-dong Paldal-gu Suwon-City Kyunggi-Do South Korea
(72) Name(s) of Designer(s): **Yeo-Wan Yun and Yun-Dong Lee**
(45) Registration Date: **02 November 2005**
(56) Related Art Documents: **Not Applicable**
(57) Statement of Newness and Distinctiveness: **Nil**



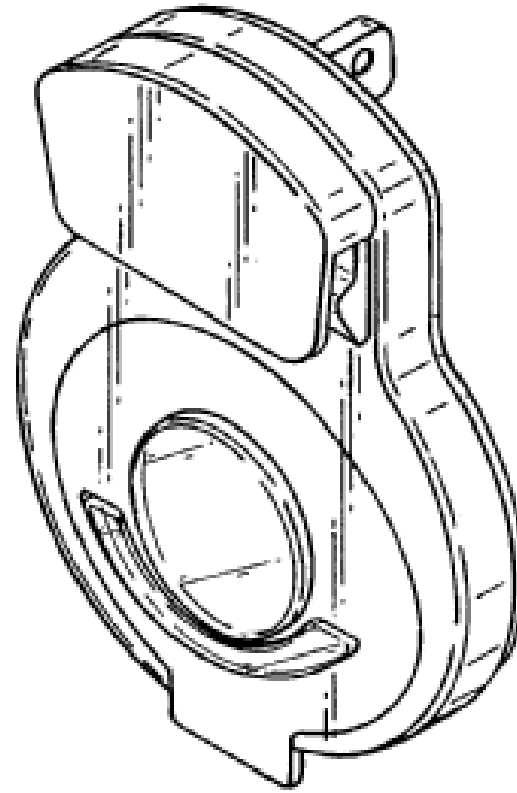
- (21) Design Number: **13085/2005**
(22) Date of Filing Application: **20 July 2005**
(24) Date from which industrial property rights may have effect: **20 July 2005**
(54) Product in respect of which the design is registered: **Drinking can for beverages**
(51) International Design Classification: **09-03L**
(71) Name(s) and Address(s) of Applicant(s):
Cherie Helene Hornbuckle
19/18 Whitley Street Mount Gravatt East Queensland 4122 Australia
(72) Name(s) of Designer(s): **Cherie Hornbuckle**
(45) Registration Date: **02 November 2005**
(56) Related Art Documents: **Not Applicable**
(57) Statement of Newness and Distinctiveness: **The new shape of the can is easier to hold and is sleek. Curves goes in slightly.**



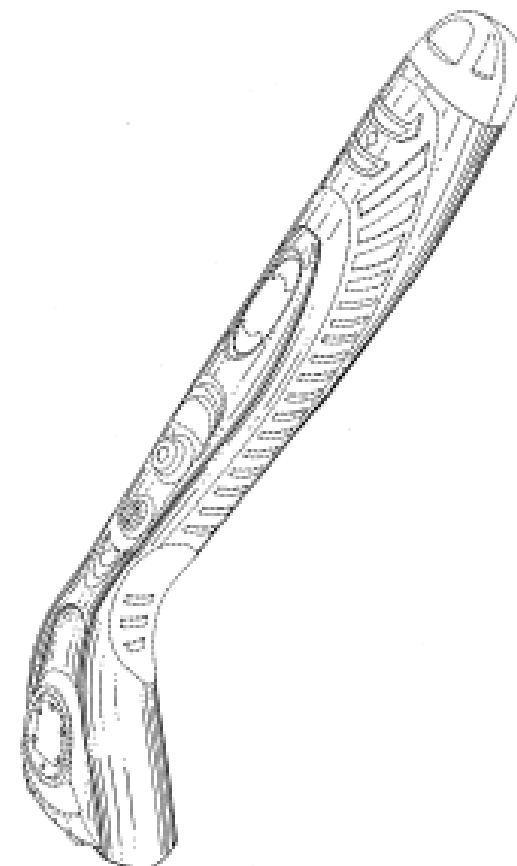
- (21) Design Number: **13853/2005**
(22) Date of Filing Application: **07 September 2005**
(24) Date from which industrial property rights may have effect: **07 September 2005**
(54) Product in respect of which the design is registered: **Epilator**
(51) International Design Classification: **28-03A**
(71) Name(s) and Address(s) of Applicant(s):
Reckitt Benckiser (UK) Limited
103-105 Bath Road Slough Berkshire SL1 3UH United Kingdom
(72) Name(s) of Designer(s): **James Pryor**
(45) Registration Date: **02 November 2005**
(30) Convention priority data:
(31) Number (32) Date (33) Country
000306915 08 Mar 2005 EUROPEAN COMMUNITY
(56) Related Art Documents: **Not Applicable**
(57) Statement of Newness and Distinctiveness: **Each feature of the design considered separately or in combination with any other feature or features.**



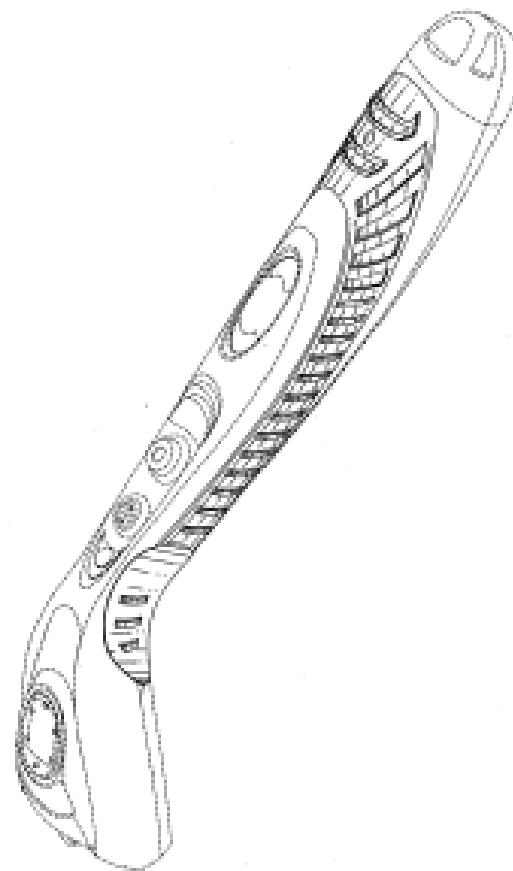
- (21) Design Number: **13972/2005**
(22) Date of Filing Application: **13 September 2005**
(24) Date from which industrial property rights may have effect: **13 September 2005**
(54) Product in respect of which the design is registered: **Dishwasher cage**
(51) International Design Classification: **09-01A, 28-99, 15-05**
(71) Name(s) and Address(s) of Applicant(s):
Reckitt Benckiser N.V.
Kantoorgebouw de Appelaer De Fruittuinen 2-12 2132 NZ Hoofddorp
The Netherlands
(72) Name(s) of Designer(s): **Rainer Link and Karl-Ludwig Gibis**
(45) Registration Date: **02 November 2005**
(30) Convention priority data:
(31) Number (32) Date (33) Country
000313143 18 Mar 2005 EUROPEAN COMMUNITY
(56) Related Art Documents: **Not Applicable**
(57) Statement of Newness and Distinctiveness: **Each feature of the design considered separately or in combination with any other feature or features.**



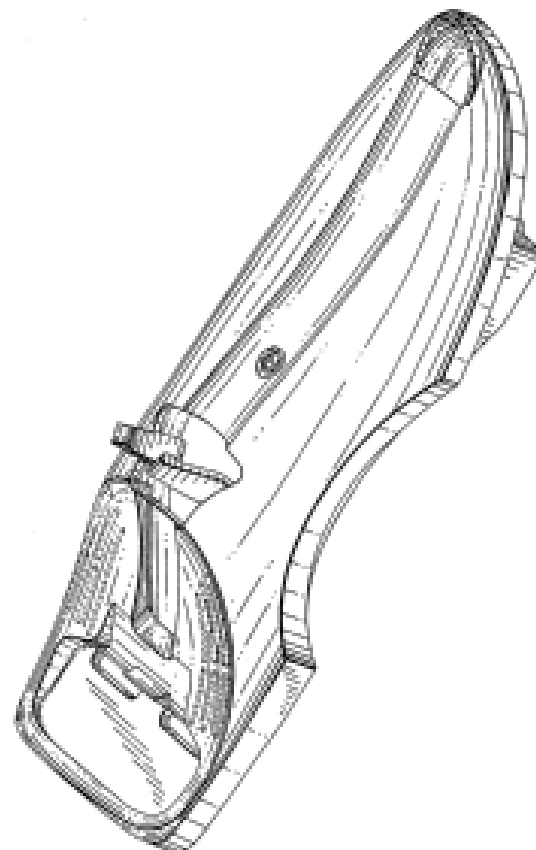
- (21) Design Number: **14057/2005**
(22) Date of Filing Application: **21 September 2005**
(24) Date from which industrial property rights may have effect: **21 September 2005**
(54) Product in respect of which the design is registered: **Razor handle**
(51) International Design Classification: **28-03A**
(71) Name(s) and Address(s) of Applicant(s):
Eveready Battery Company, Inc.
533 Maryville University Drive St Louis Missouri 63141 United States
of America
(72) Name(s) of Designer(s): **David Dombrowski and Andrew J. Pennella and**
Paul R. Dansreau
(45) Registration Date: **02 November 2005**
(30) Convention priority data:
(31) Number (32) Date (33) Country
29/226963 04 Apr 2005 UNITED STATES OF AMERICA
(56) Related Art Documents: **Not Applicable**
(57) Statement of Newness and Distinctiveness: **Nil**



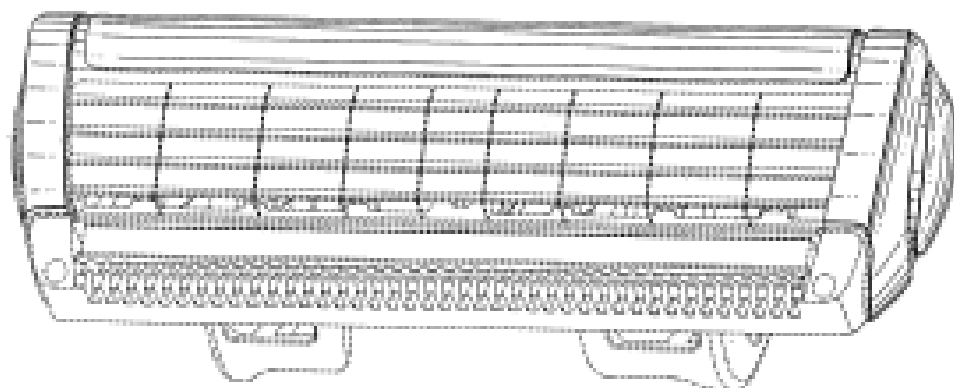
(21) Design Number: **14058/2005**
(22) Date of Filing Application: **21 September 2005**
(24) Date from which industrial property rights may have effect: **21 September 2005**
(54) Product in respect of which the design is registered: **Razor handle**
(51) International Design Classification: **28-03A**
(71) Name(s) and Address(s) of Applicant(s):
Eveready Battery Company, Inc.
533 Maryville University Drive St Louis Missouri 63141 United States of America
(72) Name(s) of Designer(s): **David Dombrowski and Andrew J. Pennella and Paul R. Dansreau**
(45) Registration Date: **02 November 2005**
(30) Convention priority data:
(31) Number (32) Date (33) Country
29/226993 04 Apr 2005 UNITED STATES OF AMERICA
(56) Related Art Documents: **Not Applicable**
(57) Statement of Newness and Distinctiveness: **Nil**



(21) Design Number: **14059/2005**
(22) Date of Filing Application: **21 September 2005**
(24) Date from which industrial property rights may have effect: **21 September 2005**
(54) Product in respect of which the design is registered: **Tray**
(51) International Design Classification: **28-03A**
(71) Name(s) and Address(s) of Applicant(s):
Eveready Battery Company, Inc.
533 Maryville University Drive St Louis Missouri 63141 United States of America
(72) Name(s) of Designer(s): **Paul R. Dansreau and David Dombrowski and Donald Roche**
(45) Registration Date: **02 November 2005**
(30) Convention priority data:
(31) Number (32) Date (33) Country
29/226992 04 Apr 2005 UNITED STATES OF AMERICA
(56) Related Art Documents: **Not Applicable**
(57) Statement of Newness and Distinctiveness: **Nil**



(21) Design Number: **14060/2005**
(22) Date of Filing Application: **21 September 2005**
(24) Date from which industrial property rights may have effect: **21 September 2005**
(54) Product in respect of which the design is registered: **Razor cartridge**
(51) International Design Classification: **28-03A**
(71) Name(s) and Address(s) of Applicant(s):
Eveready Battery Company, Inc.
533 Maryville University Drive St Louis Missouri 63141 United States of America
(72) Name(s) of Designer(s): **Stephen Fischer and Jochen Thoene and Oliver Gehrmann**
(45) Registration Date: **02 November 2005**
(30) Convention priority data:
(31) Number (32) Date (33) Country
29/226964 04 Apr 2005 UNITED STATES OF AMERICA
(56) Related Art Documents: **Not Applicable**
(57) Statement of Newness and Distinctiveness: **Nil**



(21) Design Number: **14061/2005**
(22) Date of Filing Application: **21 September 2005**
(24) Date from which industrial property rights may have effect: **21 September 2005**
(54) Product in respect of which the design is registered: **Caddy**
(51) International Design Classification: **28-03A**
(71) Name(s) and Address(s) of Applicant(s):
Eveready Battery Company, Inc.
533 Maryville University Drive St Louis Missouri 63141 United States of America
(72) Name(s) of Designer(s): **Stephen Fischer and Jochen Thoene and Oliver Gehrmann**
(45) Registration Date: **02 November 2005**
(30) Convention priority data:
(31) Number (32) Date (33) Country
29/226995 04 Apr 2005 UNITED STATES OF AMERICA
(56) Related Art Documents: **Not Applicable**
(57) Statement of Newness and Distinctiveness: **Nil**

