



Australian Government

IP Australia

AUSTRALIAN OFFICIAL JOURNAL

OF

DESIGNS

Did you know a searchable version of this journal is now available online?

It's FREE and EASY to SEARCH.

Find it at

<http://pericles.ipaustralia.gov.au/ols/epublish/content/olsEpublications.jsp>
or using the "Online Journals" link on the IP Australia home page.

This Page Left Intentionally Blank

Contents

General Information & Notices

**Proceedings Under the Designs Act 1906 preserved as a result of the provisions of Chapter 12
Part 2 of the Designs Act 2003**

| | |
|---|------|
| Application for Extension of Period of Registration | 3172 |
| Applications Lapsed | 3171 |
| Extension of Period of Registration of Designs | 3172 |
| Extensions of Time Granted | 3173 |
| Registration Proceedings | |
| Registration Number Range 158388 to 158440 | 3174 |
| Registrations Ceased | 3173 |

Proceedings Under the Designs Act 2003

| | |
|---|------|
| Applications Lodged | 3205 |
| Applications Withdrawn | 3211 |
| Certificate of Examination | 3213 |
| Extension of Time Granted Under Section 137 | 3212 |
| Publication and Registration Proceedings | |
| Designs Registered 304210 to 304465..... | 3214 |

This Page Left Intentionally Blank

General Information

EDITORIAL ENQUIRIES

All enquiries about official notices and general information in the Journal should be directed to IP Australia, (ABN No 38 113 072 755), PO Box 200 Woden ACT 2606

Or

Telephone 1300 651 010
(International Callers +61 2 6283 2999)
Fax 02 6283 7999
E-mail assist@ipaustralia.gov.au

CONTACT INFORMATION

Customer Service Network
Telephone 1300 651 010 , Fax: 02 6283 7999
E-mail: assist@ipaustralia.gov.au

Customers can contact the Customer Service Network by telephone or by e-mail. Telephones are staffed between 9am and 5pm each working day.

Customers should contact the Customer Service Network for information about:

- All Patent Matters including PCT and Innovation Patents.
- All Trade Mark Matters.
- All Design Matters.

Professional Standards Board for Patent and Trade Mark Attorneys.

Ph: 02 6283 2345 Fax: 02 6283 1048

ORDERING PATENT DOCUMENTS

When ordering copies of Australian patent specifications, or abstracts and abridgments notified as open to public inspection on or after 26 October 1978, or as accepted on or after 16 November 1978, the documents should be referred to by application numbers only, preceded by letters AU-A or AU-B respectively.

REQUESTS FOR INFORMATION UNDER SECTION 194 (C)

A request for information under Section 194 (C) of the Patents Act 1990 should be made in the approved form and be accompanied by the prescribed fee. The request should be as detailed as possible.

INFORMATION FROM REGISTERS

All requests for information from Register of Patents, Trade Marks or Designs, should be made in writing and accompanied by the prescribed fee. The Registers are located in Canberra and may be examined free of charge.

COUNTRY CODES

For a listing of country codes used by IP Australia please refer to the Official Journals dated 7 November 1996.

ABBREVIATIONS IN JOURNAL

Standard abbreviations are used in the name of companies and firms. Enquiries concerning the precise name should be directed to the Customer Service Network.

FREEDOM OF INFORMATION ACT

What does it do?

- Gives you right to obtain information held by Commonwealth Ministers, Departments and most statutory bodies (these bodies are called agencies under the Act).
- Requires Commonwealth Government agencies to make available to members of the public:
 - Information about agencies, their functions and operations.
 - Information about rules and practices which are used in making decisions which affect you.
- Gives you a legal right to:
 - See non exempt documents held by agencies, and
 - appeal against a decision not to grant access to a document.

What documents can you see?

- The Act gives you a right to see documents lodged on or after 1 December 1977, or earlier if you need them to understand another document you have already.
- Documents include files, reports, computer printouts, maps, plans, photographs, tape recordings, films or videotapes.
- Documents which are available for purchase under the Patents Act 1990, the Trade Marks Act 1995 or Designs Act 2003 are not available under the Freedom of Information Act (Section 12 refers).

How do you apply?

Requests for access to documents must

- Be in writing
- Provide sufficient information so as to enable identification of the documents requested
- Specify an address in Australia where notices can be sent and
- Be accompanied by the application fee (currently \$30.00) or specify an IP Australia account to which the charges will be posted.

Requests for documents should be addressed to IP Australia, PO Box 200 Woden, ACT 2606, or Faxed to 02 6283 7999

DECISIONS OF THE COMMISSIONER OF PATENTS AND REGISTRAR OF TRADE MARKS AND DESIGNS

- All decisions of the Commissioner and Registrars are available free of charge from AUSTLII's website

www.austlii.edu.au

Copies of all written Patent and Design decisions are available (except if they would not be available under the provisions of the Freedom of Information legislation, e.g. if they would effectively disclose matter from documents that are not open to public inspection) on request for a cost of \$AU 25. They are also available for inspection in indexed volume series, dating from 1 January 1987, in the Office library, Canberra.

Copies of Trade Mark decisions may be accessed via IP Australia's website www.ipaustralia.gov.au

- Copies of the taped record of Patent and Design hearings are available (with the same exception as above) on request.
- When a written decision is issued the fact of the decision plus a brief head note will be published in the Official Notices section of the next available Patents, Trade Marks or Designs Journal.

HEARINGS BEFORE THE COMMISSIONER OF PATENTS

Hearings before the Commissioner of Patents will usually be conducted at the Patent Office in Canberra and interstate hearing sessions are not provided. However, the Commissioner will conduct hearings outside of Canberra at a convenient time to all parties provided that the parties bear the travel costs of the hearing officer.

The various options for hearings are set out in the document "Options for Hearings" available on IP Australia's website at: www.ipaustralia.gov.au/pdfs/patents/optionsforhearings.PDF

HEARINGS BEFORE THE REGISTRARS OF TRADE MARKS AND DESIGNS

Hearings before the Registrars of Trade Marks and Designs will be set down in Melbourne, Sydney, Adelaide, Perth and Brisbane during the periods indicated below.

Designs and Trade Marks Hearings Sessions 2006

| | |
|-----------|---|
| Melbourne | 13 – 17 February 5 – 9 June 11 – 15 September |
| Sydney | 13 – 17 March 17 – 21 July 16 – 20 October |
| Adelaide | 14 – 15 August |
| Perth | 17 – 18 August |
| Brisbane | 24 – 25 August |

Persons who desire matters to be set down for hearing in Melbourne, Sydney, Adelaide, Perth or Brisbane must give at least one month's notice of their intention to be heard. If such notice is not given, it may be that there would be insufficient time to allow for the execution of official procedures associated with the listing of hearings, and as a result, the matter involved might not be listed.

Subject to the convenience of this Office, hearings will be set down in Canberra at any time suitable to the parties.

LIST OF STATE OFFICES

IP Australia State Offices are located in the Australian Capitals at the addresses given below. Requests for information may be obtained by calling at, phoning or writing to these offices or IP Australia, Canberra.

Australian Capital Territory

Ground Floor
Discovery House
PHILLIP ACT 2606
(PO Box 200, WODEN ACT 2606)
Ph: 1300 651 010
Fax: (02) 6283 7999

New South Wales

Level 1
45 Clarence Street
SYDNEY NSW 2000
Ph: 1300 651 010
Fax: (02) 9249 5807

Victoria

Level 6
OCBC House
565 Bourke Street
MELBOURNE VIC 3000
Ph: 1300 651 010
Fax (03) 9612 9807

Western Australia

2nd Floor
East Point Plaza
233 Adelaide Terrace
PERTH WA 6000
Ph: 1300 651 010
Fax: (08) 9220 8907

Queensland

Level 1
Grant Thornton House
102 Adelaide Street
BRISBANE QLD 4000
Ph: 1300 651 010
Fax: (07) 3007 1107

South Australia

Level 10
Origin Energy House
1 King William Street
ADELAIDE SA 5000
Ph: 1300 651 010
Fax: (08) 8239 4507

Tasmania

4th Floor
AMP Building
27 Elizabeth Street
HOBART TAS 7000
Ph: 1300 651 010
Fax: (03) 6235 6307

“INID” NUMBERS in use on Australian Design Documents

“INID” is an acronym for “Internationally agreed Numbers for the Identification of Data”.

(10) Data concerning the registration/renewal

- (11) Serial number of the registration and/or number of the design document
- (12) Plain language designation of the kind of published document
- (19) Identification, using the two-letter code according to WIPO Standard ST.3, of the authority publishing or registering the industrial design

(20) Data concerning the application

- (21) Serial number of the application
- (22) Date of filing of the application
- (24) Date from which the industrial design right has effect

(30) Data relating to priority under the Paris Convention

- (31) Serial number assigned to the priority application
- (32) Date of filing of the priority application
- (33) Two-letter code, according to WIPO Standard ST.3, identifying the authority with which the priority application was made

(40) Date(s) of making information available to the public

- (45) Date of publication of the registered industrial design by printing or similar process, or making it available to the public by any other means

(50) Miscellaneous Information

- (51) International Classification for Industrial Designs (class and subclass of the Locarno Classification)
- (54) Designation of article(s) or product(s) covered by the industrial design or title of the industrial design
- (55) Reproduction of the industrial design (e.g., drawing, photograph) and explanations relating to the reproduction
- (56) List of prior art documents, if separate from descriptive text
- (57) Description of characteristic features of the industrial design including indication of colours

(60) References to other legally related application(s) and registration(s)

- (62) Serial number(s) and, if available, filing date(s) of application(s), registration(s) or document(s) related by division
- (66) Serial number(s) of the application, or the registration, of the design(s) which is (are) a variant(s) of the present one

(70) Identification of parties concerned with the application or registration

- (71) Name(s) and address(es) of the applicant(s)
- (72) Name(s) of the creator(s) if known to be such
- (74) Name(s) and address(es) of the representative(s)

This Page Left Intentionally Blank

Official Notices

**IP Australia
2005 Christmas Holiday Close Down**

IP Australia's Certified Agreement provides for a Christmas close down period between Christmas Day and New Year's Day. This means that the majority of IP Australia's staff will be on leave for the period 24 December 2005 until 2 January 2006 inclusive. However, Thursday 29 and Friday 30 December 2005 are not public holidays for the purposes of the Patents, Trade Marks, Designs or Plant Breeder's Rights Acts. This means that all deadlines that fall due on the 29 and 30 December will still need to be met by customers.

In order to provide essential services to our customers on the days of 29 and 30 December, all State Offices with the exception of Hobart, will remain open during this period to receive applications, payments and other documents and to provide searching facilities. Our Customer Service Number, 1300 651 010, will also be available to answer enquiries.

Tasmanian customers requiring essential services during the close down are asked to use the national customer service number 1300 651 010.

Customers calling from outside Australia should call +61 2 6283 2999.

However all processing and examination work will occur outside of this period.

To assist us to deal with urgent matters, customers are requested to send all non-urgent work outside of the Christmas close down period.

Where critical deadlines fall due on a day during the Christmas close down (24 December 2005 to 2 January 2006 inclusive), customers are advised to undertake necessary action prior to the Christmas close down. Some examples of these critical deadlines include:

- the 21-month finalisation date for patent examination;
- making a response to place a design application in order for registration;
- urgent requirement for a certified copy;
- the end of the 6 month period in which a person may file an application for registration of a trade mark in Australia and claim a right of priority from an application they filed overseas in a convention country for the same trade mark;
- final date for acceptance of a trade mark;
- the end of the 15 month period in which a request for deferment of acceptance of a trade mark application may be made; and
- lodgement of Part 1 applications for Plant Breeder's Rights where the period for prior sale is likely to expire during the closedown period.

If you have any specific enquiries regarding the close down period please contact the Customer Service Numbers provided below for referral to a designated contact officer, depending on the nature of your enquiry.

Customers are also reminded of IP Australia's contact details, as listed below. All business correspondence should be via these means. It is particularly important to use these details over the Christmas close down period, as other numbers may not be staffed.

Queries: Gary Flint
Customer Services Network
+61 2 6283 2489

Contact: IP Australia
Phone: 1300 651 010
Fax: +61 2 6283 7999
E-mail: assist@ipaustralia.gov.au
Web: www.ipaustralia.gov.au

HOLIDAY NOTICE

The offices of IP Australia will be closed on the following dates in 2005:

| | | |
|-------------|-----------------------|--------------------------|
| ALL offices | Mon 26 December 2005 | Christmas Day substitute |
| ALL offices | Tue 27 December 2005 | Boxing Day substitute |
| ALL offices | Wed 28 December 2005 | Additional APS Holiday |
| ALL offices | Thur 29 December 2005 | Christmas Close down |
| ALL offices | Fri 30 December 2005 | Christmas Close down |

The offices of IP Australia will be closed on the following dates in 2006:

| | | |
|--------------------|-----------------------|------------------------|
| ALL offices | Mon 2 January 2006 | New Years Day |
| ALL offices | Thur 26 January 2006 | Australia Day |
| Hobart | Mon 13 February 2006 | Royal Regatta Day |
| Perth | Mon 6 March 2006 | Labour Day |
| Melbourne | Mon 13 March 2006 | Labour Day |
| Hobart | Mon 13 March 2006 | Eight Hour Day |
| Adelaide | Mon 13 March 2006 | Adelaide Cup Day |
| Canberra | Mon 20 March 2006 | Canberra Day |
| ALL offices | Fri 14 April 2006 | Good Friday |
| ALL offices | Sat 15 April 2006 | Easter Saturday |
| ALL offices | Mon 17 April 2006 | Easter Monday |
| ALL offices | Tues 25 April 2006 | Anzac Day |
| Brisbane | Mon 1 May 2006 | Labour Day |
| Perth | Mon 5 June 2006 | Foundation Day |
| ALL (except Perth) | Mon 12 June 2006 | Queens Birthday |
| Brisbane | Wed 16 August 2006 | Show Day |
| Perth | Mon 2 October 2006 | Queens Birthday |
| Canberra | Mon 2 October 2006 | Labour Day |
| Adelaide | Mon 2 October 2006 | Labour Day |
| Sydney | Mon 2 October 2006 | Labour Day |
| Hobart | Thur 26 October 2006 | Hobart Show Day |
| Melbourne | Tues 7 November 2006 | Melbourne Cup Day |
| ALL offices | Mon 25 December 2006 | Christmas Day |
| ALL offices | Tues 26 December 2006 | Boxing Day |
| ALL offices | Wed 27 December 2006 | Additional APS Holiday |
| ALL offices | Thur 28 December 2006 | Christmas Close down |
| ALL offices | Fri 29 December 2006 | Christmas Close down |

Official Notices**Publication Dates 2006 - Patent & Trade Marks Journals**

| Volume _ Issue | Publication Date | Volume / Issue | Publication Date |
|----------------|------------------|----------------|------------------|
| 20 01 | 5 January | 20 26 | 13 July |
| 20 02 | 12 January | 20 27 | 20 July |
| 20 03 | 19 January | 20 28 | 27 July |
| 20 04 | 2 February | 20 29 | 3 August |
| 20 05 | 9 February | 20 30 | 10 August |
| 20 06 | 16 February | 20 31 | 17 August |
| 20 07 | 23 February | 20 32 | 24 August |
| 20 08 | 2 March | 20 33 | 31 August |
| 20 09 | 9 March | 20 34 | 7 September |
| 20 10 | 16 March | 20 35 | 14 September |
| 20 11 | 23 March | 20 36 | 21 September |
| 20 12 | 30 March | 20 37 | 28 September |
| 20 13 | 6 April | 20 38 | 5 October |
| 20 14 | 13 April | 20 39 | 12 October |
| 20 15 | 27 April | 20 40 | 19 October |
| 20 16 | 4 May | 20 41 | 26 October |
| 20 17 | 11 May | 20 42 | 2 November |
| 20 18 | 18 May | 20 43 | 9 November |
| 20 19 | 25 May | 20 44 | 16 November |
| 20 20 | 1 June | 20 45 | 23 November |
| 20 21 | 8 June | 20 46 | 30 November |
| 20 22 | 15 June | 20 47 | 7 December |
| 20 23 | 22 June | 20 48 | 14 December |
| 20 24 | 29 June | 20 49 | 21 December |
| 20 25 | 6 July | | |
| | | 21 01 | 4 January 2007 |

Publication Dates 2006 - Design Journal

| Volume _ Issue | Publication Date |
|----------------|------------------|
| 20 01 | 5 January |
| 20 02 | 19 January |
| 20 03 | 2 February |
| 20 04 | 16 February |
| 20 05 | 2 March |
| 20 06 | 16 March |
| 20 07 | 30 March |
| 20 08 | 13 April |
| 20 09 | 27 April |
| 20 10 | 11 May |
| 20 11 | 25 May |
| 20 12 | 8 June |
| 20 13 | 22 June |
| 20 14 | 6 July |
| 20 15 | 20 July |
| 20 16 | 3 August |
| 20 17 | 17 August |
| 20 18 | 31 August |
| 20 19 | 14 September |
| 20 20 | 28 September |
| 20 21 | 12 October |
| 20 22 | 26 October |
| 20 23 | 9 November |
| 20 24 | 23 November |
| 20 25 | 7 December |
| 20 26 | 21 December |
| 21 01 | 4 January 2007 |

Queries: Publications & Forms
Customer Services Network
+61 2 6283 2027 or 6283 2786

Contact: IP Australia
Phone: 1300 651 010
Fax: +61 2 6283 7999
E-mail: publications@ipaustrialia.gov.au
Web: www.ipaustrialia.gov.au

Official Notice***Designs Act 2003***
Amendments to Registered Designs at Examination

The following amendments have been made to details previously published in the Australian Official Journal of Designs during the Examination process:

| Registration Number | Amendment type | New details |
|----------------------------|-----------------------|--------------------|
| 302266 | Applicants Name | Pelco |
| 302267 | Applicants Name | Pelco |
| 302268 | Applicants Name | Pelco |
| 302269 | Applicants Name | Pelco |
| 302270 | Applicants Name | Pelco |

For more recent notifications of converted applications, please see the Australian Designs Data Searching system.

Contact: IP Australia
Phone: 1300 651 010
Fax: +61 2 6283 7999
E-mail: assist@ipaustralia.gov.au
Web: www.ipaustralia.gov.au

Proceedings under the Designs Act 1906 preserved as a result of the provisions of Chapter 12 Part 2 of the Designs Act 2003.

This Page Left Intentionally Blank

Applications Lapsed

| | |
|-------------------------|-------------------------|
| 00207 / 2004 (15-99) | 00208 / 2004 (15-99) |
| 00209 / 2004 (15-99) | 00210 / 2004 (15-99) |
| 00502 / 2004 (14-02) | 00503 / 2004 (14-02) |
| 00506 / 2004 (12-16K) | 00508 / 2004 (23-01L) |
| 00509 / 2004 (06-13NES) | 00511 / 2004 (03-01D) |
| 00523 / 2004 (25-01A) | 00526 / 2004 (12-10) |
| 00527 / 2004 (12-10) | 00531 / 2004 (08-05NES) |
| 00543 / 2004 (08-08NES) | 00549 / 2004 (09-03M) |
| 00593 / 2004 (14-03A) | 00594 / 2004 (14-01) |
| 00595 / 2004 (09-01NES) | 00610 / 2004 (09-07B) |

Application for Extension of Period of Registration

Applications under Section 27A(2) for extension of registration of the following designs have been lodged. In the event that a design is shown to be not new or original, the Registrar may refuse to extend the period of registration. Sub-section 27A(4) allows any person to lodge at the Designs Office material relevant to the question whether the design is not new or original. That material must be lodged within 11 months of the date when the registration of the design was made. Further details of the conditions and procedures for the lodgement of material are contained in Form 8 provided under the Designs Regulation 24.

| Registration Number | Registered Owner | Registration Date |
|---------------------|---|-------------------|
| 155304 | CERAMIC INNOVATIONS PTY LTD | 03/05/2004 |
| 155305 | CERAMIC INNOVATIONS PTY LTD | 03/05/2004 |
| 156533 | GEOFFREY FRANCIS DART and BRETT ROBERT SHUGG DAVIES | 29/09/2004 |
| 156603 | ALLEN HARDWARE PRODUCTS PTY LIMITED | 08/10/2004 |
| 156725 | IN MOTION TECHNOLOGIES PTY LTD | 21/10/2004 |
| 156943 | MAUREEN IRWIN | 29/11/2004 |
| 156948 | JACKSPEED CORPORATION LIMITED | 29/11/2004 |
| 156949 | JACKSPEED CORPORATION LIMITED | 29/11/2004 |
| 156985 | CABOT SAFETY INTERMEDIATE CORPORATION | 02/12/2004 |
| 157000 | QUINNTECH PTY LTD | 03/12/2004 |
| 157005 | ELIZABETH EDEN | 03/12/2004 |
| 157017 | ADRIAN CHIRU and LEANNE WHITEHOUSE | 10/12/2004 |
| 157050 | JONATHAN CROWTHER | 14/12/2004 |
| 157082 | KENNETH STEPHEN DONE | 23/12/2004 |
| 157092 | KENNETH STEPHEN DONE | 23/12/2004 |
| 157179 | GEOFFREY FRANCIS KEATING | 06/01/2005 |
| 157194 | GRAHAM O'DELL and MARISA KRISTINE O'DELL | 07/01/2005 |
| 157228 | AVADO ORGANICS PTY LTD | 11/01/2005 |
| 157255 | VENTRASSIST PTY LTD | 12/01/2005 |
| 157256 | VENTRASSIST PTY LTD | 12/01/2005 |
| 157269 | DANIEL BRASCHLER | 17/01/2005 |
| 157293 | LOIS RIEGEL | 17/01/2005 |
| 157495 | E.D. OATES PTY LTD | 09/02/2005 |
| 157534 | CEREBOS (AUSTRALIA) LIMITED | 17/02/2005 |
| 157621 | DUNN & FARRUGIA PTY LTD | 28/02/2005 |
| 158184 | HOLDEN LTD | 29/07/2005 |
| 158294 | SIGNUM SPECIALITIES PTY LTD | 12/09/2005 |

| Registration Number | Registered Owner | Registration Date |
|---------------------|------------------------------------|-------------------|
| 158308 | MERIDIAN MEDICAL TECHNOLOGIES INC. | 23/09/2005 |
| 158359 | RONALD C. STOUT | 24/10/2005 |

Extension of Period of Registration of Designs

1st Period (Section 27A(8))

| | | |
|--------|--------|--------|
| 154155 | 155304 | 155305 |
| 156533 | 156603 | 156725 |
| 156861 | 156862 | 156865 |
| 156866 | 156867 | 156868 |
| 156869 | 156870 | 156871 |
| 156872 | 156873 | 156875 |
| 156876 | 156877 | 156878 |
| 156879 | 156880 | 156881 |
| 156882 | 156883 | 156884 |
| 156885 | 156886 | 156890 |
| 156891 | 156892 | 156893 |
| 156894 | 156895 | 156896 |
| 156897 | 156898 | 156899 |
| 156900 | 156901 | 156902 |
| 156903 | 156904 | 156905 |
| 156906 | 156907 | 156908 |
| 156909 | 156910 | 156911 |
| 156912 | 156913 | 156914 |
| 156915 | 156916 | 156917 |
| 156918 | 156920 | 156921 |
| 156924 | 156925 | 156926 |
| 156927 | 156928 | 156929 |
| 156930 | 156931 | 156932 |
| 156933 | 156936 | 156937 |
| 156938 | 156941 | 156942 |
| 156943 | 156944 | 156945 |
| 156946 | 156947 | 156948 |
| 156949 | 156950 | 156951 |
| 156952 | 156953 | 156957 |
| 156958 | 156959 | 156960 |
| 156961 | 156962 | 156963 |
| 156964 | 156965 | 156966 |
| 156967 | 156968 | 156969 |
| 156970 | | |

2nd Period (Section 27A(12))

| | | |
|--------|--------|--------|
| 139091 | 139622 | 140627 |
| 140628 | 140709 | 140710 |
| 140711 | 140712 | 140713 |
| 140714 | 140715 | 140733 |
| 140734 | 140735 | 140736 |
| 140737 | 140769 | 140848 |
| 140851 | 140867 | 140950 |
| 141009 | 141026 | 141077 |
| 141108 | 141172 | 141173 |
| 141174 | 141215 | 141333 |
| 141554 | 141583 | 141649 |

| | | |
|--------|--------|--------|
| 141650 | 141651 | 141838 |
| 141839 | 141876 | 141903 |
| 141969 | 141987 | 142117 |
| 142118 | 142253 | 142281 |
| 142297 | 142298 | 142475 |
| 142594 | 143426 | 143576 |
| 143810 | 143884 | 144063 |
| 144064 | 144122 | 144123 |
| 144124 | 144125 | 144281 |
| 144295 | 144543 | 144620 |
| 144724 | 144725 | 145055 |
| 145056 | 145434 | 156924 |
| 157914 | 157915 | |

| | | |
|--------|--------|--------|
| 143083 | 143084 | 143085 |
| 144709 | 146050 | 156887 |
| 156888 | 156889 | 156919 |
| 156923 | | |

3rd Period (Section 27A(13))

| | | |
|--------|--------|--------|
| 122480 | 123899 | 124332 |
| 124346 | 124359 | 124395 |
| 124443 | 124444 | 124487 |
| 124541 | 124542 | 124600 |
| 124707 | 124752 | 124899 |
| 126664 | 126901 | 126902 |
| 126903 | 126904 | 127303 |
| 127369 | 127402 | 128461 |
| 129179 | 130288 | 134214 |
| 156924 | | |

Extensions of time granted

Applications lodged for extension of time have been granted.

139091 **Matthew Channing Troy Maggs** An Extension of time to extend a registration has been granted to 28/09/2005

156725 **In Motion Technologies Pty Ltd** An Extension of time to extend a registration has been granted to 14/11/2005

156603 **Allen Hardware Products Pty Limited** An Extension of time to extend a registration has been granted to 25/10/2005

155304 **Ceramic Innovations Pty Ltd** An Extension of time to extend a registration has been granted to 26/05/2005

155305 **Ceramic Innovations Pty Ltd** An Extension of time to extend a registration has been granted to 26/05/2005

156533 **Geoffrey Francis Dart** An Extension of time to extend a registration has been granted to 12/10/2005

Registrations Ceased

Note: Some of the following Registrations may have been previously advertised as ceased. In this instance, the previous advertisement still prevails.

| | | |
|--------|--------|--------|
| 107806 | 107841 | 107852 |
| 107853 | 107854 | 107855 |
| 107856 | 107857 | 107858 |
| 107859 | 107866 | 107883 |
| 107909 | 107931 | 108113 |
| 108170 | 108173 | 108226 |
| 108266 | 108315 | 108374 |
| 109401 | 109402 | 109403 |
| 109960 | 114256 | 115422 |
| 119132 | 120826 | 121532 |
| 122158 | 122365 | 122923 |
| 122924 | 122930 | 122931 |
| 123045 | 124898 | 125081 |
| 125663 | 125967 | 137309 |
| 137407 | 137532 | 137609 |
| 137610 | 137611 | 138020 |
| 138925 | 139040 | 139073 |
| 139101 | 139106 | 139322 |
| 139326 | 139435 | 139479 |
| 139525 | 139690 | 139925 |
| 140127 | 140526 | 140527 |
| 140528 | 141124 | 141543 |
| 141901 | 142107 | 142108 |
| 142176 | 142277 | 142313 |
| 142922 | 142923 | 142924 |
| 143019 | 143081 | 143082 |

Registration Proceedings

Designs Registered

This section provides a concordance between application number and registration number of Designs covered in this journal. It also shows the main class and registration date.

This section covers Registration numbers 158388 to 158440.

The registration number shown below should be used in all future correspondence.

| Application Number | Registration Number | International Classification Code (IDC) | Registration Date | Application Number | Registration Number | International Classification Code (IDC) | Registration Date |
|---------------------------|----------------------------|--|--------------------------|---------------------------|----------------------------|--|--------------------------|
| 03859/2003 | 158388 | 25-03 | 24/11/2005 | 01327/2004 | 158408 | 12-16NES | 24/11/2005 |
| 00440/2004 | 158389 | 28-99 | 24/11/2005 | 01329/2004 | 158425 | 12-16H | 28/11/2005 |
| 00584/2004 | 158390 | 26-02 | 24/11/2005 | 01374/2004 | 158409 | 23-02B | 24/11/2005 |
| 00585/2004 | 158391 | 26-02 | 24/11/2005 | 01389/2004 | 158410 | 04-02 | 24/11/2005 |
| 00606/2004 | 158403 | 24-02 | 24/11/2005 | 01399/2004 | 158411 | 29-02 | 24/11/2005 |
| 00684/2004 | 158416 | 19-06 | 28/11/2005 | 01477/2004 | 158426 | 06-01G | 28/11/2005 |
| 00685/2004 | 158417 | 23-04 | 28/11/2005 | 01518/2004 | 158398 | 10-04 | 24/11/2005 |
| 00686/2004 | 158418 | 23-04 | 28/11/2005 | 01519/2004 | 158399 | 10-04 | 24/11/2005 |
| 00687/2004 | 158419 | 23-04 | 28/11/2005 | 01520/2004 | 158400 | 10-04 | 24/11/2005 |
| 00761/2004 | 158420 | 08-08B | 28/11/2005 | 01521/2004 | 158397 | 10-04 | 24/11/2005 |
| 00765/2004 | 158421 | 23-01A | 28/11/2005 | 01554/2004 | 158412 | 24-04 | 24/11/2005 |
| 00783/2004 | 158422 | 23-02A | 28/11/2005 | 01579/2004 | 158413 | 20-01 | 24/11/2005 |
| 00884/2004 | 158392 | 21-03 | 24/11/2005 | 01628/2004 | 158427 | 30-04 | 28/11/2005 |
| 00941/2004 | 158423 | 21-03 | 28/11/2005 | 01634/2004 | 158414 | 21-01NES | 24/11/2005 |
| 00984/2004 | 158393 | 09-01NES | 24/11/2005 | 01670/2004 | 158428 | 26-03 | 28/11/2005 |
| 01006/2004 | 158424 | 20-02E | 28/11/2005 | 01815/2004 | 158430 | 15-09 | 28/11/2005 |
| 01104/2004 | 158431 | 28-03NES | 28/11/2005 | 01934/2004 | 158415 | 12-16B | 24/11/2005 |
| 01107/2004 | 158432 | 25-01K | 28/11/2005 | 02029/2004 | 158433 | 23-01K | 28/11/2005 |
| 01170/2004 | 158394 | 26-02 | 24/11/2005 | 02030/2004 | 158434 | 23-01NES | 28/11/2005 |
| 01171/2004 | 158395 | 26-02 | 24/11/2005 | 02031/2004 | 158435 | 23-01F | 28/11/2005 |
| 01184/2004 | 158396 | 16-06 | 24/11/2005 | 02032/2004 | 158436 | 23-01NES | 28/11/2005 |
| 01205/2004 | 158404 | 09-03F | 24/11/2005 | 02033/2004 | 158437 | 23-01A | 28/11/2005 |
| 01210/2004 | 158405 | 08-05L | 24/11/2005 | 02153/2004 | 158438 | 09-01G | 28/11/2005 |
| 01229/2004 | 158406 | 25-01D | 24/11/2005 | 02284/2004 | 158429 | 12-07 | 28/11/2005 |
| 01320/2004 | 158401 | 12-16H | 24/11/2005 | 02405/2004 | 158439 | 25-02C | 28/11/2005 |
| 01324/2004 | 158402 | 06-01D | 24/11/2005 | 02406/2004 | 158440 | 25-02C | 28/11/2005 |
| 01325/2004 | 158407 | 06-01D | 24/11/2005 | | | | |

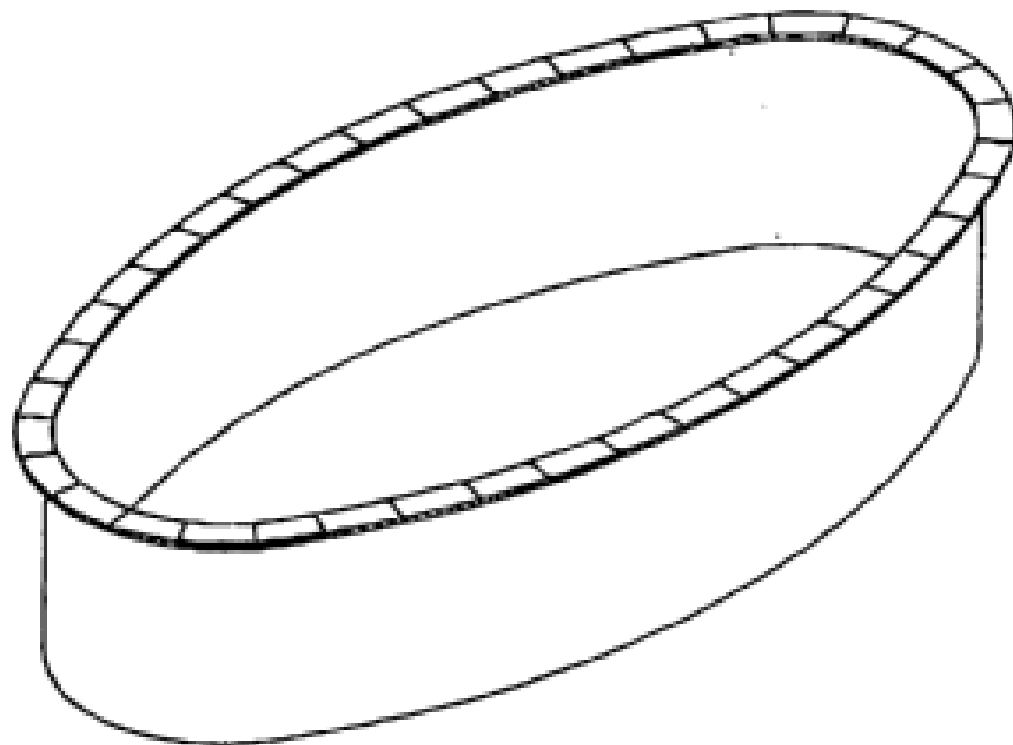
Registration Proceedings

Class Listing of Designs Registered

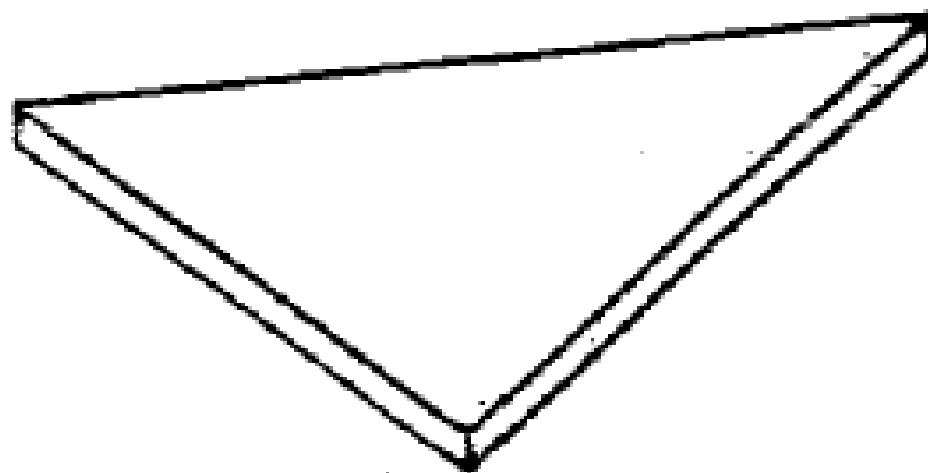
The following section shows an International Classification Code listing of the Registered Designs covered in this supplement.

| Classification | Registration Number | Application Number | Classification | Registration Number | Application Number |
|-----------------------|----------------------------|---------------------------|-----------------------|----------------------------|---------------------------|
| 04-02 | 158410 | 01389/2004 | 23-01 A | 158437 | 02033/2004 |
| 06-01 D | 158402 | 01324/2004 | 23-01 F | 158435 | 02031/2004 |
| 06-01 D | 158407 | 01325/2004 | 23-01 K | 158433 | 02029/2004 |
| 06-01 G | 158426 | 01477/2004 | 23-01 NES | 158434 | 02030/2004 |
| 08-05 L | 158405 | 01210/2004 | 23-01 NES | 158436 | 02032/2004 |
| 08-08 B | 158420 | 00761/2004 | 23-02 A | 158422 | 00783/2004 |
| 09-01 G | 158438 | 02153/2004 | 23-02 B | 158409 | 01374/2004 |
| 09-01 NES | 158393 | 00984/2004 | 23-04 | 158416 | 00684/2004 |
| 09-03 F | 158404 | 01205/2004 | 23-04 | 158417 | 00685/2004 |
| 09-05 | 158404 | 01205/2004 | 23-04 | 158418 | 00686/2004 |
| 10-04 | 158397 | 01521/2004 | 23-04 | 158419 | 00687/2004 |
| 10-04 | 158398 | 01518/2004 | 24-02 | 158403 | 00606/2004 |
| 10-04 | 158399 | 01519/2004 | 24-04 | 158412 | 01554/2004 |
| 10-04 | 158400 | 01520/2004 | 25-01 D | 158406 | 01229/2004 |
| 12-07 | 158429 | 02284/2004 | 25-01 K | 158432 | 01107/2004 |
| 12-16 B | 158415 | 01934/2004 | 25-02 C | 158439 | 02405/2004 |
| 12-16 H | 158401 | 01320/2004 | 25-02 C | 158440 | 02406/2004 |
| 12-16 H | 158425 | 01329/2004 | 25-03 | 158388 | 03859/2003 |
| 12-16 NES | 158408 | 01327/2004 | 26-02 | 158390 | 00584/2004 |
| 15-09 | 158430 | 01815/2004 | 26-02 | 158391 | 00585/2004 |
| 16-05 | 158397 | 01521/2004 | 26-02 | 158394 | 01170/2004 |
| 16-05 | 158399 | 01519/2004 | 26-02 | 158395 | 01171/2004 |
| 16-05 | 158400 | 01520/2004 | 26-03 | 158428 | 01670/2004 |
| 16-06 | 158396 | 01184/2004 | 28-03 NES | 158389 | 00440/2004 |
| 19-06 | 158416 | 00684/2004 | 28-03 NES | 158431 | 01104/2004 |
| 20-01 | 158413 | 01579/2004 | 28-99 | 158389 | 00440/2004 |
| 20-02 E | 158424 | 01006/2004 | 29-02 | 158411 | 01399/2004 |
| 21-01 NES | 158414 | 01634/2004 | 30-04 | 158427 | 01628/2004 |
| 21-03 | 158392 | 00884/2004 | | | |
| 21-03 | 158423 | 00941/2004 | | | |
| 23-01 A | 158421 | 00765/2004 | | | |

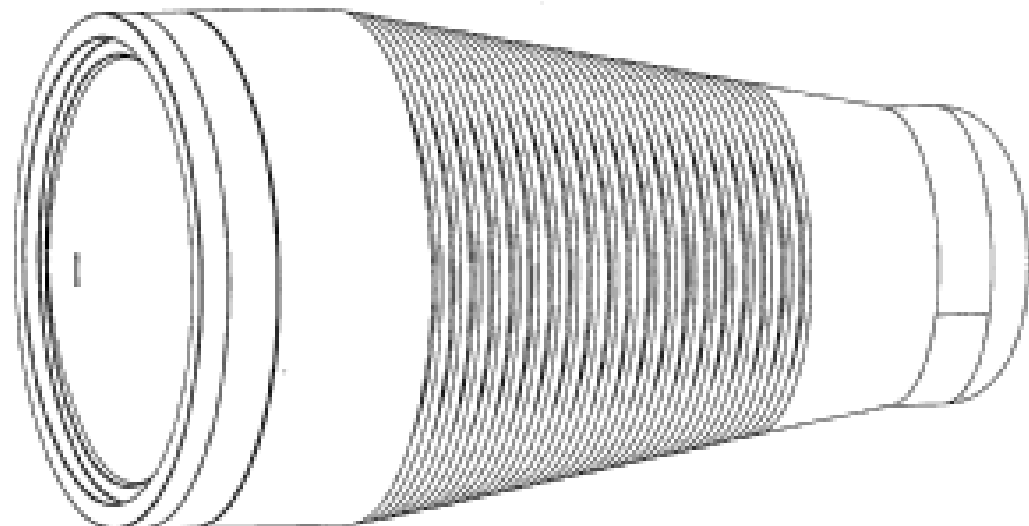
(21) Application Number: **3859/2003**
(22) Date of Filing Application: **05 November 2003**
(24) Date from which industrial property rights may have effect: **05 November 2003**
(54) Article in respect of which the design is registered: **Swimming pool**
(51) International Design Classification: **25-03**
(74) Name(s) of Attorney(s): **Davies Collison Cave**
(71) Name(s) and Address(s) of Applicant(s):
Piscines Desjoyaux S.A.
La Gouyonniere 42480 La Fouillouse France
(72) Name(s) of Author(s): **Jean-Louis Desjoyaux and Pierre-Louis Desjoyaux and Catherine Jandros**
(45) Registration Date: **24 November 2005**
(30) Convention priority data:
(31) Number (32) Date (33) Country
03 2691 20 May 2003 FRANCE
(56) Related Art Documents: **Not Applicable**
(57) Statement of Monopoly: **Monopoly is claimed in the shape and/or configuration of the swimming pool, as illustrated in the accompanying representations. In considering the scope of monopoly, the pool edge surround should be disregarded.**
Statement of Novelty: **Nil**



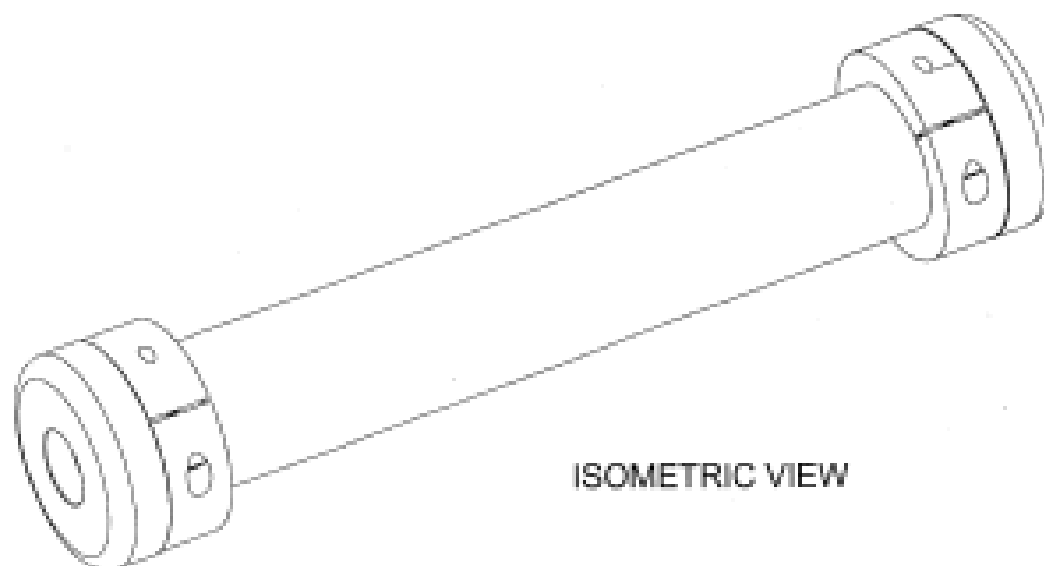
(21) Application Number: **0440/2004**
(22) Date of Filing Application: **05 February 2004**
(24) Date from which industrial property rights may have effect: **17 September 2003**
(54) Article in respect of which the design is registered: **Depilation template**
(51) International Design Classification: **28-99, 28-03NES**
(74) Name(s) of Attorney(s): **WALLINGTON-DUMMER**
(71) Name(s) and Address(s) of Applicant(s):
Lambrini Dranganoudis
3/74 Noble Street Allawah New South Wales 2218 Australia
(72) Name(s) of Author(s): **Lambrini Dranganoudis**
(45) Registration Date: **24 November 2005**
(62) Divisional of: **154534**
(56) Related Art Documents: **Not Applicable**
(57) Statement of Monopoly: **Monopoly resides in the shape and/or configuration of a character as illustrated in the representations.**
Statement of Novelty: **Nil**



(21) Application Number: **0584/2004**
(22) Date of Filing Application: **19 February 2004**
(24) Date from which industrial property rights may have effect: **19 February 2004**
(54) Article in respect of which the design is registered: **An underwater light housing**
(51) International Design Classification: **26-02**
(74) Name(s) of Attorney(s): **John R. G. Gardner**
(71) Name(s) and Address(s) of Applicant(s):
Andrew Robert Harcourt
26 Mount Street Burleigh Heads Queensland 4220 Australia
(72) Name(s) of Author(s): **Andrew Robert Harcourt**
(45) Registration Date: **24 November 2005**
(56) Related Art Documents: **Not Applicable**
(57) Statement of Monopoly: **Monopoly is claimed in the shape and configuration of an underwater light housing as illustrated in the representations.**
Statement of Novelty: **Nil**



(21) Application Number: **0585/2004**
(22) Date of Filing Application: **19 February 2004**
(24) Date from which industrial property rights may have effect: **19 February 2004**
(54) Article in respect of which the design is registered: **An underwater light housing**
(51) International Design Classification: **26-02**
(74) Name(s) of Attorney(s): **John R. G. Gardner**
(71) Name(s) and Address(s) of Applicant(s):
Andrew Robert Harcourt
26 Mount Street Burleigh Heads Queensland 4220 Australia
(72) Name(s) of Author(s): **Andrew Robert Harcourt**
(45) Registration Date: **24 November 2005**
(56) Related Art Documents: **Not Applicable**
(57) Statement of Monopoly: **Monopoly is claimed in the shape and configuration of an underwater light housing as illustrated in the representations. The tube between the end fittings is of indeterminate length and constant cross section throughout its length.**
Statement of Novelty: **Nil**



(19) AU

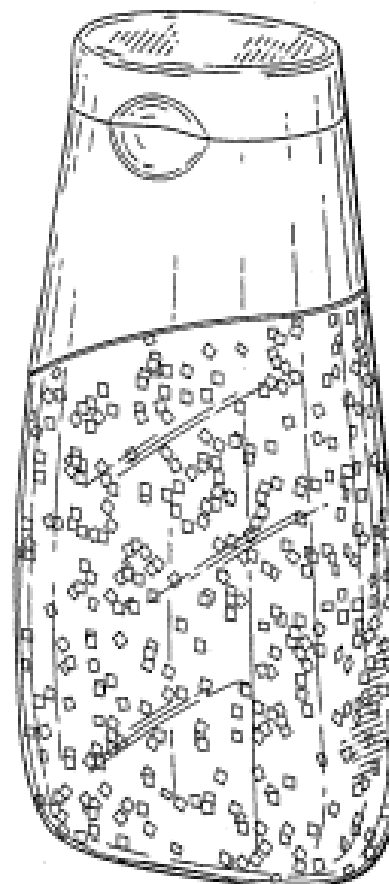
- (21) Application Number: **0884/2004**
- (22) Date of Filing Application: **08 March 2004**
- (24) Date from which industrial property rights may have effect: **08 March 2004**
- (54) Article in respect of which the design is registered: **Post for playground structure**
- (51) International Design Classification: **21-03**
- (74) Name(s) of Attorney(s): **Griffith Hack**
- (71) Name(s) and Address(s) of Applicant(s):
Playnation Pty Ltd
1908 Sandgate Road Virginia Queensland 4014 Australia
- (72) Name(s) of Author(s): **Hamish Hudson Henry**
- (45) Registration Date: **24 November 2005**
- (56) Related Art Documents: **Not Applicable**
- (57) Statement of Monopoly: **Monopoly is claimed in the shape and configuration of a post for a playground structure as shown in the accompanying drawings.**
Statement of Novelty: **Nil**



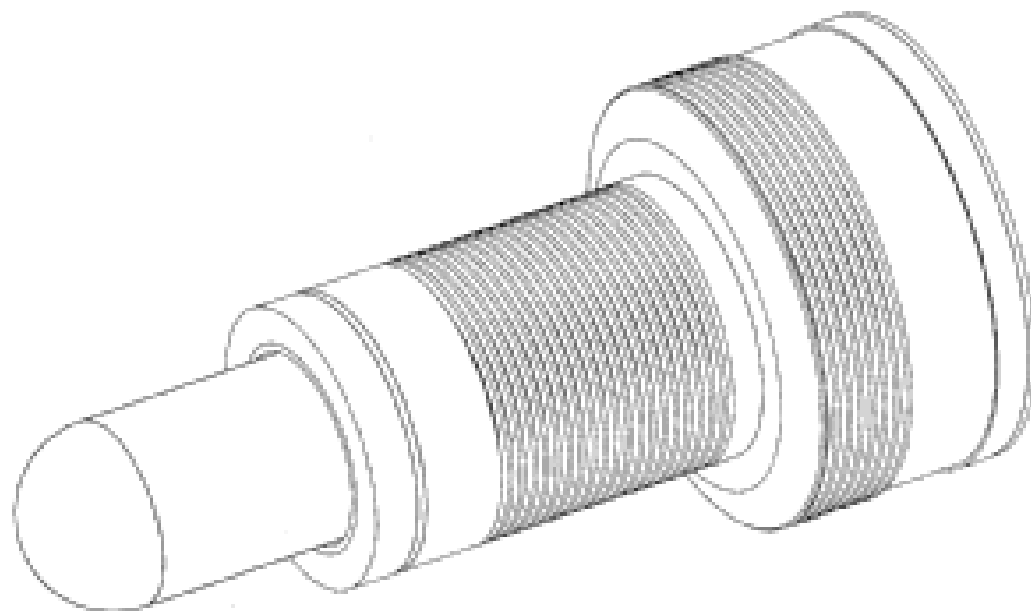
(19) AU

- (21) Application Number: **0984/2004**
- (22) Date of Filing Application: **15 March 2004**
- (24) Date from which industrial property rights may have effect: **15 March 2004**
- (54) Article in respect of which the design is registered: **Container with product**
- (51) International Design Classification: **09-01NES**
- (74) Name(s) of Attorney(s): **F.B. Rice & Co.**
- (71) Name(s) and Address(s) of Applicant(s):
Colgate-Palmolive Company
300 Park Avenue New York New York 10022 United States of America
- (72) Name(s) of Author(s): **Thomas J. Boyd**
- (45) Registration Date: **24 November 2005**
- (30) Convention priority data:

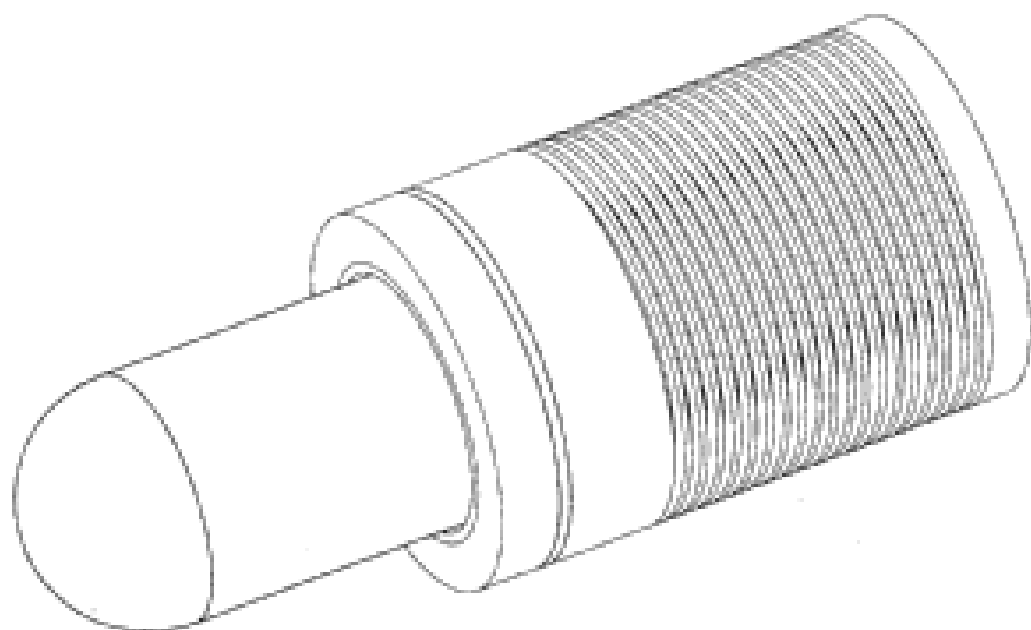
| | | |
|------------------|--------------------|---------------------------------|
| (31) Number | (32) Date | (33) Country |
| 29/190614 | 25 Sep 2003 | UNITED STATES OF AMERICA |
- (61) Additional to: **138015**
- (56) Related Art Documents: **Not Applicable**
- (57) Statement of Monopoly: **Those features of the representations in respect of which the applicant for registration of the design wishes to claim a monopoly are the features of shape, configuration, pattern and ornamentation of the container and the contained products.**
Statement of Novelty: **Nil**



(21) Application Number: **1170/2004**
(22) Date of Filing Application: **30 March 2004**
(24) Date from which industrial property rights may have effect: **30 March 2004**
(54) Article in respect of which the design is registered: **An underwater light housing**
(51) International Design Classification: **26-02**
(74) Name(s) of Attorney(s): **John R. G. Gardner**
(71) Name(s) and Address(s) of Applicant(s):
Andrew Robert Harcourt
26 Mount Street Burleigh Heads Queensland 4220 Australia
(72) Name(s) of Author(s): **Andrew Robert Harcourt**
(45) Registration Date: **24 November 2005**
(56) Related Art Documents: **Not Applicable**
(57) Statement of Monopoly: **Monopoly is claimed in the shape and configuration of an underwater light housing as illustrated in the representations.**
Statement of Novelty: **Nil**



(21) Application Number: **1171/2004**
(22) Date of Filing Application: **30 March 2004**
(24) Date from which industrial property rights may have effect: **30 March 2004**
(54) Article in respect of which the design is registered: **An underwater light housing**
(51) International Design Classification: **26-02**
(74) Name(s) of Attorney(s): **John R. G. Gardner**
(71) Name(s) and Address(s) of Applicant(s):
Andrew Robert Harcourt
26 Mount Street Burleigh Heads Queensland 4220 Australia
(72) Name(s) of Author(s): **Andrew Robert Harcourt**
(45) Registration Date: **24 November 2005**
(56) Related Art Documents: **Not Applicable**
(57) Statement of Monopoly: **Monopoly is claimed in the shape and configuration of an underwater light housing as illustrated in the representations.**
Statement of Novelty: **Nil**

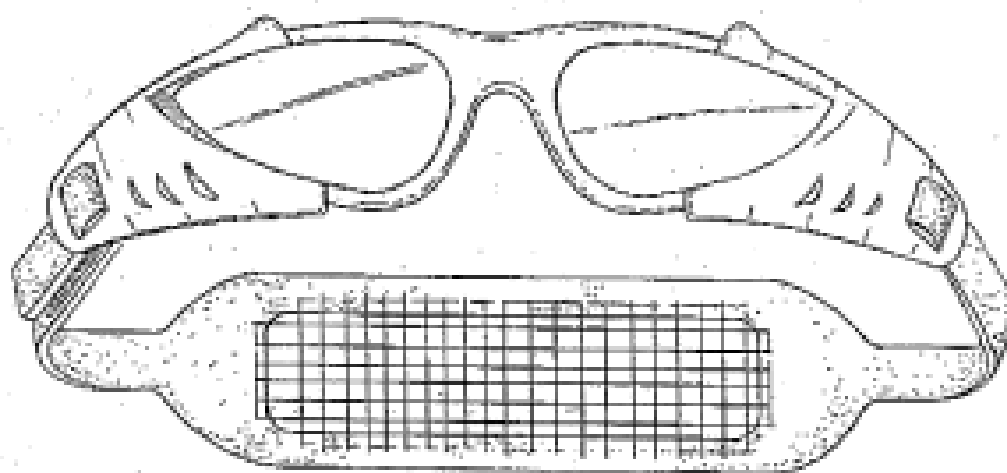


(19) AU

(21) Application Number: **1184/2004**
 (22) Date of Filing Application: **30 March 2004**
 (24) Date from which industrial property rights may have effect: **30 March 2004**
 (54) Article in respect of which the design is registered: **Sunglasses**
 (51) International Design Classification: **16-06**
 (74) Name(s) of Attorney(s): **Freehills Patent & Trade Mark Attorneys**
 (71) Name(s) and Address(s) of Applicant(s):
Lillian R. Paolino
63 Cornwells Road Sands Point New York 11050 United States of America
 (72) Name(s) of Author(s): **Lillian R. Paolino**
 (45) Registration Date: **24 November 2005**
 (30) Convention priority data:

| | | |
|-------------------|--------------------|---------------------------------|
| (31) Number | (32) Date | (33) Country |
| 29/192,518 | 24 Oct 2003 | UNITED STATES OF AMERICA |

 (56) Related Art Documents: **Not Applicable**
 (57) Statement of Monopoly: **Monopoly is claimed in the shape or configuration of sunglasses as shown in the accompanying representations.**
 Statement of Novelty: **Nil**

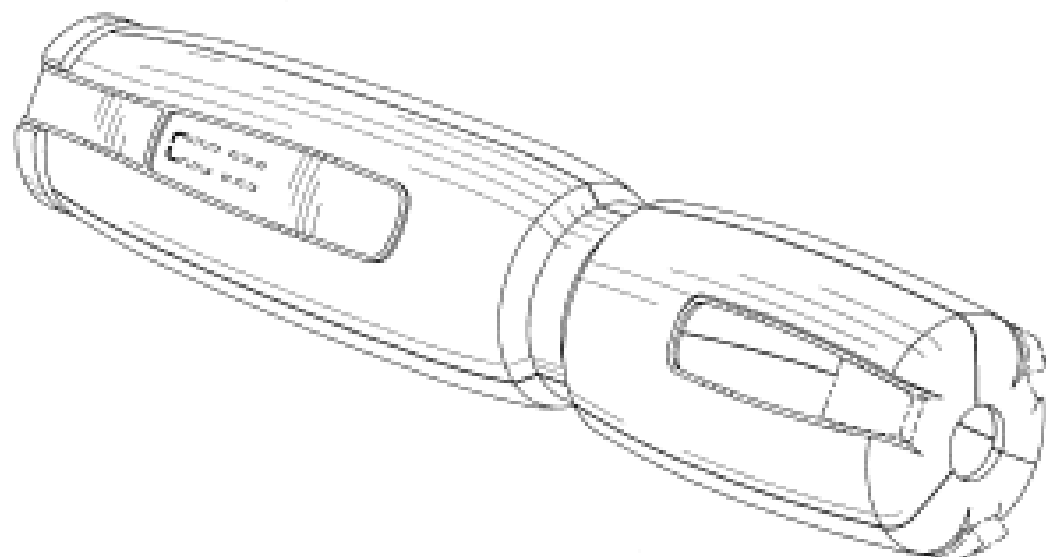


(19) AU

(21) Application Number: **1521/2004**
 (22) Date of Filing Application: **21 April 2004**
 (24) Date from which industrial property rights may have effect: **21 April 2004**
 (54) Article in respect of which the design is registered: **A tripod in a storage condition**
 (51) International Design Classification: **10-04, 16-05**
 (74) Name(s) of Attorney(s): **Davies Collison Cave**
 (71) Name(s) and Address(s) of Applicant(s):
Black & Decker Inc.
1207 Drummond Plaza Newark Delaware 19711 United States of America
 (72) Name(s) of Author(s): **Christopher J. Murray and Aldo Balatti and Robert D. Watters**
 (45) Registration Date: **24 November 2005**
 (30) Convention priority data:

| | | |
|------------------|-------------------|---------------------------------|
| (31) Number | (32) Date | (33) Country |
| 29/193392 | 7 Nov 2003 | UNITED STATES OF AMERICA |

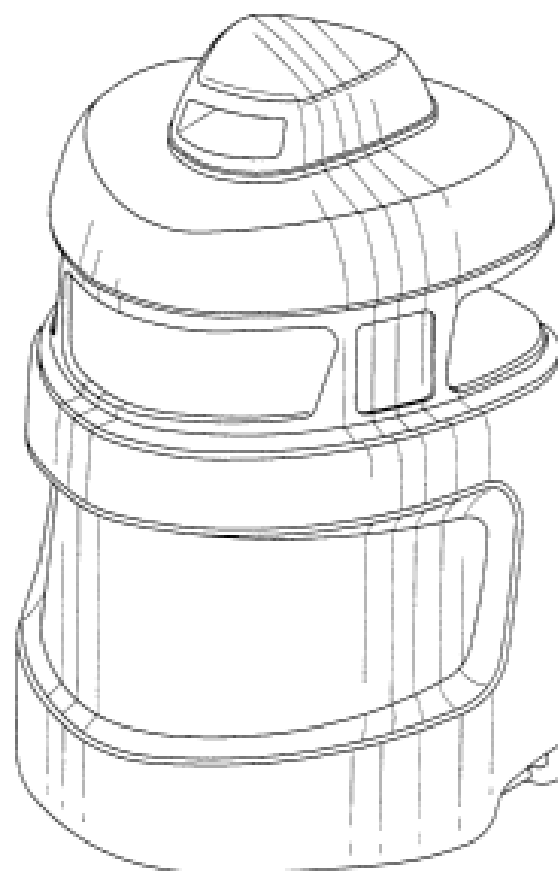
 (56) Related Art Documents: **Not Applicable**
 (57) Statement of Monopoly: **Monopoly is claimed in the features of shape and/or configuration of the tripod shown in the representations. In considering the extent of monopoly protection the parts shown in broken lines are to be disregarded.**
 Statement of Novelty: **Nil**



(21) Application Number: **1518/2004**
 (22) Date of Filing Application: **21 April 2004**
 (24) Date from which industrial property rights may have effect: **21 April 2004**
 (54) Article in respect of which the design is registered: **A laser head**
 (51) International Design Classification: **10-04**
 (74) Name(s) of Attorney(s): **Davies Collison Cave**
 (71) Name(s) and Address(s) of Applicant(s):
Black & Decker Inc.
1207 Drummond Plaza Newark Delaware 19711 United States of America
 (72) Name(s) of Author(s): **Christopher J. Murray and Aldo Balatti and Robert D. Watters**
 (45) Registration Date: **24 November 2005**
 (30) Convention priority data:

| | | |
|-----------------|-------------------|---------------------------------|
| (31) Number | (32) Date | (33) Country |
| 29193318 | 7 Nov 2003 | UNITED STATES OF AMERICA |

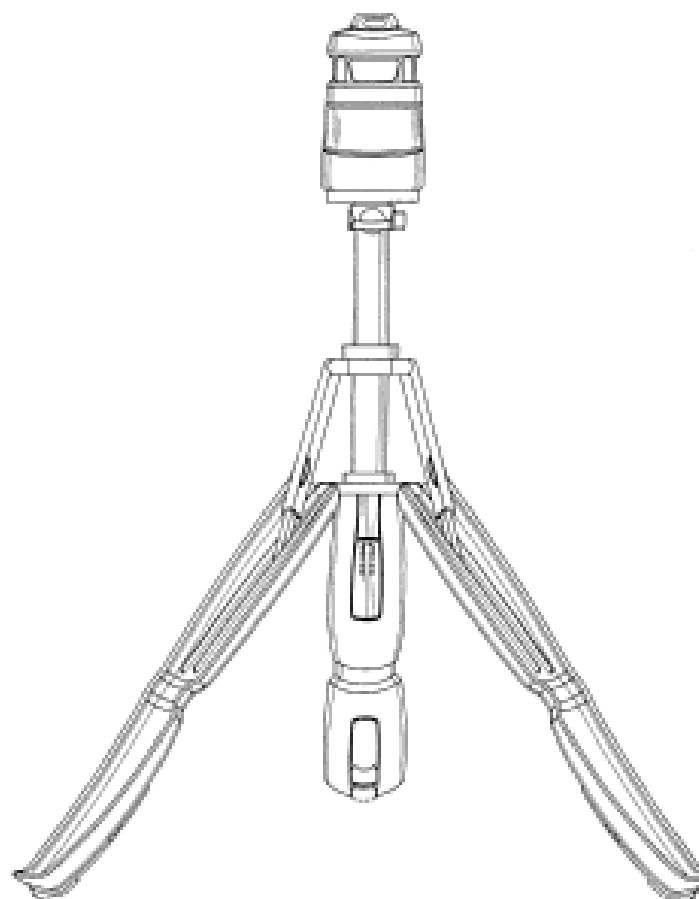
 (56) Related Art Documents: **Not Applicable**
 (57) Statement of Monopoly: **Monopoly is claimed in the features of shape and/or configuration of the laser head shown in the representations. In considering the extent of monopoly protection, the parts shown in broken lines in the representations are to be disregarded.**
 Statement of Novelty: **Nil**



(21) Application Number: **1519/2004**
 (22) Date of Filing Application: **21 April 2004**
 (24) Date from which industrial property rights may have effect: **21 April 2004**
 (54) Article in respect of which the design is registered: **A folding laser tripod**
 (51) International Design Classification: **10-04, 16-05**
 (74) Name(s) of Attorney(s): **Davies Collison Cave**
 (71) Name(s) and Address(s) of Applicant(s):
Black & Decker Inc.
1207 Drummond Plaza Newark Delaware 19711 United States of America
 (72) Name(s) of Author(s): **Christopher J. Murray and Aldo Balatti and Robert D. Watters**
 (45) Registration Date: **24 November 2005**
 (30) Convention priority data:

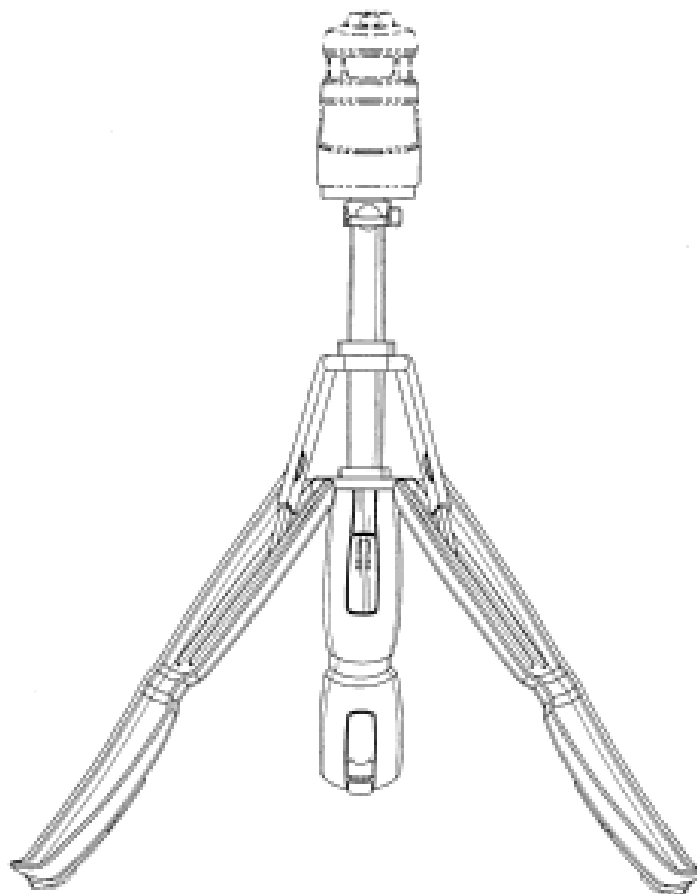
| | | |
|-----------------|-------------------|---------------------------------|
| (31) Number | (32) Date | (33) Country |
| 29193332 | 7 Nov 2003 | UNITED STATES OF AMERICA |

 (56) Related Art Documents: **Not Applicable**
 (57) Statement of Monopoly: **Monopoly is claimed in the features of shape and/or configuration of the folding laser tripod as shown in the representations. In considering the extent of monopoly protection, the parts shown in broken lines are to be disregarded.**
 Statement of Novelty: **Nil**



(19) AU

- (21) Application Number: **1520/2004**
(22) Date of Filing Application: **21 April 2004**
(24) Date from which industrial property rights may have effect: **21 April 2004**
(54) Article in respect of which the design is registered: **A tripod**
(51) International Design Classification: **10-04, 16-05**
(74) Name(s) of Attorney(s): **Davies Collison Cave**
(71) Name(s) and Address(s) of Applicant(s):
Black & Decker Inc.
1207 Drummond Plaza Newark Delaware 19711 United States of America
(72) Name(s) of Author(s): **Christopher J. Murray and Aldo Balatti and Robert D. Watters**
(45) Registration Date: **24 November 2005**
(30) Convention priority data:
(31) Number (32) Date (33) Country
29/193326 7 Nov 2003 UNITED STATES OF AMERICA
(56) Related Art Documents: **Not Applicable**
(57) Statement of Monopoly: **Monopoly is claimed in the features of shape and/or configuration of the tripod shown in the accompanying representations. In considering the extent of monopoly protection the parts shown in broken lines are to disregarded.**
Statement of Novelty: **Nil**



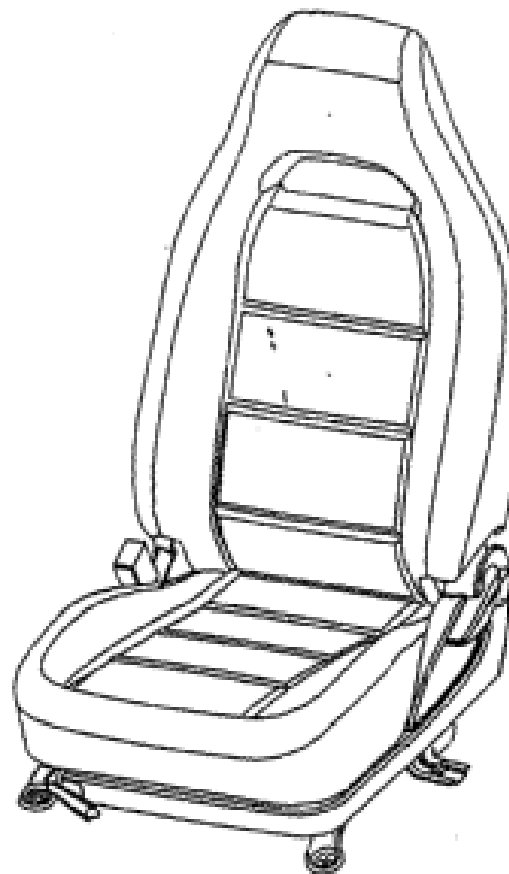
(19) AU

- (21) Application Number: **1320/2004**
(22) Date of Filing Application: **06 April 2004**
(24) Date from which industrial property rights may have effect: **06 April 2004**
(54) Article in respect of which the design is registered: **Side mirror**
(51) International Design Classification: **12-16H**
(74) Name(s) of Attorney(s): **Colin Biggers & Paisley**
(71) Name(s) and Address(s) of Applicant(s):
Perusahaan Otomobil Nasional SDN. BHD.
HICOM Industrial Estate 40000 Shah Alam Selangor Darul Ehsan Malaysia
(72) Name(s) of Author(s): **Damian Chia Pui Cheong and Wan Asri Wan Mohammad and Zafruddin Shamsuddin and Sharudin Busri**
(45) Registration Date: **24 November 2005**
(30) Convention priority data:
(31) Number (32) Date (33) Country
03-00618 7 Oct 2003 MALAYSIA
(56) Related Art Documents: **Not Applicable**
(57) Statement of Monopoly: **Monopoly is claimed in the shape and configuration of the side mirror as shown in the representations.**
Statement of Novelty: **Nil**



(19) AU

(21) Application Number: **1324/2004**
 (22) Date of Filing Application: **06 April 2004**
 (24) Date from which industrial property rights may have effect: **06 April 2004**
 (54) Article in respect of which the design is registered: **Front seat**
 (51) International Design Classification: **06-01D**
 (74) Name(s) of Attorney(s): **Colin Biggers & Paisley**
 (71) Name(s) and Address(s) of Applicant(s):
Perusahaan Otomobil Nasional SDN. BHD.
HICOM Industrial Estate 40000 Shah Alam Selangor Darul Ehsan
Malaysia
 (72) Name(s) of Author(s): **Damian Chia Pui Cheong and Wan Asri Wan**
Mohammad and Zafruddin Shamsuddin and Sharudin Busri
 (45) Registration Date: **24 November 2005**
 (30) Convention priority data:
 (31) Number (32) Date (33) Country
03-00618 7 Oct 2003 MALAYSIA
 (56) Related Art Documents: **Not Applicable**
 (57) Statement of Monopoly: **Nil**
 Statement of Novelty: **Nil**

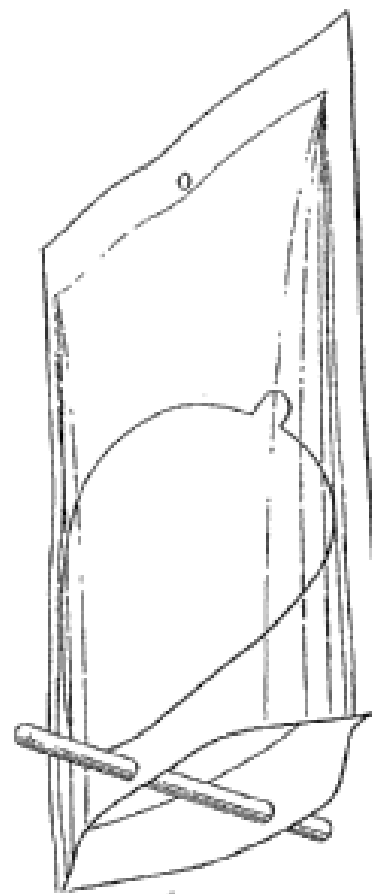


(19) AU

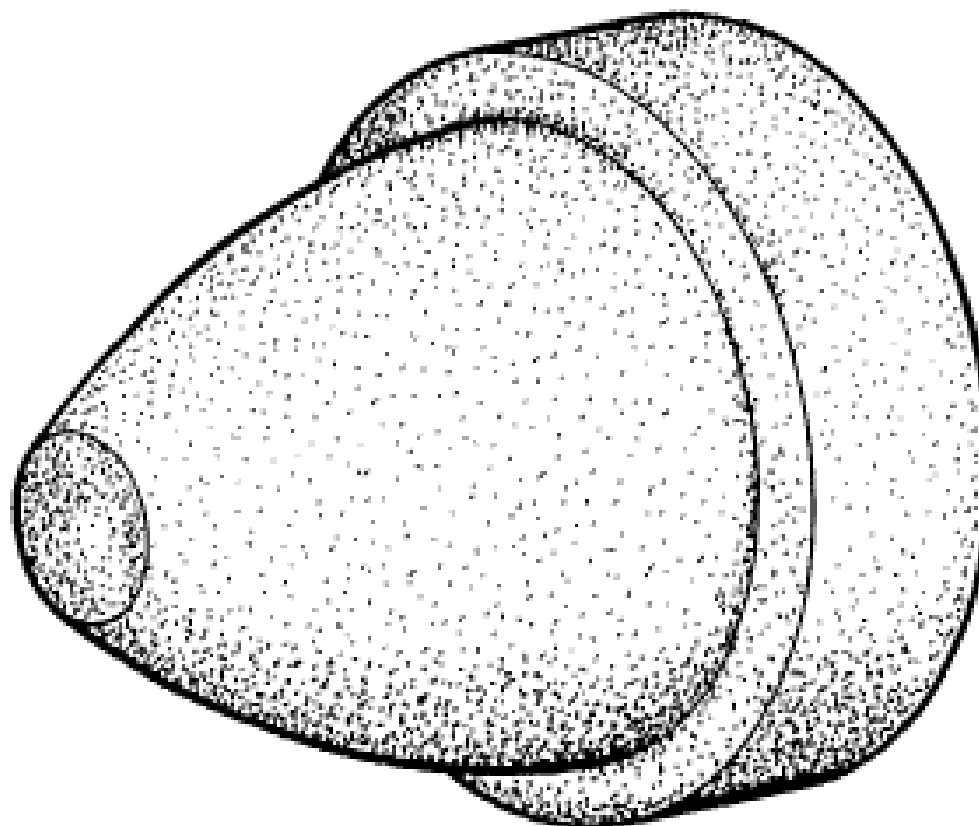
(21) Application Number: **0606/2004**
 (22) Date of Filing Application: **19 February 2004**
 (24) Date from which industrial property rights may have effect: **19 February 2004**
 (54) Article in respect of which the design is registered: **Suture needle**
 (51) International Design Classification: **24-02**
 (74) Name(s) of Attorney(s): **Davies Collison Cave**
 (71) Name(s) and Address(s) of Applicant(s):
DePuy Mitek Inc.
1 J & J Plaza New Brunswick NJ 08933 United States of America
 (72) Name(s) of Author(s): **Thomas Wiesel**
 (45) Registration Date: **24 November 2005**
 (30) Convention priority data:
 (31) Number (32) Date (33) Country
29/195474 11 Dec 2003 UNITED STATES OF AMERICA
 (56) Related Art Documents: **Not Applicable**
 (57) Statement of Monopoly: **Monopoly is claimed in the shape and**
configuration of a suture needle as illustrated in the accompanying
representations.
 Statement of Novelty: **Nil**



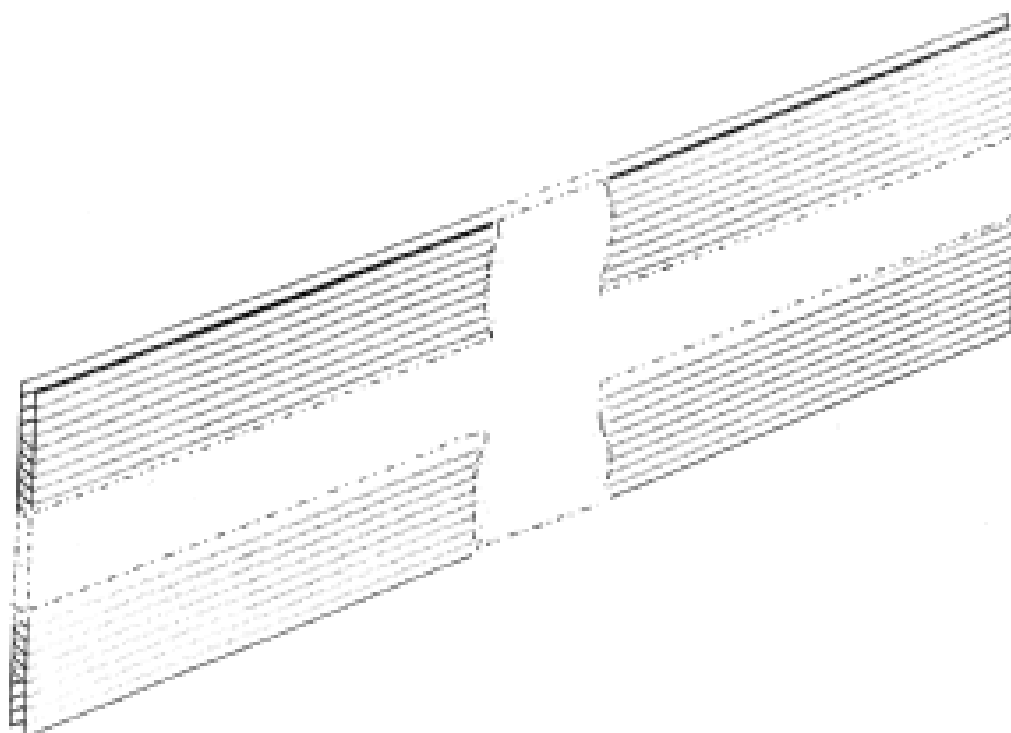
(21) Application Number: **1205/2004**
(22) Date of Filing Application: **31 March 2004**
(24) Date from which industrial property rights may have effect: **31 March 2004**
(54) Article in respect of which the design is registered: **Pouch packaging**
(51) International Design Classification: **09-03F, 09-05**
(74) Name(s) of Attorney(s): **Baker & McKenzie**
(71) Name(s) and Address(s) of Applicant(s):
Mars Incorporated
6885 Elm Street McLean 22101-3883 Virginia United States of America
(72) Name(s) of Author(s): **Trevor Leech**
(45) Registration Date: **24 November 2005**
(56) Related Art Documents: **Not Applicable**
(57) Statement of Monopoly: **Monopoly is claimed in the shape and configuration of the article as depicted in the accompanying representations.**
Statement of Novelty: **Nil**



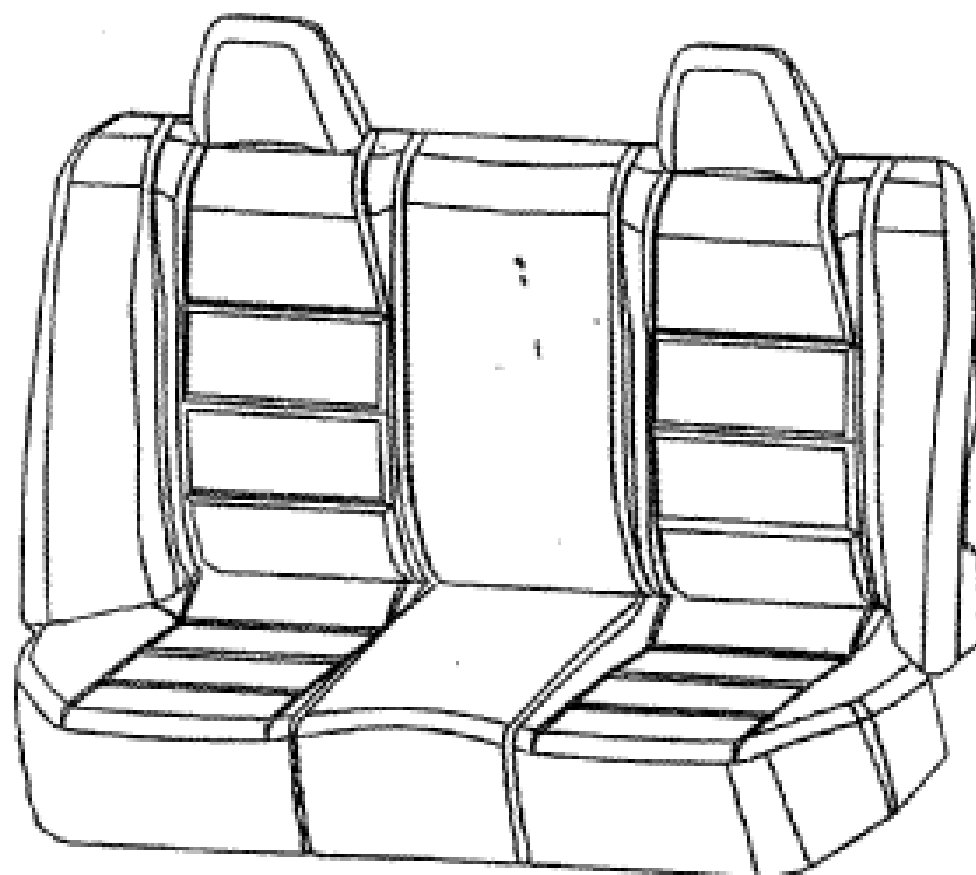
(21) Application Number: **1210/2004**
(22) Date of Filing Application: **31 March 2004**
(24) Date from which industrial property rights may have effect: **31 March 2004**
(54) Article in respect of which the design is registered: **Paint roller**
(51) International Design Classification: **08-05L**
(74) Name(s) of Attorney(s): **SPRUSON & FERGUSON**
(71) Name(s) and Address(s) of Applicant(s):
Young-Do Cho
8 Barwon Street Greystanes New South Wales 2145 Australia
(72) Name(s) of Author(s): **Young-Do Cho**
(45) Registration Date: **24 November 2005**
(56) Related Art Documents: **Not Applicable**
(57) Statement of Monopoly: **Monopoly is claimed in the features of shape and/or configuration of a paint roller as illustrated in the accompanying representations.**
Statement of Novelty: **Nil**



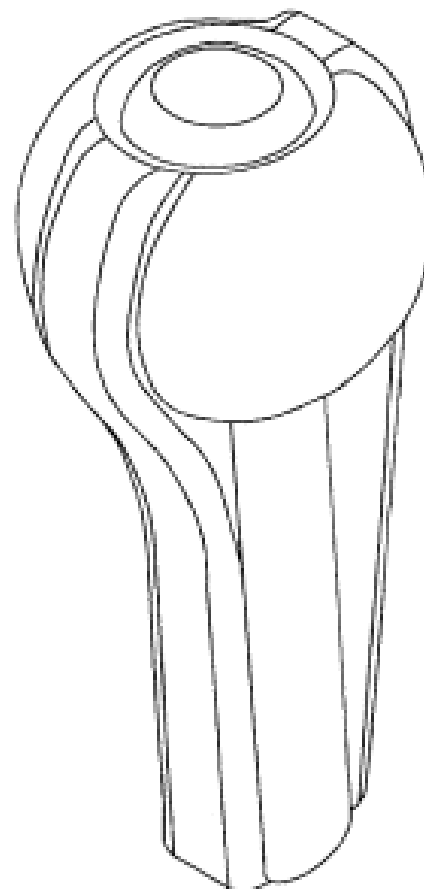
- (21) Application Number: **1229/2004**
(22) Date of Filing Application: **31 March 2004**
(24) Date from which industrial property rights may have effect: **31 March 2004**
(54) Article in respect of which the design is registered: **Cover**
(51) International Design Classification: **25-01D**
(74) Name(s) of Attorney(s): **Griffith Hack**
(71) Name(s) and Address(s) of Applicant(s):
Thomas Alan White
Main Road Whorouly Victoria 3735 Australia
(72) Name(s) of Author(s): **Thomas Alan White**
(45) Registration Date: **24 November 2005**
(56) Related Art Documents: **Not Applicable**
(57) Statement of Monopoly: **Monopoly is claimed in the features of shape and configuration of a cover strip as illustrated in the accompanying representations. The design is of variable/ indefinite length and of indefinite/variable width. Further the design is of constant cross-section over its length and is of constant cross-section over its width.**
Statement of Novelty: **Nil**



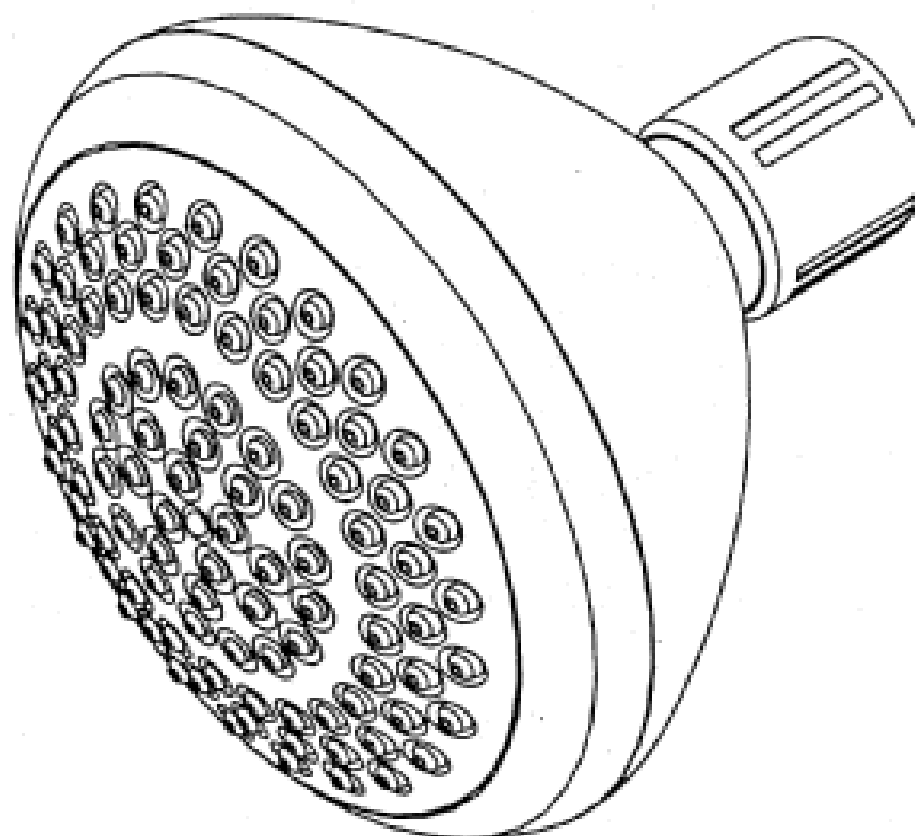
- (21) Application Number: **1325/2004**
(22) Date of Filing Application: **06 April 2004**
(24) Date from which industrial property rights may have effect: **06 April 2004**
(54) Article in respect of which the design is registered: **Rear seat**
(51) International Design Classification: **06-01D**
(74) Name(s) of Attorney(s): **Colin Biggers & Paisley**
(71) Name(s) and Address(s) of Applicant(s):
Perusahaan Otomobil Nasional SDN. BHD.
HICOM Industrial Estate 40000 Shah Alam Selangor Darul Ehsan
Malaysia
(72) Name(s) of Author(s): **Damian Chia Pui Cheong and Wan Asri Wan**
Mohammad and Zafruddin Shamsuddin and Sharudin Busri
(45) Registration Date: **24 November 2005**
(30) Convention priority data:
(31) Number (32) Date (33) Country
03-00618 7 Oct 2003 MALAYSIA
(56) Related Art Documents: **Not Applicable**
(57) Statement of Monopoly: **Nil**
Statement of Novelty: **Nil**



- (21) Application Number: **1327/2004**
(22) Date of Filing Application: **06 April 2004**
(24) Date from which industrial property rights may have effect: **06 April 2004**
(54) Article in respect of which the design is registered: **Gear knob**
(51) International Design Classification: **12-16NES**
(74) Name(s) of Attorney(s): **Colin Biggers & Paisley**
(71) Name(s) and Address(s) of Applicant(s):
Perusahaan Otomobil Nasional SDN. BHD.
HICOM Industrial Estate 40000 Shah Alam Selangor Darul Ehsan
Malaysia
(72) Name(s) of Author(s): **Damian Chia Pui Cheong and Wan Asri Wan**
Mohammad and Zafruddin Shamsuddin and Sharudin Busri
(45) Registration Date: **24 November 2005**
(30) Convention priority data:
(31) Number (32) Date (33) Country
03-00618 7 Oct 2003 MALAYSIA
(56) Related Art Documents: **Not Applicable**
(57) Statement of Monopoly: **Monopoly is claimed in the shape and**
configuration of the gear knob as shown in the representations.
Statement of Novelty: **Nil**



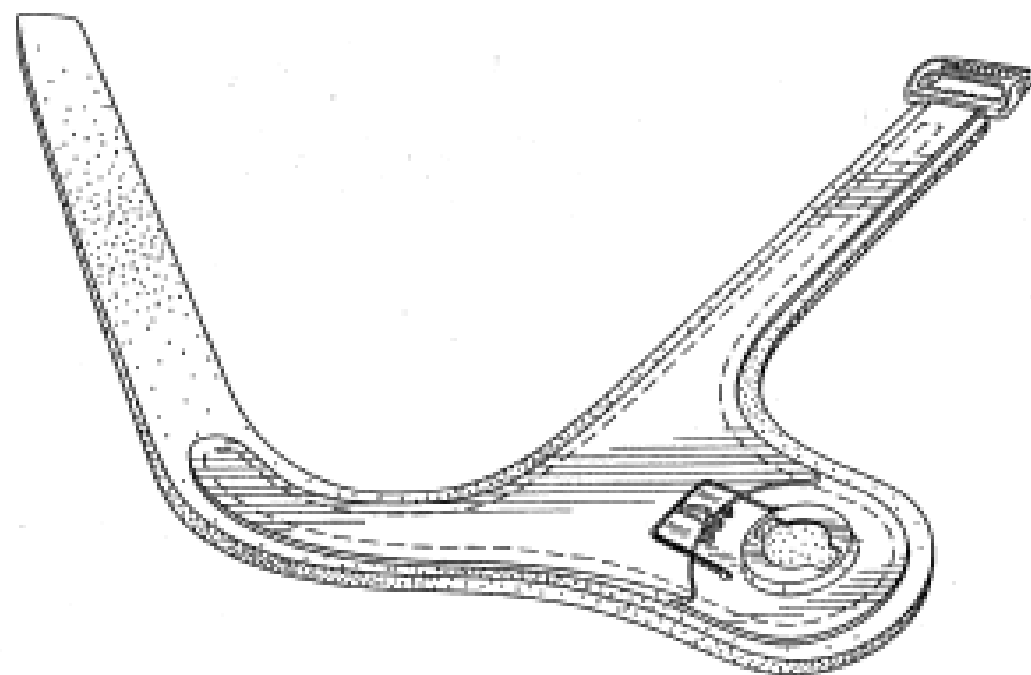
- (21) Application Number: **1374/2004**
(22) Date of Filing Application: **07 April 2004**
(24) Date from which industrial property rights may have effect: **07 April 2004**
(54) Article in respect of which the design is registered: **Showerhead**
(51) International Design Classification: **23-02B**
(74) Name(s) of Attorney(s): **Davies Collison Cave**
(71) Name(s) and Address(s) of Applicant(s):
Interbath Inc.
665 N Baldwin Park Boulevard City of Industry California 91746 United
States of America
(72) Name(s) of Author(s): **Claus D. Zieger**
(45) Registration Date: **24 November 2005**
(30) Convention priority data:
(31) Number (32) Date (33) Country
29/191525 10 Sep 2003 UNITED STATES OF AMERICA
(56) Related Art Documents: **Not Applicable**
(57) Statement of Monopoly: **Monopoly is claimed in the shape and**
configuration of a showerhead as illustrated in the accompanying
representations.
Statement of Novelty: **Nil**



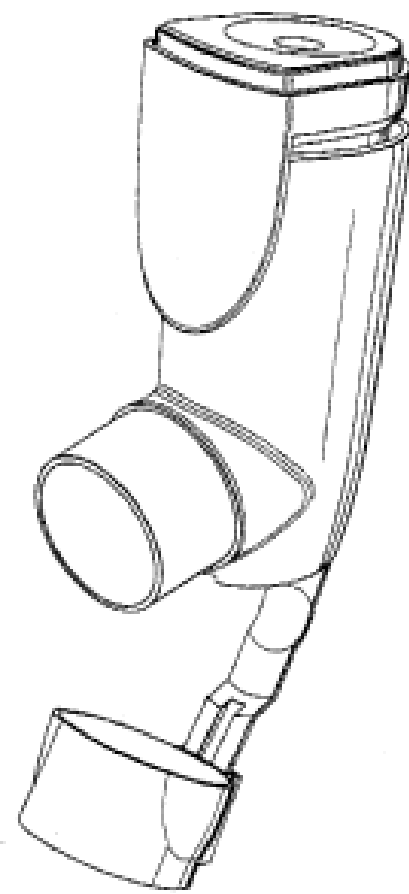
- (21) Application Number: **1389/2004**
(22) Date of Filing Application: **08 April 2004**
(24) Date from which industrial property rights may have effect: **08 April 2004**
(54) Article in respect of which the design is registered: **Handle**
(51) International Design Classification: **04-02**
(74) Name(s) of Attorney(s): **PHILLIPS ORMONDE & FITZPATRICK**
(71) Name(s) and Address(s) of Applicant(s):
GlaxoSmithKline Consumer Healthcare G.m.b.H. & Co. K.G.
Bussmatten 1 D-77815 Buehl (Baden) Germany
(72) Name(s) of Author(s): **Christoph Geiberger**
(45) Registration Date: **24 November 2005**
(56) Related Art Documents: **Not Applicable**
(57) Statement of Monopoly: **Monopoly is claimed in the shape and/or configuration of the article as shown in the representations.**
Statement of Novelty: **Nil**



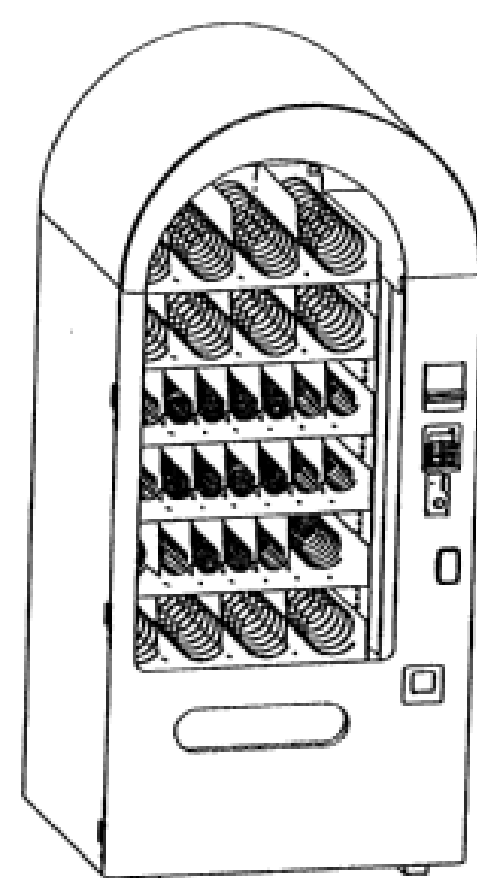
- (21) Application Number: **1399/2004**
(22) Date of Filing Application: **13 April 2004**
(24) Date from which industrial property rights may have effect: **05 February 2003**
(54) Article in respect of which the design is registered: **Headgear yoke for mask**
(51) International Design Classification: **29-02**
(74) Name(s) of Attorney(s): **Halford & Co.**
(71) Name(s) and Address(s) of Applicant(s):
ResMed Limited
97 Waterloo Road North Ryde New South Wales 2113 Australia
(72) Name(s) of Author(s): **Anthony Michael Ging and Saad Nasr**
(45) Registration Date: **24 November 2005**
(62) Divisional of: **155372**
(56) Related Art Documents: **Not Applicable**
(57) Statement of Monopoly: **Monopoly is claimed in the shape and configuration of a headgear yoke for mask as shown in the accompanying representations. In considering the scope of monopoly protection, the features shown in broken lines in the representations should be disregarded.**
Statement of Novelty: **Nil**



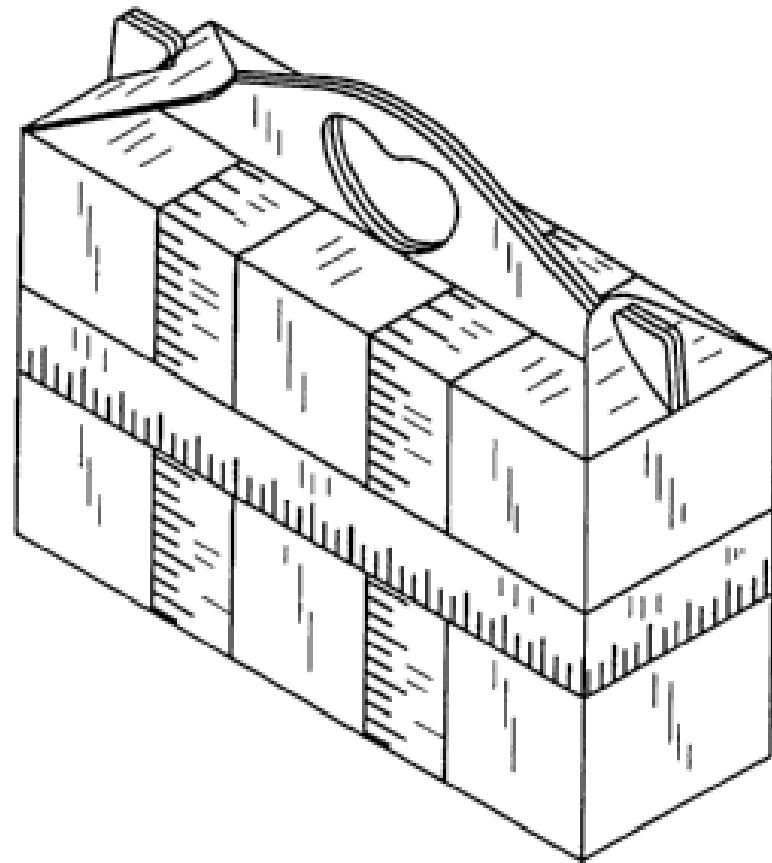
(21) Application Number: **1554/2004**
 (22) Date of Filing Application: **23 April 2004**
 (24) Date from which industrial property rights may have effect: **23 April 2004**
 (54) Article in respect of which the design is registered: **Inhalation device**
 (51) International Design Classification: **24-04**
 (74) Name(s) of Attorney(s): **Freehills Patent & Trade Mark Attorneys**
 (71) Name(s) and Address(s) of Applicant(s):
AstraZeneca A.B.
Global Intellectual Property 151 85 Sodertalje Sweden
 (72) Name(s) of Author(s): **Laurence Huxman and Darren Hodson and William Treneman and Nick Harrison and Martin Bunce and William Davis**
 (45) Registration Date: **24 November 2005**
 (30) Convention priority data:
 (31) Number (32) Date (33) Country
03-1006 5 Nov 2003 SWEDEN
 (56) Related Art Documents: **Not Applicable**
 (57) Statement of Monopoly: **Monopoly is claimed in the shape and configuration of an inhalation device as shown in the accompanying representations.**
 Statement of Novelty: **Nil**



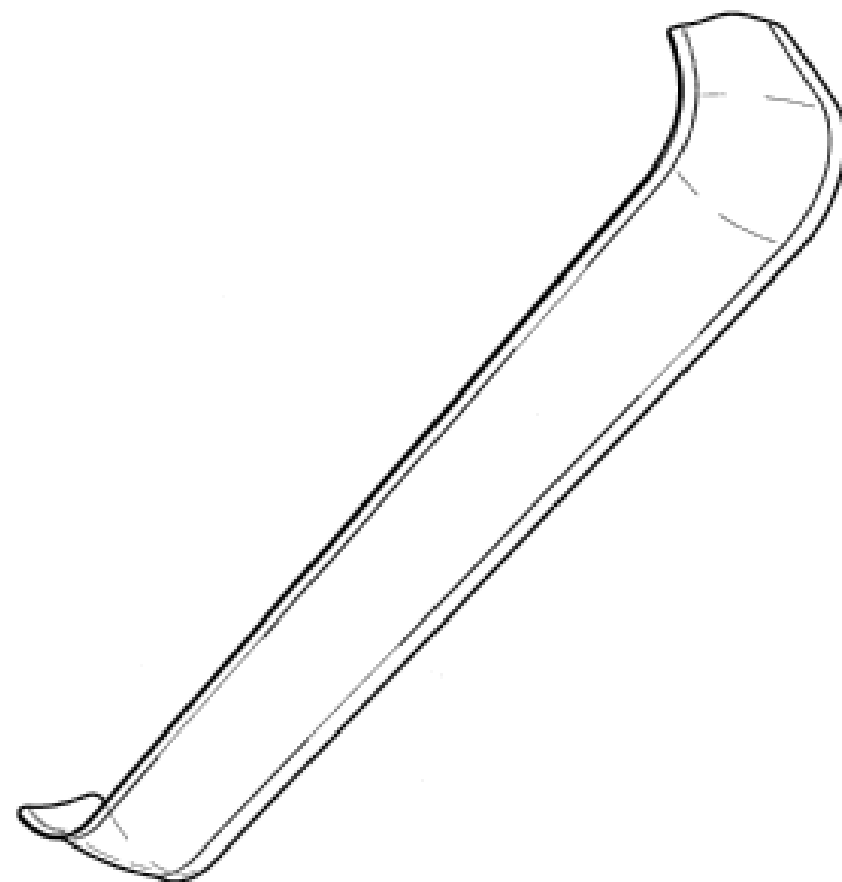
(21) Application Number: **1579/2004**
 (22) Date of Filing Application: **23 April 2004**
 (24) Date from which industrial property rights may have effect: **23 April 2004**
 (54) Article in respect of which the design is registered: **Vending machine**
 (51) International Design Classification: **20-01**
 (74) Name(s) of Attorney(s): **Fisher Adams Kelly**
 (71) Name(s) and Address(s) of Applicant(s):
National Vending Asset Management Limited
24V Allright Place Mt Wellington Auckland New Zealand
 (72) Name(s) of Author(s): **Graham Robert Worthington and Graeme Robert Charles Riddell and Alister John Sides**
 (45) Registration Date: **24 November 2005**
 (30) Convention priority data:
 (31) Number (32) Date (33) Country
000093216 29 Oct 2003 EUROPEAN COMMUNITY
 (56) Related Art Documents: **Not Applicable**
 (57) Statement of Monopoly: **Monopoly is claimed in the shape and configuration of a vending machine as illustrated in the accompanying representations.**
 Statement of Novelty: **Nil**



(21) Application Number: **1634/2004**
(22) Date of Filing Application: **29 April 2004**
(24) Date from which industrial property rights may have effect: **29 April 2004**
(54) Article in respect of which the design is registered: **Doll carrying case**
(51) International Design Classification: **21-01NES**
(74) Name(s) of Attorney(s): **SPRUSON & FERGUSON**
(71) Name(s) and Address(s) of Applicant(s):
Build-A-Bear Workshop Inc.
1954 Innerbelt Business Center Drive St. Louis Missouri 63114 United States of America
(72) Name(s) of Author(s): **Jessica T. Crane**
(45) Registration Date: **24 November 2005**
(30) Convention priority data:
(31) Number (32) Date (33) Country
29/195151 8 Dec 2003 UNITED STATES OF AMERICA
(56) Related Art Documents: **Not Applicable**
(57) Statement of Monopoly: **Monopoly is claimed in the features of shape and/or configuration and pattern and/or ornamentation of a doll carrying case as illustrated in the accompanying representations.**
Statement of Novelty: **Nil**



(21) Application Number: **1934/2004**
(22) Date of Filing Application: **24 May 2004**
(24) Date from which industrial property rights may have effect: **24 May 2004**
(54) Article in respect of which the design is registered: **Wind shield/deflector for a roof rack**
(51) International Design Classification: **12-16B**
(74) Name(s) of Attorney(s): **WRAY & ASSOCIATES**
(71) Name(s) and Address(s) of Applicant(s):
Jaram Products Pty
12 Railway Parade Welshpool Western Australia 6106 Australia
(72) Name(s) of Author(s): **Jonathon Lloyd McEwen**
(45) Registration Date: **24 November 2005**
(56) Related Art Documents: **Not Applicable**
(57) Statement of Monopoly: **Monopoly is claimed in the shape and configuration of a wind shield/deflector for a roof rack, as shown in the accompanying representations.**
Statement of Novelty: **Novelty resides in the shape and configuration of the curvature of the front of the wind shield/deflector for a roof rack, as shown in the cross-section view.**



(21) Application Number: **0684/2004**

(22) Date of Filing Application: **23 February 2004**

(24) Date from which industrial property rights may have effect: **23 February 2004**

(54) Article in respect of which the design is registered: **A battery-powered fan/pen**

(51) International Design Classification: **19-06, 23-04**

(71) Name(s) and Address(s) of Applicant(s):

GLJ, LLC

1415 N Dayton Street Chicago IL 60622 United States of America

(72) Name(s) of Author(s): **Jim Larkin**

(45) Registration Date: **28 November 2005**

(56) Related Art Documents: **Not Applicable**

(57) Statement of Monopoly: **Monopoly is claimed in the shape, configuration, pattern and ornamentation of a battery-powered fan/pen as shown in the representations.**

Statement of Novelty: **Nil**



(21) Application Number: **0685/2004**

(22) Date of Filing Application: **23 February 2004**

(24) Date from which industrial property rights may have effect: **23 February 2004**

(54) Article in respect of which the design is registered: **A battery-powered fan/water mister**

(51) International Design Classification: **23-04**

(71) Name(s) and Address(s) of Applicant(s):

GLJ, LLC

1415 N Dayton Street Chicago IL 60622 United States of America

(72) Name(s) of Author(s): **Jim Larkin**

(45) Registration Date: **28 November 2005**

(56) Related Art Documents: **Not Applicable**

(57) Statement of Monopoly: **Monopoly is claimed in the shape, configuration, pattern and ornamentation of a battery-powered fan/water mister as shown in the representations.**

Statement of Novelty: **Nil**



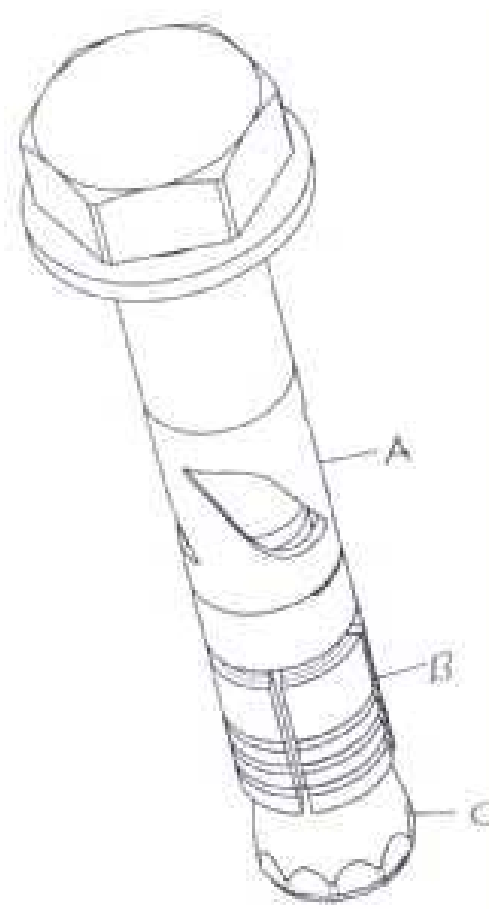
- (21) Application Number: **0686/2004**
(22) Date of Filing Application: **23 February 2004**
(24) Date from which industrial property rights may have effect: **23 February 2004**
(54) Article in respect of which the design is registered: **A battery-powered beanbag fan**
(51) International Design Classification: **23-04**
(71) Name(s) and Address(s) of Applicant(s):
GLJ, LLC
1415 N Dayton Street Chicago IL 60622 United States of America
(72) Name(s) of Author(s): **Jim Larkin**
(45) Registration Date: **28 November 2005**
(56) Related Art Documents: **Not Applicable**
(57) Statement of Monopoly: **Monopoly is claimed in the shape, configuration, pattern and ornamentation of a battery powered beanbag fan as shown in the representations.**
Statement of Novelty: **Nil**



- (21) Application Number: **0687/2004**
(22) Date of Filing Application: **23 February 2004**
(24) Date from which industrial property rights may have effect: **23 February 2004**
(54) Article in respect of which the design is registered: **A battery powered fan**
(51) International Design Classification: **23-04**
(71) Name(s) and Address(s) of Applicant(s):
GLJ, LLC
1415 N Dayton Street Chicago IL 60622 United States of America
(72) Name(s) of Author(s): **Jim Larkin**
(45) Registration Date: **28 November 2005**
(56) Related Art Documents: **Not Applicable**
(57) Statement of Monopoly: **Monopoly is claimed in the shape, configuration, pattern and ornamentation of a battery powered fan as shown in the representations. No monopoly is claimed in the USB cable as shown in the representations.**
Statement of Novelty: **Nil**



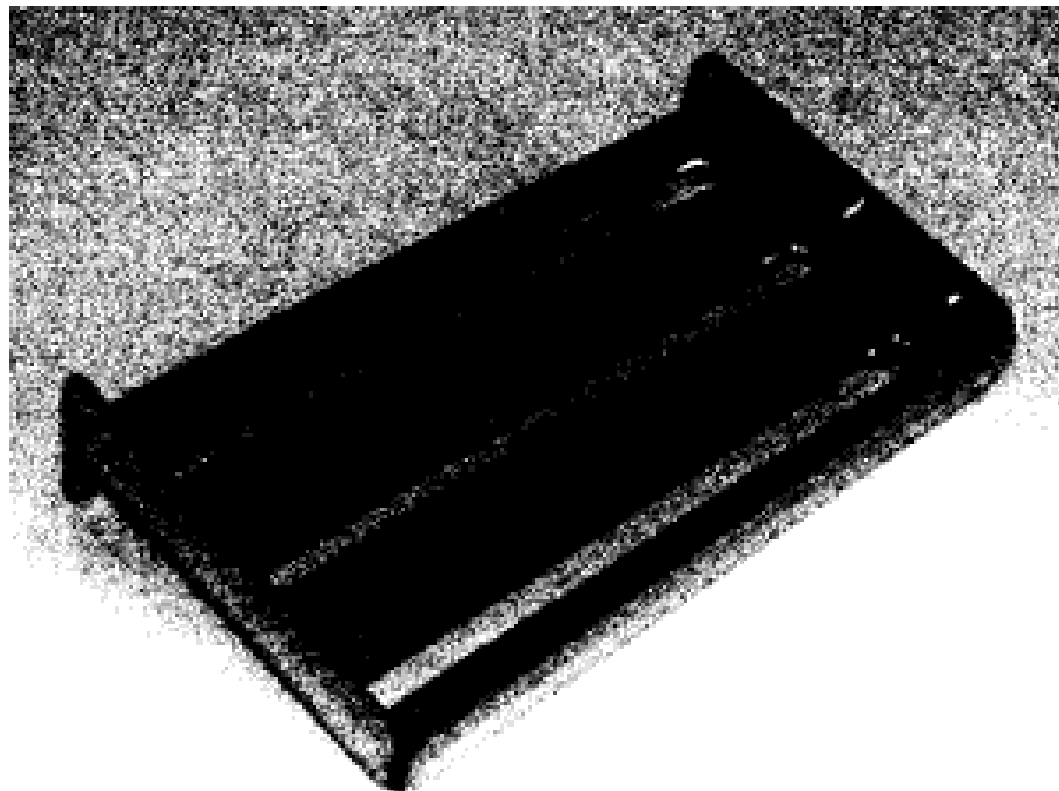
(21) Application Number: **0761/2004**
(22) Date of Filing Application: **27 February 2004**
(24) Date from which industrial property rights may have effect: **27 February 2004**
(54) Article in respect of which the design is registered: **Expansion anchor assembly**
(51) International Design Classification: **08-08B**
(74) Name(s) of Attorney(s): **Davies Collison Cave**
(71) Name(s) and Address(s) of Applicant(s):
Cetram Pty Limited
3 Chester Street Oakleigh Victoria 3166 Australia
(72) Name(s) of Author(s): **Robert Urquhart Connell and Ian Ross Ferrier**
(45) Registration Date: **28 November 2005**
(56) Related Art Documents: **Not Applicable**
(57) Statement of Monopoly: **Monopoly is claimed in the features of shape and/or configuration of the expansion anchor assembly shown in the representations. In considering the extent of monopoly protection the sleeves marked "A" and "B" are to be disregarded and the expansion cone marked "C" is to be disregarded. No monopoly is claimed in the individual components per se.**
Statement of Novelty: **Nil**



(21) Application Number: **0765/2004**
(22) Date of Filing Application: **01 March 2004**
(24) Date from which industrial property rights may have effect: **01 March 2004**
(54) Article in respect of which the design is registered: **Downpipe conduit**
(51) International Design Classification: **23-01A**
(71) Name(s) and Address(s) of Applicant(s):
Timothy George Lucas
10 School Road Rochedale Queensland 4123 Australia
(72) Name(s) of Author(s): **Timothy George Lucas**
(45) Registration Date: **28 November 2005**
(56) Related Art Documents: **Not Applicable**
(57) Statement of Monopoly: **Monopoly is claimed in the features of shape and configuration of the downpipe conduit as shown in the accompanying representations.**
Statement of Novelty: **Nil**



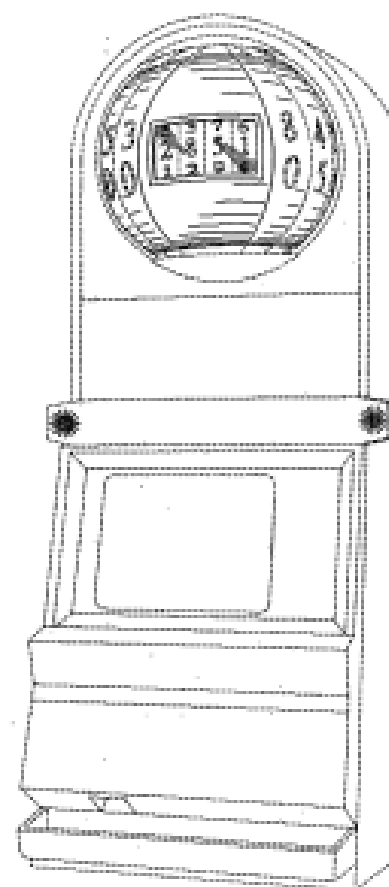
(21) Application Number: **0783/2004**
(22) Date of Filing Application: **01 March 2004**
(24) Date from which industrial property rights may have effect: **01 March 2004**
(54) Article in respect of which the design is registered: **Soap holder**
(51) International Design Classification: **23-02A**
(71) Name(s) and Address(s) of Applicant(s):
Industrial Expression Pty Ltd
254-252 St Kilda Road St Kilda Victoria 3182 Australia
(72) Name(s) of Author(s): **Stephen Mason**
(45) Registration Date: **28 November 2005**
(56) Related Art Documents: **Not Applicable**
(57) Statement of Monopoly: **Monopoly is claimed in the shape and/or configuration of the article represented.**
Statement of Novelty: **Nil**



(21) Application Number: **0941/2004**
(22) Date of Filing Application: **10 March 2004**
(24) Date from which industrial property rights may have effect: **10 March 2004**
(54) Article in respect of which the design is registered: **A gaming device**
(51) International Design Classification: **21-03**
(74) Name(s) of Attorney(s): **Blake Dawson Waldron**
(71) Name(s) and Address(s) of Applicant(s):
IGT
9295 Prototype Drive Reno Nevada 89521 United States of America
(72) Name(s) of Author(s): **Anthony J. Baerlocher**
(45) Registration Date: **28 November 2005**
(30) Convention priority data:

| | | |
|-------------------|--------------------|---------------------------------|
| (31) Number | (32) Date | (33) Country |
| 29/189,886 | 10 Sep 2003 | UNITED STATES OF AMERICA |

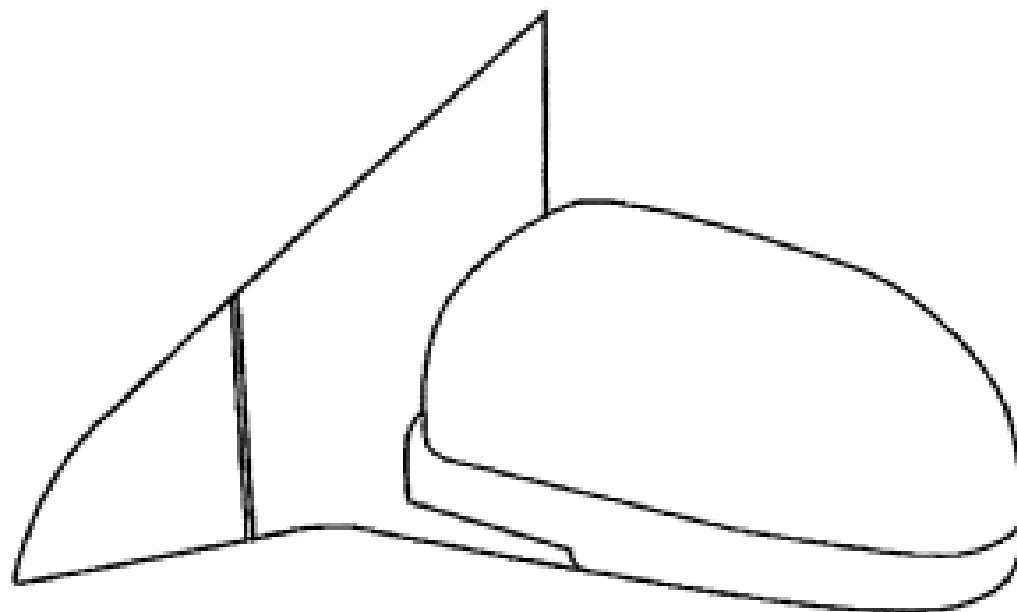
(56) Related Art Documents: **Not Applicable**
(57) Statement of Monopoly: **A monopoly is claimed in the features of shape and/or configuration applied to a gaming device as illustrated in the accompanying representations. In considering the extent of the monopoly claimed the shape and/or configuration of the gaming device shown in hidden detail and the two "star" features are to be disregarded.**
Statement of Novelty: **Nil**



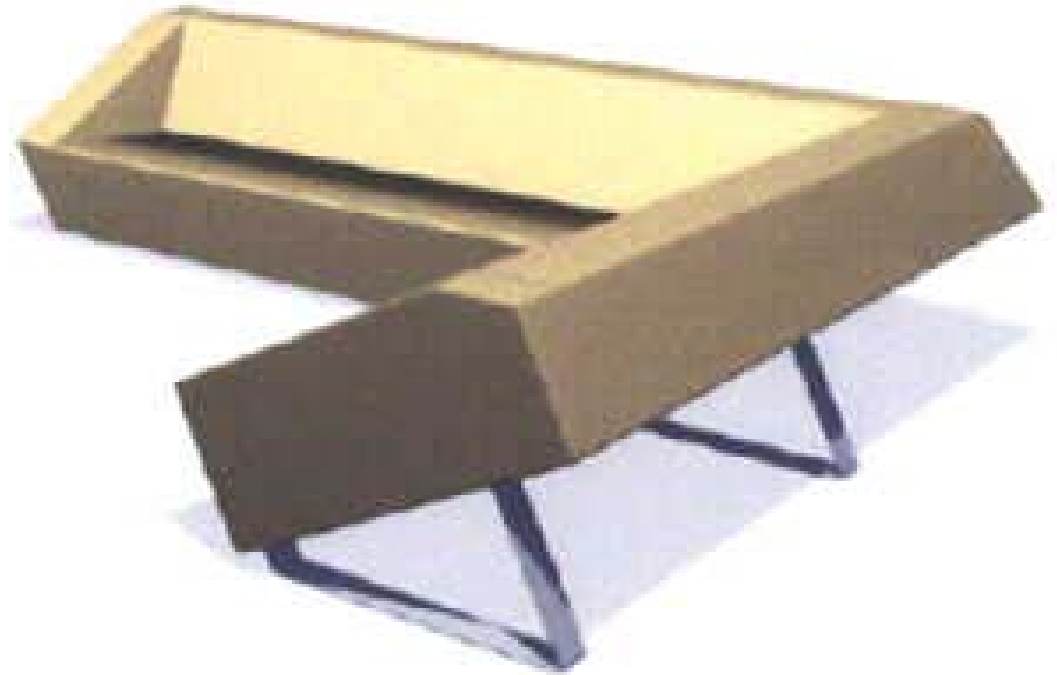
(21) Application Number: **1006/2004**
(22) Date of Filing Application: **16 March 2004**
(24) Date from which industrial property rights may have effect: **16 March 2004**
(54) Article in respect of which the design is registered: **Merchandising stand**
(51) International Design Classification: **20-02E**
(74) Name(s) of Attorney(s): **Davies Collison Cave**
(71) Name(s) and Address(s) of Applicant(s):
Coates Signco Pty Limited
242 Young Street Waterloo New South Wales 2017 Australia
(72) Name(s) of Author(s): **Alan Coates**
(45) Registration Date: **28 November 2005**
(56) Related Art Documents: **Not Applicable**
(57) Statement of Monopoly: **Monopoly is claimed in the shape and/or configuration of the article as illustrated in the accompanying representations.**
Statement of Novelty: **Nil**



(21) Application Number: **1329/2004**
(22) Date of Filing Application: **06 April 2004**
(24) Date from which industrial property rights may have effect: **06 April 2004**
(54) Article in respect of which the design is registered: **Side mirror**
(51) International Design Classification: **12-16H**
(74) Name(s) of Attorney(s): **Colin Biggers & Paisley**
(71) Name(s) and Address(s) of Applicant(s):
Perusahaan Otomobil Nasional SDN. BHD.
HICOM Industrial Estate 40000 Shah Alam Selangor Darul Ehsan
Malaysia
(72) Name(s) of Author(s): **Zafruddin Shamsuddin and Sharudin Busri**
(45) Registration Date: **28 November 2005**
(30) Convention priority data:
(31) Number (32) Date (33) Country
03-00619 7 Oct 2003 MALAYSIA
(56) Related Art Documents: **Not Applicable**
(57) Statement of Monopoly: **Monopoly is claimed in the shape and configuration of the side mirror as shown in the representations.**
Statement of Novelty: **Nil**



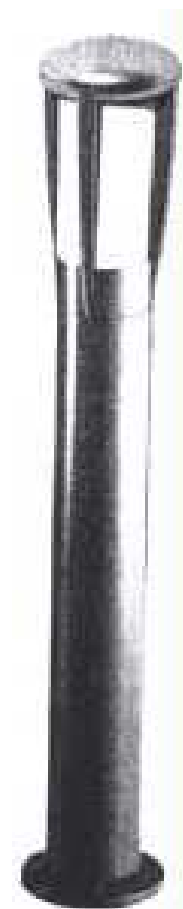
(21) Application Number: **1477/2004**
(22) Date of Filing Application: **21 April 2004**
(24) Date from which industrial property rights may have effect: **21 April 2004**
(54) Article in respect of which the design is registered: **A lounge suite**
(51) International Design Classification: **06-01G**
(71) Name(s) and Address(s) of Applicant(s):
Ross Andrew Didier
81 Glenair Court Lower Templestowe Victoria 3107 Australia
(72) Name(s) of Author(s): **Ross Didier**
(45) Registration Date: **28 November 2005**
(56) Related Art Documents: **Not Applicable**
(57) Statement of Monopoly: **Monopoly is claimed in the shape and configuration of a lounge suite as shown in the representations.**
Statement of Novelty: **Nil**



(21) Application Number: **1628/2004**
(22) Date of Filing Application: **29 April 2004**
(24) Date from which industrial property rights may have effect: **29 April 2004**
(54) Article in respect of which the design is registered: **A strap fitting for girth straps for saddles**
(51) International Design Classification: **30-04**
(74) Name(s) of Attorney(s): **Davies Collison Cave**
(71) Name(s) and Address(s) of Applicant(s):
Hammersmith Nominees Pty Ltd
430 Newcastle Street Perth Western Australia 6000 Australia
(72) Name(s) of Author(s): **Kenneth John Bates**
(45) Registration Date: **28 November 2005**
(56) Related Art Documents: **Not Applicable**
(57) Statement of Monopoly: **Monopoly is claimed in the shape and/or configuration of the strap fitting as shown in the representations.**
Statement of Novelty: **Nil**



(21) Application Number: **1670/2004**
(22) Date of Filing Application: **04 May 2004**
(24) Date from which industrial property rights may have effect: **04 May 2004**
(54) Article in respect of which the design is registered: **Lamp**
(51) International Design Classification: **26-03**
(74) Name(s) of Attorney(s): **Davies Collison Cave**
(71) Name(s) and Address(s) of Applicant(s):
Boluce Illuminazione S.R.L.
Via Francesco Nullo Calusco D'Adda (Bergamo) 24033 Italy
(72) Name(s) of Author(s): **Gianmario Bosisio**
(45) Registration Date: **28 November 2005**
(30) Convention priority data:
(31) Number (32) Date (33) Country
000157904 25 Mar 2004 EUROPEAN COMMUNITY
(56) Related Art Documents: **Not Applicable**
(57) Statement of Monopoly: **Monopoly is claimed in the shape and/or configuration of the article as illustrated in the accompanying representations.**
Statement of Novelty: **Nil**



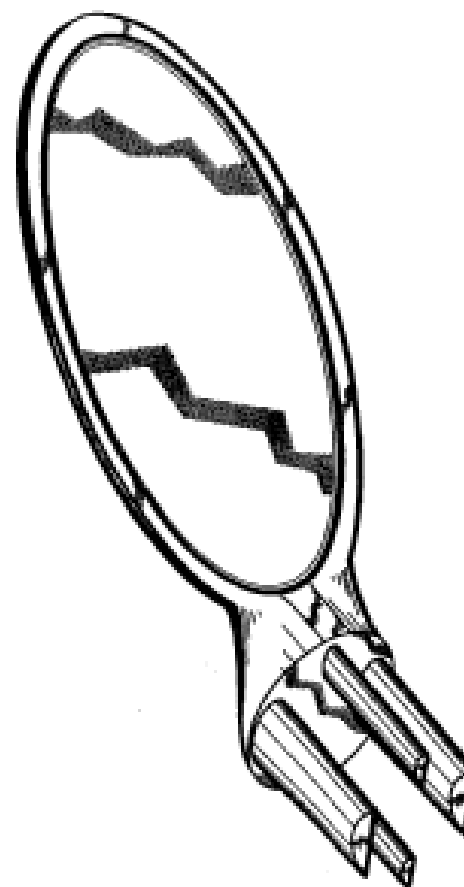
(21) Application Number: **2284/2004**
(22) Date of Filing Application: **15 June 2004**
(24) Date from which industrial property rights may have effect: **15 June 2004**
(54) Article in respect of which the design is registered: **Airfoil**
(51) International Design Classification: **12-07**
(71) Name(s) and Address(s) of Applicant(s):
Rolf Brand
29 Cochran Avenue Camberwell Victoria 3124 Australia
(72) Name(s) of Author(s): **Rolf Brand**
(45) Registration Date: **28 November 2005**
(56) Related Art Documents: **Not Applicable**
(57) Statement of Monopoly: **Monopoly is claimed in the features of shape and configuration of the airfoil excluding the supportive base shown in part at base of photo as shown in accompanying representations.**
Statement of Novelty: **Nil**



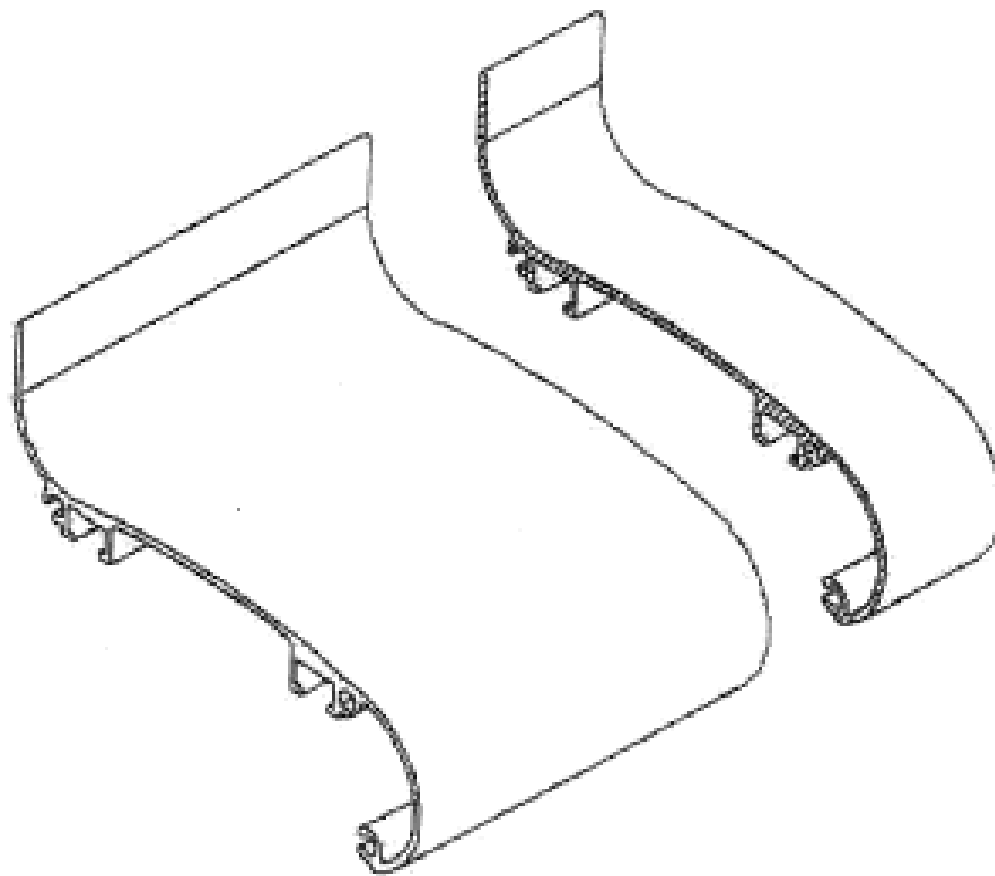
(21) Application Number: **1815/2004**
(22) Date of Filing Application: **13 May 2004**
(24) Date from which industrial property rights may have effect: **13 May 2004**
(54) Article in respect of which the design is registered: **A hammer tool**
(51) International Design Classification: **15-09**
(74) Name(s) of Attorney(s): **Davies Collison Cave**
(71) Name(s) and Address(s) of Applicant(s):
ITW Befestigungssysteme G.m.b.H.
Gutenbergstrasse 4 D-91522 Ansbach Germany
(72) Name(s) of Author(s): **Horst Biersack**
(45) Registration Date: **28 November 2005**
(30) Convention priority data:
(31) Number (32) Date (33) Country
403 07 256.5 15 Nov 2003 GERMANY
(56) Related Art Documents: **Not Applicable**
(57) Statement of Monopoly: **Monopoly is claimed in the features of shape and/or configuration of the hammer tool shown in the representations.**
Statement of Novelty: **Nil**



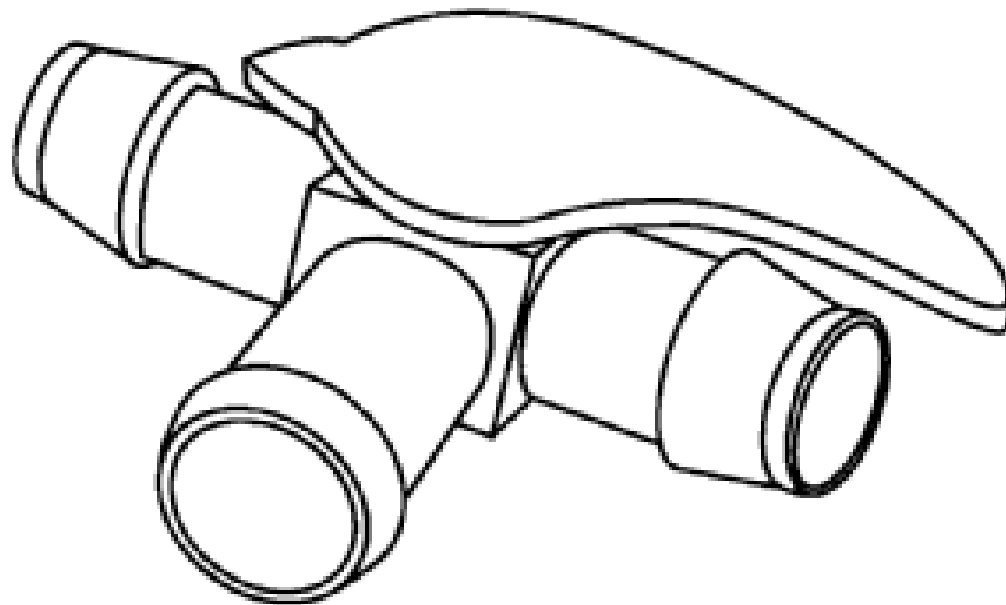
(21) Application Number: **1104/2004**
(22) Date of Filing Application: **23 March 2004**
(24) Date from which industrial property rights may have effect: **23 March 2004**
(54) Article in respect of which the design is registered: **Applicator**
(51) International Design Classification: **28-03NES**
(74) Name(s) of Attorney(s): **PHILLIPS ORMONDE & FITZPATRICK**
(71) Name(s) and Address(s) of Applicant(s):
The Procter & Gamble Company
Winton Hill Technical Center 6110 Center Hill Road Cincinnati Ohio
45224 United States of America
(72) Name(s) of Author(s): **Keith Colacippo and Anne Marie Brangi**
(45) Registration Date: **28 November 2005**
(30) Convention priority data:
(31) Number (32) Date (33) Country
29/191,873 15 Oct 2003 UNITED STATES OF AMERICA
(56) Related Art Documents: **Not Applicable**
(57) Statement of Monopoly: **Monopoly is claimed in the shape and/or configuration of an applicator as shown in the representations.**
Statement of Novelty: **Nil**



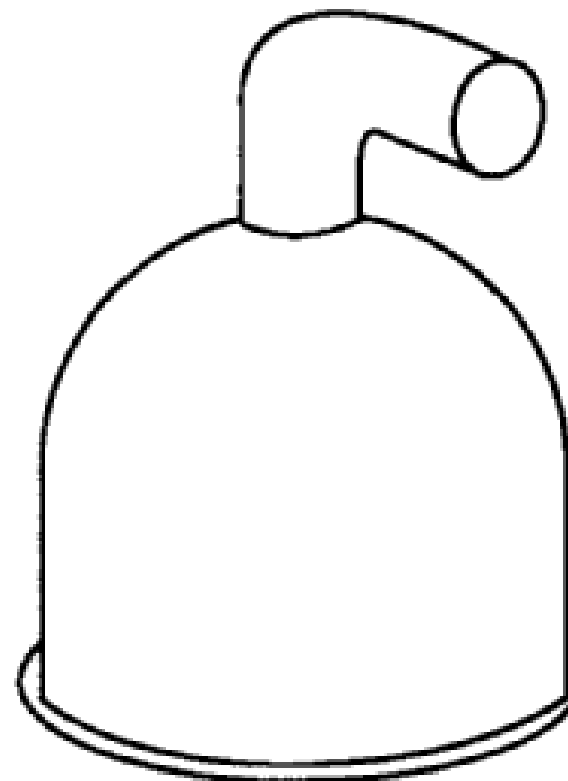
(21) Application Number: **1107/2004**
(22) Date of Filing Application: **23 March 2004**
(24) Date from which industrial property rights may have effect: **23 March 2004**
(54) Article in respect of which the design is registered: **An extrusion**
(51) International Design Classification: **25-01K**
(74) Name(s) of Attorney(s): **HODGKINSON McINNES PAPPAS**
(71) Name(s) and Address(s) of Applicant(s):
Kingsley Enterprises Pty Limited
123 Eldridge Road Bankstown New South Wales 2200 Australia
(72) Name(s) of Author(s): **Ernesto Fernandez**
(45) Registration Date: **28 November 2005**
(56) Related Art Documents: **Not Applicable**
(57) Statement of Monopoly: **Monopoly is claimed in the shape and/or configuration of an extrusion of constant cross-section and indefinite length as illustrated in the representations.**
Statement of Novelty: **Nil**



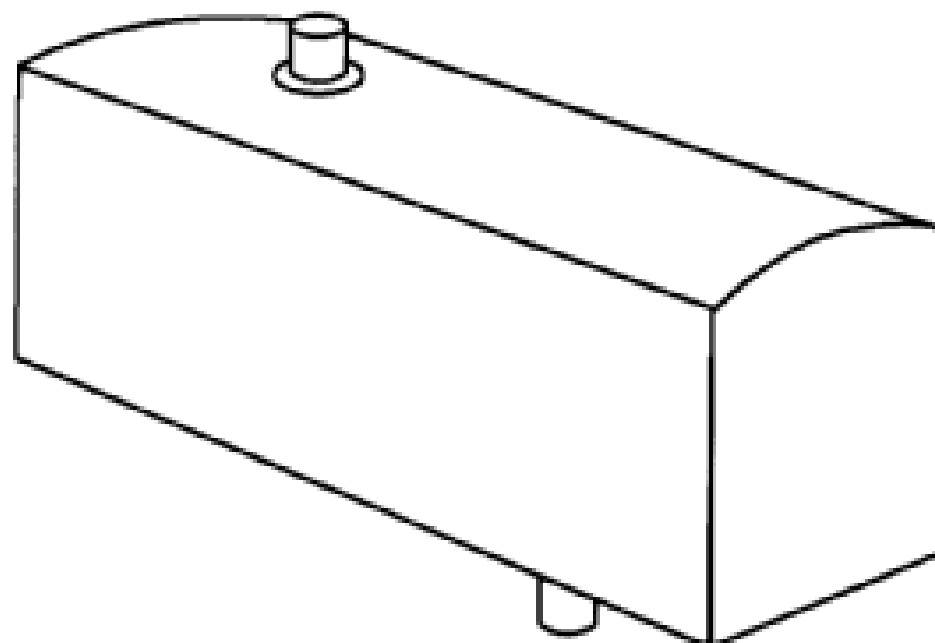
(21) Application Number: **2029/2004**
(22) Date of Filing Application: **31 May 2004**
(24) Date from which industrial property rights may have effect: **31 May 2004**
(54) Article in respect of which the design is registered: **A valve**
(51) International Design Classification: **23-01K**
(74) Name(s) of Attorney(s): **Smoorenburg**
(71) Name(s) and Address(s) of Applicant(s):
Peter Shepherd-Wilson
100 Nicholson Street Abbotsford Victoria 3067 Australia
(72) Name(s) of Author(s): **Peter Shepherd-Wilson**
(45) Registration Date: **28 November 2005**
(56) Related Art Documents: **Not Applicable**
(57) Statement of Monopoly: **Monopoly is claimed in the features of shape and configuration as applied to a valve and as shown in the accompanying representations.**
Statement of Novelty: **Nil**



(21) Application Number: **2030/2004**
(22) Date of Filing Application: **31 May 2004**
(24) Date from which industrial property rights may have effect: **31 May 2004**
(54) Article in respect of which the design is registered: **Plastics cap**
(51) International Design Classification: **23-01NES**
(74) Name(s) of Attorney(s): **Smoorenburg**
(71) Name(s) and Address(s) of Applicant(s):
Peter Shepherd-Wilson
100 Nicholson Street Abbotsford Victoria 3067 Australia
(72) Name(s) of Author(s): **Peter Shepherd-Wilson**
(45) Registration Date: **28 November 2005**
(56) Related Art Documents: **Not Applicable**
(57) Statement of Monopoly: **Monopoly is claimed in the features of shape and configuration as applied to a plastics cap and as shown in the accompanying representations.**
Statement of Novelty: **Nil**



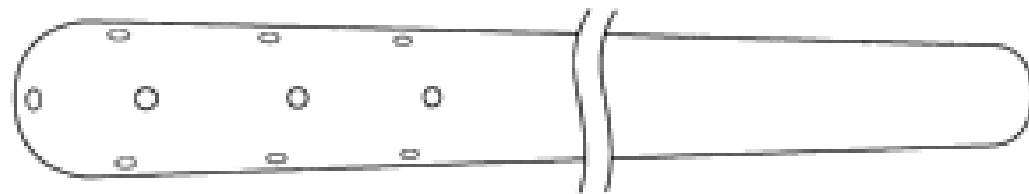
(21) Application Number: **2031/2004**
(22) Date of Filing Application: **31 May 2004**
(24) Date from which industrial property rights may have effect: **31 May 2004**
(54) Article in respect of which the design is registered: **A storage vessel**
(51) International Design Classification: **23-01F**
(74) Name(s) of Attorney(s): **Smoorenburg**
(71) Name(s) and Address(s) of Applicant(s):
Peter Shepherd-Wilson
100 Nicholson Street Abbotsford Victoria 3067 Australia
(72) Name(s) of Author(s): **Peter Shepherd-Wilson**
(45) Registration Date: **28 November 2005**
(56) Related Art Documents: **Not Applicable**
(57) Statement of Monopoly: **Monopoly is claimed in the features of shape and configuration as applied to a storage vessel and as shown in the accompanying representations.**
Statement of Novelty: **Nil**



- (21) Application Number: **2032/2004**
(22) Date of Filing Application: **31 May 2004**
(24) Date from which industrial property rights may have effect: **31 May 2004**
(54) Article in respect of which the design is registered: **Plastic wand**
(51) International Design Classification: **23-01NES**
(74) Name(s) of Attorney(s): **Smoorenburg**
(71) Name(s) and Address(s) of Applicant(s):

Peter Shepherd-Wilson
100 Nicholson Street Abbotsford Victoria 3067 Australia

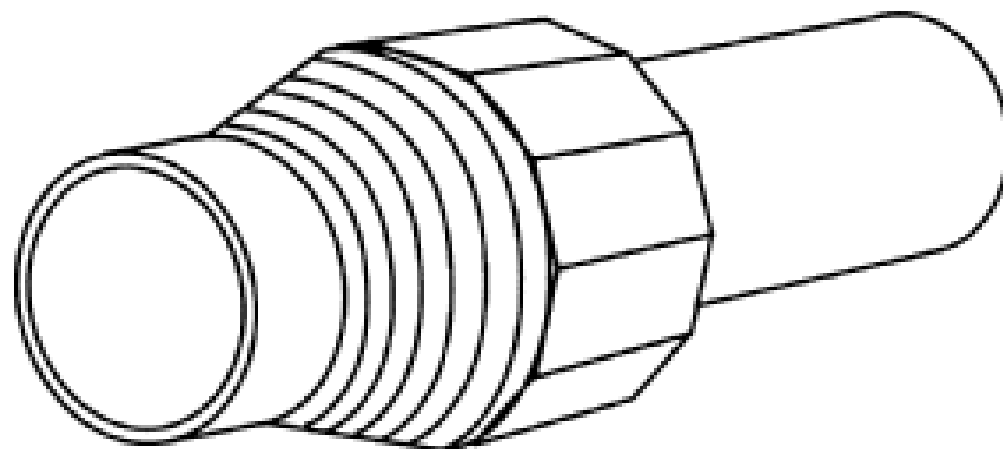
- (72) Name(s) of Author(s): **Peter Shepherd-Wilson**
(45) Registration Date: **28 November 2005**
(56) Related Art Documents: **Not Applicable**
(57) Statement of Monopoly: **Monopoly is claimed in the features of shape and configuration as applied to a plastic wand of indefinite length and as shown in the accompanying representations.**
Statement of Novelty: **Nil**



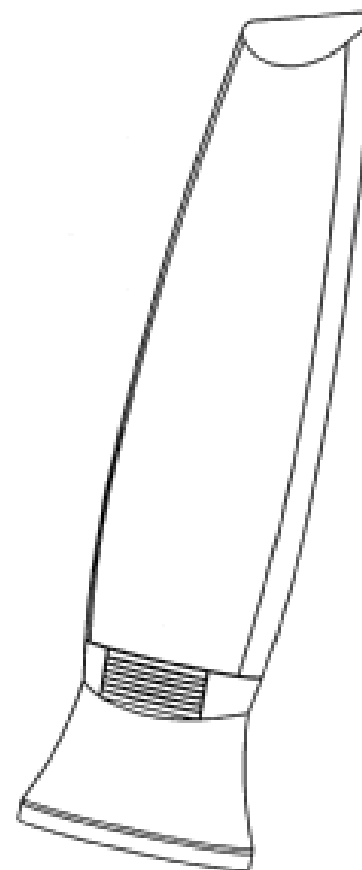
- (21) Application Number: **2033/2004**
(22) Date of Filing Application: **31 May 2004**
(24) Date from which industrial property rights may have effect: **31 May 2004**
(54) Article in respect of which the design is registered: **Plastic connector**
(51) International Design Classification: **23-01A**
(74) Name(s) of Attorney(s): **Smoorenburg**
(71) Name(s) and Address(s) of Applicant(s):

Peter Shepherd-Wilson
100 Nicholson Street Abbotsford Victoria 3067 Australia

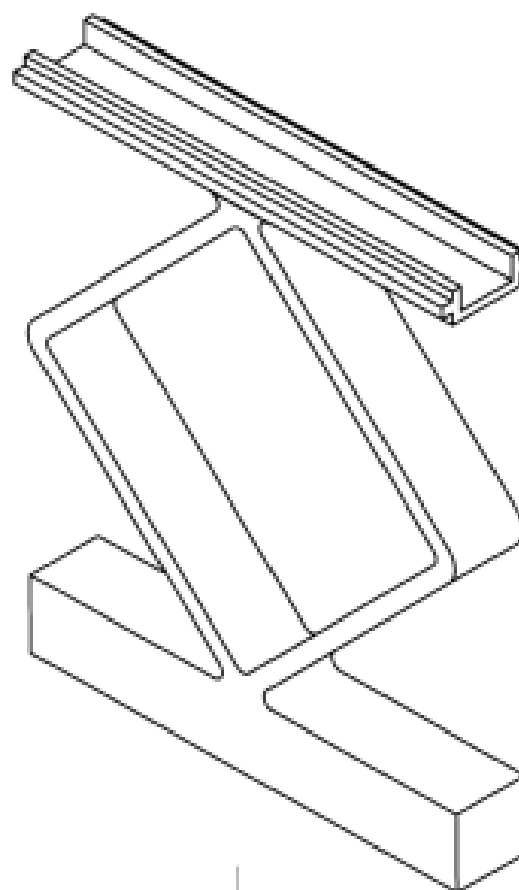
- (72) Name(s) of Author(s): **Peter Shepherd-Wilson**
(45) Registration Date: **28 November 2005**
(56) Related Art Documents: **Not Applicable**
(57) Statement of Monopoly: **Monopoly is claimed in the features of shape and configuration as applied to a plastic connector and as shown in the accompanying representations.**
Statement of Novelty: **Nil**



- (21) Application Number: **2153/2004**
(22) Date of Filing Application: **04 June 2004**
(24) Date from which industrial property rights may have effect: **17 February 2004**
(54) Article in respect of which the design is registered: **Container**
(51) International Design Classification: **09-01G**
(74) Name(s) of Attorney(s): **SPRUSON & FERGUSON**
(71) Name(s) and Address(s) of Applicant(s):
Henkel Kommanditgesellschaft auf Aktien
Henkelstrasse 67 40589 Dusseldorf Germany
(72) Name(s) of Author(s): **Matthias Rhode and Andreas Meyer and Anja Steinbrinker**
(45) Registration Date: **28 November 2005**
(62) Divisional of: **157622**
(56) Related Art Documents: **Not Applicable**
(57) Statement of Monopoly: **Monopoly is claimed in the features of shape and/or configuration of a container as illustrated in the accompanying representations.**
Statement of Novelty: **Nil**



- (21) Application Number: **2405/2004**
(22) Date of Filing Application: **11 June 2004**
(24) Date from which industrial property rights may have effect: **11 June 2004**
(54) Article in respect of which the design is registered: **An ornamental picket spacer**
(51) International Design Classification: **25-02C**
(71) Name(s) and Address(s) of Applicant(s):
Peak Innovations Inc.
Suite 203 11782 Hammersmith Way Richmond BC V7A 5E2 Canada
(72) Name(s) of Author(s): **Simon Walker**
(45) Registration Date: **28 November 2005**
(30) Convention priority data:
(31) Number (32) Date (33) Country
105184 11 Dec 2003 CANADA
(56) Related Art Documents: **Not Applicable**
(57) Statement of Monopoly: **Monopoly is claimed in the features of shape and configuration of the ornamental picket spacer as shown in the accompanying representations.**
Statement of Novelty: **Nil**



(19) AU

(21) Application Number: **2406/2004**

(22) Date of Filing Application: **11 June 2004**

(24) Date from which industrial property rights may have effect: **11 June 2004**

(54) Article in respect of which the design is registered: **An ornamental picket spacer**

(51) International Design Classification: **25-02C**

(71) Name(s) and Address(s) of Applicant(s):

Peak Innovations Inc.

Suite 203 11782 Hammersmith Way Richmond BC V7A 5E2 Canada

(72) Name(s) of Author(s): **Simon Walker**

(45) Registration Date: **28 November 2005**

(30) Convention priority data:

(31) Number
105183

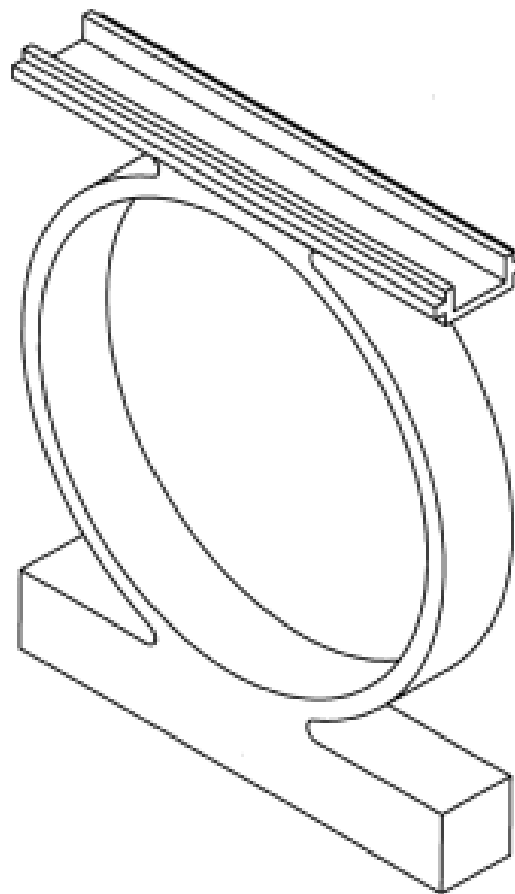
(32) Date
11 Dec 2003

(33) Country
CANADA

(56) Related Art Documents: **Not Applicable**

(57) Statement of Monopoly: **Monopoly is claimed in the features of shape and configuration of the ornamental picket spacer as shown in the accompanying representations.**

Statement of Novelty: **Nil**



Proceedings under the Designs Act 2003.

This Page Left Intentionally Blank

Applications Lodged

Lodgement information is in the following order: **Applicant's Name**; International Classification, Name of Product, Lodgement Date and **Design Number**. If the applicant claims an earlier priority date under an International Convention, the Convention Country and the associated filing date are shown in parentheses before the Lodgement Date. Divisional information will also appear in parentheses before the Lodgement Date.

| | | | |
|---|-------------------|---|-------------------|
| eSpeed Inc.; 14-04, Graphic user interface for foreign currency exchanges display, (US, 21 Nov 2003) 21 May 2004 | 15085/2005 | Aussie Traveller Pty Ltd; 25-01K, An extrusion, (Divisional of 00453/2004) 07 Apr 2005 | 15042/2005 |
| Accell Fitness Division B.V.; 21-02F, Exercise bike, 22 Nov 2005 | 15141/2005 | Aussie Traveller Pty Ltd; 25-01K, An extrusion, (Divisional of 00453/2004) 07 Apr 2005 | 15043/2005 |
| Accell Fitness Division B.V.; 21-02F, Rowing machine, 22 Nov 2005 | 15142/2005 | Australian Security Fencing Pty Ltd; 25-01E, 25-02C, Security fencing topping, 22 Nov 2005 | 15151/2005 |
| Advance Metal Products (Aust) Pty Ltd; 06-04B, Cabinets, 17 Nov 2005 | 15134/2005 | Avery Dennison Corporation; 14-03NES, 19-08, A roll of RFID labels, an RFID label and an RFID antenna, (US, 18 May 2005) 18 Nov 2005 | 15092/2005 |
| Advance Metal Products (Aust) Pty Ltd; 06-04B, Cabinets, 17 Nov 2005 | 15135/2005 | ARPER S.P.A.; 06-03B, Table, (EM, 06 May 2005) 25 Oct 2005 | 14728/2005 |
| Advance Metal Products (Aust) Pty Ltd; 06-04B, Above desk cabinet, 17 Nov 2005 | 15133/2005 | ARPER S.P.A.; 06-01F, Chair, (EM, 06 May 2005) 25 Oct 2005 | 14732/2005 |
| Aimbridge Pty Ltd; 03-01NES, Load reactive device, 07 Nov 2005 | 14940/2005 | ARPER S.P.A.; 06-01F, Chair, (EM, 06 May 2005) 25 Oct 2005 | 14733/2005 |
| Aimbridge Pty Ltd; 03-01NES, Load reactive device, 07 Nov 2005 | 14941/2005 | Bambach Saddle Seat Pty Ltd, The; 06-01F, A seat, 23 Nov 2005 | 15158/2005 |
| Apple Computer, Inc.; 14-01, An electronic device holder, (US, 24 Aug 2005) 23 Nov 2005 | 15154/2005 | Bargo Stencils & Design; 03-01C, CD/DVD cardboard mailer, 31 Oct 2005 | 15089/2005 |
| Apple Computer, Inc.; 14-01, A lanyard, (US, 24 Aug 2005) 23 Nov 2005 | 15155/2005 | Being Australian Pty. Ltd.; 02-02NES, Articles of clothing identified in classes 02-01, 02-02, 02-03, 02-05 specifically including but not limited to, T-shirts, headwear, sweaters, knitted jumpers, aprons, pants shorts, shirts, neck ties, scarves; stationery, artists and, teaching materials identified in class 19-01, 19-03, 19-04,, 22 Nov 2005 | 15130/2005 |
| Apple Computer, Inc.; 14-01, 14-02, An electronic device, (US, 24 Aug 2005) 23 Nov 2005 | 15156/2005 | Being Australian Pty. Ltd.; 02-02NES, Articles of clothing identified in classes 02-01, 02-03, 02-05 specifically including but not limited to T-shirts,, headwear, sweaters, knitted jumpers, aprons, pants, shorts, shirts, neck ties, scarves; stationery, artists and teaching, materials identified in class 19-01, 19-03, 19-04, 19-08, 22 Nov 2005 | 15131/2005 |
| Apple Computer, Inc.; 14-01, 14-02, An electronic device, (US, 24 Aug 2005) 23 Nov 2005 | 15157/2005 | BenQ Corporation; 14-03E, Mobile phone, (EM, 20 May 2005) 21 Nov 2005 | 15118/2005 |
| Ariat International, Inc.; 02-04NES, An aesthetic design element for a footwear outersole, and footwear outersoles including an aesthetic design element, (US, 27 Jun 2005) 22 Nov 2005 | 15139/2005 | Beverage Partners Worldwide S.A.; 09-01NES, Bottle, (CN, 12 Aug 2005) 16 Nov 2005 | 15071/2005 |
| Ariat International, Inc.; 02-04NES, A boot, (US, 16 May 2005) 15 Nov 2005 | 15056/2005 | Beverage Partners Worldwide S.A.; 09-01NES, Bottle, (CN, 12 Aug 2005) 16 Nov 2005 | 15070/2005 |
| Aristocrat Technologies Australia Pty Ltd; 21-03, Gaming machine, 23 Nov 2005 | 15165/2005 | Biomax Pty Ltd; 23-01F, Storage tank, 22 Nov 2005 | 15125/2005 |
| Aristocrat Technologies Australia Pty Ltd; 21-03, Gaming machine, 23 Nov 2005 | 15166/2005 | Black & Decker, Inc.; 08-05N, A sander, (EM, 13 Jun 2005) 08 Nov 2005 | 14948/2005 |
| Aristocrat Technologies Australia Pty Ltd; 21-03, Support stand, 23 Nov 2005 | 15164/2005 | | |
| Arlec Barbeques Pty Limited; 07-02E, A barbeque, 17 Feb 2004 | 14950/2005 | | |
| Astral Property Pty Limited; 25-01A, Paver, 17 Nov 2005 | 15086/2005 | | |
| Aussie Traveller Pty Ltd; 25-01K, An extrusion, (Divisional of 00453/2004) 07 Apr 2005 | 15041/2005 | | |

| | | | |
|--|-------------------|---|-------------------|
| Black & Decker, Inc.; 15-03B, A string trimmer, (EM, 17 May 2005) 09 Nov 2005 | 14957/2005 | Cipla Limited; 24-04, Device for inhalation, (IN, 09 May 2005) 09 Nov 2005 | 14951/2005 |
| Black & Decker, Inc.; 13-02, A battery charger, (US, 13 May 2005) 10 Nov 2005 | 14975/2005 | Counselling Help Pty Ltd; 02-02A, Swimming rash t-shirt, 18 Nov 2005 | 15075/2005 |
| Black & Decker, Inc.; 13-02, A battery pack, (US, 13 May 2005) 10 Nov 2005 | 14976/2005 | Crimsafe Security Systems Pty Ltd; 25-02H, 25-01K, Seryery slider extrusion, 10 Nov 2005 | 14991/2005 |
| Black & Decker, Inc.; 14-03C, A radio, (US, 19 May 2005) 09 Nov 2005 | 14966/2005 | Crimsafe Security Systems Pty Ltd; 25-02H, 25-01K, Slider clip extrusion, 10 Nov 2005 | 14992/2005 |
| Black & Decker, Inc.; 15-03B, A hedge trimmer, (EM, 11 May 2005) 09 Nov 2005 | 14958/2005 | Cumminscorp Limited; 23-01F, Tank module, 17 Nov 2005 | 15065/2005 |
| Black & Decker, Inc.; 15-03B, A string trimmer spool housing, (EM, 11 May 2005) 09 Nov 2005 | 14959/2005 | Cumminscorp Limited; 23-01F, Lid for a tank module, 17 Nov 2005 | 15066/2005 |
| Black & Decker, Inc.; 08-05N, A sander, (EM, 13 Jun 2005) 08 Nov 2005 | 14949/2005 | Cumminscorp Limited; 23-01F, Tank module, 17 Nov 2005 | 15067/2005 |
| Blaze, Mark; Gilley, Erik John; Thomas, Todd; 07-06A, Beverage holder, 22 Nov 2005 | 15145/2005 | Cumminscorp Limited; 23-01F, Lid for a tank module, 17 Nov 2005 | 15068/2005 |
| Blue Chilli Designs; 25-02NES, Decorative, display wall insert, 16 Nov 2005 | 15064/2005 | Danley Construction Products Pty Ltd; 08-05F, A dowel stand, 11 Nov 2005 | 15024/2005 |
| Boluce Illuminazione S.R.L.; 26-05A, 26-03, Lamps, (EM, 10 May 2005) 10 Nov 2005 | 14993/2005 | Danley Construction Products Pty Ltd; 08-05F, A joint plate, 11 Nov 2005 | 15025/2005 |
| Boluce Illuminazione S.R.L.; 26-03, Lamps, (EM, 10 May 2005) 10 Nov 2005 | 14994/2005 | Design Mobil NZ Limited; 06-02, A bedframe, (NZ, 05 Jun 2005) 21 Nov 2005 | 15116/2005 |
| Boluce Illuminazione S.R.L.; 26-03, 26-05C, Lamps, (EM, 10 May 2005) 10 Nov 2005 | 14995/2005 | Dias Aluminium Products Pty. Ltd.; 06-04C, 06-06C, Wardrobe grip stile, 14 Nov 2005 | 15027/2005 |
| Boluce Illuminazione S.R.L.; 26-03, 26-05C, Lamps, (EM, 10 May 2005) 10 Nov 2005 | 14996/2005 | Dias Aluminium Products Pty. Ltd.; 06-04C, 06-06C, Front head guide for wardrobe sliding door, 14 Nov 2005 | 15028/2005 |
| Boluce Illuminazione S.R.L.; 26-03, 26-05C, Lamps, (EM, 10 May 2005) 10 Nov 2005 | 14997/2005 | Dias Aluminium Products Pty. Ltd.; 06-06C, 06-04C, Rear head guide for wardrobe sliding door, 14 Nov 2005 | 15029/2005 |
| Bradshaw, Catherine; 21-02D, 02-02A, Product name not listed, 15 Nov 2005 | 15032/2005 | Dias Aluminium Products Pty. Ltd.; 06-06C, 06-04C, Rear head guide for wardrobe sliding door, 14 Nov 2005 | 15030/2005 |
| Buttons Up Technology; 14-03E, Mobile telephones, 23 Nov 2005 | 15137/2005 | Didier, Ross; 06-03A, Table Y, 23 Nov 2005 | 15149/2005 |
| BBS Kraftfahrzeugtechnik AG; 12-16A, Wheel, (EM, 11 Jul 2005) 22 Nov 2005 | 15138/2005 | Downunder Distribution Group Pty Ltd; 02-04A, Foot guard, 09 Nov 2005 | 14952/2005 |
| Cadbury Adams USA LLC; 01-01, Deformable candy product, (US, 01 Jun 2005) 23 Nov 2005 | 15167/2005 | Duffy, Glen Robert; 08-05F, 08-05NES, Hand press, 21 Oct 2005 | 14643/2005 |
| Calor; 07-05A, Base for laundry iron, (FR, 20 May 2005) 16 Nov 2005 | 15069/2005 | Duffy, Glen Robert; 08-05F, 08-05NES, Hand press, 21 Oct 2005 | 14642/2005 |
| Chef'n Corporation; 10-04, A nesting spoon, (US, 31 May 2005) 18 Nov 2005 | 15091/2005 | D3 Product Design Pty Ltd; 07-01B, Mandala bowl, 22 Nov 2005 | 15152/2005 |
| | | Elegant Garden World Pty Ltd; 11-99, A tower fountain, 09 Nov 2005 | 15002/2005 |
| | | Ellis, Christopher; 16-06, Flexible eyewear mask with flexible adjustable securing cord, 18 Nov 2005 | 15093/2005 |
| | | Ellison Educational Equipment, Inc.; 15-09, Hand operated roller press, (US, 27 May 2005) 21 Nov 2005 | 15117/2005 |

| | | | |
|---|-------------------|---|-------------------|
| Elson Australasia Pty Ltd; 07-05D, Single towel rail, 07 Nov 2005 | 14943/2005 | Glaxo Group Limited; 09-05, Pharmaceutical packaging, (Divisional of 01784/2004) 10 Nov 2005 | 14977/2005 |
| Elson Australasia Pty Ltd; 07-05D, Single towel rail, 07 Nov 2005 | 14944/2005 | Gostt, Anthea; Gostt, Nicholas; 06-13C, Camping accessory, kitchen accessory, 19 Oct 2005 | 14608/2005 |
| Elson Australasia Pty Ltd; 07-05D, Single towel rail, 07 Nov 2005 | 14945/2005 | Gostt, Nicholas; Gostt, Anthea; 06-13C, Camping accessory, kitchen accessory, 19 Oct 2005 | 14608/2005 |
| Endeavour Tools Pty Ltd; 08-08B, A screw, 18 Nov 2005 | 15090/2005 | Grasso, James; Young, Gregory John; Picklum, Bentley; 02-02C, Socks/stockings for sporting and therapeutic applications, 22 Nov 2005 | 15128/2005 |
| Equipment Tech Pty Ltd; 07-05NES, Scotch brite pad holder, 16 Nov 2005 | 15061/2005 | Grasso, James; Young, Gregory John; Picklum, Bentley; 02-02C, Garment for sporting and therapeutic applications but excludes swimsuits, 22 Nov 2005 | 15127/2005 |
| Equipment Tech Pty Ltd; 07-05NES, Scotch brite pad holder, 16 Nov 2005 | 15062/2005 | Grasso, James; Young, Gregory John; Picklum, Bentley; 02-02C, Garment for sporting and therapeutic applications but excludes swimsuits, 22 Nov 2005 | 15129/2005 |
| Equipment Tech Pty Ltd; 07-05NES, Scotch brite pad holder, 16 Nov 2005 | 15060/2005 | Grasso, James; Young, Gregory John; Picklum, Bentley; 02-02C, Garment for sporting and therapeutic applications but excludes swimsuits, 22 Nov 2005 | 15126/2005 |
| EMW Enterprises Pty Ltd; 02-06, A glove, 15 Nov 2005 | 15057/2005 | Great Waves Pty Ltd; 12-06NES, Sheet material of indefinite shape for use as a deck grip, 17 Nov 2005 | 15081/2005 |
| Fastlane Australia Pty Ltd; 02-04NES, Product name not listed, 21 Nov 2005 | 15098/2005 | Great Waves Pty Ltd; 12-06NES, Sheet material of indefinite shape for use as deck grip, 17 Nov 2005 | 15082/2005 |
| Fastlane Australia Pty Ltd; 02-04NES, Product name not listed, 21 Nov 2005 | 15099/2005 | Great Waves Pty Ltd; 12-06NES, Sheet material of indefinite shape for use as a deck grip, 17 Nov 2005 | 15080/2005 |
| Fastlane Australia Pty Ltd; 02-04NES, Product name not listed, 21 Nov 2005 | 15100/2005 | GMCA Pty Ltd; 08-03, A power circular saw, (EM, 30 Jul 2005) 18 Nov 2005 | 15076/2005 |
| Fisher, Elliott; 02-07A, Belt buckle, 10 Nov 2005 | 14971/2005 | Holdsworth, Andrew; 16-06, Sunglasses, 16 Nov 2005 | 15047/2005 |
| Fujitsu General Limited; 23-04, Air conditioner, (JP, 10 Aug 2005) 14 Nov 2005 | 15034/2005 | Holdsworth, Andrew; 16-06, Sunglasses, 16 Nov 2005 | 15048/2005 |
| Fujitsu General Limited; 23-04, Air conditioner, (JP, 10 Aug 2005) 14 Nov 2005 | 15035/2005 | Holdsworth, Andrew; 16-06, Sunglasses, 16 Nov 2005 | 15049/2005 |
| FPSInternational (New Zealand) Limited; 09-05, An intermediate window bag, (NZ, 28 Jul 2004) 27 Jan 2005 | 14436/2005 | Holdsworth, Andrew; 16-06, Sunglasses, 16 Nov 2005 | 15050/2005 |
| FPSInternational (New Zealand) Limited; 09-05, An intermediate window bag, (NZ, 28 Jul 2004) 27 Jan 2005 | 14437/2005 | Horn Australia Pty Ltd; 09-03H, A storage box wall panel, 03 Nov 2005 | 14872/2005 |
| Galapo, Ariel; 20-02E, Book display, 23 Nov 2005 | 15140/2005 | Horn Australia Pty Ltd; 09-03M, A storage box with removable wall panel, 03 Nov 2005 | 14871/2005 |
| Giesberts, George; Lamb, Gary; 25-02NES, 20-01, Through the wall ATM, antitheft device (ATM-automatic teller machine) TTW, 14 Nov 2005 | 15016/2005 | Intellectual Property Development Corporation Pty Ltd; 07-05E, Sponge, 09 Nov 2005 | 14968/2005 |
| Giesberts, George; Lamb, Gary; 25-02NES, 20-01, Through the wall ATM, antitheft device (ATM-automatic teller machine) high top lobby, 14 Nov 2005 | 15015/2005 | Intellectual Property Development Corporation Pty Ltd; 07-05E, Sponge, 09 Nov 2005 | 14969/2005 |
| Gilley, Erik John; Blaze, Mark; Thomas, Todd; 07-06A, Beverage holder, 22 Nov 2005 | 15145/2005 | | |
| Glaco-Bricks Proprietary Limited; 19-02, Business card holder, 23 Nov 2005 | 15136/2005 | | |

| | | | |
|---|-------------------|---|-------------------|
| Intellectual Property Development Corporation Pty Ltd; 07-05E, Sponge with scourer, 09 Nov 2005 | 14970/2005 | Mercupond Australia Pty Ltd; 08-06, 90 Degrees wall to glass hinge, 22 Nov 2005 | 15119/2005 |
| Ireland, Bruce Ian; 25-01B, A spacer strip, 11 Nov 2005 | 15023/2005 | Mercupond Australia Pty Ltd; 08-06, 180 Degrees glass to glass hinge, 22 Nov 2005 | 15120/2005 |
| J Bloch Pty Ltd; 02-04NES, Dance shoe, (US, 26 May 2005) 23 Nov 2005 | 15163/2005 | Mercupond Australia Pty Ltd; 25-01K, Aluminium extrusion for storage system (top/bottom rail), 22 Nov 2005 | 15121/2005 |
| Jackson Industries Pty Limited; 13-03D, A power board, 22 Nov 2005 | 15143/2005 | Mercupond Australia Pty Ltd; 25-01K, Aluminium extrusion for storage system (Mid-Rail), 22 Nov 2005 | 15122/2005 |
| Jewson, Gregory Peter; 22-05, Quick release fish holder, 16 Nov 2005 | 15074/2005 | Mercupond Australia Pty Ltd; 25-01K, Aluminium extrusion for storage system (Shelf Support), 22 Nov 2005 | 15123/2005 |
| Kabushiki Kaisha Miyanaga; 08-03, Hole cutter, (JP, 03 Jun 2005) 15 Nov 2005 | 15059/2005 | Mercupond Australia Pty Ltd; 25-01K, Aluminium extrusion for storage system (Post), 22 Nov 2005 | 15124/2005 |
| Kossmann, Christopher John; 10-06, Led array signal, 09 Nov 2005 | 15004/2005 | Merz & Krell GmbH & Co. KGaA; 19-06, Writing instrument, (DE, 23 May 2005) 21 Nov 2005 | 15114/2005 |
| Lacoste; 02-04NES, Shoe, (CN, 22 Jun 2005) 25 Oct 2005 | 14718/2005 | Merz & Krell GmbH & Co. KGaA; 19-06, Writing instrument, (DE, 23 May 2005) 22 Nov 2005 | 15144/2005 |
| Laird, Jeffrey Kenneth; 12-10, Lightweight cargo trailer, 18 Nov 2005 | 15103/2005 | Merz & Krell GmbH & Co. KGaA; 19-06, Writing instrument, (DE, 23 May 2005) 21 Nov 2005 | 15115/2005 |
| Lamb, Gary; Giesberts, George; 25-02NES, 20-01, Through the wall ATM, antitheft device (ATM-automatic teller machine) high top lobby, 14 Nov 2005 | 15015/2005 | Merz & Krell GmbH & Co. KGaA; 19-06, Writing instrument, (DE, 23 May 2005) 16 Nov 2005 | 15072/2005 |
| Lamb, Gary; Giesberts, George; 25-02NES, 20-01, Through the wall ATM, antitheft device (ATM-automatic teller machine) TTW, 14 Nov 2005 | 15016/2005 | Merz & Krell GmbH & Co. KGaA; 19-06, Decorative inner sleeve of writing instrument, (DE, 23 May 2005) 16 Nov 2005 | 15073/2005 |
| Lodger B.V.; 06-13NES, Wrap blanket, (EM, 10 Oct 2005) 16 Nov 2005 | 15044/2005 | Microsoft Corporation; 18-03, Type font, (US, 11 May 2005) 11 Nov 2005 | 15022/2005 |
| Lodger B.V.; 06-13NES, Wrap blanket, (EM, 10 Oct 2005) 16 Nov 2005 | 15045/2005 | Microsoft Corporation; 14-03NES, Remote controller, (US, 11 May 2005) 10 Nov 2005 | 14998/2005 |
| Lodger B.V.; 06-13NES, Wrap blanket, (EM, 10 Oct 2005) 16 Nov 2005 | 15046/2005 | Microsoft Corporation; 14-03NES, Remote controller, (US, 11 May 2005) 10 Nov 2005 | 14999/2005 |
| Lotter, Lance; 25-01K, Extrusion, 16 Dec 2004 | 13508/2005 | Microsoft Corporation; 13-03D, 14-02, Connector housing, (US, 11 May 2005) 10 Nov 2005 | 15000/2005 |
| Lycos Innovations Pty Ltd; Onesteel; 25-01NES, 25-01B, 25-02A, A stay, 11 Nov 2005 | 15017/2005 | Microsoft Corporation; 13-03D, 14-02, Connector housing, (US, 11 May 2005) 10 Nov 2005 | 15001/2005 |
| Mahoney, Sarah Frances; 06-03C, 06-06NES, A support device, 14 Nov 2005 | 15026/2005 | Multigate Medical Products Pty Limited; 24-02, Instrument guard, 24 Nov 2005 | 15169/2005 |
| Mascull, Roger Thomas; 12-12, 06-06H, A frame for a seat, (NZ, 08 Jun 2005) 15 Nov 2005 | 15039/2005 | Multigate Medical Products Pty Limited; 24-02, Instrument guard, 24 Nov 2005 | 15170/2005 |
| Master Lock Company; 08-07, Pin cap, (US, 16 Jun 2005) 14 Nov 2005 | 15038/2005 | Multigate Medical Products Pty Limited; 24-02, Instrument guard, 24 Nov 2005 | 15171/2005 |
| Megastra Jaya Sdn. Bhd.; 25-02B, Door panel, 17 Nov 2005 | 15088/2005 | Murphy, Michael; Nemme, Anton Oskar; 06-03C, 06-03A, Times table, 10 Nov 2005 | 14972/2005 |
| Megastra Jaya Sdn. Bhd.; 25-02B, Door panel, 23 Nov 2005 | 15153/2005 | Nemme, Anton Oskar; Murphy, Michael; 06-03C, 06-03A, Times table, 10 Nov 2005 | 14972/2005 |
| Megastra Jaya Sdn. Bhd.; 25-02B, Door panel, 17 Nov 2005 | 15147/2005 | | |

| | | | |
|---|-------------------|---|-------------------|
| Nicholls, Urian; 06-01F, Chair, 22 Nov 2005 | 15168/2005 | Reckitt Benckiser Inc.; 09-01NES, Bottle, (US, 08 Jun 2005) 14 Nov 2005 | 15033/2005 |
| Nintendo Co., Ltd; 21-01N, A base stand for an electronic game machine, (JP, 11 May 2005) 09 Nov 2005 | 14967/2005 | ResMed Limited; 02-01B, 02-01NES, Pyjamas, 10 Nov 2005 | 14955/2005 |
| Nintendo Co., Ltd; 21-01N, A hand-held electronic game machine, (JP, 13 May 2005) 14 Nov 2005 | 15036/2005 | ResMed Limited; 14-02, Data recording unit (Fig. 7-13. 21-24), 10 Nov 2005 | 14956/2005 |
| Nintendo Co., Ltd; 21-01N, A cover for a hand-held electronic game machine, (JP, 13 May 2005) 14 Nov 2005 | 15037/2005 | Review Australia Pty Ltd; 02-02NES, 02-02C, Ladies garments, 07 Nov 2005 | 14942/2005 |
| Nintendo Co., Ltd; 21-01N, Electronic game machine, (JP, 11 May 2005) 09 Nov 2005 | 14963/2005 | Rinnai Corporation; Rinnai New Zealand Ltd.; 23-03B, Flame fire heater, 09 Nov 2005 | 14954/2005 |
| Nirve Sports, Ltd.; 12-11, A bicycle frame, (US, 25 May 2005) 09 Nov 2005 | 14964/2005 | Rinnai Corporation; Rinnai New Zealand Ltd.; 23-03B, Flame fire heater, 09 Nov 2005 | 14953/2005 |
| Nostalgic Pedal Cars; 21-01F, Child's pedal car, 15 Nov 2005 | 15063/2005 | Rinnai New Zealand Ltd.; Rinnai Corporation; 23-03B, Flame fire heater, 09 Nov 2005 | 14953/2005 |
| Novaplas Architectural Products; 10-06, 06-11, Tactile indicator for installing into carpet, 11 Nov 2005 | 15014/2005 | Rinnai New Zealand Ltd.; Rinnai Corporation; 23-03B, Flame fire heater, 09 Nov 2005 | 14954/2005 |
| Onesteel; Lyco Innovations Pty Ltd; 25-01NES, 25-01B, 25-02A, A stay, 11 Nov 2005 | 15017/2005 | Robert Bosch GmbH; 03-01D, Container, (DE, 14 Jul 2005) 18 Nov 2005 | 15101/2005 |
| Pawlowska-Pruba, Ewa; 07-05E, Pot holder, 11 Nov 2005 | 14990/2005 | Robert Bosch GmbH; 03-01D, Container, (DE, 08 Jun 2005) 18 Nov 2005 | 15102/2005 |
| Picklum, Bentley; Young, Gregory John; Grasso, James; 02-02C, Garment for sporting and therapeutic applications but excludes swimsuits, 22 Nov 2005 | 15129/2005 | Rock, Anthony; 21-02F, Sports training aid (colloquially known as a tackle bag), 14 Nov 2005 | 15031/2005 |
| Picklum, Bentley; Young, Gregory John; Grasso, James; 02-02C, Garment for sporting and therapeutic applications but excludes swimsuits, 22 Nov 2005 | 15127/2005 | Royal Alexandra Hospital for Children; 12-12, Bridge to stretcher interface lock, 17 Nov 2005 | 15087/2005 |
| Picklum, Bentley; Young, Gregory John; Grasso, James; 02-02C, Socks/stockings for sporting and therapeutic applications, 22 Nov 2005 | 15128/2005 | Ryan, Todd; 19-08, Credit/debit/cash type card, 07 Sep 2005 | 15005/2005 |
| Picklum, Bentley; Young, Gregory John; Grasso, James; 02-02C, Garment for sporting and therapeutic applications but excludes swimsuits, 22 Nov 2005 | 15126/2005 | Ryan, Todd; 19-08, Credit/debit/cash type card, 07 Sep 2005 | 15006/2005 |
| Pole Foundations Finance Pty Ltd; 25-01B, A reinforcing element, 11 Oct 2005 | 14467/2005 | Ryan, Todd; 19-08, Credit/debit/cash type card, 07 Sep 2005 | 15007/2005 |
| Provo Craft and Novelty, Inc.; 18-04, Paper trimmer, (US, 18 May 2005) 15 Nov 2005 | 15051/2005 | Ryan, Todd; 19-08, Credit/debit/cash type card, 07 Sep 2005 | 15008/2005 |
| Provo Craft and Novelty, Inc.; 18-04, Paper trimmer blade holder, (US, 18 May 2005) 15 Nov 2005 | 15052/2005 | Ryan, Todd; 19-08, Credit/debit/cash type card, 07 Sep 2005 | 15009/2005 |
| Rastorder Pty Ltd; 12-02, Camera cart/production cart-film/video, 09 Nov 2005 | 14946/2005 | Saint-Gobain Calmar, Inc.; 09-07A, Sprayer shroud, (US, 23 May 2005) 23 Nov 2005 | 15010/2005 |
| | | Saint-Gobain Calmar, Inc.; 09-07A, Sprayer shroud hood, (US, 23 May 2005) 23 Nov 2005 | 15011/2005 |
| | | | 15012/2005 |
| | | | 15161/2005 |
| | | | 15159/2005 |

| | | | |
|---|-------------------|--|-------------------|
| Saint-Gobain Calmar, Inc.; 09-07A, Sprayeer shroud, (US, 23 May 2005) 23 Nov 2005 | 15160/2005 | Toyota Jidosha Kabushiki Kaisha; 26-06, Rear combination lamp for an automobile, 30 Sep 2005 | 14278/2005 |
| Samsonite Corporation; 03-01A, Softside luggage, (US, 23 May 2005) 10 Nov 2005 | 14987/2005 | Toyota Jidosha Kabushiki Kaisha; 26-06, Turn signal lamp for an automobile, 30 Sep 2005 | 14279/2005 |
| Samsonite Corporation; 03-01A, Softside luggage, (US, 23 May 2005) 10 Nov 2005 | 14988/2005 | Toyota Jidosha Kabushiki Kaisha; 26-06, Front combination lamp for an automobile, 30 Sep 2005 | 14280/2005 |
| Samsonite Corporation; 03-01A, Hardware for luggage, (US, 23 May 2005) 10 Nov 2005 | 14979/2005 | Toyota Jidosha Kabushiki Kaisha; 26-06, Front combination lamp for an automobile, 30 Sep 2005 | 14277/2005 |
| Samsonite Corporation; 03-01A, Hardware for luggage, (US, 23 May 2005) 10 Nov 2005 | 14980/2005 | Tranquiltech Sdn Bhd; 07-05D, Laundry drying equipment and cover, (SG, 27 May 2005) 24 Nov 2005 | 15150/2005 |
| Samsonite Corporation; 03-01A, Hardware for luggage, (US, 23 May 2005) 10 Nov 2005 | 14981/2005 | Transtank Pty Ltd; 09-02A, Product name not listed, 10 Nov 2005 | 15003/2005 |
| Samsonite Corporation; 03-01A, Hardware for luggage, (US, 23 May 2005) 10 Nov 2005 | 14982/2005 | Tru Vision Pty Ltd; 12-16G, Product name not listed, 27 Sep 2005 | 14192/2005 |
| Samsonite Corporation; 03-01A, Hardware for luggage, (US, 23 May 2005) 10 Nov 2005 | 14978/2005 | Turner Leisure Products Pty Ltd; 23-03A, 23-03NES, Heater, 11 Nov 2005 | 14973/2005 |
| Samsonite Corporation; 03-01A, Upright luggage case, (US, 23 May 2005) 10 Nov 2005 | 14984/2005 | Turner Leisure Products Pty Ltd; 07-02E, Barbeque sausage plate roller, 11 Nov 2005 | 14974/2005 |
| Samsonite Corporation; 03-01A, Upright luggage case, (US, 23 May 2005) 10 Nov 2005 | 14985/2005 | TAG Heuer SA; 10-02, Wrist watch, (WO, 22 Jun 2005) 15 Nov 2005 | 15058/2005 |
| Samsonite Corporation; 03-01A, Upright luggage case, (US, 23 May 2005) 10 Nov 2005 | 14986/2005 | Unique Beverages Aust. Pty Ltd; 09-01H, Product name not listed, 10 Oct 2005 | 14468/2005 |
| Samsonite Corporation; 03-01A, Softside luggage, (US, 23 May 2005) 10 Nov 2005 | 14986/2005 | Valerie Margaret Saunders, trading as Bronswood Building Supplies; 23-02B, Step-in bath, 18 Oct 2005 | 14734/2005 |
| Schneider, John; 21-02E, Skate board, 23 Nov 2005 | 15148/2005 | Vector Products, Inc.; 26-02, Twin beam spotlight, (US, 14 Apr 2005) 12 Oct 2005 | 14465/2005 |
| Schreder; 26-05D, A light, (EM, 13 May 2005) 11 Nov 2005 | 15018/2005 | Vectura Limited; 28-03NES, 09-01G, 28-01, Pharmaceutical product, (EM, 11 May 2005) 10 Nov 2005 | 14989/2005 |
| Sealed Air Australia Pty Limited; 21-02D, 25-03, Solar pool cover, 11 Nov 2005 | 15021/2005 | Vertex Pacific Limited; 09-02B, A set of stackable jerry cans, (NZ, 12 May 2005) 11 Nov 2005 | 15013/2005 |
| Societe Des Produits Nestle S.A.; 31-00, Drink machine, (CH, 10 May 2005) 08 Nov 2005 | 14947/2005 | Visy Industrial Plastics Pty Ltd; 07-07B, A pail with lid, 21 Nov 2005 | 15105/2005 |
| Societe Des Produits Nestle S.A.; 31-00, Beverage dispenser, (CH, 28 Sep 2005) 23 Nov 2005 | 15162/2005 | Visy R & D Pty Ltd; 09-03E, 09-04, 09-03M, A carton/crate and blank therefor, 21 Nov 2005 | 15106/2005 |
| Thomas, Todd; Gilley, Erik John; Blaze, Mark; 07-06A, Beverage holder, 22 Nov 2005 | 15145/2005 | Vita-Mix Corporation; 31-00, A housing for a blender, (US, 11 May 2005) 09 Nov 2005 | 14960/2005 |
| Tombow Pencil Co. Ltd; 19-02, Coating transfer device, (JP, 17 Jun 2005) 15 Nov 2005 | 15053/2005 | Vita-Mix Corporation; 31-00, 09-07A, A plug for a blender lid, (US, 11 May 2005) 09 Nov 2005 | 14961/2005 |
| Tombow Pencil Co. Ltd; 19-02, Coating transfer device, (JP, 16 Jun 2005) 15 Nov 2005 | 15054/2005 | Vita-Mix Corporation; 31-00, 09-07B, A lid for a pitcher, (US, 11 May 2005) 09 Nov 2005 | 14962/2005 |
| Tombow Pencil Co. Ltd; 19-02, Coating transfer device, (JP, 03 Jun 2005) 15 Nov 2005 | 15055/2005 | Vita-Mix Corporation; 31-00, A container for a blender, (US, 11 May 2005) 09 Nov 2005 | 14965/2005 |

| | | | |
|---|-------------------|---|-------------------|
| Wairua Holdings Pty Limited; 08-06, Double action hinge system, 15 Nov 2005 | 15040/2005 | Yarra Ridge Pty Ltd; 08-07, Lock cylinder, 18 Nov 2005 | 15096/2005 |
| Ward, Duncan; 23-02B, Shower head, 18 Nov 2005 | 15077/2005 | Yarra Ridge Pty Ltd; 08-07, Lock cylinder, 18 Nov 2005 | 15097/2005 |
| Ward, Duncan; 23-01H, Taps, 18 Nov 2005 | 15078/2005 | Yoshida Metal Industry Co., Ltd; 07-99NES, Knife block, (JP, 02 Jun 2005) 22 Nov 2005 | 15146/2005 |
| Weir, Garry; 21-01N, Driving simulator frame with adjustable seat, 18 Nov 2005 | 15084/2005 | Young, Gregory John; Grasso, James; Picklum, Bentley; 02-02C, Garment for sporting and therapeutic applications but excludes swimsuits, 22 Nov 2005 | 15127/2005 |
| Wilson, John Curtis; 25-04, Ladder retaining bracket, 14 Nov 2005 | 15020/2005 | Young, Gregory John; Grasso, James; Picklum, Bentley; 02-02C, Garment for sporting and therapeutic applications but excludes swimsuits, 22 Nov 2005 | 15129/2005 |
| WinCup Holdings, Inc.; 07-01NES, Contoured profile domed lid, (US, 11 Apr 2005) 11 Oct 2005 | 14460/2005 | Young, Gregory John; Grasso, James; Picklum, Bentley; 02-02C, Socks/stockings for sporting and therapeutic applications, 22 Nov 2005 | 15128/2005 |
| Wise, Robert W.; 08-04, Power driver, (US, 01 Apr 2005) 19 Sep 2005 | 14038/2005 | Young, Gregory John; Grasso, James; Picklum, Bentley; 02-02C, Garment for sporting and therapeutic applications but excludes swimsuits, 22 Nov 2005 | 15126/2005 |
| Worner, John Kenneth; 07-06D, Bottle opener, 11 Nov 2005 | 15019/2005 | 42 Below Limited; 09-01K, A bottle, 17 Nov 2005 | 15083/2005 |
| X-Technology Swiss GmbH; 02-02NES, Garments, (EM, 20 May 2005) 18 Nov 2005 | 15104/2005 | | |
| Yarra Ridge Pty Ltd; 08-07, Lock cylinder, 17 Nov 2005 | 15079/2005 | | |
| Yarra Ridge Pty Ltd; 08-07, Lock cylinder, 18 Nov 2005 | 15094/2005 | | |
| Yarra Ridge Pty Ltd; 08-07, Lock cylinder, 18 Nov 2005 | 15095/2005 | | |

Applications Withdrawn

13285 / 2005 (21-01L)

Extensions of time granted under Section 137

Applications lodged under section 137 for extension of time have been granted.

15241/2004 **Jah-Roc Nominees Pty Ltd**

15499/2004 **The Procter & Gamble Company**

13655/2005 **Seona Emanuelli**

Certificate(s) of Examination

Examination of the following Design Registration(s) has been completed. Infringement proceedings may now be commenced.

| | | |
|--------|----------|------------|
| 300556 | 02-03 | 29/11/2005 |
| 300618 | 12-06NES | 28/11/2005 |
| 300705 | 15-05 | 30/11/2005 |
| 300841 | 27-03 | 29/11/2005 |
| 301084 | 21-01L | 18/11/2005 |
| 301350 | 09-01NES | 21/11/2005 |
| 301998 | 19-06 | 21/11/2005 |
| 302087 | 14-01 | 30/11/2005 |
| 302138 | 20-02E | 24/11/2005 |
| 302139 | 20-02E | 24/11/2005 |
| 302149 | 09-03M | 24/11/2005 |
| 302160 | 26-02 | 21/11/2005 |
| 302161 | 26-02 | 21/11/2005 |
| 302299 | 28-99 | 22/11/2005 |
| 302300 | 28-99 | 22/11/2005 |
| 302356 | 09-07A | 25/11/2005 |
| 302453 | 09-07A | 25/11/2005 |
| 302557 | 13-02 | 29/11/2005 |
| 302669 | 15-01 | 22/11/2005 |
| 302704 | 13-03D | 28/11/2005 |
| 302739 | 26-02 | 28/11/2005 |
| 302740 | 26-02 | 28/11/2005 |
| 302741 | 26-02 | 28/11/2005 |
| 302742 | 26-02 | 28/11/2005 |
| 302743 | 26-02 | 28/11/2005 |
| 302771 | 23-01G | 28/11/2005 |
| 302782 | 14-01 | 30/11/2005 |
| 302863 | 07-04 | 29/11/2005 |
| 302864 | 11-02NES | 29/11/2005 |
| 302900 | 28-99 | 29/11/2005 |
| 302901 | 28-99 | 29/11/2005 |
| 302902 | 28-99 | 29/11/2005 |

Publication and Registration Proceedings

Designs Registered

This section provides a concordance between design number and registration number of Designs covered in this journal. It also shows the main class and registration date.

This section covers Registration numbers 304210 to 304465 .

The registration number shown below should be used in all future correspondence.

| Design Number | Registration Number | International Classification Code (IDC) | Registration Date | Design Number | Registration Number | International Classification Code (IDC) | Registration Date |
|---------------|---------------------|---|-------------------|---------------|---------------------|---|-------------------|
| 13769/2004 | 304400 | 06-06F | 24/11/2005 | 12379/2005 | 304222 | 09-01NES | 17/11/2005 |
| 14345/2004 | 304401 | 06-06F | 24/11/2005 | 12380/2005 | 304223 | 09-01NES | 17/11/2005 |
| 14932/2004 | 304230 | 12-16K | 18/11/2005 | 12381/2005 | 304236 | 10-02 | 18/11/2005 |
| 14933/2004 | 304242 | 12-16K | 18/11/2005 | 12383/2005 | 304237 | 15-09 | 18/11/2005 |
| 10009/2005 | 304319 | 14-01 | 21/11/2005 | 12384/2005 | 304224 | 15-09 | 17/11/2005 |
| 10032/2005 | 304328 | 08-05P | 21/11/2005 | 12385/2005 | 304225 | 15-09 | 17/11/2005 |
| 10037/2005 | 304263 | 01-01 | 18/11/2005 | 12400/2005 | 304270 | 08-04 | 18/11/2005 |
| 10216/2005 | 304320 | 08-08D | 21/11/2005 | 12403/2005 | 304364 | 19-02 | 22/11/2005 |
| 10264/2005 | 304382 | 09-05 | 24/11/2005 | 12406/2005 | 304226 | 07-02H | 17/11/2005 |
| 10722/2005 | 304321 | 15-03A | 21/11/2005 | 12407/2005 | 304238 | 08-05P | 18/11/2005 |
| 11084/2005 | 304359 | 23-01G | 22/11/2005 | 12409/2005 | 304446 | 25-01C | 29/11/2005 |
| 11405/2005 | 304385 | 25-01K | 24/11/2005 | 12410/2005 | 304447 | 07-01B | 29/11/2005 |
| 11470/2005 | 304441 | 09-01NES | 29/11/2005 | 12411/2005 | 304448 | 07-01B | 29/11/2005 |
| 11473/2005 | 304442 | 09-01NES | 29/11/2005 | 12423/2005 | 304271 | 19-01 | 18/11/2005 |
| 11535/2005 | 304360 | 08-08G | 22/11/2005 | 12424/2005 | 304272 | 19-01 | 18/11/2005 |
| 11551/2005 | 304295 | 08-03 | 18/11/2005 | 12429/2005 | 304273 | 26-02 | 18/11/2005 |
| 11557/2005 | 304421 | 12-16B | 29/11/2005 | 12445/2005 | 304227 | 28-03NES | 17/11/2005 |
| 11807/2005 | 304283 | 28-03NES | 18/11/2005 | 12449/2005 | 304284 | 25-02NES | 18/11/2005 |
| 11855/2005 | 304402 | 15-09 | 24/11/2005 | 12464/2005 | 304228 | 02-04NES | 17/11/2005 |
| 12180/2005 | 304361 | 11-02E | 22/11/2005 | 12475/2005 | 304274 | 09-03L | 18/11/2005 |
| 12181/2005 | 304231 | 09-03NES | 18/11/2005 | 12477/2005 | 304275 | 09-03L | 18/11/2005 |
| 12187/2005 | 304243 | 26-05B | 18/11/2005 | 12479/2005 | 304276 | 28-99 | 18/11/2005 |
| 12205/2005 | 304244 | 25-01A | 18/11/2005 | 12497/2005 | 304239 | 14-03NES | 18/11/2005 |
| 12206/2005 | 304245 | 25-01A | 18/11/2005 | 12503/2005 | 304240 | 27-03 | 18/11/2005 |
| 12235/2005 | 304232 | 09-03F | 18/11/2005 | 12506/2005 | 304277 | 20-02E | 18/11/2005 |
| 12236/2005 | 304443 | 23-02C | 29/11/2005 | 12509/2005 | 304278 | 20-02E | 18/11/2005 |
| 12244/2005 | 304210 | 10-04 | 17/11/2005 | 12573/2005 | 304233 | 25-01K | 18/11/2005 |
| 12268/2005 | 304211 | 14-03NES | 17/11/2005 | 12574/2005 | 304241 | 24-02 | 18/11/2005 |
| 12269/2005 | 304212 | 14-03NES | 17/11/2005 | 12581/2005 | 304279 | 08-09 | 18/11/2005 |
| 12270/2005 | 304264 | 24-04 | 18/11/2005 | 12582/2005 | 304280 | 08-09 | 18/11/2005 |
| 12273/2005 | 304265 | 13-03E | 18/11/2005 | 12584/2005 | 304403 | 15-04 | 24/11/2005 |
| 12283/2005 | 304246 | 25-01K | 18/11/2005 | 12585/2005 | 304423 | 15-04 | 29/11/2005 |
| 12284/2005 | 304266 | 11-02E | 18/11/2005 | 12586/2005 | 304424 | 15-04 | 29/11/2005 |
| 12285/2005 | 304267 | 11-02E | 18/11/2005 | 12587/2005 | 304425 | 15-04 | 29/11/2005 |
| 12286/2005 | 304268 | 11-02E | 18/11/2005 | 12592/2005 | 304229 | 30-04 | 17/11/2005 |
| 12290/2005 | 304444 | 11-02E | 29/11/2005 | 12596/2005 | 304426 | 07-04 | 29/11/2005 |
| 12291/2005 | 304445 | 11-02NES | 29/11/2005 | 12600/2005 | 304404 | 28-99 | 24/11/2005 |
| 12304/2005 | 304247 | 10-04 | 18/11/2005 | 12601/2005 | 304427 | 28-99 | 29/11/2005 |
| 12309/2005 | 304234 | 07-04 | 18/11/2005 | 12602/2005 | 304428 | 02-03 | 29/11/2005 |
| 12311/2005 | 304235 | 09-03NES | 18/11/2005 | 12603/2005 | 304429 | 02-03 | 29/11/2005 |
| 12324/2005 | 304248 | 10-05 | 18/11/2005 | 12615/2005 | 304405 | 09-07C | 24/11/2005 |
| 12337/2005 | 304362 | 02-01B | 22/11/2005 | 12616/2005 | 304406 | 25-01A | 24/11/2005 |
| 12356/2005 | 304213 | 14-03A | 17/11/2005 | 12617/2005 | 304407 | 09-07C | 24/11/2005 |
| 12357/2005 | 304363 | 08-08D | 22/11/2005 | 12621/2005 | 304408 | 11-01C | 24/11/2005 |
| 12358/2005 | 304214 | 08-08D | 17/11/2005 | 12630/2005 | 304430 | 14-01 | 29/11/2005 |
| 12361/2005 | 304215 | 09-01D | 17/11/2005 | 12648/2005 | 304431 | 07-01C | 29/11/2005 |
| 12362/2005 | 304216 | 09-01D | 17/11/2005 | 12650/2005 | 304285 | 09-01G | 18/11/2005 |
| 12363/2005 | 304269 | 16-01 | 18/11/2005 | 12651/2005 | 304286 | 09-01G | 18/11/2005 |
| 12374/2005 | 304217 | 09-01NES | 17/11/2005 | 12652/2005 | 304287 | 13-03D | 18/11/2005 |
| 12375/2005 | 304219 | 09-01NES | 17/11/2005 | 12653/2005 | 304288 | 24-04 | 18/11/2005 |
| 12376/2005 | 304218 | 09-01NES | 17/11/2005 | 12654/2005 | 304289 | 19-06 | 18/11/2005 |
| 12377/2005 | 304220 | 09-01NES | 17/11/2005 | 12655/2005 | 304303 | 08-05M | 21/11/2005 |
| 12378/2005 | 304221 | 09-01NES | 17/11/2005 | 12656/2005 | 304365 | 06-03NES | 22/11/2005 |

Publication and Registration Proceedings - Designs Registered cont'd

| Design Number | Registration Number | International Classification Code (IDC) | Registration Date | Design Number | Registration Number | International Classification Code (IDC) | Registration Date |
|---------------|---------------------|---|-------------------|---------------|---------------------|---|-------------------|
| 12661/2005 | 304380 | 23-01NES | 22/11/2005 | 12891/2005 | 304250 | 25-01NES | 18/11/2005 |
| 12662/2005 | 304381 | 23-01B | 22/11/2005 | 12892/2005 | 304251 | 08-06 | 18/11/2005 |
| 12685/2005 | 304366 | 21-01C | 22/11/2005 | 12893/2005 | 304252 | 08-05P | 18/11/2005 |
| 12687/2005 | 304367 | 21-01C | 22/11/2005 | 12894/2005 | 304253 | 08-06 | 18/11/2005 |
| 12688/2005 | 304368 | 21-01C | 22/11/2005 | 12896/2005 | 304254 | 14-03E | 18/11/2005 |
| 12689/2005 | 304369 | 21-01C | 22/11/2005 | 12897/2005 | 304255 | 14-03E | 18/11/2005 |
| 12690/2005 | 304370 | 21-01C | 22/11/2005 | 12898/2005 | 304256 | 25-02G | 18/11/2005 |
| 12691/2005 | 304371 | 21-01C | 22/11/2005 | 12899/2005 | 304257 | 25-02G | 18/11/2005 |
| 12724/2005 | 304322 | 08-01 | 21/11/2005 | 12901/2005 | 304374 | 30-03 | 22/11/2005 |
| 12725/2005 | 304339 | 19-02 | 21/11/2005 | 12902/2005 | 304258 | 08-03 | 18/11/2005 |
| 12726/2005 | 304323 | 19-06 | 21/11/2005 | 12903/2005 | 304259 | 08-03 | 18/11/2005 |
| 12727/2005 | 304324 | 13-03D | 21/11/2005 | 12904/2005 | 304260 | 08-03 | 18/11/2005 |
| 12728/2005 | 304325 | 13-03D | 21/11/2005 | 12905/2005 | 304261 | 08-03 | 18/11/2005 |
| 12729/2005 | 304327 | 13-03D | 21/11/2005 | 12906/2005 | 304262 | 08-03 | 18/11/2005 |
| 12731/2005 | 304326 | 16-06 | 21/11/2005 | 12907/2005 | 304375 | 03-01NES | 22/11/2005 |
| 12734/2005 | 304432 | 08-03 | 29/11/2005 | 12950/2005 | 304456 | 23-02B | 29/11/2005 |
| 12735/2005 | 304329 | 13-03D | 21/11/2005 | 12951/2005 | 304457 | 23-02B | 29/11/2005 |
| 12736/2005 | 304330 | 13-03D | 21/11/2005 | 12952/2005 | 304410 | 23-02C | 24/11/2005 |
| 12740/2005 | 304340 | 23-02B | 21/11/2005 | 12953/2005 | 304411 | 23-02C | 24/11/2005 |
| 12741/2005 | 304331 | 23-02B | 21/11/2005 | 12956/2005 | 304293 | 25-01D | 18/11/2005 |
| 12743/2005 | 304409 | 23-02B | 24/11/2005 | 12957/2005 | 304294 | 25-01D | 18/11/2005 |
| 12772/2005 | 304304 | 22-06 | 21/11/2005 | 12963/2005 | 304353 | 09-01C | 21/11/2005 |
| 12773/2005 | 304332 | 23-02F | 21/11/2005 | 12967/2005 | 304354 | 26-04 | 21/11/2005 |
| 12774/2005 | 304333 | 23-02F | 21/11/2005 | 12968/2005 | 304355 | 04-02 | 21/11/2005 |
| 12775/2005 | 304334 | 23-02F | 21/11/2005 | 12972/2005 | 304341 | 23-04 | 21/11/2005 |
| 12777/2005 | 304335 | 25-01K | 21/11/2005 | 12973/2005 | 304342 | 23-04 | 21/11/2005 |
| 12778/2005 | 304336 | 13-03D | 21/11/2005 | 12974/2005 | 304343 | 23-04 | 21/11/2005 |
| 12779/2005 | 304337 | 12-15A | 21/11/2005 | 12975/2005 | 304316 | 14-03NES | 21/11/2005 |
| 12785/2005 | 304338 | 24-02 | 21/11/2005 | 12976/2005 | 304296 | 14-03NES | 18/11/2005 |
| 12787/2005 | 304344 | 20-02E | 21/11/2005 | 12977/2005 | 304297 | 25-01A | 18/11/2005 |
| 12789/2005 | 304290 | 08-07 | 18/11/2005 | 12978/2005 | 304356 | 09-02NES | 21/11/2005 |
| 12791/2005 | 304305 | 21-01E | 21/11/2005 | 12979/2005 | 304298 | 12-16N | 18/11/2005 |
| 12792/2005 | 304306 | 21-01E | 21/11/2005 | 12980/2005 | 304299 | 06-04NES | 18/11/2005 |
| 12793/2005 | 304291 | 08-03 | 18/11/2005 | 12981/2005 | 304300 | 06-04NES | 18/11/2005 |
| 12794/2005 | 304307 | 08-01 | 21/11/2005 | 12985/2005 | 304301 | 14-03E | 18/11/2005 |
| 12795/2005 | 304345 | 15-05 | 21/11/2005 | 12990/2005 | 304302 | 05-06NES | 18/11/2005 |
| 12796/2005 | 304308 | 08-05NES | 21/11/2005 | 12992/2005 | 304435 | 01-06 | 29/11/2005 |
| 12815/2005 | 304433 | 16-01 | 29/11/2005 | 12993/2005 | 304412 | 25-02H | 24/11/2005 |
| 12817/2005 | 304309 | 24-01 | 21/11/2005 | 12994/2005 | 304413 | 25-02H | 24/11/2005 |
| 12818/2005 | 304310 | 24-01 | 21/11/2005 | 12997/2005 | 304436 | 14-03E | 29/11/2005 |
| 12819/2005 | 304311 | 13-03D | 21/11/2005 | 12998/2005 | 304414 | 02-02B | 24/11/2005 |
| 12820/2005 | 304312 | 13-03D | 21/11/2005 | 13000/2005 | 304415 | 25-03 | 24/11/2005 |
| 12821/2005 | 304313 | 13-03D | 21/11/2005 | 13001/2005 | 304416 | 25-03 | 24/11/2005 |
| 12823/2005 | 304314 | 08-08C | 21/11/2005 | 13002/2005 | 304417 | 15-03B | 24/11/2005 |
| 12824/2005 | 304315 | 25-01K | 21/11/2005 | 13003/2005 | 304437 | 08-03 | 29/11/2005 |
| 12825/2005 | 304434 | 25-02C | 29/11/2005 | 13004/2005 | 304438 | 08-05N | 29/11/2005 |
| 12834/2005 | 304292 | 08-08NES | 18/11/2005 | 13005/2005 | 304418 | 08-07 | 24/11/2005 |
| 12860/2005 | 304372 | 08-05NES | 22/11/2005 | 13008/2005 | 304346 | 25-03 | 21/11/2005 |
| 12861/2005 | 304449 | 02-04NES | 29/11/2005 | 13010/2005 | 304357 | 09-01NES | 21/11/2005 |
| 12862/2005 | 304450 | 02-04NES | 29/11/2005 | 13013/2005 | 304347 | 02-02B | 21/11/2005 |
| 12863/2005 | 304451 | 02-04B | 29/11/2005 | 13014/2005 | 304390 | 24-02 | 24/11/2005 |
| 12865/2005 | 304249 | 08-05L | 18/11/2005 | 13019/2005 | 304419 | 15-05 | 24/11/2005 |
| 12868/2005 | 304373 | 20-01 | 22/11/2005 | 13020/2005 | 304420 | 15-05 | 24/11/2005 |
| 12871/2005 | 304452 | 15-01 | 29/11/2005 | 13022/2005 | 304348 | 08-03 | 21/11/2005 |
| 12872/2005 | 304453 | 15-01 | 29/11/2005 | 13023/2005 | 304439 | 24-02 | 29/11/2005 |
| 12873/2005 | 304454 | 15-01 | 29/11/2005 | 13039/2005 | 304376 | 23-04 | 22/11/2005 |
| 12874/2005 | 304455 | 15-01 | 29/11/2005 | 13040/2005 | 304458 | 10-05 | 29/11/2005 |
| 12890/2005 | 304389 | 20-02E | 24/11/2005 | 13041/2005 | 304459 | 08-05N | 29/11/2005 |

Publication and Registration Proceedings - Designs Registered cont'd

| Design Number | Registration Number | International Classification Code (IDC) | Registration Date | Design Number | Registration Number | International Classification Code (IDC) | Registration Date |
|---------------|---------------------|---|-------------------|---------------|---------------------|---|-------------------|
| 13042/2005 | 304460 | 13-02 | 29/11/2005 | 13116/2005 | 304393 | 13-03NES | 24/11/2005 |
| 13043/2005 | 304461 | 08-01 | 29/11/2005 | 13117/2005 | 304394 | 13-03NES | 24/11/2005 |
| 13044/2005 | 304462 | 07-06A | 29/11/2005 | 13118/2005 | 304395 | 13-03NES | 24/11/2005 |
| 13052/2005 | 304440 | 08-03 | 29/11/2005 | 13119/2005 | 304396 | 13-03NES | 24/11/2005 |
| 13053/2005 | 304358 | 14-03E | 21/11/2005 | 13120/2005 | 304397 | 13-03NES | 24/11/2005 |
| 13054/2005 | 304463 | 23-01H | 29/11/2005 | 13121/2005 | 304398 | 13-03NES | 24/11/2005 |
| 13055/2005 | 304464 | 23-01H | 29/11/2005 | 13122/2005 | 304399 | 13-03NES | 24/11/2005 |
| 13056/2005 | 304465 | 23-01H | 29/11/2005 | 13478/2005 | 304317 | 08-08L | 21/11/2005 |
| 13062/2005 | 304377 | 22-05 | 22/11/2005 | 13479/2005 | 304318 | 08-08L | 21/11/2005 |
| 13063/2005 | 304378 | 22-05 | 22/11/2005 | 13668/2005 | 304281 | 24-01 | 18/11/2005 |
| 13064/2005 | 304379 | 22-05 | 22/11/2005 | 13669/2005 | 304282 | 24-01 | 18/11/2005 |
| 13065/2005 | 304349 | 19-02 | 21/11/2005 | 14436/2005 | 304383 | 09-05 | 24/11/2005 |
| 13086/2005 | 304350 | 09-01NES | 21/11/2005 | 14437/2005 | 304384 | 09-05 | 24/11/2005 |
| 13087/2005 | 304351 | 09-01NES | 21/11/2005 | 14858/2005 | 304422 | 12-16B | 29/11/2005 |
| 13089/2005 | 304352 | 04-02 | 21/11/2005 | 15041/2005 | 304386 | 25-01K | 24/11/2005 |
| 13114/2005 | 304391 | 13-03NES | 24/11/2005 | 15042/2005 | 304387 | 25-01K | 24/11/2005 |
| 13115/2005 | 304392 | 13-03NES | 24/11/2005 | 15043/2005 | 304388 | 25-01K | 24/11/2005 |

Publication and Registration Proceedings
Class Listing of Designs Published or Registered

The following section shows an International Classification Code listing of the Registered or Published Designs covered in this supplement.

| Classification | Registration Number | Design Number | Classification | Registration Number | Design Number |
|-----------------------|----------------------------|----------------------|-----------------------|----------------------------|----------------------|
| 01-01 | 304263 | 10037/2005 | 08-06 | 304251 | 12892/2005 |
| 01-01 | 304362 | 12337/2005 | 08-06 | 304253 | 12894/2005 |
| 01-06 | 304435 | 12992/2005 | 08-07 | 304290 | 12789/2005 |
| 02-01 B | 304362 | 12337/2005 | 08-07 | 304418 | 13005/2005 |
| 02-02 B | 304347 | 13013/2005 | 08-08 C | 304296 | 12976/2005 |
| 02-02 B | 304414 | 12998/2005 | 08-08 C | 304314 | 12823/2005 |
| 02-03 | 304428 | 12602/2005 | 08-08 D | 304214 | 12358/2005 |
| 02-03 | 304429 | 12603/2005 | 08-08 D | 304320 | 10216/2005 |
| 02-04 B | 304451 | 12863/2005 | 08-08 D | 304363 | 12357/2005 |
| 02-04 NES | 304228 | 12464/2005 | 08-08 G | 304360 | 11535/2005 |
| 02-04 NES | 304449 | 12861/2005 | 08-08 L | 304317 | 13478/2005 |
| 02-04 NES | 304450 | 12862/2005 | 08-08 L | 304318 | 13479/2005 |
| 03-01 NES | 304375 | 12907/2005 | 08-08 M | 304400 | 13769/2004 |
| 03-03 | 304214 | 12358/2005 | 08-08 M | 304401 | 14345/2004 |
| 03-03 | 304363 | 12357/2005 | 08-08 NES | 304292 | 12834/2005 |
| 04-02 | 304352 | 13089/2005 | 08-08 NES | 304316 | 12975/2005 |
| 04-02 | 304355 | 12968/2005 | 08-09 | 304279 | 12581/2005 |
| 05-06 NES | 304302 | 12990/2005 | 08-09 | 304280 | 12582/2005 |
| 06-03 NES | 304365 | 12656/2005 | 09-01 C | 304353 | 12963/2005 |
| 06-04 NES | 304299 | 12980/2005 | 09-01 D | 304215 | 12361/2005 |
| 06-04 NES | 304300 | 12981/2005 | 09-01 D | 304216 | 12362/2005 |
| 06-06 F | 304400 | 13769/2004 | 09-01 G | 304285 | 12650/2005 |
| 06-06 F | 304401 | 14345/2004 | 09-01 G | 304286 | 12651/2005 |
| 07-01 B | 304447 | 12410/2005 | 09-01 NES | 304217 | 12374/2005 |
| 07-01 B | 304448 | 12411/2005 | 09-01 NES | 304218 | 12376/2005 |
| 07-01 C | 304431 | 12648/2005 | 09-01 NES | 304219 | 12375/2005 |
| 07-02 H | 304226 | 12406/2005 | 09-01 NES | 304220 | 12377/2005 |
| 07-04 | 304234 | 12309/2005 | 09-01 NES | 304221 | 12378/2005 |
| 07-04 | 304426 | 12596/2005 | 09-01 NES | 304222 | 12379/2005 |
| 07-06 A | 304462 | 13044/2005 | 09-01 NES | 304223 | 12380/2005 |
| 07-07 A | 304263 | 10037/2005 | 09-01 NES | 304350 | 13086/2005 |
| 08-01 | 304307 | 12794/2005 | 09-01 NES | 304351 | 13087/2005 |
| 08-01 | 304322 | 12724/2005 | 09-01 NES | 304357 | 13010/2005 |
| 08-01 | 304461 | 13043/2005 | 09-01 NES | 304441 | 11470/2005 |
| 08-03 | 304258 | 12902/2005 | 09-01 NES | 304442 | 11473/2005 |
| 08-03 | 304259 | 12903/2005 | 09-02 NES | 304356 | 12978/2005 |
| 08-03 | 304260 | 12904/2005 | 09-03 C | 304374 | 12901/2005 |
| 08-03 | 304261 | 12905/2005 | 09-03 F | 304232 | 12235/2005 |
| 08-03 | 304262 | 12906/2005 | 09-03 L | 304274 | 12475/2005 |
| 08-03 | 304291 | 12793/2005 | 09-03 L | 304275 | 12477/2005 |
| 08-03 | 304295 | 11551/2005 | 09-03 NES | 304231 | 12181/2005 |
| 08-03 | 304348 | 13022/2005 | 09-03 NES | 304235 | 12311/2005 |
| 08-03 | 304432 | 12734/2005 | 09-05 | 304382 | 10264/2005 |
| 08-03 | 304437 | 13003/2005 | 09-05 | 304383 | 14436/2005 |
| 08-03 | 304440 | 13052/2005 | 09-05 | 304384 | 14437/2005 |
| 08-04 | 304270 | 12400/2005 | 09-07 C | 304405 | 12615/2005 |
| 08-05 L | 304249 | 12865/2005 | 09-07 C | 304407 | 12617/2005 |
| 08-05 M | 304303 | 12655/2005 | 10-02 | 304236 | 12381/2005 |
| 08-05 N | 304438 | 13004/2005 | 10-04 | 304210 | 12244/2005 |
| 08-05 N | 304459 | 13041/2005 | 10-04 | 304247 | 12304/2005 |
| 08-05 NES | 304248 | 12324/2005 | 10-05 | 304248 | 12324/2005 |
| 08-05 NES | 304308 | 12796/2005 | 10-05 | 304458 | 13040/2005 |
| 08-05 NES | 304372 | 12860/2005 | 11-01 C | 304408 | 12621/2005 |
| 08-05 P | 304238 | 12407/2005 | 11-02 E | 304266 | 12284/2005 |
| 08-05 P | 304252 | 12893/2005 | 11-02 E | 304267 | 12285/2005 |
| 08-05 P | 304328 | 10032/2005 | 11-02 E | 304268 | 12286/2005 |

Registration Proceedings - Class Listing of Designs Published or Registered cont'd

| Classification | Registration Number | Design Number | Classification | Registration Number | Design Number |
|----------------|---------------------|---------------|----------------|---------------------|---------------|
| 11-02 E | 304361 | 12180/2005 | 15-05 | 304420 | 13020/2005 |
| 11-02 E | 304444 | 12290/2005 | 15-09 | 304224 | 12384/2005 |
| 11-02 NES | 304268 | 12286/2005 | 15-09 | 304225 | 12385/2005 |
| 11-02 NES | 304445 | 12291/2005 | 15-09 | 304237 | 12383/2005 |
| 12-15 A | 304337 | 12779/2005 | 15-09 | 304402 | 11855/2005 |
| 12-16 B | 304421 | 11557/2005 | 16-01 | 304269 | 12363/2005 |
| 12-16 B | 304422 | 14858/2005 | 16-01 | 304433 | 12815/2005 |
| 12-16 K | 304230 | 14932/2004 | 16-06 | 304326 | 12731/2005 |
| 12-16 K | 304242 | 14933/2004 | 19-01 | 304271 | 12423/2005 |
| 12-16 N | 304298 | 12979/2005 | 19-01 | 304272 | 12424/2005 |
| 13-02 | 304460 | 13042/2005 | 19-02 | 304339 | 12725/2005 |
| 13-03 B | 304287 | 12652/2005 | 19-02 | 304349 | 13065/2005 |
| 13-03 D | 304287 | 12652/2005 | 19-02 | 304364 | 12403/2005 |
| 13-03 D | 304311 | 12819/2005 | 19-06 | 304289 | 12654/2005 |
| 13-03 D | 304312 | 12820/2005 | 19-06 | 304323 | 12726/2005 |
| 13-03 D | 304313 | 12821/2005 | 19-08 | 304408 | 12621/2005 |
| 13-03 D | 304324 | 12727/2005 | 20-01 | 304373 | 12868/2005 |
| 13-03 D | 304325 | 12728/2005 | 20-02 E | 304277 | 12506/2005 |
| 13-03 D | 304327 | 12729/2005 | 20-02 E | 304278 | 12509/2005 |
| 13-03 D | 304329 | 12735/2005 | 20-02 E | 304344 | 12787/2005 |
| 13-03 D | 304330 | 12736/2005 | 20-02 E | 304389 | 12890/2005 |
| 13-03 D | 304336 | 12778/2005 | 20-02 NES | 304293 | 12956/2005 |
| 13-03 E | 304265 | 12273/2005 | 20-02 NES | 304294 | 12957/2005 |
| 13-03 E | 304311 | 12819/2005 | 21-01 C | 304366 | 12685/2005 |
| 13-03 NES | 304391 | 13114/2005 | 21-01 C | 304367 | 12687/2005 |
| 13-03 NES | 304392 | 13115/2005 | 21-01 C | 304368 | 12688/2005 |
| 13-03 NES | 304393 | 13116/2005 | 21-01 C | 304369 | 12689/2005 |
| 13-03 NES | 304394 | 13117/2005 | 21-01 C | 304370 | 12690/2005 |
| 13-03 NES | 304395 | 13118/2005 | 21-01 C | 304371 | 12691/2005 |
| 13-03 NES | 304396 | 13119/2005 | 21-01 E | 304305 | 12791/2005 |
| 13-03 NES | 304397 | 13120/2005 | 21-01 E | 304306 | 12792/2005 |
| 13-03 NES | 304398 | 13121/2005 | 22-05 | 304377 | 13062/2005 |
| 13-03 NES | 304399 | 13122/2005 | 22-05 | 304378 | 13063/2005 |
| 14-01 | 304319 | 10009/2005 | 22-05 | 304379 | 13064/2005 |
| 14-01 | 304430 | 12630/2005 | 22-06 | 304304 | 12772/2005 |
| 14-02 | 304458 | 13040/2005 | 23-01 B | 304381 | 12662/2005 |
| 14-03 A | 304213 | 12356/2005 | 23-01 G | 304359 | 11084/2005 |
| 14-03 E | 304254 | 12896/2005 | 23-01 H | 304463 | 13054/2005 |
| 14-03 E | 304255 | 12897/2005 | 23-01 H | 304464 | 13055/2005 |
| 14-03 E | 304301 | 12985/2005 | 23-01 H | 304465 | 13056/2005 |
| 14-03 E | 304358 | 13053/2005 | 23-01 NES | 304380 | 12661/2005 |
| 14-03 E | 304436 | 12997/2005 | 23-02 B | 304331 | 12741/2005 |
| 14-03 NES | 304211 | 12268/2005 | 23-02 B | 304340 | 12740/2005 |
| 14-03 NES | 304212 | 12269/2005 | 23-02 B | 304409 | 12743/2005 |
| 14-03 NES | 304239 | 12497/2005 | 23-02 B | 304456 | 12950/2005 |
| 14-03 NES | 304296 | 12976/2005 | 23-02 B | 304457 | 12951/2005 |
| 14-03 NES | 304316 | 12975/2005 | 23-02 C | 304410 | 12952/2005 |
| 15-01 | 304452 | 12871/2005 | 23-02 C | 304411 | 12953/2005 |
| 15-01 | 304453 | 12872/2005 | 23-02 C | 304443 | 12236/2005 |
| 15-01 | 304454 | 12873/2005 | 23-02 F | 304332 | 12773/2005 |
| 15-01 | 304455 | 12874/2005 | 23-02 F | 304333 | 12774/2005 |
| 15-03 A | 304321 | 10722/2005 | 23-02 F | 304334 | 12775/2005 |
| 15-03 B | 304417 | 13002/2005 | 23-04 | 304341 | 12972/2005 |
| 15-04 | 304403 | 12584/2005 | 23-04 | 304342 | 12973/2005 |
| 15-04 | 304423 | 12585/2005 | 23-04 | 304343 | 12974/2005 |
| 15-04 | 304424 | 12586/2005 | 23-04 | 304376 | 13039/2005 |
| 15-04 | 304425 | 12587/2005 | 24-01 | 304281 | 13668/2005 |
| 15-05 | 304345 | 12795/2005 | 24-01 | 304282 | 13669/2005 |
| 15-05 | 304419 | 13019/2005 | 24-01 | 304309 | 12817/2005 |

Registration Proceedings - Class Listing of Designs Published or Registered cont'd

| Classification | Registration Number | Design Number | Classification | Registration Number | Design Number |
|----------------|---------------------|---------------|----------------|---------------------|---------------|
| 24-01 | 304310 | 12818/2005 | 25-02 C | 304434 | 12825/2005 |
| 24-02 | 304241 | 12574/2005 | 25-02 G | 304256 | 12898/2005 |
| 24-02 | 304338 | 12785/2005 | 25-02 G | 304257 | 12899/2005 |
| 24-02 | 304390 | 13014/2005 | 25-02 H | 304412 | 12993/2005 |
| 24-02 | 304439 | 13023/2005 | 25-02 H | 304413 | 12994/2005 |
| 24-04 | 304264 | 12270/2005 | 25-02 NES | 304224 | 12384/2005 |
| 24-04 | 304283 | 11807/2005 | 25-02 NES | 304225 | 12385/2005 |
| 24-04 | 304288 | 12653/2005 | 25-02 NES | 304237 | 12383/2005 |
| 24-99 | 304408 | 12621/2005 | 25-02 NES | 304284 | 12449/2005 |
| 25-01 A | 304244 | 12205/2005 | 25-03 | 304346 | 13008/2005 |
| 25-01 A | 304245 | 12206/2005 | 25-03 | 304415 | 13000/2005 |
| 25-01 A | 304297 | 12977/2005 | 25-03 | 304416 | 13001/2005 |
| 25-01 A | 304406 | 12616/2005 | 26-02 | 304273 | 12429/2005 |
| 25-01 C | 304446 | 12409/2005 | 26-04 | 304354 | 12967/2005 |
| 25-01 D | 304293 | 12956/2005 | 26-05 B | 304243 | 12187/2005 |
| 25-01 D | 304294 | 12957/2005 | 26-99 | 304273 | 12429/2005 |
| 25-01 F | 304244 | 12205/2005 | 27-03 | 304240 | 12503/2005 |
| 25-01 F | 304245 | 12206/2005 | 28-03 NES | 304227 | 12445/2005 |
| 25-01 K | 304233 | 12573/2005 | 28-03 NES | 304283 | 11807/2005 |
| 25-01 K | 304246 | 12283/2005 | 28-99 | 304276 | 12479/2005 |
| 25-01 K | 304315 | 12824/2005 | 28-99 | 304285 | 12650/2005 |
| 25-01 K | 304335 | 12777/2005 | 28-99 | 304286 | 12651/2005 |
| 25-01 K | 304385 | 11405/2005 | 28-99 | 304404 | 12600/2005 |
| 25-01 K | 304386 | 15041/2005 | 28-99 | 304427 | 12601/2005 |
| 25-01 K | 304387 | 15042/2005 | 30-03 | 304374 | 12901/2005 |
| 25-01 K | 304388 | 15043/2005 | 30-04 | 304229 | 12592/2005 |
| 25-01 NES | 304250 | 12891/2005 | | | |

- (21) Design Number: **12244/2005**
- (22) Date of Filing Application: **20 May 2005**
- (24) Date from which industrial property rights may have effect: **20 May 2005**
- (54) Product in respect of which the design is registered: **Blood pressure monitor**
- (51) International Design Classification: **10-04**
- (71) Name(s) and Address(s) of Applicant(s):

MEDport LLC
23 Acorn Street Providence Rhode Island 02903 United States of America

- (72) Name(s) of Designer(s): **Jeffrey M. Jacober and Stephen Lane and Aidan Petrie and Marco Wo**

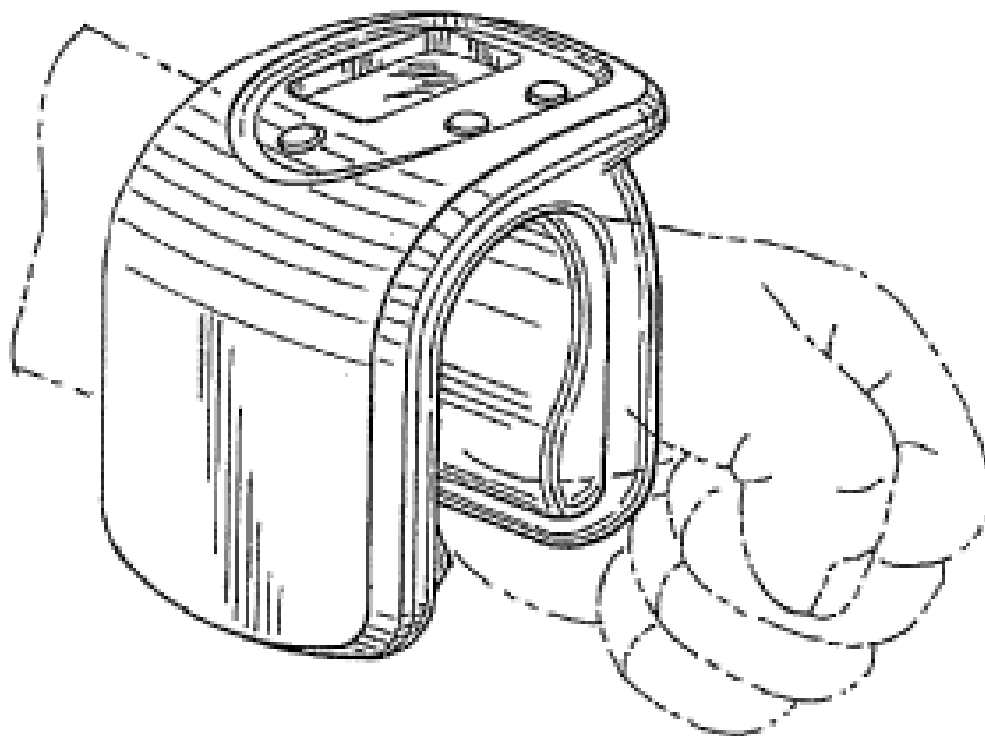
- (45) Registration Date: **17 November 2005**

- (30) Convention priority data:

| | | |
|-------------------|--------------------|---------------------------------|
| (31) Number | (32) Date | (33) Country |
| 29/217,874 | 22 Nov 2004 | UNITED STATES OF AMERICA |

- (56) Related Art Documents: **Not Applicable**

- (57) Statement of Newness and Distinctiveness: **Newness and distinctiveness are provided by the shape and/or configuration of the design shown in the representations. The features shown in broken lines in the representations are for illustrative purposes only and should not be considered when construing visual features of the design.**



- (21) Design Number: **12268/2005**
- (22) Date of Filing Application: **23 May 2005**
- (24) Date from which industrial property rights may have effect: **23 May 2005**
- (54) Product in respect of which the design is registered: **A control handset for adjustable furniture**
- (51) International Design Classification: **14-03NES**
- (71) Name(s) and Address(s) of Applicant(s):

Linak A/S
Smedevaenget 8 Guderup DK-6430 Nordborg Denmark

- (72) Name(s) of Designer(s): **Clemens van Himbeek**

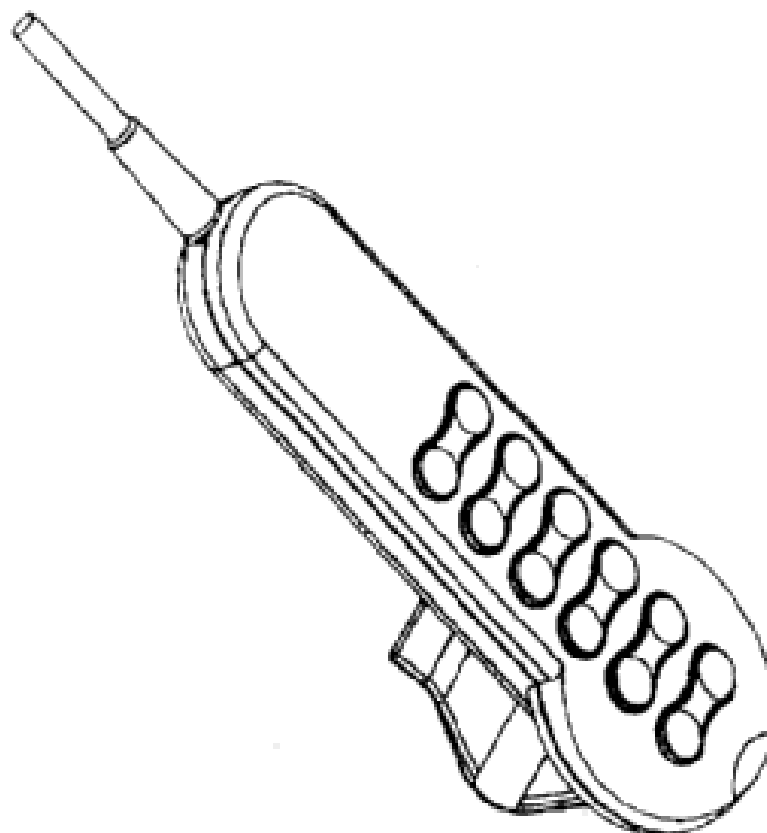
- (45) Registration Date: **17 November 2005**

- (30) Convention priority data:

| | | |
|----------------------|--------------------|----------------|
| (31) Number | (32) Date | (33) Country |
| DA 2004 00367 | 24 Nov 2004 | DENMARK |

- (56) Related Art Documents: **Not Applicable**

- (57) Statement of Newness and Distinctiveness: **Newness and distinctiveness is claimed in the features of the shaft-like end and circular head, the head being thinner than the shaft end, and the shape of the circular keys with interconnecting band of a control handset for adjustable furniture as illustrated in the accompanying representations.**



(21) Design Number: **12269/2005**
(22) Date of Filing Application: **23 May 2005**
(24) Date from which industrial property rights may have effect: **23 May 2005**
(54) Product in respect of which the design is registered: **A control handset for adjustable furniture**

(51) International Design Classification: **14-03NES**

(71) Name(s) and Address(s) of Applicant(s):

Linak A/S
Smedevaenget 8 Guderup DK-6430 Nordborg Denmark

(72) Name(s) of Designer(s): **Clemens van Himbeek**

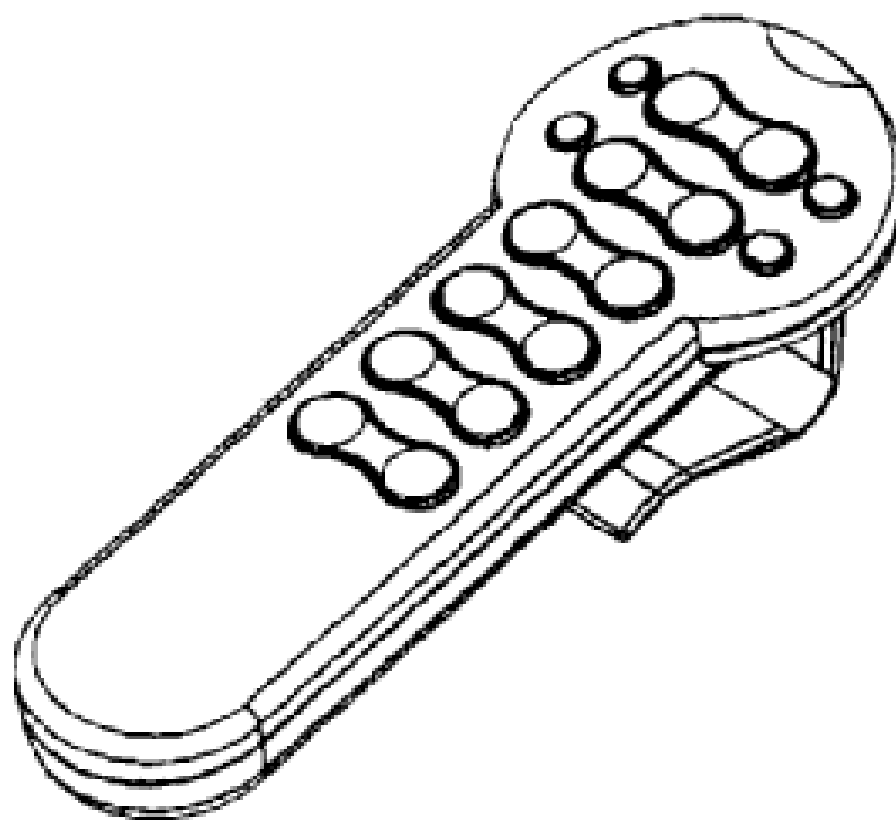
(45) Registration Date: **17 November 2005**

(30) Convention priority data:

| (31) Number | (32) Date | (33) Country |
|--------------------------|--------------------|----------------|
| DA 2004 00367 | 24 Nov 2004 | DENMARK |

(56) Related Art Documents: **Not Applicable**

(57) Statement of Newness and Distinctiveness: **Newness and distinctiveness is claimed in the features of the shaft-like end and circular head, the head being thinner than the shaft end, the shape of the keys with interconnecting band and the inclusion of circular side keys to the side of the main keys, of a control handset for adjustable furniture as illustrated in the accompanying representations.**



(21) Design Number: **12356/2005**
(22) Date of Filing Application: **31 May 2005**
(24) Date from which industrial property rights may have effect: **31 May 2005**
(54) Product in respect of which the design is registered: **A front cover for a handset**

(51) International Design Classification: **14-03A**

(71) Name(s) and Address(s) of Applicant(s):

Nokia Corporation
Keilalahdentie 4 FIN-02150 Espoo Finland

(72) Name(s) of Designer(s): **Justin Lyles**

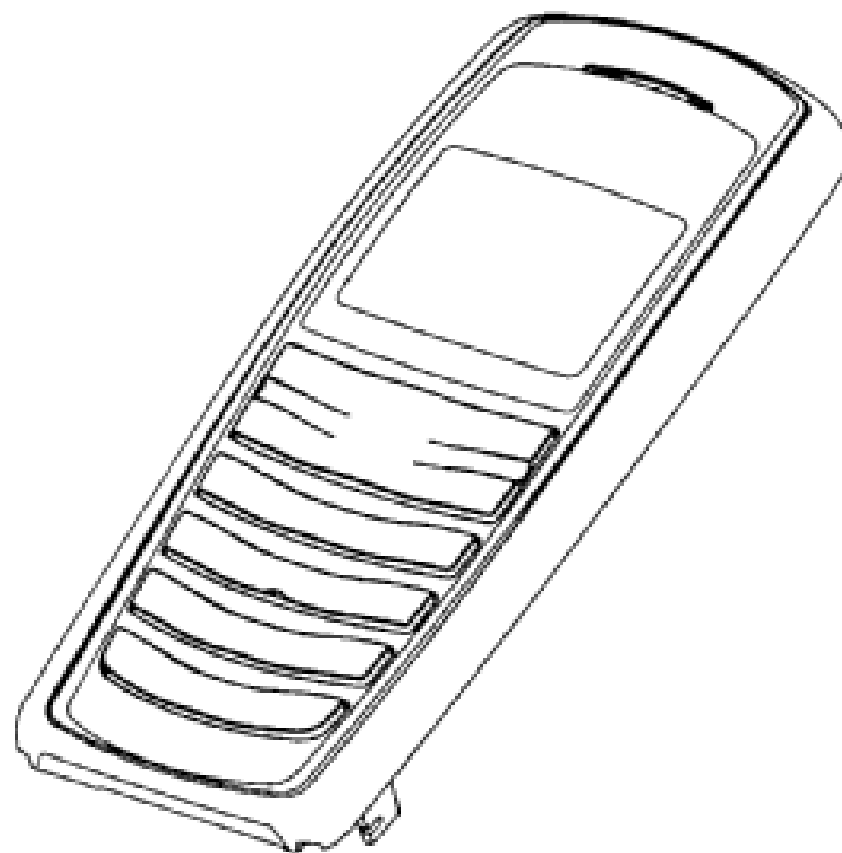
(45) Registration Date: **17 November 2005**

(30) Convention priority data:

| (31) Number | (32) Date | (33) Country |
|-----------------|--------------------|---------------------------------|
| 29218319 | 01 Dec 2004 | UNITED STATES OF AMERICA |

(56) Related Art Documents: **Not Applicable**

(57) Statement of Newness and Distinctiveness: **Nil**



(21) Design Number: **12358/2005**
(22) Date of Filing Application: **31 May 2005**
(24) Date from which industrial property rights may have effect: **31 May 2005**
(54) Product in respect of which the design is registered: **Parasol clamp**
(51) International Design Classification: **08-08D, 03-03**
(71) Name(s) and Address(s) of Applicant(s):

Pernilla Stahre
Hofstrasse 2 Kerns 6064 Switzerland

(72) Name(s) of Designer(s): **Pernilla Stahre**

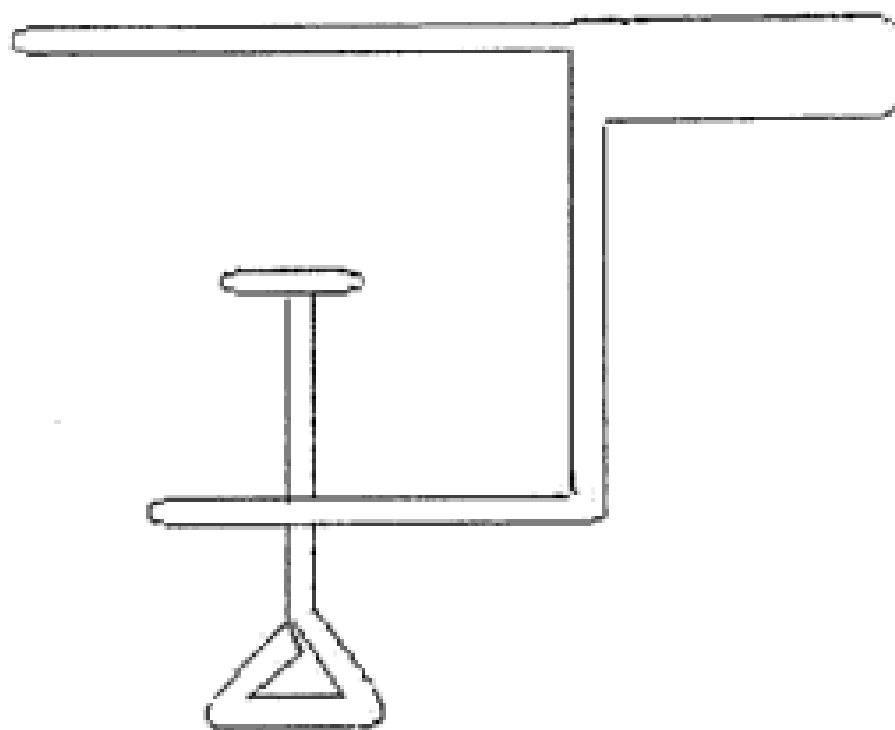
(45) Registration Date: **17 November 2005**

(30) Convention priority data:

| | | |
|----------------|--------------------|---------------|
| (31) Number | (32) Date | (33) Country |
| 04-0834 | 08 Dec 2004 | SWEDEN |

(56) Related Art Documents: **Not Applicable**

(57) Statement of Newness and Distinctiveness: **Nil**



(21) Design Number: **12361/2005**
(22) Date of Filing Application: **31 May 2005**
(24) Date from which industrial property rights may have effect: **31 May 2005**
(54) Product in respect of which the design is registered: **Basketball bottle with rim and net**
(51) International Design Classification: **09-01D**
(71) Name(s) and Address(s) of Applicant(s):

Dr Pepper/Seven Up, Inc.
5301 Legacy Drive Plano Texas 75024 United States of America

(72) Name(s) of Designer(s): **Kendall L. Yorn and James D. Trollope and Edward C. Draganski and Brandon C. Adams**

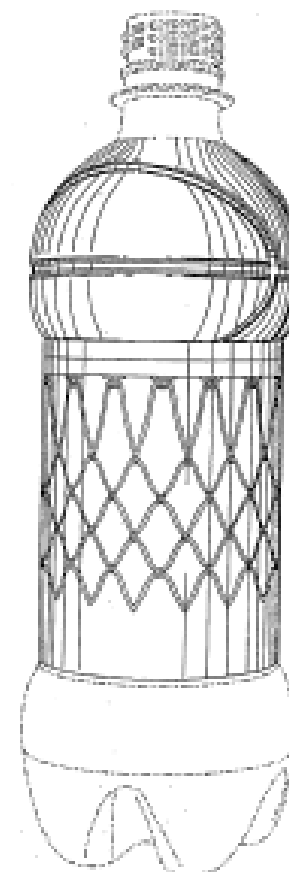
(45) Registration Date: **17 November 2005**

(30) Convention priority data:

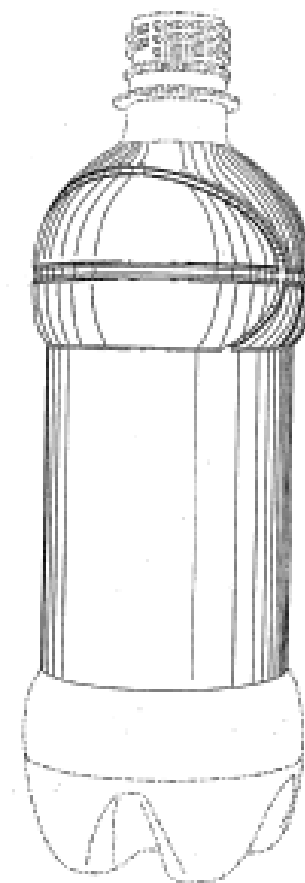
| | | |
|------------------|--------------------|---------------------------------|
| (31) Number | (32) Date | (33) Country |
| 29/218551 | 03 Dec 2004 | UNITED STATES OF AMERICA |

(56) Related Art Documents: **Not Applicable**

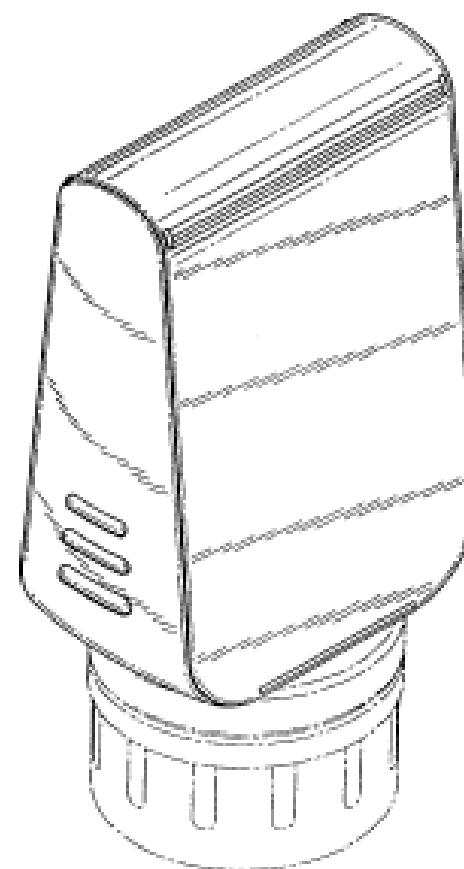
(57) Statement of Newness and Distinctiveness: **Any person required to decide whether the design is substantially similar in overall impression to another design should have particular regard to the shape and configuration of the product other than those parts of the design shown by means of dashed lines in the representations.**



(21) Design Number: **12362/2005**
 (22) Date of Filing Application: **31 May 2005**
 (24) Date from which industrial property rights may have effect: **31 May 2005**
 (54) Product in respect of which the design is registered: **Basketball bottle**
 (51) International Design Classification: **09-01D**
 (71) Name(s) and Address(s) of Applicant(s):
Dr Pepper/Seven Up, Inc.
5301 Legacy Drive Plano Texas 75024 United States of America
 (72) Name(s) of Designer(s): **Kendall L. Yorn and James D. Trollope and Edward C. Draganski and Brandon C. Adams**
 (45) Registration Date: **17 November 2005**
 (30) Convention priority data:
 (31) Number (32) Date (33) Country
29/218549 03 Dec 2004 UNITED STATES OF AMERICA
 (56) Related Art Documents: **Not Applicable**
 (57) Statement of Newness and Distinctiveness: **Any person required to decide whether the design is substantially similar in overall impression to another design should have particular regard to the shape and configuration of the product other than those parts of the design shown by means of dashed lines in the representations.**

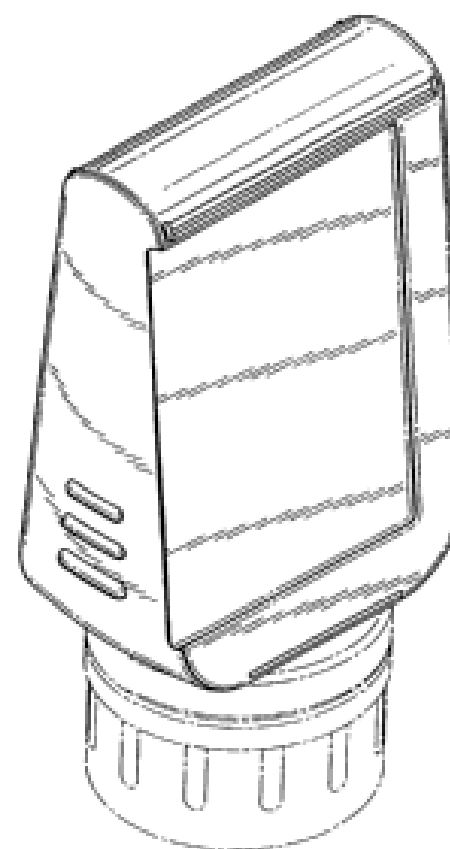


(21) Design Number: **12374/2005**
 (22) Date of Filing Application: **02 June 2005**
 (24) Date from which industrial property rights may have effect: **02 June 2005**
 (54) Product in respect of which the design is registered: **Bottle**
 (51) International Design Classification: **09-01NES**
 (71) Name(s) and Address(s) of Applicant(s):
Target Brands, Inc.
1000 Nicollet Mall Minneapolis Minnesota 55403 United States of America
 (72) Name(s) of Designer(s): **Deborah B. Adler and Klaus Rosburg and Patrick Douglas and Matthew S. Grisik**
 (45) Registration Date: **17 November 2005**
 (30) Convention priority data:
 (31) Number (32) Date (33) Country
29/221974 25 Jan 2005 UNITED STATES OF AMERICA
 (56) Related Art Documents: **Not Applicable**
 (57) Statement of Newness and Distinctiveness: **The closure cap and neck ring, shown in broken lines, is not to be taken into account when considering the scope of the monopoly claimed.**



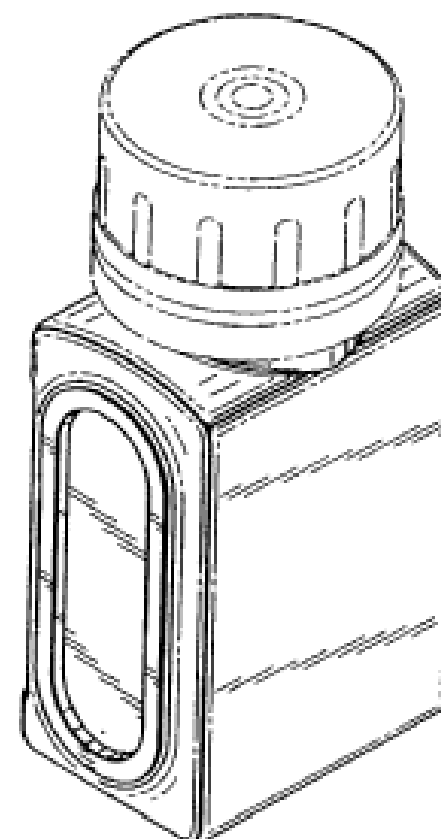
- (21) Design Number: **12376/2005**
- (22) Date of Filing Application: **02 June 2005**
- (24) Date from which industrial property rights may have effect: **02 June 2005**
- (54) Product in respect of which the design is registered: **Bottle**
- (51) International Design Classification: **09-01NES**
- (71) Name(s) and Address(s) of Applicant(s):
Target Brands, Inc.
1000 Nicollet Mall Minneapolis Minnesota 55403 United States of America
- (72) Name(s) of Designer(s): **Deborah B. Adler and Klaus Rosburg and Patrick Douglas and Matthew S. Grisik**
- (45) Registration Date: **17 November 2005**
- (30) Convention priority data:

| | | |
|------------------|--------------------|---------------------------------|
| (31) Number | (32) Date | (33) Country |
| 29/221974 | 25 Jan 2005 | UNITED STATES OF AMERICA |
- (56) Related Art Documents: **Not Applicable**
- (57) Statement of Newness and Distinctiveness: **The closure cap and neck ring, shown in broken lines, is not to be taken into account when considering the scope of the monopoly claimed.**

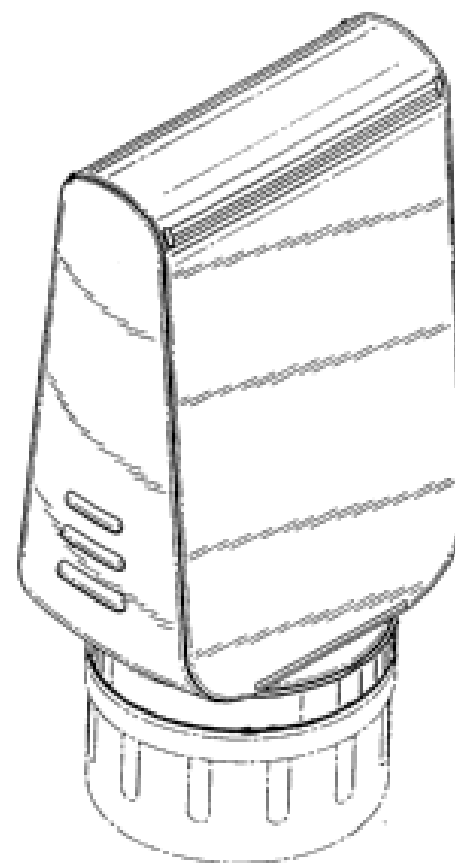


- (21) Design Number: **12375/2005**
- (22) Date of Filing Application: **02 June 2005**
- (24) Date from which industrial property rights may have effect: **02 June 2005**
- (54) Product in respect of which the design is registered: **Bottle**
- (51) International Design Classification: **09-01NES**
- (71) Name(s) and Address(s) of Applicant(s):
Target Brands, Inc.
1000 Nicollet Mall Minneapolis Minnesota 55403 United States of America
- (72) Name(s) of Designer(s): **Deborah B. Adler and Klaus Rosburg and Patrick Douglas and Matthew S. Grisik**
- (45) Registration Date: **17 November 2005**
- (30) Convention priority data:

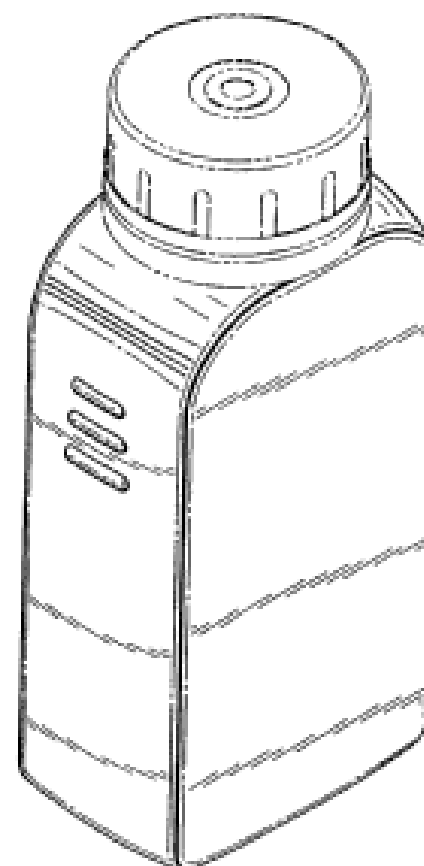
| | | |
|------------------|--------------------|---------------------------------|
| (31) Number | (32) Date | (33) Country |
| 29/222067 | 25 Jan 2005 | UNITED STATES OF AMERICA |
- (56) Related Art Documents: **Not Applicable**
- (57) Statement of Newness and Distinctiveness: **The closure cap, and neck ring shown in broken lines, is not to be taken into account when considering the scope of the monopoly claimed.**



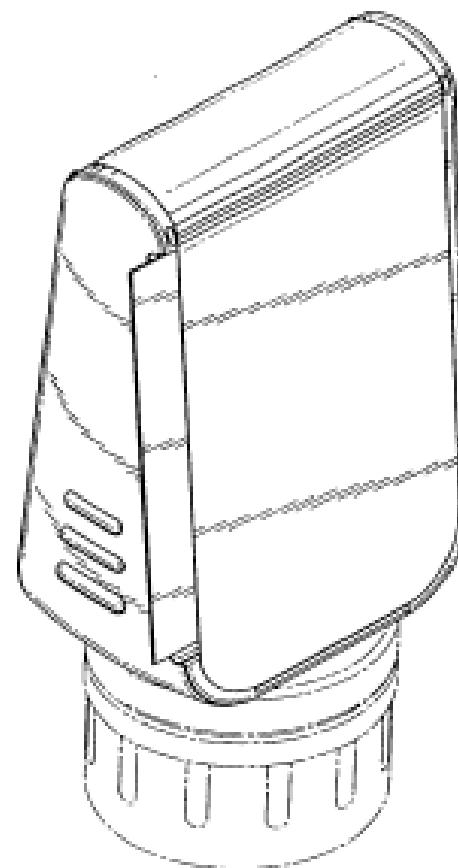
- (21) Design Number: **12377/2005**
(22) Date of Filing Application: **02 June 2005**
(24) Date from which industrial property rights may have effect: **02 June 2005**
(54) Product in respect of which the design is registered: **Bottle**
(51) International Design Classification: **09-01NES**
(71) Name(s) and Address(s) of Applicant(s):
Target Brands, Inc.
1000 Nicollet Mall Minneapolis Minnesota 55403 United States of America
(72) Name(s) of Designer(s): **Deborah B. Adler and Klaus Rosburg and Patrick Douglas and Matthew S. Grisik**
(45) Registration Date: **17 November 2005**
(30) Convention priority data:
(31) Number (32) Date (33) Country
29/221974 25 Jan 2005 UNITED STATES OF AMERICA
(56) Related Art Documents: **Not Applicable**
(57) Statement of Newness and Distinctiveness: **The closure cap, shown in broken lines is not to be taken into account when considering the scope of the monopoly claimed.**



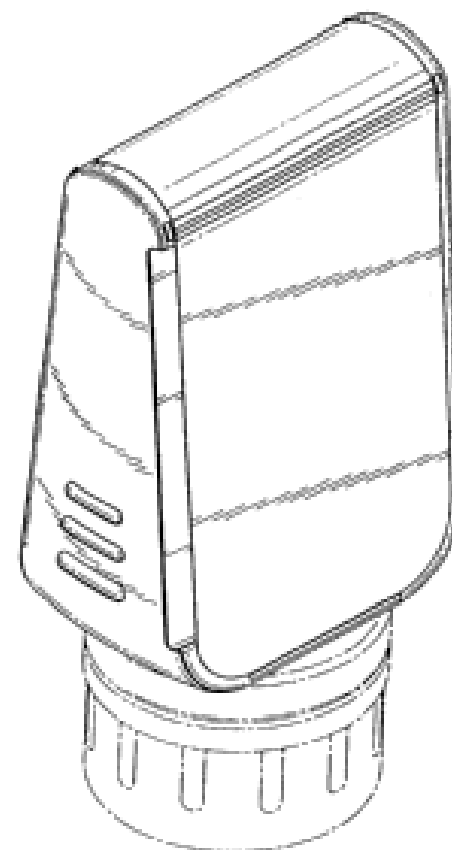
- (21) Design Number: **12378/2005**
(22) Date of Filing Application: **02 June 2005**
(24) Date from which industrial property rights may have effect: **02 June 2005**
(54) Product in respect of which the design is registered: **Bottle**
(51) International Design Classification: **09-01NES**
(71) Name(s) and Address(s) of Applicant(s):
Target Brands, Inc.
1000 Nicollet Mall Minneapolis Minnesota 55403 United States of America
(72) Name(s) of Designer(s): **Deborah B. Adler and Klaus Rosburg and Patrick Douglas and Matthew S. Grisik**
(45) Registration Date: **17 November 2005**
(30) Convention priority data:
(31) Number (32) Date (33) Country
29/221984 25 Jan 2005 UNITED STATES OF AMERICA
(56) Related Art Documents: **Not Applicable**
(57) Statement of Newness and Distinctiveness: **The closure cap and neck ring, shown in broken lines, is not to be taken into account when considering the scope the monopoly claimed.**



- (21) Design Number: **12379/2005**
(22) Date of Filing Application: **02 June 2005**
(24) Date from which industrial property rights may have effect: **02 June 2005**
(54) Product in respect of which the design is registered: **Bottle with label and card**
(51) International Design Classification: **09-01NES**
(71) Name(s) and Address(s) of Applicant(s):
Target Brands, Inc.
1000 Nicollet Mall Minneapolis Minnesota 55403 United States of America
(72) Name(s) of Designer(s): **Deborah B. Adler and Klaus Rosburg and Patrick Douglas and Matthew S. Grisik**
(45) Registration Date: **17 November 2005**
(30) Convention priority data:
(31) Number (32) Date (33) Country
29/221974 25 Jan 2005 UNITED STATES OF AMERICA
(56) Related Art Documents: **Not Applicable**
(57) Statement of Newness and Distinctiveness: **The closure cap and neck ring, shown in broken lines, is not to be taken into account when considering the scope of the monopoly claimed.**



- (21) Design Number: **12380/2005**
(22) Date of Filing Application: **02 June 2005**
(24) Date from which industrial property rights may have effect: **02 June 2005**
(54) Product in respect of which the design is registered: **Bottle with label**
(51) International Design Classification: **09-01NES**
(71) Name(s) and Address(s) of Applicant(s):
Target Brands, Inc.
1000 Nicollet Mall Minneapolis Minnesota 55403 United States of America
(72) Name(s) of Designer(s): **Deborah B. Adler and Klaus Rosburg and Patrick Douglas and Matthew S. Grisik**
(45) Registration Date: **17 November 2005**
(30) Convention priority data:
(31) Number (32) Date (33) Country
29/221974 25 Jan 2005 UNITED STATES OF AMERICA
(56) Related Art Documents: **Not Applicable**
(57) Statement of Newness and Distinctiveness: **The closure cap and neck ring, shown in broken lines, is not to be taken into account when considering the scope of the monopoly claimed.**



(21) Design Number: 12384/2005

(22) Date of Filing Application: 02 June 2005

(24) Date from which industrial property rights may have effect: 02 June 2005

(54) Product in respect of which the design is registered: **A grate walk junction**

(51) International Design Classification: 15-09, 25-02NES

(71) Name(s) and Address(s) of Applicant(s):

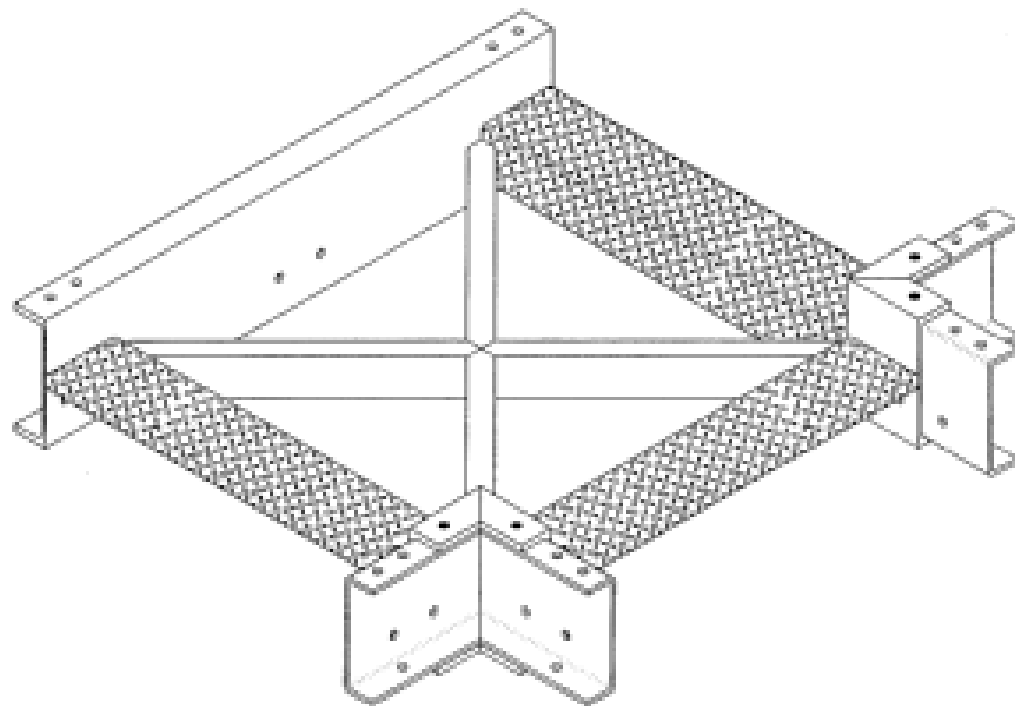
Ronald E. Graham (Holdings) Pty Limited
137-147 Rookwood Road Yagoona New South Wales 2199 Australia

(72) Name(s) of Designer(s): **Ronald Edward Graham**

(45) Registration Date: 17 November 2005

(56) Related Art Documents: **Not Applicable**

(57) Statement of Newness and Distinctiveness: **Newness and distinctiveness is claimed in the features of shape and/or configuration of a grate walk junction as illustrated in the accompanying representations.**



(21) Design Number: 12385/2005

(22) Date of Filing Application: 02 June 2005

(24) Date from which industrial property rights may have effect: 02 June 2005

(54) Product in respect of which the design is registered: **A grate walk junction**

(51) International Design Classification: 15-09, 25-02NES

(71) Name(s) and Address(s) of Applicant(s):

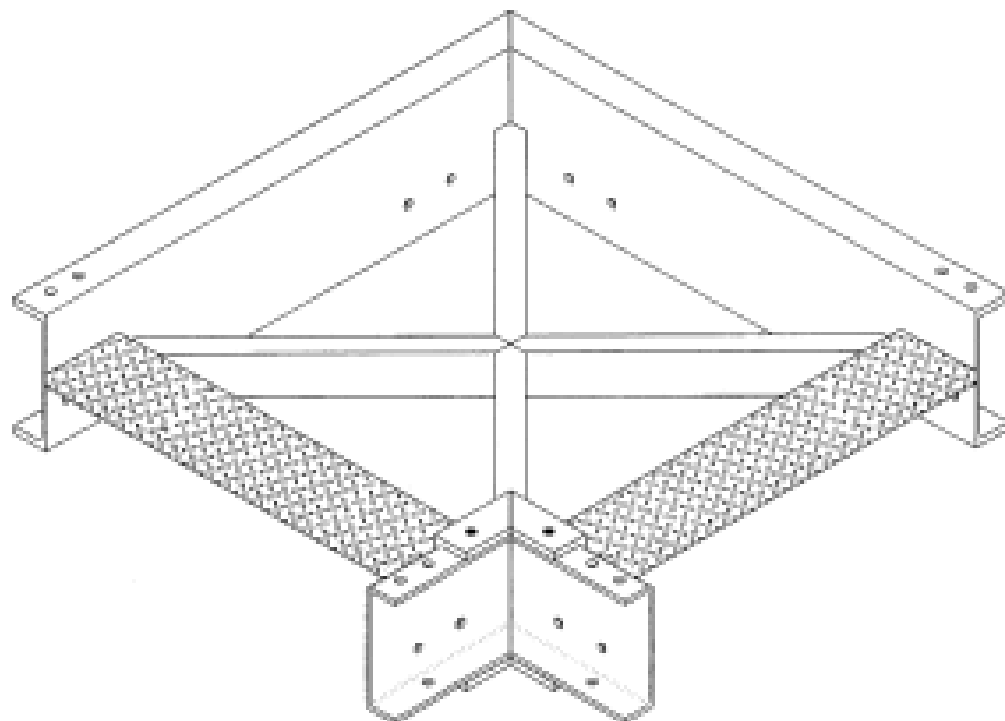
Ronald E. Graham (Holdings) Pty Limited
137-147 Rookwood Road Yagoona New South Wales 2199 Australia

(72) Name(s) of Designer(s): **Ronald Edward Graham**

(45) Registration Date: 17 November 2005

(56) Related Art Documents: **Not Applicable**

(57) Statement of Newness and Distinctiveness: **Newness and distinctiveness is claimed in the features of shape and/or configuration of a grate walk junction as illustrated in the accompanying representations.**



(21) Design Number: **12406/2005**
(22) Date of Filing Application: **03 June 2005**
(24) Date from which industrial property rights may have effect: **03 June 2005**
(54) Product in respect of which the design is registered: **Electric food heater**
(51) International Design Classification: **07-02H**
(71) Name(s) and Address(s) of Applicant(s):

SEB S.A.
Selongey 21260 France

(72) Name(s) of Designer(s): **Lionel Averty**

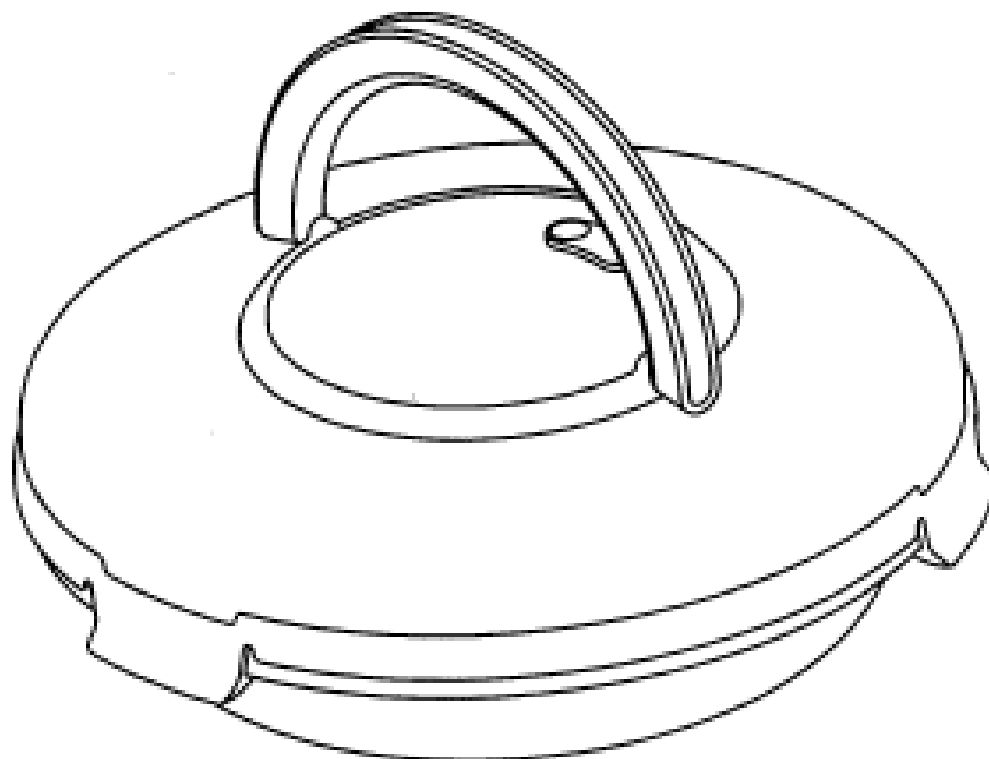
(45) Registration Date: **17 November 2005**

(30) Convention priority data:

| | | |
|----------------|--------------------|---------------|
| (31) Number | (32) Date | (33) Country |
| 04 6104 | 14 Dec 2004 | FRANCE |

(56) Related Art Documents: **Not Applicable**

(57) Statement of Newness and Distinctiveness: **Nil**



(21) Design Number: **12445/2005**
(22) Date of Filing Application: **06 June 2005**
(24) Date from which industrial property rights may have effect: **06 June 2005**
(54) Product in respect of which the design is registered: **A dual headed device**
(51) International Design Classification: **28-03NES**
(71) Name(s) and Address(s) of Applicant(s):

DermaNew, Inc.
9107 Wilshire Boulevard Suite 600 Beverly Hills California 90210
United States of America

(72) Name(s) of Designer(s): **Dean L. Rhoades and Robert D. Radi**

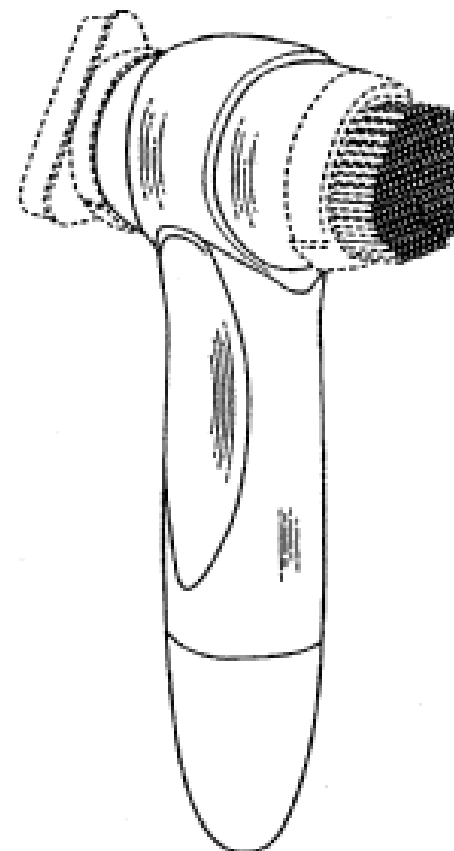
(45) Registration Date: **17 November 2005**

(30) Convention priority data:

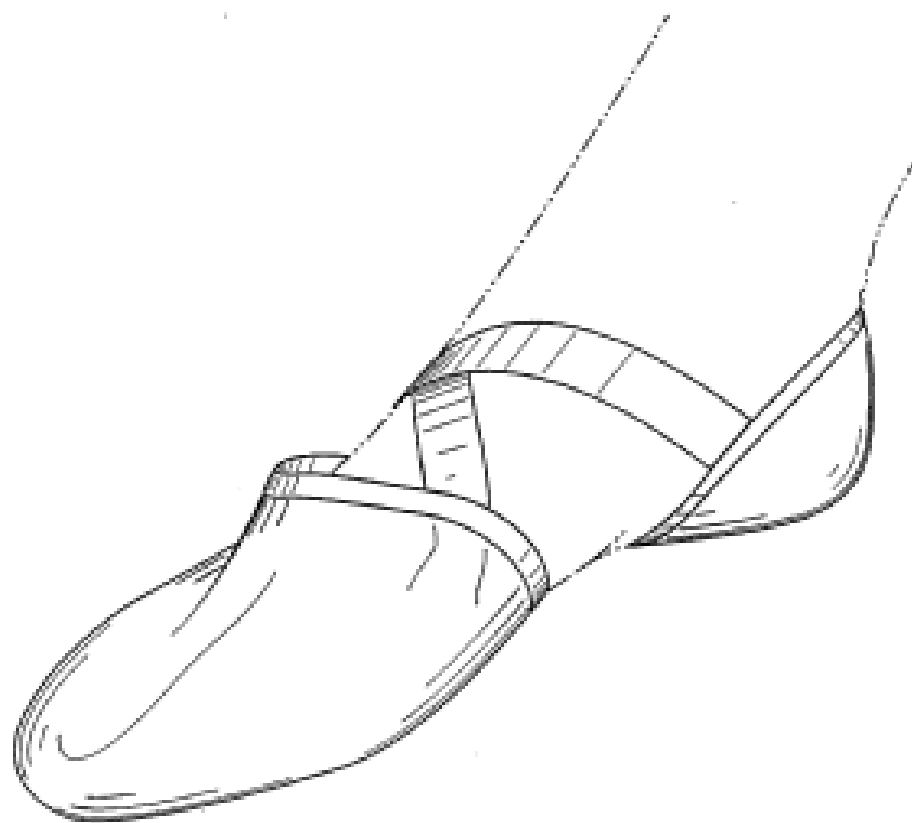
| | | |
|-----------------|--------------------|---------------------------------|
| (31) Number | (32) Date | (33) Country |
| 29218758 | 06 Dec 2004 | UNITED STATES OF AMERICA |

(56) Related Art Documents: **Not Applicable**

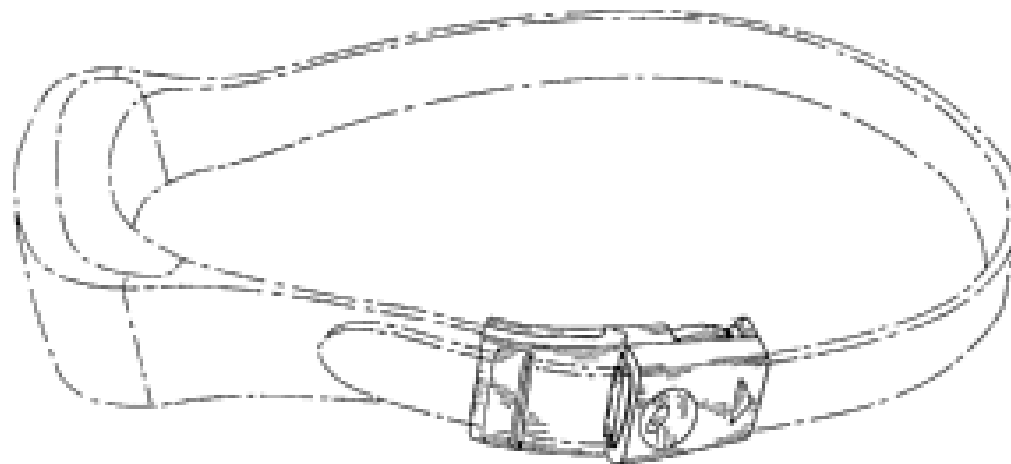
(57) Statement of Newness and Distinctiveness: **Newness and distinctiveness is claimed in the visual features shown in solid lines in the representations.**



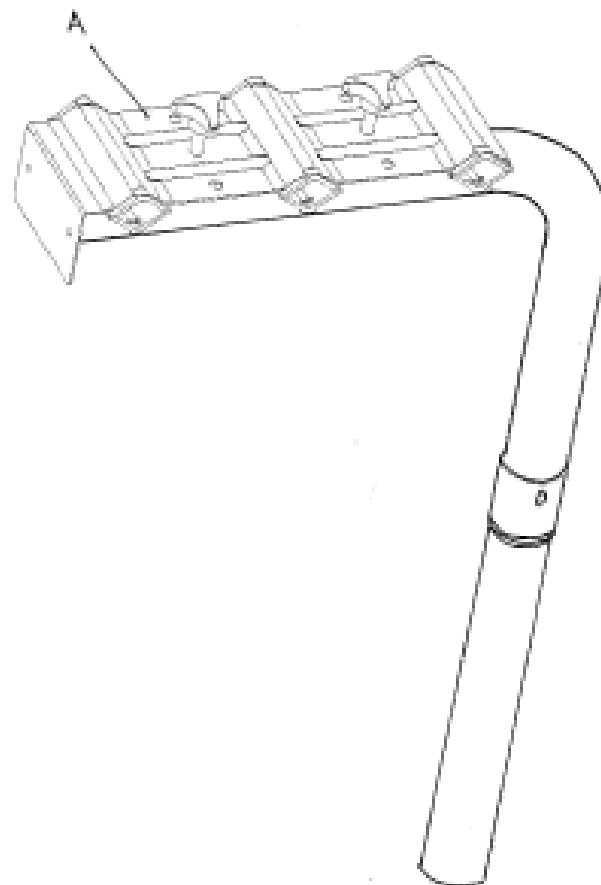
(21) Design Number: **12464/2005**
(22) Date of Filing Application: **07 June 2005**
(24) Date from which industrial property rights may have effect: **07 June 2005**
(54) Product in respect of which the design is registered: **A dance shoe**
(51) International Design Classification: **02-04NES**
(71) Name(s) and Address(s) of Applicant(s):
J Bloch Pty Ltd
8-18 William Street Beaconsfield New South Wales 2015 Australia
(72) Name(s) of Designer(s): **David Wilkenfeld and Feliciano Leoncelli**
(45) Registration Date: **17 November 2005**
(30) Convention priority data:
(31) Number (32) Date (33) Country
29/219,455 17 Dec 2004 UNITED STATES OF AMERICA
(56) Related Art Documents: **Not Applicable**
(57) Statement of Newness and Distinctiveness: **Nil**



(21) Design Number: **12592/2005**
(22) Date of Filing Application: **17 June 2005**
(24) Date from which industrial property rights may have effect: **17 June 2005**
(54) Product in respect of which the design is registered: **Buckle**
(51) International Design Classification: **30-04**
(71) Name(s) and Address(s) of Applicant(s):
Innotek, Inc.
1000 Fuller Drive Garrett Indiana 46738 United States of America
(72) Name(s) of Designer(s): **John William Nottingham and Nick E. Stanca and Craig Saunders and Duane Gerig**
(45) Registration Date: **17 November 2005**
(30) Convention priority data:
(31) Number (32) Date (33) Country
29/224,161 25 Feb 2005 UNITED STATES OF AMERICA
(56) Related Art Documents: **Not Applicable**
(57) Statement of Newness and Distinctiveness: **Those features of the buckle depicted in the representations that are new and distinctive are the shape and/or configuration. The features shown in broken line are not part of the design and are to be disregarded when considering the overall impression of the design.**

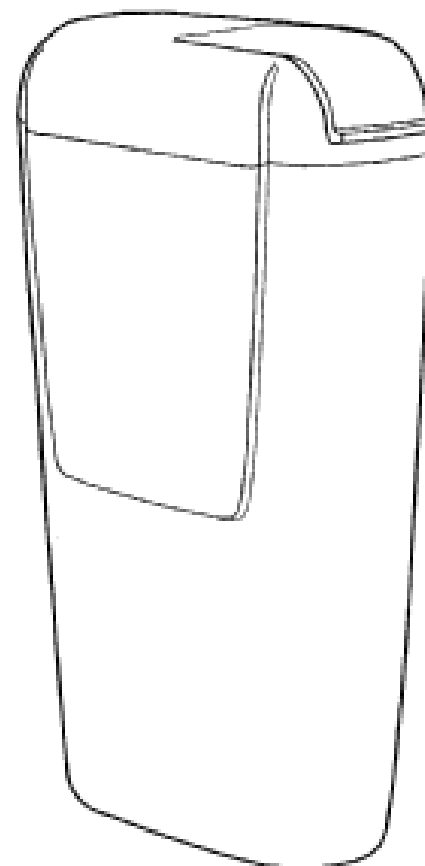


- (21) Design Number: **14932/2004**
- (22) Date of Filing Application: **19 October 2004**
- (24) Date from which industrial property rights may have effect: **19 October 2004**
- (54) Product in respect of which the design is registered: **Bicycle transport rack**
- (51) International Design Classification: **12-16K**
- (71) Name(s) and Address(s) of Applicant(s):
Sportservice Pty Ltd
21 Viking Court Cheltenham Victoria 3192 Australia
- (72) Name(s) of Designer(s): **Michael Gerrard Woods**
- (45) Registration Date: **18 November 2005**
- (56) Related Art Documents: **Not Applicable**
- (57) Statement of Newness and Distinctiveness: **Newness and distinctiveness of the design resides in the shape and configuration of the bicycle transport rack as shown in the accompanying representations. The length and number of clamping positions of the clamping device marked 'A' is variable.**

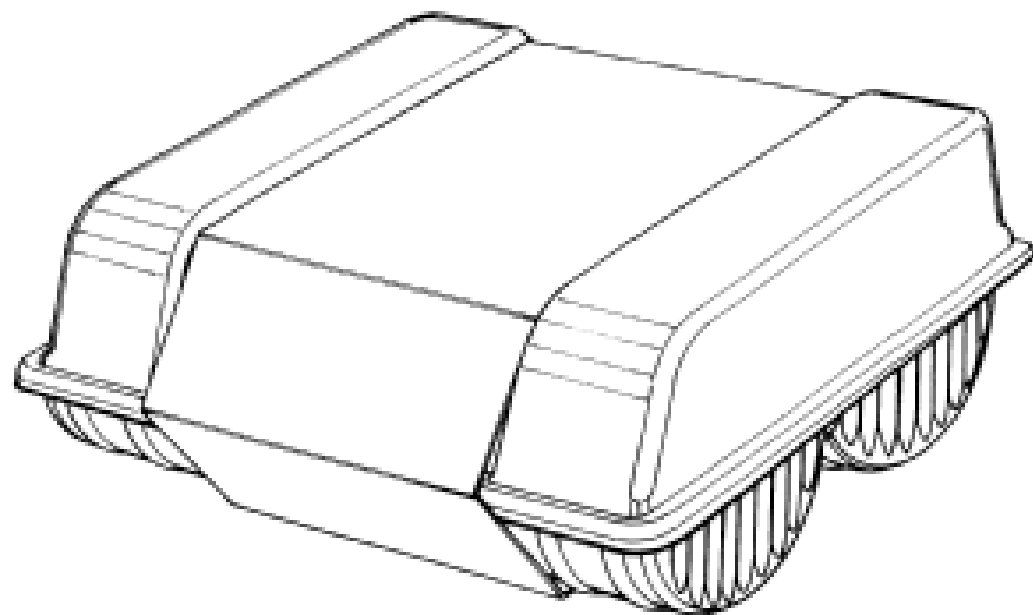


- (21) Design Number: **12181/2005**
- (22) Date of Filing Application: **16 May 2005**
- (24) Date from which industrial property rights may have effect: **16 May 2005**
- (54) Product in respect of which the design is registered: **Packaging**
- (51) International Design Classification: **09-03NES**
- (71) Name(s) and Address(s) of Applicant(s):
Soremartec S.A.
Dreve de l'Arc-en-ciel 102 B-6700 Schoppach Arlon Belgium
- (72) Name(s) of Designer(s): **Giuseppe Terrasi**
- (45) Registration Date: **18 November 2005**
- (30) Convention priority data:

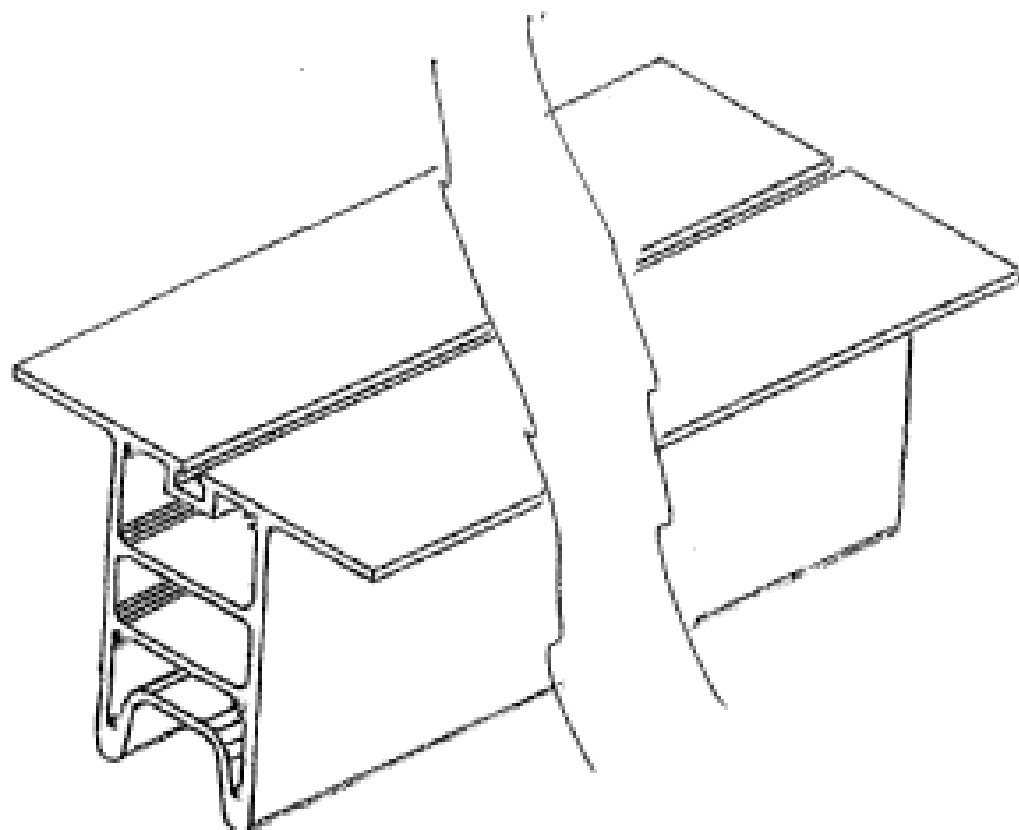
| | | |
|------------------|--------------------|---------------------------|
| (31) Number | (32) Date | (33) Country |
| 000255468 | 17 Nov 2004 | EUROPEAN COMMUNITY |
- (56) Related Art Documents: **Not Applicable**
- (57) Statement of Newness and Distinctiveness: **Those feature of the packaging depicted in the representations that are new and distinctive are the shape and/or configuration. The bottom view may or may not form part of the design.**



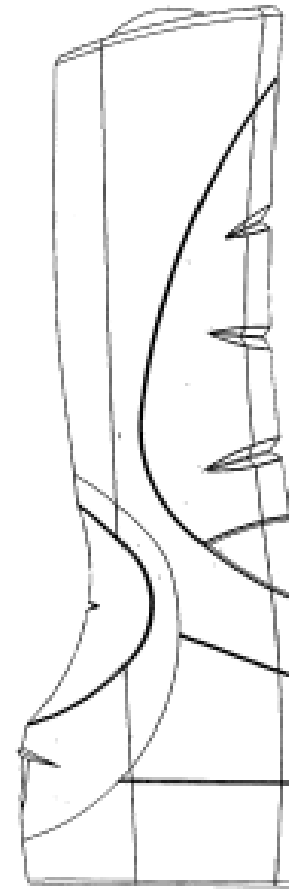
- (21) Design Number: **12235/2005**
(22) Date of Filing Application: **20 May 2005**
(24) Date from which industrial property rights may have effect: **20 May 2005**
(54) Product in respect of which the design is registered: **Food packaging**
(51) International Design Classification: **09-03F**
(71) Name(s) and Address(s) of Applicant(s):
Kent Paper Co. Pty Ltd
9/13 Hayes Street Balgowlah New South Wales 2093 Australia
(72) Name(s) of Designer(s): **Geoffrey Ronald Hamblin**
(45) Registration Date: **18 November 2005**
(56) Related Art Documents: **Not Applicable**
(57) Statement of Newness and Distinctiveness: **Nil**



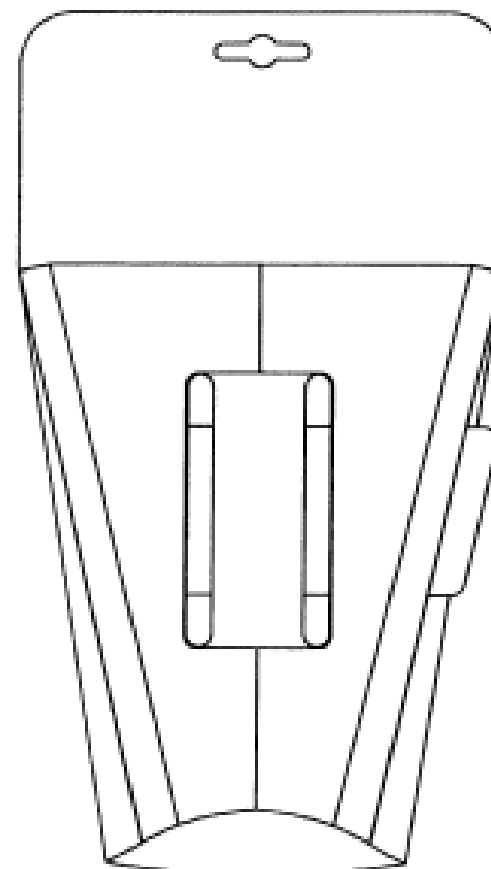
- (21) Design Number: **12573/2005**
(22) Date of Filing Application: **16 June 2005**
(24) Date from which industrial property rights may have effect: **16 June 2005**
(54) Product in respect of which the design is registered: **Extrusion**
(51) International Design Classification: **25-01K**
(71) Name(s) and Address(s) of Applicant(s):
Uniclamp Pty Ltd
Building B 22 Powers Road Seven Hills New South Wales 2147
Australia
(72) Name(s) of Designer(s): **Tracy Ingham**
(45) Registration Date: **18 November 2005**
(56) Related Art Documents: **Not Applicable**
(57) Statement of Newness and Distinctiveness: **Newness and distinctiveness is claimed in the shape and/or configuration of a extrusion of constant cross section and indefinite length as illustrated in the representations.**



(21) Design Number: **12309/2005**
(22) Date of Filing Application: **26 May 2005**
(24) Date from which industrial property rights may have effect: **26 May 2005**
(54) Product in respect of which the design is registered: **Condiment grinder**
(51) International Design Classification: **07-04**
(71) Name(s) and Address(s) of Applicant(s):
William Levene Limited
Bridge House Eelmoor Road Farnborough Hampshire GU14 7UE
United Kingdom
(72) Name(s) of Designer(s): **Andrew John Thornton**
(45) Registration Date: **18 November 2005**
(30) Convention priority data:
(31) Number (32) Date (33) Country
000275284-0002 24 Dec 2004 EUROPEAN COMMUNITY
(56) Related Art Documents: **Not Applicable**
(57) Statement of Newness and Distinctiveness: **Nil**



(21) Design Number: **12311/2005**
(22) Date of Filing Application: **26 May 2005**
(24) Date from which industrial property rights may have effect: **26 May 2005**
(54) Product in respect of which the design is registered: **Display package for a bicycle saddle**
(51) International Design Classification: **09-03NES**
(71) Name(s) and Address(s) of Applicant(s):
The Bicycle Corporation Pty Ltd
9 Villa Road Springvale Victoria 3171 Australia
(72) Name(s) of Designer(s): **David William Lugton**
(45) Registration Date: **18 November 2005**
(56) Related Art Documents: **Not Applicable**
(57) Statement of Newness and Distinctiveness: **The newness and distinctiveness of the design resides in the overall shape. Particular visual features are the integrated identification tag and the twist folded ridges. Shape and features are shown in the attached illustrations.**



- (21) Design Number: **12381/2005**
- (22) Date of Filing Application: **02 June 2005**
- (24) Date from which industrial property rights may have effect: **02 June 2005**
- (54) Product in respect of which the design is registered: **Watch with bracelet**
- (51) International Design Classification: **10-02**
- (71) Name(s) and Address(s) of Applicant(s):

Bulgari Time (Switzerland) SA
34 Rue de Monruz Neuchatel Switzerland

(72) Name(s) of Designer(s): **Paolo Bulgari**

(45) Registration Date: **18 November 2005**

(30) Convention priority data:

| | | |
|------------------|--------------------|--------------------|
| (31) Number | (32) Date | (33) Country |
| DM 066440 | 25 Jan 2005 | SWITZERLAND |

(56) Related Art Documents: **Not Applicable**

(57) Statement of Newness and Distinctiveness: **Newness and distinctiveness is claimed in the features of shape and/or configuration of a watch with bracelet as illustrated in the accompanying representations.**



- (21) Design Number: **12383/2005**
- (22) Date of Filing Application: **02 June 2005**
- (24) Date from which industrial property rights may have effect: **02 June 2005**
- (54) Product in respect of which the design is registered: **A grate walk junction**
- (51) International Design Classification: **15-09, 25-02NES**
- (71) Name(s) and Address(s) of Applicant(s):

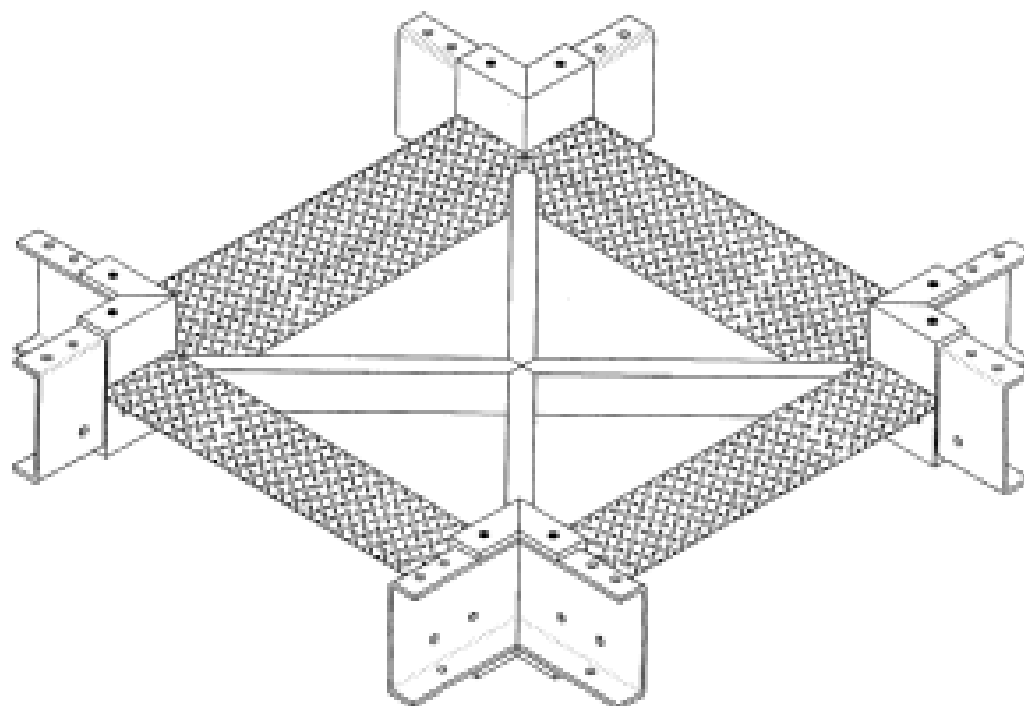
Ronald E. Graham (Holdings) Pty Limited
137-147 Rookwood Road Yagoona New South Wales 2199 Australia

(72) Name(s) of Designer(s): **Ronald Edward Graham**

(45) Registration Date: **18 November 2005**

(56) Related Art Documents: **Not Applicable**

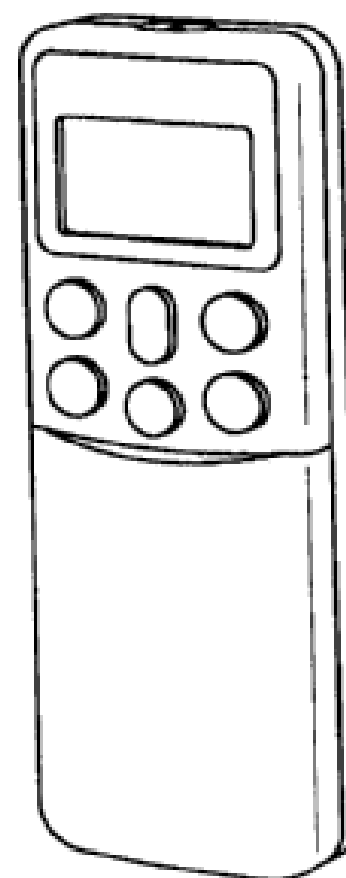
(57) Statement of Newness and Distinctiveness: **Newness and distinctiveness is claimed in the features of shape and/or configuration of a grate walk junction as illustrated in the accompanying representations.**



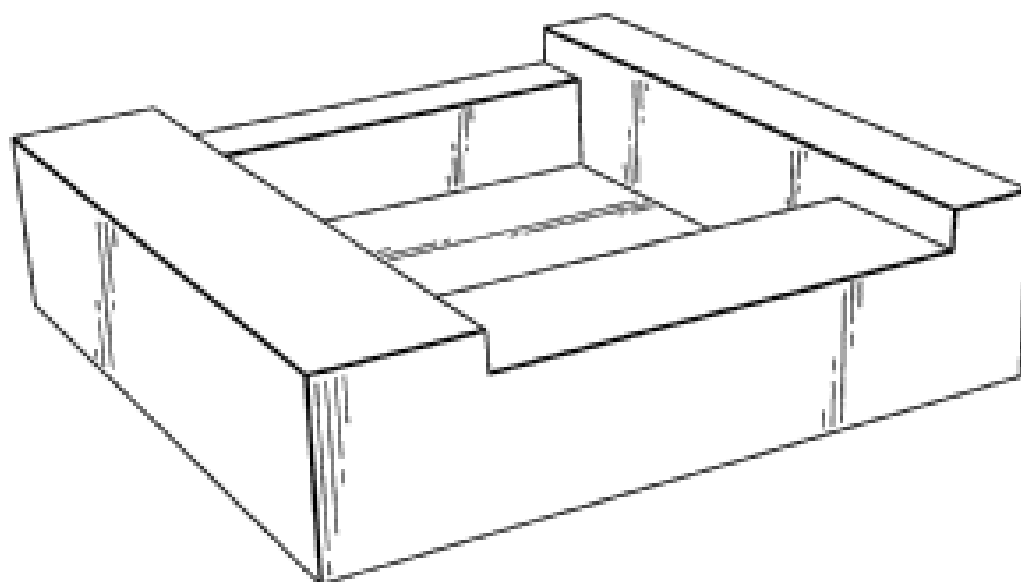
- (21) Design Number: **12407/2005**
(22) Date of Filing Application: **03 June 2005**
(24) Date from which industrial property rights may have effect: **03 June 2005**
(54) Product in respect of which the design is registered: **Crimping tool**
(51) International Design Classification: **08-05P**
(71) Name(s) and Address(s) of Applicant(s):
Auspex Pty Ltd
106-107 Railway Parade Seaford Victoria 3198 Australia
(72) Name(s) of Designer(s): **John Bines and Glenn Bines and David Lockwood and Steve Martinuzzo**
(45) Registration Date: **18 November 2005**
(56) Related Art Documents: **Not Applicable**
(57) Statement of Newness and Distinctiveness: **The design resides in the features of shape and configuration as applied to a crimping tool as shown in the representations. The word "AUSPEX" as appearing in the representations does not form part of the design.**



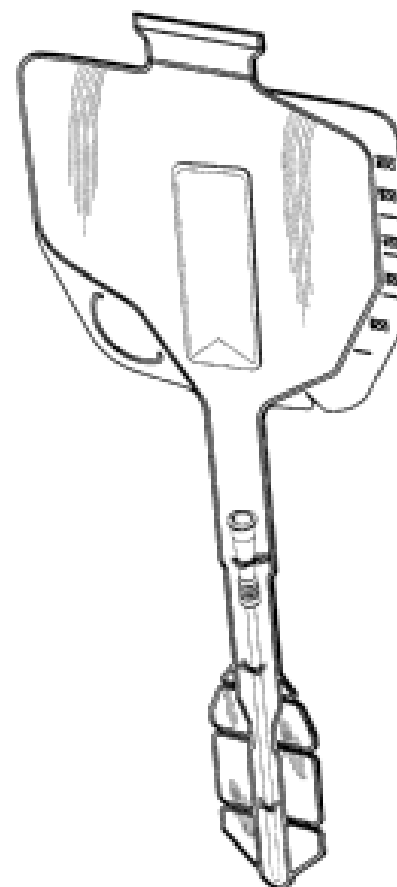
- (21) Design Number: **12497/2005**
(22) Date of Filing Application: **09 June 2005**
(24) Date from which industrial property rights may have effect: **09 June 2005**
(54) Product in respect of which the design is registered: **Remote controller for an air conditioner**
(51) International Design Classification: **14-03NES**
(71) Name(s) and Address(s) of Applicant(s):
Toshiba Carrier Corporation
1-1 Shibaura 1-chome Minato-ku Tokyo Japan
(72) Name(s) of Designer(s): **Tomiaki Ishihara**
(45) Registration Date: **18 November 2005**
(30) Convention priority data:
(31) Number (32) Date (33) Country
2004-038219 14 Dec 2004 JAPAN
(56) Related Art Documents: **Not Applicable**
(57) Statement of Newness and Distinctiveness: **Newness and distinctiveness is claimed in the features of shape and/or configuration of a remote controller for an air conditioner as illustrated in the accompanying representations.**



(21) Design Number: **12503/2005**
(22) Date of Filing Application: **10 June 2005**
(24) Date from which industrial property rights may have effect: **10 June 2005**
(54) Product in respect of which the design is registered: **Ashtray**
(51) International Design Classification: **27-03**
(71) Name(s) and Address(s) of Applicant(s):
Dunhill Tobacco of London Limited
1A St James Street London SW1A 1EF United Kingdom
(72) Name(s) of Designer(s): **Hlynur Vagn Atlason**
(45) Registration Date: **18 November 2005**
(56) Related Art Documents: **Not Applicable**
(57) Statement of Newness and Distinctiveness: **Nil**



(21) Design Number: **12574/2005**
(22) Date of Filing Application: **16 June 2005**
(24) Date from which industrial property rights may have effect: **09 November 2004**
(54) Product in respect of which the design is registered: **Catheter package**
(51) International Design Classification: **24-02**
(71) Name(s) and Address(s) of Applicant(s):
Astra Tech AB
Aminogatan 1 SE-431 21 Molndal Sweden
(72) Name(s) of Designer(s): **Knapp Carina Haga and Kristina Kull Osterlin**
(45) Registration Date: **18 November 2005**
(30) Convention priority data:
(31) Number (32) Date (33) Country
RCD 08 Jun 2004 EUROPEAN COMMUNITY
000187448
(62) Divisional of: **302374**
(56) Related Art Documents: **Not Applicable**
(57) Statement of Newness and Distinctiveness: **Those features of the catheter package depicted in the representations that are new and distinctive are the shape and/or configuration.**



(21) Design Number: **14933/2004**

(22) Date of Filing Application: **19 October 2004**

(24) Date from which industrial property rights may have effect: **19 October 2004**

(54) Product in respect of which the design is registered: **Bicycle transport rack**

(51) International Design Classification: **12-16K**

(71) Name(s) and Address(s) of Applicant(s):

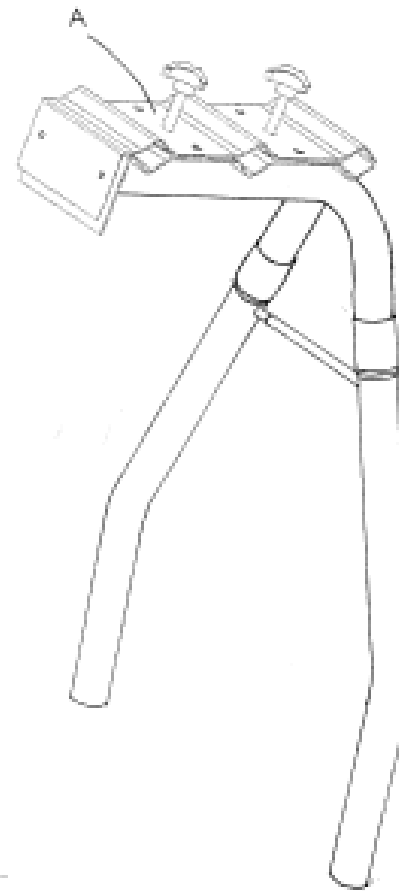
**Sportservice Pty Ltd
21 Viking Court Cheltenham Victoria 3192 Australia**

(72) Name(s) of Designer(s): **Michael Gerrard Woods**

(45) Registration Date: **18 November 2005**

(56) Related Art Documents: **Not Applicable**

(57) Statement of Newness and Distinctiveness: **Newness and distinctiveness of the design resides in the shape and configuration of the bicycle transport rack as shown in the accompanying representations. The length and number of clamping positions of the clamping device marked 'A' is variable.**



(21) Design Number: **12187/2005**

(22) Date of Filing Application: **17 May 2005**

(24) Date from which industrial property rights may have effect: **17 May 2005**

(54) Product in respect of which the design is registered: **Lamp**

(51) International Design Classification: **26-05B**

(71) Name(s) and Address(s) of Applicant(s):

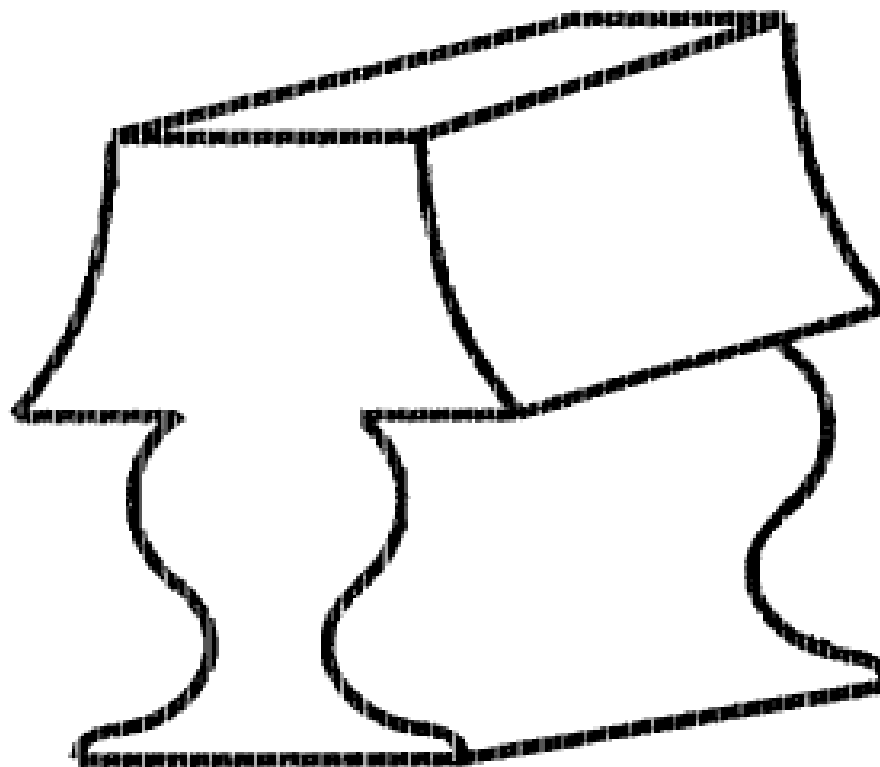
**Arthur Koutoulas
Level 1 Suite 1B 77-83 William Street East Sydney New South Wales
2010 Australia**

(72) Name(s) of Designer(s): **Arthur Koutoulas**

(45) Registration Date: **18 November 2005**

(56) Related Art Documents: **Not Applicable**

(57) Statement of Newness and Distinctiveness: **Ben Hur lamp has a sculptured extruded design aesthetic in it's shape and form. Ben Hur lamp belongs to a range of lamps, comprising of three different styles.**



- (21) Design Number: **12205/2005**
- (22) Date of Filing Application: **17 May 2005**
- (24) Date from which industrial property rights may have effect: **17 May 2005**
- (54) Product in respect of which the design is registered: **Artificial stone**
- (51) International Design Classification: **25-01A, 25-01F**
- (71) Name(s) and Address(s) of Applicant(s):

Oldcastle Building Products Canada Inc.
44 Chipman Hill 10th Floor Saint-John New Brunswick E2L 4S6
Canada

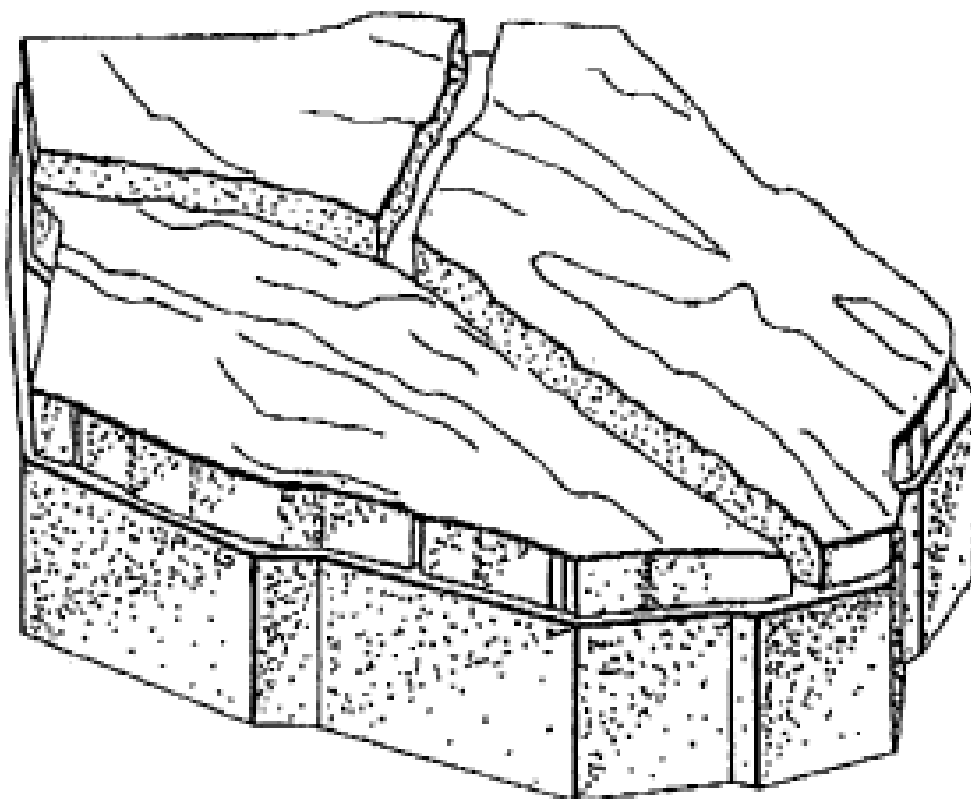
- (72) Name(s) of Designer(s): **Bertin Castonguay and Marcel Thomassen**
- (45) Registration Date: **18 November 2005**

(30) Convention priority data:

| | | |
|---------------|--------------------|---------------|
| (31) Number | (32) Date | (33) Country |
| 109047 | 18 Nov 2004 | CANADA |

(56) Related Art Documents: **Not Applicable**

(57) Statement of Newness and Distinctiveness: **Newness and distinctiveness is claimed in the features of the peripheral shape of an artificial stone as illustrated in the accompanying representations.**



- (21) Design Number: **12206/2005**
- (22) Date of Filing Application: **17 May 2005**
- (24) Date from which industrial property rights may have effect: **17 May 2005**
- (54) Product in respect of which the design is registered: **Artificial stone**
- (51) International Design Classification: **25-01A, 25-01F**
- (71) Name(s) and Address(s) of Applicant(s):

Oldcastle Building Products Canada Inc.
44 Chipman Hill 10th Floor Saint-John New Brunswick E2L 4S6
Canada

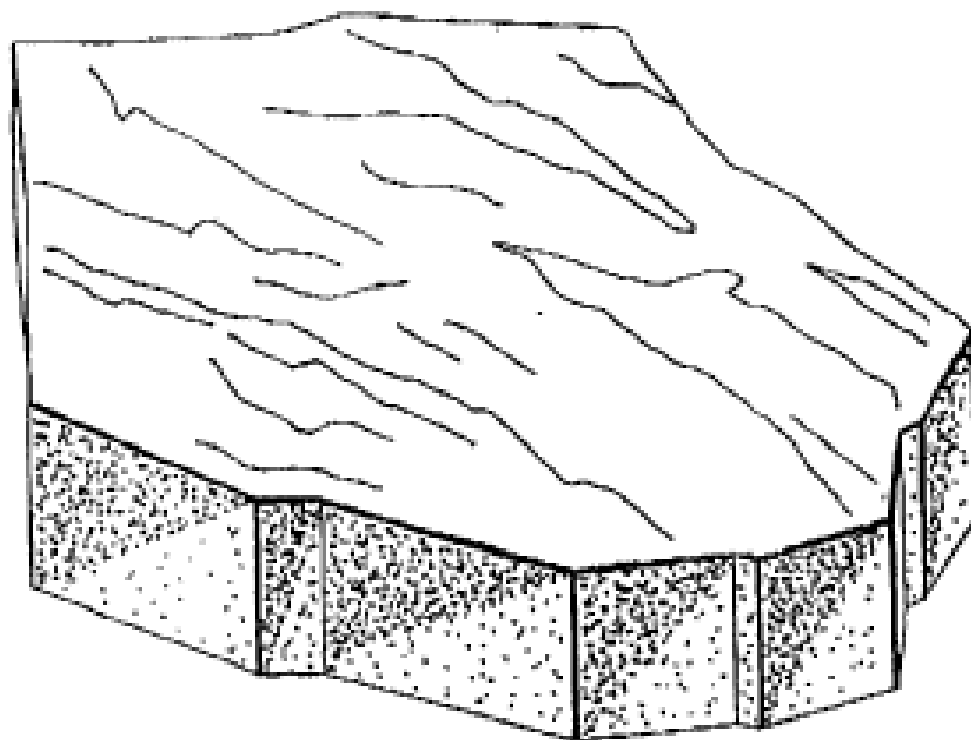
- (72) Name(s) of Designer(s): **Bertin Castonguay and Marcel Thomassen**
- (45) Registration Date: **18 November 2005**

(30) Convention priority data:

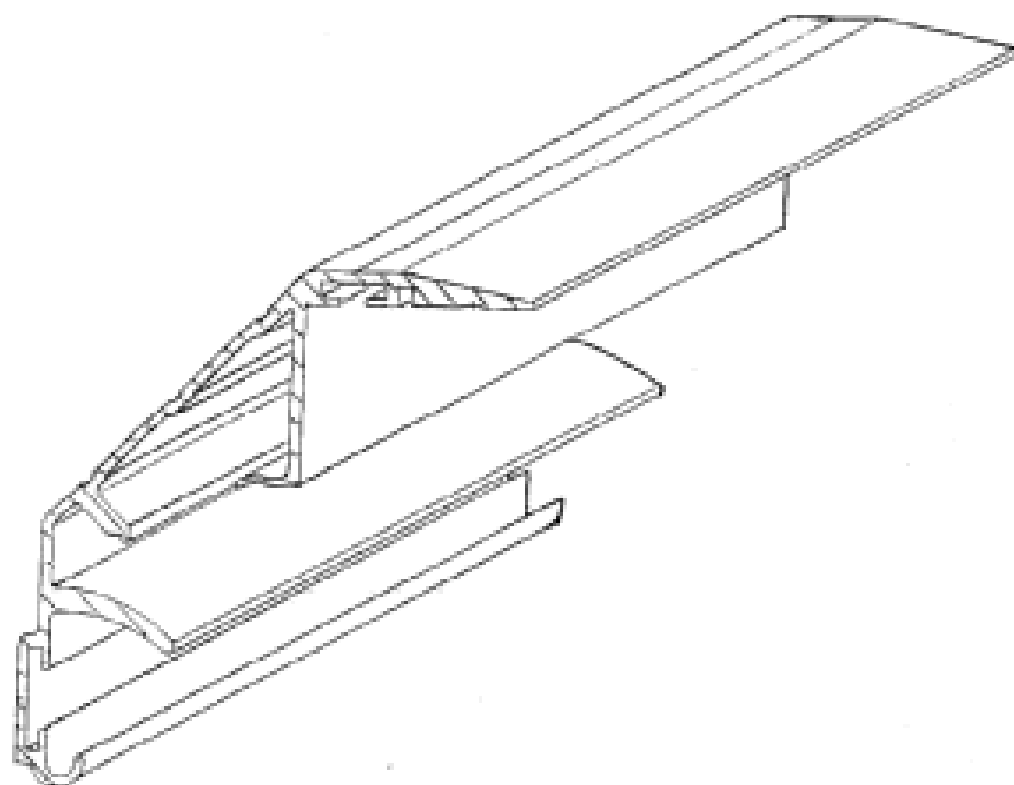
| | | |
|---------------|--------------------|---------------|
| (31) Number | (32) Date | (33) Country |
| 109047 | 18 Nov 2004 | CANADA |

(56) Related Art Documents: **Not Applicable**

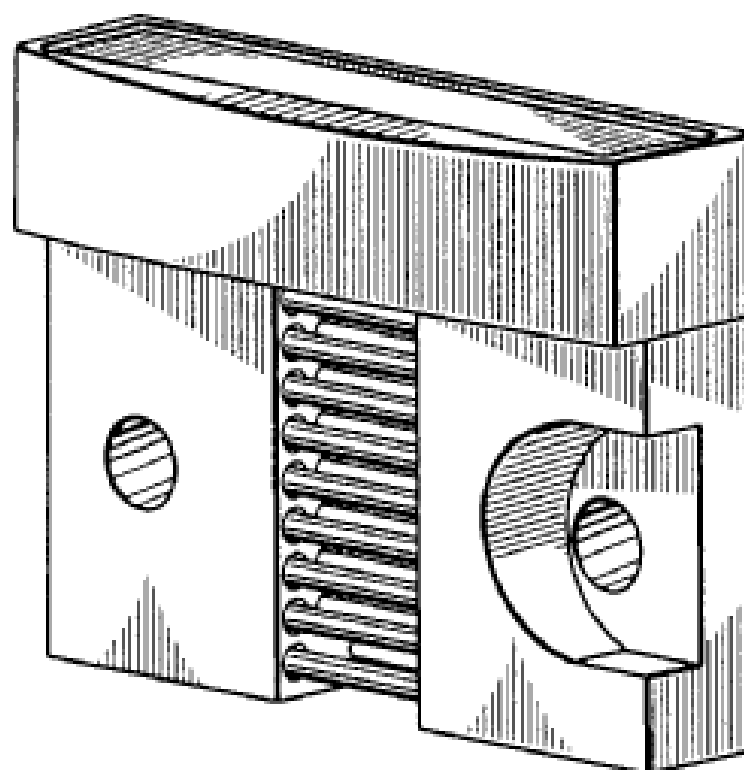
(57) Statement of Newness and Distinctiveness: **Newness and distinctiveness is claimed in the features of the peripheral shape of an artificial stone as illustrated in the accompanying representations.**



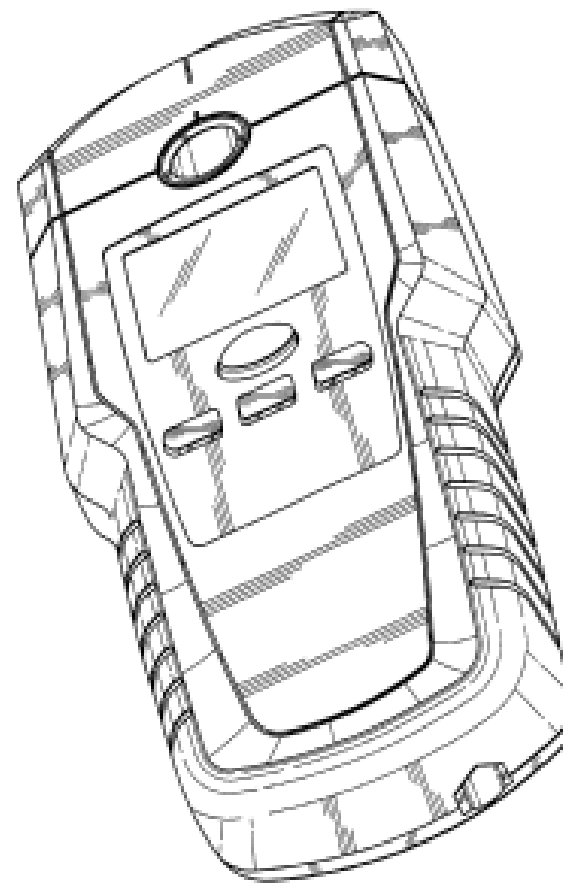
- (21) Design Number: **12283/2005**
(22) Date of Filing Application: **25 May 2005**
(24) Date from which industrial property rights may have effect: **25 May 2005**
(54) Product in respect of which the design is registered: **An aluminium extrusion**
(51) International Design Classification: **25-01K**
(71) Name(s) and Address(s) of Applicant(s):
Rodric Lindsay Fooks
57 Wellington Street Riverstone New South Wales 2765 Australia
(72) Name(s) of Designer(s): **Rodric Lindsay Fooks**
(45) Registration Date: **18 November 2005**
(56) Related Art Documents: **Not Applicable**
(57) Statement of Newness and Distinctiveness: **Nil**



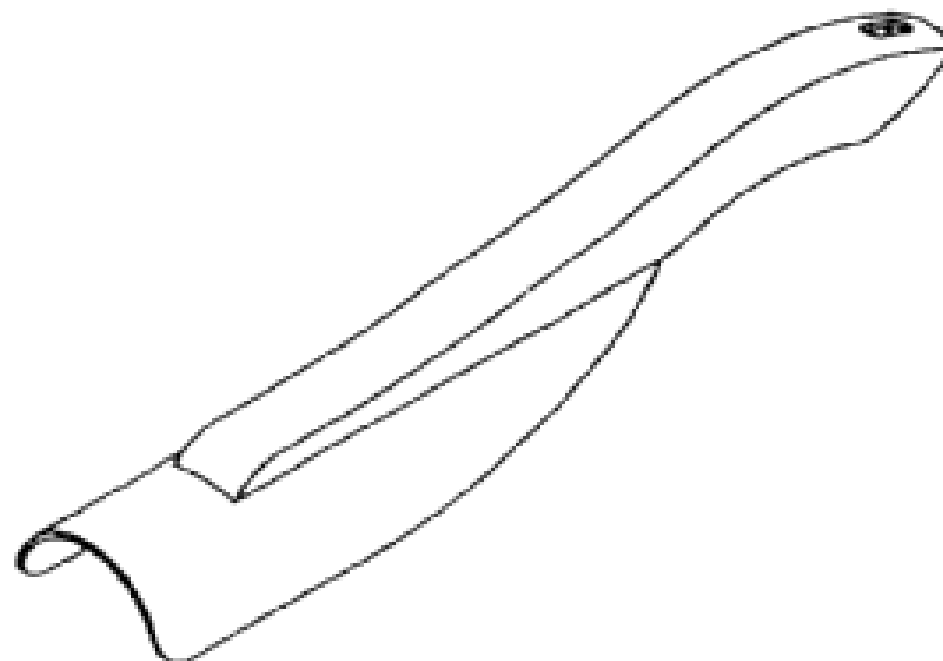
- (21) Design Number: **12304/2005**
(22) Date of Filing Application: **25 May 2005**
(24) Date from which industrial property rights may have effect: **25 May 2005**
(54) Product in respect of which the design is registered: **A charge measurement device**
(51) International Design Classification: **10-04**
(71) Name(s) and Address(s) of Applicant(s):
Xantrex International
Suite No. 3 Stafford House The Garrison St. Michael Barbados
(72) Name(s) of Designer(s): **David Miller and Rob Baumgartner and Brian Ulrich**
(45) Registration Date: **18 November 2005**
(30) Convention priority data:
(31) Number (32) Date (33) Country
110990 02 May 2005 CANADA
(56) Related Art Documents: **Not Applicable**
(57) Statement of Newness and Distinctiveness: **Newness and distinctiveness is claimed in the visual features shown in solid lines in the representations.**



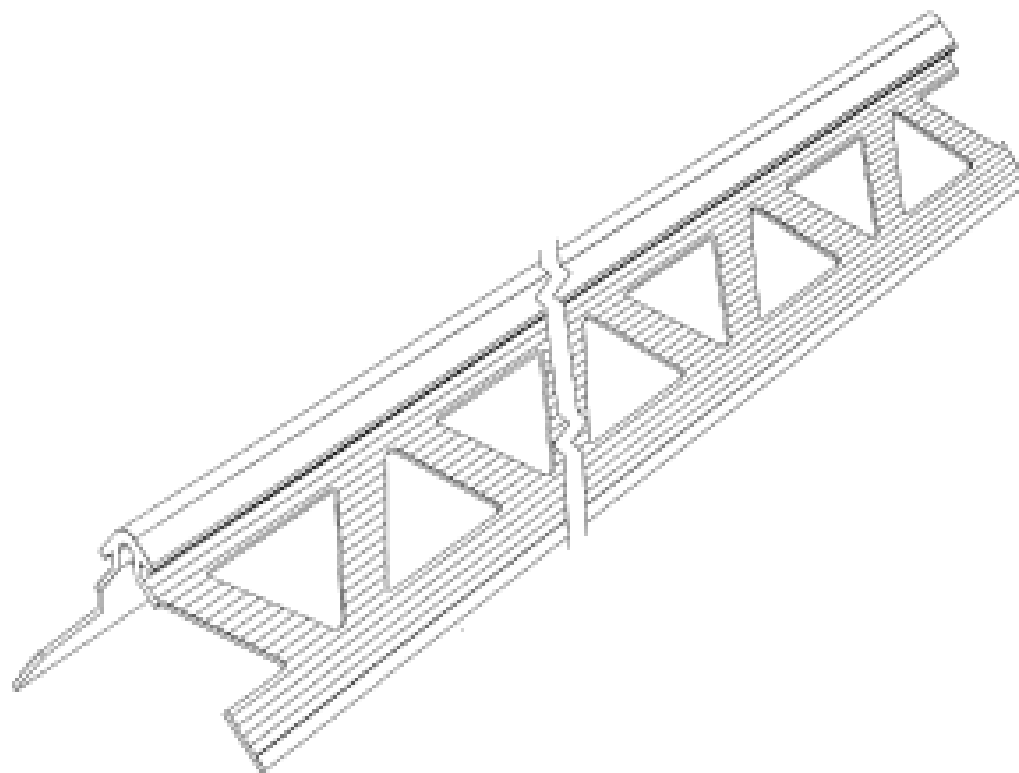
(21) Design Number: **12324/2005**
(22) Date of Filing Application: **27 May 2005**
(24) Date from which industrial property rights may have effect: **27 May 2005**
(54) Product in respect of which the design is registered: **Position finder**
(51) International Design Classification: **10-05, 08-05NES**
(71) Name(s) and Address(s) of Applicant(s):
Robert Bosch GmbH
Postfach 30 02 20 D-70442 Stuttgart Germany
(72) Name(s) of Designer(s): **Klaus Baumgartner**
(45) Registration Date: **18 November 2005**
(30) Convention priority data:
(31) Number (32) Date (33) Country
405 01 035.4 22 Feb 2005 GERMANY
(56) Related Art Documents: **Not Applicable**
(57) Statement of Newness and Distinctiveness: **Nil**



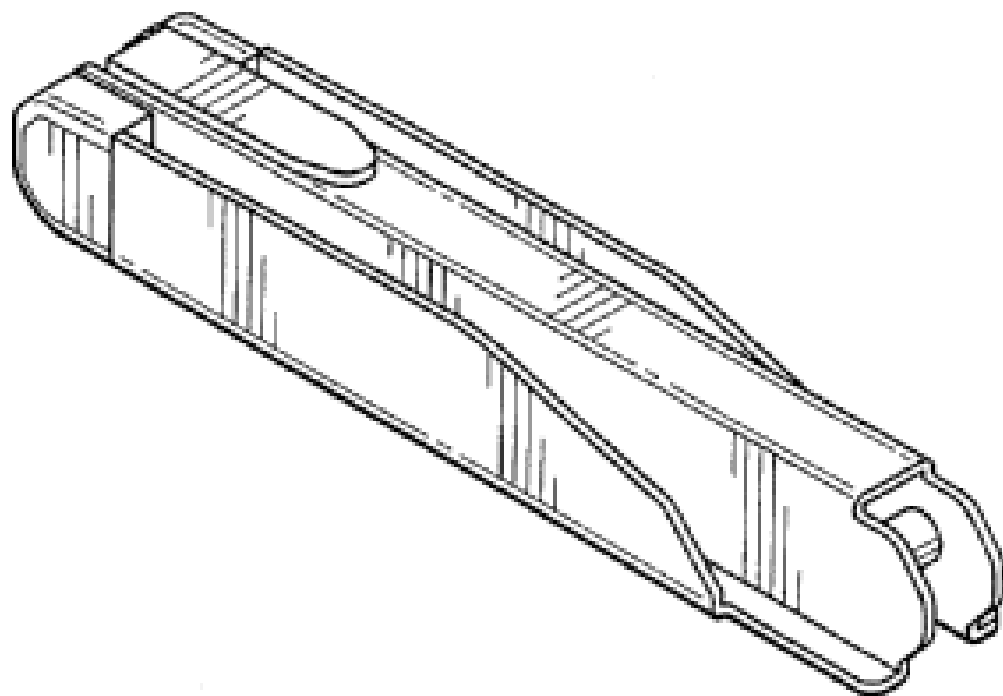
(21) Design Number: **12865/2005**
(22) Date of Filing Application: **05 July 2005**
(24) Date from which industrial property rights may have effect: **05 July 2005**
(54) Product in respect of which the design is registered: **A roller wiper**
(51) International Design Classification: **08-05L**
(71) Name(s) and Address(s) of Applicant(s):
Brett Stanley
92 Kings Drive Wanaka New Zealand
(72) Name(s) of Designer(s): **Brett Stanley**
(45) Registration Date: **18 November 2005**
(30) Convention priority data:
(31) Number (32) Date (33) Country
405838 10 Feb 2005 NEW ZEALAND
(56) Related Art Documents: **Not Applicable**
(57) Statement of Newness and Distinctiveness: **Nil**



- (21) Design Number: **12891/2005**
(22) Date of Filing Application: **07 July 2005**
(24) Date from which industrial property rights may have effect: **07 July 2005**
(54) Product in respect of which the design is registered: **A bead**
(51) International Design Classification: **25-01NES**
(71) Name(s) and Address(s) of Applicant(s):
 Donald Frederick Geater McCullough
 1 Rawlinna Drive Mermaid Waters Queensland 4218 Australia
 Lorraine Rita McCullough
 1 Rawlinna Drive Mermaid Waters Queensland 4218 Australia
(72) Name(s) of Designer(s): **Bradley Donald McCullough**
(45) Registration Date: **18 November 2005**
(56) Related Art Documents: **Not Applicable**
(57) Statement of Newness and Distinctiveness: **The newness and distinctiveness of the design resides in the shape and/or configuration of a bead of indefinite length shown in the representations.**



- (21) Design Number: **12892/2005**
(22) Date of Filing Application: **07 July 2005**
(24) Date from which industrial property rights may have effect: **07 July 2005**
(54) Product in respect of which the design is registered: **A handle for a folding hand tool**
(51) International Design Classification: **08-06**
(71) Name(s) and Address(s) of Applicant(s):
 Leatherman Tool Group, Inc.
 12106 N.E. Ainsworth Circle Portland Oregon 97220 United States of America
(72) Name(s) of Designer(s): **Melissa C. Yale**
(45) Registration Date: **18 November 2005**
(30) Convention priority data:
 (31) Number (32) Date (33) Country
 29220922 07 Jan 2005 UNITED STATES OF AMERICA
(56) Related Art Documents: **Not Applicable**
(57) Statement of Newness and Distinctiveness: **Nil**



(19) AU

(21) Design Number: **12893/2005**

(22) Date of Filing Application: **07 July 2005**

(24) Date from which industrial property rights may have effect: **07 July 2005**

(54) Product in respect of which the design is registered: **A pair of pliers jaws**

(51) International Design Classification: **08-05P**

(71) Name(s) and Address(s) of Applicant(s):

Leatherman Tool Group, Inc.
12106 N.E. Ainsworth Circle Portland Oregon 97220 United States of America

(72) Name(s) of Designer(s): **Hollan A. Tsuda**

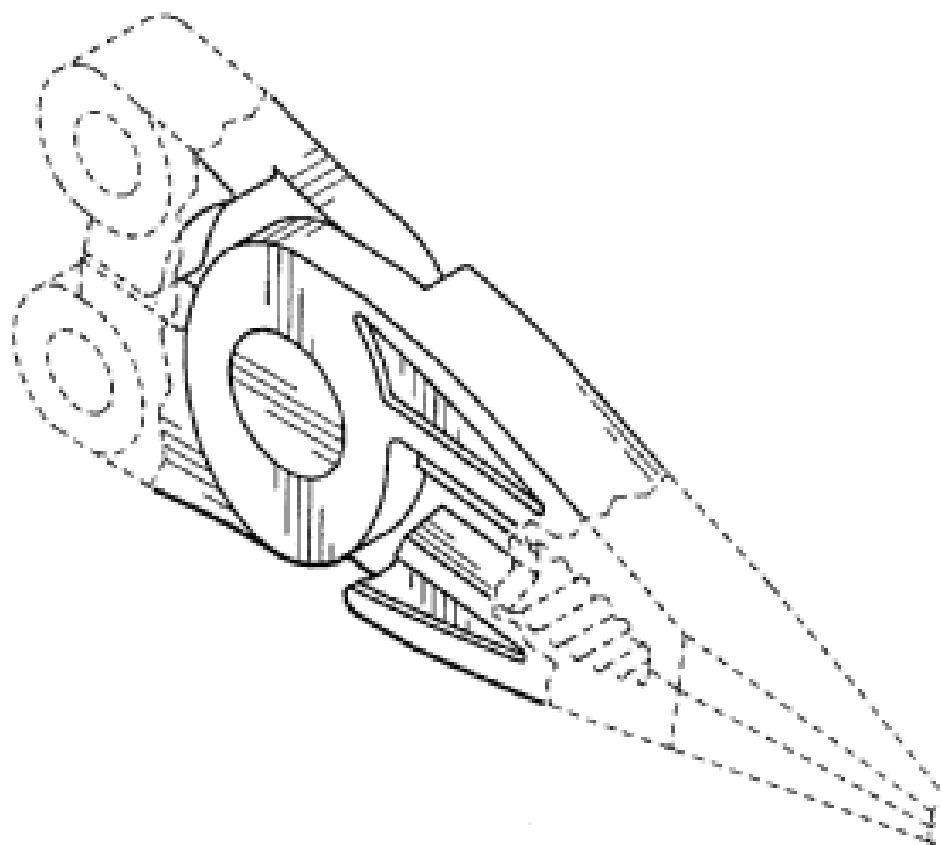
(45) Registration Date: **18 November 2005**

(30) Convention priority data:

| | | |
|-----------------|--------------------|---------------------------------|
| (31) Number | (32) Date | (33) Country |
| 29220911 | 07 Jan 2005 | UNITED STATES OF AMERICA |

(56) Related Art Documents: **Not Applicable**

(57) Statement of Newness and Distinctiveness: **Newness and distinctiveness is claimed in the visual features of the portion shown in solid lines in the representations.**



(19) AU

(21) Design Number: **12894/2005**

(22) Date of Filing Application: **07 July 2005**

(24) Date from which industrial property rights may have effect: **07 July 2005**

(54) Product in respect of which the design is registered: **A handle for a folding hand tool**

(51) International Design Classification: **08-06**

(71) Name(s) and Address(s) of Applicant(s):

Leatherman Tool Group, Inc.
12106 N.E. Ainsworth Circle Portland Oregon 97220 United States of America

(72) Name(s) of Designer(s): **Melissa C. Yale**

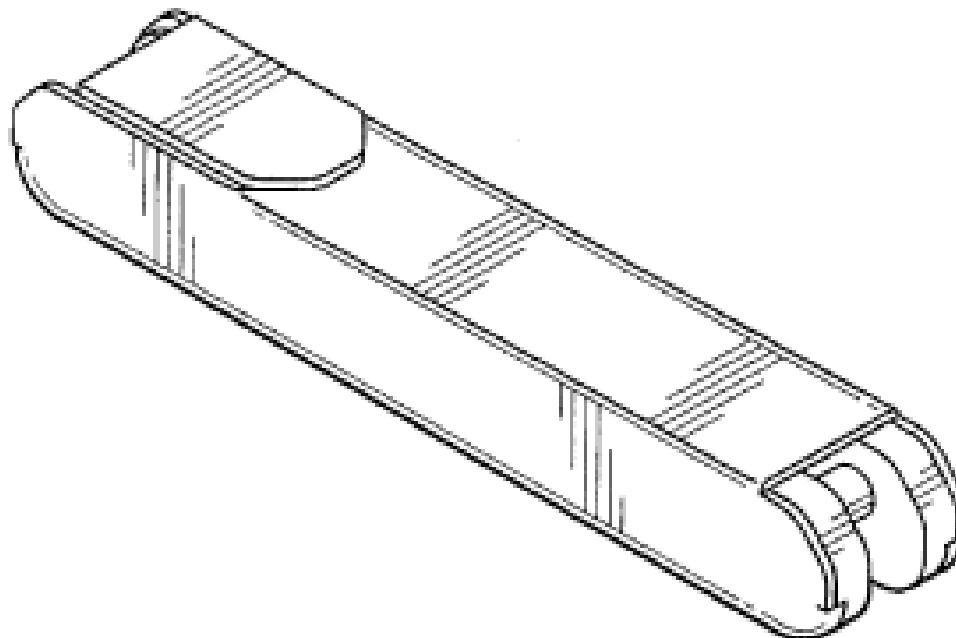
(45) Registration Date: **18 November 2005**

(30) Convention priority data:

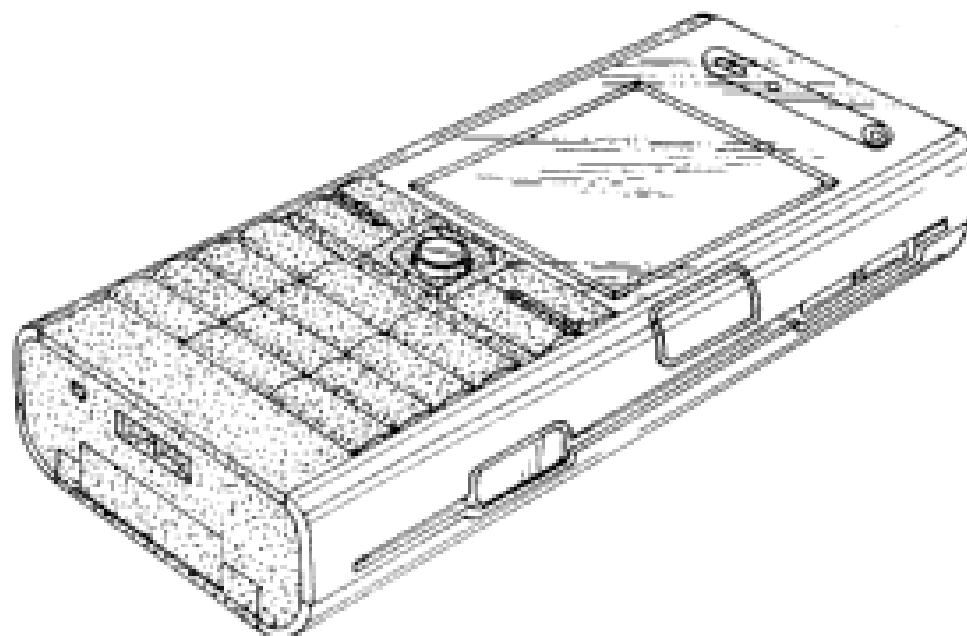
| | | |
|-----------------|--------------------|---------------------------------|
| (31) Number | (32) Date | (33) Country |
| 29220869 | 07 Jan 2005 | UNITED STATES OF AMERICA |

(56) Related Art Documents: **Not Applicable**

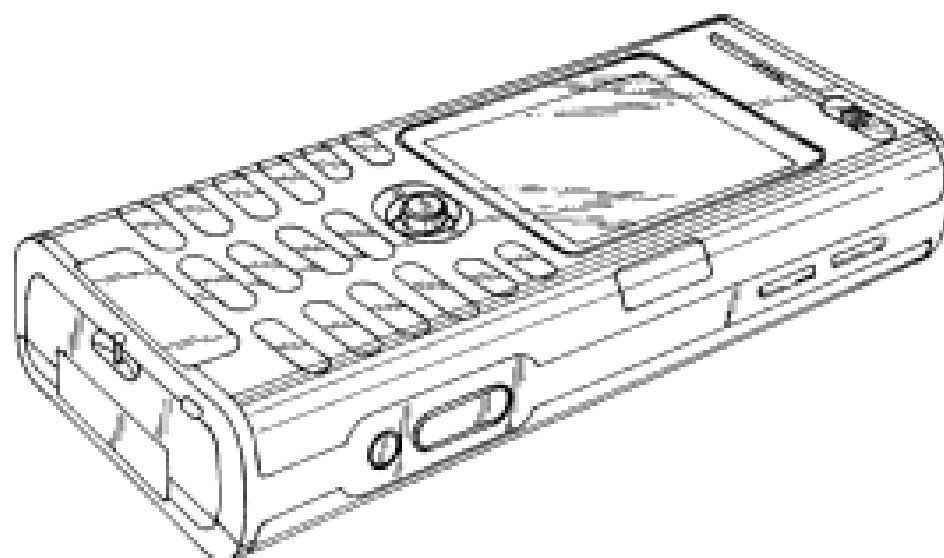
(57) Statement of Newness and Distinctiveness: **Nil**



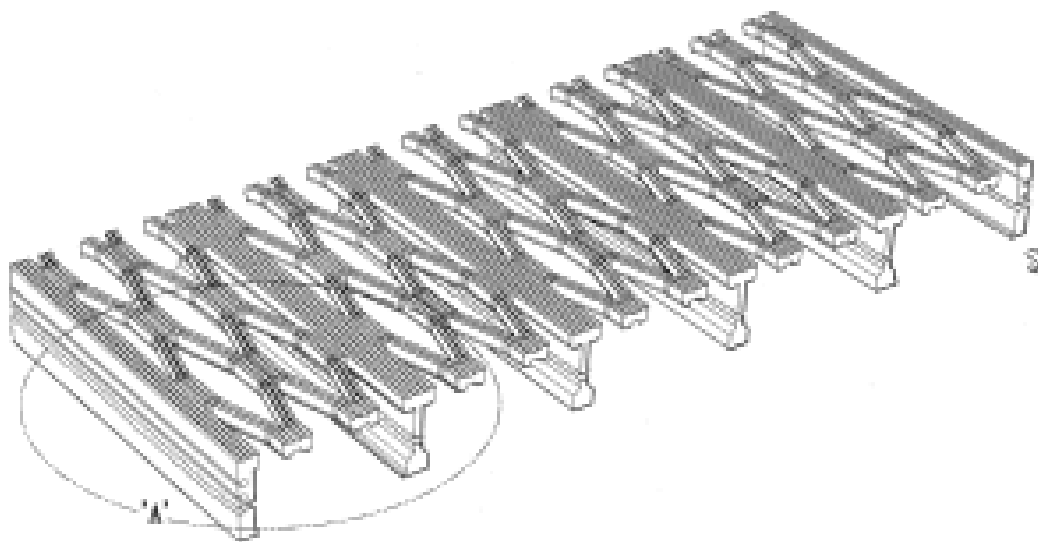
(21) Design Number: **12896/2005**
(22) Date of Filing Application: **07 July 2005**
(24) Date from which industrial property rights may have effect: **07 July 2005**
(54) Product in respect of which the design is registered: **Mobile phone**
(51) International Design Classification: **14-03E**
(71) Name(s) and Address(s) of Applicant(s):
Sony Ericsson Mobile Communications AB
Nya Vattentorget SE 221 88 Lund Sweden
(72) Name(s) of Designer(s): **Shinichi Obata and Kazuki Isono**
(45) Registration Date: **18 November 2005**
(30) Convention priority data:
(31) Number (32) Date (33) Country
000290271-0001 03 Feb 2005 SWEDEN
(56) Related Art Documents: **Not Applicable**
(57) Statement of Newness and Distinctiveness: **Nil**



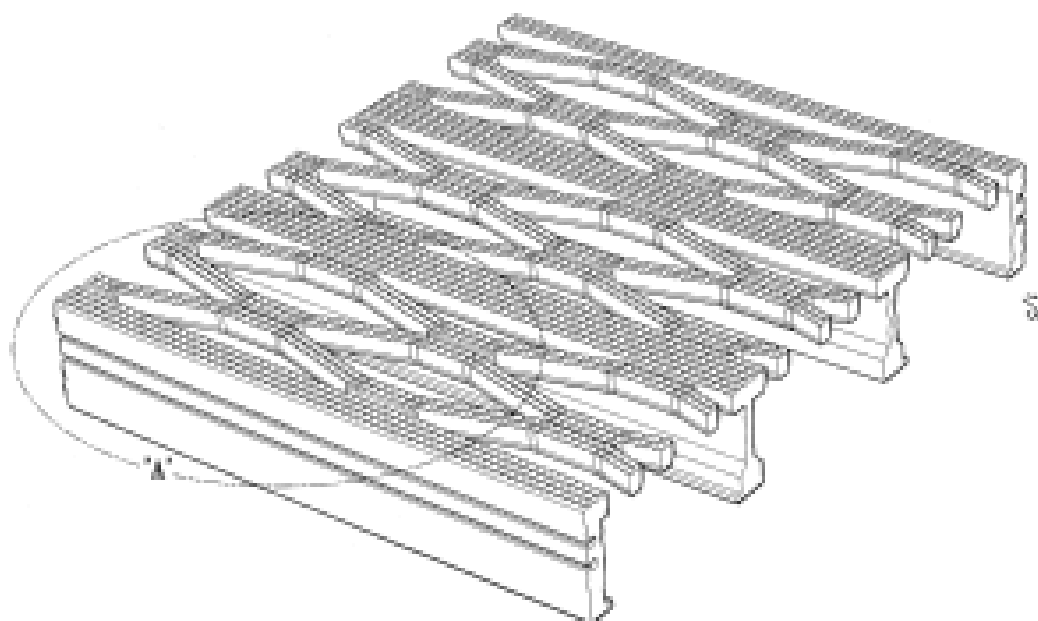
(21) Design Number: **12897/2005**
(22) Date of Filing Application: **07 July 2005**
(24) Date from which industrial property rights may have effect: **07 July 2005**
(54) Product in respect of which the design is registered: **Mobile phone**
(51) International Design Classification: **14-03E**
(71) Name(s) and Address(s) of Applicant(s):
Sony Ericsson Mobile Communications AB
Nya Vattentorget SE 221 88 Lund Sweden
(72) Name(s) of Designer(s): **Shinichi Obata and Kazuki Isono**
(45) Registration Date: **18 November 2005**
(30) Convention priority data:
(31) Number (32) Date (33) Country
000291307-0001 03 Feb 2005 SWEDEN
(56) Related Art Documents: **Not Applicable**
(57) Statement of Newness and Distinctiveness: **Nil**



- (21) Design Number: **12898/2005**
- (22) Date of Filing Application: **07 July 2005**
- (24) Date from which industrial property rights may have effect: **07 July 2005**
- (54) Product in respect of which the design is registered: **Walkway grille**
- (51) International Design Classification: **25-02G**
- (71) Name(s) and Address(s) of Applicant(s):
Abra Products Pty Ltd
118-120 Freight Drive Somerton Victoria 3062 Australia
- (72) Name(s) of Designer(s): **Edward Donald Allen**
- (45) Registration Date: **18 November 2005**
- (56) Related Art Documents: **Not Applicable**
- (57) Statement of Newness and Distinctiveness: **Newness and/or distinctiveness resides in the features of the shape and configuration of a walkway grille, the walkway grille being of indefinite length, width and height.**



- (21) Design Number: **12899/2005**
- (22) Date of Filing Application: **07 July 2005**
- (24) Date from which industrial property rights may have effect: **07 July 2005**
- (54) Product in respect of which the design is registered: **Walkway grille**
- (51) International Design Classification: **25-02G**
- (71) Name(s) and Address(s) of Applicant(s):
Abra Products Pty Ltd
118-120 Freight Drive Somerton Victoria 3062 Australia
- (72) Name(s) of Designer(s): **Edward Donald Allen**
- (45) Registration Date: **18 November 2005**
- (56) Related Art Documents: **Not Applicable**
- (57) Statement of Newness and Distinctiveness: **Newness and/or distinctiveness resides in the features of the shape and configuration of a walkway grille, the walkway grille being of indefinite length and width.**



(21) Design Number: **12902/2005**
(22) Date of Filing Application: **07 July 2005**
(24) Date from which industrial property rights may have effect: **07 July 2005**
(54) Product in respect of which the design is registered: **Sawblade**
(51) International Design Classification: **08-03**
(71) Name(s) and Address(s) of Applicant(s):

Robert Bosch GmbH
Postfach 30 02 20 D-70442 Stuttgart Germany

(72) Name(s) of Designer(s): **Yves Ammann**

(45) Registration Date: **18 November 2005**

(30) Convention priority data:

| (31) Number | (32) Date | (33) Country |
|---------------------|--------------------|----------------|
| 405 012 27.6 | 03 Mar 2005 | GERMANY |

(56) Related Art Documents: **Not Applicable**

(57) Statement of Newness and Distinctiveness: **Nil**



(21) Design Number: **12903/2005**
(22) Date of Filing Application: **07 July 2005**
(24) Date from which industrial property rights may have effect: **07 July 2005**
(54) Product in respect of which the design is registered: **Sawblade**
(51) International Design Classification: **08-03**
(71) Name(s) and Address(s) of Applicant(s):

Robert Bosch GmbH
Postfach 30 02 20 D-70442 Stuttgart Germany

(72) Name(s) of Designer(s): **Yves Ammann**

(45) Registration Date: **18 November 2005**

(30) Convention priority data:

| (31) Number | (32) Date | (33) Country |
|---------------------|--------------------|----------------|
| 405 012 27.6 | 03 Mar 2005 | GERMANY |

(56) Related Art Documents: **Not Applicable**

(57) Statement of Newness and Distinctiveness: **Nil**



(21) Design Number: **12904/2005**
(22) Date of Filing Application: **07 July 2005**
(24) Date from which industrial property rights may have effect: **07 July 2005**
(54) Product in respect of which the design is registered: **Sawblade**
(51) International Design Classification: **08-03**
(71) Name(s) and Address(s) of Applicant(s):

Robert Bosch GmbH
Postfach 30 02 20 D-70442 Stuttgart Germany

(72) Name(s) of Designer(s): **Yves Ammann**

(45) Registration Date: **18 November 2005**

(30) Convention priority data:

| (31) Number | (32) Date | (33) Country |
|---------------------|--------------------|----------------|
| 405 012 27.6 | 03 Mar 2005 | GERMANY |

(56) Related Art Documents: **Not Applicable**

(57) Statement of Newness and Distinctiveness: **Nil**



(21) Design Number: **12905/2005**
(22) Date of Filing Application: **07 July 2005**
(24) Date from which industrial property rights may have effect: **07 July 2005**
(54) Product in respect of which the design is registered: **Sawblade**
(51) International Design Classification: **08-03**
(71) Name(s) and Address(s) of Applicant(s):

Robert Bosch GmbH
Postfach 30 02 20 D-70442 Stuttgart Germany

(72) Name(s) of Designer(s): **Yves Ammann**

(45) Registration Date: **18 November 2005**

(30) Convention priority data:

| (31) Number | (32) Date | (33) Country |
|---------------------|--------------------|----------------|
| 405 012 27.6 | 03 Mar 2005 | GERMANY |

(56) Related Art Documents: **Not Applicable**

(57) Statement of Newness and Distinctiveness: **Nil**



(21) Design Number: **12906/2005**
(22) Date of Filing Application: **07 July 2005**
(24) Date from which industrial property rights may have effect: **07 July 2005**
(54) Product in respect of which the design is registered: **Sawblade**
(51) International Design Classification: **08-03**
(71) Name(s) and Address(s) of Applicant(s):

Robert Bosch GmbH
Postfach 30 02 20 D-70442 Stuttgart Germany

(72) Name(s) of Designer(s): **Yves Ammann**

(45) Registration Date: **18 November 2005**

(30) Convention priority data:

| (31) Number | (32) Date | (33) Country |
|---------------------|--------------------|----------------|
| 405 012 27.6 | 03 Mar 2005 | GERMANY |

(56) Related Art Documents: **Not Applicable**

(57) Statement of Newness and Distinctiveness: **Nil**



(21) Design Number: **10037/2005**
(22) Date of Filing Application: **07 January 2005**
(24) Date from which industrial property rights may have effect: **07 January 2005**
(54) Product in respect of which the design is registered: **Frozen confectionery holder**
(51) International Design Classification: **01-01, 07-07A**
(71) Name(s) and Address(s) of Applicant(s):

Innovative Brands Pty Ltd
Level 1 123 Camberwell Road Hawthorn East Victoria 3123 Australia

(72) Name(s) of Designer(s): **Andrew John Bromell**

(45) Registration Date: **18 November 2005**

(56) Related Art Documents: **Not Applicable**

(57) Statement of Newness and Distinctiveness: **Nil**



(21) Design Number: 12270/2005

(22) Date of Filing Application: 23 May 2005

(24) Date from which industrial property rights may have effect: 23 May 2005

(54) Product in respect of which the design is registered: Orthotic insert

(51) International Design Classification: 24-04

(71) Name(s) and Address(s) of Applicant(s):

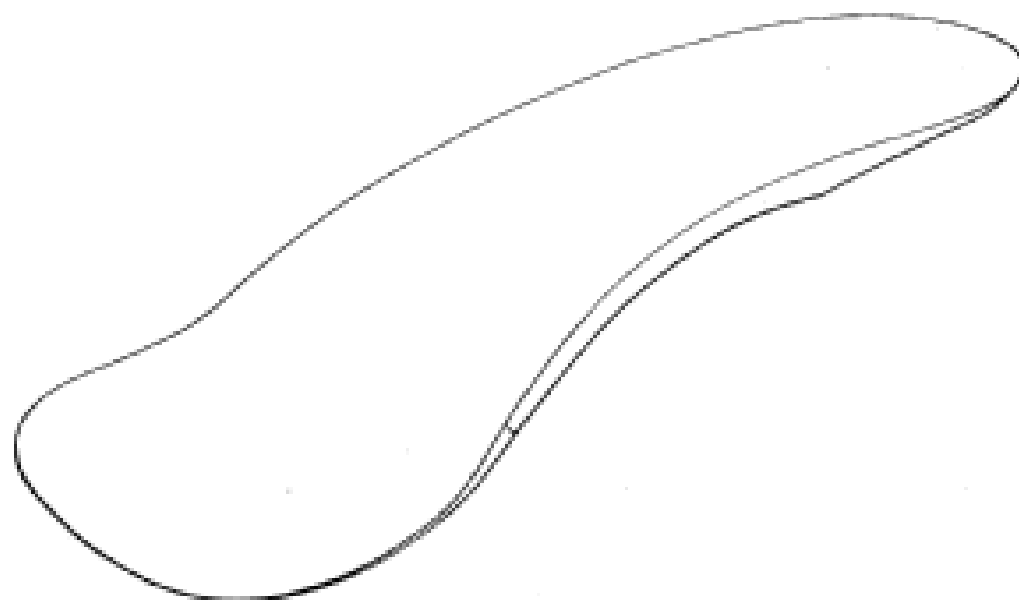
Foot Steps Orthotics Pty Limited
C/- Shedden & Green Chartered Accountants Level 3 19/21 Central
Road Miranda New South Wales 2228 Australia

(72) Name(s) of Designer(s): Rodney Kielt and Abdul Najjarine

(45) Registration Date: 18 November 2005

(56) Related Art Documents: Not Applicable

(57) Statement of Newness and Distinctiveness: **Newness and distinctiveness resides in the features of shape and configuration of the orthotic insert as depicted in the accompanying representations.**



(21) Design Number: 12273/2005

(22) Date of Filing Application: 23 May 2005

(24) Date from which industrial property rights may have effect: 23 May 2005

(54) Product in respect of which the design is registered: **Enclosure for electric assemblies**

(51) International Design Classification: 13-03E

(71) Name(s) and Address(s) of Applicant(s):

Linak A/S
Smedevaenget 8 Guderup DK-6430 Nordborg Denmark

(72) Name(s) of Designer(s): John Landerholm and Peter Lund

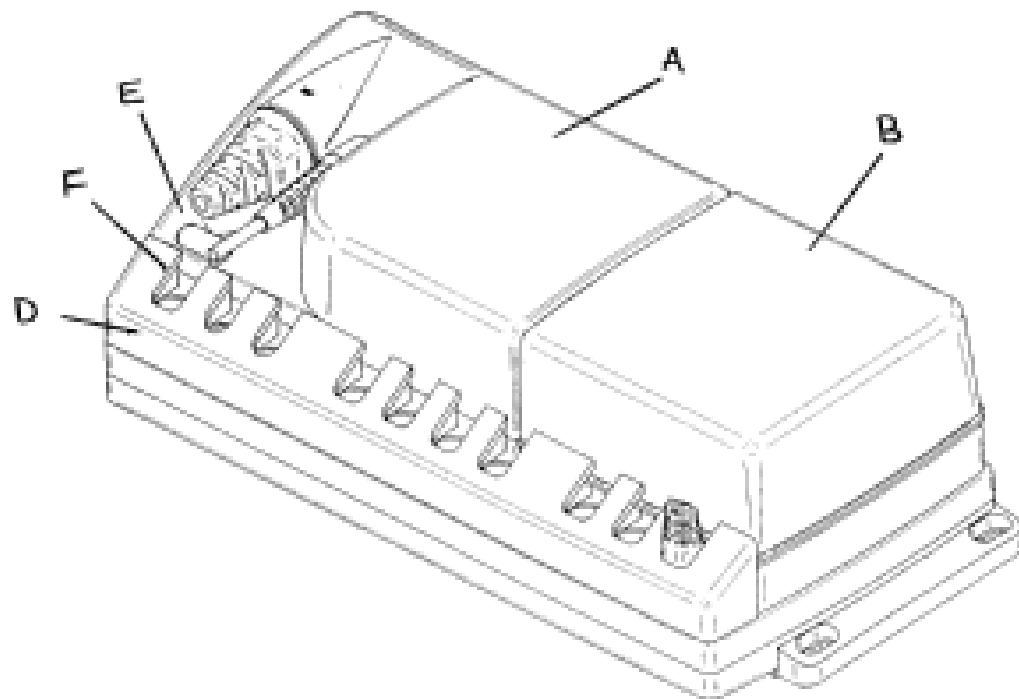
(45) Registration Date: 18 November 2005

(30) Convention priority data:

| | | |
|-------------|-------------|--------------|
| (31) Number | (32) Date | (33) Country |
| DA 2004 | 23 Nov 2004 | DENMARK |
| 00365 | | |

(56) Related Art Documents: Not Applicable

(57) Statement of Newness and Distinctiveness: **Newness and distinctiveness is claimed in the features of shape and/or configuration of an enclosure for electric assemblies as illustrated and labelled in the accompanying representations: the power supply unit labelled "A"; the cube like unit for rechargeable batteries labelled "B"; the flat base element labelled "C"; the retainer beam labelled "D"; and the power supply unit surface labelled "E" and the retainer beam surface labelled "F" have a continuous slope.**



(21) Design Number: **12284/2005**

(22) Date of Filing Application: **24 May 2005**

(24) Date from which industrial property rights may have effect: **24 May 2005**

(54) Product in respect of which the design is registered: **Ornamental object made of glass**

(51) International Design Classification: **11-02E**

(71) Name(s) and Address(s) of Applicant(s):

**Swarovski Aktiengesellschaft
Droschistrasse 15 FL-9495 Triesen Liechtenstein**

(72) Name(s) of Designer(s): **Heinz Tabertshofer**

(45) Registration Date: **18 November 2005**

(30) Convention priority data:

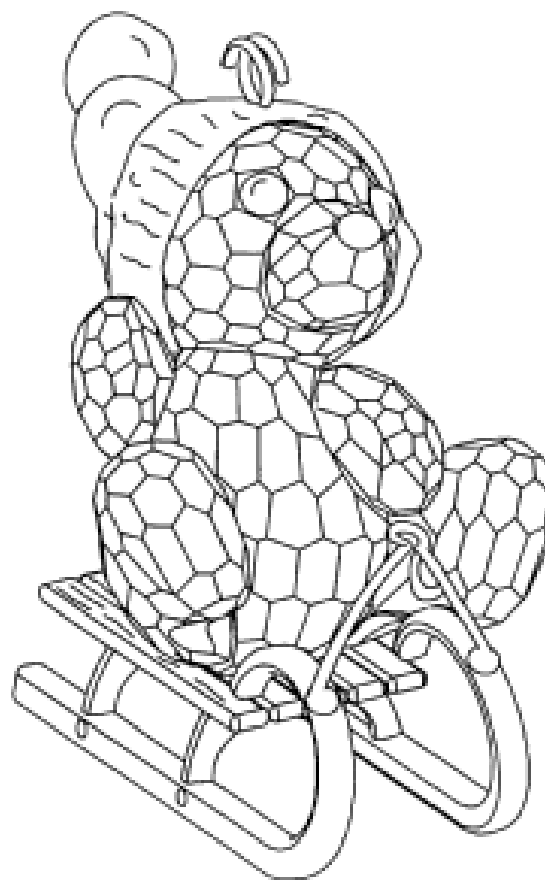
(31) Number
280847

(32) Date
18 Jan 2005

(33) Country
**EUROPEAN PATENT OFFICE
(EP)**

(56) Related Art Documents: **Not Applicable**

(57) Statement of Newness and Distinctiveness: **Nil**



(21) Design Number: **12285/2005**

(22) Date of Filing Application: **24 May 2005**

(24) Date from which industrial property rights may have effect: **24 May 2005**

(54) Product in respect of which the design is registered: **Ornamental object made of glass**

(51) International Design Classification: **11-02E**

(71) Name(s) and Address(s) of Applicant(s):

**Swarovski Aktiengesellschaft
Droschistrasse 15 FL-9495 Triesen Liechtenstein**

(72) Name(s) of Designer(s): **Heinz Tabertshofer**

(45) Registration Date: **18 November 2005**

(30) Convention priority data:

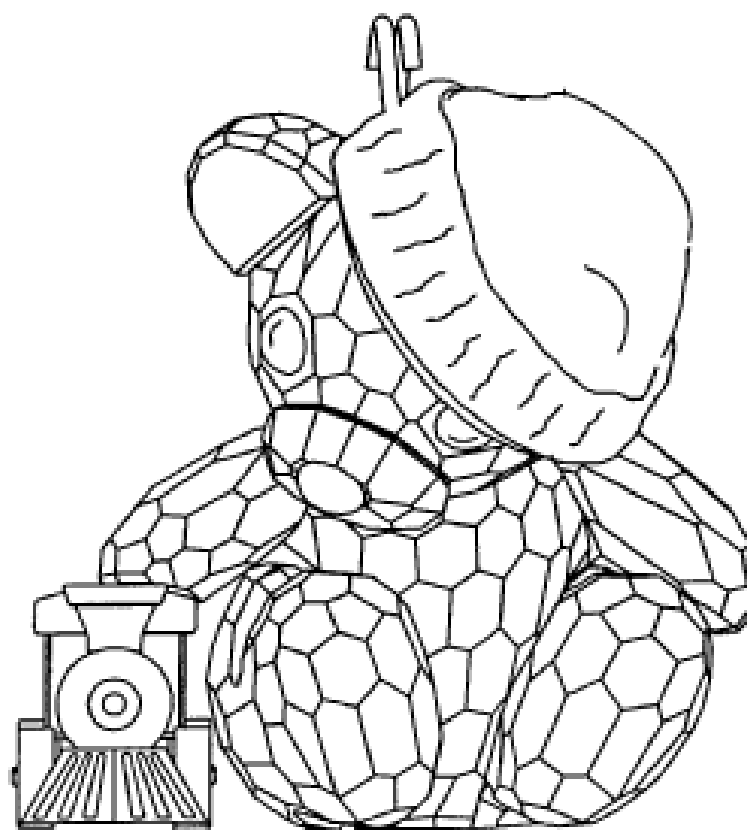
(31) Number
280847

(32) Date
18 Jan 2005

(33) Country
**EUROPEAN PATENT OFFICE
(EP)**

(56) Related Art Documents: **Not Applicable**

(57) Statement of Newness and Distinctiveness: **Nil**



(21) Design Number: **12286/2005**

(22) Date of Filing Application: **24 May 2005**

(24) Date from which industrial property rights may have effect: **24 May 2005**

(54) Product in respect of which the design is registered: **Ornamental object made of glass**

(51) International Design Classification: **11-02E, 11-02NES**

(71) Name(s) and Address(s) of Applicant(s):

**Swarovski Aktiengesellschaft
Droschistrasse 15 FL-9495 Triesen Liechtenstein**

(72) Name(s) of Designer(s): **Heinz Tabertshofer**

(45) Registration Date: **18 November 2005**

(30) Convention priority data:

| | | |
|---------------|--------------------|------------------------------------|
| (31) Number | (32) Date | (33) Country |
| 280847 | 18 Jan 2005 | EUROPEAN PATENT OFFICE (EP) |

(56) Related Art Documents: **Not Applicable**

(57) Statement of Newness and Distinctiveness: **Nil**



(21) Design Number: **12363/2005**

(22) Date of Filing Application: **31 May 2005**

(24) Date from which industrial property rights may have effect: **31 May 2005**

(54) Product in respect of which the design is registered: **Surveillance television camera with incorporated sensor**

(51) International Design Classification: **16-01**

(71) Name(s) and Address(s) of Applicant(s):

**Elmo Company Limited
6-14 Meizen-Cho Mizuho-Ku Nagoya Japan**

(72) Name(s) of Designer(s): **Tetsuro Kato and Hirokazu Mitsugi**

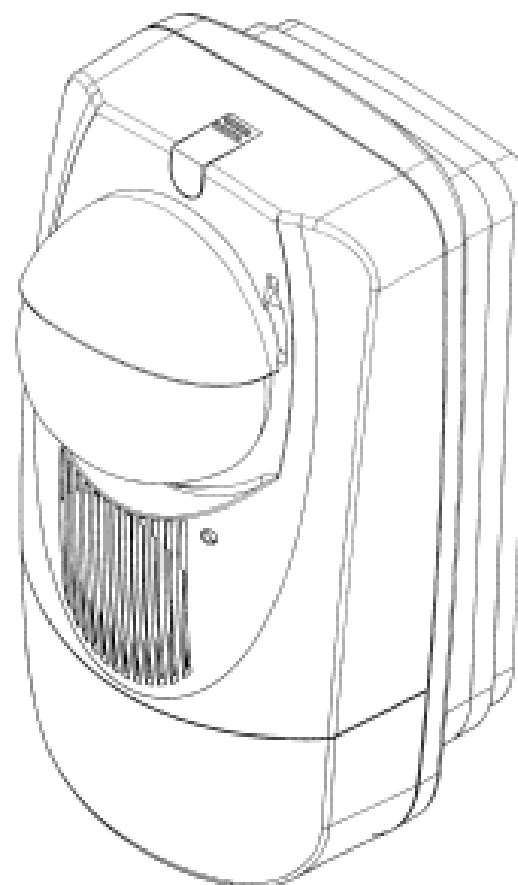
(45) Registration Date: **18 November 2005**

(30) Convention priority data:

| | | |
|---------------------|--------------------|--------------|
| (31) Number | (32) Date | (33) Country |
| D2005-001128 | 19 Jan 2005 | JAPAN |

(56) Related Art Documents: **Not Applicable**

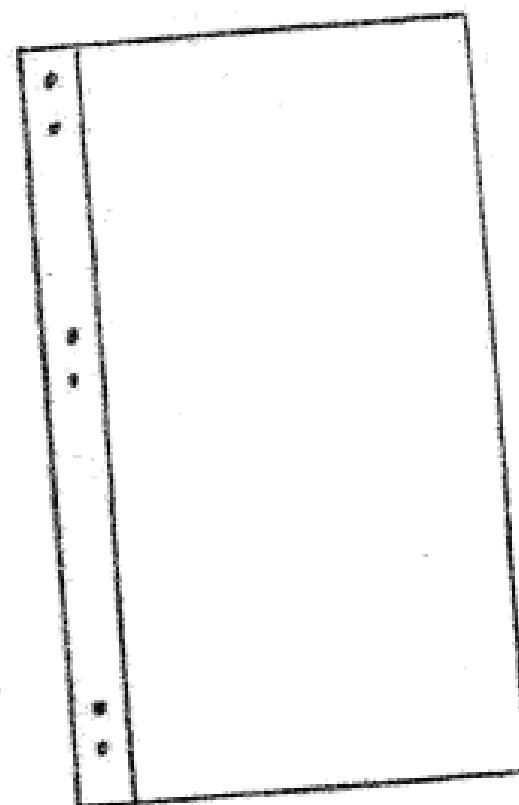
(57) Statement of Newness and Distinctiveness: **Nil**



- (21) Design Number: **12400/2005**
- (22) Date of Filing Application: **31 May 2005**
- (24) Date from which industrial property rights may have effect: **31 May 2005**
- (54) Product in respect of which the design is registered: **Power tool**
- (51) International Design Classification: **08-04**
- (71) Name(s) and Address(s) of Applicant(s):
Mobiletron Electronics Co., Ltd
39 Sec 3 Chung-Ching Road Ta-Ya Taichung Hsien Taiwan 428
- (72) Name(s) of Designer(s): **Chien-Chun Wu**
- (45) Registration Date: **18 November 2005**
- (56) Related Art Documents: **Not Applicable**
- (57) Statement of Newness and Distinctiveness: **Nil**



- (21) Design Number: **12423/2005**
- (22) Date of Filing Application: **03 June 2005**
- (24) Date from which industrial property rights may have effect: **03 June 2005**
- (54) Product in respect of which the design is registered: **Greeting card**
- (51) International Design Classification: **19-01**
- (71) Name(s) and Address(s) of Applicant(s):
Meg Andrea Anderson
8/61 Canterbury Road Middle Park Victoria 3206 Australia
- (72) Name(s) of Designer(s): **Meg Andrea Anderson**
- (45) Registration Date: **18 November 2005**
- (56) Related Art Documents: **Not Applicable**
- (57) Statement of Newness and Distinctiveness: **Monopoly is claimed in the features of shape and/or configuration of a greeting card as illustrated in the accompanying representations. The greeting card can be of indefinite width and length.**



(21) Design Number: **12424/2005**

(22) Date of Filing Application: **03 June 2005**

(24) Date from which industrial property rights may have effect: **03 June 2005**

(54) Product in respect of which the design is registered: **Greeting card folder**

(51) International Design Classification: **19-01**

(71) Name(s) and Address(s) of Applicant(s):

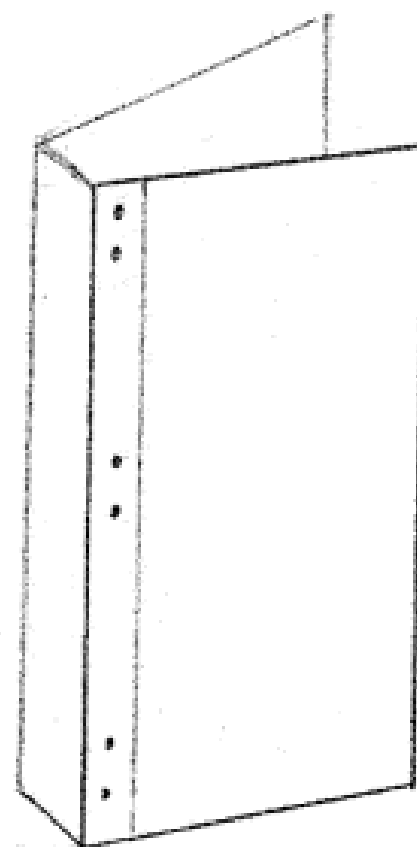
Meg Andrea Anderson
8/61 Canterbury Road Middle Park Victoria 3206 Australia

(72) Name(s) of Designer(s): **Meg Andrea Anderson**

(45) Registration Date: **18 November 2005**

(56) Related Art Documents: **Not Applicable**

(57) Statement of Newness and Distinctiveness: **Monopoly is claimed in the features of shape and/or configuration of a greeting card folder as illustrated in the accompanying representations. The greeting card folder can be of indefinite width and length.**



(21) Design Number: **12429/2005**

(22) Date of Filing Application: **31 May 2005**

(24) Date from which industrial property rights may have effect: **31 May 2005**

(54) Product in respect of which the design is registered: **Camping lamp**

(51) International Design Classification: **26-02, 26-99**

(71) Name(s) and Address(s) of Applicant(s):

Centritech Limited
6/F Prince's Building Chater Road Central Hong Kong

(72) Name(s) of Designer(s): **Peter Waedeled**

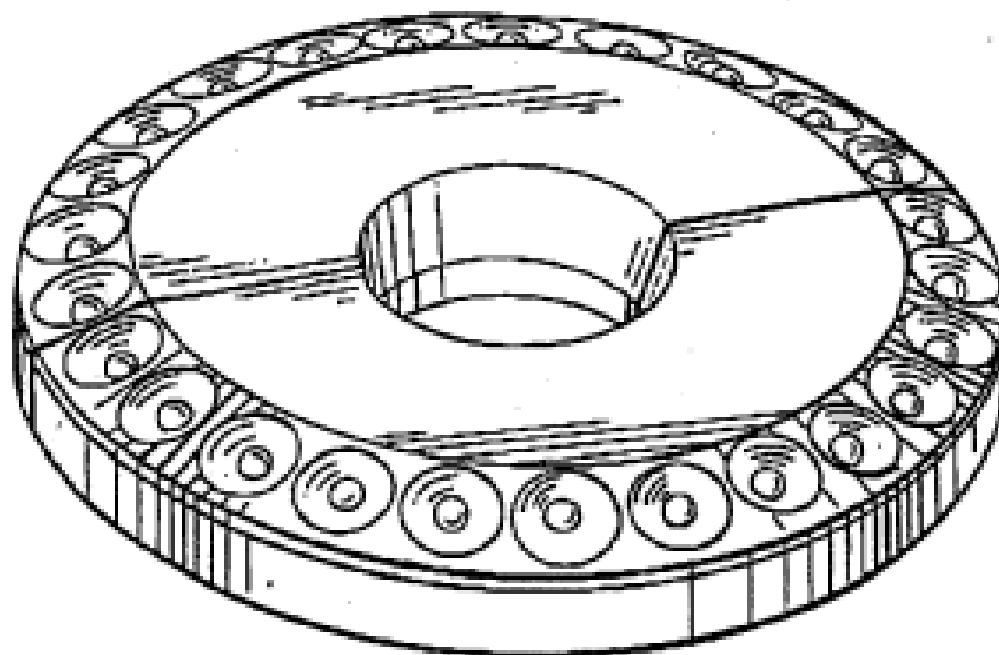
(45) Registration Date: **18 November 2005**

(30) Convention priority data:

| (31) Number | (32) Date | (33) Country |
|-------------------|--------------------|---------------------------------|
| 29/224,730 | 04 Mar 2005 | UNITED STATES OF AMERICA |

(56) Related Art Documents: **Not Applicable**

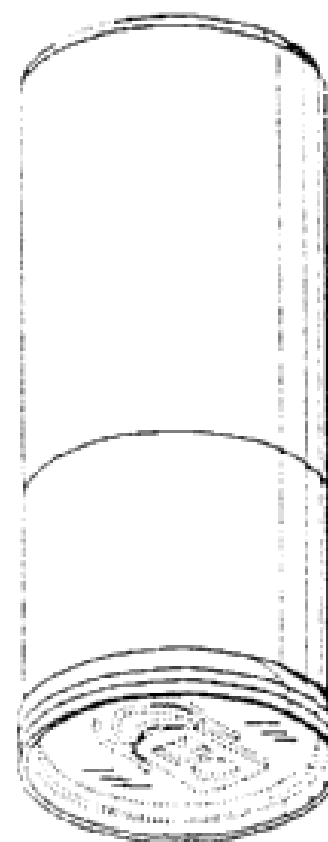
(57) Statement of Newness and Distinctiveness: **Newness and distinctiveness is claimed in the shape and/or configuration of a camping lamp as illustrated by the unbroken lines in the accompanying representation/s.**



(19) AU

- (21) Design Number: **12475/2005**
- (22) Date of Filing Application: **08 June 2005**
- (24) Date from which industrial property rights may have effect: **08 June 2005**
- (54) Product in respect of which the design is registered: **Container**
- (51) International Design Classification: **09-03L**
- (71) Name(s) and Address(s) of Applicant(s):
 - Mauricio Botero**
444 Brickell Avenue Suite 1001 Miami Florida 33139 United States of America
 - Robert Garner**
444 Brickell Avenue Suite 1001 Miami Florida 33139 United States of America
 - Ernesto Morales**
444 Brickell Avenue Suite 1001 Miami Florida 33139 United States of America
- (72) Name(s) of Designer(s): **Mauricio Botero and Robert Garner and Ernesto Morales**
- (45) Registration Date: **18 November 2005**
- (30) Convention priority data:

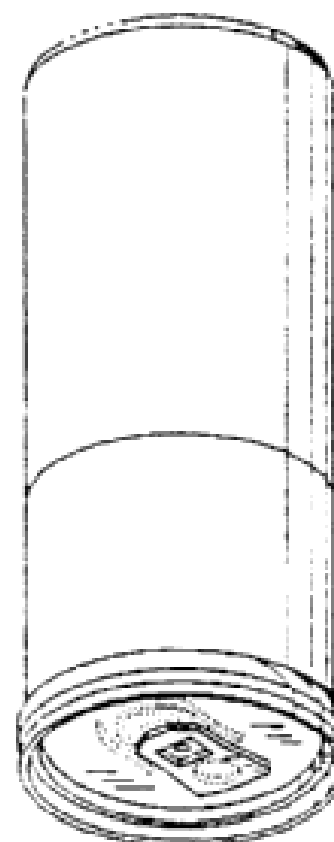
| | | |
|-------------------|--------------------|---------------------------------|
| (31) Number | (32) Date | (33) Country |
| 29/218,989 | 10 Dec 2004 | UNITED STATES OF AMERICA |
- (56) Related Art Documents: **Not Applicable**
- (57) Statement of Newness and Distinctiveness: **Those visual features of the container depicted in the representations that are new and distinctive are the shape and/or configuration. The features shown in broken lines do not form part of the design and are to be disregarded when considering the overall impression of the design.**



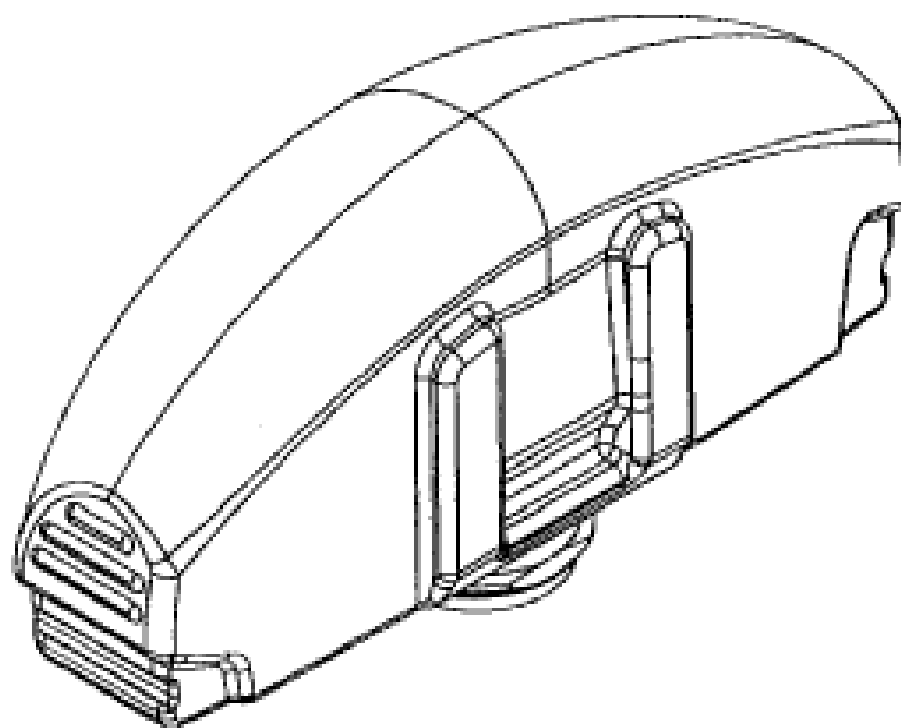
(19) AU

- (21) Design Number: **12477/2005**
- (22) Date of Filing Application: **08 June 2005**
- (24) Date from which industrial property rights may have effect: **08 June 2005**
- (54) Product in respect of which the design is registered: **Container**
- (51) International Design Classification: **09-03L**
- (71) Name(s) and Address(s) of Applicant(s):
 - Mauricio Botero**
444 Brickell Avenue Suite 1001 Miami Florida 33139 United States of America
 - Robert Garner**
444 Brickell Avenue Suite 1001 Miami Florida 33139 United States of America
 - Ernesto Morales**
444 Brickell Avenue Suite 1001 Miami Florida 33139 United States of America
- (72) Name(s) of Designer(s): **Mauricio Botero and Robert Garner and Ernesto Morales**
- (45) Registration Date: **18 November 2005**
- (30) Convention priority data:

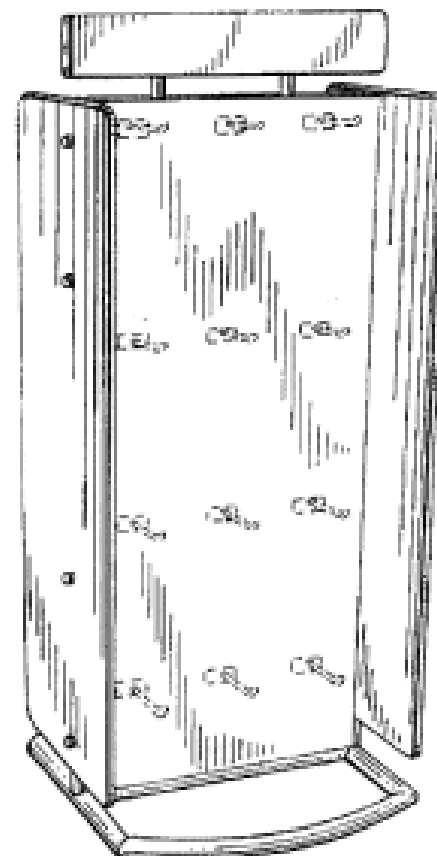
| | | |
|-------------------|--------------------|---------------------------------|
| (31) Number | (32) Date | (33) Country |
| 29/218,989 | 10 Dec 2004 | UNITED STATES OF AMERICA |
- (56) Related Art Documents: **Not Applicable**
- (57) Statement of Newness and Distinctiveness: **Those visual features of the container depicted in the representations that are new and distinctive are the shape and/or configuration. The features shown in broken lines do not form part of the design and are to be disregarded when considering the overall impression of the design.**



(21) Design Number: **12479/2005**
 (22) Date of Filing Application: **08 June 2005**
 (24) Date from which industrial property rights may have effect: **08 June 2005**
 (54) Product in respect of which the design is registered: **Refill bottle for air deodorising apparatus**
 (51) International Design Classification: **28-99**
 (71) Name(s) and Address(s) of Applicant(s):
Samar LLC
10 South Riverside Plaza Suite 1800 Chicago Illinois 60606 United States of America
 (72) Name(s) of Designer(s): **Bjorn Weggelaar**
 (45) Registration Date: **18 November 2005**
 (30) Convention priority data:
 (31) Number (32) Date (33) Country
000264593 09 Dec 2004 EUROPEAN COMMUNITY
 (56) Related Art Documents: **Not Applicable**
 (57) Statement of Newness and Distinctiveness: **Nil**



(21) Design Number: **12506/2005**
 (22) Date of Filing Application: **10 June 2005**
 (24) Date from which industrial property rights may have effect: **10 June 2005**
 (54) Product in respect of which the design is registered: **Merchandise display**
 (51) International Design Classification: **20-02E**
 (71) Name(s) and Address(s) of Applicant(s):
Belkin Corporation
501 West Walnut Street Compton California 90220 United States of America
 (72) Name(s) of Designer(s): **Norman Feldner**
 (45) Registration Date: **18 November 2005**
 (30) Convention priority data:
 (31) Number (32) Date (33) Country
29/220736 05 Jan 2005 UNITED STATES OF AMERICA
 (56) Related Art Documents: **Not Applicable**
 (57) Statement of Newness and Distinctiveness: **Newness and distinctiveness is claimed in those features of shape and/or configuration of a merchandise display illustrated in continuous lines in the accompanying representations.**



(19) AU

(21) Design Number: 12509/2005

(22) Date of Filing Application: 10 June 2005

(24) Date from which industrial property rights may have effect: 10 June 2005

(54) Product in respect of which the design is registered: Merchandise display

(51) International Design Classification: 20-02E

(71) Name(s) and Address(s) of Applicant(s):

Belkin Corporation
501 West Walnut Street Compton California 90220 United States of America

(72) Name(s) of Designer(s): James Chu and Megan Daley

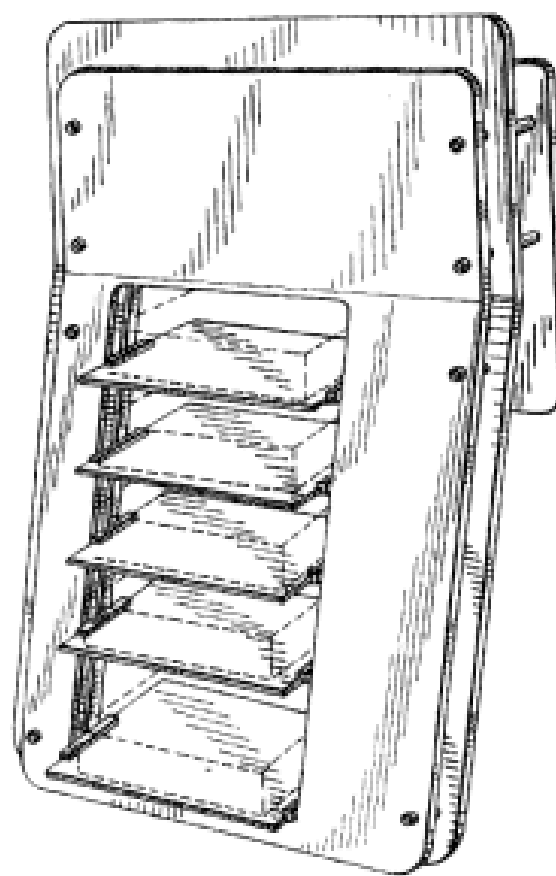
(45) Registration Date: 18 November 2005

(30) Convention priority data:

| | | |
|-------------|-------------|--------------------------|
| (31) Number | (32) Date | (33) Country |
| 29/220763 | 05 Jan 2005 | UNITED STATES OF AMERICA |

(56) Related Art Documents: Not Applicable

(57) Statement of Newness and Distinctiveness: **Newness and distinctiveness is claimed in those features of shape and/or configuration of a merchandise display illustrated in continuous lines in the accompanying representations.**



(19) AU

(21) Design Number: 12581/2005

(22) Date of Filing Application: 17 June 2005

(24) Date from which industrial property rights may have effect: 17 June 2005

(54) Product in respect of which the design is registered: **A magnetised door detent (round)**

(51) International Design Classification: 08-09

(71) Name(s) and Address(s) of Applicant(s):

Halliday and Baillie Limited
Axis Bldg 91 St Georges Bay Rd Parnell Auckland New Zealand

(72) Name(s) of Designer(s): Bryn Lincoln Chapple and Marcus Alexander Halliday

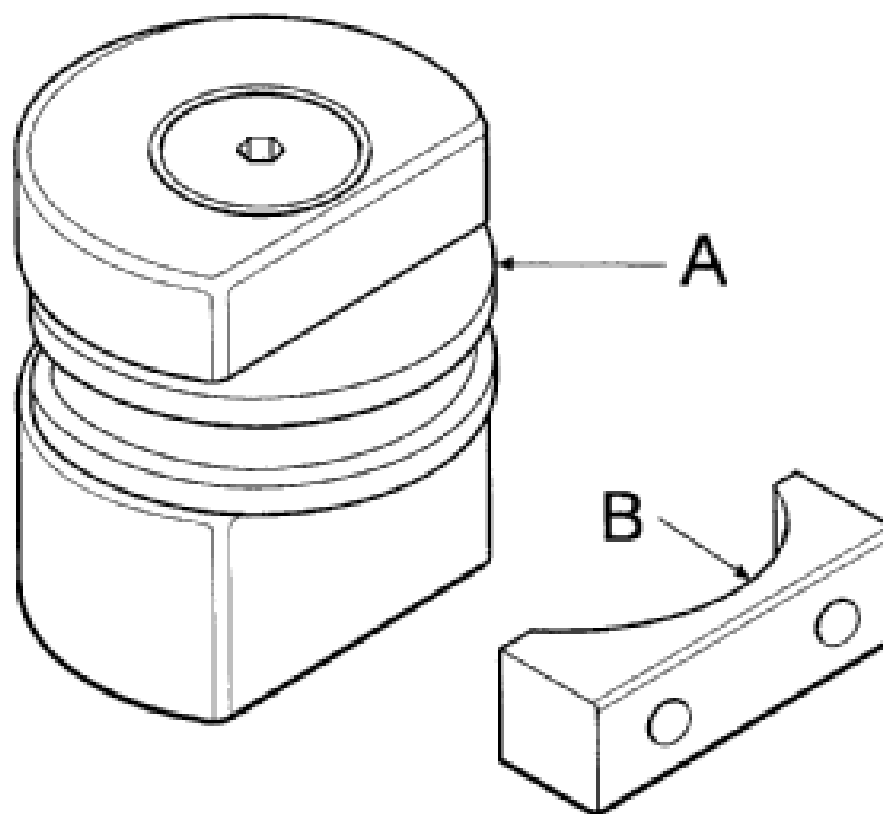
(45) Registration Date: 18 November 2005

(30) Convention priority data:

| | | |
|-------------|-------------|--------------|
| (31) Number | (32) Date | (33) Country |
| 405715 | 24 Dec 2004 | NEW ZEALAND |

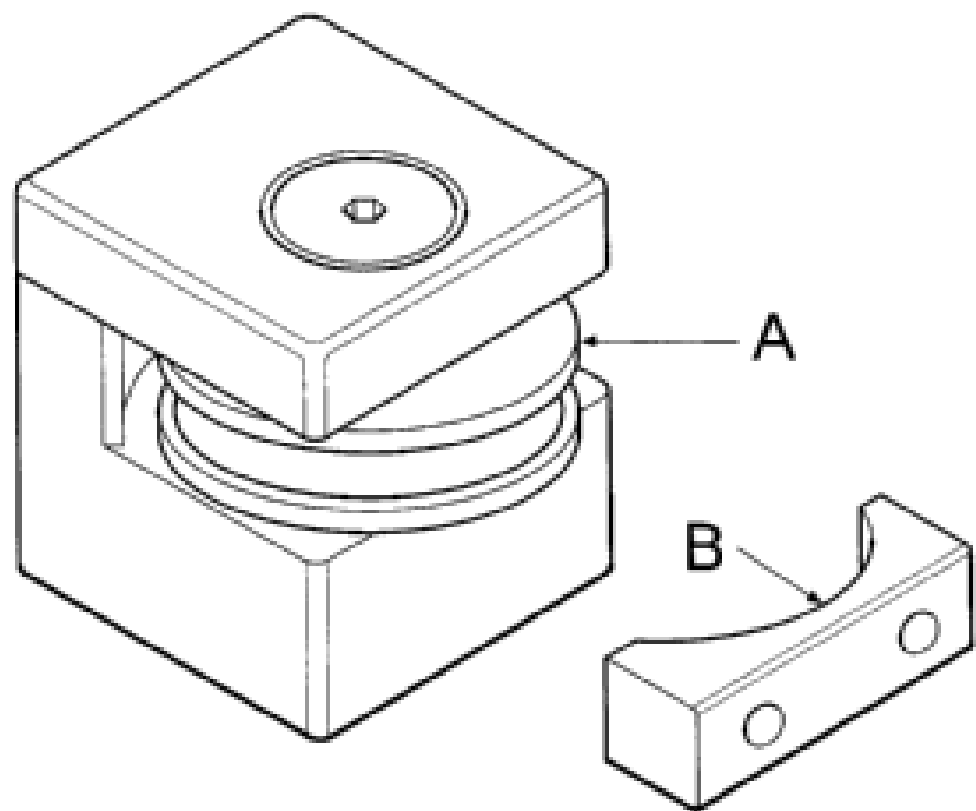
(56) Related Art Documents: Not Applicable

(57) Statement of Newness and Distinctiveness: **This design is to be applied to a magnetised door detent and the novelty thereof resides in the shape and configuration achieved by providing that the magnetised element, indicated by arrow "A" protrudes from the main body of the detent and the keeper plate includes a recess, indicated by arrow "B", of a configuration complementary to that of the magnetised element, all as shown in the accompanying representations.**



(19) AU

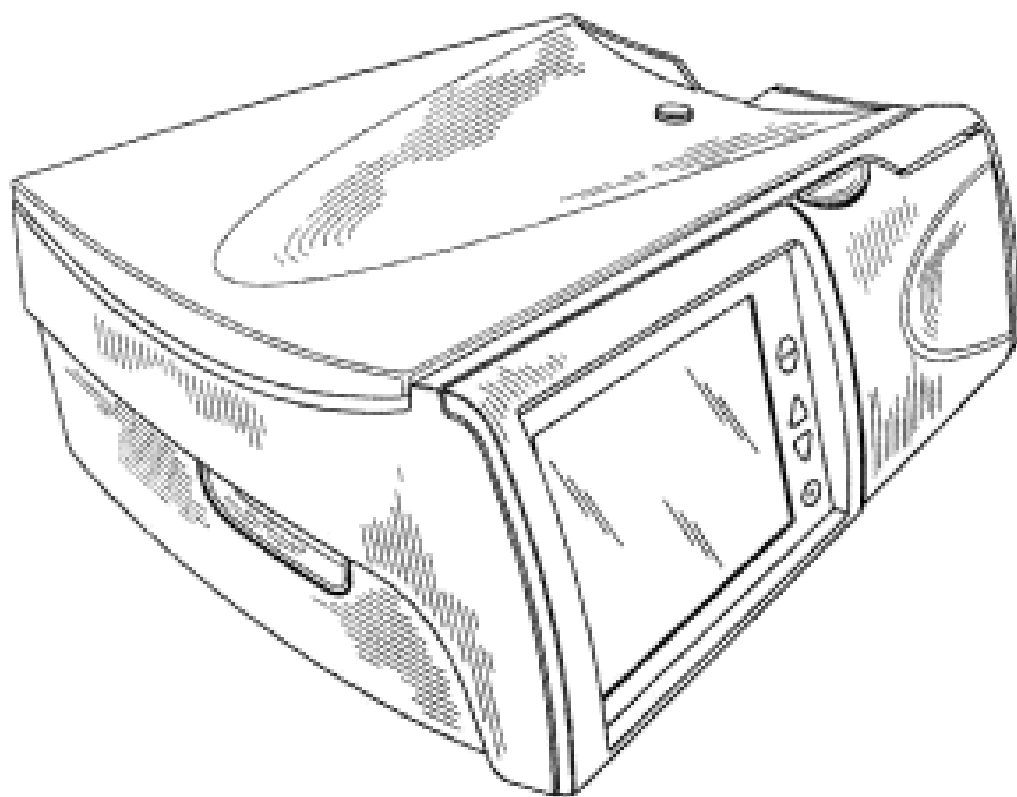
(21) Design Number: **12582/2005**
 (22) Date of Filing Application: **17 June 2005**
 (24) Date from which industrial property rights may have effect: **17 June 2005**
 (54) Product in respect of which the design is registered: **A magnetised door detent (square)**
 (51) International Design Classification: **08-09**
 (71) Name(s) and Address(s) of Applicant(s):
Halliday and Baillie Limited
Axis Bldg 91 St Georges Bay Rd Parnell Auckland New Zealand
 (72) Name(s) of Designer(s): **Bryn Lincoln Chapple and Marcus Alexander Halliday**
 (45) Registration Date: **18 November 2005**
 (30) Convention priority data:
 (31) Number (32) Date (33) Country
405716 24 Dec 2004 NEW ZEALAND
 (56) Related Art Documents: **Not Applicable**



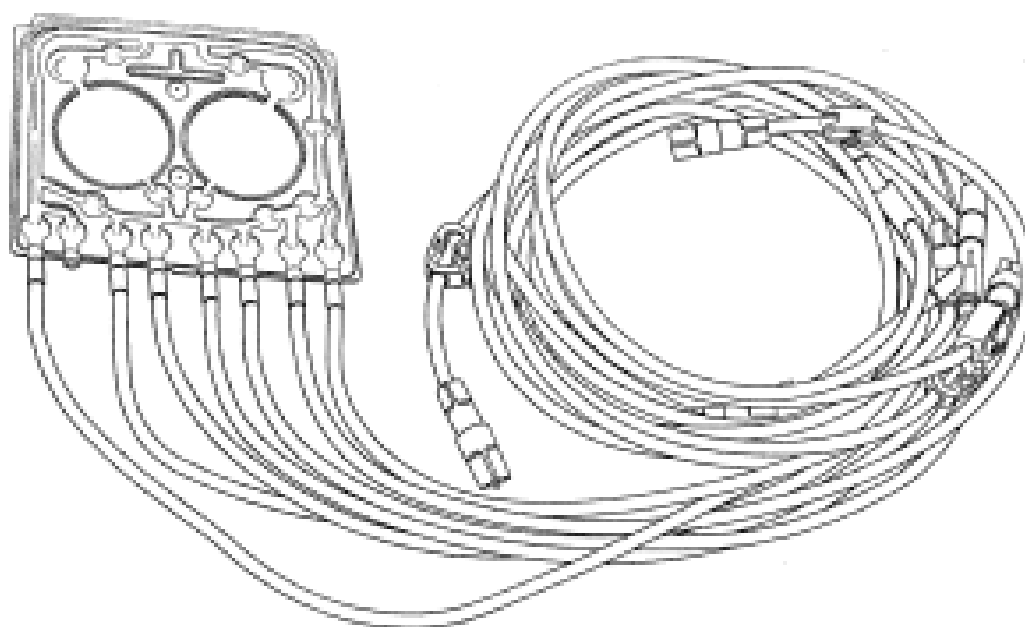
(57) Statement of Newness and Distinctiveness: **This design is to be applied to a magnetised door detent and the novelty thereof resides in the shape and configuration achieved by providing that the magnetised element, incicated by arrow "A" protrudes from the main body of the detent and the keeper plate includes a recess, indicated by arrow "B", of a configuration complementary to that of the magnetised element, all as shown in the accompanying representations.**

(19) AU

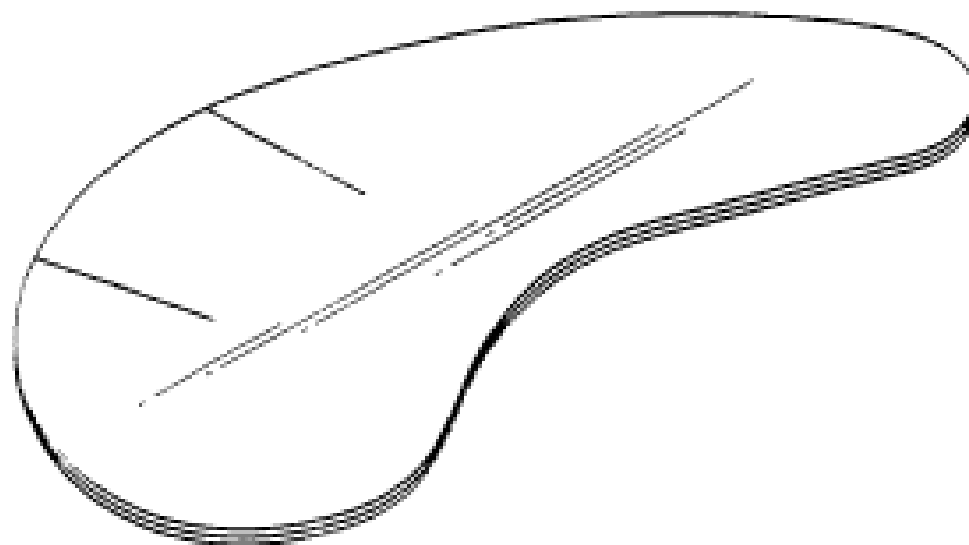
(21) Design Number: **13668/2005**
 (22) Date of Filing Application: **26 August 2005**
 (24) Date from which industrial property rights may have effect: **26 August 2005**
 (54) Product in respect of which the design is registered: **Peritoneal dialysis cyclor**
 (51) International Design Classification: **24-01**
 (71) Name(s) and Address(s) of Applicant(s):
Fresenius Medical Care Holdings, Inc.
95 Hayden Avenue Lexington MA 02420-9192 United States of America
 (72) Name(s) of Designer(s): **Mohsen Reihanifam and Kulwinder S. Plahey and Lynn E. Jensen**
 (45) Registration Date: **18 November 2005**
 (30) Convention priority data:
 (31) Number (32) Date (33) Country
29/224,370 28 Feb 2005 UNITED STATES OF AMERICA
 (56) Related Art Documents: **Not Applicable**
 (57) Statement of Newness and Distinctiveness: **Nil**



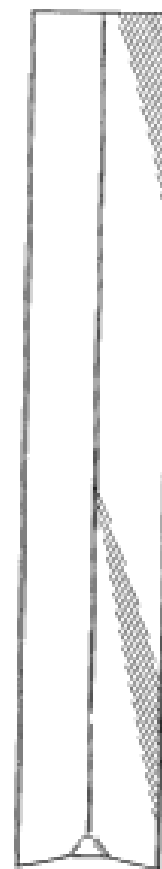
(21) Design Number: **13669/2005**
 (22) Date of Filing Application: **26 August 2005**
 (24) Date from which industrial property rights may have effect: **26 August 2005**
 (54) Product in respect of which the design is registered: **Cassette for peritoneal dialysis cyclor**
 (51) International Design Classification: **24-01**
 (71) Name(s) and Address(s) of Applicant(s):
Fresenius Medical Care Holdings, Inc.
95 Hayden Avenue Lexington MA 02420-9192 United States of America
 (72) Name(s) of Designer(s): **Mohsen Reihanifam and Kulwinder S. Plahey and Lynn E. Jensen**
 (45) Registration Date: **18 November 2005**
 (30) Convention priority data:
 (31) Number (32) Date (33) Country
29/224,370 28 Feb 2005 UNITED STATES OF AMERICA
 (56) Related Art Documents: **Not Applicable**
 (57) Statement of Newness and Distinctiveness: **Nil**



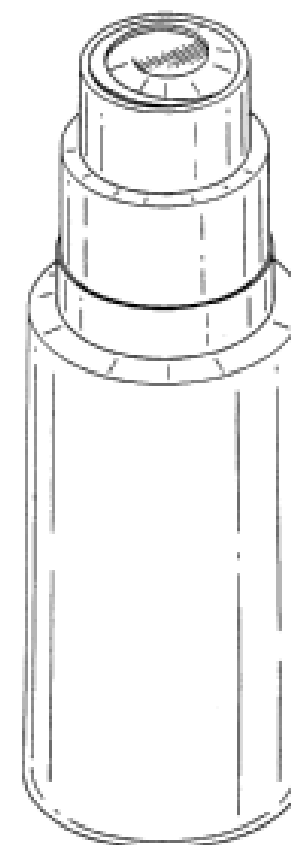
(21) Design Number: **11807/2005**
 (22) Date of Filing Application: **29 April 2005**
 (24) Date from which industrial property rights may have effect: **29 April 2005**
 (54) Product in respect of which the design is registered: **Cosmetic device**
 (51) International Design Classification: **28-03NES, 24-04**
 (71) Name(s) and Address(s) of Applicant(s):
The Procter & Gamble Company
One Procter & Gamble Plaza Cincinnati Ohio 45202-3315 United States of America
 (72) Name(s) of Designer(s): **Ayako Katagiri**
 (45) Registration Date: **18 November 2005**
 (30) Convention priority data:
 (31) Number (32) Date (33) Country
3019275 01 Nov 2004 UNITED KINGDOM
 (56) Related Art Documents: **Not Applicable**
 (57) Statement of Newness and Distinctiveness: **Nil**



- (21) Design Number: **12449/2005**
(22) Date of Filing Application: **06 June 2005**
(24) Date from which industrial property rights may have effect: **06 June 2005**
(54) Product in respect of which the design is registered: **Capping unit**
(51) International Design Classification: **25-02NES**
(71) Name(s) and Address(s) of Applicant(s):
Altro Limited
Works Road Letchworth Hertfordshire SG6 1NW United Kingdom
(72) Name(s) of Designer(s): **Paul Donald Gardner**
(45) Registration Date: **18 November 2005**
(30) Convention priority data:
(31) Number (32) Date (33) Country
000274956-0004 23 Dec 2004 EUROPEAN COMMUNITY
(56) Related Art Documents: **Not Applicable**
(57) Statement of Newness and Distinctiveness: **Those features of the capping unit depicted in the representations that are new and distinctive are the shape and/or configuration. The shaft may be of any length.**



- (21) Design Number: **12650/2005**
(22) Date of Filing Application: **22 June 2005**
(24) Date from which industrial property rights may have effect: **22 June 2005**
(54) Product in respect of which the design is registered: **Cosmetic container**
(51) International Design Classification: **09-01G, 28-99**
(71) Name(s) and Address(s) of Applicant(s):
The Procter & Gamble Company
One Procter & Gamble Plaza Cincinnati Ohio 45202-3315 United States of America
(72) Name(s) of Designer(s): **Miwa Ohmoto and Masumi Yoshida**
(45) Registration Date: **18 November 2005**
(30) Convention priority data:
(31) Number (32) Date (33) Country
3019862 22 Dec 2004 UNITED KINGDOM
(56) Related Art Documents: **Not Applicable**
(57) Statement of Newness and Distinctiveness: **Nil**



(21) Design Number: **12651/2005**
 (22) Date of Filing Application: **22 June 2005**
 (24) Date from which industrial property rights may have effect: **22 June 2005**
 (54) Product in respect of which the design is registered: **Cosmetic container**
 (51) International Design Classification: **09-01G, 28-99**
 (71) Name(s) and Address(s) of Applicant(s):

The Procter & Gamble Company
One Procter & Gamble Plaza Cincinnati Ohio 45202-3315 United States of America

(72) Name(s) of Designer(s): **Taichi Honda**

(45) Registration Date: **18 November 2005**

(30) Convention priority data:

| | | |
|----------------|--------------------|-----------------------|
| (31) Number | (32) Date | (33) Country |
| 3019890 | 24 Dec 2004 | UNITED KINGDOM |

(56) Related Art Documents: **Not Applicable**

(57) Statement of Newness and Distinctiveness: **For the purpose of determining newness and/or distinctiveness of the design, no account should be taken of the features shown in broken lines on the accompanying representations.**



(21) Design Number: **12652/2005**
 (22) Date of Filing Application: **22 June 2005**
 (24) Date from which industrial property rights may have effect: **22 June 2005**
 (54) Product in respect of which the design is registered: **Cable head**
 (51) International Design Classification: **13-03D, 13-03B**
 (71) Name(s) and Address(s) of Applicant(s):

Belkin Corporation
501 W. Walnut Street Compton California 90220 United States of America

(72) Name(s) of Designer(s): **Stan Wada and David Goetz and Ernesto Quinteros and Mitchell Suckle and Kenneth Mori and Colin Owen**

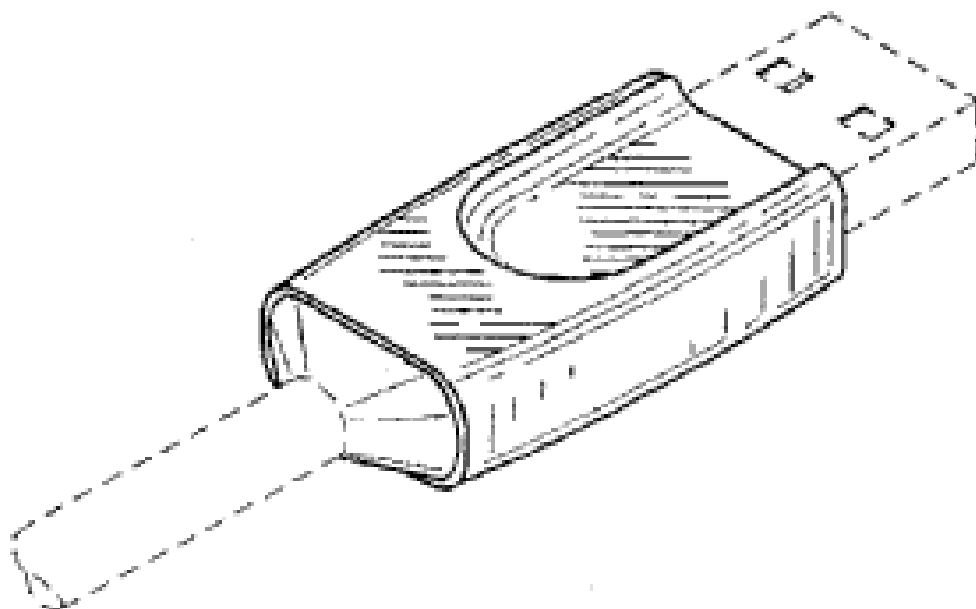
(45) Registration Date: **18 November 2005**

(30) Convention priority data:

| | | |
|------------------|--------------------|---------------------------------|
| (31) Number | (32) Date | (33) Country |
| 29/220216 | 27 Dec 2004 | UNITED STATES OF AMERICA |

(56) Related Art Documents: **Not Applicable**

(57) Statement of Newness and Distinctiveness: **Newness and distinctiveness is claimed in the features of shape and/or configuration of a cable head as illustrated in the accompanying representations and in considering the design, the features shown in phantom are to be disregarded.**



(21) Design Number: **12653/2005**

(22) Date of Filing Application: **22 June 2005**

(24) Date from which industrial property rights may have effect: **22 June 2005**

(54) Product in respect of which the design is registered: **Nipple shield**

(51) International Design Classification: **24-04**

(71) Name(s) and Address(s) of Applicant(s):

MAM Babyartikel Gesellschaft m.b.H
Lorenz-Mandl-Gasse 50 A-1160 Vienna Austria

(72) Name(s) of Designer(s): **Peter Rohrig**

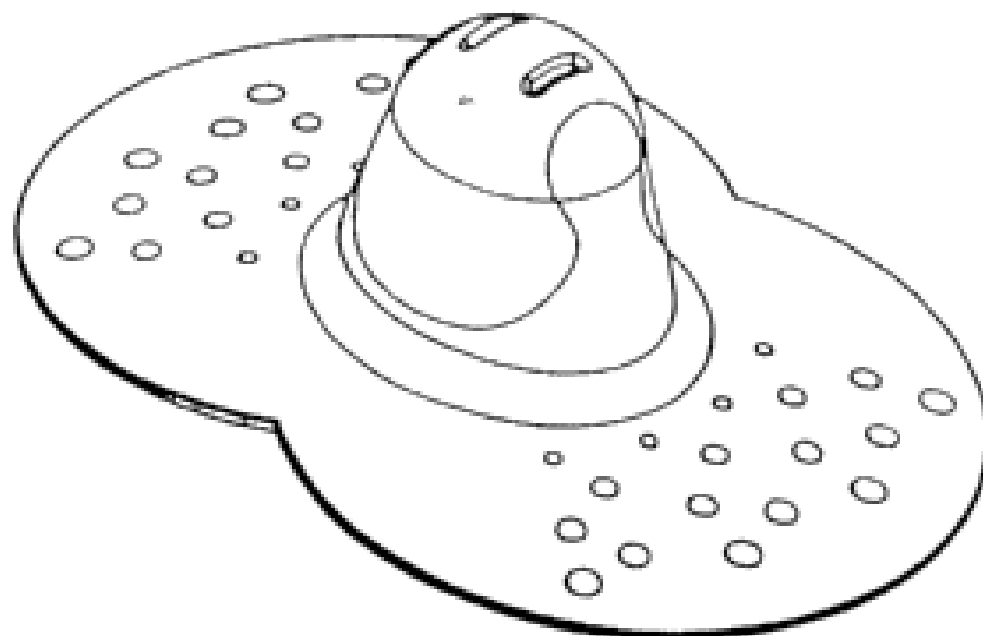
(45) Registration Date: **18 November 2005**

(30) Convention priority data:

| | | |
|-----------------------|--------------------|---------------------------|
| (31) Number | (32) Date | (33) Country |
| 000282363-0001 | 20 Jan 2005 | EUROPEAN COMMUNITY |

(56) Related Art Documents: **Not Applicable**

(57) Statement of Newness and Distinctiveness: **Newness and distinctiveness is claimed in the features of shape and/or configuration of a nipple shield as illustrated in the accompanying representations.**



(21) Design Number: **12654/2005**

(22) Date of Filing Application: **22 June 2005**

(24) Date from which industrial property rights may have effect: **10 March 2004**

(54) Product in respect of which the design is registered: **A component of a writing instrument**

(51) International Design Classification: **19-06**

(71) Name(s) and Address(s) of Applicant(s):

Merz & Krell GmbH & Co. KGaA
Bahnhofstrasse 76 64401 Grosse-Bieberau Germany

(72) Name(s) of Designer(s): **Volkmar Rommel**

(45) Registration Date: **18 November 2005**

(62) Divisional of: **158303**

(56) Related Art Documents: **Not Applicable**

(57) Statement of Newness and Distinctiveness: **Each feature of the design considered separately or in combination with any other feature or features.**



(21) Design Number: **12789/2005**

(22) Date of Filing Application: **30 June 2005**

(24) Date from which industrial property rights may have effect: **30 June 2005**

(54) Product in respect of which the design is registered: **Lock**

(51) International Design Classification: **08-07**

(71) Name(s) and Address(s) of Applicant(s):

Master Lock Company
137 W. Forest Avenue PO Box 927 Oak Creek Wisconsin 53154 United States of America

(72) Name(s) of Designer(s): **Scott Kalous and Mike Sheridan and Paul R. Peot**

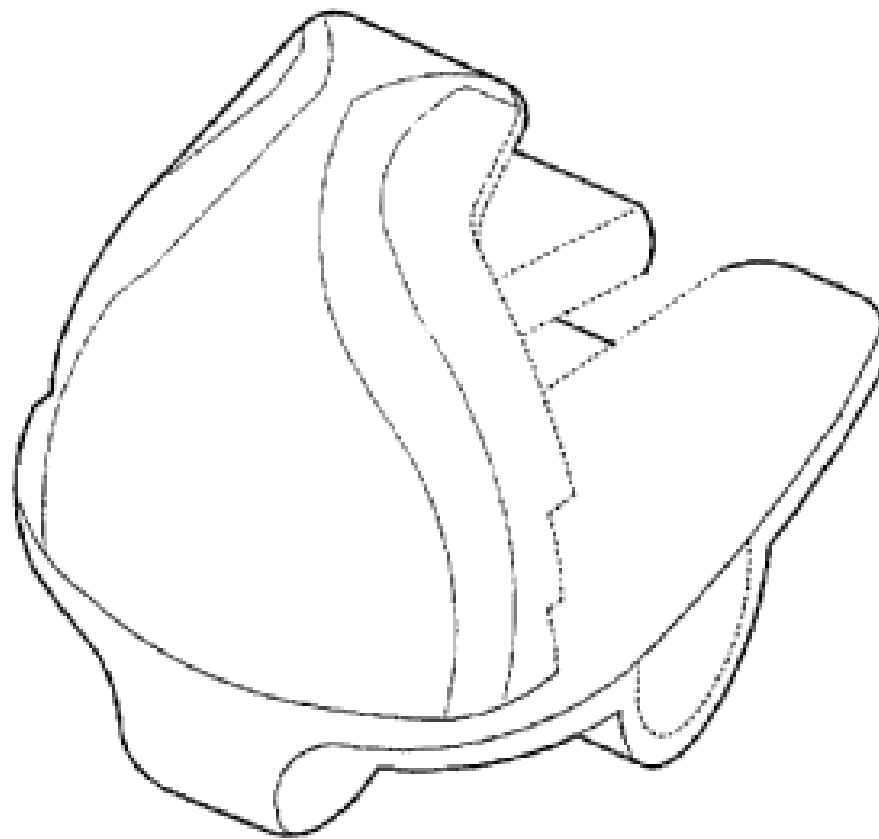
(45) Registration Date: **18 November 2005**

(30) Convention priority data:

| | | |
|-------------------|--------------------|---------------------------------|
| (31) Number | (32) Date | (33) Country |
| 29/225,251 | 14 Mar 2005 | UNITED STATES OF AMERICA |

(56) Related Art Documents: **Not Applicable**

(57) Statement of Newness and Distinctiveness: **Newness and distinctiveness are provided by the shape and/or configuration of the design shown in the representations. The features shown in broken lines in the representations are for illustrative purposes only and should not be considered when construing visual features of the design.**



(21) Design Number: **12793/2005**

(22) Date of Filing Application: **30 June 2005**

(24) Date from which industrial property rights may have effect: **30 June 2005**

(54) Product in respect of which the design is registered: **Jigsaw**

(51) International Design Classification: **08-03**

(71) Name(s) and Address(s) of Applicant(s):

Positec Power Tools (Suzhou) Co., Ltd
Ganjiang Road East 461 Suzhou 215006 Jiangsu Province China

(72) Name(s) of Designer(s): **Paolo Andriolo**

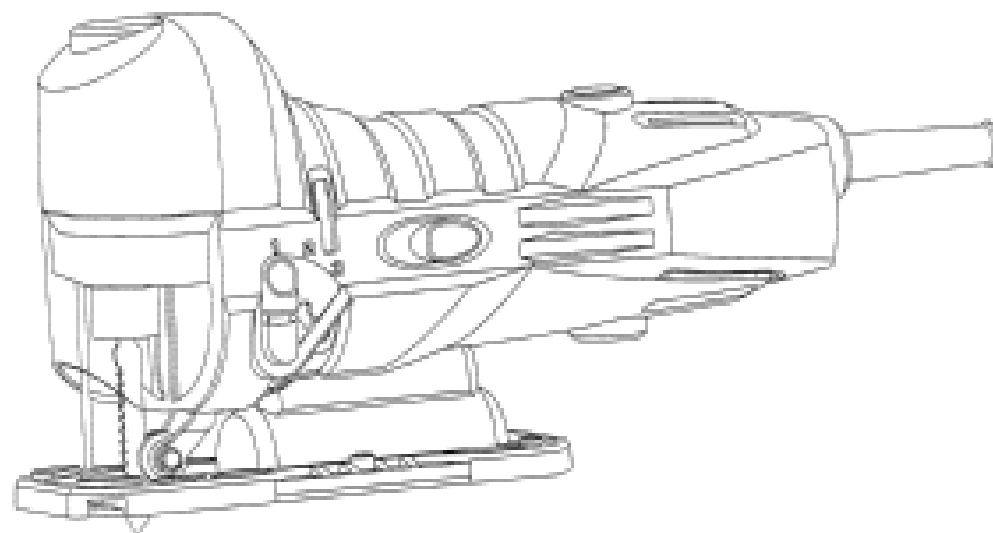
(45) Registration Date: **18 November 2005**

(30) Convention priority data:

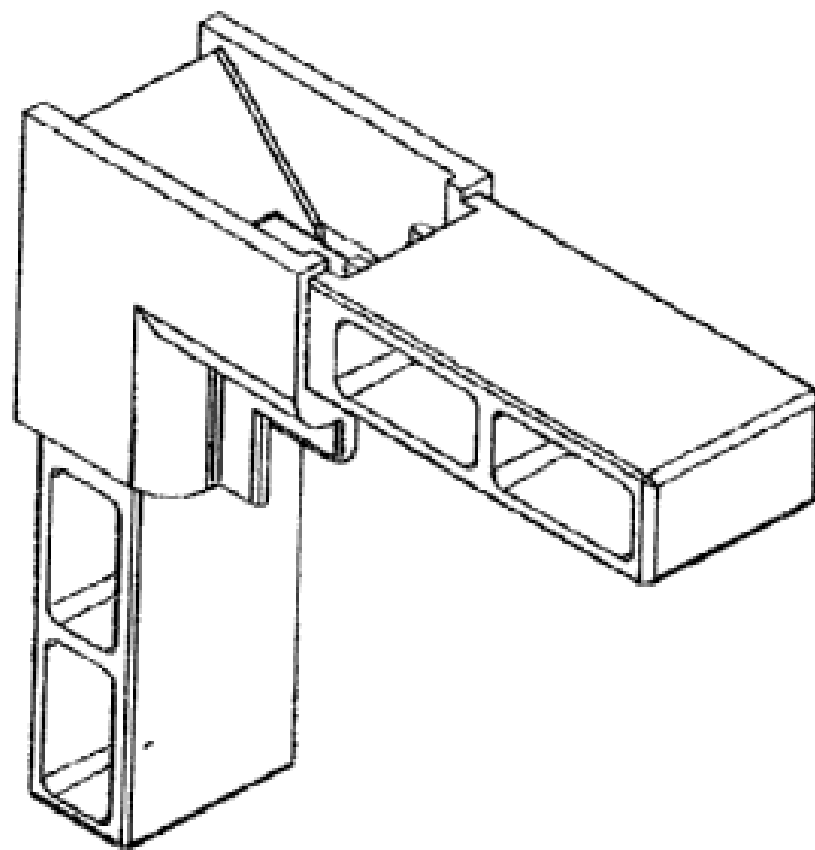
| | | |
|-----------------------|--------------------|--------------|
| (31) Number | (32) Date | (33) Country |
| 200530079791.3 | 04 Jan 2005 | CHINA |

(56) Related Art Documents: **Not Applicable**

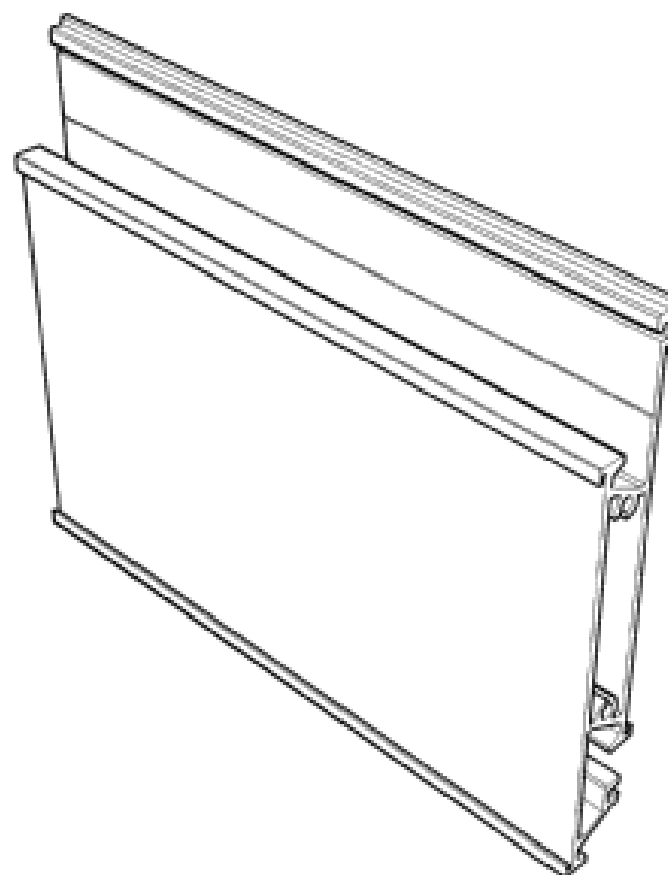
(57) Statement of Newness and Distinctiveness: **Nil**



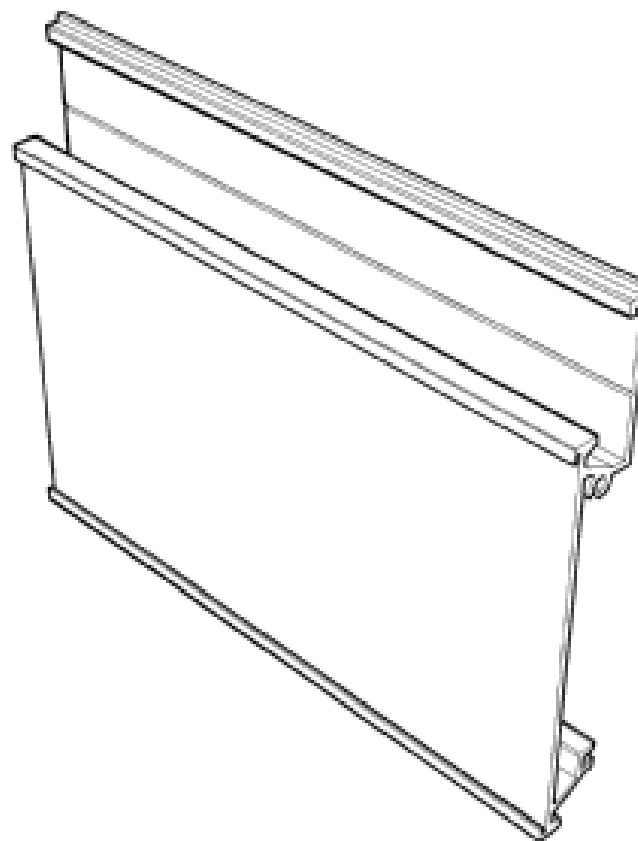
- (21) Design Number: **12834/2005**
(22) Date of Filing Application: **30 June 2005**
(24) Date from which industrial property rights may have effect: **30 June 2005**
(54) Product in respect of which the design is registered: **Corner stake**
(51) International Design Classification: **08-08NES**
(71) Name(s) and Address(s) of Applicant(s):
Dias Aluminium Products Pty Ltd
201-205 Browns Road Noble Park Victoria 3174 Australia
(72) Name(s) of Designer(s): **David Aiken Paterson**
(45) Registration Date: **18 November 2005**
(56) Related Art Documents: **Not Applicable**
(57) Statement of Newness and Distinctiveness: **Nil**



- (21) Design Number: **12956/2005**
(22) Date of Filing Application: **11 July 2005**
(24) Date from which industrial property rights may have effect: **11 July 2005**
(54) Product in respect of which the design is registered: **Graphic display wall panel extrusion**
(51) International Design Classification: **25-01D, 20-02NES**
(71) Name(s) and Address(s) of Applicant(s):
Black Sheep Displays Pty Ltd
Unit 2B/30 Leighton Place Hornsby New South Wales 2077 Australia
(72) Name(s) of Designer(s): **Andrew Stolp**
(45) Registration Date: **18 November 2005**
(56) Related Art Documents: **Not Applicable**
(57) Statement of Newness and Distinctiveness: **The extrusion features an accessory location slot and graphic panel retention clips on both sides of the panel. The slots are offset from either side to ensure a narrow profile.**



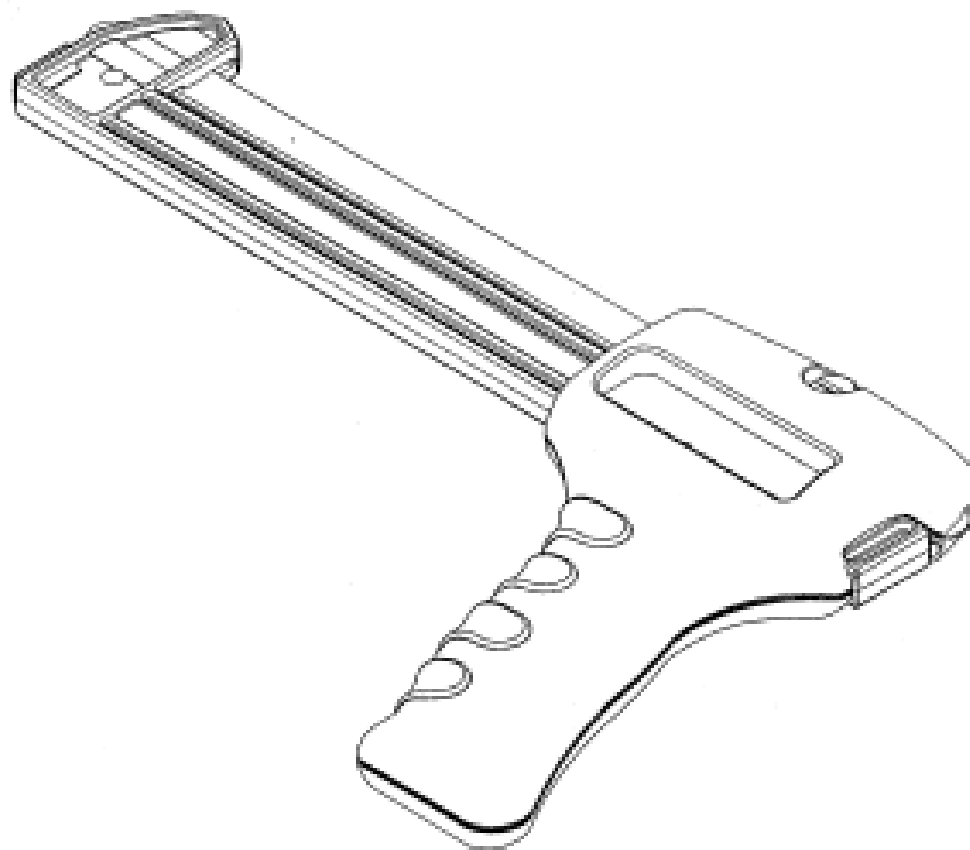
- (21) Design Number: **12957/2005**
(22) Date of Filing Application: **11 July 2005**
(24) Date from which industrial property rights may have effect: **11 July 2005**
(54) Product in respect of which the design is registered: **Graphic display wall panel extrusion**
(51) International Design Classification: **25-01D, 20-02NES**
(71) Name(s) and Address(s) of Applicant(s):
Black Sheep Displays Pty Ltd
Unit 2B/30 Leighton Place Hornsby New South Wales 2077 Australia
(72) Name(s) of Designer(s): **Andrew Stolp**
(45) Registration Date: **18 November 2005**
(56) Related Art Documents: **Not Applicable**
(57) Statement of Newness and Distinctiveness: **The extrusion features an accessory location slot and graphic panel retention clips on one side of the panel.**



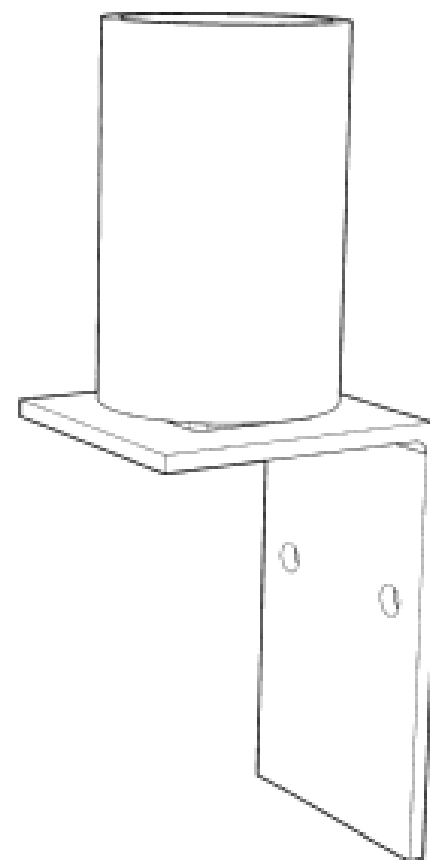
- (21) Design Number: **11551/2005**
(22) Date of Filing Application: **18 April 2005**
(24) Date from which industrial property rights may have effect: **18 April 2005**
(54) Product in respect of which the design is registered: **Hand tool**
(51) International Design Classification: **08-03**
(71) Name(s) and Address(s) of Applicant(s):
Geoffrey Hawketts
34 Terrance Avenue Morrinsville New Zealand
(72) Name(s) of Designer(s): **Geoffrey Hawketts**
(45) Registration Date: **18 November 2005**
(30) Convention priority data:

| | | |
|---------------|--------------------|--------------------|
| (31) Number | (32) Date | (33) Country |
| 405428 | 19 Oct 2004 | NEW ZEALAND |

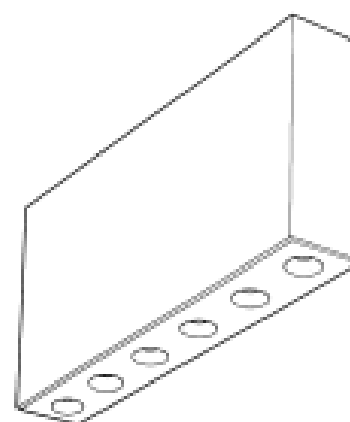
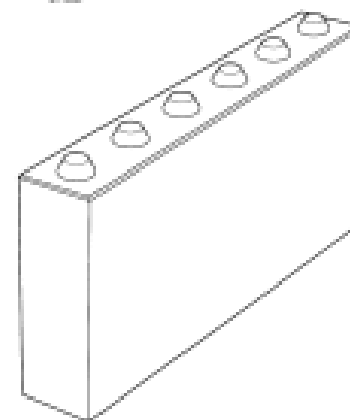
(56) Related Art Documents: **Not Applicable**
(57) Statement of Newness and Distinctiveness: **Newness and distinctiveness are claimed in the features of shape and/or configuration of a hand tool as illustrated in the accompanying representations.**



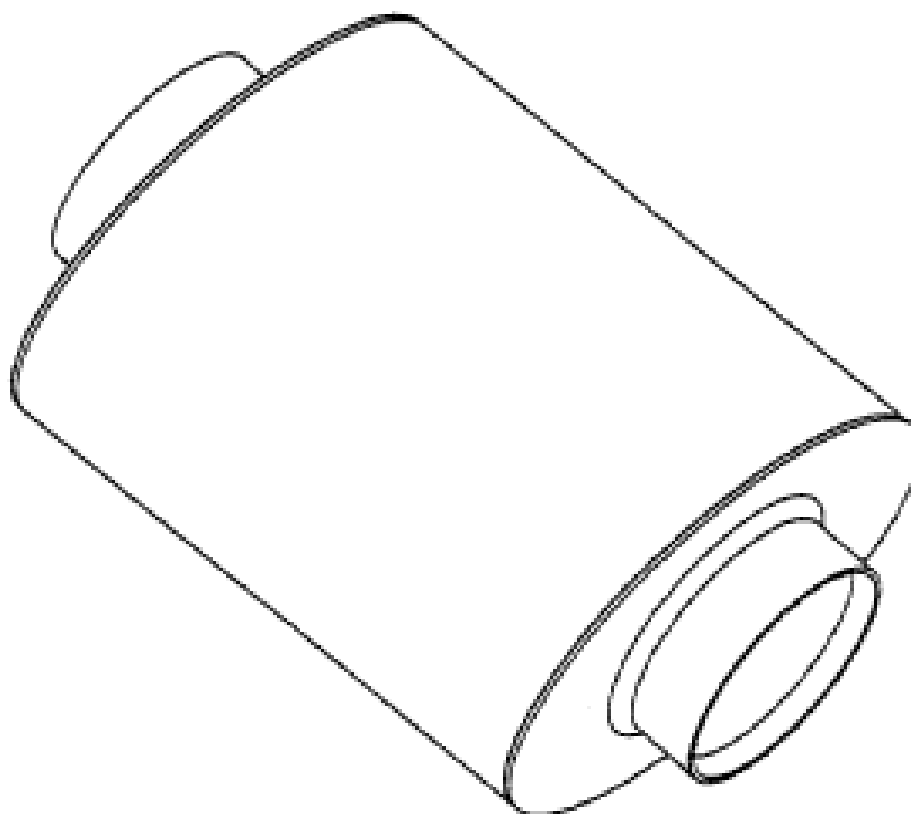
- (21) Design Number: **12976/2005**
- (22) Date of Filing Application: **11 July 2005**
- (24) Date from which industrial property rights may have effect: **11 July 2005**
- (54) Product in respect of which the design is registered: **90 degrees bracket and antenna tube holder**
- (51) International Design Classification: **14-03NES, 08-08C**
- (71) Name(s) and Address(s) of Applicant(s):
Robert Stanley Ayles
34 Gladstone Road Brighton South Australia 5048 Australia
- (72) Name(s) of Designer(s): **Robert Stanley Ayles**
- (45) Registration Date: **18 November 2005**
- (56) Related Art Documents: **Not Applicable**
- (57) Statement of Newness and Distinctiveness: **Bracket to clamp in antenna lock on caravan and hold antenna tube.**



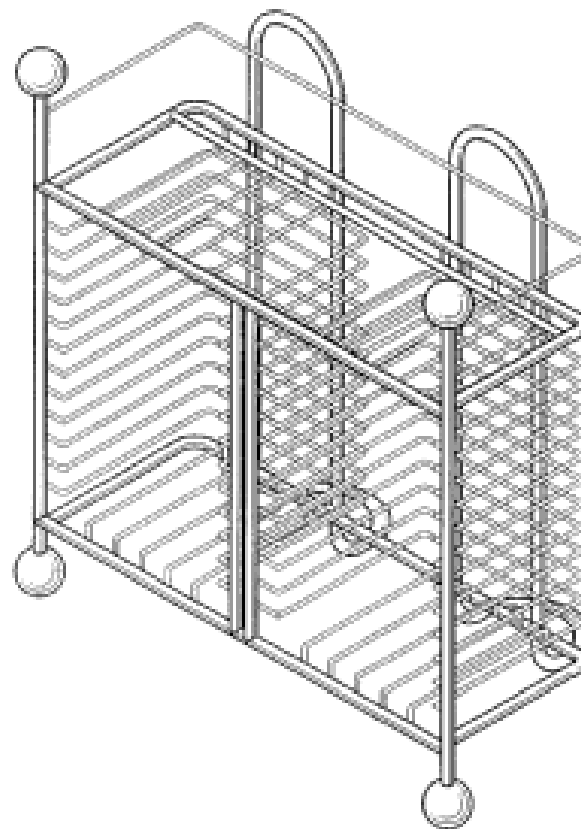
- (21) Design Number: **12977/2005**
- (22) Date of Filing Application: **11 July 2005**
- (24) Date from which industrial property rights may have effect: **11 July 2005**
- (54) Product in respect of which the design is registered: **A building block**
- (51) International Design Classification: **25-01A**
- (71) Name(s) and Address(s) of Applicant(s):
Benex Technologies Pty Ltd
C/-146-148 Lords Place Orange New South Wales 2800 Australia
- (72) Name(s) of Designer(s): **Kerry Robert Bennett**
- (45) Registration Date: **18 November 2005**
- (56) Related Art Documents: **Not Applicable**
- (57) Statement of Newness and Distinctiveness: **Nil**



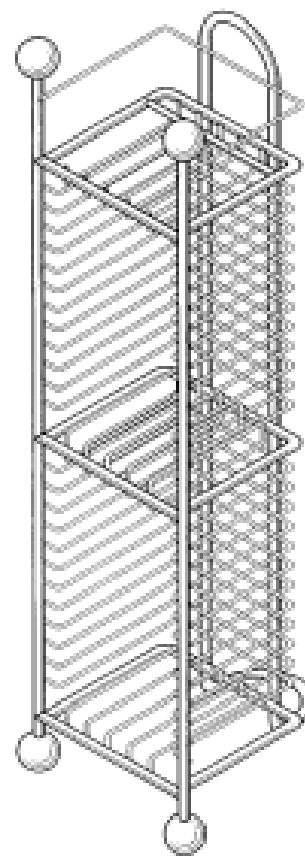
(21) Design Number: **12979/2005**
(22) Date of Filing Application: **11 July 2005**
(24) Date from which industrial property rights may have effect: **11 July 2005**
(54) Product in respect of which the design is registered: **Container for air filters, for engines**
(51) International Design Classification: **12-16N**
(71) Name(s) and Address(s) of Applicant(s):
BMC S.r.l.
Via Rosle 115 I-40059 Medicina (Bologna) Italy
(72) Name(s) of Designer(s): **Gaetano Bergami**
(45) Registration Date: **18 November 2005**
(30) Convention priority data:
(31) Number (32) Date (33) Country
000289673 02 Feb 2005 EUROPEAN COMMUNITY
(56) Related Art Documents: **Not Applicable**
(57) Statement of Newness and Distinctiveness: **Nil**



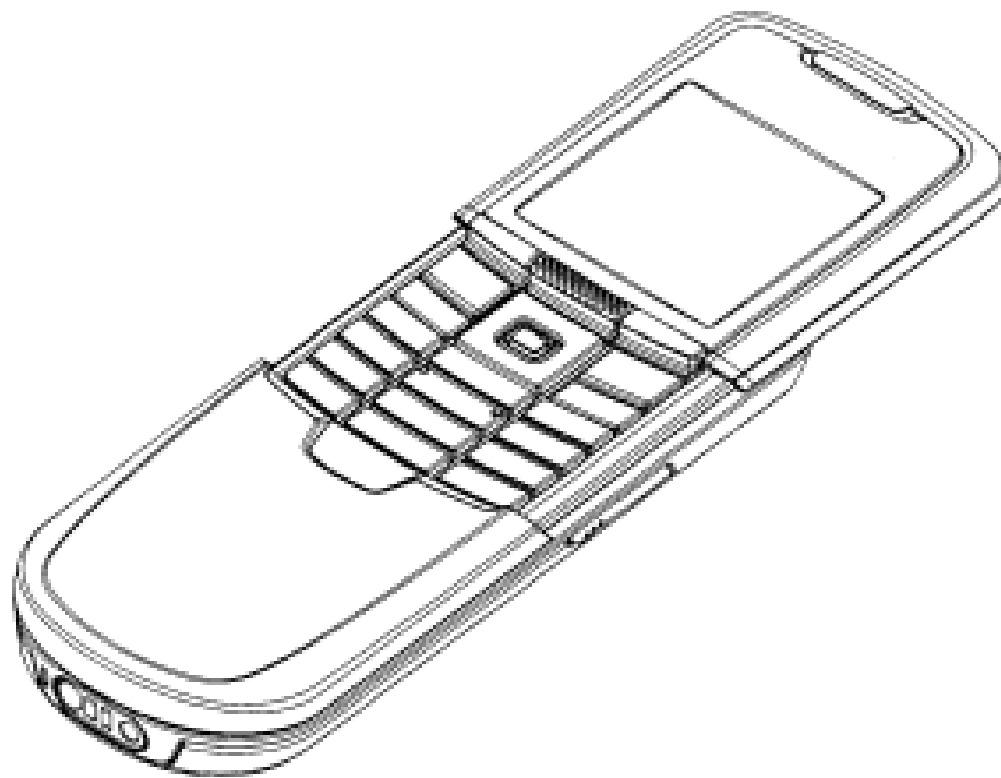
(21) Design Number: **12980/2005**
(22) Date of Filing Application: **11 July 2005**
(24) Date from which industrial property rights may have effect: **11 July 2005**
(54) Product in respect of which the design is registered: **Storage rack**
(51) International Design Classification: **06-04NES**
(71) Name(s) and Address(s) of Applicant(s):
Jackson Yu
2F No. 19 Fu-Hsing-I Road Pei-Tou District Taipei City Taiwan
(72) Name(s) of Designer(s): **Jackson Yu**
(45) Registration Date: **18 November 2005**
(30) Convention priority data:
(31) Number (32) Date (33) Country
094300301 19 Jan 2005 TAIWAN
(56) Related Art Documents: **Not Applicable**
(57) Statement of Newness and Distinctiveness: **Nil**



(21) Design Number: **12981/2005**
(22) Date of Filing Application: **11 July 2005**
(24) Date from which industrial property rights may have effect: **11 July 2005**
(54) Product in respect of which the design is registered: **Storage rack for audiovisual media**
(51) International Design Classification: **06-04NES**
(71) Name(s) and Address(s) of Applicant(s):
Jackson Yu
2F No. 19 Fu-Hsing-I Road Pei-Tou District Taipei City Taiwan
(72) Name(s) of Designer(s): **Jackson Yu**
(45) Registration Date: **18 November 2005**
(30) Convention priority data:
(31) Number (32) Date (33) Country
094300302 19 Jan 2005 TAIWAN
(56) Related Art Documents: **Not Applicable**
(57) Statement of Newness and Distinctiveness: **Nil**

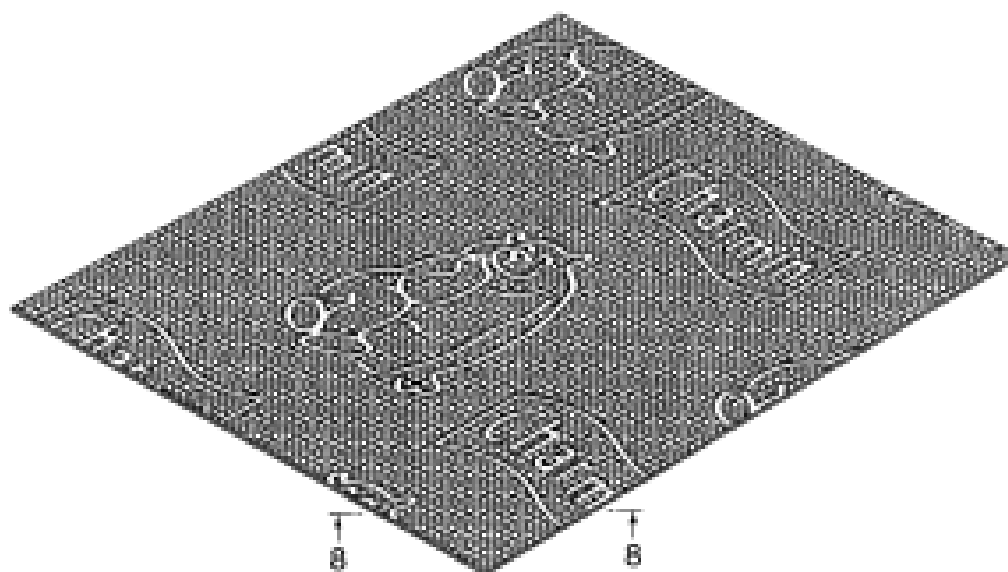


(21) Design Number: **12985/2005**
(22) Date of Filing Application: **08 July 2005**
(24) Date from which industrial property rights may have effect: **08 July 2005**
(54) Product in respect of which the design is registered: **A handset**
(51) International Design Classification: **14-03E**
(71) Name(s) and Address(s) of Applicant(s):
Nokia Corporation
Keilalahdentie 4 FIN-02150 Espoo Finland
(72) Name(s) of Designer(s): **Pekka Majanen and Todd Wood**
(45) Registration Date: **18 November 2005**
(30) Convention priority data:
(31) Number (32) Date (33) Country
29220975 10 Jan 2005 UNITED STATES OF AMERICA
(56) Related Art Documents: **Not Applicable**
(57) Statement of Newness and Distinctiveness: **Nil**



(19) AU

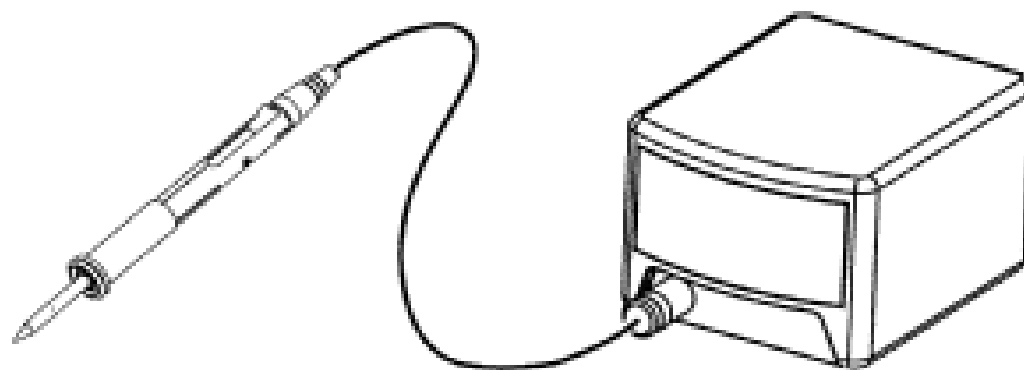
- (21) Design Number: **12990/2005**
- (22) Date of Filing Application: **12 July 2005**
- (24) Date from which industrial property rights may have effect: **24 November 2004**
- (54) Product in respect of which the design is registered: **Toilet paper**
- (51) International Design Classification: **05-06NES**
- (71) Name(s) and Address(s) of Applicant(s):
The Procter & Gamble Company
One Procter & Gamble Plaza Cincinnati Ohio 45202 United States of America
- (72) Name(s) of Designer(s): **Siegfried Kurt Martin Hustedt and Anja Werth and Kenneth Douglas Vinson and John Allen Manifold and Jonathan Andrew Ficke and Yanping Zhang**
- (45) Registration Date: **18 November 2005**
- (62) Divisional of: **302495**
- (56) Related Art Documents: **Not Applicable**
- (57) Statement of Newness and Distinctiveness: **Those features of the toilet paper depicted in the representations that are new and distinctive are the pattern, ornamentation and shape.**



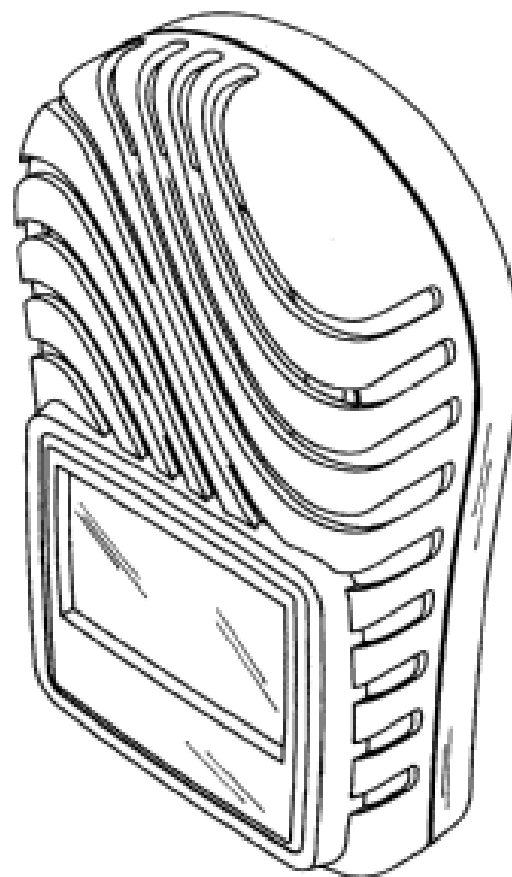
(19) AU

- (21) Design Number: **12655/2005**
- (22) Date of Filing Application: **22 June 2005**
- (24) Date from which industrial property rights may have effect: **22 June 2005**
- (54) Product in respect of which the design is registered: **Soldering iron**
- (51) International Design Classification: **08-05M**
- (71) Name(s) and Address(s) of Applicant(s):
Taiyo Electric Ind. Co., Ltd
16-8 Yamatecho 2-chome Fukuyama-shi Hiroshima-ken 720-0092 Japan
- (72) Name(s) of Designer(s): **Tetsuyuki Doi and Tomohiro Shigekawa**
- (45) Registration Date: **21 November 2005**
- (30) Convention priority data:

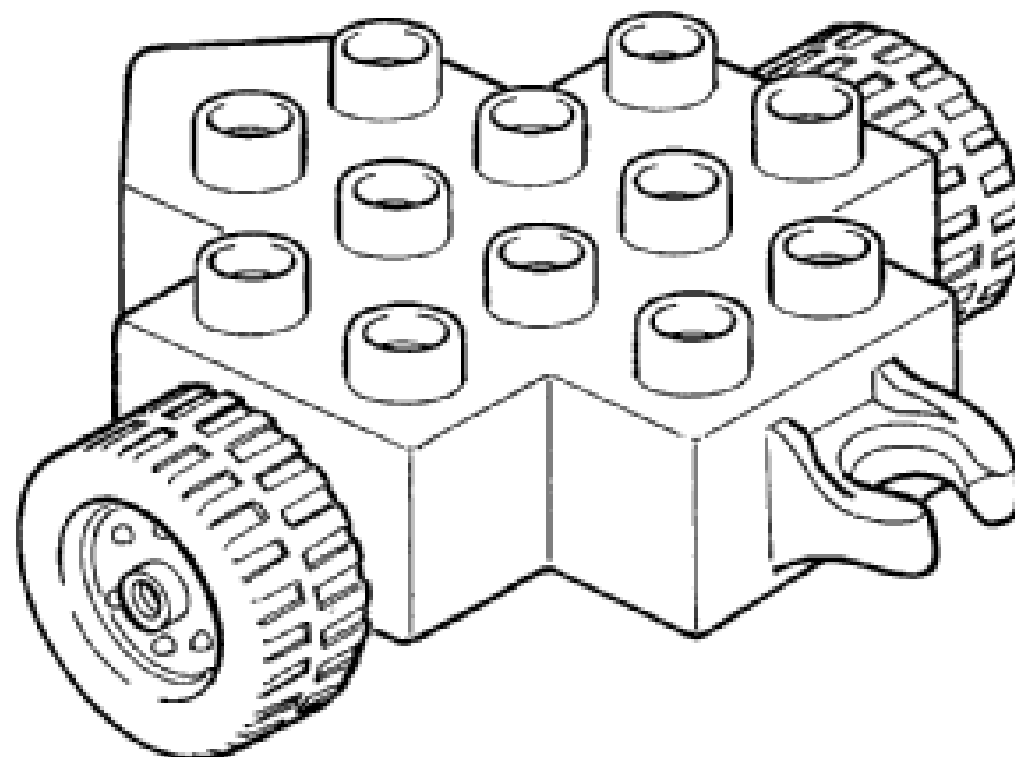
| | | |
|-------------------|--------------------|--------------|
| (31) Number | (32) Date | (33) Country |
| 2004-40112 | 28 Dec 2004 | JAPAN |
- (56) Related Art Documents: **Not Applicable**
- (57) Statement of Newness and Distinctiveness: **Each feature of the design considered separately or in combination with any other feature or features.**



(21) Design Number: **12772/2005**
(22) Date of Filing Application: **30 June 2005**
(24) Date from which industrial property rights may have effect: **30 June 2005**
(54) Product in respect of which the design is registered: **Electronic pest control with soft glow nightlight**
(51) International Design Classification: **22-06**
(71) Name(s) and Address(s) of Applicant(s):
Se Kit Yuen
6/F Yau Lee Centre 45 Hoi Yuen Road Kwun Tong Kowloon Hong Kong
(72) Name(s) of Designer(s): **Se Kit Yuen**
(45) Registration Date: **21 November 2005**
(56) Related Art Documents: **Not Applicable**
(57) Statement of Newness and Distinctiveness: **Nil**

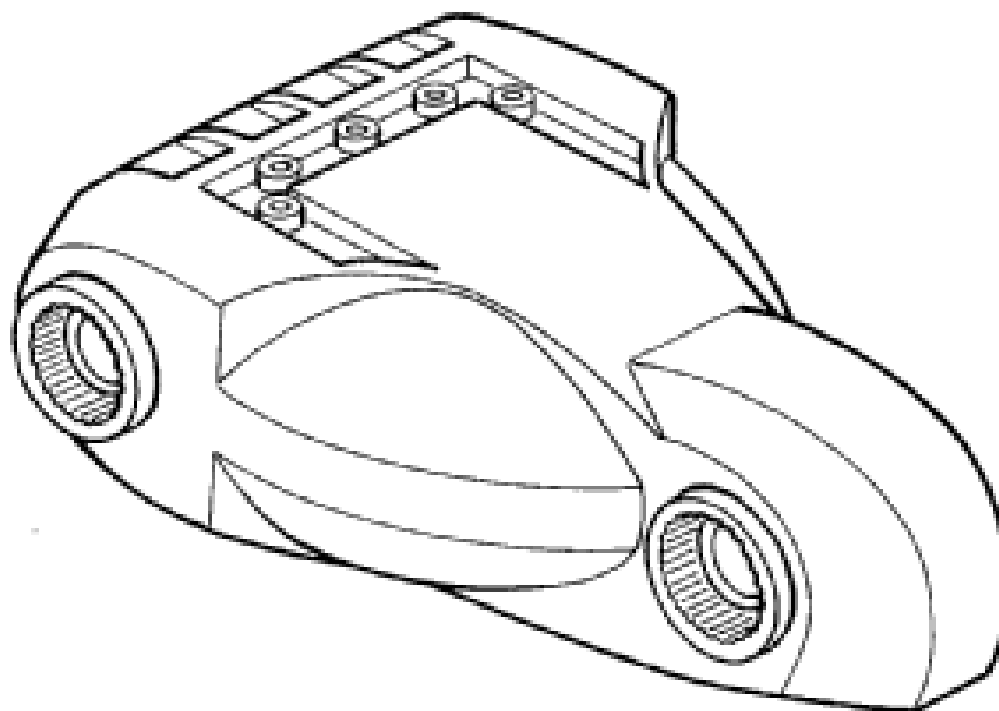


(21) Design Number: **12791/2005**
(22) Date of Filing Application: **30 June 2005**
(24) Date from which industrial property rights may have effect: **30 June 2005**
(54) Product in respect of which the design is registered: **Toy**
(51) International Design Classification: **21-01E**
(71) Name(s) and Address(s) of Applicant(s):
Interlego A.G.
Sihlbruggstrasse 3 CH 6340 Baar Switzerland
(72) Name(s) of Designer(s): **Claus Petersen**
(45) Registration Date: **21 November 2005**
(30) Convention priority data:
(31) Number (32) Date (33) Country
290 374-1-2 07 Feb 2005 EUROPEAN COMMUNITY
(56) Related Art Documents: **Not Applicable**
(57) Statement of Newness and Distinctiveness: **Nil**



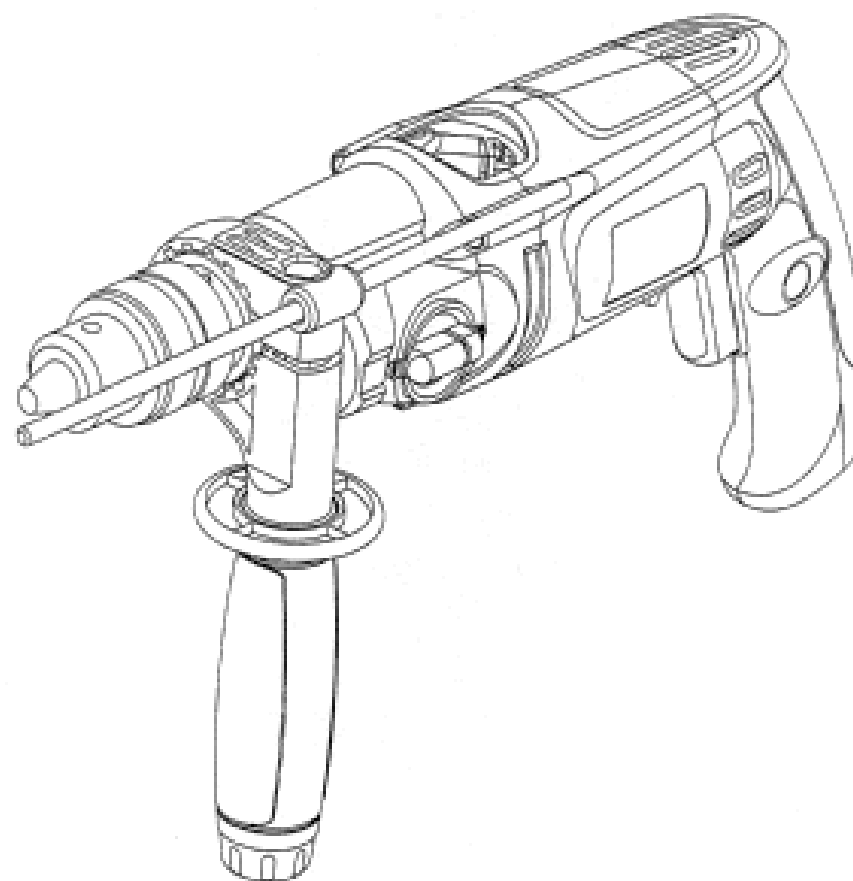
(19) AU

(21) Design Number: **12792/2005**
(22) Date of Filing Application: **30 June 2005**
(24) Date from which industrial property rights may have effect: **30 June 2005**
(54) Product in respect of which the design is registered: **Toy**
(51) International Design Classification: **21-01E**
(71) Name(s) and Address(s) of Applicant(s):
Interlego A.G.
Sihlbruggstrasse 3 CH 6340 Baar Switzerland
(72) Name(s) of Designer(s): **Uffe Toft**
(45) Registration Date: **21 November 2005**
(30) Convention priority data:
(31) Number (32) Date (33) Country
290 374-1-2 07 Feb 2005 EUROPEAN COMMUNITY
(56) Related Art Documents: **Not Applicable**
(57) Statement of Newness and Distinctiveness: **Nil**

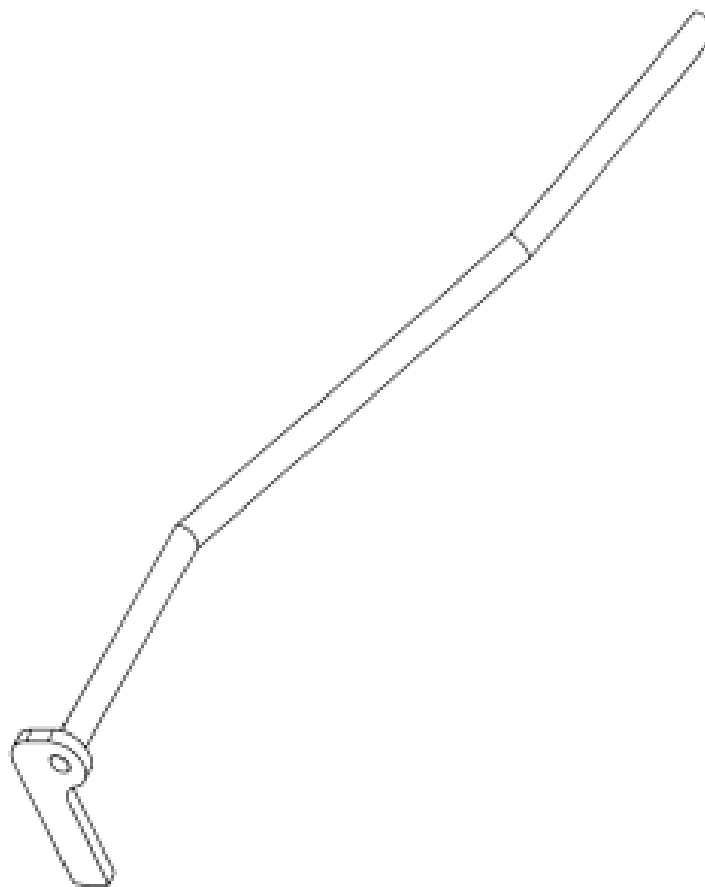


(19) AU

(21) Design Number: **12794/2005**
(22) Date of Filing Application: **30 June 2005**
(24) Date from which industrial property rights may have effect: **30 June 2005**
(54) Product in respect of which the design is registered: **Impact drill**
(51) International Design Classification: **08-01**
(71) Name(s) and Address(s) of Applicant(s):
Positec Power Tools (Suzhou) Co., Ltd
Ganjiang Road East 461 Suzhou 215006 Jiangsu Province China
(72) Name(s) of Designer(s): **Paolo Andriolo**
(45) Registration Date: **21 November 2005**
(30) Convention priority data:
(31) Number (32) Date (33) Country
200530079824.4 07 Jan 2005 CHINA
(56) Related Art Documents: **Not Applicable**
(57) Statement of Newness and Distinctiveness: **Nil**

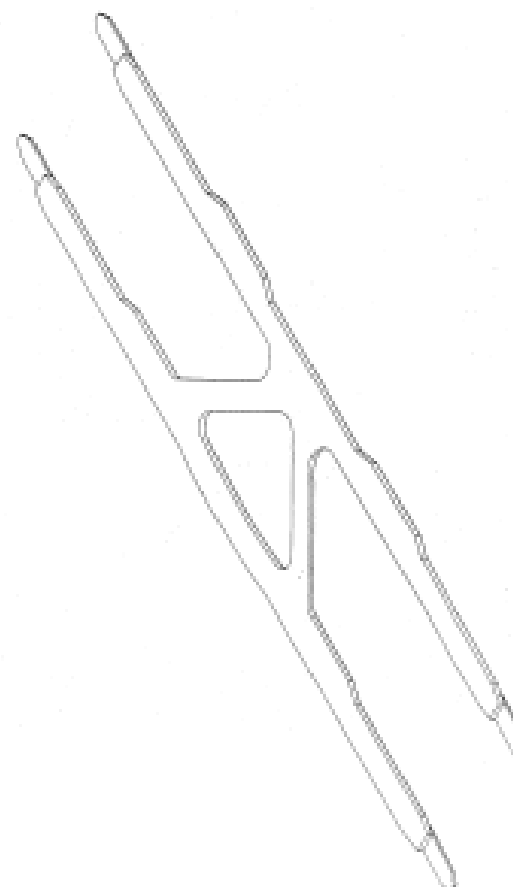


- (21) Design Number: **12796/2005**
- (22) Date of Filing Application: **01 July 2005**
- (24) Date from which industrial property rights may have effect: **01 July 2005**
- (54) Product in respect of which the design is registered: **A gutter cleaner apparatus**
- (51) International Design Classification: **08-05NES**
- (71) Name(s) and Address(s) of Applicant(s):
Michael Stephen Paterson
16 Demille Street Salisbury Downs South Australia 5108 Australia
Barli Shorne Paterson
16 Demille Street Salisbury Downs South Australia 5108 Australia
- (72) Name(s) of Designer(s): **Michael Stephen Paterson**
- (45) Registration Date: **21 November 2005**
- (56) Related Art Documents: **Not Applicable**
- (57) Statement of Newness and Distinctiveness: **Nil**



- (21) Design Number: **12817/2005**
- (22) Date of Filing Application: **01 July 2005**
- (24) Date from which industrial property rights may have effect: **01 July 2005**
- (54) Product in respect of which the design is registered: **Headgear for respiratory mask assembly**
- (51) International Design Classification: **24-01**
- (71) Name(s) and Address(s) of Applicant(s):
ResMed Ltd
97 Waterloo Road North Ryde New South Wales 2113 Australia
- (72) Name(s) of Designer(s): **Amal Shirley Amarasinghe**
- (45) Registration Date: **21 November 2005**
- (30) Convention priority data:

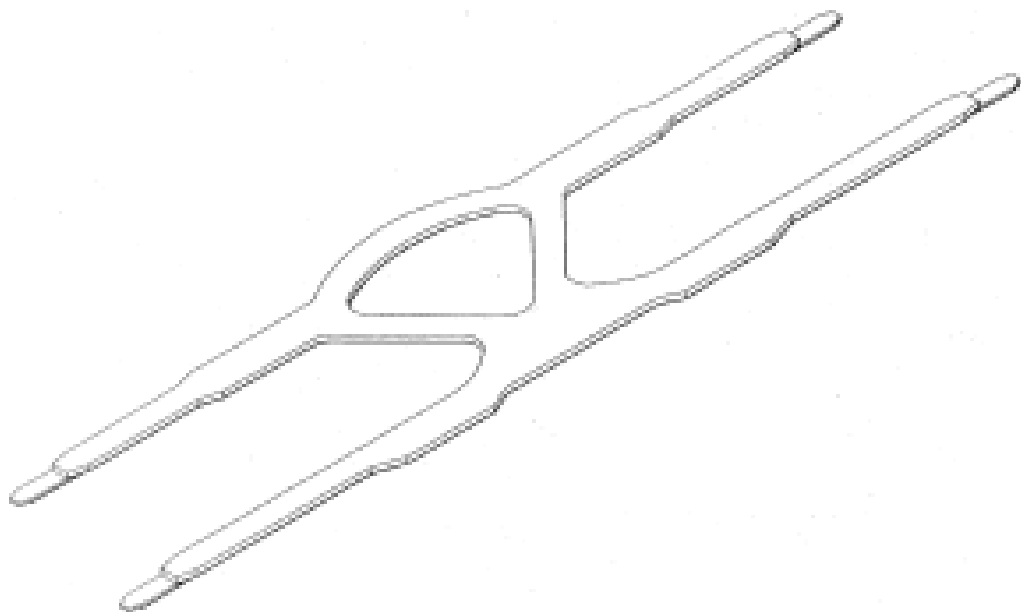
| | | |
|-------------------|--------------------|---------------------------------|
| (31) Number | (32) Date | (33) Country |
| 29/220,536 | 03 Jan 2005 | UNITED STATES OF AMERICA |
- (56) Related Art Documents: **Not Applicable**
- (57) Statement of Newness and Distinctiveness: **Nil**



(21) Design Number: **12818/2005**
 (22) Date of Filing Application: **01 July 2005**
 (24) Date from which industrial property rights may have effect: **01 July 2005**
 (54) Product in respect of which the design is registered: **Headgear for respiratory mask assembly**
 (51) International Design Classification: **24-01**
 (71) Name(s) and Address(s) of Applicant(s):
ResMed Ltd
97 Waterloo Road North Ryde New South Wales 2113 Australia
 (72) Name(s) of Designer(s): **Amal Shirley Amarasinghe**
 (45) Registration Date: **21 November 2005**
 (30) Convention priority data:

| | | |
|-------------------|--------------------|---------------------------------|
| (31) Number | (32) Date | (33) Country |
| 29/220,534 | 03 Jan 2005 | UNITED STATES OF AMERICA |

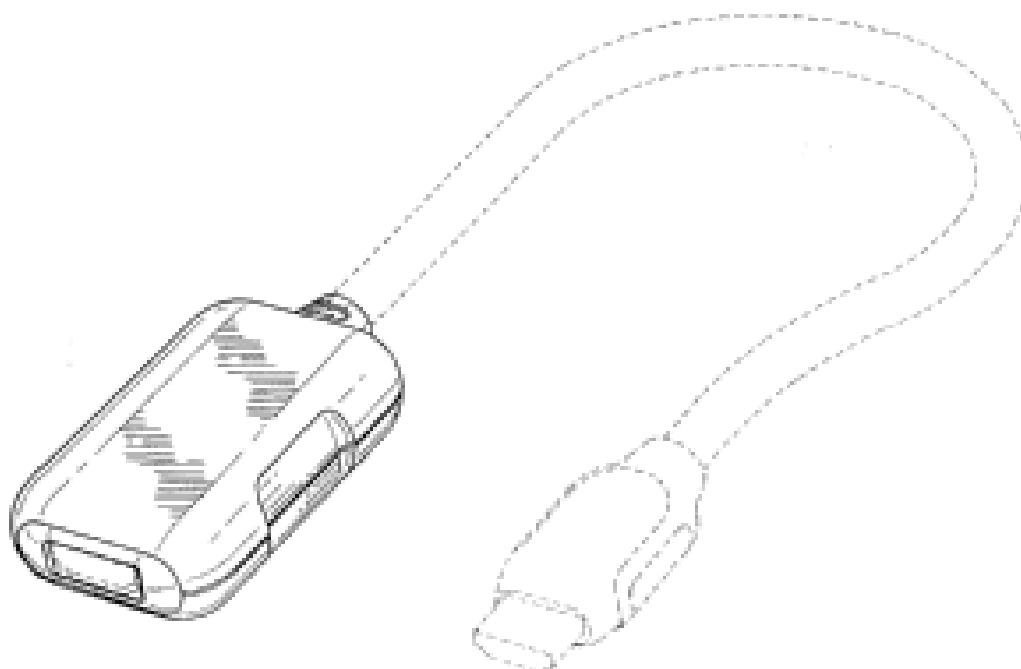
 (56) Related Art Documents: **Not Applicable**
 (57) Statement of Newness and Distinctiveness: **Nil**



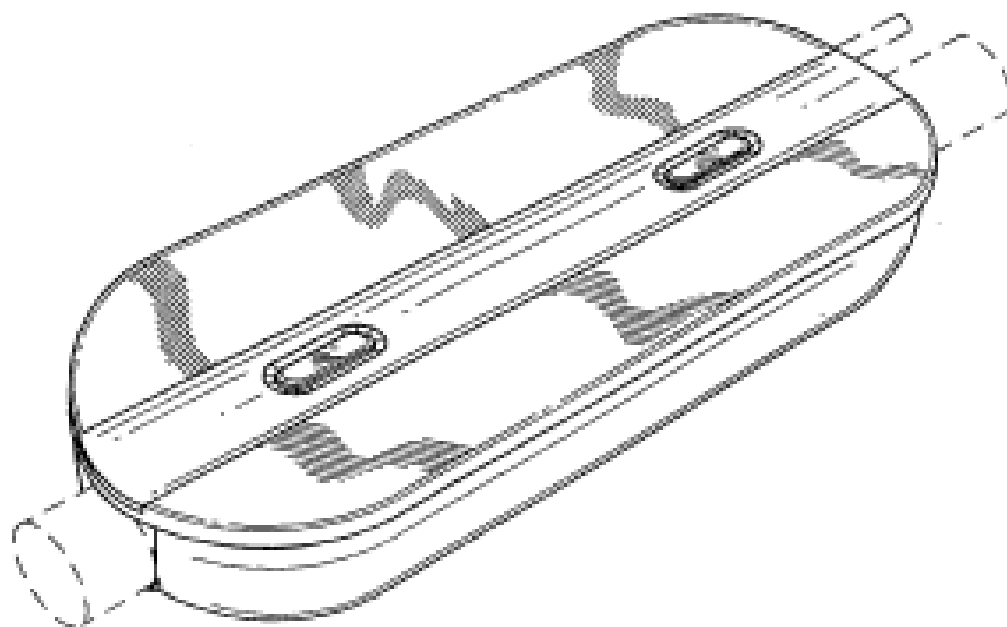
(21) Design Number: **12819/2005**
 (22) Date of Filing Application: **01 July 2005**
 (24) Date from which industrial property rights may have effect: **01 July 2005**
 (54) Product in respect of which the design is registered: **HDMI extender**
 (51) International Design Classification: **13-03D, 13-03E**
 (71) Name(s) and Address(s) of Applicant(s):
Belkin Corporation
501 W. Walnut Street Compton California 90220 United States of America
 (72) Name(s) of Designer(s): **Mitchell Suckle**
 (45) Registration Date: **21 November 2005**
 (30) Convention priority data:

| | | |
|------------------|--------------------|---------------------------------|
| (31) Number | (32) Date | (33) Country |
| 29/220749 | 04 Jan 2005 | UNITED STATES OF AMERICA |

 (56) Related Art Documents: **Not Applicable**
 (57) Statement of Newness and Distinctiveness: **Newness and distinctiveness is claimed in the features of shape and/or configuration of an HDMI extender as illustrated in the accompanying representations and when considering the design, the features shown in phantom are to be disregarded.**



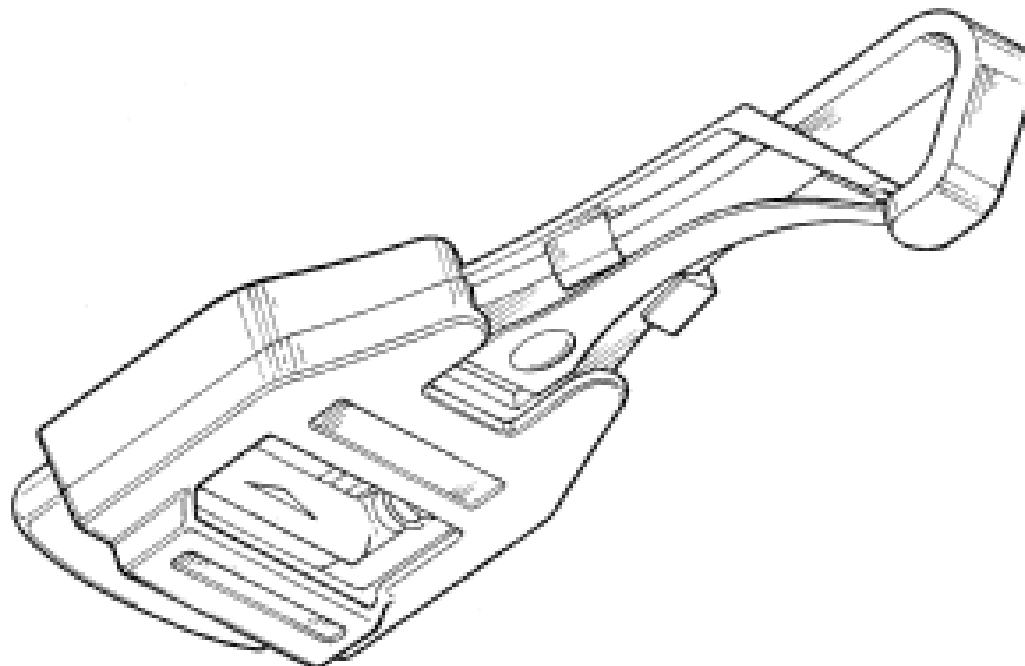
(21) Design Number: **12820/2005**
 (22) Date of Filing Application: **01 July 2005**
 (24) Date from which industrial property rights may have effect: **01 July 2005**
 (54) Product in respect of which the design is registered: **Video enhancer**
 (51) International Design Classification: **13-03D**
 (71) Name(s) and Address(s) of Applicant(s):
Belkin Corporation
501 W. Walnut Street Compton California 90220 United States of America
 (72) Name(s) of Designer(s): **Mitchell Suckle and William Tan and David Goetz**
 (45) Registration Date: **21 November 2005**
 (30) Convention priority data:
 (31) Number (32) Date (33) Country
29/220748 04 Jan 2005 UNITED STATES OF AMERICA
 (56) Related Art Documents: **Not Applicable**
 (57) Statement of Newness and Distinctiveness: **Newness and distinctiveness is claimed in the features of shape and/or configuration of a video enhancer as illustrated in the accompanying representations, and when considering the design, the features shown in phantom are to be disregarded.**



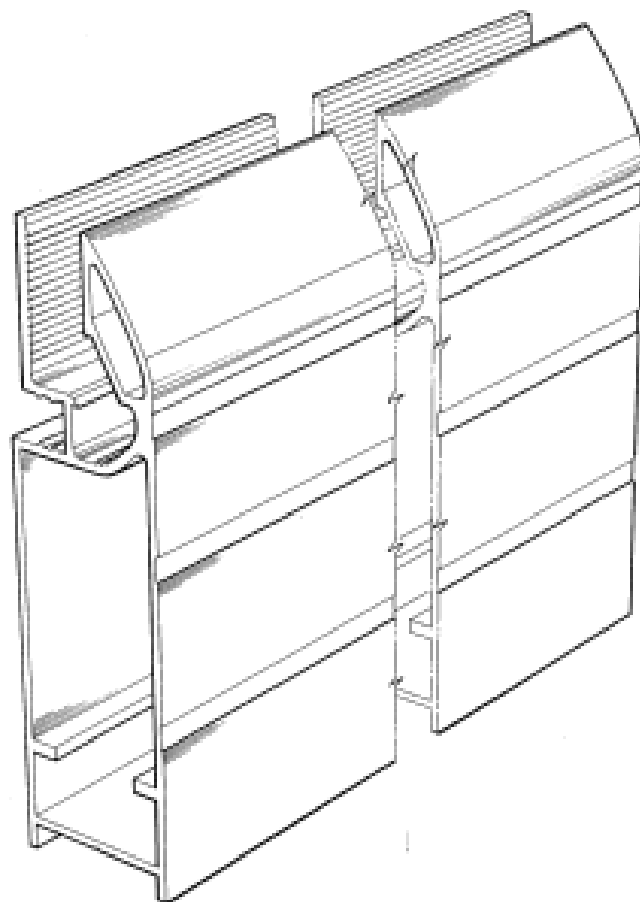
(21) Design Number: **12821/2005**
 (22) Date of Filing Application: **01 July 2005**
 (24) Date from which industrial property rights may have effect: **01 July 2005**
 (54) Product in respect of which the design is registered: **Video enhancer**
 (51) International Design Classification: **13-03D**
 (71) Name(s) and Address(s) of Applicant(s):
Belkin Corporation
501 W. Walnut Street Compton California 90220 United States of America
 (72) Name(s) of Designer(s): **Mitchell Suckle and William Tan and David Goetz**
 (45) Registration Date: **21 November 2005**
 (30) Convention priority data:
 (31) Number (32) Date (33) Country
29/220823 04 Jan 2005 UNITED STATES OF AMERICA
 (56) Related Art Documents: **Not Applicable**
 (57) Statement of Newness and Distinctiveness: **Newness and distinctiveness is claimed in the features of shape and/or configuration of a video enhancer as illustrated in the accompanying representations and when considering the representations, the features shown in phantom are to be disregarded.**



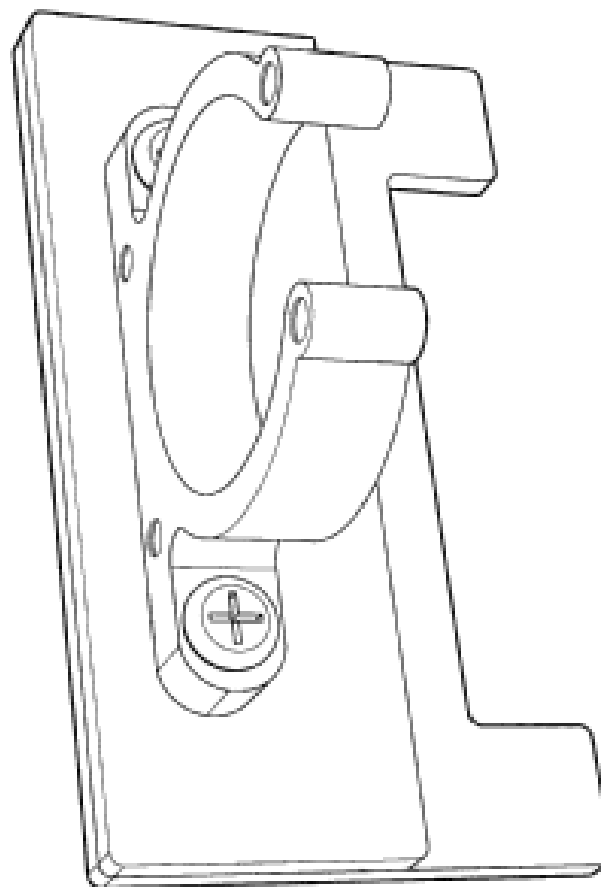
- (21) Design Number: **12823/2005**
(22) Date of Filing Application: **01 July 2005**
(24) Date from which industrial property rights may have effect: **01 July 2005**
(54) Product in respect of which the design is registered: **A clip**
(51) International Design Classification: **08-08C**
(71) Name(s) and Address(s) of Applicant(s):
Autoliv Australia Pty Ltd
1521 Hume Highway Campbellfield Victoria 3061 Australia
(72) Name(s) of Designer(s): **Daryl Coon and James Lowe**
(45) Registration Date: **21 November 2005**
(56) Related Art Documents: **Not Applicable**
(57) Statement of Newness and Distinctiveness: **The newness and distinctiveness of the design resides in the features of shape and configuration of the clip as shown in the representations.**



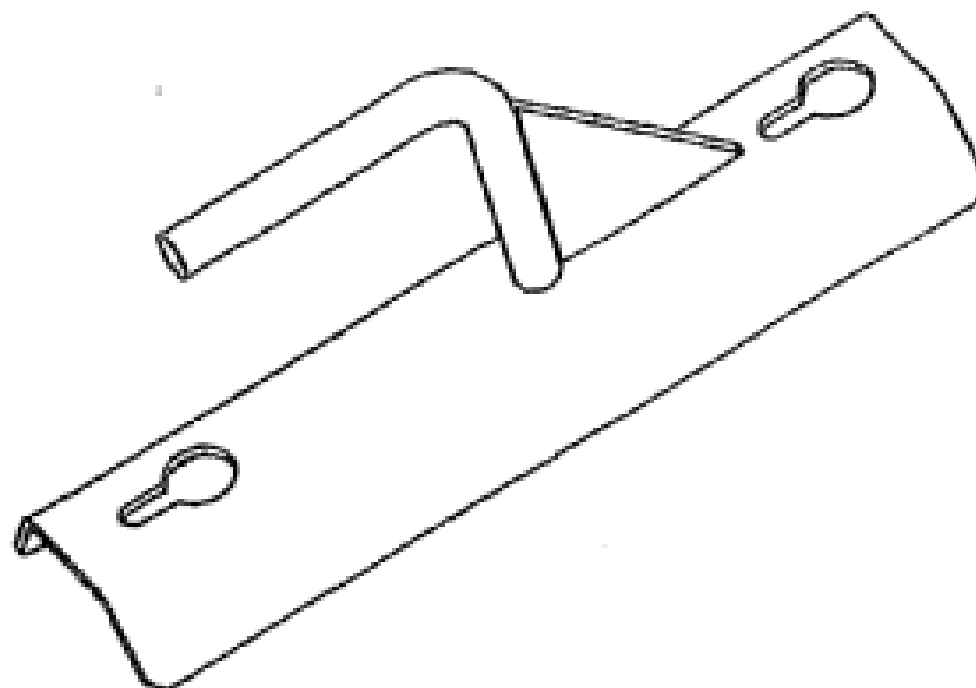
- (21) Design Number: **12824/2005**
(22) Date of Filing Application: **01 July 2005**
(24) Date from which industrial property rights may have effect: **01 July 2005**
(54) Product in respect of which the design is registered: **Extrusion**
(51) International Design Classification: **25-01K**
(71) Name(s) and Address(s) of Applicant(s):
Abra Products Pty Ltd
118-120 Freight Drive Somerton Victoria 3062 Australia
(72) Name(s) of Designer(s): **Edward Donald Allen**
(45) Registration Date: **21 November 2005**
(56) Related Art Documents: **Not Applicable**
(57) Statement of Newness and Distinctiveness: **Newness and distinctiveness resides in the shape and configuration of an extrusion, the extrusion being of constant cross-section and indefinite length.**



- (21) Design Number: **12975/2005**
- (22) Date of Filing Application: **11 July 2005**
- (24) Date from which industrial property rights may have effect: **11 July 2005**
- (54) Product in respect of which the design is registered: **Tube clamp plate**
- (51) International Design Classification: **14-03NES, 08-08NES**
- (71) Name(s) and Address(s) of Applicant(s):
Robert Stanley Ayles
34 Gladstone Road Brighton South Australia 5048 Australia
- (72) Name(s) of Designer(s): **Robert Stanley Ayles**
- (45) Registration Date: **21 November 2005**
- (56) Related Art Documents: **Not Applicable**
- (57) Statement of Newness and Distinctiveness: **Base of tube clamp plate of stepped thickness carrying tube holder to lock in J. section antenna holder of poptop caravan.**



- (21) Design Number: **13478/2005**
- (22) Date of Filing Application: **15 August 2005**
- (24) Date from which industrial property rights may have effect: **15 August 2005**
- (54) Product in respect of which the design is registered: **Roof platform and ladder bracket**
- (51) International Design Classification: **08-08L**
- (71) Name(s) and Address(s) of Applicant(s):
Graham Ian Dyce
12 Windlesham Place Wakefield Nelson 7181 New Zealand
- (72) Name(s) of Designer(s): **Graham Ian Dyce**
- (45) Registration Date: **21 November 2005**
- (56) Related Art Documents: **Not Applicable**
- (57) Statement of Newness and Distinctiveness: **The newness and distinctiveness of the design resides in the features of shape and configuration of a roof platform and ladder bracket.**



(21) Design Number: **13479/2005**

(22) Date of Filing Application: **15 August 2005**

(24) Date from which industrial property rights may have effect: **15 August 2005**

(54) Product in respect of which the design is registered: **Roof foot bracket**

(51) International Design Classification: **08-08L**

(71) Name(s) and Address(s) of Applicant(s):

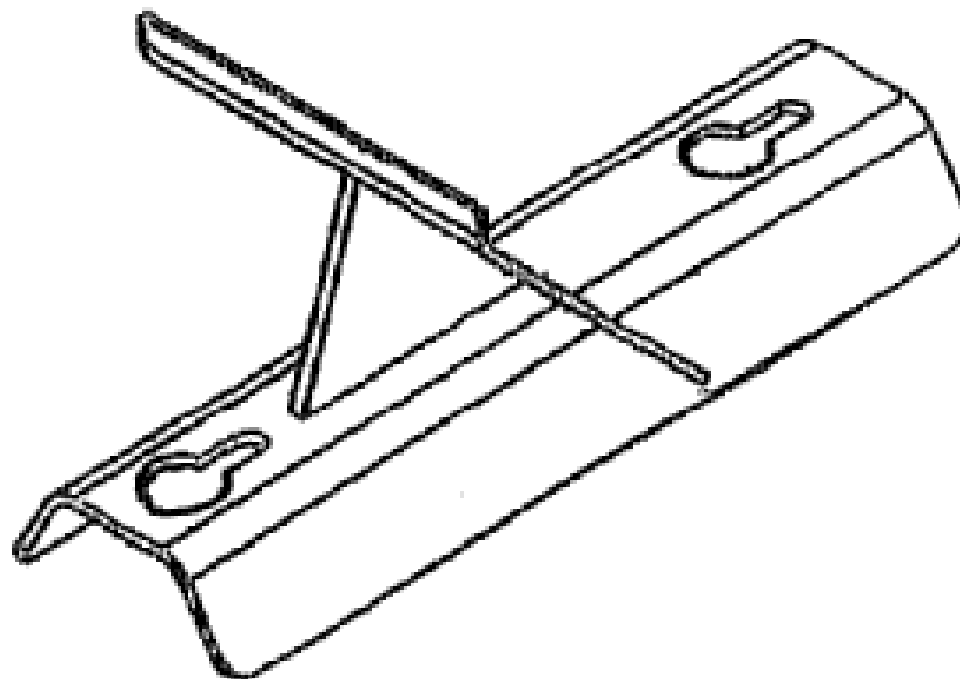
Graham Ian Dyce
12 Windlesham Place Wakefield Nelson 7181 New Zealand

(72) Name(s) of Designer(s): **Graham Ian Dyce**

(45) Registration Date: **21 November 2005**

(56) Related Art Documents: **Not Applicable**

(57) Statement of Newness and Distinctiveness: **The newness and distinctiveness of the design resides in the features of shape and configuration of a roof foot bracket.**



(21) Design Number: **10009/2005**

(22) Date of Filing Application: **05 January 2005**

(24) Date from which industrial property rights may have effect: **05 January 2005**

(54) Product in respect of which the design is registered: **Digital broadcasting receiver**

(51) International Design Classification: **14-01**

(71) Name(s) and Address(s) of Applicant(s):

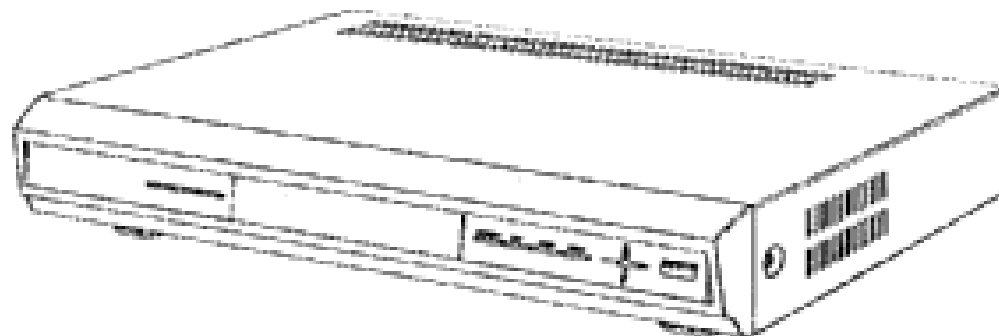
Toshiba Singapore Pte Ltd
438B Alexandra Road #06-01 Alexandra Technopark Singapore
119968

(72) Name(s) of Designer(s): **Shinichi Hiroki and Mikio Hamada**

(45) Registration Date: **21 November 2005**

(56) Related Art Documents: **Not Applicable**

(57) Statement of Newness and Distinctiveness: **Nil**



(21) Design Number: **10216/2005**

(22) Date of Filing Application: **21 January 2005**

(24) Date from which industrial property rights may have effect: **21 January 2005**

(54) Product in respect of which the design is registered: **Radiator tube separator**

(51) International Design Classification: **08-08D**

(71) Name(s) and Address(s) of Applicant(s):

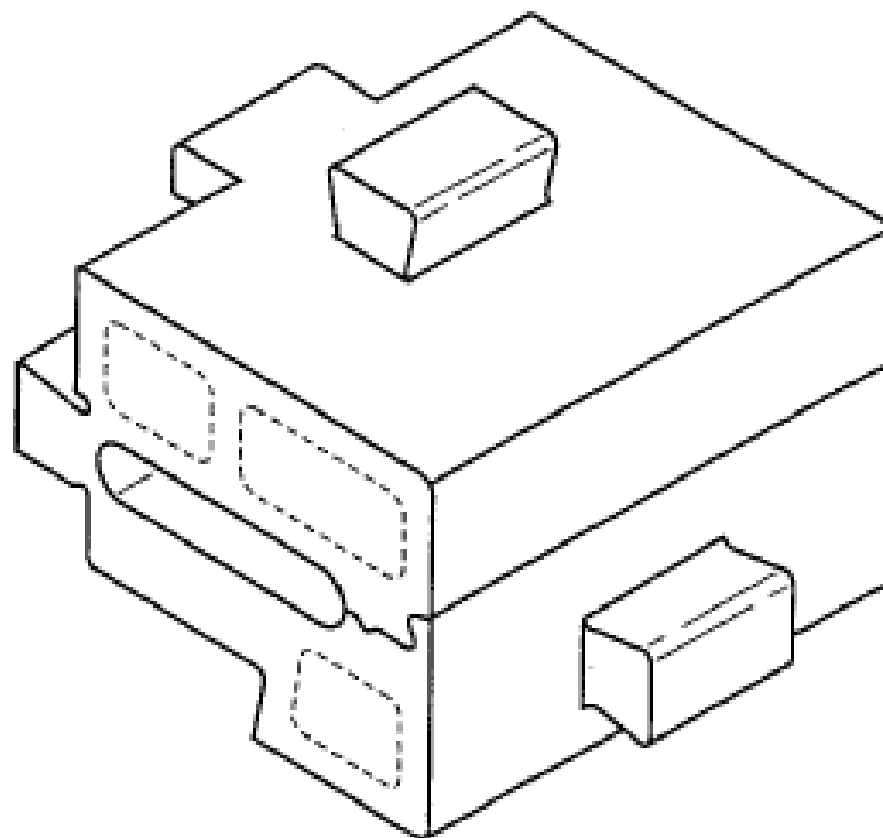
**Global Heat Transfer (Australia) Pty Ltd
42 Wildfire Road Maddington Western Australia 6109 Australia**

(72) Name(s) of Designer(s): **Laurence Ross Petrie**

(45) Registration Date: **21 November 2005**

(56) Related Art Documents: **Not Applicable**

(57) Statement of Newness and Distinctiveness: **Each feature of the design considered separately or in combination with any other feature or features. The spaces shown by broken lines in the accompanying representations do not form part of the design and are to be disregarded as restricting the scope of the design.**



(21) Design Number: **10722/2005**

(22) Date of Filing Application: **25 February 2005**

(24) Date from which industrial property rights may have effect: **25 February 2005**

(54) Product in respect of which the design is registered: **A ripper boot**

(51) International Design Classification: **15-03A**

(71) Name(s) and Address(s) of Applicant(s):

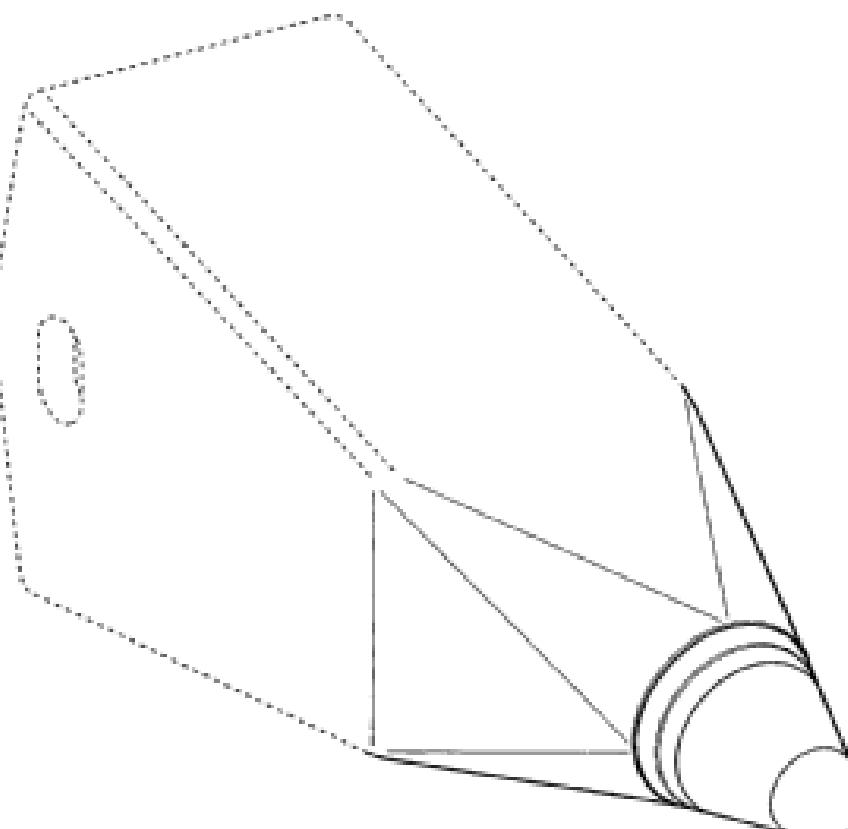
**James A. Calderwood
73 Oxford Terrace Port Lincoln South Australia 5606 Australia**

(72) Name(s) of Designer(s): **James A. Calderwood**

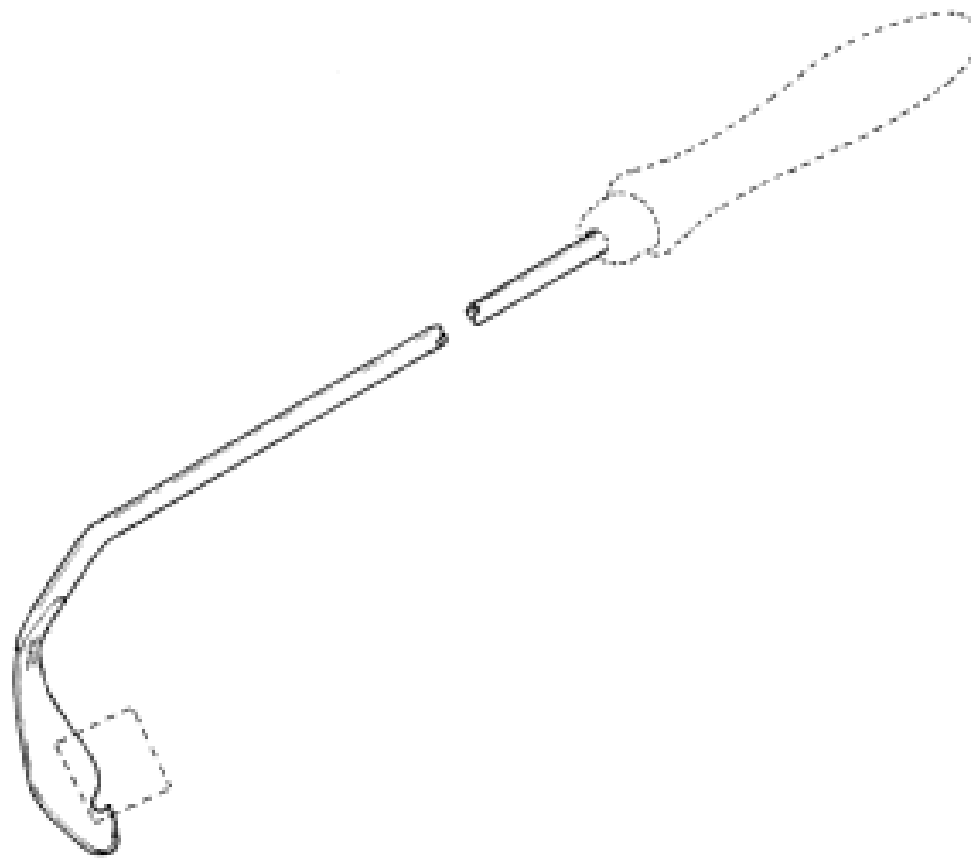
(45) Registration Date: **21 November 2005**

(56) Related Art Documents: **Not Applicable**

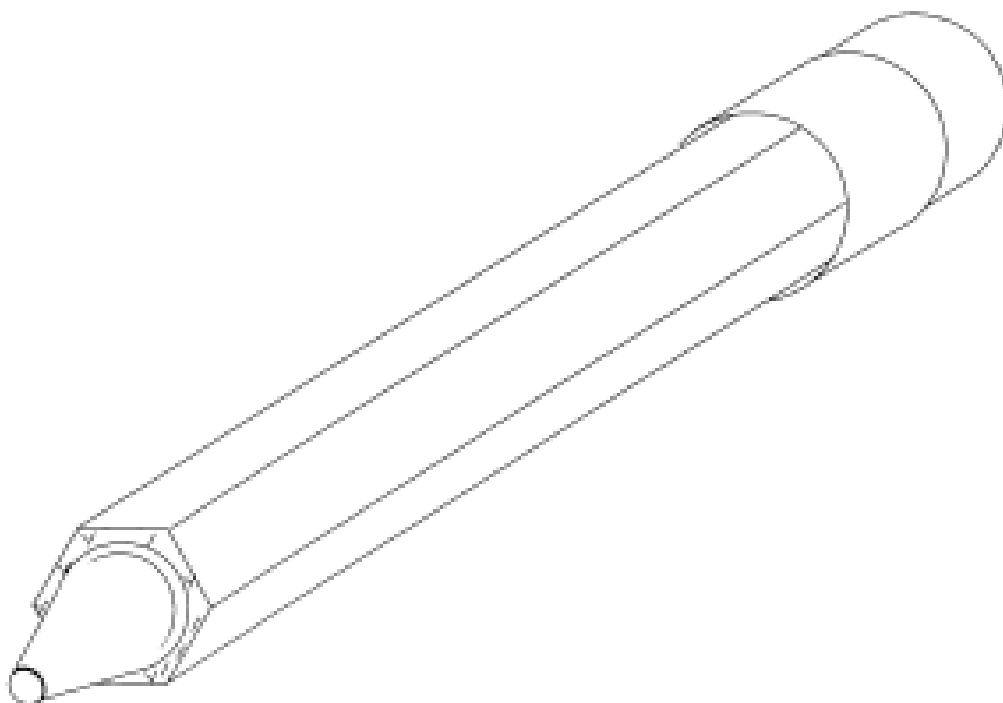
(57) Statement of Newness and Distinctiveness: **Newness and distinctiveness resides in the shape and configuration of the ripper boot as shown in the accompanying representations. The broken lines indicate the portion of the ripper boot to be disregarded.**



- (21) Design Number: **12724/2005**
(22) Date of Filing Application: **28 June 2005**
(24) Date from which industrial property rights may have effect: **28 June 2005**
(54) Product in respect of which the design is registered: **Weeder**
(51) International Design Classification: **08-01**
(71) Name(s) and Address(s) of Applicant(s):
G.K. Jinks
319 Tannery Lane Mandurang Victoria 3551 Australia
(72) Name(s) of Designer(s): **G.K. Jinks**
(45) Registration Date: **21 November 2005**
(56) Related Art Documents: **Not Applicable**
(57) Statement of Newness and Distinctiveness: **Newness and distinctiveness reside in the shape and configuration of the weeder shown in the representations. Newness and distinctiveness are not claimed for the following features: the handle, as indicated in phantom; those features of the weeder inside the square; and the length of the shank, as shown in the representations.**

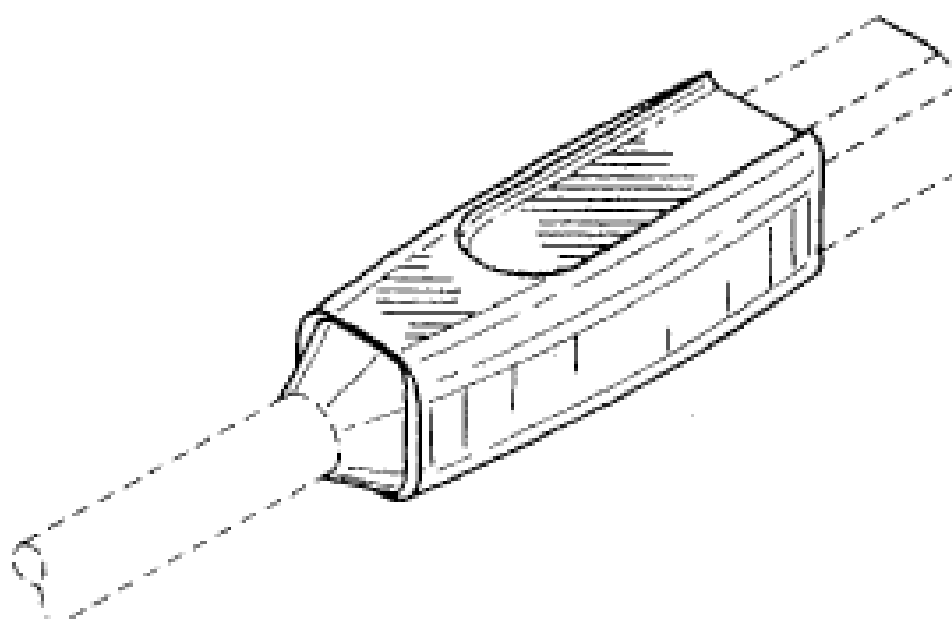


- (21) Design Number: **12726/2005**
(22) Date of Filing Application: **28 June 2005**
(24) Date from which industrial property rights may have effect: **28 June 2005**
(54) Product in respect of which the design is registered: **Liquid graphite pencil**
(51) International Design Classification: **19-06**
(71) Name(s) and Address(s) of Applicant(s):
Jakks Pacific, Inc.
22619 Pacific Coast Highway Malibu California 90265 United States of America
(72) Name(s) of Designer(s): **Kathleen Torrell**
(45) Registration Date: **21 November 2005**
(30) Convention priority data:
(31) Number (32) Date (33) Country
29/220661 03 Jan 2005 UNITED STATES OF AMERICA
(56) Related Art Documents: **Not Applicable**
(57) Statement of Newness and Distinctiveness: **Nil**



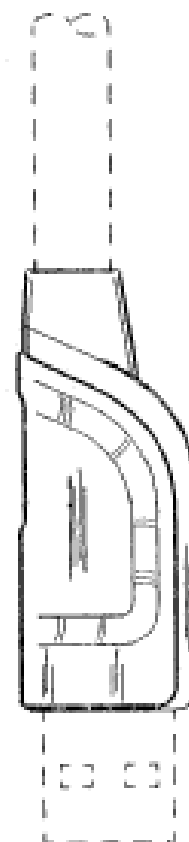
- (21) Design Number: **12727/2005**
- (22) Date of Filing Application: **27 June 2005**
- (24) Date from which industrial property rights may have effect: **27 June 2005**
- (54) Product in respect of which the design is registered: **Cable head**
- (51) International Design Classification: **13-03D**
- (71) Name(s) and Address(s) of Applicant(s):
Belkin Corporation
501 W. Walnut Street Compton California 90220 United States of America
- (72) Name(s) of Designer(s): **Stan Wada and David Goetz and Ernesto Quinteros and Mitchell Suckle and Kenneth Mori and Colin Owen**
- (45) Registration Date: **21 November 2005**
- (30) Convention priority data:

| | | |
|------------------|--------------------|---------------------------------|
| (31) Number | (32) Date | (33) Country |
| 29/220521 | 29 Dec 2004 | UNITED STATES OF AMERICA |
- (56) Related Art Documents: **Not Applicable**
- (57) Statement of Newness and Distinctiveness: **Newness and distinctiveness is claimed in the features of shape and/or configuration of a cable head as illustrated in the accompanying representations. The features shown in phantom are to be disregarded.**



- (21) Design Number: **12728/2005**
- (22) Date of Filing Application: **27 June 2005**
- (24) Date from which industrial property rights may have effect: **27 June 2005**
- (54) Product in respect of which the design is registered: **Cable head**
- (51) International Design Classification: **13-03D**
- (71) Name(s) and Address(s) of Applicant(s):
Belkin Corporation
501 W. Walnut Street Compton California 90220 United States of America
- (72) Name(s) of Designer(s): **Stan Wada and David Goetz and Ernesto Quinteros and Mitchell Suckle and Kenneth Mori and Colin Owen**
- (45) Registration Date: **21 November 2005**
- (30) Convention priority data:

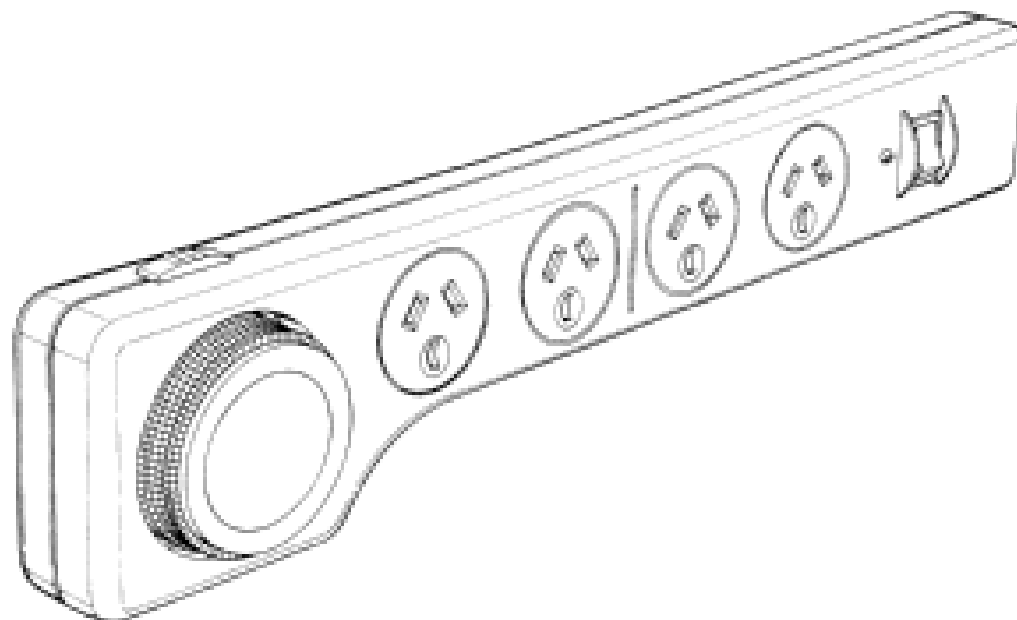
| | | |
|------------------|--------------------|---------------------------------|
| (31) Number | (32) Date | (33) Country |
| 29/220455 | 29 Dec 2004 | UNITED STATES OF AMERICA |
- (56) Related Art Documents: **Not Applicable**
- (57) Statement of Newness and Distinctiveness: **Newness and distinctiveness is claimed in the features of shape and/or configuration of a cable head as illustrated in the accompanying representations and in considering the design, the features shown in phantom are to be disregarded.**



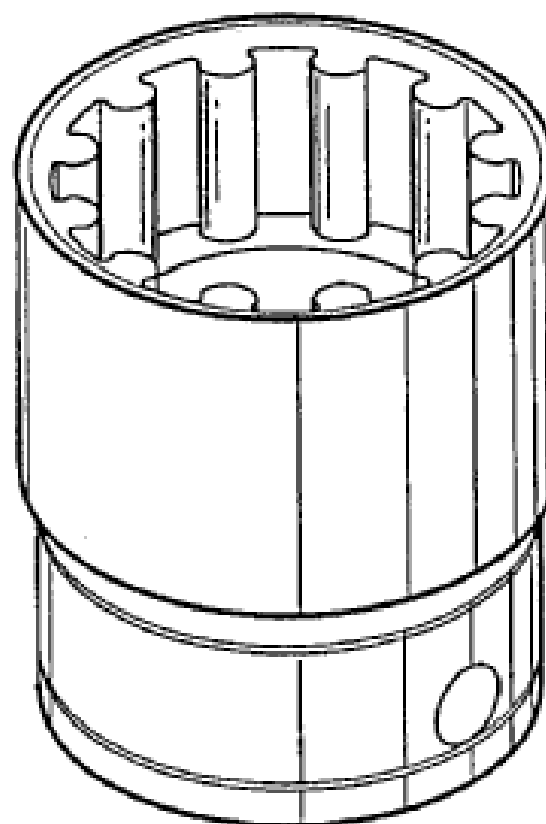
(21) Design Number: **12731/2005**
(22) Date of Filing Application: **27 June 2005**
(24) Date from which industrial property rights may have effect: **27 June 2005**
(54) Product in respect of which the design is registered: **Eyeglasses**
(51) International Design Classification: **16-06**
(71) Name(s) and Address(s) of Applicant(s):
Dioptics Medical Products, Inc.
51 Zaca Lane San Luis Obispo California 93401 United States of America
(72) Name(s) of Designer(s): **Henry Welling Lane**
(45) Registration Date: **21 November 2005**
(30) Convention priority data:
(31) Number (32) Date (33) Country
29220366 28 Dec 2004 UNITED STATES OF AMERICA
(56) Related Art Documents: **Not Applicable**
(57) Statement of Newness and Distinctiveness: **Nil**



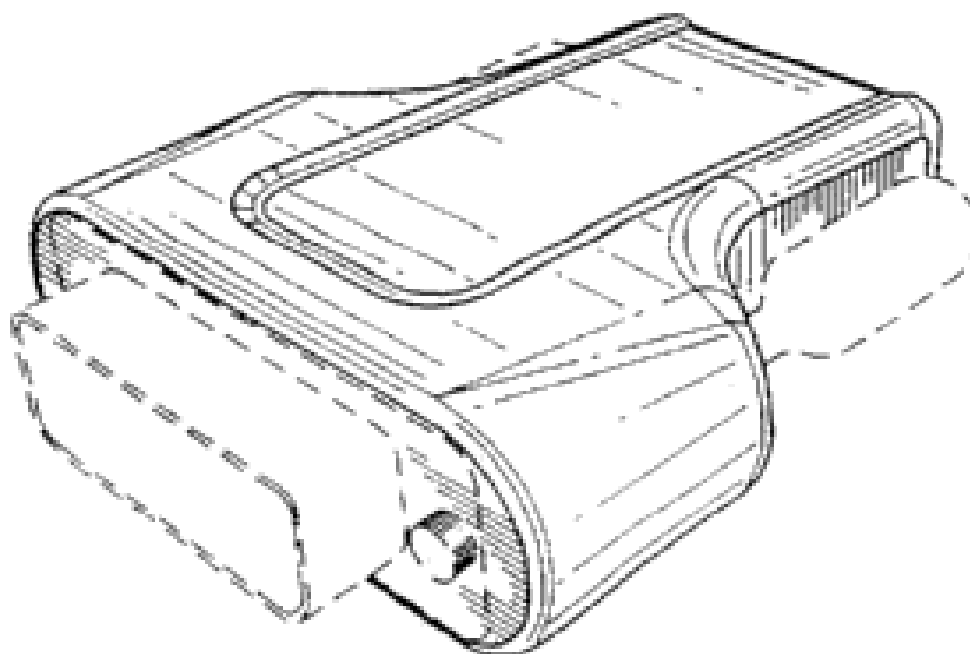
(21) Design Number: **12729/2005**
(22) Date of Filing Application: **27 June 2005**
(24) Date from which industrial property rights may have effect: **27 June 2005**
(54) Product in respect of which the design is registered: **A power board**
(51) International Design Classification: **13-03D**
(71) Name(s) and Address(s) of Applicant(s):
Jackson Industries Pty Limited
Building C 2 Hudson Avenue Castle Hill New South Wales 2153 Australia
(72) Name(s) of Designer(s): **Ross Alec Jackson**
(45) Registration Date: **21 November 2005**
(56) Related Art Documents: **Not Applicable**
(57) Statement of Newness and Distinctiveness: **Newness and distinctiveness is claimed in the features of shape and/or configuration of the control knob for a timer of a power board illustrated in the accompanying representations.**



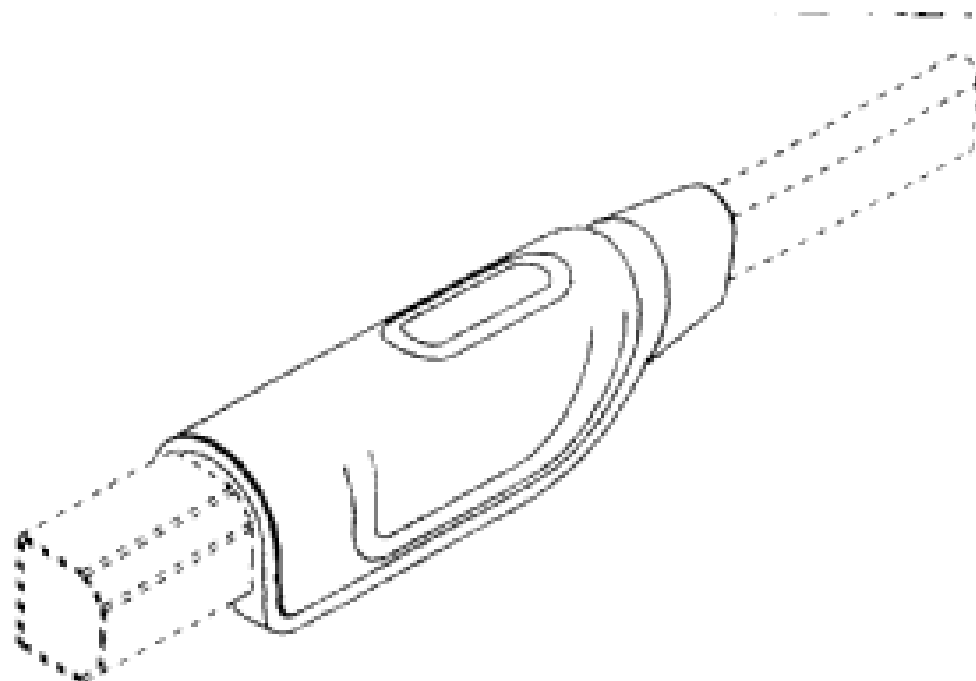
(21) Design Number: **10032/2005**
(22) Date of Filing Application: **07 January 2005**
(24) Date from which industrial property rights may have effect: **07 January 2005**
(54) Product in respect of which the design is registered: **Socket**
(51) International Design Classification: **08-05P**
(71) Name(s) and Address(s) of Applicant(s):
Chih-Ching Hsieh
No. 367 Pei Yang Rd. Feng Yuan Taichung Taiwan
(72) Name(s) of Designer(s): **Chih-Ching Hsieh**
(45) Registration Date: **21 November 2005**
(56) Related Art Documents: **Not Applicable**
(57) Statement of Newness and Distinctiveness: **Nil**



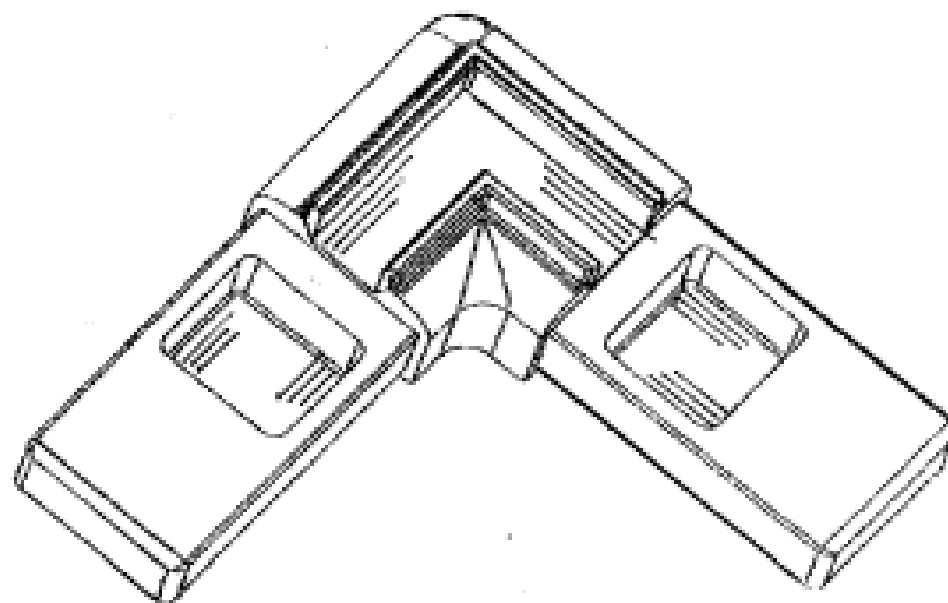
(21) Design Number: **12735/2005**
(22) Date of Filing Application: **28 June 2005**
(24) Date from which industrial property rights may have effect: **28 June 2005**
(54) Product in respect of which the design is registered: **Adaptor**
(51) International Design Classification: **13-03D**
(71) Name(s) and Address(s) of Applicant(s):
Belkin Corporation
501 W. Walnut Street Compton California 90220 United States of America
(72) Name(s) of Designer(s): **Saharut Sirichai and Mitchell Suckle**
(45) Registration Date: **21 November 2005**
(30) Convention priority data:
(31) Number (32) Date (33) Country
29/220505 31 Dec 2004 UNITED STATES OF AMERICA
(56) Related Art Documents: **Not Applicable**
(57) Statement of Newness and Distinctiveness: **Newness and distinctiveness is claimed in the features of shape and/or configuration of an adaptor as illustrated in the accompanying representations and when considering the design the features shown in phantom are to be disregarded.**



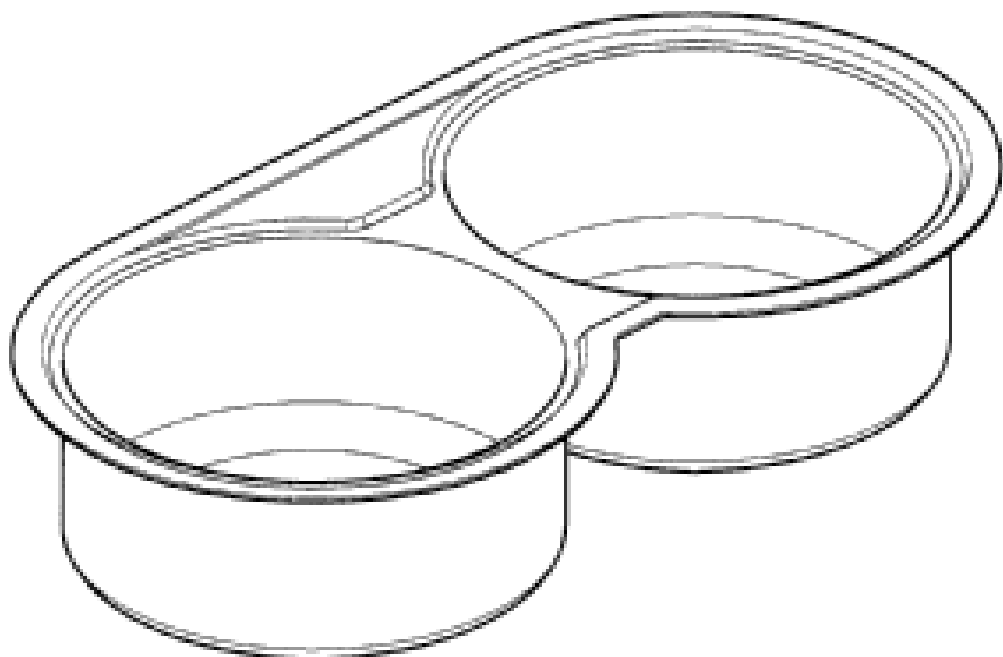
- (21) Design Number: **12736/2005**
(22) Date of Filing Application: **28 June 2005**
(24) Date from which industrial property rights may have effect: **28 June 2005**
(54) Product in respect of which the design is registered: **Cable head**
(51) International Design Classification: **13-03D**
(71) Name(s) and Address(s) of Applicant(s):
Belkin Corporation
501 W. Walnut Street Compton California 90220 United States of America
(72) Name(s) of Designer(s): **Stan Wada and David Goetz and Ernesto Quinteros and Mitchell Suckle and Kenneth Mori and Colin Owen**
(45) Registration Date: **21 November 2005**
(30) Convention priority data:
(31) Number (32) Date (33) Country
29/220518 29 Dec 2004 UNITED STATES OF AMERICA
(56) Related Art Documents: **Not Applicable**
(57) Statement of Newness and Distinctiveness: **Newness and distinctiveness is claimed in the features of shape and/or configuration of a cable head as illustrated in the accompanying representations and when considering the design, the features shown in phantom are to be disregarded.**



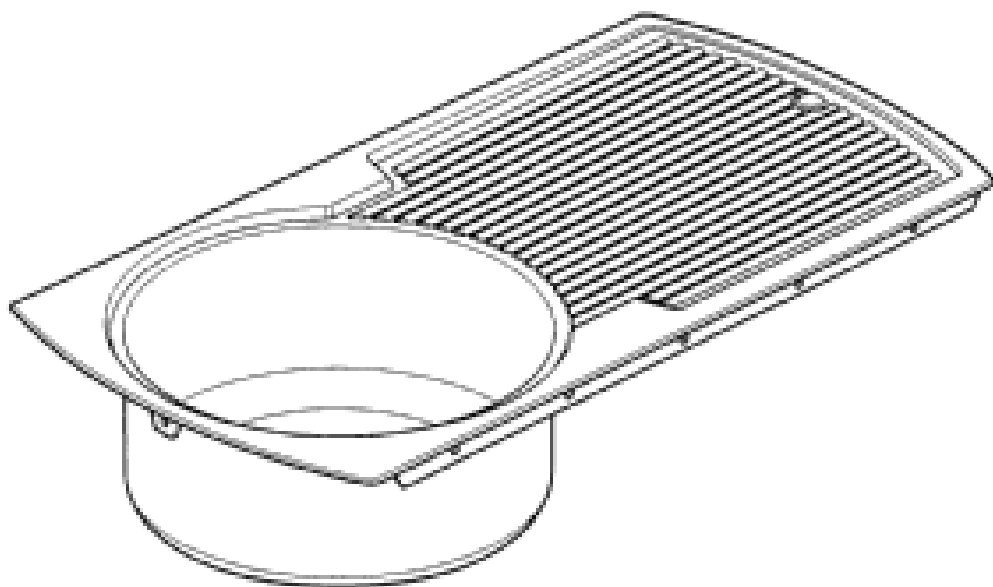
- (21) Design Number: **12741/2005**
(22) Date of Filing Application: **29 June 2005**
(24) Date from which industrial property rights may have effect: **29 June 2005**
(54) Product in respect of which the design is registered: **Corner stake**
(51) International Design Classification: **23-02B**
(71) Name(s) and Address(s) of Applicant(s):
Dias Aluminium Products Pty Ltd
201-205 Browns Road Noble Park Victoria 3174 Australia
(72) Name(s) of Designer(s): **David Aiken Paterson**
(45) Registration Date: **21 November 2005**
(56) Related Art Documents: **Not Applicable**
(57) Statement of Newness and Distinctiveness: **Nil**



- (21) Design Number: **12773/2005**
(22) Date of Filing Application: **29 June 2005**
(24) Date from which industrial property rights may have effect: **29 June 2005**
(54) Product in respect of which the design is registered: **Sink**
(51) International Design Classification: **23-02F**
(71) Name(s) and Address(s) of Applicant(s):
Tasman Sinkware Pty Limited
51 Naweena Road Regency Park South Australia 5010 Australia
(72) Name(s) of Designer(s): **Bryant Walters and Doug Trewin and Robert Cebulski**
(45) Registration Date: **21 November 2005**
(56) Related Art Documents: **Not Applicable**
(57) Statement of Newness and Distinctiveness: **The particular visual features of the design, which are new and distinctive, are shown in solid line.**



- (21) Design Number: **12774/2005**
(22) Date of Filing Application: **29 June 2005**
(24) Date from which industrial property rights may have effect: **29 June 2005**
(54) Product in respect of which the design is registered: **Sink**
(51) International Design Classification: **23-02F**
(71) Name(s) and Address(s) of Applicant(s):
Tasman Sinkware Pty Limited
51 Naweena Road Regency Park South Australia 5010 Australia
(72) Name(s) of Designer(s): **Bryant Walters and Doug Trewin and Robert Cebulski**
(45) Registration Date: **21 November 2005**
(56) Related Art Documents: **Not Applicable**
(57) Statement of Newness and Distinctiveness: **The particular visual features of the design, which are new and distinctive, are shown in solid line.**



(21) Design Number: **12775/2005**

(22) Date of Filing Application: **29 June 2005**

(24) Date from which industrial property rights may have effect: **29 June 2005**

(54) Product in respect of which the design is registered: **Sink**

(51) International Design Classification: **23-02F**

(71) Name(s) and Address(s) of Applicant(s):

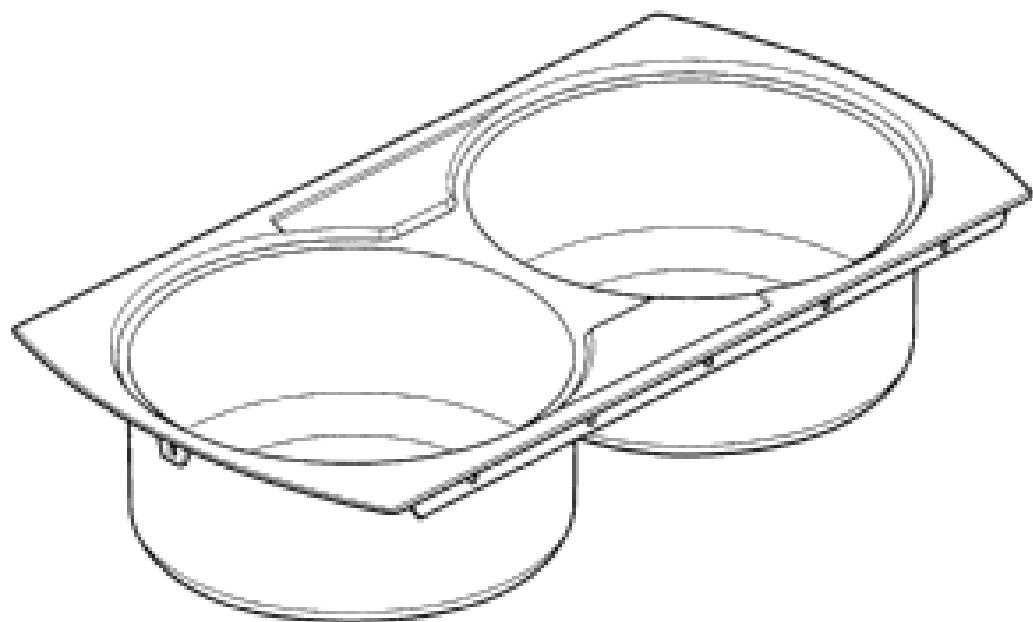
Tasman Sinkware Pty Limited
51 Naweena Road Regency Park South Australia 5010 Australia

(72) Name(s) of Designer(s): **Bryant Walters and Doug Trewin and Robert Cebulski**

(45) Registration Date: **21 November 2005**

(56) Related Art Documents: **Not Applicable**

(57) Statement of Newness and Distinctiveness: **The particular visual features of the design, which are new and distinctive, are shown in solid line.**



(21) Design Number: **12777/2005**

(22) Date of Filing Application: **29 June 2005**

(24) Date from which industrial property rights may have effect: **29 June 2005**

(54) Product in respect of which the design is registered: **An extrusion**

(51) International Design Classification: **25-01K**

(71) Name(s) and Address(s) of Applicant(s):

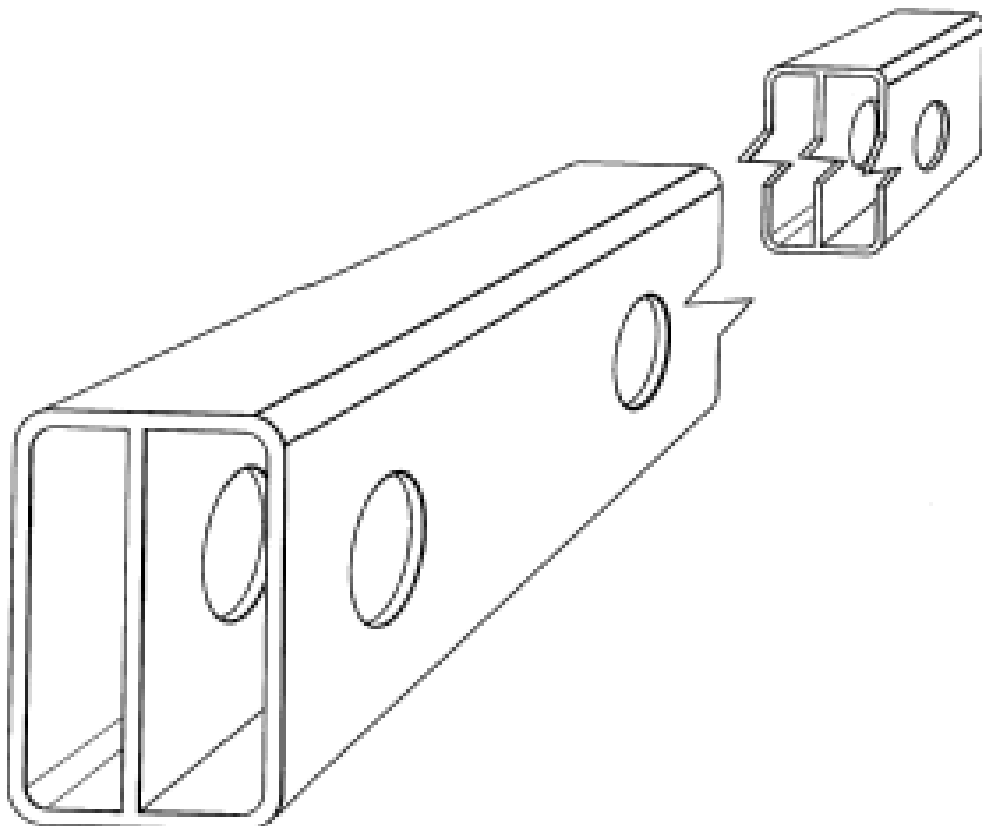
Brenmont Pty Ltd
221 Brisbane Street Ipswich Queensland 4305 Australia

(72) Name(s) of Designer(s): **Michael Smith**

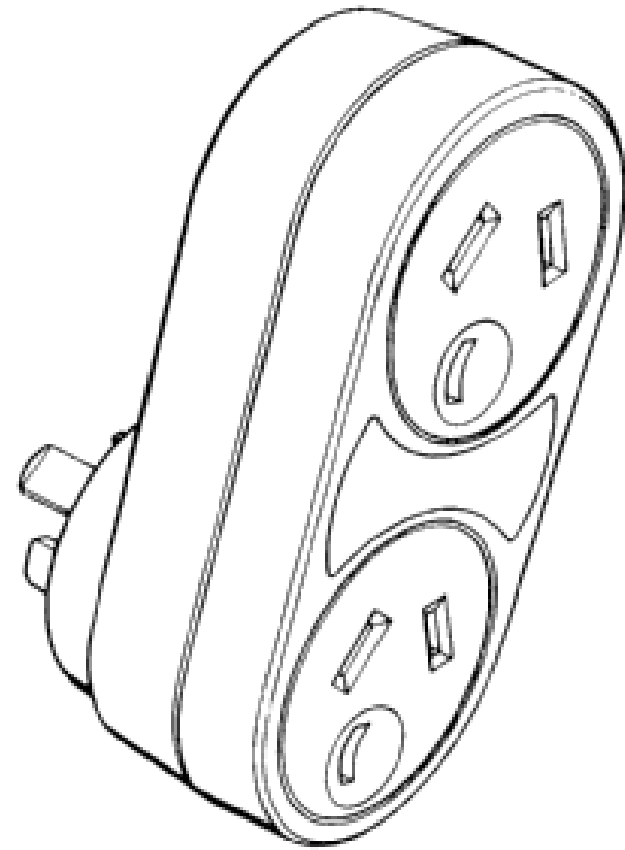
(45) Registration Date: **21 November 2005**

(56) Related Art Documents: **Not Applicable**

(57) Statement of Newness and Distinctiveness: **The design resides in the features of shape and configuration of an extrusion as shown in the attached representations.**



- (21) Design Number: **12778/2005**
- (22) Date of Filing Application: **29 June 2005**
- (24) Date from which industrial property rights may have effect: **29 June 2005**
- (54) Product in respect of which the design is registered: **An adaptor**
- (51) International Design Classification: **13-03D**
- (71) Name(s) and Address(s) of Applicant(s):
Jackson Industries Pty Limited
Building C 2 Hudson Avenue Castle Hill New South Wales 2153
Australia
- (72) Name(s) of Designer(s): **Ross Alec Jackson**
- (45) Registration Date: **21 November 2005**
- (56) Related Art Documents: **Not Applicable**
- (57) Statement of Newness and Distinctiveness: **Newness and distinctiveness is claimed in the features of shape and/or configuration of an adaptor as illustrated in the accompanying representations.**

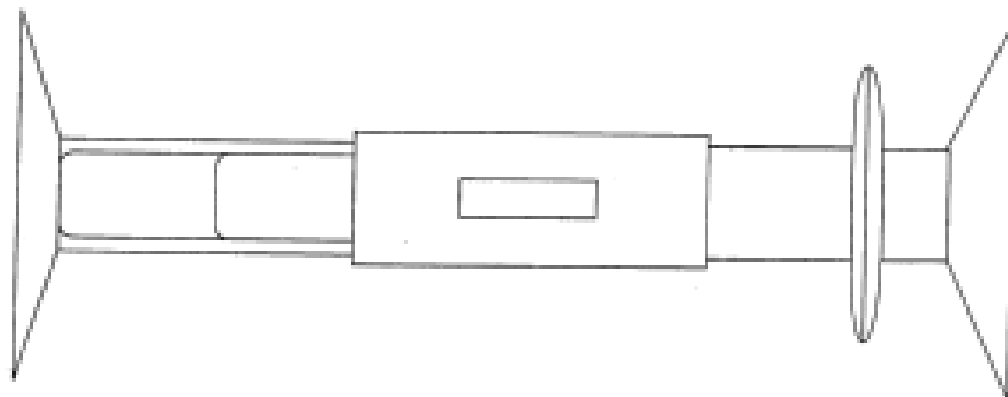


- (21) Design Number: **12779/2005**
- (22) Date of Filing Application: **29 June 2005**
- (24) Date from which industrial property rights may have effect: **29 June 2005**
- (54) Product in respect of which the design is registered: **A tyre**
- (51) International Design Classification: **12-15A**
- (71) Name(s) and Address(s) of Applicant(s):
The Goodyear Tire & Rubber Company
1144 East Market Street Akron Ohio 44316-0001 United States of
America
- (72) Name(s) of Designer(s): **Paul Welbes**
- (45) Registration Date: **21 November 2005**
- (30) Convention priority data:

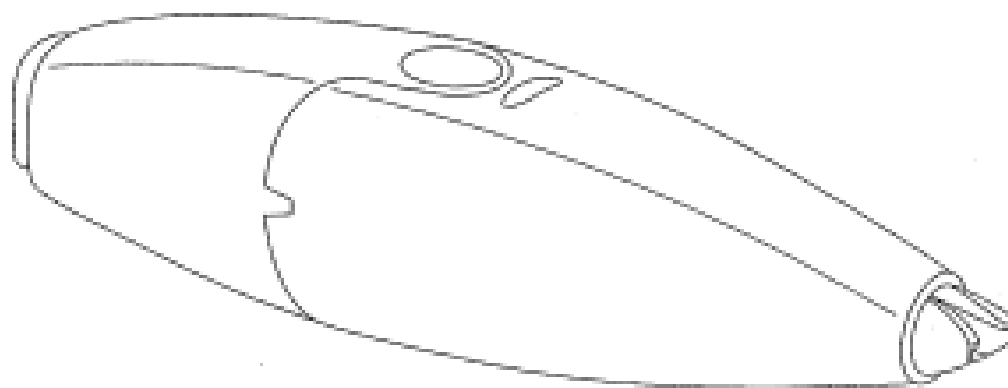
| | | |
|------------------|--------------------|---------------------------------|
| (31) Number | (32) Date | (33) Country |
| 29/221288 | 13 Jan 2005 | UNITED STATES OF AMERICA |
- (56) Related Art Documents: **Not Applicable**
- (57) Statement of Newness and Distinctiveness: **Newness and distinctiveness is claimed in the features of shape and/or configuration of the tread of a tyre as illustrated in the accompanying representations, wherein the shape and/or configuration of the tread is repeated throughout the circumference of the tyre.**



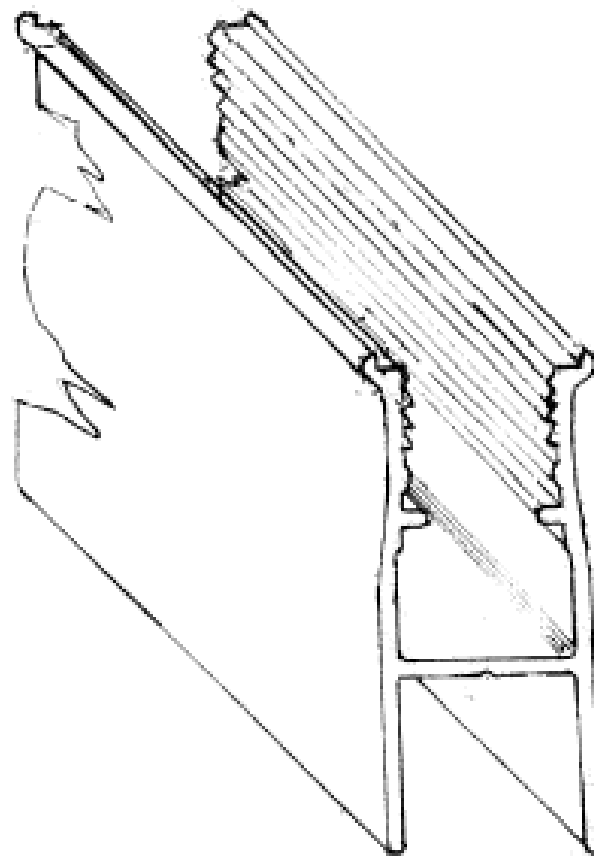
- (21) Design Number: **12785/2005**
(22) Date of Filing Application: **28 June 2005**
(24) Date from which industrial property rights may have effect: **28 June 2005**
(54) Product in respect of which the design is registered: **Needle stick injury safety device**
(51) International Design Classification: **24-02**
(71) Name(s) and Address(s) of Applicant(s):
Nalsco Pty Limited
6/62 Newton Road Wetherill Park New South Wales 2164 Australia
(72) Name(s) of Designer(s): **Paul Adolf Noppen**
(45) Registration Date: **21 November 2005**
(56) Related Art Documents: **Not Applicable**
(57) Statement of Newness and Distinctiveness: **Newness and distinctiveness is claimed in the shape and/or configuration of needle stick injury safety device as illustrated in the accompanying representation/s.**



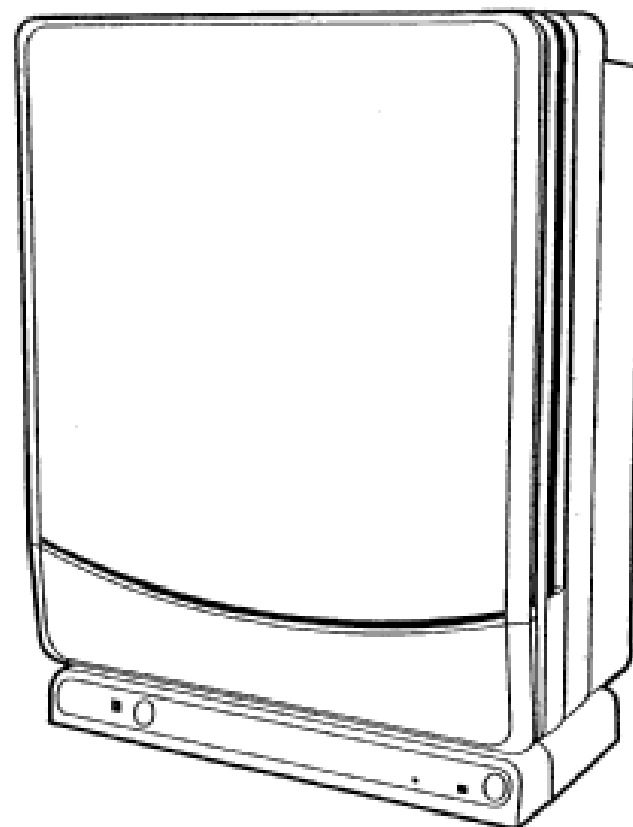
- (21) Design Number: **12725/2005**
(22) Date of Filing Application: **28 June 2005**
(24) Date from which industrial property rights may have effect: **28 June 2005**
(54) Product in respect of which the design is registered: **A pushbutton controlled correction tape**
(51) International Design Classification: **19-02**
(71) Name(s) and Address(s) of Applicant(s):
SDI Corporation
No. 260 Sec 2 Chang Nan Road Chang Hua Taiwan
(72) Name(s) of Designer(s): **Jau-Shyong Chen**
(45) Registration Date: **21 November 2005**
(56) Related Art Documents: **Not Applicable**
(57) Statement of Newness and Distinctiveness: **Newness and distinctiveness resides in the shape and configuration of a pushbutton controlled correction tape as shown in the accompanying representations.**



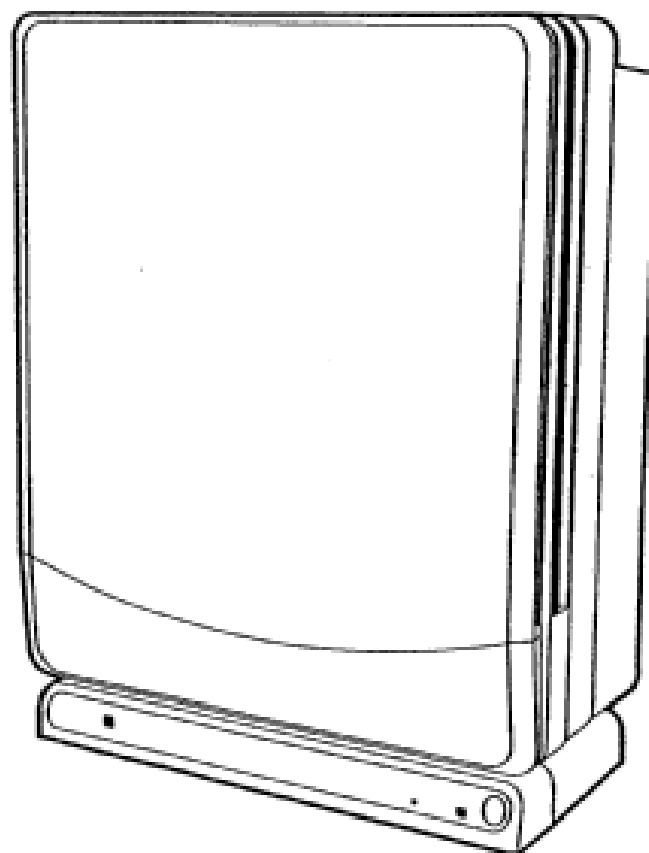
- (21) Design Number: **12740/2005**
(22) Date of Filing Application: **29 June 2005**
(24) Date from which industrial property rights may have effect: **29 June 2005**
(54) Product in respect of which the design is registered: **Shower screen panel stile**
(51) International Design Classification: **23-02B**
(71) Name(s) and Address(s) of Applicant(s):
Dias Aluminium Products Pty Ltd
201-205 Browns Road Noble Park Victoria 3174 Australia
(72) Name(s) of Designer(s): **David Aiken Paterson**
(45) Registration Date: **21 November 2005**
(56) Related Art Documents: **Not Applicable**
(57) Statement of Newness and Distinctiveness: **Nil**



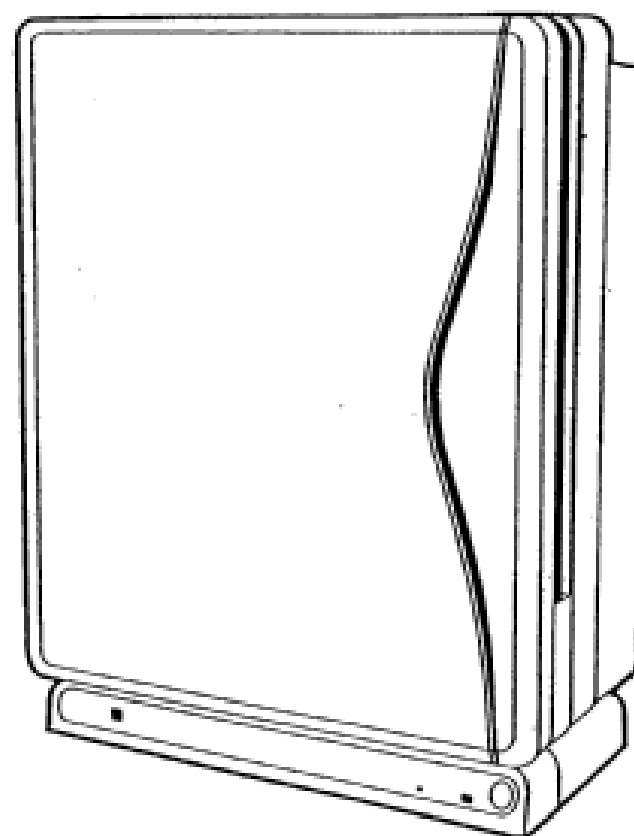
- (21) Design Number: **12972/2005**
(22) Date of Filing Application: **08 July 2005**
(24) Date from which industrial property rights may have effect: **08 July 2005**
(54) Product in respect of which the design is registered: **Air cleaner**
(51) International Design Classification: **23-04**
(71) Name(s) and Address(s) of Applicant(s):
Daikin Industries Ltd
Umeda Center Building 4-12 Nakazaki-Nishi 2-chome Kita-ku
Osaka-shi Osaka-fu Japan
(72) Name(s) of Designer(s): **Yuichi Murai**
(45) Registration Date: **21 November 2005**
(56) Related Art Documents: **Not Applicable**
(57) Statement of Newness and Distinctiveness: **Newness and distinctiveness of the design resides in the shape and configuration of the panel marked "A" of the air cleaner depicted in the accompanying representations.**



- (21) Design Number: **12973/2005**
- (22) Date of Filing Application: **08 July 2005**
- (24) Date from which industrial property rights may have effect: **08 July 2005**
- (54) Product in respect of which the design is registered: **Air cleaner**
- (51) International Design Classification: **23-04**
- (71) Name(s) and Address(s) of Applicant(s):
Daikin Industries Ltd
Umeda Center Building 4-12 Nakazaki-Nishi 2-chome Kita-ku
Osaka-shi Osaka-fu Japan
- (72) Name(s) of Designer(s): **Yuichi Murai**
- (45) Registration Date: **21 November 2005**
- (56) Related Art Documents: **Not Applicable**
- (57) Statement of Newness and Distinctiveness: **Newness and distinctiveness of the design resides in the shape and configuration of the panel marked "A" of the air cleaner depicted in the accompanying representations.**



- (21) Design Number: **12974/2005**
- (22) Date of Filing Application: **08 July 2005**
- (24) Date from which industrial property rights may have effect: **08 July 2005**
- (54) Product in respect of which the design is registered: **Air cleaner**
- (51) International Design Classification: **23-04**
- (71) Name(s) and Address(s) of Applicant(s):
Daikin Industries Ltd
Umeda Center Building 4-12 Nakazaki-Nishi 2-chome Kita-ku
Osaka-shi Osaka-fu Japan
- (72) Name(s) of Designer(s): **Yuichi Murai**
- (45) Registration Date: **21 November 2005**
- (56) Related Art Documents: **Not Applicable**
- (57) Statement of Newness and Distinctiveness: **Newness and distinctiveness of the design resides in the shape and configuration of the panel marked "A" of the air cleaner depicted in the accompanying representations.**



(21) Design Number: **12787/2005**

(22) Date of Filing Application: **30 June 2005**

(24) Date from which industrial property rights may have effect: **30 June 2005**

(54) Product in respect of which the design is registered: **Merchandise display**

(51) International Design Classification: **20-02E**

(71) Name(s) and Address(s) of Applicant(s):

Belkin Corporation
501 West Walnut Street Compton California 90220 United States of America

(72) Name(s) of Designer(s): **James Chu**

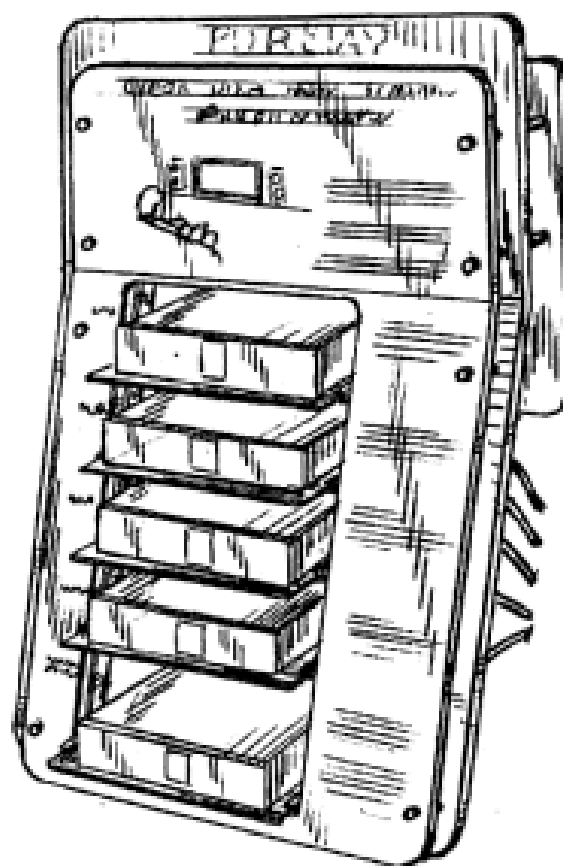
(45) Registration Date: **21 November 2005**

(30) Convention priority data:

| | | |
|------------------|--------------------|---------------------------------|
| (31) Number | (32) Date | (33) Country |
| 29/220644 | 04 Jan 2005 | UNITED STATES OF AMERICA |

(56) Related Art Documents: **Not Applicable**

(57) Statement of Newness and Distinctiveness: **Newness and distinctiveness is claimed in the features of shape and/or configuration of a merchandise display as illustrated in the accompanying representations.**



(21) Design Number: **12795/2005**

(22) Date of Filing Application: **30 June 2005**

(24) Date from which industrial property rights may have effect: **30 June 2005**

(54) Product in respect of which the design is registered: **Dust collecting pad**

(51) International Design Classification: **15-05**

(71) Name(s) and Address(s) of Applicant(s):

Kabushiki Kaisha Miyanaga
2393 Fukui Miki-Shi Hyogo 673-0433 Japan

(72) Name(s) of Designer(s): **Masaaki Miyanaga**

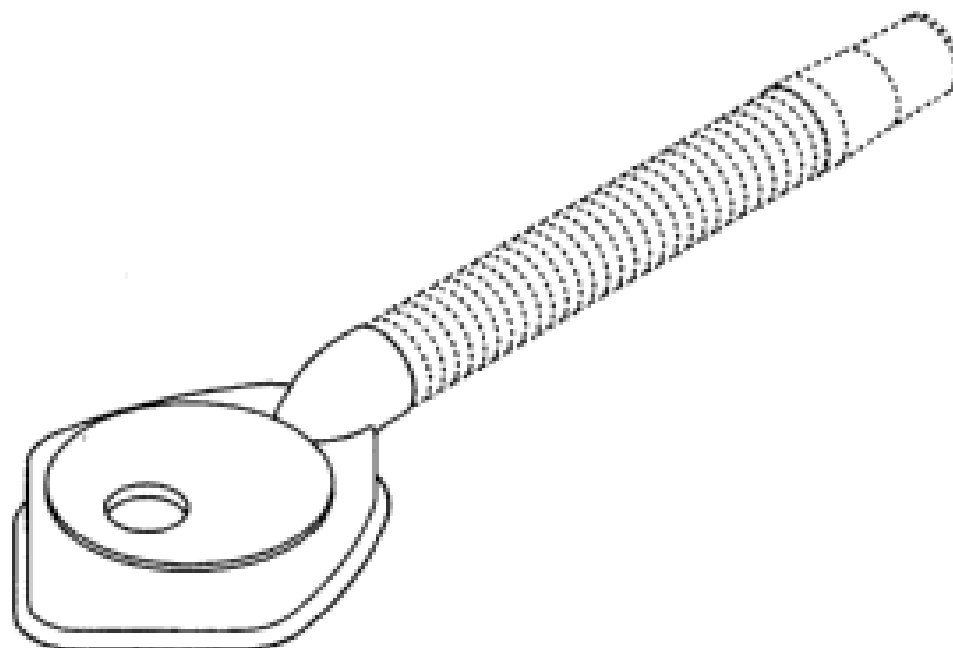
(45) Registration Date: **21 November 2005**

(30) Convention priority data:

| | | |
|--------------------|--------------------|--------------|
| (31) Number | (32) Date | (33) Country |
| 2005-000611 | 12 Jan 2005 | JAPAN |

(56) Related Art Documents: **Not Applicable**

(57) Statement of Newness and Distinctiveness: **The design relates to a dust collection pad as shown in the representations. The portions of the article shown in broken outline form no part of the design.**



(21) Design Number: **13008/2005**

(22) Date of Filing Application: **13 July 2005**

(24) Date from which industrial property rights may have effect: **13 July 2005**

(54) Product in respect of which the design is registered: **A letterbox**

(51) International Design Classification: **25-03**

(71) Name(s) and Address(s) of Applicant(s):

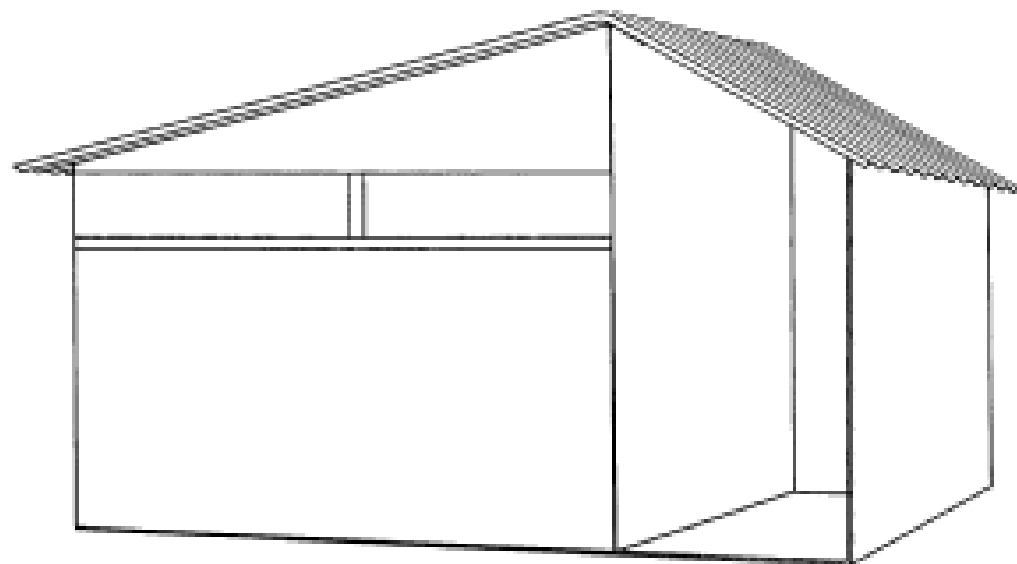
Milkcan Letterbox Co. Pty Ltd
250 Robinson Road Geebung Queensland 4034 Australia

(72) Name(s) of Designer(s): **Cherryl Ann Lake**

(45) Registration Date: **21 November 2005**

(56) Related Art Documents: **Not Applicable**

(57) Statement of Newness and Distinctiveness: **The newness and distinctiveness of the design resides in the shape and/or configuration of a letterbox shown in the representations.**



(21) Design Number: **13013/2005**

(22) Date of Filing Application: **13 July 2005**

(24) Date from which industrial property rights may have effect: **13 July 2005**

(54) Product in respect of which the design is registered: **Pockets of jeans, pants, shorts, skirts, dresses, coats and other clothing**

(51) International Design Classification: **02-02B**

(71) Name(s) and Address(s) of Applicant(s):

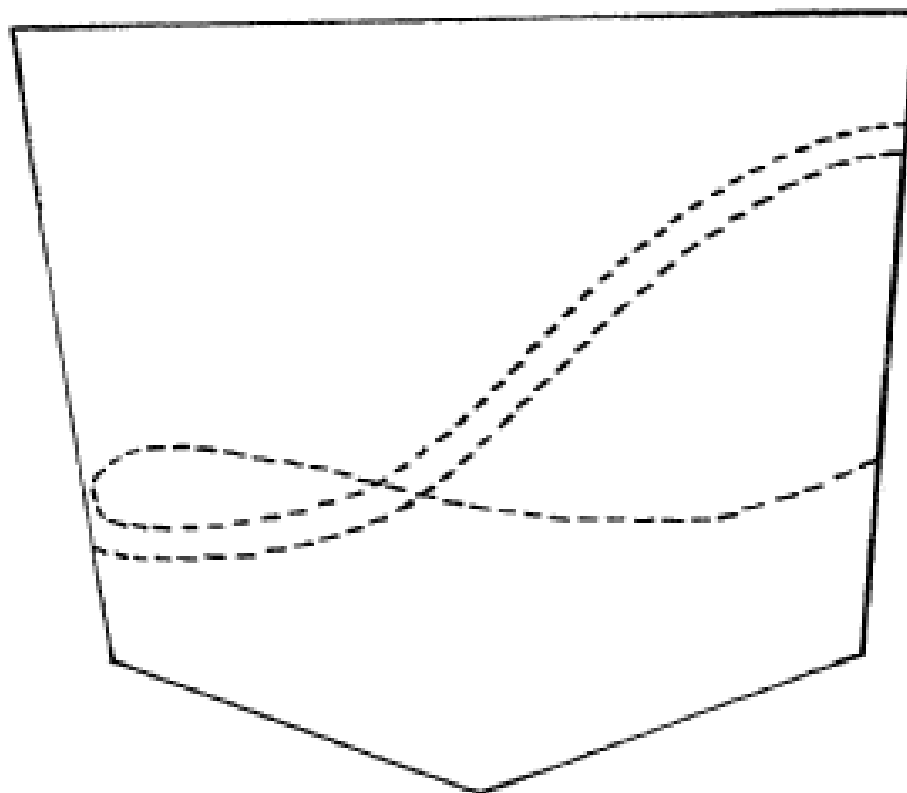
Ladakh Pty Ltd
Level 3 105 Kippax Street Surry Hills New South Wales 2010 Australia

(72) Name(s) of Designer(s): **Keith Raymond Richards**

(45) Registration Date: **21 November 2005**

(56) Related Art Documents: **Not Applicable**

(57) Statement of Newness and Distinctiveness: **The stitching detail on the pocket is new and distinctive and shows a variation of the letter "L" to signify the trading name (also company name) of "Ladakh".**



(21) Design Number: **13022/2005**
 (22) Date of Filing Application: **14 July 2005**
 (24) Date from which industrial property rights may have effect: **14 July 2005**
 (54) Product in respect of which the design is registered: **A safety knife**
 (51) International Design Classification: **08-03**
 (71) Name(s) and Address(s) of Applicant(s):

Cetram Pty Limited
3 Chester Street Oakleigh Victoria 3166 Australia

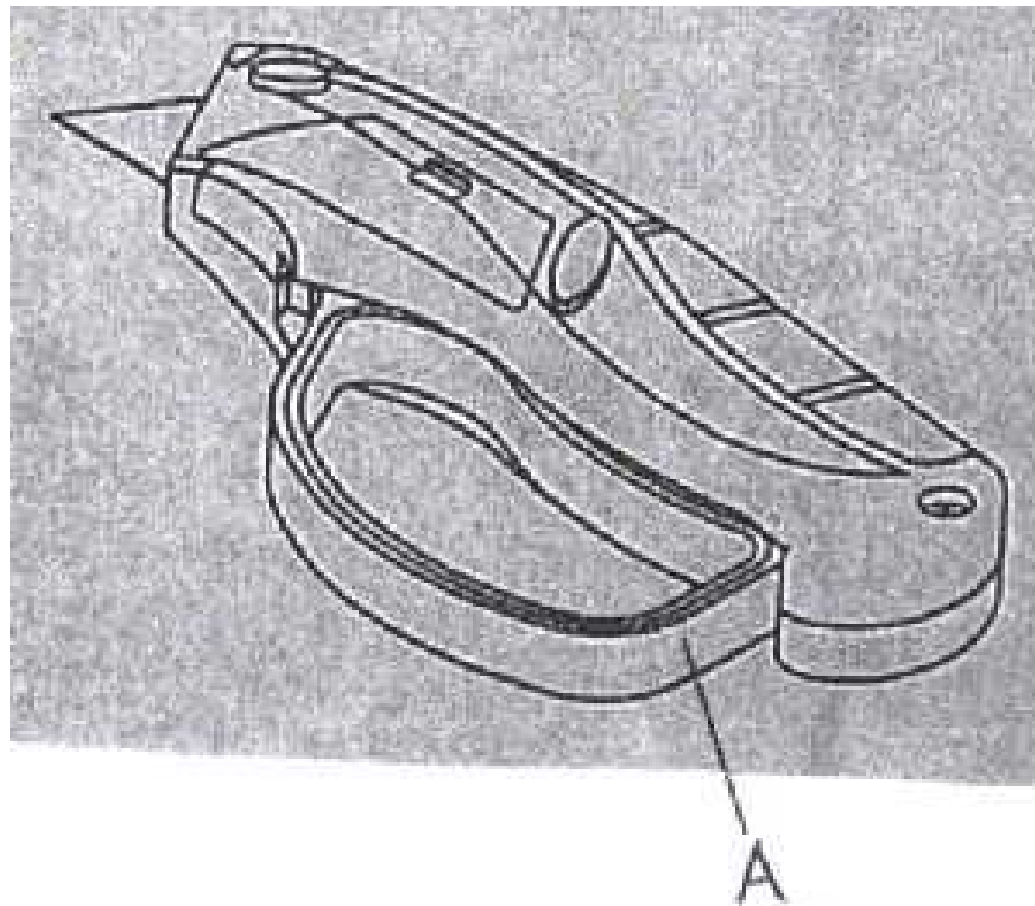
(72) Name(s) of Designer(s): **David Morris and Pan De Miao**
 (45) Registration Date: **21 November 2005**

(30) Convention priority data:

| | | |
|-----------------------|--------------------|--------------|
| (31) Number | (32) Date | (33) Country |
| 200530106236.5 | 20 Apr 2005 | CHINA |

(56) Related Art Documents: **Not Applicable**

(57) Statement of Newness and Distinctiveness: **Newness and distinctiveness is claimed in the features of shape and configuration of the actuating handle marked "A" as shown in the representations.**



(21) Design Number: **13065/2005**
 (22) Date of Filing Application: **19 July 2005**
 (24) Date from which industrial property rights may have effect: **19 July 2005**
 (54) Product in respect of which the design is registered: **Stamp**
 (51) International Design Classification: **19-02**
 (71) Name(s) and Address(s) of Applicant(s):

Shachihata Inc.
No. 69 4-chome Amazuka-cho Nishi-ku Nagoya Aichi 451-0021 Japan

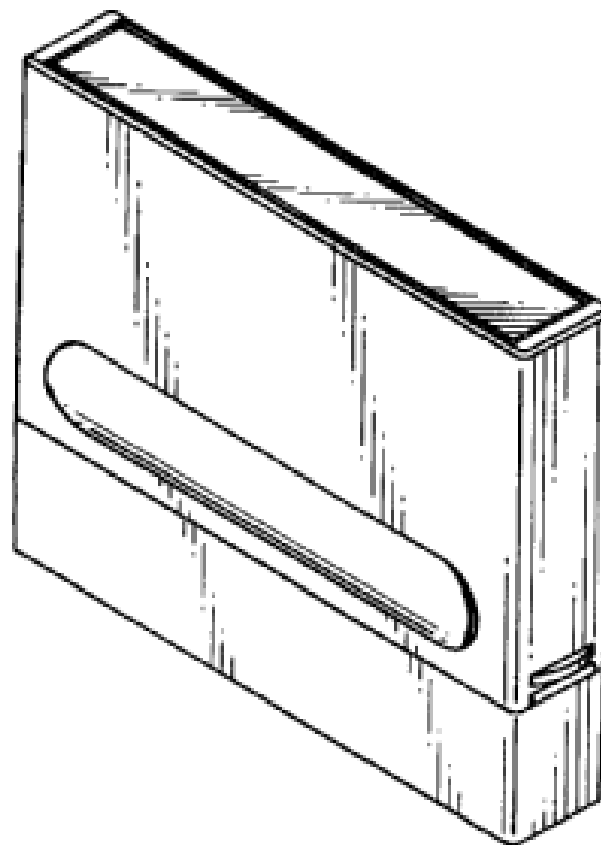
(72) Name(s) of Designer(s): **Shoichi Inaguma**
 (45) Registration Date: **21 November 2005**

(30) Convention priority data:

| | | |
|--------------------|--------------------|--------------|
| (31) Number | (32) Date | (33) Country |
| 2005-006197 | 03 Mar 2005 | JAPAN |

(56) Related Art Documents: **Not Applicable**

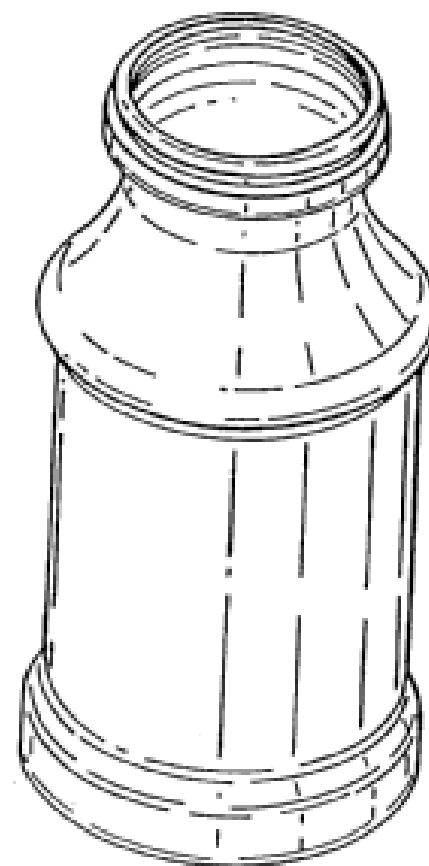
(57) Statement of Newness and Distinctiveness: **Nil**



- (21) Design Number: **13086/2005**
(22) Date of Filing Application: **19 July 2005**
(24) Date from which industrial property rights may have effect: **19 July 2005**
(54) Product in respect of which the design is registered: **New corazon bottles**
(51) International Design Classification: **09-01NES**
(71) Name(s) and Address(s) of Applicant(s):

Unilever PLC
Unilever House Blackfriars London EC4P 4BQ United Kingdom

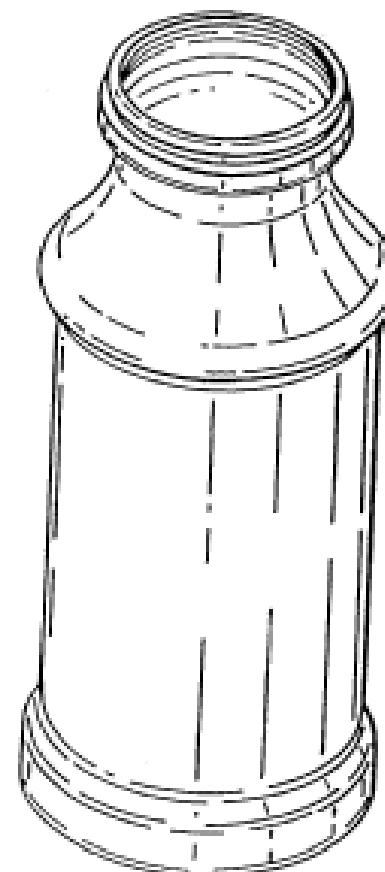
- (72) Name(s) of Designer(s): **Robert Michael Hyde and Sijia Wu**
(45) Registration Date: **21 November 2005**
(30) Convention priority data:
(31) Number (32) Date (33) Country
000294400-0001 10 Feb 2005 EUROPEAN COMMUNITY
(56) Related Art Documents: **Not Applicable**
(57) Statement of Newness and Distinctiveness: **Newness and distinctiveness is claimed in the visual features shown in solid lines in the representations.**



- (21) Design Number: **13087/2005**
(22) Date of Filing Application: **19 July 2005**
(24) Date from which industrial property rights may have effect: **19 July 2005**
(54) Product in respect of which the design is registered: **New corazon bottles**
(51) International Design Classification: **09-01NES**
(71) Name(s) and Address(s) of Applicant(s):

Unilever PLC
Unilever House Blackfriars London EC4P 4BQ United Kingdom

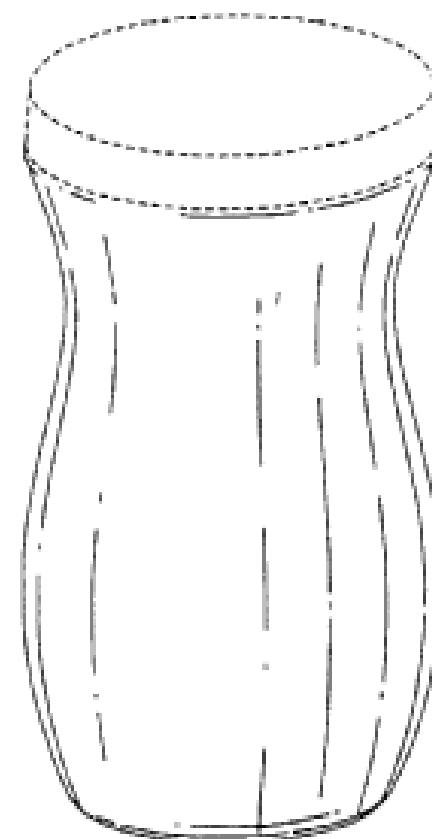
- (72) Name(s) of Designer(s): **Robert Michael Hyde and Sijia Wu**
(45) Registration Date: **21 November 2005**
(30) Convention priority data:
(31) Number (32) Date (33) Country
000294400-0001 10 Feb 2005 EUROPEAN COMMUNITY
(56) Related Art Documents: **Not Applicable**
(57) Statement of Newness and Distinctiveness: **Newness and distinctiveness is claimed in the visual features shown in solid lines in the representations.**



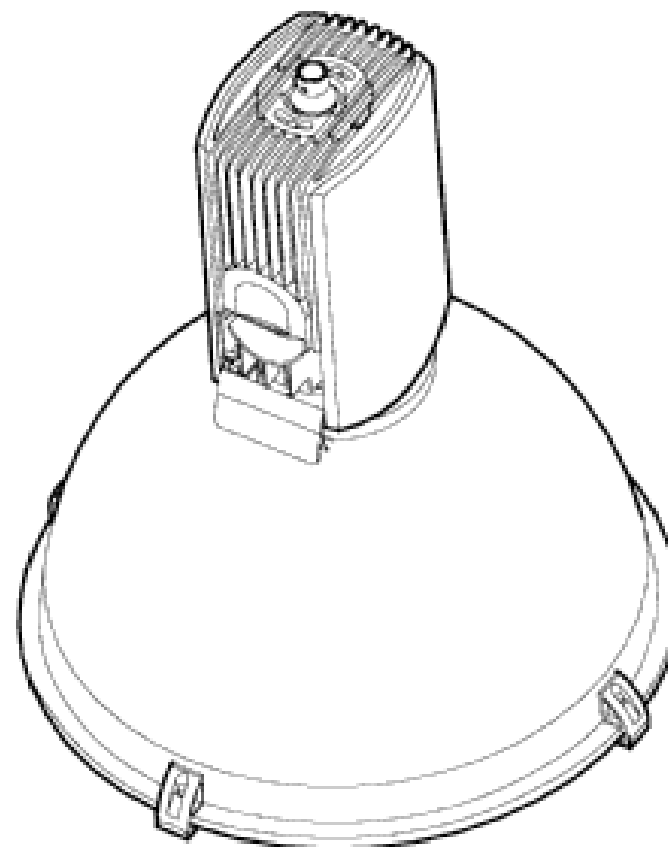
(21) Design Number: **13089/2005**
(22) Date of Filing Application: **19 July 2005**
(24) Date from which industrial property rights may have effect: **19 July 2005**
(54) Product in respect of which the design is registered: **A toothbrush**
(51) International Design Classification: **04-02**
(71) Name(s) and Address(s) of Applicant(s):
GlaxoSmithKline Consumer Healthcare GmbH & Co. KG
Bussmatten 1 D-77815 Buehl (Baden) Germany
(72) Name(s) of Designer(s): **Christoph Geiberger**
(45) Registration Date: **21 November 2005**
(30) Convention priority data:
(31) Number (32) Date (33) Country
3020066 21 Jan 2005 UNITED KINGDOM
(56) Related Art Documents: **Not Applicable**
(57) Statement of Newness and Distinctiveness: **Nil**



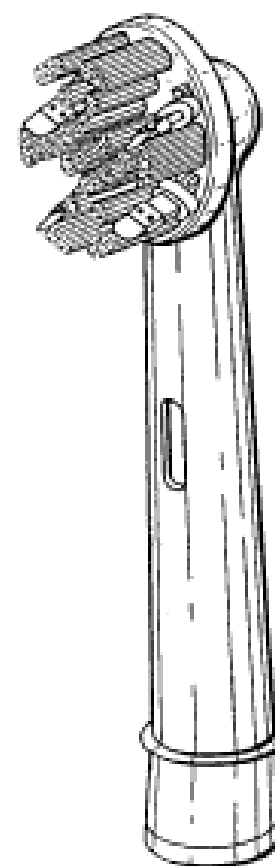
(21) Design Number: **12963/2005**
(22) Date of Filing Application: **08 July 2005**
(24) Date from which industrial property rights may have effect: **26 November 2004**
(54) Product in respect of which the design is registered: **Container**
(51) International Design Classification: **09-01C**
(71) Name(s) and Address(s) of Applicant(s):
The Procter & Gamble Company
One Procter & Gamble Plaza Cincinnati Ohio 45202 United States of America
(72) Name(s) of Designer(s): **Nigel Joseph Glynn and Jennifer Claire Morton and Graig Elliot Pirie**
(45) Registration Date: **21 November 2005**
(62) Divisional of: **302767**
(56) Related Art Documents: **Not Applicable**
(57) Statement of Newness and Distinctiveness: **Those features of the container depicted in the representations that are new and distinctive are the shape and/or configuration. The features shown in broken line are not part of the design and are to be disregarded when considering the overall impression of the design.**



- (21) Design Number: **12967/2005**
(22) Date of Filing Application: **08 July 2005**
(24) Date from which industrial property rights may have effect: **08 July 2005**
(54) Product in respect of which the design is registered: **Luminaire for industrial lighting**
(51) International Design Classification: **26-04**
(71) Name(s) and Address(s) of Applicant(s):
Koninklijke Philips Electronics N.V.
Groenewoudseweg 1 5621 BA Eindhoven The Netherlands
(72) Name(s) of Designer(s): **Kin Man Ernest To**
(45) Registration Date: **21 November 2005**
(30) Convention priority data:
(31) Number (32) Date (33) Country
000286869 31 Jan 2005 EUROPEAN COMMUNITY
(56) Related Art Documents: **Not Applicable**
(57) Statement of Newness and Distinctiveness: **Each feature of the design considered separately or in combination with any other feature or features.**



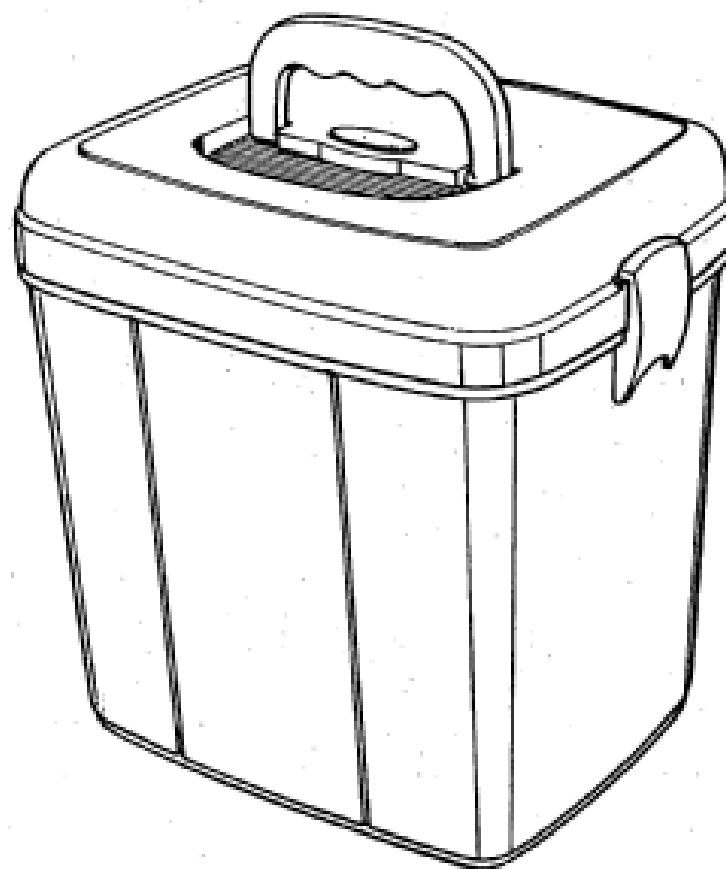
- (21) Design Number: **12968/2005**
(22) Date of Filing Application: **08 July 2005**
(24) Date from which industrial property rights may have effect: **08 July 2005**
(54) Product in respect of which the design is registered: **Head and neck of toothbrush**
(51) International Design Classification: **04-02**
(71) Name(s) and Address(s) of Applicant(s):
The Gillette Company
Prudential Tower Building Boston Massachusetts 02199 United States of America
(72) Name(s) of Designer(s): **Alexander T. Chenvainu and Thomas A. Christman and Duy Phong Vu and Roland Ullmann**
(45) Registration Date: **21 November 2005**
(30) Convention priority data:
(31) Number (32) Date (33) Country
29/221039 10 Jan 2005 UNITED STATES OF AMERICA
(56) Related Art Documents: **Not Applicable**
(57) Statement of Newness and Distinctiveness: **Newness and distinctiveness is claimed in the features of shape and/or configuration of the bristles and the fins of the head portion of the head and neck of toothbrush as illustrated in the accompanying representations.**



- (21) Design Number: **12978/2005**
- (22) Date of Filing Application: **08 July 2005**
- (24) Date from which industrial property rights may have effect: **08 July 2005**
- (54) Product in respect of which the design is registered: **Liquid container**
- (51) International Design Classification: **09-02NES**
- (71) Name(s) and Address(s) of Applicant(s):

George Michael
1 Sarah Place Bossley Park New South Wales 2176 Australia

- (72) Name(s) of Designer(s): **George Michael**
- (45) Registration Date: **21 November 2005**
- (56) Related Art Documents: **Not Applicable**
- (57) Statement of Newness and Distinctiveness: **Newness and distinctiveness is claimed in the shape and/or configuration of a liquid container as illustrated by the unbroken lines in the accompanying representation.**



- (21) Design Number: **13010/2005**
- (22) Date of Filing Application: **13 July 2005**
- (24) Date from which industrial property rights may have effect: **13 July 2005**
- (54) Product in respect of which the design is registered: **Bottle**
- (51) International Design Classification: **09-01NES**
- (71) Name(s) and Address(s) of Applicant(s):

The Coca-Cola Company
One Coca-Cola Plaza NW Atlanta Georgia 30313 United States of America

- (72) Name(s) of Designer(s): **Brandon Leck and Bradley C. Dimmel and Raminder Pal Singh Bindra and Carie A. Davis and John P. Fant and Martin T. Geithmann and David M. Ryan and Darryl J. Dawson Sr.**

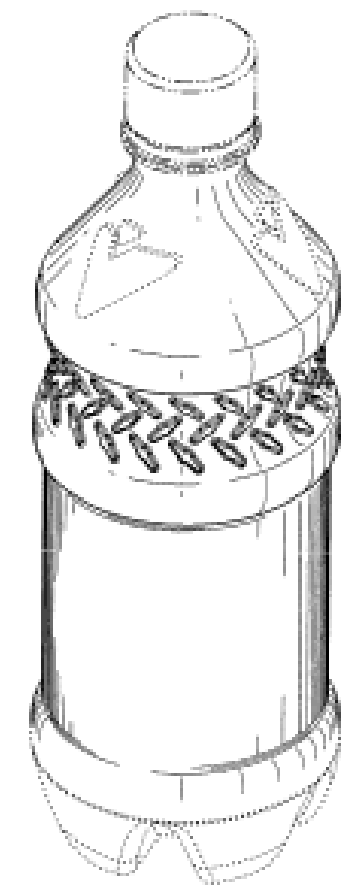
(45) Registration Date: **21 November 2005**

(30) Convention priority data:

| | | |
|-------------------|--------------------|---------------------------------|
| (31) Number | (32) Date | (33) Country |
| 29/221,715 | 19 Jan 2005 | UNITED STATES OF AMERICA |

(56) Related Art Documents: **Not Applicable**

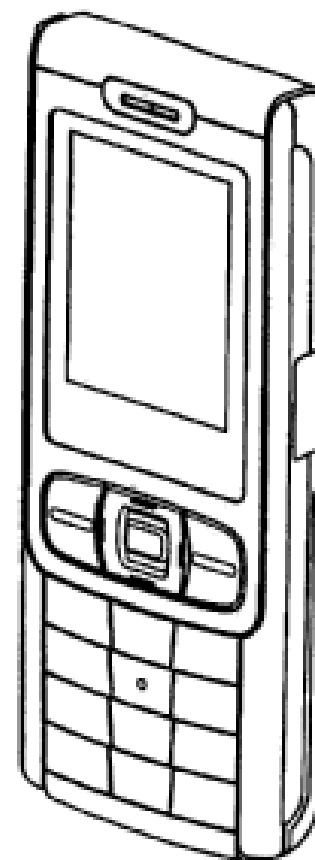
- (57) Statement of Newness and Distinctiveness: **Those features of the bottle depicted in the representations that are new and distinctive are the shape and/or configuration. The features shown in broken line are to be disregarded when considering the overall impression of the design.**



(21) Design Number: **13053/2005**
 (22) Date of Filing Application: **14 July 2005**
 (24) Date from which industrial property rights may have effect: **14 July 2005**
 (54) Product in respect of which the design is registered: **Portable wireless telephone**
 (51) International Design Classification: **14-03E**
 (71) Name(s) and Address(s) of Applicant(s):
NEC Corporation
7-1 Shiba 5-Chome Minato-ku Tokyo Japan
 (72) Name(s) of Designer(s): **Madoka Yoshino and Mitsuaki Kanada and Kazuhiko Yamaoka**
 (45) Registration Date: **21 November 2005**
 (30) Convention priority data:

| | | |
|--------------------|--------------------|--------------|
| (31) Number | (32) Date | (33) Country |
| 2005-003473 | 10 Feb 2005 | JAPAN |

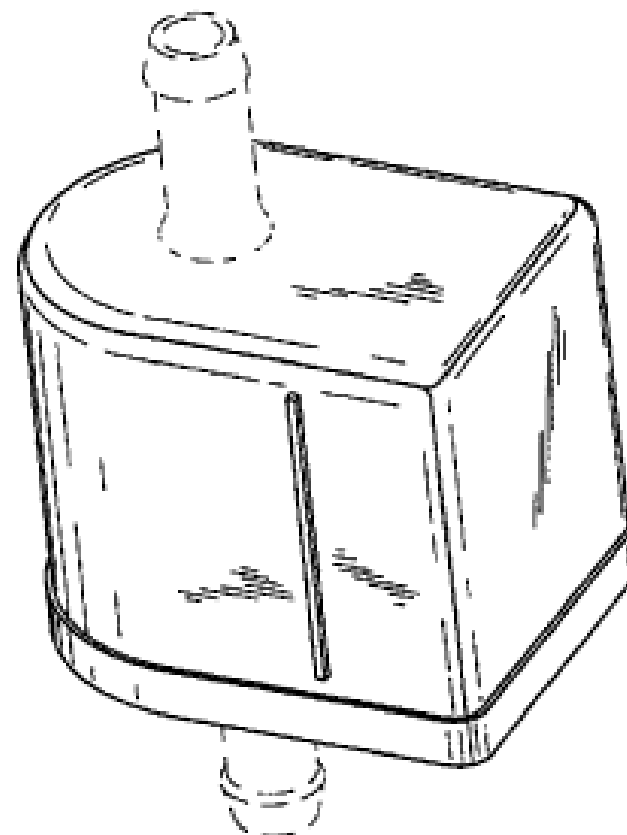
 (56) Related Art Documents: **Not Applicable**
 (57) Statement of Newness and Distinctiveness: **Nil**



(21) Design Number: **11084/2005**
 (22) Date of Filing Application: **21 March 2005**
 (24) Date from which industrial property rights may have effect: **21 March 2005**
 (54) Product in respect of which the design is registered: **Filter housing**
 (51) International Design Classification: **23-01G**
 (71) Name(s) and Address(s) of Applicant(s):
Briggs & Stratton Corporation
12301 West Wirth Street Wauwatosa Wisconsin 53222 United States of America
 (72) Name(s) of Designer(s): **Travis J. Nickels and James J. Dehn**
 (45) Registration Date: **22 November 2005**
 (30) Convention priority data:

| | | |
|-------------------|--------------------|---------------------------------|
| (31) Number | (32) Date | (33) Country |
| 29/214,990 | 11 Oct 2004 | UNITED STATES OF AMERICA |

 (56) Related Art Documents: **Not Applicable**
 (57) Statement of Newness and Distinctiveness: **Newness and distinctiveness are provided by the shape and/or configuration of the design shown in the representations. The features shown in broken lines in the representations are for illustrative purposes only and should not be considered when construing visual features of the design.**



- (21) Design Number: **11535/2005**
(22) Date of Filing Application: **18 April 2005**
(24) Date from which industrial property rights may have effect: **18 April 2005**
(54) Product in respect of which the design is registered: **No knot towing hook**
(51) International Design Classification: **08-08G**
(71) Name(s) and Address(s) of Applicant(s):
Lyll Todd
Ariah Street Ardlethan New South Wales 2665 Australia
Anne Todd
Ariah Street Ardlethan New South Wales 2665 Australia
(72) Name(s) of Designer(s): **Lyll K. Todd**
(45) Registration Date: **22 November 2005**
(56) Related Art Documents: **Not Applicable**
(57) Statement of Newness and Distinctiveness: **Made from metal or plastic materials.**



- (21) Design Number: **12180/2005**
(22) Date of Filing Application: **16 May 2005**
(24) Date from which industrial property rights may have effect: **16 May 2005**
(54) Product in respect of which the design is registered: **Ornamental object made of glass**
(51) International Design Classification: **11-02E**
(71) Name(s) and Address(s) of Applicant(s):
Swarovski Aktiengesellschaft
Droschistrasse 15 FL-9495 Triesen Liechtenstein
(72) Name(s) of Designer(s): **Roland Schuster**
(45) Registration Date: **22 November 2005**
(30) Convention priority data:
(31) Number (32) Date (33) Country
278593-0001 13 Jan 2005 EUROPEAN PATENT OFFICE (EP)
(56) Related Art Documents: **Not Applicable**
(57) Statement of Newness and Distinctiveness: **Nil**



(21) Design Number: **12337/2005**
(22) Date of Filing Application: **30 May 2005**
(24) Date from which industrial property rights may have effect: **30 May 2005**
(54) Product in respect of which the design is registered: **G-string**
(51) International Design Classification: **02-01B, 01-01**
(71) Name(s) and Address(s) of Applicant(s):

Spencer & Fleetwood Limited
Kings Lodge 28 Church Street Epsom Surrey KT17 4QB United Kingdom

(72) Name(s) of Designer(s): **Yvonne Schroeder**

(45) Registration Date: **22 November 2005**

(30) Convention priority data:

| | | |
|---------------|--------------------|---------------------------|
| (31) Number | (32) Date | (33) Country |
| 276050 | 22 Dec 2004 | EUROPEAN COMMUNITY |

(56) Related Art Documents: **Not Applicable**

(57) Statement of Newness and Distinctiveness: **Newness and distinctiveness is claimed in the shape and/or configuration of a G-string as illustrated in the representations and in considering the extent of the newness and distinctiveness of the shape and/or configuration of the G-string, the human body supporting the G-string is to be disregarded.**



(21) Design Number: **12357/2005**
(22) Date of Filing Application: **31 May 2005**
(24) Date from which industrial property rights may have effect: **31 May 2005**
(54) Product in respect of which the design is registered: **Parasol clamp**
(51) International Design Classification: **08-08D, 03-03**
(71) Name(s) and Address(s) of Applicant(s):

Pernilla Stahre
Hofstrasse 2 Kerns 6064 Switzerland

(72) Name(s) of Designer(s): **Pernilla Stahre**

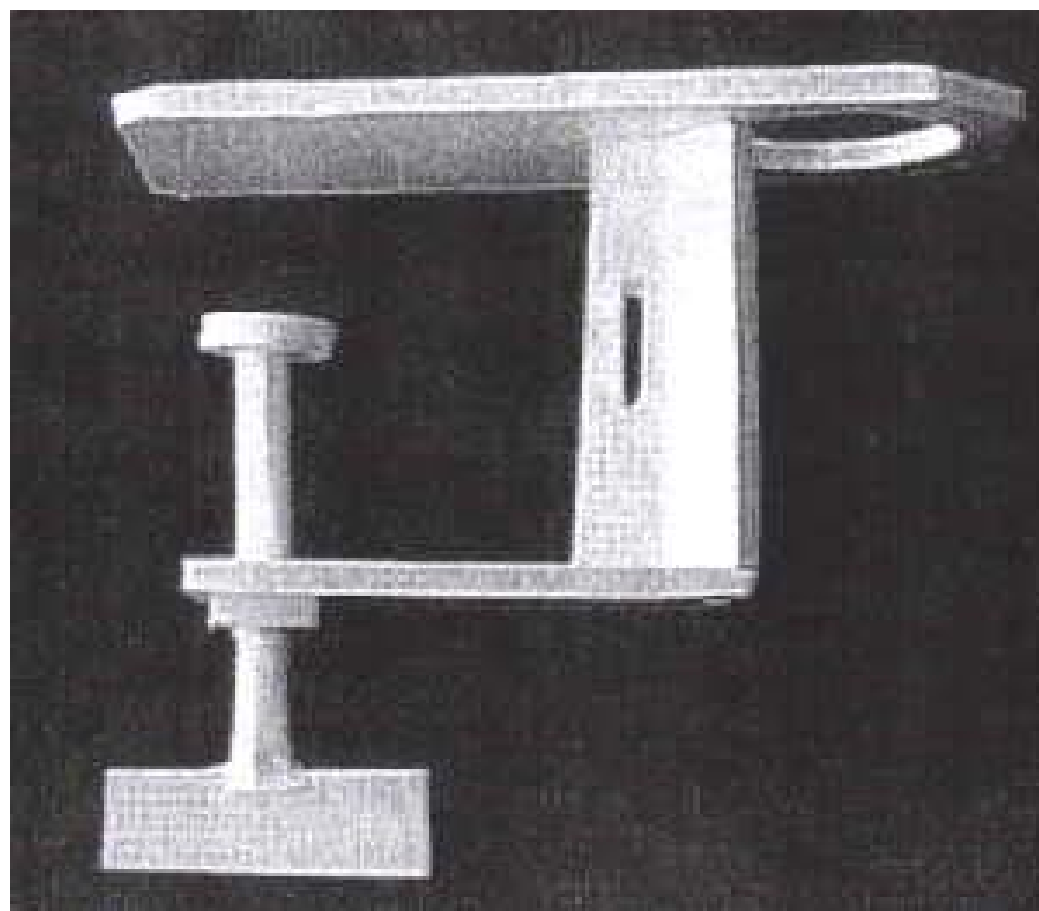
(45) Registration Date: **22 November 2005**

(30) Convention priority data:

| | | |
|----------------|--------------------|---------------|
| (31) Number | (32) Date | (33) Country |
| 04-0834 | 08 Dec 2004 | SWEDEN |

(56) Related Art Documents: **Not Applicable**

(57) Statement of Newness and Distinctiveness: **Nil**



(21) Design Number: **12403/2005**

(22) Date of Filing Application: **06 June 2005**

(24) Date from which industrial property rights may have effect: **06 June 2005**

(54) Product in respect of which the design is registered: **Frog money box**

(51) International Design Classification: **19-02**

(71) Name(s) and Address(s) of Applicant(s):

Logo-Line Australia Pty Ltd
18 Moonbi Street Brendale Queensland 4500 Australia

(72) Name(s) of Designer(s): **Ross Beaton**

(45) Registration Date: **22 November 2005**

(56) Related Art Documents: **Not Applicable**

(57) Statement of Newness and Distinctiveness: **Nil**



(21) Design Number: **12656/2005**

(22) Date of Filing Application: **22 June 2005**

(24) Date from which industrial property rights may have effect: **22 June 2005**

(54) Product in respect of which the design is registered: **Barrier bench**

(51) International Design Classification: **06-03NES**

(71) Name(s) and Address(s) of Applicant(s):

Berin Markham
6A Pitman Avenue Hornsby Heights New South Wales 2077 Australia

(72) Name(s) of Designer(s): **Berin Markham**

(45) Registration Date: **22 November 2005**

(56) Related Art Documents: **Not Applicable**

(57) Statement of Newness and Distinctiveness: **Nil**



(21) Design Number: **12685/2005**

(22) Date of Filing Application: **24 June 2005**

(24) Date from which industrial property rights may have effect: **24 June 2005**

(54) Product in respect of which the design is registered: **Model helicopter**

(51) International Design Classification: **21-01C**

(71) Name(s) and Address(s) of Applicant(s):

Plast Wood S.r.l.

Via Sabotino 20-07023 Calangianus (SS) Italy

(72) Name(s) of Designer(s): **Edoardo Pio Tusacciu**

(45) Registration Date: **22 November 2005**

(30) Convention priority data:

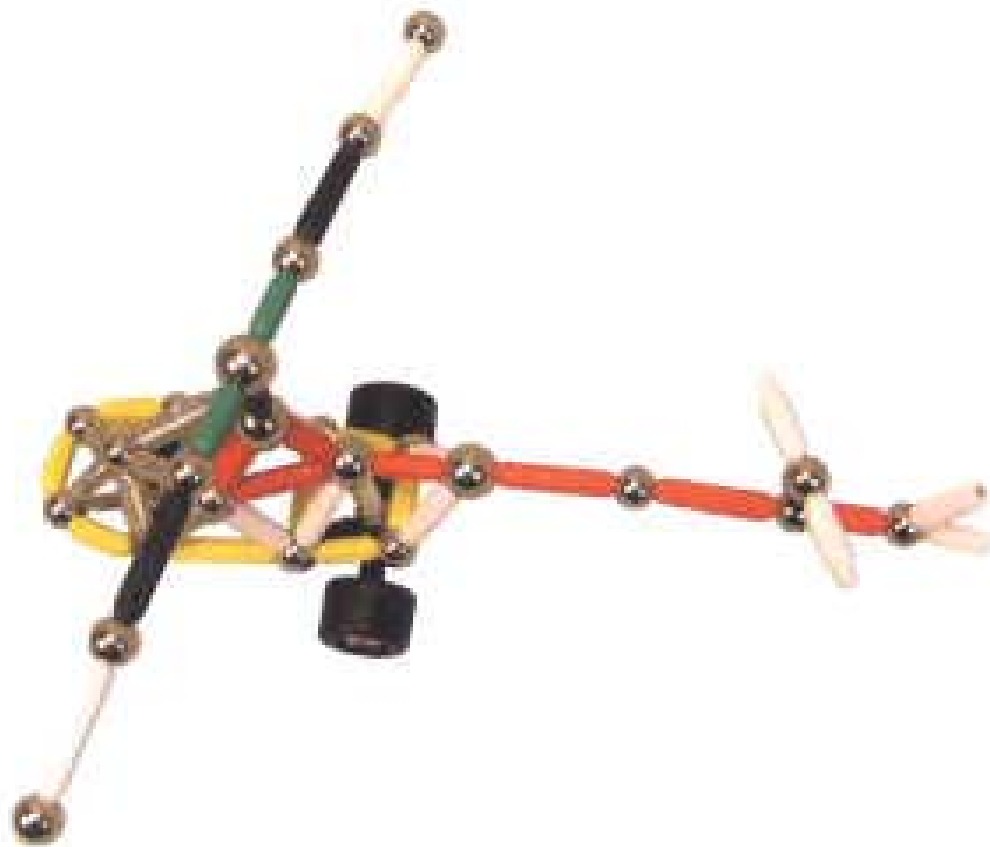
(31) Number
272406

(32) Date
29 Dec 2004

(33) Country
EUROPEAN COMMUNITY

(56) Related Art Documents: **Not Applicable**

(57) Statement of Newness and Distinctiveness: **Newness and distinctiveness is claimed in the features of shape and/or configuration of a model helicopter as illustrated in the accompanying representations.**



(21) Design Number: **12687/2005**

(22) Date of Filing Application: **24 June 2005**

(24) Date from which industrial property rights may have effect: **24 June 2005**

(54) Product in respect of which the design is registered: **Model helicopter**

(51) International Design Classification: **21-01C**

(71) Name(s) and Address(s) of Applicant(s):

Plast Wood S.r.l.

Via Sabotino 20-07023 Calangianus (SS) Italy

(72) Name(s) of Designer(s): **Edoardo Pio Tusacciu**

(45) Registration Date: **22 November 2005**

(30) Convention priority data:

(31) Number
272406

(32) Date
29 Dec 2004

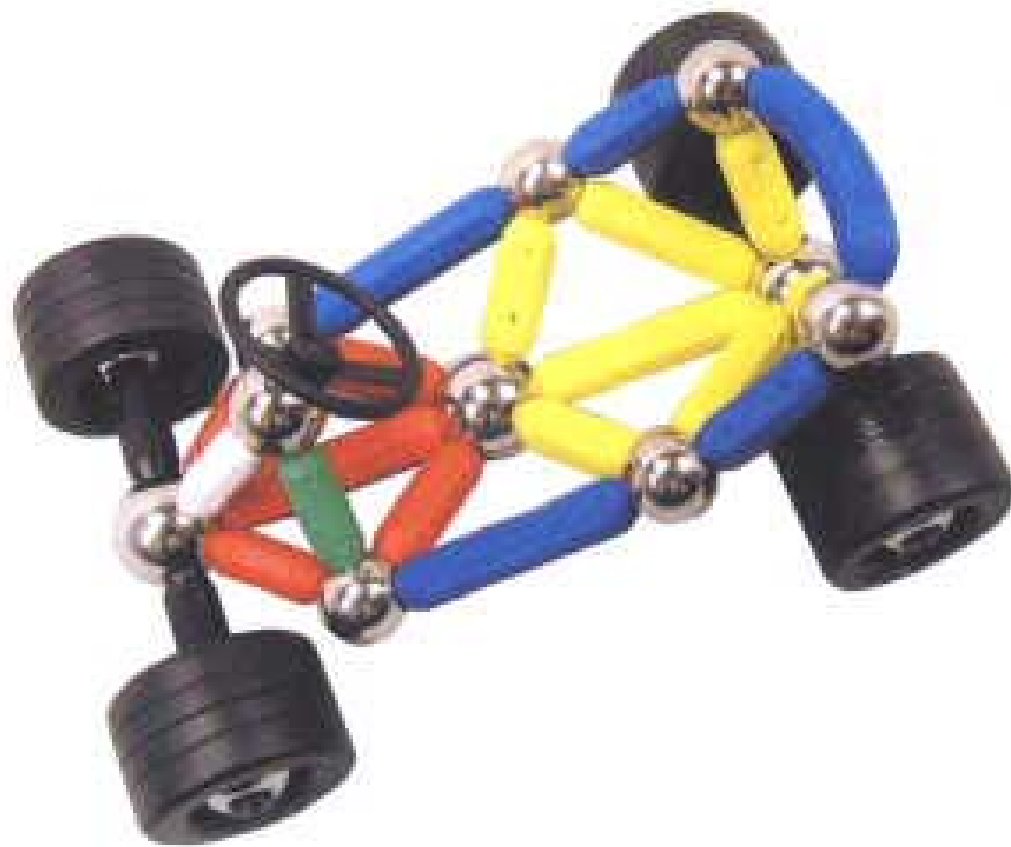
(33) Country
EUROPEAN COMMUNITY

(56) Related Art Documents: **Not Applicable**

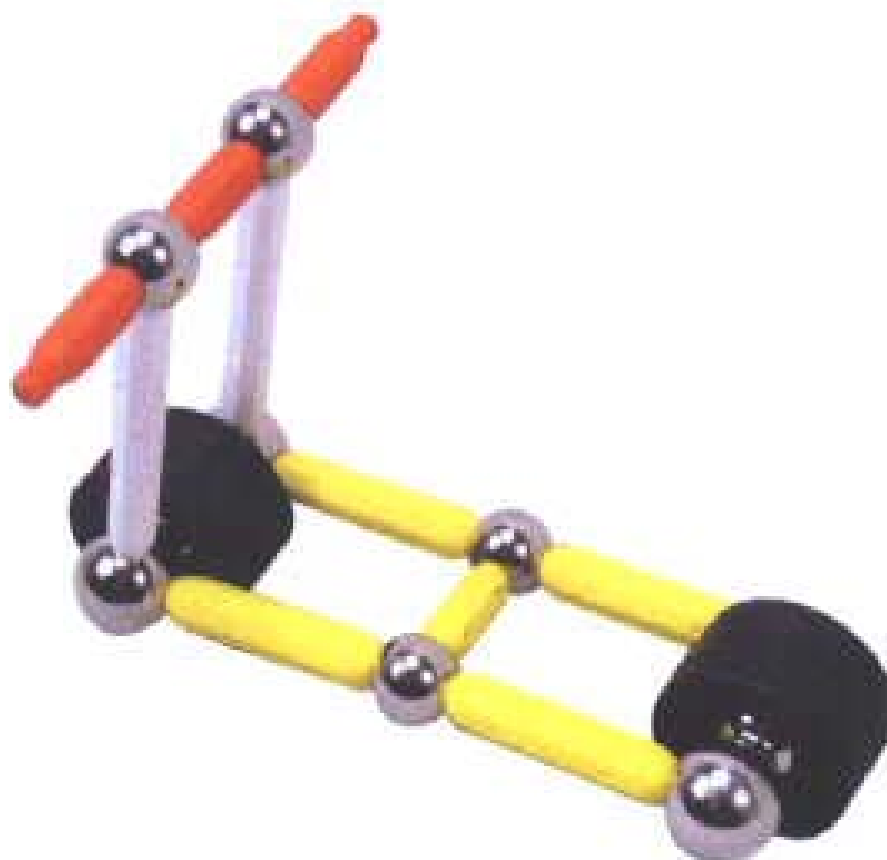
(57) Statement of Newness and Distinctiveness: **Newness and distinctiveness is claimed in the features of shape and/or configuration of a model helicopter as illustrated in the accompanying representations.**



- (21) Design Number: **12688/2005**
(22) Date of Filing Application: **24 June 2005**
(24) Date from which industrial property rights may have effect: **24 June 2005**
(54) Product in respect of which the design is registered: **Model go-kart**
(51) International Design Classification: **21-01C**
(71) Name(s) and Address(s) of Applicant(s):
Plast Wood S.r.l.
Via Sabotino 20-07023 Calangianus Sassari Italy
(72) Name(s) of Designer(s): **Edoardo Pio Tusacciu**
(45) Registration Date: **22 November 2005**
(30) Convention priority data:
(31) Number (32) Date (33) Country
272406 29 Dec 2004 EUROPEAN COMMUNITY
(56) Related Art Documents: **Not Applicable**
(57) Statement of Newness and Distinctiveness: **Newness and distinctiveness is claimed in the features of shape and/or configuration of a model go-kart as illustrated in the accompanying representations.**



- (21) Design Number: **12689/2005**
(22) Date of Filing Application: **24 June 2005**
(24) Date from which industrial property rights may have effect: **24 June 2005**
(54) Product in respect of which the design is registered: **Model scooter**
(51) International Design Classification: **21-01C**
(71) Name(s) and Address(s) of Applicant(s):
Plast Wood S.r.l.
Via Sabotino 20-07023 Calangianus Sassari Italy
(72) Name(s) of Designer(s): **Edoardo Pio Tusacciu**
(45) Registration Date: **22 November 2005**
(30) Convention priority data:
(31) Number (32) Date (33) Country
272406 29 Dec 2004 EUROPEAN COMMUNITY
(56) Related Art Documents: **Not Applicable**
(57) Statement of Newness and Distinctiveness: **Newness and distinctiveness is claimed in the features of shape and/or configuration of a model scooter as illustrated in the accompanying representations.**



(21) Design Number: **12690/2005**

(22) Date of Filing Application: **24 June 2005**

(24) Date from which industrial property rights may have effect: **24 June 2005**

(54) Product in respect of which the design is registered: **Model truck**

(51) International Design Classification: **21-01C**

(71) Name(s) and Address(s) of Applicant(s):

Plast Wood S.r.l.

Via Sabotino 20-07023 Calangianus Sassari Italy

(72) Name(s) of Designer(s): **Edoardo Pio Tusacciu**

(45) Registration Date: **22 November 2005**

(30) Convention priority data:

(31) Number
272406

(32) Date
29 Dec 2004

(33) Country
EUROPEAN COMMUNITY

(56) Related Art Documents: **Not Applicable**

(57) Statement of Newness and Distinctiveness: **Newness and distinctiveness is claimed in the features of shape and/or configuration of a model truck as illustrated in the accompanying representations.**



(21) Design Number: **12691/2005**

(22) Date of Filing Application: **24 June 2005**

(24) Date from which industrial property rights may have effect: **24 June 2005**

(54) Product in respect of which the design is registered: **Model helicopter**

(51) International Design Classification: **21-01C**

(71) Name(s) and Address(s) of Applicant(s):

Plast Wood S.r.l.

Via Sabotino 20-07023 Calangianus (SS) Italy

(72) Name(s) of Designer(s): **Edoardo Pio Tusacciu**

(45) Registration Date: **22 November 2005**

(30) Convention priority data:

(31) Number
272406

(32) Date
29 Dec 2004

(33) Country
EUROPEAN COMMUNITY

(56) Related Art Documents: **Not Applicable**

(57) Statement of Newness and Distinctiveness: **Newness and distinctiveness is claimed in the features of shape and/or configuration of a model helicopter as illustrated in the accompanying representations.**



(21) Design Number: **12860/2005**
(22) Date of Filing Application: **04 July 2005**
(24) Date from which industrial property rights may have effect: **04 July 2005**
(54) Product in respect of which the design is registered: **Tap reseater**
(51) International Design Classification: **08-05NES**
(71) Name(s) and Address(s) of Applicant(s):
John Christopher David Fenwicke
"Bonnie Doon" Walcha New South Wales 2354 Australia
(72) Name(s) of Designer(s): **John Christopher David Fenwicke**
(45) Registration Date: **22 November 2005**
(56) Related Art Documents: **Not Applicable**
(57) Statement of Newness and Distinctiveness: **Nil**



(21) Design Number: **12868/2005**
(22) Date of Filing Application: **05 July 2005**
(24) Date from which industrial property rights may have effect: **05 July 2005**
(54) Product in respect of which the design is registered: **A vending machine**
(51) International Design Classification: **20-01**
(71) Name(s) and Address(s) of Applicant(s):
Yujin Company Ltd
3-19-3 Tateishi Katsushika-ku Tokyo 124-0012 Japan
(72) Name(s) of Designer(s): **Junichi Atuta**
(45) Registration Date: **22 November 2005**
(30) Convention priority data:

| | | |
|-------------------|--------------------|--------------|
| (31) Number | (32) Date | (33) Country |
| 2005-10582 | 08 Apr 2005 | JAPAN |

(56) Related Art Documents: **Not Applicable**
(57) Statement of Newness and Distinctiveness: **Nil**



- (21) Design Number: **12901/2005**
(22) Date of Filing Application: **07 July 2005**
(24) Date from which industrial property rights may have effect: **07 July 2005**
(54) Product in respect of which the design is registered: **Animal food dispenser**
(51) International Design Classification: **30-03, 09-03C**
(71) Name(s) and Address(s) of Applicant(s):
Effem Foods Pty Ltd
Kelly Street Wodonga Victoria 3690 Australia
(72) Name(s) of Designer(s): **Tony Joubert**
(45) Registration Date: **22 November 2005**
(56) Related Art Documents: **Not Applicable**
(57) Statement of Newness and Distinctiveness: **Monopoly is claimed in the shape and configuration of the features of the article as depicted in the accompanying representations.**



- (21) Design Number: **12907/2005**
(22) Date of Filing Application: **07 July 2005**
(24) Date from which industrial property rights may have effect: **07 July 2005**
(54) Product in respect of which the design is registered: **Case for eyewear**
(51) International Design Classification: **03-01NES**
(71) Name(s) and Address(s) of Applicant(s):
Good Optical Pty Ltd
44 Nicholson Street South Yarra Victoria 3141 Australia
(72) Name(s) of Designer(s): **Marissa Good**
(45) Registration Date: **22 November 2005**
(56) Related Art Documents: **Not Applicable**
(57) Statement of Newness and Distinctiveness: **The newness and distinctiveness of the design resides in the shape and configuration of the case for eyewear, but not in the strap with the buckle and stitching.**



(21) Design Number: **13039/2005**

(22) Date of Filing Application: **15 July 2005**

(24) Date from which industrial property rights may have effect: **15 July 2005**

(54) Product in respect of which the design is registered: **A ventilator**

(51) International Design Classification: **23-04**

(71) Name(s) and Address(s) of Applicant(s):

Kevin John Baker

18 Dobbin Circuit Nicholls ACT 2913 Australia

(72) Name(s) of Designer(s): **Kevin John Baker**

(45) Registration Date: **22 November 2005**

(56) Related Art Documents: **Not Applicable**

(57) Statement of Newness and Distinctiveness: **Newness and distinctiveness is claimed in the shape and/or configuration of the ventilator as shown not including the rivots.**



(21) Design Number: **13062/2005**

(22) Date of Filing Application: **18 July 2005**

(24) Date from which industrial property rights may have effect: **18 July 2005**

(54) Product in respect of which the design is registered: **Fish lure**

(51) International Design Classification: **22-05**

(71) Name(s) and Address(s) of Applicant(s):

Bass Marine Limited

Room 2208 Tower 2 Lippo Centre 89 Queensway Hong Kong

(72) Name(s) of Designer(s): **Stephen Cheng**

(45) Registration Date: **22 November 2005**

(56) Related Art Documents: **Not Applicable**

(57) Statement of Newness and Distinctiveness: **The newness and distinctiveness resides in the shape and configuration of the fish lure. Features of pattern and ornamentation are to be disregarded. Hooks, if any, attached to the fish lure are also to be disregarded.**



(21) Design Number: **13063/2005**

(22) Date of Filing Application: **18 July 2005**

(24) Date from which industrial property rights may have effect: **18 July 2005**

(54) Product in respect of which the design is registered: **Fish lure**

(51) International Design Classification: **22-05**

(71) Name(s) and Address(s) of Applicant(s):

Bass Marine Limited
Room 2208 Tower 2 Lippo Centre 89 Queensway Hong Kong

(72) Name(s) of Designer(s): **Stephen Cheng**

(45) Registration Date: **22 November 2005**

(56) Related Art Documents: **Not Applicable**

(57) Statement of Newness and Distinctiveness: **The newness and distinctiveness resides in the shape and configuration of the fish lure. Features of pattern and ornamentation are to be disregarded. Hooks, if any, attached to the fish lure are also to be disregarded.**



(21) Design Number: **13064/2005**

(22) Date of Filing Application: **18 July 2005**

(24) Date from which industrial property rights may have effect: **18 July 2005**

(54) Product in respect of which the design is registered: **Fish lure**

(51) International Design Classification: **22-05**

(71) Name(s) and Address(s) of Applicant(s):

Bass Marine Limited
Room 2208 Tower 2 Lippo Centre 89 Queensway Hong Kong

(72) Name(s) of Designer(s): **Stephen Cheng**

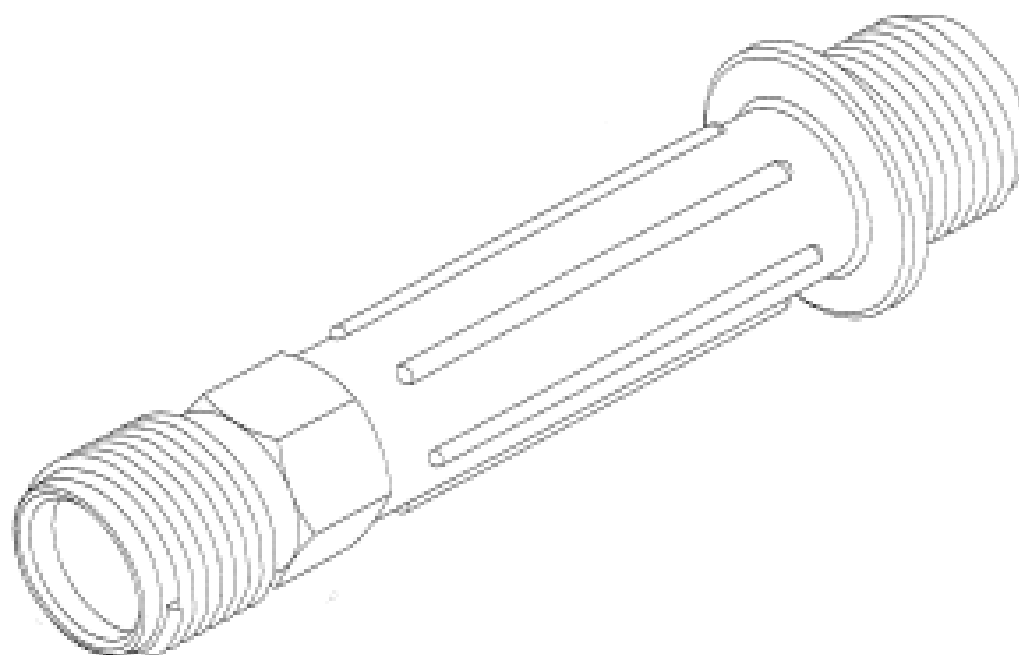
(45) Registration Date: **22 November 2005**

(56) Related Art Documents: **Not Applicable**

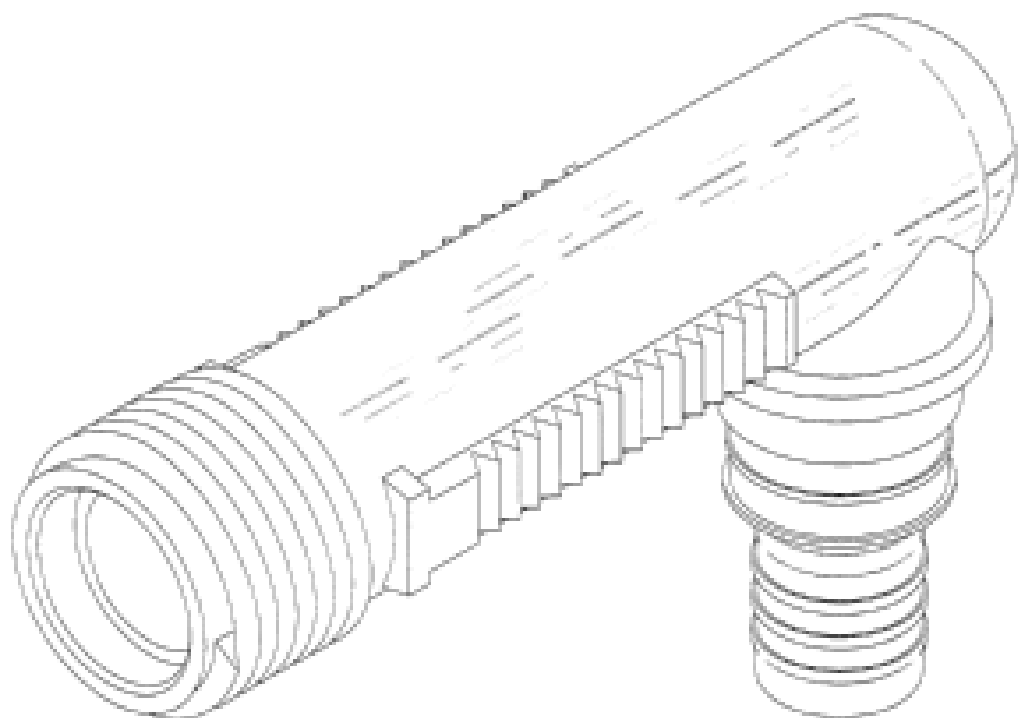
(57) Statement of Newness and Distinctiveness: **The newness and distinctiveness resides in the shape and configuration of the fish lure. Features of pattern and ornamentation are to be disregarded.**



(21) Design Number: **12661/2005**
(22) Date of Filing Application: **23 June 2005**
(24) Date from which industrial property rights may have effect: **23 June 2005**
(54) Product in respect of which the design is registered: **Test plug**
(51) International Design Classification: **23-01NES**
(71) Name(s) and Address(s) of Applicant(s):
David John Picton
356 Point View Drive Howick Auckland New Zealand
(72) Name(s) of Designer(s): **David John Picton**
(45) Registration Date: **22 November 2005**
(30) Convention priority data:
(31) Number (32) Date (33) Country
405718 **24 Dec 2004** **NEW ZEALAND**
(56) Related Art Documents: **Not Applicable**
(57) Statement of Newness and Distinctiveness: **Nil**

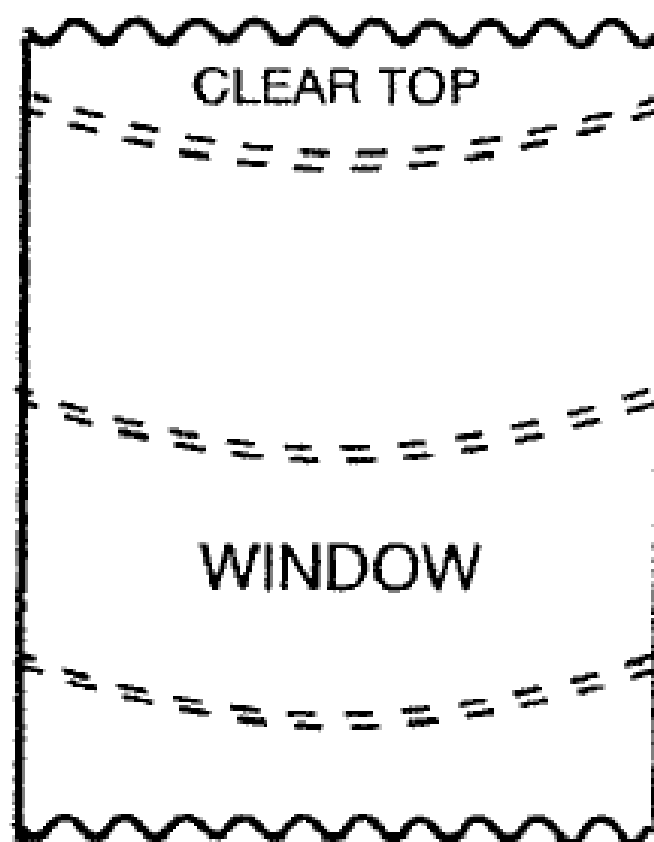


(21) Design Number: **12662/2005**
(22) Date of Filing Application: **23 June 2005**
(24) Date from which industrial property rights may have effect: **23 June 2005**
(54) Product in respect of which the design is registered: **Elbow**
(51) International Design Classification: **23-01B**
(71) Name(s) and Address(s) of Applicant(s):
David John Picton
356 Point View Drive Howick Auckland New Zealand
(72) Name(s) of Designer(s): **David John Picton**
(45) Registration Date: **22 November 2005**
(30) Convention priority data:
(31) Number (32) Date (33) Country
405721 **24 Dec 2004** **NEW ZEALAND**
(56) Related Art Documents: **Not Applicable**
(57) Statement of Newness and Distinctiveness: **Nil**



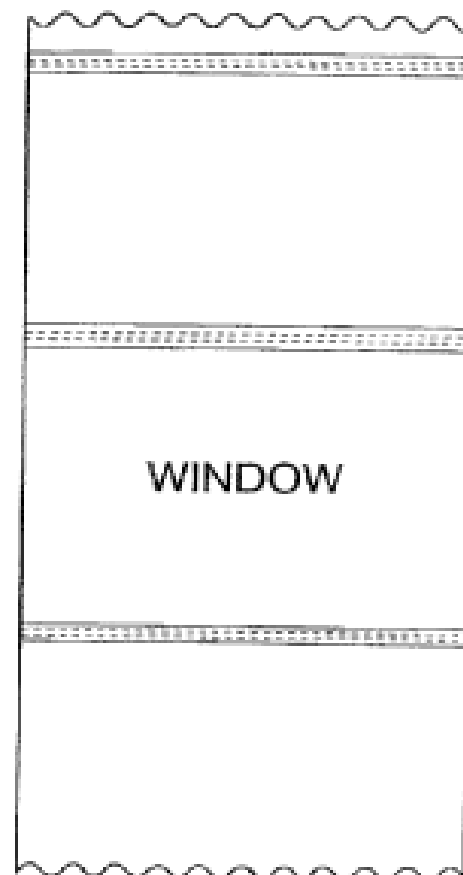
- (21) Design Number: **10264/2005**
- (22) Date of Filing Application: **27 January 2005**
- (24) Date from which industrial property rights may have effect: **27 January 2005**
- (54) Product in respect of which the design is registered: **An intermediate window bag**
- (51) International Design Classification: **09-05**
- (71) Name(s) and Address(s) of Applicant(s):
FPSInternational (New Zealand) Limited
68 Carmen Road Christchurch New Zealand
- (72) Name(s) of Designer(s): **Martin Pidcock**
- (45) Registration Date: **24 November 2005**
- (30) Convention priority data:

| | | |
|---------------|--------------------|--------------------|
| (31) Number | (32) Date | (33) Country |
| 405100 | 28 Jul 2004 | NEW ZEALAND |
- (56) Related Art Documents: **Not Applicable**
- (57) Statement of Newness and Distinctiveness: **A statement of newness and distinctiveness is claimed in the shape and configuration of a intermediate window bag as illustrated in the accompanying representations with a reinforced back and clear window wherein panel "T" is transparent and panels "O" are opaque.**

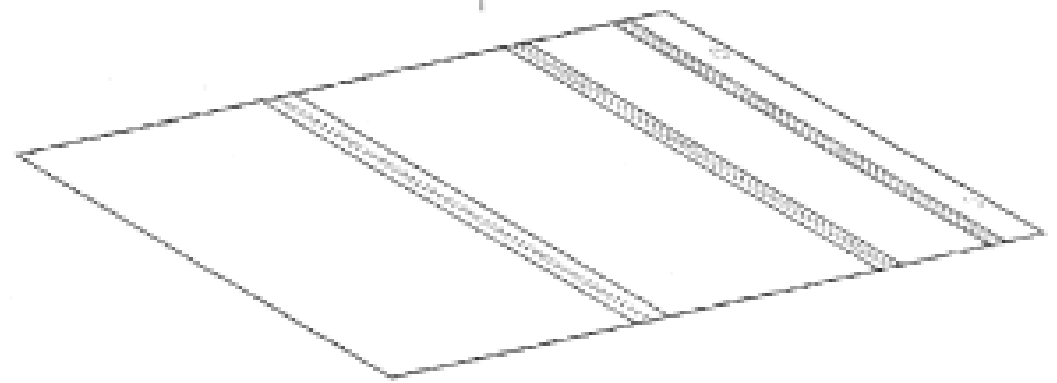


- (21) Design Number: **14436/2005**
- (22) Date of Filing Application: **27 January 2005**
- (24) Date from which industrial property rights may have effect: **27 January 2005**
- (54) Product in respect of which the design is registered: **An intermediate window bag**
- (51) International Design Classification: **09-05**
- (71) Name(s) and Address(s) of Applicant(s):
FPSInternational (New Zealand) Limited
68 Carmen Road Christchurch New Zealand
- (72) Name(s) of Designer(s): **Martin Pidcock**
- (45) Registration Date: **24 November 2005**
- (30) Convention priority data:

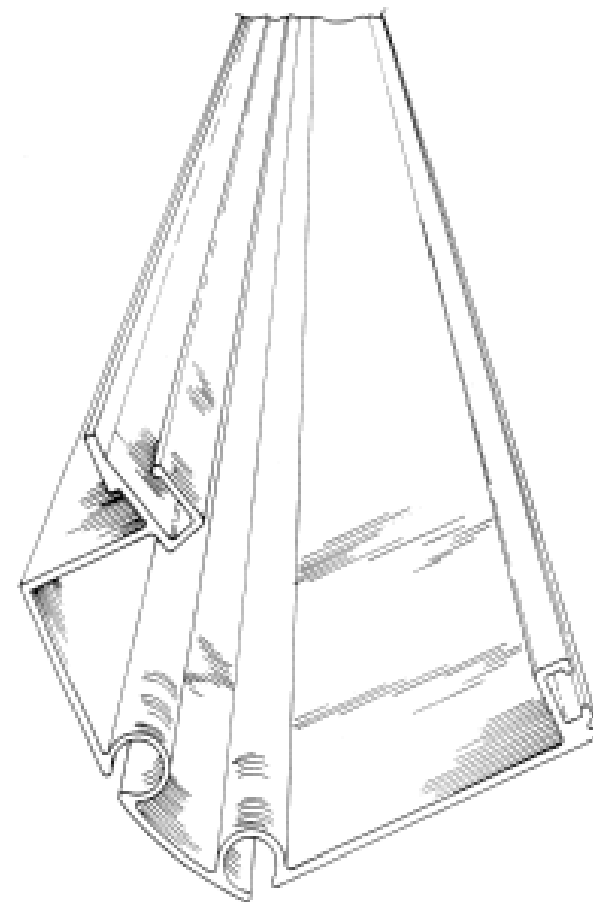
| | | |
|---------------|--------------------|--------------------|
| (31) Number | (32) Date | (33) Country |
| 405100 | 28 Jul 2004 | NEW ZEALAND |
- (56) Related Art Documents: **Not Applicable**
- (57) Statement of Newness and Distinctiveness: **A statement of newness and distinctiveness is claimed in the shape and configuration of an intermediate window bag as illustrated in the accompanying representations with a reinforced back and clear window wherein panel "T" is transparent and panels "O" are opaque.**



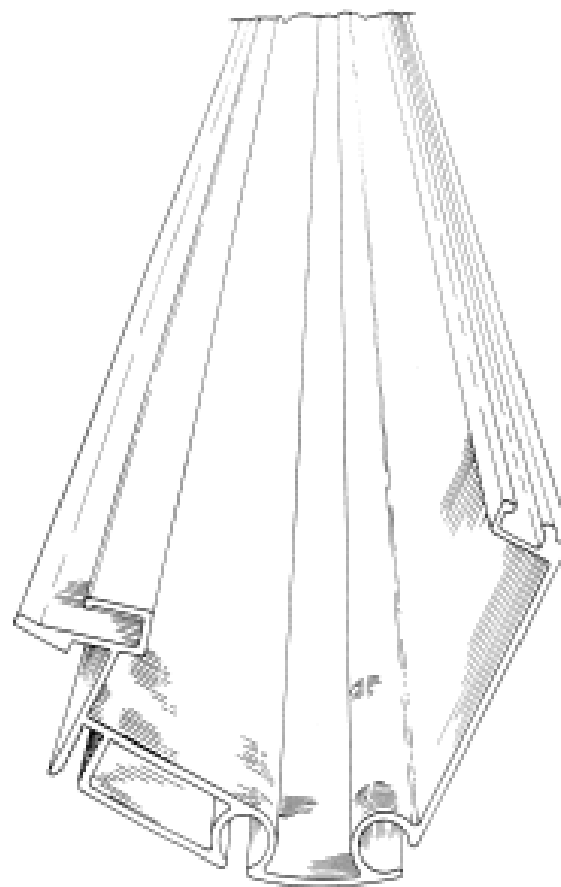
- (21) Design Number: **14437/2005**
(22) Date of Filing Application: **27 January 2005**
(24) Date from which industrial property rights may have effect: **27 January 2005**
(54) Product in respect of which the design is registered: **An intermediate window bag**
(51) International Design Classification: **09-05**
(71) Name(s) and Address(s) of Applicant(s):
FPSInternational (New Zealand) Limited
68 Carmen Road Christchurch New Zealand
(72) Name(s) of Designer(s): **Martin Pidcock**
(45) Registration Date: **24 November 2005**
(30) Convention priority data:
(31) Number (32) Date (33) Country
405100 28 Jul 2004 NEW ZEALAND
(56) Related Art Documents: **Not Applicable**
(57) Statement of Newness and Distinctiveness: **A statement of newness and distinctiveness is claimed in the shape and configuration of an intermediate window bag as illustrated in the accompanying representations with a reinforced back and clear window wherein panel "T" is transparent and panels "O" are opaque.**



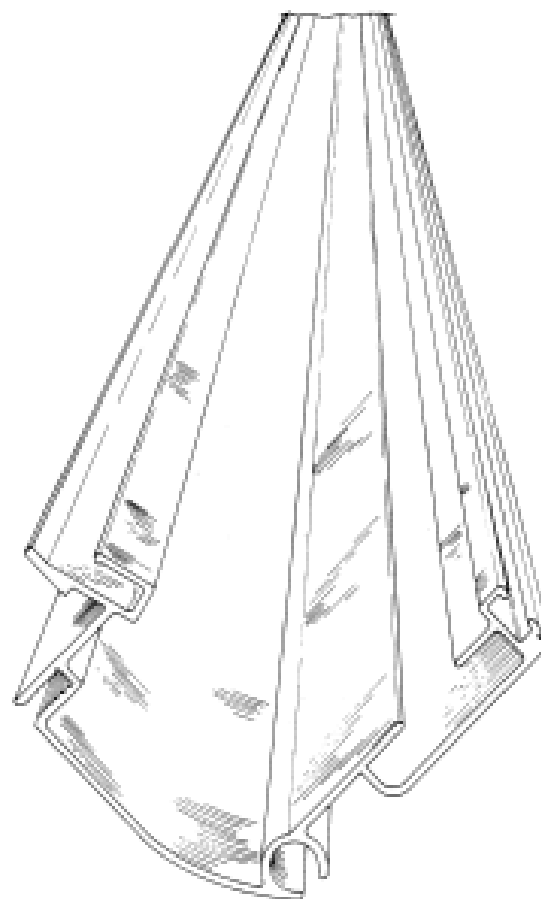
- (21) Design Number: **11405/2005**
(22) Date of Filing Application: **07 April 2005**
(24) Date from which industrial property rights may have effect: **30 September 2002**
(54) Product in respect of which the design is registered: **An extrusion**
(51) International Design Classification: **25-01K**
(71) Name(s) and Address(s) of Applicant(s):
Aussie Traveller Pty Ltd
989 Kingsford Smith Drive Eagle Farm Queensland 4009 Australia
(72) Name(s) of Designer(s): **Michael Ernest Freney**
(45) Registration Date: **24 November 2005**
(62) Divisional of: **157945**
(56) Related Art Documents: **Not Applicable**
(57) Statement of Newness and Distinctiveness: **Monopoly is claimed in the features of shape and configuration of an extrusion of indefinite length as illustrated in the accompanying representations.**



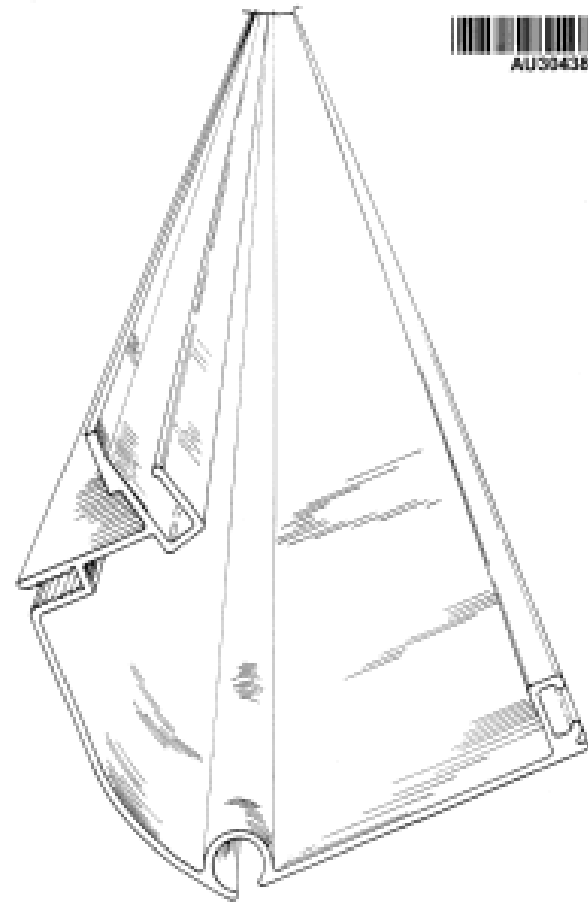
- (21) Design Number: **15041/2005**
- (22) Date of Filing Application: **07 April 2005**
- (24) Date from which industrial property rights may have effect: **30 September 2002**
- (54) Product in respect of which the design is registered: **An extrusion**
- (51) International Design Classification: **25-01K**
- (71) Name(s) and Address(s) of Applicant(s):
Aussie Traveller Pty Ltd
989 Kingsford Smith Drive Eagle Farm Queensland 4009 Australia
- (72) Name(s) of Designer(s): **Michael Ernest Freney**
- (45) Registration Date: **24 November 2005**
- (62) Divisional of: **157945**
- (56) Related Art Documents: **Not Applicable**
- (57) Statement of Newness and Distinctiveness: **Nil**



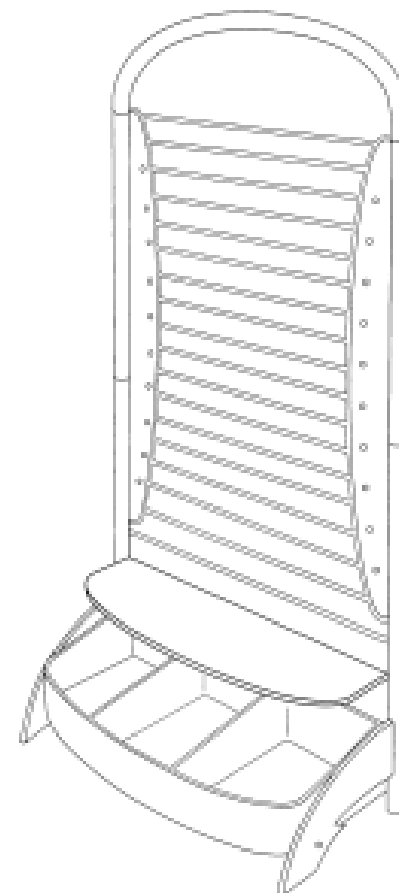
- (21) Design Number: **15042/2005**
- (22) Date of Filing Application: **07 April 2005**
- (24) Date from which industrial property rights may have effect: **30 September 2002**
- (54) Product in respect of which the design is registered: **An extrusion**
- (51) International Design Classification: **25-01K**
- (71) Name(s) and Address(s) of Applicant(s):
Aussie Traveller Pty Ltd
989 Kingsford Smith Drive Eagle Farm Queensland 4009 Australia
- (72) Name(s) of Designer(s): **Michael Ernest Freney**
- (45) Registration Date: **24 November 2005**
- (62) Divisional of: **157945**
- (56) Related Art Documents: **Not Applicable**
- (57) Statement of Newness and Distinctiveness: **Nil**



- (21) Design Number: **15043/2005**
(22) Date of Filing Application: **07 April 2005**
(24) Date from which industrial property rights may have effect: **30 September 2002**
(54) Product in respect of which the design is registered: **An extrusion**
(51) International Design Classification: **25-01K**
(71) Name(s) and Address(s) of Applicant(s):
Aussie Traveller Pty Ltd
989 Kingsford Smith Drive Eagle Farm Queensland 4009 Australia
(72) Name(s) of Designer(s): **Michael Ernest Freney**
(45) Registration Date: **24 November 2005**
(62) Divisional of: **157945**
(56) Related Art Documents: **Not Applicable**
(57) Statement of Newness and Distinctiveness: **Nil**



- (21) Design Number: **12890/2005**
(22) Date of Filing Application: **08 July 2005**
(24) Date from which industrial property rights may have effect: **08 July 2005**
(54) Product in respect of which the design is registered: **Merchandise stand**
(51) International Design Classification: **20-02E**
(71) Name(s) and Address(s) of Applicant(s):
Douai Pty Ltd
c/-Hills Trading 34 Elgee Road Bellevue Western Australia 6056
Australia
(72) Name(s) of Designer(s): **Vic Ioannou**
(45) Registration Date: **24 November 2005**
(56) Related Art Documents: **Not Applicable**
(57) Statement of Newness and Distinctiveness: **Novelty and distinctiveness is claimed in the shape and/or configuration of a merchandise stand, as illustrated in the accompanying representations.**



(19) AU

- (21) Design Number: **13014/2005**
- (22) Date of Filing Application: **20 July 2005**
- (24) Date from which industrial property rights may have effect: **20 July 2005**
- (54) Product in respect of which the design is registered: **Trocar**
- (51) International Design Classification: **24-02**
- (71) Name(s) and Address(s) of Applicant(s):

Ethicon Endo-Surgery, Inc.
4545 Creek Road Cincinnati Ohio 45242-2839 United States of America

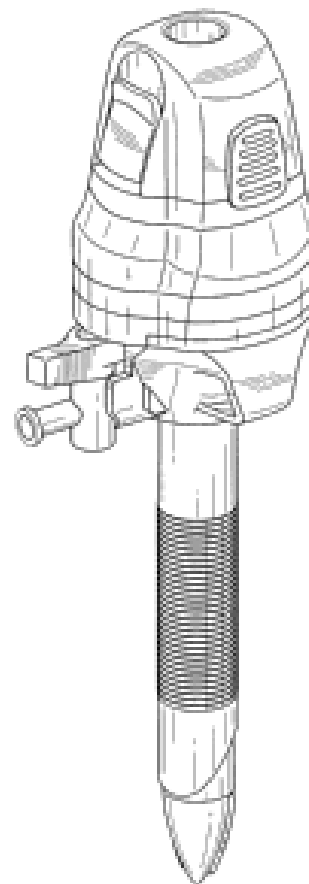
- (72) Name(s) of Designer(s): **Thomas E. Albrecht and David K. Norvell**
- (45) Registration Date: **24 November 2005**

(30) Convention priority data:

| | | |
|------------------|--------------------|---------------------------------|
| (31) Number | (32) Date | (33) Country |
| 29/222999 | 08 Feb 2005 | UNITED STATES OF AMERICA |

(56) Related Art Documents: **Not Applicable**

(57) Statement of Newness and Distinctiveness: **The newness and distinctiveness of the design resides in the features of shape and configuration of the trocar shown in the drawings.**



(19) AU

- (21) Design Number: **13114/2005**
- (22) Date of Filing Application: **21 July 2005**
- (24) Date from which industrial property rights may have effect: **21 July 2005**
- (54) Product in respect of which the design is registered: **Shade control keypad**
- (51) International Design Classification: **13-03NES**
- (71) Name(s) and Address(s) of Applicant(s):

Lutron Electronics Co., Inc.
7200 Suter Road Coopersburg Pennsylvania 18036-1299 United States of America

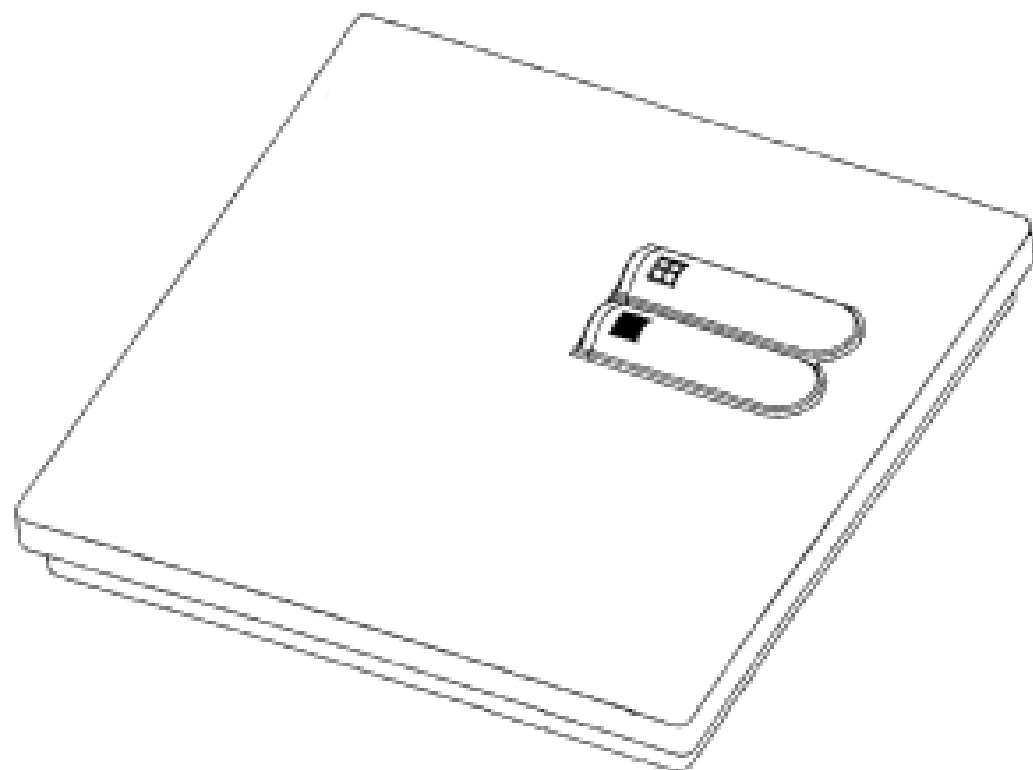
- (72) Name(s) of Designer(s): **Justin Mierla and Stacey Shetter and Elliot G. Jacoby and Larry Carmen**
- (45) Registration Date: **24 November 2005**

(30) Convention priority data:

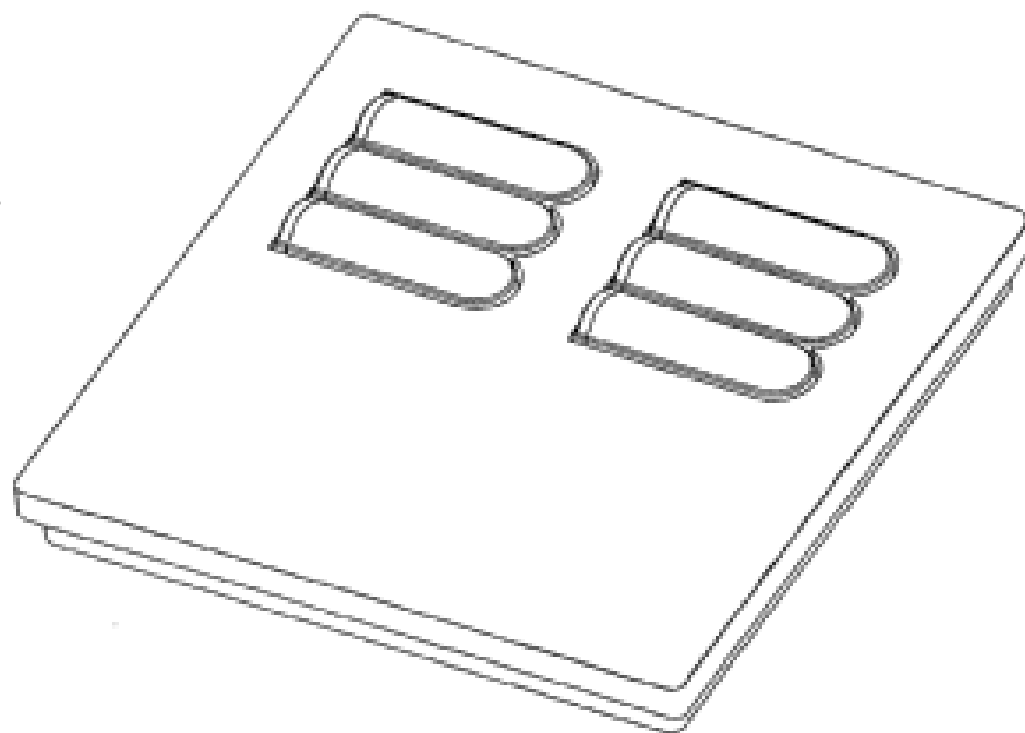
| | | |
|-------------------|--------------------|---------------------------------|
| (31) Number | (32) Date | (33) Country |
| 29/222,051 | 24 Jan 2005 | UNITED STATES OF AMERICA |

(56) Related Art Documents: **Not Applicable**

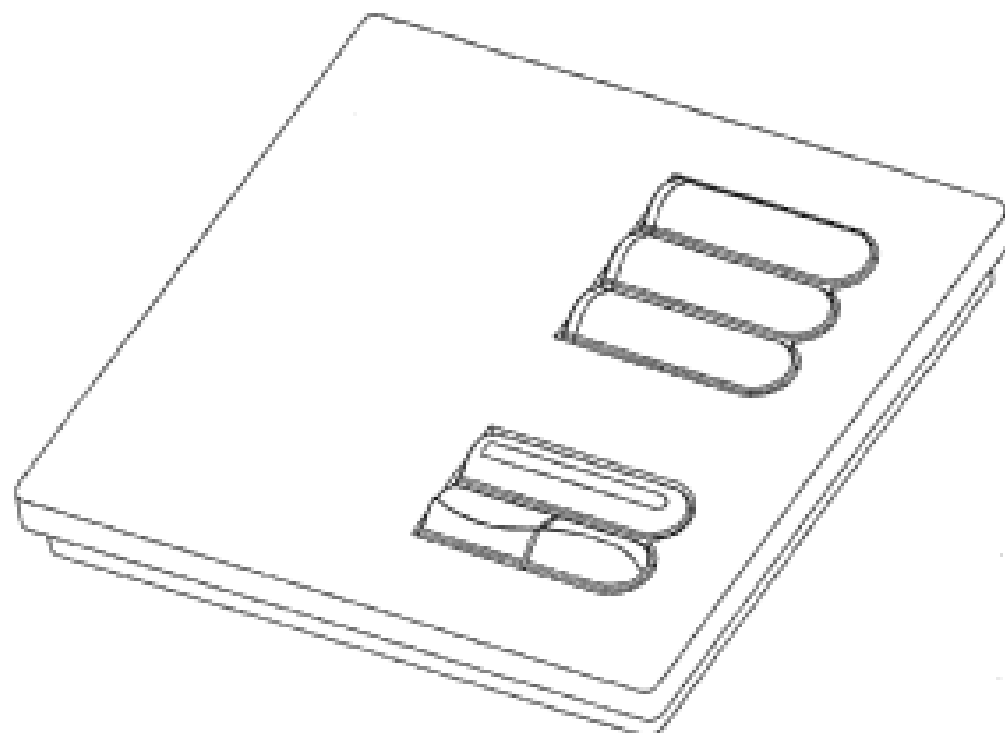
(57) Statement of Newness and Distinctiveness: **Nil**



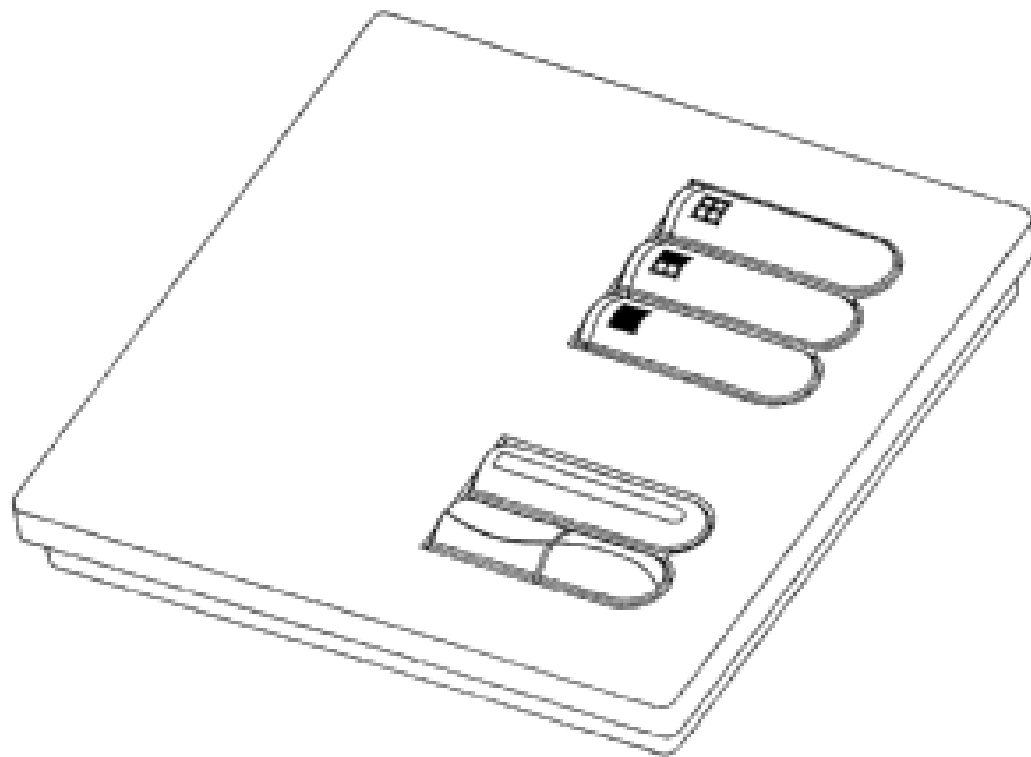
(21) Design Number: **13115/2005**
(22) Date of Filing Application: **21 July 2005**
(24) Date from which industrial property rights may have effect: **21 July 2005**
(54) Product in respect of which the design is registered: **Shade control keypad**
(51) International Design Classification: **13-03NES**
(71) Name(s) and Address(s) of Applicant(s):
Lutron Electronics Co., Inc.
7200 Suter Road Coopersburg Pennsylvania 18036-1299 United States of America
(72) Name(s) of Designer(s): **Justin Mierta and Stacey Shetter and Elliot G. Jacoby and Larry Carmen**
(45) Registration Date: **24 November 2005**
(30) Convention priority data:
(31) Number (32) Date (33) Country
29/222,051 24 Jan 2005 UNITED STATES OF AMERICA
(56) Related Art Documents: **Not Applicable**
(57) Statement of Newness and Distinctiveness: **Nil**



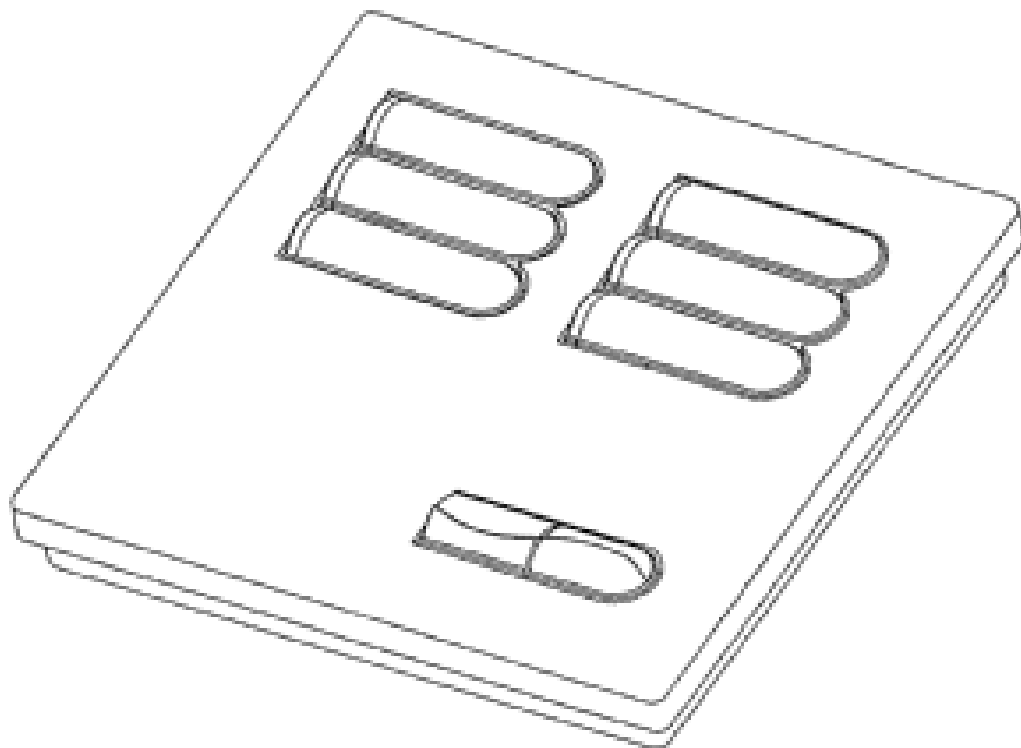
(21) Design Number: **13116/2005**
(22) Date of Filing Application: **21 July 2005**
(24) Date from which industrial property rights may have effect: **21 July 2005**
(54) Product in respect of which the design is registered: **Shade control keypad**
(51) International Design Classification: **13-03NES**
(71) Name(s) and Address(s) of Applicant(s):
Lutron Electronics Co., Inc.
7200 Suter Road Coopersburg Pennsylvania 18036-1299 United States of America
(72) Name(s) of Designer(s): **Justin Mierta and Stacey Shetter and Elliot G. Jacoby and Larry Carmen**
(45) Registration Date: **24 November 2005**
(30) Convention priority data:
(31) Number (32) Date (33) Country
29/222,051 24 Jan 2005 UNITED STATES OF AMERICA
(56) Related Art Documents: **Not Applicable**
(57) Statement of Newness and Distinctiveness: **Nil**



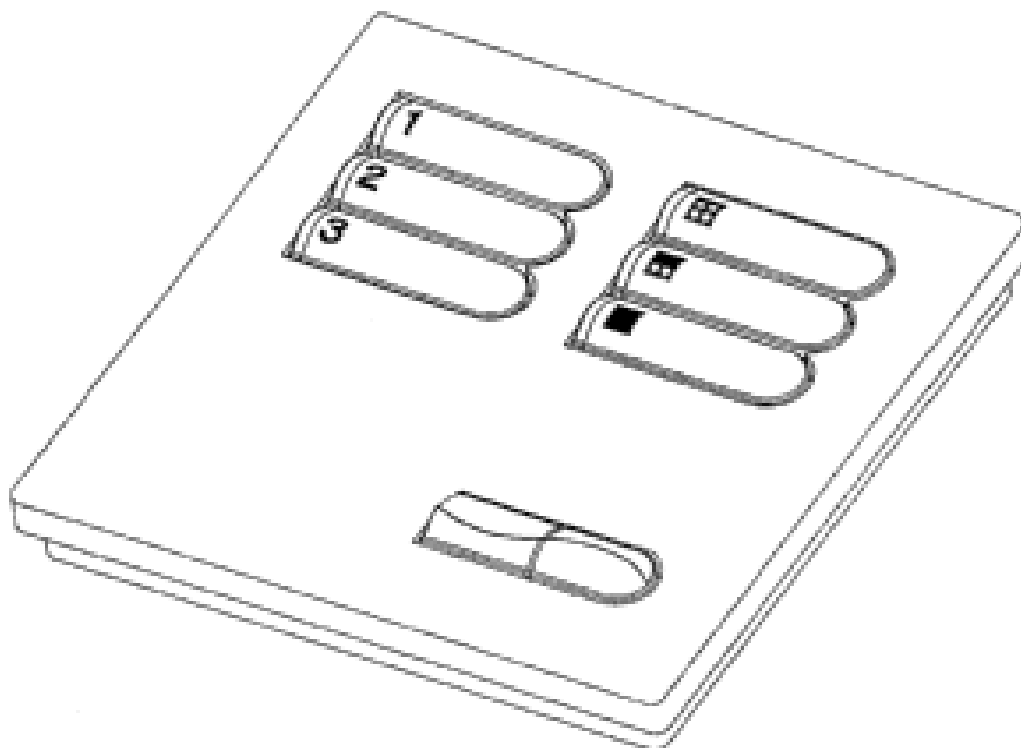
(21) Design Number: **13117/2005**
(22) Date of Filing Application: **21 July 2005**
(24) Date from which industrial property rights may have effect: **21 July 2005**
(54) Product in respect of which the design is registered: **Shade control keypad**
(51) International Design Classification: **13-03NES**
(71) Name(s) and Address(s) of Applicant(s):
Lutron Electronics Co., Inc.
7200 Suter Road Coopersburg Pennsylvania 18036-1299 United States of America
(72) Name(s) of Designer(s): **Justin Mierta and Stacey Shetter and Elliot G. Jacoby and Larry Carmen**
(45) Registration Date: **24 November 2005**
(30) Convention priority data:
(31) Number (32) Date (33) Country
29/222,051 24 Jan 2005 UNITED STATES OF AMERICA
(56) Related Art Documents: **Not Applicable**
(57) Statement of Newness and Distinctiveness: **Nil**



(21) Design Number: **13118/2005**
(22) Date of Filing Application: **21 July 2005**
(24) Date from which industrial property rights may have effect: **21 July 2005**
(54) Product in respect of which the design is registered: **Shade control keypad**
(51) International Design Classification: **13-03NES**
(71) Name(s) and Address(s) of Applicant(s):
Lutron Electronics Co., Inc.
7200 Suter Road Coopersburg Pennsylvania 18036-1299 United States of America
(72) Name(s) of Designer(s): **Justin Mierta and Stacey Shetter and Elliot G. Jacoby and Larry Carmen**
(45) Registration Date: **24 November 2005**
(30) Convention priority data:
(31) Number (32) Date (33) Country
29/222,051 24 Jan 2005 UNITED STATES OF AMERICA
(56) Related Art Documents: **Not Applicable**
(57) Statement of Newness and Distinctiveness: **Nil**



(21) Design Number: **13119/2005**
 (22) Date of Filing Application: **21 July 2005**
 (24) Date from which industrial property rights may have effect: **21 July 2005**
 (54) Product in respect of which the design is registered: **Shade control keypad**
 (51) International Design Classification: **13-03NES**
 (71) Name(s) and Address(s) of Applicant(s):
Lutron Electronics Co., Inc.
7200 Suter Road Coopersburg Pennsylvania 18036-1299 United States of America
 (72) Name(s) of Designer(s): **Justin Mierta and Stacey Shetter and Elliot G. Jacoby and Larry Carmen**
 (45) Registration Date: **24 November 2005**
 (30) Convention priority data:
 (31) Number (32) Date (33) Country
29/222,051 24 Jan 2005 UNITED STATES OF AMERICA
 (56) Related Art Documents: **Not Applicable**
 (57) Statement of Newness and Distinctiveness: **Nil**



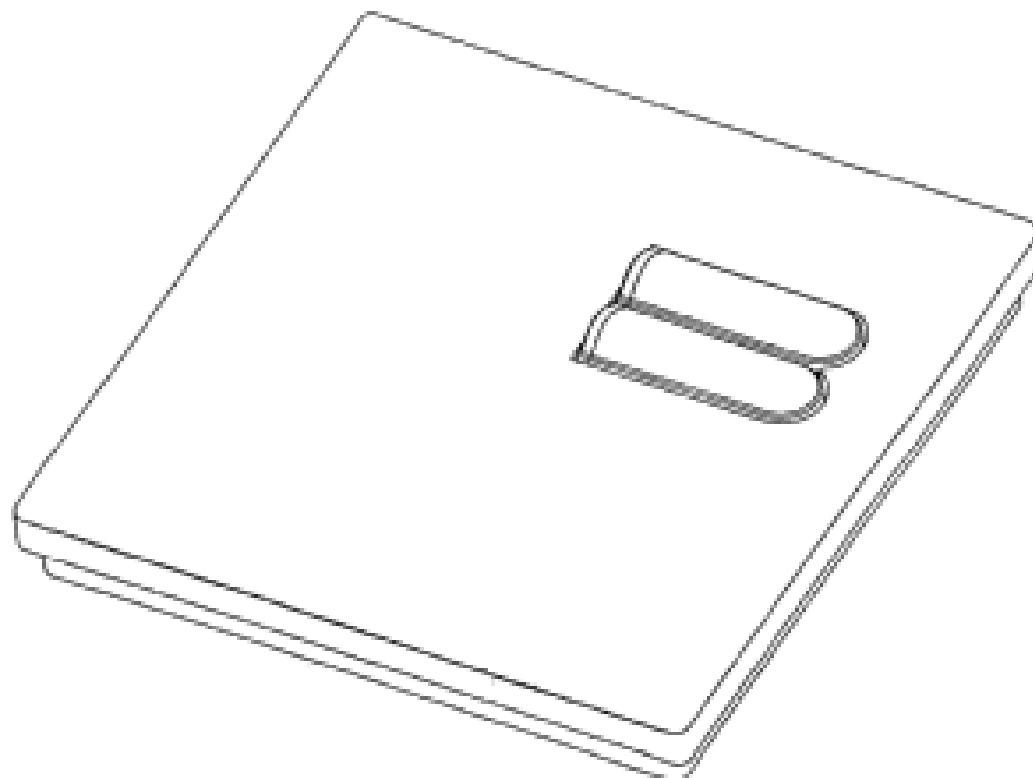
(21) Design Number: **13120/2005**
 (22) Date of Filing Application: **21 July 2005**
 (24) Date from which industrial property rights may have effect: **21 July 2005**
 (54) Product in respect of which the design is registered: **Shade control keypad**
 (51) International Design Classification: **13-03NES**
 (71) Name(s) and Address(s) of Applicant(s):
Lutron Electronics Co., Inc.
7200 Suter Road Coopersburg Pennsylvania 18036-1299 United States of America
 (72) Name(s) of Designer(s): **Justin Mierta and Stacey Shetter and Elliot G. Jacoby and Larry Carmen**
 (45) Registration Date: **24 November 2005**
 (30) Convention priority data:
 (31) Number (32) Date (33) Country
29/222,051 24 Jan 2005 UNITED STATES OF AMERICA
 (56) Related Art Documents: **Not Applicable**
 (57) Statement of Newness and Distinctiveness: **Nil**



(19) AU

- (21) Design Number: **13121/2005**
- (22) Date of Filing Application: **21 July 2005**
- (24) Date from which industrial property rights may have effect: **21 July 2005**
- (54) Product in respect of which the design is registered: **Shade control keypad**
- (51) International Design Classification: **13-03NES**
- (71) Name(s) and Address(s) of Applicant(s):
Lutron Electronics Co., Inc.
7200 Suter Road Coopersburg Pennsylvania 18036-1299 United States of America
- (72) Name(s) of Designer(s): **Justin Mierta and Stacey Shetter and Elliot G. Jacoby and Larry Carmen**
- (45) Registration Date: **24 November 2005**
- (30) Convention priority data:

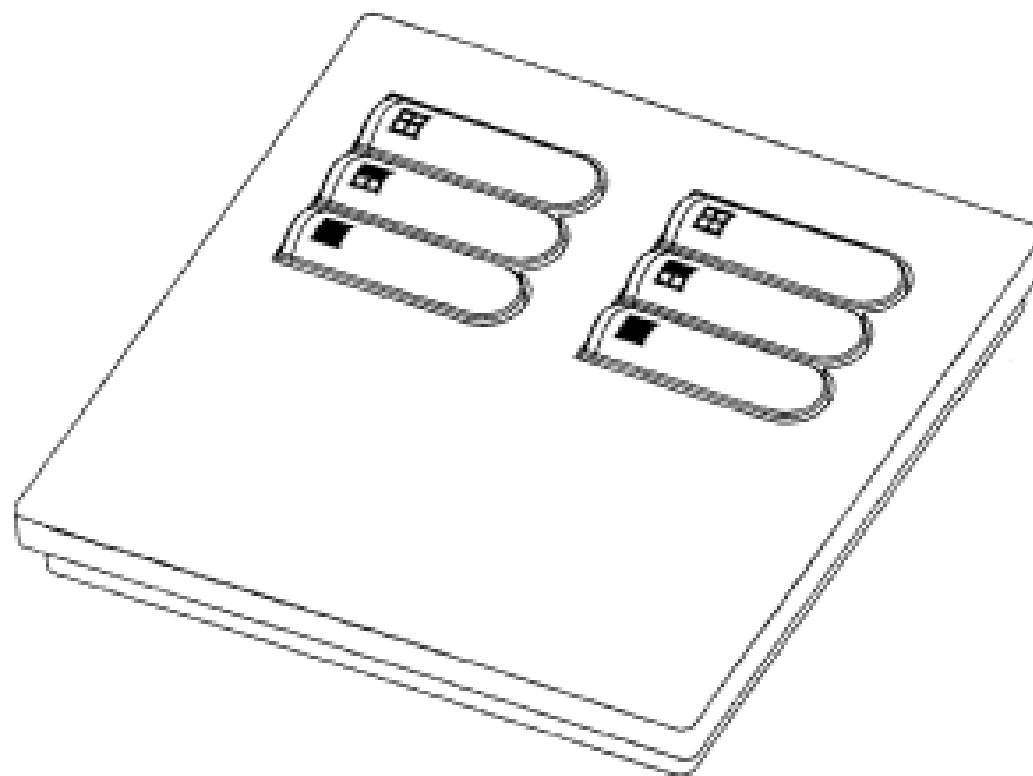
| | | |
|-------------------|--------------------|---------------------------------|
| (31) Number | (32) Date | (33) Country |
| 29/222,051 | 24 Jan 2005 | UNITED STATES OF AMERICA |
- (56) Related Art Documents: **Not Applicable**
- (57) Statement of Newness and Distinctiveness: **Nil**



(19) AU

- (21) Design Number: **13122/2005**
- (22) Date of Filing Application: **21 July 2005**
- (24) Date from which industrial property rights may have effect: **21 July 2005**
- (54) Product in respect of which the design is registered: **Shade control keypad**
- (51) International Design Classification: **13-03NES**
- (71) Name(s) and Address(s) of Applicant(s):
Lutron Electronics Co., Inc.
7200 Suter Road Coopersburg Pennsylvania 18036-1299 United States of America
- (72) Name(s) of Designer(s): **Justin Mierta and Stacey Shetter and Elliot G. Jacoby and Larry Carmen**
- (45) Registration Date: **24 November 2005**
- (30) Convention priority data:

| | | |
|-------------------|--------------------|---------------------------------|
| (31) Number | (32) Date | (33) Country |
| 29/222,051 | 24 Jan 2005 | UNITED STATES OF AMERICA |
- (56) Related Art Documents: **Not Applicable**
- (57) Statement of Newness and Distinctiveness: **Nil**



(21) Design Number: **13769/2004**

(22) Date of Filing Application: **06 August 2004**

(24) Date from which industrial property rights may have effect: **06 August 2004**

(54) Product in respect of which the design is registered: **Support bracket for a bed**

(51) International Design Classification: **06-06F, 08-08M**

(71) Name(s) and Address(s) of Applicant(s):

David Fealy

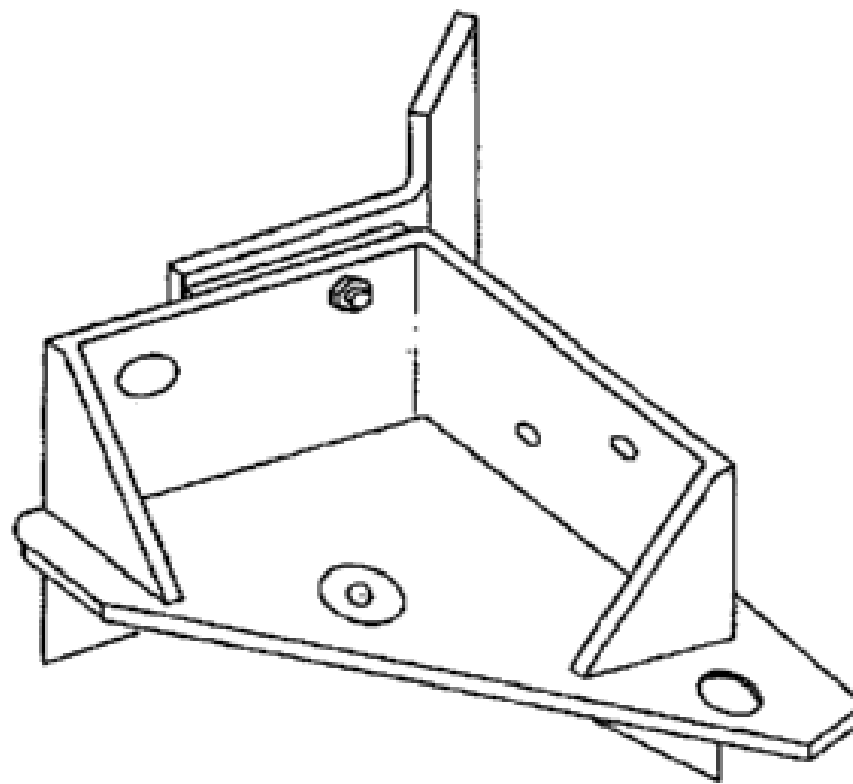
21 Macquarie Drive Thomastown Victoria 3084 Australia

(72) Name(s) of Designer(s): **David Fealy**

(45) Registration Date: **24 November 2005**

(56) Related Art Documents: **Not Applicable**

(57) Statement of Newness and Distinctiveness: **The particular visual features of the design which the applicant hereby identifies as new and distinctive are as follows: the shape and configuration of a bed support assembly and any combination of parts thereof as shown in the drawings but excluding the leg and the fasteners and no monopoly is claimed in the number of configuration of holes or the side and end rails of the bed which the bed support assembly supports.**



(21) Design Number: **14345/2004**

(22) Date of Filing Application: **12 September 2004**

(24) Date from which industrial property rights may have effect: **12 September 2004**

(54) Product in respect of which the design is registered: **Support bracket for a bed**

(51) International Design Classification: **06-06F, 08-08M**

(71) Name(s) and Address(s) of Applicant(s):

David Fealy

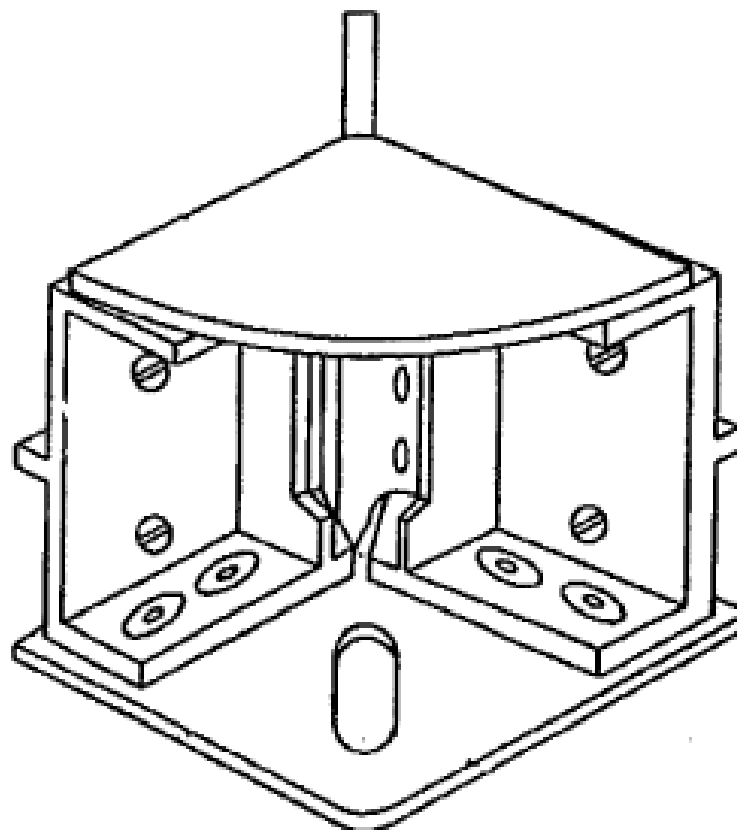
21 Macquarie Drive Thomastown Victoria 3084 Australia

(72) Name(s) of Designer(s): **David Fealy**

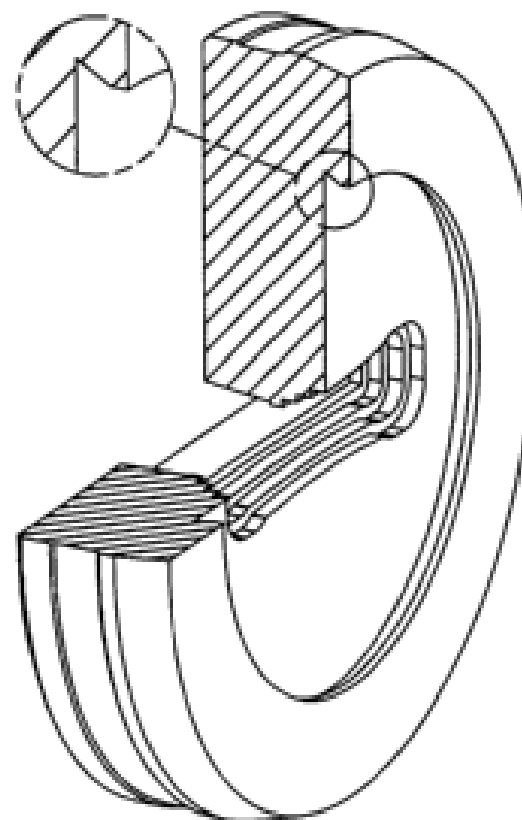
(45) Registration Date: **24 November 2005**

(56) Related Art Documents: **Not Applicable**

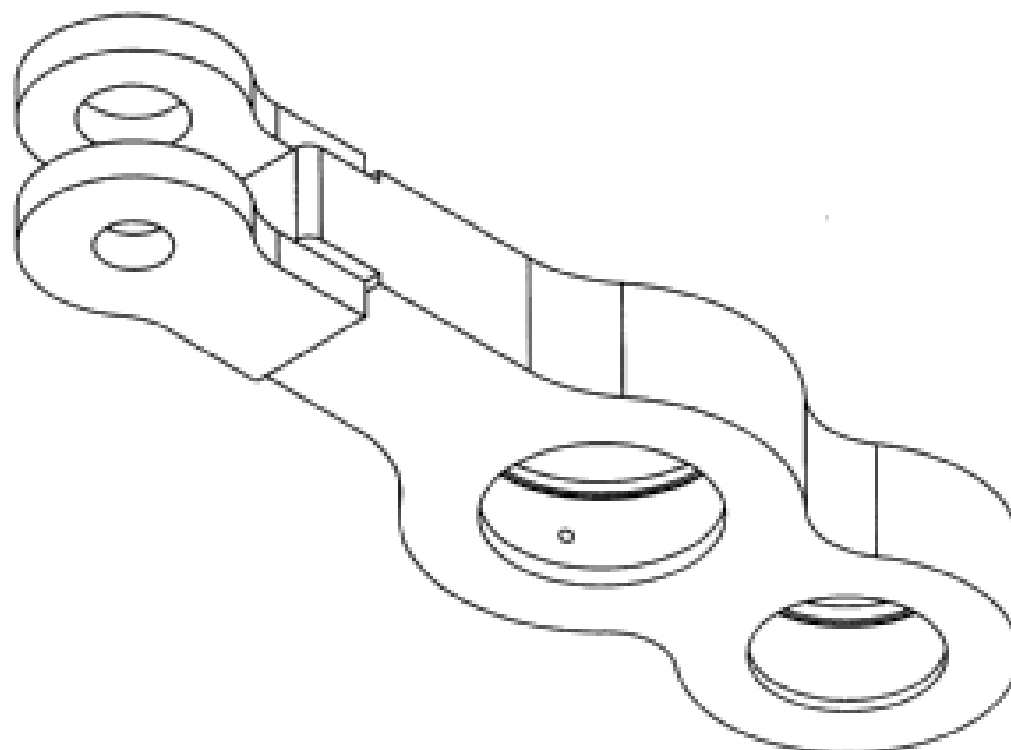
(57) Statement of Newness and Distinctiveness: **The particular visual features of the design which the applicant hereby identifies as new and distinctive are as follows: The shape and configuration of a bed support assembly as shown in the drawings but excluding the leg and the fasteners and no monopoly is claimed in the number or configuration of holes in the bed support assembly or in the side and end rails of the bed which the bed support assembly supports.**



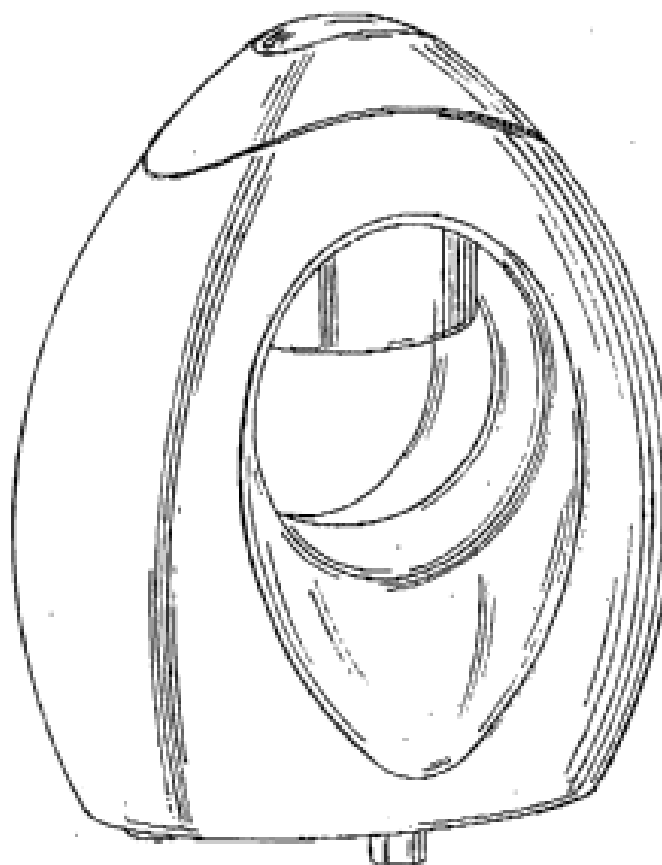
(21) Design Number: **11855/2005**
(22) Date of Filing Application: **03 May 2005**
(24) Date from which industrial property rights may have effect: **03 May 2005**
(54) Product in respect of which the design is registered: **A die member**
(51) International Design Classification: **15-09**
(71) Name(s) and Address(s) of Applicant(s):
G. James Extrusion Co. Pty Ltd
1082 Kingsford Smith Drive Eagle Farm Queensland 4007 Australia
(72) Name(s) of Designer(s): **Derek Boden**
(45) Registration Date: **24 November 2005**
(56) Related Art Documents: **Not Applicable**
(57) Statement of Newness and Distinctiveness: **Nil**



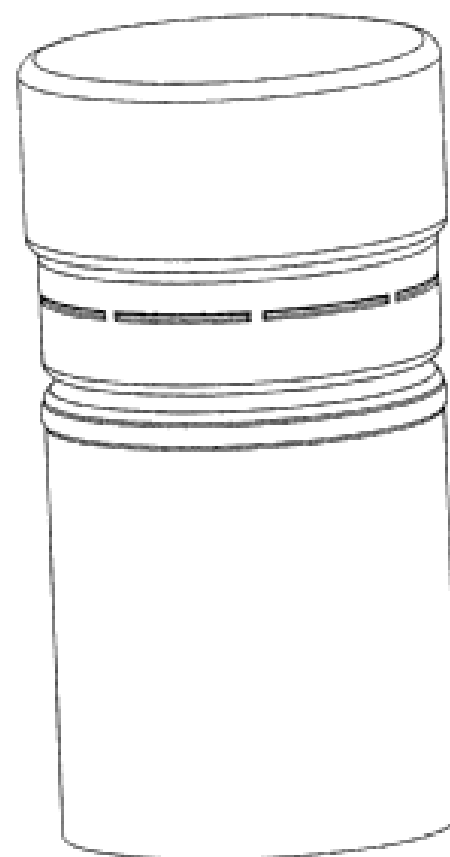
(21) Design Number: **12584/2005**
(22) Date of Filing Application: **20 June 2005**
(24) Date from which industrial property rights may have effect: **20 June 2005**
(54) Product in respect of which the design is registered: **Link (short) for impact roller**
(51) International Design Classification: **15-04**
(71) Name(s) and Address(s) of Applicant(s):
Broons Hire (S.A.) Proprietary Limited
827 Port Road Woodville South Australia 5011 Australia
(72) Name(s) of Designer(s): **Stuart Bowes**
(45) Registration Date: **24 November 2005**
(56) Related Art Documents: **Not Applicable**
(57) Statement of Newness and Distinctiveness: **Nil**



- (21) Design Number: **12600/2005**
(22) Date of Filing Application: **20 June 2005**
(24) Date from which industrial property rights may have effect: **20 June 2005**
(54) Product in respect of which the design is registered: **Volatile actives dispenser**
(51) International Design Classification: **28-99**
(71) Name(s) and Address(s) of Applicant(s):
S.C. Johnson & Son, Inc.
1525 Howe Street Racine Wisconsin 53403-2236 United States of America
(72) Name(s) of Designer(s): **Thomas A. Helf and Edward L. Paas**
(45) Registration Date: **24 November 2005**
(30) Convention priority data:
(31) Number (32) Date (33) Country
29/219661 20 Dec 2004 UNITED STATES OF AMERICA
(56) Related Art Documents: **Not Applicable**
(57) Statement of Newness and Distinctiveness: **Newness and distinctiveness is claimed in the features of shape and/or configuration of a volatile actives dispenser as illustrated in the accompanying representations.**



- (21) Design Number: **12615/2005**
(22) Date of Filing Application: **21 June 2005**
(24) Date from which industrial property rights may have effect: **21 June 2005**
(54) Product in respect of which the design is registered: **Cap-like closure with warranty seal for bottles**
(51) International Design Classification: **09-07C**
(71) Name(s) and Address(s) of Applicant(s):
Guala Closures S.p.A.
Via San Giovanni Bosco 53/55 15100 Alessandria (AL) Italy
(72) Name(s) of Designer(s): **Piero Battezzore**
(45) Registration Date: **24 November 2005**
(30) Convention priority data:
(31) Number (32) Date (33) Country
MI2004O000252 23 Dec 2004 ITALY
(56) Related Art Documents: **Not Applicable**
(57) Statement of Newness and Distinctiveness: **Those features of the cap-like closure with warranty seal for bottles depicted in the representations that are new and distinctive are the shape and/or configuration.**



(21) Design Number: **12616/2005**

(22) Date of Filing Application: **21 June 2005**

(24) Date from which industrial property rights may have effect: **21 June 2005**

(54) Product in respect of which the design is registered: **Wall block**

(51) International Design Classification: **25-01A**

(71) Name(s) and Address(s) of Applicant(s):

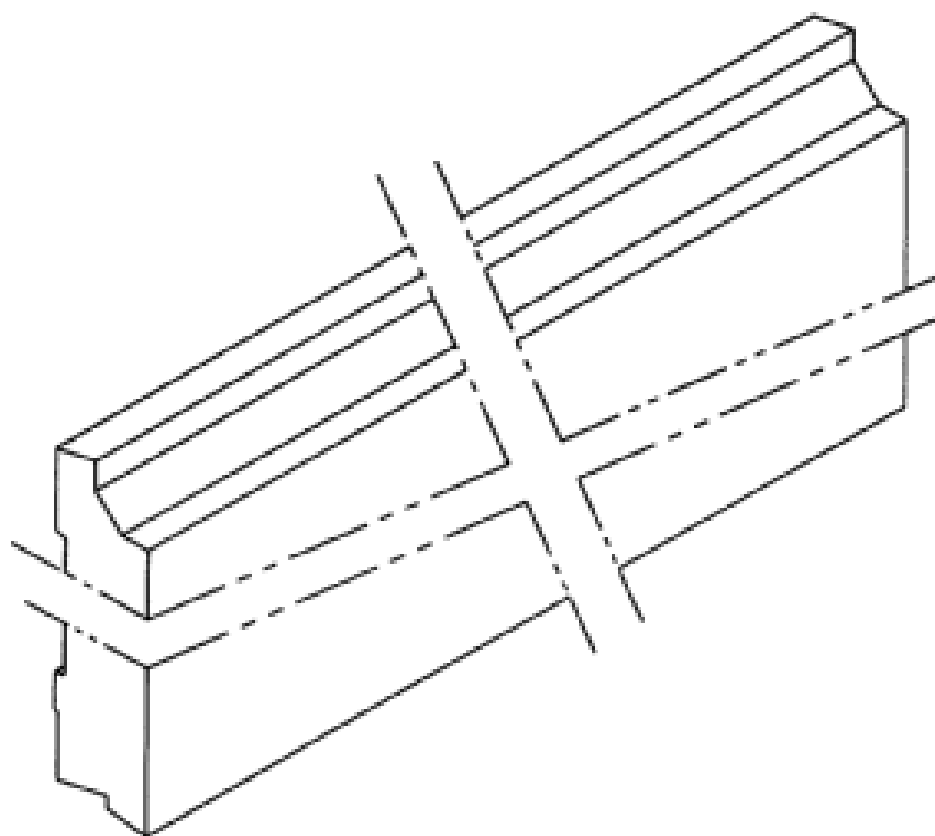
**Island Block & Paving Pty Ltd
Midlands Highway Breadalbane Tasmania 7300 Australia**

(72) Name(s) of Designer(s): **William J. Fawdry**

(45) Registration Date: **24 November 2005**

(56) Related Art Documents: **Not Applicable**

(57) Statement of Newness and Distinctiveness: **Those visual features of the wall block depicted in the representations that are new and distinctive are the shape and/or configuration. The wall block depicted in the representations is of indefinite height and length.**



(21) Design Number: **12617/2005**

(22) Date of Filing Application: **21 June 2005**

(24) Date from which industrial property rights may have effect: **21 June 2005**

(54) Product in respect of which the design is registered: **Cap-like closure with warranty seal for bottles**

(51) International Design Classification: **09-07C**

(71) Name(s) and Address(s) of Applicant(s):

**Guala Closures S.p.A.
Via San Giovanni Bosco 53/55 15100 Alessandria (AL) Italy**

(72) Name(s) of Designer(s): **Piero Battezzore**

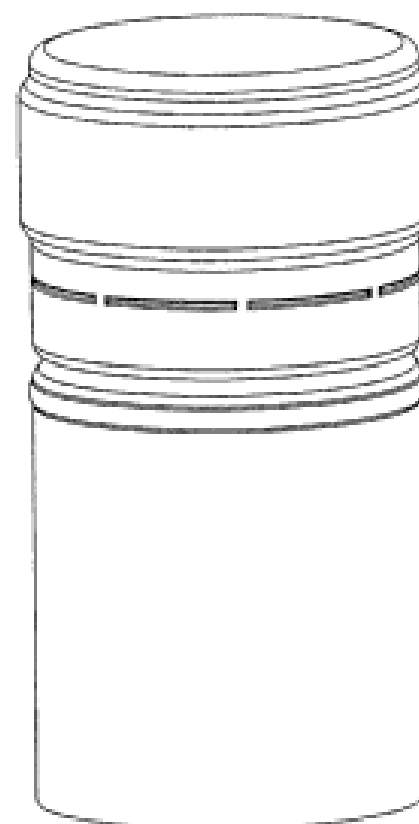
(45) Registration Date: **24 November 2005**

(30) Convention priority data:

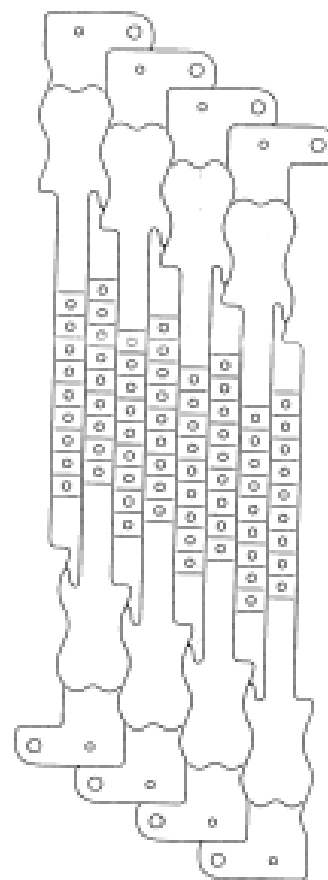
| | | |
|----------------------|--------------------|--------------|
| (31) Number | (32) Date | (33) Country |
| MI2004O000252 | 23 Dec 2004 | ITALY |

(56) Related Art Documents: **Not Applicable**

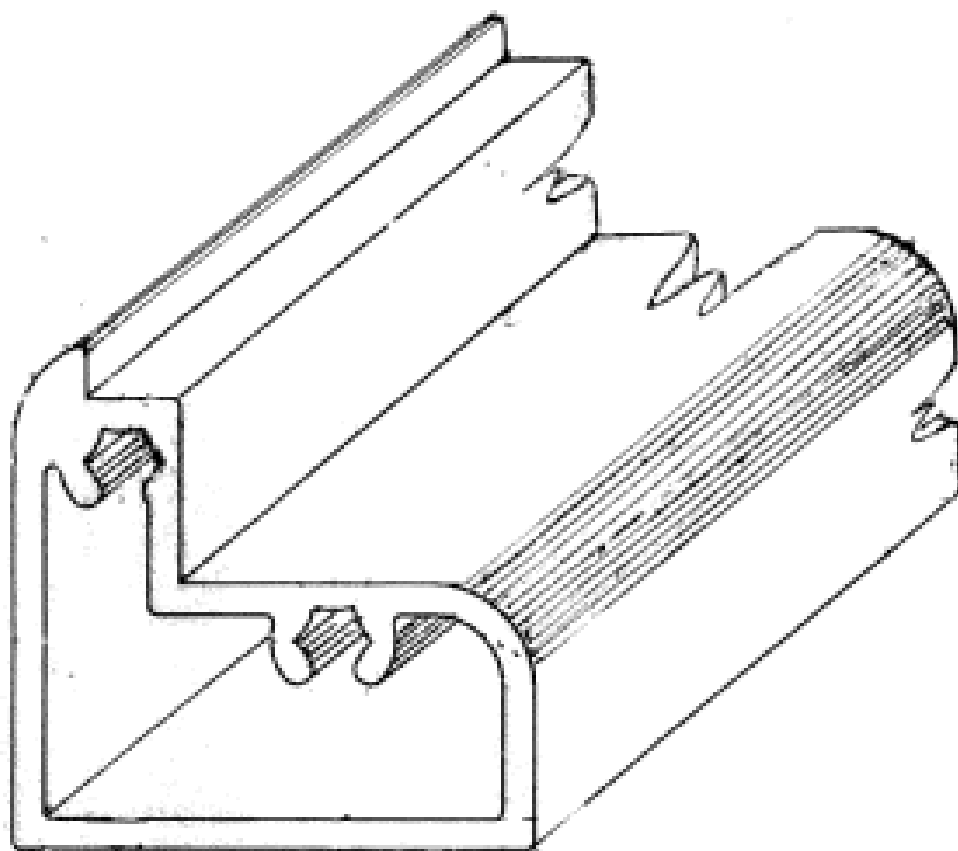
(57) Statement of Newness and Distinctiveness: **Those features of the cap-like closure with warranty seal for bottles depicted in the representations that are new and distinctive are the shape and/or configuration.**



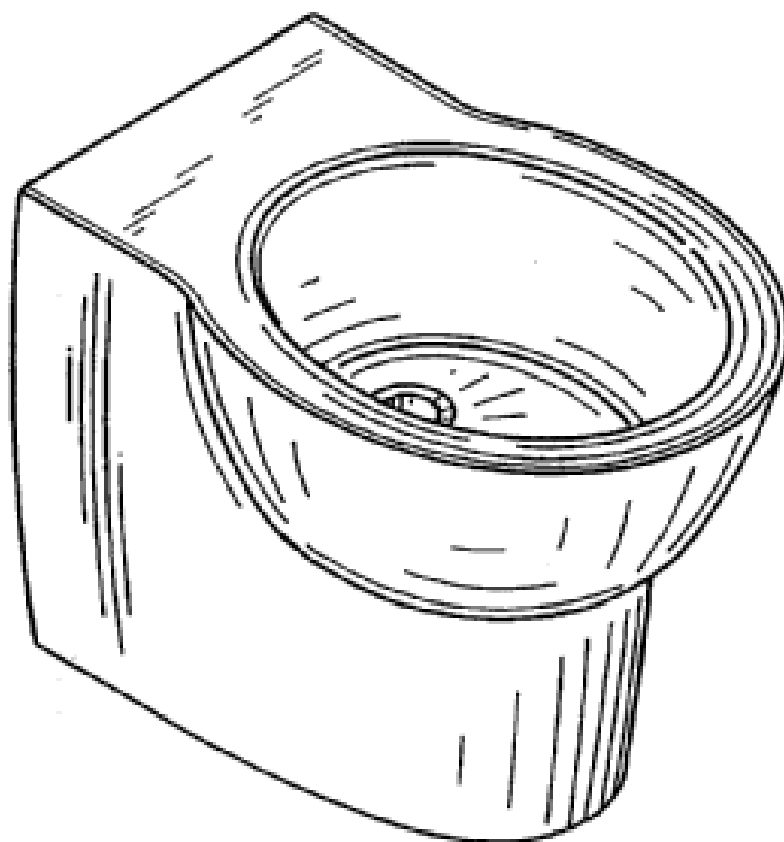
- (21) Design Number: **12621/2005**
(22) Date of Filing Application: **21 June 2005**
(24) Date from which industrial property rights may have effect: **21 June 2005**
(54) Product in respect of which the design is registered: **Wristband**
(51) International Design Classification: **11-01C, 24-99, 19-08**
(71) Name(s) and Address(s) of Applicant(s):
ID & C Limited
15 Colebrook Industrial Estate Longfield Road Tunbridge Wells Kent
TN2 3DG United Kingdom
(72) Name(s) of Designer(s): **Chris Wilkey**
(45) Registration Date: **24 November 2005**
(30) Convention priority data:
(31) Number (32) Date (33) Country
000274964 23 Dec 2004 EUROPEAN COMMUNITY
(56) Related Art Documents: **Not Applicable**
(57) Statement of Newness and Distinctiveness: **Nil**



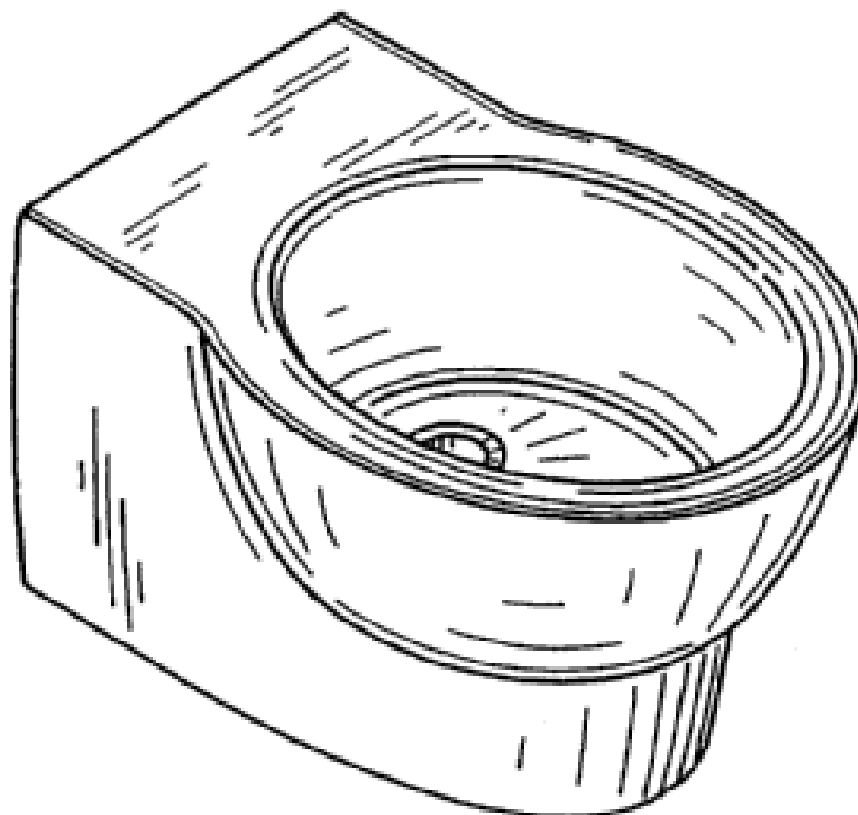
- (21) Design Number: **12743/2005**
(22) Date of Filing Application: **29 June 2005**
(24) Date from which industrial property rights may have effect: **29 June 2005**
(54) Product in respect of which the design is registered: **Shower screen head/sill**
(51) International Design Classification: **23-02B**
(71) Name(s) and Address(s) of Applicant(s):
Dias Aluminium Products Pty Ltd
201-205 Browns Road Noble Park Victoria 3174 Australia
(72) Name(s) of Designer(s): **David Aiken Paterson**
(45) Registration Date: **24 November 2005**
(56) Related Art Documents: **Not Applicable**



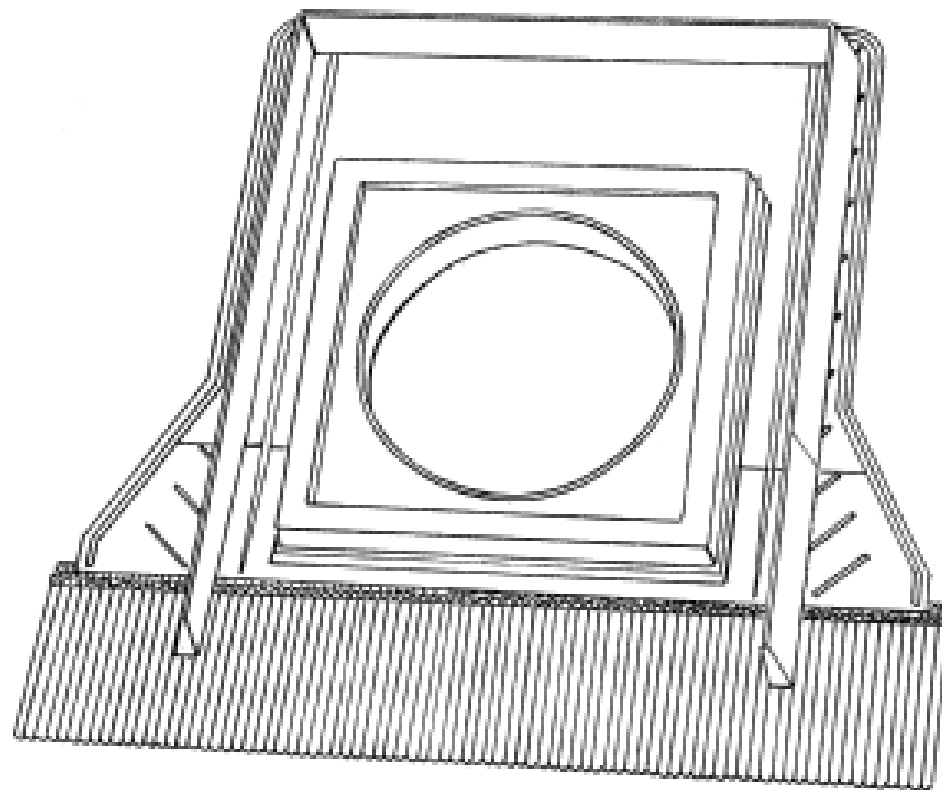
(21) Design Number: **12952/2005**
(22) Date of Filing Application: **07 July 2005**
(24) Date from which industrial property rights may have effect: **07 July 2005**
(54) Product in respect of which the design is registered: **Bidet**
(51) International Design Classification: **23-02C**
(71) Name(s) and Address(s) of Applicant(s):
Kohler France SAS
60 Rue De Turenne 75139 Paris Cedex 03 France
(72) Name(s) of Designer(s): **Jean-Hugues Soulier**
(45) Registration Date: **24 November 2005**
(30) Convention priority data:
(31) Number (32) Date (33) Country
29/220,865 07 Jan 2005 UNITED STATES OF AMERICA
(56) Related Art Documents: **Not Applicable**
(57) Statement of Newness and Distinctiveness: **Nil**



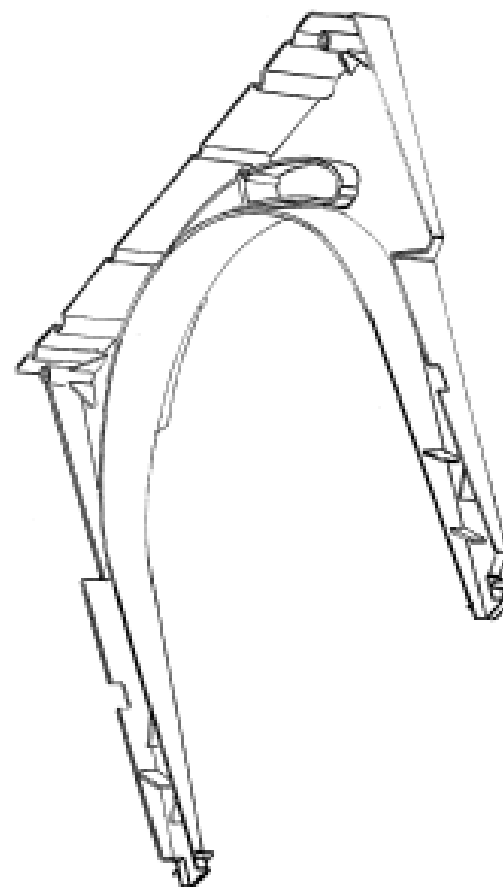
(21) Design Number: **12953/2005**
(22) Date of Filing Application: **07 July 2005**
(24) Date from which industrial property rights may have effect: **07 July 2005**
(54) Product in respect of which the design is registered: **Bidet**
(51) International Design Classification: **23-02C**
(71) Name(s) and Address(s) of Applicant(s):
Kohler France SAS
60 Rue De Turenne 75139 Paris Cedex 03 France
(72) Name(s) of Designer(s): **Jean-Hugues Soulier**
(45) Registration Date: **24 November 2005**
(30) Convention priority data:
(31) Number (32) Date (33) Country
29/220,865 07 Jan 2005 UNITED STATES OF AMERICA
(56) Related Art Documents: **Not Applicable**
(57) Statement of Newness and Distinctiveness: **Nil**



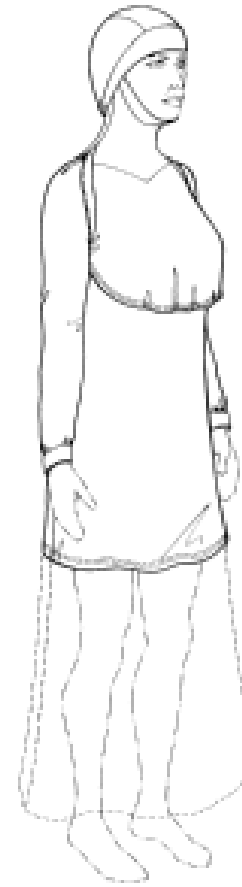
- (21) Design Number: **12993/2005**
(22) Date of Filing Application: **12 July 2005**
(24) Date from which industrial property rights may have effect: **12 July 2005**
(54) Product in respect of which the design is registered: **Window**
(51) International Design Classification: **25-02H**
(71) Name(s) and Address(s) of Applicant(s):
VKR Holding A/S
Tobaksvejen 10 DK-2860 Soborg Denmark
(72) Name(s) of Designer(s): **Brent Moller and Niels Adelholm Larsen and Per Jacobsen**
(45) Registration Date: **24 November 2005**
(30) Convention priority data:
(31) Number (32) Date (33) Country
000284633 24 Jan 2005 EUROPEAN COMMUNITY
(56) Related Art Documents: **Not Applicable**
(57) Statement of Newness and Distinctiveness: **Those features of the window depicted in the representations that are new and distinctive are the shape and/or configuration.**



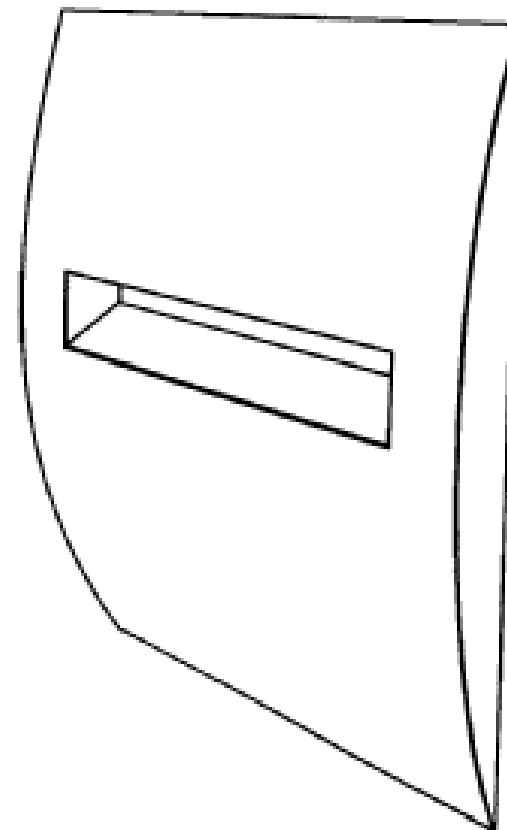
- (21) Design Number: **12994/2005**
(22) Date of Filing Application: **12 July 2005**
(24) Date from which industrial property rights may have effect: **12 July 2005**
(54) Product in respect of which the design is registered: **Building component**
(51) International Design Classification: **25-02H**
(71) Name(s) and Address(s) of Applicant(s):
VKR Holding A/S
Tobaksvejen 10 DK-2860 Soborg Denmark
(72) Name(s) of Designer(s): **Brent Moller and Niels Adelholm Larsen and Per Jacobsen**
(45) Registration Date: **24 November 2005**
(30) Convention priority data:
(31) Number (32) Date (33) Country
000284633 24 Jan 2005 EUROPEAN COMMUNITY
(56) Related Art Documents: **Not Applicable**
(57) Statement of Newness and Distinctiveness: **Those features of the building component depicted in the representations that are new and distinctive are the shape and/or configuration.**



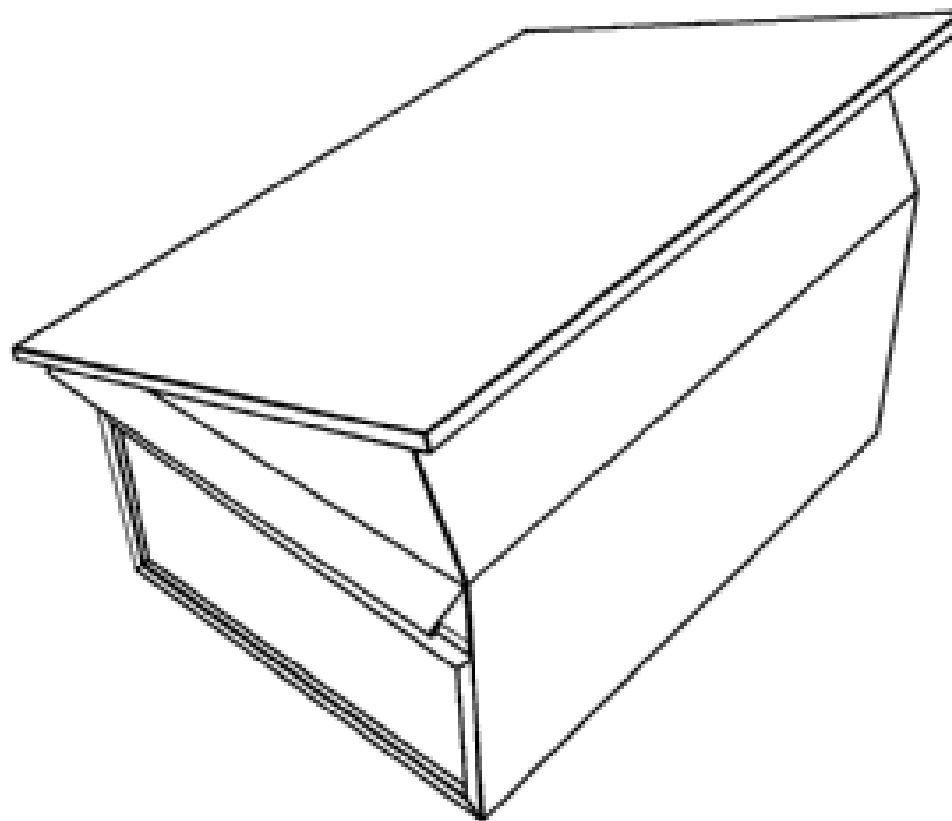
- (21) Design Number: **12998/2005**
(22) Date of Filing Application: **12 July 2005**
(24) Date from which industrial property rights may have effect: **12 July 2005**
(54) Product in respect of which the design is registered: **An article of clothing**
(51) International Design Classification: **02-02B**
(71) Name(s) and Address(s) of Applicant(s):
Ahiida Pty Ltd
5 The Boulevarde Yagoona New South Wales 2199 Australia
(72) Name(s) of Designer(s): **Aheda Ann Zanetti**
(45) Registration Date: **24 November 2005**
(56) Related Art Documents: **Not Applicable**
(57) Statement of Newness and Distinctiveness: **Newness and distinctiveness is claimed in the shape and/or configuration of an article of clothing as illustrated in the representations and when considering the design particular regard is to be had with respect to the bodice veil, and the length of the article is to be disregarded, as depicted in phantom.**



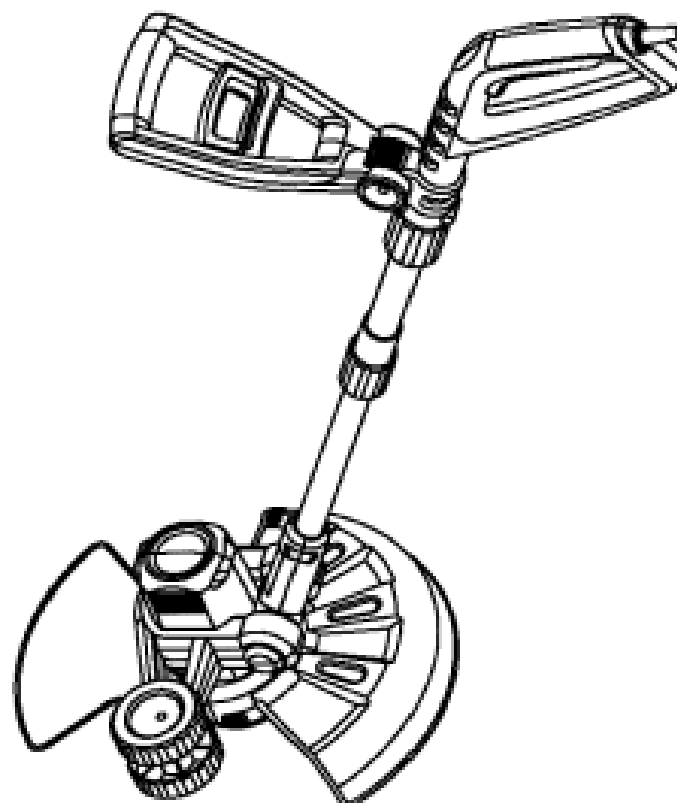
- (21) Design Number: **13000/2005**
(22) Date of Filing Application: **12 July 2005**
(24) Date from which industrial property rights may have effect: **12 July 2005**
(54) Product in respect of which the design is registered: **Letterbox fascia**
(51) International Design Classification: **25-03**
(71) Name(s) and Address(s) of Applicant(s):
Milkcan Letterbox Co. Pty Ltd
250 Robinson Road Geebung Queensland 4034 Australia
(72) Name(s) of Designer(s): **Cheryll Ann Lake**
(45) Registration Date: **24 November 2005**
(56) Related Art Documents: **Not Applicable**
(57) Statement of Newness and Distinctiveness: **The newness and distinctiveness of the design resides in the shape and/or configuration of the letterbox fascia shown in the representations.**



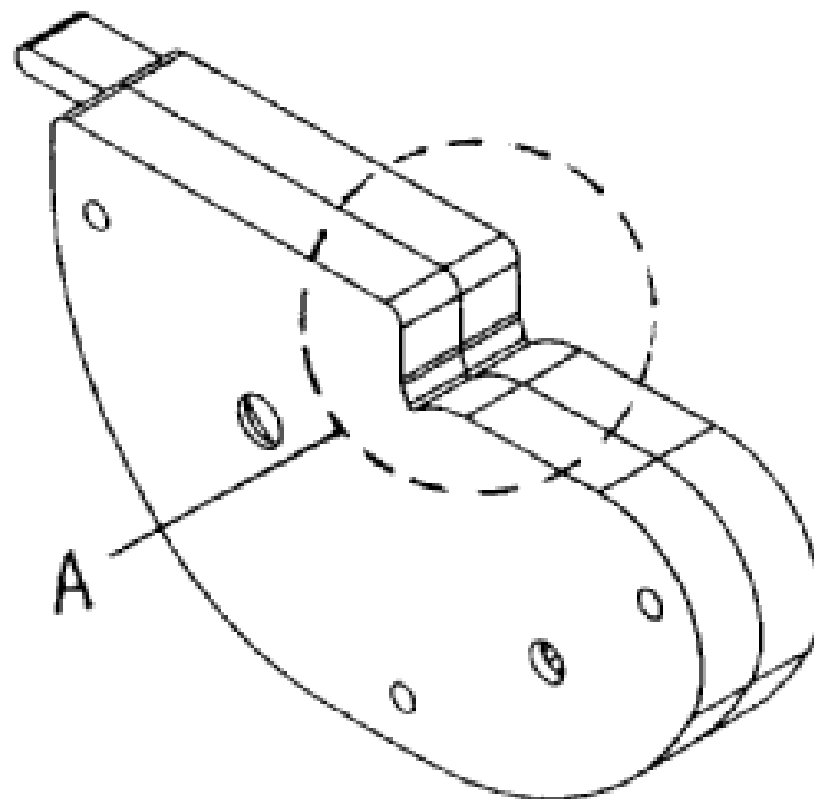
- (21) Design Number: **13001/2005**
(22) Date of Filing Application: **12 July 2005**
(24) Date from which industrial property rights may have effect: **12 July 2005**
(54) Product in respect of which the design is registered: **Letterbox**
(51) International Design Classification: **25-03**
(71) Name(s) and Address(s) of Applicant(s):
Milkcan Letterbox Co. Pty Ltd
250 Robinson Road Geebung Queensland 4034 Australia
(72) Name(s) of Designer(s): **Cheryll Ann Lake**
(45) Registration Date: **24 November 2005**
(56) Related Art Documents: **Not Applicable**
(57) Statement of Newness and Distinctiveness: **The newness and distinctiveness of the design resides in the shape and/or configuration of the letterbox shown in the representations.**



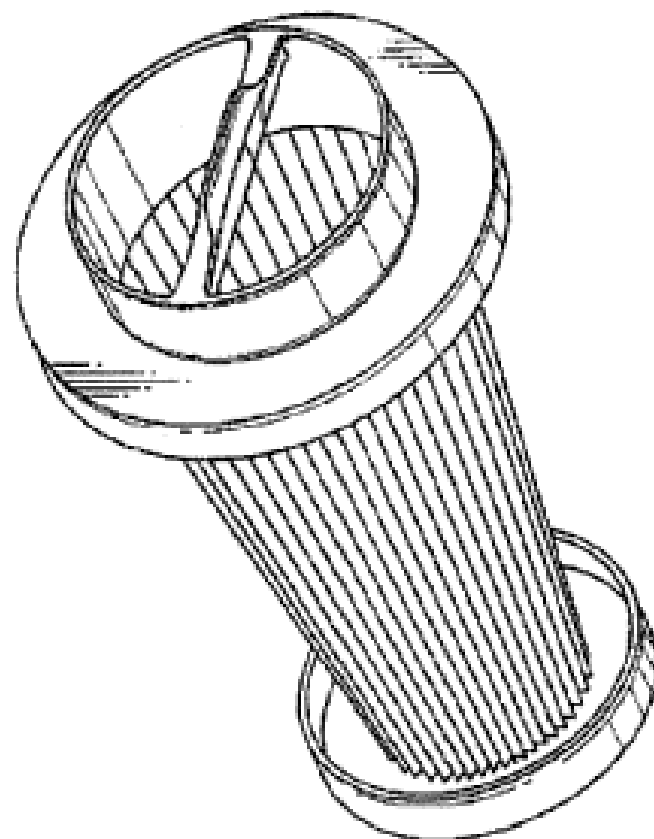
- (21) Design Number: **13002/2005**
(22) Date of Filing Application: **12 July 2005**
(24) Date from which industrial property rights may have effect: **12 July 2005**
(54) Product in respect of which the design is registered: **Grass trimmer**
(51) International Design Classification: **15-03B**
(71) Name(s) and Address(s) of Applicant(s):
Positec Power Tools (Suzhou) Co., Limited
Ganjiang Road East 461 Suzhou 215006 Jiangsu Province China
(72) Name(s) of Designer(s): **Paolo Andriolo**
(45) Registration Date: **24 November 2005**
(30) Convention priority data:
(31) Number (32) Date (33) Country
200530080084.6 17 Jan 2005 CHINA
(56) Related Art Documents: **Not Applicable**
(57) Statement of Newness and Distinctiveness: **Nil**



(21) Design Number: **13005/2005**
(22) Date of Filing Application: **12 July 2005**
(24) Date from which industrial property rights may have effect: **12 July 2005**
(54) Product in respect of which the design is registered: **Sliding door closer mechanism housing**
(51) International Design Classification: **08-07**
(71) Name(s) and Address(s) of Applicant(s):
Anthony Innovations Pty Ltd
68 Keon Parade Keon Park Victoria 3073 Australia
(72) Name(s) of Designer(s): **Linton Barry Kemp**
(45) Registration Date: **24 November 2005**
(56) Related Art Documents: **Not Applicable**
(57) Statement of Newness and Distinctiveness: **Novelty resides in the shape or configuration of the housing region marked A.**



(21) Design Number: **13019/2005**
(22) Date of Filing Application: **14 July 2005**
(24) Date from which industrial property rights may have effect: **14 July 2005**
(54) Product in respect of which the design is registered: **Filter**
(51) International Design Classification: **15-05**
(71) Name(s) and Address(s) of Applicant(s):
Royal Appliance Mfg. Co.
7005 Cochran Road Glenwillow Ohio 44139 United States of America
(72) Name(s) of Designer(s): **David Khalil**
(45) Registration Date: **24 November 2005**
(30) Convention priority data:
(31) Number (32) Date (33) Country
29/221441 14 Jan 2005 UNITED STATES OF AMERICA
(56) Related Art Documents: **Not Applicable**
(57) Statement of Newness and Distinctiveness: **Newness and distinctiveness is claimed in the features of shape and/or configuration of a filter as illustrated in the accompanying representations.**



(21) Design Number: **13020/2005**

(22) Date of Filing Application: **14 July 2005**

(24) Date from which industrial property rights may have effect: **14 July 2005**

(54) Product in respect of which the design is registered: **Filter assembly**

(51) International Design Classification: **15-05**

(71) Name(s) and Address(s) of Applicant(s):

**Royal Appliance Mfg. Co.
7005 Cochran Road Glenwillow Ohio 44139 United States of America**

(72) Name(s) of Designer(s): **David Khalil**

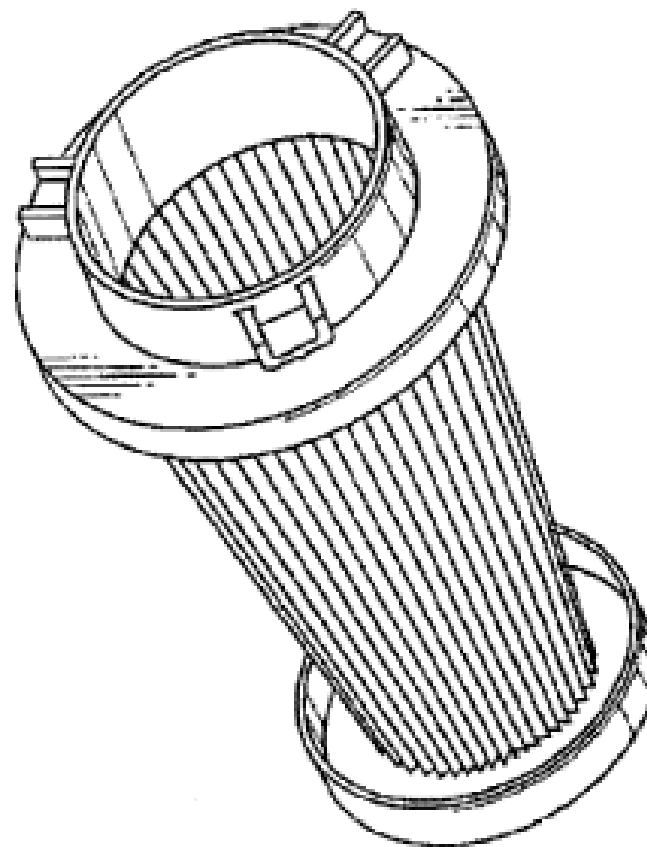
(45) Registration Date: **24 November 2005**

(30) Convention priority data:

| | | |
|------------------|--------------------|---------------------------------|
| (31) Number | (32) Date | (33) Country |
| 29/221442 | 14 Jan 2005 | UNITED STATES OF AMERICA |

(56) Related Art Documents: **Not Applicable**

(57) Statement of Newness and Distinctiveness: **Newness and distinctiveness is claimed in the features of shape and/or configuration of a filter assembly as illustrated in the accompanying representations.**



(21) Design Number: **11557/2005**

(22) Date of Filing Application: **18 April 2005**

(24) Date from which industrial property rights may have effect: **18 April 2005**

(54) Product in respect of which the design is registered: **Front cover for a material handling vehicle**

(51) International Design Classification: **12-16B**

(71) Name(s) and Address(s) of Applicant(s):

**The Raymond Corporation
20 South Canal Street Greene NY 13778 United States of America**

(72) Name(s) of Designer(s): **H. Scott Ryan and Gregory W. Smiley and Douglas M. Russell and David L. Fergot**

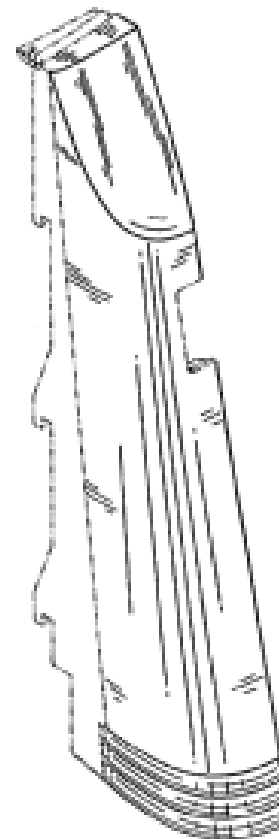
(45) Registration Date: **29 November 2005**

(30) Convention priority data:

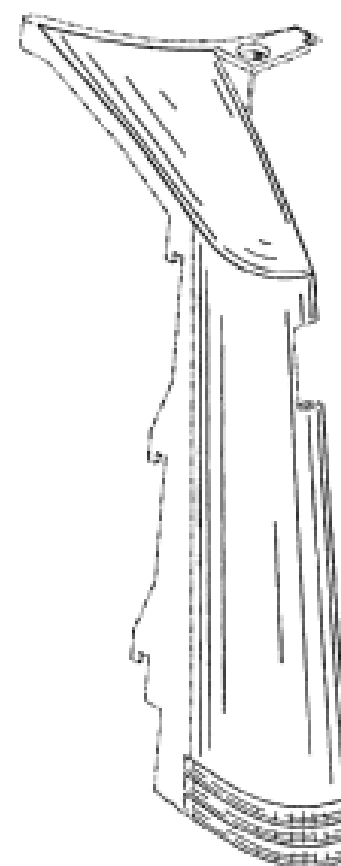
| | | |
|-------------------|--------------------|---------------------------------|
| (31) Number | (32) Date | (33) Country |
| 29/215,523 | 20 Oct 2004 | UNITED STATES OF AMERICA |

(56) Related Art Documents: **Not Applicable**

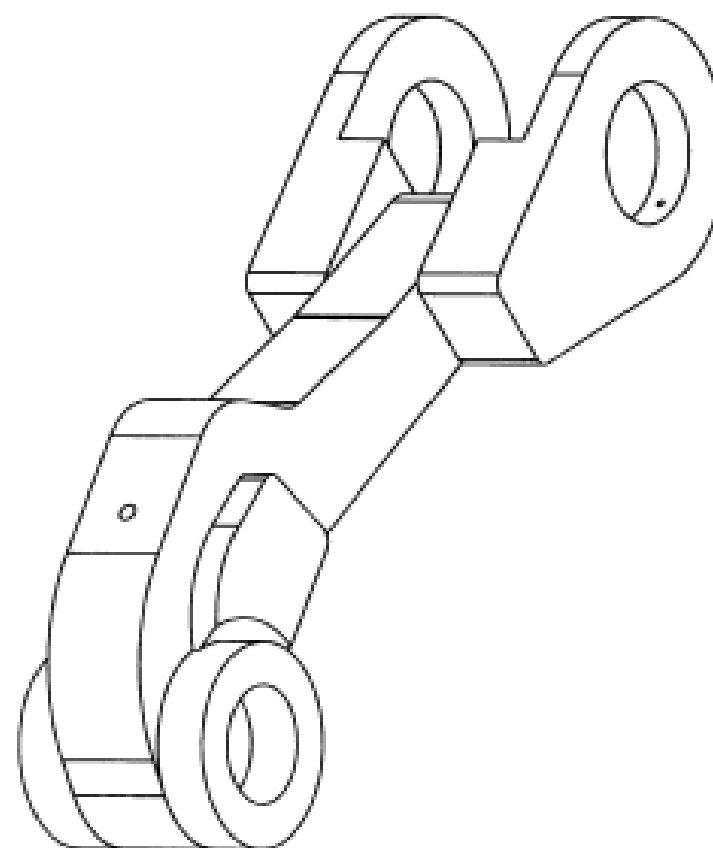
(57) Statement of Newness and Distinctiveness: **When considering the newness and distinctiveness of the design the broken lines of the representations are for the purposes of illustration only and form no part of the design.**



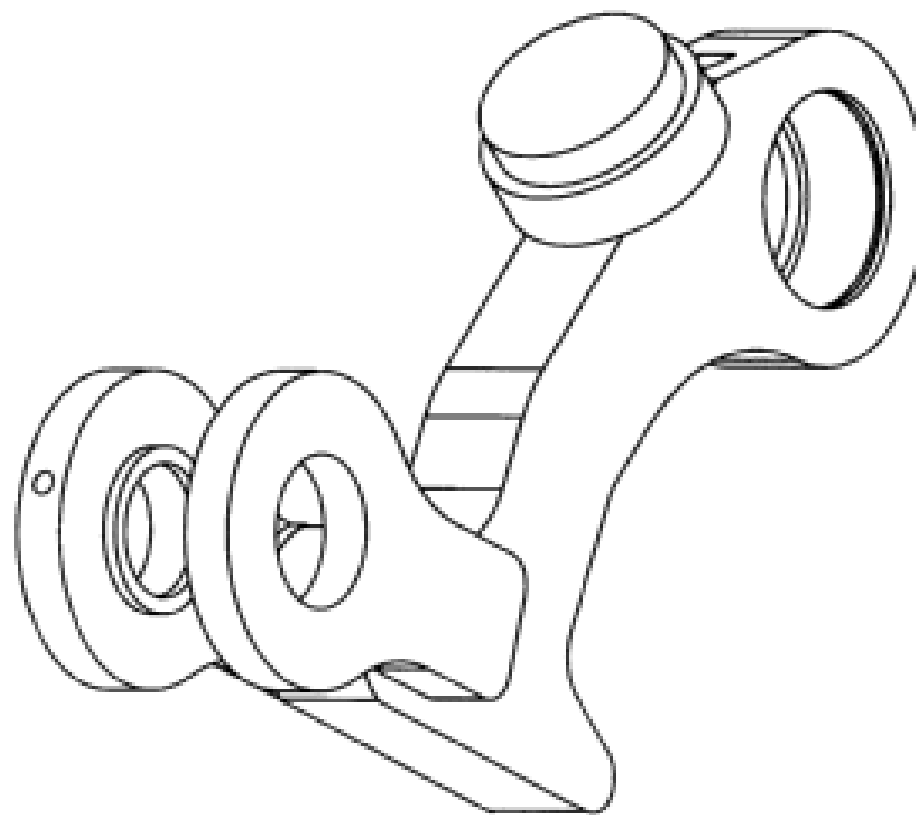
- (21) Design Number: **14858/2005**
(22) Date of Filing Application: **18 April 2005**
(24) Date from which industrial property rights may have effect: **18 April 2005**
(54) Product in respect of which the design is registered: **Front cover for a material handling vehicle**
(51) International Design Classification: **12-16B**
(71) Name(s) and Address(s) of Applicant(s):
The Raymond Corporation
20 South Canal Street Greene NY 13778 United States of America
(72) Name(s) of Designer(s): **H. Scott Ryan and Gregory W. Smiley and Douglas M. Russell and David L. Fergot**
(45) Registration Date: **29 November 2005**
(30) Convention priority data:
(31) Number (32) Date (33) Country
29/215,523 20 Oct 2004 UNITED STATES OF AMERICA
(56) Related Art Documents: **Not Applicable**
(57) Statement of Newness and Distinctiveness: **The newness and distinctiveness resides in the features of shape and/or configuration of the front cover rendered in unbroken lines on the accompanying representations. When considering the newness and distinctiveness of the design the features illustrated in broken lines for the purposes of illustration only and form no part of the design.**



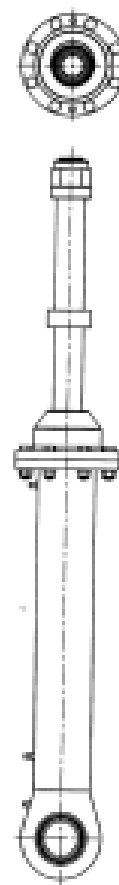
- (21) Design Number: **12585/2005**
(22) Date of Filing Application: **20 June 2005**
(24) Date from which industrial property rights may have effect: **20 June 2005**
(54) Product in respect of which the design is registered: **Damper lever for impact roller**
(51) International Design Classification: **15-04**
(71) Name(s) and Address(s) of Applicant(s):
Broons Hire (S.A.) Proprietary Limited
827 Port Road Woodville South Australia 5011 Australia
(72) Name(s) of Designer(s): **Stuart Bowes**
(45) Registration Date: **29 November 2005**
(56) Related Art Documents: **Not Applicable**
(57) Statement of Newness and Distinctiveness: **Nil**



- (21) Design Number: **12586/2005**
- (22) Date of Filing Application: **20 June 2005**
- (24) Date from which industrial property rights may have effect: **20 June 2005**
- (54) Product in respect of which the design is registered: **Link (long) for impact roller**
- (51) International Design Classification: **15-04**
- (71) Name(s) and Address(s) of Applicant(s):
Broons Hire (S.A.) Proprietary Limited
827 Port Road Woodville South Australia 5011 Australia
- (72) Name(s) of Designer(s): **Stuart Bowes**
- (45) Registration Date: **29 November 2005**
- (56) Related Art Documents: **Not Applicable**
- (57) Statement of Newness and Distinctiveness: **Nil**



- (21) Design Number: **12587/2005**
- (22) Date of Filing Application: **20 June 2005**
- (24) Date from which industrial property rights may have effect: **20 June 2005**
- (54) Product in respect of which the design is registered: **Damper cylinder assembly for impact roller**
- (51) International Design Classification: **15-04**
- (71) Name(s) and Address(s) of Applicant(s):
Broons Hire (S.A.) Proprietary Limited
827 Port Road Woodville South Australia 5011 Australia
- (72) Name(s) of Designer(s): **Stuart Bowes**
- (45) Registration Date: **29 November 2005**
- (56) Related Art Documents: **Not Applicable**
- (57) Statement of Newness and Distinctiveness: **Nil**



(21) Design Number: **12596/2005**

(22) Date of Filing Application: **20 June 2005**

(24) Date from which industrial property rights may have effect: **20 June 2005**

(54) Product in respect of which the design is registered: **Culinary crusher/blender**

(51) International Design Classification: **07-04**

(71) Name(s) and Address(s) of Applicant(s):

William Levene Limited
Bridge House Eelmoor Road Farnborough Hampshire GU14 7UE
United Kingdom

(72) Name(s) of Designer(s): **Andrew Thornton**

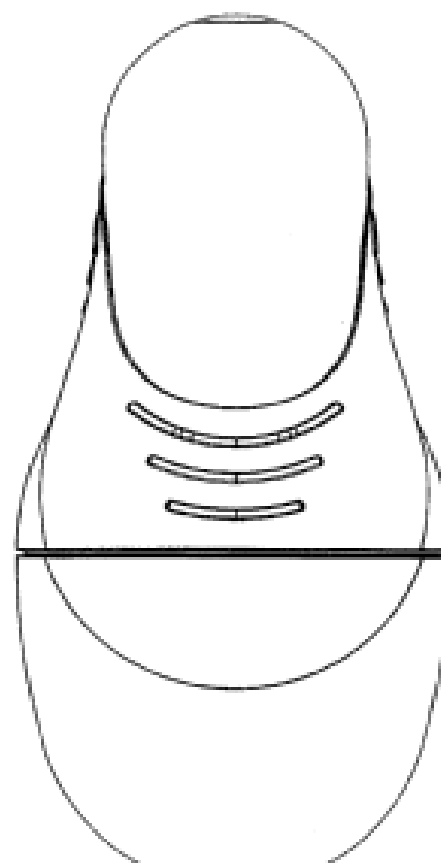
(45) Registration Date: **29 November 2005**

(30) Convention priority data:

| | | |
|-----------------------|--------------------|---------------------------|
| (31) Number | (32) Date | (33) Country |
| 000275284-0001 | 24 Dec 2004 | EUROPEAN COMMUNITY |

(56) Related Art Documents: **Not Applicable**

(57) Statement of Newness and Distinctiveness: **Nil**



(21) Design Number: **12601/2005**

(22) Date of Filing Application: **20 June 2005**

(24) Date from which industrial property rights may have effect: **20 June 2005**

(54) Product in respect of which the design is registered: **Volatile actives dispenser**

(51) International Design Classification: **28-99**

(71) Name(s) and Address(s) of Applicant(s):

S.C. Johnson & Son, Inc.
1525 Howe Street Racine Wisconsin 53403-2236 United States of
America

(72) Name(s) of Designer(s): **Thomas A. Helf and Edward L. Paas**

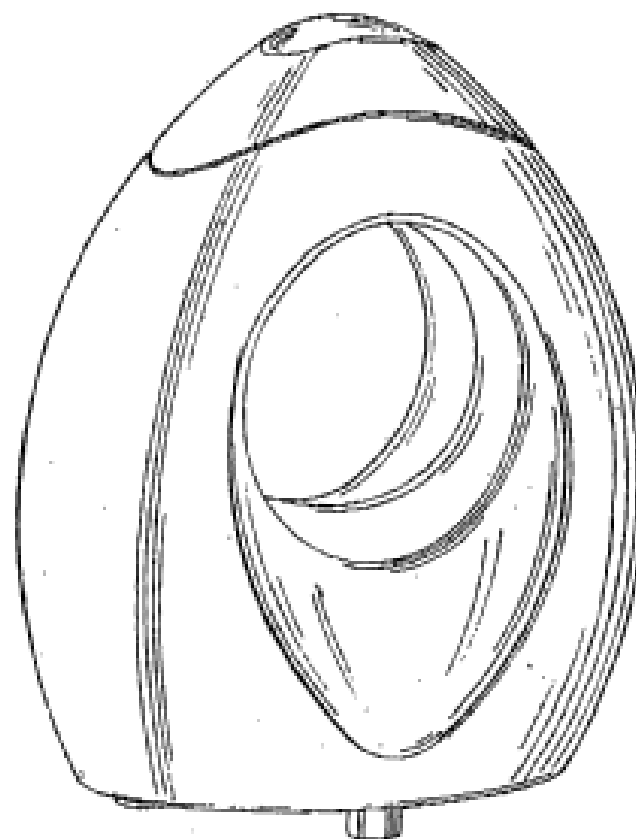
(45) Registration Date: **29 November 2005**

(30) Convention priority data:

| | | |
|------------------|--------------------|---------------------------------|
| (31) Number | (32) Date | (33) Country |
| 29/219662 | 20 Dec 2004 | UNITED STATES OF AMERICA |

(56) Related Art Documents: **Not Applicable**

(57) Statement of Newness and Distinctiveness: **Newness and distinctiveness is claimed in the features of shape and/or configuration of a volatile actives dispenser as illustrated in the accompanying representations.**



(21) Design Number: **12602/2005**

(22) Date of Filing Application: **20 June 2005**

(24) Date from which industrial property rights may have effect: **20 June 2005**

(54) Product in respect of which the design is registered: **Patch cap holder**

(51) International Design Classification: **02-03**

(71) Name(s) and Address(s) of Applicant(s):

Suen Ching Yan

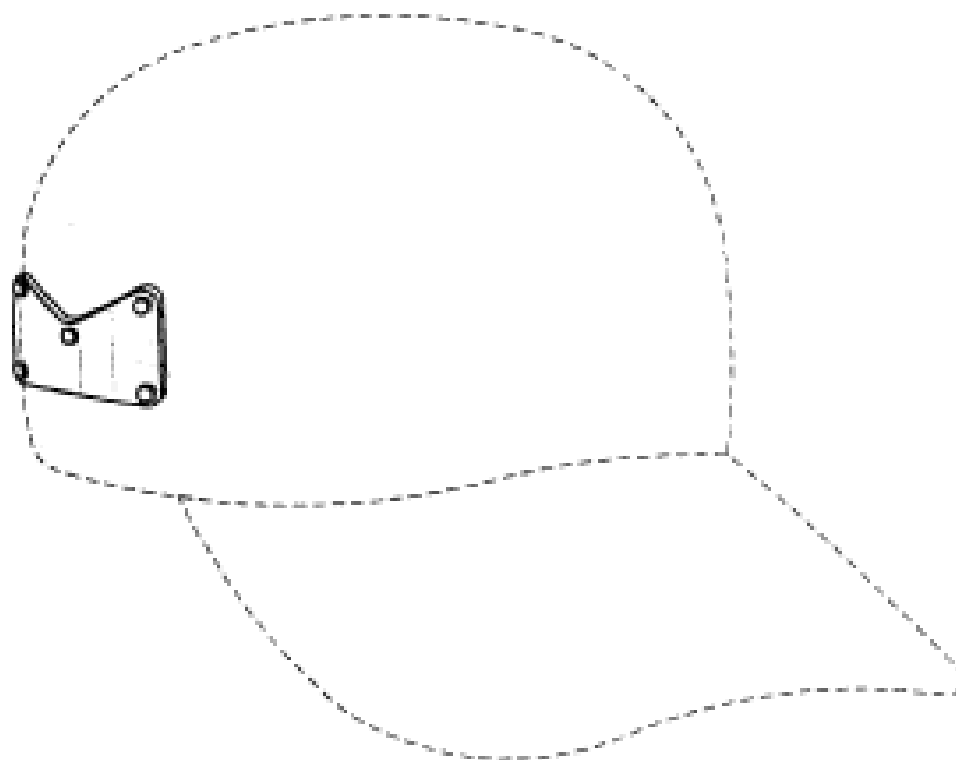
**17145 Margay Avenue C/- H & C Headwear Carson California 90746
United States of America**

(72) Name(s) of Designer(s): **Suen Ching Yan**

(45) Registration Date: **29 November 2005**

(56) Related Art Documents: **Not Applicable**

(57) Statement of Newness and Distinctiveness: **Newness and distinctiveness are claimed in the features of shape and/or configuration of a patch cap holder as illustrated in the accompanying representations. The cap, shown in dashed lines, is for illustrative purposes only and does not form part of the design.**



(21) Design Number: **12603/2005**

(22) Date of Filing Application: **20 June 2005**

(24) Date from which industrial property rights may have effect: **20 June 2005**

(54) Product in respect of which the design is registered: **Patch cap holder**

(51) International Design Classification: **02-03**

(71) Name(s) and Address(s) of Applicant(s):

Suen Ching Yan

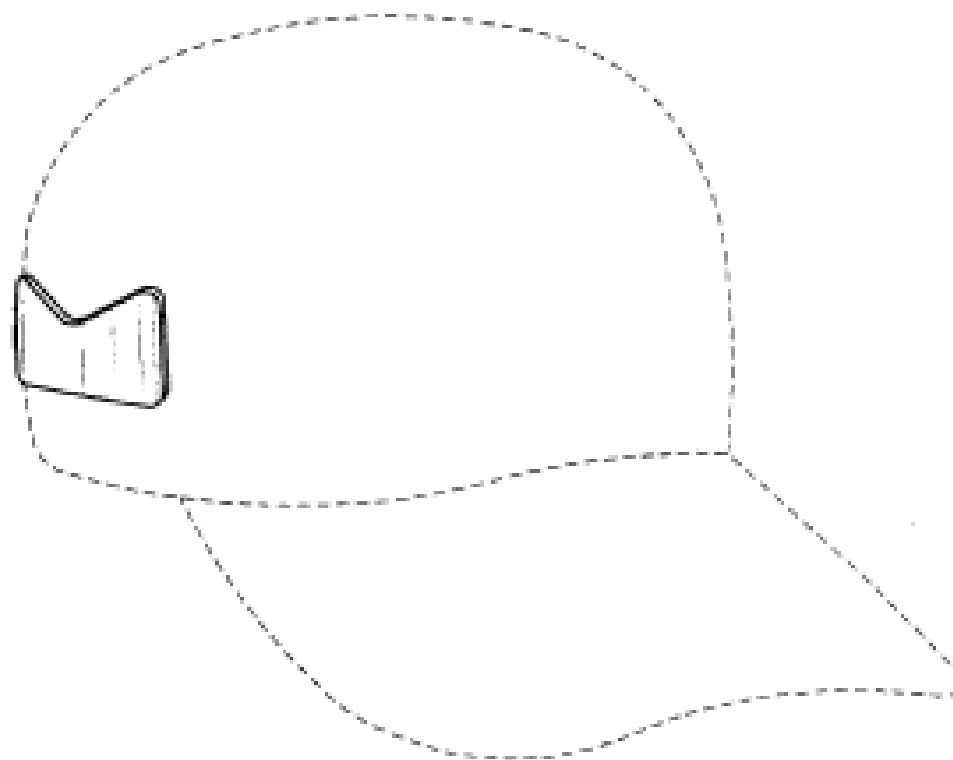
**17145 Margay Avenue C/- H & C Headwear Carson California 90746
United States of America**

(72) Name(s) of Designer(s): **Suen Ching Yan**

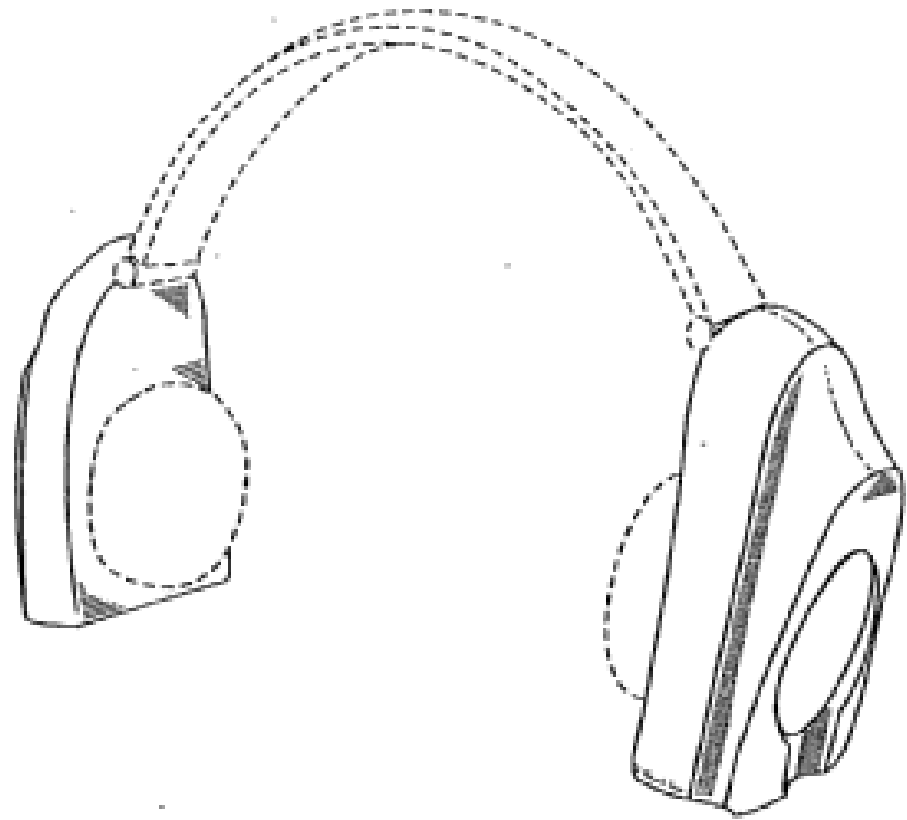
(45) Registration Date: **29 November 2005**

(56) Related Art Documents: **Not Applicable**

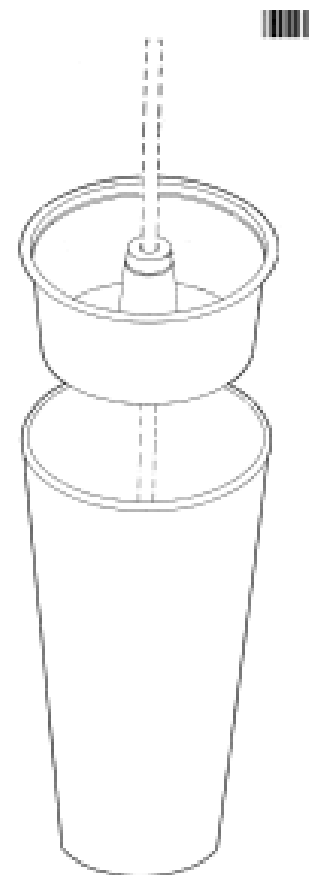
(57) Statement of Newness and Distinctiveness: **Newness and distinctiveness are claimed in the features of shape and/or configuration of a patch cap holder as illustrated in the accompanying representations. The cap, shown in dashed lines, is for illustrative purposes only and does not form part of the design.**



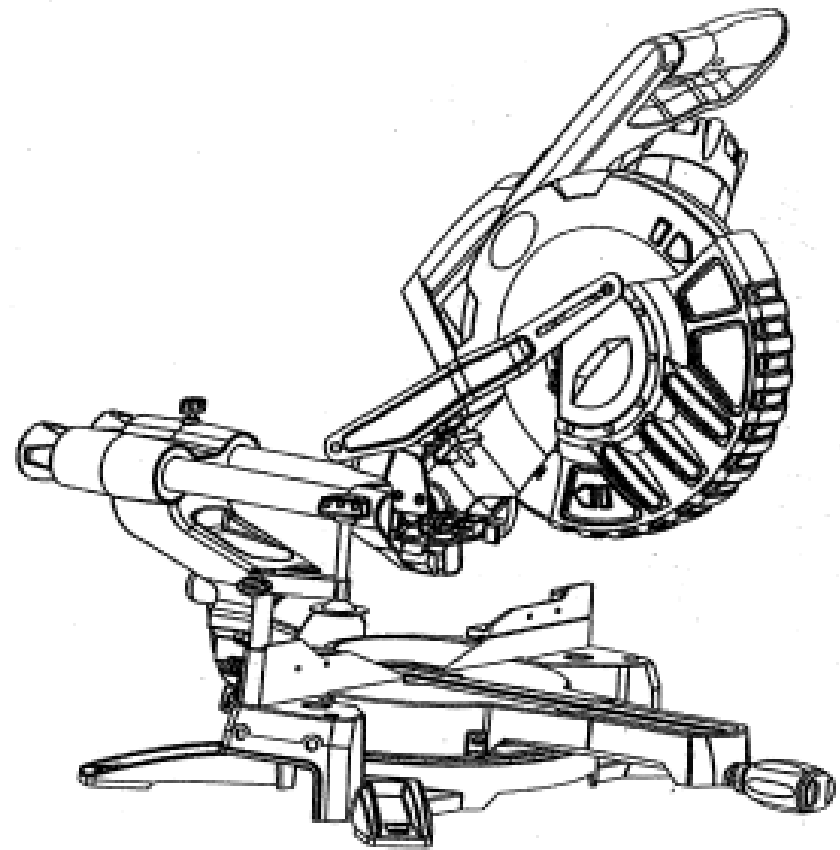
- (21) Design Number: **12630/2005**
(22) Date of Filing Application: **21 June 2005**
(24) Date from which industrial property rights may have effect: **21 June 2005**
(54) Product in respect of which the design is registered: **Headphone and loudspeaker**
(51) International Design Classification: **14-01**
(71) Name(s) and Address(s) of Applicant(s):
Creative Technology Ltd
31 International Business Park Creative Resource Singapore 609921
(72) Name(s) of Designer(s): **Yuen Khim Liow and Siang Thia Goh and Eng Wah Teo and Gee Han Bobby Png**
(45) Registration Date: **29 November 2005**
(30) Convention priority data:
(31) Number (32) Date (33) Country
29/227,796 15 Apr 2005 UNITED STATES OF AMERICA
(56) Related Art Documents: **Not Applicable**
(57) Statement of Newness and Distinctiveness: **Monopoly is claimed in the shape and configuration of the features of the article as depicted in the accompanying representations. The applicant claims monopoly in the features of the article depicted in solid lines. No monopoly is claimed in the features depicted in dashed lines (broken lines) in the accompanying representations.**



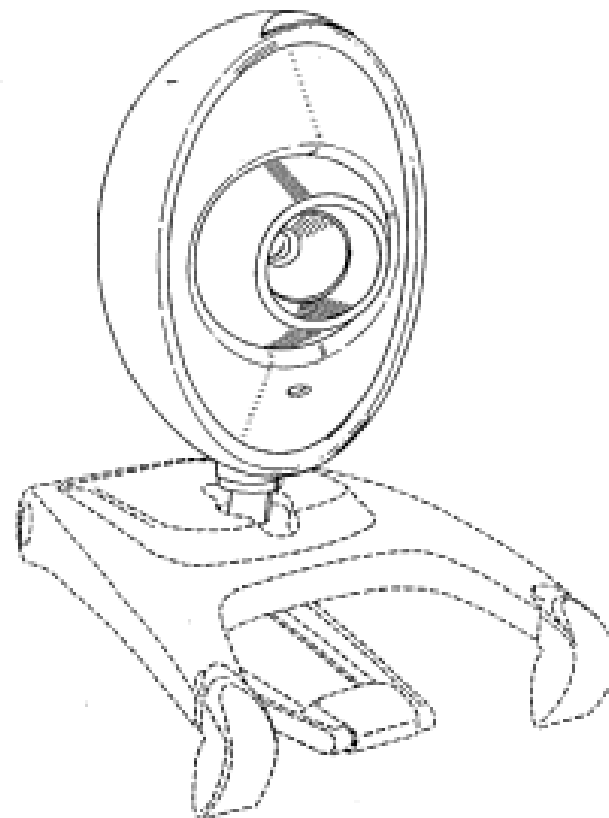
- (21) Design Number: **12648/2005**
(22) Date of Filing Application: **21 June 2005**
(24) Date from which industrial property rights may have effect: **21 June 2005**
(54) Product in respect of which the design is registered: **Container and insert**
(51) International Design Classification: **07-01C**
(71) Name(s) and Address(s) of Applicant(s):
Stephen Layfield
Level 3 230 Clarence Street Sydney New South Wales 2000 Australia
(72) Name(s) of Designer(s): **Stephen Layfield**
(45) Registration Date: **29 November 2005**
(56) Related Art Documents: **Not Applicable**
(57) Statement of Newness and Distinctiveness: **The shape and configuration of those parts of the product shown other than by means of broken lines in the representations are new and distinctive.**



(21) Design Number: **12734/2005**
 (22) Date of Filing Application: **29 June 2005**
 (24) Date from which industrial property rights may have effect: **29 June 2005**
 (54) Product in respect of which the design is registered: **A mitre saw**
 (51) International Design Classification: **08-03**
 (71) Name(s) and Address(s) of Applicant(s):
GMCA Pty Ltd
45-55 South Centre Road Melbourne Airport Victoria 3045 Australia
 (72) Name(s) of Designer(s): **Robert Firth**
 (45) Registration Date: **29 November 2005**
 (30) Convention priority data:
 (31) Number (32) Date (33) Country
000337498 28 Apr 2005 EUROPEAN COMMUNITY
 (56) Related Art Documents: **Not Applicable**
 (57) Statement of Newness and Distinctiveness: **Newness and distinctiveness resides in the shape and configuration of a mitre saw as shown in the accompanying representations.**



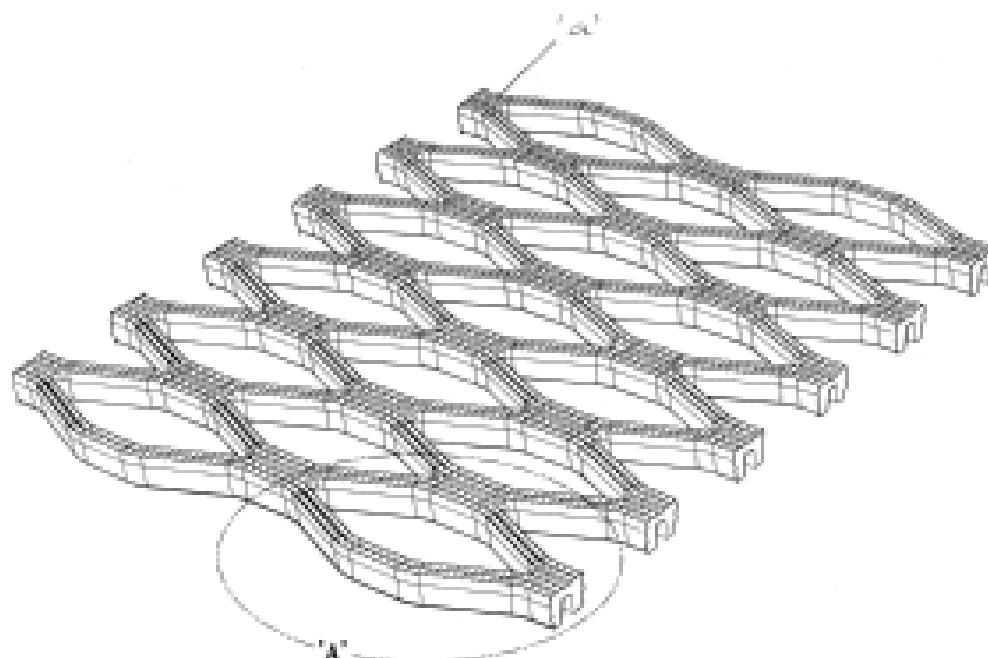
(21) Design Number: **12815/2005**
 (22) Date of Filing Application: **24 June 2005**
 (24) Date from which industrial property rights may have effect: **28 September 2004**
 (54) Product in respect of which the design is registered: **A camera**
 (51) International Design Classification: **16-01**
 (71) Name(s) and Address(s) of Applicant(s):
Creative Technology Ltd
31 International Business Park Creative Resource Singapore 609921
 (72) Name(s) of Designer(s): **Leonard Tan Baroocha and Jeff Stoen**
 (45) Registration Date: **29 November 2005**
 (30) Convention priority data:
 (31) Number (32) Date (33) Country
29/207,224 09 Jun 2004 UNITED STATES OF AMERICA
 (62) Divisional of: **302511**
 (56) Related Art Documents: **Not Applicable**
 (57) Statement of Newness and Distinctiveness: **Monopoly is claimed in the shape and configuration of the features of the article as depicted in the accompanying representations. The applicant claims monopoly in the features of the article depicted in solid lines. No monopoly is claimed in the features depicted in broken lines.**



- (21) Design Number: **12825/2005**
- (22) Date of Filing Application: **01 July 2005**
- (24) Date from which industrial property rights may have effect: **01 July 2005**
- (54) Product in respect of which the design is registered: **Walkway grille**
- (51) International Design Classification: **25-02C**
- (71) Name(s) and Address(s) of Applicant(s):

Abra Products Pty Ltd
118-120 Freight Drive Somerton Victoria 3062 Australia

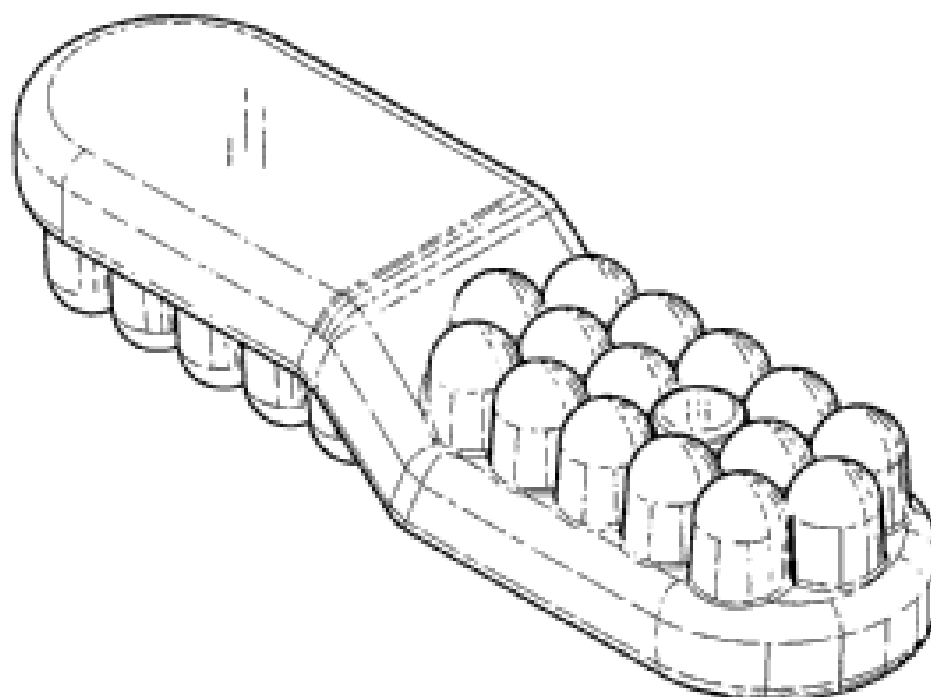
- (72) Name(s) of Designer(s): **Edward Donald Allen**
- (45) Registration Date: **29 November 2005**
- (56) Related Art Documents: **Not Applicable**
- (57) Statement of Newness and Distinctiveness: **Newness and/or distinctiveness resides in the features of the shape and configuration of an upper side of a walkway grille marked "a", the walkway grille being of indefinite length and width. For the purpose of assessing newness and/or distinctiveness, no account should be taken of the underside of the walkway grille marked "b".**



- (21) Design Number: **12992/2005**
- (22) Date of Filing Application: **12 July 2005**
- (24) Date from which industrial property rights may have effect: **12 July 2005**
- (54) Product in respect of which the design is registered: **Pet food supplement**
- (51) International Design Classification: **01-06**
- (71) Name(s) and Address(s) of Applicant(s):

The IAMS Company
7250 Poe Avenue Dayton Ohio 45414 United States of America

- (72) Name(s) of Designer(s): **John William Koenig and Daniel Peter Sterling and Lisa Ann MacKay and Peter Michaelian**
 - (45) Registration Date: **29 November 2005**
 - (30) Convention priority data:
- | | | |
|-------------------|--------------------|---------------------------------|
| (31) Number | (32) Date | (33) Country |
| 29/221,945 | 24 Jan 2005 | UNITED STATES OF AMERICA |
- (56) Related Art Documents: **Not Applicable**
 - (57) Statement of Newness and Distinctiveness: **Those visual features of the pet food supplement depicted in the representations that are new and distinctive are the shape and/or configuration.**



(21) Design Number: **12997/2005**

(22) Date of Filing Application: **12 July 2005**

(24) Date from which industrial property rights may have effect: **12 July 2005**

(54) Product in respect of which the design is registered: **Mobile phone**

(51) International Design Classification: **14-03E**

(71) Name(s) and Address(s) of Applicant(s):

**Siemens Aktiengesellschaft
Wittelsbacherplatz 2 80333 Munchen Germany**

(72) Name(s) of Designer(s): **Jorn Ludwig**

(45) Registration Date: **29 November 2005**

(30) Convention priority data:

| | | |
|------------------|--------------------|---------------------------|
| (31) Number | (32) Date | (33) Country |
| 000284260 | 13 Jan 2005 | EUROPEAN COMMUNITY |

(56) Related Art Documents: **Not Applicable**

(57) Statement of Newness and Distinctiveness: **Newness and distinctiveness is claimed in the following features of shape and/or configuration of a mobile phone, as illustrated in the accompanying representations: a parallelepiped-like form with rounded edges in a closed position; a first frame on an upper part of the front side of the mobile phone in a closed position, the first frame having a display in a lower part of the first frame; a second frame in a lower part of the front side of the mobile phone in a closed position; a camera-opening with an approximately quadratic ring covering the opening; the lower part of the mobile phone being thicker than the upper part of the mobile phone in a closed position; a loud-speaker in a longish-ellipsoid shape; a rectangular display on the underside of the front part, based under the loud-speaker; a ring-shaped navigation key covering an approximately triangular-shaped central key; two arched-like functional keys arranged at the top end and the bottom end of the navigation key; a middle column of 4 keys, each key being in ellipsoid shaped form; and outer columns of 4 keys, each key in ellipsoid shaped form and angled to the keys of the middle column.**



(21) Design Number: **13003/2005**

(22) Date of Filing Application: **12 July 2005**

(24) Date from which industrial property rights may have effect: **12 July 2005**

(54) Product in respect of which the design is registered: **Circular saw**

(51) International Design Classification: **08-03**

(71) Name(s) and Address(s) of Applicant(s):

**Positec Power Tools (Suzhou) Co., Limited
Ganjiang Road East 461 Suzhou 215006 Jiangsu Province China**

(72) Name(s) of Designer(s): **Paolo Andriolo**

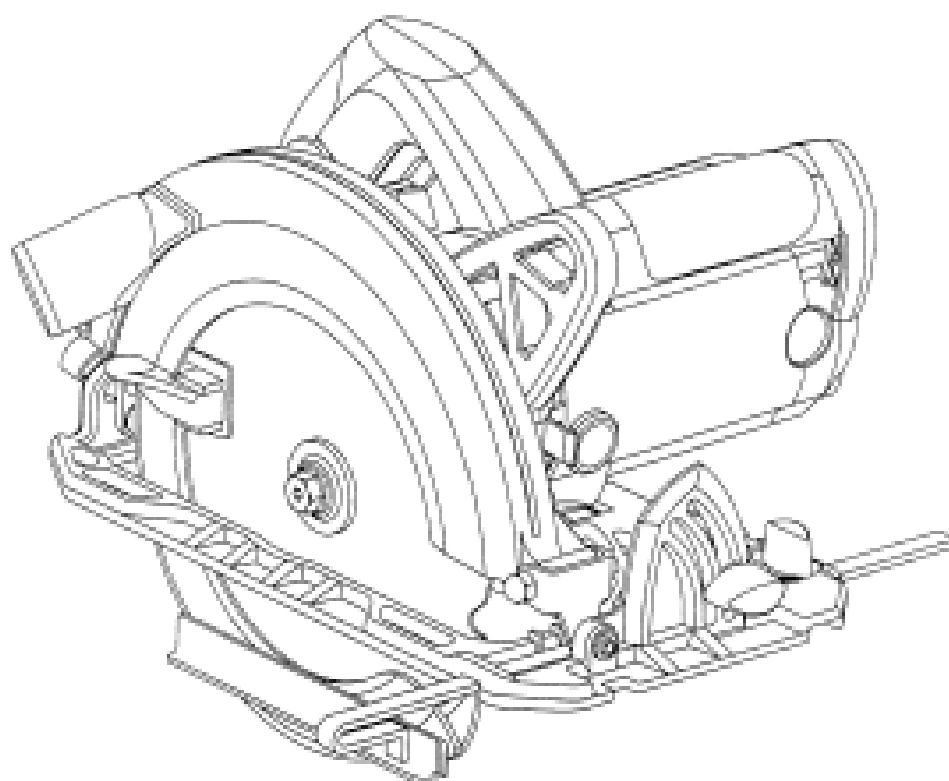
(45) Registration Date: **29 November 2005**

(30) Convention priority data:

| | | |
|-----------------------|--------------------|--------------|
| (31) Number | (32) Date | (33) Country |
| 200530080469.2 | 29 Jan 2005 | CHINA |

(56) Related Art Documents: **Not Applicable**

(57) Statement of Newness and Distinctiveness: **Nil**



(21) Design Number: **13004/2005**
 (22) Date of Filing Application: **12 July 2005**
 (24) Date from which industrial property rights may have effect: **12 July 2005**
 (54) Product in respect of which the design is registered: **Sander**
 (51) International Design Classification: **08-05N**
 (71) Name(s) and Address(s) of Applicant(s):

Positec Power Tools (Suzhou) Co., Limited
Ganjiang Road East 461 Suzhou 215006 Jiangsu Province China

(72) Name(s) of Designer(s): **Paolo Andriolo**

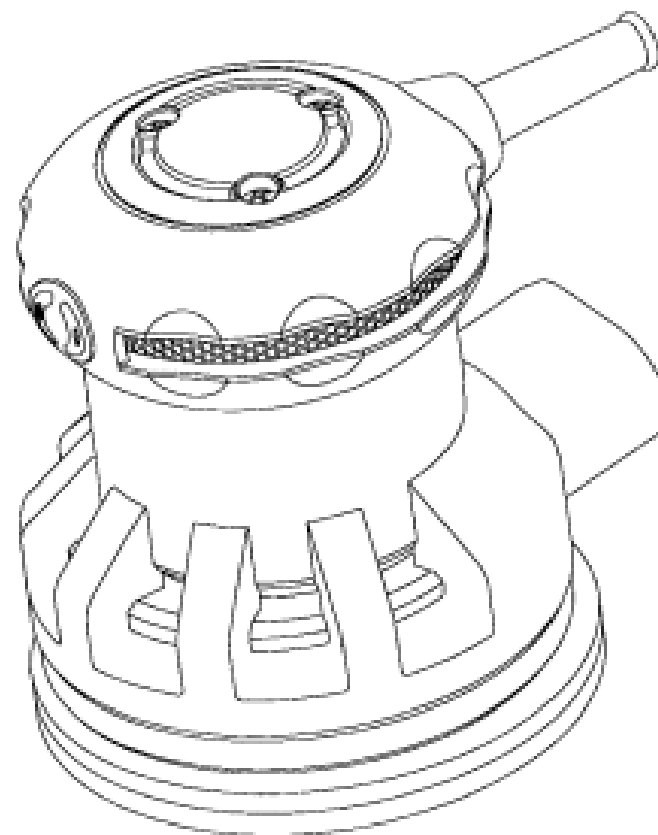
(45) Registration Date: **29 November 2005**

(30) Convention priority data:

| | | |
|-----------------------|--------------------|--------------|
| (31) Number | (32) Date | (33) Country |
| 200530080897.5 | 21 Feb 2005 | CHINA |

(56) Related Art Documents: **Not Applicable**

(57) Statement of Newness and Distinctiveness: **Nil**



(21) Design Number: **13023/2005**
 (22) Date of Filing Application: **14 July 2005**
 (24) Date from which industrial property rights may have effect: **14 July 2005**
 (54) Product in respect of which the design is registered: **Trocar**
 (51) International Design Classification: **24-02**
 (71) Name(s) and Address(s) of Applicant(s):

Ethicon Endo-Surgery, Inc.
4545 Creek Road Cincinnati Ohio 45242-2839 United States of America

(72) Name(s) of Designer(s): **Thomas E. Albrecht and Thomas A. Gilker**

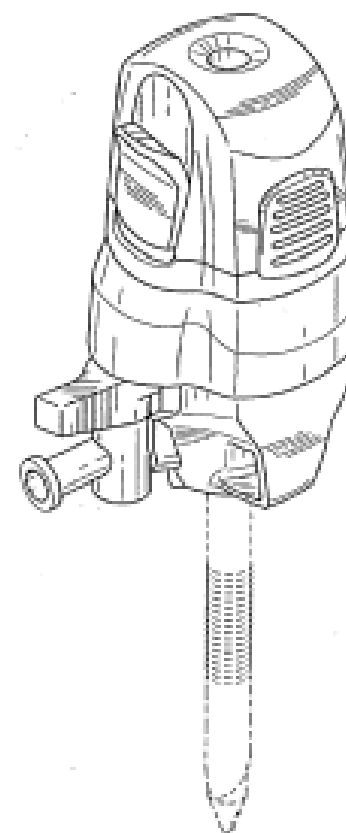
(45) Registration Date: **29 November 2005**

(30) Convention priority data:

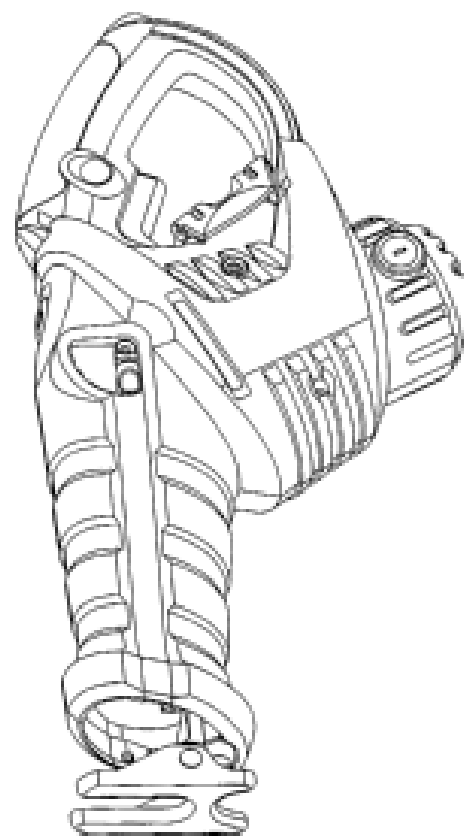
| | | |
|------------------|--------------------|---------------------------------|
| (31) Number | (32) Date | (33) Country |
| 29/222994 | 08 Feb 2005 | UNITED STATES OF AMERICA |

(56) Related Art Documents: **Not Applicable**

(57) Statement of Newness and Distinctiveness: **The newness and distinctiveness of the design resides in the features of shape and configuration of the trocar shown in the drawings.**

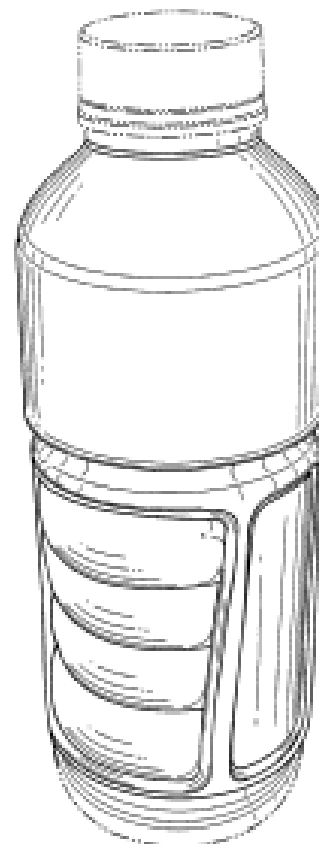


- (21) Design Number: **13052/2005**
- (22) Date of Filing Application: **14 July 2005**
- (24) Date from which industrial property rights may have effect: **14 July 2005**
- (54) Product in respect of which the design is registered: **Reciprocating saw**
- (51) International Design Classification: **08-03**
- (71) Name(s) and Address(s) of Applicant(s):
Positec Power Tools (Suzhou) Co., Ltd
461 East Ganjiang Road Suzhou 215006 China
- (72) Name(s) of Designer(s): **Paolo Andriolo**
- (45) Registration Date: **29 November 2005**
- (56) Related Art Documents: **Not Applicable**
- (57) Statement of Newness and Distinctiveness: **Nil**



- (21) Design Number: **11470/2005**
- (22) Date of Filing Application: **12 April 2005**
- (24) Date from which industrial property rights may have effect: **12 April 2005**
- (54) Product in respect of which the design is registered: **Bottle**
- (51) International Design Classification: **09-01NES**
- (71) Name(s) and Address(s) of Applicant(s):
The Coca-Cola Company
One Coca-Cola Plaza NW Atlanta Georgia 30313 United States of America
- (72) Name(s) of Designer(s): **Carie Davis and Randy Brown and David Melrose and Campbell Melrose-Allen and Andrew Candy**
- (45) Registration Date: **29 November 2005**
- (30) Convention priority data:

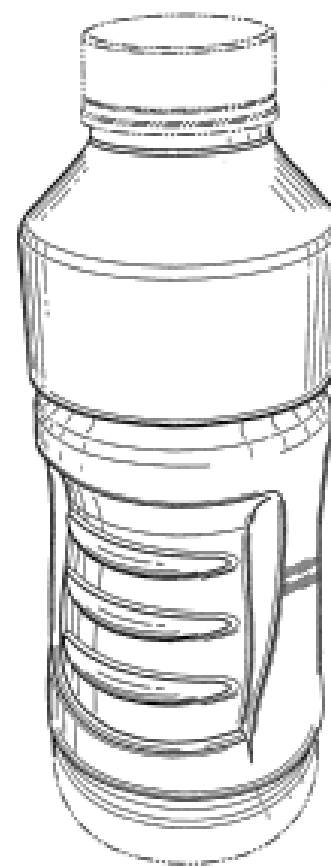
| | | |
|-------------------|--------------------|---------------------------------|
| (31) Number | (32) Date | (33) Country |
| 29/215,434 | 19 Oct 2004 | UNITED STATES OF AMERICA |
- (56) Related Art Documents: **Not Applicable**
- (57) Statement of Newness and Distinctiveness: **Those visual features of the bottle depicted in continuous lines in the representations that are new and distinctive are the shape and/or configuration. The features shown in broken lines are to be disregarded when considering the overall impression of the design.**



(21) Design Number: **11473/2005**
 (22) Date of Filing Application: **12 April 2005**
 (24) Date from which industrial property rights may have effect: **12 April 2005**
 (54) Product in respect of which the design is registered: **Bottle**
 (51) International Design Classification: **09-01NES**
 (71) Name(s) and Address(s) of Applicant(s):
The Coca-Cola Company
One Coca-Cola Plaza NW Atlanta Georgia 30313 United States of America
 (72) Name(s) of Designer(s): **Carie Davis and Randy Brown**
 (45) Registration Date: **29 November 2005**
 (30) Convention priority data:

| | | |
|-------------------|--------------------|---------------------------------|
| (31) Number | (32) Date | (33) Country |
| 29/215,397 | 19 Oct 2004 | UNITED STATES OF AMERICA |

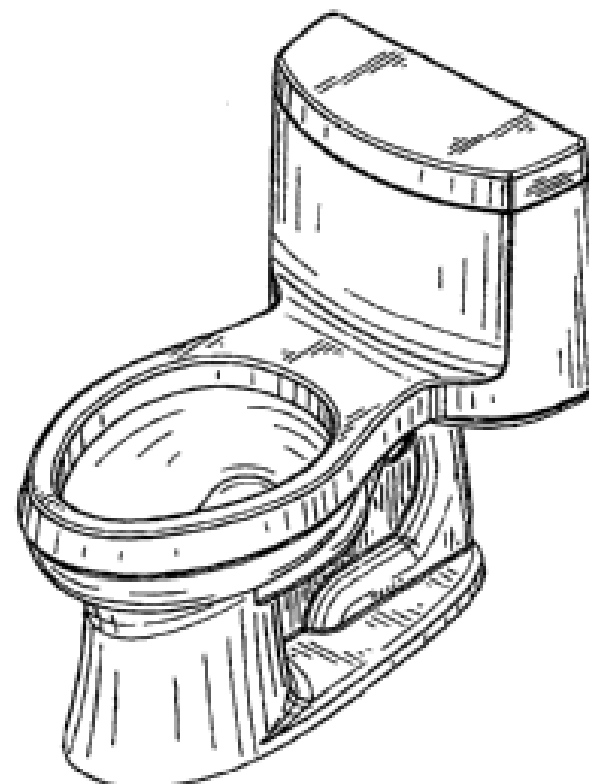
 (56) Related Art Documents: **Not Applicable**
 (57) Statement of Newness and Distinctiveness: **Those visual features of the bottle depicted in continuous lines in the representations that are new and distinctive are the shape and/or configuration. The features shown in broken lines are to be disregarded when considering the overall impression of the design.**



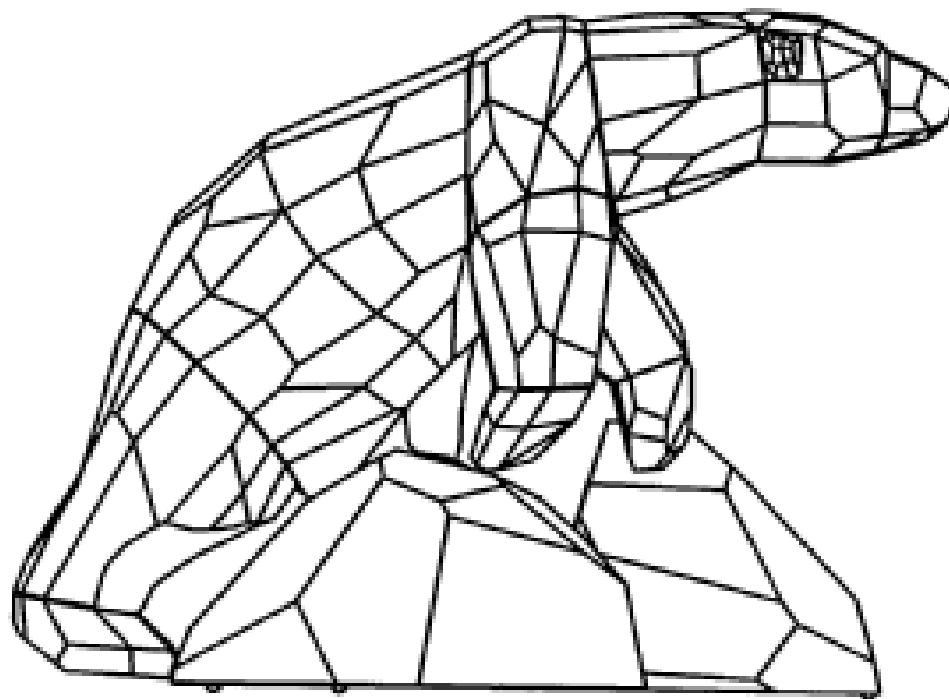
(21) Design Number: **12236/2005**
 (22) Date of Filing Application: **20 May 2005**
 (24) Date from which industrial property rights may have effect: **20 May 2005**
 (54) Product in respect of which the design is registered: **Toilet**
 (51) International Design Classification: **23-02C**
 (71) Name(s) and Address(s) of Applicant(s):
Kohler Co.
444 Highland Drive Kohler WI 53044 United States of America
 (72) Name(s) of Designer(s): **Brian M. Kaule**
 (45) Registration Date: **29 November 2005**
 (30) Convention priority data:

| | | |
|-------------------|--------------------|---------------------------------|
| (31) Number | (32) Date | (33) Country |
| 29/217,950 | 23 Nov 2004 | UNITED STATES OF AMERICA |

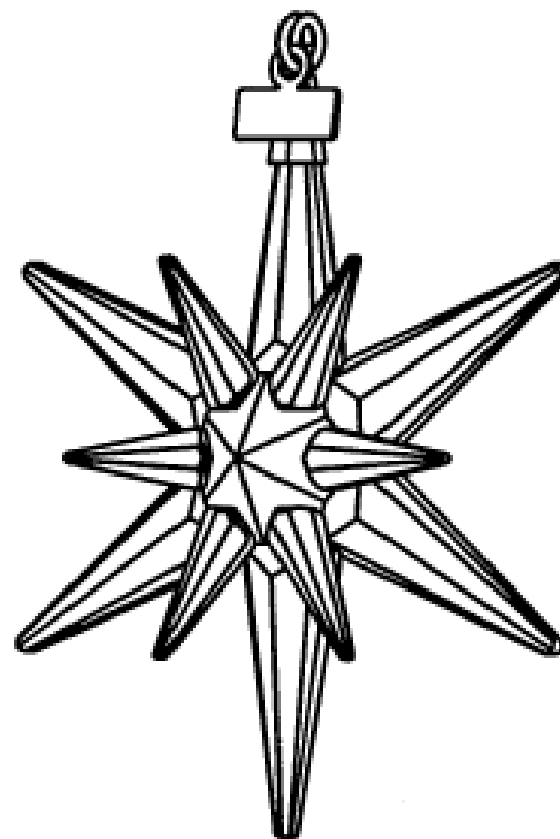
 (56) Related Art Documents: **Not Applicable**
 (57) Statement of Newness and Distinctiveness: **Nil**



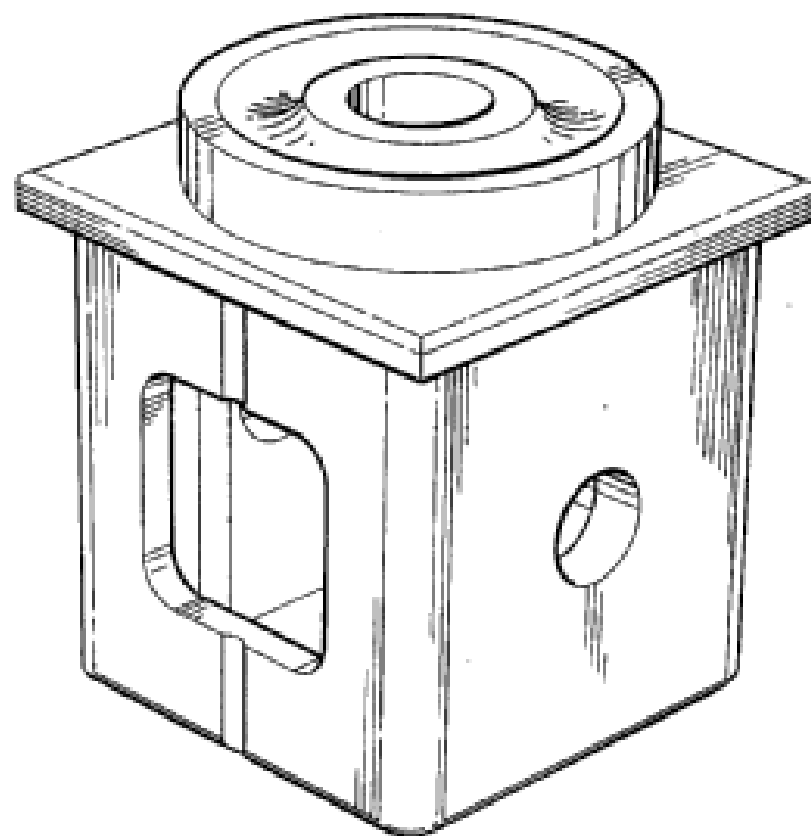
(21) Design Number: **12290/2005**
(22) Date of Filing Application: **24 May 2005**
(24) Date from which industrial property rights may have effect: **24 May 2005**
(54) Product in respect of which the design is registered: **Ornamental object made of glass**
(51) International Design Classification: **11-02E**
(71) Name(s) and Address(s) of Applicant(s):
Swarovski Aktiengesellschaft
Droschistrasse 15 FL-9495 Triesen Liechtenstein
(72) Name(s) of Designer(s): **Heinz Tabertshofer**
(45) Registration Date: **29 November 2005**
(30) Convention priority data:
(31) Number (32) Date (33) Country
280847 18 Jan 2005 EUROPEAN PATENT OFFICE (EP)
(56) Related Art Documents: **Not Applicable**
(57) Statement of Newness and Distinctiveness: **Nil**



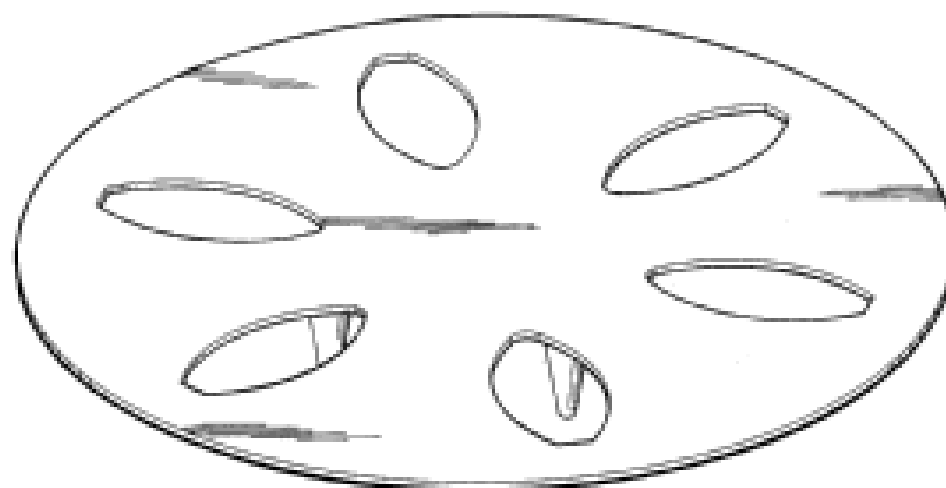
(21) Design Number: **12291/2005**
(22) Date of Filing Application: **24 May 2005**
(24) Date from which industrial property rights may have effect: **24 May 2005**
(54) Product in respect of which the design is registered: **Ornamental object made of glass**
(51) International Design Classification: **11-02NES**
(71) Name(s) and Address(s) of Applicant(s):
Swarovski Aktiengesellschaft
Droschistrasse 15 FL-9495 Triesen Liechtenstein
(72) Name(s) of Designer(s): **Gabriele Stamey**
(45) Registration Date: **29 November 2005**
(30) Convention priority data:
(31) Number (32) Date (33) Country
280847 18 Jan 2005 EUROPEAN PATENT OFFICE (EP)
(56) Related Art Documents: **Not Applicable**
(57) Statement of Newness and Distinctiveness: **Nil**



(21) Design Number: **12409/2005**
(22) Date of Filing Application: **03 June 2005**
(24) Date from which industrial property rights may have effect: **03 June 2005**
(54) Product in respect of which the design is registered: **Coupling**
(51) International Design Classification: **25-01C**
(71) Name(s) and Address(s) of Applicant(s):
Tilt-Lift Equipment Pty Ltd
2 Arnold Street Cheltenham Victoria 3192 Australia
(72) Name(s) of Designer(s): **Brian Hilbert**
(45) Registration Date: **29 November 2005**
(56) Related Art Documents: **Not Applicable**
(57) Statement of Newness and Distinctiveness: **Nil**



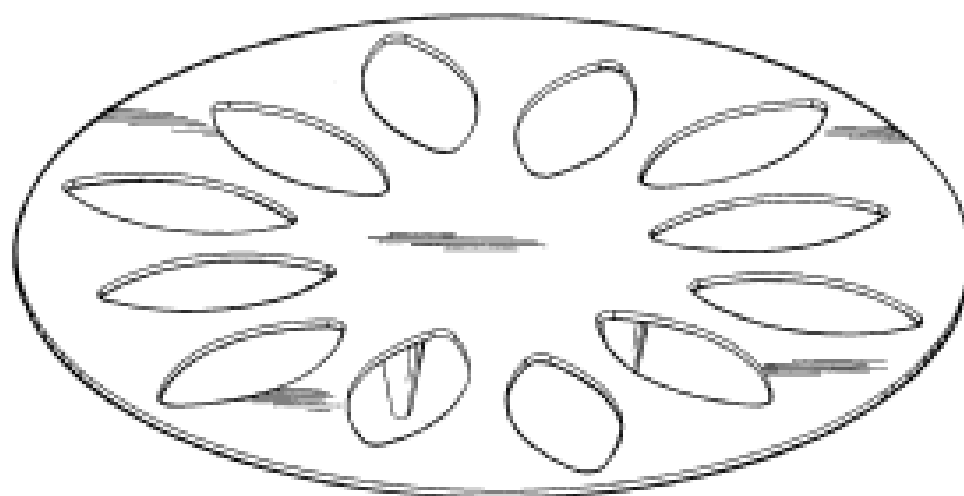
(21) Design Number: **12410/2005**
(22) Date of Filing Application: **03 June 2005**
(24) Date from which industrial property rights may have effect: **03 June 2005**
(54) Product in respect of which the design is registered: **Oyster plate**
(51) International Design Classification: **07-01B**
(71) Name(s) and Address(s) of Applicant(s):
Paul Abbott
25 Leslie Street Brunswick Victoria 3056 Australia
(72) Name(s) of Designer(s): **Paul Abbott**
(45) Registration Date: **29 November 2005**
(56) Related Art Documents: **Not Applicable**
(57) Statement of Newness and Distinctiveness: **Nil**



(21) Design Number: **12411/2005**
(22) Date of Filing Application: **03 June 2005**
(24) Date from which industrial property rights may have effect: **03 June 2005**
(54) Product in respect of which the design is registered: **Oyster plate**
(51) International Design Classification: **07-01B**
(71) Name(s) and Address(s) of Applicant(s):

Paul Abbott
25 Leslie Street Brunswick Victoria 3056 Australia

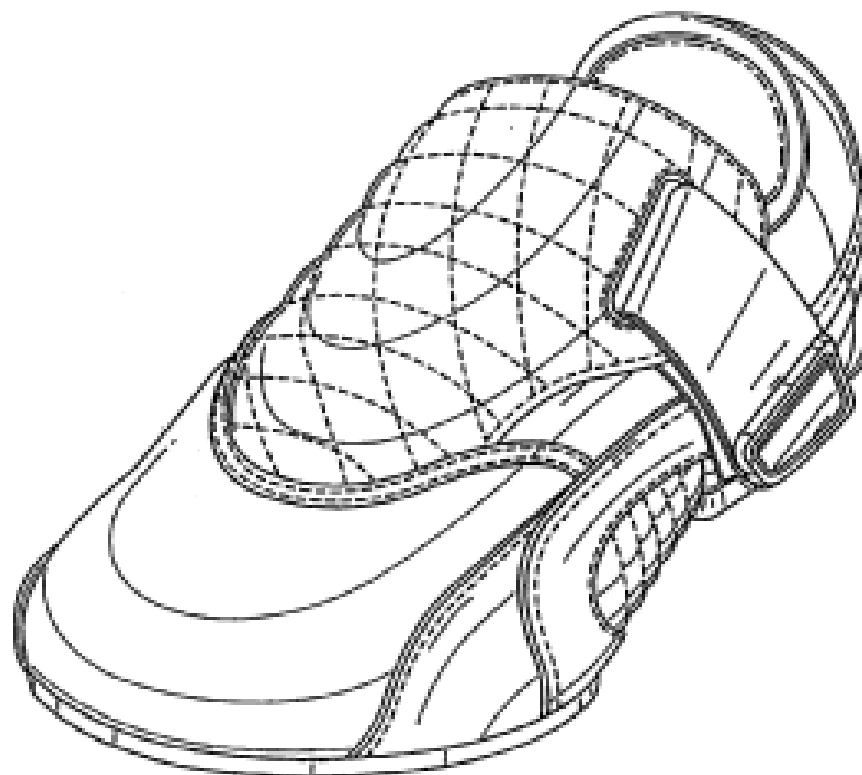
(72) Name(s) of Designer(s): **Paul Abbott**
(45) Registration Date: **29 November 2005**
(56) Related Art Documents: **Not Applicable**
(57) Statement of Newness and Distinctiveness: **Nil**



(21) Design Number: **12861/2005**
(22) Date of Filing Application: **05 July 2005**
(24) Date from which industrial property rights may have effect: **05 July 2005**
(54) Product in respect of which the design is registered: **A dance shoe**
(51) International Design Classification: **02-04NES**
(71) Name(s) and Address(s) of Applicant(s):

J Bloch Pty Ltd
8-18 William Street Beaconsfield New South Wales 2015 Australia

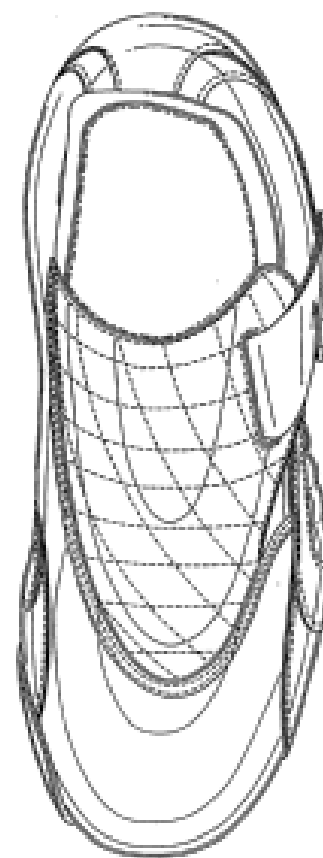
(72) Name(s) of Designer(s): **David Wilkenfeld**
(45) Registration Date: **29 November 2005**
(30) Convention priority data:
(31) Number (32) Date (33) Country
29/222,221 28 Jan 2005 UNITED STATES OF AMERICA
(56) Related Art Documents: **Not Applicable**
(57) Statement of Newness and Distinctiveness: **Nil**



(21) Design Number: **12862/2005**
 (22) Date of Filing Application: **05 July 2005**
 (24) Date from which industrial property rights may have effect: **05 July 2005**
 (54) Product in respect of which the design is registered: **A dance shoe upper (not including sole)**
 (51) International Design Classification: **02-04NES**
 (71) Name(s) and Address(s) of Applicant(s):
J Bloch Pty Ltd
8-18 William Street Beaconsfield New South Wales 2015 Australia
 (72) Name(s) of Designer(s): **David Wilkenfeld**
 (45) Registration Date: **29 November 2005**
 (30) Convention priority data:

| | | |
|-------------------|--------------------|---------------------------------|
| (31) Number | (32) Date | (33) Country |
| 29/222,221 | 28 Jan 2005 | UNITED STATES OF AMERICA |

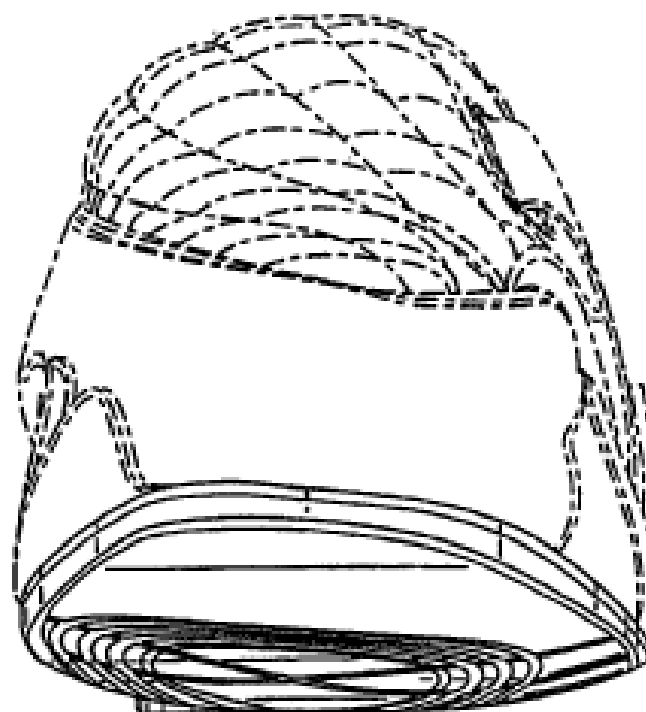
 (56) Related Art Documents: **Not Applicable**
 (57) Statement of Newness and Distinctiveness: **Nil**



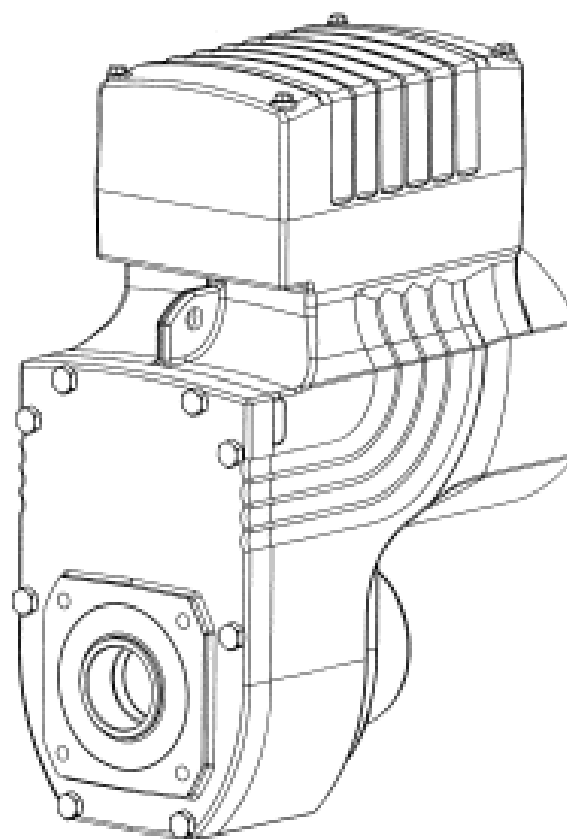
(21) Design Number: **12863/2005**
 (22) Date of Filing Application: **05 July 2005**
 (24) Date from which industrial property rights may have effect: **05 July 2005**
 (54) Product in respect of which the design is registered: **A dance shoe sole (not including upper)**
 (51) International Design Classification: **02-04B**
 (71) Name(s) and Address(s) of Applicant(s):
J Bloch Pty Ltd
8-18 William Street Beaconsfield New South Wales 2015 Australia
 (72) Name(s) of Designer(s): **David Wilkenfeld**
 (45) Registration Date: **29 November 2005**
 (30) Convention priority data:

| | | |
|-------------------|--------------------|---------------------------------|
| (31) Number | (32) Date | (33) Country |
| 29/222,221 | 28 Jan 2005 | UNITED STATES OF AMERICA |

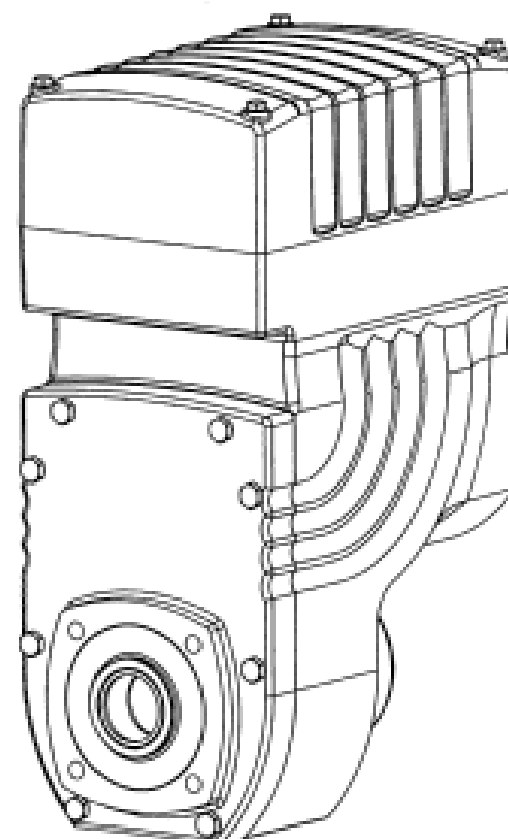
 (56) Related Art Documents: **Not Applicable**
 (57) Statement of Newness and Distinctiveness: **Nil**



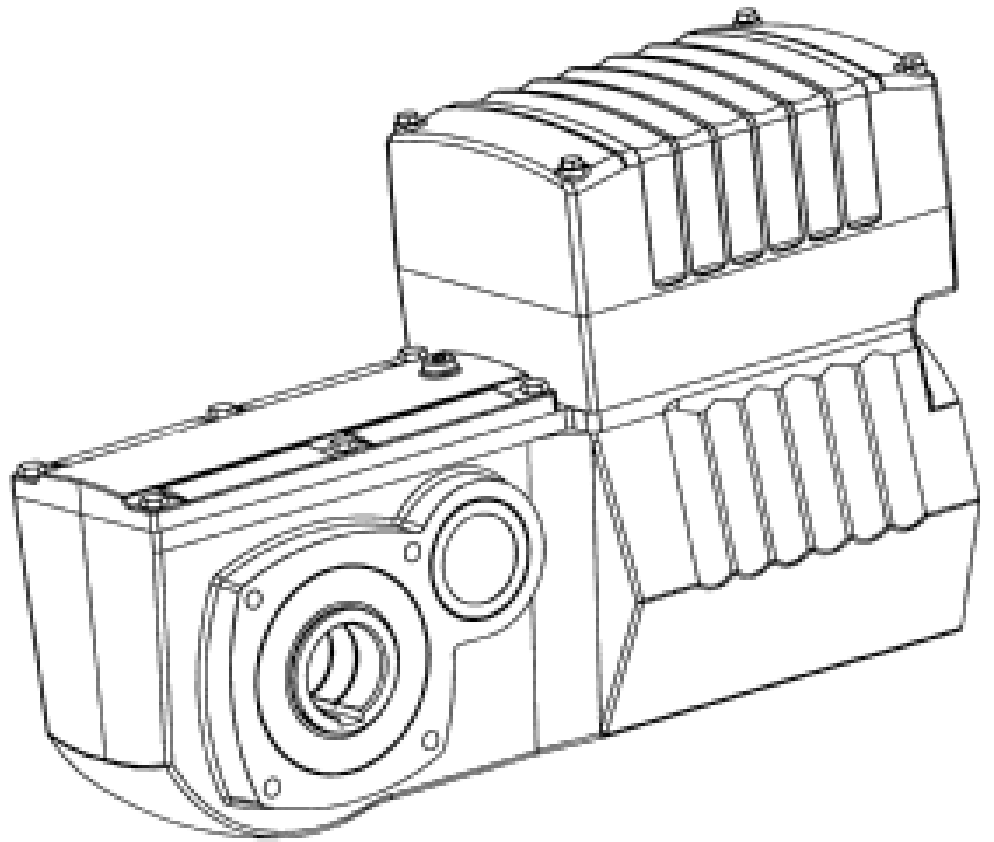
- (21) Design Number: **12871/2005**
(22) Date of Filing Application: **05 July 2005**
(24) Date from which industrial property rights may have effect: **05 July 2005**
(54) Product in respect of which the design is registered: **Engine**
(51) International Design Classification: **15-01**
(71) Name(s) and Address(s) of Applicant(s):
Sew-Eurodrive GmbH & Co. KG
Ernst-Blickle-Strasse 42 76646 Bruchsal Germany
(72) Name(s) of Designer(s): **Hans-Jurgen Lannoch**
(45) Registration Date: **29 November 2005**
(30) Convention priority data:
(31) Number (32) Date (33) Country
40500704.3 04 Feb 2005 GERMANY
(56) Related Art Documents: **Not Applicable**
(57) Statement of Newness and Distinctiveness: **The shape and configuration of the product is new and distinctive.**



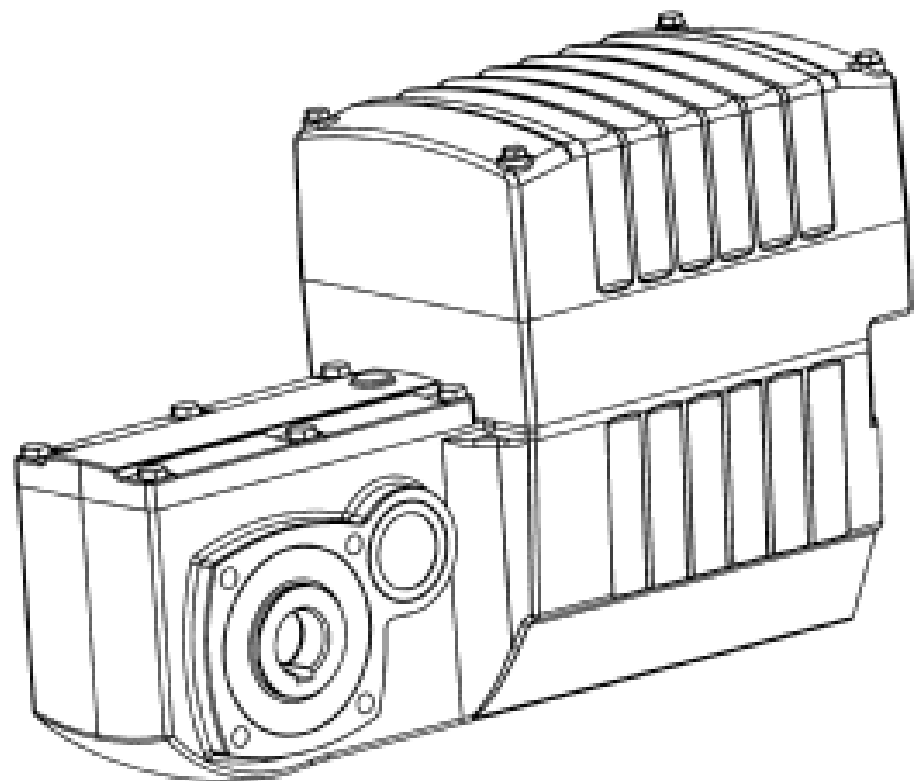
- (21) Design Number: **12872/2005**
(22) Date of Filing Application: **05 July 2005**
(24) Date from which industrial property rights may have effect: **05 July 2005**
(54) Product in respect of which the design is registered: **Engine**
(51) International Design Classification: **15-01**
(71) Name(s) and Address(s) of Applicant(s):
Sew-Eurodrive GmbH & Co. KG
Ernst-Blickle-Strasse 42 76646 Bruchsal Germany
(72) Name(s) of Designer(s): **Hans-Jurgen Lannoch**
(45) Registration Date: **29 November 2005**
(30) Convention priority data:
(31) Number (32) Date (33) Country
40500704.3 04 Feb 2005 GERMANY
(56) Related Art Documents: **Not Applicable**
(57) Statement of Newness and Distinctiveness: **The shape and configuration of the product is new and distinctive.**



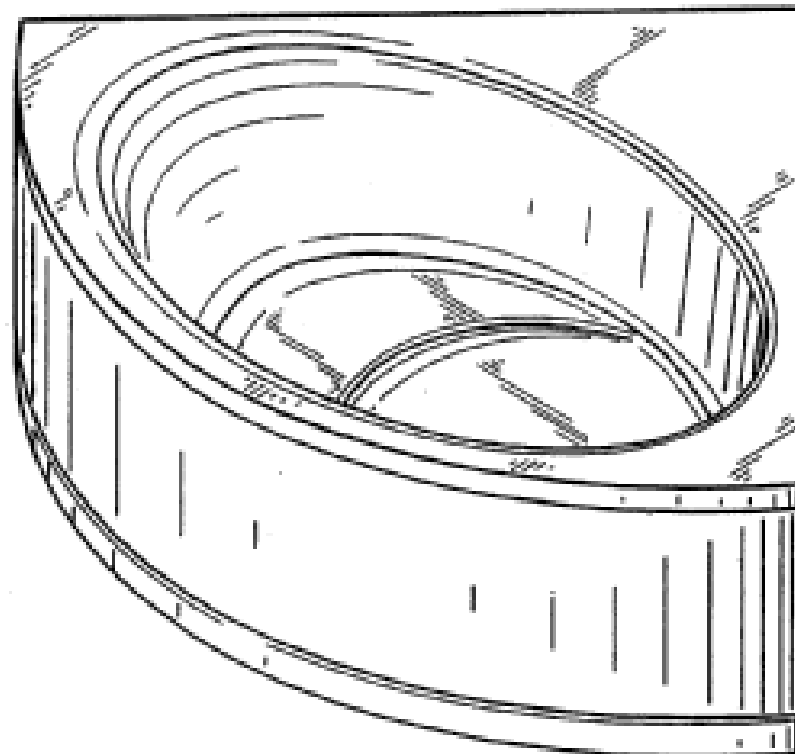
- (21) Design Number: **12873/2005**
(22) Date of Filing Application: **05 July 2005**
(24) Date from which industrial property rights may have effect: **05 July 2005**
(54) Product in respect of which the design is registered: **Engine**
(51) International Design Classification: **15-01**
(71) Name(s) and Address(s) of Applicant(s):
Sew-Eurodrive GmbH & Co. KG
Ernst-Blickle-Strasse 42 76646 Bruchsal Germany
(72) Name(s) of Designer(s): **Hans-Jurgen Lannoch**
(45) Registration Date: **29 November 2005**
(30) Convention priority data:
(31) Number (32) Date (33) Country
40500704.3 04 Feb 2005 GERMANY
(56) Related Art Documents: **Not Applicable**
(57) Statement of Newness and Distinctiveness: **The shape and configuration of the product is new and distinctive.**



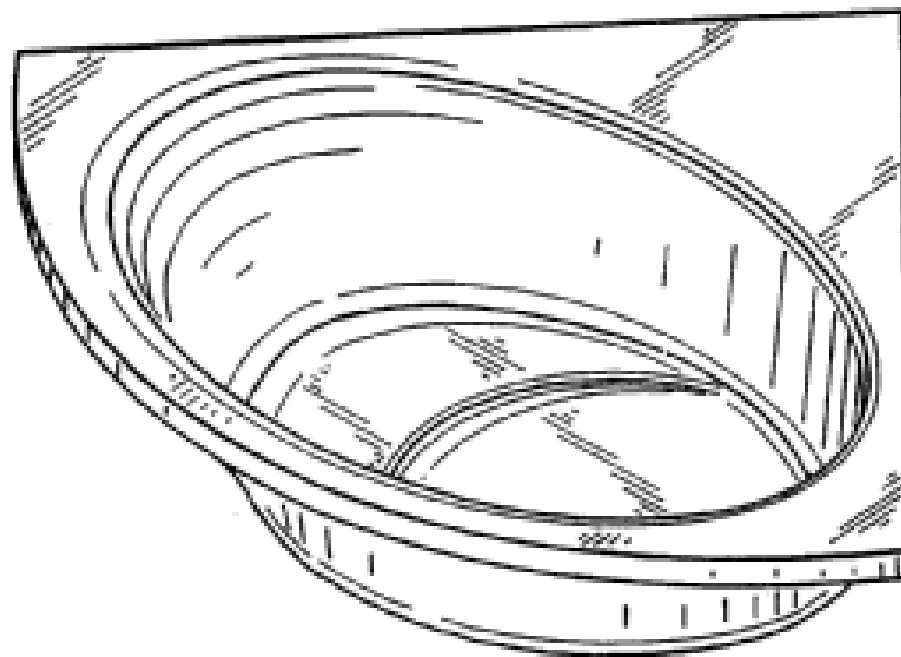
- (21) Design Number: **12874/2005**
(22) Date of Filing Application: **05 July 2005**
(24) Date from which industrial property rights may have effect: **05 July 2005**
(54) Product in respect of which the design is registered: **Engine**
(51) International Design Classification: **15-01**
(71) Name(s) and Address(s) of Applicant(s):
Sew-Eurodrive GmbH & Co. KG
Ernst-Blickle-Strasse 42 76646 Bruchsal Germany
(72) Name(s) of Designer(s): **Hans-Jurgen Lannoch**
(45) Registration Date: **29 November 2005**
(30) Convention priority data:
(31) Number (32) Date (33) Country
40500704.3 04 Feb 2005 GERMANY
(56) Related Art Documents: **Not Applicable**
(57) Statement of Newness and Distinctiveness: **The shape and configuration of the product is new and distinctive.**



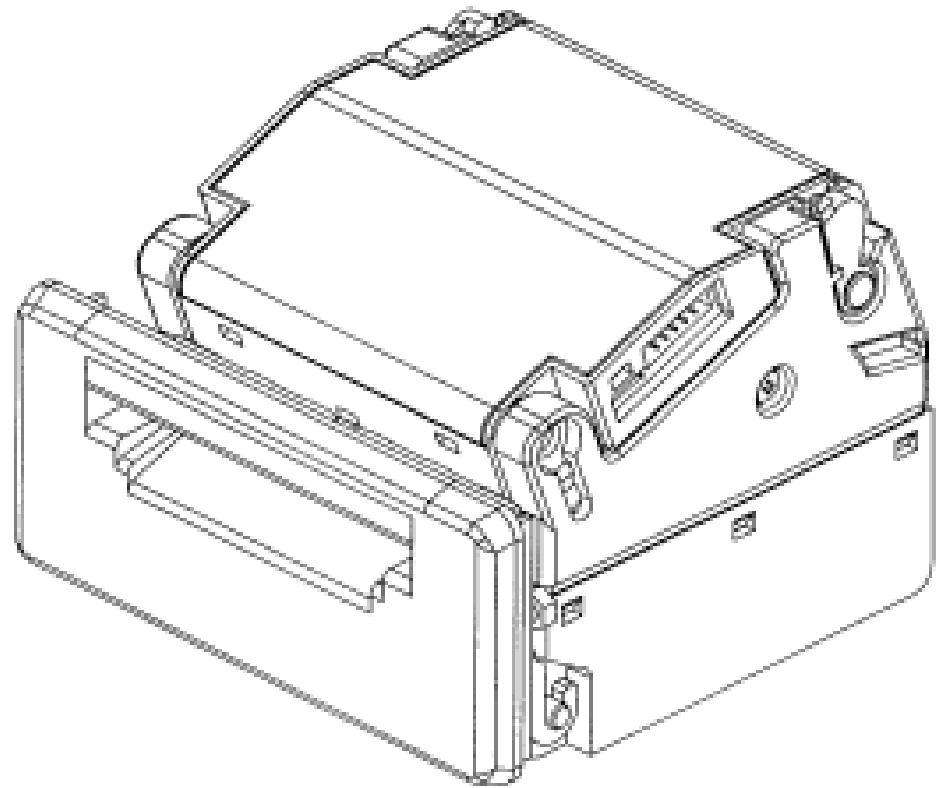
- (21) Design Number: **12950/2005**
(22) Date of Filing Application: **07 July 2005**
(24) Date from which industrial property rights may have effect: **07 July 2005**
(54) Product in respect of which the design is registered: **Tub for bathing**
(51) International Design Classification: **23-02B**
(71) Name(s) and Address(s) of Applicant(s):
Kohler France SAS
60 Rue De Turenne 75139 Paris Cedex 03 France
(72) Name(s) of Designer(s): **Frederic Licini**
(45) Registration Date: **29 November 2005**
(30) Convention priority data:
(31) Number (32) Date (33) Country
29/220908 07 Jan 2005 UNITED STATES OF AMERICA
(56) Related Art Documents: **Not Applicable**
(57) Statement of Newness and Distinctiveness: **When deciding whether a design is substantially similar in overall impression to another design, no regard should be had to those features shown in dotted outline of a drain in Figures 2, 4-7 and 8-13 and an overflow/control in Figures 4, 7, 10 and 13.**



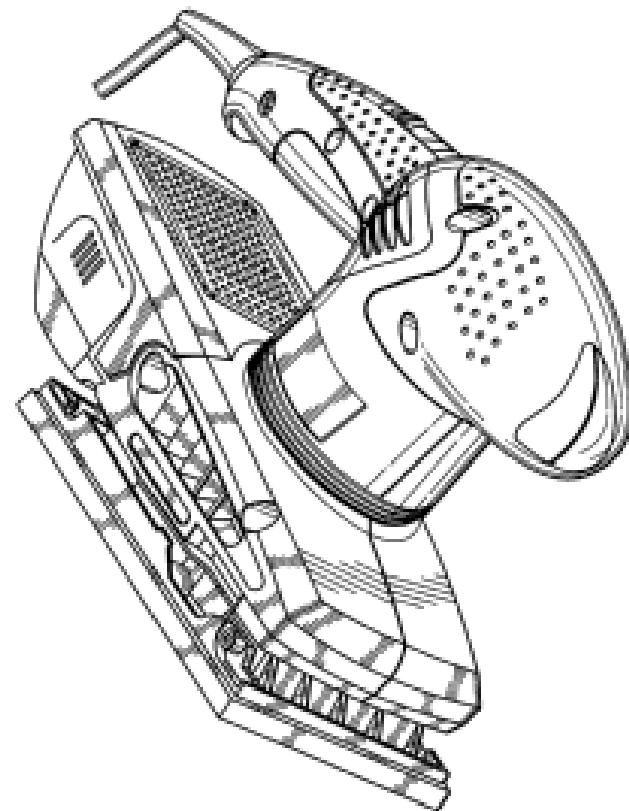
- (21) Design Number: **12951/2005**
(22) Date of Filing Application: **07 July 2005**
(24) Date from which industrial property rights may have effect: **07 July 2005**
(54) Product in respect of which the design is registered: **Tub for bathing**
(51) International Design Classification: **23-02B**
(71) Name(s) and Address(s) of Applicant(s):
Kohler France SAS
60 Rue De Turenne 75139 Paris Cedex 03 France
(72) Name(s) of Designer(s): **Frederic Licini**
(45) Registration Date: **29 November 2005**
(30) Convention priority data:
(31) Number (32) Date (33) Country
29/220908 07 Jan 2005 UNITED STATES OF AMERICA
(56) Related Art Documents: **Not Applicable**
(57) Statement of Newness and Distinctiveness: **Nil When deciding whether a design is substantially similar in overall impression to another design, no regard should be had to those features shown in dotted outline of a drain in Figures 2, 4-7 and 8-13 and an overflow/control in Figures 4, 7, 10 and 13.**



(21) Design Number: **13040/2005**
(22) Date of Filing Application: **15 July 2005**
(24) Date from which industrial property rights may have effect: **15 July 2005**
(54) Product in respect of which the design is registered: **Document validator**
(51) International Design Classification: **10-05, 14-02**
(71) Name(s) and Address(s) of Applicant(s):
Japan Cash Machine Co., Ltd
3-15 Nishiwaki 2-chome Osaka-shi Hirano-ku Osaka 547-0035 Japan
(72) Name(s) of Designer(s): **Yoshiaki Uemizo**
(45) Registration Date: **29 November 2005**
(30) Convention priority data:
(31) Number (32) Date (33) Country
2005-1415 21 Jan 2005 JAPAN
(56) Related Art Documents: **Not Applicable**
(57) Statement of Newness and Distinctiveness: **Nil**



(21) Design Number: **13041/2005**
(22) Date of Filing Application: **15 July 2005**
(24) Date from which industrial property rights may have effect: **15 July 2005**
(54) Product in respect of which the design is registered: **Orbital sander**
(51) International Design Classification: **08-05N**
(71) Name(s) and Address(s) of Applicant(s):
Robert Bosch GmbH
Postfach 30 02 20 D-70442 Stuttgart Germany
(72) Name(s) of Designer(s): **Hans-Peter Aglassinger**
(45) Registration Date: **29 November 2005**
(30) Convention priority data:
(31) Number (32) Date (33) Country
405 00 733.7 09 Feb 2005 GERMANY
(56) Related Art Documents: **Not Applicable**
(57) Statement of Newness and Distinctiveness: **Nil**



(21) Design Number: **13042/2005**
(22) Date of Filing Application: **15 July 2005**
(24) Date from which industrial property rights may have effect: **15 July 2005**
(54) Product in respect of which the design is registered: **Battery charger**
(51) International Design Classification: **13-02**
(71) Name(s) and Address(s) of Applicant(s):

Robert Bosch GmbH
Postfach 30 02 20 D-70442 Stuttgart Germany

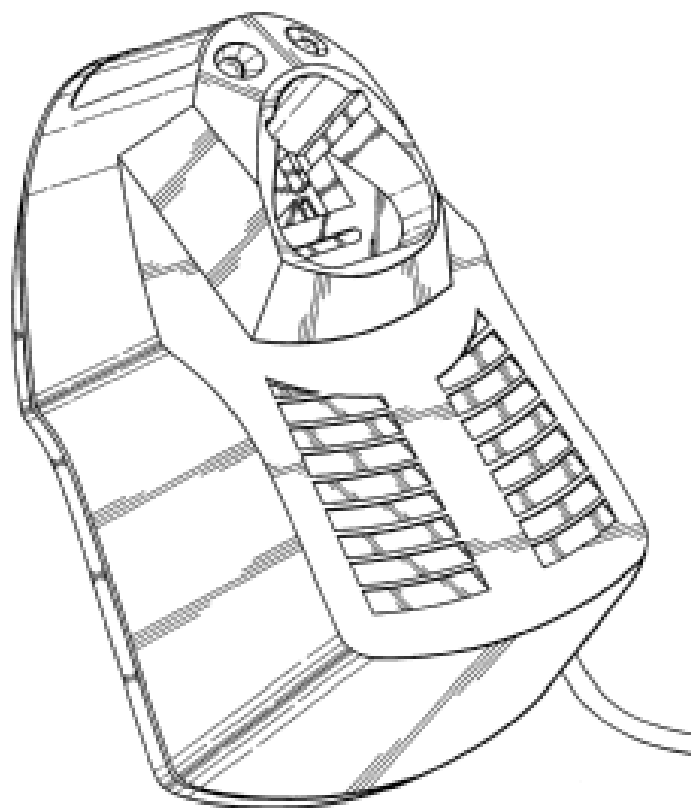
(72) Name(s) of Designer(s): **Hans-Peter Aglassinger**
(45) Registration Date: **29 November 2005**

(30) Convention priority data:

| (31) Number | (32) Date | (33) Country |
|---------------------|--------------------|----------------|
| 405 02 224.7 | 25 Apr 2005 | GERMANY |

(56) Related Art Documents: **Not Applicable**

(57) Statement of Newness and Distinctiveness: **Nil**



(21) Design Number: **13043/2005**
(22) Date of Filing Application: **15 July 2005**
(24) Date from which industrial property rights may have effect: **15 July 2005**
(54) Product in respect of which the design is registered: **Power tool**
(51) International Design Classification: **08-01**
(71) Name(s) and Address(s) of Applicant(s):

Robert Bosch GmbH
Postfach 30 02 20 D-70442 Stuttgart Germany

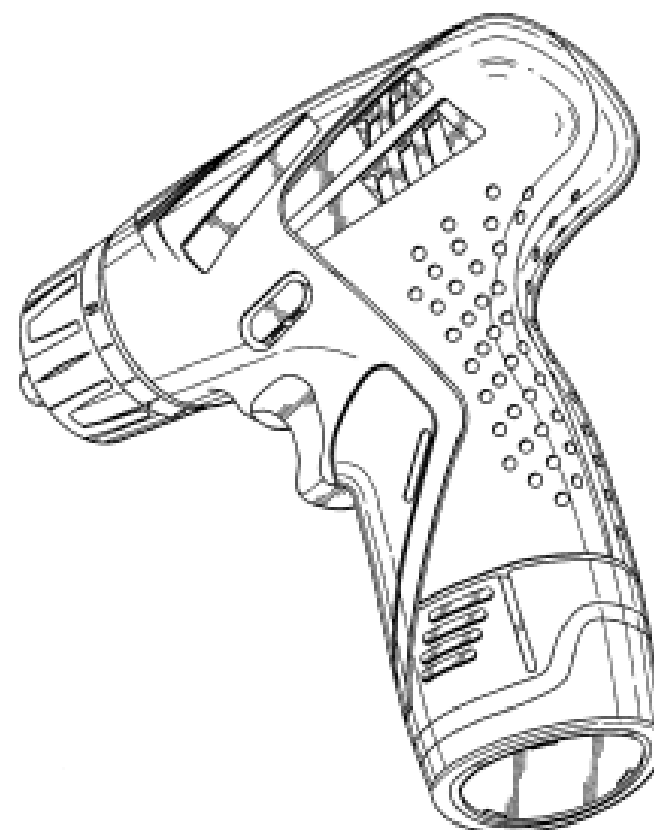
(72) Name(s) of Designer(s): **Hans-Peter Aglassinger**
(45) Registration Date: **29 November 2005**

(30) Convention priority data:

| (31) Number | (32) Date | (33) Country |
|---------------------|--------------------|----------------|
| 405 02 223.9 | 25 Apr 2005 | GERMANY |

(56) Related Art Documents: **Not Applicable**

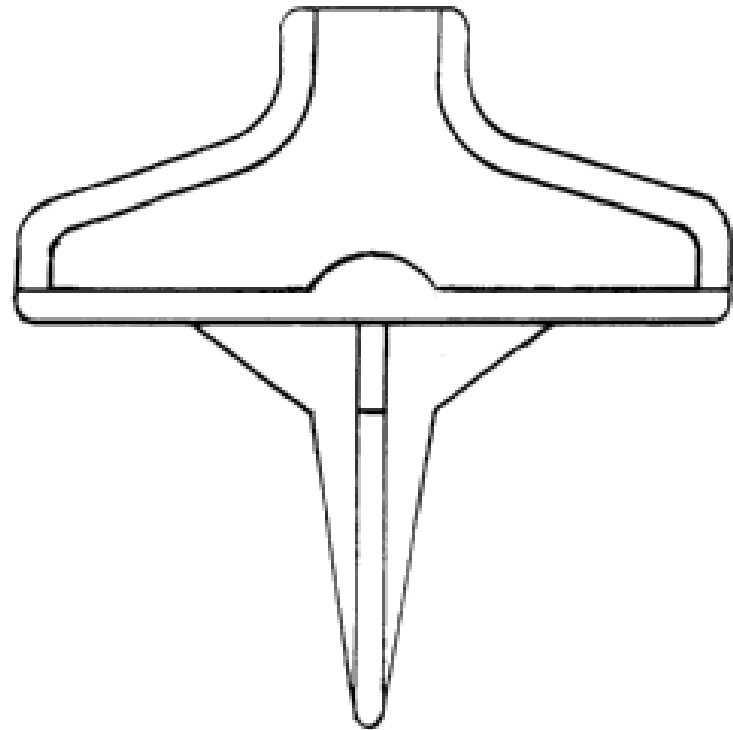
(57) Statement of Newness and Distinctiveness: **Nil**



- (21) Design Number: **13044/2005**
(22) Date of Filing Application: **15 July 2005**
(24) Date from which industrial property rights may have effect: **15 July 2005**
(54) Product in respect of which the design is registered: **Wine glass holder**
(51) International Design Classification: **07-06A**
(71) Name(s) and Address(s) of Applicant(s):

Antonio Beltrami
c/o Beltrami Group Pty Ltd 18-20 Cottage Street Blackburn Victoria
3130 Australia

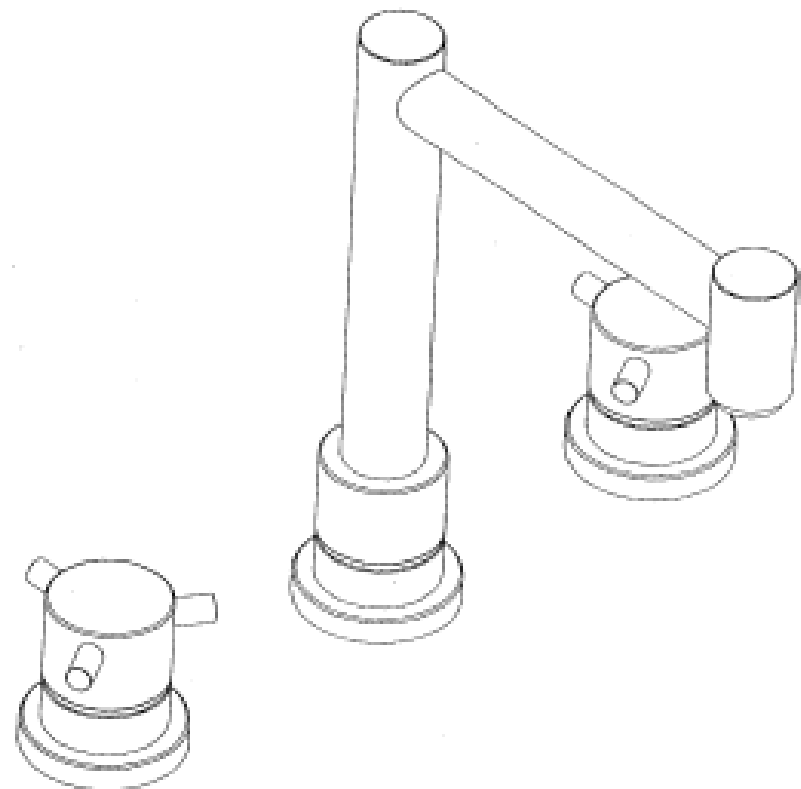
- (72) Name(s) of Designer(s): **Antonio Beltrami**
(45) Registration Date: **29 November 2005**
(56) Related Art Documents: **Not Applicable**
(57) Statement of Newness and Distinctiveness: **Nil**



- (21) Design Number: **13054/2005**
(22) Date of Filing Application: **23 December 2003**
(24) Date from which industrial property rights may have effect: **23 December 2003**
(54) Product in respect of which the design is registered: **Tap and spout set**
(51) International Design Classification: **23-01H**
(71) Name(s) and Address(s) of Applicant(s):

Phoenix Industries Pty Ltd
7 Ashburn Place Blackburn Victoria 3130 Australia

- (72) Name(s) of Designer(s): **Philip Stansbury**
(45) Registration Date: **29 November 2005**
(56) Related Art Documents: **Not Applicable**
(57) Statement of Newness and Distinctiveness: **Newness and distinctiveness of the design resides in the shape and/or configuration of a tap and spout set as shown in the accompanying representations.**



(21) Design Number: 13055/2005

(22) Date of Filing Application: 23 December 2003

(24) Date from which industrial property rights may have effect: 23 December 2003

(54) Product in respect of which the design is registered: Spout

(51) International Design Classification: 23-01H

(71) Name(s) and Address(s) of Applicant(s):

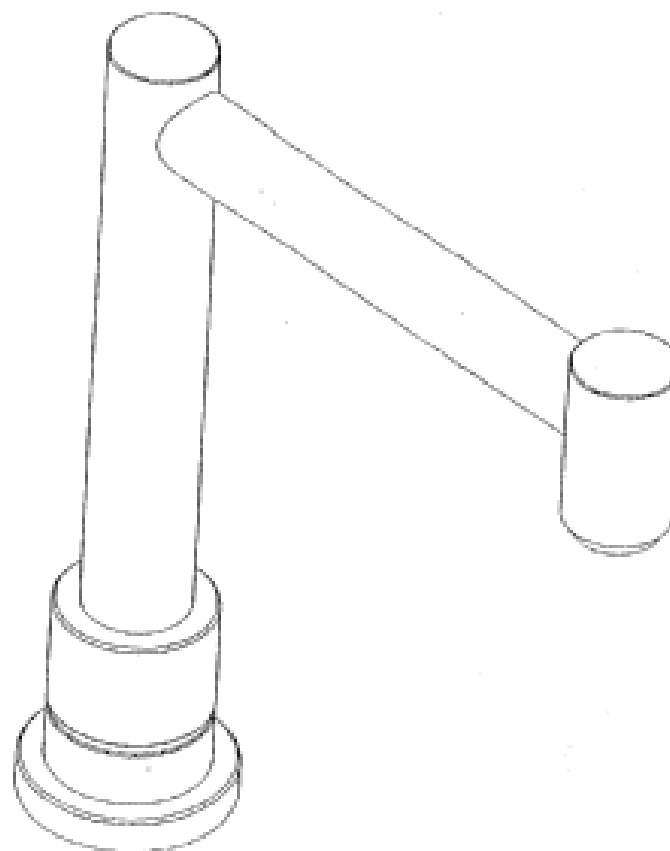
Phoenix Industries Pty Ltd
7 Ashburn Place Blackburn Victoria 3130 Australia

(72) Name(s) of Designer(s): Philip Stansbury

(45) Registration Date: 29 November 2005

(56) Related Art Documents: Not Applicable

(57) Statement of Newness and Distinctiveness: **Newness and distinctiveness of the design resides in the shape and/or configuration of the spout as shown in the accompanying representations. When considering whether the design is substantially similar in overall impression to another design, no regard is to be given to the shape or configuration of the base of the spout.**



(21) Design Number: 13056/2005

(22) Date of Filing Application: 23 December 2003

(24) Date from which industrial property rights may have effect: 23 December 2003

(54) Product in respect of which the design is registered: Tap and spout set

(51) International Design Classification: 23-01H

(71) Name(s) and Address(s) of Applicant(s):

Phoenix Industries Pty Ltd
7 Ashburn Place Blackburn Victoria 3130 Australia

(72) Name(s) of Designer(s): Philip Stansbury

(45) Registration Date: 29 November 2005

(56) Related Art Documents: Not Applicable

(57) Statement of Newness and Distinctiveness: **Newness and distinctiveness of the design resides in the shape and/or configuration of a tap and spout set as shown in the accompanying representations.**

