



Australian Government

IP Australia

AUSTRALIAN OFFICIAL JOURNAL

OF

DESIGNS

Did you know a searchable version of this journal is now available online?

It's FREE and EASY to SEARCH.

Find it at

<http://pericles.ipaustralia.gov.au/ols/epublish/content/olsEpublications.jsp>
or using the "Online Journals" link on the IP Australia home page.

This Page Left Intentionally Blank

Contents

General Information & Notices

Proceedings Under the Designs Act 1906 preserved as a result of the provisions of Chapter 12 Part 2 of the Designs Act 2003

Application for Extension of Period of Registration	3350
Applications Assigned	3352
Applications Lapsed	3349
Applications Withdrawn	3349
Extension of Period of Registration of Designs	3351
Extensions of Time Granted	3352
Names Registered - Alterations and Amendments	3352
Registration Proceedings	
Registration Number Range 158441 to 158455	3353
Registrations Ceased	3351
Subsequent Owners Registered	3352

Proceedings Under the Designs Act 2003

Applications Assigned	3371
Applications Lapsed	3370
Applications Lodged	3365
Applications Withdrawn	3369
Certificate of Examination	3372
Extension of Time Granted Under Section 137	3371
Publication and Registration Proceedings	
Designs Registered 304466 to 304645	3373
Subsequent Owners Registered	3371

This Page Left Intentionally Blank

General Information

EDITORIAL ENQUIRIES

All enquiries about official notices and general information in the Journal should be directed to IP Australia, (ABN No 38 113 072 755), PO Box 200 Woden ACT 2606

Or

Telephone 1300 651 010
(International Callers +61 2 6283 2999)
Fax 02 6283 7999
E-mail assist@ipaustralia.gov.au

CONTACT INFORMATION

Customer Service Network
Telephone 1300 651 010 , Fax: 02 6283 7999
E-mail: assist@ipaustralia.gov.au

Customers can contact the Customer Service Network by telephone or by e-mail. Telephones are staffed between 9am and 5pm each working day.

Customers should contact the Customer Service Network for information about:

- All Patent Matters including PCT and Innovation Patents.
- All Trade Mark Matters.
- All Design Matters.

Professional Standards Board for Patent and Trade Mark Attorneys.

Ph: 02 6283 2345 Fax: 02 6283 1048

ORDERING PATENT DOCUMENTS

When ordering copies of Australian patent specifications, or abstracts and abridgments notified as open to public inspection on or after 26 October 1978, or as accepted on or after 16 November 1978, the documents should be referred to by application numbers only, preceded by letters AU-A or AU-B respectively.

REQUESTS FOR INFORMATION UNDER SECTION 194 (C)

A request for information under Section 194 (C) of the Patents Act 1990 should be made in the approved form and be accompanied by the prescribed fee. The request should be as detailed as possible.

INFORMATION FROM REGISTERS

All requests for information from Register of Patents, Trade Marks or Designs, should be made in writing and accompanied by the prescribed fee. The Registers are located in Canberra and may be examined free of charge.

COUNTRY CODES

For a listing of country codes used by IP Australia please refer to the Official Journals dated 7 November 1996.

ABBREVIATIONS IN JOURNAL

Standard abbreviations are used in the name of companies and firms. Enquiries concerning the precise name should be directed to the Customer Service Network.

FREEDOM OF INFORMATION ACT

What does it do?

- Gives you right to obtain information held by Commonwealth Ministers, Departments and most statutory bodies (these bodies are called agencies under the Act).
- Requires Commonwealth Government agencies to make available to members of the public:
 - Information about agencies, their functions and operations.
 - Information about rules and practices which are used in making decisions which affect you.
- Gives you a legal right to:
 - See non exempt documents held by agencies, and
 - appeal against a decision not to grant access to a document.

What documents can you see?

- The Act gives you a right to see documents lodged on or after 1 December 1977, or earlier if you need them to understand another document you have already.
- Documents include files, reports, computer printouts, maps, plans, photographs, tape recordings, films or videotapes.
- Documents which are available for purchase under the Patents Act 1990, the Trade Marks Act 1995 or Designs Act 2003 are not available under the Freedom of Information Act (Section 12 refers).

How do you apply?

Requests for access to documents must

- Be in writing
- Provide sufficient information so as to enable identification of the documents requested
- Specify an address in Australia where notices can be sent and
- Be accompanied by the application fee (currently \$30.00) or specify an IP Australia account to which the charges will be posted.

Requests for documents should be addressed to IP Australia, PO Box 200 Woden, ACT 2606, or Faxed to 02 6283 7999

DECISIONS OF THE COMMISSIONER OF PATENTS AND REGISTRAR OF TRADE MARKS AND DESIGNS

- All decisions of the Commissioner and Registrars are available free of charge from AUSTLII's website

www.austlii.edu.au

Copies of all written Patent and Design decisions are available (except if they would not be available under the provisions of the Freedom of Information legislation, e.g. if they would effectively disclose matter from documents that are not open to public inspection) on request for a cost of \$AU 25. They are also available for inspection in indexed volume series, dating from 1 January 1987, in the Office library, Canberra.

Copies of Trade Mark decisions may be accessed via IP Australia's website www.ipaustralia.gov.au

- Copies of the taped record of Patent and Design hearings are available (with the same exception as above) on request.
- When a written decision is issued the fact of the decision plus a brief head note will be published in the Official Notices section of the next available Patents, Trade Marks or Designs Journal.

HEARINGS BEFORE THE COMMISSIONER OF PATENTS

Hearings before the Commissioner of Patents will usually be conducted at the Patent Office in Canberra and interstate hearing sessions are not provided. However, the Commissioner will conduct hearings outside of Canberra at a convenient time to all parties provided that the parties bear the travel costs of the hearing officer.

The various options for hearings are set out in the document "Options for Hearings" available on IP Australia's website at: www.ipaustralia.gov.au/pdfs/patents/optionsforhearings.PDF

HEARINGS BEFORE THE REGISTRARS OF TRADE MARKS AND DESIGNS

Hearings before the Registrars of Trade Marks and Designs will be set down in Melbourne, Sydney, Adelaide, Perth and Brisbane during the periods indicated below.

Designs and Trade Marks Hearings Sessions 2006

Melbourne	13 – 17 February 5 – 9 June 11 – 15 September
Sydney	13 – 17 March 17 – 21 July 16 – 20 October
Adelaide	14 – 15 August
Perth	17 – 18 August
Brisbane	24 – 25 August

Persons who desire matters to be set down for hearing in Melbourne, Sydney, Adelaide, Perth or Brisbane must give at least one month's notice of their intention to be heard. If such notice is not given, it may be that there would be insufficient time to allow for the execution of official procedures associated with the listing of hearings, and as a result, the matter involved might not be listed.

Subject to the convenience of this Office, hearings will be set down in Canberra at any time suitable to the parties.

LIST OF STATE OFFICES

IP Australia State Offices are located in the Australian Capitals at the addresses given below. Requests for information may be obtained by calling at, phoning or writing to these offices or IP Australia, Canberra.

Australian Capital Territory

Ground Floor
Discovery House
PHILLIP ACT 2606
(PO Box 200, WODEN ACT 2606)
Ph: 1300 651 010
Fax: (02) 6283 7999

New South Wales

Level 1
45 Clarence Street
SYDNEY NSW 2000
Ph: 1300 651 010
Fax: (02) 9249 5807

Victoria

Level 6
OCBC House
565 Bourke Street
MELBOURNE VIC 3000
Ph: 1300 651 010
Fax (03) 9612 9807

Western Australia

2nd Floor
East Point Plaza
233 Adelaide Terrace
PERTH WA 6000
Ph: 1300 651 010
Fax: (08) 9220 8907

Queensland

Level 1
Grant Thornton House
102 Adelaide Street
BRISBANE QLD 4000
Ph: 1300 651 010
Fax: (07) 3007 1107

South Australia

Level 10
Origin Energy House
1 King William Street
ADELAIDE SA 5000
Ph: 1300 651 010
Fax: (08) 8239 4507

Tasmania

4th Floor
AMP Building
27 Elizabeth Street
HOBART TAS 7000
Ph: 1300 651 010
Fax: (03) 6235 6307

“INID” NUMBERS in use on Australian Design Documents

“INID” is an acronym for “Internationally agreed Numbers for the Identification of Data”.

(10) Data concerning the registration/renewal

- (11) Serial number of the registration and/or number of the design document
- (12) Plain language designation of the kind of published document
- (19) Identification, using the two-letter code according to WIPO Standard ST.3, of the authority publishing or registering the industrial design

(20) Data concerning the application

- (21) Serial number of the application
- (22) Date of filing of the application
- (24) Date from which the industrial design right has effect

(30) Data relating to priority under the Paris Convention

- (31) Serial number assigned to the priority application
- (32) Date of filing of the priority application
- (33) Two-letter code, according to WIPO Standard ST.3, identifying the authority with which the priority application was made

(40) Date(s) of making information available to the public

- (45) Date of publication of the registered industrial design by printing or similar process, or making it available to the public by any other means

(50) Miscellaneous Information

- (51) International Classification for Industrial Designs (class and subclass of the Locarno Classification)
- (54) Designation of article(s) or product(s) covered by the industrial design or title of the industrial design
- (55) Reproduction of the industrial design (e.g., drawing, photograph) and explanations relating to the reproduction
- (56) List of prior art documents, if separate from descriptive text
- (57) Description of characteristic features of the industrial design including indication of colours

(60) References to other legally related application(s) and registration(s)

- (62) Serial number(s) and, if available, filing date(s) of application(s), registration(s) or document(s) related by division
- (66) Serial number(s) of the application, or the registration, of the design(s) which is (are) a variant(s) of the present one

(70) Identification of parties concerned with the application or registration

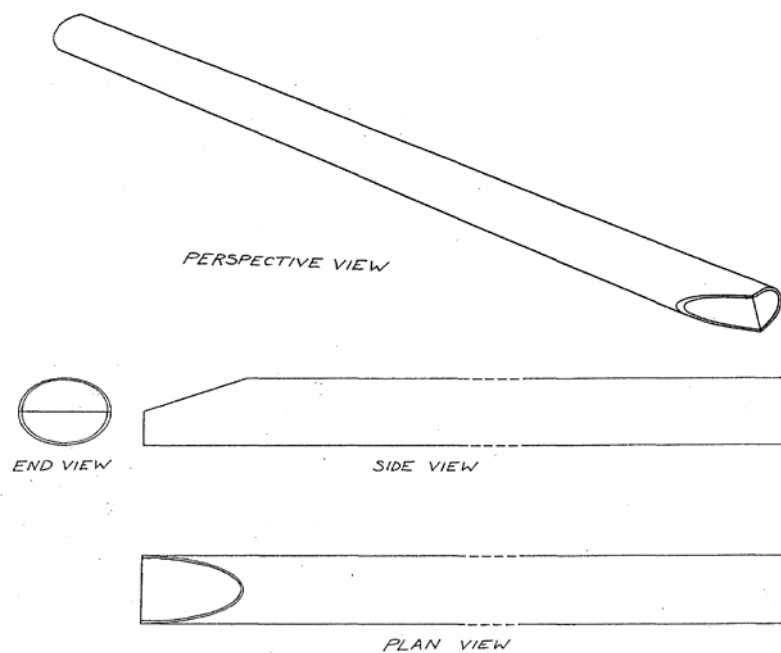
- (71) Name(s) and address(es) of the applicant(s)
- (72) Name(s) of the creator(s) if known to be such
- (74) Name(s) and address(es) of the representative(s)

This Page Left Intentionally Blank

Official Notice***Designs Act 2003***
Amendments to Registered Designs at Examination

The following amendments have been made to details previously published in the Australian Official Journal of Designs during the Examination process:

Registration Number	Amendment type	New details
301464	Representations	Representations as below



Contact: IP Australia
Phone: 1300 651 010 or +61 2 6283 2999 (international callers only)
Fax: +61 2 6283 7999
E-Mail: assist@ipaustralia.gov.au
Web: www.ipaustralia.gov.au

Official Notice***Designs Act 2003***
Amendments to Registered Designs at Examination

The following amendments have been made to details previously published in the Australian Official Journal of Designs during the Examination process:

Registration Number	Amendment type	New details
302669	Classification	15-01, 15-03B

For more recent notifications of converted applications, please see the Australian Designs Data Searching system.

Contact: IP Australia
Phone: 1300 651 010 or +61 2 6283 2999 (international callers only)
Fax: +61 2 6283 7999
E-Mail: assist@ipaustrialia.gov.au
Web: www.ipaustrialia.gov.au

Official Notice

Surrender of Design Registrations

155990, 155413, 155414

A request under Section 49 of Design Act 2003 has been made by the registered owner of Design Registrations Numbers 155990, 155413 and 155414 to surrender the registration.

Any interested person may give notice to the Registrar that he or she wishes to be heard in relation to the above offer. This notice must be given within one month after 22 December 2005.

Your attention is drawn to Regulations 4.10 and 4.11 of the Design Regulations.

Address for Service: Phillips Ormonde Fitzpatrick, Level 21 & 22, 367 Collins Street, Melbourne, Victoria 3000, Australia.

Queries: Eva Korecki
Trade Marks and Designs Administration
+61 2 6283 2588

Contact: IP Australia
Phone: 1300 651 010 or +61 -2 6283 2999 (international callers only)
Fax: +61 2 6283 7999
E-mail: assist@ipaustralia.gov.au
Web: www.ipaustralia.gov.au

This Page Left Intentionally Blank

**Proceedings under the Designs Act 1906 preserved as a
result of the provisions of Chapter 12 Part 2 of the Designs
Act 2003.**

This Page Left Intentionally Blank

Applications Withdrawn

01980 / 2004 (06-01E)

Applications Lapsed

02824 / 2003 (12-05)	04242 / 2003 (19-08)
00458 / 2004 (06-01E)	00498 / 2004 (07-06B)
00562 / 2004 (02-03)	00581 / 2004 (25-03)
00583 / 2004 (21-01L)	00620 / 2004 (20-02NES)
00631 / 2004 (10-04)	00632 / 2004 (06-13B)
00633 / 2004 (08-08N)	00646 / 2004 (06-11)
00654 / 2004 (08-02)	00679 / 2004 (26-05C)
00680 / 2004 (26-05C)	00681 / 2004 (26-05C)
00689 / 2004 (23-04)	00690 / 2004 (23-04)
00695 / 2004 (26-05NES)	00696 / 2004 (26-05NES)
00709 / 2004 (26-04)	00728 / 2004 (02-02C)
00746 / 2004 (20-02C)	00766 / 2004 (23-01A)
00767 / 2004 (23-01A)	00774 / 2004 (02-02NES)
00775 / 2004 (02-02NES)	00776 / 2004 (02-02NES)
00777 / 2004 (02-02NES)	00812 / 2004 (06-06G)
00821 / 2004 (23-01G)	00827 / 2004 (23-01F)

Application for Extension of Period of Registration

Applications under Section 27A(2) for extension of registration of the following designs have been lodged. In the event that a design is shown to be not new or original, the Registrar may refuse to extend the period of registration. Sub-section 27A(4) allows any person to lodge at the Designs Office material relevant to the question whether the design is not new or original. That material must be lodged within 11 months of the date when the registration of the design was made. Further details of the conditions and procedures for the lodgement of material are contained in Form 8 provided under the Designs Regulation 24.

Registration Number	Registered Owner	Registration Date
153588	E.B. HOLLAWAY PTY LTD	06/11/2003
154508	ALTRONIC DISTRIBUTORS PTY LTD	11/02/2004
156589	DAVID THOMAS KEOGH and ELIZABETH ANN KEOGH	06/10/2004
156800	4 DESIGN PTY LTD	01/11/2004
156954	GIUSEPPE PALUMBO and WAYNE NELSON	29/11/2004
156955	GIUSEPPE PALUMBO and WAYNE NELSON	29/11/2004
157006	GREGORY PAUL MILBURN	03/12/2004
157031	ROBERT BOSCH G.M.B.H	10/12/2004
157032	ROBERT BOSCH G.M.B.H	10/12/2004
157039	ROBERT BOSCH G.M.B.H	14/12/2004
157045	ARROWCREST GROUP PTY LTD	14/12/2004
157052	ROBERT BOSCH G.M.B.H	14/12/2004
157053	ROBERT BOSCH G.M.B.H	14/12/2004
157060	GMCA PTY LTD	16/12/2004
157097	THE CLOROX INTERNATIONAL COMPANY	04/01/2005
157098	THE CLOROX INTERNATIONAL COMPANY	04/01/2005
157099	THE CLOROX INTERNATIONAL COMPANY	04/01/2005
157134	STEELCASE SA	05/01/2005
157160	SURFACE TECHNOLOGY INTERNATIONAL PTY LTD	06/01/2005
157161	SURFACE TECHNOLOGY INTERNATIONAL PTY LTD	06/01/2005
157168	POLE FOUNDATIONS FINANCE PTY LTD	06/01/2005
157232	JAMES RICHARD HORSFALL	11/01/2005
157276	EDWIN HERBERT BAKER	17/01/2005
157281	KENNETH STEPHEN DONE	17/01/2005
157282	KENNETH STEPHEN DONE	17/01/2005

Registration Number	Registered Owner	Registration Date
157283	KENNETH STEPHEN DONE	17/01/2005
157285	ANTHONY MICHAEL BRADLEY	17/01/2005
157310	RYMAX DESIGNS LIMITED	19/01/2005
157374	CHIEN-KUO CHANG	28/01/2005
157376	CHIEN-KUO CHANG	28/01/2005
157387	NAIRAN PTY LTD	31/01/2005
157388	NAIRAN PTY LTD	31/01/2005
157389	NAIRAN PTY LTD	31/01/2005
157599	KOHLER CO.	25/02/2005
157601	DURAPOD SYSTEM LIMITED	25/02/2005
157609	SURFING HARDWARE INTERNATIONAL HOLDINGS PTY LIMITED	25/02/2005
157638	KOHLER CO.	01/03/2005
157639	KOHLER CO.	01/03/2005
157640	KOHLER CO.	01/03/2005
157642	VALOIS SAS	01/03/2005
157643	VALOIS SAS	01/03/2005
157667	E.D. OATES PTY LTD	02/03/2005
157856	ASSA ABLOY AUSTRALIA PTY LIMITED	31/03/2005
157857	ASSA ABLOY AUSTRALIA PTY LIMITED	31/03/2005
157858	ASSA ABLOY AUSTRALIA PTY LIMITED	31/03/2005
157859	ASSA ABLOY AUSTRALIA PTY LIMITED	31/03/2005
157860	ASSA ABLOY AUSTRALIA PTY LIMITED	31/03/2005
157861	ASSA ABLOY AUSTRALIA PTY LIMITED	31/03/2005
157862	ASSA ABLOY AUSTRALIA PTY LIMITED	31/03/2005
157863	ASSA ABLOY AUSTRALIA PTY LIMITED	31/03/2005
157864	ASSA ABLOY AUSTRALIA PTY LIMITED	31/03/2005
158352	ITW CONSTRUCTION PRODUCTS ITALY S.R.L.	12/10/2005
158358	ITW CONSTRUCTION PRODUCTS ITALY S.R.L.	14/10/2005
158370	AMERSHAM BIOSCIENCES A.B.	01/11/2005
158371	AMERSHAM BIOSCIENCES A.B.	01/11/2005
158372	AMERSHAM BIOSCIENCES A.B.	01/11/2005

Registration Number	Registered Owner	Registration Date			
			157022	157023	157021
			157025	157026	157024
158375	AKTIEBOLAGET ELECTROLUX	14/11/2005	157028	157029	157027
158379	MASPORT LIMITED	14/11/2005	157031	157032	157030
158386	BEON LIGHT CORPORATION PTY LTD	15/11/2005	157034	157036	157033
158388	PISCINES DESJOYAUX S.A.	24/11/2005	157038	157039	157037
158397	BLACK & DECKER INC.	24/11/2005	157041	157042	157040
158398	BLACK & DECKER INC.	24/11/2005	157045	157046	157044
158399	BLACK & DECKER INC.	24/11/2005	157048	157049	157047
158400	BLACK & DECKER INC.	24/11/2005	157051	157052	157050
158403	DEPUY MITEK INC.	24/11/2005			157053
158409	INTERBATH INC.	24/11/2005			
158414	BUILD-A-BEAR WORKSHOP INC.	24/11/2005			
158420	CETRAM PTY LIMITED	28/11/2005			
158424	COATES SIGNCO PTY LIMITED	28/11/2005			
158427	HAMMERSMITH NOMINEES PTY LTD	28/11/2005			
158428	BOLUCE ILLUMINAZIONE S.R.L.	28/11/2005			
158430	ITW BEFESTIGUNGSSYSTEME G.M.B.H.	28/11/2005			
158438	HENKEL KOMMANDITGESELLSCHAFT AUF AKTIEN	28/11/2005			
158452	WYETH	06/12/2005			
158453	WYETH	06/12/2005			
158454	WYETH	06/12/2005			
158455	WYETH	06/12/2005			

2nd Period (Section 27A(12))

137489	140160	140681
140682	140883	140967
140986	140992	141111
141112	141113	141116
141154	141155	141236
141237	141238	141239
141249	141277	141357
141387	141401	141402
141509	141572	141708
141709	141710	141711
141712	141774	141775
141916	142015	142016
142103	142283	142347
142405	142429	142636
142766	142843	143389
143428	144403	144798
144799	144800	145163
145643	145765	151775

3rd Period (Section 27A(13))

122538	124022	124286
124330	124331	124916
124917	124936	124937
124938	124939	125205
125265	125520	125603
125928	126011	126272
126763	126944	127121
127574	127575	128003
128004	128173	128406
128427	128487	128981
128982	131162	131163
134092	134305	

Extension of Period of Registration of Designs

1st Period (Section 27A(8))

153588	154508	156589
156800	156954	156955
156971	156972	156973
156974	156975	156976
156977	156978	156979
156980	156981	156982
156983	156984	156985
156986	156987	156988
156989	156990	156991
156992	156993	156994
156995	156997	156998
156999	157000	157001
157002	157003	157005
157006	157007	157008
157009	157010	157011
157012	157013	157015
157016	157017	157018
157019	157020	

Registrations Ceased

Note: Some of the following Registrations may have been previously advertised as ceased. In this instance, the previous advertisement still prevails.

107862	107880	107886
107900	107934	107963
107964	107986	107996
107998	107999	108076
108100	108118	108119
108135	108136	108152

108157	108160	108171
108172	108252	108270
108518	108641	108815
108874	109263	109919
111579	112639	112701
112702	120517	120548
122215	122257	122264
122287	122292	122293
122312	122323	122785
123843	123970	124028
125664	126172	137533
137562	137763	138765
139049	139050	139328
139330	139331	139332
139333	139334	139335
139336	139337	139338
139339	139341	139342
139344	139345	139346
139347	139357	139358
139527	139554	139572
139702	140128	140544
140608	140609	140744
140815	140874	141914
142392	143023	143241
143242	143442	143443
143901	145116	156934
156935	157004	

Extensions of time granted

Applications lodged for extension of time have been granted.

137489 **Canturi Corporation Pty Ltd** An Extension of time to extend a registration has been granted to 15/11/2005

153588 **E.B. Hollaway Pty Ltd** An Extension of time to extend a registration has been granted to 02/08/2005

154508 **Altronic Distributors Pty Ltd** An Extension of time to extend a registration has been granted to 02/08/2005

00986/2004 **Colgate-Palmolive Company** An Extension of time to register an application has been granted to 22/02/2006

00987/2004 **Colgate-Palmolive Company** An Extension of time to register an application has been granted to 21/02/2006

156589 **David Thomas Keogh** An Extension of time to extend a registration has been granted to 11/10/2005

156800 **4 Design Pty Ltd** An Extension of time to extend a registration has been granted to 14/11/2005

Applications Assigned

(The name in parentheses is that of the subsequent applicant)

01640/2004 (**Ultra-Light Floating Objects Inc.**) DW Product Development Inc.

Subsequent Owners Registered

(The name in parentheses is that of the subsequent owner)

Subsequent Owners Registered

139360	(R.M.D. Press Co. Pty Limited) Morr-Hand Pty Ltd
117413	(LMI Investments Pty Ltd) Oz-Post Manufacturing Pty Ltd
119016	(LMI Investments Pty Ltd) Oz-Post Manufacturing Pty Ltd
119017	(LMI Investments Pty Ltd) Oz-Post Manufacturing Pty Ltd
119272	(LMI Investments Pty Ltd) Oz-Post Manufacturing Pty Ltd
119827	(LMI Investments Pty Ltd) Oz-Post Manufacturing Pty Ltd
119828	(LMI Investments Pty Ltd) Oz-Post Manufacturing Pty Ltd
119829	(LMI Investments Pty Ltd) Oz-Post Manufacturing Pty Ltd
119896	(LMI Investments Pty Ltd) Oz-Post Manufacturing Pty Ltd
125836	(LMI Investments Pty Ltd) Oz-Post Manufacturing Pty Ltd
131709	(LMI Investments Pty Ltd) Oz-Post Manufacturing Pty Ltd
132996	(SOABO Pty Ltd) Commercial Washroom Services Pty Ltd
143488	(SOABO Pty Ltd) Commercial Washroom Services Pty Ltd
140829	(Paul J. Stables) Fitovers Eyewear Pty Ltd
144260	(Paul J. Stables) Fitovers Eyewear Pty Ltd
124450	(Paul J. Stables) Fitovers Eyewear Pty Ltd
127863	(Paul J. Stables) Fitovers Eyewear Pty Ltd
136532	(Paul J. Stables) Fitovers Eyewear Pty Ltd

Names Registered - Alterations and Amendments

(The name in parentheses is the new name of the proprietor)

139795	(Aus Invent Pty Ltd) Boldini Pty Ltd
--------	---

Registration Proceedings

Designs Registered

This section provides a concordance between application number and registration number of Designs covered in this journal. It also shows the main class and registration date.

This section covers Registration numbers 158441 to 158455.

The registration number shown below should be used in all future correspondence.

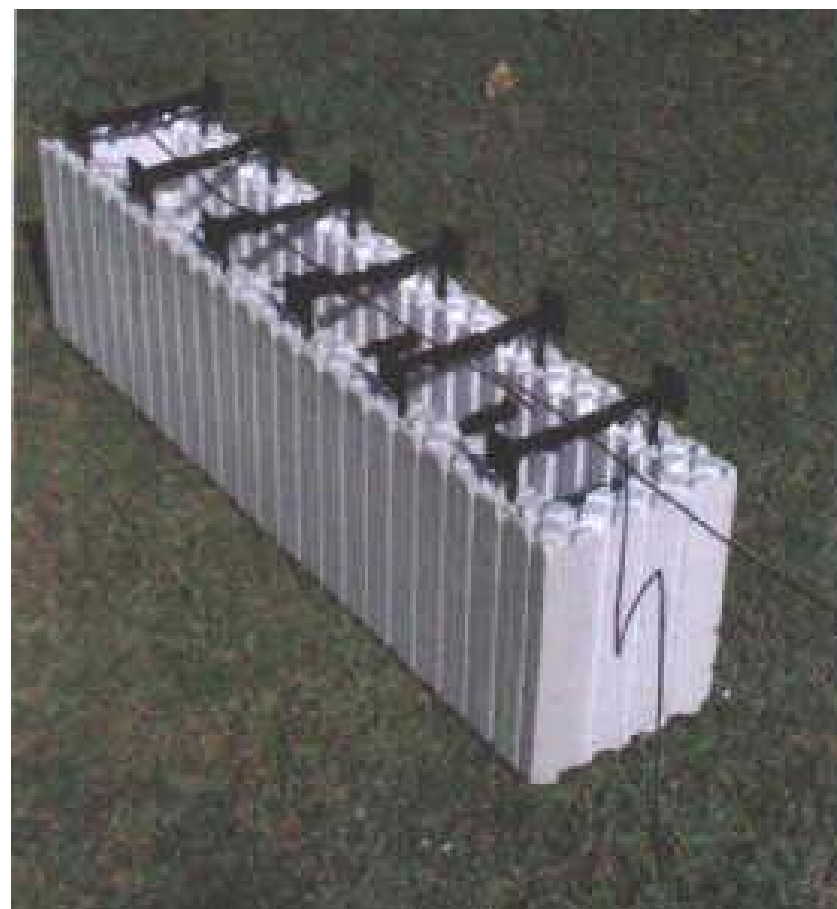
Application Number	Registration Number	International Classification Code (IDC)	Registration Date	Application Number	Registration Number	International Classification Code (IDC)	Registration Date
01266/2004	158441	25-01A	06/12/2005	02141/2004	158449	09-01G	06/12/2005
01542/2004	158442	13-03D	06/12/2005	02143/2004	158450	09-01G	06/12/2005
01550/2004	158443	02-04NES	06/12/2005	02229/2004	158451	09-03H	06/12/2005
01667/2004	158444	07-05D	06/12/2005	02486/2004	158452	09-01NES	06/12/2005
01784/2004	158445	09-05	06/12/2005	02488/2004	158453	09-01NES	06/12/2005
01928/2004	158446	29-02	06/12/2005	02489/2004	158454	09-07A	06/12/2005
01929/2004	158447	29-02	06/12/2005	02490/2004	158455	09-07A	06/12/2005
01979/2004	158448	06-06H	06/12/2005				

Registration Proceedings
Class Listing of Designs Registered

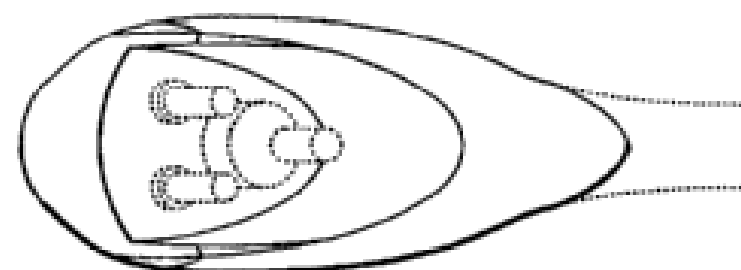
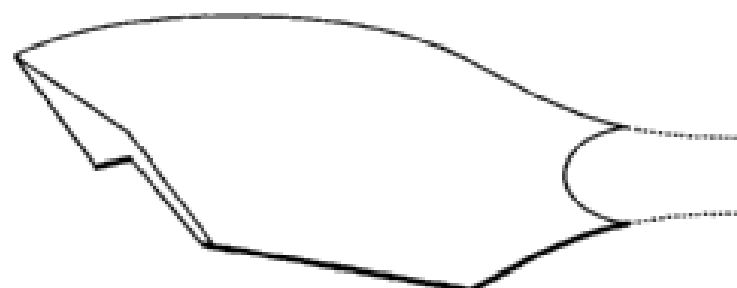
The following section shows an International Classification Code listing of the Registered Designs covered in this supplement.

Classification	Registration Number	Application Number	Classification	Registration Number	Application Number
02-04 NES	158443	01550/2004	09-07 A	158454	02489/2004
06-06 H	158448	01979/2004	09-07 A	158455	02490/2004
07-05 D	158444	01667/2004	13-03 D	158442	01542/2004
09-01 G	158449	02141/2004	15-09	158441	01266/2004
09-01 G	158450	02143/2004	25-01 A	158441	01266/2004
09-01 NES	158452	02486/2004	29-02	158446	01928/2004
09-01 NES	158453	02488/2004	29-02	158447	01929/2004
09-03 H	158451	02229/2004			
09-05	158445	01784/2004			

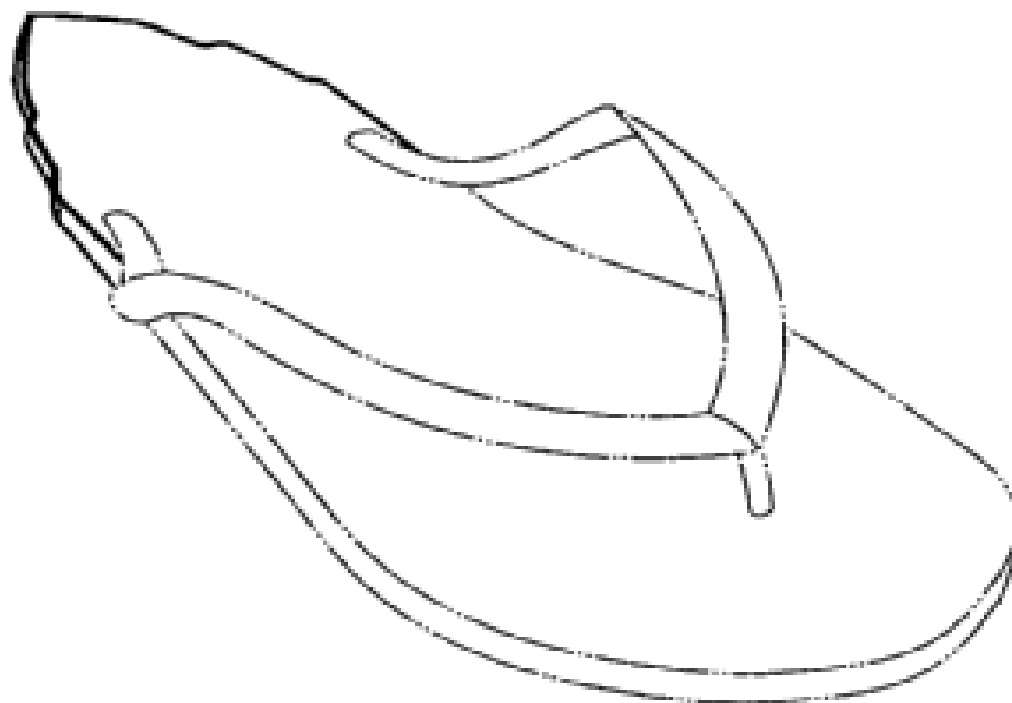
(21) Application Number: **1266/2004**
 (22) Date of Filing Application: **01 April 2004**
 (24) Date from which industrial property rights may have effect: **01 April 2004**
 (54) Article in respect of which the design is registered: **Lost formwork panel block with removable support**
 (51) International Design Classification: **25-01A, 15-09**
 (71) Name(s) and Address(s) of Applicant(s):
Magu Bausysteme G.m.b.H.
An Der Hochstrasse D-78183 Hufingen Germany
 (72) Name(s) of Author(s): **Employees of Magu Bausysteme G.m.b.H.**
 (45) Registration Date: **06 December 2005**
 (56) Related Art Documents: **Not Applicable**
 (57) Statement of Monopoly: **Monopoly is claimed in the features of shape and configuration of the lost formwork panel block assembly of indefinite width as shown in the accompanying representations. No monopoly is claimed in the individual pieces per se.**
 Statement of Novelty: **Nil**



(21) Application Number: **1542/2004**
 (22) Date of Filing Application: **21 April 2004**
 (24) Date from which industrial property rights may have effect: **21 April 2004**
 (54) Article in respect of which the design is registered: **Electrical plug**
 (51) International Design Classification: **13-03D**
 (74) Name(s) of Attorney(s): **Shelston IP**
 (71) Name(s) and Address(s) of Applicant(s):
Auckland UniServices Limited
Level 10 70 Symonds Street Auckland New Zealand
 (72) Name(s) of Author(s): **Mark Renfrew Titchener**
 (45) Registration Date: **06 December 2005**
 (30) Convention priority data:
 (31) Number (32) Date (33) Country
404071 22 Oct 2003 NEW ZEALAND
 (56) Related Art Documents: **Not Applicable**
 (57) Statement of Monopoly: **Monopoly is claimed in the features of shape and/or configuration of an electrical plug as shown in the representations accompanying the application. In considering the extent of the monopoly claimed, those features shown in broken line are to be disregarded.**
 Statement of Novelty: **Nil**



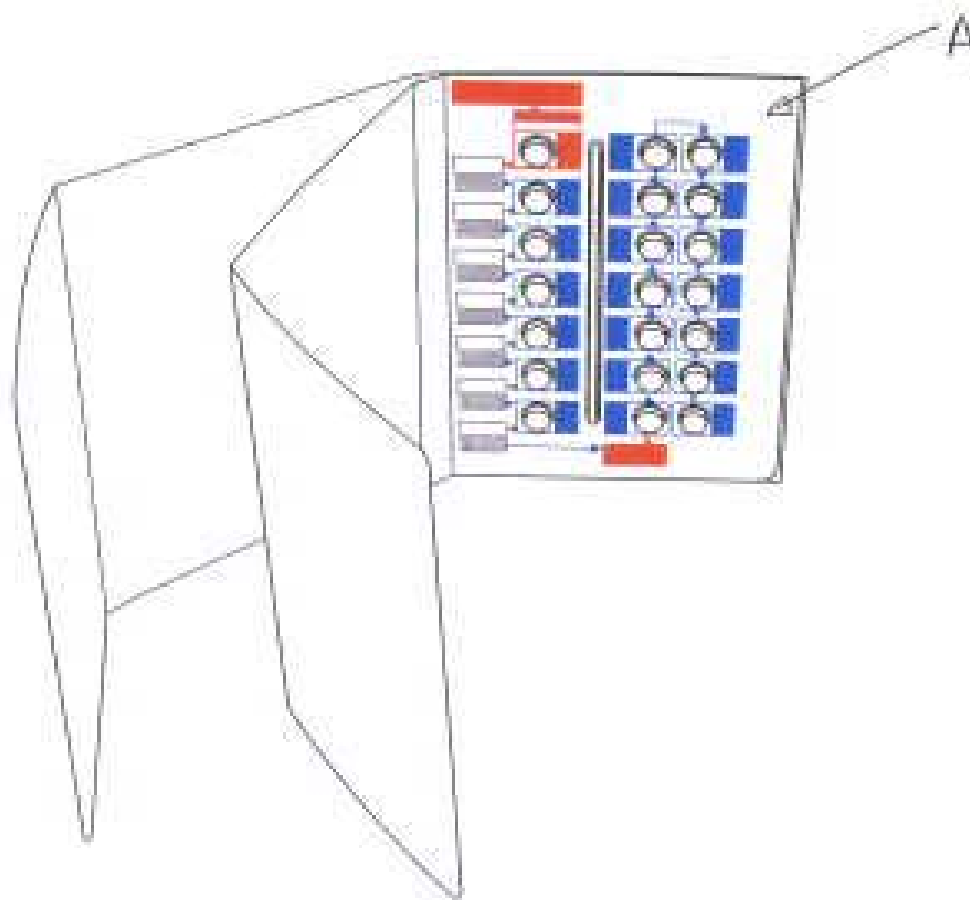
- (21) Application Number: **1550/2004**
(22) Date of Filing Application: **22 April 2004**
(24) Date from which industrial property rights may have effect: **22 April 2004**
(54) Article in respect of which the design is registered: **Footwear**
(51) International Design Classification: **02-04NES**
(74) Name(s) of Attorney(s): **Fisher Adams Kelly**
(71) Name(s) and Address(s) of Applicant(s):
Sole Surfer International Pty Ltd
Suite 1 Level 6 234-242 George Street Sydney New South Wales 2000
Australia
(72) Name(s) of Author(s): **Justin Douglas King**
(45) Registration Date: **06 December 2005**
(61) Additional to: **154234**
(56) Related Art Documents: **Not Applicable**
(57) Statement of Monopoly: **Monopoly is claimed in the shape and configuration and pattern and ornamentation applied to footwear, as illustrated in the accompanying representations. The portions of the article shown in broken lines do not constitute a part of the design.**
Statement of Novelty: **Nil**



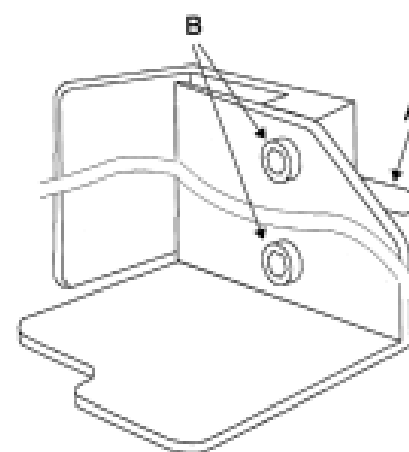
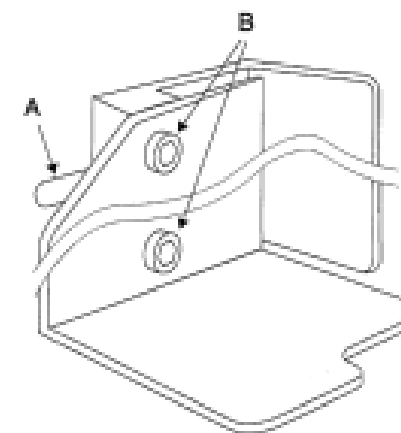
- (21) Application Number: **1667/2004**
(22) Date of Filing Application: **04 May 2004**
(24) Date from which industrial property rights may have effect: **04 May 2004**
(54) Article in respect of which the design is registered: **Towel rail**
(51) International Design Classification: **07-05D**
(74) Name(s) of Attorney(s): **Griffith Hack**
(71) Name(s) and Address(s) of Applicant(s):
Specialised Sales & Marketing Ltd
21 Jipcho Road Sockburn Christchurch New Zealand
(72) Name(s) of Author(s): **Oscar Chow**
(45) Registration Date: **06 December 2005**
(56) Related Art Documents: **Not Applicable**
(57) Statement of Monopoly: **The monopoly resides in the shape and configuration of the towel rail of indefinite length shown in the representations. The legs of the towel rail and the number and shape of the rungs of the towel rail form no part of the monopoly claimed in this design.**
Statement of Novelty: **Nil**



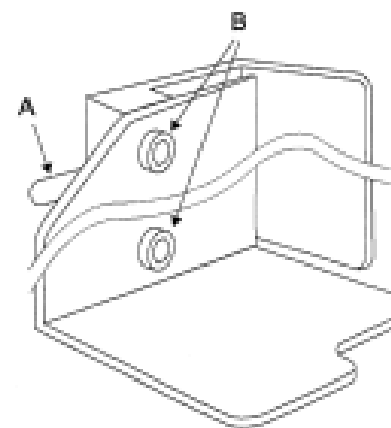
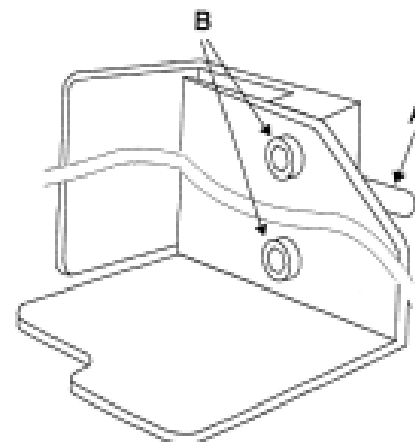
(21) Application Number: **1784/2004**
 (22) Date of Filing Application: **12 May 2004**
 (24) Date from which industrial property rights may have effect: **12 May 2004**
 (54) Article in respect of which the design is registered: **Pharmaceutical packaging**
 (51) International Design Classification: **09-05**
 (74) Name(s) of Attorney(s): **Davies Collison Cave**
 (71) Name(s) and Address(s) of Applicant(s):
Glaxo Group Limited
Glaxo Wellcome House Berkeley Avenue Greenford Middlesex UB6
0NN United Kingdom
 (72) Name(s) of Author(s): **Paul Richard Smith and Peter David Walker**
 (45) Registration Date: **06 December 2005**
 (30) Convention priority data:
 (31) Number (32) Date (33) Country
3015222 14 Nov 2003 UNITED KINGDOM
 (56) Related Art Documents: **Not Applicable**
 (57) Statement of Monopoly: **Monopoly is claimed in the shape, configuration, and pattern of the panel marked "A" of the packaging as shown in the representations.**
 Statement of Novelty: **Nil**



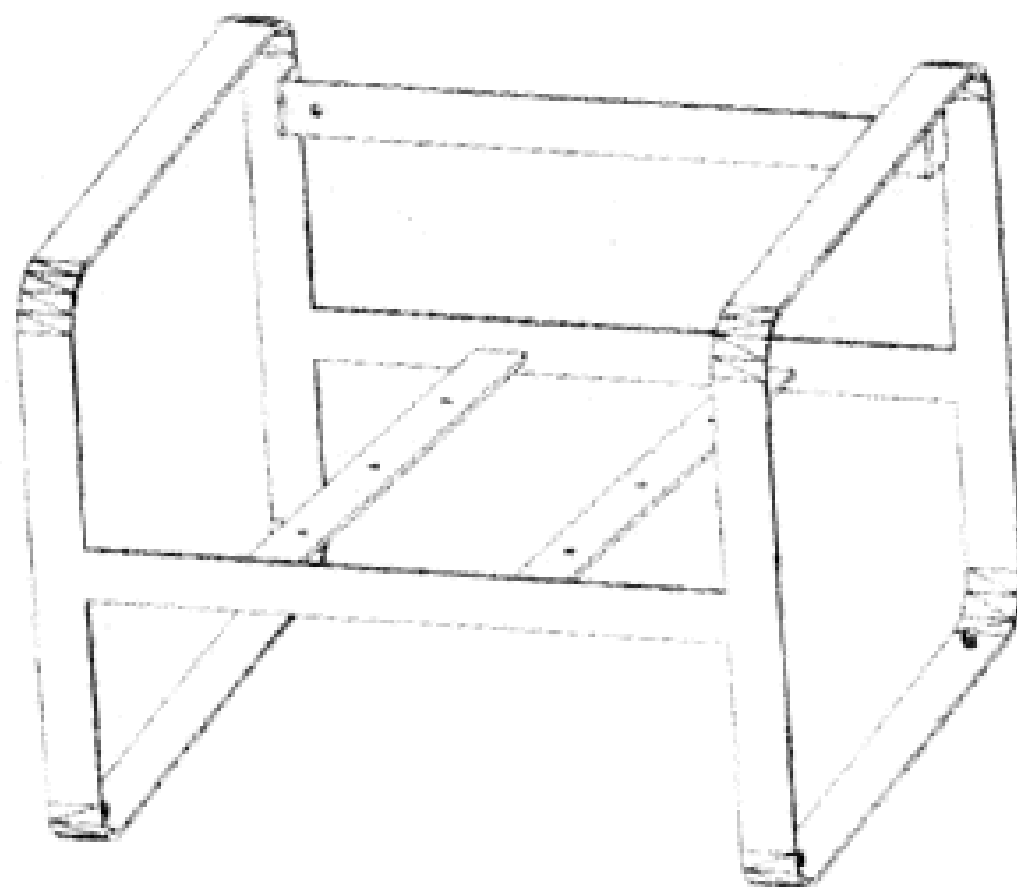
(21) Application Number: **1928/2004**
 (22) Date of Filing Application: **24 May 2004**
 (24) Date from which industrial property rights may have effect: **24 May 2004**
 (54) Article in respect of which the design is registered: **A set of counterweight locking plates**
 (51) International Design Classification: **29-02**
 (74) Name(s) of Attorney(s): **Smootenburg**
 (71) Name(s) and Address(s) of Applicant(s):
Stage Safe Technologies Pty Ltd
11 Ryans Road Eltham Victoria 3095 Australia
 (72) Name(s) of Author(s): **Geoffrey Francis Dart and Brett Robert Shugg Davies**
 (45) Registration Date: **06 December 2005**
 (56) Related Art Documents: **Not Applicable**
 (57) Statement of Monopoly: **Monopoly is claimed in the features shape and configuration as applied to a set of counterweight locking plates having an indefinite length as illustrated in the accompanying representations. The bolts and fixtures marked A and B form no part of the design.**
 Statement of Novelty: **Nil**



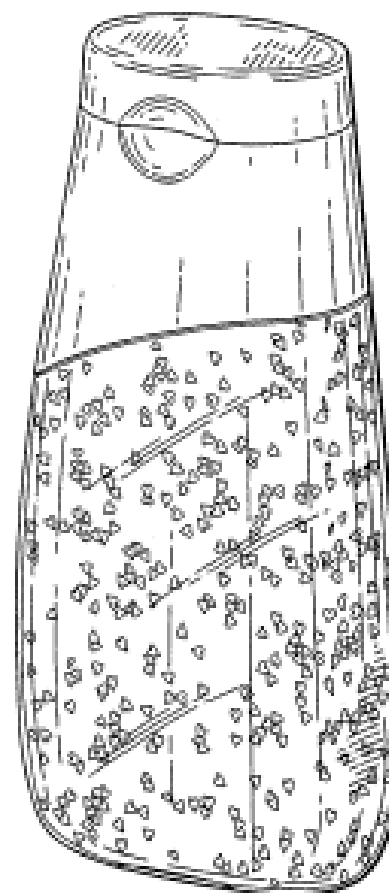
- (21) Application Number: **1929/2004**
(22) Date of Filing Application: **24 May 2004**
(24) Date from which industrial property rights may have effect: **24 May 2004**
(54) Article in respect of which the design is registered: **A set of counterweight locking plates**
(51) International Design Classification: **29-02**
(74) Name(s) of Attorney(s): **Smoorenburg**
(71) Name(s) and Address(s) of Applicant(s):
Stage Safe Technologies Pty Ltd
11 Ryans Road Eltham Victoria 3095 Australia
(72) Name(s) of Author(s): **Geoffrey Francis Dart and Brett Robert Shugg Davies**
(45) Registration Date: **06 December 2005**
(56) Related Art Documents: **Not Applicable**
(57) Statement of Monopoly: **Monopoly is claimed in the features shape and configuration as applied to a set of counterweight locking plates having an indefinite length as illustrated in the accompanying representations. The bolts and fixtures marked A and B form no part of the design.**
Statement of Novelty: **Nil**



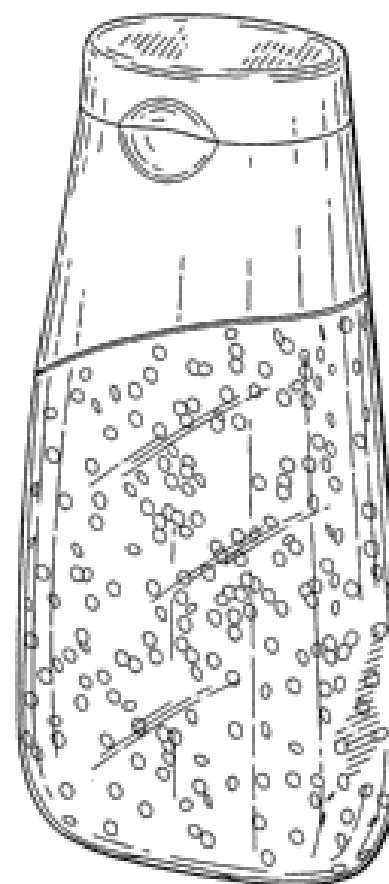
- (21) Application Number: **1979/2004**
(22) Date of Filing Application: **26 May 2004**
(24) Date from which industrial property rights may have effect: **26 May 2004**
(54) Article in respect of which the design is registered: **Chair**
(51) International Design Classification: **06-06H**
(74) Name(s) of Attorney(s): **Corrs Chambers Westgarth**
(71) Name(s) and Address(s) of Applicant(s):
PT Mimpi Disain
Plaza Bisnis Kemang 1 Level 2 Jalan Kemang Raya No 2 Jakarta
12730 Indonesia
(72) Name(s) of Author(s): **Melanie Hall**
(45) Registration Date: **06 December 2005**
(56) Related Art Documents: **Not Applicable**
(57) Statement of Monopoly: **Monopoly is claimed in the features of shape, configuration, pattern and ornamentation of the chair as shown in the accompanying representations.**
Statement of Novelty: **Nil**



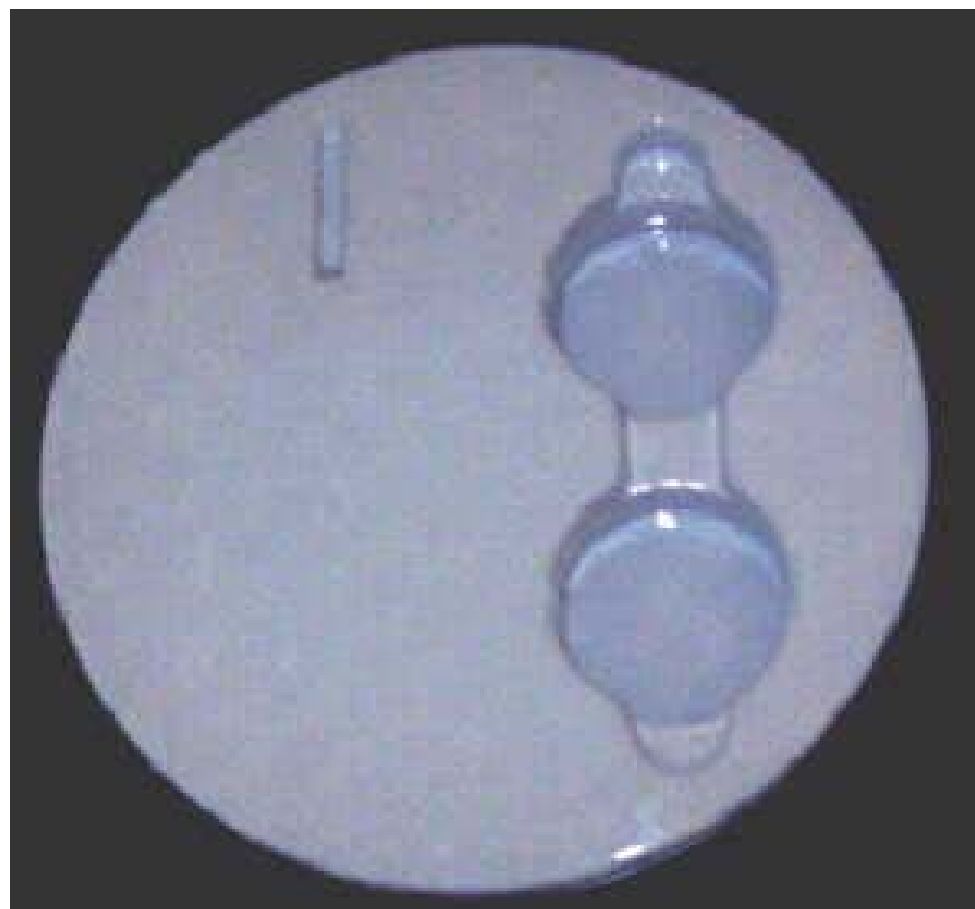
(21) Application Number: **2141/2004**
 (22) Date of Filing Application: **03 June 2004**
 (24) Date from which industrial property rights may have effect: **03 June 2004**
 (54) Article in respect of which the design is registered: **Container with product**
 (51) International Design Classification: **09-01G**
 (74) Name(s) of Attorney(s): **F.B. Rice & Co.**
 (71) Name(s) and Address(s) of Applicant(s):
Colgate-Palmolive Company
300 Park Avenue New York New York 10022 United States of America
 (72) Name(s) of Author(s): **Thomas J. Boyd**
 (45) Registration Date: **06 December 2005**
 (30) Convention priority data:
 (31) Number (32) Date (33) Country
29/195266 9 Dec 2003 UNITED STATES OF AMERICA
 (61) Additional to: **138015**
 (56) Related Art Documents: **Not Applicable**
 (57) Statement of Monopoly: **Those features of the representations in respect of which the applicant for registration of the design wishes to claim a monopoly are the features of shape, configuration, pattern and ornamentation of the container with the contained products.**
 Statement of Novelty: **Nil**



(21) Application Number: **2143/2004**
 (22) Date of Filing Application: **03 June 2004**
 (24) Date from which industrial property rights may have effect: **03 June 2004**
 (54) Article in respect of which the design is registered: **Container with product**
 (51) International Design Classification: **09-01G**
 (74) Name(s) of Attorney(s): **F.B. Rice & Co.**
 (71) Name(s) and Address(s) of Applicant(s):
Colgate-Palmolive Company
300 Park Avenue New York New York 10022 United States of America
 (72) Name(s) of Author(s): **Thomas J. Boyd**
 (45) Registration Date: **06 December 2005**
 (30) Convention priority data:
 (31) Number (32) Date (33) Country
29/195241 9 Dec 2003 UNITED STATES OF AMERICA
 (61) Additional to: **138015**
 (56) Related Art Documents: **Not Applicable**
 (57) Statement of Monopoly: **Those features of the representations in respect of which the applicant for registration of the design wishes to claim a monopoly are the features of shape, configuration, pattern and ornamentation of the container with the contained products.**
 Statement of Novelty: **Nil**



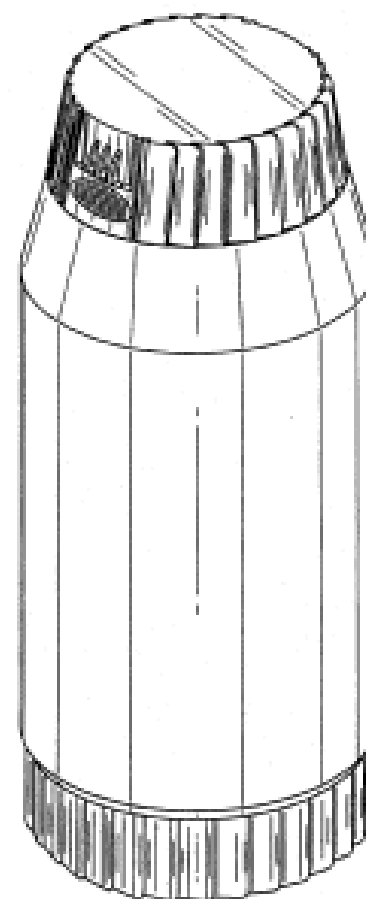
(21) Application Number: **2229/2004**
 (22) Date of Filing Application: **09 June 2004**
 (24) Date from which industrial property rights may have effect: **09 June 2004**
 (54) Article in respect of which the design is registered: **Packaging insert**
 (51) International Design Classification: **09-03H**
 (71) Name(s) and Address(s) of Applicant(s):
Pro Ball Marketing Pty Ltd
51 Blackburn Road Blackburn Victoria 3130 Australia
 (72) Name(s) of Author(s): **Adrian John Fox and Peter Graham Jones**
 (45) Registration Date: **06 December 2005**
 (56) Related Art Documents: **Not Applicable**
 (57) Statement of Monopoly: **Monopoly is claimed in the shape and configuration of a packaging insert as shown in the representations.**
 Statement of Novelty: **Nil**



(21) Application Number: **2486/2004**
 (22) Date of Filing Application: **16 June 2004**
 (24) Date from which industrial property rights may have effect: **16 June 2004**
 (54) Article in respect of which the design is registered: **Container with a scalloped cap**
 (51) International Design Classification: **09-01NES**
 (74) Name(s) of Attorney(s): **F B Rice & Co**
 (71) Name(s) and Address(s) of Applicant(s):
Wyeth
Five Giralda Farms Madison New Jersey 07940 United States of America
 (72) Name(s) of Author(s): **Gerald J. Forte**
 (45) Registration Date: **06 December 2005**
 (30) Convention priority data:

(31) Number	(32) Date	(33) Country
29/195652	17 Dec 2003	UNITED STATES OF AMERICA

 (56) Related Art Documents: **Not Applicable**
 (57) Statement of Monopoly: **Those features of the representations in respect of which the applicant for registration of the design wishes to claim a monopoly are the features of shape and configuration in combination, and no monopoly is claimed in the individual pieces per se.**
 Statement of Novelty: **Nil**



(19) AU

- (21) Application Number: **2488/2004**
- (22) Date of Filing Application: **16 June 2004**
- (24) Date from which industrial property rights may have effect: **16 June 2004**
- (54) Article in respect of which the design is registered: **Container with a scalloped cap and tabs**
- (51) International Design Classification: **09-01NES**
- (74) Name(s) of Attorney(s): **F B Rice & Co**
- (71) Name(s) and Address(s) of Applicant(s):

Wyeth
Five Giralda Farms Madison New Jersey 07940 United States of America

(72) Name(s) of Author(s): **Gerald J. Forte**

(45) Registration Date: **06 December 2005**

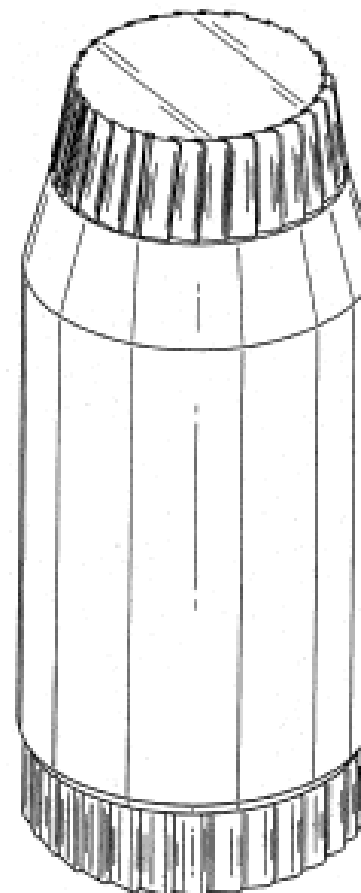
(30) Convention priority data:

(31) Number	(32) Date	(33) Country
29/195655	17 Dec 2003	UNITED STATES OF AMERICA

(56) Related Art Documents: **Not Applicable**

(57) Statement of Monopoly: **Those features of the representations in respect of which the applicant for registration of the design wishes to claim a monopoly are the features of shape and configuration in combination, and no monopoly is claimed in the individual pieces per se.**

Statement of Novelty: **Nil**



(19) AU

- (21) Application Number: **2489/2004**
- (22) Date of Filing Application: **16 June 2004**
- (24) Date from which industrial property rights may have effect: **16 June 2004**
- (54) Article in respect of which the design is registered: **Scalloped cap and tabs**
- (51) International Design Classification: **09-07A**
- (74) Name(s) of Attorney(s): **F B Rice & Co**
- (71) Name(s) and Address(s) of Applicant(s):

Wyeth
Five Giralda Farms Madison New Jersey 07940 United States of America

(72) Name(s) of Author(s): **Gerald J. Forte**

(45) Registration Date: **06 December 2005**

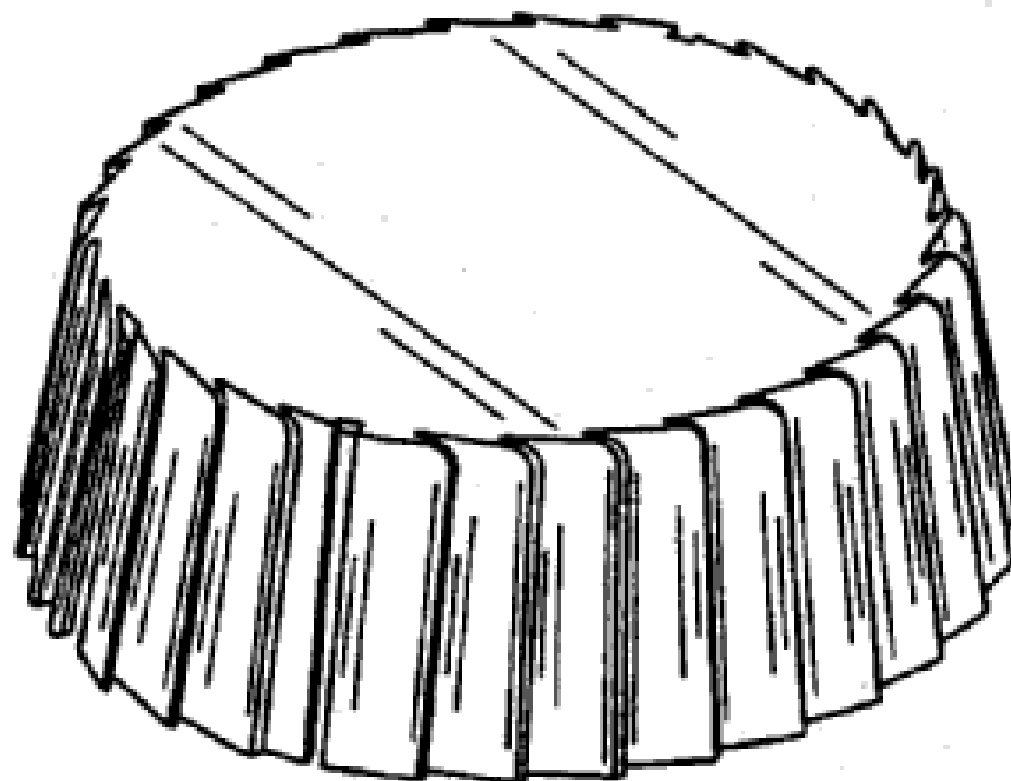
(30) Convention priority data:

(31) Number	(32) Date	(33) Country
29/195649	17 Dec 2003	UNITED STATES OF AMERICA

(56) Related Art Documents: **Not Applicable**

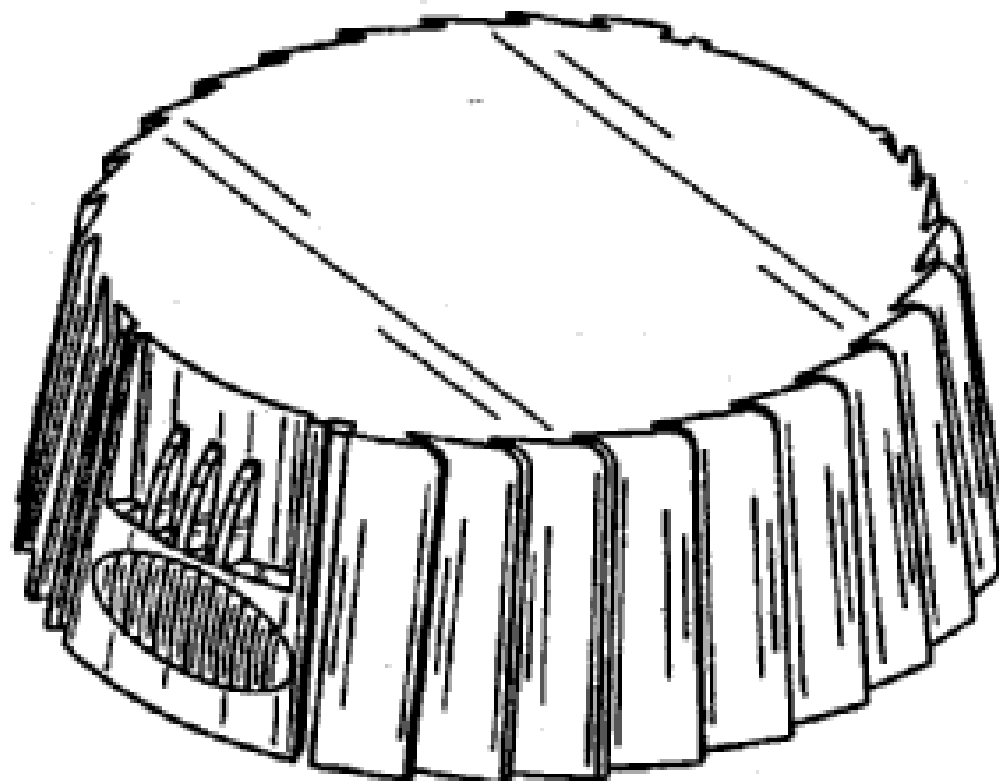
(57) Statement of Monopoly: **Those features of the representations in respect of which the applicant for registration of the design wishes to claim a monopoly are the features of shape and configuration in combination.**

Statement of Novelty: **Nil**



(19) AU

- (21) Application Number: **2490/2004**
(22) Date of Filing Application: **16 June 2004**
(24) Date from which industrial property rights may have effect: **16 June 2004**
(54) Article in respect of which the design is registered: **Scalloped cap**
(51) International Design Classification: **09-07A**
(74) Name(s) of Attorney(s): **F B Rice & Co**
(71) Name(s) and Address(s) of Applicant(s):
Wyeth
Five Giralda Farms Madison New Jersey 07940 United States of America
(72) Name(s) of Author(s): **Gerald J. Forte**
(45) Registration Date: **06 December 2005**
(30) Convention priority data:
(31) Number (32) Date (33) Country
29/195650 17 Dec 2003 UNITED STATES OF AMERICA
(56) Related Art Documents: **Not Applicable**
(57) Statement of Monopoly: **Those features of the representations in respect of which the applicant for registration of the design wishes to claim a monopoly are the features of shape and configuration in combination.**
Statement of Novelty: **Nil**



Proceedings under the Designs Act 2003.

This Page Left Intentionally Blank

Applications Lodged

Lodgement information is in the following order: **Applicant's Name**; International Classification, Name of Product, Lodgement Date and **Design Number**. If the applicant claims an earlier priority date under an International Convention, the Convention Country and the associated filing date are shown in parentheses before the Lodgement Date. Divisional information will also appear in parentheses before the Lodgement Date.

Abernethy, Raymond Eric; 15-03B, Blade carrier for a mower, 25 Nov 2005	15183/2005	Australian Lock Company Pty Ltd; 08-07, Key blank, 25 Nov 2005	15198/2005
Adworks Australia Pty Limited; 20-02NES, Promotional material holder (indefinite width), 29 Nov 2005	15244/2005	Australian Lock Company Pty Ltd; 08-07, Key handle, 25 Nov 2005	15199/2005
Aluminium Specialties Group Pty Ltd; 25-01K, Extrusion, 30 Nov 2005	15316/2005	Automatic Pool Cleaners (Australia) Pty Ltd.; 15-05, Adaptor for pool suction cleaner, 29 Nov 2005	15217/2005
Amtcor Limited; 09-03NES, 09-03K, Container for holding viscous animal feed and blank therefor, 28 Nov 2005	15221/2005	AECI Limited; 09-04, 03-01D, Containers, (ZA, 24 Aug 2005) 24 Nov 2005	15177/2005
Argent Australia Pty Ltd; 23-01H, Bath spout, 28 Nov 2005	15207/2005	Barlane Pty Ltd; 23-04, An exhaust canopy, 25 Nov 2005	15182/2005
Argent Australia Pty Ltd; 08-06, 23-01H, Handle, 28 Nov 2005	15208/2005	Briggs & Stratton Corporation; 15-01, 15-03B, Muffler, (US, 13 Jun 2005) 02 Dec 2005	15362/2005
Argent Australia Pty Ltd; 23-01H, Basin spout, 28 Nov 2005	15210/2005	Briggs & Stratton Corporation; 15-01, 15-03B, Shroud, (US, 13 Jun 2005) 02 Dec 2005	15363/2005
Argent Australia Pty Ltd; 23-01H, Wall spout, 28 Nov 2005	15211/2005	Briggs & Stratton Corporation; 15-01, Engine assembly, (US, 13 Jun 2005) 05 Dec 2005	15412/2005
Argent Australia Pty Ltd; 23-01H, Bath spout, 28 Nov 2005	15212/2005	Briggs & Stratton Corporation; 15-01, 15-03B, 23-04, Air cleaner, (US, 13 Jun 2005) 02 Dec 2005	15361/2005
Argent Australia Pty Ltd; 07-05D, Towel rail, 25 Nov 2005	15222/2005	Built NY, Inc.; 07-07A, 07-06A, Two-bottle tote, (US, 25 May 2005) 25 Nov 2005	15181/2005
Argent Australia Pty Ltd; 07-05D, Towel ring, 25 Nov 2005	15223/2005	Built NY, Inc.; 07-06A, 07-07A, Bottle tote, (US, 25 May 2005) 24 Nov 2005	15178/2005
Argent Australia Pty Ltd; 23-02A, Toilet roll holder, 25 Nov 2005	15224/2005	Butterworth, Valissa; 25-01F, Wall tiles, floor tiles, water features, plaster tiles (wall panels), 30 Nov 2005	15312/2005
Argent Australia Pty Ltd; 08-08G, Robe hook, 25 Nov 2005	15225/2005	Butterworth, Valissa; 25-01F, Wall tiles, water feature, plaster tiles (wall panels), 30 Nov 2005	15313/2005
Argent Australia Pty Ltd; 23-01H, Basin spout, 28 Nov 2005	15209/2005	BGC (Australia) Pty Ltd; 25-01A, Block, 30 Nov 2005	15327/2005
Argent Australia Pty Ltd; 23-01H, Handle, 28 Nov 2005	15203/2005	BGC (Australia) Pty Ltd; 25-01A, Block, 30 Nov 2005	15328/2005
Argent Australia Pty Ltd; 23-01H, Handle, 28 Nov 2005	15204/2005	BGC (Australia) Pty Ltd; 25-01A, Block, 30 Nov 2005	15326/2005
Argent Australia Pty Ltd; 23-01H, Basin spout, 28 Nov 2005	15205/2005	BP National Design Pty Ltd; 08-08M, 08-08N, Bracket, 24 Nov 2005	15174/2005
Argent Australia Pty Ltd; 23-01H, Wall spout, 28 Nov 2005	15206/2005	Cain, Derrick; 06-01E, 06-04NES, Stackable storage stools, 29 Nov 2005	15218/2005
Australian Lock Company Pty Ltd; 08-07, Key blank, 25 Nov 2005	15193/2005	Candy, Christopher Charles Edwin; 25-99, Bridges, 28 Nov 2005	15220/2005
Australian Lock Company Pty Ltd; 08-07, Key blank, 25 Nov 2005	15194/2005		
Australian Lock Company Pty Ltd; 08-07, Key blank, 25 Nov 2005	15195/2005		
Australian Lock Company Pty Ltd; 08-07, Key blank, 25 Nov 2005	15196/2005		
Australian Lock Company Pty Ltd; 08-07, Key blank, 25 Nov 2005	15197/2005		

Caribbean Distillers Corporation, Limited; 09-01H, 09-01NES, Bottle, (US, 22 Jun 2005) 24 Nov 2005	15175/2005	Health Protect International; 26-05NES, The product is called Safety First System UVH Head. It is UVC light apparatus, for the purpose of sanitising, mattress, upholstery and carpet, 26 Nov 2005	15237/2005
Casala Meubelen Nederland B.V.; 06-01F, A chair, 28 Nov 2005	15325/2005	Hozelock Limited; 08-99, Hose reel, (EM, 31 May 2005) 29 Nov 2005	15215/2005
Coleman Company, Inc., The; 09-02NES, Fuel canister, (US, 02 Aug 2005) 24 Nov 2005	15176/2005	Hozelock Limited; 15-02, Pump unit, (EM, 31 May 2005) 29 Nov 2005	15216/2005
Colorado Products Pty. Ltd.; 23-02F, Sinks, 30 Nov 2005	15310/2005	Hydroscreen Pty Ltd; 25-02H, Sliding screen track, 28 Nov 2005	15179/2005
Colorado Products Pty. Ltd.; 23-02F, Sinks, 30 Nov 2005	15311/2005	Ingham, John Michael; Cumming, Andrew Douglas; 12-16NES, Load barrier, 23 Nov 2005	15228/2005
Cumming, Andrew Douglas; Ingham, John Michael; 12-16NES, Load barrier, 23 Nov 2005	15228/2005	Italricambi Spa; 15-04, Tooth for a bucket, (IT, 30 May 2005) 29 Nov 2005	15239/2005
Dalsonware Pty Ltd; 08-01, Garden trowel, 29 Nov 2005	15249/2005	Italricambi Spa; 15-04, Tooth for a bucket, (IT, 30 May 2005) 29 Nov 2005	15240/2005
Dart Industries Inc.; 07-03, Cutlery, (US, 08 Jun 2005) 21 Nov 2005	15111/2005	James, Marlene Lesleigh; 06-09, A trolley seat cover, 25 Nov 2005	15184/2005
Dart Industries Inc.; 07-01F, Container, (US, 08 Jun 2005) 21 Nov 2005	15112/2005	James, Marlene Lesleigh; 06-13B, Capsule cover, 25 Nov 2005	15185/2005
Dart Industries Inc.; 07-01NES, Cover for container, (US, 08 Jun 2005) 21 Nov 2005	15113/2005	Kahler, Louise Ann; 21-01F, Rideon zebra, 28 Nov 2005	15201/2005
Demain Technology Pty Ltd; 08-05N, Power tool, 25 Nov 2005	15187/2005	Kahler, Louise Ann; 21-01F, Ride on dog, 28 Nov 2005	15202/2005
Dura-Post (Aust.) Pty Ltd; 10-06, Flexible road post, 25 Nov 2005	15188/2005	King, Angela; 07-02E, Barbecue/roasting spit, (GB, 03 Jun 2005) 29 Nov 2005	15213/2005
Everitt, Ryan; Everitt, April; 99-00, Bronze cast artwork for memorials, headstones or any artistic application, 30 Nov 2005	15331/2005	Kito Corporation; 12-05, A hoist, (JP, 03 Jun 2005) 30 Nov 2005	15317/2005
Everitt, April; Everitt, Ryan; 99-00, Bronze cast artwork for memorials, headstones or any artistic application, 30 Nov 2005	15331/2005	Kohler Co.; 23-02F, Hand basin, (US, 06 Jun 2005) 29 Nov 2005	15243/2005
Garrad, Neil T.; 25-02C, Balustrade, isolation barriers, 29 Nov 2005	15308/2005	Koninklijke Philips Electronics N.V.; 07-02K, Water kettle, (EM, 15 Jun 2005) 30 Nov 2005	15314/2005
Garrad, Neil T.; 25-02C, Balustrade, isolation barriers, 29 Nov 2005	15309/2005	Kraskov, Leonid; 09-07A, A plastering nozzle, 01 Dec 2005	15340/2005
Grant Cowell, Trading as Bayside Bumpers; 12-16C, BA falcon XR6/8 rear bumper upper section, 02 Dec 2005	15338/2005	Mars Incorporated; 09-03NES, Confectionery dispenser pack, 08 Dec 2003	15388/2005
Greenfield, Maria Emily; 03-01D, Motorcycle tool bag, 30 Nov 2005	15238/2005	Mitsubishi Pencil Co., Ltd; 19-06, Pen, (EM, 30 May 2005) 06 Dec 2005	15389/2005
GM Holden Ltd; 21-01C, 12-08, A motor vehicle and a model vehicle, 29 Nov 2005	15246/2005	N.S.R. Peas Pty Ltd; 06-01L, Lounge chair, 29 Nov 2005	15247/2005
GM Holden Ltd; 12-08, A motor vehicle, 21 Nov 2005	15110/2005	Nanjing Chervon Industry Co., Ltd; 15-05, Supporting base with vacuum suction pump, (CN, 08 Jun 2005) 01 Dec 2005	15332/2005
GMCA Pty Ltd; 08-05N, A belt sander, (GB, 26 Oct 2005) 29 Nov 2005	15219/2005	Nanjing Chervon Industry Co., Ltd; 08-05N, Angle grinder, (CN, 09 Jun 2005) 01 Dec 2005	15333/2005

Nanjing Chervon Industry Co., Ltd; 08-04, Screwdriver, (CN, 08 Jun 2005) 01 Dec 2005	15334/2005	Reckitt Benckiser Inc.; 28-99, Dispensing device, (US, 15 Jul 2005) 05 Dec 2005	15395/2005
Nanjing Chervon Industry Co., Ltd; 08-01, Electric drill, (CN, 17 Jun 2005) 01 Dec 2005	15335/2005	Review Australia Pty Ltd; 02-02C, Ladies garment, 24 Jun 2005	15440/2005
Nguyen, Lien Thi; 19-01, Female invitation card, place card, 04 Feb 2005	15349/2005	Review Australia Pty Ltd; 02-02C, Ladies garments, 11 Aug 2005	15441/2005
Nissan Jidosha Kabushiki Kaisha, also trading as Nissan Motor Co., Ltd.; 12-08, Automobile, (JP, 31 May 2005) 29 Nov 2005	15248/2005	Review Australia Pty Ltd; 02-02C, Ladies garments, 11 Aug 2005	15442/2005
Nokia Corporation; 14-03E, A handset, (FI, 27 May 2005) 25 Nov 2005	15189/2005	Review Australia Pty Ltd; 02-02C, Ladies garments, 11 Aug 2005	15443/2005
Nokia Corporation; 14-03A, A front cover for a handset, (FI, 27 May 2005) 25 Nov 2005	15190/2005	Review Australia Pty Ltd; 02-02C, Ladies garments, 11 Aug 2005	15444/2005
Nokia Corporation; 14-03E, A handset, (FI, 27 May 2005) 25 Nov 2005	15191/2005	Review Australia Pty Ltd; 02-02C, Ladies garments, 11 Aug 2005	15445/2005
Nokia Corporation; 14-03A, A front cover for a handset, (FI, 27 May 2005) 25 Nov 2005	15192/2005	Robert Bosch GmbH; 08-05N, Sander, (DE, 12 Oct 2005) 01 Dec 2005	15339/2005
Peak Innovations Inc.; 25-02C, An ornamental picket spacer, 22 Nov 2005	15226/2005	Rogers Seller & Myhill Pty. Ltd.; 23-02B, Bod bath, 28 Nov 2005	15200/2005
Peak Innovations Inc.; 25-02C, An ornamental picket spacer, 22 Nov 2005	15227/2005	Siam Ball Sport Factory Co., Ltd.; 21-02A, Basketball, (TH, 21 Jun 2005) 01 Dec 2005	15336/2005
Peltor AB; 02-03, 29-02, Hearing protectors, (EM, 27 May 2005) 25 Nov 2005	15180/2005	Signum Specialities Pty Ltd; 09-03F, Container with lid, 24 Nov 2005	15172/2005
Phoenix Industries Pty Ltd; 07-05D, 23-02A, A set of bathroom accessories (1) Single towel rail, (2) Single toilet roll holder, (3) Double toilet roll holder,, (4) Guest towel holder, (5) Robe hook, (6) Soap dish, (Divisional of 12949/2005) 01 Dec 2005	15330/2005	Societe de Prospection et d'Inventions Techniques SPIT; 08-05NES, A pole for carrying a fastening tool for fastening into ceilings, (EM, 02 Jun 2005) 01 Dec 2005	15337/2005
Pigeon Corporation; 07-01E, Bottle with straw, (KR, 14 Jun 2005) 01 Dec 2005	15341/2005	Splosh Australia Pty Ltd; 06-07, Class 06 - mirrors and frames; miscellaneous, 29 Nov 2005	15214/2005
Pigeon Corporation; 07-01E, Feeding bottle, (KR, 10 Jun 2005) 01 Dec 2005	15342/2005	Sportsgirl Pty Ltd; 19-08, 02-07NES, Swing tag, 23 May 2005	15229/2005
Pigeon Corporation; 07-01E, Bottle with straw, (KR, 15 Jun 2005) 01 Dec 2005	15343/2005	Sportsgirl Pty Ltd; 19-08, 02-07NES, Swing tag, 23 May 2005	15230/2005
Pinkerton, Stuart; 06-03B, 06-04NES, Clever donut, 25 Nov 2005	15235/2005	Sportsgirl Pty Ltd; 19-08, 02-07NES, Swing tag, 23 May 2005	15231/2005
Pinkerton, Stuart; 06-01E, Up down stool, 25 Nov 2005	15236/2005	Sportsgirl Pty Ltd; 19-08, 02-07NES, Swing tag, 23 May 2005	15232/2005
Rasa, Iwan; 07-04, Peeler blade, 28 Nov 2005	15307/2005	Sportsgirl Pty Ltd; 19-08, 02-07NES, Swing tag, 23 May 2005	15233/2005
Reckitt Benckiser Inc.; 28-99, Dispensing device, (US, 15 Jul 2005) 05 Dec 2005	15394/2005	Sportsgirl Pty Ltd; 19-08, 02-07NES, Swing tag, 23 May 2005	15234/2005
		Sunbeam Corporation Limited; 07-02N, Lidded frypan, 29 Nov 2005	15241/2005
		Sunbeam Corporation Limited; 07-02N, Frypan, 29 Nov 2005	15242/2005
		SCA Hygiene Products AB; 23-02A, Paper dispenser, (US, 03 Jun 2005) 30 Nov 2005	15318/2005
		SOCIETE BIC; 28-03A, Razor handle, (EM, 30 May 2005) 24 Nov 2005	15173/2005

SOCIETE BIC; 28-03A, Razor handle, (EM, 30 May 2005) 21 Nov 2005	15108/2005	Wolverine World Wide, Inc.; 02-04NES, A footwear upper, (US, 02 Jun 2005) 29 Nov 2005	15293/2005
SOCIETE BIC; 28-03A, Razor handle, (EM, 30 May 2005) 21 Nov 2005	15109/2005	Wolverine World Wide, Inc.; 02-04NES, A footwear upper, (US, 02 Jun 2005) 29 Nov 2005	15294/2005
Thomas Cook Boot + Clothing Co. Pty Ltd; 02-02C, Thermal jeans, 02 Dec 2005	15329/2005	Wolverine World Wide, Inc.; 02-04NES, A footwear upper, (US, 12 Jul 2005) 29 Nov 2005	15295/2005
Toyota Jidosha Kabushiki Kaisha; 26-06, Front combination lamp for automobile, (JP, 07 Oct 2005) 30 Nov 2005	15319/2005	Wolverine World Wide, Inc.; 02-04NES, A footwear upper, (US, 02 Jun 2005) 29 Nov 2005	15296/2005
Toyota Jidosha Kabushiki Kaisha; 12-16B, Grille, (JP, 07 Oct 2005) 30 Nov 2005	15320/2005	Wolverine World Wide, Inc.; 02-04NES, A footwear upper, (US, 02 Jun 2005) 29 Nov 2005	15297/2005
Toyota Jidosha Kabushiki Kaisha; 12-16C, Rear bumper for automobile, (JP, 07 Oct 2005) 30 Nov 2005	15321/2005	Wolverine World Wide, Inc.; 02-04NES, A footwear upper, (US, 02 Jun 2005) 29 Nov 2005	15298/2005
Toyota Jidosha Kabushiki Kaisha; 12-16C, Front bumper for automobile, (JP, 07 Oct 2005) 30 Nov 2005	15322/2005	Wolverine World Wide, Inc.; 02-04NES, A footwear upper, (US, 02 Jun 2005) 29 Nov 2005	15299/2005
Toyota Jidosha Kabushiki Kaisha; 26-06, Rear combination lamp for automobile, (JP, 07 Oct 2005) 30 Nov 2005	15323/2005	Wolverine World Wide, Inc.; 02-04NES, A footwear upper, (US, 02 Jun 2005) 29 Nov 2005	15300/2005
Toyota Jidosha Kabushiki Kaisha; 12-08, Automobile, (JP, 07 Oct 2005) 30 Nov 2005	15324/2005	Wolverine World Wide, Inc.; 02-04NES, A footwear upper, (US, 02 Jun 2005) 29 Nov 2005	15301/2005
Trenberth, Michael Charles; 11-01K, Jewellery, 30 Nov 2005	15245/2005	Wolverine World Wide, Inc.; 02-04B, A footwear sole, (US, 02 Jun 2005) 29 Nov 2005	15302/2005
Visy R & D Pty Ltd; 09-03M, Sanitary disposal container and blank therefor, 21 Nov 2005	15107/2005	Wolverine World Wide, Inc.; 02-04B, A footwear sole, (US, 02 Jun 2005) 29 Nov 2005	15250/2005
Warhurst, Ross Douglas; 23-01F, A water tank, 05 Dec 2005	15369/2005	Wolverine World Wide, Inc.; 02-04B, A footwear sole, (US, 02 Jun 2005) 29 Nov 2005	15251/2005
Windsor Smith Pty Ltd; 02-04NES, A shoe, (Divisional of 01630/2004) 29 Nov 2005	15306/2005	Wolverine World Wide, Inc.; 02-04B, A footwear sole, (US, 02 Jun 2005) 29 Nov 2005	15252/2005
Windsor Smith Pty Ltd; 02-04NES, A shoe, (Divisional of 01630/2004) 29 Nov 2005	15303/2005	Wolverine World Wide, Inc.; 02-04B, A footwear sole, (US, 02 Jun 2005) 29 Nov 2005	15253/2005
Windsor Smith Pty Ltd; 02-04NES, A shoe, (Divisional of 01630/2004) 29 Nov 2005	15304/2005	Wolverine World Wide, Inc.; 02-04B, A footwear sole, (US, 02 Jun 2005) 29 Nov 2005	15254/2005
Windsor Smith Pty Ltd; 02-04NES, A shoe, (Divisional of 01630/2004) 29 Nov 2005	15305/2005	Wolverine World Wide, Inc.; 02-04B, A footwear sole, (US, 02 Jun 2005) 29 Nov 2005	15255/2005
Wm. Wrigley Jr. Company; 09-03M, Product dispenser, (US, 22 Jun 2005) 30 Nov 2005	15315/2005	Wolverine World Wide, Inc.; 02-04NES, A footwear upper, (US, 02 Jun 2005) 29 Nov 2005	15256/2005
Wolverine World Wide, Inc.; 02-04NES, A footwear upper, (US, 02 Jun 2005) 29 Nov 2005	15290/2005	Wolverine World Wide, Inc.; 02-04NES, A footwear upper, (US, 02 Jun 2005) 29 Nov 2005	15257/2005
Wolverine World Wide, Inc.; 02-04NES, A footwear upper, (US, 02 Jun 2005) 29 Nov 2005	15291/2005	Wolverine World Wide, Inc.; 02-04NES, A footwear upper, (US, 02 Jun 2005) 29 Nov 2005	15258/2005
Wolverine World Wide, Inc.; 02-04B, A footwear sole, (US, 02 Jun 2005) 29 Nov 2005	15292/2005	Wolverine World Wide, Inc.; 02-04NES, A footwear upper, (US, 02 Jun 2005) 29 Nov 2005	

Wolverine World Wide, Inc.; 02-04NES, A footwear upper, (US, 02 Jun 2005) 29 Nov 2005	15259/2005	Wolverine World Wide, Inc.; 02-04NES, A footwear upper, (US, 02 Jun 2005) 29 Nov 2005	15275/2005
Wolverine World Wide, Inc.; 02-04NES, A footwear upper, (US, 02 Jun 2005) 29 Nov 2005	15260/2005	Wolverine World Wide, Inc.; 02-04NES, A footwear upper, (US, 02 Jun 2005) 29 Nov 2005	15276/2005
Wolverine World Wide, Inc.; 02-04NES, A footwear upper, (US, 02 Jun 2005) 29 Nov 2005	15261/2005	Wolverine World Wide, Inc.; 02-04NES, A footwear upper, (US, 02 Jun 2005) 29 Nov 2005	15277/2005
Wolverine World Wide, Inc.; 02-04NES, A footwear upper, (US, 02 Jun 2005) 29 Nov 2005	15262/2005	Wolverine World Wide, Inc.; 02-04NES, A footwear upper, (US, 02 Jun 2005) 29 Nov 2005	15278/2005
Wolverine World Wide, Inc.; 02-04NES, A footwear upper, (US, 02 Jun 2005) 29 Nov 2005	15263/2005	Wolverine World Wide, Inc.; 02-04NES, A footwear upper, (US, 02 Jun 2005) 29 Nov 2005	15279/2005
Wolverine World Wide, Inc.; 02-04NES, A footwear upper, (US, 02 Jun 2005) 29 Nov 2005	15264/2005	Wolverine World Wide, Inc.; 02-04B, A footwear sole, (US, 02 Jun 2005) 29 Nov 2005	15280/2005
Wolverine World Wide, Inc.; 02-04NES, A footwear upper, (US, 02 Jun 2005) 29 Nov 2005	15265/2005	Wolverine World Wide, Inc.; 02-04NES, A footwear upper, (US, 02 Jun 2005) 29 Nov 2005	15281/2005
Wolverine World Wide, Inc.; 02-04NES, A footwear upper, (US, 02 Jun 2005) 29 Nov 2005	15266/2005	Wolverine World Wide, Inc.; 02-04NES, A footwear upper, (US, 02 Jun 2005) 29 Nov 2005	15282/2005
Wolverine World Wide, Inc.; 02-04NES, A footwear upper, (US, 02 Jun 2005) 29 Nov 2005	15267/2005	Wolverine World Wide, Inc.; 02-04B, A footwear sole, (US, 02 Jun 2005) 29 Nov 2005	15283/2005
Wolverine World Wide, Inc.; 02-04B, A footwear sole, (US, 02 Jun 2005) 29 Nov 2005	15268/2005	Wolverine World Wide, Inc.; 02-04B, A footwear sole, (US, 02 Jun 2005) 29 Nov 2005	15284/2005
Wolverine World Wide, Inc.; 02-04B, A footwear sole, (US, 02 Jun 2005) 29 Nov 2005	15269/2005	Wolverine World Wide, Inc.; 02-04NES, A footwear upper, (US, 02 Jun 2005) 29 Nov 2005	15285/2005
Wolverine World Wide, Inc.; 02-04B, A footwear sole, (US, 02 Jun 2005) 29 Nov 2005	15270/2005	Wolverine World Wide, Inc.; 02-04B, A footwear upper, (US, 02 Jun 2005) 29 Nov 2005	15286/2005
Wolverine World Wide, Inc.; 02-04B, A footwear sole, (US, 02 Jun 2005) 29 Nov 2005	15271/2005	Wolverine World Wide, Inc.; 02-04NES, A footwear upper, (US, 02 Jun 2005) 29 Nov 2005	15287/2005
Wolverine World Wide, Inc.; 02-04B, A footwear sole, (US, 02 Jun 2005) 29 Nov 2005	15272/2005	Wolverine World Wide, Inc.; 02-04NES, A footwear upper, (US, 02 Jun 2005) 29 Nov 2005	15288/2005
Wolverine World Wide, Inc.; 02-04NES, A footwear upper, (US, 02 Jun 2005) 29 Nov 2005	15273/2005	Wolverine World Wide, Inc.; 02-04NES, A footwear upper, (US, 02 Jun 2005) 29 Nov 2005	15289/2005
Wolverine World Wide, Inc.; 02-04NES, A footwear upper, (US, 02 Jun 2005) 29 Nov 2005	15274/2005	Wright, Ronald Kennard; 25-01K, Extrusion, 25 Nov 2005	15186/2005

Applications Withdrawn

11245 / 2005 (07-06NES)

13142 / 2005 (06-11)

Applications Lapsed

12168 / 2005 (19-08)	12299 / 2005 (09-08)
12300 / 2005 (09-08)	13980 / 2005 (06-07)
13981 / 2005 (06-07)	14053 / 2005 (15-05)
14054 / 2005 (15-05)	14088 / 2005 (08-07)
14089 / 2005 (25-01NES)	14164 / 2005 (06-07)
14165 / 2005 (06-07)	15303 / 2005 (02-04NES)
15304 / 2005 (02-04NES)	15305 / 2005 (02-04NES)
15306 / 2005 (02-04NES)	15389 / 2005 (19-06)

Extensions of time granted under Section 137

Applications lodged under section 137 for extension of time have been granted.

14638/2004 **Hugo Woof Pty Ltd**
 15601/2004 **Brucki Group Pty Ltd**
 15678/2004 **Eddy Brewer (Sales) Pty Ltd**
 15679/2004 **Eddy Brewer (Sales) Pty Ltd**
 15680/2004 **Eddy Brewer (Sales) Pty Ltd**
 15681/2004 **Eddy Brewer (Sales) Pty Ltd**
 15682/2004 **Eddy Brewer (Sales) Pty Ltd**
 15770/2004 **Clive Vernon Barrett**
 10004/2005 **Clive Carl McNally**
 10004/2005 **Clive Carl McNally**
 10549/2005 **Assa Abloy New Zealand Limited**
 11411/2005 **Australian Football League**
 13578/2005 **Proact Medical Systems (Australia) Pty Ltd**
 13579/2005 **Assa Abloy New Zealand Limited**
 13771/2005 **Artex Enterprises**

Applications Assigned

(The name in parentheses is that of the subsequent applicant)

14674/2005 (**Nicholas Leaver**) T.W. Ingham & Sons Pty Ltd
 14675/2005 (**Nicholas Leaver**) T.W. Ingham & Sons Pty Ltd
 14676/2005 (**Nicholas Leaver**) T.W. Ingham & Sons Pty Ltd
 14677/2005 (**Nicholas Leaver**) T.W. Ingham & Sons Pty Ltd

Subsequent Owners Registered

(The name in parentheses is that of the subsequent owner)

300520 (**Koninklijke Philips Electronics N.V.; Sara Lee/DE N.V.**) Koninklijke Philips Electronics N.V.
 303671 (**Companhia De Bebidas Das Americas - Ambev**)
 Companhia Brasileira De Bebidas
 303672 (**Companhia De Bebidas Das Americas - Ambev**)
 Companhia Brasileira De Bebidas
 300209 (**Synthes GmbH**) Markus Buettler
 300210 (**Synthes GmbH**) Markus Buettler
 300211 (**Synthes GmbH**) Markus Buettler

Certificate(s) of Examination

Examination of the following Design Registration(s) has been completed. Infringement proceedings may now be commenced.

300199	19-01	01/12/2005
300739	09-07A	02/12/2005
300842	13-03NES	07/12/2005
301847	12-02	01/12/2005
302091	22-06	01/12/2005
302092	22-06	01/12/2005
302093	22-06	01/12/2005
302123	09-05	13/12/2005
302252	09-09	08/12/2005
302273	20-02E	08/12/2005
302274	20-02E	08/12/2005
302359	26-06	13/12/2005
302360	26-06	13/12/2005
302558	07-03	01/12/2005
302559	07-01NES	01/12/2005
302915	02-05	06/12/2005
302938	04-01	02/12/2005

Publication and Registration Proceedings

Designs Registered

This section provides a concordance between design number and registration number of Designs covered in this journal. It also shows the main class and registration date.

This section covers Registration numbers 304466 to 304645 .

The registration number shown below should be used in all future correspondence.

Design Number	Registration Number	International Classification Code (IDC)	Registration Date	Design Number	Registration Number	International Classification Code (IDC)	Registration Date
13208/2004	304605	21-02C	13/12/2005	15835/2004	304627	09-07C	14/12/2005
13229/2004	304604	06-01E	13/12/2005	15851/2004	304628	25-01K	14/12/2005
13994/2004	304606	15-05	13/12/2005	10004/2005	304614	21-02C	13/12/2005
14005/2004	304466	09-01G	07/12/2005	10046/2005	304630	31-00	14/12/2005
14144/2004	304584	08-07	13/12/2005	10047/2005	304550	12-16A	13/12/2005
14165/2004	304607	21-03	13/12/2005	10048/2005	304551	12-16A	13/12/2005
14166/2004	304585	21-03	13/12/2005	10051/2005	304631	23-01K	14/12/2005
14167/2004	304586	21-03	13/12/2005	10052/2005	304632	23-01K	14/12/2005
14168/2004	304587	21-03	13/12/2005	10193/2005	304552	23-01D	13/12/2005
14169/2004	304588	21-03	13/12/2005	10330/2005	304486	26-05NES	07/12/2005
14170/2004	304589	21-03	13/12/2005	10409/2005	304489	19-01	07/12/2005
14171/2004	304590	21-03	13/12/2005	10410/2005	304490	19-01	07/12/2005
14172/2004	304591	21-03	13/12/2005	10612/2005	304633	25-03	14/12/2005
14173/2004	304467	21-03	07/12/2005	10817/2005	304553	09-09	13/12/2005
14174/2004	304468	21-03	07/12/2005	10939/2005	304554	02-01B	13/12/2005
14175/2004	304469	21-03	07/12/2005	10968/2005	304634	21-03	14/12/2005
14176/2004	304470	21-03	07/12/2005	11053/2005	304492	08-05G	07/12/2005
14177/2004	304471	21-03	07/12/2005	11154/2005	304555	07-02E	13/12/2005
14178/2004	304472	21-03	07/12/2005	11278/2005	304493	26-02	07/12/2005
14179/2004	304473	21-03	07/12/2005	11280/2005	304494	22-06	07/12/2005
14180/2004	304474	21-03	07/12/2005	11281/2005	304495	22-06	07/12/2005
14181/2004	304475	21-03	07/12/2005	11319/2005	304527	03-01B	08/12/2005
14182/2004	304476	21-03	07/12/2005	11344/2005	304496	09-01A	07/12/2005
14222/2004	304477	23-02C	07/12/2005	11411/2005	304556	02-02NES	13/12/2005
14223/2004	304478	23-02C	07/12/2005	11421/2005	304497	26-02	07/12/2005
14250/2004	304608	21-03	13/12/2005	11518/2005	304498	26-02	07/12/2005
14251/2004	304609	21-03	13/12/2005	11561/2005	304528	06-01F	08/12/2005
14252/2004	304610	21-03	13/12/2005	11562/2005	304557	06-01F	13/12/2005
14253/2004	304611	21-03	13/12/2005	11563/2005	304558	06-01F	13/12/2005
14530/2004	304624	08-05A	14/12/2005	11564/2005	304559	06-01F	13/12/2005
14561/2004	304592	08-06	13/12/2005	11565/2005	304560	06-01F	13/12/2005
14562/2004	304593	08-06	13/12/2005	11566/2005	304561	06-01F	13/12/2005
14563/2004	304594	08-06	13/12/2005	11567/2005	304529	06-01F	08/12/2005
14564/2004	304595	08-06	13/12/2005	11568/2005	304530	06-01F	08/12/2005
14565/2004	304596	08-06	13/12/2005	11594/2005	304499	15-05	07/12/2005
14566/2004	304597	08-06	13/12/2005	11595/2005	304500	15-05	07/12/2005
14567/2004	304598	08-06	13/12/2005	11596/2005	304501	15-05	07/12/2005
14568/2004	304599	08-06	13/12/2005	11597/2005	304502	15-05	07/12/2005
14740/2004	304548	09-03L	13/12/2005	11628/2005	304635	25-01A	14/12/2005
14919/2004	304479	24-04	07/12/2005	11851/2005	304531	08-08NES	08/12/2005
15139/2004	304612	25-02K	13/12/2005	11875/2005	304487	02-02NES	07/12/2005
15223/2004	304600	02-06	13/12/2005	11893/2005	304488	02-02NES	07/12/2005
15241/2004	304549	06-02	13/12/2005	12141/2005	304636	08-07	14/12/2005
15296/2004	304613	28-99	13/12/2005	12142/2005	304637	08-07	14/12/2005
15377/2004	304480	06-04NES	07/12/2005	12143/2005	304638	08-07	14/12/2005
15456/2004	304601	06-06E	13/12/2005	12144/2005	304639	08-07	14/12/2005
15570/2004	304481	14-03E	07/12/2005	12161/2005	304562	01-01	13/12/2005
15706/2004	304602	25-01E	13/12/2005	12186/2005	304533	03-01D	08/12/2005
15722/2004	304603	19-04	13/12/2005	12240/2005	304563	07-01C	13/12/2005
15723/2004	304484	23-02NES	07/12/2005	12241/2005	304564	07-01C	13/12/2005
15724/2004	304485	23-01A	07/12/2005	12242/2005	304565	07-01C	13/12/2005
15833/2004	304625	09-07C	14/12/2005	12332/2005	304534	23-01E	08/12/2005
15834/2004	304626	09-07C	14/12/2005	12336/2005	304566	02-01A	13/12/2005

Publication and Registration Proceedings - Designs Registered cont'd

Design Number	Registration Number	International Classification Code (IDC)	Registration Date	Design Number	Registration Number	International Classification Code (IDC)	Registration Date
12354/2005	304535	07-07A	08/12/2005	13066/2005	304644	25-02A	14/12/2005
12360/2005	304503	19-06	07/12/2005	13090/2005	304583	07-01B	13/12/2005
12388/2005	304640	31-00	14/12/2005	13092/2005	304537	12-12	08/12/2005
12398/2005	304482	14-03E	07/12/2005	13148/2005	304645	21-01A	14/12/2005
12399/2005	304483	14-03E	07/12/2005	13243/2005	304538	02-07A	08/12/2005
12408/2005	304641	25-01C	14/12/2005	13306/2005	304509	23-02A	07/12/2005
12504/2005	304504	24-02	07/12/2005	13307/2005	304510	23-02A	07/12/2005
12505/2005	304505	24-02	07/12/2005	13418/2005	304511	07-02E	07/12/2005
12518/2005	304567	21-01A	13/12/2005	13455/2005	304512	08-06	07/12/2005
12519/2005	304568	21-01A	13/12/2005	13508/2005	304629	25-01K	14/12/2005
12522/2005	304615	03-01B	13/12/2005	13535/2005	304513	03-01D	07/12/2005
12523/2005	304616	03-01B	13/12/2005	13552/2005	304514	08-06	07/12/2005
12524/2005	304617	03-01B	13/12/2005	13567/2005	304515	15-05	07/12/2005
12525/2005	304618	03-01B	13/12/2005	13629/2005	304516	28-99	07/12/2005
12526/2005	304619	03-01B	13/12/2005	13640/2005	304539	09-01C	08/12/2005
12527/2005	304620	03-01B	13/12/2005	13641/2005	304540	09-01K	08/12/2005
12528/2005	304621	03-01B	13/12/2005	13642/2005	304541	09-01A	08/12/2005
12529/2005	304622	03-01B	13/12/2005	13705/2005	304517	15-01	07/12/2005
12561/2005	304642	06-03A	14/12/2005	13706/2005	304518	15-01	07/12/2005
12577/2005	304532	04-01	08/12/2005	13707/2005	304519	15-01	07/12/2005
12579/2005	304643	07-01NES	14/12/2005	13708/2005	304520	15-01	07/12/2005
12663/2005	304506	23-01NES	07/12/2005	13709/2005	304521	15-01	07/12/2005
12696/2005	304569	28-02	13/12/2005	13753/2005	304542	12-16K	08/12/2005
12732/2005	304570	28-03A	13/12/2005	13819/2005	304522	19-02	07/12/2005
12733/2005	304571	04-01	13/12/2005	13890/2005	304543	12-13	08/12/2005
12738/2005	304572	23-01F	13/12/2005	14396/2005	304523	06-03C	07/12/2005
12783/2005	304573	20-03C	13/12/2005	14551/2005	304547	12-16NES	08/12/2005
12784/2005	304574	20-03C	13/12/2005	14586/2005	304623	08-09	13/12/2005
12786/2005	304575	02-02A	13/12/2005	14610/2005	304524	06-04NES	07/12/2005
12816/2005	304576	07-05A	13/12/2005	14633/2005	304544	19-02	08/12/2005
12849/2005	304577	05-05A	13/12/2005	14634/2005	304545	19-02	08/12/2005
12850/2005	304578	05-05A	13/12/2005	14665/2005	304546	09-01NES	08/12/2005
12960/2005	304579	15-03A	13/12/2005	14882/2005	304525	09-05	07/12/2005
12966/2005	304580	12-15C	13/12/2005	14883/2005	304526	09-05	07/12/2005
12995/2005	304507	14-03E	07/12/2005	15349/2005	304491	19-01	07/12/2005
12996/2005	304508	14-03E	07/12/2005				
12999/2005	304536	06-01G	08/12/2005				
13015/2005	304581	23-01K	13/12/2005				
13017/2005	304582	09-01NES	13/12/2005				

Publication and Registration Proceedings
Class Listing of Designs Published or Registered

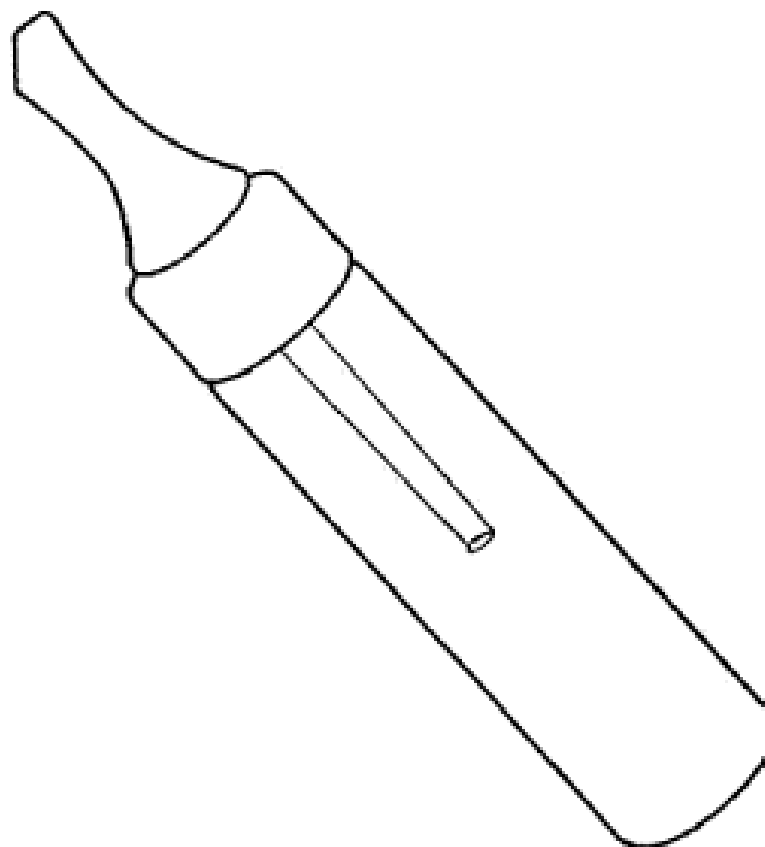
The following section shows an International Classification Code listing of the Registered or Published Designs covered in this supplement.

Classification	Registration Number	Design Number	Classification	Registration Number	Design Number
01-01	304562	12161/2005	08-05 G	304492	11053/2005
01-01	304566	12336/2005	08-06	304512	13455/2005
02-01 A	304566	12336/2005	08-06	304514	13552/2005
02-01 B	304554	10939/2005	08-06	304592	14561/2004
02-02 A	304575	12786/2005	08-06	304593	14562/2004
02-02 B	304575	12786/2005	08-06	304594	14563/2004
02-02 NES	304487	11875/2005	08-06	304595	14564/2004
02-02 NES	304488	11893/2005	08-06	304596	14565/2004
02-02 NES	304556	11411/2005	08-06	304597	14566/2004
02-06	304600	15223/2004	08-06	304598	14567/2004
02-07 A	304538	13243/2005	08-06	304599	14568/2004
03-01 B	304527	11319/2005	08-07	304584	14144/2004
03-01 B	304615	12522/2005	08-07	304636	12141/2005
03-01 B	304616	12523/2005	08-07	304637	12142/2005
03-01 B	304617	12524/2005	08-07	304638	12143/2005
03-01 B	304618	12525/2005	08-07	304639	12144/2005
03-01 B	304619	12526/2005	08-08 NES	304531	11851/2005
03-01 B	304620	12527/2005	08-09	304623	14586/2005
03-01 B	304621	12528/2005	09-01 A	304496	11344/2005
03-01 B	304622	12529/2005	09-01 A	304541	13642/2005
03-01 B	304645	13148/2005	09-01 C	304539	13640/2005
03-01 D	304513	13535/2005	09-01 G	304466	14005/2004
03-01 D	304533	12186/2005	09-01 K	304540	13641/2005
04-01	304532	12577/2005	09-01 NES	304546	14665/2005
04-01	304571	12733/2005	09-01 NES	304582	13017/2005
05-05 A	304577	12849/2005	09-02 B	304513	13535/2005
05-05 A	304578	12850/2005	09-03 L	304492	11053/2005
06-01 E	304604	13229/2004	09-03 L	304548	14740/2004
06-01 F	304528	11561/2005	09-05	304525	14882/2005
06-01 F	304529	11567/2005	09-05	304526	14883/2005
06-01 F	304530	11568/2005	09-07 C	304625	15833/2004
06-01 F	304557	11562/2005	09-07 C	304626	15834/2004
06-01 F	304558	11563/2005	09-07 C	304627	15835/2004
06-01 F	304559	11564/2005	09-09	304553	10817/2005
06-01 F	304560	11565/2005	12-12	304537	13092/2005
06-01 F	304561	11566/2005	12-13	304543	13890/2005
06-01 G	304536	12999/2005	12-15 C	304580	12966/2005
06-02	304549	15241/2004	12-16 A	304550	10047/2005
06-03 A	304549	15241/2004	12-16 A	304551	10048/2005
06-03 A	304642	12561/2005	12-16 K	304542	13753/2005
06-03 C	304523	14396/2005	12-16 NES	304547	14551/2005
06-04 D	304549	15241/2004	14-03 A	304615	12522/2005
06-04 NES	304480	15377/2004	14-03 A	304616	12523/2005
06-04 NES	304524	14610/2005	14-03 A	304617	12524/2005
06-06 E	304601	15456/2004	14-03 A	304618	12525/2005
06-06 E	304642	12561/2005	14-03 A	304619	12526/2005
07-01 B	304583	13090/2005	14-03 A	304620	12527/2005
07-01 C	304563	12240/2005	14-03 A	304621	12528/2005
07-01 C	304564	12241/2005	14-03 A	304622	12529/2005
07-01 C	304565	12242/2005	14-03 B	304507	12995/2005
07-01 NES	304643	12579/2005	14-03 E	304481	15570/2004
07-02 E	304511	13418/2005	14-03 E	304482	12398/2005
07-02 E	304555	11154/2005	14-03 E	304483	12399/2005
07-05 A	304576	12816/2005	14-03 E	304507	12995/2005
07-07 A	304535	12354/2005	14-03 E	304508	12996/2005
08-05 A	304624	14530/2004	15-01	304517	13705/2005

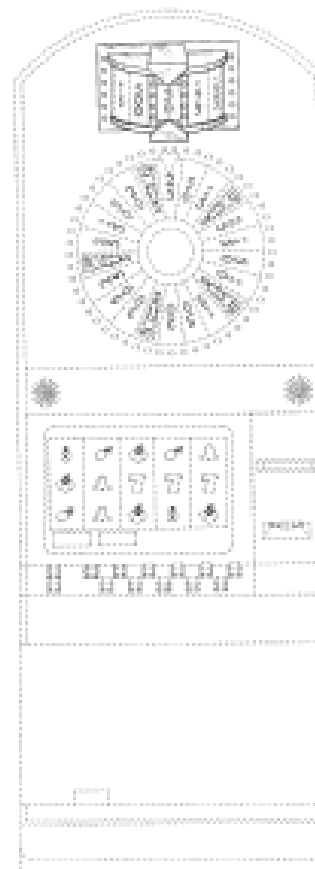
Registration Proceedings - Class Listing of Designs Published or Registered cont'd

Classification	Registration Number	Design Number	Classification	Registration Number	Design Number
15-01	304518	13706/2005	21-03	304611	14253/2004
15-01	304519	13707/2005	21-03	304634	10968/2005
15-01	304520	13708/2005	22-06	304494	11280/2005
15-01	304521	13709/2005	22-06	304495	11281/2005
15-03 A	304579	12960/2005	23-01 A	304485	15724/2004
15-05	304499	11594/2005	23-01 D	304552	10193/2005
15-05	304500	11595/2005	23-01 E	304534	12332/2005
15-05	304501	11596/2005	23-01 F	304572	12738/2005
15-05	304502	11597/2005	23-01 K	304581	13015/2005
15-05	304515	13567/2005	23-01 K	304631	10051/2005
15-05	304606	13994/2004	23-01 K	304632	10052/2005
19-01	304489	10409/2005	23-01 NES	304506	12663/2005
19-01	304490	10410/2005	23-02 A	304509	13306/2005
19-01	304491	15349/2005	23-02 A	304510	13307/2005
19-02	304522	13819/2005	23-02 C	304477	14222/2004
19-02	304544	14633/2005	23-02 C	304478	14223/2004
19-02	304545	14634/2005	23-02 NES	304484	15723/2004
19-04	304603	15722/2004	24-02	304504	12504/2005
19-06	304503	12360/2005	24-02	304505	12505/2005
20-03 C	304573	12783/2005	24-04	304479	14919/2004
20-03 C	304574	12784/2005	25-01 A	304635	11628/2005
21-01 A	304567	12518/2005	25-01 C	304641	12408/2005
21-01 A	304568	12519/2005	25-01 E	304602	15706/2004
21-01 A	304645	13148/2005	25-01 K	304623	14586/2005
21-02 C	304605	13208/2004	25-01 K	304628	15851/2004
21-02 C	304614	10004/2005	25-01 K	304629	13508/2005
21-03	304467	14173/2004	25-02 A	304644	13066/2005
21-03	304468	14174/2004	25-02 K	304612	15139/2004
21-03	304469	14175/2004	25-03	304633	10612/2005
21-03	304470	14176/2004	26-02	304493	11278/2005
21-03	304471	14177/2004	26-02	304497	11421/2005
21-03	304472	14178/2004	26-02	304498	11518/2005
21-03	304473	14179/2004	26-05 NES	304486	10330/2005
21-03	304474	14180/2004	27-03	304553	10817/2005
21-03	304475	14181/2004	28-02	304569	12696/2005
21-03	304476	14182/2004	28-03 A	304570	12732/2005
21-03	304585	14166/2004	28-99	304516	13629/2005
21-03	304586	14167/2004	28-99	304525	14882/2005
21-03	304587	14168/2004	28-99	304526	14883/2005
21-03	304588	14169/2004	28-99	304600	15223/2004
21-03	304589	14170/2004	28-99	304613	15296/2004
21-03	304590	14171/2004	31-00	304630	10046/2005
21-03	304591	14172/2004	31-00	304640	12388/2005
21-03	304607	14165/2004	99-00	304534	12332/2005
21-03	304608	14250/2004			
21-03	304609	14251/2004			
21-03	304610	14252/2004			

(21) Design Number: **14005/2004**
 (22) Date of Filing Application: **23 August 2004**
 (24) Date from which industrial property rights may have effect: **23 August 2004**
 (54) Product in respect of which the design is registered: **Fluid product applicator**
 (51) International Design Classification: **09-01G**
 (71) Name(s) and Address(s) of Applicant(s):
Valois SAS
Le Prieure BPG 27110 Le Neubourg France
 (72) Name(s) of Designer(s): **Firmin Garcia and Frederic Duquet**
 (45) Registration Date: **07 December 2005**
 (30) Convention priority data:
 (31) Number (32) Date (33) Country
000140488-0001 24 Feb 2004 EUROPEAN PATENT OFFICE (EP)
 (56) Related Art Documents: **Not Applicable**
 (57) Statement of Newness and Distinctiveness: **Nil**



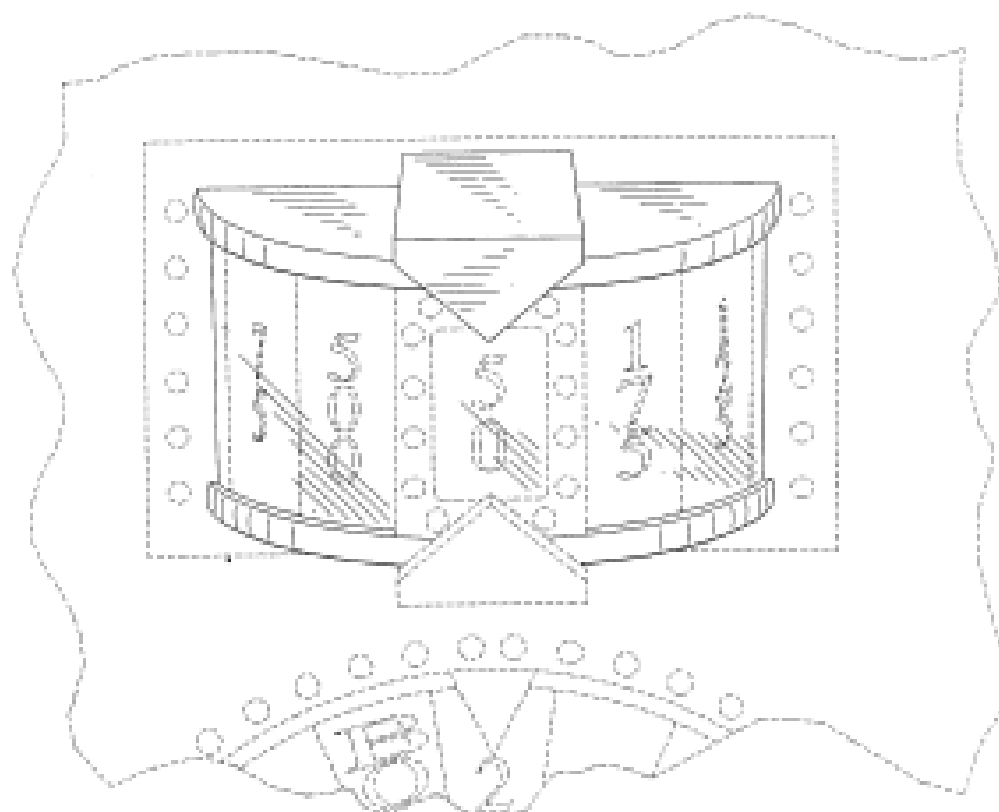
(21) Design Number: **14173/2004**
 (22) Date of Filing Application: **01 September 2004**
 (24) Date from which industrial property rights may have effect: **14 March 2003**
 (54) Product in respect of which the design is registered: **Gaming device**
 (51) International Design Classification: **21-03**
 (71) Name(s) and Address(s) of Applicant(s):
IGT
9295 Prototype Drive Reno Nevada 89521 United States of America
 (72) Name(s) of Designer(s): **Steven P. McGahn and Bayard S. Webb**
 (45) Registration Date: **07 December 2005**
 (30) Convention priority data:
 (31) Number (32) Date (33) Country
29/167,559 16 Sep 2002 UNITED STATES OF AMERICA
 (62) Divisional of: **156481**
 (56) Related Art Documents: **Not Applicable**
 (57) Statement of Newness and Distinctiveness: **The newness and distinctiveness resides in the angled reel displays on the gaming device excluding features in dotted lines.**



(19) AU

- (21) Design Number: **14174/2004**
- (22) Date of Filing Application: **01 September 2004**
- (24) Date from which industrial property rights may have effect: **14 March 2003**
- (54) Product in respect of which the design is registered: **Gaming device**
- (51) International Design Classification: **21-03**
- (71) Name(s) and Address(s) of Applicant(s):
IGT
9295 Prototype Drive Reno Nevada 89521 United States of America
- (72) Name(s) of Designer(s): **Steven P. McGahn and Bayard S. Webb**
- (45) Registration Date: **07 December 2005**
- (30) Convention priority data:

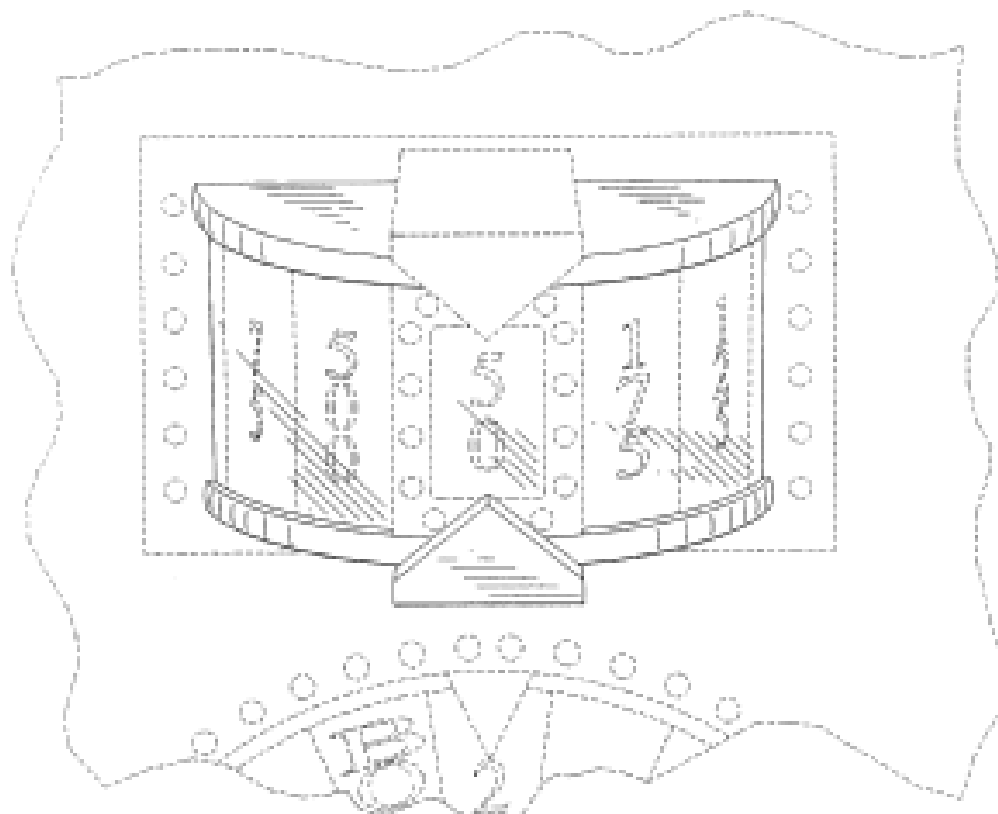
(31) Number	(32) Date	(33) Country
29/167,559	16 Sep 2002	UNITED STATES OF AMERICA
- (62) Divisional of: **156481**
- (56) Related Art Documents: **Not Applicable**
- (57) Statement of Newness and Distinctiveness: **The newness and distinctiveness resides in the angled reel displays on the gaming device excluding features in dotted lines.**



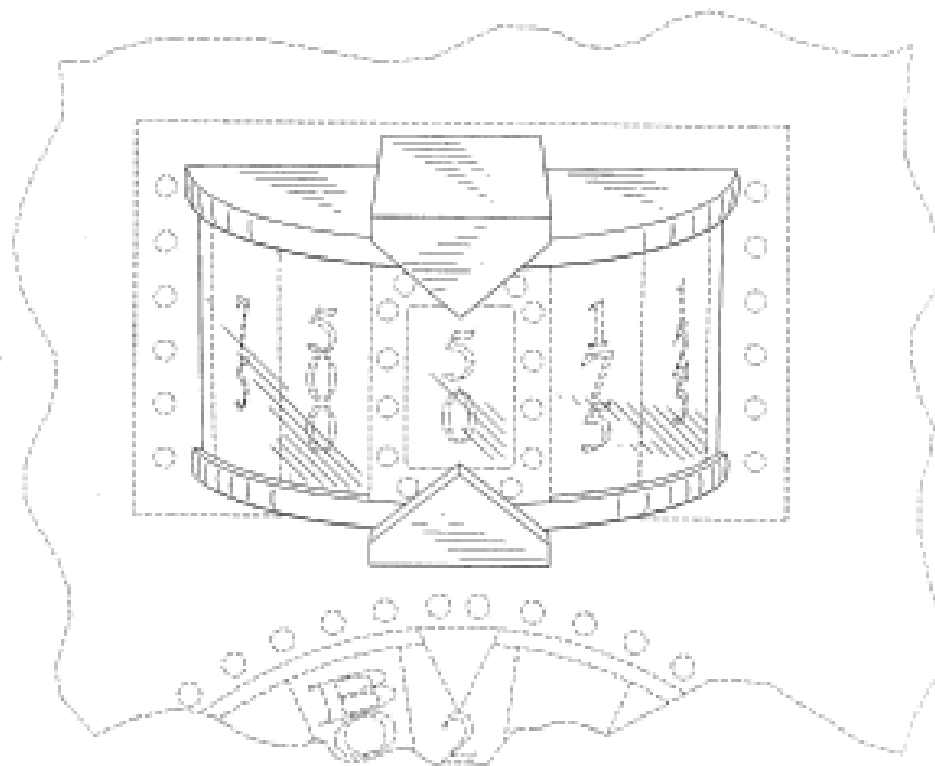
(19) AU

- (21) Design Number: **14175/2004**
- (22) Date of Filing Application: **01 September 2004**
- (24) Date from which industrial property rights may have effect: **14 March 2003**
- (54) Product in respect of which the design is registered: **Gaming device**
- (51) International Design Classification: **21-03**
- (71) Name(s) and Address(s) of Applicant(s):
IGT
9295 Prototype Drive Reno Nevada 89521 United States of America
- (72) Name(s) of Designer(s): **Steven P. McGahn and Bayard S. Webb**
- (45) Registration Date: **07 December 2005**
- (30) Convention priority data:

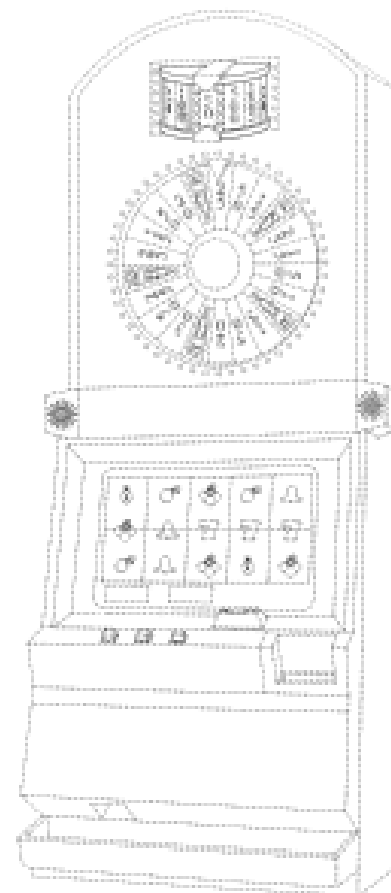
(31) Number	(32) Date	(33) Country
29/167,559	16 Sep 2002	UNITED STATES OF AMERICA
- (62) Divisional of: **156481**
- (56) Related Art Documents: **Not Applicable**
- (57) Statement of Newness and Distinctiveness: **The newness and distinctiveness resides in the angled reel displays on the gaming device excluding features in dotted lines.**



(21) Design Number: **14176/2004**
 (22) Date of Filing Application: **01 September 2004**
 (24) Date from which industrial property rights may have effect: **14 March 2003**
 (54) Product in respect of which the design is registered: **Gaming device**
 (51) International Design Classification: **21-03**
 (71) Name(s) and Address(s) of Applicant(s):
IGT
9295 Prototype Drive Reno Nevada 89521 United States of America
 (72) Name(s) of Designer(s): **Steven P. McGahn and Bayard S. Webb**
 (45) Registration Date: **07 December 2005**
 (30) Convention priority data:
 (31) Number (32) Date (33) Country
29/167,559 16 Sep 2002 UNITED STATES OF AMERICA
 (62) Divisional of: **156481**
 (56) Related Art Documents: **Not Applicable**
 (57) Statement of Newness and Distinctiveness: **The newness and distinctiveness resides in the angled reel displays on the gaming device excluding features in dotted lines.**

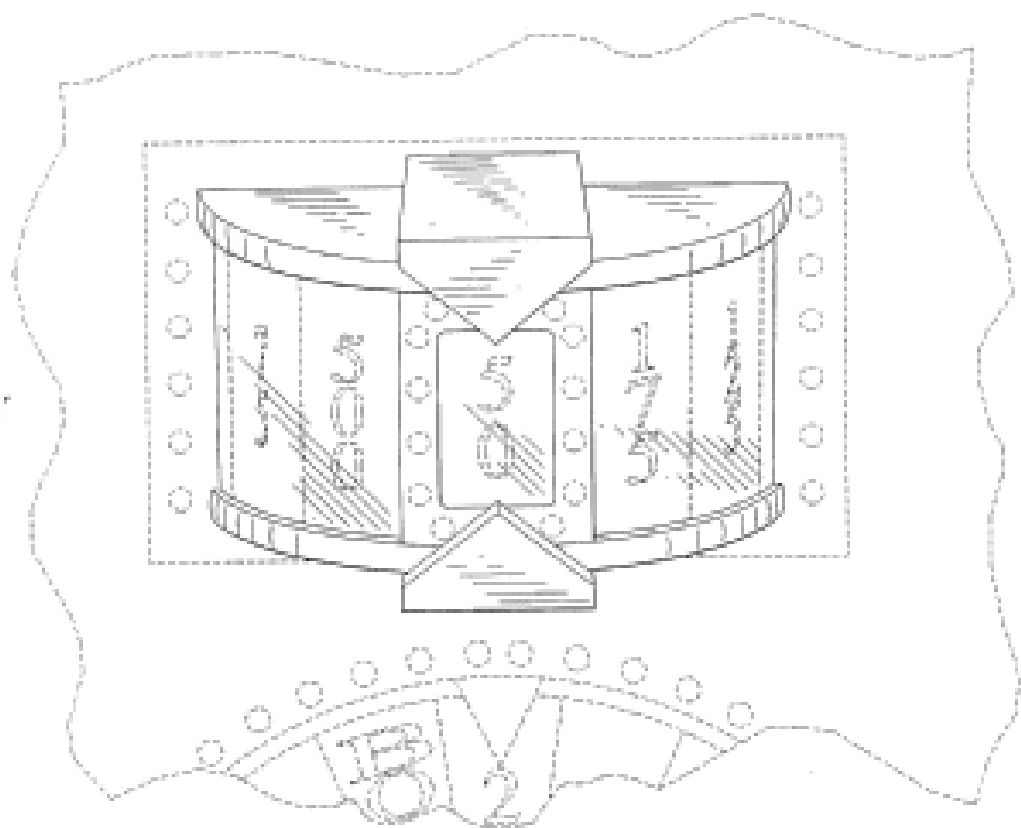


(21) Design Number: **14177/2004**
 (22) Date of Filing Application: **01 September 2004**
 (24) Date from which industrial property rights may have effect: **14 March 2003**
 (54) Product in respect of which the design is registered: **Gaming device**
 (51) International Design Classification: **21-03**
 (71) Name(s) and Address(s) of Applicant(s):
IGT
9295 Prototype Drive Reno Nevada 89521 United States of America
 (72) Name(s) of Designer(s): **Steven P. McGahn and Bayard S. Webb**
 (45) Registration Date: **07 December 2005**
 (30) Convention priority data:
 (31) Number (32) Date (33) Country
29/167,559 16 Sep 2002 UNITED STATES OF AMERICA
 (62) Divisional of: **156481**
 (56) Related Art Documents: **Not Applicable**
 (57) Statement of Newness and Distinctiveness: **The newness and distinctiveness resides in the angled reel displays on the gaming device excluding features in dotted lines.**



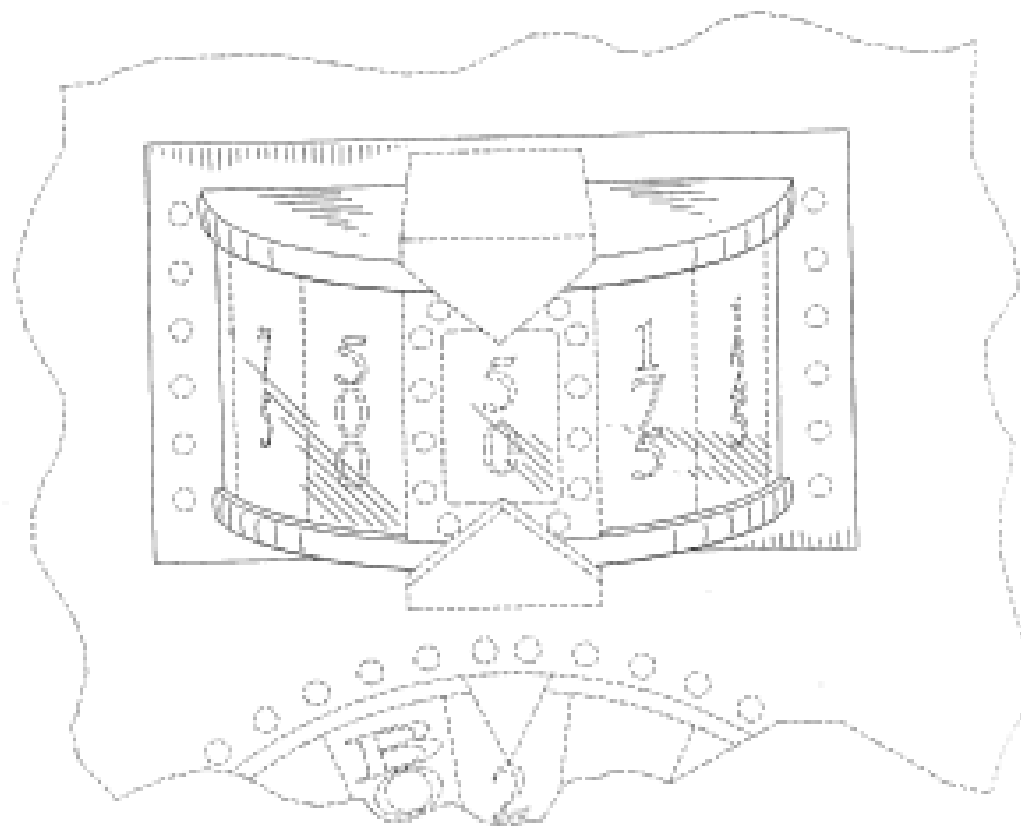
- (21) Design Number: **14178/2004**
- (22) Date of Filing Application: **01 September 2004**
- (24) Date from which industrial property rights may have effect: **14 March 2003**
- (54) Product in respect of which the design is registered: **Gaming device**
- (51) International Design Classification: **21-03**
- (71) Name(s) and Address(s) of Applicant(s):
IGT
9295 Prototype Drive Reno Nevada 89521 United States of America
- (72) Name(s) of Designer(s): **Steven P. McGahn and Bayard S. Webb**
- (45) Registration Date: **07 December 2005**
- (30) Convention priority data:

(31) Number	(32) Date	(33) Country
29/167,559	16 Sep 2002	UNITED STATES OF AMERICA
- (62) Divisional of: **156481**
- (56) Related Art Documents: **Not Applicable**
- (57) Statement of Newness and Distinctiveness: **The newness and distinctiveness resides in the angled reel displays on the gaming device excluding features in dotted lines.**



- (21) Design Number: **14179/2004**
- (22) Date of Filing Application: **01 September 2004**
- (24) Date from which industrial property rights may have effect: **14 March 2003**
- (54) Product in respect of which the design is registered: **Gaming device**
- (51) International Design Classification: **21-03**
- (71) Name(s) and Address(s) of Applicant(s):
IGT
9295 Prototype Drive Reno Nevada 89521 United States of America
- (72) Name(s) of Designer(s): **Steven P. McGahn and Bayard S. Webb**
- (45) Registration Date: **07 December 2005**
- (30) Convention priority data:

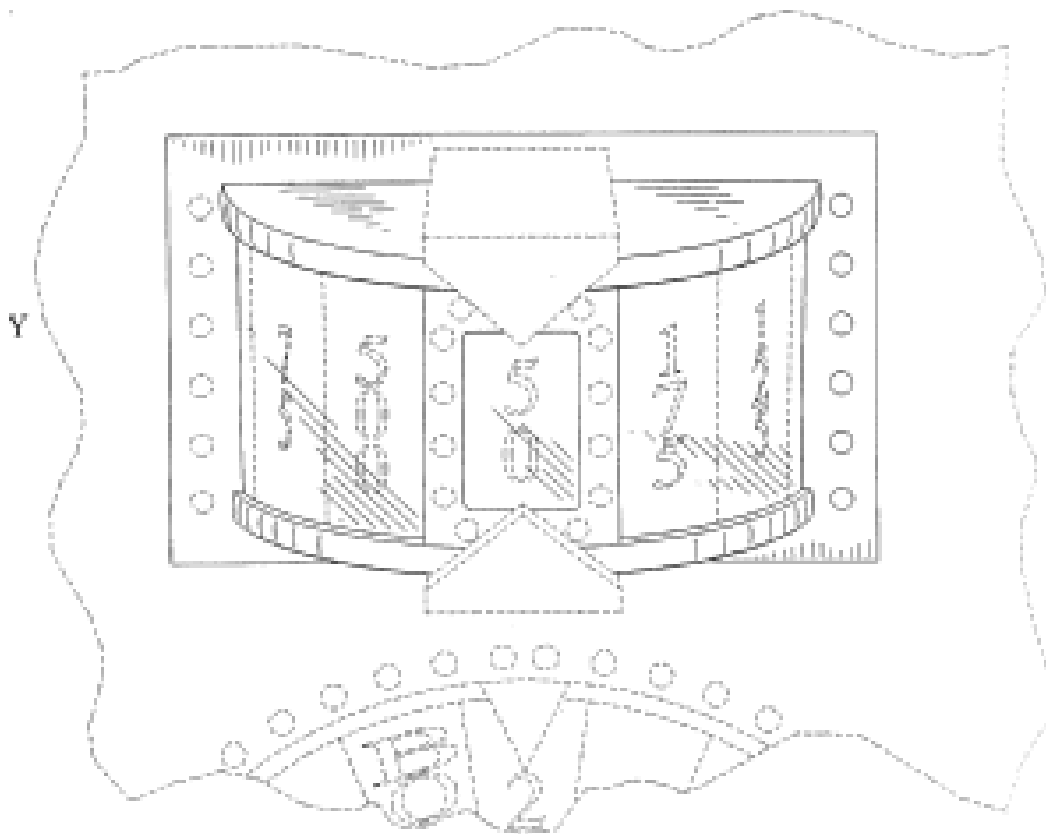
(31) Number	(32) Date	(33) Country
29/167,559	16 Sep 2002	UNITED STATES OF AMERICA
- (62) Divisional of: **156481**
- (56) Related Art Documents: **Not Applicable**
- (57) Statement of Newness and Distinctiveness: **The newness and distinctiveness resides in the angled reel displays on the gaming device excluding features in dotted lines.**



(19) AU

- (21) Design Number: **14180/2004**
- (22) Date of Filing Application: **01 September 2004**
- (24) Date from which industrial property rights may have effect: **14 March 2003**
- (54) Product in respect of which the design is registered: **Gaming device**
- (51) International Design Classification: **21-03**
- (71) Name(s) and Address(s) of Applicant(s):
IGT
9295 Prototype Drive Reno Nevada 89521 United States of America
- (72) Name(s) of Designer(s): **Steven P. McGahn and Bayard S. Webb**
- (45) Registration Date: **07 December 2005**
- (30) Convention priority data:

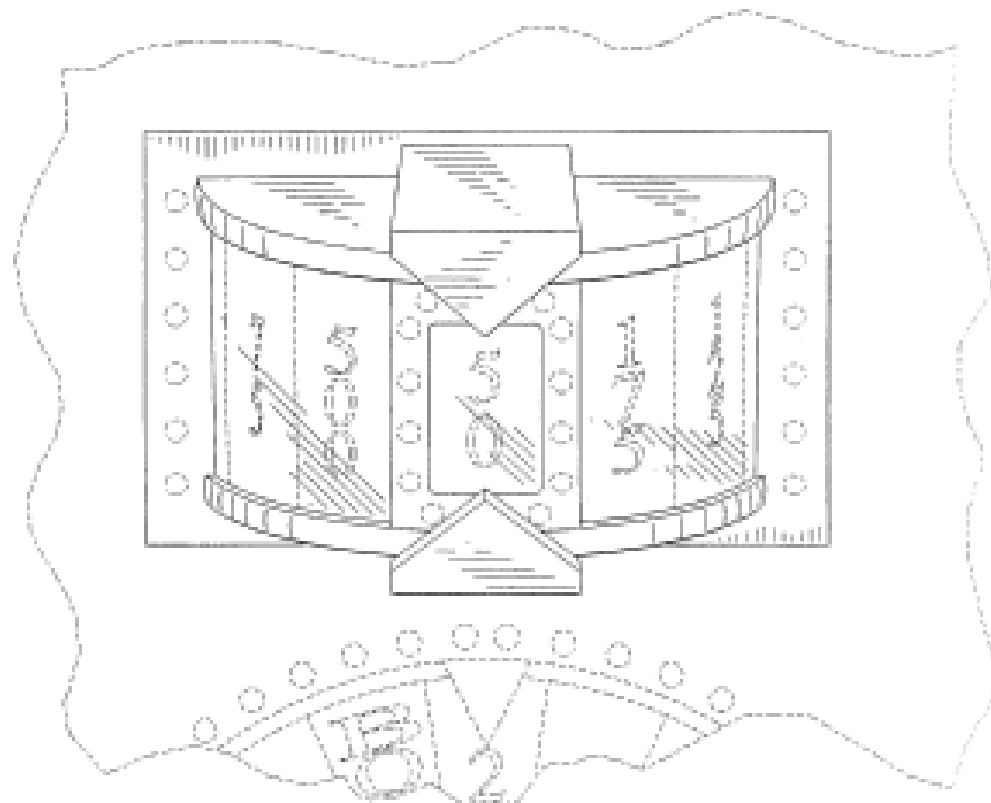
(31) Number	(32) Date	(33) Country
29/167,559	16 Sep 2002	UNITED STATES OF AMERICA
- (62) Divisional of: **156481**
- (56) Related Art Documents: **Not Applicable**
- (57) Statement of Newness and Distinctiveness: **The newness and distinctiveness resides in the angled reel displays on the gaming device excluding features in dotted lines.**



(19) AU

- (21) Design Number: **14181/2004**
- (22) Date of Filing Application: **01 September 2004**
- (24) Date from which industrial property rights may have effect: **14 March 2003**
- (54) Product in respect of which the design is registered: **Gaming device**
- (51) International Design Classification: **21-03**
- (71) Name(s) and Address(s) of Applicant(s):
IGT
9295 Prototype Drive Reno Nevada 89521 United States of America
- (72) Name(s) of Designer(s): **Steven P. McGahn and Bayard S. Webb**
- (45) Registration Date: **07 December 2005**
- (30) Convention priority data:

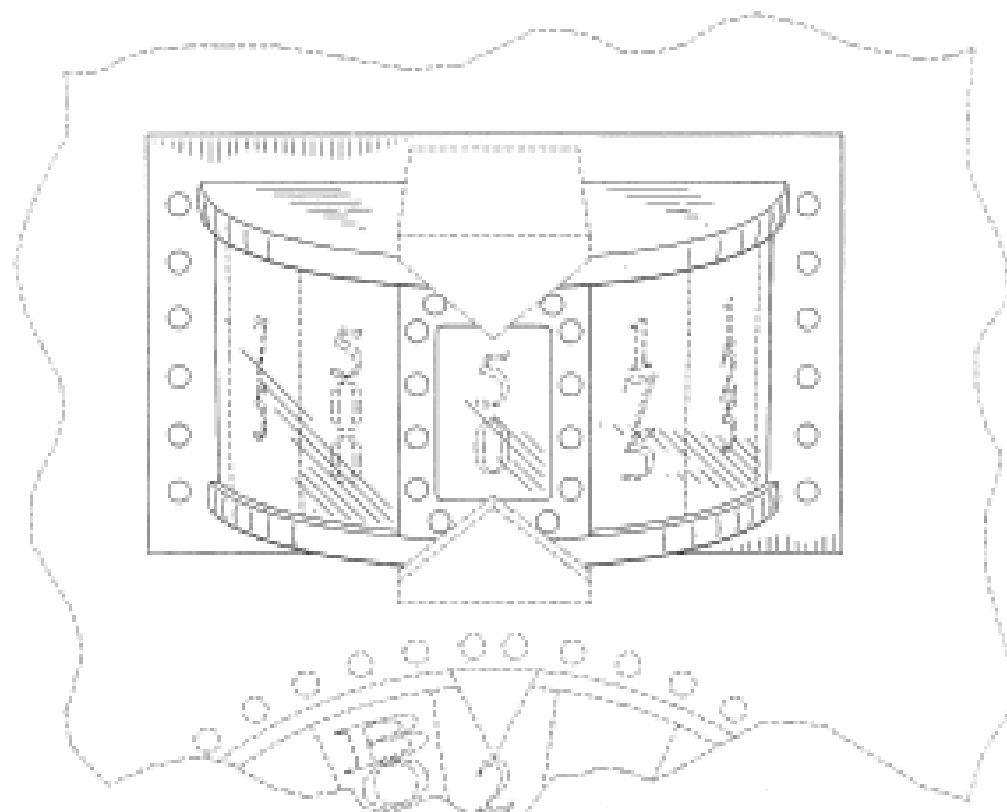
(31) Number	(32) Date	(33) Country
29/167,559	16 Sep 2002	UNITED STATES OF AMERICA
- (62) Divisional of: **156481**
- (56) Related Art Documents: **Not Applicable**
- (57) Statement of Newness and Distinctiveness: **The newness and distinctiveness resides in the angled reel displays on the gaming device excluding features in dotted lines.**



(19) AU

- (21) Design Number: **14182/2004**
- (22) Date of Filing Application: **01 September 2004**
- (24) Date from which industrial property rights may have effect: **14 March 2003**
- (54) Product in respect of which the design is registered: **Gaming device**
- (51) International Design Classification: **21-03**
- (71) Name(s) and Address(s) of Applicant(s):
IGT
9295 Prototype Drive Reno Nevada 89521 United States of America
- (72) Name(s) of Designer(s): **Steven P. McGahn and Bayard S. Webb**
- (45) Registration Date: **07 December 2005**
- (30) Convention priority data:

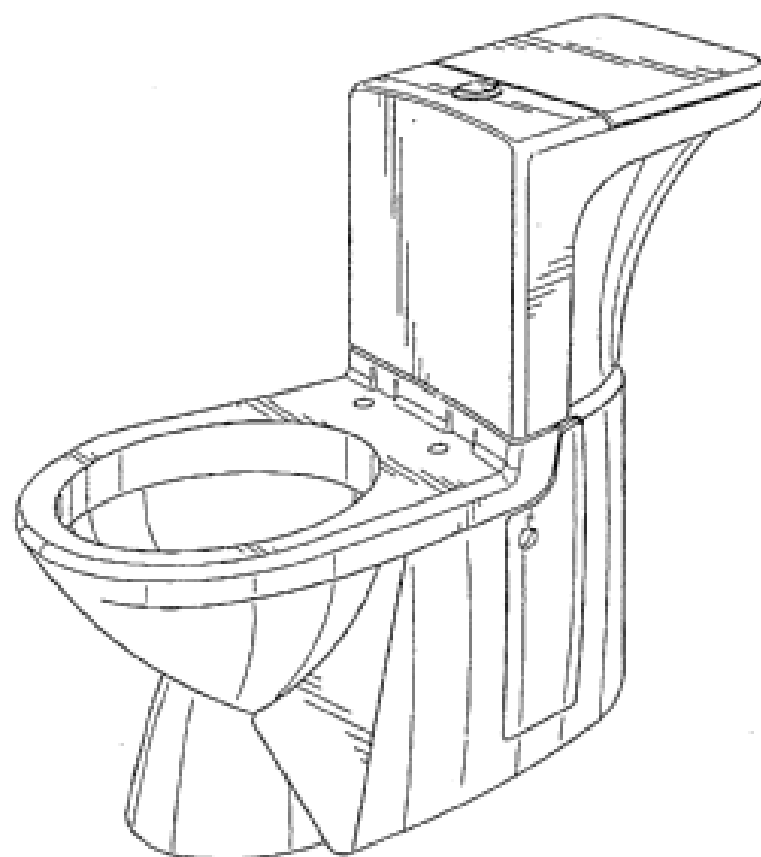
(31) Number	(32) Date	(33) Country
29/167,559	16 Sep 2002	UNITED STATES OF AMERICA
- (62) Divisional of: **156481**
- (56) Related Art Documents: **Not Applicable**
- (57) Statement of Newness and Distinctiveness: **The newness and distinctiveness resides in the angled reel displays on the gaming device excluding features in dotted lines.**



(19) AU

- (21) Design Number: **14222/2004**
- (22) Date of Filing Application: **11 June 2004**
- (24) Date from which industrial property rights may have effect: **11 June 2004**
- (54) Product in respect of which the design is registered: **Toilet**
- (51) International Design Classification: **23-02C**
- (71) Name(s) and Address(s) of Applicant(s):
Maria Gustafsson
72 Sveavagen 182 62 Djursholm Sweden
- (72) Name(s) of Designer(s): **Maria Gustafsson**
- (45) Registration Date: **07 December 2005**
- (30) Convention priority data:

(31) Number	(32) Date	(33) Country
29/195444	11 Dec 2003	UNITED STATES OF AMERICA
- (56) Related Art Documents: **Not Applicable**
- (57) Statement of Newness and Distinctiveness: **Nil**



(21) Design Number: **14223/2004**

(22) Date of Filing Application: **11 June 2004**

(24) Date from which industrial property rights may have effect: **11 June 2004**

(54) Product in respect of which the design is registered: **Toilet**

(51) International Design Classification: **23-02C**

(71) Name(s) and Address(s) of Applicant(s):

**Maria Gustafsson
72 Sveavagen 182 62 Djursholm Sweden**

(72) Name(s) of Designer(s): **Maria Gustafsson**

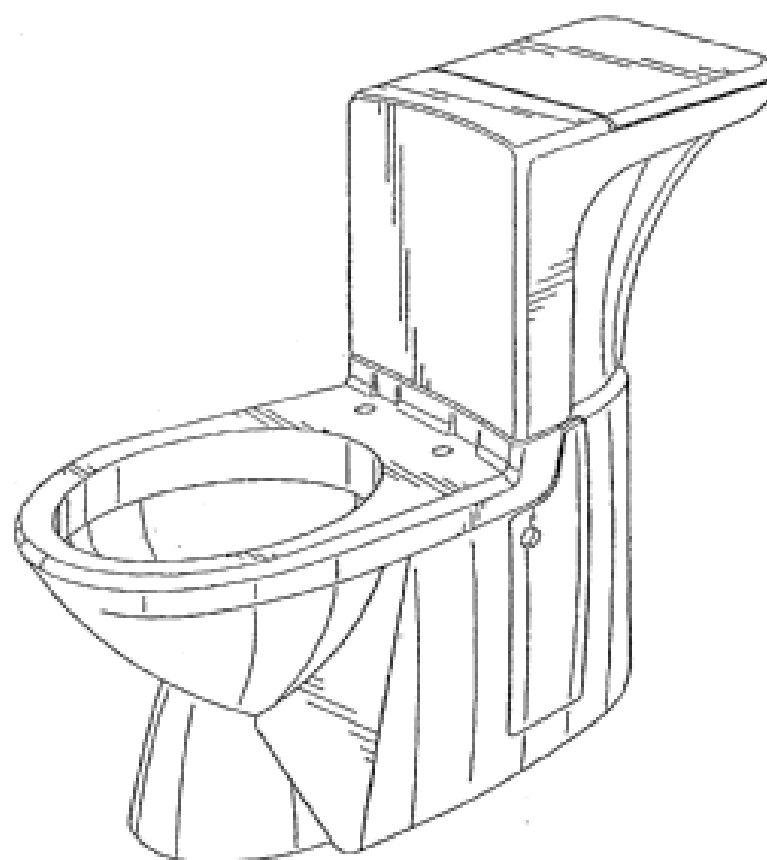
(45) Registration Date: **07 December 2005**

(30) Convention priority data:

(31) Number	(32) Date	(33) Country
29/195444	11 Dec 2003	UNITED STATES OF AMERICA

(56) Related Art Documents: **Not Applicable**

(57) Statement of Newness and Distinctiveness: **Nil**



(21) Design Number: **14919/2004**

(22) Date of Filing Application: **18 October 2004**

(24) Date from which industrial property rights may have effect: **30 January 2004**

(54) Product in respect of which the design is registered: **Stemmed earplug**

(51) International Design Classification: **24-04**

(71) Name(s) and Address(s) of Applicant(s):

**Cabot Safety Intermediate Corporation
650 Dawson Drive Newark Delaware 19713 United States of America**

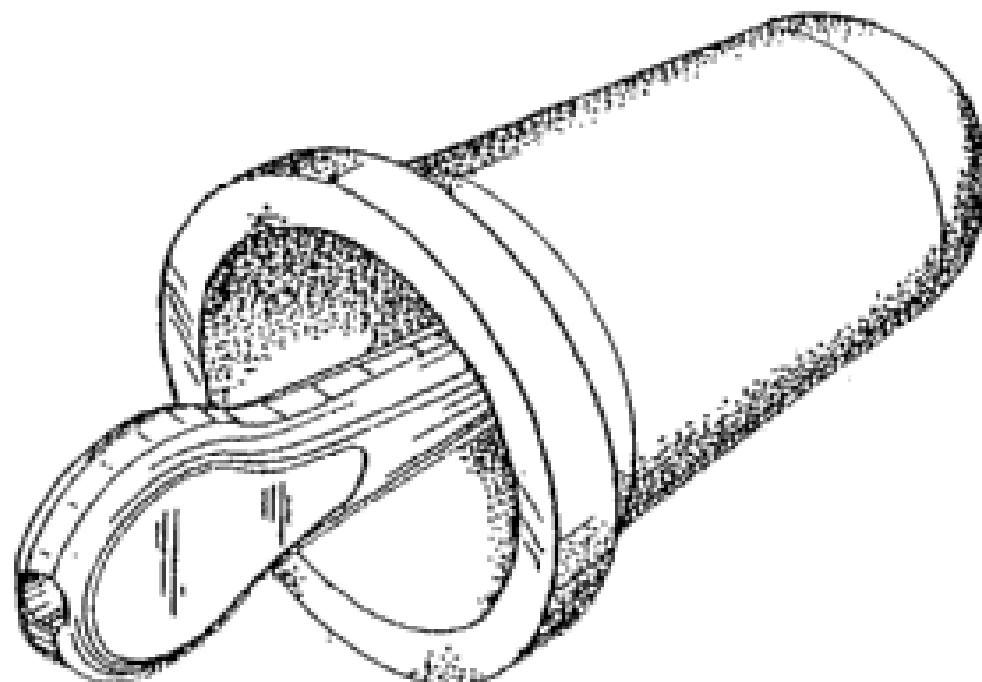
(72) Name(s) of Designer(s): **Richard Knauer and Robert N. Falco**

(45) Registration Date: **07 December 2005**

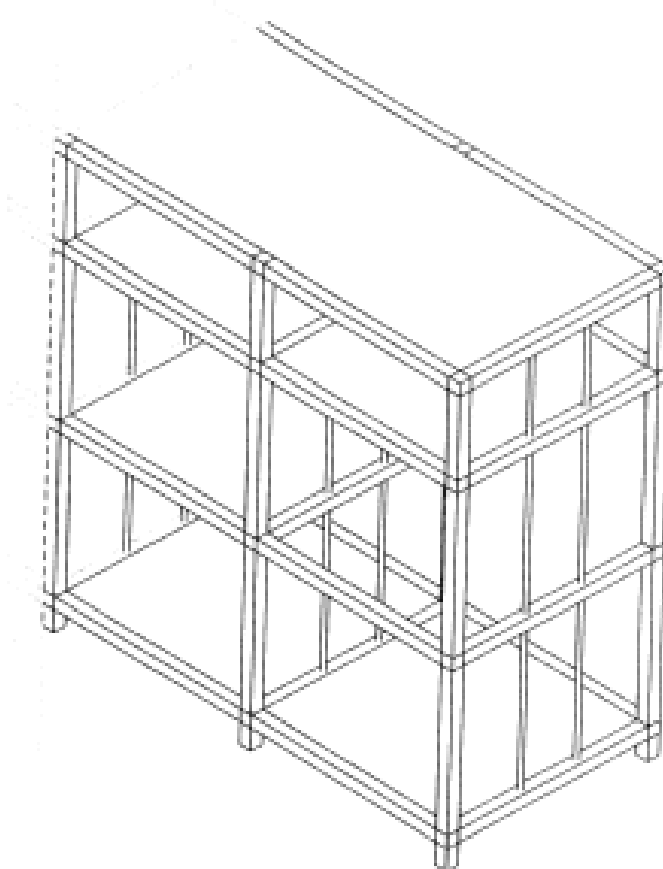
(62) Divisional of: **156941**

(56) Related Art Documents: **Not Applicable**

(57) Statement of Newness and Distinctiveness: **Newness and distinctiveness resides in the shape and configuration of a stemmed earplug as shown in the representations.**



- (21) Design Number: **15377/2004**
(22) Date of Filing Application: **22 November 2004**
(24) Date from which industrial property rights may have effect: **22 November 2004**
(54) Product in respect of which the design is registered: **Design 1 : stand; 1 Design : stand;**
(51) International Design Classification: **06-04NES**
(71) Name(s) and Address(s) of Applicant(s):
Matthew Olsson
Unit 2 51 Chard Road Brookvale New South Wales 2100 Australia
Alexander Jarvie
Unit 2 51 Chard Road Brookvale New South Wales 2100 Australia
(72) Name(s) of Designer(s): **Matthew Olsson and Alexander Jarvie**
(45) Registration Date: **07 December 2005**
(56) Related Art Documents: **Not Applicable**
(57) Statement of Newness and Distinctiveness: **Nil**



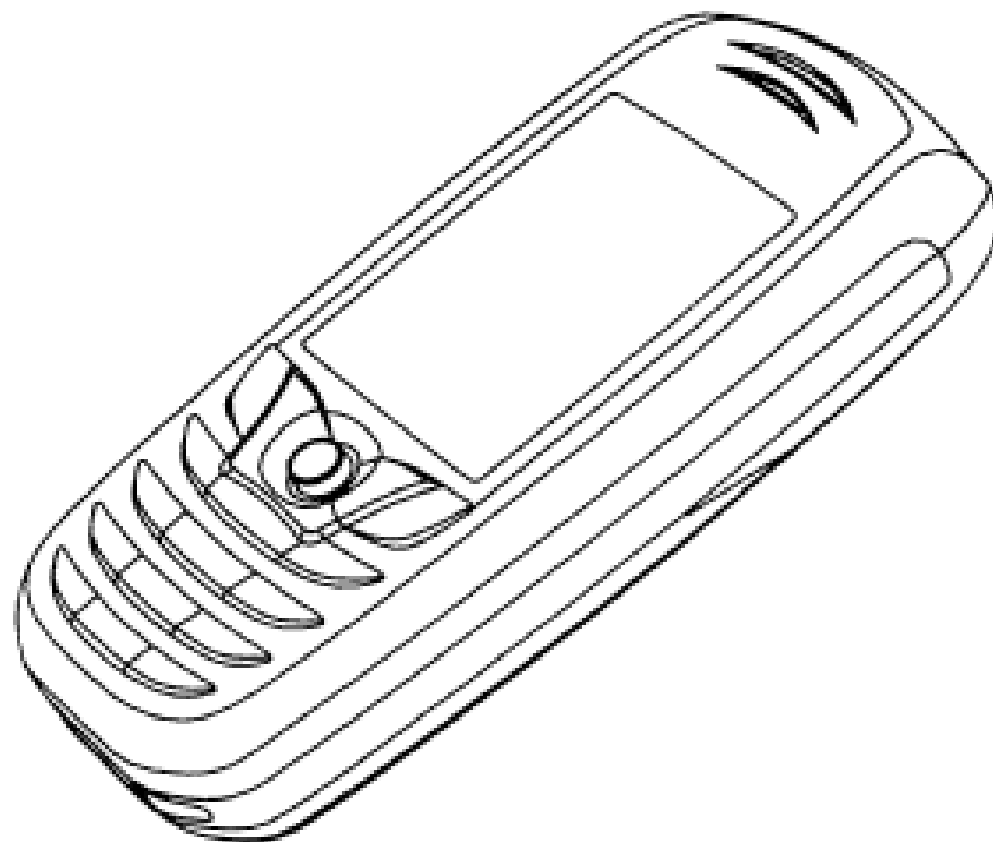
- (21) Design Number: **15570/2004**
(22) Date of Filing Application: **18 March 2004**
(24) Date from which industrial property rights may have effect: **18 March 2004**
(54) Product in respect of which the design is registered: **Mobile phones**
(51) International Design Classification: **14-03E**
(71) Name(s) and Address(s) of Applicant(s):
Siemens Aktiengesellschaft
Wittelsbacherplatz 2 80333 Munchen Germany
(72) Name(s) of Designer(s): **Michael Brandis**
(45) Registration Date: **07 December 2005**
(30) Convention priority data:

(31) Number	(32) Date	(33) Country
40400447.4	23 Jan 2004	GERMANY

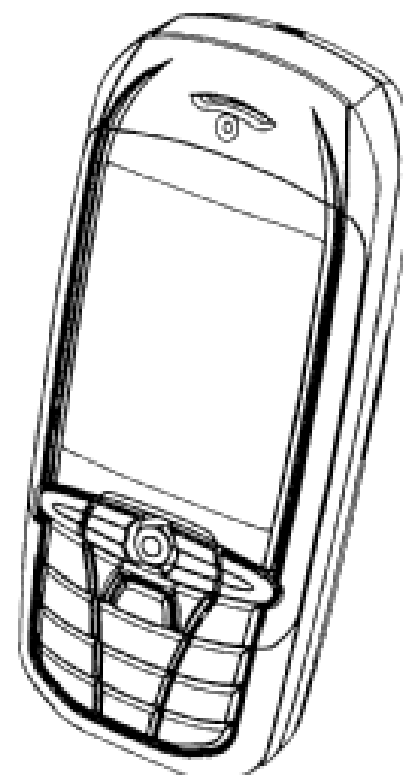
(56) Related Art Documents: **Not Applicable**
(57) Statement of Newness and Distinctiveness: **Newness and distinctiveness is claimed in those features of shape and/or configuration of the mobile phones illustrated in the accompanying representations.**



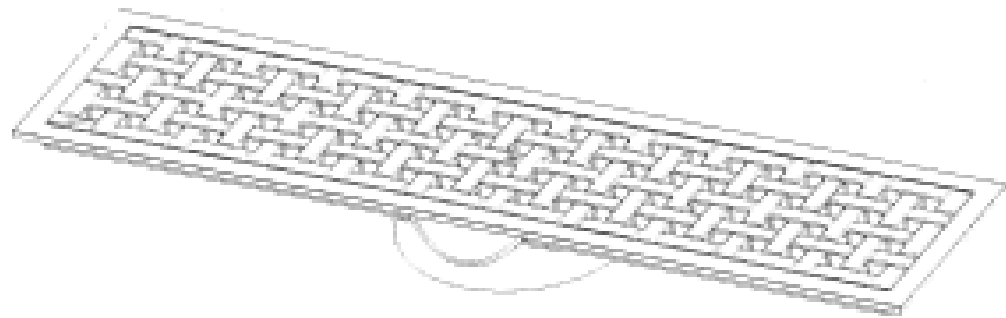
- (21) Design Number: **12398/2005**
(22) Date of Filing Application: **18 March 2004**
(24) Date from which industrial property rights may have effect: **18 March 2004**
(54) Product in respect of which the design is registered: **Mobile phones**
(51) International Design Classification: **14-03E**
(71) Name(s) and Address(s) of Applicant(s):
Siemens Aktiengesellschaft
Wittelsbacherplatz 2 80333 Munchen Germany
(72) Name(s) of Designer(s): **Michael Brandis**
(45) Registration Date: **07 December 2005**
(30) Convention priority data:
(31) Number (32) Date (33) Country
40400447.4 23 Jan 2004 GERMANY
(56) Related Art Documents: **Not Applicable**
(57) Statement of Newness and Distinctiveness: **Newness and distinctiveness is claimed in those features of shape and/or configuration of the mobile phones illustrated in the accompanying representations.**



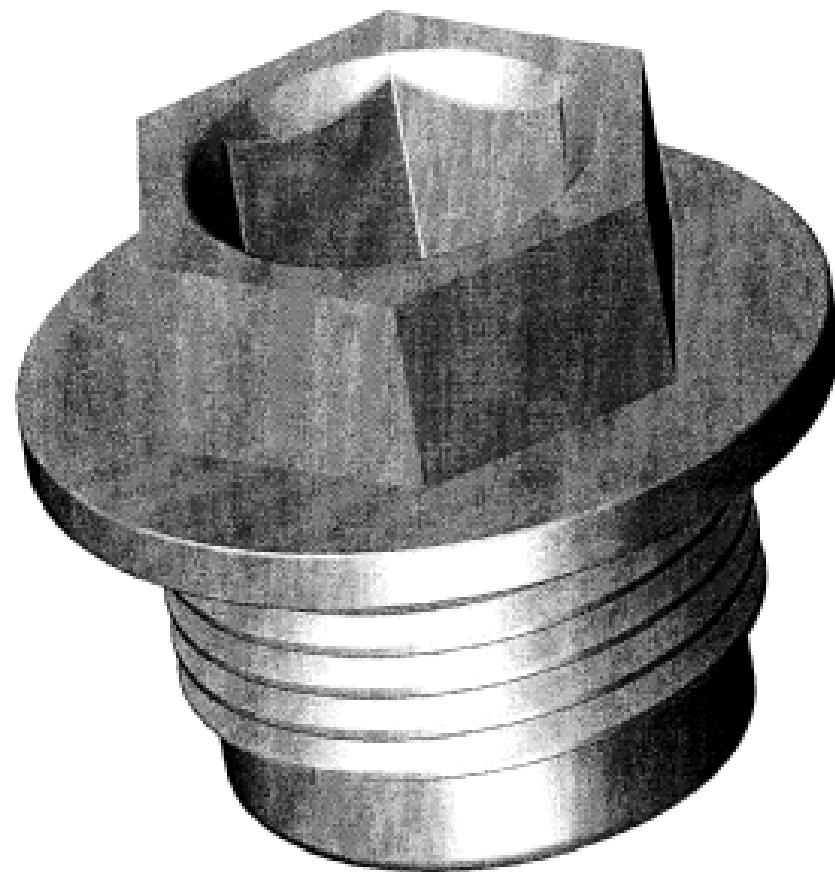
- (21) Design Number: **12399/2005**
(22) Date of Filing Application: **18 March 2004**
(24) Date from which industrial property rights may have effect: **18 March 2004**
(54) Product in respect of which the design is registered: **Mobile phones**
(51) International Design Classification: **14-03E**
(71) Name(s) and Address(s) of Applicant(s):
Siemens Aktiengesellschaft
Wittelsbacherplatz 2 80333 Munchen Germany
(72) Name(s) of Designer(s): **Michael Brandis**
(45) Registration Date: **07 December 2005**
(30) Convention priority data:
(31) Number (32) Date (33) Country
40400447.4 23 Jan 2004 GERMANY
(56) Related Art Documents: **Not Applicable**
(57) Statement of Newness and Distinctiveness: **Newness and distinctiveness is claimed in those features of shape and/or configuration of the mobile phones illustrated in the accompanying representations.**



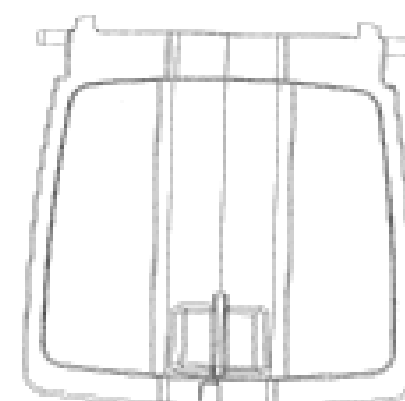
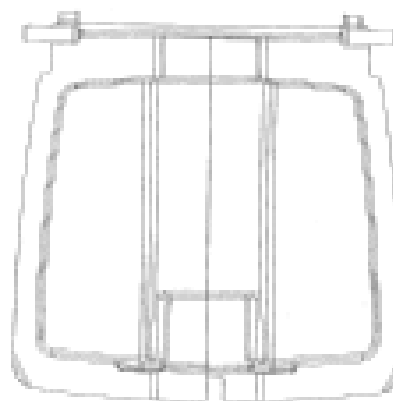
- (21) Design Number: **15723/2004**
(22) Date of Filing Application: **09 December 2004**
(24) Date from which industrial property rights may have effect: **09 December 2004**
(54) Product in respect of which the design is registered: **Floor drain**
(51) International Design Classification: **23-02NES**
(71) Name(s) and Address(s) of Applicant(s):
Timothy G. Lucas
10 School Road Rochedale Queensland 4123 Australia
(72) Name(s) of Designer(s): **Timothy George Lucas**
(45) Registration Date: **07 December 2005**
(56) Related Art Documents: **Not Applicable**
(57) Statement of Newness and Distinctiveness: **Nil**



- (21) Design Number: **15724/2004**
(22) Date of Filing Application: **09 December 2004**
(24) Date from which industrial property rights may have effect: **09 December 2004**
(54) Product in respect of which the design is registered: **Plumbing plug**
(51) International Design Classification: **23-01A**
(71) Name(s) and Address(s) of Applicant(s):
Timothy George Lucas
10 School Road Rochedale Queensland 4123 Australia
(72) Name(s) of Designer(s): **Timothy George Lucas**
(45) Registration Date: **07 December 2005**
(56) Related Art Documents: **Not Applicable**
(57) Statement of Newness and Distinctiveness: **Special features of the approach or a series of flats in bora of part.**



- (21) Design Number: **10330/2005**
(22) Date of Filing Application: **31 January 2005**
(24) Date from which industrial property rights may have effect: **31 January 2005**
(54) Product in respect of which the design is registered: **Isolating housing for luminaires - access door**
(51) International Design Classification: **26-05NES**
(71) Name(s) and Address(s) of Applicant(s):
Ian Thomas Craig
81 McCrae Street Swan Hill Victoria 3585 Australia
Julia Craig
81 McCrae Street Swan Hill Victoria 3585 Australia
(72) Name(s) of Designer(s): **Ian Thomas Craig**
(45) Registration Date: **07 December 2005**
(56) Related Art Documents: **Not Applicable**
(57) Statement of Newness and Distinctiveness: **Nil**



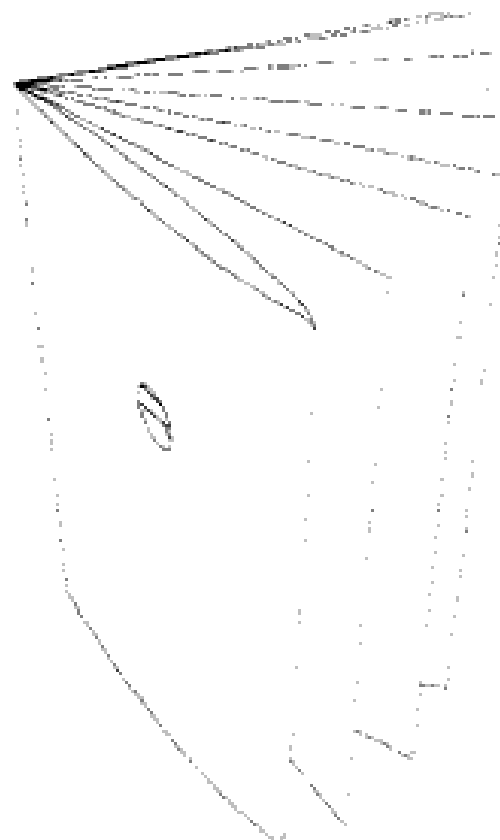
- (21) Design Number: **11875/2005**
(22) Date of Filing Application: **04 May 2005**
(24) Date from which industrial property rights may have effect: **04 May 2005**
(54) Product in respect of which the design is registered: **Print voile and lace top**
(51) International Design Classification: **02-02NES**
(71) Name(s) and Address(s) of Applicant(s):
Review Australia Pty Ltd
25-31 Rokeby Street Collingwood Victoria 3066 Australia
(72) Name(s) of Designer(s): **Jayne Ellis**
(45) Registration Date: **07 December 2005**
(56) Related Art Documents: **Not Applicable**
(57) Statement of Newness and Distinctiveness: **Printed voile top with lace trim, buttons and bow down the front.**



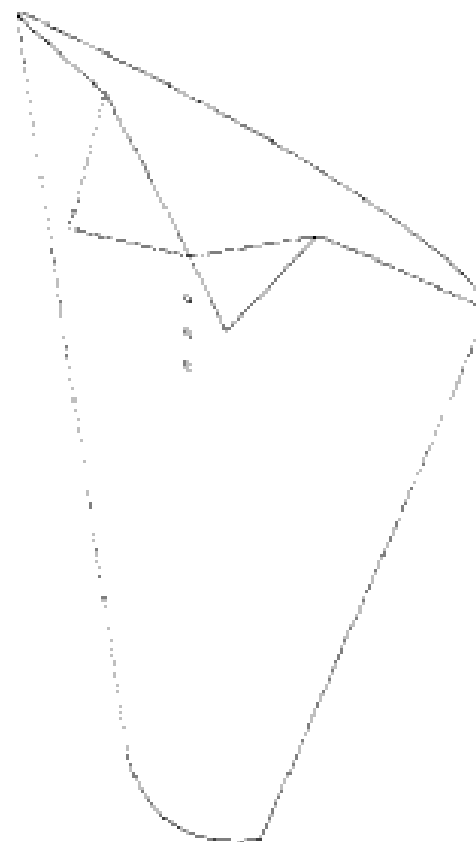
- (21) Design Number: **11893/2005**
- (22) Date of Filing Application: **04 May 2005**
- (24) Date from which industrial property rights may have effect: **04 May 2005**
- (54) Product in respect of which the design is registered: **Paisley check short sleeve jacket**
- (51) International Design Classification: **02-02NES**
- (71) Name(s) and Address(s) of Applicant(s):
Review Australia Pty Ltd
25-31 Rokeby Street Collingwood Victoria 3066 Australia
- (72) Name(s) of Designer(s): **Jayne Ellis**
- (45) Registration Date: **07 December 2005**
- (56) Related Art Documents: **Not Applicable**
- (57) Statement of Newness and Distinctiveness: **Nil**



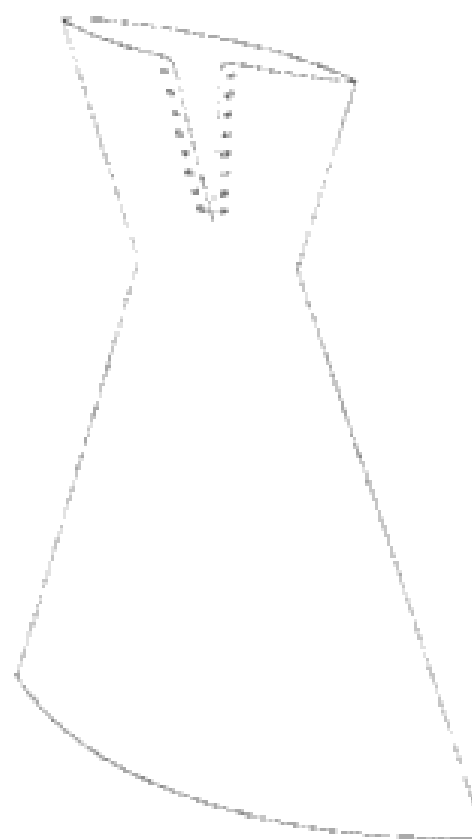
- (21) Design Number: **10409/2005**
- (22) Date of Filing Application: **04 February 2005**
- (24) Date from which industrial property rights may have effect: **04 February 2005**
- (54) Product in respect of which the design is registered: **invitation card, place card, order of service booklet**
- (51) International Design Classification: **19-01**
- (71) Name(s) and Address(s) of Applicant(s):
Lien Thi Nguyen
Level 1 3/65 Doody Street Alexandria New South Wales 2015 Australia
- (72) Name(s) of Designer(s): **Lien Thi Nguyen**
- (45) Registration Date: **07 December 2005**
- (56) Related Art Documents: **Not Applicable**
- (57) Statement of Newness and Distinctiveness: **Nil**



- (21) Design Number: **10410/2005**
- (22) Date of Filing Application: **04 February 2005**
- (24) Date from which industrial property rights may have effect: **04 February 2005**
- (54) Product in respect of which the design is registered: **male invitation card, male place card, envelope**
- (51) International Design Classification: **19-01**
- (71) Name(s) and Address(s) of Applicant(s):
Lien Thi Nguyen
Level 1 3/65 Doody Street Alexandria New South Wales 2015 Australia
- (72) Name(s) of Designer(s): **Lien Thi Nguyen**
- (45) Registration Date: **07 December 2005**
- (56) Related Art Documents: **Not Applicable**
- (57) Statement of Newness and Distinctiveness: **Nil**



- (21) Design Number: **15349/2005**
- (22) Date of Filing Application: **04 February 2005**
- (24) Date from which industrial property rights may have effect: **04 February 2005**
- (54) Product in respect of which the design is registered: **Female invitation card, place card**
- (51) International Design Classification: **19-01**
- (71) Name(s) and Address(s) of Applicant(s):
Lien Thi Nguyen
Level 1 3/65 Doody Street Alexandria New South Wales 2015 Australia
- (72) Name(s) of Designer(s): **Lien Thi Nguyen**
- (45) Registration Date: **07 December 2005**
- (56) Related Art Documents: **Not Applicable**
- (57) Statement of Newness and Distinctiveness: **Nil**



(21) Design Number: **11053/2005**
(22) Date of Filing Application: **16 March 2005**
(24) Date from which industrial property rights may have effect: **16 March 2005**
(54) Product in respect of which the design is registered: **Part for mastic gun**
(51) International Design Classification: **08-05G, 09-03L**
(71) Name(s) and Address(s) of Applicant(s):

Ray Technology Group B.V.
Albert Einsteinweg 10 5151 DL Drunen Netherlands

(72) Name(s) of Designer(s): **R.E. Van Swieten**

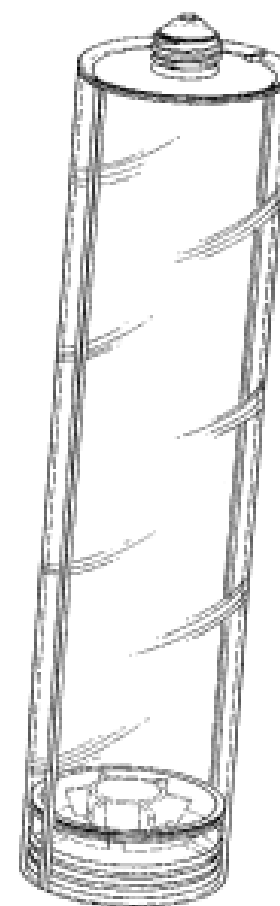
(45) Registration Date: **07 December 2005**

(30) Convention priority data:

(31) Number	(32) Date	(33) Country
000229869	20 Sep 2004	EUROPEAN COMMUNITY

(56) Related Art Documents: **Not Applicable**

(57) Statement of Newness and Distinctiveness: **Nil**



(21) Design Number: **11278/2005**
(22) Date of Filing Application: **30 March 2005**
(24) Date from which industrial property rights may have effect: **30 March 2005**
(54) Product in respect of which the design is registered: **A flashlight**
(51) International Design Classification: **26-02**
(71) Name(s) and Address(s) of Applicant(s):

Eveready Battery Company, Inc.
533 Maryville University Drive St Louis Missouri 63141 United States of America

(72) Name(s) of Designer(s): **Scott W. Osiecki and Ronald J. Kingston**

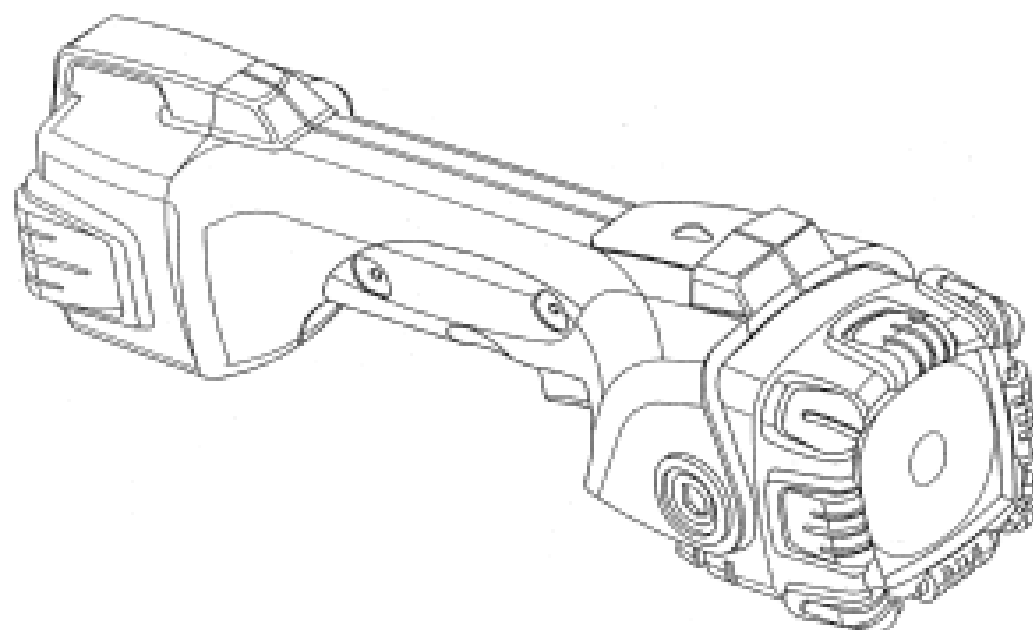
(45) Registration Date: **07 December 2005**

(30) Convention priority data:

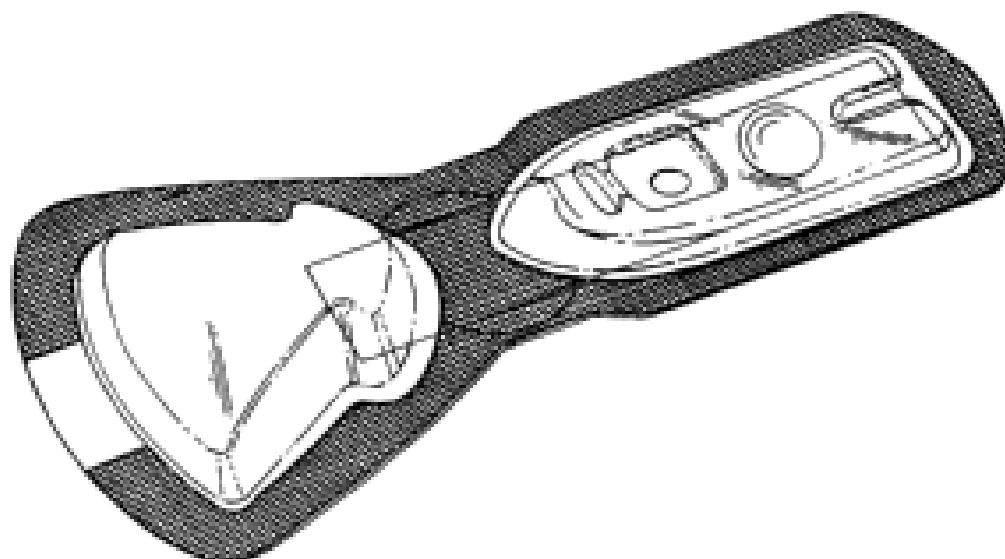
(31) Number	(32) Date	(33) Country
29/215629	21 Oct 2004	UNITED STATES OF AMERICA

(56) Related Art Documents: **Not Applicable**

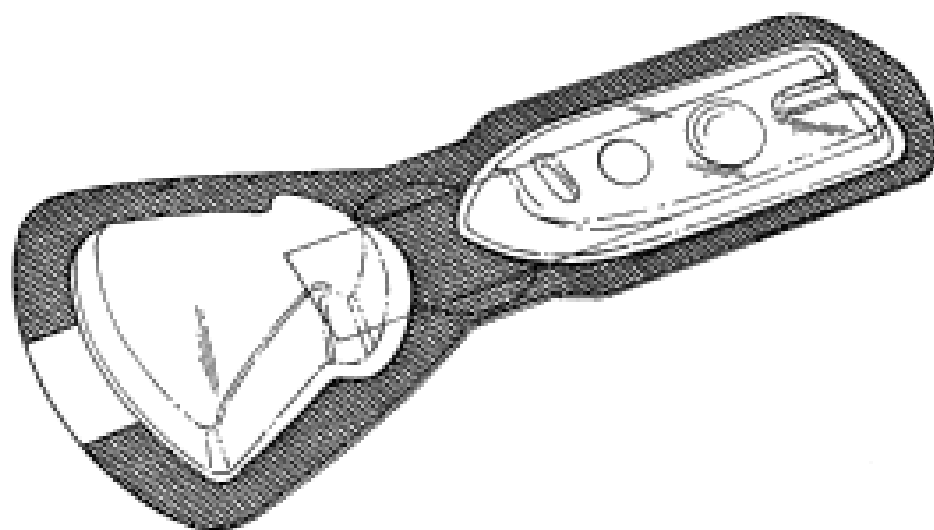
(57) Statement of Newness and Distinctiveness: **Nil**



- (21) Design Number: **11280/2005**
(22) Date of Filing Application: **30 March 2005**
(24) Date from which industrial property rights may have effect: **30 March 2005**
(54) Product in respect of which the design is registered: **An insecticide refill with circular and square inserts**
(51) International Design Classification: **22-06**
(71) Name(s) and Address(s) of Applicant(s):
Reckitt Benckiser (Australia) Pty Limited
44 Wharf Road West Ryde New South Wales 2114 Australia
(72) Name(s) of Designer(s): **Mark McNamara and Daniel Craven and Graeme Smith and Alina Locsher and Benjamin Hindle and John Morgan and Graham Duell and Chris Peters**
(45) Registration Date: **07 December 2005**
(30) Convention priority data:
(31) Number (32) Date (33) Country
000236989 08 Oct 2004 EUROPEAN COMMUNITY
(56) Related Art Documents: **Not Applicable**
(57) Statement of Newness and Distinctiveness: **Each feature of the design considered separately or in combination with any other feature or features.**



- (21) Design Number: **11281/2005**
(22) Date of Filing Application: **30 March 2005**
(24) Date from which industrial property rights may have effect: **30 March 2005**
(54) Product in respect of which the design is registered: **An insecticide refill with circular inserts**
(51) International Design Classification: **22-06**
(71) Name(s) and Address(s) of Applicant(s):
Reckitt Benckiser (Australia) Pty Limited
44 Wharf Road West Ryde New South Wales 2114 Australia
(72) Name(s) of Designer(s): **Mark McNamara and Daniel Craven and Graeme Smith and Alina Locsher and Benjamin Hindle and John Morgan and Graham Duell and Chris Peters**
(45) Registration Date: **07 December 2005**
(30) Convention priority data:
(31) Number (32) Date (33) Country
000236989 08 Oct 2004 EUROPEAN COMMUNITY
(56) Related Art Documents: **Not Applicable**
(57) Statement of Newness and Distinctiveness: **Each feature of the design considered separately or in combination with any other feature or features.**



(21) Design Number: **11344/2005**

(22) Date of Filing Application: **04 April 2005**

(24) Date from which industrial property rights may have effect: **04 April 2005**

(54) Product in respect of which the design is registered: **Bottle and doser**

(51) International Design Classification: **09-01A**

(71) Name(s) and Address(s) of Applicant(s):

Reckitt Benckiser N.V.
Kantoorgebouw de Appelaer De Fruittuinen 2-12 2132 NZ Hoofddorp
The Netherlands

(72) Name(s) of Designer(s): **Thomas Zauser**

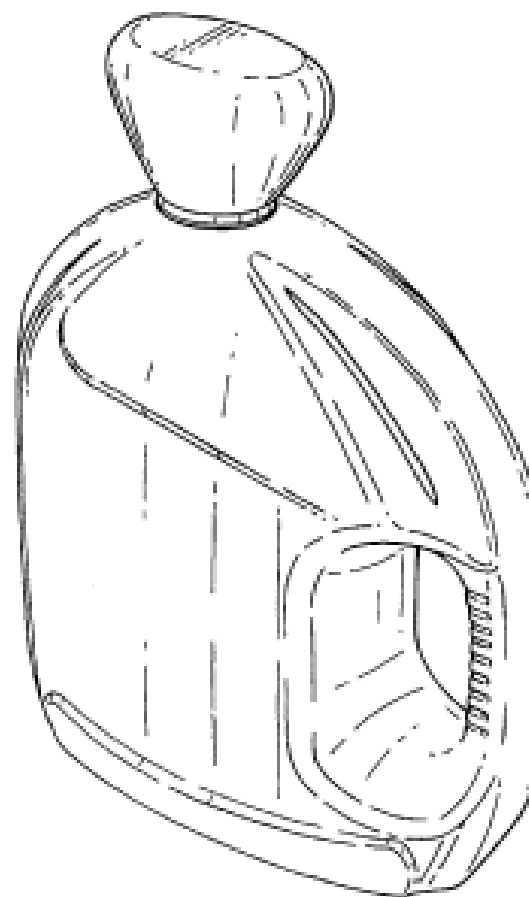
(45) Registration Date: **07 December 2005**

(30) Convention priority data:

(31) Number	(32) Date	(33) Country
0002354111	04 Oct 2004	EUROPEAN COMMUNITY

(56) Related Art Documents: **Not Applicable**

(57) Statement of Newness and Distinctiveness: **Each feature of the design considered separately or in combination with any other feature or features.**



(21) Design Number: **11421/2005**

(22) Date of Filing Application: **07 April 2005**

(24) Date from which industrial property rights may have effect: **07 April 2005**

(54) Product in respect of which the design is registered: **A flashlight**

(51) International Design Classification: **26-02**

(71) Name(s) and Address(s) of Applicant(s):

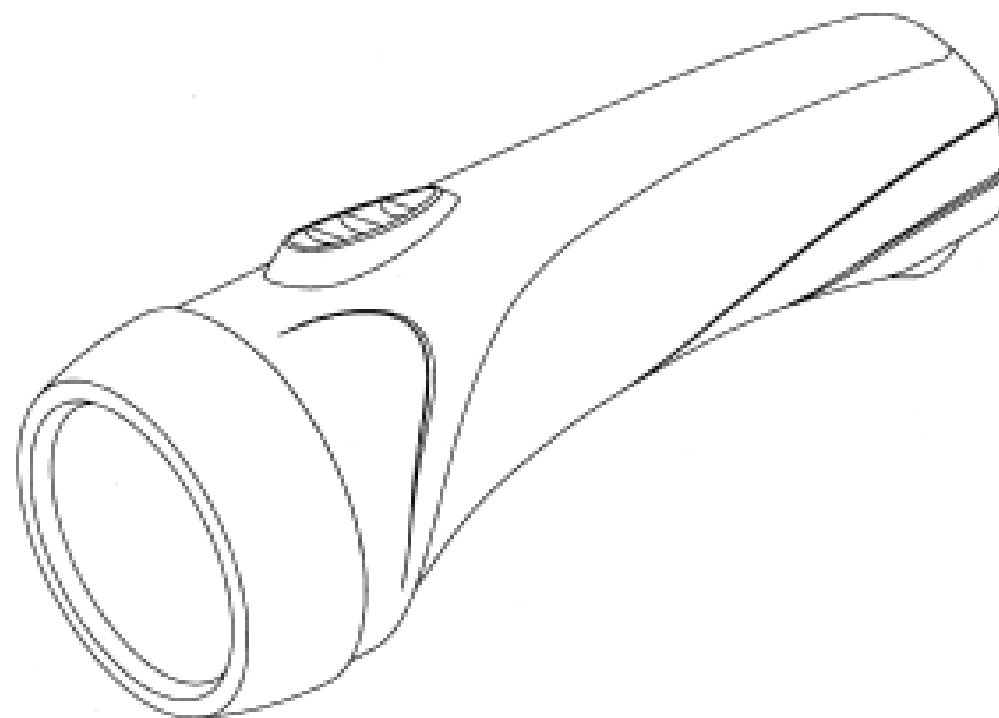
Eveready Battery Company, Inc.
533 Maryville University Drive St Louis Missouri 63141 United States
of America

(72) Name(s) of Designer(s): **David Richard Dalton and John Robert Brown and Timothy Rugendyke**

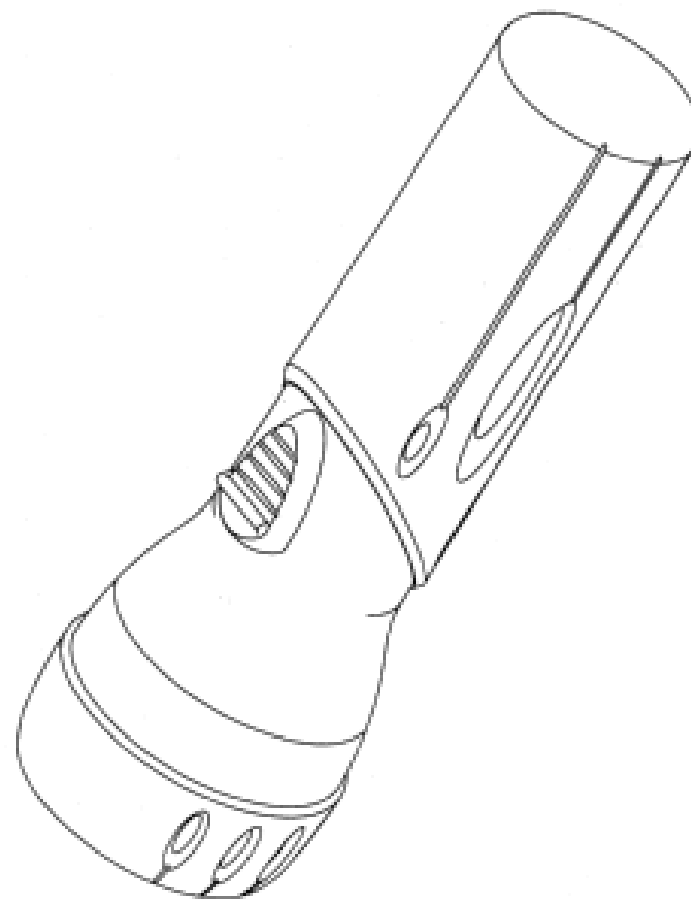
(45) Registration Date: **07 December 2005**

(56) Related Art Documents: **Not Applicable**

(57) Statement of Newness and Distinctiveness: **Nil**



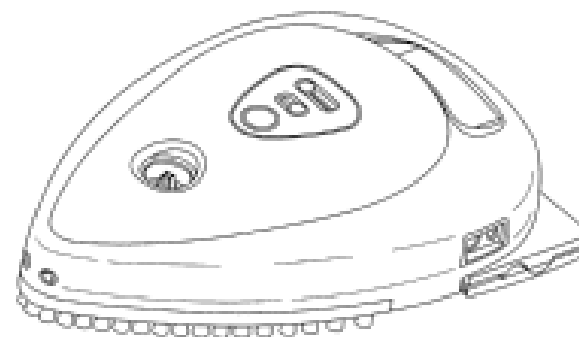
(21) Design Number: **11518/2005**
 (22) Date of Filing Application: **14 April 2005**
 (24) Date from which industrial property rights may have effect: **14 April 2005**
 (54) Product in respect of which the design is registered: **Flashlight**
 (51) International Design Classification: **26-02**
 (71) Name(s) and Address(s) of Applicant(s):
Eveready Battery Company, Inc.
533 Maryville University Drive St Louis Missouri 63141 United States of America
 (72) Name(s) of Designer(s): **John Brown**
 (45) Registration Date: **07 December 2005**
 (56) Related Art Documents: **Not Applicable**
 (57) Statement of Newness and Distinctiveness: **Nil**



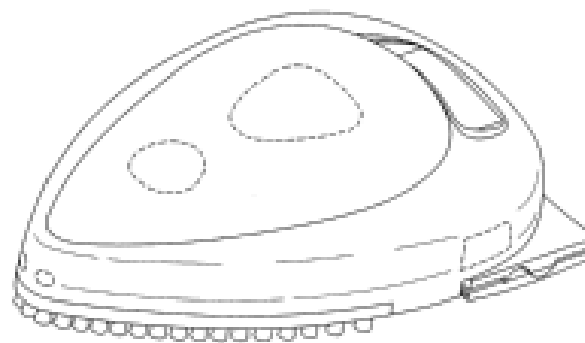
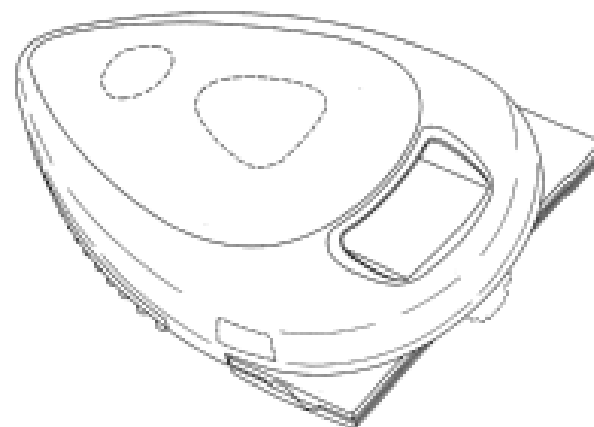
(21) Design Number: **11594/2005**
 (22) Date of Filing Application: **20 April 2005**
 (24) Date from which industrial property rights may have effect: **20 April 2005**
 (54) Product in respect of which the design is registered: **A robot**
 (51) International Design Classification: **15-05**
 (71) Name(s) and Address(s) of Applicant(s):
Reckitt Benckiser Inc.
Morris Corporate Center IV 399 Interpace Parkway Parsippany New Jersey 07054 United States of America
 (72) Name(s) of Designer(s): **Matthew Marzynski**
 (45) Registration Date: **07 December 2005**
 (30) Convention priority data:

(31) Number	(32) Date	(33) Country
29/216223	29 Oct 2004	UNITED STATES OF AMERICA

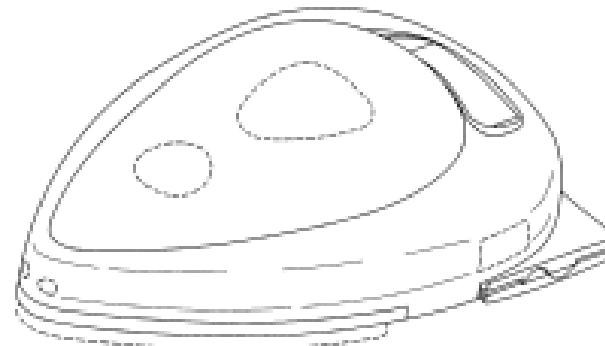
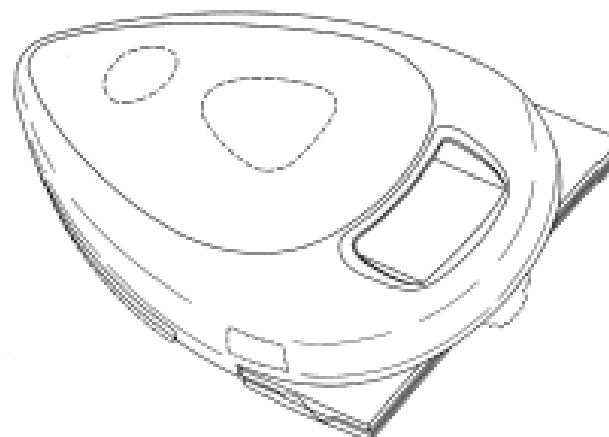
 (56) Related Art Documents: **Not Applicable**
 (57) Statement of Newness and Distinctiveness: **This article may be used as a cleaning robot which sprays a liquid composition on to a surface then moves over the surface wiping it with a pad.**



(21) Design Number: **11595/2005**
 (22) Date of Filing Application: **20 April 2005**
 (24) Date from which industrial property rights may have effect: **20 April 2005**
 (54) Product in respect of which the design is registered: **A robot**
 (51) International Design Classification: **15-05**
 (71) Name(s) and Address(s) of Applicant(s):
Reckitt Benckiser Inc.
Morris Corporate Center IV 399 Interpace Parkway Parsippany New Jersey 07054 United States of America
 (72) Name(s) of Designer(s): **Matthew Marzynski**
 (45) Registration Date: **07 December 2005**
 (30) Convention priority data:
 (31) Number (32) Date (33) Country
29/216223 29 Oct 2004 UNITED STATES OF AMERICA
 (56) Related Art Documents: **Not Applicable**
 (57) Statement of Newness and Distinctiveness: **Each feature of the design shown in solid lines considered separately or in combination with any other feature or features.**

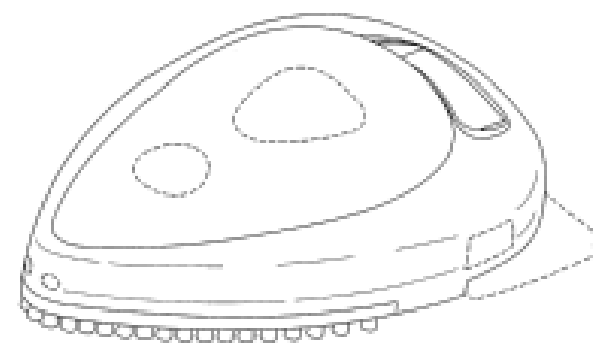
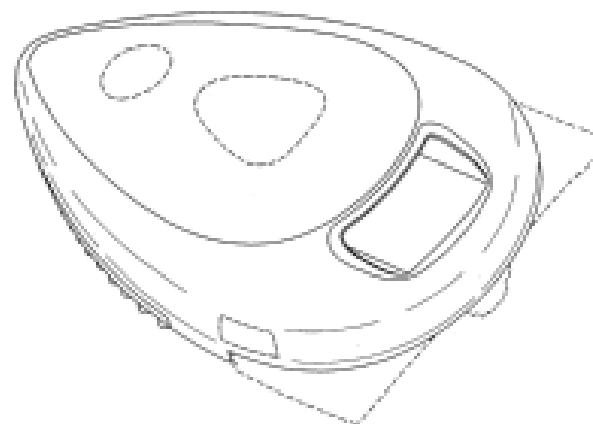


(21) Design Number: **11596/2005**
 (22) Date of Filing Application: **20 April 2005**
 (24) Date from which industrial property rights may have effect: **20 April 2005**
 (54) Product in respect of which the design is registered: **A robot**
 (51) International Design Classification: **15-05**
 (71) Name(s) and Address(s) of Applicant(s):
Reckitt Benckiser Inc.
Morris Corporate Center IV 399 Interpace Parkway Parsippany New Jersey 07054 United States of America
 (72) Name(s) of Designer(s): **Matthew Marzynski**
 (45) Registration Date: **07 December 2005**
 (30) Convention priority data:
 (31) Number (32) Date (33) Country
29/216223 29 Oct 2004 UNITED STATES OF AMERICA
 (56) Related Art Documents: **Not Applicable**
 (57) Statement of Newness and Distinctiveness: **Each feature of the design shown in solid lines considered separately or in combination with any other feature or features.**



- (21) Design Number: **11597/2005**
- (22) Date of Filing Application: **20 April 2005**
- (24) Date from which industrial property rights may have effect: **20 April 2005**
- (54) Product in respect of which the design is registered: **A robot**
- (51) International Design Classification: **15-05**
- (71) Name(s) and Address(s) of Applicant(s):
Reckitt Benckiser Inc.
Morris Corporate Center IV 399 Interpace Parkway Parsippany New Jersey 07054 United States of America
- (72) Name(s) of Designer(s): **Matthew Marzynski**
- (45) Registration Date: **07 December 2005**
- (30) Convention priority data:

(31) Number	(32) Date	(33) Country
29/216223	29 Oct 2004	UNITED STATES OF AMERICA
- (56) Related Art Documents: **Not Applicable**
- (57) Statement of Newness and Distinctiveness: **Each feature of the design shown in solid lines considered separately or in combination with any other feature or features.**

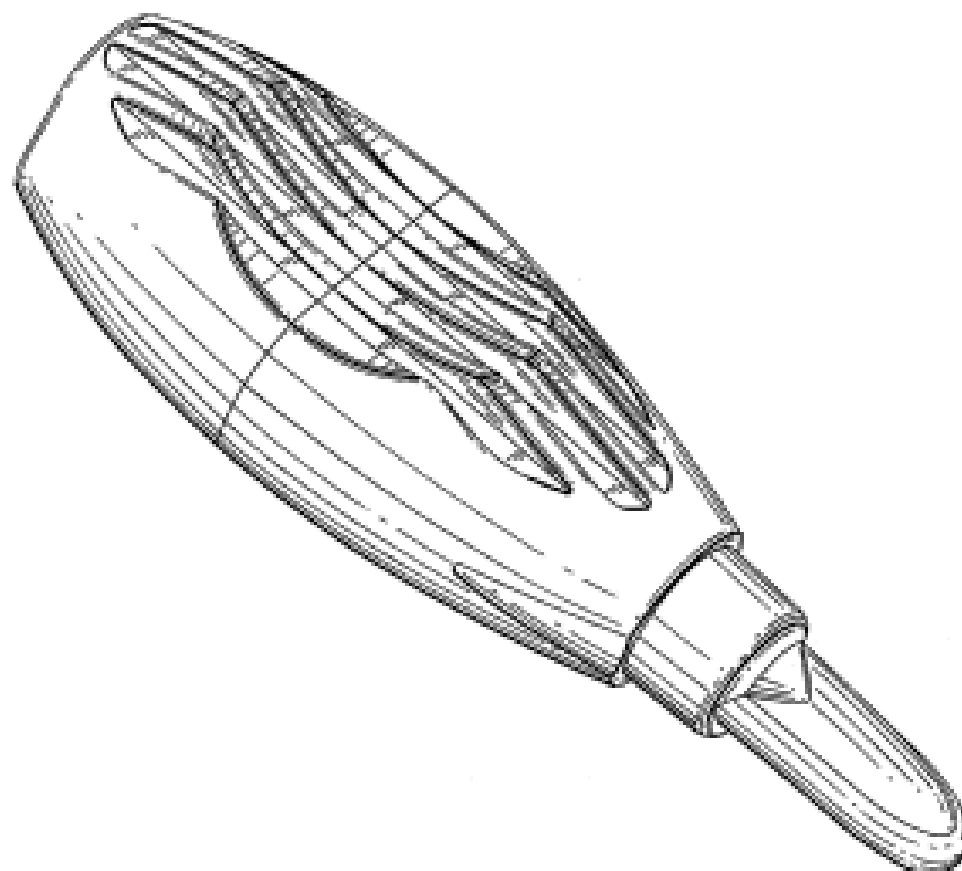


- (21) Design Number: **12360/2005**
- (22) Date of Filing Application: **31 May 2005**
- (24) Date from which industrial property rights may have effect: **31 May 2005**
- (54) Product in respect of which the design is registered: **Pen**
- (51) International Design Classification: **19-06**
- (71) Name(s) and Address(s) of Applicant(s):
Mitsubishi Pencil Co., Ltd
23-37 5 Chome Higashi-Ohi Shinagawa-Ku Tokyo Japan
- (72) Name(s) of Designer(s): **Tsuyoshi Nishida**
- (45) Registration Date: **07 December 2005**
- (30) Convention priority data:

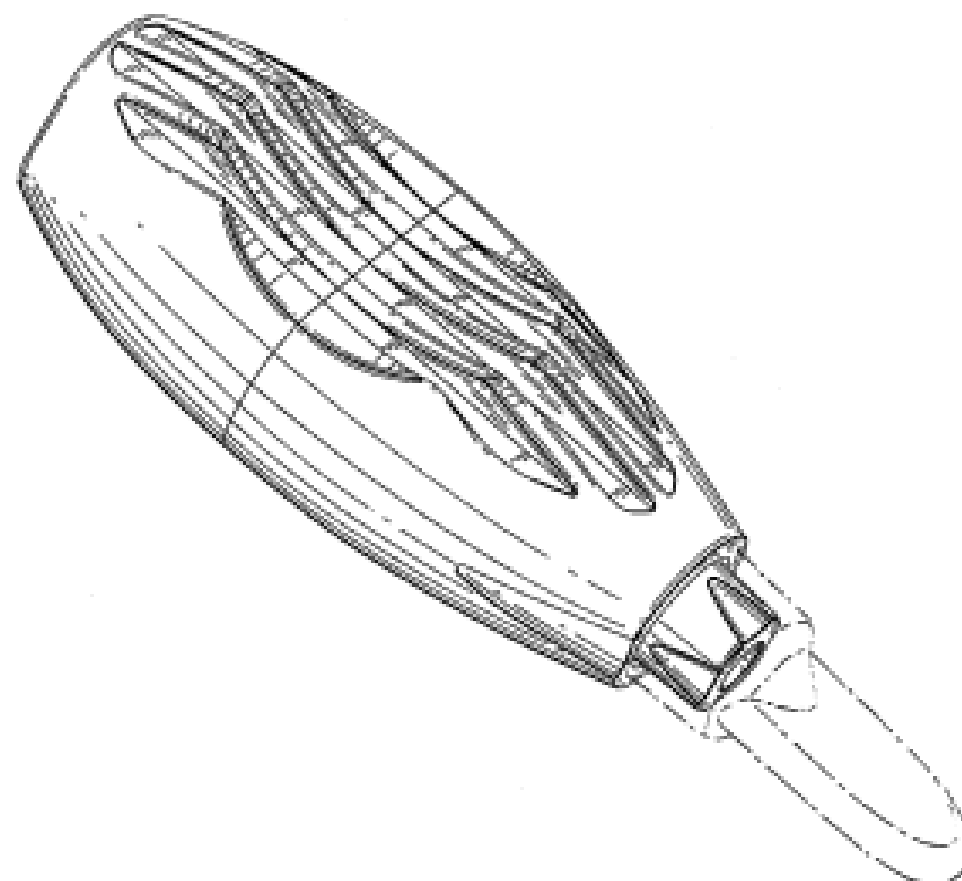
(31) Number	(32) Date	(33) Country
200530002158.4	14 Jan 2005	CHINA
- (56) Related Art Documents: **Not Applicable**
- (57) Statement of Newness and Distinctiveness: **We wish to submit a statement of newness and distinctiveness in respect of particular visual features of the design, but without prejudice to the newness or distinctiveness of other visual features of the design, as follows: The shape and configuration of the clip, cap and grip are new and distinctive.**



- (21) Design Number: **12504/2005**
(22) Date of Filing Application: **10 June 2005**
(24) Date from which industrial property rights may have effect: **10 June 2005**
(54) Product in respect of which the design is registered: **Lancet device**
(51) International Design Classification: **24-02**
(71) Name(s) and Address(s) of Applicant(s):
Becton, Dickinson and Company
One Becton Drive Franklin Lakes New Jersey 07417-1880 United States of America
(72) Name(s) of Designer(s): **Bradley Wilkinson**
(45) Registration Date: **07 December 2005**
(30) Convention priority data:
(31) Number (32) Date (33) Country
29/219599 17 Dec 2004 UNITED STATES OF AMERICA
(56) Related Art Documents: **Not Applicable**
(57) Statement of Newness and Distinctiveness: **Each feature of the design considered separately or in combination with any other feature or features.**



- (21) Design Number: **12505/2005**
(22) Date of Filing Application: **10 June 2005**
(24) Date from which industrial property rights may have effect: **10 June 2005**
(54) Product in respect of which the design is registered: **Lancet device**
(51) International Design Classification: **24-02**
(71) Name(s) and Address(s) of Applicant(s):
Becton, Dickinson and Company
One Becton Drive Franklin Lakes New Jersey 07417-1880 United States of America
(72) Name(s) of Designer(s): **Bradley Wilkinson**
(45) Registration Date: **07 December 2005**
(30) Convention priority data:
(31) Number (32) Date (33) Country
29/219598 17 Dec 2004 UNITED STATES OF AMERICA
(56) Related Art Documents: **Not Applicable**
(57) Statement of Newness and Distinctiveness: **Each feature of the design shown in solid lines considered separately or in combination with any other feature or features.**



- (21) Design Number: **12663/2005**
(22) Date of Filing Application: **23 June 2005**
(24) Date from which industrial property rights may have effect: **23 June 2005**
(54) Product in respect of which the design is registered: **A mounting block**
(51) International Design Classification: **23-01NES**
(71) Name(s) and Address(s) of Applicant(s):

David John Picton
356 Point View Drive Howick Auckland New Zealand

(72) Name(s) of Designer(s): **David John Picton**

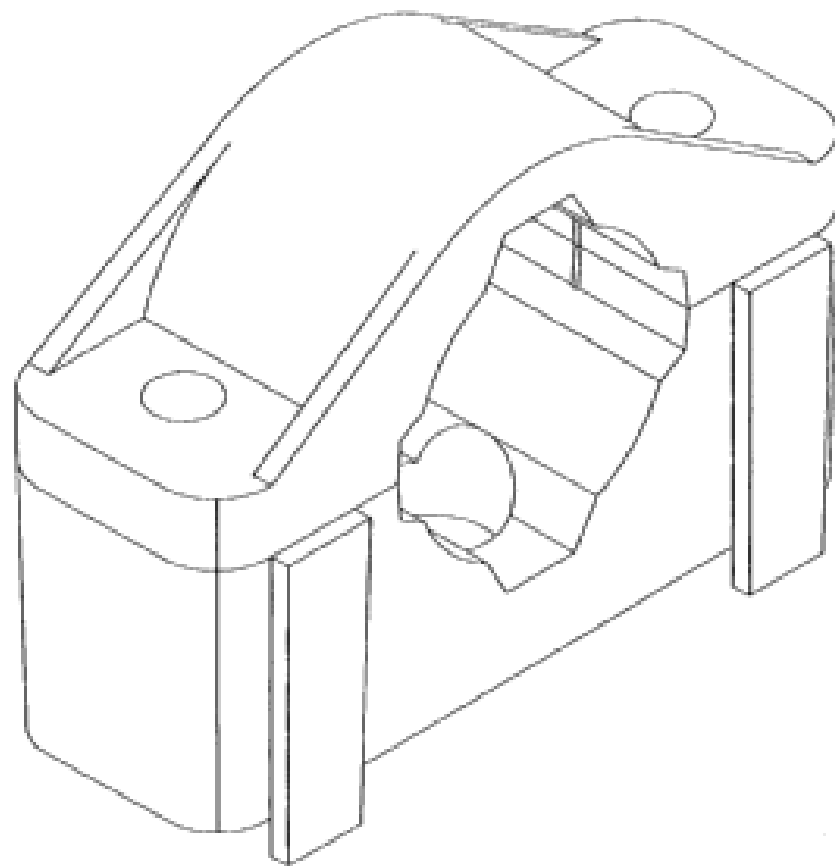
(45) Registration Date: **07 December 2005**

(30) Convention priority data:

(31) Number	(32) Date	(33) Country
405722	24 Dec 2004	NEW ZEALAND

(56) Related Art Documents: **Not Applicable**

(57) Statement of Newness and Distinctiveness: **Nil**



- (21) Design Number: **12995/2005**
(22) Date of Filing Application: **12 July 2005**
(24) Date from which industrial property rights may have effect: **12 July 2005**
(54) Product in respect of which the design is registered: **TV phone**
(51) International Design Classification: **14-03E, 14-03B**
(71) Name(s) and Address(s) of Applicant(s):

Ginganet Corporation
4-38 Minatomachi 1-chome Naniwa-ku Osaka-shi Osaka Japan

(72) Name(s) of Designer(s): **Nozomu Sahashi**

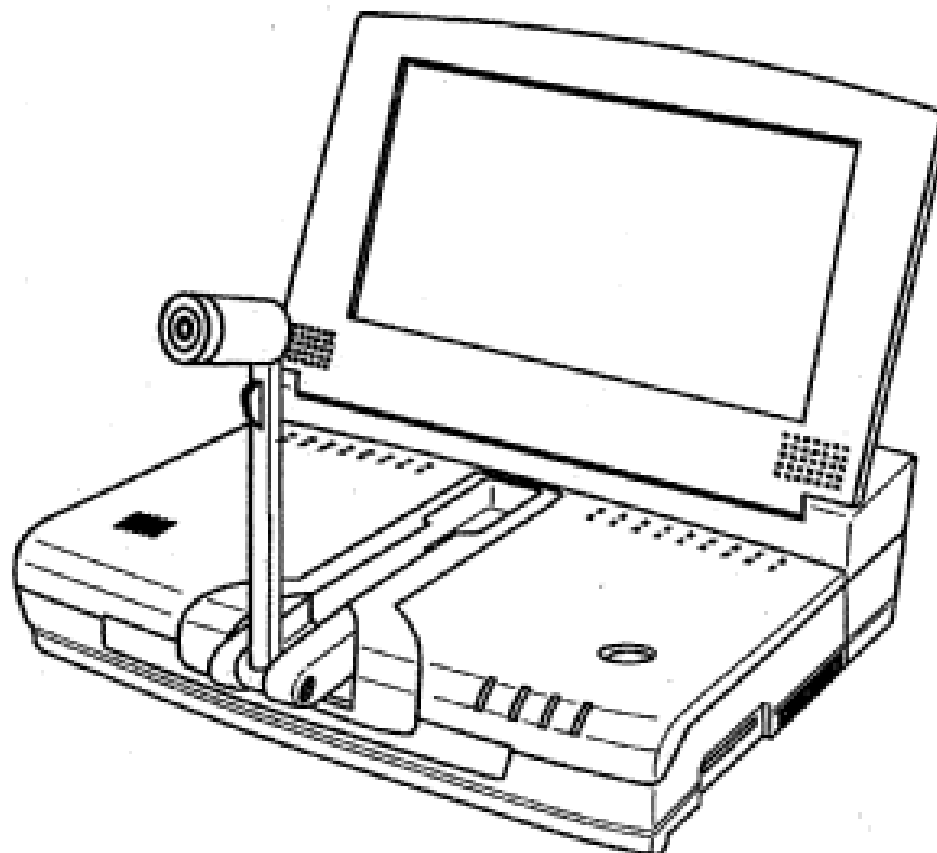
(45) Registration Date: **07 December 2005**

(30) Convention priority data:

(31) Number	(32) Date	(33) Country
2005-1674	24 Jan 2005	JAPAN

(56) Related Art Documents: **Not Applicable**

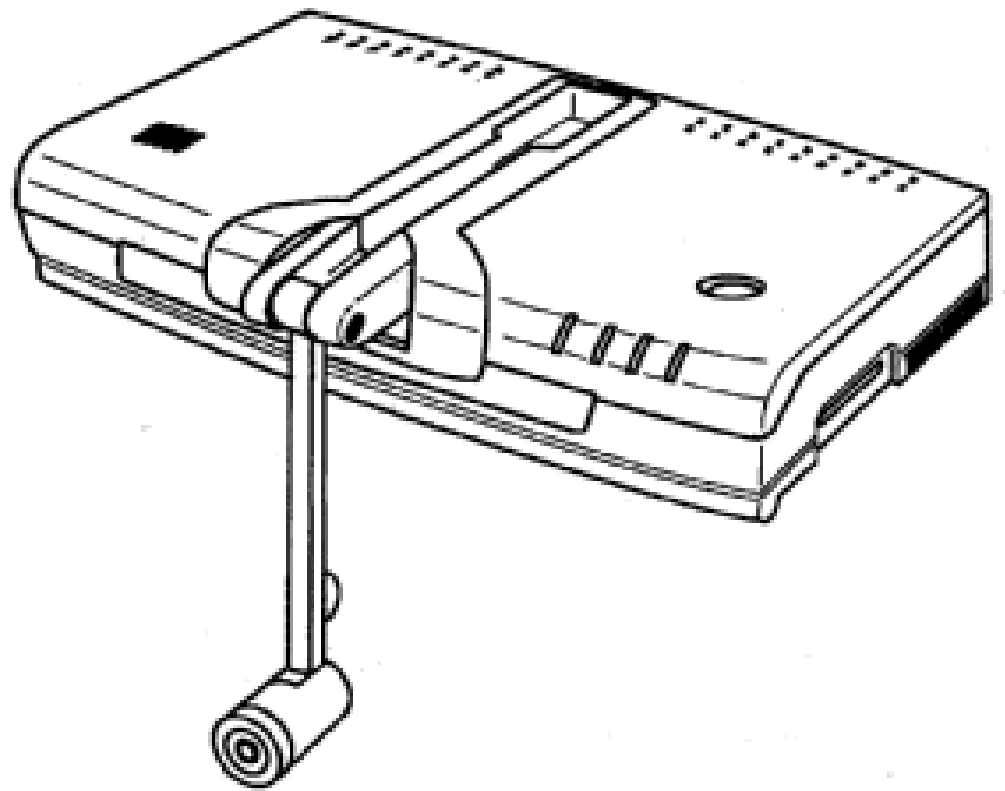
(57) Statement of Newness and Distinctiveness: **Each feature of the design considered separately or in combination with any other feature or features.**



- (21) Design Number: **12996/2005**
- (22) Date of Filing Application: **12 July 2005**
- (24) Date from which industrial property rights may have effect: **12 July 2005**
- (54) Product in respect of which the design is registered: **TV phone**
- (51) International Design Classification: **14-03E**
- (71) Name(s) and Address(s) of Applicant(s):

Ginganet Corporation
4-38 Minatomachi 1-chome Naniwa-ku Osaka-shi Osaka Japan

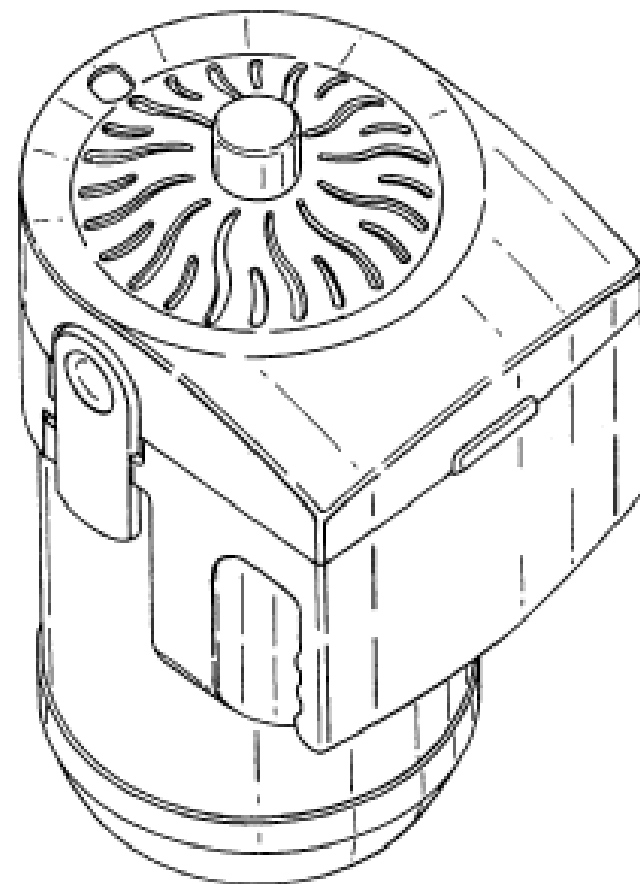
- (72) Name(s) of Designer(s): **Nozomu Sahashi**
- (45) Registration Date: **07 December 2005**
- (30) Convention priority data:
 - (31) Number (32) Date (33) Country
 - 2005-1673 24 Jan 2005 JAPAN**
- (56) Related Art Documents: **Not Applicable**
- (57) Statement of Newness and Distinctiveness: **Each feature of the design considered separately or in combination with any other feature or features.**



- (21) Design Number: **13306/2005**
- (22) Date of Filing Application: **03 August 2005**
- (24) Date from which industrial property rights may have effect: **03 August 2005**
- (54) Product in respect of which the design is registered: **A container**
- (51) International Design Classification: **23-02A**
- (71) Name(s) and Address(s) of Applicant(s):

Reckitt Benckiser N.V.
Kantoorgebouw de Appelaer De Fruittuinen 2-12 2132 NZ Hoofddorp
The Netherlands

- (72) Name(s) of Designer(s): **Guido Brandt**
- (45) Registration Date: **07 December 2005**
- (30) Convention priority data:
 - (31) Number (32) Date (33) Country
 - 000294855-0002 11 Feb 2005 EUROPEAN COMMUNITY**
- (56) Related Art Documents: **Not Applicable**
- (57) Statement of Newness and Distinctiveness: **Each feature of the design considered separately or in combination with any other feature or features.**



(21) Design Number: **13307/2005**

(22) Date of Filing Application: **03 August 2005**

(24) Date from which industrial property rights may have effect: **03 August 2005**

(54) Product in respect of which the design is registered: **A container**

(51) International Design Classification: **23-02A**

(71) Name(s) and Address(s) of Applicant(s):

Reckitt Benckiser N.V.
Kantoorgebouw de Appelaer De Fruittuinen 2-12 2132 NZ Hoofddorp
The Netherlands

(72) Name(s) of Designer(s): **Guido Brandt**

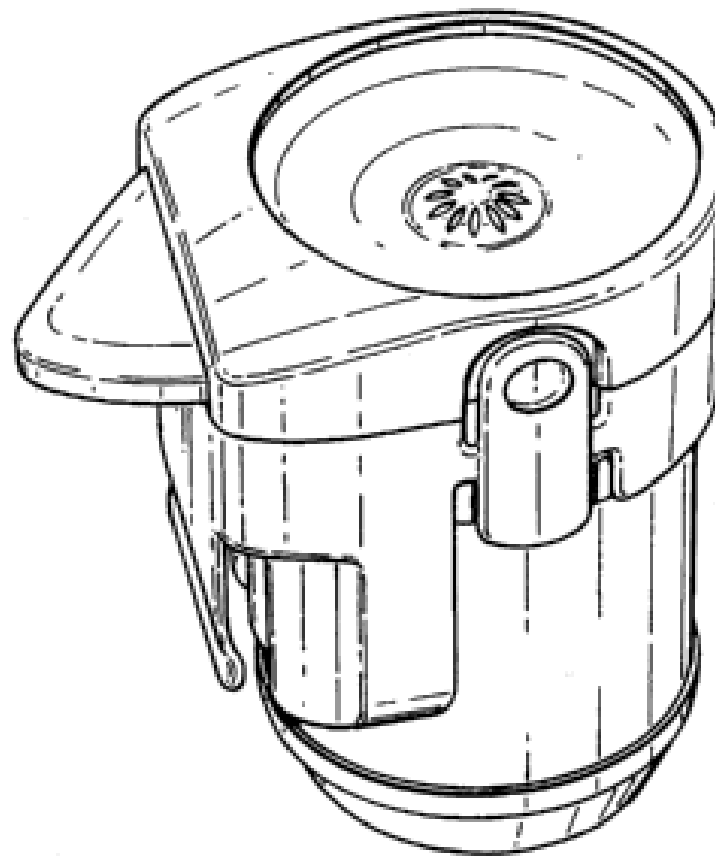
(45) Registration Date: **07 December 2005**

(30) Convention priority data:

(31) Number	(32) Date	(33) Country
000294855-0001	11 Feb 2005	EUROPEAN COMMUNITY

(56) Related Art Documents: **Not Applicable**

(57) Statement of Newness and Distinctiveness: **Each feature of the design considered separately or in combination with any other feature or features.**



(21) Design Number: **13418/2005**

(22) Date of Filing Application: **11 August 2005**

(24) Date from which industrial property rights may have effect: **11 August 2005**

(54) Product in respect of which the design is registered: **Barbeque with pivoting and slidable recessed door**

(51) International Design Classification: **07-02E**

(71) Name(s) and Address(s) of Applicant(s):

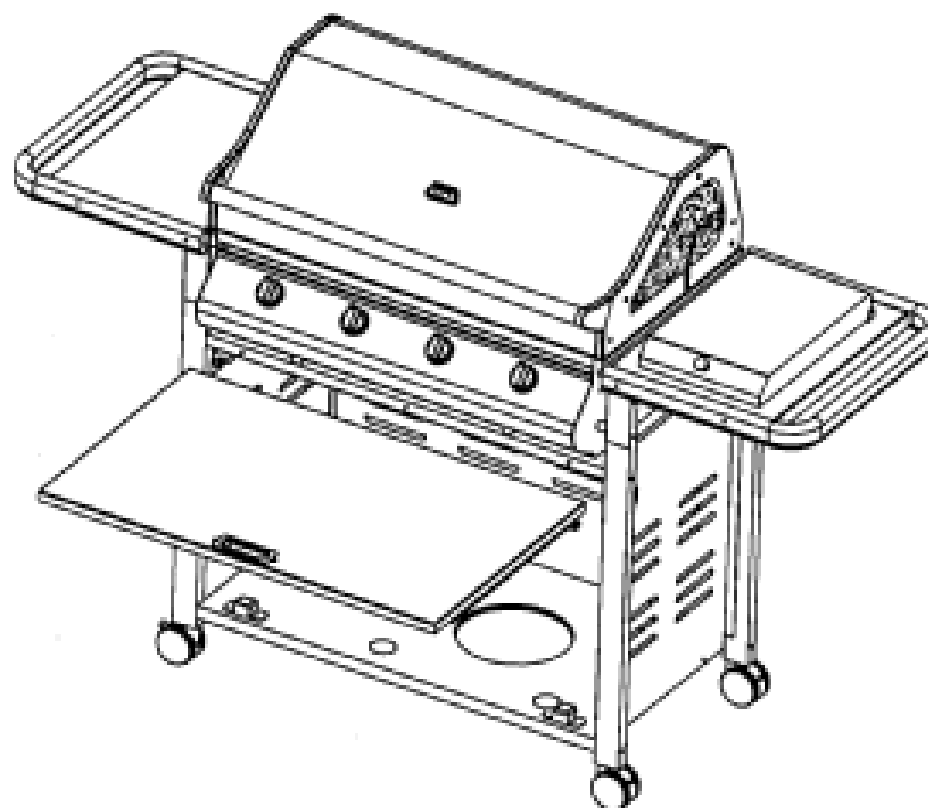
28 Newlands Road Holdings Pty Ltd
C/-Emmet & Co 51B Karnak Road Ashburton Victoria 3147 Australia

(72) Name(s) of Designer(s): **Gavin Hill**

(45) Registration Date: **07 December 2005**

(56) Related Art Documents: **Not Applicable**

(57) Statement of Newness and Distinctiveness: **Each feature of the design relating to the pivoting and slidable recessed door as shown in the accompanying representations.**



(21) Design Number: **13455/2005**

(22) Date of Filing Application: **11 August 2005**

(24) Date from which industrial property rights may have effect: **11 August 2005**

(54) Product in respect of which the design is registered: **Two sided door handle**

(51) International Design Classification: **08-06**

(71) Name(s) and Address(s) of Applicant(s):

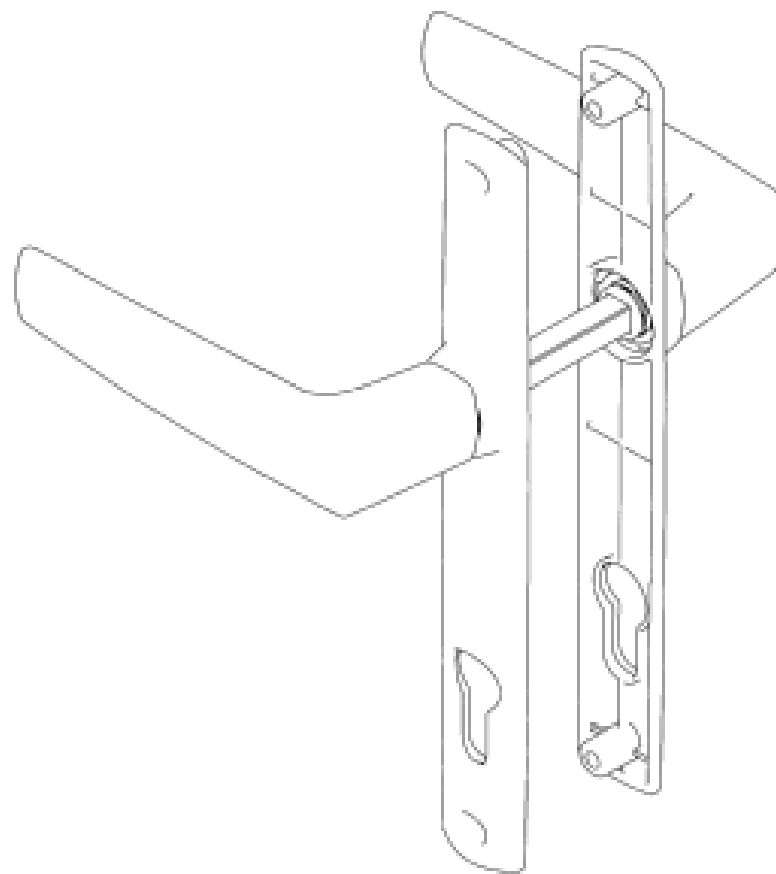
**Architectural Window Systems Pty Limited
76-78 Jemma Road Prestons New South Wales 2170 Australia**

(72) Name(s) of Designer(s): **Richard Zitzelsperger**

(45) Registration Date: **07 December 2005**

(56) Related Art Documents: **Not Applicable**

(57) Statement of Newness and Distinctiveness: **Newness and distinctiveness is claimed in the shape and/or configuration of a two sided door handle as illustrated by the unbroken lines in the accompanying representations.**



(21) Design Number: **13535/2005**

(22) Date of Filing Application: **17 August 2005**

(24) Date from which industrial property rights may have effect: **17 August 2005**

(54) Product in respect of which the design is registered: **Container**

(51) International Design Classification: **03-01D, 09-02B**

(71) Name(s) and Address(s) of Applicant(s):

**Robert Bosch GmbH
Postfach 30 02 20 D-70442 Stuttgart Germany**

(72) Name(s) of Designer(s): **Hans-Peter Aglassinger**

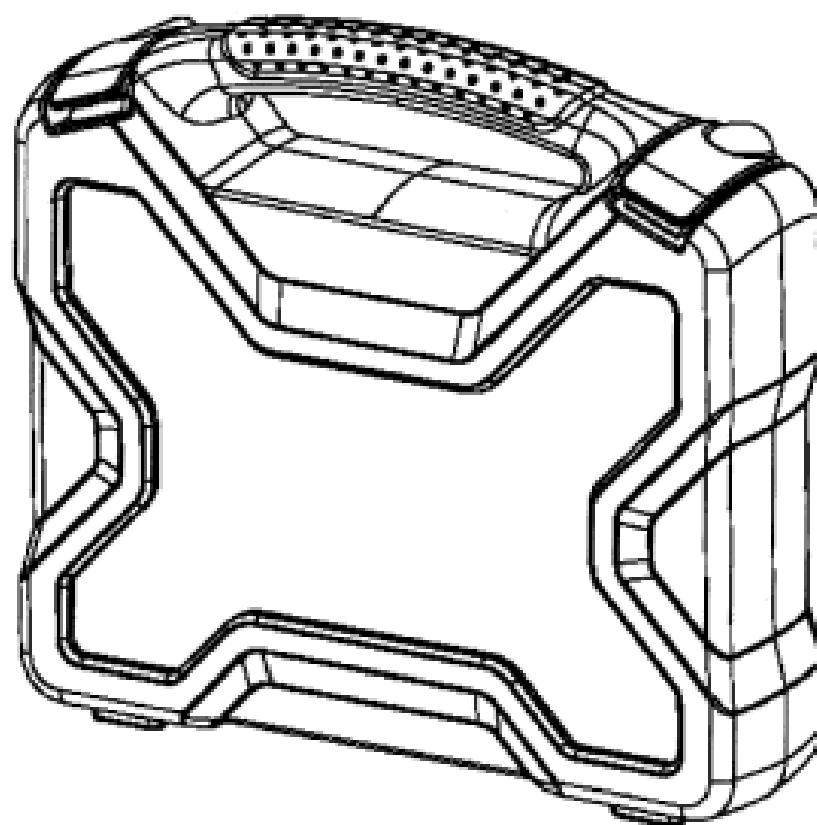
(45) Registration Date: **07 December 2005**

(30) Convention priority data:

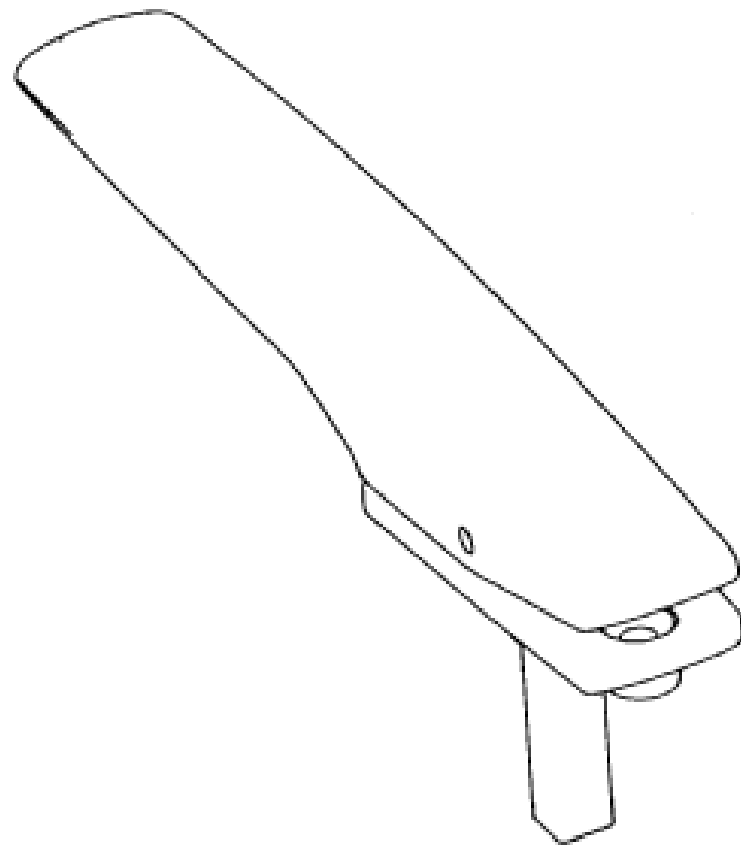
(31) Number	(32) Date	(33) Country
405 029 12.8	08 Jun 2005	GERMANY

(56) Related Art Documents: **Not Applicable**

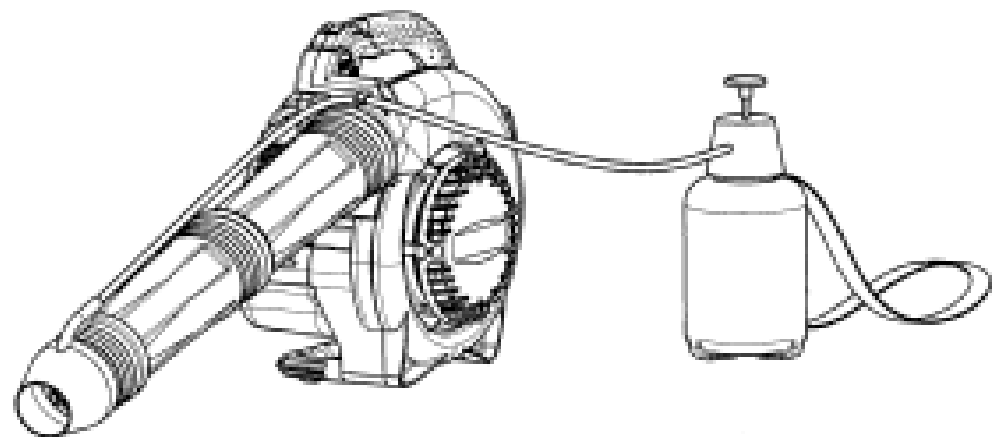
(57) Statement of Newness and Distinctiveness: **Nil**



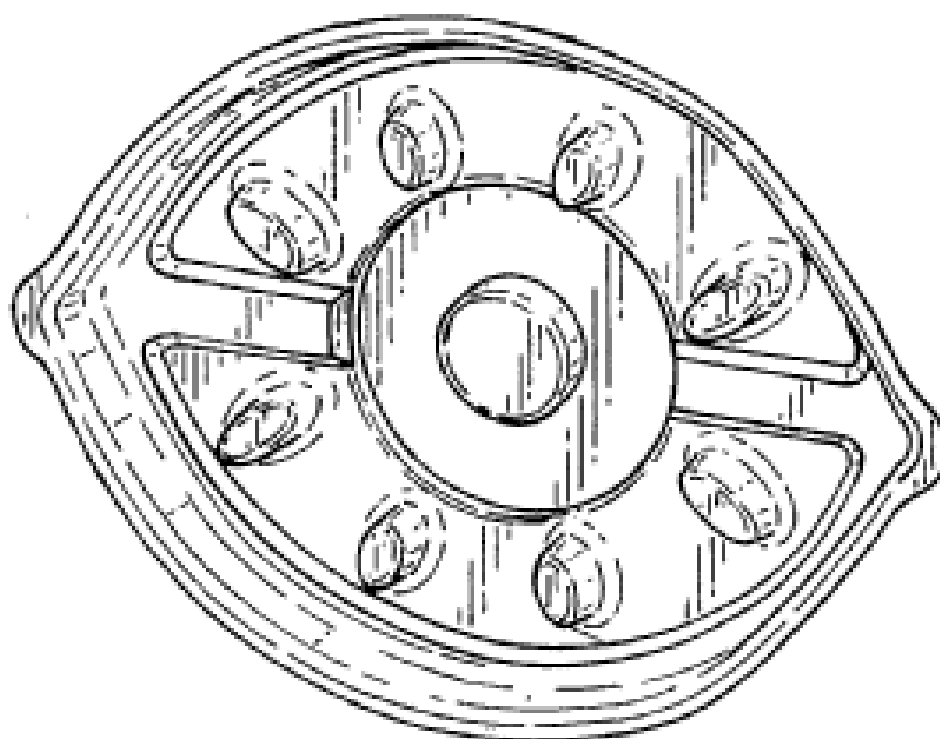
- (21) Design Number: **13552/2005**
(22) Date of Filing Application: **15 August 2005**
(24) Date from which industrial property rights may have effect: **15 August 2005**
(54) Product in respect of which the design is registered: **Single Sided Door Handle**
(51) International Design Classification: **08-06**
(71) Name(s) and Address(s) of Applicant(s):
Architectural Window Systems Pty Limited
76-78 Jemma Road Prestons New South Wales 2170 Australia
(72) Name(s) of Designer(s): **Richard Zitzelsperger**
(45) Registration Date: **07 December 2005**
(56) Related Art Documents: **Not Applicable**
(57) Statement of Newness and Distinctiveness: **Newness and distinctiveness is claimed in the shape and/or configuration of a single sided door handle as illustrated by the unbroken lines in the accompanying representation/s.**



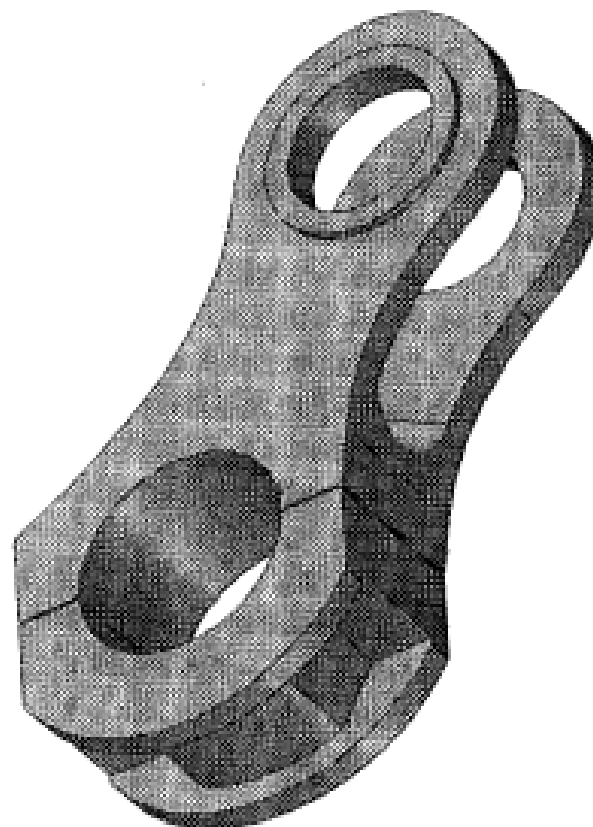
- (21) Design Number: **13567/2005**
(22) Date of Filing Application: **19 August 2005**
(24) Date from which industrial property rights may have effect: **19 August 2005**
(54) Product in respect of which the design is registered: **A hand held blower/mister**
(51) International Design Classification: **15-05**
(71) Name(s) and Address(s) of Applicant(s):
John Arthur Notaras
9 Fred Street Lilyfield New South Wales 2040 Australia
Angelo Lambrinos Notaras
9 Fred Street Lilyfield New South Wales 2040 Australia
(72) Name(s) of Designer(s): **John Arthur Notaras and Angelo Lambrinos Notaras**
(45) Registration Date: **07 December 2005**
(56) Related Art Documents: **Not Applicable**
(57) Statement of Newness and Distinctiveness: **Newness and distinctiveness is claimed in respect of the shape and/or configuration of the product illustrated in the accompanying representations.**



- (21) Design Number: **13629/2005**
(22) Date of Filing Application: **23 August 2005**
(24) Date from which industrial property rights may have effect: **23 August 2005**
(54) Product in respect of which the design is registered: **Air freshener device**
(51) International Design Classification: **28-99**
(71) Name(s) and Address(s) of Applicant(s):
Reckitt Benckiser (UK) Limited
103-105 Bath Road Slough Berkshire SL1 3UH United Kingdom
(72) Name(s) of Designer(s): **Bruno Buthier and Richard Paul Harbutt and Thomas Edward Herman**
(45) Registration Date: **07 December 2005**
(30) Convention priority data:
(31) Number (32) Date (33) Country
000305081-0001 04 Mar 2005 EUROPEAN COMMUNITY
(56) Related Art Documents: **Not Applicable**
(57) Statement of Newness and Distinctiveness: **Each feature of the design considered separately or in combination with any other feature or features.**



- (21) Design Number: **13705/2005**
(22) Date of Filing Application: **30 August 2005**
(24) Date from which industrial property rights may have effect: **30 August 2005**
(54) Product in respect of which the design is registered: **Connecting rod**
(51) International Design Classification: **15-01**
(71) Name(s) and Address(s) of Applicant(s):
Nikola Todorov Kolev
K-s "Chaika" bl. 11 ent.B app. 36 A Warna 9005 Bulgaria
(72) Name(s) of Designer(s): **Nikola Todorov Kolev**
(45) Registration Date: **07 December 2005**
(30) Convention priority data:
(31) Number (32) Date (33) Country
7873 15 Mar 2005 BULGARIA
(56) Related Art Documents: **Not Applicable**
(57) Statement of Newness and Distinctiveness: **Nil**



(21) Design Number: **13706/2005**
(22) Date of Filing Application: **30 August 2005**
(24) Date from which industrial property rights may have effect: **30 August 2005**
(54) Product in respect of which the design is registered: **Carrier**
(51) International Design Classification: **15-01**
(71) Name(s) and Address(s) of Applicant(s):

Nikola Todorov Kolev
K-s "Chaika" bl. 11 ent.B app. 36 A Warna 9005 Bulgaria

(72) Name(s) of Designer(s): **Nikola Todorov Kolev**

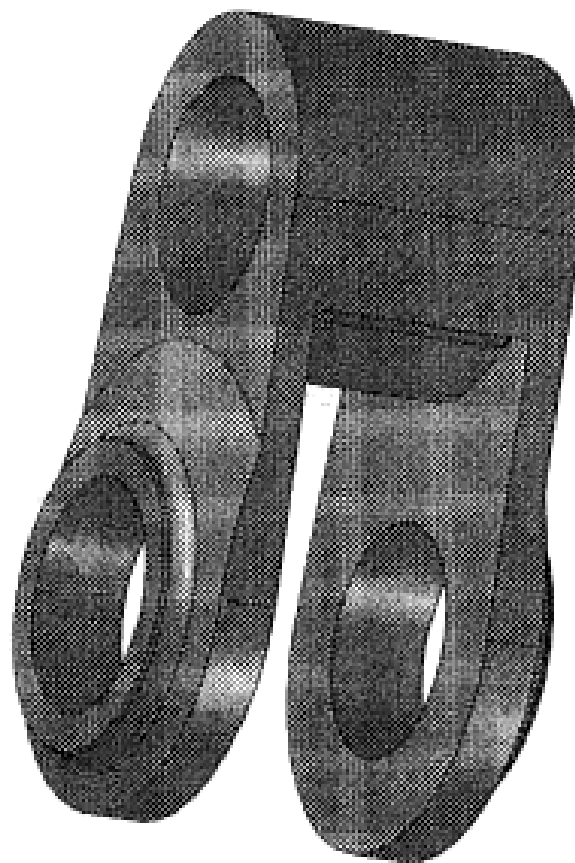
(45) Registration Date: **07 December 2005**

(30) Convention priority data:

(31) Number	(32) Date	(33) Country
7873	15 Mar 2005	BULGARIA

(56) Related Art Documents: **Not Applicable**

(57) Statement of Newness and Distinctiveness: **Nil**



(21) Design Number: **13707/2005**
(22) Date of Filing Application: **30 August 2005**
(24) Date from which industrial property rights may have effect: **30 August 2005**
(54) Product in respect of which the design is registered: **Rocker arm**
(51) International Design Classification: **15-01**
(71) Name(s) and Address(s) of Applicant(s):

Nikola Todorov Kolev
K-s "Chaika" bl. 11 ent.B app. 36 A Warna 9005 Bulgaria

(72) Name(s) of Designer(s): **Nikola Todorov Kolev**

(45) Registration Date: **07 December 2005**

(30) Convention priority data:

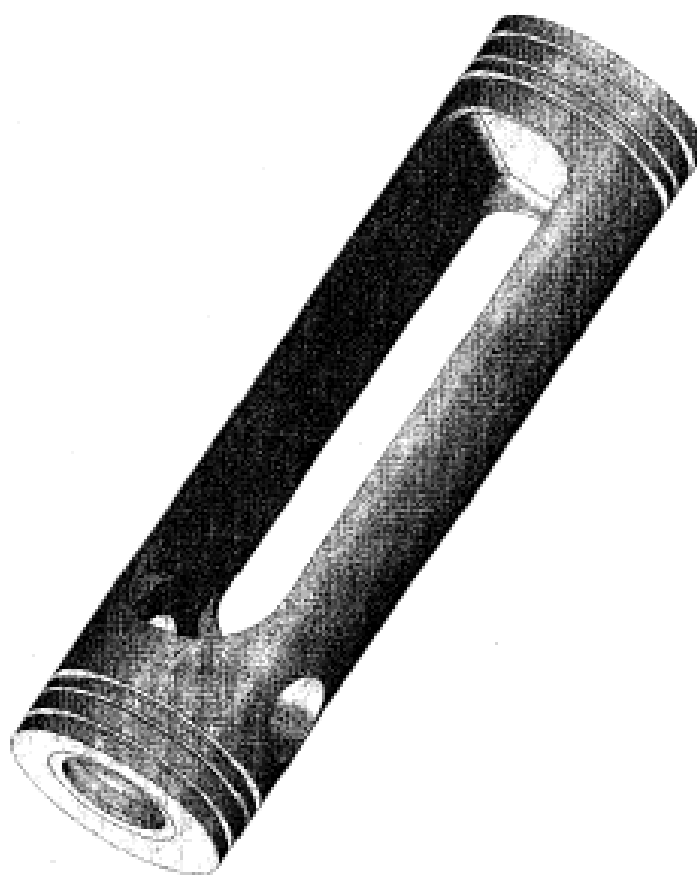
(31) Number	(32) Date	(33) Country
7873	15 Mar 2005	BULGARIA

(56) Related Art Documents: **Not Applicable**

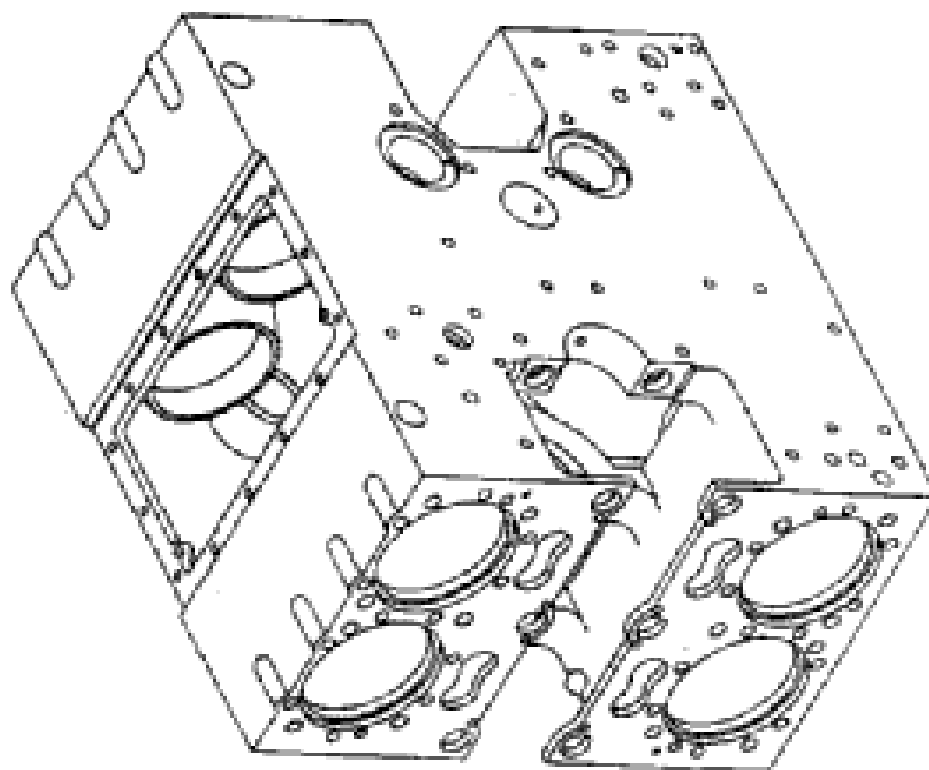
(57) Statement of Newness and Distinctiveness: **Nil**



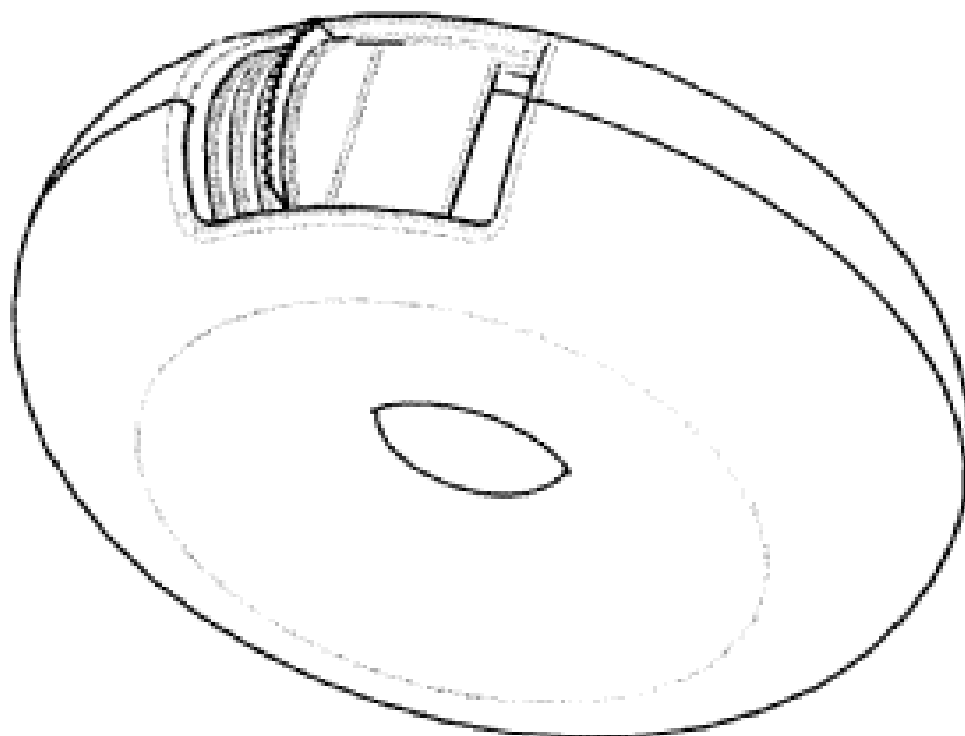
- (21) Design Number: **13708/2005**
(22) Date of Filing Application: **30 August 2005**
(24) Date from which industrial property rights may have effect: **30 August 2005**
(54) Product in respect of which the design is registered: **Piston**
(51) International Design Classification: **15-01**
(71) Name(s) and Address(s) of Applicant(s):
Nikola Todorov Kolev
K-s "Chaika" bl. 11 ent.B app. 36 A Warna 9005 Bulgaria
(72) Name(s) of Designer(s): **Nikola Todorov Kolev**
(45) Registration Date: **07 December 2005**
(30) Convention priority data:
(31) Number (32) Date (33) Country
7873 15 Mar 2005 BULGARIA
(56) Related Art Documents: **Not Applicable**
(57) Statement of Newness and Distinctiveness: **Nil**



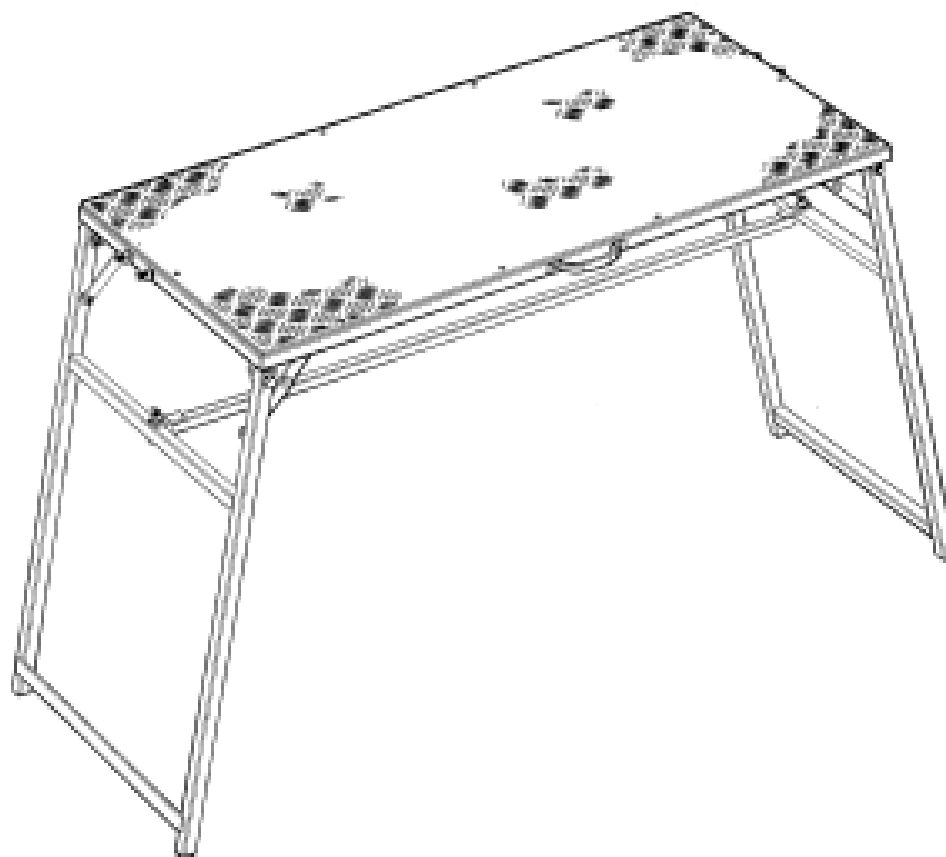
- (21) Design Number: **13709/2005**
(22) Date of Filing Application: **30 August 2005**
(24) Date from which industrial property rights may have effect: **30 August 2005**
(54) Product in respect of which the design is registered: **Cylinder block**
(51) International Design Classification: **15-01**
(71) Name(s) and Address(s) of Applicant(s):
Nikola Todorov Kolev
K-s "Chaika" bl. 11 ent.B app. 36 A Warna 9005 Bulgaria
(72) Name(s) of Designer(s): **Nikola Todorov Kolev**
(45) Registration Date: **07 December 2005**
(30) Convention priority data:
(31) Number (32) Date (33) Country
7873 15 Mar 2005 BULGARIA
(56) Related Art Documents: **Not Applicable**
(57) Statement of Newness and Distinctiveness: **Nil**



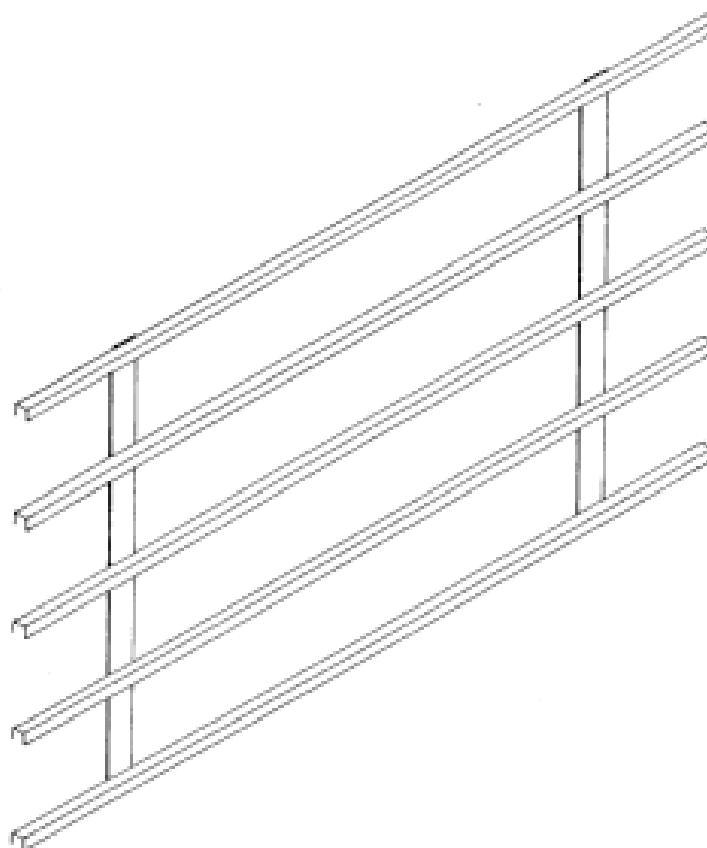
- (21) Design Number: **13819/2005**
(22) Date of Filing Application: **07 September 2005**
(24) Date from which industrial property rights may have effect: **07 September 2005**
(54) Product in respect of which the design is registered: **Tape dispenser**
(51) International Design Classification: **19-02**
(71) Name(s) and Address(s) of Applicant(s):
Dalton Packaging Pty Ltd
350 Edgar Street Bankstown New South Wales 2200 Australia
(72) Name(s) of Designer(s): **Malcolm J McKechnie and Hugo Davidson**
(45) Registration Date: **07 December 2005**
(56) Related Art Documents: **Not Applicable**
(57) Statement of Newness and Distinctiveness: **Newness and distinctiveness is claimed in the features of shape and configuration of a tape dispenser as illustrated in the accompanying representations.**



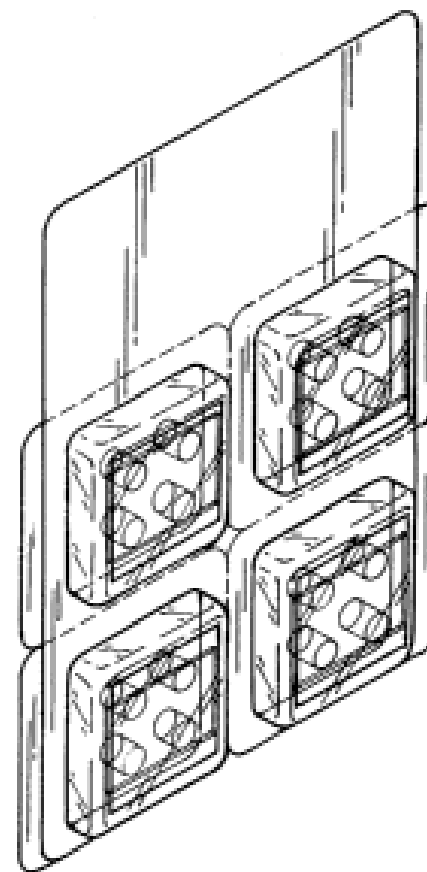
- (21) Design Number: **14396/2005**
(22) Date of Filing Application: **07 October 2005**
(24) Date from which industrial property rights may have effect: **07 October 2005**
(54) Product in respect of which the design is registered: **Foldable workbench**
(51) International Design Classification: **06-03C**
(71) Name(s) and Address(s) of Applicant(s):
Ray Veal
9 Wallace Street Maidstone Victoria 3012 Australia
(72) Name(s) of Designer(s): **Ray Veal**
(45) Registration Date: **07 December 2005**
(56) Related Art Documents: **Not Applicable**
(57) Statement of Newness and Distinctiveness: **Each feature of the design considered separately or in combination with any other feature or features, excluding the textured embossing applied to the top of the bench.**



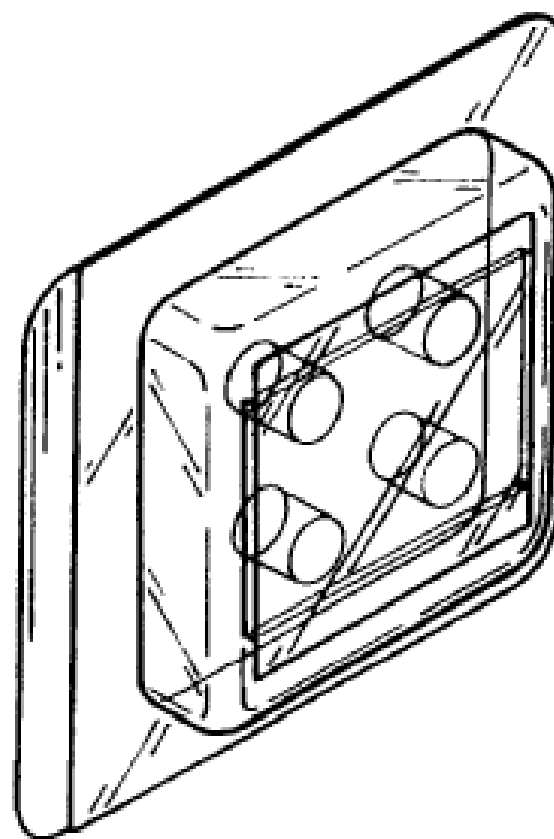
- (21) Design Number: **14610/2005**
(22) Date of Filing Application: **21 October 2005**
(24) Date from which industrial property rights may have effect: **21 October 2005**
(54) Product in respect of which the design is registered: **Unit for storing CDs, DVDs**
(51) International Design Classification: **06-04NES**
(71) Name(s) and Address(s) of Applicant(s):
Ashley Simon Hudson
45 Sunbird Chase Parrerra Queensland 4575 Australia
(72) Name(s) of Designer(s): **Ashley Simon Hudson**
(45) Registration Date: **07 December 2005**
(56) Related Art Documents: **Not Applicable**
(57) Statement of Newness and Distinctiveness: **It is a wall hanging storage unit, which shows the front covers of CD's and D.V.Ds.**



- (21) Design Number: **14882/2005**
(22) Date of Filing Application: **04 November 2005**
(24) Date from which industrial property rights may have effect: **04 November 2005**
(54) Product in respect of which the design is registered: **Blister pack containing air freshener devices**
(51) International Design Classification: **09-05, 28-99**
(71) Name(s) and Address(s) of Applicant(s):
Reckitt Benckiser (UK) Limited
103-105 Bath Road Slough Berkshire SL1 3UH United Kingdom
(72) Name(s) of Designer(s): **Simon Pugh**
(45) Registration Date: **07 December 2005**
(30) Convention priority data:
(31) Number (32) Date (33) Country
000338637-10 06 May 2005 EUROPEAN COMMUNITY
(56) Related Art Documents: **Not Applicable**
(57) Statement of Newness and Distinctiveness: **Each feature of the design considered separately or in combination with any other feature or features.**



(21) Design Number: **14883/2005**
(22) Date of Filing Application: **04 November 2005**
(24) Date from which industrial property rights may have effect: **04 November 2005**
(54) Product in respect of which the design is registered: **Air freshener device**
(51) International Design Classification: **09-05, 28-99**
(71) Name(s) and Address(s) of Applicant(s):
Reckitt Benckiser (UK) Limited
103-105 Bath Road Slough Berkshire SL1 3UH United Kingdom
(72) Name(s) of Designer(s): **Simon Pugh**
(45) Registration Date: **07 December 2005**
(30) Convention priority data:
(31) Number (32) Date (33) Country
000338629-10 06 May 2005 EUROPEAN COMMUNITY
(56) Related Art Documents: **Not Applicable**
(57) Statement of Newness and Distinctiveness: **Each feature of the design considered separately or in combination with any other feature or features.**



(21) Design Number: **11319/2005**
(22) Date of Filing Application: **31 March 2005**
(24) Date from which industrial property rights may have effect: **31 March 2005**
(54) Product in respect of which the design is registered: **A handbag**
(51) International Design Classification: **03-01B**
(71) Name(s) and Address(s) of Applicant(s):
Susan Yvonne Haynes
Unit 2/69 Gollan Drive Tweed Heads New South Wales 2485 Australia
(72) Name(s) of Designer(s): **Susan Haynes**
(45) Registration Date: **08 December 2005**
(56) Related Art Documents: **Not Applicable**
(57) Statement of Newness and Distinctiveness: **Nil**



(21) Design Number: **11561/2005**

(22) Date of Filing Application: **18 April 2005**

(24) Date from which industrial property rights may have effect: **18 April 2005**

(54) Product in respect of which the design is registered: **Chair**

(51) International Design Classification: **06-01F**

(71) Name(s) and Address(s) of Applicant(s):

**Dauphin Entwicklungs-und Beteiligungs GmbH
Industriestrasse 11 D-91217 Hersbruck Germany**

(72) Name(s) of Designer(s): **Elke Dauphin**

(45) Registration Date: **08 December 2005**

(30) Convention priority data:

(31) Number	(32) Date	(33) Country
404 05 986.4	18 Oct 2004	GERMANY

(56) Related Art Documents: **Not Applicable**

(57) Statement of Newness and Distinctiveness: **Those features of the chair depicted in the representations that are new and distinctive are the shape and/or configuration. The features of the bottom of the chair do not form part of the design and should be disregarded when considering the overall impression of the design.**



(21) Design Number: **11567/2005**

(22) Date of Filing Application: **18 April 2005**

(24) Date from which industrial property rights may have effect: **18 April 2005**

(54) Product in respect of which the design is registered: **Chair**

(51) International Design Classification: **06-01F**

(71) Name(s) and Address(s) of Applicant(s):

**Dauphin Entwicklungs-und Beteiligungs GmbH
Industriestrasse 11 D-91217 Hersbruck Germany**

(72) Name(s) of Designer(s): **Elke Dauphin**

(45) Registration Date: **08 December 2005**

(30) Convention priority data:

(31) Number	(32) Date	(33) Country
404 05 986.4	18 Oct 2004	GERMANY

(56) Related Art Documents: **Not Applicable**

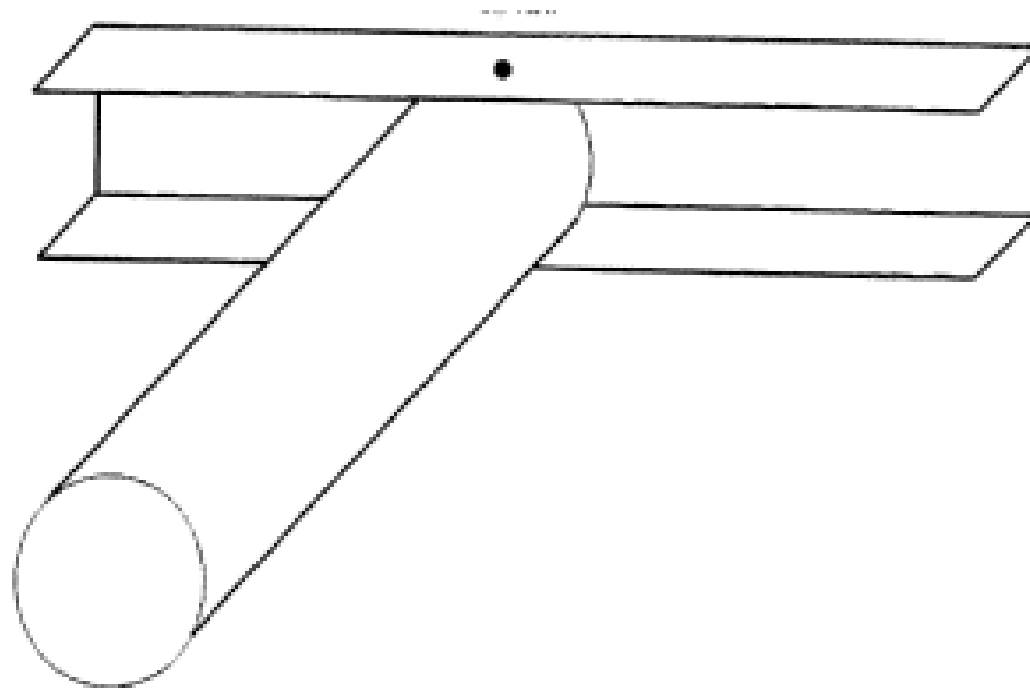
(57) Statement of Newness and Distinctiveness: **Those features of the chair depicted in the representations that are new and distinctive are the shape and/or configuration. The features of the bottom of the chair do not form part of the design and should be disregarded when considering the overall impression of the design.**



- (21) Design Number: **11568/2005**
(22) Date of Filing Application: **18 April 2005**
(24) Date from which industrial property rights may have effect: **18 April 2005**
(54) Product in respect of which the design is registered: **Chair**
(51) International Design Classification: **06-01F**
(71) Name(s) and Address(s) of Applicant(s):
Dauphin Entwicklungs-und Beteiligungs GmbH
Industriestrasse 11 D-91217 Hersbruck Germany
(72) Name(s) of Designer(s): **Elke Dauphin**
(45) Registration Date: **08 December 2005**
(30) Convention priority data:
(31) Number (32) Date (33) Country
404 05 986.4 18 Oct 2004 GERMANY
(56) Related Art Documents: **Not Applicable**
(57) Statement of Newness and Distinctiveness: **Those visual features of chair depicted in the representations that are new and distinctive are the shape and/or configuration. The features of the bottom of the chair do not form part of the design and should be disregarded when considering the overall impression of the design**



- (21) Design Number: **11851/2005**
(22) Date of Filing Application: **04 May 2005**
(24) Date from which industrial property rights may have effect: **04 May 2005**
(54) Product in respect of which the design is registered: **Poolcover Lock**
(51) International Design Classification: **08-08NES**
(71) Name(s) and Address(s) of Applicant(s):
Mason Taylor
6 Apsley Road Willetton Western Australia 6155 Australia
(72) Name(s) of Designer(s): **Mason Taylor**
(45) Registration Date: **08 December 2005**
(56) Related Art Documents: **Not Applicable**
(57) Statement of Newness and Distinctiveness: **'T' shaped with a degree of movement at the joint in the connecting part of the 'T' so as to allow a lateral, horizontal, locked position. This intension is designed to stop a poolcover wind movement.**



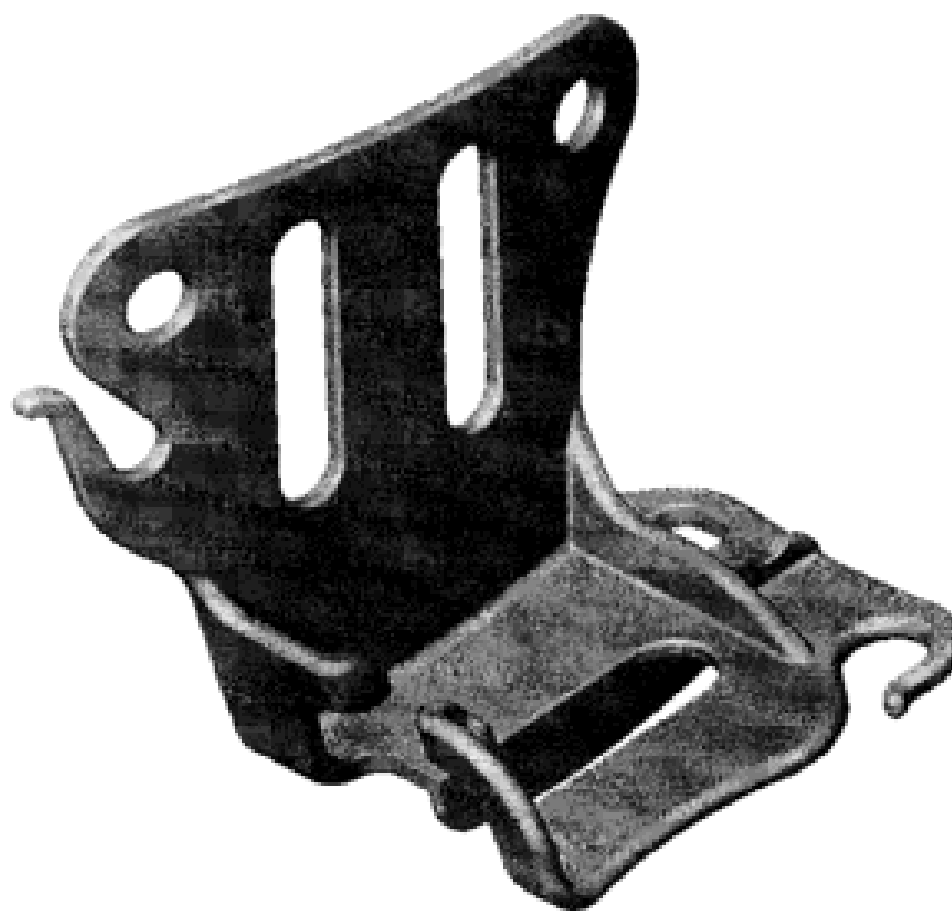
- (21) Design Number: **12577/2005**
(22) Date of Filing Application: **17 June 2005**
(24) Date from which industrial property rights may have effect: **17 June 2005**
(54) Product in respect of which the design is registered: **Indoor/outdoor tool handle (for mops, brooms, rakes and tools alike)**
(51) International Design Classification: **04-01**
(71) Name(s) and Address(s) of Applicant(s):
Stephen Russell
3 Legon Road Oakleigh South Victoria 3167 Australia
(72) Name(s) of Designer(s): **Stephen Russell**
(45) Registration Date: **08 December 2005**
(56) Related Art Documents: **Not Applicable**
(57) Statement of Newness and Distinctiveness: **The distinctiveness of this design are the many curves through the tool handle.**



- (21) Design Number: **12186/2005**
(22) Date of Filing Application: **16 May 2005**
(24) Date from which industrial property rights may have effect: **16 May 2005**
(54) Product in respect of which the design is registered: **Utility holder for butchers implements**
(51) International Design Classification: **03-01D**
(71) Name(s) and Address(s) of Applicant(s):
Lance Sidney Makowharemahihi
2240 Waimarama Road Waimarama Hawkes Bay New Zealand
(72) Name(s) of Designer(s): **Lance Sidney Makowharemahihi**
(45) Registration Date: **08 December 2005**
(30) Convention priority data:

(31) Number	(32) Date	(33) Country
405527	16 Nov 2004	NEW ZEALAND

(56) Related Art Documents: **Not Applicable**
(57) Statement of Newness and Distinctiveness: **Newness and distinctiveness is claimed in the feature of shape and configuration of a utility holder for butchers implements as illustrated in the representations accompanying the application.**



(21) Design Number: **12332/2005**

(22) Date of Filing Application: **27 May 2005**

(24) Date from which industrial property rights may have effect: **27 May 2005**

(54) Product in respect of which the design is registered: **Drainage Pannel**

(51) International Design Classification: **23-01E, 99-00**

(71) Name(s) and Address(s) of Applicant(s):

Alan Sian Ghee Lee

15 Joan Road Singapore 298899 Singapore

(72) Name(s) of Designer(s): **Alan Sian Ghee Lee and David Oliver**

(45) Registration Date: **08 December 2005**

(56) Related Art Documents: **Not Applicable**

(57) Statement of Newness and Distinctiveness: **The shape and configuration of the drainage panel as shown in the representations.**



(21) Design Number: **12354/2005**

(22) Date of Filing Application: **31 May 2005**

(24) Date from which industrial property rights may have effect: **31 May 2005**

(54) Product in respect of which the design is registered: **Cooler**

(51) International Design Classification: **07-07A**

(71) Name(s) and Address(s) of Applicant(s):

Willow Ware Australia Pty Ltd

60 Annandale Road Melbourne Airport Victoria 3045 Australia

(72) Name(s) of Designer(s): **Simon Kooymans**

(45) Registration Date: **08 December 2005**

(56) Related Art Documents: **Not Applicable**

(57) Statement of Newness and Distinctiveness: **Each feature of the design considered separately or in combination with any other feature or features.**



(21) Design Number: **12999/2005**
(22) Date of Filing Application: **12 July 2005**
(24) Date from which industrial property rights may have effect: **12 July 2005**
(54) Product in respect of which the design is registered: **Arm chair**
(51) International Design Classification: **06-01G**
(71) Name(s) and Address(s) of Applicant(s):
Araik Arakelian
47 Wellington Street Rozelle New South Wales 2039 Australia
(72) Name(s) of Designer(s): **Araik Arakelian**
(45) Registration Date: **08 December 2005**
(56) Related Art Documents: **Not Applicable**
(57) Statement of Newness and Distinctiveness: **Nil**



(21) Design Number: **13092/2005**
(22) Date of Filing Application: **20 July 2005**
(24) Date from which industrial property rights may have effect: **20 July 2005**
(54) Product in respect of which the design is registered: **Reversable handle jogger**
(51) International Design Classification: **12-12**
(71) Name(s) and Address(s) of Applicant(s):
Love N Care Pty Ltd
297 Canterbury Road Revesby NSW 2212
(72) Name(s) of Designer(s): **Terry Elcheikh**
(45) Registration Date: **08 December 2005**
(56) Related Art Documents: **Not Applicable**
(57) Statement of Newness and Distinctiveness: **Nil**



- (21) Design Number: **13243/2005**
(22) Date of Filing Application: **29 July 2005**
(24) Date from which industrial property rights may have effect: **29 July 2005**
(54) Product in respect of which the design is registered: **A belt**
(51) International Design Classification: **02-07A**
(71) Name(s) and Address(s) of Applicant(s):
Wade Dion Hodge
1 Leah Close Buderim Queensland 4556 Australia
(72) Name(s) of Designer(s): **Wade Dion Hodge**
(45) Registration Date: **08 December 2005**
(56) Related Art Documents: **Not Applicable**
(57) Statement of Newness and Distinctiveness: **Newness and distinctiveness of the belt resides in the shape and configuration of the pockets/pouches of the belt shown in the representations.**



- (21) Design Number: **13640/2005**
(22) Date of Filing Application: **24 August 2005**
(24) Date from which industrial property rights may have effect: **24 August 2005**
(54) Product in respect of which the design is registered: **Container**
(51) International Design Classification: **09-01C**
(71) Name(s) and Address(s) of Applicant(s):
Reckitt Benckiser Inc.
Morris Corporate Center IV 399 Interpace Parkway Parsippany New Jersey 07054 United States of America
(72) Name(s) of Designer(s): **Christopher Dumont and Steven Frederick Kelsey**
(45) Registration Date: **08 December 2005**
(30) Convention priority data:
(31) Number (32) Date (33) Country
000301437-0001 25 Feb 2005 EUROPEAN COMMUNITY
(56) Related Art Documents: **Not Applicable**
(57) Statement of Newness and Distinctiveness: **Each feature of the design considered separately or in combination with any other feature or features.**



- (21) Design Number: **13641/2005**
(22) Date of Filing Application: **24 August 2005**
(24) Date from which industrial property rights may have effect: **24 August 2005**
(54) Product in respect of which the design is registered: **Bottle**
(51) International Design Classification: **09-01K**
(71) Name(s) and Address(s) of Applicant(s):
Reckitt Benckiser Inc.
Morris Corporate Center IV 399 Interpace Parkway Parsippany New Jersey 07054 United States of America
(72) Name(s) of Designer(s): **Christopher Dumont and Steven Frederick Kelsey**
(45) Registration Date: **08 December 2005**
(30) Convention priority data:
(31) Number (32) Date (33) Country
000301437-0002 25 Feb 2005 EUROPEAN COMMUNITY
(56) Related Art Documents: **Not Applicable**
(57) Statement of Newness and Distinctiveness: **Each feature of the design considered separately or in combination with any other feature or features.**



- (21) Design Number: **13642/2005**
(22) Date of Filing Application: **24 August 2005**
(24) Date from which industrial property rights may have effect: **24 August 2005**
(54) Product in respect of which the design is registered: **Trigger bottle**
(51) International Design Classification: **09-01A**
(71) Name(s) and Address(s) of Applicant(s):
Reckitt Benckiser Inc.
Morris Corporate Center IV 399 Interpace Parkway Parsippany New Jersey 07054 United States of America
(72) Name(s) of Designer(s): **Christopher Dumont and Steven Frederick Kelsey**
(45) Registration Date: **08 December 2005**
(30) Convention priority data:
(31) Number (32) Date (33) Country
000301437-0003 25 Feb 2005 EUROPEAN COMMUNITY
(56) Related Art Documents: **Not Applicable**
(57) Statement of Newness and Distinctiveness: **Each feature of the design considered separately or in combination with any other feature or features.**

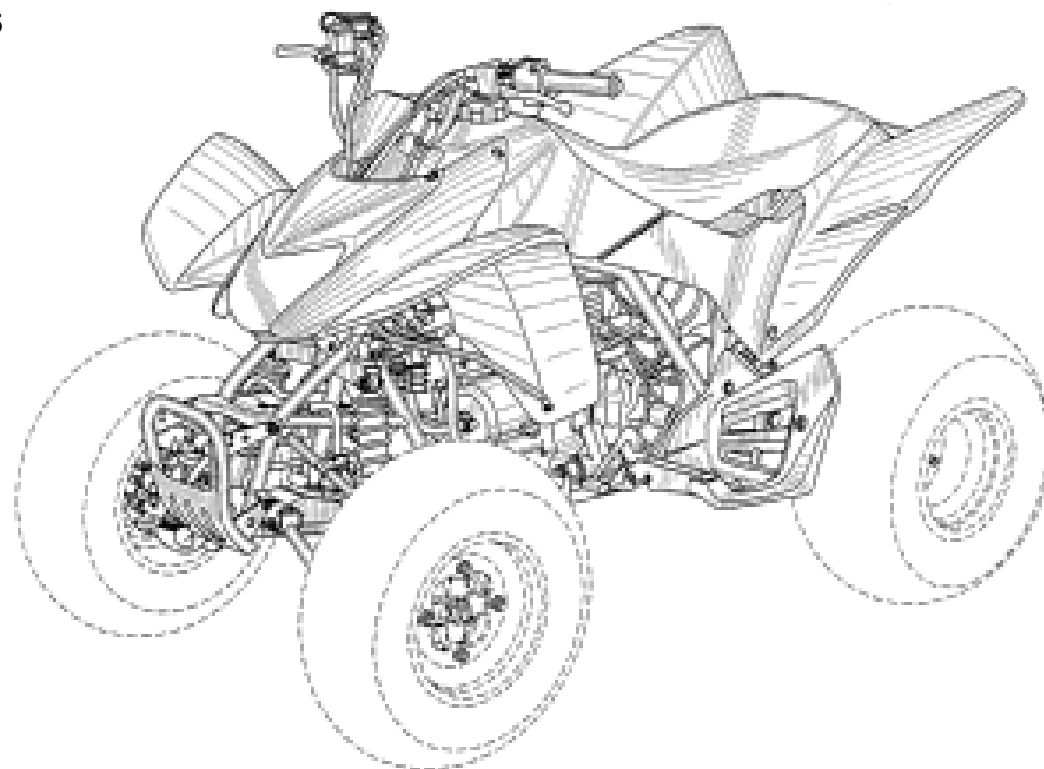


- (21) Design Number: **13753/2005**
- (22) Date of Filing Application: **02 September 2005**
- (24) Date from which industrial property rights may have effect: **02 September 2005**
- (54) Product in respect of which the design is registered: **Hitchmate motor vehicle cargo carrier**
- (51) International Design Classification: **12-16K**
- (71) Name(s) and Address(s) of Applicant(s):
Robert F. Schlegel
5 Booral Street Buderim Queensland 4556 Australia
- (72) Name(s) of Designer(s): **Robert F. Schlegel**
- (45) Registration Date: **08 December 2005**
- (56) Related Art Documents: **Not Applicable**
- (57) Statement of Newness and Distinctiveness: **Design of cargo carrier that can be elevated for various reasons that allows the ability to maintain RTA 60% wheelbase stipulation. Design depicted in photos is the attachment attached to the existing towbar.**



- (21) Design Number: **13890/2005**
- (22) Date of Filing Application: **09 September 2005**
- (24) Date from which industrial property rights may have effect: **09 September 2005**
- (54) Product in respect of which the design is registered: **All terrain vehicle**
- (51) International Design Classification: **12-13**
- (71) Name(s) and Address(s) of Applicant(s):
Honda Motor Co., Ltd
No. 1-1 Minami-Aoyama 2 chome Minato-ku Tokyo Japan
- (72) Name(s) of Designer(s): **Damien B. Basset and Hideaki Yamazumi and Asao Itaya and Camas Reed and Rodney Frijas and Darin King and Stephen Hlopick and Michael Peterson and Michio Nakamura and Eric Stevens and Yoshihito Tokuda and Anthony Peter Mascadri**
- (45) Registration Date: **08 December 2005**
- (30) Convention priority data:

(31) Number	(32) Date	(33) Country
29/226,844	01 Apr 2005	UNITED STATES OF AMERICA
- (56) Related Art Documents: **Not Applicable**
- (57) Statement of Newness and Distinctiveness: **Nil**



(21) Design Number: **14633/2005**
(22) Date of Filing Application: **24 October 2005**
(24) Date from which industrial property rights may have effect: **24 October 2005**
(54) Product in respect of which the design is registered: **Office stapler**
(51) International Design Classification: **19-02**
(71) Name(s) and Address(s) of Applicant(s):
Esselte Leitz GmbH & Co KG
Siemensstrasse 64 Stuttgart D-70469 Germany
(72) Name(s) of Designer(s): **Birgit Eckhardt**
(45) Registration Date: **08 December 2005**
(30) Convention priority data:
(31) Number (32) Date (33) Country
000351986 08 Jun 2005 EUROPEAN COMMUNITY
(56) Related Art Documents: **Not Applicable**
(57) Statement of Newness and Distinctiveness: **Nil**



(21) Design Number: **14634/2005**
(22) Date of Filing Application: **24 October 2005**
(24) Date from which industrial property rights may have effect: **24 October 2005**
(54) Product in respect of which the design is registered: **Office punch**
(51) International Design Classification: **19-02**
(71) Name(s) and Address(s) of Applicant(s):
Esselte Leitz GmbH & Co KG
Siemensstrasse 64 Stuttgart D-70469 Germany
(72) Name(s) of Designer(s): **Birgit Eckhardt**
(45) Registration Date: **08 December 2005**
(30) Convention priority data:
(31) Number (32) Date (33) Country
000351986 08 Jun 2005 EUROPEAN COMMUNITY
(56) Related Art Documents: **Not Applicable**
(57) Statement of Newness and Distinctiveness: **Nil**



(21) Design Number: **14665/2005**

(22) Date of Filing Application: **24 October 2005**

(24) Date from which industrial property rights may have effect: **24 October 2005**

(54) Product in respect of which the design is registered: **Bottle**

(51) International Design Classification: **09-01NES**

(71) Name(s) and Address(s) of Applicant(s):

Reckitt Benckiser N.V.
Kantoorgebouw de Appelaer De Fruittuinen 2-12 2132 NZ Hoofddorp
The Netherlands

(72) Name(s) of Designer(s): **Karl-Ludwig Gibis and Elizabeth Goodwin and**
Chris Efstathios Housmekerides and Richard Simkin

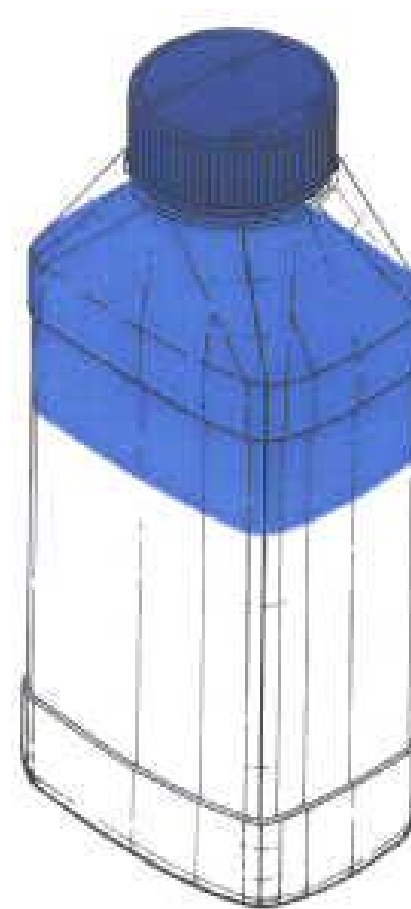
(45) Registration Date: **08 December 2005**

(30) Convention priority data:

(31) Number	(32) Date	(33) Country
000333802	25 Apr 2005	EUROPEAN COMMUNITY

(56) Related Art Documents: **Not Applicable**

(57) Statement of Newness and Distinctiveness: **The feature of the coloured band considered in combination with the shape and configuration of the bottle.**



(21) Design Number: **14551/2005**

(22) Date of Filing Application: **18 October 2005**

(24) Date from which industrial property rights may have effect: **18 October 2005**

(54) Product in respect of which the design is registered: **Vehicle Storage Divider**

(51) International Design Classification: **12-16NES**

(71) Name(s) and Address(s) of Applicant(s):

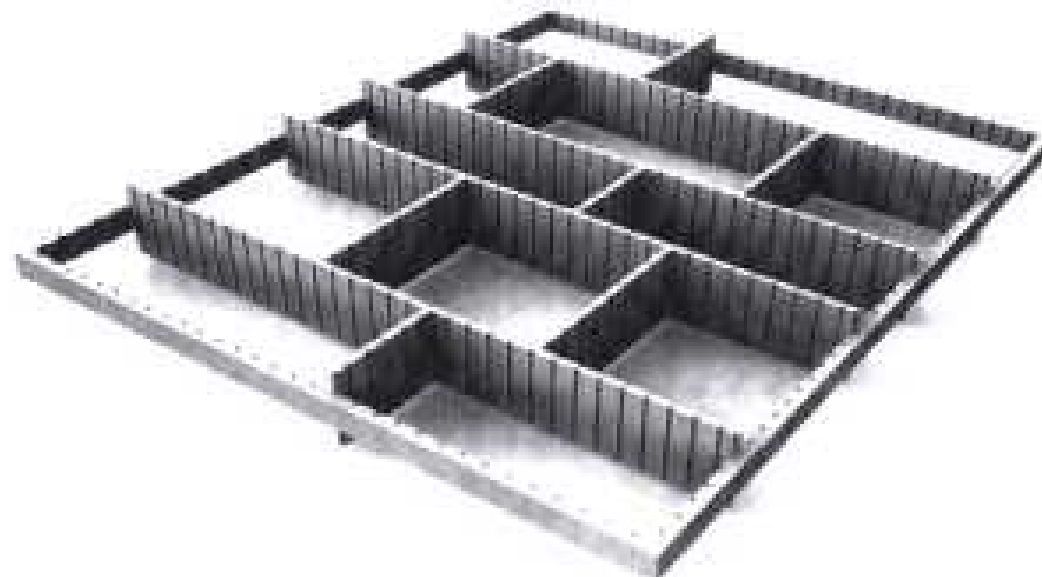
Peter Kyvelos
Unit 5/25 Taylor Avenue Reservoir Victoria 3073 Australia

(72) Name(s) of Designer(s): **Peter Kyvelos**

(45) Registration Date: **08 December 2005**

(56) Related Art Documents: **Not Applicable**

(57) Statement of Newness and Distinctiveness: **Nil**



(21) Design Number: **14740/2004**
(22) Date of Filing Application: **07 October 2004**
(24) Date from which industrial property rights may have effect: **07 October 2004**
(54) Product in respect of which the design is registered: **Beverage can**
(51) International Design Classification: **09-03L**
(71) Name(s) and Address(s) of Applicant(s):
DyDo Drinco Kabushiki Kaisha
Sanei Bldg. 10F 1-2-4 Nishishinsaibashi Chuo-ku Osaka 542-086
Japan
(72) Name(s) of Designer(s): **Yutaka Takahashi**
(45) Registration Date: **13 December 2005**
(30) Convention priority data:
(31) Number (32) Date (33) Country
93304120 13 Jul 2004 TAIWAN
(56) Related Art Documents: **Not Applicable**
(57) Statement of Newness and Distinctiveness: **Nil**



(21) Design Number: **15241/2004**
(22) Date of Filing Application: **12 November 2004**
(24) Date from which industrial property rights may have effect: **12 November 2004**
(54) Product in respect of which the design is registered: **Dining table; sideboard; coffee table; bed with bedsid**
(51) International Design Classification: **06-02, 06-03A, 06-04D**
(71) Name(s) and Address(s) of Applicant(s):
Jah-Roc Nominees Pty Ltd
83 Bussell Highway Margaret River Western Australia 6285 Australia
(72) Name(s) of Designer(s): **Gary Bennett and Ian Bailey**
(45) Registration Date: **13 December 2005**
(56) Related Art Documents: **Not Applicable**
(57) Statement of Newness and Distinctiveness: **The newness and distinctiveness of the design resides in the feature edge as applied to each of the above-identified products.**



(21) Design Number: **10047/2005**

(22) Date of Filing Application: **07 January 2005**

(24) Date from which industrial property rights may have effect: **07 January 2005**

(54) Product in respect of which the design is registered: **Motor Vehicle Wheel**

(51) International Design Classification: **12-16A**

(71) Name(s) and Address(s) of Applicant(s):

**Top One Wheels and Tyres Pty Ltd
PO Box 730 Kensington New South Wales 2033 Australia**

(72) Name(s) of Designer(s): **Tong Siu Kau**

(45) Registration Date: **13 December 2005**

(56) Related Art Documents: **Not Applicable**

(57) Statement of Newness and Distinctiveness: **Nil**



(21) Design Number: **10048/2005**

(22) Date of Filing Application: **07 January 2005**

(24) Date from which industrial property rights may have effect: **07 January 2005**

(54) Product in respect of which the design is registered: **Motor Vehicle Wheel**

(51) International Design Classification: **12-16A**

(71) Name(s) and Address(s) of Applicant(s):

**Top One Wheels and Tyres Pty Ltd
PO Box 730 Kensington New South Wales 2033 Australia**

(72) Name(s) of Designer(s): **Siu Kau Tong**

(45) Registration Date: **13 December 2005**

(56) Related Art Documents: **Not Applicable**

(57) Statement of Newness and Distinctiveness: **Nil**



- (21) Design Number: **10193/2005**
- (22) Date of Filing Application: **19 January 2005**
- (24) Date from which industrial property rights may have effect: **19 January 2005**
- (54) Product in respect of which the design is registered: **Multifunctional hand tool for irrigation and the garden**
- (51) International Design Classification: **23-01D**
- (71) Name(s) and Address(s) of Applicant(s):
Mordechai Eldar
12 Odem Street Neve Saviyon 60406 Or Yehuda Israel
- (72) Name(s) of Designer(s): **Mordechai Eldar**
- (45) Registration Date: **13 December 2005**
- (56) Related Art Documents: **Not Applicable**
- (57) Statement of Newness and Distinctiveness: **Nil**



- (21) Design Number: **10817/2005**
- (22) Date of Filing Application: **01 March 2005**
- (24) Date from which industrial property rights may have effect: **01 March 2005**
- (54) Product in respect of which the design is registered: **Disposal unit for cigarette butt**
- (51) International Design Classification: **09-09, 27-03**
- (71) Name(s) and Address(s) of Applicant(s):
Australian Abalone Exports Pty Ltd
18-20 Plummer Road Laverton North Victoria 3026 Australia
- (72) Name(s) of Designer(s): **Fred Glasbrenner and James Proebstl**
- (45) Registration Date: **13 December 2005**
- (56) Related Art Documents: **Not Applicable**
- (57) Statement of Newness and Distinctiveness: **Nil**



(21) Design Number: **10939/2005**

(22) Date of Filing Application: **10 March 2005**

(24) Date from which industrial property rights may have effect: **10 March 2005**

(54) Product in respect of which the design is registered: **Nappy cover**

(51) International Design Classification: **02-01B**

(71) Name(s) and Address(s) of Applicant(s):

Shona Martin

55 Manly Crescent Warnbro Western Australia 6169 Australia

(72) Name(s) of Designer(s): **Shona Martin**

(45) Registration Date: **13 December 2005**

(56) Related Art Documents: **Not Applicable**

(57) Statement of Newness and Distinctiveness: **The nappy cover has a water proof gussett.**



(21) Design Number: **11154/2005**

(22) Date of Filing Application: **23 March 2005**

(24) Date from which industrial property rights may have effect: **23 March 2005**

(54) Product in respect of which the design is registered: **Retractable 2 burner cook top/BBQ griddle**

(51) International Design Classification: **07-02E**

(71) Name(s) and Address(s) of Applicant(s):

Casale Trim Co. Pty Ltd

25 Brooklyn Circuit Campbellfield Victoria 3061 Australia

(72) Name(s) of Designer(s): **Phill Hubbard**

(45) Registration Date: **13 December 2005**

(56) Related Art Documents: **Not Applicable**

(57) Statement of Newness and Distinctiveness: **Draw mounted cooktop/griddle with means to prevent gas from being left on during storage and lid to shield wall of cavavan.**



(21) Design Number: **11411/2005**

(22) Date of Filing Application: **06 April 2005**

(24) Date from which industrial property rights may have effect: **06 April 2005**

(54) Product in respect of which the design is registered: **Garment**

(51) International Design Classification: **02-02NES**

(71) Name(s) and Address(s) of Applicant(s):

**Australian Football League
140 Harbour Esplanade Docklands Victoria 3008 Australia**

(72) Name(s) of Designer(s): **Jason Holtham**

(45) Registration Date: **13 December 2005**

(56) Related Art Documents: **Not Applicable**

(57) Statement of Newness and Distinctiveness: **Those visual features of the garment depicted in the representations that are new and distinctive are the pattern and/or ornamentation.**



(21) Design Number: **11562/2005**

(22) Date of Filing Application: **18 April 2005**

(24) Date from which industrial property rights may have effect: **18 April 2005**

(54) Product in respect of which the design is registered: **Chair**

(51) International Design Classification: **06-01F**

(71) Name(s) and Address(s) of Applicant(s):

**Dauphin Entwicklungs-und Beteiligungs GmbH
Industriestrasse 11 D-91217 Hersbruck Germany**

(72) Name(s) of Designer(s): **Elke Dauphin**

(45) Registration Date: **13 December 2005**

(30) Convention priority data:

(31) Number	(32) Date	(33) Country
404 05 986.4	18 Oct 2004	GERMANY

(56) Related Art Documents: **Not Applicable**

(57) Statement of Newness and Distinctiveness: **Those features of the chair depicted in the representations that are new and distinctive are the shape and/or configuration. The features of the bottom of the chair do not form part of the design and should be disregarded when considering the overall impression of the design.**



(21) Design Number: **11563/2005**

(22) Date of Filing Application: **18 April 2005**

(24) Date from which industrial property rights may have effect: **18 April 2005**

(54) Product in respect of which the design is registered: **Chair**

(51) International Design Classification: **06-01F**

(71) Name(s) and Address(s) of Applicant(s):

**Dauphin Entwicklungs-und Beteiligungs GmbH
Industriestrasse 11 D-91217 Hersbruck Germany**

(72) Name(s) of Designer(s): **Elke Dauphin**

(45) Registration Date: **13 December 2005**

(30) Convention priority data:

(31) Number	(32) Date	(33) Country
404 05 986.4	18 Oct 2004	GERMANY

(56) Related Art Documents: **Not Applicable**

(57) Statement of Newness and Distinctiveness: **Those features of the chair depicted in the representations that are new and distinctive are the shape and/or configuration. The features of the bottom of the chair do not form part of the design and should be disregarded when considering the overall impression of the design.**



(21) Design Number: **11564/2005**

(22) Date of Filing Application: **18 April 2005**

(24) Date from which industrial property rights may have effect: **18 April 2005**

(54) Product in respect of which the design is registered: **Chair**

(51) International Design Classification: **06-01F**

(71) Name(s) and Address(s) of Applicant(s):

**Dauphin Entwicklungs-und Beteiligungs GmbH
Industriestrasse 11 D-91217 Hersbruck Germany**

(72) Name(s) of Designer(s): **Elke Dauphin**

(45) Registration Date: **13 December 2005**

(30) Convention priority data:

(31) Number	(32) Date	(33) Country
404 05 986.4	18 Oct 2004	GERMANY

(56) Related Art Documents: **Not Applicable**

(57) Statement of Newness and Distinctiveness: **Those features of the chair depicted in the representations that are new and distinctive are the shape and/or configuration. The features of the bottom of the chair do not form part of the design and should be disregarded when considering the overall impression of the design.**



(21) Design Number: **11565/2005**

(22) Date of Filing Application: **18 April 2005**

(24) Date from which industrial property rights may have effect: **18 April 2005**

(54) Product in respect of which the design is registered: **Chair**

(51) International Design Classification: **06-01F**

(71) Name(s) and Address(s) of Applicant(s):

**Dauphin Entwicklungs-und Beteiligungs GmbH
Industriestrasse 11 D-91217 Hersbruck Germany**

(72) Name(s) of Designer(s): **Elke Dauphin**

(45) Registration Date: **13 December 2005**

(30) Convention priority data:

(31) Number	(32) Date	(33) Country
404 05 986.4	18 Oct 2004	GERMANY

(56) Related Art Documents: **Not Applicable**

(57) Statement of Newness and Distinctiveness: **Those features of the chair depicted in the representations that are new and distinctive are the shape and/or configuration. The features of the bottom of the chair do not form part of the design and should be disregarded when considering the overall impression of the design.**



(21) Design Number: **11566/2005**

(22) Date of Filing Application: **18 April 2005**

(24) Date from which industrial property rights may have effect: **18 April 2005**

(54) Product in respect of which the design is registered: **Chair**

(51) International Design Classification: **06-01F**

(71) Name(s) and Address(s) of Applicant(s):

**Dauphin Entwicklungs-und Beteiligungs GmbH
Industriestrasse 11 D-91217 Hersbruck Germany**

(72) Name(s) of Designer(s): **Elke Dauphin**

(45) Registration Date: **13 December 2005**

(30) Convention priority data:

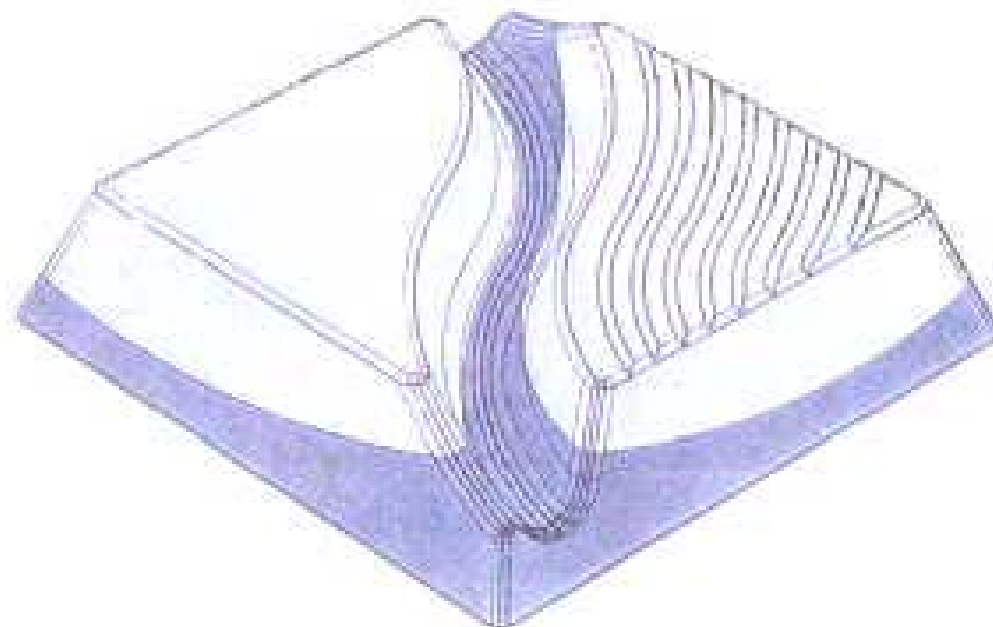
(31) Number	(32) Date	(33) Country
404 05 986.4	18 Oct 2004	GERMANY

(56) Related Art Documents: **Not Applicable**

(57) Statement of Newness and Distinctiveness: **Those features of the chair depicted in the representations that are new and distinctive are the shape and/or configuration. The features of the bottom of the chair do not form part of the design and should be disregarded when considering the overall impression of the design.**



(21) Design Number: **12161/2005**
(22) Date of Filing Application: **17 October 2003**
(24) Date from which industrial property rights may have effect: **17 October 2003**
(54) Product in respect of which the design is registered: **Confectionery**
(51) International Design Classification: **01-01**
(71) Name(s) and Address(s) of Applicant(s):
Mars Incorporated
6885 Elm Street McLean Virginia 22101-3883 United States of America
(72) Name(s) of Designer(s): **Tina Lewis**
(45) Registration Date: **13 December 2005**
(30) Convention priority data:
(31) Number (32) Date (33) Country
47469 27 Jun 2003 EUROPEAN COMMUNITY
(56) Related Art Documents: **Not Applicable**
(57) Statement of Newness and Distinctiveness: **Monopoly is claimed in the shape and configuration of the article as depicted in the representations accompanying the application form.**



(21) Design Number: **12240/2005**
(22) Date of Filing Application: **20 May 2005**
(24) Date from which industrial property rights may have effect: **20 May 2005**
(54) Product in respect of which the design is registered: **Receptacle**
(51) International Design Classification: **07-01C**
(71) Name(s) and Address(s) of Applicant(s):
Eugeny Vladimirovich Bushkovsky
Prospectus Queen h47 building 1 sq.30 St. Petersburg 197371 Russia
(72) Name(s) of Designer(s): **Eugeny Vladimirovich Bushkovsky**
(45) Registration Date: **13 December 2005**
(30) Convention priority data:
(31) Number (32) Date (33) Country
2004503074 26 Nov 2004 RUSSIAN FEDERATION
(56) Related Art Documents: **Not Applicable**
(57) Statement of Newness and Distinctiveness: **Newness and distinctiveness is claimed in the visual features shown in the representations wherein shading is used for clarity and wherein the article may be composed of transparent or opaque material or a combination of both.**



- (21) Design Number: **12241/2005**
(22) Date of Filing Application: **20 May 2005**
(24) Date from which industrial property rights may have effect: **20 May 2005**
(54) Product in respect of which the design is registered: **Receptacle**
(51) International Design Classification: **07-01C**
(71) Name(s) and Address(s) of Applicant(s):
Eugeny Vladimirovich Bushkovsky
Prospectus Queen h47 building 1 sq.30 St. Petersburg 197371 Russia
(72) Name(s) of Designer(s): **Eugeny Vladimirovich Bushkovsky**
(45) Registration Date: **13 December 2005**
(30) Convention priority data:
(31) Number (32) Date (33) Country
2004503074 26 Nov 2004 RUSSIAN FEDERATION
(56) Related Art Documents: **Not Applicable**
(57) Statement of Newness and Distinctiveness: **Newness and distinctiveness is claimed in the visual features shown in the representations wherein shading is used for clarity and wherein the article may be composed of transparent or opaque material or a combination of both.**



- (21) Design Number: **12242/2005**
(22) Date of Filing Application: **20 May 2005**
(24) Date from which industrial property rights may have effect: **20 May 2005**
(54) Product in respect of which the design is registered: **Receptacle**
(51) International Design Classification: **07-01C**
(71) Name(s) and Address(s) of Applicant(s):
Eugeny Vladimirovich Bushkovsky
Prospectus Queen h47 building 1 sq.30 St. Petersburg 197371 Russia
(72) Name(s) of Designer(s): **Eugeny Vladimirovich Bushkovsky**
(45) Registration Date: **13 December 2005**
(30) Convention priority data:
(31) Number (32) Date (33) Country
2004503074 26 Nov 2004 RUSSIAN FEDERATION
(56) Related Art Documents: **Not Applicable**
(57) Statement of Newness and Distinctiveness: **Newness and distinctiveness is claimed in the visual features shown in the representations wherein shading is used for clarity and wherein the article may be composed of transparent or opaque material or a combination of both.**



- (21) Design Number: **12336/2005**
(22) Date of Filing Application: **30 May 2005**
(24) Date from which industrial property rights may have effect: **30 May 2005**
(54) Product in respect of which the design is registered: **Bra**
(51) International Design Classification: **02-01A, 01-01**
(71) Name(s) and Address(s) of Applicant(s):

Spencer & Fleetwood Limited
Kings Lodge 28 Church Street Epsom Surrey KT17 4QB United Kingdom

- (72) Name(s) of Designer(s): **Yvonne Schroeder**
(45) Registration Date: **13 December 2005**

- (30) Convention priority data:

(31) Number	(32) Date	(33) Country
276050	22 Dec 2004	EUROPEAN COMMUNITY

- (56) Related Art Documents: **Not Applicable**

- (57) Statement of Newness and Distinctiveness: **Newness and distinctiveness is claimed in the shape and/or configuration of a bra as illustrated in the representations and in considering the extent of the newness and distinctiveness of the shape and/or configuration of the bra, the mannequin supporting the bra is to be disregarded.**



- (21) Design Number: **12518/2005**
(22) Date of Filing Application: **10 June 2005**
(24) Date from which industrial property rights may have effect: **10 June 2005**
(54) Product in respect of which the design is registered: **Lord Koala Soft Toy**
(51) International Design Classification: **21-01A**
(71) Name(s) and Address(s) of Applicant(s):

Hana Trading Pty Ltd
2-12 Tennyson Road Gladesville New South Wales 2111 Australia

- (72) Name(s) of Designer(s): **Sun-Young Ahn**
(45) Registration Date: **13 December 2005**

- (56) Related Art Documents: **Not Applicable**

- (57) Statement of Newness and Distinctiveness: **Monopoly is claimed in the features of shape and configuration of mother and baby koala as illustrated in the accompanying representations.**



- (21) Design Number: **12519/2005**
- (22) Date of Filing Application: **10 June 2005**
- (24) Date from which industrial property rights may have effect: **10 June 2005**
- (54) Product in respect of which the design is registered: **Lord Kangaroo Soft Toy**
- (51) International Design Classification: **21-01A**
- (71) Name(s) and Address(s) of Applicant(s):
Hana Trading Pty Ltd
2-12 Tennyson Road Gladesville New South Wales 2111 Australia
- (72) Name(s) of Designer(s): **Sun-Young Ahn**
- (45) Registration Date: **13 December 2005**
- (56) Related Art Documents: **Not Applicable**
- (57) Statement of Newness and Distinctiveness: **Monopoly is claimed in the features of shape and configuration of standing kangaroo as illustrated in the accompanying representations.**



- (21) Design Number: **12696/2005**
- (22) Date of Filing Application: **24 June 2005**
- (24) Date from which industrial property rights may have effect: **24 June 2005**
- (54) Product in respect of which the design is registered: **Lipstick case**
- (51) International Design Classification: **28-02**
- (71) Name(s) and Address(s) of Applicant(s):
Otsuka Pharmaceutical Co., Ltd.
2-9 Kanda Tsukasa-cho Chiyoda-ku Tokyo 101-8535 Japan
- (72) Name(s) of Designer(s): **Tsutomu Egawa**
- (45) Registration Date: **13 December 2005**
- (30) Convention priority data:

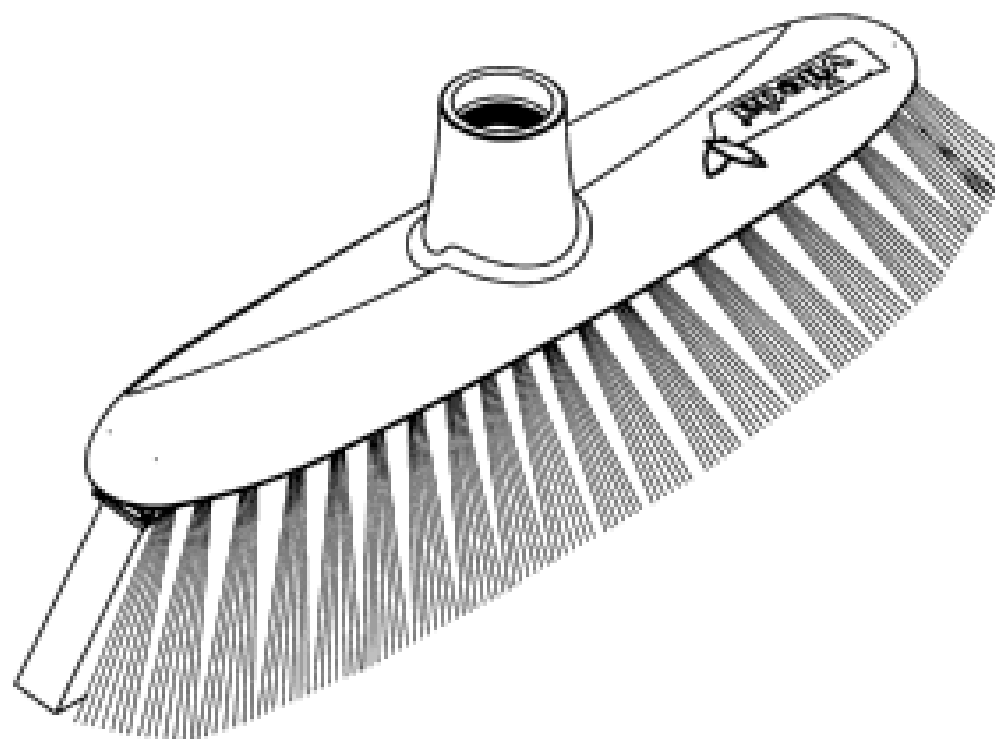
(31) Number	(32) Date	(33) Country
2004-039904	27 Dec 2004	JAPAN
- (56) Related Art Documents: **Not Applicable**
- (57) Statement of Newness and Distinctiveness: **Nil**



(21) Design Number: **12732/2005**
(22) Date of Filing Application: **29 June 2005**
(24) Date from which industrial property rights may have effect: **29 June 2005**
(54) Product in respect of which the design is registered: **Depilator**
(51) International Design Classification: **28-03A**
(71) Name(s) and Address(s) of Applicant(s):
Braun GmbH
Frankfurter Str. 145 61476 Kronberg Germany
(72) Name(s) of Designer(s): **Bjorn Kling**
(45) Registration Date: **13 December 2005**
(30) Convention priority data:
(31) Number (32) Date (33) Country
000274626 29 Dec 2004 EUROPEAN COMMUNITY
(56) Related Art Documents: **Not Applicable**
(57) Statement of Newness and Distinctiveness: **Nil**



(21) Design Number: **12733/2005**
(22) Date of Filing Application: **29 June 2005**
(24) Date from which industrial property rights may have effect: **29 June 2005**
(54) Product in respect of which the design is registered: **Broom fifo**
(51) International Design Classification: **04-01**
(71) Name(s) and Address(s) of Applicant(s):
Carl Freudenberg KG
Hoehnerweg 2-4 D-69469 Weinheim Germany
(72) Name(s) of Designer(s): **Jens Arend**
(45) Registration Date: **13 December 2005**
(30) Convention priority data:
(31) Number (32) Date (33) Country
000319884-0001 06 Apr 2005 EUROPEAN COMMUNITY
(56) Related Art Documents: **Not Applicable**
(57) Statement of Newness and Distinctiveness: **Nil**



- (21) Design Number: **12738/2005**
- (22) Date of Filing Application: **28 June 2005**
- (24) Date from which industrial property rights may have effect: **28 June 2005**
- (54) Product in respect of which the design is registered: **Water tank**
- (51) International Design Classification: **23-01F**
- (71) Name(s) and Address(s) of Applicant(s):
Viking Kayak Australia Pty Ltd
108 Enterprise Street Kunda Park Queensland 4556 Australia
- (72) Name(s) of Designer(s): **Michael Hebden Bennett**
- (45) Registration Date: **13 December 2005**
- (56) Related Art Documents: **Not Applicable**
- (57) Statement of Newness and Distinctiveness: **Nil**



- (21) Design Number: **12783/2005**
- (22) Date of Filing Application: **29 June 2005**
- (24) Date from which industrial property rights may have effect: **29 June 2005**
- (54) Product in respect of which the design is registered: **Sign**
- (51) International Design Classification: **20-03C**
- (71) Name(s) and Address(s) of Applicant(s):
Ian Raymond Nash
19 Lynwood Avenue The Entrance New South Wales 2261 Australia
Jeffrey Ian Hornby
14 Peak Street Bateau Bay New South Wales 2261 Australia
- (72) Name(s) of Designer(s): **Ian Raymond Nash and Jeffrey Ian Hornby**
- (45) Registration Date: **13 December 2005**
- (56) Related Art Documents: **Not Applicable**
- (57) Statement of Newness and Distinctiveness: **Newness and distinctiveness is claimed in a sign having a pattern or ornamentation created by the tonal contrast of the colours on the sign, wherein: the area marked A in the representations is red; the area marked B is yellow; the area marked C is blue.**



(21) Design Number: **12784/2005**

(22) Date of Filing Application: **29 June 2005**

(24) Date from which industrial property rights may have effect: **29 June 2005**

(54) Product in respect of which the design is registered: **Sign**

(51) International Design Classification: **20-03C**

(71) Name(s) and Address(s) of Applicant(s):

Ian Raymond Nash

19 Lynwood Avenue The Entrance New South Wales 2261 Australia

Jeffrey Ian Hornby

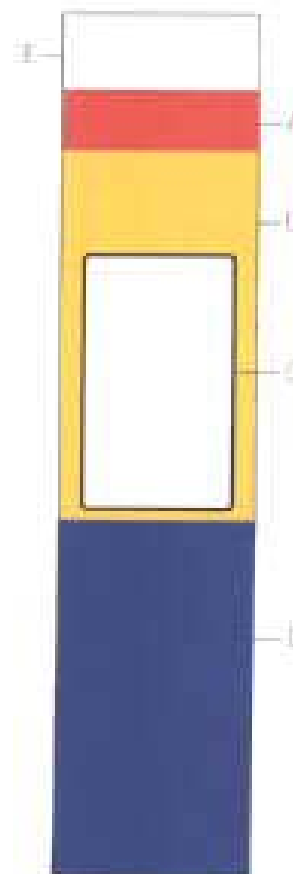
14 Peak Street Bateau Bay New South Wales 2261 Australia

(72) Name(s) of Designer(s): **Ian Raymond Nash and Jeffrey Ian Hornby**

(45) Registration Date: **13 December 2005**

(56) Related Art Documents: **Not Applicable**

(57) Statement of Newness and Distinctiveness: **Newness and distinctiveness is claimed in a sign having a pattern or ornamentation created by the tonal contrast of the colours on the sign, wherein: the area marked A in the representations is red; the area marked B is yellow; the area marked C is white; the area marked D is blue; and the area marked E is any suitable colour.**



(21) Design Number: **12786/2005**

(22) Date of Filing Application: **30 June 2005**

(24) Date from which industrial property rights may have effect: **30 June 2005**

(54) Product in respect of which the design is registered: **Protective garment/waterproof swimming pants**

(51) International Design Classification: **02-02A, 02-02B**

(71) Name(s) and Address(s) of Applicant(s):

Susan Margaret Allison-Rogers

24 Waimea Avenue Sandy Bay Tasmania 7005 Australia

(72) Name(s) of Designer(s): **Susan Margaret Allison-Rogers**

(45) Registration Date: **13 December 2005**

(56) Related Art Documents: **Not Applicable**

(57) Statement of Newness and Distinctiveness: **The new features claimed are the shape and/or configuration of the front and back fully adjustable fastening waterproof swimming pants.**



(21) Design Number: **12816/2005**
(22) Date of Filing Application: **01 July 2005**
(24) Date from which industrial property rights may have effect: **01 July 2005**
(54) Product in respect of which the design is registered: **Iron**
(51) International Design Classification: **07-05A**
(71) Name(s) and Address(s) of Applicant(s):
Braun GmbH
Frankfurter Strasse 145 D-61476 Kronberg im Taunus Germany
(72) Name(s) of Designer(s): **Ludwig Littmann**
(45) Registration Date: **13 December 2005**
(30) Convention priority data:
(31) Number (32) Date (33) Country
000289541 02 Feb 2005 EUROPEAN COMMUNITY
(56) Related Art Documents: **Not Applicable**
(57) Statement of Newness and Distinctiveness: **Nil**



(21) Design Number: **12849/2005**
(22) Date of Filing Application: **27 June 2005**
(24) Date from which industrial property rights may have effect: **08 September 1998**
(54) Product in respect of which the design is registered: **Fabric**
(51) International Design Classification: **05-05A**
(71) Name(s) and Address(s) of Applicant(s):
Filigree Textiles Pty Ltd
150 Victoria Street North Geelong Victoria 3215 Australia
(72) Name(s) of Designer(s): **Graham Jeffries**
(45) Registration Date: **13 December 2005**
(62) Divisional of: **158323**
(56) Related Art Documents: **Not Applicable**
(57) Statement of Newness and Distinctiveness: **The new features of the design is the pattern of the fabric as shown in the representations.**



- (21) Design Number: **12850/2005**
(22) Date of Filing Application: **27 June 2005**
(24) Date from which industrial property rights may have effect: **08 September 1998**
(54) Product in respect of which the design is registered: **Fabric**
(51) International Design Classification: **05-05A**
(71) Name(s) and Address(s) of Applicant(s):
Filigree Textiles Pty Ltd
150 Victoria Street North Geelong Victoria 3215 Australia
(72) Name(s) of Designer(s): **Graham Jeffries**
(45) Registration Date: **13 December 2005**
(62) Divisional of: **158323**
(56) Related Art Documents: **Not Applicable**
(57) Statement of Newness and Distinctiveness: **The new features of the design is the pattern of the fabric as shown in the representations.**



- (21) Design Number: **12960/2005**
(22) Date of Filing Application: **11 July 2005**
(24) Date from which industrial property rights may have effect: **11 July 2005**
(54) Product in respect of which the design is registered: **Agricultural seeding tine adaption for a Horwood Bagshaw Scaribar**
(51) International Design Classification: **15-03A**
(71) Name(s) and Address(s) of Applicant(s):
Clarewood Pty Ltd
44 Meliador Way Midvale Western Australia 6056 Australia
(72) Name(s) of Designer(s): **Raymond Moyle and Robert Holman and Jeffrey Hunter and Ashley Crane and Stefan Johnston**
(45) Registration Date: **13 December 2005**
(56) Related Art Documents: **Not Applicable**
(57) Statement of Newness and Distinctiveness: **Monopoly is claimed in the shape and configuration of the adaptation of the assembly of the mounting plate, tillage point, tine, fertiliser, seed and presswheel module to fit onto a horwood bagshaw hydraulic seeding tine. The mounting mechanism is new and distinctive in that it enables a proven and successful ground following presswheel and seed furrow reopener and fertiliser tube to be mounted within an existing HB hydraulic tine head and allow the creation of a narrow furrow, placement of seed within the furrow of the tine whilst maintaining precise seeding depth.**



(21) Design Number: **12966/2005**

(22) Date of Filing Application: **08 July 2005**

(24) Date from which industrial property rights may have effect: **08 July 2005**

(54) Product in respect of which the design is registered: **A tyre for vehicles**

(51) International Design Classification: **12-15C**

(71) Name(s) and Address(s) of Applicant(s):

**Pirelli Pneumatici S.P.A.
Viale Sarca 222 20126 Milano Italy**

(72) Name(s) of Designer(s): **Alexandre Sorrentino Gerasimczuk**

(45) Registration Date: **13 December 2005**

(30) Convention priority data:

(31) Number	(32) Date	(33) Country
000287859	31 Jan 2005	EUROPEAN COMMUNITY

(56) Related Art Documents: **Not Applicable**

(57) Statement of Newness and Distinctiveness: **Nil**



(21) Design Number: **13015/2005**

(22) Date of Filing Application: **07 July 2005**

(24) Date from which industrial property rights may have effect: **07 July 2005**

(54) Product in respect of which the design is registered: **Tap jumper valve**

(51) International Design Classification: **23-01K**

(71) Name(s) and Address(s) of Applicant(s):

**John Christopher David Fenwicke
"Bonnie Doon" Walcha New South Wales 2354 Australia**

(72) Name(s) of Designer(s): **John Christopher David Fenwicke**

(45) Registration Date: **13 December 2005**

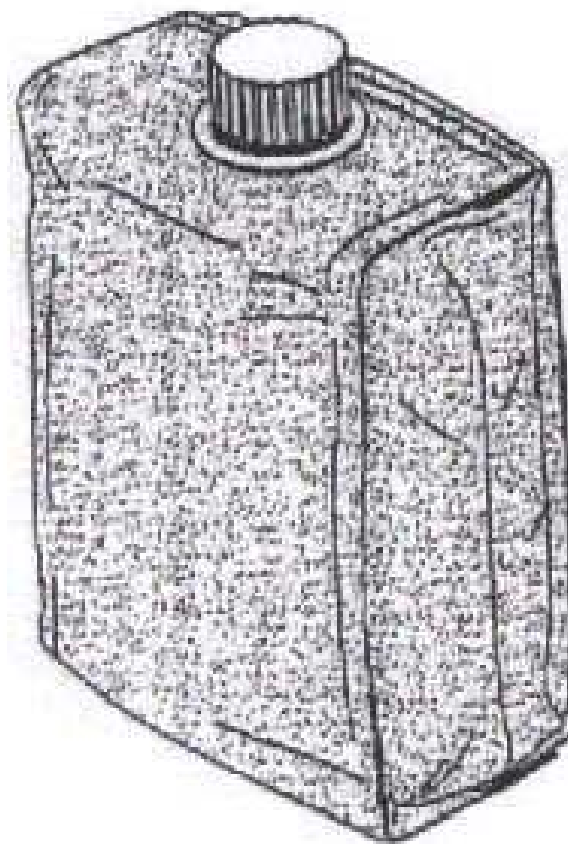
(56) Related Art Documents: **Not Applicable**

(57) Statement of Newness and Distinctiveness: **Valve may be used with or without stem. (As shown in pictures).**



(19) AU

- (21) Design Number: **13017/2005**
(22) Date of Filing Application: **14 July 2005**
(24) Date from which industrial property rights may have effect: **14 July 2005**
(54) Product in respect of which the design is registered: **Reclosable beverage pouch**
(51) International Design Classification: **09-01NES**
(71) Name(s) and Address(s) of Applicant(s):
SaddleSprings Beverage Company, Inc.
203 Argonne Avenue Long Beach CA 90803 United States of America
(72) Name(s) of Designer(s): **Ron Berman**
(45) Registration Date: **13 December 2005**
(30) Convention priority data:
(31) Number (32) Date (33) Country
29/221960 24 Jan 2005 UNITED STATES OF AMERICA
(56) Related Art Documents: **Not Applicable**
(57) Statement of Newness and Distinctiveness: **Nil**

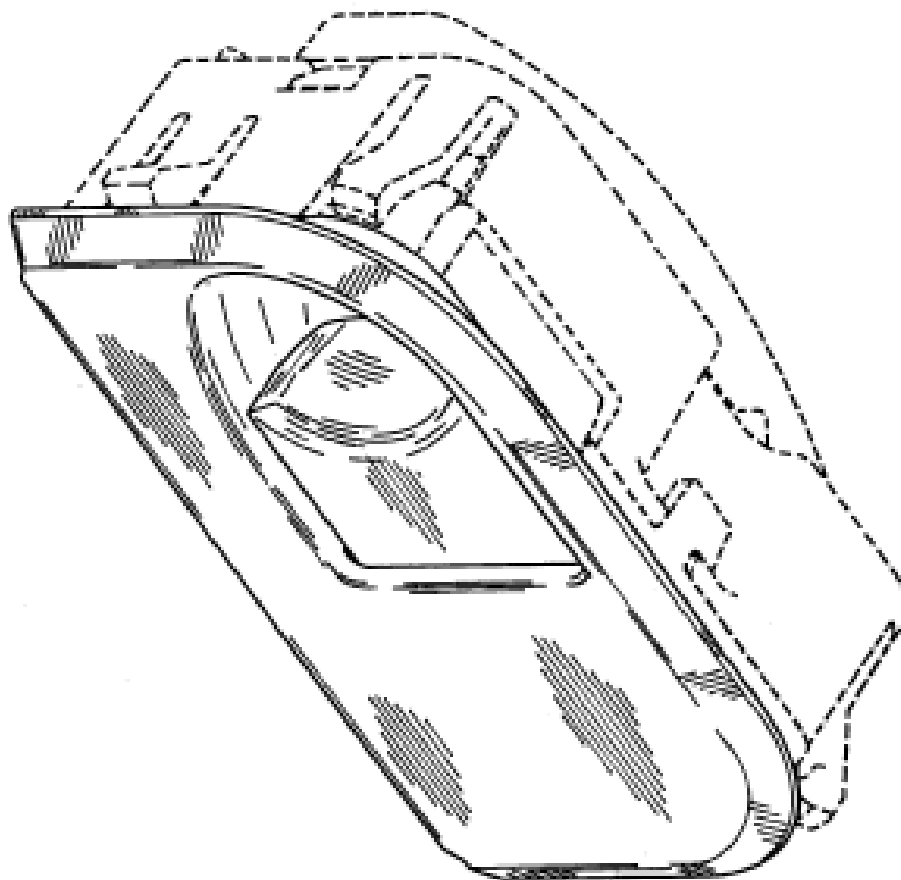


(19) AU

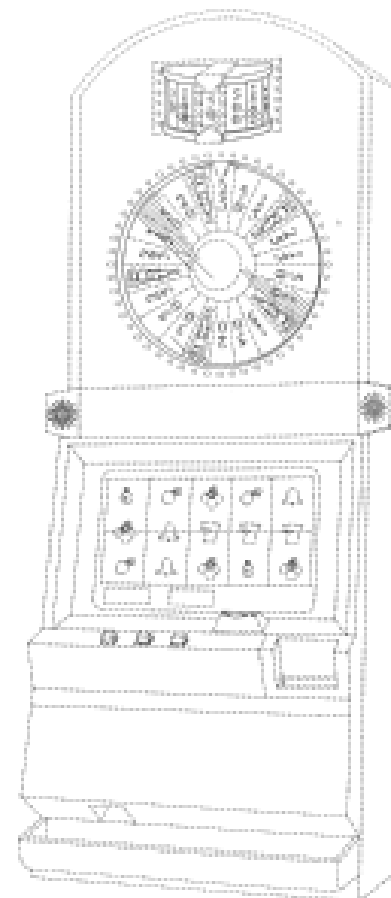
- (21) Design Number: **13090/2005**
(22) Date of Filing Application: **19 July 2005**
(24) Date from which industrial property rights may have effect: **19 July 2005**
(54) Product in respect of which the design is registered: **Bowl**
(51) International Design Classification: **07-01B**
(71) Name(s) and Address(s) of Applicant(s):
Villeroy & Boch AG.
Saaruferstrasse 14-18 D-66693 Mettlach Germany
(72) Name(s) of Designer(s): **Helmut Frank**
(45) Registration Date: **13 December 2005**
(30) Convention priority data:
(31) Number (32) Date (33) Country
000 291 794 07 Feb 2005 EUROPEAN COMMUNITY
(56) Related Art Documents: **Not Applicable**
(57) Statement of Newness and Distinctiveness: **The shape and configuration of the product is new and distinctive.**



(21) Design Number: **14144/2004**
 (22) Date of Filing Application: **31 August 2004**
 (24) Date from which industrial property rights may have effect: **31 August 2004**
 (54) Product in respect of which the design is registered: **Sash lock**
 (51) International Design Classification: **08-07**
 (71) Name(s) and Address(s) of Applicant(s):
Asa Abloy New Zealand Limited
6 Portsmouth Road Miramar Wellington New Zealand
 (72) Name(s) of Designer(s): **Malcolm David Boosey and Martyn Walter Goodwin Collings**
 (45) Registration Date: **13 December 2005**
 (30) Convention priority data:
 (31) Number (32) Date (33) Country
404650 04 Mar 2004 NEW ZEALAND
 (56) Related Art Documents: **Not Applicable**
 (57) Statement of Newness and Distinctiveness: **Newness and distinctiveness is claimed in the feature of shape and configuration of a sash lock as illustrated in the representation accompanying the application.**

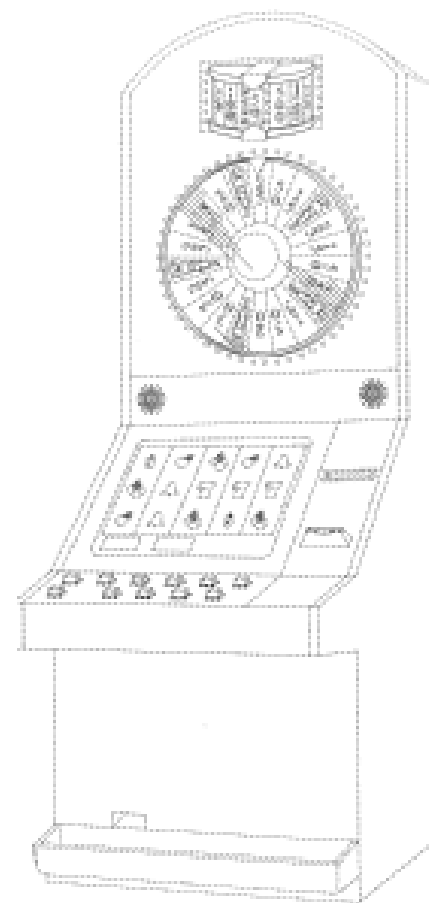


(21) Design Number: **14166/2004**
 (22) Date of Filing Application: **01 September 2004**
 (24) Date from which industrial property rights may have effect: **14 March 2003**
 (54) Product in respect of which the design is registered: **Gaming device**
 (51) International Design Classification: **21-03**
 (71) Name(s) and Address(s) of Applicant(s):
IGT
9295 Prototype Drive Reno Nevada 89521 United States of America
 (72) Name(s) of Designer(s): **Steven P. McGahn and Bayard S. Webb**
 (45) Registration Date: **13 December 2005**
 (30) Convention priority data:
 (31) Number (32) Date (33) Country
29/167,551 16 Sep 2002 UNITED STATES OF AMERICA
 (62) Divisional of: **156482**
 (56) Related Art Documents: **Not Applicable**
 (57) Statement of Newness and Distinctiveness: **The newness and distinctiveness resides in the wheel and reel displays on the gaming device excluding features in dotted lines.**



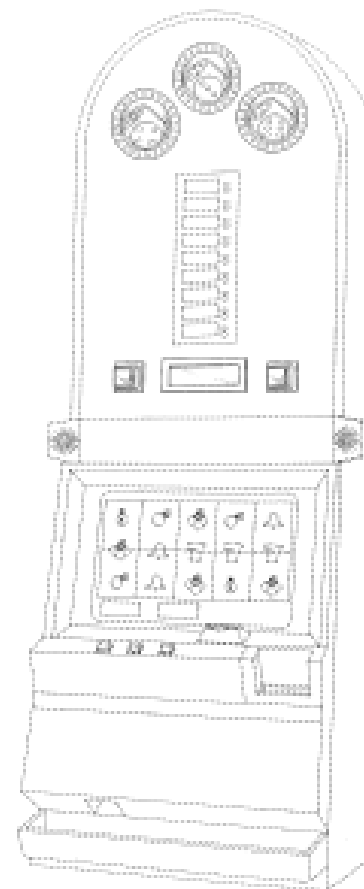
- (21) Design Number: **14167/2004**
- (22) Date of Filing Application: **01 September 2004**
- (24) Date from which industrial property rights may have effect: **14 March 2003**
- (54) Product in respect of which the design is registered: **Gaming device**
- (51) International Design Classification: **21-03**
- (71) Name(s) and Address(s) of Applicant(s):
IGT
9295 Prototype Drive Reno Nevada 89521 United States of America
- (72) Name(s) of Designer(s): **Steven P. McGahn and Bayard S. Webb**
- (45) Registration Date: **13 December 2005**
- (30) Convention priority data:

(31) Number	(32) Date	(33) Country
29/167,551	16 Sep 2002	UNITED STATES OF AMERICA
- (62) Divisional of: **156482**
- (56) Related Art Documents: **Not Applicable**
- (57) Statement of Newness and Distinctiveness: **The newness and distinctiveness resides in the wheel and reel displays on the gaming device excluding features in dotted lines.**



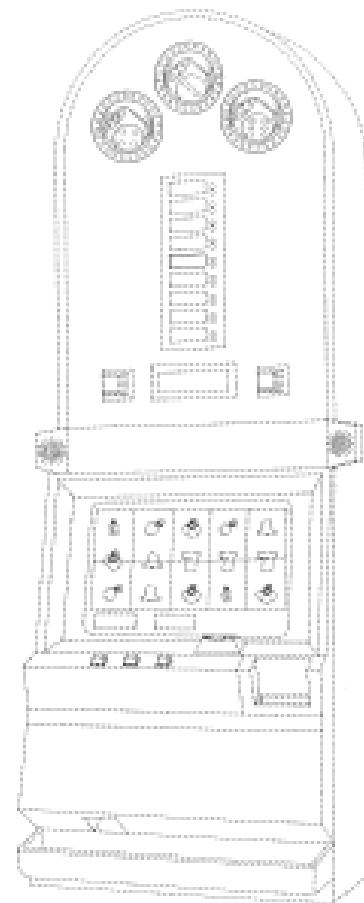
- (21) Design Number: **14168/2004**
- (22) Date of Filing Application: **01 September 2004**
- (24) Date from which industrial property rights may have effect: **14 March 2003**
- (54) Product in respect of which the design is registered: **Gaming device**
- (51) International Design Classification: **21-03**
- (71) Name(s) and Address(s) of Applicant(s):
IGT
9295 Prototype Drive Reno Nevada 89521 United States of America
- (72) Name(s) of Designer(s): **Kimberley K. Karstens**
- (45) Registration Date: **13 December 2005**
- (30) Convention priority data:

(31) Number	(32) Date	(33) Country
29/167,600	16 Sep 2002	UNITED STATES OF AMERICA
- (62) Divisional of: **156483**
- (56) Related Art Documents: **Not Applicable**
- (57) Statement of Newness and Distinctiveness: **The newness and distinctiveness resides in the multiple displays on the gaming device excluding features in dotted lines.**



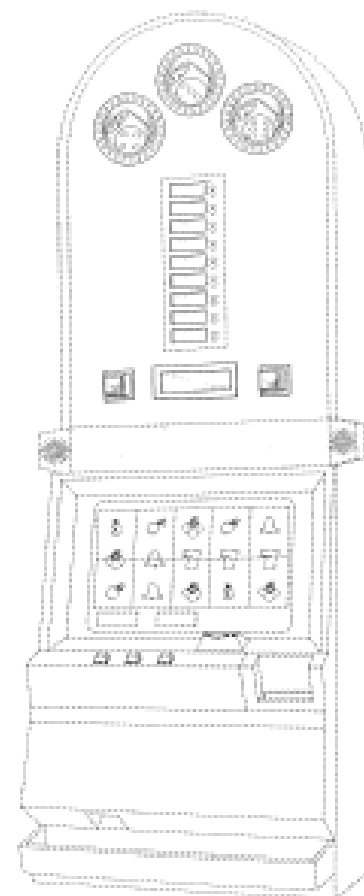
- (21) Design Number: **14169/2004**
- (22) Date of Filing Application: **01 September 2004**
- (24) Date from which industrial property rights may have effect: **14 March 2003**
- (54) Product in respect of which the design is registered: **Gaming device**
- (51) International Design Classification: **21-03**
- (71) Name(s) and Address(s) of Applicant(s):
IGT
9295 Prototype Drive Reno Nevada 89521 United States of America
- (72) Name(s) of Designer(s): **Kimberley K. Karstens**
- (45) Registration Date: **13 December 2005**
- (30) Convention priority data:

(31) Number	(32) Date	(33) Country
29/167,600	16 Sep 2002	UNITED STATES OF AMERICA
- (62) Divisional of: **156483**
- (56) Related Art Documents: **Not Applicable**
- (57) Statement of Newness and Distinctiveness: **The newness and distinctiveness resides in the multiple displays on the gaming device excluding features in dotted lines.**



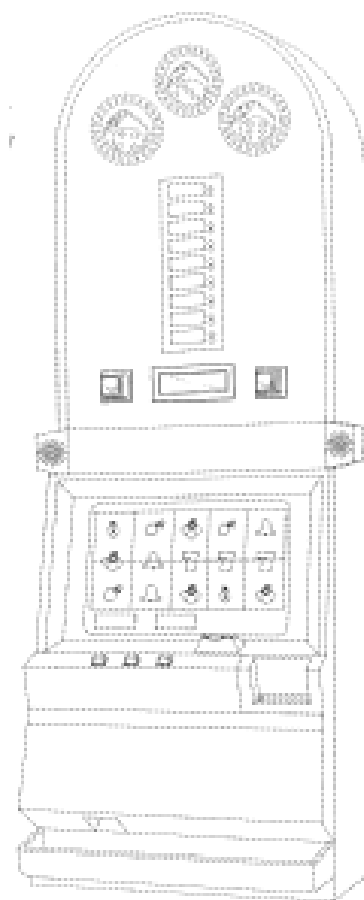
- (21) Design Number: **14170/2004**
- (22) Date of Filing Application: **01 September 2004**
- (24) Date from which industrial property rights may have effect: **14 March 2003**
- (54) Product in respect of which the design is registered: **Gaming device**
- (51) International Design Classification: **21-03**
- (71) Name(s) and Address(s) of Applicant(s):
IGT
9295 Prototype Drive Reno Nevada 89521 United States of America
- (72) Name(s) of Designer(s): **Kimberly K. Karstens**
- (45) Registration Date: **13 December 2005**
- (30) Convention priority data:

(31) Number	(32) Date	(33) Country
29/167,600	16 Sep 2002	UNITED STATES OF AMERICA
- (62) Divisional of: **156483**
- (56) Related Art Documents: **Not Applicable**
- (57) Statement of Newness and Distinctiveness: **The newness and distinctiveness resides in the multiple displays on the gaming device excluding features in dotted lines.**



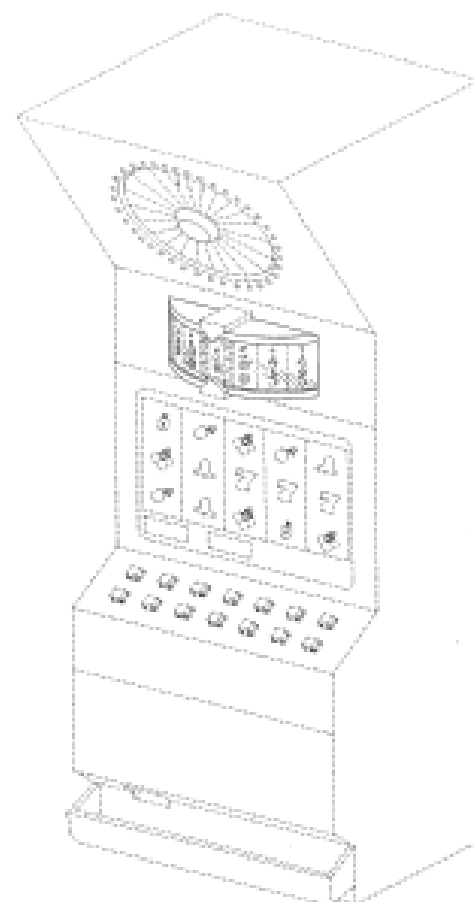
- (21) Design Number: **14171/2004**
- (22) Date of Filing Application: **01 September 2004**
- (24) Date from which industrial property rights may have effect: **14 March 2003**
- (54) Product in respect of which the design is registered: **Gaming device**
- (51) International Design Classification: **21-03**
- (71) Name(s) and Address(s) of Applicant(s):
IGT
9295 Prototype Drive Reno Nevada 89521 United States of America
- (72) Name(s) of Designer(s): **Kimberly K. Karstens**
- (45) Registration Date: **13 December 2005**
- (30) Convention priority data:

(31) Number	(32) Date	(33) Country
29/167,600	16 Sep 2002	UNITED STATES OF AMERICA
- (62) Divisional of: **156483**
- (56) Related Art Documents: **Not Applicable**
- (57) Statement of Newness and Distinctiveness: **The newness and distinctiveness resides in the multiple displays on the gaming device excluding features in dotted lines.**

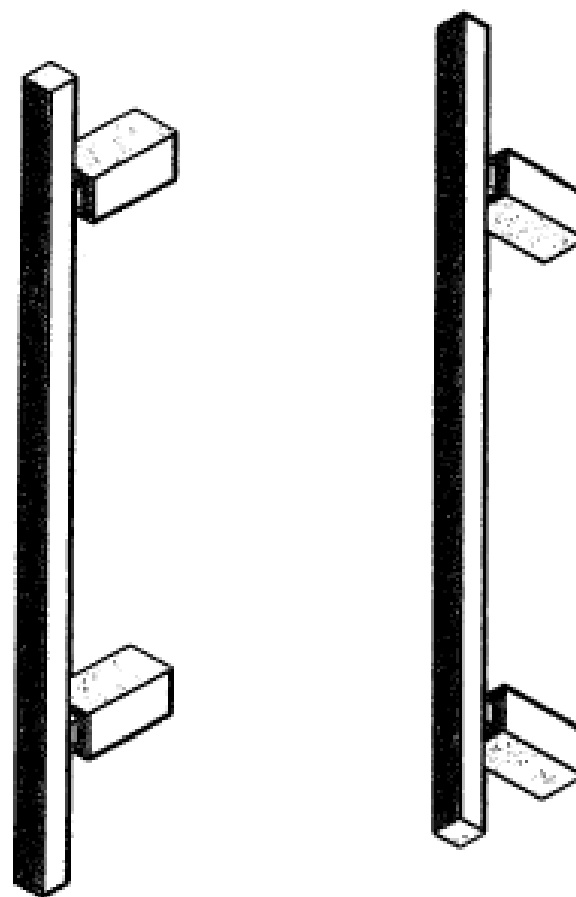


- (21) Design Number: **14172/2004**
- (22) Date of Filing Application: **01 September 2004**
- (24) Date from which industrial property rights may have effect: **14 March 2003**
- (54) Product in respect of which the design is registered: **Gaming device**
- (51) International Design Classification: **21-03**
- (71) Name(s) and Address(s) of Applicant(s):
IGT
9295 Prototype Drive Reno Nevada 89521 United States of America
- (72) Name(s) of Designer(s): **Steven P. McGahn and Bayard S. Webb**
- (45) Registration Date: **13 December 2005**
- (30) Convention priority data:

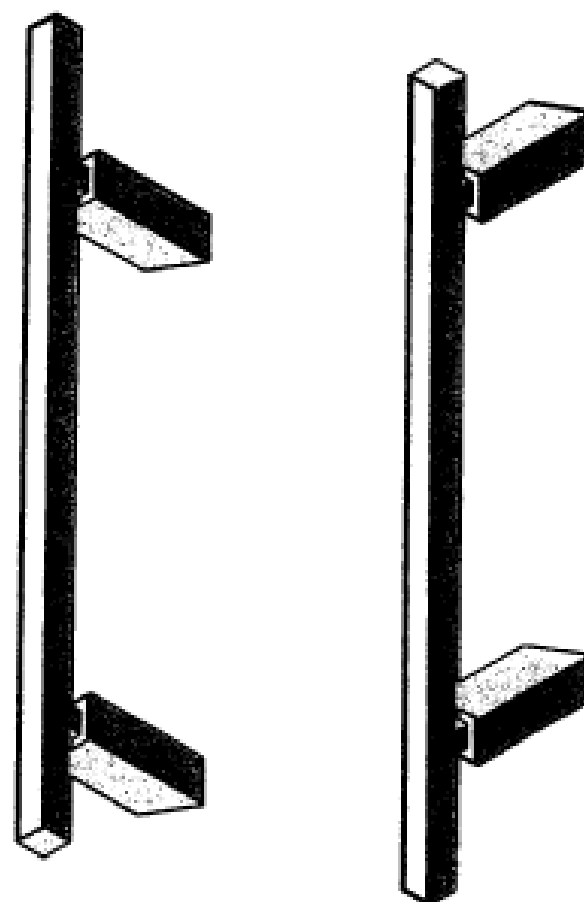
(31) Number	(32) Date	(33) Country
29/167,559	16 Sep 2002	UNITED STATES OF AMERICA
- (62) Divisional of: **156481**
- (56) Related Art Documents: **Not Applicable**
- (57) Statement of Newness and Distinctiveness: **The newness and distinctiveness resides in the angled reel displays on the gaming device excluding features in dotted lines.**



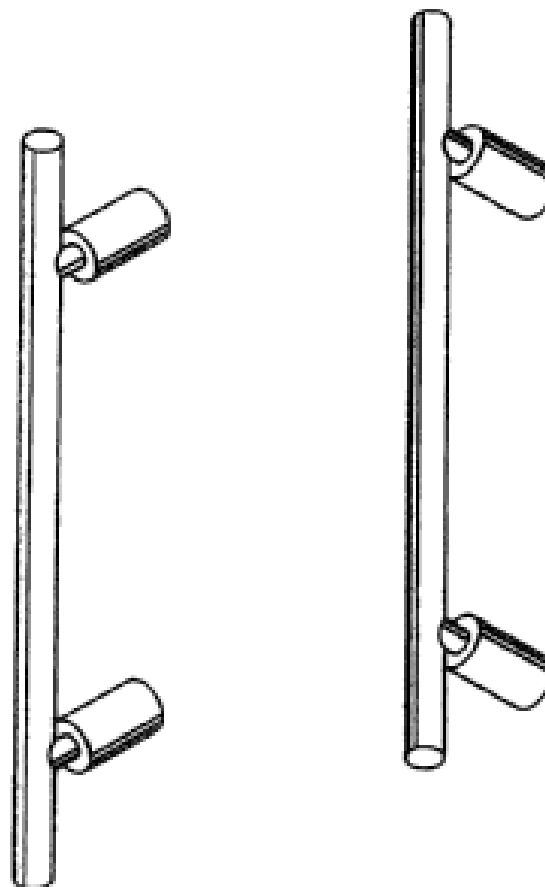
- (21) Design Number: **14561/2004**
- (22) Date of Filing Application: **24 September 2004**
- (24) Date from which industrial property rights may have effect: **24 September 2004**
- (54) Product in respect of which the design is registered: **Door handle**
- (51) International Design Classification: **08-06**
- (71) Name(s) and Address(s) of Applicant(s):
Adam Cahill & Co. Pty Ltd
223 Logan Road Woolloongabba Queensland 4102 Australia
- (72) Name(s) of Designer(s): **Adam Cahill and Derek Stanley**
- (45) Registration Date: **13 December 2005**
- (56) Related Art Documents: **Not Applicable**
- (57) Statement of Newness and Distinctiveness: **Newness and distinctiveness is claimed in the door handle design as shown in the accompanying representations in respect of the overall impression of the design with specific reference to the proportions of the elongate handle member relative to the bolsters.**



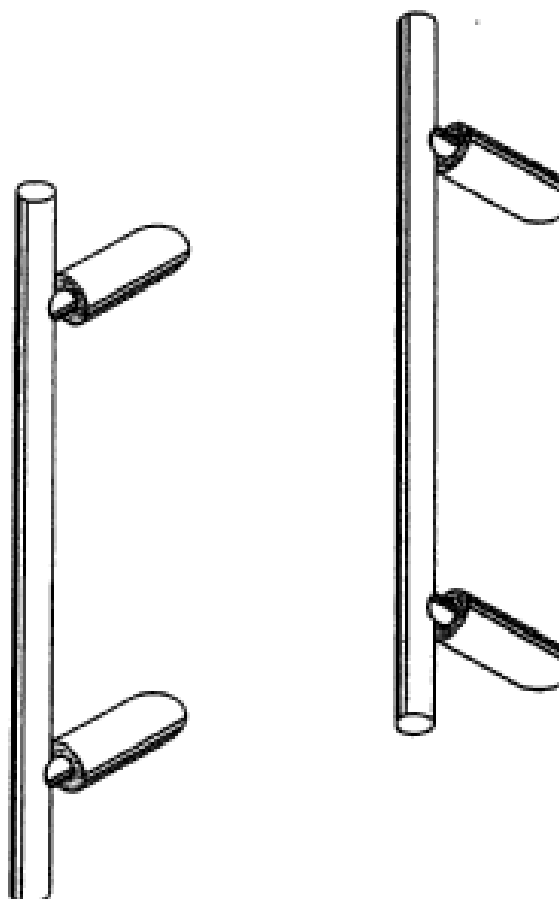
- (21) Design Number: **14562/2004**
- (22) Date of Filing Application: **24 September 2004**
- (24) Date from which industrial property rights may have effect: **24 September 2004**
- (54) Product in respect of which the design is registered: **Door handle**
- (51) International Design Classification: **08-06**
- (71) Name(s) and Address(s) of Applicant(s):
Adam Cahill & Co. Pty Ltd
223 Logan Road Woolloongabba Queensland 4102 Australia
- (72) Name(s) of Designer(s): **Adam Cahill and Derek Stanley**
- (45) Registration Date: **13 December 2005**
- (56) Related Art Documents: **Not Applicable**
- (57) Statement of Newness and Distinctiveness: **Newness and distinctiveness is claimed in the door handle design as shown in the accompanying representations in respect of the overall impression of the design with specific reference to the proportions of the elongate handle member relative to the bolsters.**



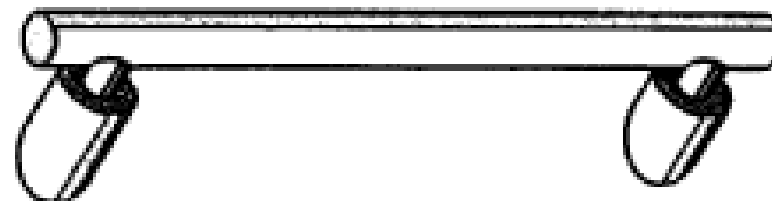
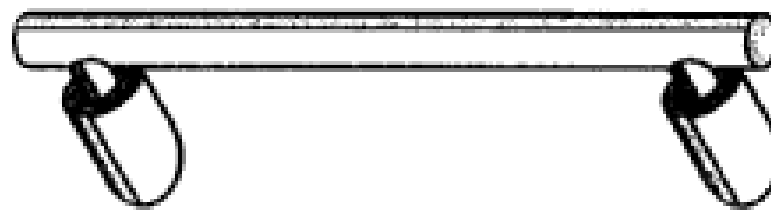
- (21) Design Number: **14563/2004**
- (22) Date of Filing Application: **24 September 2004**
- (24) Date from which industrial property rights may have effect: **24 September 2004**
- (54) Product in respect of which the design is registered: **Door handle**
- (51) International Design Classification: **08-06**
- (71) Name(s) and Address(s) of Applicant(s):
Adam Cahill & Co. Pty Ltd
223 Logan Road Woolloongabba Queensland 4102 Australia
- (72) Name(s) of Designer(s): **Adam Cahill and Derek Stanley**
- (45) Registration Date: **13 December 2005**
- (56) Related Art Documents: **Not Applicable**
- (57) Statement of Newness and Distinctiveness: **Newness and distinctiveness is claimed in the door handle design as shown in the accompanying representations in respect of the overall impression of the design with specific reference to the shape of the shape of the bolsters.**



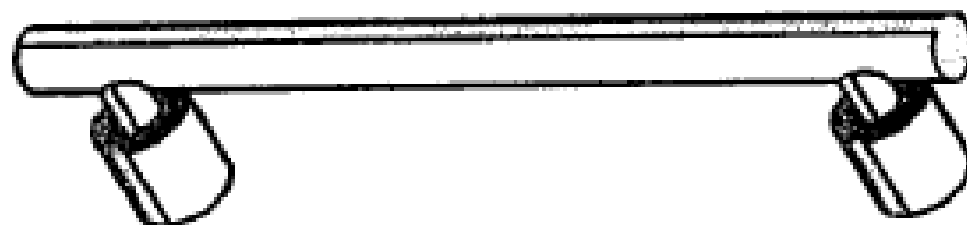
- (21) Design Number: **14564/2004**
- (22) Date of Filing Application: **24 September 2004**
- (24) Date from which industrial property rights may have effect: **24 September 2004**
- (54) Product in respect of which the design is registered: **Door handle**
- (51) International Design Classification: **08-06**
- (71) Name(s) and Address(s) of Applicant(s):
Adam Cahill & Co. Pty Ltd
223 Logan Road Woolloongabba Queensland 4102 Australia
- (72) Name(s) of Designer(s): **Adam Cahill and Derek Stanley**
- (45) Registration Date: **13 December 2005**
- (56) Related Art Documents: **Not Applicable**
- (57) Statement of Newness and Distinctiveness: **Newness and distinctiveness is claimed in the door handle design as shown in the accompanying representations in respect of the overall impression of the design with specific reference to the shape of the bolsters.**



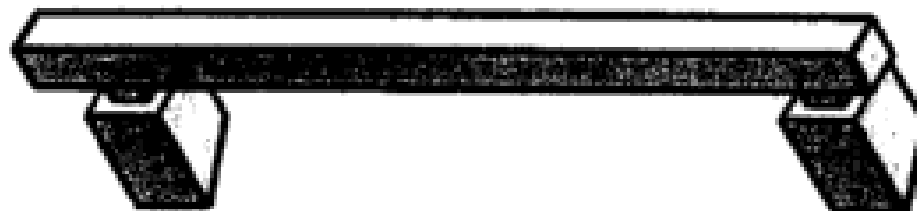
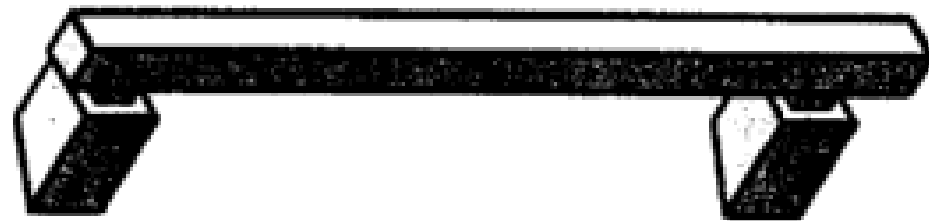
- (21) Design Number: **14565/2004**
(22) Date of Filing Application: **24 September 2004**
(24) Date from which industrial property rights may have effect: **24 September 2004**
(54) Product in respect of which the design is registered: **Door handle**
(51) International Design Classification: **08-06**
(71) Name(s) and Address(s) of Applicant(s):
Adam Cahill & Co. Pty Ltd
223 Logan Road Woolloongabba Queensland 4102 Australia
(72) Name(s) of Designer(s): **Adam Cahill and Derek Stanley**
(45) Registration Date: **13 December 2005**
(56) Related Art Documents: **Not Applicable**
(57) Statement of Newness and Distinctiveness: **Newness and distinctiveness is claimed in the door handle design as shown in the accompanying representations in respect of the overall impression of the design with specific reference to the shape of the bolsters.**



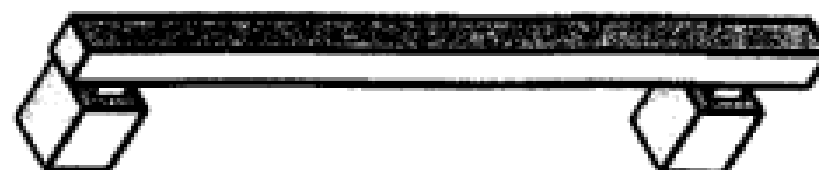
- (21) Design Number: **14566/2004**
(22) Date of Filing Application: **24 September 2004**
(24) Date from which industrial property rights may have effect: **24 September 2004**
(54) Product in respect of which the design is registered: **Door handle**
(51) International Design Classification: **08-06**
(71) Name(s) and Address(s) of Applicant(s):
Adam Cahill & Co. Pty Ltd
223 Logan Road Woolloongabba Queensland 4102 Australia
(72) Name(s) of Designer(s): **Adam Cahill and Derek Stanley**
(45) Registration Date: **13 December 2005**
(56) Related Art Documents: **Not Applicable**
(57) Statement of Newness and Distinctiveness: **Newness and distinctiveness is claimed in the door handle design as shown in the accompanying representations in respect of the overall impression of the design with specific reference to the shape of the bolsters.**



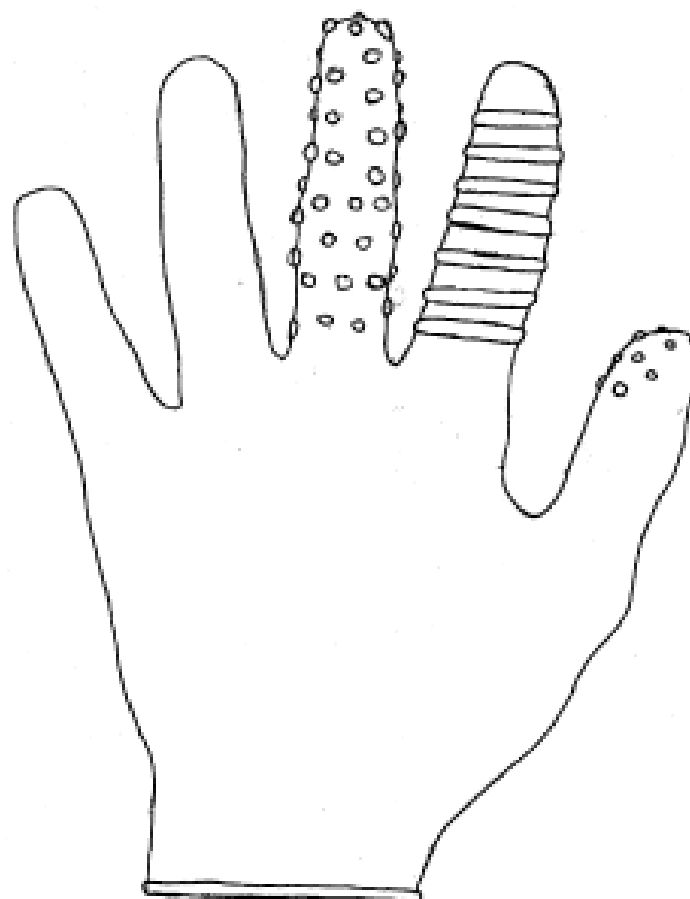
- (21) Design Number: **14567/2004**
(22) Date of Filing Application: **24 September 2004**
(24) Date from which industrial property rights may have effect: **24 September 2004**
(54) Product in respect of which the design is registered: **Door handle**
(51) International Design Classification: **08-06**
(71) Name(s) and Address(s) of Applicant(s):
Adam Cahill & Co. Pty Ltd
223 Logan Road Woolloongabba Queensland 4102 Australia
(72) Name(s) of Designer(s): **Adam Cahill and Derek Stanley**
(45) Registration Date: **13 December 2005**
(56) Related Art Documents: **Not Applicable**
(57) Statement of Newness and Distinctiveness: **Newness and distinctiveness is claimed in the door handle design as shown in the accompanying representations in respect of the overall impression of the design with specific reference to the proportions of the elongate handle member relative to the bolsters.**



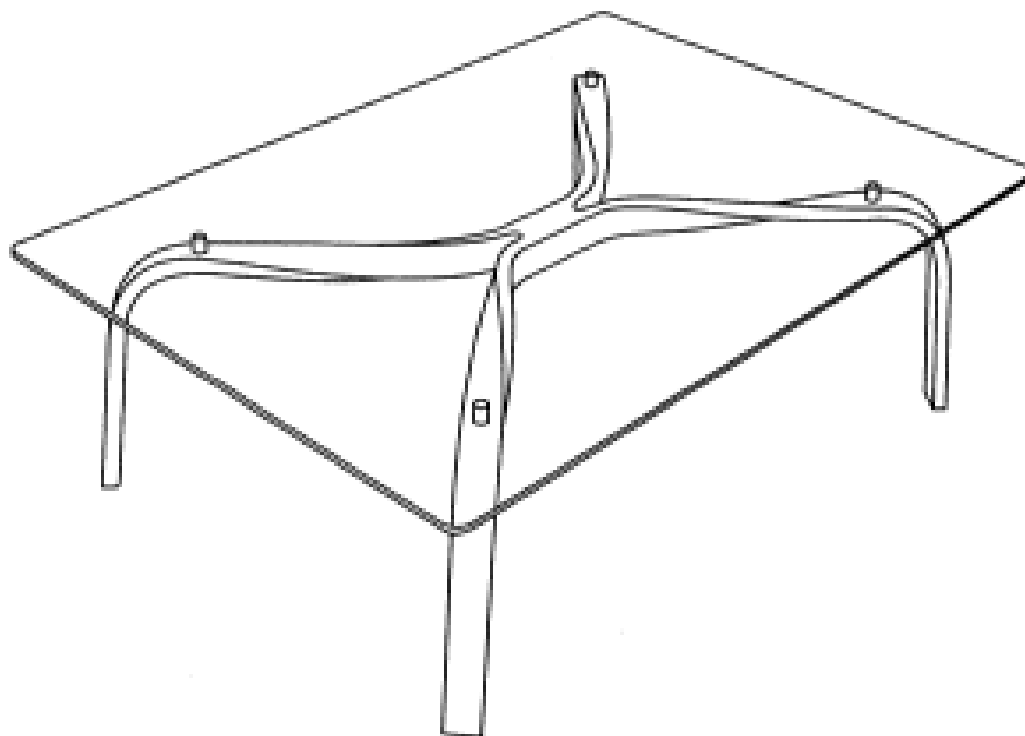
- (21) Design Number: **14568/2004**
(22) Date of Filing Application: **24 September 2004**
(24) Date from which industrial property rights may have effect: **24 September 2004**
(54) Product in respect of which the design is registered: **Door handle**
(51) International Design Classification: **08-06**
(71) Name(s) and Address(s) of Applicant(s):
Adam Cahill & Co. Pty Ltd
223 Logan Road Woolloongabba Queensland 4102 Australia
(72) Name(s) of Designer(s): **Adam Cahill and Derek Stanley**
(45) Registration Date: **13 December 2005**
(56) Related Art Documents: **Not Applicable**
(57) Statement of Newness and Distinctiveness: **Newness and distinctiveness is claimed in the door handle design as shown in the accompanying representations in respect of the overall impression of the design with specific reference to the proportions of the elongate handle member relative to the bolsters.**



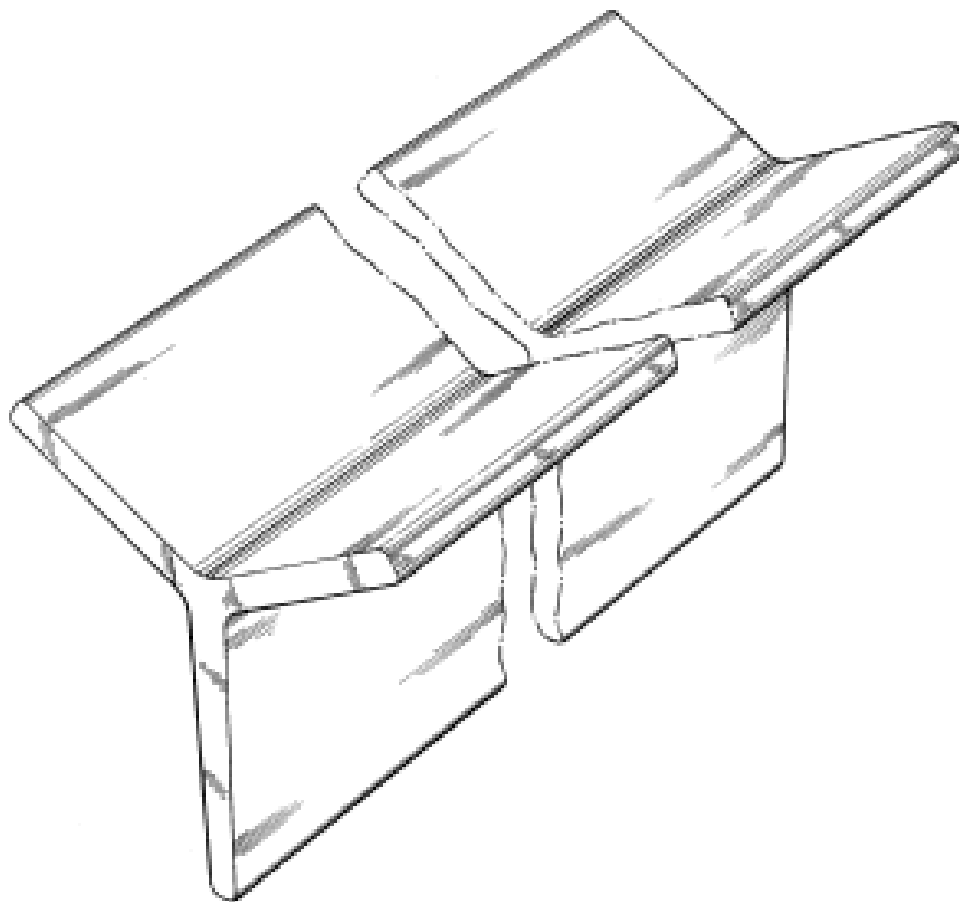
- (21) Design Number: **15223/2004**
(22) Date of Filing Application: **11 November 2004**
(24) Date from which industrial property rights may have effect: **11 November 2004**
(54) Product in respect of which the design is registered: **Adult marital toys**
(51) International Design Classification: **02-06, 28-99**
(71) Name(s) and Address(s) of Applicant(s):
Ian Michael John Webb
23 Janelle Street Kelso Queensland 4815 Australia
(72) Name(s) of Designer(s): **Ian Michael John Webb**
(45) Registration Date: **13 December 2005**
(56) Related Art Documents: **Not Applicable**
(57) Statement of Newness and Distinctiveness: **Ambidextrous latex/rubber glove with ribbed and studded fingers for the adult marital toy industry.**



- (21) Design Number: **15456/2004**
(22) Date of Filing Application: **24 November 2004**
(24) Date from which industrial property rights may have effect: **24 November 2004**
(54) Product in respect of which the design is registered: **Table base**
(51) International Design Classification: **06-06E**
(71) Name(s) and Address(s) of Applicant(s):
IWM Centre Management Ltd
C/-CRC Wood Innovations ILFR The University of Melbourne Parkville
Victoria 3010 Australia
(72) Name(s) of Designer(s): **Lyndon John Anderson**
(45) Registration Date: **13 December 2005**
(56) Related Art Documents: **Not Applicable**
(57) Statement of Newness and Distinctiveness: **The newness and distinctiveness of the design resides in the shape and configuration of the table base. The table top and the spacers between the table base and the table top do not form part of the design.**



- (21) Design Number: **15706/2004**
(22) Date of Filing Application: **09 December 2004**
(24) Date from which industrial property rights may have effect: **09 December 2004**
(54) Product in respect of which the design is registered: **Fence post**
(51) International Design Classification: **25-01E**
(71) Name(s) and Address(s) of Applicant(s):
Onesteel Manufacturing Pty Ltd
Level 23 1 York Street Sydney New South Wales 2000 Australia
(72) Name(s) of Designer(s): **David Richard Ryan**
(45) Registration Date: **13 December 2005**
(56) Related Art Documents: **Not Applicable**
(57) Statement of Newness and Distinctiveness: **In determining whether the design of the fence post is substantially similar in overall impression to another design, it is to be noted that the fence post has a constant profile throughout its length, and is of indefinite length.**



- (21) Design Number: **15722/2004**
(22) Date of Filing Application: **09 December 2004**
(24) Date from which industrial property rights may have effect: **09 December 2004**
(54) Product in respect of which the design is registered: **A fastener for papers**
(51) International Design Classification: **19-04**
(71) Name(s) and Address(s) of Applicant(s):
Arnos Australia Pty Ltd
1226 Nepean Highway Cheltenham Victoria 3192 Australia
(72) Name(s) of Designer(s): **Roger Henry**
(45) Registration Date: **13 December 2005**
(56) Related Art Documents: **Not Applicable**
(57) Statement of Newness and Distinctiveness: **Nil**



(21) Design Number: **13229/2004**
(22) Date of Filing Application: **12 July 2004**
(24) Date from which industrial property rights may have effect: **12 July 2004**
(54) Product in respect of which the design is registered: **A chair**
(51) International Design Classification: **06-01E**
(71) Name(s) and Address(s) of Applicant(s):
Vicki-Ann Stahl
2 Thumon Court Bald Hills Queensland 4036 Australia
(72) Name(s) of Designer(s): **Vicki-Ann Stahl**
(45) Registration Date: **13 December 2005**
(56) Related Art Documents: **Not Applicable**
(57) Statement of Newness and Distinctiveness: **Nil**



(21) Design Number: **13208/2004**
(22) Date of Filing Application: **08 July 2004**
(24) Date from which industrial property rights may have effect: **08 July 2004**
(54) Product in respect of which the design is registered: **Golf bag top**
(51) International Design Classification: **21-02C**
(71) Name(s) and Address(s) of Applicant(s):
Karsten Manufacturing Corporation
2201 West Desert Cove Phoenix Arizona 85029 United States of America
(72) Name(s) of Designer(s): **John A. Solheim and Richard R. Sanchez and Douglas W. Anderson and Daniel J. Kubica and Gregory M. Suggs and Ruben E. Whitten**
(45) Registration Date: **13 December 2005**
(30) Convention priority data:
(31) Number (32) Date (33) Country
29/197565 16 Jan 2004 UNITED STATES OF AMERICA
(56) Related Art Documents: **Not Applicable**
(57) Statement of Newness and Distinctiveness: **Nil**



- (21) Design Number: **13994/2004**
- (22) Date of Filing Application: **20 August 2004**
- (24) Date from which industrial property rights may have effect: **20 August 2004**
- (54) Product in respect of which the design is registered: **Vacuum System Cover**
- (51) International Design Classification: **15-05**
- (71) Name(s) and Address(s) of Applicant(s):

Stefanus Johannes Hilhorst
53 Park Road Glenfield Auckland New Zealand

Campbell Fairfield Jamieson
68 Premier Avenue Point Chevalier Auckland New Zealand

- (72) Name(s) of Designer(s): **Stefanus Johannes Hilhorst and Campbell Fairfield Jamieson**

- (45) Registration Date: **13 December 2005**

- (30) Convention priority data:

(31) Number	(32) Date	(33) Country
404591	20 Feb 2004	NEW ZEALAND

- (56) Related Art Documents: **Not Applicable**

- (57) Statement of Newness and Distinctiveness: **Newness and distinctiveness are claimed in the features of shape and/or configuration of a vacuum system cover as illustrated in the accompanying representations. In considering which features are new and distinctive, the features of the shape and/or configuration of the cooling vents and the company logo, shown in the dotted lines, are to be disregarded.**



- (21) Design Number: **14165/2004**
- (22) Date of Filing Application: **01 September 2004**
- (24) Date from which industrial property rights may have effect: **14 March 2003**
- (54) Product in respect of which the design is registered: **Gaming device**
- (51) International Design Classification: **21-03**
- (71) Name(s) and Address(s) of Applicant(s):

IGT
9295 Prototype Drive Reno Nevada 89521 United States of America

- (72) Name(s) of Designer(s): **Steven P. McGahn and Bayard S. Webb**

- (45) Registration Date: **13 December 2005**

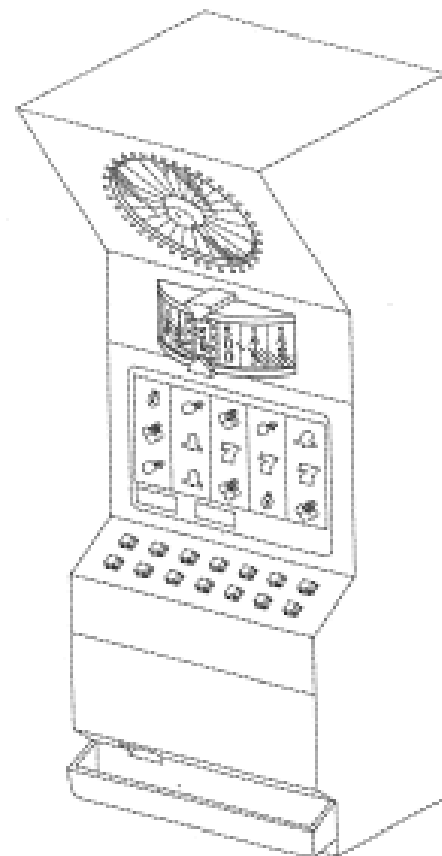
- (30) Convention priority data:

(31) Number	(32) Date	(33) Country
29/167551	16 Sep 2002	UNITED STATES OF AMERICA

- (62) Divisional of: **156482**

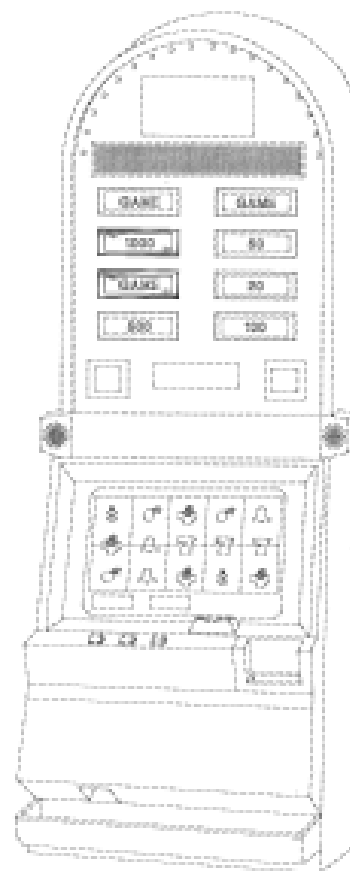
- (56) Related Art Documents: **Not Applicable**

- (57) Statement of Newness and Distinctiveness: **The newness and distinctiveness resides in the wheel and reel displays on the gaming device excluding features in dotted lines.**



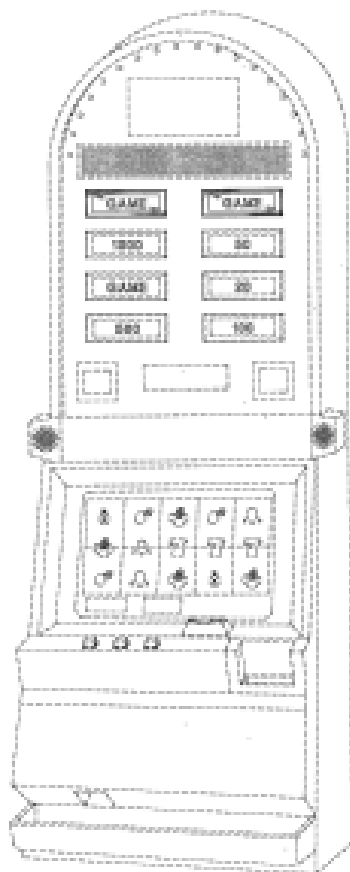
- (21) Design Number: **14250/2004**
- (22) Date of Filing Application: **03 September 2004**
- (24) Date from which industrial property rights may have effect: **14 March 2003**
- (54) Product in respect of which the design is registered: **Gaming Device**
- (51) International Design Classification: **21-03**
- (71) Name(s) and Address(s) of Applicant(s):
IGT
9295 Prototype Drive Reno Nevada 89521 United States of America
- (72) Name(s) of Designer(s): **Steven P. McGahn and Bayard S. Webb and Kimberly K. Karstens**
- (45) Registration Date: **13 December 2005**
- (30) Convention priority data:

(31) Number	(32) Date	(33) Country
29/167,550	16 Sep 2002	UNITED STATES OF AMERICA
- (62) Divisional of: **156461**
- (56) Related Art Documents: **Not Applicable**
- (57) Statement of Newness and Distinctiveness: **The newness and distinctiveness resides in the Symbol Displays on the gaming device excluding features in dotted lines.**



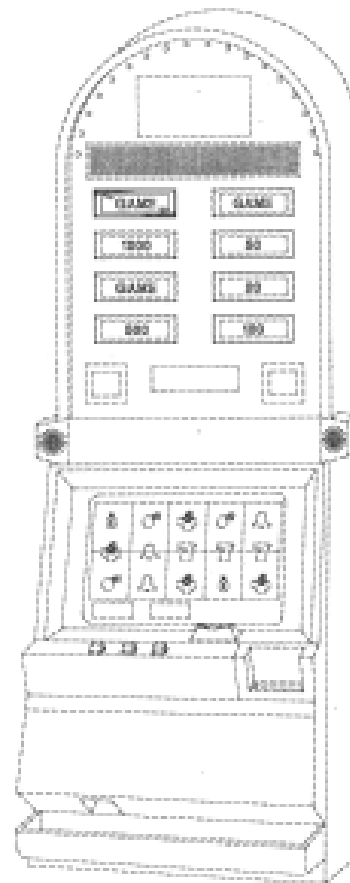
- (21) Design Number: **14251/2004**
- (22) Date of Filing Application: **03 September 2004**
- (24) Date from which industrial property rights may have effect: **14 March 2003**
- (54) Product in respect of which the design is registered: **Gaming device**
- (51) International Design Classification: **21-03**
- (71) Name(s) and Address(s) of Applicant(s):
IGT
9295 Prototype Drive Reno Nevada 89521 United States of America
- (72) Name(s) of Designer(s): **Steven P. McGahn and Bayard S. Webb and Kimberly K. Karstens**
- (45) Registration Date: **13 December 2005**
- (30) Convention priority data:

(31) Number	(32) Date	(33) Country
29/167,550	16 Sep 2002	UNITED STATES OF AMERICA
- (62) Divisional of: **156461**
- (56) Related Art Documents: **Not Applicable**
- (57) Statement of Newness and Distinctiveness: **The newness and distinctiveness resides in the symbol displays on the gaming device excluding features in dotted lines.**



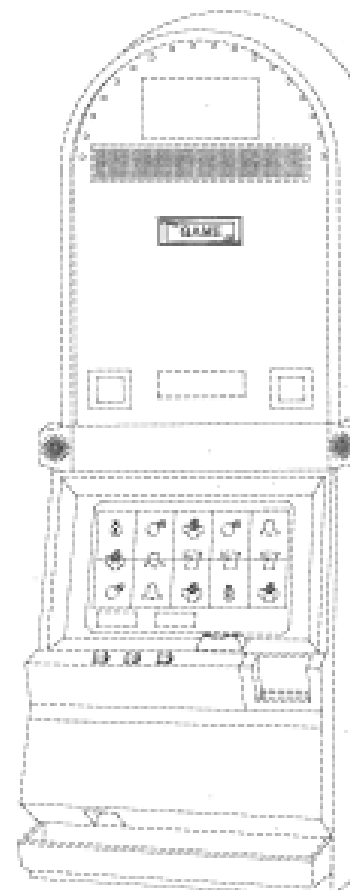
- (21) Design Number: **14252/2004**
- (22) Date of Filing Application: **03 September 2004**
- (24) Date from which industrial property rights may have effect: **14 March 2003**
- (54) Product in respect of which the design is registered: **Gaming device**
- (51) International Design Classification: **21-03**
- (71) Name(s) and Address(s) of Applicant(s):
IGT
9295 Prototype Drive Reno Nevada 89521 United States of America
- (72) Name(s) of Designer(s): **Steven P. McGahn and Bayard S. Webb and Kimberly K. Karstens**
- (45) Registration Date: **13 December 2005**
- (30) Convention priority data:

(31) Number	(32) Date	(33) Country
29/167,550	16 Sep 2002	UNITED STATES OF AMERICA
- (62) Divisional of: **156461**
- (56) Related Art Documents: **Not Applicable**
- (57) Statement of Newness and Distinctiveness: **The newness and distinctiveness resides in the symbol displays on the gaming device excluding features in dotted lines.**



- (21) Design Number: **14253/2004**
- (22) Date of Filing Application: **03 September 2004**
- (24) Date from which industrial property rights may have effect: **14 March 2003**
- (54) Product in respect of which the design is registered: **Gaming device**
- (51) International Design Classification: **21-03**
- (71) Name(s) and Address(s) of Applicant(s):
IGT
9295 Prototype Drive Reno Nevada 89521 United States of America
- (72) Name(s) of Designer(s): **Steven P. McGahn and Bayard S. Webb and Kimberly K. Karstens**
- (45) Registration Date: **13 December 2005**
- (30) Convention priority data:

(31) Number	(32) Date	(33) Country
29/167,550	16 Sep 2002	UNITED STATES OF AMERICA
- (62) Divisional of: **156461**
- (56) Related Art Documents: **Not Applicable**
- (57) Statement of Newness and Distinctiveness: **The newness and distinctiveness resides in the symbol displays on the gaming device excluding features in dotted lines.**



(21) Design Number: **15139/2004**

(22) Date of Filing Application: **05 November 2004**

(24) Date from which industrial property rights may have effect: **05 November 2004**

(54) Product in respect of which the design is registered: **Louvre blade**

(51) International Design Classification: **25-02K**

(71) Name(s) and Address(s) of Applicant(s):

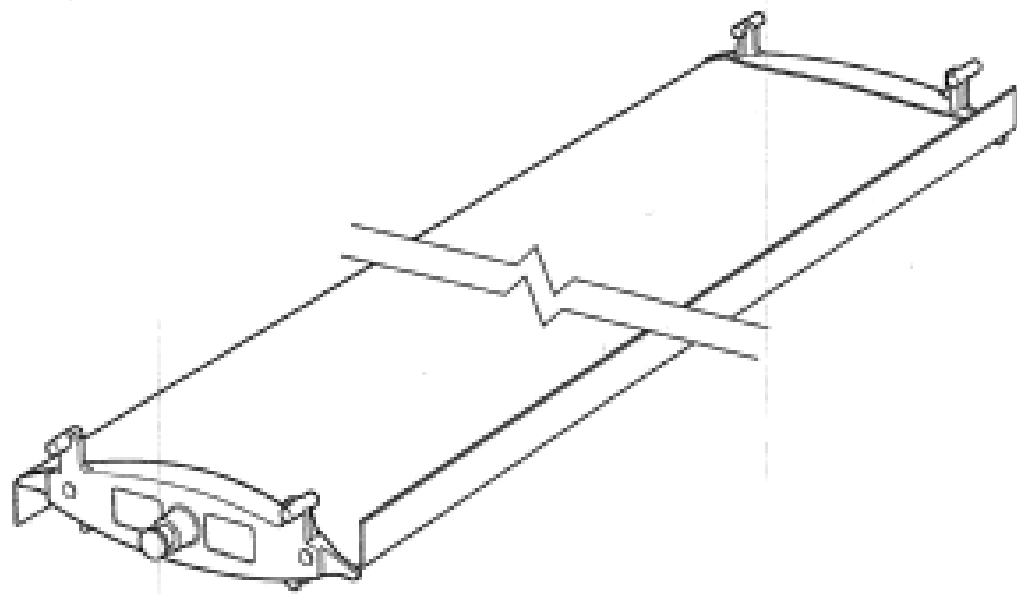
Vergola Pty Ltd
101 Port Road Thebarton South Australia 5031 Australia

(72) Name(s) of Designer(s): **Jitendra Ragunath**

(45) Registration Date: **13 December 2005**

(56) Related Art Documents: **Not Applicable**

(57) Statement of Newness and Distinctiveness: **Newness and distinctiveness is claimed in respect of the features of shape and configuration applied to a louvre blade as illustrated in the accompanying representations.**



(21) Design Number: **15296/2004**

(22) Date of Filing Application: **16 November 2004**

(24) Date from which industrial property rights may have effect: **16 November 2004**

(54) Product in respect of which the design is registered: **Air freshener**

(51) International Design Classification: **28-99**

(71) Name(s) and Address(s) of Applicant(s):

Kan Guru Pty Ltd
327 Lennox Street Richmond Victoria 3121 Australia

(72) Name(s) of Designer(s): **Stuart Parry**

(45) Registration Date: **13 December 2005**

(56) Related Art Documents: **Not Applicable**

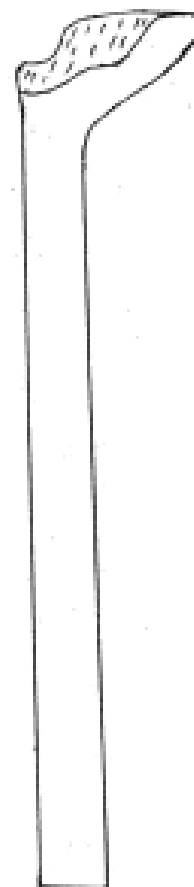
(57) Statement of Newness and Distinctiveness: **That the new feature of the design is the hole situated at the top of the design which ensures stability and for the air freshener to be affixed to items via a string.**



- (21) Design Number: **10004/2005**
(22) Date of Filing Application: **04 January 2005**
(24) Date from which industrial property rights may have effect: **04 January 2005**
(54) Product in respect of which the design is registered: **Golf club holder**
(51) International Design Classification: **21-02C**
(71) Name(s) and Address(s) of Applicant(s):

Clive Carl McNally
3 South Haven Mollymook New South Wales 2539 Australia

- (72) Name(s) of Designer(s): **Clive Carl McNally**
(45) Registration Date: **13 December 2005**
(56) Related Art Documents: **Not Applicable**
(57) Statement of Newness and Distinctiveness: **Nil**



- (21) Design Number: **12522/2005**
(22) Date of Filing Application: **14 June 2005**
(24) Date from which industrial property rights may have effect: **14 June 2005**
(54) Product in respect of which the design is registered: **Mobile phone keyring**
(51) International Design Classification: **03-01B, 14-03A**
(71) Name(s) and Address(s) of Applicant(s):

Aurea Pty Ltd
Unit 13/620-632 Botany Road Alexandria New South Wales 2015
Australia

- (72) Name(s) of Designer(s): **Young Ah Goh**
(45) Registration Date: **13 December 2005**
(56) Related Art Documents: **Not Applicable**
(57) Statement of Newness and Distinctiveness: **The shape and configuration of the design are the new visual features.**



(21) Design Number: **12523/2005**

(22) Date of Filing Application: **14 June 2005**

(24) Date from which industrial property rights may have effect: **14 June 2005**

(54) Product in respect of which the design is registered: **Mobile phone keyring**

(51) International Design Classification: **03-01B, 14-03A**

(71) Name(s) and Address(s) of Applicant(s):

Aurea Pty Ltd
Unit 13/620-632 Botany Road Alexandria New South Wales 2015
Australia

(72) Name(s) of Designer(s): **Young Ah Goh**

(45) Registration Date: **13 December 2005**

(56) Related Art Documents: **Not Applicable**

(57) Statement of Newness and Distinctiveness: **The shape and configuration of the design are the new visual features.**



(21) Design Number: **12524/2005**

(22) Date of Filing Application: **14 June 2005**

(24) Date from which industrial property rights may have effect: **14 June 2005**

(54) Product in respect of which the design is registered: **Mobile phone keyring**

(51) International Design Classification: **03-01B, 14-03A**

(71) Name(s) and Address(s) of Applicant(s):

Aurea Pty Ltd
Unit 13/620-632 Botany Road Alexandria New South Wales 2015
Australia

(72) Name(s) of Designer(s): **Young Ah Goh**

(45) Registration Date: **13 December 2005**

(56) Related Art Documents: **Not Applicable**

(57) Statement of Newness and Distinctiveness: **The shape and configuration of the design are the new visual features.**



(21) Design Number: **12525/2005**

(22) Date of Filing Application: **14 June 2005**

(24) Date from which industrial property rights may have effect: **14 June 2005**

(54) Product in respect of which the design is registered: **Mobile phone keyring**

(51) International Design Classification: **03-01B, 14-03A**

(71) Name(s) and Address(s) of Applicant(s):

Aurea Pty Ltd
Unit 13/620-632 Botany Road Alexandria New South Wales 2015
Australia

(72) Name(s) of Designer(s): **Young Ah Goh**

(45) Registration Date: **13 December 2005**

(56) Related Art Documents: **Not Applicable**

(57) Statement of Newness and Distinctiveness: **The shape and configuration of the design are the new visual features.**



(21) Design Number: **12526/2005**

(22) Date of Filing Application: **14 June 2005**

(24) Date from which industrial property rights may have effect: **14 June 2005**

(54) Product in respect of which the design is registered: **Mobile phone keyring**

(51) International Design Classification: **03-01B, 14-03A**

(71) Name(s) and Address(s) of Applicant(s):

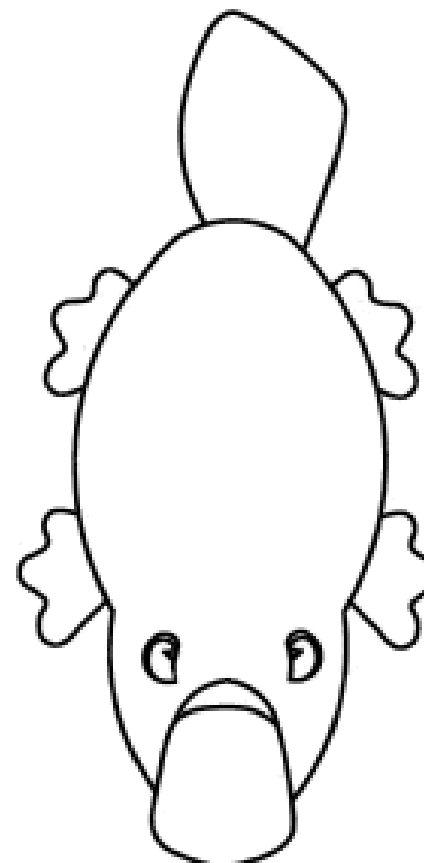
Aurea Pty Ltd
Unit 13/620-632 Botany Road Alexandria New South Wales 2015
Australia

(72) Name(s) of Designer(s): **Young Ah Goh**

(45) Registration Date: **13 December 2005**

(56) Related Art Documents: **Not Applicable**

(57) Statement of Newness and Distinctiveness: **The shape and configuration of the design are the new visual features.**



(21) Design Number: **12527/2005**

(22) Date of Filing Application: **14 June 2005**

(24) Date from which industrial property rights may have effect: **14 June 2005**

(54) Product in respect of which the design is registered: **Mobile phone keyring**

(51) International Design Classification: **03-01B, 14-03A**

(71) Name(s) and Address(s) of Applicant(s):

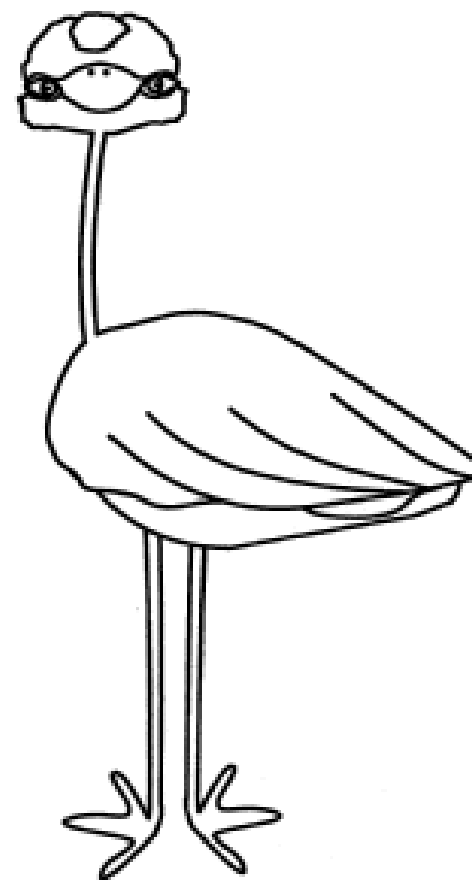
Aurea Pty Ltd
Unit 13/620-632 Botany Road Alexandria New South Wales 2015
Australia

(72) Name(s) of Designer(s): **Young Ah Goh**

(45) Registration Date: **13 December 2005**

(56) Related Art Documents: **Not Applicable**

(57) Statement of Newness and Distinctiveness: **The shape and configuration of the design are the new visual features.**



(21) Design Number: **12528/2005**

(22) Date of Filing Application: **14 June 2005**

(24) Date from which industrial property rights may have effect: **14 June 2005**

(54) Product in respect of which the design is registered: **Mobile phone keyring**

(51) International Design Classification: **03-01B, 14-03A**

(71) Name(s) and Address(s) of Applicant(s):

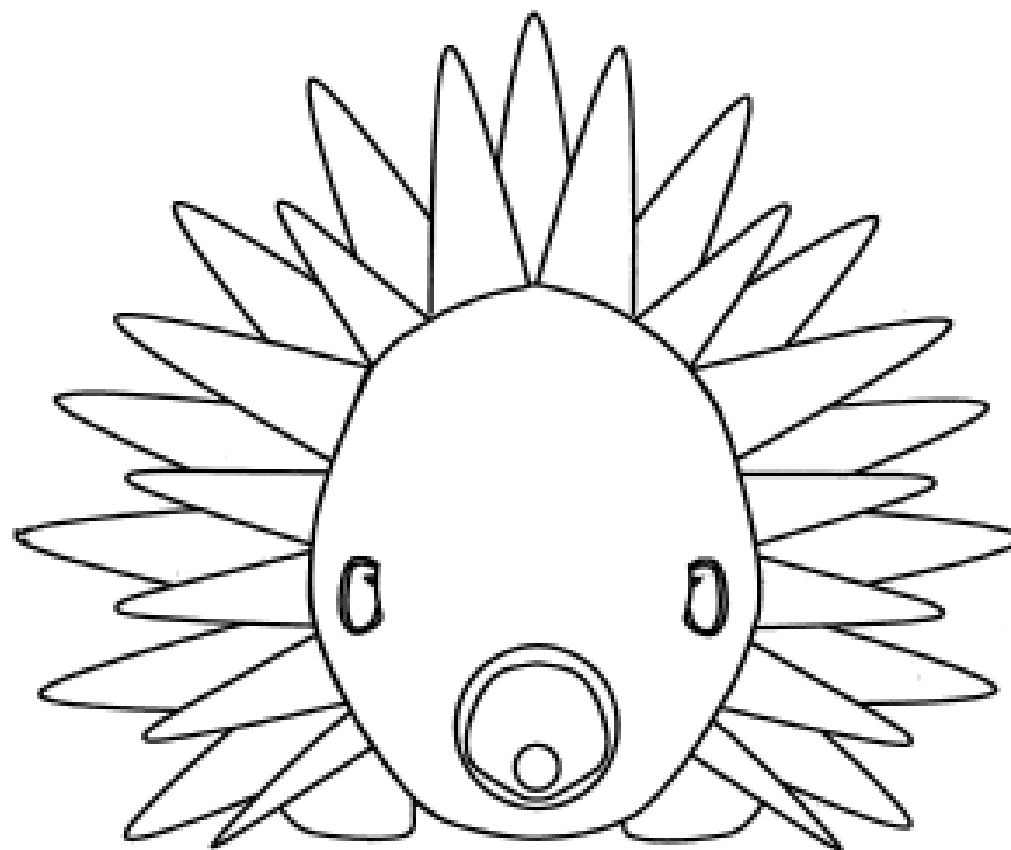
Aurea Pty Ltd
Unit 13/620-632 Botany Road Alexandria New South Wales 2015
Australia

(72) Name(s) of Designer(s): **Young Ah Goh**

(45) Registration Date: **13 December 2005**

(56) Related Art Documents: **Not Applicable**

(57) Statement of Newness and Distinctiveness: **The shape and configuration of the design are the new visual features.**



(21) Design Number: **12529/2005**

(22) Date of Filing Application: **14 June 2005**

(24) Date from which industrial property rights may have effect: **14 June 2005**

(54) Product in respect of which the design is registered: **Mobile phone keyring**

(51) International Design Classification: **03-01B, 14-03A**

(71) Name(s) and Address(s) of Applicant(s):

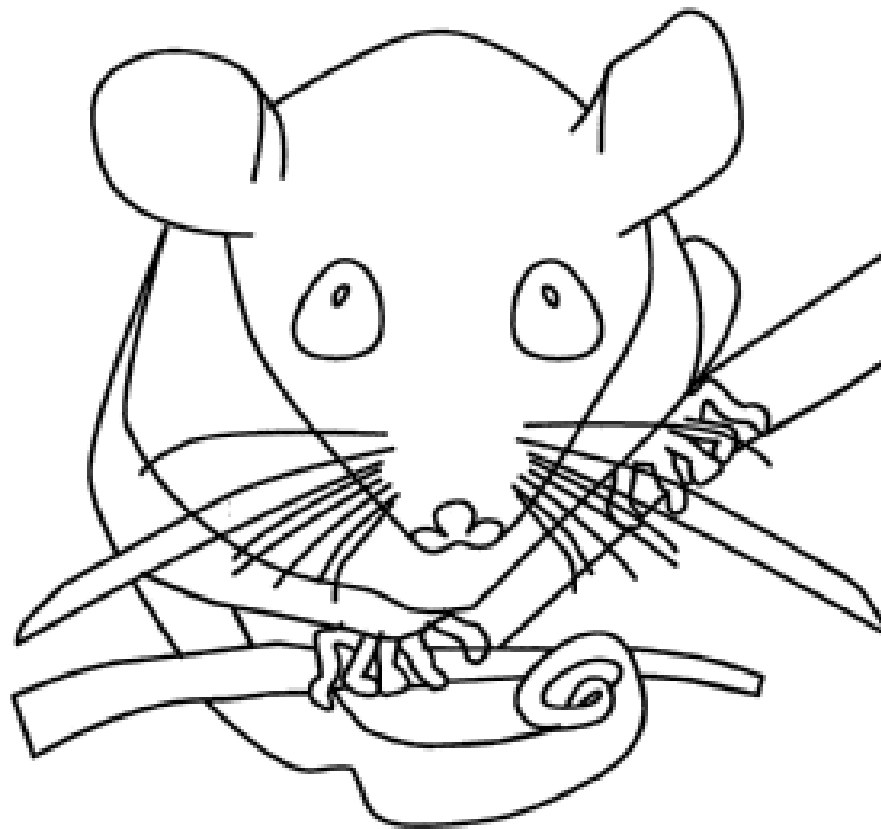
Aurea Pty Ltd
Unit 13/620-632 Botany Road Alexandria New South Wales 2015
Australia

(72) Name(s) of Designer(s): **Young Ah Goh**

(45) Registration Date: **13 December 2005**

(56) Related Art Documents: **Not Applicable**

(57) Statement of Newness and Distinctiveness: **The shape and configuration of the design are the new visual features.**



(21) Design Number: **14586/2005**

(22) Date of Filing Application: **19 October 2005**

(24) Date from which industrial property rights may have effect: **19 October 2005**

(54) Product in respect of which the design is registered: **Stile of indefinite length**

(51) International Design Classification: **08-09, 25-01K**

(71) Name(s) and Address(s) of Applicant(s):

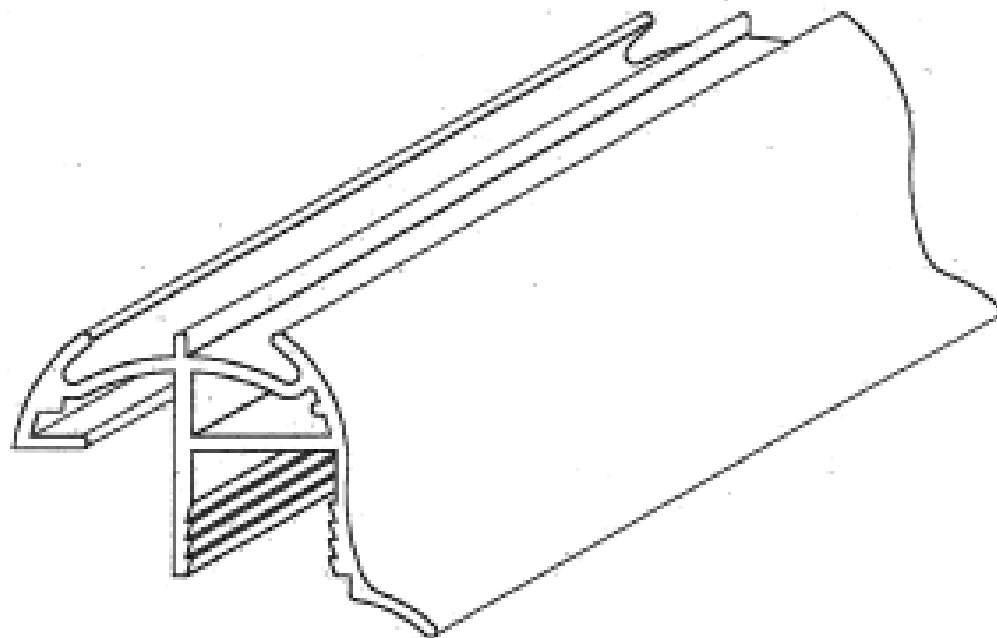
Landson Industrial (Aust) Pty Ltd
15 Graham Hill Road Narellan New South Wales 2567 Australia

(72) Name(s) of Designer(s): **Weidong Feng**

(45) Registration Date: **13 December 2005**

(56) Related Art Documents: **Not Applicable**

(57) Statement of Newness and Distinctiveness: **Nil**



- (21) Design Number: **14530/2004**
- (22) Date of Filing Application: **22 September 2004**
- (24) Date from which industrial property rights may have effect: **22 September 2004**
- (54) Product in respect of which the design is registered: **Holder for container**
- (51) International Design Classification: **08-05A**
- (71) Name(s) and Address(s) of Applicant(s):

S.C. Johnson & Son, Inc.
1525 Howe Street Racine Wisconsin 53403-2236 United States of America

- (72) Name(s) of Designer(s): **Jonathan N. Mandell and Scott W. Demarest and Brian E. Healy and Nathan R. Westphal and Allen D. Miller**

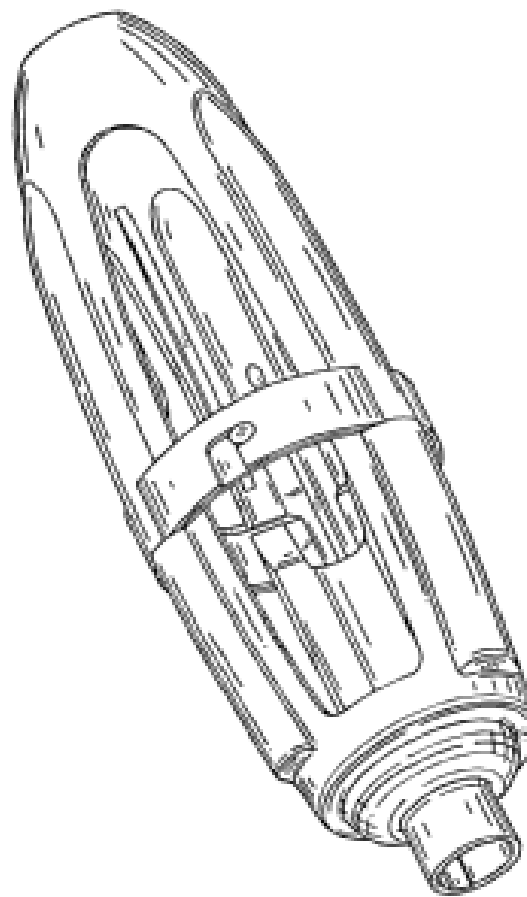
- (45) Registration Date: **14 December 2005**

- (30) Convention priority data:

(31) Number	(32) Date	(33) Country
29/201938	23 Mar 2004	UNITED STATES OF AMERICA

- (56) Related Art Documents: **Not Applicable**

- (57) Statement of Newness and Distinctiveness: **Newness and distinctiveness is claimed in the features of shape and/or configuration of a holder for container as illustrated in the accompanying representations. In considering which features are new and distinctive the trigger actuator and mounting pole in the left side view shown in broken lines is to be disregarded.**



- (21) Design Number: **15833/2004**
- (22) Date of Filing Application: **15 December 2004**
- (24) Date from which industrial property rights may have effect: **15 December 2004**
- (54) Product in respect of which the design is registered: **Closure**
- (51) International Design Classification: **09-07C**
- (71) Name(s) and Address(s) of Applicant(s):

Seaquist Closures Foreign, Inc.
475 West Terra Cotta Crystal Lake Illinois 60014 United States of America

- (72) Name(s) of Designer(s): **Marge M. Hicks and Alan P. Hickok and Katja Wood**

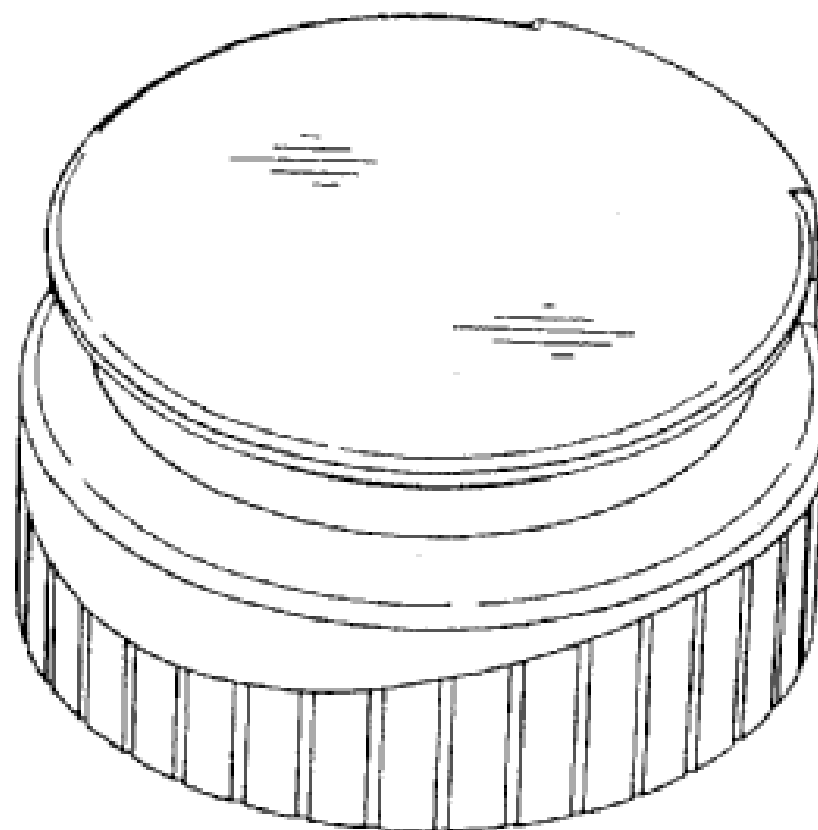
- (45) Registration Date: **14 December 2005**

- (30) Convention priority data:

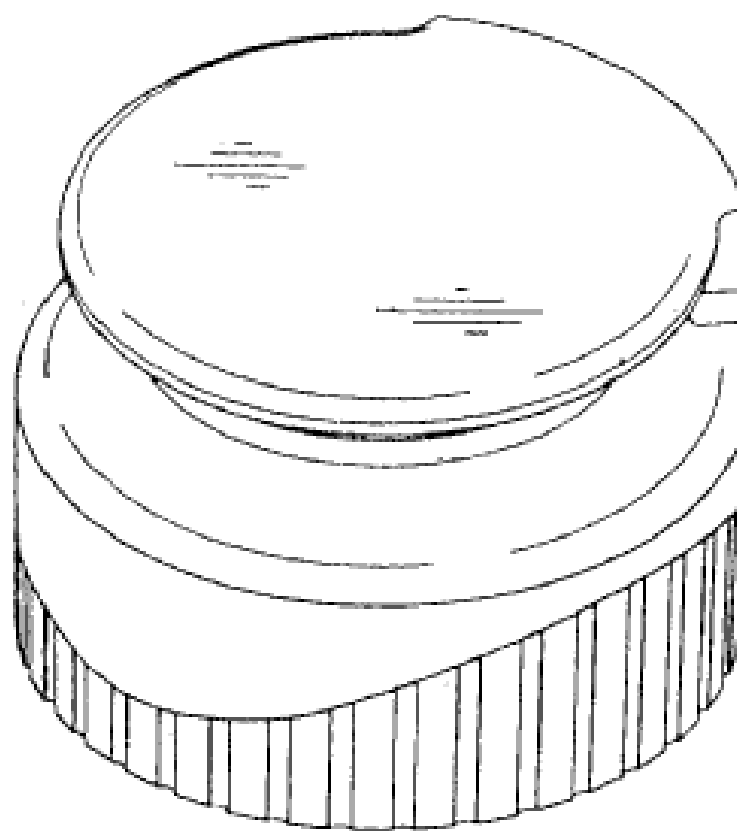
(31) Number	(32) Date	(33) Country
29/208007	22 Jun 2004	UNITED STATES OF AMERICA

- (56) Related Art Documents: **Not Applicable**

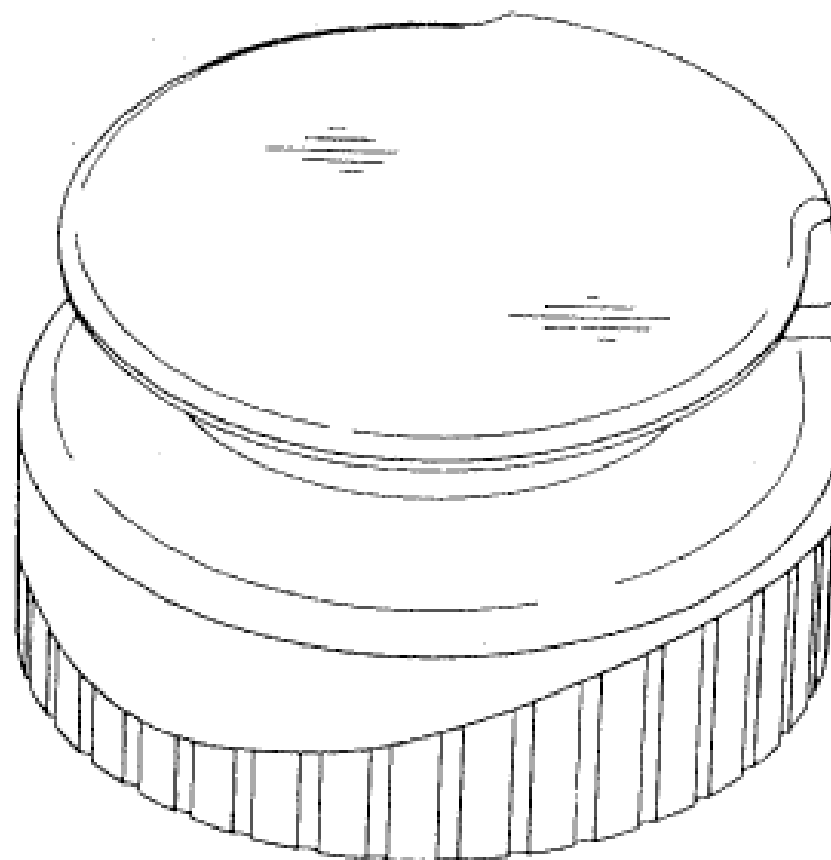
- (57) Statement of Newness and Distinctiveness: **Newness and distinctiveness is claimed in the features of shape and/or configuration of a closure as illustrated in the accompanying representations.**



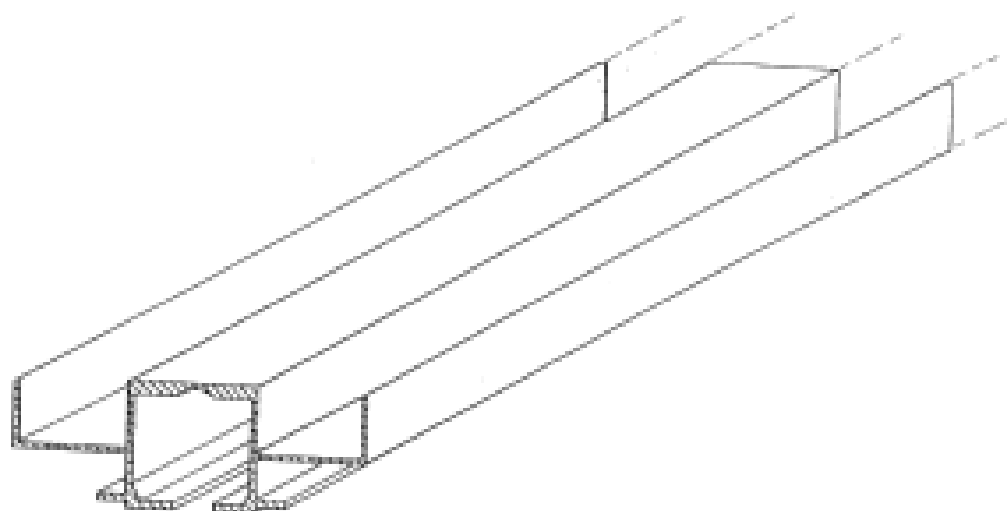
- (21) Design Number: **15834/2004**
(22) Date of Filing Application: **15 December 2004**
(24) Date from which industrial property rights may have effect: **15 December 2004**
(54) Product in respect of which the design is registered: **Closure**
(51) International Design Classification: **09-07C**
(71) Name(s) and Address(s) of Applicant(s):
Seaquist Closures Foreign, Inc.
475 West Terra Cotta Crystal Lake Illinois 60014 United States of America
(72) Name(s) of Designer(s): **Marge M. Hicks and Alan P. Hickok and Katja Wood**
(45) Registration Date: **14 December 2005**
(30) Convention priority data:
(31) Number (32) Date (33) Country
29/208007 22 Jun 2004 UNITED STATES OF AMERICA
(56) Related Art Documents: **Not Applicable**
(57) Statement of Newness and Distinctiveness: **Newness and distinctiveness is claimed in the features of shape and/or configuration of a closure as illustrated in the accompanying representations.**



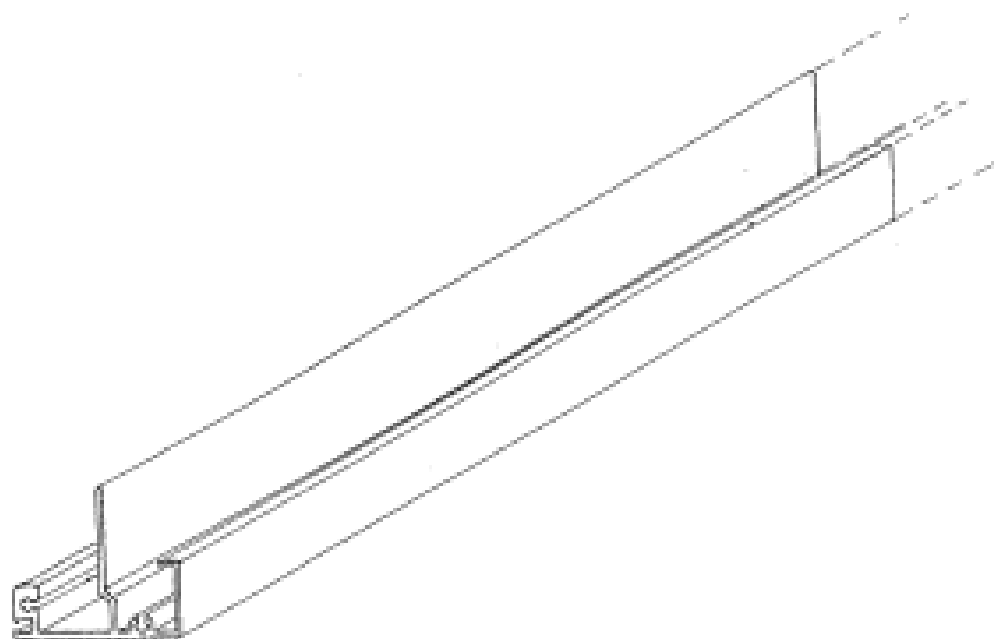
- (21) Design Number: **15835/2004**
(22) Date of Filing Application: **15 December 2004**
(24) Date from which industrial property rights may have effect: **15 December 2004**
(54) Product in respect of which the design is registered: **Closure**
(51) International Design Classification: **09-07C**
(71) Name(s) and Address(s) of Applicant(s):
Seaquist Closures Foreign, Inc.
475 West Terra Cotta Crystal Lake Illinois 60014 United States of America
(72) Name(s) of Designer(s): **Marge M. Hicks and Alan P. Hickok and Katja Wood**
(45) Registration Date: **14 December 2005**
(30) Convention priority data:
(31) Number (32) Date (33) Country
29/208007 22 Jun 2004 UNITED STATES OF AMERICA
(56) Related Art Documents: **Not Applicable**
(57) Statement of Newness and Distinctiveness: **Newness and distinctiveness is claimed in the features of shape and/or configuration of a closure as illustrated in the accompanying representations.**



- (21) Design Number: **15851/2004**
(22) Date of Filing Application: **16 December 2004**
(24) Date from which industrial property rights may have effect: **16 December 2004**
(54) Product in respect of which the design is registered: **Extrusion**
(51) International Design Classification: **25-01K**
(71) Name(s) and Address(s) of Applicant(s):
 Lance Lotter
 50 Brighton Terrace Sandgate Queensland 4017 Australia
(72) Name(s) of Designer(s): **Ferdinand Lotter**
(45) Registration Date: **14 December 2005**
(56) Related Art Documents: **Not Applicable**
(57) Statement of Newness and Distinctiveness: **Newness and distinctiveness is claimed in the shape and configuration of an extrusion as shown in the accompanying representations.**



- (21) Design Number: **13508/2005**
(22) Date of Filing Application: **16 December 2004**
(24) Date from which industrial property rights may have effect: **16 December 2004**
(54) Product in respect of which the design is registered: **Extrusion**
(51) International Design Classification: **25-01K**
(71) Name(s) and Address(s) of Applicant(s):
 Lance Lotter
 50 Brighton Terrace Sandgate Queensland 4017 Australia
(72) Name(s) of Designer(s): **Ferdinand Lotter**
(45) Registration Date: **14 December 2005**
(56) Related Art Documents: **Not Applicable**
(57) Statement of Newness and Distinctiveness: **Newness and distinctiveness is claimed in the shape and configuration of an extrusion as shown in the accompanying representations.**



(21) Design Number: **10046/2005**
(22) Date of Filing Application: **07 January 2005**
(24) Date from which industrial property rights may have effect: **07 January 2005**
(54) Product in respect of which the design is registered: **Mixer**
(51) International Design Classification: **31-00**
(71) Name(s) and Address(s) of Applicant(s):

Santos
140/150 avenue Roger Salengro 69120 Vaulx En Velin France

(72) Name(s) of Designer(s): **Jacques Fouquet**

(45) Registration Date: **14 December 2005**

(30) Convention priority data:

(31) Number	(32) Date	(33) Country
000216288	30 Jul 2004	EUROPEAN COMMUNITY

(56) Related Art Documents: **Not Applicable**

(57) Statement of Newness and Distinctiveness: **Nil**



(21) Design Number: **10051/2005**
(22) Date of Filing Application: **07 January 2005**
(24) Date from which industrial property rights may have effect: **07 January 2005**
(54) Product in respect of which the design is registered: **Valve of a seal valve assembly**
(51) International Design Classification: **23-01K**
(71) Name(s) and Address(s) of Applicant(s):

Erblan Surgical Inc.
36 Sandrick Road Belmont 02478 Massachusetts United States of America

(72) Name(s) of Designer(s): **Ernesto E. Blanco**

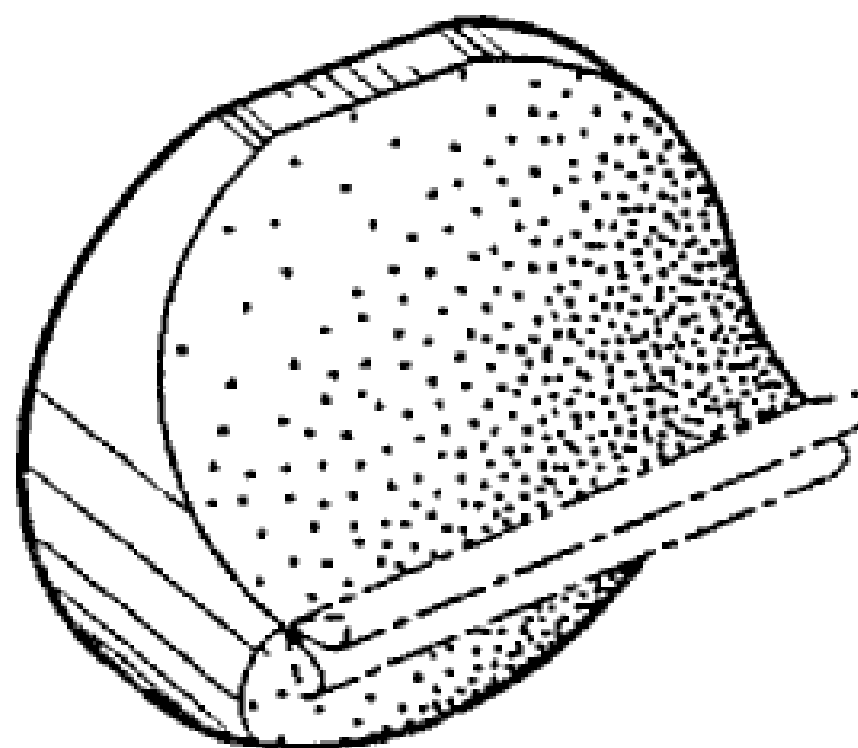
(45) Registration Date: **14 December 2005**

(30) Convention priority data:

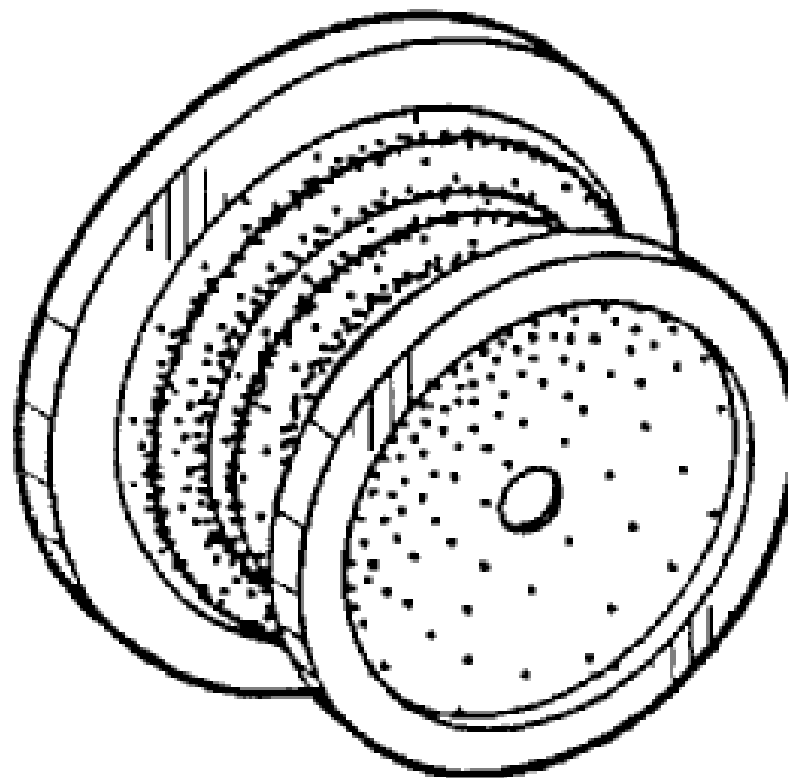
(31) Number	(32) Date	(33) Country
29/208947	09 Jul 2004	UNITED STATES OF AMERICA

(56) Related Art Documents: **Not Applicable**

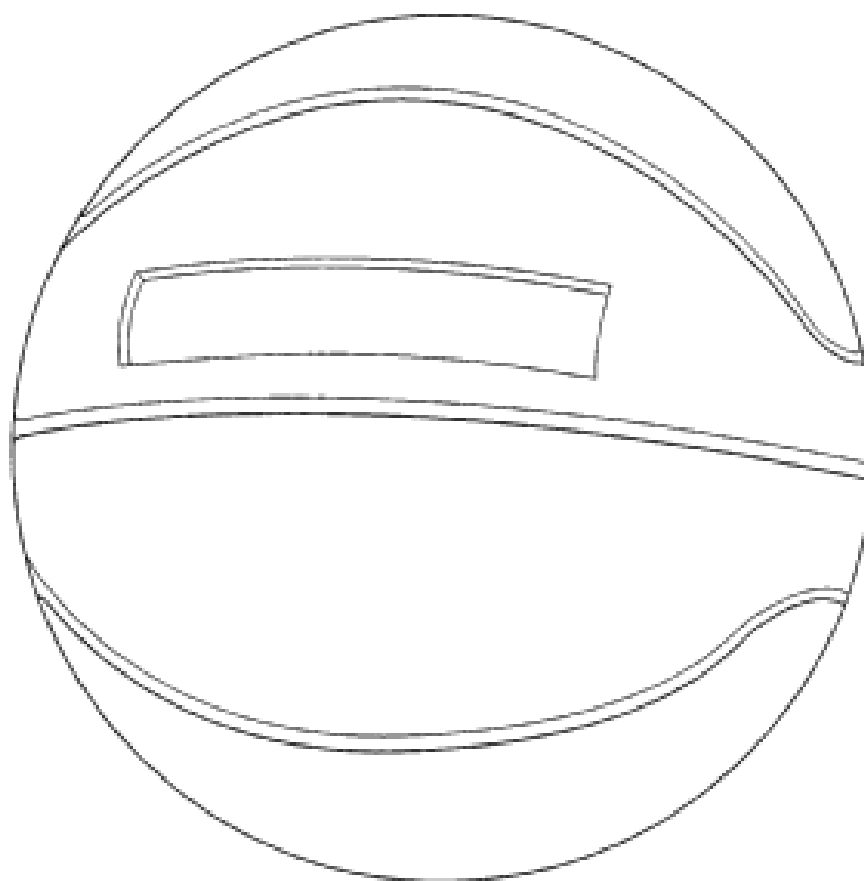
(57) Statement of Newness and Distinctiveness: **When determining whether the valve (Design 1) of the accompanying representations is substantially similar in overall impression to another design, no regard is to be had to those features of the valve shown in dotted outline in the accompanying representations.**



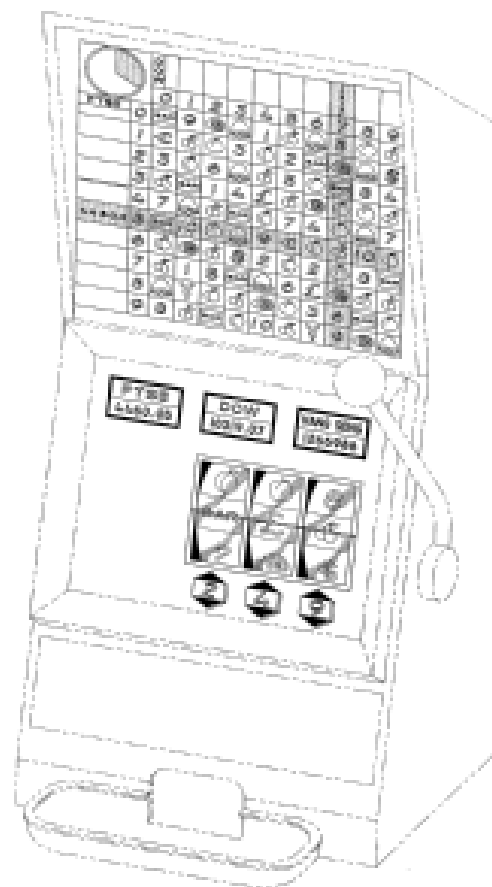
- (21) Design Number: **10052/2005**
(22) Date of Filing Application: **07 January 2005**
(24) Date from which industrial property rights may have effect: **07 January 2005**
(54) Product in respect of which the design is registered: **Seal of a seal valve assembly**
(51) International Design Classification: **23-01K**
(71) Name(s) and Address(s) of Applicant(s):
Erbilan Surgical Inc.
36 Sandrick Road Belmont 02478 Massachusetts United States of America
(72) Name(s) of Designer(s): **Ernesto E. Blanco**
(45) Registration Date: **14 December 2005**
(30) Convention priority data:
(31) Number (32) Date (33) Country
29/208947 09 Jul 2004 UNITED STATES OF AMERICA
(56) Related Art Documents: **Not Applicable**
(57) Statement of Newness and Distinctiveness: **Nil**



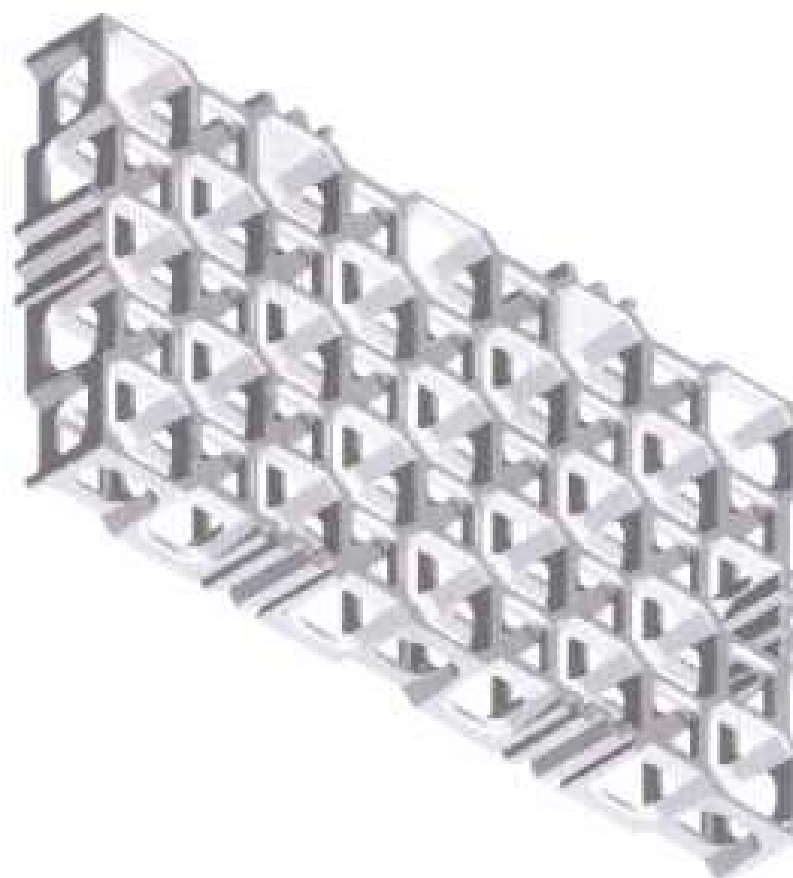
- (21) Design Number: **10612/2005**
(22) Date of Filing Application: **17 February 2005**
(24) Date from which industrial property rights may have effect: **17 February 2005**
(54) Product in respect of which the design is registered: **Basket ball letter box**
(51) International Design Classification: **25-03**
(71) Name(s) and Address(s) of Applicant(s):
Alexis Broikos
137 Penfold Road Wattle Park South Australia 5066 Australia
(72) Name(s) of Designer(s): **Alexis Broikos**
(45) Registration Date: **14 December 2005**
(56) Related Art Documents: **Not Applicable**
(57) Statement of Newness and Distinctiveness: **The letter slot to receive postal items in an article having the appearance of a basket ball.**



- (21) Design Number: **10968/2005**
(22) Date of Filing Application: **14 March 2005**
(24) Date from which industrial property rights may have effect: **14 March 2005**
(54) Product in respect of which the design is registered: **Wagering viewer based on multiple financial market indicators**
(51) International Design Classification: **21-03**
(71) Name(s) and Address(s) of Applicant(s):
CFPH, LLC
135 E. 57th Street New York NY 10022 United States of America
(72) Name(s) of Designer(s): **Lee M. Amaitis and James C. Johnson**
(45) Registration Date: **14 December 2005**
(30) Convention priority data:
(31) Number (32) Date (33) Country
29/213,189 14 Sep 2004 UNITED STATES OF AMERICA
(56) Related Art Documents: **Not Applicable**
(57) Statement of Newness and Distinctiveness: **Nil**



- (21) Design Number: **11628/2005**
(22) Date of Filing Application: **21 April 2005**
(24) Date from which industrial property rights may have effect: **21 April 2005**
(54) Product in respect of which the design is registered: **Paver**
(51) International Design Classification: **25-01A**
(71) Name(s) and Address(s) of Applicant(s):
Astral Property Pty Limited
Unit 3 19-21 Gibbes Street Chatswood New South Wales 2067
Australia
(72) Name(s) of Designer(s): **Humberto Urriola**
(45) Registration Date: **14 December 2005**
(56) Related Art Documents: **Not Applicable**
(57) Statement of Newness and Distinctiveness: **The newness and distinctiveness in respect of the design is claimed in the features of shape and configuration of the paver, as illustrated in the accompanying representations.**



- (21) Design Number: **12141/2005**
- (22) Date of Filing Application: **11 May 2005**
- (24) Date from which industrial property rights may have effect: **11 May 2005**
- (54) Product in respect of which the design is registered: **Key blank**
- (51) International Design Classification: **08-07**
- (71) Name(s) and Address(s) of Applicant(s):

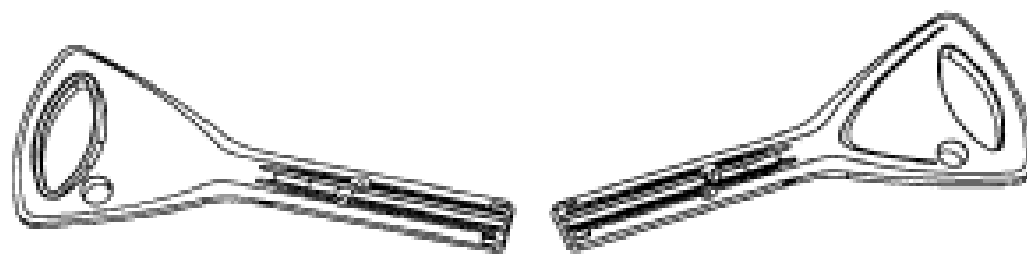
Abloy Security Pty Ltd
5/372 Eastern Valley Way Chatswood New South Wales 2067 Australia

- (72) Name(s) of Designer(s): **Seppo Kiiski and Pekka Mielonen**

- (45) Registration Date: **14 December 2005**

- (56) Related Art Documents: **Not Applicable**

- (57) Statement of Newness and Distinctiveness: **Newness and distinctiveness is claimed in respect of the shape and/or configuration of the product illustrated in the accompanying representations, the product having a head and a shank, and in considering the newness and distinctiveness of the product the shape and/or configuration of the head is to be disregarded.**



- (21) Design Number: **12142/2005**
- (22) Date of Filing Application: **11 May 2005**
- (24) Date from which industrial property rights may have effect: **11 May 2005**
- (54) Product in respect of which the design is registered: **Key blank**
- (51) International Design Classification: **08-07**
- (71) Name(s) and Address(s) of Applicant(s):

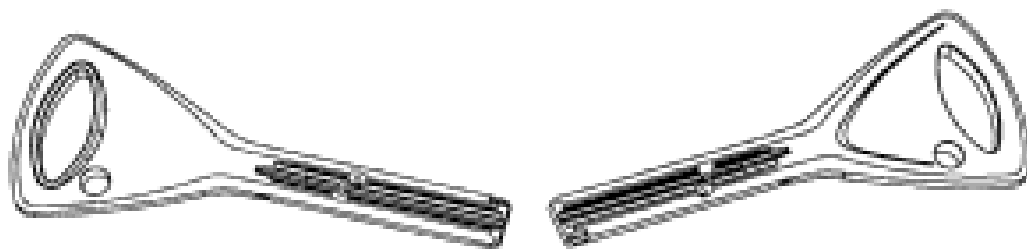
Abloy Security Pty Ltd
5/372 Eastern Valley Way Chatswood New South Wales 2067 Australia

- (72) Name(s) of Designer(s): **Seppo Kiiski and Pekka Mielonen**

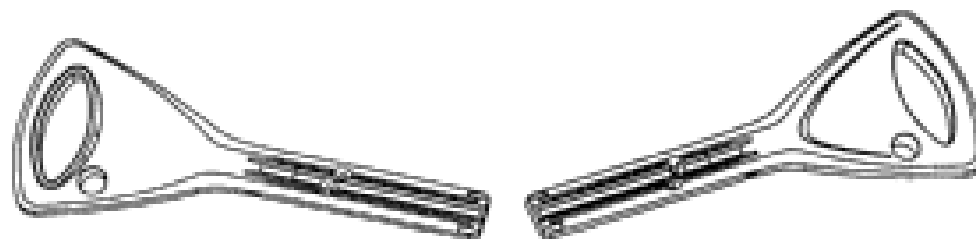
- (45) Registration Date: **14 December 2005**

- (56) Related Art Documents: **Not Applicable**

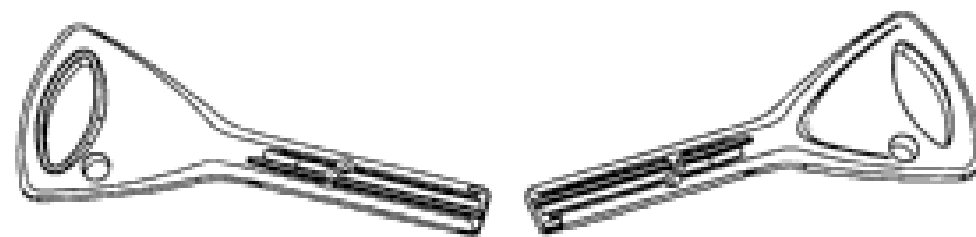
- (57) Statement of Newness and Distinctiveness: **Newness and distinctiveness is claimed in respect of the shape and/or configuration of the product illustrated in the accompanying representations, the product having a head and a shank, and in considering the newness and distinctiveness of the product the shape and/or configuration of the head is to be disregarded.**



- (21) Design Number: **12143/2005**
(22) Date of Filing Application: **11 May 2005**
(24) Date from which industrial property rights may have effect: **11 May 2005**
(54) Product in respect of which the design is registered: **Key blank**
(51) International Design Classification: **08-07**
(71) Name(s) and Address(s) of Applicant(s):
Abloy Security Pty Ltd
5/372 Eastern Valley Way Chatswood New South Wales 2067 Australia
(72) Name(s) of Designer(s): **Seppo Kiiski and Pekka Mielonen**
(45) Registration Date: **14 December 2005**
(56) Related Art Documents: **Not Applicable**
(57) Statement of Newness and Distinctiveness: **Newness and distinctiveness is claimed in respect of the shape and/or configuration of the product illustrated in the accompanying representations, the product having a head and a shank, and in considering the newness and distinctiveness of the product the shape and/or configuration of the head is to be disregarded.**



- (21) Design Number: **12144/2005**
(22) Date of Filing Application: **11 May 2005**
(24) Date from which industrial property rights may have effect: **11 May 2005**
(54) Product in respect of which the design is registered: **Key blank**
(51) International Design Classification: **08-07**
(71) Name(s) and Address(s) of Applicant(s):
Abloy Security Pty Ltd
5/372 Eastern Valley Way Chatswood New South Wales 2067 Australia
(72) Name(s) of Designer(s): **Seppo Kiiski and Pekka Mielonen**
(45) Registration Date: **14 December 2005**
(56) Related Art Documents: **Not Applicable**
(57) Statement of Newness and Distinctiveness: **Newness and distinctiveness is claimed in respect of the shape and/or configuration of the product illustrated in the accompanying representations, the product having a head and a shank, and in considering the newness and distinctiveness of the product the shape and/or configuration of the head is to be disregarded.**



(21) Design Number: **12388/2005**

(22) Date of Filing Application: **03 June 2005**

(24) Date from which industrial property rights may have effect: **03 June 2005**

(54) Product in respect of which the design is registered: **Compact juicer**

(51) International Design Classification: **31-00**

(71) Name(s) and Address(s) of Applicant(s):

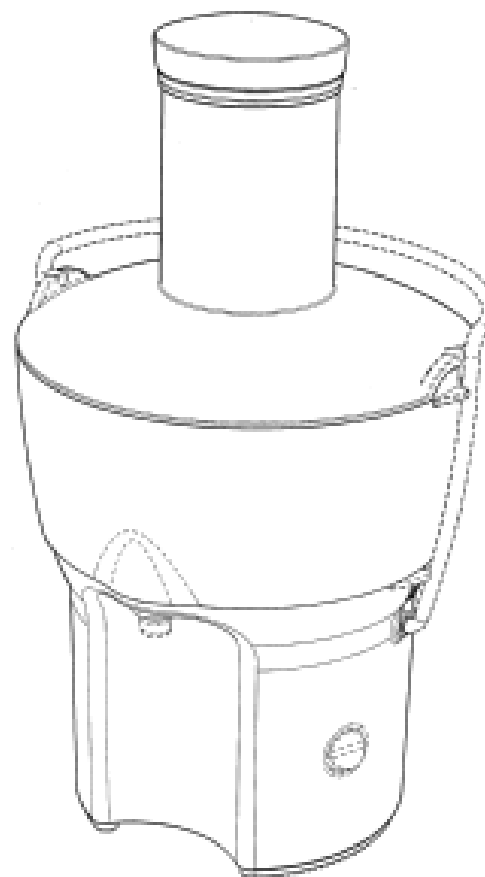
Breville Pty Limited
Building 2 Port Air Industrial Estate 1A Hale St Botany New South
Wales 2019 Australia

(72) Name(s) of Designer(s): **Keith James Hensel**

(45) Registration Date: **14 December 2005**

(56) Related Art Documents: **Not Applicable**

(57) Statement of Newness and Distinctiveness: **Newness is claimed in the features of shape and configuration of the compact juicer as shown in the accompanying representations. Monopoly is not claimed in the features of the safety bar, base grille, switch or nozzle illustrated in interrupted lines.**



(21) Design Number: **12408/2005**

(22) Date of Filing Application: **03 June 2005**

(24) Date from which industrial property rights may have effect: **03 June 2005**

(54) Product in respect of which the design is registered: **Coupling**

(51) International Design Classification: **25-01C**

(71) Name(s) and Address(s) of Applicant(s):

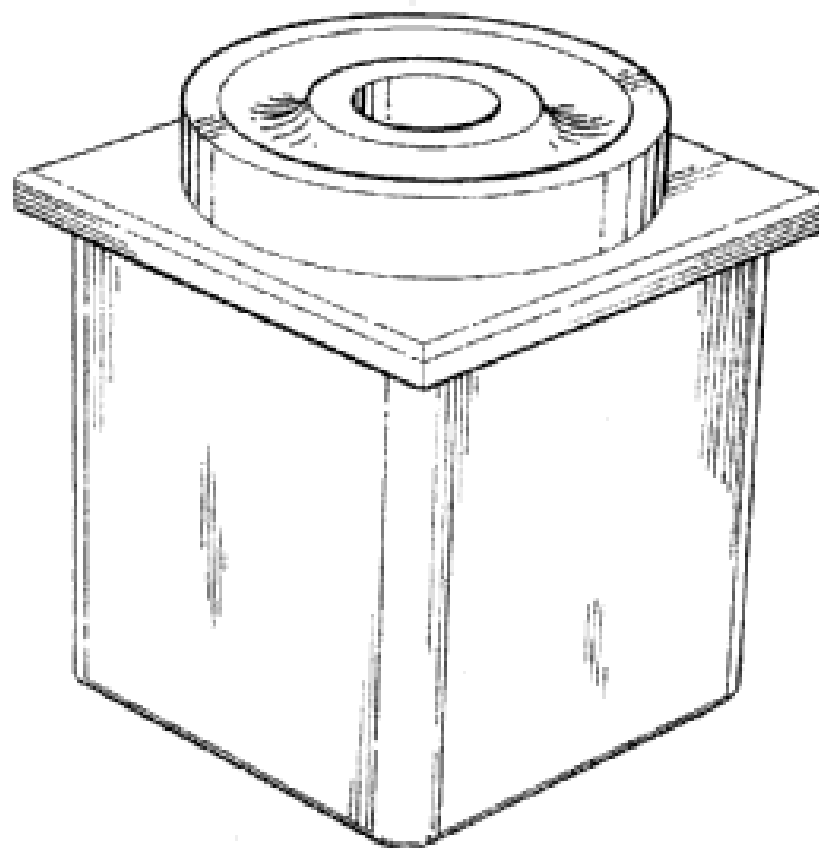
Tilt-Lift Equipment Pty Ltd
2 Arnold Street Cheltenham Victoria 3192 Australia

(72) Name(s) of Designer(s): **Brian Hilbert**

(45) Registration Date: **14 December 2005**

(56) Related Art Documents: **Not Applicable**

(57) Statement of Newness and Distinctiveness: **Nil**



(21) Design Number: **12561/2005**

(22) Date of Filing Application: **16 June 2005**

(24) Date from which industrial property rights may have effect: **16 June 2005**

(54) Product in respect of which the design is registered: **Table frame**

(51) International Design Classification: **06-03A, 06-06E**

(71) Name(s) and Address(s) of Applicant(s):

K W Tregloan Pty Ltd

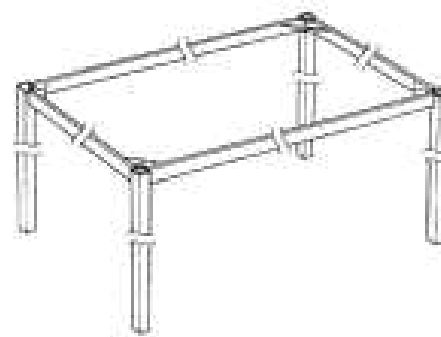
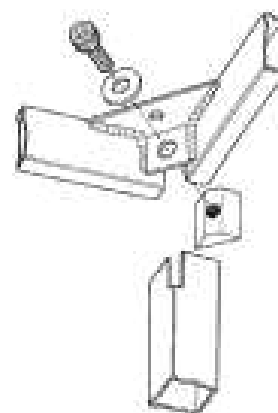
107 Henley Beach Road Mile End South Australia 5031 Australia

(72) Name(s) of Designer(s): **Ken W. Tregloan and Hugh Robert Dunbar**

(45) Registration Date: **14 December 2005**

(56) Related Art Documents: **Not Applicable**

(57) Statement of Newness and Distinctiveness: **Newness and distinctiveness is claimed in the table frame connection device as illustrated in the accompanying representations. In considering the scope of newness and distinctiveness no consideration is to be given to the specific size and shape of the legs and/or polygon shaped frame.**



(21) Design Number: **12579/2005**

(22) Date of Filing Application: **16 June 2005**

(24) Date from which industrial property rights may have effect: **16 June 2005**

(54) Product in respect of which the design is registered: **A container**

(51) International Design Classification: **07-01NES**

(71) Name(s) and Address(s) of Applicant(s):

Huhtamaki Australia Pty Limited

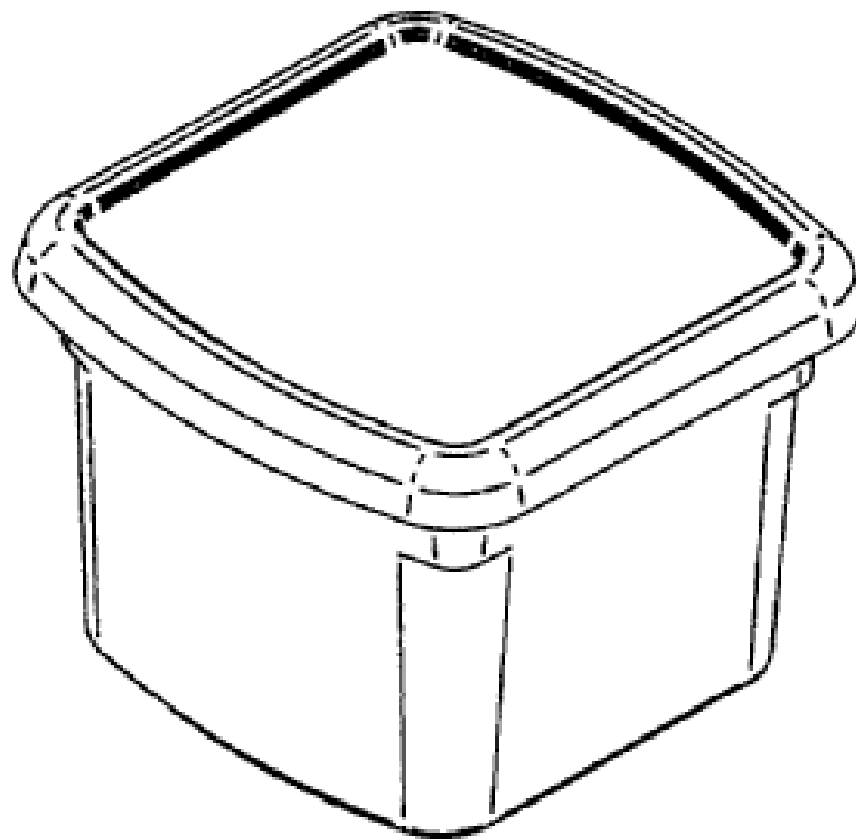
225 Wellington Road Mulgrave Victoria 3170 Australia

(72) Name(s) of Designer(s): **Paul Daffurn**

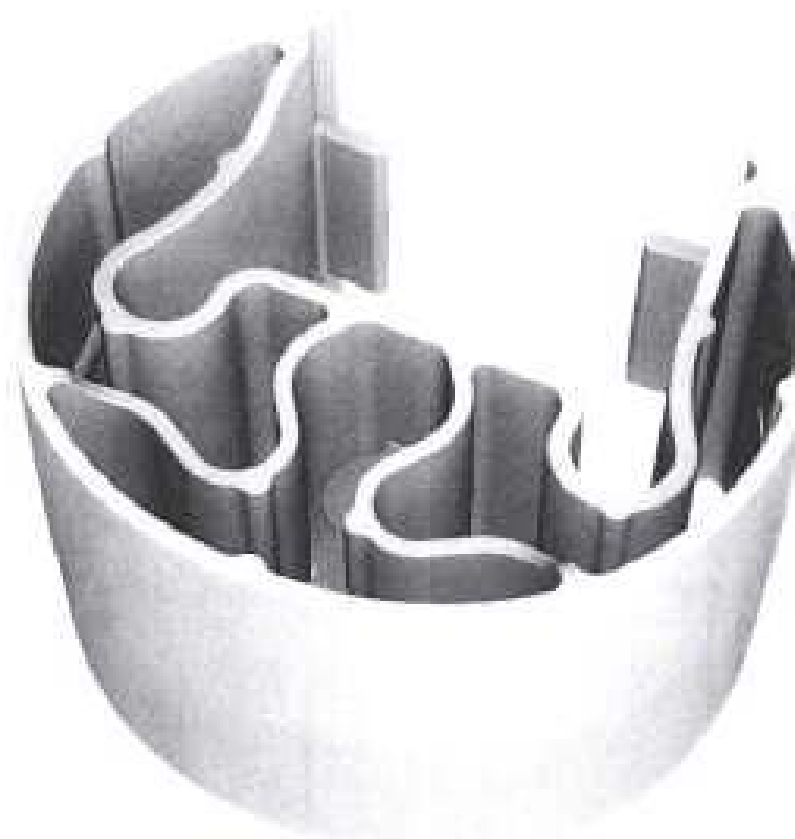
(45) Registration Date: **14 December 2005**

(56) Related Art Documents: **Not Applicable**

(57) Statement of Newness and Distinctiveness: **In considering the newness or distinctiveness of the design, regard is to be given to the overall shape and/or configuration of a container having a base and/or lid as shown in the representations.**



- (21) Design Number: **13066/2005**
(22) Date of Filing Application: **19 July 2005**
(24) Date from which industrial property rights may have effect: **19 July 2005**
(54) Product in respect of which the design is registered: **A column protection device**
(51) International Design Classification: **25-02A**
(71) Name(s) and Address(s) of Applicant(s):
Innovation Central Pty Ltd
1/157 Sir Donald Bradman Drive Hilton South Australia 5033 Australia
(72) Name(s) of Designer(s): **Paul Stewart Huxtable**
(45) Registration Date: **14 December 2005**
(56) Related Art Documents: **Not Applicable**
(57) Statement of Newness and Distinctiveness: **Newness and distinctiveness is claimed in the shape and/or configuration of a column protection device. Three representations of the design are annexed including a perspective front view, perspective rear view and plan view.**



- (21) Design Number: **13148/2005**
(22) Date of Filing Application: **25 July 2005**
(24) Date from which industrial property rights may have effect: **25 July 2005**
(54) Product in respect of which the design is registered: **Mobile toy**
(51) International Design Classification: **21-01A, 03-01B**
(71) Name(s) and Address(s) of Applicant(s):
David Grifols Deu
Mayor de Sarria 47 Bajos 1 08017 Barcelona Spain
(72) Name(s) of Designer(s): **David Grifols Deu**
(45) Registration Date: **14 December 2005**
(30) Convention priority data:

(31) Number	(32) Date	(33) Country
200500875	19 Apr 2005	SPAIN

(56) Related Art Documents: **Not Applicable**
(57) Statement of Newness and Distinctiveness: **Newness and distinctiveness is claimed in the features of shape and/or configuration of a mobile toy as illustrated in the accompanying representations.**

