



**Australian Government**

---

**IP Australia**

**AUSTRALIAN OFFICIAL JOURNAL**

**OF**

**DESIGNS**

Did you know a searchable version of this journal is now available online?

It's FREE and EASY to SEARCH.

Find it at

<http://pericles.ipaustralia.gov.au/ols/epublish/content/olsEpublications.jsp>  
or using the "Online Journals" link on the IP Australia home page.

This Page Left Intentionally Blank

**Contents**

**General Information & Notices**

**Proceedings Under the Designs Act 1906 preserved as a result of the provisions of Chapter 12  
Part 2 of the Designs Act 2003**

Application for Extension of Period of Registration .....	3468
Extension of Period of Registration of Designs .....	3468
Registrations Ceased .....	3468
Subsequent Owners Registered .....	3469

**Proceedings Under the Designs Act 2003**

Applications Assigned .....	3476
Applications Lodged .....	3473
Applications Withdrawn .....	3475
Corrigenda .....	3477
Publication and Registration Proceedings	
Designs Registered 304646 to 304872.....	3478
Registrations Ceased .....	3476

This Page Left Intentionally Blank

## General Information

### EDITORIAL ENQUIRIES

All enquiries about official notices and general information in the Journal should be directed to IP Australia, (ABN No 38 113 072 755), PO Box 200 Woden ACT 2606

Or

Telephone 1300 651 010  
(International Callers +61 2 6283 2999 )  
Fax 02 6283 7999  
E-mail [assist@ipaustralia.gov.au](mailto:assist@ipaustralia.gov.au)

### CONTACT INFORMATION

Customer Service Network  
Telephone 1300 651 010 , Fax: 02 6283 7999  
E-mail: [assist@ipaustralia.gov.au](mailto:assist@ipaustralia.gov.au)

Customers can contact the Customer Service Network by telephone or by e-mail. Telephones are staffed between 9am and 5pm each working day.

Customers should contact the Customer Service Network for information about:

- All Patent Matters including PCT and Innovation Patents.
- All Trade Mark Matters.
- All Design Matters.

### Professional Standards Board for Patent and Trade Mark Attorneys.

Ph: 02 6283 2345 Fax: 02 6283 1048

### ORDERING PATENT DOCUMENTS

When ordering copies of Australian patent specifications, or abstracts and abridgments notified as open to public inspection on or after 26 October 1978, or as accepted on or after 16 November 1978, the documents should be referred to by application numbers only, preceded by letters AU-A or AU-B respectively.

### REQUESTS FOR INFORMATION UNDER SECTION 194 ( C )

A request for information under Section 194 ( C ) of the Patents Act 1990 should be made in the approved form and be accompanied by the prescribed fee. The request should be as detailed as possible.

### INFORMATION FROM REGISTERS

All requests for information from Register of Patents, Trade Marks or Designs, should be made in writing and accompanied by the prescribed fee. The Registers are located in Canberra and may be examined free of charge.

### COUNTRY CODES

For a listing of country codes used by IP Australia please refer to the Official Journals dated 7 November 1996.

### ABBREVIATIONS IN JOURNAL

Standard abbreviations are used in the name of companies and firms. Enquiries concerning the precise name should be directed to the Customer Service Network.

## FREEDOM OF INFORMATION ACT

What does it do?

- Gives you right to obtain information held by Commonwealth Ministers, Departments and most statutory bodies (these bodies are called agencies under the Act).
- Requires Commonwealth Government agencies to make available to members of the public:
  - Information about agencies, their functions and operations.
  - Information about rules and practices which are used in making decisions which affect you.
- Gives you a legal right to:
  - See non exempt documents held by agencies, and
  - appeal against a decision not to grant access to a document.

What documents can you see?

- The Act gives you a right to see documents lodged on or after 1 December 1977, or earlier if you need them to understand another document you have already.
- Documents include files, reports, computer printouts, maps, plans, photographs, tape recordings, films or videotapes.
- Documents which are available for purchase under the Patents Act 1990, the Trade Marks Act 1995 or Designs Act 2003 are not available under the Freedom of Information Act (Section 12 refers).

How do you apply?

Requests for access to documents must

- Be in writing
- Provide sufficient information so as to enable identification of the documents requested
- Specify an address in Australia where notices can be sent and
- Be accompanied by the application fee (currently \$30.00) or specify an IP Australia account to which the charges will be posted.

Requests for documents should be addressed to IP Australia, PO Box 200 Woden, ACT 2606, or Faxed to 02 6283 7999

## DECISIONS OF THE COMMISSIONER OF PATENTS AND REGISTRAR OF TRADE MARKS AND DESIGNS

- All decisions of the Commissioner and Registrars are available free of charge from AUSTLII's website

[www.austlii.edu.au](http://www.austlii.edu.au)

Copies of all written Patent and Design decisions are available (except if they would not be available under the provisions of the Freedom of Information legislation, e.g. if they would effectively disclose matter from documents that are not open to public inspection) on request for a cost of \$AU 25. They are also available for inspection in indexed volume series, dating from 1 January 1987, in the Office library, Canberra.

Copies of Trade Mark decisions may be accessed via IP Australia's website [www.ipaustralia.gov.au](http://www.ipaustralia.gov.au)

- Copies of the taped record of Patent and Design hearings are available (with the same exception as above) on request.
- When a written decision is issued the fact of the decision plus a brief head note will be published in the Official Notices section of the next available Patents, Trade Marks or Designs Journal.

## HEARINGS BEFORE THE COMMISSIONER OF PATENTS

Hearings before the Commissioner of Patents will usually be conducted at the Patent Office in Canberra and interstate hearing sessions are not provided. However, the Commissioner will conduct hearings outside of Canberra at a convenient time to all parties provided that the parties bear the travel costs of the hearing officer.

The various options for hearings are set out in the document "Options for Hearings" available on IP Australia's website at: [www.ipaustralia.gov.au/pdfs/patents/optionsforhearings.PDF](http://www.ipaustralia.gov.au/pdfs/patents/optionsforhearings.PDF)

## HEARINGS BEFORE THE REGISTRARS OF TRADE MARKS AND DESIGNS

Hearings before the Registrars of Trade Marks and Designs will be set down in Melbourne, Sydney, Adelaide, Perth and Brisbane during the periods indicated below.

### Designs and Trade Marks Hearings Sessions 2006

Melbourne	13 – 17 February 5 – 9 June 11 – 15 September
Sydney	13 – 17 March 17 – 21 July 16 – 20 October
Adelaide	14 – 15 August
Perth	17 – 18 August
Brisbane	24 – 25 August

Persons who desire matters to be set down for hearing in Melbourne, Sydney, Adelaide, Perth or Brisbane must give at least one month's notice of their intention to be heard. If such notice is not given, it may be that there would be insufficient time to allow for the execution of official procedures associated with the listing of hearings, and as a result, the matter involved might not be listed.

Subject to the convenience of this Office, hearings will be set down in Canberra at any time suitable to the parties.

## LIST OF STATE OFFICES

IP Australia State Offices are located in the Australian Capitals at the addresses given below. Requests for information may be obtained by calling at, phoning or writing to these offices or IP Australia, Canberra.

### Australian Capital Territory

Ground Floor  
Discovery House  
PHILLIP ACT 2606  
(PO Box 200, WODEN ACT 2606)  
Ph: 1300 651 010  
Fax: (02) 6283 7999

### New South Wales

Level 1  
45 Clarence Street  
SYDNEY NSW 2000  
Ph: 1300 651 010  
Fax: (02) 9249 5807

### Victoria

Level 6  
OCBC House  
565 Bourke Street  
MELBOURNE VIC 3000  
Ph: 1300 651 010  
Fax (03) 9612 9807

### Western Australia

2nd Floor  
East Point Plaza  
233 Adelaide Terrace  
PERTH WA 6000  
Ph: 1300 651 010  
Fax: (08) 9220 8907

### Queensland

Level 1  
Grant Thornton House  
102 Adelaide Street  
BRISBANE QLD 4000  
Ph: 1300 651 010  
Fax: (07) 3007 1107

### South Australia

Level 10  
Origin Energy House  
1 King William Street  
ADELAIDE SA 5000  
Ph: 1300 651 010  
Fax: (08) 8239 4507

### Tasmania

4th Floor  
AMP Building  
27 Elizabeth Street  
HOBART TAS 7000  
Ph: 1300 651 010  
Fax: (03) 6235 6307

# “INID” NUMBERS in use on Australian Design Documents

“INID” is an acronym for “Internationally agreed Numbers for the Identification of Data”.

## **(10) Data concerning the registration/renewal**

- (11) Serial number of the registration and/or number of the design document
- (12) Plain language designation of the kind of published document
- (19) Identification, using the two-letter code according to WIPO Standard ST.3, of the authority publishing or registering the industrial design

## **(20) Data concerning the application**

- (21) Serial number of the application
- (22) Date of filing of the application
- (24) Date from which the industrial design right has effect

## **(30) Data relating to priority under the Paris Convention**

- (31) Serial number assigned to the priority application
- (32) Date of filing of the priority application
- (33) Two-letter code, according to WIPO Standard ST.3, identifying the authority with which the priority application was made

## **(40) Date(s) of making information available to the public**

- (45) Date of publication of the registered industrial design by printing or similar process, or making it available to the public by any other means

## **(50) Miscellaneous Information**

- (51) International Classification for Industrial Designs (class and subclass of the Locarno Classification)
- (54) Designation of article(s) or product(s) covered by the industrial design or title of the industrial design
- (55) Reproduction of the industrial design (e.g., drawing, photograph) and explanations relating to the reproduction
- (56) List of prior art documents, if separate from descriptive text
- (57) Description of characteristic features of the industrial design including indication of colours

## **(60) References to other legally related application(s) and registration(s)**

- (62) Serial number(s) and, if available, filing date(s) of application(s), registration(s) or document(s) related by division
- (66) Serial number(s) of the application, or the registration, of the design(s) which is (are) a variant(s) of the present one

## **(70) Identification of parties concerned with the application or registration**

- (71) Name(s) and address(es) of the applicant(s)
- (72) Name(s) of the creator(s) if known to be such
- (74) Name(s) and address(es) of the representative(s)

This Page Left Intentionally Blank



This Page Left Intentionally Blank

**Proceedings under the Designs Act 1906 preserved as a result of the provisions of Chapter 12 Part 2 of the Designs Act 2003.**

This Page Left Intentionally Blank

**Applications Lapsed**

There were no Applications Lapsed under this section

**Application for Extension of Period of Registration**

Applications under Section 27A(2) for extension of registration of the following designs have been lodged. In the event that a design is shown to be not new or original, the Registrar may refuse to extend the period of registration. Sub-section 27A(4) allows any person to lodge at the Designs Office material relevant to the question whether the design is not new or original. That material must be lodged within 11 months of the date when the registration of the design was made. Further details of the conditions and procedures for the lodgement of material are contained in Form 8 provided under the Designs Regulation 24.

Registration Number	Registered Owner	Registration Date
157057	KUMHO TIRE CO. INC.	16/12/2004
157071	KLIM MALPASS	16/12/2004
157115	CUMMINSCORP LIMITED	05/01/2005
157116	CUMMINSCORP LIMITED	05/01/2005
157117	CUMMINSCORP LIMITED	05/01/2005
157118	CUMMINSCORP LIMITED	05/01/2005
157119	CUMMINSCORP LIMITED	05/01/2005
157120	CUMMINSCORP LIMITED	05/01/2005
157121	CUMMINSCORP LIMITED	05/01/2005
157122	CUMMINSCORP LIMITED	05/01/2005
157198	CLIPSAL AUSTRALIA PTY LTD	07/01/2005
157219	GUY GIBSON UPCHURCH	10/01/2005
157245	CUMMINSCORP LIMITED	12/01/2005
157246	CUMMINSCORP LIMITED	12/01/2005
157247	CUMMINSCORP LIMITED	12/01/2005
157248	CUMMINSCORP LIMITED	12/01/2005
157249	CUMMINSCORP LIMITED	12/01/2005
157257	SCOT FARLEY	12/01/2005
157258	RECKITT BENCKISER INC.	12/01/2005
157259	RECKITT BENCKISER INC.	12/01/2005
157260	RECKITT BENCKISER INC.	12/01/2005
157280	ROBERT JOHN CLIFFORD CURTIN	17/01/2005
157349	MICHAEL PAUL STAVROU	25/01/2005
157397	ROBERT BIERNAT	31/01/2005
157415	ABS INSTALLATIONS (WA) PTY LTD	02/02/2005
157416	ABS INSTALLATIONS (WA) PTY LTD	02/02/2005
157417	ABS INSTALLATIONS (WA) PTY LTD	02/02/2005
158442	AUCKLAND UNISERVICES LIMITED	06/12/2005
158445	GLAXO GROUP LIMITED	06/12/2005

**Extension of Period of Registration of Designs**

**1st Period (Section 27A(8))**

157054	157055	157056
157057	157058	157059
157060	157061	157062
157063	157065	157066
157067	157068	157069
157070	157071	157072
157073		

**2nd Period (Section 27A(12))**

140403	140829	140849
140881	141047	141049
141099	141120	141134
141135	141136	141137
141138	141139	141140
141141	141195	141216
141637	141681	141688
141693	141702	141718
141719	141720	141723
141796	141867	141868
142113	142473	142474
142524	142659	142786
143150	143207	143375
143376	143435	143436
143437	143458	143459
144260	144552	144849
144869	145347	145472
146852	148122	

**3rd Period (Section 27A(13))**

124488	124555	124556
124561	124566	124567
124617	124874	124903
124971	125059	125060
125061	126613	126665
126666	126999	127177
128323	130304	

**Registrations Ceased**

Note: Some of the following Registrations may have been previously advertised as ceased. In this instance, the previous advertisement still prevails.

108179	108180	108183
108288	108685	108707
108742	108830	109315
109428	109429	109430
109431	109432	109964
110361	111132	111133
111134	111135	112207
121212	122433	122434
122435	122454	122461
122601	125697	125766
126779	127582	127622
129575	137729	137764
139371	139372	139386

139458	139558	139632
139885	140334	140580
142199	142532	142693
143037	157014	157035
157043		

**Subsequent Owners Registered**

(The name in parentheses is that of the subsequent owner)

141427	( <b>Coates Hire Operations Pty Limited</b> ) Steven Bruce Morton
153959	( <b>S.T.L. Management Pty Ltd</b> ) Gliderol International Pty Ltd

This Page Left Intentionally Blank

**Proceedings under the Designs Act 2003.**



This Page Left Intentionally Blank

**Applications Lodged**

Lodgement information is in the following order: **Applicant's Name**; International Classification, Name of Product, Lodgement Date and **Design Number**. If the applicant claims an earlier priority date under an International Convention, the Convention Country and the associated filing date are shown in parentheses before the Lodgement Date. Divisional information will also appear in parentheses before the Lodgement Date.

<b>Aisin Seiki Kabushiki Kaisha;</b> 09-03M, Packaging box, (JP, 14 Jun 2005) 06 Dec 2005	<b>15435/2005</b>	<b>Collins, Paul John;</b> 22-05, SLR rod holder (self locking rod holder), 06 Dec 2005	<b>15391/2005</b>
<b>Aisin Seiki Kabushiki Kaisha;</b> 09-03M, Packaging box, (JP, 14 Jun 2005) 06 Dec 2005	<b>15436/2005</b>	<b>Connally, Michael; Butler, Ernest;</b> 21-01C, Model aircraft, (US, 07 Jul 2005) 06 Dec 2005	<b>15406/2005</b>
<b>Aisin Seiki Kabushiki Kaisha;</b> 09-03M, Packaging box, (JP, 14 Jun 2005) 06 Dec 2005	<b>15437/2005</b>	<b>Dart Industries Inc.;</b> 07-03, Fork, (US, 08 Jun 2005) 05 Dec 2005	<b>15413/2005</b>
<b>Aisin Seiki Kabushiki Kaisha;</b> 09-03M, Packaging box, (JP, 14 Jun 2005) 06 Dec 2005	<b>15438/2005</b>	<b>Dart Industries Inc.;</b> 07-03, Spoons, (US, 08 Jun 2005) 05 Dec 2005	<b>15414/2005</b>
<b>Aisin Seiki Kabushiki Kaisha;</b> 09-03M, Packaging box, (JP, 14 Jun 2005) 06 Dec 2005	<b>15439/2005</b>	<b>Dioptics Medical Products, Inc.;</b> 16-06, Eyeglasses, (US, 03 Jun 2005) 02 Dec 2005	<b>15351/2005</b>
<b>Aisin Seiki Kabushiki Kaisha;</b> 09-03M, Packaging box, (JP, 14 Jun 2005) 06 Dec 2005	<b>15434/2005</b>	<b>Dioptics Medical Products, Inc.;</b> 16-06, Eyeglasses, (US, 03 Jun 2005) 02 Dec 2005	<b>15352/2005</b>
<b>ALDI Einkauf GmbH &amp; Co. oHG;</b> 18-03, Typographical script, (DE, 29 Aug 2005) 07 Dec 2005	<b>15449/2005</b>	<b>Dioptics Medical Products, Inc.;</b> 16-06, Eyeglasses, (US, 03 Jun 2005) 02 Dec 2005	<b>15353/2005</b>
<b>ALDI Einkauf GmbH &amp; Co. oHG;</b> 18-03, Typographical script, (DE, 29 Aug 2005) 07 Dec 2005	<b>15451/2005</b>	<b>Dioptics Medical Products, Inc.;</b> 16-06, Eyeglasses, (US, 03 Jun 2005) 02 Dec 2005	<b>15354/2005</b>
<b>ALDI Einkauf GmbH &amp; Co. oHG;</b> 18-03, Typographical script, (DE, 29 Aug 2005) 07 Dec 2005	<b>15452/2005</b>	<b>Dioptics Medical Products, Inc.;</b> 16-06, Eyeglasses, (US, 03 Jun 2005) 02 Dec 2005	<b>15355/2005</b>
<b>ALDI Einkauf GmbH &amp; Co. oHG;</b> 18-03, Typographical script, (DE, 29 Aug 2005) 07 Dec 2005	<b>15453/2005</b>	<b>Dioptics Medical Products, Inc.;</b> 16-06, Eyeglasses, (US, 03 Jun 2005) 02 Dec 2005	<b>15356/2005</b>
<b>ALDI Einkauf GmbH &amp; Co. oHG;</b> 18-03, Typographical script, (DE, 29 Aug 2005) 07 Dec 2005	<b>15450/2005</b>	<b>Dioptics Medical Products, Inc.;</b> 16-06, Eyeglasses, (US, 03 Jun 2005) 02 Dec 2005	<b>15357/2005</b>
<b>Butler, Ernest; Connally, Michael;</b> 21-01C, Model aircraft, (US, 07 Jul 2005) 06 Dec 2005	<b>15406/2005</b>	<b>Dioptics Medical Products, Inc.;</b> 16-06, Eyeglasses, (US, 29 Jun 2005) 02 Dec 2005	<b>15358/2005</b>
<b>BEP Marine Limited;</b> 13-03D, Panel, (NZ, 08 Jun 2005) 06 Dec 2005	<b>15459/2005</b>	<b>Dioptics Medical Products, Inc.;</b> 16-06, Eyeglasses, (US, 29 Jun 2005) 02 Dec 2005	<b>15359/2005</b>
<b>Caroma Industries Limited;</b> 23-02C, A cistern, 06 Dec 2005	<b>15428/2005</b>	<b>Dyson's Packaging Pty Ltd;</b> 09-03M, Carton blank of indefinite width and length which is capable of being folded to form a carton, 02 Dec 2005	<b>15368/2005</b>
<b>Caroma Industries Limited;</b> 23-02C, A toilet pan, 06 Dec 2005	<b>15429/2005</b>	<b>Elopak Systems AG;</b> 09-03NES, A carton, (EM, 08 Jun 2005) 05 Dec 2005	<b>15410/2005</b>
<b>Caroma Industries Limited;</b> 23-02C, A toilet pan, 06 Dec 2005	<b>15427/2005</b>	<b>Elopak Systems AG;</b> 09-03NES, A carton, (EM, 08 Jun 2005) 05 Dec 2005	<b>15411/2005</b>
<b>Cerebos (Australia) Limited;</b> 09-01C, A jar, 02 Dec 2005	<b>15366/2005</b>	<b>Elopak Systems AG;</b> 09-03NES, A carton, (EM, 08 Jun 2005) 05 Dec 2005	<b>15409/2005</b>
<b>Chen, Te-Fu;</b> 06-01D, Race car seat, 06 Dec 2005	<b>15433/2005</b>	<b>Frost Promotions Pty Ltd;</b> 19-06, Pen, (NZ, 09 Jun 2005) 07 Dec 2005	<b>15447/2005</b>
<b>Coffee Nation Limited;</b> 20-01, Coffee vending machine, (EM, 06 Jun 2005) 02 Dec 2005	<b>15360/2005</b>		

<b>General Mills, Inc.;</b> 09-03M, Packaging, (US, 22 Sep 2005) 01 Dec 2005	<b>15344/2005</b>	<b>H Grossman Limited;</b> 21-01F, 12-11, Scooters, (EM, 26 May 2005) 25 Nov 2005	<b>15383/2005</b>
<b>General Mills, Inc.;</b> 09-03M, Packaging, (US, 22 Sep 2005) 01 Dec 2005	<b>15345/2005</b>	<b>H Grossman Limited;</b> 21-01F, Scooters, (EM, 26 May 2005) 25 Nov 2005	<b>15384/2005</b>
<b>General Mills, Inc.;</b> 09-03M, Packaging, (US, 22 Sep 2005) 01 Dec 2005	<b>15346/2005</b>	<b>Heineken Brouwerijen B.V.;</b> 09-01H, Bottle, 06 Dec 2005	<b>15424/2005</b>
<b>General Mills, Inc.;</b> 09-03M, Packaging, (US, 22 Sep 2005) 01 Dec 2005	<b>15347/2005</b>	<b>ITW Australia Pty Ltd;</b> 08-03, A knife, (CN, 30 Aug 2005) 07 Dec 2005	<b>15448/2005</b>
<b>General Mills, Inc.;</b> 09-03M, Packaging, (US, 22 Sep 2005) 01 Dec 2005	<b>15348/2005</b>	<b>Link Treasure Limited;</b> 12-12, A baby stroller, (TW, 09 Jun 2005) 07 Dec 2005	<b>15426/2005</b>
<b>Go Griffiths O'Malveney Pty Ltd;</b> 06-04B, Portable security box, 10 Nov 2005	<b>15416/2005</b>	<b>Mascull, Roger Thomas;</b> 06-01D, A seat, (NZ, 08 Jun 2005) 05 Dec 2005	<b>15390/2005</b>
<b>Groom, Steven Barry;</b> 12-16K, 09-09, A bin carrier frame, 08 Dec 2005	<b>15454/2005</b>	<b>McKinnon Advertising &amp; Associates Pty Ltd;</b> 20-03NES, Poster holder, 05 Dec 2005	<b>15458/2005</b>
<b>GMCA Pty Ltd;</b> 15-09, A bench grinder, (GB, 08 Nov 2005) 06 Dec 2005	<b>15407/2005</b>	<b>NEC Corporation;</b> 14-03E, Portable wireless telephone, (JP, 29 Aug 2005) 07 Dec 2005	<b>15457/2005</b>
<b>GMCA Pty Ltd;</b> 08-01, A drill press, (GB, 08 Nov 2005) 06 Dec 2005	<b>15408/2005</b>	<b>Osna Technologien GmbH;</b> 29-01, Fire-fighting apparatus, (EM, 06 Jun 2005) 02 Dec 2005	<b>15350/2005</b>
<b>H Grossman Limited;</b> 21-01F, Scooters, (EM, 26 May 2005) 25 Nov 2005	<b>15372/2005</b>	<b>Pi-Design AG;</b> 07-01C, Drinking glasses, (DK, 07 Jun 2005) 07 Dec 2005	<b>15430/2005</b>
<b>H Grossman Limited;</b> 21-01F, 12-11, Scooters, (EM, 26 May 2005) 25 Nov 2005	<b>15373/2005</b>	<b>Pi-Design AG;</b> 07-01C, Drinking glasses, (DK, 07 Jun 2005) 07 Dec 2005	<b>15431/2005</b>
<b>H Grossman Limited;</b> 21-01F, Scooters, (EM, 26 May 2005) 25 Nov 2005	<b>15374/2005</b>	<b>Pi-Design AG;</b> 07-01C, Drinking glasses, (DK, 07 Jun 2005) 07 Dec 2005	<b>15432/2005</b>
<b>H Grossman Limited;</b> 21-01F, Scooters, (EM, 26 May 2005) 25 Nov 2005	<b>15375/2005</b>	<b>Procter &amp; Gamble Company, The;</b> 09-03NES, Container, (Divisional of 11791/2005) 02 Dec 2005	<b>15385/2005</b>
<b>H Grossman Limited;</b> 21-01F, Scooters, (EM, 26 May 2005) 25 Nov 2005	<b>15376/2005</b>	<b>Procter &amp; Gamble Company, The;</b> 09-01A, Container, (Divisional of 11792/2005) 02 Dec 2005	<b>15386/2005</b>
<b>H Grossman Limited;</b> 21-01F, Scooters, (EM, 26 May 2005) 25 Nov 2005	<b>15377/2005</b>	<b>Procter &amp; Gamble Company, The;</b> 09-01A, 09-07A, Container, (Divisional of 11792/2005) 02 Dec 2005	<b>15387/2005</b>
<b>H Grossman Limited;</b> 21-01F, Scooters, (EM, 26 May 2005) 25 Nov 2005	<b>15378/2005</b>	<b>Review Australia Pty Ltd;</b> 02-02C, 02-02NES, Ladies garments, 06 Dec 2005	<b>15423/2005</b>
<b>H Grossman Limited;</b> 21-01F, Scooters, (EM, 26 May 2005) 25 Nov 2005	<b>15379/2005</b>	<b>Robert Bosch GmbH;</b> 08-01, Drill, (DE, 29 Aug 2005) 07 Dec 2005	<b>15446/2005</b>
<b>H Grossman Limited;</b> 21-01F, Scooters, (EM, 26 May 2005) 25 Nov 2005	<b>15380/2005</b>	<b>Sharp Kabushiki Kaisha;</b> 07-02B, Oven, (JP, 04 Aug 2005) 06 Dec 2005	<b>15393/2005</b>
<b>H Grossman Limited;</b> 21-01F, Scooters, (EM, 26 May 2005) 25 Nov 2005	<b>15381/2005</b>	<b>Smoocha Pty Ltd;</b> 09-07A, A cap for a bottle, 02 Dec 2005	<b>15364/2005</b>
<b>H Grossman Limited;</b> 21-01F, Scooters, (EM, 26 May 2005) 25 Nov 2005	<b>15382/2005</b>	<b>Smoocha Pty Ltd;</b> 09-01NES, A bottle, 02 Dec 2005	<b>15365/2005</b>
<b>H Grossman Limited;</b> 21-01F, Scooters, (EM, 26 May 2005) 25 Nov 2005	<b>15381/2005</b>	<b>Soremartec S.A.;</b> 09-03L, 09-03C, Container, (Divisional of 12182/2005) 06 Dec 2005	<b>15425/2005</b>
<b>H Grossman Limited;</b> 21-01F, Scooters, (EM, 26 May 2005) 25 Nov 2005	<b>15382/2005</b>	<b>Sunbeam Corporation Limited;</b> 23-01G, Chilled gravity water filter, 02 Dec 2005	<b>15367/2005</b>

<b>Tclip Pty Ltd;</b> 08-08NES, Connector, 05 Dec 2005	<b>15396/2005</b>	<b>Tclip Pty Ltd;</b> 25-01K, Hollow section, 05 Dec 2005	<b>15404/2005</b>
<b>Tclip Pty Ltd;</b> 08-08NES, Connector, 05 Dec 2005	<b>15397/2005</b>	<b>Tclip Pty Ltd;</b> 25-01K, Hollow section, 05 Dec 2005	<b>15405/2005</b>
<b>Tclip Pty Ltd;</b> 08-08NES, Connector, 05 Dec 2005	<b>15398/2005</b>	<b>Torres, Andres Rafael Lopez;</b> 11-01A, Andres engagement ring, 05 Dec 2005	<b>15415/2005</b>
<b>Tclip Pty Ltd;</b> 08-08NES, Connector, 05 Dec 2005	<b>15399/2005</b>	<b>Unilever PLC;</b> 09-01NES, Bottle, (EM, 13 Jun 2005) 07 Dec 2005	<b>15455/2005</b>
<b>Tclip Pty Ltd;</b> 08-08NES, Connector, 05 Dec 2005	<b>15400/2005</b>	<b>Wanzl Metallwarenfabrik GmbH;</b> 09-04, A basket, (EP, 27 Jun 2005) 07 Dec 2005	<b>15456/2005</b>
<b>Tclip Pty Ltd;</b> 08-08NES, Connector, 05 Dec 2005	<b>15401/2005</b>	<b>3M Innovative Properties Company;</b> 29-02, A grey respiratory mask having black lines of demarcation, (US, 27 Jun 2005) 06 Dec 2005	<b>15392/2005</b>
<b>Tclip Pty Ltd;</b> 08-08NES, Connector, 05 Dec 2005	<b>15402/2005</b>		
<b>Tclip Pty Ltd;</b> 25-01K, Hollow section, 05 Dec 2005	<b>15403/2005</b>		

---

**Applications Withdrawn**

12443 / 2005 (25-01B)

12444 / 2005 (25-01B)

**Registrations Ceased**

302391

**Applications Assigned**

(The name in parentheses is that of the subsequent applicant)

12609/2005 ( Hill Holdings LLC ) Contego Products Limited  
12610/2005 ( Hill Holdings LLC ) Contego Products Limited  
12611/2005 ( Hill Holdings LLC ) Contego Products Limited

**Corrigenda**

Number 15389/2005

In Vol 19 , No 25 , page 3370 under the heading **Applications Lapsed**; Design No. 15389/2005 should be deleted.

**Publication and Registration Proceedings**

**Designs Registered**

This section provides a concordance between design number and registration number of Designs covered in this journal. It also shows the main class and registration date.

This section covers Registration numbers 304646 to 304872 .

The registration number shown below should be used in all future correspondence.

<b>Design Number</b>	<b>Registration Number</b>	<b>International Classification Code (IDC)</b>	<b>Registration Date</b>	<b>Design Number</b>	<b>Registration Number</b>	<b>International Classification Code (IDC)</b>	<b>Registration Date</b>
13883/2004	304696	12-16H	19/12/2005	10382/2005	304695	23-03H	19/12/2005
14254/2004	304736	21-03	19/12/2005	10440/2005	304646	25-01K	19/12/2005
14255/2004	304667	21-03	19/12/2005	10442/2005	304647	25-01G	19/12/2005
14256/2004	304737	21-03	19/12/2005	10639/2005	304706	10-03	19/12/2005
14354/2004	304774	23-04	20/12/2005	10698/2005	304788	07-06D	19/12/2005
14541/2004	304697	09-07B	19/12/2005	10735/2005	304707	20-03NES	19/12/2005
14547/2004	304698	30-04	19/12/2005	10736/2005	304708	20-03NES	19/12/2005
14638/2004	304775	12-16NES	19/12/2005	10874/2005	304789	23-01NES	19/12/2005
14680/2004	304699	03-01A	19/12/2005	10876/2005	304790	07-02E	19/12/2005
14717/2004	304700	08-03	19/12/2005	11035/2005	304791	14-02	19/12/2005
15201/2004	304701	06-07	19/12/2005	11079/2005	304741	07-06C	19/12/2005
15224/2004	304776	02-02NES	19/12/2005	11262/2005	304709	24-01	19/12/2005
15233/2004	304702	11-01H	19/12/2005	11375/2005	304742	24-01	19/12/2005
15499/2004	304703	09-03NES	19/12/2005	11376/2005	304743	24-01	19/12/2005
15601/2004	304777	07-07A	19/12/2005	11387/2005	304648	12-11	19/12/2005
15642/2004	304778	02-01A	19/12/2005	11448/2005	304649	06-09	19/12/2005
15738/2004	304779	09-01G	19/12/2005	11450/2005	304650	06-01NES	19/12/2005
15836/2004	304704	09-03NES	19/12/2005	11451/2005	304651	06-01C	19/12/2005
15878/2004	304705	10-04	19/12/2005	11573/2005	304744	08-06	19/12/2005
15930/2004	304782	07-05A	19/12/2005	11598/2005	304745	10-04	19/12/2005
10110/2005	304738	25-99	19/12/2005	11634/2005	304652	15-01	19/12/2005
10111/2005	304739	25-99	19/12/2005	11635/2005	304653	15-01	19/12/2005
10112/2005	304740	25-99	19/12/2005	11646/2005	304746	08-06	19/12/2005
10129/2005	304783	05-04	19/12/2005	11652/2005	304747	13-03E	19/12/2005
10179/2005	304784	11-01B	19/12/2005	11805/2005	304748	10-04	19/12/2005
10262/2005	304785	09-01NES	19/12/2005	11858/2005	304654	07-02D	19/12/2005
10355/2005	304668	23-03H	19/12/2005	11906/2005	304749	12-12	19/12/2005
10356/2005	304669	23-03H	19/12/2005	12057/2005	304792	25-01B	19/12/2005
10357/2005	304670	23-03H	19/12/2005	12058/2005	304793	25-01B	19/12/2005
10358/2005	304671	23-03H	19/12/2005	12059/2005	304794	25-01B	19/12/2005
10359/2005	304672	23-03H	19/12/2005	12131/2005	304780	09-01G	19/12/2005
10360/2005	304673	23-03H	19/12/2005	12132/2005	304781	28-99	19/12/2005
10361/2005	304674	23-03H	19/12/2005	12204/2005	304795	28-03NES	19/12/2005
10362/2005	304675	23-03H	19/12/2005	12217/2005	304710	09-03D	19/12/2005
10363/2005	304676	23-03H	19/12/2005	12246/2005	304711	12-16C	19/12/2005
10364/2005	304677	23-03H	19/12/2005	12247/2005	304712	12-16C	19/12/2005
10365/2005	304678	23-03H	19/12/2005	12254/2005	304796	23-01F	19/12/2005
10366/2005	304679	23-03H	19/12/2005	12260/2005	304713	06-01F	19/12/2005
10367/2005	304680	23-03H	19/12/2005	12276/2005	304797	15-03A	19/12/2005
10368/2005	304681	23-03H	19/12/2005	12307/2005	304750	21-01F	19/12/2005
10369/2005	304682	23-03H	19/12/2005	12389/2005	304751	07-05E	19/12/2005
10370/2005	304683	23-03H	19/12/2005	12390/2005	304798	21-02C	19/12/2005
10371/2005	304684	23-03H	19/12/2005	12412/2005	304799	15-05	19/12/2005
10372/2005	304685	23-03H	19/12/2005	12416/2005	304800	06-08	19/12/2005
10373/2005	304686	23-03H	19/12/2005	12417/2005	304801	06-08	19/12/2005
10374/2005	304687	23-03H	19/12/2005	12458/2005	304714	02-01NES	19/12/2005
10375/2005	304688	23-03H	19/12/2005	12462/2005	304802	21-02C	19/12/2005
10376/2005	304689	23-03H	19/12/2005	12484/2005	304803	06-03NES	19/12/2005
10377/2005	304690	23-03H	19/12/2005	12485/2005	304804	25-02B	19/12/2005
10378/2005	304691	23-03H	19/12/2005	12500/2005	304805	15-03B	19/12/2005
10379/2005	304693	23-03H	19/12/2005	12533/2005	304806	06-01E	19/12/2005
10380/2005	304692	23-03H	19/12/2005	12554/2005	304655	23-03NES	19/12/2005
10381/2005	304694	23-03H	19/12/2005	12555/2005	304807	21-02C	19/12/2005

Publication and Registration Proceedings - Designs Registered cont'd

Design Number	Registration Number	International Classification Code (IDC)	Registration Date	Design Number	Registration Number	International Classification Code (IDC)	Registration Date
12562/2005	304656	06-03A	19/12/2005	13210/2005	304725	22-05	19/12/2005
12568/2005	304752	12-08	19/12/2005	13211/2005	304726	22-05	19/12/2005
12604/2005	304715	12-06B	19/12/2005	13226/2005	304727	26-06	19/12/2005
12618/2005	304808	12-16NES	19/12/2005	13227/2005	304728	26-06	19/12/2005
12619/2005	304809	12-16NES	19/12/2005	13228/2005	304729	26-06	19/12/2005
12620/2005	304810	07-04	19/12/2005	13232/2005	304825	21-02C	19/12/2005
12675/2005	304811	25-01NES	19/12/2005	13233/2005	304826	08-07	19/12/2005
12730/2005	304716	21-01F	19/12/2005	13234/2005	304730	16-06	19/12/2005
12742/2005	304753	23-02B	19/12/2005	13235/2005	304827	07-04	19/12/2005
12839/2005	304754	20-01	19/12/2005	13236/2005	304828	07-04	19/12/2005
12840/2005	304755	14-02	19/12/2005	13237/2005	304829	07-04	19/12/2005
12982/2005	304812	02-04B	19/12/2005	13238/2005	304830	07-01F	19/12/2005
12991/2005	304717	05-06NES	19/12/2005	13239/2005	304831	14-03A	19/12/2005
13051/2005	304756	13-03E	19/12/2005	13241/2005	304832	14-01	19/12/2005
13061/2005	304813	12-10	19/12/2005	13242/2005	304833	14-01	19/12/2005
13067/2005	304718	07-06A	19/12/2005	13248/2005	304834	06-04NES	19/12/2005
13088/2005	304719	26-05B	19/12/2005	13251/2005	304835	09-03F	19/12/2005
13091/2005	304757	15-01	19/12/2005	13301/2005	304836	13-03NES	19/12/2005
13103/2005	304720	12-11	19/12/2005	13302/2005	304837	15-07	19/12/2005
13111/2005	304814	12-16N	19/12/2005	13303/2005	304838	14-03A	19/12/2005
13112/2005	304815	12-16N	19/12/2005	13304/2005	304839	06-04E	19/12/2005
13113/2005	304816	12-16N	19/12/2005	13308/2005	304840	09-03M	19/12/2005
13127/2005	304657	10-02	19/12/2005	13310/2005	304841	03-01NES	19/12/2005
13128/2005	304658	26-02	19/12/2005	13311/2005	304842	13-03A	19/12/2005
13129/2005	304659	14-03B	19/12/2005	13312/2005	304843	13-03A	19/12/2005
13130/2005	304660	26-02	19/12/2005	13329/2005	304844	14-03NES	19/12/2005
13131/2005	304661	02-02A	19/12/2005	13330/2005	304845	14-03NES	19/12/2005
13135/2005	304662	10-04	19/12/2005	13331/2005	304846	27-03	19/12/2005
13137/2005	304663	07-02F	19/12/2005	13335/2005	304847	13-03D	19/12/2005
13138/2005	304664	07-02F	19/12/2005	13336/2005	304848	13-03D	19/12/2005
13139/2005	304665	23-04	19/12/2005	13337/2005	304849	13-03D	19/12/2005
13149/2005	304758	10-04	19/12/2005	13347/2005	304850	09-03M	19/12/2005
13150/2005	304759	10-04	19/12/2005	13348/2005	304851	09-03M	19/12/2005
13151/2005	304760	10-04	19/12/2005	13349/2005	304852	09-03M	19/12/2005
13152/2005	304761	07-06A	19/12/2005	13350/2005	304853	09-03M	19/12/2005
13153/2005	304762	07-06A	19/12/2005	13351/2005	304854	09-03M	19/12/2005
13157/2005	304763	13-02	19/12/2005	13352/2005	304855	09-03M	19/12/2005
13158/2005	304764	13-02	19/12/2005	13353/2005	304856	09-03M	19/12/2005
13163/2005	304765	08-03	19/12/2005	13354/2005	304857	14-01	19/12/2005
13164/2005	304766	13-03D	19/12/2005	13355/2005	304858	14-03NES	19/12/2005
13166/2005	304769	07-06C	19/12/2005	13356/2005	304859	14-03NES	19/12/2005
13168/2005	304721	26-05NES	19/12/2005	13357/2005	304731	08-06	19/12/2005
13169/2005	304722	26-05NES	19/12/2005	13358/2005	304860	24-04	19/12/2005
13170/2005	304770	23-02F	19/12/2005	13359/2005	304861	24-04	19/12/2005
13171/2005	304771	23-02F	19/12/2005	13366/2005	304862	08-07	19/12/2005
13180/2005	304817	02-03	19/12/2005	13367/2005	304863	08-07	19/12/2005
13185/2005	304723	31-00	19/12/2005	13370/2005	304864	15-01	19/12/2005
13188/2005	304772	21-02C	19/12/2005	13371/2005	304732	28-03A	19/12/2005
13192/2005	304767	28-03NES	19/12/2005	13381/2005	304865	14-03NES	19/12/2005
13193/2005	304768	04-02	19/12/2005	13383/2005	304866	11-02F	19/12/2005
13194/2005	304818	25-02A	19/12/2005	13388/2005	304867	23-01A	19/12/2005
13195/2005	304819	25-02A	19/12/2005	13427/2005	304868	26-05A	19/12/2005
13200/2005	304820	23-01H	19/12/2005	13428/2005	304869	26-05A	19/12/2005
13203/2005	304821	02-02NES	19/12/2005	13429/2005	304870	26-05A	19/12/2005
13206/2005	304822	23-01A	19/12/2005	13430/2005	304871	26-05A	19/12/2005
13207/2005	304823	20-03C	19/12/2005	13558/2005	304786	09-07C	19/12/2005
13208/2005	304724	22-05	19/12/2005	13559/2005	304787	09-07C	19/12/2005
13209/2005	304824	22-05	19/12/2005	13663/2005	304773	21-01L	19/12/2005



## Publication and Registration Proceedings - Designs Registered cont'd

Design Number	Registration Number	International Classification Code (IDC)	Registration Date	Design Number	Registration Number	International Classification Code (IDC)	Registration Date
13803/2005	304733	07-07A	19/12/2005	15369/2005	304735	23-01F	19/12/2005
14990/2005	304734	07-05E	19/12/2005	15412/2005	304872	15-01	19/12/2005
15033/2005	304666	09-01NES	19/12/2005				

**Publication and Registration Proceedings**  
**Class Listing of Designs Published or Registered**

The following section shows an International Classification Code listing of the Registered or Published Designs covered in this supplement.

<b>Classification</b>	<b>Registration Number</b>	<b>Design Number</b>	<b>Classification</b>	<b>Registration Number</b>	<b>Design Number</b>
02-01 A	304778	15642/2004	08-07	304744	11573/2005
02-01 B	304778	15642/2004	08-07	304826	13233/2005
02-01 NES	304714	12458/2005	08-07	304862	13366/2005
02-02 A	304661	13131/2005	08-07	304863	13367/2005
02-02 NES	304776	15224/2004	08-08 NES	304749	11906/2005
02-02 NES	304821	13203/2005	09-01 G	304779	15738/2004
02-03	304817	13180/2005	09-01 G	304780	12131/2005
02-04 B	304812	12982/2005	09-01 G	304781	12132/2005
03-01 A	304699	14680/2004	09-01 NES	304666	15033/2005
03-01 NES	304841	13310/2005	09-01 NES	304785	10262/2005
04-01	304751	12389/2005	09-03 D	304710	12217/2005
04-02	304768	13193/2005	09-03 F	304835	13251/2005
05-04	304783	10129/2005	09-03 M	304840	13308/2005
05-06 NES	304717	12991/2005	09-03 M	304850	13347/2005
06-01 C	304650	11450/2005	09-03 M	304851	13348/2005
06-01 C	304651	11451/2005	09-03 M	304852	13349/2005
06-01 E	304806	12533/2005	09-03 M	304853	13350/2005
06-01 F	304713	12260/2005	09-03 M	304854	13351/2005
06-01 NES	304650	11450/2005	09-03 M	304855	13352/2005
06-01 NES	304651	11451/2005	09-03 M	304856	13353/2005
06-03 A	304656	12562/2005	09-03 NES	304703	15499/2004
06-03 NES	304803	12484/2005	09-03 NES	304704	15836/2004
06-04 E	304839	13304/2005	09-07 B	304697	14541/2004
06-04 NES	304834	13248/2005	09-07 C	304786	13558/2005
06-06 E	304656	12562/2005	09-07 C	304787	13559/2005
06-07	304701	15201/2004	10-02	304657	13127/2005
06-08	304800	12416/2005	10-03	304706	10639/2005
06-08	304801	12417/2005	10-04	304662	13135/2005
06-09	304649	11448/2005	10-04	304705	15878/2004
07-01 E	304830	13238/2005	10-04	304742	11375/2005
07-01 F	304830	13238/2005	10-04	304743	11376/2005
07-02 D	304654	11858/2005	10-04	304745	11598/2005
07-02 E	304790	10876/2005	10-04	304748	11805/2005
07-02 F	304663	13137/2005	10-04	304758	13149/2005
07-02 F	304664	13138/2005	10-04	304759	13150/2005
07-02 H	304654	11858/2005	10-04	304760	13151/2005
07-04	304810	12620/2005	11-01 B	304784	10179/2005
07-04	304827	13235/2005	11-01 H	304702	15233/2004
07-04	304828	13236/2005	11-02 F	304866	13383/2005
07-04	304829	13237/2005	12-02	304839	13304/2005
07-05 A	304782	15930/2004	12-06 B	304715	12604/2005
07-05 E	304734	14990/2005	12-08	304752	12568/2005
07-05 E	304751	12389/2005	12-10	304752	12568/2005
07-06 A	304718	13067/2005	12-10	304813	13061/2005
07-06 A	304761	13152/2005	12-11	304648	11387/2005
07-06 A	304762	13153/2005	12-11	304720	13103/2005
07-06 C	304741	11079/2005	12-12	304749	11906/2005
07-06 C	304769	13166/2005	12-16 C	304711	12246/2005
07-06 D	304788	10698/2005	12-16 C	304712	12247/2005
07-07 A	304733	13803/2005	12-16 H	304696	13883/2004
07-07 A	304777	15601/2004	12-16 N	304814	13111/2005
08-03	304700	14717/2004	12-16 N	304815	13112/2005
08-03	304765	13163/2005	12-16 N	304816	13113/2005
08-06	304731	13357/2005	12-16 NES	304775	14638/2004
08-06	304744	11573/2005	12-16 NES	304808	12618/2005
08-06	304746	11646/2005	12-16 NES	304809	12619/2005

Registration Proceedings - Class Listing of Designs Published or Registered cont'd

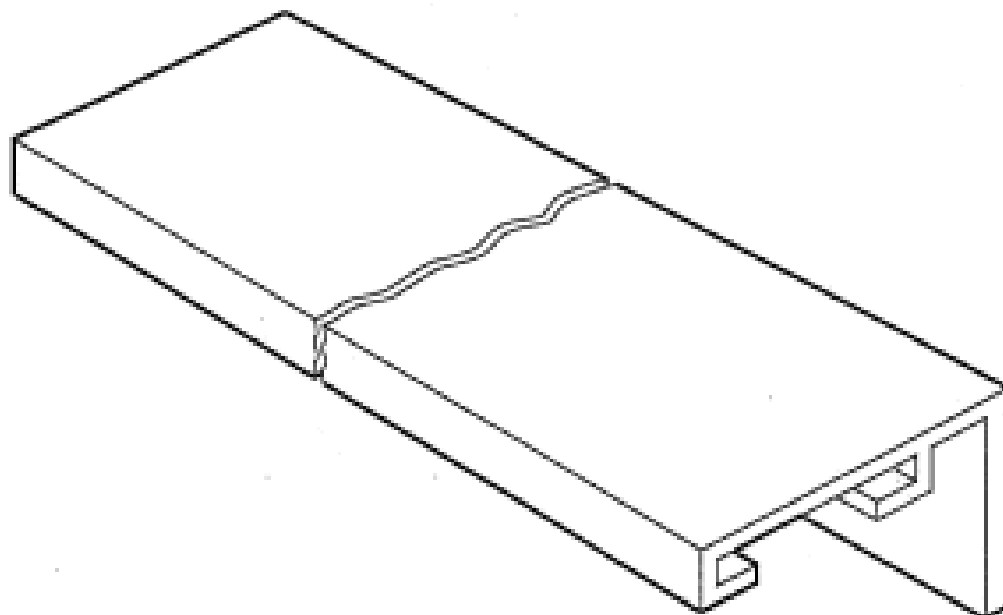
Classification	Registration Number	Design Number	Classification	Registration Number	Design Number
13-02	304763	13157/2005	23-01 A	304822	13206/2005
13-02	304764	13158/2005	23-01 A	304867	13388/2005
13-03 A	304842	13311/2005	23-01 F	304735	15369/2005
13-03 A	304843	13312/2005	23-01 F	304796	12254/2005
13-03 D	304766	13164/2005	23-01 H	304820	13200/2005
13-03 D	304847	13335/2005	23-01 NES	304789	10874/2005
13-03 D	304848	13336/2005	23-02 B	304753	12742/2005
13-03 D	304849	13337/2005	23-02 F	304770	13170/2005
13-03 E	304747	11652/2005	23-02 F	304771	13171/2005
13-03 E	304756	13051/2005	23-03 H	304668	10355/2005
13-03 NES	304836	13301/2005	23-03 H	304669	10356/2005
13-03 NES	304842	13311/2005	23-03 H	304670	10357/2005
13-03 NES	304843	13312/2005	23-03 H	304671	10358/2005
14-01	304832	13241/2005	23-03 H	304672	10359/2005
14-01	304833	13242/2005	23-03 H	304673	10360/2005
14-01	304857	13354/2005	23-03 H	304674	10361/2005
14-02	304755	12840/2005	23-03 H	304675	10362/2005
14-02	304791	11035/2005	23-03 H	304676	10363/2005
14-03 A	304831	13239/2005	23-03 H	304677	10364/2005
14-03 A	304838	13303/2005	23-03 H	304678	10365/2005
14-03 A	304841	13310/2005	23-03 H	304679	10366/2005
14-03 B	304659	13129/2005	23-03 H	304680	10367/2005
14-03 NES	304838	13303/2005	23-03 H	304681	10368/2005
14-03 NES	304844	13329/2005	23-03 H	304682	10369/2005
14-03 NES	304845	13330/2005	23-03 H	304683	10370/2005
14-03 NES	304858	13355/2005	23-03 H	304684	10371/2005
14-03 NES	304859	13356/2005	23-03 H	304685	10372/2005
14-03 NES	304865	13381/2005	23-03 H	304686	10373/2005
15-01	304652	11634/2005	23-03 H	304687	10374/2005
15-01	304653	11635/2005	23-03 H	304688	10375/2005
15-01	304757	13091/2005	23-03 H	304689	10376/2005
15-01	304864	13370/2005	23-03 H	304690	10377/2005
15-01	304872	15412/2005	23-03 H	304691	10378/2005
15-03 A	304797	12276/2005	23-03 H	304692	10380/2005
15-03 B	304805	12500/2005	23-03 H	304693	10379/2005
15-05	304799	12412/2005	23-03 H	304694	10381/2005
15-07	304837	13302/2005	23-03 H	304695	10382/2005
16-06	304730	13234/2005	23-03 NES	304655	12554/2005
20-01	304754	12839/2005	23-04	304665	13139/2005
20-03 C	304754	12839/2005	23-04	304774	14354/2004
20-03 C	304823	13207/2005	23-99	304655	12554/2005
20-03 NES	304648	11387/2005	24-01	304662	13135/2005
20-03 NES	304707	10735/2005	24-01	304709	11262/2005
20-03 NES	304708	10736/2005	24-01	304742	11375/2005
21-01 F	304716	12730/2005	24-01	304743	11376/2005
21-01 F	304750	12307/2005	24-04	304649	11448/2005
21-01 L	304773	13663/2005	24-04	304860	13358/2005
21-02 C	304772	13188/2005	24-04	304861	13359/2005
21-02 C	304798	12390/2005	25-01 B	304792	12057/2005
21-02 C	304802	12462/2005	25-01 B	304793	12058/2005
21-02 C	304807	12555/2005	25-01 B	304794	12059/2005
21-02 C	304825	13232/2005	25-01 G	304647	10442/2005
21-03	304667	14255/2004	25-01 K	304646	10440/2005
21-03	304736	14254/2004	25-01 NES	304811	12675/2005
21-03	304737	14256/2004	25-02 A	304818	13194/2005
22-05	304724	13208/2005	25-02 A	304819	13195/2005
22-05	304725	13210/2005	25-02 B	304804	12485/2005
22-05	304726	13211/2005	25-02 C	304804	12485/2005
22-05	304824	13209/2005	25-99	304738	10110/2005

Registration Proceedings - Class Listing of Designs Published or Registered cont'd

Classification	Registration Number	Design Number	Classification	Registration Number	Design Number
25-99	304739	10111/2005	26-06	304729	13228/2005
25-99	304740	10112/2005	27-03	304846	13331/2005
26-02	304658	13128/2005	27-99	304846	13331/2005
26-02	304659	13129/2005	28-03 A	304732	13371/2005
26-02	304660	13130/2005	28-03 NES	304767	13192/2005
26-05 A	304868	13427/2005	28-03 NES	304795	12204/2005
26-05 A	304869	13428/2005	28-99	304780	12131/2005
26-05 A	304870	13429/2005	28-99	304781	12132/2005
26-05 A	304871	13430/2005	30-04	304698	14547/2004
26-05 B	304719	13088/2005	30-04	304844	13329/2005
26-05 NES	304721	13168/2005	30-99	304845	13330/2005
26-05 NES	304722	13169/2005	30-99	304865	13381/2005
26-06	304727	13226/2005	31-00	304723	13185/2005
26-06	304728	13227/2005			

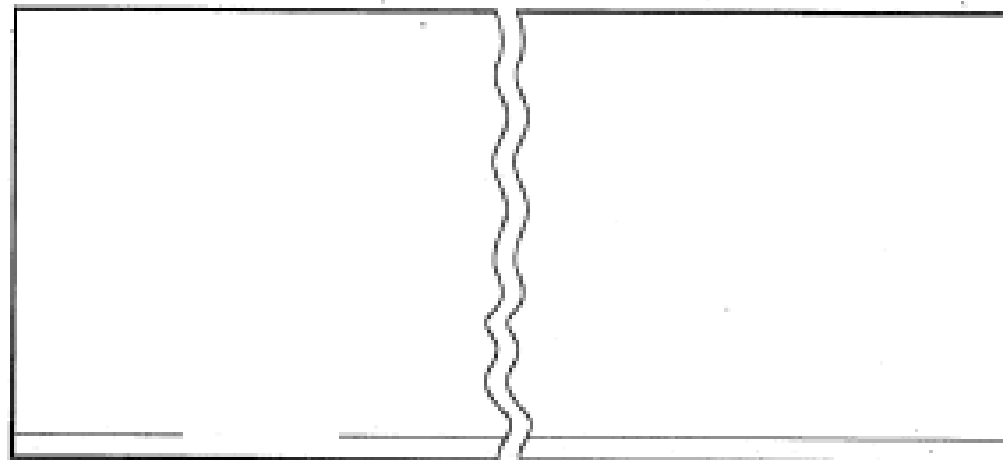
(19) AU

- (21) Design Number: **10440/2005**  
(22) Date of Filing Application: **03 February 2005**  
(24) Date from which industrial property rights may have effect: **03 February 2005**  
(54) Product in respect of which the design is registered: **Metal section of indefinite length**  
(51) International Design Classification: **25-01K**  
(71) Name(s) and Address(s) of Applicant(s):  
**G & J Koutsoukos Holdings Pty Ltd**  
**123A Royal Street East Perth Western Australia 6004 Australia**  
(72) Name(s) of Designer(s): **Jamie Dimitrios Elias Koutsoukos**  
(45) Registration Date: **19 December 2005**  
(56) Related Art Documents: **Not Applicable**  
(57) Statement of Newness and Distinctiveness: **Each feature of the design considered separately or in combination with any other feature or features.**

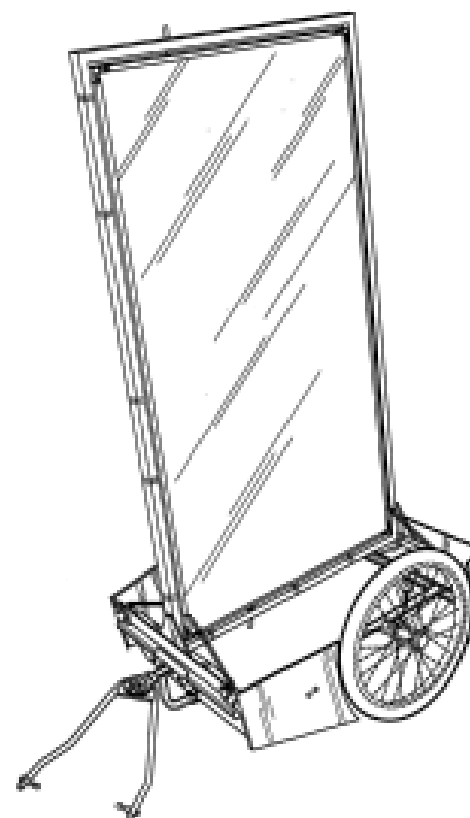


(19) AU

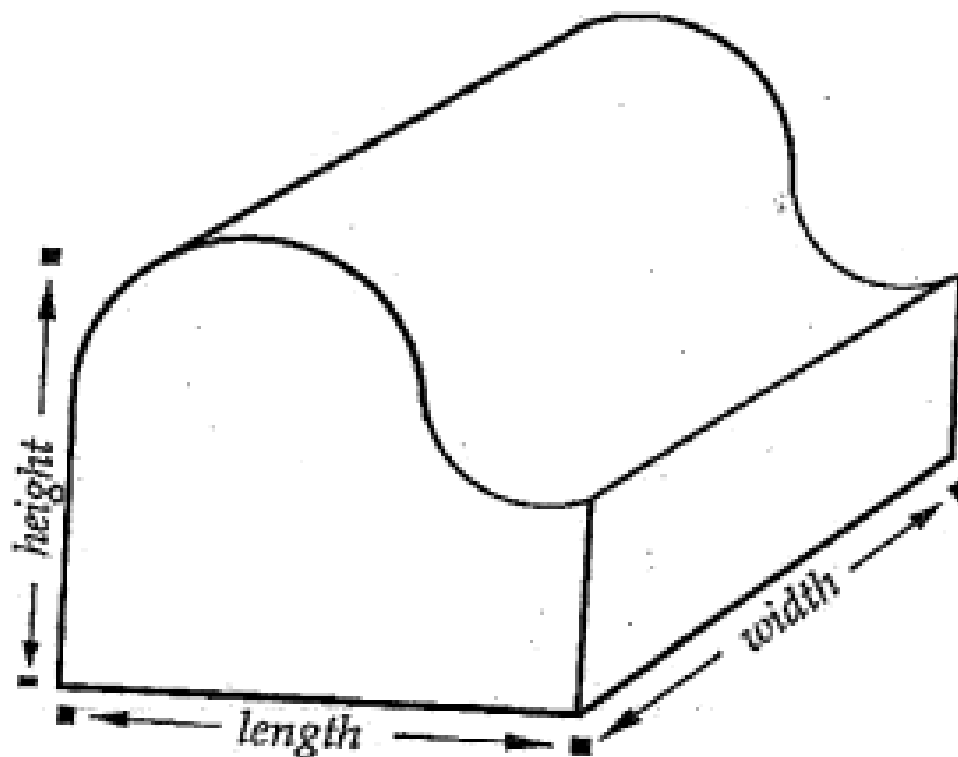
- (21) Design Number: **10442/2005**  
(22) Date of Filing Application: **03 February 2005**  
(24) Date from which industrial property rights may have effect: **03 February 2005**  
(54) Product in respect of which the design is registered: **Panel**  
(51) International Design Classification: **25-01G**  
(71) Name(s) and Address(s) of Applicant(s):  
**Peter Neil Newman**  
**Lot 285 Awhina Court Albany Western Australia 6330 Australia**  
(72) Name(s) of Designer(s): **Peter Neil Newman**  
(45) Registration Date: **19 December 2005**  
(56) Related Art Documents: **Not Applicable**  
(57) Statement of Newness and Distinctiveness: **Each feature of the design considered separately or in combination with any other feature or features. The panel may be of any desired length but of constant cross-section throughout that length.**



- (21) Design Number: **11387/2005**
- (22) Date of Filing Application: **06 April 2005**
- (24) Date from which industrial property rights may have effect: **06 April 2005**
- (54) Product in respect of which the design is registered: **Display trailer**
- (51) International Design Classification: **12-11, 20-03NES**
- (71) Name(s) and Address(s) of Applicant(s):  
**Team Cycad**  
**1-3 Inkerman Street St Kilda Victoria 3182 Australia**
- (72) Name(s) of Designer(s): **Marcus Antony Balscheit**
- (45) Registration Date: **19 December 2005**
- (56) Related Art Documents: **Not Applicable**
- (57) Statement of Newness and Distinctiveness: **Newness and distinctiveness is claimed in the features of the display trailer shown in solid lines in the drawings. The features shown in broken lines do not form part of the design.**



- (21) Design Number: **11448/2005**
- (22) Date of Filing Application: **11 April 2005**
- (24) Date from which industrial property rights may have effect: **11 April 2005**
- (54) Product in respect of which the design is registered: **Chiropractic correctional neck roll**
- (51) International Design Classification: **06-09, 24-04**
- (71) Name(s) and Address(s) of Applicant(s):  
**Adrian Dennewald**  
**87 Bay Road Waverton New South Wales 2060 Australia**
- (72) Name(s) of Designer(s): **Adrian Dennewald**
- (45) Registration Date: **19 December 2005**
- (56) Related Art Documents: **Not Applicable**
- (57) Statement of Newness and Distinctiveness: **The specific width, height, flat base, and diameter of the curvatures is distinctive in the identification of this new design.**



(21) Design Number: **11450/2005**

(22) Date of Filing Application: **08 April 2005**

(24) Date from which industrial property rights may have effect: **08 April 2005**

(54) Product in respect of which the design is registered: **A seat**

(51) International Design Classification: **06-01NES, 06-01C**

(71) Name(s) and Address(s) of Applicant(s):

**Mark Alan Stuart Cox**

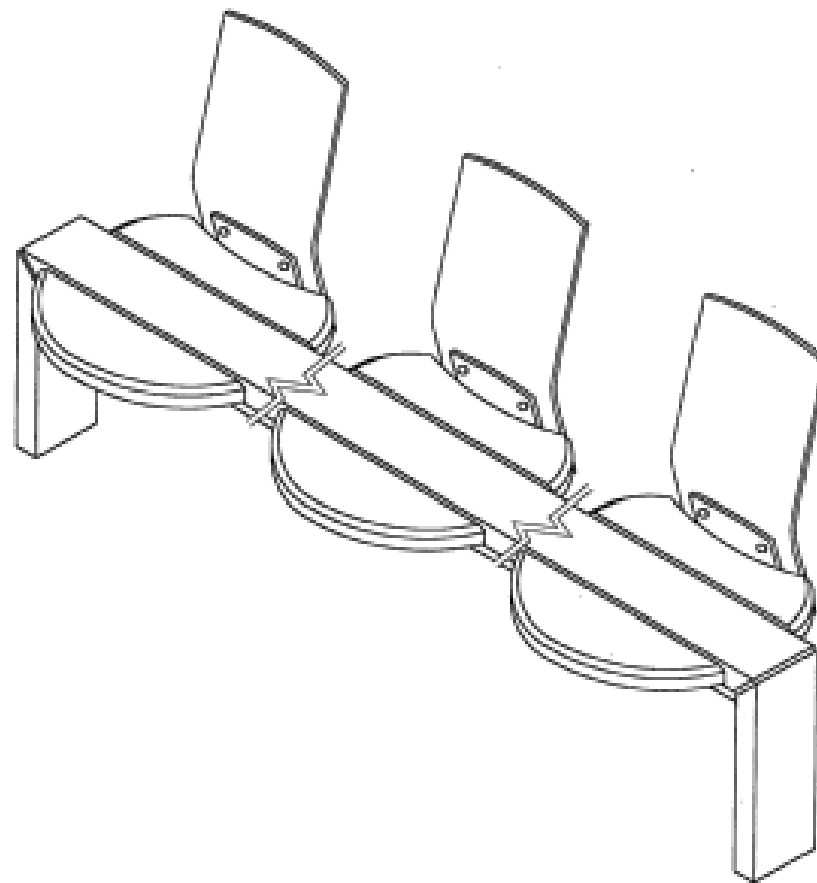
**117 The Boulevard Floreat Western Australia 6014 Australia**

(72) Name(s) of Designer(s): **Mark Alan Stuart Cox**

(45) Registration Date: **19 December 2005**

(56) Related Art Documents: **Not Applicable**

(57) Statement of Newness and Distinctiveness: **Newness is claimed in the features of shape and configuration of a seat comprising a plurality of seat modules supported by an elongate support member which is supported by legs at the opposed ends thereof as depicted in the representations. Distinctiveness is claimed in the shape and configuration of each seat module and its interrelationship with the support member.**



(21) Design Number: **11451/2005**

(22) Date of Filing Application: **08 April 2005**

(24) Date from which industrial property rights may have effect: **08 April 2005**

(54) Product in respect of which the design is registered: **A bench**

(51) International Design Classification: **06-01C, 06-01NES**

(71) Name(s) and Address(s) of Applicant(s):

**Mark Alan Stuart Cox**

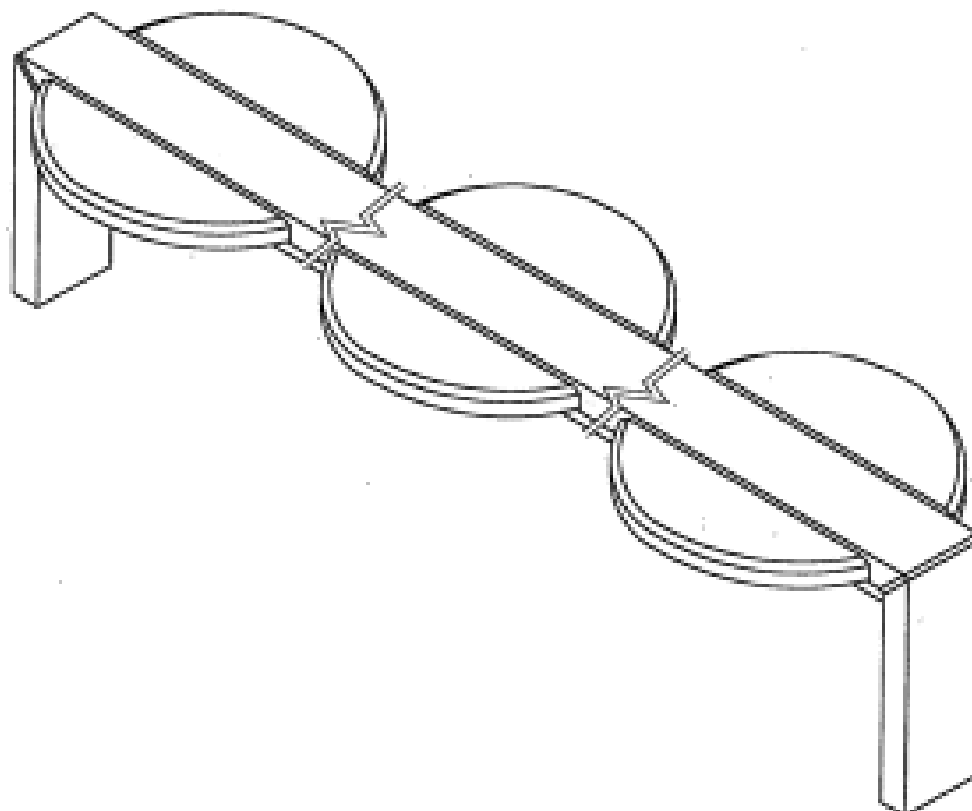
**117 The Boulevard Floreat Western Australia 6014 Australia**

(72) Name(s) of Designer(s): **Mark Alan Stuart Cox**

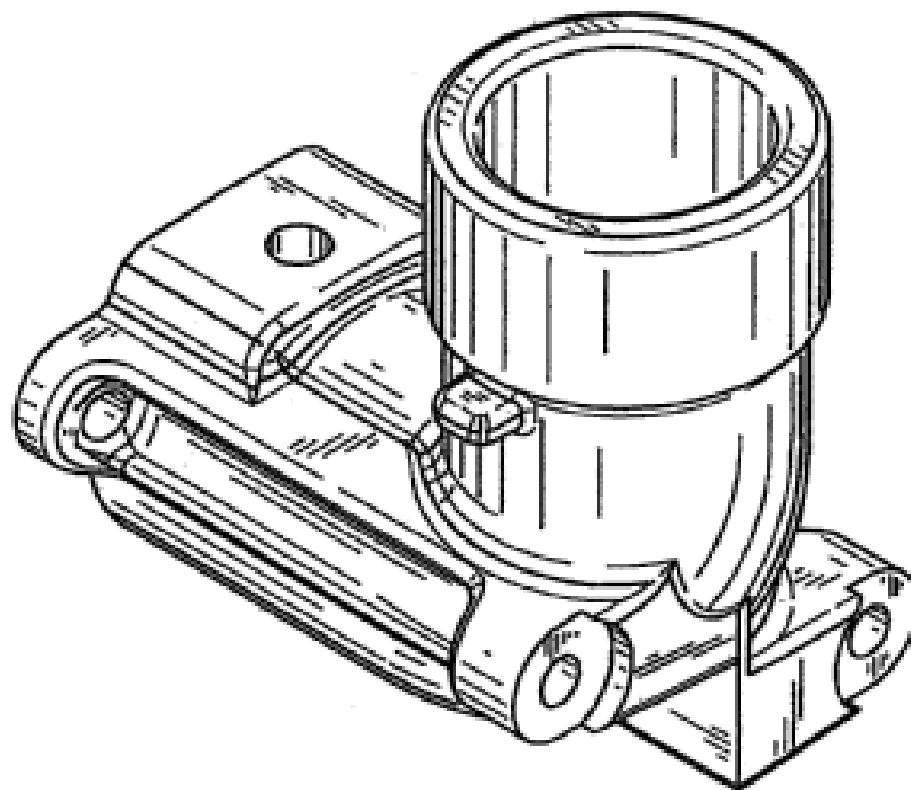
(45) Registration Date: **19 December 2005**

(56) Related Art Documents: **Not Applicable**

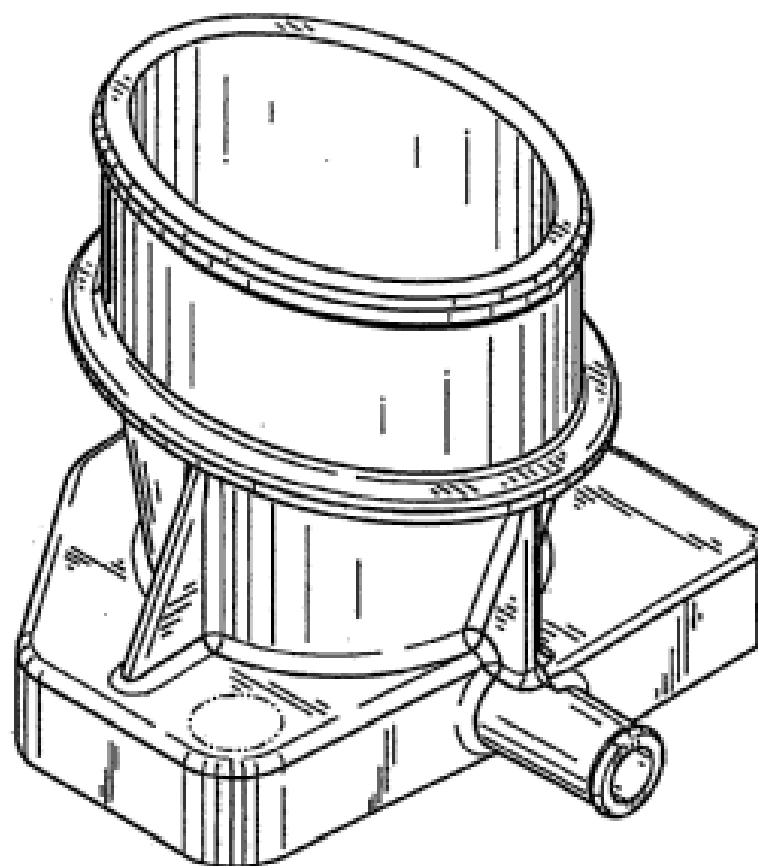
(57) Statement of Newness and Distinctiveness: **Newness is claimed in the features of shape and configuration of a bench seat comprising a plurality of seat modules supported by an elongate seat member which is supported by legs at the opposed ends thereof as depicted in the representations. Distinctiveness is claimed in the shape and configuration of each seat module and its interrelationship with the support member.**



- (21) Design Number: **11634/2005**  
(22) Date of Filing Application: **21 April 2005**  
(24) Date from which industrial property rights may have effect: **21 April 2005**  
(54) Product in respect of which the design is registered: **Coupler**  
(51) International Design Classification: **15-01**  
(71) Name(s) and Address(s) of Applicant(s):  
**Kohler Co.**  
**444 Highland Drive Kohler WI 53044 United States of America**  
(72) Name(s) of Designer(s): **Paul W. Garvey and Timothy S. Thiel and Dan L. Bakke and Mark J. Ritger**  
(45) Registration Date: **19 December 2005**  
(30) Convention priority data:  
(31) Number (32) Date (33) Country  
**29/215,635 21 Oct 2004 UNITED STATES OF AMERICA**  
(56) Related Art Documents: **Not Applicable**  
(57) Statement of Newness and Distinctiveness: **When deciding whether the design is substantially similar in overall impression to another design, no regard should be had to the features of the broken line representations of grooves in Figure 6.**

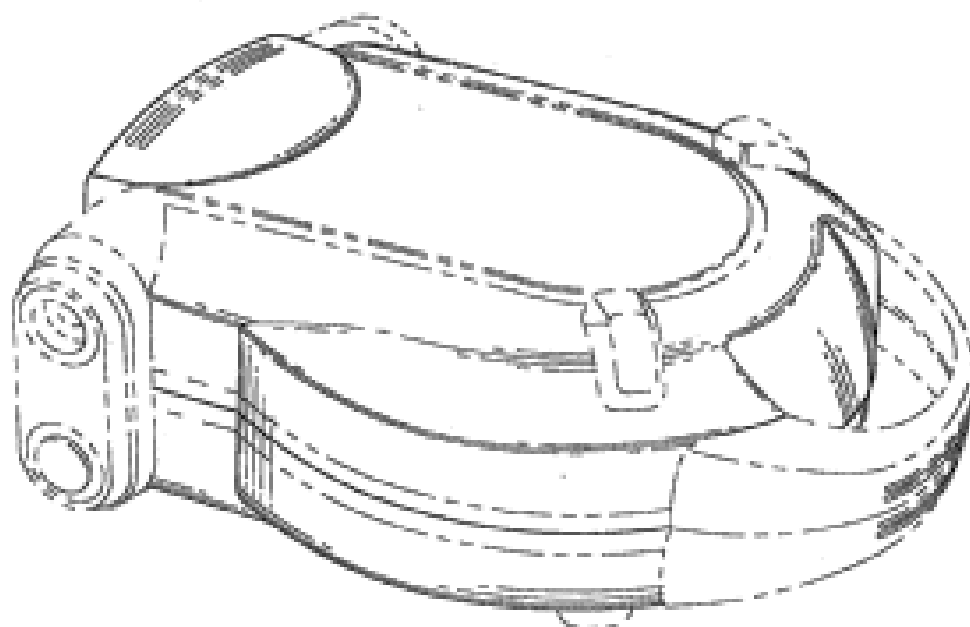


- (21) Design Number: **11635/2005**  
(22) Date of Filing Application: **21 April 2005**  
(24) Date from which industrial property rights may have effect: **21 April 2005**  
(54) Product in respect of which the design is registered: **Coupler**  
(51) International Design Classification: **15-01**  
(71) Name(s) and Address(s) of Applicant(s):  
**Kohler Co.**  
**444 Highland Drive Kohler WI 53044 United States of America**  
(72) Name(s) of Designer(s): **Paul W. Garvey and Timothy S. Thiel and Dan L. Bakke**  
(45) Registration Date: **19 December 2005**  
(30) Convention priority data:  
(31) Number (32) Date (33) Country  
**29/215,634 21 Oct 2004 UNITED STATES OF AMERICA**  
(56) Related Art Documents: **Not Applicable**  
(57) Statement of Newness and Distinctiveness: **When deciding whether the design is substantially similar in overall impression to another design, no regard should be had to the features of the broken line representations of holes in Figures 1, 2 and 7 and underside environment in Figure 7.**

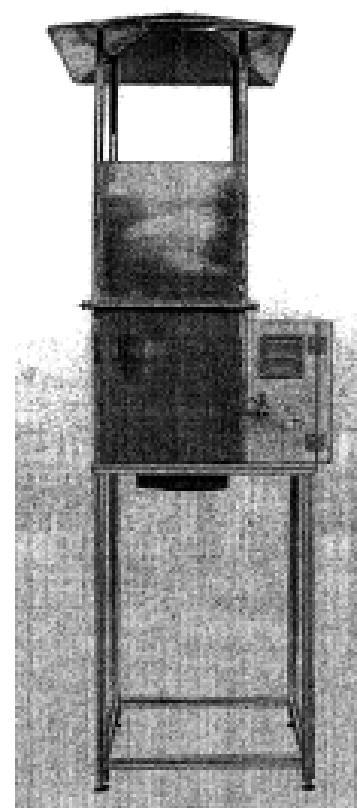




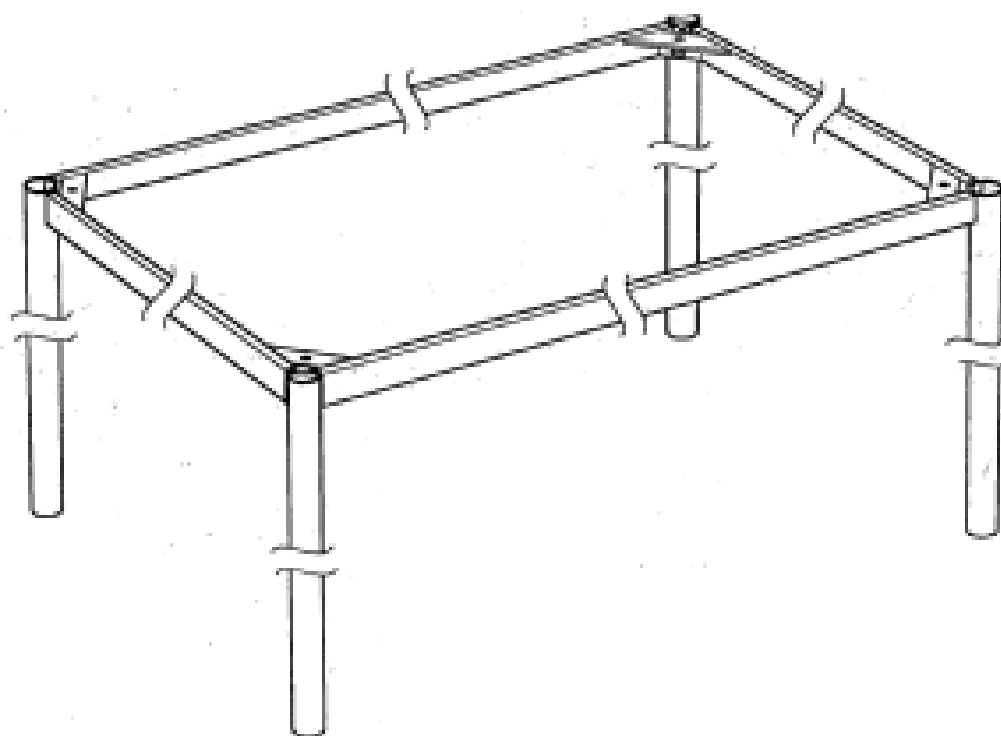
(21) Design Number: **11858/2005**  
 (22) Date of Filing Application: **03 May 2005**  
 (24) Date from which industrial property rights may have effect: **03 May 2005**  
 (54) Product in respect of which the design is registered: **Portable stove**  
 (51) International Design Classification: **07-02D, 07-02H**  
 (71) Name(s) and Address(s) of Applicant(s):  
**The Coleman Company, Inc.**  
**3600 North Hydraulic Wichita KS 67219 United States of America**  
 (72) Name(s) of Designer(s): **Mitchell L. Wilgus and Robert F. Mosher**  
 (45) Registration Date: **19 December 2005**  
 (30) Convention priority data:  
 (31) Number (32) Date (33) Country  
**29/219032 10 Dec 2004 UNITED STATES OF AMERICA**  
 (56) Related Art Documents: **Not Applicable**  
 (57) Statement of Newness and Distinctiveness: **Nil broken lines shown optional structure which forms no part of the design design for which rights are requested. In the drawings: Figure 1 is a top, right front perspective view; Figure 2 is a top view; Figure 3 is a bottom view; Figure 4 is a left side view; Figure 5 is a right side view; Figure 6 is a front view; and Figure 7 is a rear view.**



(21) Design Number: **12554/2005**  
 (22) Date of Filing Application: **15 June 2005**  
 (24) Date from which industrial property rights may have effect: **15 June 2005**  
 (54) Product in respect of which the design is registered: **Gas burning installation**  
 (51) International Design Classification: **23-03NES, 23-99**  
 (71) Name(s) and Address(s) of Applicant(s):  
**NV Bekaert SA**  
**Bekaertstraat 2 8550 Zwevegem Belgium**  
 (72) Name(s) of Designer(s): **Geert Dumortier**  
 (45) Registration Date: **19 December 2005**  
 (30) Convention priority data:  
 (31) Number (32) Date (33) Country  
**000286901 31 Jan 2005 EUROPEAN COMMUNITY**  
 (56) Related Art Documents: **Not Applicable**  
 (57) Statement of Newness and Distinctiveness: **Newness and distinctiveness is claimed in the features of shape and/or configuration of a gas burning installation as illustrated in the accompanying representations.**



- (21) Design Number: **12562/2005**  
(22) Date of Filing Application: **16 June 2005**  
(24) Date from which industrial property rights may have effect: **16 June 2005**  
(54) Product in respect of which the design is registered: **Table frame**  
(51) International Design Classification: **06-03A, 06-06E**  
(71) Name(s) and Address(s) of Applicant(s):  
**K W Tregloan Pty Ltd**  
**107 Henley Beach Road Mile End South Australia 5031 Australia**  
(72) Name(s) of Designer(s): **Ken W. Tregloan and Hugh Robert Dunbar**  
(45) Registration Date: **19 December 2005**  
(56) Related Art Documents: **Not Applicable**  
(57) Statement of Newness and Distinctiveness: **Newness and distinctiveness is claimed in the table frame connection device as illustrated in the accompanying representations. In considering the scope of newness and distinctiveness no consideration is to be given to the specific size and shape of the legs and/or polygon shaped frame.**



- (21) Design Number: **13127/2005**  
(22) Date of Filing Application: **22 July 2005**  
(24) Date from which industrial property rights may have effect: **22 July 2005**  
(54) Product in respect of which the design is registered: **Wrist watch**  
(51) International Design Classification: **10-02**  
(71) Name(s) and Address(s) of Applicant(s):  
**La Montre Hermes S.A.**  
**Erlenstrasse 31A 2555 Brugg Switzerland**  
(72) Name(s) of Designer(s): **Philippe Mouquet**  
(45) Registration Date: **19 December 2005**  
(30) Convention priority data:  

(31) Number	(32) Date	(33) Country
<b>131376</b>	<b>27 Jan 2005</b>	<b>SWITZERLAND</b>

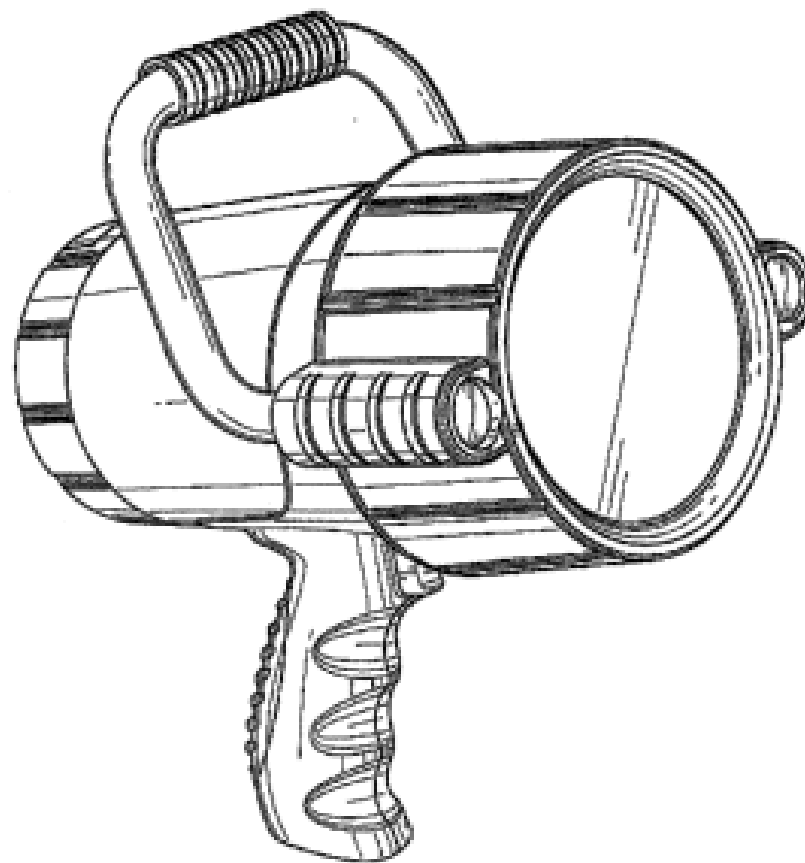
  
(56) Related Art Documents: **Not Applicable**  
(57) Statement of Newness and Distinctiveness: **Newness is claimed in the features of shape and/or configuration of a wrist watch as shown in the accompanying representations. In considering the scope of the newness protection the indicia of HERMES and PARIS on the wrist watch is to be disregarded.**



(21) Design Number: **13128/2005**  
 (22) Date of Filing Application: **22 July 2005**  
 (24) Date from which industrial property rights may have effect: **22 July 2005**  
 (54) Product in respect of which the design is registered: **Spotlight**  
 (51) International Design Classification: **26-02**  
 (71) Name(s) and Address(s) of Applicant(s):  
**Vector Products, Inc.**  
**4140 S.W. 28th Way Ft. Lauderdale Florida 33312 United States of America**  
 (72) Name(s) of Designer(s): **Michael Krieger and Kevin Ellsworth**  
 (45) Registration Date: **19 December 2005**  
 (30) Convention priority data:  

(31) Number	(32) Date	(33) Country
<b>29/222176</b>	<b>27 Jan 2005</b>	<b>UNITED STATES OF AMERICA</b>

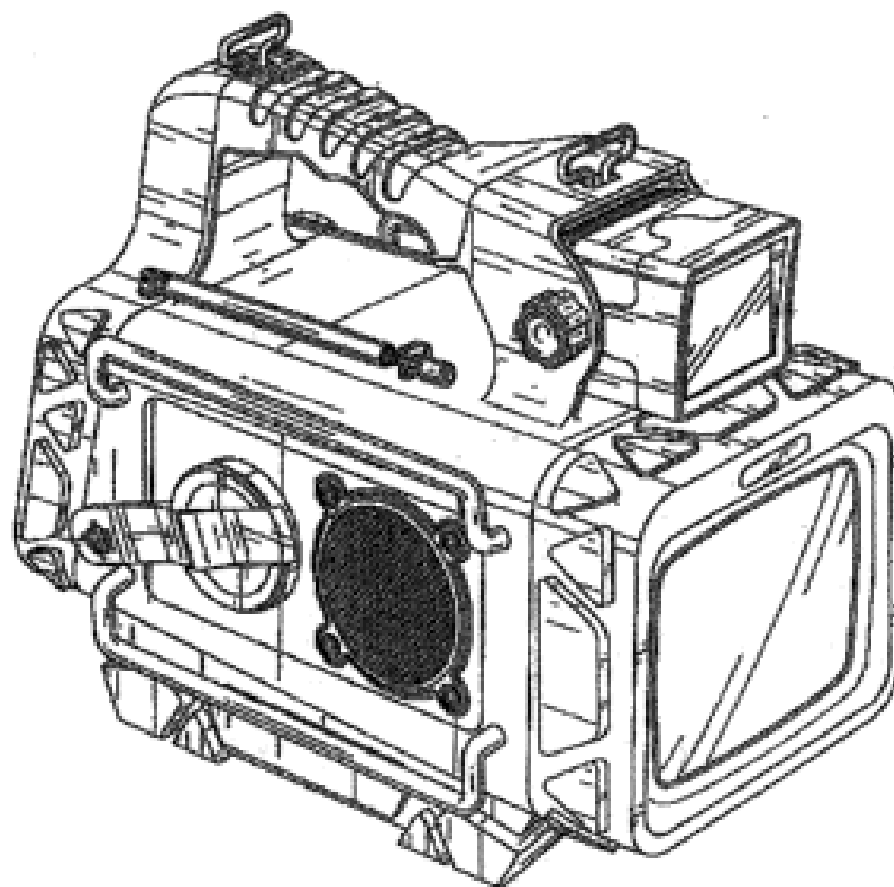
 (56) Related Art Documents: **Not Applicable**  
 (57) Statement of Newness and Distinctiveness: **Newness and distinctiveness is claimed in the features of shape and/or configuration of a spotlight as illustrated in the accompanying representations.**



(21) Design Number: **13129/2005**  
 (22) Date of Filing Application: **22 July 2005**  
 (24) Date from which industrial property rights may have effect: **22 July 2005**  
 (54) Product in respect of which the design is registered: **Combined TV, lantern and radio device**  
 (51) International Design Classification: **14-03B, 26-02**  
 (71) Name(s) and Address(s) of Applicant(s):  
**Vector Products, Inc.**  
**4140 S.W. 28th Way Ft. Lauderdale Florida 33312 United States of America**  
 (72) Name(s) of Designer(s): **Michael Krieger and Kevin Ellsworth**  
 (45) Registration Date: **19 December 2005**  
 (30) Convention priority data:  

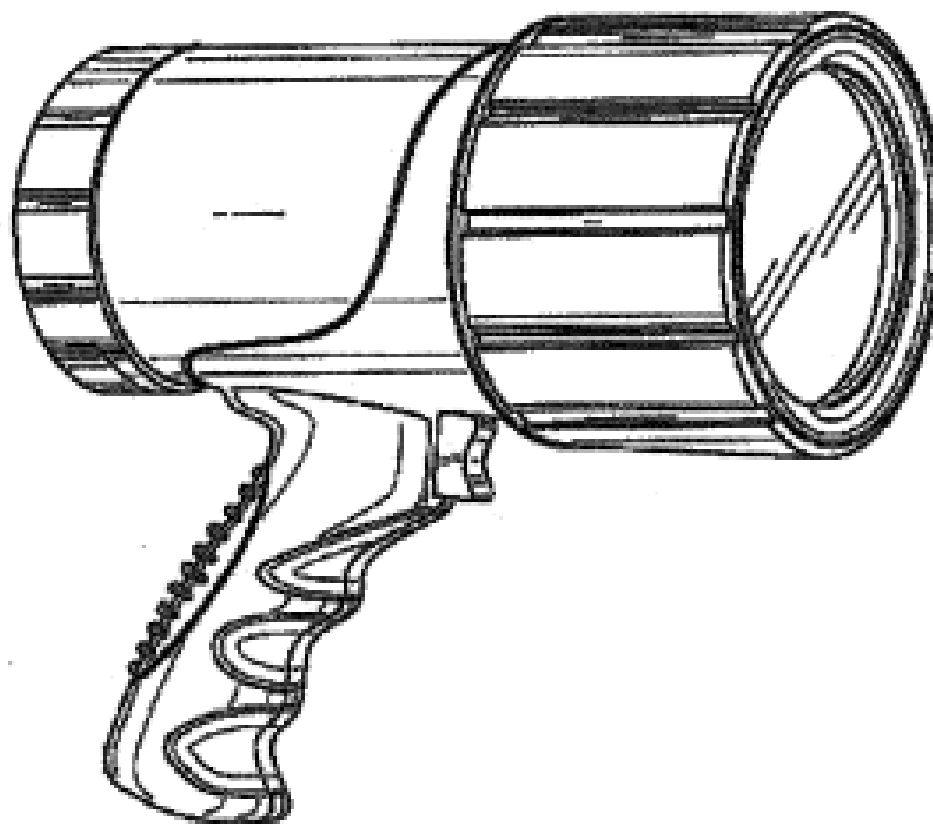
(31) Number	(32) Date	(33) Country
<b>29/221931</b>	<b>25 Jan 2005</b>	<b>UNITED STATES OF AMERICA</b>

 (56) Related Art Documents: **Not Applicable**  
 (57) Statement of Newness and Distinctiveness: **Newness and distinctiveness is claimed in the features of shape and/or configuration of a combined TV, lantern and radio device as illustrated in the accompanying representations.**



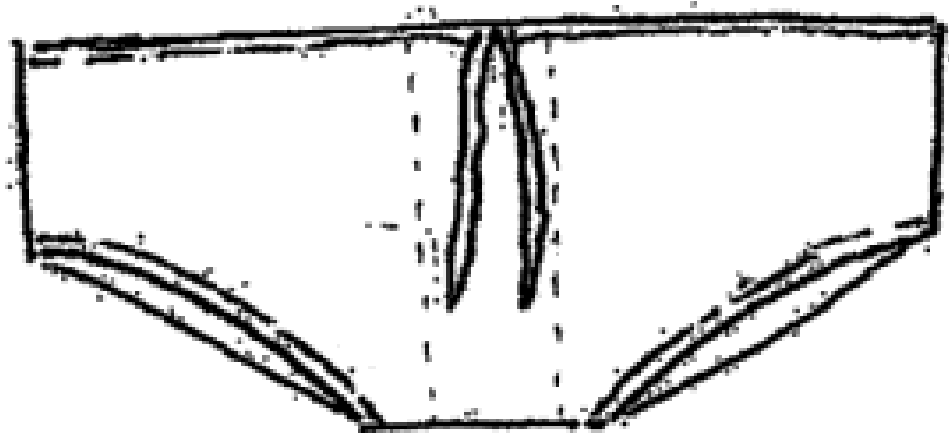
(19) AU

- (21) Design Number: **13130/2005**  
(22) Date of Filing Application: **22 July 2005**  
(24) Date from which industrial property rights may have effect: **22 July 2005**  
(54) Product in respect of which the design is registered: **Spotlight**  
(51) International Design Classification: **26-02**  
(71) Name(s) and Address(s) of Applicant(s):  
**Vector Products, Inc.**  
**4140 S.W. 28th Way Ft. Lauderdale Florida 33312 United States of America**  
(72) Name(s) of Designer(s): **Michael Krieger and Kevin Ellsworth**  
(45) Registration Date: **19 December 2005**  
(30) Convention priority data:  
(31) Number (32) Date (33) Country  
**29/222173 27 Jan 2005 UNITED STATES OF AMERICA**  
(56) Related Art Documents: **Not Applicable**  
(57) Statement of Newness and Distinctiveness: **Newness and distinctiveness is claimed in the features of shape and/or configuration of a spotlight as illustrated in the accompanying representations.**



(19) AU

- (21) Design Number: **13131/2005**  
(22) Date of Filing Application: **22 July 2005**  
(24) Date from which industrial property rights may have effect: **22 July 2005**  
(54) Product in respect of which the design is registered: **Swimwear**  
(51) International Design Classification: **02-02A**  
(71) Name(s) and Address(s) of Applicant(s):  
**DT Jox Pty Ltd**  
**PO Box 1046 Carindale Queensland 4152 Australia**  
(72) Name(s) of Designer(s): **David Tomkinson**  
(45) Registration Date: **19 December 2005**  
(56) Related Art Documents: **Not Applicable**  
(57) Statement of Newness and Distinctiveness: **Newness and distinctiveness is claimed in respect of the shape and configuration of the design as applied to the swimwear as illustrated in the accompanying representations.**



(19) AU

(21) Design Number: 13135/2005  
(22) Date of Filing Application: 22 July 2005  
(24) Date from which industrial property rights may have effect: 22 July 2005  
(54) Product in respect of which the design is registered: Meter for an integrated diagnostic test system

(51) International Design Classification: 10-04, 24-01

(71) Name(s) and Address(s) of Applicant(s):

Home Diagnostics, Inc.  
2400 N.W. 55th Court Fort Lauderdale FL 33309 United States of America

(72) Name(s) of Designer(s): Gary T. Neel and Allan Javier Caban

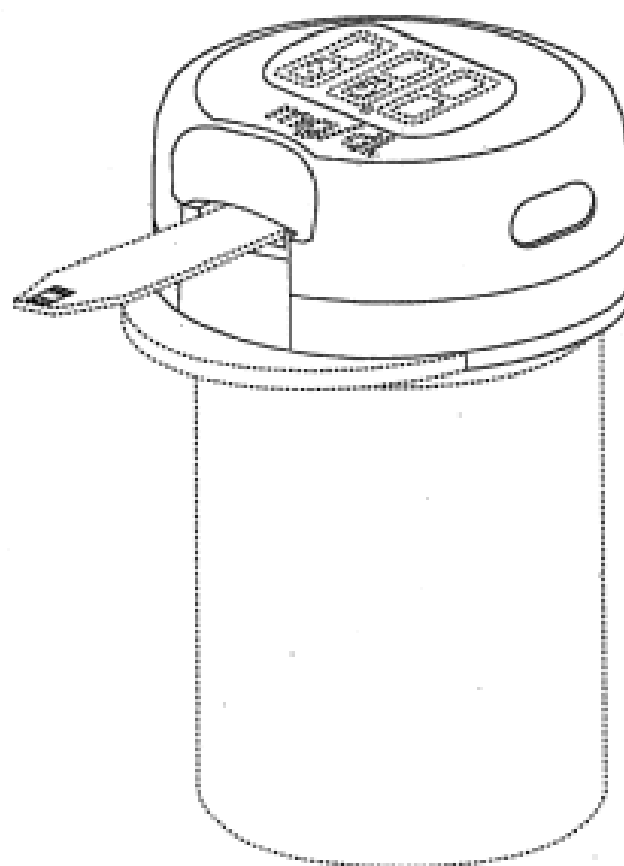
(45) Registration Date: 19 December 2005

(30) Convention priority data:

(31) Number	(32) Date	(33) Country
29/222,351	31 Jan 2005	UNITED STATES OF AMERICA

(56) Related Art Documents: Not Applicable

(57) Statement of Newness and Distinctiveness: Newness and distinctiveness is claimed in the external visual features of shape and configuration of a meter for an integrated diagnostic test system as illustrated in the accompanying representations, and wherein: FIG. 1 is a rear-left, perspective view of a meter for an integrated diagnostic test system of the design; FIG. 2 is a top view of the design of figure 1; FIG. 3 is a rear view of the design of figure 1; FIG. 4 is a left-side view of the design of figure 1; FIG. 5 is a front view of the design of figure 1; FIG. 6 is a right-side view of the design of figure 1 and FIG. 7 is a bottom view of the design of figure 1. The visual features represented by broken lines are of components of a diagnostic test system forming no part of the design.



(19) AU

(21) Design Number: 13137/2005  
(22) Date of Filing Application: 22 July 2005  
(24) Date from which industrial property rights may have effect: 22 July 2005  
(54) Product in respect of which the design is registered: Toaster

(51) International Design Classification: 07-02F

(71) Name(s) and Address(s) of Applicant(s):

SEB S.A.  
Selongey 21260 France

(72) Name(s) of Designer(s): Lionel Averty

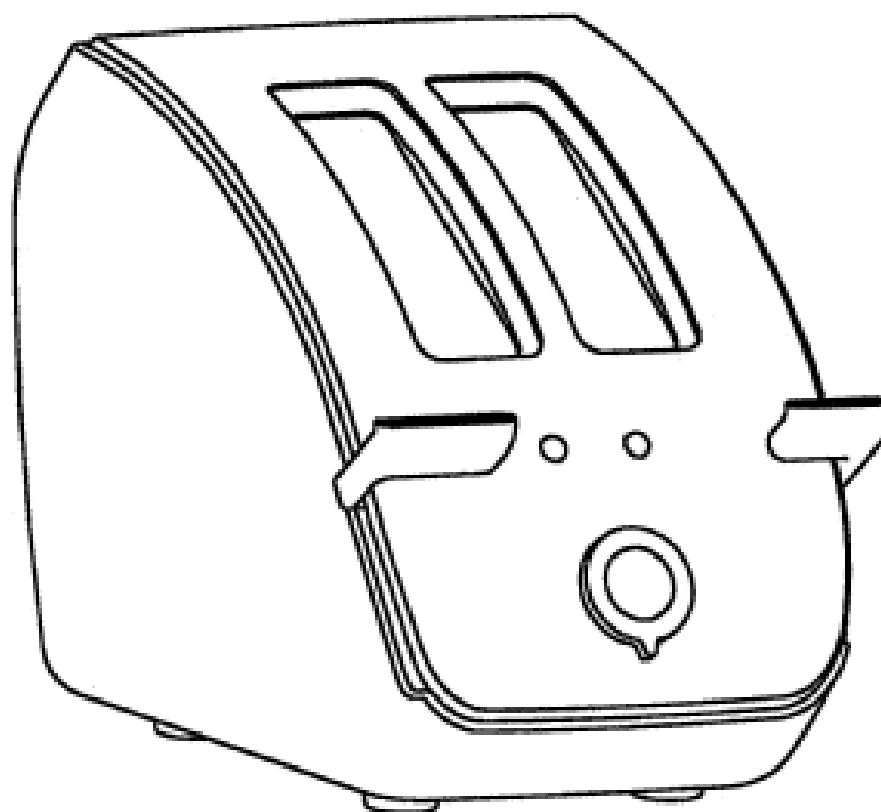
(45) Registration Date: 19 December 2005

(30) Convention priority data:

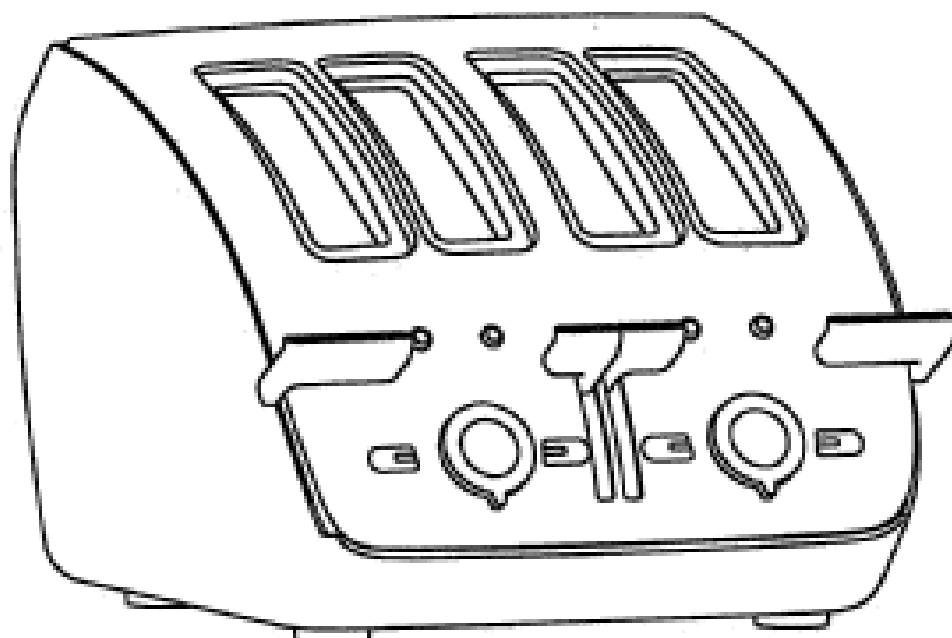
(31) Number	(32) Date	(33) Country
05 0495	25 Jan 2005	FRANCE

(56) Related Art Documents: Not Applicable

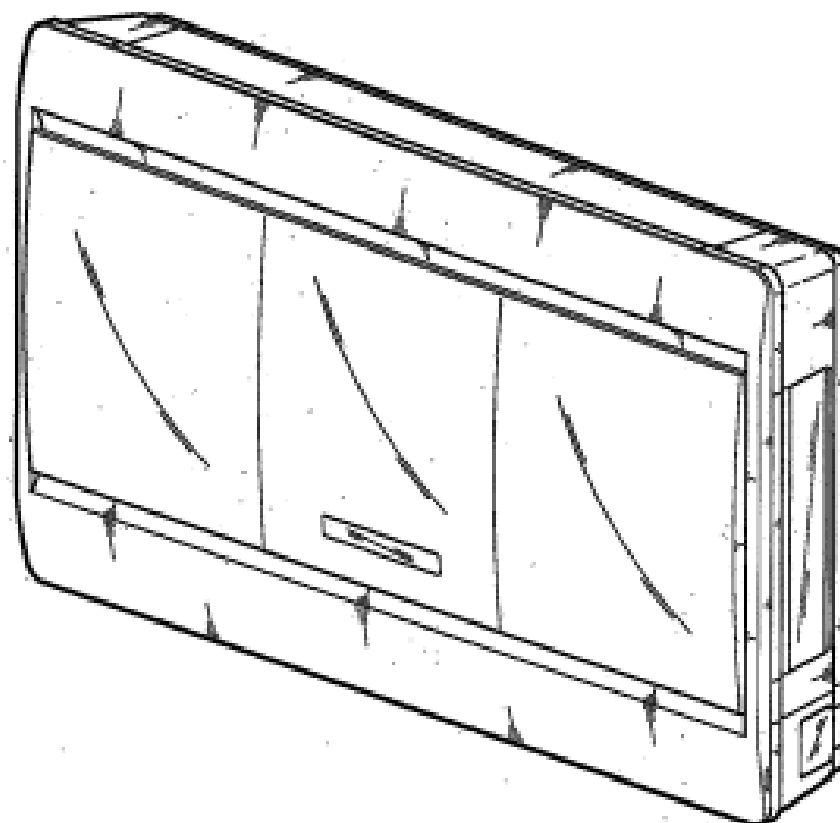
(57) Statement of Newness and Distinctiveness: Nil



(21) Design Number: **13138/2005**  
(22) Date of Filing Application: **22 July 2005**  
(24) Date from which industrial property rights may have effect: **22 July 2005**  
(54) Product in respect of which the design is registered: **Toaster**  
(51) International Design Classification: **07-02F**  
(71) Name(s) and Address(s) of Applicant(s):  
**SEB S.A.**  
**Selongey 21260 France**  
(72) Name(s) of Designer(s): **Lionel Averty**  
(45) Registration Date: **19 December 2005**  
(30) Convention priority data:  
(31) Number (32) Date (33) Country  
**05 0733 03 Feb 2005 FRANCE**  
(56) Related Art Documents: **Not Applicable**  
(57) Statement of Newness and Distinctiveness: **Nil**



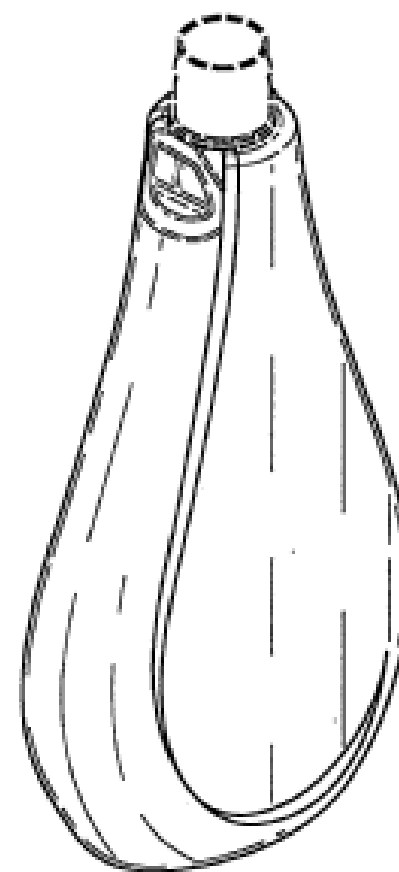
(21) Design Number: **13139/2005**  
(22) Date of Filing Application: **16 February 2004**  
(24) Date from which industrial property rights may have effect: **16 February 2004**  
(54) Product in respect of which the design is registered: **Wall-installed type air-conditioner**  
(51) International Design Classification: **23-04**  
(71) Name(s) and Address(s) of Applicant(s):  
**LG Electronics Inc.**  
**20 Yoido-dong Youngdungpo-ku Seoul Korea**  
(72) Name(s) of Designer(s): **Ik Sang Kim**  
(45) Registration Date: **19 December 2005**  
(30) Convention priority data:  
(31) Number (32) Date (33) Country  
**30-2003-0023419 19 Aug 2003 REPUBLIC OF KOREA**  
(56) Related Art Documents: **Not Applicable**  
(57) Statement of Newness and Distinctiveness: **Nil**



(19) AU

- (21) Design Number: **15033/2005**
- (22) Date of Filing Application: **14 November 2005**
- (24) Date from which industrial property rights may have effect: **14 November 2005**
- (54) Product in respect of which the design is registered: **Bottle**
- (51) International Design Classification: **09-01NES**
- (71) Name(s) and Address(s) of Applicant(s):  
**Reckitt Benckiser Inc.**  
**Morris Corporate Center IV 399 Interpac Parkway Parsippany New Jersey 07054 United States of America**
- (72) Name(s) of Designer(s): **Daniel Sterling and Peter Michaelian**
- (45) Registration Date: **19 December 2005**
- (30) Convention priority data:  

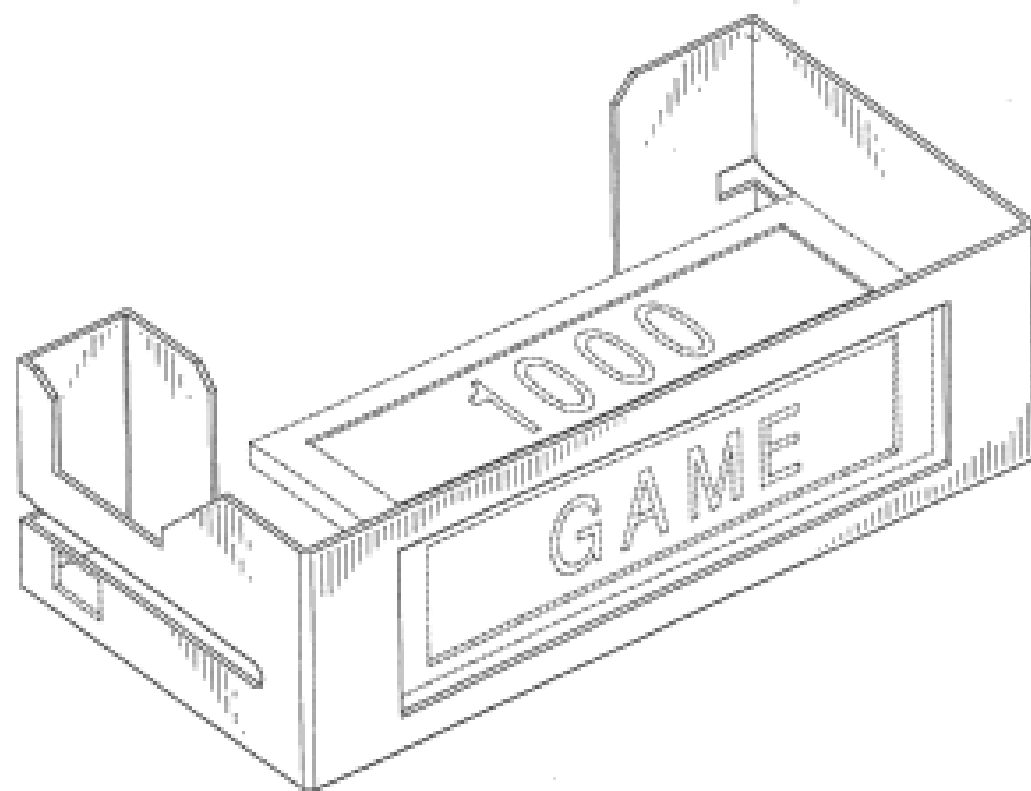
(31) Number	(32) Date	(33) Country
<b>29/231630</b>	<b>08 Jun 2005</b>	<b>UNITED STATES OF AMERICA</b>
- (56) Related Art Documents: **Not Applicable**
- (57) Statement of Newness and Distinctiveness: **The features of the design shown in solid lines excluding features of the article shown in broken lines, which are disclaimed.**



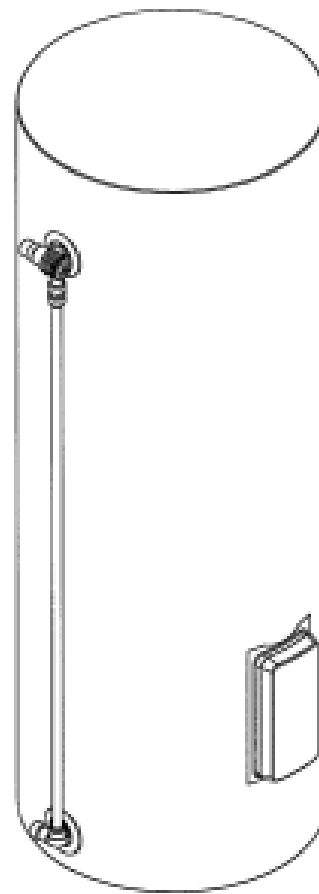
(19) AU

- (21) Design Number: **14255/2004**
- (22) Date of Filing Application: **03 September 2004**
- (24) Date from which industrial property rights may have effect: **14 March 2003**
- (54) Product in respect of which the design is registered: **Gaming device**
- (51) International Design Classification: **21-03**
- (71) Name(s) and Address(s) of Applicant(s):  
**IGT**  
**9295 Prototype Drive Reno Nevada 89521 United States of America**
- (72) Name(s) of Designer(s): **Steven P. McGahn and Bayard S. Webb and Kimberly K. Karstens**
- (45) Registration Date: **19 December 2005**
- (30) Convention priority data:  

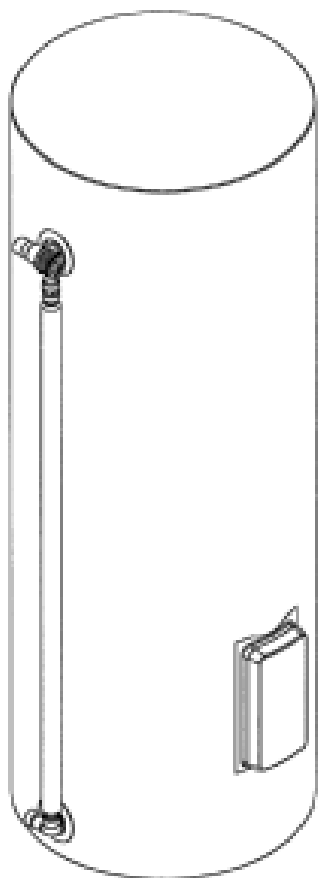
(31) Number	(32) Date	(33) Country
<b>29/167,550</b>	<b>16 Sep 2002</b>	<b>UNITED STATES OF AMERICA</b>
- (62) Divisional of: **156461**
- (56) Related Art Documents: **Not Applicable**
- (57) Statement of Newness and Distinctiveness: **The newness and distinctiveness resides in the symbol displays on the gaming device excluding features in dotted lines.**



- (21) Design Number: **10355/2005**
- (22) Date of Filing Application: **01 February 2005**
- (24) Date from which industrial property rights may have effect: **01 February 2005**
- (54) Product in respect of which the design is registered: **A water heater**
- (51) International Design Classification: **23-03H**
- (71) Name(s) and Address(s) of Applicant(s):  
**Rheem Australia Pty Limited**  
**1 Alan Street Rydalmere New South Wales 2116 Australia**
- (72) Name(s) of Designer(s): **Zoran Valcic and Geoff Whitford**
- (45) Registration Date: **19 December 2005**
- (56) Related Art Documents: **Not Applicable**
- (57) Statement of Newness and Distinctiveness: **Nil**

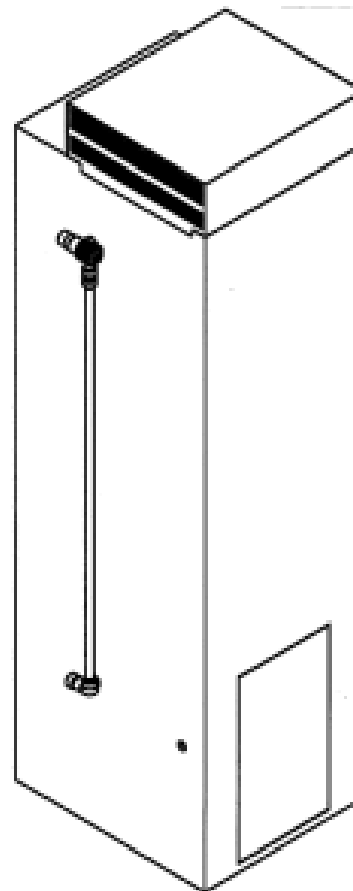


- (21) Design Number: **10356/2005**
- (22) Date of Filing Application: **01 February 2005**
- (24) Date from which industrial property rights may have effect: **01 February 2005**
- (54) Product in respect of which the design is registered: **A water heater**
- (51) International Design Classification: **23-03H**
- (71) Name(s) and Address(s) of Applicant(s):  
**Rheem Australia Pty Limited**  
**1 Alan Street Rydalmere New South Wales 2116 Australia**
- (72) Name(s) of Designer(s): **Zoran Valcic and Geoff Whitford**
- (45) Registration Date: **19 December 2005**
- (56) Related Art Documents: **Not Applicable**
- (57) Statement of Newness and Distinctiveness: **Nil**

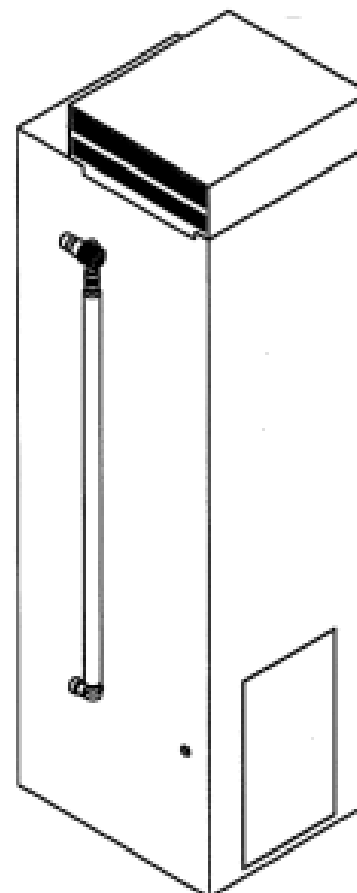




- (21) Design Number: **10357/2005**
- (22) Date of Filing Application: **01 February 2005**
- (24) Date from which industrial property rights may have effect: **01 February 2005**
- (54) Product in respect of which the design is registered: **A water heater**
- (51) International Design Classification: **23-03H**
- (71) Name(s) and Address(s) of Applicant(s):  
**Rheem Australia Pty Limited**  
**1 Alan Street Rydalmere New South Wales 2116 Australia**
- (72) Name(s) of Designer(s): **Zoran Valcic and Geoff Whitford**
- (45) Registration Date: **19 December 2005**
- (56) Related Art Documents: **Not Applicable**
- (57) Statement of Newness and Distinctiveness: **Nil**



- (21) Design Number: **10358/2005**
- (22) Date of Filing Application: **01 February 2005**
- (24) Date from which industrial property rights may have effect: **01 February 2005**
- (54) Product in respect of which the design is registered: **A water heater**
- (51) International Design Classification: **23-03H**
- (71) Name(s) and Address(s) of Applicant(s):  
**Rheem Australia Pty Limited**  
**1 Alan Street Rydalmere New South Wales 2116 Australia**
- (72) Name(s) of Designer(s): **Zoran Valcic and Geoff Whitford**
- (45) Registration Date: **19 December 2005**
- (56) Related Art Documents: **Not Applicable**
- (57) Statement of Newness and Distinctiveness: **Nil**



(21) Design Number: **10359/2005**

(22) Date of Filing Application: **01 February 2005**

(24) Date from which industrial property rights may have effect: **01 February 2005**

(54) Product in respect of which the design is registered: **A water heater**

(51) International Design Classification: **23-03H**

(71) Name(s) and Address(s) of Applicant(s):

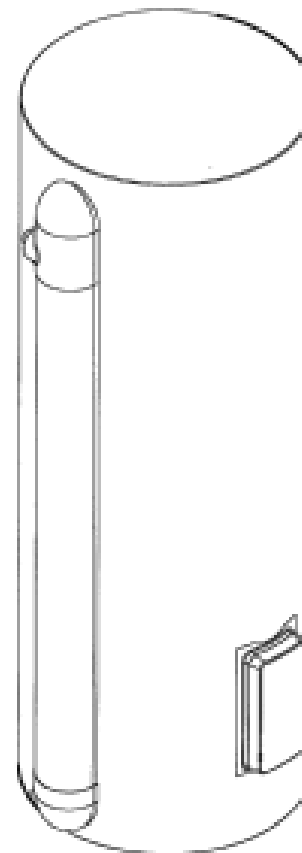
**Rheem Australia Pty Limited  
1 Alan Street Rydalmere New South Wales 2116 Australia**

(72) Name(s) of Designer(s): **Zoran Valcic and Geoff Whitford**

(45) Registration Date: **19 December 2005**

(56) Related Art Documents: **Not Applicable**

(57) Statement of Newness and Distinctiveness: **For newness and distinctiveness particular regard is to be had to the features of shape and or configuration of an elongated, axially extending formation located on the outer jacket of the water heater.**



(21) Design Number: **10360/2005**

(22) Date of Filing Application: **01 February 2005**

(24) Date from which industrial property rights may have effect: **01 February 2005**

(54) Product in respect of which the design is registered: **A water heater**

(51) International Design Classification: **23-03H**

(71) Name(s) and Address(s) of Applicant(s):

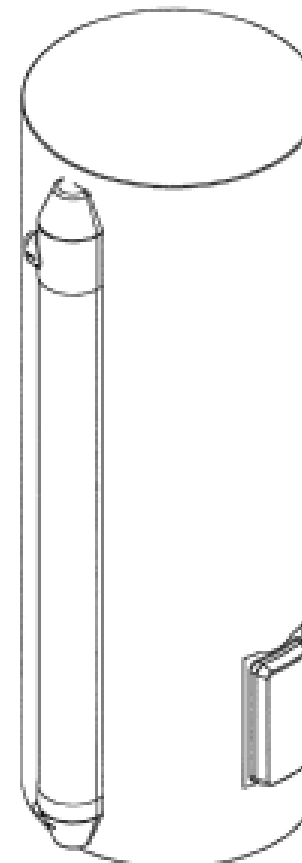
**Rheem Australia Pty Limited  
1 Alan Street Rydalmere New South Wales 2116 Australia**

(72) Name(s) of Designer(s): **Zoran Valcic and Geoff Whitford**

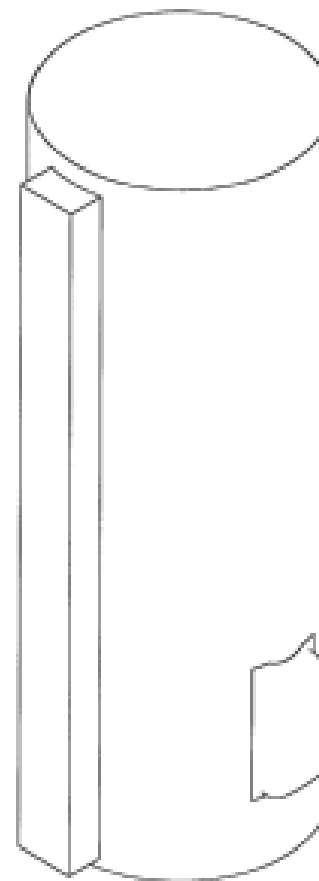
(45) Registration Date: **19 December 2005**

(56) Related Art Documents: **Not Applicable**

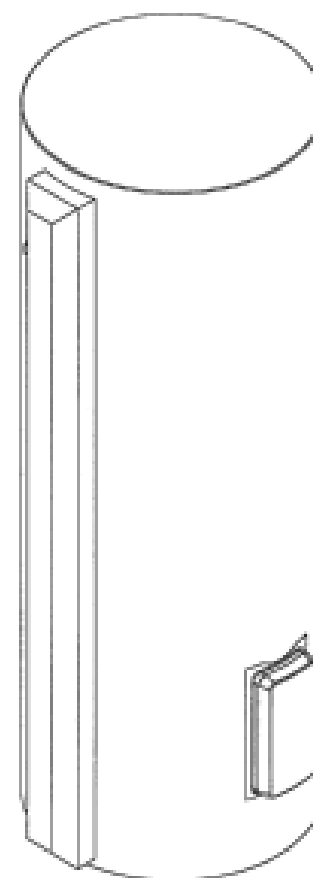
(57) Statement of Newness and Distinctiveness: **For newness and distinctiveness particular regard is to be had to the features of shape and or configuration of an elongated, axially extending formation located on the outer jacket of the water heater.**



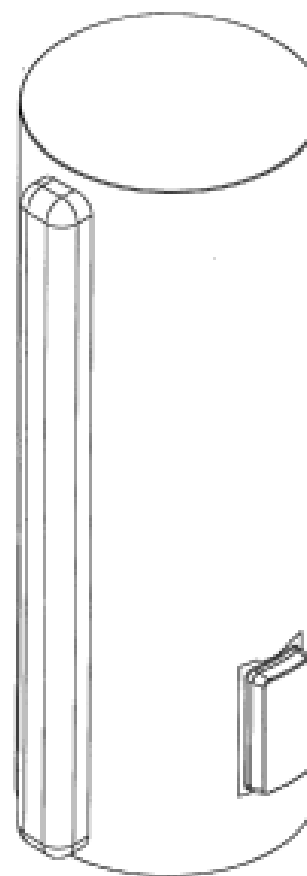
- (21) Design Number: **10361/2005**  
(22) Date of Filing Application: **01 February 2005**  
(24) Date from which industrial property rights may have effect: **01 February 2005**  
(54) Product in respect of which the design is registered: **A water heater**  
(51) International Design Classification: **23-03H**  
(71) Name(s) and Address(s) of Applicant(s):  
**Rheem Australia Pty Limited**  
**1 Alan Street Rydalmere New South Wales 2116 Australia**  
(72) Name(s) of Designer(s): **Zoran Valcic and Geoff Whitford**  
(45) Registration Date: **19 December 2005**  
(56) Related Art Documents: **Not Applicable**  
(57) Statement of Newness and Distinctiveness: **For newness and distinctiveness particular regard is to be had to the features of shape and or configuration of an elongated, axially extending formation located on the outer jacket of the water heater.**



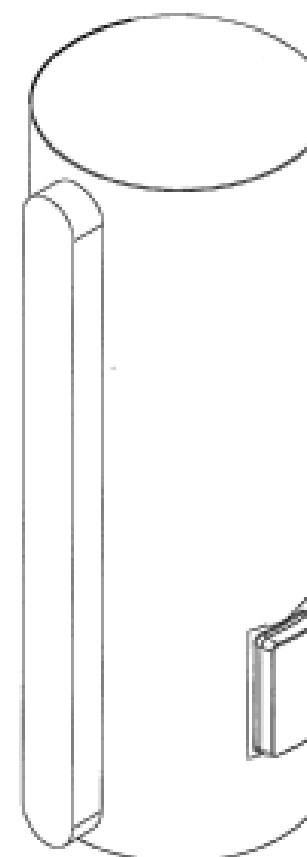
- (21) Design Number: **10362/2005**  
(22) Date of Filing Application: **01 February 2005**  
(24) Date from which industrial property rights may have effect: **01 February 2005**  
(54) Product in respect of which the design is registered: **A water heater**  
(51) International Design Classification: **23-03H**  
(71) Name(s) and Address(s) of Applicant(s):  
**Rheem Australia Pty Limited**  
**1 Alan Street Rydalmere New South Wales 2116 Australia**  
(72) Name(s) of Designer(s): **Zoran Valcic and Geoff Whitford**  
(45) Registration Date: **19 December 2005**  
(56) Related Art Documents: **Not Applicable**  
(57) Statement of Newness and Distinctiveness: **For newness and distinctiveness particular regard is to be had to the features of shape and or configuration of an elongated, axially extending formation located on the outer jacket of the water heater.**



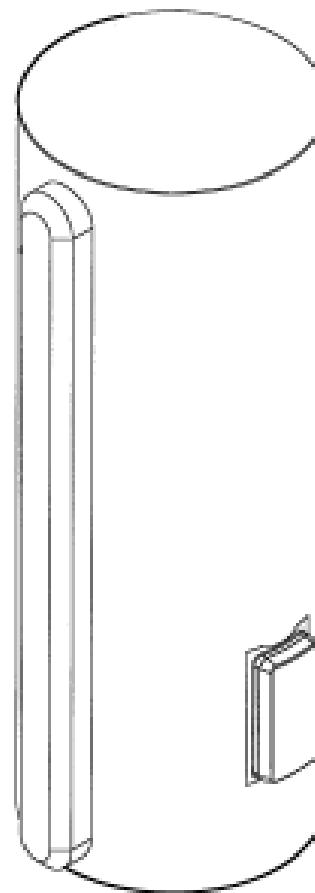
- (21) Design Number: **10363/2005**
- (22) Date of Filing Application: **01 February 2005**
- (24) Date from which industrial property rights may have effect: **01 February 2005**
- (54) Product in respect of which the design is registered: **A water heater**
- (51) International Design Classification: **23-03H**
- (71) Name(s) and Address(s) of Applicant(s):  
**Rheem Australia Pty Limited**  
**1 Alan Street Rydalmere New South Wales 2116 Australia**
- (72) Name(s) of Designer(s): **Zoran Valcic and Geoff Whitford**
- (45) Registration Date: **19 December 2005**
- (56) Related Art Documents: **Not Applicable**
- (57) Statement of Newness and Distinctiveness: **For newness and distinctiveness particular regard is to be had to the features of shape and or configuration of an elongated, axially extending formation located on the outer jacket of the water heater.**



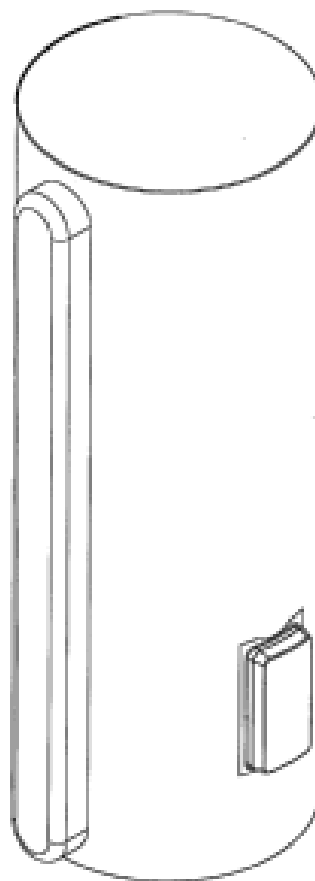
- (21) Design Number: **10364/2005**
- (22) Date of Filing Application: **01 February 2005**
- (24) Date from which industrial property rights may have effect: **01 February 2005**
- (54) Product in respect of which the design is registered: **A water heater**
- (51) International Design Classification: **23-03H**
- (71) Name(s) and Address(s) of Applicant(s):  
**Rheem Australia Pty Limited**  
**1 Alan Street Rydalmere New South Wales 2116 Australia**
- (72) Name(s) of Designer(s): **Zoran Valcic and Geoff Whitford**
- (45) Registration Date: **19 December 2005**
- (56) Related Art Documents: **Not Applicable**
- (57) Statement of Newness and Distinctiveness: **For newness and distinctiveness particular regard is to be had to the features of shape and or configuration of an elongated, axially extending formation located on the outer jacket of the water heater.**



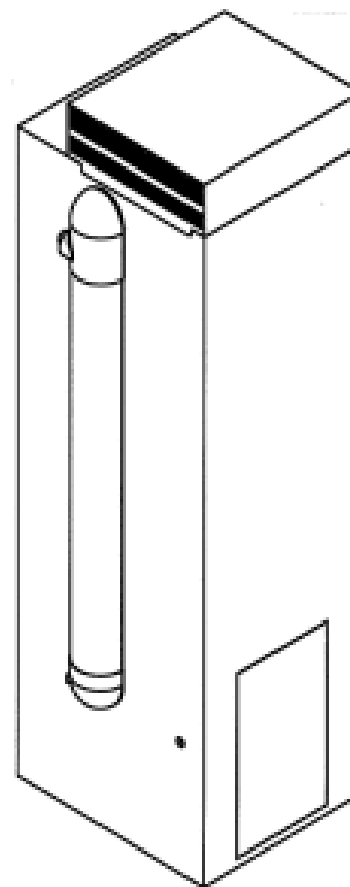
- (21) Design Number: **10365/2005**  
(22) Date of Filing Application: **01 February 2005**  
(24) Date from which industrial property rights may have effect: **01 February 2005**  
(54) Product in respect of which the design is registered: **A water heater**  
(51) International Design Classification: **23-03H**  
(71) Name(s) and Address(s) of Applicant(s):  
**Rheem Australia Pty Limited**  
**1 Alan Street Rydalmere New South Wales 2116 Australia**  
(72) Name(s) of Designer(s): **Zoran Valcic and Geoff Whitford**  
(45) Registration Date: **19 December 2005**  
(56) Related Art Documents: **Not Applicable**  
(57) Statement of Newness and Distinctiveness: **For newness and distinctiveness particular regard is to be had to the features of shape and or configuration of an elongated, axially extending formation located on the outer jacket of the water heater.**



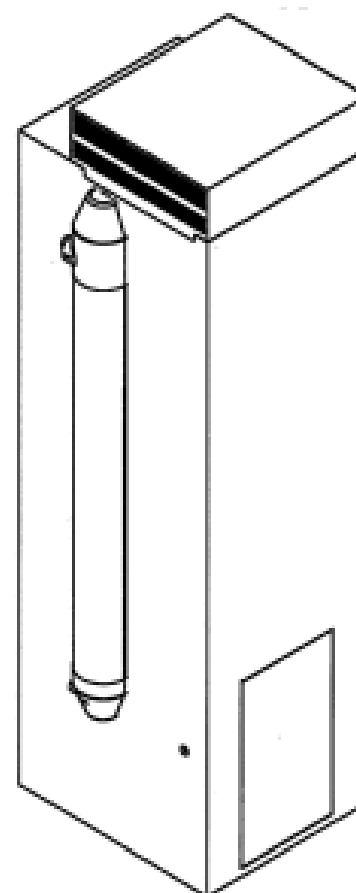
- (21) Design Number: **10366/2005**  
(22) Date of Filing Application: **01 February 2005**  
(24) Date from which industrial property rights may have effect: **01 February 2005**  
(54) Product in respect of which the design is registered: **A water heater**  
(51) International Design Classification: **23-03H**  
(71) Name(s) and Address(s) of Applicant(s):  
**Rheem Australia Pty Limited**  
**1 Alan Street Rydalmere New South Wales 2116 Australia**  
(72) Name(s) of Designer(s): **Zoran Valcic and Geoff Whitford**  
(45) Registration Date: **19 December 2005**  
(56) Related Art Documents: **Not Applicable**  
(57) Statement of Newness and Distinctiveness: **For newness and distinctiveness particular regard is to be had to the features of shape and or configuration of an elongated, axially extending formation located on the outer jacket of the water heater.**



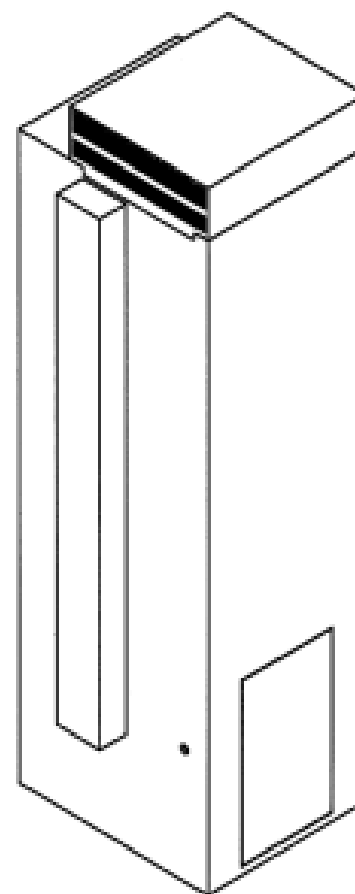
- (21) Design Number: **10367/2005**  
(22) Date of Filing Application: **01 February 2005**  
(24) Date from which industrial property rights may have effect: **01 February 2005**  
(54) Product in respect of which the design is registered: **A water heater**  
(51) International Design Classification: **23-03H**  
(71) Name(s) and Address(s) of Applicant(s):  
**Rheem Australia Pty Limited**  
**1 Alan Street Rydalmere New South Wales 2116 Australia**  
(72) Name(s) of Designer(s): **Zoran Valcic and Geoff Whitford**  
(45) Registration Date: **19 December 2005**  
(56) Related Art Documents: **Not Applicable**  
(57) Statement of Newness and Distinctiveness: **For newness and distinctiveness particular regard is to be had to the features of shape and or configuration of an elongated, axially extending formation located on the outer jacket of the water heater.**



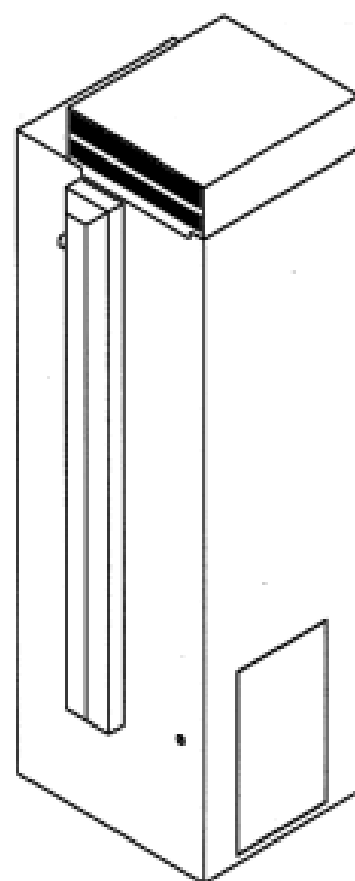
- (21) Design Number: **10368/2005**  
(22) Date of Filing Application: **01 February 2005**  
(24) Date from which industrial property rights may have effect: **01 February 2005**  
(54) Product in respect of which the design is registered: **A water heater**  
(51) International Design Classification: **23-03H**  
(71) Name(s) and Address(s) of Applicant(s):  
**Rheem Australia Pty Limited**  
**1 Alan Street Rydalmere New South Wales 2116 Australia**  
(72) Name(s) of Designer(s): **Zoran Valcic and Geoff Whitford**  
(45) Registration Date: **19 December 2005**  
(56) Related Art Documents: **Not Applicable**  
(57) Statement of Newness and Distinctiveness: **For newness and distinctiveness particular regard is to be had to the features of shape and or configuration of an elongated, axially extending formation located on the outer jacket of the water heater.**



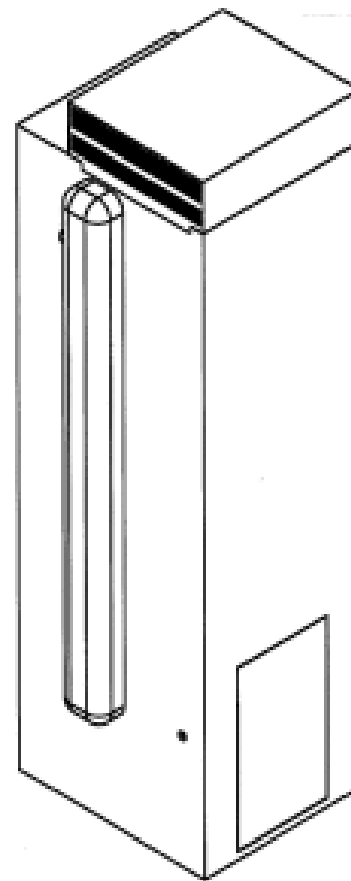
- (21) Design Number: **10369/2005**  
(22) Date of Filing Application: **01 February 2005**  
(24) Date from which industrial property rights may have effect: **01 February 2005**  
(54) Product in respect of which the design is registered: **A water heater**  
(51) International Design Classification: **23-03H**  
(71) Name(s) and Address(s) of Applicant(s):  
**Rheem Australia Pty Limited**  
**1 Alan Street Rydalmere New South Wales 2116 Australia**  
(72) Name(s) of Designer(s): **Zoran Valcic and Geoff Whitford**  
(45) Registration Date: **19 December 2005**  
(56) Related Art Documents: **Not Applicable**  
(57) Statement of Newness and Distinctiveness: **For newness and distinctiveness particular regard is to be had to the features of shape and or configuration of an elongated, axially extending formation located on the outer jacket of the water heater.**



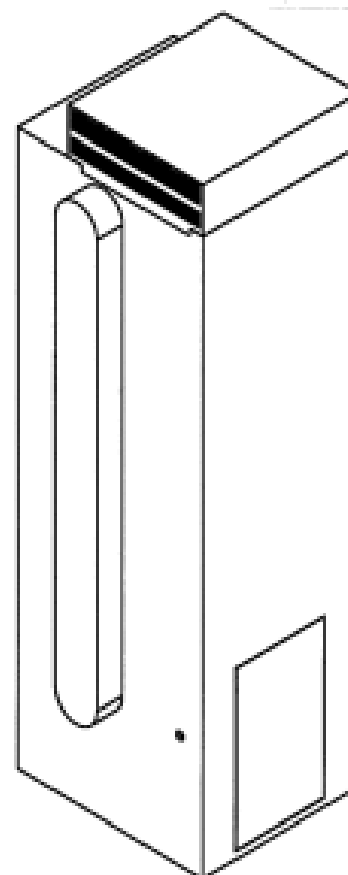
- (21) Design Number: **10370/2005**  
(22) Date of Filing Application: **01 February 2005**  
(24) Date from which industrial property rights may have effect: **01 February 2005**  
(54) Product in respect of which the design is registered: **A water heater**  
(51) International Design Classification: **23-03H**  
(71) Name(s) and Address(s) of Applicant(s):  
**Rheem Australia Pty Limited**  
**1 Alan Street Rydalmere New South Wales 2116 Australia**  
(72) Name(s) of Designer(s): **Zoran Valcic and Geoff Whitford**  
(45) Registration Date: **19 December 2005**  
(56) Related Art Documents: **Not Applicable**  
(57) Statement of Newness and Distinctiveness: **For newness and distinctiveness particular regard is to be had to the features of shape and or configuration of an elongated, axially extending formation located on the outer jacket of the water heater.**



- (21) Design Number: **10371/2005**  
(22) Date of Filing Application: **01 February 2005**  
(24) Date from which industrial property rights may have effect: **01 February 2005**  
(54) Product in respect of which the design is registered: **A water heater**  
(51) International Design Classification: **23-03H**  
(71) Name(s) and Address(s) of Applicant(s):  
**Rheem Australia Pty Limited**  
**1 Alan Street Rydalmere New South Wales 2116 Australia**  
(72) Name(s) of Designer(s): **Zoran Valcic and Geoff Whitford**  
(45) Registration Date: **19 December 2005**  
(56) Related Art Documents: **Not Applicable**  
(57) Statement of Newness and Distinctiveness: **For newness and distinctiveness particular regard is to be had to the features of shape and or configuration of an elongated, axially extending formation located on the outer jacket of the water heater.**

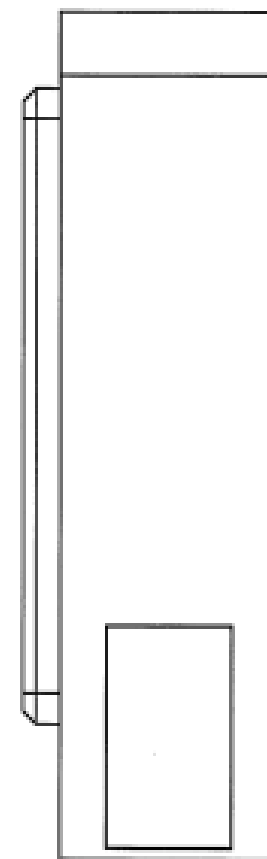


- (21) Design Number: **10372/2005**  
(22) Date of Filing Application: **01 February 2005**  
(24) Date from which industrial property rights may have effect: **01 February 2005**  
(54) Product in respect of which the design is registered: **A water heater**  
(51) International Design Classification: **23-03H**  
(71) Name(s) and Address(s) of Applicant(s):  
**Rheem Australia Pty Limited**  
**1 Alan Street Rydalmere New South Wales 2116 Australia**  
(72) Name(s) of Designer(s): **Zoran Valcic and Geoff Whitford**  
(45) Registration Date: **19 December 2005**  
(56) Related Art Documents: **Not Applicable**  
(57) Statement of Newness and Distinctiveness: **For newness and distinctiveness particular regard is to be had to the features of shape and or configuration of an elongated, axially extending formation located on the outer jacket of the water heater.**

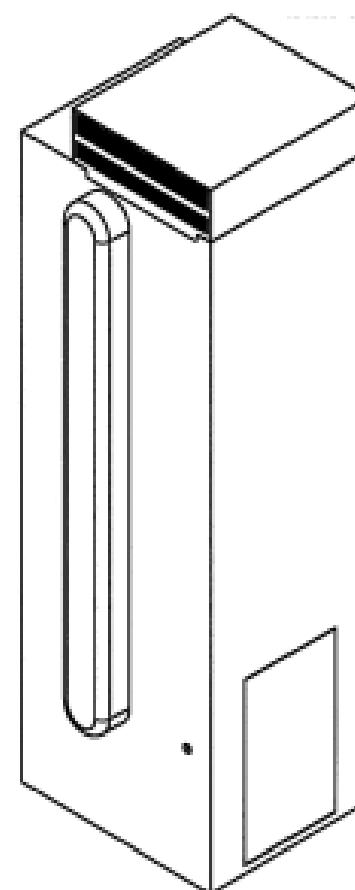




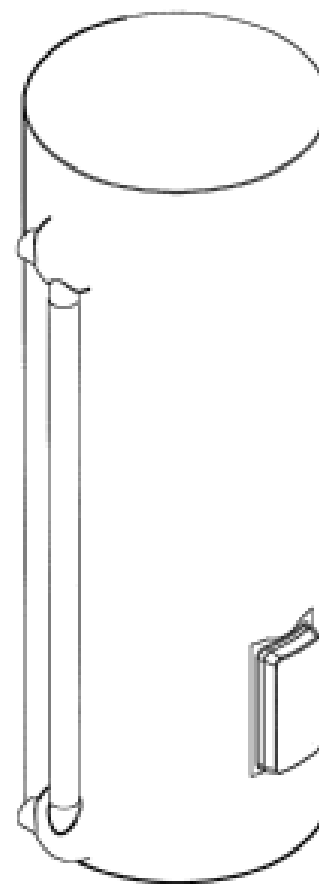
- (21) Design Number: **10373/2005**
- (22) Date of Filing Application: **01 February 2005**
- (24) Date from which industrial property rights may have effect: **01 February 2005**
- (54) Product in respect of which the design is registered: **A water heater**
- (51) International Design Classification: **23-03H**
- (71) Name(s) and Address(s) of Applicant(s):  
**Rheem Australia Pty Limited**  
**1 Alan Street Rydalmere New South Wales 2116 Australia**
- (72) Name(s) of Designer(s): **Zoran Valcic and Geoff Whitford**
- (45) Registration Date: **19 December 2005**
- (56) Related Art Documents: **Not Applicable**
- (57) Statement of Newness and Distinctiveness: **For newness and distinctiveness particular regard is to be had to the features of shape and or configuration of an elongated, axially extending formation located on the outer jacket of the water heater.**



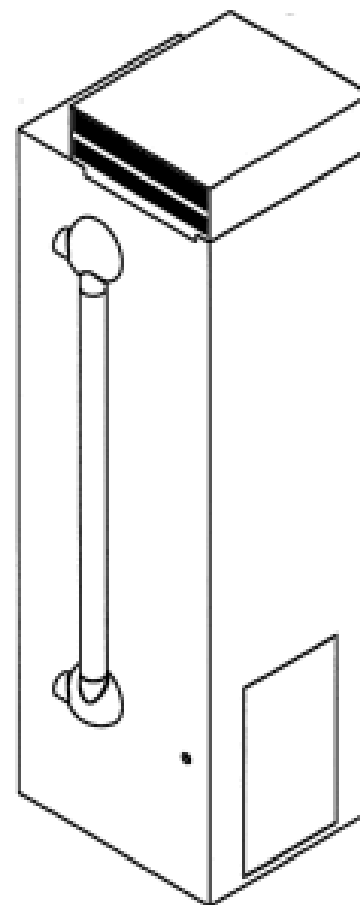
- (21) Design Number: **10374/2005**
- (22) Date of Filing Application: **01 February 2005**
- (24) Date from which industrial property rights may have effect: **01 February 2005**
- (54) Product in respect of which the design is registered: **A water heater**
- (51) International Design Classification: **23-03H**
- (71) Name(s) and Address(s) of Applicant(s):  
**Rheem Australia Pty Limited**  
**1 Alan Street Rydalmere New South Wales 2116 Australia**
- (72) Name(s) of Designer(s): **Zoran Valcic and Geoff Whitford**
- (45) Registration Date: **19 December 2005**
- (56) Related Art Documents: **Not Applicable**
- (57) Statement of Newness and Distinctiveness: **For newness and distinctiveness particular regard is to be had to the features of shape and or configuration of an elongated, axially extending formation located on the outer jacket of the water heater.**



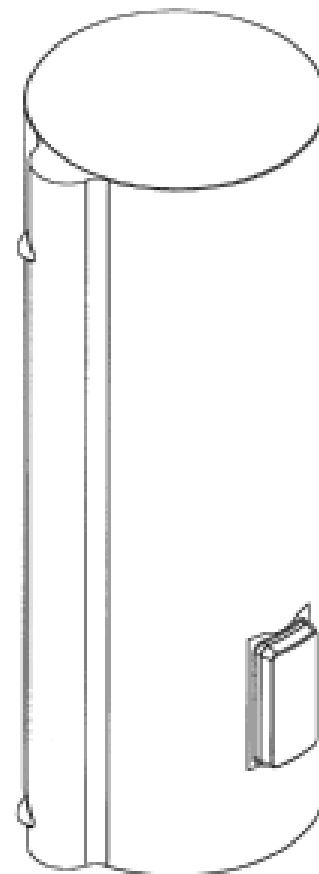
- (21) Design Number: **10375/2005**  
(22) Date of Filing Application: **01 February 2005**  
(24) Date from which industrial property rights may have effect: **01 February 2005**  
(54) Product in respect of which the design is registered: **A water heater**  
(51) International Design Classification: **23-03H**  
(71) Name(s) and Address(s) of Applicant(s):  
**Rheem Australia Pty Limited**  
**1 Alan Street Rydalmere New South Wales 2116 Australia**  
(72) Name(s) of Designer(s): **Zoran Valcic and Geoff Whitford**  
(45) Registration Date: **19 December 2005**  
(56) Related Art Documents: **Not Applicable**  
(57) Statement of Newness and Distinctiveness: **For newness and distinctiveness particular regard is to be had to the features of shape and or configuration of an elongated, axially extending formation located on the outer jacket of the water heater.**



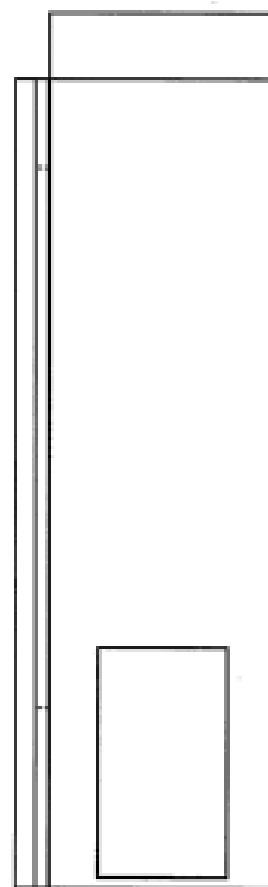
- (21) Design Number: **10376/2005**  
(22) Date of Filing Application: **01 February 2005**  
(24) Date from which industrial property rights may have effect: **01 February 2005**  
(54) Product in respect of which the design is registered: **A water heater**  
(51) International Design Classification: **23-03H**  
(71) Name(s) and Address(s) of Applicant(s):  
**Rheem Australia Pty Limited**  
**1 Alan Street Rydalmere New South Wales 2116 Australia**  
(72) Name(s) of Designer(s): **Zoran Valcic and Geoff Whitford**  
(45) Registration Date: **19 December 2005**  
(56) Related Art Documents: **Not Applicable**  
(57) Statement of Newness and Distinctiveness: **For newness and distinctiveness particular regard is to be had to the features of shape and or configuration of an elongated, axially extending formation located on the outer jacket of the water heater.**



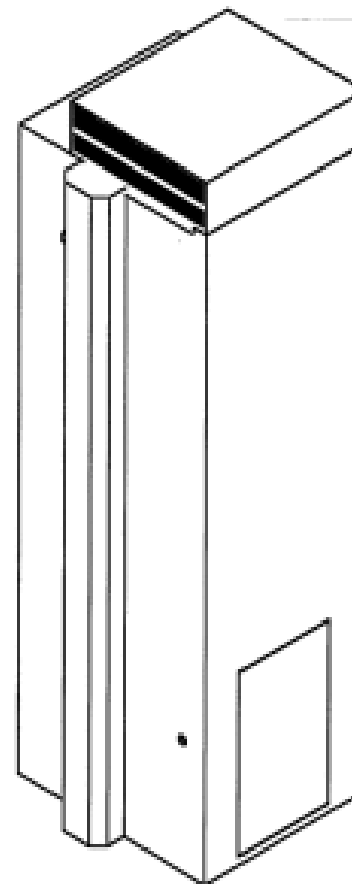
- (21) Design Number: **10377/2005**
- (22) Date of Filing Application: **01 February 2005**
- (24) Date from which industrial property rights may have effect: **01 February 2005**
- (54) Product in respect of which the design is registered: **A water heater**
- (51) International Design Classification: **23-03H**
- (71) Name(s) and Address(s) of Applicant(s):  
**Rheem Australia Pty Limited**  
**1 Alan Street Rydalmere New South Wales 2116 Australia**
- (72) Name(s) of Designer(s): **Zoran Valcic and Geoff Whitford**
- (45) Registration Date: **19 December 2005**
- (56) Related Art Documents: **Not Applicable**
- (57) Statement of Newness and Distinctiveness: **For newness and distinctiveness particular regard is to be had to the features of shape and or configuration of an elongated, axially extending formation located on the outer jacket of the water heater.**



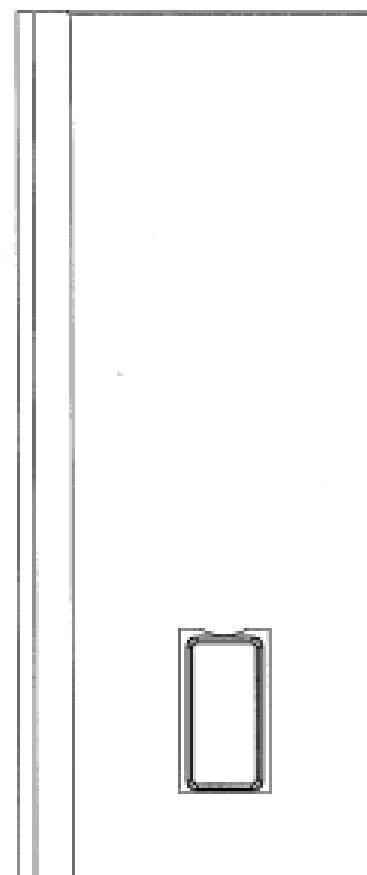
- (21) Design Number: **10378/2005**
- (22) Date of Filing Application: **01 February 2005**
- (24) Date from which industrial property rights may have effect: **01 February 2005**
- (54) Product in respect of which the design is registered: **A water heater**
- (51) International Design Classification: **23-03H**
- (71) Name(s) and Address(s) of Applicant(s):  
**Rheem Australia Pty Limited**  
**1 Alan Street Rydalmere New South Wales 2116 Australia**
- (72) Name(s) of Designer(s): **Zoran Valcic and Geoff Whitford**
- (45) Registration Date: **19 December 2005**
- (56) Related Art Documents: **Not Applicable**
- (57) Statement of Newness and Distinctiveness: **For newness and distinctiveness particular regard is to be had to the features of shape and or configuration of an elongated, axially extending formation located on the outer jacket of the water heater.**



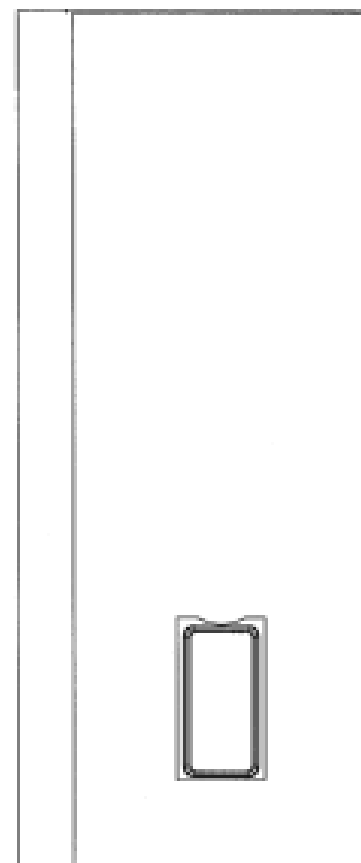
- (21) Design Number: **10380/2005**
- (22) Date of Filing Application: **01 February 2005**
- (24) Date from which industrial property rights may have effect: **01 February 2005**
- (54) Product in respect of which the design is registered: **A water heater**
- (51) International Design Classification: **23-03H**
- (71) Name(s) and Address(s) of Applicant(s):  
**Rheem Australia Pty Limited**  
**1 Alan Street Rydalmere New South Wales 2116 Australia**
- (72) Name(s) of Designer(s): **Zoran Valcic and Geoff Whitford**
- (45) Registration Date: **19 December 2005**
- (56) Related Art Documents: **Not Applicable**
- (57) Statement of Newness and Distinctiveness: **For newness and distinctiveness particular regard is to be had to the features of shape and or configuration of an elongated, axially extending formation located on the outer jacket of the water heater.**



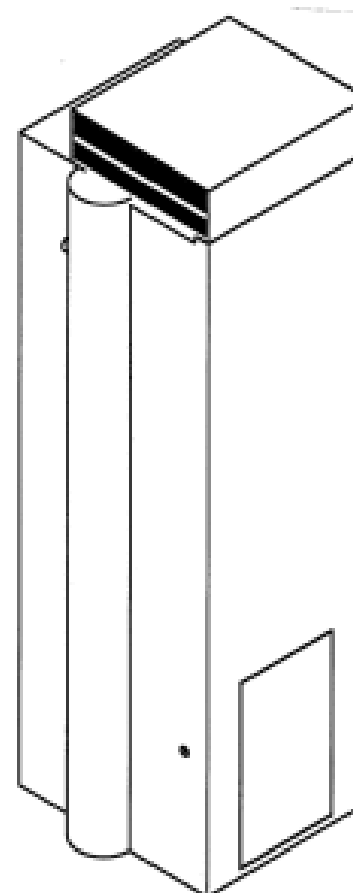
- (21) Design Number: **10379/2005**
- (22) Date of Filing Application: **01 February 2005**
- (24) Date from which industrial property rights may have effect: **01 February 2005**
- (54) Product in respect of which the design is registered: **A water heater**
- (51) International Design Classification: **23-03H**
- (71) Name(s) and Address(s) of Applicant(s):  
**Rheem Australia Pty Limited**  
**1 Alan Street Rydalmere New South Wales 2116 Australia**
- (72) Name(s) of Designer(s): **Zoran Valcic and Geoff Whitford**
- (45) Registration Date: **19 December 2005**
- (56) Related Art Documents: **Not Applicable**
- (57) Statement of Newness and Distinctiveness: **For newness and distinctiveness particular regard is to be had to the features of shape and or configuration of an elongated, axially extending formation located on the outer jacket of the water heater.**



- (21) Design Number: **10381/2005**
- (22) Date of Filing Application: **01 February 2005**
- (24) Date from which industrial property rights may have effect: **01 February 2005**
- (54) Product in respect of which the design is registered: **A water heater**
- (51) International Design Classification: **23-03H**
- (71) Name(s) and Address(s) of Applicant(s):  
**Rheem Australia Pty Limited**  
**1 Alan Street Rydalmere New South Wales 2116 Australia**
- (72) Name(s) of Designer(s): **Zoran Valcic and Geoff Whitford**
- (45) Registration Date: **19 December 2005**
- (56) Related Art Documents: **Not Applicable**
- (57) Statement of Newness and Distinctiveness: **For newness and distinctiveness particular regard is to be had to the features of shape and or configuration of an elongated, axially extending formation located on the outer jacket of the water heater.**



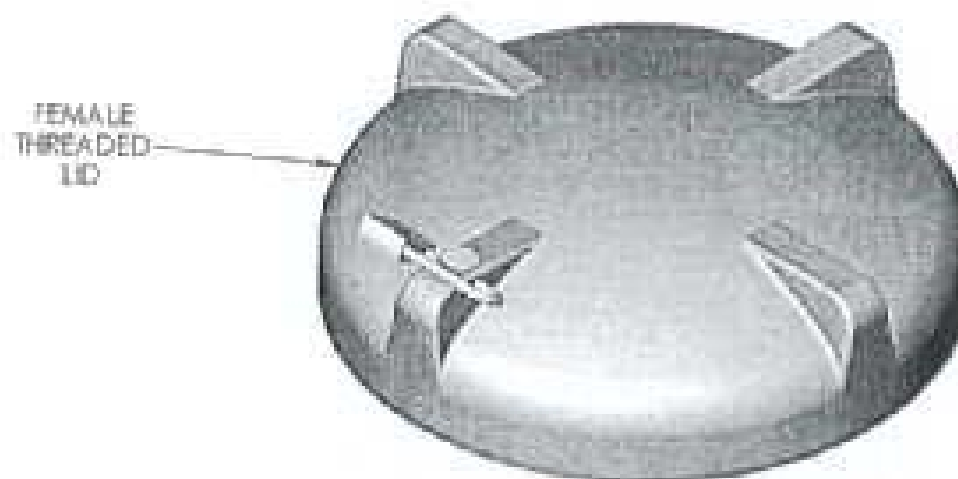
- (21) Design Number: **10382/2005**
- (22) Date of Filing Application: **01 February 2005**
- (24) Date from which industrial property rights may have effect: **01 February 2005**
- (54) Product in respect of which the design is registered: **A water heater**
- (51) International Design Classification: **23-03H**
- (71) Name(s) and Address(s) of Applicant(s):  
**Rheem Australia Pty Limited**  
**1 Alan Street Rydalmere New South Wales 2116 Australia**
- (72) Name(s) of Designer(s): **Zoran Valcic and Geoff Whitford**
- (45) Registration Date: **19 December 2005**
- (56) Related Art Documents: **Not Applicable**
- (57) Statement of Newness and Distinctiveness: **For newness and distinctiveness particular regard is to be had to the features of shape and or configuration of an elongated, axially extending formation located on the outer jacket of the water heater.**



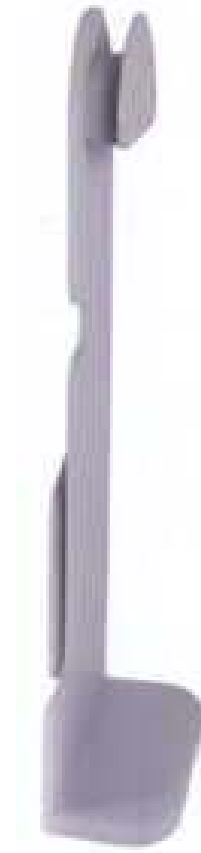
- (21) Design Number: **13883/2004**  
(22) Date of Filing Application: **17 August 2004**  
(24) Date from which industrial property rights may have effect: **17 August 2004**  
(54) Product in respect of which the design is registered: **External rear view mirror for truck and bus and others eg tractors/cranes etc**  
(51) International Design Classification: **12-16H**  
(71) Name(s) and Address(s) of Applicant(s):  
**Michael Ferman**  
**99-105 Boundary Road Peakhurst New South Wales 2210 Australia**  
(72) Name(s) of Designer(s): **Michael Ferman**  
(45) Registration Date: **19 December 2005**  
(56) Related Art Documents: **Not Applicable**  
(57) Statement of Newness and Distinctiveness: **Aerodynamic shape/securing the glass to body by means of solid frame with screws/also containing a partition between 2 glasses.**



- (21) Design Number: **14541/2004**  
(22) Date of Filing Application: **22 September 2004**  
(24) Date from which industrial property rights may have effect: **22 September 2004**  
(54) Product in respect of which the design is registered: **Threaded lid with locking pin**  
(51) International Design Classification: **09-07B**  
(71) Name(s) and Address(s) of Applicant(s):  
**Gough Industries Pty Ltd**  
**833 Ingham Road Bohle Queensland 4814 Australia**  
(72) Name(s) of Designer(s): **Simon John Gough**  
(45) Registration Date: **19 December 2005**  
(56) Related Art Documents: **Not Applicable**  
(57) Statement of Newness and Distinctiveness: **Monopoly is claimed in the shape and configuration of a threaded lid and locking pin as shown in the accompanying representations.**



- (21) Design Number: **14547/2004**  
(22) Date of Filing Application: **24 September 2004**  
(24) Date from which industrial property rights may have effect: **24 September 2004**  
(54) Product in respect of which the design is registered: **Bridle carrier accessory**  
(51) International Design Classification: **30-04**  
(71) Name(s) and Address(s) of Applicant(s):  
**J. Glassey & Sons Pty Ltd**  
**37 Sudlow Street Embleton Western Australia 6062 Australia**  
(72) Name(s) of Designer(s): **Keith Glassey**  
(45) Registration Date: **19 December 2005**  
(56) Related Art Documents: **Not Applicable**  
(57) Statement of Newness and Distinctiveness: **The new features of the design are in the way/shape that it fits/assembles with existing horse saddle Aus track carrier/storage box Design Reg No 153864.**



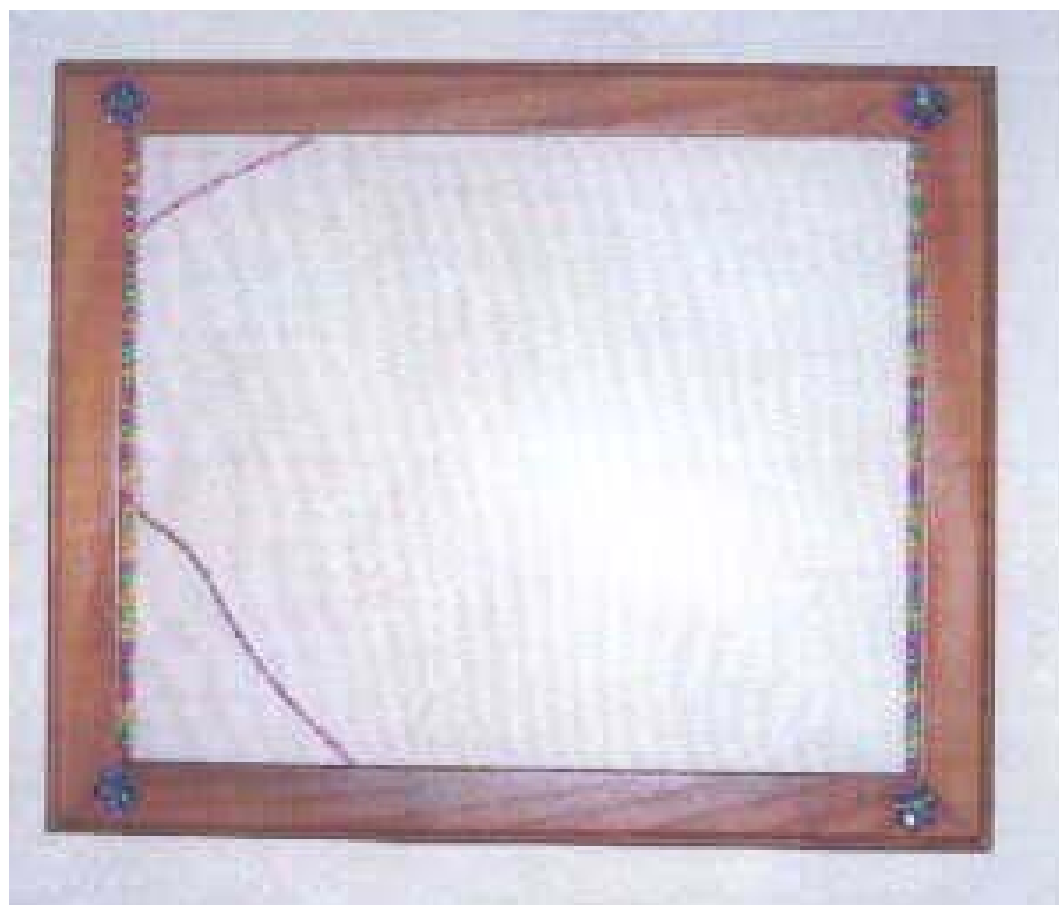
- (21) Design Number: **14680/2004**  
(22) Date of Filing Application: **05 October 2004**  
(24) Date from which industrial property rights may have effect: **05 October 2004**  
(54) Product in respect of which the design is registered: **A back pack**  
(51) International Design Classification: **03-01A**  
(71) Name(s) and Address(s) of Applicant(s):  
**Toppco Pty Ltd**  
**140 Mooringe Avenue North Plympton Adelaide South Australia 5037 Australia**  
(72) Name(s) of Designer(s): **Robert John Clifford Curtin**  
(45) Registration Date: **19 December 2005**  
(56) Related Art Documents: **Not Applicable**  
(57) Statement of Newness and Distinctiveness: **A back pack article as illustrated in the accompanying drawings noting that newness/monopoly does not include color, lettering or representation of a person.**



- (21) Design Number: **14717/2004**  
(22) Date of Filing Application: **05 October 2004**  
(24) Date from which industrial property rights may have effect: **05 October 2004**  
(54) Product in respect of which the design is registered: **Cutting head for a cutting and pruning apparatus**  
(51) International Design Classification: **08-03**  
(71) Name(s) and Address(s) of Applicant(s):  
**Robert Carel van Houdt trading under the name MR PRODUCTS  
Strienemonde 34 3261 VD Oud-Beijerland The Netherlands**  
(72) Name(s) of Designer(s): **Robert Carel van Houdt**  
(45) Registration Date: **19 December 2005**  
(30) Convention priority data:  
(31) Number      (32) Date      (33) Country  
**000157110      02 Apr 2004      EUROPEAN COMMUNITY**  
(56) Related Art Documents: **Not Applicable**  
(57) Statement of Newness and Distinctiveness: **Newness and distinctiveness is claimed in the features of shape and/or configuration of a cutting head for a cutting and pruning apparatus, said cutting head as illustrated in the accompanying representations.**



- (21) Design Number: **15201/2004**  
(22) Date of Filing Application: **09 November 2004**  
(24) Date from which industrial property rights may have effect: **09 November 2004**  
(54) Product in respect of which the design is registered: **Tuille earring/brooch frame**  
(51) International Design Classification: **06-07**  
(71) Name(s) and Address(s) of Applicant(s):  
**Susan Elizabeth Krause  
1 Wardley Drive Parkwood Queensland 4214 Australia**  
(72) Name(s) of Designer(s): **Susan Elizabeth Krause**  
(45) Registration Date: **19 December 2005**  
(56) Related Art Documents: **Not Applicable**  
(57) Statement of Newness and Distinctiveness: **Regular photo frame made distinctive by the tuille in the frame to hold earring and brooches.**

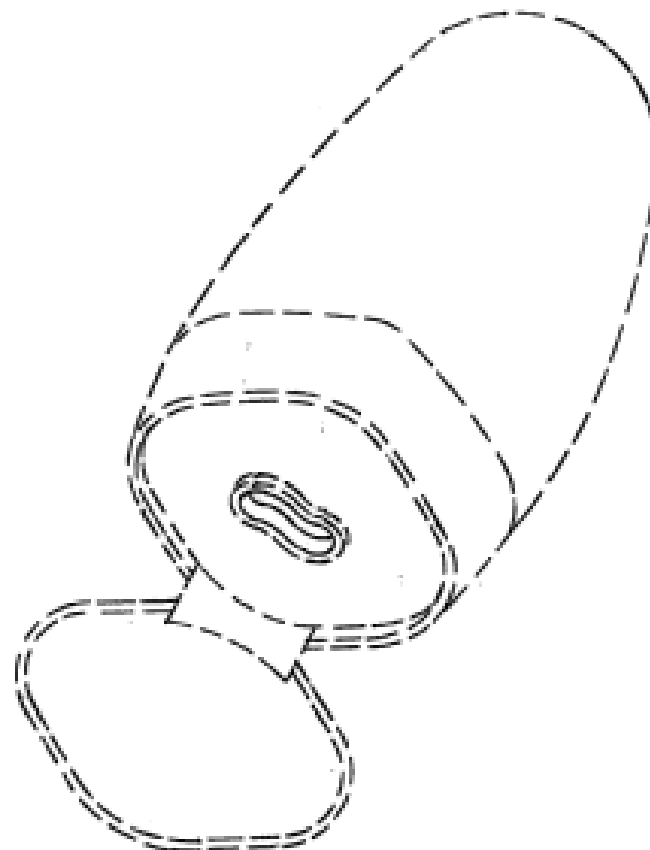




- (21) Design Number: **15233/2004**  
(22) Date of Filing Application: **11 November 2004**  
(24) Date from which industrial property rights may have effect: **11 November 2004**  
(54) Product in respect of which the design is registered: **Jewellery**  
(51) International Design Classification: **11-01H**  
(71) Name(s) and Address(s) of Applicant(s):  
**Waterfall Park Estate Pty Ltd**  
**Shop 2 Plaza Central Plaza Parade Maroochydore Queensland 4558**  
**Australia**  
(72) Name(s) of Designer(s): **Linda Blair**  
(45) Registration Date: **19 December 2005**  
(56) Related Art Documents: **Not Applicable**  
(57) Statement of Newness and Distinctiveness: **Monopoly is claimed in the octahedral shape and filligree patern of the jewellery item. No monopoly is claimed on the angel shape attached to the outer surface of this design as this feature will change from time to time.**



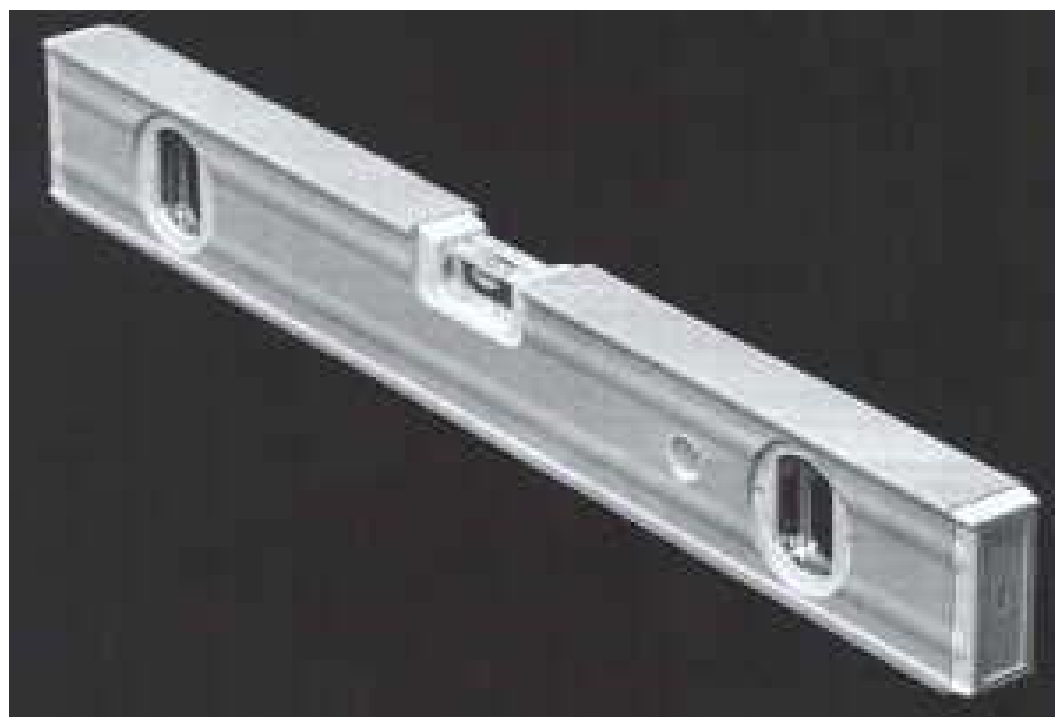
- (21) Design Number: **15499/2004**  
(22) Date of Filing Application: **26 November 2004**  
(24) Date from which industrial property rights may have effect: **26 November 2004**  
(54) Product in respect of which the design is registered: **Container**  
(51) International Design Classification: **09-03NES**  
(71) Name(s) and Address(s) of Applicant(s):  
**The Procter & Gamble Company**  
**One Procter & Gamble Plaza Cincinnati Ohio 45202 United States of**  
**America**  
(72) Name(s) of Designer(s): **Tanya Nicole Blasko and Jon George Denham**  
**and Roberto Escobosa and Michael Dean McCutchan**  
(45) Registration Date: **19 December 2005**  
(30) Convention priority data:  
(31) Number (32) Date (33) Country  
**29/206,134 26 May 2004 UNITED STATES OF AMERICA**  
(56) Related Art Documents: **Not Applicable**  
(57) Statement of Newness and Distinctiveness: **Those features of the container depicted in the representations that are new and distinctive are the shape and/or configuration of the orifice shown in continuous lines. The features shown in broken lines are to be disregarded when considering the overall impression of the container.**



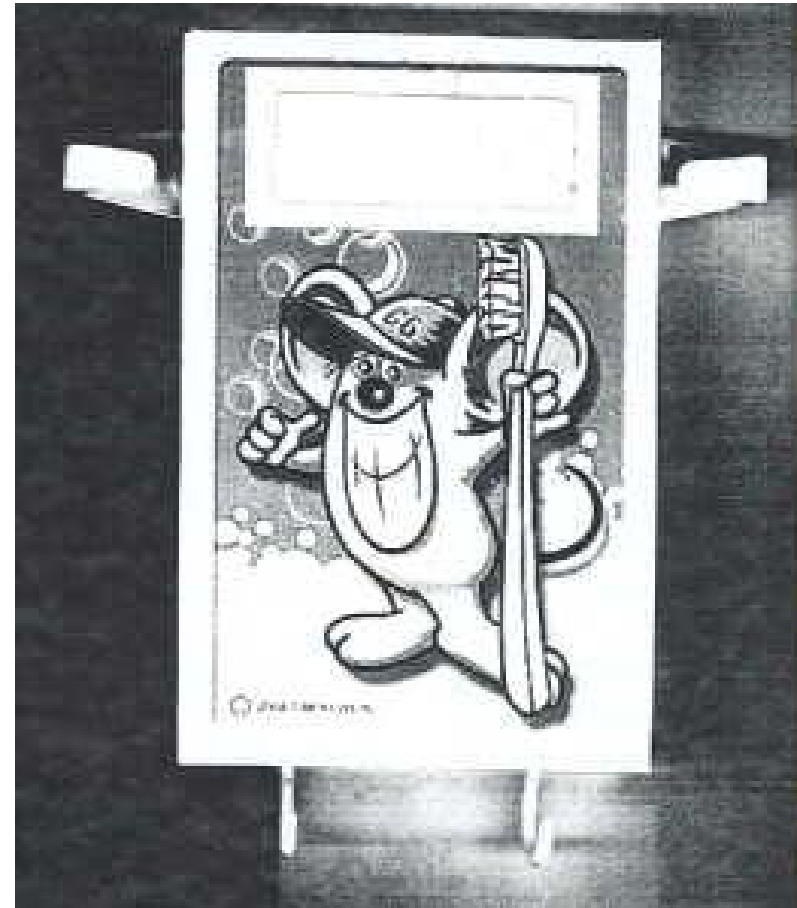
- (21) Design Number: **15836/2004**  
(22) Date of Filing Application: **15 December 2004**  
(24) Date from which industrial property rights may have effect: **15 December 2004**  
(54) Product in respect of which the design is registered: **Packaging for foodstuffs**  
(51) International Design Classification: **09-03NES**  
(71) Name(s) and Address(s) of Applicant(s):  
**Sara Lee/DE N.V.**  
**Vleutensevaart 100 3532 AD Utrecht The Netherlands**  
(72) Name(s) of Designer(s): **Age Willem Tanja**  
(45) Registration Date: **19 December 2005**  
(30) Convention priority data:  
(31) Number (32) Date (33) Country  
**000251723 12 Nov 2004 EUROPEAN COMMUNITY**  
(56) Related Art Documents: **Not Applicable**  
(57) Statement of Newness and Distinctiveness: **Newness and distinctiveness is claimed in features of shape and/or configuration of a packaging for foodstuffs as illustrated in the accompanying representations.**



- (21) Design Number: **15878/2004**  
(22) Date of Filing Application: **20 December 2004**  
(24) Date from which industrial property rights may have effect: **20 December 2004**  
(54) Product in respect of which the design is registered: **Spirit level**  
(51) International Design Classification: **10-04**  
(71) Name(s) and Address(s) of Applicant(s):  
**Stabila Messgerate Gustav Ullrich GMBH**  
**Landauer Str. 45 76855 Annweiler Germany**  
(72) Name(s) of Designer(s): **Gabriel Kallabis**  
(45) Registration Date: **19 December 2005**  
(56) Related Art Documents: **Not Applicable**  
(57) Statement of Newness and Distinctiveness: **Visual features of the design which are new and distinctive are the features of shape and configuration of a spirit level as illustrated in the representations. The words in relief seen in the end view do not form part of the design.**



- (21) Design Number: **10639/2005**  
(22) Date of Filing Application: **21 February 2005**  
(24) Date from which industrial property rights may have effect: **21 February 2005**  
(54) Product in respect of which the design is registered: **Cheesy grinner's toothy timer**  
(51) International Design Classification: **10-03**  
(71) Name(s) and Address(s) of Applicant(s):  
**Christine Anne Hancock**  
**C/- Contessa Apartments 1 Serisier Avenue Main Beach Queensland**  
**4217 Australia**  
**Timothy Louis Newlin**  
**Blytsvej 7 1th 2000 Frederiksberg Denmark**  
(72) Name(s) of Designer(s): **Timothy Louis Newlin**  
(45) Registration Date: **19 December 2005**  
(30) Convention priority data:  
(31) Number (32) Date (33) Country  
**000 283577 12 Jan 2005 DENMARK**  
(56) Related Art Documents: **Not Applicable**  
(57) Statement of Newness and Distinctiveness: **The cheesy grinner toothbrush timer kit consists of a wall-mounted electronic timer with two themed toothbrushes and plastic cup(s). The timer is digital and emits audible sounds for incentive and reward at intermittent intervals. The cheesy grinner toothbrush holder is to properly store the child's toothbrush and reinforce the themed concern about proper brushing of teeth and long term dental health.**



- (21) Design Number: **10735/2005**  
(22) Date of Filing Application: **25 February 2005**  
(24) Date from which industrial property rights may have effect: **25 February 2005**  
(54) Product in respect of which the design is registered: **Light reflective 'L' plate**  
(51) International Design Classification: **20-03NES**  
(71) Name(s) and Address(s) of Applicant(s):  
**Colin Zadow**  
**47 O'Neil Road Beaconsfield Victoria 3807 Australia**  
(72) Name(s) of Designer(s): **Colin Zadow**  
(45) Registration Date: **19 December 2005**  
(56) Related Art Documents: **Not Applicable**  
(57) Statement of Newness and Distinctiveness: **This type of 'L' plate uses light reflective products to make the 'L' plate visible at night.**



(21) Design Number: **10736/2005**

(22) Date of Filing Application: **25 February 2005**

(24) Date from which industrial property rights may have effect: **25 February 2005**

(54) Product in respect of which the design is registered: **Light reflective 'P' plate**

(51) International Design Classification: **20-03NES**

(71) Name(s) and Address(s) of Applicant(s):

**Colin Zadow**

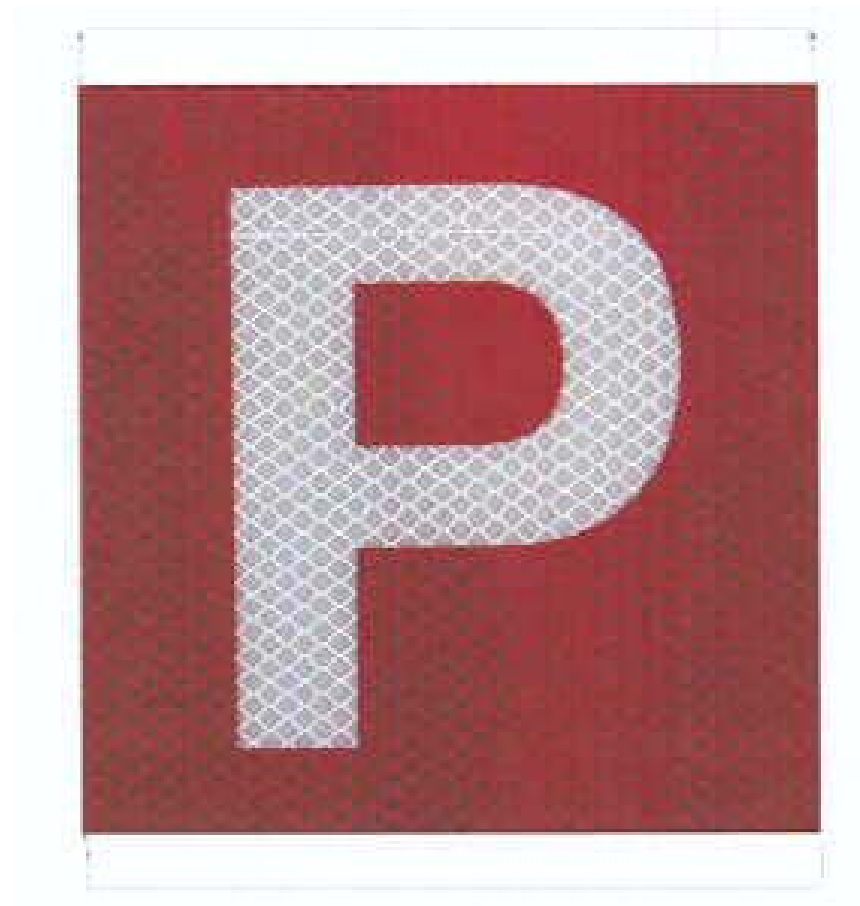
**47 O'Neil Road Beaconsfield Victoria 3807 Australia**

(72) Name(s) of Designer(s): **Colin Zadow**

(45) Registration Date: **19 December 2005**

(56) Related Art Documents: **Not Applicable**

(57) Statement of Newness and Distinctiveness: **This type of 'P' plate uses light reflective products to make the 'P' plate visible at night.**



(21) Design Number: **11262/2005**

(22) Date of Filing Application: **29 March 2005**

(24) Date from which industrial property rights may have effect: **29 March 2005**

(54) Product in respect of which the design is registered: **Apparatus for physiotherapy**

(51) International Design Classification: **24-01**

(71) Name(s) and Address(s) of Applicant(s):

**Hilda E.F. Janssen**

**PO Box 1071 3330 CB Zwijndrecht Holland**

(72) Name(s) of Designer(s): **Hilda E.F. Janssen**

(45) Registration Date: **19 December 2005**

(56) Related Art Documents: **Not Applicable**

(57) Statement of Newness and Distinctiveness: **Nil**



(21) Design Number: **12217/2005**

(22) Date of Filing Application: **17 May 2005**

(24) Date from which industrial property rights may have effect: **17 May 2005**

(54) Product in respect of which the design is registered: **Egg container**

(51) International Design Classification: **09-03D**

(71) Name(s) and Address(s) of Applicant(s):

**Kim-Hoan Bui**

**16 Rennie Street Williamstown Victoria 3016 Australia**

(72) Name(s) of Designer(s): **Kim-Hoan Bui**

(45) Registration Date: **19 December 2005**

(56) Related Art Documents: **Not Applicable**

(57) Statement of Newness and Distinctiveness: **Visual features of the design which are new and distinctive are the features of shape and configuration of the egg container as shown in the representations.**



(21) Design Number: **12246/2005**

(22) Date of Filing Application: **23 May 2005**

(24) Date from which industrial property rights may have effect: **23 May 2005**

(54) Product in respect of which the design is registered: **Falcon ute rear bumper bar and spoiler**

(51) International Design Classification: **12-16C**

(71) Name(s) and Address(s) of Applicant(s):

**Grant Cowell Trading as Bayside Bumpers**

**33 Barbara Street Moorabbin Victoria 3189 Australia**

(72) Name(s) of Designer(s): **Grant Cowell**

(45) Registration Date: **19 December 2005**

(56) Related Art Documents: **Not Applicable**

(57) Statement of Newness and Distinctiveness: **The new features of the design are: (1) The number plate has been relocated from the bottom left hand corner to the centre of the bumper bar. The original number plate section has been filled in. (2) The bottom spoiler has been extended to cover the full width of the bumper bar. (3) The new design has an additional cut out which allows for a twin exhaust to be fitted.**



(21) Design Number: **12247/2005**

(22) Date of Filing Application: **23 May 2005**

(24) Date from which industrial property rights may have effect: **23 May 2005**

(54) Product in respect of which the design is registered: **Falcon ute rear bumper bar and spoiler**

(51) International Design Classification: **12-16C**

(71) Name(s) and Address(s) of Applicant(s):

**Grant Cowell Trading as Bayside Bumpers  
33 Barbara Street Moorabbin Victoria 3189 Australia**

(72) Name(s) of Designer(s): **Grant Cowell**

(45) Registration Date: **19 December 2005**

(56) Related Art Documents: **Not Applicable**

(57) Statement of Newness and Distinctiveness: **The new features of the design are: (1) The number plate has been relocated from the bottom left hand corner to the centre of the bumper bar. The original number plate section has been filled in. (2) The bottom spoiler has been extended to cover the full width of the bumper bar.**



(21) Design Number: **12260/2005**

(22) Date of Filing Application: **19 May 2005**

(24) Date from which industrial property rights may have effect: **19 May 2005**

(54) Product in respect of which the design is registered: **Chair**

(51) International Design Classification: **06-01F**

(71) Name(s) and Address(s) of Applicant(s):

**Giovanni Sabaini  
20 Rocks Road Redlynch Queensland 4870 Australia**

(72) Name(s) of Designer(s): **Giovanni Sabaini**

(45) Registration Date: **19 December 2005**

(56) Related Art Documents: **Not Applicable**

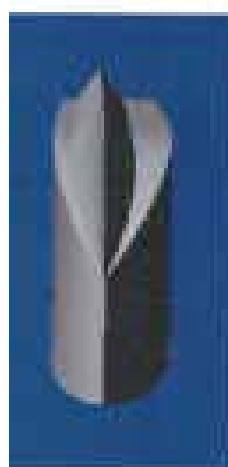
(57) Statement of Newness and Distinctiveness: **Nil**



- (21) Design Number: **12458/2005**  
(22) Date of Filing Application: **07 June 2005**  
(24) Date from which industrial property rights may have effect: **07 June 2005**  
(54) Product in respect of which the design is registered: **Men's briefs**  
(51) International Design Classification: **02-01NES**  
(71) Name(s) and Address(s) of Applicant(s):  
**DT Jocks Pty Ltd**  
**PO Box 1046 Carindale Queensland 4152 Australia**  
(72) Name(s) of Designer(s): **David Tomkinson**  
(45) Registration Date: **19 December 2005**  
(56) Related Art Documents: **Not Applicable**  
(57) Statement of Newness and Distinctiveness: **Newness and distinctiveness is claimed in respect of the shape and configuration of the design as applied to the men's briefs and illustrated in the accompanying representations.**



- (21) Design Number: **12604/2005**  
(22) Date of Filing Application: **20 June 2005**  
(24) Date from which industrial property rights may have effect: **20 June 2005**  
(54) Product in respect of which the design is registered: **Power catamarans**  
(51) International Design Classification: **12-06B**  
(71) Name(s) and Address(s) of Applicant(s):  
**Prowler Australia Pty Ltd**  
**103 The Boulevard Hawks Nest New South Wales 2324 Australia**  
(72) Name(s) of Designer(s): **Jeffrey Hayman Schionning**  
(45) Registration Date: **19 December 2005**  
(56) Related Art Documents: **Not Applicable**  
(57) Statement of Newness and Distinctiveness: **The bow V-section of the catamaran hull continues as the same V-section on the flat bottom part of the hull to the stern. The new hull shape of the prowler VT series catamarans is unique in that it has a very wide hull width at waterline, giving huge internal volume and yet with the added "V" section below gives a soft ride similar to the traditional narrow hull shapes used to date. Secondly and even more unusual are the low drag values this new hull shape has, which so far are only found on the extremely semi displacement hulls. Thirdly this new hull shape has the unique ability to combine these features to reach speeds of over 40 knots.**



(21) Design Number: **12730/2005**

(22) Date of Filing Application: **27 June 2005**

(24) Date from which industrial property rights may have effect: **27 June 2005**

(54) Product in respect of which the design is registered: **A rocking kangaroo**

(51) International Design Classification: **21-01F**

(71) Name(s) and Address(s) of Applicant(s):

**Milan Lesnansky**

**82 Gordon Street Manly Vale New South Wales 2093 Australia**

(72) Name(s) of Designer(s): **Milan Lesnansky**

(45) Registration Date: **19 December 2005**

(56) Related Art Documents: **Not Applicable**

(57) Statement of Newness and Distinctiveness: **Slimmer body, longer and moving front legs, the body is attached to the rocking part differently (legs + tail).**



(21) Design Number: **12991/2005**

(22) Date of Filing Application: **12 July 2005**

(24) Date from which industrial property rights may have effect: **24 November 2004**

(54) Product in respect of which the design is registered: **Toilet paper**

(51) International Design Classification: **05-06NES**

(71) Name(s) and Address(s) of Applicant(s):

**The Procter & Gamble Company**

**One Procter & Gamble Plaza Cincinnati Ohio 45202 United States of America**

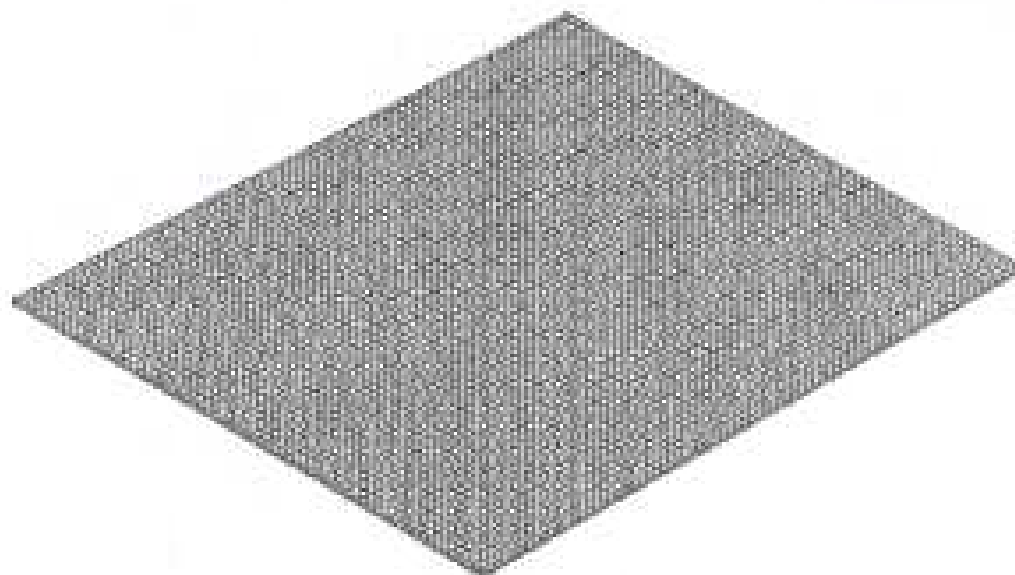
(72) Name(s) of Designer(s): **Siegfried Kurt Martin Hustedt and Anja Werth and Kenneth Douglas Vinson and John Allen Manifold and Jonathan Andrew Ficke and Yanping Zhang**

(45) Registration Date: **19 December 2005**

(62) Divisional of: **302495**

(56) Related Art Documents: **Not Applicable**

(57) Statement of Newness and Distinctiveness: **Those features of the toilet paper depicted in the representations that are new and distinctive are the pattern, ornamentation and shape.**

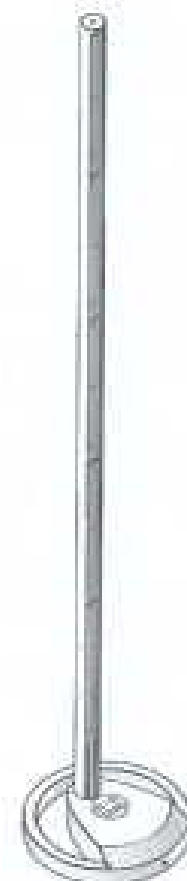




- (21) Design Number: **13067/2005**  
(22) Date of Filing Application: **19 July 2005**  
(24) Date from which industrial property rights may have effect: **19 July 2005**  
(54) Product in respect of which the design is registered: **Bottle Cooler**  
(51) International Design Classification: **07-06A**  
(71) Name(s) and Address(s) of Applicant(s):  
**Aleta Ayres**  
**29 Wendover Crescent Hillside Victoria 3037 Australia**  
**Pauline Aloï**  
**29 Wendover Crescent Hillside Victoria 3037 Australia**  
(72) Name(s) of Designer(s): **Aleta Ayres and Pauline Aloï**  
(45) Registration Date: **19 December 2005**  
(56) Related Art Documents: **Not Applicable**  
(57) Statement of Newness and Distinctiveness: **Slimmer holder for smaller bottles longer body shaped to contour up part of the bottle neck to give a snug fit. Easier to hold. Ring and 'V' opening to allow easy bottle access. Does not use a zip or velcro opening designed for the market with women in mind.**



- (21) Design Number: **13088/2005**  
(22) Date of Filing Application: **19 July 2005**  
(24) Date from which industrial property rights may have effect: **19 July 2005**  
(54) Product in respect of which the design is registered: **Floor lamp**  
(51) International Design Classification: **26-05B**  
(71) Name(s) and Address(s) of Applicant(s):  
**Zumtobel Staff GmbH & Co. KG**  
**Grevenmarschstrasse 74-78 32657 Lemgo Germany**  
(72) Name(s) of Designer(s): **Katharina Goetz-Schaefer**  
(45) Registration Date: **19 December 2005**  
(30) Convention priority data:  
(31) Number      (32) Date      (33) Country  
**000295      16 Feb 2005      EUROPEAN COMMUNITY**  
**886-0001**  
(56) Related Art Documents: **Not Applicable**  
(57) Statement of Newness and Distinctiveness: **Newness and distinctiveness is claimed in the features of shape and/or configuration of a floor lamp as illustrated in the accompanying representations, with particular emphasis on the vertically extending column having light emitting modules disposed on a vertical face of the column.**



- (21) Design Number: **13103/2005**  
(22) Date of Filing Application: **20 July 2005**  
(24) Date from which industrial property rights may have effect: **20 July 2005**  
(54) Product in respect of which the design is registered: **A motor scooter**  
(51) International Design Classification: **12-11**  
(71) Name(s) and Address(s) of Applicant(s):  
**Honda Motor Co., Ltd**  
**1-1 Minamiaoyama 2-chome Minato-ku Tokyo Japan**  
(72) Name(s) of Designer(s): **Haruo Shimada and Kazuhiro Sakamoto**  
(45) Registration Date: **19 December 2005**  
(30) Convention priority data:  
(31) Number      (32) Date      (33) Country  
**2005-2348      31 Jan 2005      JAPAN**  
(56) Related Art Documents: **Not Applicable**  
(57) Statement of Newness and Distinctiveness: **Nil**



- (21) Design Number: **13168/2005**  
(22) Date of Filing Application: **26 July 2005**  
(24) Date from which industrial property rights may have effect: **26 July 2005**  
(54) Product in respect of which the design is registered: **Spotlight**  
(51) International Design Classification: **26-05NES**  
(71) Name(s) and Address(s) of Applicant(s):  
**Zumtobel Staff GmbH & Co. KG**  
**Grevenmarschstrasse 74-78 32657 Lemgo Germany**  
(72) Name(s) of Designer(s): **Michael Grimberg**  
(45) Registration Date: **19 December 2005**  
(30) Convention priority data:  
(31) Number      (32) Date      (33) Country  
**000287156-01/07      27 Jan 2005      EUROPEAN COMMUNITY**  
(56) Related Art Documents: **Not Applicable**  
(57) Statement of Newness and Distinctiveness: **Newness and distinctiveness is claimed in the features of shape and/or configuration and pattern and/or ornamentation of a spotlight as illustrated in the accompanying representations, apart from the rail from which the spotlight is suspended.**



(21) Design Number: **13169/2005**

(22) Date of Filing Application: **26 July 2005**

(24) Date from which industrial property rights may have effect: **26 July 2005**

(54) Product in respect of which the design is registered: **Spotlight**

(51) International Design Classification: **26-05NES**

(71) Name(s) and Address(s) of Applicant(s):

**Zumtobel Staff GmbH & Co. KG**  
**Grevenmarschstrasse 74-78 32657 Lemgo Germany**

(72) Name(s) of Designer(s): **Michael Grimberg**

(45) Registration Date: **19 December 2005**

(30) Convention priority data:

(31) Number	(32) Date	(33) Country
<b>000287156-01/07</b>	<b>27 Jan 2005</b>	<b>EUROPEAN COMMUNITY</b>

(56) Related Art Documents: **Not Applicable**

(57) Statement of Newness and Distinctiveness: **Newness and distinctiveness is claimed in the features of shape and/or configuration and pattern and/or ornamentation of a spotlight as illustrated in the accompanying representations, apart from the rail from which the spotlight is suspended.**



(21) Design Number: **13185/2005**

(22) Date of Filing Application: **27 July 2005**

(24) Date from which industrial property rights may have effect: **27 July 2005**

(54) Product in respect of which the design is registered: **Blender/juicer base**

(51) International Design Classification: **31-00**

(71) Name(s) and Address(s) of Applicant(s):

**World of Technologies Pty Ltd**  
**25 Hub Arcade 15-23 Langhorne Street Dandenong Victoria 3175**  
**Australia**

(72) Name(s) of Designer(s): **Terence Yang**

(45) Registration Date: **19 December 2005**

(56) Related Art Documents: **Not Applicable**

(57) Statement of Newness and Distinctiveness: **Nil**



(21) Design Number: **13208/2005**

(22) Date of Filing Application: **28 July 2005**

(24) Date from which industrial property rights may have effect: **28 July 2005**

(54) Product in respect of which the design is registered: **A fishing lure**

(51) International Design Classification: **22-05**

(71) Name(s) and Address(s) of Applicant(s):

**Dunphy Sports/Fishing Imports Pty Ltd  
PO Box 2082 Taren Point New South Wales 2229 Australia**

(72) Name(s) of Designer(s): **Mark Peter Mikkelsen and John Maurice Dunphy**

(45) Registration Date: **19 December 2005**

(56) Related Art Documents: **Not Applicable**

(57) Statement of Newness and Distinctiveness: **Newness and distinctiveness is claimed in the shape and configuration of the fishing lure as shown in the accompanying representations.**



(21) Design Number: **13210/2005**

(22) Date of Filing Application: **28 July 2005**

(24) Date from which industrial property rights may have effect: **28 July 2005**

(54) Product in respect of which the design is registered: **A fishing lure body (case 2)**

(51) International Design Classification: **22-05**

(71) Name(s) and Address(s) of Applicant(s):

**Dunphy Sports/Fishing Imports Pty Ltd  
PO Box 2082 Taren Point New South Wales 2229 Australia**

(72) Name(s) of Designer(s): **Mark Peter Mikkelsen and John Maurice Dunphy**

(45) Registration Date: **19 December 2005**

(56) Related Art Documents: **Not Applicable**

(57) Statement of Newness and Distinctiveness: **Newness and distinctiveness is claimed in the shape and configuration of a fishing lure body (case 2) as shown in the accompanying representations.**



- (21) Design Number: **13211/2005**  
(22) Date of Filing Application: **28 July 2005**  
(24) Date from which industrial property rights may have effect: **28 July 2005**  
(54) Product in respect of which the design is registered: **A fishing lure body (Case 3)**  
(51) International Design Classification: **22-05**  
(71) Name(s) and Address(s) of Applicant(s):  
**Dunphy Sports/Fishing Imports Pty Ltd**  
**PO Box 2082 Taren Point New South Wales 2229 Australia**  
(72) Name(s) of Designer(s): **Mark Peter Mikkelsen and John Maurice Dunphy**  
(45) Registration Date: **19 December 2005**  
(56) Related Art Documents: **Not Applicable**  
(57) Statement of Newness and Distinctiveness: **Newness and distinctiveness is claimed in the shape and configuration of a fishing lure body (Case 3) as shown in the accompanying representations.**



- (21) Design Number: **13226/2005**  
(22) Date of Filing Application: **28 July 2005**  
(24) Date from which industrial property rights may have effect: **28 July 2005**  
(54) Product in respect of which the design is registered: **Front combination lamp for an automobile**  
(51) International Design Classification: **26-06**  
(71) Name(s) and Address(s) of Applicant(s):  
**Toyota Jidosha Kabushiki Kaisha**  
**1 Toyota-cho Toyota-shi Aichi-ken 471-8571 Japan**  
(72) Name(s) of Designer(s): **Takashi Hagino**  
(45) Registration Date: **19 December 2005**  
(56) Related Art Documents: **Not Applicable**  
(57) Statement of Newness and Distinctiveness: **Each feature of the design considered separately or in combination with any other feature of features.**



- (21) Design Number: **13227/2005**  
(22) Date of Filing Application: **28 July 2005**  
(24) Date from which industrial property rights may have effect: **28 July 2005**  
(54) Product in respect of which the design is registered: **Rear combination lamp for an automobile**  
(51) International Design Classification: **26-06**  
(71) Name(s) and Address(s) of Applicant(s):  
**Toyota Jidosha Kabushiki Kaisha**  
**1 Toyota-cho Toyota-shi Aichi-ken 471-8571 Japan**  
(72) Name(s) of Designer(s): **Takashi Hagino**  
(45) Registration Date: **19 December 2005**  
(56) Related Art Documents: **Not Applicable**  
(57) Statement of Newness and Distinctiveness: **Each feature of the design considered separately or in combination with any other feature of features.**



- (21) Design Number: **13228/2005**  
(22) Date of Filing Application: **28 July 2005**  
(24) Date from which industrial property rights may have effect: **28 July 2005**  
(54) Product in respect of which the design is registered: **Rear combination lamp for an automobile**  
(51) International Design Classification: **26-06**  
(71) Name(s) and Address(s) of Applicant(s):  
**Toyota Jidosha Kabushiki Kaisha**  
**1 Toyota-cho Toyota-shi Aichi-ken 471-8571 Japan**  
(72) Name(s) of Designer(s): **Daisuke Iguchi**  
(45) Registration Date: **19 December 2005**  
(56) Related Art Documents: **Not Applicable**  
(57) Statement of Newness and Distinctiveness: **Each feature of the design considered separately or in combination with any other feature of features.**



(21) Design Number: **13234/2005**

(22) Date of Filing Application: **28 July 2005**

(24) Date from which industrial property rights may have effect: **28 July 2005**

(54) Product in respect of which the design is registered: **Nose pads**

(51) International Design Classification: **16-06**

(71) Name(s) and Address(s) of Applicant(s):

**Silhouette International Schmied AG  
Ellbognerstrasse 24 4021 Linz Austria**

(72) Name(s) of Designer(s): **Gerhard Fuchs**

(45) Registration Date: **19 December 2005**

(30) Convention priority data:

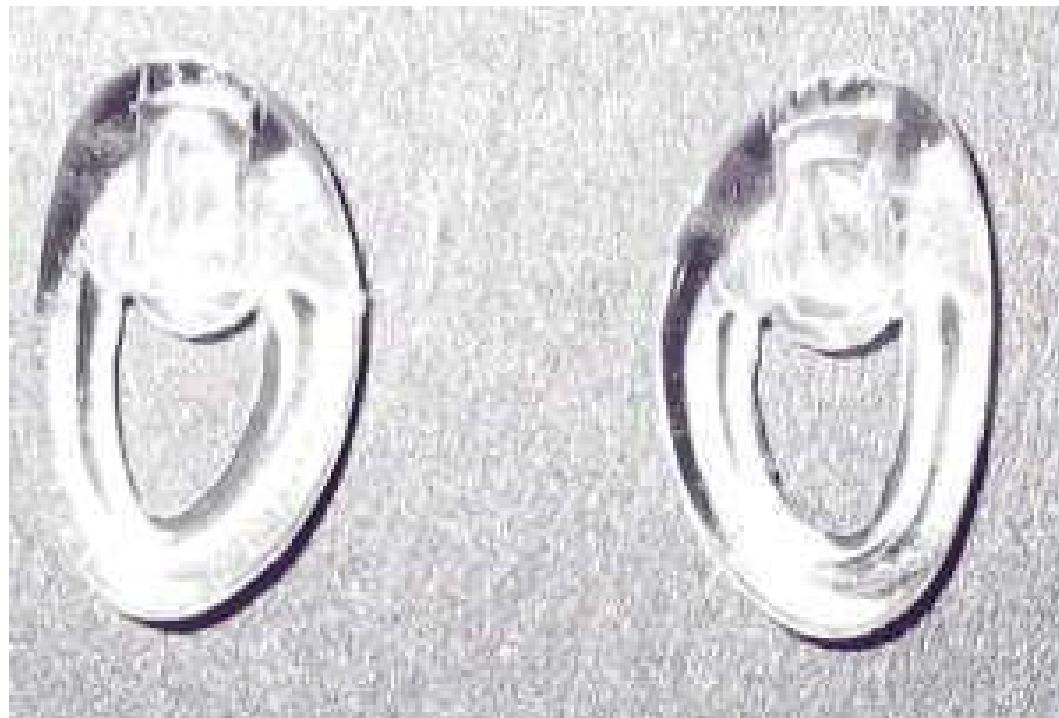
(31) Number  
**359484**

(32) Date  
**16 Jun 2005**

(33) Country  
**EUROPEAN COMMUNITY**

(56) Related Art Documents: **Not Applicable**

(57) Statement of Newness and Distinctiveness: **Nil**



(21) Design Number: **13357/2005**

(22) Date of Filing Application: **05 August 2005**

(24) Date from which industrial property rights may have effect: **05 August 2005**

(54) Product in respect of which the design is registered: **Lockable handle for sliding door**

(51) International Design Classification: **08-06**

(71) Name(s) and Address(s) of Applicant(s):

**Yip Kwong  
Rm 1106 Bldg 39 Tong Xinling Futian District Shenzhen Peoples  
Republic of China**

(72) Name(s) of Designer(s): **Yip Kwong**

(45) Registration Date: **19 December 2005**

(56) Related Art Documents: **Not Applicable**

(57) Statement of Newness and Distinctiveness: **Configuration and aesthetics of internal handle especially with regard to ease of grip for elderly or infirm.**



- (21) Design Number: **13371/2005**  
(22) Date of Filing Application: **08 August 2005**  
(24) Date from which industrial property rights may have effect: **08 August 2005**  
(54) Product in respect of which the design is registered: **Electric shaver**  
(51) International Design Classification: **28-03A**  
(71) Name(s) and Address(s) of Applicant(s):  
**Braun GmbH**  
**Frankfurter Strasse 145 D-61476 Kronberg im Taunus Germany**  
(72) Name(s) of Designer(s): **Till Winkler and Benjamin John Wilson**  
(45) Registration Date: **19 December 2005**  
(30) Convention priority data:  
(31) Number      (32) Date      (33) Country  
**000294004      10 Feb 2005      EUROPEAN COMMUNITY**  
(56) Related Art Documents: **Not Applicable**  
(57) Statement of Newness and Distinctiveness: **Nil**



- (21) Design Number: **13803/2005**  
(22) Date of Filing Application: **06 September 2005**  
(24) Date from which industrial property rights may have effect: **06 September 2005**  
(54) Product in respect of which the design is registered: **Bottle cooler and holder**  
(51) International Design Classification: **07-07A**  
(71) Name(s) and Address(s) of Applicant(s):  
**Scott Graeme Plane**  
**PO Box 805 Glenelg South Australia 5045 Australia**  
(72) Name(s) of Designer(s): **Scott Graeme Plane**  
(45) Registration Date: **19 December 2005**  
(56) Related Art Documents: **Not Applicable**  
(57) Statement of Newness and Distinctiveness: **Bottle coolers and holders have, in the past, been containers that wrap or are placed around the bottle to provide some form of insulation against warm hands. These coolers traditionally have a large opening the same size or larger than the bottle base to allow the base of the bottle into the container. This design has been devised in order to provide a bottle cooler and holder of simple, cheap, effective and readily reusable construction. The container is cylindrical in shape and completely encloses many different sized bottles to trap an insulating space of air around the bottle and render the bottle immovable within the container regardless of the amount of liquid inside the bottle. The bottle cooler and holder can be made transparent or opaque according to choice of material. The transparent container will allow for the bottle inside to be in full view of the consumer. The invention may be better understood with reference to the illustrations represented on pages 3-9. Figure 1 is a photographic like computer generated image of a transparent bottle cooler and holder around a wine bottle. Figure 2 is the same type of image of an opaque bottle cooler and holder around a wine bottle. The line drawings of the design are represented on pages 4-9. This design is new and distinctive in that it contains an innovative step in that it adds a disengaging top to the typical bottle cooler and holder which is normally similar in shape to the bottom section of the canister. This design now encloses a bottle completely inside the container.....cooler and holder.**





(21) Design Number: **14990/2005**

(22) Date of Filing Application: **11 November 2005**

(24) Date from which industrial property rights may have effect: **11 November 2005**

(54) Product in respect of which the design is registered: **Pot holder**

(51) International Design Classification: **07-05E**

(71) Name(s) and Address(s) of Applicant(s):

**Ewa Pawlowska-Pruba**  
**413 The Panorama Tallai Queensland 4213 Australia**

(72) Name(s) of Designer(s): **Ewa Pawlowska-Pruba**

(45) Registration Date: **19 December 2005**

(56) Related Art Documents: **Not Applicable**

(57) Statement of Newness and Distinctiveness: **Nil**



(21) Design Number: **15369/2005**

(22) Date of Filing Application: **05 December 2005**

(24) Date from which industrial property rights may have effect: **05 December 2005**

(54) Product in respect of which the design is registered: **A water tank**

(51) International Design Classification: **23-01F**

(71) Name(s) and Address(s) of Applicant(s):

**Ross Douglas Warhurst**  
**21 Chopin Court Burpengary Queensland 4505 Australia**

(72) Name(s) of Designer(s): **Ross Douglas Warhurst**

(45) Registration Date: **19 December 2005**

(56) Related Art Documents: **Not Applicable**

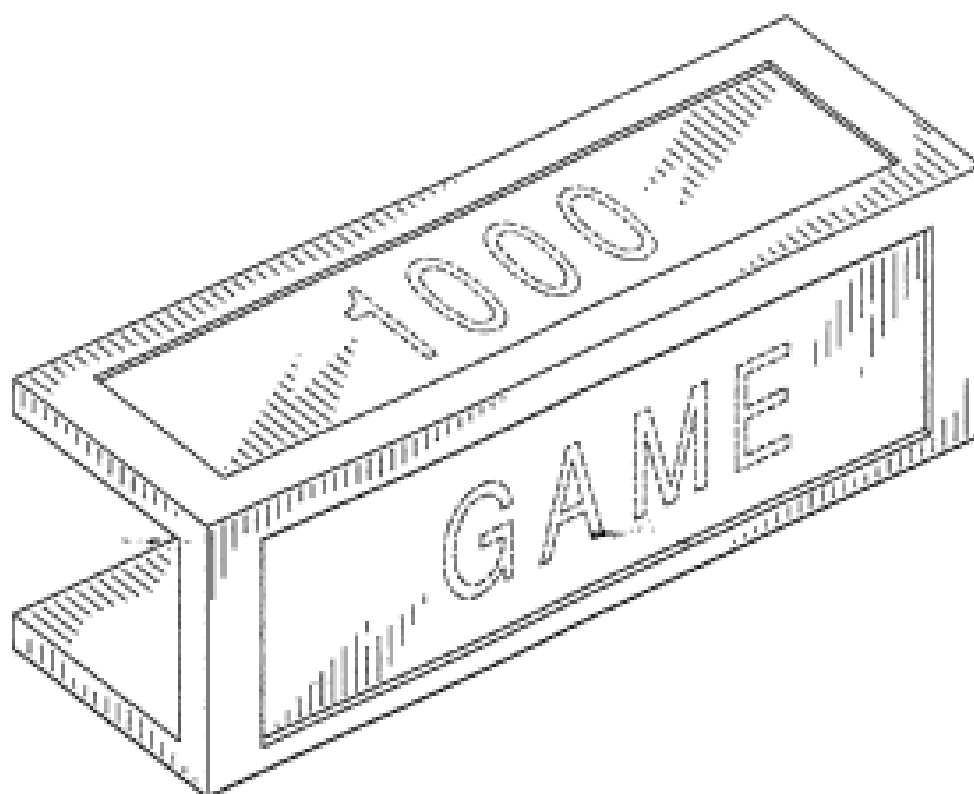
(57) Statement of Newness and Distinctiveness: **Monopoly is claimed in the features of shape and configuration of the water tank as shown in the accompanying representations.**



(19) AU

- (21) Design Number: **14254/2004**
- (22) Date of Filing Application: **03 September 2004**
- (24) Date from which industrial property rights may have effect: **14 March 2003**
- (54) Product in respect of which the design is registered: **Gaming device**
- (51) International Design Classification: **21-03**
- (71) Name(s) and Address(s) of Applicant(s):  
**IGT**  
**9295 Prototype Drive Reno Nevada 89521 United States of America**
- (72) Name(s) of Designer(s): **Steven P. McGahn and Kimberly K. Karstens and Bayard S. Webb**
- (45) Registration Date: **19 December 2005**
- (30) Convention priority data:  

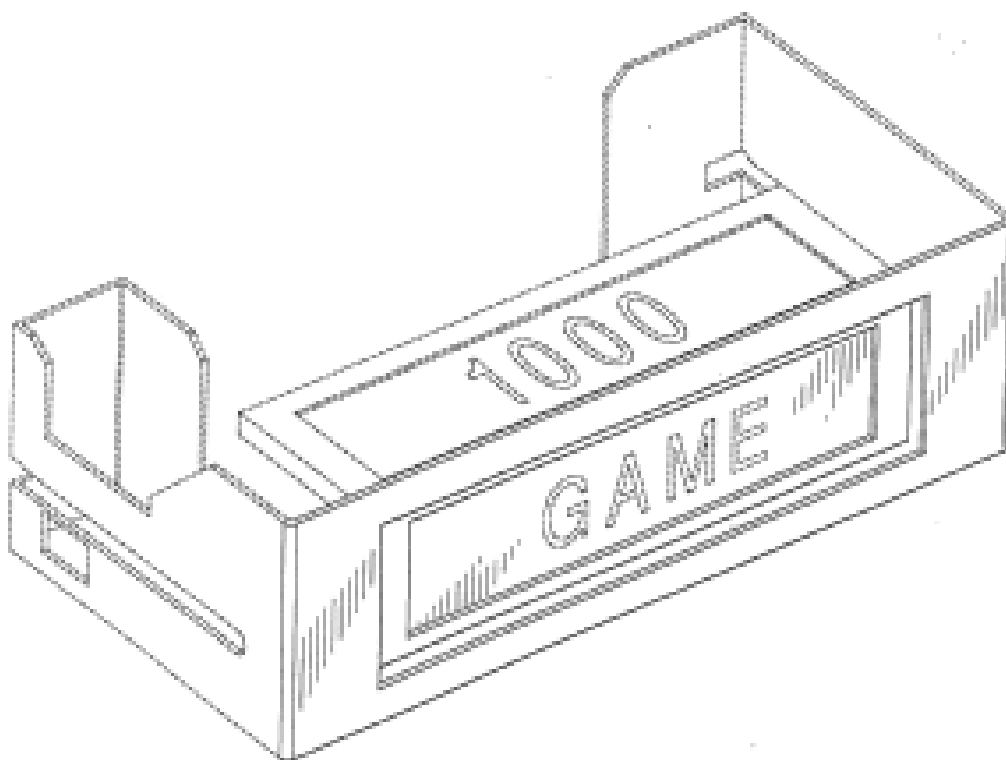
(31) Number	(32) Date	(33) Country
<b>29/167,550</b>	<b>16 Sep 2002</b>	<b>UNITED STATES OF AMERICA</b>
- (62) Divisional of: **156461**
- (56) Related Art Documents: **Not Applicable**
- (57) Statement of Newness and Distinctiveness: **The newness and distinctiveness resides in the symbol displays on the gaming device excluding features in dotted lines.**



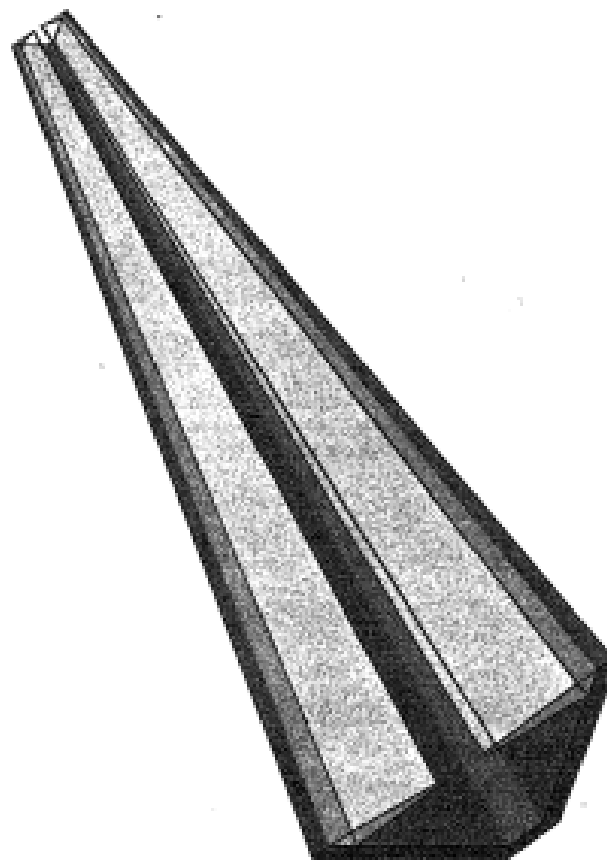
(19) AU

- (21) Design Number: **14256/2004**
- (22) Date of Filing Application: **03 September 2004**
- (24) Date from which industrial property rights may have effect: **14 March 2003**
- (54) Product in respect of which the design is registered: **Gaming device**
- (51) International Design Classification: **21-03**
- (71) Name(s) and Address(s) of Applicant(s):  
**IGT**  
**9295 Prototype Drive Reno Nevada 89521 United States of America**
- (72) Name(s) of Designer(s): **Steven P. McGahn and Bayard S. Webb and Kimberly K. Karstens**
- (45) Registration Date: **19 December 2005**
- (30) Convention priority data:  

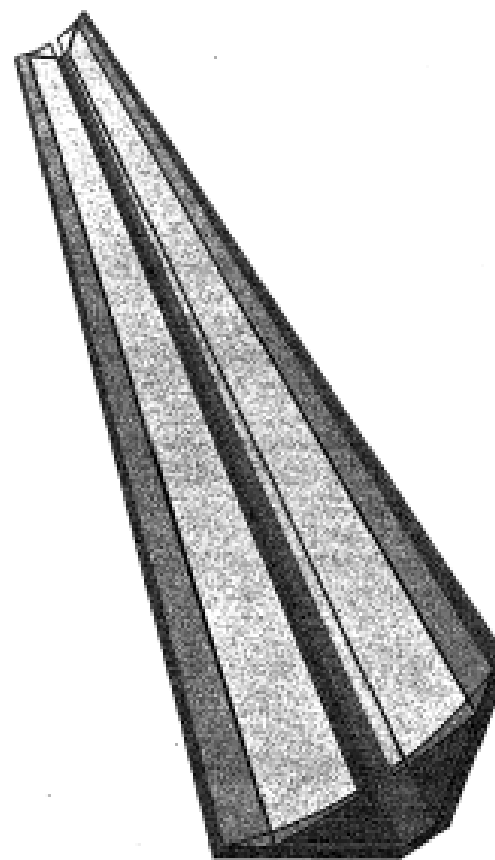
(31) Number	(32) Date	(33) Country
<b>29/167,550</b>	<b>16 Sep 2002</b>	<b>UNITED STATES OF AMERICA</b>
- (62) Divisional of: **156461**
- (56) Related Art Documents: **Not Applicable**
- (57) Statement of Newness and Distinctiveness: **The newness and distinctiveness resides in the symbol displays on the gaming device excluding features in dotted lines.**



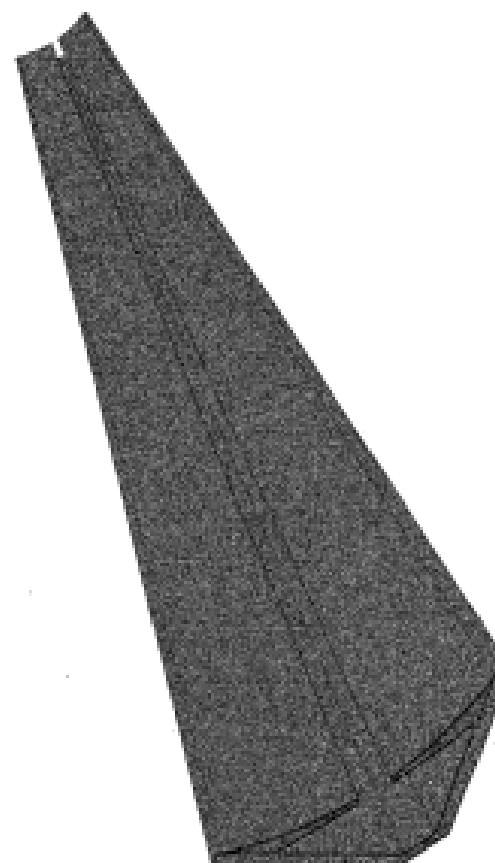
- (21) Design Number: **10110/2005**  
(22) Date of Filing Application: **13 January 2005**  
(24) Date from which industrial property rights may have effect: **13 January 2005**  
(54) Product in respect of which the design is registered: **Smoke seal for doors or windows**  
(51) International Design Classification: **25-99**  
(71) Name(s) and Address(s) of Applicant(s):  
**Lorient Polyproducts Ltd**  
**Fairfax Road Heathfield Industrial Estate Newton Abbot Devon TQ12**  
**6UD United Kingdom**  
(72) Name(s) of Designer(s): **Robert McGowan Mann**  
(45) Registration Date: **19 December 2005**  
(30) Convention priority data:  
(31) Number      (32) Date      (33) Country  
**204987-0001      14 Jul 2004      EUROPEAN COMMUNITY**  
(56) Related Art Documents: **Not Applicable**  
(57) Statement of Newness and Distinctiveness: **Nil**



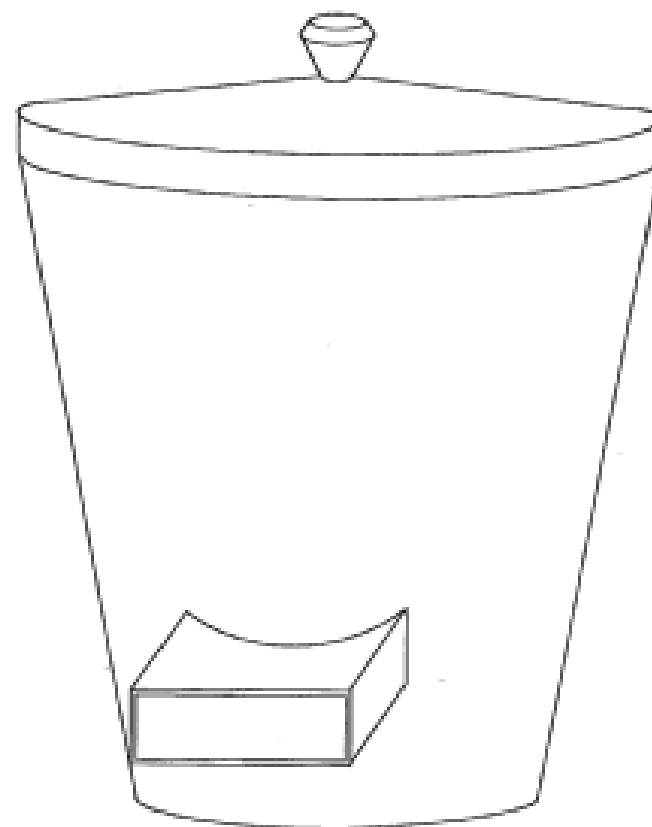
- (21) Design Number: **10111/2005**  
(22) Date of Filing Application: **13 January 2005**  
(24) Date from which industrial property rights may have effect: **13 January 2005**  
(54) Product in respect of which the design is registered: **Smoke seal for doors or windows**  
(51) International Design Classification: **25-99**  
(71) Name(s) and Address(s) of Applicant(s):  
**Lorient Polyproducts Ltd**  
**Fairfax Road Heathfield Industrial Estate Newton Abbot Devon TQ12**  
**6UD United Kingdom**  
(72) Name(s) of Designer(s): **Robert McGowan Mann**  
(45) Registration Date: **19 December 2005**  
(30) Convention priority data:  
(31) Number      (32) Date      (33) Country  
**204987-0004      14 Jul 2004      EUROPEAN COMMUNITY**  
(56) Related Art Documents: **Not Applicable**  
(57) Statement of Newness and Distinctiveness: **Nil**



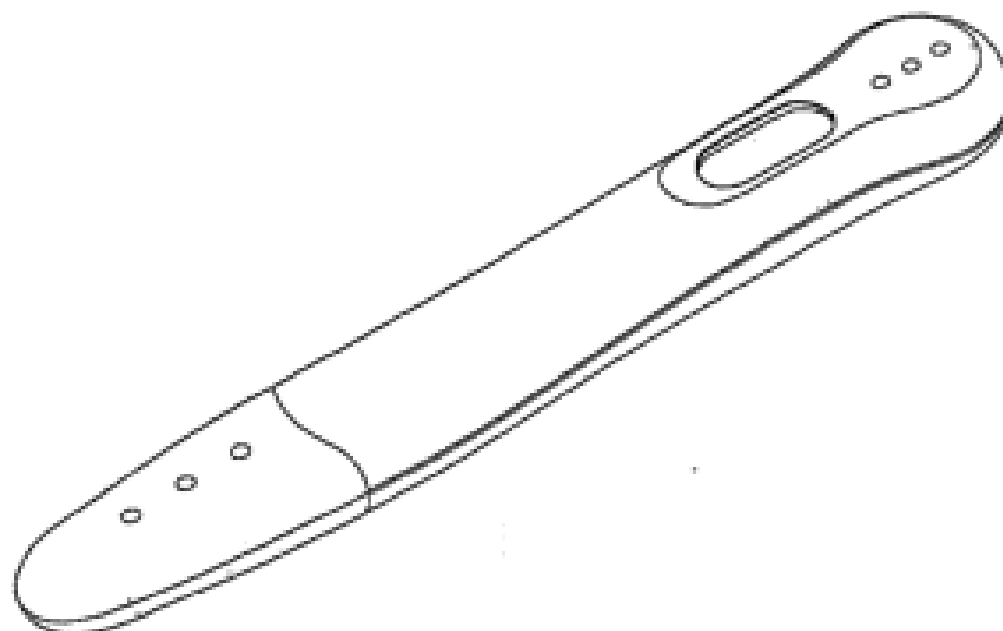
(21) Design Number: **10112/2005**  
(22) Date of Filing Application: **13 January 2005**  
(24) Date from which industrial property rights may have effect: **13 January 2005**  
(54) Product in respect of which the design is registered: **Smoke seal for doors or windows**  
(51) International Design Classification: **25-99**  
(71) Name(s) and Address(s) of Applicant(s):  
**Lorient Polyproducts Ltd**  
**Fairfax Road Heathfield Industrial Estate Newton Abbot Devon TQ12**  
**6UD United Kingdom**  
(72) Name(s) of Designer(s): **Robert McGowan Mann**  
(45) Registration Date: **19 December 2005**  
(30) Convention priority data:  
(31) Number      (32) Date      (33) Country  
**204987-0003      14 Jul 2004      EUROPEAN COMMUNITY**  
(56) Related Art Documents: **Not Applicable**  
(57) Statement of Newness and Distinctiveness: **Nil**



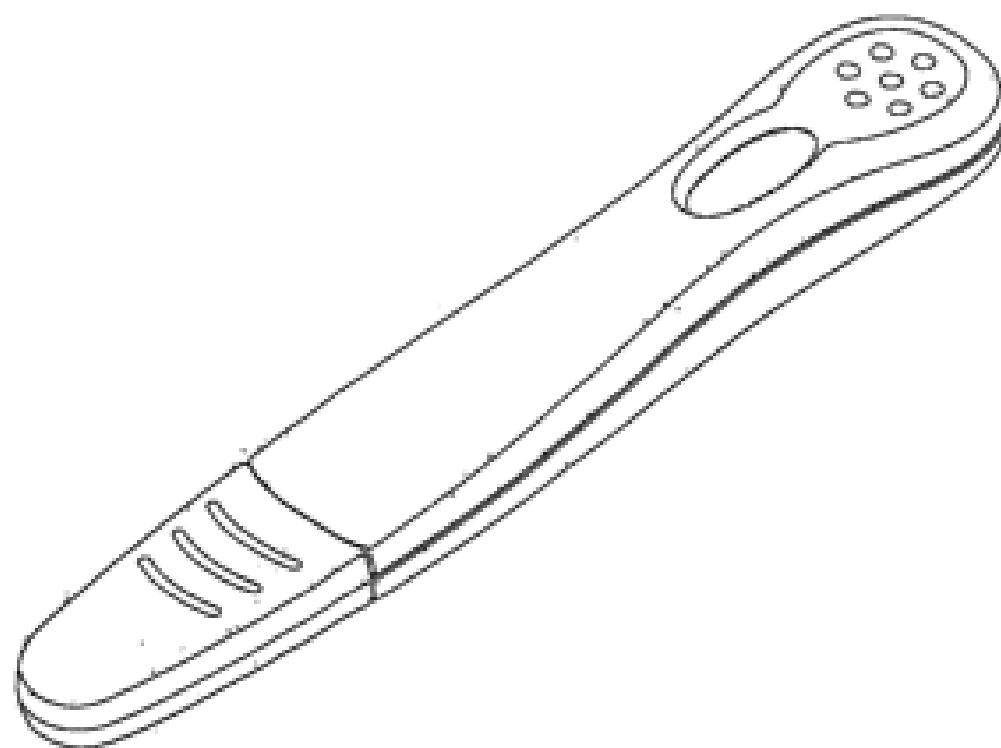
(21) Design Number: **11079/2005**  
(22) Date of Filing Application: **21 March 2005**  
(24) Date from which industrial property rights may have effect: **21 March 2005**  
(54) Product in respect of which the design is registered: **Solid particulate dispenser**  
(51) International Design Classification: **07-06C**  
(71) Name(s) and Address(s) of Applicant(s):  
**Ronald Philip Keatley**  
**7 Montague Way Kallaroo Western Australia 6025 Australia**  
**Carol Elizabeth Keatley**  
**7 Montague Way Kallaroo Western Australia 6025 Australia**  
(72) Name(s) of Designer(s): **Ronald Philip Keatley and Carol Elizabeth Keatley**  
(45) Registration Date: **19 December 2005**  
(56) Related Art Documents: **Not Applicable**  
(57) Statement of Newness and Distinctiveness: **Nil**



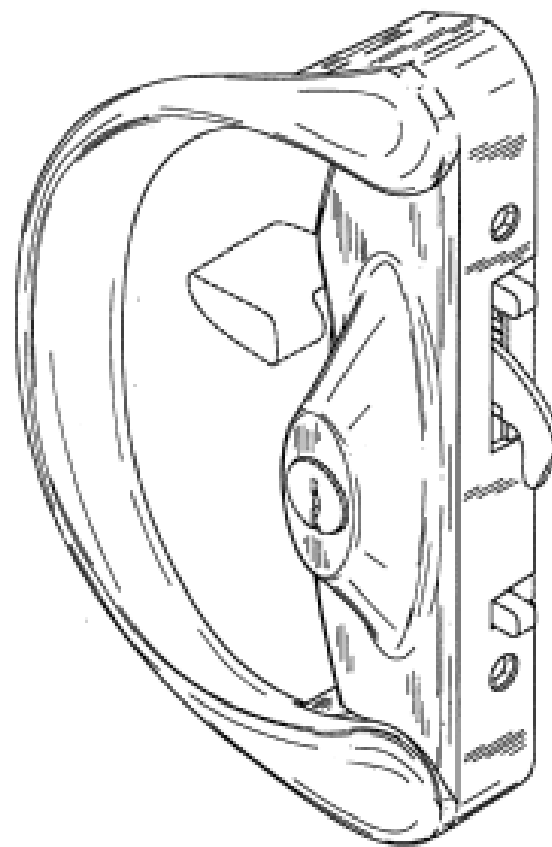
(21) Design Number: **11375/2005**  
(22) Date of Filing Application: **05 April 2005**  
(24) Date from which industrial property rights may have effect: **05 April 2005**  
(54) Product in respect of which the design is registered: **Integrated assay device and reader**  
(51) International Design Classification: **24-01, 10-04**  
(71) Name(s) and Address(s) of Applicant(s):  
**Inverness Medical Switzerland G.m.b.H.**  
**Bundesplatz 1 Zug 6300 Switzerland**  
(72) Name(s) of Designer(s): **Tony Lee and Mette Flakstad**  
(45) Registration Date: **19 December 2005**  
(30) Convention priority data:  
(31) Number      (32) Date      (33) Country  
**3018981      06 Oct 2004      UNITED KINGDOM**  
(56) Related Art Documents: **Not Applicable**  
(57) Statement of Newness and Distinctiveness: **Nil**



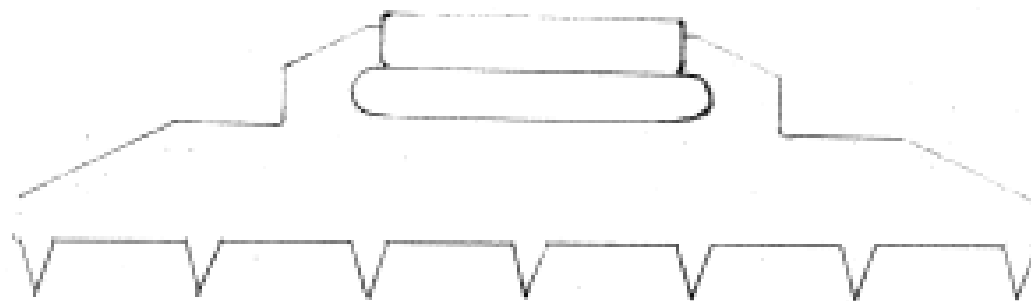
(21) Design Number: **11376/2005**  
(22) Date of Filing Application: **05 April 2005**  
(24) Date from which industrial property rights may have effect: **05 April 2005**  
(54) Product in respect of which the design is registered: **Integrated assay device and reader**  
(51) International Design Classification: **24-01, 10-04**  
(71) Name(s) and Address(s) of Applicant(s):  
**Inverness Medical Switzerland G.m.b.H.**  
**Bundesplatz 1 Zug 6300 Switzerland**  
(72) Name(s) of Designer(s): **Tony Lee and Mette Flakstad**  
(45) Registration Date: **19 December 2005**  
(30) Convention priority data:  
(31) Number      (32) Date      (33) Country  
**3018982      06 Oct 2004      UNITED KINGDOM**  
(56) Related Art Documents: **Not Applicable**  
(57) Statement of Newness and Distinctiveness: **Nil**



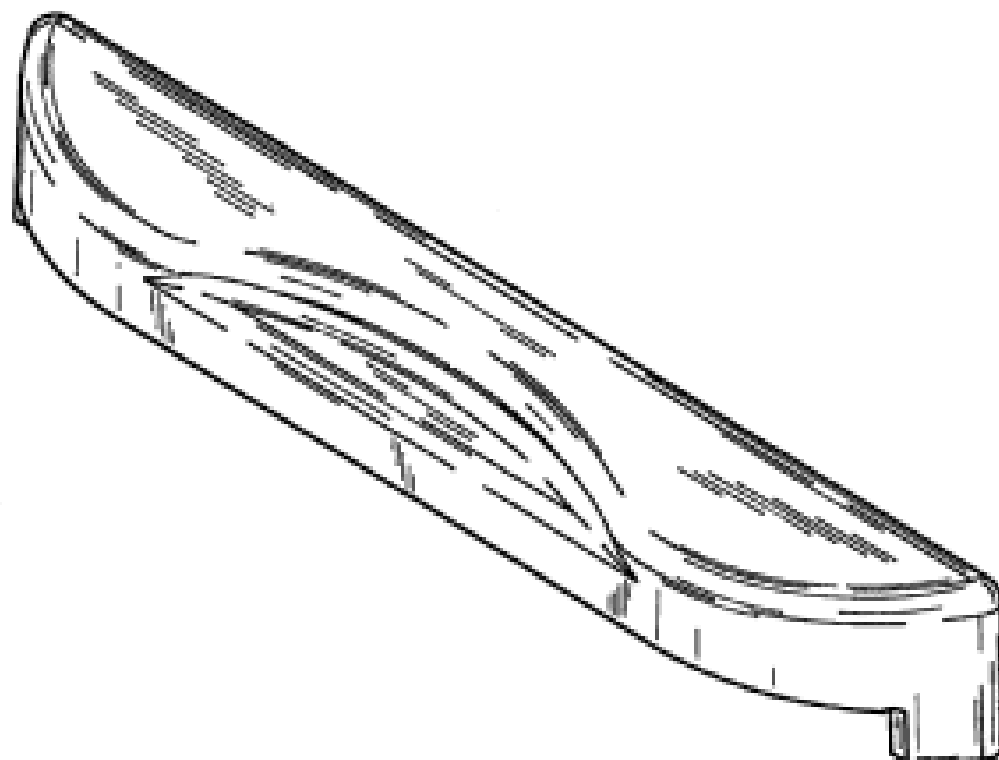
- (21) Design Number: **11573/2005**  
(22) Date of Filing Application: **19 April 2005**  
(24) Date from which industrial property rights may have effect: **19 April 2005**  
(54) Product in respect of which the design is registered: **Sliding door lock handle**  
(51) International Design Classification: **08-06, 08-07**  
(71) Name(s) and Address(s) of Applicant(s):  
**Asa Abloy New Zealand Limited**  
**6 Portsmouth Road Miramar Wellington New Zealand**  
(72) Name(s) of Designer(s): **Shelley Ellen Farrell and Garth Colin Keighley**  
(45) Registration Date: **19 December 2005**  
(30) Convention priority data:  
(31) Number      (32) Date      (33) Country  
**405423      20 Oct 2004      NEW ZEALAND**  
(56) Related Art Documents: **Not Applicable**  
(57) Statement of Newness and Distinctiveness: **Newness and distinctiveness is claimed in the features of shape and configuration of a sliding door lock handle as illustrated in the representation accompanying the application. The features shown in dotted detail form no part of the design.**



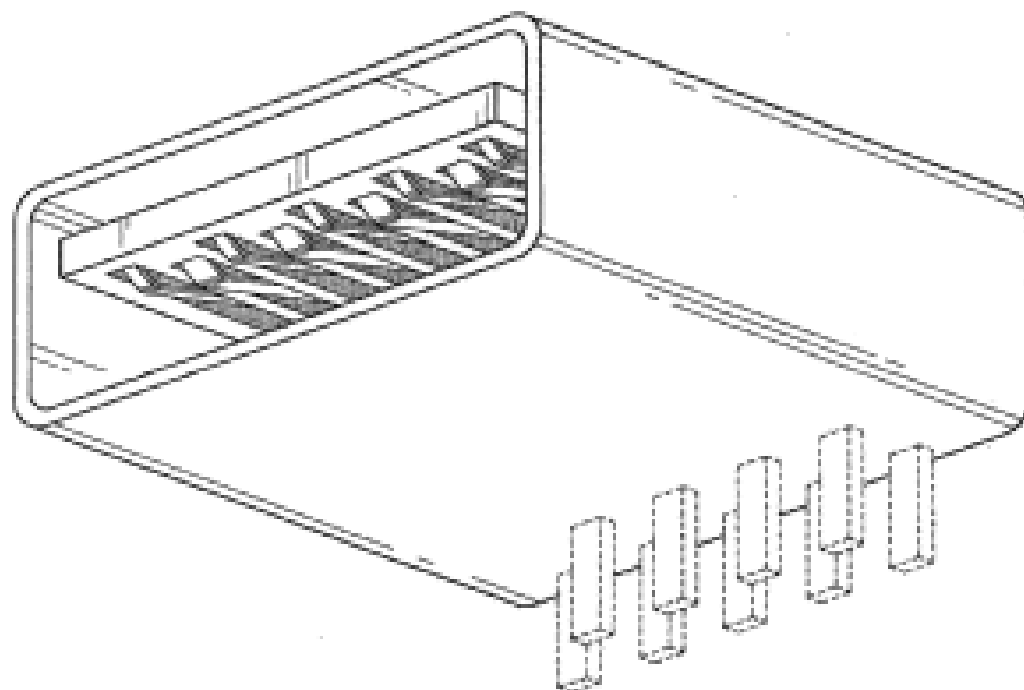
- (21) Design Number: **11598/2005**  
(22) Date of Filing Application: **21 April 2005**  
(24) Date from which industrial property rights may have effect: **21 April 2005**  
(54) Product in respect of which the design is registered: **Decking gauge**  
(51) International Design Classification: **10-04**  
(71) Name(s) and Address(s) of Applicant(s):  
**John Hamilton**  
**5 Gary Court Mount Martha Victoria 3934 Australia**  
(72) Name(s) of Designer(s): **John Hamilton**  
(45) Registration Date: **19 December 2005**  
(56) Related Art Documents: **Not Applicable**  
(57) Statement of Newness and Distinctiveness: **Nil**



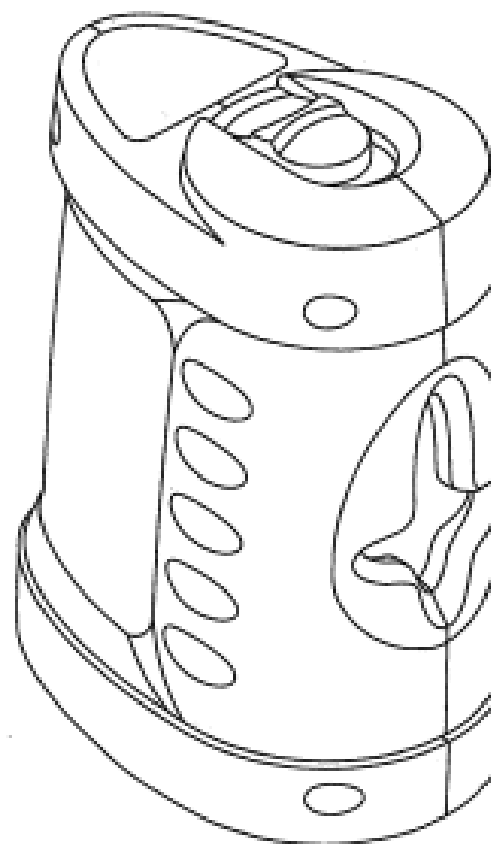
(21) Design Number: **11646/2005**  
 (22) Date of Filing Application: **22 April 2005**  
 (24) Date from which industrial property rights may have effect: **22 April 2005**  
 (54) Product in respect of which the design is registered: **Striker cover**  
 (51) International Design Classification: **08-06**  
 (71) Name(s) and Address(s) of Applicant(s):  
**Asa Abloy New Zealand Limited**  
**6 Portsmouth Road Miramar Wellington New Zealand**  
 (72) Name(s) of Designer(s): **Shelley Ellen Farrell and Garth Colin Keighley**  
 (45) Registration Date: **19 December 2005**  
 (30) Convention priority data:  
 (31) Number      (32) Date      (33) Country  
**405449      29 Oct 2004      NEW ZEALAND**  
 (56) Related Art Documents: **Not Applicable**  
 (57) Statement of Newness and Distinctiveness: **Newness and distinctiveness is claimed in the feature of shape and configuration of a striker cover as illustrated in the representation accompanying the application. The features shown in dotted detail form no part of the design.**



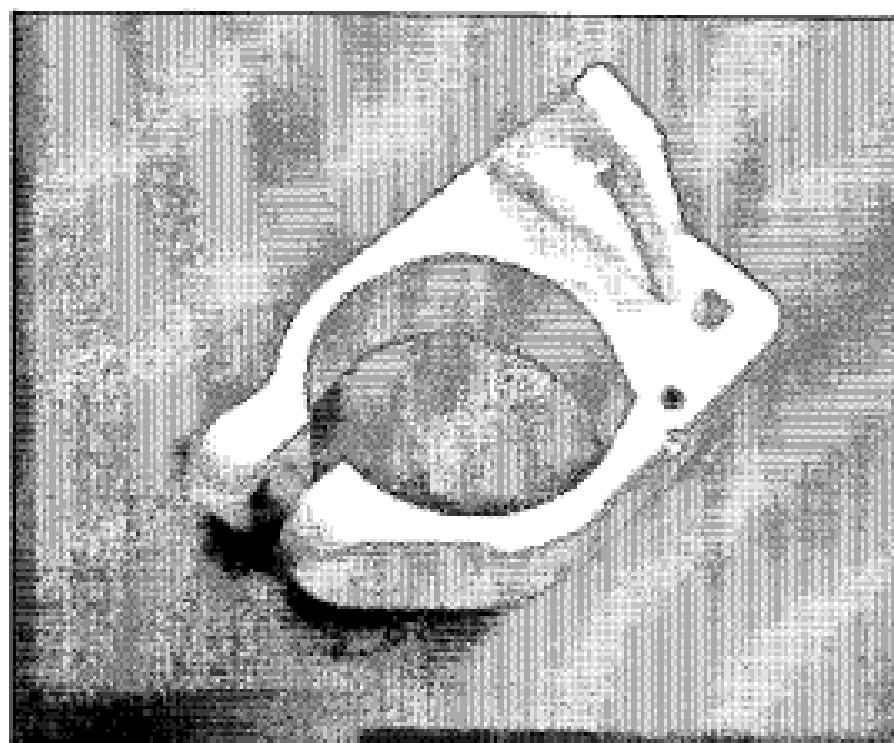
(21) Design Number: **11652/2005**  
 (22) Date of Filing Application: **22 April 2005**  
 (24) Date from which industrial property rights may have effect: **22 April 2005**  
 (54) Product in respect of which the design is registered: **A connector**  
 (51) International Design Classification: **13-03E**  
 (71) Name(s) and Address(s) of Applicant(s):  
**Apple Computer, Inc.**  
**PAT-38 1 Infinite Loop Cupertino California 95014 United States of America**  
 (72) Name(s) of Designer(s): **Donald J. Novotney and Evans Hankey and Stephen Zadesky and Timothy J. Wells**  
 (45) Registration Date: **19 December 2005**  
 (30) Convention priority data:  
 (31) Number      (32) Date      (33) Country  
**29/220892      07 Jan 2005      UNITED STATES OF AMERICA**  
 (56) Related Art Documents: **Not Applicable**  
 (57) Statement of Newness and Distinctiveness: **Nil**



- (21) Design Number: **11805/2005**  
(22) Date of Filing Application: **02 May 2005**  
(24) Date from which industrial property rights may have effect: **02 May 2005**  
(54) Product in respect of which the design is registered: **Laser level**  
(51) International Design Classification: **10-04**  
(71) Name(s) and Address(s) of Applicant(s):  
**Nanjing Chervon Industry Co., Ltd**  
**No.9 Shengli West Road Jiangning Economic & Technical**  
**Development Zone Nanjing Jiangsu 211100 P.R. China**  
(72) Name(s) of Designer(s): **Yi Liu**  
(45) Registration Date: **19 December 2005**  
(30) Convention priority data:  
(31) Number (32) Date (33) Country  
**200430101873.9 05 Nov 2004 CHINA**  
(56) Related Art Documents: **Not Applicable**  
(57) Statement of Newness and Distinctiveness: **Newness and distinctiveness are claimed in the shape and/or configuration of laser level as illustrated in the representations.**



- (21) Design Number: **11906/2005**  
(22) Date of Filing Application: **05 May 2005**  
(24) Date from which industrial property rights may have effect: **05 May 2005**  
(54) Product in respect of which the design is registered: **A fastener (preferably for use with a wheel chair)**  
(51) International Design Classification: **12-12, 08-08NES**  
(71) Name(s) and Address(s) of Applicant(s):  
**Roger Thomas Mascull**  
**7 Allens Road Ashburton New Zealand 8300**  
(72) Name(s) of Designer(s): **Roger Thomas Mascull**  
(45) Registration Date: **19 December 2005**  
(30) Convention priority data:  
(31) Number (32) Date (33) Country  
**405506 05 Nov 2004 NEW ZEALAND**  
(56) Related Art Documents: **Not Applicable**  
(57) Statement of Newness and Distinctiveness: **The design is applied to a fastener and the novelty resides in the features of shape and configuration of the article as shown in the accompanying representations.**

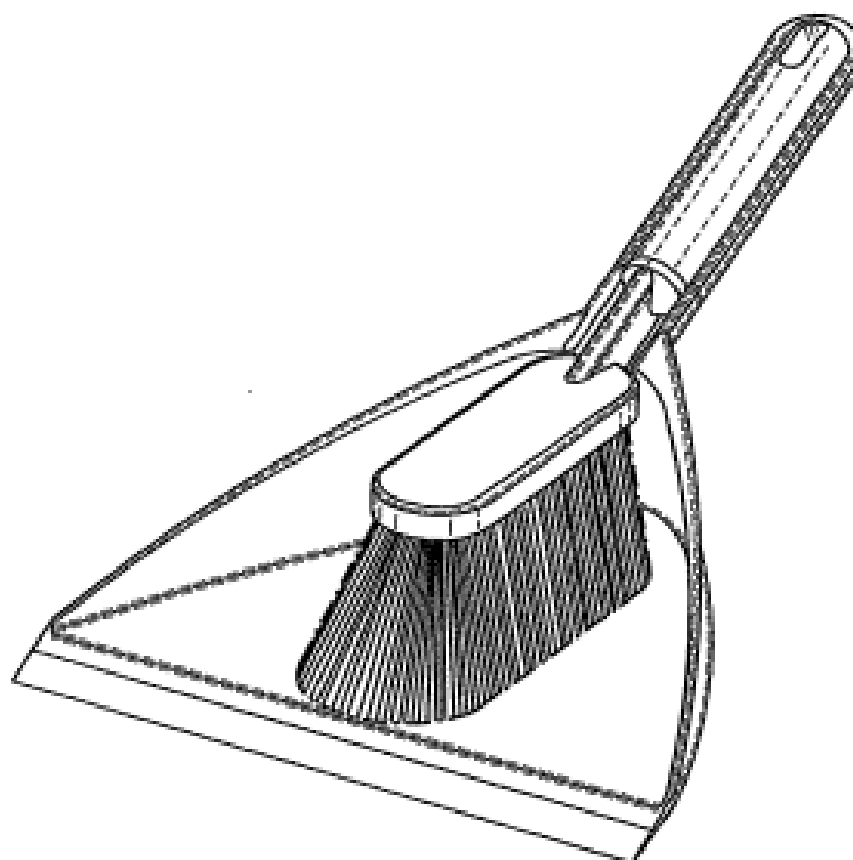




- (21) Design Number: **12307/2005**  
(22) Date of Filing Application: **26 May 2005**  
(24) Date from which industrial property rights may have effect: **26 May 2005**  
(54) Product in respect of which the design is registered: **Rideable toy kangaroo**  
(51) International Design Classification: **21-01F**  
(71) Name(s) and Address(s) of Applicant(s):  
**Frank Welten**  
**1/18 Pendula Place Calamvale Queensland 4075 Australia**  
**Chris J. Sealy**  
**1/18 Pendula Place Calamvale Queensland 4075 Australia**  
(72) Name(s) of Designer(s): **Frank Welten**  
(45) Registration Date: **19 December 2005**  
(56) Related Art Documents: **Not Applicable**  
(57) Statement of Newness and Distinctiveness: **Nil**



- (21) Design Number: **12389/2005**  
(22) Date of Filing Application: **02 June 2005**  
(24) Date from which industrial property rights may have effect: **02 June 2005**  
(54) Product in respect of which the design is registered: **Dust pan and dust brush combination**  
(51) International Design Classification: **07-05E, 04-01**  
(71) Name(s) and Address(s) of Applicant(s):  
**The Decor Corporation Pty Ltd**  
**1314 Ferntree Gully Road Scoresby Victoria 3179 Australia**  
(72) Name(s) of Designer(s): **Anthony Wolfenden**  
(45) Registration Date: **19 December 2005**  
(56) Related Art Documents: **Not Applicable**  
(57) Statement of Newness and Distinctiveness: **Nil**



(21) Design Number: **12568/2005**

(22) Date of Filing Application: **16 June 2005**

(24) Date from which industrial property rights may have effect: **16 June 2005**

(54) Product in respect of which the design is registered: **Motor home**

(51) International Design Classification: **12-08, 12-10**

(71) Name(s) and Address(s) of Applicant(s):

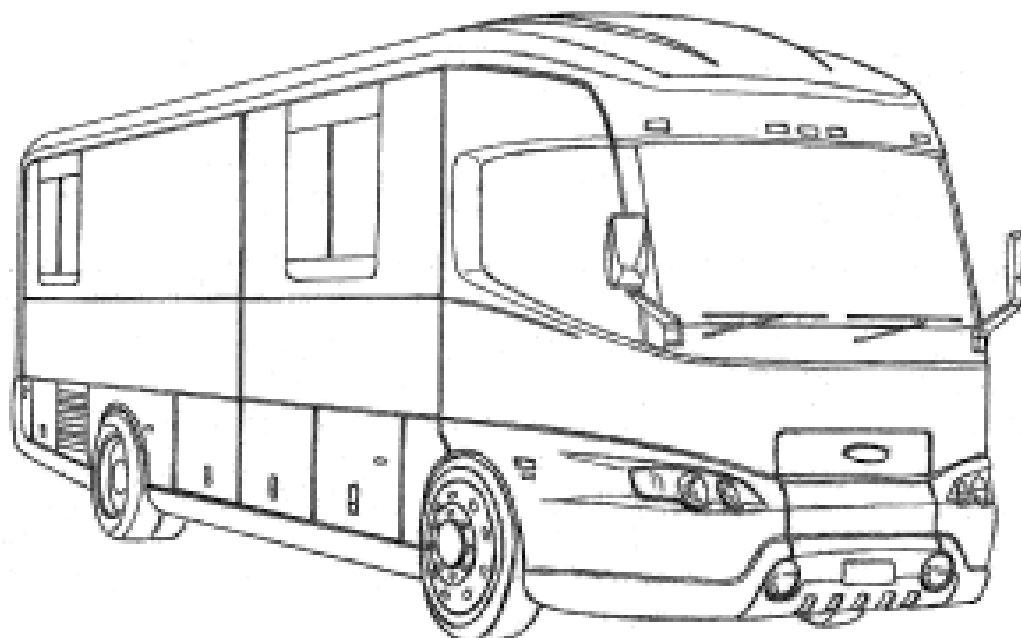
**Swagman Aust Pty Ltd**  
**245 Brisbane Road Biggera Waters Queensland 4216 Australia**

(72) Name(s) of Designer(s): **Steven Searle**

(45) Registration Date: **19 December 2005**

(56) Related Art Documents: **Not Applicable**

(57) Statement of Newness and Distinctiveness: **The newness and distinctiveness of the design resides in the shape and configuration of the motor home shown in the representations.**



(21) Design Number: **12742/2005**

(22) Date of Filing Application: **29 June 2005**

(24) Date from which industrial property rights may have effect: **29 June 2005**

(54) Product in respect of which the design is registered: **Corner stake**

(51) International Design Classification: **23-02B**

(71) Name(s) and Address(s) of Applicant(s):

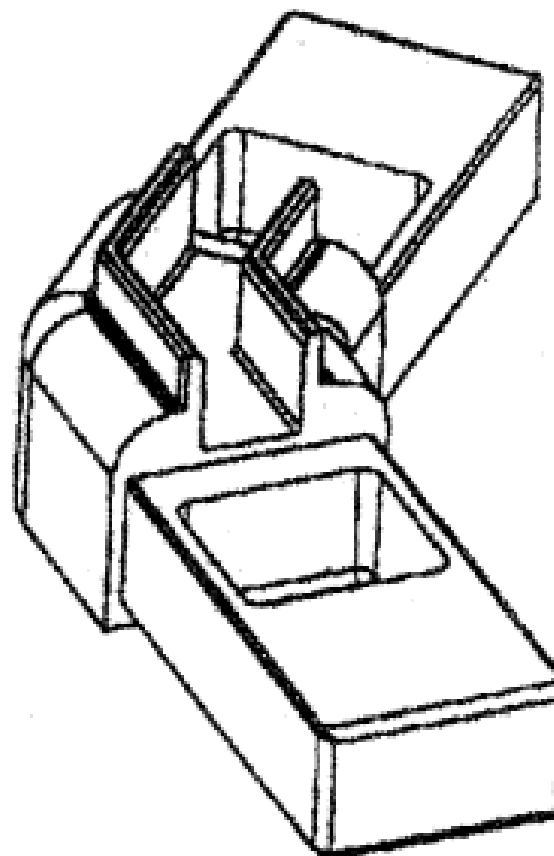
**Dias Aluminium Products Pty Ltd**  
**201-205 Browns Road Noble Park Victoria 3174 Australia**

(72) Name(s) of Designer(s): **David Aiken Paterson**

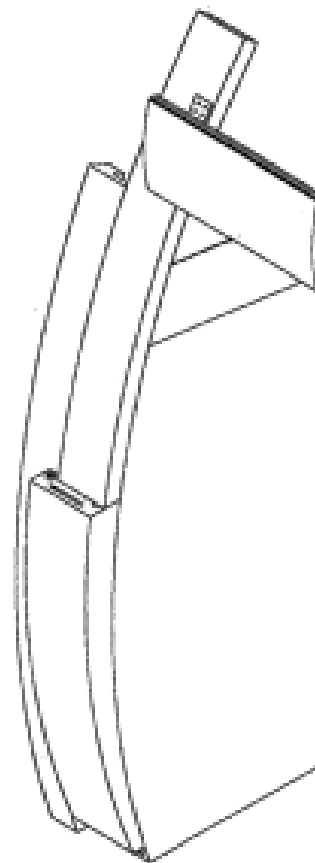
(45) Registration Date: **19 December 2005**

(56) Related Art Documents: **Not Applicable**

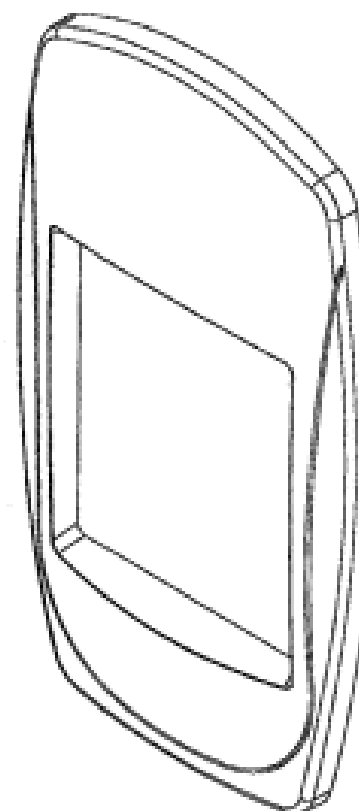
(57) Statement of Newness and Distinctiveness: **Nil**



- (21) Design Number: **12839/2005**  
(22) Date of Filing Application: **24 June 2005**  
(24) Date from which industrial property rights may have effect: **24 June 2005**  
(54) Product in respect of which the design is registered: **ATM signage and storage**  
(51) International Design Classification: **20-01, 20-03C**  
(71) Name(s) and Address(s) of Applicant(s):  
**Gadsden Signs Pty Ltd**  
**25-27 Futura Road Keysborough Victoria 3173 Australia**  
(72) Name(s) of Designer(s): **Angelo Alateras**  
(45) Registration Date: **19 December 2005**  
(56) Related Art Documents: **Not Applicable**  
(57) Statement of Newness and Distinctiveness: **Newness and distinctiveness is claimed in the features of the shape and configuration of the ATM signage and storage shown in the representations.**



- (21) Design Number: **12840/2005**  
(22) Date of Filing Application: **24 June 2005**  
(24) Date from which industrial property rights may have effect: **24 June 2005**  
(54) Product in respect of which the design is registered: **ATM surround**  
(51) International Design Classification: **14-02**  
(71) Name(s) and Address(s) of Applicant(s):  
**Gadsden Signs Pty Ltd**  
**25-27 Futura Road Keysborough Victoria 3173 Australia**  
(72) Name(s) of Designer(s): **Angelo Alateras**  
(45) Registration Date: **19 December 2005**  
(56) Related Art Documents: **Not Applicable**  
(57) Statement of Newness and Distinctiveness: **Newness and distinctiveness is claimed in the features of the shape and configuration of the ATM surround shown in the representations.**



(21) Design Number: **13051/2005**

(22) Date of Filing Application: **18 July 2005**

(24) Date from which industrial property rights may have effect: **18 July 2005**

(54) Product in respect of which the design is registered: **An electrical switch**

(51) International Design Classification: **13-03E**

(71) Name(s) and Address(s) of Applicant(s):

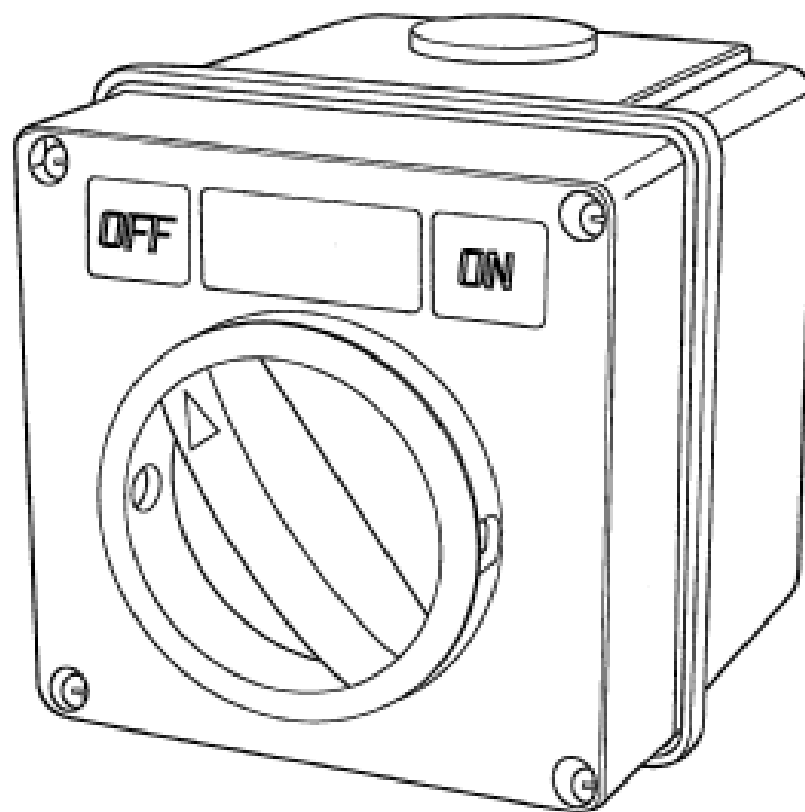
**Anartelle Pty Ltd**  
**278 Grange Road Flinders Park South Australia 5025 Australia**

(72) Name(s) of Designer(s): **Anthony Aucone**

(45) Registration Date: **19 December 2005**

(56) Related Art Documents: **Not Applicable**

(57) Statement of Newness and Distinctiveness: **Nil**



(21) Design Number: **13091/2005**

(22) Date of Filing Application: **18 July 2005**

(24) Date from which industrial property rights may have effect: **18 July 2005**

(54) Product in respect of which the design is registered: **Cold air box for an air filter**

(51) International Design Classification: **15-01**

(71) Name(s) and Address(s) of Applicant(s):

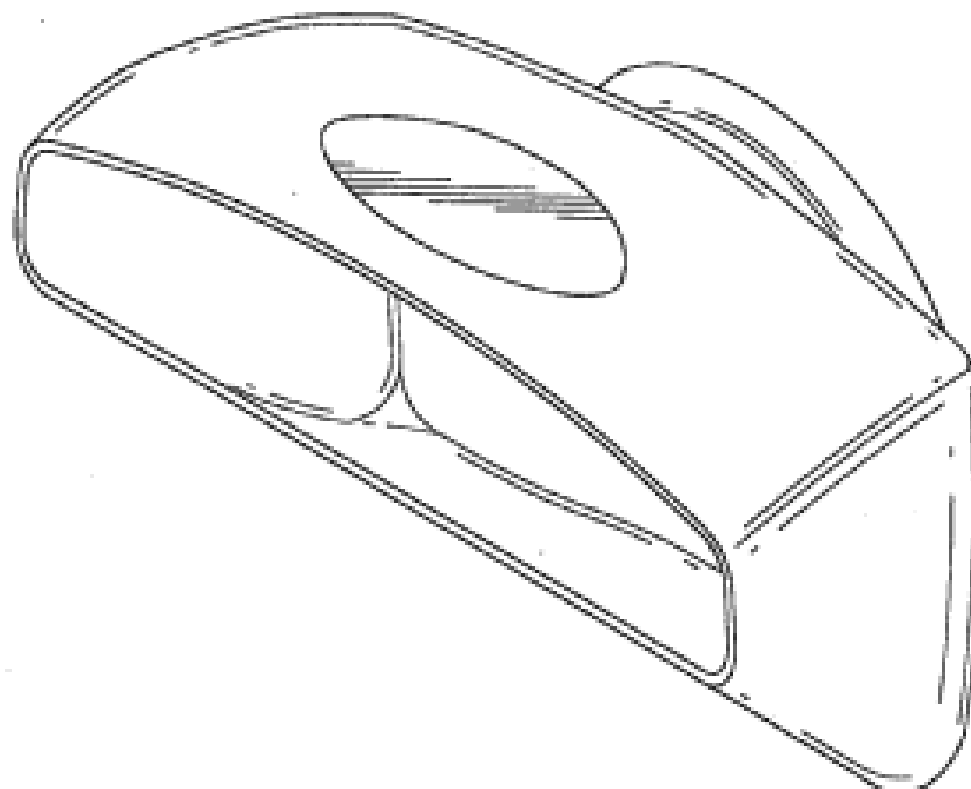
**Jui-Fa Huang**  
**No. 523 Jhanglu Road Sioushuei Township Changhua County 504 Taiwan**

(72) Name(s) of Designer(s): **Jui-Fa Huang**

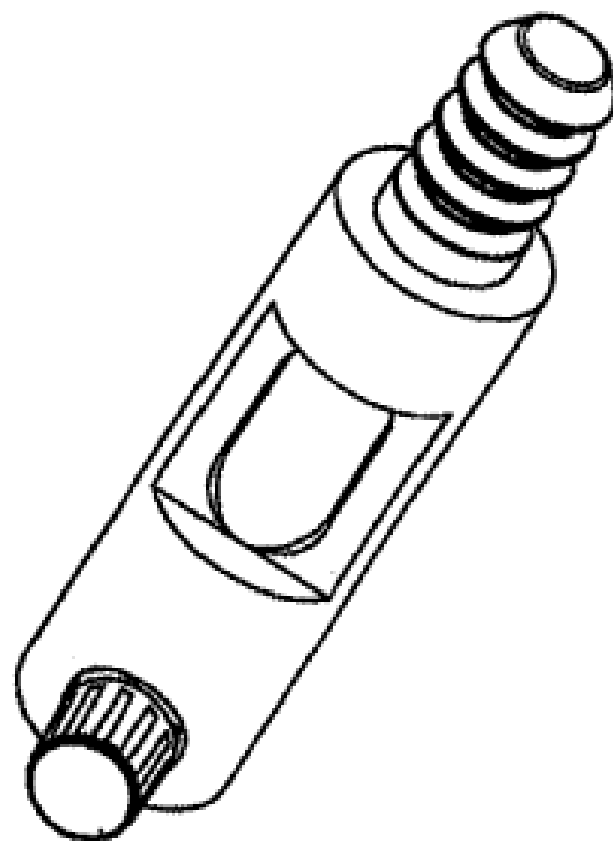
(45) Registration Date: **19 December 2005**

(56) Related Art Documents: **Not Applicable**

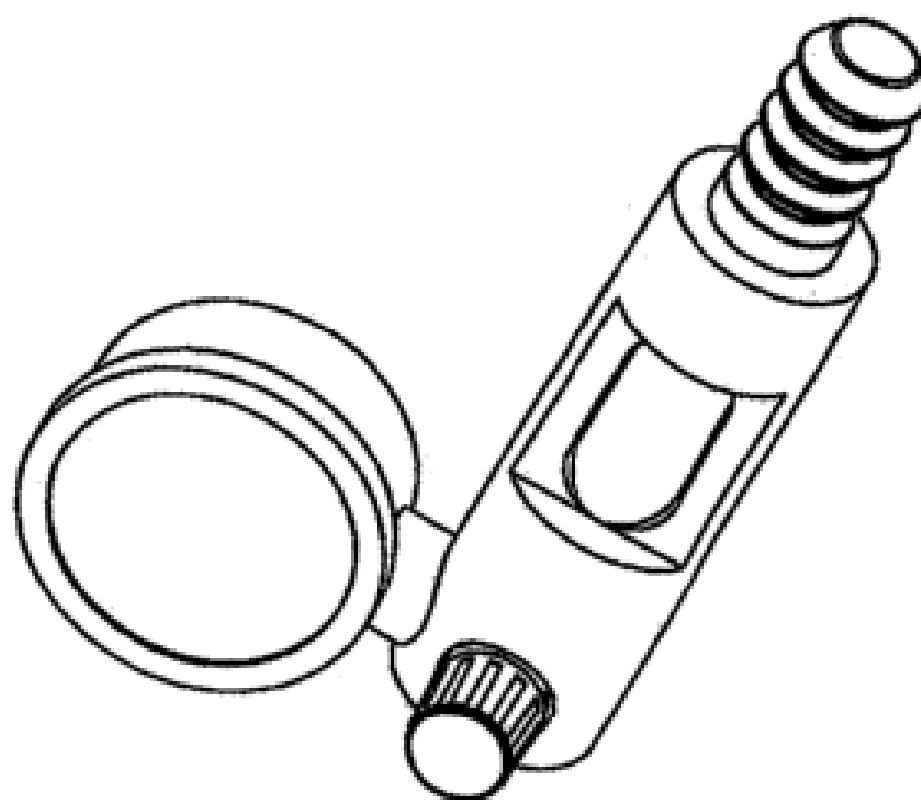
(57) Statement of Newness and Distinctiveness: **Nil**



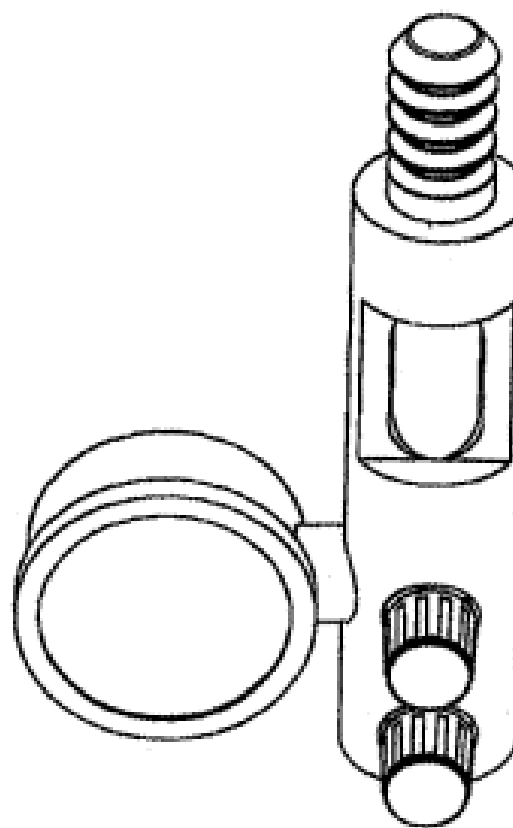
(21) Design Number: **13149/2005**  
(22) Date of Filing Application: **25 July 2005**  
(24) Date from which industrial property rights may have effect: **25 July 2005**  
(54) Product in respect of which the design is registered: **Flowmeter**  
(51) International Design Classification: **10-04**  
(71) Name(s) and Address(s) of Applicant(s):  
**John Crane Safematic Oy**  
**Teollisuustie 6 FI-40950 Muurame Finland**  
(72) Name(s) of Designer(s): **Harri Makkonen and Hannu Trygg**  
(45) Registration Date: **19 December 2005**  
(30) Convention priority data:  
(31) Number (32) Date (33) Country  
**M20050045 16 Mar 2005 FINLAND**  
(56) Related Art Documents: **Not Applicable**  
(57) Statement of Newness and Distinctiveness: **Nil**



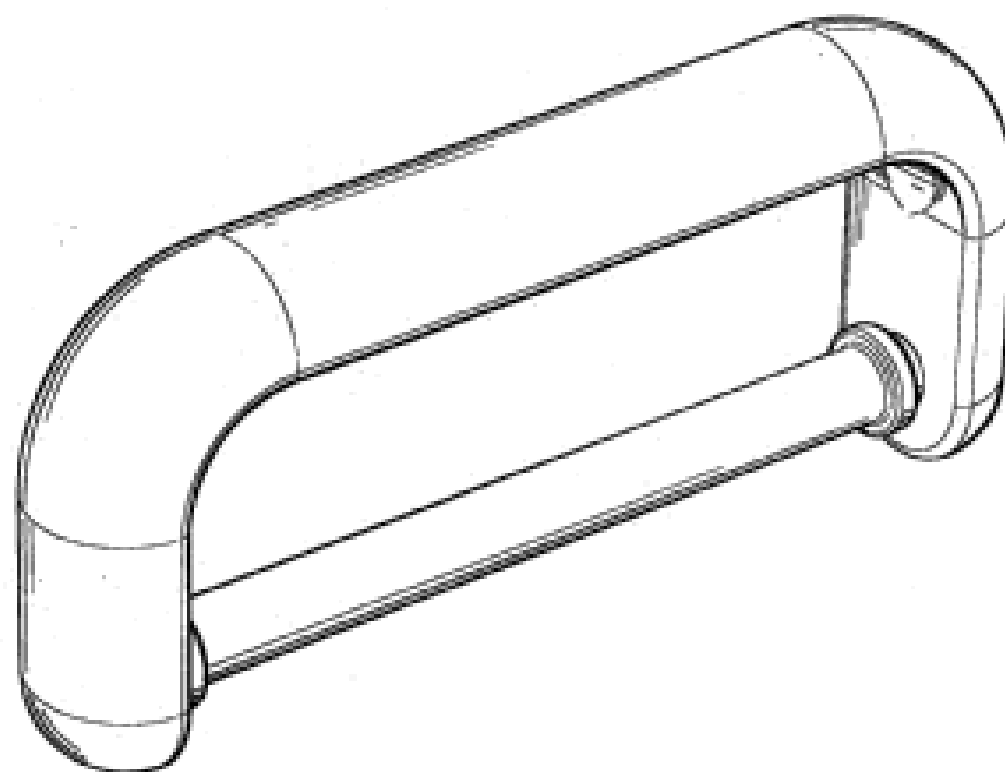
(21) Design Number: **13150/2005**  
(22) Date of Filing Application: **25 July 2005**  
(24) Date from which industrial property rights may have effect: **25 July 2005**  
(54) Product in respect of which the design is registered: **Flowmeter**  
(51) International Design Classification: **10-04**  
(71) Name(s) and Address(s) of Applicant(s):  
**John Crane Safematic Oy**  
**Teollisuustie 6 FI-40950 Muurame Finland**  
(72) Name(s) of Designer(s): **Harri Makkonen and Hannu Trygg**  
(45) Registration Date: **19 December 2005**  
(30) Convention priority data:  
(31) Number (32) Date (33) Country  
**M20050045 16 Mar 2005 FINLAND**  
(56) Related Art Documents: **Not Applicable**  
(57) Statement of Newness and Distinctiveness: **Nil**



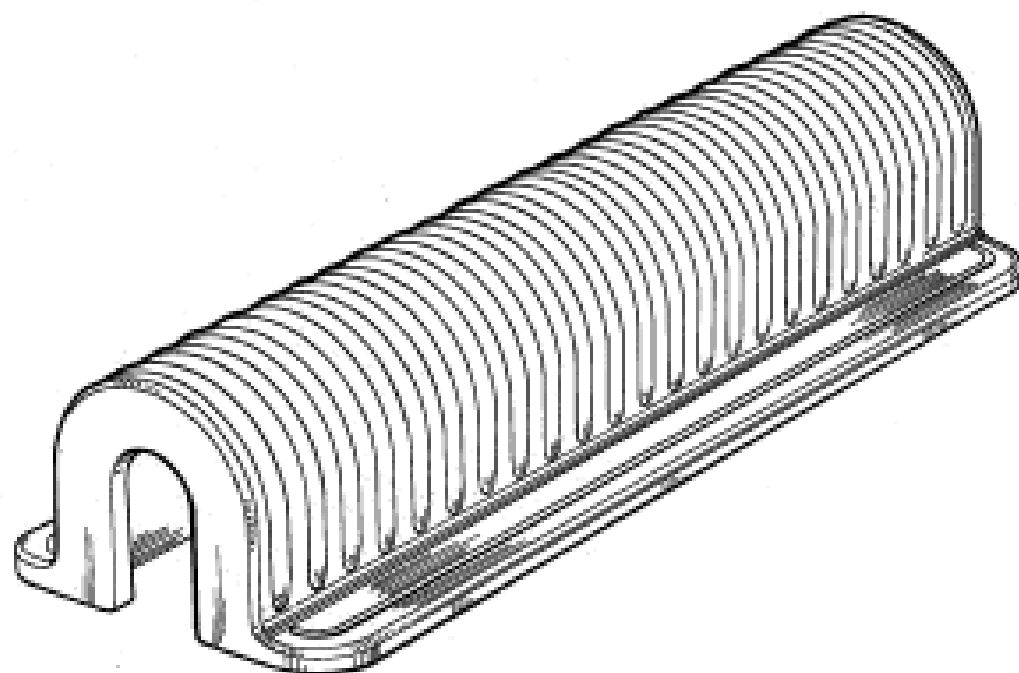
(21) Design Number: **13151/2005**  
(22) Date of Filing Application: **25 July 2005**  
(24) Date from which industrial property rights may have effect: **25 July 2005**  
(54) Product in respect of which the design is registered: **Flowmeter**  
(51) International Design Classification: **10-04**  
(71) Name(s) and Address(s) of Applicant(s):  
**John Crane Safematic Oy**  
**Teollisuustie 6 FI-40950 Muurame Finland**  
(72) Name(s) of Designer(s): **Harri Makkonen and Hannu Trygg**  
(45) Registration Date: **19 December 2005**  
(30) Convention priority data:  
(31) Number (32) Date (33) Country  
**M20050045 16 Mar 2005 FINLAND**  
(56) Related Art Documents: **Not Applicable**  
(57) Statement of Newness and Distinctiveness: **Nil**



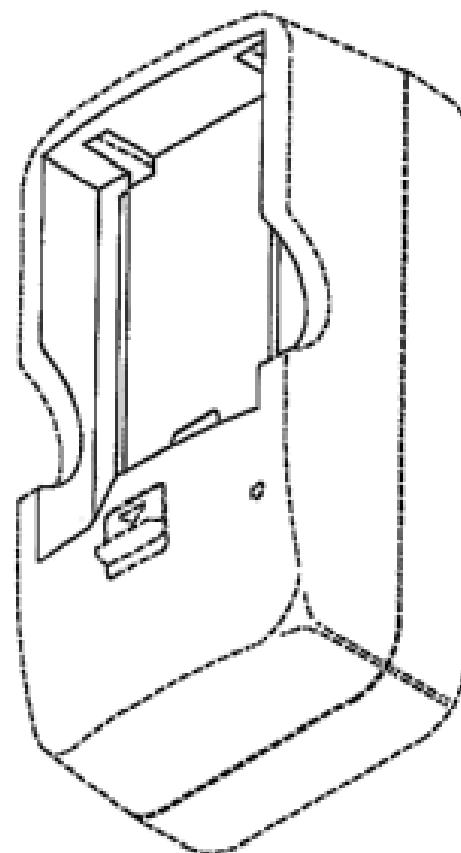
(21) Design Number: **13152/2005**  
(22) Date of Filing Application: **25 July 2005**  
(24) Date from which industrial property rights may have effect: **25 July 2005**  
(54) Product in respect of which the design is registered: **Handle (grip)**  
(51) International Design Classification: **07-06A**  
(71) Name(s) and Address(s) of Applicant(s):  
**The Decor Corporation Pty Ltd**  
**1314 Ferntree Gully Road Scoresby Victoria 3179 Australia**  
(72) Name(s) of Designer(s): **Jim Samartgis**  
(45) Registration Date: **19 December 2005**  
(56) Related Art Documents: **Not Applicable**  
(57) Statement of Newness and Distinctiveness: **Nil**



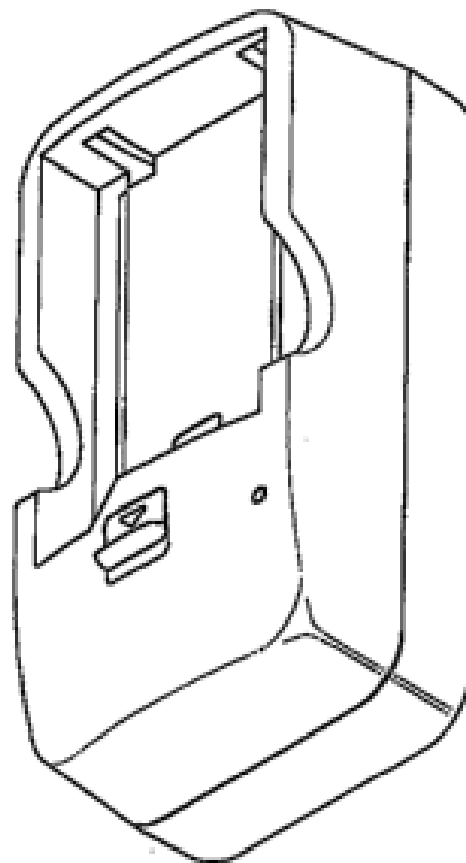
(21) Design Number: **13153/2005**  
(22) Date of Filing Application: **25 July 2005**  
(24) Date from which industrial property rights may have effect: **25 July 2005**  
(54) Product in respect of which the design is registered: **Handle (saddle)**  
(51) International Design Classification: **07-06A**  
(71) Name(s) and Address(s) of Applicant(s):  
**The Decor Corporation Pty Ltd**  
**1314 Ferntree Gully Road Scoresby Victoria 3179 Australia**  
(72) Name(s) of Designer(s): **Jim Samartgis**  
(45) Registration Date: **19 December 2005**  
(56) Related Art Documents: **Not Applicable**  
(57) Statement of Newness and Distinctiveness: **Nil**



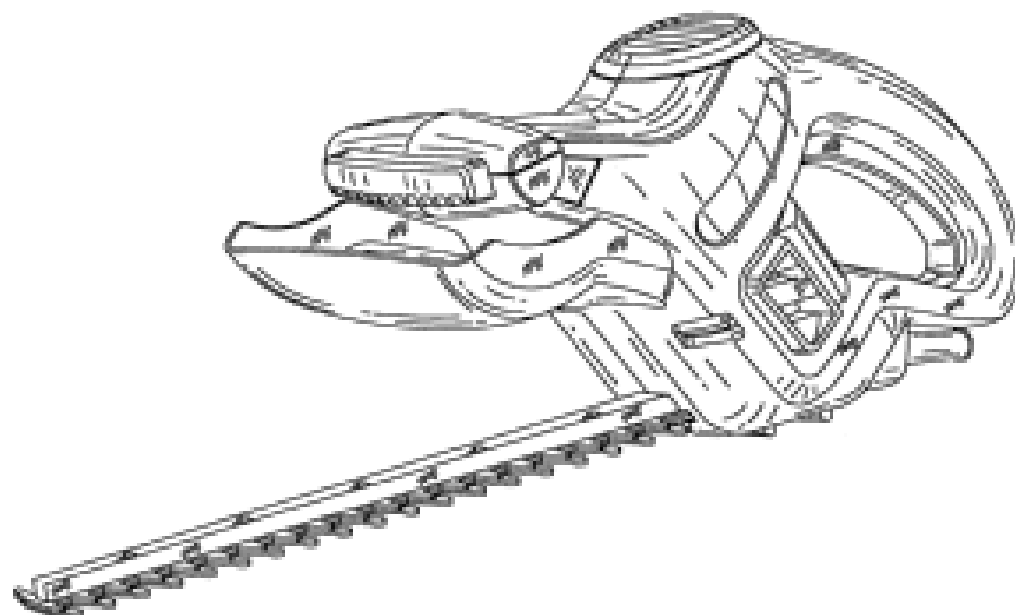
(21) Design Number: **13157/2005**  
(22) Date of Filing Application: **25 July 2005**  
(24) Date from which industrial property rights may have effect: **25 July 2005**  
(54) Product in respect of which the design is registered: **Battery charger**  
(51) International Design Classification: **13-02**  
(71) Name(s) and Address(s) of Applicant(s):  
**Sony Computer Entertainment Inc.**  
**2-6-21 Minami-Aoyama Minato-ku Tokyo 107-0062 Japan**  
(72) Name(s) of Designer(s): **Minoru Shimizu**  
(45) Registration Date: **19 December 2005**  
(30) Convention priority data:  
(31) Number      (32) Date      (33) Country  
**D2005-9640      31 Mar 2005      JAPAN**  
(56) Related Art Documents: **Not Applicable**  
(57) Statement of Newness and Distinctiveness: **Newness and distinctiveness resides in the shape and/or configuration of the battery charger as shown in the accompanying representations. The portions indicated in broken lines in the accompanying representations are for illustrative purposes only and form no part of the claimed design.**



- (21) Design Number: **13158/2005**  
(22) Date of Filing Application: **25 July 2005**  
(24) Date from which industrial property rights may have effect: **25 July 2005**  
(54) Product in respect of which the design is registered: **Battery charger**  
(51) International Design Classification: **13-02**  
(71) Name(s) and Address(s) of Applicant(s):  
**Sony Computer Entertainment Inc.**  
**2-6-21 Minami-Aoyama Minato-ku Tokyo 107-0062 Japan**  
(72) Name(s) of Designer(s): **Minoru Shimizu**  
(45) Registration Date: **19 December 2005**  
(30) Convention priority data:  
(31) Number (32) Date (33) Country  
**D2005-9640 31 Mar 2005 JAPAN**  
(56) Related Art Documents: **Not Applicable**  
(57) Statement of Newness and Distinctiveness: **Newness and distinctiveness resides in the shape and/or configuration of the battery charger as shown in the accompanying representations.**



- (21) Design Number: **13163/2005**  
(22) Date of Filing Application: **25 July 2005**  
(24) Date from which industrial property rights may have effect: **25 July 2005**  
(54) Product in respect of which the design is registered: **A hedge trimmer**  
(51) International Design Classification: **08-03**  
(71) Name(s) and Address(s) of Applicant(s):  
**Black & Decker, Inc.**  
**1207 Drummond Plaza Newark Delaware 19711 United States of America**  
(72) Name(s) of Designer(s): **Stephen Houghton**  
(45) Registration Date: **19 December 2005**  
(30) Convention priority data:  
(31) Number (32) Date (33) Country  
**000294293 11 Feb 2005 EUROPEAN COMMUNITY**  
(56) Related Art Documents: **Not Applicable**  
(57) Statement of Newness and Distinctiveness: **Nil**





(21) Design Number: **13164/2005**

(22) Date of Filing Application: **25 July 2005**

(24) Date from which industrial property rights may have effect: **25 July 2005**

(54) Product in respect of which the design is registered: **Power extension cord**

(51) International Design Classification: **13-03D**

(71) Name(s) and Address(s) of Applicant(s):

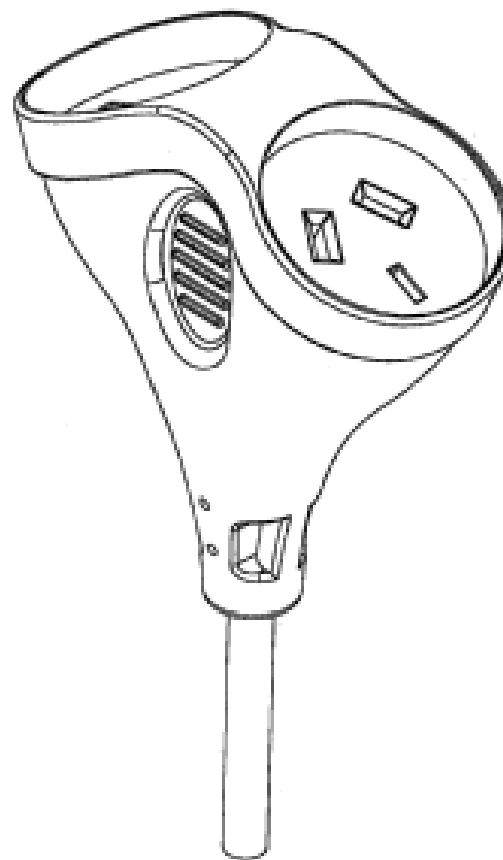
**Tassone Property Group Pty Ltd**  
**9 Woodstock Street St Johns Park New South Wales 2176 Australia**

(72) Name(s) of Designer(s): **Rocco Tassone**

(45) Registration Date: **19 December 2005**

(56) Related Art Documents: **Not Applicable**

(57) Statement of Newness and Distinctiveness: **Newness and distinctiveness is claimed in the shape and/or configuration of a power extension cord as illustrated in the representations.**



(21) Design Number: **13192/2005**

(22) Date of Filing Application: **27 July 2005**

(24) Date from which industrial property rights may have effect: **05 March 2004**

(54) Product in respect of which the design is registered: **Electric toothbrush handle**

(51) International Design Classification: **28-03NES**

(71) Name(s) and Address(s) of Applicant(s):

**Braun GmbH**  
**Frankfurter Strasse 145 D-61476 Kronberg im Taunus Germany**

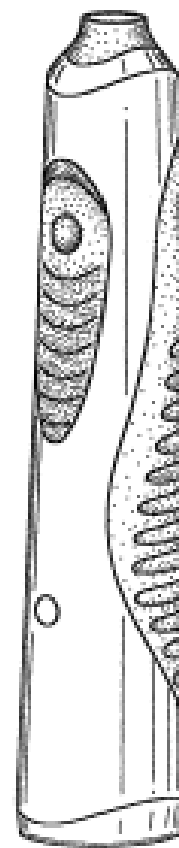
(72) Name(s) of Designer(s): **Duy Phong Vu**

(45) Registration Date: **19 December 2005**

(62) Divisional of: **158259**

(56) Related Art Documents: **Not Applicable**

(57) Statement of Newness and Distinctiveness: **Nil**



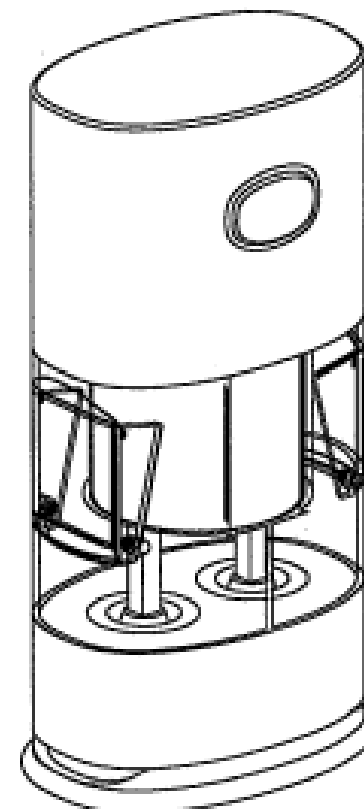
- (21) Design Number: **13193/2005**  
(22) Date of Filing Application: **27 July 2005**  
(24) Date from which industrial property rights may have effect: **05 March 2004**  
(54) Product in respect of which the design is registered: **Toothbrush head with bristles**  
(51) International Design Classification: **04-02**  
(71) Name(s) and Address(s) of Applicant(s):  
**Braun GmbH**  
**Frankfurter Strasse 145 D-61476 Kronberg im Taunus Germany**  
(72) Name(s) of Designer(s): **Duy Phong Vu and Reiner Engelmohr and HansJorg Reick**  
(45) Registration Date: **19 December 2005**  
(62) Divisional of: **158260**  
(56) Related Art Documents: **Not Applicable**  
(57) Statement of Newness and Distinctiveness: **Nil**



- (21) Design Number: **13166/2005**  
(22) Date of Filing Application: **27 July 2005**  
(24) Date from which industrial property rights may have effect: **27 July 2005**  
(54) Product in respect of which the design is registered: **Combined salt and pepper grinder**  
(51) International Design Classification: **07-06C**  
(71) Name(s) and Address(s) of Applicant(s):  
**Pi-Design AG**  
**Kantonsstrasse 100 Postfach 463 CH-6234 Triengen Switzerland**  
(72) Name(s) of Designer(s): **Jorgen Bodum**  
(45) Registration Date: **19 December 2005**  
(30) Convention priority data:  

(31) Number	(32) Date	(33) Country
<b>DA 2005</b>	<b>10 Feb 2005</b>	<b>DENMARK</b>
<b>00048</b>		

  
(56) Related Art Documents: **Not Applicable**  
(57) Statement of Newness and Distinctiveness: **Nil**



- (21) Design Number: **13170/2005**
- (22) Date of Filing Application: **26 July 2005**
- (24) Date from which industrial property rights may have effect: **26 July 2005**
- (54) Product in respect of which the design is registered: **Sink**
- (51) International Design Classification: **23-02F**
- (71) Name(s) and Address(s) of Applicant(s):

**Kohler Co.**  
**444 Highland Drive Kohler WI 53044 United States of America**

(72) Name(s) of Designer(s): **William F. Gordon**

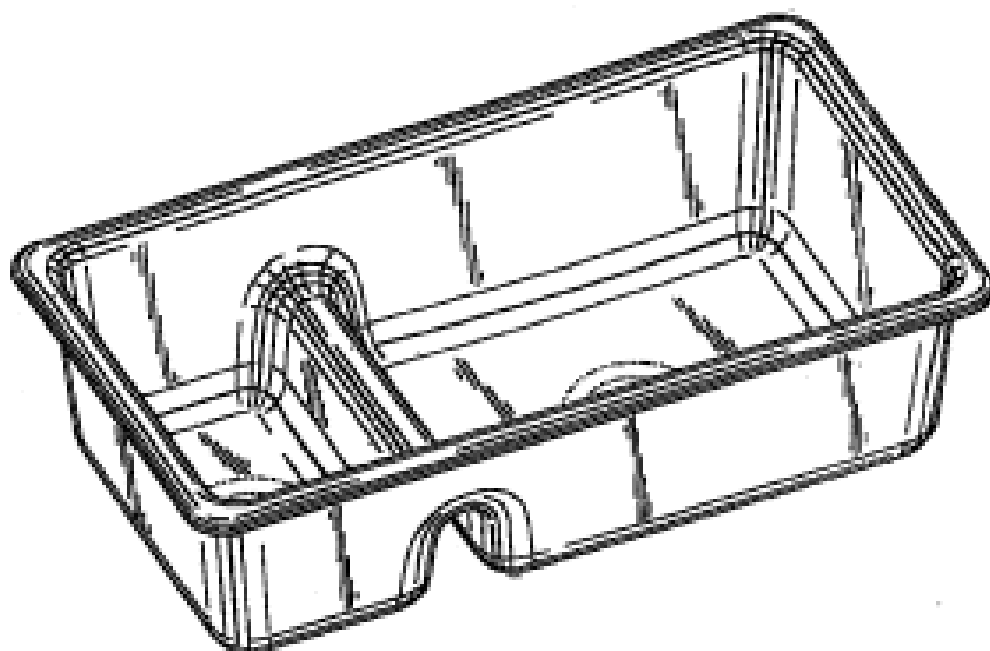
(45) Registration Date: **19 December 2005**

(30) Convention priority data:

(31) Number	(32) Date	(33) Country
<b>29/222,122</b>	<b>26 Jan 2005</b>	<b>UNITED STATES OF AMERICA</b>

(56) Related Art Documents: **Not Applicable**

(57) Statement of Newness and Distinctiveness: **When determining whether the design is substantially similar in overall impression to another design, no regard is to be had to those features shown in dotted outline in the drawings of the design.**



- (21) Design Number: **13171/2005**
- (22) Date of Filing Application: **26 July 2005**
- (24) Date from which industrial property rights may have effect: **26 July 2005**
- (54) Product in respect of which the design is registered: **Sink**
- (51) International Design Classification: **23-02F**
- (71) Name(s) and Address(s) of Applicant(s):

**Kohler Co.**  
**444 Highland Drive Kohler WI 53044 United States of America**

(72) Name(s) of Designer(s): **William F. Gordon**

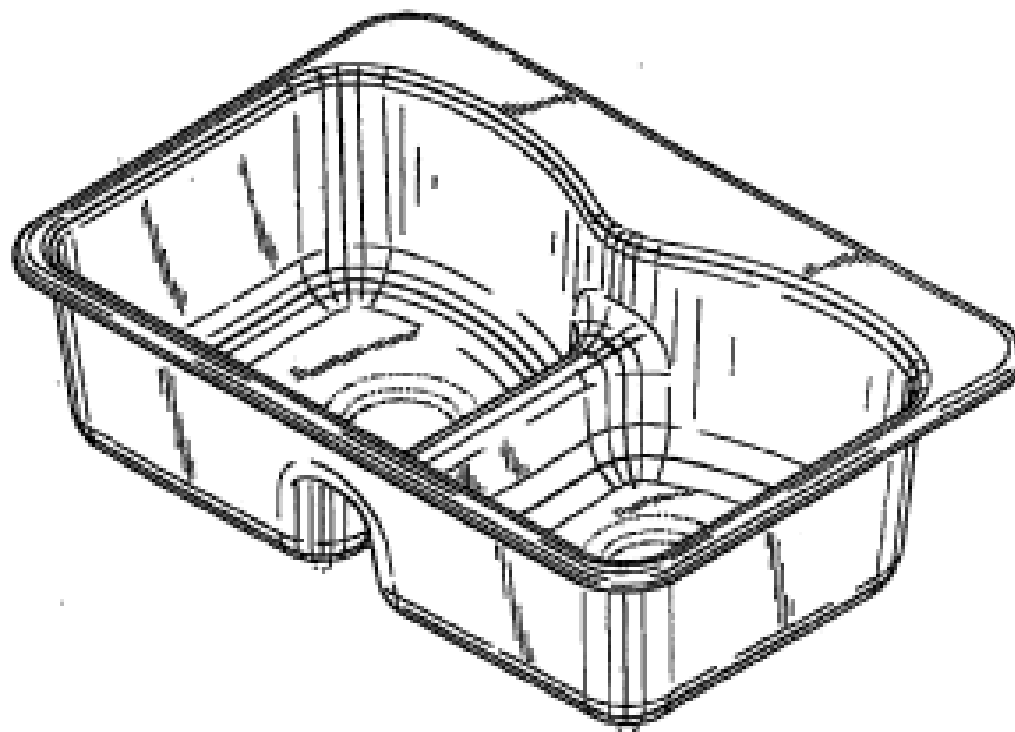
(45) Registration Date: **19 December 2005**

(30) Convention priority data:

(31) Number	(32) Date	(33) Country
<b>29/222,133</b>	<b>26 Jan 2005</b>	<b>UNITED STATES OF AMERICA</b>

(56) Related Art Documents: **Not Applicable**

(57) Statement of Newness and Distinctiveness: **When determining whether the design is substantially similar in overall impression to another registered design, no regard is to be had to those features shown in dotted outline in the drawings of the design.**



(19) AU

(21) Design Number: 13188/2005

(22) Date of Filing Application: 27 July 2005

(24) Date from which industrial property rights may have effect: 27 July 2005

(54) Product in respect of which the design is registered: Golf club head

(51) International Design Classification: 21-02C

(71) Name(s) and Address(s) of Applicant(s):

Callaway Golf Company  
2180 Rutherford Road Carlsbad California 92008 United States of America

(72) Name(s) of Designer(s): Joel B. Erickson and Homer E. Aguinaldo and Garth W. Smith

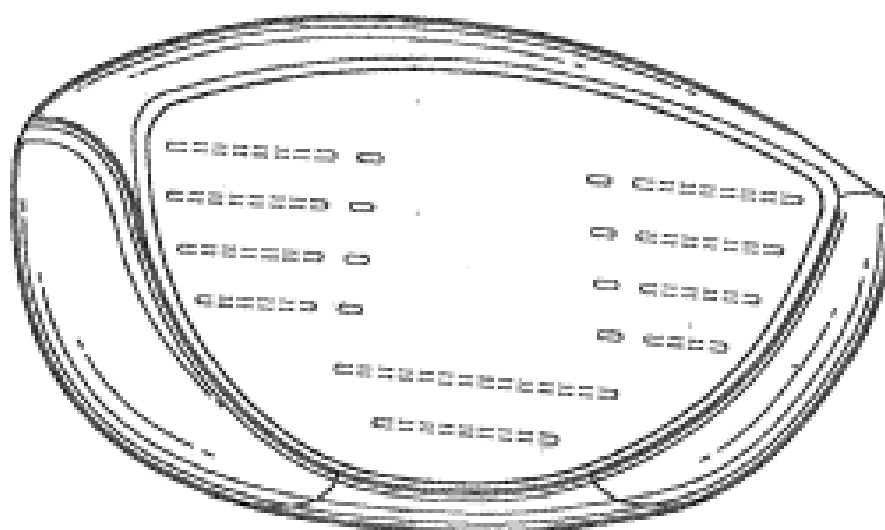
(45) Registration Date: 19 December 2005

(30) Convention priority data:

(31) Number	(32) Date	(33) Country
29/222596	27 Jan 2005	UNITED STATES OF AMERICA

(56) Related Art Documents: Not Applicable

(57) Statement of Newness and Distinctiveness: Newness and distinctiveness is claimed in the features of shape and/or configuration of a golf club head illustrated in continuous lines in the accompanying representations, which features include the two, generally rectangular, recessed portions that extend from the sole at the heel and toe ends of the golf club head.



(19) AU

(21) Design Number: 13663/2005

(22) Date of Filing Application: 25 August 2005

(24) Date from which industrial property rights may have effect: 25 August 2005

(54) Product in respect of which the design is registered: A game board

(51) International Design Classification: 21-01L

(71) Name(s) and Address(s) of Applicant(s):

Dave Anil Ramadhar  
9 Fifth Street San Juan Trinidad and Tobago West Indies

(72) Name(s) of Designer(s): Dave Anil Ramadhar

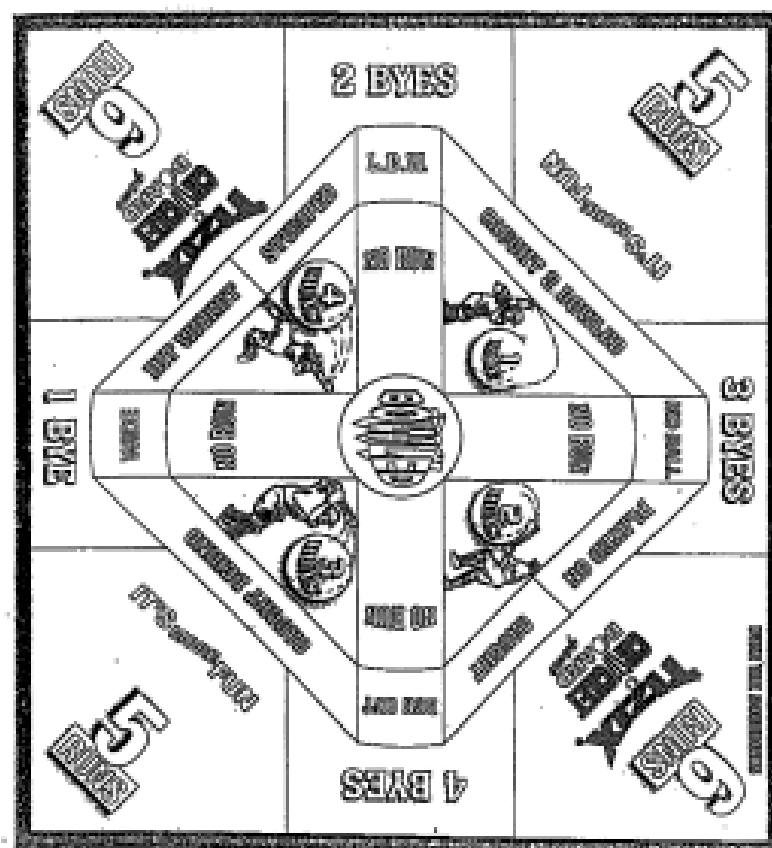
(45) Registration Date: 19 December 2005

(30) Convention priority data:

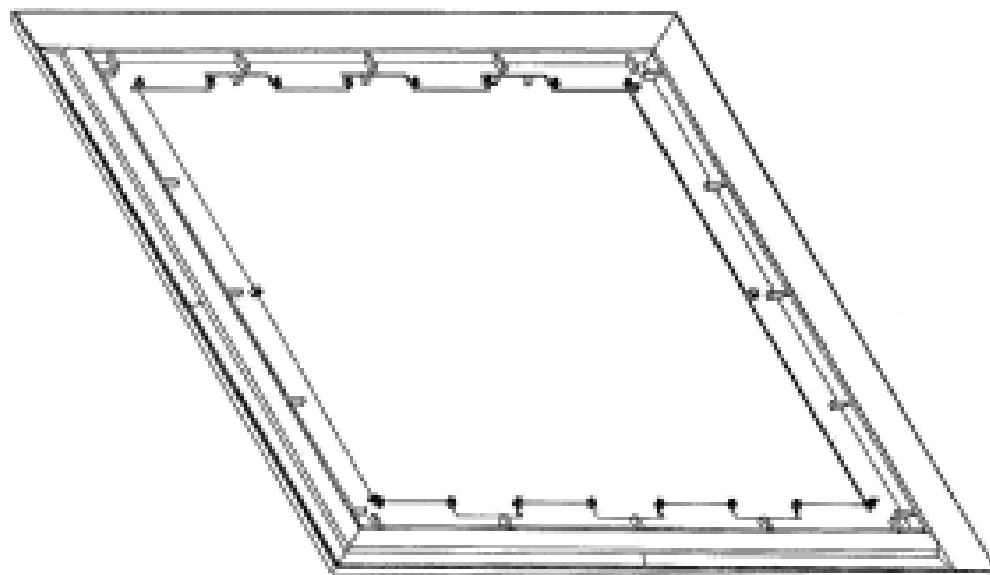
(31) Number	(32) Date	(33) Country
3022204	18 Aug 2005	UNITED KINGDOM

(56) Related Art Documents: Not Applicable

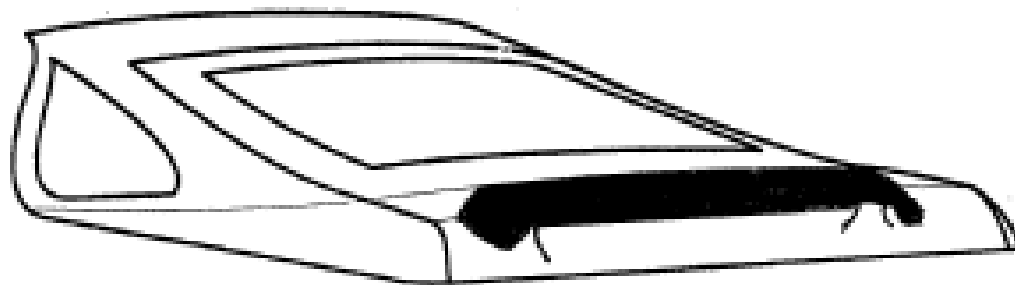
(57) Statement of Newness and Distinctiveness: The newness and distinctiveness resides in the pattern and ornamentation of a game as shown in the representation; the letters, words, numbers and illustrations of cricket players shown in the representations form no part of the design.



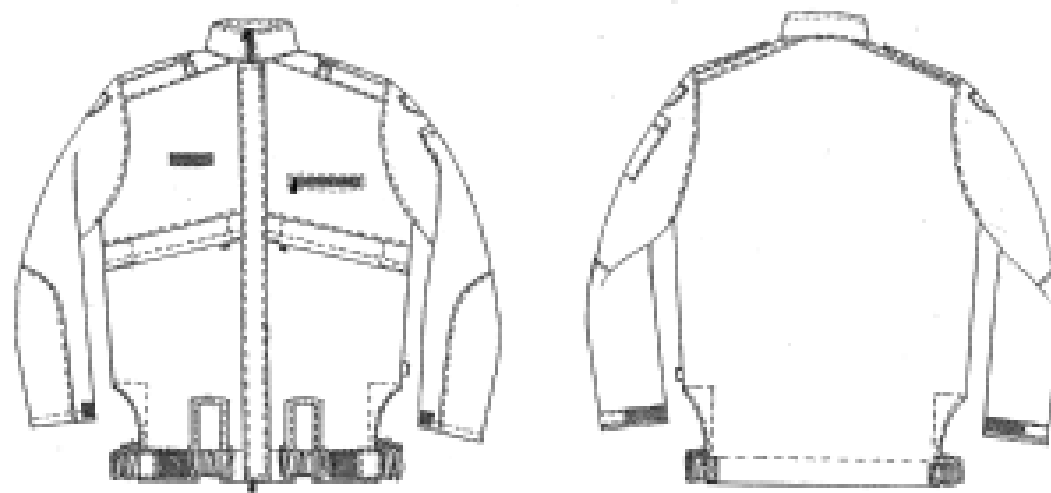
(21) Design Number: **14354/2004**  
(22) Date of Filing Application: **10 September 2004**  
(24) Date from which industrial property rights may have effect: **10 September 2004**  
(54) Product in respect of which the design is registered: **Diffuser frame**  
(51) International Design Classification: **23-04**  
(71) Name(s) and Address(s) of Applicant(s):  
**Westaflex (Australia) Pty Ltd**  
**140-152 Bamfield Road West Heidelberg Victoria 3081 Australia**  
(72) Name(s) of Designer(s): **Michael Sterling**  
(45) Registration Date: **20 December 2005**  
(56) Related Art Documents: **Not Applicable**  
(57) Statement of Newness and Distinctiveness: **Nil**



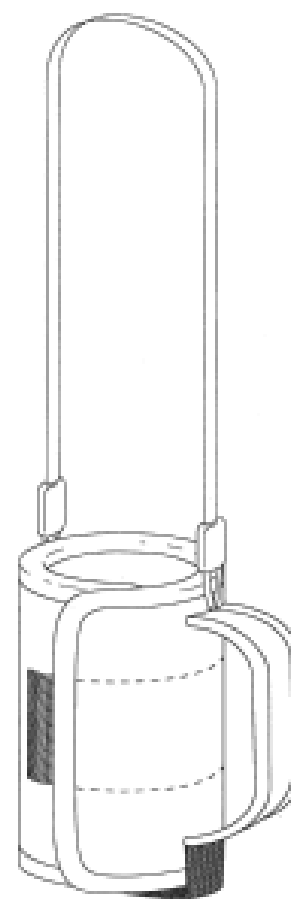
(21) Design Number: **14638/2004**  
(22) Date of Filing Application: **30 September 2004**  
(24) Date from which industrial property rights may have effect: **30 September 2004**  
(54) Product in respect of which the design is registered: **Canopy**  
(51) International Design Classification: **12-16NES**  
(71) Name(s) and Address(s) of Applicant(s):  
**Hugo Woof Pty Ltd**  
**No. 6 Darriwell Drive Mt Helen Victoria 3350 Australia**  
(72) Name(s) of Designer(s): **Tony Cluff**  
(45) Registration Date: **19 December 2005**  
(56) Related Art Documents: **Not Applicable**  
(57) Statement of Newness and Distinctiveness: **Nil**



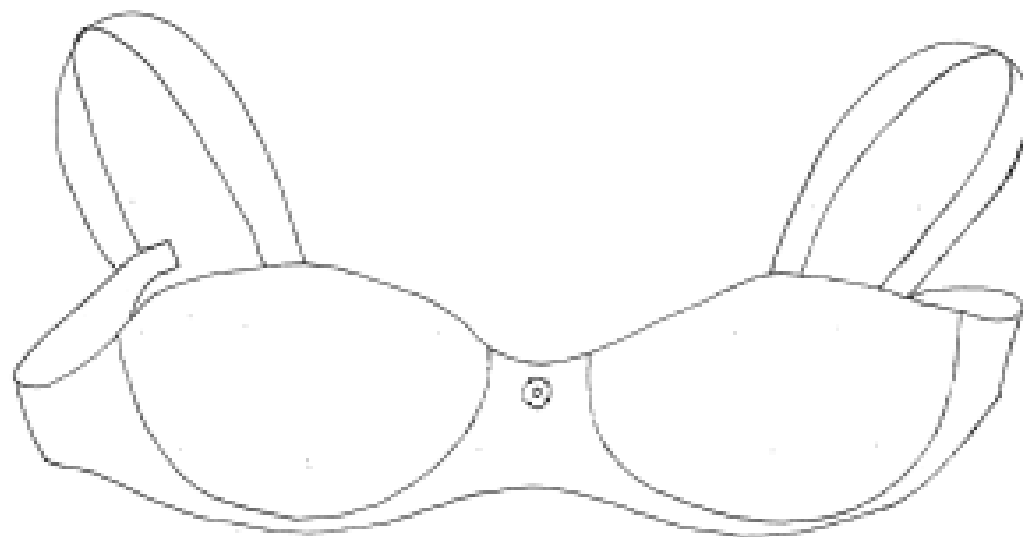
- (21) Design Number: **15224/2004**
- (22) Date of Filing Application: **10 November 2004**
- (24) Date from which industrial property rights may have effect: **10 November 2004**
- (54) Product in respect of which the design is registered: **Jacket**
- (51) International Design Classification: **02-02NES**
- (71) Name(s) and Address(s) of Applicant(s):  
**CTE Pty Ltd**  
**Cnr Sunshine Rd & McArthur St West Footscray Victoria 3012**  
**Australia**
- (72) Name(s) of Designer(s): **Chris Davis**
- (45) Registration Date: **19 December 2005**
- (56) Related Art Documents: **Not Applicable**
- (57) Statement of Newness and Distinctiveness: **Any person required to decide whether the design is substantially similar in overall impression to another design should have particular regard to the configuration and location of the apertures at the front of the jacket.**



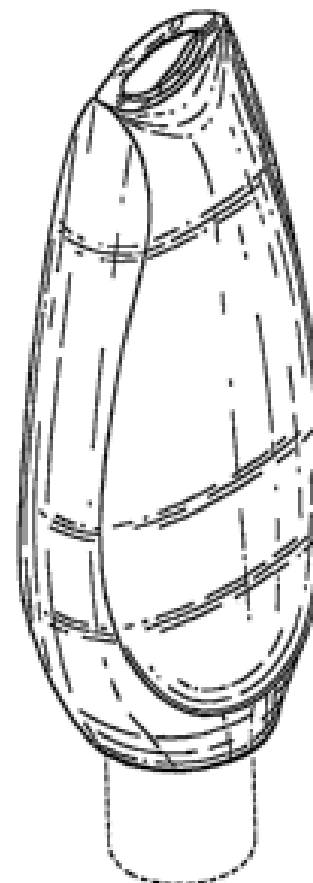
- (21) Design Number: **15601/2004**
- (22) Date of Filing Application: **03 December 2004**
- (24) Date from which industrial property rights may have effect: **03 December 2004**
- (54) Product in respect of which the design is registered: **Insulated drink holder**
- (51) International Design Classification: **07-07A**
- (71) Name(s) and Address(s) of Applicant(s):  
**Brucki Group Pty Ltd**  
**Unit 15 91-93 Manningham St Parkville Victoria 3052 Australia**
- (72) Name(s) of Designer(s): **Alex Brucki**
- (45) Registration Date: **19 December 2005**
- (56) Related Art Documents: **Not Applicable**
- (57) Statement of Newness and Distinctiveness: **Nil**



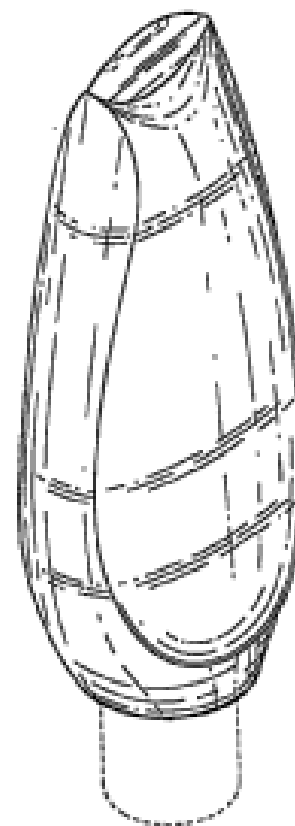
- (21) Design Number: **15642/2004**  
(22) Date of Filing Application: **06 December 2004**  
(24) Date from which industrial property rights may have effect: **06 December 2004**  
(54) Product in respect of which the design is registered: **Lingerie - (underwear)**  
(51) International Design Classification: **02-01A, 02-01B**  
(71) Name(s) and Address(s) of Applicant(s):  
**Clare Elizabeth Dand**  
**8A Dositia Place Heathridge Perth 6027 Western Australia Australia**  
(72) Name(s) of Designer(s): **Clare Elizabeth Dand**  
(45) Registration Date: **19 December 2005**  
(56) Related Art Documents: **Not Applicable**  
(57) Statement of Newness and Distinctiveness: **Newness and distinctiveness is claimed in the shape and/or configuration of a lingerie item as illustrated in the accompanying representation.**



- (21) Design Number: **15738/2004**  
(22) Date of Filing Application: **10 December 2004**  
(24) Date from which industrial property rights may have effect: **10 December 2004**  
(54) Product in respect of which the design is registered: **Container for domestic use such as shampoos, conditioners, hair colourants, moisturising solutions, detergents, etc**  
(51) International Design Classification: **09-01G**  
(71) Name(s) and Address(s) of Applicant(s):  
**The Procter & Gamble Company**  
**One Procter & Gamble Plaza Cincinnati Ohio 45202 United States of America**  
(72) Name(s) of Designer(s): **George Scott Kerr and William M. Winkler and Ares Marasligiller**  
(45) Registration Date: **19 December 2005**  
(56) Related Art Documents: **Not Applicable**  
(57) Statement of Newness and Distinctiveness: **Those visual feature(s) of the container that is/are new and distinctive is/are the shape and/or configuration. The cap shown in broken lines is not part of the design.**



- (21) Design Number: **12131/2005**  
(22) Date of Filing Application: **10 December 2004**  
(24) Date from which industrial property rights may have effect: **10 December 2004**  
(54) Product in respect of which the design is registered: **Container for domestic use such as shampoos, conditioners, hair colourants, moisturising solutions, detergents, etc**  
(51) International Design Classification: **09-01G, 28-99**  
(71) Name(s) and Address(s) of Applicant(s):  
**The Procter & Gamble Company**  
**One Procter & Gamble Plaza Cincinnati Ohio 45202 United States of America**  
(72) Name(s) of Designer(s): **George Scott Kerr and William M. Winkler and Ares Marasligiller**  
(45) Registration Date: **19 December 2005**  
(56) Related Art Documents: **Not Applicable**  
(57) Statement of Newness and Distinctiveness: **Those visual features of the containers that are new and distinctive are the shape and/or configuration. The cap shown in broken lines is not part of the design and should be disregarded when considering the overall impression of the design.**



- (21) Design Number: **12132/2005**  
(22) Date of Filing Application: **10 December 2004**  
(24) Date from which industrial property rights may have effect: **10 December 2004**  
(54) Product in respect of which the design is registered: **Container for domestic uses, such as shampoos, conditioners, hair colourants, moisturising solutions, detergents etc**  
(51) International Design Classification: **28-99, 09-01G**  
(71) Name(s) and Address(s) of Applicant(s):  
**The Procter & Gamble Company**  
**One Procter & Gamble Plaza Cincinnati Ohio 45202 United States of America**  
(72) Name(s) of Designer(s): **George Scott Kerr and William M. Winkler and Ares Marasligiller**  
(45) Registration Date: **19 December 2005**  
(56) Related Art Documents: **Not Applicable**  
(57) Statement of Newness and Distinctiveness: **Those visual features of the containers that are new and distinctive are the shape and/or configuration. The cap shown in broken lines is not part of the design and should be disregarded when considering the overall impression of the design.**

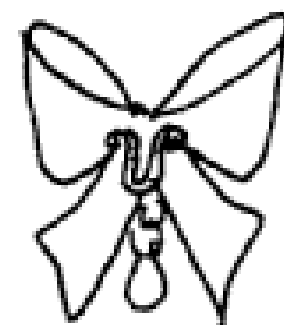
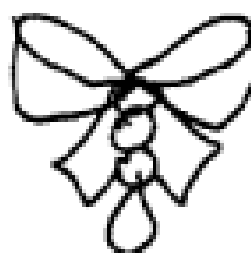




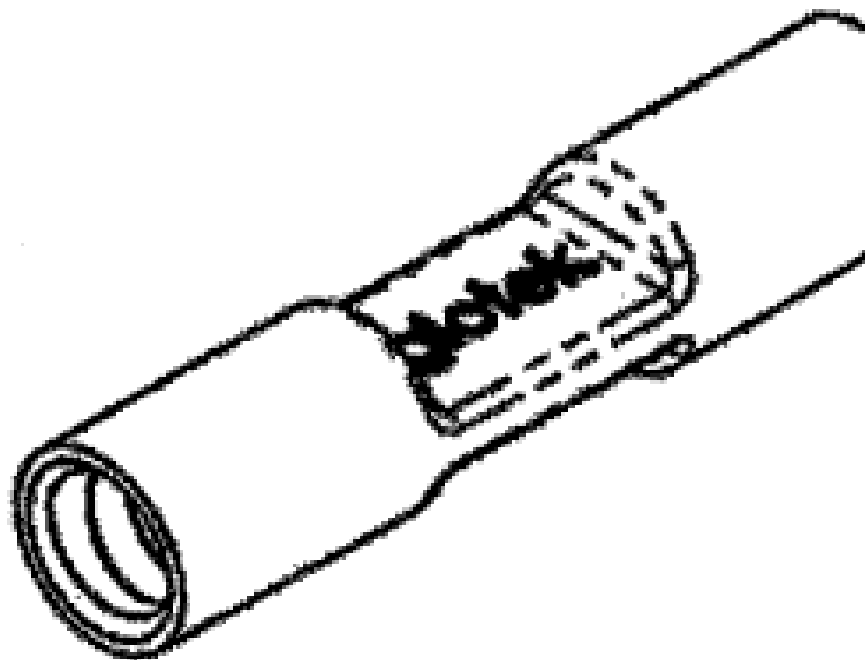
- (21) Design Number: **15930/2004**
- (22) Date of Filing Application: **22 December 2004**
- (24) Date from which industrial property rights may have effect: **22 December 2004**
- (54) Product in respect of which the design is registered: **A steam iron**
- (51) International Design Classification: **07-05A**
- (71) Name(s) and Address(s) of Applicant(s):  
**Sunbeam Corporation Limited**  
**Units 5 & 6 13 Lord Street Botany New South Wales 2019 Australia**
- (72) Name(s) of Designer(s): **Mark Thomas**
- (45) Registration Date: **19 December 2005**
- (56) Related Art Documents: **Not Applicable**
- (57) Statement of Newness and Distinctiveness: **Newness and distinctiveness in the design resides in the visual features of shape and configuration of the body of the steam iron. When considering whether the design is substantially similar in overall impression to another design, regard is not to be given to the pattern of apertures located on the soleplate.**



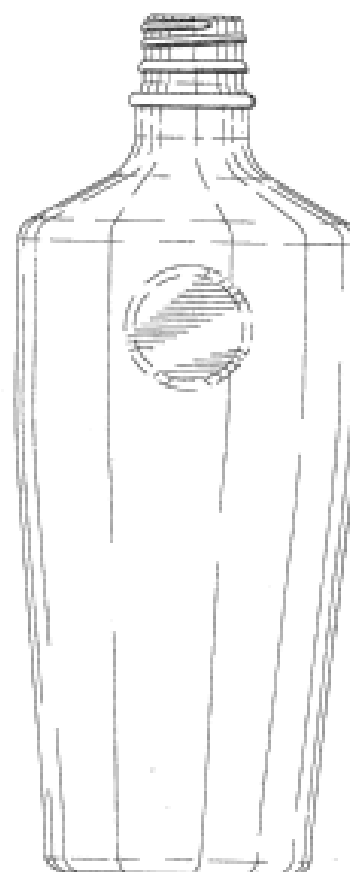
- (21) Design Number: **10129/2005**
- (22) Date of Filing Application: **17 January 2005**
- (24) Date from which industrial property rights may have effect: **17 January 2005**
- (54) Product in respect of which the design is registered: **Detachable accessory**
- (51) International Design Classification: **05-04**
- (71) Name(s) and Address(s) of Applicant(s):  
**Clare Elizabeth Dand**  
**8A Dosinia Place Heathridge Perth 6027 Western Australia Australia**
- (72) Name(s) of Designer(s): **Clare Elizabeth Dand**
- (45) Registration Date: **19 December 2005**
- (56) Related Art Documents: **Not Applicable**
- (57) Statement of Newness and Distinctiveness: **Newness and distinctiveness is claimed in the shape and/or configuration of a detachable accessory as illustrated in the accompanying representations.**



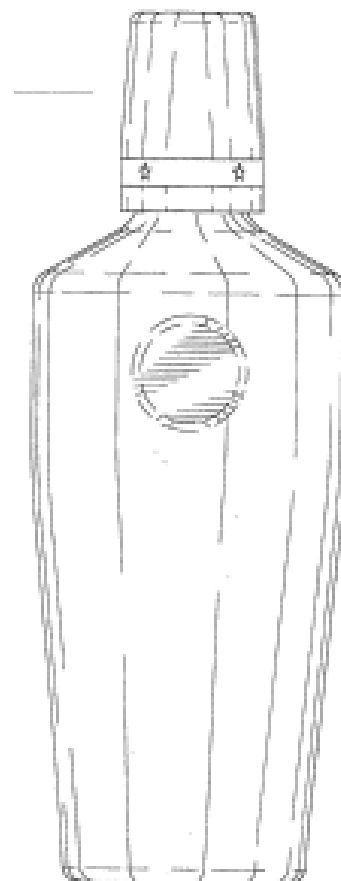
- (21) Design Number: **10179/2005**  
(22) Date of Filing Application: **19 January 2005**  
(24) Date from which industrial property rights may have effect: **19 January 2005**  
(54) Product in respect of which the design is registered: **This connector is designed to join our glow bracelets/wristbands**  
(51) International Design Classification: **11-01B**  
(71) Name(s) and Address(s) of Applicant(s):  
**Glowstix Australia Pty Ltd**  
**Unit 7 4 Whitehead Court Glendenning NSW 2761 Australia**  
(72) Name(s) of Designer(s): **Paul Cohen and Norman Nassif**  
(45) Registration Date: **19 December 2005**  
(56) Related Art Documents: **Not Applicable**  
(57) Statement of Newness and Distinctiveness: **This new connector design consists of a flat mid section as opposed to the standard cylindrical shape. We have also designed an internal thread that will grip the bracelet when it is inserted at either end of the connector.**



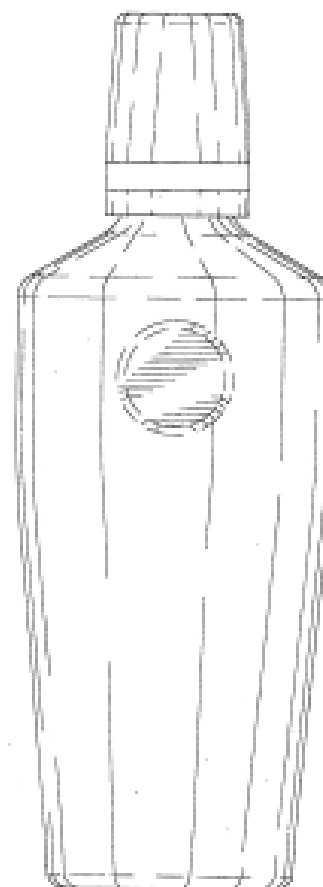
- (21) Design Number: **10262/2005**  
(22) Date of Filing Application: **27 January 2005**  
(24) Date from which industrial property rights may have effect: **27 January 2005**  
(54) Product in respect of which the design is registered: **Bottle**  
(51) International Design Classification: **09-01NES**  
(71) Name(s) and Address(s) of Applicant(s):  
**Jim Beam Brands Co.**  
**510 Lake Cook Road Deerfield IL 60015 United States of America**  
**Starbucks Corporation**  
**2401 Utah Avenue South Seattle WA 98134 United States of America**  
(72) Name(s) of Designer(s): **Ronald Dale Nix and Sam Ciulla and Lori Cerwin and Scott Hardy and Peter Chun and George Nukuto and Vincent H. Bowman**  
(45) Registration Date: **19 December 2005**  
(30) Convention priority data:  
(31) Number (32) Date (33) Country  
**29/210,383 30 Jul 2004 UNITED STATES OF AMERICA**  
(56) Related Art Documents: **Not Applicable**  
(57) Statement of Newness and Distinctiveness: **Nil**



- (21) Design Number: **13558/2005**  
(22) Date of Filing Application: **27 January 2005**  
(24) Date from which industrial property rights may have effect: **27 January 2005**  
(54) Product in respect of which the design is registered: **cap for bottle**  
(51) International Design Classification: **09-07C**  
(71) Name(s) and Address(s) of Applicant(s):  
    **Jim Beam Brands Co.**  
    **510 Lake Cook Road Deerfield IL 60015 United States of America**  
    **Starbucks Corporation**  
    **2401 Utah Avenue South Seattle WA 98134 United States of America**  
(72) Name(s) of Designer(s): **Ronald Dale Nix and Sam Ciulla and Lori Cerwin and Scott Hardy and Peter Chun and George Nukuto and Vincent H. Bowman**  
(45) Registration Date: **19 December 2005**  
(30) Convention priority data:  
    (31) Number      (32) Date      (33) Country  
    **29/210,383      30 Jul 2004      UNITED STATES OF AMERICA**  
(56) Related Art Documents: **Not Applicable**  
(57) Statement of Newness and Distinctiveness: **Nil**



- (21) Design Number: **13559/2005**  
(22) Date of Filing Application: **27 January 2005**  
(24) Date from which industrial property rights may have effect: **27 January 2005**  
(54) Product in respect of which the design is registered: **Cap for bottle**  
(51) International Design Classification: **09-07C**  
(71) Name(s) and Address(s) of Applicant(s):  
    **Jim Beam Brands Co.**  
    **510 Lake Cook Road Deerfield IL 60015 United States of America**  
    **Starbucks Corporation**  
    **2401 Utah Avenue South Seattle WA 98134 United States of America**  
(72) Name(s) of Designer(s): **Ronald Dale Nix and Sam Ciulla and Lori Cerwin and Scott Hardy and Peter Chun and George Nukuto and Vincent H. Bowman**  
(45) Registration Date: **19 December 2005**  
(30) Convention priority data:  
    (31) Number      (32) Date      (33) Country  
    **29/210,383      30 Jul 2004      UNITED STATES OF AMERICA**  
(56) Related Art Documents: **Not Applicable**  
(57) Statement of Newness and Distinctiveness: **Nil**



(21) Design Number: **10698/2005**

(22) Date of Filing Application: **23 February 2005**

(24) Date from which industrial property rights may have effect: **23 February 2005**

(54) Product in respect of which the design is registered: **Magnetic bottle opener**

(51) International Design Classification: **07-06D**

(71) Name(s) and Address(s) of Applicant(s):

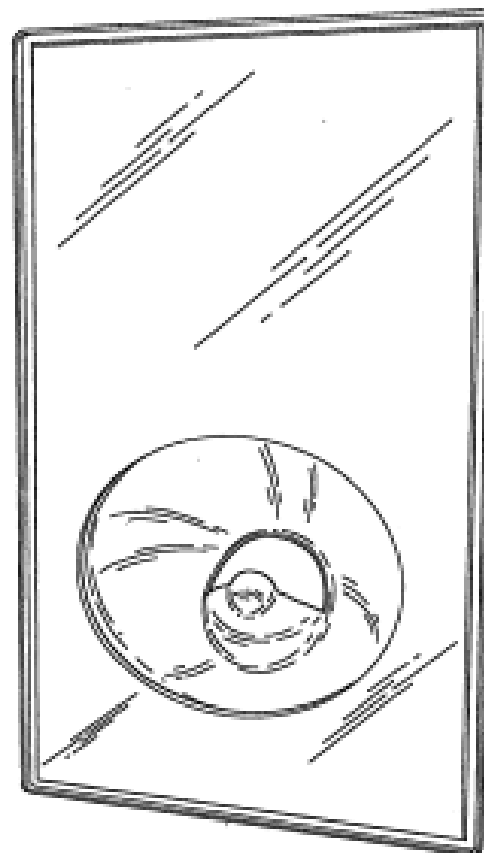
**Revolution Corporation Pty Ltd  
47-51 Doggett Street Fortitude Valley Queensland 4006 Australia**

(72) Name(s) of Designer(s): **Gordon McCone**

(45) Registration Date: **19 December 2005**

(56) Related Art Documents: **Not Applicable**

(57) Statement of Newness and Distinctiveness: **Monopoly is claimed in the shape and configuration of a magnetic bottle opener as shown in the accompanying representations. Novelty resides in the shape and configuration of the bottle-opening aperture and the peripheral groove about the rear face.**



(21) Design Number: **10874/2005**

(22) Date of Filing Application: **08 March 2005**

(24) Date from which industrial property rights may have effect: **08 March 2005**

(54) Product in respect of which the design is registered: **Drinking fountains**

(51) International Design Classification: **23-01NES**

(71) Name(s) and Address(s) of Applicant(s):

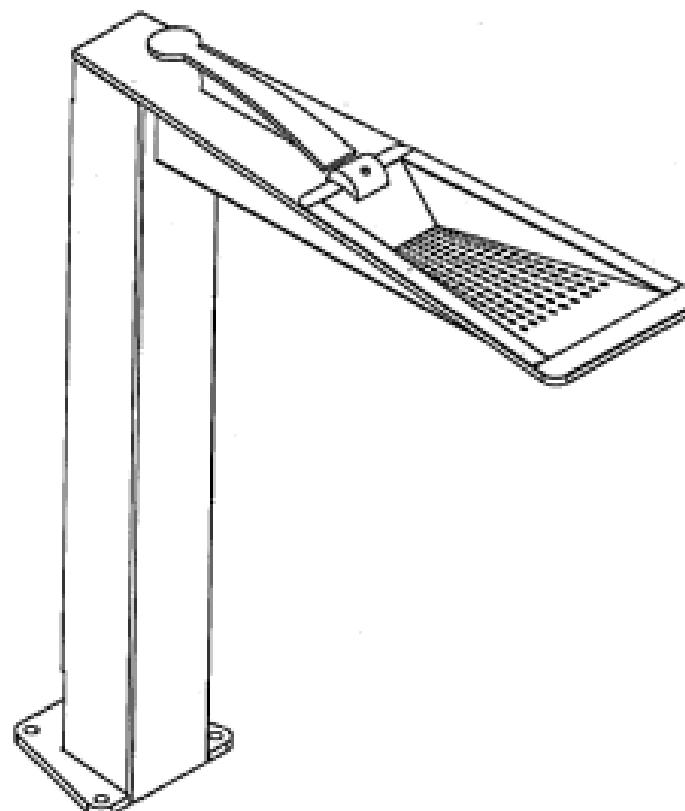
**David Shaw  
27 Roger's Street West End Queensland 4101 Australia**

(72) Name(s) of Designer(s): **David Shaw**

(45) Registration Date: **19 December 2005**

(56) Related Art Documents: **Not Applicable**

(57) Statement of Newness and Distinctiveness: **Monopoly is claimed in the shape and configuration of a drinking fountain as illustrated in the accompanying representations.**



(21) Design Number: **10876/2005**

(22) Date of Filing Application: **07 March 2005**

(24) Date from which industrial property rights may have effect: **07 March 2005**

(54) Product in respect of which the design is registered: **A barbecue**

(51) International Design Classification: **07-02E**

(71) Name(s) and Address(s) of Applicant(s):

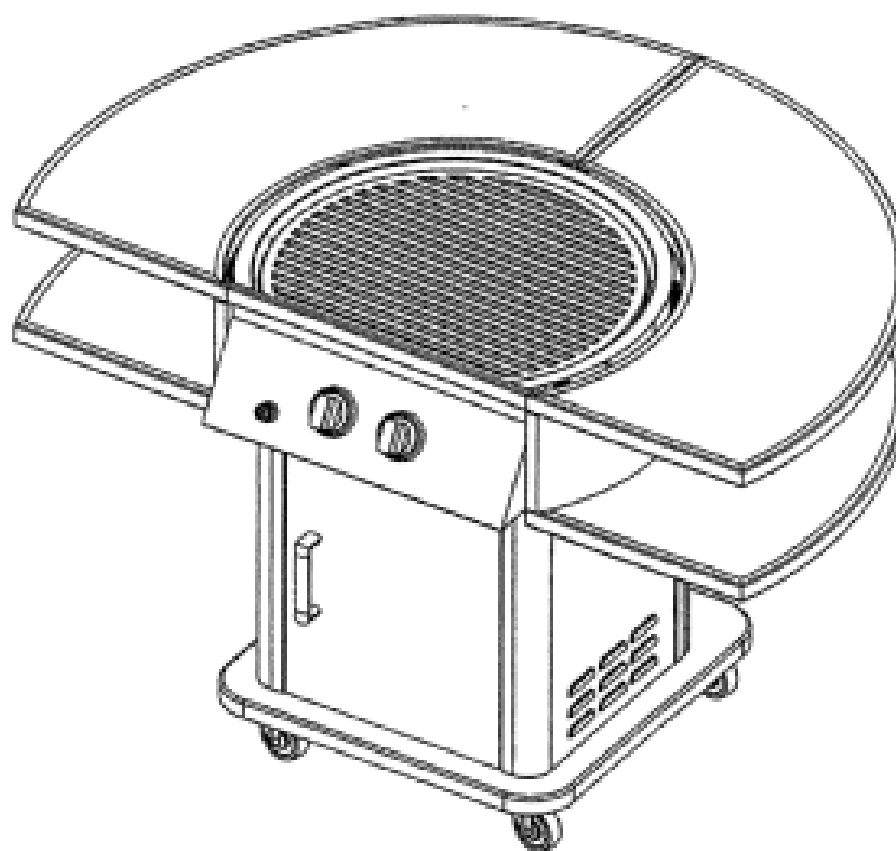
**Test Rite International (Australia) Pty Ltd  
Unit 1 10 Anella Avenue Castle Hill New South Wales 2154 Australia**

(72) Name(s) of Designer(s): **Lin Shun and (Jackie) Tseng Chui Meng**

(45) Registration Date: **19 December 2005**

(56) Related Art Documents: **Not Applicable**

(57) Statement of Newness and Distinctiveness: **Newness and distinctiveness resides in the shape and/or configuration of the barbecue as illustrated in the accompanying drawings.**



(21) Design Number: **11035/2005**

(22) Date of Filing Application: **16 March 2005**

(24) Date from which industrial property rights may have effect: **16 March 2005**

(54) Product in respect of which the design is registered: **Calculator**

(51) International Design Classification: **14-02**

(71) Name(s) and Address(s) of Applicant(s):

**Pi-Design AG  
Kantonsstrasse 100 Postfach 463 CH-6234 Triengen Switzerland**

(72) Name(s) of Designer(s): **Jorgen Bodum**

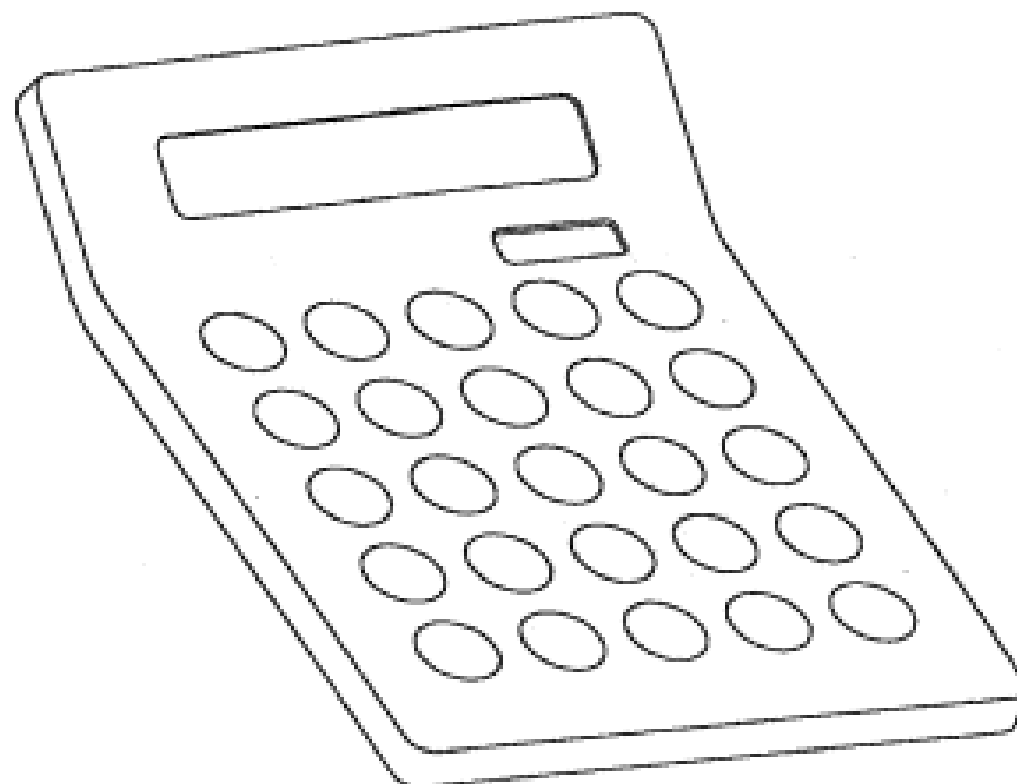
(45) Registration Date: **19 December 2005**

(30) Convention priority data:

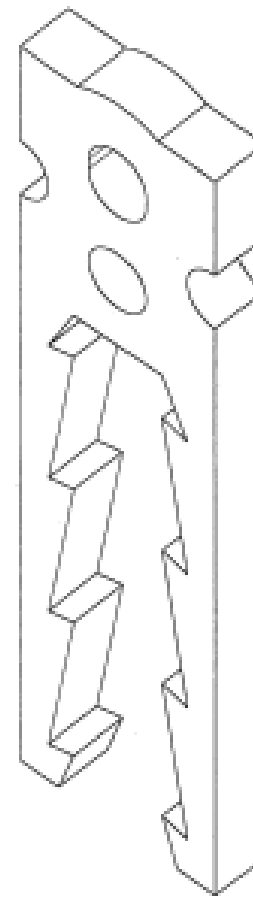
(31) Number	(32) Date	(33) Country
<b>DA 2004 00289</b>	<b>16 Sep 2004</b>	<b>DENMARK</b>

(56) Related Art Documents: **Not Applicable**

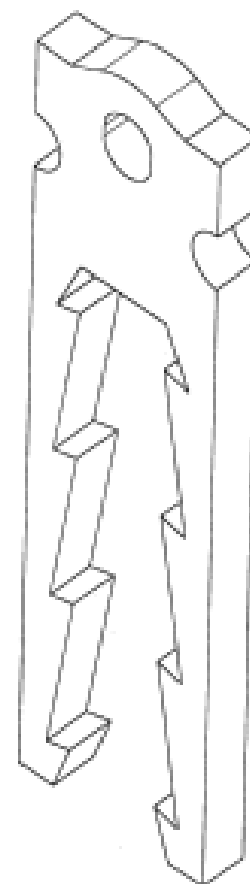
(57) Statement of Newness and Distinctiveness: **The following visual features of the design, are new and distinctive (a) the convex circular shape of the keys on the main part of the keypad; and (b) the four small round knobs elevating the flat bottom plate.**



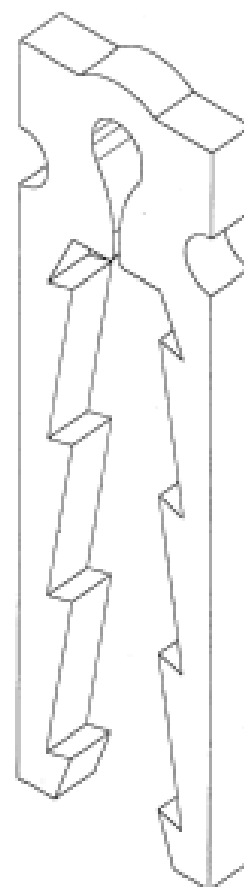
- (21) Design Number: **12057/2005**
- (22) Date of Filing Application: **09 May 2005**
- (24) Date from which industrial property rights may have effect: **09 May 2005**
- (54) Product in respect of which the design is registered: **A lifting anchor**
- (51) International Design Classification: **25-01B**
- (71) Name(s) and Address(s) of Applicant(s):  
**Cetram Pty Limited**  
**3 Chester Street Oakleigh Victoria 3166 Australia**
- (72) Name(s) of Designer(s): **Geoff Fletcher and Robert Urquhart Connell**
- (45) Registration Date: **19 December 2005**
- (56) Related Art Documents: **Not Applicable**
- (57) Statement of Newness and Distinctiveness: **Nil corresponds); and Figure 2 is a perspective view from one side (view from other side corresponds).**



- (21) Design Number: **12058/2005**
- (22) Date of Filing Application: **09 May 2005**
- (24) Date from which industrial property rights may have effect: **09 May 2005**
- (54) Product in respect of which the design is registered: **A lifting anchor**
- (51) International Design Classification: **25-01B**
- (71) Name(s) and Address(s) of Applicant(s):  
**Cetram Pty Limited**  
**3 Chester Street Oakleigh Victoria 3166 Australia**
- (72) Name(s) of Designer(s): **Geoff Fletcher and Robert Urquhart Connell**
- (45) Registration Date: **19 December 2005**
- (56) Related Art Documents: **Not Applicable**
- (57) Statement of Newness and Distinctiveness: **Nil corresponds); and Figure 2 is a perspective view from one side (view from other side corresponds).**



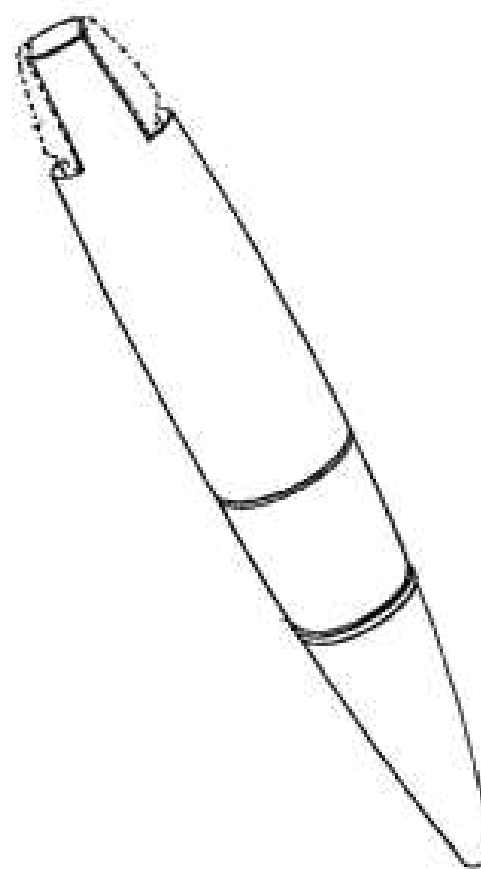
- (21) Design Number: **12059/2005**  
(22) Date of Filing Application: **09 May 2005**  
(24) Date from which industrial property rights may have effect: **09 May 2005**  
(54) Product in respect of which the design is registered: **A lifting anchor**  
(51) International Design Classification: **25-01B**  
(71) Name(s) and Address(s) of Applicant(s):  
**Cetram Pty Limited**  
**3 Chester Street Oakleigh Victoria 3166 Australia**  
(72) Name(s) of Designer(s): **Geoff Fletcher and Robert Urquhart Connell**  
(45) Registration Date: **19 December 2005**  
(56) Related Art Documents: **Not Applicable**  
(57) Statement of Newness and Distinctiveness: **Nil corresponds); and Figure 2 is a perspective view from one side (view from other side corresponds).**



- (21) Design Number: **12204/2005**  
(22) Date of Filing Application: **17 May 2005**  
(24) Date from which industrial property rights may have effect: **17 May 2005**  
(54) Product in respect of which the design is registered: **Cosmetic case**  
(51) International Design Classification: **28-03NES**  
(71) Name(s) and Address(s) of Applicant(s):  
**E-L Management Corporation**  
**767 Fifth Avenue New York New York 10153 United States of America**  
(72) Name(s) of Designer(s): **Herve F. Bouix and Anne Carullo**  
(45) Registration Date: **19 December 2005**  
(30) Convention priority data:  

(31) Number	(32) Date	(33) Country
<b>29/218,007</b>	<b>24 Nov 2004</b>	<b>UNITED STATES OF AMERICA</b>

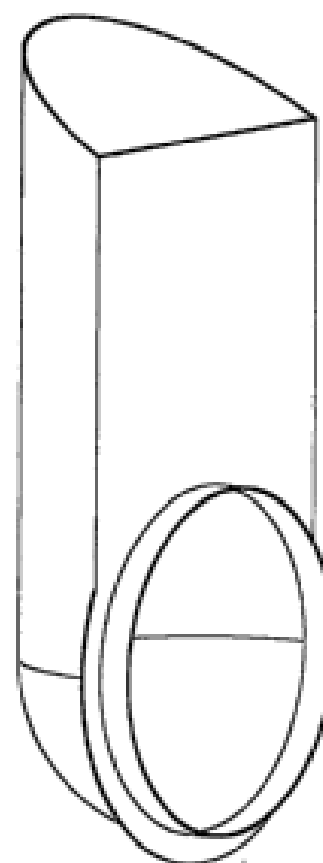
  
(56) Related Art Documents: **Not Applicable**  
(57) Statement of Newness and Distinctiveness: **Those features of the cosmetic case depicted in the representations that are new and distinctive are the shape and/or configuration. The features shown in broken lines do not form part of the design and should be disregarded when considering the overall impression of the design.**



- (21) Design Number: **12254/2005**  
(22) Date of Filing Application: **19 May 2005**  
(24) Date from which industrial property rights may have effect: **19 May 2005**  
(54) Product in respect of which the design is registered: **Standard petro/chemical wraptanks varying in storage capacity from 1,000 to approx 150,000 litres**  
(51) International Design Classification: **23-01F**  
(71) Name(s) and Address(s) of Applicant(s):  
**Diverse Tank Engineering Pty Ltd**  
**11 Erceg Road Yangebup Western Australia 6164 Australia**  
(72) Name(s) of Designer(s): **Dino Ziccardi and Gino Ziccardi**  
(45) Registration Date: **19 December 2005**  
(56) Related Art Documents: **Not Applicable**  
(57) Statement of Newness and Distinctiveness: **Diverse Tank Engineering's self bunded wraptank is new and distinct in its design due to the following: (1) The containment cowling on the front of the tank is designed to house the filling and dispensing equipment, and electrical switchboards allowing easy access for the end user and the containment cowling is also designed to act as a containment sump to collect any accidental spillage from filling or dispensing equipment. (2) The spill containment box situated on top of the tank houses the overfill protection unit, anti siphon valves and pipework and allows easy access for maintenance of these units. (3) The tank is manufactured so that the interstitial space between the primary and external tank shells are able to be monitored for leakage.(4) The cradles are designed that the tanks are able to be loaded and held down without any damage to exterior of tank. (5) Orientation of tank fittings are designed in such a way that they allow easy access for the end user from the ladder and platform.**

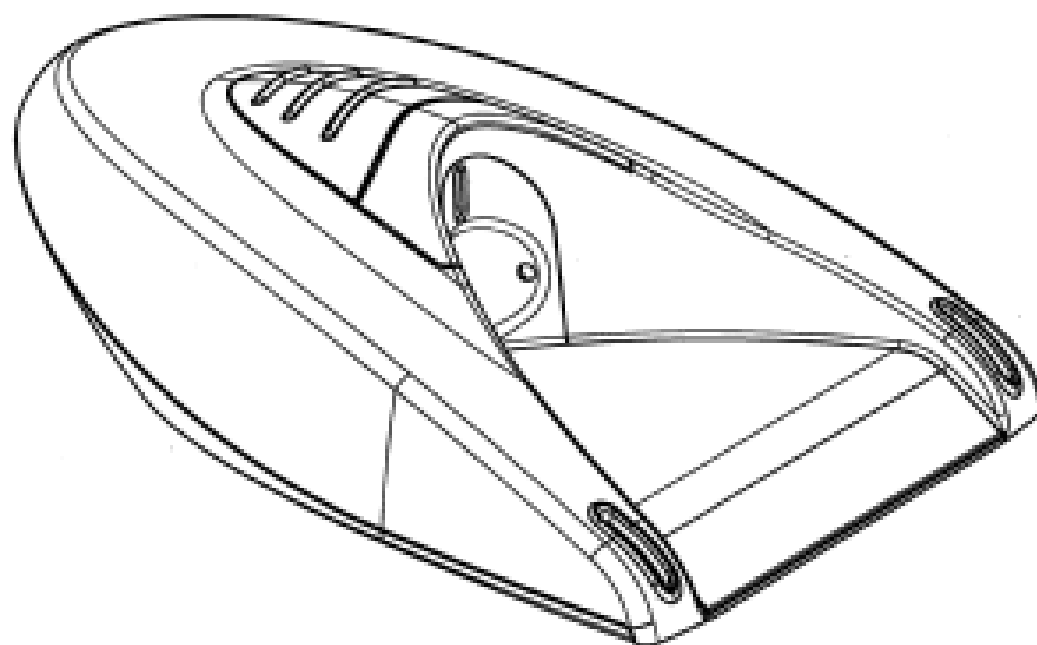


- (21) Design Number: **12276/2005**  
(22) Date of Filing Application: **24 May 2005**  
(24) Date from which industrial property rights may have effect: **24 May 2005**  
(54) Product in respect of which the design is registered: **Agricultural sprayer**  
(51) International Design Classification: **15-03A**  
(71) Name(s) and Address(s) of Applicant(s):  
**Silvan Australia Pty Ltd**  
**89 Lewis Road Wantirna South Victoria 3152 Australia**  
(72) Name(s) of Designer(s): **Leighton J. O'Rielly**  
(45) Registration Date: **19 December 2005**  
(56) Related Art Documents: **Not Applicable**  
(57) Statement of Newness and Distinctiveness: **Nil**

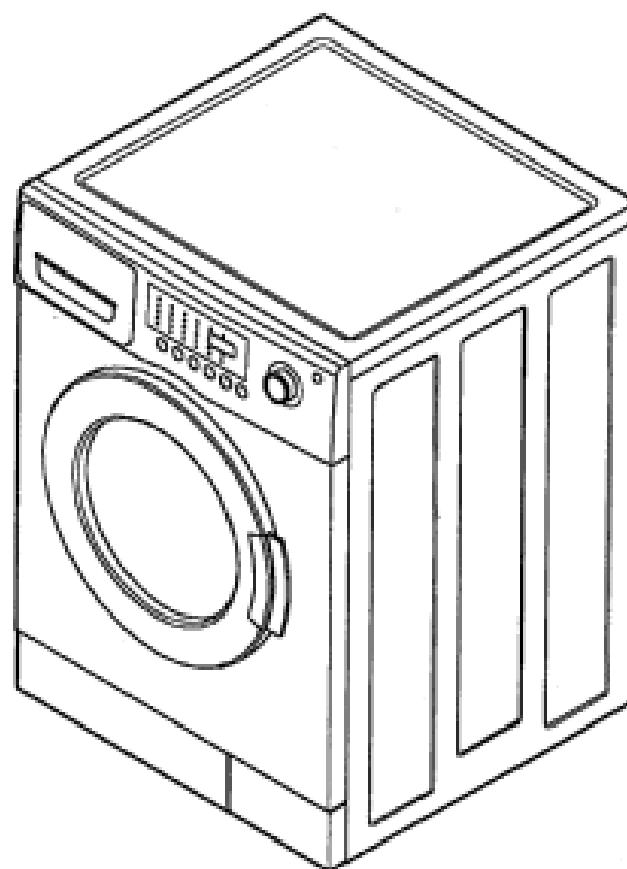




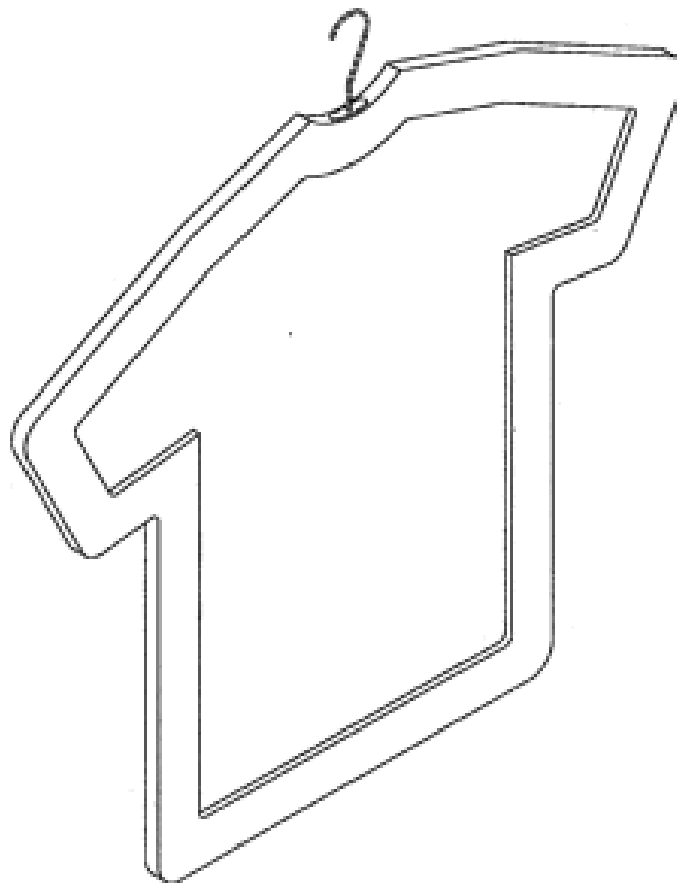
(21) Design Number: **12390/2005**  
(22) Date of Filing Application: **02 June 2005**  
(24) Date from which industrial property rights may have effect: **02 June 2005**  
(54) Product in respect of which the design is registered: **Putting practice device**  
(51) International Design Classification: **21-02C**  
(71) Name(s) and Address(s) of Applicant(s):  
**D & B Wholesale Pty Ltd**  
**13 Paran Place Glen Iris Victoria 3146 Australia**  
(72) Name(s) of Designer(s): **Marc Fraser**  
(45) Registration Date: **19 December 2005**  
(56) Related Art Documents: **Not Applicable**  
(57) Statement of Newness and Distinctiveness: **Nil**



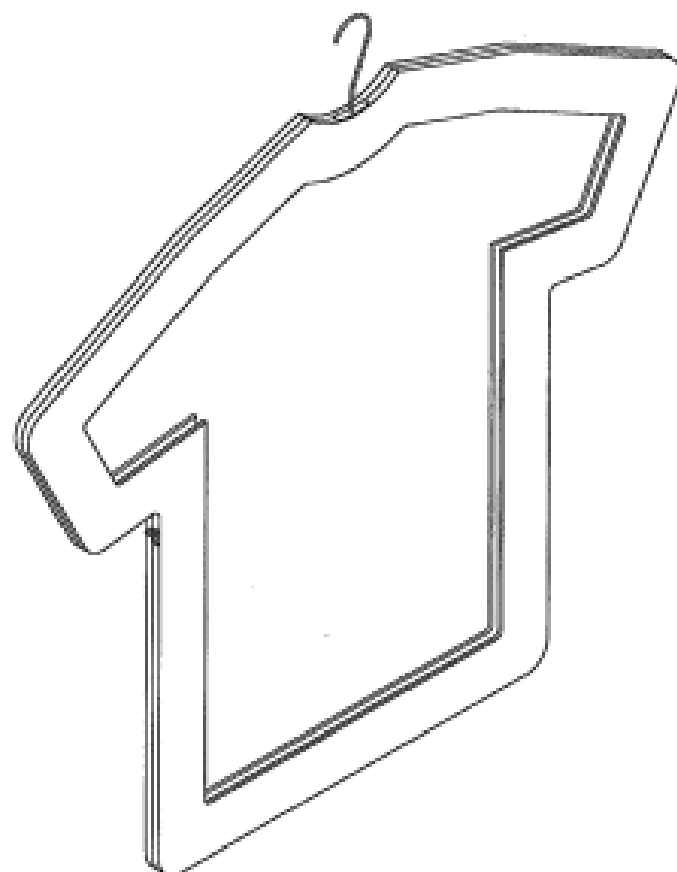
(21) Design Number: **12412/2005**  
(22) Date of Filing Application: **03 June 2005**  
(24) Date from which industrial property rights may have effect: **03 June 2005**  
(54) Product in respect of which the design is registered: **Drum-type washing machine**  
(51) International Design Classification: **15-05**  
(71) Name(s) and Address(s) of Applicant(s):  
**Samsung Electronics Co., Ltd**  
**416 Maetan-Dong Yeongtong-Gu Suwon-City Kyungki-Do Republic of Korea**  
(72) Name(s) of Designer(s): **Gyoo Sang Choi**  
(45) Registration Date: **19 December 2005**  
(30) Convention priority data:  
(31) Number (32) Date (33) Country  
**30-2005-0013988 27 Apr 2005 REPUBLIC OF KOREA**  
(56) Related Art Documents: **Not Applicable**  
(57) Statement of Newness and Distinctiveness: **Nil**



- (21) Design Number: **12416/2005**
- (22) Date of Filing Application: **03 June 2005**
- (24) Date from which industrial property rights may have effect: **03 June 2005**
- (54) Product in respect of which the design is registered: **Frame for a T-shirt**
- (51) International Design Classification: **06-08**
- (71) Name(s) and Address(s) of Applicant(s):  
**Cedge, Inc.**  
**1-5-601 Kamirenjaku 1-chome Mitaka-shi Tokyo Japan**
- (72) Name(s) of Designer(s): **Yuji Kamioka**
- (45) Registration Date: **19 December 2005**
- (56) Related Art Documents: **Not Applicable**
- (57) Statement of Newness and Distinctiveness: **Each feature of the design shown in solid lines considered separately or in combination with any other feature or features.**

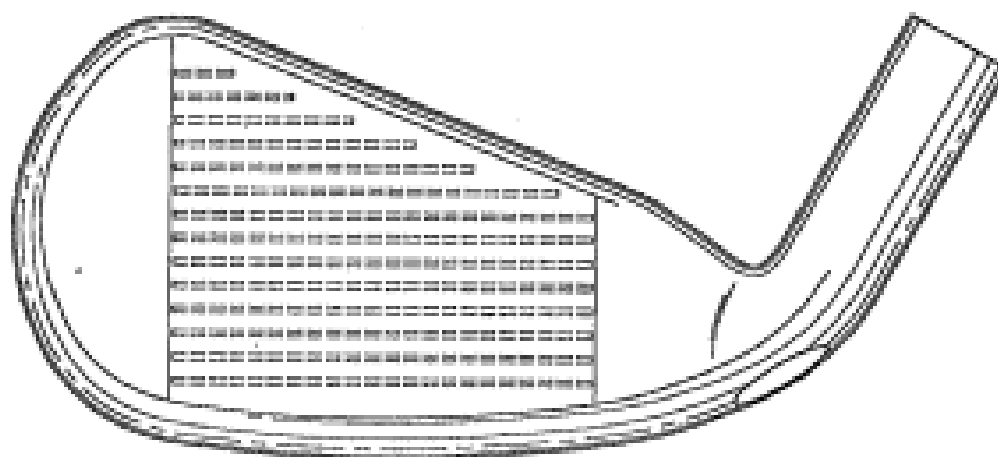


- (21) Design Number: **12417/2005**
- (22) Date of Filing Application: **03 June 2005**
- (24) Date from which industrial property rights may have effect: **03 June 2005**
- (54) Product in respect of which the design is registered: **Frame for a T-shirt**
- (51) International Design Classification: **06-08**
- (71) Name(s) and Address(s) of Applicant(s):  
**Cedge, Inc.**  
**1-5-601 Kamirenjaku 1-chome Mitaka-shi Tokyo Japan**
- (72) Name(s) of Designer(s): **Yuji Kamioka**
- (45) Registration Date: **19 December 2005**
- (56) Related Art Documents: **Not Applicable**
- (57) Statement of Newness and Distinctiveness: **Each feature of the design shown in solid lines considered separately or in combination with any other feature or features.**

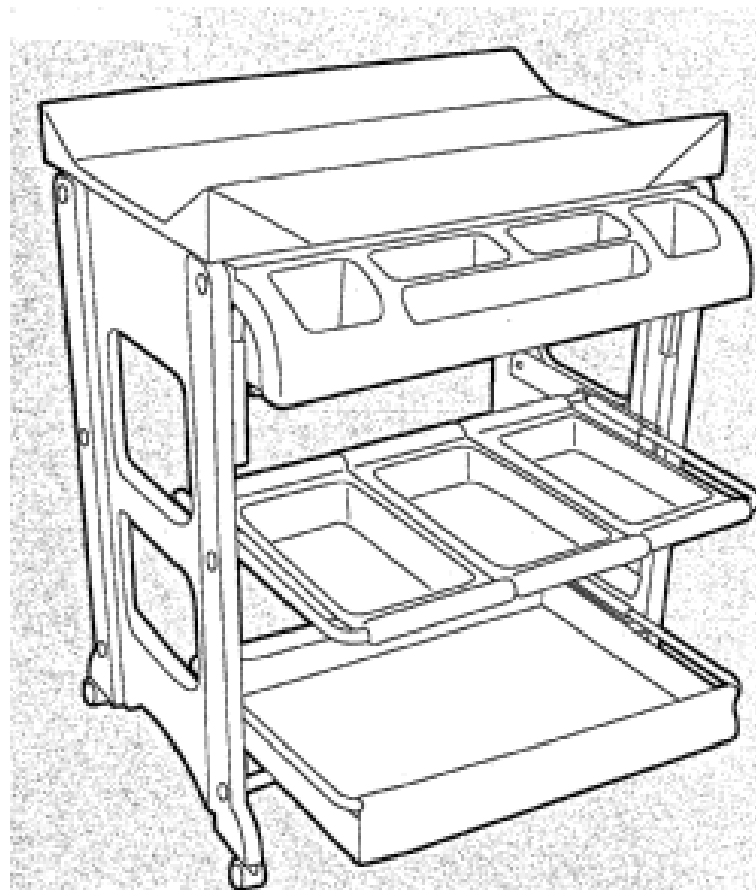


- (21) Design Number: **12462/2005**
- (22) Date of Filing Application: **07 June 2005**
- (24) Date from which industrial property rights may have effect: **07 June 2005**
- (54) Product in respect of which the design is registered: **Iron-type golf club head**
- (51) International Design Classification: **21-02C**
- (71) Name(s) and Address(s) of Applicant(s):  
**Callaway Golf Company**  
**2180 Rutherford Road Carlsbad California 92008 United States of America**
- (72) Name(s) of Designer(s): **Roger Cleveland and Augustin W. Rollinson and Luke R. Williams**
- (45) Registration Date: **19 December 2005**
- (30) Convention priority data:  

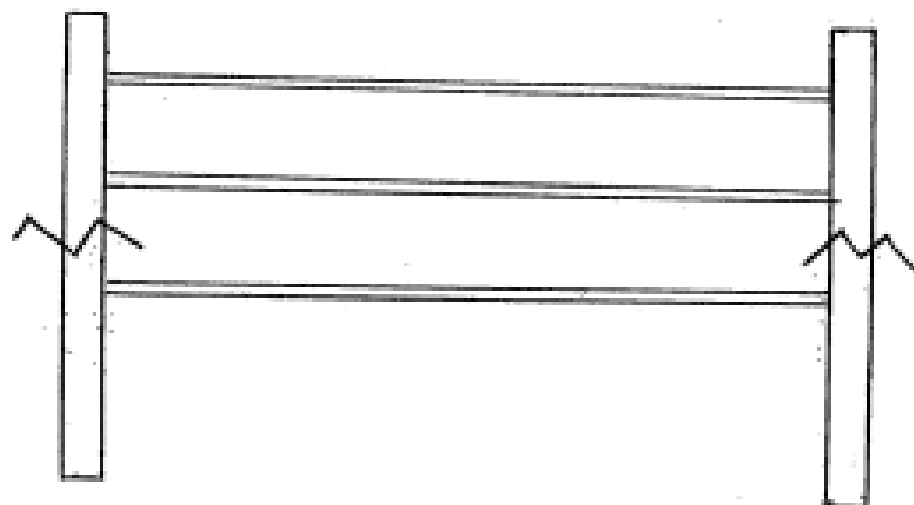
(31) Number	(32) Date	(33) Country
<b>29/218839</b>	<b>07 Dec 2004</b>	<b>UNITED STATES OF AMERICA</b>
- (56) Related Art Documents: **Not Applicable**
- (57) Statement of Newness and Distinctiveness: **Newness and distinctiveness is claimed in the features of shape and/or configuration of an iron-type golf club head as illustrated in the accompanying representations.**



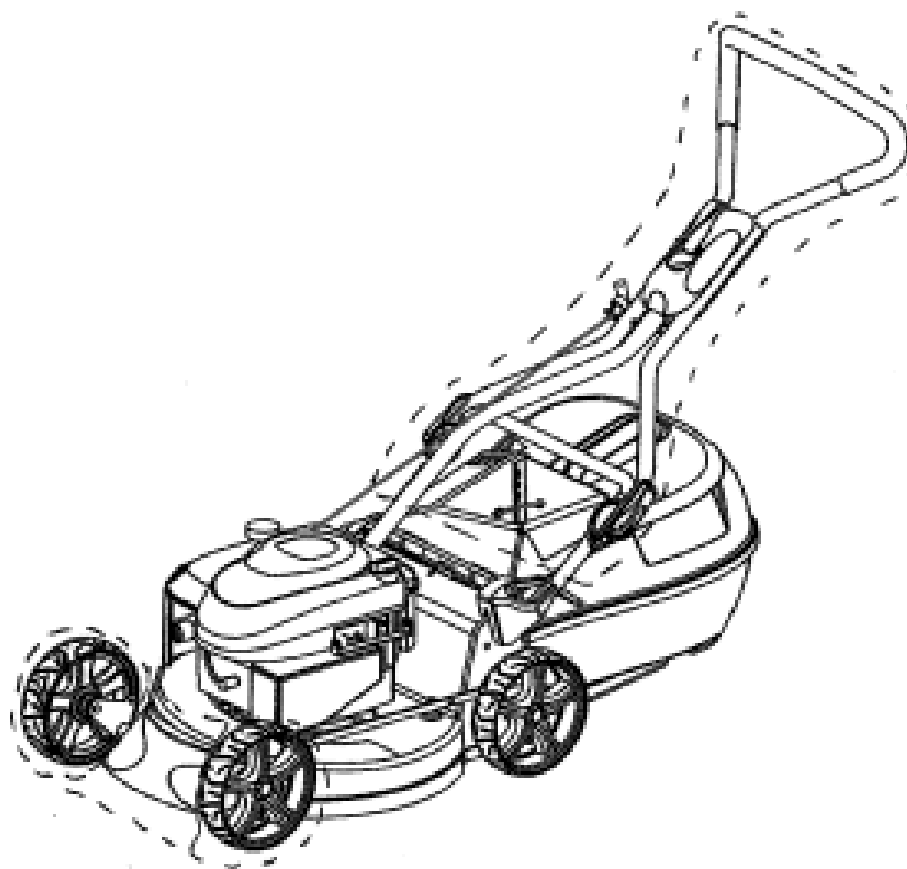
- (21) Design Number: **12484/2005**
- (22) Date of Filing Application: **09 June 2005**
- (24) Date from which industrial property rights may have effect: **09 June 2005**
- (54) Product in respect of which the design is registered: **Baby changetable with slide out shelves**
- (51) International Design Classification: **06-03NES**
- (71) Name(s) and Address(s) of Applicant(s):  
**James Richard Horsfall**  
**110 Old Bathurst Road Emu Plains NSW 2750 Australia**
- (72) Name(s) of Designer(s): **James Richard Horsfall**
- (45) Registration Date: **19 December 2005**
- (56) Related Art Documents: **Not Applicable**
- (57) Statement of Newness and Distinctiveness: **The new features of the design are the shape and configuration of the slide out storage shelves.**



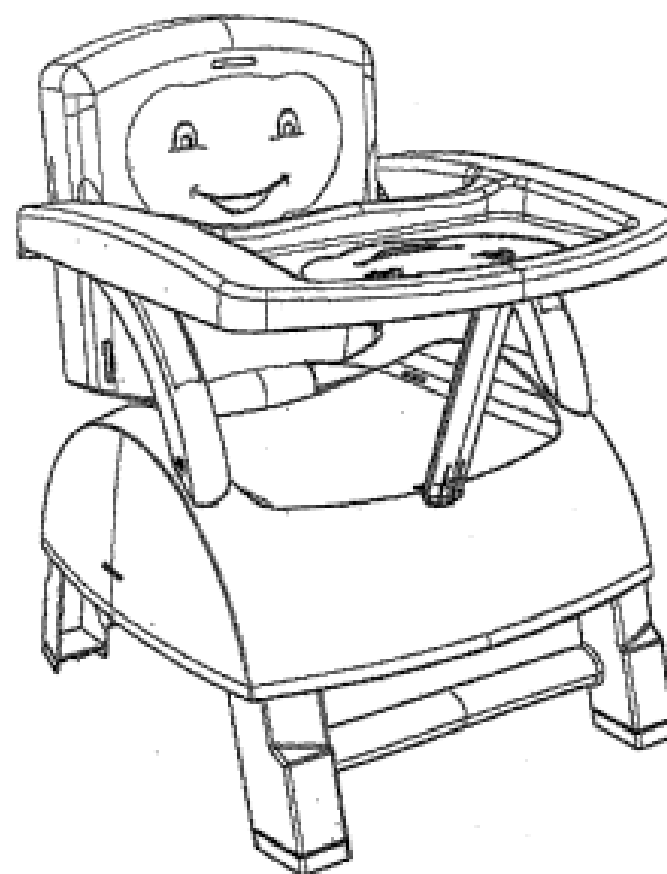
- (21) Design Number: **12485/2005**  
(22) Date of Filing Application: **09 June 2005**  
(24) Date from which industrial property rights may have effect: **09 June 2005**  
(54) Product in respect of which the design is registered: **Door gate extension**  
(51) International Design Classification: **25-02B, 25-02C**  
(71) Name(s) and Address(s) of Applicant(s):  
**James Richard Horsfall**  
**110 Old Bathurst Road Emu Plains NSW 2750 Australia**  
(72) Name(s) of Designer(s): **James Richard Horsfall**  
(45) Registration Date: **19 December 2005**  
(56) Related Art Documents: **Not Applicable**  
(57) Statement of Newness and Distinctiveness: **I do not wish to identify a particular feature of the design as new and distinctive.**



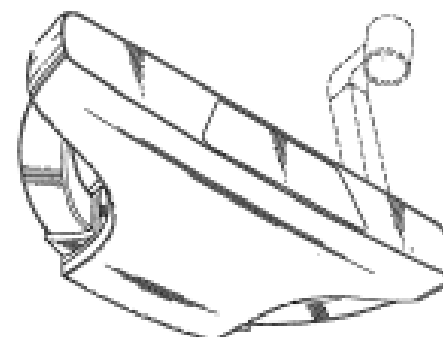
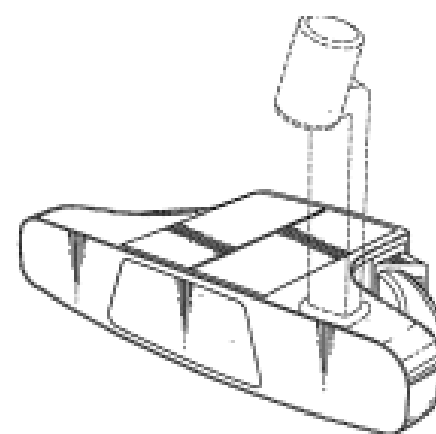
- (21) Design Number: **12500/2005**  
(22) Date of Filing Application: **23 April 2004**  
(24) Date from which industrial property rights may have effect: **23 April 2004**  
(54) Product in respect of which the design is registered: **A lawn mower**  
(51) International Design Classification: **15-03B**  
(71) Name(s) and Address(s) of Applicant(s):  
**Masport Limited**  
**1-37 Mt Wellington Highway Auckland New Zealand**  
(72) Name(s) of Designer(s): **David Ian McKay**  
(45) Registration Date: **19 December 2005**  
(56) Related Art Documents: **Not Applicable**  
(57) Statement of Newness and Distinctiveness: **The newness and distinctiveness claimed for the designs resides in the features of shape and/or configuration all as shown in the representations and in the features of shape and/or configuration of each of the portions enclosed in broken lines, being the wheels, the handle and air intake assembly, the front portion of the housing and the side portion of the housing.**



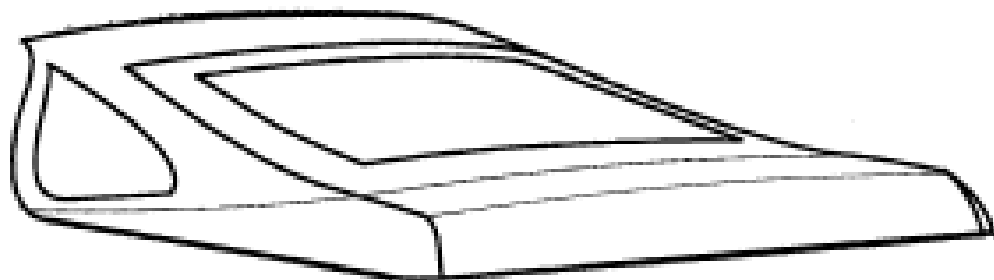
(21) Design Number: **12533/2005**  
 (22) Date of Filing Application: **14 June 2005**  
 (24) Date from which industrial property rights may have effect: **14 June 2005**  
 (54) Product in respect of which the design is registered: **Booster seat**  
 (51) International Design Classification: **06-01E**  
 (71) Name(s) and Address(s) of Applicant(s):  
**Thermobaby Societe Par Actions Simplifiee**  
**3 Rue Yves Kerguelen ZI de Kerbois 56400 Auray France**  
 (72) Name(s) of Designer(s): **Albert Claude Desnos**  
 (45) Registration Date: **19 December 2005**  
 (30) Convention priority data:  
 (31) Number (32) Date (33) Country  
**000347448 17 May 2005 EUROPEAN COMMUNITY**  
 (56) Related Art Documents: **Not Applicable**  
 (57) Statement of Newness and Distinctiveness: **Nil**



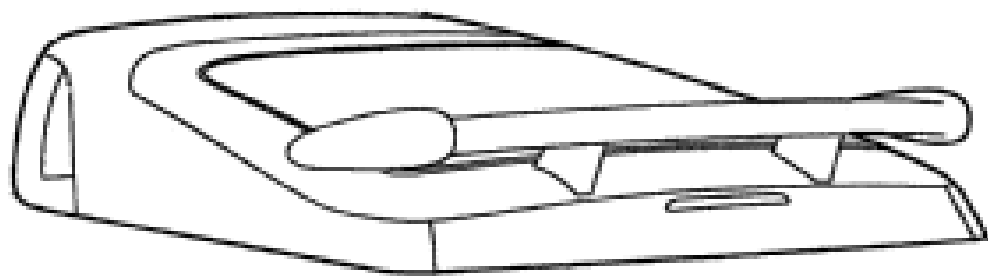
(21) Design Number: **12555/2005**  
 (22) Date of Filing Application: **15 June 2005**  
 (24) Date from which industrial property rights may have effect: **15 June 2005**  
 (54) Product in respect of which the design is registered: **Putter-type golf club head**  
 (51) International Design Classification: **21-02C**  
 (71) Name(s) and Address(s) of Applicant(s):  
**Callaway Golf Company**  
**2180 Rutherford Road Carlsbad California 92008 United States of America**  
 (72) Name(s) of Designer(s): **Augustin W. Rollinson and Larry G. Tang**  
 (45) Registration Date: **19 December 2005**  
 (30) Convention priority data:  
 (31) Number (32) Date (33) Country  
**29/219394 15 Dec 2004 UNITED STATES OF AMERICA**  
 (56) Related Art Documents: **Not Applicable**  
 (57) Statement of Newness and Distinctiveness: **Newness and distinctiveness is claimed in the features of shape and/or configuration of a putter-type golf club head as illustrated in continuous lines in the accompanying representations, having particular regard to the two arcuate segments that extend rearward from the toe and heel portions of the striking face to the back portion of the central section.**



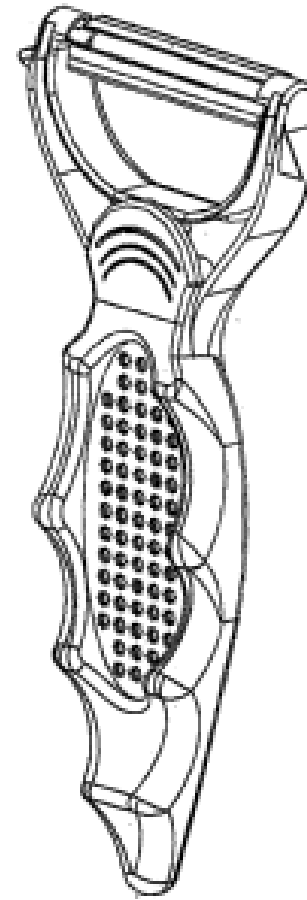
- (21) Design Number: **12618/2005**  
(22) Date of Filing Application: **21 June 2005**  
(24) Date from which industrial property rights may have effect: **21 June 2005**  
(54) Product in respect of which the design is registered: **Canopy class 12**  
(51) International Design Classification: **12-16NES**  
(71) Name(s) and Address(s) of Applicant(s):  
**Hugo Woof Pty Ltd**  
**No. 6 Darriwell Drive Mt Helen Victoria 3350 Australia**  
(72) Name(s) of Designer(s): **Tony Cluff**  
(45) Registration Date: **19 December 2005**  
(56) Related Art Documents: **Not Applicable**  
(57) Statement of Newness and Distinctiveness: **The newness and distinctiveness applies only to the visual appearance of the canopy attachment of not to that of the vehicle.**



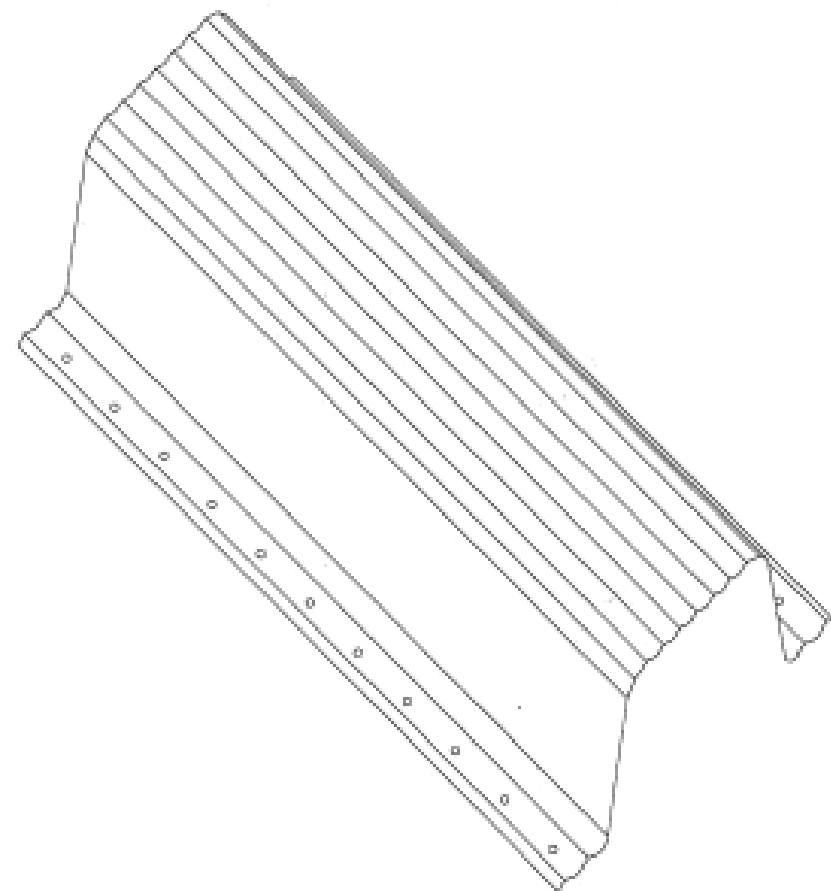
- (21) Design Number: **12619/2005**  
(22) Date of Filing Application: **21 June 2005**  
(24) Date from which industrial property rights may have effect: **21 June 2005**  
(54) Product in respect of which the design is registered: **Class 12 canopy**  
(51) International Design Classification: **12-16NES**  
(71) Name(s) and Address(s) of Applicant(s):  
**Hugo Woof Pty Ltd**  
**No. 6 Darriwell Drive Mt. Helen Victoria 3350 Australia**  
(72) Name(s) of Designer(s): **Tony Cluff**  
(45) Registration Date: **19 December 2005**  
(56) Related Art Documents: **Not Applicable**  
(57) Statement of Newness and Distinctiveness: **The newness and distinctiveness applies only to the visual appearance of the canopy attachment not to that of the vehicle.**



(21) Design Number: **12620/2005**  
(22) Date of Filing Application: **21 June 2005**  
(24) Date from which industrial property rights may have effect: **21 June 2005**  
(54) Product in respect of which the design is registered: **Parer**  
(51) International Design Classification: **07-04**  
(71) Name(s) and Address(s) of Applicant(s):  
**Boerner Kunststoff-und Metallwarenfabrik GmbH**  
**Industriegebiet Boerner 1 D-54526 Landscheid-Neiderkail Germany**  
(72) Name(s) of Designer(s): **Richard Zirbes and Jurgen Borner**  
(45) Registration Date: **19 December 2005**  
(30) Convention priority data:  
(31) Number      (32) Date      (33) Country  
**404 07 279.8      21 Dec 2004      GERMANY**  
(56) Related Art Documents: **Not Applicable**  
(57) Statement of Newness and Distinctiveness: **Nil**



(21) Design Number: **12675/2005**  
(22) Date of Filing Application: **22 June 2005**  
(24) Date from which industrial property rights may have effect: **22 June 2005**  
(54) Product in respect of which the design is registered: **C.R.T. roof batten**  
(51) International Design Classification: **25-01NES**  
(71) Name(s) and Address(s) of Applicant(s):  
**Trusses + Frames Pty Ltd**  
**64-78 Vicars Street Mitchell ACT 2911 Australia**  
(72) Name(s) of Designer(s): **Tim Wilson**  
(45) Registration Date: **19 December 2005**  
(56) Related Art Documents: **Not Applicable**  
(57) Statement of Newness and Distinctiveness: **Stiffened foot profile; low smooth corner transition on top shoulder. Pre-punched foot for quick fixing.**



(21) Design Number: **12982/2005**

(22) Date of Filing Application: **12 July 2005**

(24) Date from which industrial property rights may have effect: **12 July 2005**

(54) Product in respect of which the design is registered: **Soles for footwear**

(51) International Design Classification: **02-04B**

(71) Name(s) and Address(s) of Applicant(s):

**Calzados Anatomicos Calana S.L.  
Avda. Hispano America s/n Salinas Alicante E-03638 Spain**

(72) Name(s) of Designer(s): **Juan Carlos Romero Sanchez**

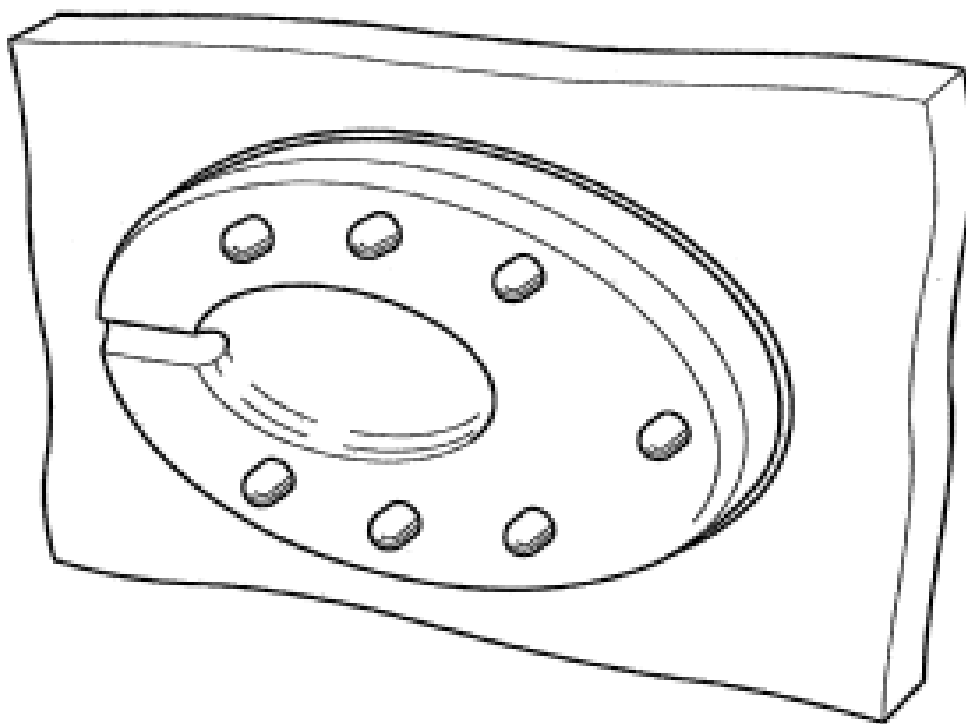
(45) Registration Date: **19 December 2005**

(30) Convention priority data:

(31) Number	(32) Date	(33) Country
<b>000280425</b>	<b>14 Jan 2005</b>	<b>EUROPEAN COMMUNITY</b>

(56) Related Art Documents: **Not Applicable**

(57) Statement of Newness and Distinctiveness: **Newness and distinctiveness resides in the shape and configuration of a sole for footwear as shown in the accompanying representations. The outer perimeter shape of the sole is of varying length and width and is to be disregarded in assessing newness and distinctiveness.**



(21) Design Number: **13061/2005**

(22) Date of Filing Application: **19 July 2005**

(24) Date from which industrial property rights may have effect: **19 July 2005**

(54) Product in respect of which the design is registered: **Trailer, camper trailer**

(51) International Design Classification: **12-10**

(71) Name(s) and Address(s) of Applicant(s):

**Mark Joseph Bryant  
76 Eucalypt Way Boreen Point Queensland 4565 Australia**

(72) Name(s) of Designer(s): **Mark Bryant**

(45) Registration Date: **19 December 2005**

(56) Related Art Documents: **Not Applicable**

(57) Statement of Newness and Distinctiveness: **Curved/aerodynamic fibreglass pod style trailer. Top section opens on gas struts.**





- (21) Design Number: **13111/2005**  
(22) Date of Filing Application: **22 July 2005**  
(24) Date from which industrial property rights may have effect: **22 July 2005**  
(54) Product in respect of which the design is registered: **An automobile exhaust extension tip**  
(51) International Design Classification: **12-16N**  
(71) Name(s) and Address(s) of Applicant(s):  
**Noel Mervyn Rogers**  
**PO Box 431 Springwood QLD 4127 Australia**  
(72) Name(s) of Designer(s): **Noel Mervyn Rogers**  
(45) Registration Date: **19 December 2005**  
(56) Related Art Documents: **Not Applicable**  
(57) Statement of Newness and Distinctiveness: **I already hold the Design Rights for heart shaped extension tip Reg Design 146941. The dominant perspective of this new design is very similar to my original. The tubular connection piece is attached differently from behind. Upon examination you may well consider the tip to come under the original Design Number 146941.**



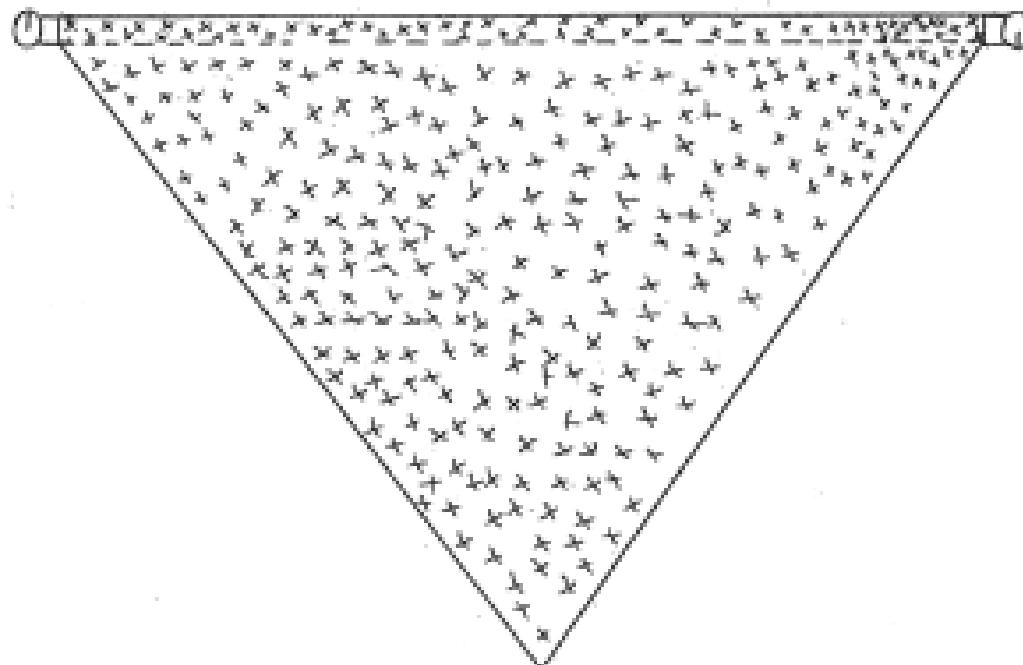
- (21) Design Number: **13112/2005**  
(22) Date of Filing Application: **22 July 2005**  
(24) Date from which industrial property rights may have effect: **22 July 2005**  
(54) Product in respect of which the design is registered: **A automobile exhaust extension tip**  
(51) International Design Classification: **12-16N**  
(71) Name(s) and Address(s) of Applicant(s):  
**Noel Mervyn Rogers**  
**PO Box 431 Springwood QLD 4127 Australia**  
(72) Name(s) of Designer(s): **Noel Mervyn Rogers**  
(45) Registration Date: **19 December 2005**  
(56) Related Art Documents: **Not Applicable**  
(57) Statement of Newness and Distinctiveness: **Exhaust tip with "Flat" profile of 'Hotlips' attached to an extension tube.**



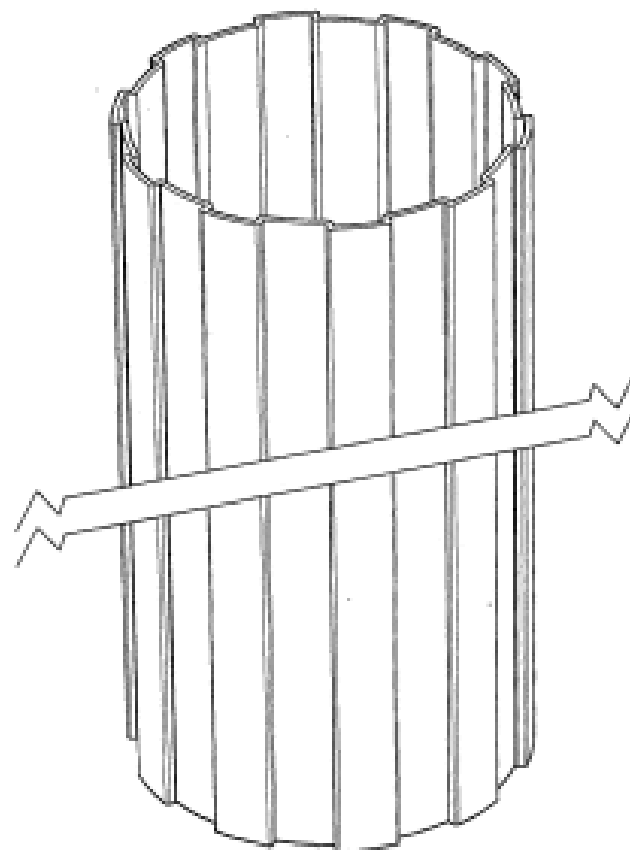
- (21) Design Number: **13113/2005**  
(22) Date of Filing Application: **22 July 2005**  
(24) Date from which industrial property rights may have effect: **22 July 2005**  
(54) Product in respect of which the design is registered: **An automobile exhaust extension tip**  
(51) International Design Classification: **12-16N**  
(71) Name(s) and Address(s) of Applicant(s):  
**Noel Mervyn Rogers**  
**PO Box 431 Springwood QLD 4127 Australia**  
(72) Name(s) of Designer(s): **Noel Mervyn Rogers**  
(45) Registration Date: **19 December 2005**  
(56) Related Art Documents: **Not Applicable**  
(57) Statement of Newness and Distinctiveness: **I already hold the Design Rights for heart shaped extension tip Reg Design No 146941 the dominant perspective of this new design is very similar to my original. The general appearance is more rounded and has a softer smoother effect. The outside part of the heart shape gently curves around the edges. The tubular connection piece is attached differently. Upon examination you may well consider the tip to come under the original Design No 146941?**



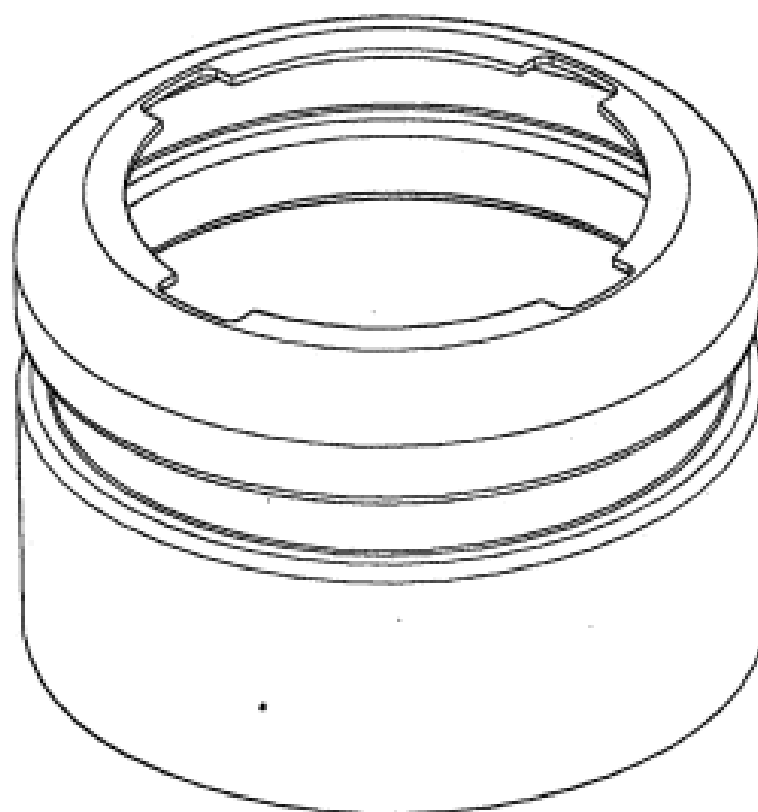
- (21) Design Number: **13180/2005**  
(22) Date of Filing Application: **28 July 2005**  
(24) Date from which industrial property rights may have effect: **28 July 2005**  
(54) Product in respect of which the design is registered: **Hat/head wear**  
(51) International Design Classification: **02-03**  
(71) Name(s) and Address(s) of Applicant(s):  
**Debra Weeks**  
**12 Leyton Street Birkdale Queensland 4159 Australia**  
(72) Name(s) of Designer(s): **Debra Weeks**  
(45) Registration Date: **19 December 2005**  
(56) Related Art Documents: **Not Applicable**  
(57) Statement of Newness and Distinctiveness: **Sun protectant bandana - this head wear is made from sun protectant fabric. It allows the user to wear the item in water, as it is quick drying fabric, and still maintain sun protection for their head and some sun protection for their hair. The bandana is fastened at the base of the skull by interlocking clips.**



- (21) Design Number: **13194/2005**
- (22) Date of Filing Application: **28 July 2005**
- (24) Date from which industrial property rights may have effect: **28 July 2005**
- (54) Product in respect of which the design is registered: **Multipurpose pole**
- (51) International Design Classification: **25-02A**
- (71) Name(s) and Address(s) of Applicant(s):  
**Goodcart Pty Ltd**  
**2/81 Bassett Street Mona Vale New South Wales 2103 Australia**
- (72) Name(s) of Designer(s): **Douglas Rawson-Harris**
- (45) Registration Date: **19 December 2005**
- (56) Related Art Documents: **Not Applicable**
- (57) Statement of Newness and Distinctiveness: **Fluted tube.**



- (21) Design Number: **13195/2005**
- (22) Date of Filing Application: **28 July 2005**
- (24) Date from which industrial property rights may have effect: **28 July 2005**
- (54) Product in respect of which the design is registered: **Multipurpose pole**
- (51) International Design Classification: **25-02A**
- (71) Name(s) and Address(s) of Applicant(s):  
**Goodcart Pty Ltd**  
**2/81 Bassett Street Mona Vale New South Wales 2103 Australia**
- (72) Name(s) of Designer(s): **Douglas Rawson-Harris**
- (45) Registration Date: **19 December 2005**
- (56) Related Art Documents: **Not Applicable**
- (57) Statement of Newness and Distinctiveness: **Circular transition with groove and 4 notches.**



(21) Design Number: **13200/2005**

(22) Date of Filing Application: **29 July 2005**

(24) Date from which industrial property rights may have effect: **29 July 2005**

(54) Product in respect of which the design is registered: **Tap flange**

(51) International Design Classification: **23-01H**

(71) Name(s) and Address(s) of Applicant(s):

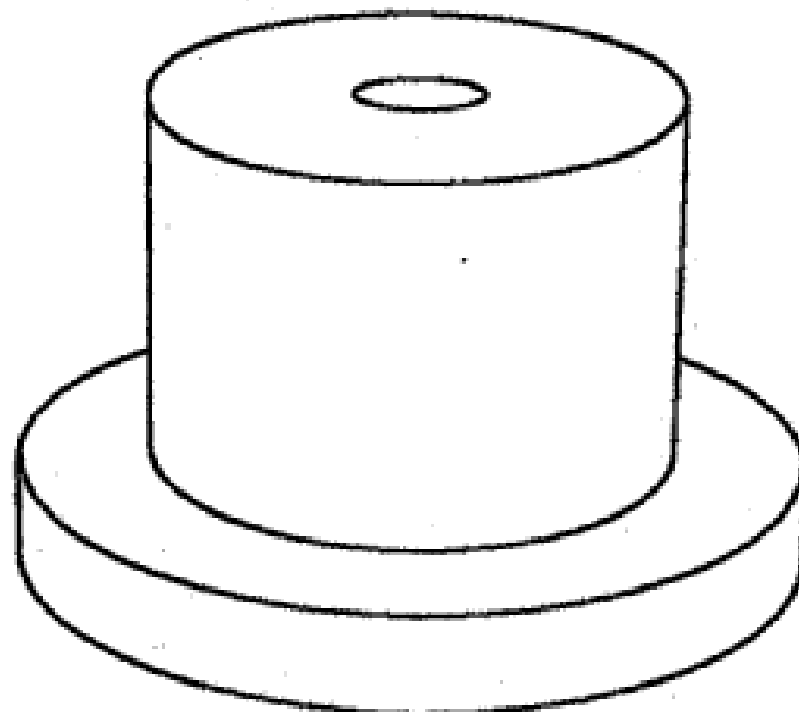
**Phoenix Industries Pty Ltd  
7 Ashburn Place Blackburn Victoria 3130 Australia**

(72) Name(s) of Designer(s): **Natalia Mona Tjahjono**

(45) Registration Date: **19 December 2005**

(56) Related Art Documents: **Not Applicable**

(57) Statement of Newness and Distinctiveness: **Tapware flange with concentric circles, and parallel lines.**



(21) Design Number: **13203/2005**

(22) Date of Filing Application: **28 July 2005**

(24) Date from which industrial property rights may have effect: **28 July 2005**

(54) Product in respect of which the design is registered: **Shirt**

(51) International Design Classification: **02-02NES**

(71) Name(s) and Address(s) of Applicant(s):

**Pacific Brands Sport & Leisure Pty Ltd  
Level 3 290 Burwood Road Hawthorn Victoria 3122 Australia**

(72) Name(s) of Designer(s): **Leigh Eam and Gilbert Huynh**

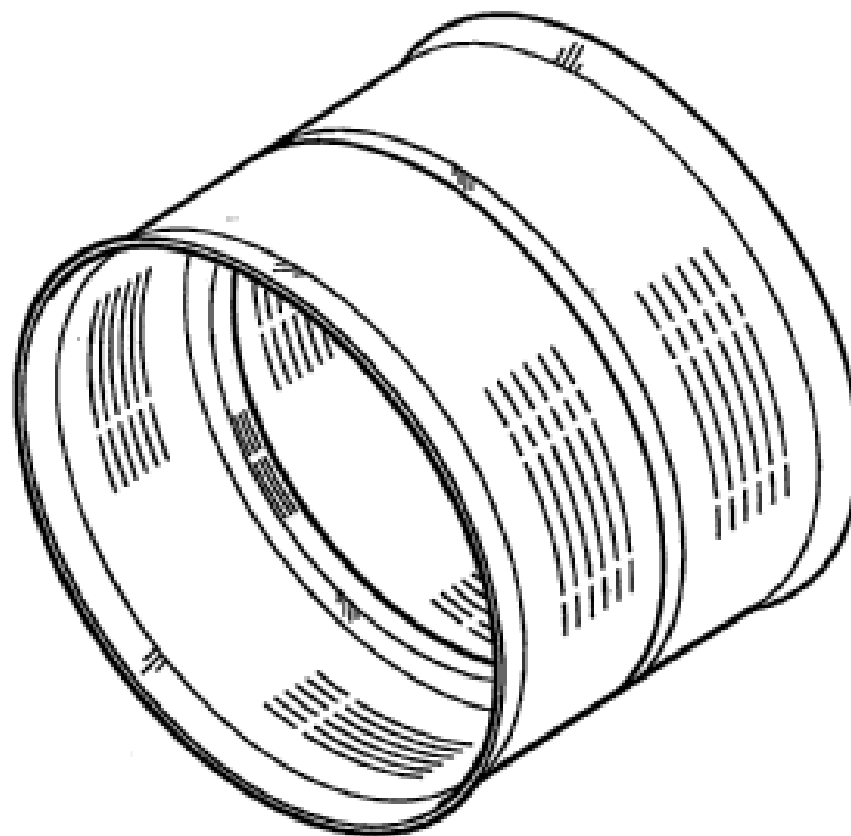
(45) Registration Date: **19 December 2005**

(56) Related Art Documents: **Not Applicable**

(57) Statement of Newness and Distinctiveness: **Newness and distinctiveness of the design resides in the shape and configuration of the yoke region of the shirt as shown in the accompanying representations.**



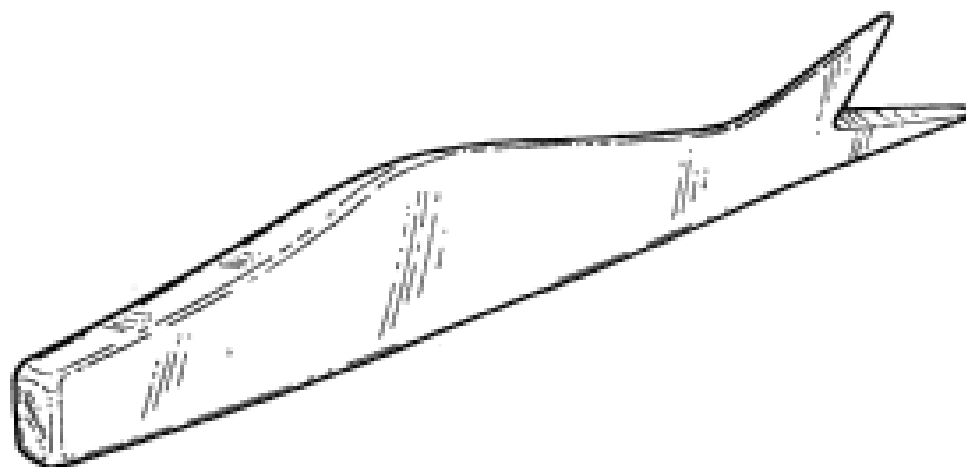
(21) Design Number: **13206/2005**  
(22) Date of Filing Application: **28 July 2005**  
(24) Date from which industrial property rights may have effect: **28 July 2005**  
(54) Product in respect of which the design is registered: **Pipe connector**  
(51) International Design Classification: **23-01A**  
(71) Name(s) and Address(s) of Applicant(s):  
**JFC Manufacturing Company Limited**  
**Weir Road Tuam County Galway Ireland**  
(72) Name(s) of Designer(s): **John Francis Concannon**  
(45) Registration Date: **19 December 2005**  
(30) Convention priority data:  
(31) Number      (32) Date      (33) Country  
**000287446**      **28 Jan 2005**      **EUROPEAN COMMUNITY**  
(56) Related Art Documents: **Not Applicable**  
(57) Statement of Newness and Distinctiveness: **Nil**



(21) Design Number: **13207/2005**  
(22) Date of Filing Application: **28 July 2005**  
(24) Date from which industrial property rights may have effect: **28 July 2005**  
(54) Product in respect of which the design is registered: **Sign**  
(51) International Design Classification: **20-03C**  
(71) Name(s) and Address(s) of Applicant(s):  
**Kimen International Pty Ltd**  
**42 Enterprise Street Kunda Park Queensland 4556 Australia**  
(72) Name(s) of Designer(s): **Walter Gustav Oskar Meyer**  
(45) Registration Date: **19 December 2005**  
(56) Related Art Documents: **Not Applicable**  
(57) Statement of Newness and Distinctiveness: **The newness and distinctiveness of the design resides in the shape and configuration of a sign as illustrated in the accompanying representations.**

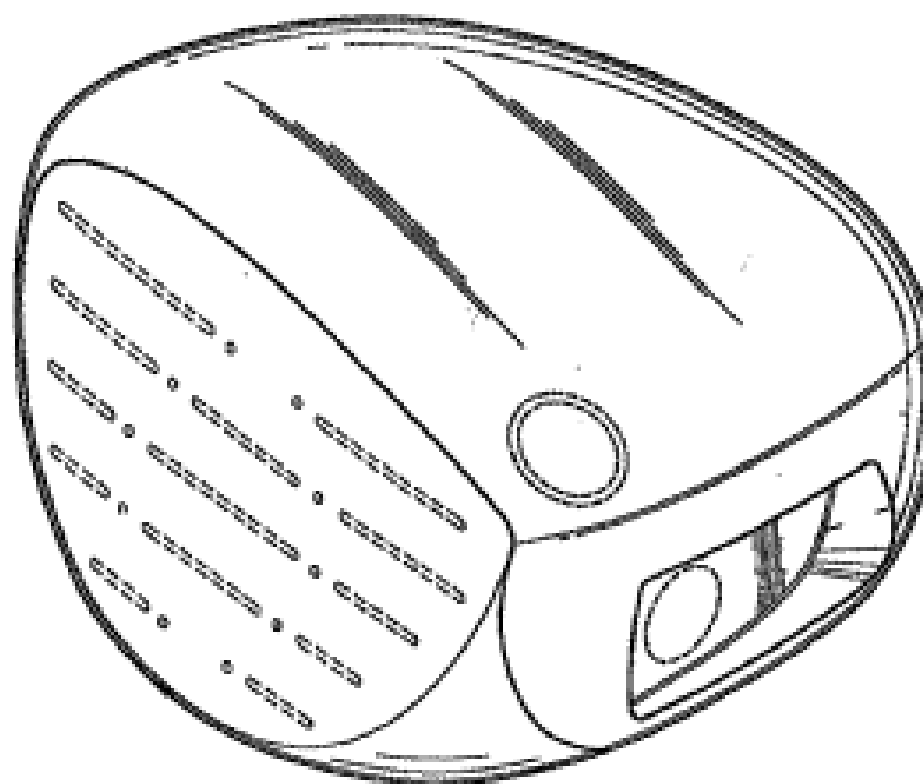


- (21) Design Number: **13209/2005**
- (22) Date of Filing Application: **28 July 2005**
- (24) Date from which industrial property rights may have effect: **28 July 2005**
- (54) Product in respect of which the design is registered: **A fishing lure body (Case 1)**
- (51) International Design Classification: **22-05**
- (71) Name(s) and Address(s) of Applicant(s):  
**Dunphy Sports/Fishing Imports Pty Ltd**  
**PO Box 2082 Taren Point New South Wales 2229 Australia**
- (72) Name(s) of Designer(s): **Mark Peter Mikkelsen and John Maurice Dunphy**
- (45) Registration Date: **19 December 2005**
- (56) Related Art Documents: **Not Applicable**
- (57) Statement of Newness and Distinctiveness: **Newness and distinctiveness is claimed in the shape and configuration of a fishing lure body (Case 1) as shown in the accompanying representations.**

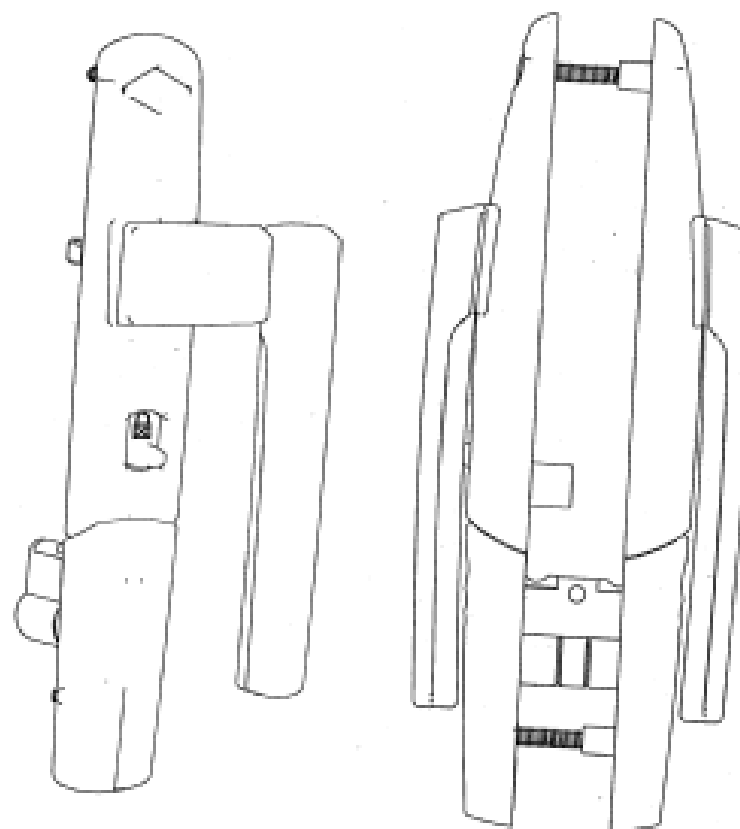


- (21) Design Number: **13232/2005**
- (22) Date of Filing Application: **28 July 2005**
- (24) Date from which industrial property rights may have effect: **28 July 2005**
- (54) Product in respect of which the design is registered: **Golf club head**
- (51) International Design Classification: **21-02C**
- (71) Name(s) and Address(s) of Applicant(s):  
**Callaway Golf Company**  
**2180 Rutherford Road Carlsbad California 92008 United States of America**
- (72) Name(s) of Designer(s): **Steven J. Mahaffey and Philip G. Foster**
- (45) Registration Date: **19 December 2005**
- (30) Convention priority data:  

(31) Number	(32) Date	(33) Country
<b>29/222430</b>	<b>28 Jan 2005</b>	<b>UNITED STATES OF AMERICA</b>
- (56) Related Art Documents: **Not Applicable**
- (57) Statement of Newness and Distinctiveness: **Newness and distinctiveness is claimed in the features of shape and/or configuration of a golf club head illustrated in continuous lines in the accompanying representations, which features include the three recesses in the toe, heel and rear portions of the golf club head.**



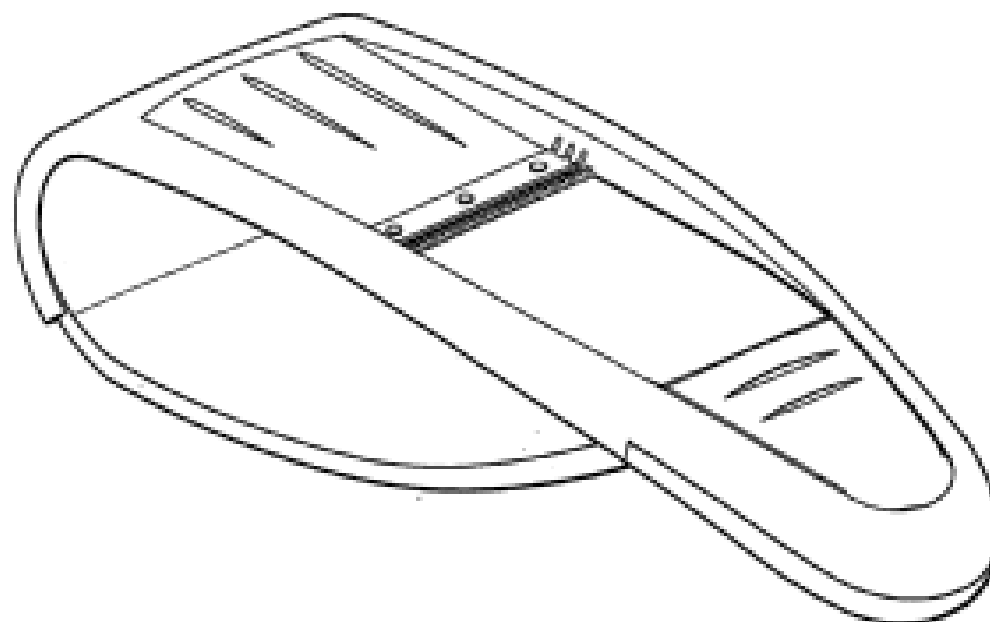
(21) Design Number: **13233/2005**  
 (22) Date of Filing Application: **28 July 2005**  
 (24) Date from which industrial property rights may have effect: **28 July 2005**  
 (54) Product in respect of which the design is registered: **A lock**  
 (51) International Design Classification: **08-07**  
 (71) Name(s) and Address(s) of Applicant(s):  
**Azuma Design Pty Limited**  
**160-162 Newton Road Wetherill Park New South Wales 2164 Australia**  
 (72) Name(s) of Designer(s): **Phillip Peet and Richard Zitzelsperger**  
 (45) Registration Date: **19 December 2005**  
 (56) Related Art Documents: **Not Applicable**  
 (57) Statement of Newness and Distinctiveness: **Newness and distinctiveness is claimed in the features of shape and/or configuration of all external parts of a lock as illustrated in the accompanying representations, apart from the internal components of the lock shown in the rear isometric view.**



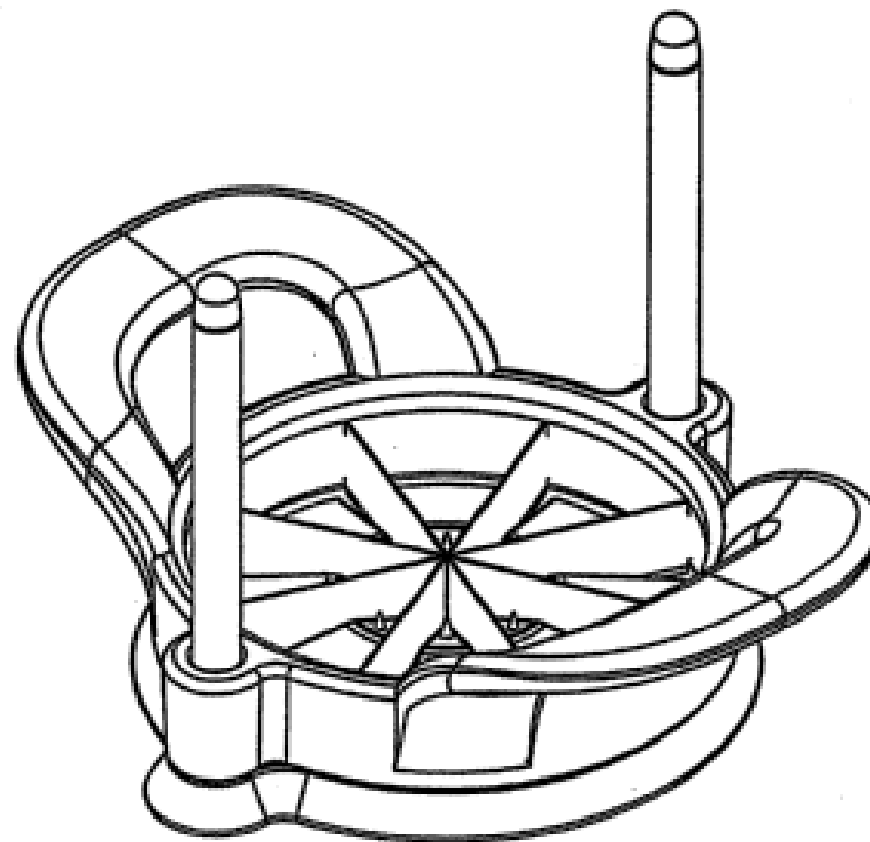
(21) Design Number: **13235/2005**  
 (22) Date of Filing Application: **28 July 2005**  
 (24) Date from which industrial property rights may have effect: **28 July 2005**  
 (54) Product in respect of which the design is registered: **Food slicer**  
 (51) International Design Classification: **07-04**  
 (71) Name(s) and Address(s) of Applicant(s):  
**Kwok Kuen So**  
**2nd Floor, Chuan Yuan Factory Building 342-344 Kwun Tong Rd Kwun Tong Kowloon Hong Kong SAR**  
 (72) Name(s) of Designer(s): **Kwok Kuen So**  
 (45) Registration Date: **19 December 2005**  
 (30) Convention priority data:  

(31) Number	(32) Date	(33) Country
<b>000291711</b>	<b>07 Feb 2005</b>	<b>EUROPEAN COMMUNITY</b>

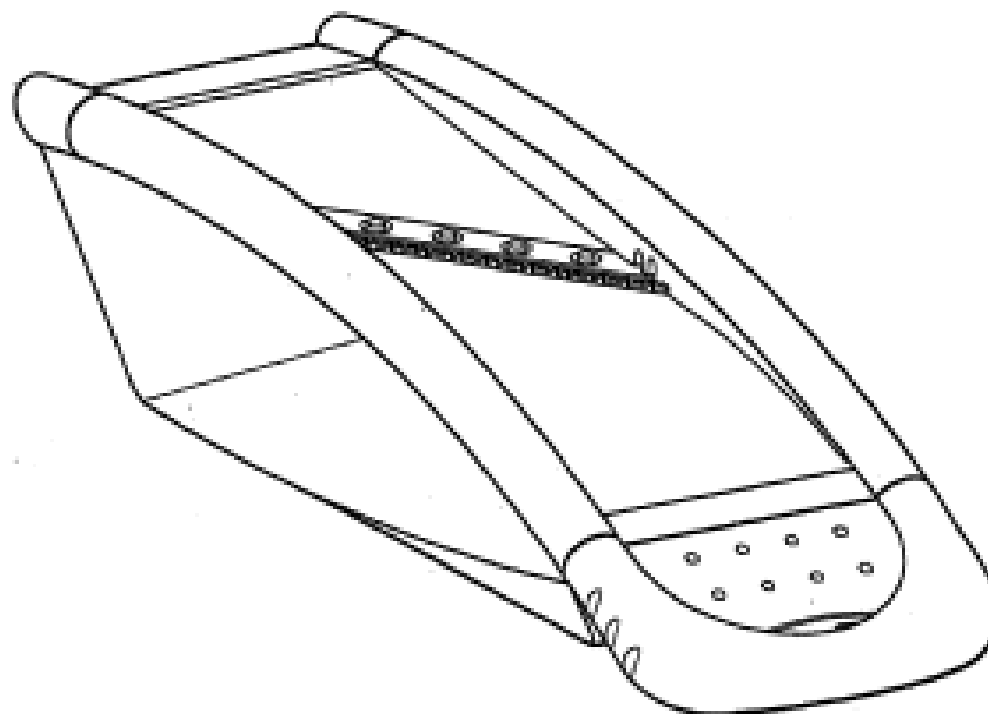
 (56) Related Art Documents: **Not Applicable**  
 (57) Statement of Newness and Distinctiveness: **Nil**



(21) Design Number: **13236/2005**  
(22) Date of Filing Application: **28 July 2005**  
(24) Date from which industrial property rights may have effect: **28 July 2005**  
(54) Product in respect of which the design is registered: **Food cutter**  
(51) International Design Classification: **07-04**  
(71) Name(s) and Address(s) of Applicant(s):  
**Kwok Kuen So**  
**2nd Floor, Chuan Yuan Factory Building 342-344 Kwun Tong Rd Kwun**  
**Tong Kowloon Hong Kong SAR**  
(72) Name(s) of Designer(s): **Kwok Kuen So and Sascha Kaposi**  
(45) Registration Date: **19 December 2005**  
(30) Convention priority data:  
(31) Number (32) Date (33) Country  
**109960 02 Feb 2005 CANADA**  
(56) Related Art Documents: **Not Applicable**  
(57) Statement of Newness and Distinctiveness: **Nil**

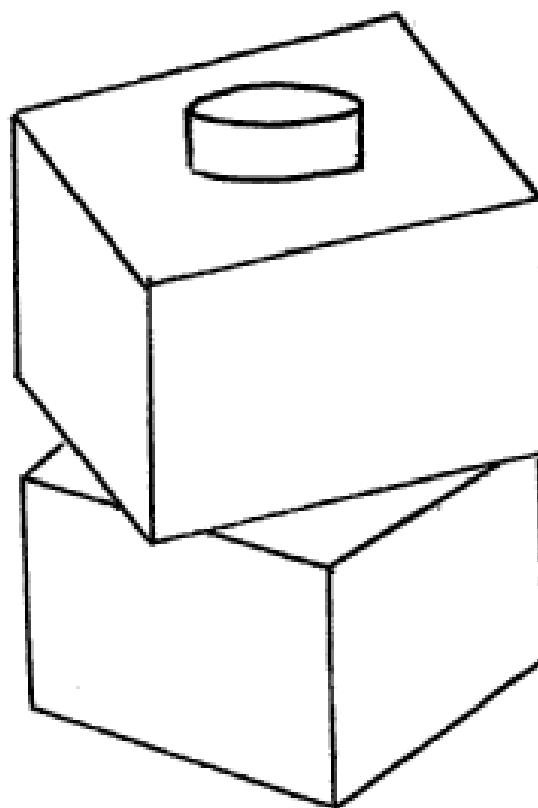


(21) Design Number: **13237/2005**  
(22) Date of Filing Application: **28 July 2005**  
(24) Date from which industrial property rights may have effect: **28 July 2005**  
(54) Product in respect of which the design is registered: **Food slicer**  
(51) International Design Classification: **07-04**  
(71) Name(s) and Address(s) of Applicant(s):  
**Kwok Kuen So**  
**2nd Floor, Chuan Yuan Factory Building 342-344 Kwun Tong Rd Kwun**  
**Tong Kowloon Hong Kong SAR**  
(72) Name(s) of Designer(s): **Kwok Kuen So**  
(45) Registration Date: **19 December 2005**  
(30) Convention priority data:  
(31) Number (32) Date (33) Country  
**000291711 07 Feb 2005 EUROPEAN COMMUNITY**  
(56) Related Art Documents: **Not Applicable**  
(57) Statement of Newness and Distinctiveness: **Nil**



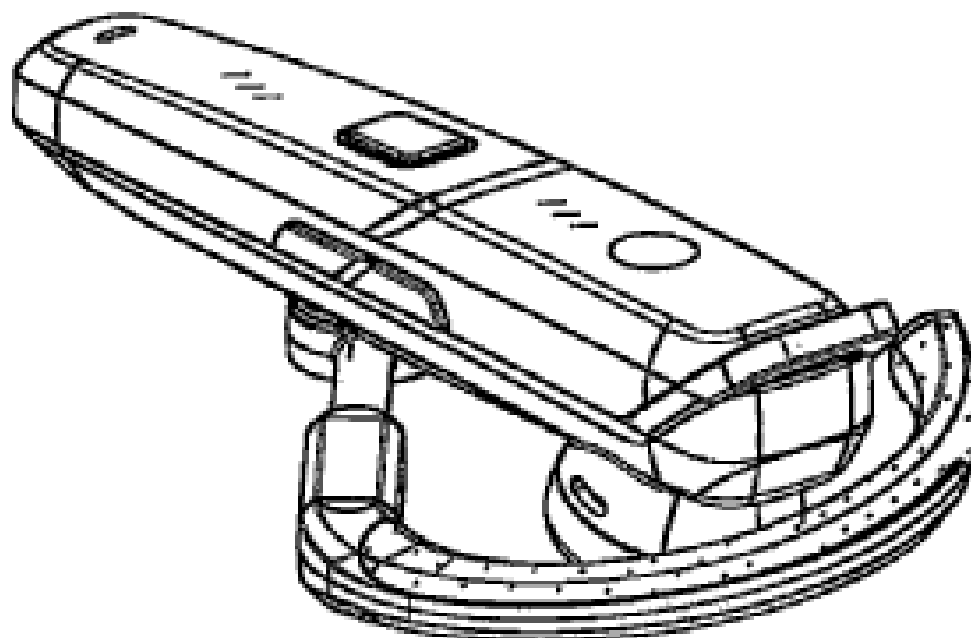


- (21) Design Number: **13238/2005**
- (22) Date of Filing Application: **01 August 2005**
- (24) Date from which industrial property rights may have effect: **01 August 2005**
- (54) Product in respect of which the design is registered: **Drink container**
- (51) International Design Classification: **07-01F, 07-01E**
- (71) Name(s) and Address(s) of Applicant(s):  
**Brad Zadow**  
**47 O'Neil Road Beaconsfield Victoria 3807 Australia**
- (72) Name(s) of Designer(s): **Brad Zadow**
- (45) Registration Date: **19 December 2005**
- (56) Related Art Documents: **Not Applicable**
- (57) Statement of Newness and Distinctiveness: **Bottle container situated inside two-part carton which twist independently of each other.**

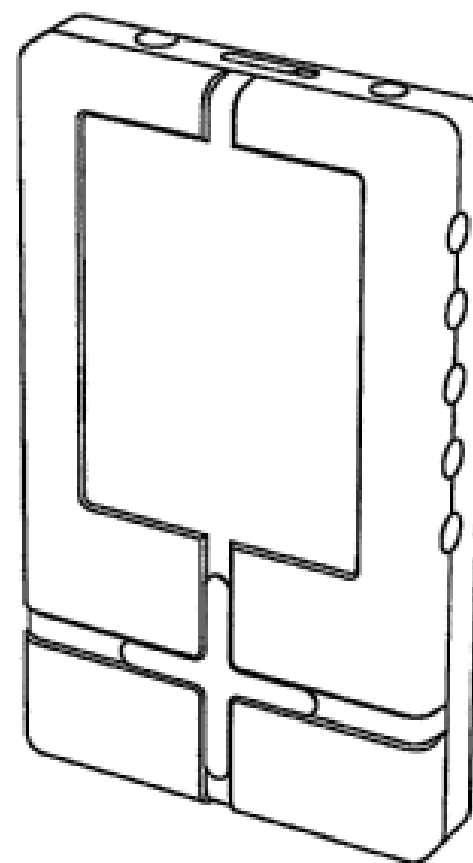


- (21) Design Number: **13239/2005**
- (22) Date of Filing Application: **29 July 2005**
- (24) Date from which industrial property rights may have effect: **29 July 2005**
- (54) Product in respect of which the design is registered: **Headset**
- (51) International Design Classification: **14-03A**
- (71) Name(s) and Address(s) of Applicant(s):  
**Sony Ericsson Mobile Communications AB**  
**Nya Vattentorget SE 221 88 Lund Sweden**
- (72) Name(s) of Designer(s): **Joshua Murray**
- (45) Registration Date: **19 December 2005**
- (30) Convention priority data:

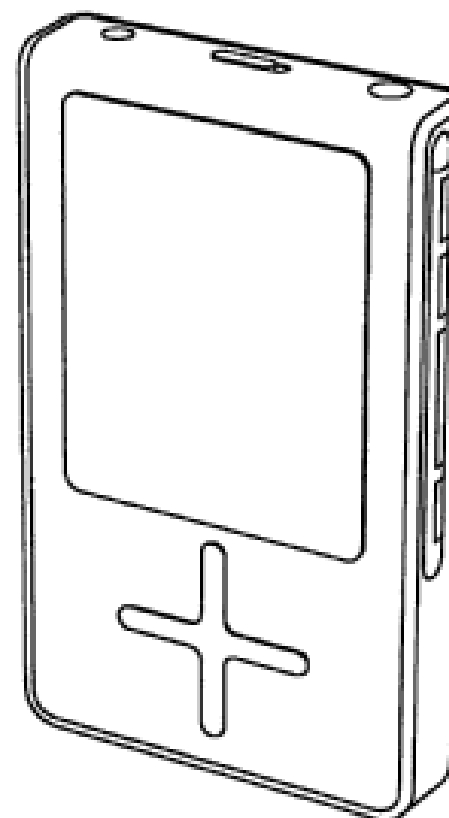
(31) Number	(32) Date	(33) Country
<b>000290739-0001</b>	<b>03 Feb 2005</b>	<b>EUROPEAN COMMUNITY</b>
- (56) Related Art Documents: **Not Applicable**
- (57) Statement of Newness and Distinctiveness: **Nil**



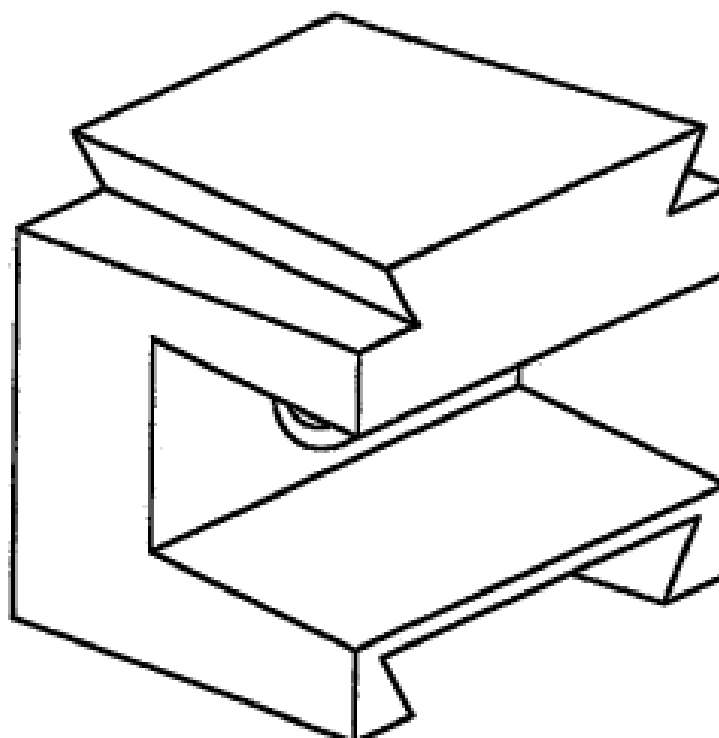
(21) Design Number: **13241/2005**  
(22) Date of Filing Application: **29 July 2005**  
(24) Date from which industrial property rights may have effect: **29 July 2005**  
(54) Product in respect of which the design is registered: **Digital audio player**  
(51) International Design Classification: **14-01**  
(71) Name(s) and Address(s) of Applicant(s):  
**Kabushiki Kaisha Toshiba**  
**1-1 Shibaura 1-chome Minato-ku Tokyo Japan**  
(72) Name(s) of Designer(s): **Masatomo Naruki and Manabu Tago and Ken Suzuki**  
(45) Registration Date: **19 December 2005**  
(30) Convention priority data:  
(31) Number      (32) Date      (33) Country  
**2005-016869      10 Jun 2005      JAPAN**  
(56) Related Art Documents: **Not Applicable**  
(57) Statement of Newness and Distinctiveness: **Nil**



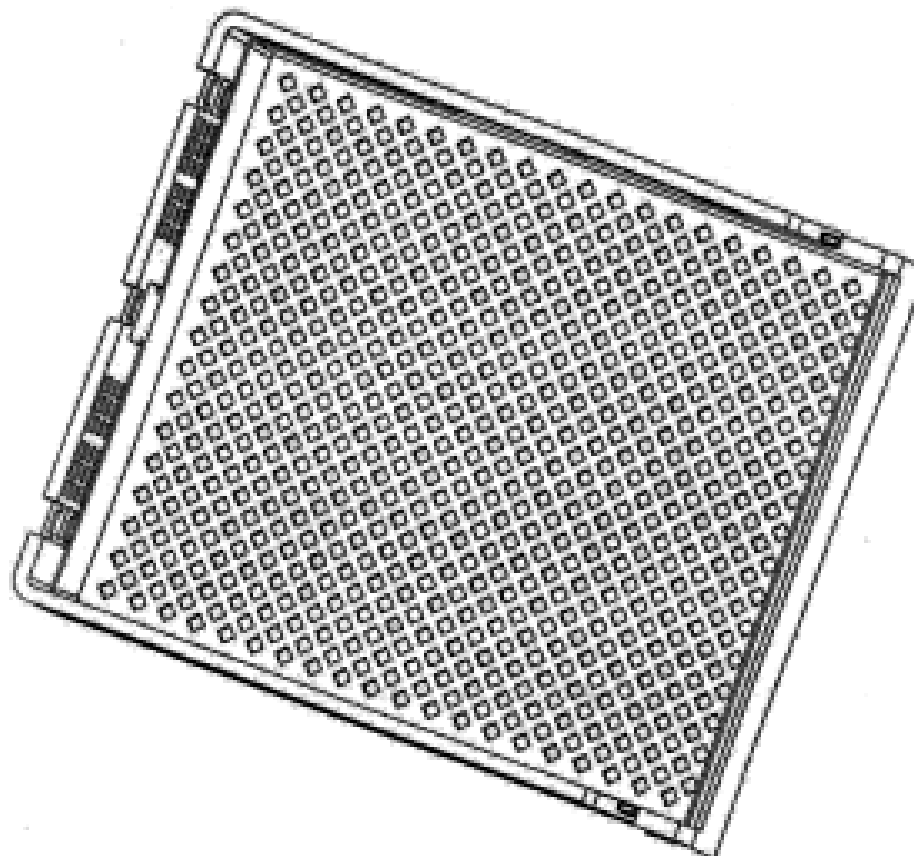
(21) Design Number: **13242/2005**  
(22) Date of Filing Application: **29 July 2005**  
(24) Date from which industrial property rights may have effect: **29 July 2005**  
(54) Product in respect of which the design is registered: **Digital audio player**  
(51) International Design Classification: **14-01**  
(71) Name(s) and Address(s) of Applicant(s):  
**Kabushiki Kaisha Toshiba**  
**1-1 Shibaura 1-chome Minato-Ku Tokyo Japan**  
(72) Name(s) of Designer(s): **Masatomo Naruki**  
(45) Registration Date: **19 December 2005**  
(30) Convention priority data:  
(31) Number      (32) Date      (33) Country  
**2005-016868      10 Jun 2005      JAPAN**  
(56) Related Art Documents: **Not Applicable**  
(57) Statement of Newness and Distinctiveness: **Nil**



(21) Design Number: **13248/2005**  
(22) Date of Filing Application: **01 August 2005**  
(24) Date from which industrial property rights may have effect: **01 August 2005**  
(54) Product in respect of which the design is registered: **Filing container for compact discs**  
(51) International Design Classification: **06-04NES**  
(71) Name(s) and Address(s) of Applicant(s):  
**All Invent Projects BVBA**  
**Nieuwe Baan 14 9160 Lokeren Belgium**  
(72) Name(s) of Designer(s): **Peter Omer Livina De Boes**  
(45) Registration Date: **19 December 2005**  
(30) Convention priority data:  
(31) Number (32) Date (33) Country  
**000289798 01 Feb 2005 EUROPEAN PATENT OFFICE (EP)**  
(56) Related Art Documents: **Not Applicable**  
(57) Statement of Newness and Distinctiveness: **Nil**



(21) Design Number: **13251/2005**  
(22) Date of Filing Application: **28 July 2005**  
(24) Date from which industrial property rights may have effect: **28 July 2005**  
(54) Product in respect of which the design is registered: **Stacking tray**  
(51) International Design Classification: **09-03F**  
(71) Name(s) and Address(s) of Applicant(s):  
**NCI Industries Sdn. Bhd.**  
**No.888 35 1/2 Miles Jln Johor 82000 Pontian Johor Darul Takzim Malaysia**  
(72) Name(s) of Designer(s): **Low Boon Hoe**  
(45) Registration Date: **19 December 2005**  
(56) Related Art Documents: **Not Applicable**  
(57) Statement of Newness and Distinctiveness: **Nil**

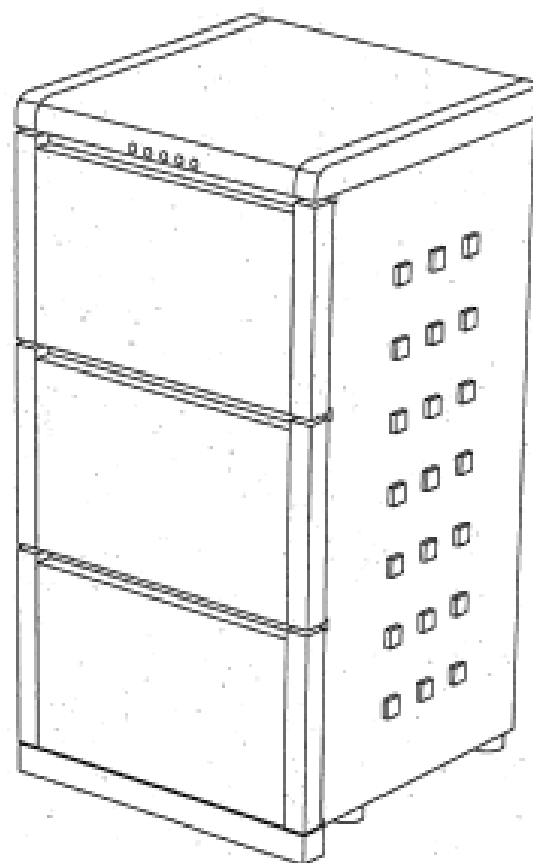


- (21) Design Number: **13301/2005**
- (22) Date of Filing Application: **04 August 2005**
- (24) Date from which industrial property rights may have effect: **04 August 2005**
- (54) Product in respect of which the design is registered: **An electrical power distribution unit**
- (51) International Design Classification: **13-03NES**
- (71) Name(s) and Address(s) of Applicant(s):  
**Centre For Appropriate Technology Inc.**  
**32 Priest Street Alice Springs Northern Territory 0870 Australia**
- (72) Name(s) of Designer(s): **Grant Behrendorff and Lyndon Frearson and Dennis Stanley and Heath Lang and Clayton Franklin**
- (45) Registration Date: **19 December 2005**
- (56) Related Art Documents: **Not Applicable**
- (57) Statement of Newness and Distinctiveness: **Nil**

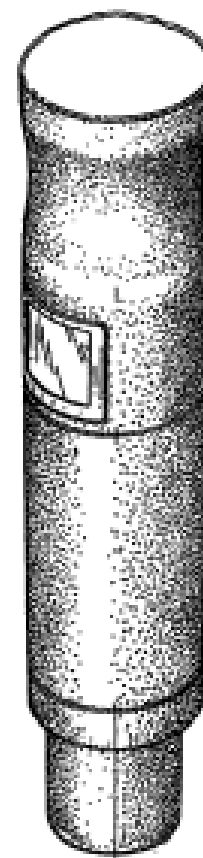


- (21) Design Number: **13302/2005**
- (22) Date of Filing Application: **03 August 2005**
- (24) Date from which industrial property rights may have effect: **03 August 2005**
- (54) Product in respect of which the design is registered: **Refrigerator**
- (51) International Design Classification: **15-07**
- (71) Name(s) and Address(s) of Applicant(s):  
**LG Electronics Inc.**  
**20 Yoido-dong Yongdungpo-gu Seoul Korea**
- (72) Name(s) of Designer(s): **Woon Kyu Seo and Sang Min Yu**
- (45) Registration Date: **19 December 2005**
- (30) Convention priority data:  

(31) Number	(32) Date	(33) Country
<b>30-2005-0003822</b>	<b>03 Feb 2005</b>	<b>REPUBLIC OF KOREA</b>
- (56) Related Art Documents: **Not Applicable**
- (57) Statement of Newness and Distinctiveness: **Newness and distinctiveness is claimed in the visual features of shape and/or configuration as applied to a refrigerator as illustrated in the accompanying representation.**



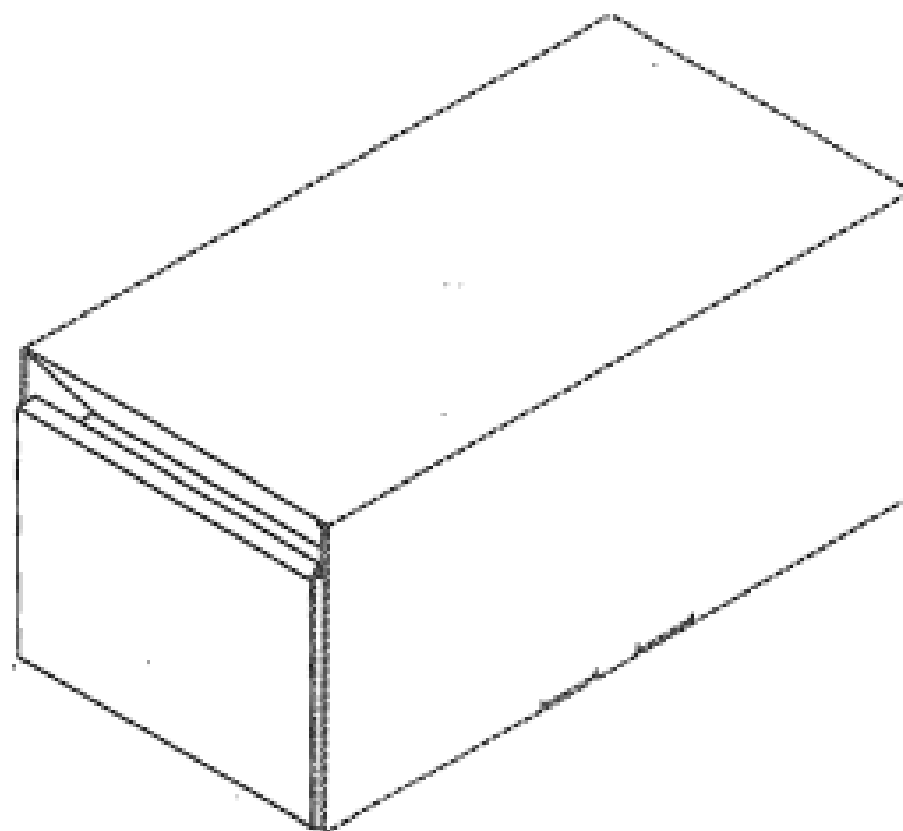
- (21) Design Number: **13303/2005**  
(22) Date of Filing Application: **03 August 2005**  
(24) Date from which industrial property rights may have effect: **03 August 2005**  
(54) Product in respect of which the design is registered: **A wireless microphone transmitter**  
(51) International Design Classification: **14-03A, 14-03NES**  
(71) Name(s) and Address(s) of Applicant(s):  
**Shure Acquisition Holdings, Inc.**  
**5800 West Touhy Avenue Niles Illinois 60714-4608 United States of America**  
(72) Name(s) of Designer(s): **Stuart P. Bauman and Ronald John Vish and Scott Edward Stropkay and Richard Watson and Jeffrey Alan Michael**  
(45) Registration Date: **19 December 2005**  
(30) Convention priority data:  
(31) Number (32) Date (33) Country  
**29222790 03 Feb 2005 UNITED STATES OF AMERICA**  
(56) Related Art Documents: **Not Applicable**  
(57) Statement of Newness and Distinctiveness: **Nil**



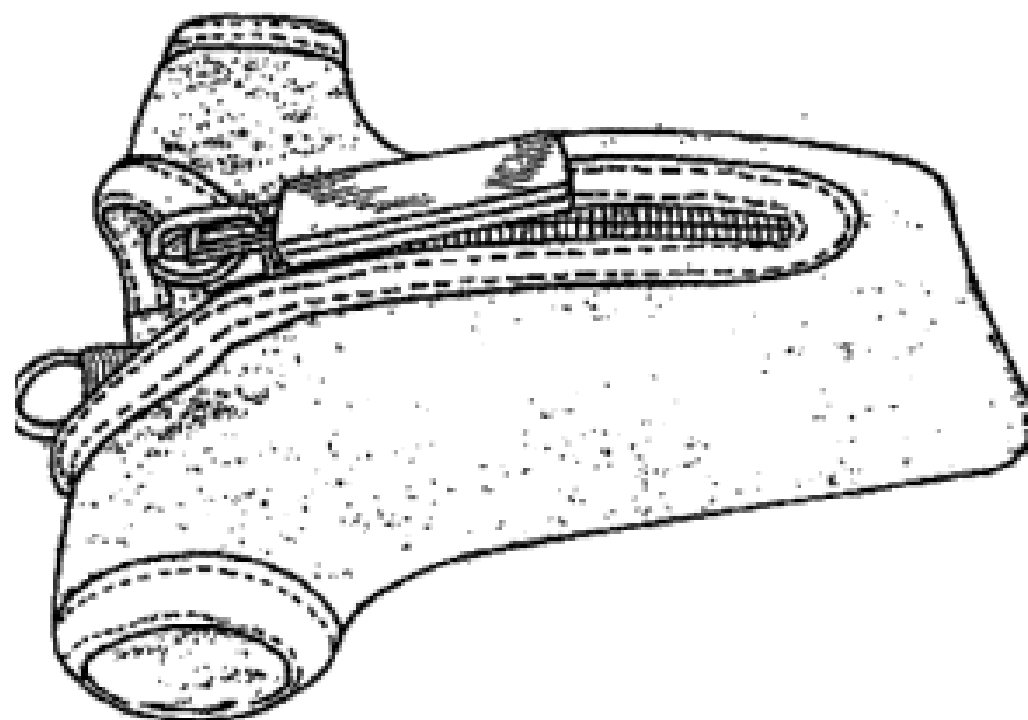
- (21) Design Number: **13304/2005**  
(22) Date of Filing Application: **04 August 2005**  
(24) Date from which industrial property rights may have effect: **04 August 2005**  
(54) Product in respect of which the design is registered: **Mobile kitchen unit**  
(51) International Design Classification: **06-04E, 12-02**  
(71) Name(s) and Address(s) of Applicant(s):  
**Matthew Sykes**  
**114 Garton Street Carlton North Victoria 3054 Australia**  
(72) Name(s) of Designer(s): **Matthew Sykes**  
(45) Registration Date: **19 December 2005**  
(56) Related Art Documents: **Not Applicable**  
(57) Statement of Newness and Distinctiveness: **Shapes and forms of overall design and the individual elements and fittings of the design eg: acrylic tubs, chopping board.**



- (21) Design Number: **13308/2005**  
(22) Date of Filing Application: **03 August 2005**  
(24) Date from which industrial property rights may have effect: **03 August 2005**  
(54) Product in respect of which the design is registered: **Packaging box**  
(51) International Design Classification: **09-03M**  
(71) Name(s) and Address(s) of Applicant(s):  
**Sony Computer Entertainment Inc.**  
**2-6-21 Minami-Aoyama Minato-ku Tokyo 107-0062 Japan**  
(72) Name(s) of Designer(s): **Kenji Yoda**  
(45) Registration Date: **19 December 2005**  
(56) Related Art Documents: **Not Applicable**  
(57) Statement of Newness and Distinctiveness: **Newness and distinctiveness resides in the shape and/or configuration of the packaging box as shown in the accompanying representations. The portions indicated in broken lines in the accompanying representations are for illustrative purposes only and form no part of the claimed design.**



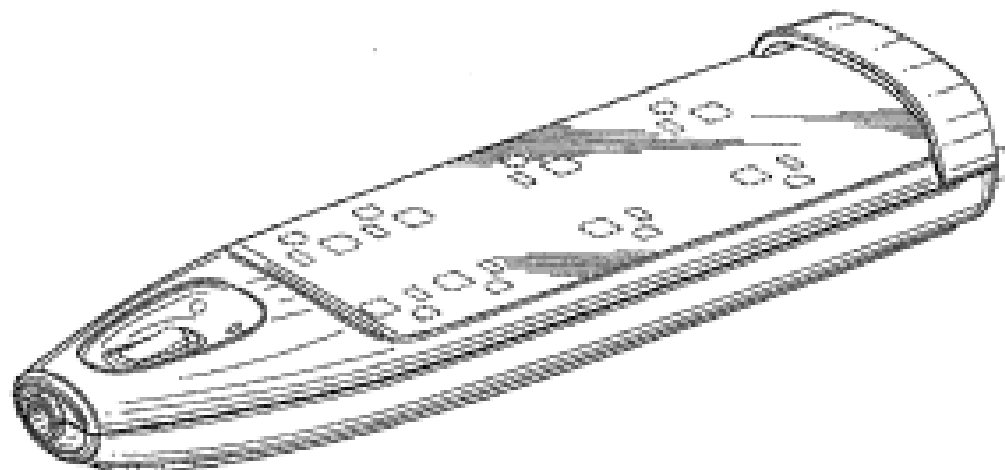
- (21) Design Number: **13310/2005**  
(22) Date of Filing Application: **03 August 2005**  
(24) Date from which industrial property rights may have effect: **03 August 2005**  
(54) Product in respect of which the design is registered: **Holder for a mobile phone**  
(51) International Design Classification: **03-01NES, 14-03A**  
(71) Name(s) and Address(s) of Applicant(s):  
**Societa Italiana Marketing S.r.l.**  
**Via Appia 47 00040 Ariccia Roma Italy**  
(72) Name(s) of Designer(s): **Mario Addis**  
(45) Registration Date: **19 December 2005**  
(30) Convention priority data:  
(31) Number      (32) Date      (33) Country  
**000289947      03 Feb 2005      EUROPEAN COMMUNITY**  
(56) Related Art Documents: **Not Applicable**  
(57) Statement of Newness and Distinctiveness: **Newness and distinctiveness is claimed in the features of shape and/or configuration of a holder for a mobile phone, said holder as illustrated in continuous lines in the accompanying representations.**



(21) Design Number: **13311/2005**  
 (22) Date of Filing Application: **03 August 2005**  
 (24) Date from which industrial property rights may have effect: **03 August 2005**  
 (54) Product in respect of which the design is registered: **Surge protector**  
 (51) International Design Classification: **13-03A, 13-03NES**  
 (71) Name(s) and Address(s) of Applicant(s):  
**Belkin Corporation**  
**501 W. Walnut Street Compton California 90990 United States of America**  
 (72) Name(s) of Designer(s): **Kenneth Mori and John Wadsworth**  
 (45) Registration Date: **19 December 2005**  
 (30) Convention priority data:  

(31) Number	(32) Date	(33) Country
<b>29/222925</b>	<b>04 Feb 2005</b>	<b>UNITED STATES OF AMERICA</b>

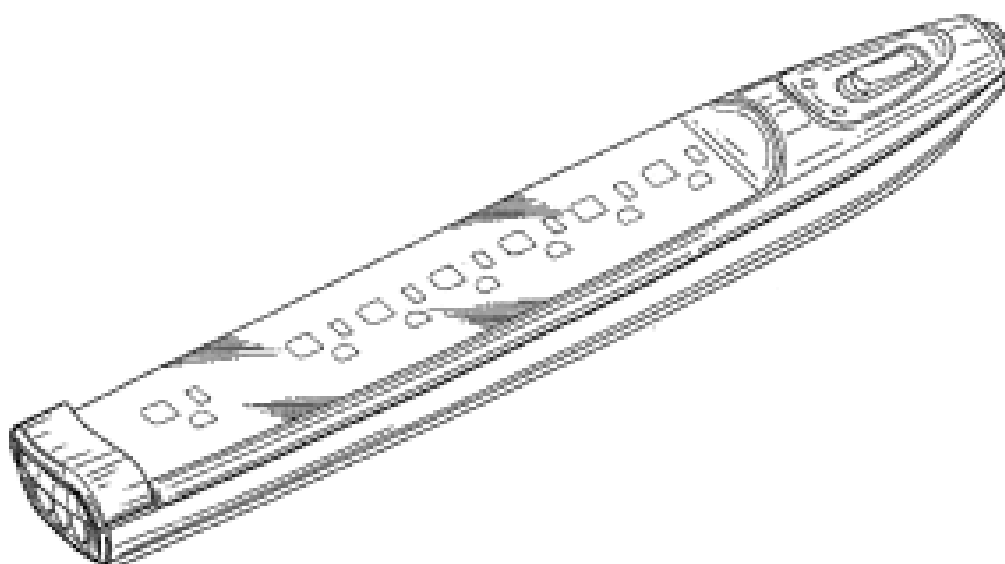
 (56) Related Art Documents: **Not Applicable**  
 (57) Statement of Newness and Distinctiveness: **Newness and distinctiveness is claimed in the features of shape and/or configuration of a surge protector as illustrated in the accompanying representations. The features shown in phantom are to be disregarded.**



(21) Design Number: **13312/2005**  
 (22) Date of Filing Application: **03 August 2005**  
 (24) Date from which industrial property rights may have effect: **03 August 2005**  
 (54) Product in respect of which the design is registered: **Surge protector**  
 (51) International Design Classification: **13-03A, 13-03NES**  
 (71) Name(s) and Address(s) of Applicant(s):  
**Belkin Corporation**  
**501 W. Walnut Street Compton California 90990 United States of America**  
 (72) Name(s) of Designer(s): **Kenneth Mori and John Wadsworth**  
 (45) Registration Date: **19 December 2005**  
 (30) Convention priority data:  

(31) Number	(32) Date	(33) Country
<b>29/222870</b>	<b>03 Feb 2005</b>	<b>UNITED STATES OF AMERICA</b>

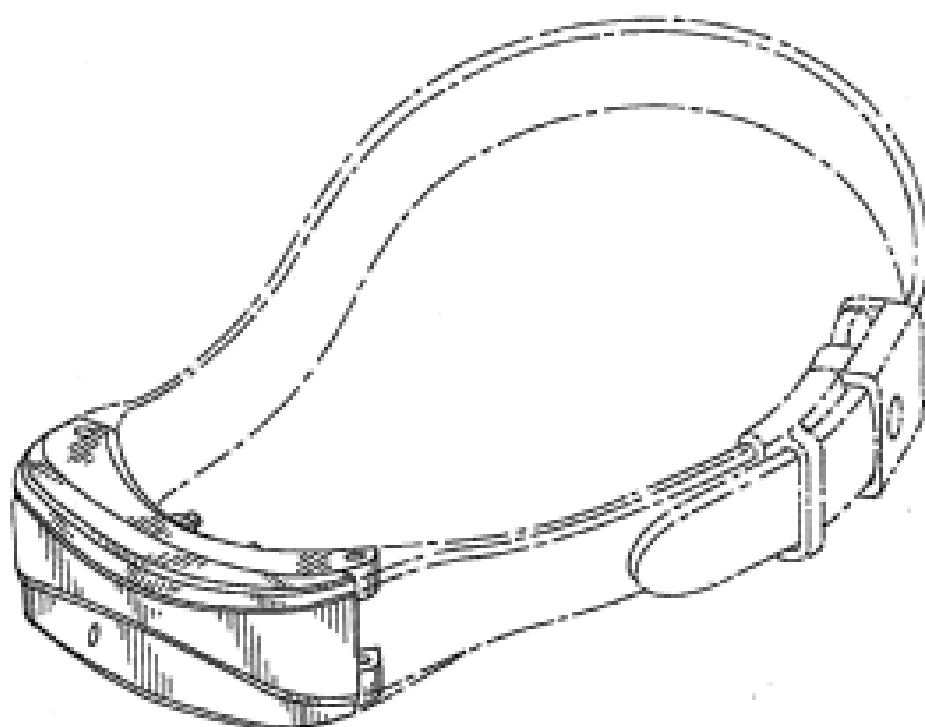
 (56) Related Art Documents: **Not Applicable**  
 (57) Statement of Newness and Distinctiveness: **Newness and distinctiveness is claimed in the features of shape and/or configuration of a surge protector as illustrated in the accompanying representations. The features illustrated in phantom are to be disregarded.**



(21) Design Number: **13329/2005**  
 (22) Date of Filing Application: **04 August 2005**  
 (24) Date from which industrial property rights may have effect: **04 August 2005**  
 (54) Product in respect of which the design is registered: **Wireless receiver**  
 (51) International Design Classification: **14-03NES, 30-04**  
 (71) Name(s) and Address(s) of Applicant(s):  
**Innotek, Inc.**  
**1000 Fuller Drive Garrett Indiana 46738 United States of America**  
 (72) Name(s) of Designer(s): **John William Nottingham and Nick E. Stanca and**  
**Craig Saunders and Duane Gerig**  
 (45) Registration Date: **19 December 2005**  
 (30) Convention priority data:  

(31) Number	(32) Date	(33) Country
<b>29/224,160</b>	<b>25 Feb 2005</b>	<b>UNITED STATES OF AMERICA</b>

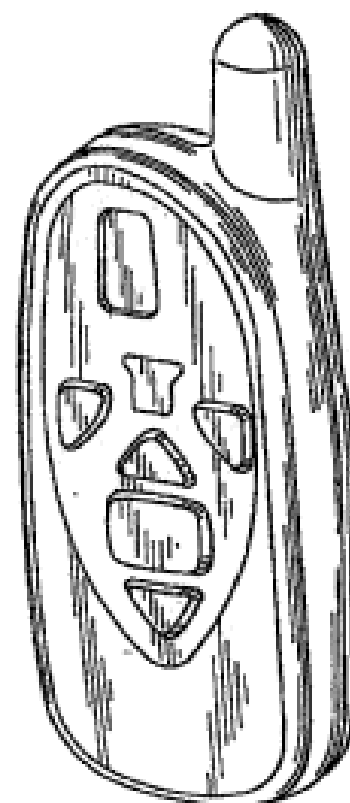
 (56) Related Art Documents: **Not Applicable**  
 (57) Statement of Newness and Distinctiveness: **Those features of the wireless receiver depicted in the representations that are new and distinctive are the shape and/or configuration. The features shown in broken lines are not part of the design and are to be disregarded when considering the overall impression of the design.**



(21) Design Number: **13330/2005**  
 (22) Date of Filing Application: **04 August 2005**  
 (24) Date from which industrial property rights may have effect: **04 August 2005**  
 (54) Product in respect of which the design is registered: **Wireless transmitter**  
 (51) International Design Classification: **14-03NES, 30-99**  
 (71) Name(s) and Address(s) of Applicant(s):  
**Innotek, Inc.**  
**1000 Fuller Drive Garrett Indiana 46738 United States of America**  
 (72) Name(s) of Designer(s): **William E. Kaufman and David J. Boll**  
 (45) Registration Date: **19 December 2005**  
 (30) Convention priority data:  

(31) Number	(32) Date	(33) Country
<b>29/224,163</b>	<b>25 Feb 2005</b>	<b>UNITED STATES OF AMERICA</b>

 (56) Related Art Documents: **Not Applicable**  
 (57) Statement of Newness and Distinctiveness: **Those features of the wireless transmitter depicted in the representations that are new and distinctive are the shape and/or configuration.**





(21) Design Number: **13331/2005**

(22) Date of Filing Application: **04 August 2005**

(24) Date from which industrial property rights may have effect: **04 August 2005**

(54) Product in respect of which the design is registered: **Container**

(51) International Design Classification: **27-03, 27-99**

(71) Name(s) and Address(s) of Applicant(s):

**S.M.B.S. GmbH  
Langstrasse 215 CH-8005 Zurich Switzerland**

(72) Name(s) of Designer(s): **Michael Baggenstos and Sacha Surlan**

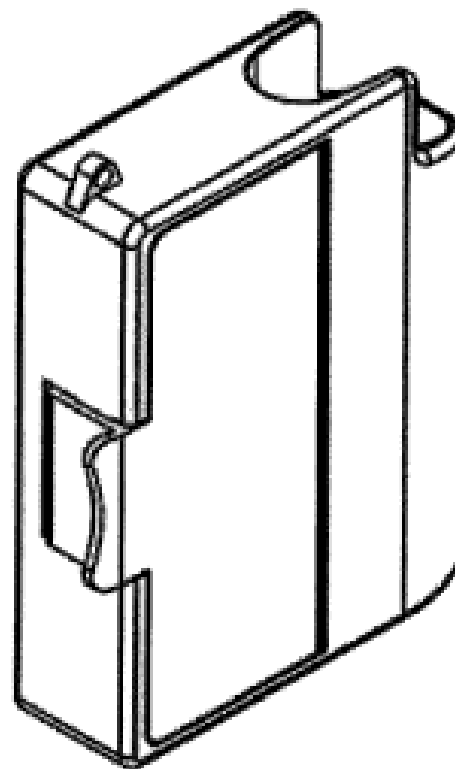
(45) Registration Date: **19 December 2005**

(30) Convention priority data:

(31) Number	(32) Date	(33) Country
<b>131 625</b>	<b>08 Feb 2005</b>	<b>SWITZERLAND</b>

(56) Related Art Documents: **Not Applicable**

(57) Statement of Newness and Distinctiveness: **Those features of the container depicted in the representations that are new and distinctive are the shape and/or configuration.**



(21) Design Number: **13335/2005**

(22) Date of Filing Application: **04 August 2005**

(24) Date from which industrial property rights may have effect: **04 August 2005**

(54) Product in respect of which the design is registered: **A power board**

(51) International Design Classification: **13-03D**

(71) Name(s) and Address(s) of Applicant(s):

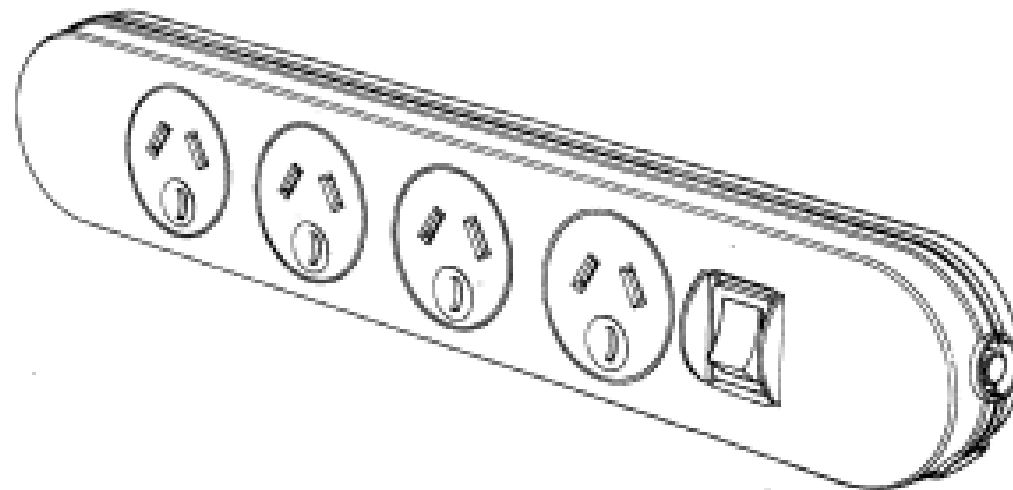
**Jackson Industries Pty Limited  
Building C 2 Hudson Avenue Castle Hill New South Wales 2153  
Australia**

(72) Name(s) of Designer(s): **Ross A. Jackson**

(45) Registration Date: **19 December 2005**

(56) Related Art Documents: **Not Applicable**

(57) Statement of Newness and Distinctiveness: **Newness and distinctiveness is claimed in the features of the raised protectors adjacent the on/off switch and circuit breaker of a powerboard as illustrated in the accompanying representations.**



(21) Design Number: 13336/2005

(22) Date of Filing Application: 04 August 2005

(24) Date from which industrial property rights may have effect: 04 August 2005

(54) Product in respect of which the design is registered: A power board

(51) International Design Classification: 13-03D

(71) Name(s) and Address(s) of Applicant(s):

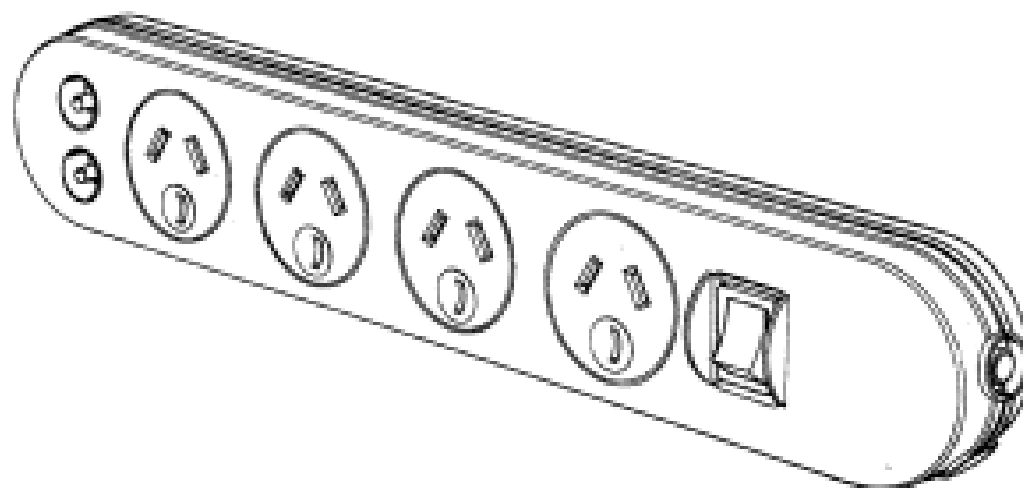
**Jackson Industries Pty Limited**  
**Building C 2 Hudson Avenue Castle Hill New South Wales 2153**  
**Australia**

(72) Name(s) of Designer(s): **Ross A. Jackson**

(45) Registration Date: 19 December 2005

(56) Related Art Documents: **Not Applicable**

(57) Statement of Newness and Distinctiveness: **Newness and distinctiveness is claimed in the features of the raised protectors adjacent the on/off switch and circuit breaker of a powerboard as illustrated in the accompanying representations.**



(21) Design Number: 13337/2005

(22) Date of Filing Application: 04 August 2005

(24) Date from which industrial property rights may have effect: 04 August 2005

(54) Product in respect of which the design is registered: A power board

(51) International Design Classification: 13-03D

(71) Name(s) and Address(s) of Applicant(s):

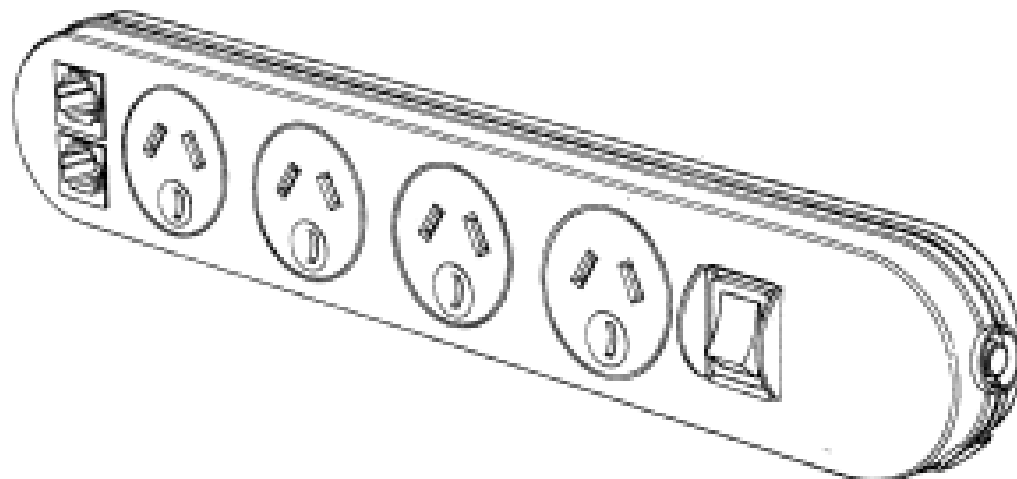
**Jackson Industries Pty Limited**  
**Building C 2 Hudson Avenue Castle Hill New South Wales 2153**  
**Australia**

(72) Name(s) of Designer(s): **Ross A. Jackson**

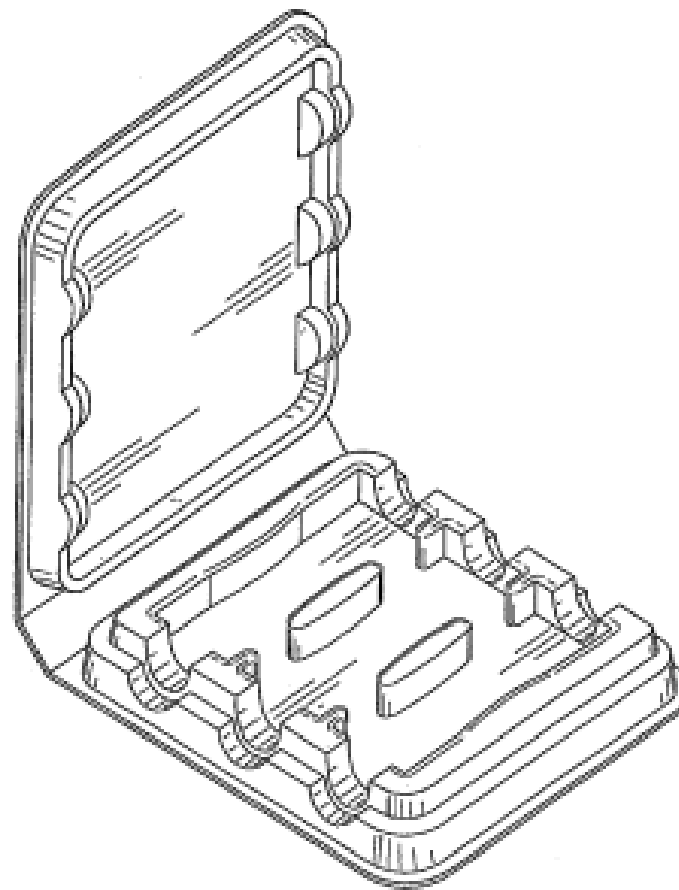
(45) Registration Date: 19 December 2005

(56) Related Art Documents: **Not Applicable**

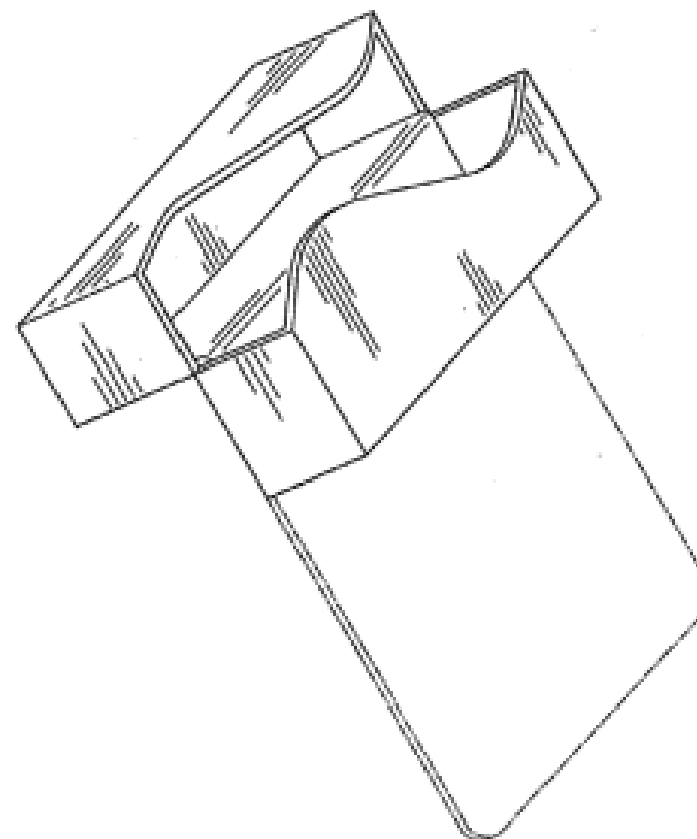
(57) Statement of Newness and Distinctiveness: **Newness and distinctiveness is claimed in the features of the raised protectors adjacent the on/off switch and circuit breaker of a powerboard as illustrated in the accompanying representations.**



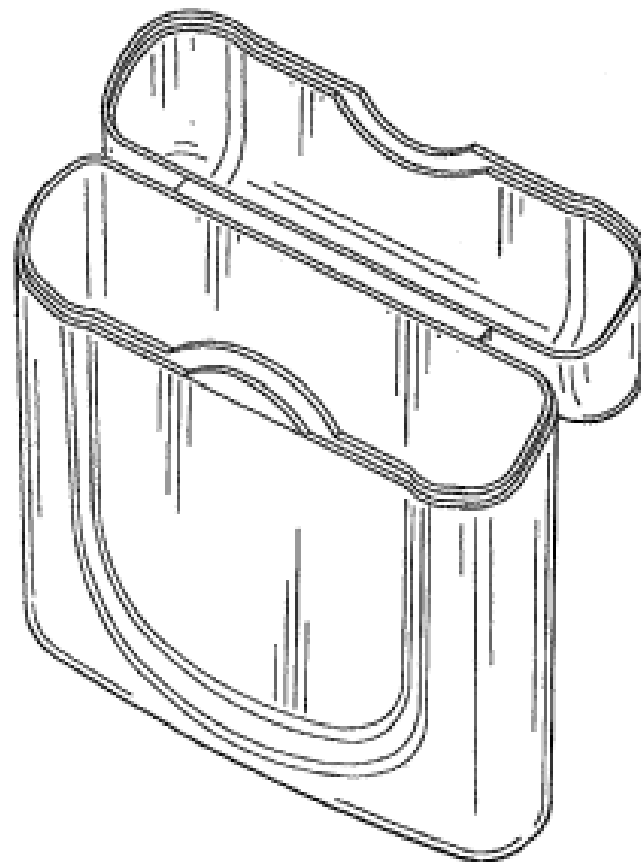
- (21) Design Number: **13347/2005**  
(22) Date of Filing Application: **05 August 2005**  
(24) Date from which industrial property rights may have effect: **05 August 2005**  
(54) Product in respect of which the design is registered: **Comestible product dispenser**  
(51) International Design Classification: **09-03M**  
(71) Name(s) and Address(s) of Applicant(s):  
**Wm. Wrigley Jr. Company**  
**410 N. Michigan Avenue Chicago Illinois 60611 United States of America**  
(72) Name(s) of Designer(s): **Dio C. Cavero and Raymond E. Clepper and Charles Curtiss and James Luke Jenkins and Sungeun Kim and Stuart Leslie and Justin Waldinger**  
(45) Registration Date: **19 December 2005**  
(56) Related Art Documents: **Not Applicable**  
(57) Statement of Newness and Distinctiveness: **Newness and distinctiveness is claimed in those features of shape and/or configuration of a comestible product dispenser illustrated in continuous lines in the accompanying representations.**



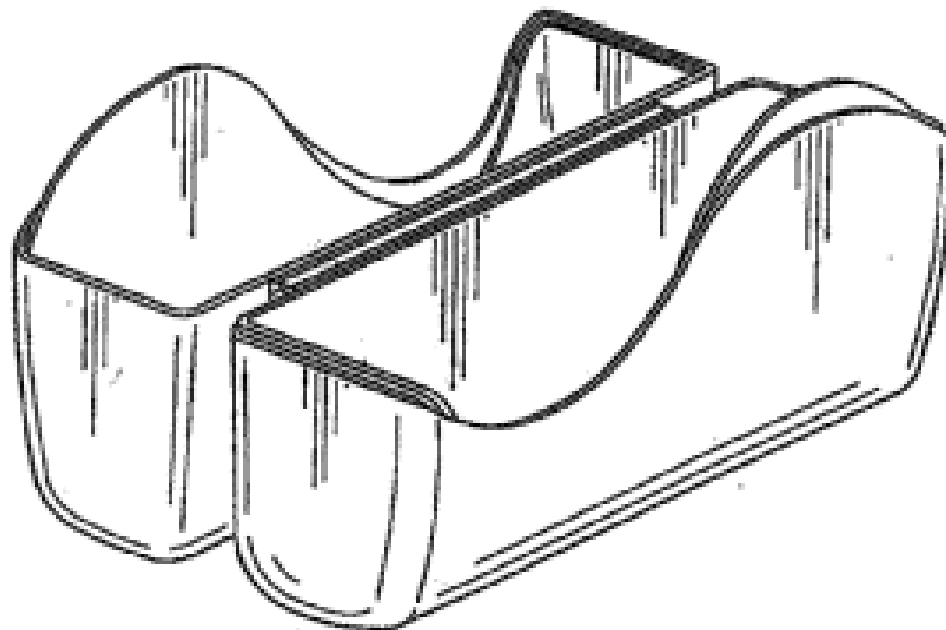
- (21) Design Number: **13348/2005**  
(22) Date of Filing Application: **05 August 2005**  
(24) Date from which industrial property rights may have effect: **05 August 2005**  
(54) Product in respect of which the design is registered: **Comestible product dispenser**  
(51) International Design Classification: **09-03M**  
(71) Name(s) and Address(s) of Applicant(s):  
**Wm. Wrigley Jr. Company**  
**410 N. Michigan Avenue Chicago Illinois 60611 United States of America**  
(72) Name(s) of Designer(s): **Dio C. Cavero and Raymond E. Clepper and Charles Curtiss and James Luke Jenkins and Sungeun Kim and Stuart Leslie and Justin Waldinger**  
(45) Registration Date: **19 December 2005**  
(56) Related Art Documents: **Not Applicable**  
(57) Statement of Newness and Distinctiveness: **Newness and distinctiveness is claimed in the features of shape and/or configuration of a comestible product dispenser as illustrated in the accompanying representations.**



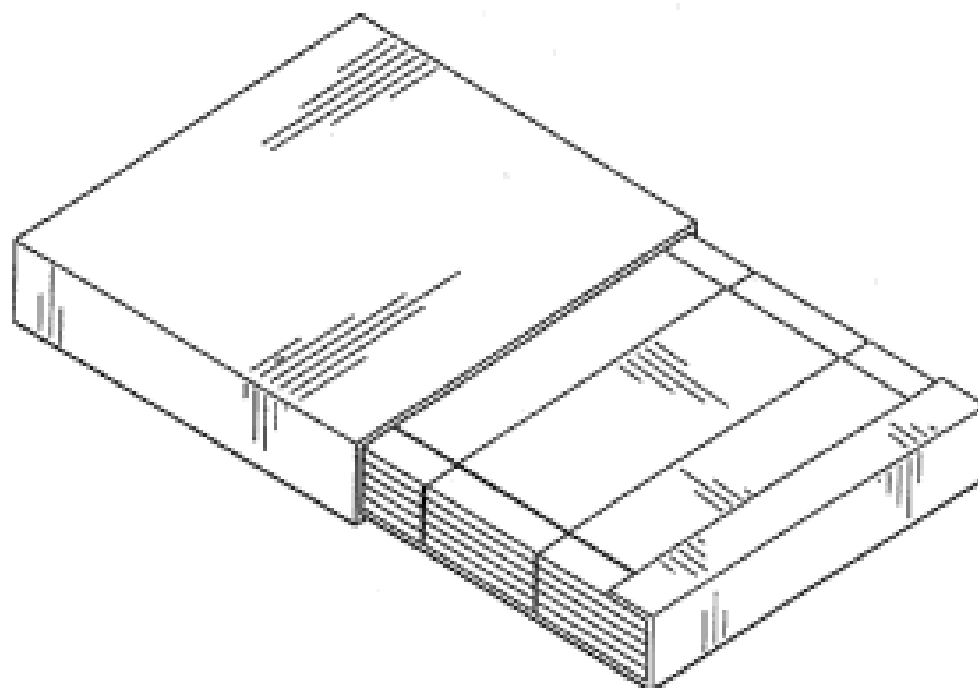
- (21) Design Number: **13349/2005**  
(22) Date of Filing Application: **05 August 2005**  
(24) Date from which industrial property rights may have effect: **05 August 2005**  
(54) Product in respect of which the design is registered: **Comestible product dispenser**  
(51) International Design Classification: **09-03M**  
(71) Name(s) and Address(s) of Applicant(s):  
**Wm. Wrigley Jr. Company**  
**410 N. Michigan Avenue Chicago Illinois 60611 United States of America**  
(72) Name(s) of Designer(s): **Dio C. Cavero and Raymond E. Clepper and Charles Curtiss and James Luke Jenkins and Sungeun Kim and Justin Waldinger and Stuart Leslie**  
(45) Registration Date: **19 December 2005**  
(56) Related Art Documents: **Not Applicable**  
(57) Statement of Newness and Distinctiveness: **Newness and distinctiveness is claimed in the features of shape and/or configuration of a comestible product dispenser as illustrated in the accompanying representations.**



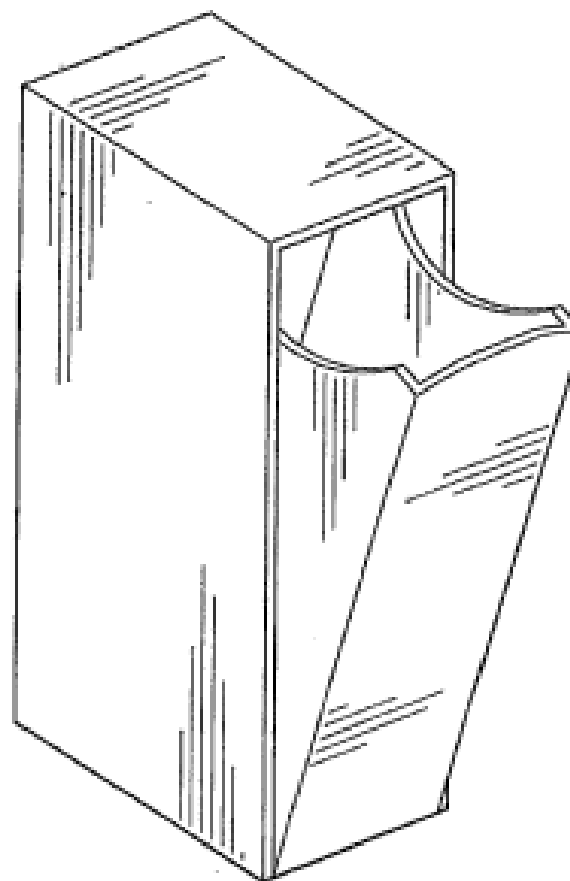
- (21) Design Number: **13350/2005**  
(22) Date of Filing Application: **05 August 2005**  
(24) Date from which industrial property rights may have effect: **05 August 2005**  
(54) Product in respect of which the design is registered: **Comestible product dispenser**  
(51) International Design Classification: **09-03M**  
(71) Name(s) and Address(s) of Applicant(s):  
**Wm. Wrigley Jr. Company**  
**410 N. Michigan Avenue Chicago Illinois 60611 United States of America**  
(72) Name(s) of Designer(s): **Dio C. Cavero and Raymond E. Clepper and Charles Curtiss and James Luke Jenkins and Sungeun Kim and Justin Waldinger and Stuart Leslie**  
(45) Registration Date: **19 December 2005**  
(56) Related Art Documents: **Not Applicable**  
(57) Statement of Newness and Distinctiveness: **Newness and distinctiveness is claimed in the features of shape and/or configuration of a comestible product dispenser as illustrated in the accompanying representations.**



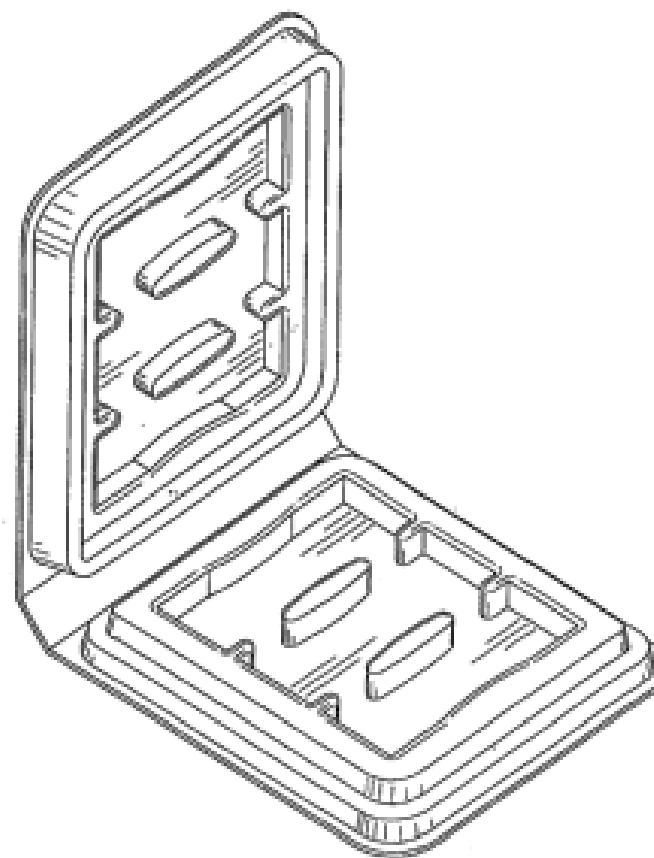
- (21) Design Number: **13351/2005**  
(22) Date of Filing Application: **05 August 2005**  
(24) Date from which industrial property rights may have effect: **05 August 2005**  
(54) Product in respect of which the design is registered: **Comestible product dispenser**  
(51) International Design Classification: **09-03M**  
(71) Name(s) and Address(s) of Applicant(s):  
**Wm. Wrigley Jr. Company**  
**410 N. Michigan Avenue Chicago Illinois 60611 United States of America**  
(72) Name(s) of Designer(s): **Dio C. Cavero and Raymond E. Clepper and Charles Curtiss and James Luke Jenkins and Sungeun Kim and Stuart Leslie and Justin Waldinger**  
(45) Registration Date: **19 December 2005**  
(56) Related Art Documents: **Not Applicable**  
(57) Statement of Newness and Distinctiveness: **Newness and distinctiveness is claimed in those features of shape and/or configuration of a comestible product dispenser illustrated in continuous lines in the accompanying representations.**



- (21) Design Number: **13352/2005**  
(22) Date of Filing Application: **05 August 2005**  
(24) Date from which industrial property rights may have effect: **05 August 2005**  
(54) Product in respect of which the design is registered: **Comestible product dispenser**  
(51) International Design Classification: **09-03M**  
(71) Name(s) and Address(s) of Applicant(s):  
**Wm. Wrigley Jr. Company**  
**410 N. Michigan Avenue Chicago Illinois 60611 United States of America**  
(72) Name(s) of Designer(s): **Dio C. Cavero and Raymond E. Clepper and Charles Curtiss and James Luke Jenkins and Sungeun Kim and Stuart Leslie and Justin Waldinger**  
(45) Registration Date: **19 December 2005**  
(56) Related Art Documents: **Not Applicable**  
(57) Statement of Newness and Distinctiveness: **Newness and distinctiveness is claimed in the features of shape and/or configuration of a comestible product dispenser as illustrated in the accompanying representations.**

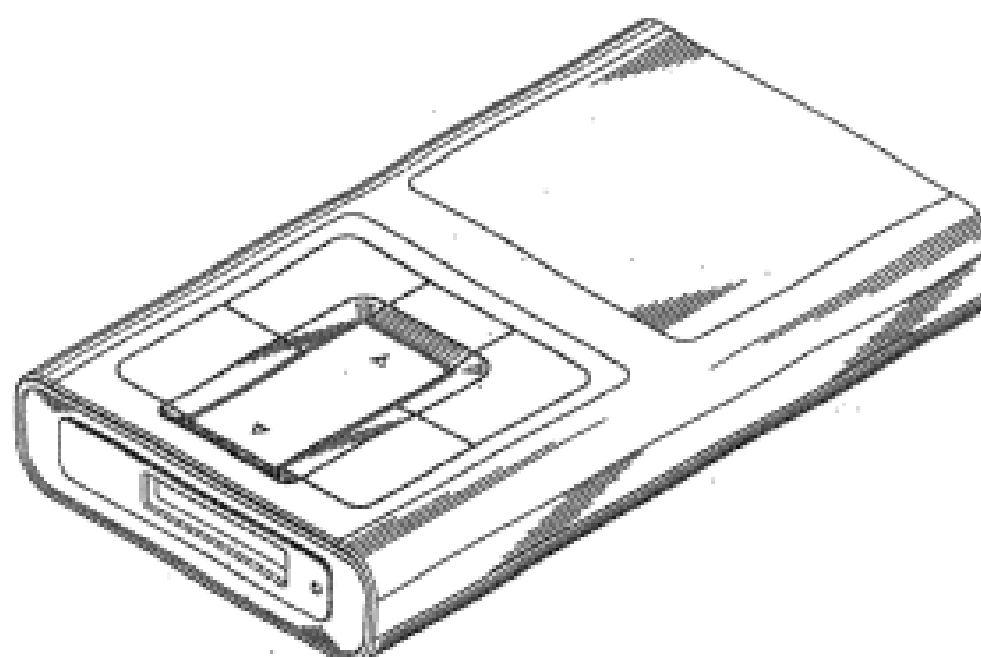


- (21) Design Number: **13353/2005**
- (22) Date of Filing Application: **05 August 2005**
- (24) Date from which industrial property rights may have effect: **05 August 2005**
- (54) Product in respect of which the design is registered: **Comestible product dispenser**
- (51) International Design Classification: **09-03M**
- (71) Name(s) and Address(s) of Applicant(s):  
**Wm. Wrigley Jr. Company**  
**410 N. Michigan Avenue Chicago Illinois 60611 United States of America**
- (72) Name(s) of Designer(s): **Dio C. Cavero and Raymond E. Clepper and Charles Curtiss and James Luke Jenkins and Sungeun Kim and Stuart Leslie and Justin Waldinger**
- (45) Registration Date: **19 December 2005**
- (56) Related Art Documents: **Not Applicable**
- (57) Statement of Newness and Distinctiveness: **Newness and distinctiveness is claimed in the features of shape and/or configuration of a comestible product dispenser as illustrated in the accompanying representations.**

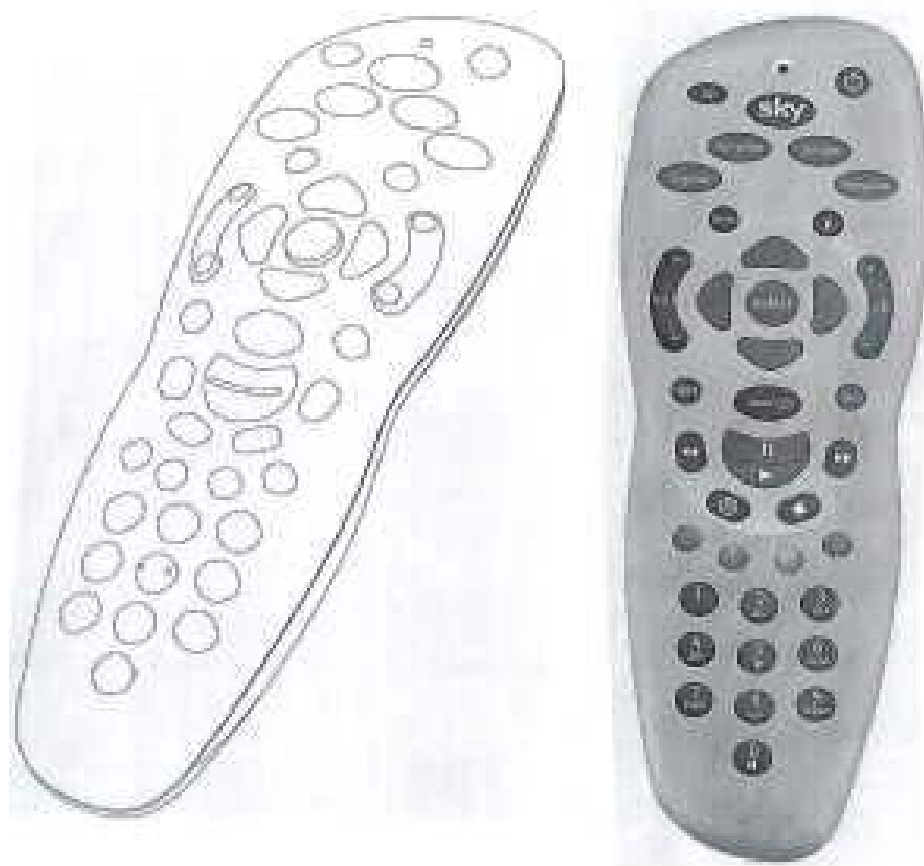


- (21) Design Number: **13354/2005**
- (22) Date of Filing Application: **05 August 2005**
- (24) Date from which industrial property rights may have effect: **05 August 2005**
- (54) Product in respect of which the design is registered: **Media player**
- (51) International Design Classification: **14-01**
- (71) Name(s) and Address(s) of Applicant(s):  
**Creative Technology Ltd**  
**31 International Business Park Creative Resource Singapore 609921**
- (72) Name(s) of Designer(s): **Kittichai Reawsanguanwong**
- (45) Registration Date: **19 December 2005**
- (30) Convention priority data:

(31) Number	(32) Date	(33) Country
<b>29/229,617</b>	<b>09 May 2005</b>	<b>UNITED STATES OF AMERICA</b>
- (56) Related Art Documents: **Not Applicable**
- (57) Statement of Newness and Distinctiveness: **Monopoly is claimed in the shape and configuration of the features of the article as depicted in the accompanying representations.**



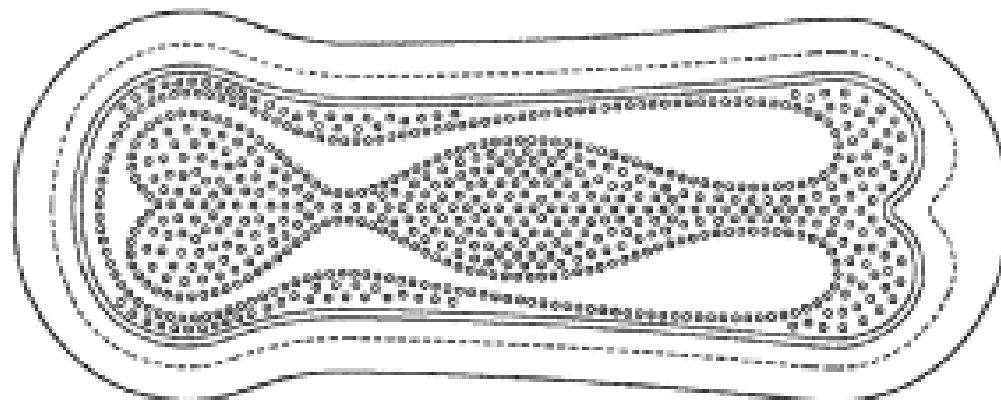
(21) Design Number: **13355/2005**  
 (22) Date of Filing Application: **05 August 2005**  
 (24) Date from which industrial property rights may have effect: **05 August 2005**  
 (54) Product in respect of which the design is registered: **Remote control**  
 (51) International Design Classification: **14-03NES**  
 (71) Name(s) and Address(s) of Applicant(s):  
**British Sky Broadcasting Ltd**  
**Grant Way Isleworth Middlesex TW7 5QD United Kingdom**  
 (72) Name(s) of Designer(s): **Jonathan Arnold Manley Knight and Zoltan Radivojevic**  
 (45) Registration Date: **19 December 2005**  
 (30) Convention priority data:  
 (31) Number (32) Date (33) Country  
**000294475 07 Feb 2005 EUROPEAN COMMUNITY**  
 (56) Related Art Documents: **Not Applicable**  
 (57) Statement of Newness and Distinctiveness: **Nil**



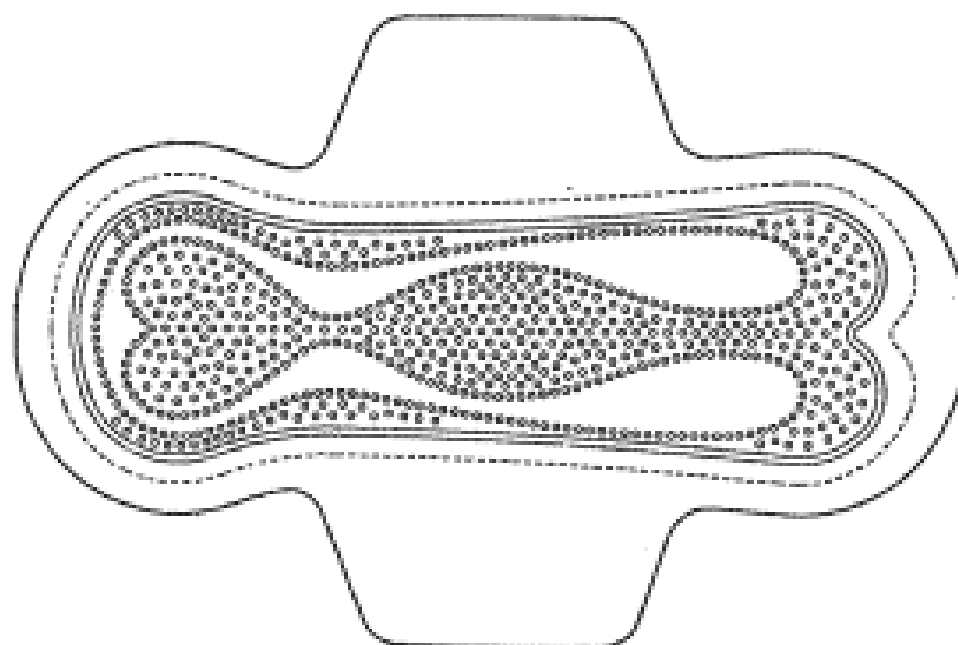
(21) Design Number: **13356/2005**  
 (22) Date of Filing Application: **05 August 2005**  
 (24) Date from which industrial property rights may have effect: **05 August 2005**  
 (54) Product in respect of which the design is registered: **Remote control**  
 (51) International Design Classification: **14-03NES**  
 (71) Name(s) and Address(s) of Applicant(s):  
**British Sky Broadcasting Ltd**  
**Grant Way Isleworth Middlesex TW7 5QD United Kingdom**  
 (72) Name(s) of Designer(s): **Jonathan Arnold Manley Knight and Zoltan Radivojevic**  
 (45) Registration Date: **19 December 2005**  
 (30) Convention priority data:  
 (31) Number (32) Date (33) Country  
**000294475 07 Feb 2005 EUROPEAN COMMUNITY**  
 (56) Related Art Documents: **Not Applicable**  
 (57) Statement of Newness and Distinctiveness: **Nil**



(21) Design Number: **13358/2005**  
(22) Date of Filing Application: **05 August 2005**  
(24) Date from which industrial property rights may have effect: **05 August 2005**  
(54) Product in respect of which the design is registered: **A sanitary towel**  
(51) International Design Classification: **24-04**  
(71) Name(s) and Address(s) of Applicant(s):  
**SCA Hygiene Products AB**  
**S-405 03 Goteborg Sweden**  
(72) Name(s) of Designer(s): **Cilla Persson**  
(45) Registration Date: **19 December 2005**  
(30) Convention priority data:  
(31) Number      (32) Date      (33) Country  
**000299466      23 Feb 2005      EUROPEAN COMMUNITY**  
(56) Related Art Documents: **Not Applicable**  
(57) Statement of Newness and Distinctiveness: **Nil**



(21) Design Number: **13359/2005**  
(22) Date of Filing Application: **05 August 2005**  
(24) Date from which industrial property rights may have effect: **05 August 2005**  
(54) Product in respect of which the design is registered: **A sanitary towel**  
(51) International Design Classification: **24-04**  
(71) Name(s) and Address(s) of Applicant(s):  
**SCA Hygiene Products AB**  
**S-405 03 Goteborg Sweden**  
(72) Name(s) of Designer(s): **Cilla Persson**  
(45) Registration Date: **19 December 2005**  
(30) Convention priority data:  
(31) Number      (32) Date      (33) Country  
**000299466      23 Feb 2005      EUROPEAN COMMUNITY**  
(56) Related Art Documents: **Not Applicable**  
(57) Statement of Newness and Distinctiveness: **Nil**





(21) Design Number: **13366/2005**

(22) Date of Filing Application: **26 March 2004**

(24) Date from which industrial property rights may have effect: **26 March 2004**

(54) Product in respect of which the design is registered: **Ratchet bumper**

(51) International Design Classification: **08-07**

(71) Name(s) and Address(s) of Applicant(s):

**Master Lock Company**  
**137 W. Forest Hill Avenue PO Box 927 Oak Creek WI 53134 United States of America**

(72) Name(s) of Designer(s): **Tony Kopp and Eric Mackey and Mark Van Hendel**

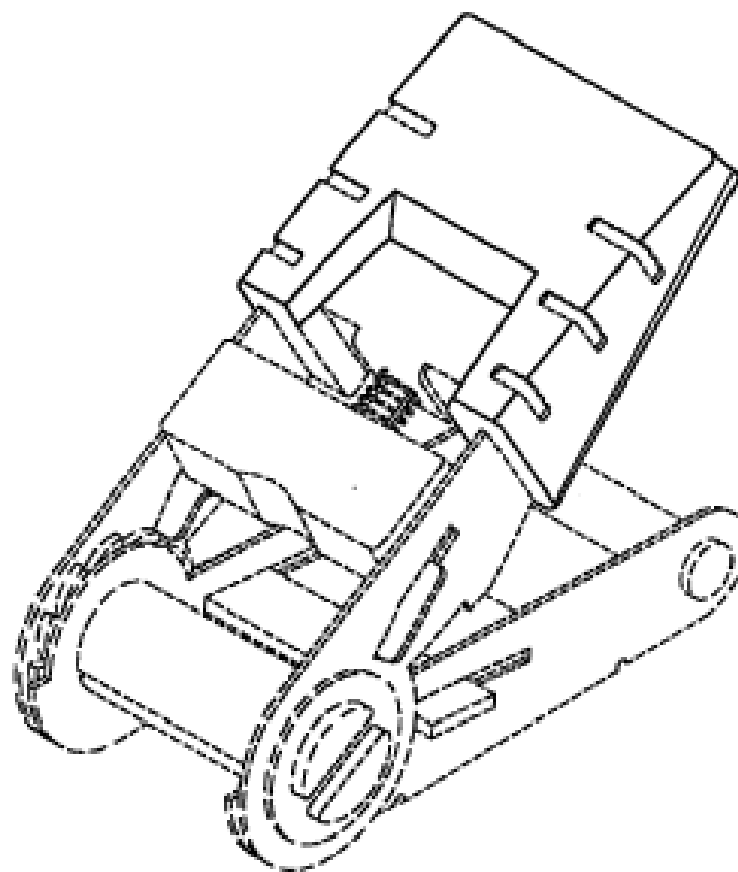
(45) Registration Date: **19 December 2005**

(30) Convention priority data:

(31) Number	(32) Date	(33) Country
<b>29/193162</b>	<b>04 Nov 2003</b>	<b>UNITED STATES OF AMERICA</b>

(56) Related Art Documents: **Not Applicable**

(57) Statement of Newness and Distinctiveness: **Nil**



(21) Design Number: **13367/2005**

(22) Date of Filing Application: **26 March 2004**

(24) Date from which industrial property rights may have effect: **26 March 2004**

(54) Product in respect of which the design is registered: **Ratchet bumper**

(51) International Design Classification: **08-07**

(71) Name(s) and Address(s) of Applicant(s):

**Master Lock Company**  
**137 W. Forest Hill Avenue PO Box 927 Oak Creek WI 53134 United States of America**

(72) Name(s) of Designer(s): **Tony Kopp and Eric Mackey and Mark Van Hendel**

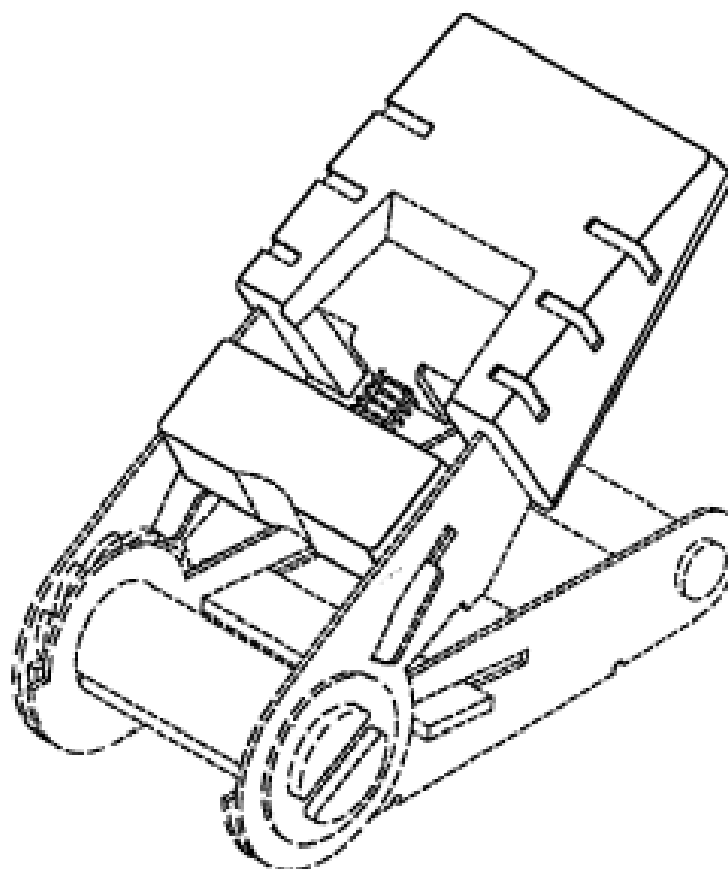
(45) Registration Date: **19 December 2005**

(30) Convention priority data:

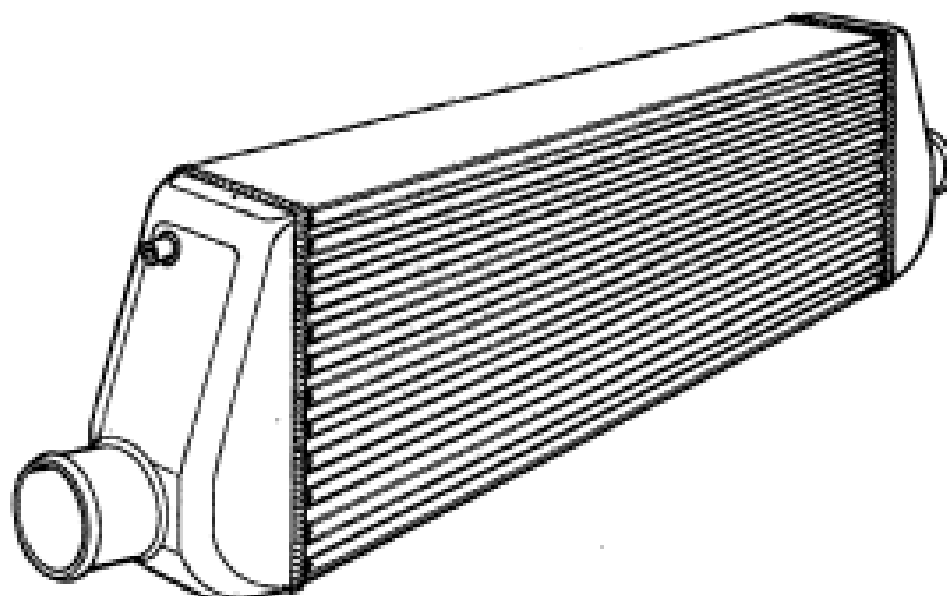
(31) Number	(32) Date	(33) Country
<b>29/193162</b>	<b>04 Nov 2003</b>	<b>UNITED STATES OF AMERICA</b>

(56) Related Art Documents: **Not Applicable**

(57) Statement of Newness and Distinctiveness: **Nil**



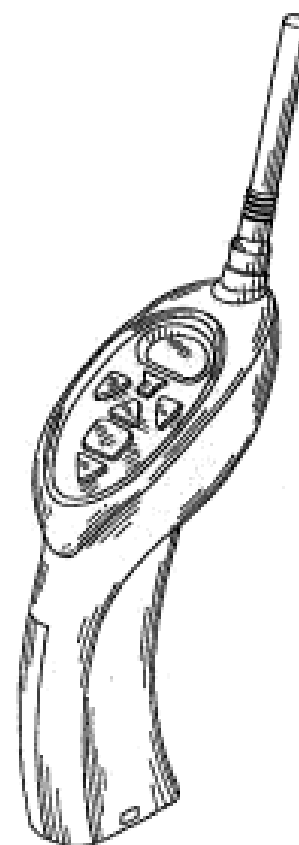
(21) Design Number: **13370/2005**  
 (22) Date of Filing Application: **08 August 2005**  
 (24) Date from which industrial property rights may have effect: **08 August 2005**  
 (54) Product in respect of which the design is registered: **An intercooler**  
 (51) International Design Classification: **15-01**  
 (71) Name(s) and Address(s) of Applicant(s):  
**Wai Chan**  
**5 Koala Avenue Ingleburn New South Wales 2565 Australia**  
 (72) Name(s) of Designer(s): **Wai Chan**  
 (45) Registration Date: **19 December 2005**  
 (56) Related Art Documents: **Not Applicable**  
 (57) Statement of Newness and Distinctiveness: **Each feature of the design considered separately or in combination with any other feature or features.**



(21) Design Number: **13381/2005**  
 (22) Date of Filing Application: **09 August 2005**  
 (24) Date from which industrial property rights may have effect: **09 August 2005**  
 (54) Product in respect of which the design is registered: **Wireless transmitter**  
 (51) International Design Classification: **14-03NES, 30-99**  
 (71) Name(s) and Address(s) of Applicant(s):  
**Innotek, Inc.**  
**1000 Fuller Drive Garrett Indiana 46738 United States of America**  
 (72) Name(s) of Designer(s): **William E. Kaufman and Todd A. Spiegelberg**  
 (45) Registration Date: **19 December 2005**  
 (30) Convention priority data:  

(31) Number	(32) Date	(33) Country
<b>29/224,159</b>	<b>25 Feb 2005</b>	<b>UNITED STATES OF AMERICA</b>

 (56) Related Art Documents: **Not Applicable**  
 (57) Statement of Newness and Distinctiveness: **Those features of the wireless transmitter depicted in the representations that are new and distinctive are the shape and/or configuration.**



(21) Design Number: **13383/2005**

(22) Date of Filing Application: **09 August 2005**

(24) Date from which industrial property rights may have effect: **09 August 2005**

(54) Product in respect of which the design is registered: **Plaque**

(51) International Design Classification: **11-02F**

(71) Name(s) and Address(s) of Applicant(s):

**Allinox N.V., incorporated in Belgium  
Stationsstraat 127 B-8780 Oostrozebeke Belgium**

(72) Name(s) of Designer(s): **Filip Delmulle**

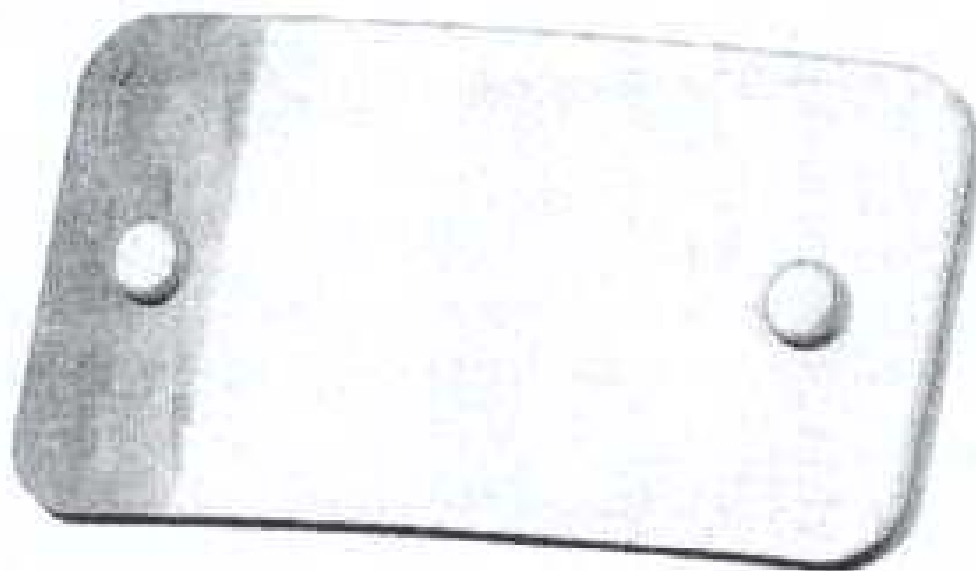
(45) Registration Date: **19 December 2005**

(30) Convention priority data:

(31) Number	(32) Date	(33) Country
<b>06678-01</b>	<b>10 Feb 2005</b>	<b>BENELUX</b>

(56) Related Art Documents: **Not Applicable**

(57) Statement of Newness and Distinctiveness: **Newness and distinctiveness is claimed in the features of shape and/or configuration of a plaque as illustrated in the accompanying representations.**



(21) Design Number: **13388/2005**

(22) Date of Filing Application: **28 July 2005**

(24) Date from which industrial property rights may have effect: **28 July 2005**

(54) Product in respect of which the design is registered: **Pipe connector**

(51) International Design Classification: **23-01A**

(71) Name(s) and Address(s) of Applicant(s):

**JFC Manufacturing Company Limited  
Weir Road Tuam County Galway Ireland**

(72) Name(s) of Designer(s): **John Francis Concannon**

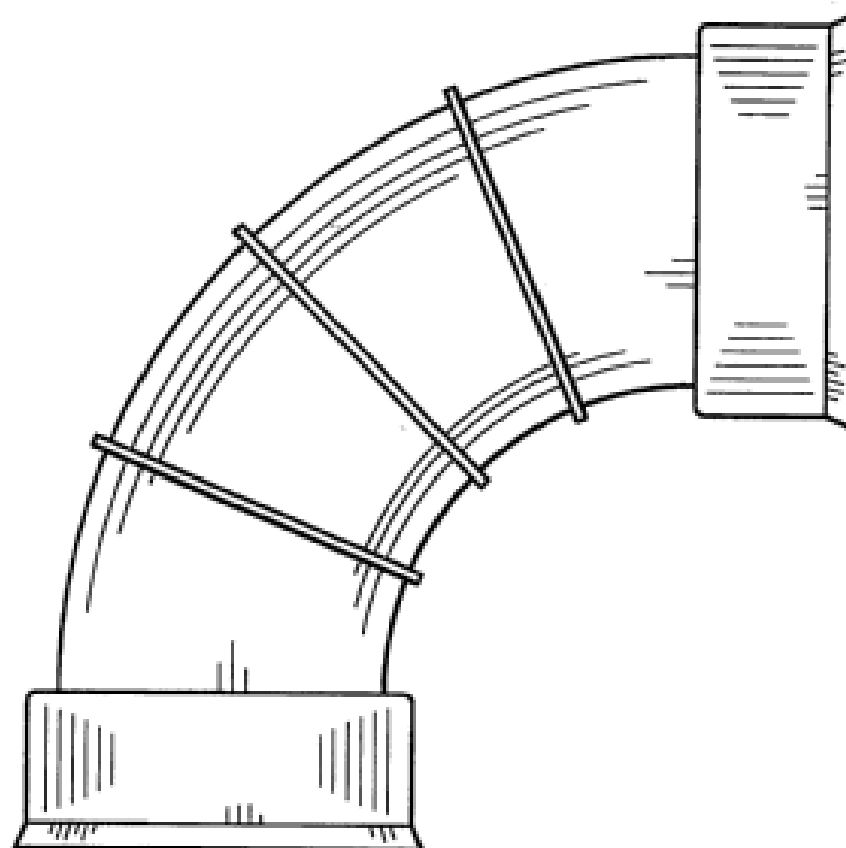
(45) Registration Date: **19 December 2005**

(30) Convention priority data:

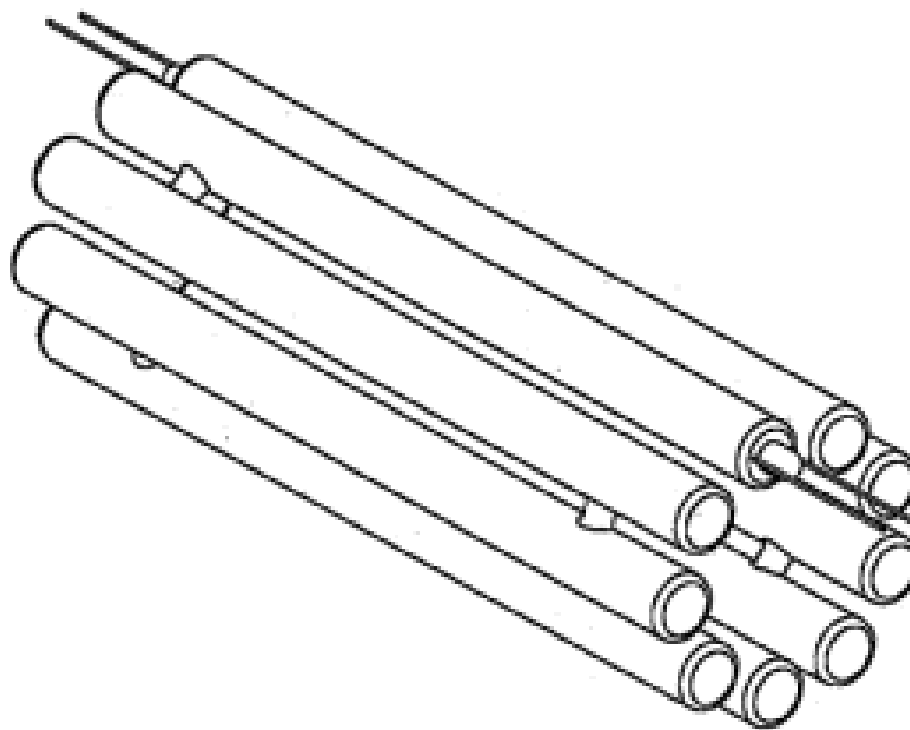
(31) Number	(32) Date	(33) Country
<b>000287446</b>	<b>28 Jan 2005</b>	<b>EUROPEAN COMMUNITY</b>

(56) Related Art Documents: **Not Applicable**

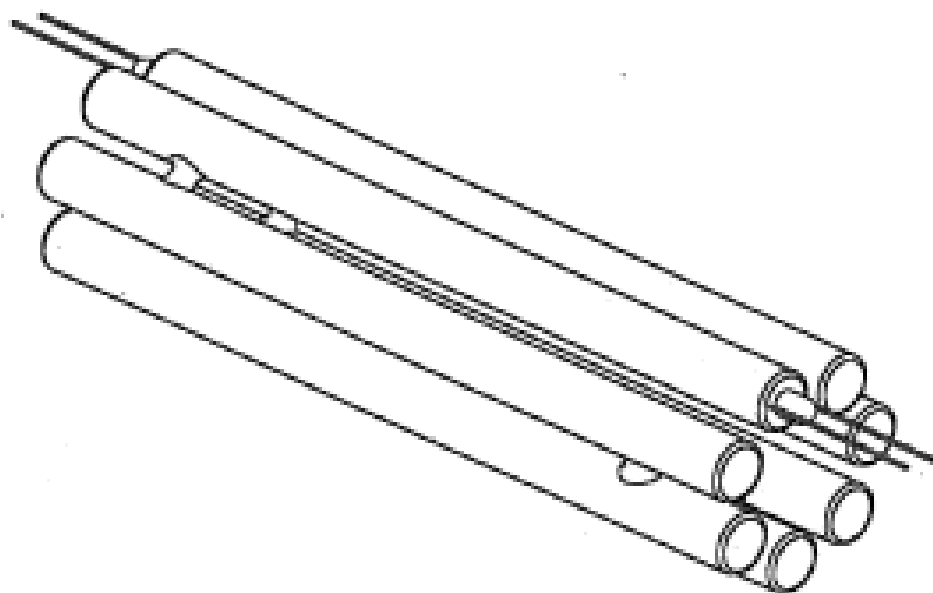
(57) Statement of Newness and Distinctiveness: **Nil**



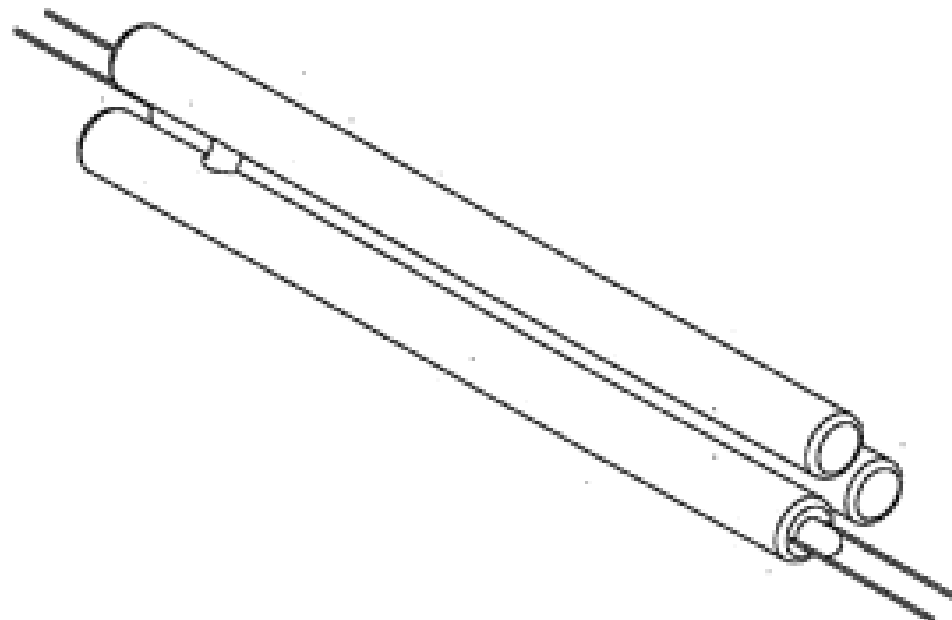
- (21) Design Number: **13427/2005**  
(22) Date of Filing Application: **11 August 2005**  
(24) Date from which industrial property rights may have effect: **11 August 2005**  
(54) Product in respect of which the design is registered: **Fluorescent lamp - 9T**  
(51) International Design Classification: **26-05A**  
(71) Name(s) and Address(s) of Applicant(s):  
**Mass Technology (H.K.) Limited**  
**Room 2902-06 Tower 6 The Gateway 9 Canton Road Tsimshatsui**  
**Kowloon Hong Kong**  
(72) Name(s) of Designer(s): **Onn Fah Foo**  
(45) Registration Date: **19 December 2005**  
(30) Convention priority data:  
(31) Number      (32) Date      (33) Country  
**0500412.8M004    02 Mar 2005      HONG KONG**  
(56) Related Art Documents: **Not Applicable**  
(57) Statement of Newness and Distinctiveness: **Each feature of the design considered separately or in combination with any other feature or features.**



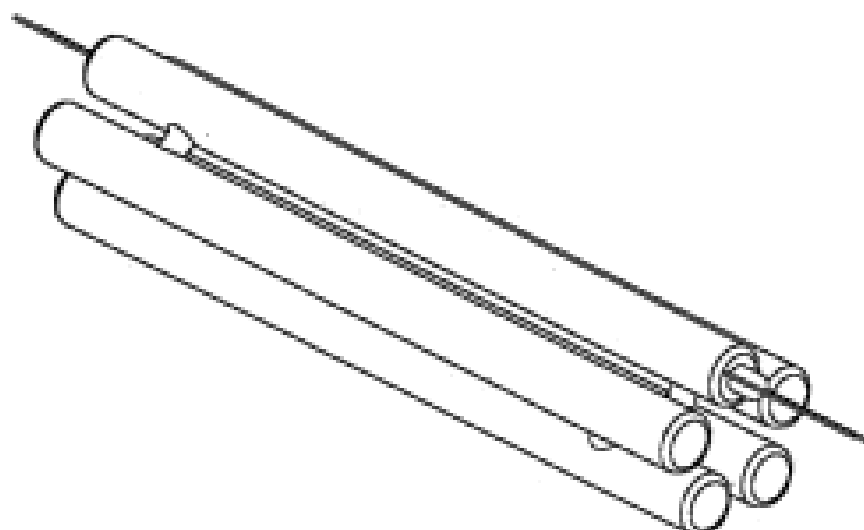
- (21) Design Number: **13428/2005**  
(22) Date of Filing Application: **11 August 2005**  
(24) Date from which industrial property rights may have effect: **11 August 2005**  
(54) Product in respect of which the design is registered: **Fluorescent lamp - 7T**  
(51) International Design Classification: **26-05A**  
(71) Name(s) and Address(s) of Applicant(s):  
**Mass Technology (H.K.) Limited**  
**Room 2902-06 Tower 6 The Gateway 9 Canton Road Tsimshatsui**  
**Kowloon Hong Kong**  
(72) Name(s) of Designer(s): **Onn Fah Foo**  
(45) Registration Date: **19 December 2005**  
(30) Convention priority data:  
(31) Number      (32) Date      (33) Country  
**0500412.8M003    02 Mar 2005      HONG KONG**  
(56) Related Art Documents: **Not Applicable**  
(57) Statement of Newness and Distinctiveness: **Each feature of the design considered separately or in combination with any other feature or features.**



- (21) Design Number: **13429/2005**  
(22) Date of Filing Application: **11 August 2005**  
(24) Date from which industrial property rights may have effect: **11 August 2005**  
(54) Product in respect of which the design is registered: **Fluorescent lamp - 3T**  
(51) International Design Classification: **26-05A**  
(71) Name(s) and Address(s) of Applicant(s):  
**Mass Technology (H.K.) Limited**  
**Room 2902-06 Tower 6 The Gateway 9 Canton Road Tsimshatsui**  
**Kowloon Hong Kong**  
(72) Name(s) of Designer(s): **Onn Fah Foo**  
(45) Registration Date: **19 December 2005**  
(30) Convention priority data:  
(31) Number      (32) Date      (33) Country  
**0500412.8M001    02 Mar 2005      HONG KONG**  
(56) Related Art Documents: **Not Applicable**  
(57) Statement of Newness and Distinctiveness: **Each feature of the design considered separately or in combination with any other feature or features.**



- (21) Design Number: **13430/2005**  
(22) Date of Filing Application: **11 August 2005**  
(24) Date from which industrial property rights may have effect: **11 August 2005**  
(54) Product in respect of which the design is registered: **Fluorescent lamp - 5T**  
(51) International Design Classification: **26-05A**  
(71) Name(s) and Address(s) of Applicant(s):  
**Mass Technology (H.K.) Limited**  
**Room 2902-06 Tower 6 The Gateway 9 Canton Road Tsimshatsui**  
**Kowloon Hong Kong**  
(72) Name(s) of Designer(s): **Onn Fah Foo**  
(45) Registration Date: **19 December 2005**  
(30) Convention priority data:  
(31) Number      (32) Date      (33) Country  
**0500412.8M002    02 Mar 2005      HONG KONG**  
(56) Related Art Documents: **Not Applicable**  
(57) Statement of Newness and Distinctiveness: **Each feature of the design considered separately or in combination with any other feature or features.**



(19) AU

- (21) Design Number: **15412/2005**
- (22) Date of Filing Application: **05 December 2005**
- (24) Date from which industrial property rights may have effect: **05 December 2005**
- (54) Product in respect of which the design is registered: **Engine assembly**
- (51) International Design Classification: **15-01**
- (71) Name(s) and Address(s) of Applicant(s):

**Briggs & Stratton Corporation**  
**12301 W. Wirth Street Wauwatosa Wisconsin 53222 United States of America**

- (72) Name(s) of Designer(s): **Christopher J. Drew and Charles Lasky and Paul A. Leech and John P. McDonald and Brian P. Saiia and John R. Schneiker and Kipp K. Stevens and Christina E. Wisler**
- (45) Registration Date: **19 December 2005**
- (30) Convention priority data:
  - (31) Number      (32) Date      (33) Country
  - 29/231,995      13 Jun 2005      UNITED STATES OF AMERICA**
- (56) Related Art Documents: **Not Applicable**
- (57) Statement of Newness and Distinctiveness: **Nil**

