



Australian Government

IP Australia

AUSTRALIAN OFFICIAL JOURNAL

OF

DESIGNS

Did you know a searchable version of this journal is now available online?

It's FREE and EASY to SEARCH.

Find it at

<http://pericles.ipaustralia.gov.au/ols/epublish/content/olsEpublications.jsp>
or using the "Online Journals" link on the IP Australia home page.

This Page Left Intentionally Blank

Contents

General Information & Notices

**Proceedings Under the Designs Act 1906 preserved as a result of the provisions of Chapter 12
Part 2 of the Designs Act 2003**

Application for Extension of Period of Registration	3600
Applications Lapsed	3599
Extension of Period of Registration of Designs	3600
Extensions of Time Granted	3601
Names Registered - Alterations and Amendments	3602
Registrations Ceased	3601
Subsequent Owners Registered	3601

Proceedings Under the Designs Act 2003

Applications Lodged	3607
Applications Withdrawn	3617
Certificate of Examination	3619
Extension of Time Granted Under Section 137	3618
Publication and Registration Proceedings	
Designs Registered 304873 to 304912.....	3620

This Page Left Intentionally Blank

General Information

EDITORIAL ENQUIRIES

All enquiries about official notices and general information in the Journal should be directed to IP Australia, (ABN No 38 113 072 755), PO Box 200 Woden ACT 2606

Or

Telephone 1300 651 010
(International Callers +61 2 6283 2999)
Fax 02 6283 7999
E-mail assist@ipaustralia.gov.au

CONTACT INFORMATION

Customer Service Network
Telephone 1300 651 010 , Fax: 02 6283 7999
E-mail: assist@ipaustralia.gov.au

Customers can contact the Customer Service Network by telephone or by e-mail. Telephones are staffed between 9am and 5pm each working day.

Customers should contact the Customer Service Network for information about:

- All Patent Matters including PCT and Innovation Patents.
- All Trade Mark Matters.
- All Design Matters.

Professional Standards Board for Patent and Trade Mark Attorneys.

Ph: 02 6283 2345 Fax: 02 6283 1048

ORDERING PATENT DOCUMENTS

When ordering copies of Australian patent specifications, or abstracts and abridgments notified as open to public inspection on or after 26 October 1978, or as accepted on or after 16 November 1978, the documents should be referred to by application numbers only, preceded by letters AU-A or AU-B respectively.

REQUESTS FOR INFORMATION UNDER SECTION 194 (C)

A request for information under Section 194 (C) of the Patents Act 1990 should be made in the approved form and be accompanied by the prescribed fee. The request should be as detailed as possible.

INFORMATION FROM REGISTERS

All requests for information from Register of Patents, Trade Marks or Designs, should be made in writing and accompanied by the prescribed fee. The Registers are located in Canberra and may be examined free of charge.

COUNTRY CODES

For a listing of country codes used by IP Australia please refer to the Official Journals dated 7 November 1996.

ABBREVIATIONS IN JOURNAL

Standard abbreviations are used in the name of companies and firms. Enquiries concerning the precise name should be directed to the Customer Service Network.

FREEDOM OF INFORMATION ACT

What does it do?

- Gives you right to obtain information held by Commonwealth Ministers, Departments and most statutory bodies (these bodies are called agencies under the Act).
- Requires Commonwealth Government agencies to make available to members of the public:
 - Information about agencies, their functions and operations.
 - Information about rules and practices which are used in making decisions which affect you.
- Gives you a legal right to:
 - See non exempt documents held by agencies, and
 - appeal against a decision not to grant access to a document.

What documents can you see?

- The Act gives you a right to see documents lodged on or after 1 December 1977, or earlier if you need them to understand another document you have already.
- Documents include files, reports, computer printouts, maps, plans, photographs, tape recordings, films or videotapes.
- Documents which are available for purchase under the Patents Act 1990, the Trade Marks Act 1995 or Designs Act 2003 or Plant Breeder's Rights Act 1994 are not available under the Freedom of Information Act (Section 12 refers).

How do you apply?

Requests for access to documents must

- Be in writing
- Provide sufficient information so as to enable identification of the documents requested
- Specify an address in Australia where notices can be sent and
- Be accompanied by the application fee (currently \$30.00).

Requests for documents should be addressed to IP Australia, PO Box 200 Woden, ACT 2606, or Faxed to 02 6283 7999

DECISIONS OF THE COMMISSIONER OF PATENTS AND REGISTRAR OF TRADE MARKS AND DESIGNS

- All decisions of the Commissioner and Registrars are available free of charge from AUSTLII's website

www.austlii.edu.au

Copies of all written Patent and Design decisions are available (except if they would not be available under the provisions of the Freedom of Information legislation, e.g. if they would effectively disclose matter from documents that are not open to public inspection) on request for a cost of \$AU 25. They are also available for inspection in indexed volume series, dating from 1 January 1987, in the Office library, Canberra.

Copies of Trade Mark decisions may be accessed via IP Australia's website www.ipaustralia.gov.au

- Copies of the taped record of Patent and Design hearings are available (with the same exception as above) on request.
- When a written decision is issued the fact of the decision plus a brief head note will be published in the Official Notices section of the next available Patents, Trade Marks or Designs Journal.

HEARINGS BEFORE THE COMMISSIONER OF PATENTS

Hearings before the Commissioner of Patents will usually be conducted at the Patent Office in Canberra and interstate hearing sessions are not provided. However, the Commissioner will conduct hearings outside of Canberra at a convenient time to all parties provided that the parties bear the travel costs of the hearing officer.

The various options for hearings are set out in the document "Options for Hearings" available on IP Australia's website at: www.ipaustralia.gov.au/pdfs/patents/optionsforhearings.PDF

HEARINGS BEFORE THE REGISTRARS OF TRADE MARKS AND DESIGNS

Hearings before the Registrars of Trade Marks and Designs will be set down in Melbourne, Sydney, Adelaide, Perth and Brisbane during the periods indicated below.

Designs and Trade Marks Hearings Sessions 2006

Melbourne	13 – 17 February 5 – 9 June 11 – 15 September
Sydney	13 – 17 March 17 – 21 July 16 – 20 October
Adelaide	14 – 15 August
Perth	17 – 18 August
Brisbane	24 – 25 August

Persons who desire matters to be set down for hearing in Melbourne, Sydney, Adelaide, Perth or Brisbane must give at least one month's notice of their intention to be heard. If such notice is not given, it may be that there would be insufficient time to allow for the execution of official procedures associated with the listing of hearings, and as a result, the matter involved might not be listed.

Subject to the convenience of this Office, hearings will be set down in Canberra at any time suitable to the parties.

LIST OF STATE OFFICES

IP Australia State Offices are located in the Australian Capitals at the addresses given below. Requests for information may be obtained by calling at, phoning or writing to these offices or IP Australia, Canberra.

Australian Capital Territory

Ground Floor
Discovery House
PHILLIP ACT 2606
(PO Box 200, WODEN ACT 2606)
Ph: 1300 651 010
Fax: (02) 6283 7999

New South Wales

Level 1
45 Clarence Street
SYDNEY NSW 2000
Ph: 1300 651 010
Fax: (02) 9249 5807

Victoria

Level 6
OCBC House
565 Bourke Street
MELBOURNE VIC 3000
Ph: 1300 651 010
Fax (03) 9612 9807

Western Australia

2nd Floor
East Point Plaza
233 Adelaide Terrace
PERTH WA 6000
Ph: 1300 651 010
Fax: (08) 9220 8907

Queensland

Level 1
Grant Thornton House
102 Adelaide Street
BRISBANE QLD 4000
Ph: 1300 651 010
Fax: (07) 3007 1107

South Australia

Level 10
Origin Energy House
1 King William Street
ADELAIDE SA 5000
Ph: 1300 651 010
Fax: (08) 8239 4507

Tasmania

4th Floor
AMP Building
27 Elizabeth Street
HOBART TAS 7000
Ph: 1300 651 010
Fax: (03) 6235 6307

“INID” NUMBERS in use on Australian Design Documents

“INID” is an acronym for “Internationally agreed Numbers for the Identification of Data”.

(10) Data concerning the registration/renewal

- (11) Serial number of the registration and/or number of the design document
- (12) Plain language designation of the kind of published document
- (19) Identification, using the two-letter code according to WIPO Standard ST.3, of the authority publishing or registering the industrial design

(20) Data concerning the application

- (21) Serial number of the application
- (22) Date of filing of the application
- (24) Date from which the industrial design right has effect

(30) Data relating to priority under the Paris Convention

- (31) Serial number assigned to the priority application
- (32) Date of filing of the priority application
- (33) Two-letter code, according to WIPO Standard ST.3, identifying the authority with which the priority application was made

(40) Date(s) of making information available to the public

- (45) Date of publication of the registered industrial design by printing or similar process, or making it available to the public by any other means

(50) Miscellaneous Information

- (51) International Classification for Industrial Designs (class and subclass of the Locarno Classification)
- (54) Designation of article(s) or product(s) covered by the industrial design or title of the industrial design
- (55) Reproduction of the industrial design (e.g., drawing, photograph) and explanations relating to the reproduction
- (56) List of prior art documents, if separate from descriptive text
- (57) Description of characteristic features of the industrial design including indication of colours

(60) References to other legally related application(s) and registration(s)

- (62) Serial number(s) and, if available, filing date(s) of application(s), registration(s) or document(s) related by division
- (66) Serial number(s) of the application, or the registration, of the design(s) which is (are) a variant(s) of the present one

(70) Identification of parties concerned with the application or registration

- (71) Name(s) and address(es) of the applicant(s)
- (72) Name(s) of the creator(s) if known to be such
- (74) Name(s) and address(es) of the representative(s)

This Page Left Intentionally Blank

OFFICIAL NOTICES

Designs Act 2003
Amendments to Registered Designs at Examination

The following amendments have been made to details previously published in the Australian Official Journal of Designs during the Examination process:

Registration Number	Amendment type	New details
300842	Classification	13-03Z, 14-03Z, 08-07

For more recent notifications of converted applications, please see the Australian Designs Data Searching system.

Contact: IP Australia
Phone: 1300 651 010
Fax: +61 2 6283 7999
E-Mail: assist@ipaustrialia.gov.au
Web: www.ipaustrialia.gov.au

Official Notice***Designs Act 2003***
Converted Designs

The following transitional applications have been converted to an application under the *Designs Act 2003*:

2003 Act Design Number	1906 Act Application Number
15698/2005	1321/2004
15699/2005	1322/2004
15700/2005	1323/2004
15701/2005	1326/2004
15702/2005	1330/2004
15703/2005	1332/2004
15704/2005	1333/2004
15705/2005	1334/2004
15706/2005	1335/2004
15707/2005	1336/2004
15708/2005	1337/2004
15709/2005	1338/2004
15796/2005	945/2004
15797/2005	946/2004

For more recent notifications of converted applications, please see the Australian Designs Data Searching system.

Contact: IP Australia
Phone: 1300 651 010 or +61 2 6283 2999
Fax: +61 2 6283 7999
E-mail: assist@ipaustrialia.gov.au
Web: www.ipaustrialia.gov.au

Official Notice**Temporary Disruption to IP Australia's
Financial Accounting System
25-30 January 2006**

IP Australia is undertaking a major upgrade of its financial accounting computer system. The changes ensure that IP Australia's financial systems are maintained at the latest industry levels.

The Patents Online Services system (OLS) including PCT-Online will become unavailable from 11.00pm on Wednesday 25 January. The financial system upgrade will take place between 3.00am Thursday 26 January (Australia Day) and 7.00am Monday 30 January 2006. The Trade Marks Assisted Filing Service (AFS) and Trade Marks E-Forms will be unaffected by the upgrade and will remain available.

Over that period, IP Australia will be open for business on Friday 27 January with some restrictions, and will be delivering services in person, by phone, mail (post, email or courier), or fax. The website will also be functioning — except for patents interactive online services, which will remain unavailable during the upgrade. (Please check the *Scheduled Downtime* link on the IP Australia website for details of planned outages via www.ipaustralia.gov.au/resources/news_downtime.shtml)

When accessing IP Australia's services via the Internet during the upgrade, Patents customers will not be able to perform the following tasks:

- Register or modify a customer online;
- File a patent online; or,
- Make an online payment to IP Australia for Patent products or services.

For time critical actions falling due within the outage period, customers are advised to complete transactions prior to Thursday 26 January. Customers may continue to submit paper-based requests via the secure online Corporate Fax (02 6283 7999), in person at any State Office, or by post.

During the upgrade, IP Australia's telephone customers and over-the-counter customers will be unable to receive immediate services for: creation or modification of a customer, or generation of an electronic payment acknowledgement. Payments can be made in-person to IP Australia during the upgrade and only a manual receipt will be issued on the day. A standard electronic receipt will be issued on Monday 30 January following the completion of the system upgrade. Customers may alternatively make payments by providing credit card details via the secure online Corporate Fax.

The Patents Online Services system (OLS), which allows two-way electronic communication between IP Australia and its customers, will not be available during the upgrade. Patents customers may still conduct business with IP Australia by fax, post, or over-the-counter — but not via the Internet (except for searching).

For Patent and Designs service requests that do not require an up-front payment, customers can choose to file those service requests without paying the required service request fee. If no fee accompanies the service request, IP Australia will automatically issue an *Invitation to Pay* (ITP), which will indicate the appropriate timing for the required fee payment to be made.

IP Australia will put in place mechanisms to ensure the correct date of receipt is assigned to all transactions occurring during the upgrade period.

Other IP Australia services will be available as usual. Trade Marks and Designs will be unaffected.

Following the completion of the upgrade to the financial accounting system on Monday 30 January, customers will not be aware of any of the changes to the system.

Contact: IP Australia
Phone: 1300 651 010
Fax: +61 2 6283 7999
E-mail: assist@ipaustralia.gov.au
Web: www.ipaustralia.gov.au

**Proceedings under the Designs Act 1906 preserved as a
result of the provisions of Chapter 12 Part 2 of the Designs
Act 2003.**

This Page Left Intentionally Blank

Applications Lapsed

00861 / 2004 (09-03NES)	00890 / 2004 (25-01K)
00906 / 2004 (12-16NES)	00931 / 2004 (06-01L)
00932 / 2004 (08-99)	00934 / 2004 (08-99)
00995 / 2004 (19-04)	00999 / 2004 (10-05)
01016 / 2004 (09-03L)	01029 / 2004 (31-00)
01911 / 2004 (06-04NES)	

Application for Extension of Period of Registration

Applications under Section 27A(2) for extension of registration of the following designs have been lodged. In the event that a design is shown to be not new or original, the Registrar may refuse to extend the period of registration. Sub-section 27A(4) allows any person to lodge at the Designs Office material relevant to the question whether the design is not new or original. That material must be lodged within 11 months of the date when the registration of the design was made. Further details of the conditions and procedures for the lodgement of material are contained in Form 8 provided under the Designs Regulation 24.

Registration Number	Registered Owner	Registration Date
157705	INVERNESS MEDICAL LIMITED	11/03/2005
157728	VALOIS SAS	15/03/2005
157784	IGT	22/03/2005
158396	LILLIAN R. PAOLINO	24/11/2005
158405	YOUNG-DO CHO	24/11/2005
158412	ASTRAZENECA A.B.	24/11/2005

Registration Number	Registered Owner	Registration Date
157077	NOLA ZORZI	23/12/2004
157112	LG ELECTRONICS INC.	04/01/2005
157133	RICHARD JOHN UPSHIRE	05/01/2005
157159	ALL HEAD SERVICES PTY LIMITED	06/01/2005
157162	KELLY ANNE MILLER	06/01/2005
157164	AUSDOC INFORMATION MANAGEMENT PTY LTD	06/01/2005
157177	LG ELECTRONICS INC.	06/01/2005
157181	ELOPAK SYSTEMS A.G.	07/01/2005
157182	LG ELECTRONICS INC.	07/01/2005
157184	LG ELECTRONICS INC.	07/01/2005
157205	CRISOULA BLASEVI and ROSARIO BLASEVI	10/01/2005
157217	QUENTIN FEAR and JOHN PHOENIX	10/01/2005
157263	MURRAY JAMES	12/01/2005
157264	MERCATOR LIGHTING PTY LTD	17/01/2005
157265	MERCATOR LIGHTING PTY LTD	17/01/2005
157266	MERCATOR LIGHTING PTY LTD	17/01/2005
157279	ROBERT BOSCH G.M.B.H	17/01/2005
157288	RECKITT BENCKISER (UK) LIMITED	17/01/2005
157315	DAVID JOHN EVANS	19/01/2005
157325	MOBILE ONE AUSTRALIA PTY LTD	24/01/2005
157340	WENDY ADA WHITTOME	24/01/2005
157343	RECKITT BENCKISER N.V.	24/01/2005
157384	PHILIP MORRIS PRODUCTS S.A.	28/01/2005
157385	GARY JOHN WALKER	28/01/2005
157390	CHERVON INTERNATIONAL TRADING CO. LTD	31/01/2005
157618	ANTHONY CRAIG SLAPE	28/02/2005
157652	DOCPODS IP PTY LTD AS TRUSTEE FOR THE KENT ELLIOT TRUST	01/03/2005
157662	IGT	02/03/2005

Extension of Period of Registration of Designs

1st Period (Section 27A(8))

157076	157077	157078
157082	157092	157095
157096	157097	157098
157099	157100	157101
157102	157103	157104
157105	157106	157107
157108	157109	157110
157111	157112	157113
157114	157115	157116
157117	157118	157119
157120	157121	157122
157123	157125	157126
157127	157128	157129
157130	157131	157132
157133	157134	157135
157136	157137	157139
157140	157141	157142
157143	157144	157145
157146	157147	157148
157149	157150	157151
157152	157153	157154
157155	157156	157157
157158	157159	157160
157161	157162	157164
157165	157166	157167
157168	157169	157170
157171	157172	157173
157174	157175	157176
157177	157179	157180
157181	157182	157183
157184	157185	157186
157187	157188	157189
157190	157191	157192
157194	157195	157196
157197	157198	157199
157201	157202	157203
157204	157205	157206
157207	157208	157209
157210	157213	157216
157217	157218	157219
157220	157224	157225
157226	157227	157228

157229	157230	157231	112158	112263	122528
157232	157235	157236	122534	122540	122652
157237	157238	157239	122655	122816	123000
157240	157241	157242	123125	123126	123579
157243			123870	123914	124026

2nd Period (Section 27A(12))

139403	139681	139682	124027	124029	124499
139683	139684	139685	124500	124539	124769
139686	140001	140040	124979	125421	125969
140041	140042	140080	127035	127293	128958
140081	140242	140716	128959	128960	128961
140850	140893	141029	128962	133756	137654
141050	141051	141052	138453	138454	138585
141053	141054	141071	139391	139394	139460
141072	141073	141088	139531	139536	139538
141176	141177	141178	139539	139540	139559
141179	141180	141194	139562	139588	139589
141214	141218	141252	139590	139591	139616
141330	141376	141510	139617	139618	139619
141513	141601	141652	139633	139645	139646
141654	141795	141892	139658	139659	139694
141932	141933	142086	139698	139781	139819
142274	142438	143149	139886	139888	140091
143288	143293	143294	140106	140107	140411
143767	144266	144520	140659	141683	141789
145428	145476	145477	141790	141979	142031
145478	145970	147914	142032	142696	143003
147915			143041	143281	144261

3rd Period (Section 27A(13))

121254	122359	123144	156837	157064	157074
123778	124427	124428	157075	157079	157080
124429	124467	124554	157081	157083	157084
124583	124801	124846	157085	157086	157087
124873	125062	125066	157088	157089	157090
125314	125315	126055	157091	157093	157094
127038	127102	127103			
127104	127106	128593			

Registrations Ceased

Note: Some of the following Registrations may have been previously advertised as ceased. In this instance, the previous advertisement still prevails.

108166	108269	108276
108340	108394	108395
108396	108397	108405
108472	108474	108475
108476	108477	108478
108479	108480	108492
108493	108494	108516
108599	108757	108809
108817	108819	108903
109433	109533	109638
110496	111573	111766

Extensions of time granted

Applications lodged for extension of time have been granted.

02824/2003 **Peter Crook** An Extension of time to register an application has been granted to 28/02/2006

Subsequent Owners Registered

(The name in parentheses is that of the subsequent owner)

139895	(Astor Base Metals Pty Limited) Tricol Plastics Pty Ltd
143050	(Astor Base Metals Pty Limited) Tricol Plastics Pty Ltd
130969	(Waddingham Investments Pty Ltd) Jutos Development Pty Ltd
127203	(ADC GmbH) Krone G.m.b.H
127202	(ADC GmbH) Krone G.m.b.H
127201	(ADC GmbH) Krone G.m.b.H
127200	(ADC GmbH) Krone G.m.b.H
127199	(ADC GmbH) Krone G.m.b.H
127198	(ADC GmbH) Krone G.m.b.H
126978	(ADC GmbH) Krone G.m.b.H
126977	(ADC GmbH) Krone G.m.b.H

Subsequent Owners Registered

126976 (ADC GmbH) Krone G.m.b.H
 121581 (ADC GmbH) Krone G.m.b.H
 120496 (ADC GmbH) Krone G.m.b.H
 120378 (ADC GmbH) Krone G.m.b.H
 151967 (ADC GmbH) Krone G.m.b.H
 151953 (ADC GmbH) Krone G.m.b.H.
 154189 (ADC GmbH) Krone G.m.b.H
 150184 (ADC GmbH) Krone G.m.b.H.
 126979 (ADC GmbH) Krone G.m.b.H
 118709 (ADC GmbH) Krone G.m.b.H
 134370 (ADC GmbH) Krone G.m.b.H
 137835 (ADC GmbH) Krone G.m.b.H
 137882 (ADC GmbH) Krone G.m.b.H
 138126 (ADC GmbH) Krone G.m.b.H
 139090 (ADC GmbH) Krone G.m.b.H
 150216 (ADC GmbH) Krone G.m.b.H
 150314 (ADC GmbH) Krone G.m.b.H
 150468 (ADC GmbH) Krone G.m.b.H
 150851 (ADC GmbH) Krone G.m.b.H
 151181 (ADC GmbH) Krone G.m.b.H
 131547 (ADC GmbH) Krone G.m.b.H
 130783 (ADC GmbH) Krone G.m.b.H
 149613 (ADC GmbH) Krone G.m.b.H
 149431 (ADC GmbH) Krone G.m.b.H
 146373 (ADC GmbH) Krone G.m.b.H
 146372 (ADC GmbH) Krone G.m.b.H
 143763 (ADC GmbH) Krone G.m.b.H
 143762 (ADC GmbH) Krone G.m.b.H
 143761 (ADC GmbH) Krone G.m.b.H
 143027 (ADC GmbH) Krone GmbH
 142396 (ADC GmbH) Krone G.m.b.H
 127299 (ADC GmbH) Krone G.m.b.H
 127298 (ADC GmbH) Krone G.m.b.H
 127297 (ADC GmbH) Krone G.m.b.H
 127295 (ADC GmbH) Krone G.m.b.H
 117304 (ADC GmbH) Krone G.m.b.H
 139563 (ADC GmbH) Krone G.m.b.H
 137984 (ADC GmbH) Krone G.m.b.H
 137888 (ADC GmbH) Krone G.m.b.H
 137887 (ADC GmbH) Krone G.m.b.H
 137886 (ADC GmbH) Krone G.m.b.H
 137885 (ADC GmbH) Krone G.m.b.H
 137884 (ADC GmbH) Krone G.m.b.H
 137883 (ADC GmbH) Krone G.m.b.H
 137836 (ADC GmbH) Krone G.m.b.H
 133297 (ADC GmbH) Krone G.m.b.H
 133296 (ADC GmbH) Krone G.m.b.H
 133165 (ADC GmbH) Krone G.m.b.H
 109018 (Aluminium Extrusion and Distribution Pty Limited)
 Crane Enfield Metals Pty Limited

Subsequent Owners Registered

109161 (Aluminium Extrusion and Distribution Pty Limited)
 Crane Enfield Metals Pty Limited
 111853 (Aluminium Extrusion and Distribution Pty Limited)
 Crane Enfield Metals Pty Limited
 111854 (Aluminium Extrusion and Distribution Pty Limited)
 Crane Enfield Metals Pty Limited
 113881 (Aluminium Extrusion and Distribution Pty Limited)
 Crane Enfield Metals Pty Limited
 114121 (Aluminium Extrusion and Distribution Pty Limited)
 Crane Enfield Metals Pty Limited
 114515 (Aluminium Extrusion and Distribution Pty Limited)
 Crane Enfield Metals Pty Limited
 115512 (Aluminium Extrusion and Distribution Pty Limited)
 Crane Enfield Metals Pty Limited
 115631 (Aluminium Extrusion and Distribution Pty Limited)
 Crane Enfield Metals Pty Limited
 116148 (Aluminium Extrusion and Distribution Pty Limited)
 Crane Enfield Metals Pty Limited
 116149 (Aluminium Extrusion and Distribution Pty Limited)
 Crane Enfield Metals Pty Limited
 116150 (Aluminium Extrusion and Distribution Pty Limited)
 Crane Enfield Metals Pty Limited
 117103 (Aluminium Extrusion and Distribution Pty Limited)
 Crane Enfield Metals Pty Limited
 117121 (Aluminium Extrusion and Distribution Pty Limited)
 Crane Enfield Metals Pty Limited
 117194 (Aluminium Extrusion and Distribution Pty Limited)
 Crane Enfield Metals Pty Limited
 117219 (Aluminium Extrusion and Distribution Pty Limited)
 Crane Enfield Metals Pty Limited

Names Registered - Alterations and Amendments

(The name in parentheses is the new name of the proprietor)

141049 (Clipsal Australia Pty Ltd) Gerard Industries Pty Ltd
 141134 (Clipsal Australia Pty Ltd) Gerard Industries Pty Ltd
 141135 (Clipsal Australia Pty Ltd) Gerard Industries Pty Ltd
 141136 (Clipsal Australia Pty Ltd) Gerard Industries Pty Ltd
 141137 (Clipsal Australia Pty Ltd) Gerard Industries Pty Ltd
 141138 (Clipsal Australia Pty Ltd) Gerard Industries Pty Ltd
 141139 (Clipsal Australia Pty Ltd) Gerard Industries Pty Ltd
 141140 (Clipsal Australia Pty Ltd) Gerard Industries Pty Ltd
 141141 (Clipsal Australia Pty Ltd) Gerard Industries Pty Ltd
 157160 (Guardian Tactile Systems Pty Ltd) Surface
 Technology International Pty Ltd
 157161 (Guardian Tactile Systems Pty Ltd) Surface
 Technology International Pty Ltd

This Page Left Intentionally Blank

Proceedings under the Designs Act 2003.

This Page Left Intentionally Blank

Applications Lodged

Lodgement information is in the following order: **Applicant's Name**; International Classification, Name of Product, Lodgement Date and **Design Number**. If the applicant claims an earlier priority date under an International Convention, the Convention Country and the associated filing date are shown in parentheses before the Lodgement Date. Divisional information will also appear in parentheses before the Lodgement Date.

Aalst, Roy van; 06-13B, 06-02, Baby cot/tent, (EM, 29 Jun 2005) 29 Dec 2005	15740/2005	Black & Decker Inc.; 08-03, Pole hedge trimmer, (US, 30 Jun 2005) 13 Dec 2005	15524/2005
Adworks Australia Pty Limited; 20-02E, 20-02NES, Promotional material holder, 23 Dec 2005	15767/2005	Black & Decker Inc.; 08-03, A saw, (US, 09 Jan 2004) (Divisional of 02232/2004) 22 Dec 2005	15721/2005
Adworks Australia Pty Limited; 20-02E, 20-02NES, Promotional material holder (indefinite width), 23 Dec 2005	15768/2005	Black & Decker Inc.; 08-01, Router, (EM, 18 Jul 2005) 13 Dec 2005	15517/2005
Alan Dick & Company Limited; 14-03NES, Antenna housing, (GB, 13 Jun 2005) 13 Dec 2005	15512/2005	Black & Grey Holdings Pty Ltd; 23-01G, Spacer, 22 Dec 2005	15754/2005
Allen, George; 21-01L, Board game, 12 Dec 2005	15497/2005	Black & Grey Holdings Pty Ltd; 23-01G, Treatment Chamber, 22 Dec 2005	15755/2005
Allen, George; 21-01L, Board game, 12 Dec 2005	15497/2005	Black & Grey Holdings Pty Ltd; 23-01G, Spacer, 22 Dec 2005	15756/2005
Allthread Industries Pty Limited; Fielders Australia Pty Ltd; 25-01B, 25-01C, Coiled wire component for stud shear connector cast in concrete, 21 Dec 2005	15638/2005	Black & Grey Holdings Pty Ltd; 23-01G, Treatment Chamber, 22 Dec 2005	15757/2005
Arakis Ltd; 09-03NES, 03-01D, Pharmaceutical dispensing device, (EM, 21 Jun 2005) 20 Dec 2005	15642/2005	Bond Equipment (Proprietary) Limited; 15-05, 15-99, Dense media separation units, (ZA, 15 Aug 2005) 23 Dec 2005	15772/2005
Arakis Ltd; 09-03NES, 03-01D, Pharmaceutical dispensing device, (EM, 21 Jun 2005) 20 Dec 2005	15642/2005	Bond Equipment (Proprietary) Limited; 15-05, 15-99, Dense media separation units, (ZA, 15 Aug 2005) 23 Dec 2005	15773/2005
Armor All/STP Products Company, The; 09-01NES, Bottle, 21 Dec 2005	15657/2005	Bridgestone Corporation; 12-15D, Motorcycle tyre, (JP, 21 Jun 2005) 13 Dec 2005	15522/2005
Art Plastics Pty Ltd; 23-01A, Connector, 22 Dec 2005	15690/2005	Bridgestone Corporation; 12-15D, Motorcycle tyre, (JP, 21 Jun 2005) 13 Dec 2005	15523/2005
Assa Abloy New Zealand Limited; 08-06, Door handle, 22 Dec 2005	15648/2005	Brilliant Lighting (Australia) Pty Ltd; 26-05NES, Light, 08 Dec 2005	15473/2005
Assa AB; 08-07, Key, 16 Dec 2005	15595/2005	Brilliant Lighting (Australia) Pty Ltd; 26-02, Light, 08 Dec 2005	15472/2005
Assa AB; 08-07, Key, 16 Dec 2005	15596/2005	Brother Industries, Ltd; 14-02, Toner cartridge, (JP, 12 Jul 2005) 23 Dec 2005	15762/2005
Assa AB; 08-07, 14-03NES, Remote key, 16 Dec 2005	15597/2005	Brother Industries, Ltd; 16-03, Photosensitive drum unit, (JP, 12 Jul 2005) 23 Dec 2005	15763/2005
Australian Postal Corporation; 25-03, Post office box unit, 08 Dec 2005	15474/2005	Brother Industries, Ltd; 16-03, Photosensitive drum unit, (JP, 12 Jul 2005) 23 Dec 2005	15764/2005
ASSA ABLOY Australia Pty Limited; 08-07, Turn knob and rose, 12 Dec 2005	15500/2005	Brother Industries, Ltd; 14-02, Toner cartridge, (JP, 12 Jul 2005) 23 Dec 2005	15765/2005
Baby Bliss International Limited; 09-07B, Container cap, 23 Dec 2005	15749/2005	Brown, Robyn; Schuk, Erika; 99-00, Infant burians or cremations, 13 Dec 2005	15510/2005
BenQ Mobile GmbH & Co. OHG; 14-03E, Mobile phone, (EM, 22 Jun 2005) 21 Dec 2005	15687/2005	BEP Marine Limited; 12-06NES, Panel, (NZ, 06 Dec 2005) 15 Dec 2005	15527/2005
BenQ Mobile GmbH & Co. OHG; 14-03E, Mobile phone, (EM, 15 Jun 2005) 14 Dec 2005	15536/2005	Caddee Pte Ltd; 09-08, Pallet, 23 Dec 2005	15774/2005
BenQ Mobile GmbH & Co. OHG; 14-03E, Mobile phone, (EM, 16 Jun 2005) 14 Dec 2005	15537/2005		

Caddee Pte Ltd; 09-08, Pallet, 23 Dec 2005	15775/2005	Craig, Ian Thomas; Craig, Julia; 26-05NES, Downlight housing, (Divisional of 00679/2004) 23 Dec 2005	15833/2005
Caddee Pte Ltd; 09-08, Pallet, 23 Dec 2005	15776/2005	Craig, Julia; Craig, Ian Thomas; 26-05NES, Downlight housing, (Divisional of 00679/2004) 23 Dec 2005	15833/2005
Calderwood, James A.; 08-03, A ripper tooth shank, 14 Dec 2005	15531/2005	Crimsafe Security Systems Pty Ltd; 25-01K, A section, 19 Dec 2005	15623/2005
Callaway Golf Company; 21-02C, Golf club head, (US, 28 Jun 2005) 29 Dec 2005	15717/2005	Crimsafe Security Systems Pty Ltd; 25-01K, A section, 19 Dec 2005	15624/2005
Carter, David; 07-02E, Barbecue, grill, rotisserie, 29 Dec 2005	15739/2005	Crimsafe Security Systems Pty Ltd; 25-01K, A section, 19 Dec 2005	15625/2005
Centritech Limited; 26-02, 26-99, Camping lamp, (US, 01 Dec 2004) 31 May 2005	15847/2005	Criterion Manufacturing Limited; 06-04NES, Stand, 14 Dec 2005	15542/2005
Centritech Limited; 26-02, 26-99, Camping lamp, (US, 01 Dec 2004) 31 May 2005	15848/2005	Curtin, Annie; 06-02, 06-04C, The design of a bed, 22 Dec 2005	15660/2005
Centritech Limited; 26-02, 26-99, Camping lamp, (US, 01 Dec 2004) 31 May 2005	15849/2005	Dart, Ernst Antony; 09-03NES, A secure portable container, 09 Dec 2005	15483/2005
Centritech Limited; 26-02, 26-99, Camping lamp, (US, 01 Dec 2004) 31 May 2005	15850/2005	Dart Industries Inc.; 07-01B, 07-01NES, Container, (Divisional of 13154/2005) 09 Dec 2005	15491/2005
Centritech Limited; 26-02, 26-99, Camping lamp, (US, 01 Dec 2004) 31 May 2005	15851/2005	Dart Industries Inc.; 07-01B, 07-01NES, Container, (Divisional of 13155/2005) 09 Dec 2005	15492/2005
Centritech Limited; 26-02, 26-99, Camping Lamp, (US, 01 Dec 2004) 31 May 2005	15852/2005	Dart Industries Inc.; 07-01NES, Cover, (Divisional of 13156/2005) 09 Dec 2005	15493/2005
Centritech Limited; 26-02, 26-99, Camping lamp, (US, 01 Dec 2004) 31 May 2005	15853/2005	De Coro Limited; 06-01G, Furniture/sofa, (CN, 18 Nov 2005) 22 Dec 2005	15824/2005
Checkmate International Pty Ltd; 09-04, Crate with two open sides, 13 Dec 2005	15511/2005	De Coro Limited; 06-01G, Furniture/sofa, (CN, 18 Nov 2005) 22 Dec 2005	15825/2005
Clarke Consumer Products Inc; 09-07A, Nozzle for a portable sprayer, (US, 29 Jun 2005) 29 Dec 2005	15714/2005	De Coro Limited; 06-01G, Furniture/sofa, (CN, 18 Nov 2005) 22 Dec 2005	15826/2005
Clarke Consumer Products Inc; 23-01D, Portable sprayer, (US, 29 Jun 2005) 29 Dec 2005	15715/2005	De Coro Limited; 06-01G, Furniture/sofa, (CN, 18 Nov 2005) 22 Dec 2005	15827/2005
Clarke Consumer Products Inc; 23-01D, Handle for a portable sprayer, (US, 29 Jun 2005) 29 Dec 2005	15716/2005	De Coro Limited; 06-01G, Furniture/sofa, (CN, 18 Nov 2005) 22 Dec 2005	15828/2005
Coca-Cola Company, The; 09-01K, 09-01NES, Bottle, (EM, 11 Jul 2005) 23 Dec 2005	15742/2005	De Coro Limited; 06-01G, Furniture/sofa, (CN, 18 Nov 2005) 22 Dec 2005	15829/2005
Coca-Cola Company, The; 09-01NES, Bottle, (JP, 24 Jun 2005) 15 Dec 2005	15565/2005	De Coro Limited; 06-01G, Furniture/sofa, (CN, 18 Nov 2005) 22 Dec 2005	15830/2005
Coca-Cola Company, The; 09-01NES, Bottle, (EM, 11 Jul 2005) 16 Dec 2005	15586/2005	De Coro Limited; 06-01G, Furniture/sofa, (CN, 18 Nov 2005) 22 Dec 2005	15831/2005
Cool Chili AS; 09-01NES, Collapsible bottle, (NO, 21 Jun 2005) 21 Dec 2005	15684/2005	De Coro Limited; 06-01G, Furniture/sofa, (CN, 18 Nov 2005) 22 Dec 2005	15832/2005
Cozens, Darren P.; 07-07A, Cooler bag, 08 Dec 2005	15508/2005		

De Coro Limited; 06-01G, Furniture/sofa, (CN, 18 Nov 2005) 22 Dec 2005	15798/2005	De Coro Limited; 06-01G, Furniture/sofa, (CN, 18 Nov 2005) 22 Dec 2005	15817/2005
De Coro Limited; 06-01G, Furniture/sofa, (CN, 18 Nov 2005) 22 Dec 2005	15799/2005	De Coro Limited; 06-01G, Furniture/sofa, (CN, 18 Nov 2005) 22 Dec 2005	15818/2005
De Coro Limited; 06-01G, Furniture/sofa, (CN, 18 Nov 2005) 22 Dec 2005	15800/2005	De Coro Limited; 06-01G, Furniture/sofa, (CN, 18 Nov 2005) 22 Dec 2005	15819/2005
De Coro Limited; 06-01G, Furniture/sofa, (CN, 18 Nov 2005) 22 Dec 2005	15801/2005	De Coro Limited; 06-01G, Furniture/sofa, (CN, 18 Nov 2005) 22 Dec 2005	15820/2005
De Coro Limited; 06-01G, Furniture/sofa, (CN, 18 Nov 2005) 22 Dec 2005	15802/2005	De Coro Limited; 06-01G, Furniture/sofa, (CN, 18 Nov 2005) 22 Dec 2005	15821/2005
De Coro Limited; 06-01G, Furniture/sofa, (CN, 28 Nov 2005) 22 Dec 2005	15803/2005	De Coro Limited; 06-01G, Furniture/sofa, (CN, 18 Nov 2005) 22 Dec 2005	15822/2005
De Coro Limited; 06-01G, Furniture/sofa, (CN, 18 Nov 2005) 22 Dec 2005	15804/2005	De Coro Limited; 06-01G, Furniture/sofa, (CN, 18 Nov 2005) 22 Dec 2005	15823/2005
De Coro Limited; 06-01G, Furniture/sofa, (CN, 18 Nov 2005) 22 Dec 2005	15805/2005	Deleo, Joseph; 08-06, Handle, 10 Mar 2004	15796/2005
De Coro Limited; 06-01G, Furniture/sofa, (CN, 18 Nov 2005) 22 Dec 2005	15806/2005	Deleo, Joseph; 15-05, Set of brushes, 10 Mar 2004	15797/2005
De Coro Limited; 06-01G, Furniture/sofa, (CN, 18 Nov 2005) 22 Dec 2005	15807/2005	Dewhurst Plc; 10-06, A push button, (GB, 30 Jun 2005) 30 Dec 2005	15837/2005
De Coro Limited; 06-01G, Furniture/sofa, (CN, 18 Nov 2005) 22 Dec 2005	15808/2005	Dorf Clark Industries Limited; 23-02F, Cabinet and tub for laundry, 19 Dec 2005	15618/2005
De Coro Limited; 06-01G, Furniture/sofa, (CN, 18 Nov 2005) 22 Dec 2005	15809/2005	Dorf Clark Industries Limited; 23-02F, Cabinet and tub for laundry, 19 Dec 2005	15619/2005
De Coro Limited; 06-01G, Furniture/sofa, (CN, 18 Nov 2005) 22 Dec 2005	15810/2005	Drum Services (WA) Pty Ltd; 23-01K, Valve, 19 Dec 2005	15693/2005
De Coro Limited; 06-01G, Furniture/sofa, (CN, 18 Nov 2005) 22 Dec 2005	15811/2005	Dumper, Greig; 06-04NES, A storage device, 16 Dec 2005	15598/2005
De Coro Limited; 06-01G, Furniture/sofa, (CN, 18 Nov 2005) 22 Dec 2005	15812/2005	Dumper, Greig; 06-04NES, A storage device, 16 Dec 2005	15594/2005
De Coro Limited; 06-01G, Furniture/sofa, (CN, 18 Nov 2005) 22 Dec 2005	15813/2005	Dunphy, John Maurice; 21-02C, Putting aid, 30 Dec 2005	15840/2005
De Coro Limited; 06-01G, Furniture/sofa, (CN, 18 Nov 2005) 22 Dec 2005	15814/2005	Dunphy, John Maurice; 21-02C, Putting aid with laser beam device, 30 Dec 2005	15841/2005
De Coro Limited; 06-01G, Furniture/sofa, (CN, 18 Nov 2005) 22 Dec 2005	15815/2005	Dyson Limited; 28-03NES, Hand drying apparatus, 15 Dec 2005	15562/2005
De Coro Limited; 06-01G, Furniture/sofa, (CN, 18 Nov 2005) 22 Dec 2005	15816/2005	E'lite Optik U.S L.P.; 16-06, Auxiliary lens assembly having a recess therein, (US, 12 Aug 2005) 22 Dec 2005	15649/2005
		E'lite Optik U.S L.P.; 16-06, Auxilliary lens assembly having jewels embedded therein, (US, 12 Aug 2005) 22 Dec 2005	15650/2005
		E'lite Optik U.S L.P.; 16-06, Butterfly frames, (US, 12 Aug 2005) 16 Dec 2005	15599/2005

E'lite Optik U.S L.P.; 16-06, Hooded auxiliary lens assembly, (US, 12 Aug 2005) 16 Dec 2005	15585/2005	Frenchporte LLC; 25-02B, A door facade for a garage, (US, 23 Nov 2004) 23 May 2005	15795/2005
Easy Fit Fencing PTY LTD; 08-07, Latch tongue, 23 Dec 2005	15744/2005	General Mills Inc.; 01-01, Food product, (US, 28 Oct 2005) 21 Dec 2005	15653/2005
Easy Fit Fencing PTY LTD; 08-07, Lifting arm, 23 Dec 2005	15745/2005	Gostt, Nicholas; Gostt, Anthea; 06-13NES, 07-06NES, Camping accessory, kitchen accessory, 16 Dec 2005	15603/2005
Electrolux Home Products Corporation N.V.; 07-02A, A cooker, (EM, 16 Jun 2005) 13 Dec 2005	15518/2005	Gostt, Anthea; Gostt, Nicholas; 06-13NES, 07-06NES, Camping accessory, kitchen accessory, 16 Dec 2005	15603/2005
Electrolux Home Products Corporation N.V.; 07-02A, A cooker, (EM, 16 Jun 2005) 13 Dec 2005	15519/2005	Gostt, Nicholas; Gostt, Anthea; 06-13NES, 07-06NES, Camping accessory, kitchen accessory, 16 Dec 2005	15604/2005
Electrolux Home Products Corporation N.V.; 07-02A, A cooker, (EM, 16 Jun 2005) 13 Dec 2005	15520/2005	Gostt, Anthea; Gostt, Nicholas; 06-13NES, 07-06NES, Camping accessory, kitchen accessory, 16 Dec 2005	15604/2005
Electrolux Home Products Corporation N.V.; 07-02A, A cooker, (EM, 16 Jun 2005) 13 Dec 2005	15521/2005	Gostt, Nicholas; Gostt, Anthea; 06-13NES, 07-06NES, Camping accessory, kitchen accessory, 16 Dec 2005	15605/2005
Erland, Diana L.; 02-02NES, Garment, (US, 10 Jun 2005) 12 Dec 2005	15501/2005	Gostt, Anthea; Gostt, Nicholas; 06-13NES, 07-06NES, Camping accessory, kitchen accessory, 16 Dec 2005	15605/2005
Eva Denmark A/S; 07-02D, A gas grill, (EM, 05 Sep 2005) 22 Dec 2005	15750/2005	Gostt, Nicholas; Gostt, Anthea; 06-13NES, 07-06NES, 03-01NES, Camping accessory, kitchen accessory, 16 Dec 2005	15606/2005
Eveready Battery Company, Inc.; 28-03A, Cartridge, (US, 11 Jul 2005) 15 Dec 2005	15556/2005	Gostt, Anthea; Gostt, Nicholas; 06-13NES, 07-06NES, 03-01NES, Camping accessory, kitchen accessory, 16 Dec 2005	15606/2005
Eveready Battery Company, Inc.; 28-03A, Razor, (US, 11 Jul 2005) 15 Dec 2005	15557/2005	Gostt, Nicholas; Gostt, Anthea; 06-13NES, 07-06NES, 03-01NES, Camping accessory, kitchen accessory, 16 Dec 2005	15607/2005
Eveready Battery Company, Inc.; 28-03A, Razor handle, (US, 11 Jul 2005) 15 Dec 2005	15558/2005	Gostt, Anthea; Gostt, Nicholas; 06-13NES, 07-06NES, 03-01NES, Camping accessory, kitchen accessory, 16 Dec 2005	15607/2005
Eveready Battery Company, Inc.; 28-03A, Razor handle, (US, 11 Jul 2005) 15 Dec 2005	15559/2005	Gostt, Nicholas; Gostt, Anthea; 06-13NES, 07-06NES, 03-01NES, Camping accessory, kitchen accessory, 16 Dec 2005	15608/2005
Eveready Battery Company, Inc.; 28-03A, Cap, (US, 11 Jul 2005) 15 Dec 2005	15560/2005	Gostt, Anthea; Gostt, Nicholas; 06-13NES, 07-06NES, 03-01NES, Camping accessory, kitchen accessory, 16 Dec 2005	15608/2005
Fan, Jung-Han; 12-06A, Boat, 22 Dec 2005	15675/2005	Gostt, Nicholas; Gostt, Anthea; 06-13NES, 07-06NES, Camping accessory, kitchen accessory, 16 Dec 2005	15609/2005
Fielders Australia Pty Ltd; Allthread Industries Pty Limited; 25-01B, 25-01C, Coiled wire component for stud shear connector cast in concrete, 21 Dec 2005	15638/2005	Gostt, Anthea; Gostt, Nicholas; 06-13NES, 07-06NES, Camping accessory, kitchen accessory, 16 Dec 2005	15609/2005
Fiskars Brands Inc.; 08-03, A pruner, (US, 05 Jul 2005) 21 Dec 2005	15655/2005	Gostt, Nicholas; Gostt, Anthea; 06-13C, Camping accessory, 16 Dec 2005	15610/2005
Fiskars Brands Inc.; 08-03, 08-06, A connector for a hand tool, (US, 05 Jul 2005) 21 Dec 2005	15656/2005	Gostt, Anthea; Gostt, Nicholas; 06-13C, Camping accessory, 16 Dec 2005	15610/2005
Frenchporte LLC; 25-02B, A door facade for a garage, (US, 23 Nov 2004) 23 May 2005	15794/2005	Gostt, Nicholas; Gostt, Anthea; 06-13NES, 07-06NES, 03-01NES, Camping accessory, kitchen accessory, 16 Dec 2005	15611/2005
		Gostt, Anthea; Gostt, Nicholas; 06-13NES, 07-06NES, 03-01NES, Camping accessory, kitchen accessory, 16 Dec 2005	15611/2005

Gostt, Nicholas; Gostt, Anthea; 06-13NES, 03-01NES, Camping accessory, kitchen accessory, 16 Dec 2005	15612/2005	H Grossman Limited; 21-01F, Scooters, (EM, 28 Jun 2005) 29 Dec 2005	15787/2005
Gostt, Anthea; Gostt, Nicholas; 06-13NES, 03-01NES, Camping accessory, kitchen accessory, 16 Dec 2005	15612/2005	H Grossman Limited; 21-01F, Scooters, (EM, 28 Jun 2005) 29 Dec 2005	15788/2005
Grant Cowell T/AS Bayside Bumpers; 12-16C, Bumper bar, 19 Dec 2005	15613/2005	H Grossman Limited; 21-01F, Scooters, (EM, 28 Jun 2005) 29 Dec 2005	15789/2005
Grant Cowell T/AS Bayside Bumpers; 12-16C, Bumper bar, 19 Dec 2005	15614/2005	H Grossman Limited; 21-01F, Scooters, (GB, 28 Jun 2005) 29 Dec 2005	15790/2005
Gush Creative Pty Ltd; 09-01NES, Container for food product, 19 Dec 2005	15616/2005	H Grossman Limited; 21-01F, Scooters, (GB, 28 Jun 2005) 29 Dec 2005	15791/2005
GMCA Pty Ltd; 08-01, Powered drill, (EM, 22 Nov 2005) 21 Dec 2005	15639/2005	H Grossman Limited; 21-01F, Scooters, (GB, 28 Jun 2005) 29 Dec 2005	15792/2005
GMCA Pty Ltd; 08-03, Scroll saw, (GB, 08 Nov 2005) 19 Dec 2005	15592/2005	H Grossman Limited; 21-01F, Scooters, (GB, 28 Jun 2005) 29 Dec 2005	15793/2005
GMCA Pty Ltd; 08-01, Power tool drill, (EM, 03 Nov 2005) 16 Dec 2005	15553/2005	Haigh Australia Pty Ltd; 09-02B, 09-07NES, Jerry cans - cap locking device, 22 Dec 2005	15720/2005
GMCA Pty Ltd; 15-05, Portable dust collector, (GB, 08 Nov 2005) 16 Dec 2005	15554/2005	Holliday, Gary F.; 15-99, Pail mixer, 08 Dec 2005	15471/2005
GMCA Pty Ltd; 08-03, A powered jigsaw, (EM, 18 Nov 2005) 15 Dec 2005	15546/2005	Honda Motor Co., Ltd; 12-11, A motor scooter, (JP, 19 Aug 2005) 09 Dec 2005	15482/2005
GMCA Pty Ltd; 08-05N, A powered sander tool, (EM, 18 Nov 2005) 15 Dec 2005	15547/2005	Honda Motor Co., Ltd; 12-16C, Front bumper for an automobile, (JP, 16 Jun 2005) 15 Dec 2005	15581/2005
GMCA Pty Ltd; 08-05N, A powered sander tool, (EM, 18 Nov 2005) 15 Dec 2005	15548/2005	Honda Motor Co., Ltd; 12-16C, Rear bumper for an automobile, (JP, 16 Jun 2005) 15 Dec 2005	15582/2005
GMCA Pty Ltd; 08-03, A powered jigsaw, (EM, 18 Nov 2005) 15 Dec 2005	15549/2005	Illinois Tool Works Inc.; 08-08M, 08-08NES, A wall mountable holder, (US, 14 Jun 2005) 14 Dec 2005	15543/2005
GMCA Pty Ltd; 08-04, A powered screwdriver, (EM, 18 Nov 2005) 15 Dec 2005	15550/2005	Intellectual Property Development Corporation Pty Ltd; 07-05E, S-shaped sponge, 02 Dec 2005	15417/2005
GMCA Pty Ltd; 08-01, A powered rotary tool, (EM, 18 Nov 2005) 15 Dec 2005	15551/2005	Intellectual Property Development Corporation Pty Ltd; 07-05E, S-shaped sponge, 02 Dec 2005	15418/2005
H Grossman Limited; 21-01F, Scooters, (EM, 28 Jun 2005) 29 Dec 2005	15782/2005	Intellectual Property Development Corporation Pty Ltd; 07-05E, S-shaped sponge, 02 Dec 2005	15419/2005
H Grossman Limited; 21-01F, Scooters, (EM, 28 Jun 2005) 29 Dec 2005	15783/2005	Intellectual Property Development Corporation Pty Ltd; 07-05E, S-shaped sponge, 02 Dec 2005	15420/2005
H Grossman Limited; 21-01F, Scooters, (EM, 28 Jun 2005) 29 Dec 2005	15784/2005	Intellectual Property Development Corporation Pty Ltd; 07-05E, S-shaped sponge, 02 Dec 2005	15421/2005
H Grossman Limited; 21-01F, Scooters, (EM, 28 Jun 2005) 29 Dec 2005	15785/2005	Intellectual Property Development Corporation Pty Ltd; 07-05E, S-shaped sponge, 02 Dec 2005	15422/2005
H Grossman Limited; 21-01F, Scooters, (EM, 28 Jun 2005) 29 Dec 2005	15786/2005	Intellectual Property Development Corporation Pty Ltd; 07-05E, Cleaning cloth, 09 Dec 2005	15494/2005

Intellectual Property Development Corporation Pty Ltd; 07-05E, Cleaning cloth, 09 Dec 2005	15495/2005	Kabushiki Kaisha Bandai; WiZ Co Ltd; 21-01N, Portable game device with LCD, (JP, 15 Sep 2005) 08 Dec 2005	15477/2005
Inventio A.G.; 25-01K, 08-09, Elevator door sill, 21 Dec 2005	15658/2005	King Furniture (Australia) Pty Ltd; 06-01G, A chair, 21 Dec 2005	15677/2005
Inventio A.G.; 25-01K, 12-05, Elevator door sill, (CH, 21 Jun 2005) 21 Dec 2005	15659/2005	King Furniture (Australia) Pty Ltd; 06-01G, A chair, 21 Dec 2005	15683/2005
J Bloch Pty Ltd; 02-04NES, A dance shoe, (US, 28 Jun 2005) 22 Dec 2005	15688/2005	Kito Corporation; 12-05, A hoist, (JP, 09 Jun 2005) 09 Dec 2005	15490/2005
J Bloch Pty Ltd; 02-04NES, A dance shoe, (US, 28 Jun 2005) 22 Dec 2005	15689/2005	Kohler Co.; 23-02C, Base for a water closet, (Divisional of 02309/2004) 15 Dec 2005	15555/2005
J. Bloch Pty Ltd; 02-04NES, A dance shoe, (US, 24 Oct 2005) 22 Dec 2005	15685/2005	Koninklijke Philips Electronics N.V.; 07-02N, Deep fryer, (EM, 14 Jun 2005) 08 Dec 2005	15479/2005
Jetyd Corp.; 08-01, Hand held power tool, (US, 15 Aug 2005) 20 Dec 2005	15641/2005	Kriss, David M.; Siman-Tov, Jacob; Siman-Tov, Itzhak; Siman-Tov, Avraham; Kriss, Michael; 11-01NES, Gemstone, 30 Dec 2005	15838/2005
John, Paul; Oudeman, Elizabeth Ann; 12-16K, 12-16NES, Storage bag to attach to vehicles/caravans/camper trailers and trailers, 14 Dec 2005	15530/2005	Kriss, Michael; Siman-Tov, Jacob; Siman-Tov, Itzhak; Siman-Tov, Avraham; Kriss, David M.; 11-01NES, Gemstone, 30 Dec 2005	15838/2005
Johnson & Johnson Consumer Companies, Inc.; 24-04, 28-99, Skin treatment article, (US, 28 Dec 2004) 21 Jun 2005	10029/2006	Leatherman Tool Group, Inc.; 08-03, Handle for a folding knife, (US, 14 Jun 2005) 12 Dec 2005	15502/2005
Johnson & Johnson Consumer Companies, Inc.; 24-04, 28-99, Skin treatment article, (US, 28 Dec 2004) 21 Jun 2005	10030/2006	Leatherman Tool Group, Inc.; 08-03, Carabiner, (US, 14 Jun 2005) 12 Dec 2005	15503/2005
Johnson & Johnson Consumer Companies, Inc.; 24-04, 28-99, Skin treatment article, (US, 28 Dec 2004) 21 Jun 2005	10031/2006	Leatherman Tool Group, Inc.; 08-03, Blade opener for a folding knife, (US, 14 Jun 2005) 12 Dec 2005	15504/2005
Johnson & Johnson Consumer Companies, Inc.; 24-04, 28-99, Skin treatment article, (US, 28 Dec 2004) 21 Jun 2005	10032/2006	Leatherman Tool Group, Inc.; 08-03, Pair of handle sides for a folding knife, (US, 14 Jun 2005) 12 Dec 2005	15505/2005
Johnson & Johnson Consumer Companies, Inc.; 24-04, 28-99, Skin treatment article, (US, 28 Dec 2004) 21 Jun 2005	10033/2006	Leatherman Tool Group, Inc.; 08-03, Carabiner, (US, 14 Jun 2005) 12 Dec 2005	15506/2005
Johnson & Johnson Consumer Companies, Inc.; 24-04, 28-99, Skin treatment article, (US, 28 Dec 2004) 21 Jun 2005	10034/2006	Les Vins Georges Duboeuf, S.A.; 09-01H, A bottle, (EM, 01 Jul 2003) 24 Dec 2003	15643/2005
Jolly, Laurence Keith; 08-99, Improved star post straightener, 15 Dec 2005	15601/2005	Les Vins Georges Duboeuf, S.A.; 09-01H, A bottle, (EM, 01 Jul 2003) 24 Dec 2003	15644/2005
Jolly, Laurence Keith; 08-99, Improved star post lifter, 15 Dec 2005	15602/2005	Les Vins Georges Duboeuf, S.A.; 09-01H, A Bottle, (EM, 01 Jul 2003) 24 Dec 2003	15645/2005
Kabushiki Kaisha Bandai; 21-01N, Portable game device with LCD, (JP, 22 Jun 2005) 08 Dec 2005	15476/2005	Les Vins Georges Duboeuf, S.A.; 09-01H, A bottle, (EM, 01 Jul 2003) 24 Dec 2003	15646/2005
Kabushiki Kaisha Bandai; WiZ Co Ltd; 21-01N, Portable game device with LCD, (JP, 15 Sep 2005) 08 Dec 2005	15478/2005	Les Vins Georges Duboeuf, S.A.; 09-01H, A bottle, (EM, 01 Jul 2003) 24 Dec 2003	15647/2005
		Madden, Bede; Miranda, Sallyanne; 19-01, This design is a logo so it will appear on all stationery, and promotional items, 21 Dec 2005	15652/2005

Martino, Francesco Antonio; 25-03, A self-contained transportable building, 22 Dec 2005	15654/2005	Nokia Corporation; 14-03E, A handset, (US, 09 Jun 2005) 09 Dec 2005	15485/2005
Martino, Francesco Antonio; 25-03, A transportable building, 16 Dec 2005	15593/2005	Nokia Corporation; 14-03E, A handset, (US, 09 Jun 2005) 09 Dec 2005	15486/2005
Massey, Ian J.; 25-02C, Gate stop in a circular force, 09 Dec 2005	15470/2005	Nokia Corporation; 14-03E, A handset, (US, 09 Jun 2005) 09 Dec 2005	15487/2005
Master Lock Company LLC; 12-16L, Ball mount, (US, 16 Jun 2005) 14 Dec 2005	15538/2005	Nokia Corporation; 14-03E, A handset, (US, 09 Jun 2005) 09 Dec 2005	15488/2005
Master Lock Company LLC; 12-16L, Ball mount, (US, 16 Jun 2005) 14 Dec 2005	15539/2005	Nokia Corporation; 14-03E, A handset, 09 Dec 2005	15489/2005
Master Lock Company LLC; 12-16L, Ball mount, (US, 16 Jun 2005) 14 Dec 2005	15540/2005	Nokia Corporation; 14-03E, A handset, (FI, 08 Jun 2005) 08 Dec 2005	15480/2005
Memo-Clip Inc.; 19-02, Note pad for organizer clip, (US, 08 Jul 2005) 29 Dec 2005	15747/2005	Nokia Corporation; 14-03E, A handset, (US, 08 Jun 2005) 08 Dec 2005	15481/2005
Memo-Clip Inc.; 19-02, Project management organizer clip, (US, 08 Jul 2005) 29 Dec 2005	15748/2005	Nordson Corporation; 23-01A, Hydraulic seal with a pivoting arm, (US, 22 Nov 2005) 29 Dec 2005	15718/2005
Merz & Krell GmbH & Co. KGaA; 19-06, Writing instrument, (DE, 15 Jul 2005) 21 Dec 2005	15678/2005	Nordson Corporation; 23-01A, Hydraulic seal with a pivoting arm, (US, 29 Jun 2005) 19 Dec 2005	15620/2005
Merz & Krell GmbH & Co. KGaA; 19-06, Shaft and grip of writing instrument, (DE, 15 Jul 2005) 21 Dec 2005	15679/2005	Nordson Corporation; 23-01K, Dispensing Valve, (US, 29 Jun 2005) 19 Dec 2005	15621/2005
Merz & Krell GmbH & Co. KGaA; 19-06, Barrel of writing instrument, (DE, 15 Jul 2005) 21 Dec 2005	15680/2005	Omron Healthcare Co., Ltd.; 10-04, Thermometer, 23 Dec 2005	15746/2005
Merz & Krell GmbH & Co. KGaA; 19-06, Clip for writing instrument, (DE, 15 Jul 2005) 21 Dec 2005	15681/2005	Onesteel Trading Pty Limited; 08-08L, Coupling, 22 Dec 2005	15751/2005
Merz & Krell GmbH & Co. KGaA; 19-06, Button and shaft ring of writing instrument, (DE, 15 Jul 2005) 21 Dec 2005	15682/2005	Onesteel Trading Pty Limited; 08-08L, Coupling, 22 Dec 2005	15752/2005
Miranda, Sallyanne; Madden, Bede; 19-01, This design is a logo so it will appear on all stationery, and promotional items, 21 Dec 2005	15652/2005	Onesteel Trading Pty Limited; 08-08L, Coupling, 22 Dec 2005	15753/2005
Monaghan, William Paul; 21-02C, Mat, canvas, synthetic turf, 16 Dec 2005	15563/2005	Onsite International Pty Ltd; 21-02C, Golf tee, 16 Dec 2005	15567/2005
Moxey, Norman Alfred; 21-04, A tent peg tool, 14 Dec 2005	15528/2005	Oudemans, Elizabeth Ann; John, Paul; 12-16K, 12-16NES, Storage bag to attach to vehicles/caravans/camper trailers and trailers, 14 Dec 2005	15530/2005
MBP Australia Pty Ltd; 23-01F, A water tank light barrier fitting, 13 Dec 2005	15498/2005	OSIM International Ltd; 21-02D, Surfing simulator, 12 Dec 2005	15499/2005
Neoz Lighting; 26-05D, Diffuser for lamp, 09 Dec 2005	15484/2005	Pacific Enterprises (Aust) Pty Ltd; 08-07, Window lock, 19 Dec 2005	15615/2005
Nilsson, Amelia Bristed; 02-05, Infant attire, (EP, 29 Jul 2005) 15 Dec 2005	15541/2005	Parsons, Terry Dennis; 02-02C, 02-02NES, 02-05, 02-03, Any form of clothing, promotional item, T-shirt or hat, 09 Dec 2005	15509/2005
Nissan Jidosha Kabushiki Kaisha; 12-08, Automobile, (JP, 05 Jul 2005) 29 Dec 2005	15736/2005	PepsiCo Inc.; 09-01NES, Bottle, (US, 30 Jun 2005) 22 Dec 2005	15664/2005
		PepsiCo Inc.; 09-01NES, Bottle, (US, 30 Jun 2005) 22 Dec 2005	15665/2005

PepsiCo Inc.; 09-01NES, Bottle, (US, 30 Jun 2005) 22 Dec 2005	15666/2005	Pi-Design AG; 07-01F, Decanter (2nd version), (DK, 08 Jul 2005) 23 Dec 2005	15761/2005
PepsiCo Inc.; 09-01NES, Bottle, (US, 30 Jun 2005) 22 Dec 2005	15667/2005	Pi-Design AG; 07-07A, Ice bucket, (DK, 30 Jun 2005) 21 Dec 2005	15629/2005
Perusahaan Otomobil Nasional SDN. BHD.; 12-16NES, 10-04, Speedometer, (MY, 07 Oct 2003) 06 Apr 2004	15698/2005	Pi-Design AG; 07-06NES, Ice tongs, (DK, 30 Jun 2005) 21 Dec 2005	15630/2005
Perusahaan Otomobil Nasional SDN. BHD.; 12-16NES, Door handle, (MY, 07 Oct 2003) 06 Apr 2004	15699/2005	Pi-Design AG; 07-06NES, 07-03, Salad server spoon, (DK, 30 Jun 2005) 21 Dec 2005	15631/2005
Perusahaan Otomobil Nasional SDN. BHD.; 10-01, Clock, (MY, 07 Oct 2003) 06 Apr 2004	15700/2005	Pi-Design AG; 07-03, Salad server fork, (DK, 30 Jun 2005) 21 Dec 2005	15632/2005
Perusahaan Otomobil Nasional SDN. BHD.; 12-16NES, Centre Console, (MY, 07 Oct 2003) 06 Apr 2004	15701/2005	Pi-Design AG; 07-03, Teaspoon, (DK, 30 Jun 2005) 21 Dec 2005	15633/2005
Perusahaan Otomobil Nasional SDN. BHD.; 12-16NES, 12-16B, Door Handle, (MY, 07 Oct 2003) 06 Apr 2004	15702/2005	Pi-Design AG; 07-03, Latte macchiato, (DK, 30 Jun 2005) 21 Dec 2005	15634/2005
Perusahaan Otomobil Nasional SDN. BHD.; 12-16A, Wheel, (MY, 07 Oct 2003) 06 Apr 2004	15703/2005	Pirelli Pneumatici S.P.A.; 12-15D, A tyre for motorcycles, (EP, 30 Jun 2005) 14 Dec 2005	15544/2005
Perusahaan Otomobil Nasional SDN. BHD.; 12-16B, 12-16NES, Door trim, (MY, 07 Oct 2003) 06 Apr 2004	15704/2005	Pirelli Pneumatici S.P.A.; 12-15D, A tyre for motorcycles, (EP, 30 Jun 2005) 14 Dec 2005	15545/2005
Perusahaan Otomobil Nasional SDN. BHD.; 12-16NES, 10-04, Meter display, (MY, 07 Oct 2003) 06 Apr 2004	15705/2005	PomWonderful LLC; 09-01B, Bottle, (US, 01 Sep 2005) 20 Dec 2005	15640/2005
Perusahaan Otomobil Nasional SDN. BHD.; 12-16NES, 14-03NES, Antenna, (MY, 07 Oct 2003) 06 Apr 2004	15706/2005	PomWonderful LLC; 09-01NES, Bottle, 23 Dec 2005	15712/2005
Perusahaan Otomobil Nasional SDN. BHD.; 06-01D, Front seat, (MY, 07 Oct 2003) 06 Apr 2004	15707/2005	PomWonderful LLC; 09-01NES, Bottle, 23 Dec 2005	15713/2005
Perusahaan Otomobil Nasional SDN. BHD.; 12-16NES, Dashboard and centre console, (MY, 07 Oct 2003) 06 Apr 2004	15708/2005	Possum Barriers; 22-06, Rotating possum barrier disc, Rotating possum barrier disc bracket, Rotating possum barrier disc with bracket, retainer, 06 Dec 2005	15578/2005
Perusahaan Otomobil Nasional SDN. BHD.; 12-16B, Side skirting, (MY, 07 Oct 2003) 06 Apr 2004	15709/2005	Possum Barriers; 22-06, Rotating possum barrier disc, Rotating possum barrier disc bracket, Rotating possum barrier disc with bracket retainer, 06 Dec 2005	15579/2005
Phillpott, Matthew; 12-11, A pair of motorcycle handguard, 19 Dec 2005	15626/2005	Possum Barriers; 22-06, Rotating possum barrier disc, Rotating possum barrier disc bracket, Rotating possum barrier disc with bracket retainer, 06 Dec 2005	15580/2005
Phoenix Industries Pty Ltd; 23-02A, Tap handle, 08 Jul 2005	15575/2005	Pro Ball Marketing Pty Ltd; 09-01D, Container, 22 Dec 2005	15662/2005
Phoenix Industries Pty Ltd; 07-05D, Tap handle, 08 Jul 2005	15576/2005	Procter & Gamble Company, The; 09-01G, Container with cap, (US, 15 Jun 2005) 15 Dec 2005	15564/2005
Phoenix Industries Pty Ltd; 06-04NES, 23-02A, Tap handle, 08 Jul 2005	15577/2005	Procter & Gamble Company, The; 09-01A, 09-01G, Container, (Divisional of 11793/2005) 13 Dec 2005	15513/2005
Pi-Design AG; 07-01G, Teapot, (DK, 20 Jul 2005) 21 Dec 2005	15627/2005	Procter & Gamble Company, The; 09-01A, 09-01G, Container, (Divisional of 11794/2005) 13 Dec 2005	15514/2005
Pi-Design AG; 07-01G, Teapot, (DK, 22 Jul 2005) 23 Dec 2005	15759/2005	Procter & Gamble Company, The; 09-01G, Container, (EM, 20 Jun 2005) 20 Dec 2005	15636/2005
Pi-Design AG; 07-01F, Decanter (1st version), (DK, 08 Jul 2005) 23 Dec 2005	15760/2005		

Proctor & Gamble Company, The; 09-01G, Container, (EM, 20 Jun 2005) 20 Dec 2005	15637/2005	Shop Vac Corporation; 15-05, Attachment for vacuum cleaners, (US, 25 Aug 2005) 08 Dec 2005	15468/2005
Proctor & Gamble Company, The; 28-03NES, Applicator, (EM, 22 Jun 2005) 16 Dec 2005	15591/2005	Shop Vac Corporation; 15-05, Handheld vacuum, (US, 25 Aug 2005) 08 Dec 2005	15469/2005
Proctor & Gamble Company, The; 07-01NES, Container with lid and/ or spatula, (US, 15 Sep 2005) 23 Dec 2005	15741/2005	Silvan Australia Pty Ltd; 15-03NES, Agricultural sprayer intake, 14 Dec 2005	15516/2005
Prodir S.A.; 19-06, Writing instrument (DS-4 without clip cover), (CH, 24 Oct 2005) 29 Dec 2005	15710/2005	Siman-Tov, Jacob; Siman-Tov, Itzhak; Siman-Tov, Avraham; Kriss, David M.; Kriss, Michael; 11-01NES, Gemstone, 30 Dec 2005	15838/2005
Prodir S.A.; 19-06, Writing instrument (DS4 with clip cover), (CH, 24 Oct 2005) 29 Dec 2005	15711/2005	Siman-Tov, Itzhak; Siman-Tov, Jacob; Siman-Tov, Avraham; Kriss, David M.; Kriss, Michael; 11-01NES, Gemstone, 30 Dec 2005	15838/2005
Readymade Railings Pty Ltd; 25-02C, Handrail, 14 Dec 2005	15529/2005	Siman-Tov, Avraham; Siman-Tov, Jacob; Siman-Tov, Itzhak; Kriss, David M.; Kriss, Michael; 11-01NES, Gemstone, 30 Dec 2005	15838/2005
Roman Camping Equipment Pty Ltd; 06-09, Self inflatable mattresses, 23 Dec 2005	15834/2005	Smartbag Pty Limited; 06-13NES, Vehicle seat cover, 23 Dec 2005	15766/2005
Ryan, Stephen; 25-03, Compact beach shade and camping parasol, 23 Dec 2005	15758/2005	Smeg S.p.A.; 07-02A, Cooking ranges, 29 Dec 2005	15737/2005
RMD Press Co. Pty. Ltd.; 25-02C, 25-02D, Decorative fence spear, 15 Dec 2005	15568/2005	Smeg S.p.A.; 07-02A, Cooking ranges, 29 Dec 2005	15738/2005
Saint-Gobain Calmar Inc.; 09-07A, Pushbutton dispenser head, (US, 29 Jul 2005) 22 Dec 2005	15722/2005	Sony Ericsson Mobile Communications AB; 14-03E, Portable communications device, (US, 27 Jul 2005) 08 Dec 2005	15475/2005
Saint-Gobain Calmar Inc.; 09-07A, Pushbutton dispenser head, (US, 29 Jul 2005) 20 Dec 2005	15617/2005	Sportsgirl Pty Ltd; 19-08, Label, 21 Dec 2005	15635/2005
Schopf, Manfred; Schopf, John; 08-08K, Bracket for (fences, balustrades, barriers, and enclosures), 09 Dec 2005	15496/2005	Stegbar Pty Limited; 25-02H, Window sash, 21 Dec 2005	15686/2005
Schopf, John; Schopf, Manfred; 08-08K, Bracket for (fences, balustrades, barriers, and enclosures), 09 Dec 2005	15496/2005	Stokely-Van Camp, Inc.; 09-01K, 09-01NES, Bottle, (US, 30 Jun 2005) 22 Dec 2005	15668/2005
Schuk, Erika; Brown, Robyn; 99-00, Infant burians or cremations, 13 Dec 2005	15510/2005	Stokely-Van Camp, Inc.; 09-01K, 09-01NES, Bottle, (US, 30 Jun 2005) 22 Dec 2005	15669/2005
Sega Corporation; 21-01N, Controller for a game device, (JP, 28 Jun 2005) 23 Dec 2005	15769/2005	Stokely-Van Camp, Inc.; 09-01K, 09-01NES, Bottle, (US, 30 Jun 2005) 22 Dec 2005	15670/2005
Sega Corporation; 21-01N, Game device, (JP, 28 Jun 2005) 23 Dec 2005	15770/2005	Stokely-Van Camp, Inc.; 09-01K, 09-01NES, Bottle, (US, 30 Jun 2005) 22 Dec 2005	15671/2005
Sega Corporation; 21-01N, Projector, (JP, 28 Jun 2005) 23 Dec 2005	15771/2005	Stokely-Van Camp, Inc.; 09-01K, 09-01NES, Bottle, (US, 30 Jun 2005) 22 Dec 2005	15672/2005
Sheldon and Hammond Pty Ltd; 07-01G, A coffee plunger, 22 Dec 2005	15663/2005	Stokely-Van Camp, Inc.; 09-01K, 09-01NES, Bottle, (US, 30 Jun 2005) 22 Dec 2005	15673/2005
Sheldon and Hammond Pty Ltd; 08-03, A knife, 22 Dec 2005	15676/2005	Stokely-Van Camp, Inc.; 09-01K, 09-01NES, Bottle, (US, 30 Jun 2005) 22 Dec 2005	15674/2005
Shop Vac Corporation; 15-05, Backpack cleaner, (US, 25 Aug 2005) 19 Dec 2005	15622/2005	Suzuki Motor Corporation; 12-08, Automobile, (JP, 07 Sep 2005) 23 Dec 2005	15743/2005

Swatch A.G. (Swatch S.A.) (Swatch Ltd); 10-07, Watch case, (WO, 07 Jan 2005) 30 Dec 2005	15835/2005	Toyota Jidosha Kabushiki Kaisha; 12-16B, Grille for automobile, 22 Dec 2005	15735/2005
Swatch A.G. (Swatch S.A.) (Swatch Ltd); 10-07, Watch case, (WO, 07 Jan 2005) 30 Dec 2005	15836/2005	Trax Packaging Limited; 09-03NES, Collapsible containers, (NZ, 23 Dec 2004) (Divisional of 12595/2005) 20 Jun 2005	15694/2005
Szymanski, John; 07-06A, Can insulator, 22 Dec 2005	15777/2005	Trax Packaging Limited; 09-03NES, Collapsible containers, (NZ, 23 Dec 2004) (Divisional of 12595/2005) 20 Jun 2005	15695/2005
Szymanski, John; 07-06A, Can insulator, 22 Dec 2005	15778/2005	Trax Packaging Limited; 09-03NES, Collapsible containers, (NZ, 23 Dec 2004) (Divisional of 12595/2005) 20 Jun 2005	15696/2005
Szymanski, John; 07-06A, Can insulator, 22 Dec 2005	15779/2005	Trax Packaging Limited; 09-03NES, Collapsible containers, (NZ, 23 Dec 2004) (Divisional of 12595/2005) 20 Jun 2005	15697/2005
Szymanski, John; 07-06A, Can insulator, 22 Dec 2005	15780/2005	Tubular Motor Systems Pty Ltd; 08-08NES, A bracket, 15 Dec 2005	15532/2005
Szymanski, John; 07-06A, Can insulator, 22 Dec 2005	15781/2005	Underwood, Daniel Charles; 25-01B, Bar connector cap, 16 Dec 2005	15583/2005
SOCIETE BIC; 19-06, Writing instrument, (EM, 07 Jul 2005) 21 Dec 2005	15661/2005	Underwood, Daniel Charles; 25-01B, Bar connector base, 16 Dec 2005	15584/2005
Teh Yor Co., Ltd; 06-10, Window covering with shade panels having free lower edges, (US, 16 Jun 2005) 15 Dec 2005	15552/2005	Unilever PLC; 09-01K, Toilet cleaner bottle, (GB, 21 Jul 2005) 21 Dec 2005	15691/2005
Thumtronics Ltd; 14-02, Keyboard, 14 Dec 2005	15535/2005	Victaulic Company; 12-16L, Mechanical coupling, (US, 17 Jun 2005) 08 Dec 2005	15460/2005
Thumtronics Ltd; 14-02, Key for a keyboard, 14 Dec 2005	15534/2005	Victaulic Company; 12-16L, Mechanical coupling, (US, 17 Jun 2005) 08 Dec 2005	15461/2005
Toyota Jidosha Kabushiki Kaisha; 12-08, Automobile, 22 Dec 2005	15723/2005	Victaulic Company; 23-01A, Pipe coupling, (US, 17 Jun 2005) 08 Dec 2005	15462/2005
Toyota Jidosha Kabushiki Kaisha; 26-06, Combination lamp for automobile, 22 Dec 2005	15724/2005	Victaulic Company; 12-16L, Mechanical coupling, (US, 17 Jun 2005) 08 Dec 2005	15463/2005
Toyota Jidosha Kabushiki Kaisha; 26-06, Combination lamp for automobile, 22 Dec 2005	15725/2005	Victaulic Company; 12-16L, Mechanical coupling, (US, 17 Jun 2005) 08 Dec 2005	15464/2005
Toyota Jidosha Kabushiki Kaisha; 26-06, Combination lamp for automobile, 22 Dec 2005	15729/2005	Victaulic Company; 23-01A, Pipe coupling, (US, 17 Jun 2005) 08 Dec 2005	15465/2005
Toyota Jidosha Kabushiki Kaisha; 12-16C, Bumper for automobile, 22 Dec 2005	15726/2005	Victaulic Company; 23-01A, Pipe coupling, (US, 17 Jun 2005) 08 Dec 2005	15466/2005
Toyota Jidosha Kabushiki Kaisha; 12-16C, Bumper for automobile, 22 Dec 2005	15727/2005	Victaulic Company; 23-01A, Pipe coupling, (US, 17 Jun 2005) 08 Dec 2005	15467/2005
Toyota Jidosha Kabushiki Kaisha; 12-08, Automobile, 22 Dec 2005	15728/2005	Walker, Gary John; 28-03NES, Toothpaste holder, 15 Dec 2005	15566/2005
Toyota Jidosha Kabushiki Kaisha; 26-06, Combination lamp for automobile, 22 Dec 2005	15730/2005	Watson, Norval Ross; 21-02D, Skimboard surfboard, 16 Dec 2005	15651/2005
Toyota Jidosha Kabushiki Kaisha; 12-16C, Bumper for automobile, 22 Dec 2005	15731/2005	Watts Works, The; 03-01B, Wallet/money and card clip, 08 Dec 2005	15507/2005
Toyota Jidosha Kabushiki Kaisha; 12-16B, Grille for automobile, 22 Dec 2005	15732/2005	White, Maree Louise; 02-07D, Needle Aid, 14 Dec 2005	15515/2005
Toyota Jidosha Kabushiki Kaisha; 12-16C, Bumper for automobile, 22 Dec 2005	15733/2005		
Toyota Jidosha Kabushiki Kaisha; 12-16B, Grille for automobile, 22 Dec 2005	15734/2005		

Windsor Smith Pty Ltd; 02-04NES, shoe, (Divisional of 01630/2004) 16 Dec 2005	15587/2005	WiZ Co Ltd; Kabushiki Kaisha Bandai; 21-01N, Portable game device with LCD, (JP, 15 Sep 2005) 08 Dec 2005	15478/2005
Windsor Smith Pty Ltd; 02-04NES, Shoe, (Divisional of 01630/2004) 16 Dec 2005	15588/2005	World of Technologies (Aust) Pty Ltd; 15-05, Bagless vacuum cleaner, 15 Dec 2005	15533/2005
Windsor Smith Pty Ltd; 02-04NES, Shoe, (Divisional of 01630/2004) 16 Dec 2005	15589/2005	Yanmar Co. Ltd; 15-04, Excavator, (JP, 05 Jul 2005) 29 Dec 2005	15719/2005
Windsor Smith Pty Ltd; 02-04NES, Shoe, (Divisional of 01630/2004) 16 Dec 2005	15590/2005	3M Innovative Properties Company; 29-02, A personal respiratory protection device, (US, 27 Jun 2005) 21 Dec 2005	15692/2005
WiZ Co Ltd; Kabushiki Kaisha Bandai; 21-01N, Portable game device with LCD, (JP, 15 Sep 2005) 08 Dec 2005	15477/2005	3M Innovative Properties Company; 24-01, Rotatable sample processing disk, (US, 05 Jul 2005) 20 Dec 2005	15628/2005

Applications Withdrawn

10436 / 2005 (03-01B)
15489 / 2005 (14-03E)

13325 / 2005 (09-09)

Extensions of time granted under Section 137

Applications lodged under section 137 for extension of time have been granted.

10153/2005 **Everest Biomedical Instruments Co.**

10154/2005 **Everest Biomedical Instruments Co.**

12364/2005 **Jakaar Industries Limited**

15796/2005 **Joseph Deleo**

15797/2005 **Joseph Deleo**

Certificate(s) of Examination

Examination of the following Design Registration(s) has been completed. Infringement proceedings may now be commenced.

301459	19-06	05/01/2006
301878	26-04	06/01/2006
301879	26-04	06/01/2006
301880	26-04	06/01/2006
303004	28-03A	11/01/2006
303005	28-03A	11/01/2006
303006	28-03A	11/01/2006
303015	28-03A	09/01/2006
303056	07-05NES	12/01/2006
303057	07-05NES	12/01/2006
303094	23-01C	10/01/2006
303170	13-02	12/01/2006
304733	07-07A	11/01/2006

Publication and Registration Proceedings

Designs Registered

This section provides a concordance between design number and registration number of Designs covered in this journal. It also shows the main class and registration date.

This section covers Registration numbers 304873 to 304912 .

The registration number shown below should be used in all future correspondence.

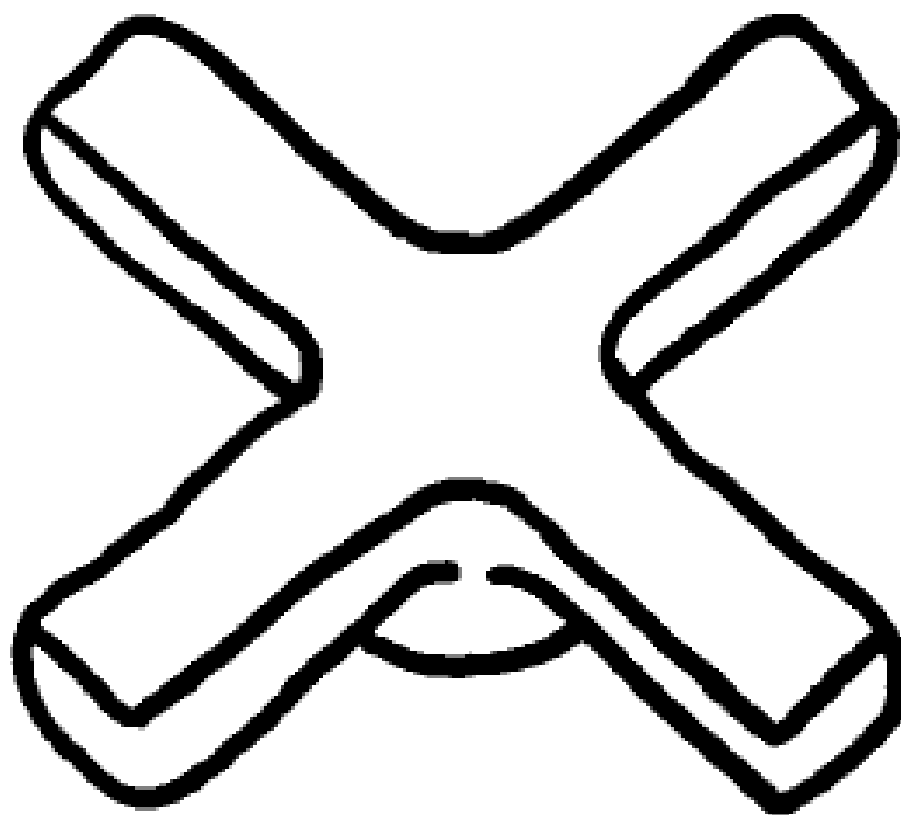
Design Number	Registration Number	International Classification Code (IDC)	Registration Date	Design Number	Registration Number	International Classification Code (IDC)	Registration Date
14407/2004	304874	24-04	09/01/2006	13244/2005	304886	25-02C	09/01/2006
15682/2004	304873	23-01H	09/01/2006	13245/2005	304887	25-02C	09/01/2006
10337/2005	304893	06-06F	11/01/2006	13246/2005	304888	25-02C	09/01/2006
10441/2005	304894	25-01K	11/01/2006	13392/2005	304900	02-03	11/01/2006
10849/2005	304877	13-03D	09/01/2006	13393/2005	304901	02-03	11/01/2006
10985/2005	304878	23-01H	09/01/2006	13397/2005	304902	13-02	11/01/2006
11056/2005	304879	08-06	09/01/2006	13401/2005	304903	08-99	11/01/2006
11074/2005	304880	10-05	09/01/2006	13402/2005	304904	08-99	11/01/2006
12150/2005	304881	12-13	09/01/2006	13403/2005	304905	08-99	11/01/2006
12162/2005	304875	24-04	09/01/2006	13406/2005	304906	09-01A	11/01/2006
12163/2005	304876	24-04	09/01/2006	13407/2005	304907	23-02B	11/01/2006
12173/2005	304895	06-01NES	11/01/2006	13408/2005	304908	23-02B	11/01/2006
12174/2005	304896	06-01NES	11/01/2006	13409/2005	304909	23-02B	11/01/2006
12280/2005	304897	25-03	11/01/2006	13411/2005	304910	12-15B	11/01/2006
12599/2005	304898	02-01A	11/01/2006	13415/2005	304911	09-01NES	11/01/2006
13024/2005	304899	23-01H	11/01/2006	13514/2005	304912	24-01	11/01/2006
13132/2005	304882	15-05	09/01/2006	13536/2005	304889	08-05N	09/01/2006
13133/2005	304883	15-05	09/01/2006	14780/2005	304890	12-05	09/01/2006
13189/2005	304884	23-02C	09/01/2006	15394/2005	304891	28-99	09/01/2006
13190/2005	304885	23-02C	09/01/2006	15395/2005	304892	28-99	09/01/2006

Publication and Registration Proceedings
Class Listing of Designs Published or Registered

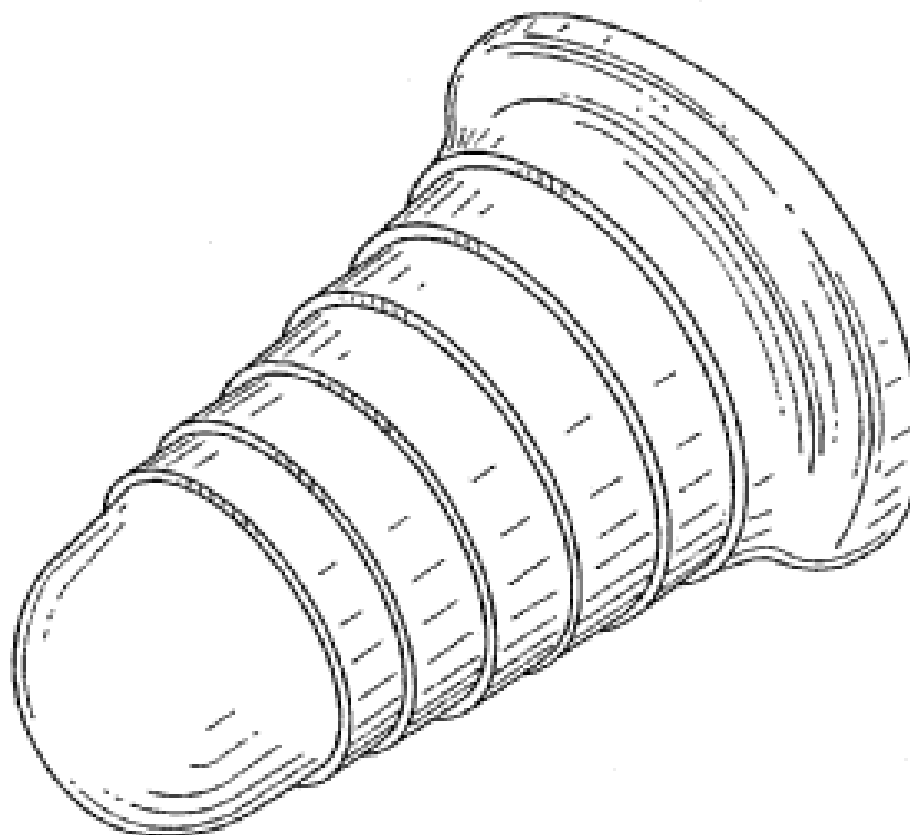
The following section shows an International Classification Code listing of the Registered or Published Designs covered in this supplement.

Classification	Registration Number	Design Number	Classification	Registration Number	Design Number
02-01 A	304898	12599/2005	23-01 H	304873	15682/2004
02-03	304900	13392/2005	23-01 H	304878	10985/2005
02-03	304901	13393/2005	23-01 H	304899	13024/2005
06-01 NES	304895	12173/2005	23-02 B	304907	13407/2005
06-01 NES	304896	12174/2005	23-02 B	304908	13408/2005
06-06 F	304893	10337/2005	23-02 B	304909	13409/2005
08-05 N	304889	13536/2005	23-02 C	304884	13189/2005
08-06	304879	11056/2005	23-02 C	304885	13190/2005
08-99	304903	13401/2005	24-01	304912	13514/2005
08-99	304904	13402/2005	24-04	304874	14407/2004
08-99	304905	13403/2005	24-04	304875	12162/2005
09-01 A	304906	13406/2005	24-04	304876	12163/2005
09-01 NES	304911	13415/2005	25-01 C	304890	14780/2005
10-05	304880	11074/2005	25-01 K	304894	10441/2005
12-05	304890	14780/2005	25-02 C	304886	13244/2005
12-13	304881	12150/2005	25-02 C	304887	13245/2005
12-15 B	304910	13411/2005	25-02 C	304888	13246/2005
13-02	304902	13397/2005	25-03	304897	12280/2005
13-03 D	304877	10849/2005	28-99	304891	15394/2005
15-05	304882	13132/2005	28-99	304892	15395/2005
15-05	304883	13133/2005			

(21) Design Number: **15682/2004**
(22) Date of Filing Application: **08 December 2004**
(24) Date from which industrial property rights may have effect: **08 December 2004**
(54) Product in respect of which the design is registered: **Tap handle**
(51) International Design Classification: **23-01H**
(71) Name(s) and Address(s) of Applicant(s):
Eddy Brewer (Sales) Pty Ltd
225 East Boundary Road East Bentleigh Victoria 3204 Australia
(72) Name(s) of Designer(s): **Paul Pearson**
(45) Registration Date: **09 January 2006**
(56) Related Art Documents: **Not Applicable**
(57) Statement of Newness and Distinctiveness: **Monopoly is claimed in the features of shape and configuration of the tap handle as shown in the accompanying (5) representations.**



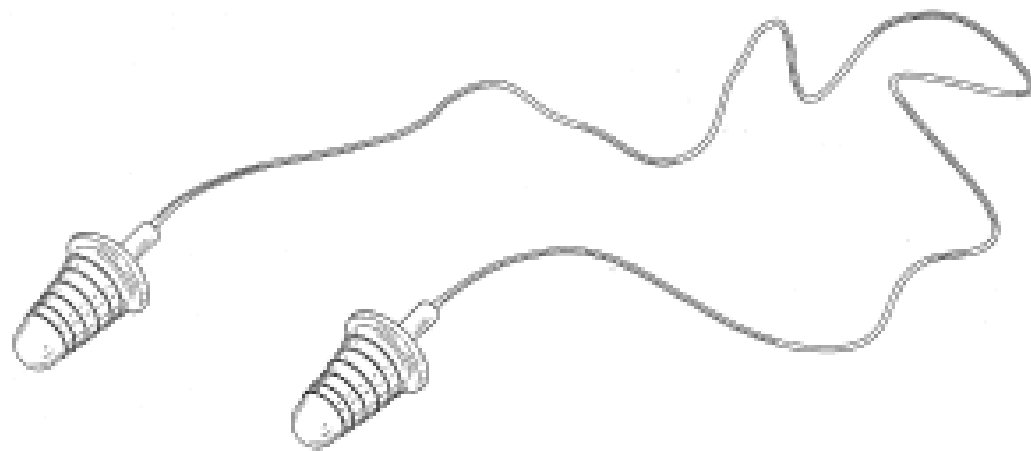
(21) Design Number: **14407/2004**
(22) Date of Filing Application: **14 September 2004**
(24) Date from which industrial property rights may have effect: **14 September 2004**
(54) Product in respect of which the design is registered: **Hearing protection device**
(51) International Design Classification: **24-04**
(71) Name(s) and Address(s) of Applicant(s):
Cabot Safety Intermediate Corporation
650 Dawson Drive Newark Delaware 19713 United States of America
(72) Name(s) of Designer(s): **Marc Doty and Richard Knauer**
(45) Registration Date: **09 January 2006**
(30) Convention priority data:
(31) Number (32) Date (33) Country
29/204,061 23 Apr 2004 UNITED STATES OF AMERICA
(56) Related Art Documents: **Not Applicable**
(57) Statement of Newness and Distinctiveness: **Nil**



(19) AU

- (21) Design Number: **12162/2005**
- (22) Date of Filing Application: **14 September 2004**
- (24) Date from which industrial property rights may have effect: **14 September 2004**
- (54) Product in respect of which the design is registered: **Hearing protection device**
- (51) International Design Classification: **24-04**
- (71) Name(s) and Address(s) of Applicant(s):
Cabot Safety Intermediate Corporation
650 Dawson Drive Newark Delaware 19713 United States of America
- (72) Name(s) of Designer(s): **Marc Doty and Richard Knauer**
- (45) Registration Date: **09 January 2006**
- (30) Convention priority data:

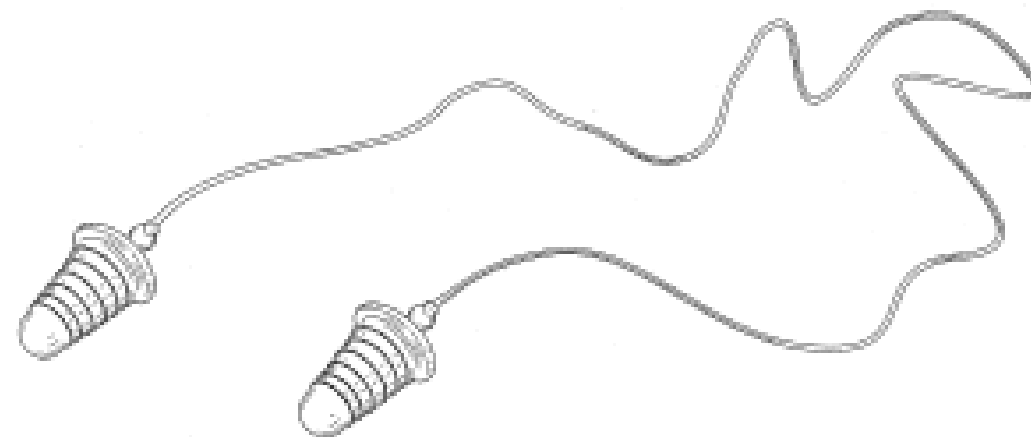
(31) Number	(32) Date	(33) Country
29/204,061	23 Apr 2004	UNITED STATES OF AMERICA
- (56) Related Art Documents: **Not Applicable**
- (57) Statement of Newness and Distinctiveness: **Nil**



(19) AU

- (21) Design Number: **12163/2005**
- (22) Date of Filing Application: **14 September 2004**
- (24) Date from which industrial property rights may have effect: **14 September 2004**
- (54) Product in respect of which the design is registered: **Hearing protection device**
- (51) International Design Classification: **24-04**
- (71) Name(s) and Address(s) of Applicant(s):
Cabot Safety Intermediate Corporation
650 Dawson Drive Newark Delaware 19713 United States of America
- (72) Name(s) of Designer(s): **Marc Doty and Richard Knauer**
- (45) Registration Date: **09 January 2006**
- (30) Convention priority data:

(31) Number	(32) Date	(33) Country
29/204,061	23 Apr 2004	UNITED STATES OF AMERICA
- (56) Related Art Documents: **Not Applicable**
- (57) Statement of Newness and Distinctiveness: **Nil**



(21) Design Number: **10849/2005**

(22) Date of Filing Application: **03 March 2005**

(24) Date from which industrial property rights may have effect: **03 March 2005**

(54) Product in respect of which the design is registered: **A power board**

(51) International Design Classification: **13-03D**

(71) Name(s) and Address(s) of Applicant(s):

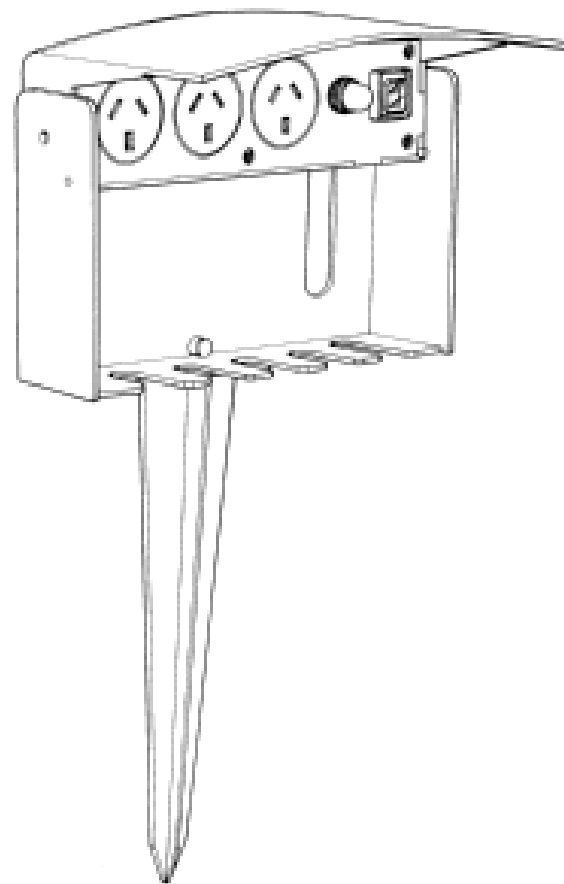
**Jackson Industries Pty Limited
Building C 2 Hudson Avenue Castle Hill New South Wales 2153
Australia**

(72) Name(s) of Designer(s): **Ross A. Jackson**

(45) Registration Date: **09 January 2006**

(56) Related Art Documents: **Not Applicable**

(57) Statement of Newness and Distinctiveness: **Newness and distinctiveness is claimed in the features of shape and/or configuration of a power board as illustrated in the accompanying representations.**



(21) Design Number: **10985/2005**

(22) Date of Filing Application: **15 March 2005**

(24) Date from which industrial property rights may have effect: **15 March 2005**

(54) Product in respect of which the design is registered: **Cross tap handle**

(51) International Design Classification: **23-01H**

(71) Name(s) and Address(s) of Applicant(s):

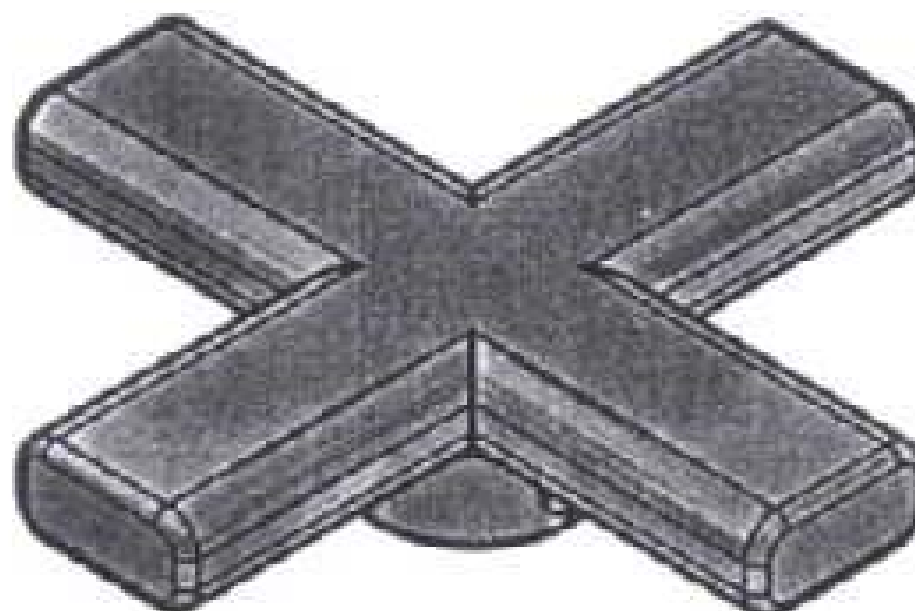
**Rogers Seller & Myhill Pty Ltd
587-593 Church Street Richmond Victoria 3121 Australia**

(72) Name(s) of Designer(s): **Lien Giang and James Edmonds**

(45) Registration Date: **09 January 2006**

(56) Related Art Documents: **Not Applicable**

(57) Statement of Newness and Distinctiveness: **The handle adopts an oval profile with a flat facet on the upper and lower faces. This profile has not previously been seen on four cross handle designs.**



(21) Design Number: 11056/2005

(22) Date of Filing Application: 17 March 2005

(24) Date from which industrial property rights may have effect: 17 March 2005

(54) Product in respect of which the design is registered: Sliding window handle

(51) International Design Classification: 08-06

(71) Name(s) and Address(s) of Applicant(s):

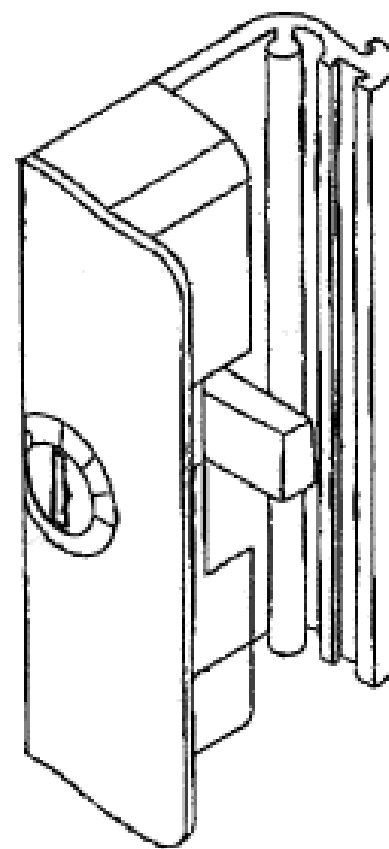
ASKA Aluminium Pty Ltd
Unit 2 4 Naughton Street Greenacre New South Wales 2190 Australia

(72) Name(s) of Designer(s): Chen Wenjin and Lincy Xia and Mahmoud Adas

(45) Registration Date: 09 January 2006

(56) Related Art Documents: Not Applicable

(57) Statement of Newness and Distinctiveness: Each feature of the design considered separately or in combination with any other feature or features.



(21) Design Number: 11074/2005

(22) Date of Filing Application: 18 March 2005

(24) Date from which industrial property rights may have effect: 18 March 2005

(54) Product in respect of which the design is registered: Alarm housing

(51) International Design Classification: 10-05

(71) Name(s) and Address(s) of Applicant(s):

Electronic Controls Company
833 W. Diamond Street Boise Idaho 83705 United States of America

(72) Name(s) of Designer(s): Robert W. Corrigan

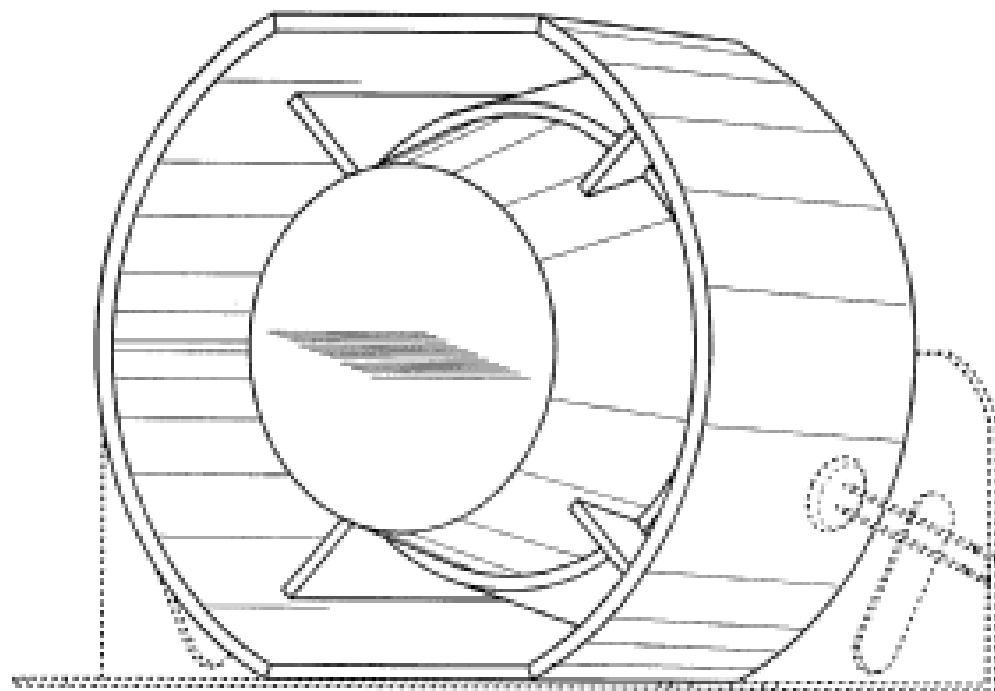
(45) Registration Date: 09 January 2006

(30) Convention priority data:

(31) Number	(32) Date	(33) Country
29/214,965	12 Oct 2004	UNITED STATES OF AMERICA

(56) Related Art Documents: Not Applicable

(57) Statement of Newness and Distinctiveness: Newness and distinctiveness is claimed in the features of shape and configuration of an alarm housing as shown in the representations. The features shown in dashed outline in the representations do not form part of the design and may be varied from that shown.



(21) Design Number: **12150/2005**

(22) Date of Filing Application: **11 May 2005**

(24) Date from which industrial property rights may have effect: **11 May 2005**

(54) Product in respect of which the design is registered: **Floor treatment device**

(51) International Design Classification: **12-13**

(71) Name(s) and Address(s) of Applicant(s):

**Castle Rock Industries, Inc.
1351 West Stanford Avenue Englewood CO 80110 United States of
America**

(72) Name(s) of Designer(s): **Roger Pedlar**

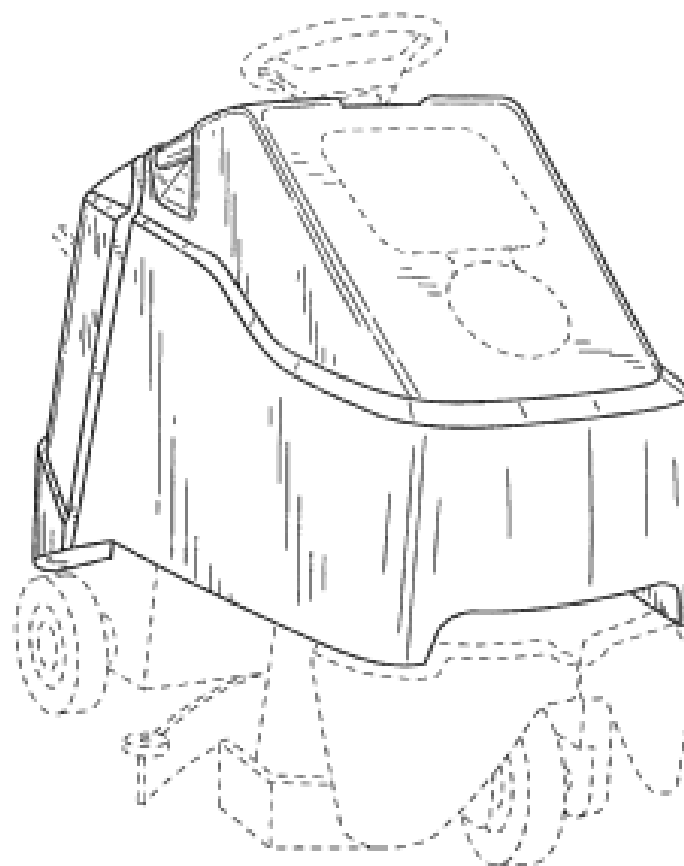
(45) Registration Date: **09 January 2006**

(30) Convention priority data:

(31) Number	(32) Date	(33) Country
29/217,055	11 Nov 2004	UNITED STATES OF AMERICA

(56) Related Art Documents: **Not Applicable**

(57) Statement of Newness and Distinctiveness: **In relation to newness and distinctiveness applicant points out that the broken lines in the representations are for the purposes of illustration only and form no part of the design.**



(21) Design Number: **13132/2005**

(22) Date of Filing Application: **22 July 2005**

(24) Date from which industrial property rights may have effect: **22 July 2005**

(54) Product in respect of which the design is registered: **Chamber of an agricultural vacuum machine**

(51) International Design Classification: **15-05**

(71) Name(s) and Address(s) of Applicant(s):

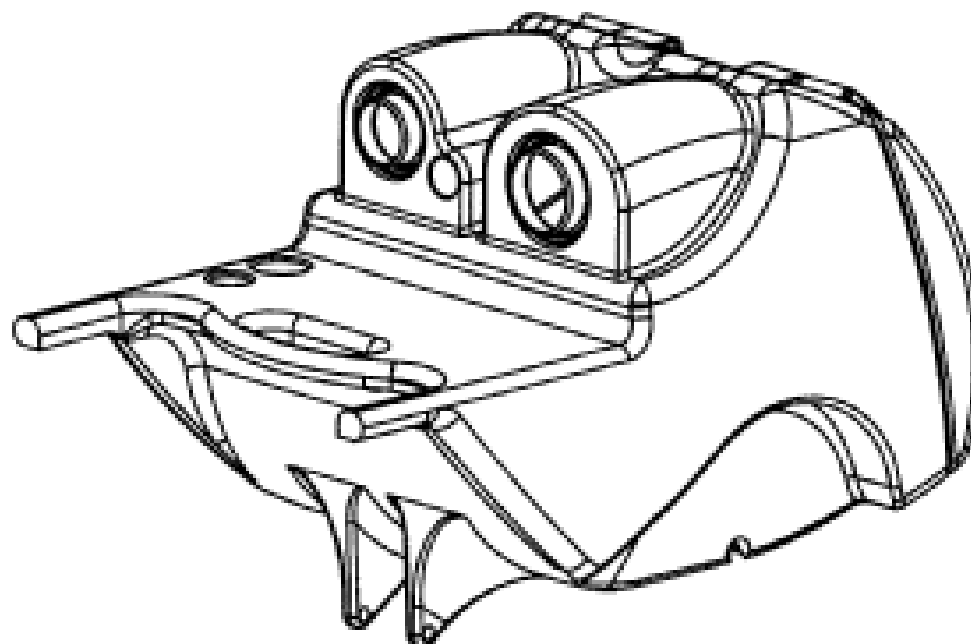
**Monet Design Co. Pty Ltd
4/23 Premier Circuit Warana Queensland 4575 Australia**

(72) Name(s) of Designer(s): **David Paul Oberhofer**

(45) Registration Date: **09 January 2006**

(56) Related Art Documents: **Not Applicable**

(57) Statement of Newness and Distinctiveness: **The newness and distinctiveness of the design resides in the shape and configuration of a chamber of an agricultural vacuum machine shown in the representations.**



(21) Design Number: **13133/2005**

(22) Date of Filing Application: **22 July 2005**

(24) Date from which industrial property rights may have effect: **22 July 2005**

(54) Product in respect of which the design is registered: **Chamber of an agricultural vacuum machine**

(51) International Design Classification: **15-05**

(71) Name(s) and Address(s) of Applicant(s):

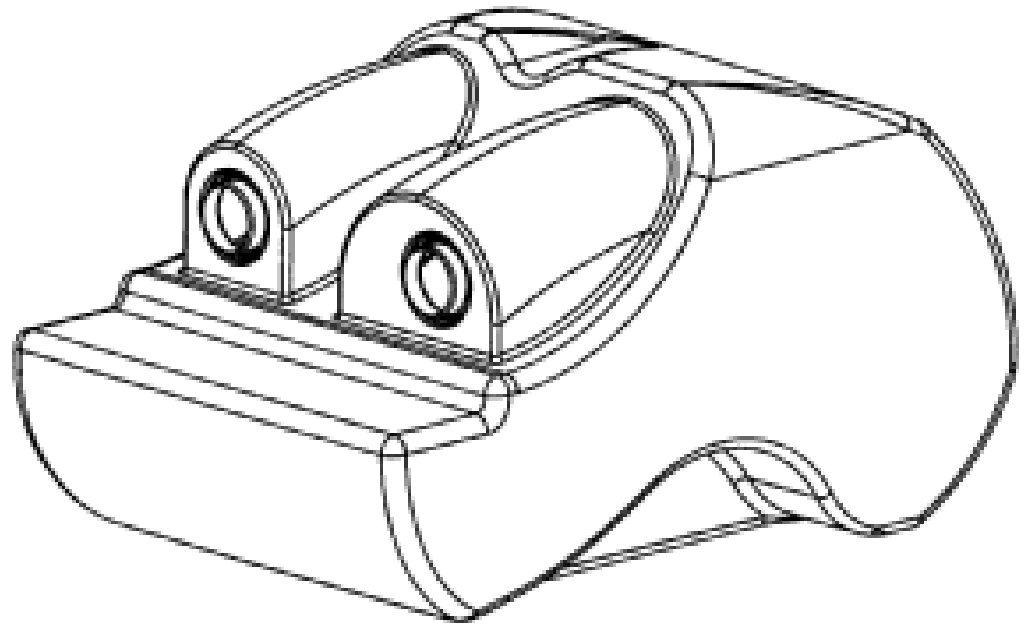
Monet Design Co. Pty Ltd
4/23 Premier Circuit Warana Queensland 4575 Australia

(72) Name(s) of Designer(s): **David Paul Oberhofer**

(45) Registration Date: **09 January 2006**

(56) Related Art Documents: **Not Applicable**

(57) Statement of Newness and Distinctiveness: **The newness and distinctiveness of the design resides in the shape and configuration of a chamber of an agricultural vacuum machine shown in the representations.**



(21) Design Number: **13189/2005**

(22) Date of Filing Application: **27 July 2005**

(24) Date from which industrial property rights may have effect: **27 July 2005**

(54) Product in respect of which the design is registered: **A urinal**

(51) International Design Classification: **23-02C**

(71) Name(s) and Address(s) of Applicant(s):

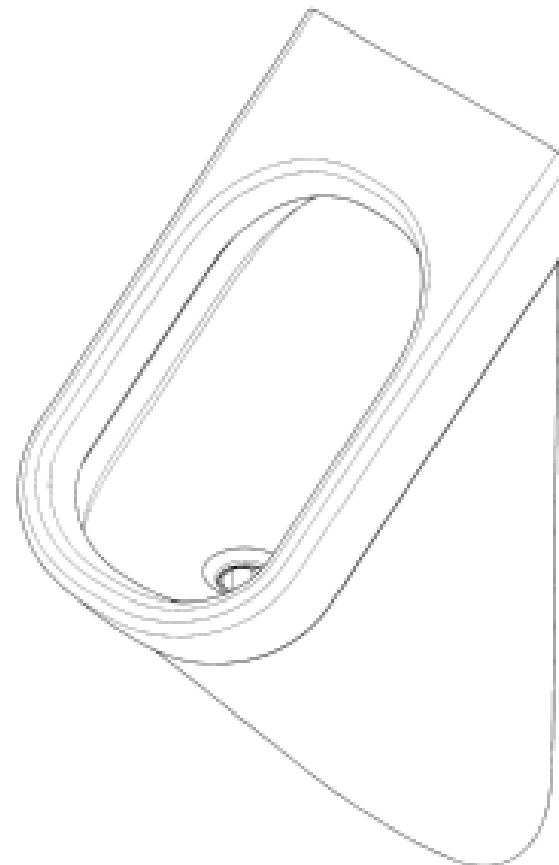
Caroma Industries Limited
Level 3 159 Coronation Drive Milton Queensland 4064 Australia

(72) Name(s) of Designer(s): **Steven John Cummings**

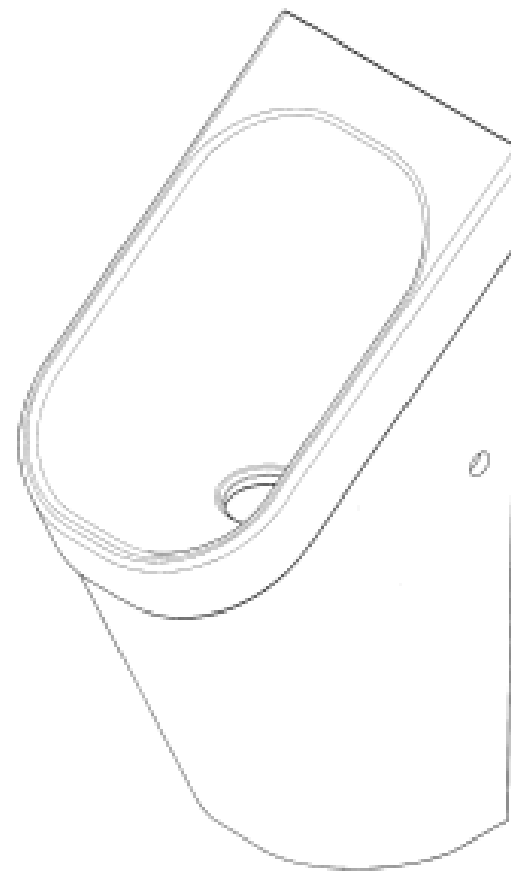
(45) Registration Date: **09 January 2006**

(56) Related Art Documents: **Not Applicable**

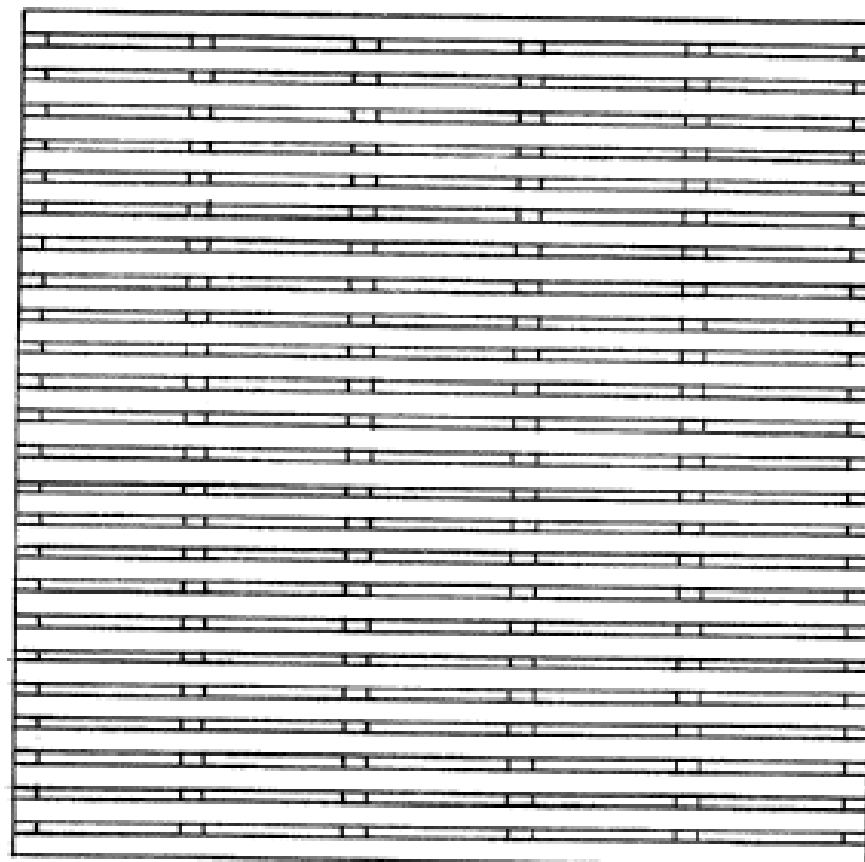
(57) Statement of Newness and Distinctiveness: **Newness and distinctiveness is claimed in the features of shape and/or configuration of a urinal as illustrated in the accompanying representations.**



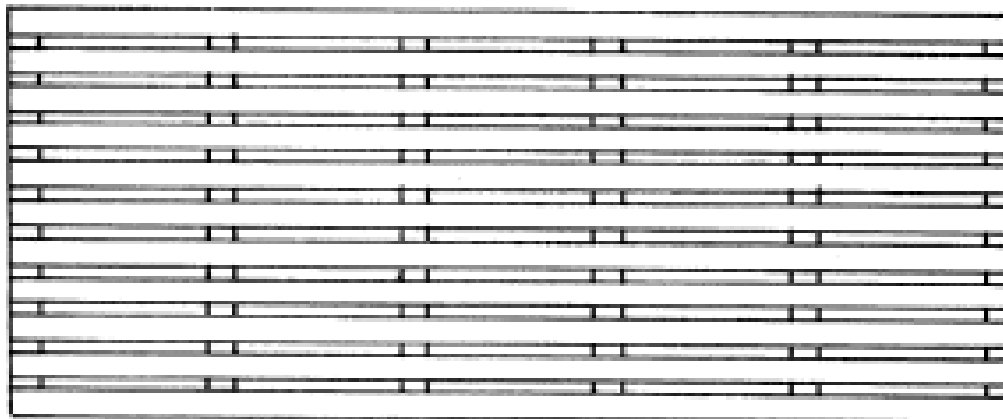
- (21) Design Number: **13190/2005**
- (22) Date of Filing Application: **27 July 2005**
- (24) Date from which industrial property rights may have effect: **27 July 2005**
- (54) Product in respect of which the design is registered: **A urinal**
- (51) International Design Classification: **23-02C**
- (71) Name(s) and Address(s) of Applicant(s):
Caroma Industries Limited
Level 3 159 Coronation Drive Milton Queensland 4064 Australia
- (72) Name(s) of Designer(s): **Steven John Cummings**
- (45) Registration Date: **09 January 2006**
- (56) Related Art Documents: **Not Applicable**
- (57) Statement of Newness and Distinctiveness: **Newness and distinctiveness is claimed in the features of shape and/or configuration of a urinal as illustrated in the accompanying representations.**



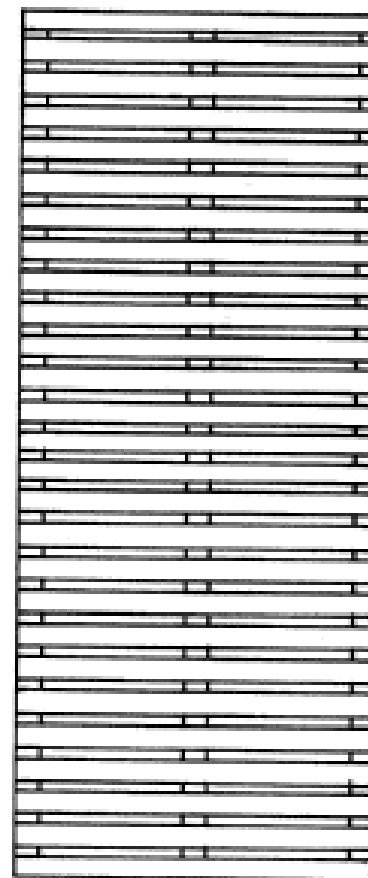
- (21) Design Number: **13244/2005**
- (22) Date of Filing Application: **01 August 2005**
- (24) Date from which industrial property rights may have effect: **01 August 2005**
- (54) Product in respect of which the design is registered: **Lattice**
- (51) International Design Classification: **25-02C**
- (71) Name(s) and Address(s) of Applicant(s):
Cameron David Nelson
6 Darook Park Road Cronulla New South Wales 2230 Australia
- (72) Name(s) of Designer(s): **Cameron David Nelson**
- (45) Registration Date: **09 January 2006**
- (56) Related Art Documents: **Not Applicable**
- (57) Statement of Newness and Distinctiveness: **The arrangement and positioning of the horizontal and vertical members.**



- (21) Design Number: **13245/2005**
- (22) Date of Filing Application: **01 August 2005**
- (24) Date from which industrial property rights may have effect: **01 August 2005**
- (54) Product in respect of which the design is registered: **Lattice**
- (51) International Design Classification: **25-02C**
- (71) Name(s) and Address(s) of Applicant(s):
Cameron David Nelson
6 Darook Park Road Cronulla New South Wales 2230 Australia
- (72) Name(s) of Designer(s): **Cameron David Nelson**
- (45) Registration Date: **09 January 2006**
- (56) Related Art Documents: **Not Applicable**
- (57) Statement of Newness and Distinctiveness: **The arrangement and positioning of the horizontal and vertical members.**



- (21) Design Number: **13246/2005**
- (22) Date of Filing Application: **01 August 2005**
- (24) Date from which industrial property rights may have effect: **01 August 2005**
- (54) Product in respect of which the design is registered: **Lattice**
- (51) International Design Classification: **25-02C**
- (71) Name(s) and Address(s) of Applicant(s):
Cameron David Nelson
6 Darook Park Road Cronulla New South Wales 2230 Australia
- (72) Name(s) of Designer(s): **Cameron David Nelson**
- (45) Registration Date: **09 January 2006**
- (56) Related Art Documents: **Not Applicable**
- (57) Statement of Newness and Distinctiveness: **The arrangement and positioning of the horizontal and vertical members.**



- (21) Design Number: **13536/2005**
- (22) Date of Filing Application: **16 August 2005**
- (24) Date from which industrial property rights may have effect: **16 August 2005**
- (54) Product in respect of which the design is registered: **Portable electric grinder**
- (51) International Design Classification: **08-05N**
- (71) Name(s) and Address(s) of Applicant(s):

Makita Corporation
11-8 Sumiyoshi-cho 3-chome Anjo-shi Aichi-ken Japan

- (72) Name(s) of Designer(s): **Shinsuke Okuda and Shin Sugiura**

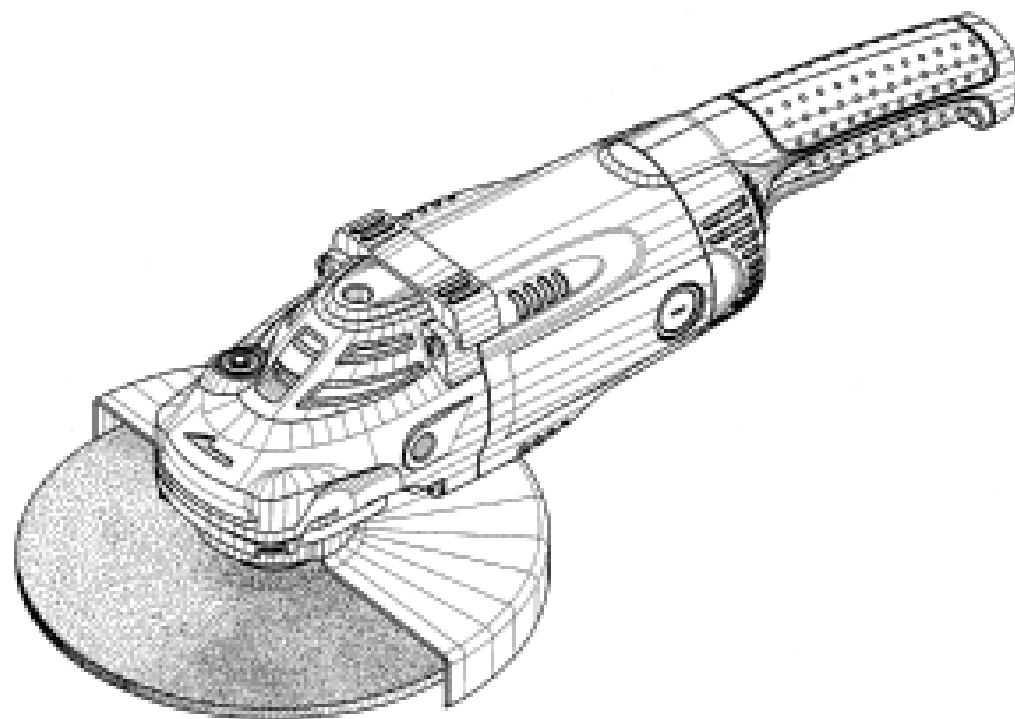
- (45) Registration Date: **09 January 2006**

- (30) Convention priority data:

(31) Number	(32) Date	(33) Country
2005-05436	25 Feb 2005	JAPAN

- (56) Related Art Documents: **Not Applicable**

- (57) Statement of Newness and Distinctiveness: **Nil**



- (21) Design Number: **14780/2005**
- (22) Date of Filing Application: **28 October 2005**
- (24) Date from which industrial property rights may have effect: **28 October 2005**
- (54) Product in respect of which the design is registered: **Slope adjustable head for pedestal jack**
- (51) International Design Classification: **12-05, 25-01C**
- (71) Name(s) and Address(s) of Applicant(s):

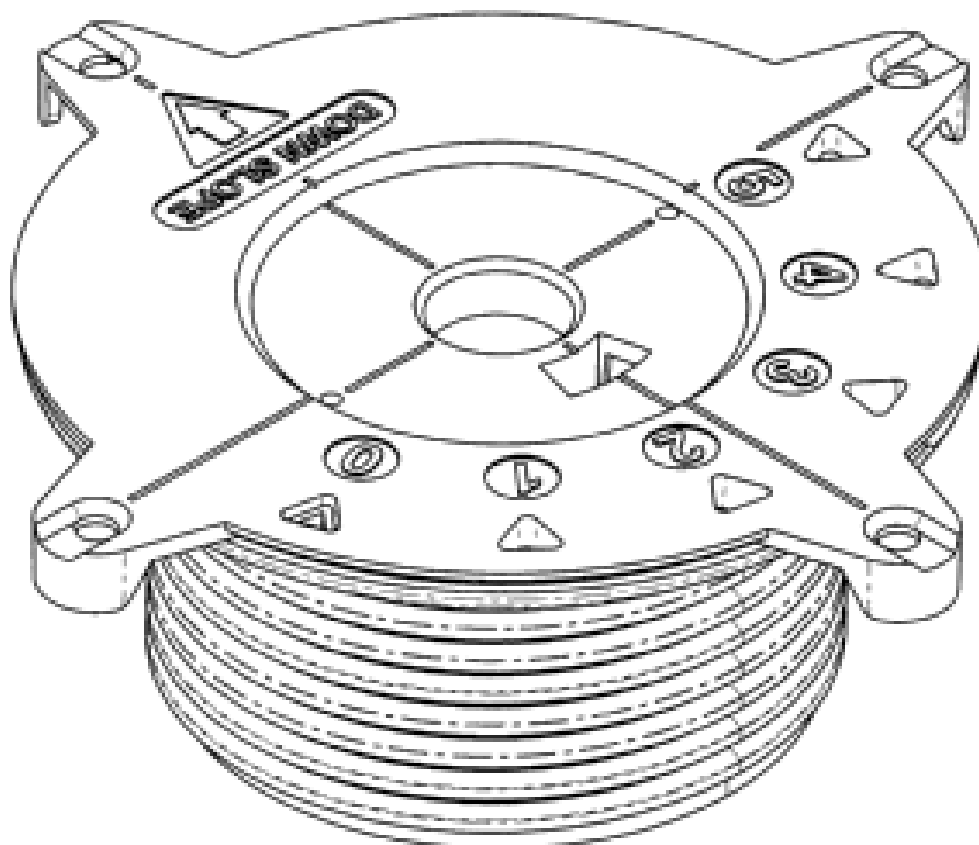
Alan Sian Ghee Lee
21 Almond Crescent 67779 Singapore

- (72) Name(s) of Designer(s): **Alan Sian Ghee Lee and Henry Greaves**

- (45) Registration Date: **09 January 2006**

- (56) Related Art Documents: **Not Applicable**

- (57) Statement of Newness and Distinctiveness: **The design is for the shape and configuration of a complex product including two interfacing and relatively moveable components, the components being shown separately in some views to illustrate otherwise hidden features.**



- (21) Design Number: **15394/2005**
- (22) Date of Filing Application: **05 December 2005**
- (24) Date from which industrial property rights may have effect: **05 December 2005**
- (54) Product in respect of which the design is registered: **Dispensing device**
- (51) International Design Classification: **28-99**
- (71) Name(s) and Address(s) of Applicant(s):

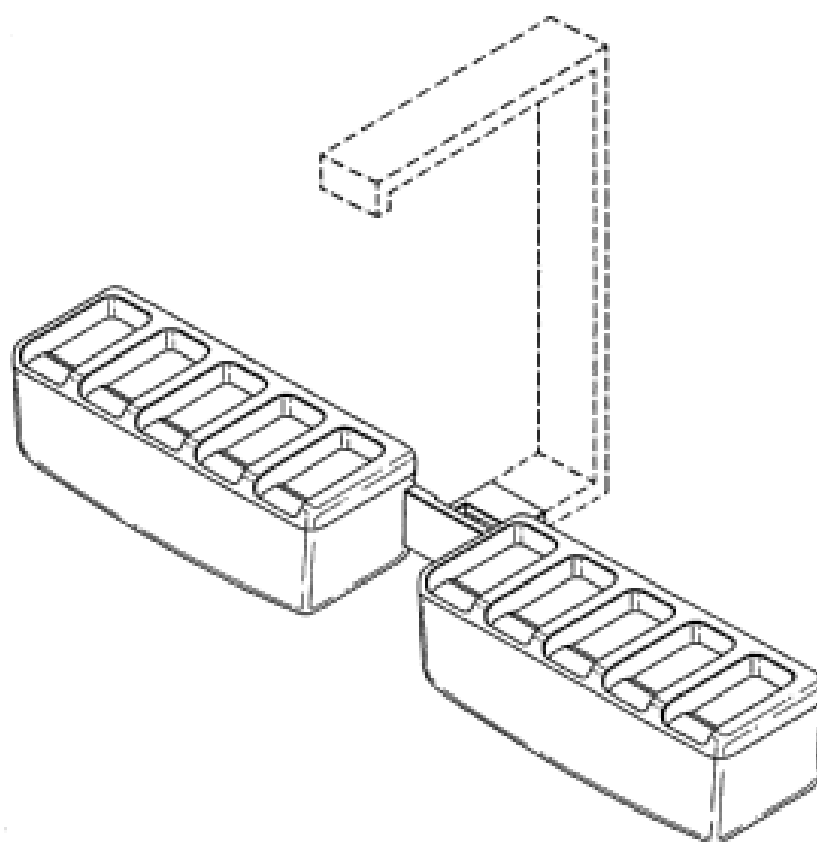
Reckitt Benckiser Inc.
Morris Corporate Center IV 399 Interpace Parkway Parsippany New Jersey 07054 United States of America

- (72) Name(s) of Designer(s): **Christopher Brian King and Robert Zhong Lu**
- (45) Registration Date: **09 January 2006**

- (30) Convention priority data:

(31) Number	(32) Date	(33) Country
29/234277	15 Jul 2005	UNITED STATES OF AMERICA

- (56) Related Art Documents: **Not Applicable**
- (57) Statement of Newness and Distinctiveness: **Newness and distinctiveness reside in the features of the design as shown in the representations excluding those shown in broken lines.**



- (21) Design Number: **15395/2005**
- (22) Date of Filing Application: **05 December 2005**
- (24) Date from which industrial property rights may have effect: **05 December 2005**
- (54) Product in respect of which the design is registered: **Dispensing device**
- (51) International Design Classification: **28-99**
- (71) Name(s) and Address(s) of Applicant(s):

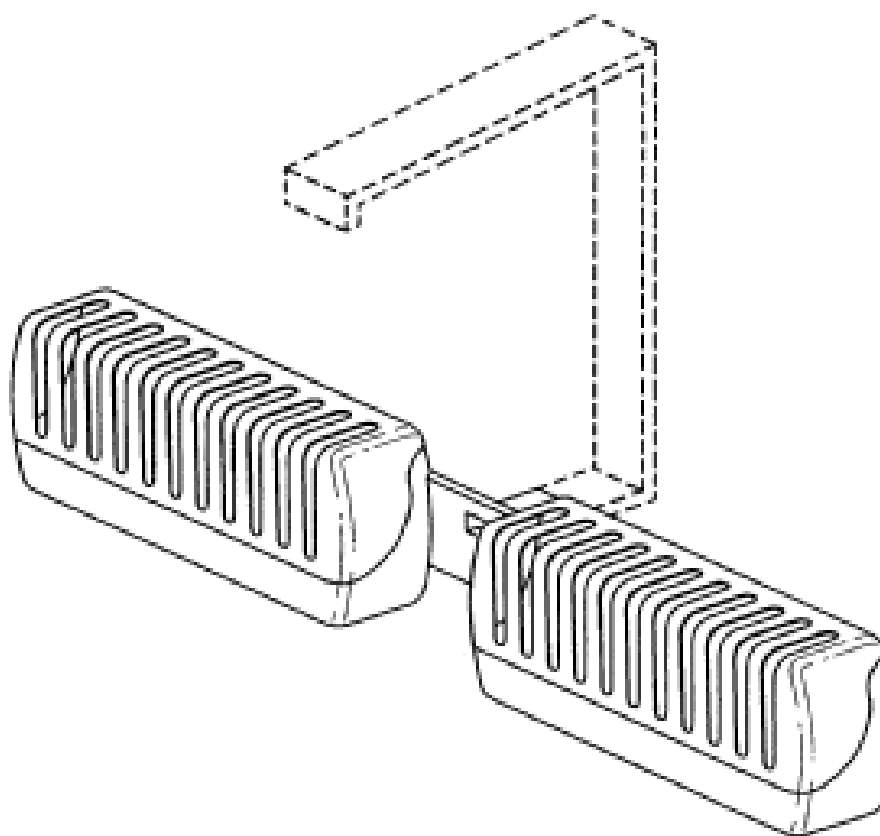
Reckitt Benckiser Inc.
Morris Corporate Center IV 399 Interpace Parkway Parsippany New Jersey 07054 United States of America

- (72) Name(s) of Designer(s): **Christopher Brian King and Robert Zhong Lu**
- (45) Registration Date: **09 January 2006**

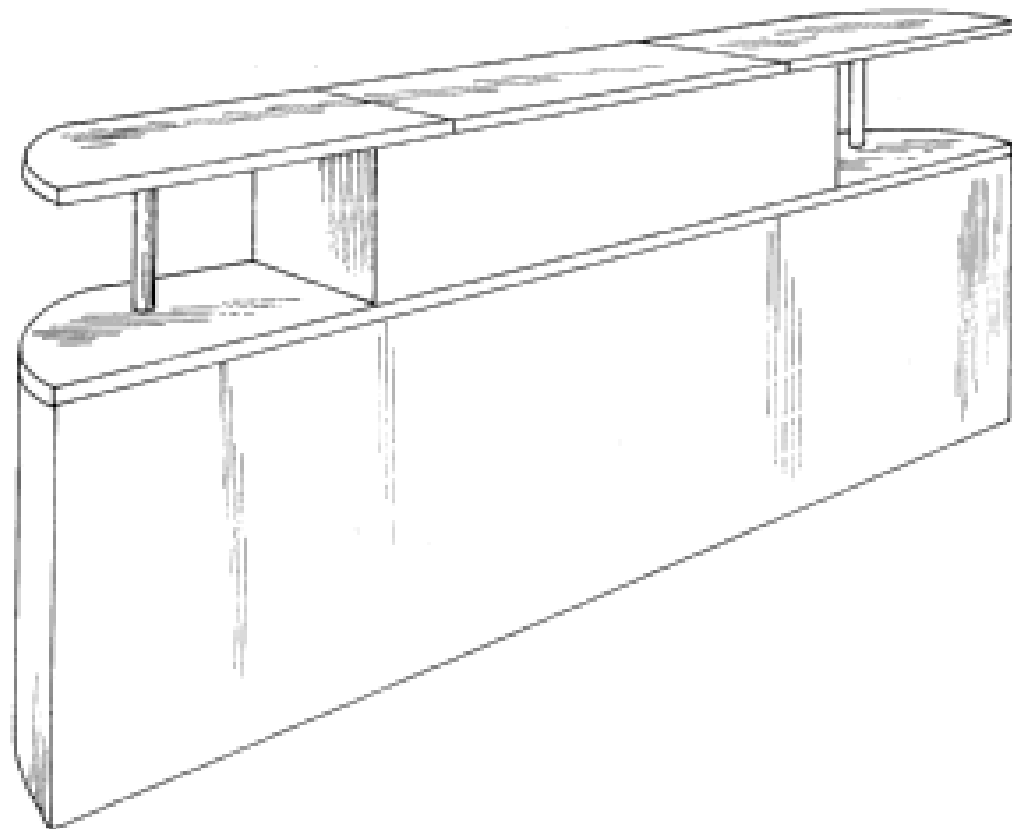
- (30) Convention priority data:

(31) Number	(32) Date	(33) Country
29/234241	15 Jul 2005	UNITED STATES OF AMERICA

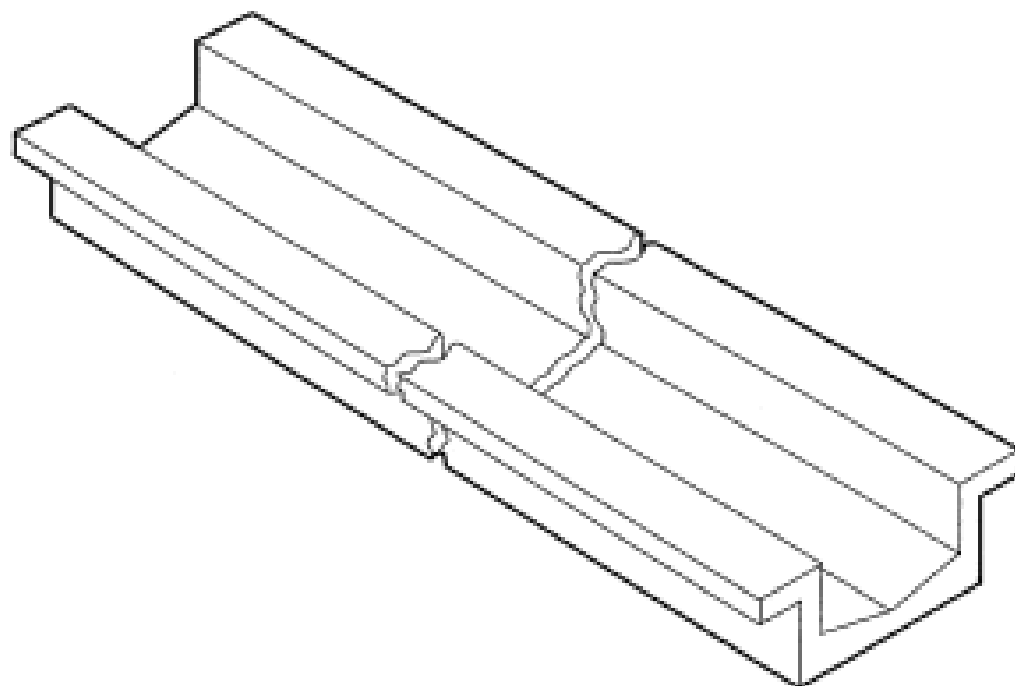
- (56) Related Art Documents: **Not Applicable**
- (57) Statement of Newness and Distinctiveness: **Newness and distinctiveness reside in the features of the design as shown in the representations excluding those shown in broken lines.**



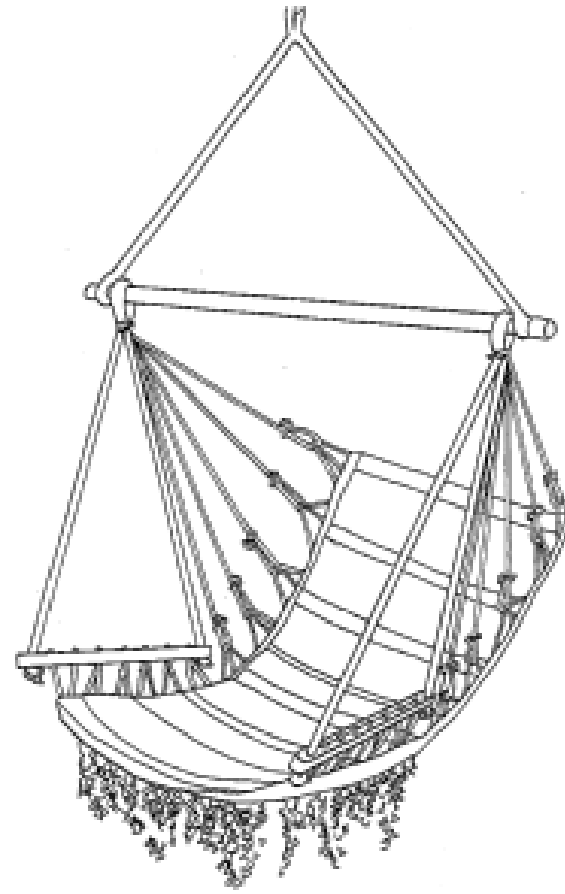
- (21) Design Number: **10337/2005**
(22) Date of Filing Application: **01 February 2005**
(24) Date from which industrial property rights may have effect: **01 February 2005**
(54) Product in respect of which the design is registered: **A bed foot**
(51) International Design Classification: **06-06F**
(71) Name(s) and Address(s) of Applicant(s):
Karinga Furniture Pty Ltd
10-12 Dreamhaven Court Epping Victoria 3076 Australia
(72) Name(s) of Designer(s): **Rex Arthur Carr**
(45) Registration Date: **11 January 2006**
(56) Related Art Documents: **Not Applicable**
(57) Statement of Newness and Distinctiveness: **Visual features of the design which are new and distinctive are the features of shape and configuration of the bed foot as illustrated in the representations.**



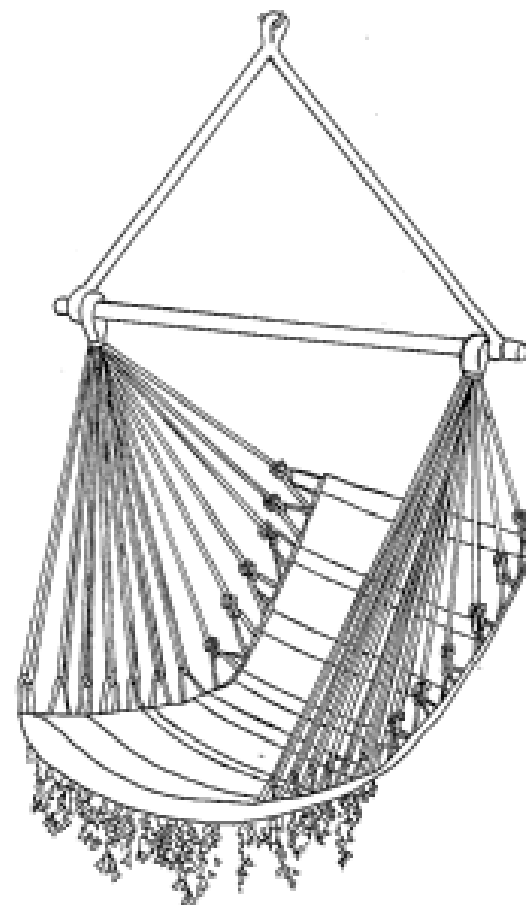
- (21) Design Number: **10441/2005**
(22) Date of Filing Application: **03 February 2005**
(24) Date from which industrial property rights may have effect: **03 February 2005**
(54) Product in respect of which the design is registered: **Metal section of indefinite length**
(51) International Design Classification: **25-01K**
(71) Name(s) and Address(s) of Applicant(s):
G & J Koutsoukos Holdings Pty Ltd
123A Royal Street East Perth Western Australia 6004 Australia
(72) Name(s) of Designer(s): **Jamie Dimitrios Elias Koutsoukos**
(45) Registration Date: **11 January 2006**
(56) Related Art Documents: **Not Applicable**
(57) Statement of Newness and Distinctiveness: **Each feature of the design considered separately or in combination with any other feature or features.**



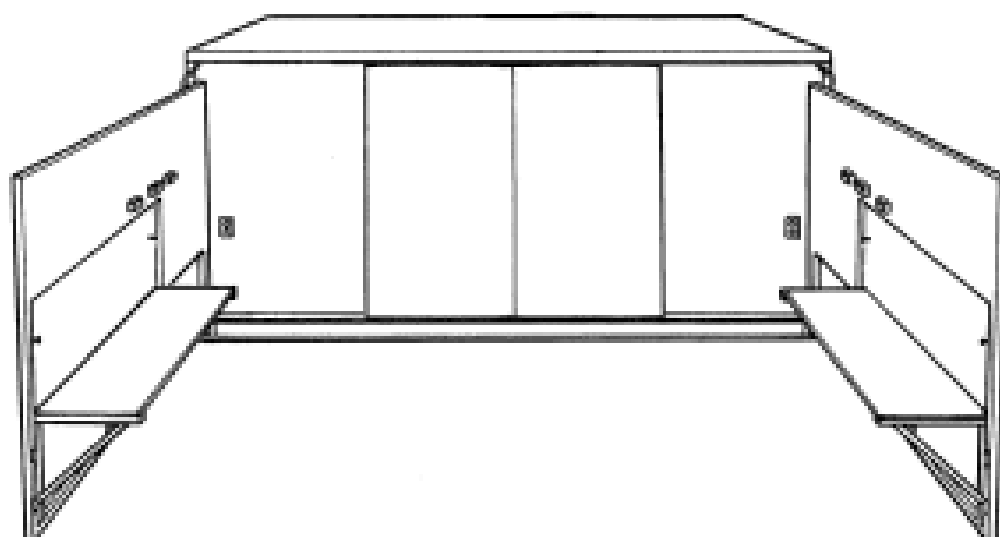
- (21) Design Number: **12173/2005**
(22) Date of Filing Application: **13 May 2005**
(24) Date from which industrial property rights may have effect: **13 May 2005**
(54) Product in respect of which the design is registered: **Brazilian sofa chair - a type of hammock chair**
(51) International Design Classification: **06-01NES**
(71) Name(s) and Address(s) of Applicant(s):
Jonathan Noble
206 Paramatta Road Camperdown New South Wales 2050 Australia
(72) Name(s) of Designer(s): **Jonathan Noble**
(45) Registration Date: **11 January 2006**
(56) Related Art Documents: **Not Applicable**
(57) Statement of Newness and Distinctiveness: **Monopoly is claimed in the toggling system so that the position of the back of the hammock chair can be changed.**



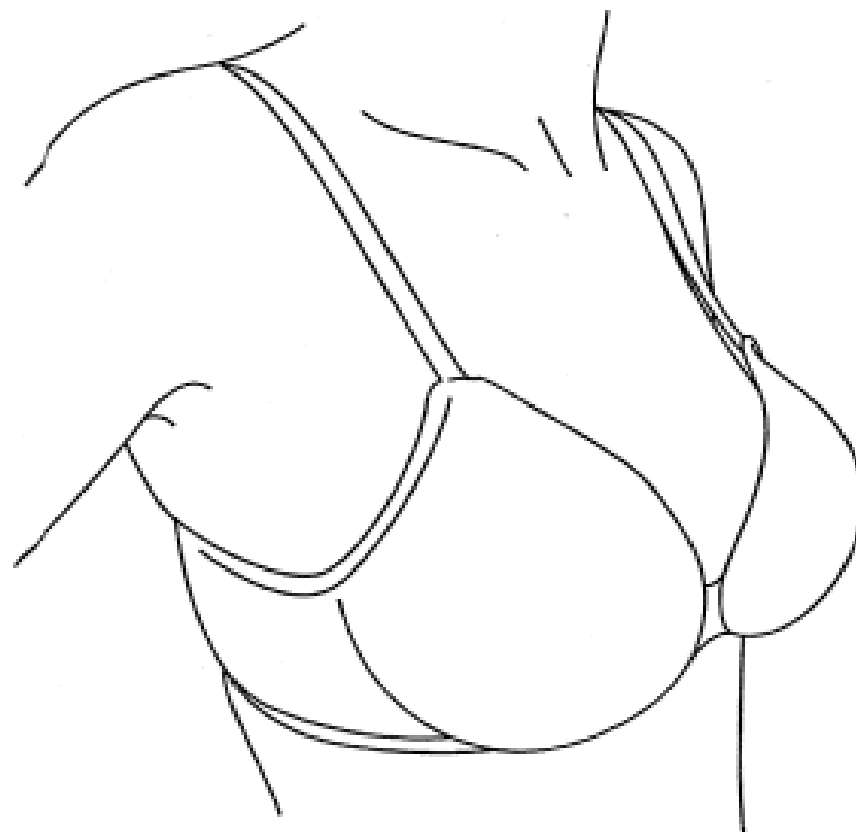
- (21) Design Number: **12174/2005**
(22) Date of Filing Application: **13 May 2005**
(24) Date from which industrial property rights may have effect: **13 May 2005**
(54) Product in respect of which the design is registered: **Brazilian sofa chair - a type of hammock chair**
(51) International Design Classification: **06-01NES**
(71) Name(s) and Address(s) of Applicant(s):
Jonathan Noble
206 Paramatta Road Camperdown New South Wales 2050 Australia
(72) Name(s) of Designer(s): **Jonathan Noble**
(45) Registration Date: **11 January 2006**
(56) Related Art Documents: **Not Applicable**
(57) Statement of Newness and Distinctiveness: **Monopoly is claimed in the toggling system so that the position of the back of the hammock chair can be changed.**



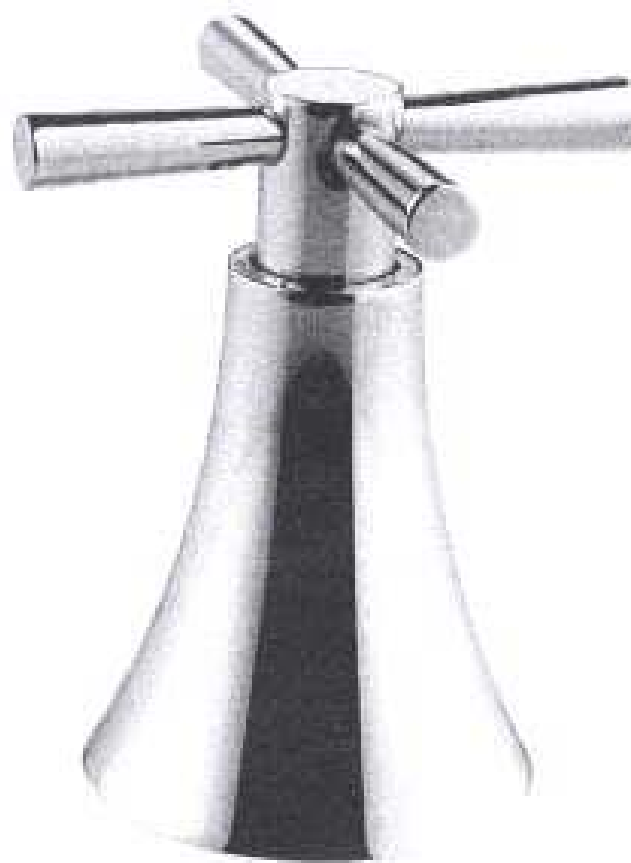
- (21) Design Number: **12280/2005**
(22) Date of Filing Application: **25 May 2005**
(24) Date from which industrial property rights may have effect: **25 May 2005**
(54) Product in respect of which the design is registered: **A portable workshop**
(51) International Design Classification: **25-03**
(71) Name(s) and Address(s) of Applicant(s):
Nomad Portable Workshop Solutions Pty Ltd
Unit 3 182 Trimmer Parade Seaton South Australia 5023 Australia
(72) Name(s) of Designer(s): **John Albert Harradine**
(45) Registration Date: **11 January 2006**
(56) Related Art Documents: **Not Applicable**
(57) Statement of Newness and Distinctiveness: **Newness and distinctiveness resides in the shape and configuration of a portable workshop as shown in the accompanying representations.**



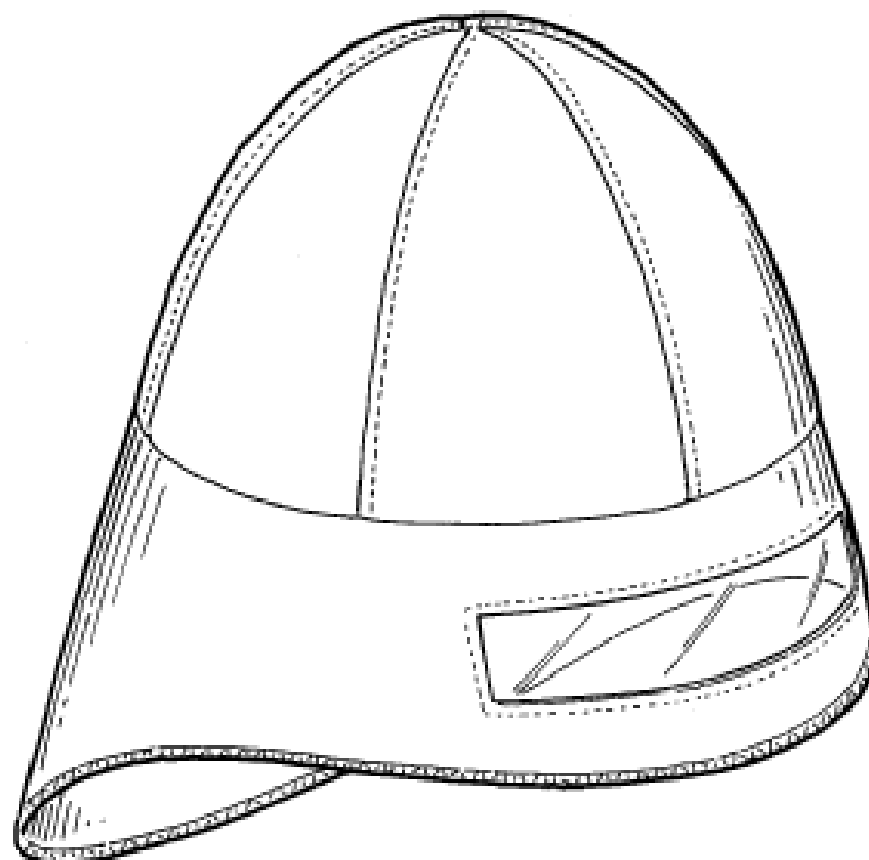
- (21) Design Number: **12599/2005**
(22) Date of Filing Application: **20 June 2005**
(24) Date from which industrial property rights may have effect: **20 June 2005**
(54) Product in respect of which the design is registered: **Bra**
(51) International Design Classification: **02-01A**
(71) Name(s) and Address(s) of Applicant(s):
Kellie Elizabeth Wood
38 Bayside Court Jerrabomberra New South Wales 2619 Australia
(72) Name(s) of Designer(s): **Kellie Elizabeth Wood**
(45) Registration Date: **11 January 2006**
(56) Related Art Documents: **Not Applicable**
(57) Statement of Newness and Distinctiveness: **1. The bra that I have designed will provide a woman with the visual appearance of larger breasts. A specific design feature of this bra is the final external size of the bra cup to the inner size of the bra cup. The bra is distinctive as it will allow the wearer to determine the final size that they would like to appear, contrary to actual breast size. The bra size variations are detailed below: AA-B A-C B-D C-E AA-C A-D B-E AA-D A-E AA-E For example, a woman who purchases the "AA-D" cup bra will appear to look like she has D cup proportions, when in fact she only has AA size breasts. An increase of four cup sizes in this instance. The inside of the bra cup will be fitted for a AA cup with the outside of the bra cup measuring a D cup. 2. I am targeting.....**



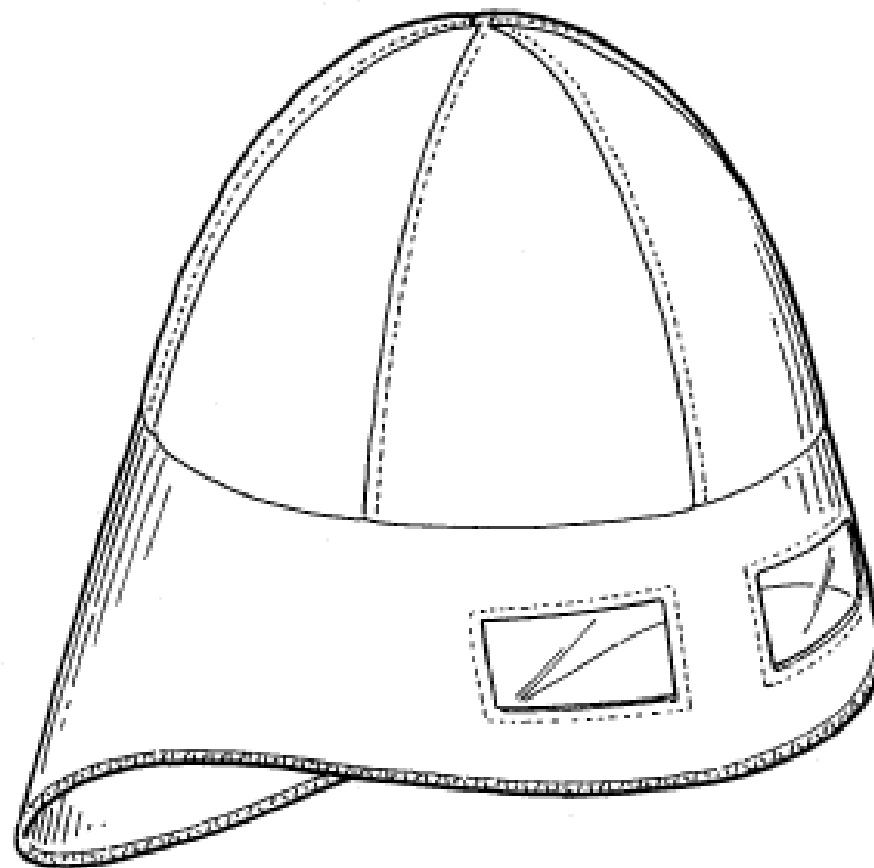
(21) Design Number: **13024/2005**
(22) Date of Filing Application: **14 July 2005**
(24) Date from which industrial property rights may have effect: **14 July 2005**
(54) Product in respect of which the design is registered: **Tap assembly**
(51) International Design Classification: **23-01H**
(71) Name(s) and Address(s) of Applicant(s):
Phoenix Industries Pty Ltd
7 Ashburn Place Blackburn Victoria 3130 Australia
(72) Name(s) of Designer(s): **Natalia Mona Tjahjono**
(45) Registration Date: **11 January 2006**
(56) Related Art Documents: **Not Applicable**
(57) Statement of Newness and Distinctiveness: **Nil**



(21) Design Number: **13392/2005**
(22) Date of Filing Application: **10 August 2005**
(24) Date from which industrial property rights may have effect: **10 August 2005**
(54) Product in respect of which the design is registered: **Hat**
(51) International Design Classification: **02-03**
(71) Name(s) and Address(s) of Applicant(s):
Naomi Engelder
44 Cromwell Street North Caulfield Victoria 3161 Australia
(72) Name(s) of Designer(s): **Naomi Engelder**
(45) Registration Date: **11 January 2006**
(56) Related Art Documents: **Not Applicable**
(57) Statement of Newness and Distinctiveness: **Nil**



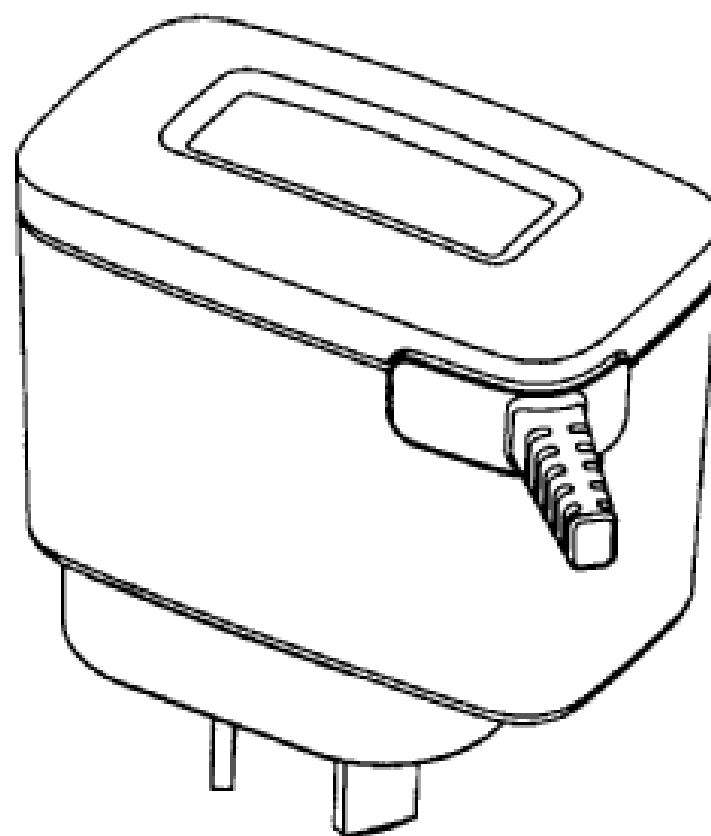
(21) Design Number: **13393/2005**
(22) Date of Filing Application: **10 August 2005**
(24) Date from which industrial property rights may have effect: **10 August 2005**
(54) Product in respect of which the design is registered: **Hat**
(51) International Design Classification: **02-03**
(71) Name(s) and Address(s) of Applicant(s):
Naomi Englander
44 Cromwell Street North Caulfield Victoria 3161 Australia
(72) Name(s) of Designer(s): **Naomi Englander**
(45) Registration Date: **11 January 2006**
(56) Related Art Documents: **Not Applicable**
(57) Statement of Newness and Distinctiveness: **Nil**



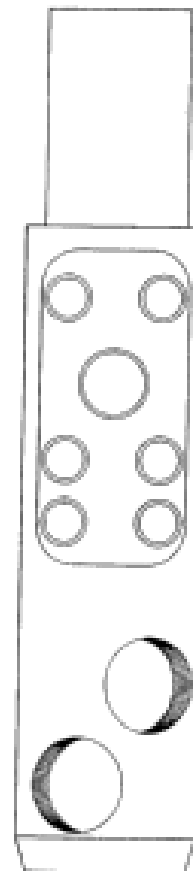
(21) Design Number: **13397/2005**
(22) Date of Filing Application: **10 August 2005**
(24) Date from which industrial property rights may have effect: **10 August 2005**
(54) Product in respect of which the design is registered: **A charger**
(51) International Design Classification: **13-02**
(71) Name(s) and Address(s) of Applicant(s):
Nokia Corporation
Keilalahdentie 4 FIN-02150 Espoo Finland
(72) Name(s) of Designer(s): **Heli Sade and Janne Loiske**
(45) Registration Date: **11 January 2006**
(30) Convention priority data:

(31) Number	(32) Date	(33) Country
M20050022	11 Feb 2005	FINLAND

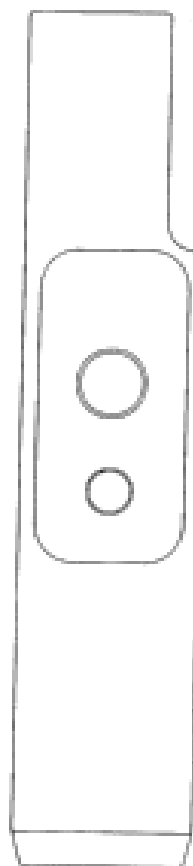
(56) Related Art Documents: **Not Applicable**
(57) Statement of Newness and Distinctiveness: **Nil**



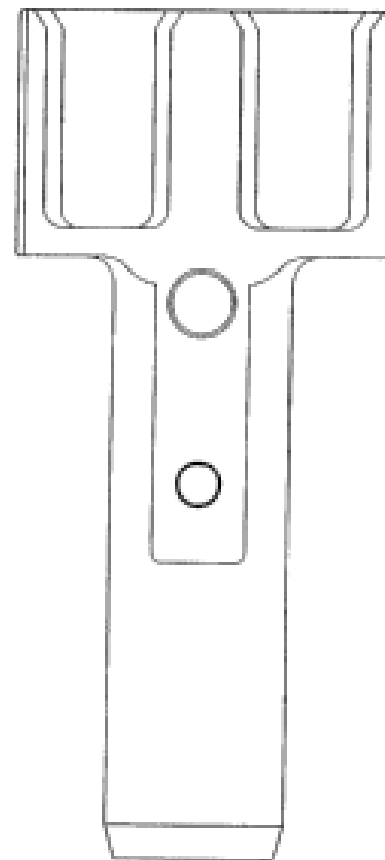
- (21) Design Number: **13401/2005**
- (22) Date of Filing Application: **10 August 2005**
- (24) Date from which industrial property rights may have effect: **10 August 2005**
- (54) Product in respect of which the design is registered: **A cable terminal lug**
- (51) International Design Classification: **08-99**
- (71) Name(s) and Address(s) of Applicant(s):
Cable Accessories (Australia) Pty Ltd
26 Derby Street Silverwater New South Wales 2128 Australia
- (72) Name(s) of Designer(s): **Bruce James Ogden**
- (45) Registration Date: **11 January 2006**
- (56) Related Art Documents: **Not Applicable**
- (57) Statement of Newness and Distinctiveness: **Newness and distinctiveness is claimed in the features of shape and/or configuration of the head portion of a cable terminal lug as illustrated and labelled 'A' in the accompanying representations.**



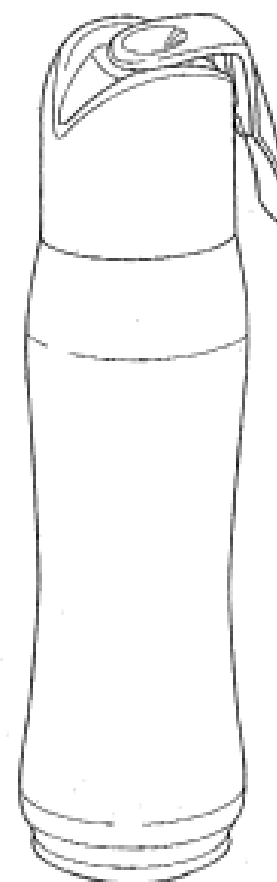
- (21) Design Number: **13402/2005**
- (22) Date of Filing Application: **10 August 2005**
- (24) Date from which industrial property rights may have effect: **10 August 2005**
- (54) Product in respect of which the design is registered: **A cable terminal lug**
- (51) International Design Classification: **08-99**
- (71) Name(s) and Address(s) of Applicant(s):
Cable Accessories (Australia) Pty Ltd
26 Derby Street Silverwater New South Wales 2128 Australia
- (72) Name(s) of Designer(s): **Bruce James Ogden**
- (45) Registration Date: **11 January 2006**
- (56) Related Art Documents: **Not Applicable**
- (57) Statement of Newness and Distinctiveness: **Newness and distinctiveness is claimed in the features of shape and/or configuration of the head portion of a cable terminal lug as illustrated and labelled 'A' in the accompanying representations.**



- (21) Design Number: **13403/2005**
(22) Date of Filing Application: **10 August 2005**
(24) Date from which industrial property rights may have effect: **10 August 2005**
(54) Product in respect of which the design is registered: **A cable terminal lug**
(51) International Design Classification: **08-99**
(71) Name(s) and Address(s) of Applicant(s):
Cable Accessories (Australia) Pty Ltd
26 Derby Street Silverwater New South Wales 2128 Australia
(72) Name(s) of Designer(s): **Bruce James Ogden**
(45) Registration Date: **11 January 2006**
(56) Related Art Documents: **Not Applicable**
(57) Statement of Newness and Distinctiveness: **Newness and distinctiveness is claimed in the features of shape and/or configuration of the head portion of a cable terminal lug as illustrated and labelled 'A' in the accompanying representations.**



- (21) Design Number: **13406/2005**
(22) Date of Filing Application: **10 August 2005**
(24) Date from which industrial property rights may have effect: **10 August 2005**
(54) Product in respect of which the design is registered: **Trigger actuator overcap with shaped aerosol can**
(51) International Design Classification: **09-01A**
(71) Name(s) and Address(s) of Applicant(s):
S.C. Johnson & Son, Inc.
1525 Howe Street Racine Wisconsin 53403-2236 United States of America
(72) Name(s) of Designer(s): **Edward L. Paas and Thomas S. Scott and John E. O'Dom and Lawrence J. Kelly and William W. Wichman**
(45) Registration Date: **11 January 2006**
(30) Convention priority data:
(31) Number (32) Date (33) Country
29/223314 11 Feb 2005 UNITED STATES OF AMERICA
(56) Related Art Documents: **Not Applicable**
(57) Statement of Newness and Distinctiveness: **Newness and distinctiveness is claimed in the features of shape and/or configuration of a trigger actuator overcap with shaped aerosol can as illustrated in the accompanying representations apart from the bottom view.**



(21) Design Number: **13407/2005**

(22) Date of Filing Application: **11 August 2005**

(24) Date from which industrial property rights may have effect: **11 August 2005**

(54) Product in respect of which the design is registered: **Shower base**

(51) International Design Classification: **23-02B**

(71) Name(s) and Address(s) of Applicant(s):

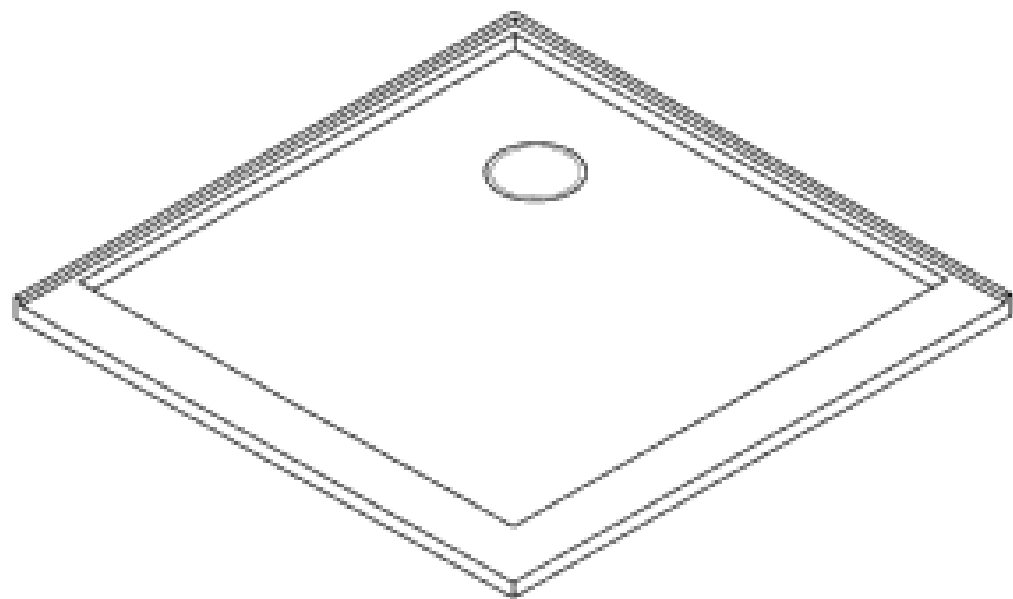
Emmanuel James Agius
23 Hope Street Geelong West Victoria 3218 Australia

(72) Name(s) of Designer(s): **Emmanuel James Agius**

(45) Registration Date: **11 January 2006**

(56) Related Art Documents: **Not Applicable**

(57) Statement of Newness and Distinctiveness: **Recessed perimeter edge rim allows shower base appear to float above floor, and hides junction with adjacent floor finish creating a neat shadowline junction. Extra wide perimeter rim exaggerates this floating effect and the low flat and wide proportions of the shower base.**



(21) Design Number: **13408/2005**

(22) Date of Filing Application: **11 August 2005**

(24) Date from which industrial property rights may have effect: **11 August 2005**

(54) Product in respect of which the design is registered: **Shower base**

(51) International Design Classification: **23-02B**

(71) Name(s) and Address(s) of Applicant(s):

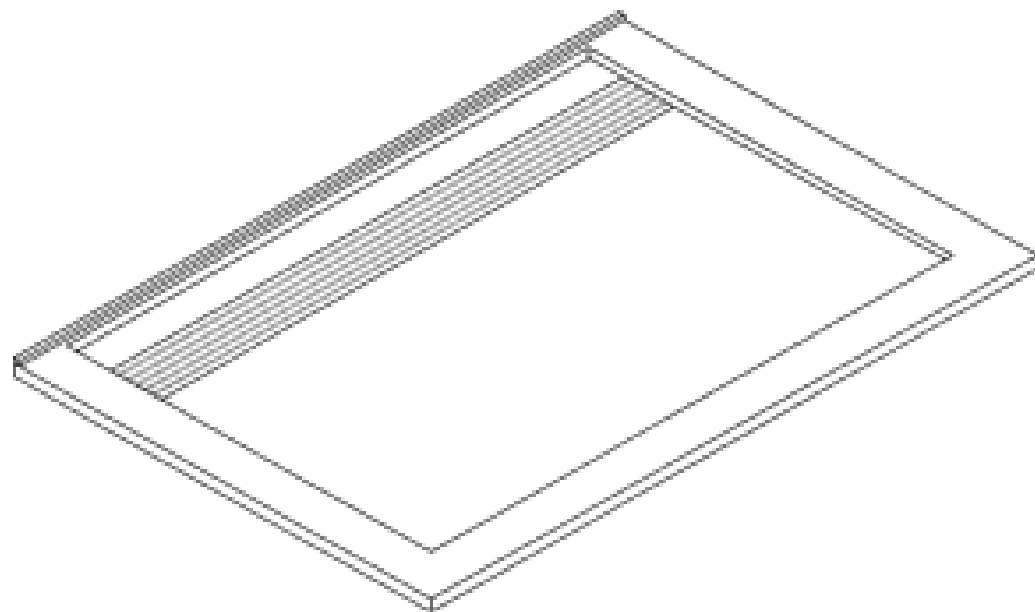
Emmanuel James Agius
23 Hope Street Geelong West Victoria 3218 Australia

(72) Name(s) of Designer(s): **Emmanuel James Agius**

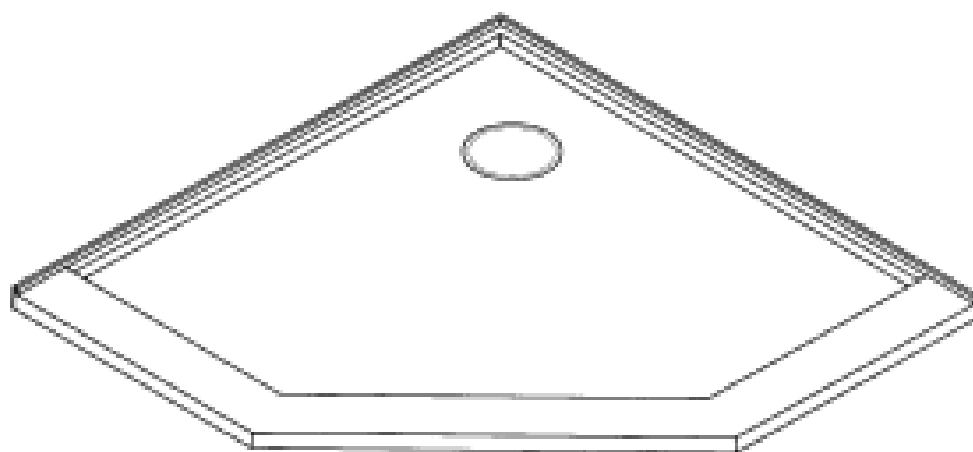
(45) Registration Date: **11 January 2006**

(56) Related Art Documents: **Not Applicable**

(57) Statement of Newness and Distinctiveness: **Recessed perimeter edge rim allows shower base appear to float above floor, and hides junction with adjacent floor finish creating a neat shadowline junction. Extra wide perimeter rim exaggerates this floating effect and the low flat and wide proportions of the shower base.**



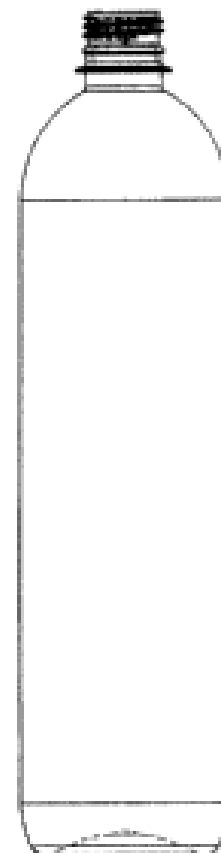
- (21) Design Number: **13409/2005**
(22) Date of Filing Application: **11 August 2005**
(24) Date from which industrial property rights may have effect: **11 August 2005**
(54) Product in respect of which the design is registered: **Shower base**
(51) International Design Classification: **23-02B**
(71) Name(s) and Address(s) of Applicant(s):
Emmanuel James Agius
23 Hope Street Geelong West Victoria 3218 Australia
(72) Name(s) of Designer(s): **Emmanuel James Agius**
(45) Registration Date: **11 January 2006**
(56) Related Art Documents: **Not Applicable**
(57) Statement of Newness and Distinctiveness: **Recessed perimeter edge rim allows shower base appear to float above floor, and hides junction with adjacent floor finish creating a neat shadowline junction. Extra wide perimeter rim exaggerates this floating effect and the low flat and wide proportions of the shower base.**



- (21) Design Number: **13411/2005**
(22) Date of Filing Application: **14 September 2005**
(24) Date from which industrial property rights may have effect: **14 September 2005**
(54) Product in respect of which the design is registered: **Tyre**
(51) International Design Classification: **12-15B**
(71) Name(s) and Address(s) of Applicant(s):
The Goodyear Tire & Rubber Company
1144 East Market Street Akron Ohio 44316-0001 United States of America
(72) Name(s) of Designer(s): **Walter Lee Welker and Mauricio Casimiro Vaiciunas and Roberto Cerrato Meza and Brandon Ryan Snyder**
(45) Registration Date: **11 January 2006**
(30) Convention priority data:
(31) Number (32) Date (33) Country
29/226134 24 Mar 2005 UNITED STATES OF AMERICA
(56) Related Art Documents: **Not Applicable**
(57) Statement of Newness and Distinctiveness: **Newness and distinctiveness is claimed in the features of shape and/or configuration of the tread of a tyre as illustrated in the accompanying representations, wherein the shape and/or configuration of the tread is repeated throughout the circumference of the tyre.**



- (21) Design Number: **13415/2005**
- (22) Date of Filing Application: **11 August 2005**
- (24) Date from which industrial property rights may have effect: **11 August 2005**
- (54) Product in respect of which the design is registered: **Bottle**
- (51) International Design Classification: **09-01NES**
- (71) Name(s) and Address(s) of Applicant(s):
Balance Water Company Pty Ltd
17 Calvert Avenue Killara New South Wales 2071 Australia
- (72) Name(s) of Designer(s): **Martin Chalk and Peter Maher**
- (45) Registration Date: **11 January 2006**
- (56) Related Art Documents: **Not Applicable**
- (57) Statement of Newness and Distinctiveness: **Nil**



- (21) Design Number: **13514/2005**
- (22) Date of Filing Application: **16 August 2005**
- (24) Date from which industrial property rights may have effect: **16 August 2005**
- (54) Product in respect of which the design is registered: **Electrosurgical generator**
- (51) International Design Classification: **24-01**
- (71) Name(s) and Address(s) of Applicant(s):
ConMed Corporation
525 French Road Utica New York 13502-5994 United States of America
- (72) Name(s) of Designer(s): **Robert L. Bromley and Shane Ashley Matthews**
- (45) Registration Date: **11 January 2006**
- (30) Convention priority data:

(31) Number	(32) Date	(33) Country
29/225060	10 Mar 2005	UNITED STATES OF AMERICA
- (56) Related Art Documents: **Not Applicable**
- (57) Statement of Newness and Distinctiveness: **Newness and distinctiveness resides in the shape and/or configuration of the electrosurgical generator shown in the accompanying representations.**

