



**Australian Government**

---

**IP Australia**

**AUSTRALIAN OFFICIAL JOURNAL**

**OF**

**DESIGNS**

Did you know a searchable version of this journal is now available online?  
It's FREE and EASY to SEARCH.

Find it at

<http://pericles.ipaustralia.gov.au/ols/epublish/content/olsEpublications.jsp>  
or using the "Online Journals" link on the IP Australia home page.

This Page Left Intentionally Blank

## Contents

### General Information & Notices

#### Proceedings Under the Designs Act 1906 preserved as a result of the provisions of Chapter 12 Part 2 of the Designs Act 2003

Application for Extension of Period of Registration .....	3644
Applications Lapsed .....	3643
Extension of Period of Registration of Designs .....	3644
Extensions of Time Granted .....	3645
Names Registered - Alterations and Amendments .....	3648
Registration Proceedings	
Registration Number Range 158456 to 158480 .....	3649
Registrations Ceased .....	3645
Subsequent Owners Registered .....	3645

#### Proceedings Under the Designs Act 2003

Applications for Extension of Time Under Section 137 .....	3671
Applications Lapsed .....	3669
Applications Lodged .....	3667
Certificate of Examination .....	3673
Corrigenda .....	3672
Extension of Time Granted Under Section 137 .....	3671
Publication and Registration Proceedings	
Designs Registered 304913 to 305148. ....	3674
Subsequent Owners Registered .....	3671

This Page Left Intentionally Blank

## General Information

### EDITORIAL ENQUIRIES

All enquiries about official notices and general information in the Journal should be directed to IP Australia, (ABN No 38 113 072 755), PO Box 200 Woden ACT 2606

Or

Telephone 1300 651 010  
(International Callers +61 2 6283 2999 )  
Fax 02 6283 7999  
E-mail [assist@ipaustralia.gov.au](mailto:assist@ipaustralia.gov.au)

### CONTACT INFORMATION

Customer Service Network  
Telephone 1300 651 010 , Fax: 02 6283 7999  
E-mail: [assist@ipaustralia.gov.au](mailto:assist@ipaustralia.gov.au)

Customers can contact the Customer Service Network by telephone or by e-mail. Telephones are staffed between 9am and 5pm each working day.

Customers should contact the Customer Service Network for information about:

- All Patent Matters including PCT and Innovation Patents.
- All Trade Mark Matters.
- All Design Matters.

### Professional Standards Board for Patent and Trade Mark Attorneys.

Ph: 02 6283 2345 Fax: 02 6283 1048

### ORDERING PATENT DOCUMENTS

When ordering copies of Australian patent specifications, or abstracts and abridgments notified as open to public inspection on or after 26 October 1978, or as accepted on or after 16 November 1978, the documents should be referred to by application numbers only, preceded by letters AU-A or AU-B respectively.

### REQUESTS FOR INFORMATION UNDER SECTION 194 ( C )

A request for information under Section 194 ( C ) of the Patents Act 1990 should be made in the approved form and be accompanied by the prescribed fee. The request should be as detailed as possible.

### INFORMATION FROM REGISTERS

All requests for information from Register of Patents, Trade Marks or Designs, should be made in writing and accompanied by the prescribed fee. The Registers are located in Canberra and may be examined free of charge.

### COUNTRY CODES

For a listing of country codes used by IP Australia please refer to the Official Journals dated 7 November 1996.

### ABBREVIATIONS IN JOURNAL

Standard abbreviations are used in the name of companies and firms. Enquiries concerning the precise name should be directed to the Customer Service Network.

## FREEDOM OF INFORMATION ACT

What does it do?

- Gives you right to obtain information held by Commonwealth Ministers, Departments and most statutory bodies (these bodies are called agencies under the Act).
- Requires Commonwealth Government agencies to make available to members of the public:
  - Information about agencies, their functions and operations.
  - Information about rules and practices which are used in making decisions which affect you.
- Gives you a legal right to:
  - See non exempt documents held by agencies, and
  - appeal against a decision not to grant access to a document.

What documents can you see?

- The Act gives you a right to see documents lodged on or after 1 December 1977, or earlier if you need them to understand another document you have already.
- Documents include files, reports, computer printouts, maps, plans, photographs, tape recordings, films or videotapes.
- Documents which are available for purchase under the Patents Act 1990, the Trade Marks Act 1995 or Designs Act 2003 or Plant Breeder's Rights Act 1994 are not available under the Freedom of Information Act (Section 12 refers).

How do you apply?

Requests for access to documents must

- Be in writing
- Provide sufficient information so as to enable identification of the documents requested
- Specify an address in Australia where notices can be sent and
- Be accompanied by the application fee (currently \$30.00).

Requests for documents should be addressed to IP Australia, PO Box 200 Woden, ACT 2606, or Faxed to 02 6283 7999

## DECISIONS OF THE COMMISSIONER OF PATENTS AND REGISTRAR OF TRADE MARKS AND DESIGNS

- All decisions of the Commissioner and Registrars are available free of charge from AUSTLII's website

[www.austlii.edu.au](http://www.austlii.edu.au)

Copies of all written Patent and Design decisions are available (except if they would not be available under the provisions of the Freedom of Information legislation, e.g. if they would effectively disclose matter from documents that are not open to public inspection) on request for a cost of \$AU 25. They are also available for inspection in indexed volume series, dating from 1 January 1987, in the Office library, Canberra.

Copies of Trade Mark decisions may be accessed via IP Australia's website [www.ipaustralia.gov.au](http://www.ipaustralia.gov.au)

- Copies of the taped record of Patent and Design hearings are available (with the same exception as above) on request.
- When a written decision is issued the fact of the decision plus a brief head note will be published in the Official Notices section of the next available Patents, Trade Marks or Designs Journal.

## HEARINGS BEFORE THE COMMISSIONER OF PATENTS

Hearings before the Commissioner of Patents will usually be conducted at the Patent Office in Canberra and interstate hearing sessions are not provided. However, the Commissioner will conduct hearings outside of Canberra at a convenient time to all parties provided that the parties bear the travel costs of the hearing officer.

The various options for hearings are set out in the document "Options for Hearings" available on IP Australia's website at: [www.ipaustralia.gov.au/pdfs/patents/optionsforhearings.PDF](http://www.ipaustralia.gov.au/pdfs/patents/optionsforhearings.PDF)

## HEARINGS BEFORE THE REGISTRARS OF TRADE MARKS AND DESIGNS

Hearings before the Registrars of Trade Marks and Designs will be set down in Melbourne, Sydney, Adelaide, Perth and Brisbane during the periods indicated below.

### Designs and Trade Marks Hearings Sessions 2006

Melbourne	13 – 17 February 5 – 9 June 11 – 15 September
Sydney	13 – 17 March 17 – 21 July 16 – 20 October
Adelaide	14 – 15 August
Perth	17 – 18 August
Brisbane	24 – 25 August

Persons who desire matters to be set down for hearing in Melbourne, Sydney, Adelaide, Perth or Brisbane must give at least one month's notice of their intention to be heard. If such notice is not given, it may be that there would be insufficient time to allow for the execution of official procedures associated with the listing of hearings, and as a result, the matter involved might not be listed.

Subject to the convenience of this Office, hearings will be set down in Canberra at any time suitable to the parties.

## LIST OF STATE OFFICES

IP Australia State Offices are located in the Australian Capitals at the addresses given below. Requests for information may be obtained by calling at, phoning or writing to these offices or IP Australia, Canberra.

### Australian Capital Territory

Ground Floor  
Discovery House  
PHILLIP ACT 2606  
(PO Box 200, WODEN ACT 2606)  
Ph: 1300 651 010  
Fax: (02) 6283 7999

### New South Wales

Level 1  
45 Clarence Street  
SYDNEY NSW 2000  
Ph: 1300 651 010  
Fax: (02) 9249 5807

### Victoria

Level 6  
OCBC House  
565 Bourke Street  
MELBOURNE VIC 3000  
Ph: 1300 651 010  
Fax (03) 9612 9807

### Western Australia

2nd Floor  
East Point Plaza  
233 Adelaide Terrace  
PERTH WA 6000  
Ph: 1300 651 010  
Fax: (08) 9220 8907

### Queensland

Level 1  
Grant Thornton House  
102 Adelaide Street  
BRISBANE QLD 4000  
Ph: 1300 651 010  
Fax: (07) 3007 1107

### South Australia

Level 10  
Origin Energy House  
1 King William Street  
ADELAIDE SA 5000  
Ph: 1300 651 010  
Fax: (08) 8239 4507

### Tasmania

4th Floor  
AMP Building  
27 Elizabeth Street  
HOBART TAS 7000  
Ph: 1300 651 010  
Fax: (03) 6235 6307

# “INID” NUMBERS in use on Australian Design Documents

“INID” is an acronym for “Internationally agreed Numbers for the Identification of Data”.

## **(10) Data concerning the registration/renewal**

- (11) Serial number of the registration and/or number of the design document
- (12) Plain language designation of the kind of published document
- (19) Identification, using the two-letter code according to WIPO Standard ST.3, of the authority publishing or registering the industrial design

## **(20) Data concerning the application**

- (21) Serial number of the application
- (22) Date of filing of the application
- (24) Date from which the industrial design right has effect

## **(30) Data relating to priority under the Paris Convention**

- (31) Serial number assigned to the priority application
- (32) Date of filing of the priority application
- (33) Two-letter code, according to WIPO Standard ST.3, identifying the authority with which the priority application was made

## **(40) Date(s) of making information available to the public**

- (45) Date of publication of the registered industrial design by printing or similar process, or making it available to the public by any other means

## **(50) Miscellaneous Information**

- (51) International Classification for Industrial Designs (class and subclass of the Locarno Classification)
- (54) Designation of article(s) or product(s) covered by the industrial design or title of the industrial design
- (55) Reproduction of the industrial design (e.g., drawing, photograph) and explanations relating to the reproduction
- (56) List of prior art documents, if separate from descriptive text
- (57) Description of characteristic features of the industrial design including indication of colours

## **(60) References to other legally related application(s) and registration(s)**

- (62) Serial number(s) and, if available, filing date(s) of application(s), registration(s) or document(s) related by division
- (66) Serial number(s) of the application, or the registration, of the design(s) which is (are) a variant(s) of the present one

## **(70) Identification of parties concerned with the application or registration**

- (71) Name(s) and address(es) of the applicant(s)
- (72) Name(s) of the creator(s) if known to be such
- (74) Name(s) and address(es) of the representative(s)

This Page Left Intentionally Blank



This Page Left Intentionally Blank

**Proceedings under the Designs Act 1906 preserved as a  
result of the provisions of Chapter 12 Part 2 of the Designs  
Act 2003.**

This Page Left Intentionally Blank

**Applications Lapsed**

00795 / 2004 (09-01NES)	00943 / 2004 (26-05D)
00950 / 2004 (07-03)	00972 / 2004 (03-01D)
01009 / 2004 (08-05P)	01045 / 2004 (07-99A)
01075 / 2004 (21-01L)	01079 / 2004 (19-08)
01088 / 2004 (25-01E)	01092 / 2004 (06-03D)
01093 / 2004 (06-03D)	01106 / 2004 (03-01A)
01118 / 2004 (08-07)	01121 / 2004 (30-01)
01124 / 2004 (08-05B)	01138 / 2004 (08-99)
01146 / 2004 (13-03NES)	01176 / 2004 (16-06)
01178 / 2004 (02-02C)	01179 / 2004 (08-05N)
01180 / 2004 (02-04NES)	01181 / 2004 (20-02NES)
01182 / 2004 (20-02NES)	01190 / 2004 (23-02B)
01196 / 2004 (01-01)	01209 / 2004 (07-04)
01274 / 2004 (06-04E)	01275 / 2004 (06-04C)
01285 / 2004 (21-01NES)	01298 / 2004 (06-08)
01312 / 2004 (02-03)	01313 / 2004 (06-04NES)
01316 / 2004 (06-02)	01370 / 2004 (08-08NES)
01371 / 2004 (25-02B)	01400 / 2004 (22-05)

**Application for Extension of Period of Registration**

Applications under Section 27A(2) for extension of registration of the following designs have been lodged. In the event that a design is shown to be not new or original, the Registrar may refuse to extend the period of registration. Sub-section 27A(4) allows any person to lodge at the Designs Office material relevant to the question whether the design is not new or original. That material must be lodged within 11 months of the date when the registration of the design was made. Further details of the conditions and procedures for the lodgement of material are contained in Form 8 provided under the Designs Regulation 24.

Registration Number	Registered Owner	Registration Date
151951	TOP WINGS PTY LTD	02/06/2003
157221	ROBERT BOSCH G.M.B.H	10/01/2005
157222	ROBERT BOSCH G.M.B.H	10/01/2005
157223	ROBERT BOSCH G.M.B.H	10/01/2005
157268	KATRINA ELLEN LOGAN	17/01/2005
157334	RODNEY STEPHEN HORAN	24/01/2005
157360	NICHOLAS MCDONALD	25/01/2005
157361	NICHOLAS MCDONALD	25/01/2005
157362	NICHOLAS MCDONALD	25/01/2005
157364	ROBERT BOSCH G.M.B.H	25/01/2005
157381	GLIDEROL INTERNATIONAL PTY LTD	28/01/2005
157427	RECKITT BENCKISER INC.	02/02/2005
157428	RECKITT BENCKISER INC.	02/02/2005
157429	RECKITT BENCKISER INC.	02/02/2005
157556	STONE DIRECTIONS PTY LTD	21/02/2005
157564	PETER BROHIER	21/02/2005
157587	CARLTON AND UNITED BEVERAGES LIMITED	22/02/2005
157592	RIPPLE IRON CURVING CO. PTY LTD	22/02/2005
157660	SAMYA ENGELBRECHT	02/03/2005
157669	ROBERT NORMAN GANLEY	02/03/2005
157678	CAPRAL ALUMINIUM LIMITED	09/03/2005
157679	CAPRAL ALUMINIUM LIMITED	09/03/2005
157680	CAPRAL ALUMINIUM LIMITED	09/03/2005
157681	CAPRAL ALUMINIUM LIMITED	09/03/2005
157682	CAPRAL ALUMINIUM LIMITED	09/03/2005
157771	FREEHAVEN INVESTMENTS LTD	22/03/2005
157804	CAPRAL ALUMINIUM LIMITED	23/03/2005
157805	CAPRAL ALUMINIUM LIMITED	23/03/2005
157806	CAPRAL ALUMINIUM LIMITED	23/03/2005
157807	CAPRAL ALUMINIUM LIMITED	23/03/2005

Registration Number	Registered Owner	Registration Date
157808	CAPRAL ALUMINIUM LIMITED	23/03/2005
157809	CAPRAL ALUMINIUM LIMITED	23/03/2005
157810	CAPRAL ALUMINIUM LIMITED	23/03/2005
157811	CAPRAL ALUMINIUM LIMITED	23/03/2005
157812	CAPRAL ALUMINIUM LIMITED	23/03/2005
157813	CAPRAL ALUMINIUM LIMITED	23/03/2005
157814	CAPRAL ALUMINIUM LIMITED	23/03/2005
157852	CHRISTENE ANN LIETZ	31/03/2005
157853	CHRISTENE ANN LIETZ	31/03/2005
157902	RESMED LIMITED	15/04/2005
157903	RESMED LIMITED	15/04/2005
157904	RESMED LIMITED	15/04/2005
157905	RESMED LIMITED	15/04/2005
158373	THE IAMS COMPANY	14/11/2005
158410	GLAXOSMITHKLINE CONSUMER HEALTHCARE G.M.B.H. & CO. K.G.	24/11/2005
158431	THE PROCTER & GAMBLE COMPANY	28/11/2005
158463	BUILD-A-BEAR WORKSHOP INC.	17/01/2006
158476	EXTREMA RATIO S.A.S. DI MAURO CHIOSTRI E C.	18/01/2006
158479	THE GILLETTE COMPANY	18/01/2006

**Extension of Period of Registration of Designs**

**1st Period (Section 27A(8))**

151951	157221	157222
157223	157244	157245
157246	157247	157248
157249	157251	157252
157253	157254	157255
157256	157257	157258
157259	157260	157261
157262	157263	157264
157265	157266	157268
157269	157270	157271
157272	157273	157274
157275	157276	157279
157280	157281	157282
157283	157285	157288
157289	157290	157291
157292	157293	157294
157295	157296	157300
157301	157302	157303
157304	157305	157306
157307	157308	157309
157310	157311	157312
157313	157314	157315

157316	157317	157318
157320	157321	157322
157323	157324	

**2nd Period (Section 27A(12))**

139903	140002	140202
140467	141198	141222
141223	141224	141259
141321	141323	141324
141361	141362	141458
141460	141520	141523
141591	141603	141605
141606	141610	141689
141716	141755	141878
141879	141882	141927
142017	142080	142133
142146	142147	142148
142149	142150	142155
142156	142157	142158
142208	142209	142376
142441	142476	142501
142502	142560	142733
142864	142945	143010
143015	143821	144090
147513	147722	157693
157694	157776	

**3rd Period (Section 27A(13))**

124140	124558	124576
124577	124585	124624
124642	124682	124711
124812	124865	124866
125186	125235	125269
125375	125619	125768
125873	125891	126241
127875	128206	128207
128442	128635	129857
134988		

**Registrations Ceased**

Note: Some of the following Registrations may have been previously advertised as ceased. In this instance, the previous advertisement still prevails.

108430	108456	108466
108471	108483	108501
108502	108505	108521
108522	108558	109146
109314	110790	111801
112197	122707	122709
122733	122775	122778
122834	122879	122896
123095	123108	123110
123249	123330	123965
123966	125054	126194
126891	139493	139592

139621	139679	139820
139821	139822	139823
139865	139866	139867
139902	139994	140190
140315	140510	140920
140975	141024	141316
141545	141546	141567
141646	141664	141665
141666	142262	142604
142605	142606	142697
143004	143063	143445
157163	157178	157193
157200	157211	157212
157214	157215	157267
157277	157278	157284
157287	157297	157298
157299		

**Extensions of time granted**

Applications lodged for extension of time have been granted.

151951 **Top Wings Pty Ltd** An Extension of time to extend a registration has been granted to 16/07/2004

**Subsequent Owners Registered**

(The name in parentheses is that of the subsequent owner)

152326	( <b>McLean &amp; Daughtes Pty Ltd</b> ) Clifford Donald McLean
147870	( <b>McLean &amp; Daughtes Pty Ltd</b> ) Clifford Donald McLean
120220	( <b>Sandvik Intellectual Property AB</b> ) Sandvik Intellectual Property HB
120221	( <b>Sandvik Intellectual Property AB</b> ) Sandvik Intellectual Property HB
135562	( <b>Sandvik Intellectual Property AB</b> ) Sandvik Intellectual Property HB
135563	( <b>Sandvik Intellectual Property AB</b> ) Sandvik Intellectual Property HB
136960	( <b>Sandvik Intellectual Property AB</b> ) Sandvik Intellectual Property HB
144663	( <b>Sandvik Intellectual Property AB</b> ) Sandvik Intellectual Property HB
144664	( <b>Sandvik Intellectual Property AB</b> ) Sandvik Intellectual Property HB
145072	( <b>Sandvik Intellectual Property AB</b> ) Sandvik Intellectual Property HB
157311	( <b>Sandvik Intellectual Property AB</b> ) Sandvik Intellectual Property HB
135945	( <b>Aluminium Extrusion and Distribution Pty Limited</b> ) Crane Enfield Metals Pty Limited
136125	( <b>Aluminium Extrusion and Distribution Pty Limited</b> ) Crane Enfield Metals Pty Limited
137094	( <b>Aluminium Extrusion and Distribution Pty Limited</b> ) Crane Enfield Metals Pty Limited
137095	( <b>Aluminium Extrusion and Distribution Pty Limited</b> ) Crane Enfield Metals Pty Limited
137096	( <b>Aluminium Extrusion and Distribution Pty Limited</b> ) Crane Enfield Metals Pty Limited







**Subsequent Owners Registered**

122647 ( Aluminium Extrusion and Distribution Pty Limited )  
Crane Enfield Metals Pty Limited

122660 ( Aluminium Extrusion and Distribution Pty Limited )  
Crane Enfield Metals Pty Limited

122678 ( Aluminium Extrusion and Distribution Pty Limited )  
Crane Enfield Metals Pty Limited

122685 ( Aluminium Extrusion and Distribution Pty Limited )  
Crane Enfield Metals Pty Limited

122704 ( Aluminium Extrusion and Distribution Pty Limited )  
Crane Enfield Metals Pty Limited

122721 ( Aluminium Extrusion and Distribution Pty Limited )  
Crane Enfield Metals Pty Limited

122722 ( Aluminium Extrusion and Distribution Pty Limited )  
Crane Enfield Metals Pty Limited

122723 ( Aluminium Extrusion and Distribution Pty Limited )  
Crane Enfield Metals Pty Limited

124671 ( Aluminium Extrusion and Distribution Pty Limited )  
Crane Enfield Metals Pty Limited

124672 ( Aluminium Extrusion and Distribution Pty Limited )  
Crane Enfield Metals Pty Limited

125774 ( Aluminium Extrusion and Distribution Pty Limited )  
Crane Enfield Metals Pty Limited

125831 ( Aluminium Extrusion and Distribution Pty Limited )  
Crane Enfield Metals Pty Limited

126163 ( Aluminium Extrusion and Distribution Pty Limited )  
Crane Enfield Metals Pty Limited

126164 ( Aluminium Extrusion and Distribution Pty Limited )  
Crane Enfield Metals Pty Limited

126649 ( Aluminium Extrusion and Distribution Pty Limited )  
Crane Enfield Metals Pty Limited

126936 ( Aluminium Extrusion and Distribution Pty Limited )  
Crane Enfield Metals Pty Limited

127935 ( Aluminium Extrusion and Distribution Pty Limited )  
Crane Enfield Metals Pty Limited

127936 ( Aluminium Extrusion and Distribution Pty Limited )  
Crane Enfield Metals Pty Limited

127984 ( Aluminium Extrusion and Distribution Pty Limited )  
Crane Enfield Metals Pty Limited

127985 ( Aluminium Extrusion and Distribution Pty Limited )  
Crane Enfield Metals Pty Limited

129251 ( Aluminium Extrusion and Distribution Pty Limited )  
Crane Enfield Metals Pty Limited

129612 ( Aluminium Extrusion and Distribution Pty Limited )  
Crane Enfield Metals Pty Limited

129667 ( Aluminium Extrusion and Distribution Pty Limited )  
Crane Enfield Metals Pty Limited

129668 ( Aluminium Extrusion and Distribution Pty Limited )  
Crane Enfield Metals Pty Limited

129669 ( Aluminium Extrusion and Distribution Pty Limited )  
Crane Enfield Metals Pty Limited

131133 ( Aluminium Extrusion and Distribution Pty Limited )  
Crane Enfield Metals Pty Limited

131134 ( Aluminium Extrusion and Distribution Pty Limited )  
Crane Enfield Metals Pty Limited

122800 ( Aluminium Extrusion and Distribution Pty Limited )  
Crane Enfield Metals Pty Limited

122801 ( Aluminium Extrusion and Distribution Pty Limited )

**Subsequent Owners Registered**

Crane Enfield Metals Pty Limited

124101 ( Aluminium Extrusion and Distribution Pty Limited )  
Crane Enfield Metals Pty Limited

124158 ( Aluminium Extrusion and Distribution Pty Limited )  
Crane Enfield Metals Pty Limited

124195 ( Aluminium Extrusion and Distribution Pty Limited )  
Crane Enfield Metals Pty Limited

124196 ( Aluminium Extrusion and Distribution Pty Limited )  
Crane Enfield Metals Pty Limited

124197 ( Aluminium Extrusion and Distribution Pty Limited )  
Crane Enfield Metals Pty Limited

124198 ( Aluminium Extrusion and Distribution Pty Limited )  
Crane Enfield Metals Pty Limited

124277 ( Aluminium Extrusion and Distribution Pty Limited )  
Crane Enfield Metals Pty Limited

124278 ( Aluminium Extrusion and Distribution Pty Limited )  
Crane Enfield Metals Pty Limited

124279 ( Aluminium Extrusion and Distribution Pty Limited )  
Crane Enfield Metals Pty Limited

124280 ( Aluminium Extrusion and Distribution Pty Limited )  
Crane Enfield Metals Pty Limited

124325 ( Aluminium Extrusion and Distribution Pty Limited )  
Crane Enfield Metals Pty Limited

124333 ( Aluminium Extrusion and Distribution Pty Limited )  
Crane Enfield Metals Pty Limited

124334 ( Aluminium Extrusion and Distribution Pty Limited )  
Crane Enfield Metals Pty Limited

124335 ( Aluminium Extrusion and Distribution Pty Limited )  
Crane Enfield Metals Pty Limited

124535 ( Aluminium Extrusion and Distribution Pty Limited )  
Crane Enfield Metals Pty Limited

124542 ( Aluminium Extrusion and Distribution Pty Limited )  
Crane Enfield Metals Pty Limited

114122 ( Aluminium Extrusion and Distribution Pty Limited )  
Crane Enfield Metals Pty Limited

**Names Registered - Alterations and Amendments**

(The name in parentheses is the new name of the proprietor)

153186 ( Sanofi-Aventis ) Sanofi-Synthelabo

**Registration Proceedings**

**Designs Registered**

This section provides a concordance between application number and registration number of Designs covered in this journal. It also shows the main class and registration date.

This section covers Registration numbers 158456 to 158480.

The registration number shown below should be used in all future correspondence.

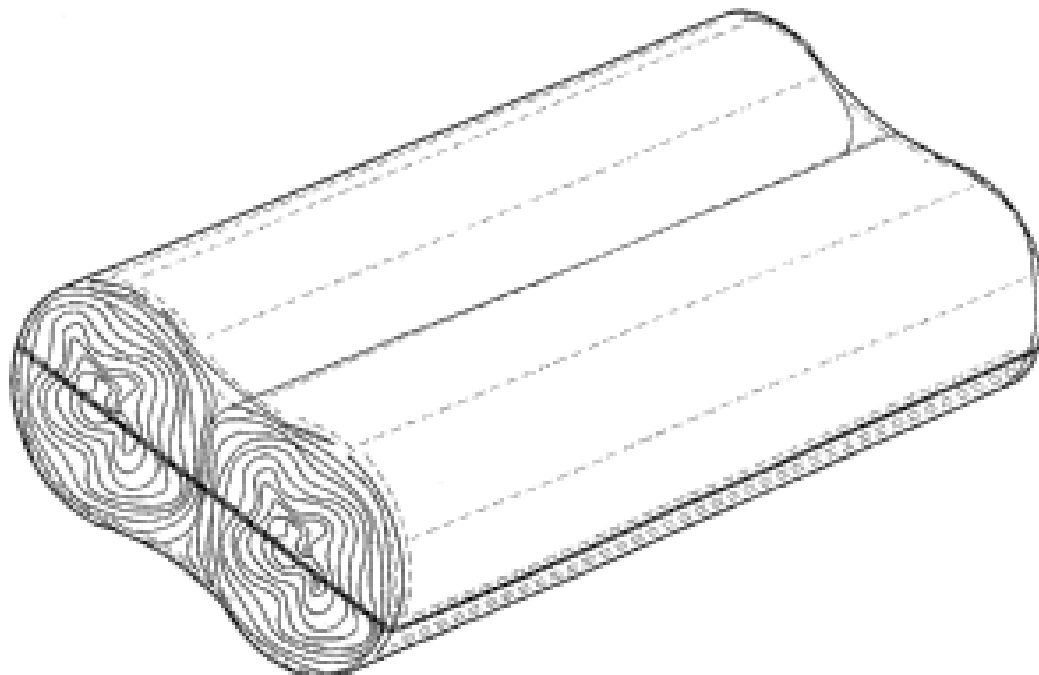
<b>Application Number</b>	<b>Registration Number</b>	<b>International Classification Code (IDC)</b>	<b>Registration Date</b>	<b>Application Number</b>	<b>Registration Number</b>	<b>International Classification Code (IDC)</b>	<b>Registration Date</b>
00624/2004	158456	09-05	17/01/2006	01726/2004	158470	09-01B	18/01/2006
00743/2004	158467	21-01A	18/01/2006	01844/2004	158466	09-03E	17/01/2006
00756/2004	158468	12-06A	18/01/2006	02027/2004	158471	08-08L	18/01/2006
00762/2004	158457	07-99NES	17/01/2006	02063/2004	158472	12-16E	18/01/2006
00857/2004	158458	07-99NES	17/01/2006	02096/2004	158473	15-04	18/01/2006
01339/2004	158469	08-07	18/01/2006	02107/2004	158474	26-05C	18/01/2006
01386/2004	158459	09-03F	17/01/2006	02130/2004	158475	15-09	18/01/2006
01387/2004	158460	09-03F	17/01/2006	02134/2004	158476	22-02	18/01/2006
01388/2004	158461	09-03F	17/01/2006	02216/2004	158477	03-03	18/01/2006
01630/2004	158462	02-04NES	17/01/2006	02463/2004	158478	08-05N	18/01/2006
01635/2004	158463	21-01B	17/01/2006	02547/2004	158479	04-02	18/01/2006
01640/2004	158464	26-05NES	17/01/2006	02552/2004	158480	28-03A	18/01/2006
01665/2004	158465	07-06A	17/01/2006				

**Registration Proceedings**  
**Class Listing of Designs Registered**

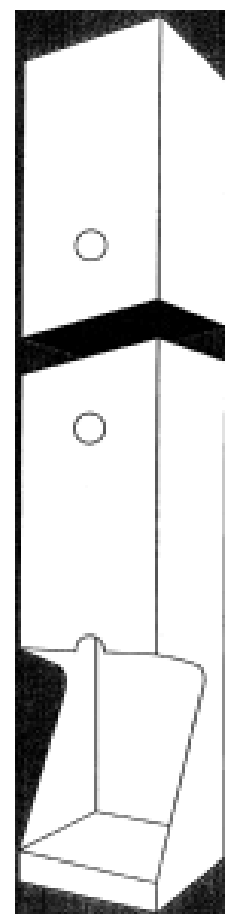
The following section shows an International Classification Code listing of the Registered Designs covered in this supplement.

<b>Classification</b>	<b>Registration Number</b>	<b>Application Number</b>	<b>Classification</b>	<b>Registration Number</b>	<b>Application Number</b>
02-04 NES	158462	01630/2004	09-03 F	158461	01388/2004
03-03	158477	02216/2004	09-05	158456	00624/2004
04-02	158479	02547/2004	12-06 A	158468	00756/2004
06-06 E	158477	02216/2004	12-16 E	158472	02063/2004
07-06 A	158465	01665/2004	15-04	158473	02096/2004
07-99 NES	158457	00762/2004	15-09	158475	02130/2004
07-99 NES	158458	00857/2004	21-01 A	158467	00743/2004
08-03	158478	02463/2004	21-01 B	158463	01635/2004
08-05 N	158478	02463/2004	22-02	158476	02134/2004
08-07	158469	01339/2004	25-99	158471	02027/2004
08-08 L	158471	02027/2004	26-05 C	158474	02107/2004
09-01 B	158470	01726/2004	26-05 NES	158464	01640/2004
09-03 E	158466	01844/2004	28-03 A	158480	02552/2004
09-03 F	158459	01386/2004			
09-03 F	158460	01387/2004			

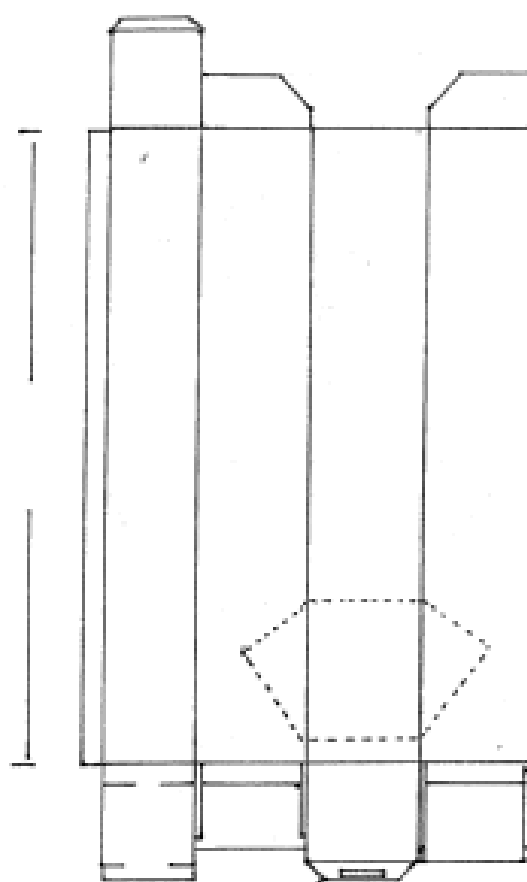
- (21) Application Number: **0624/2004**  
(22) Date of Filing Application: **20 February 2004**  
(24) Date from which industrial property rights may have effect: **20 February 2004**  
(54) Article in respect of which the design is registered: **A pack**  
(51) International Design Classification: **09-05**  
(71) Name(s) and Address(s) of Applicant(s):  
**International Grocery Manufacturer Pty Ltd**  
**Level 9 43-51 Queen Street Melbourne Victoria 3000 Australia**  
(72) Name(s) of Author(s): **Philip Withers**  
(45) Registration Date: **17 January 2006**  
(56) Related Art Documents: **Not Applicable**  
(57) Statement of Monopoly: **Monopoly is claimed in the features of shape and configuration of a pack as shown in the accompanying representations.**  
Statement of Novelty: **Nil**



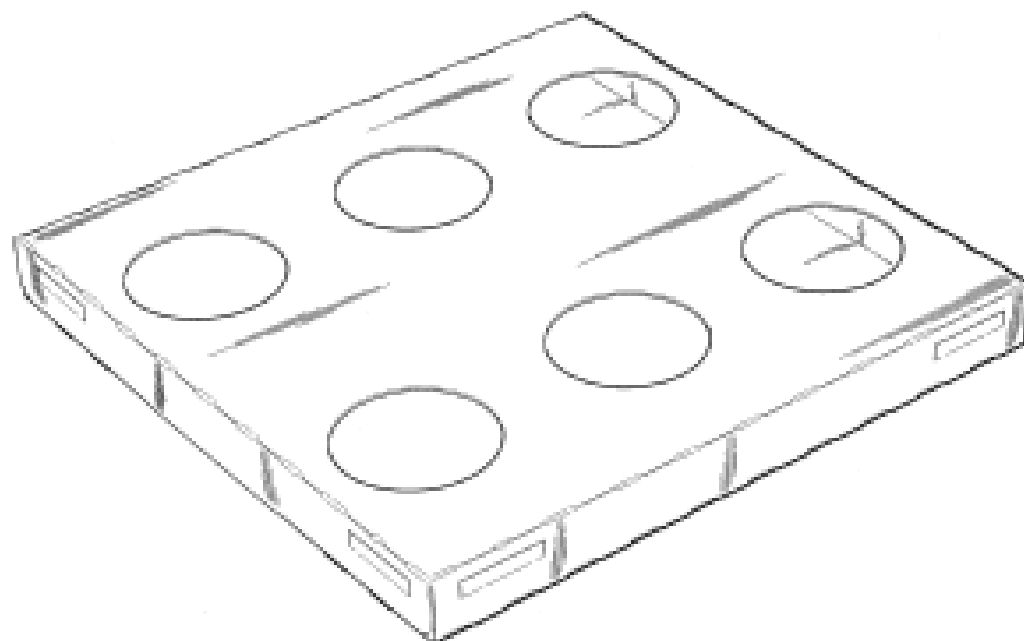
- (21) Application Number: **0762/2004**  
(22) Date of Filing Application: **27 February 2004**  
(24) Date from which industrial property rights may have effect: **27 February 2004**  
(54) Article in respect of which the design is registered: **Dispenser for stubby holder**  
(51) International Design Classification: **07-99NES**  
(71) Name(s) and Address(s) of Applicant(s):  
**Neil Robert Gladman**  
**C/- Tinnigrip 143 Olinda St Quarry Hill Victoria 3550 Australia**  
**Peter Allan Lovel**  
**C/- Tinnigrip 143 Olinda Street Quarry Hill Victoria 3550 Australia**  
(72) Name(s) of Author(s): **Neil Robert Gladman and Peter Allan Lovel**  
(45) Registration Date: **17 January 2006**  
(56) Related Art Documents: **Not Applicable**  
(57) Statement of Monopoly: **Monopoly is claimed in the shape and configuration of the dispenser for stubby holder of indefinite length as illustrated in the accompanying representations.**  
Statement of Novelty: **Nil**



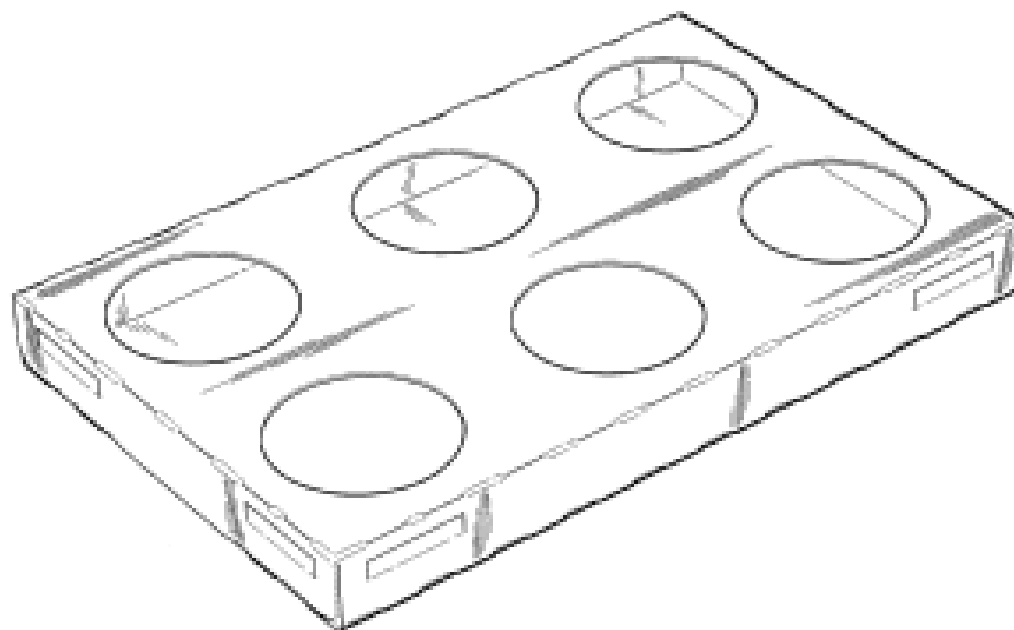
(21) Application Number: **0857/2004**  
(22) Date of Filing Application: **04 March 2004**  
(24) Date from which industrial property rights may have effect: **04 March 2004**  
(54) Article in respect of which the design is registered: **Blank for a dispenser for stubby holder**  
(51) International Design Classification: **07-99NES**  
(71) Name(s) and Address(s) of Applicant(s):  
**Neil Robert Gladman**  
**C/- Tinnigrip 143 Olinda St Quarry Hill Victoria 3550 Australia**  
**Peter Allan Lovel**  
**C/- Tinnigrip 143 Olinda St Quarry Hill Victoria 3550 Australia**  
(72) Name(s) of Author(s): **Neil Robert Gladman and Peter Allan Lovel**  
(45) Registration Date: **17 January 2006**  
(56) Related Art Documents: **Not Applicable**  
(57) Statement of Monopoly: **Monopoly is claimed in the shape and configuration of the blank for a dispenser for stubby holder of indefinite length as illustrated in the accompanying representations.**  
Statement of Novelty: **Nil**



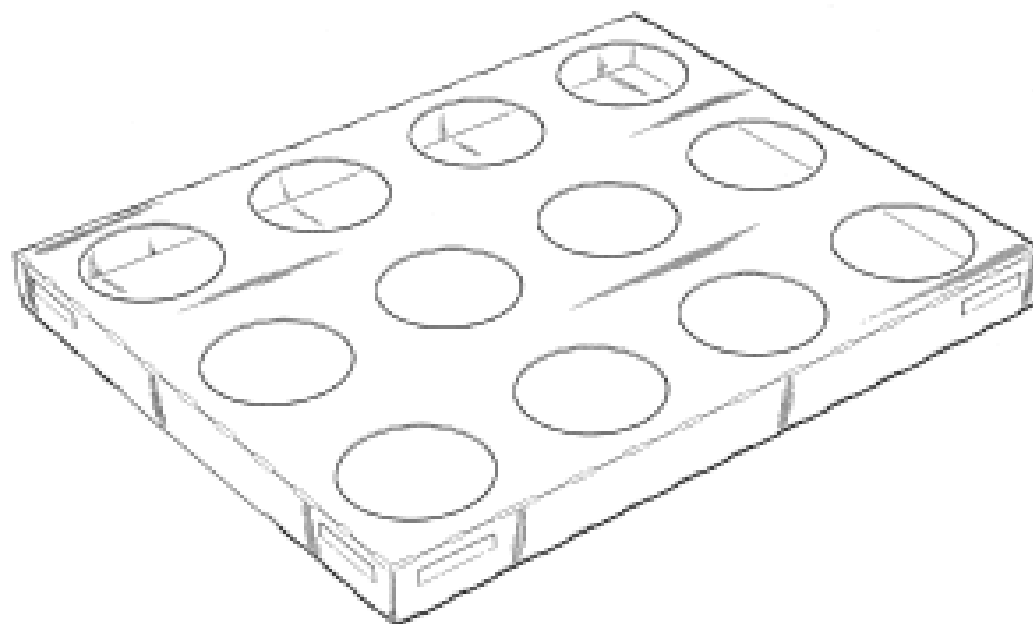
(21) Application Number: **1386/2004**  
(22) Date of Filing Application: **08 April 2004**  
(24) Date from which industrial property rights may have effect: **08 April 2004**  
(54) Article in respect of which the design is registered: **A tray**  
(51) International Design Classification: **09-03F**  
(74) Name(s) of Attorney(s): **Griffith Hack**  
(71) Name(s) and Address(s) of Applicant(s):  
**Amcor Limited**  
**679 Victoria Street Abbotsford Victoria 3067 Australia**  
**Dane Pty Ltd**  
**90 Longman Terrace Chelmer Queensland 4068 Australia**  
(72) Name(s) of Author(s): **Ronald Geoffrey Hamblin and Tony Christophersen**  
(45) Registration Date: **17 January 2006**  
(56) Related Art Documents: **Not Applicable**  
(57) Statement of Monopoly: **Monopoly is claimed in the features of shape or configuration of the tray shown in the accompanying representations.**  
Statement of Novelty: **Nil**



- (21) Application Number: **1387/2004**  
(22) Date of Filing Application: **08 April 2004**  
(24) Date from which industrial property rights may have effect: **08 April 2004**  
(54) Article in respect of which the design is registered: **A tray**  
(51) International Design Classification: **09-03F**  
(74) Name(s) of Attorney(s): **Griffith Hack**  
(71) Name(s) and Address(s) of Applicant(s):  
**Ancor Limited**  
**679 Victoria Street Abbotsford Victoria 3067 Australia**  
**Dane Pty Ltd**  
**90 Longman Terrace Chelmer Queensland 4068 Australia**  
(72) Name(s) of Author(s): **Ronald Geoffrey Hamblin and Tony Christophersen**  
(45) Registration Date: **17 January 2006**  
(56) Related Art Documents: **Not Applicable**  
(57) Statement of Monopoly: **Monopoly is claimed in the features of shape or configuration of the tray shown in the accompanying representations.**  
Statement of Novelty: **Nil**



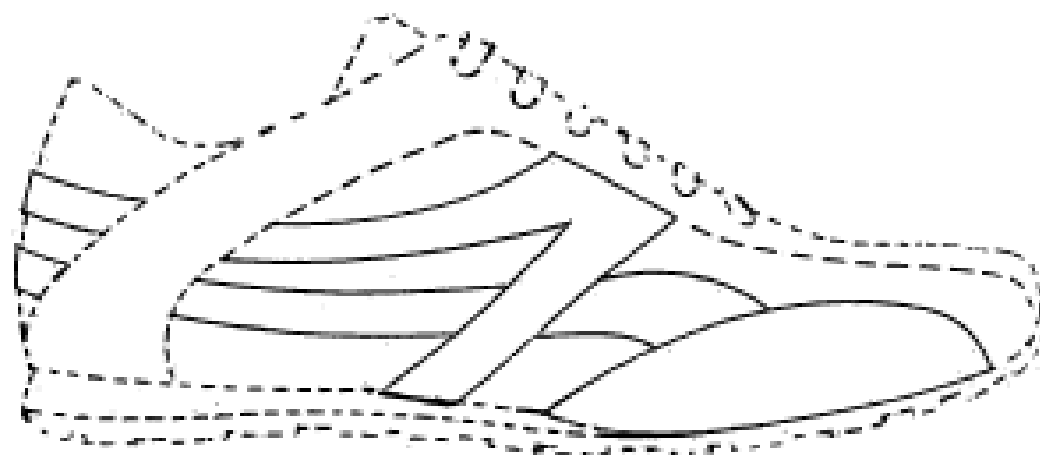
- (21) Application Number: **1388/2004**  
(22) Date of Filing Application: **08 April 2004**  
(24) Date from which industrial property rights may have effect: **08 April 2004**  
(54) Article in respect of which the design is registered: **A tray**  
(51) International Design Classification: **09-03F**  
(74) Name(s) of Attorney(s): **Griffith Hack**  
(71) Name(s) and Address(s) of Applicant(s):  
**Ancor Limited**  
**679 Victoria Street Abbotsford Victoria 3067 Australia**  
**Dane Pty Ltd**  
**90 Longman Terrace Chelmer Queensland 4068 Australia**  
(72) Name(s) of Author(s): **Ronald Geoffrey Hamblin and Tony Christophersen**  
(45) Registration Date: **17 January 2006**  
(56) Related Art Documents: **Not Applicable**  
(57) Statement of Monopoly: **Monopoly is claimed in the features of shape or configuration of the tray shown in the accompanying representations.**  
Statement of Novelty: **Nil**



(21) Application Number: **1630/2004**  
 (22) Date of Filing Application: **29 April 2004**  
 (24) Date from which industrial property rights may have effect: **29 April 2004**  
 (54) Article in respect of which the design is registered: **A shoe**  
 (51) International Design Classification: **02-04NES**  
 (74) Name(s) of Attorney(s): **PHILLIPS ORMONDE & FITZPATRICK**  
 (71) Name(s) and Address(s) of Applicant(s):

**Windsor Smith Pty Ltd**  
**189-193 High Street Preston Victoria 3072 Australia**

(72) Name(s) of Author(s): **Craig Mance**  
 (45) Registration Date: **17 January 2006**  
 (56) Related Art Documents: **Not Applicable**  
 (57) Statement of Monopoly: **Monopoly is claimed in the shape and/or configuration of a shoe as shown in the representations. In considering the extent of monopoly protection the features shown in broken lines are to be disregarded.**  
 Statement of Novelty: **Nil**



(21) Application Number: **1635/2004**  
 (22) Date of Filing Application: **29 April 2004**  
 (24) Date from which industrial property rights may have effect: **29 April 2004**  
 (54) Article in respect of which the design is registered: **Doll**  
 (51) International Design Classification: **21-01B**  
 (74) Name(s) of Attorney(s): **SPRUSON & FERGUSON**  
 (71) Name(s) and Address(s) of Applicant(s):

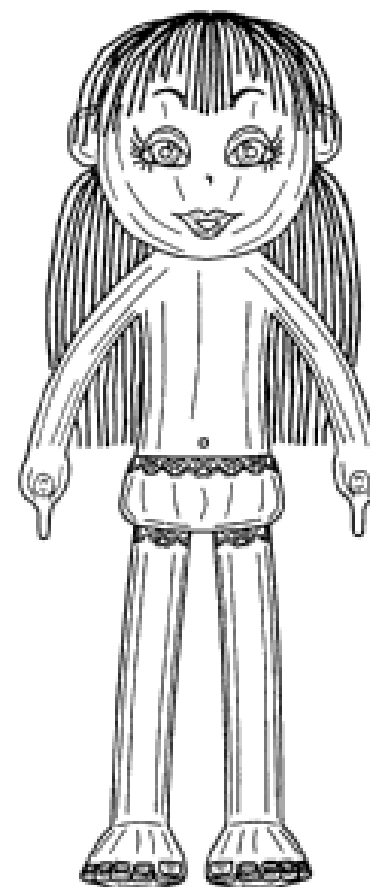
**Build-A-Bear Workshop Inc.**  
**1954 Innerbelt Business Center Drive St. Louis Missouri 63114 United States of America**

(72) Name(s) of Author(s): **Shari Ann Stout and Martin W. Karabees and Penny L. Noble**  
 (45) Registration Date: **17 January 2006**  
 (30) Convention priority data:

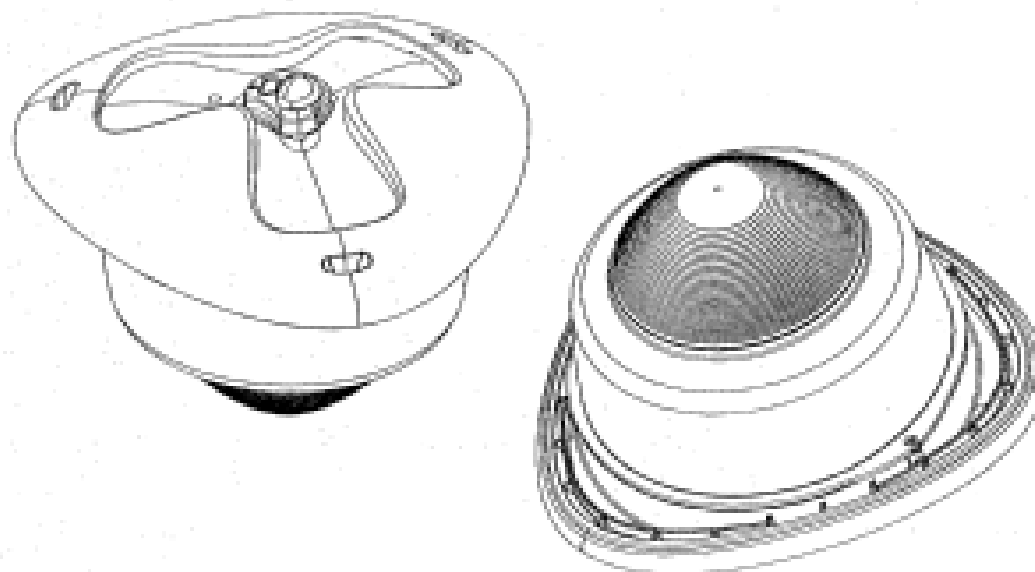
(31) Number	(32) Date	(33) Country
<b>29/195152</b>	<b>8 Dec 2003</b>	<b>UNITED STATES OF AMERICA</b>

(56) Related Art Documents: **Not Applicable**

(57) Statement of Monopoly: **Monopoly is claimed in the features of shape and/or configuration of a doll as illustrated in the accompanying representations.**  
 Statement of Novelty: **Nil**



(21) Application Number: **1640/2004**  
(22) Date of Filing Application: **30 April 2004**  
(24) Date from which industrial property rights may have effect: **30 April 2004**  
(54) Article in respect of which the design is registered: **Floating pool light**  
(51) International Design Classification: **26-05NES**  
(74) Name(s) of Attorney(s): **WRAY & ASSOCIATES**  
(71) Name(s) and Address(s) of Applicant(s):  
**Ultra-Light Floating Objects Inc.**  
**74 Kinmount Private Kanata Ontario K2E 7L2 Canada**  
(72) Name(s) of Author(s): **John Charles Tutton and Jason Florent Busschaert and Aldo Balatti**  
(45) Registration Date: **17 January 2006**  
(30) Convention priority data:  
(31) Number (32) Date (33) Country  
**105509 31 Dec 2003 CANADA**  
(56) Related Art Documents: **Not Applicable**  
(57) Statement of Monopoly: **Monopoly is claimed in the features of shape and configuration of a floating pool light as illustrated in the accompanying representations.**  
Statement of Novelty: **Nil**

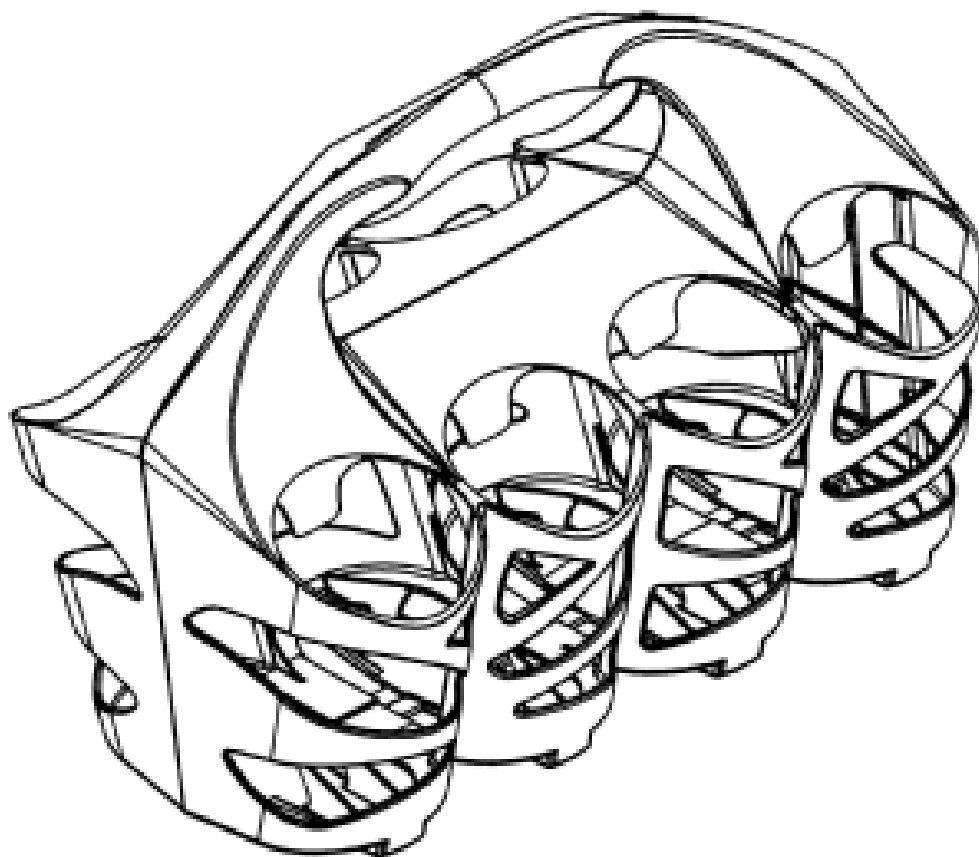


(21) Application Number: **1665/2004**  
(22) Date of Filing Application: **04 May 2004**  
(24) Date from which industrial property rights may have effect: **04 May 2004**  
(54) Article in respect of which the design is registered: **Sports stubby holder**  
(51) International Design Classification: **07-06A**  
(71) Name(s) and Address(s) of Applicant(s):  
**Christopher Andrew Eaton**  
**Villa 3 47 Hastings Road Cabarita Beach New South Wales 2488 Australia**  
(72) Name(s) of Author(s): **Christopher Andrew Eaton**  
(45) Registration Date: **17 January 2006**  
(30) Convention priority data:  
(31) Number (32) Date (33) Country  
**3015986 29 Jan 2004 UNITED KINGDOM**  
(56) Related Art Documents: **Not Applicable**  
(57) Statement of Monopoly: **Monopoly is claimed in the shape and configuration of the sports stubby holder as shown in the representations.**  
Statement of Novelty: **Nil**





(21) Application Number: **1844/2004**  
(22) Date of Filing Application: **17 May 2004**  
(24) Date from which industrial property rights may have effect: **17 May 2004**  
(54) Article in respect of which the design is registered: **Carrier**  
(51) International Design Classification: **09-03E**  
(74) Name(s) of Attorney(s): **Griffith Hack**  
(71) Name(s) and Address(s) of Applicant(s):  
**Bottles of Australia Pty Limited**  
**Unit 2-4/6 Sleigh Place Hume ACT 2620 Australia**  
(72) Name(s) of Author(s): **Daniel Armstrong and Nicholas Robinson**  
(45) Registration Date: **17 January 2006**  
(56) Related Art Documents: **Not Applicable**  
(57) Statement of Monopoly: **Monopoly is claimed in the features of shape and/or configuration applied to a carrier as shown in the accompanying representations.**  
Statement of Novelty: **Nil**



(21) Application Number: **0743/2004**  
(22) Date of Filing Application: **26 February 2004**  
(24) Date from which industrial property rights may have effect: **26 February 2004**  
(54) Article in respect of which the design is registered: **A toy**  
(51) International Design Classification: **21-01A**  
(74) Name(s) of Attorney(s): **Ahearn Fox**  
(71) Name(s) and Address(s) of Applicant(s):  
**Wayne Jacobs Playscene (Australia) Pty Ltd**  
**10A Beechworth Road Pymble New South Wales 2073 Australia**  
(72) Name(s) of Author(s): **Wayne Jacobs**  
(45) Registration Date: **18 January 2006**  
(56) Related Art Documents: **Not Applicable**  
(57) Statement of Monopoly: **Monopoly is claimed in the shape and configuration of a toy as illustrated in the accompanying representations.**  
Statement of Novelty: **Nil**



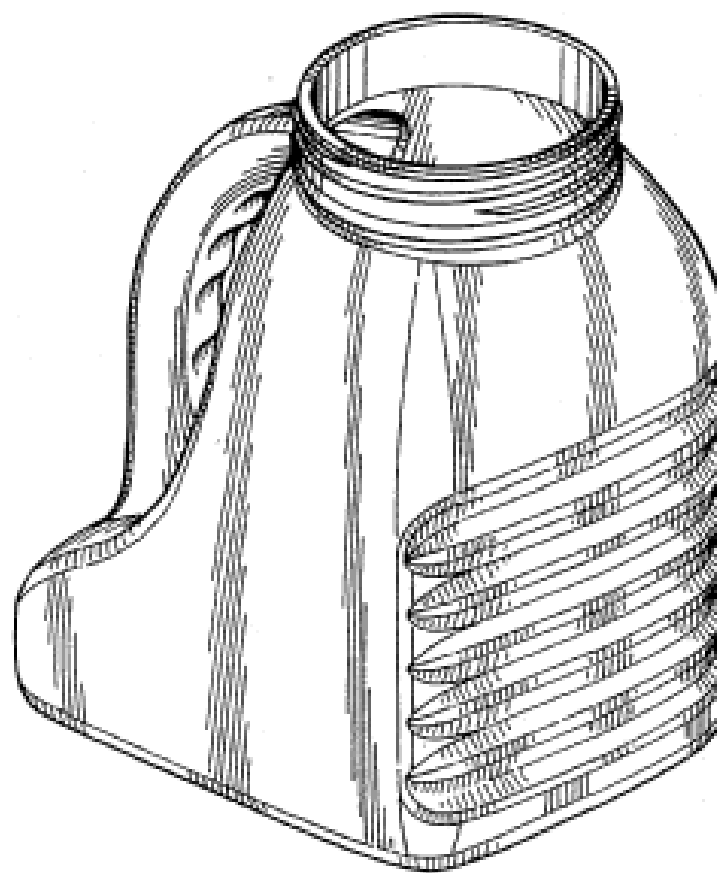
- (21) Application Number: **0756/2004**  
(22) Date of Filing Application: **01 March 2004**  
(24) Date from which industrial property rights may have effect: **01 March 2004**  
(54) Article in respect of which the design is registered: **Sports boat**  
(51) International Design Classification: **12-06A**  
(71) Name(s) and Address(s) of Applicant(s):  
**Aussie Fresh Pty Ltd**  
**42 Blackwood Drive Narre Warren Victoria 3805 Australia**  
(72) Name(s) of Author(s): **David Sutherland**  
(45) Registration Date: **18 January 2006**  
(56) Related Art Documents: **Not Applicable**  
(57) Statement of Monopoly: **Nil**  
Statement of Novelty: **Nil**



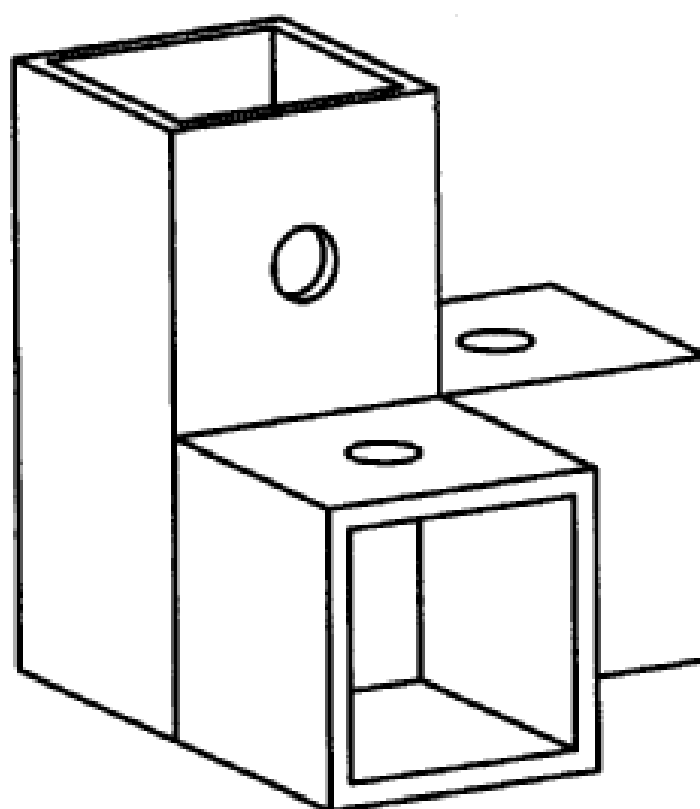
- (21) Application Number: **1339/2004**  
(22) Date of Filing Application: **06 April 2004**  
(24) Date from which industrial property rights may have effect: **06 April 2004**  
(54) Article in respect of which the design is registered: **Lock mechanism**  
(51) International Design Classification: **08-07**  
(71) Name(s) and Address(s) of Applicant(s):  
**Love N Care Pty Ltd**  
**297 Canterbury Road Revesby NSW 2212**  
(72) Name(s) of Author(s): **Terry Elcheikh**  
(45) Registration Date: **18 January 2006**  
(56) Related Art Documents: **Not Applicable**  
(57) Statement of Monopoly: **Monopoly is claimed in the shape and configuration of the lock mechanism as shown in the representations.**  
Statement of Novelty: **Nil**



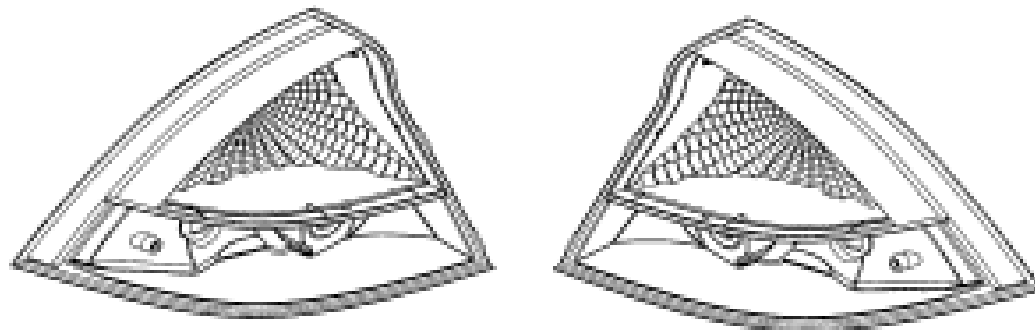
(21) Application Number: **1726/2004**  
(22) Date of Filing Application: **07 May 2004**  
(24) Date from which industrial property rights may have effect: **07 May 2004**  
(54) Article in respect of which the design is registered: **Bottle**  
(51) International Design Classification: **09-01B**  
(74) Name(s) of Attorney(s): **Griffith Hack**  
(71) Name(s) and Address(s) of Applicant(s):  
**Steve Segaram**  
**10 Thomas Clarke Street Westmead New South Wales 2145 Australia**  
(72) Name(s) of Author(s): **Steve Segaram**  
(45) Registration Date: **18 January 2006**  
(56) Related Art Documents: **Not Applicable**  
(57) Statement of Monopoly: **Monopoly is claimed in the features of shape and/or configuration of a bottle as illustrated in the accompanying representations.**  
Statement of Novelty: **Nil**



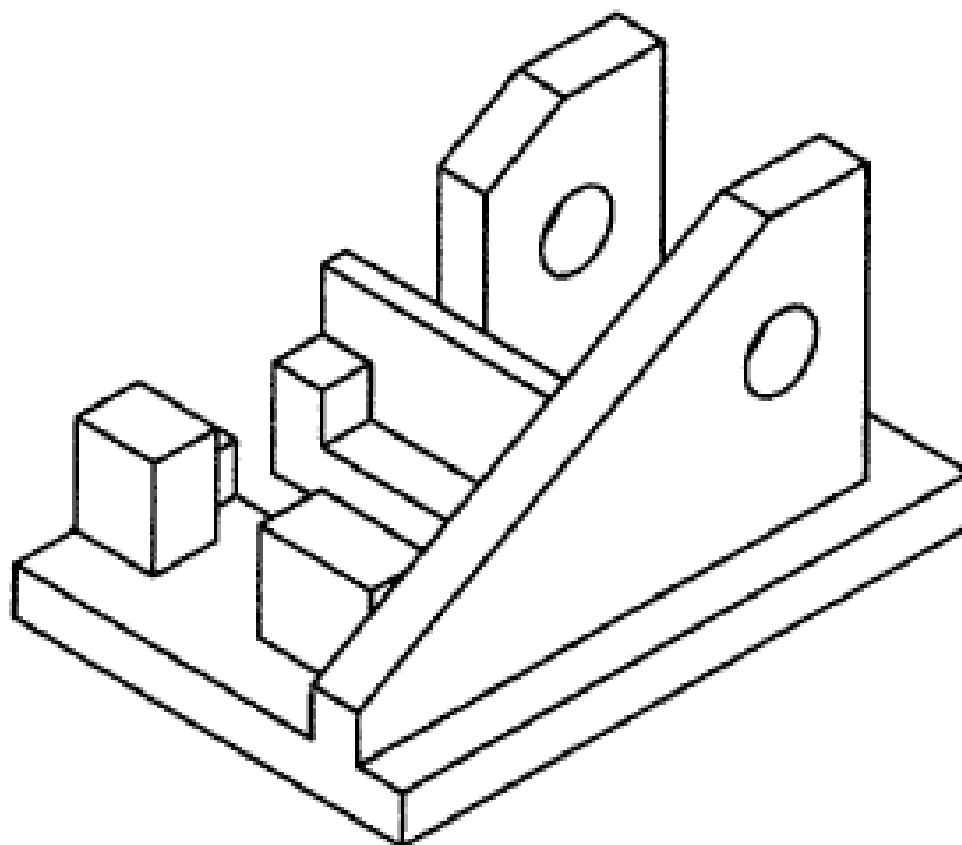
(21) Application Number: **2027/2004**  
(22) Date of Filing Application: **31 May 2004**  
(24) Date from which industrial property rights may have effect: **31 May 2004**  
(54) Article in respect of which the design is registered: **A square tube connector**  
(51) International Design Classification: **08-08L, 25-99**  
(71) Name(s) and Address(s) of Applicant(s):  
**Barry Thomas Duffield**  
**25 Parkesbourne School Lane Parkesbourne New South Wales 2580 Australia**  
(72) Name(s) of Author(s): **Barry Thomas Duffield**  
(45) Registration Date: **18 January 2006**  
(56) Related Art Documents: **Not Applicable**  
(57) Statement of Monopoly: **Monopoly is claimed in the features of shape and configuration of the connector as shown in the accompanying representation.**  
Statement of Novelty: **Nil**



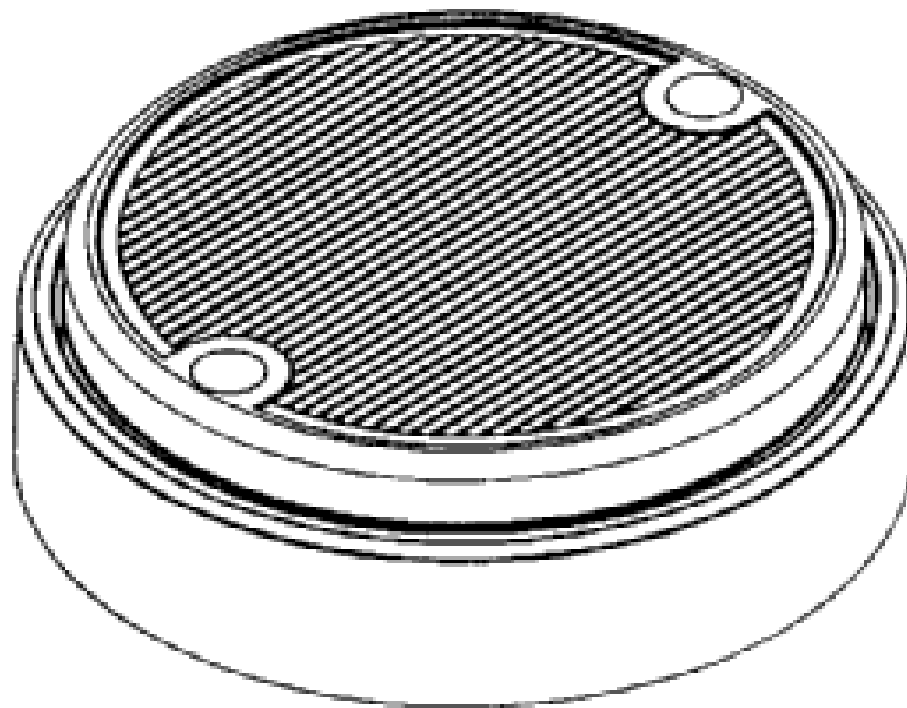
(21) Application Number: **2063/2004**  
(22) Date of Filing Application: **31 May 2004**  
(24) Date from which industrial property rights may have effect: **31 May 2004**  
(54) Article in respect of which the design is registered: **Set of vehicle lamp housings**  
(51) International Design Classification: **12-16E**  
(74) Name(s) of Attorney(s): **PHILLIPS ORMONDE & FITZPATRICK**  
(71) Name(s) and Address(s) of Applicant(s):  
**Holden Ltd**  
**241 Salmon Street Port Melbourne Victoria 3207 Australia**  
(72) Name(s) of Author(s): **Tony Stolfo**  
(45) Registration Date: **18 January 2006**  
(56) Related Art Documents: **Not Applicable**  
(57) Statement of Monopoly: **Monopoly is claimed in the shape and/or configuration of a set of vehicle lamp housings as shown in the representations, except that the attachment means marked "a" in each plan view of both the left-side housing and the right-side housing are to be disregarded in considering the extent of monopoly protection.**  
Statement of Novelty: **Nil**



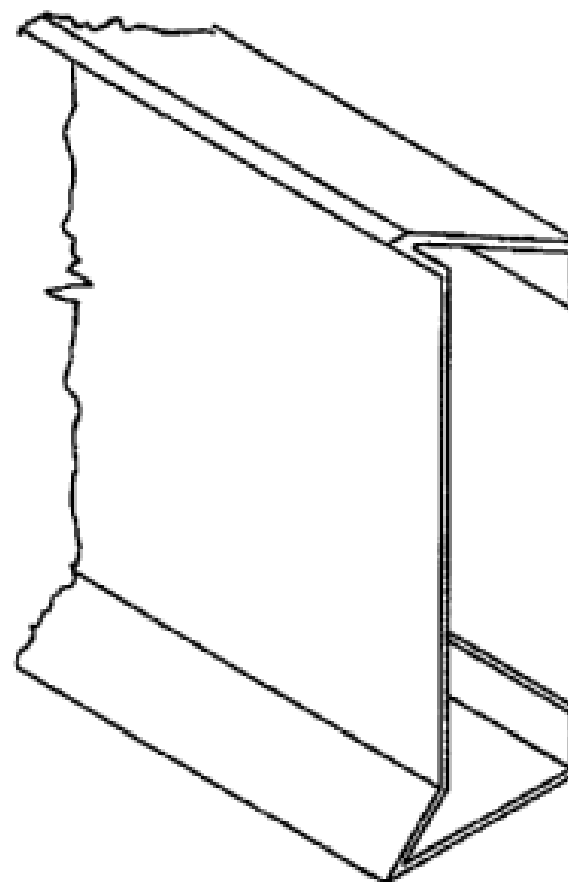
(21) Application Number: **2096/2004**  
(22) Date of Filing Application: **31 May 2004**  
(24) Date from which industrial property rights may have effect: **31 May 2004**  
(54) Article in respect of which the design is registered: **Prop foot**  
(51) International Design Classification: **15-04**  
(71) Name(s) and Address(s) of Applicant(s):  
**Retail and Commercial Properties Pty Ltd**  
**37 Bordeaux Street Doncaster East Victoria 3108 Australia**  
(72) Name(s) of Author(s): **Michael Samuel**  
(45) Registration Date: **18 January 2006**  
(56) Related Art Documents: **Not Applicable**  
(57) Statement of Monopoly: **Monopoly is claimed in the features of shape or configuration of a prop foot as shown in the accompanying representation.**  
Statement of Novelty: **Nil**



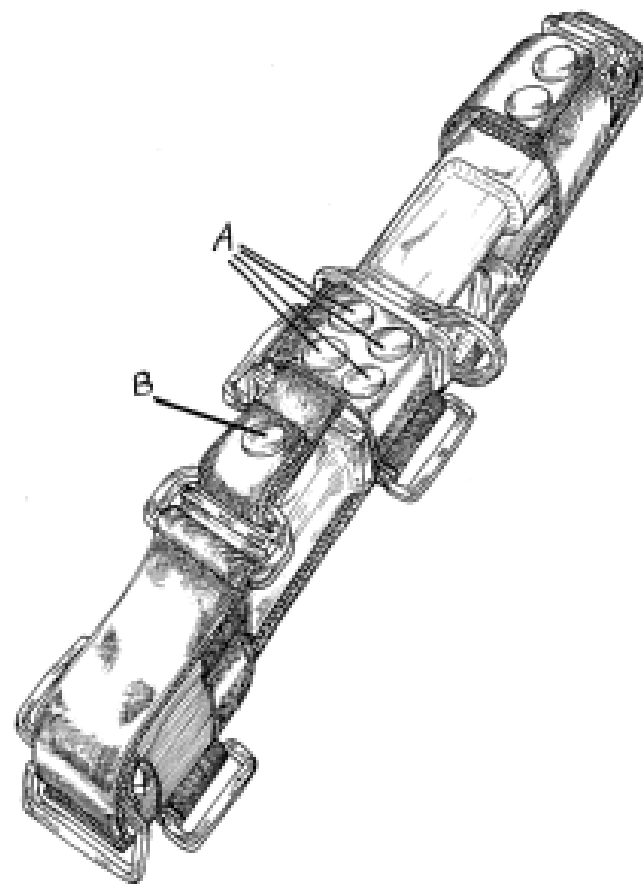
(21) Application Number: **2107/2004**  
(22) Date of Filing Application: **01 June 2004**  
(24) Date from which industrial property rights may have effect: **01 June 2004**  
(54) Article in respect of which the design is registered: **A lamp**  
(51) International Design Classification: **26-05C**  
(74) Name(s) of Attorney(s): **Griffith Hack**  
(71) Name(s) and Address(s) of Applicant(s):  
**Mass Technology (H.K.) Limited**  
**Room 2902-6 Tower 6 The Gateway 9 Canton Road Tsimshatsui**  
**Kowloon Hong Kong**  
(72) Name(s) of Author(s): **Onn Fah Foo**  
(45) Registration Date: **18 January 2006**  
(56) Related Art Documents: **Not Applicable**  
(57) Statement of Monopoly: **Monopoly is claimed in the features of shape and/or configuration applied to a lamp as illustrated in the accompanying representations.**  
Statement of Novelty: **Nil**



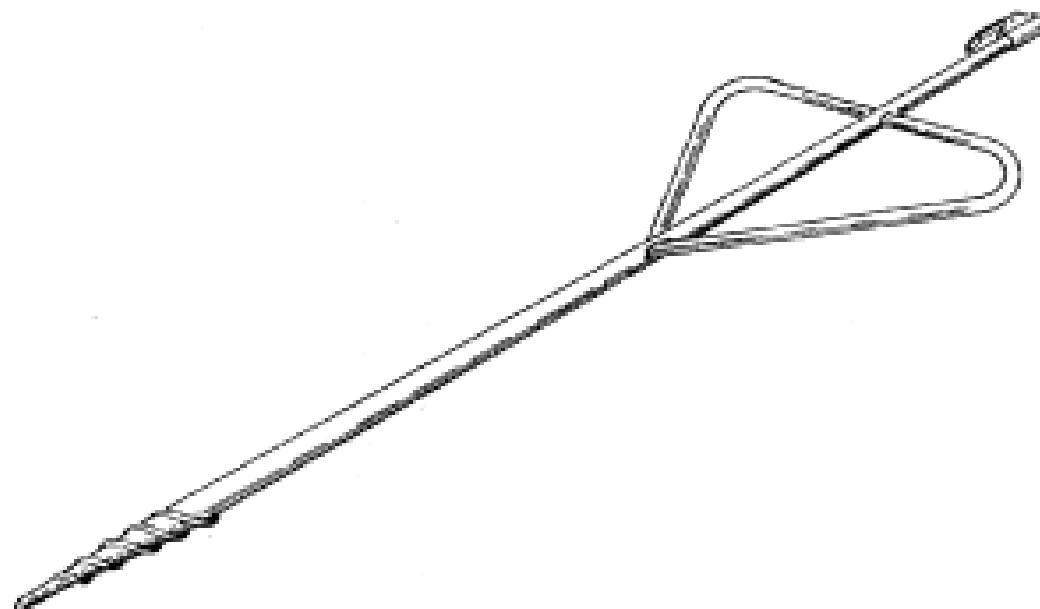
(21) Application Number: **2130/2004**  
(22) Date of Filing Application: **03 June 2004**  
(24) Date from which industrial property rights may have effect: **03 June 2004**  
(54) Article in respect of which the design is registered: **Edge form**  
(51) International Design Classification: **15-09**  
(74) Name(s) of Attorney(s): **Leonard D Samuel**  
(71) Name(s) and Address(s) of Applicant(s):  
**Retail and Commercial Properties Pty Ltd**  
**37 Bordeaux Street Doncaster East Victoria 3108 Australia**  
(72) Name(s) of Author(s): **Michael Samuel**  
(45) Registration Date: **18 January 2006**  
(56) Related Art Documents: **Not Applicable**  
(57) Statement of Monopoly: **Monopoly is claimed in the features of shape and configuration of an edge form of indefinite length as illustrated in the accompanying representations.**  
Statement of Novelty: **Nil**



- (21) Application Number: **2134/2004**  
(22) Date of Filing Application: **03 June 2004**  
(24) Date from which industrial property rights may have effect: **03 June 2004**  
(54) Article in respect of which the design is registered: **A bayonet with sheath assembly**  
(51) International Design Classification: **22-02**  
(74) Name(s) of Attorney(s): **SPRUSON & FERGUSON**  
(71) Name(s) and Address(s) of Applicant(s):  
**Extrema Ratio s.a.s. di Mauro Chiostrri e C.**  
**298 Viale Montegrappa 59100 Prato Italy**  
(72) Name(s) of Author(s): **Maurizio Castrati**  
(45) Registration Date: **18 January 2006**  
(30) Convention priority data:  
(31) Number (32) Date (33) Country  
**112974 9 Dec 2003 EUROPEAN COMMUNITY**  
(56) Related Art Documents: **Not Applicable**  
(57) Statement of Monopoly: **Monopoly is claimed in the features of shape and/or configuration of a bayonet with sheath assembly as illustrated in the accompanying representations, and in considering the extent of monopoly protection, the four stud-fasteners labelled "A" and the stud-fastener labelled "B" in the representations are to be disregarded.**  
Statement of Novelty: **Nil**



- (21) Application Number: **2216/2004**  
(22) Date of Filing Application: **10 June 2004**  
(24) Date from which industrial property rights may have effect: **10 June 2004**  
(54) Article in respect of which the design is registered: **Umbrella/table support**  
(51) International Design Classification: **03-03, 06-06E**  
(74) Name(s) of Attorney(s): **Dr Kevin M Pullen**  
(71) Name(s) and Address(s) of Applicant(s):  
**Anthony Classon Bell**  
**C/-Don Powell Plumbing 299 Petrie Creek Road Nambour Queensland**  
**4560 Australia**  
(72) Name(s) of Author(s): **Anthony Classon Bell**  
(45) Registration Date: **18 January 2006**  
(56) Related Art Documents: **Not Applicable**  
(57) Statement of Monopoly: **Monopoly is claimed in the features of shape and configuration of an umbrella/table support as illustrated in the accompanying representations.**  
Statement of Novelty: **Nil**



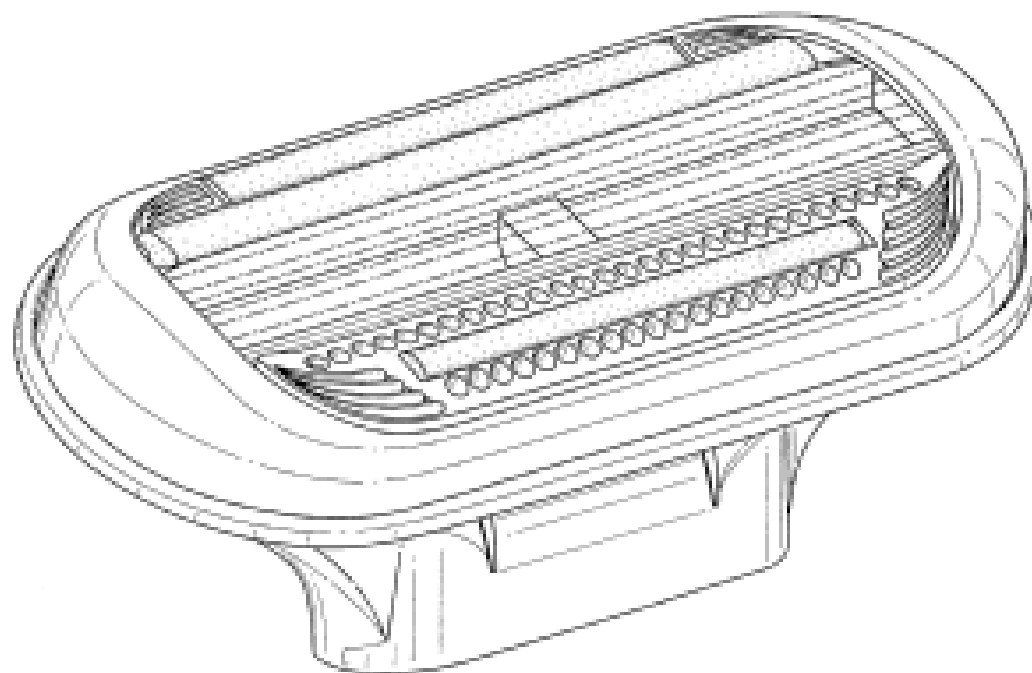
(21) Application Number: **2463/2004**  
(22) Date of Filing Application: **16 June 2004**  
(24) Date from which industrial property rights may have effect: **16 June 2004**  
(54) Article in respect of which the design is registered: **Router device**  
(51) International Design Classification: **08-05N, 08-03**  
(74) Name(s) of Attorney(s): **PHILLIPS ORMONDE & FITZPATRICK**  
(71) Name(s) and Address(s) of Applicant(s):  
**Peter Hirst**  
**Unit 207 445 Royal Parade Parkville Victoria 3052 Australia**  
(72) Name(s) of Author(s): **Michael Hirst**  
(45) Registration Date: **18 January 2006**  
(56) Related Art Documents: **Not Applicable**  
(57) Statement of Monopoly: **Monopoly is claimed in the shape or configuration of a router device as shown in the accompanying representations. The shank is to be disregarded in considering the extent of monopoly protection.**  
Statement of Novelty: **Nil**



(21) Application Number: **2547/2004**  
(22) Date of Filing Application: **16 June 2004**  
(24) Date from which industrial property rights may have effect: **16 June 2004**  
(54) Article in respect of which the design is registered: **Head portion of a toothbrush**  
(51) International Design Classification: **04-02**  
(74) Name(s) of Attorney(s): **SPRUSON & FERGUSON**  
(71) Name(s) and Address(s) of Applicant(s):  
**The Gillette Company**  
**Prudential Tower Building Boston Massachusetts 02199 United States of America**  
(72) Name(s) of Author(s): **William R. Brown Jr and Alexander T. Chenvainu and Thomas A. Christman**  
(45) Registration Date: **18 January 2006**  
(30) Convention priority data:  
(31) Number (32) Date (33) Country  
**29/204170 26 Apr 2004 UNITED STATES OF AMERICA**  
(56) Related Art Documents: **Not Applicable**  
(57) Statement of Monopoly: **Monopoly is claimed in the features of shape and/or configuration of a head portion of a toothbrush as shown in the accompanying representations and in considering the extent of monopoly protection, the neck portion shown in phantom is to be disregarded.**  
Statement of Novelty: **Nil**



(21) Application Number: **2552/2004**  
(22) Date of Filing Application: **16 June 2004**  
(24) Date from which industrial property rights may have effect: **16 June 2004**  
(54) Article in respect of which the design is registered: **Razor cartridge**  
(51) International Design Classification: **28-03A**  
(74) Name(s) of Attorney(s): **SPRUSON & FERGUSON**  
(71) Name(s) and Address(s) of Applicant(s):  
**The Gillette Company**  
**Prudential Tower Building Boston Massachusetts 02119 United States of America**  
(72) Name(s) of Author(s): **John Prudden**  
(45) Registration Date: **18 January 2006**  
(30) Convention priority data:  
(31) Number           (32) Date           (33) Country  
**29/196115           22 Dec 2003           UNITED STATES OF AMERICA**  
(56) Related Art Documents: **AU-S-137160(28-03A)**  
(57) Statement of Monopoly: **Monopoly is claimed in the features of shape and/or configuration of a razor cartridge as illustrated in the accompanying representations and in considering the extent of monopoly protection, the blades and underlying structure shown in phantom are to be disregarded, and the unshaded areas inside the solid line boundaries under the blades in Fig. 1 and inside the generally oblong outline in Fig. 5 are also to be disregarded.**  
Statement of Novelty: **Nil**







**Proceedings under the Designs Act 2003.**

This Page Left Intentionally Blank

**Applications Lodged**

Lodgement information is in the following order: **Applicant's Name**; International Classification, Name of Product, Lodgement Date and **Design Number**. If the applicant claims an earlier priority date under an International Convention, the Convention Country and the associated filing date are shown in parentheses before the Lodgement Date. Divisional information will also appear in parentheses before the Lodgement Date.

<b>Adolphe, Guy Jean-Claude;</b> 12-06NES, A trailerable houseboat for use on smooth waters (inland waterways), 05 Dec 2005	<b>15370/2005</b>	<b>Dart Industries Inc.;</b> 07-01NES, Container, (US, 19 Aug 2005) 13 Jan 2006	<b>10122/2006</b>
<b>Adolphe, Guy Jean-Claude;</b> 12-06NES, A trailerable houseboat for use on smooth waters (inland waterways), 05 Dec 2005	<b>15371/2005</b>	<b>Dart Industries Inc.;</b> 07-01NES, 07-04, Container with cutting board, (US, 22 Aug 2005) 13 Jan 2006	<b>10123/2006</b>
<b>Anchor Wall Systems Inc.;</b> 25-01A, Retaining wall block (D8052), (US, 13 Jul 2005) 10 Jan 2006	<b>10064/2006</b>	<b>Dart Industries Inc.;</b> 07-01NES, Cover, (US, 03 Aug 2005) 13 Jan 2006	<b>10120/2006</b>
<b>Anchor Wall Systems Inc.;</b> 25-01A, Retaining wall block (D8053), (US, 13 Jul 2005) 10 Jan 2006	<b>10065/2006</b>	<b>Decor Corporation Pty Ltd, The;</b> 07-07B, Mop bucket, 12 Jan 2006	<b>10096/2006</b>
<b>Anchor Wall Systems Inc.;</b> 25-01A, Retaining wall block (D8054), (US, 13 Jul 2005) 10 Jan 2006	<b>10066/2006</b>	<b>Del Valle, Catherine J.;</b> 11-01C, An event monitoring bracelet, (US, 03 Nov 2005) 11 Jan 2006	<b>10080/2006</b>
<b>Anchor Wall Systems Inc.;</b> 25-01A, Retaining wall block (D8055), (US, 13 Jul 2005) 10 Jan 2006	<b>10067/2006</b>	<b>Dioptics Medical Products, Inc.;</b> 16-06, Eyeglasses, (US, 21 Jul 2005) 10 Jan 2006	<b>10060/2006</b>
<b>Anchor Wall Systems Inc.;</b> 25-01A, Retaining wall block (D8056), 10 Jan 2006	<b>10068/2006</b>	<b>Elizabeth Cooper Pty Ltd;</b> 06-13B, 06-09, Coverband pillow-cushion cover, 12 Jan 2006	<b>10071/2006</b>
<b>Arrowcrest Group Pty Ltd;</b> 12-16A, A motor vehicle wheel, 11 Jan 2006	<b>10056/2006</b>	<b>Enviro Pak Pty Ltd;</b> 07-01C, Paper cups, 11 Jan 2006	<b>10078/2006</b>
<b>Arrowcrest Group Pty Ltd;</b> 12-16A, A motor vehicle wheel, 11 Jan 2006	<b>10057/2006</b>	<b>EDL Group Operations Pty Ltd;</b> 12-10, 12-16K, Transport frame, 17 Jan 2006	<b>10140/2006</b>
<b>Arrowcrest Group Pty Ltd;</b> 12-16A, A motor vehicle wheel, 11 Jan 2006	<b>10058/2006</b>	<b>Family Co., Ltd;</b> 06-06G, Footrest for a chair, (JP, 15 Jul 2005) 12 Jan 2006	<b>10081/2006</b>
<b>AstraZeneca AB;</b> 14-03NES, Device for communicating with a voice-disabled person, (US, 20 Jul 2005) 17 Jan 2006	<b>10138/2006</b>	<b>Family Co., Ltd;</b> 06-06G, Controller for a chair, (JP, 25 Jul 2005) 12 Jan 2006	<b>10083/2006</b>
<b>Autowide Pty Ltd;</b> 12-05, Mobile vehicle lift version 1, 11 Jan 2006	<b>10046/2006</b>	<b>Family Co., Ltd;</b> 06-01NES, Massage chair, (JP, 25 Jul 2005) 12 Jan 2006	<b>10082/2006</b>
<b>Bartlem Pty Ltd;</b> 08-03, 15-03B, Shredder wheel, (Divisional of 01348/2004) 17 Jan 2006	<b>10139/2006</b>	<b>FHP di R. Freudenberg S.a.s.;</b> 04-01, Cleaning element for brooms or brushes, (EM, 12 Jul 2005) 10 Jan 2006	<b>10047/2006</b>
<b>Bluescope Steel Limited;</b> 25-01G, Profiled decking sheet (of indefinite length), 17 Jan 2006	<b>10143/2006</b>	<b>FHP di R. Freudenberg S.a.s.;</b> 04-01, Cleaning element for brooms or brushes, (EM, 12 Jul 2005) 10 Jan 2006	<b>10050/2006</b>
<b>Braun GmbH;</b> 28-03A, Electric shaver, (EM, 13 Oct 2005) 13 Jan 2006	<b>10100/2006</b>	<b>GlaxoSmithKline Consumer Healthcare GmbH &amp; Co. KG;</b> 04-02, A toothbrush, (GB, 27 Jul 2005) 17 Jan 2006	<b>10141/2006</b>
<b>Butterworth, Valissa;</b> 25-01F, 25-01G, 25-01D, Wall panels, tiles, water features, 16 Jan 2006	<b>10098/2006</b>	<b>GMCA Pty Ltd;</b> 08-05N, Angle grinder power tool, (GB, 02 Dec 2005) 16 Jan 2006	<b>10116/2006</b>
<b>Callaway Golf Company;</b> 21-02C, Golf club head, (US, 12 Jul 2005) 12 Jan 2006	<b>10088/2006</b>	<b>GMCA Pty Ltd;</b> 08-05N, Electrical grinder power tool, (GB, 02 Dec 2005) 16 Jan 2006	<b>10117/2006</b>
<b>Dart Industries Inc.;</b> 07-01C, Cup, (US, 03 Aug 2005) 13 Jan 2006	<b>10121/2006</b>	<b>Honda Motor Co., Ltd;</b> 12-16B, A rear gate for an automobile, (JP, 13 Jul 2005) 13 Jan 2006	<b>10105/2006</b>

<b>Honda Motor Co., Ltd;</b> 12-16B, A bonnet for an automobile, (JP, 19 Jul 2005) 13 Jan 2006	<b>10106/2006</b>	<b>Koninklijke Philips Electronics N.V.;</b> 14-03NES, Remote control unit, (EM, 22 Jul 2005) 17 Jan 2006	<b>10147/2006</b>
<b>Honda Motor Co., Ltd;</b> 12-16B, A fender for an automobile, (JP, 19 Jul 2005) 13 Jan 2006	<b>10107/2006</b>	<b>Kraft Foods Holdings, Inc.;</b> 09-01NES, Bottle, (US, 22 Jul 2005) 16 Jan 2006	<b>10128/2006</b>
<b>Honda Motor Co., Ltd;</b> 12-16C, A rear bumper for an automobile, (JP, 19 Jul 2005) 13 Jan 2006	<b>10108/2006</b>	<b>KHN Solutions LLC;</b> 10-04, A breathalyser, (US, 15 Jul 2005) 10 Jan 2006	<b>10059/2006</b>
<b>Honda Motor Co., Ltd;</b> 12-16C, A front bumper for an automobile, (JP, 19 Jul 2005) 13 Jan 2006	<b>10109/2006</b>	<b>Lock Focus Pty Ltd;</b> 08-07, A latch lock, 10 Jan 2006	<b>10061/2006</b>
<b>Honda Motor Co., Ltd;</b> 26-06, A rear combination lamp for an automobile, (JP, 13 Jul 2005) 13 Jan 2006	<b>10110/2006</b>	<b>Luckie Fitzpatrick Pty Ltd;</b> 03-01C, CD/DVD deck of card packaging - combined, 16 Jan 2006	<b>10130/2006</b>
<b>Honda Motor Co., Ltd;</b> 26-06, A front combination lamp for an automobile, (JP, 13 Jul 2005) 13 Jan 2006	<b>10111/2006</b>	<b>Martino, Francesco Antonio;</b> 25-03, A transportable building, 11 Jan 2006	<b>10054/2006</b>
<b>Honda Motor Co., Ltd;</b> 12-16B, A grill for an automobile, (JP, 13 Jul 2005) 13 Jan 2006	<b>10112/2006</b>	<b>Martino, Francesco Antonio;</b> 25-03, A transportable building, 11 Jan 2006	<b>10055/2006</b>
<b>Honda Motor Co., Ltd;</b> 12-16B, A grill for an automobile, (JP, 13 Jul 2005) 13 Jan 2006	<b>10113/2006</b>	<b>Measey, Brain;</b> 25-01A, Building clip for locating building blocks, 13 Jan 2006	<b>10094/2006</b>
<b>Honda Motor Co., Ltd;</b> 12-16C, A front bumper for an automobile, (JP, 19 Jul 2005) 13 Jan 2006	<b>10114/2006</b>	<b>Microsoft Corporation;</b> 14-02, Keyboard, (US, 11 Jul 2005) 10 Jan 2006	<b>10051/2006</b>
<b>Honda Motor Co., Ltd;</b> 12-08, An automobile, (JP, 22 Jul 2005) 13 Jan 2006	<b>10104/2006</b>	<b>NSR Peas Pty Ltd;</b> 06-01L, Chair, 16 Jan 2006	<b>10131/2006</b>
<b>Ilid Pty Ltd;</b> 06-04NES, Stripgrabber, 13 Jan 2006	<b>10093/2006</b>	<b>NSR Peas Pty Ltd;</b> 06-01L, 06-01H, Chair, 16 Jan 2006	<b>10132/2006</b>
<b>Industrial Galvanizers Corporation Pty Limited;</b> 25-02A, Post cap, 13 Jan 2006	<b>10103/2006</b>	<b>NSR Peas Pty Ltd;</b> 06-01L, 06-01H, Chair, 16 Jan 2006	<b>10133/2006</b>
<b>Industrial Galvanizers Corporation Pty Limited;</b> 25-02A, Post cap, 13 Jan 2006	<b>10102/2006</b>	<b>NSR Peas Pty Ltd;</b> 06-01NES, 06-01H, Chair, 16 Jan 2006	<b>10134/2006</b>
<b>IBC Solutions (Australia) Pty Ltd;</b> 08-08L, A pivotal bracket, 13 Jan 2006	<b>10095/2006</b>	<b>NSR Peas Pty Ltd;</b> 06-01NES, 06-01L, Chair, 16 Jan 2006	<b>10135/2006</b>
<b>JohnsonDiversey, Inc.;</b> 23-01A, 23-02A, Housing adapted to couple a soap pump to a soap container, (US, 20 Jul 2005) 12 Jan 2006	<b>10089/2006</b>	<b>O'Sullivan Industries Inc.;</b> 13-03NES, Power and communication hub, (US, 10 Oct 2003) 31 Mar 2004	<b>14050/2005</b>
<b>JohnsonDiversey, Inc.;</b> 04-01, Mop with a receptacle, (US, 14 Jul 2005) 12 Jan 2006	<b>10085/2006</b>	<b>O'Sullivan Industries Inc.;</b> 13-03NES, Power and communication hub, (US, 10 Oct 2003) 31 Mar 2004	<b>14051/2005</b>
<b>JohnsonDiversey, Inc.;</b> 04-01, Mop with a receptacle, (US, 14 Jul 2005) 12 Jan 2006	<b>10086/2006</b>	<b>Osland, Jeff;</b> 06-01H, Coffee and chat seat, 05 Jan 2006	<b>10027/2006</b>
<b>JohnsonDiversey, Inc.;</b> 04-01, Mop with a receptacle, (US, 14 Jul 2005) 12 Jan 2006	<b>10087/2006</b>	<b>Otto Bock HealthCare IP GmbH &amp; Co. KG;</b> 12-12, Wheel chair for disabled persons, (DE, 08 Aug 2005) 12 Jan 2006	<b>10084/2006</b>
<b>Koninklijke Philips Electronics N.V.;</b> 26-03, Floodlight luminaire, (EM, 20 Jul 2005) 16 Jan 2006	<b>10129/2006</b>	<b>Pagliarini, Raffaele;</b> 12-16P, Anchor, 10 Jan 2006	<b>10070/2006</b>
<b>Koninklijke Philips Electronics N.V.;</b> 14-03NES, Remote control unit, (EM, 22 Jul 2005) 17 Jan 2006	<b>10146/2006</b>	<b>Paramount International Trading Pty Ltd;</b> 02-02C, Pants, 18 Jan 2006	<b>10144/2006</b>
		<b>Paramount International Trading Pty Ltd;</b> 02-02B, 02-02C, Overalls, 18 Jan 2006	<b>10145/2006</b>
		<b>Pi-Design AG;</b> 07-01NES, 07-07A, Ice bucket, (DK, 14 Jul 2005) 12 Jan 2006	<b>10091/2006</b>
		<b>Pi-Design AG;</b> 07-01NES, Storage jar, (DK, 14 Jul 2005) 12 Jan 2006	<b>10092/2006</b>

<b>Procter &amp; Gamble Company, The;</b> 09-01NES, 09-01G, Container, (US, 21 Jul 2005) 13 Jan 2006	<b>10119/2006</b>	<b>Societe Bic;</b> 19-06, Writing instrument with cap, (EM, 22 Jul 2005) 17 Jan 2006	<b>10142/2006</b>
<b>Provo Craft and Novelty, Inc.;</b> 18-04, Electronic cutter, (US, 14 Jul 2005) 11 Jan 2006	<b>10072/2006</b>	<b>Sportsstuff, Inc.;</b> 21-02D, Inflatable towable water kite, (US, 02 Nov 2005) 13 Jan 2006	<b>10118/2006</b>
<b>Provo Craft and Novelty, Inc.;</b> 18-04, Electronic cutter, (US, 14 Jul 2005) 11 Jan 2006	<b>10073/2006</b>	<b>The Timberland Company;</b> 02-04NES, Shoe, (US, 15 Jul 2005) 11 Jan 2006	<b>10079/2006</b>
<b>Provo Craft and Novelty, Inc.;</b> 18-04, Cartridge for electronic cutter, (US, 14 Jul 2005) 11 Jan 2006	<b>10074/2006</b>	<b>Timmis, Rebecca Kathleen;</b> 06-13B, 06-09, Shopping trolley seat or capsule (shopping trolley), 16 Jan 2006	<b>10124/2006</b>
<b>Provo Craft and Novelty, Inc.;</b> 18-04, Cartridge for electronic cutter, (US, 14 Jul 2005) 11 Jan 2006	<b>10075/2006</b>	<b>Timmis, Rebecca Kathleen;</b> 06-13B, 06-13NES, Childs car seat, booster seat, 16 Jan 2006	<b>10125/2006</b>
<b>Provo Craft and Novelty, Inc.;</b> 18-04, Electronic cutter, (US, 14 Jul 2005) 11 Jan 2006	<b>10076/2006</b>	<b>Timmis, Rebecca Kathleen;</b> 06-13B, 06-13NES, 06-09, Child's car seat, booster seat, 16 Jan 2006	<b>10126/2006</b>
<b>Provo Craft and Novelty, Inc.;</b> 18-04, Electronic cutter, (US, 14 Jul 2005) 11 Jan 2006	<b>10077/2006</b>	<b>Unilever PLC;</b> 09-01G, 09-01NES, Combined bottle and cap, (US, 26 Jul 2005) 17 Jan 2006	<b>10127/2006</b>
<b>Reckitt Benckiser Inc.;</b> 09-01NES, Bottle, (EM, 12 Aug 2005) 10 Jan 2006	<b>10052/2006</b>	<b>Unilever PLC;</b> 09-01G, 09-01NES, Combined bottle and cap, (US, 26 Jul 2005) 13 Jan 2006	<b>10101/2006</b>
<b>Reckitt Benckiser Inc.;</b> 09-01NES, Bottle, (EM, 12 Aug 2005) 10 Jan 2006	<b>10053/2006</b>	<b>Vector Products, Inc.;</b> 13-03NES, DC and AC energy supply powered through cigarette lighter adaptor, (US, 11 Jan 2005) 11 Jul 2005	<b>10099/2006</b>
<b>Robert Bosch GmbH;</b> 08-05N, Protection hood for angle grinder, (DE, 05 Oct 2005) 10 Jan 2006	<b>10062/2006</b>	<b>Vinecombe, Barbara Jean;</b> 19-01, Greeting card, 13 Jan 2006	<b>10115/2006</b>
<b>Robert Bosch GmbH;</b> 08-05N, Protection hood for angle grinder, (DE, 30 Sep 2005) 10 Jan 2006	<b>10063/2006</b>	<b>Wang, King-Yuan;</b> 23-01D, Watering nozzle, (TW, 23 Dec 2005) 09 Jan 2006	<b>10136/2006</b>
<b>Samsonite Corporation;</b> 03-01A, Upright luggage case, (US, 23 May 2005) 10 Nov 2005	<b>14983/2005</b>	<b>Wang, King-Yuan;</b> 23-01D, Watering nozzle, (TW, 23 Dec 2005) 09 Jan 2006	<b>10137/2006</b>
<b>Samsonite Corporation;</b> 03-01A, Upright luggage case, (US, 05 Aug 2005) 12 Jan 2006	<b>10097/2006</b>	<b>Yamaha Hatsudoki Kabushiki Kaisha;</b> 12-11, Motorcycle, (JP, 29 Aug 2005) 10 Jan 2006	<b>10048/2006</b>
<b>Sheldon and Hammond Pty Ltd;</b> 07-99NES, A knife block, 12 Jan 2006	<b>10090/2006</b>	<b>Yamaha Hatsudoki Kabushiki Kaisha;</b> 12-11, Motorcycle, (JP, 29 Aug 2005) 10 Jan 2006	<b>10049/2006</b>

**Applications Lapsed**

14539 / 2004 (09-01NES)	15468 / 2004 (25-01K)	12245 / 2005 (07-02L)	12252 / 2005 (23-03E)
15861 / 2004 (23-01NES)	15862 / 2004 (23-01NES)	12278 / 2005 (02-04C)	12319 / 2005 (08-06)
15863 / 2004 (23-01NES)	15864 / 2004 (23-01NES)	12339 / 2005 (07-01NES)	12340 / 2005 (07-01NES)
15865 / 2004 (23-01NES)	11007 / 2005 (21-01NES)	12401 / 2005 (21-01NES)	12415 / 2005 (23-01NES)
11096 / 2005 (06-07)	11155 / 2005 (08-07)	12453 / 2005 (12-16K)	12454 / 2005 (08-08M)
11259 / 2005 (06-11)	11678 / 2005 (02-02C)	12476 / 2005 (09-03L)	12517 / 2005 (03-01A)
11822 / 2005 (22-03)	11823 / 2005 (19-02)	12521 / 2005 (09-04)	12537 / 2005 (07-02N)
11846 / 2005 (09-01H)	11903 / 2005 (09-03L)	12538 / 2005 (07-01B)	12539 / 2005 (07-01B)
12148 / 2005 (12-02)	12149 / 2005 (12-02)	12540 / 2005 (07-01B)	12558 / 2005 (02-02B)
12183 / 2005 (25-03)	12185 / 2005 (19-02)	12559 / 2005 (02-02B)	12583 / 2005 (15-02)
12219 / 2005 (14-03E)	12232 / 2005 (24-04)	12639 / 2005 (19-08)	12841 / 2005 (25-02C)
12233 / 2005 (24-04)	12234 / 2005 (07-06A)	12842 / 2005 (25-02C)	12983 / 2005 (12-02)

12984 / 2005 (12-02)	13026 / 2005 (02-07A)
13027 / 2005 (02-07A)	13028 / 2005 (02-07A)
13029 / 2005 (02-07A)	13030 / 2005 (02-07A)
13031 / 2005 (02-04NES)	13032 / 2005 (02-04NES)
13033 / 2005 (02-04NES)	13034 / 2005 (02-04NES)
13035 / 2005 (02-04NES)	13036 / 2005 (02-04NES)
13198 / 2005 (08-08NES)	13281 / 2005 (21-01M)
13729 / 2005 (03-01C)	13730 / 2005 (03-01C)
14428 / 2005 (22-05)	14511 / 2005 (21-01L)
14684 / 2005 (09-03K)	14748 / 2005 (23-01E)
14749 / 2005 (23-01E)	14802 / 2005 (07-01D)
14803 / 2005 (06-03A)	14804 / 2005 (06-03A)
14805 / 2005 (06-03A)	14806 / 2005 (06-01F)
14807 / 2005 (06-01G)	14808 / 2005 (06-01G)
14809 / 2005 (06-03A)	14810 / 2005 (07-01B)
14811 / 2005 (06-03A)	14812 / 2005 (06-01F)
14862 / 2005 (06-04NES)	14863 / 2005 (08-01)
14864 / 2005 (08-01)	14865 / 2005 (08-01)
14866 / 2005 (08-05P)	14872 / 2005 (09-03H)
14878 / 2005 (26-05NES)	14879 / 2005 (26-05NES)
15004 / 2005 (10-06)	15005 / 2005 (19-08)
15006 / 2005 (19-08)	15007 / 2005 (19-08)
15008 / 2005 (19-08)	15009 / 2005 (19-08)
15010 / 2005 (19-08)	15011 / 2005 (19-08)
15012 / 2005 (19-08)	

**Applications for Extension of time under Section 137**

303630	( Aluminium Extrusion and Distribution Pty Limited ) Crane Enfield Metals Pty Ltd
303631	( Aluminium Extrusion and Distribution Pty Limited ) Crane Enfield Metals Pty Ltd

Applications under section 137 for extension of time have been lodged. Objections must be lodged within 1 month from the date of this journal.

12634/2005 **Jacobsen Facade Systems Limited** Address for Service: A J Park Level 11 60 Marcus-Clarke Street CANBERRA ACT 2601

12635/2005 **Jacobsen Facade Systems Limited** Address for Service: A J Park Level 11 60 Marcus-Clarke Street CANBERRA ACT 2601

12636/2005 **Jacobsen Facade Systems Limited** Address for Service: A J Park Level 11 60 Marcus-Clarke Street CANBERRA ACT 2601

12637/2005 **Jacobsen Facade Systems Limited** Address for Service: A J Park Level 11 60 Marcus-Clarke Street CANBERRA ACT 2601

12638/2005 **Jacobsen Facade Systems Limited** Address for Service: A J Park Level 11 60 Marcus-Clarke Street CANBERRA ACT 2601

**Extensions of time granted under Section 137**

Applications lodged under section 137 for extension of time have been granted.

15275/2004 **Design Ideas Ltd**

12598/2005 **Illinois Tool Works Inc.**

13339/2005 **Loulita Montero**

13448/2005 **Feltex Carpets Pty Ltd**

13576/2005 **Feltex Carpets Pty Ltd**

13577/2005 **Feltex Carpets Pty Ltd**

14428/2005 **Stewart Cattermoul**

14684/2005 **Metro Mushrooms Pty Limited**

**Subsequent Owners Registered**

(The name in parentheses is that of the subsequent owner)

300652	( Sandvik Intellectual Property AB ) Sandvik Intellectual Property HB
303632	( Aluminium Extrusion and Distribution Pty Limited ) Crane Enfield Metals Pty Ltd
300683	( Aluminium Extrusion and Distribution Pty Limited ) Crane Enfield Metals Pty Ltd
300935	( Aluminium Extrusion and Distribution Pty Limited ) Crane Enfield Metals Pty Ltd
300936	( Aluminium Extrusion and Distribution Pty Limited ) Crane Enfield Metals Pty Ltd
300937	( Aluminium Extrusion and Distribution Pty Limited ) Crane Enfield Metals Pty Ltd
301916	( Aluminium Extrusion and Distribution Pty Limited ) Crane Enfield Metals Pty Ltd



**Corrigenda**

Number 302129

In Vol 19 , No 13 , page 1762 under the heading **Australian Registered Design**; (62) Divisional of: 157619 should appear.

**Certificate(s) of Examination**

Examination of the following Design Registration(s) has been completed. Infringement proceedings may now be commenced.

300251	08-01	25/01/2006
300252	08-01	25/01/2006
300253	08-01	25/01/2006
300381	20-03C	19/01/2006
300463	13-03NES	19/01/2006
301022	23-02F	19/01/2006
301024	23-02F	19/01/2006
302291	08-01	23/01/2006
302292	08-01	23/01/2006
302826	28-99	23/01/2006
302827	28-99	23/01/2006
302930	06-01D	24/01/2006
302954	08-08NES	20/01/2006
302970	08-08NES	24/01/2006
303011	08-01	25/01/2006
303082	03-01D	17/01/2006
303083	03-01D	17/01/2006
303091	09-01K	17/01/2006
303096	09-01G	17/01/2006
303164	26-02	24/01/2006
303165	26-02	24/01/2006
303237	03-01D	17/01/2006

**Publication and Registration Proceedings**

**Designs Registered**

This section provides a concordance between design number and registration number of Designs covered in this journal. It also shows the main class and registration date.

This section covers Registration numbers 304913 to 305148 .

The registration number shown below should be used in all future correspondence.

Design Number	Registration Number	International Classification Code (IDC)	Registration Date	Design Number	Registration Number	International Classification Code (IDC)	Registration Date
13032/2004	305071	24-04	19/01/2006	10813/2005	305013	11-02NES	17/01/2006
14515/2004	305073	23-02C	19/01/2006	10814/2005	305014	11-02NES	17/01/2006
14516/2004	305074	23-02C	19/01/2006	10848/2005	305015	21-02F	17/01/2006
14517/2004	305075	23-02C	19/01/2006	10850/2005	305032	14-03E	18/01/2006
14915/2004	304966	14-01	17/01/2006	11010/2005	305115	08-07	20/01/2006
15678/2004	304956	23-01H	17/01/2006	11012/2005	305133	12-10	24/01/2006
15679/2004	304957	23-01H	17/01/2006	11013/2005	305134	12-10	24/01/2006
15680/2004	304958	23-01H	17/01/2006	11015/2005	305135	14-03A	24/01/2006
15681/2004	304959	23-01H	17/01/2006	11016/2005	305136	14-03A	24/01/2006
10313/2005	305113	13-03NES	20/01/2006	11021/2005	305116	23-01G	20/01/2006
10461/2005	304996	02-03	17/01/2006	11023/2005	305033	08-05F	18/01/2006
10462/2005	304976	02-03	17/01/2006	11024/2005	305034	31-00	18/01/2006
10463/2005	304977	02-03	17/01/2006	11031/2005	305137	14-03E	24/01/2006
10467/2005	304978	20-02C	17/01/2006	11036/2005	305138	24-04	24/01/2006
10469/2005	304997	23-04	17/01/2006	11037/2005	305117	15-03NES	20/01/2006
10475/2005	304979	06-01NES	17/01/2006	11042/2005	304961	26-05NES	17/01/2006
10476/2005	304980	04-04	17/01/2006	11054/2005	304962	13-03NES	17/01/2006
10477/2005	304981	24-04	17/01/2006	11061/2005	305035	04-04	18/01/2006
10478/2005	304982	01-06	17/01/2006	11062/2005	305036	07-02B	18/01/2006
10480/2005	304983	25-01A	17/01/2006	11066/2005	305037	31-00	18/01/2006
10481/2005	304999	25-01A	17/01/2006	11067/2005	305139	09-03L	24/01/2006
10482/2005	305000	25-01A	17/01/2006	11085/2005	305140	16-99	24/01/2006
10497/2005	305001	14-01	17/01/2006	11086/2005	305141	28-99	24/01/2006
10498/2005	305002	14-01	17/01/2006	11089/2005	305142	07-06C	24/01/2006
10520/2005	304933	08-07	16/01/2006	11090/2005	305143	14-03B	24/01/2006
10534/2005	304984	12-02	17/01/2006	11143/2005	305118	23-04	20/01/2006
10535/2005	304985	15-99	17/01/2006	11144/2005	305119	23-04	20/01/2006
10540/2005	304986	08-08L	17/01/2006	11151/2005	304963	08-05N	17/01/2006
10551/2005	304987	09-07C	17/01/2006	11152/2005	304964	08-03	17/01/2006
10552/2005	304988	09-07C	17/01/2006	11153/2005	304965	08-01	17/01/2006
10553/2005	304989	09-07C	17/01/2006	11176/2005	305120	15-07	20/01/2006
10554/2005	304990	09-01NES	17/01/2006	11177/2005	305121	15-07	20/01/2006
10555/2005	304991	09-01A	17/01/2006	11178/2005	305144	15-07	24/01/2006
10556/2005	304992	09-01NES	17/01/2006	11179/2005	305145	07-02A	24/01/2006
10581/2005	305003	14-03E	17/01/2006	11182/2005	305146	14-03E	24/01/2006
10640/2005	304993	09-01K	17/01/2006	11183/2005	305147	14-03A	24/01/2006
10641/2005	305031	09-01K	18/01/2006	11184/2005	305148	09-01NES	24/01/2006
10706/2005	305114	07-01NES	20/01/2006	11253/2005	304967	25-01NES	17/01/2006
10710/2005	305040	16-06	18/01/2006	11254/2005	304968	25-01NES	17/01/2006
10711/2005	305041	16-06	18/01/2006	11276/2005	304969	21-03	17/01/2006
10766/2005	305004	06-04B	17/01/2006	11277/2005	304970	21-03	17/01/2006
10767/2005	305005	06-03A	17/01/2006	11279/2005	305122	06-01F	20/01/2006
10768/2005	305006	06-03A	17/01/2006	11333/2005	305096	10-02	20/01/2006
10769/2005	305007	06-04NES	17/01/2006	11335/2005	305097	10-02	20/01/2006
10770/2005	305008	06-04NES	17/01/2006	11336/2005	305098	11-01NES	20/01/2006
10771/2005	305009	06-04D	17/01/2006	11337/2005	305099	10-02	20/01/2006
10772/2005	305010	06-04D	17/01/2006	11338/2005	305123	25-01NES	20/01/2006
10774/2005	304994	19-02	17/01/2006	11339/2005	305100	25-02G	20/01/2006
10776/2005	304995	08-08NES	17/01/2006	11340/2005	305101	25-02G	20/01/2006
10777/2005	304998	08-08NES	17/01/2006	11341/2005	305102	25-02G	20/01/2006
10807/2005	305011	25-01NES	17/01/2006	11342/2005	304971	18-01	17/01/2006
10810/2005	305095	11-99	20/01/2006	11343/2005	305124	15-05	20/01/2006
10812/2005	305012	21-02C	17/01/2006	11345/2005	305103	08-08A	20/01/2006

Publication and Registration Proceedings - Designs Registered cont'd

Design Number	Registration Number	International Classification Code (IDC)	Registration Date	Design Number	Registration Number	International Classification Code (IDC)	Registration Date
11346/2005	305104	08-08A	20/01/2006	13172/2005	305067	07-01C	19/01/2006
11360/2005	305105	31-00	20/01/2006	13173/2005	305068	07-01C	19/01/2006
11361/2005	305106	31-00	20/01/2006	13174/2005	305069	07-01C	19/01/2006
11362/2005	305107	15-05	20/01/2006	13175/2005	305070	07-01C	19/01/2006
11363/2005	305108	04-01	20/01/2006	13181/2005	305045	06-01E	18/01/2006
11365/2005	305109	15-05	20/01/2006	13271/2005	304939	09-07B	16/01/2006
11367/2005	304972	24-02	17/01/2006	13272/2005	304940	09-07C	16/01/2006
11368/2005	305125	24-02	20/01/2006	13273/2005	304941	09-07C	16/01/2006
11369/2005	305126	24-02	20/01/2006	13274/2005	304942	20-02NES	16/01/2006
11370/2005	305127	09-01G	20/01/2006	13275/2005	304943	20-02NES	16/01/2006
11386/2005	304913	11-02E	13/01/2006	13280/2005	304944	07-01NES	16/01/2006
11453/2005	305110	25-01E	20/01/2006	13332/2005	305023	14-03E	19/01/2006
11531/2005	304934	21-02C	16/01/2006	13333/2005	305024	14-03E	19/01/2006
11589/2005	305076	06-04B	19/01/2006	13338/2005	305025	07-01C	19/01/2006
11599/2005	305111	23-02A	20/01/2006	13341/2005	305026	07-05D	19/01/2006
11600/2005	305051	07-05D	19/01/2006	13376/2005	305046	23-01F	18/01/2006
11601/2005	305052	04-02	19/01/2006	13377/2005	305047	23-01F	18/01/2006
11602/2005	305053	07-05D	19/01/2006	13394/2005	304945	09-01G	16/01/2006
11603/2005	305112	08-08G	20/01/2006	13404/2005	304946	09-07A	16/01/2006
11604/2005	305054	23-02F	19/01/2006	13405/2005	304947	09-07A	16/01/2006
11605/2005	305055	07-05D	19/01/2006	13421/2005	305048	02-04NES	18/01/2006
11606/2005	305056	07-05D	19/01/2006	13422/2005	305049	02-04NES	18/01/2006
11607/2005	305057	07-05D	19/01/2006	13432/2005	305027	09-01NES	19/01/2006
11608/2005	305058	07-05D	19/01/2006	13465/2005	304948	99-00	16/01/2006
11610/2005	305059	23-02A	19/01/2006	13475/2005	305028	10-04	19/01/2006
11611/2005	305060	07-05D	19/01/2006	13476/2005	305029	08-01	19/01/2006
11612/2005	305061	07-05D	19/01/2006	13477/2005	305050	08-06	18/01/2006
11613/2005	305062	07-05D	19/01/2006	13481/2005	304949	25-01K	16/01/2006
11614/2005	305063	06-04A	19/01/2006	13484/2005	304915	26-06	13/01/2006
11615/2005	305064	23-02F	19/01/2006	13485/2005	304916	26-06	13/01/2006
11616/2005	305065	23-02A	19/01/2006	13486/2005	304917	26-06	13/01/2006
11617/2005	305066	08-08G	19/01/2006	13488/2005	304918	12-08	13/01/2006
11760/2005	305042	09-03C	18/01/2006	13489/2005	304919	26-06	13/01/2006
11972/2005	304973	13-03B	17/01/2006	13490/2005	304920	26-06	13/01/2006
12020/2005	304974	09-01K	17/01/2006	13491/2005	304921	26-06	13/01/2006
12207/2005	304935	23-03A	16/01/2006	13492/2005	304922	26-06	13/01/2006
12222/2005	305016	09-03NES	19/01/2006	13493/2005	304923	26-06	13/01/2006
12266/2005	305017	22-06	19/01/2006	13494/2005	304924	12-08	13/01/2006
12317/2005	305038	06-04NES	18/01/2006	13495/2005	304925	12-08	13/01/2006
12351/2005	305018	19-06	19/01/2006	13496/2005	304950	09-07A	16/01/2006
12352/2005	305019	19-06	19/01/2006	13497/2005	304951	04-02	16/01/2006
12364/2005	305039	12-16A	18/01/2006	13498/2005	304952	04-02	16/01/2006
12405/2005	305020	24-01	19/01/2006	13500/2005	304953	09-01NES	16/01/2006
12446/2005	304936	02-03	16/01/2006	13502/2005	304954	12-15C	16/01/2006
12456/2005	304914	21-02A	13/01/2006	13505/2005	304955	21-01H	16/01/2006
12507/2005	304937	20-02E	16/01/2006	13533/2005	305079	22-05	19/01/2006
12508/2005	304938	20-02E	16/01/2006	13538/2005	305080	08-08NES	19/01/2006
12548/2005	305077	21-03	19/01/2006	13539/2005	305081	08-08NES	19/01/2006
12588/2005	305043	12-05	18/01/2006	13540/2005	305082	08-08NES	19/01/2006
12589/2005	305044	12-05	18/01/2006	13541/2005	305083	31-00	19/01/2006
12593/2005	305021	03-01D	19/01/2006	13542/2005	305084	04-02	19/01/2006
12598/2005	305128	08-05NES	20/01/2006	13543/2005	305085	04-02	19/01/2006
12612/2005	305129	25-01A	20/01/2006	13556/2005	305086	09-01NES	19/01/2006
12613/2005	305130	25-01A	20/01/2006	13561/2005	305087	12-15A	19/01/2006
12614/2005	305131	25-01A	20/01/2006	13562/2005	305088	10-04	19/01/2006
12959/2005	304975	06-01H	17/01/2006	13568/2005	305089	28-03B	19/01/2006
13007/2005	305022	13-03D	19/01/2006	13569/2005	305090	28-03B	19/01/2006
13021/2005	305078	06-02	19/01/2006	13571/2005	305091	23-02NES	19/01/2006

Publication and Registration Proceedings - Designs Registered cont'd

Design Number	Registration Number	International Classification Code (IDC)	Registration Date	Design Number	Registration Number	International Classification Code (IDC)	Registration Date
13591/2005	305132	25-01B	20/01/2006	15556/2005	304928	28-03A	16/01/2006
13943/2005	305094	19-06	20/01/2006	15557/2005	304929	28-03A	16/01/2006
13986/2005	305072	12-16P	19/01/2006	15558/2005	304930	28-03A	16/01/2006
14257/2005	305030	12-05	19/01/2006	15559/2005	304931	28-03A	16/01/2006
15003/2005	305092	09-02A	19/01/2006	15561/2005	304932	28-03A	16/01/2006
15051/2005	304926	18-04	16/01/2006	10078/2006	304960	07-01C	17/01/2006
15052/2005	304927	18-04	16/01/2006	10138/2006	305093	14-03NES	20/01/2006

**Publication and Registration Proceedings**  
**Class Listing of Designs Published or Registered**

The following section shows an International Classification Code listing of the Registered or Published Designs covered in this supplement.

<b>Classification</b>	<b>Registration Number</b>	<b>Design Number</b>	<b>Classification</b>	<b>Registration Number</b>	<b>Design Number</b>
01-06	304982	10478/2005	07-05 E	305108	11363/2005
02-03	304936	12446/2005	07-06 C	305142	11089/2005
02-03	304976	10462/2005	08-01	304965	11153/2005
02-03	304977	10463/2005	08-01	305029	13476/2005
02-03	304996	10461/2005	08-03	304964	11152/2005
02-04 NES	305048	13421/2005	08-05 F	305033	11023/2005
02-04 NES	305049	13422/2005	08-05 N	304963	11151/2005
03-01 D	305021	12593/2005	08-05 NES	305128	12598/2005
03-01 NES	305021	12593/2005	08-06	305050	13477/2005
03-01 NES	305140	11085/2005	08-06	305115	11010/2005
04-01	305108	11363/2005	08-07	304933	10520/2005
04-02	304951	13497/2005	08-07	305115	11010/2005
04-02	304952	13498/2005	08-08 A	305103	11345/2005
04-02	305052	11601/2005	08-08 A	305104	11346/2005
04-02	305084	13542/2005	08-08 D	305033	11023/2005
04-02	305085	13543/2005	08-08 G	305066	11617/2005
04-04	304980	10476/2005	08-08 G	305112	11603/2005
04-04	305035	11061/2005	08-08 L	304986	10540/2005
06-01 E	305045	13181/2005	08-08 NES	304995	10776/2005
06-01 F	305122	11279/2005	08-08 NES	304998	10777/2005
06-01 H	304975	12959/2005	08-08 NES	305080	13538/2005
06-01 NES	304979	10475/2005	08-08 NES	305081	13539/2005
06-02	305078	13021/2005	08-08 NES	305082	13540/2005
06-03 A	305005	10767/2005	09-01 A	304991	10555/2005
06-03 A	305006	10768/2005	09-01 G	304945	13394/2005
06-03 A	305038	12317/2005	09-01 G	305127	11370/2005
06-04 A	305063	11614/2005	09-01 K	304974	12020/2005
06-04 B	305004	10766/2005	09-01 K	304993	10640/2005
06-04 B	305076	11589/2005	09-01 K	305031	10641/2005
06-04 D	305009	10771/2005	09-01 NES	304953	13500/2005
06-04 D	305010	10772/2005	09-01 NES	304990	10554/2005
06-04 F	305078	13021/2005	09-01 NES	304992	10556/2005
06-04 NES	305007	10769/2005	09-01 NES	305027	13432/2005
06-04 NES	305008	10770/2005	09-01 NES	305086	13556/2005
06-04 NES	305038	12317/2005	09-01 NES	305148	11184/2005
07-01 C	304960	10078/2006	09-02 A	305092	15003/2005
07-01 C	305025	13338/2005	09-03 C	305042	11760/2005
07-01 C	305067	13172/2005	09-03 L	305139	11067/2005
07-01 C	305068	13173/2005	09-03 NES	305016	12222/2005
07-01 C	305069	13174/2005	09-07 A	304946	13404/2005
07-01 C	305070	13175/2005	09-07 A	304947	13405/2005
07-01 NES	304944	13280/2005	09-07 A	304950	13496/2005
07-01 NES	305114	10706/2005	09-07 B	304939	13271/2005
07-02 A	305145	11179/2005	09-07 C	304940	13272/2005
07-02 B	305036	11062/2005	09-07 C	304941	13273/2005
07-02 L	305037	11066/2005	09-07 C	304987	10551/2005
07-05 D	305026	13341/2005	09-07 C	304988	10552/2005
07-05 D	305051	11600/2005	09-07 C	304989	10553/2005
07-05 D	305053	11602/2005	10-02	305096	11333/2005
07-05 D	305055	11605/2005	10-02	305097	11335/2005
07-05 D	305056	11606/2005	10-02	305099	11337/2005
07-05 D	305057	11607/2005	10-04	305028	13475/2005
07-05 D	305058	11608/2005	10-04	305088	13562/2005
07-05 D	305060	11611/2005	10-05	304962	11054/2005
07-05 D	305061	11612/2005	10-07	305097	11335/2005
07-05 D	305062	11613/2005	11-01 NES	305098	11336/2005

Registration Proceedings - Class Listing of Designs Published or Registered cont'd

Classification	Registration Number	Design Number	Classification	Registration Number	Design Number
11-02 E	304913	11386/2005	20-02 E	304938	12508/2005
11-02 E	305042	11760/2005	20-02 NES	304942	13274/2005
11-02 NES	305013	10813/2005	20-02 NES	304943	13275/2005
11-02 NES	305014	10814/2005	21-01 H	304955	13505/2005
11-99	305095	10810/2005	21-02 A	304914	12456/2005
12-02	304984	10534/2005	21-02 C	304934	11531/2005
12-05	304985	10535/2005	21-02 C	305012	10812/2005
12-05	305030	14257/2005	21-02 F	305015	10848/2005
12-05	305043	12588/2005	21-03	304969	11276/2005
12-05	305044	12589/2005	21-03	304970	11277/2005
12-08	304918	13488/2005	21-03	305077	12548/2005
12-08	304924	13494/2005	22-05	305079	13533/2005
12-08	304925	13495/2005	22-06	305017	12266/2005
12-10	305133	11012/2005	23-01 F	305046	13376/2005
12-10	305134	11013/2005	23-01 F	305047	13377/2005
12-15 A	305087	13561/2005	23-01 F	305092	15003/2005
12-15 C	304954	13502/2005	23-01 G	305116	11021/2005
12-16 A	305039	12364/2005	23-01 H	304956	15678/2004
12-16 P	305072	13986/2005	23-01 H	304957	15679/2004
13-03 B	304973	11972/2005	23-01 H	304958	15680/2004
13-03 D	305022	13007/2005	23-01 H	304959	15681/2004
13-03 NES	304962	11054/2005	23-02 A	305059	11610/2005
13-03 NES	305113	10313/2005	23-02 A	305062	11613/2005
14-01	304966	14915/2004	23-02 A	305065	11616/2005
14-01	305001	10497/2005	23-02 A	305111	11599/2005
14-01	305002	10498/2005	23-02 C	305073	14515/2004
14-02	305076	11589/2005	23-02 C	305074	14516/2004
14-03 A	305135	11015/2005	23-02 C	305075	14517/2004
14-03 A	305136	11016/2005	23-02 F	305054	11604/2005
14-03 A	305147	11183/2005	23-02 F	305064	11615/2005
14-03 B	305143	11090/2005	23-02 NES	305091	13571/2005
14-03 E	305003	10581/2005	23-03 A	304935	12207/2005
14-03 E	305023	13332/2005	23-03 B	304935	12207/2005
14-03 E	305024	13333/2005	23-03 C	304935	12207/2005
14-03 E	305032	10850/2005	23-03 NES	304935	12207/2005
14-03 E	305137	11031/2005	23-04	304997	10469/2005
14-03 E	305146	11182/2005	23-04	305118	11143/2005
14-03 NES	305093	10138/2006	23-04	305119	11144/2005
15-03 NES	305117	11037/2005	24-01	305020	12405/2005
15-05	305107	11362/2005	24-02	304972	11367/2005
15-05	305108	11363/2005	24-02	305125	11368/2005
15-05	305109	11365/2005	24-02	305126	11369/2005
15-05	305124	11343/2005	24-04	304981	10477/2005
15-07	305120	11176/2005	24-04	305020	12405/2005
15-07	305121	11177/2005	24-04	305071	13032/2004
15-07	305144	11178/2005	24-04	305138	11036/2005
15-99	304985	10535/2005	25-01 A	304983	10480/2005
16-06	305040	10710/2005	25-01 A	304999	10481/2005
16-06	305041	10711/2005	25-01 A	305000	10482/2005
16-99	305140	11085/2005	25-01 A	305129	12612/2005
18-01	304971	11342/2005	25-01 A	305130	12613/2005
18-04	304926	15051/2005	25-01 A	305131	12614/2005
18-04	304927	15052/2005	25-01 B	305132	13591/2005
19-02	304994	10774/2005	25-01 E	305110	11453/2005
19-06	305018	12351/2005	25-01 K	304949	13481/2005
19-06	305019	12352/2005	25-01 NES	304967	11253/2005
19-06	305094	13943/2005	25-01 NES	304968	11254/2005
20-02 C	304978	10467/2005	25-01 NES	305011	10807/2005
20-02 E	304937	12507/2005	25-01 NES	305123	11338/2005

Registration Proceedings - Class Listing of Designs Published or Registered cont'd

Classification	Registration Number	Design Number	Classification	Registration Number	Design Number
25-02 B	304978	10467/2005	28-03 A	304929	15557/2005
25-02 G	305100	11339/2005	28-03 A	304930	15558/2005
25-02 G	305101	11340/2005	28-03 A	304931	15559/2005
25-02 G	305102	11341/2005	28-03 A	304932	15561/2005
26-05 NES	304961	11042/2005	28-03 B	305089	13568/2005
26-06	304915	13484/2005	28-03 B	305090	13569/2005
26-06	304916	13485/2005	28-99	305141	11086/2005
26-06	304917	13486/2005	31-00	305034	11024/2005
26-06	304919	13489/2005	31-00	305037	11066/2005
26-06	304920	13490/2005	31-00	305083	13541/2005
26-06	304921	13491/2005	31-00	305105	11360/2005
26-06	304922	13492/2005	31-00	305106	11361/2005
26-06	304923	13493/2005	99-00	304948	13465/2005
28-03 A	304928	15556/2005			



(21) Design Number: **11386/2005**  
(22) Date of Filing Application: **07 April 2005**  
(24) Date from which industrial property rights may have effect: **07 April 2005**  
(54) Product in respect of which the design is registered: **Green tree frog, garden ornament**  
(51) International Design Classification: **11-02E**  
(71) Name(s) and Address(s) of Applicant(s):  
**Michael Stephens**  
**5 Ulolo Avenue Hornsby Heights New South Wales 2077 Australia**  
(72) Name(s) of Designer(s): **Michael Stephens**  
(45) Registration Date: **13 January 2006**  
(56) Related Art Documents: **Not Applicable**  
(57) Statement of Newness and Distinctiveness: **The whole shape and colour is new and original.**



(21) Design Number: **12456/2005**  
(22) Date of Filing Application: **07 June 2005**  
(24) Date from which industrial property rights may have effect: **07 June 2005**  
(54) Product in respect of which the design is registered: **Ball for golf**  
(51) International Design Classification: **21-02A**  
(71) Name(s) and Address(s) of Applicant(s):  
**Julian Eric Christian Morley**  
**4 Dulwich Wood Park London SE 19 United Kingdom**  
(72) Name(s) of Designer(s): **Julian Eric Christian Morley**  
(45) Registration Date: **13 January 2006**  
(30) Convention priority data:  
(31) Number      (32) Date      (33) Country  
**267216-0001/2    07 Dec 2004      EUROPEAN COMMUNITY**  
(56) Related Art Documents: **Not Applicable**  
(57) Statement of Newness and Distinctiveness: **Nil**



- (21) Design Number: **13484/2005**  
(22) Date of Filing Application: **15 August 2005**  
(24) Date from which industrial property rights may have effect: **15 August 2005**  
(54) Product in respect of which the design is registered: **A front combination lamp for an automobile**  
(51) International Design Classification: **26-06**  
(71) Name(s) and Address(s) of Applicant(s):  
**Honda Motor Co., Ltd**  
**1-1 Minami-Aoyama 2-Chome Minato-ku Tokyo Japan**  
(72) Name(s) of Designer(s): **Shingo Yagihashi**  
(45) Registration Date: **13 January 2006**  
(30) Convention priority data:  
(31) Number      (32) Date      (33) Country  
**2005-14668      23 May 2005      JAPAN**  
(56) Related Art Documents: **Not Applicable**  
(57) Statement of Newness and Distinctiveness: **Newness and distinctiveness is claimed in the features of shape and/or configuration of a front combination lamp for an automobile as illustrated in the accompanying representations.**



- (21) Design Number: **13485/2005**  
(22) Date of Filing Application: **15 August 2005**  
(24) Date from which industrial property rights may have effect: **15 August 2005**  
(54) Product in respect of which the design is registered: **A front combination lamp for an automobile**  
(51) International Design Classification: **26-06**  
(71) Name(s) and Address(s) of Applicant(s):  
**Honda Motor Co., Ltd**  
**1-1 Minami-Aoyama 2-Chome Minato-ku Tokyo Japan**  
(72) Name(s) of Designer(s): **Chiaki Kato**  
(45) Registration Date: **13 January 2006**  
(30) Convention priority data:  
(31) Number      (32) Date      (33) Country  
**2005-4159      16 Feb 2005      JAPAN**  
(56) Related Art Documents: **Not Applicable**  
(57) Statement of Newness and Distinctiveness: **Newness and distinctiveness is claimed in the features of shape and/or configuration of a front combination lamp for an automobile as illustrated in the accompanying representations.**



(19) AU

- (21) Design Number: **13486/2005**  
(22) Date of Filing Application: **15 August 2005**  
(24) Date from which industrial property rights may have effect: **15 August 2005**  
(54) Product in respect of which the design is registered: **A rear combination lamp for an automobile**  
(51) International Design Classification: **26-06**  
(71) Name(s) and Address(s) of Applicant(s):  
**Honda Motor Co., Ltd**  
**1-1 Minami-Aoyama 2-Chome Minato-ku Tokyo Japan**  
(72) Name(s) of Designer(s): **Hisakazu Hanaoka and Chiaki Kato**  
(45) Registration Date: **13 January 2006**  
(30) Convention priority data:  
(31) Number      (32) Date      (33) Country  
**2005-14669      23 May 2005      JAPAN**  
(56) Related Art Documents: **Not Applicable**  
(57) Statement of Newness and Distinctiveness: **Newness and distinctiveness is claimed in the features of shape and/or configuration of a rear combination lamp for an automobile as illustrated in the accompanying representations.**



(19) AU

- (21) Design Number: **13488/2005**  
(22) Date of Filing Application: **15 August 2005**  
(24) Date from which industrial property rights may have effect: **15 August 2005**  
(54) Product in respect of which the design is registered: **An automobile**  
(51) International Design Classification: **12-08**  
(71) Name(s) and Address(s) of Applicant(s):  
**Honda Motor Co., Ltd**  
**1-1 Minami-Aoyama 2-chome Minato-ku Tokyo Japan**  
(72) Name(s) of Designer(s): **Chiaki Kato**  
(45) Registration Date: **13 January 2006**  
(30) Convention priority data:  
(31) Number      (32) Date      (33) Country  
**2005-14916      25 May 2005      JAPAN**  
(56) Related Art Documents: **Not Applicable**  
(57) Statement of Newness and Distinctiveness: **Newness and distinctiveness is claimed in the features of shape and/or configuration of an automobile as illustrated in the accompanying representations.**



- (21) Design Number: **13489/2005**  
(22) Date of Filing Application: **15 August 2005**  
(24) Date from which industrial property rights may have effect: **15 August 2005**  
(54) Product in respect of which the design is registered: **A rear combination lamp for an automobile**  
(51) International Design Classification: **26-06**  
(71) Name(s) and Address(s) of Applicant(s):  
**Honda Motor Co., Ltd**  
**1-1 Minami-Aoyama 2-Chome Minato-ku Tokyo Japan**  
(72) Name(s) of Designer(s): **Keisuke Morioka**  
(45) Registration Date: **13 January 2006**  
(30) Convention priority data:  
(31) Number      (32) Date      (33) Country  
**2005-4166      16 Feb 2005      JAPAN**  
(56) Related Art Documents: **Not Applicable**  
(57) Statement of Newness and Distinctiveness: **Newness and distinctiveness is claimed in the features of shape and/or configuration of a rear combination lamp for an automobile as illustrated in the accompanying representations.**



- (21) Design Number: **13490/2005**  
(22) Date of Filing Application: **15 August 2005**  
(24) Date from which industrial property rights may have effect: **15 August 2005**  
(54) Product in respect of which the design is registered: **A rear combination lamp for an automobile**  
(51) International Design Classification: **26-06**  
(71) Name(s) and Address(s) of Applicant(s):  
**Honda Motor Co., Ltd**  
**1-1 Minami-Aoyama 2-Chome Minato-ku Tokyo Japan**  
(72) Name(s) of Designer(s): **Keisuke Morioka**  
(45) Registration Date: **13 January 2006**  
(30) Convention priority data:  
(31) Number      (32) Date      (33) Country  
**2005-4167      16 Feb 2005      JAPAN**  
(56) Related Art Documents: **Not Applicable**  
(57) Statement of Newness and Distinctiveness: **Newness and distinctiveness is claimed in the features of shape and/or configuration of a rear combination lamp for an automobile as illustrated in the accompanying representations.**



- (21) Design Number: **13491/2005**  
(22) Date of Filing Application: **15 August 2005**  
(24) Date from which industrial property rights may have effect: **15 August 2005**  
(54) Product in respect of which the design is registered: **A rear combination lamp for an automobile**  
(51) International Design Classification: **26-06**  
(71) Name(s) and Address(s) of Applicant(s):  
**Honda Motor Co., Ltd**  
**1-1 Minami-Aoyama 2-Chome Minato-ku Tokyo Japan**  
(72) Name(s) of Designer(s): **Chiaki Kato**  
(45) Registration Date: **13 January 2006**  
(30) Convention priority data:  
(31) Number (32) Date (33) Country  
**2005-4160 16 Feb 2005 JAPAN**  
(56) Related Art Documents: **Not Applicable**  
(57) Statement of Newness and Distinctiveness: **Newness and distinctiveness is claimed in the features of shape and/or configuration of a rear combination lamp for an automobile as illustrated in the accompanying representations.**



- (21) Design Number: **13492/2005**  
(22) Date of Filing Application: **15 August 2005**  
(24) Date from which industrial property rights may have effect: **15 August 2005**  
(54) Product in respect of which the design is registered: **A front combination lamp for an automobile**  
(51) International Design Classification: **26-06**  
(71) Name(s) and Address(s) of Applicant(s):  
**Honda Motor Co., Ltd**  
**1-1 Minami-Aoyama 2-Chome Minato-ku Tokyo Japan**  
(72) Name(s) of Designer(s): **Hiroshi Yoshida**  
(45) Registration Date: **13 January 2006**  
(30) Convention priority data:  
(31) Number (32) Date (33) Country  
**2005-4165 16 Feb 2005 JAPAN**  
(56) Related Art Documents: **Not Applicable**  
(57) Statement of Newness and Distinctiveness: **Newness and distinctiveness is claimed in the features of shape and/or configuration of a front combination lamp for an automobile as illustrated in the accompanying representations.**



- (21) Design Number: **13493/2005**  
(22) Date of Filing Application: **15 August 2005**  
(24) Date from which industrial property rights may have effect: **15 August 2005**  
(54) Product in respect of which the design is registered: **A rear combination lamp for an automobile**  
(51) International Design Classification: **26-06**  
(71) Name(s) and Address(s) of Applicant(s):  
**Honda Motor Co., Ltd**  
**1-1 Minami-Aoyama 2-Chome Minato-ku Tokyo Japan**  
(72) Name(s) of Designer(s): **Chiaki Kato**  
(45) Registration Date: **13 January 2006**  
(30) Convention priority data:  
(31) Number      (32) Date      (33) Country  
**2005-4161      16 Feb 2005      JAPAN**  
(56) Related Art Documents: **Not Applicable**  
(57) Statement of Newness and Distinctiveness: **Newness and distinctiveness is claimed in the features of shape and/or configuration of a rear combination lamp for an automobile as illustrated in the accompanying representations.**



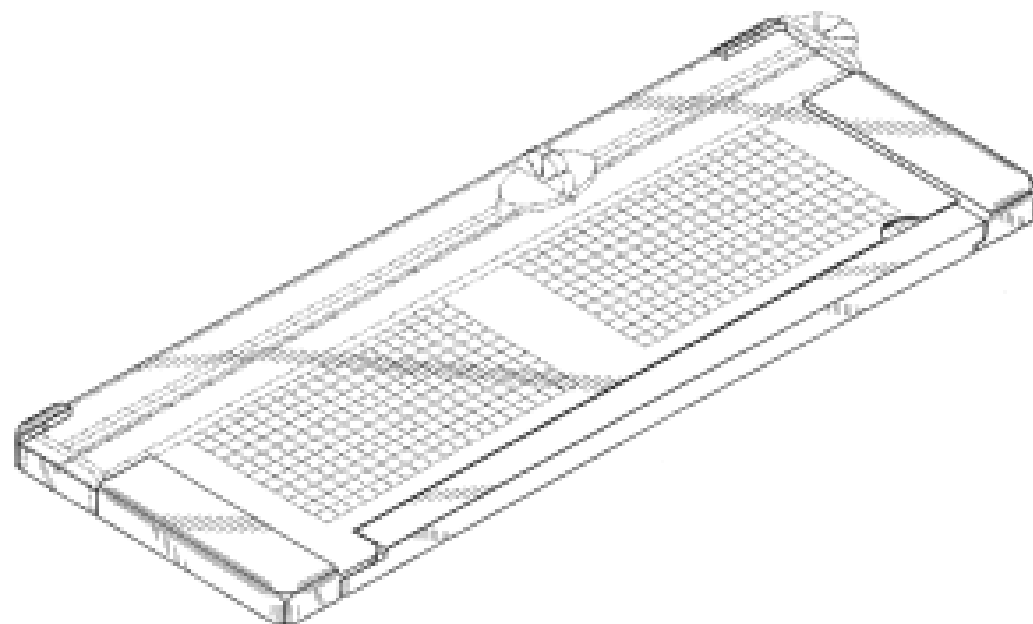
- (21) Design Number: **13494/2005**  
(22) Date of Filing Application: **15 August 2005**  
(24) Date from which industrial property rights may have effect: **15 August 2005**  
(54) Product in respect of which the design is registered: **An automobile**  
(51) International Design Classification: **12-08**  
(71) Name(s) and Address(s) of Applicant(s):  
**Honda Motor Co., Ltd**  
**1-1 Minami-Aoyama 2-chome Minato-ku Tokyo Japan**  
(72) Name(s) of Designer(s): **Daisuke Sawai and Chiaki Kato**  
(45) Registration Date: **13 January 2006**  
(30) Convention priority data:  
(31) Number      (32) Date      (33) Country  
**2005-5061      24 Feb 2005      JAPAN**  
(56) Related Art Documents: **Not Applicable**  
(57) Statement of Newness and Distinctiveness: **Newness and distinctiveness is claimed in the features of shape and/or configuration of an automobile as illustrated in the accompanying representations.**



- (21) Design Number: **13495/2005**  
(22) Date of Filing Application: **15 August 2005**  
(24) Date from which industrial property rights may have effect: **15 August 2005**  
(54) Product in respect of which the design is registered: **An automobile**  
(51) International Design Classification: **12-08**  
(71) Name(s) and Address(s) of Applicant(s):  
**Honda Motor Co., Ltd**  
**1-1 Minami-Aoyama 2-chome Minato-ku Tokyo Japan**  
(72) Name(s) of Designer(s): **Toshiyuki Okumoto**  
(45) Registration Date: **13 January 2006**  
(30) Convention priority data:  
(31) Number (32) Date (33) Country  
**2005-5062 24 Feb 2005 JAPAN**  
(56) Related Art Documents: **Not Applicable**  
(57) Statement of Newness and Distinctiveness: **Newness and distinctiveness is claimed in the features of shape and/or configuration of an automobile as illustrated in the accompanying representations.**



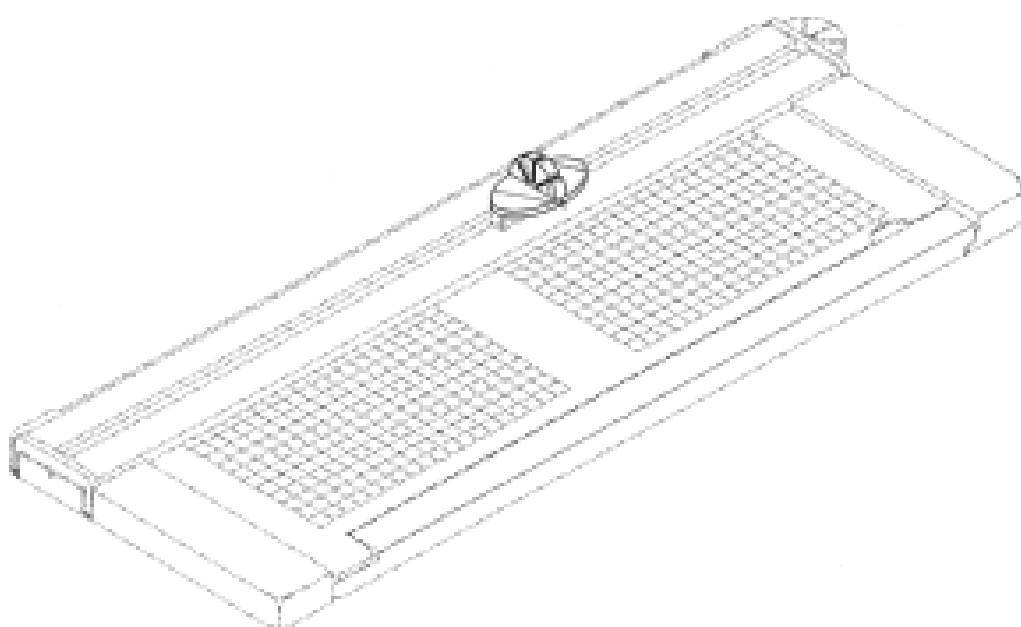
- (21) Design Number: **15051/2005**  
(22) Date of Filing Application: **15 November 2005**  
(24) Date from which industrial property rights may have effect: **15 November 2005**  
(54) Product in respect of which the design is registered: **Paper trimmer**  
(51) International Design Classification: **18-04**  
(71) Name(s) and Address(s) of Applicant(s):  
**Provo Craft and Novelty, Inc.**  
**151 East 3450 North Spanish Fork Utah 84660 United States of America**  
(72) Name(s) of Designer(s): **James R. Gunter and M. Ann Merrill**  
(45) Registration Date: **16 January 2006**  
(30) Convention priority data:  
(31) Number (32) Date (33) Country  
**29/230268 18 May 2005 UNITED STATES OF AMERICA**  
(56) Related Art Documents: **Not Applicable**  
(57) Statement of Newness and Distinctiveness: **Those features of the design shown in solid lines in the representations.**



(21) Design Number: **15052/2005**  
 (22) Date of Filing Application: **15 November 2005**  
 (24) Date from which industrial property rights may have effect: **15 November 2005**  
 (54) Product in respect of which the design is registered: **Paper trimmer blade holder**  
 (51) International Design Classification: **18-04**  
 (71) Name(s) and Address(s) of Applicant(s):  
**Provo Craft and Novelty, Inc.**  
**151 East 3450 North Spanish Fork Utah 84660 United States of America**  
 (72) Name(s) of Designer(s): **James R. Gunter and M. Ann Merrill**  
 (45) Registration Date: **16 January 2006**  
 (30) Convention priority data:  

(31) Number	(32) Date	(33) Country
<b>29/230273</b>	<b>18 May 2005</b>	<b>UNITED STATES OF AMERICA</b>

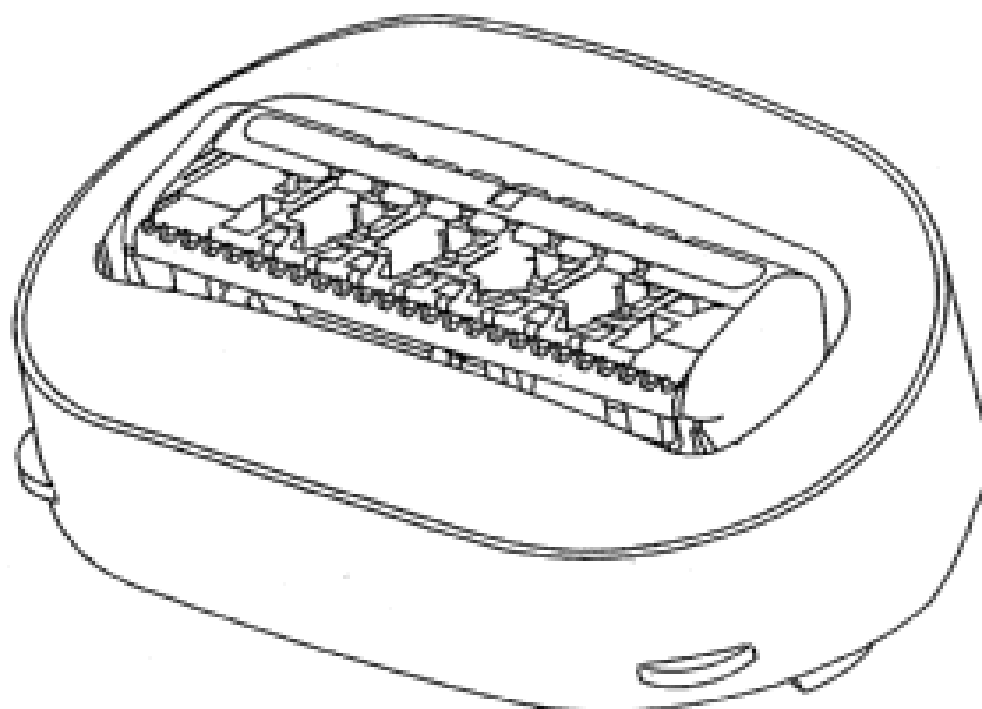
 (56) Related Art Documents: **Not Applicable**  
 (57) Statement of Newness and Distinctiveness: **Those features of the design shown in solid lines in the representations.**



(21) Design Number: **15556/2005**  
 (22) Date of Filing Application: **15 December 2005**  
 (24) Date from which industrial property rights may have effect: **15 December 2005**  
 (54) Product in respect of which the design is registered: **Cartridge**  
 (51) International Design Classification: **28-03A**  
 (71) Name(s) and Address(s) of Applicant(s):  
**Eveready Battery Company, Inc.**  
**533 Maryville University Drive St Louis Missouri 63141 United States of America**  
 (72) Name(s) of Designer(s): **Glennis Orloff and Mark Peyser**  
 (45) Registration Date: **16 January 2006**  
 (30) Convention priority data:  

(31) Number	(32) Date	(33) Country
<b>29/233926</b>	<b>11 Jul 2005</b>	<b>UNITED STATES OF AMERICA</b>

 (56) Related Art Documents: **Not Applicable**  
 (57) Statement of Newness and Distinctiveness: **Nil**

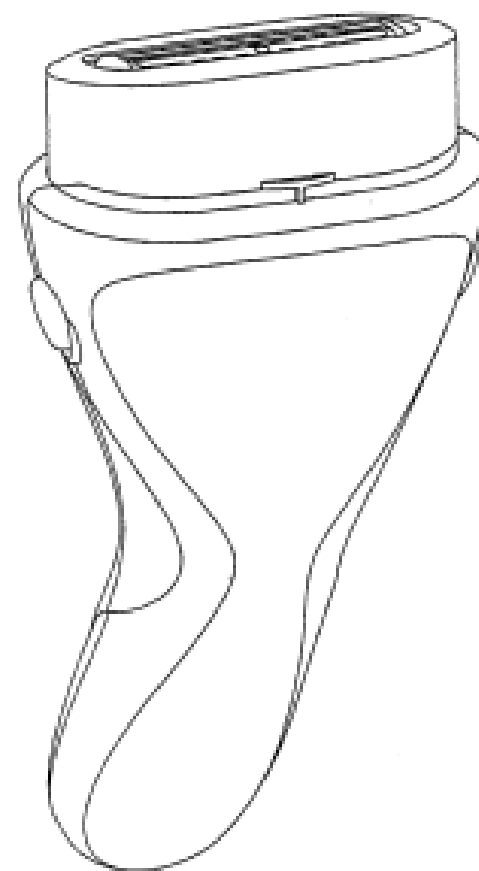




(21) Design Number: **15557/2005**  
 (22) Date of Filing Application: **15 December 2005**  
 (24) Date from which industrial property rights may have effect: **15 December 2005**  
 (54) Product in respect of which the design is registered: **Razor**  
 (51) International Design Classification: **28-03A**  
 (71) Name(s) and Address(s) of Applicant(s):  
**Eveready Battery Company, Inc.**  
**533 Maryville University Drive St Louis Missouri 63141 United States of America**  
 (72) Name(s) of Designer(s): **Sean Lukan and Chris Switalski and Taryn Dyle**  
 (45) Registration Date: **16 January 2006**  
 (30) Convention priority data:  

(31) Number	(32) Date	(33) Country
<b>29/233927</b>	<b>11 Jul 2005</b>	<b>UNITED STATES OF AMERICA</b>

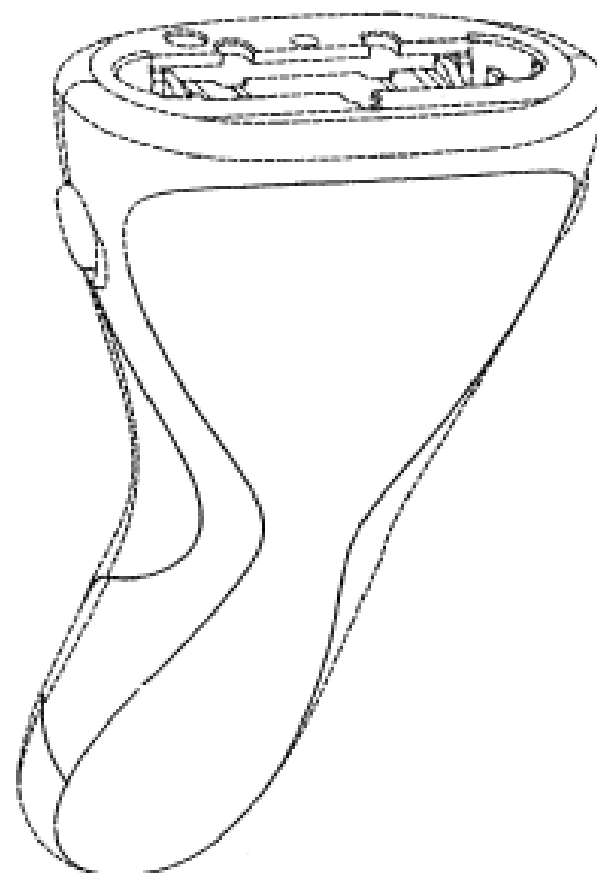
 (56) Related Art Documents: **Not Applicable**  
 (57) Statement of Newness and Distinctiveness: **Nil**



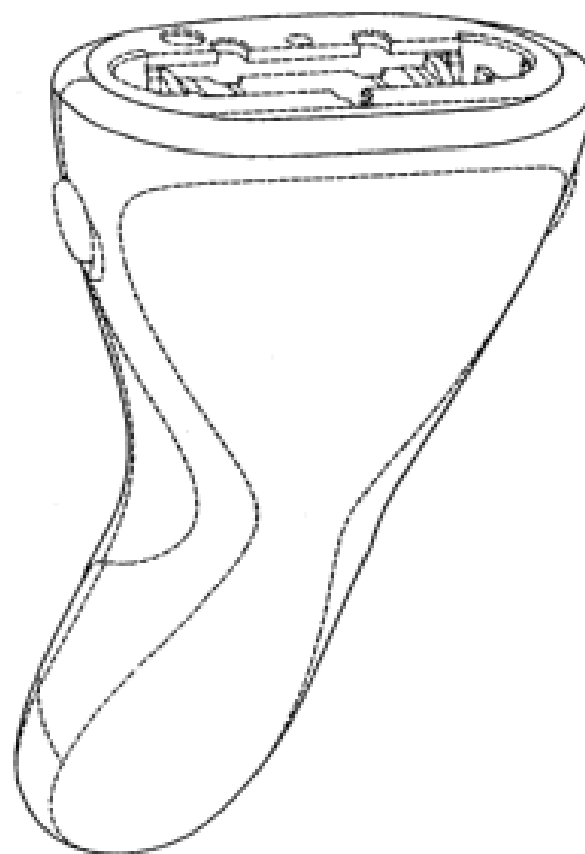
(21) Design Number: **15558/2005**  
 (22) Date of Filing Application: **15 December 2005**  
 (24) Date from which industrial property rights may have effect: **15 December 2005**  
 (54) Product in respect of which the design is registered: **Razor handle**  
 (51) International Design Classification: **28-03A**  
 (71) Name(s) and Address(s) of Applicant(s):  
**Eveready Battery Company, Inc.**  
**533 Maryville University Drive St Louis Missouri 63141 United States of America**  
 (72) Name(s) of Designer(s): **Sean Lukan and Chris Switalski and Taryn Dyle**  
 (45) Registration Date: **16 January 2006**  
 (30) Convention priority data:  

(31) Number	(32) Date	(33) Country
<b>29/233928</b>	<b>11 Jul 2005</b>	<b>UNITED STATES OF AMERICA</b>

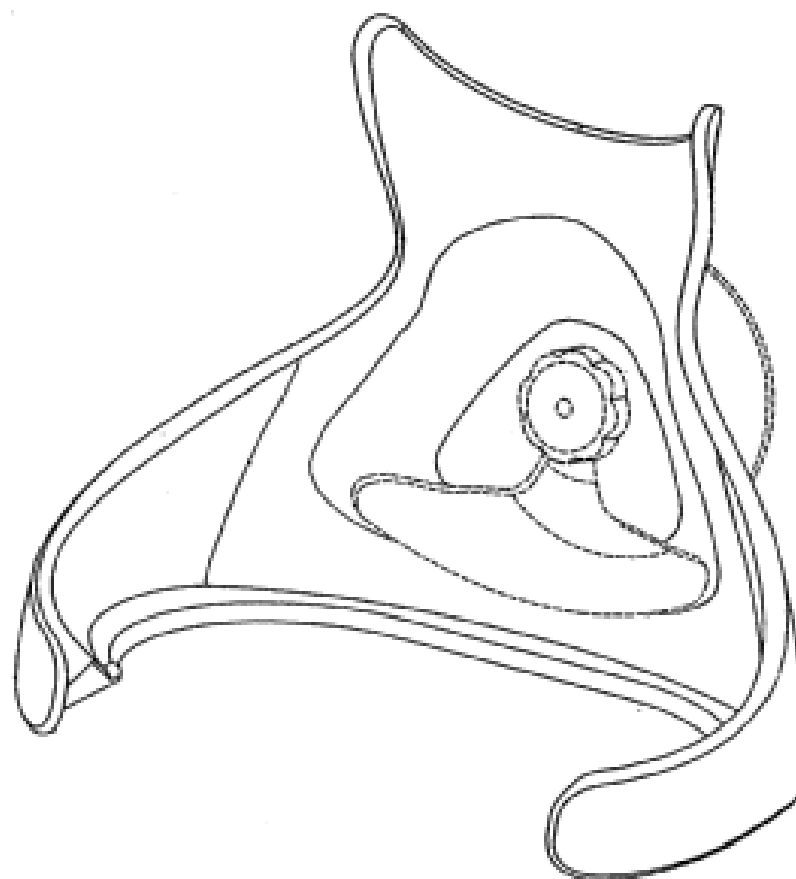
 (56) Related Art Documents: **Not Applicable**  
 (57) Statement of Newness and Distinctiveness: **Nil**



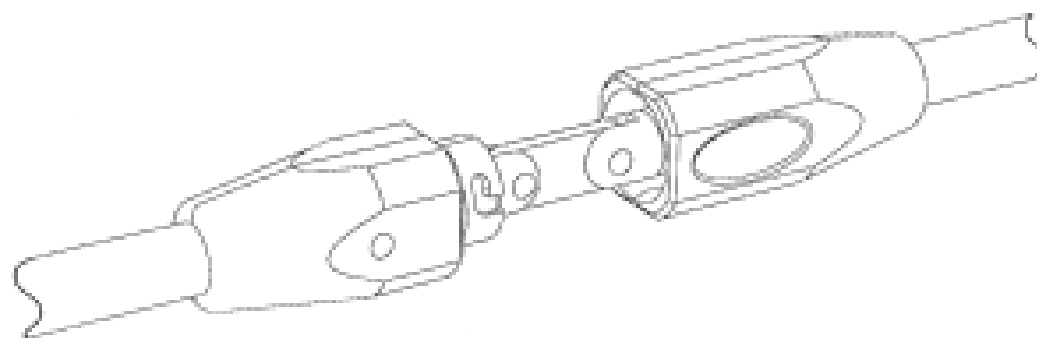
(21) Design Number: **15559/2005**  
(22) Date of Filing Application: **15 December 2005**  
(24) Date from which industrial property rights may have effect: **15 December 2005**  
(54) Product in respect of which the design is registered: **Razor handle**  
(51) International Design Classification: **28-03A**  
(71) Name(s) and Address(s) of Applicant(s):  
**Eveready Battery Company, Inc.**  
**533 Maryville University Drive St Louis Missouri 63141 United States of America**  
(72) Name(s) of Designer(s): **Sean Lukan**  
(45) Registration Date: **16 January 2006**  
(30) Convention priority data:  
(31) Number (32) Date (33) Country  
**29/233929 11 Jul 2005 UNITED STATES OF AMERICA**  
(56) Related Art Documents: **Not Applicable**  
(57) Statement of Newness and Distinctiveness: **Nil**



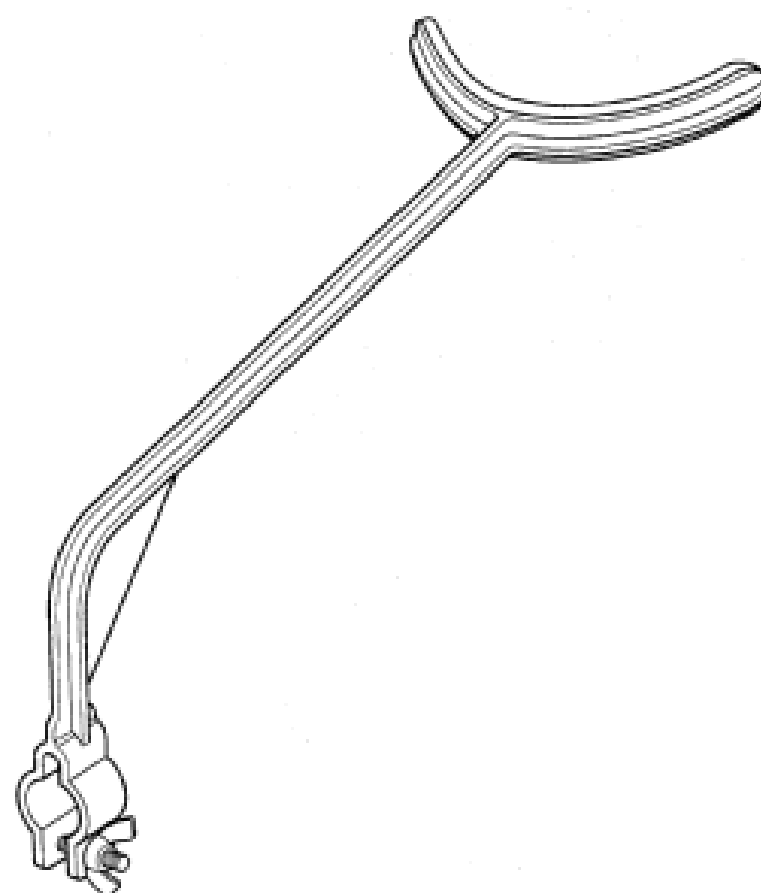
(21) Design Number: **15561/2005**  
(22) Date of Filing Application: **15 December 2005**  
(24) Date from which industrial property rights may have effect: **15 December 2005**  
(54) Product in respect of which the design is registered: **Razor holder**  
(51) International Design Classification: **28-03A**  
(71) Name(s) and Address(s) of Applicant(s):  
**Eveready Battery Company, Inc.**  
**533 Maryville University Drive St Louis Missouri 63141 United States of America**  
(72) Name(s) of Designer(s): **Sean Lukan**  
(45) Registration Date: **16 January 2006**  
(30) Convention priority data:  
(31) Number (32) Date (33) Country  
**29/233964 11 Jul 2005 UNITED STATES OF AMERICA**  
(56) Related Art Documents: **Not Applicable**  
(57) Statement of Newness and Distinctiveness: **Nil**



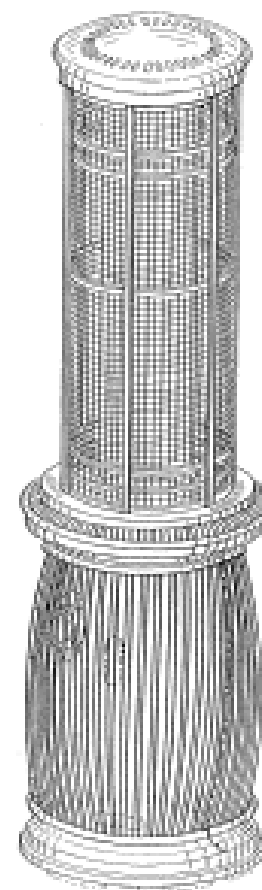
- (21) Design Number: **10520/2005**
- (22) Date of Filing Application: **10 February 2005**
- (24) Date from which industrial property rights may have effect: **10 February 2005**
- (54) Product in respect of which the design is registered: **Tubular locking member**
- (51) International Design Classification: **08-07**
- (71) Name(s) and Address(s) of Applicant(s):  
**Coogan Nominees Pty Ltd**  
**16 Warwick Street Walkerville South Australia 5081 Australia**
- (72) Name(s) of Designer(s): **James Coogan**
- (45) Registration Date: **16 January 2006**
- (56) Related Art Documents: **Not Applicable**
- (57) Statement of Newness and Distinctiveness: **Nil**



- (21) Design Number: **11531/2005**
- (22) Date of Filing Application: **14 April 2005**
- (24) Date from which industrial property rights may have effect: **14 April 2005**
- (54) Product in respect of which the design is registered: **Golfing aid**
- (51) International Design Classification: **21-02C**
- (71) Name(s) and Address(s) of Applicant(s):  
**Golf Inventions Pty Ltd**  
**89-93 Henley Beach Road Mile End South Australia 5031 Australia**
- (72) Name(s) of Designer(s): **Peter Ormsby**
- (45) Registration Date: **16 January 2006**
- (56) Related Art Documents: **Not Applicable**
- (57) Statement of Newness and Distinctiveness: **Nil**

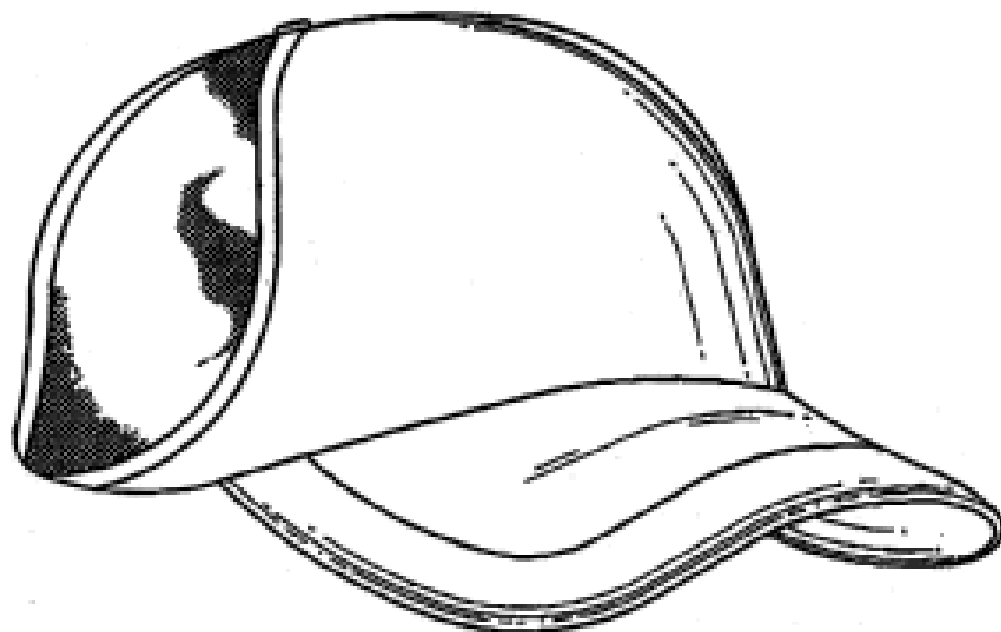


- (21) Design Number: **12207/2005**
- (22) Date of Filing Application: **17 May 2005**
- (24) Date from which industrial property rights may have effect: **18 March 2004**
- (54) Product in respect of which the design is registered: **Heating element**
- (51) International Design Classification: **23-03A, 23-03B, 23-03C, 23-03NES**
- (71) Name(s) and Address(s) of Applicant(s):  
**Irwin Industrial Tool Company**  
**29 East Stephenson Street Freeport Illinois 61032 United States of America**
- (72) Name(s) of Designer(s): **Ian Westad Cunningham and Craig Stephen Roberts**
- (45) Registration Date: **16 January 2006**
- (62) Divisional of: **301867**
- (56) Related Art Documents: **Not Applicable**
- (57) Statement of Newness and Distinctiveness: **In considering the new and distinctive features of the heating element, the broken lines in Figures 1-4, 6-10, 12-16, 18-22, 24-28, and 30, and the screen patterns in Figures 1-4, 7-10, 13-16, 19-22, 25-28 and 35-38 are to be disregarded.**



- (21) Design Number: **12446/2005**
- (22) Date of Filing Application: **06 June 2005**
- (24) Date from which industrial property rights may have effect: **06 June 2005**
- (54) Product in respect of which the design is registered: **Cap**
- (51) International Design Classification: **02-03**
- (71) Name(s) and Address(s) of Applicant(s):  
**Suen Ching Yan**  
**17145 Margay Avenue Carson California 90746 United States of America**
- (72) Name(s) of Designer(s): **Suen Ching Yan**
- (45) Registration Date: **16 January 2006**
- (30) Convention priority data:  

(31) Number	(32) Date	(33) Country
<b>29/222,922</b>	<b>04 Feb 2005</b>	<b>UNITED STATES OF AMERICA</b>
- (56) Related Art Documents: **Not Applicable**
- (57) Statement of Newness and Distinctiveness: **Newness and distinctiveness are claimed in the features of shape and/or configuration of a cap, as illustrated in the accompanying representations.**



(21) Design Number: 12507/2005

(22) Date of Filing Application: 10 June 2005

(24) Date from which industrial property rights may have effect: 10 June 2005

(54) Product in respect of which the design is registered: Merchandise display

(51) International Design Classification: 20-02E

(71) Name(s) and Address(s) of Applicant(s):

**Belkin Corporation**  
501 West Walnut Street Compton California 90220 United States of America

(72) Name(s) of Designer(s): James Chu

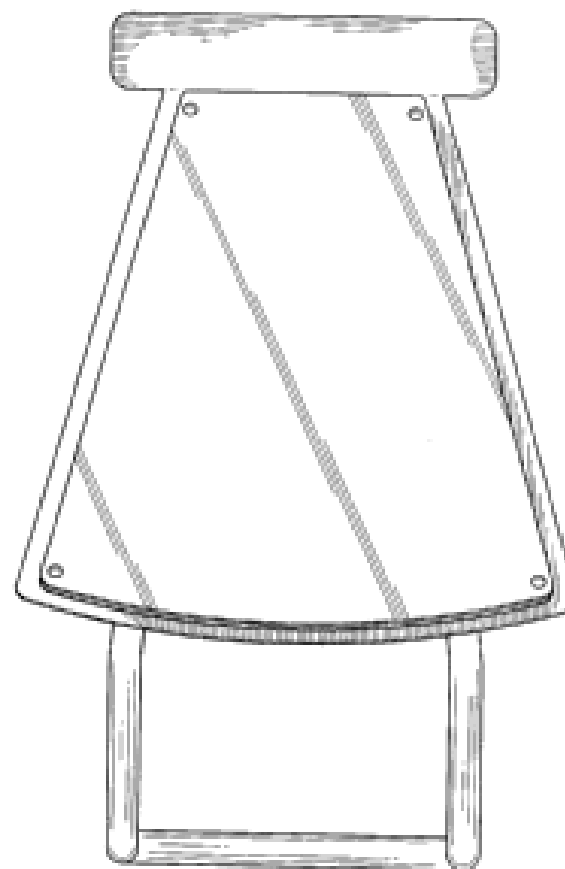
(45) Registration Date: 16 January 2006

(30) Convention priority data:

(31) Number	(32) Date	(33) Country
29/220740	05 Jan 2005	UNITED STATES OF AMERICA

(56) Related Art Documents: Not Applicable

(57) Statement of Newness and Distinctiveness: **Newness and distinctiveness is claimed in the features of shape and/or configuration of a merchandise display as illustrated in the accompanying representations.**



(21) Design Number: 12508/2005

(22) Date of Filing Application: 10 June 2005

(24) Date from which industrial property rights may have effect: 10 June 2005

(54) Product in respect of which the design is registered: Merchandise display

(51) International Design Classification: 20-02E

(71) Name(s) and Address(s) of Applicant(s):

**Belkin Corporation**  
501 West Walnut Street Compton California 90220 United States of America

(72) Name(s) of Designer(s): James Chu and Carrie Brown

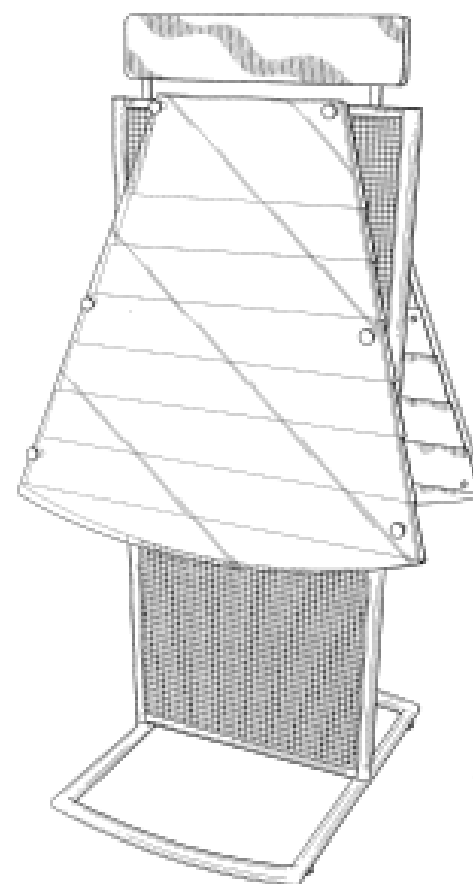
(45) Registration Date: 16 January 2006

(30) Convention priority data:

(31) Number	(32) Date	(33) Country
29/220762	05 Jan 2005	UNITED STATES OF AMERICA

(56) Related Art Documents: Not Applicable

(57) Statement of Newness and Distinctiveness: **Newness and distinctiveness is claimed in the features of shape and/or configuration of a merchandise display as illustrated in the accompanying representations.**



- (21) Design Number: **13271/2005**
- (22) Date of Filing Application: **02 August 2005**
- (24) Date from which industrial property rights may have effect: **02 August 2005**
- (54) Product in respect of which the design is registered: **Lid for a closed closure**
- (51) International Design Classification: **09-07B**
- (71) Name(s) and Address(s) of Applicant(s):

**Seaquist Closures Foreign, Inc.**  
**475 West Terra Cotta Crystal Lake Illinois 60014 United States of America**

(72) Name(s) of Designer(s): **Nicholas J. Jelich and Cori M. Blomdahl**

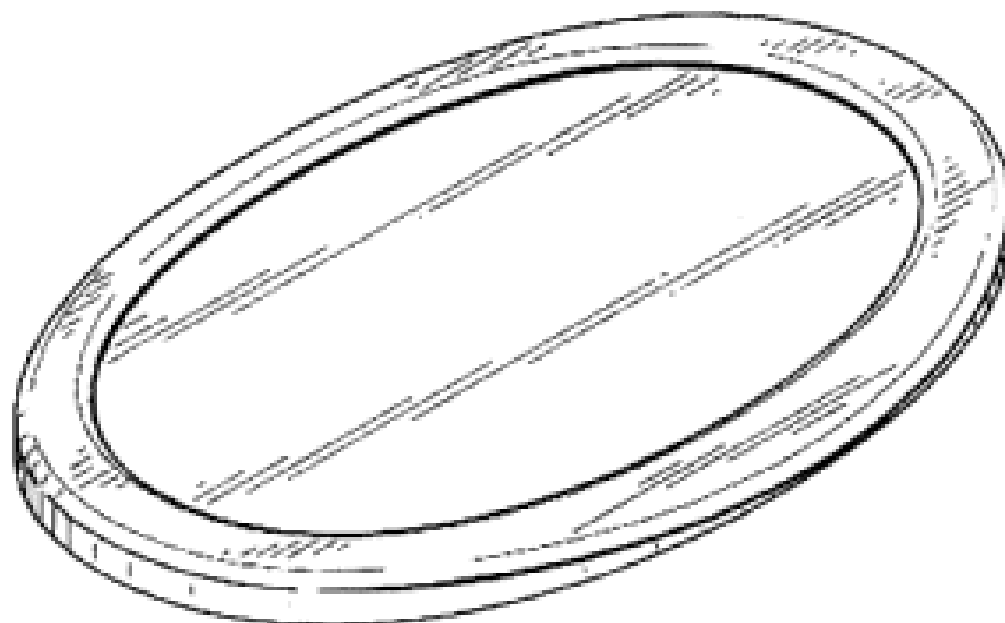
(45) Registration Date: **16 January 2006**

(30) Convention priority data:

(31) Number	(32) Date	(33) Country
<b>29/224155</b>	<b>25 Feb 2005</b>	<b>UNITED STATES OF AMERICA</b>

(56) Related Art Documents: **Not Applicable**

(57) Statement of Newness and Distinctiveness: **Newness and distinctiveness is claimed in the features of shape and/or configuration of a lid for a closed closure, said lid as illustrated in continuous lines in the accompanying representations, apart from those features that can only be seen in the underside isometric view.**



- (21) Design Number: **13272/2005**
- (22) Date of Filing Application: **02 August 2005**
- (24) Date from which industrial property rights may have effect: **02 August 2005**
- (54) Product in respect of which the design is registered: **Closed closure**
- (51) International Design Classification: **09-07C**
- (71) Name(s) and Address(s) of Applicant(s):

**Seaquist Closures Foreign, Inc.**  
**475 West Terra Cotta Crystal Lake Illinois 60014 United States of America**

(72) Name(s) of Designer(s): **Nicholas J. Jelich and Cori M. Blomdahl**

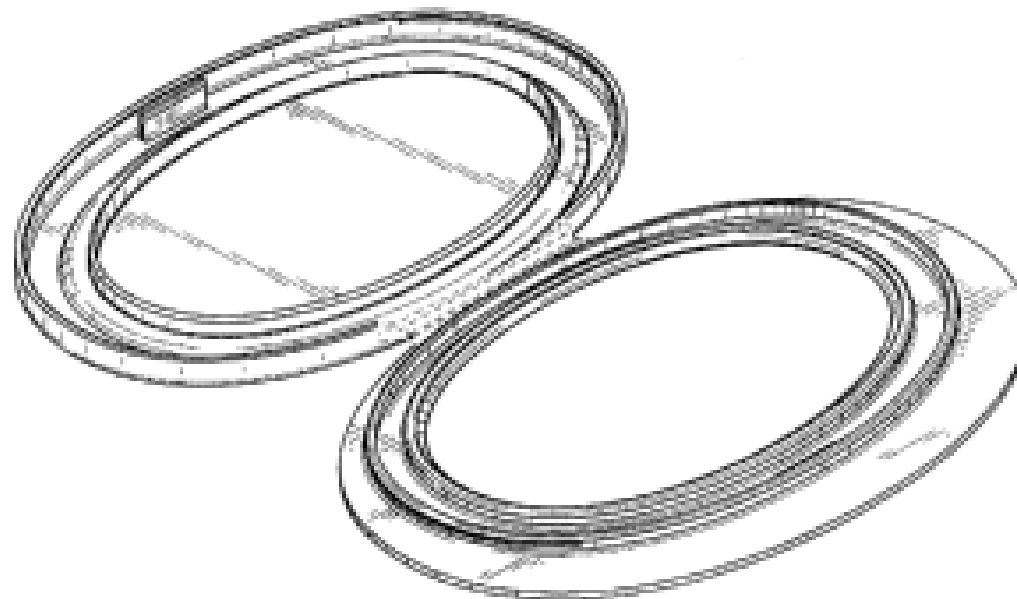
(45) Registration Date: **16 January 2006**

(30) Convention priority data:

(31) Number	(32) Date	(33) Country
<b>29/224152</b>	<b>25 Feb 2005</b>	<b>UNITED STATES OF AMERICA</b>

(56) Related Art Documents: **Not Applicable**

(57) Statement of Newness and Distinctiveness: **Newness and distinctiveness is claimed in the features of shape and/or configuration of a closed closure as illustrated in continuous lines in the accompanying representations, apart from those features that can only be seen in the front isometric view (lid open).**



(21) Design Number: **13273/2005**

(22) Date of Filing Application: **02 August 2005**

(24) Date from which industrial property rights may have effect: **02 August 2005**

(54) Product in respect of which the design is registered: **Closed closure**

(51) International Design Classification: **09-07C**

(71) Name(s) and Address(s) of Applicant(s):

**Seaquist Closures Foreign, Inc.**  
**475 West Terra Cotta Crystal Lake Illinois 60014 United States of America**

(72) Name(s) of Designer(s): **Marge M. Hicks and Cori M. Blomdahl**

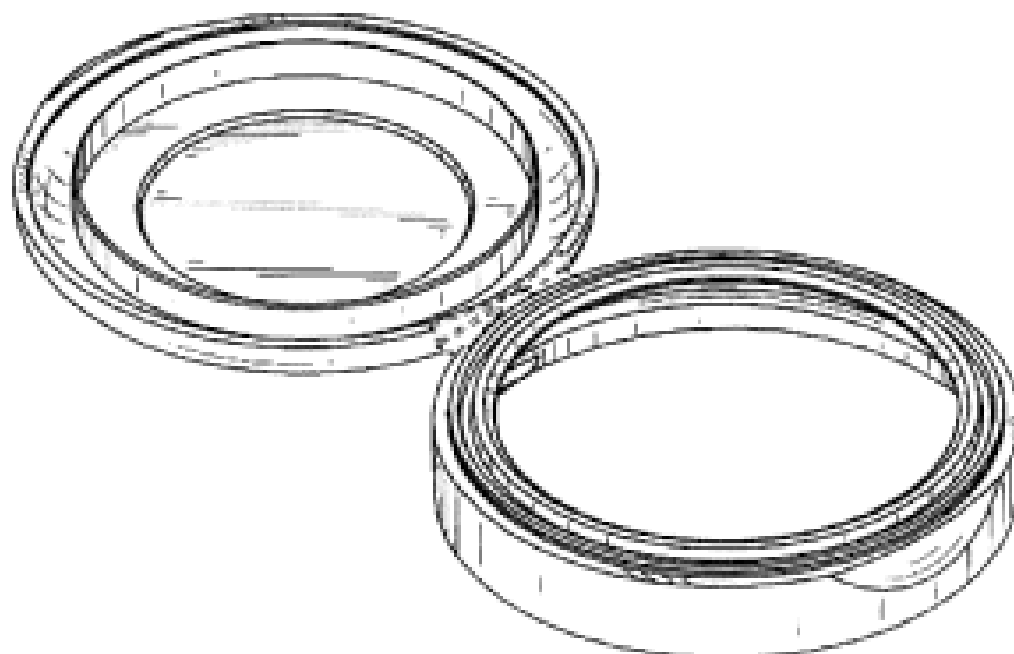
(45) Registration Date: **16 January 2006**

(30) Convention priority data:

(31) Number	(32) Date	(33) Country
<b>29/224150</b>	<b>25 Feb 2005</b>	<b>UNITED STATES OF AMERICA</b>

(56) Related Art Documents: **Not Applicable**

(57) Statement of Newness and Distinctiveness: **Newness and distinctiveness is claimed in the features of shape and/or configuration of a closed closure as illustrated in continuous lines in the accompanying representations, apart from those features that can only be seen in the bottom plan view and/or the front isometric view (lid open).**



(21) Design Number: **13274/2005**

(22) Date of Filing Application: **02 August 2005**

(24) Date from which industrial property rights may have effect: **02 August 2005**

(54) Product in respect of which the design is registered: **Display equipment**

(51) International Design Classification: **20-02NES**

(71) Name(s) and Address(s) of Applicant(s):

**HL Display AB**  
**Horisontvagen 26 SE-128 34 Skarpnack Sweden**

(72) Name(s) of Designer(s): **Bengt Ahlund**

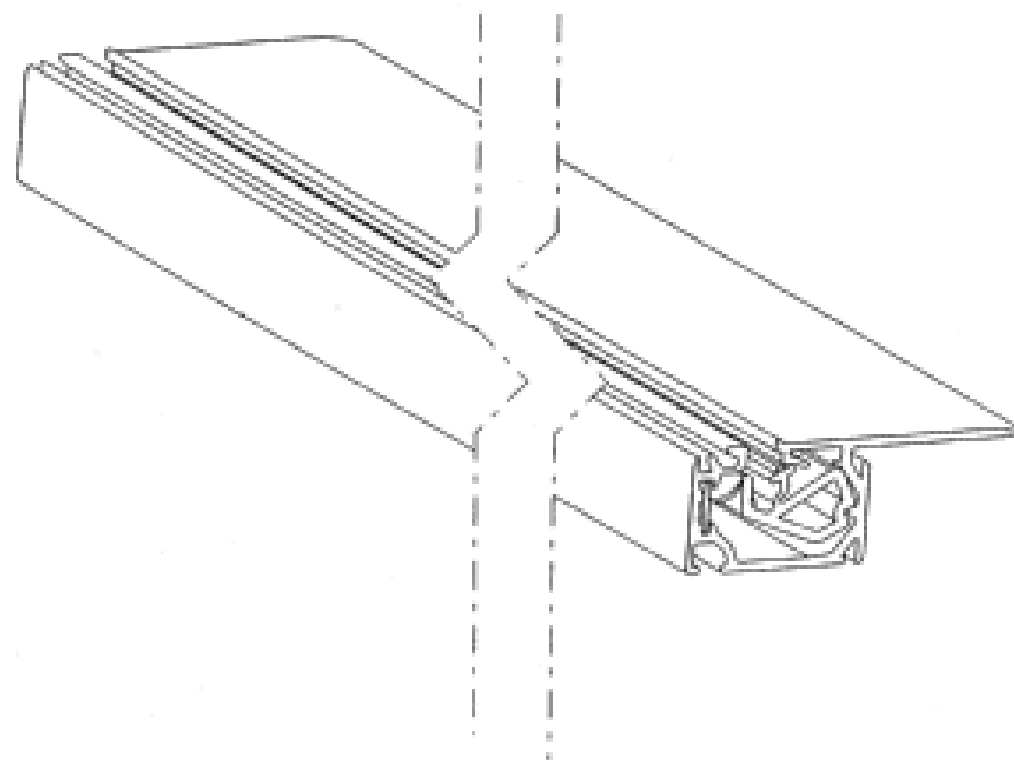
(45) Registration Date: **16 January 2006**

(30) Convention priority data:

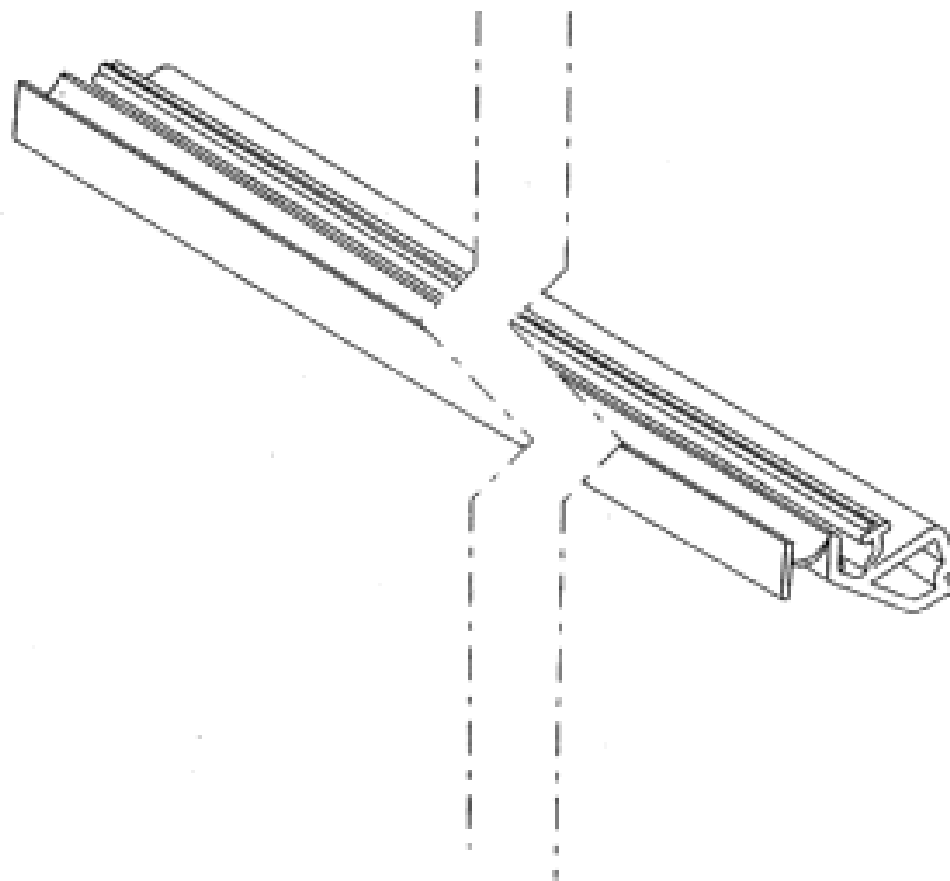
(31) Number	(32) Date	(33) Country
<b>000297171-0001</b>	<b>16 Feb 2005</b>	<b>EUROPEAN COMMUNITY</b>

(56) Related Art Documents: **Not Applicable**

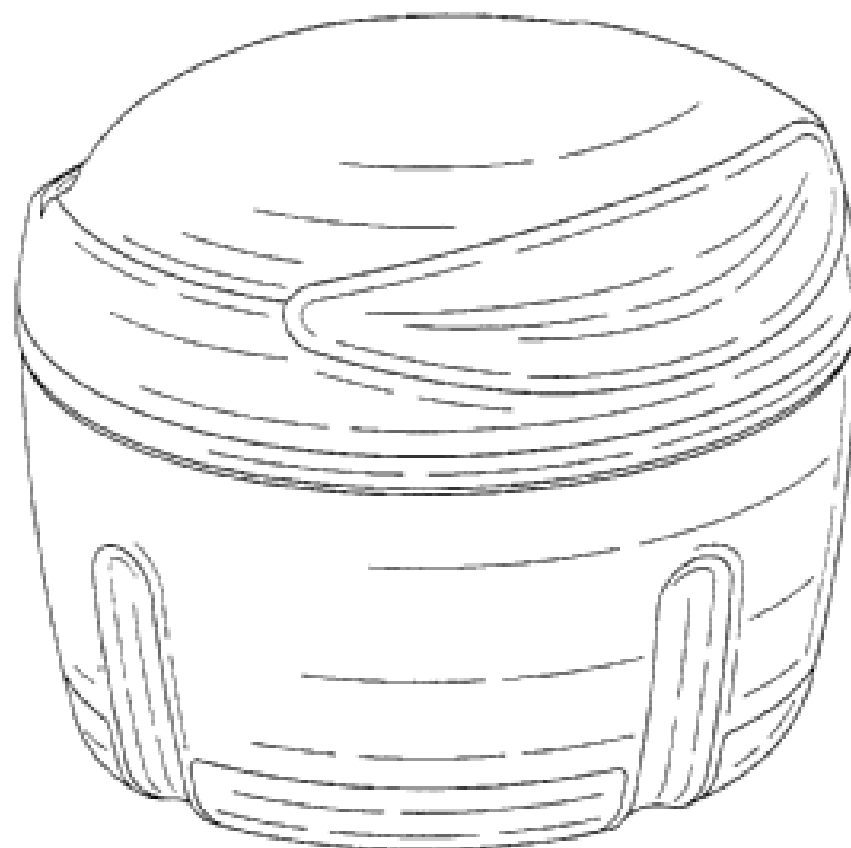
(57) Statement of Newness and Distinctiveness: **Each feature of the design shown in solid lines considered separately or in combination with any other feature or features.**



(21) Design Number: **13275/2005**  
(22) Date of Filing Application: **02 August 2005**  
(24) Date from which industrial property rights may have effect: **02 August 2005**  
(54) Product in respect of which the design is registered: **Display equipment**  
(51) International Design Classification: **20-02NES**  
(71) Name(s) and Address(s) of Applicant(s):  
**HL Display AB**  
**Horisontvagen 26 SE-128 34 Skarpnack Sweden**  
(72) Name(s) of Designer(s): **Bengt Ahlund**  
(45) Registration Date: **16 January 2006**  
(30) Convention priority data:  
(31) Number (32) Date (33) Country  
**000297171-0004 16 Feb 2005 EUROPEAN COMMUNITY**  
(56) Related Art Documents: **Not Applicable**  
(57) Statement of Newness and Distinctiveness: **Each feature of the design shown in solid lines considered separately or in combination with any other feature or features.**



(21) Design Number: **13280/2005**  
(22) Date of Filing Application: **02 August 2005**  
(24) Date from which industrial property rights may have effect: **02 August 2005**  
(54) Product in respect of which the design is registered: **Container**  
(51) International Design Classification: **07-01NES**  
(71) Name(s) and Address(s) of Applicant(s):  
**Dart Industries Inc.**  
**14901 S. Orange Blossom Trail Orlando Florida 32837 United States of America**  
(72) Name(s) of Designer(s): **Jan-Hendrik De Groote and Vincent Jalet**  
(45) Registration Date: **16 January 2006**  
(30) Convention priority data:  
(31) Number (32) Date (33) Country  
**29/224,144 25 Feb 2005 UNITED STATES OF AMERICA**  
(56) Related Art Documents: **Not Applicable**  
(57) Statement of Newness and Distinctiveness: **Those features of the container depicted in the representations that are new and distinctive are the shape and/or configuration.**





(21) Design Number: **13394/2005**

(22) Date of Filing Application: **10 August 2005**

(24) Date from which industrial property rights may have effect: **10 August 2005**

(54) Product in respect of which the design is registered: **Inverted container**

(51) International Design Classification: **09-01G**

(71) Name(s) and Address(s) of Applicant(s):

**The Procter & Gamble Company**  
**One Procter & Gamble Plaza Cincinnati Ohio 45202 United States of America**

(72) Name(s) of Designer(s): **Roberto Escobosa and Erica Heidi Hollmann and Yamilca Del Carmen Thoms and Stacy Alycia Thomas**

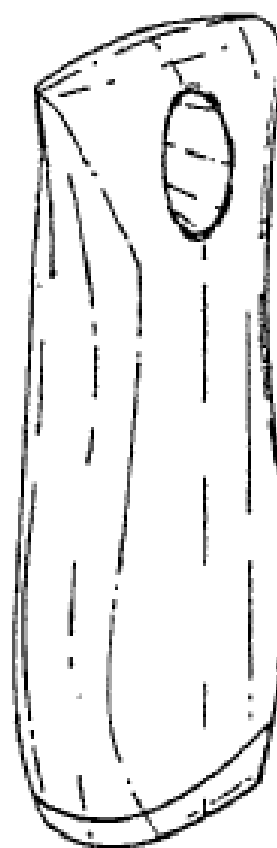
(45) Registration Date: **16 January 2006**

(30) Convention priority data:

(31) Number	(32) Date	(33) Country
<b>29/223,754</b>	<b>18 Feb 2005</b>	<b>UNITED STATES OF AMERICA</b>

(56) Related Art Documents: **Not Applicable**

(57) Statement of Newness and Distinctiveness: **Those features of the inverted container depicted in the representations that are new and distinctive are the shape and/or configuration.**



(21) Design Number: **13404/2005**

(22) Date of Filing Application: **10 August 2005**

(24) Date from which industrial property rights may have effect: **10 August 2005**

(54) Product in respect of which the design is registered: **Trigger actuator with overcap for aerosol cans**

(51) International Design Classification: **09-07A**

(71) Name(s) and Address(s) of Applicant(s):

**S.C. Johnson & Son, Inc.**  
**1525 Howe Street Racine Wisconsin 53403-2236 United States of America**

(72) Name(s) of Designer(s): **Edward L. Paas and Thomas S. Scott and John E. O'Dom and Lawrence J. Kelly and William W. Wichman**

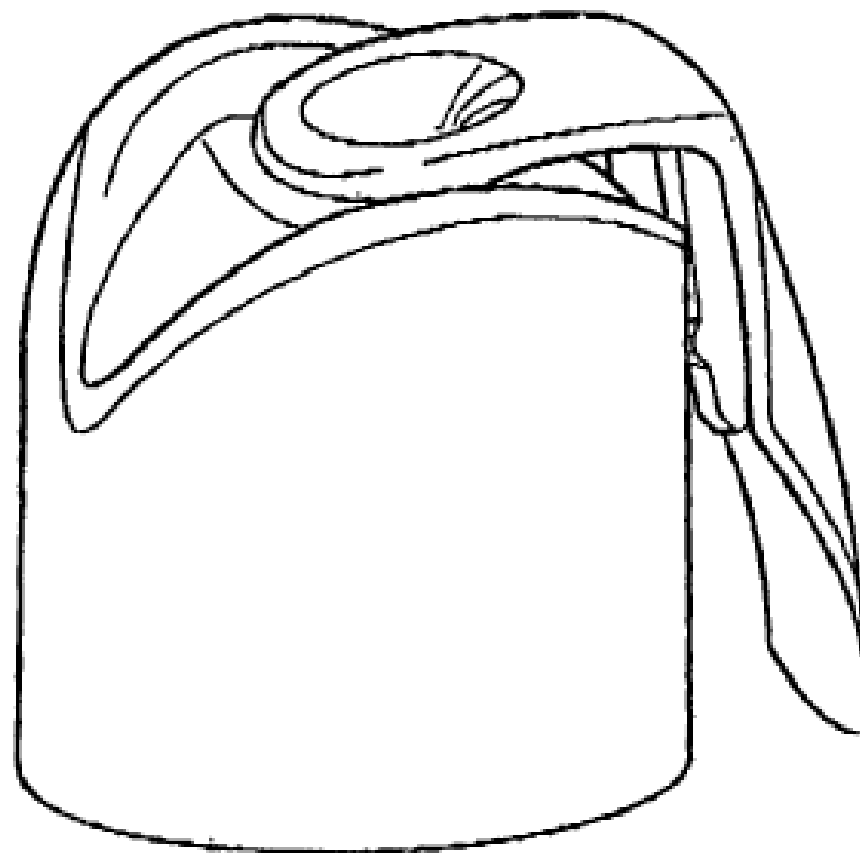
(45) Registration Date: **16 January 2006**

(30) Convention priority data:

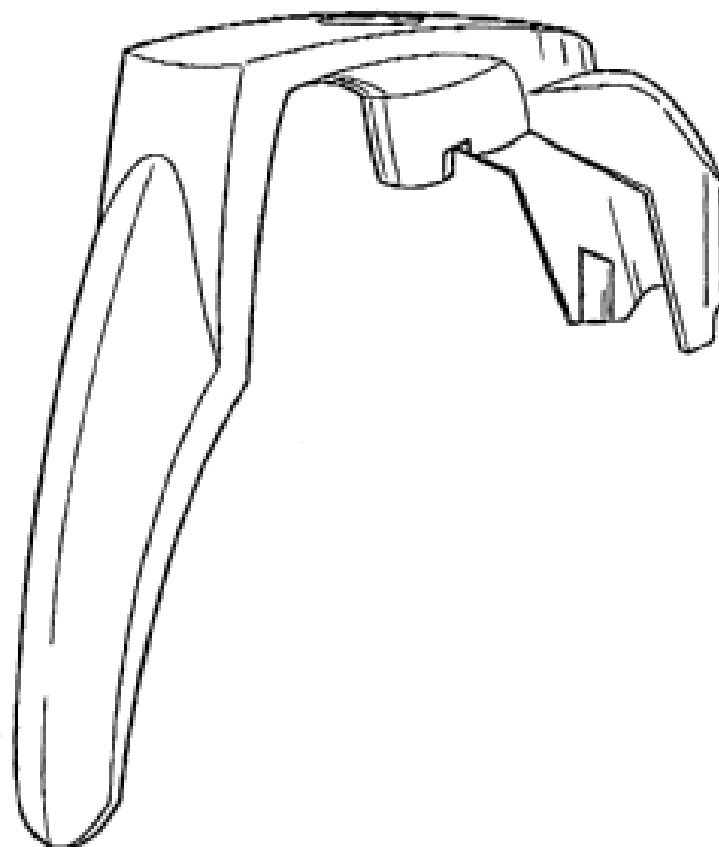
(31) Number	(32) Date	(33) Country
<b>29/223321</b>	<b>11 Feb 2005</b>	<b>UNITED STATES OF AMERICA</b>

(56) Related Art Documents: **Not Applicable**

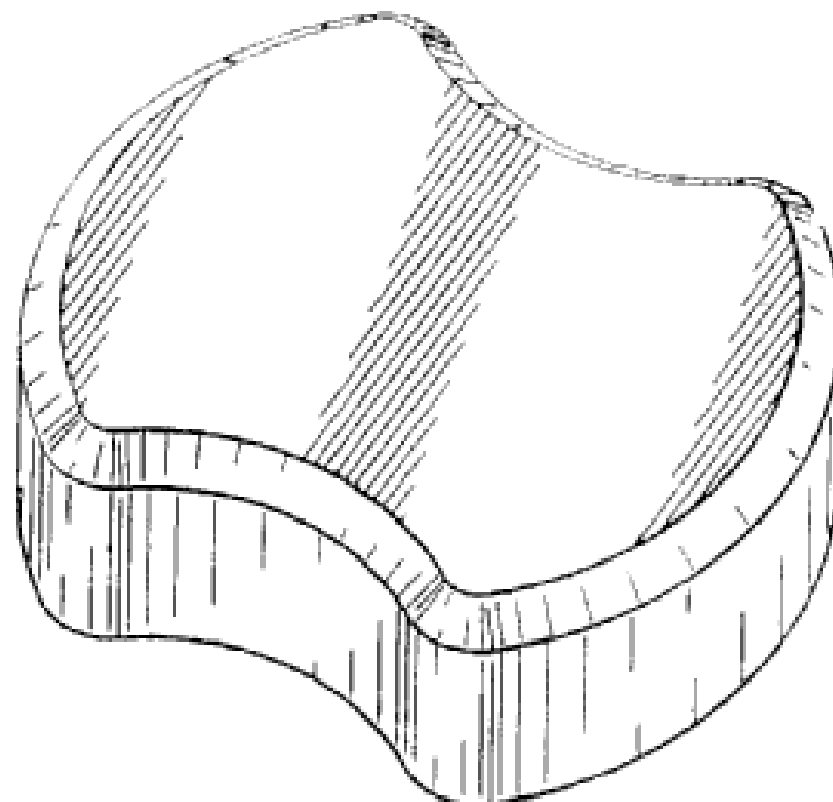
(57) Statement of Newness and Distinctiveness: **Newness and distinctiveness is claimed in the features of shape and/or configuration of a trigger actuator with overcap for aerosol cans as illustrated in continuous lines in the accompanying representations.**



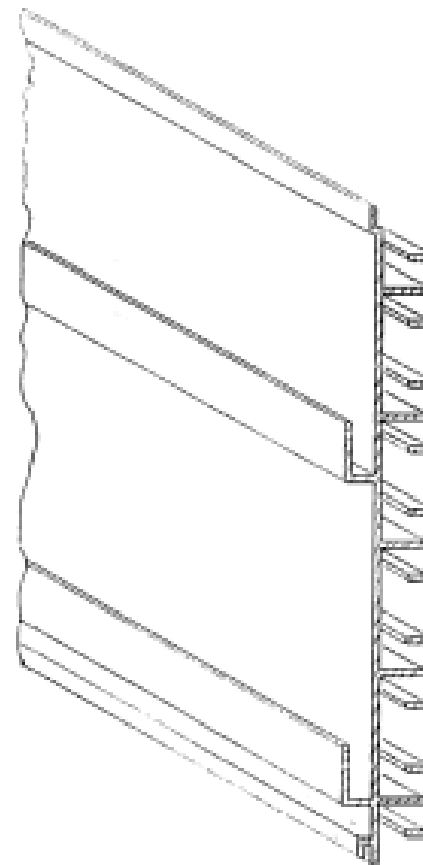
(21) Design Number: **13405/2005**  
 (22) Date of Filing Application: **10 August 2005**  
 (24) Date from which industrial property rights may have effect: **10 August 2005**  
 (54) Product in respect of which the design is registered: **Trigger actuator for aerosol cans**  
 (51) International Design Classification: **09-07A**  
 (71) Name(s) and Address(s) of Applicant(s):  
**S.C. Johnson & Son, Inc.**  
**1525 Howe Street Racine Wisconsin 53403-2236 United States of America**  
 (72) Name(s) of Designer(s): **Edward L. Paas and Thomas S. Scott and John E. O'Dom and Lawrence J. Kelly and William W. Wichman**  
 (45) Registration Date: **16 January 2006**  
 (30) Convention priority data:  
 (31) Number (32) Date (33) Country  
**29/223346 11 Feb 2005 UNITED STATES OF AMERICA**  
 (56) Related Art Documents: **Not Applicable**  
 (57) Statement of Newness and Distinctiveness: **Newness and distinctiveness is claimed in the features of shape and/or configuration of a trigger actuator for aerosol cans as illustrated in continuous lines in the accompanying representations.**



(21) Design Number: **13465/2005**  
 (22) Date of Filing Application: **12 August 2005**  
 (24) Date from which industrial property rights may have effect: **12 August 2005**  
 (54) Product in respect of which the design is registered: **Chlorine tablet**  
 (51) International Design Classification: **99-00**  
 (71) Name(s) and Address(s) of Applicant(s):  
**Zodiac Pool Care, Inc.**  
**2028 NW 25th Avenue Pompano Beach Florida 33069 United States of America**  
 (72) Name(s) of Designer(s): **Alvin Costa and Edward Wexler**  
 (45) Registration Date: **16 January 2006**  
 (30) Convention priority data:  
 (31) Number (32) Date (33) Country  
**29/223489 15 Feb 2005 UNITED STATES OF AMERICA**  
 (56) Related Art Documents: **Not Applicable**  
 (57) Statement of Newness and Distinctiveness: **Newness and distinctiveness is claimed in the features of shape and/or configuration of the bevelled edges of a chlorine tablet as illustrated in the accompanying representations.**

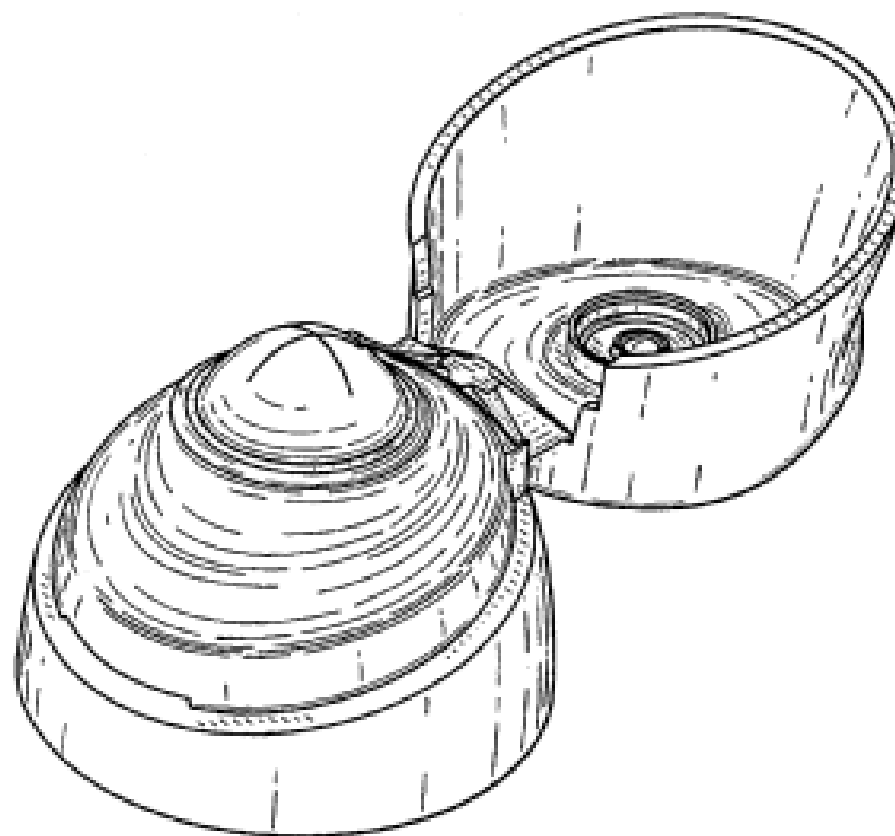


- (21) Design Number: **13481/2005**
- (22) Date of Filing Application: **12 August 2005**
- (24) Date from which industrial property rights may have effect: **12 August 2005**
- (54) Product in respect of which the design is registered: **Wall extrusion B**
- (51) International Design Classification: **25-01K**
- (71) Name(s) and Address(s) of Applicant(s):  
**Vince Toseski**  
**13 Spring Street Arncliffe New South Wales 2055 Australia**
- (72) Name(s) of Designer(s): **Vince Toseski**
- (45) Registration Date: **16 January 2006**
- (56) Related Art Documents: **Not Applicable**
- (57) Statement of Newness and Distinctiveness: **Monopoly is claimed in the shape and configuration of the extrusion of indefinite length as illustrated in the accompanying representations.**

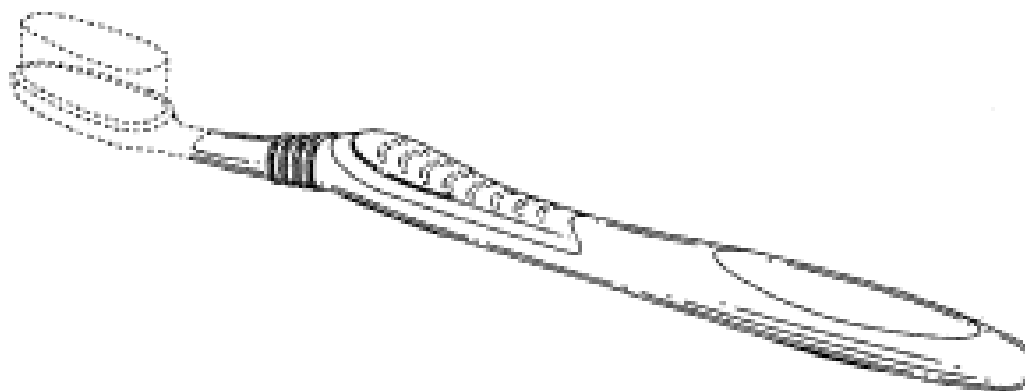


- (21) Design Number: **13496/2005**
- (22) Date of Filing Application: **15 August 2005**
- (24) Date from which industrial property rights may have effect: **15 August 2005**
- (54) Product in respect of which the design is registered: **Closure**
- (51) International Design Classification: **09-07A**
- (71) Name(s) and Address(s) of Applicant(s):  
**Colgate-Palmolive Company**  
**300 Park Avenue New York New York 10022 United States of America**
- (72) Name(s) of Designer(s): **Joseph Thomas Norris and John Clifford Crawford and Peter Michael Stagl**
- (45) Registration Date: **16 January 2006**
- (30) Convention priority data:  

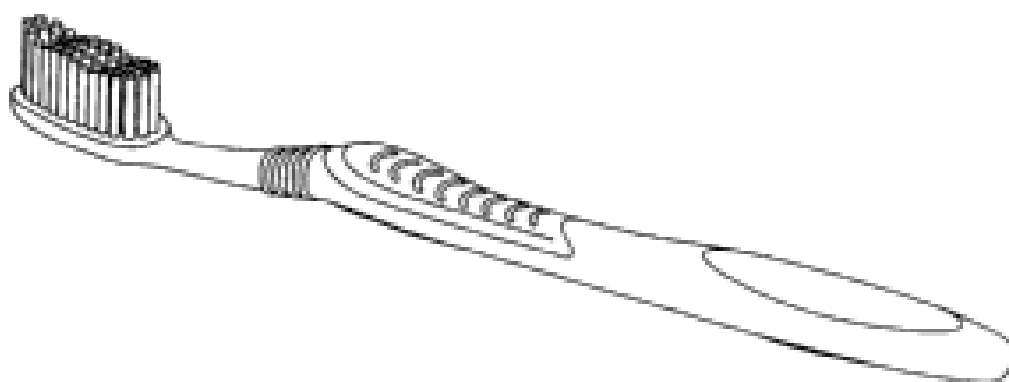
(31) Number	(32) Date	(33) Country
<b>29/223850</b>	<b>18 Feb 2005</b>	<b>UNITED STATES OF AMERICA</b>
- (56) Related Art Documents: **Not Applicable**
- (57) Statement of Newness and Distinctiveness: **Each feature of the design considered separately or in combination with any other feature or features.**



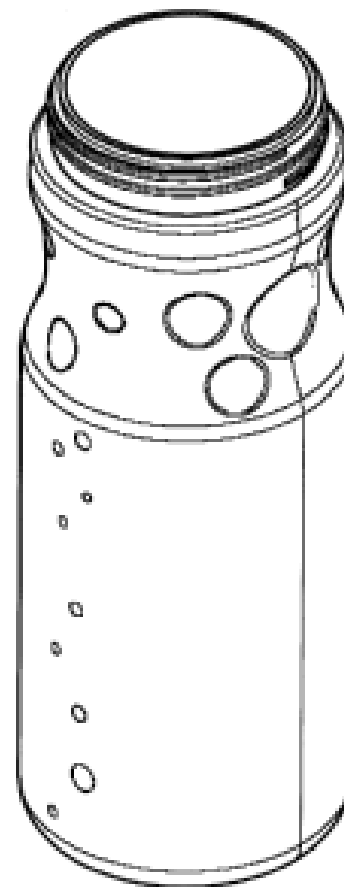
- (21) Design Number: **13497/2005**  
(22) Date of Filing Application: **15 August 2005**  
(24) Date from which industrial property rights may have effect: **15 August 2005**  
(54) Product in respect of which the design is registered: **Portion of a toothbrush**  
(51) International Design Classification: **04-02**  
(71) Name(s) and Address(s) of Applicant(s):  
**Colgate-Palmolive Company**  
**300 Park Avenue New York New York 10022 United States of America**  
(72) Name(s) of Designer(s): **Robert Moskovich and Alan Sorrentino and Swanson Xi**  
(45) Registration Date: **16 January 2006**  
(30) Convention priority data:  
(31) Number (32) Date (33) Country  
**29/223572 16 Feb 2005 UNITED STATES OF AMERICA**  
(56) Related Art Documents: **Not Applicable**  
(57) Statement of Newness and Distinctiveness: **Each feature of the design shown in solid lines considered separately or in combination with any other feature or features shown in solid lines.**



- (21) Design Number: **13498/2005**  
(22) Date of Filing Application: **15 August 2005**  
(24) Date from which industrial property rights may have effect: **15 August 2005**  
(54) Product in respect of which the design is registered: **Toothbrush**  
(51) International Design Classification: **04-02**  
(71) Name(s) and Address(s) of Applicant(s):  
**Colgate-Palmolive Company**  
**300 Park Avenue New York New York 10022 United States of America**  
(72) Name(s) of Designer(s): **Robert Moskovich and Alan Sorrentino and Swanson Xi**  
(45) Registration Date: **16 January 2006**  
(30) Convention priority data:  
(31) Number (32) Date (33) Country  
**29/223571 16 Feb 2005 UNITED STATES OF AMERICA**  
(56) Related Art Documents: **Not Applicable**  
(57) Statement of Newness and Distinctiveness: **Each feature of the design considered separately or in combination with any other feature or features.**

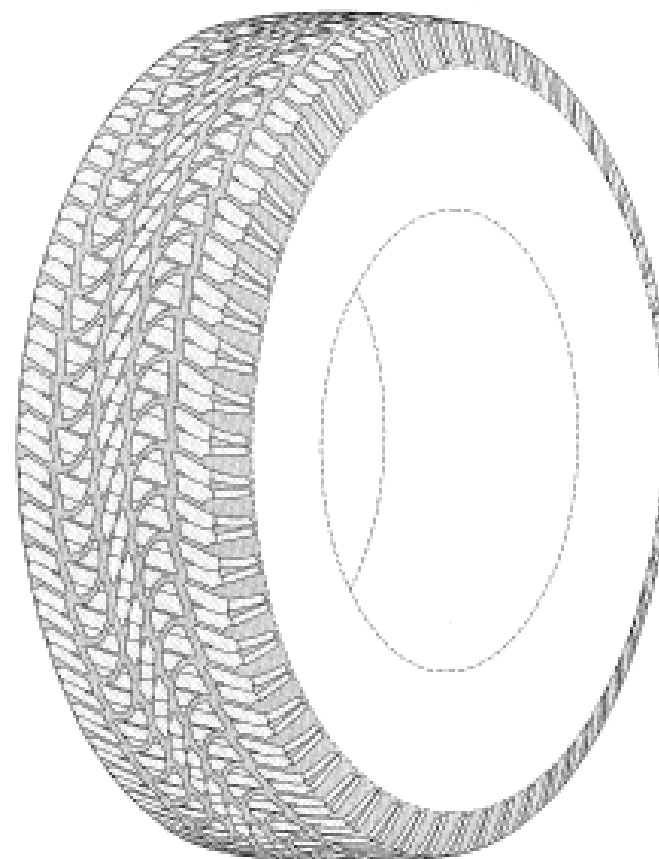


- (21) Design Number: **13500/2005**
- (22) Date of Filing Application: **15 August 2005**
- (24) Date from which industrial property rights may have effect: **15 August 2005**
- (54) Product in respect of which the design is registered: **Bottle**
- (51) International Design Classification: **09-01NES**
- (71) Name(s) and Address(s) of Applicant(s):  
**Bottles of Australia Pty Limited**  
**Unit 2-4/6 Sleigh Place Hume ACT 2620 Australia**
- (72) Name(s) of Designer(s): **Albert Maberley**
- (45) Registration Date: **16 January 2006**
- (56) Related Art Documents: **Not Applicable**
- (57) Statement of Newness and Distinctiveness: **Nil**

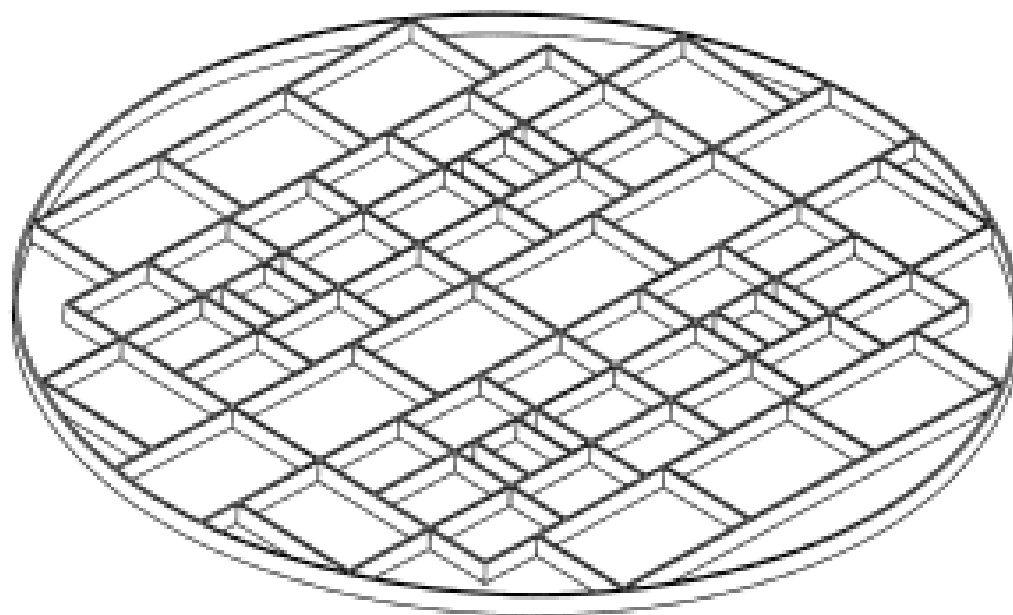


- (21) Design Number: **13502/2005**
- (22) Date of Filing Application: **15 August 2005**
- (24) Date from which industrial property rights may have effect: **15 August 2005**
- (54) Product in respect of which the design is registered: **Tire**
- (51) International Design Classification: **12-15C**
- (71) Name(s) and Address(s) of Applicant(s):  
**Bridgestone/Firestone North American Tire, LLC**  
**535 Marriott Drive 9th Floor Nashville TN 37214 United States of America**
- (72) Name(s) of Designer(s): **Keith A. Dumigan**
- (45) Registration Date: **16 January 2006**
- (30) Convention priority data:  

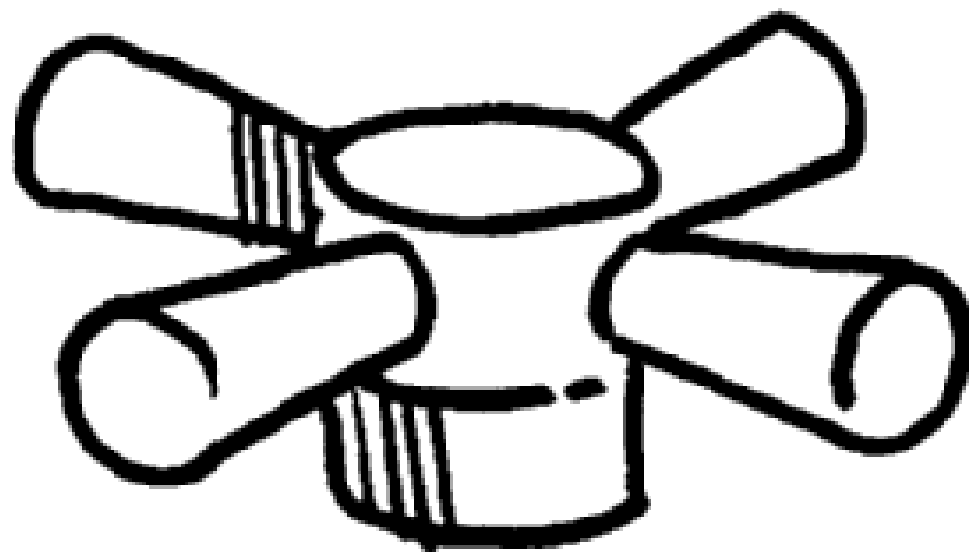
(31) Number	(32) Date	(33) Country
<b>29/223,477</b>	<b>15 Feb 2005</b>	<b>UNITED STATES OF AMERICA</b>
- (56) Related Art Documents: **Not Applicable**
- (57) Statement of Newness and Distinctiveness: **Those features of the tire depicted in the representations that are new and distinctive are the repeating shape and/or configuration of the tread pattern. The features shown in broken lines are not part of the design and are to be disregarded when considering the overall impression of the design.**



- (21) Design Number: **13505/2005**  
(22) Date of Filing Application: **15 August 2005**  
(24) Date from which industrial property rights may have effect: **15 August 2005**  
(54) Product in respect of which the design is registered: **Grid for a dartboard**  
(51) International Design Classification: **21-01H**  
(71) Name(s) and Address(s) of Applicant(s):  
**Poker-Dart Pty Ltd**  
**1 Penman Street Blairgowrie Victoria 3942 Australia**  
(72) Name(s) of Designer(s): **Philip Louis Sierakowski**  
(45) Registration Date: **16 January 2006**  
(56) Related Art Documents: **Not Applicable**  
(57) Statement of Newness and Distinctiveness: **Newness and distinctiveness reside in features of shape and/or configuration of a grid for a dartboard as shown in the accompanying representations.**



- (21) Design Number: **15678/2004**  
(22) Date of Filing Application: **08 December 2004**  
(24) Date from which industrial property rights may have effect: **08 December 2004**  
(54) Product in respect of which the design is registered: **Tap handle**  
(51) International Design Classification: **23-01H**  
(71) Name(s) and Address(s) of Applicant(s):  
**Eddy Brewer (Sales) Pty Ltd**  
**225 East Boundary Road East Bentleigh Vistoria 3204 Australia**  
(72) Name(s) of Designer(s): **Paul Pearson**  
(45) Registration Date: **17 January 2006**  
(56) Related Art Documents: **Not Applicable**  
(57) Statement of Newness and Distinctiveness: **Monopoly is claimed in the features of shape and configuration of the tap handle as shown in the accompanying representations.**



(21) Design Number: **15679/2004**

(22) Date of Filing Application: **08 December 2004**

(24) Date from which industrial property rights may have effect: **08 December 2004**

(54) Product in respect of which the design is registered: **Tap handle**

(51) International Design Classification: **23-01H**

(71) Name(s) and Address(s) of Applicant(s):

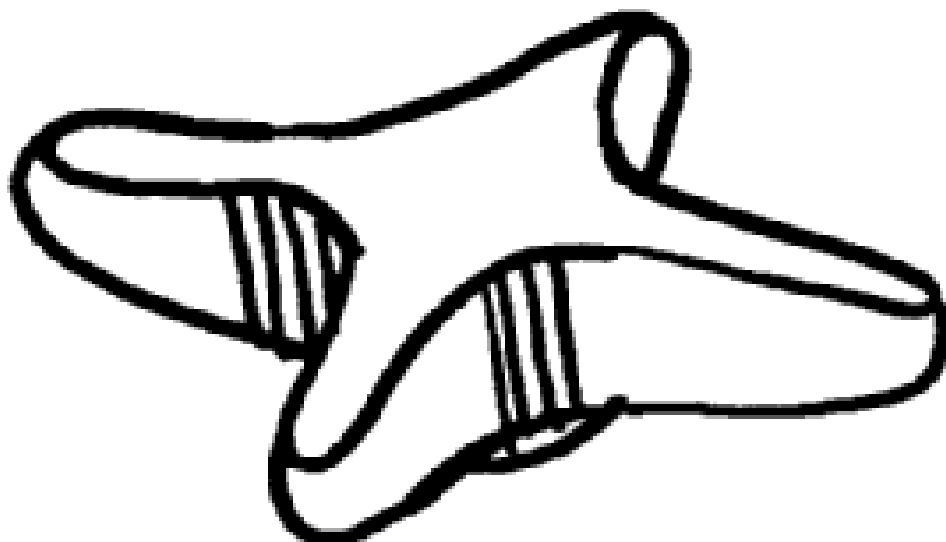
**Eddy Brewer (Sales) Pty Ltd**  
**225 East Boundary Road East Bentleigh Victoria 3204 Australia**

(72) Name(s) of Designer(s): **Paul Pearson**

(45) Registration Date: **17 January 2006**

(56) Related Art Documents: **Not Applicable**

(57) Statement of Newness and Distinctiveness: **Monopoly is claimed in the features of shape and configuration of the tap handle as shown in the accompanying representations.**



(21) Design Number: **15680/2004**

(22) Date of Filing Application: **08 December 2004**

(24) Date from which industrial property rights may have effect: **08 December 2004**

(54) Product in respect of which the design is registered: **Tap handle**

(51) International Design Classification: **23-01H**

(71) Name(s) and Address(s) of Applicant(s):

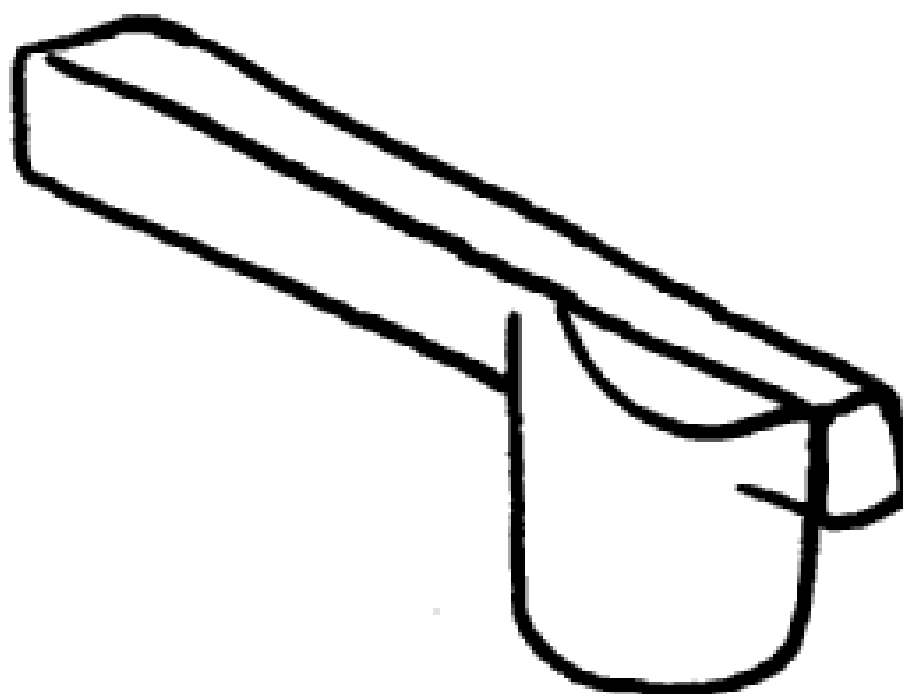
**Eddy Brewer (Sales) Pty Ltd**  
**225 East Boundary Road East Bentleigh Victoria 3204 Australia**

(72) Name(s) of Designer(s): **Paul Pearson**

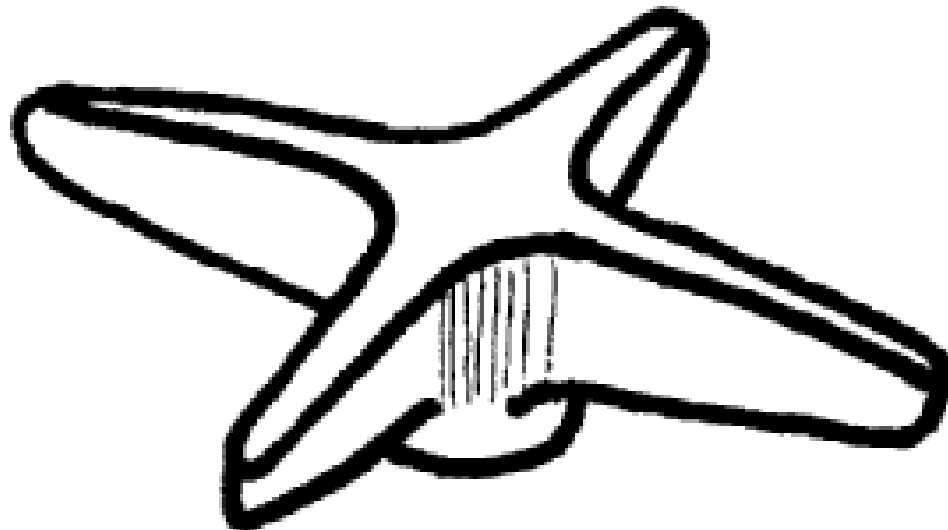
(45) Registration Date: **17 January 2006**

(56) Related Art Documents: **Not Applicable**

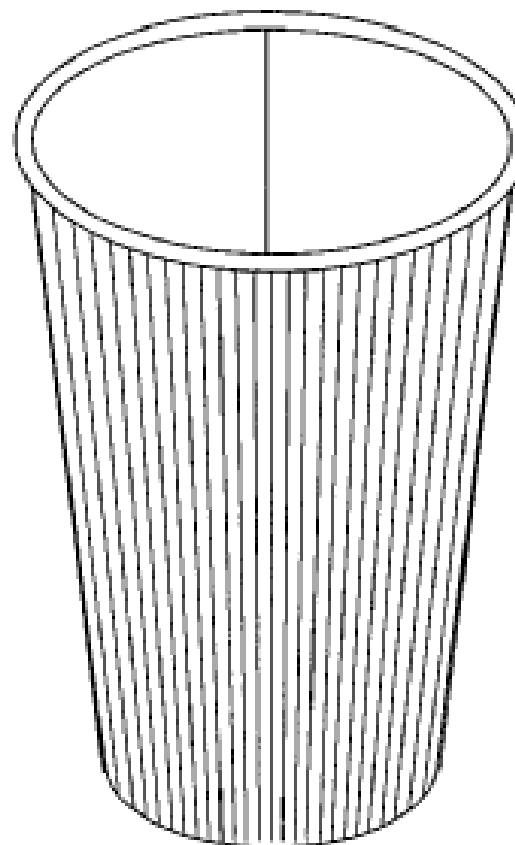
(57) Statement of Newness and Distinctiveness: **Monopoly is claimed in the features of shape and configuration of the tap handle as shown in the accompanying representations.**



- (21) Design Number: **15681/2004**  
(22) Date of Filing Application: **08 December 2004**  
(24) Date from which industrial property rights may have effect: **08 December 2004**  
(54) Product in respect of which the design is registered: **Tap handle**  
(51) International Design Classification: **23-01H**  
(71) Name(s) and Address(s) of Applicant(s):  
**Eddy Brewer (Sales) Pty Ltd**  
**225 East Boundary Road East Bentleigh Victoria 3204 Australia**  
(72) Name(s) of Designer(s): **Paul Pearson**  
(45) Registration Date: **17 January 2006**  
(56) Related Art Documents: **Not Applicable**  
(57) Statement of Newness and Distinctiveness: **Monopoly is claimed in the features of shape and configuration of the tap handle as shown in the accompanying representations.**



- (21) Design Number: **10078/2006**  
(22) Date of Filing Application: **11 January 2006**  
(24) Date from which industrial property rights may have effect: **11 January 2006**  
(54) Product in respect of which the design is registered: **Paper cups**  
(51) International Design Classification: **07-01C**  
(71) Name(s) and Address(s) of Applicant(s):  
**Enviro Pak Pty Ltd**  
**PO Box 754 Neutral Bay Sydney New South Wales 2089 Australia**  
(72) Name(s) of Designer(s): **John Deflumeri**  
(45) Registration Date: **17 January 2006**  
(56) Related Art Documents: **Not Applicable**  
(57) Statement of Newness and Distinctiveness: **All corrugations go vertically down the cup. This is achieved by designing an increase in the size of the corrugation as it goes up the cup. This greatly improves grip and heat resistance. The more corrugations the better resistance to heat 50% more corrugations than any other design.**





(21) Design Number: **11042/2005**

(22) Date of Filing Application: **16 March 2005**

(24) Date from which industrial property rights may have effect: **16 March 2005**

(54) Product in respect of which the design is registered: **Lamp**

(51) International Design Classification: **26-05NES**

(71) Name(s) and Address(s) of Applicant(s):

**JO-EL-Electric A/S**

**Orbaekvej 280 5220 Odense So Denmark**

(72) Name(s) of Designer(s): **Anders Smith**

(45) Registration Date: **17 January 2006**

(30) Convention priority data:

(31) Number

(32) Date

(33) Country

**DA 2005**

**21 Jan 2005**

**DENMARK**

**00021**

(56) Related Art Documents: **Not Applicable**

(57) Statement of Newness and Distinctiveness: **The shape and configuration of the lamp is new and distinctive.**



(21) Design Number: **11054/2005**

(22) Date of Filing Application: **16 March 2005**

(24) Date from which industrial property rights may have effect: **16 March 2005**

(54) Product in respect of which the design is registered: **Electronic testing instrument**

(51) International Design Classification: **13-03NES, 10-05**

(71) Name(s) and Address(s) of Applicant(s):

**Toptronic Limited**

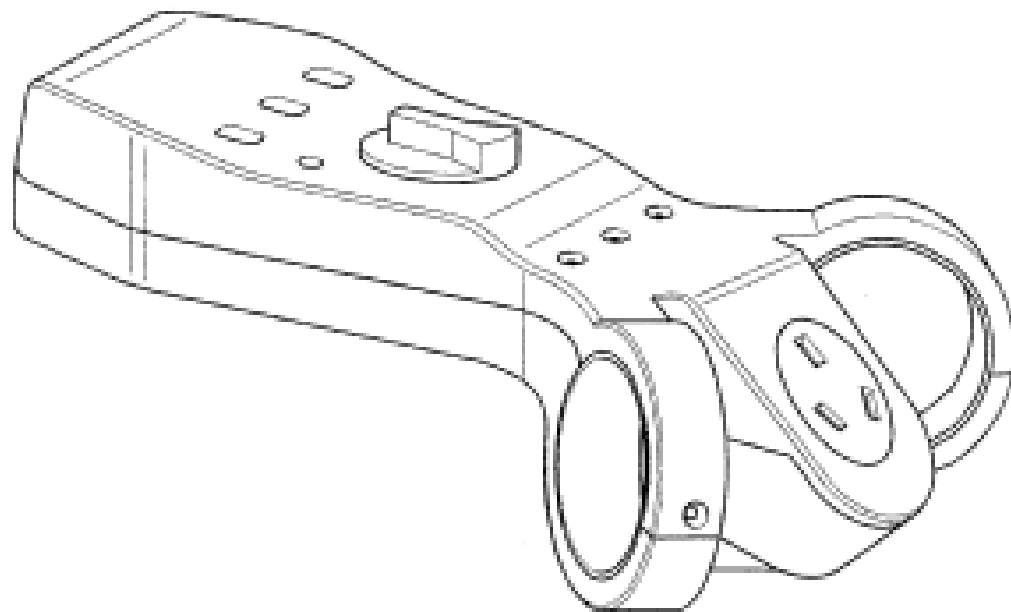
**3908 Two Exchange Square 8 Connaught Place Central Hong Kong**

(72) Name(s) of Designer(s): **Jacques Michel Marie Botte**

(45) Registration Date: **17 January 2006**

(56) Related Art Documents: **Not Applicable**

(57) Statement of Newness and Distinctiveness: **Nil**



(21) Design Number: **11151/2005**

(22) Date of Filing Application: **24 March 2005**

(24) Date from which industrial property rights may have effect: **24 March 2005**

(54) Product in respect of which the design is registered: **Power sander**

(51) International Design Classification: **08-05N**

(71) Name(s) and Address(s) of Applicant(s):

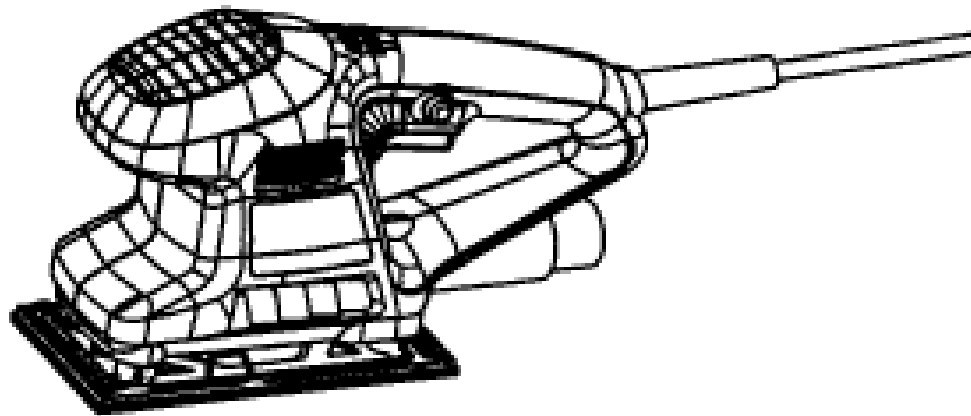
**GMCA Pty Ltd**  
**45-55 South Centre Road Melbourne Airport Victoria 3045 Australia**

(72) Name(s) of Designer(s): **Michael Waldron**

(45) Registration Date: **17 January 2006**

(56) Related Art Documents: **Not Applicable**

(57) Statement of Newness and Distinctiveness: **Newness and distinctiveness resides in the shape and configuration of a power sander as shown in the accompanying representations.**



(21) Design Number: **11152/2005**

(22) Date of Filing Application: **24 March 2005**

(24) Date from which industrial property rights may have effect: **24 March 2005**

(54) Product in respect of which the design is registered: **Planer**

(51) International Design Classification: **08-03**

(71) Name(s) and Address(s) of Applicant(s):

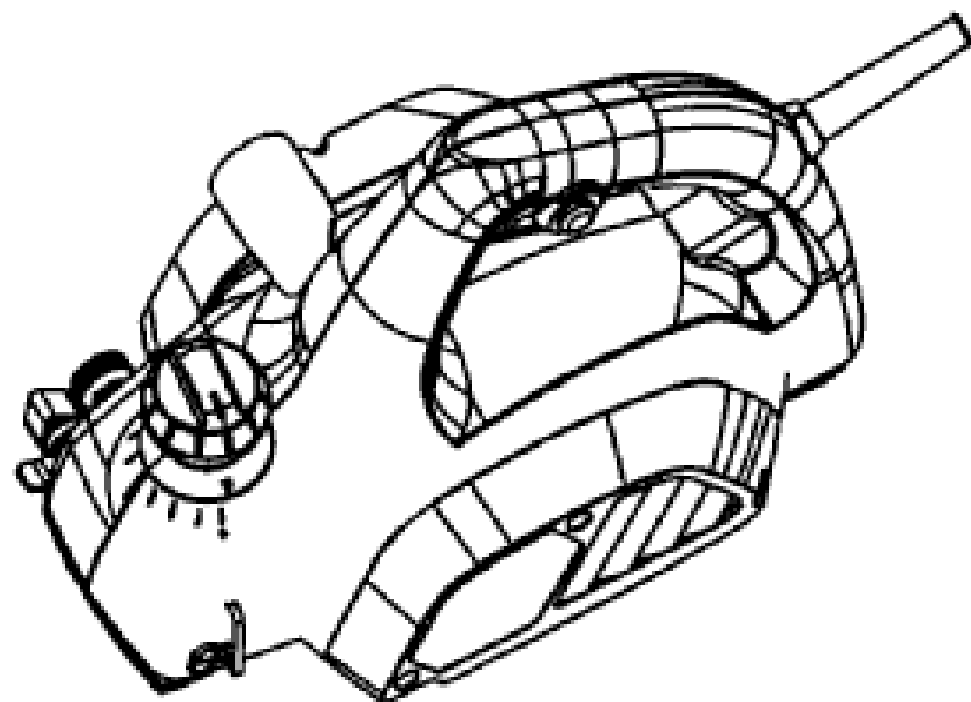
**GMCA Pty Ltd**  
**45-55 South Centre Road Melbourne Airport Victoria 3045 Australia**

(72) Name(s) of Designer(s): **Michael Waldron**

(45) Registration Date: **17 January 2006**

(56) Related Art Documents: **Not Applicable**

(57) Statement of Newness and Distinctiveness: **Newness and distinctiveness resides in the shape and configuration of a planer as shown in the accompanying representations.**



(21) Design Number: **11153/2005**

(22) Date of Filing Application: **24 March 2005**

(24) Date from which industrial property rights may have effect: **24 March 2005**

(54) Product in respect of which the design is registered: **Power drill**

(51) International Design Classification: **08-01**

(71) Name(s) and Address(s) of Applicant(s):

**GMCA Pty Ltd**

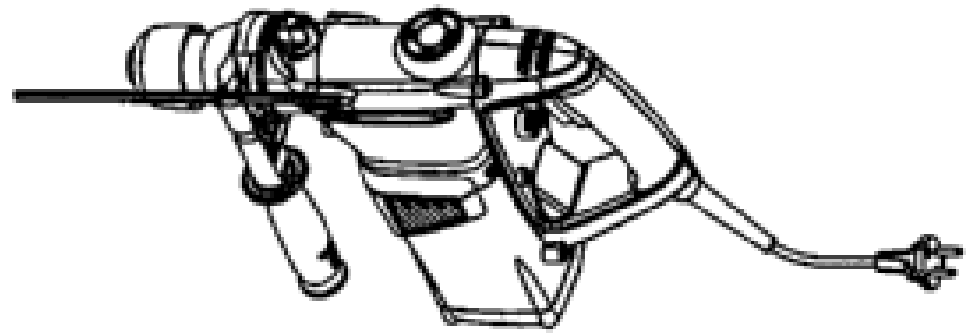
**45-55 South Centre Road Melbourne Airport Victoria 3045 Australia**

(72) Name(s) of Designer(s): **Michael Waldron**

(45) Registration Date: **17 January 2006**

(56) Related Art Documents: **Not Applicable**

(57) Statement of Newness and Distinctiveness: **Newness and distinctiveness resides in the shape and configuration of a power drill as shown in the accompanying representations.**



(21) Design Number: **14915/2004**

(22) Date of Filing Application: **18 October 2004**

(24) Date from which industrial property rights may have effect: **18 October 2004**

(54) Product in respect of which the design is registered: **A loudspeaker cabinet**

(51) International Design Classification: **14-01**

(71) Name(s) and Address(s) of Applicant(s):

**George Lindsay Goddard**

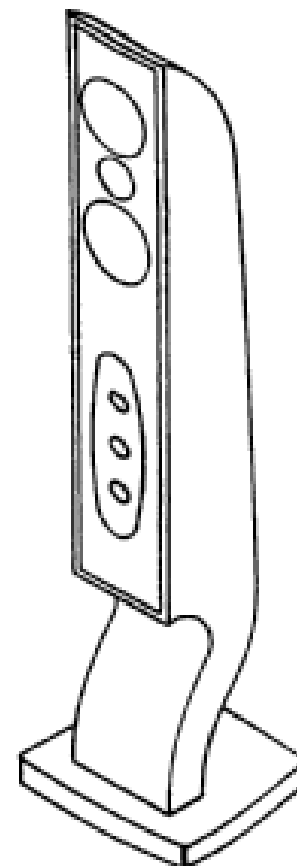
**57 Bushby Road Albany Western Australia 6330 Australia**

(72) Name(s) of Designer(s): **George Lindsay Goddard**

(45) Registration Date: **17 January 2006**

(56) Related Art Documents: **Not Applicable**

(57) Statement of Newness and Distinctiveness: **Monopoly is claimed in the features of shape and configuration of a loudspeaker cabinet as shown in the accompanying representations. No claim is made for the speaker drivers.**



(21) Design Number: **11253/2005**

(22) Date of Filing Application: **30 March 2005**

(24) Date from which industrial property rights may have effect: **30 March 2005**

(54) Product in respect of which the design is registered: **Decking panel**

(51) International Design Classification: **25-01NES**

(71) Name(s) and Address(s) of Applicant(s):

**Fielders Australia Pty Ltd**

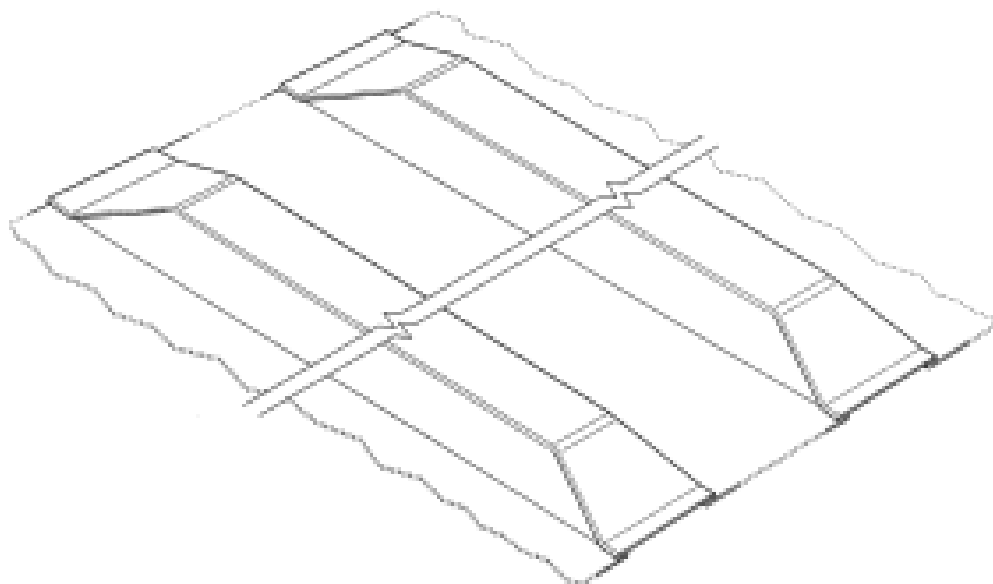
**15 Railway Terrace Mile End South Australia 5031 Australia**

(72) Name(s) of Designer(s): **Mark Patrick and Joe Litmixay and Matt Lloyd**

(45) Registration Date: **17 January 2006**

(56) Related Art Documents: **Not Applicable**

(57) Statement of Newness and Distinctiveness: **Newness and distinctiveness reside in the features of shape and configuration of a decking panel which is of indefinite length as shown in the accompanying representations. Those portions of a design shown in dotted lines are to be disregarded. In considering the scope of the design, the number of ribs which extend across the width of the panel can be varied.**



(21) Design Number: **11254/2005**

(22) Date of Filing Application: **30 March 2005**

(24) Date from which industrial property rights may have effect: **30 March 2005**

(54) Product in respect of which the design is registered: **A decking panel**

(51) International Design Classification: **25-01NES**

(71) Name(s) and Address(s) of Applicant(s):

**Fielders Australia Pty Ltd**

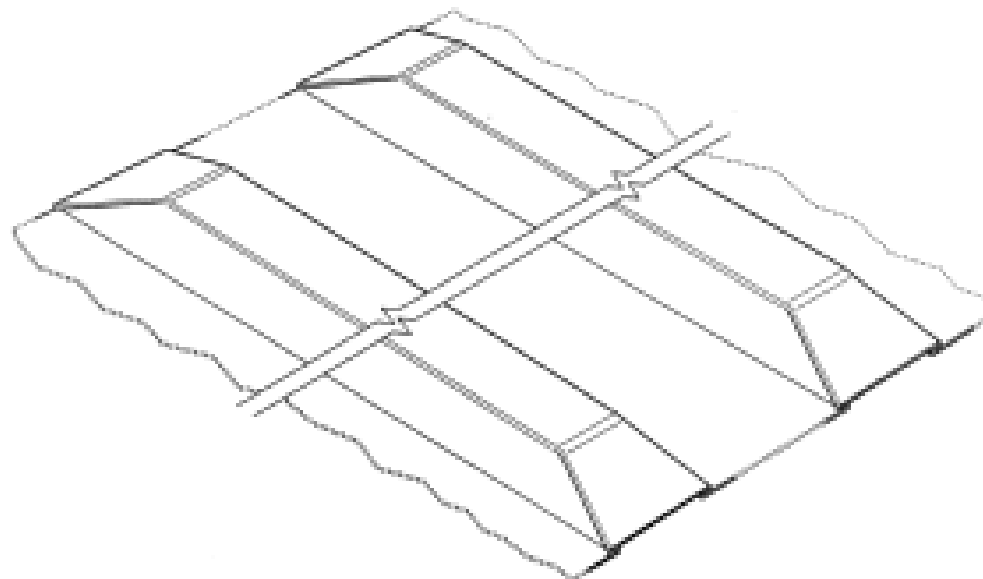
**15 Railway Terrace Mile End South Australia 5031 Australia**

(72) Name(s) of Designer(s): **Mark Patrick and Joe Litmixay and Matt Lloyd**

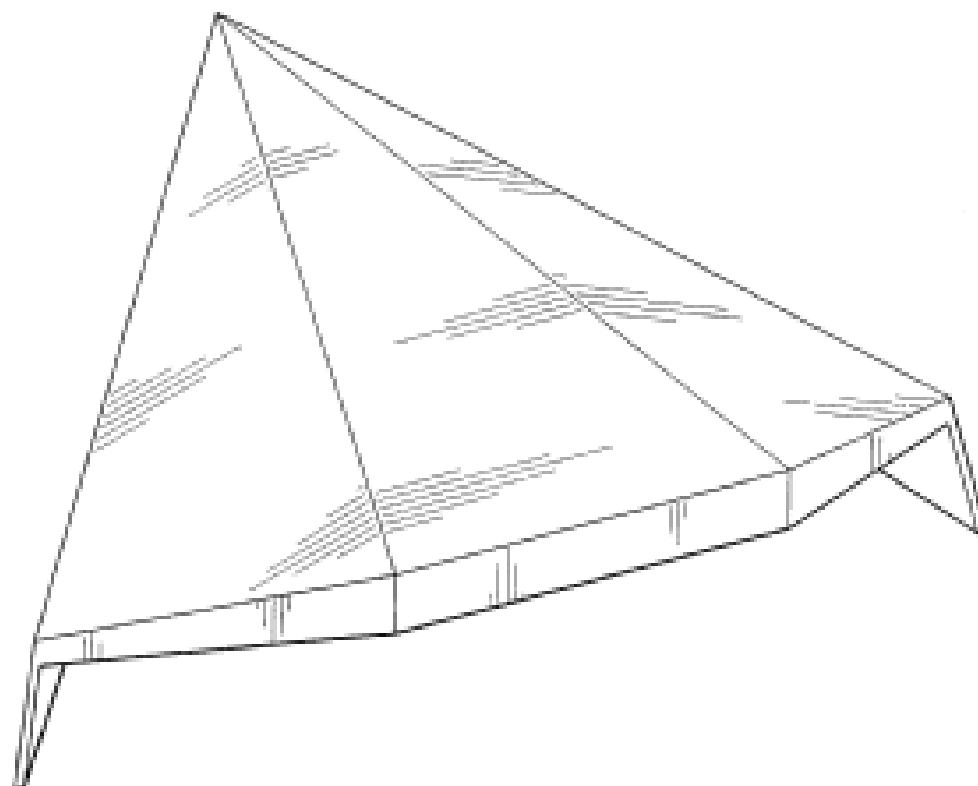
(45) Registration Date: **17 January 2006**

(56) Related Art Documents: **Not Applicable**

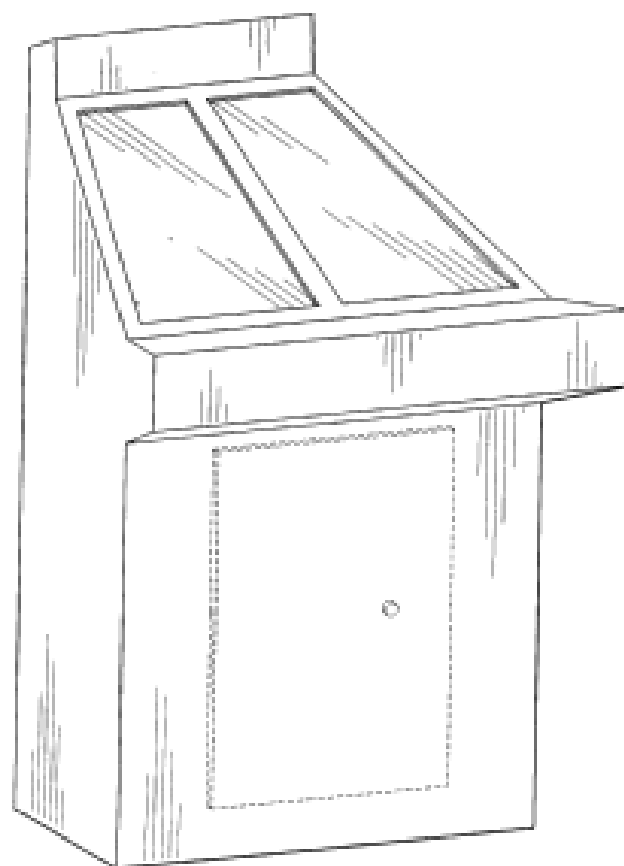
(57) Statement of Newness and Distinctiveness: **Newness and distinctiveness reside in the features of shape and configuration of a decking panel which is of indefinite length as shown in the accompanying representations. Those portions of a design shown in dotted lines are to be disregarded. In considering the scope of the design, the number of ribs which extend across the width of the panel can be varied.**



(21) Design Number: **11276/2005**  
 (22) Date of Filing Application: **30 March 2005**  
 (24) Date from which industrial property rights may have effect: **30 March 2005**  
 (54) Product in respect of which the design is registered: **Indicator of a gaming assembly**  
 (51) International Design Classification: **21-03**  
 (71) Name(s) and Address(s) of Applicant(s):  
**IGT**  
**Prototype Drive Reno Nevada 89521-8986 United States of America**  
 (72) Name(s) of Designer(s): **Joseph E. Kaminkow and Anthony J. Baerlocher and Kehl T. LeSourd and Kirk A. Tedsen and Eric L. Wagner and Christopher D. Carlisle and Michael MacVittie**  
 (45) Registration Date: **17 January 2006**  
 (30) Convention priority data:  
 (31) Number (32) Date (33) Country  
**29/214,425 30 Sep 2004 UNITED STATES OF AMERICA**  
 (56) Related Art Documents: **Not Applicable**  
 (57) Statement of Newness and Distinctiveness: **Nil**



(21) Design Number: **11277/2005**  
 (22) Date of Filing Application: **30 March 2005**  
 (24) Date from which industrial property rights may have effect: **30 March 2005**  
 (54) Product in respect of which the design is registered: **Cabinet of a gaming assembly**  
 (51) International Design Classification: **21-03**  
 (71) Name(s) and Address(s) of Applicant(s):  
**IGT**  
**Prototype Drive Reno Nevada 89521-8986 United States of America**  
 (72) Name(s) of Designer(s): **Joseph E. Kaminkow and Anthony J. Baerlocher and Kehl T. LeSourd and Kirk A. Tedsen and Eric L. Wagner and Christopher D. Carlisle and Michael MacVittie**  
 (45) Registration Date: **17 January 2006**  
 (30) Convention priority data:  
 (31) Number (32) Date (33) Country  
**29/214,425 30 Sep 2004 UNITED STATES OF AMERICA**  
 (56) Related Art Documents: **Not Applicable**  
 (57) Statement of Newness and Distinctiveness: **In considering the extent of the monopoly sought, those visual features shown in phantom are to be disregarded.**



(21) Design Number: **11342/2005**  
(22) Date of Filing Application: **05 April 2005**  
(24) Date from which industrial property rights may have effect: **05 April 2005**  
(54) Product in respect of which the design is registered: **Cash register**  
(51) International Design Classification: **18-01**  
(71) Name(s) and Address(s) of Applicant(s):

**Sharp Kabushiki Kaisha**  
**22-22 Nagaike-cho Abeno-ku Osaka Japan**

(72) Name(s) of Designer(s): **Kenji Ohta**

(45) Registration Date: **17 January 2006**

(30) Convention priority data:

(31) Number	(32) Date	(33) Country
<b>2004-039528</b>	<b>24 Dec 2004</b>	<b>JAPAN</b>

(56) Related Art Documents: **Not Applicable**

(57) Statement of Newness and Distinctiveness: **Nil**



(21) Design Number: **11367/2005**  
(22) Date of Filing Application: **05 April 2005**  
(24) Date from which industrial property rights may have effect: **05 April 2005**  
(54) Product in respect of which the design is registered: **Impression coping**  
(51) International Design Classification: **24-02**  
(71) Name(s) and Address(s) of Applicant(s):

**Astra Tech AB**  
**Aminogatan 1 SE-431 21 Molndal Sweden**

(72) Name(s) of Designer(s): **Emad Ramzi and Eva Gabriellsson**

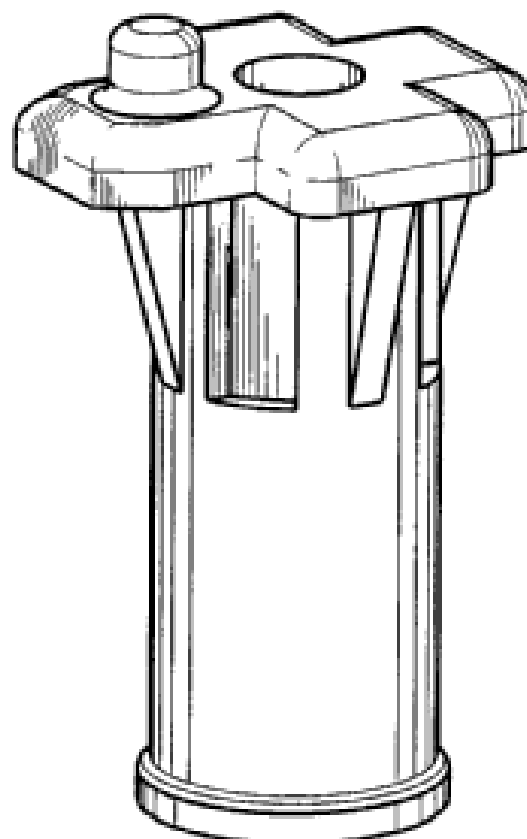
(45) Registration Date: **17 January 2006**

(30) Convention priority data:

(31) Number	(32) Date	(33) Country
<b>000240007</b>	<b>13 Oct 2004</b>	<b>EUROPEAN COMMUNITY</b>

(56) Related Art Documents: **Not Applicable**

(57) Statement of Newness and Distinctiveness: **Nil**



(21) Design Number: **11972/2005**

(22) Date of Filing Application: **06 May 2005**

(24) Date from which industrial property rights may have effect: **06 May 2005**

(54) Product in respect of which the design is registered: **Connector**

(51) International Design Classification: **13-03B**

(71) Name(s) and Address(s) of Applicant(s):

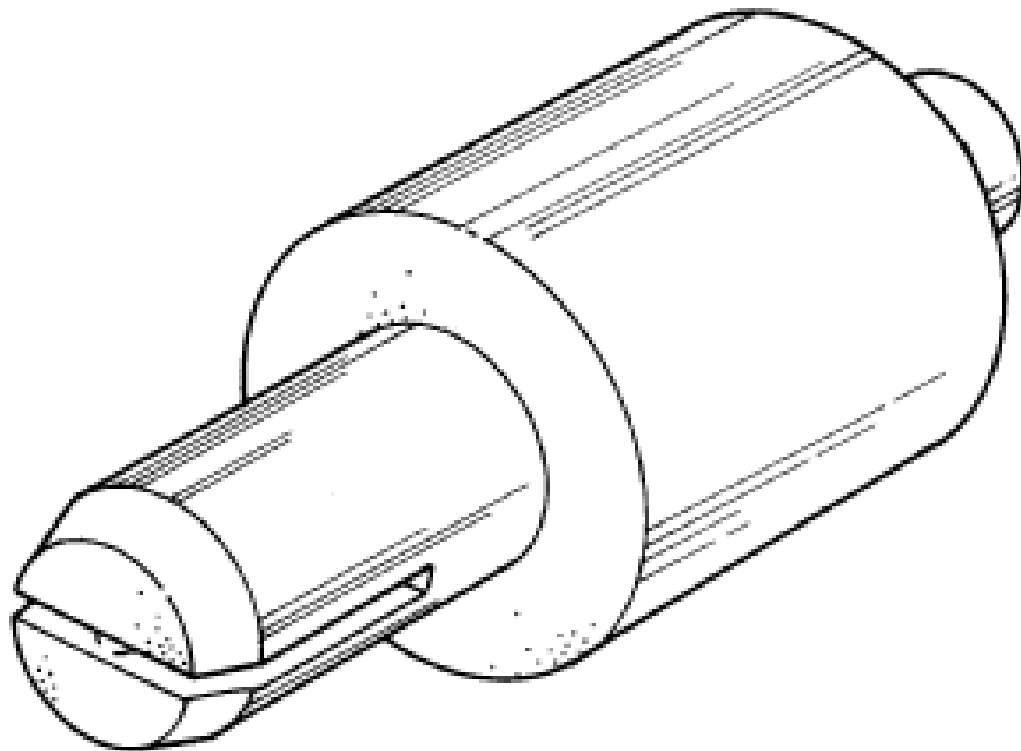
**David Moss Corporation Pty Ltd**  
**26 Turnbull Road Neerabup Western Australia 6031 Australia**

(72) Name(s) of Designer(s): **John Moss**

(45) Registration Date: **17 January 2006**

(56) Related Art Documents: **Not Applicable**

(57) Statement of Newness and Distinctiveness: **The particular visual features of the design which are new and distinctive are the shape or configuration.**



(21) Design Number: **12020/2005**

(22) Date of Filing Application: **09 May 2005**

(24) Date from which industrial property rights may have effect: **09 May 2005**

(54) Product in respect of which the design is registered: **This design is to be applied to plastic bottles that contain drinkable beverages**

(51) International Design Classification: **09-01K**

(71) Name(s) and Address(s) of Applicant(s):

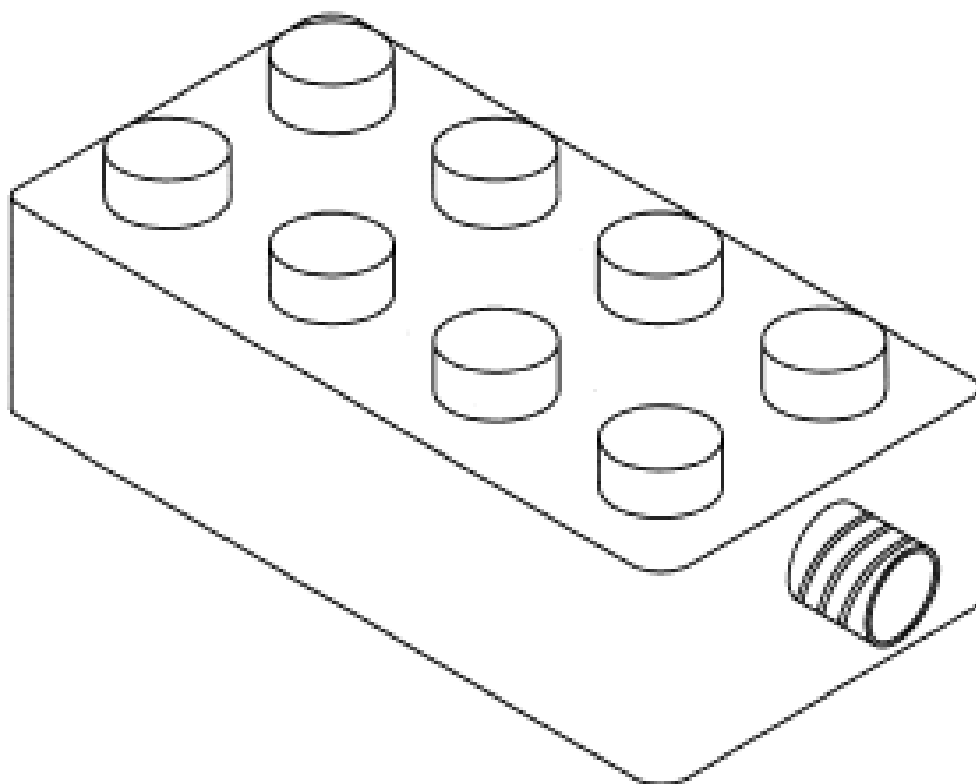
**Tanian Pty Ltd**  
**82 Newton Circuit Thurgoona New South Wales 2640 Australia**  
**Andrew Laszlo Konecnik**  
**82 Newton Circuit Thurgoona New South Wales 2640 Australia**

(72) Name(s) of Designer(s): **Andrew Laszlo Konecnik**

(45) Registration Date: **17 January 2006**

(56) Related Art Documents: **Not Applicable**

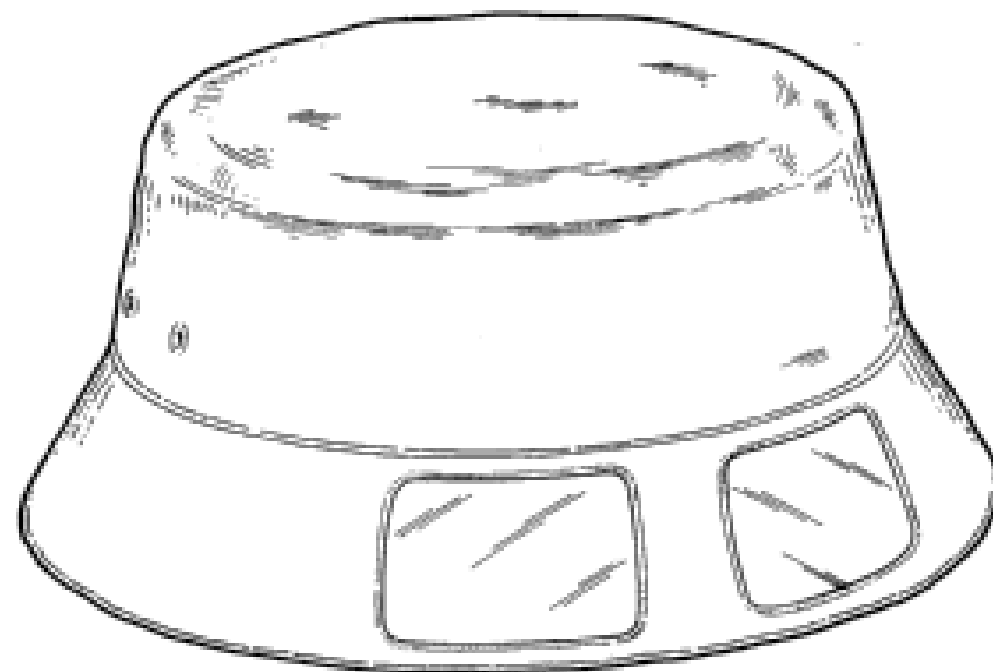
(57) Statement of Newness and Distinctiveness: **The design is very distinctive from other plastic beverage containers as it will interlock with other bottles of a similar type and shape. Can be used by purchasers as a toy rather than disposed of as waste.**



(21) Design Number: **12959/2005**  
(22) Date of Filing Application: **11 July 2005**  
(24) Date from which industrial property rights may have effect: **11 July 2005**  
(54) Product in respect of which the design is registered: **Timber slatted seat**  
(51) International Design Classification: **06-01H**  
(71) Name(s) and Address(s) of Applicant(s):  
**Joanne Philippsohn**  
**48/22 Penknill Street Bondi New South Wales 2026 Australia**  
(72) Name(s) of Designer(s): **Joanne Philippsohn**  
(45) Registration Date: **17 January 2006**  
(56) Related Art Documents: **Not Applicable**  
(57) Statement of Newness and Distinctiveness: **Monopoly is claimed in the form of the piece, as well as the effect and method of the graphic images cut into the slats/planks of the piece. Monopoly is not claimed in the shapes of the graphic images, rather the technique.**

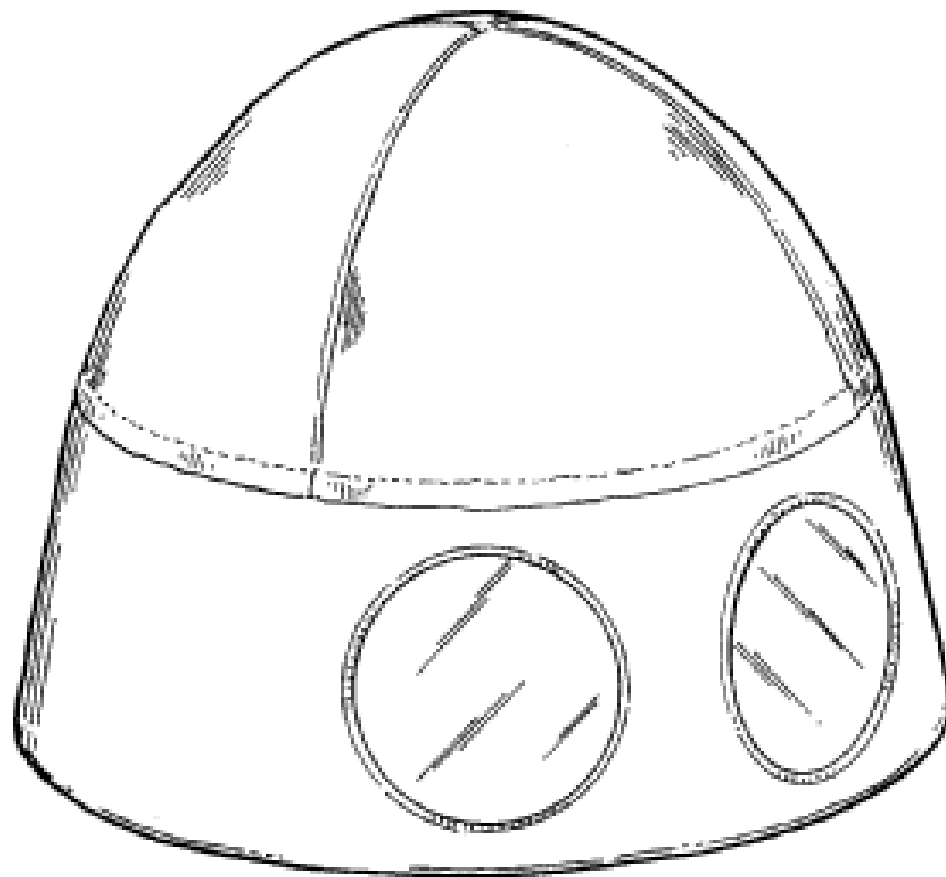


(21) Design Number: **10462/2005**  
(22) Date of Filing Application: **04 February 2005**  
(24) Date from which industrial property rights may have effect: **04 February 2005**  
(54) Product in respect of which the design is registered: **Hat**  
(51) International Design Classification: **02-03**  
(71) Name(s) and Address(s) of Applicant(s):  
**Naomi Engelder**  
**44 Cromwell Street North Caulfield Victoria 3161 Australia**  
(72) Name(s) of Designer(s): **Naomi Engelder**  
(45) Registration Date: **17 January 2006**  
(56) Related Art Documents: **Not Applicable**  
(57) Statement of Newness and Distinctiveness: **Nil**

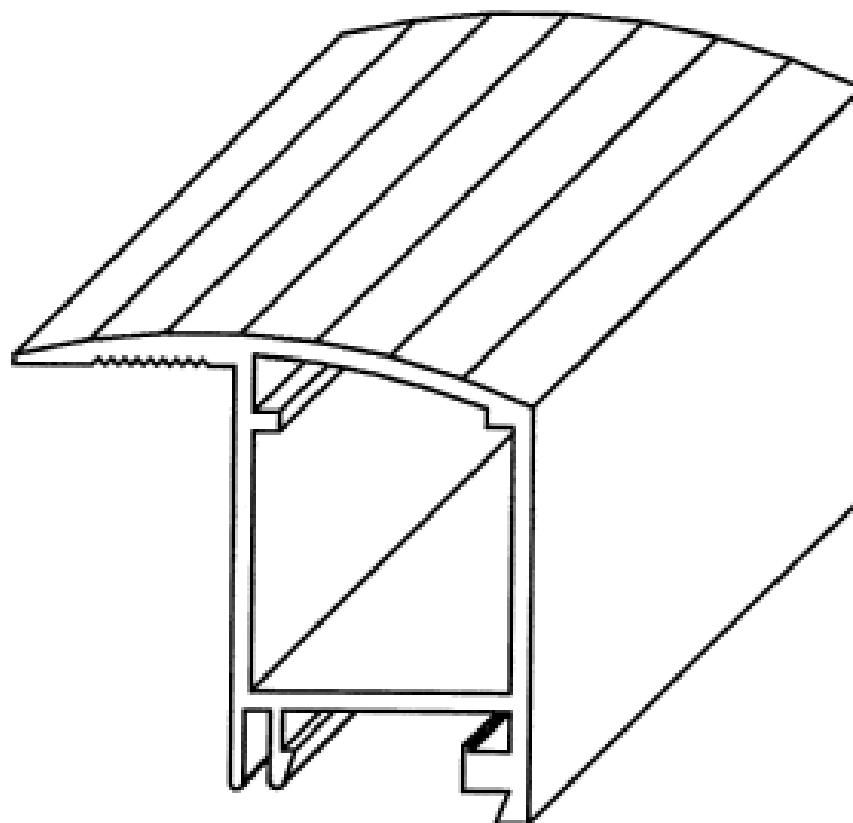




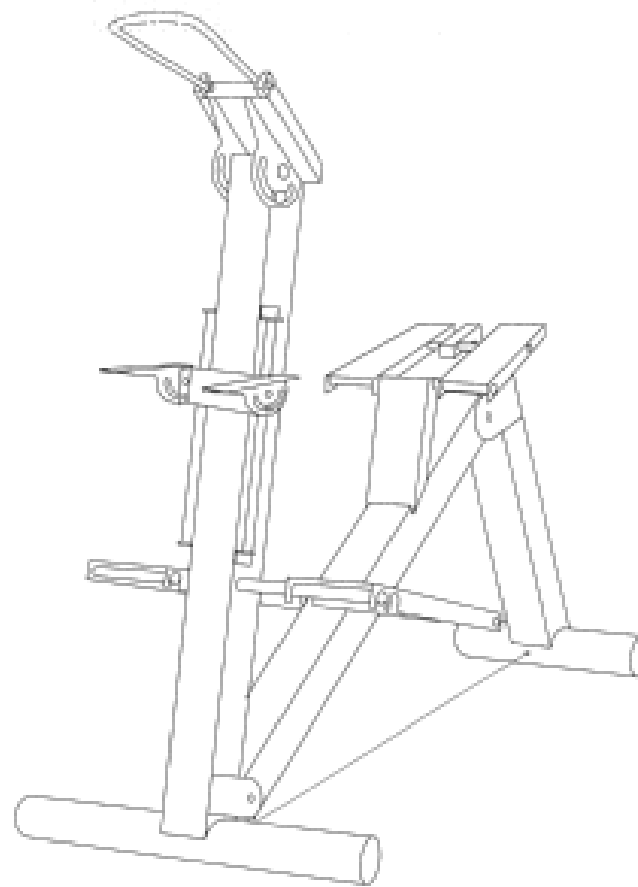
- (21) Design Number: **10463/2005**  
(22) Date of Filing Application: **04 February 2005**  
(24) Date from which industrial property rights may have effect: **04 February 2005**  
(54) Product in respect of which the design is registered: **Hat**  
(51) International Design Classification: **02-03**  
(71) Name(s) and Address(s) of Applicant(s):  
**Naomi Englander**  
**44 Cromwell Street North Caulfield Victoria 3161 Australia**  
(72) Name(s) of Designer(s): **Naomi Englander**  
(45) Registration Date: **17 January 2006**  
(56) Related Art Documents: **Not Applicable**  
(57) Statement of Newness and Distinctiveness: **Nil**



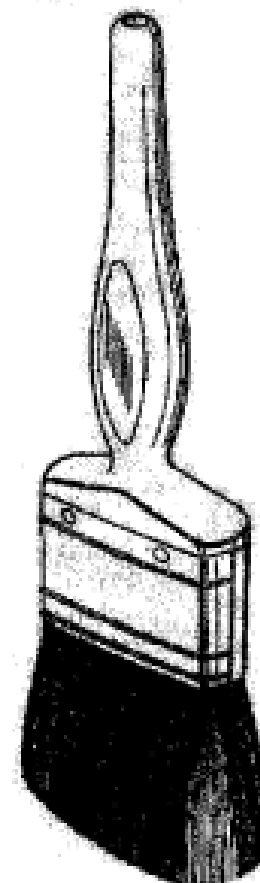
- (21) Design Number: **10467/2005**  
(22) Date of Filing Application: **07 February 2005**  
(24) Date from which industrial property rights may have effect: **07 February 2005**  
(54) Product in respect of which the design is registered: **Door profile of display cabinet**  
(51) International Design Classification: **20-02C, 25-02B**  
(71) Name(s) and Address(s) of Applicant(s):  
**Bromic Pty Limited**  
**1 Suttor Street Silverwater New South Wales 2128 Australia**  
(72) Name(s) of Designer(s): **Scott Smith**  
(45) Registration Date: **17 January 2006**  
(56) Related Art Documents: **Not Applicable**  
(57) Statement of Newness and Distinctiveness: **Shape of the door section.**



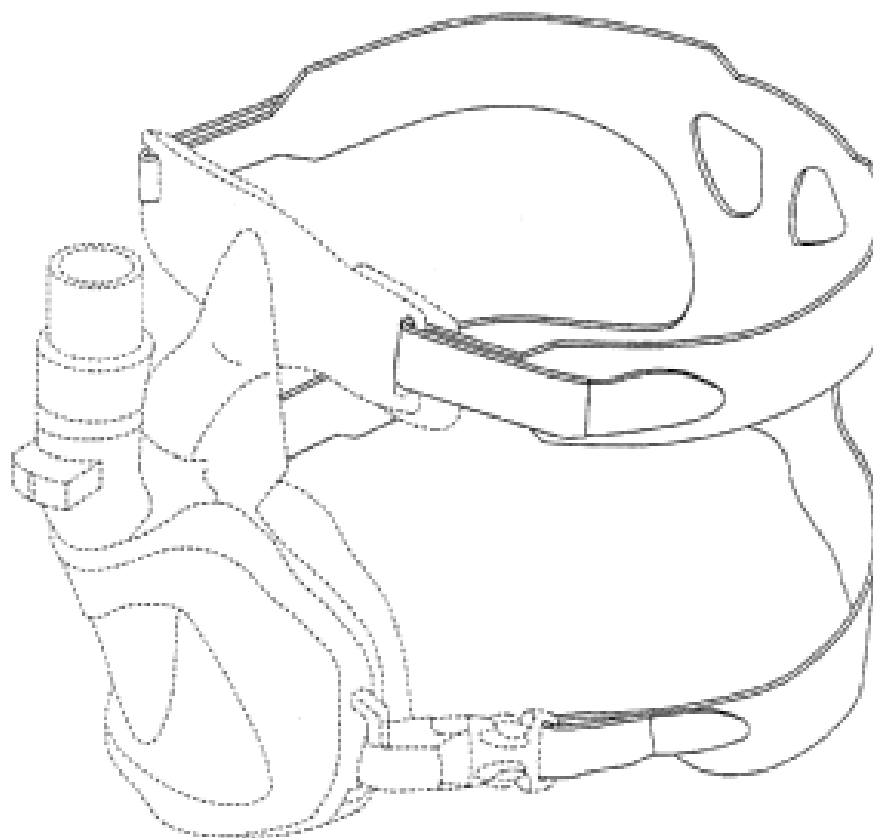
- (21) Design Number: **10475/2005**  
(22) Date of Filing Application: **08 February 2005**  
(24) Date from which industrial property rights may have effect: **08 February 2005**  
(54) Product in respect of which the design is registered: **Massage chair (portable and folding)**  
(51) International Design Classification: **06-01NES**  
(71) Name(s) and Address(s) of Applicant(s):  
**David Kwan**  
**310 Avalon Road Sheldon Queensland 4157 Australia**  
(72) Name(s) of Designer(s): **David Kwan**  
(45) Registration Date: **17 January 2006**  
(56) Related Art Documents: **Not Applicable**  
(57) Statement of Newness and Distinctiveness: **The new features of this design are in the uncluttered geometric design and configuration of the chair.**



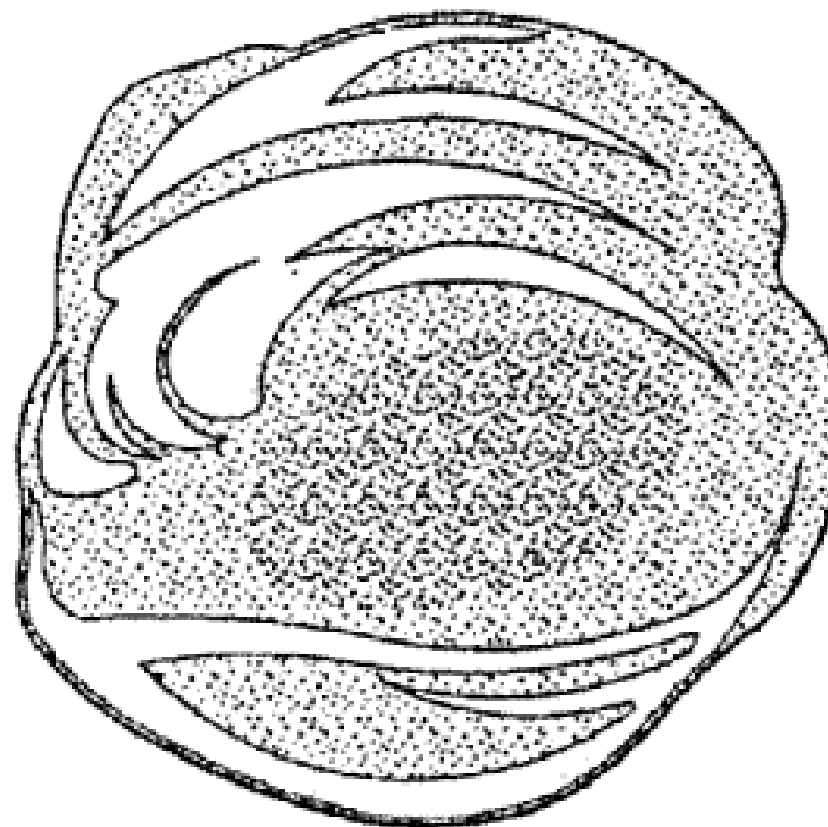
- (21) Design Number: **10476/2005**  
(22) Date of Filing Application: **08 February 2005**  
(24) Date from which industrial property rights may have effect: **08 February 2005**  
(54) Product in respect of which the design is registered: **Paintbrush**  
(51) International Design Classification: **04-04**  
(71) Name(s) and Address(s) of Applicant(s):  
**Ronald Twigg**  
**7 Ridge View Drive Sheffield S9 1EF United Kingdom**  
(72) Name(s) of Designer(s): **Ronald Twigg**  
(45) Registration Date: **17 January 2006**  
(30) Convention priority data:  
(31) Number      (32) Date      (33) Country  
**000217765-0001    14 Aug 2004      EUROPEAN COMMUNITY**  
(56) Related Art Documents: **Not Applicable**  
(57) Statement of Newness and Distinctiveness: **Nil**



(21) Design Number: **10477/2005**  
(22) Date of Filing Application: **07 February 2005**  
(24) Date from which industrial property rights may have effect: **07 February 2005**  
(54) Product in respect of which the design is registered: **Headgear**  
(51) International Design Classification: **24-04**  
(71) Name(s) and Address(s) of Applicant(s):  
**MAP Medizin-Technologie GmbH**  
**Fraunhoferstr. 16 82152 Martinsried Germany**  
(72) Name(s) of Designer(s): **Anja Samaras**  
(45) Registration Date: **17 January 2006**  
(30) Convention priority data:  
(31) Number (32) Date (33) Country  
**000 211 05 Aug 2004 EUROPEAN COMMUNITY**  
**3960001**  
(56) Related Art Documents: **Not Applicable**  
(57) Statement of Newness and Distinctiveness: **Nil**



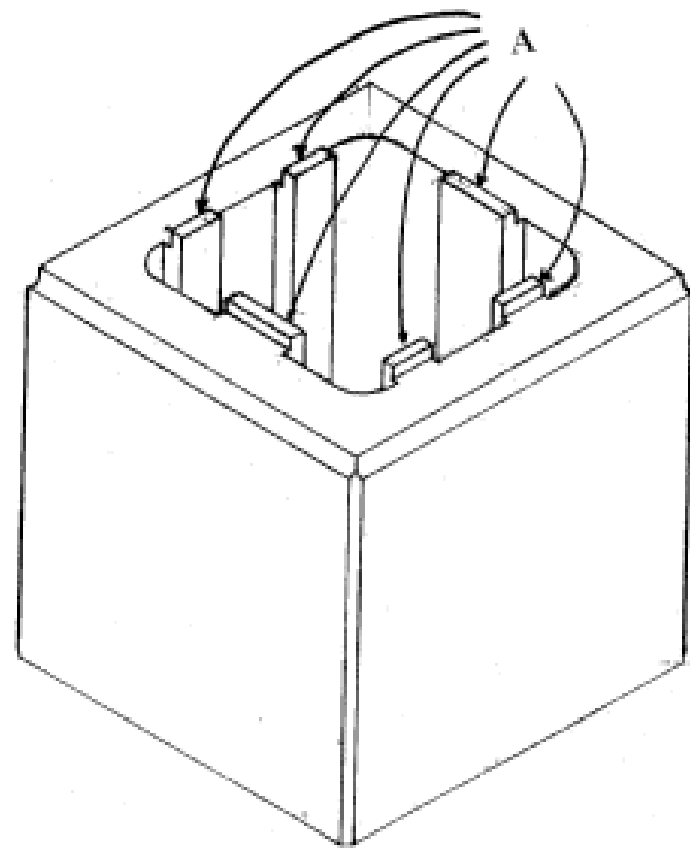
(21) Design Number: **10478/2005**  
(22) Date of Filing Application: **07 February 2005**  
(24) Date from which industrial property rights may have effect: **07 February 2005**  
(54) Product in respect of which the design is registered: **Pet food**  
(51) International Design Classification: **01-06**  
(71) Name(s) and Address(s) of Applicant(s):  
**Societe Des Produits Nestle S.A.**  
**PO Box 353 CH-1800 Vevey Switzerland**  
(72) Name(s) of Designer(s): **Stephen Dahl and Donald Speck and Kenneth Wilhelm and Sandra Zub**  
(45) Registration Date: **17 January 2006**  
(30) Convention priority data:  
(31) Number (32) Date (33) Country  
**29/212029 25 Aug 2004 UNITED STATES OF AMERICA**  
(56) Related Art Documents: **Not Applicable**  
(57) Statement of Newness and Distinctiveness: **Nil**



- (21) Design Number: **10480/2005**
- (22) Date of Filing Application: **07 February 2005**
- (24) Date from which industrial property rights may have effect: **07 February 2005**
- (54) Product in respect of which the design is registered: **A masonry block**
- (51) International Design Classification: **25-01A**
- (71) Name(s) and Address(s) of Applicant(s):

**Boral Masonry Limited**  
**Clunies Ross Street Prospect New South Wales 2148 Australia**

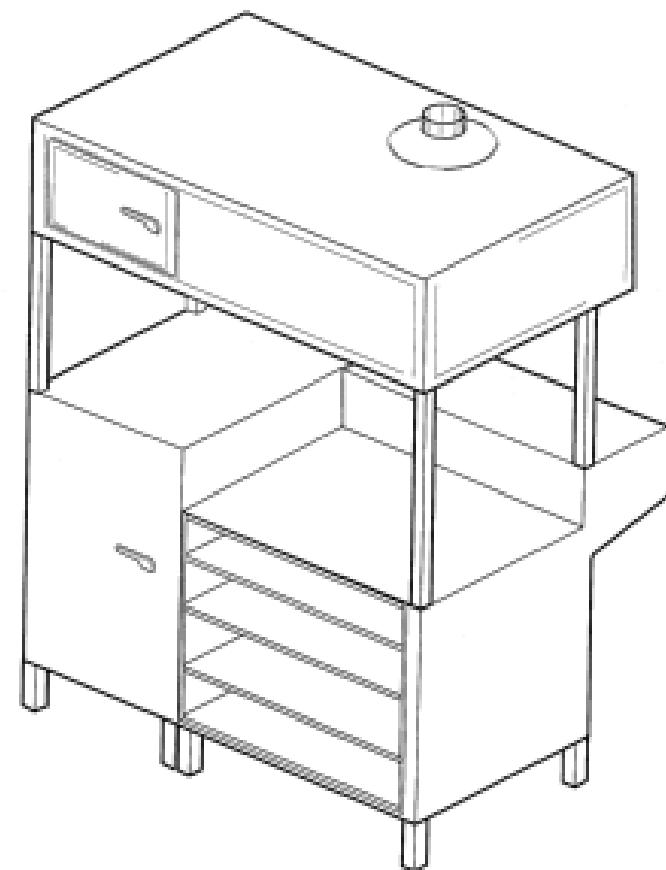
- (72) Name(s) of Designer(s): **Kenneth Douglas Smith**
- (45) Registration Date: **17 January 2006**
- (56) Related Art Documents: **Not Applicable**
- (57) Statement of Newness and Distinctiveness: **Newness and distinctiveness is claimed in the features of shape and/or configuration of a masonry block as illustrated in the accompanying representations, having particular regard to the spacing and location of the lugs marked "A" on the perspective view.**



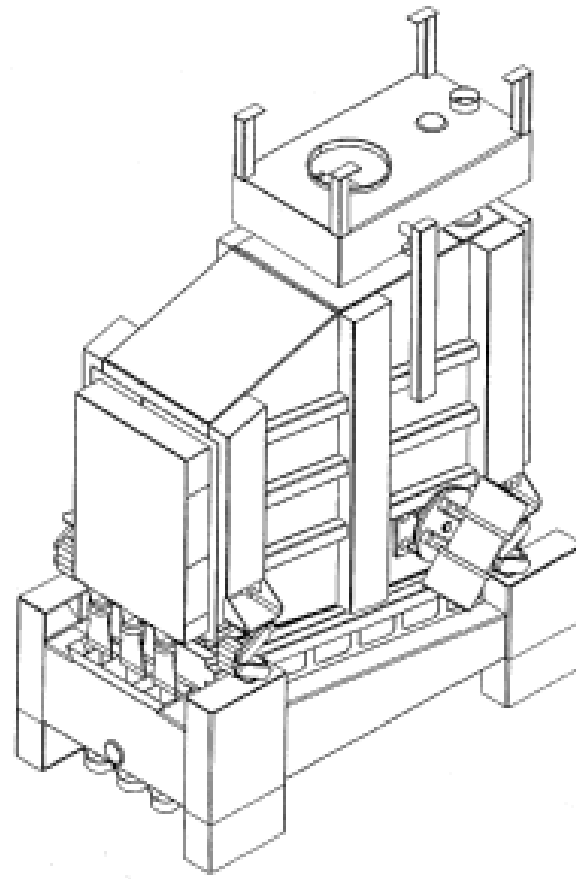
- (21) Design Number: **10534/2005**
- (22) Date of Filing Application: **10 February 2005**
- (24) Date from which industrial property rights may have effect: **10 February 2005**
- (54) Product in respect of which the design is registered: **Vendor stand**
- (51) International Design Classification: **12-02**
- (71) Name(s) and Address(s) of Applicant(s):

**Steven J. Lozyk**  
**40 Midgley Street Lathlain Western Australia 6100 Australia**

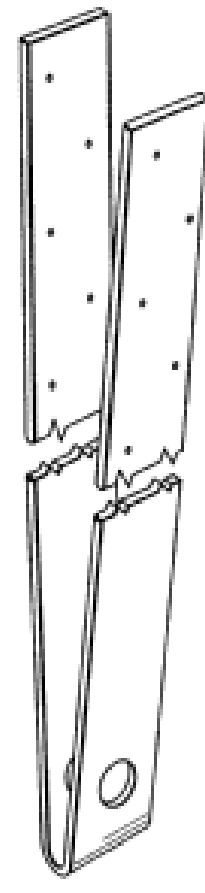
- (72) Name(s) of Designer(s): **Steven J. Lozyk**
- (45) Registration Date: **17 January 2006**
- (56) Related Art Documents: **Not Applicable**
- (57) Statement of Newness and Distinctiveness: **The visual features of: the legs, the intermediate support struts, the handles, the shelves, the down lights, the underside vent, the upper exhaust vent and the flue connector; are to be disregarded in considering the overall appearance of the design.**



- (21) Design Number: **10535/2005**  
(22) Date of Filing Application: **10 February 2005**  
(24) Date from which industrial property rights may have effect: **10 February 2005**  
(54) Product in respect of which the design is registered: **Gravity separator**  
(51) International Design Classification: **15-99, 12-05**  
(71) Name(s) and Address(s) of Applicant(s):  
**Buhler AG**  
**CH-9240 Uzwil Switzerland**  
(72) Name(s) of Designer(s): **Marcel Linder and Erika Eisenhut**  
(45) Registration Date: **17 January 2006**  
(30) Convention priority data:  
(31) Number      (32) Date      (33) Country  
**000244660      27 Oct 2004      EUROPEAN COMMUNITY**  
(56) Related Art Documents: **Not Applicable**  
(57) Statement of Newness and Distinctiveness: **Each feature of the design considered separately or in combination with any other feature or features.**



- (21) Design Number: **10540/2005**  
(22) Date of Filing Application: **10 February 2005**  
(24) Date from which industrial property rights may have effect: **10 February 2005**  
(54) Product in respect of which the design is registered: **Metal building component**  
(51) International Design Classification: **08-08L**  
(71) Name(s) and Address(s) of Applicant(s):  
**John Dobell Wilkinson**  
**6 Taldora Place Annandale Queensland 4814 Australia**  
(72) Name(s) of Designer(s): **John Dobell Wilkinson**  
(45) Registration Date: **17 January 2006**  
(56) Related Art Documents: **Not Applicable**  
(57) Statement of Newness and Distinctiveness: **The newness and distinctiveness of the design resides in the shape and configuration of the metal building component shown in the representations.**



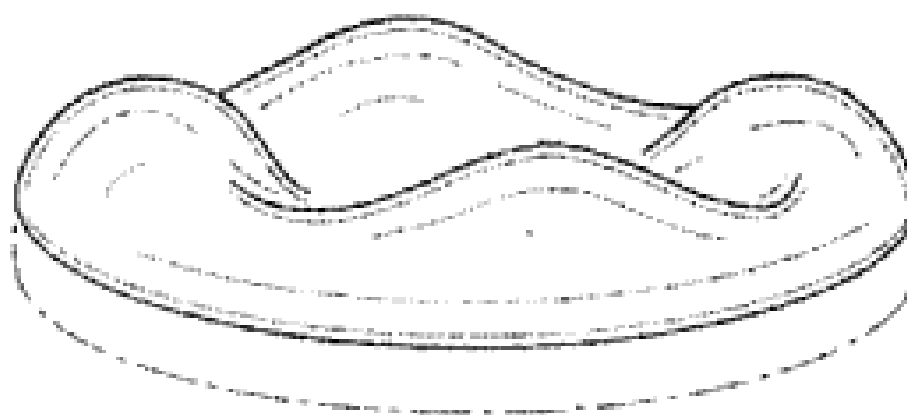
(21) Design Number: **10551/2005**  
 (22) Date of Filing Application: **11 February 2005**  
 (24) Date from which industrial property rights may have effect: **11 February 2005**  
 (54) Product in respect of which the design is registered: **Tooth-shaped bottle cap**  
 (51) International Design Classification: **09-07C**  
 (71) Name(s) and Address(s) of Applicant(s):  
**Warner-Lambert Company LLC**  
**201 Tabor Road Morris Plains New Jersey 07950 United States of America**  
 (72) Name(s) of Designer(s): **Bradford Grant and John C. Costello and Alexandre Hennen**  
 (45) Registration Date: **17 January 2006**  
 (30) Convention priority data:  
 (31) Number (32) Date (33) Country  
**29/211205 12 Aug 2004 UNITED STATES OF AMERICA**  
 (56) Related Art Documents: **Not Applicable**  
 (57) Statement of Newness and Distinctiveness: **Newness and distinctiveness is claimed in those features of shape and/or configuration of a tooth-shaped bottle cap illustrated in continuous lines in the accompanying representations.**



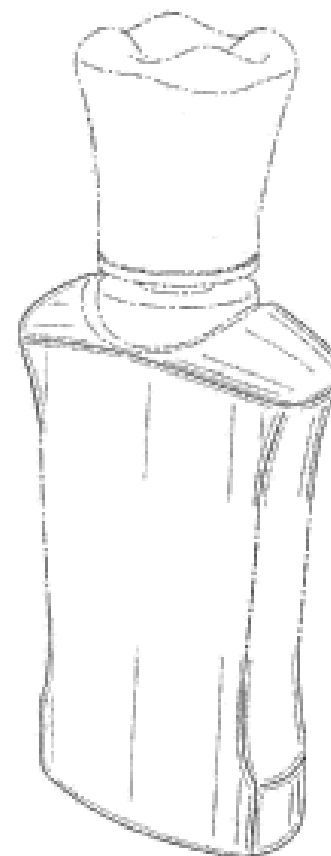
(21) Design Number: **10552/2005**  
 (22) Date of Filing Application: **11 February 2005**  
 (24) Date from which industrial property rights may have effect: **11 February 2005**  
 (54) Product in respect of which the design is registered: **Tooth-shaped bottle cap**  
 (51) International Design Classification: **09-07C**  
 (71) Name(s) and Address(s) of Applicant(s):  
**Warner-Lambert Company LLC**  
**201 Tabor Road Morris Plains New Jersey 07950 United States of America**  
 (72) Name(s) of Designer(s): **Bradford Grant and John C. Costello and Alexandre Hennen**  
 (45) Registration Date: **17 January 2006**  
 (30) Convention priority data:  
 (31) Number (32) Date (33) Country  
**29/211226 12 Aug 2004 UNITED STATES OF AMERICA**  
 (56) Related Art Documents: **Not Applicable**  
 (57) Statement of Newness and Distinctiveness: **Newness and distinctiveness is claimed in those features of shape and/or configuration of a tooth-shaped bottle cap illustrated in continuous lines in the accompanying representations.**



(21) Design Number: **10553/2005**  
(22) Date of Filing Application: **11 February 2005**  
(24) Date from which industrial property rights may have effect: **11 February 2005**  
(54) Product in respect of which the design is registered: **Tooth-shaped bottle cap**  
(51) International Design Classification: **09-07C**  
(71) Name(s) and Address(s) of Applicant(s):  
**Warner-Lambert Company LLC**  
**201 Tabor Road Morris Plains New Jersey 07950 United States of America**  
(72) Name(s) of Designer(s): **Bradford Grant and John C. Costello and Alexandre Hennen**  
(45) Registration Date: **17 January 2006**  
(30) Convention priority data:  
(31) Number (32) Date (33) Country  
**29/211227 12 Aug 2004 UNITED STATES OF AMERICA**  
(56) Related Art Documents: **Not Applicable**  
(57) Statement of Newness and Distinctiveness: **Newness and distinctiveness is claimed in those features of shape and/or configuration of a tooth-shaped bottle cap illustrated in continuous lines in the accompanying representations.**



(21) Design Number: **10554/2005**  
(22) Date of Filing Application: **11 February 2005**  
(24) Date from which industrial property rights may have effect: **11 February 2005**  
(54) Product in respect of which the design is registered: **A bottle**  
(51) International Design Classification: **09-01NES**  
(71) Name(s) and Address(s) of Applicant(s):  
**Warner-Lambert Company LLC**  
**201 Tabor Road Morris Plains New Jersey 07950 United States of America**  
(72) Name(s) of Designer(s): **John C. Costello and Alexandre Hennen**  
(45) Registration Date: **17 January 2006**  
(30) Convention priority data:  
(31) Number (32) Date (33) Country  
**29/211206 12 Aug 2004 UNITED STATES OF AMERICA**  
(56) Related Art Documents: **Not Applicable**  
(57) Statement of Newness and Distinctiveness: **Newness and distinctiveness is claimed in those features of shape and/or configuration of a bottle illustrated in continuous lines in the accompanying representations.**



(21) Design Number: **10555/2005**

(22) Date of Filing Application: **11 February 2005**

(24) Date from which industrial property rights may have effect: **11 February 2005**

(54) Product in respect of which the design is registered: **Spray dispenser**

(51) International Design Classification: **09-01A**

(71) Name(s) and Address(s) of Applicant(s):

**Warner-Lambert Company LLC**  
**201 Tabor Road Morris Plains New Jersey 07950 United States of America**

(72) Name(s) of Designer(s): **Mark A. Zeh and Shilajeet Banerjee and Markus Diebel and Nancy J. Serpiello**

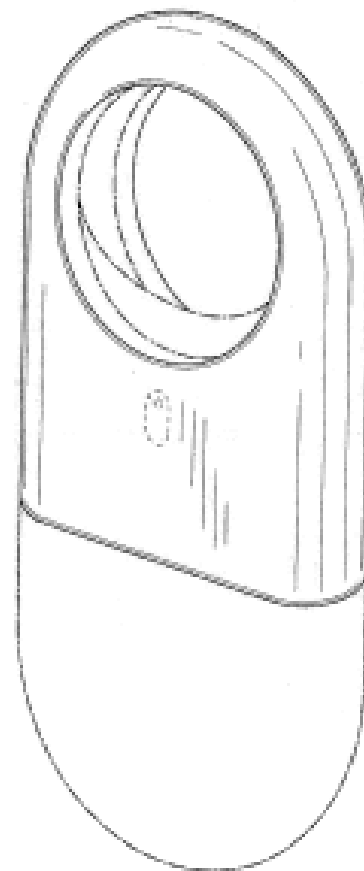
(45) Registration Date: **17 January 2006**

(30) Convention priority data:

(31) Number	(32) Date	(33) Country
<b>29/211388</b>	<b>16 Aug 2004</b>	<b>UNITED STATES OF AMERICA</b>

(56) Related Art Documents: **Not Applicable**

(57) Statement of Newness and Distinctiveness: **Newness and distinctiveness is claimed in those features of shape and/or configuration of the spray dispenser illustrated in continuous lines in the accompanying representations.**



(21) Design Number: **10556/2005**

(22) Date of Filing Application: **11 February 2005**

(24) Date from which industrial property rights may have effect: **11 February 2005**

(54) Product in respect of which the design is registered: **A bottle**

(51) International Design Classification: **09-01NES**

(71) Name(s) and Address(s) of Applicant(s):

**Warner-Lambert Company LLC**  
**201 Tabor Road Morris Plains New Jersey 07950 United States of America**

(72) Name(s) of Designer(s): **John C. Costello and Alexandre Hennen**

(45) Registration Date: **17 January 2006**

(30) Convention priority data:

(31) Number	(32) Date	(33) Country
<b>29/211222</b>	<b>12 Aug 2004</b>	<b>UNITED STATES OF AMERICA</b>

(56) Related Art Documents: **Not Applicable**

(57) Statement of Newness and Distinctiveness: **Newness and distinctiveness is claimed in those features of shape and/or configuration of a bottle illustrated in continuous lines in the accompanying representations.**





(19) AU

- (21) Design Number: **10640/2005**
- (22) Date of Filing Application: **18 February 2005**
- (24) Date from which industrial property rights may have effect: **18 February 2005**
- (54) Product in respect of which the design is registered: **A bottle**
- (51) International Design Classification: **09-01K**
- (71) Name(s) and Address(s) of Applicant(s):

**Kimberly-Clark Worldwide, Inc.**  
**401 North Lake Street Neenah Wisconsin 54956 United States of America**

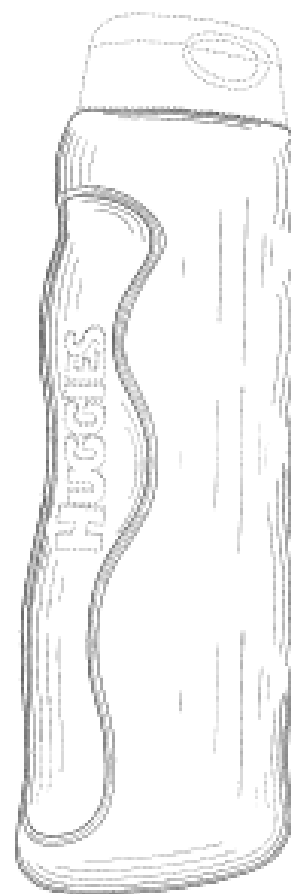
- (72) Name(s) of Designer(s): **Herb F. Velazquez and Christopher Bechyne**
- (45) Registration Date: **17 January 2006**

(30) Convention priority data:

(31) Number	(32) Date	(33) Country
<b>29/213030</b>	<b>10 Sep 2004</b>	<b>UNITED STATES OF AMERICA</b>

(56) Related Art Documents: **Not Applicable**

(57) Statement of Newness and Distinctiveness: **Newness and distinctiveness is claimed in the features of shape and/or configuration of the curved indentations on the sides, more gradual curve at the top and bottom and the specific arcuate shape on the bottom of a bottle as illustrated in continuous lines in the accompanying representations.**



(19) AU

- (21) Design Number: **10774/2005**
- (22) Date of Filing Application: **28 February 2005**
- (24) Date from which industrial property rights may have effect: **28 February 2005**
- (54) Product in respect of which the design is registered: **Seal**
- (51) International Design Classification: **19-02**
- (71) Name(s) and Address(s) of Applicant(s):

**ITW Limited**  
**Admiral House St Leonards Rd Windsor Berkshire SL4 3BL United Kingdom**

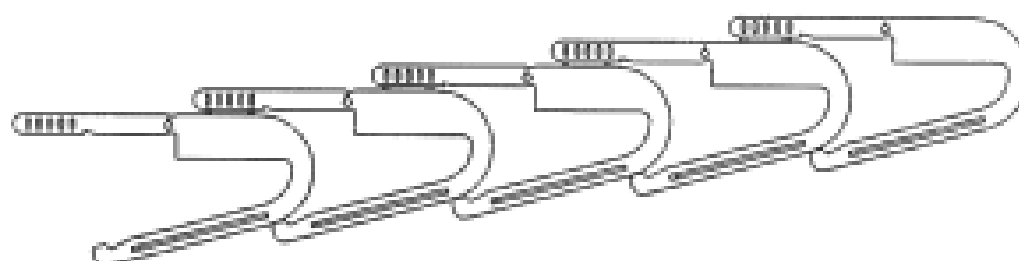
- (72) Name(s) of Designer(s): **Derrick Weedon and Christopher Benning**
- (45) Registration Date: **17 January 2006**

(30) Convention priority data:

(31) Number	(32) Date	(33) Country
<b>000272042</b>	<b>16 Dec 2004</b>	<b>EUROPEAN COMMUNITY</b>

(56) Related Art Documents: **Not Applicable**

(57) Statement of Newness and Distinctiveness: **Those visual features of the array of seals depicted in the representations that are new and distinctive are the shape and/or configuration. The array may or may not include any number of individual seals or rows of seals.**



(21) Design Number: **10776/2005**

(22) Date of Filing Application: **28 February 2005**

(24) Date from which industrial property rights may have effect: **28 February 2005**

(54) Product in respect of which the design is registered: **Bungee cord pallet**

(51) International Design Classification: **08-08NES**

(71) Name(s) and Address(s) of Applicant(s):

**Master Lock Company**  
**137 West Forest Hill Avenue PO Box 927 Oak Creek Wisconsin 53154**  
**United States of America**

(72) Name(s) of Designer(s): **Mark Van Handel and Chris Rohde**

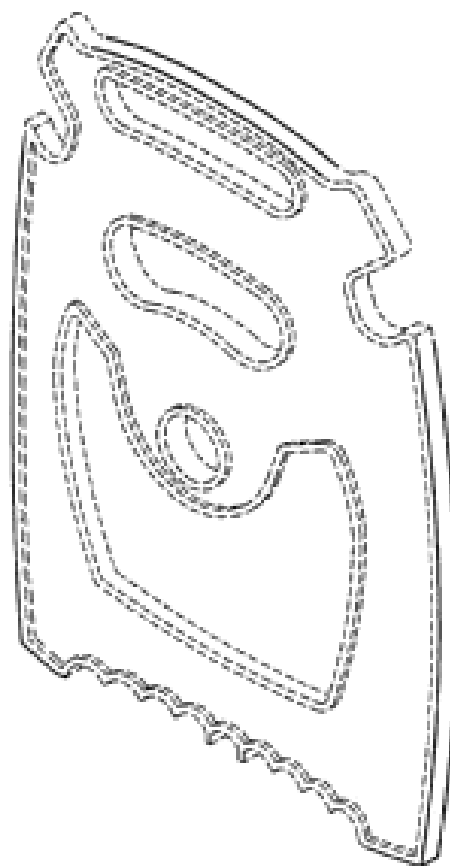
(45) Registration Date: **17 January 2006**

(30) Convention priority data:

(31) Number	(32) Date	(33) Country
<b>29/212,295</b>	<b>30 Aug 2004</b>	<b>UNITED STATES OF AMERICA</b>

(56) Related Art Documents: **Not Applicable**

(57) Statement of Newness and Distinctiveness: **Newness and distinctiveness are provided by the shape and/or configuration of the design shown in the representations. The features shown in broken lines in the representations are for illustrative purposes only and should not be considered when construing visual features of the design.**



(21) Design Number: **10461/2005**

(22) Date of Filing Application: **04 February 2005**

(24) Date from which industrial property rights may have effect: **04 February 2005**

(54) Product in respect of which the design is registered: **Hat**

(51) International Design Classification: **02-03**

(71) Name(s) and Address(s) of Applicant(s):

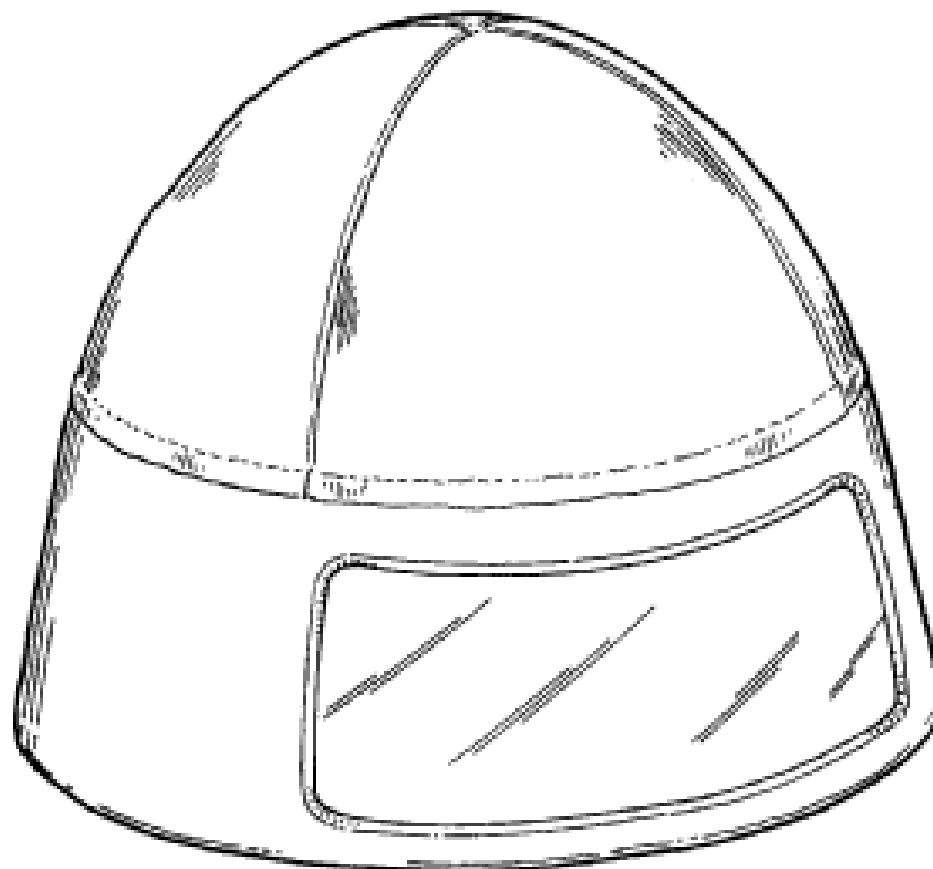
**Naomi Engelder**  
**44 Cromwell Street North Caulfield Victoria 3161 Australia**

(72) Name(s) of Designer(s): **Naomi Engelder**

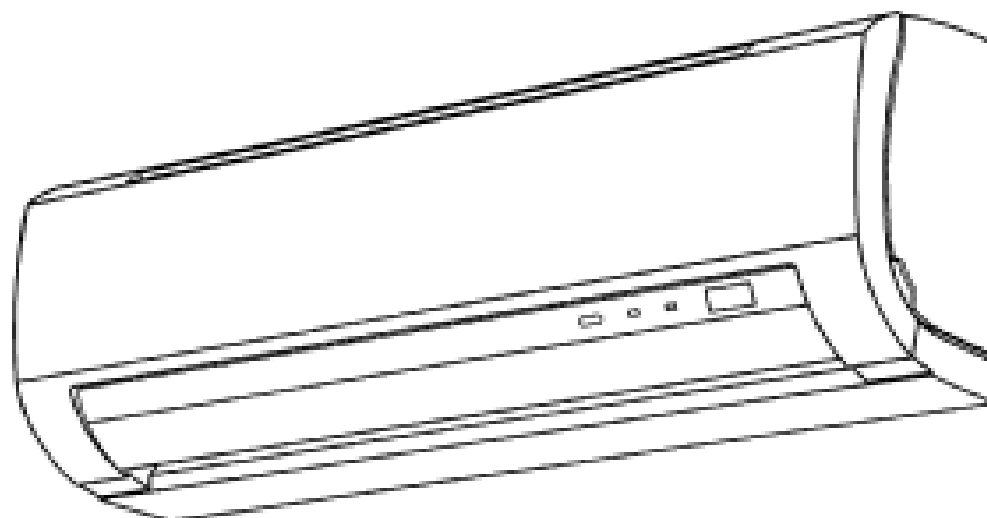
(45) Registration Date: **17 January 2006**

(56) Related Art Documents: **Not Applicable**

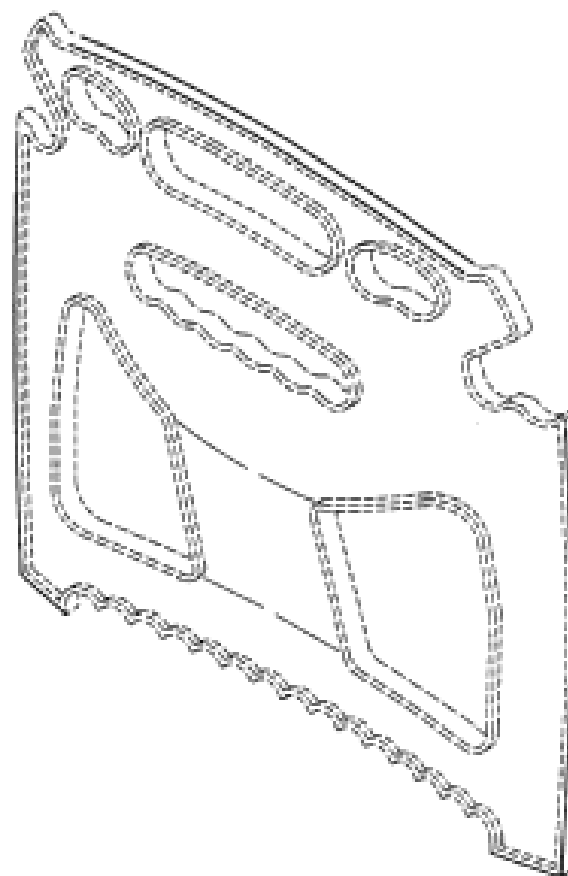
(57) Statement of Newness and Distinctiveness: **Nil**



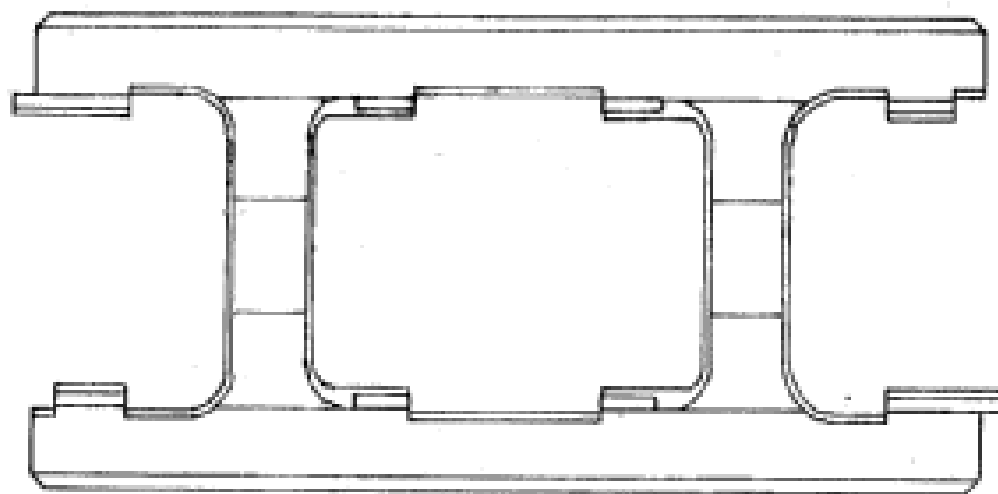
(21) Design Number: **10469/2005**  
(22) Date of Filing Application: **04 February 2005**  
(24) Date from which industrial property rights may have effect: **04 February 2005**  
(54) Product in respect of which the design is registered: **Air conditioner**  
(51) International Design Classification: **23-04**  
(71) Name(s) and Address(s) of Applicant(s):  
**Toshiba Carrier Corporation**  
**1-1 Shibaura 1-chome Minato-ku Tokyo Japan**  
(72) Name(s) of Designer(s): **Atsuhiko Yoneda**  
(45) Registration Date: **17 January 2006**  
(30) Convention priority data:  
(31) Number (32) Date (33) Country  
**2004-024159 11 Aug 2004 JAPAN**  
(56) Related Art Documents: **Not Applicable**  
(57) Statement of Newness and Distinctiveness: **Newness and distinctiveness is claimed in the features of shape and/or configuration of an air conditioner as illustrated in the accompanying representations.**



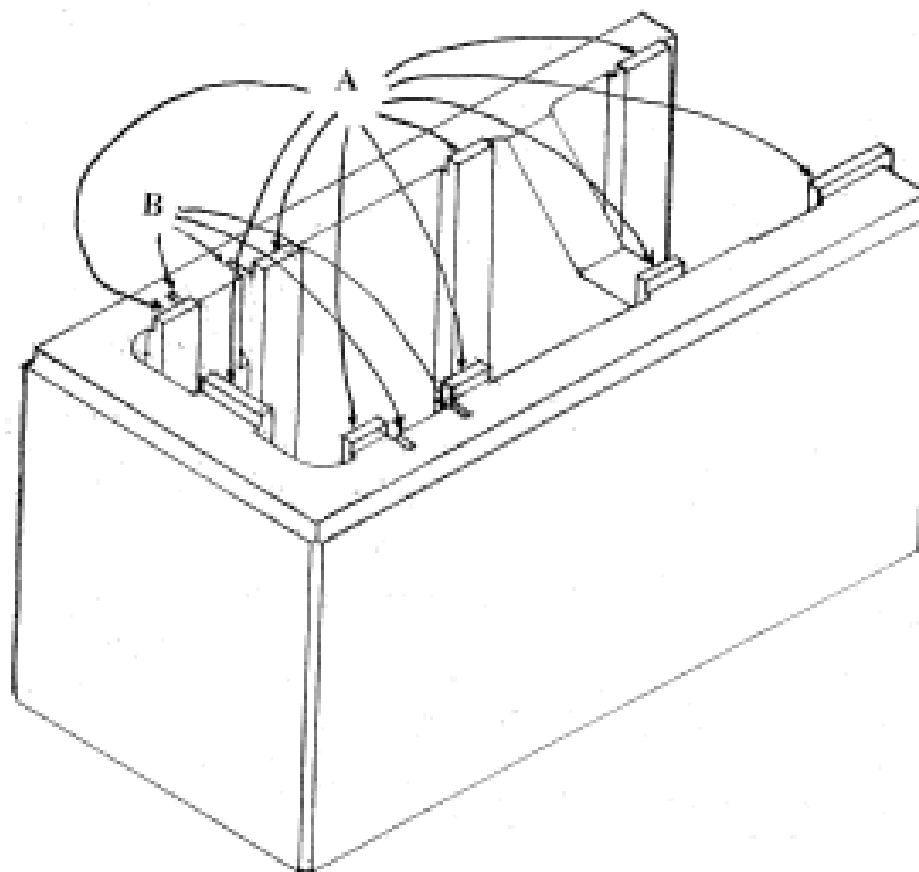
(21) Design Number: **10777/2005**  
(22) Date of Filing Application: **28 February 2005**  
(24) Date from which industrial property rights may have effect: **28 February 2005**  
(54) Product in respect of which the design is registered: **Bungee cord pallet**  
(51) International Design Classification: **08-08NES**  
(71) Name(s) and Address(s) of Applicant(s):  
**Master Lock Company**  
**137 West Forest Hill Avenue PO Box 927 Oak Creek Wisconsin 53154**  
**United States of America**  
(72) Name(s) of Designer(s): **Mark Van Handel and Chris Rohde**  
(45) Registration Date: **17 January 2006**  
(30) Convention priority data:  
(31) Number (32) Date (33) Country  
**29/212,295 30 Aug 2004 UNITED STATES OF AMERICA**  
(56) Related Art Documents: **Not Applicable**  
(57) Statement of Newness and Distinctiveness: **Newness and distinctiveness are provided by the shape and/or configuration of the design shown in the representations. The features shown in broken lines in the representations are for illustrative purposes only and should not be considered when construing visual features of the design.**



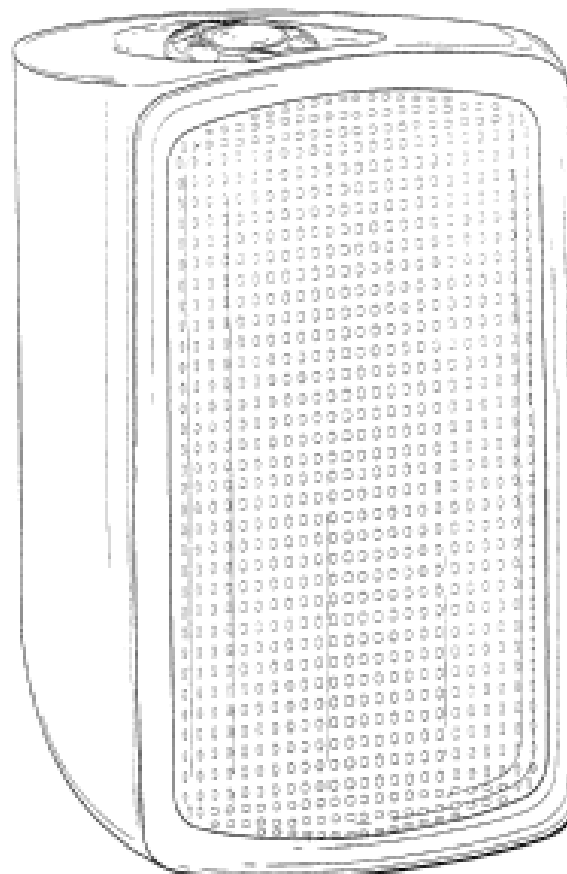
- (21) Design Number: **10481/2005**  
(22) Date of Filing Application: **07 February 2005**  
(24) Date from which industrial property rights may have effect: **07 February 2005**  
(54) Product in respect of which the design is registered: **A masonry block**  
(51) International Design Classification: **25-01A**  
(71) Name(s) and Address(s) of Applicant(s):  
**Boral Masonry Limited**  
**Clunies Ross Street Prospect New South Wales 2148 Australia**  
(72) Name(s) of Designer(s): **Kenneth Douglas Smith**  
(45) Registration Date: **17 January 2006**  
(56) Related Art Documents: **Not Applicable**  
(57) Statement of Newness and Distinctiveness: **Newness and distinctiveness is claimed in the features of shape and/or configuration of a masonry block as illustrated in the accompanying representations, having particular regard to the spacing and location of the lugs marked "A" on the perspective view.**



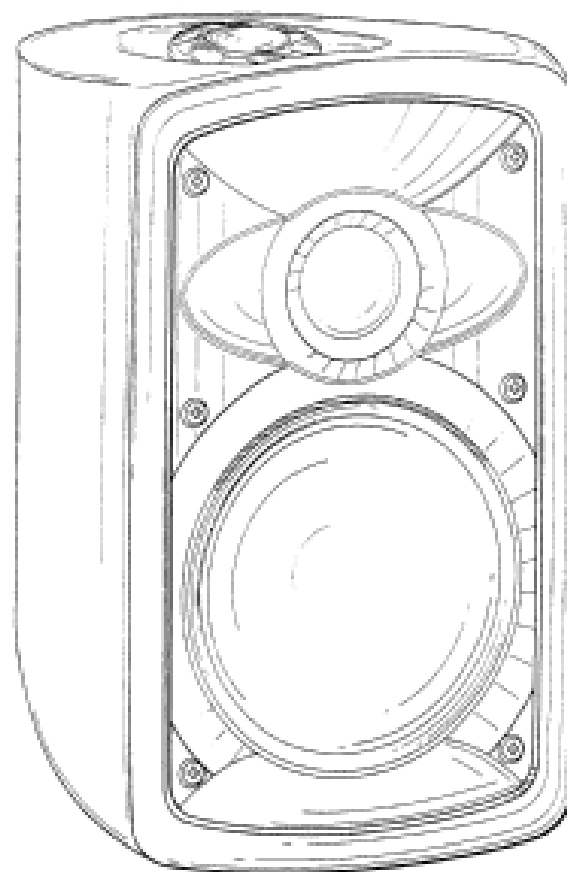
- (21) Design Number: **10482/2005**  
(22) Date of Filing Application: **07 February 2005**  
(24) Date from which industrial property rights may have effect: **07 February 2005**  
(54) Product in respect of which the design is registered: **A masonry block**  
(51) International Design Classification: **25-01A**  
(71) Name(s) and Address(s) of Applicant(s):  
**Boral Masonry Limited**  
**Clunies Ross Street Prospect New South Wales 2148 Australia**  
(72) Name(s) of Designer(s): **Kenneth Douglas Smith**  
(45) Registration Date: **17 January 2006**  
(56) Related Art Documents: **Not Applicable**  
(57) Statement of Newness and Distinctiveness: **Newness and distinctiveness is claimed in the features of shape and/or configuration of a masonry block as illustrated in the accompanying representations, having particular regard to the spacing and location of the lugs marked "A" and the slots marked "B" on the perspective view.**



(21) Design Number: **10497/2005**  
(22) Date of Filing Application: **08 February 2005**  
(24) Date from which industrial property rights may have effect: **08 February 2005**  
(54) Product in respect of which the design is registered: **A loudspeaker**  
(51) International Design Classification: **14-01**  
(71) Name(s) and Address(s) of Applicant(s):  
**Niles Audio Corporation**  
**12331 SW 130th Street Miami Florida 33186 United States of America**  
(72) Name(s) of Designer(s): **Marc Tappeiner**  
(45) Registration Date: **17 January 2006**  
(30) Convention priority data:  
(31) Number (32) Date (33) Country  
**29/212525 02 Sep 2004 UNITED STATES OF AMERICA**  
(56) Related Art Documents: **Not Applicable**  
(57) Statement of Newness and Distinctiveness: **Nil**



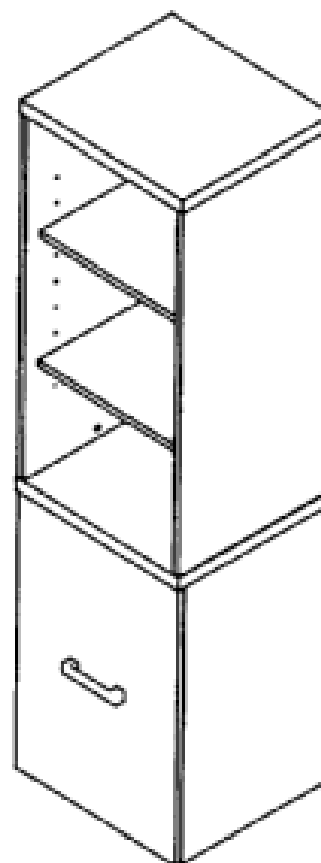
(21) Design Number: **10498/2005**  
(22) Date of Filing Application: **08 February 2005**  
(24) Date from which industrial property rights may have effect: **08 February 2005**  
(54) Product in respect of which the design is registered: **A loudspeaker**  
(51) International Design Classification: **14-01**  
(71) Name(s) and Address(s) of Applicant(s):  
**Niles Audio Corporation**  
**12331 SW 130th Street Miami Florida 33186 United States of America**  
(72) Name(s) of Designer(s): **Marc Tappeiner**  
(45) Registration Date: **17 January 2006**  
(30) Convention priority data:  
(31) Number (32) Date (33) Country  
**29/212525 02 Sep 2004 UNITED STATES OF AMERICA**  
(56) Related Art Documents: **Not Applicable**  
(57) Statement of Newness and Distinctiveness: **Nil**



(21) Design Number: **10581/2005**  
(22) Date of Filing Application: **15 February 2005**  
(24) Date from which industrial property rights may have effect: **15 February 2005**  
(54) Product in respect of which the design is registered: **A handset**  
(51) International Design Classification: **14-03E**  
(71) Name(s) and Address(s) of Applicant(s):  
**Nokia Corporation**  
**Keilalahdentie 4 FIN-02150 Espoo Finland**  
(72) Name(s) of Designer(s): **Shunjiro Eguchi**  
(45) Registration Date: **17 January 2006**  
(30) Convention priority data:  
(31) Number      (32) Date      (33) Country  
**29211454      17 Aug 2004      UNITED STATES OF AMERICA**  
(56) Related Art Documents: **Not Applicable**  
(57) Statement of Newness and Distinctiveness: **Nil**



(21) Design Number: **10766/2005**  
(22) Date of Filing Application: **24 February 2005**  
(24) Date from which industrial property rights may have effect: **24 February 2005**  
(54) Product in respect of which the design is registered: **Storage tower**  
(51) International Design Classification: **06-04B**  
(71) Name(s) and Address(s) of Applicant(s):  
**KD Concepts Pty Limited**  
**19-21 Charles Street St Marys New South Wales 2760 Australia**  
(72) Name(s) of Designer(s): **Angus Whyte**  
(45) Registration Date: **17 January 2006**  
(56) Related Art Documents: **Not Applicable**  
(57) Statement of Newness and Distinctiveness: **Shape and configuration as per representation.**



(21) Design Number: **10767/2005**

(22) Date of Filing Application: **24 February 2005**

(24) Date from which industrial property rights may have effect: **24 February 2005**

(54) Product in respect of which the design is registered: **Dining table**

(51) International Design Classification: **06-03A**

(71) Name(s) and Address(s) of Applicant(s):

**KD Concepts Pty Limited**

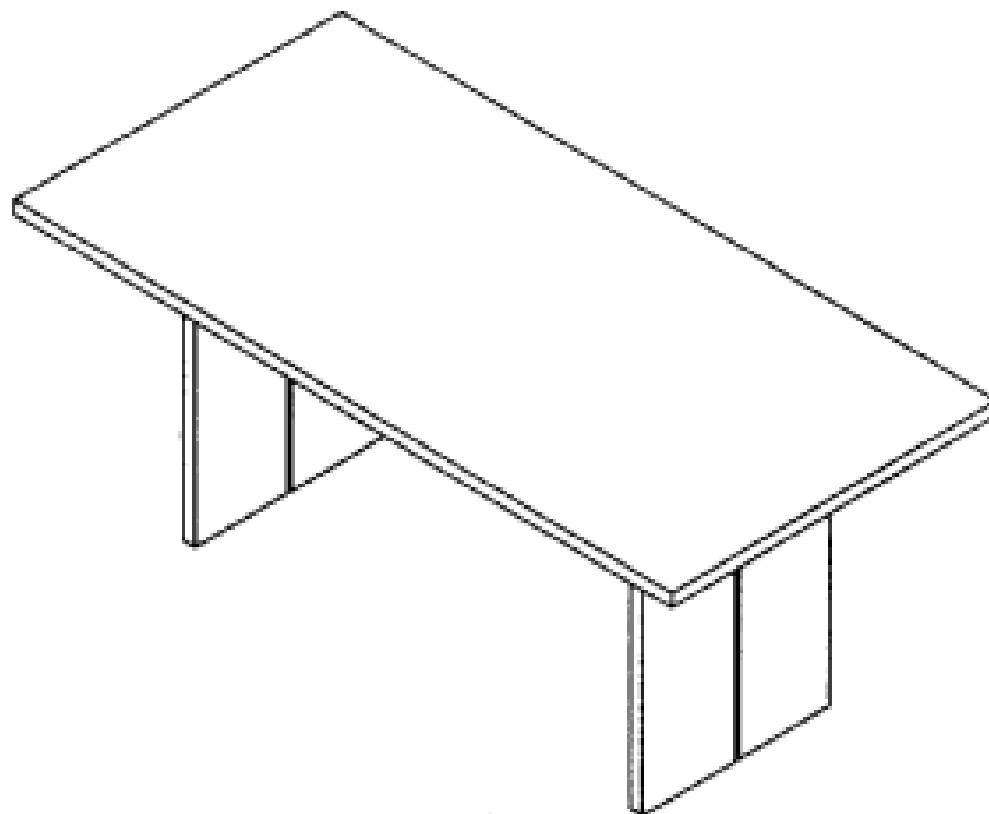
**19-21 Charles Street St Marys New South Wales 2760 Australia**

(72) Name(s) of Designer(s): **Angus Whyte**

(45) Registration Date: **17 January 2006**

(56) Related Art Documents: **Not Applicable**

(57) Statement of Newness and Distinctiveness: **Shape and configuration as per representation.**



(21) Design Number: **10768/2005**

(22) Date of Filing Application: **24 February 2005**

(24) Date from which industrial property rights may have effect: **24 February 2005**

(54) Product in respect of which the design is registered: **Coffee table**

(51) International Design Classification: **06-03A**

(71) Name(s) and Address(s) of Applicant(s):

**KD Concepts Pty Limited**

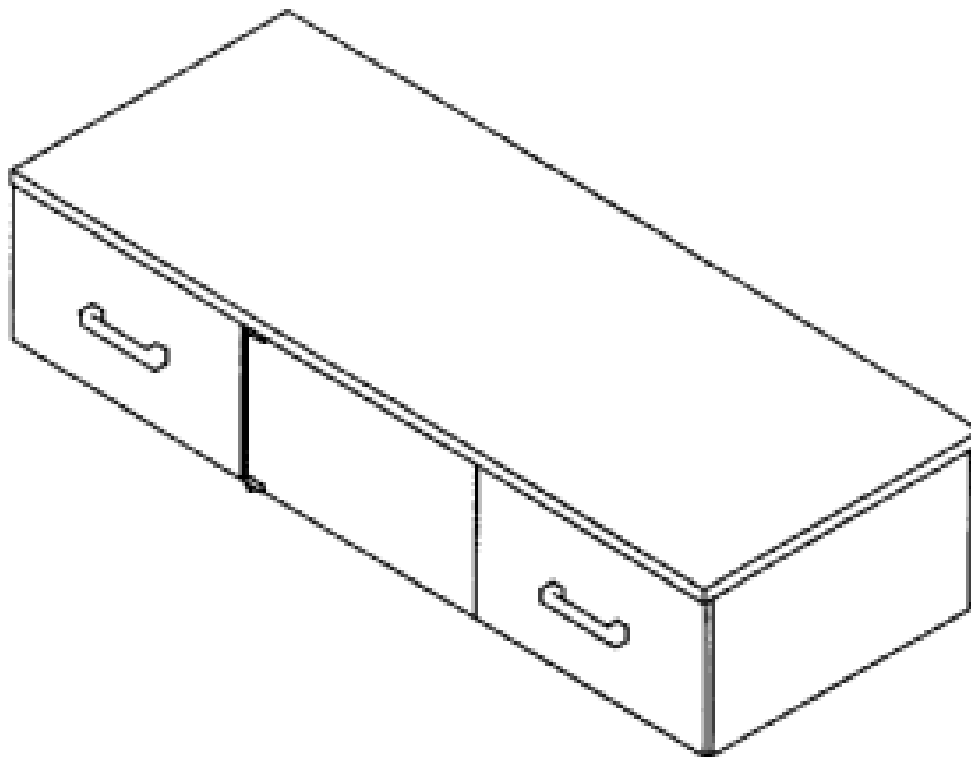
**19-21 Charles Street St Marys New South Wales 2760 Australia**

(72) Name(s) of Designer(s): **Angus Whyte**

(45) Registration Date: **17 January 2006**

(56) Related Art Documents: **Not Applicable**

(57) Statement of Newness and Distinctiveness: **Shape and configuration as per representation.**



(21) Design Number: **10769/2005**

(22) Date of Filing Application: **24 February 2005**

(24) Date from which industrial property rights may have effect: **24 February 2005**

(54) Product in respect of which the design is registered: **Entertainment unit**

(51) International Design Classification: **06-04NES**

(71) Name(s) and Address(s) of Applicant(s):

**KD Concepts Pty Limited**

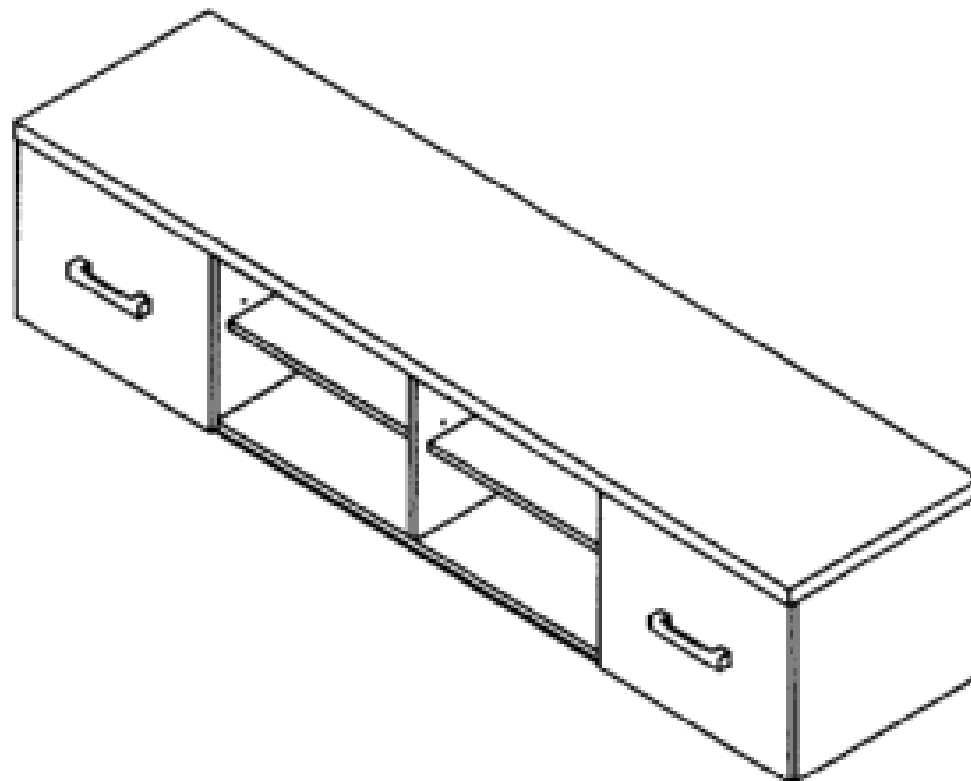
**19-21 Charles Street St Marys New South Wales 2760 Australia**

(72) Name(s) of Designer(s): **Angus Whyte**

(45) Registration Date: **17 January 2006**

(56) Related Art Documents: **Not Applicable**

(57) Statement of Newness and Distinctiveness: **Shape and configuration as per representation.**



(21) Design Number: **10770/2005**

(22) Date of Filing Application: **24 February 2005**

(24) Date from which industrial property rights may have effect: **24 February 2005**

(54) Product in respect of which the design is registered: **Shelving**

(51) International Design Classification: **06-04NES**

(71) Name(s) and Address(s) of Applicant(s):

**KD Concepts Pty Limited**

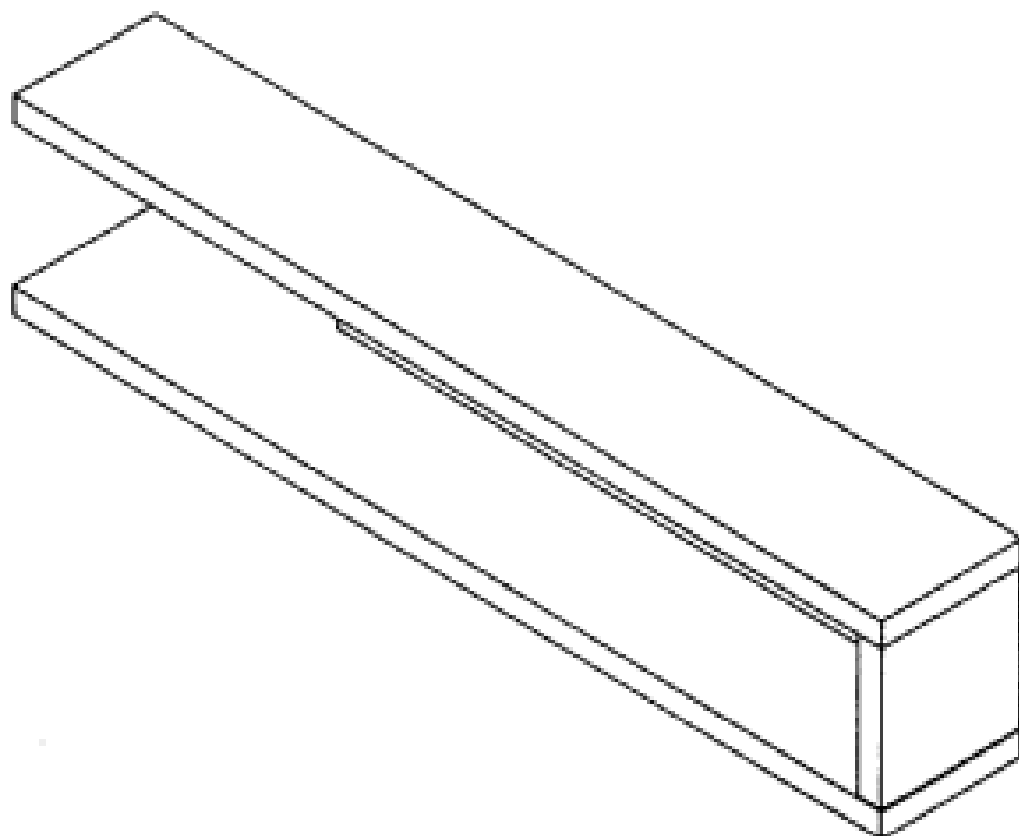
**19-21 Charles Street St Marys New South Wales 2760 Australia**

(72) Name(s) of Designer(s): **Angus Whyte**

(45) Registration Date: **17 January 2006**

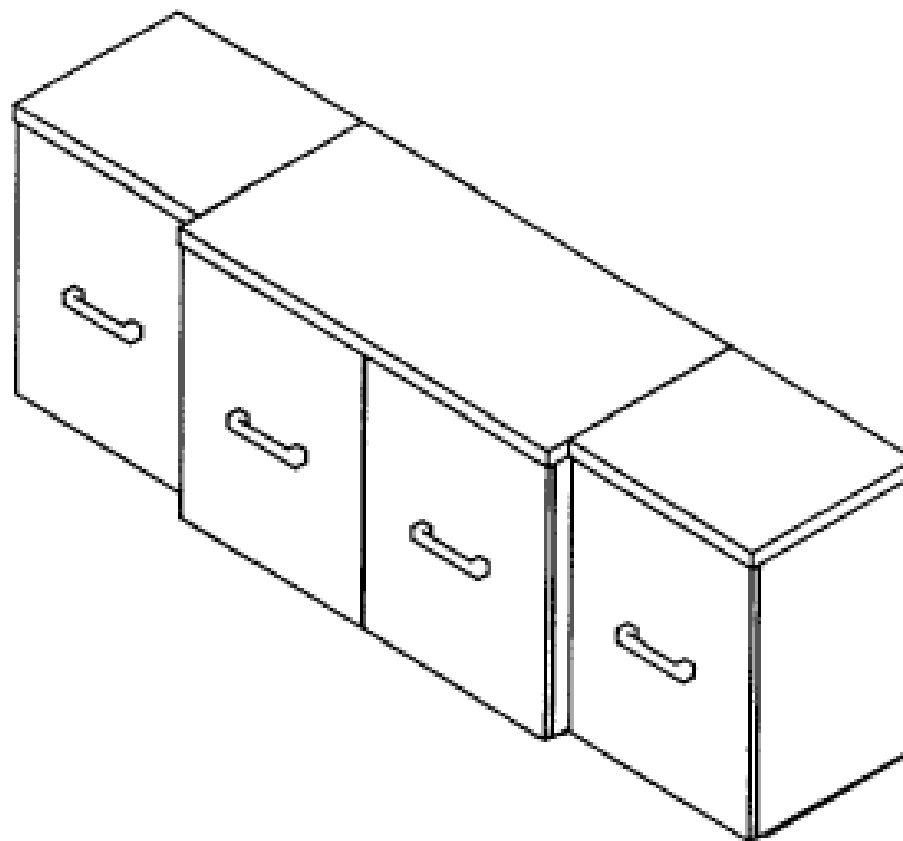
(56) Related Art Documents: **Not Applicable**

(57) Statement of Newness and Distinctiveness: **Shape and configuration as per representation.**

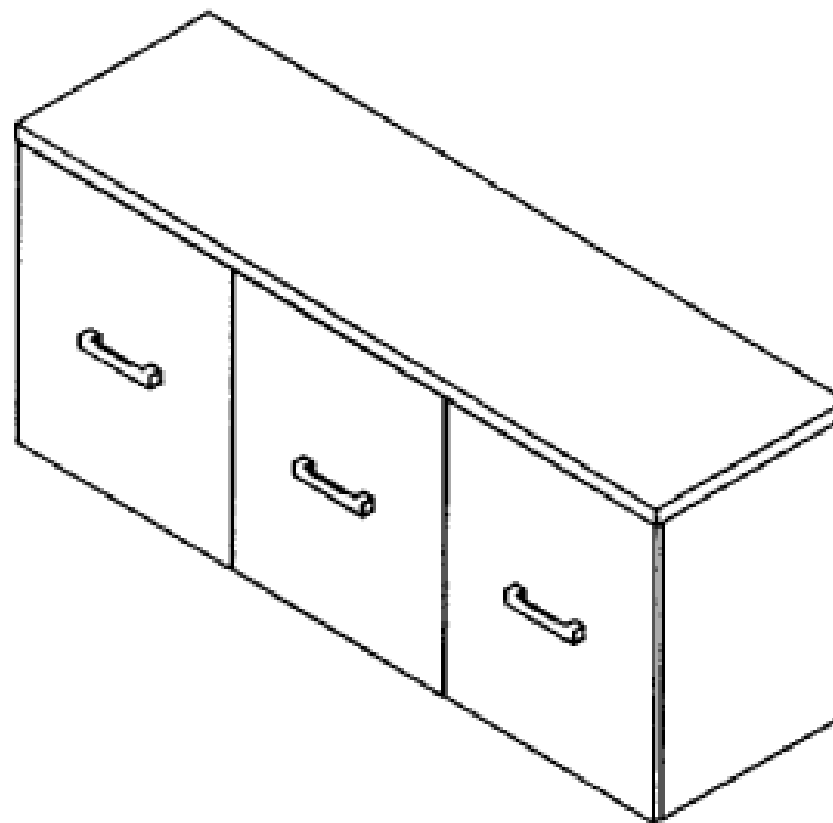




- (21) Design Number: **10771/2005**
- (22) Date of Filing Application: **24 February 2005**
- (24) Date from which industrial property rights may have effect: **24 February 2005**
- (54) Product in respect of which the design is registered: **Storage unit**
- (51) International Design Classification: **06-04D**
- (71) Name(s) and Address(s) of Applicant(s):  
**KD Concepts Pty Limited**  
**19-21 Charles Street St Marys New South Wales 2760 Australia**
- (72) Name(s) of Designer(s): **Angus Whyte**
- (45) Registration Date: **17 January 2006**
- (56) Related Art Documents: **Not Applicable**
- (57) Statement of Newness and Distinctiveness: **Shape and configuration as per representation.**



- (21) Design Number: **10772/2005**
- (22) Date of Filing Application: **24 February 2005**
- (24) Date from which industrial property rights may have effect: **24 February 2005**
- (54) Product in respect of which the design is registered: **Storage unit**
- (51) International Design Classification: **06-04D**
- (71) Name(s) and Address(s) of Applicant(s):  
**KD Concepts Pty Limited**  
**19-21 Charles Street St Marys New South Wales 2760 Australia**
- (72) Name(s) of Designer(s): **Angus Whyte**
- (45) Registration Date: **17 January 2006**
- (56) Related Art Documents: **Not Applicable**
- (57) Statement of Newness and Distinctiveness: **Shape and configuration as per representation.**



- (21) Design Number: **10807/2005**  
(22) Date of Filing Application: **01 March 2005**  
(24) Date from which industrial property rights may have effect: **01 March 2005**  
(54) Product in respect of which the design is registered: **Flooring tray**  
(51) International Design Classification: **25-01NES**  
(71) Name(s) and Address(s) of Applicant(s):

**Alan Harry Newman**  
**77 Wintere Road Papatoetoe Auckland New Zealand**

(72) Name(s) of Designer(s): **Alan Harry Newman**

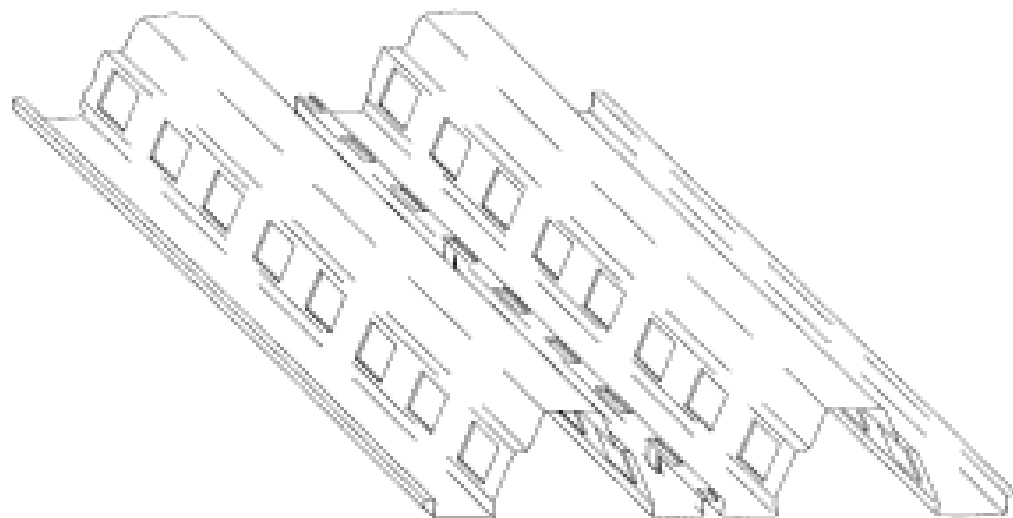
(45) Registration Date: **17 January 2006**

(30) Convention priority data:

(31) Number	(32) Date	(33) Country
<b>405514</b>	<b>09 Nov 2004</b>	<b>NEW ZEALAND</b>

(56) Related Art Documents: **Not Applicable**

(57) Statement of Newness and Distinctiveness: **The features of shape and/or configuration of a flooring tray of indefinite length with discrete formations/indentations at intervals along the sheet which, apart from the formations/indentations, is of constant cross section as illustrated in the representations.**



- (21) Design Number: **10812/2005**  
(22) Date of Filing Application: **02 March 2005**  
(24) Date from which industrial property rights may have effect: **02 March 2005**  
(54) Product in respect of which the design is registered: **Golf tee**  
(51) International Design Classification: **21-02C**  
(71) Name(s) and Address(s) of Applicant(s):

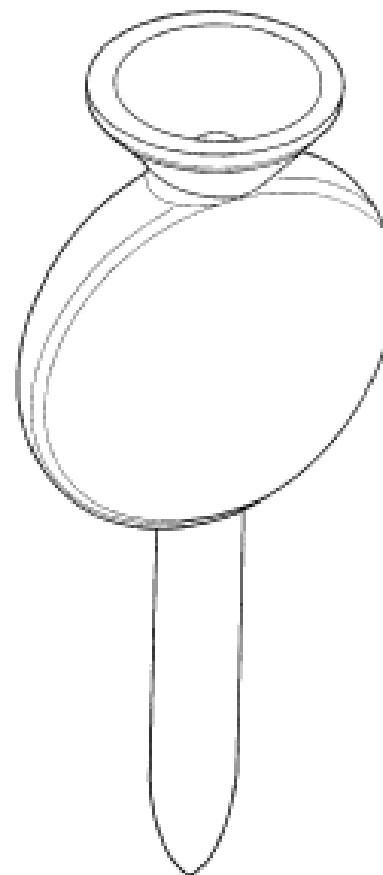
**Davies Group Pty Ltd**  
**342 Kensington Road Erindale South Australia 5066 Australia**

(72) Name(s) of Designer(s): **Philip Davies**

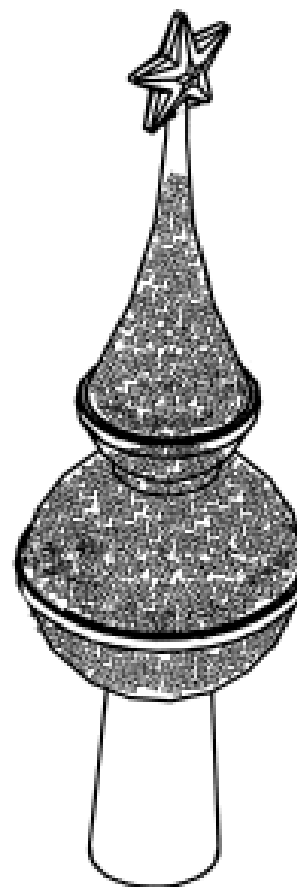
(45) Registration Date: **17 January 2006**

(56) Related Art Documents: **Not Applicable**

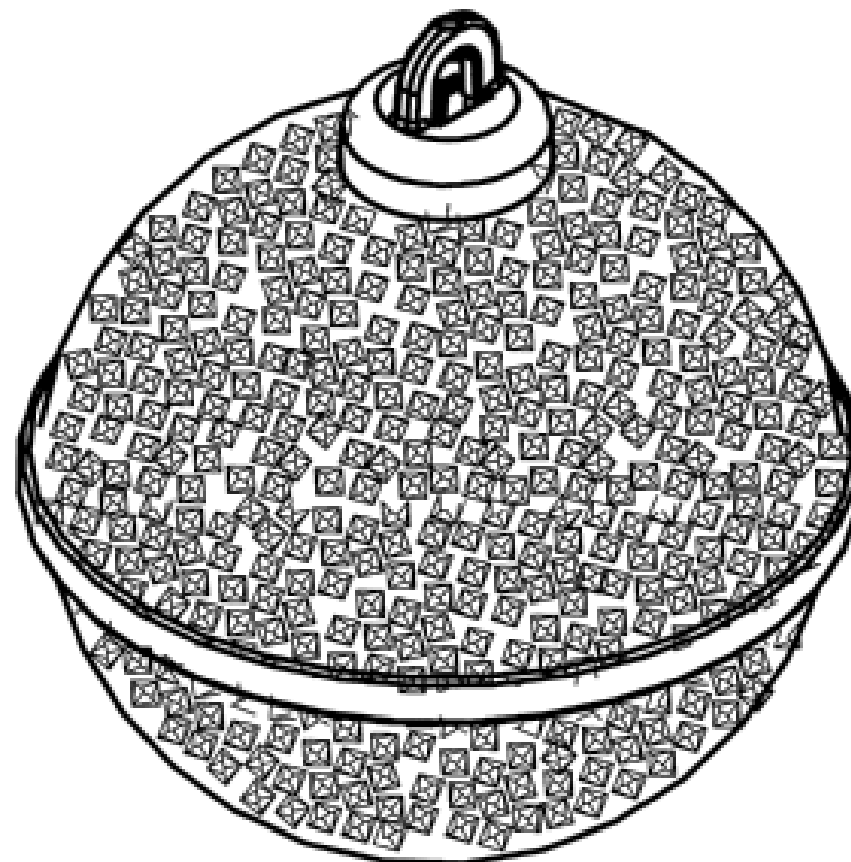
(57) Statement of Newness and Distinctiveness: **Nil**



(21) Design Number: **10813/2005**  
(22) Date of Filing Application: **01 March 2005**  
(24) Date from which industrial property rights may have effect: **01 March 2005**  
(54) Product in respect of which the design is registered: **Ornamental object made of glass**  
(51) International Design Classification: **11-02NES**  
(71) Name(s) and Address(s) of Applicant(s):  
**Swarovski Aktiengesellschaft**  
**Droschistrasse 15 FL-9495 Triesen Liechtenstein**  
(72) Name(s) of Designer(s): **Eva-Maria Ried and Michael Pichler**  
(45) Registration Date: **17 January 2006**  
(30) Convention priority data:  
(31) Number      (32) Date      (33) Country  
**229406      21 Sep 2004      EUROPEAN PATENT OFFICE (EP)**  
(56) Related Art Documents: **Not Applicable**  
(57) Statement of Newness and Distinctiveness: **Nil**



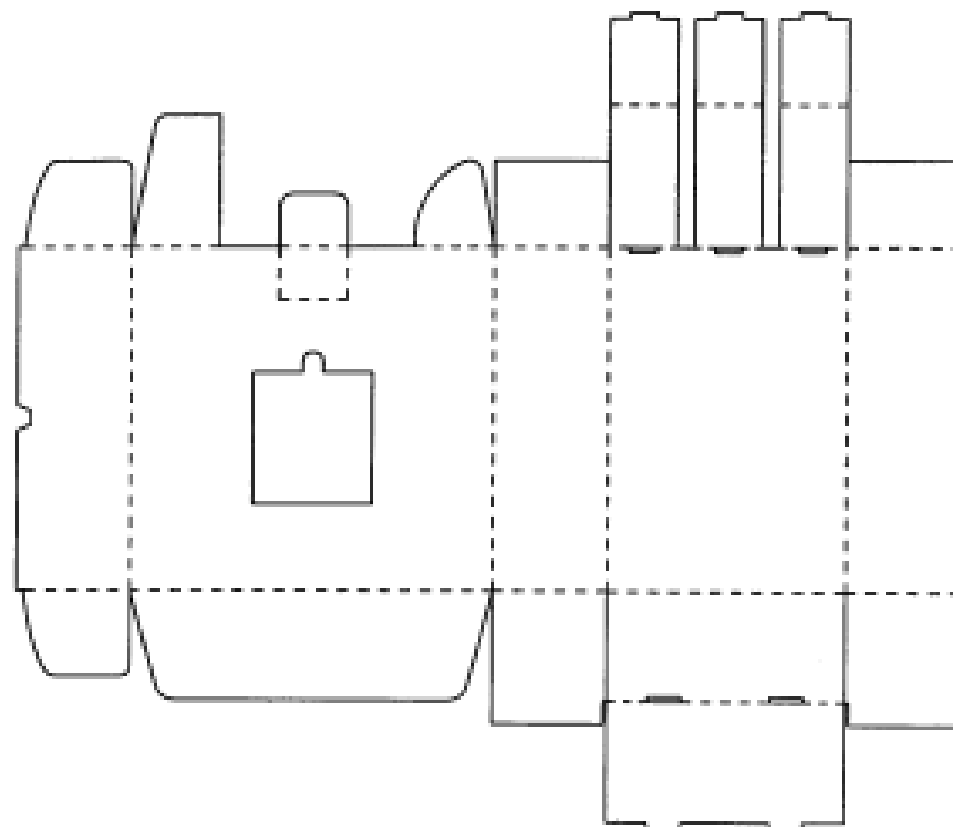
(21) Design Number: **10814/2005**  
(22) Date of Filing Application: **01 March 2005**  
(24) Date from which industrial property rights may have effect: **01 March 2005**  
(54) Product in respect of which the design is registered: **Ornamental object made of glass**  
(51) International Design Classification: **11-02NES**  
(71) Name(s) and Address(s) of Applicant(s):  
**Swarovski Aktiengesellschaft**  
**Droschistrasse 15 FL-9495 Triesen Liechtenstein**  
(72) Name(s) of Designer(s): **Eva-Maria Ried and Michael Pichler**  
(45) Registration Date: **17 January 2006**  
(30) Convention priority data:  
(31) Number      (32) Date      (33) Country  
**229406      21 Sep 2004      EUROPEAN PATENT OFFICE (EP)**  
(56) Related Art Documents: **Not Applicable**  
(57) Statement of Newness and Distinctiveness: **Nil**



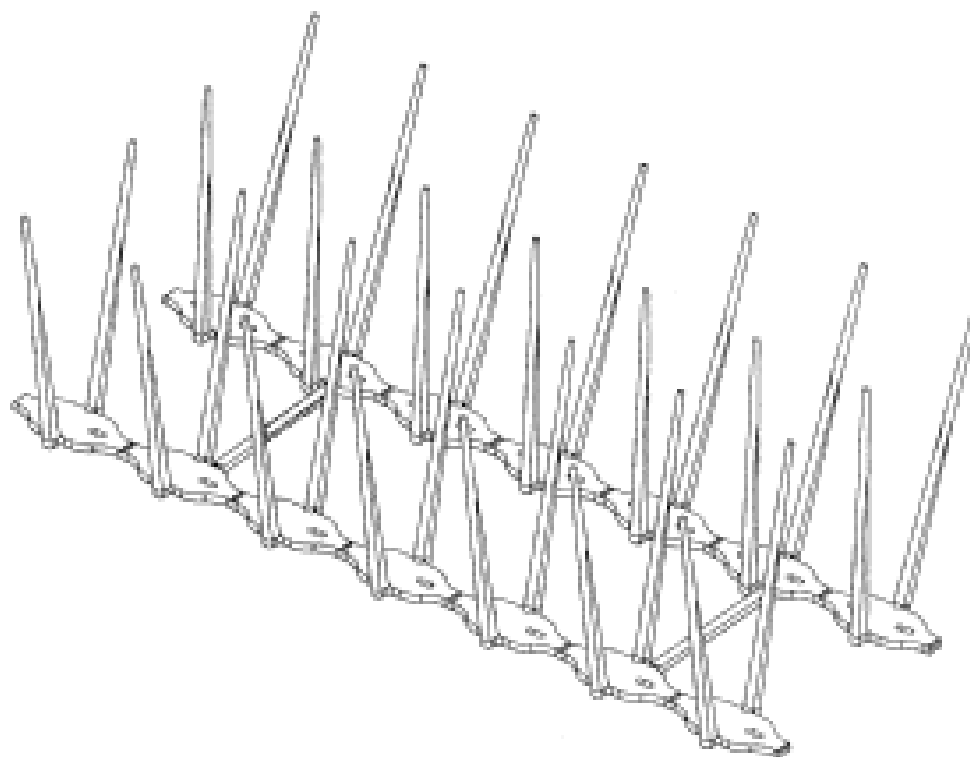
- (21) Design Number: **10848/2005**
- (22) Date of Filing Application: **03 March 2005**
- (24) Date from which industrial property rights may have effect: **15 March 2004**
- (54) Product in respect of which the design is registered: **Exercise machine**
- (51) International Design Classification: **21-02F**
- (71) Name(s) and Address(s) of Applicant(s):  
**Unisen Inc. doing business as Star Trac**  
**14410 Myford Road Irvine California 92606 United States of America**
- (72) Name(s) of Designer(s): **Kevin Patrick Corbalis and Mark William Chiles and Victor Torres Cornejo and Jirawat O. Jeamvigite and John Cooke**
- (45) Registration Date: **17 January 2006**
- (62) Divisional of: **158155**
- (56) Related Art Documents: **Not Applicable**
- (57) Statement of Newness and Distinctiveness: **Nil**



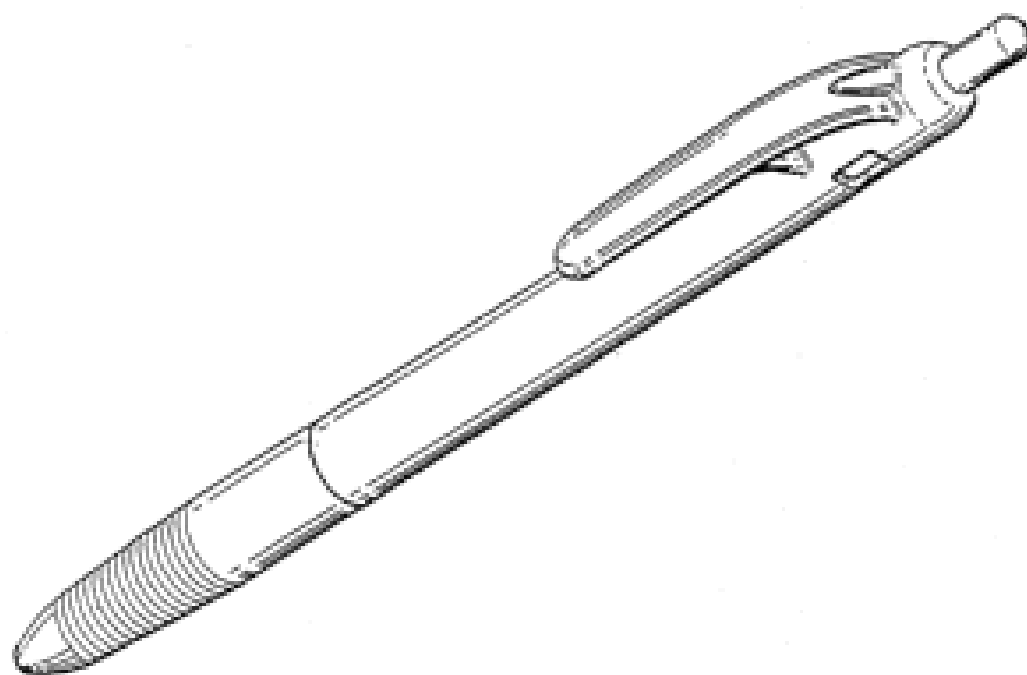
- (21) Design Number: **12222/2005**
- (22) Date of Filing Application: **18 May 2005**
- (24) Date from which industrial property rights may have effect: **18 May 2005**
- (54) Product in respect of which the design is registered: **Container blank**
- (51) International Design Classification: **09-03NES**
- (71) Name(s) and Address(s) of Applicant(s):  
**D. Angel Bernabeu**  
**Calle Castilla La Nueva 31 28941 Fuenlabrada Madrid Spain**
- (72) Name(s) of Designer(s): **D. Angel Bernabeu**
- (45) Registration Date: **19 January 2006**
- (56) Related Art Documents: **Not Applicable**
- (57) Statement of Newness and Distinctiveness: **Those features of the container blank depicted in the representations that are new and distinctive are the shape and/or configuration. The features shown in the broken line are the fold lines.**



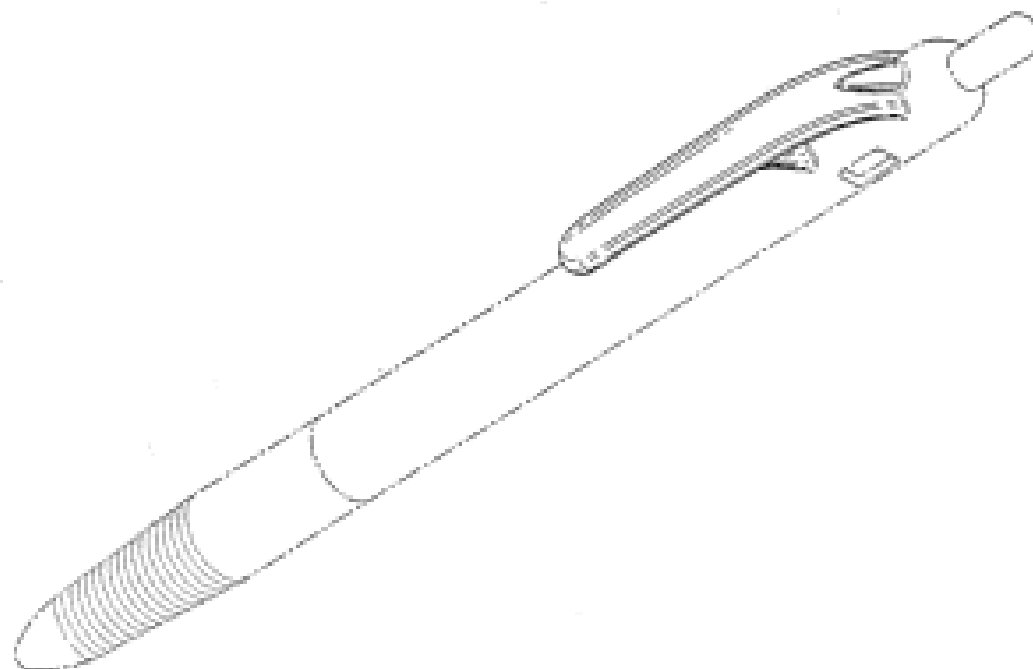
- (21) Design Number: **12266/2005**  
(22) Date of Filing Application: **23 May 2005**  
(24) Date from which industrial property rights may have effect: **23 May 2005**  
(54) Product in respect of which the design is registered: **Deflection device for birds**  
(51) International Design Classification: **22-06**  
(71) Name(s) and Address(s) of Applicant(s):  
**UrbanGuard GmbH**  
**Zeltinger Strasse 64 D-13465 Berlin Germany**  
(72) Name(s) of Designer(s): **Bernd Wiesener and Mark Wiesener**  
(45) Registration Date: **19 January 2006**  
(56) Related Art Documents: **Not Applicable**  
(57) Statement of Newness and Distinctiveness: **Newness and distinctiveness resides in the shape and configuration of the deflection device for birds as depicted in the accompanying representations.**



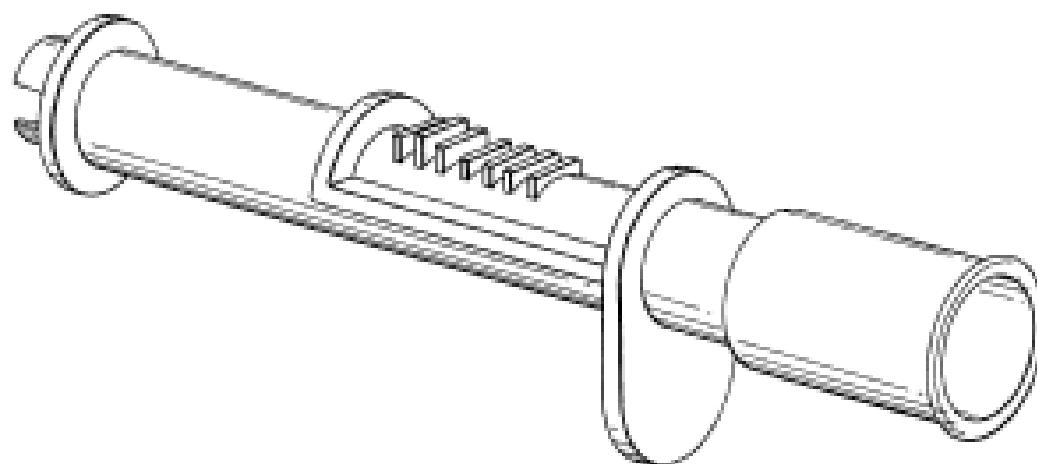
- (21) Design Number: **12351/2005**  
(22) Date of Filing Application: **26 May 2005**  
(24) Date from which industrial property rights may have effect: **26 May 2005**  
(54) Product in respect of which the design is registered: **A pen**  
(51) International Design Classification: **19-06**  
(71) Name(s) and Address(s) of Applicant(s):  
**Societe Bic**  
**14 Rue Jeanne D'Asnieres F-92611 Clichy Cedex France**  
(72) Name(s) of Designer(s): **Michael Alan Blandford and Robert Bibi-Roubi and Marcel Louis Michael Antione Bic**  
(45) Registration Date: **19 January 2006**  
(30) Convention priority data:  
(31) Number      (32) Date      (33) Country  
**405578      26 Nov 2004      NEW ZEALAND**  
(56) Related Art Documents: **Not Applicable**  
(57) Statement of Newness and Distinctiveness: **Nil**



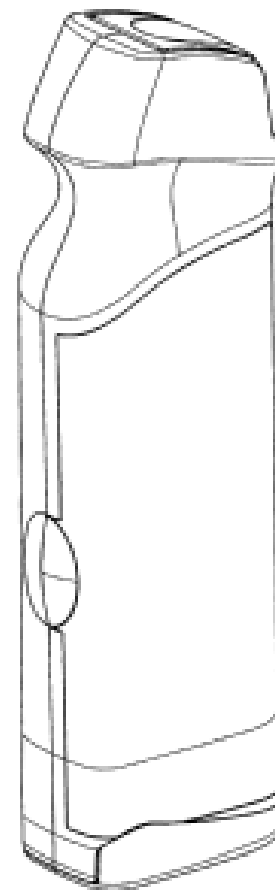
- (21) Design Number: **12352/2005**  
(22) Date of Filing Application: **26 May 2005**  
(24) Date from which industrial property rights may have effect: **26 May 2005**  
(54) Product in respect of which the design is registered: **A pen**  
(51) International Design Classification: **19-06**  
(71) Name(s) and Address(s) of Applicant(s):  
**Societe Bic**  
**14 Rue Jeanne D'Asnieres F-92611 Clichy Cedex France**  
(72) Name(s) of Designer(s): **Marcel Louis Michael Antione Bic and Michael Alan Blandford and Robert Bibi-Roubi**  
(45) Registration Date: **19 January 2006**  
(30) Convention priority data:  
(31) Number (32) Date (33) Country  
**405578 26 Nov 2004 NEW ZEALAND**  
(56) Related Art Documents: **Not Applicable**  
(57) Statement of Newness and Distinctiveness: **The shape and configuration of the clip of the product, that is the parts of the product not shown in broken lines in the representations, is new and distinctive.**



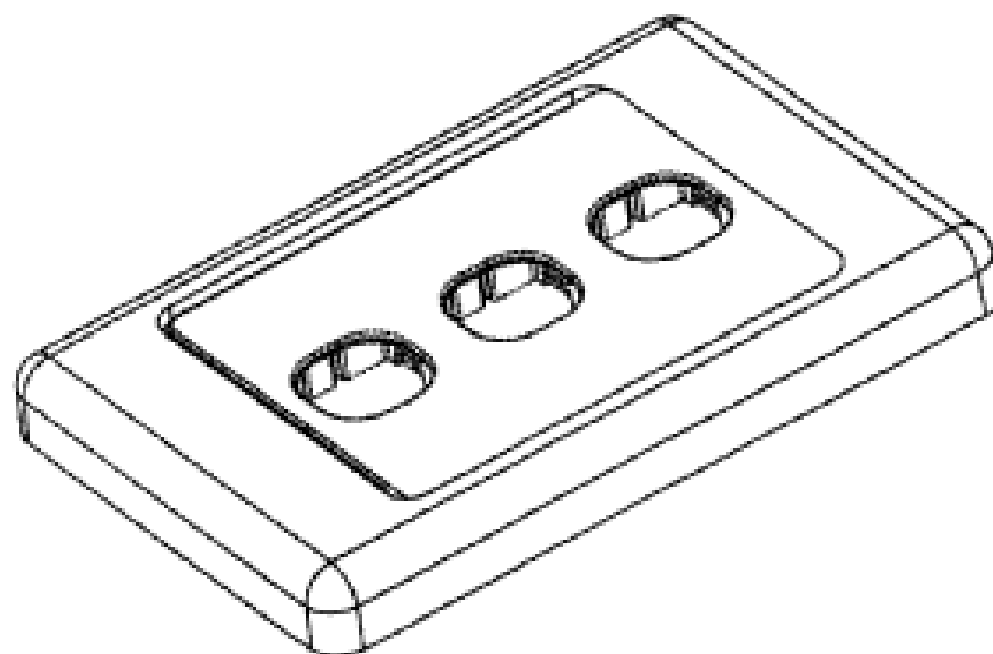
- (21) Design Number: **12405/2005**  
(22) Date of Filing Application: **03 June 2005**  
(24) Date from which industrial property rights may have effect: **03 June 2005**  
(54) Product in respect of which the design is registered: **A mouthpiece for breath analysis**  
(51) International Design Classification: **24-01, 24-04**  
(71) Name(s) and Address(s) of Applicant(s):  
**Lion Laboratories Limited**  
**Ty Verlon Industrial Estate Barry South Glamorgan CF63 2BE United Kingdom**  
(72) Name(s) of Designer(s): **Jason Aspinall and Geraint Wynn Roberts and Anthony Lewis**  
(45) Registration Date: **19 January 2006**  
(56) Related Art Documents: **Not Applicable**  
(57) Statement of Newness and Distinctiveness: **Newness and distinctiveness resides in the shape and/or configuration of the mouthpiece as depicted in the accompanying drawings.**



- (21) Design Number: **12593/2005**  
(22) Date of Filing Application: **17 June 2005**  
(24) Date from which industrial property rights may have effect: **17 June 2005**  
(54) Product in respect of which the design is registered: **Tablet Dispenser**  
(51) International Design Classification: **03-01D, 03-01NES**  
(71) Name(s) and Address(s) of Applicant(s):  
**PZ Cussons Australia Pty Ltd**  
**282-300 Hammond Road Dandenong Victoria 3175 Australia**  
(72) Name(s) of Designer(s): **John Nielsen and Allan Hooworth**  
(45) Registration Date: **19 January 2006**  
(56) Related Art Documents: **Not Applicable**  
(57) Statement of Newness and Distinctiveness: **Newness and distinctiveness is claimed in the visual features of shape and/or configuration as applied to a dispenser as illustrated in the accompanying representations.**



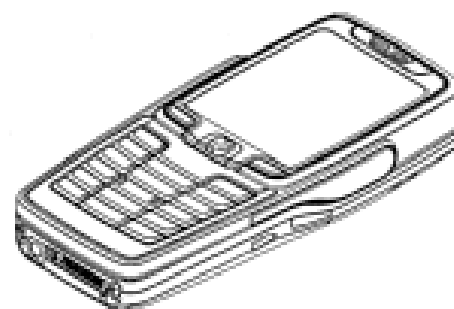
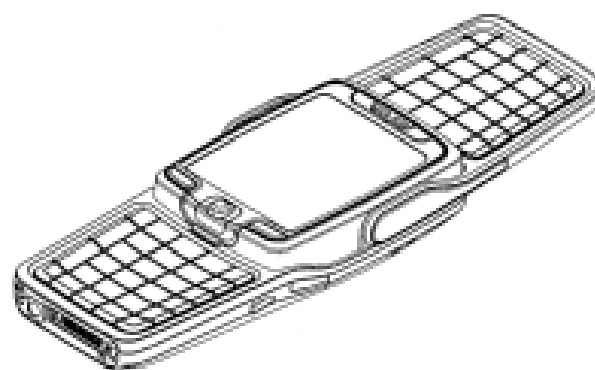
- (21) Design Number: **13007/2005**  
(22) Date of Filing Application: **13 July 2005**  
(24) Date from which industrial property rights may have effect: **13 July 2005**  
(54) Product in respect of which the design is registered: **Wall plate**  
(51) International Design Classification: **13-03D**  
(71) Name(s) and Address(s) of Applicant(s):  
**Access Communications Pty Ltd**  
**33-35 Alleyne Street Chatswood New South Wales 2067 Australia**  
(72) Name(s) of Designer(s): **Ray Withy**  
(45) Registration Date: **19 January 2006**  
(56) Related Art Documents: **Not Applicable**  
(57) Statement of Newness and Distinctiveness: **Nil**



(21) Design Number: **13332/2005**  
(22) Date of Filing Application: **04 August 2005**  
(24) Date from which industrial property rights may have effect: **04 August 2005**  
(54) Product in respect of which the design is registered: **A handset**  
(51) International Design Classification: **14-03E**  
(71) Name(s) and Address(s) of Applicant(s):

**Nokia Corporation**  
**Keilalahdentie 4 FIN-02150 Espoo Finland**

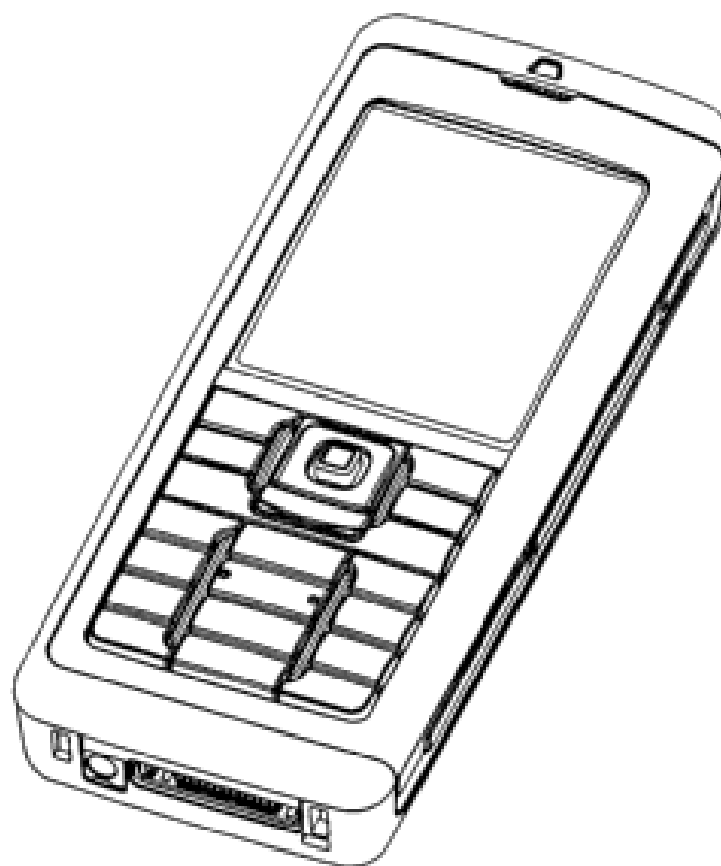
(72) Name(s) of Designer(s): **Janne Loiske and Valtteri Eroma**  
(45) Registration Date: **19 January 2006**  
(30) Convention priority data:  
(31) Number (32) Date (33) Country  
**M20050050 23 Mar 2005 FINLAND**  
(56) Related Art Documents: **Not Applicable**  
(57) Statement of Newness and Distinctiveness: **Nil**



(21) Design Number: **13333/2005**  
(22) Date of Filing Application: **04 August 2005**  
(24) Date from which industrial property rights may have effect: **04 August 2005**  
(54) Product in respect of which the design is registered: **A handset**  
(51) International Design Classification: **14-03E**  
(71) Name(s) and Address(s) of Applicant(s):

**Nokia Corporation**  
**Keilalahdentie 4 FIN-02150 Espoo Finland**

(72) Name(s) of Designer(s): **Robert Pitt**  
(45) Registration Date: **19 January 2006**  
(30) Convention priority data:  
(31) Number (32) Date (33) Country  
**M20050112 26 Jul 2005 FINLAND**  
(56) Related Art Documents: **Not Applicable**  
(57) Statement of Newness and Distinctiveness: **Nil**





(21) Design Number: **13338/2005**

(22) Date of Filing Application: **05 August 2005**

(24) Date from which industrial property rights may have effect: **05 August 2005**

(54) Product in respect of which the design is registered: **Cold beverage cup**

(51) International Design Classification: **07-01C**

(71) Name(s) and Address(s) of Applicant(s):

**Elite Confectionery Ltd**  
**84 Arlozorov St Ramat-Gan Israel**

(72) Name(s) of Designer(s): **Oded Brenner**

(45) Registration Date: **19 January 2006**

(56) Related Art Documents: **Not Applicable**

(57) Statement of Newness and Distinctiveness: **Nil**



(21) Design Number: **13341/2005**

(22) Date of Filing Application: **08 August 2005**

(24) Date from which industrial property rights may have effect: **08 August 2005**

(54) Product in respect of which the design is registered: **Towel wall rack**

(51) International Design Classification: **07-05D**

(71) Name(s) and Address(s) of Applicant(s):

**Neville Schot**  
**30 Fermanagh Road Camberwell Victoria 3124 Australia**

(72) Name(s) of Designer(s): **Neville Schot**

(45) Registration Date: **19 January 2006**

(56) Related Art Documents: **Not Applicable**

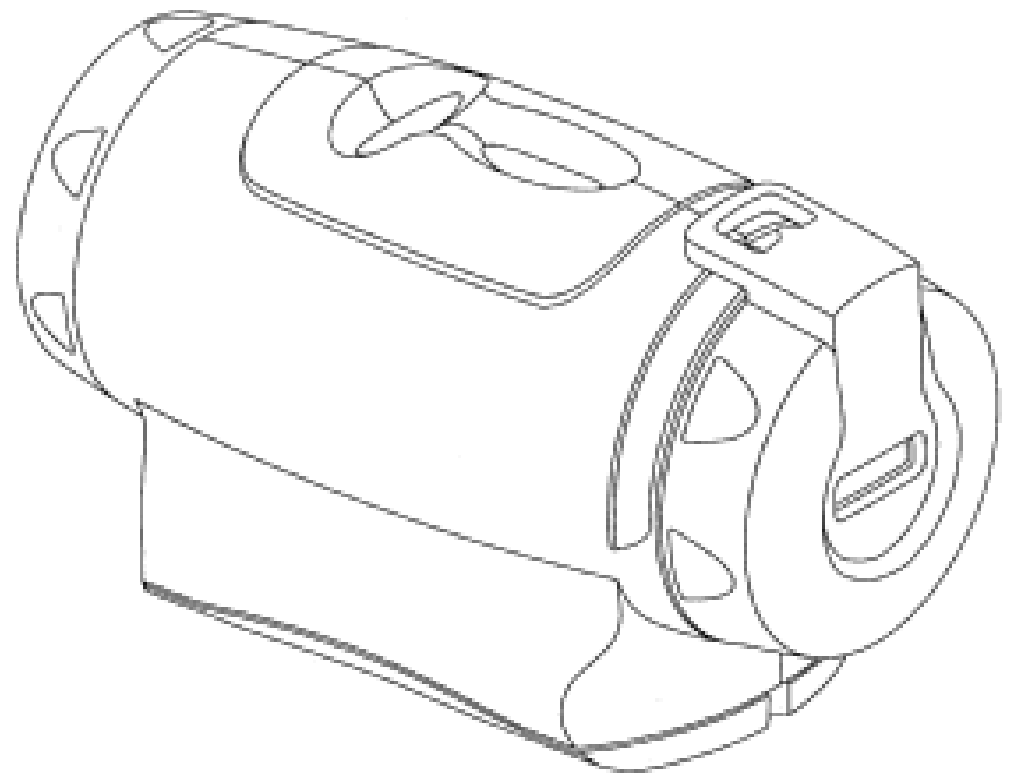
(57) Statement of Newness and Distinctiveness: **Monopoly is claimed in the features of shape and configuration of the bath towel wall rack as illustrated in the representations.**



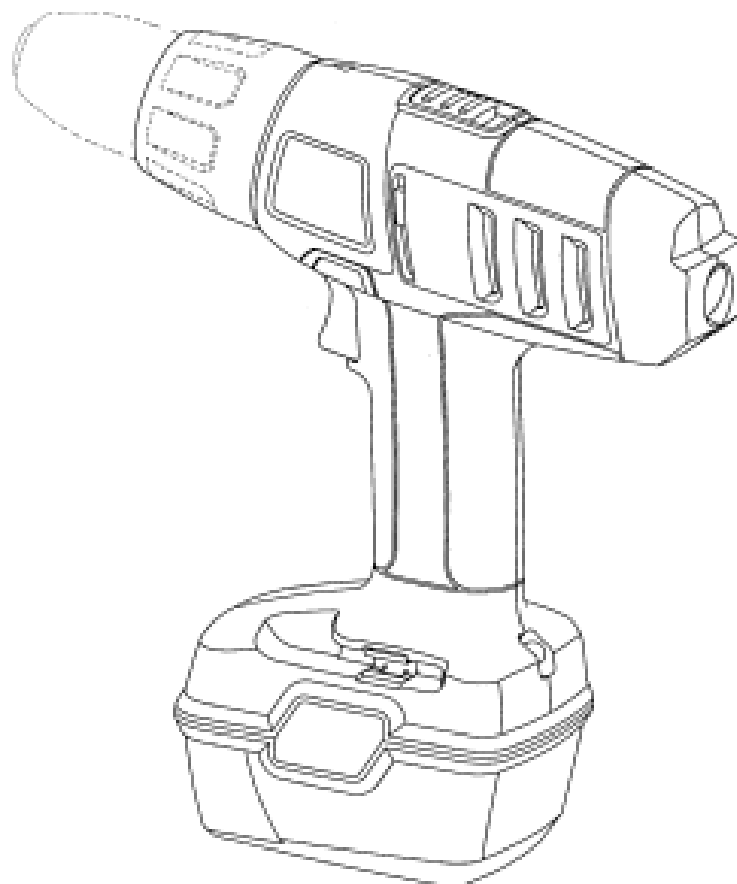
- (21) Design Number: **13432/2005**  
(22) Date of Filing Application: **11 August 2005**  
(24) Date from which industrial property rights may have effect: **11 August 2005**  
(54) Product in respect of which the design is registered: **Bottle**  
(51) International Design Classification: **09-01NES**  
(71) Name(s) and Address(s) of Applicant(s):  
**The Coca-Cola Company**  
**One Coca-Cola Plaza NW Atlanta Georgia 30313 United States of America**  
(72) Name(s) of Designer(s): **Katherine W. Allen and Carie A. Davis and Randall S. Brown and Scott C. Biondich**  
(45) Registration Date: **19 January 2006**  
(30) Convention priority data:  
(31) Number (32) Date (33) Country  
**29/223,581 16 Feb 2005 UNITED STATES OF AMERICA**  
(56) Related Art Documents: **Not Applicable**  
(57) Statement of Newness and Distinctiveness: **Those features of the bottle depicted in the representations that are new and distinctive are the shape and/or configuration.**



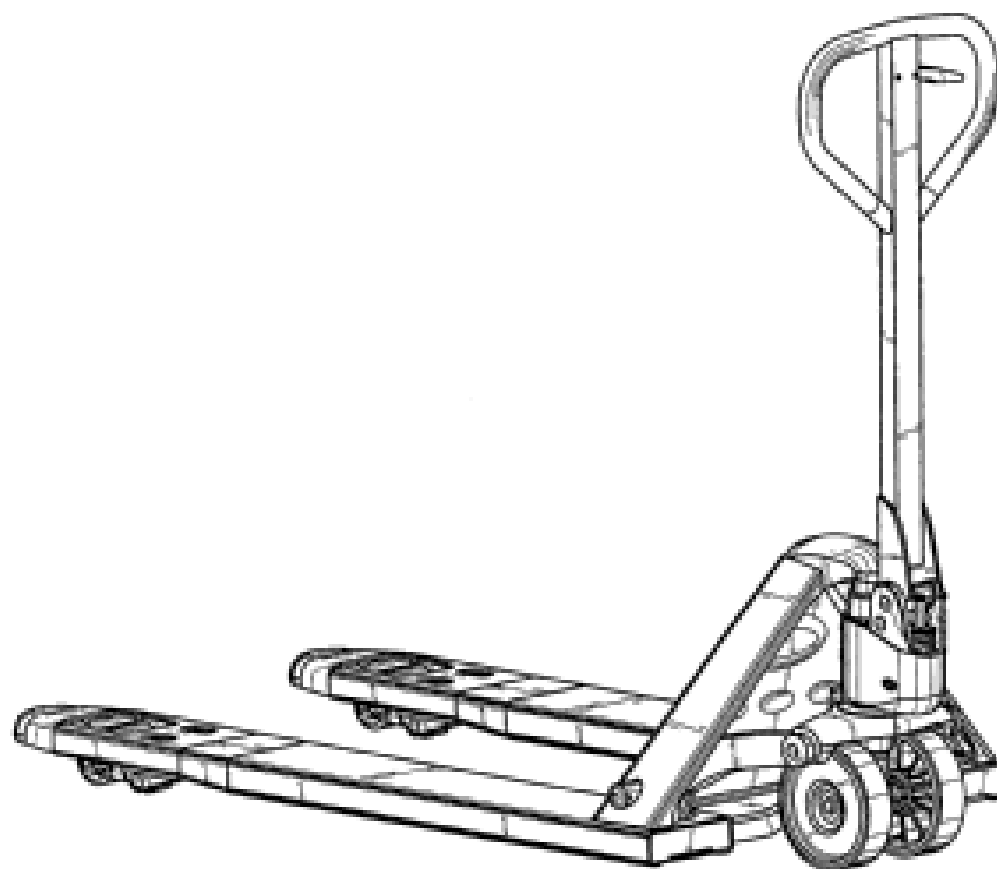
- (21) Design Number: **13475/2005**  
(22) Date of Filing Application: **12 August 2005**  
(24) Date from which industrial property rights may have effect: **12 August 2005**  
(54) Product in respect of which the design is registered: **Laser level**  
(51) International Design Classification: **10-04**  
(71) Name(s) and Address(s) of Applicant(s):  
**Nanjing Chervon Industry Co., Ltd**  
**No.9 Shengli West Road Jiangning Economic & Technical Development Zone Nanjing Jiangsu 211100 China**  
(72) Name(s) of Designer(s): **Yi Liu**  
(45) Registration Date: **19 January 2006**  
(30) Convention priority data:  
(31) Number (32) Date (33) Country  
**200530081610.0 24 Mar 2005 CHINA**  
(56) Related Art Documents: **Not Applicable**  
(57) Statement of Newness and Distinctiveness: **Each feature of the design considered separately or in combination with any other feature or features.**



- (21) Design Number: **13476/2005**  
(22) Date of Filing Application: **12 August 2005**  
(24) Date from which industrial property rights may have effect: **12 August 2005**  
(54) Product in respect of which the design is registered: **Drill**  
(51) International Design Classification: **08-01**  
(71) Name(s) and Address(s) of Applicant(s):  
**Nanjing Chervon Industry Co., Ltd**  
**No.9 Shengli West Road Jiangning Economic & Technical**  
**Development Zone Nanjing Jiangsu 211100 China**  
(72) Name(s) of Designer(s): **Shuming Wu**  
(45) Registration Date: **19 January 2006**  
(30) Convention priority data:  
(31) Number      (32) Date      (33) Country  
**200530081094.1   09 Mar 2005      CHINA**  
(56) Related Art Documents: **Not Applicable**  
(57) Statement of Newness and Distinctiveness: **Each feature of the design**  
**considered separately or in combination with any other feature or**  
**features.**



- (21) Design Number: **14257/2005**  
(22) Date of Filing Application: **29 September 2005**  
(24) Date from which industrial property rights may have effect: **29 September 2005**  
(54) Product in respect of which the design is registered: **Pallet truck**  
(51) International Design Classification: **12-05**  
(71) Name(s) and Address(s) of Applicant(s):  
**Crown Equipment Corporation**  
**40 South Washington Street New Bremen OH 45869 United States of**  
**America**  
(72) Name(s) of Designer(s): **Adam M. Ruppert and James V. Kraimer**  
(45) Registration Date: **19 January 2006**  
(30) Convention priority data:  
(31) Number      (32) Date      (33) Country  
**40502058.9      12 Apr 2005      GERMANY**  
(56) Related Art Documents: **Not Applicable**  
(57) Statement of Newness and Distinctiveness: **The shape and configuration of**  
**the pallet truck is new and distinctive.**



(19) AU

- (21) Design Number: **10641/2005**
- (22) Date of Filing Application: **18 February 2005**
- (24) Date from which industrial property rights may have effect: **18 February 2005**
- (54) Product in respect of which the design is registered: **A bottle**
- (51) International Design Classification: **09-01K**
- (71) Name(s) and Address(s) of Applicant(s):  
**Kimberly-Clark Worldwide, Inc.**  
**401 North Lake Street Neenah Wisconsin 54956 United States of America**
- (72) Name(s) of Designer(s): **Herb F. Velazquez and Christopher Bechyne**
- (45) Registration Date: **18 January 2006**
- (30) Convention priority data:  

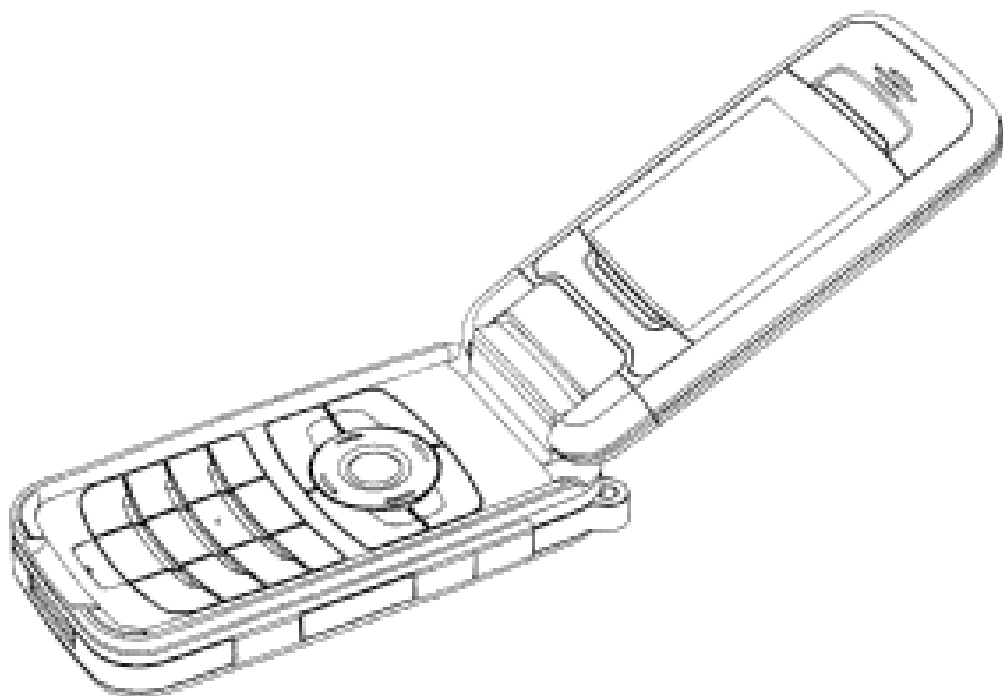
(31) Number	(32) Date	(33) Country
<b>29/212951</b>	<b>10 Sep 2004</b>	<b>UNITED STATES OF AMERICA</b>
- (56) Related Art Documents: **Not Applicable**
- (57) Statement of Newness and Distinctiveness: **Newness and distinctiveness is claimed in the features of shape and/or configuration of the curved indentations on the sides, more gradual curve at the top and bottom and the specific arcuate shape on the bottom of a bottle as illustrated in continuous lines in the accompanying representations.**



(19) AU

- (21) Design Number: **10850/2005**
- (22) Date of Filing Application: **03 March 2005**
- (24) Date from which industrial property rights may have effect: **03 March 2005**
- (54) Product in respect of which the design is registered: **Folding mobile phone**
- (51) International Design Classification: **14-03E**
- (71) Name(s) and Address(s) of Applicant(s):  
**Siemens Aktiengesellschaft**  
**Wittelsbacherplatz 2 80333 Munchen Germany**
- (72) Name(s) of Designer(s): **Roger Munstermann**
- (45) Registration Date: **18 January 2006**
- (30) Convention priority data:  

(31) Number	(32) Date	(33) Country
<b>000232848</b>	<b>09 Sep 2004</b>	<b>EUROPEAN COMMUNITY</b>
- (56) Related Art Documents: **Not Applicable**
- (57) Statement of Newness and Distinctiveness: **Newness and distinctiveness is claimed in the features of shape and/or configuration of a mobile phone in the two configurations (open and closed) illustrated in the accompanying representations, having regard to the following particular features: (i) the ring-shaped lug projecting from a corner of the mobile phone; (ii) the two elongated recesses arranged on the lower portion of the front face of the mobile phone; (iii) the circular structure arranged on the upper portion of the rear face of the mobile phone; (iv) the three speaker openings arranged on the upper portion of the upper inside face of the mobile phone; and (v) the key upper key area, having central and peripheral keys, arranged above the lower key area.**



(21) Design Number: **11023/2005**

(22) Date of Filing Application: **15 March 2005**

(24) Date from which industrial property rights may have effect: **15 March 2005**

(54) Product in respect of which the design is registered: **Wire joint clamp**

(51) International Design Classification: **08-05F, 08-08D**

(71) Name(s) and Address(s) of Applicant(s):

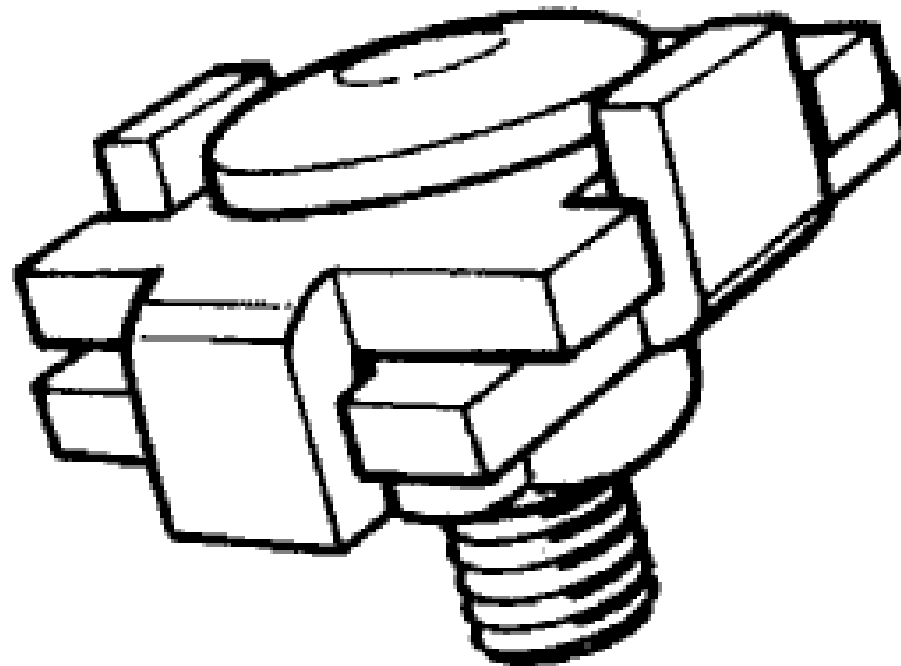
**Country Electronics Pty. Limited**  
**11 Industrial Avenue Mudgee New South Wales 2850 Australia**

(72) Name(s) of Designer(s): **Ronald G.A. Smith**

(45) Registration Date: **18 January 2006**

(56) Related Art Documents: **Not Applicable**

(57) Statement of Newness and Distinctiveness: **Newness and distinctiveness is claimed in the features of shape and/or configuration of a wire joint clamp as illustrated in the accompanying representations.**



(21) Design Number: **11024/2005**

(22) Date of Filing Application: **15 March 2005**

(24) Date from which industrial property rights may have effect: **15 March 2005**

(54) Product in respect of which the design is registered: **Milk shake mixer**

(51) International Design Classification: **31-00**

(71) Name(s) and Address(s) of Applicant(s):

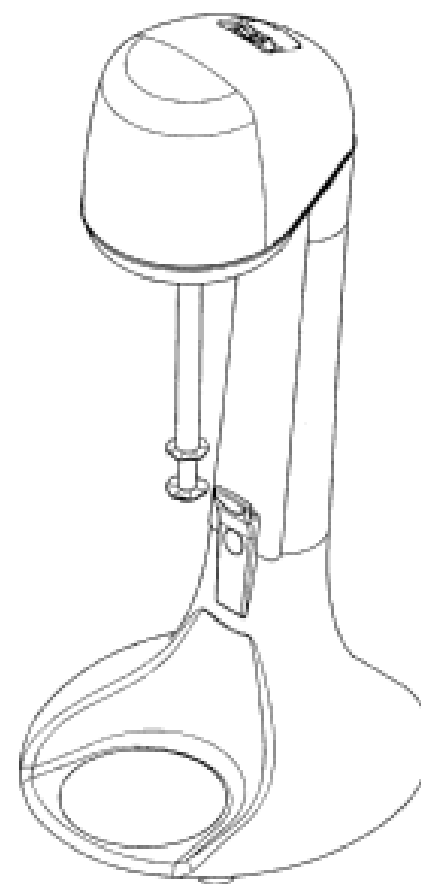
**ROBAND Australia Pty Ltd**  
**24 Middleton Road Dee Why New South Wales 2099 Australia**

(72) Name(s) of Designer(s): **Paul Le Vavasseeur**

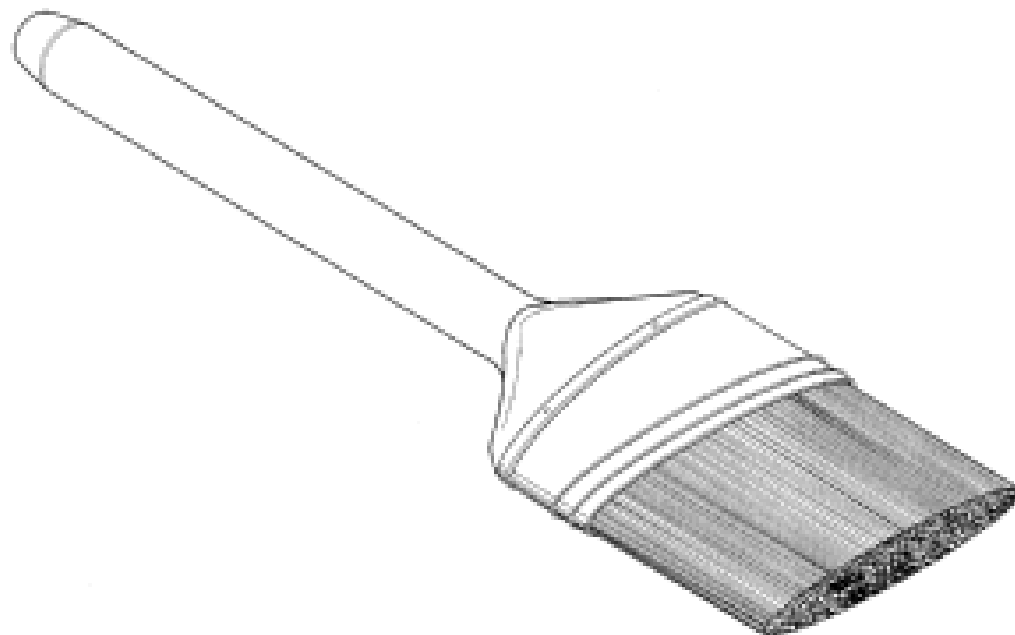
(45) Registration Date: **18 January 2006**

(56) Related Art Documents: **Not Applicable**

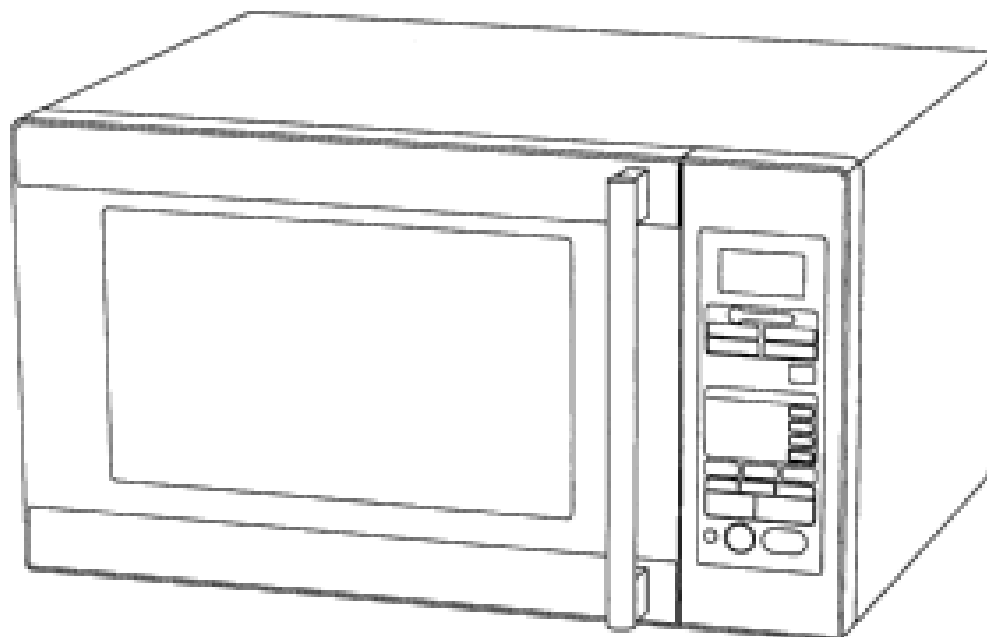
(57) Statement of Newness and Distinctiveness: **Newness and distinctiveness is claimed in the features of shape and/or configuration of a milk shake mixer as illustrated in the accompanying representations.**



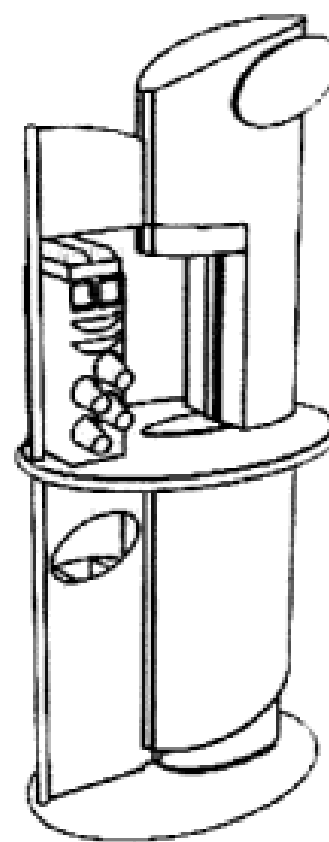
- (21) Design Number: **11061/2005**  
(22) Date of Filing Application: **18 March 2005**  
(24) Date from which industrial property rights may have effect: **18 March 2005**  
(54) Product in respect of which the design is registered: **An angle oval cutter brush**  
(51) International Design Classification: **04-04**  
(71) Name(s) and Address(s) of Applicant(s):  
**Rokset Industries Pty Ltd**  
**16-20 Ragless Street St Marys South Australia 5042 Australia**  
(72) Name(s) of Designer(s): **Barry Fidler and Gary Kerlake and George Jonavicius**  
(45) Registration Date: **18 January 2006**  
(56) Related Art Documents: **Not Applicable**  
(57) Statement of Newness and Distinctiveness: **Nil**



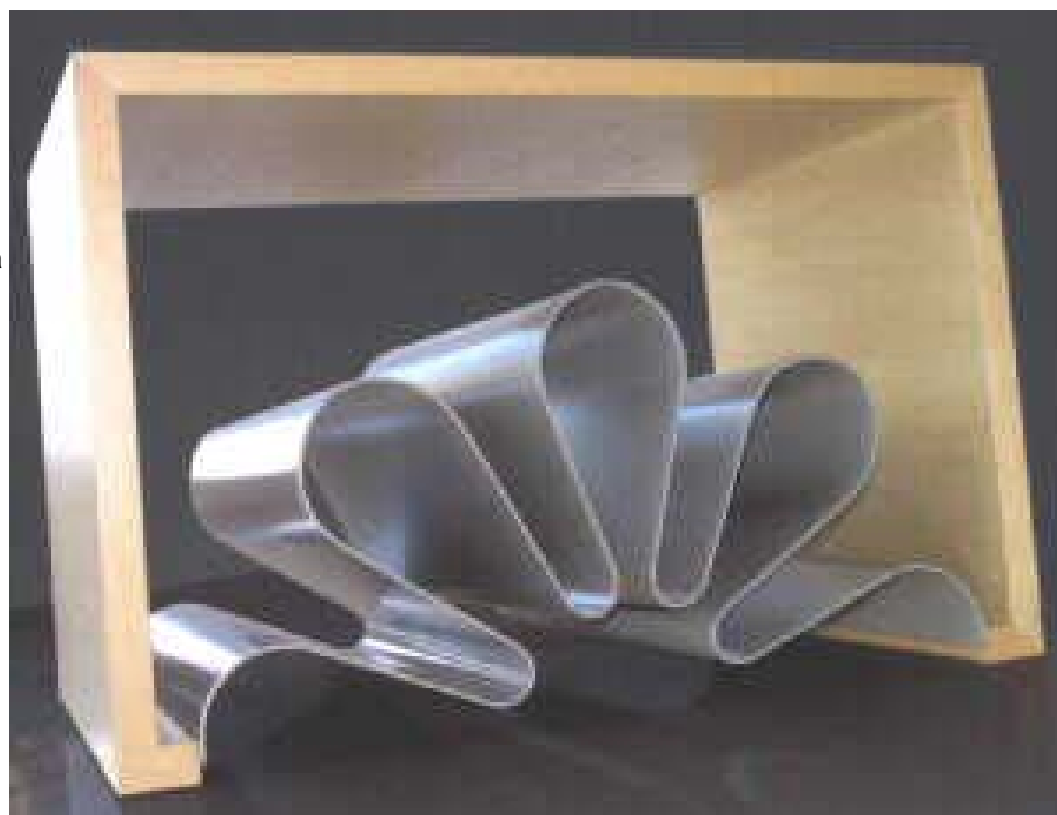
- (21) Design Number: **11062/2005**  
(22) Date of Filing Application: **18 March 2005**  
(24) Date from which industrial property rights may have effect: **18 March 2005**  
(54) Product in respect of which the design is registered: **Microwave oven**  
(51) International Design Classification: **07-02B**  
(71) Name(s) and Address(s) of Applicant(s):  
**LG Electronics Inc.**  
**20 Yoido-dong Yongdungpo-gu Seoul Republic of Korea**  
(72) Name(s) of Designer(s): **Mun Woo Lee**  
(45) Registration Date: **18 January 2006**  
(30) Convention priority data:  
(31) Number      (32) Date      (33) Country  
**30-2004-0030373 04 Oct 2004      REPUBLIC OF KOREA**  
(56) Related Art Documents: **Not Applicable**  
(57) Statement of Newness and Distinctiveness: **Newness and distinctiveness is claimed in the visual features of shape and/or configuration as applied to a microwave oven and as shown in the attached representations.**



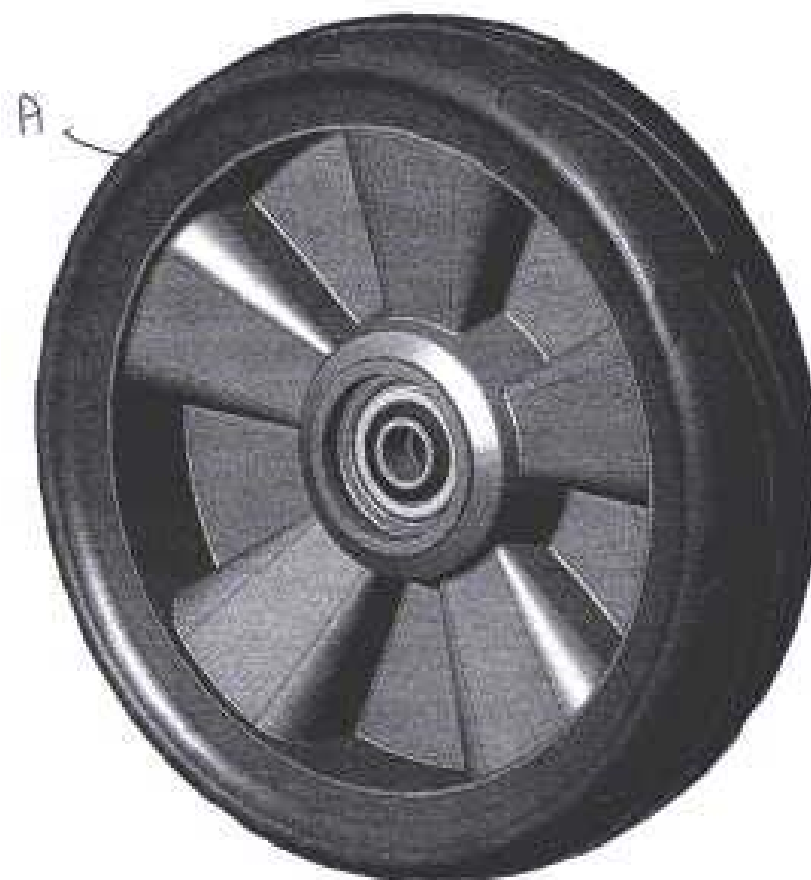
(21) Design Number: **11066/2005**  
(22) Date of Filing Application: **21 March 2005**  
(24) Date from which industrial property rights may have effect: **21 March 2005**  
(54) Product in respect of which the design is registered: **Coffee dispenser**  
(51) International Design Classification: **31-00, 07-02L**  
(71) Name(s) and Address(s) of Applicant(s):  
**Societe des Produits Nestle S.A.**  
**1800 Vevey Switzerland**  
(72) Name(s) of Designer(s): **Tim Whateley**  
(45) Registration Date: **18 January 2006**  
(30) Convention priority data:  
(31) Number (32) Date (33) Country  
**131311 05 Jan 2005 SWITZERLAND**  
(56) Related Art Documents: **Not Applicable**  
(57) Statement of Newness and Distinctiveness: **Nil**



(21) Design Number: **12317/2005**  
(22) Date of Filing Application: **27 May 2005**  
(24) Date from which industrial property rights may have effect: **27 May 2005**  
(54) Product in respect of which the design is registered: **Occasional table and storage unit**  
(51) International Design Classification: **06-04NES, 06-03A**  
(71) Name(s) and Address(s) of Applicant(s):  
**Joanne Philippsohn**  
**41C New South Head Road Vaucluse New South Wales 2030 Australia**  
(72) Name(s) of Designer(s): **Jo Philippsohn**  
(45) Registration Date: **18 January 2006**  
(56) Related Art Documents: **Not Applicable**  
(57) Statement of Newness and Distinctiveness: **Monopoly is claimed in the features of shape and form of the unit. As shown in the accompanying representations.**



- (21) Design Number: **12364/2005**  
(22) Date of Filing Application: **01 June 2005**  
(24) Date from which industrial property rights may have effect: **01 June 2005**  
(54) Product in respect of which the design is registered: **A wheel**  
(51) International Design Classification: **12-16A**  
(71) Name(s) and Address(s) of Applicant(s):  
**Jakaar Industries Limited**  
**56 Mahia Road Manurewa Auckland New Zealand**  
(72) Name(s) of Designer(s): **Alan Edward Holt and Kenneth Holt and Andrew James Clark**  
(45) Registration Date: **18 January 2006**  
(30) Convention priority data:  
(31) Number (32) Date (33) Country  
**406005 24 Mar 2005 NEW ZEALAND**  
(56) Related Art Documents: **Not Applicable**  
(57) Statement of Newness and Distinctiveness: **The novelty claimed for the design resides in the features of shape and/or configuration all as shown in the representations. No novelty is claimed for the shape, configuration, pattern or ornamentation of the tire 'A' shown on the hub.**



- (21) Design Number: **10710/2005**  
(22) Date of Filing Application: **25 February 2005**  
(24) Date from which industrial property rights may have effect: **25 February 2005**  
(54) Product in respect of which the design is registered: **Sunglasses**  
(51) International Design Classification: **16-06**  
(71) Name(s) and Address(s) of Applicant(s):  
**Paul J. Stables**  
**15 Shirley Street Ourimbah New South Wales 2258 Australia**  
(72) Name(s) of Designer(s): **Paul J. Stables**  
(45) Registration Date: **18 January 2006**  
(56) Related Art Documents: **Not Applicable**  
(57) Statement of Newness and Distinctiveness: **The shape and configuration of side lens in temple and rimless front lenses give this design newness and distinctiveness.**





(21) Design Number: **10711/2005**

(22) Date of Filing Application: **25 February 2005**

(24) Date from which industrial property rights may have effect: **25 February 2005**

(54) Product in respect of which the design is registered: **Sunglasses**

(51) International Design Classification: **16-06**

(71) Name(s) and Address(s) of Applicant(s):

**Paul J. Stables**

**15 Shirley Street Ourimbah New South Wales 2258 Australia**

(72) Name(s) of Designer(s): **Paul J. Stables**

(45) Registration Date: **18 January 2006**

(56) Related Art Documents: **Not Applicable**

(57) Statement of Newness and Distinctiveness: **The shape and configuration of side lens in temple and rimless front lenses give this design newness and distinctiveness.**



(21) Design Number: **11760/2005**

(22) Date of Filing Application: **27 April 2005**

(24) Date from which industrial property rights may have effect: **27 April 2005**

(54) Product in respect of which the design is registered: **Self supporting embroidered article**

(51) International Design Classification: **09-03C, 11-02E**

(71) Name(s) and Address(s) of Applicant(s):

**Sue Box Creations Pty Ltd**

**214-218 Waterworks Road Ashgrove Queensland 4060 Australia**

(72) Name(s) of Designer(s): **Sue Box**

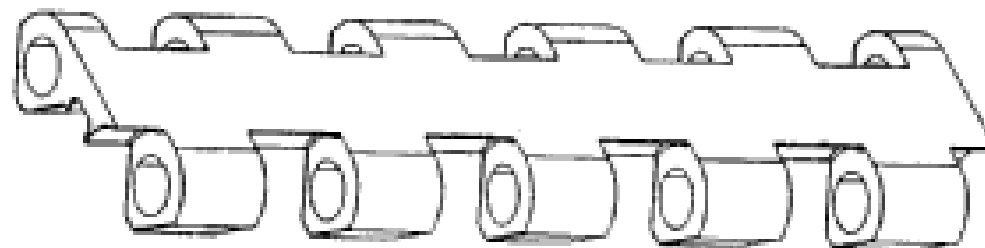
(45) Registration Date: **18 January 2006**

(56) Related Art Documents: **Not Applicable**

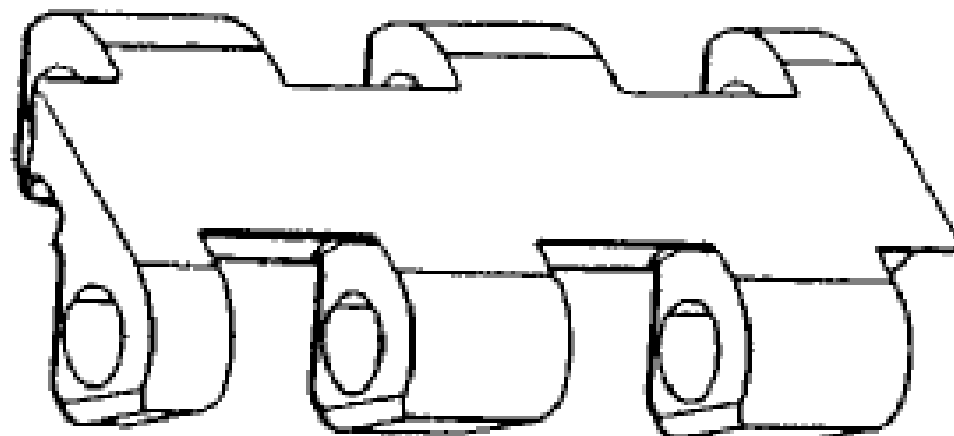
(57) Statement of Newness and Distinctiveness: **Nil**



- (21) Design Number: **12588/2005**
- (22) Date of Filing Application: **17 June 2005**
- (24) Date from which industrial property rights may have effect: **17 June 2005**
- (54) Product in respect of which the design is registered: **A conveyor belt element**
- (51) International Design Classification: **12-05**
- (71) Name(s) and Address(s) of Applicant(s):  
**Automated Moving Systems Pty Ltd**  
**21-23 Mica Street Carole Park Queensland 4300 Australia**
- (72) Name(s) of Designer(s): **David Lavis**
- (45) Registration Date: **18 January 2006**
- (56) Related Art Documents: **Not Applicable**
- (57) Statement of Newness and Distinctiveness: **Nil**



- (21) Design Number: **12589/2005**
- (22) Date of Filing Application: **17 June 2005**
- (24) Date from which industrial property rights may have effect: **17 June 2005**
- (54) Product in respect of which the design is registered: **A conveyor belt element**
- (51) International Design Classification: **12-05**
- (71) Name(s) and Address(s) of Applicant(s):  
**Automated Moving Systems Pty Ltd**  
**21-23 Mica Street Carole Park Queensland 4300 Australia**
- (72) Name(s) of Designer(s): **David Lavis**
- (45) Registration Date: **18 January 2006**
- (56) Related Art Documents: **Not Applicable**
- (57) Statement of Newness and Distinctiveness: **Nil**



(21) Design Number: **13181/2005**

(22) Date of Filing Application: **28 July 2005**

(24) Date from which industrial property rights may have effect: **28 July 2005**

(54) Product in respect of which the design is registered: **stool**

(51) International Design Classification: **06-01E**

(71) Name(s) and Address(s) of Applicant(s):

**Join Pty Ltd**

**Unit 7/8 Grebe Street Peregian Beach Queensland 4573 Australia**

(72) Name(s) of Designer(s): **Paul Morris**

(45) Registration Date: **18 January 2006**

(56) Related Art Documents: **Not Applicable**

(57) Statement of Newness and Distinctiveness: **Plonk is rotationally moulded in polyethylene and is a stool designed for 900 H benches/table tops.**



(21) Design Number: **13376/2005**

(22) Date of Filing Application: **09 August 2005**

(24) Date from which industrial property rights may have effect: **09 August 2005**

(54) Product in respect of which the design is registered: **A water storage tank**

(51) International Design Classification: **23-01F**

(71) Name(s) and Address(s) of Applicant(s):

**Team Poly Pty Ltd**

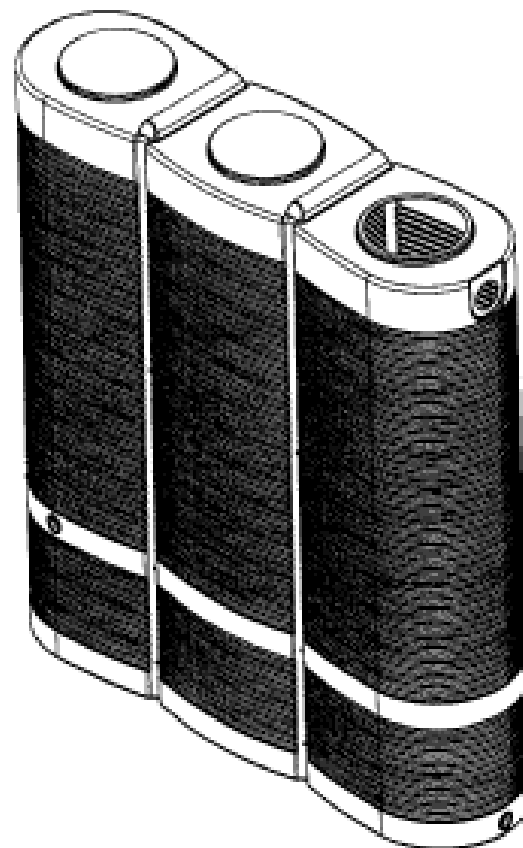
**36 Waddikee Road Lonsdale South Australia 5160 Australia**

(72) Name(s) of Designer(s): **Gary William Retallick**

(45) Registration Date: **18 January 2006**

(56) Related Art Documents: **Not Applicable**

(57) Statement of Newness and Distinctiveness: **Newness and distinctiveness resides in the shape and configuration of a water storage tank as shown in the accompanying representations.**



(21) Design Number: **13377/2005**

(22) Date of Filing Application: **09 August 2005**

(24) Date from which industrial property rights may have effect: **09 August 2005**

(54) Product in respect of which the design is registered: **A water storage tank**

(51) International Design Classification: **23-01F**

(71) Name(s) and Address(s) of Applicant(s):

**Team Poly Pty Ltd**

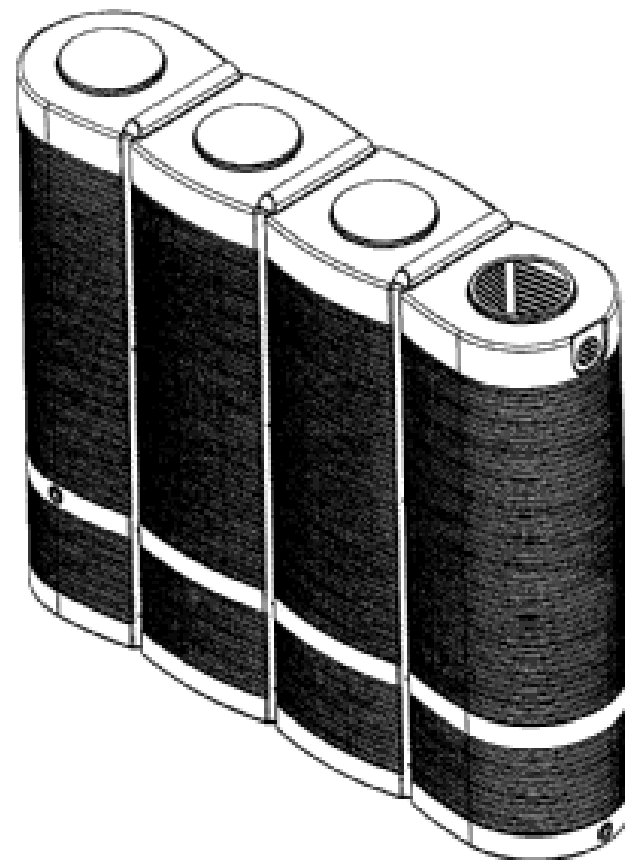
**36 Waddikee Road Lonsdale South Australia 5160 Australia**

(72) Name(s) of Designer(s): **Gary William Retallick**

(45) Registration Date: **18 January 2006**

(56) Related Art Documents: **Not Applicable**

(57) Statement of Newness and Distinctiveness: **Newness and distinctiveness resides in the shape and configuration of a water storage tank as shown in the accompanying representations.**



(21) Design Number: **13421/2005**

(22) Date of Filing Application: **11 August 2005**

(24) Date from which industrial property rights may have effect: **11 August 2005**

(54) Product in respect of which the design is registered: **Shoe**

(51) International Design Classification: **02-04NES**

(71) Name(s) and Address(s) of Applicant(s):

**Lacoste**

**8 rue de Castiglione 75001 Paris France**

(72) Name(s) of Designer(s): **Richard Michael Pryce Edwards**

(45) Registration Date: **18 January 2006**

(30) Convention priority data:

(31) Number

(32) Date

(33) Country

**000304498-0001 23 Feb 2005**

**EUROPEAN COMMUNITY**

(56) Related Art Documents: **Not Applicable**

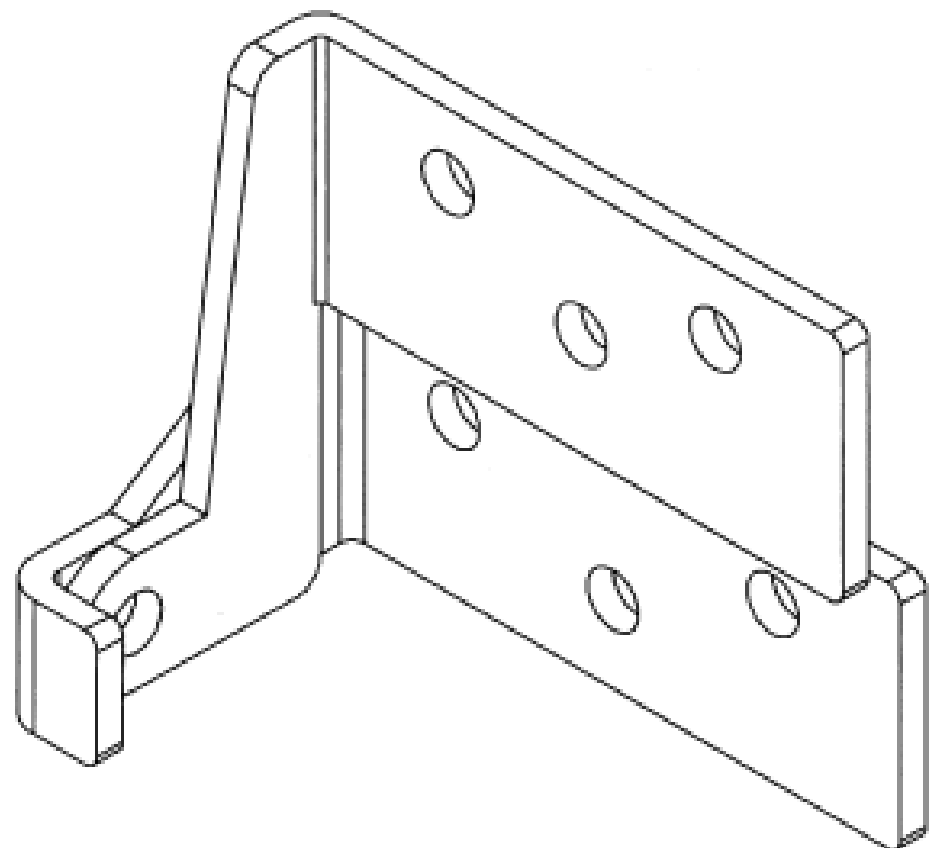
(57) Statement of Newness and Distinctiveness: **Nil**



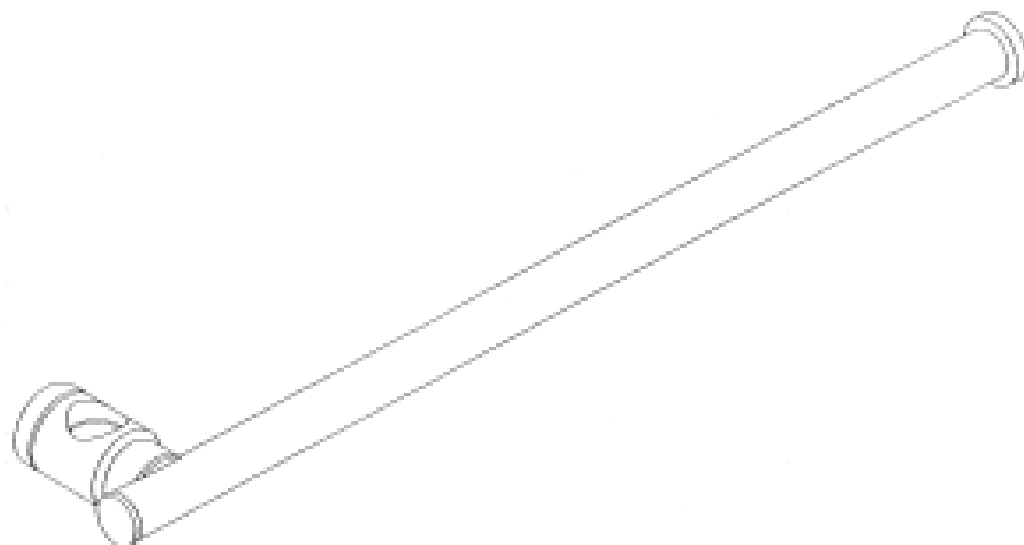
(21) Design Number: **13422/2005**  
(22) Date of Filing Application: **11 August 2005**  
(24) Date from which industrial property rights may have effect: **11 August 2005**  
(54) Product in respect of which the design is registered: **Shoe**  
(51) International Design Classification: **02-04NES**  
(71) Name(s) and Address(s) of Applicant(s):  
**Lacoste**  
**8 rue de Castiglione 75001 Paris France**  
(72) Name(s) of Designer(s): **Georgina James**  
(45) Registration Date: **18 January 2006**  
(30) Convention priority data:  
(31) Number (32) Date (33) Country  
**000304498-0002 23 Feb 2005 EUROPEAN COMMUNITY**  
(56) Related Art Documents: **Not Applicable**  
(57) Statement of Newness and Distinctiveness: **Nil**



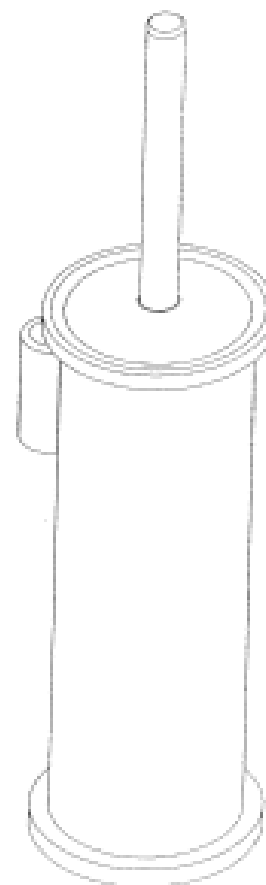
(21) Design Number: **13477/2005**  
(22) Date of Filing Application: **12 August 2005**  
(24) Date from which industrial property rights may have effect: **16 June 2004**  
(54) Product in respect of which the design is registered: **Hinge for pet run**  
(51) International Design Classification: **08-06**  
(71) Name(s) and Address(s) of Applicant(s):  
**Kra-Mar Pet Supplies Pty Ltd**  
**PO Box 8 Villawood New South Wales 2163 Australia**  
(72) Name(s) of Designer(s): **Peter Steward**  
(45) Registration Date: **18 January 2006**  
(62) Divisional of: **158270**  
(56) Related Art Documents: **Not Applicable**  
(57) Statement of Newness and Distinctiveness: **Nil**



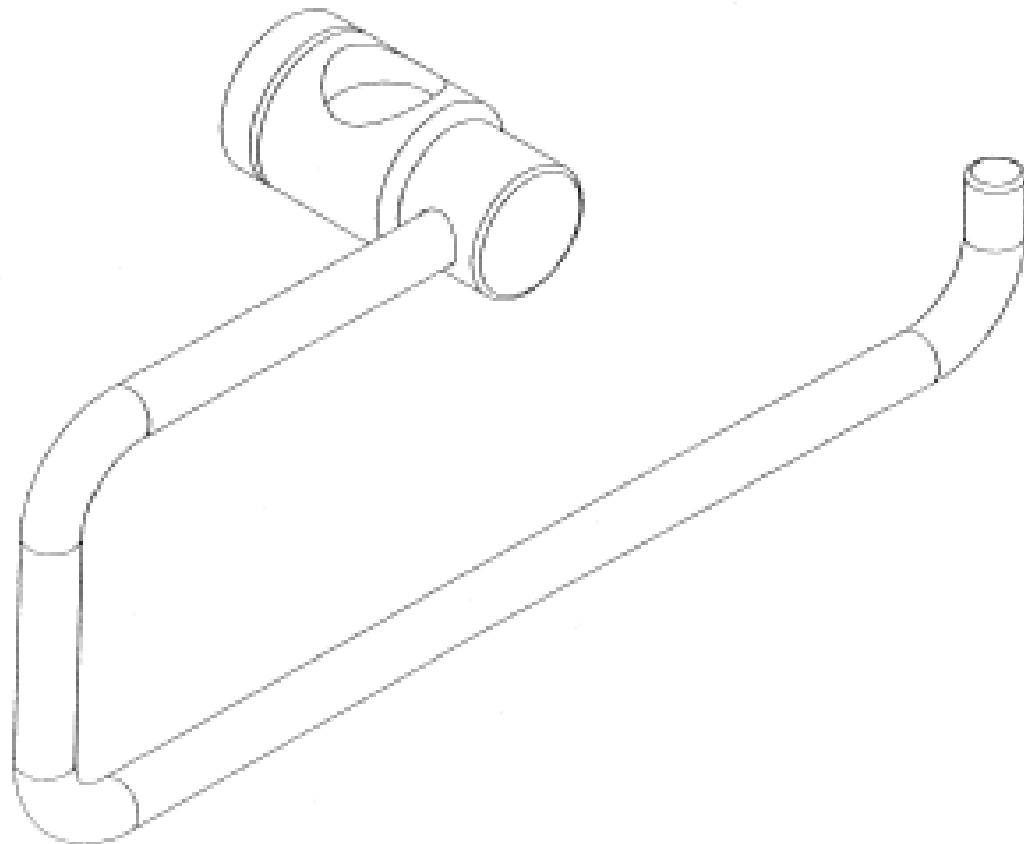
- (21) Design Number: **11600/2005**  
(22) Date of Filing Application: **20 April 2005**  
(24) Date from which industrial property rights may have effect: **20 April 2005**  
(54) Product in respect of which the design is registered: **A towel rail**  
(51) International Design Classification: **07-05D**  
(71) Name(s) and Address(s) of Applicant(s):  
**Sonia, S.A.**  
**Ctra. de Barcelona 35 Bonrepos (Valencia) 46131 Spain**  
(72) Name(s) of Designer(s): **Jose Maria Ferrer Beltran**  
(45) Registration Date: **19 January 2006**  
(56) Related Art Documents: **Not Applicable**  
(57) Statement of Newness and Distinctiveness: **Nil**



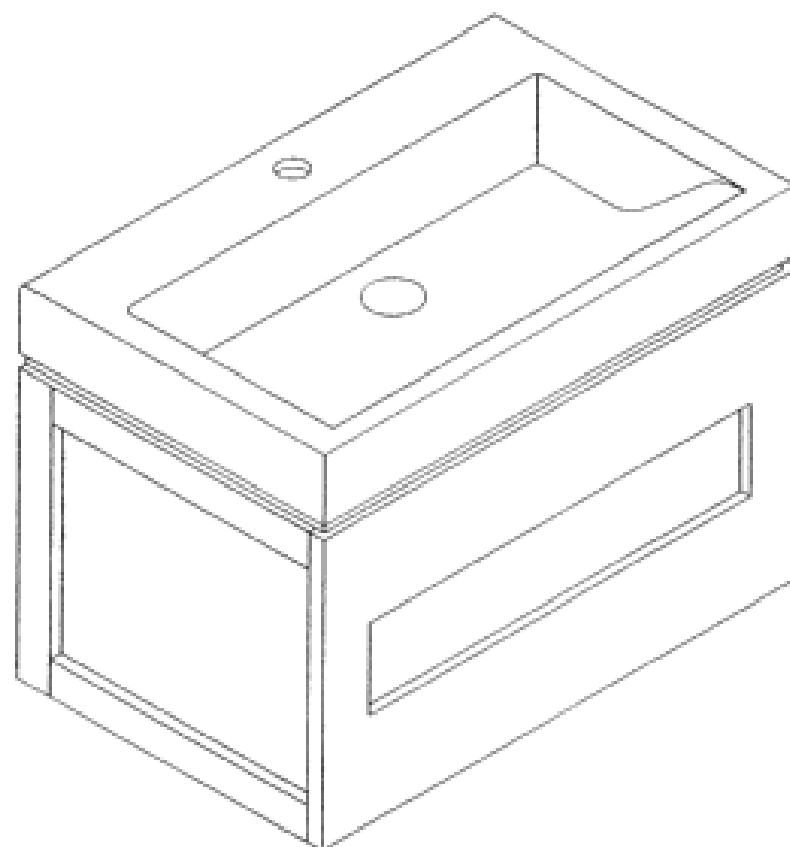
- (21) Design Number: **11601/2005**  
(22) Date of Filing Application: **20 April 2005**  
(24) Date from which industrial property rights may have effect: **20 April 2005**  
(54) Product in respect of which the design is registered: **A toilet brush with holder**  
(51) International Design Classification: **04-02**  
(71) Name(s) and Address(s) of Applicant(s):  
**Sonia, S.A.**  
**Ctra. de Barcelona 35 Bonrepos (Valencia) 46131 Spain**  
(72) Name(s) of Designer(s): **Jose Maria Ferrer Beltran**  
(45) Registration Date: **19 January 2006**  
(56) Related Art Documents: **Not Applicable**  
(57) Statement of Newness and Distinctiveness: **Nil**



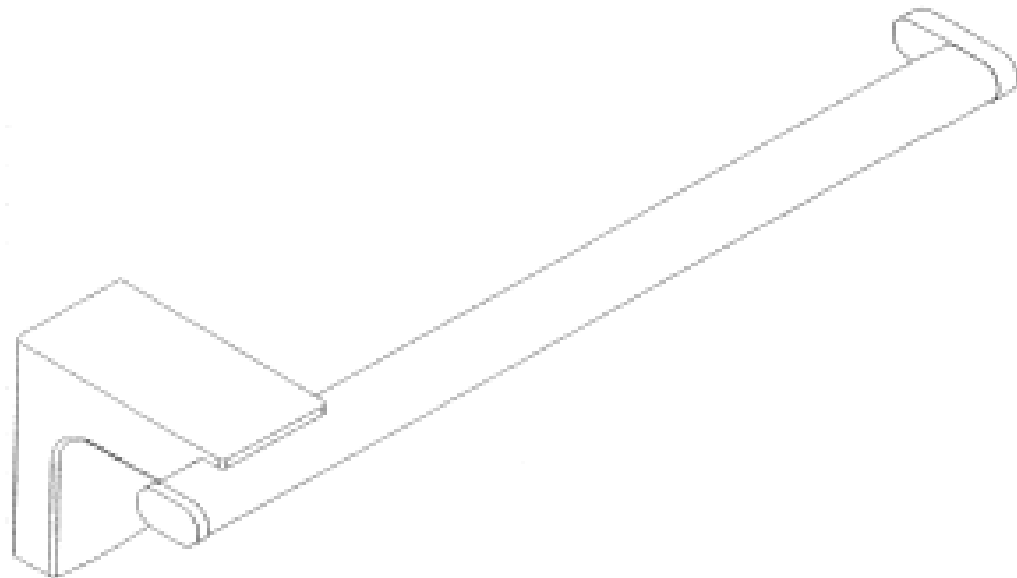
(21) Design Number: **11602/2005**  
(22) Date of Filing Application: **20 April 2005**  
(24) Date from which industrial property rights may have effect: **20 April 2005**  
(54) Product in respect of which the design is registered: **A towel rail**  
(51) International Design Classification: **07-05D**  
(71) Name(s) and Address(s) of Applicant(s):  
**Sonia, S.A.**  
**Ctra. de Barcelona 35 Bonrepos (Valencia) 46131 Spain**  
(72) Name(s) of Designer(s): **Jose Maria Ferrer Beltran**  
(45) Registration Date: **19 January 2006**  
(56) Related Art Documents: **Not Applicable**  
(57) Statement of Newness and Distinctiveness: **Nil**



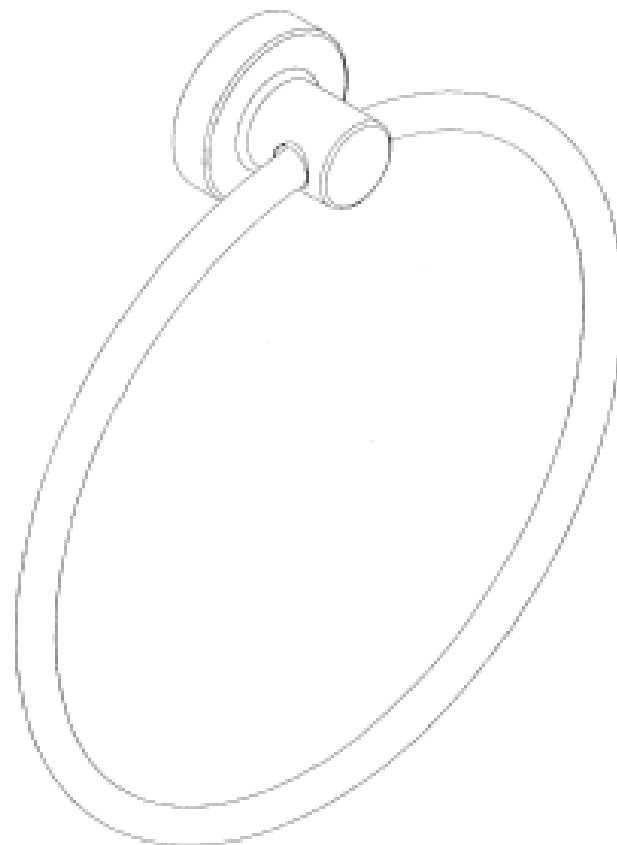
(21) Design Number: **11604/2005**  
(22) Date of Filing Application: **20 April 2005**  
(24) Date from which industrial property rights may have effect: **20 April 2005**  
(54) Product in respect of which the design is registered: **A washbin unit**  
(51) International Design Classification: **23-02F**  
(71) Name(s) and Address(s) of Applicant(s):  
**Sonia, S.A.**  
**Ctra. de Barcelona 35 Bonrepos (Valencia) 46131 Spain**  
(72) Name(s) of Designer(s): **Jose Maria Ferrer Beltran**  
(45) Registration Date: **19 January 2006**  
(56) Related Art Documents: **Not Applicable**  
(57) Statement of Newness and Distinctiveness: **Nil**



- (21) Design Number: **11605/2005**  
(22) Date of Filing Application: **20 April 2005**  
(24) Date from which industrial property rights may have effect: **20 April 2005**  
(54) Product in respect of which the design is registered: **A towel rail**  
(51) International Design Classification: **07-05D**  
(71) Name(s) and Address(s) of Applicant(s):  
**Sonia, S.A.**  
**Ctra. de Barcelona 35 Bonrepos (Valencia) 46131 Spain**  
(72) Name(s) of Designer(s): **Jose Maria Ferrer Beltran**  
(45) Registration Date: **19 January 2006**  
(56) Related Art Documents: **Not Applicable**  
(57) Statement of Newness and Distinctiveness: **Nil**

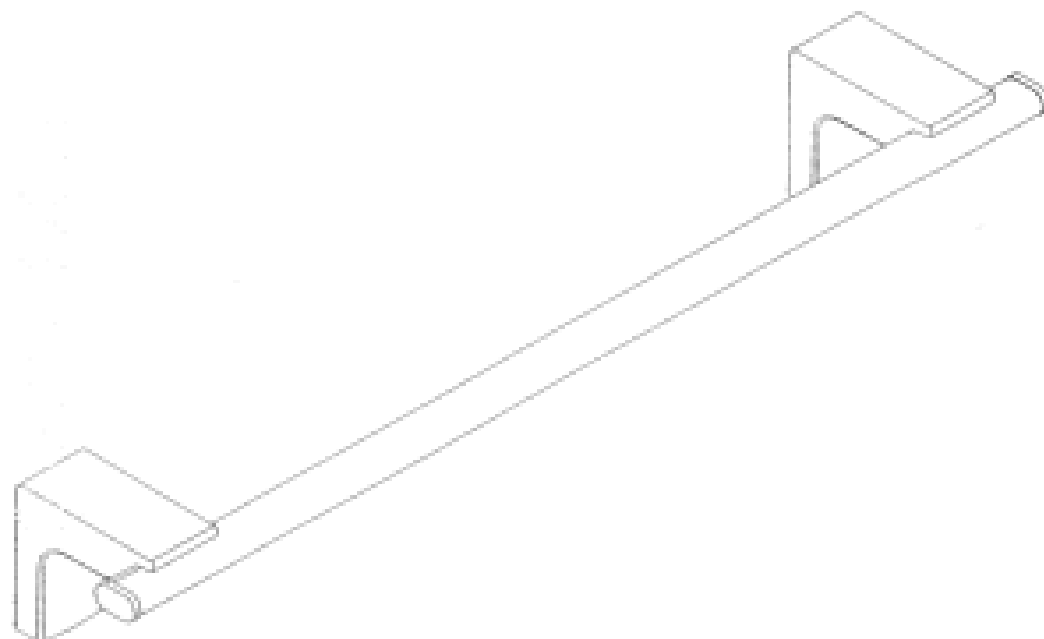


- (21) Design Number: **11606/2005**  
(22) Date of Filing Application: **20 April 2005**  
(24) Date from which industrial property rights may have effect: **20 April 2005**  
(54) Product in respect of which the design is registered: **A towel ring**  
(51) International Design Classification: **07-05D**  
(71) Name(s) and Address(s) of Applicant(s):  
**Sonia, S.A.**  
**Ctra. de Barcelona 35 Bonrepos (Valencia) 46131 Spain**  
(72) Name(s) of Designer(s): **Jose Maria Ferrer Beltran**  
(45) Registration Date: **19 January 2006**  
(56) Related Art Documents: **Not Applicable**  
(57) Statement of Newness and Distinctiveness: **Nil**

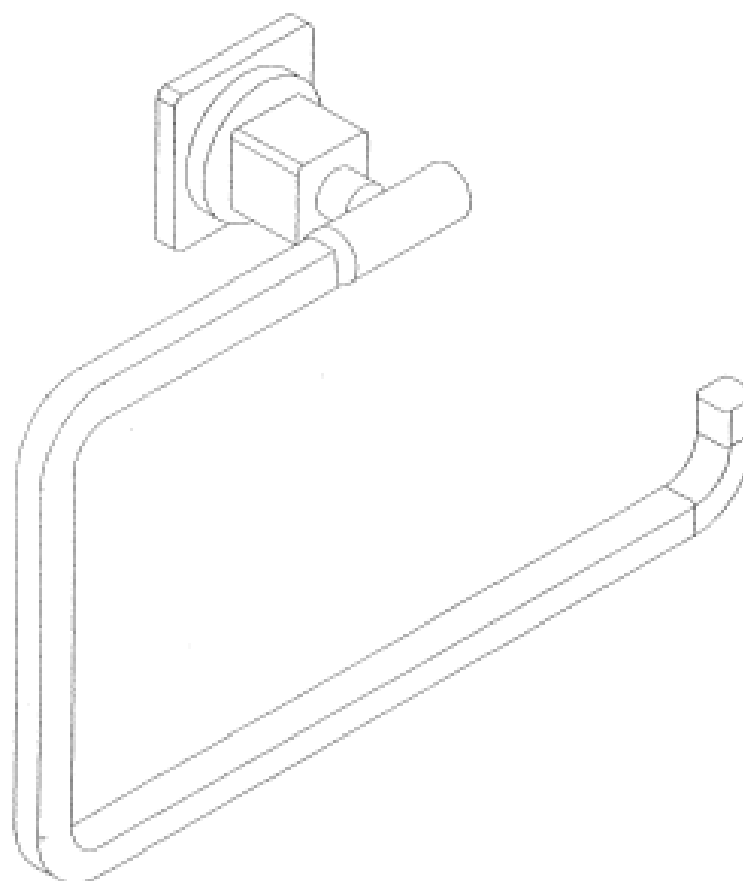




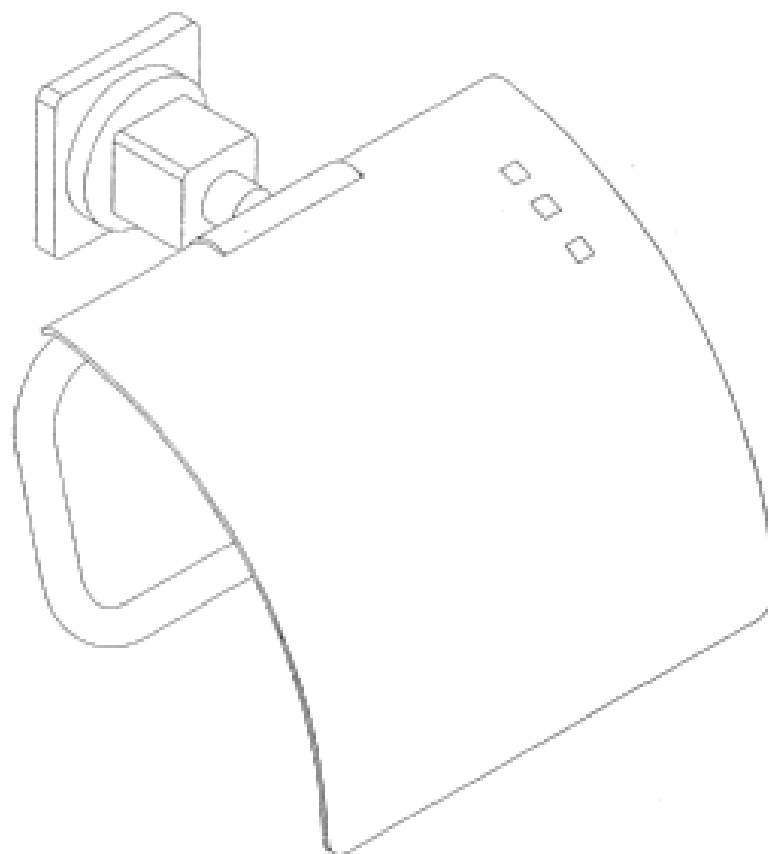
- (21) Design Number: **11607/2005**  
(22) Date of Filing Application: **20 April 2005**  
(24) Date from which industrial property rights may have effect: **20 April 2005**  
(54) Product in respect of which the design is registered: **A towel rail**  
(51) International Design Classification: **07-05D**  
(71) Name(s) and Address(s) of Applicant(s):  
**Sonia, S.A.**  
**Ctra. de Barcelona 35 Bonrepos (Valencia) 46131 Spain**  
(72) Name(s) of Designer(s): **Jose Maria Ferrer Beltran**  
(45) Registration Date: **19 January 2006**  
(56) Related Art Documents: **Not Applicable**  
(57) Statement of Newness and Distinctiveness: **Nil**



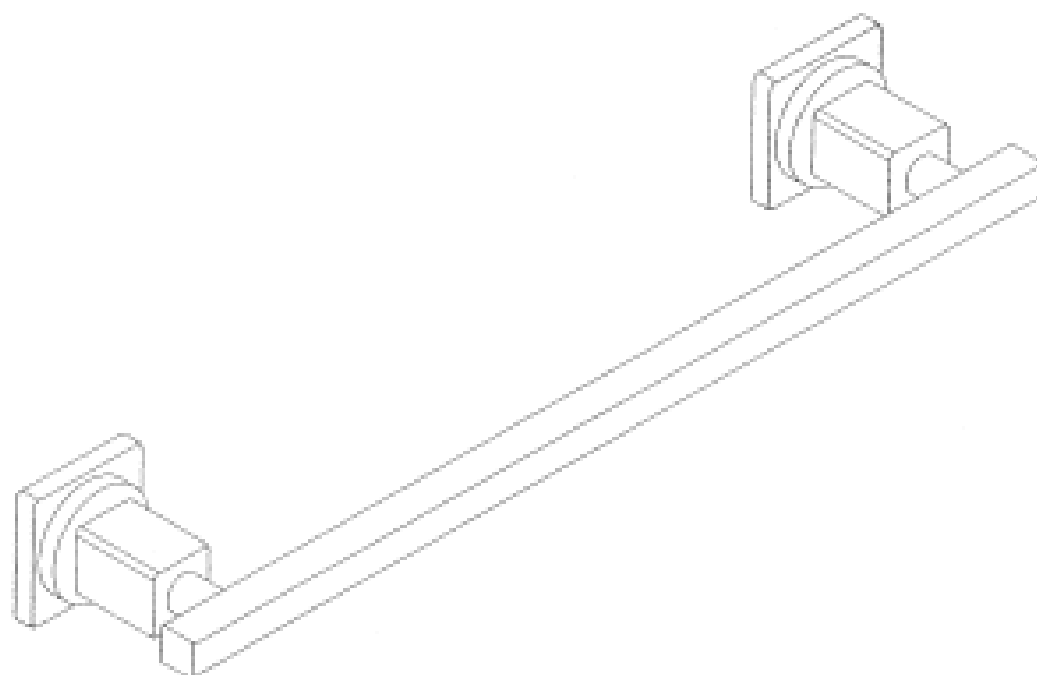
- (21) Design Number: **11608/2005**  
(22) Date of Filing Application: **20 April 2005**  
(24) Date from which industrial property rights may have effect: **20 April 2005**  
(54) Product in respect of which the design is registered: **A towel holder**  
(51) International Design Classification: **07-05D**  
(71) Name(s) and Address(s) of Applicant(s):  
**Sonia, S.A.**  
**Ctra. de Barcelona 35 Bonrepos (Valencia) 46131 Spain**  
(72) Name(s) of Designer(s): **Jose Maria Ferrer Beltran**  
(45) Registration Date: **19 January 2006**  
(56) Related Art Documents: **Not Applicable**  
(57) Statement of Newness and Distinctiveness: **Nil**



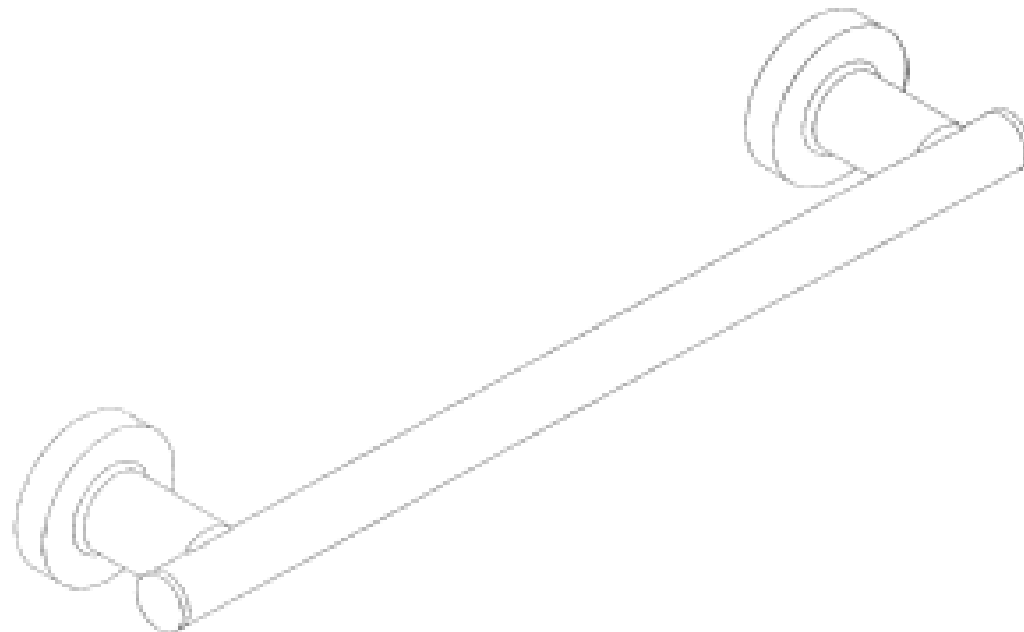
- (21) Design Number: **11610/2005**
- (22) Date of Filing Application: **20 April 2005**
- (24) Date from which industrial property rights may have effect: **20 April 2005**
- (54) Product in respect of which the design is registered: **A toilet paper holder**
- (51) International Design Classification: **23-02A**
- (71) Name(s) and Address(s) of Applicant(s):  
**Sonia, S.A.**  
**Ctra. de Barcelona 35 Bonrepos (Valencia) 46131 Spain**
- (72) Name(s) of Designer(s): **Jose Maria Ferrer Beltran**
- (45) Registration Date: **19 January 2006**
- (56) Related Art Documents: **Not Applicable**
- (57) Statement of Newness and Distinctiveness: **Nil**



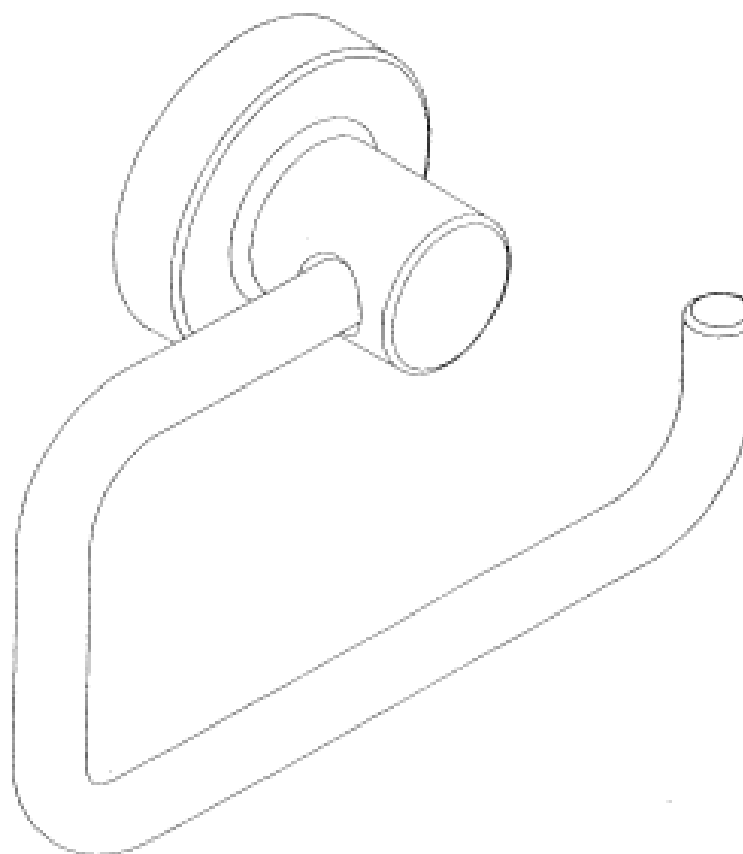
- (21) Design Number: **11611/2005**
- (22) Date of Filing Application: **20 April 2005**
- (24) Date from which industrial property rights may have effect: **20 April 2005**
- (54) Product in respect of which the design is registered: **A towel rail**
- (51) International Design Classification: **07-05D**
- (71) Name(s) and Address(s) of Applicant(s):  
**Sonia, S.A.**  
**Ctra. de Barcelona 35 Bonrepos (Valencia) 46131 Spain**
- (72) Name(s) of Designer(s): **Jose Maria Ferrer Beltran**
- (45) Registration Date: **19 January 2006**
- (56) Related Art Documents: **Not Applicable**
- (57) Statement of Newness and Distinctiveness: **Nil**



(21) Design Number: **11612/2005**  
(22) Date of Filing Application: **20 April 2005**  
(24) Date from which industrial property rights may have effect: **20 April 2005**  
(54) Product in respect of which the design is registered: **A towel rail**  
(51) International Design Classification: **07-05D**  
(71) Name(s) and Address(s) of Applicant(s):  
**Sonia, S.A.**  
**Ctra. de Barcelona 35 Bonrepos (Valencia) 46131 Spain**  
(72) Name(s) of Designer(s): **Jose Maria Ferrer Beltran**  
(45) Registration Date: **19 January 2006**  
(56) Related Art Documents: **Not Applicable**  
(57) Statement of Newness and Distinctiveness: **Nil**



(21) Design Number: **11613/2005**  
(22) Date of Filing Application: **20 April 2005**  
(24) Date from which industrial property rights may have effect: **20 April 2005**  
(54) Product in respect of which the design is registered: **A towel holder**  
(51) International Design Classification: **07-05D, 23-02A**  
(71) Name(s) and Address(s) of Applicant(s):  
**Sonia, S.A.**  
**Ctra. de Barcelona 35 Bonrepos (Valencia) 46131 Spain**  
(72) Name(s) of Designer(s): **Jose Maria Ferrer Beltran**  
(45) Registration Date: **19 January 2006**  
(56) Related Art Documents: **Not Applicable**  
(57) Statement of Newness and Distinctiveness: **Nil**



(21) Design Number: **11614/2005**

(22) Date of Filing Application: **20 April 2005**

(24) Date from which industrial property rights may have effect: **20 April 2005**

(54) Product in respect of which the design is registered: **An article of bathroom furniture**

(51) International Design Classification: **06-04A**

(71) Name(s) and Address(s) of Applicant(s):

**Sonia, S.A.**

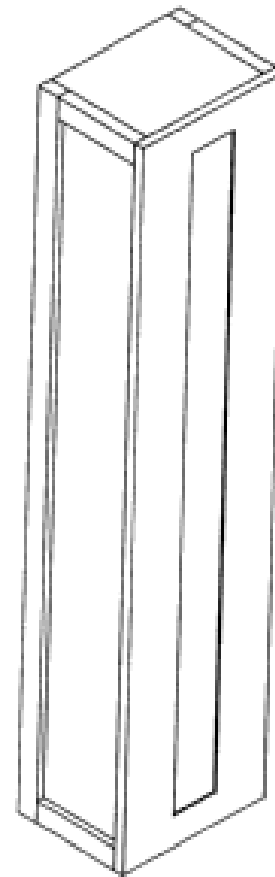
**Ctra. de Barcelona 35 Bonrepos (Valencia) 46131 Spain**

(72) Name(s) of Designer(s): **Jose Maria Ferrer Beltran**

(45) Registration Date: **19 January 2006**

(56) Related Art Documents: **Not Applicable**

(57) Statement of Newness and Distinctiveness: **Nil**



(21) Design Number: **11615/2005**

(22) Date of Filing Application: **20 April 2005**

(24) Date from which industrial property rights may have effect: **20 April 2005**

(54) Product in respect of which the design is registered: **A washbasin unit**

(51) International Design Classification: **23-02F**

(71) Name(s) and Address(s) of Applicant(s):

**Sonia, S.A.**

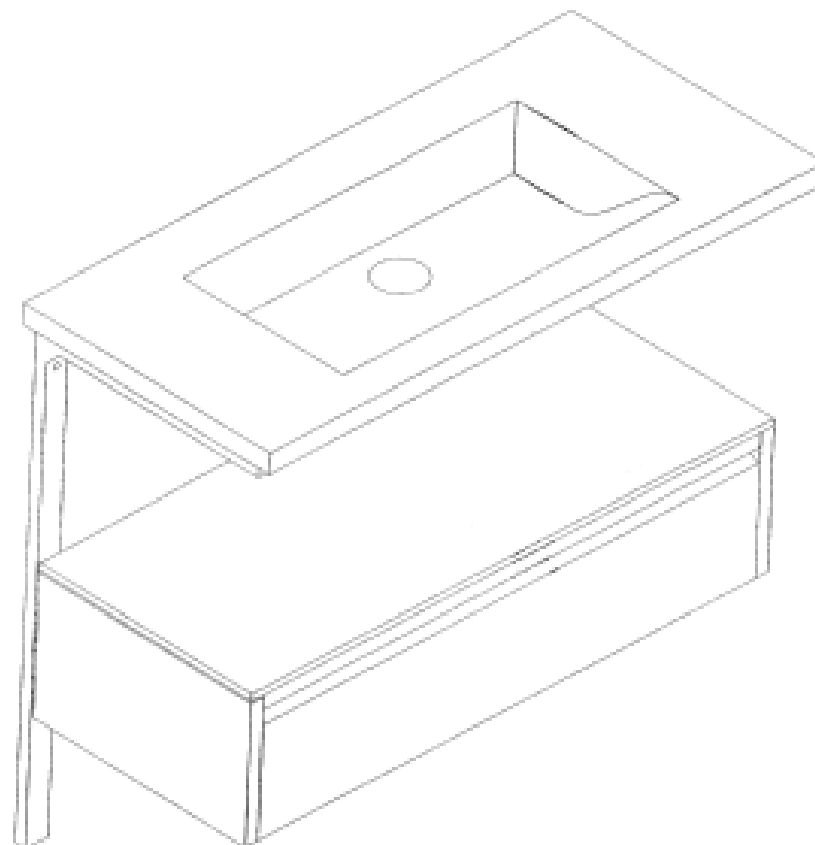
**Ctra. de Barcelona 35 Bonrepos (Valencia) 46131 Spain**

(72) Name(s) of Designer(s): **Jose Maria Ferrer Beltran**

(45) Registration Date: **19 January 2006**

(56) Related Art Documents: **Not Applicable**

(57) Statement of Newness and Distinctiveness: **Nil**



(21) Design Number: **11616/2005**

(22) Date of Filing Application: **20 April 2005**

(24) Date from which industrial property rights may have effect: **20 April 2005**

(54) Product in respect of which the design is registered: **A toilet paper holder**

(51) International Design Classification: **23-02A**

(71) Name(s) and Address(s) of Applicant(s):

**Sonia, S.A.**

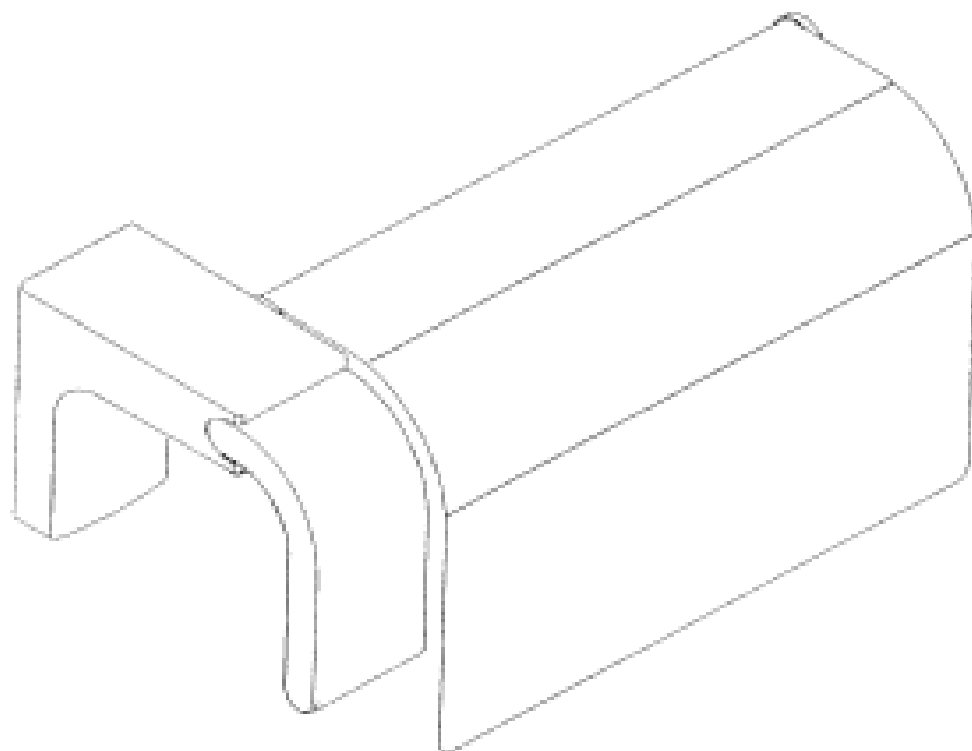
**Ctra. de Barcelona 35 Bonrepos (Valencia) 46131 Spain**

(72) Name(s) of Designer(s): **Jose Maria Ferrer Beltran**

(45) Registration Date: **19 January 2006**

(56) Related Art Documents: **Not Applicable**

(57) Statement of Newness and Distinctiveness: **Nil**



(21) Design Number: **11617/2005**

(22) Date of Filing Application: **20 April 2005**

(24) Date from which industrial property rights may have effect: **20 April 2005**

(54) Product in respect of which the design is registered: **A hanger**

(51) International Design Classification: **08-08G**

(71) Name(s) and Address(s) of Applicant(s):

**Sonia, S.A.**

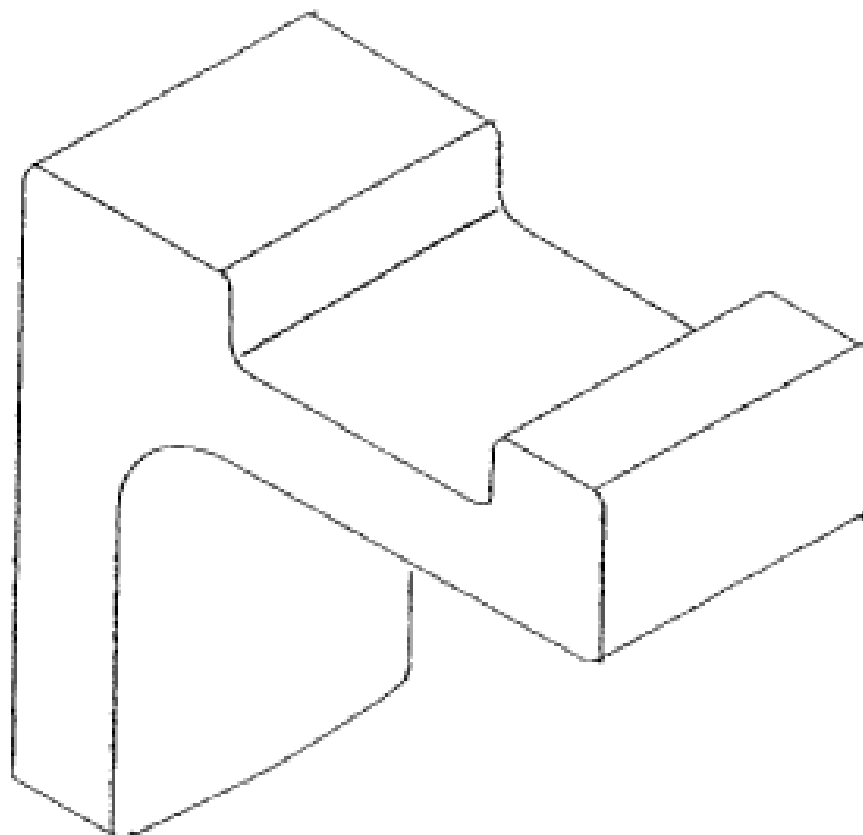
**Ctra. de Barcelona 35 Bonrepos (Valencia) 46131 Spain**

(72) Name(s) of Designer(s): **Jose Maria Ferrer Beltran**

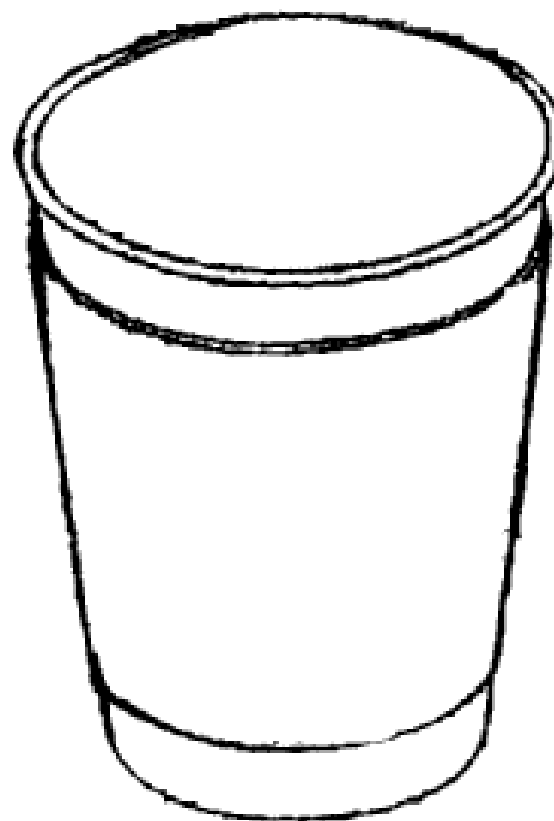
(45) Registration Date: **19 January 2006**

(56) Related Art Documents: **Not Applicable**

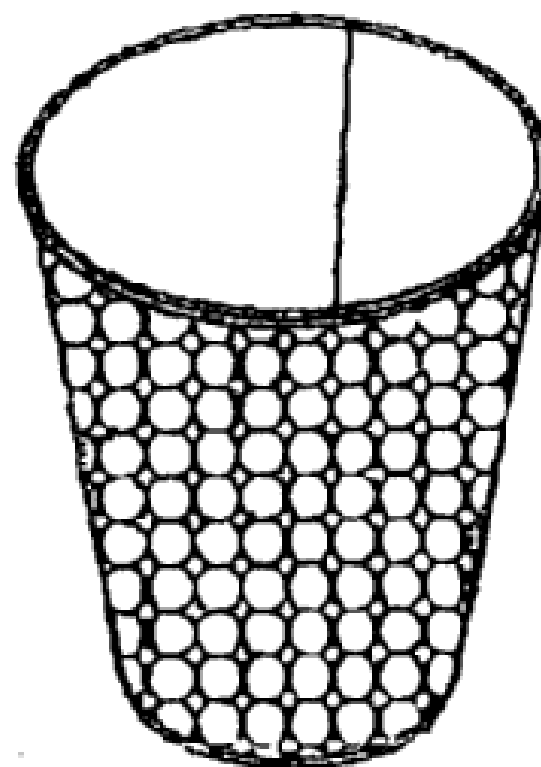
(57) Statement of Newness and Distinctiveness: **Nil**



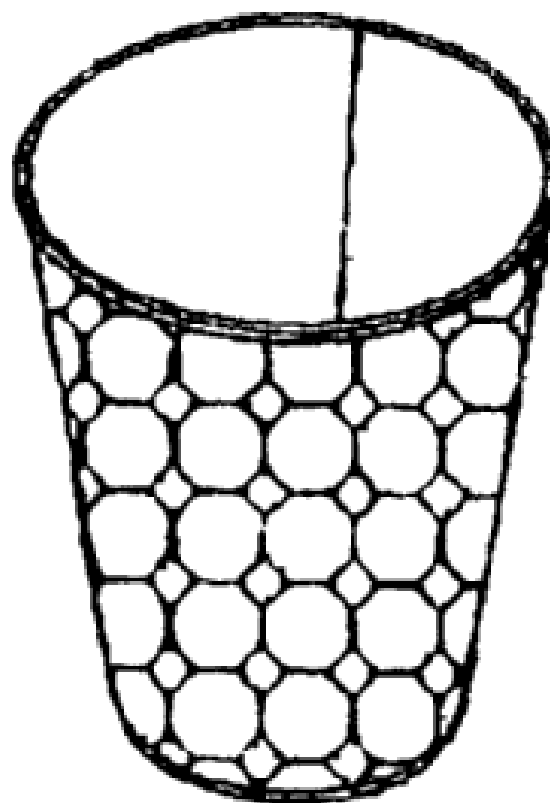
- (21) Design Number: **13172/2005**  
(22) Date of Filing Application: **26 July 2005**  
(24) Date from which industrial property rights may have effect: **26 July 2005**  
(54) Product in respect of which the design is registered: **Cup with insulating wrap**  
(51) International Design Classification: **07-01C**  
(71) Name(s) and Address(s) of Applicant(s):  
**Babawine Pty Ltd**  
**43 Burdett Street Albion Queensland 4010 Australia**  
**Milton Tradings Pty Ltd**  
**123 Lisbon Street Fairfield East New South Wales 2165 Australia**  
(72) Name(s) of Designer(s): **John Roger Christopher Morton and Willy Loh**  
(45) Registration Date: **19 January 2006**  
(56) Related Art Documents: **Not Applicable**  
(57) Statement of Newness and Distinctiveness: **Novelty resides in the design of the insulating wrap around the cup.**



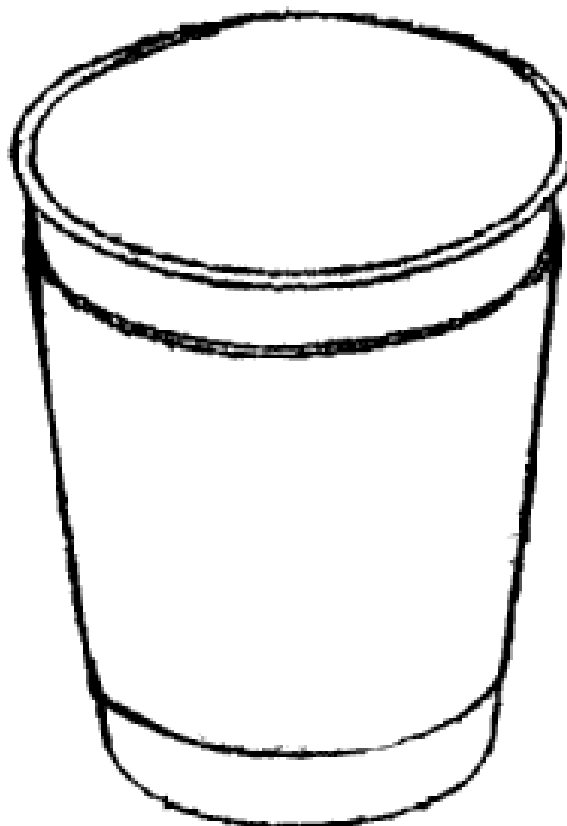
- (21) Design Number: **13173/2005**  
(22) Date of Filing Application: **26 July 2005**  
(24) Date from which industrial property rights may have effect: **26 July 2005**  
(54) Product in respect of which the design is registered: **Cup with dimpled outer layer**  
(51) International Design Classification: **07-01C**  
(71) Name(s) and Address(s) of Applicant(s):  
**Babawine Pty Ltd**  
**43 Burdett Street Albion Queensland 4010 Australia**  
**Milton Tradings Pty Ltd**  
**123 Lisbon Street Fairfield East New South Wales 2165 Australia**  
(72) Name(s) of Designer(s): **John Roger Christopher Morton and Willy Loh**  
(45) Registration Date: **19 January 2006**  
(56) Related Art Documents: **Not Applicable**  
(57) Statement of Newness and Distinctiveness: **Novelty resides in the design of the outer dimpled layer around the cup.**



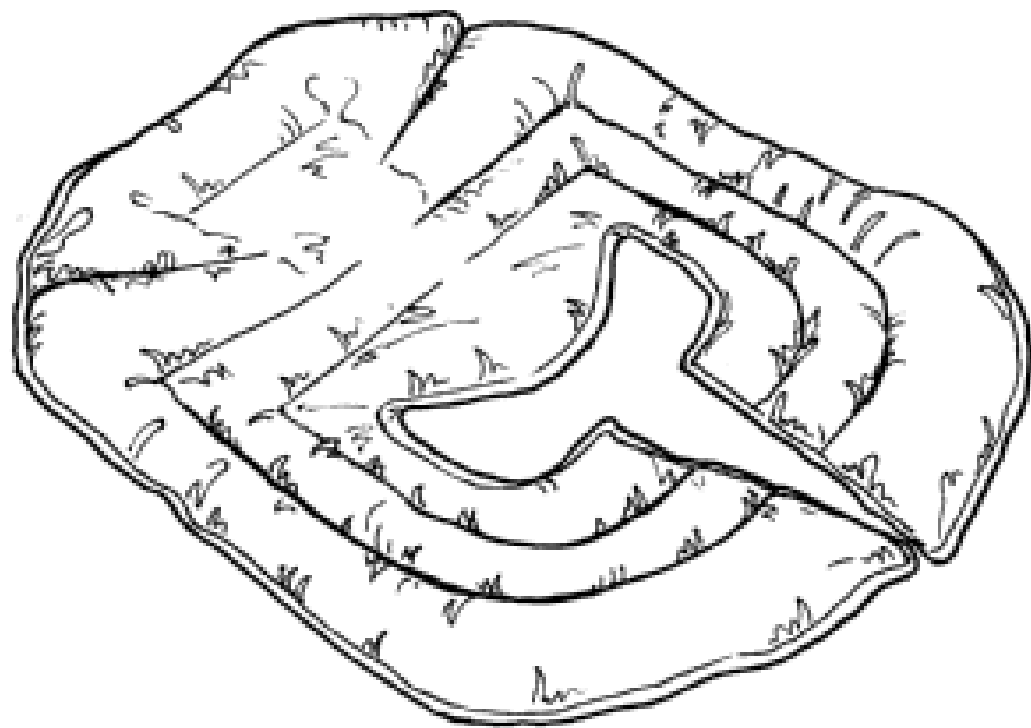
- (21) Design Number: **13174/2005**  
(22) Date of Filing Application: **26 July 2005**  
(24) Date from which industrial property rights may have effect: **26 July 2005**  
(54) Product in respect of which the design is registered: **Cup with dimpled outer layer**  
(51) International Design Classification: **07-01C**  
(71) Name(s) and Address(s) of Applicant(s):  
**Babawine Pty Ltd**  
**43 Burdett Street Albion Queensland 4010 Australia**  
**Milton Tradings Pty Ltd**  
**123 Lisbon Street Fairfield East New South Wales 2165 Australia**  
(72) Name(s) of Designer(s): **John Roger Christopher Morton and Willy Loh**  
(45) Registration Date: **19 January 2006**  
(56) Related Art Documents: **Not Applicable**  
(57) Statement of Newness and Distinctiveness: **Novelty resides in the design of the outer dimpled layer around the cup.**



- (21) Design Number: **13175/2005**  
(22) Date of Filing Application: **26 July 2005**  
(24) Date from which industrial property rights may have effect: **26 July 2005**  
(54) Product in respect of which the design is registered: **Cup with insulating wrap**  
(51) International Design Classification: **07-01C**  
(71) Name(s) and Address(s) of Applicant(s):  
**Babawine Pty Ltd**  
**43 Burdett Street Albion Queensland 4010 Australia**  
**Milton Tradings Pty Ltd**  
**123 Lisbon Street Fairfield East New South Wales 2165 Australia**  
(72) Name(s) of Designer(s): **John Roger Christopher Morton and Willy Loh**  
(45) Registration Date: **19 January 2006**  
(56) Related Art Documents: **Not Applicable**  
(57) Statement of Newness and Distinctiveness: **Novelty resides in the design of the insulating wrap around the cup.**



- (21) Design Number: **13032/2004**  
(22) Date of Filing Application: **21 June 2004**  
(24) Date from which industrial property rights may have effect: **21 June 2004**  
(54) Product in respect of which the design is registered: **Heat Bag**  
(51) International Design Classification: **24-04**  
(71) Name(s) and Address(s) of Applicant(s):  
**Annette Herbert**  
**23 Wilson Street Plympton Park South Australia 5038 Australia**  
(72) Name(s) of Designer(s): **Annette Herbert**  
(45) Registration Date: **19 January 2006**  
(56) Related Art Documents: **Not Applicable**  
(57) Statement of Newness and Distinctiveness: **Newness and distinctiveness is claimed in the shape and/or configuration of a heat bag substantially as shown in the representations. Considering the extent of newness and distinctiveness the person shown in broken lines is to be disregarded.**



- (21) Design Number: **13986/2005**  
(22) Date of Filing Application: **15 September 2005**  
(24) Date from which industrial property rights may have effect: **15 September 2005**  
(54) Product in respect of which the design is registered: **Anchor**  
(51) International Design Classification: **12-16P**  
(71) Name(s) and Address(s) of Applicant(s):  
**Karl J. Roennholm**  
**Replot Road 200 Replot Finland 65800**  
(72) Name(s) of Designer(s): **Karl Johan Roennholm**  
(45) Registration Date: **19 January 2006**  
(56) Related Art Documents: **Not Applicable**  
(57) Statement of Newness and Distinctiveness: **The design is a seven (7) pointed star where the points are bent inwards, towards a centrepiece for attachment of rope or chain.**

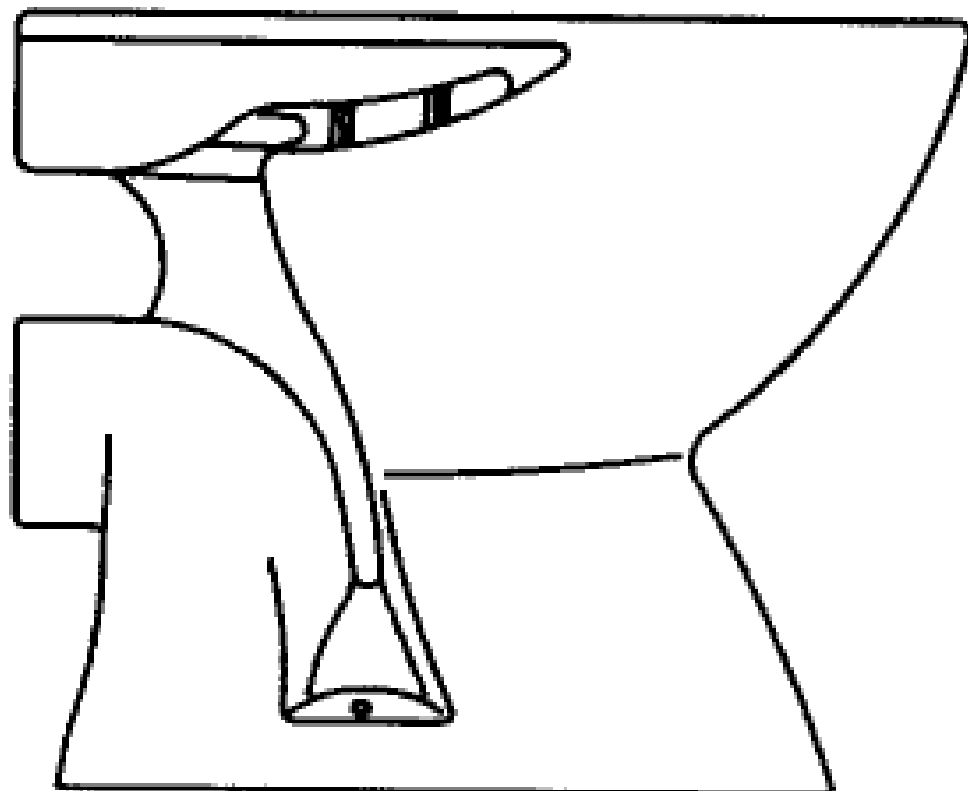




- (21) Design Number: **14515/2004**
- (22) Date of Filing Application: **21 September 2004**
- (24) Date from which industrial property rights may have effect: **21 September 2004**
- (54) Product in respect of which the design is registered: **A toilet pan**
- (51) International Design Classification: **23-02C**
- (71) Name(s) and Address(s) of Applicant(s):  
**Caroma Industries Limited**  
**Level 3 159 Coronation Drive Milton Queensland 4064 Australia**
- (72) Name(s) of Designer(s): **Stephen John Cummings**
- (45) Registration Date: **19 January 2006**
- (56) Related Art Documents: **Not Applicable**
- (57) Statement of Newness and Distinctiveness: **Newness and distinctiveness is claimed in the features of shape and/or configuration of a toilet pan as illustrated in the accompanying representations.**



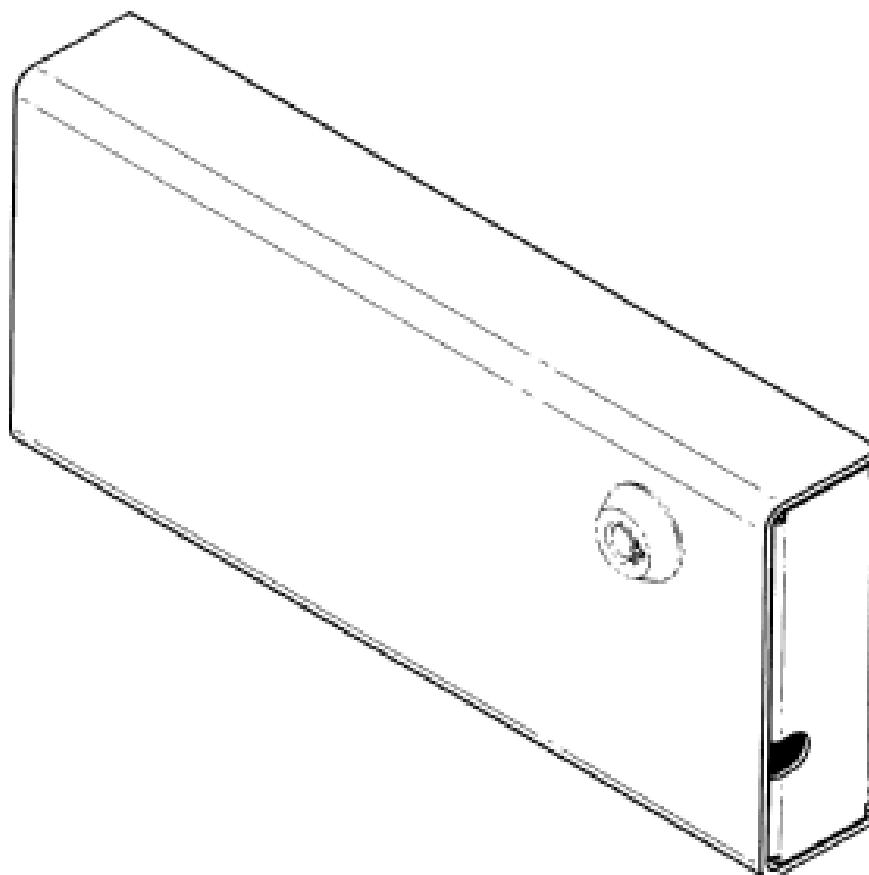
- (21) Design Number: **14516/2004**
- (22) Date of Filing Application: **21 September 2004**
- (24) Date from which industrial property rights may have effect: **21 September 2004**
- (54) Product in respect of which the design is registered: **A toilet pan**
- (51) International Design Classification: **23-02C**
- (71) Name(s) and Address(s) of Applicant(s):  
**Caroma Industries Limited**  
**Level 3 159 Coronation Drive Milton Queensland 4064 Australia**
- (72) Name(s) of Designer(s): **Stephen John Cummings**
- (45) Registration Date: **19 January 2006**
- (56) Related Art Documents: **Not Applicable**
- (57) Statement of Newness and Distinctiveness: **Newness and distinctiveness is claimed in the features of shape and/or configuration of a toilet pan as illustrated in the accompanying representations.**



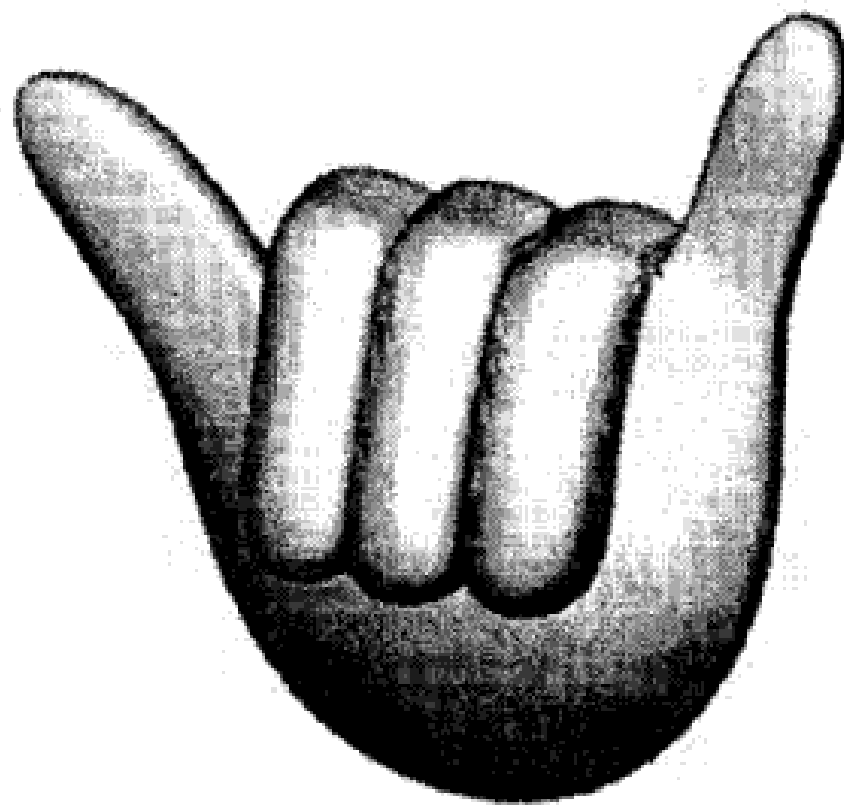
- (21) Design Number: **14517/2004**  
(22) Date of Filing Application: **21 September 2004**  
(24) Date from which industrial property rights may have effect: **21 September 2004**  
(54) Product in respect of which the design is registered: **A toilet pan**  
(51) International Design Classification: **23-02C**  
(71) Name(s) and Address(s) of Applicant(s):  
**Caroma Industries Limited**  
**Level 3 159 Coronation Drive Milton Queensland 4064 Australia**  
(72) Name(s) of Designer(s): **Stephen John Cummings and Vincent Kai Hong Ho**  
(45) Registration Date: **19 January 2006**  
(56) Related Art Documents: **Not Applicable**  
(57) Statement of Newness and Distinctiveness: **Newness and distinctiveness is claimed in the features of shape and/or configuration of a toilet pan as illustrated in the accompanying representations.**



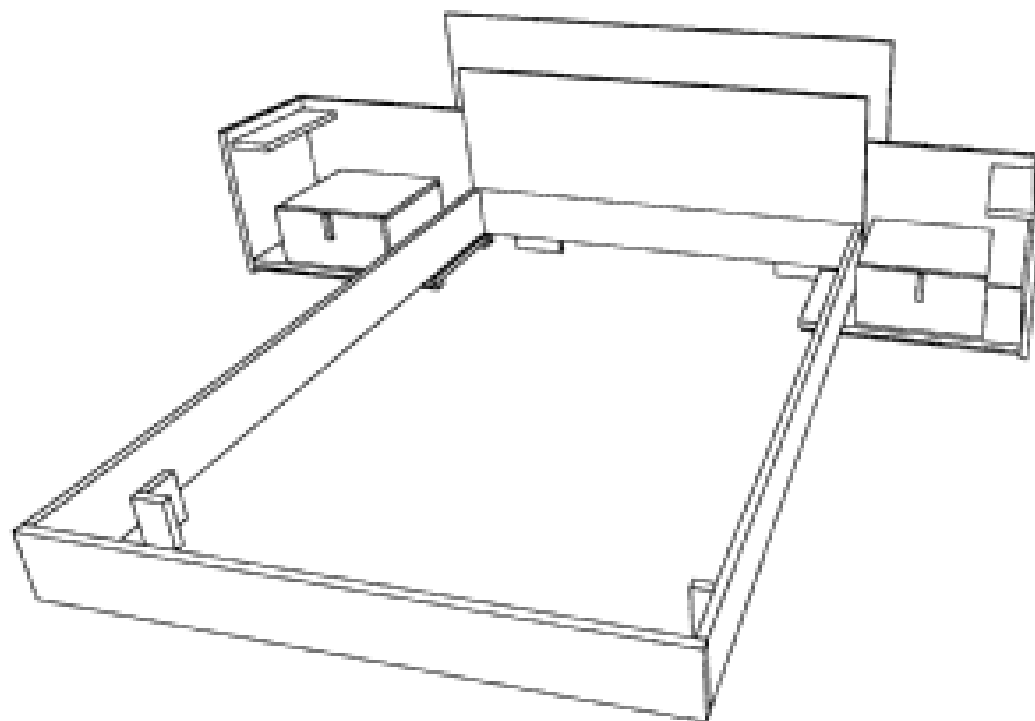
- (21) Design Number: **11589/2005**  
(22) Date of Filing Application: **20 April 2005**  
(24) Date from which industrial property rights may have effect: **20 April 2005**  
(54) Product in respect of which the design is registered: **Dongle safe**  
(51) International Design Classification: **06-04B, 14-02**  
(71) Name(s) and Address(s) of Applicant(s):  
**Oliver Clemens Robert Kratzer**  
**177A Palmer Street East Sydney New South Wales 2010 Australia**  
**Grant Edward Stevens**  
**5/15-27 Hutchinson Street Surry Hills New South Wales 2010 Australia**  
(72) Name(s) of Designer(s): **Oliver Clemens Robert Kratzer**  
(45) Registration Date: **19 January 2006**  
(56) Related Art Documents: **Not Applicable**  
(57) Statement of Newness and Distinctiveness: **Nil**



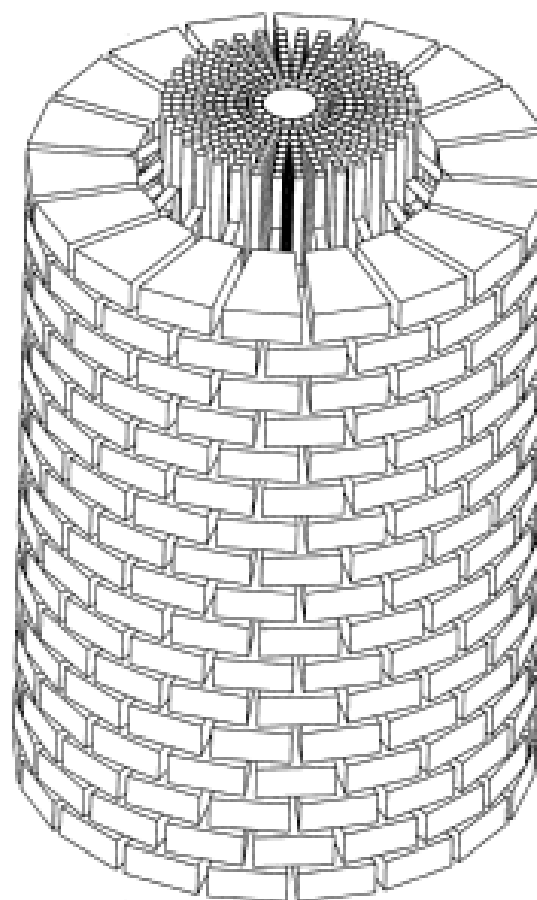
- (21) Design Number: **12548/2005**  
(22) Date of Filing Application: **15 June 2005**  
(24) Date from which industrial property rights may have effect: **15 June 2005**  
(54) Product in respect of which the design is registered: **A novelty item**  
(51) International Design Classification: **21-03**  
(71) Name(s) and Address(s) of Applicant(s):  
**Pauline Jan Harland**  
**6/17 George Street Burleigh Heads Queensland 4220 Australia**  
(72) Name(s) of Designer(s): **Pauline Jan Harland**  
(45) Registration Date: **19 January 2006**  
(56) Related Art Documents: **Not Applicable**  
(57) Statement of Newness and Distinctiveness: **Nil**



- (21) Design Number: **13021/2005**  
(22) Date of Filing Application: **14 July 2005**  
(24) Date from which industrial property rights may have effect: **14 July 2005**  
(54) Product in respect of which the design is registered: **Bed and bedside tables**  
(51) International Design Classification: **06-02, 06-04F**  
(71) Name(s) and Address(s) of Applicant(s):  
**David Durance**  
**Rear 24 Cunningham Street Northcote Victoria 3070 Australia**  
(72) Name(s) of Designer(s): **David Durance**  
(45) Registration Date: **19 January 2006**  
(56) Related Art Documents: **Not Applicable**  
(57) Statement of Newness and Distinctiveness: **Distinctiveness is not claimed in respect of the frame and mattress of the bed, however distinctiveness is claimed in shape and configuration of bedhead beside table "shell" and box, particularly in the way that many configurations are possible - as shown in drawing #2.**

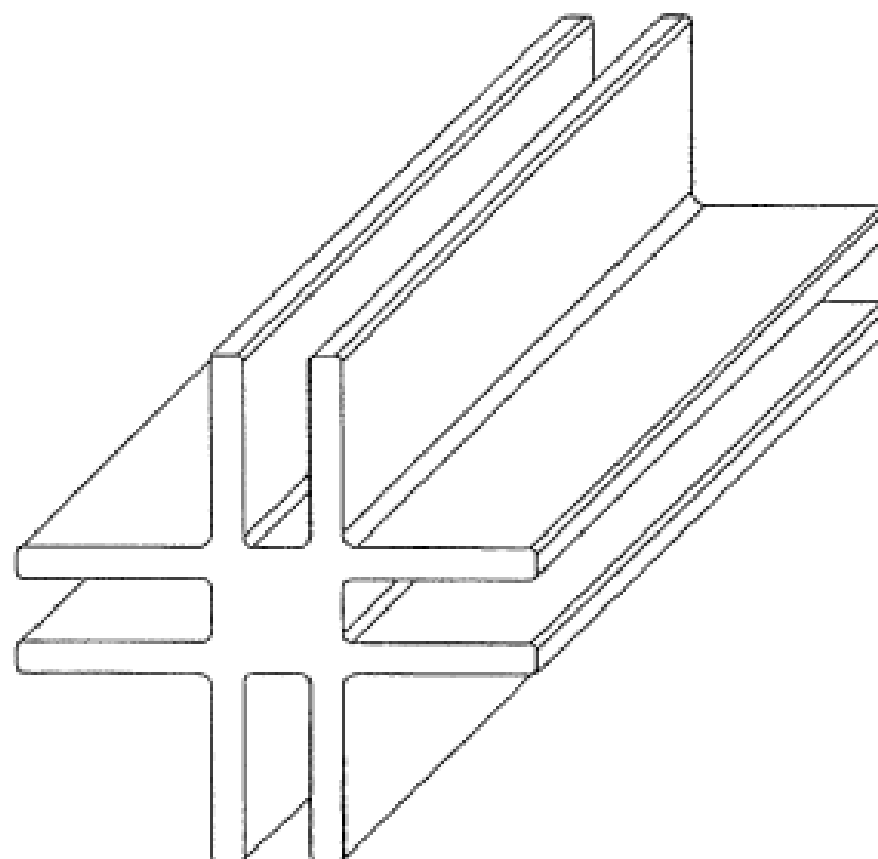


- (21) Design Number: **13533/2005**
- (22) Date of Filing Application: **17 August 2005**
- (24) Date from which industrial property rights may have effect: **17 August 2005**
- (54) Product in respect of which the design is registered: **Aquaculture pod**
- (51) International Design Classification: **22-05**
- (71) Name(s) and Address(s) of Applicant(s):  
**Freshwater Crayfish Co. IP Pty Ltd**  
**3 Ridge Avenue Hampton East Victoria 3188 Australia**
- (72) Name(s) of Designer(s): **Andrew Edward Grant**
- (45) Registration Date: **19 January 2006**
- (56) Related Art Documents: **Not Applicable**
- (57) Statement of Newness and Distinctiveness: **Those features of the aquaculture pod depicted in the representations that are new and distinctive are the shape and/or configuration.**

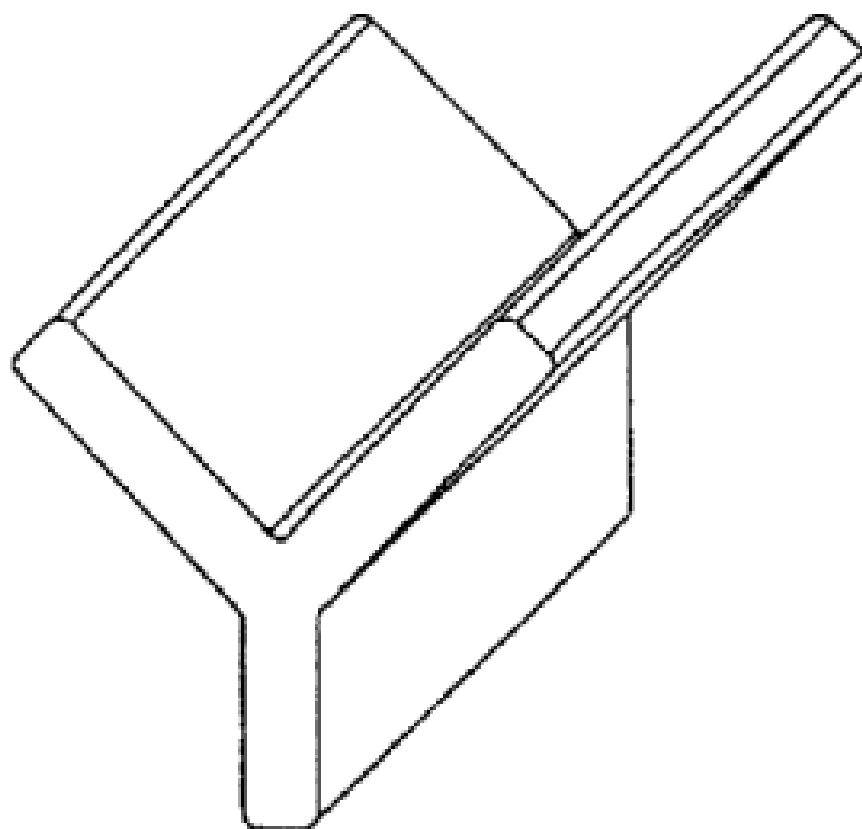


- (21) Design Number: **13538/2005**
- (22) Date of Filing Application: **17 August 2005**
- (24) Date from which industrial property rights may have effect: **17 August 2005**
- (54) Product in respect of which the design is registered: **Panel joining component**
- (51) International Design Classification: **08-08NES**
- (71) Name(s) and Address(s) of Applicant(s):  
**Estoli, S.A.**  
**Poligono Industrial Casanova Paisos Catalans 18 Els Monjos**  
**Barcelona 08730 Spain**
- (72) Name(s) of Designer(s): **Carlos Torrente and Pau Roviras**
- (45) Registration Date: **19 January 2006**
- (30) Convention priority data:  

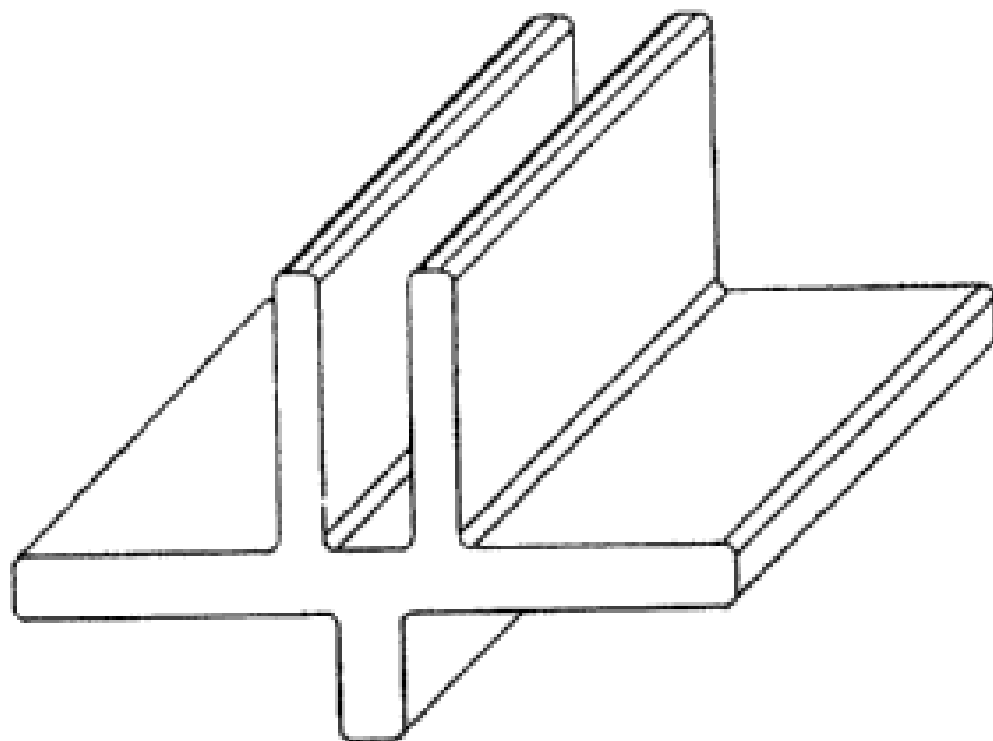
(31) Number	(32) Date	(33) Country
<b>000349097-0003</b>	<b>24 May 2005</b>	<b>EUROPEAN COMMUNITY</b>
- (56) Related Art Documents: **Not Applicable**
- (57) Statement of Newness and Distinctiveness: **Newness and distinctiveness in the design as applied to a panel joining component thereof reside in the shape and configuration thereof as illustrated in the accompanying representations. In assessing newness and distinctiveness, the length of the joining section should be disregarded and considered indefinite.**



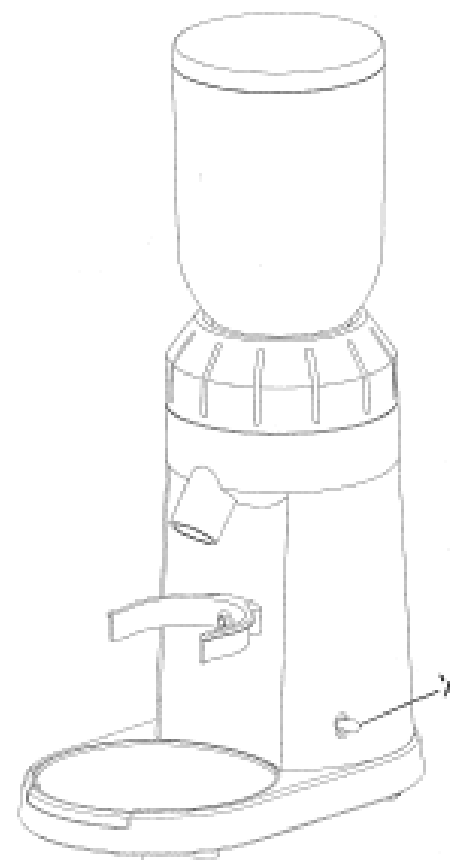
- (21) Design Number: **13539/2005**  
(22) Date of Filing Application: **17 August 2005**  
(24) Date from which industrial property rights may have effect: **17 August 2005**  
(54) Product in respect of which the design is registered: **Panel joining component**  
(51) International Design Classification: **08-08NES**  
(71) Name(s) and Address(s) of Applicant(s):  
**Estoli, S.A.**  
**Poligono Industrial Casanova Paisos Catalans 18 Els Monjos**  
**Barcelona 08730 Spain**  
(72) Name(s) of Designer(s): **Carlos Torrente and Pau Roviras**  
(45) Registration Date: **19 January 2006**  
(30) Convention priority data:  
(31) Number (32) Date (33) Country  
**000349097-0001 24 May 2005 EUROPEAN COMMUNITY**  
(56) Related Art Documents: **Not Applicable**  
(57) Statement of Newness and Distinctiveness: **Newness and distinctiveness in the design as applied to a panel joining component thereof reside in the shape and configuration thereof as illustrated in the accompanying representations. In assessing newness and distinctiveness, the length of the joining section should be disregarded and considered indefinite.**



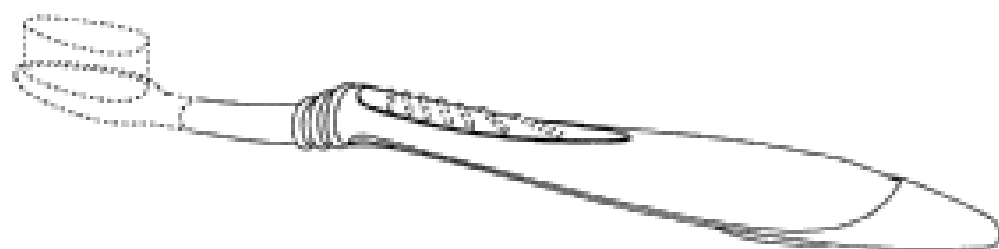
- (21) Design Number: **13540/2005**  
(22) Date of Filing Application: **17 August 2005**  
(24) Date from which industrial property rights may have effect: **17 August 2005**  
(54) Product in respect of which the design is registered: **Panel joining component**  
(51) International Design Classification: **08-08NES**  
(71) Name(s) and Address(s) of Applicant(s):  
**Estoli, S.A.**  
**Poligono Industrial Casanova Paisos Catalans 18 Els Monjos**  
**Barcelona 08730 Spain**  
(72) Name(s) of Designer(s): **Carlos Torrente and Pau Roviras**  
(45) Registration Date: **19 January 2006**  
(30) Convention priority data:  
(31) Number (32) Date (33) Country  
**000349097-002 24 May 2005 EUROPEAN COMMUNITY**  
(56) Related Art Documents: **Not Applicable**  
(57) Statement of Newness and Distinctiveness: **Newness and distinctiveness in the design as applied to a panel joining component thereof reside in the shape and configuration thereof as illustrated in the accompanying representations. In assessing newness and distinctiveness, the length of the joining section should be disregarded and considered indefinite.**



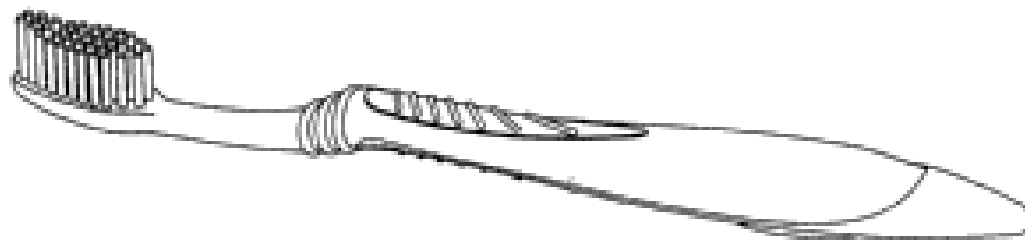
(21) Design Number: **13541/2005**  
(22) Date of Filing Application: **17 August 2005**  
(24) Date from which industrial property rights may have effect: **17 August 2005**  
(54) Product in respect of which the design is registered: **Coffee grinder**  
(51) International Design Classification: **31-00**  
(71) Name(s) and Address(s) of Applicant(s):  
**Sunbeam Corporation Limited**  
**Unit 5 & 6 13 Lord Street Botany New South Wales 2019 Australia**  
(72) Name(s) of Designer(s): **David Knott**  
(45) Registration Date: **19 January 2006**  
(56) Related Art Documents: **Not Applicable**  
(57) Statement of Newness and Distinctiveness: **Newness and distinctiveness in the design as applied to a coffee grinder resides in the shape and/or configuration thereof as is illustrated in the accompanying representations. In considering the shape and/or configuration of the coffee grinder the toggle switch marked 'A' is to be disregarded.**



(21) Design Number: **13542/2005**  
(22) Date of Filing Application: **17 August 2005**  
(24) Date from which industrial property rights may have effect: **17 August 2005**  
(54) Product in respect of which the design is registered: **Portion of a toothbrush**  
(51) International Design Classification: **04-02**  
(71) Name(s) and Address(s) of Applicant(s):  
**Colgate-Palmolive Company**  
**300 Park Avenue New York New York 10022 United States of America**  
(72) Name(s) of Designer(s): **Robert Moskovich**  
(45) Registration Date: **19 January 2006**  
(30) Convention priority data:  
(31) Number      (32) Date      (33) Country  
**29/223810      18 Feb 2005      UNITED STATES OF AMERICA**  
(56) Related Art Documents: **Not Applicable**  
(57) Statement of Newness and Distinctiveness: **Each feature of the design shown in solid lines considered separately or in combination with any other feature of features.**



(21) Design Number: **13543/2005**  
(22) Date of Filing Application: **17 August 2005**  
(24) Date from which industrial property rights may have effect: **17 August 2005**  
(54) Product in respect of which the design is registered: **Toothbrush**  
(51) International Design Classification: **04-02**  
(71) Name(s) and Address(s) of Applicant(s):  
**Colgate-Palmolive Company**  
**300 Park Avenue New York New York 10022 United States of America**  
(72) Name(s) of Designer(s): **Robert Moskovich**  
(45) Registration Date: **19 January 2006**  
(30) Convention priority data:  
(31) Number (32) Date (33) Country  
**29/224165 25 Feb 2005 UNITED STATES OF AMERICA**  
(56) Related Art Documents: **Not Applicable**  
(57) Statement of Newness and Distinctiveness: **Each feature of the design considered separately or in combination with any other feature or features.**



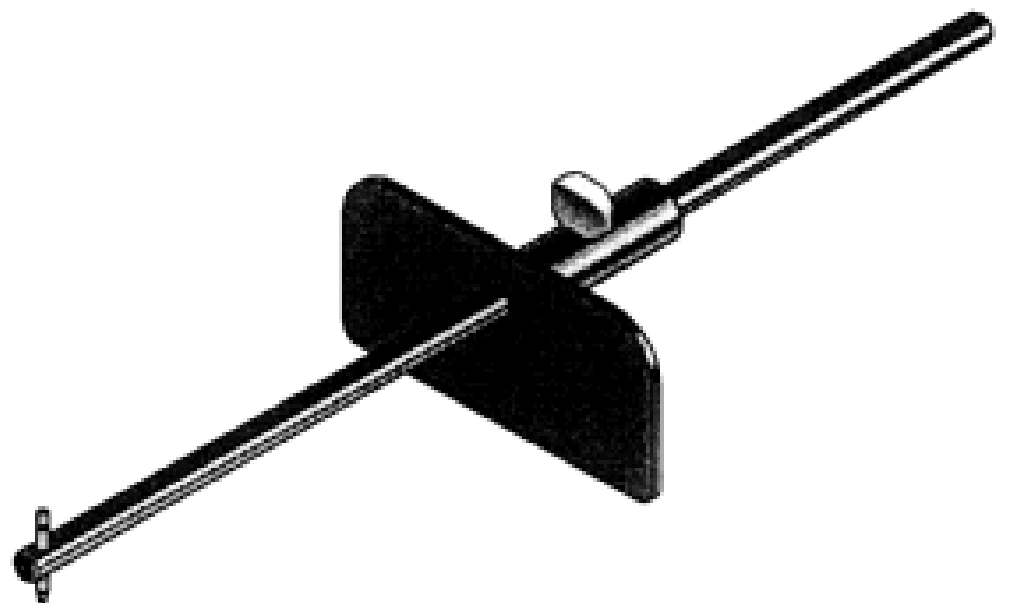
(21) Design Number: **13556/2005**  
(22) Date of Filing Application: **19 August 2005**  
(24) Date from which industrial property rights may have effect: **19 August 2005**  
(54) Product in respect of which the design is registered: **Container**  
(51) International Design Classification: **09-01NES**  
(71) Name(s) and Address(s) of Applicant(s):  
**Vin Singlz Limited**  
**16 Tainui Street Hamilton New Zealand**  
(72) Name(s) of Designer(s): **Graeme Ashley Blake**  
(45) Registration Date: **19 January 2006**  
(30) Convention priority data:  
(31) Number (32) Date (33) Country  
**405909 28 Feb 2005 NEW ZEALAND**  
(56) Related Art Documents: **Not Applicable**  
(57) Statement of Newness and Distinctiveness: **Nil**



- (21) Design Number: **13561/2005**  
(22) Date of Filing Application: **19 August 2005**  
(24) Date from which industrial property rights may have effect: **19 August 2005**  
(54) Product in respect of which the design is registered: **A pneumatic tyre**  
(51) International Design Classification: **12-15A**  
(71) Name(s) and Address(s) of Applicant(s):  
**Societe De Technologie Michelin**  
**23 rue Breschet F-63000 Clermont-Ferrand Cedex France**  
**Michelin Recherche et Technique S.A.**  
**Route Louis Braille 10 et 12 CH-1763 Granges-Paccot Switzerland**  
(72) Name(s) of Designer(s): **Eric Lebreton**  
(45) Registration Date: **19 January 2006**  
(30) Convention priority data:  
(31) Number      (32) Date      (33) Country  
**05/1155      24 Feb 2005      FRANCE**  
(56) Related Art Documents: **Not Applicable**  
(57) Statement of Newness and Distinctiveness: **Novelty resides in the shape and configuration of the tread region of the tyre shown in the drawings and not in the other regions of the tyre.**

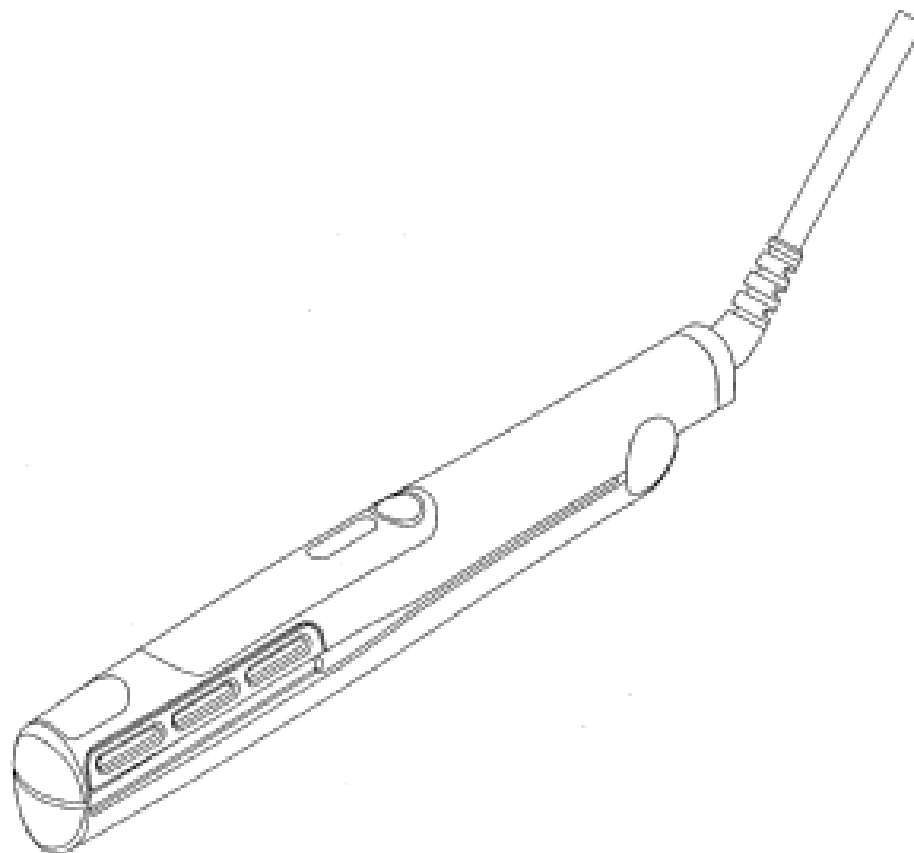


- (21) Design Number: **13562/2005**  
(22) Date of Filing Application: **19 August 2005**  
(24) Date from which industrial property rights may have effect: **19 August 2005**  
(54) Product in respect of which the design is registered: **Adjustable marking gauge**  
(51) International Design Classification: **10-04**  
(71) Name(s) and Address(s) of Applicant(s):  
**PAB Trading Company Pty Ltd**  
**7 Yuruga Court Mooroolbark Victoria 3138 Australia**  
(72) Name(s) of Designer(s): **Peter Buceto**  
(45) Registration Date: **19 January 2006**  
(56) Related Art Documents: **Not Applicable**  
(57) Statement of Newness and Distinctiveness: **Nil**

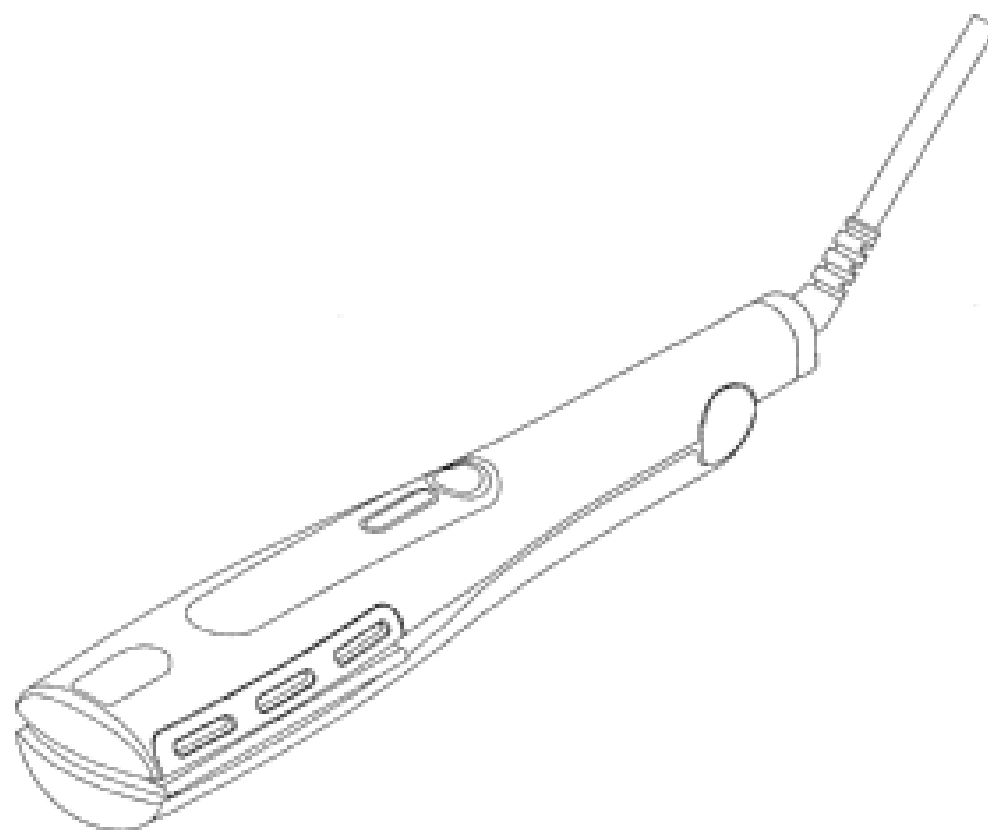




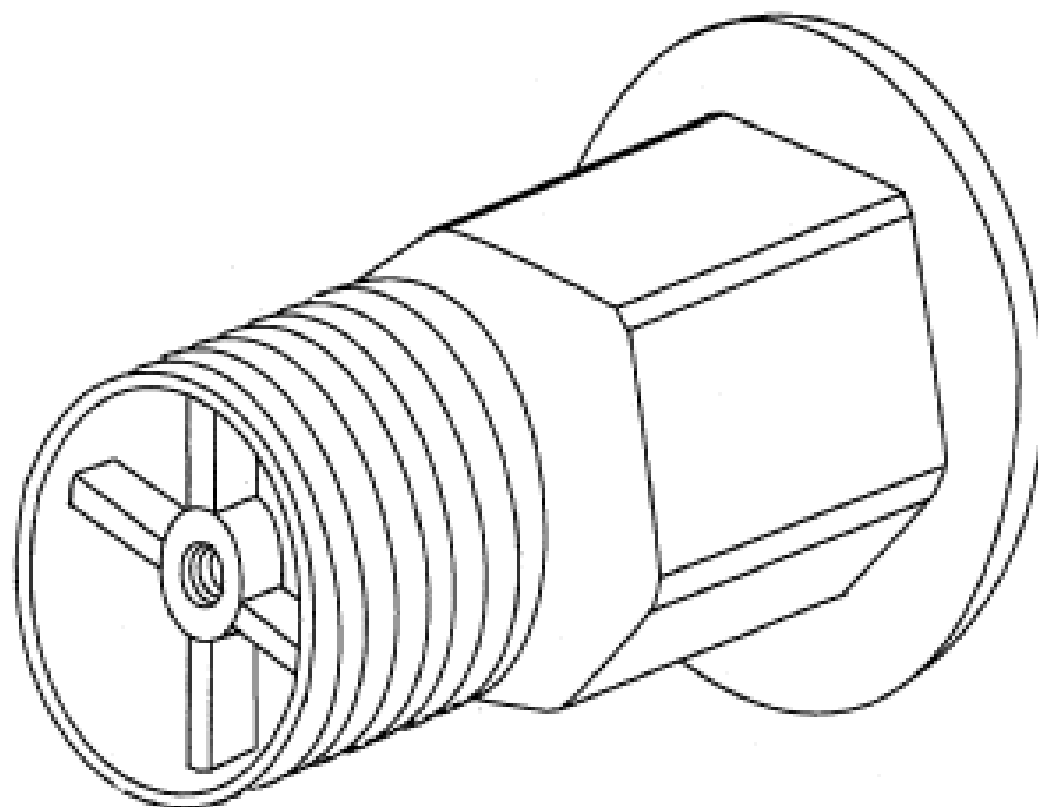
- (21) Design Number: **13568/2005**  
(22) Date of Filing Application: **19 August 2005**  
(24) Date from which industrial property rights may have effect: **19 August 2005**  
(54) Product in respect of which the design is registered: **Hair straightener**  
(51) International Design Classification: **28-03B**  
(71) Name(s) and Address(s) of Applicant(s):  
**Sunbeam Corporation Limited**  
**Unit 5 & 6 13 Lord Street Botany New South Wales 2019 Australia**  
(72) Name(s) of Designer(s): **Nick O'Loughlin**  
(45) Registration Date: **19 January 2006**  
(56) Related Art Documents: **Not Applicable**  
(57) Statement of Newness and Distinctiveness: **Newness and distinctiveness in the design as applied to a hair straightener resides in the shape and/or configuration thereof as is illustrated in the accompanying representations.**



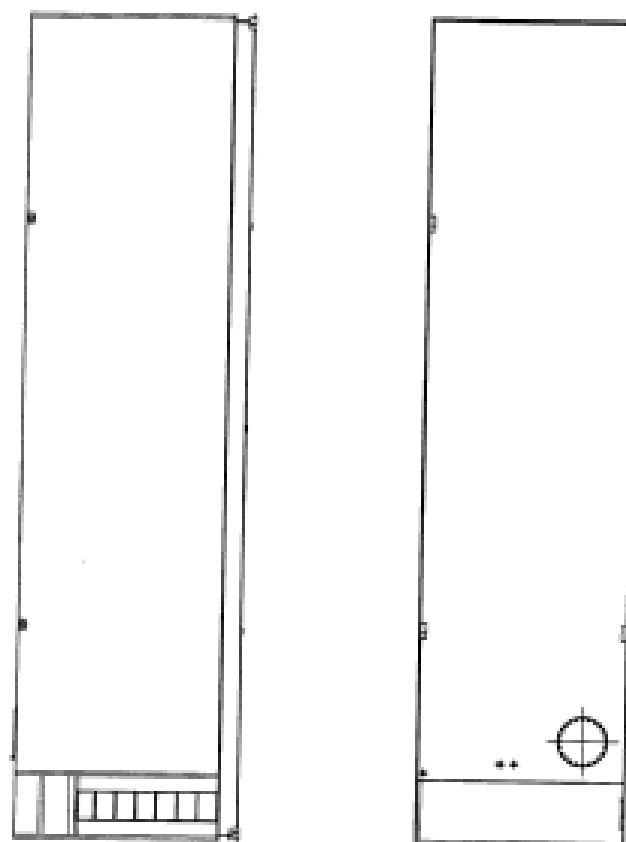
- (21) Design Number: **13569/2005**  
(22) Date of Filing Application: **19 August 2005**  
(24) Date from which industrial property rights may have effect: **19 August 2005**  
(54) Product in respect of which the design is registered: **Hair straightener**  
(51) International Design Classification: **28-03B**  
(71) Name(s) and Address(s) of Applicant(s):  
**Sunbeam Corporation Limited**  
**Unit 5 & 6 13 Lord Street Botany New South Wales 2019 Australia**  
(72) Name(s) of Designer(s): **Nick O'Loughlin**  
(45) Registration Date: **19 January 2006**  
(56) Related Art Documents: **Not Applicable**  
(57) Statement of Newness and Distinctiveness: **Newness and distinctiveness in the design as applied to a hair straightener resides in the shape and/or configuration thereof as is illustrated in the accompanying representations.**



- (21) Design Number: **13571/2005**
- (22) Date of Filing Application: **19 August 2005**
- (24) Date from which industrial property rights may have effect: **19 August 2005**
- (54) Product in respect of which the design is registered: **Waste plug connection**
- (51) International Design Classification: **23-02NES**
- (71) Name(s) and Address(s) of Applicant(s):  
**Architectural Designer Products Pty Ltd**  
**237 Berkeley Road Unanderra New South Wales 2526 Australia**
- (72) Name(s) of Designer(s): **Andrew Jones**
- (45) Registration Date: **19 January 2006**
- (56) Related Art Documents: **Not Applicable**
- (57) Statement of Newness and Distinctiveness: **Nil**



- (21) Design Number: **15003/2005**
- (22) Date of Filing Application: **10 November 2005**
- (24) Date from which industrial property rights may have effect: **10 November 2005**
- (54) Product in respect of which the design is registered: **100 000 litre transportable fuel storage tank**
- (51) International Design Classification: **09-02A, 23-01F**
- (71) Name(s) and Address(s) of Applicant(s):  
**Transtank Technologies Pty Ltd**  
**Suite 12, 1020 Doncaster Rd East Doncaster Vic 3109 Australia**
- (72) Name(s) of Designer(s): **Neil Harrison**
- (45) Registration Date: **19 January 2006**
- (56) Related Art Documents: **Not Applicable**
- (57) Statement of Newness and Distinctiveness: **Nil**



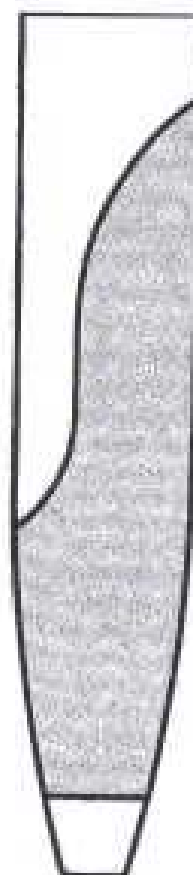
(19) AU

- (21) Design Number: **10138/2006**  
(22) Date of Filing Application: **17 January 2006**  
(24) Date from which industrial property rights may have effect: **17 January 2006**  
(54) Product in respect of which the design is registered: **Device for communicating with a voice-disabled person**  
(51) International Design Classification: **14-03NES**  
(71) Name(s) and Address(s) of Applicant(s):  
**AstraZeneca AB**  
**Sodertalje SE-151 85 Sweden**  
(72) Name(s) of Designer(s): **Kathleen Novak and Richard Costa and Martin Mason and Fred Eldridge and Kun-Chi Wu and Hung Mach**  
(45) Registration Date: **20 January 2006**  
(30) Convention priority data:  
(31) Number (32) Date (33) Country  
**29/234,681 20 Jul 2005 UNITED STATES OF AMERICA**  
(56) Related Art Documents: **Not Applicable**  
(57) Statement of Newness and Distinctiveness: **Nil**



(19) AU

- (21) Design Number: **13943/2005**  
(22) Date of Filing Application: **12 September 2005**  
(24) Date from which industrial property rights may have effect: **10 March 2004**  
(54) Product in respect of which the design is registered: **A component for a writing instrument**  
(51) International Design Classification: **19-06**  
(71) Name(s) and Address(s) of Applicant(s):  
**Merz & Krell GmbH & Co. KGaA**  
**Bahnhofstrasse 76 64401 Gross-Bieberau Germany**  
(72) Name(s) of Designer(s): **Volkmar Rommel**  
(45) Registration Date: **20 January 2006**  
(62) Divisional of: **158303**  
(56) Related Art Documents: **Not Applicable**  
(57) Statement of Newness and Distinctiveness: **Each feature of the design considered separately or in combination with any other feature or features.**



(21) Design Number: **10810/2005**

(22) Date of Filing Application: **01 March 2005**

(24) Date from which industrial property rights may have effect: **01 March 2005**

(54) Product in respect of which the design is registered: **Fountain**

(51) International Design Classification: **11-99**

(71) Name(s) and Address(s) of Applicant(s):

**David Rusic**

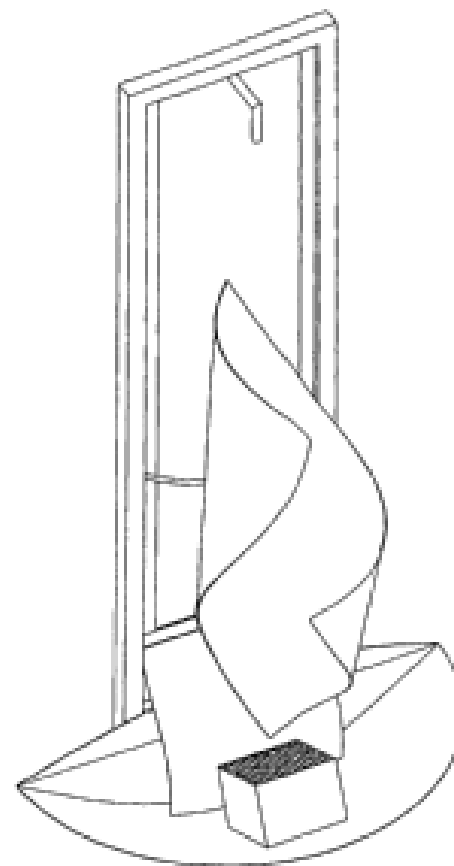
**11 Fitzgerald Street Ferntree Gully Victoria 3156 Australia**

(72) Name(s) of Designer(s): **David Rusic**

(45) Registration Date: **20 January 2006**

(56) Related Art Documents: **Not Applicable**

(57) Statement of Newness and Distinctiveness: **Those visual features of the fountain depicted in the representations that are new and distinctive are the shape and/or configuration.**



(21) Design Number: **11333/2005**

(22) Date of Filing Application: **04 April 2005**

(24) Date from which industrial property rights may have effect: **04 April 2005**

(54) Product in respect of which the design is registered: **Watch**

(51) International Design Classification: **10-02**

(71) Name(s) and Address(s) of Applicant(s):

**Giochi Preziosi S.P.A.**

**Via Camperio 9 20123 Milano (MI) Italy**

(72) Name(s) of Designer(s): **Sostene Migliorati**

(45) Registration Date: **20 January 2006**

(30) Convention priority data:

(31) Number

(32) Date

(33) Country

**000246897**

**06 Oct 2004**

**EUROPEAN COMMUNITY**

(56) Related Art Documents: **Not Applicable**

(57) Statement of Newness and Distinctiveness: **Those visual features of the watch depicted in the representations that are new and distinctive are the shape and/or configuration. The watchcase may or may not form part of the design.**



(21) Design Number: **11335/2005**  
(22) Date of Filing Application: **04 April 2005**  
(24) Date from which industrial property rights may have effect: **04 April 2005**  
(54) Product in respect of which the design is registered: **Strap**  
(51) International Design Classification: **10-02, 10-07**  
(71) Name(s) and Address(s) of Applicant(s):

**Giochi Preziosi S.P.A.**  
**Via Camperio 9 20123 Milano (MI) Italy**

(72) Name(s) of Designer(s): **Sostene Migliorati**

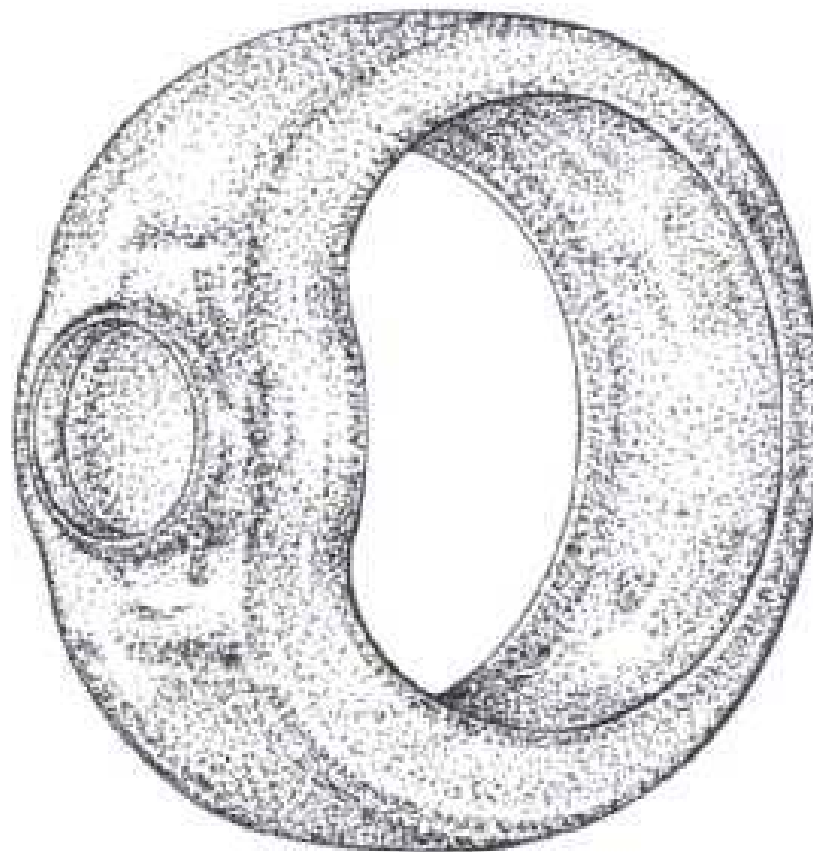
(45) Registration Date: **20 January 2006**

(30) Convention priority data:

(31) Number	(32) Date	(33) Country
<b>000246897</b>	<b>06 Oct 2004</b>	<b>EUROPEAN COMMUNITY</b>

(56) Related Art Documents: **Not Applicable**

(57) Statement of Newness and Distinctiveness: **Those visual features of the strap depicted in the representations that are new and distinctive are the shape and/or configuration. The features shown in broken lines do not form part of the design.**



(21) Design Number: **11336/2005**  
(22) Date of Filing Application: **04 April 2005**  
(24) Date from which industrial property rights may have effect: **04 April 2005**  
(54) Product in respect of which the design is registered: **Jewel**  
(51) International Design Classification: **11-01NES**  
(71) Name(s) and Address(s) of Applicant(s):

**Ofer Davidi**  
**26 Tirza Street Ramat Gan Israel**

(72) Name(s) of Designer(s): **Ofer Davidi**

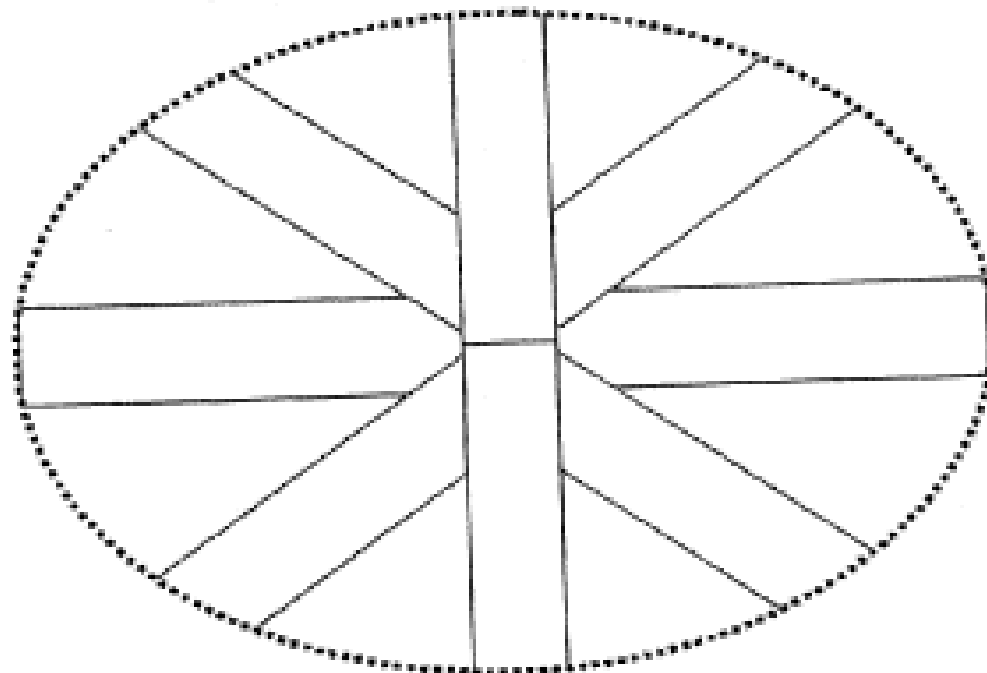
(45) Registration Date: **20 January 2006**

(30) Convention priority data:

(31) Number	(32) Date	(33) Country
<b>000253463-0001</b>	<b>10 Nov 2004</b>	<b>EUROPEAN COMMUNITY</b>

(56) Related Art Documents: **Not Applicable**

(57) Statement of Newness and Distinctiveness: **Those visual features of the jewel depicted in continuous lines in the representations that are new and distinctive are the pattern and configuration. The features shown in broken lines do not form part of the design and are to be disregarded when considering the overall impression of the design.**



(21) Design Number: **11337/2005**

(22) Date of Filing Application: **04 April 2005**

(24) Date from which industrial property rights may have effect: **04 April 2005**

(54) Product in respect of which the design is registered: **Watch**

(51) International Design Classification: **10-02**

(71) Name(s) and Address(s) of Applicant(s):

**Giochi Preziosi S.P.A.**

**Via Camperio 9 20123 Milano (MI) Italy**

(72) Name(s) of Designer(s): **Sostene Migliorati**

(45) Registration Date: **20 January 2006**

(30) Convention priority data:

(31) Number  
**000246897**

(32) Date  
**06 Oct 2004**

(33) Country  
**EUROPEAN COMMUNITY**

(56) Related Art Documents: **Not Applicable**

(57) Statement of Newness and Distinctiveness: **Those visual features of the watch depicted in the representations that are new and distinctive are the shape and/or configuration. The watchcase may or may not form part of the design.**



(21) Design Number: **11339/2005**

(22) Date of Filing Application: **05 April 2005**

(24) Date from which industrial property rights may have effect: **05 April 2005**

(54) Product in respect of which the design is registered: **Floor register grille**

(51) International Design Classification: **25-02G**

(71) Name(s) and Address(s) of Applicant(s):

**Decor Grates Incorporated**

**695 Flint Road North York Ontario M3J 2T7 Canada**

(72) Name(s) of Designer(s): **Ralph Oosterhuis**

(45) Registration Date: **20 January 2006**

(30) Convention priority data:

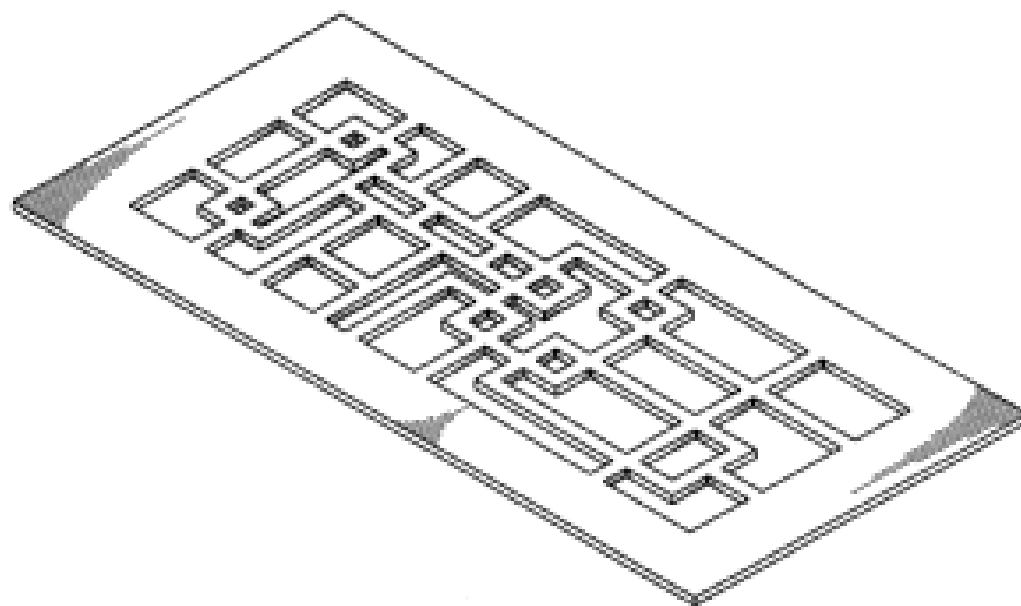
(31) Number  
**109139**

(32) Date  
**23 Nov 2004**

(33) Country  
**CANADA**

(56) Related Art Documents: **Not Applicable**

(57) Statement of Newness and Distinctiveness: **Nil**



(21) Design Number: **11340/2005**  
(22) Date of Filing Application: **05 April 2005**  
(24) Date from which industrial property rights may have effect: **05 April 2005**  
(54) Product in respect of which the design is registered: **Floor register grille**  
(51) International Design Classification: **25-02G**  
(71) Name(s) and Address(s) of Applicant(s):

**Decor Grates Incorporated**  
**695 Flint Road North York Ontario M3J 2T7 Canada**

(72) Name(s) of Designer(s): **Ralph Oosterhuis**

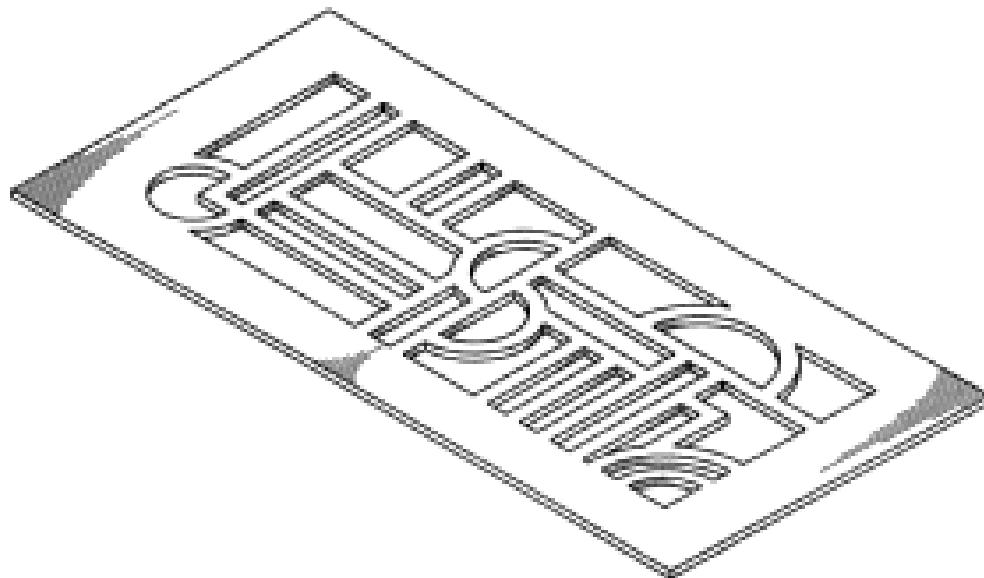
(45) Registration Date: **20 January 2006**

(30) Convention priority data:

(31) Number	(32) Date	(33) Country
<b>109140</b>	<b>23 Nov 2004</b>	<b>CANADA</b>

(56) Related Art Documents: **Not Applicable**

(57) Statement of Newness and Distinctiveness: **Nil**



(21) Design Number: **11341/2005**  
(22) Date of Filing Application: **05 April 2005**  
(24) Date from which industrial property rights may have effect: **05 April 2005**  
(54) Product in respect of which the design is registered: **Floor register grille**  
(51) International Design Classification: **25-02G**  
(71) Name(s) and Address(s) of Applicant(s):

**Decor Grates Incorporated**  
**695 Flint Road North York Ontario M3J 2T7 Canada**

(72) Name(s) of Designer(s): **Ralph Oosterhuis**

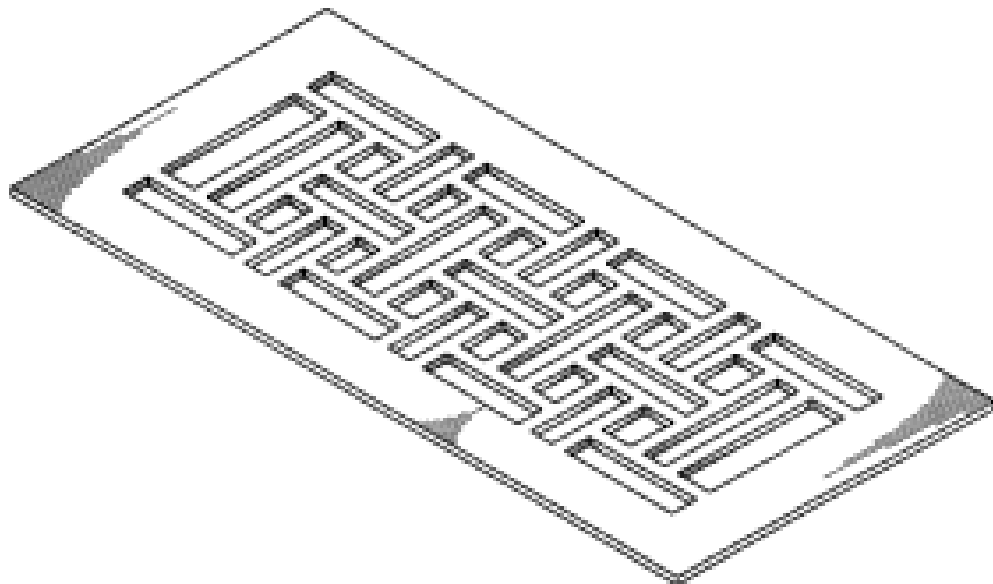
(45) Registration Date: **20 January 2006**

(30) Convention priority data:

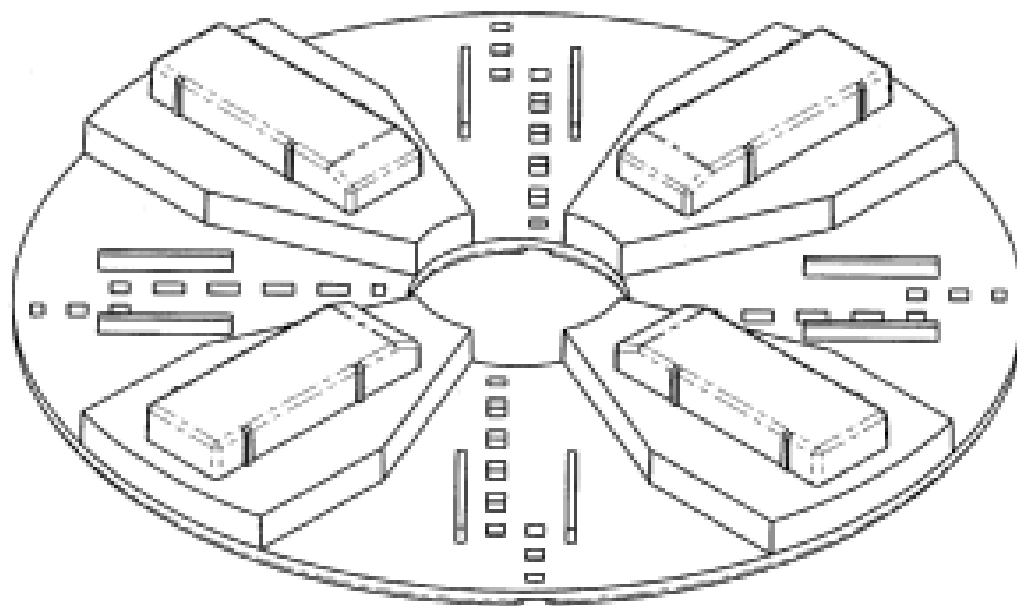
(31) Number	(32) Date	(33) Country
<b>109141</b>	<b>23 Nov 2004</b>	<b>CANADA</b>

(56) Related Art Documents: **Not Applicable**

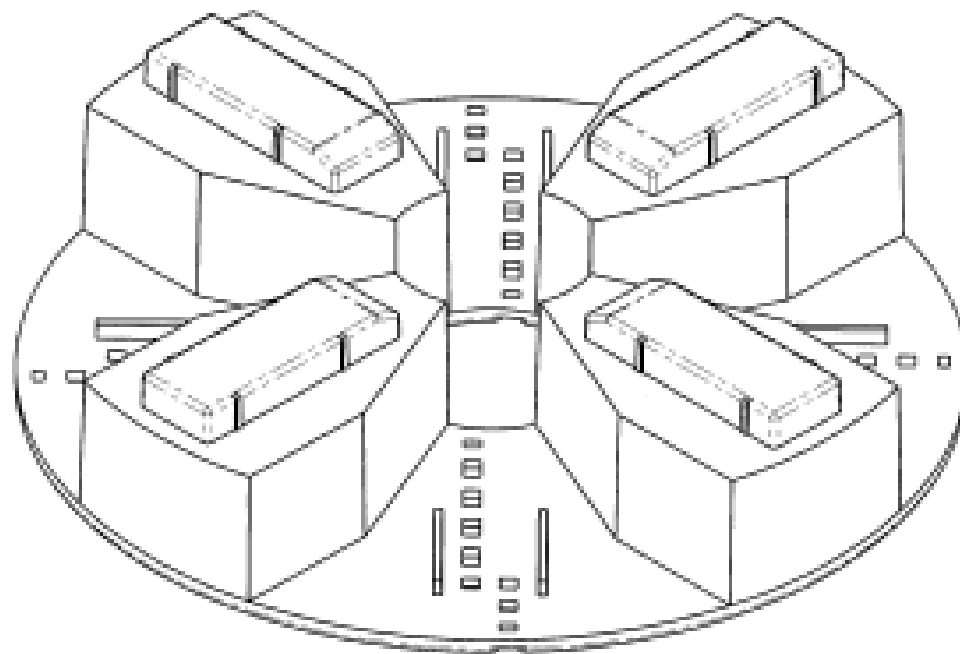
(57) Statement of Newness and Distinctiveness: **Nil**



- (21) Design Number: **11345/2005**
- (22) Date of Filing Application: **04 April 2005**
- (24) Date from which industrial property rights may have effect: **04 April 2005**
- (54) Product in respect of which the design is registered: **Chock for paver support**
- (51) International Design Classification: **08-08A**
- (71) Name(s) and Address(s) of Applicant(s):  
**Elmich Australia Pty Ltd**  
**1 Stamford Avenue Cabarita New South Wales 2137 Australia**
- (72) Name(s) of Designer(s): **Henry Greaves**
- (45) Registration Date: **20 January 2006**
- (56) Related Art Documents: **Not Applicable**
- (57) Statement of Newness and Distinctiveness: **Each feature of the design considered separately or in combination with any other feature or features.**



- (21) Design Number: **11346/2005**
- (22) Date of Filing Application: **04 April 2005**
- (24) Date from which industrial property rights may have effect: **04 April 2005**
- (54) Product in respect of which the design is registered: **Chock for paver support**
- (51) International Design Classification: **08-08A**
- (71) Name(s) and Address(s) of Applicant(s):  
**Elmich Australia Pty Ltd**  
**1 Stamford Avenue Cabarita New South Wales 2137 Australia**
- (72) Name(s) of Designer(s): **Henry Greaves**
- (45) Registration Date: **20 January 2006**
- (56) Related Art Documents: **Not Applicable**
- (57) Statement of Newness and Distinctiveness: **Each feature of the design considered separately or in combination with any other feature or features.**





(21) Design Number: **11360/2005**

(22) Date of Filing Application: **05 April 2005**

(24) Date from which industrial property rights may have effect: **05 April 2005**

(54) Product in respect of which the design is registered: **Stick mixers**

(51) International Design Classification: **31-00**

(71) Name(s) and Address(s) of Applicant(s):

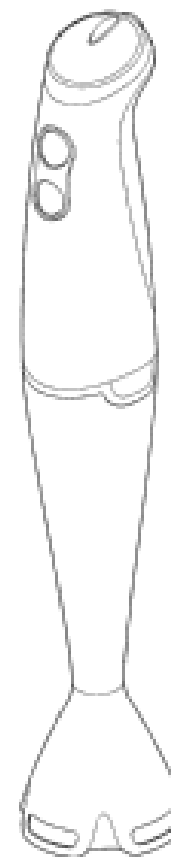
**Sunbeam Corporation Limited**  
**Unit 5 & 6 13 Lord Street Botany New South Wales 2019 Australia**

(72) Name(s) of Designer(s): **David Knott**

(45) Registration Date: **20 January 2006**

(56) Related Art Documents: **Not Applicable**

(57) Statement of Newness and Distinctiveness: **Newness and distinctiveness in the design as applied to a stick mixer resides in the shape and/or configuration thereof as is illustrated in the accompanying representations. The shape and configuration of the blade marked 'A' should not be considered when assessing the newness and distinctiveness of the design.**



(21) Design Number: **11361/2005**

(22) Date of Filing Application: **05 April 2005**

(24) Date from which industrial property rights may have effect: **05 April 2005**

(54) Product in respect of which the design is registered: **Stick mixers**

(51) International Design Classification: **31-00**

(71) Name(s) and Address(s) of Applicant(s):

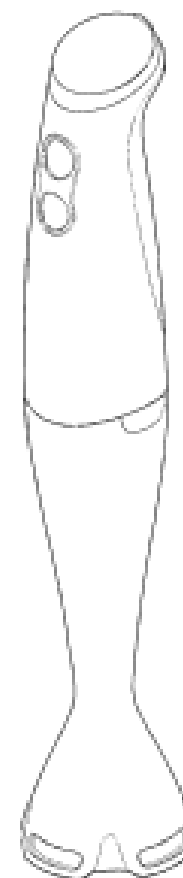
**Sunbeam Corporation Limited**  
**Unit 5 & 6 13 Lord Street Botany New South Wales 2019 Australia**

(72) Name(s) of Designer(s): **David Knott**

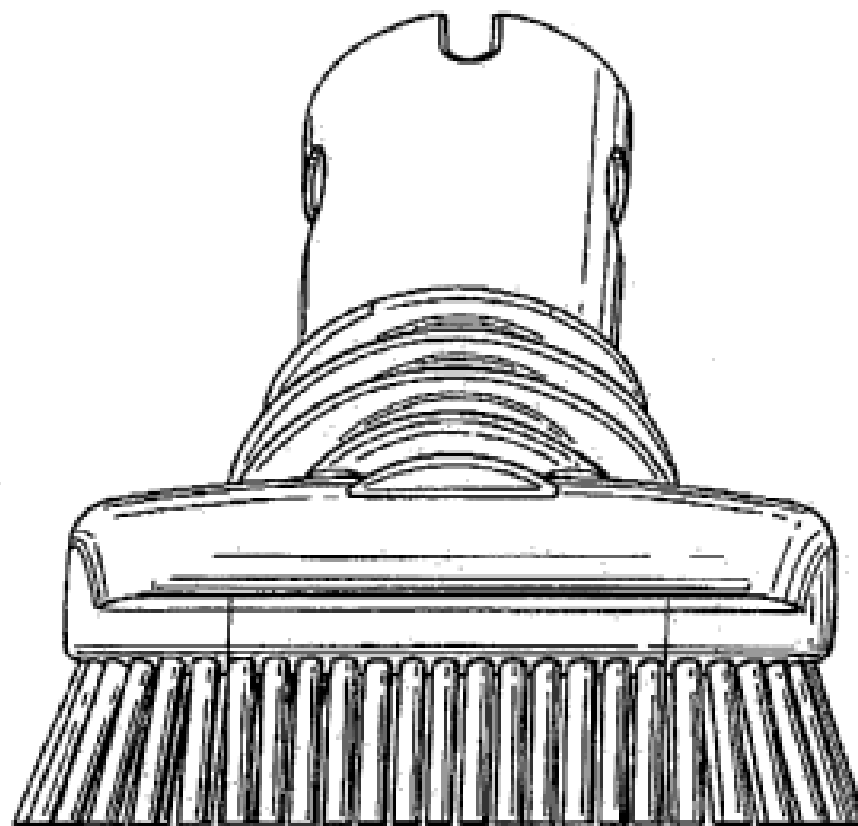
(45) Registration Date: **20 January 2006**

(56) Related Art Documents: **Not Applicable**

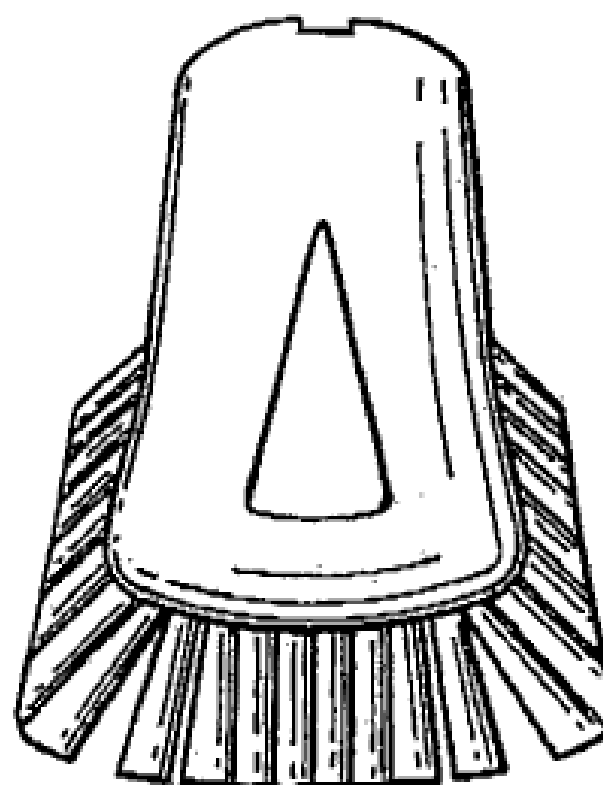
(57) Statement of Newness and Distinctiveness: **Newness and distinctiveness in the design as applied to a stick mixer resides in the shape and/or configuration thereof as is illustrated in the accompanying representations. The shape and configuration of the blade marked 'A' should not be considered when assessing the newness and distinctiveness of the design.**



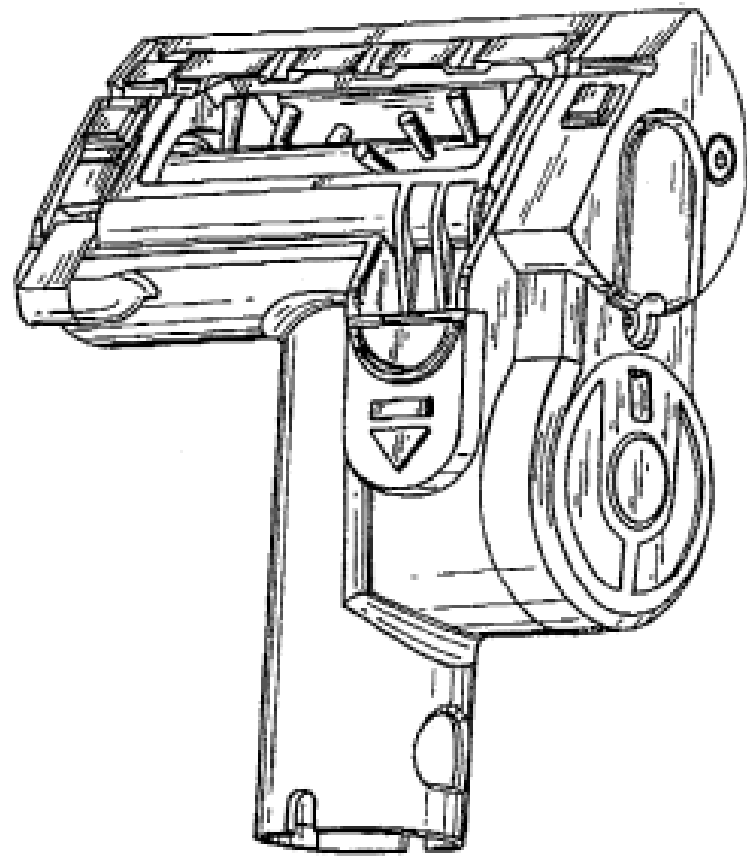
- (21) Design Number: **11362/2005**  
(22) Date of Filing Application: **05 April 2005**  
(24) Date from which industrial property rights may have effect: **05 April 2005**  
(54) Product in respect of which the design is registered: **An accessory for a cleaning appliance**  
(51) International Design Classification: **15-05**  
(71) Name(s) and Address(s) of Applicant(s):  
**Dyson Limited**  
**Tetbury Hill Malmesbury Wiltshire SN16 0RP United Kingdom**  
(72) Name(s) of Designer(s): **James Dyson and William Robert James White**  
(45) Registration Date: **20 January 2006**  
(30) Convention priority data:  
(31) Number (32) Date (33) Country  
**3019030 08 Oct 2004 UNITED KINGDOM**  
(56) Related Art Documents: **Not Applicable**  
(57) Statement of Newness and Distinctiveness: **Newness and distinctiveness resides in the shape and/or configuration of the accessory for a cleaning appliance as shown in the accompanying representations.**



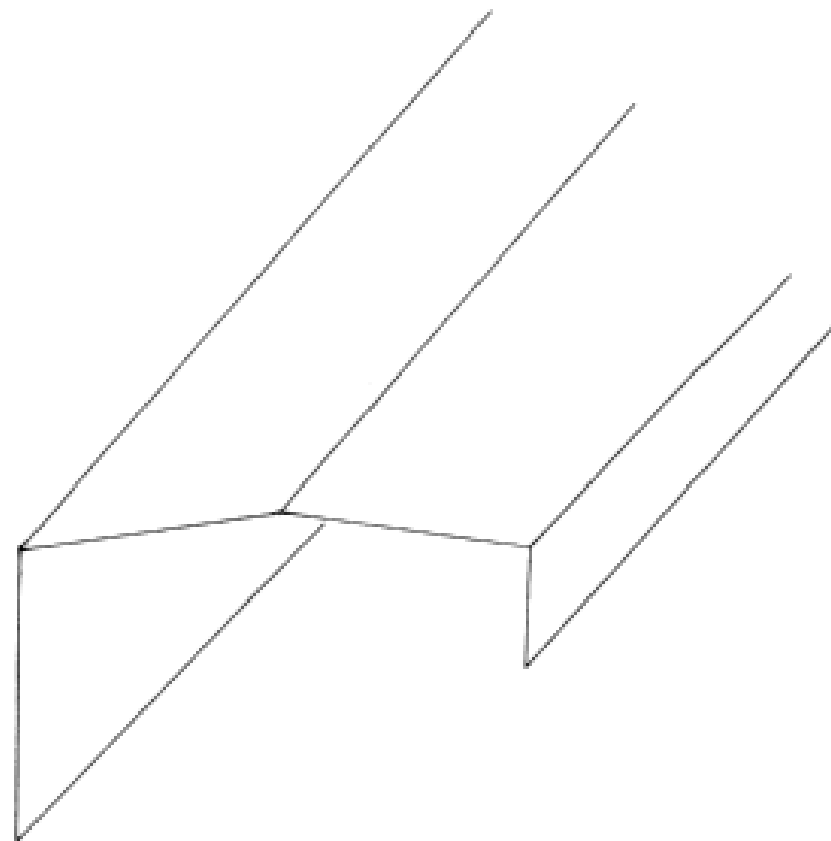
- (21) Design Number: **11363/2005**  
(22) Date of Filing Application: **05 April 2005**  
(24) Date from which industrial property rights may have effect: **05 April 2005**  
(54) Product in respect of which the design is registered: **An accessory for a cleaning appliance**  
(51) International Design Classification: **04-01, 07-05E, 15-05**  
(71) Name(s) and Address(s) of Applicant(s):  
**Dyson Limited**  
**Tetbury Hill Malmesbury Wiltshire SN16 0RP United Kingdom**  
(72) Name(s) of Designer(s): **James Dyson and Samuel Emrys James and William Robert James White**  
(45) Registration Date: **20 January 2006**  
(30) Convention priority data:  
(31) Number (32) Date (33) Country  
**3019029 08 Oct 2004 UNITED KINGDOM**  
(56) Related Art Documents: **Not Applicable**  
(57) Statement of Newness and Distinctiveness: **Newness and distinctiveness resides in the shape and/or configuration of the accessory for a cleaning appliance as shown in the accompanying representations.**



(21) Design Number: **11365/2005**  
(22) Date of Filing Application: **05 April 2005**  
(24) Date from which industrial property rights may have effect: **05 April 2005**  
(54) Product in respect of which the design is registered: **An accessory for a cleaning appliance**  
(51) International Design Classification: **15-05**  
(71) Name(s) and Address(s) of Applicant(s):  
**Dyson Limited**  
**Tetbury Hill Malmesbury Wiltshire SN16 0RP United Kingdom**  
(72) Name(s) of Designer(s): **James Martin Coleman and James Dyson**  
(45) Registration Date: **20 January 2006**  
(30) Convention priority data:  
(31) Number (32) Date (33) Country  
**3019031 08 Oct 2004 UNITED KINGDOM**  
(56) Related Art Documents: **Not Applicable**  
(57) Statement of Newness and Distinctiveness: **Newness and distinctiveness resides in the shape and/or configuration of the accessory for a cleaning appliance as shown in the accompanying representations.**



(21) Design Number: **11453/2005**  
(22) Date of Filing Application: **12 April 2005**  
(24) Date from which industrial property rights may have effect: **12 April 2005**  
(54) Product in respect of which the design is registered: **Pivot for slopable picket fence**  
(51) International Design Classification: **25-01E**  
(71) Name(s) and Address(s) of Applicant(s):  
**James Haydon**  
**2 Twenty Second Avenue West Hoxton New South Wales 2171 Australia**  
(72) Name(s) of Designer(s): **James Haydon**  
(45) Registration Date: **20 January 2006**  
(56) Related Art Documents: **Not Applicable**  
(57) Statement of Newness and Distinctiveness: **Design is self explanatory. I am the author of this design and it is original.**



(21) Design Number: **11599/2005**

(22) Date of Filing Application: **20 April 2005**

(24) Date from which industrial property rights may have effect: **20 April 2005**

(54) Product in respect of which the design is registered: **A toilet paper holder**

(51) International Design Classification: **23-02A**

(71) Name(s) and Address(s) of Applicant(s):

**Sonia, S.A.**

**Ctra. de Barcelona 35 Bonrepos (Valencia) 46131 Spain**

(72) Name(s) of Designer(s): **Jose Maria Ferrer Beltran**

(45) Registration Date: **20 January 2006**

(56) Related Art Documents: **Not Applicable**

(57) Statement of Newness and Distinctiveness: **Nil**



(21) Design Number: **11603/2005**

(22) Date of Filing Application: **20 April 2005**

(24) Date from which industrial property rights may have effect: **20 April 2005**

(54) Product in respect of which the design is registered: **A hanger**

(51) International Design Classification: **08-08G**

(71) Name(s) and Address(s) of Applicant(s):

**Sonia, S.A.**

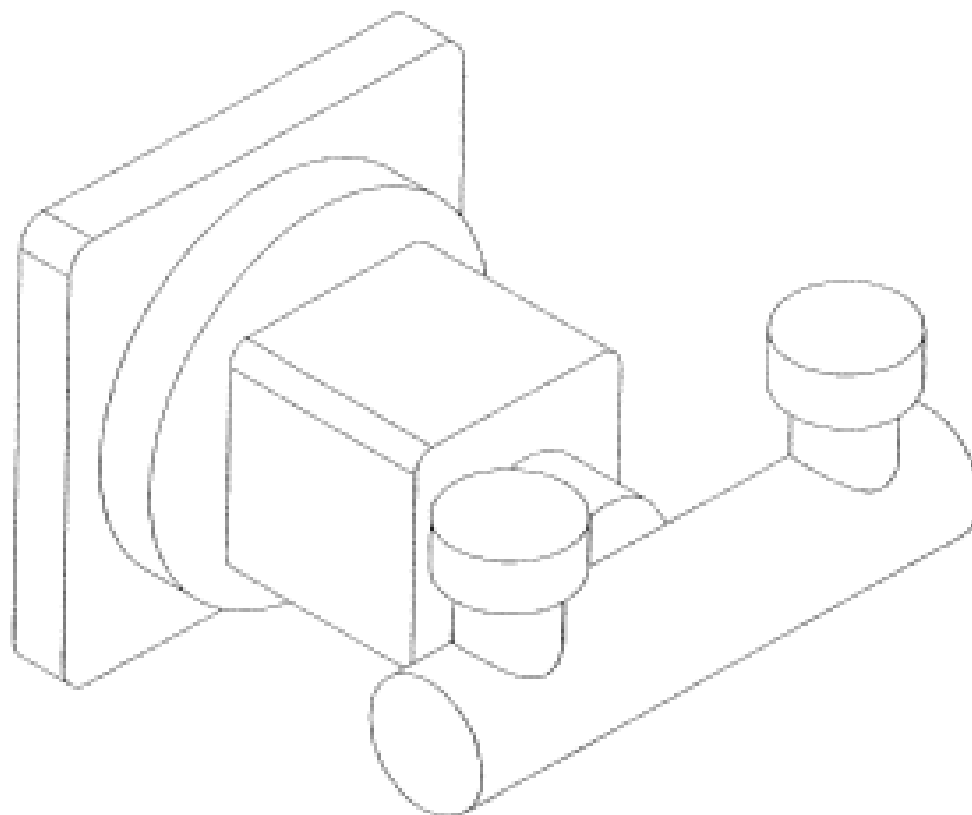
**Ctra. de Barcelona 35 Bonrepos (Valencia) 46131 Spain**

(72) Name(s) of Designer(s): **Jose Maria Ferrer Beltran**

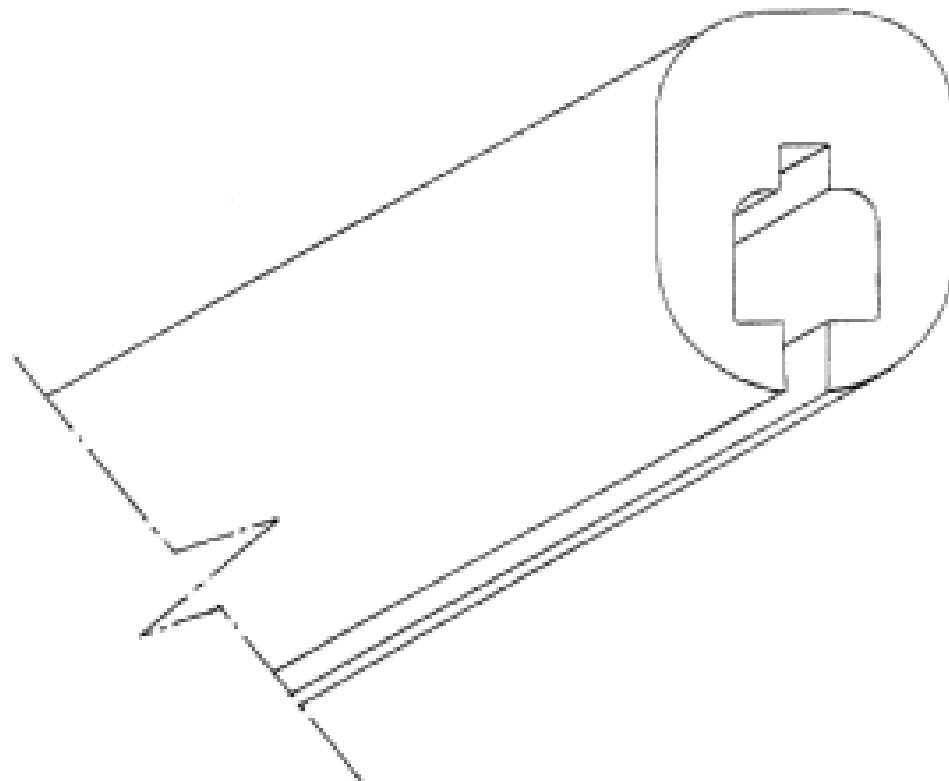
(45) Registration Date: **20 January 2006**

(56) Related Art Documents: **Not Applicable**

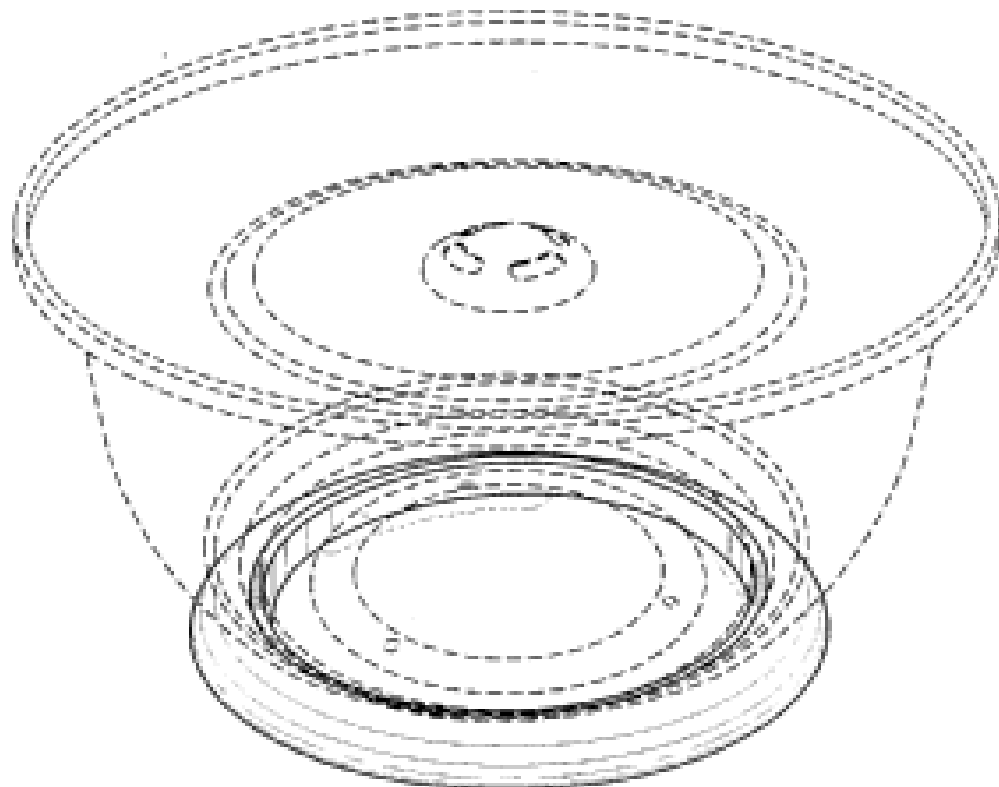
(57) Statement of Newness and Distinctiveness: **Nil**



- (21) Design Number: **10313/2005**  
(22) Date of Filing Application: **27 January 2005**  
(24) Date from which industrial property rights may have effect: **27 January 2005**  
(54) Product in respect of which the design is registered: **Electrode plate cover edge strip**  
(51) International Design Classification: **13-03NES**  
(71) Name(s) and Address(s) of Applicant(s):  
**Icon Plastics Pty Ltd**  
**19-21 Hallam Road South Hallam Victoria 3803 Australia**  
(72) Name(s) of Designer(s): **Owen Perham**  
(45) Registration Date: **20 January 2006**  
(56) Related Art Documents: **Not Applicable**  
(57) Statement of Newness and Distinctiveness: **Novelty resides in the internal cross-sectional shape of the electrode plate cover edge strip of indefinite length as shown in the drawings.**



- (21) Design Number: **10706/2005**  
(22) Date of Filing Application: **23 February 2005**  
(24) Date from which industrial property rights may have effect: **23 February 2005**  
(54) Product in respect of which the design is registered: **Display for produce, including ripening fruit and the like**  
(51) International Design Classification: **07-01NES**  
(71) Name(s) and Address(s) of Applicant(s):  
**Brent D. Sokol**  
**418 North La Jolla Avenue Los Angeles California 90048 United States of America**  
**Chia C. Chiang**  
**418 North La Jolla Avenue Los Angeles California 90048 United States of America**  
(72) Name(s) of Designer(s): **Chia C. Chiang and Brent D. Sokol and Blake McEldowney and Max Burton**  
(45) Registration Date: **20 January 2006**  
(56) Related Art Documents: **Not Applicable**  
(57) Statement of Newness and Distinctiveness: **Newness and distinctiveness is claimed in the visual features of shape and/or configuration as applied to a display for produce, including ripening fruit and the like, having a round vent as illustrated in the accompanying representations. In considering which features are new and distinctive the portions of the display illustrated in broken lines are to be disregarded.**



(21) Design Number: **11010/2005**

(22) Date of Filing Application: **16 March 2005**

(24) Date from which industrial property rights may have effect: **16 March 2005**

(54) Product in respect of which the design is registered: **Latch furniture**

(51) International Design Classification: **08-07, 08-06**

(71) Name(s) and Address(s) of Applicant(s):

**Asa Abloy New Zealand Limited  
6 Portsmouth Road Miramar Wellington New Zealand**

(72) Name(s) of Designer(s): **Martyn Walter Goodwin Collings and Nigel Alan Francis and Chad Joel Tozer**

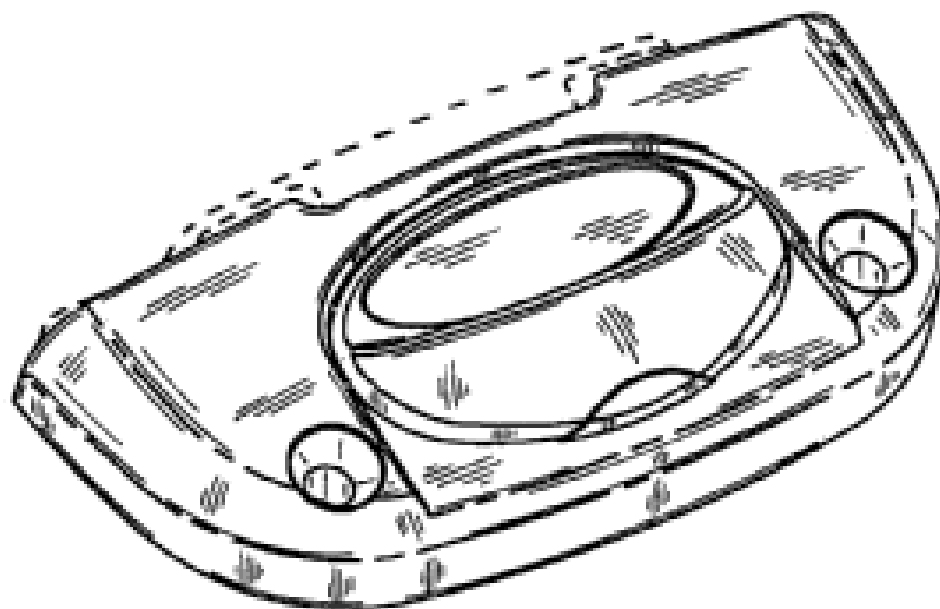
(45) Registration Date: **20 January 2006**

(30) Convention priority data:

(31) Number	(32) Date	(33) Country
<b>405411</b>	<b>15 Oct 2004</b>	<b>NEW ZEALAND</b>

(56) Related Art Documents: **Not Applicable**

(57) Statement of Newness and Distinctiveness: **Newness and distinctiveness is claimed in the feature of shape and configuration of a latch furniture as illustrated in the representations accompanying the application. The features shown in dotted detail form no part of the design.**



(21) Design Number: **11021/2005**

(22) Date of Filing Application: **15 March 2005**

(24) Date from which industrial property rights may have effect: **15 March 2005**

(54) Product in respect of which the design is registered: **Filter cartridge cap**

(51) International Design Classification: **23-01G**

(71) Name(s) and Address(s) of Applicant(s):

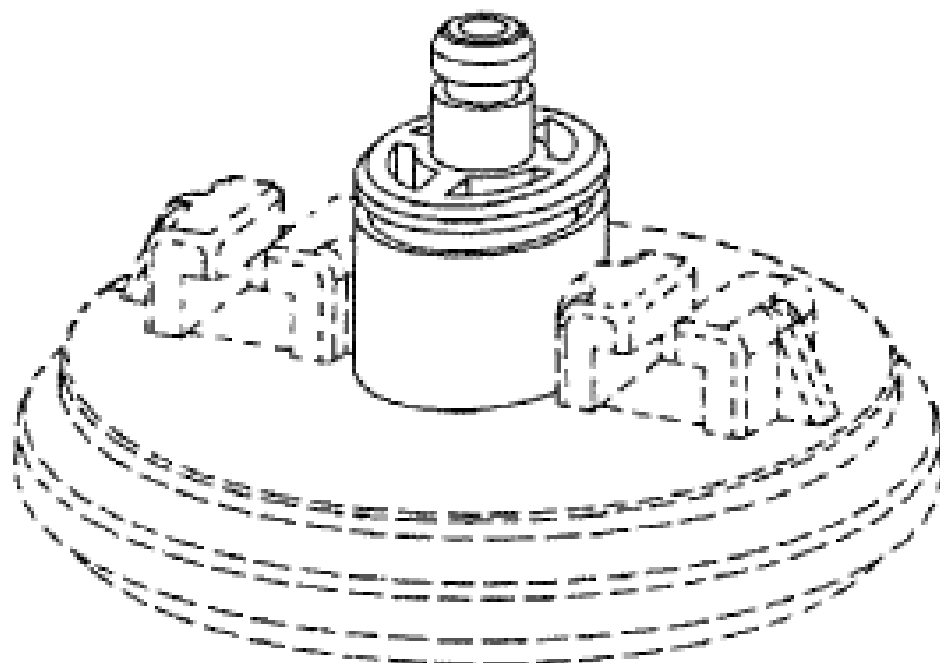
**Sheringham Investments Pty Ltd  
42 Lucknow Crescent Thomastown Victoria 3073 Australia**

(72) Name(s) of Designer(s): **Lynton John McKay**

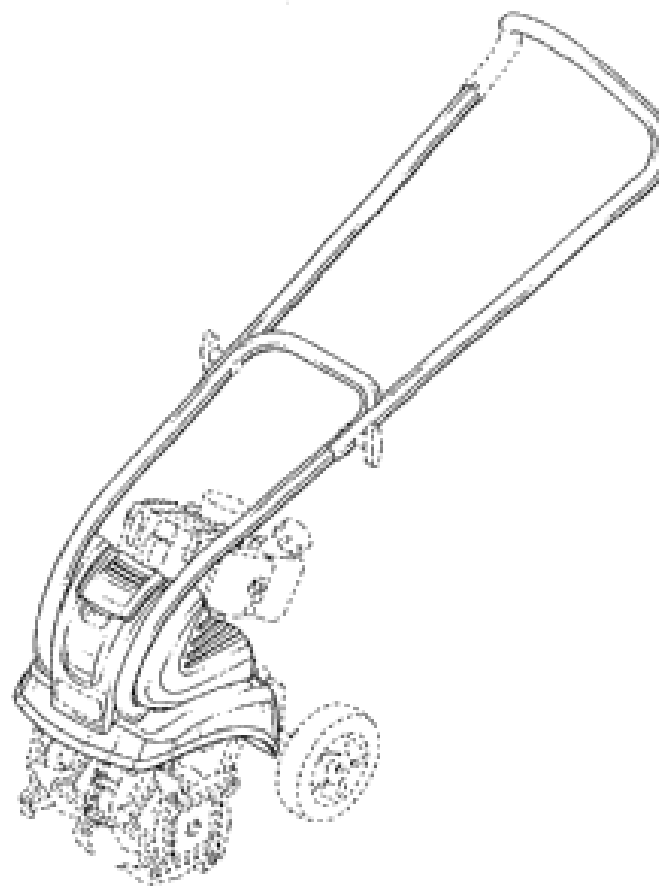
(45) Registration Date: **20 January 2006**

(56) Related Art Documents: **Not Applicable**

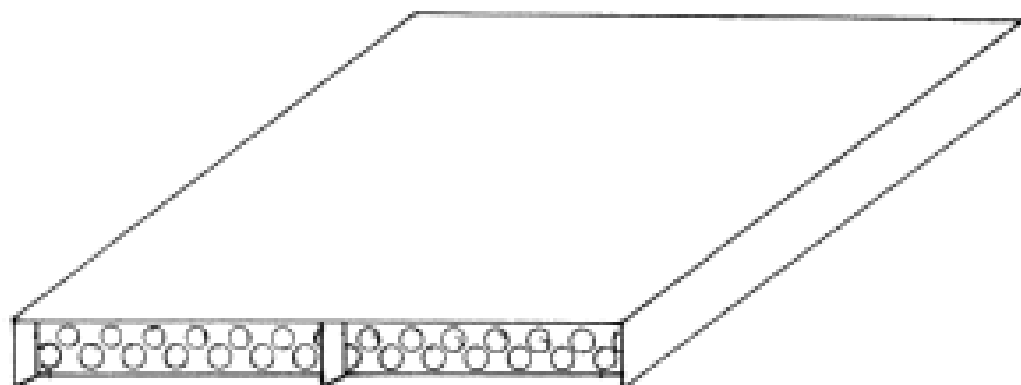
(57) Statement of Newness and Distinctiveness: **Newness and distinctiveness are provided by the shape and/or configuration of the design shown in the representations. The features shown in broken lines in the representations are for illustrative purposes only and should not be considered when construing visual features of the design.**



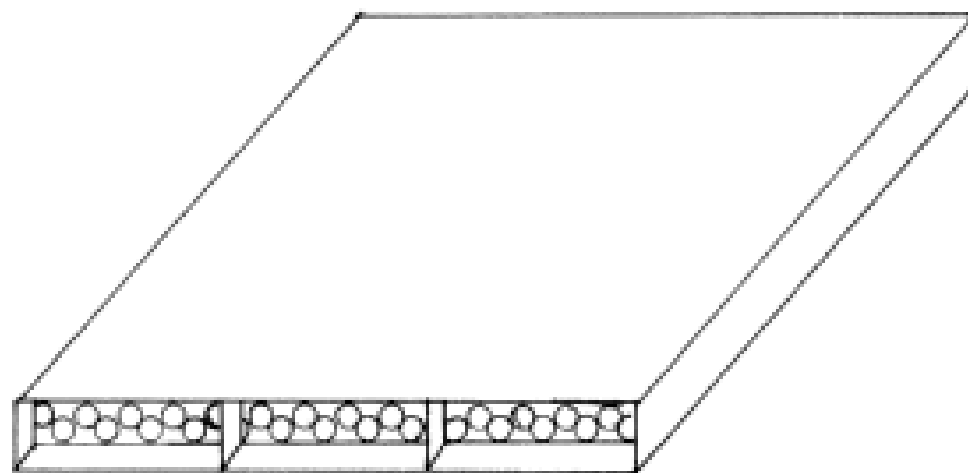
(21) Design Number: **11037/2005**  
(22) Date of Filing Application: **15 March 2005**  
(24) Date from which industrial property rights may have effect: **15 March 2005**  
(54) Product in respect of which the design is registered: **Ergonomic tiller handle**  
(51) International Design Classification: **15-03NES**  
(71) Name(s) and Address(s) of Applicant(s):  
**Techtronic Industries Co., Ltd**  
**24/F CDW Building 388 Castle Peak Road Tsuen Wan New Territories**  
**Hong Kong**  
(72) Name(s) of Designer(s): **Clinton Charles Thackery**  
(45) Registration Date: **20 January 2006**  
(30) Convention priority data:  
(31) Number (32) Date (33) Country  
**29/213,481 17 Sep 2004 UNITED STATES OF AMERICA**  
(56) Related Art Documents: **Not Applicable**  
(57) Statement of Newness and Distinctiveness: **Nil**



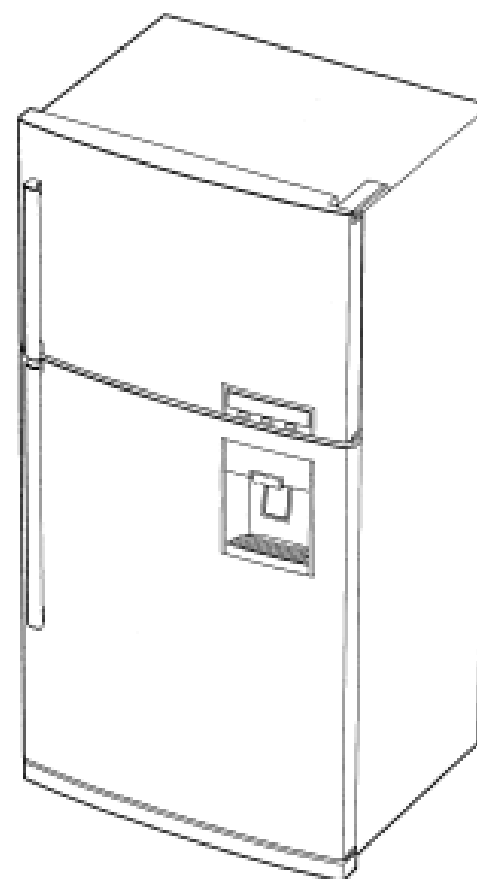
(21) Design Number: **11143/2005**  
(22) Date of Filing Application: **24 March 2005**  
(24) Date from which industrial property rights may have effect: **24 March 2005**  
(54) Product in respect of which the design is registered: **Ventilators**  
(51) International Design Classification: **23-04**  
(71) Name(s) and Address(s) of Applicant(s):  
**Kevin John Baker**  
**18 Dobbin Circuit Nicholls ACT 2913 Australia**  
(72) Name(s) of Designer(s): **Kevin John Baker**  
(45) Registration Date: **20 January 2006**  
(56) Related Art Documents: **Not Applicable**  
(57) Statement of Newness and Distinctiveness: **Nil**



- (21) Design Number: **11144/2005**  
(22) Date of Filing Application: **24 March 2005**  
(24) Date from which industrial property rights may have effect: **24 March 2005**  
(54) Product in respect of which the design is registered: **Ventilators**  
(51) International Design Classification: **23-04**  
(71) Name(s) and Address(s) of Applicant(s):  
**Kevin John Baker**  
**18 Dobbin Circuit Nicholls ACT 2913 Australia**  
(72) Name(s) of Designer(s): **Kevin John Baker**  
(45) Registration Date: **20 January 2006**  
(56) Related Art Documents: **Not Applicable**  
(57) Statement of Newness and Distinctiveness: **Nil**

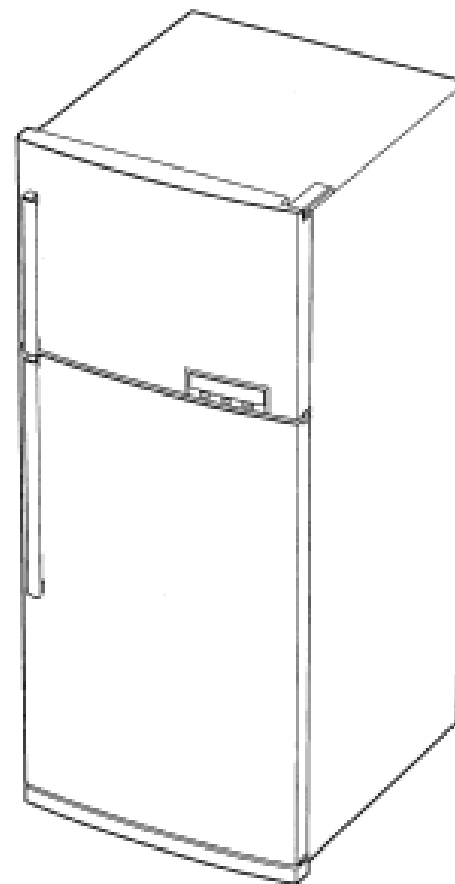


- (21) Design Number: **11176/2005**  
(22) Date of Filing Application: **24 March 2005**  
(24) Date from which industrial property rights may have effect: **24 March 2005**  
(54) Product in respect of which the design is registered: **Refrigerator**  
(51) International Design Classification: **15-07**  
(71) Name(s) and Address(s) of Applicant(s):  
**LG Electronics Inc.**  
**20 Yoido-dong Yongdungpo-ku Seoul Korea**  
(72) Name(s) of Designer(s): **Kun Jun Seok and Kyeong Chul Cho**  
(45) Registration Date: **20 January 2006**  
(30) Convention priority data:  
(31) Number      (32) Date      (33) Country  
**30-2004-0031775 16 Oct 2004      REPUBLIC OF KOREA**  
(56) Related Art Documents: **Not Applicable**  
(57) Statement of Newness and Distinctiveness: **Newness and distinctiveness is claimed in the visual features of shape and/or configuration as applied to a refrigerator as illustrated in the accompanying representations.**





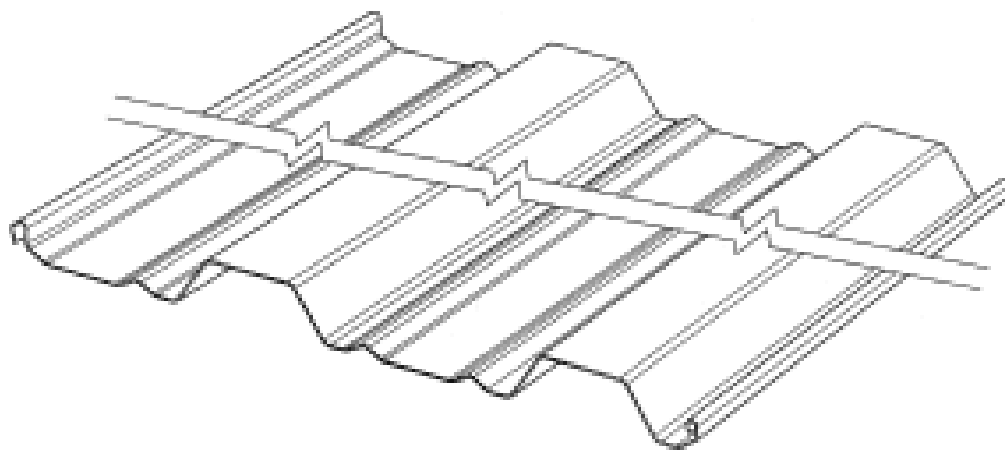
- (21) Design Number: **11177/2005**  
(22) Date of Filing Application: **24 March 2005**  
(24) Date from which industrial property rights may have effect: **24 March 2005**  
(54) Product in respect of which the design is registered: **Refrigerator**  
(51) International Design Classification: **15-07**  
(71) Name(s) and Address(s) of Applicant(s):  
**LG Electronics Inc.**  
**20 Yoido-dong Yongdungpo-ku Seoul Korea**  
(72) Name(s) of Designer(s): **Kun Jun Seok and Kyeong Chul Cho**  
(45) Registration Date: **20 January 2006**  
(30) Convention priority data:  
(31) Number (32) Date (33) Country  
**30-2004-0031776 16 Oct 2004 REPUBLIC OF KOREA**  
(56) Related Art Documents: **Not Applicable**  
(57) Statement of Newness and Distinctiveness: **Newness and distinctiveness is claimed in the visual features of shape and/or configuration as applied to a refrigerator as illustrated in the accompanying representations.**



- (21) Design Number: **11279/2005**  
(22) Date of Filing Application: **30 March 2005**  
(24) Date from which industrial property rights may have effect: **30 March 2005**  
(54) Product in respect of which the design is registered: **A chair**  
(51) International Design Classification: **06-01F**  
(71) Name(s) and Address(s) of Applicant(s):  
**Furnware Limited**  
**1128 Omaha Road Hastings New Zealand**  
(72) Name(s) of Designer(s): **Murray Neil Pilcher**  
(45) Registration Date: **20 January 2006**  
(56) Related Art Documents: **Not Applicable**  
(57) Statement of Newness and Distinctiveness: **Nil**

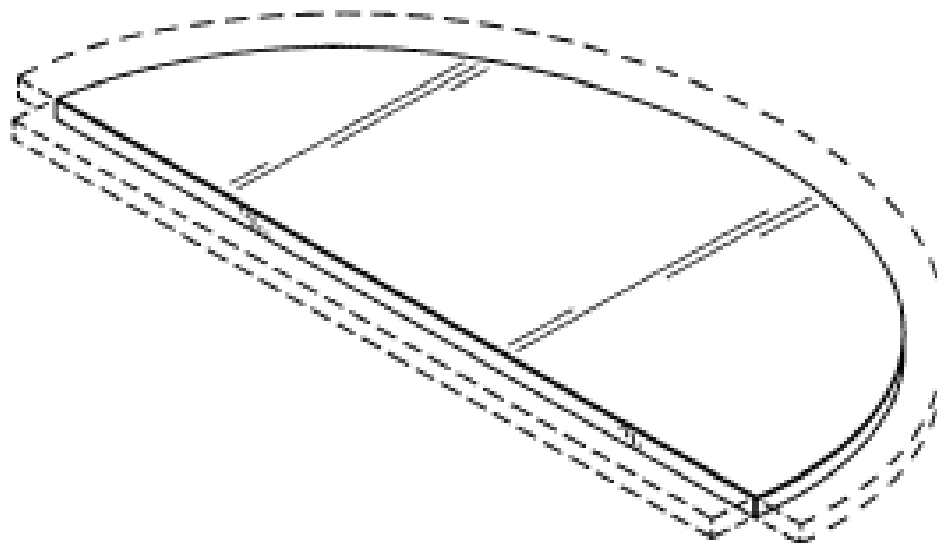


- (21) Design Number: **11338/2005**
- (22) Date of Filing Application: **05 April 2005**
- (24) Date from which industrial property rights may have effect: **05 April 2005**
- (54) Product in respect of which the design is registered: **Decking panel**
- (51) International Design Classification: **25-01NES**
- (71) Name(s) and Address(s) of Applicant(s):  
**Fielders Australia Pty Ltd**  
**15 Railway Terrace Mile End South Australia 5031 Australia**
- (72) Name(s) of Designer(s): **Mark Patrick and Joe Litmixay and Matt Lloyd**
- (45) Registration Date: **20 January 2006**
- (56) Related Art Documents: **Not Applicable**
- (57) Statement of Newness and Distinctiveness: **Newness and distinctiveness reside in the features of shape and configuration of a decking panel which is of indefinite length as shown in the accompanying representations.**



- (21) Design Number: **11343/2005**
- (22) Date of Filing Application: **04 April 2005**
- (24) Date from which industrial property rights may have effect: **04 April 2005**
- (54) Product in respect of which the design is registered: **Pad for a robot**
- (51) International Design Classification: **15-05**
- (71) Name(s) and Address(s) of Applicant(s):  
**Reckitt Benckiser Inc.**  
**Morris Corporate Center IV 399 Interpace Parkway Parsippany New Jersey 07054 United States of America**
- (72) Name(s) of Designer(s): **Matthew Marzynski**
- (45) Registration Date: **20 January 2006**
- (30) Convention priority data:  

(31) Number	(32) Date	(33) Country
<b>29/216147</b>	<b>29 Oct 2004</b>	<b>UNITED STATES OF AMERICA</b>
- (56) Related Art Documents: **Not Applicable**
- (57) Statement of Newness and Distinctiveness: **Each feature of the design shown in solid lines considered separately or in combination with any other feature or features. Those features of the design to be excluded are shown in broken lines.**



(21) Design Number: **11368/2005**  
(22) Date of Filing Application: **05 April 2005**  
(24) Date from which industrial property rights may have effect: **05 April 2005**  
(54) Product in respect of which the design is registered: **Impression coping**  
(51) International Design Classification: **24-02**  
(71) Name(s) and Address(s) of Applicant(s):

**Astra Tech AB**  
**Aminogatan 1 SE-431 21 Molndal Sweden**

(72) Name(s) of Designer(s): **Emad Ramzi and Eva Gabriellsson**

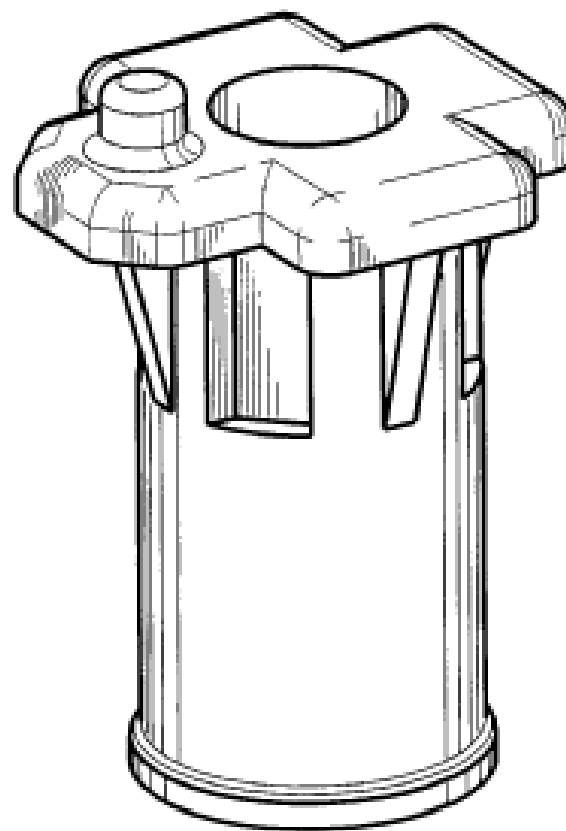
(45) Registration Date: **20 January 2006**

(30) Convention priority data:

(31) Number	(32) Date	(33) Country
<b>000240007</b>	<b>13 Oct 2004</b>	<b>EUROPEAN COMMUNITY</b>

(56) Related Art Documents: **Not Applicable**

(57) Statement of Newness and Distinctiveness: **Nil**



(21) Design Number: **11369/2005**  
(22) Date of Filing Application: **05 April 2005**  
(24) Date from which industrial property rights may have effect: **05 April 2005**  
(54) Product in respect of which the design is registered: **Impression coping**  
(51) International Design Classification: **24-02**  
(71) Name(s) and Address(s) of Applicant(s):

**Astra Tech AB**  
**Aminogatan 1 SE-431 21 Molndal Sweden**

(72) Name(s) of Designer(s): **Emad Ramzi and Eva Gabriellsson**

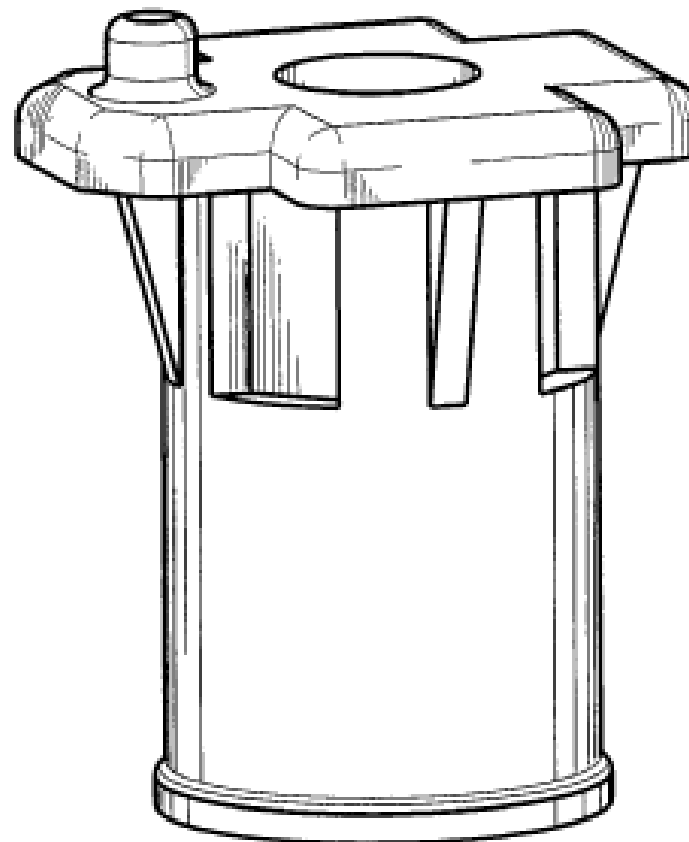
(45) Registration Date: **20 January 2006**

(30) Convention priority data:

(31) Number	(32) Date	(33) Country
<b>000240007</b>	<b>13 Oct 2004</b>	<b>EUROPEAN COMMUNITY</b>

(56) Related Art Documents: **Not Applicable**

(57) Statement of Newness and Distinctiveness: **Nil**



(21) Design Number: **11370/2005**  
(22) Date of Filing Application: **05 April 2005**  
(24) Date from which industrial property rights may have effect: **05 April 2005**  
(54) Product in respect of which the design is registered: **Bottle**  
(51) International Design Classification: **09-01G**  
(71) Name(s) and Address(s) of Applicant(s):

**Martell & Co.**  
**Place Edouard Martell Cognac France**

(72) Name(s) of Designer(s): **Agnes Duranthon**

(45) Registration Date: **20 January 2006**

(30) Convention priority data:

(31) Number	(32) Date	(33) Country
<b>000287602</b>	<b>31 Jan 2005</b>	<b>EUROPEAN COMMUNITY</b>

(56) Related Art Documents: **Not Applicable**

(57) Statement of Newness and Distinctiveness: **Nil**



(21) Design Number: **12598/2005**  
(22) Date of Filing Application: **17 June 2005**  
(24) Date from which industrial property rights may have effect: **17 June 2005**  
(54) Product in respect of which the design is registered: **A portion of a tool housing**  
(51) International Design Classification: **08-05NES**  
(71) Name(s) and Address(s) of Applicant(s):

**Illinois Tool Works Inc.**  
**3600 West Lake Avenue Glenview Cook County Illinois 60025 United States of America**

(72) Name(s) of Designer(s): **Cheryl L. Panasik and Kevin M. Tucker and Norbert K. Kolodziej and Yongping Gong**

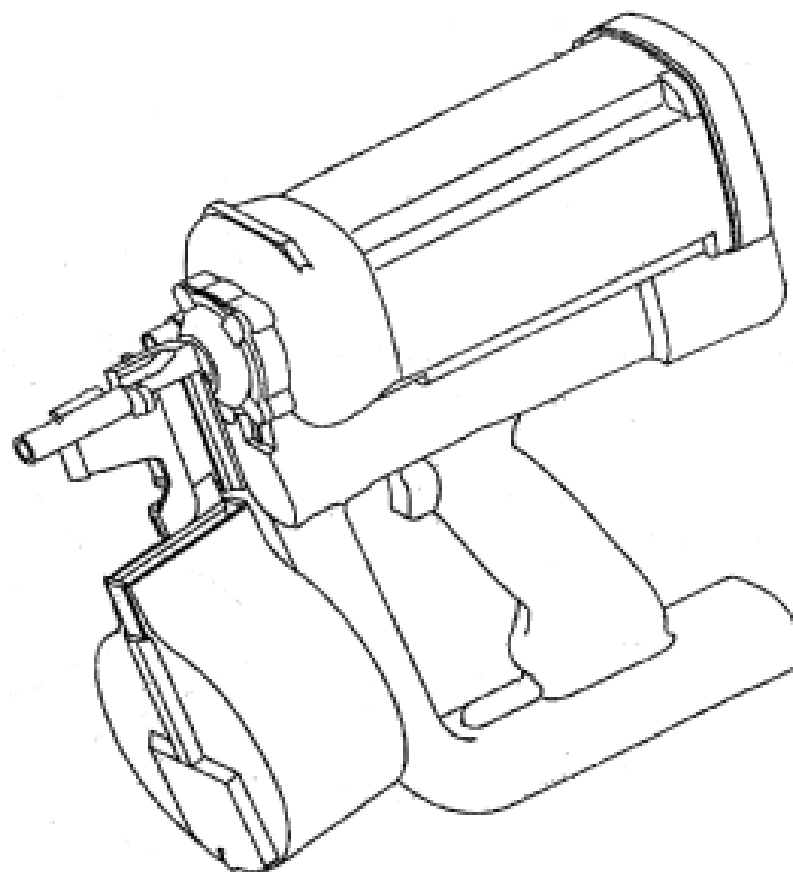
(45) Registration Date: **20 January 2006**

(30) Convention priority data:

(31) Number	(32) Date	(33) Country
<b>29/212438</b>	<b>01 Sep 2004</b>	<b>UNITED STATES OF AMERICA</b>

(56) Related Art Documents: **Not Applicable**

(57) Statement of Newness and Distinctiveness: **Nil**



(21) Design Number: **12612/2005**

(22) Date of Filing Application: **16 June 2005**

(24) Date from which industrial property rights may have effect: **16 June 2005**

(54) Product in respect of which the design is registered: **Building brick**

(51) International Design Classification: **25-01A**

(71) Name(s) and Address(s) of Applicant(s):

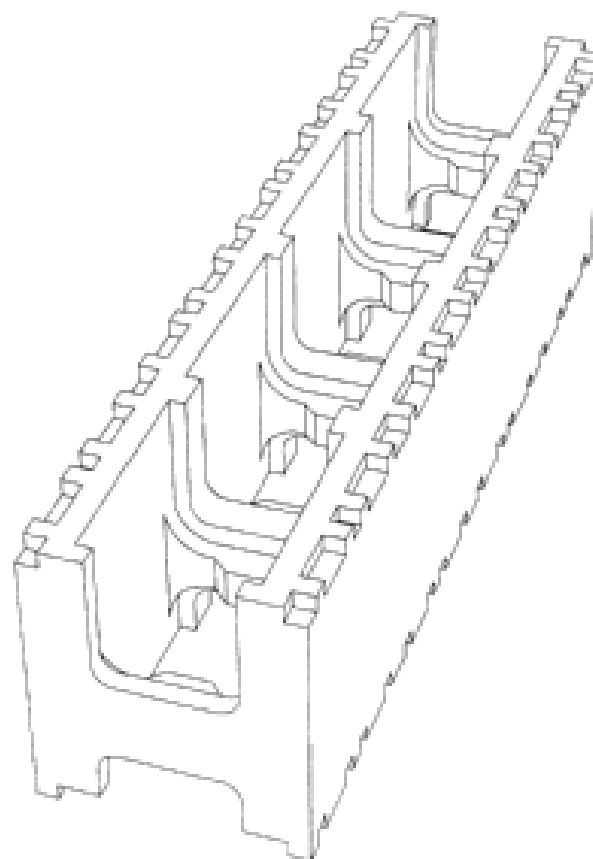
**Australian Horizon Homes Pty Ltd  
6 Short Street Rooty Hill New South Wales 2766 Australia**

(72) Name(s) of Designer(s): **Falekava Mahe**

(45) Registration Date: **20 January 2006**

(56) Related Art Documents: **Not Applicable**

(57) Statement of Newness and Distinctiveness: **The strength of the smart-block is determined in accordance with AS/NZS3600, which has specified maximum limits for concrete and reinforcement action to ensure ductile failure i.e. steel failure. The void space profile of the smart-block has been designed to ensure the failure mechanism of the reinforced core is of a ductile nature. This has been achieved by maximizing the volume of concrete away from the centre-line of the smart-block and the location of the reinforcement. The void space profile is unique to the smart-block and ultimately provides for a more efficient design. See Figure 2 - Above view of each design.**



(21) Design Number: **12613/2005**

(22) Date of Filing Application: **16 June 2005**

(24) Date from which industrial property rights may have effect: **16 June 2005**

(54) Product in respect of which the design is registered: **Building brick**

(51) International Design Classification: **25-01A**

(71) Name(s) and Address(s) of Applicant(s):

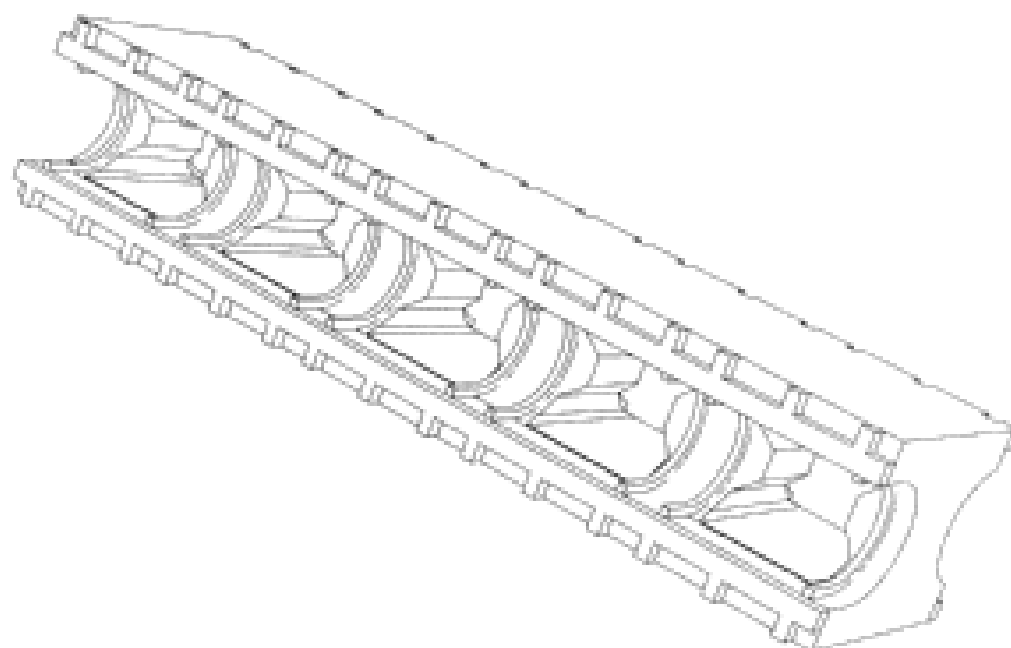
**Australian Horizon Homes Pty Ltd  
6 Short Street Rooty Hill New South Wales 2766 Australia**

(72) Name(s) of Designer(s): **Falekava Mahe**

(45) Registration Date: **20 January 2006**

(56) Related Art Documents: **Not Applicable**

(57) Statement of Newness and Distinctiveness: **The strength of the smart-brick is determined in accordance with AS/NZS3600, which has specified maximum limits for concrete and reinforcement action to ensure ductile failure i.e. steel failure. The void space profile of the smart-brick has been designed to ensure the failure mechanism of the reinforced core is of a ductile nature. This has been achieved by maximizing the volume of concrete away from the centre-line of the smart-brick and the location of the reinforcement. The void space profile is unique to the smart-brick and ultimately provides for a more efficient design. See Figure 2 - Above view of each design.**



(21) Design Number: **12614/2005**

(22) Date of Filing Application: **16 June 2005**

(24) Date from which industrial property rights may have effect: **16 June 2005**

(54) Product in respect of which the design is registered: **Smart Brick 150**

(51) International Design Classification: **25-01A**

(71) Name(s) and Address(s) of Applicant(s):

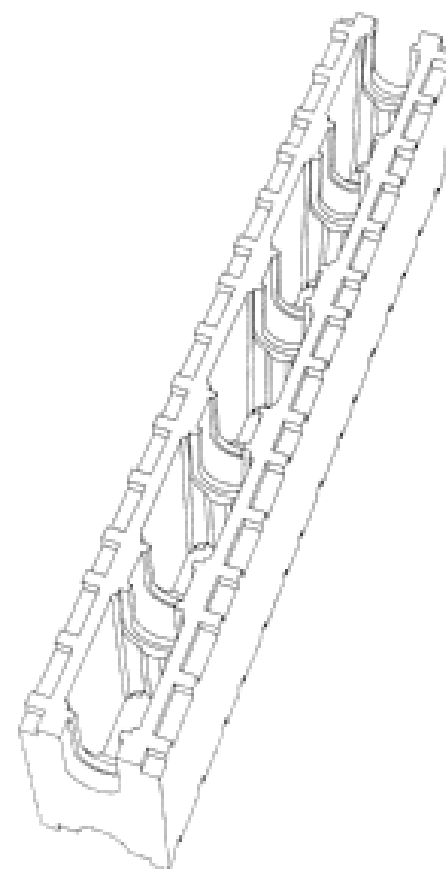
**Australian Horizon Homes Pty Ltd  
6 Short Street Rooty Hill New South Wales 2766 Australia**

(72) Name(s) of Designer(s): **Falekava Mahe**

(45) Registration Date: **20 January 2006**

(56) Related Art Documents: **Not Applicable**

(57) Statement of Newness and Distinctiveness: **The strength of the smart-brick is determined in accordance with AS/NZS3600, which has specified maximum limits for concrete and reinforcement action to ensure ductile failure i.e. steel failure. The void space profile of the smart-brick has been designed to ensure the failure mechanism of the reinforced core is of a ductile nature. This has been achieved by maximizing the volume of concrete away from the centre-line of the smart-brick and the location of the reinforcement. The void space profile is unique to the smart-brick and ultimately provides for a more efficient design. See Figure 2 - Above view of each design.**



(21) Design Number: **13591/2005**

(22) Date of Filing Application: **23 August 2005**

(24) Date from which industrial property rights may have effect: **23 August 2005**

(54) Product in respect of which the design is registered: **Magnetic lifting anchor for concrete**

(51) International Design Classification: **25-01B**

(71) Name(s) and Address(s) of Applicant(s):

**Victor Cassar  
PO Box 159 Raymond Terrace New South Wales 2324 Australia**

(72) Name(s) of Designer(s): **Victor Cassar**

(45) Registration Date: **20 January 2006**

(56) Related Art Documents: **Not Applicable**

(57) Statement of Newness and Distinctiveness: **Proportional size of inner ring (magnet) to size of outside diameter.**



(19) AU

- (21) Design Number: **11012/2005**
- (22) Date of Filing Application: **15 March 2005**
- (24) Date from which industrial property rights may have effect: **15 March 2005**
- (54) Product in respect of which the design is registered: **Trailer**
- (51) International Design Classification: **12-10**
- (71) Name(s) and Address(s) of Applicant(s):

**Christopher Mazengarb Ralph as trustees for the Chris Ralph Family Trust**  
**C/Bowden Williams & Associates Level 2 3 Margot Street Newmarket Auckland 1001 New Zealand**

**Andrew Thomas Williams as trustees for the Chris Ralph Family Trust**  
**C/Bowden Williams & Associates Level 2 3 Margot Street Newmarket Auckland 1001 New Zealand**

**Caroline Marlene Sally Ralph as trustees for the Chris Ralph Family Trust**  
**C/Bowden Williams & Associates Level 2 3 Margot Street Newmarket Auckland 1001 New Zealand**

(72) Name(s) of Designer(s): **Christopher Mazengarb Ralph**

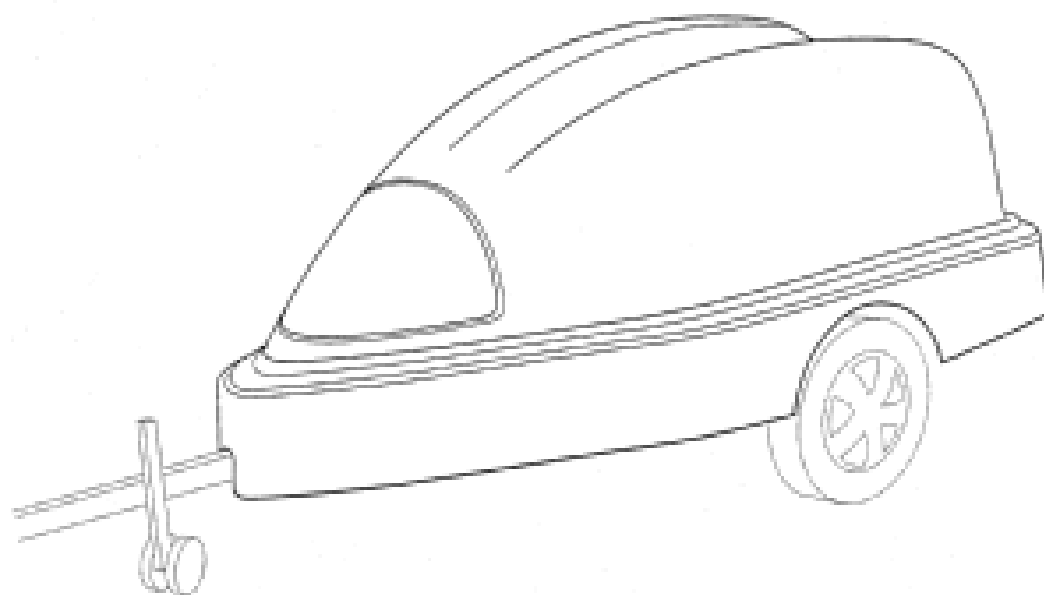
(45) Registration Date: **24 January 2006**

(30) Convention priority data:

(31) Number	(32) Date	(33) Country
<b>405289</b>	<b>15 Sep 2004</b>	<b>NEW ZEALAND</b>

(56) Related Art Documents: **Not Applicable**

(57) Statement of Newness and Distinctiveness: **If a person is required to decide whether the design is substantially similar in overall impression to another design, the person making the decision should have particular regard to the features shown by means of solid lines in the representations.**



(19) AU

- (21) Design Number: **11013/2005**
- (22) Date of Filing Application: **15 March 2005**
- (24) Date from which industrial property rights may have effect: **15 March 2005**
- (54) Product in respect of which the design is registered: **Trailer**
- (51) International Design Classification: **12-10**
- (71) Name(s) and Address(s) of Applicant(s):

**Christopher Mazengarb Ralph as trustees for the Chris Ralph Family Trust**  
**C/Bowden Williams & Associates Level 2 3 Margot Street Newmarket Auckland 1001 New Zealand**

**Andrew Thomas Williams as trustees for the Chris Ralph Family Trust**  
**C/Bowden Williams & Associates Level 2 3 Margot Street Newmarket Auckland 1001 New Zealand**

**Caroline Marlene Sally Ralph as trustees for the Chris Ralph Family Trust**  
**C/Bowden Williams & Associates Level 2 3 Margot Street Newmarket Auckland 1001 New Zealand**

(72) Name(s) of Designer(s): **Christopher Mazengarb Ralph**

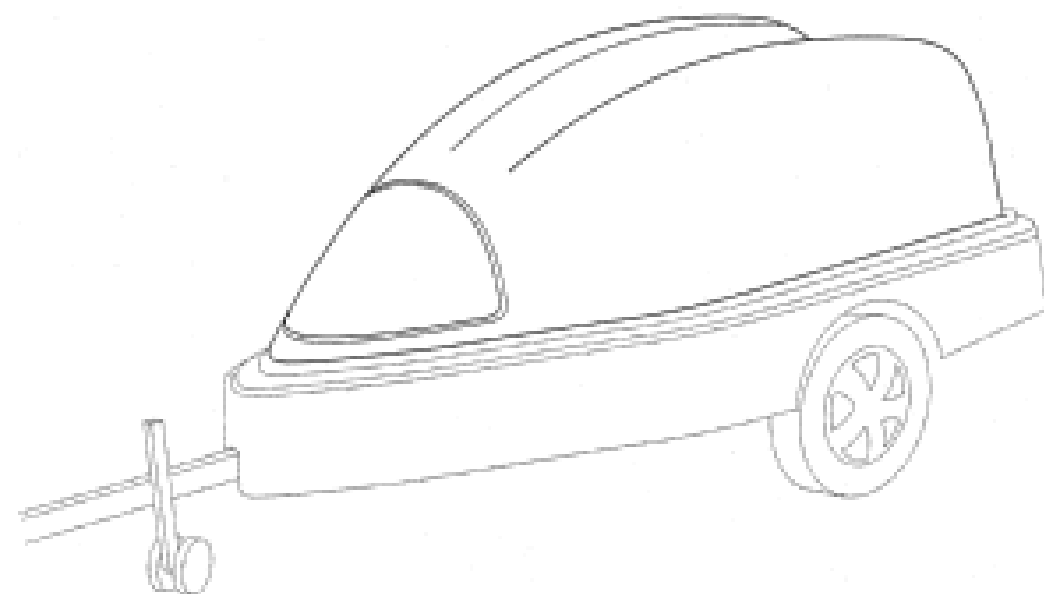
(45) Registration Date: **24 January 2006**

(30) Convention priority data:

(31) Number	(32) Date	(33) Country
<b>405290</b>	<b>15 Sep 2004</b>	<b>NEW ZEALAND</b>

(56) Related Art Documents: **Not Applicable**

(57) Statement of Newness and Distinctiveness: **If a person is required to decide whether the design is substantially similar in overall impression to another design, the person making the decision should have particular regard to the features shown by means of solid lines in the representations.**



(21) Design Number: **11015/2005**  
(22) Date of Filing Application: **15 March 2005**  
(24) Date from which industrial property rights may have effect: **15 March 2005**  
(54) Product in respect of which the design is registered: **A handset**  
(51) International Design Classification: **14-03A**  
(71) Name(s) and Address(s) of Applicant(s):

**Nokia Corporation**  
**Keilalahdentie 4 FIN-02150 Espoo Finland**

(72) Name(s) of Designer(s): **Shiho Nakajima**

(45) Registration Date: **24 January 2006**

(30) Convention priority data:

(31) Number	(32) Date	(33) Country
<b>M20040148</b>	<b>16 Sep 2004</b>	<b>FINLAND</b>

(56) Related Art Documents: **Not Applicable**

(57) Statement of Newness and Distinctiveness: **Nil**



(21) Design Number: **11016/2005**  
(22) Date of Filing Application: **15 March 2005**  
(24) Date from which industrial property rights may have effect: **15 March 2005**  
(54) Product in respect of which the design is registered: **A front cover for a handset**  
(51) International Design Classification: **14-03A**  
(71) Name(s) and Address(s) of Applicant(s):

**Nokia Corporation**  
**Keilalahdentie 4 FIN-02150 Espoo Finland**

(72) Name(s) of Designer(s): **Shiho Nakajima**

(45) Registration Date: **24 January 2006**

(30) Convention priority data:

(31) Number	(32) Date	(33) Country
<b>M20040148</b>	<b>16 Sep 2004</b>	<b>FINLAND</b>

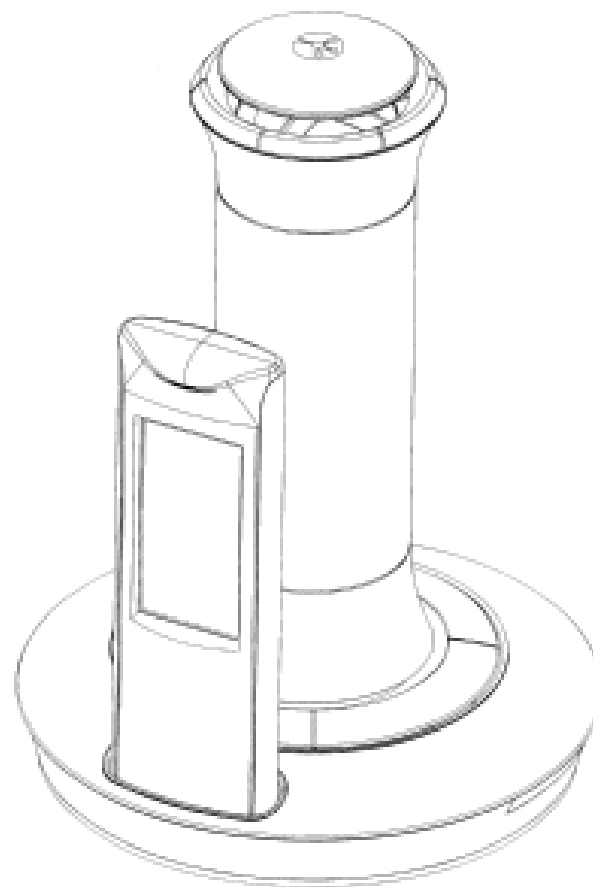
(56) Related Art Documents: **Not Applicable**

(57) Statement of Newness and Distinctiveness: **Nil**





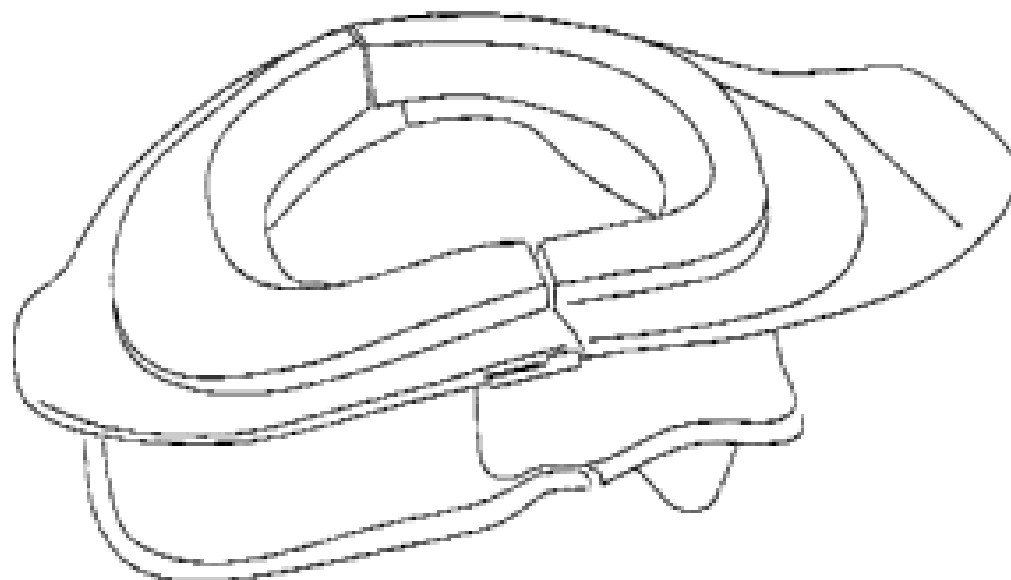
- (21) Design Number: **11031/2005**  
(22) Date of Filing Application: **15 March 2005**  
(24) Date from which industrial property rights may have effect: **15 March 2005**  
(54) Product in respect of which the design is registered: **A telephone assembly**  
(51) International Design Classification: **14-03E**  
(71) Name(s) and Address(s) of Applicant(s):  
**Crinia Corporation Pty Ltd**  
**5 Rothbury Place Cherrybrook New South Wales 2126 Australia**  
(72) Name(s) of Designer(s): **Richard Andrew Byers and Brad Peter Ryan and Robert John Smith and Murray David Kirby Hunter**  
(45) Registration Date: **24 January 2006**  
(56) Related Art Documents: **Not Applicable**  
(57) Statement of Newness and Distinctiveness: **Newness and distinctiveness is claimed in the features of shape and/or configuration of a telephone assembly as illustrated in the accompanying representations.**



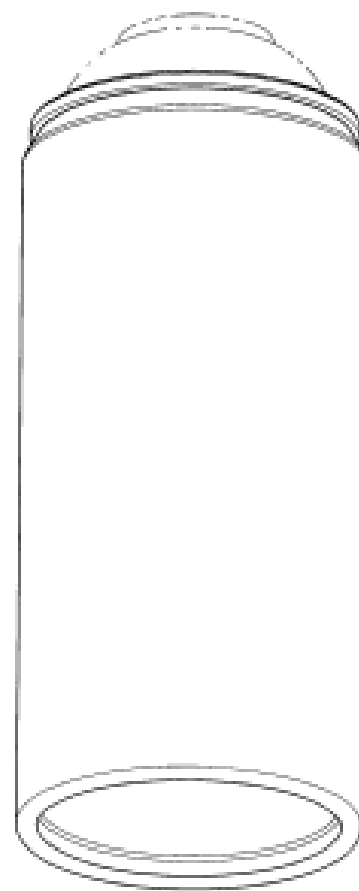
- (21) Design Number: **11036/2005**  
(22) Date of Filing Application: **15 March 2005**  
(24) Date from which industrial property rights may have effect: **15 March 2005**  
(54) Product in respect of which the design is registered: **Neck brace**  
(51) International Design Classification: **24-04**  
(71) Name(s) and Address(s) of Applicant(s):  
**Christopher James Leatt**  
**4 De Cock Avenue Constantia 7800 South Africa**  
(72) Name(s) of Designer(s): **Christopher James Leatt**  
(45) Registration Date: **24 January 2006**  
(30) Convention priority data:  

(31) Number	(32) Date	(33) Country
<b>F2004/1239</b>	<b>17 Sep 2004</b>	<b>SOUTH AFRICA</b>

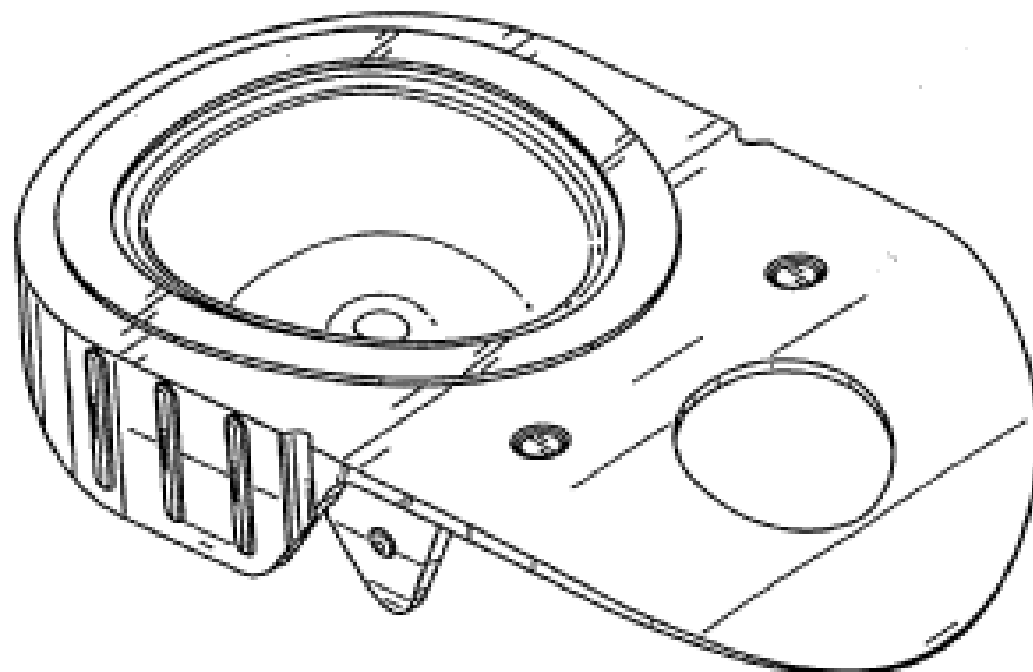
  
(56) Related Art Documents: **Not Applicable**  
(57) Statement of Newness and Distinctiveness: **Nil**



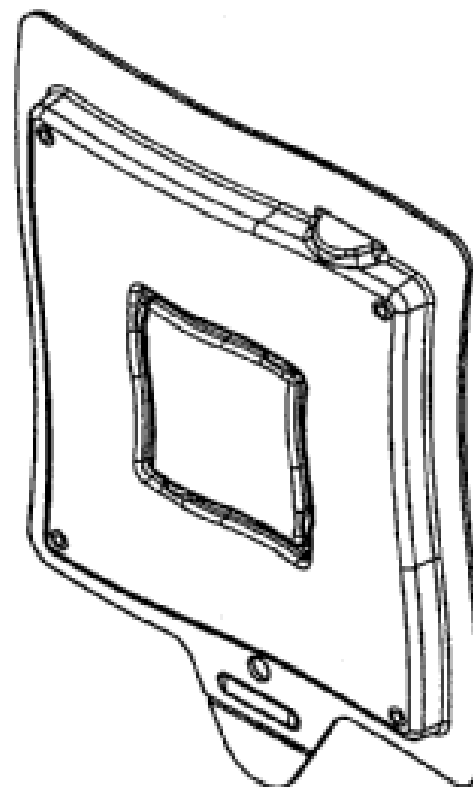
- (21) Design Number: **11067/2005**  
(22) Date of Filing Application: **17 March 2005**  
(24) Date from which industrial property rights may have effect: **17 March 2005**  
(54) Product in respect of which the design is registered: **A metal can**  
(51) International Design Classification: **09-03L**  
(71) Name(s) and Address(s) of Applicant(s):  
**NCI Packaging Pty Ltd**  
**24 Groom Street Clifton Hill Victoria 3068 Australia**  
(72) Name(s) of Designer(s): **Mauro Trentin and Peter Newall**  
(45) Registration Date: **24 January 2006**  
(56) Related Art Documents: **Not Applicable**  
(57) Statement of Newness and Distinctiveness: **The visual features of a metal can depicted in the representations that are new and distinctive are the shape and/or configuration of the bottom region of the metal can. In determining whether the design is substantially similar in overall impression to another design the top of the metal can shown in broken lines in the representations is to be disregarded.**



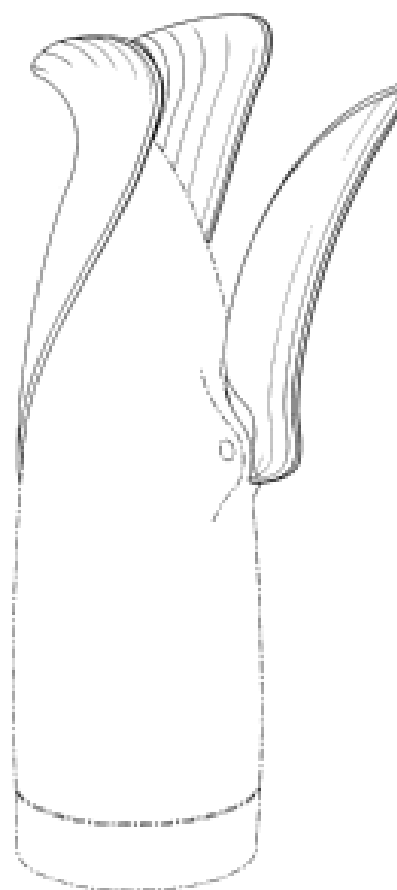
- (21) Design Number: **11085/2005**  
(22) Date of Filing Application: **21 March 2005**  
(24) Date from which industrial property rights may have effect: **21 March 2005**  
(54) Product in respect of which the design is registered: **Contact lens case**  
(51) International Design Classification: **16-99, 03-01NES**  
(71) Name(s) and Address(s) of Applicant(s):  
**Bausch & Lomb Incorporated**  
**One Bausch & Lomb Place Rochester NY 14604-2701 United States of America**  
(72) Name(s) of Designer(s): **Eoin Roche and Neil Hirst and Tanja Langgner**  
(45) Registration Date: **24 January 2006**  
(30) Convention priority data:  
(31) Number      (32) Date      (33) Country  
**3018839      23 Sep 2004      UNITED KINGDOM**  
(56) Related Art Documents: **Not Applicable**  
(57) Statement of Newness and Distinctiveness: **Newness and distinctiveness of the design resides in the shape and/or configuration of the contact lens case as shown in the accompanying representations.**



- (21) Design Number: **11086/2005**  
(22) Date of Filing Application: **21 March 2005**  
(24) Date from which industrial property rights may have effect: **21 March 2005**  
(54) Product in respect of which the design is registered: **Refill for air deodorising apparatus**  
(51) International Design Classification: **28-99**  
(71) Name(s) and Address(s) of Applicant(s):  
**Samar LLC**  
**10 South Riverside Plaza Suite 1800 Chicago Illinois 60606 United States of America**  
(72) Name(s) of Designer(s): **Jordi Miro**  
(45) Registration Date: **24 January 2006**  
(30) Convention priority data:  
(31) Number (32) Date (33) Country  
**000252358 15 Nov 2004 EUROPEAN COMMUNITY**  
(56) Related Art Documents: **Not Applicable**  
(57) Statement of Newness and Distinctiveness: **Nil**



- (21) Design Number: **11089/2005**  
(22) Date of Filing Application: **21 March 2005**  
(24) Date from which industrial property rights may have effect: **21 March 2005**  
(54) Product in respect of which the design is registered: **Pepper mill**  
(51) International Design Classification: **07-06C**  
(71) Name(s) and Address(s) of Applicant(s):  
**Trudeau Corporation 1889 Inc.**  
**1600 Eiffel Boucherville Quebec J4Y 5B1 Canada**  
(72) Name(s) of Designer(s): **Pierre Tardif**  
(45) Registration Date: **24 January 2006**  
(56) Related Art Documents: **Not Applicable**  
(57) Statement of Newness and Distinctiveness: **Newness and distinctiveness is claimed in those features of shape and/or configuration of a pepper mill illustrated in continuous lines in the accompanying representations.**



(21) Design Number: **11090/2005**  
 (22) Date of Filing Application: **21 March 2005**  
 (24) Date from which industrial property rights may have effect: **21 March 2005**  
 (54) Product in respect of which the design is registered: **Television receiver**  
 (51) International Design Classification: **14-03B**  
 (71) Name(s) and Address(s) of Applicant(s):

**Matsushita Electric Industrial Co. Ltd**  
**1006 Oaza Kadoma Kadoma-shi Osaka 571-8501 Japan**

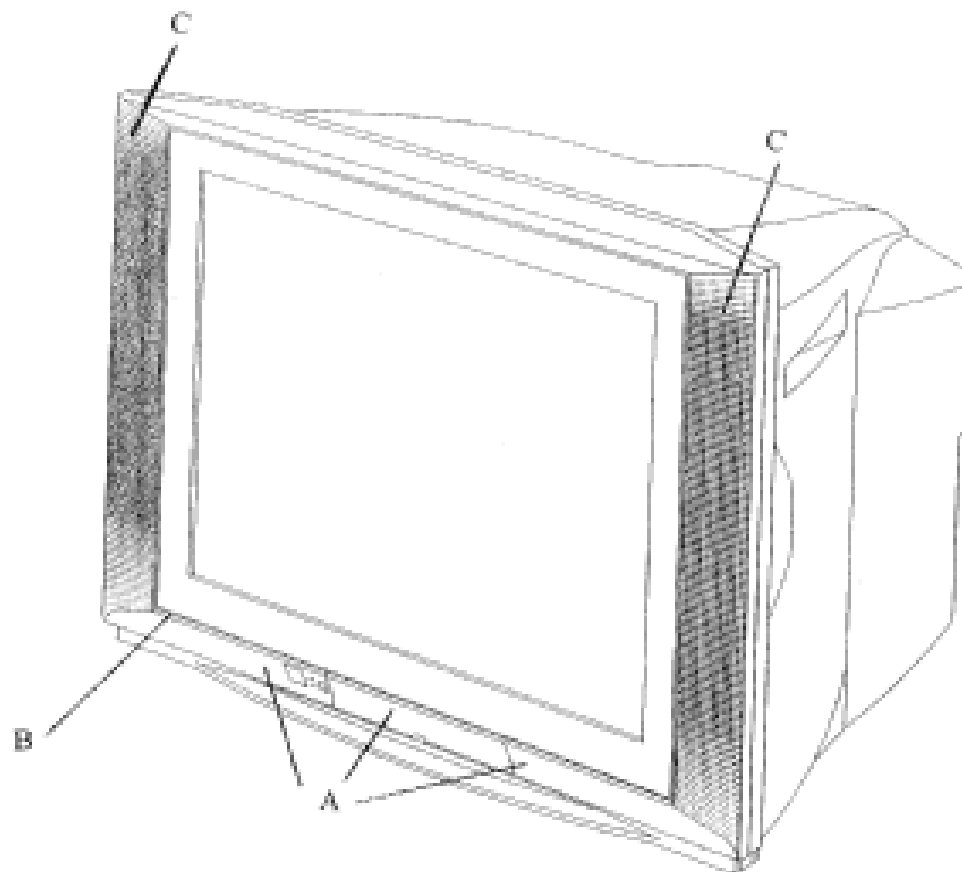
(72) Name(s) of Designer(s): **Mitsunari Fujii and Kosaku Wada**  
 (45) Registration Date: **24 January 2006**

(30) Convention priority data:

(31) Number	(32) Date	(33) Country
<b>2004-028517</b>	<b>21 Sep 2004</b>	<b>JAPAN</b>

(56) Related Art Documents: **Not Applicable**

(57) Statement of Newness and Distinctiveness: **Newness and distinctiveness is claimed in the features of shape and/or configuration of a television receiver as illustrated and labelled 'A' groove labelled 'B', and speaker ports labelled 'C'.**



(21) Design Number: **11178/2005**  
 (22) Date of Filing Application: **24 March 2005**  
 (24) Date from which industrial property rights may have effect: **24 March 2005**  
 (54) Product in respect of which the design is registered: **Refrigerator**  
 (51) International Design Classification: **15-07**  
 (71) Name(s) and Address(s) of Applicant(s):

**LG Electronics Inc.**  
**20 Yoido-dong Yongdungpo-gu Seoul Korea**

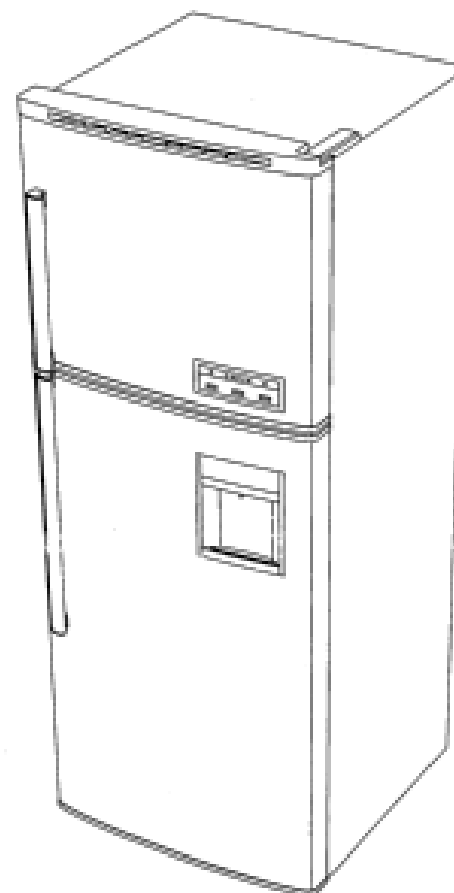
(72) Name(s) of Designer(s): **Kyeong Chul Cho and Gwan Woo Park**  
 (45) Registration Date: **24 January 2006**

(30) Convention priority data:

(31) Number	(32) Date	(33) Country
<b>30-2004-0031892</b>	<b>18 Oct 2004</b>	<b>REPUBLIC OF KOREA</b>

(56) Related Art Documents: **Not Applicable**

(57) Statement of Newness and Distinctiveness: **Newness and distinctiveness is claimed in the visual features of shape and/or configuration as applied to a refrigerator as illustrated in the accompanying representation.**



(21) Design Number: **11179/2005**  
(22) Date of Filing Application: **24 March 2005**  
(24) Date from which industrial property rights may have effect: **24 March 2005**  
(54) Product in respect of which the design is registered: **Oven range**  
(51) International Design Classification: **07-02A**  
(71) Name(s) and Address(s) of Applicant(s):

**LG Electronics Inc.**  
**20 Yoido-dong Yongdungpo-gu Seoul Korea**

(72) Name(s) of Designer(s): **Wook Jun Jung and Young Don Kim**

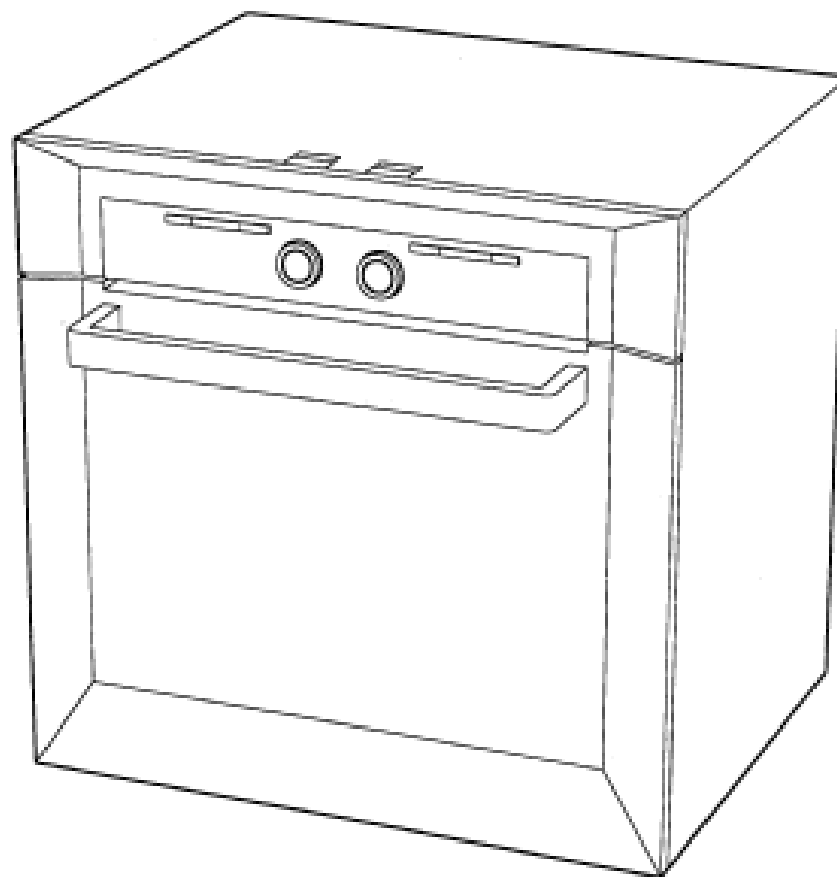
(45) Registration Date: **24 January 2006**

(30) Convention priority data:

(31) Number	(32) Date	(33) Country
<b>30-2004-0033087</b>	<b>28 Oct 2004</b>	<b>REPUBLIC OF KOREA</b>

(56) Related Art Documents: **Not Applicable**

(57) Statement of Newness and Distinctiveness: **Newness and distinctiveness is claimed in the visual features of shape and/or configuration as applied to an oven range as illustrated in the accompanying representation.**



(21) Design Number: **11182/2005**  
(22) Date of Filing Application: **24 March 2005**  
(24) Date from which industrial property rights may have effect: **24 March 2005**  
(54) Product in respect of which the design is registered: **Media device/mobile phone**  
(51) International Design Classification: **14-03E**  
(71) Name(s) and Address(s) of Applicant(s):

**Nokia Corporation**  
**Keilalahdentie 4 FIN-02150 Espoo Finland**

(72) Name(s) of Designer(s): **Pertti Salmi**

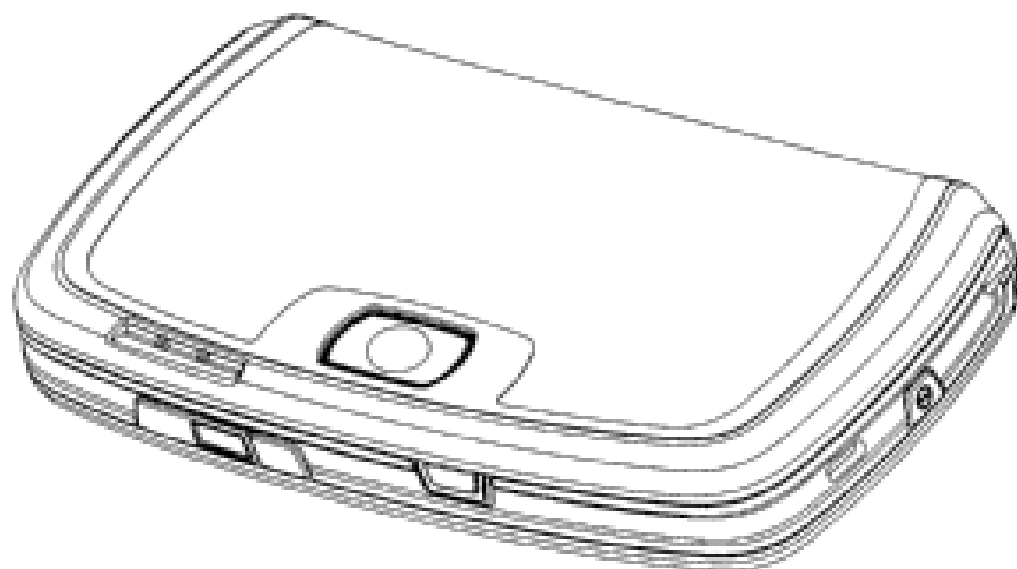
(45) Registration Date: **24 January 2006**

(30) Convention priority data:

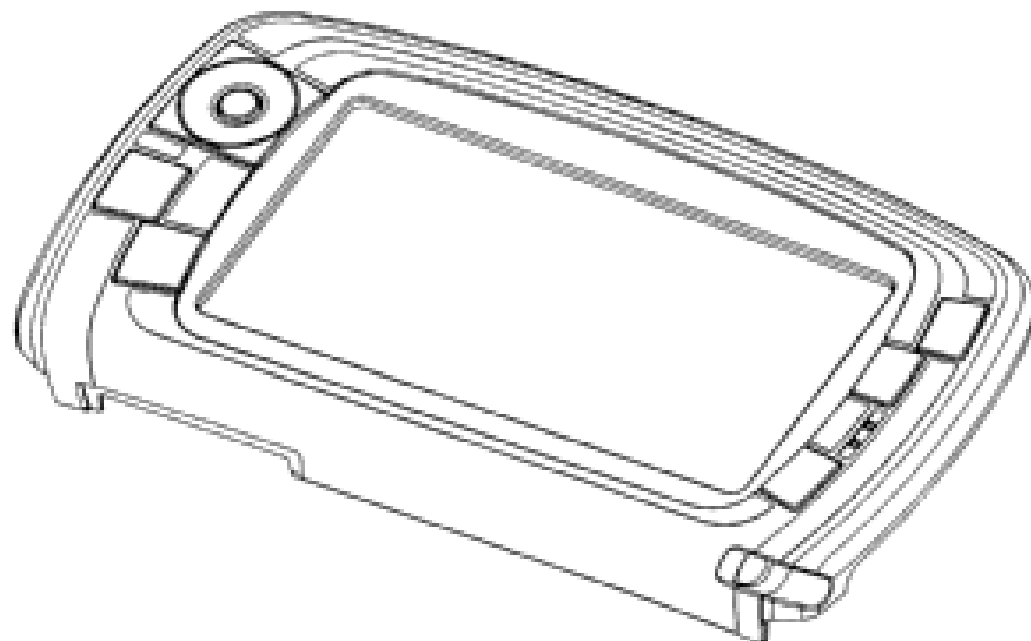
(31) Number	(32) Date	(33) Country
<b>M20040171</b>	<b>29 Oct 2004</b>	<b>FINLAND</b>

(56) Related Art Documents: **Not Applicable**

(57) Statement of Newness and Distinctiveness: **Nil**



(21) Design Number: **11183/2005**  
(22) Date of Filing Application: **24 March 2005**  
(24) Date from which industrial property rights may have effect: **24 March 2005**  
(54) Product in respect of which the design is registered: **Front cover for a media device/mobile phone**  
(51) International Design Classification: **14-03A**  
(71) Name(s) and Address(s) of Applicant(s):  
**Nokia Corporation**  
**Keilalahdentie 4 FIN-02150 Espoo Finland**  
(72) Name(s) of Designer(s): **Pertti Salmi**  
(45) Registration Date: **24 January 2006**  
(30) Convention priority data:  
(31) Number (32) Date (33) Country  
**M20040171 29 Oct 2004 FINLAND**  
(56) Related Art Documents: **Not Applicable**  
(57) Statement of Newness and Distinctiveness: **Nil**



(21) Design Number: **11184/2005**  
(22) Date of Filing Application: **24 March 2005**  
(24) Date from which industrial property rights may have effect: **24 March 2005**  
(54) Product in respect of which the design is registered: **A bottle**  
(51) International Design Classification: **09-01NES**  
(71) Name(s) and Address(s) of Applicant(s):  
**Al Ahram Beverages Company S.A.E.**  
**2 Sarwat Street Giza PO Box 88 Cairo Egypt**  
(72) Name(s) of Designer(s): **Andrew William Bowyer and Glenn Kiernan**  
(45) Registration Date: **24 January 2006**  
(56) Related Art Documents: **Not Applicable**  
(57) Statement of Newness and Distinctiveness: **Nil**

