



Australian Government

IP Australia

AUSTRALIAN OFFICIAL JOURNAL

OF

DESIGNS

Did you know a searchable version of this journal is now available online?
It's FREE and EASY to SEARCH.

Find it at

<http://pericles.ipaustralia.gov.au/ols/epublish/content/olsEpublications.jsp>
or using the "Online Journals" link on the IP Australia home page.

This Page Left Intentionally Blank

Contents

General Information & Notices

Proceedings Under the Designs Act 1906 preserved as a result of the provisions of Chapter 12 Part 2 of the Designs Act 2003

Application for Extension of Period of Registration	3800
Applications Assigned	3802
Applications Lapsed	3799
Extension of Period of Registration of Designs	3800
Extensions of Time Granted	3801
Names Registered - Alterations and Amendments	3802
Registration Proceedings	
Registration Number Range 158481 to 158505	3803
Registrations Ceased	3801
Subsequent Owners Registered	3802

Proceedings Under the Designs Act 2003

Applications Lapsed	3827
Applications Lodged	3821
Certificate of Examination	3830
Corrigenda	3829
Extension of Time Granted Under Section 137	3828
Publication and Registration Proceedings	
Designs Registered 305149 to 305374.....	3831

This Page Left Intentionally Blank

General Information

EDITORIAL ENQUIRIES

All enquiries about official notices and general information in the Journal should be directed to IP Australia, (ABN No 38 113 072 755), PO Box 200 Woden ACT 2606

Or

Telephone 1300 651 010
(International Callers +61 2 6283 2999)
Fax 02 6283 7999
E-mail assist@ipaustralia.gov.au

CONTACT INFORMATION

Customer Service Network
Telephone 1300 651 010 , Fax: 02 6283 7999
E-mail: assist@ipaustralia.gov.au

Customers can contact the Customer Service Network by telephone or by e-mail. Telephones are staffed between 9am and 5pm each working day.

Customers should contact the Customer Service Network for information about:

- All Patent Matters including PCT and Innovation Patents.
- All Trade Mark Matters.
- All Design Matters.

Professional Standards Board for Patent and Trade Mark Attorneys.

Ph: 02 6283 2345 Fax: 02 6283 1048

ORDERING PATENT DOCUMENTS

When ordering copies of Australian patent specifications, or abstracts and abridgments notified as open to public inspection on or after 26 October 1978, or as accepted on or after 16 November 1978, the documents should be referred to by application numbers only, preceded by letters AU-A or AU-B respectively.

REQUESTS FOR INFORMATION UNDER SECTION 194 (C)

A request for information under Section 194 (C) of the Patents Act 1990 should be made in the approved form and be accompanied by the prescribed fee. The request should be as detailed as possible.

INFORMATION FROM REGISTERS

All requests for information from Register of Patents, Trade Marks or Designs, should be made in writing and accompanied by the prescribed fee. The Registers are located in Canberra and may be examined free of charge.

COUNTRY CODES

For a listing of country codes used by IP Australia please refer to the Official Journals dated 7 November 1996.

ABBREVIATIONS IN JOURNAL

Standard abbreviations are used in the name of companies and firms. Enquiries concerning the precise name should be directed to the Customer Service Network.

FREEDOM OF INFORMATION ACT

What does it do?

- Gives you right to obtain information held by Commonwealth Ministers, Departments and most statutory bodies (these bodies are called agencies under the Act).
- Requires Commonwealth Government agencies to make available to members of the public:
 - Information about agencies, their functions and operations.
 - Information about rules and practices which are used in making decisions which affect you.
- Gives you a legal right to:
 - See non exempt documents held by agencies, and
 - appeal against a decision not to grant access to a document.

What documents can you see?

- The Act gives you a right to see documents lodged on or after 1 December 1977, or earlier if you need them to understand another document you have already.
- Documents include files, reports, computer printouts, maps, plans, photographs, tape recordings, films or videotapes.
- Documents which are available for purchase under the Patents Act 1990, the Trade Marks Act 1995 or Designs Act 2003 or Plant Breeder's Rights Act 1994 are not available under the Freedom of Information Act (Section 12 refers).

How do you apply?

Requests for access to documents must

- Be in writing
- Provide sufficient information so as to enable identification of the documents requested
- Specify an address in Australia where notices can be sent and
- Be accompanied by the application fee (currently \$30.00).

Requests for documents should be addressed to IP Australia, PO Box 200 Woden, ACT 2606, or Faxed to 02 6283 7999

DECISIONS OF THE COMMISSIONER OF PATENTS AND REGISTRAR OF TRADE MARKS AND DESIGNS

- All decisions of the Commissioner and Registrars are available free of charge from AUSTLII's website

www.austlii.edu.au

Copies of all written Patent and Design decisions are available (except if they would not be available under the provisions of the Freedom of Information legislation, e.g. if they would effectively disclose matter from documents that are not open to public inspection) on request for a cost of \$AU 25. They are also available for inspection in indexed volume series, dating from 1 January 1987, in the Office library, Canberra.

Copies of Trade Mark decisions may be accessed via IP Australia's website www.ipaustralia.gov.au

- Copies of the taped record of Patent and Design hearings are available (with the same exception as above) on request.
- When a written decision is issued the fact of the decision plus a brief head note will be published in the Official Notices section of the next available Patents, Trade Marks or Designs Journal.

HEARINGS BEFORE THE COMMISSIONER OF PATENTS

Hearings before the Commissioner of Patents will usually be conducted at the Patent Office in Canberra and interstate hearing sessions are not provided. However, the Commissioner will conduct hearings outside of Canberra at a convenient time to all parties provided that the parties bear the travel costs of the hearing officer.

The various options for hearings are set out in the document "Options for Hearings" available on IP Australia's website at: www.ipaustralia.gov.au/pdfs/patents/optionsforhearings.PDF

HEARINGS BEFORE THE REGISTRARS OF TRADE MARKS AND DESIGNS

Hearings before the Registrars of Trade Marks and Designs will be set down in Melbourne, Sydney, Adelaide, Perth and Brisbane during the periods indicated below.

Designs and Trade Marks Hearings Sessions 2006

Melbourne	13 – 17 February 5 – 9 June 11 – 15 September
Sydney	13 – 17 March 17 – 21 July 16 – 20 October
Adelaide	14 – 15 August
Perth	17 – 18 August
Brisbane	24 – 25 August

Persons who desire matters to be set down for hearing in Melbourne, Sydney, Adelaide, Perth or Brisbane must give at least one month's notice of their intention to be heard. If such notice is not given, it may be that there would be insufficient time to allow for the execution of official procedures associated with the listing of hearings, and as a result, the matter involved might not be listed.

Subject to the convenience of this Office, hearings will be set down in Canberra at any time suitable to the parties.

LIST OF STATE OFFICES

IP Australia State Offices are located in the Australian Capitals at the addresses given below. Requests for information may be obtained by calling at, phoning or writing to these offices or IP Australia, Canberra.

Australian Capital Territory

Ground Floor
Discovery House
PHILLIP ACT 2606
(PO Box 200, WODEN ACT 2606)
Ph: 1300 651 010
Fax: (02) 6283 7999

New South Wales

Level 1
45 Clarence Street
SYDNEY NSW 2000
Ph: 1300 651 010
Fax: (02) 9249 5807

Victoria

Level 6
OCBC House
565 Bourke Street
MELBOURNE VIC 3000
Ph: 1300 651 010
Fax (03) 9612 9807

Western Australia

2nd Floor
East Point Plaza
233 Adelaide Terrace
PERTH WA 6000
Ph: 1300 651 010
Fax: (08) 9220 8907

Queensland

Level 1
Grant Thornton House
102 Adelaide Street
BRISBANE QLD 4000
Ph: 1300 651 010
Fax: (07) 3007 1107

South Australia

Level 10
Origin Energy House
1 King William Street
ADELAIDE SA 5000
Ph: 1300 651 010
Fax: (08) 8239 4507

Tasmania

4th Floor
AMP Building
27 Elizabeth Street
HOBART TAS 7000
Ph: 1300 651 010
Fax: (03) 6235 6307

“INID” NUMBERS in use on Australian Design Documents

“INID” is an acronym for “Internationally agreed Numbers for the Identification of Data”.

(10) Data concerning the registration/renewal

- (11) Serial number of the registration and/or number of the design document
- (12) Plain language designation of the kind of published document
- (19) Identification, using the two-letter code according to WIPO Standard ST.3, of the authority publishing or registering the industrial design

(20) Data concerning the application

- (21) Serial number of the application
- (22) Date of filing of the application
- (24) Date from which the industrial design right has effect

(30) Data relating to priority under the Paris Convention

- (31) Serial number assigned to the priority application
- (32) Date of filing of the priority application
- (33) Two-letter code, according to WIPO Standard ST.3, identifying the authority with which the priority application was made

(40) Date(s) of making information available to the public

- (45) Date of publication of the registered industrial design by printing or similar process, or making it available to the public by any other means

(50) Miscellaneous Information

- (51) International Classification for Industrial Designs (class and subclass of the Locarno Classification)
- (54) Designation of article(s) or product(s) covered by the industrial design or title of the industrial design
- (55) Reproduction of the industrial design (e.g., drawing, photograph) and explanations relating to the reproduction
- (56) List of prior art documents, if separate from descriptive text
- (57) Description of characteristic features of the industrial design including indication of colours

(60) References to other legally related application(s) and registration(s)

- (62) Serial number(s) and, if available, filing date(s) of application(s), registration(s) or document(s) related by division
- (66) Serial number(s) of the application, or the registration, of the design(s) which is (are) a variant(s) of the present one

(70) Identification of parties concerned with the application or registration

- (71) Name(s) and address(es) of the applicant(s)
- (72) Name(s) of the creator(s) if known to be such
- (74) Name(s) and address(es) of the representative(s)

This Page Left Intentionally Blank

OFFICIAL NOTICES***Designs Act 2003***
Amendments to Registered Designs at Examination

The following amendments have been made to details previously published in the Australian Official Journal of Designs during the Examination process:

Registration Number	Amendment type	New details
301084	Product Name	Gameboard/puzzle

For more recent notifications of converted applications, please see the Australian Designs Data Searching system.

Contact: IP Australia
Phone: 1300 651 010 (Callers within Australia)
+61 2 6283 2999 (International callers only)
Fax: +61 2 6283 7999
E-Mail: assist@ipaustrialia.gov.au
Web: www.ipaustrialia.gov.au

Designs Act 2003
Converted Designs

The following transitional applications have been converted to an application under the Designs Act 2003:

2003 Act Design Number	1906 Act Application Number
10285/2006	2202/2004

For more recent notifications of converted applications, please see the Australian Designs Data Searching system.

Contact: IP Australia
Phone: 1300 651 010 (Callers within Australia)
+61 2 6283 2999 (International callers only)
Fax: +61 2 6283 7999
E-Mail: assist@ipaustrialia.gov.au
Web: www.ipaustrialia.gov.au

OFFICIAL NOTICES

Revocation of Design Registrations

155413, 155414, 155990

Queries: Eva Korecki
Senior Clerk, Designs
+61 2 6283 2588

Contact:
Phone: 1300 651 010 (Callers within Australia)
+61 2 6283 2999 (International callers only)
Fax: +61 2 6283 7999
E-Mail: assist@ipaustralia.gov.au
Web: www.ipaustralia.gov.au

Proceedings under the Designs Act 1906 preserved as a result of the provisions of Chapter 12 Part 2 of the Designs Act 2003.

This Page Left Intentionally Blank

Applications Lapsed

04532 / 2003 (11-02A)	04533 / 2003 (11-02A)
04534 / 2003 (11-02A)	04535 / 2003 (11-02A)
00579 / 2004 (02-02NES)	00580 / 2004 (02-02NES)
00869 / 2004 (22-02)	00875 / 2004 (12-10)
01064 / 2004 (20-02E)	01197 / 2004 (01-01)
01198 / 2004 (01-01)	01350 / 2004 (07-01NES)
01366 / 2004 (12-02)	01407 / 2004 (01-01)
01411 / 2004 (28-01)	01425 / 2004 (25-02E)
01427 / 2004 (21-02NES)	01441 / 2004 (04-02)
01442 / 2004 (07-07A)	01443 / 2004 (07-02E)
01463 / 2004 (15-01)	01472 / 2004 (20-02E)
01473 / 2004 (02-02NES)	01474 / 2004 (02-02NES)
01476 / 2004 (21-01M)	01479 / 2004 (25-01K)
01481 / 2004 (07-02L)	01498 / 2004 (25-02F)
01500 / 2004 (04-01)	01501 / 2004 (04-01)
01502 / 2004 (04-01)	01504 / 2004 (25-01E)
01512 / 2004 (06-11)	01515 / 2004 (03-01A)
01517 / 2004 (07-01E)	01531 / 2004 (06-01E)
01532 / 2004 (06-03B)	01541 / 2004 (21-04)
01557 / 2004 (25-03)	01565 / 2004 (25-03)
01566 / 2004 (30-06)	01584 / 2004 (12-07)
01585 / 2004 (12-07)	01588 / 2004 (08-07)
01609 / 2004 (14-03A)	01620 / 2004 (21-04)
01621 / 2004 (05-05C)	

Application for Extension of Period of Registration

Applications under Section 27A(2) for extension of registration of the following designs have been lodged. In the event that a design is shown to be not new or original, the Registrar may refuse to extend the period of registration. Sub-section 27A(4) allows any person to lodge at the Designs Office material relevant to the question whether the design is not new or original. That material must be lodged within 11 months of the date when the registration of the design was made. Further details of the conditions and procedures for the lodgement of material are contained in Form 8 provided under the Designs Regulation 24.

Registration Number	Registered Owner	Registration Date
156634	JASON TONNA	12/10/2004
157200	CHRISTOPHER DUDLEY GLANCE	07/01/2005
157399	MOBILITY ELECTRONICS INC.	31/01/2005
157400	MOBILITY ELECTRONICS INC.	31/01/2005
157401	MOBILITY ELECTRONICS INC.	31/01/2005
157402	MOBILITY ELECTRONICS INC.	31/01/2005
157403	MOBILITY ELECTRONICS INC.	31/01/2005
157404	MOBILITY ELECTRONICS INC.	31/01/2005
157405	MOBILITY ELECTRONICS INC.	31/01/2005
157406	MOBILITY ELECTRONICS INC.	31/01/2005
157412	METALFLEX (SA) PTY LTD	02/02/2005
157418	GMCA PTY LTD	02/02/2005
157419	EQUIPMENT TECH PTY LTD	02/02/2005
157441	ADVEN PLASTICS PTY LTD	02/02/2005
157457	CREATIVE TECHNOLOGY LTD	02/02/2005
157458	CREATIVE TECHNOLOGY LTD	02/02/2005
157470	JACQUELINE ANN HAJJE and ANTHONY HAJJE	03/02/2005
157608	RECKITT BENCKISER (UK) LIMITED	25/02/2005
157653	STREET FURNITURE AUSTRALIA PTY LTD	01/03/2005
157654	STREET FURNITURE AUSTRALIA PTY LTD	01/03/2005
157741	STEENDYK HOLDINGS PTY LTD	15/03/2005
157744	THE FIRE COMPANY PTY LTD	15/03/2005
157745	THE FIRE COMPANY PTY LTD	15/03/2005
157746	THE FIRE COMPANY PTY LTD	15/03/2005
157747	THE FIRE COMPANY PTY LTD	15/03/2005
157748	THE FIRE COMPANY PTY LTD	15/03/2005
157749	THE FIRE COMPANY PTY LTD	15/03/2005
157750	THE FIRE COMPANY PTY LTD	15/03/2005

Registration Number	Registered Owner	Registration Date
157765	DOCPODS IP PTY LTD AS TRUSTEE FOR THE KENT ELLIOT TRUST	22/03/2005
157843	BUZZ CITY CORPORATION PTY LTD	31/03/2005
157880	GRAEME ANTHONY GROVES and CHRISTINE ANNE GROVES	31/03/2005
157883	PERUSAHAAN OTOMOBIL NASIONAL SDN. BHD.	31/03/2005
157886	HEALTHCARE INDUSTRIES AUSTRALIA PTY LTD	31/03/2005
157887	HEALTHCARE INDUSTRIES AUSTRALIA PTY LTD	31/03/2005
157888	HEALTHCARE INDUSTRIES AUSTRALIA PTY LTD	31/03/2005
158135	MASS TECHNOLOGY (H.K.) LIMITED	07/07/2005
158204	MASS TECHNOLOGY (H.K.) LIMITED	01/08/2005
158406	THOMAS ALAN WHITE	24/11/2005

Extension of Period of Registration of Designs

1st Period (Section 27A(8))

154063	156634	157200
157325	157326	157327
157329	157330	157332
157334	157335	157336
157337	157338	157339
157340	157341	157342
157343	157344	157346
157348	157349	157350
157351	157352	157353
157354	157355	157358
157360	157361	157362
157364	157365	157366
157367	157368	157369
157370	157374	157376
157377	157378	157379
157380	157381	157382
157384	157385	157386
157387	157388	157389
157390	157391	157392
157393	157394	157395
157396	157397	157398
157399	157400	157401
157402	157403	157404
157405	157406	157407
157408	157409	157410
157411	157412	157413
157414	157415	157416
157417	157418	157419
157420	157421	157422
157423	157424	157425
157426	157427	157428
157429	157430	157431

157432	157433	157434	126195	126975	126980
157435	157436	157437	126981	129690	138318
157438	157439	157441	138333	138586	139028
157442	157444	157445	139498	139499	139500
157446	157447	157448	139662	139713	139720
157449	157450	157451	139721	139785	139788
157452	157453	157454	139798	139831	139926
157455	157456	157457	139927	139966	139996
157458	157459	157460	139997	139998	139999
157461	157462	157463	140132	140133	140275
157464	157465	157467	140335	140371	140412
157468	157469	157470	140413	140722	140745
157471	157472	157473	140817	140976	141228
157474	157475	157486	141229	141419	141420
157487	158160	158161	141944	141945	142128

2nd Period (Section 27A(12))

140062	140143	140320	142525	142526	142698
140519	140529	140530	142941	143183	143447
140683	140780	141255	143542	143543	143962
141256	141320	141339	144041	150063	150064
141340	141341	141358	157331	157333	157345
141431	141468	141469	157347	157356	157357
141470	141491	141512	157359	157363	157371
141673	141674	141761	157372	157373	157375
141951	142755	142756			
142844	143022	143069			
143575	145604	149910			
149911	151518	151519			

3rd Period (Section 27A(13))

123294	123404	125042
125270	126367	126722

Registrations Ceased

Note: Some of the following Registrations may have been previously advertised as ceased. In this instance, the previous advertisement still prevails.

108441	108506	108531
108550	108555	108613
108626	108628	108632
108633	108657	108658
108659	108660	108668
108669	108723	109026
109438	109578	110801
111546	111662	112021
112281	121426	122851
122874	122968	122970
123061	123155	123280
123591	123592	123606
123625	123682	123683
123684	123847	123972
124377	124438	124773
124844	124951	125263
125555	125846	125906

Extensions of time granted

- Applications lodged for extension of time have been granted.
- 143022 **Scholle Industries Pty Ltd** An Extension of time to extend a registration has been granted to 12/12/2005
- 156634 **Jason Tonna** An Extension of time to extend a registration has been granted to 24/11/2005
- 00679/2004 **Ian Thomas Craig** An Extension of time to register an application has been granted to 24/12/2005
- 00680/2004 **Ian Thomas Craig** An Extension of time to register an application has been granted to 24/12/2005
- 00681/2004 **Ian Thomas Craig** An Extension of time to register an application has been granted to 24/12/2005
- 01544/2004 **One World Technologies Limited** An Extension of time to register an application has been granted to 04/03/2006
- 01933/2004 **Jaram Products Pty** An Extension of time to register an application has been granted to 24/04/2006
- 01935/2004 **Jaram Products Pty** An Extension of time to register an application has been granted to 24/04/2006
- 157200 **Christopher Dudley Glance** An Extension of time to extend a registration has been granted to 06/02/2006
- 157399 **Mobility Electronics Inc.** An Extension of time to extend a registration has been granted to 03/02/2006
- 157400 **Mobility Electronics Inc.** An Extension of time to extend a registration has been granted to 03/02/2006
- 157401 **Mobility Electronics Inc.** An Extension of time to extend a registration has been granted to 03/02/2006
- 157402 **Mobility Electronics Inc.** An Extension of time to extend a registration has been granted to 03/02/2006
- 157403 **Mobility Electronics Inc.** An Extension of time to extend a

registration has been granted to 03/02/2006

141222

(**Clipsal Australia Pty Ltd**) Gerard Industries Pty Ltd

157404 **Mobility Electronics Inc.** An Extension of time to extend a registration has been granted to 03/02/2006

138394

(**Ludowici Packaging Australia Pty Limited**) Hawk Packaging Australia Pty Ltd

157405 **Mobility Electronics Inc.** An Extension of time to extend a registration has been granted to 03/02/2006

157406 **Mobility Electronics Inc.** An Extension of time to extend a registration has been granted to 03/02/2006

Applications Assigned

(The name in parentheses is that of the subsequent applicant)

02510/2004 (**Jeremy Napier**) Woodform Industries

Subsequent Owners Registered

(The name in parentheses is that of the subsequent owner)

148668 (**ADC GmbH**) Krone G.m.b.H
 154443 (**The Uncle Tobys Company Pty Limited**) Goodman Fielder Consumer Foods Pty Limited
 109162 (**Aluminium Extrusion and Distribution Pty Limited**) Crane Enfield Metals Pty Limited
 109304 (**Aluminium Extrusion and Distribution Pty Limited**) Crane Enfield Metals Pty Limited
 109413 (**Aluminium Extrusion and Distribution Pty Limited**) Crane Enfield Metals Pty Limited
 109755 (**Aluminium Extrusion and Distribution Pty Limited**) Crane Enfield Metals Pty Limited
 109756 (**Aluminium Extrusion and Distribution Pty Limited**) Crane Enfield Metals Pty Limited
 109876 (**Aluminium Extrusion and Distribution Pty Limited**) Crane Enfield Metals Pty Limited
 110024 (**Aluminium Extrusion and Distribution Pty Limited**) Crane Enfield Metals Pty Limited
 111614 (**Stegbar Pty Ltd;Aluminium Extrusion and Distribution Pty Limited**) Stegbar Pty Ltd;Crane Enfield Metals Pty Limited
 111615 (**Stegbar Pty Ltd;Aluminium Extrusion and Distribution Pty Limited**) Stegbar Pty Ltd;Crane Enfield Metals Pty Limited
 111616 (**Stegbar Pty Ltd;Aluminium Extrusion and Distribution Pty Limited**) Stegbar Pty Ltd;Crane Enfield Metals Pty Limited
 111617 (**Stegbar Pty Ltd;Aluminium Extrusion and Distribution Pty Limited**) Stegbar Pty Ltd;Crane Enfield Metals Pty Limited
 111618 (**Stegbar Pty Ltd;Aluminium Extrusion and Distribution Pty Limited**) Stegbar Pty Ltd;Crane Enfield Metals Pty Limited

Names Registered - Alterations and Amendments

(The name in parentheses is the new name of the proprietor)

143010 (**Clipsal Australia Pty Ltd**) Gerard Industries Pty Ltd
 142476 (**Clipsal Australia Pty Ltd**) Gerard Industries Pty Ltd
 141224 (**Clipsal Australia Pty Ltd**) Gerard Industries Pty Ltd
 141223 (**Clipsal Australia Pty Ltd**) Gerard Industries Pty Ltd

Registration Proceedings

Designs Registered

This section provides a concordance between application number and registration number of Designs covered in this journal. It also shows the main class and registration date.

This section covers Registration numbers 158481 to 158505.

The registration number shown below should be used in all future correspondence.

Application Number	Registration Number	International Classification Code (IDC)	Registration Date	Application Number	Registration Number	International Classification Code (IDC)	Registration Date
03068/2003	158481	09-03F	01/02/2006	01909/2004	158494	02-07A	01/02/2006
00769/2004	158482	12-16NES	01/02/2006	02019/2004	158495	06-13NES	01/02/2006
00933/2004	158483	08-99	01/02/2006	02115/2004	158501	02-07A	01/02/2006
00935/2004	158484	08-99	01/02/2006	02232/2004	158502	08-03	01/02/2006
01120/2004	158485	20-03C	01/02/2006	02233/2004	158496	08-03	01/02/2006
01348/2004	158486	08-03	01/02/2006	02242/2004	158503	23-01E	01/02/2006
01416/2004	158487	25-02B	01/02/2006	02285/2004	158497	07-02B	03/02/2006
01491/2004	158488	12-16B	01/02/2006	02286/2004	158498	07-02B	03/02/2006
01600/2004	158489	09-03F	01/02/2006	02287/2004	158499	07-02B	01/02/2006
01603/2004	158490	23-04	01/02/2006	02309/2004	158500	23-02C	01/02/2006
01629/2004	158491	09-03C	01/02/2006	02447/2004	158504	02-04NES	01/02/2006
01692/2004	158492	08-01	01/02/2006	02464/2004	158505	06-01C	01/02/2006
01876/2004	158493	12-02	01/02/2006				

Registration Proceedings
Class Listing of Designs Registered

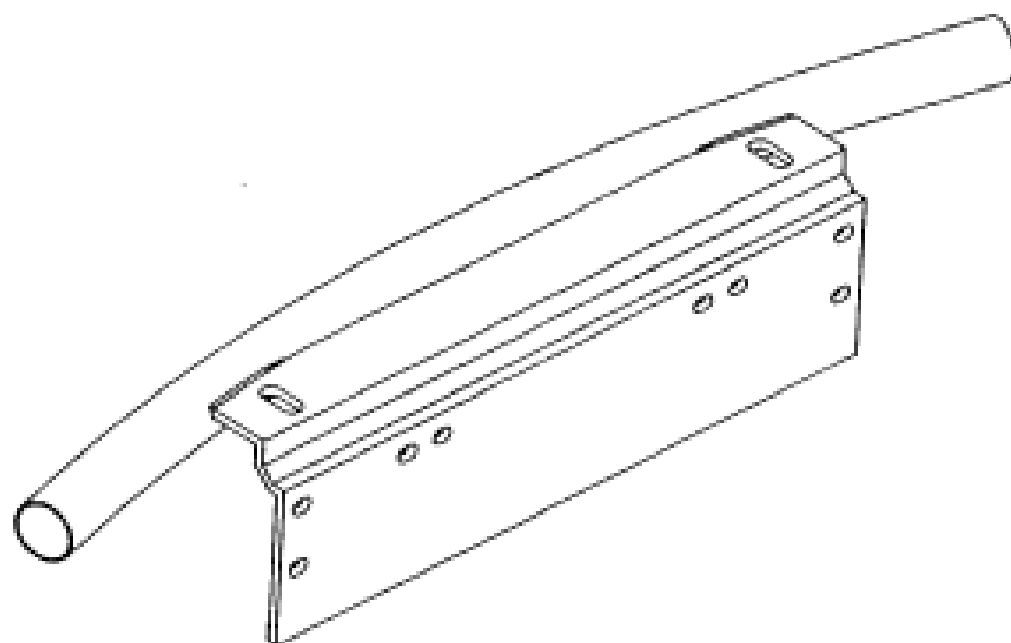
The following section shows an International Classification Code listing of the Registered Designs covered in this supplement.

Classification	Registration Number	Application Number	Classification	Registration Number	Application Number
02-04 NES	158504	02447/2004	09-01 A	158495	02019/2004
02-07 A	158494	01909/2004	09-03 C	158491	01629/2004
02-07 A	158501	02115/2004	09-03 F	158481	03068/2003
06-01 C	158505	02464/2004	09-03 F	158489	01600/2004
06-03 NES	158497	02285/2004	12-02	158493	01876/2004
06-03 NES	158498	02286/2004	12-16 B	158488	01491/2004
06-03 NES	158499	02287/2004	12-16 NES	158482	00769/2004
06-13 NES	158495	02019/2004	15-03 B	158486	01348/2004
07-02 B	158497	02285/2004	15-09	158483	00933/2004
07-02 B	158498	02286/2004	15-09	158484	00935/2004
07-02 B	158499	02287/2004	20-03 C	158485	01120/2004
08-01	158492	01692/2004	23-01 E	158503	02242/2004
08-03	158486	01348/2004	23-02 C	158500	02309/2004
08-03	158496	02233/2004	23-04	158490	01603/2004
08-03	158502	02232/2004	25-02 B	158487	01416/2004
08-99	158483	00933/2004	30-04	158494	01909/2004
08-99	158484	00935/2004			

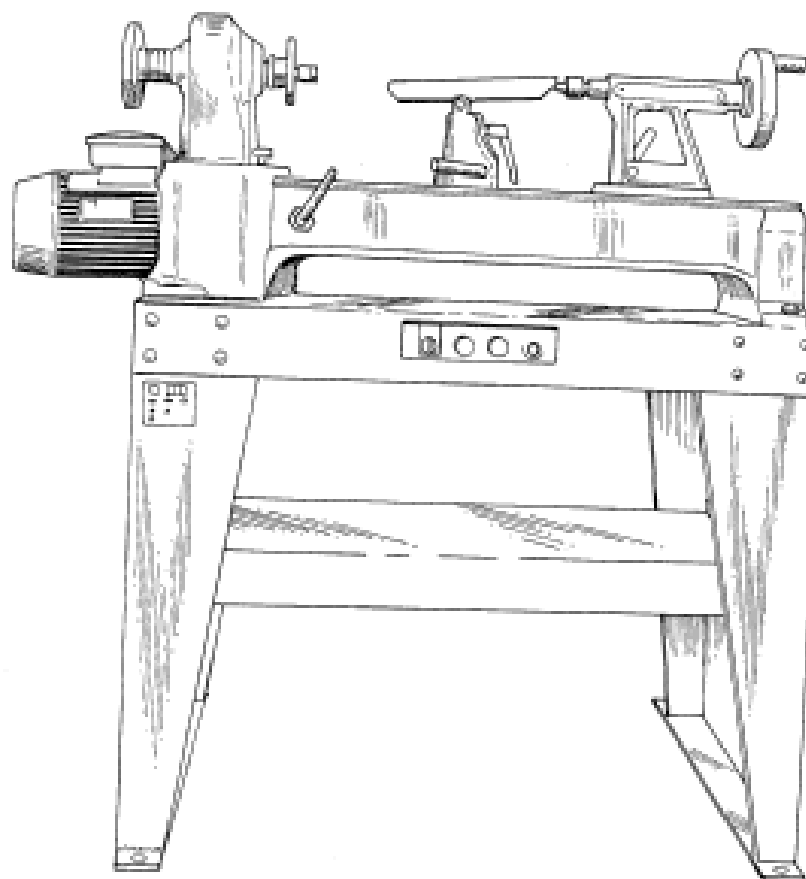
(21) Application Number: **3068/2003**
(22) Date of Filing Application: **08 September 2003**
(24) Date from which industrial property rights may have effect: **08 September 2003**
(54) Article in respect of which the design is registered: **A set of containers with lids**
(51) International Design Classification: **09-03F**
(71) Name(s) and Address(s) of Applicant(s):
Global Castle Pty Ltd
11/12 Anderson Street Botany New South Wales 2019 Australia
(72) Name(s) of Author(s): **Ik Fei Tan**
(45) Registration Date: **01 February 2006**
(56) Related Art Documents: **Not Applicable**
(57) Statement of Monopoly: **Monopoly is claimed in the shape and configuration of a set of containers with lids as shown in the representations.**
Statement of Novelty: **Nil**



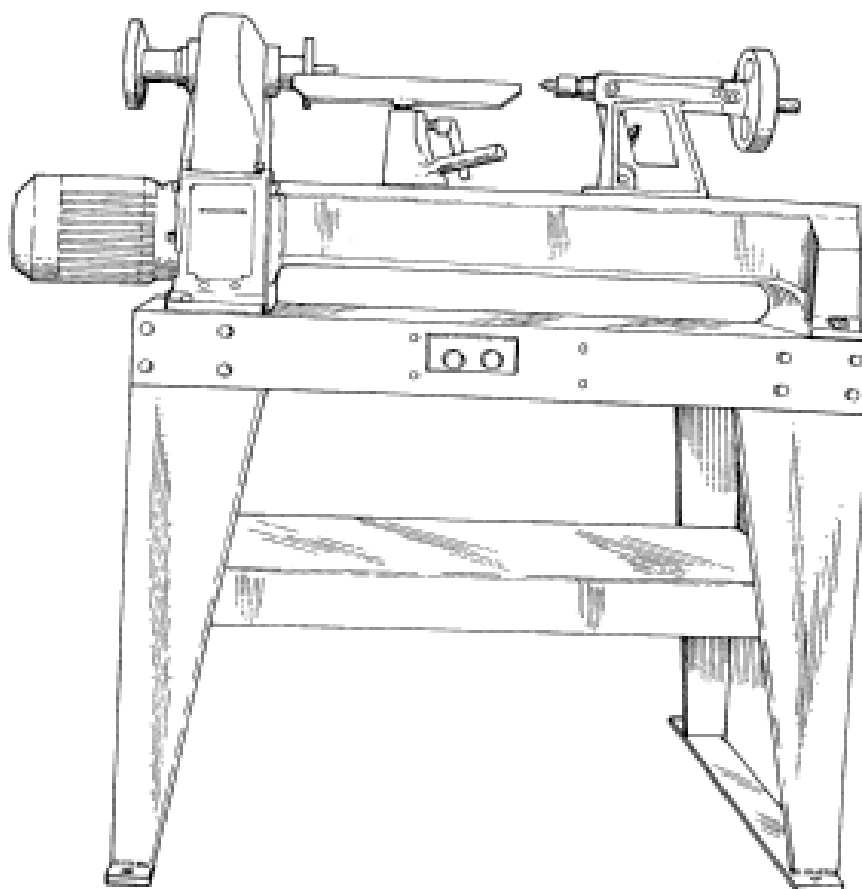
(21) Application Number: **0769/2004**
(22) Date of Filing Application: **27 February 2004**
(24) Date from which industrial property rights may have effect: **27 February 2004**
(54) Article in respect of which the design is registered: **Spot light bar for a vehicle**
(51) International Design Classification: **12-16NES**
(74) Name(s) of Attorney(s): **Cullen & Co**
(71) Name(s) and Address(s) of Applicant(s):
Aunger Carcraft Pty Ltd
320 Fison Avenue East Eagle Farm Queensland 4009 Australia
(72) Name(s) of Author(s): **David Frappell**
(45) Registration Date: **01 February 2006**
(56) Related Art Documents: **Not Applicable**
(57) Statement of Monopoly: **Monopoly is claimed in the shape and configuration of a spot light bar for a vehicle as shown in the representations accompanying the application.**
Statement of Novelty: **Nil**



- (21) Application Number: **0933/2004**
(22) Date of Filing Application: **10 March 2004**
(24) Date from which industrial property rights may have effect: **10 March 2004**
(54) Article in respect of which the design is registered: **A lathe with stand**
(51) International Design Classification: **08-99, 15-09**
(74) Name(s) of Attorney(s): **Intellepro**
(71) Name(s) and Address(s) of Applicant(s):
Victor Verrecchia
52 Grice Street Clontarf Queensland 4019 Australia
(72) Name(s) of Author(s): **Victor Verrecchia**
(45) Registration Date: **01 February 2006**
(56) Related Art Documents: **Not Applicable**
(57) Statement of Monopoly: **Monopoly resides in the shape and configuration of a lathe with stand as illustrated in the accompanying representations.**
Statement of Novelty: **Nil**



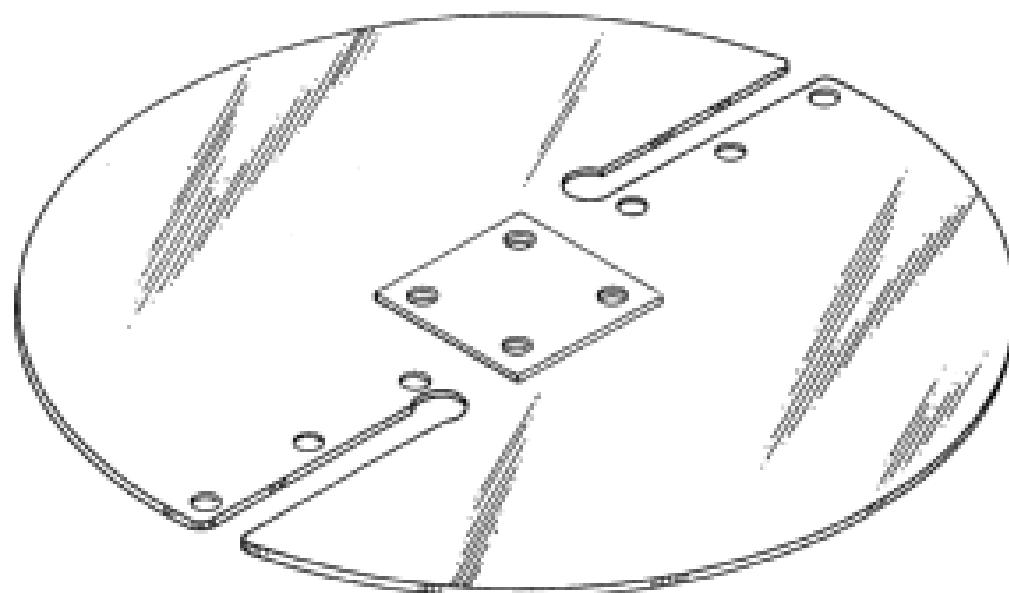
- (21) Application Number: **0935/2004**
(22) Date of Filing Application: **10 March 2004**
(24) Date from which industrial property rights may have effect: **10 March 2004**
(54) Article in respect of which the design is registered: **A lathe with stand**
(51) International Design Classification: **08-99, 15-09**
(74) Name(s) of Attorney(s): **Intellepro**
(71) Name(s) and Address(s) of Applicant(s):
Victor Verrecchia
52 Grice Street Clontarf Queensland 4019 Australia
(72) Name(s) of Author(s): **Victor Verrecchia**
(45) Registration Date: **01 February 2006**
(56) Related Art Documents: **Not Applicable**
(57) Statement of Monopoly: **Monopoly resides in the shape and configuration of a lathe with stand as illustrated in the accompanying representations.**
Statement of Novelty: **Nil**



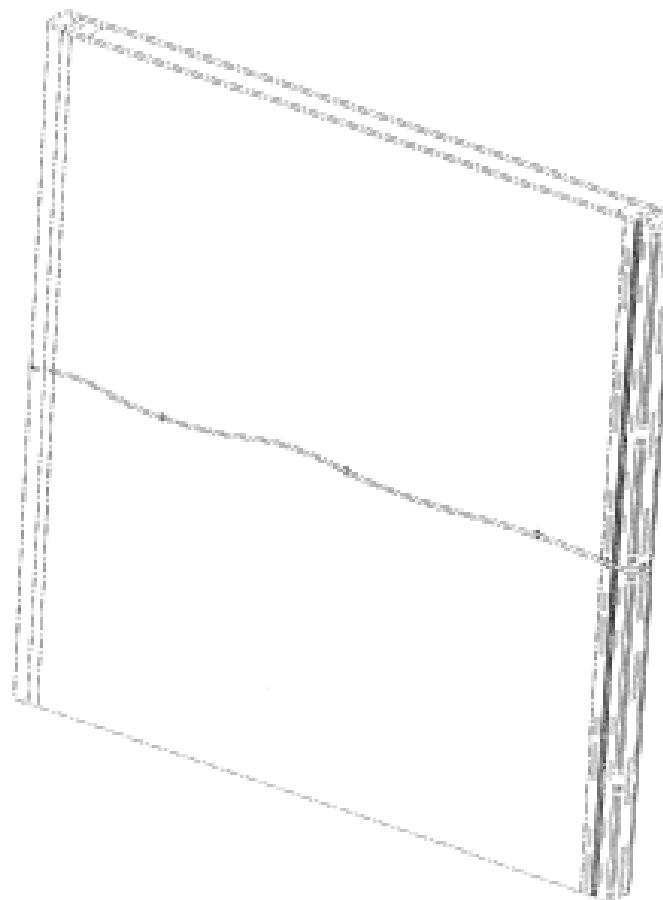
(21) Application Number: **1120/2004**
(22) Date of Filing Application: **25 March 2004**
(24) Date from which industrial property rights may have effect: **25 March 2004**
(54) Article in respect of which the design is registered: **A real estate sign**
(51) International Design Classification: **20-03C**
(71) Name(s) and Address(s) of Applicant(s):
Stephen Ronald Mower
28 Immarna Avenue Lilli Pilli New South Wales 2229 Australia
Troy Ross Neate
4/28 Warners Avenue Bondi New South Wales 2026 Australia
(72) Name(s) of Author(s): **Stephen Ronald Mower and Troy Ross Neate**
(45) Registration Date: **01 February 2006**
(56) Related Art Documents: **Not Applicable**
(57) Statement of Monopoly: **Monopoly is claimed in the features of shape and configuration of the real estate sign as shown in the accompanying representations.**
Statement of Novelty: **Nil**



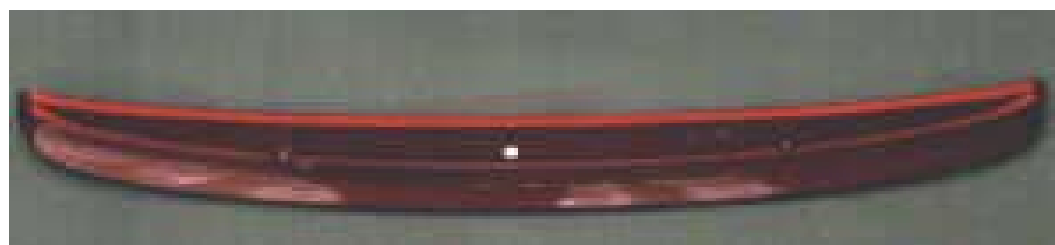
(21) Application Number: **1348/2004**
(22) Date of Filing Application: **05 April 2004**
(24) Date from which industrial property rights may have effect: **05 April 2004**
(54) Article in respect of which the design is registered: **Shredder wheel**
(51) International Design Classification: **08-03, 15-03B**
(74) Name(s) of Attorney(s): **Ahearn Fox**
(71) Name(s) and Address(s) of Applicant(s):
Bartlem Pty Ltd
C/- Level 30 249 George Street Brisbane Queensland 4000 Australia
(72) Name(s) of Author(s): **Theodore William Reinhold**
(45) Registration Date: **01 February 2006**
(56) Related Art Documents: **Not Applicable**
(57) Statement of Monopoly: **Monopoly is claimed in the shape and configuration of a shredder wheel as shown in the accompanying representations.**
Statement of Novelty: **Nil**



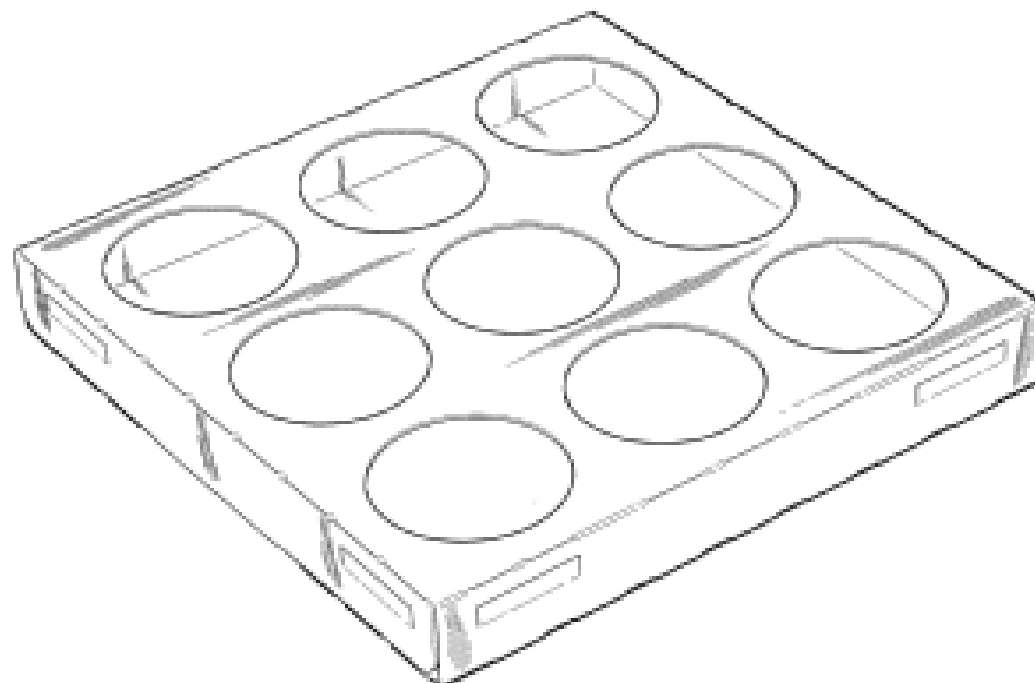
(21) Application Number: **1416/2004**
(22) Date of Filing Application: **14 April 2004**
(24) Date from which industrial property rights may have effect: **14 April 2004**
(54) Article in respect of which the design is registered: **Door**
(51) International Design Classification: **25-02B**
(74) Name(s) of Attorney(s): **Davies Collison Cave**
(71) Name(s) and Address(s) of Applicant(s):
E.M.E.H. Inc.
3 Werner Way Lebanon New Jersey 08833 United States of America
(72) Name(s) of Author(s): **Gary F. Bartlett and Wendy Duckham**
(45) Registration Date: **01 February 2006**
(30) Convention priority data:
(31) Number (32) Date (33) Country
29/191911 14 Oct 2003 UNITED STATES OF AMERICA
(56) Related Art Documents: **Not Applicable**
(57) Statement of Monopoly: **Monopoly is claimed in the features of shape and configuration of a door of indefinite height as shown in solid lines in the accompanying representations. In considering the extent of monopoly protection, the features shown in broken lines are to be disregarded.**
Statement of Novelty: **Nil**



(21) Application Number: **1491/2004**
(22) Date of Filing Application: **20 April 2004**
(24) Date from which industrial property rights may have effect: **20 April 2004**
(54) Article in respect of which the design is registered: **Spoiler for a vehicle**
(51) International Design Classification: **12-16B**
(74) Name(s) of Attorney(s): **Allens Arthur Robinson**
(71) Name(s) and Address(s) of Applicant(s):
Ford Motor Company of Australia Limited
1735 Sydney Road Campbellfield Victoria 3061 Australia
(72) Name(s) of Author(s): **Steve Park and Mark Capes and Geoff Bryar**
(45) Registration Date: **01 February 2006**
(56) Related Art Documents: **Not Applicable**
(57) Statement of Monopoly: **Monopoly is claimed in the features of shape and/or configuration applicable to a spoiler for a vehicle as shown in the accompanying representations.**
Statement of Novelty: **Nil**



- (21) Application Number: **1600/2004**
(22) Date of Filing Application: **27 April 2004**
(24) Date from which industrial property rights may have effect: **27 April 2004**
(54) Article in respect of which the design is registered: **A tray**
(51) International Design Classification: **09-03F**
(74) Name(s) of Attorney(s): **Griffith Hack**
(71) Name(s) and Address(s) of Applicant(s):
Ancor Limited
679 Victoria Street Abbotsford Victoria 3067 Australia
Dane Pty Ltd
90 Longman Terrace Chelmer Queensland 4068 Australia
(72) Name(s) of Author(s): **Tony Christophersen and Ronald Geoffrey Hamblin**
(45) Registration Date: **01 February 2006**
(61) Additional to: **158459**
(56) Related Art Documents: **Not Applicable**
(57) Statement of Monopoly: **Monopoly is claimed in the features of shape or configuration of the tray shown in the accompanying representations.**
Statement of Novelty: **Nil**



- (21) Application Number: **1603/2004**
(22) Date of Filing Application: **27 April 2004**
(24) Date from which industrial property rights may have effect: **27 April 2004**
(54) Article in respect of which the design is registered: **Extractor unit**
(51) International Design Classification: **23-04**
(74) Name(s) of Attorney(s): **Davies Collison Cave**
(71) Name(s) and Address(s) of Applicant(s):
Fans Direct Pty Ltd
Unit2/63 Wells Road Chelsea Heights Victoria 3196 Australia
(72) Name(s) of Author(s): **Andrew John Israel and Michael John Murphy and Colin Manuel D'Souza and Stephen William Watson and David Alexander Giles**
(45) Registration Date: **01 February 2006**
(56) Related Art Documents: **Not Applicable**
(57) Statement of Monopoly: **Monopoly is claimed in the features of shape and/or configuration of the extractor unit shown in the representations. In considering the extent of monopoly protection, the mesh visible in Figures 1 and 2 is to be disregarded, the bolts on the walls of the unit are to be disregarded, and the interior details viewable through the mesh in Figure 2 and through the circular inlet in Figures 3 and 4 are to be disregarded.**
Statement of Novelty: **Nil**



(21) Application Number: **1629/2004**

(22) Date of Filing Application: **29 April 2004**

(24) Date from which industrial property rights may have effect: **29 April 2004**

(54) Article in respect of which the design is registered: **A golf ball container**

(51) International Design Classification: **09-03C**

(71) Name(s) and Address(s) of Applicant(s):

**Proball Marketing Pty Ltd
51 Blackburn Road Blackburn Victoria 3130 Australia**

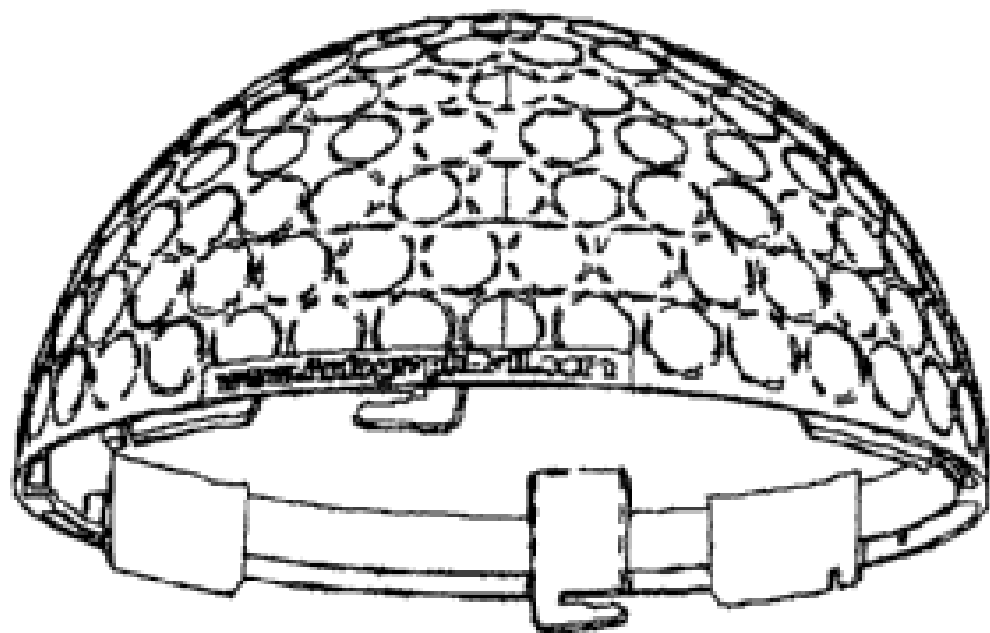
(72) Name(s) of Author(s): **Peter Marples**

(45) Registration Date: **01 February 2006**

(56) Related Art Documents: **AU-S-116503(09-03C)**

(57) Statement of Monopoly: **Monopoly is claimed in the shape and configuration of a golf ball container as shown in the representations.**

Statement of Novelty: **Nil**



(21) Application Number: **1692/2004**

(22) Date of Filing Application: **07 May 2004**

(24) Date from which industrial property rights may have effect: **07 May 2004**

(54) Article in respect of which the design is registered: **Digging lever**

(51) International Design Classification: **08-01**

(71) Name(s) and Address(s) of Applicant(s):

**Peter Crosbie
2 Kevin Street Sunshine Victoria 3020 Australia**

(72) Name(s) of Author(s): **Peter Crosbie**

(45) Registration Date: **01 February 2006**

(56) Related Art Documents: **Not Applicable**

(57) Statement of Monopoly: **Monopoly is claimed in the features of shape and configuration of digging lever as illustrated in the accompanying representation.**

Statement of Novelty: **Nil**



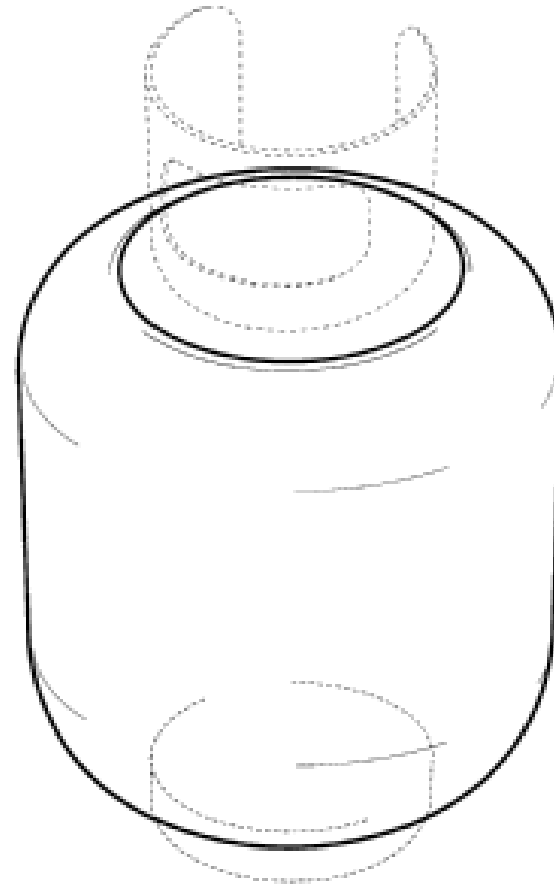
(21) Application Number: **1876/2004**
(22) Date of Filing Application: **04 May 2004**
(24) Date from which industrial property rights may have effect: **04 May 2004**
(54) Article in respect of which the design is registered: **Vertical shopping trolley**
(51) International Design Classification: **12-02**
(71) Name(s) and Address(s) of Applicant(s):
Holden Browne
17 Terranora Parade Bilambil Heights New South Wales 2486
Australia
(72) Name(s) of Author(s): **Holden Browne**
(45) Registration Date: **01 February 2006**
(56) Related Art Documents: **Not Applicable**
(57) Statement of Monopoly: **Nil**
Statement of Novelty: **Nil**



(21) Application Number: **1909/2004**
(22) Date of Filing Application: **20 May 2004**
(24) Date from which industrial property rights may have effect: **20 May 2004**
(54) Article in respect of which the design is registered: **A buckle**
(51) International Design Classification: **02-07A, 30-04**
(71) Name(s) and Address(s) of Applicant(s):
Red Dingo GmbH
Hoehenweg 57 CH-6314 Unteraegeri Switzerland
(72) Name(s) of Author(s): **Andrea Koroluk**
(45) Registration Date: **01 February 2006**
(56) Related Art Documents: **AU-S-158093(02-07A)**
(57) Statement of Monopoly: **Monopoly is claimed in the shape and/or configuration of a buckle as shown in the accompanying representation.**
Statement of Novelty: **Nil**



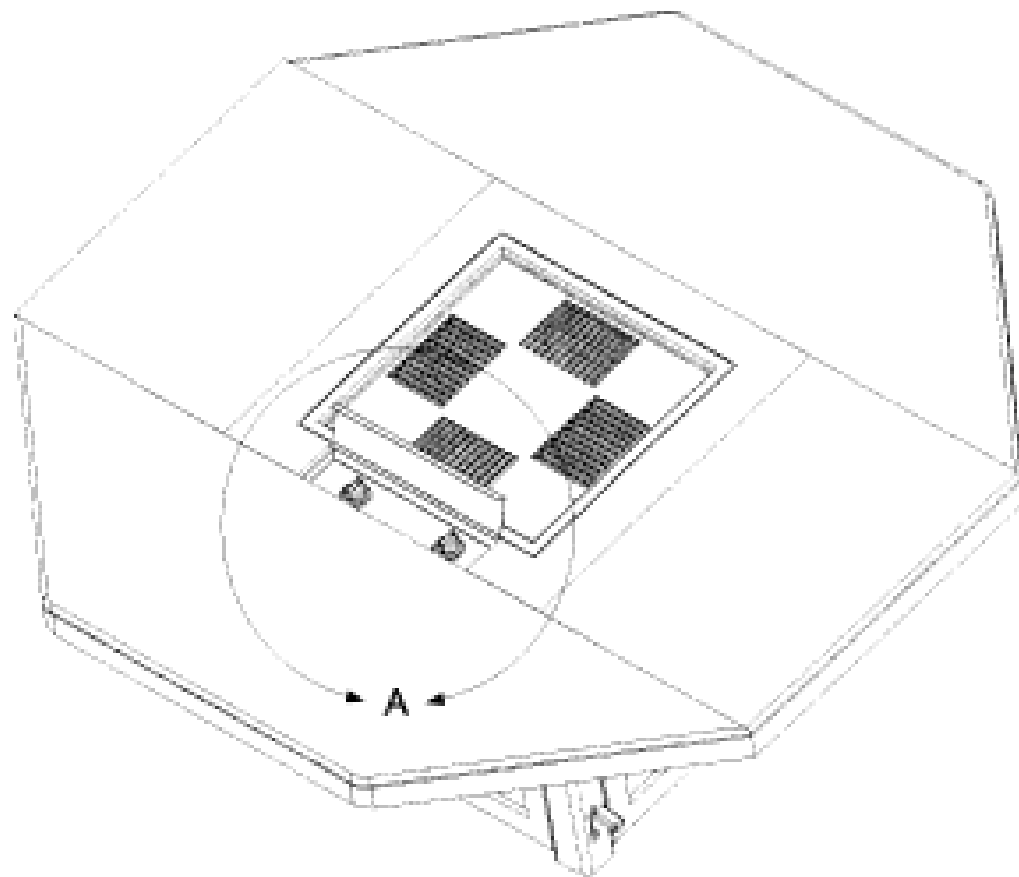
(21) Application Number: **2019/2004**
(22) Date of Filing Application: **28 May 2004**
(24) Date from which industrial property rights may have effect: **28 May 2004**
(54) Article in respect of which the design is registered: **Fabric cover for a gas cylinder**
(51) International Design Classification: **06-13NES, 09-01A**
(74) Name(s) of Attorney(s): **WRAY & ASSOCIATES**
(71) Name(s) and Address(s) of Applicant(s):
Snashall Investments Pty Ltd
Unit 4 2-4 Jetty Road Bunbury Western Australia 6230 Australia
(72) Name(s) of Author(s): **Brian Leslie Snashall**
(45) Registration Date: **01 February 2006**
(56) Related Art Documents: **Not Applicable**
(57) Statement of Monopoly: **Monopoly is claimed in the shape and configuration of a fabric cover for a gas cylinder as shown in the accompanying representations. In considering the scope of the monopoly the gas bottle/cylinder features shown in dashed outline do not form part of the design.**
Statement of Novelty: **Nil**



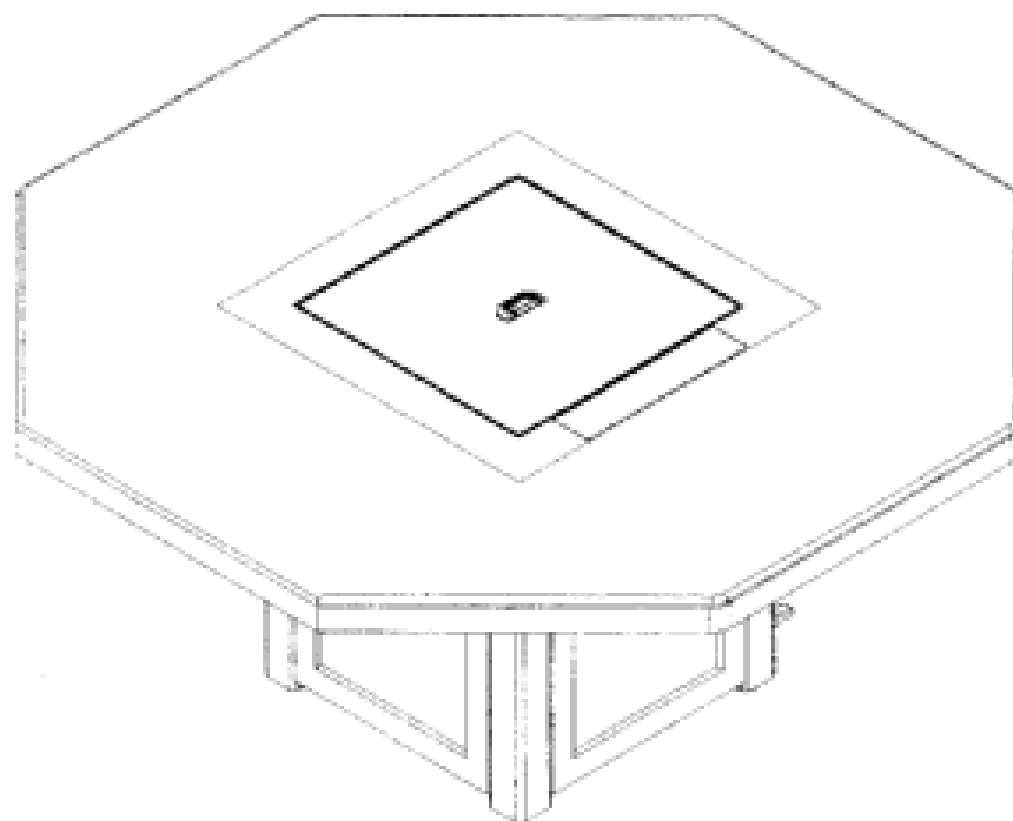
(21) Application Number: **2233/2004**
(22) Date of Filing Application: **09 June 2004**
(24) Date from which industrial property rights may have effect: **09 June 2004**
(54) Article in respect of which the design is registered: **A saw**
(51) International Design Classification: **08-03**
(74) Name(s) of Attorney(s): **Davies Collison Cave**
(71) Name(s) and Address(s) of Applicant(s):
Black & Decker Inc.
1207 Drummond Plaza Newark Delaware 19711 United States of America
(72) Name(s) of Author(s): **Bob Welsh**
(45) Registration Date: **01 February 2006**
(30) Convention priority data:
(31) Number (32) Date (33) Country
29197151 9 Jan 2004 UNITED STATES OF AMERICA
(56) Related Art Documents: **Not Applicable**
(57) Statement of Monopoly: **Monopoly is claimed in the features of shape and/or configuration of the saw shown in the representations.**
Statement of Novelty: **Nil**



(21) Application Number: **2285/2004**
(22) Date of Filing Application: **15 June 2004**
(24) Date from which industrial property rights may have effect: **15 June 2004**
(54) Article in respect of which the design is registered: **Table with cooking insert**
(51) International Design Classification: **07-02B, 06-03NES**
(71) Name(s) and Address(s) of Applicant(s):
Tabachi Pty Ltd
46 Brentwood Drive Avondale Heights Victoria 3034 Australia
(72) Name(s) of Author(s): **Werner Kaiser**
(45) Registration Date: **03 February 2006**
(61) Additional to: **157331**
(56) Related Art Documents: **Not Applicable**
(57) Statement of Monopoly: **Monopoly is claimed in the features of shape and/or configuration as applied to a table with cooking insert, as shown in the accompanying representations.**
Statement of Novelty: **Nil**



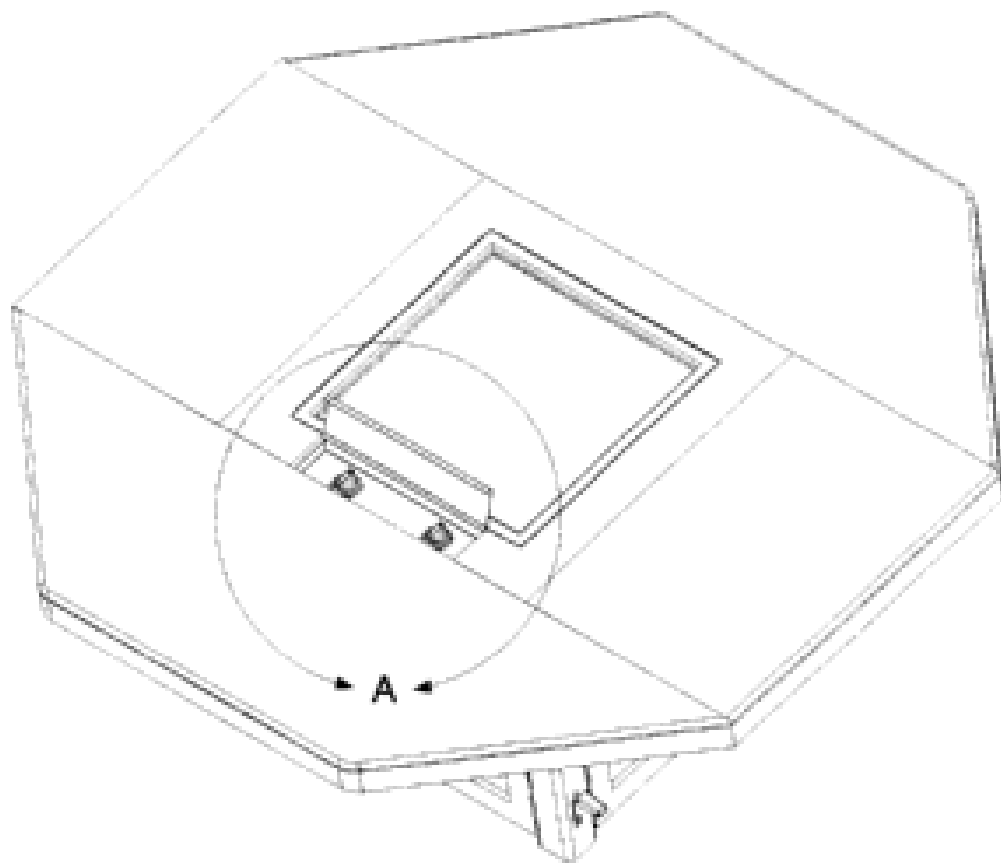
(21) Application Number: **2286/2004**
(22) Date of Filing Application: **15 June 2004**
(24) Date from which industrial property rights may have effect: **15 June 2004**
(54) Article in respect of which the design is registered: **Table with cooking insert**
(51) International Design Classification: **07-02B, 06-03NES**
(71) Name(s) and Address(s) of Applicant(s):
Tabachi Pty Ltd
46 Brentwood Drive Avondale Heights Victoria 3034 Australia
(72) Name(s) of Author(s): **Werner Kaiser**
(45) Registration Date: **03 February 2006**
(61) Additional to: **157331**
(56) Related Art Documents: **Not Applicable**
(57) Statement of Monopoly: **Monopoly is claimed in the features of shape and/or configuration as applied to a table with cooking insert, as shown in the accompanying representations.**
Statement of Novelty: **Nil**



- (21) Application Number: **2287/2004**
- (22) Date of Filing Application: **15 June 2004**
- (24) Date from which industrial property rights may have effect: **15 June 2004**
- (54) Article in respect of which the design is registered: **Table with cooking insert**
- (51) International Design Classification: **07-02B, 06-03NES**
- (71) Name(s) and Address(s) of Applicant(s):

Tabachi Pty Ltd
46 Brentwood Drive Avondale Heights Victoria 3034 Australia

- (72) Name(s) of Author(s): **Werner Kaiser**
- (45) Registration Date: **01 February 2006**
- (56) Related Art Documents: **Not Applicable**
- (57) Statement of Monopoly: **Monopoly is claimed in the features of shape and/or configuration as applied to a table with cooking insert, as shown in the accompanying representations.**
- Statement of Novelty: **Nil**

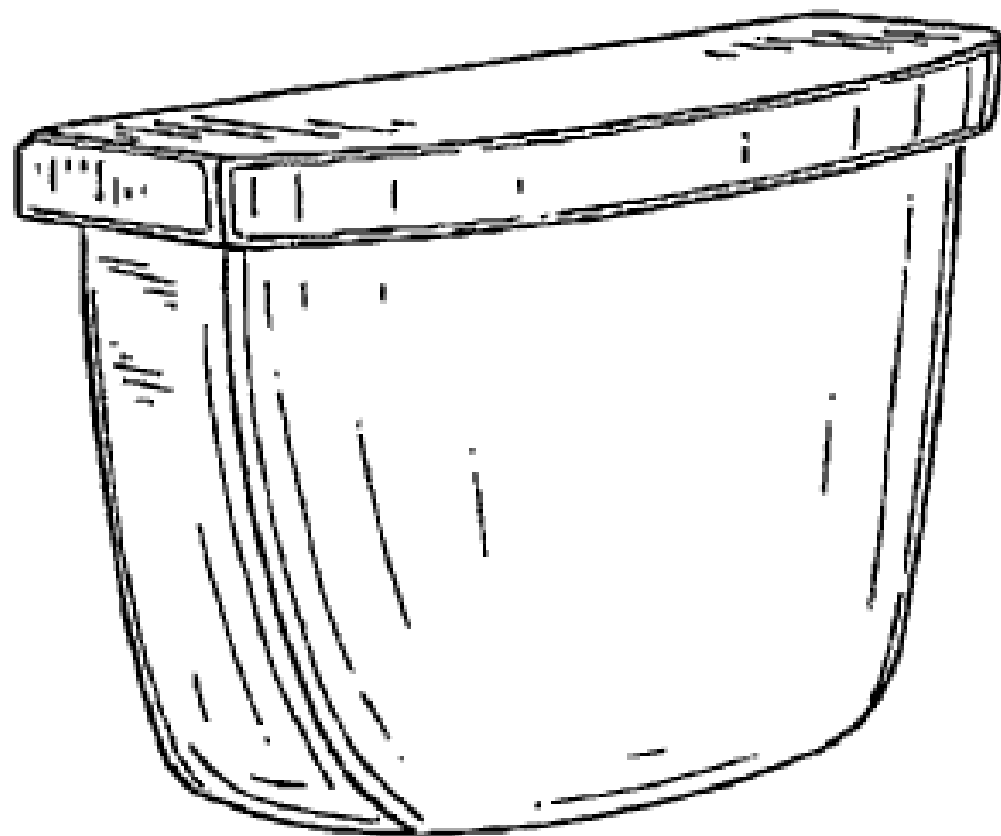


- (21) Application Number: **2309/2004**
- (22) Date of Filing Application: **11 June 2004**
- (24) Date from which industrial property rights may have effect: **11 June 2004**
- (54) Article in respect of which the design is registered: **Fixture for water closet**
- (51) International Design Classification: **23-02C**
- (74) Name(s) of Attorney(s): **Griffith Hack**
- (71) Name(s) and Address(s) of Applicant(s):

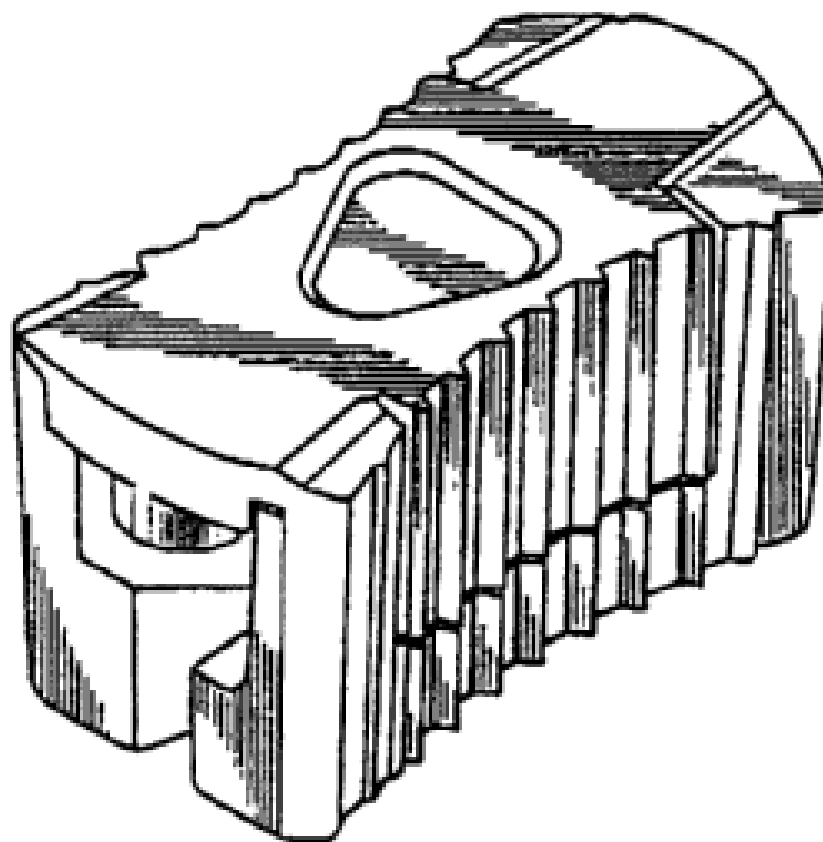
Kohler Co.
444 Highland Drive Kohler WI 53044 United States of America

- (72) Name(s) of Author(s): **William F. Gordon**
- (45) Registration Date: **01 February 2006**
- (30) Convention priority data:

(31) Number	(32) Date	(33) Country
29/195,510	12 Dec 2003	UNITED STATES OF AMERICA
- (56) Related Art Documents: **Not Applicable**
- (57) Statement of Monopoly: **Monopoly is claimed in the shape and/or configuration of a fixture for water closet as shown in the accompanying representations.**
- Statement of Novelty: **Nil**



(21) Application Number: **2115/2004**
(22) Date of Filing Application: **02 June 2004**
(24) Date from which industrial property rights may have effect: **02 June 2004**
(54) Article in respect of which the design is registered: **Slider for a reclosable fastener**
(51) International Design Classification: **02-07A**
(74) Name(s) of Attorney(s): **Davies Collison Cave**
(71) Name(s) and Address(s) of Applicant(s):
Pactiv Corporation
1900 West Field Court Lake Forest Illinois 60045 United States of America
(72) Name(s) of Author(s): **James S. Blythe**
(45) Registration Date: **01 February 2006**
(30) Convention priority data:
(31) Number (32) Date (33) Country
29194865 2 Dec 2003 UNITED STATES OF AMERICA
(56) Related Art Documents: **Not Applicable**
(57) Statement of Monopoly: **Monopoly is claimed in the features of shape and/or configuration of the slider as shown in the representations.**
Statement of Novelty: **Nil**



(21) Application Number: **2232/2004**
(22) Date of Filing Application: **09 June 2004**
(24) Date from which industrial property rights may have effect: **09 June 2004**
(54) Article in respect of which the design is registered: **A saw**
(51) International Design Classification: **08-03**
(74) Name(s) of Attorney(s): **Davies Collison Cave**
(71) Name(s) and Address(s) of Applicant(s):
Black & Decker Inc.
1207 Drummond Plaza Newark Delaware 19711 United States of America
(72) Name(s) of Author(s): **Bob Welsh**
(45) Registration Date: **01 February 2006**
(30) Convention priority data:
(31) Number (32) Date (33) Country
29197152 9 Jan 2004 UNITED STATES OF AMERICA
(56) Related Art Documents: **Not Applicable**
(57) Statement of Monopoly: **Monopoly is claimed in the features of shape and/or configuration of the saw as shown in the representations.**
Statement of Novelty: **Nil**



(21) Application Number: **2242/2004**
(22) Date of Filing Application: **10 June 2004**
(24) Date from which industrial property rights may have effect: **10 June 2004**
(54) Article in respect of which the design is registered: **Hold-up tool for pop-up sprinkler risers**

(51) International Design Classification: **23-01E**
(74) Name(s) of Attorney(s): **SPRUSON & FERGUSON**

(71) Name(s) and Address(s) of Applicant(s):
Rain Bird Corporation
145 N. Grand Avenue Glendora California 91741 United States of America

(72) Name(s) of Author(s): **Ravi K. Bandlamuri and Derek M. Nations**

(45) Registration Date: **01 February 2006**

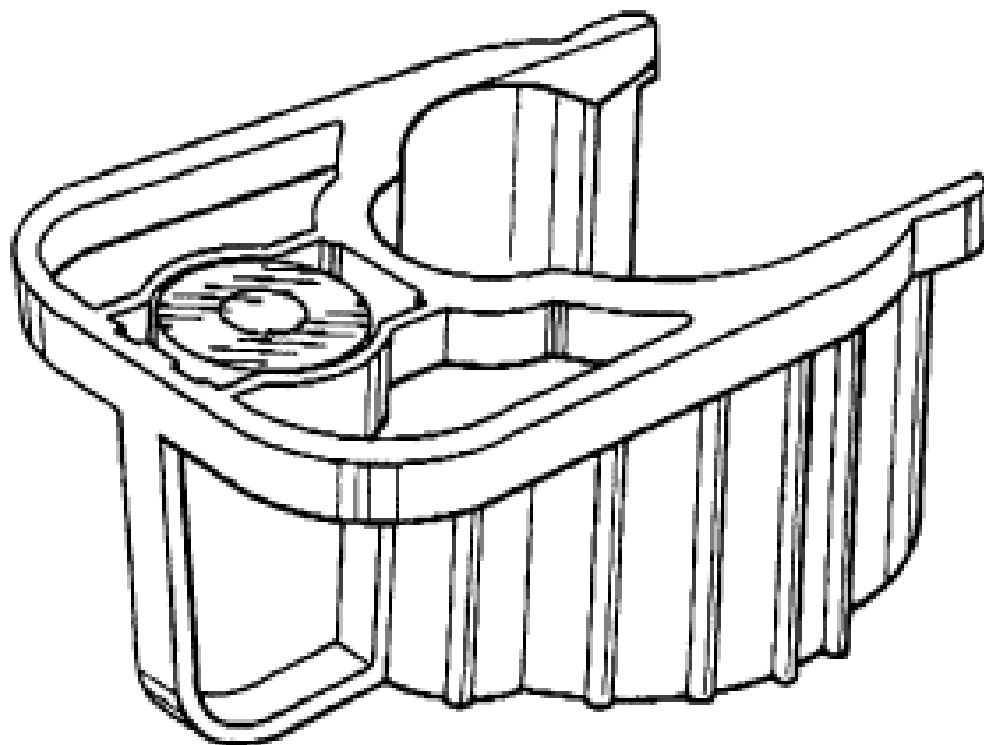
(30) Convention priority data:

(31) Number	(32) Date	(33) Country
29/195645	12 Dec 2003	UNITED STATES OF AMERICA

(56) Related Art Documents: **Not Applicable**

(57) Statement of Monopoly: **Monopoly is claimed in the features of shape and/or configuration of a hold-up tool for pop-up sprinkler risers as illustrated in the accompanying representations and when considering the scope of monopoly protection the sprinkler riser shown in phantom lines in Figure 1 is to be disregarded.**

Statement of Novelty: **Nil**



(21) Application Number: **2447/2004**
(22) Date of Filing Application: **16 June 2004**
(24) Date from which industrial property rights may have effect: **16 June 2004**
(54) Article in respect of which the design is registered: **An article of footwear**

(51) International Design Classification: **02-04NES**

(71) Name(s) and Address(s) of Applicant(s):
Konstantinos Hatzilias
37 Wattle Grove Reservoir Victoria 3073 Australia

(72) Name(s) of Author(s): **Konstantinos Hatzilias**

(45) Registration Date: **01 February 2006**

(56) Related Art Documents: **Not Applicable**

(57) Statement of Monopoly: **Monopoly is claimed in the features of shape and configuration of the upper portion of the article of footwear marked "A" as depicted in the accompanying representations. The remaining features of the article of footwear form no part of the design and are to be disregarded in considering the nature and/or extent of the monopoly claimed.**

Statement of Novelty: **Nil**



(21) Application Number: **2464/2004**

(22) Date of Filing Application: **16 June 2004**

(24) Date from which industrial property rights may have effect: **29 October 2003**

(54) Article in respect of which the design is registered: **A bench**

(51) International Design Classification: **06-01C**

(74) Name(s) of Attorney(s): **F.B. Rice & Co.**

(71) Name(s) and Address(s) of Applicant(s):

**Edward Patrick Dalmau Trustee of the R & M Dalmau Family Trust
C/- Johnston Rorke Level 5 National Bank House 255 Adelaide Street
Brisbane Queensland 4000 Australia**

**Mary Margaret Dalmau Trustee of the R & M Dalmau Family Trust
C/- Johnston Rorke Level 5 National Bank House 255 Adelaide Street
Brisbane Queensland 4000 Australia**

(72) Name(s) of Author(s): **Edward Patrick Dalmau**

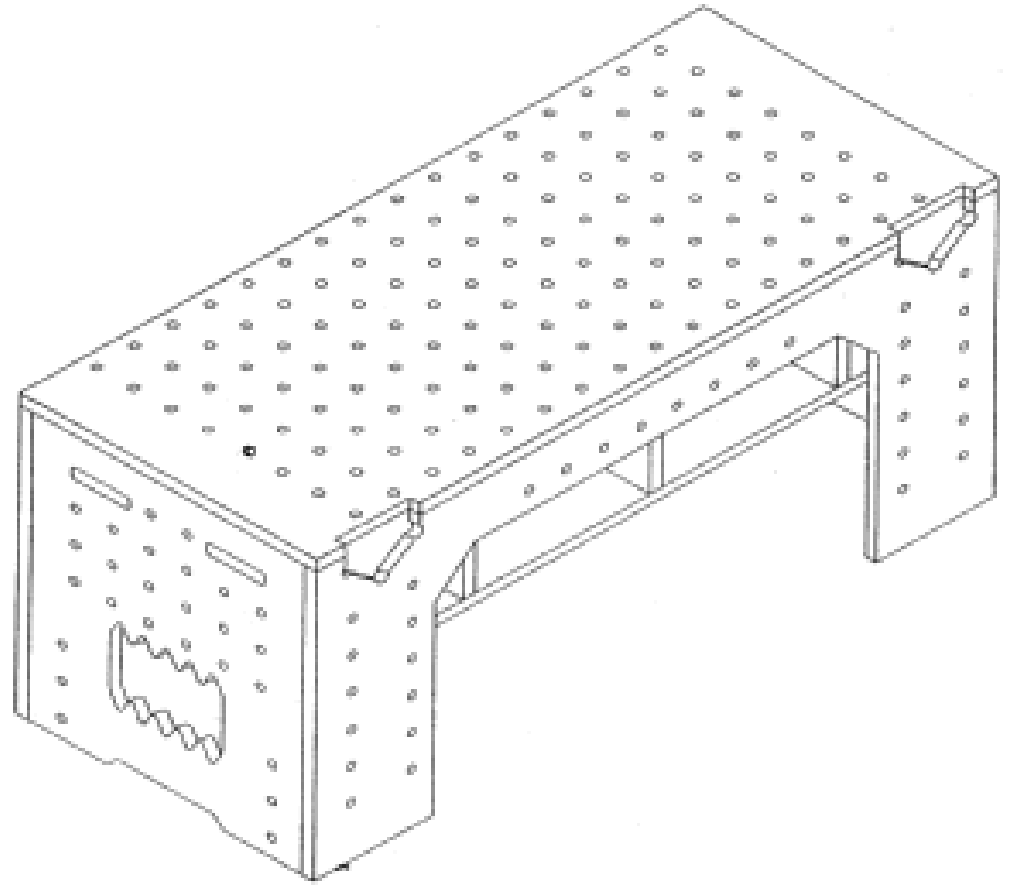
(45) Registration Date: **01 February 2006**

(62) Divisional of: **157795**

(56) Related Art Documents: **Not Applicable**

(57) Statement of Monopoly: **Those features of the representations in respect of which the applicant for registration of the design wishes to claim a monopoly are the features of shape and configuration in combination.**

Statement of Novelty: **Nil**



Proceedings under the Designs Act 2003.

This Page Left Intentionally Blank

Applications Lodged

Lodgement information is in the following order: **Applicant's Name**; International Classification, Name of Product, Lodgement Date and **Design Number**. If the applicant claims an earlier priority date under an International Convention, the Convention Country and the associated filing date are shown in parentheses before the Lodgement Date. Divisional information will also appear in parentheses before the Lodgement Date.

buyDirect Pty Ltd; 02-01NES, Pocket belt-strap underwear, 02 Feb 2006	10321/2006	Arnold & Richter Cine Technik GmbH & Co Betriebs KG; 26-03, Flood light, (DE, 29 Jul 2005) 27 Jan 2006	10274/2006
topac MultimediaPrint GmbH; 03-01C, 09-03M, Packaging for data carriers, (DE, 04 Feb 2005) 02 Feb 2006	10407/2006	Aussie Cooler Company; 07-07A, 03-01A, Aussie pouch, 07 Feb 2006	10414/2006
Advantage Air (Aust) Pty Ltd; 23-04, Intermediate stage for modular air cowl, 20 Jan 2006	10205/2006	ACTERVIS GmbH; 28-03B, Rotair ceramic brush, (EM, 25 Jul 2005) 25 Jan 2006	10254/2006
Advantage Air (Aust) Pty Ltd; 23-04, Cover for air cowl, 20 Jan 2006	10206/2006	ACTERVIS GmbH; 28-03B, Rotair ceramic brush, (EM, 25 Jul 2005) 25 Jan 2006	10255/2006
Advantage Air (Aust) Pty Ltd; 23-04, Modular air cowl, 20 Jan 2006	10207/2006	AHWI Maschinenbau GmbH; 15-03B, Cutting head for rotors, (EM, 05 Aug 2005) 02 Feb 2006	10327/2006
Alexander Binzel Schweisstechnik GmbH & Co. KG; 08-05M, Welding torch, (EM, 31 Aug 2005) 06 Feb 2006	10395/2006	Beaunix Co., Ltd.; 28-03NES, Low frequency foot massage instrument, 20 Jan 2006	10194/2006
Alexander Binzel Schweisstechnik GmbH & Co. KG; 08-05M, Welding torch, (EM, 31 Aug 2005) 06 Feb 2006	10396/2006	Bellnet Pty Ltd; 15-01, Vortex throttle body spacer, 06 Feb 2006	10417/2006
Alexander Binzel Schweisstechnik GmbH & Co. KG; 08-05M, Welding torch, (EM, 31 Aug 2005) 06 Feb 2006	10397/2006	Beltrame, C.; 25-02H, 25-02NES, Variable opening sliding roof, 27 Jan 2006	10280/2006
Alexander Binzel Schweisstechnik GmbH & Co. KG; 08-05M, Welding torch, (EM, 31 Aug 2005) 06 Feb 2006	10398/2006	Black & Decker, Inc.; 08-03, A saw, (US, 01 Aug 2005) 30 Jan 2006	10295/2006
Alexander Binzel Schweisstechnik GmbH & Co. KG; 08-05M, Welding torch, (EM, 31 Aug 2005) 06 Feb 2006	10399/2006	Black & Decker, Inc.; 08-05N, A hand-held scrubber attachment, (US, 19 Jul 2005) 18 Jan 2006	10156/2006
Alto Plastics Limited; 09-07B, Reconfigurable cap component, (NZ, 01 Aug 2005) 25 Jan 2006	10244/2006	Black & Decker, Inc.; 15-03B, String trimmer, (EM, 19 Aug 2005) 03 Feb 2006	10385/2006
Alto Plastics Limited; 09-07B, A screw cap, (NZ, 01 Aug 2005) 26 Jan 2006	10282/2006	Black & Decker, Inc.; 08-05N, 04-03, A hand-held scrubber attachment, (US, 19 Jul 2005) 18 Jan 2006	10157/2006
Apple Computer, Inc.; 14-02, 14-01, Media device, (US, 24 Aug 2005) 24 Jan 2006	10232/2006	Black & Decker, Inc.; 08-05N, 04-03, A hand-held scrubber attachment, (US, 19 Jul 2005) 18 Jan 2006	10158/2006
Aqua Max Pty Ltd; 23-01B, Piping arrangement for water heater, 31 Jan 2006	10319/2006	Breconcherry Limited; 23-01K, Washer Nozzel, (EM, 14 Dec 2005) 25 Jan 2006	10250/2006
Arlec Australia Limited; 13-03E, 13-02, Portable residual current device, 02 Feb 2006	10340/2006	Breconcherry Limited; 23-01K, Washer nozzel, (EM, 14 Dec 2005) 25 Jan 2006	10251/2006
Arnold & Richter Cine Technik GmbH & Co Betriebs KG; 26-03, Flood light, (DE, 29 Jul 2005) 27 Jan 2006	10272/2006	Bridgestone/Firestone North American Tire, LLC; 12-15C, Tire, (US, 16 Aug 2005) 24 Jan 2006	10230/2006
		Briggs & Stratton Corporation; 07-01NES, Container tether, (US, 28 Jul 2005) 18 Jan 2006	10149/2006
		Briggs & Stratton Corporation; 07-01NES, Container tether, (US, 27 Jul 2005) 18 Jan 2006	10150/2006

Briggs & Stratton Corporation; 15-01, 15-03B, Air cleaner cover, (US, 11 Aug 2005) 19 Jan 2006	10185/2006	Crawford, Sarah; 11-99, Mobile sculpture comprising straight metal bar with equilibrated coils each embracing a glass, 24 Jan 2006	10218/2006
Briggs & Stratton Corporation; 15-01, 15-03B, Air cleaner cover, (US, 24 Aug 2005) 19 Jan 2006	10186/2006	Crazy Creek Products, Inc; 06-01H, Combination chair with folding table, 24 Jan 2006	10231/2006
Britner, Raymond Robert; 08-05N, Sand/shot blasting and surface preparation system, 24 Jan 2006	10210/2006	Creative Technology Ltd; 14-01, Loud speaker device, (US, 29 Aug 2005) 25 Jan 2006	10256/2006
Bromic Pty Limited; 23-03NES, Portable radiant patio heater, 27 Jan 2006	10289/2006	Creative Technology Ltd; 14-01, Loud speaker device, (US, 09 Sep 2005) 25 Jan 2006	10257/2006
Bubzilla Pty Ltd; 03-99, Baby sling, 31 Jan 2006	10300/2006	CGC Migration; 19-01, 02-03, 02-02NES, 19-06, Letterheads, business cards, some promotional material including T-shirts, caps, pens, etc., 27 Jan 2006	10286/2006
Built NY, Inc.; 03-01NES, Bottle tote, (US, 06 Dec 2005) 18 Jan 2006	10166/2006	CSR Gyprock Fibre Cement; 25-02E, A cornice, 23 Jan 2006	10221/2006
Built NY, Inc.; 03-01NES, Bottle tote, (US, 06 Dec 2005) 18 Jan 2006	10167/2006	D & D Group Pty Ltd; 08-06, Self closing hinge, 31 Jan 2006	10311/2006
Built NY, Inc.; 03-01NES, Bottle tote, (US, 06 Dec 2005) 18 Jan 2006	10168/2006	D & D Group Pty Ltd; 08-07, Gatch latch, 31 Jan 2006	10315/2006
Callaway Golf Company; 21-02C, Golf club head, (US, 19 Jul 2005) 19 Jan 2006	10175/2006	D & D Group Pty Ltd; 08-07, Gatch latch, 31 Jan 2006	10316/2006
Callaway Golf Company; 21-02C, Golf club head, (US, 04 Aug 2005) 03 Feb 2006	10401/2006	D & D Group Pty Ltd; 08-07, Pull bolt, 31 Jan 2006	10310/2006
Callaway Golf Company; 21-02C, Golf club head, (US, 19 Jul 2005) 19 Jan 2006	10176/2006	D & D Group Pty Ltd; 08-07, Gate latch, 31 Jan 2006	10312/2006
Callaway Golf Company; 21-02C, Golf club head, (US, 19 Jul 2005) 19 Jan 2006	10177/2006	D & D Group Pty Ltd; 08-07, Gate latch, 31 Jan 2006	10313/2006
Callaway Golf Company; 21-02C, Golf club head, (US, 19 Jul 2005) 19 Jan 2006	10178/2006	D & D Group Pty Ltd; 08-07, Gate latch, 31 Jan 2006	10314/2006
Carter Holt Harvey Packaging Pty Limited; 09-03M, Packaging, 23 Jan 2006	10217/2006	Dankers, Andrew Alexander; 21-02E, Amphibious all-terrain board, 23 Jan 2006	10211/2006
Cerra, Carl; 12-16B, Tortuga ute lid, 27 Jan 2006	10279/2006	Davis, Edger Ronald; 06-13NES, Headrest cover, 20 Jan 2006	10209/2006
Chan, Wai; 15-01, Intercooler pipe, 24 Jan 2006	10236/2006	Deakin, Paul Bradley; 25-01A, Surface covering element, 27 Jan 2006	10267/2006
Chan, Wai; 15-01, Intercooler pipe, 24 Jan 2006	10235/2006	Deakin, Paul Bradley; 25-02NES, Expansion joint, 27 Jan 2006	10268/2006
Clarke, Geoffrey John; 23-01L, 25-01C, 25-02A, Modular concrete wall with "built-in" end key columns, down-pipes and gutters, 06 Feb 2006	10415/2006	Decor Corporation Pty Ltd, The; 03-01A, 09-04, 07-07NES, Basket, 01 Feb 2006	10330/2006
Colgate-Palmolive Company; 28-02, Dentifrice, (US, 04 Aug 2005) 24 Jan 2006	10234/2006	Dias Aluminium Products Pty. Ltd.; 08-07, Door lock, 25 Jan 2006	10245/2006
Colgate-Palmolive Company; 28-03NES, Dispenser, (US, 01 Sep 2005) 02 Feb 2006	10348/2006	Dines, Dawn; 09-07B, Anti drink spiking lids, (GB, 14 Dec 2005) 30 Jan 2006	10288/2006
		Dorf Clark Industries Limited; 23-02F, 23-02NES, Drainer tray for sinks, 25 Jan 2006	10258/2006
		DX Antenna Company, Limited; 14-03NES, Antenna, 27 Jan 2006	10281/2006
		Eastcoast Australia Pty Ltd; 07-01F, Liquor dispenser, 23 Jan 2006	10214/2006

Elegant Garden World Pty Ltd; 11-99, Not provided, 01 Feb 2006	10320/2006	Henkel Kommanditgesellschaft auf Aktien; 09-01C, Jar, (EM, 16 Aug 2005) 24 Jan 2006	10241/2006
Emerald Springs Mareeba; 09-01NES, Sportz bottle, 23 Jan 2006	10222/2006	Henkel Kommanditgesellschaft auf Aktien; 09-01C, Jar, (EM, 16 Aug 2005) 24 Jan 2006	10242/2006
English, Michael; 20-02NES, Merchandising display fitting, 27 Jan 2006	10270/2006	Henkel Kommanditgesellschaft auf Aktien; 09-01C, Jar, (EM, 16 Aug 2005) 24 Jan 2006	10243/2006
Ethicon Endo-Surgery, Inc.; 24-04, Drug cassette, (US, 02 Aug 2005) 30 Jan 2006	10297/2006	Higgins, Darcy; 21-04, A peg, 31 Jan 2006	10307/2006
Ethicon Endo-Surgery, Inc.; 24-04, Oral/nasal cannula, (US, 02 Aug 2005) 30 Jan 2006	10298/2006	Higgins, Darcy; 21-04, A peg, 31 Jan 2006	10306/2006
Ethicon Endo-Surgery, Inc.; 24-02, Fluid connector, (US, 02 Aug 2005) 30 Jan 2006	10299/2006	Housewares International Ltd; 07-03, Cutlery handle, 03 Feb 2006	10400/2006
Felk, Edward Karl; 12-16A, A wheel, 06 Feb 2006	10416/2006	HBVO Entertainment (Pty) Limited; Van Halderen, Bruce Simon; 25-01D, 05-06NES, Material sheet, (ZA, 05 Aug 2005) 03 Feb 2006	10402/2006
Fletcher Building Holdings Limited; 25-01A, A construction block, (NZ, 02 Aug 2005) 02 Feb 2006	10359/2006	Ingram, Bradley Phillip; 21-02F, Trampoline, 03 Feb 2006	10366/2006
Fletcher Building Holdings Limited; 25-01A, A construction block, (NZ, 02 Aug 2005) 02 Feb 2006	10360/2006	Ingram, Bradley Phillip; 21-02F, Trampoline, 03 Feb 2006	10367/2006
Fletcher Building Holdings Limited; 25-01A, A construction block, (NZ, 02 Aug 2005) 02 Feb 2006	10361/2006	Irwin and Sheehan Pty Ltd; 23-01D, Sprinkler cap, 25 Jan 2006	10252/2006
Fletcher Building Holdings Limited; 25-01A, A construction block, (NZ, 02 Aug 2005) 02 Feb 2006	10362/2006	Italesse S.r.l.; 07-01C, Cup, (Divisional of 01913/2004) 18 Jan 2006	10154/2006
Fletcher Building Holdings Limited; 25-01A, A construction block, (NZ, 02 Aug 2005) 02 Feb 2006	10363/2006	Italesse S.r.l.; 07-01C, 07-01B, Container, (Divisional of 01913/2004) 18 Jan 2006	10155/2006
Fletcher Building Holdings Limited; 25-01A, A construction block, (NZ, 02 Aug 2005) 02 Feb 2006	10364/2006	IMD Group Limited; 09-09, A container, 02 Feb 2006	10349/2006
Fritsch and Son; 25-01A, 25-01F, Pavers and tiles, 20 Jan 2006	10187/2006	IMD Group Limited; 09-09, A container, 02 Feb 2006	10350/2006
Frost Merchandising Pty Ltd; 19-06, Writing instrument, 19 Jan 2006	10182/2006	IMD Group Limited; 09-09, A container, 02 Feb 2006	10351/2006
Golfsmart International Pty. Ltd.; 21-02C, Putter, 25 Jan 2006	10331/2006	IMD Group Limited; 09-09, A container, 02 Feb 2006	10352/2006
Gordon Maclean & Jakob Hartano-Tie Ring Company; 02-07C, Tie ring, 06 Feb 2006	10390/2006	IMD Group Limited; 08-08L, 08-08NES, A bracket, 02 Feb 2006	10353/2006
Great Stuff Inc.; 13-99, Cord reel, (US, 27 Jul 2005) 27 Jan 2006	10269/2006	Jackson Industries Pty Limited; 13-03D, A power adaptor, 27 Jan 2006	10271/2006
Greenway Waters; 19-01, Not provided, 19 Jan 2006	10164/2006	JohnsonDiversey, Inc.; 23-02A, Dispensing apparatus, (US, 12 Aug 2005) 02 Feb 2006	10356/2006
Hadad, Guy; 11-01A, Gemstone, (IL, 29 Jan 2004) 08 Jun 2004	10285/2006	Johnston, Cheryl; 06-09, Shopping cart cushion, 23 Jan 2006	10219/2006
Halco Pty Ltd; 22-05, Fishing lure, 02 Feb 2006	10326/2006	K. Hartwall Oy Ab; 09-99, Part for a buffer for a rollcontainer, (EM, 24 Aug 2005) 03 Feb 2006	10406/2006
Henkel Kommanditgesellschaft auf Aktien; 09-01C, Jar, (EM, 16 Aug 2005) 24 Jan 2006	10240/2006	K. Hartwall Oy Ab; 09-99, Buffer for a rollcontainer, (EM, 24 Aug 2005) 03 Feb 2006	10405/2006
		Kaba Australia Pty Limited; 08-07, A key blank, 18 Jan 2006	10159/2006
		Kaba Australia Pty Limited; 08-07, A key blank, 18 Jan 2006	10160/2006

Kaba Australia Pty Limited; 08-07, A key blank, 18 Jan 2006	10161/2006	Lorient Polyproducts Limited; 08-09, 25-99, Smoke seal for doors or windows, (EM, 30 Dec 2005) 06 Feb 2006	10410/2006
Kaba Australia Pty Limited; 08-07, A key blank, 18 Jan 2006	10162/2006	Louver-Lite Limited; 08-08C, 08-08H, Clip, (EM, 08 Dec 2005) 02 Feb 2006	10337/2006
Kaliba Pty Limited; 25-04, Ladder accessory, 03 Feb 2006	10369/2006	Maniatis, George; 07-01C, Ceramic cup, 03 Feb 2006	10357/2006
Kaliba Pty Limited; 25-04, Ladder accessory, 03 Feb 2006	10370/2006	Matsushita Electric Industrial Co. Ltd; 23-04, Air-conditioner, 30 Jan 2006	10291/2006
Kaliba Pty Limited; 25-04, Ladder accessory, 03 Feb 2006	10371/2006	Mattel, Inc.; 21-01C, 21-01E, Body portion for a toy vehicle, (US, 09 Feb 2005) 09 Aug 2005	10436/2006
Keating, Geoffrey Francis; 11-02C, Plant pot holder, 23 Jan 2006	10212/2006	McNeil-PPC Inc.; 24-04, Sanitary napkin, (US, 19 Jul 2005) 19 Jan 2006	10179/2006
Keating, Geoffrey Francis; 11-02C, Plant/pot conatiner holder, 23 Jan 2006	10213/2006	McNeil-PPC Inc.; 24-04, 05-06NES, Apertured film material for an absorbent article, (US, 19 Jul 2005) 19 Jan 2006	10180/2006
Keen LLC; 02-04B, Sport shoe, (US, 04 Aug 2005) 03 Feb 2006	10391/2006	McNeil-PPC Inc.; 24-04, Sanitary napkin, (US, 19 Jul 2005) 19 Jan 2006	10181/2006
Keen LLC; 02-04B, Shoe sole, (US, 04 Aug 2005) 03 Feb 2006	10392/2006	Michelin Recherche et Technique S.A.; Societe De Technologie Michelin; 12-15B, A pneumatic tyre, (FR, 25 Jul 2005) 25 Jan 2006	10249/2006
Keen LLC; 02-04NES, 02-04B, Shoe sole, (US, 04 Aug 2005) 03 Feb 2006	10386/2006	Michelin Recherche et Technique S.A.; Societe De Technologie Michelin; 12-15B, A pneumatic tyre, (EM, 25 Jul 2005) 25 Jan 2006	10247/2006
Keen LLC; 02-04NES, Sport shoe, (US, 04 Aug 2005) 03 Feb 2006	10387/2006	Michelin Recherche et Technique S.A.; Societe De Technologie Michelin; 12-15B, A pneumatic tyre, (FR, 25 Jul 2005) 25 Jan 2006	10248/2006
Keen LLC; 02-04NES, Toe portion of a shoe upper, (US, 04 Aug 2005) 03 Feb 2006	10388/2006	Mildon Pty Ltd; 09-01NES, Bottle, 24 Jan 2006	10233/2006
Keen LLC; 02-04NES, Lacing portion of a shoe upper, (US, 04 Aug 2005) 03 Feb 2006	10389/2006	Miller UK Limited; 02-07C, Safety pin, (GB, 17 Aug 2005) 27 Jan 2006	10273/2006
Kinnerton (Confectionery) Company Limited; 01-01, Confection, (EM, 06 Aug 2005) 27 Jan 2006	10264/2006	Mitsubishi Denki Kabushiki Kaisha; 23-04, Air conditioner, (JP, 05 Aug 2005) 02 Feb 2006	10354/2006
Kinnerton (Confectionery) Company Limited; 01-01, Stick for confection, (EM, 06 Aug 2005) 27 Jan 2006	10265/2006	Mitsubishi Denki Kabushiki Kaisha; 23-04, Air conditioner, (JP, 05 Aug 2005) 02 Feb 2006	10355/2006
Kis, Peter L.; 21-02NES, Work-out (exercise) mat, 23 Jan 2006	10227/2006	Mitsubishi Denki Kabushiki Kaisha; 28-03NES, Hand dryer, (JP, 03 Aug 2005) 23 Jan 2006	10220/2006
Kong, Jae Cheol; 07-02A, Portable gas range, (KR, 27 Jul 2005) 27 Jan 2006	10277/2006	Mobiletron Electronics Co., Ltd.; 13-02, Top shell of battery pack for power tool, 20 Jan 2006	10208/2006
Koren, Daniel; 11-01A, Eternity band with u-shaped seats for gemstones, 24 Jan 2006	10215/2006	Mobiletron Electronics Co., Ltd.; 13-02, Top shell of battery pack for power tool, 30 Jan 2006	10365/2006
Kratzer, Oliver Clemens Robert; Stevens, Grant Edward; 30-99, Cat litter trays, 30 Jan 2006	10301/2006	Montres Breguet S.A.; 10-02, Watch, (WO, 26 Jul 2005) 25 Jan 2006	10246/2006
Kratzer, Oliver Clemens Robert; Stevens, Grant Edward; 09-07B, 07-03, Lid with spoon, 31 Jan 2006	10318/2006		
Letterbox Man Enterprises Pty Ltd; 25-03, Mail box, 31 Jan 2006	10290/2006		

Moon, Benjimen Peter; 30-04, Halter (also called a headstall or headcollar), 02 Feb 2006	10322/2006	Procter & Gamble Company, The; 09-01K, 09-01G, Container, (EM, 21 Jul 2005) 20 Jan 2006	10190/2006
Newell, John; 13-01, 12-05, Rolling door motor, 03 Feb 2006	10358/2006	Procter & Gamble Company, The; 09-01K, 09-01G, Container, (EM, 21 Jul 2005) 20 Jan 2006	10191/2006
Nique Enterprises Pty Limited; 06-01H, Lounger, 06 Feb 2006	10403/2006	Procter & Gamble Company, The; 09-01K, 09-01G, Container, (EM, 21 Jul 2005) 20 Jan 2006	10192/2006
Nuc Electronics Co., Ltd; 31-00, Body of food processing device, 31 Jan 2006	10305/2006	Procter & Gamble Company, The; 09-01K, 09-01G, Container, (EM, 21 Jul 2005) 20 Jan 2006	10193/2006
Nursery and Garden Industry Association of New Zealand Incorporated, The; 12-02, Trolley with removable shelves, 19 Jan 2006	10163/2006	Procter & Gamble Company, The; 09-01K, 09-01G, Container, (EM, 21 Jul 2005) 20 Jan 2006	10153/2006
O'Driscoll, Edward J.; 19-08, 09-01H, Bottle/label, (EM, 03 Aug 2005) 02 Feb 2006	10344/2006	Prodrome Designs Pty Ltd; 08-08B, A window security bar washer, 19 Jan 2006	10165/2006
Officer, Mark; 21-02C, The design is to be applied to the product as a whole, which is an aid developed to assist with golf putting, 31 Aug 2005	13752/2005	Reckitt Benckiser N.V.; 28-99, Tablet, (EM, 03 Aug 2005) 02 Feb 2006	10347/2006
Onniette Pty Ltd; 99-00, Coffin, 27 Jan 2006	10266/2006	Reed, Garry; 21-02NES, 25-02NES, Dance poles, 02 Feb 2006	10323/2006
Osram-Sylvania Inc; 26-02, Portable lamp, (US, 04 Aug 2005) 03 Feb 2006	10393/2006	Review Australia Pty Ltd; 02-01B, 02-02C, 02-02NES, Ladies garments, 01 Feb 2006	10317/2006
OASE GmbH; 23-01K, Valve, (Divisional of 12964/2005) 18 Jan 2006	10151/2006	Reynolds; 19-06, Writing instrument, (EM, 14 Sep 2005) 21 Nov 2005	15132/2005
OASE GmbH; 15-05, Suction device, (Divisional of 12964/2005) 18 Jan 2006	10152/2006	Riggio, Sam; 10-01, Mantle clock, clock suitable to be displayed on mantle pieces, book shelves, tallboys ect, 25 Jan 2006	10287/2006
Pacific Trends International Pty Ltd; 23-03A, 23-03NES, Heater assembly and heater element therefor, 03 Feb 2006	10394/2006	Robert Bosch GmbH; 13-02, Battery pack, (DE, 11 Nov 2005) 18 Jan 2006	10148/2006
PepsiCo, Inc.; 09-01NES, Bottle, (US, 28 Jul 2005) 20 Jan 2006	10197/2006	Robertson, Janet Elizabeth; 02-01B, Pyjamas, 30 Jan 2006	10283/2006
PepsiCo, Inc.; 09-01NES, Botttle, (US, 28 Jul 2005) 20 Jan 2006	10198/2006	Robertson, Janet Elizabeth; 02-01B, Pyjamas, 30 Jan 2006	10284/2006
PepsiCo, Inc.; 09-01NES, Bottle, (US, 28 Jul 2005) 20 Jan 2006	10199/2006	Roller Shutters Wholesalers Pty Ltd; 08-07, An adjustable split security spring, 06 Feb 2006	10411/2006
PepsiCo, Inc.; 09-01NES, Bottle, (US, 28 Jul 2005) 20 Jan 2006	10200/2006	Roller Shutters Wholesalers Pty Ltd; 08-08H, A rooler entry guide, 06 Feb 2006	10409/2006
Pi-Design AG; 07-01D, Drinking cup, (DK, 18 Aug 2005) 25 Jan 2006	10238/2006	Samsung Electronics Co., Ltd; 15-05, Washing machine, 27 Jan 2006	10275/2006
Popsicle Displays Pty Ltd; 20-03NES, Double sided foldable display sign and blank therefor, 25 Jan 2006	10237/2006	Samsung Electronics Co., Ltd; 15-05, Washing machine, 27 Jan 2006	10276/2006
Procter & Gamble Company, The; 09-01K, 09-01G, Container, (EM, 21 Jul 2005) 20 Jan 2006	10188/2006	Samsung Electronics Co., Ltd; 14-03E, Mobile phone, (KR, 28 Dec 2005) 25 Jan 2006	10259/2006
Procter & Gamble Company, The; 09-01K, 09-01G, Container, (EM, 21 Jul 2005) 20 Jan 2006	10189/2006	Scanlan & Theodore; 02-02C, 02-02NES, 02-04NES, A lady's garment, 25 Jan 2006	10253/2006
		Scanlan & Theodore; 02-02NES, A lady's garment, 25 Jul 2005	10372/2006

Scanlan & Theodore; 02-02NES, A lady's garment, 25 Jul 2005	10373/2006	Sony Kabushiki Kaisha; 14-01, Speaker box combined with amplifier, (JP, 30 Aug 2005) 20 Jan 2006	10195/2006
Scanlan & Theodore; 02-02NES, A lady's garment, 25 Jul 2005	10374/2006	Sony Kabushiki Kaisha; 14-01, 13-02, Speaker box combined with power supply adaptor, (JP, 13 Oct 2005) 20 Jan 2006	10196/2006
Scanlan & Theodore; 02-02NES, A lady's garment, 25 Jul 2005	10375/2006	Steen, Darren Robert; 23-02E, Floor waste/drain, 23 Jan 2006	10223/2006
Scanlan & Theodore; 02-02C, A lady's garment, 25 Jul 2005	10376/2006	Steen, Darren Robert; 23-02E, Floor waste / drain, 23 Jan 2006	10224/2006
Scanlan & Theodore; 02-02NES, A lady's garment, 25 Jul 2005	10377/2006	Steen, Darren Robert; 23-02E, Floor waste / drain, 23 Jan 2006	10225/2006
Scanlan & Theodore; 02-02C, A lady's garment, 25 Jul 2005	10378/2006	Steen, Darren Robert; 23-02E, Floor waste / drain, 23 Jan 2006	10226/2006
Scanlan & Theodore; 02-02C, A lady's garment, 25 Jul 2005	10379/2006	Stevens, Grant Edward; Kratzer, Oliver Clemens Robert; 30-99, Cat litter trays, 30 Jan 2006	10301/2006
Scanlan & Theodore; 02-02C, A lady's garment, 25 Jul 2005	10380/2006	Stevens, Grant Edward; Kratzer, Oliver Clemens Robert; 09-07B, 07-03, Lid with spoon, 31 Jan 2006	10318/2006
Scolmore International Limited; 26-05C, Ceiling lighting fitting, (EM, 25 Jul 2005) 25 Jan 2006	10260/2006	SOCIETE BIC; 19-02, Correction device, (EM, 25 Jul 2005) 19 Jan 2006	10183/2006
Sellers, David R.; 21-02NES, 02-04B, Detachable sole for an ankle and foot covering, (US, 02 Aug 2005) 02 Feb 2006	10338/2006	SOCIETE BIC; 19-02, Multipurpose stationery tool, (EM, 25 Jul 2005) 19 Jan 2006	10184/2006
Sellers, David R.; 21-02NES, 02-04B, Detachable sole for an ankle and foot covering, (US, 02 Aug 2005) 02 Feb 2006	10339/2006	SOMFY SAS; 13-03NES, Control photocell, (EM, 02 Aug 2005) 20 Jan 2006	10201/2006
Silhouette International Schmied AG; 16-06, Sports glasses, 19 Jan 2006	10169/2006	SOMFY SAS; 10-06, Signal lamp, (EM, 02 Aug 2005) 20 Jan 2006	10202/2006
Silhouette International Schmied AG; 16-06, Sport glasses, 19 Jan 2006	10170/2006	SOMFY SAS; 14-03NES, Remote control, (EM, 02 Aug 2005) 20 Jan 2006	10203/2006
Silhouette International Schmied AG; 16-06, Sports glasses, 19 Jan 2006	10171/2006	SOMFY SAS; 14-03NES, Remote control, (EM, 02 Aug 2005) 20 Jan 2006	10204/2006
Silhouette International Schmied AG; 16-06, Sports glasses, 19 Jan 2006	10172/2006	Taylor, Michael Vincent; 07-06B, Drink coaster, 07 Feb 2006	10418/2006
Silhouette International Schmied AG; 16-06, Sports glasses, 19 Jan 2006	10173/2006	Team Poly Pty Ltd; 12-16C, A vehicle front protection device, 02 Feb 2006	10324/2006
Silhouette International Schmied AG; 16-06, Sports glasses, 19 Jan 2006	10174/2006	Team Poly Pty Ltd; 30-03, An animal feed trough, 02 Feb 2006	10325/2006
Societe De Technologie Michelin; Michelin Recherche et Technique S.A.; 12-15B, A pneumatic tyre, (EM, 25 Jul 2005) 25 Jan 2006	10247/2006	The Honey Shack Pty Ltd; 09-03K, 30-99, Cassette for honey comb, 27 Jan 2006	10278/2006
Societe De Technologie Michelin; Michelin Recherche et Technique S.A.; 12-15B, A pneumatic tyre, (FR, 25 Jul 2005) 25 Jan 2006	10249/2006	Tiny Love Ltd; 21-01NES, Toy, (EM, 01 Aug 2005) 30 Jan 2006	10292/2006
Societe De Technologie Michelin; Michelin Recherche et Technique S.A.; 12-15B, A pneumatic tyre, (FR, 25 Jul 2005) 25 Jan 2006	10248/2006	Tiny Love Ltd; 21-01NES, Toy, (EM, 01 Aug 2005) 30 Jan 2006	10293/2006
Societe Des Produits Nestle S.A.; 03-01NES, Capsule holder, (CH, 11 Aug 2005) 31 Jan 2006	10309/2006	Tiny Love Ltd; 21-01NES, Toy, (EM, 01 Aug 2005) 30 Jan 2006	10294/2006
Societe Des Produits Nestle S.A.; 31-00, 07-02L, Coffee machine, (CH, 24 Aug 2005) 06 Feb 2006	10408/2006		

Tiny Love Ltd; 21-01B, Puppets, (EM, 25 Jul 2005) 25 Jan 2006	10261/2006	WING SUN HONG Import & Export Co. Ltd; 08-06, A handle of indefinite length, 02 Feb 2006	10341/2006
Tiny Love Ltd; 21-01A, Puppets, (EM, 25 Jul 2005) 25 Jan 2006	10262/2006	WING SUN HONG Import & Export Co. Ltd; 08-06, A handle of indefinite length, 02 Feb 2006	10342/2006
Tiny Love Ltd; 21-01A, Puppets, (EM, 25 Jul 2005) 25 Jan 2006	10263/2006	WING SUN HONG Import & Export Co. Ltd; 08-06, A handle of indefinite length, 02 Feb 2006	10343/2006
Toshiba Tec Kabushiki Kaisha; 18-01, Cash register for a point of sales terminal, (JP, 11 Aug 2005) 02 Feb 2006	10332/2006	Yan, Wen; 14-03C, HIFI system, 24 Jan 2006	10216/2006
Toshiba Tec Kabushiki Kaisha; 18-01, Cash register for a point of sales terminal, (JP, 11 Aug 2005) 02 Feb 2006	10333/2006	Yanmar Co., Ltd.; 12-09, Tractor, (JP, 10 Aug 2005) 02 Feb 2006	10345/2006
Toyo Tire & Rubber Co Ltd; 12-15B, Automobile tire, (JP, 19 Aug 2005) 01 Feb 2006	10329/2006	Yanmar Co., Ltd.; 12-09, Tractor, (JP, 10 Nov 2005) 02 Feb 2006	10346/2006
Unistraw Asset Holdings Pty Limited; 07-06NES, A drinking straw containing soluble pellets, 06 Feb 2006	10412/2006	Yarra Ridge Pty Ltd; 08-06, Lever and backplate assembly, 03 Feb 2006	10334/2006
Unistraw Asset Holdings Pty Limited; 07-06NES, A drinking straw containing multi-coloured soluble pellets, 06 Feb 2006	10413/2006	Yarra Ridge Pty Ltd; 08-07, Door lock strike plate, 03 Feb 2006	10335/2006
Van Halderen, Bruce Simon; HBVO Entertainment (Pty) Limited; 25-01D, 05-06NES, Material sheet, (ZA, 05 Aug 2005) 03 Feb 2006	10402/2006	Yarra Ridge Pty Ltd; 08-07, Double cylinder, 03 Feb 2006	10336/2006
Vincent, Steven; 25-02C, 08-08D, Staunchan clamp for use in temporary construction safety railing, 01 Feb 2006	10328/2006	Yuen, Se Kit; 26-02, 13-02, Cellular phone charger with flashlight, 25 Jan 2006	10308/2006
Visy Industrial Packaging; 09-02NES, Plastic packaging container for liquids, viscous materials, granuales and powder, 30 Jan 2006	10296/2006	Zumtobel Staff GmbH & Co. KG; 26-03, Spotlight, 24 Jan 2006	10239/2006
		1001 Original Inc. Limited; 05-05NES, Wave pattern textile goods, (HK, 11 Aug 2005) 06 Feb 2006	10404/2006

Applications Lapsed

10979 / 2005 (07-02D)	12184 / 2005 (02-05)
12715 / 2005 (08-08D)	12716 / 2005 (08-08D)
12737 / 2005 (19-02)	12776 / 2005 (08-08NES)
13009 / 2005 (12-08)	13105 / 2005 (25-04)
13106 / 2005 (23-01F)	13107 / 2005 (06-06D)
13126 / 2005 (12-12)	13140 / 2005 (19-08)
13145 / 2005 (23-02C)	13146 / 2005 (23-02C)
13147 / 2005 (23-02C)	13161 / 2005 (11-02C)
13162 / 2005 (11-02C)	13205 / 2005 (09-05)
13213 / 2005 (21-01M)	13214 / 2005 (21-01M)
13215 / 2005 (21-01M)	13824 / 2005 (24-04)
15094 / 2005 (08-07)	15095 / 2005 (08-07)
15096 / 2005 (08-07)	15097 / 2005 (08-07)
15307 / 2005 (07-04)	

Extensions of time granted under Section 137

Applications lodged under section 137 for extension of time have been granted.

15468/2004 **Roller Shutters Wholesalers Pty Ltd**

12232/2005 **Peter David Green**

12233/2005 **Peter David Green**

12234/2005 **Peter David Green**

12415/2005 **Art Plastics**

13199/2005 **T&G Enterprises (VIC) Pty Ltd**

14601/2005 **Nicholas Gostt**

14602/2005 **Nicholas Gostt**

14603/2005 **Nicholas Gostt**

14604/2005 **Nicholas Gostt**

14605/2005 **Nicholas Gostt**

14606/2005 **Nicholas Gostt**

14607/2005 **Nicholas Gostt**

14608/2005 **Nicholas Gostt**

14748/2005 **Art Plastics Pty Ltd**

14749/2005 **Art Plastics Pty Ltd**

14802/2005 **Cell Industries Pty Ltd**

14862/2005 **KD Concepts Pty Ltd**

14863/2005 **Concept to Reality Pty Ltd**

14864/2005 **Concept to Reality Pty Ltd**

14865/2005 **Concept to Reality Pty Ltd**

Corrigenda

Number 300381

In Vol 19 , No 1 , page 85 under the heading **Australian Registered Design;** (51) International Design Classification should read: 20-03C 20-03Z.

Number 304733

In Vol 20 , No 1 , page 3527 under the heading **Australian Registered Design;** (51) International Design Classification should read: 07-07A 07-06A.

Certificate(s) of Examination

Examination of the following Design Registration(s) has been completed. Infringement proceedings may now be commenced.

300897	06-04NES	09/02/2006
301923	09-05	31/01/2006
302722	13-03B	30/01/2006
302723	13-03B	30/01/2006
302861	09-03M	30/01/2006
302886	11-01B	01/02/2006
303055	07-05A	30/01/2006
303097	02-01B	30/01/2006

Publication and Registration Proceedings

Designs Registered

This section provides a concordance between design number and registration number of Designs covered in this journal. It also shows the main class and registration date.

This section covers Registration numbers 305149 to 305374 .

The registration number shown below should be used in all future correspondence.

Design Number	Registration Number	International Classification Code (IDC)	Registration Date	Design Number	Registration Number	International Classification Code (IDC)	Registration Date
14451/2004	305274	21-02D	01/02/2006	11060/2005	305194	12-08	01/02/2006
14452/2004	305275	21-02D	01/02/2006	11077/2005	305195	14-01	01/02/2006
15696/2004	305149	03-01C	30/01/2006	11080/2005	305196	09-01C	01/02/2006
15697/2004	305150	03-01C	30/01/2006	11081/2005	305197	19-08	01/02/2006
15698/2004	305151	03-01C	30/01/2006	11088/2005	305198	12-14	01/02/2006
15699/2004	305152	03-01C	30/01/2006	11097/2005	305199	06-02	01/02/2006
15772/2004	305295	08-06	03/02/2006	11145/2005	305350	06-10	07/02/2006
10470/2005	305169	12-11	01/02/2006	11354/2005	305348	23-04	07/02/2006
10507/2005	305170	15-05	01/02/2006	11355/2005	305347	23-04	07/02/2006
10508/2005	305171	15-05	01/02/2006	11356/2005	305360	03-01NES	08/02/2006
10509/2005	305172	07-02A	01/02/2006	11364/2005	305340	15-05	07/02/2006
10510/2005	305173	07-02A	01/02/2006	11429/2005	305200	12-06NES	01/02/2006
10528/2005	305174	28-03NES	01/02/2006	11578/2005	305349	06-01E	07/02/2006
10529/2005	305175	28-03NES	01/02/2006	11901/2005	305201	19-06	01/02/2006
10530/2005	305176	28-03NES	01/02/2006	12133/2005	305202	02-02NES	01/02/2006
10531/2005	305177	28-03NES	01/02/2006	12199/2005	305203	06-01H	01/02/2006
10532/2005	305178	04-02	01/02/2006	12200/2005	305204	06-01G	01/02/2006
10533/2005	305179	28-03NES	01/02/2006	12201/2005	305205	06-03B	01/02/2006
10537/2005	305180	12-10	01/02/2006	12202/2005	305206	06-03B	01/02/2006
10572/2005	305316	23-02D	07/02/2006	12203/2005	305207	06-03B	01/02/2006
10574/2005	305181	07-02NES	01/02/2006	12224/2005	305208	02-03	01/02/2006
10575/2005	305182	07-02NES	01/02/2006	12225/2005	305209	02-03	01/02/2006
10576/2005	305183	15-02	01/02/2006	12232/2005	305361	24-04	08/02/2006
10577/2005	305184	15-02	01/02/2006	12233/2005	305362	24-04	08/02/2006
10582/2005	305185	23-04	01/02/2006	12234/2005	305363	07-06A	08/02/2006
10600/2005	305186	20-02NES	01/02/2006	12271/2005	305317	25-02B	07/02/2006
10601/2005	305187	20-02NES	01/02/2006	12272/2005	305167	25-02B	30/01/2006
10613/2005	305188	12-06NES	01/02/2006	12328/2005	305210	26-06	01/02/2006
10615/2005	305296	28-03NES	03/02/2006	12329/2005	305211	12-11	01/02/2006
10616/2005	305297	21-02C	03/02/2006	12330/2005	305212	12-11	01/02/2006
10620/2005	305298	21-02C	03/02/2006	12331/2005	305344	23-01E	07/02/2006
10621/2005	305299	29-02	03/02/2006	12333/2005	305345	23-01E	07/02/2006
10623/2005	305300	08-08NES	03/02/2006	12334/2005	305338	26-04	07/02/2006
10625/2005	305301	03-01B	03/02/2006	12346/2005	305213	06-01L	01/02/2006
10626/2005	305302	14-03NES	03/02/2006	12404/2005	305154	12-16NES	30/01/2006
10712/2005	305303	16-06	03/02/2006	12414/2005	305346	13-03C	07/02/2006
10713/2005	305304	16-06	03/02/2006	12431/2005	305214	12-05	01/02/2006
10714/2005	305305	16-06	03/02/2006	12432/2005	305215	12-05	01/02/2006
10724/2005	305306	07-05E	03/02/2006	12433/2005	305216	12-05	01/02/2006
10734/2005	305307	28-03NES	03/02/2006	12434/2005	305217	12-05	01/02/2006
10743/2005	305308	08-07	03/02/2006	12435/2005	305218	12-05	01/02/2006
10747/2005	305309	13-03D	03/02/2006	12447/2005	305155	22-06	30/01/2006
10748/2005	305310	13-03D	03/02/2006	12448/2005	305156	22-06	30/01/2006
10749/2005	305311	21-02C	03/02/2006	12483/2005	305319	09-05	07/02/2006
10811/2005	305339	11-99	07/02/2006	12595/2005	305351	09-03NES	07/02/2006
10819/2005	305189	07-02L	01/02/2006	12622/2005	305320	24-04	07/02/2006
10846/2005	305190	09-09	01/02/2006	12623/2005	305322	24-04	07/02/2006
10852/2005	305191	23-01K	01/02/2006	12624/2005	305324	24-04	07/02/2006
10853/2005	305192	23-01K	01/02/2006	12625/2005	305326	24-04	07/02/2006
10957/2005	305153	20-03NES	30/01/2006	12626/2005	305328	24-04	07/02/2006
11040/2005	305358	13-02	08/02/2006	12627/2005	305330	24-04	07/02/2006
11041/2005	305359	13-02	08/02/2006	12640/2005	305219	09-05	01/02/2006
11059/2005	305193	12-16A	01/02/2006	12641/2005	305220	09-05	01/02/2006

Publication and Registration Proceedings - Designs Registered cont'd

Design Number	Registration Number	International Classification Code (IDC)	Registration Date	Design Number	Registration Number	International Classification Code (IDC)	Registration Date
12642/2005	305221	09-01NES	01/02/2006	13445/2005	305258	02-02NES	01/02/2006
12643/2005	305222	09-05	01/02/2006	13446/2005	305259	02-02NES	01/02/2006
12644/2005	305223	09-05	01/02/2006	13447/2005	305260	02-02C	01/02/2006
12645/2005	305224	09-05	01/02/2006	13456/2005	305162	08-08L	30/01/2006
12646/2005	305225	09-05	01/02/2006	13457/2005	305333	08-08L	07/02/2006
12670/2005	305336	26-05B	07/02/2006	13458/2005	305163	08-08L	30/01/2006
12671/2005	305337	26-05B	07/02/2006	13459/2005	305334	08-08L	07/02/2006
12694/2005	305343	08-08K	07/02/2006	13466/2005	305164	13-03D	30/01/2006
12958/2005	305226	14-02	01/02/2006	13467/2005	305165	23-02D	30/01/2006
12964/2005	305227	15-05	01/02/2006	13469/2005	305166	26-05B	30/01/2006
12965/2005	305228	26-03	01/02/2006	13560/2005	305342	21-01C	07/02/2006
12988/2005	305229	19-04	01/02/2006	13580/2005	305335	08-08NES	07/02/2006
13101/2005	305230	12-11	01/02/2006	13594/2005	305261	09-01C	01/02/2006
13102/2005	305231	26-06	01/02/2006	13596/2005	305262	25-02C	01/02/2006
13123/2005	305289	09-01H	02/02/2006	13597/2005	305263	25-02C	01/02/2006
13125/2005	305232	12-05	01/02/2006	13601/2005	305264	09-01G	01/02/2006
13141/2005	305233	06-01G	01/02/2006	13602/2005	305265	09-01G	01/02/2006
13183/2005	305276	07-05A	02/02/2006	13603/2005	305341	09-01G	07/02/2006
13184/2005	305277	07-05A	02/02/2006	13632/2005	305278	16-06	02/02/2006
13204/2005	305234	30-04	01/02/2006	13633/2005	305266	07-01B	01/02/2006
13262/2005	305235	10-01	01/02/2006	13634/2005	305267	07-01B	01/02/2006
13263/2005	305236	10-01	01/02/2006	13635/2005	305268	07-01B	01/02/2006
13264/2005	305237	10-01	01/02/2006	13636/2005	305269	07-01B	01/02/2006
13270/2005	305238	24-02	01/02/2006	13637/2005	305279	11-01NES	02/02/2006
13288/2005	305239	07-04	01/02/2006	13639/2005	305270	28-03NES	01/02/2006
13294/2005	305157	10-99	30/01/2006	13647/2005	305280	07-01B	02/02/2006
13295/2005	305240	07-01F	01/02/2006	13650/2005	305281	08-08B	02/02/2006
13296/2005	305241	07-01F	01/02/2006	13651/2005	305282	08-08B	02/02/2006
13319/2005	305364	23-01H	08/02/2006	13657/2005	305283	25-03	02/02/2006
13320/2005	305365	23-01H	08/02/2006	13658/2005	305284	09-03M	02/02/2006
13321/2005	305374	23-01H	08/02/2006	13659/2005	305285	14-03E	02/02/2006
13322/2005	305366	23-02B	08/02/2006	13660/2005	305286	14-03A	02/02/2006
13323/2005	305367	23-02B	08/02/2006	13662/2005	305287	24-02	02/02/2006
13334/2005	305242	12-02	01/02/2006	13664/2005	305288	12-16L	02/02/2006
13369/2005	305243	26-05NES	01/02/2006	13674/2005	305271	26-05D	01/02/2006
13373/2005	305244	20-02NES	01/02/2006	13675/2005	305272	26-05D	01/02/2006
13374/2005	305245	20-02NES	01/02/2006	13682/2005	305273	15-05	01/02/2006
13398/2005	305246	14-03A	01/02/2006	13685/2005	305368	08-08A	08/02/2006
13400/2005	305247	08-05G	01/02/2006	13686/2005	305369	09-07C	08/02/2006
13412/2005	305248	08-08D	01/02/2006	13687/2005	305370	09-01K	08/02/2006
13417/2005	305332	07-01B	07/02/2006	13698/2005	305371	12-16N	08/02/2006
13423/2005	305312	02-04NES	03/02/2006	13699/2005	305372	12-16N	08/02/2006
13424/2005	305313	02-04NES	03/02/2006	13701/2005	305373	23-02A	08/02/2006
13425/2005	305314	02-04NES	03/02/2006	13785/2005	305357	23-02B	08/02/2006
13426/2005	305315	02-04NES	03/02/2006	15643/2005	305290	09-01H	02/02/2006
13431/2005	305158	09-01NES	30/01/2006	15644/2005	305291	09-01H	02/02/2006
13433/2005	305159	19-06	30/01/2006	15645/2005	305292	09-01H	02/02/2006
13434/2005	305160	19-06	30/01/2006	15646/2005	305293	09-01H	02/02/2006
13435/2005	305161	19-06	30/01/2006	15647/2005	305294	09-01H	02/02/2006
13436/2005	305249	05-05A	01/02/2006	15694/2005	305352	09-03NES	07/02/2006
13437/2005	305250	05-05A	01/02/2006	15695/2005	305353	09-03NES	07/02/2006
13438/2005	305251	05-05A	01/02/2006	15696/2005	305354	09-03NES	07/02/2006
13439/2005	305252	05-05A	01/02/2006	15697/2005	305355	09-03NES	07/02/2006
13440/2005	305253	02-02NES	01/02/2006	15794/2005	305318	25-02B	07/02/2006
13441/2005	305254	02-02NES	01/02/2006	15795/2005	305168	25-02B	30/01/2006
13442/2005	305255	02-02NES	01/02/2006	10028/2006	305356	10-04	08/02/2006
13443/2005	305256	02-02NES	01/02/2006	10029/2006	305321	24-04	07/02/2006
13444/2005	305257	02-02NES	01/02/2006	10030/2006	305323	24-04	07/02/2006

Publication and Registration Proceedings - Designs Registered cont'd

Design Number	Registration Number	International Classification Code (IDC)	Registration Date	Design Number	Registration Number	International Classification Code (IDC)	Registration Date
10031/2006	305325	24-04	07/02/2006	10033/2006	305329	24-04	07/02/2006
10032/2006	305327	24-04	07/02/2006	10034/2006	305331	24-04	07/02/2006

Publication and Registration Proceedings
Class Listing of Designs Published or Registered

The following section shows an International Classification Code listing of the Registered or Published Designs covered in this supplement.

Classification	Registration Number	Design Number	Classification	Registration Number	Design Number
02-02 C	305260	13447/2005	08-07	305308	10743/2005
02-02 NES	305202	12133/2005	08-08 A	305368	13685/2005
02-02 NES	305253	13440/2005	08-08 B	305281	13650/2005
02-02 NES	305254	13441/2005	08-08 B	305282	13651/2005
02-02 NES	305255	13442/2005	08-08 D	305248	13412/2005
02-02 NES	305256	13443/2005	08-08 K	305343	12694/2005
02-02 NES	305257	13444/2005	08-08 L	305162	13456/2005
02-02 NES	305258	13445/2005	08-08 L	305163	13458/2005
02-02 NES	305259	13446/2005	08-08 L	305333	13457/2005
02-03	305208	12224/2005	08-08 L	305334	13459/2005
02-03	305209	12225/2005	08-08 NES	305300	10623/2005
02-04 NES	305312	13423/2005	08-08 NES	305335	13580/2005
02-04 NES	305313	13424/2005	09-01 C	305196	11080/2005
02-04 NES	305314	13425/2005	09-01 C	305261	13594/2005
02-04 NES	305315	13426/2005	09-01 G	305264	13601/2005
03-01 B	305301	10625/2005	09-01 G	305265	13602/2005
03-01 C	305149	15696/2004	09-01 G	305307	10734/2005
03-01 C	305150	15697/2004	09-01 G	305341	13603/2005
03-01 C	305151	15698/2004	09-01 H	305289	13123/2005
03-01 C	305152	15699/2004	09-01 H	305290	15643/2005
03-01 NES	305360	11356/2005	09-01 H	305291	15644/2005
04-02	305178	10532/2005	09-01 H	305292	15645/2005
05-05 A	305249	13436/2005	09-01 H	305293	15646/2005
05-05 A	305250	13437/2005	09-01 H	305294	15647/2005
05-05 A	305251	13438/2005	09-01 K	305370	13687/2005
05-05 A	305252	13439/2005	09-01 NES	305158	13431/2005
06-01 E	305349	11578/2005	09-01 NES	305196	11080/2005
06-01 G	305204	12200/2005	09-01 NES	305221	12642/2005
06-01 G	305233	13141/2005	09-03 E	305360	11356/2005
06-01 H	305203	12199/2005	09-03 M	305284	13658/2005
06-01 L	305213	12346/2005	09-03 NES	305351	12595/2005
06-02	305199	11097/2005	09-03 NES	305352	15694/2005
06-03 B	305205	12201/2005	09-03 NES	305353	15695/2005
06-03 B	305206	12202/2005	09-03 NES	305354	15696/2005
06-03 B	305207	12203/2005	09-03 NES	305355	15697/2005
06-10	305350	11145/2005	09-05	305219	12640/2005
07-01 B	305266	13633/2005	09-05	305220	12641/2005
07-01 B	305267	13634/2005	09-05	305222	12643/2005
07-01 B	305268	13635/2005	09-05	305223	12644/2005
07-01 B	305269	13636/2005	09-05	305224	12645/2005
07-01 B	305280	13647/2005	09-05	305225	12646/2005
07-01 B	305332	13417/2005	09-05	305319	12483/2005
07-01 F	305240	13295/2005	09-07 C	305369	13686/2005
07-01 F	305241	13296/2005	09-09	305190	10846/2005
07-02 A	305172	10509/2005	10-01	305235	13262/2005
07-02 A	305173	10510/2005	10-01	305236	13263/2005
07-02 L	305189	10819/2005	10-01	305237	13264/2005
07-02 NES	305181	10574/2005	10-04	305356	10028/2006
07-02 NES	305182	10575/2005	10-06	305157	13294/2005
07-04	305239	13288/2005	10-99	305157	13294/2005
07-05 A	305276	13183/2005	11-01 NES	305279	13637/2005
07-05 A	305277	13184/2005	11-99	305339	10811/2005
07-05 E	305306	10724/2005	12-02	305242	13334/2005
07-06 A	305363	12234/2005	12-05	305214	12431/2005
08-05 G	305247	13400/2005	12-05	305215	12432/2005
08-06	305295	15772/2004	12-05	305216	12433/2005

Registration Proceedings - Class Listing of Designs Published or Registered cont'd

Classification	Registration Number	Design Number	Classification	Registration Number	Design Number
12-05	305217	12434/2005	20-02 NES	305245	13374/2005
12-05	305218	12435/2005	20-03 NES	305153	10957/2005
12-05	305232	13125/2005	21-01 C	305342	13560/2005
12-06 NES	305188	10613/2005	21-02 C	305297	10616/2005
12-06 NES	305200	11429/2005	21-02 C	305298	10620/2005
12-08	305194	11060/2005	21-02 C	305311	10749/2005
12-08	305342	13560/2005	21-02 D	305274	14451/2004
12-10	305180	10537/2005	21-02 D	305275	14452/2004
12-11	305169	10470/2005	22-06	305155	12447/2005
12-11	305210	12328/2005	22-06	305156	12448/2005
12-11	305211	12329/2005	23-01 E	305344	12331/2005
12-11	305212	12330/2005	23-01 E	305345	12333/2005
12-11	305230	13101/2005	23-01 H	305364	13319/2005
12-14	305198	11088/2005	23-01 H	305365	13320/2005
12-16 A	305193	11059/2005	23-01 H	305374	13321/2005
12-16 L	305288	13664/2005	23-01 K	305191	10852/2005
12-16 N	305371	13698/2005	23-01 K	305192	10853/2005
12-16 N	305372	13699/2005	23-02 A	305373	13701/2005
12-16 NES	305154	12404/2005	23-02 B	305357	13785/2005
13-02	305358	11040/2005	23-02 B	305366	13322/2005
13-02	305359	11041/2005	23-02 B	305367	13323/2005
13-03 C	305346	12414/2005	23-02 D	305165	13467/2005
13-03 D	305164	13466/2005	23-02 D	305316	10572/2005
13-03 D	305309	10747/2005	23-04	305185	10582/2005
13-03 D	305310	10748/2005	23-04	305347	11355/2005
14-01	305195	11077/2005	23-04	305348	11354/2005
14-02	305226	12958/2005	24-02	305238	13270/2005
14-03 A	305195	11077/2005	24-02	305287	13662/2005
14-03 A	305246	13398/2005	24-04	305320	12622/2005
14-03 A	305286	13660/2005	24-04	305321	10029/2006
14-03 E	305285	13659/2005	24-04	305322	12623/2005
14-03 NES	305302	10626/2005	24-04	305323	10030/2006
15-02	305183	10576/2005	24-04	305324	12624/2005
15-02	305184	10577/2005	24-04	305325	10031/2006
15-05	305170	10507/2005	24-04	305326	12625/2005
15-05	305171	10508/2005	24-04	305327	10032/2006
15-05	305227	12964/2005	24-04	305328	12626/2005
15-05	305273	13682/2005	24-04	305329	10033/2006
15-05	305340	11364/2005	24-04	305330	12627/2005
15-99	305214	12431/2005	24-04	305331	10034/2006
15-99	305215	12432/2005	24-04	305361	12232/2005
15-99	305216	12433/2005	24-04	305362	12233/2005
15-99	305217	12434/2005	25-02 B	305167	12272/2005
15-99	305218	12435/2005	25-02 B	305168	15795/2005
16-06	305278	13632/2005	25-02 B	305317	12271/2005
16-06	305303	10712/2005	25-02 B	305318	15794/2005
16-06	305304	10713/2005	25-02 C	305262	13596/2005
16-06	305305	10714/2005	25-02 C	305263	13597/2005
19-04	305229	12988/2005	25-03	305283	13657/2005
19-06	305159	13433/2005	26-03	305228	12965/2005
19-06	305160	13434/2005	26-03	305243	13369/2005
19-06	305161	13435/2005	26-04	305338	12334/2005
19-06	305201	11901/2005	26-05 B	305166	13469/2005
19-08	305197	11081/2005	26-05 B	305228	12965/2005
20-02 E	305244	13373/2005	26-05 B	305336	12670/2005
20-02 E	305245	13374/2005	26-05 B	305337	12671/2005
20-02 NES	305186	10600/2005	26-05 C	305336	12670/2005
20-02 NES	305187	10601/2005	26-05 C	305337	12671/2005
20-02 NES	305244	13373/2005	26-05 D	305271	13674/2005

Registration Proceedings - Class Listing of Designs Published or Registered cont'd

Classification	Registration Number	Design Number	Classification	Registration Number	Design Number
26-05 D	305272	13675/2005	28-99	305324	12624/2005
26-05 NES	305243	13369/2005	28-99	305325	10031/2006
26-06	305210	12328/2005	28-99	305326	12625/2005
26-06	305231	13102/2005	28-99	305327	10032/2006
28-03 NES	305174	10528/2005	28-99	305328	12626/2005
28-03 NES	305175	10529/2005	28-99	305329	10033/2006
28-03 NES	305176	10530/2005	28-99	305330	12627/2005
28-03 NES	305177	10531/2005	28-99	305331	10034/2006
28-03 NES	305179	10533/2005	29-02	305299	10621/2005
28-03 NES	305270	13639/2005	30-01	305361	12232/2005
28-03 NES	305296	10615/2005	30-01	305362	12233/2005
28-03 NES	305307	10734/2005	30-04	305234	13204/2005
28-99	305320	12622/2005	99-00	305344	12331/2005
28-99	305321	10029/2006	99-00	305345	12333/2005
28-99	305322	12623/2005			
28-99	305323	10030/2006			

- (21) Design Number: **15696/2004**
(22) Date of Filing Application: **02 December 2004**
(24) Date from which industrial property rights may have effect: **02 December 2004**
(54) Product in respect of which the design is registered: **Package for a CD/DVD**
(51) International Design Classification: **03-01C**
(71) Name(s) and Address(s) of Applicant(s):

TOR Holding ApS
Fjordager 29 DK-4040 Jyllinge Denmark

(72) Name(s) of Designer(s): **Torsten Frederiksen**

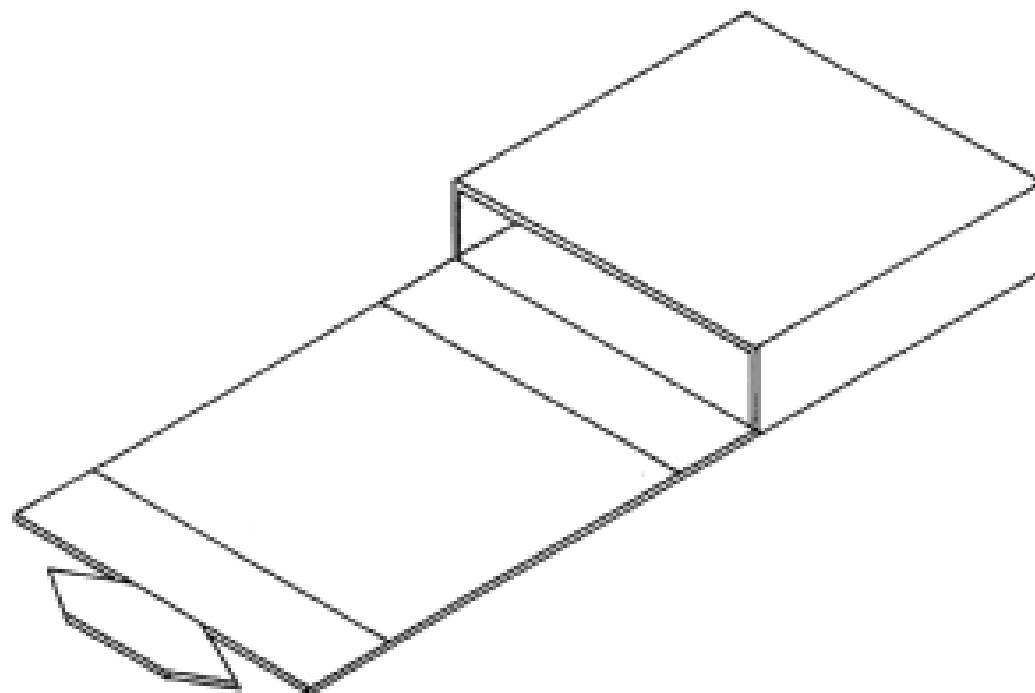
(45) Registration Date: **30 January 2006**

(30) Convention priority data:

(31) Number	(32) Date	(33) Country
000188123	28 May 2004	EUROPEAN COMMUNITY

(56) Related Art Documents: **Not Applicable**

(57) Statement of Newness and Distinctiveness: **Newness and distinctiveness is claimed in the shape and/or configuration of a package for a cd/dvd as illustrated in the accompanying representations.**



- (21) Design Number: **15697/2004**
(22) Date of Filing Application: **02 December 2004**
(24) Date from which industrial property rights may have effect: **02 December 2004**
(54) Product in respect of which the design is registered: **Package for a CD/DVD**
(51) International Design Classification: **03-01C**
(71) Name(s) and Address(s) of Applicant(s):

TOR Holding ApS
Fjordager 29 DK-4040 Jyllinge Denmark

(72) Name(s) of Designer(s): **Torsten Frederiksen**

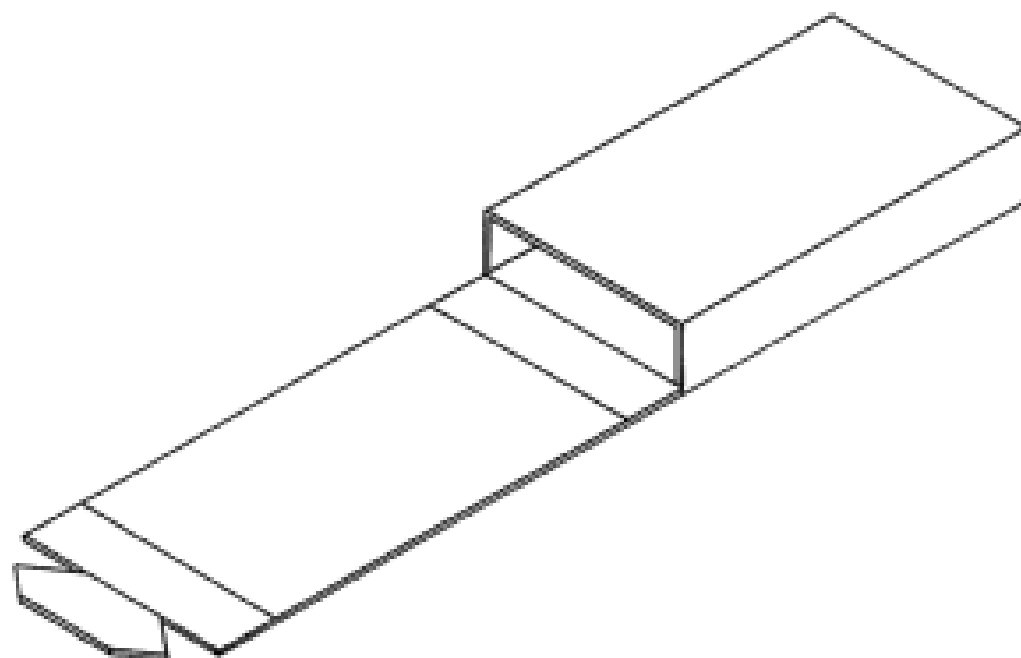
(45) Registration Date: **30 January 2006**

(30) Convention priority data:

(31) Number	(32) Date	(33) Country
000188123	28 May 2004	EUROPEAN COMMUNITY

(56) Related Art Documents: **Not Applicable**

(57) Statement of Newness and Distinctiveness: **Newness and distinctiveness is claimed in the shape and/or configuration of a package for a cd/dvd as illustrated in the accompanying representations.**



(21) Design Number: **15698/2004**
(22) Date of Filing Application: **02 December 2004**
(24) Date from which industrial property rights may have effect: **02 December 2004**
(54) Product in respect of which the design is registered: **Package for a CD/DVD**
(51) International Design Classification: **03-01C**
(71) Name(s) and Address(s) of Applicant(s):

TOR Holding ApS
Fjordager 29 DK-4040 Jyllinge Denmark

(72) Name(s) of Designer(s): **Torsten Frederiksen**

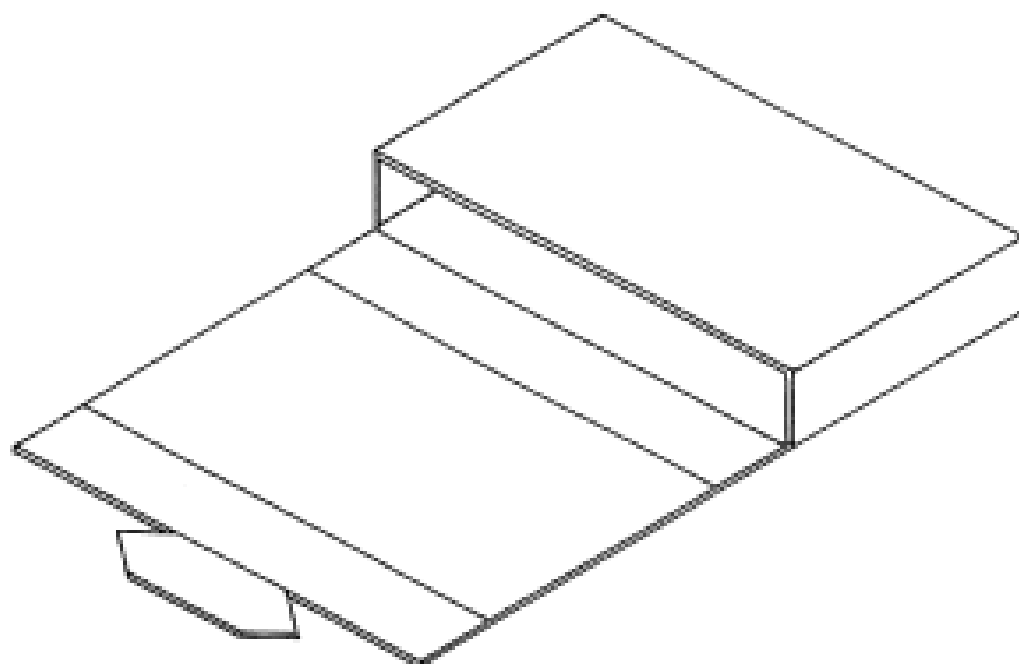
(45) Registration Date: **30 January 2006**

(30) Convention priority data:

(31) Number	(32) Date	(33) Country
000188123	28 May 2004	EUROPEAN COMMUNITY

(56) Related Art Documents: **Not Applicable**

(57) Statement of Newness and Distinctiveness: **Newness and distinctiveness is claimed in the shape and/or configuration of a package for a cd/dvd as illustrated in the accompanying representations.**



(21) Design Number: **15699/2004**
(22) Date of Filing Application: **02 December 2004**
(24) Date from which industrial property rights may have effect: **02 December 2004**
(54) Product in respect of which the design is registered: **Package for a CD/DVD**
(51) International Design Classification: **03-01C**
(71) Name(s) and Address(s) of Applicant(s):

TOR Holding ApS
Fjordager 29 DK-4040 Jyllinge Denmark

(72) Name(s) of Designer(s): **Torsten Frederiksen**

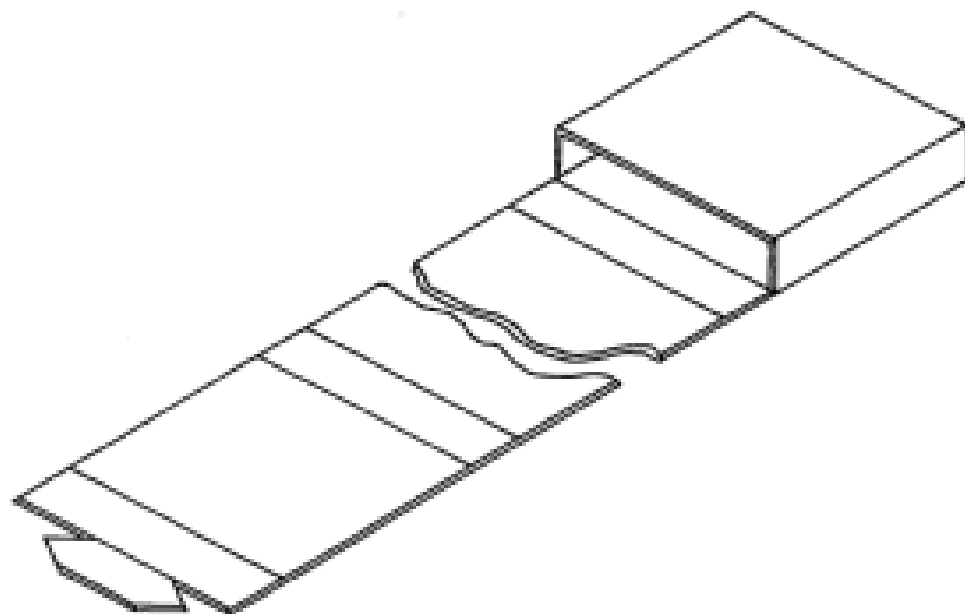
(45) Registration Date: **30 January 2006**

(30) Convention priority data:

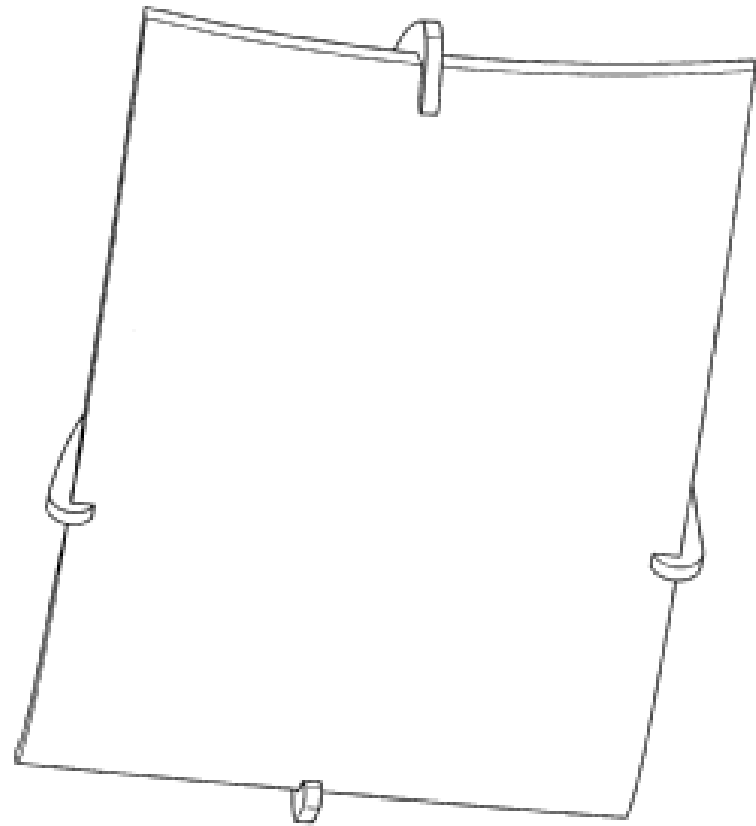
(31) Number	(32) Date	(33) Country
000188123	28 May 2004	EUROPEAN COMMUNITY

(56) Related Art Documents: **Not Applicable**

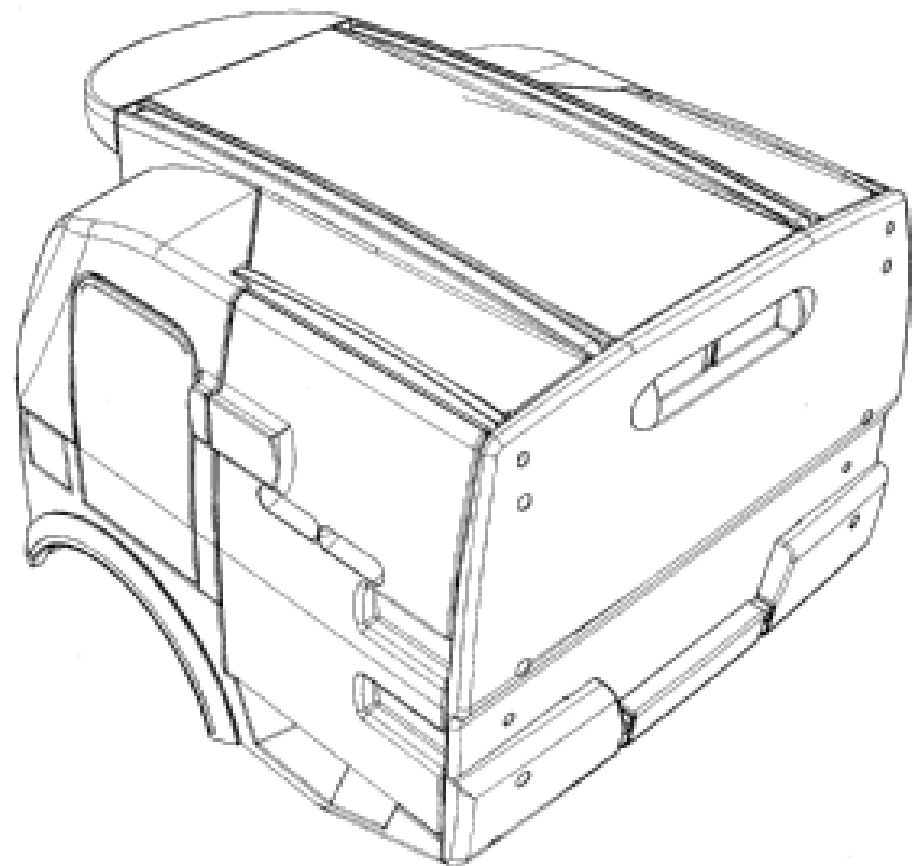
(57) Statement of Newness and Distinctiveness: **Newness and distinctiveness is claimed in the shape and/or configuration of a package for a cd/dvd as illustrated in the accompanying representations.**



- (21) Design Number: **10957/2005**
(22) Date of Filing Application: **11 March 2005**
(24) Date from which industrial property rights may have effect: **11 March 2005**
(54) Product in respect of which the design is registered: **Portable signage display and stand**
(51) International Design Classification: **20-03NES**
(71) Name(s) and Address(s) of Applicant(s):
Gary John Edwards
153 Military Road Henley Beach South Australia 5022 Australia
Phillip Raymond Richards
56 Flinders Drive Valley View South Australia 5093 Australia
(72) Name(s) of Designer(s): **Gary John Edwards and Phillip Raymond Richards**
(45) Registration Date: **30 January 2006**
(56) Related Art Documents: **Not Applicable**
(57) Statement of Newness and Distinctiveness: **Nil**



- (21) Design Number: **12404/2005**
(22) Date of Filing Application: **06 June 2005**
(24) Date from which industrial property rights may have effect: **06 June 2005**
(54) Product in respect of which the design is registered: **Prisoner pod and associated components**
(51) International Design Classification: **12-16NES**
(71) Name(s) and Address(s) of Applicant(s):
Opalite Plastics Pty Ltd
Cnr Arunga & Enterprise Drive Holmwood Park Estate Beresfield New South Wales 2322 Australia
(72) Name(s) of Designer(s): **John Middleton and John Pryor**
(45) Registration Date: **30 January 2006**
(56) Related Art Documents: **Not Applicable**
(57) Statement of Newness and Distinctiveness: **Monopoly is claimed in the features of shape and configuration of the prisoner pod and associated components as shown in the accompanying representations.**



(21) Design Number: **12447/2005**

(22) Date of Filing Application: **06 June 2005**

(24) Date from which industrial property rights may have effect: **06 June 2005**

(54) Product in respect of which the design is registered: **Mousetrap**

(51) International Design Classification: **22-06**

(71) Name(s) and Address(s) of Applicant(s):

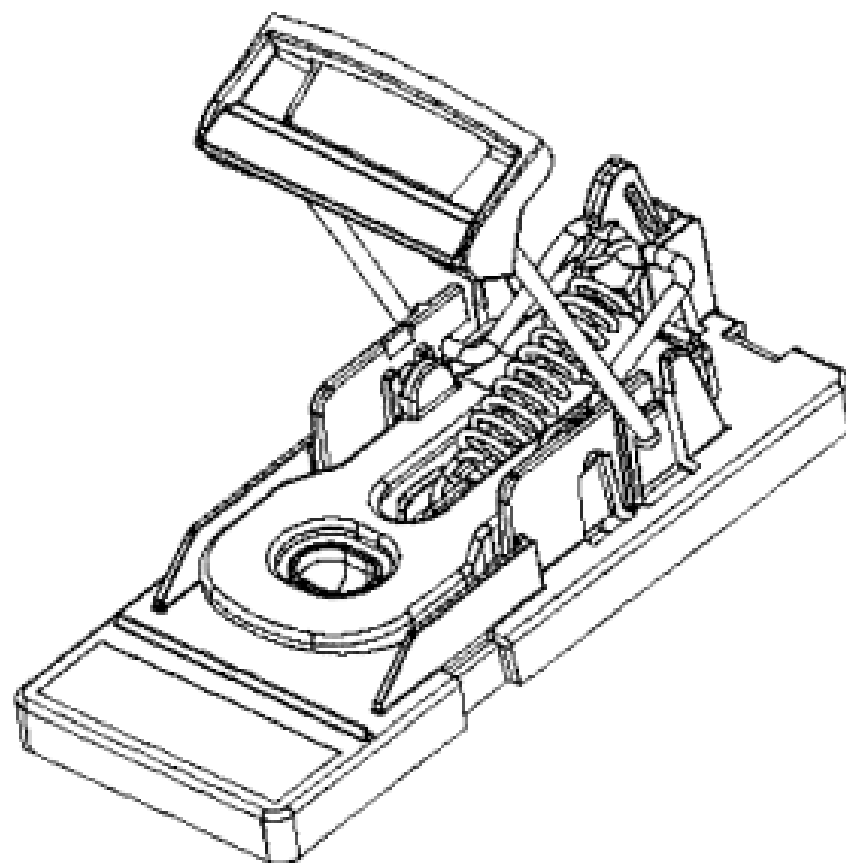
**UrbanGuard GmbH
Zeltinger Strasse 64 D-13465 Berlin Germany**

(72) Name(s) of Designer(s): **Bernd Wiesener and Mark Wiesener**

(45) Registration Date: **30 January 2006**

(56) Related Art Documents: **Not Applicable**

(57) Statement of Newness and Distinctiveness: **Newness and distinctiveness of the design resides in the shape and/or configuration of the mousetrap as depicted in the accompanying drawings.**



(21) Design Number: **12448/2005**

(22) Date of Filing Application: **06 June 2005**

(24) Date from which industrial property rights may have effect: **06 June 2005**

(54) Product in respect of which the design is registered: **Mousetrap and housing**

(51) International Design Classification: **22-06**

(71) Name(s) and Address(s) of Applicant(s):

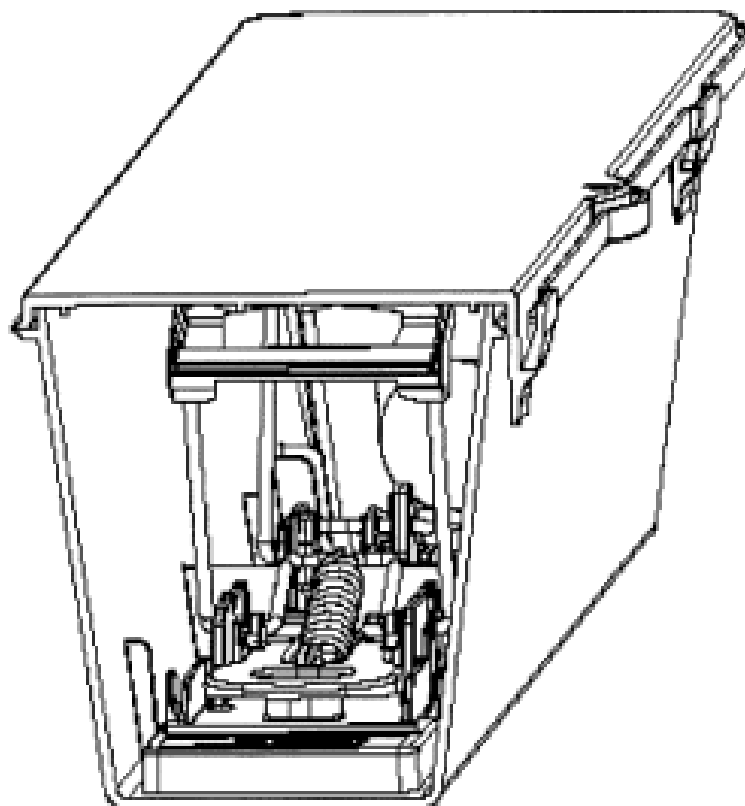
**UrbanGuard GmbH
Zeltinger Strasse 64 D-13465 Berlin Germany**

(72) Name(s) of Designer(s): **Bernd Wiesener and Mark Wiesener**

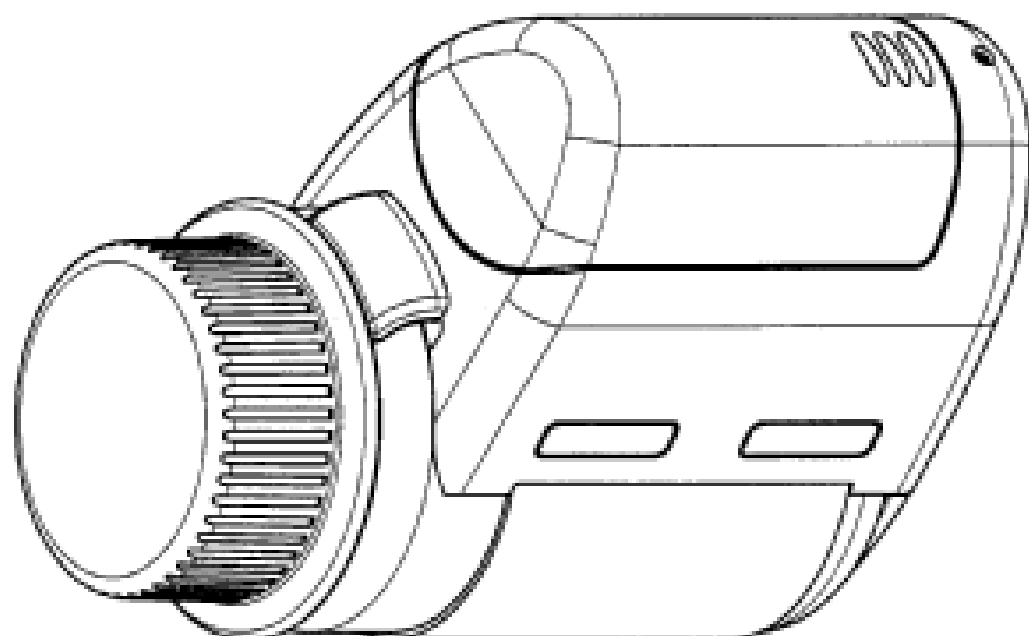
(45) Registration Date: **30 January 2006**

(56) Related Art Documents: **Not Applicable**

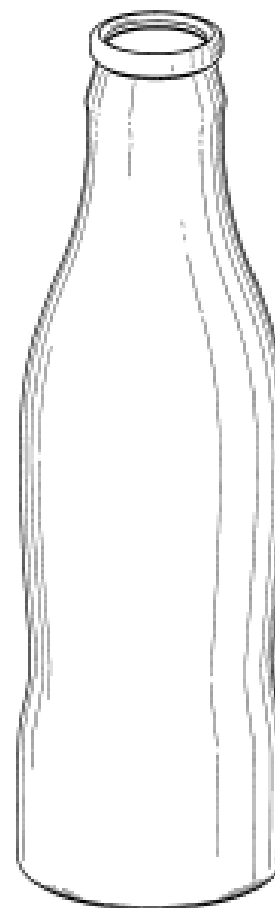
(57) Statement of Newness and Distinctiveness: **Newness and distinctive of the design resides in the shape and/or configuration of the housing for a mousetrap as depicted in the accompanying drawings.**



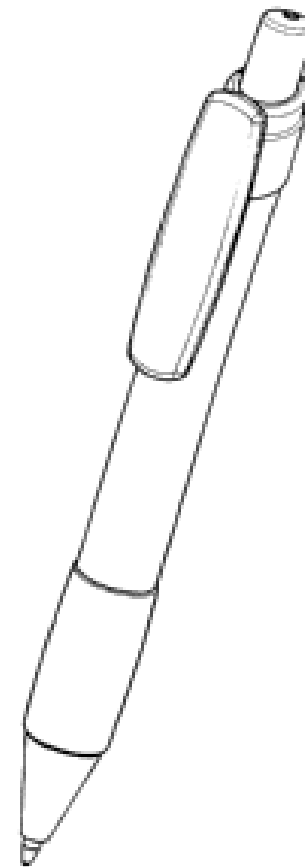
(21) Design Number: **13294/2005**
 (22) Date of Filing Application: **02 August 2005**
 (24) Date from which industrial property rights may have effect: **02 August 2005**
 (54) Product in respect of which the design is registered: **A medication monitor**
 (51) International Design Classification: **10-99, 10-06**
 (71) Name(s) and Address(s) of Applicant(s):
Simpill (Proprietary) Limited
64/74 White Road Retreat Western Province 7945 Republic of South Africa
 (72) Name(s) of Designer(s): **David Alexander Green**
 (45) Registration Date: **30 January 2006**
 (30) Convention priority data:
 (31) Number (32) Date (33) Country
A2005/0105 02 Feb 2005 SOUTH AFRICA
 (56) Related Art Documents: **Not Applicable**
 (57) Statement of Newness and Distinctiveness: **Nil**



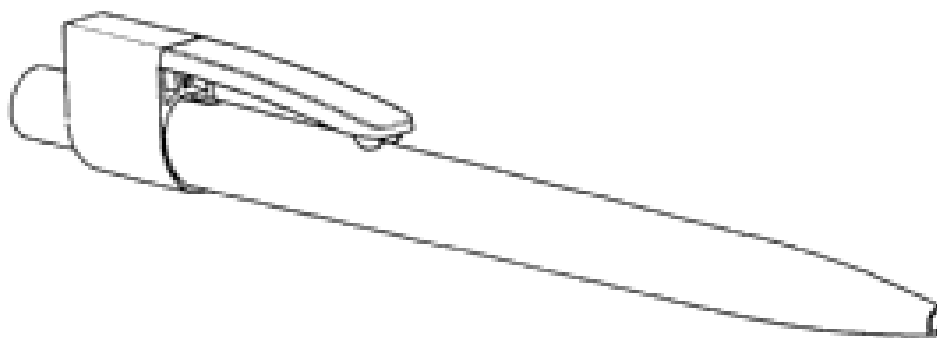
(21) Design Number: **13431/2005**
 (22) Date of Filing Application: **11 August 2005**
 (24) Date from which industrial property rights may have effect: **11 August 2005**
 (54) Product in respect of which the design is registered: **Bottle**
 (51) International Design Classification: **09-01NES**
 (71) Name(s) and Address(s) of Applicant(s):
The Coca-Cola Company
One Coca-Cola Plaza NW Atlanta Georgia 30313 United States of America
 (72) Name(s) of Designer(s): **Katherine W. Allen and Carie A. Davis and Randall S. Brown and Scott C. Biondich**
 (45) Registration Date: **30 January 2006**
 (30) Convention priority data:
 (31) Number (32) Date (33) Country
29/223,604 16 Feb 2005 UNITED STATES OF AMERICA
 (56) Related Art Documents: **Not Applicable**
 (57) Statement of Newness and Distinctiveness: **Those features of the bottle depicted in the representations that are new and distinctive are the shape and/or configuration.**



- (21) Design Number: **13433/2005**
- (22) Date of Filing Application: **11 August 2005**
- (24) Date from which industrial property rights may have effect: **11 August 2005**
- (54) Product in respect of which the design is registered: **Ballpen**
- (51) International Design Classification: **19-06**
- (71) Name(s) and Address(s) of Applicant(s):
Inoxcrom, S.A.
Torrent Estadella 46-54 08030 Barcelona Spain
- (72) Name(s) of Designer(s): **Ferran Pellissa Beneyto**
- (45) Registration Date: **30 January 2006**
- (56) Related Art Documents: **Not Applicable**
- (57) Statement of Newness and Distinctiveness: **Nil**



- (21) Design Number: **13434/2005**
- (22) Date of Filing Application: **11 August 2005**
- (24) Date from which industrial property rights may have effect: **11 August 2005**
- (54) Product in respect of which the design is registered: **Ballpen**
- (51) International Design Classification: **19-06**
- (71) Name(s) and Address(s) of Applicant(s):
Inoxcrom, S.A.
Torrent Estadella 46-54 08030 Barcelona Spain
- (72) Name(s) of Designer(s): **Ferran Pellissa Beneyto**
- (45) Registration Date: **30 January 2006**
- (56) Related Art Documents: **Not Applicable**
- (57) Statement of Newness and Distinctiveness: **Nil**



(21) Design Number: **13435/2005**

(22) Date of Filing Application: **11 August 2005**

(24) Date from which industrial property rights may have effect: **11 August 2005**

(54) Product in respect of which the design is registered: **Ballpen**

(51) International Design Classification: **19-06**

(71) Name(s) and Address(s) of Applicant(s):

Inoxcrom, S.A.

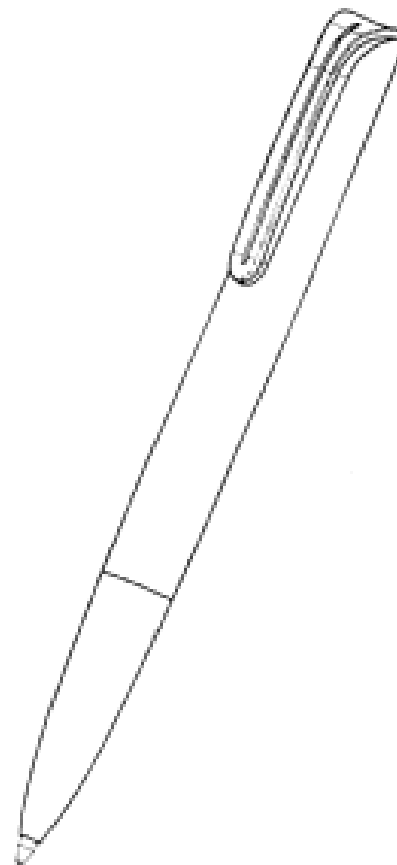
Torrent Estadella 46-54 08030 Barcelona Spain

(72) Name(s) of Designer(s): **Ferran Pellissa Beneyto**

(45) Registration Date: **30 January 2006**

(56) Related Art Documents: **Not Applicable**

(57) Statement of Newness and Distinctiveness: **Nil**



(21) Design Number: **13456/2005**

(22) Date of Filing Application: **11 August 2005**

(24) Date from which industrial property rights may have effect: **11 August 2005**

(54) Product in respect of which the design is registered: **Bracket**

(51) International Design Classification: **08-08L**

(71) Name(s) and Address(s) of Applicant(s):

Jesent Pty Ltd

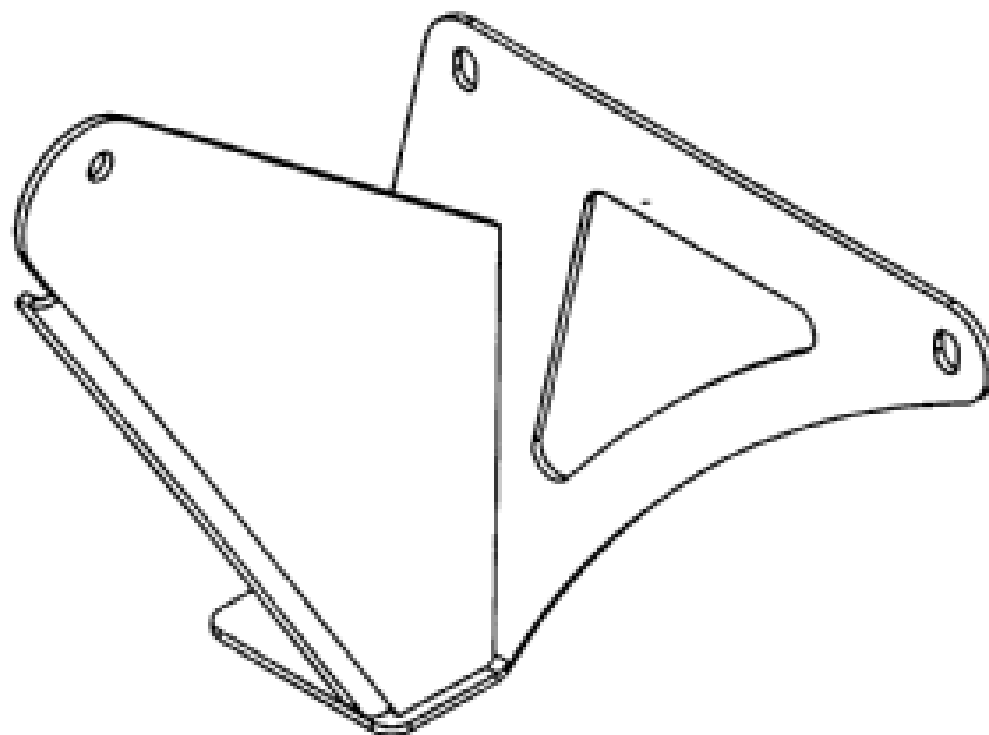
PO Box 252 Doveton Victoria 3177 Australia

(72) Name(s) of Designer(s): **Robert Anson and Lawrence McCoy and Steve Gallienne**

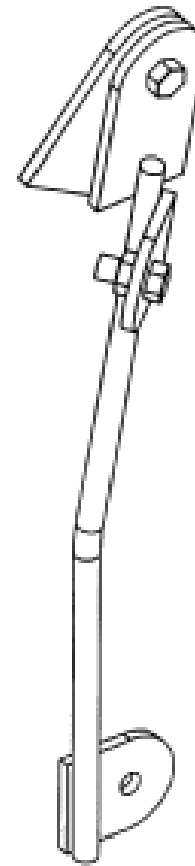
(45) Registration Date: **30 January 2006**

(56) Related Art Documents: **Not Applicable**

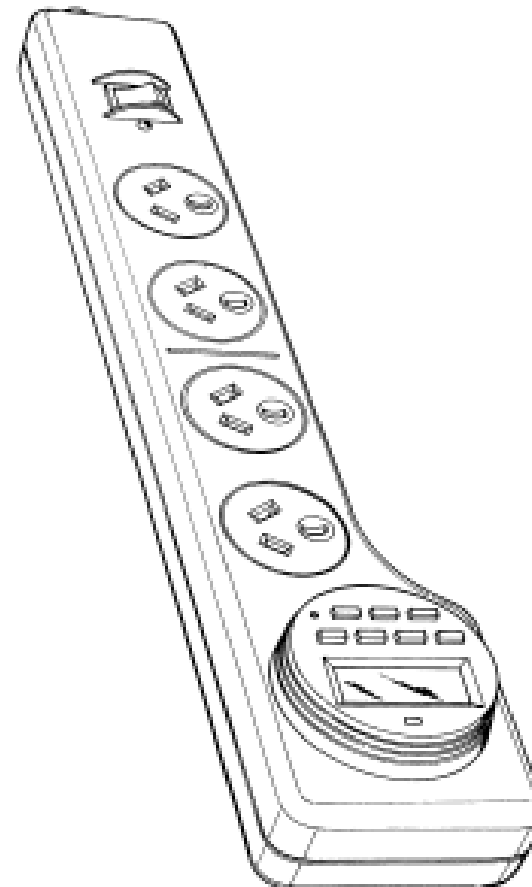
(57) Statement of Newness and Distinctiveness: **Nil**



- (21) Design Number: **13458/2005**
- (22) Date of Filing Application: **11 August 2005**
- (24) Date from which industrial property rights may have effect: **11 August 2005**
- (54) Product in respect of which the design is registered: **Bracket**
- (51) International Design Classification: **08-08L**
- (71) Name(s) and Address(s) of Applicant(s):
Jesent Pty Ltd
PO Box 252 Doveton Victoria 3177 Australia
- (72) Name(s) of Designer(s): **Robert Anson and Lawrence McCoy and Steve Gallienne**
- (45) Registration Date: **30 January 2006**
- (56) Related Art Documents: **Not Applicable**
- (57) Statement of Newness and Distinctiveness: **Nil**



- (21) Design Number: **13466/2005**
- (22) Date of Filing Application: **12 August 2005**
- (24) Date from which industrial property rights may have effect: **12 August 2005**
- (54) Product in respect of which the design is registered: **A power board**
- (51) International Design Classification: **13-03D**
- (71) Name(s) and Address(s) of Applicant(s):
Jackson Industries Pty Limited
Building C 2 Hudson Avenue Castle Hill New South Wales 2153 Australia
- (72) Name(s) of Designer(s): **Ross A. Jackson**
- (45) Registration Date: **30 January 2006**
- (56) Related Art Documents: **Not Applicable**
- (57) Statement of Newness and Distinctiveness: **Newness and distinctiveness is claimed in the features of shape and/or configuration of the control panel for a timer and the raised protectors adjacent the on/off switch and the circuit breaker of a power board as illustrated in the accompanying representations.**



(21) Design Number: **13467/2005**
 (22) Date of Filing Application: **12 August 2005**
 (24) Date from which industrial property rights may have effect: **12 August 2005**
 (54) Product in respect of which the design is registered: **Tub for bathing**
 (51) International Design Classification: **23-02D**
 (71) Name(s) and Address(s) of Applicant(s):
Kohler Co.
444 Highland Drive Kohler WI 53044 United States of America
 (72) Name(s) of Designer(s): **John A. Hatrick-Smith**
 (45) Registration Date: **30 January 2006**
 (30) Convention priority data:
 (31) Number (32) Date (33) Country
29/223413 14 Feb 2005 UNITED STATES OF AMERICA
 (56) Related Art Documents: **Not Applicable**
 (57) Statement of Newness and Distinctiveness: **Nil**

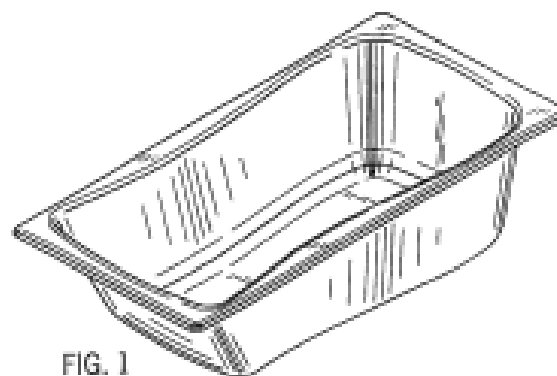


FIG. 1

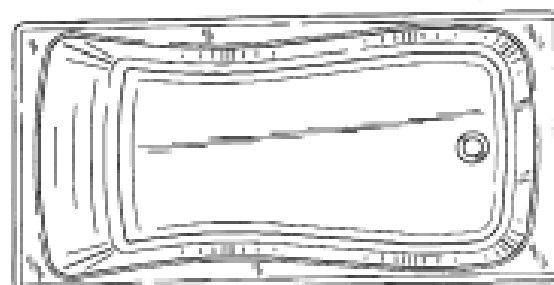
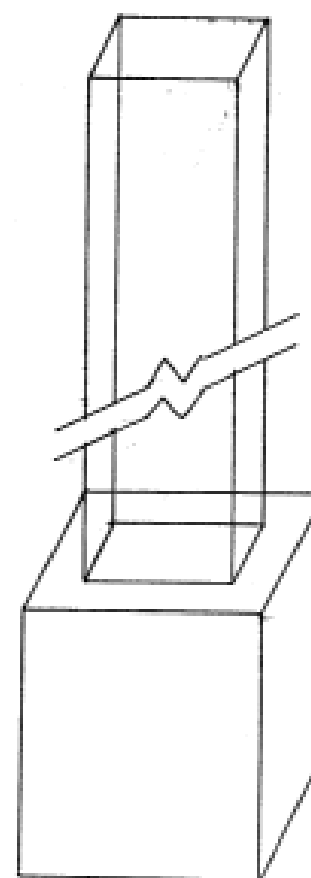


FIG. 2

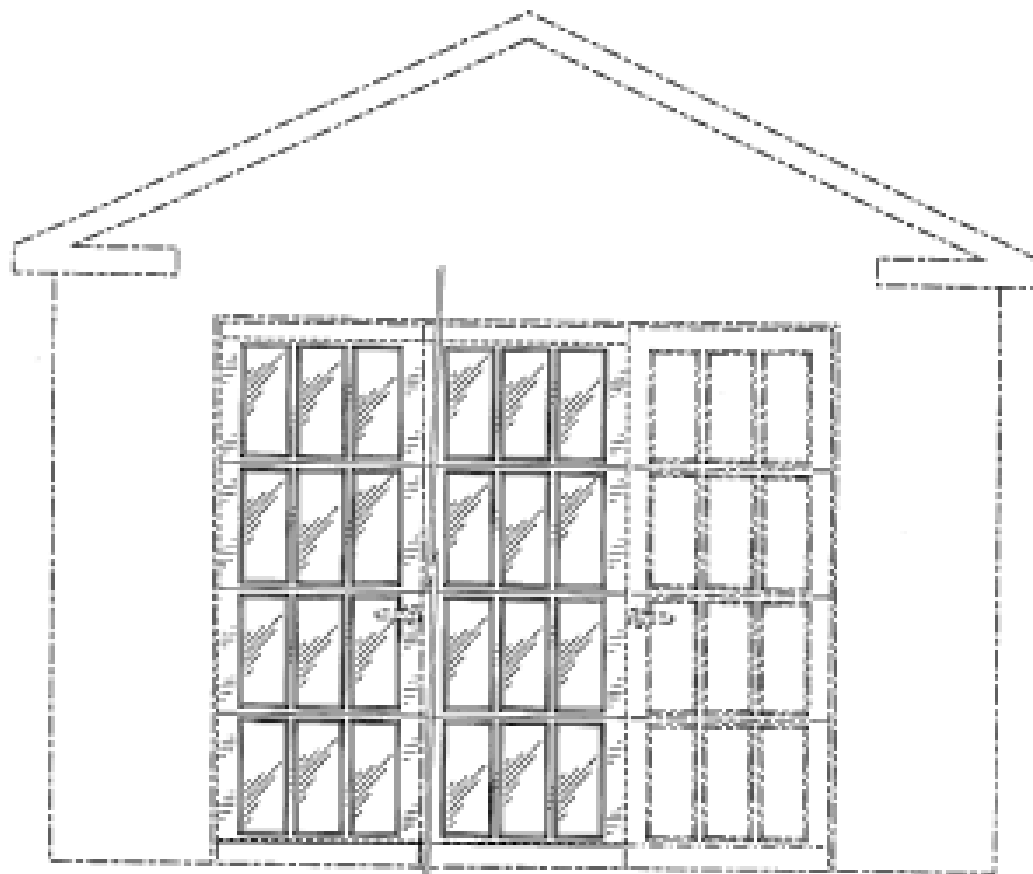
(21) Design Number: **13469/2005**
 (22) Date of Filing Application: **12 August 2005**
 (24) Date from which industrial property rights may have effect: **12 August 2005**
 (54) Product in respect of which the design is registered: **Lighting device**
 (51) International Design Classification: **26-05B**
 (71) Name(s) and Address(s) of Applicant(s):
Gregory Jackson Porter
8 Harvard Circuit Rouse Hill New South Wales 2155 Australia
 (72) Name(s) of Designer(s): **Gregory Jackson Porter**
 (45) Registration Date: **30 January 2006**
 (56) Related Art Documents: **Not Applicable**
 (57) Statement of Newness and Distinctiveness: **Each feature of the design considered separately or in combination with any other feature or features.**



(19) AU

- (21) Design Number: **12272/2005**
- (22) Date of Filing Application: **23 May 2005**
- (24) Date from which industrial property rights may have effect: **23 May 2005**
- (54) Product in respect of which the design is registered: **A door facade for a garage**
- (51) International Design Classification: **25-02B**
- (71) Name(s) and Address(s) of Applicant(s):
Frenchporte LLC
121 Congressional Lane Penthouse Suite Rockville Maryland 20852
United States of America
- (72) Name(s) of Designer(s): **Jennifer Armstrong Maher**
- (45) Registration Date: **30 January 2006**
- (30) Convention priority data:

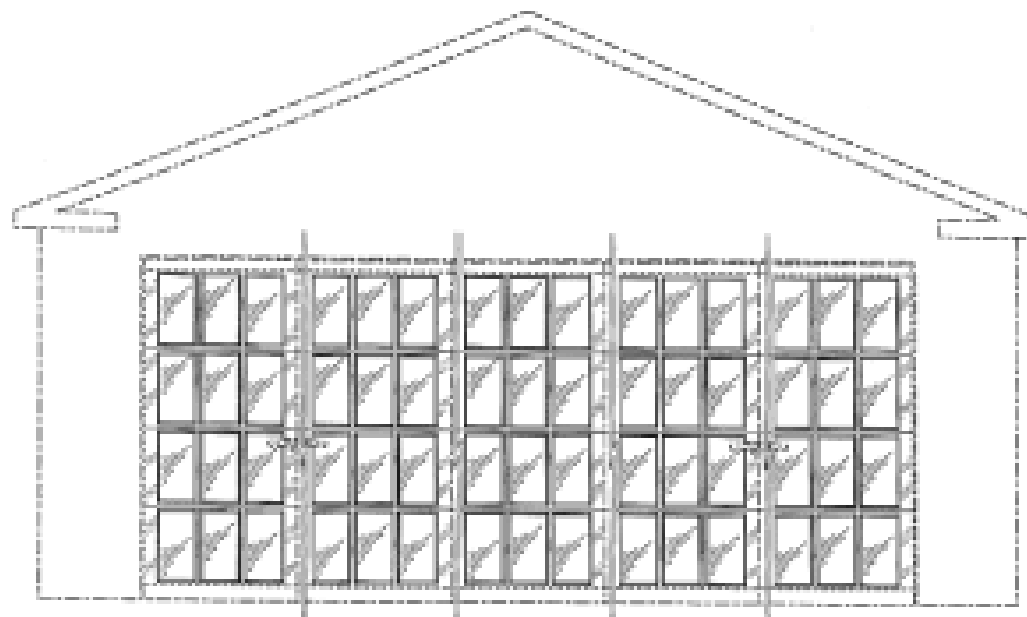
(31) Number	(32) Date	(33) Country
29/217766	23 Nov 2004	UNITED STATES OF AMERICA
- (56) Related Art Documents: **Not Applicable**
- (57) Statement of Newness and Distinctiveness: **Newness and distinctiveness are claimed in the pattern and ornamentation and/or shape and configuration of an overhead garage door facade as illustrated in the representations. The features shown in broken outline do not form part of the design.**



(19) AU

- (21) Design Number: **15795/2005**
- (22) Date of Filing Application: **23 May 2005**
- (24) Date from which industrial property rights may have effect: **23 May 2005**
- (54) Product in respect of which the design is registered: **A door facade for a garage**
- (51) International Design Classification: **25-02B**
- (71) Name(s) and Address(s) of Applicant(s):
Frenchporte LLC
121 Congressional Lane Penthouse Suite Rockville Maryland 20852
United States of America
- (72) Name(s) of Designer(s): **Jennifer Armstrong Maher**
- (45) Registration Date: **30 January 2006**
- (30) Convention priority data:

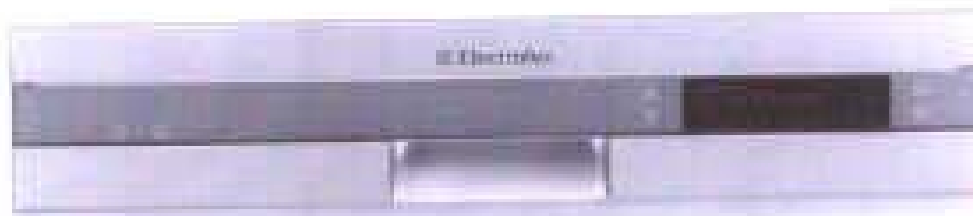
(31) Number	(32) Date	(33) Country
29/217766	23 Nov 2004	UNITED STATES OF AMERICA
- (56) Related Art Documents: **Not Applicable**
- (57) Statement of Newness and Distinctiveness: **Newness and distinctiveness are claimed in the pattern and ornamentation and/or shape and configuration of an overhead garage door facade as illustrated in the representations. The features shown in broken outline do not form part of the design.**



- (21) Design Number: **10470/2005**
(22) Date of Filing Application: **04 February 2005**
(24) Date from which industrial property rights may have effect: **04 February 2005**
(54) Product in respect of which the design is registered: **Motorcycle**
(51) International Design Classification: **12-11**
(71) Name(s) and Address(s) of Applicant(s):
Yamaha Hatsudoki Kabushiki Kaisha
2500 Shingai Iwata-shi Shizuoka-ken Japan
(72) Name(s) of Designer(s): **Yoshio Sugimoto**
(45) Registration Date: **01 February 2006**
(56) Related Art Documents: **Not Applicable**
(57) Statement of Newness and Distinctiveness: **Newness and distinctiveness is claimed in the features of shape and/or configuration of a motorcycle as illustrated in the accompanying representations.**



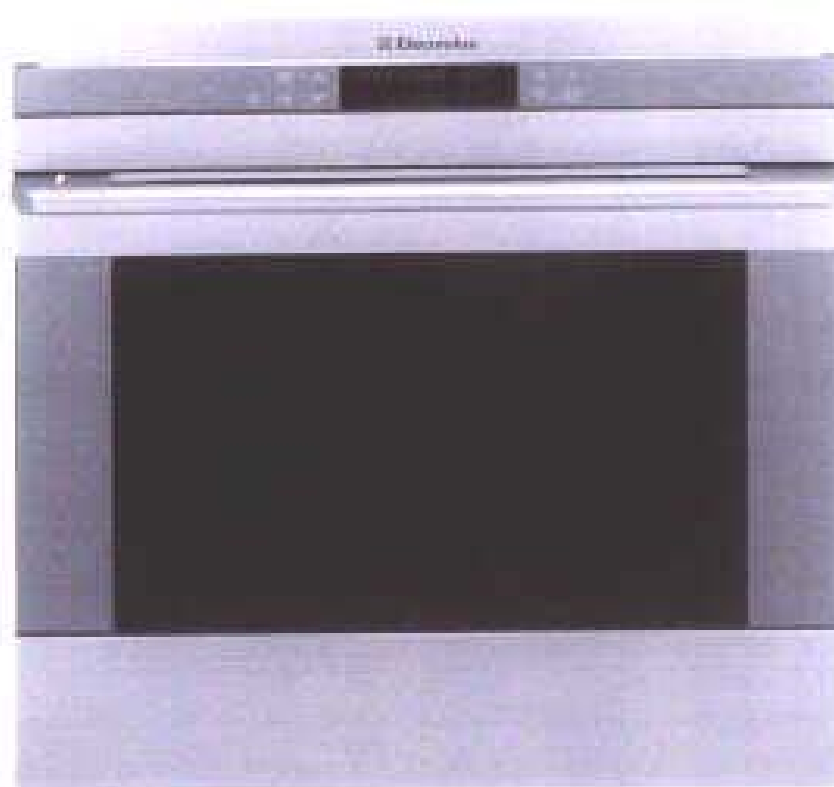
- (21) Design Number: **10507/2005**
(22) Date of Filing Application: **09 February 2005**
(24) Date from which industrial property rights may have effect: **09 February 2005**
(54) Product in respect of which the design is registered: **A control panel for a dishwasher**
(51) International Design Classification: **15-05**
(71) Name(s) and Address(s) of Applicant(s):
Electrolux Home Products Corporation N.V.
Belgicastraat 17 Zaventem B-1930 Belgium
(72) Name(s) of Designer(s): **Michael Knochner**
(45) Registration Date: **01 February 2006**
(30) Convention priority data:
(31) Number (32) Date (33) Country
4 04 04 562.6 13 Aug 2004 GERMANY
(56) Related Art Documents: **Not Applicable**
(57) Statement of Newness and Distinctiveness: **Nil**



- (21) Design Number: **10508/2005**
(22) Date of Filing Application: **09 February 2005**
(24) Date from which industrial property rights may have effect: **09 February 2005**
(54) Product in respect of which the design is registered: **A control panel for a dishwasher**
(51) International Design Classification: **15-05**
(71) Name(s) and Address(s) of Applicant(s):
Electrolux Home Products Corporation N.V.
Belgicastraat 17 Zaventem B-1930 Belgium
(72) Name(s) of Designer(s): **Michael Knochner**
(45) Registration Date: **01 February 2006**
(30) Convention priority data:
(31) Number (32) Date (33) Country
4 04 04 562.6 13 Aug 2004 GERMANY
(56) Related Art Documents: **Not Applicable**
(57) Statement of Newness and Distinctiveness: **Nil**



- (21) Design Number: **10509/2005**
(22) Date of Filing Application: **09 February 2005**
(24) Date from which industrial property rights may have effect: **09 February 2005**
(54) Product in respect of which the design is registered: **An oven**
(51) International Design Classification: **07-02A**
(71) Name(s) and Address(s) of Applicant(s):
Electrolux Home Products Corporation N.V.
Belgicastraat 17 Zaventem B-1930 Belgium
(72) Name(s) of Designer(s): **Heinz-Peter Huxhold and Michael Thoenissen**
(45) Registration Date: **01 February 2006**
(30) Convention priority data:
(31) Number (32) Date (33) Country
4 04 04 558.8 13 Aug 2004 GERMANY
(56) Related Art Documents: **Not Applicable**
(57) Statement of Newness and Distinctiveness: **Nil**



(21) Design Number: **10510/2005**
(22) Date of Filing Application: **09 February 2005**
(24) Date from which industrial property rights may have effect: **09 February 2005**
(54) Product in respect of which the design is registered: **An oven**
(51) International Design Classification: **07-02A**
(71) Name(s) and Address(s) of Applicant(s):
Electrolux Home Products Corporation N.V.
Belgicastraat 17 Zaventem B-1930 Belgium
(72) Name(s) of Designer(s): **Heinz-Peter Huxhold and Michael Thoenissen**
(45) Registration Date: **01 February 2006**
(30) Convention priority data:
(31) Number (32) Date (33) Country
4 04 04 558.8 13 Aug 2004 GERMANY
(56) Related Art Documents: **Not Applicable**
(57) Statement of Newness and Distinctiveness: **Nil**



(21) Design Number: **10528/2005**
(22) Date of Filing Application: **09 February 2005**
(24) Date from which industrial property rights may have effect: **18 May 2004**
(54) Product in respect of which the design is registered: **Oral-care appliance (electric tongue)**
(51) International Design Classification: **28-03NES**
(71) Name(s) and Address(s) of Applicant(s):
Braun GmbH
Frankfurter Str. 145 61476 Kronberg Germany
(72) Name(s) of Designer(s): **Bjorn Kling and Markus Orthey**
(45) Registration Date: **01 February 2006**
(30) Convention priority data:
(31) Number (32) Date (33) Country
000102827-007 18 Nov 2003 EUROPEAN PATENT OFFICE (EP)
(62) Divisional of: **157877**
(56) Related Art Documents: **Not Applicable**
(57) Statement of Newness and Distinctiveness: **Nil**



(21) Design Number: **10529/2005**
(22) Date of Filing Application: **09 February 2005**
(24) Date from which industrial property rights may have effect: **18 May 2004**
(54) Product in respect of which the design is registered: **Body for an oral-care appliance**
(51) International Design Classification: **28-03NES**
(71) Name(s) and Address(s) of Applicant(s):
Braun GmbH
Frankfurter Str. 145 61476 Kronberg Germany
(72) Name(s) of Designer(s): **Bjorn Kling and Markus Orthey**
(45) Registration Date: **01 February 2006**
(30) Convention priority data:
(31) Number (32) Date (33) Country
000102827-007 18 Nov 2003 EUROPEAN PATENT OFFICE (EP)
(62) Divisional of: **157877**
(56) Related Art Documents: **Not Applicable**
(57) Statement of Newness and Distinctiveness: **Nil**



(21) Design Number: **10530/2005**
(22) Date of Filing Application: **09 February 2005**
(24) Date from which industrial property rights may have effect: **18 May 2004**
(54) Product in respect of which the design is registered: **Oral-care appliance (electric toothpick)**
(51) International Design Classification: **28-03NES**
(71) Name(s) and Address(s) of Applicant(s):
Braun GmbH
Frankfurter Str. 145 61476 Kronberg Germany
(72) Name(s) of Designer(s): **Bjorn Kling and Markus Orthey**
(45) Registration Date: **01 February 2006**
(30) Convention priority data:
(31) Number (32) Date (33) Country
000102827-007 18 Nov 2003 EUROPEAN PATENT OFFICE (EP)
(62) Divisional of: **157877**
(56) Related Art Documents: **Not Applicable**
(57) Statement of Newness and Distinctiveness: **Nil**



(21) Design Number: **10531/2005**
(22) Date of Filing Application: **09 February 2005**
(24) Date from which industrial property rights may have effect: **18 May 2004**
(54) Product in respect of which the design is registered: **Oral-care appliance (toothpick)**
(51) International Design Classification: **28-03NES**
(71) Name(s) and Address(s) of Applicant(s):
Braun GmbH
Frankfurter Str. 145 61476 Kronberg Germany
(72) Name(s) of Designer(s): **Bjorn Kling**
(45) Registration Date: **01 February 2006**
(30) Convention priority data:
(31) Number (32) Date (33) Country
000102827-007 18 Nov 2003 EUROPEAN PATENT OFFICE (EP)
(62) Divisional of: **157877**
(56) Related Art Documents: **Not Applicable**
(57) Statement of Newness and Distinctiveness: **Nil**



(21) Design Number: **10532/2005**
(22) Date of Filing Application: **09 February 2005**
(24) Date from which industrial property rights may have effect: **18 May 2004**
(54) Product in respect of which the design is registered: **Oral-care appliance (brush)**
(51) International Design Classification: **04-02**
(71) Name(s) and Address(s) of Applicant(s):
Braun GmbH
Frankfurter Str. 145 61476 Kronberg Germany
(72) Name(s) of Designer(s): **Till Winkler**
(45) Registration Date: **01 February 2006**
(30) Convention priority data:
(31) Number (32) Date (33) Country
000102827-007 18 Nov 2003 EUROPEAN PATENT OFFICE (EP)
(62) Divisional of: **157877**
(56) Related Art Documents: **Not Applicable**
(57) Statement of Newness and Distinctiveness: **Nil**



(21) Design Number: **10533/2005**
(22) Date of Filing Application: **09 February 2005**
(24) Date from which industrial property rights may have effect: **18 May 2004**
(54) Product in respect of which the design is registered: **Oral care appliance (tongue)**
(51) International Design Classification: **28-03NES**
(71) Name(s) and Address(s) of Applicant(s):
Braun GmbH
Frankfurter Str. 145 61476 Kronberg Germany
(72) Name(s) of Designer(s): **Bjorn Kling**
(45) Registration Date: **01 February 2006**
(30) Convention priority data:
(31) Number (32) Date (33) Country
000102827-007 18 Nov 2003 EUROPEAN PATENT OFFICE (EP)
(62) Divisional of: **157877**
(56) Related Art Documents: **Not Applicable**
(57) Statement of Newness and Distinctiveness: **Nil**



(21) Design Number: **10537/2005**
(22) Date of Filing Application: **10 February 2005**
(24) Date from which industrial property rights may have effect: **10 February 2005**
(54) Product in respect of which the design is registered: **Camper trailer**
(51) International Design Classification: **12-10**
(71) Name(s) and Address(s) of Applicant(s):
John Charles Voss
127 Waterford Drive Hillarys Western Australia 6025 Australia
(72) Name(s) of Designer(s): **John Charles Voss**
(45) Registration Date: **01 February 2006**
(56) Related Art Documents: **Not Applicable**
(57) Statement of Newness and Distinctiveness: **The camper trailer is of solid build (no canvas) it has three (3) doors (1 rear and the other two are opposite each other on either sides of the camper).**



(21) Design Number: **10574/2005**
(22) Date of Filing Application: **15 February 2005**
(24) Date from which industrial property rights may have effect: **15 February 2005**
(54) Product in respect of which the design is registered: **Food container**
(51) International Design Classification: **07-02NES**
(71) Name(s) and Address(s) of Applicant(s):
Braun GmbH
Frankfurter Str. 145 D-61476 Kronberg/Ts. Germany
(72) Name(s) of Designer(s): **Ludwig Littmann**
(45) Registration Date: **01 February 2006**
(30) Convention priority data:
(31) Number (32) Date (33) Country
000220967 27 Aug 2004 EUROPEAN COMMUNITY
(56) Related Art Documents: **Not Applicable**
(57) Statement of Newness and Distinctiveness: **Nil**



(21) Design Number: **10575/2005**
(22) Date of Filing Application: **15 February 2005**
(24) Date from which industrial property rights may have effect: **15 February 2005**
(54) Product in respect of which the design is registered: **Food container**
(51) International Design Classification: **07-02NES**
(71) Name(s) and Address(s) of Applicant(s):
Braun GmbH
Frankfurter Str. 145 D-61476 Kronberg/Ts. Germany
(72) Name(s) of Designer(s): **Ludwig Littmann**
(45) Registration Date: **01 February 2006**
(30) Convention priority data:
(31) Number (32) Date (33) Country
000220967 27 Aug 2004 EUROPEAN COMMUNITY
(56) Related Art Documents: **Not Applicable**
(57) Statement of Newness and Distinctiveness: **Nil**



(21) Design Number: **10576/2005**
(22) Date of Filing Application: **15 February 2005**
(24) Date from which industrial property rights may have effect: **15 February 2005**
(54) Product in respect of which the design is registered: **Vacuum pump**
(51) International Design Classification: **15-02**
(71) Name(s) and Address(s) of Applicant(s):
Braun GmbH
Frankfurter Str. 145 D-61476 Kronberg/Ts. Germany
(72) Name(s) of Designer(s): **Ludwig Littmann**
(45) Registration Date: **01 February 2006**
(30) Convention priority data:
(31) Number (32) Date (33) Country
000220959 27 Aug 2004 EUROPEAN COMMUNITY
(56) Related Art Documents: **Not Applicable**
(57) Statement of Newness and Distinctiveness: **Nil**



(21) Design Number: **10577/2005**
(22) Date of Filing Application: **15 February 2005**
(24) Date from which industrial property rights may have effect: **15 February 2005**
(54) Product in respect of which the design is registered: **Vacuum pump**
(51) International Design Classification: **15-02**
(71) Name(s) and Address(s) of Applicant(s):
Braun GmbH
Frankfurter Str. 145 D-61476 Kronberg/Ts. Germany
(72) Name(s) of Designer(s): **Ludwig Littmann**
(45) Registration Date: **01 February 2006**
(30) Convention priority data:
(31) Number (32) Date (33) Country
000220959 27 Aug 2004 EUROPEAN COMMUNITY
(56) Related Art Documents: **Not Applicable**
(57) Statement of Newness and Distinctiveness: **Nil**



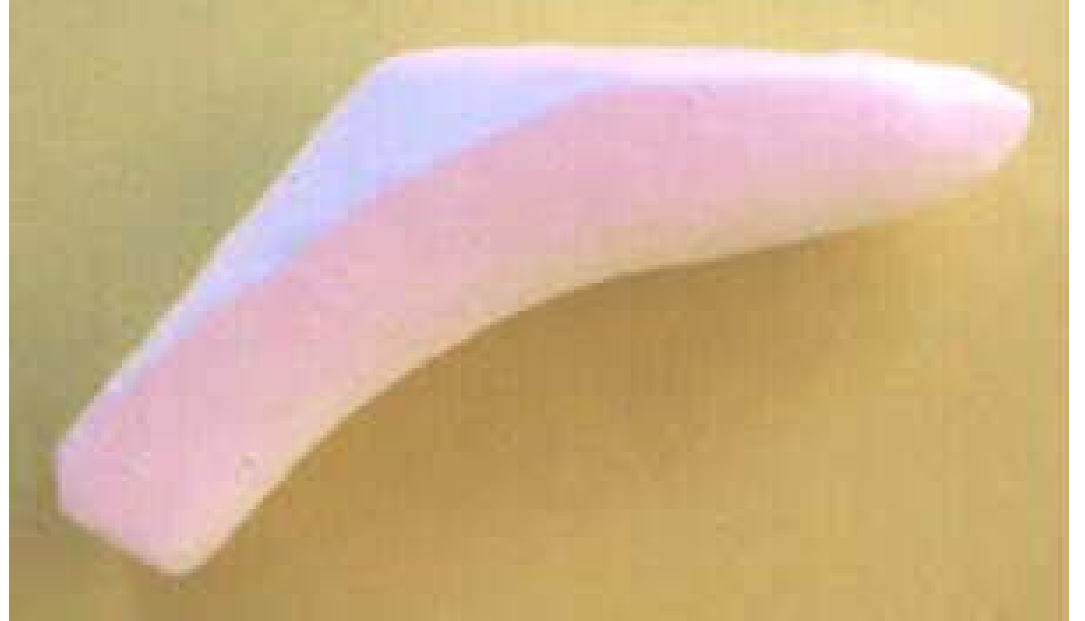
- (21) Design Number: **10582/2005**
(22) Date of Filing Application: **15 February 2005**
(24) Date from which industrial property rights may have effect: **15 February 2005**
(54) Product in respect of which the design is registered: **Caravan rangehood**
(51) International Design Classification: **23-04**
(71) Name(s) and Address(s) of Applicant(s):
Casale Trim Co. Pty Ltd
25 Brooklyn Court Campbellfield Victoria 3061 Australia
(72) Name(s) of Designer(s): **Phill Hubbard**
(45) Registration Date: **01 February 2006**
(56) Related Art Documents: **Not Applicable**
(57) Statement of Newness and Distinctiveness: **Means of connecting a circular flue pipe which is larger in diameter than the height of rangehood.**



- (21) Design Number: **10600/2005**
(22) Date of Filing Application: **16 February 2005**
(24) Date from which industrial property rights may have effect: **16 February 2005**
(54) Product in respect of which the design is registered:
Display-sales-equipment
(51) International Design Classification: **20-02NES**
(71) Name(s) and Address(s) of Applicant(s):
Hang 2 Pty Ltd
PO Box 768 Irymple Victoria 3498 Australia
(72) Name(s) of Designer(s): **John Thomson**
(45) Registration Date: **01 February 2006**
(56) Related Art Documents: **Not Applicable**
(57) Statement of Newness and Distinctiveness: **Nil**



- (21) Design Number: **10601/2005**
(22) Date of Filing Application: **16 February 2005**
(24) Date from which industrial property rights may have effect: **16 February 2005**
(54) Product in respect of which the design is registered: **Display-sales equipment**
(51) International Design Classification: **20-02NES**
(71) Name(s) and Address(s) of Applicant(s):
Hang 2 Pty Ltd
PO Box 768 Irymple Victoria 3498 Australia
(72) Name(s) of Designer(s): **John Thomson**
(45) Registration Date: **01 February 2006**
(56) Related Art Documents: **Not Applicable**
(57) Statement of Newness and Distinctiveness: **Nil**



- (21) Design Number: **10613/2005**
(22) Date of Filing Application: **17 February 2005**
(24) Date from which industrial property rights may have effect: **17 February 2005**
(54) Product in respect of which the design is registered: **SeaPen boat hull protector**
(51) International Design Classification: **12-06NES**
(71) Name(s) and Address(s) of Applicant(s):
Allan William Barber
17 Corang Crescent Ferny Hills Queensland 4055 Australia
(72) Name(s) of Designer(s): **Allan William Barber**
(45) Registration Date: **01 February 2006**
(56) Related Art Documents: **Not Applicable**
(57) Statement of Newness and Distinctiveness: **I have pioneered the development of a unique boat hull protector, the frame of which is the subject of this design application. It features a circumferential pipe frame, two pipe floats attached on top and a dress cowl at the bow.**



- (21) Design Number: **10819/2005**
(22) Date of Filing Application: **03 March 2005**
(24) Date from which industrial property rights may have effect: **03 March 2005**
(54) Product in respect of which the design is registered: **Coffee machine**
(51) International Design Classification: **07-02L**
(71) Name(s) and Address(s) of Applicant(s):
Societe des Produits Nestle S.A.
1800 Vevey Switzerland
(72) Name(s) of Designer(s): **Antoine Cahen**
(45) Registration Date: **01 February 2006**
(30) Convention priority data:
(31) Number (32) Date (33) Country
131023 17 Sep 2004 SWITZERLAND
(56) Related Art Documents: **Not Applicable**
(57) Statement of Newness and Distinctiveness: **Nil**



- (21) Design Number: **10846/2005**
(22) Date of Filing Application: **03 March 2005**
(24) Date from which industrial property rights may have effect: **03 March 2005**
(54) Product in respect of which the design is registered: **Bullet bin lid**
(51) International Design Classification: **09-09**
(71) Name(s) and Address(s) of Applicant(s):
Willow Ware Australia Pty Ltd
60 Annandale Road Melbourne Airport Victoria 3045 Australia
(72) Name(s) of Designer(s): **Alex Arciga**
(45) Registration Date: **01 February 2006**
(56) Related Art Documents: **Not Applicable**
(57) Statement of Newness and Distinctiveness: **Each feature of the design considered separately or in combination with any other feature or features.**



(21) Design Number: 10852/2005

(22) Date of Filing Application: 04 March 2005

(24) Date from which industrial property rights may have effect: 04 March 2005

(54) Product in respect of which the design is registered: A valve

(51) International Design Classification: 23-01K

(71) Name(s) and Address(s) of Applicant(s):

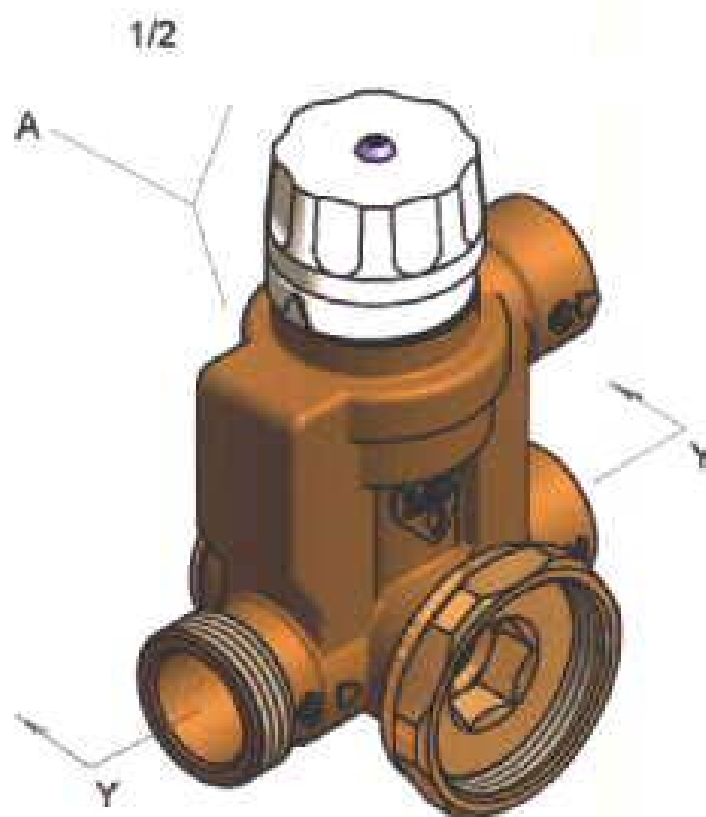
GSA Industries (Aust.) Pty Ltd
Level 54 Rialto 525 Collins Street Melbourne Victoria 3000 Australia

(72) Name(s) of Designer(s): Benjamin Vella

(45) Registration Date: 01 February 2006

(56) Related Art Documents: Not Applicable

(57) Statement of Newness and Distinctiveness: Those visual features of a valve depicted in the representations that are new and distinctive are the shape and/or configuration. The features indicated by the markings "A", "B", "C" and "D" do not form part of the design. The letters "C", "H" and "MIX" depicted on the valve in the representations also do not form part of the design.



(21) Design Number: 10853/2005

(22) Date of Filing Application: 04 March 2005

(24) Date from which industrial property rights may have effect: 04 March 2005

(54) Product in respect of which the design is registered: A valve

(51) International Design Classification: 23-01K

(71) Name(s) and Address(s) of Applicant(s):

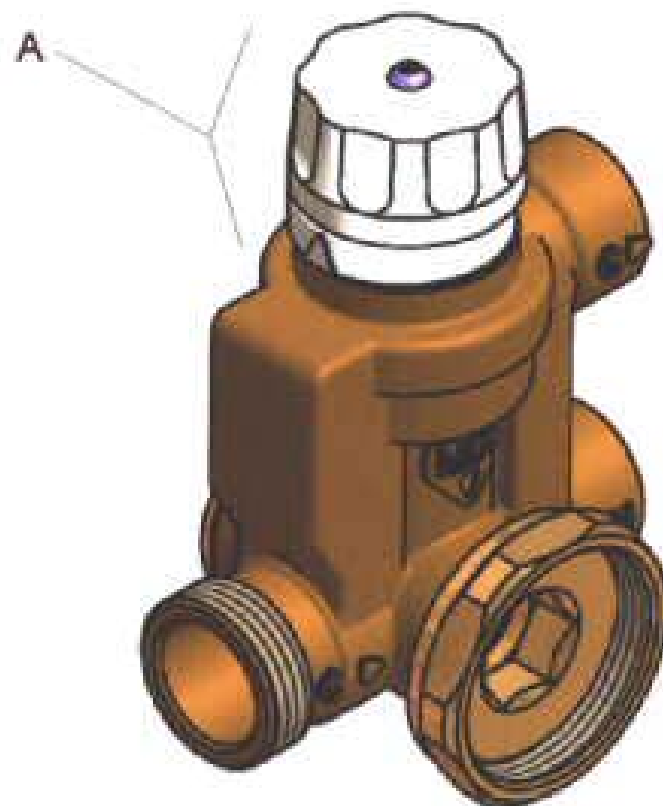
GSA Industries (Aust.) Pty Ltd
Level 54 Rialto 525 Collins Street Melbourne Victoria 3000 Australia

(72) Name(s) of Designer(s): Benjamin Vella

(45) Registration Date: 01 February 2006

(56) Related Art Documents: Not Applicable

(57) Statement of Newness and Distinctiveness: Those visual features of a valve depicted in the representations that are new and distinctive are the shape and/or configuration. The features indicated by the marking "A" do not form part of the design nor do the letters "C", "H" and "MIX".



(21) Design Number: **11059/2005**
(22) Date of Filing Application: **17 March 2005**
(24) Date from which industrial property rights may have effect: **17 March 2005**
(54) Product in respect of which the design is registered: **Wheel for an automobile**
(51) International Design Classification: **12-16A**
(71) Name(s) and Address(s) of Applicant(s):
Toyota Jidosha Kabushiki Kaisha
1 Toyota-cho Toyota-shi Aichi-ken 471-8571 Japan
(72) Name(s) of Designer(s): **Jiro Yazawa and Kaoru Ichikawa**
(45) Registration Date: **01 February 2006**
(30) Convention priority data:
(31) Number (32) Date (33) Country
2004-039431 24 Dec 2004 JAPAN
(56) Related Art Documents: **Not Applicable**
(57) Statement of Newness and Distinctiveness: **Newness and distinctiveness is claimed in the features of shape and/or configuration of a wheel for an automobile as illustrated in the accompanying representations.**



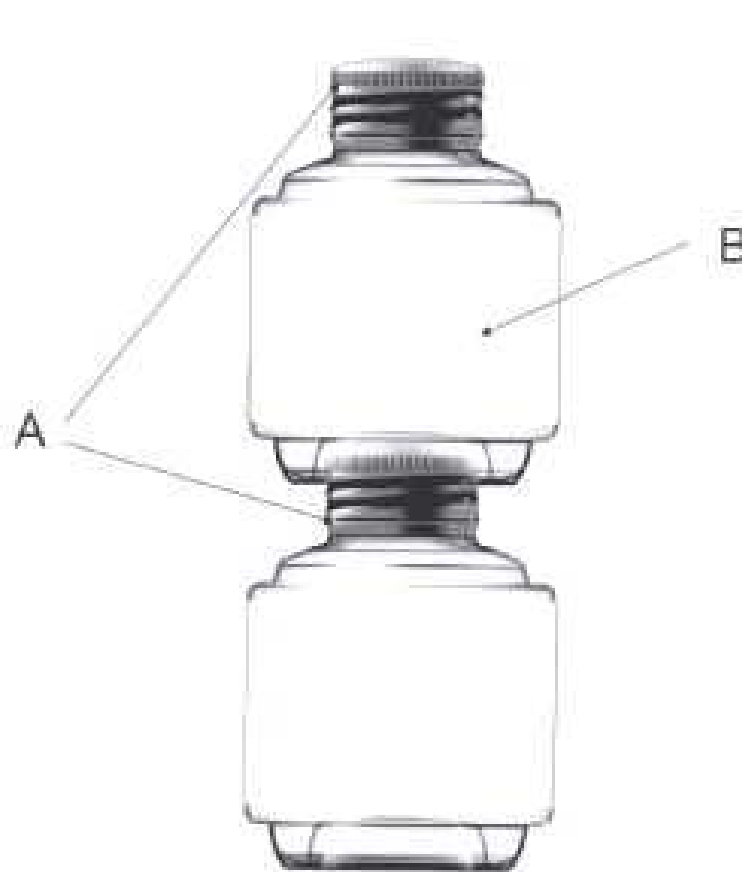
(21) Design Number: **11060/2005**
(22) Date of Filing Application: **17 March 2005**
(24) Date from which industrial property rights may have effect: **17 March 2005**
(54) Product in respect of which the design is registered: **Automobile**
(51) International Design Classification: **12-08**
(71) Name(s) and Address(s) of Applicant(s):
Toyota Jidosha Kabushiki Kaisha
1 Toyota-cho Toyota-shi Aichi-ken 471-8571 Japan
(72) Name(s) of Designer(s): **Wahei Hirai and Kengo Matsumoto and Hiroyuki Hatake**
(45) Registration Date: **01 February 2006**
(30) Convention priority data:
(31) Number (32) Date (33) Country
2004-039430 24 Dec 2004 JAPAN
(56) Related Art Documents: **Not Applicable**
(57) Statement of Newness and Distinctiveness: **Newness and distinctiveness is claimed in the features of shape and/or configuration of an automobile as illustrated in the accompanying representations.**



(21) Design Number: **11077/2005**
(22) Date of Filing Application: **18 March 2005**
(24) Date from which industrial property rights may have effect: **18 March 2005**
(54) Product in respect of which the design is registered: **A headset**
(51) International Design Classification: **14-01, 14-03A**
(71) Name(s) and Address(s) of Applicant(s):
Nokia Corporation
Keilalahdentie 4 FIN-02150 Espoo Finland
(72) Name(s) of Designer(s): **Valtteri Eroma and Sami Lehtovaara**
(45) Registration Date: **01 February 2006**
(30) Convention priority data:
(31) Number (32) Date (33) Country
M20040150 21 Sep 2004 FINLAND
(56) Related Art Documents: **Not Applicable**
(57) Statement of Newness and Distinctiveness: **Nil**



(21) Design Number: **11080/2005**
(22) Date of Filing Application: **21 March 2005**
(24) Date from which industrial property rights may have effect: **21 March 2005**
(54) Product in respect of which the design is registered: **Bottle**
(51) International Design Classification: **09-01C, 09-01NES**
(71) Name(s) and Address(s) of Applicant(s):
Diageo Great Britain Limited
8 Henrietta Place London W1G 0NB United Kingdom
(72) Name(s) of Designer(s): **Dan Cornell and Mark Thrush and Toby Wilson**
(45) Registration Date: **01 February 2006**
(30) Convention priority data:
(31) Number (32) Date (33) Country
000231428-0001 21 Sep 2004 EUROPEAN COMMUNITY
(56) Related Art Documents: **Not Applicable**
(57) Statement of Newness and Distinctiveness: **Newness and distinctiveness in the design as applied to a bottle resides in the shape and configuration thereof as illustrated in the accompanying representations. In assessing newness and distinctiveness, the closure denoted by "A" in the representations and a second bottle denoted by "B" should be disregarded.**



(21) Design Number: **11081/2005**

(22) Date of Filing Application: **21 March 2005**

(24) Date from which industrial property rights may have effect: **21 March 2005**

(54) Product in respect of which the design is registered: **A label**

(51) International Design Classification: **19-08**

(71) Name(s) and Address(s) of Applicant(s):

**Diageo Great Britain Limited
8 Henrietta Place London W1G 0NB United Kingdom**

(72) Name(s) of Designer(s): **Dan Cornell and Mark Thrush and Toby Wilson**

(45) Registration Date: **01 February 2006**

(30) Convention priority data:

(31) Number	(32) Date	(33) Country
000231410-01/3	21 Sep 2004	EUROPEAN COMMUNITY

(56) Related Art Documents: **Not Applicable**

(57) Statement of Newness and Distinctiveness: **Newness and distinctiveness in the design as applied to a bottle resides in the pattern and ornamentation thereof as illustrated in the accompanying representation.**



(21) Design Number: **11088/2005**

(22) Date of Filing Application: **21 March 2005**

(24) Date from which industrial property rights may have effect: **21 March 2005**

(54) Product in respect of which the design is registered: **Electric mobility scooter**

(51) International Design Classification: **12-14**

(71) Name(s) and Address(s) of Applicant(s):

**Karma Medical Products Co. Ltd
No. 2363 Sec. 2 Da Xue Road Min Xiong Shiang Chiayi Hsien Taiwan**

(72) Name(s) of Designer(s): **Chin-Ming Chao**

(45) Registration Date: **01 February 2006**

(56) Related Art Documents: **Not Applicable**

(57) Statement of Newness and Distinctiveness: **The newness and distinctiveness of the design resides in the shape and configuration of the electric mobility scooter shown in the accompanying representations.**



- (21) Design Number: **11097/2005**
(22) Date of Filing Application: **18 March 2005**
(24) Date from which industrial property rights may have effect: **18 March 2005**
(54) Product in respect of which the design is registered: **Bed**
(51) International Design Classification: **06-02**
(71) Name(s) and Address(s) of Applicant(s):
Burgess Furniture Pty Ltd
45 Raglan Street Preston Victoria 3072 Australia
(72) Name(s) of Designer(s): **Steve Castaldo**
(45) Registration Date: **01 February 2006**
(56) Related Art Documents: **Not Applicable**
(57) Statement of Newness and Distinctiveness: **Visual features of the design which are new and distinctive are the features of shape and configuration of the bed as illustrated in the representations. The position(s), number(s) and direction(s) of the shelf/shelves within the openings at the sides of the bed head can vary. The width of each opening at each side of the bed head can vary.**



- (21) Design Number: **11429/2005**
(22) Date of Filing Application: **08 April 2005**
(24) Date from which industrial property rights may have effect: **08 April 2005**
(54) Product in respect of which the design is registered: **Self-propelled watercraft**
(51) International Design Classification: **12-06NES**
(71) Name(s) and Address(s) of Applicant(s):
Concept to Reality Pty Ltd
43A Charles Street Putney New South Wales 2112 Australia
(72) Name(s) of Designer(s): **William Aloisi and Romolo Lorenzo Bertani**
(45) Registration Date: **01 February 2006**
(56) Related Art Documents: **Not Applicable**
(57) Statement of Newness and Distinctiveness: **Newness and distinctiveness in the design as applied to a self-propelled watercraft resides in the shape and/or configuration thereof as is illustrated in the accompanying representations.**



- (21) Design Number: **11901/2005**
(22) Date of Filing Application: **04 May 2005**
(24) Date from which industrial property rights may have effect: **04 May 2005**
(54) Product in respect of which the design is registered: **Writing instrument**
(51) International Design Classification: **19-06**
(71) Name(s) and Address(s) of Applicant(s):
SOCIETE BIC
14 RUE Jeanne d'Asnieres 92 110 Clichy France
(72) Name(s) of Designer(s): **Frank Rolion and Juliette Bonamour and Vincent Prigent**
(45) Registration Date: **01 February 2006**
(30) Convention priority data:
(31) Number (32) Date (33) Country
000254065-0001 17 Nov 2004 EUROPEAN COMMUNITY
(56) Related Art Documents: **Not Applicable**
(57) Statement of Newness and Distinctiveness: **Those features of the writing instrument depicted in the representations that are new and distinctive are the shape and/or configuration. The features shown in broken lines are not part of the design and are to be disregarded when considering the overall impression of the design.**



- (21) Design Number: **12133/2005**
(22) Date of Filing Application: **10 May 2005**
(24) Date from which industrial property rights may have effect: **10 May 2005**
(54) Product in respect of which the design is registered: **A vest**
(51) International Design Classification: **02-02NES**
(71) Name(s) and Address(s) of Applicant(s):
Morrison IP Pty Ltd as Trustee for Morrison IP Trust
Level 1/88 High Street Fremantle Western Australia 6160 Australia
(72) Name(s) of Designer(s): **Kylie-Jane Radford**
(45) Registration Date: **01 February 2006**
(56) Related Art Documents: **Not Applicable**
(57) Statement of Newness and Distinctiveness: **The vest has a distinctive belt around the middle, which is held by velcro at the front of the vest.**



- (21) Design Number: **12199/2005**
(22) Date of Filing Application: **17 May 2005**
(24) Date from which industrial property rights may have effect: **17 May 2005**
(54) Product in respect of which the design is registered: **Adjustable beach chair**
(51) International Design Classification: **06-01H**
(71) Name(s) and Address(s) of Applicant(s):
DEDON GmbH
Marie-Curie-Strasse 1 21337 Luneburg Germany
(72) Name(s) of Designer(s): **Nicolas Thomkins**
(45) Registration Date: **01 February 2006**
(56) Related Art Documents: **Not Applicable**
(57) Statement of Newness and Distinctiveness: **Nil**



- (21) Design Number: **12200/2005**
(22) Date of Filing Application: **17 May 2005**
(24) Date from which industrial property rights may have effect: **17 May 2005**
(54) Product in respect of which the design is registered: **Recliner chair**
(51) International Design Classification: **06-01G**
(71) Name(s) and Address(s) of Applicant(s):
DEDON GmbH
Marie-Curie-Strasse 1 21337 Luneburg Germany
(72) Name(s) of Designer(s): **Nicolas Thomkins**
(45) Registration Date: **01 February 2006**
(56) Related Art Documents: **Not Applicable**
(57) Statement of Newness and Distinctiveness: **Nil**



- (21) Design Number: **12201/2005**
- (22) Date of Filing Application: **17 May 2005**
- (24) Date from which industrial property rights may have effect: **17 May 2005**
- (54) Product in respect of which the design is registered: **Side table**
- (51) International Design Classification: **06-03B**
- (71) Name(s) and Address(s) of Applicant(s):
DEDON GmbH
Marie-Curie-Strasse 1 21337 Luneburg Germany
- (72) Name(s) of Designer(s): **Richard Frinier**
- (45) Registration Date: **01 February 2006**
- (56) Related Art Documents: **Not Applicable**
- (57) Statement of Newness and Distinctiveness: **Nil**



- (21) Design Number: **12202/2005**
- (22) Date of Filing Application: **17 May 2005**
- (24) Date from which industrial property rights may have effect: **17 May 2005**
- (54) Product in respect of which the design is registered: **Coffee table 1**
- (51) International Design Classification: **06-03B**
- (71) Name(s) and Address(s) of Applicant(s):
DEDON GmbH
Marie-Curie-Strasse 1 21337 Luneburg Germany
- (72) Name(s) of Designer(s): **Richard Frinier**
- (45) Registration Date: **01 February 2006**
- (56) Related Art Documents: **Not Applicable**
- (57) Statement of Newness and Distinctiveness: **Nil**



- (21) Design Number: **12203/2005**
(22) Date of Filing Application: **17 May 2005**
(24) Date from which industrial property rights may have effect: **17 May 2005**
(54) Product in respect of which the design is registered: **Coffee table 2**
(51) International Design Classification: **06-03B**
(71) Name(s) and Address(s) of Applicant(s):
DEDON GmbH
Marie-Curie-Strasse 1 21337 Luneburg Germany
(72) Name(s) of Designer(s): **Richard Frinier**
(45) Registration Date: **01 February 2006**
(56) Related Art Documents: **Not Applicable**
(57) Statement of Newness and Distinctiveness: **Nil**



- (21) Design Number: **12224/2005**
(22) Date of Filing Application: **18 May 2005**
(24) Date from which industrial property rights may have effect: **18 May 2005**
(54) Product in respect of which the design is registered: **A helmet**
(51) International Design Classification: **02-03**
(71) Name(s) and Address(s) of Applicant(s):
Helmet Integrated Systems Limited
Unit 3 Focus 4 Fourth Avenue Letchworth Hertfordshire SG6 2TU
United Kingdom
(72) Name(s) of Designer(s): **Bruce James Renfrew**
(45) Registration Date: **01 February 2006**
(30) Convention priority data:
(31) Number (32) Date (33) Country
000262522-0001 18 Nov 2004 EUROPEAN COMMUNITY
(56) Related Art Documents: **Not Applicable**
(57) Statement of Newness and Distinctiveness: **Nil**



- (21) Design Number: **12225/2005**
(22) Date of Filing Application: **18 May 2005**
(24) Date from which industrial property rights may have effect: **18 May 2005**
(54) Product in respect of which the design is registered: **A helmet**
(51) International Design Classification: **02-03**
(71) Name(s) and Address(s) of Applicant(s):
Helmet Integrated Systems Limited
Unit 3 Focus 4 Fourth Avenue Letchworth Hertfordshire SG6 2TU
United Kingdom
(72) Name(s) of Designer(s): **Bruce James Renfrew**
(45) Registration Date: **01 February 2006**
(30) Convention priority data:
(31) Number (32) Date (33) Country
000262522-0001 18 Nov 2004 EUROPEAN COMMUNITY
(56) Related Art Documents: **Not Applicable**
(57) Statement of Newness and Distinctiveness: **Nil distinctiveness in respect of particular visual features of the design but without prejudice to the newness or distinctiveness of other visual features of the design; as follows: The shape and configuration of the lower area of the frame (which is of indefinite length in the two dimensions as shown in the accompanying representations) including the post (which is of indefinite length as shown in the accompanying representations) with holes therein, of the parts of the outdoor roller screen shown in continuous lines in new and distinctive.**



- (21) Design Number: **12328/2005**
(22) Date of Filing Application: **27 May 2005**
(24) Date from which industrial property rights may have effect: **27 May 2005**
(54) Product in respect of which the design is registered: **Rear combination lamp for motorcycle**
(51) International Design Classification: **26-06, 12-11**
(71) Name(s) and Address(s) of Applicant(s):
Honda Motor Co., Ltd
1-1 Minami-Aoyama 2-chome Minato-ku Tokyo Japan
(72) Name(s) of Designer(s): **Masamoto Ito and Masato Nagata**
(45) Registration Date: **01 February 2006**
(30) Convention priority data:
(31) Number (32) Date (33) Country
2004-036388 29 Nov 2004 JAPAN
(56) Related Art Documents: **Not Applicable**
(57) Statement of Newness and Distinctiveness: **Newness and distinctiveness is claimed in the features of shape and/or configuration of a rear combination lamp for motorcycle as illustrated in the accompanying representations.**



- (21) Design Number: **12329/2005**
(22) Date of Filing Application: **27 May 2005**
(24) Date from which industrial property rights may have effect: **27 May 2005**
(54) Product in respect of which the design is registered: **Meter panel for motorcycle**
(51) International Design Classification: **12-11**
(71) Name(s) and Address(s) of Applicant(s):
Honda Motor Co., Ltd
1-1 Minami-Aoyama 2-chome Minato-ku Tokyo Japan
(72) Name(s) of Designer(s): **Yoshiaki Muta and Hiroyuki Miyazaki**
(45) Registration Date: **01 February 2006**
(30) Convention priority data:
(31) Number (32) Date (33) Country
2004-036389 29 Nov 2004 JAPAN
(56) Related Art Documents: **Not Applicable**
(57) Statement of Newness and Distinctiveness: **Newness and distinctiveness is claimed in the features of shape and/or configuration of a meter panel for motorcycle as illustrated in the accompanying representations.**



- (21) Design Number: **12330/2005**
(22) Date of Filing Application: **27 May 2005**
(24) Date from which industrial property rights may have effect: **27 May 2005**
(54) Product in respect of which the design is registered: **Motorcycle**
(51) International Design Classification: **12-11**
(71) Name(s) and Address(s) of Applicant(s):
Honda Motor Co., Ltd
1-1 Minami-Aoyama 2-chome Minato-ku Tokyo Japan
(72) Name(s) of Designer(s): **Masamoto Ito and Kenji Tamura and Teofiro Plaza**
(45) Registration Date: **01 February 2006**
(30) Convention priority data:
(31) Number (32) Date (33) Country
2004-036391 29 Nov 2004 JAPAN
(56) Related Art Documents: **Not Applicable**
(57) Statement of Newness and Distinctiveness: **Newness and distinctiveness is claimed in the features of shape and/or configuration of a motorcycle as illustrated in the accompanying representations.**



(21) Design Number: **12346/2005**

(22) Date of Filing Application: **27 May 2005**

(24) Date from which industrial property rights may have effect: **27 May 2005**

(54) Product in respect of which the design is registered: **Chair**

(51) International Design Classification: **06-01L**

(71) Name(s) and Address(s) of Applicant(s):

Paul Harvey

3/72 Helen Street Lane Cove New South Wales 2066 Australia

(72) Name(s) of Designer(s): **Nicholas Rancliffe**

(45) Registration Date: **01 February 2006**

(56) Related Art Documents: **Not Applicable**

(57) Statement of Newness and Distinctiveness: **The new features of the design are the shape and configuration of the sections. No novelty is claimed for the configuration of the ropes or hanging points.**



(21) Design Number: **12431/2005**

(22) Date of Filing Application: **01 June 2005**

(24) Date from which industrial property rights may have effect: **01 June 2005**

(54) Product in respect of which the design is registered: **Ground anchor**

(51) International Design Classification: **12-05, 15-99**

(71) Name(s) and Address(s) of Applicant(s):

Tighter Engineering International Pty Ltd

Lot 31 Old Hume Highway Alpine New South Wales 2575 Australia

(72) Name(s) of Designer(s): **Robert Herbert and Walter Chad**

(45) Registration Date: **01 February 2006**

(56) Related Art Documents: **Not Applicable**

(57) Statement of Newness and Distinctiveness: **Monopoly is claimed in respect of the shape and configuration of a ground anchor as shown in the attached representation.**



(21) Design Number: **12432/2005**

(22) Date of Filing Application: **01 June 2005**

(24) Date from which industrial property rights may have effect: **01 June 2005**

(54) Product in respect of which the design is registered: **Ground anchor**

(51) International Design Classification: **12-05, 15-99**

(71) Name(s) and Address(s) of Applicant(s):

**Tighter Engineering International Pty Ltd
Lot 31 Old Hume Highway Alpine New South Wales 2575 Australia**

(72) Name(s) of Designer(s): **Robert Herbert and Walter Chad**

(45) Registration Date: **01 February 2006**

(56) Related Art Documents: **Not Applicable**

(57) Statement of Newness and Distinctiveness: **Monopoly is claimed in respect of the shape and configuration of a ground anchor as shown in the attached representation.**



(21) Design Number: **12433/2005**

(22) Date of Filing Application: **01 June 2005**

(24) Date from which industrial property rights may have effect: **01 June 2005**

(54) Product in respect of which the design is registered: **Ground anchor**

(51) International Design Classification: **12-05, 15-99**

(71) Name(s) and Address(s) of Applicant(s):

**Tighter Engineering International Pty Ltd
Lot 31 Old Hume Highway Alpine New South Wales 2575 Australia**

(72) Name(s) of Designer(s): **Robert Herbert and Walter Chad**

(45) Registration Date: **01 February 2006**

(56) Related Art Documents: **Not Applicable**

(57) Statement of Newness and Distinctiveness: **Monopoly is claimed in respect of the shape and configuration of a ground anchor as shown in the attached representation.**



(21) Design Number: **12434/2005**

(22) Date of Filing Application: **01 June 2005**

(24) Date from which industrial property rights may have effect: **01 June 2005**

(54) Product in respect of which the design is registered: **Earth anchor**

(51) International Design Classification: **12-05, 15-99**

(71) Name(s) and Address(s) of Applicant(s):

**Tighter Engineering International Pty Ltd
Lot 31 Old Hume Highway Alpine New South Wales 2575 Australia**

(72) Name(s) of Designer(s): **Robert Herbert**

(45) Registration Date: **01 February 2006**

(56) Related Art Documents: **Not Applicable**

(57) Statement of Newness and Distinctiveness: **Monopoly is claimed in respect of the shape and configuration of an earth anchor as shown in the attached representation.**



(21) Design Number: **12435/2005**

(22) Date of Filing Application: **01 June 2005**

(24) Date from which industrial property rights may have effect: **01 June 2005**

(54) Product in respect of which the design is registered: **Earth anchor**

(51) International Design Classification: **12-05, 15-99**

(71) Name(s) and Address(s) of Applicant(s):

**Tighter Engineering International Pty Ltd
Lot 31 Old Hume Highway Alpine New South Wales 2575 Australia**

(72) Name(s) of Designer(s): **Robert Herbert**

(45) Registration Date: **01 February 2006**

(56) Related Art Documents: **Not Applicable**

(57) Statement of Newness and Distinctiveness: **Monopoly is claimed in respect of the shape and configuration of an earth anchor as shown in the attached representations.**



(21) Design Number: **12640/2005**

(22) Date of Filing Application: **20 June 2005**

(24) Date from which industrial property rights may have effect: **20 June 2005**

(54) Product in respect of which the design is registered: **Foil packaging**

(51) International Design Classification: **09-05**

(71) Name(s) and Address(s) of Applicant(s):

**Huhtamaki Ronsberg, Zweigniederlassung der Huhtamaki Deutschland GmbH & Co. KG
Heinrich-Nicolaus-Str. 6 D-87671 Ronsberg Germany**

(72) Name(s) of Designer(s): **Joachim Friebe and Andreas Michalsky and Maurice Habram and Agata Surdziel and Peter Ganz**

(45) Registration Date: **01 February 2006**

(30) Convention priority data:

(31) Number	(32) Date	(33) Country
000330485	19 Apr 2005	EUROPEAN COMMUNITY

(56) Related Art Documents: **Not Applicable**

(57) Statement of Newness and Distinctiveness: **The shape and configuration of the product is new and distinctive.**



(21) Design Number: **12641/2005**

(22) Date of Filing Application: **20 June 2005**

(24) Date from which industrial property rights may have effect: **20 June 2005**

(54) Product in respect of which the design is registered: **Foil packaging**

(51) International Design Classification: **09-05**

(71) Name(s) and Address(s) of Applicant(s):

**Huhtamaki Ronsberg, Zweigniederlassung der Huhtamaki Deutschland GmbH & Co. KG
Heinrich-Nicolaus-Str. 6 D-87671 Ronsberg Germany**

(72) Name(s) of Designer(s): **Joachim Friebe and Andreas Michalsky and Maurice Habram and Agata Surdziel and Peter Ganz**

(45) Registration Date: **01 February 2006**

(30) Convention priority data:

(31) Number	(32) Date	(33) Country
000330485	19 Apr 2005	EUROPEAN COMMUNITY

(56) Related Art Documents: **Not Applicable**

(57) Statement of Newness and Distinctiveness: **The shape and configuration of the product is new and distinctive.**



- (21) Design Number: **12642/2005**
(22) Date of Filing Application: **20 June 2005**
(24) Date from which industrial property rights may have effect: **20 June 2005**
(54) Product in respect of which the design is registered: **Foil packaging**
(51) International Design Classification: **09-01NES**
(71) Name(s) and Address(s) of Applicant(s):
Huhtamaki Ronsberg, Zweigniederlassung der Huhtamaki Deutschland GmbH & Co. KG
Heinrich-Nicolaus-Str. 6 D-87671 Ronsberg Germany
(72) Name(s) of Designer(s): **Joachim Friebe and Andreas Michalsky and Maurice Habram and Agata Surdziel and Peter Ganz**
(45) Registration Date: **01 February 2006**
(30) Convention priority data:
(31) Number (32) Date (33) Country
000330485 19 Apr 2005 EUROPEAN COMMUNITY
(56) Related Art Documents: **Not Applicable**
(57) Statement of Newness and Distinctiveness: **The shape and configuration of the product is new and distinctive.**



- (21) Design Number: **12643/2005**
(22) Date of Filing Application: **20 June 2005**
(24) Date from which industrial property rights may have effect: **20 June 2005**
(54) Product in respect of which the design is registered: **Foil packaging**
(51) International Design Classification: **09-05**
(71) Name(s) and Address(s) of Applicant(s):
Huhtamaki Ronsberg, Zweigniederlassung der Huhtamaki Deutschland GmbH & Co. KG
Heinrich-Nicolaus-Str. 6 D-87671 Ronsberg Germany
(72) Name(s) of Designer(s): **Joachim Friebe and Andreas Michalsky and Maurice Habram and Agata Surdziel and Peter Ganz**
(45) Registration Date: **01 February 2006**
(30) Convention priority data:
(31) Number (32) Date (33) Country
000330485 19 Apr 2005 EUROPEAN COMMUNITY
(56) Related Art Documents: **Not Applicable**
(57) Statement of Newness and Distinctiveness: **The shape and configuration of the product is new and distinctive.**



(21) Design Number: **12644/2005**

(22) Date of Filing Application: **20 June 2005**

(24) Date from which industrial property rights may have effect: **20 June 2005**

(54) Product in respect of which the design is registered: **Foil packaging**

(51) International Design Classification: **09-05**

(71) Name(s) and Address(s) of Applicant(s):

Huhtamaki Ronsberg, Zweigniederlassung der Huhtamaki Deutschland GmbH & Co. KG
Heinrich-Nicolaus-Str. 6 D-87671 Ronsberg Germany

(72) Name(s) of Designer(s): **Joachim Friebe and Andreas Michalsky and Maurice Habram and Agata Surdziel and Peter Ganz**

(45) Registration Date: **01 February 2006**

(30) Convention priority data:

(31) Number	(32) Date	(33) Country
000330485	19 Apr 2005	EUROPEAN COMMUNITY

(56) Related Art Documents: **Not Applicable**

(57) Statement of Newness and Distinctiveness: **The shape and configuration of the product is new and distinctive.**



(21) Design Number: **12645/2005**

(22) Date of Filing Application: **20 June 2005**

(24) Date from which industrial property rights may have effect: **20 June 2005**

(54) Product in respect of which the design is registered: **Foil packaging**

(51) International Design Classification: **09-05**

(71) Name(s) and Address(s) of Applicant(s):

Huhtamaki Ronsberg, Zweigniederlassung der Huhtamaki Deutschland GmbH & Co. KG
Heinrich-Nicolaus-Str. 6 D-87671 Ronsberg Germany

(72) Name(s) of Designer(s): **Joachim Friebe and Andreas Michalsky and Maurice Habram and Agata Surdziel and Peter Ganz**

(45) Registration Date: **01 February 2006**

(30) Convention priority data:

(31) Number	(32) Date	(33) Country
000330485	19 Apr 2005	EUROPEAN COMMUNITY

(56) Related Art Documents: **Not Applicable**

(57) Statement of Newness and Distinctiveness: **The shape and configuration of the product is new and distinctive.**



(21) Design Number: **12646/2005**

(22) Date of Filing Application: **20 June 2005**

(24) Date from which industrial property rights may have effect: **20 June 2005**

(54) Product in respect of which the design is registered: **Foil packaging**

(51) International Design Classification: **09-05**

(71) Name(s) and Address(s) of Applicant(s):

Huhtamaki Ronsberg, Zweigniederlassung der Huhtamaki Deutschland GmbH & Co. KG
Heinrich-Nicolaus-Str. 6 D-87671 Ronsberg Germany

(72) Name(s) of Designer(s): **Joachim Friebe and Andreas Michalsky and Maurice Habram and Agata Surdziel and Peter Ganz**

(45) Registration Date: **01 February 2006**

(30) Convention priority data:

(31) Number	(32) Date	(33) Country
000330485	19 Apr 2005	EUROPEAN COMMUNITY

(56) Related Art Documents: **Not Applicable**

(57) Statement of Newness and Distinctiveness: **The shape and configuration of the product is new and distinctive.**



(21) Design Number: **12958/2005**

(22) Date of Filing Application: **11 July 2005**

(24) Date from which industrial property rights may have effect: **11 July 2005**

(54) Product in respect of which the design is registered: **Computer**

(51) International Design Classification: **14-02**

(71) Name(s) and Address(s) of Applicant(s):

ThinLinx Pty Ltd
31 Carwoola Crescent Mooloolaba Queensland 4557 Australia

(72) Name(s) of Designer(s): **Dave Cole**

(45) Registration Date: **01 February 2006**

(56) Related Art Documents: **Not Applicable**

(57) Statement of Newness and Distinctiveness: **Nil**



(21) Design Number: **12964/2005**

(22) Date of Filing Application: **08 July 2005**

(24) Date from which industrial property rights may have effect: **08 July 2005**

(54) Product in respect of which the design is registered: **Suction device**

(51) International Design Classification: **15-05**

(71) Name(s) and Address(s) of Applicant(s):

OASE GmbH

Tecklenburger Strasse 161 D-48477 Hoerstel-Riesenbeck Germany

(72) Name(s) of Designer(s): **Wilfried Luke**

(45) Registration Date: **01 February 2006**

(30) Convention priority data:

(31) Number

(32) Date

(33) Country

000 278 098

11 Jan 2005

EUROPEAN COMMUNITY

(56) Related Art Documents: **Not Applicable**

(57) Statement of Newness and Distinctiveness: **Those features of the suction device depicted in the representations that are new and distinctive are the shape and/or configuration.**



(21) Design Number: **12965/2005**

(22) Date of Filing Application: **08 July 2005**

(24) Date from which industrial property rights may have effect: **08 July 2005**

(54) Product in respect of which the design is registered: **Lighting apparatus**

(51) International Design Classification: **26-03, 26-05B**

(71) Name(s) and Address(s) of Applicant(s):

OASE GmbH

Tecklenburger Strasse 161 D-48477 Hoerstel-Riesenbeck Germany

(72) Name(s) of Designer(s): **Wilfried Luke**

(45) Registration Date: **01 February 2006**

(30) Convention priority data:

(31) Number

(32) Date

(33) Country

000 278 064

11 Jan 2005

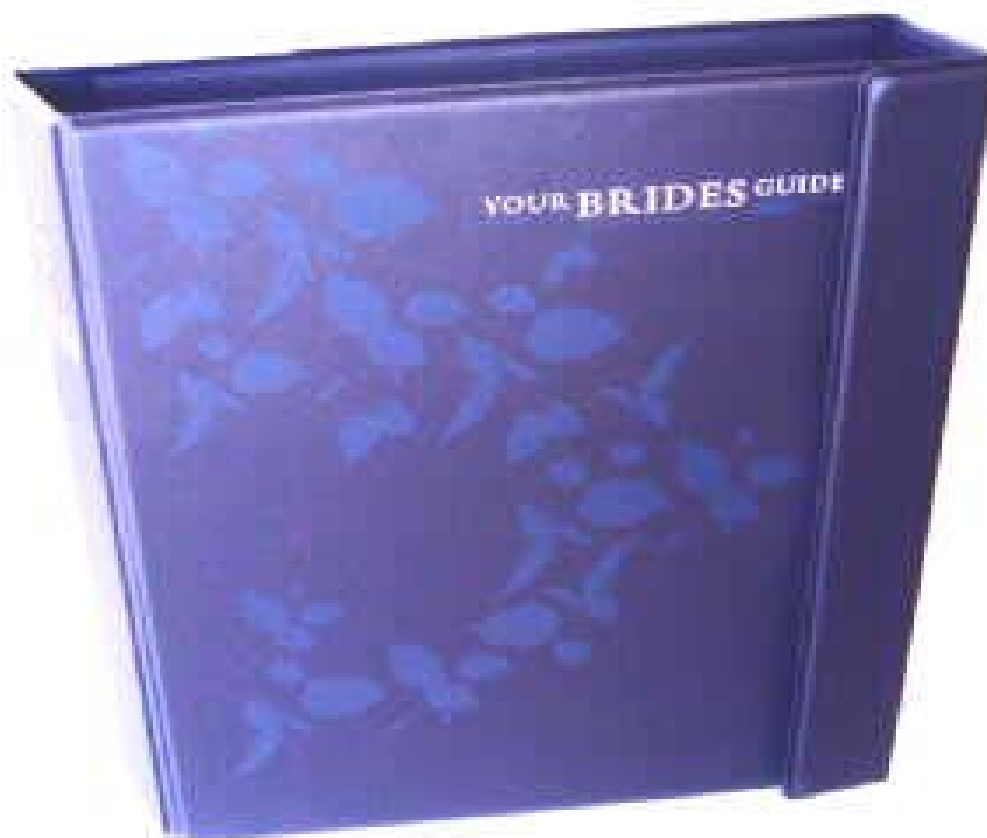
EUROPEAN COMMUNITY

(56) Related Art Documents: **Not Applicable**

(57) Statement of Newness and Distinctiveness: **Those features of the lighting apparatus depicted in the representations that are new and distinctive are the shape and/or configuration. The words and numerals are not part of the design and are to be disregarded when considering the overall impression of the design.**



- (21) Design Number: **12988/2005**
(22) Date of Filing Application: **13 July 2005**
(24) Date from which industrial property rights may have effect: **13 July 2005**
(54) Product in respect of which the design is registered: **Folder for Your Brides Guide**
(51) International Design Classification: **19-04**
(71) Name(s) and Address(s) of Applicant(s):
Your Brides Guide Pty Ltd
24 Augusta Street Willetton Western Australia 6955 Australia
(72) Name(s) of Designer(s): **Melissa Ferguson**
(45) Registration Date: **01 February 2006**
(56) Related Art Documents: **Not Applicable**
(57) Statement of Newness and Distinctiveness: **Nil**



- (21) Design Number: **13101/2005**
(22) Date of Filing Application: **20 July 2005**
(24) Date from which industrial property rights may have effect: **20 July 2005**
(54) Product in respect of which the design is registered: **A front cover for a motor scooter**
(51) International Design Classification: **12-11**
(71) Name(s) and Address(s) of Applicant(s):
Honda Motor Co., Ltd
1-1 Minamiaoyama 2-chome Minato-ku Tokyo Japan
(72) Name(s) of Designer(s): **Haruo Shimada and Kazuhiro Sakamoto**
(45) Registration Date: **01 February 2006**
(30) Convention priority data:
(31) Number (32) Date (33) Country
2005-2349 31 Jan 2005 JAPAN
(56) Related Art Documents: **Not Applicable**
(57) Statement of Newness and Distinctiveness: **Nil**



(21) Design Number: **13102/2005**
(22) Date of Filing Application: **20 July 2005**
(24) Date from which industrial property rights may have effect: **20 July 2005**
(54) Product in respect of which the design is registered: **A rear combination lamp for a motor scooter**
(51) International Design Classification: **26-06**
(71) Name(s) and Address(s) of Applicant(s):
Honda Motor Co., Ltd
1-1 Minamiaoyama 2-chome Minato-ku Tokyo Japan
(72) Name(s) of Designer(s): **Haruo Shimada and Kazuhiro Sakamoto**
(45) Registration Date: **01 February 2006**
(30) Convention priority data:
(31) Number (32) Date (33) Country
2005-2351 31 Jan 2005 JAPAN
(56) Related Art Documents: **Not Applicable**
(57) Statement of Newness and Distinctiveness: **Nil**



(21) Design Number: **13125/2005**
(22) Date of Filing Application: **25 July 2005**
(24) Date from which industrial property rights may have effect: **25 July 2005**
(54) Product in respect of which the design is registered: **MaxWinch**
(51) International Design Classification: **12-05**
(71) Name(s) and Address(s) of Applicant(s):
Shang Wang
28 Sammut Street Smithfield New South Wales 2164 Australia
(72) Name(s) of Designer(s): **Shang Wang**
(45) Registration Date: **01 February 2006**
(56) Related Art Documents: **Not Applicable**
(57) Statement of Newness and Distinctiveness: **Nil**



(21) Design Number: **13141/2005**

(22) Date of Filing Application: **26 July 2005**

(24) Date from which industrial property rights may have effect: **26 July 2005**

(54) Product in respect of which the design is registered: **Lounge seating/sofa**

(51) International Design Classification: **06-01G**

(71) Name(s) and Address(s) of Applicant(s):

Kathy Arnold

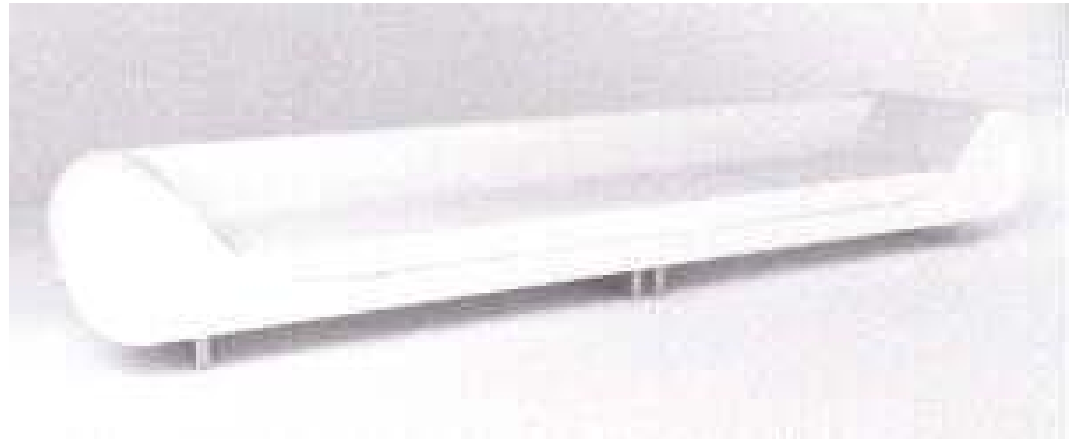
Level 4 105 Kippax Street Surry Hills New South Wales 2010 Australia

(72) Name(s) of Designer(s): **Kathy Arnold and Christopher Lane**

(45) Registration Date: **01 February 2006**

(56) Related Art Documents: **Not Applicable**

(57) Statement of Newness and Distinctiveness: **Over scaled curvaceous arm. Arm and back rest at same height.**



(21) Design Number: **13204/2005**

(22) Date of Filing Application: **29 July 2005**

(24) Date from which industrial property rights may have effect: **29 July 2005**

(54) Product in respect of which the design is registered: **Dog leash**

(51) International Design Classification: **30-04**

(71) Name(s) and Address(s) of Applicant(s):

Axcess Oss Pty Ltd

5 Helen Street Northcote Victoria 3070 Australia

(72) Name(s) of Designer(s): **Sherryl Smith**

(45) Registration Date: **01 February 2006**

(56) Related Art Documents: **Not Applicable**

(57) Statement of Newness and Distinctiveness: **One or more dogs attached to swivel clip to prevent tangles. One dog attachment shorter than the others.**



- (21) Design Number: **13262/2005**
(22) Date of Filing Application: **01 August 2005**
(24) Date from which industrial property rights may have effect: **01 August 2005**
(54) Product in respect of which the design is registered: **Classification 07-992
miscellaneous bazza clock**
(51) International Design Classification: **10-01**
(71) Name(s) and Address(s) of Applicant(s):
**Eastcoast Australia Pty Ltd
6/163 Prospect Highway Seven Hills New South Wales 2147 Australia**
(72) Name(s) of Designer(s): **Johannes Jacobus Broerse**
(45) Registration Date: **01 February 2006**
(56) Related Art Documents: **Not Applicable**
(57) Statement of Newness and Distinctiveness: **This is an original
design/shapes/colour. A 3D clock with small busts to state the hour of
the day.**



- (21) Design Number: **13263/2005**
(22) Date of Filing Application: **01 August 2005**
(24) Date from which industrial property rights may have effect: **01 August 2005**
(54) Product in respect of which the design is registered: **Classification 07-99Z
miscellaneous bazza clock**
(51) International Design Classification: **10-01**
(71) Name(s) and Address(s) of Applicant(s):
**Eastcoast Australia Pty Ltd
6/163 Prospect Highway Seven Hills New South Wales 2147 Australia**
(72) Name(s) of Designer(s): **Johannes Jacobus Broerse**
(45) Registration Date: **01 February 2006**
(56) Related Art Documents: **Not Applicable**
(57) Statement of Newness and Distinctiveness: **This is a original design and
shapes/colour. A 3D clock with small beermugs to state the time of day.**



- (21) Design Number: **13264/2005**
(22) Date of Filing Application: **01 August 2005**
(24) Date from which industrial property rights may have effect: **01 August 2005**
(54) Product in respect of which the design is registered: **Classification 07-99Z miscellaneous bazza 3D poker clock**
(51) International Design Classification: **10-01**
(71) Name(s) and Address(s) of Applicant(s):
Eastcoast Australia Pty Ltd
6/163 Prospect Highway Seven Hills New South Wales 2147 Australia
(72) Name(s) of Designer(s): **Johannes Jacobus Broerse**
(45) Registration Date: **01 February 2006**
(56) Related Art Documents: **Not Applicable**
(57) Statement of Newness and Distinctiveness: **Uniqueness of 3D design on the poker clock the pokerchips state the time of day.**



- (21) Design Number: **13270/2005**
(22) Date of Filing Application: **02 August 2005**
(24) Date from which industrial property rights may have effect: **02 August 2005**
(54) Product in respect of which the design is registered: **Needle**
(51) International Design Classification: **24-02**
(71) Name(s) and Address(s) of Applicant(s):
Graeme Francis Walton
1/29 Nesca Parade Newcastle New South Wales 2300 Australia
Allan Walsh
19 French Road Wangi Wangi New South Wales 2267 Australia
(72) Name(s) of Designer(s): **Graeme Francis Walton and Allan Walsh**
(45) Registration Date: **01 February 2006**
(56) Related Art Documents: **Not Applicable**
(57) Statement of Newness and Distinctiveness: **Nil**



(21) Design Number: **13288/2005**

(22) Date of Filing Application: **02 August 2005**

(24) Date from which industrial property rights may have effect: **02 August 2005**

(54) Product in respect of which the design is registered: **Food processor**

(51) International Design Classification: **07-04**

(71) Name(s) and Address(s) of Applicant(s):

**Boerner Kunststoff-und Metallwarenfabrik GmbH
Industriegebiet Boerner 1 D-54526 Landscheid-Neiderkail Germany**

(72) Name(s) of Designer(s): **Richard Zirbes**

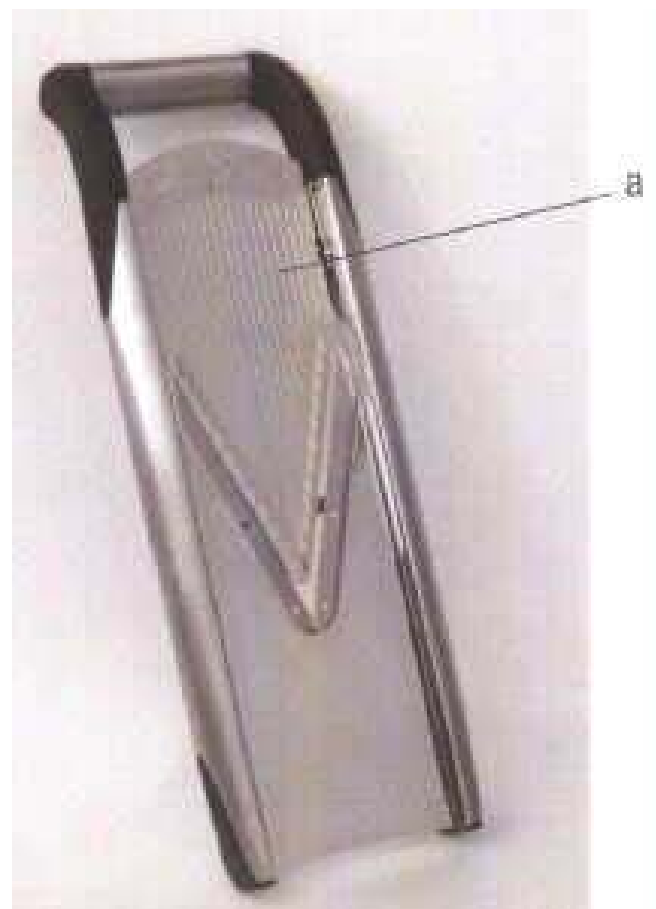
(45) Registration Date: **01 February 2006**

(30) Convention priority data:

(31) Number	(32) Date	(33) Country
000291315-0001	02 Feb 2005	EUROPEAN COMMUNITY

(56) Related Art Documents: **Not Applicable**

(57) Statement of Newness and Distinctiveness: **Newness and/or distinctiveness resides in the shape and configuration of a food processor. For the process of assessing newness and/or distinctiveness, no account should be taken of the shape and configuration of the cutting knife insert marked "a", and the shape and configuration of the foot portion marked "b".**



(21) Design Number: **13295/2005**

(22) Date of Filing Application: **02 August 2005**

(24) Date from which industrial property rights may have effect: **02 August 2005**

(54) Product in respect of which the design is registered: **Jug**

(51) International Design Classification: **07-01F**

(71) Name(s) and Address(s) of Applicant(s):

**Pi-Design AG
Kantonsstrasse 100 Postfach 463 CH-6234 Triengen Switzerland**

(72) Name(s) of Designer(s): **Jorgen Bodum**

(45) Registration Date: **01 February 2006**

(30) Convention priority data:

(31) Number	(32) Date	(33) Country
DA 2005	03 Feb 2005	DENMARK
00041		

(56) Related Art Documents: **Not Applicable**

(57) Statement of Newness and Distinctiveness: **Nil**



(21) Design Number: **13296/2005**
(22) Date of Filing Application: **02 August 2005**
(24) Date from which industrial property rights may have effect: **02 August 2005**
(54) Product in respect of which the design is registered: **Carafe**
(51) International Design Classification: **07-01F**
(71) Name(s) and Address(s) of Applicant(s):
Pi-Design AG
Kantonsstrasse 100 Postfach 463 CH-6234 Triengen Switzerland
(72) Name(s) of Designer(s): **Jorgen Bodum**
(45) Registration Date: **01 February 2006**
(30) Convention priority data:
(31) Number (32) Date (33) Country
DA 2005 03 Feb 2005 DENMARK
00041
(56) Related Art Documents: **Not Applicable**
(57) Statement of Newness and Distinctiveness: **Nil**



(21) Design Number: **13334/2005**
(22) Date of Filing Application: **04 August 2005**
(24) Date from which industrial property rights may have effect: **04 August 2005**
(54) Product in respect of which the design is registered: **A trolley**
(51) International Design Classification: **12-02**
(71) Name(s) and Address(s) of Applicant(s):
Ergolift New Zealand Limited
89 St Vincent Street Nelson New Zealand
(72) Name(s) of Designer(s): **Geoffrey Robin Mills**
(45) Registration Date: **01 February 2006**
(56) Related Art Documents: **Not Applicable**
(57) Statement of Newness and Distinctiveness: **Nil**



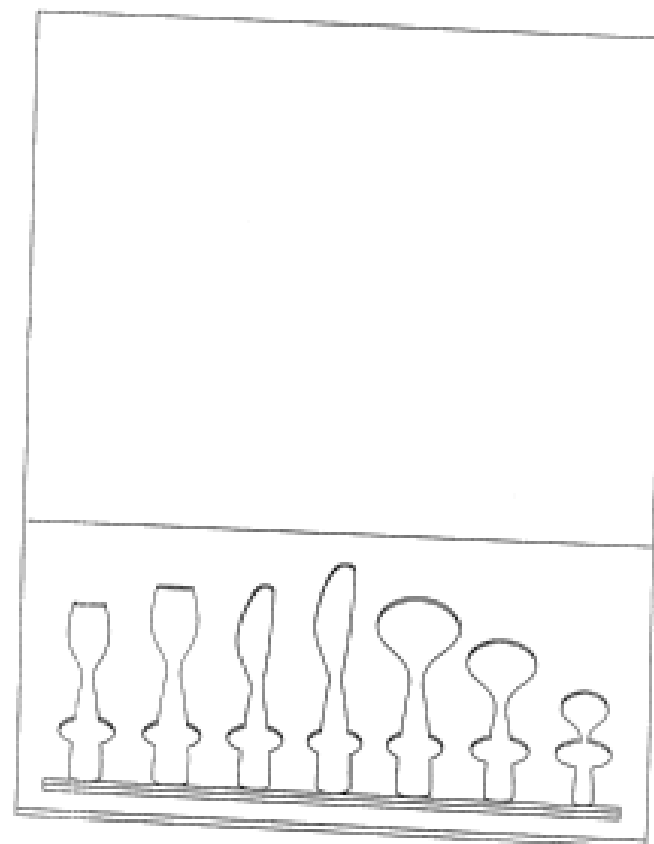
(21) Design Number: **13369/2005**
(22) Date of Filing Application: **08 August 2005**
(24) Date from which industrial property rights may have effect: **08 August 2005**
(54) Product in respect of which the design is registered: **A lighting fixture**
(51) International Design Classification: **26-05NES, 26-03**
(71) Name(s) and Address(s) of Applicant(s):
Schreder
Rue de Lusambo 67 Brussels B-1190 Belgium
(72) Name(s) of Designer(s): **Ricardo Barbosa and Cecilio Castano and Natalia Blanco and Michael De Gottal**
(45) Registration Date: **01 February 2006**
(30) Convention priority data:
(31) Number (32) Date (33) Country
000291703-0001 08 Feb 2005 EUROPEAN COMMUNITY
(56) Related Art Documents: **Not Applicable**
(57) Statement of Newness and Distinctiveness: **Nil**



(21) Design Number: **13373/2005**
(22) Date of Filing Application: **05 August 2005**
(24) Date from which industrial property rights may have effect: **05 August 2005**
(54) Product in respect of which the design is registered: **A display stand**
(51) International Design Classification: **20-02NES, 20-02E**
(71) Name(s) and Address(s) of Applicant(s):
Robert Welch Designs Limited
Lower High Street Chipping Campden GL55 6DY England
(72) Name(s) of Designer(s): **Alan Rupert Welch**
(45) Registration Date: **01 February 2006**
(30) Convention priority data:
(31) Number (32) Date (33) Country
295647 10 Feb 2005 EUROPEAN COMMUNITY
(56) Related Art Documents: **Not Applicable**
(57) Statement of Newness and Distinctiveness: **Nil**



(21) Design Number: **13374/2005**
(22) Date of Filing Application: **05 August 2005**
(24) Date from which industrial property rights may have effect: **05 August 2005**
(54) Product in respect of which the design is registered: **A display stand**
(51) International Design Classification: **20-02NES, 20-02E**
(71) Name(s) and Address(s) of Applicant(s):
Robert Welch Designs Limited
Lower High Street Chipping Campden GL55 6DY England
(72) Name(s) of Designer(s): **Alan Rupert Welch**
(45) Registration Date: **01 February 2006**
(30) Convention priority data:
(31) Number (32) Date (33) Country
295647 10 Feb 2005 EUROPEAN COMMUNITY
(56) Related Art Documents: **Not Applicable**
(57) Statement of Newness and Distinctiveness: **Nil**



(21) Design Number: **13398/2005**
(22) Date of Filing Application: **10 August 2005**
(24) Date from which industrial property rights may have effect: **10 August 2005**
(54) Product in respect of which the design is registered: **A holder for a handset/charger**
(51) International Design Classification: **14-03A**
(71) Name(s) and Address(s) of Applicant(s):
Nokia Corporation
Keilalahdentie 4 FIN-02150 Espoo Finland
(72) Name(s) of Designer(s): **Jan Kettula and Gabriele Diotti**
(45) Registration Date: **01 February 2006**
(30) Convention priority data:
(31) Number (32) Date (33) Country
M20050022 11 Feb 2005 FINLAND
(56) Related Art Documents: **Not Applicable**
(57) Statement of Newness and Distinctiveness: **Nil**



(21) Design Number: **13400/2005**

(22) Date of Filing Application: **11 August 2005**

(24) Date from which industrial property rights may have effect: **11 August 2005**

(54) Product in respect of which the design is registered: **Grease cartridge**

(51) International Design Classification: **08-05G**

(71) Name(s) and Address(s) of Applicant(s):

**Vertex Pacific Limited
10 Kaimiro Street Hamilton New Zealand**

(72) Name(s) of Designer(s): **Allan Graeme Dorset and Lance Knighton**

(45) Registration Date: **01 February 2006**

(30) Convention priority data:

(31) Number	(32) Date	(33) Country
405869	15 Feb 2005	NEW ZEALAND

(56) Related Art Documents: **Not Applicable**

(57) Statement of Newness and Distinctiveness: **Nil**



(21) Design Number: **13412/2005**

(22) Date of Filing Application: **12 August 2005**

(24) Date from which industrial property rights may have effect: **12 August 2005**

(54) Product in respect of which the design is registered: **Skirt clamp (1 item consisting of 2 stainless steel castings connected together by a 6mm stainless steel pin)**

(51) International Design Classification: **08-08D**

(71) Name(s) and Address(s) of Applicant(s):

**Ross Maxwell Bolth
11 Seppelt Close Eleebana New South Wales 2282 Australia**

(72) Name(s) of Designer(s): **Ross Maxwell Bolth**

(45) Registration Date: **01 February 2006**

(56) Related Art Documents: **Not Applicable**

(57) Statement of Newness and Distinctiveness: **My new design is distinctive in as much as the original design required the item to be manufactured by the process of "pressing and welding together" items profiled from "steel sheet". My new design is "fully cast" (2 parts) in stainless steel, and has been ergonomically designed to assist the end user and is more aesthetically appealing. Markings on the prototypes (photographed) are to be changed as indicated on the drawings MX-W001 (referred to as the clamp body) and MX-W002 (referred to as the clamp handle).**



(21) Design Number: **13436/2005**
(22) Date of Filing Application: **12 August 2005**
(24) Date from which industrial property rights may have effect: **12 August 2005**
(54) Product in respect of which the design is registered: **Textile**
(51) International Design Classification: **05-05A**
(71) Name(s) and Address(s) of Applicant(s):
Kenneth Stephen Done
17 Thurlow Street Redfern New South Wales 2016 Australia
(72) Name(s) of Designer(s): **Kenneth Stephen Done**
(45) Registration Date: **01 February 2006**
(56) Related Art Documents: **Not Applicable**
(57) Statement of Newness and Distinctiveness: **Nil**



(21) Design Number: **13437/2005**
(22) Date of Filing Application: **12 August 2005**
(24) Date from which industrial property rights may have effect: **12 August 2005**
(54) Product in respect of which the design is registered: **Textile**
(51) International Design Classification: **05-05A**
(71) Name(s) and Address(s) of Applicant(s):
Kenneth Stephen Done
17 Thurlow Street Redfern New South Wales 2016 Australia
(72) Name(s) of Designer(s): **Kenneth Stephen Done**
(45) Registration Date: **01 February 2006**
(56) Related Art Documents: **Not Applicable**
(57) Statement of Newness and Distinctiveness: **Nil**



(21) Design Number: **13438/2005**
(22) Date of Filing Application: **12 August 2005**
(24) Date from which industrial property rights may have effect: **12 August 2005**
(54) Product in respect of which the design is registered: **Textile**
(51) International Design Classification: **05-05A**
(71) Name(s) and Address(s) of Applicant(s):
Kenneth Stephen Done
17 Thurlow Street Redfern New South Wales 2016 Australia
(72) Name(s) of Designer(s): **Kenneth Stephen Done**
(45) Registration Date: **01 February 2006**
(56) Related Art Documents: **Not Applicable**
(57) Statement of Newness and Distinctiveness: **Nil**



(21) Design Number: **13439/2005**
(22) Date of Filing Application: **12 August 2005**
(24) Date from which industrial property rights may have effect: **12 August 2005**
(54) Product in respect of which the design is registered: **Textile**
(51) International Design Classification: **05-05A**
(71) Name(s) and Address(s) of Applicant(s):
Kenneth Stephen Done
17 Thurlow Street Redfern New South Wales 2016 Australia
(72) Name(s) of Designer(s): **Kenneth Stephen Done**
(45) Registration Date: **01 February 2006**
(56) Related Art Documents: **Not Applicable**
(57) Statement of Newness and Distinctiveness: **Nil**



(21) Design Number: **13440/2005**

(22) Date of Filing Application: **12 August 2005**

(24) Date from which industrial property rights may have effect: **12 August 2005**

(54) Product in respect of which the design is registered: **Upper body garment**

(51) International Design Classification: **02-02NES**

(71) Name(s) and Address(s) of Applicant(s):

Kenneth Stephen Done

17 Thurlow Street Redfern New South Wales 2016 Australia

(72) Name(s) of Designer(s): **Kenneth Stephen Done**

(45) Registration Date: **01 February 2006**

(56) Related Art Documents: **Not Applicable**

(57) Statement of Newness and Distinctiveness: **Nil**



(21) Design Number: **13441/2005**

(22) Date of Filing Application: **12 August 2005**

(24) Date from which industrial property rights may have effect: **12 August 2005**

(54) Product in respect of which the design is registered: **Upper body garment**

(51) International Design Classification: **02-02NES**

(71) Name(s) and Address(s) of Applicant(s):

Kenneth Stephen Done

17 Thurlow Street Redfern New South Wales 2016 Australia

(72) Name(s) of Designer(s): **Kenneth Stephen Done**

(45) Registration Date: **01 February 2006**

(56) Related Art Documents: **Not Applicable**

(57) Statement of Newness and Distinctiveness: **Nil**



(21) Design Number: **13442/2005**
(22) Date of Filing Application: **12 August 2005**
(24) Date from which industrial property rights may have effect: **12 August 2005**
(54) Product in respect of which the design is registered: **Upper body garment**
(51) International Design Classification: **02-02NES**
(71) Name(s) and Address(s) of Applicant(s):
Kenneth Stephen Done
17 Thurlow Street Redfern New South Wales 2016 Australia
(72) Name(s) of Designer(s): **Kenneth Stephen Done**
(45) Registration Date: **01 February 2006**
(56) Related Art Documents: **Not Applicable**
(57) Statement of Newness and Distinctiveness: **Nil**



(21) Design Number: **13443/2005**
(22) Date of Filing Application: **12 August 2005**
(24) Date from which industrial property rights may have effect: **12 August 2005**
(54) Product in respect of which the design is registered: **Upper body garment**
(51) International Design Classification: **02-02NES**
(71) Name(s) and Address(s) of Applicant(s):
Kenneth Stephen Done
17 Thurlow Street Redfern New South Wales 2016 Australia
(72) Name(s) of Designer(s): **Kenneth Stephen Done**
(45) Registration Date: **01 February 2006**
(56) Related Art Documents: **Not Applicable**
(57) Statement of Newness and Distinctiveness: **Nil**



(21) Design Number: **13444/2005**

(22) Date of Filing Application: **12 August 2005**

(24) Date from which industrial property rights may have effect: **12 August 2005**

(54) Product in respect of which the design is registered: **Upper body garment**

(51) International Design Classification: **02-02NES**

(71) Name(s) and Address(s) of Applicant(s):

Kenneth Stephen Done
17 Thurlow Street Redfern New South Wales 2016 Australia

(72) Name(s) of Designer(s): **Kenneth Stephen Done**

(45) Registration Date: **01 February 2006**

(56) Related Art Documents: **Not Applicable**

(57) Statement of Newness and Distinctiveness: **Nil**



(21) Design Number: **13445/2005**

(22) Date of Filing Application: **12 August 2005**

(24) Date from which industrial property rights may have effect: **12 August 2005**

(54) Product in respect of which the design is registered: **Upper body garment**

(51) International Design Classification: **02-02NES**

(71) Name(s) and Address(s) of Applicant(s):

Kenneth Stephen Done
17 Thurlow Street Redfern New South Wales 2016 Australia

(72) Name(s) of Designer(s): **Kenneth Stephen Done**

(45) Registration Date: **01 February 2006**

(56) Related Art Documents: **Not Applicable**

(57) Statement of Newness and Distinctiveness: **Nil**



(21) Design Number: **13446/2005**

(22) Date of Filing Application: **12 August 2005**

(24) Date from which industrial property rights may have effect: **12 August 2005**

(54) Product in respect of which the design is registered: **Upper body garment**

(51) International Design Classification: **02-02NES**

(71) Name(s) and Address(s) of Applicant(s):

Kenneth Stephen Done

17 Thurlow Street Redfern New South Wales 2016 Australia

(72) Name(s) of Designer(s): **Kenneth Stephen Done**

(45) Registration Date: **01 February 2006**

(56) Related Art Documents: **Not Applicable**

(57) Statement of Newness and Distinctiveness: **Nil**



(21) Design Number: **13447/2005**

(22) Date of Filing Application: **12 August 2005**

(24) Date from which industrial property rights may have effect: **12 August 2005**

(54) Product in respect of which the design is registered: **Beach dress**

(51) International Design Classification: **02-02C**

(71) Name(s) and Address(s) of Applicant(s):

Kenneth Stephen Done

17 Thurlow Street Redfern New South Wales 2016 Australia

(72) Name(s) of Designer(s): **Kenneth Stephen Done**

(45) Registration Date: **01 February 2006**

(56) Related Art Documents: **Not Applicable**

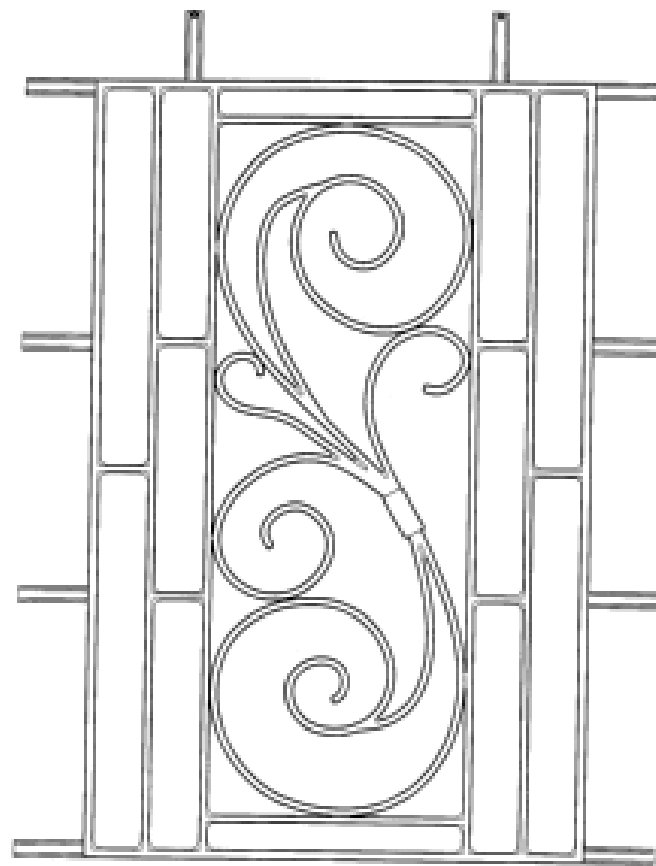
(57) Statement of Newness and Distinctiveness: **Nil**



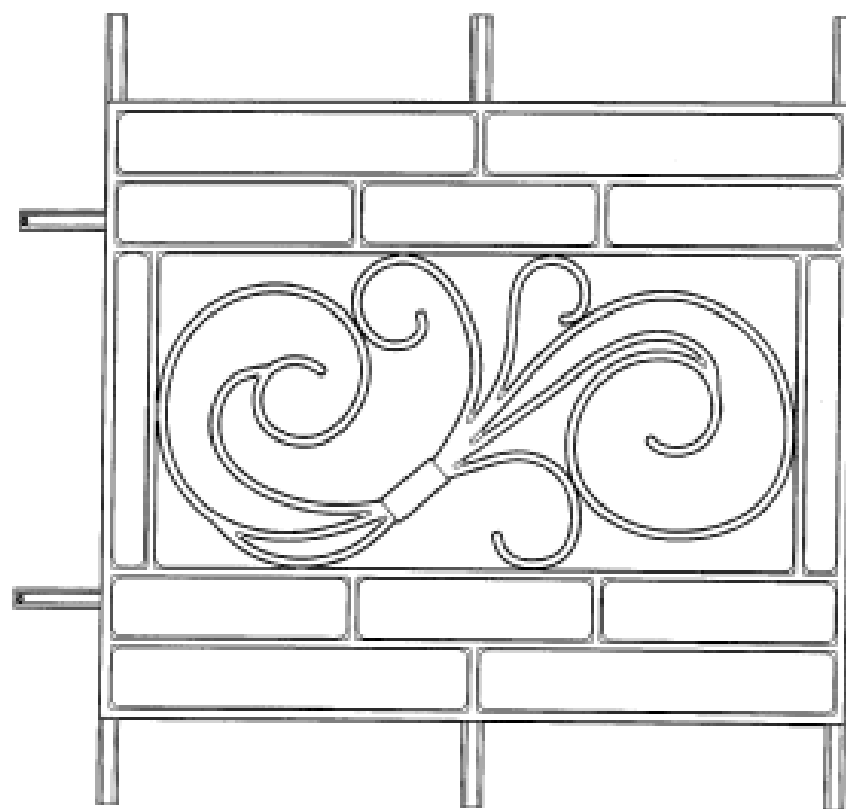
- (21) Design Number: **13594/2005**
- (22) Date of Filing Application: **22 August 2005**
- (24) Date from which industrial property rights may have effect: **22 August 2005**
- (54) Product in respect of which the design is registered: **A jar**
- (51) International Design Classification: **09-01C**
- (71) Name(s) and Address(s) of Applicant(s):
Effem Foods Pty Ltd
4 Corella Close Wyong New South Wales 2259 Australia
- (72) Name(s) of Designer(s): **Graphic Designers of Barker Gray Pty Ltd**
- (45) Registration Date: **01 February 2006**
- (56) Related Art Documents: **Not Applicable**
- (57) Statement of Newness and Distinctiveness: **Monopoly is claimed in the shape and configuration and the pattern and ornamentation of the features of the article as depicted in the accompanying representations.**



- (21) Design Number: **13596/2005**
- (22) Date of Filing Application: **22 August 2005**
- (24) Date from which industrial property rights may have effect: **22 August 2005**
- (54) Product in respect of which the design is registered: **A grill**
- (51) International Design Classification: **25-02C**
- (71) Name(s) and Address(s) of Applicant(s):
Colonial Castings Pty Ltd
95-97 Market Street Smithfield New South Wales 2164 Australia
- (72) Name(s) of Designer(s): **Roy Norman Alchin**
- (45) Registration Date: **01 February 2006**
- (56) Related Art Documents: **Not Applicable**
- (57) Statement of Newness and Distinctiveness: **Newness and distinctiveness is claimed in the features of shape and/or configuration of a grill as illustrated in the accompanying representations.**



- (21) Design Number: **13597/2005**
- (22) Date of Filing Application: **22 August 2005**
- (24) Date from which industrial property rights may have effect: **22 August 2005**
- (54) Product in respect of which the design is registered: **A grill**
- (51) International Design Classification: **25-02C**
- (71) Name(s) and Address(s) of Applicant(s):
Colonial Castings Pty Ltd
95-97 Market Street Smithfield New South Wales 2164 Australia
- (72) Name(s) of Designer(s): **Roy Norman Alchin**
- (45) Registration Date: **01 February 2006**
- (56) Related Art Documents: **Not Applicable**
- (57) Statement of Newness and Distinctiveness: **Newness and distinctiveness is claimed in the features of shape and/or configuration of a grill as illustrated in the accompanying representations.**



- (21) Design Number: **13601/2005**
- (22) Date of Filing Application: **22 August 2005**
- (24) Date from which industrial property rights may have effect: **22 August 2005**
- (54) Product in respect of which the design is registered: **Bottle**
- (51) International Design Classification: **09-01G**
- (71) Name(s) and Address(s) of Applicant(s):
Henkel Kommanditgesellschaft auf Aktien
Henkelstrasse 67 40589 Dusseldorf Germany
- (72) Name(s) of Designer(s): **Sandra Autz and Anne-Laure Wacquez and Asli Cobbers and Kevin Mignon**
- (45) Registration Date: **01 February 2006**
- (30) Convention priority data:

(31) Number	(32) Date	(33) Country
000310586	16 Mar 2005	EUROPEAN COMMUNITY
- (56) Related Art Documents: **Not Applicable**
- (57) Statement of Newness and Distinctiveness: **Newness and distinctiveness is claimed in the features of shape and/or configuration of a bottle as illustrated in the accompanying representations.**



- (21) Design Number: **13602/2005**
(22) Date of Filing Application: **22 August 2005**
(24) Date from which industrial property rights may have effect: **22 August 2005**
(54) Product in respect of which the design is registered: **Bottle**
(51) International Design Classification: **09-01G**
(71) Name(s) and Address(s) of Applicant(s):
Henkel Kommanditgesellschaft auf Aktien
Henkelstrasse 67 40589 Dusseldorf Germany
(72) Name(s) of Designer(s): **Sandra Autz and Anne-Laure Wacquez and Asli Cobbers and Kevin Mignon**
(45) Registration Date: **01 February 2006**
(30) Convention priority data:
(31) Number (32) Date (33) Country
000310586 16 Mar 2005 EUROPEAN COMMUNITY
(56) Related Art Documents: **Not Applicable**
(57) Statement of Newness and Distinctiveness: **Newness and distinctiveness is claimed in the features of shape and/or configuration of a bottle as illustrated in the accompanying representations.**



- (21) Design Number: **13633/2005**
(22) Date of Filing Application: **24 August 2005**
(24) Date from which industrial property rights may have effect: **24 August 2005**
(54) Product in respect of which the design is registered: **Bowl type A - 'Rosie'**
(51) International Design Classification: **07-01B**
(71) Name(s) and Address(s) of Applicant(s):
Cindy-Lee Davies
GPO Box 2437 Melbourne Victoria 3001 Australia
(72) Name(s) of Designer(s): **Cindy-Lee Davies**
(45) Registration Date: **01 February 2006**
(56) Related Art Documents: **Not Applicable**
(57) Statement of Newness and Distinctiveness: **Design process-hand slumped acrylic. The shape and laser cut pattern is newness and distinctiveness. Use-bowl. Size variable. Newness-laser cut acrylic pattern. Max diameter 550mm height 220mm many colours available.**



(21) Design Number: **13634/2005**

(22) Date of Filing Application: **24 August 2005**

(24) Date from which industrial property rights may have effect: **24 August 2005**

(54) Product in respect of which the design is registered: **Bowl - type B - 'Lovey'**

(51) International Design Classification: **07-01B**

(71) Name(s) and Address(s) of Applicant(s):

Cindy-Lee Davies

GPO Box 2437 Melbourne Victoria 3001 Australia

(72) Name(s) of Designer(s): **Cindy-Lee Davies**

(45) Registration Date: **01 February 2006**

(56) Related Art Documents: **Not Applicable**

(57) Statement of Newness and Distinctiveness: **Design process-hand slumped acrylic. The shape and pattern distinctiveness. Use bowl size variable. Newness laser cut acrylic size shown max diameter 550mm pattern. Height 220mm. Many colours available.**



(21) Design Number: **13635/2005**

(22) Date of Filing Application: **24 August 2005**

(24) Date from which industrial property rights may have effect: **24 August 2005**

(54) Product in respect of which the design is registered: **Bowl - type C - 'Sophia'**

(51) International Design Classification: **07-01B**

(71) Name(s) and Address(s) of Applicant(s):

Cindy-Lee Davies

GPO Box 2437 Melbourne Victoria 3001 Australia

(72) Name(s) of Designer(s): **Cindy-Lee Davies**

(45) Registration Date: **01 February 2006**

(56) Related Art Documents: **Not Applicable**

(57) Statement of Newness and Distinctiveness: **Design process-hand slumped acrylic. The shape and laser cut pattern in acrylic distinctiveness. Use-new bowl. Size variable shown max diameter 550mm max height 220mm.**



- (21) Design Number: **13636/2005**
(22) Date of Filing Application: **24 August 2005**
(24) Date from which industrial property rights may have effect: **24 August 2005**
(54) Product in respect of which the design is registered: **Bowl type D - 'Tia'**
(51) International Design Classification: **07-01B**
(71) Name(s) and Address(s) of Applicant(s):
Cindy-Lee Davies
GPO Box 2437 Melbourne Victoria 3001 Australia
(72) Name(s) of Designer(s): **Cindy-Lee Davies**
(45) Registration Date: **01 February 2006**
(56) Related Art Documents: **Not Applicable**
(57) Statement of Newness and Distinctiveness: **Design process-hand slumped acrylic. The shape and pattern distinctiveness. Use-bowl. Size varied shown max diameter 550mm height 220mm. Newness laser cut acrylic. Colour many available.**



- (21) Design Number: **13639/2005**
(22) Date of Filing Application: **24 August 2005**
(24) Date from which industrial property rights may have effect: **24 August 2005**
(54) Product in respect of which the design is registered: **Electric shaver**
(51) International Design Classification: **28-03NES**
(71) Name(s) and Address(s) of Applicant(s):
Braun GmbH
Frankfurter Strasse 145 D-61476 Kronberg im Taunus Germany
(72) Name(s) of Designer(s): **Till Winkler**
(45) Registration Date: **01 February 2006**
(30) Convention priority data:

(31) Number	(32) Date	(33) Country
40502085.6	18 Apr 2005	GERMANY

(56) Related Art Documents: **Not Applicable**
(57) Statement of Newness and Distinctiveness: **Nil**



(21) Design Number: **13674/2005**
(22) Date of Filing Application: **29 August 2005**
(24) Date from which industrial property rights may have effect: **29 August 2005**
(54) Product in respect of which the design is registered: **A lamp**
(51) International Design Classification: **26-05D**
(71) Name(s) and Address(s) of Applicant(s):

Jeremy Cole
74C Castellain Road London W91EX United Kingdom

(72) Name(s) of Designer(s): **Jeremy Cole**

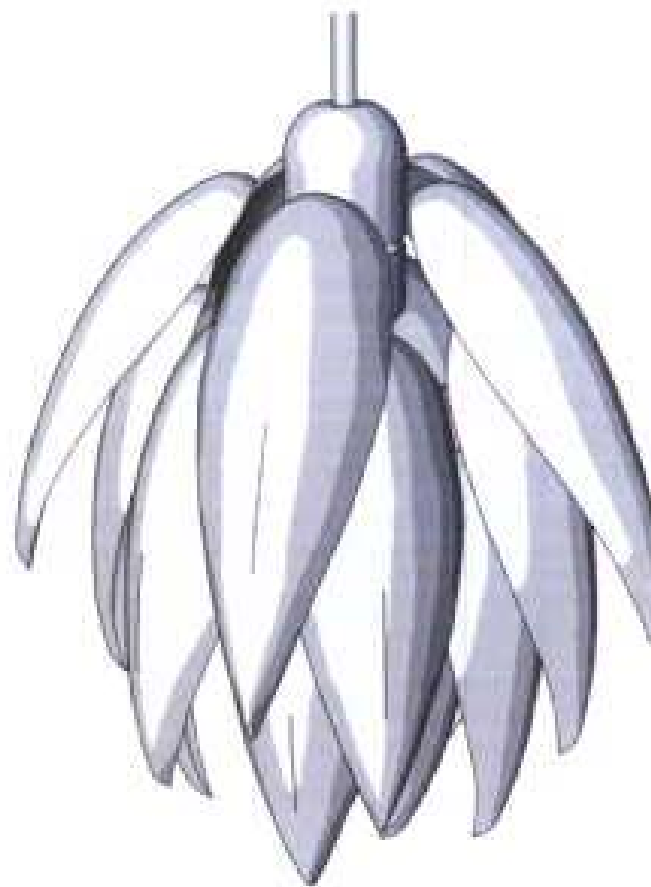
(45) Registration Date: **01 February 2006**

(30) Convention priority data:

(31) Number	(32) Date	(33) Country
3020509	03 Mar 2005	UNITED KINGDOM

(56) Related Art Documents: **Not Applicable**

(57) Statement of Newness and Distinctiveness: **Nil**



(21) Design Number: **13675/2005**
(22) Date of Filing Application: **29 August 2005**
(24) Date from which industrial property rights may have effect: **29 August 2005**
(54) Product in respect of which the design is registered: **A lamp**
(51) International Design Classification: **26-05D**
(71) Name(s) and Address(s) of Applicant(s):

Jeremy Cole
74C Castellain Road London W91EX United Kingdom

(72) Name(s) of Designer(s): **Jeremy Cole**

(45) Registration Date: **01 February 2006**

(30) Convention priority data:

(31) Number	(32) Date	(33) Country
3020510	03 Mar 2005	UNITED KINGDOM

(56) Related Art Documents: **Not Applicable**

(57) Statement of Newness and Distinctiveness: **Nil**



(21) Design Number: **13682/2005**

(22) Date of Filing Application: **26 August 2005**

(24) Date from which industrial property rights may have effect: **26 August 2005**

(54) Product in respect of which the design is registered: **A vacuum cleaner**

(51) International Design Classification: **15-05**

(71) Name(s) and Address(s) of Applicant(s):

Black & Decker, Inc.
1207 Drummond Plaza Newark Delaware 19711 United States of America

(72) Name(s) of Designer(s): **Kathy E. Dipasquale and James B. Watson**

(45) Registration Date: **01 February 2006**

(30) Convention priority data:

(31) Number	(32) Date	(33) Country
29224535	03 Mar 2005	UNITED STATES OF AMERICA

(56) Related Art Documents: **Not Applicable**

(57) Statement of Newness and Distinctiveness: **Nil**



(21) Design Number: **14451/2004**

(22) Date of Filing Application: **13 September 2004**

(24) Date from which industrial property rights may have effect: **13 September 2004**

(54) Product in respect of which the design is registered: **Surf board with integrated deck pad and non slip surface**

(51) International Design Classification: **21-02D**

(71) Name(s) and Address(s) of Applicant(s):

Ricardo De La Vega
43/61 Malborough Street Surry Hills New South Wales 2010 Australia

(72) Name(s) of Designer(s): **Ricardo Jose De La Vega**

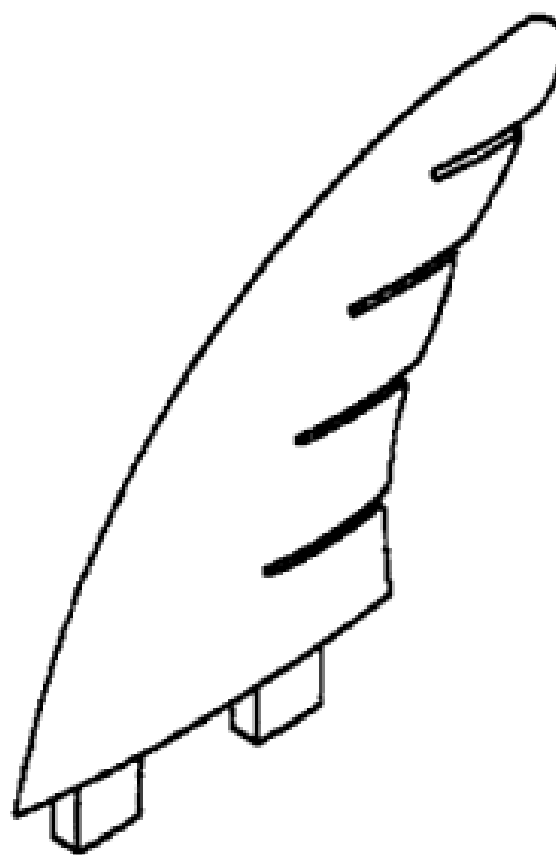
(45) Registration Date: **01 February 2006**

(56) Related Art Documents: **Not Applicable**

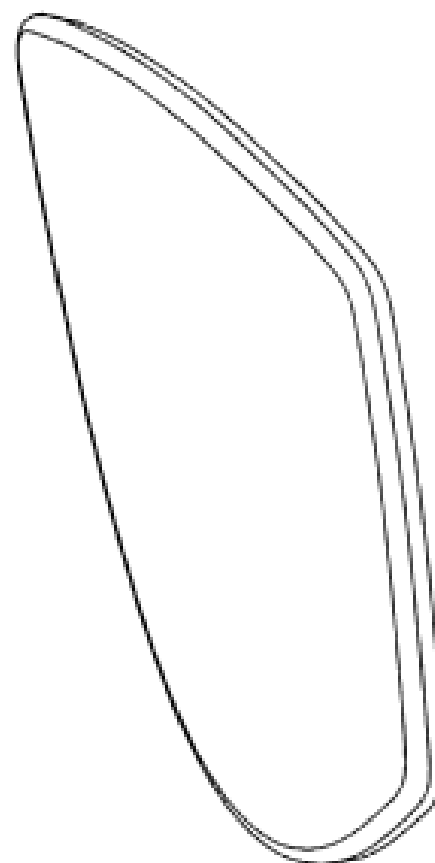
(57) Statement of Newness and Distinctiveness: **Integrated deck pad (all in carbon fibre - deck and surfboard). Integrated non-slip deck (textured surface - no wax required). Grooved drag channels at bottom of board lengthwise to minimize drag.**



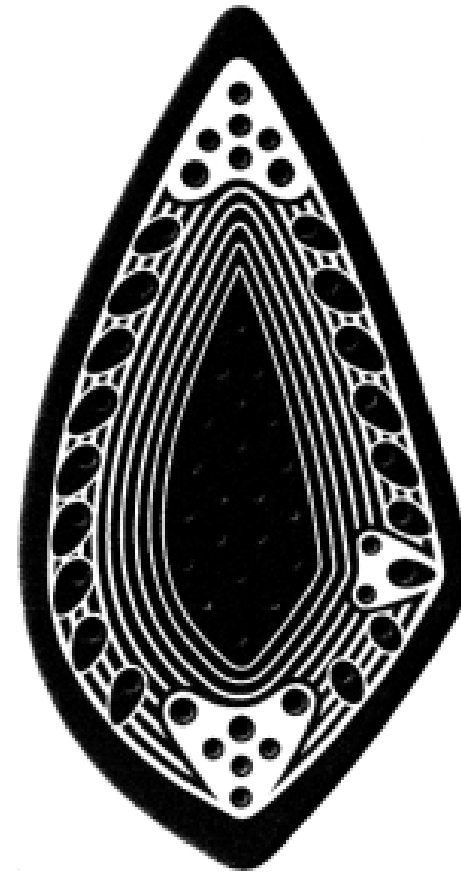
- (21) Design Number: **14452/2004**
(22) Date of Filing Application: **13 September 2004**
(24) Date from which industrial property rights may have effect: **13 September 2004**
(54) Product in respect of which the design is registered: **Surfboard fins**
(51) International Design Classification: **21-02D**
(71) Name(s) and Address(s) of Applicant(s):
Ricardo De La Vega
43/61 Malborough Street Surry Hills New South Wales 2010 Australia
(72) Name(s) of Designer(s): **Ricardo Jose De La Vega**
(45) Registration Date: **01 February 2006**
(56) Related Art Documents: **Not Applicable**
(57) Statement of Newness and Distinctiveness: **Slots cut onto rear end of fin.**



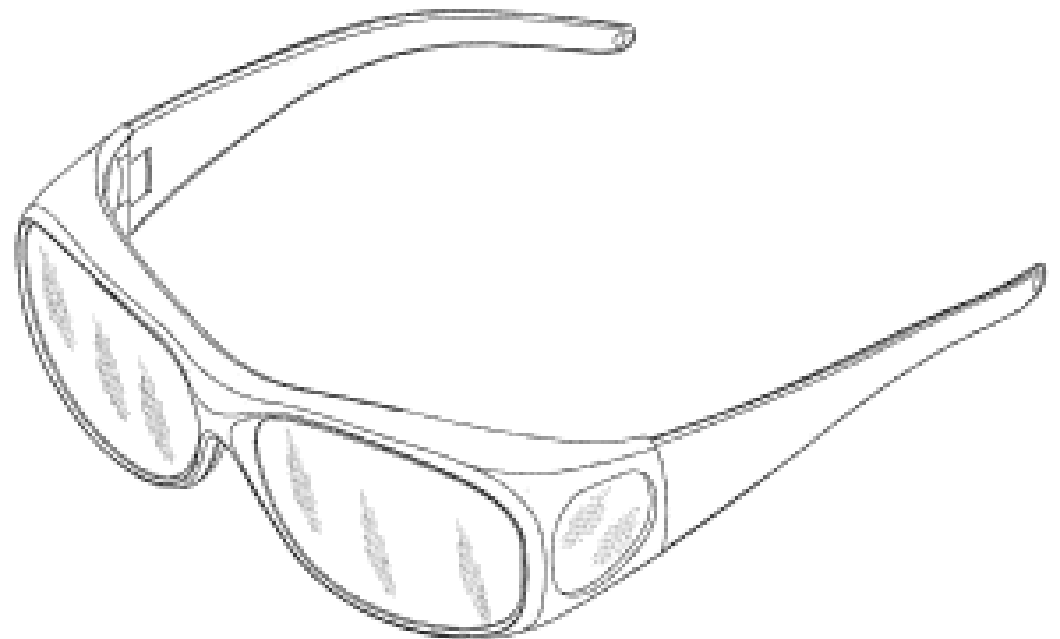
- (21) Design Number: **13183/2005**
(22) Date of Filing Application: **26 July 2005**
(24) Date from which industrial property rights may have effect: **26 July 2005**
(54) Product in respect of which the design is registered: **Soleplate for a laundry iron**
(51) International Design Classification: **07-05A**
(71) Name(s) and Address(s) of Applicant(s):
Calor
Place Ambroise Courtois 69008 Lyon France
(72) Name(s) of Designer(s): **Fabrice Renault**
(45) Registration Date: **02 February 2006**
(30) Convention priority data:
(31) Number (32) Date (33) Country
05 0357 27 Jan 2005 FRANCE
(56) Related Art Documents: **Not Applicable**
(57) Statement of Newness and Distinctiveness: **The shape and configuration of those parts of the design shown by means of solid lines in the representations are new and distinctive.**



- (21) Design Number: **13184/2005**
(22) Date of Filing Application: **26 July 2005**
(24) Date from which industrial property rights may have effect: **26 July 2005**
(54) Product in respect of which the design is registered: **Soleplate for a laundry iron**
(51) International Design Classification: **07-05A**
(71) Name(s) and Address(s) of Applicant(s):
Calor
Place Ambroise Courtois 69008 Lyon France
(72) Name(s) of Designer(s): **Fabrice Renault**
(45) Registration Date: **02 February 2006**
(30) Convention priority data:
(31) Number (32) Date (33) Country
05 0357 27 Jan 2005 FRANCE
(56) Related Art Documents: **Not Applicable**
(57) Statement of Newness and Distinctiveness: **The pattern and ornamentation of the product is new and distinctive.**



- (21) Design Number: **13632/2005**
(22) Date of Filing Application: **24 August 2005**
(24) Date from which industrial property rights may have effect: **24 August 2005**
(54) Product in respect of which the design is registered: **Sunglasses**
(51) International Design Classification: **16-06**
(71) Name(s) and Address(s) of Applicant(s):
Paul J. Stables
Locked Bag 902 Ourimbah New South Wales 2258 Australia
(72) Name(s) of Designer(s): **Paul J. Stables**
(45) Registration Date: **02 February 2006**
(56) Related Art Documents: **Not Applicable**
(57) Statement of Newness and Distinctiveness: **The shape and configuration of the side lens in the side of frame, along with the shape of the front lens gives this design newness and distinctiveness.**



- (21) Design Number: **13637/2005**
(22) Date of Filing Application: **25 August 2005**
(24) Date from which industrial property rights may have effect: **25 August 2005**
(54) Product in respect of which the design is registered: **A brooch**
(51) International Design Classification: **11-01NES**
(71) Name(s) and Address(s) of Applicant(s):

Cheryl Flewollen
2c Wainoni Road Christchurch 6 New Zealand

(72) Name(s) of Designer(s): **Cheryl Flewollen**

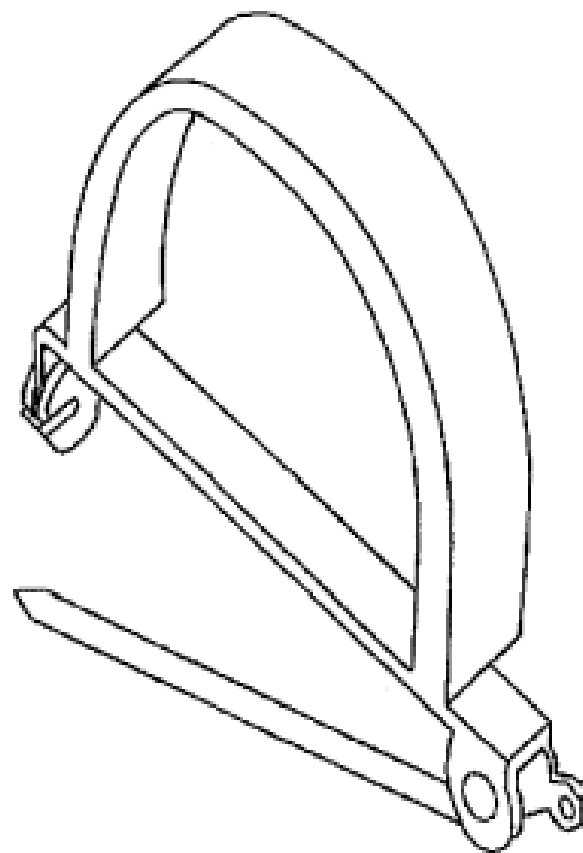
(45) Registration Date: **02 February 2006**

(30) Convention priority data:

(31) Number	(32) Date	(33) Country
405899	25 Feb 2005	NEW ZEALAND

(56) Related Art Documents: **Not Applicable**

(57) Statement of Newness and Distinctiveness: **Newness and distinctiveness reside in the features of shape and/or configuration of the brooch, as shown in the representations. Newness and distinctiveness is not claimed in relation to the clasp portion.**



- (21) Design Number: **13647/2005**
(22) Date of Filing Application: **24 August 2005**
(24) Date from which industrial property rights may have effect: **24 August 2005**
(54) Product in respect of which the design is registered: **An eggcup with lid**
(51) International Design Classification: **07-01B**
(71) Name(s) and Address(s) of Applicant(s):

Robert Konopacki
2 Lisbon Street Villawood New South Wales 2163 Australia

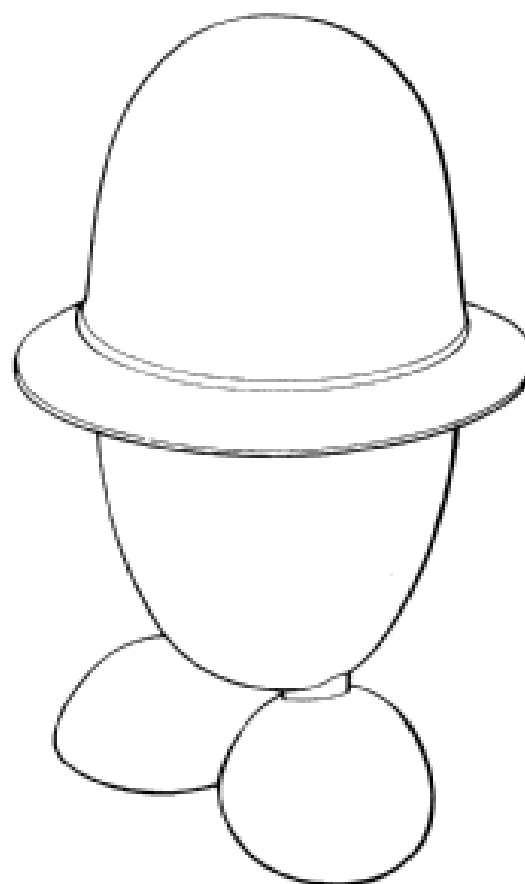
William Flikier
2 Lisbon Street Villawood New South Wales 2163 Australia

(72) Name(s) of Designer(s): **Stefan Jozwicki**

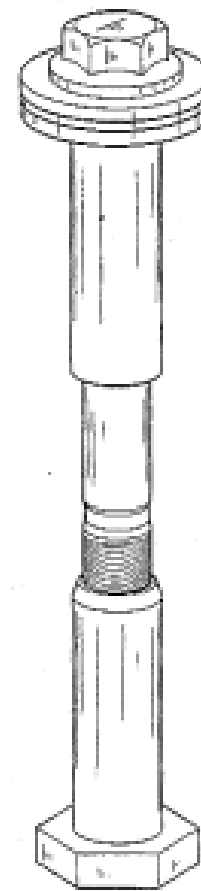
(45) Registration Date: **02 February 2006**

(56) Related Art Documents: **Not Applicable**

(57) Statement of Newness and Distinctiveness: **Newness and distinctiveness is claimed in the features of shape and/or configuration of an eggcup with lid as illustrated in the accompanying representations.**



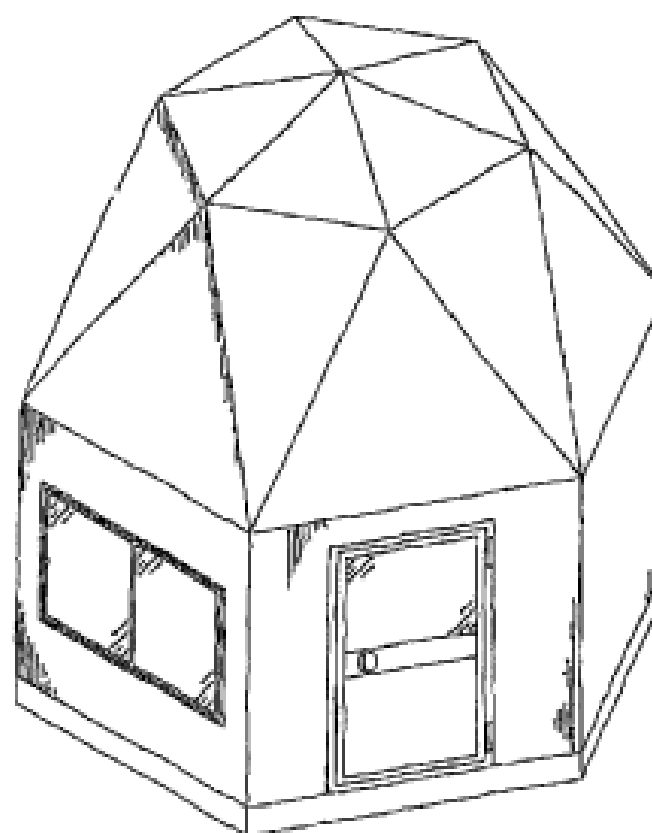
- (21) Design Number: **13650/2005**
- (22) Date of Filing Application: **25 August 2005**
- (24) Date from which industrial property rights may have effect: **25 August 2005**
- (54) Product in respect of which the design is registered: **Bolt**
- (51) International Design Classification: **08-08B**
- (71) Name(s) and Address(s) of Applicant(s):
Grinaker-Lta Limited
Steeledale House Power House Industries West Germiston 1401
Republic of South Africa
- (72) Name(s) of Designer(s): **Kobus Burger**
- (45) Registration Date: **02 February 2006**
- (56) Related Art Documents: **Not Applicable**
- (57) Statement of Newness and Distinctiveness: **Nil**



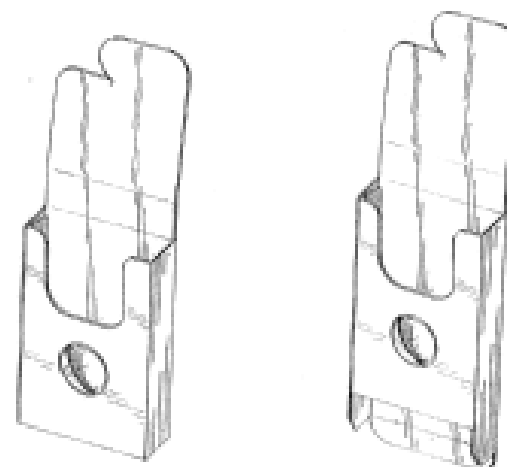
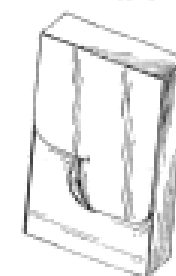
- (21) Design Number: **13651/2005**
- (22) Date of Filing Application: **25 August 2005**
- (24) Date from which industrial property rights may have effect: **25 August 2005**
- (54) Product in respect of which the design is registered: **Bolt**
- (51) International Design Classification: **08-08B**
- (71) Name(s) and Address(s) of Applicant(s):
Grinaker-Lta Limited
Steeledale House Power House Industries West Germiston 1401
Republic of South Africa
- (72) Name(s) of Designer(s): **Kobus Burger**
- (45) Registration Date: **02 February 2006**
- (56) Related Art Documents: **Not Applicable**
- (57) Statement of Newness and Distinctiveness: **Nil**



(21) Design Number: **13657/2005**
 (22) Date of Filing Application: **25 August 2005**
 (24) Date from which industrial property rights may have effect: **25 August 2005**
 (54) Product in respect of which the design is registered: **Pre-fabricated dome house**
 (51) International Design Classification: **25-03**
 (71) Name(s) and Address(s) of Applicant(s):
Takeki Nishikubo
2492 Ikari Minamiawaji-shi Hyogo Japan
 (72) Name(s) of Designer(s): **Takeki Nishikubo**
 (45) Registration Date: **02 February 2006**
 (56) Related Art Documents: **Not Applicable**
 (57) Statement of Newness and Distinctiveness: **Newness and distinctiveness is claimed in the features of shape and/or configuration of a pre-fabricated dome house as illustrated in the accompanying representations.**



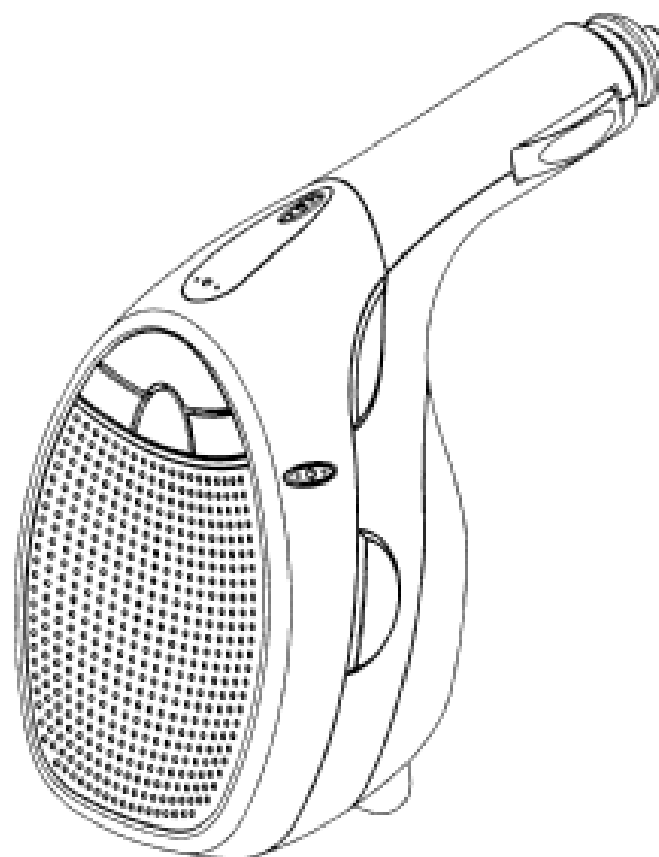
(21) Design Number: **13658/2005**
 (22) Date of Filing Application: **25 August 2005**
 (24) Date from which industrial property rights may have effect: **25 August 2005**
 (54) Product in respect of which the design is registered: **Comestible product dispenser**
 (51) International Design Classification: **09-03M**
 (71) Name(s) and Address(s) of Applicant(s):
Wm. Wrigley Jr. Company
1132 Blackhawk Street Chicago Illinois 60622 United States of America
 (72) Name(s) of Designer(s): **Jason Billing and Charles Curtiss and Stuart Leslie and Heather Gross**
 (45) Registration Date: **02 February 2006**
 (30) Convention priority data:
 (31) Number (32) Date (33) Country
29/225097 09 Mar 2005 UNITED STATES OF AMERICA
 (56) Related Art Documents: **Not Applicable**
 (57) Statement of Newness and Distinctiveness: **Newness and distinctiveness is claimed in the features of shape and/or configuration of comestible product dispenser as illustrated in the accompanying representations.**



(21) Design Number: **13659/2005**
(22) Date of Filing Application: **25 August 2005**
(24) Date from which industrial property rights may have effect: **25 August 2005**
(54) Product in respect of which the design is registered: **A handset**
(51) International Design Classification: **14-03E**
(71) Name(s) and Address(s) of Applicant(s):
Nokia Corporation
Keilalahdentie 4 FIN-02150 Espoo Finland
(72) Name(s) of Designer(s): **Edward Mitchell**
(45) Registration Date: **02 February 2006**
(30) Convention priority data:
(31) Number (32) Date (33) Country
29224248 25 Feb 2005 UNITED STATES OF AMERICA
(56) Related Art Documents: **Not Applicable**
(57) Statement of Newness and Distinctiveness: **Nil**



(21) Design Number: **13660/2005**
(22) Date of Filing Application: **25 August 2005**
(24) Date from which industrial property rights may have effect: **25 August 2005**
(54) Product in respect of which the design is registered: **A handsfree device for handsets/charger**
(51) International Design Classification: **14-03A**
(71) Name(s) and Address(s) of Applicant(s):
Nokia Corporation
Keilalahdentie 4 FIN-02150 Espoo Finland
(72) Name(s) of Designer(s): **Jan Kettula and Sami Lehtovaara**
(45) Registration Date: **02 February 2006**
(30) Convention priority data:
(31) Number (32) Date (33) Country
M20050032 28 Feb 2005 FINLAND
(56) Related Art Documents: **Not Applicable**
(57) Statement of Newness and Distinctiveness: **Nil**



(21) Design Number: **13662/2005**

(22) Date of Filing Application: **25 August 2005**

(24) Date from which industrial property rights may have effect: **25 August 2005**

(54) Product in respect of which the design is registered: **Implant delivery tool**

(51) International Design Classification: **24-02**

(71) Name(s) and Address(s) of Applicant(s):

**Restore Medical, Inc.
2800 Patton Road St Paul MN 55113 United States of America**

(72) Name(s) of Designer(s): **Kurt D. Krueger and John P. Sopp and Brian J. Erickson and John R. Frigstad and Larry A. Walter**

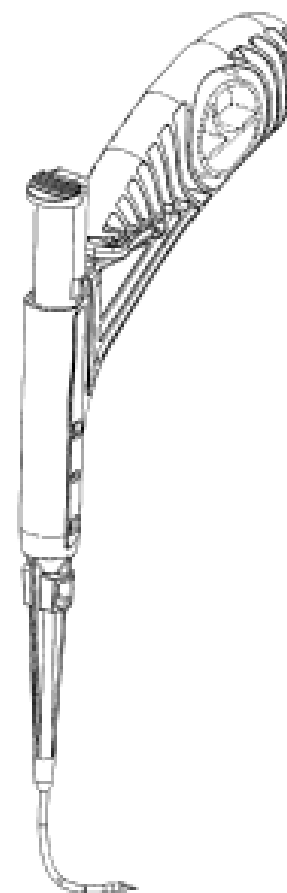
(45) Registration Date: **02 February 2006**

(30) Convention priority data:

(31) Number	(32) Date	(33) Country
29/224,232	25 Feb 2005	UNITED STATES OF AMERICA

(56) Related Art Documents: **Not Applicable**

(57) Statement of Newness and Distinctiveness: **We wish to submit a statement of newness and distinctiveness in respect of particular visual features of the design shown in the Figures. The shape and configuration of those parts of the design shown other than by means of dashed lines are new and distinctive.**



(21) Design Number: **13664/2005**

(22) Date of Filing Application: **25 August 2005**

(24) Date from which industrial property rights may have effect: **25 August 2005**

(54) Product in respect of which the design is registered: **Ball mount head of a tow bar**

(51) International Design Classification: **12-16L**

(71) Name(s) and Address(s) of Applicant(s):

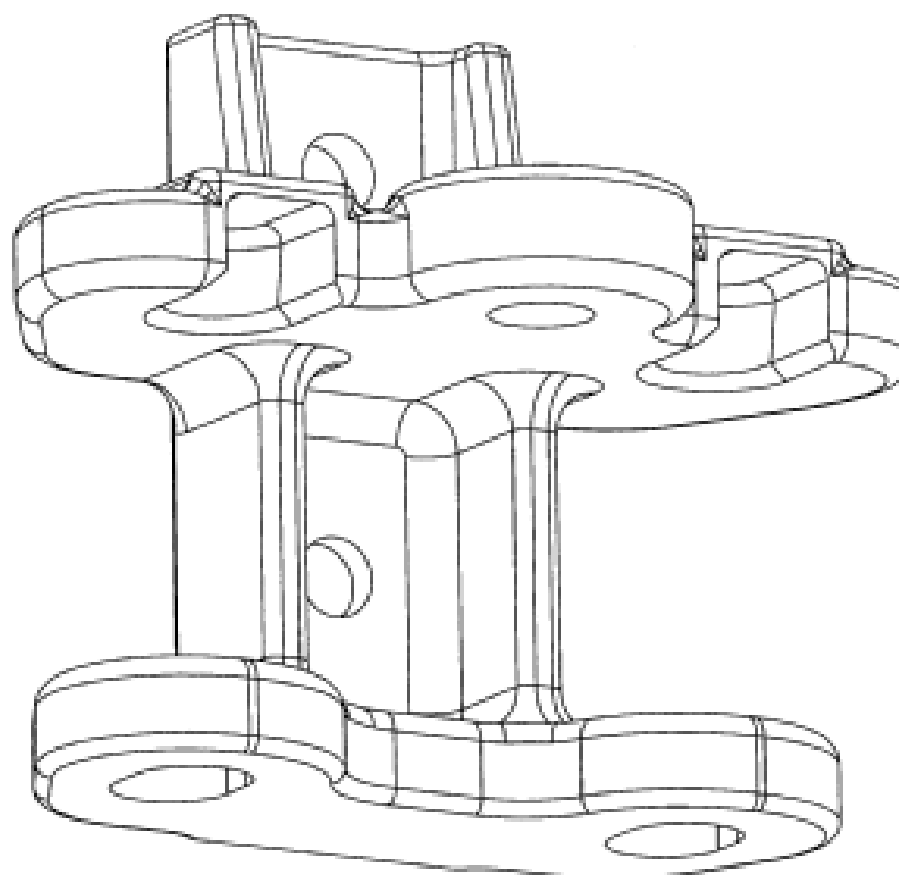
**Frontline Australasia Pty Ltd
21 Commercial Road Dandenong Victoria 3175 Australia**

(72) Name(s) of Designer(s): **Daniel Trott and Robin Painter and Scott McDonald and John Doward and Rod Mawson and Brendan Price and Kevin Hooper**

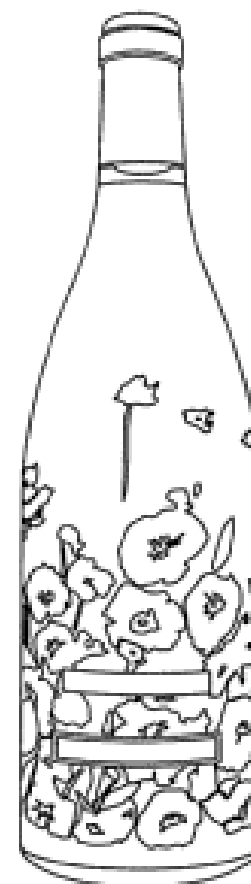
(45) Registration Date: **02 February 2006**

(56) Related Art Documents: **Not Applicable**

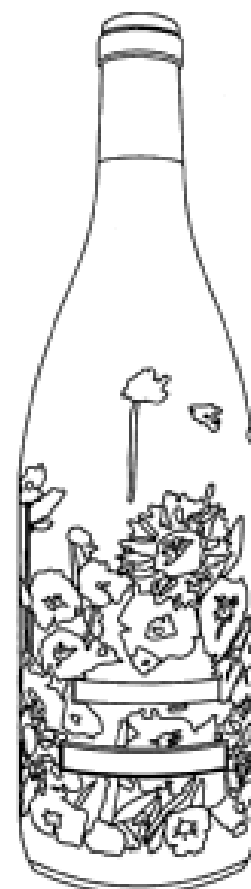
(57) Statement of Newness and Distinctiveness: **Nil**



(21) Design Number: **13123/2005**
(22) Date of Filing Application: **24 December 2003**
(24) Date from which industrial property rights may have effect: **24 December 2003**
(54) Product in respect of which the design is registered: **A bottle**
(51) International Design Classification: **09-01H**
(71) Name(s) and Address(s) of Applicant(s):
Les Vins Georges Duboeuf
Romaneche-Thorins 71570 La Chapelle De Guinchay France
(72) Name(s) of Designer(s): **Georges Duboeuf and Claude Clevenot**
(45) Registration Date: **02 February 2006**
(30) Convention priority data:
(31) Number (32) Date (33) Country
000 046 487 01 Jul 2003 EUROPEAN COMMUNITY
(56) Related Art Documents: **Not Applicable**
(57) Statement of Newness and Distinctiveness: **Nil**



(21) Design Number: **15643/2005**
(22) Date of Filing Application: **24 December 2003**
(24) Date from which industrial property rights may have effect: **24 December 2003**
(54) Product in respect of which the design is registered: **A bottle**
(51) International Design Classification: **09-01H**
(71) Name(s) and Address(s) of Applicant(s):
Les Vins Georges Duboeuf
Romaneche-Thorins 71570 La Chapelle De Guinchay France
(72) Name(s) of Designer(s): **Georges Duboeuf and Claude Clevenot**
(45) Registration Date: **02 February 2006**
(30) Convention priority data:
(31) Number (32) Date (33) Country
000 046 487 01 Jul 2003 EUROPEAN COMMUNITY
(56) Related Art Documents: **Not Applicable**
(57) Statement of Newness and Distinctiveness: **Nil**



(21) Design Number: **15644/2005**
(22) Date of Filing Application: **24 December 2003**
(24) Date from which industrial property rights may have effect: **24 December 2003**
(54) Product in respect of which the design is registered: **A bottle**
(51) International Design Classification: **09-01H**
(71) Name(s) and Address(s) of Applicant(s):

Les Vins Georges Duboeuf
Romaneche-Thorins 71570 La Chapelle De Guinchay France

(72) Name(s) of Designer(s): **Georges Duboeuf and Claude Clevenot**

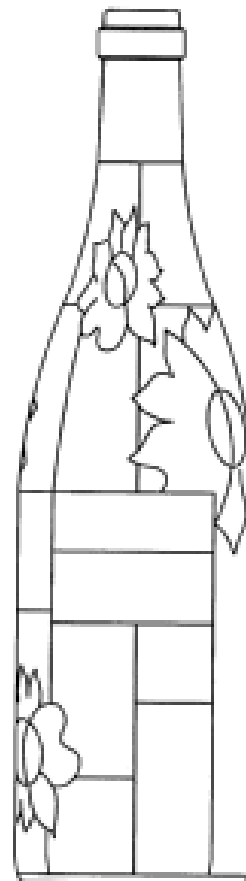
(45) Registration Date: **02 February 2006**

(30) Convention priority data:

(31) Number	(32) Date	(33) Country
000 046 487	01 Jul 2003	EUROPEAN COMMUNITY

(56) Related Art Documents: **Not Applicable**

(57) Statement of Newness and Distinctiveness: **Nil**



(21) Design Number: **15645/2005**
(22) Date of Filing Application: **24 December 2003**
(24) Date from which industrial property rights may have effect: **24 December 2003**
(54) Product in respect of which the design is registered: **A bottle**
(51) International Design Classification: **09-01H**
(71) Name(s) and Address(s) of Applicant(s):

Les Vins Georges Duboeuf
Romaneche-Thorins 71570 La Chapelle De Guinchay France

(72) Name(s) of Designer(s): **Georges Duboeuf and Claude Clevenot**

(45) Registration Date: **02 February 2006**

(30) Convention priority data:

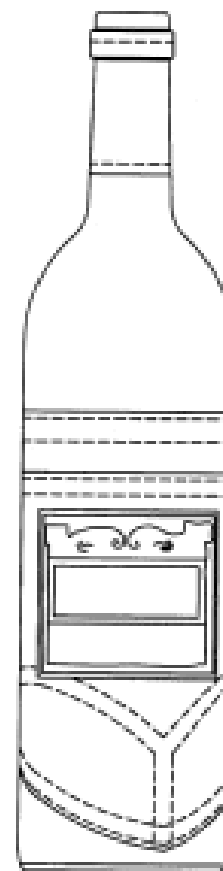
(31) Number	(32) Date	(33) Country
000 046 487	01 Jul 2003	EUROPEAN COMMUNITY

(56) Related Art Documents: **Not Applicable**

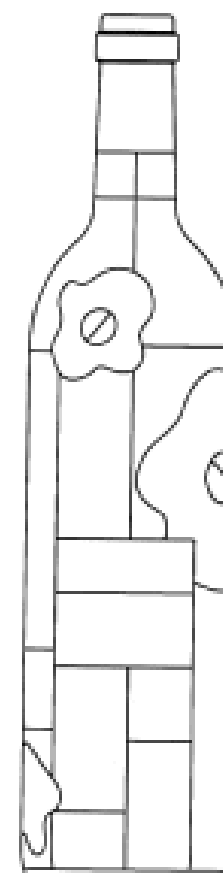
(57) Statement of Newness and Distinctiveness: **Nil**



(21) Design Number: **15646/2005**
(22) Date of Filing Application: **24 December 2003**
(24) Date from which industrial property rights may have effect: **24 December 2003**
(54) Product in respect of which the design is registered: **A bottle**
(51) International Design Classification: **09-01H**
(71) Name(s) and Address(s) of Applicant(s):
Les Vins Georges Duboeuf
Romaneche-Thorins 71570 La Chapelle De Guinchay France
(72) Name(s) of Designer(s): **Georges Duboeuf and Claude Clevenot**
(45) Registration Date: **02 February 2006**
(30) Convention priority data:
(31) Number (32) Date (33) Country
000 046 487 01 Jul 2003 EUROPEAN COMMUNITY
(56) Related Art Documents: **Not Applicable**
(57) Statement of Newness and Distinctiveness: **Nil**



(21) Design Number: **15647/2005**
(22) Date of Filing Application: **24 December 2003**
(24) Date from which industrial property rights may have effect: **24 December 2003**
(54) Product in respect of which the design is registered: **A bottle**
(51) International Design Classification: **09-01H**
(71) Name(s) and Address(s) of Applicant(s):
Les Vins Georges Duboeuf
Romaneche-Thorins 71570 La Chapelle De Guinchay France
(72) Name(s) of Designer(s): **Georges Duboeuf and Claude Clevenot**
(45) Registration Date: **02 February 2006**
(30) Convention priority data:
(31) Number (32) Date (33) Country
000 046 487 01 Jul 2003 EUROPEAN COMMUNITY
(56) Related Art Documents: **Not Applicable**
(57) Statement of Newness and Distinctiveness: **Nil**



(21) Design Number: **15772/2004**

(22) Date of Filing Application: **14 December 2004**

(24) Date from which industrial property rights may have effect: **14 December 2004**

(54) Product in respect of which the design is registered: **Loose pin for loose pin hinge**

(51) International Design Classification: **08-06**

(71) Name(s) and Address(s) of Applicant(s):

Gary Farmer

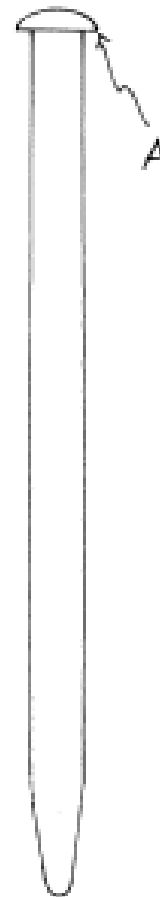
Unit 3 48 Edward Street McLeod Victoria 3128 Australia

(72) Name(s) of Designer(s): **Gary Farmer**

(45) Registration Date: **03 February 2006**

(56) Related Art Documents: **Not Applicable**

(57) Statement of Newness and Distinctiveness: **Visual features of the design which are new and distinctive are the features of shape and configuration of a loose pin for loose pin hinge as illustrated in the representations. The pin head marked "A" and the hinge shown in broken lines are to be disregarded.**



(21) Design Number: **10615/2005**

(22) Date of Filing Application: **17 February 2005**

(24) Date from which industrial property rights may have effect: **17 February 2005**

(54) Product in respect of which the design is registered: **Massage tool**

(51) International Design Classification: **28-03NES**

(71) Name(s) and Address(s) of Applicant(s):

Jamie Allan Warneford

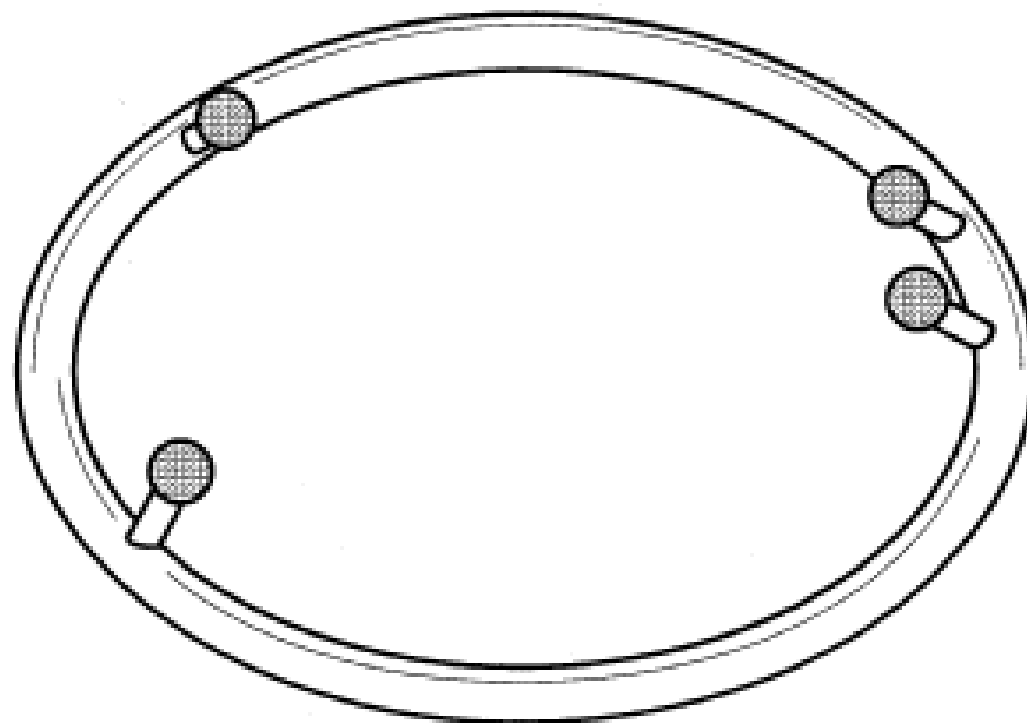
99 Goddard Street Lathlain Western Australia 6100 Australia

(72) Name(s) of Designer(s): **Jamie Allan Warneford**

(45) Registration Date: **03 February 2006**

(56) Related Art Documents: **Not Applicable**

(57) Statement of Newness and Distinctiveness: **Nil**



- (21) Design Number: **10616/2005**
- (22) Date of Filing Application: **17 February 2005**
- (24) Date from which industrial property rights may have effect: **17 February 2005**
- (54) Product in respect of which the design is registered: **Golf club head**
- (51) International Design Classification: **21-02C**
- (71) Name(s) and Address(s) of Applicant(s):

Callaway Golf Company
2180 Rutherford Road Carlsbad California 92008 United States of America

(72) Name(s) of Designer(s): **Larry G. Tang and D. Clayton Evans**

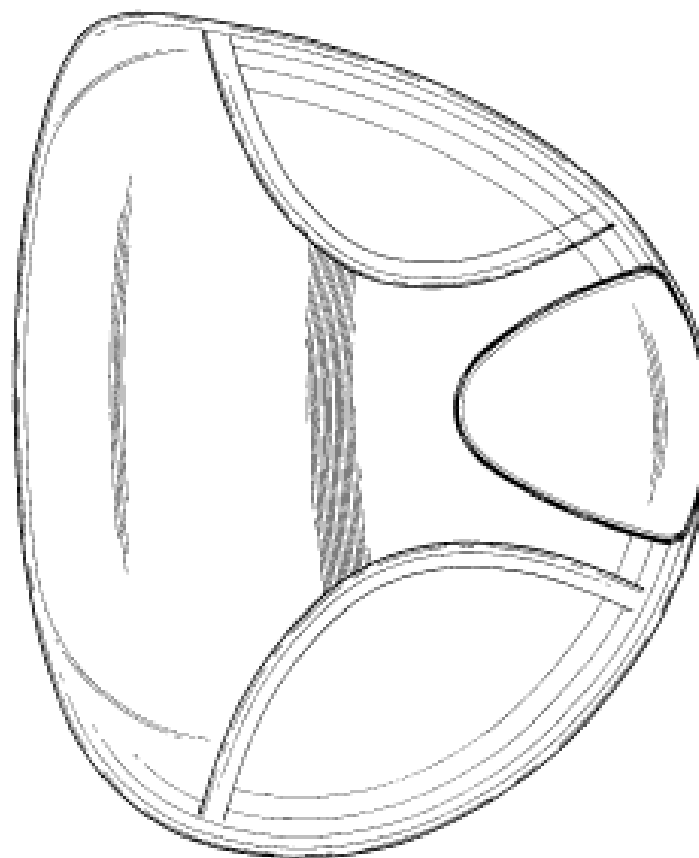
(45) Registration Date: **03 February 2006**

(30) Convention priority data:

(31) Number	(32) Date	(33) Country
29/211572	17 Aug 2004	UNITED STATES OF AMERICA

(56) Related Art Documents: **Not Applicable**

(57) Statement of Newness and Distinctiveness: **Newness and distinctiveness is claimed in the features of shape and/or configuration of a sole of a golf club head as illustrated in continuous lines in the accompanying representations.**



- (21) Design Number: **10620/2005**
- (22) Date of Filing Application: **17 February 2005**
- (24) Date from which industrial property rights may have effect: **17 February 2005**
- (54) Product in respect of which the design is registered: **Golf club head**
- (51) International Design Classification: **21-02C**
- (71) Name(s) and Address(s) of Applicant(s):

Callaway Golf Company
2180 Rutherford Road Carlsbad California 92008 United States of America

(72) Name(s) of Designer(s): **D. Clayton Evans and Larry G. Tang**

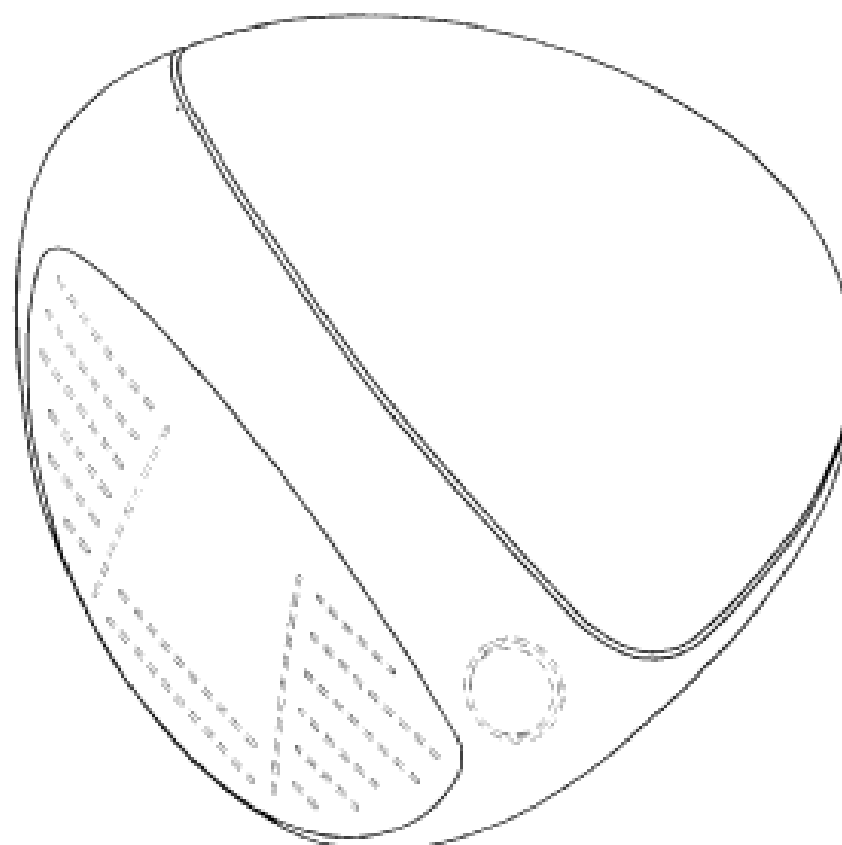
(45) Registration Date: **03 February 2006**

(30) Convention priority data:

(31) Number	(32) Date	(33) Country
29/211573	17 Aug 2004	UNITED STATES OF AMERICA

(56) Related Art Documents: **Not Applicable**

(57) Statement of Newness and Distinctiveness: **Newness and distinctiveness is claimed in those features of shape and/or configuration of a golf club head illustrated in continuous lines in the accompanying representations.**



(21) Design Number: **10621/2005**

(22) Date of Filing Application: **17 February 2005**

(24) Date from which industrial property rights may have effect: **17 February 2005**

(54) Product in respect of which the design is registered: **Breathing mask**

(51) International Design Classification: **29-02**

(71) Name(s) and Address(s) of Applicant(s):

Scott Health & Safety Ltd
Pimbo Road West Pimbo Skelmersdale Lancs WN8 9RA United Kingdom

(72) Name(s) of Designer(s): **Jyrki Hannu Veli Jarvinen and Ville-Petteri Nenonen**

(45) Registration Date: **03 February 2006**

(30) Convention priority data:

(31) Number	(32) Date	(33) Country
000234851-0001	27 Sep 2004	EUROPEAN COMMUNITY

(56) Related Art Documents: **Not Applicable**

(57) Statement of Newness and Distinctiveness: **Newness and distinctiveness in the design as applied to a breathing mask resides in the shape and/or configuration thereof as is illustrated in the accompanying representations. The positioning of the straps should not be considered as limiting when assessing the newness and distinctiveness of the design.**



(21) Design Number: **10623/2005**

(22) Date of Filing Application: **18 February 2005**

(24) Date from which industrial property rights may have effect: **18 February 2005**

(54) Product in respect of which the design is registered: **A component for a connector bracket**

(51) International Design Classification: **08-08NES**

(71) Name(s) and Address(s) of Applicant(s):

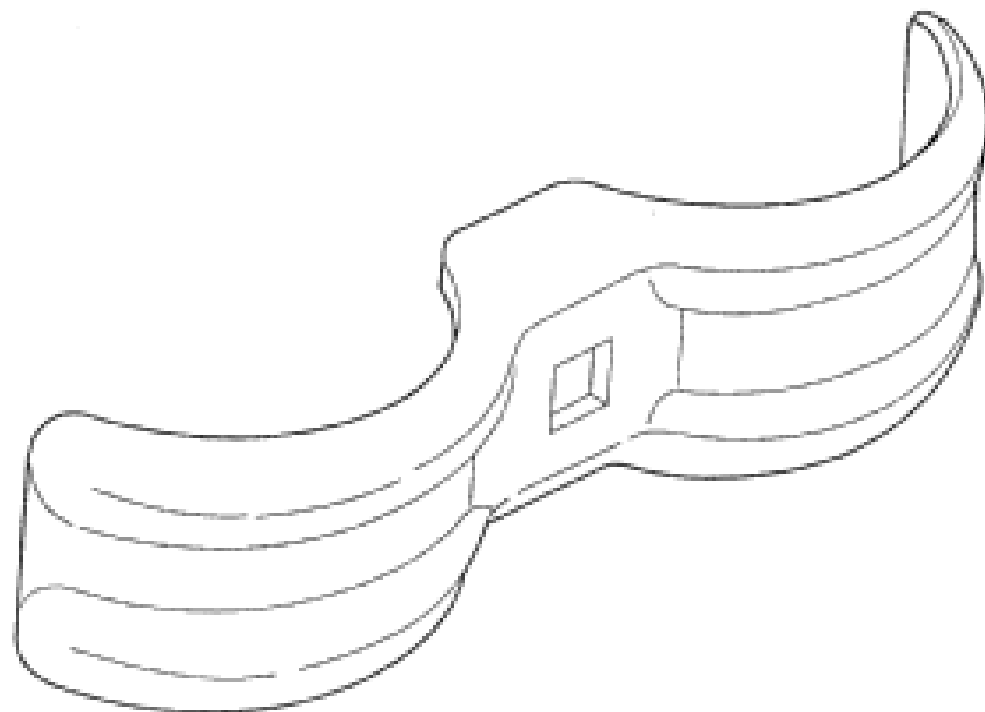
RMD Press Co. Pty Ltd
6-10 Market Road Sunshine Victoria 3020 Australia

(72) Name(s) of Designer(s): **Allan Roy Masters**

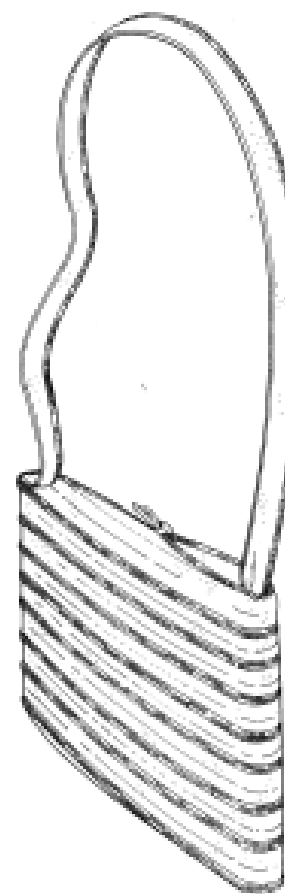
(45) Registration Date: **03 February 2006**

(56) Related Art Documents: **Not Applicable**

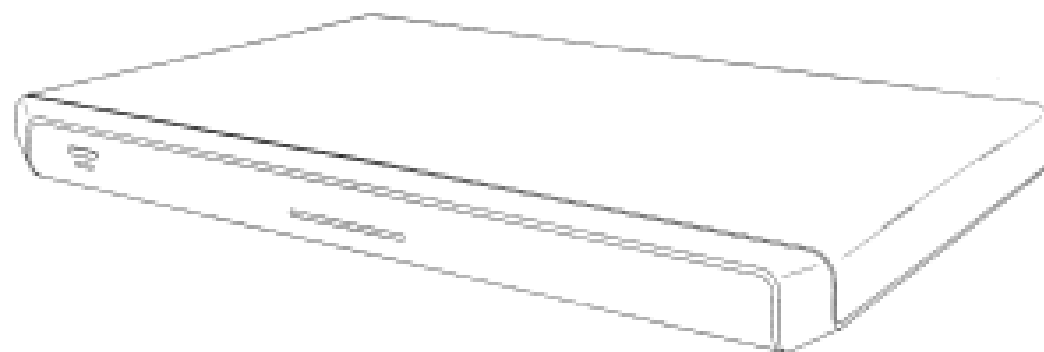
(57) Statement of Newness and Distinctiveness: **Nil**



- (21) Design Number: **10625/2005**
(22) Date of Filing Application: **18 February 2005**
(24) Date from which industrial property rights may have effect: **18 February 2005**
(54) Product in respect of which the design is registered: **A bag**
(51) International Design Classification: **03-01B**
(71) Name(s) and Address(s) of Applicant(s):
Susan Patricia Mullins
164A Preston Point Road East Fremantle Western Australia 6158
Australia
(72) Name(s) of Designer(s): **Pamela Marie Greyling**
(45) Registration Date: **03 February 2006**
(30) Convention priority data:
(31) Number (32) Date (33) Country
A2004/1115 25 Aug 2004 SOUTH AFRICA
(56) Related Art Documents: **Not Applicable**
(57) Statement of Newness and Distinctiveness: **The particular visual features of the design which are new and distinctive are the shape and/or configuration of a carrier bag that is formed of an elongate zip fastener strip configured with a sliding clip into the configuration.**



- (21) Design Number: **10626/2005**
(22) Date of Filing Application: **17 February 2005**
(24) Date from which industrial property rights may have effect: **17 February 2005**
(54) Product in respect of which the design is registered: **Home entertainment set top box**
(51) International Design Classification: **14-03NES**
(71) Name(s) and Address(s) of Applicant(s):
Siemens Aktiengesellschaft
Wittelsbacherplatz 2 80333 Munchen Germany
(72) Name(s) of Designer(s): **Nico Michler**
(45) Registration Date: **03 February 2006**
(30) Convention priority data:
(31) Number (32) Date (33) Country
29/211,656 19 Aug 2004 UNITED STATES OF AMERICA
(56) Related Art Documents: **Not Applicable**
(57) Statement of Newness and Distinctiveness: **Newness and distinctiveness is claimed in the features of shape and/or configuration of a home entertainment set top box as illustrated in the accompanying representations.**



(21) Design Number: **10712/2005**

(22) Date of Filing Application: **25 February 2005**

(24) Date from which industrial property rights may have effect: **25 February 2005**

(54) Product in respect of which the design is registered: **Sunglasses**

(51) International Design Classification: **16-06**

(71) Name(s) and Address(s) of Applicant(s):

Paul J. Stables

15 Shirley Street Ourimbah New South Wales 2258 Australia

(72) Name(s) of Designer(s): **Paul J. Stables**

(45) Registration Date: **03 February 2006**

(56) Related Art Documents: **Not Applicable**

(57) Statement of Newness and Distinctiveness: **The shape and configuration of side lens in temple and rimless front lenses give this design newness and distinctiveness.**



(21) Design Number: **10713/2005**

(22) Date of Filing Application: **25 February 2005**

(24) Date from which industrial property rights may have effect: **25 February 2005**

(54) Product in respect of which the design is registered: **Sunglasses**

(51) International Design Classification: **16-06**

(71) Name(s) and Address(s) of Applicant(s):

Paul J. Stables

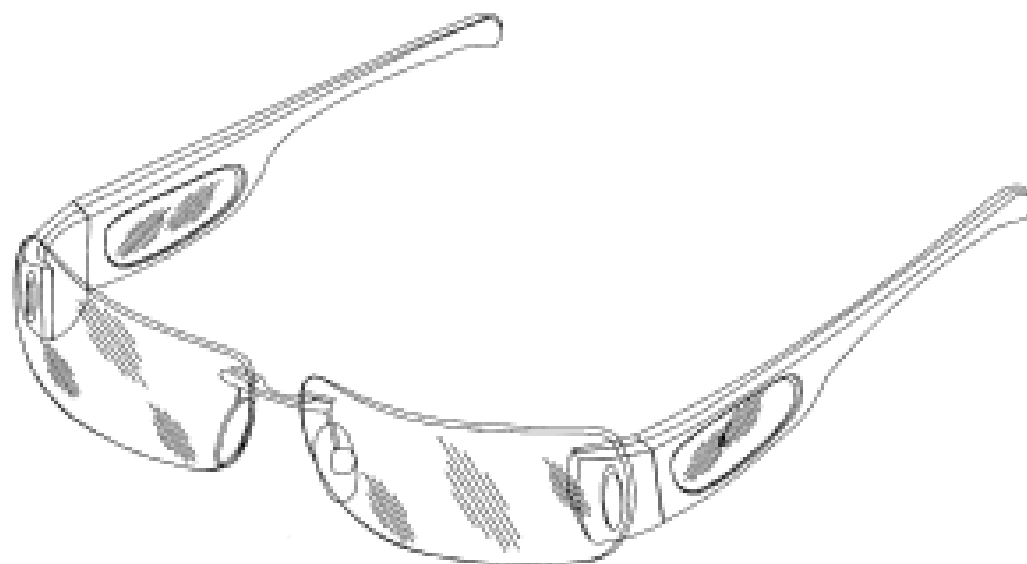
15 Shirley Street Ourimbah New South Wales 2258 Australia

(72) Name(s) of Designer(s): **Paul J. Stables**

(45) Registration Date: **03 February 2006**

(56) Related Art Documents: **Not Applicable**

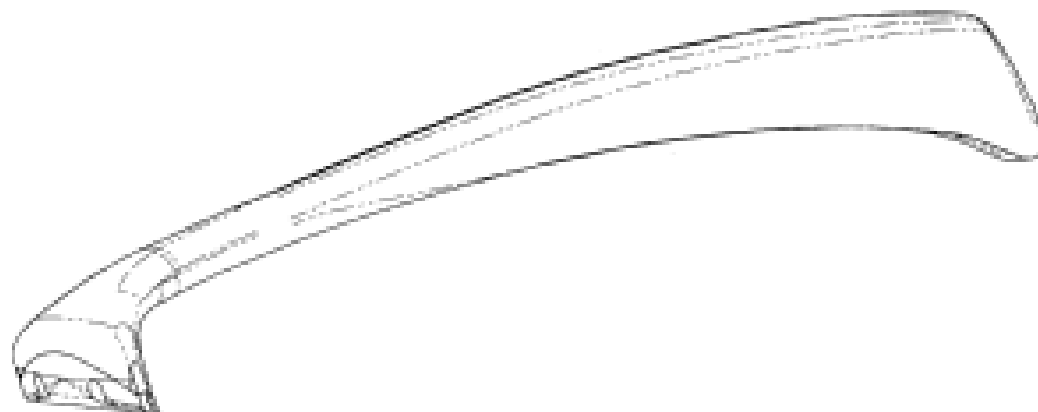
(57) Statement of Newness and Distinctiveness: **The shape and configuration of side lens in temple and rimless front lenses give this design newness and distinctiveness.**



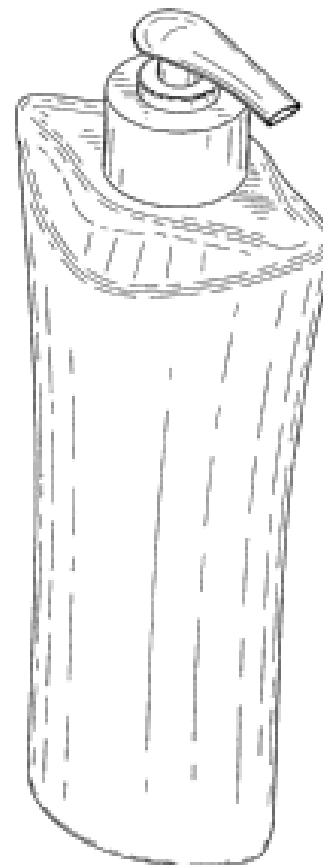
- (21) Design Number: **10714/2005**
(22) Date of Filing Application: **25 February 2005**
(24) Date from which industrial property rights may have effect: **25 February 2005**
(54) Product in respect of which the design is registered: **Sunglasses**
(51) International Design Classification: **16-06**
(71) Name(s) and Address(s) of Applicant(s):
Paul J. Stables
15 Shirley Street Ourimbah New South Wales 2258 Australia
(72) Name(s) of Designer(s): **Paul J. Stables**
(45) Registration Date: **03 February 2006**
(56) Related Art Documents: **Not Applicable**
(57) Statement of Newness and Distinctiveness: **The shape and configuration of side lens in temple and rimless front lenses give this design newness and distinctiveness.**



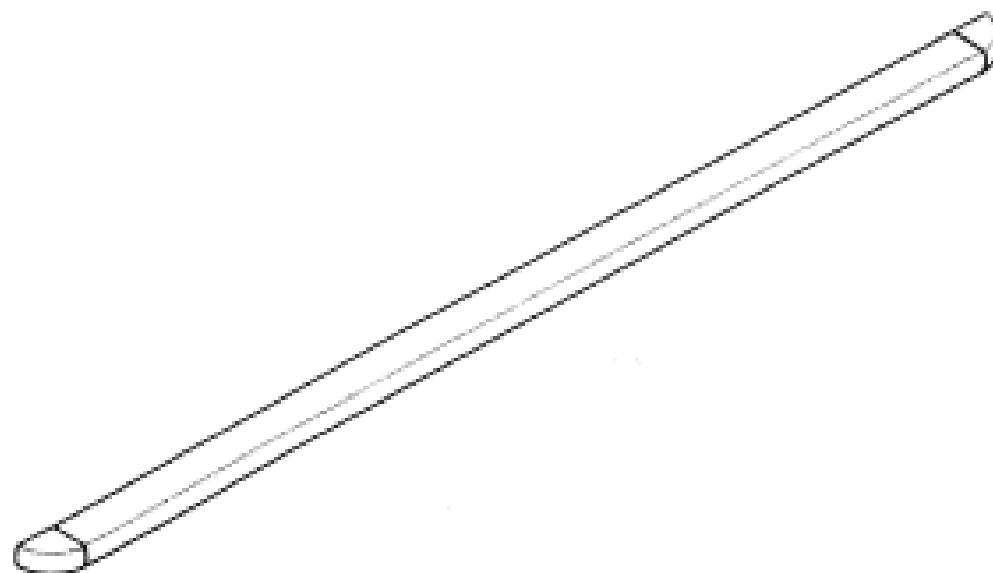
- (21) Design Number: **10724/2005**
(22) Date of Filing Application: **24 February 2005**
(24) Date from which industrial property rights may have effect: **24 February 2005**
(54) Product in respect of which the design is registered: **Cleaning utensil**
(51) International Design Classification: **07-05E**
(71) Name(s) and Address(s) of Applicant(s):
Peter John Soutter
PO Box 1236 Maroochydore Queensland 4558 Australia
Ben Soutter
PO Box 1236 Maroochydore Queensland 4558 Australia
(72) Name(s) of Designer(s): **Peter John Soutter**
(45) Registration Date: **03 February 2006**
(56) Related Art Documents: **Not Applicable**
(57) Statement of Newness and Distinctiveness: **Nil**



- (21) Design Number: **10734/2005**
(22) Date of Filing Application: **25 February 2005**
(24) Date from which industrial property rights may have effect: **25 February 2005**
(54) Product in respect of which the design is registered: **Dispenser bottle**
(51) International Design Classification: **28-03NES, 09-01G**
(71) Name(s) and Address(s) of Applicant(s):
Unilever PLC
Unilever House Blackfriars London EC4P 4BQ United Kingdom
(72) Name(s) of Designer(s): **Michael Edward Ross**
(45) Registration Date: **03 February 2006**
(30) Convention priority data:
(31) Number (32) Date (33) Country
29/213582 20 Sep 2004 UNITED STATES OF AMERICA
(56) Related Art Documents: **Not Applicable**
(57) Statement of Newness and Distinctiveness: **Newness and distinctiveness is claimed in the visual features shown in solid lines in the representations.**



- (21) Design Number: **10743/2005**
(22) Date of Filing Application: **25 February 2005**
(24) Date from which industrial property rights may have effect: **25 February 2005**
(54) Product in respect of which the design is registered: **Slide rail for a door closer**
(51) International Design Classification: **08-07**
(71) Name(s) and Address(s) of Applicant(s):
Assa Abloy Australia Pty Limited
50 Edward Street Oakleigh Victoria 3166 Australia
(72) Name(s) of Designer(s): **John Henri Hoogendoorn**
(45) Registration Date: **03 February 2006**
(56) Related Art Documents: **Not Applicable**
(57) Statement of Newness and Distinctiveness: **Nil**



(21) Design Number: **10747/2005**

(22) Date of Filing Application: **25 February 2005**

(24) Date from which industrial property rights may have effect: **25 February 2005**

(54) Product in respect of which the design is registered: **An electrical module**

(51) International Design Classification: **13-03D**

(71) Name(s) and Address(s) of Applicant(s):

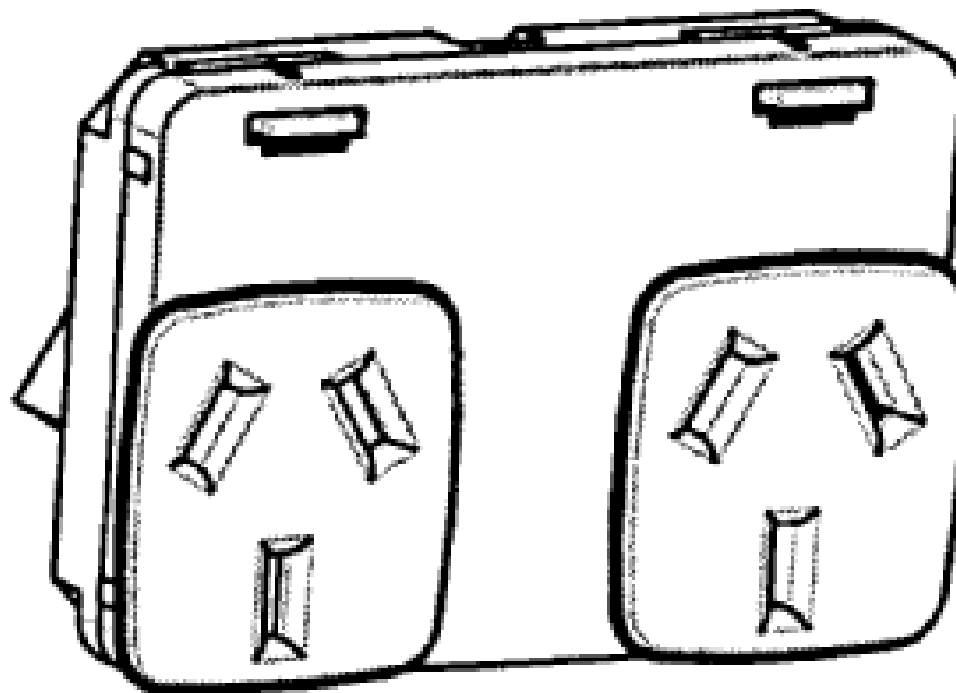
**H.P.M. Industries Pty Ltd
Unit 4 44-48 O'Dea Avenue Waterloo New South Wales 2017 Australia**

(72) Name(s) of Designer(s): **Harry Verma**

(45) Registration Date: **03 February 2006**

(56) Related Art Documents: **Not Applicable**

(57) Statement of Newness and Distinctiveness: **If a person is required to decide whether the design is substantially similar in overall impression to another design, the person making the decision should have particular regard to the features visible in the front elevation view and the front perspective view of the representations.**



(21) Design Number: **10748/2005**

(22) Date of Filing Application: **25 February 2005**

(24) Date from which industrial property rights may have effect: **25 February 2005**

(54) Product in respect of which the design is registered: **A grid plate**

(51) International Design Classification: **13-03D**

(71) Name(s) and Address(s) of Applicant(s):

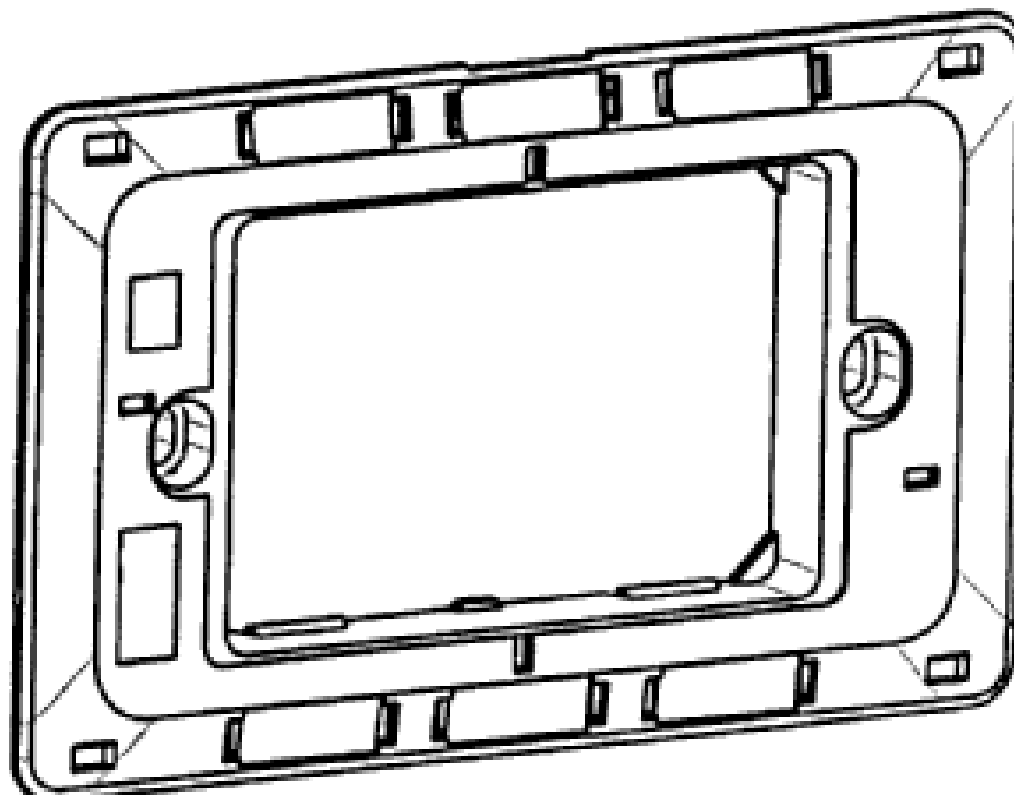
**H.P.M. Industries Pty Ltd
Unit 4 44-48 O'Dea Avenue Waterloo New South Wales 2017 Australia**

(72) Name(s) of Designer(s): **Harry Verma**

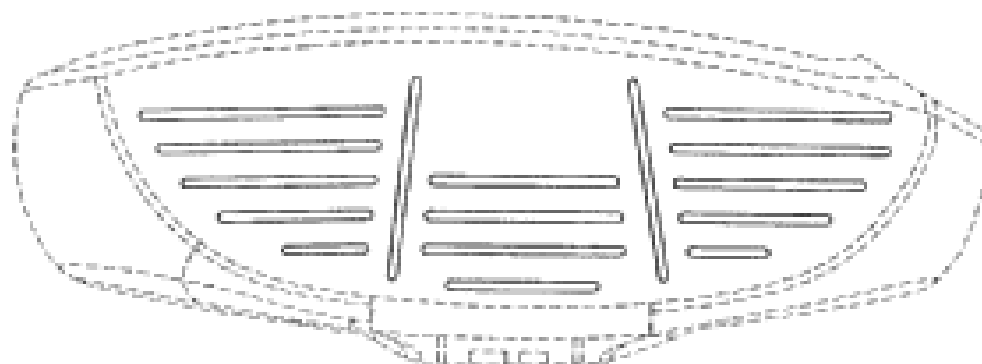
(45) Registration Date: **03 February 2006**

(56) Related Art Documents: **Not Applicable**

(57) Statement of Newness and Distinctiveness: **Nil**



(21) Design Number: **10749/2005**
(22) Date of Filing Application: **25 February 2005**
(24) Date from which industrial property rights may have effect: **25 February 2005**
(54) Product in respect of which the design is registered: **A golf club head**
(51) International Design Classification: **21-02C**
(71) Name(s) and Address(s) of Applicant(s):
Callaway Golf Company
2180 Rutherford Road Carlsbad California 92008 United States of America
(72) Name(s) of Designer(s): **Augustin W. Rollinson**
(45) Registration Date: **03 February 2006**
(30) Convention priority data:
(31) Number (32) Date (33) Country
29/212211 26 Aug 2004 UNITED STATES OF AMERICA
(56) Related Art Documents: **Not Applicable**
(57) Statement of Newness and Distinctiveness: **Newness and distinctiveness is claimed in the features of a scoreline pattern of a golf club head as illustrated in the accompanying representations.**



(21) Design Number: **13423/2005**
(22) Date of Filing Application: **11 August 2005**
(24) Date from which industrial property rights may have effect: **11 August 2005**
(54) Product in respect of which the design is registered: **Shoe**
(51) International Design Classification: **02-04NES**
(71) Name(s) and Address(s) of Applicant(s):
Lacoste
8 rue de Castiglione 75001 Paris France
(72) Name(s) of Designer(s): **Georgina James**
(45) Registration Date: **03 February 2006**
(30) Convention priority data:
(31) Number (32) Date (33) Country
000304498-0003 23 Feb 2005 EUROPEAN COMMUNITY
(56) Related Art Documents: **Not Applicable**
(57) Statement of Newness and Distinctiveness: **Nil**



(21) Design Number: **13424/2005**
(22) Date of Filing Application: **11 August 2005**
(24) Date from which industrial property rights may have effect: **11 August 2005**
(54) Product in respect of which the design is registered: **Shoe**
(51) International Design Classification: **02-04NES**
(71) Name(s) and Address(s) of Applicant(s):
Lacoste
8 rue de Castiglione 75001 Paris France
(72) Name(s) of Designer(s): **Emily Louise Hulbert**
(45) Registration Date: **03 February 2006**
(30) Convention priority data:
(31) Number (32) Date (33) Country
000304498-0004 23 Feb 2005 EUROPEAN COMMUNITY
(56) Related Art Documents: **Not Applicable**
(57) Statement of Newness and Distinctiveness: **Nil**



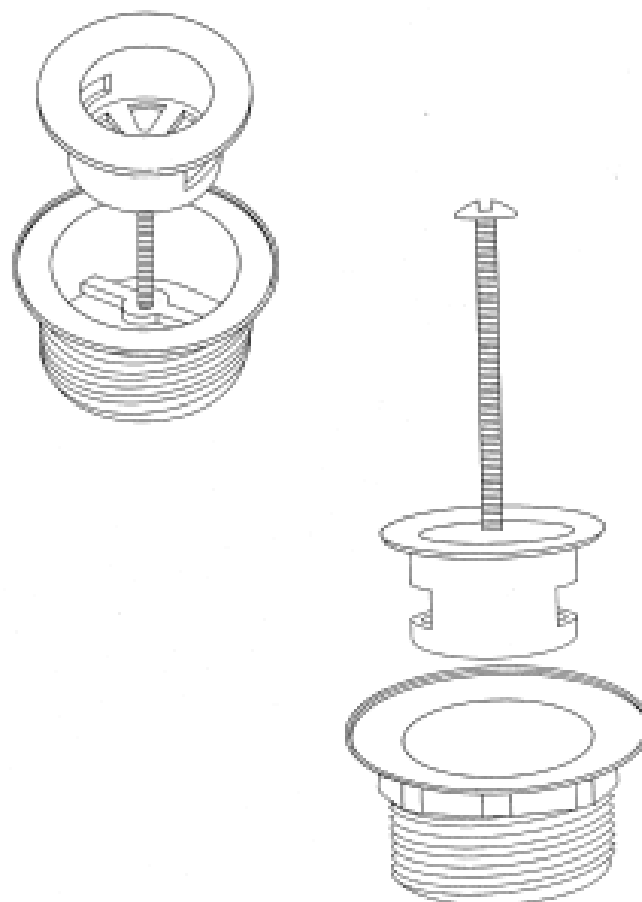
(21) Design Number: **13425/2005**
(22) Date of Filing Application: **11 August 2005**
(24) Date from which industrial property rights may have effect: **11 August 2005**
(54) Product in respect of which the design is registered: **Shoe**
(51) International Design Classification: **02-04NES**
(71) Name(s) and Address(s) of Applicant(s):
Lacoste
8 rue de Castiglione 75001 Paris France
(72) Name(s) of Designer(s): **Emily Louise Hulbert**
(45) Registration Date: **03 February 2006**
(30) Convention priority data:
(31) Number (32) Date (33) Country
000304498-0005 23 Feb 2005 EUROPEAN COMMUNITY
(56) Related Art Documents: **Not Applicable**
(57) Statement of Newness and Distinctiveness: **Nil**



- (21) Design Number: **13426/2005**
(22) Date of Filing Application: **11 August 2005**
(24) Date from which industrial property rights may have effect: **11 August 2005**
(54) Product in respect of which the design is registered: **Shoe**
(51) International Design Classification: **02-04NES**
(71) Name(s) and Address(s) of Applicant(s):
Lacoste
8 rue de Castiglione 75001 Paris France
(72) Name(s) of Designer(s): **Richard Michael Pryce Edwards**
(45) Registration Date: **03 February 2006**
(30) Convention priority data:
(31) Number (32) Date (33) Country
000304498-0006 23 Feb 2005 EUROPEAN COMMUNITY
(56) Related Art Documents: **Not Applicable**
(57) Statement of Newness and Distinctiveness: **Nil**



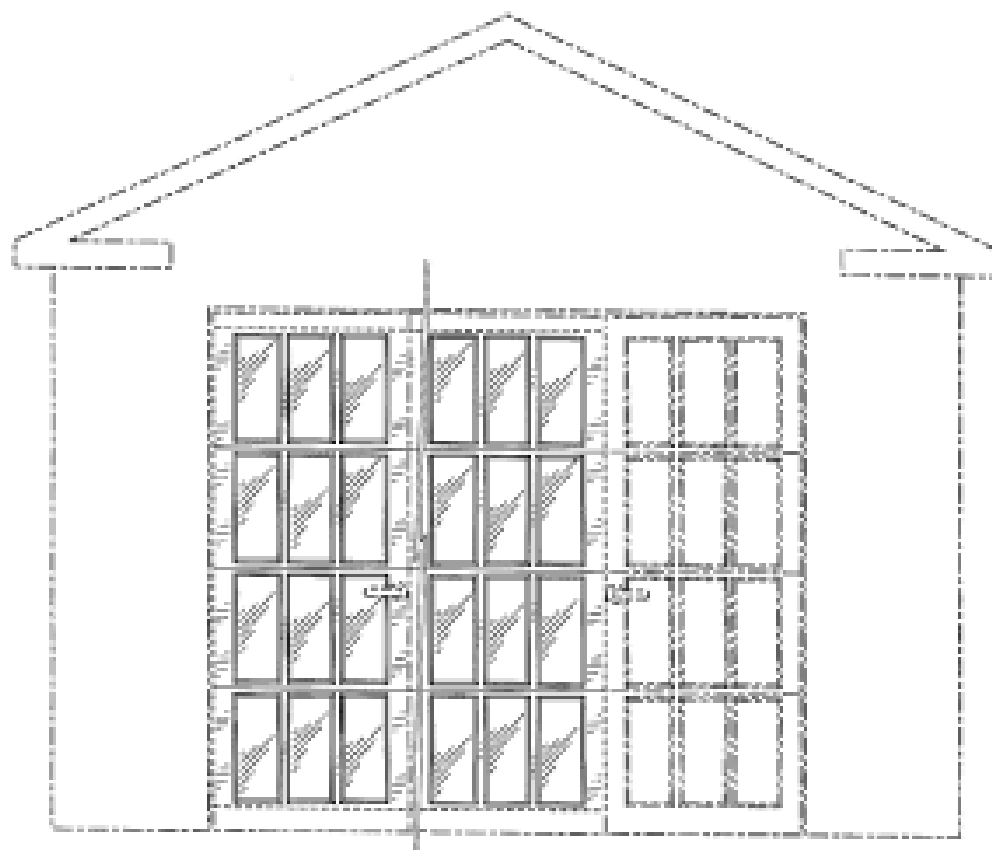
- (21) Design Number: **10572/2005**
(22) Date of Filing Application: **14 February 2005**
(24) Date from which industrial property rights may have effect: **14 February 2005**
(54) Product in respect of which the design is registered: **A waste plug connection**
(51) International Design Classification: **23-02D**
(71) Name(s) and Address(s) of Applicant(s):
Architectural Designer Products Pty Limited
237 Berkeley Road Unanderra New South Wales 2526 Australia
(72) Name(s) of Designer(s): **Andrew Jones**
(45) Registration Date: **07 February 2006**
(56) Related Art Documents: **Not Applicable**
(57) Statement of Newness and Distinctiveness: **For newness and distinctiveness particular regard is to be had to the features of shape and or configuration of a waste plug connection in which the plughole member includes overflow apertures as shown in the accompanying representations.**



(19) AU

- (21) Design Number: **12271/2005**
- (22) Date of Filing Application: **23 May 2005**
- (24) Date from which industrial property rights may have effect: **23 May 2005**
- (54) Product in respect of which the design is registered: **A door facade for a garage**
- (51) International Design Classification: **25-02B**
- (71) Name(s) and Address(s) of Applicant(s):
Frenchporte LLC
121 Congressional Lane Penthouse Suite Rockville Maryland 20852
United States of America
- (72) Name(s) of Designer(s): **Jennifer Armstrong Maher**
- (45) Registration Date: **07 February 2006**
- (30) Convention priority data:

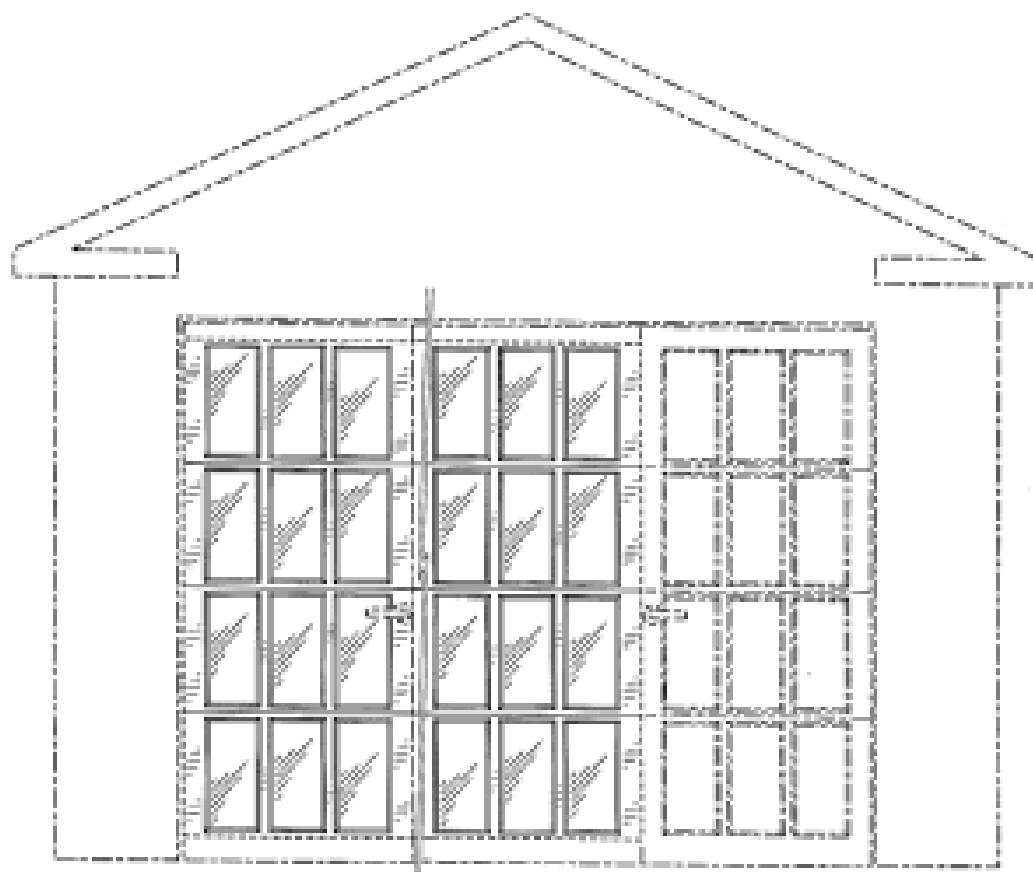
(31) Number	(32) Date	(33) Country
29/217762	23 Nov 2004	UNITED STATES OF AMERICA
- (56) Related Art Documents: **Not Applicable**
- (57) Statement of Newness and Distinctiveness: **Newness and distinctiveness are claimed in the pattern and ornamentation and/or shape and configuration of an overhead garage door facade as illustrated in the representations. The features shown in broken outline do not form part of the design.**



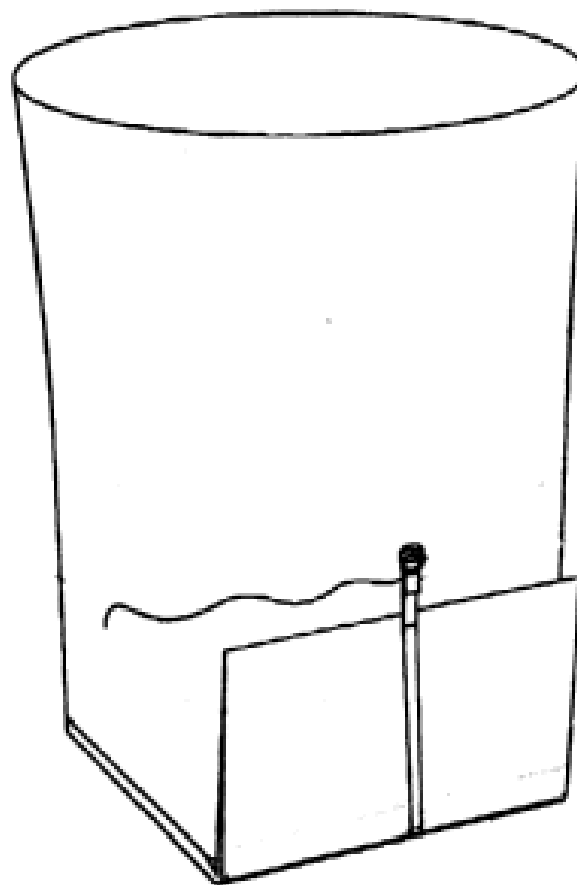
(19) AU

- (21) Design Number: **15794/2005**
- (22) Date of Filing Application: **23 May 2005**
- (24) Date from which industrial property rights may have effect: **23 May 2005**
- (54) Product in respect of which the design is registered: **A door facade for a garage**
- (51) International Design Classification: **25-02B**
- (71) Name(s) and Address(s) of Applicant(s):
Frenchporte LLC
121 Congressional Lane Penthouse Suite Rockville Maryland 20852
United States of America
- (72) Name(s) of Designer(s): **Jennifer Armstrong Maher**
- (45) Registration Date: **07 February 2006**
- (30) Convention priority data:

(31) Number	(32) Date	(33) Country
29/217762	23 Nov 2004	UNITED STATES OF AMERICA
- (56) Related Art Documents: **Not Applicable**
- (57) Statement of Newness and Distinctiveness: **Newness and distinctiveness are claimed in the pattern and ornamentation and/or shape and configuration of an overhead garage door facade as illustrated in the representations. The features shown in broken outline do not form part of the design.**

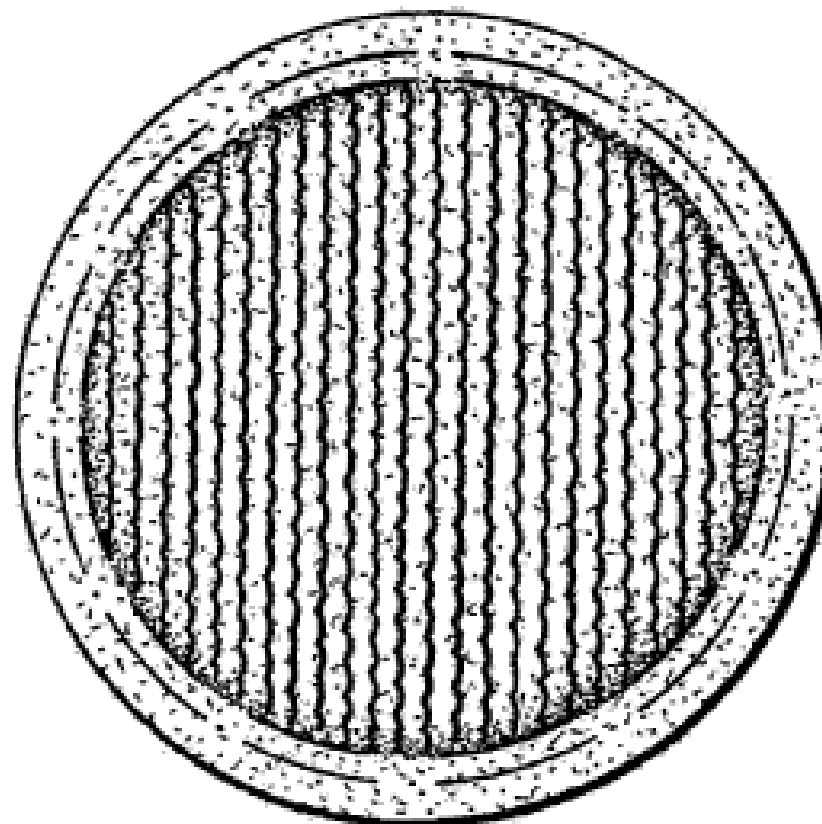


- (21) Design Number: **12483/2005**
- (22) Date of Filing Application: **09 June 2005**
- (24) Date from which industrial property rights may have effect: **09 June 2005**
- (54) Product in respect of which the design is registered: **BonzaBag - a bag for a trash receptacle**
- (51) International Design Classification: **09-05**
- (71) Name(s) and Address(s) of Applicant(s):
Devise Properties Pty Ltd
Suite 2204 Tower 1 Westfield 500 Oxford Street Bondi Junction 2022
New South Wales Australia
- (72) Name(s) of Designer(s): **Ilan Ben-Menashe**
- (45) Registration Date: **07 February 2006**
- (56) Related Art Documents: **Not Applicable**
- (57) Statement of Newness and Distinctiveness: **The bottom of the bag and the opening and closing of it are distinctive, especially when applied to carrying recyclable materials and general waste. The closing and opening of the bottom with the buckle shown, is also distinctive.**



- (21) Design Number: **12622/2005**
- (22) Date of Filing Application: **21 June 2005**
- (24) Date from which industrial property rights may have effect: **21 June 2005**
- (54) Product in respect of which the design is registered: **Skin treatment article**
- (51) International Design Classification: **24-04, 28-99**
- (71) Name(s) and Address(s) of Applicant(s):
Johnson & Johnson Consumer Companies, Inc.
Grandview Road Skillman New Jersey 08558 United States of America
- (72) Name(s) of Designer(s): **Michael W. Eknoian and David A. Burwell and Elizabeth P. Edwards and Raymond Ip and Lynn A. Lewin**
- (45) Registration Date: **07 February 2006**
- (30) Convention priority data:

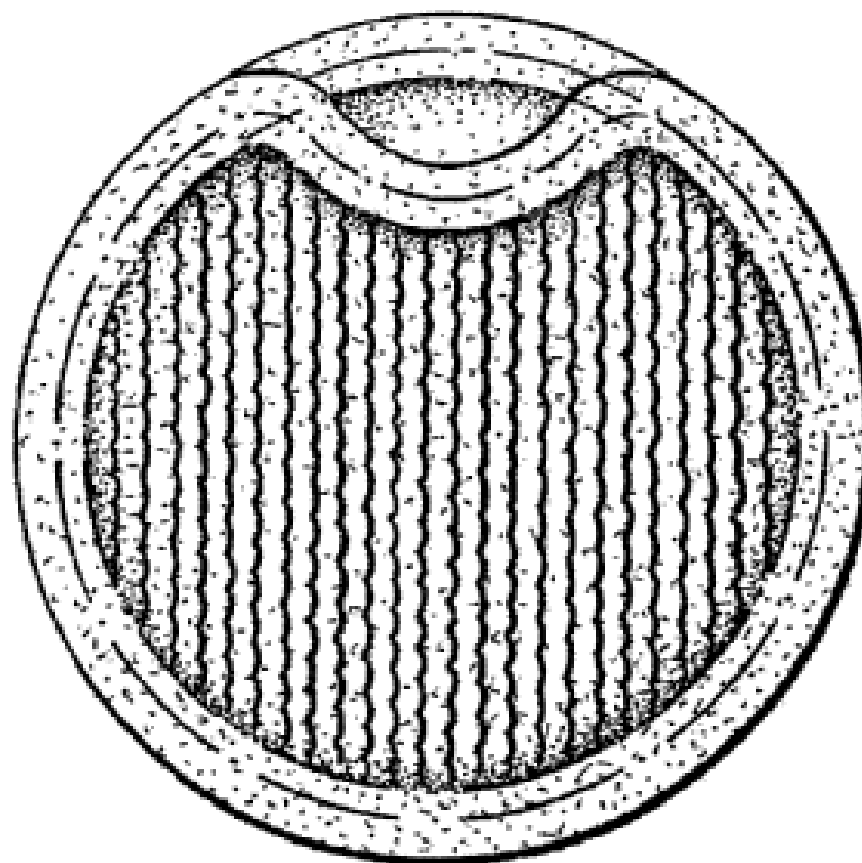
(31) Number	(32) Date	(33) Country
29/220185	28 Dec 2004	UNITED STATES OF AMERICA
- (56) Related Art Documents: **Not Applicable**
- (57) Statement of Newness and Distinctiveness: **Newness and distinctiveness resides in the pattern and/or ornamentation of the raised front portion of the front plan view of both the embodiments of the skin treatment article as shown in the accompanying representations. The portions indicated in broken lines in the accompanying representations are for illustrative purposes only and do not form part of the claimed design.**



(21) Design Number: **10029/2006**
 (22) Date of Filing Application: **21 June 2005**
 (24) Date from which industrial property rights may have effect: **21 June 2005**
 (54) Product in respect of which the design is registered: **Skin treatment article**
 (51) International Design Classification: **24-04, 28-99**
 (71) Name(s) and Address(s) of Applicant(s):
Johnson & Johnson Consumer Companies, Inc.
Grandview Road Skillman New Jersey 08558 United States of America
 (72) Name(s) of Designer(s): **Michael W. Eknoian and David A. Burwell and Elizabeth P. Edwards and Raymond Ip and Lynn A. Lewin**
 (45) Registration Date: **07 February 2006**
 (30) Convention priority data:

(31) Number	(32) Date	(33) Country
29/220185	28 Dec 2004	UNITED STATES OF AMERICA

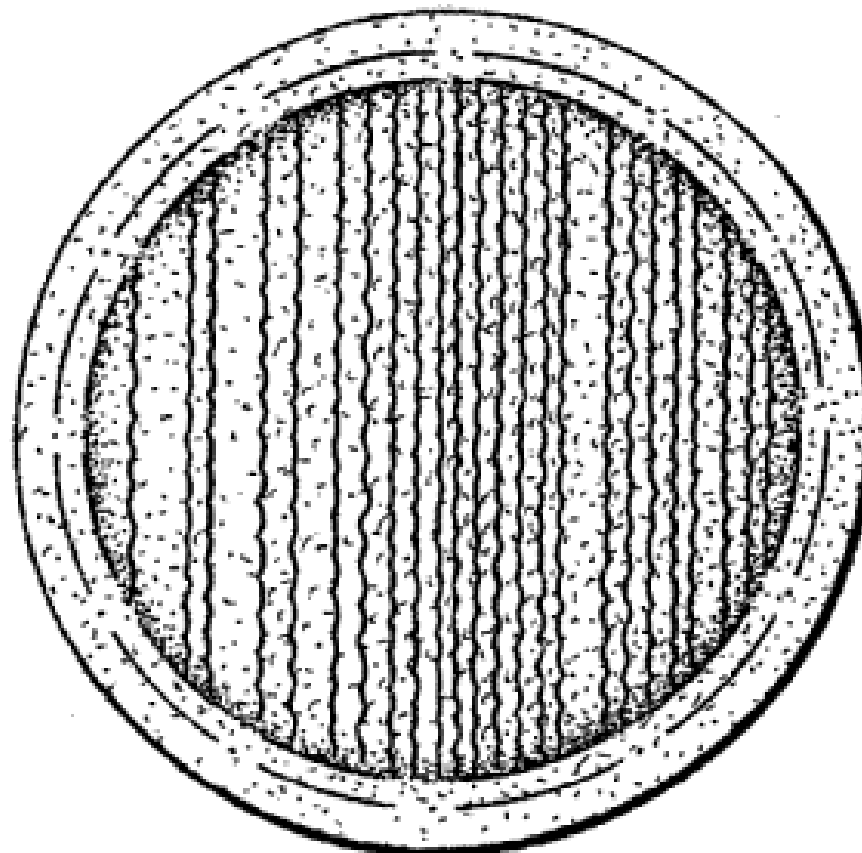
 (56) Related Art Documents: **Not Applicable**
 (57) Statement of Newness and Distinctiveness: **Newness and distinctiveness resides in the pattern and/or ornamentation of the raised front portion of the front plan view of both the embodiments of the skin treatment article as shown in the accompanying representations. The portions indicated in broken lines in the accompanying representations are illustrative purposes only and do not form part of the claimed design.**



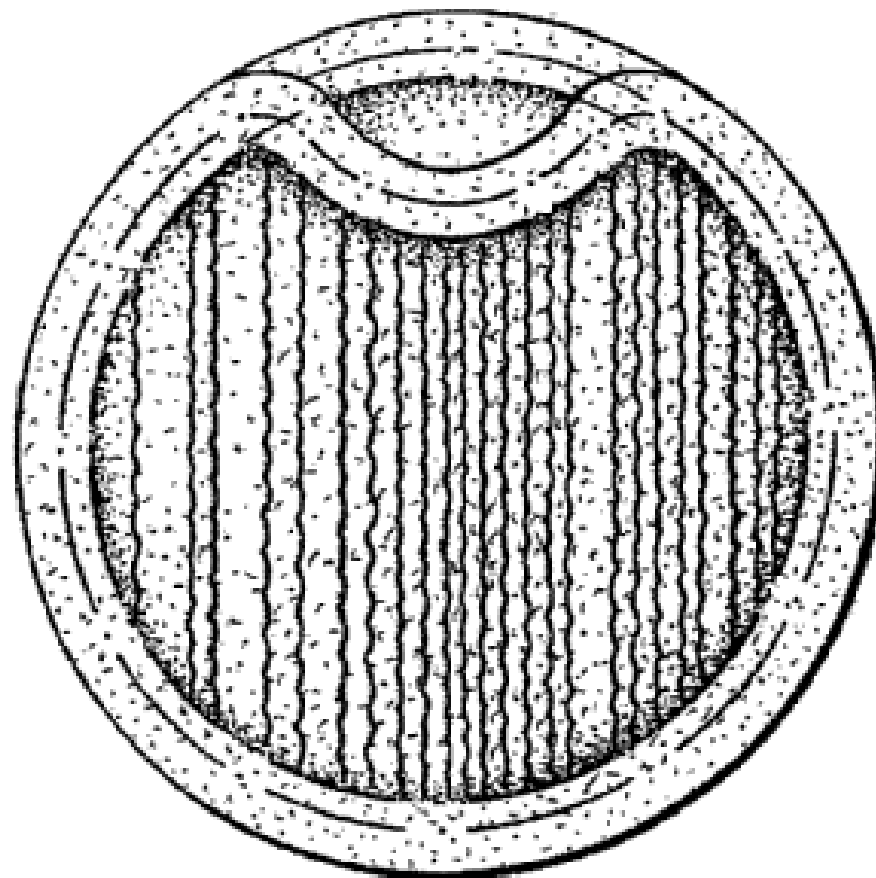
(21) Design Number: **12623/2005**
 (22) Date of Filing Application: **21 June 2005**
 (24) Date from which industrial property rights may have effect: **21 June 2005**
 (54) Product in respect of which the design is registered: **Skin treatment article**
 (51) International Design Classification: **24-04, 28-99**
 (71) Name(s) and Address(s) of Applicant(s):
Johnson & Johnson Consumer Companies, Inc.
Grandview Road Skillman New Jersey 08558 United States of America
 (72) Name(s) of Designer(s): **Michael W. Eknoian and David A. Burwell and Elizabeth P. Edwards and Raymond Ip and Lynn A. Lewin**
 (45) Registration Date: **07 February 2006**
 (30) Convention priority data:

(31) Number	(32) Date	(33) Country
29/220185	28 Dec 2004	UNITED STATES OF AMERICA

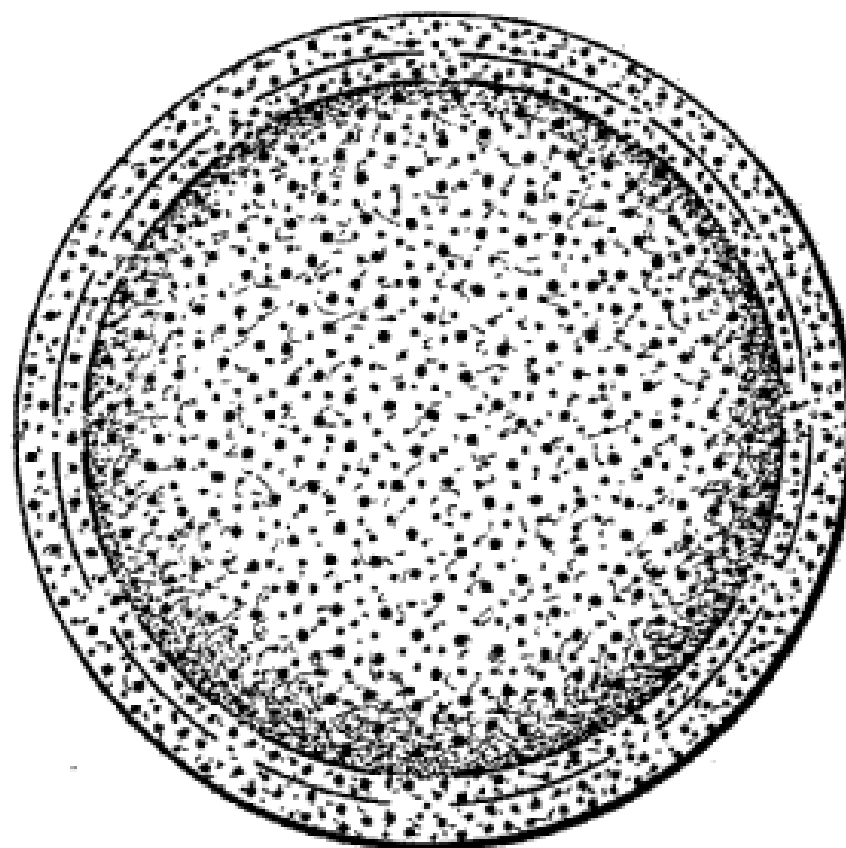
 (56) Related Art Documents: **Not Applicable**
 (57) Statement of Newness and Distinctiveness: **Newness and distinctiveness resides in the pattern and/or ornamentation of the raised front portion of the front plan view of both the embodiments of the skin treatment article as shown in the accompanying representations. The portions indicated in broken lines in the accompanying representations are for illustrative purposes only and do not form part of the claimed design.**



- (21) Design Number: **10030/2006**
(22) Date of Filing Application: **21 June 2005**
(24) Date from which industrial property rights may have effect: **21 June 2005**
(54) Product in respect of which the design is registered: **Skin treatment article**
(51) International Design Classification: **24-04, 28-99**
(71) Name(s) and Address(s) of Applicant(s):
Johnson & Johnson Consumer Companies, Inc.
Grandview Road Skillman New Jersey 08558 United States of America
(72) Name(s) of Designer(s): **Michael W. Eknoian and David A. Burwell and Elizabeth P. Edwards and Lynn A. Lewin and Raymond Ip**
(45) Registration Date: **07 February 2006**
(30) Convention priority data:
(31) Number (32) Date (33) Country
29/220185 28 Dec 2004 UNITED STATES OF AMERICA
(56) Related Art Documents: **Not Applicable**
(57) Statement of Newness and Distinctiveness: **Newness and distinctiveness resides in the pattern and/or ornamentation of the raised front portion of the front plan view of both the embodiments of the skin treatment article as shown in the accompanying representations. The portions indicated in broken lines in the accompanying representations are for illustrative purposes only and do not form part of the claimed design.**



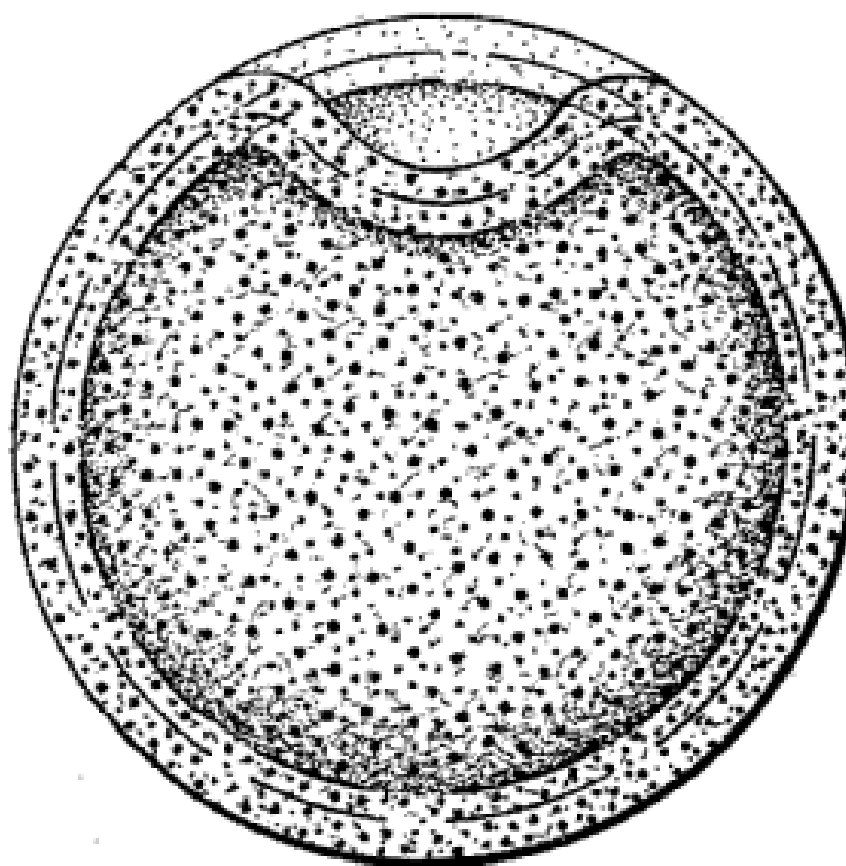
- (21) Design Number: **12624/2005**
(22) Date of Filing Application: **21 June 2005**
(24) Date from which industrial property rights may have effect: **21 June 2005**
(54) Product in respect of which the design is registered: **Skin treatment article**
(51) International Design Classification: **24-04, 28-99**
(71) Name(s) and Address(s) of Applicant(s):
Johnson & Johnson Consumer Companies, Inc.
Grandview Road Skillman New Jersey 08558 United States of America
(72) Name(s) of Designer(s): **Michael W. Eknoian and David A. Burwell and Elizabeth P. Edwards and Raymond Ip and Lynn A. Lewin**
(45) Registration Date: **07 February 2006**
(30) Convention priority data:
(31) Number (32) Date (33) Country
29/220186 28 Dec 2004 UNITED STATES OF AMERICA
(56) Related Art Documents: **Not Applicable**
(57) Statement of Newness and Distinctiveness: **Newness and distinctiveness resides in the pattern and/or ornamentation of the raised front portion of the front plan view of both the embodiments of the skin treatment article as shown in the accompanying representations. The portions indicated in broken lines in the accompanying representations are for illustrative purposes only and do not form part of the claimed design.**



(19) AU

- (21) Design Number: **10031/2006**
- (22) Date of Filing Application: **21 June 2005**
- (24) Date from which industrial property rights may have effect: **21 June 2005**
- (54) Product in respect of which the design is registered: **Skin treatment article**
- (51) International Design Classification: **24-04, 28-99**
- (71) Name(s) and Address(s) of Applicant(s):
Johnson & Johnson Consumer Companies, Inc.
Grandview Road Skillman New Jersey 08558 United States of America
- (72) Name(s) of Designer(s): **Michael W. Eknoian and David A. Burwell and Elizabeth P. Edwards and Lynn A. Lewin and Raymond Ip**
- (45) Registration Date: **07 February 2006**
- (30) Convention priority data:

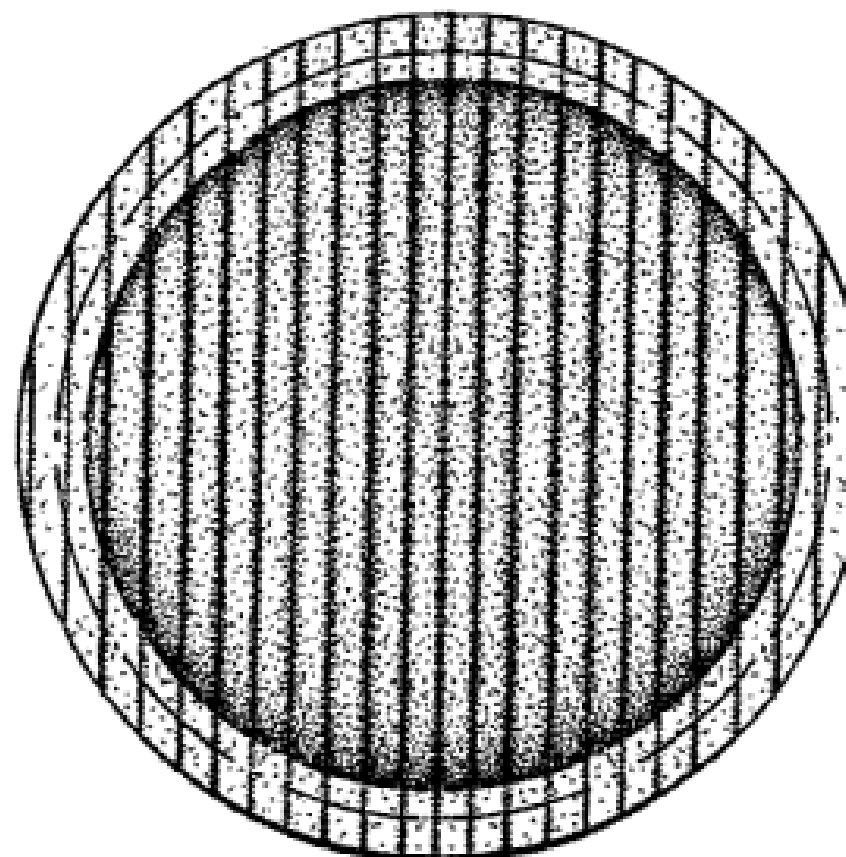
(31) Number	(32) Date	(33) Country
29/220186	28 Dec 2004	UNITED STATES OF AMERICA
- (56) Related Art Documents: **Not Applicable**
- (57) Statement of Newness and Distinctiveness: **Newness and distinctiveness resides in the pattern and/or ornamentation of the raised front portion of the front plan view of both the embodiments of the skin treatment article as shown in the accompanying representations. The portions indicated in broken lines in the accompanying representations are for illustrative purposes only and do not form part of the claimed design.**



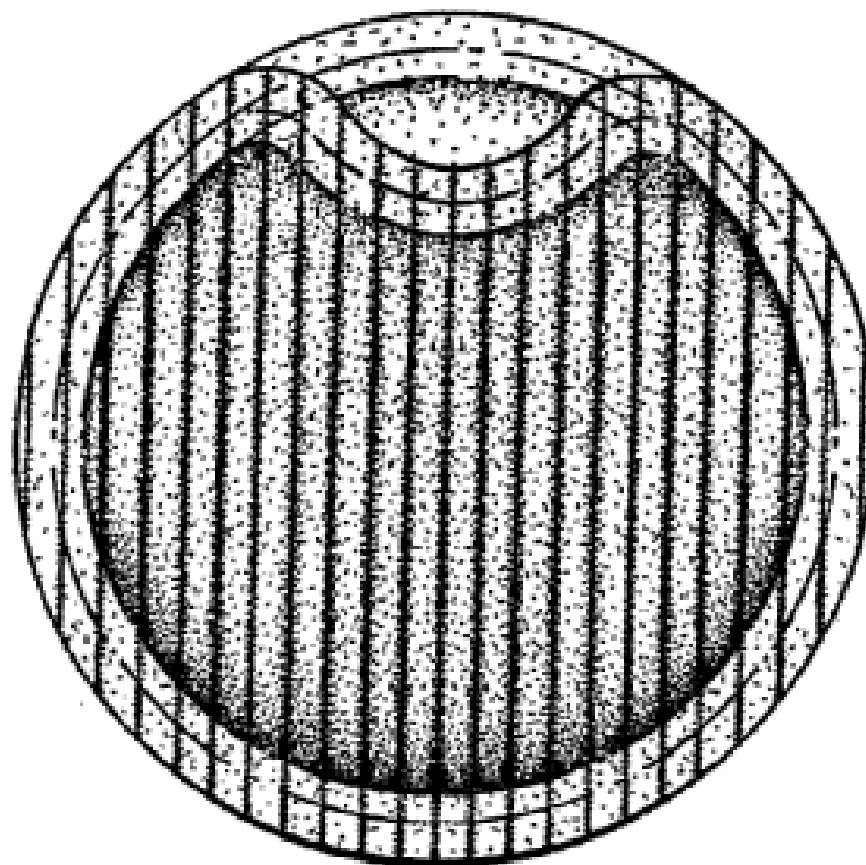
(19) AU

- (21) Design Number: **12625/2005**
- (22) Date of Filing Application: **21 June 2005**
- (24) Date from which industrial property rights may have effect: **21 June 2005**
- (54) Product in respect of which the design is registered: **Skin treatment article**
- (51) International Design Classification: **24-04, 28-99**
- (71) Name(s) and Address(s) of Applicant(s):
Johnson & Johnson Consumer Companies, Inc.
Grandview Road Skillman New Jersey 08558 United States of America
- (72) Name(s) of Designer(s): **Michael W. Eknoian and David A. Burwell and Elizabeth P. Edwards and Raymond Ip and Lynn A. Lewin**
- (45) Registration Date: **07 February 2006**
- (30) Convention priority data:

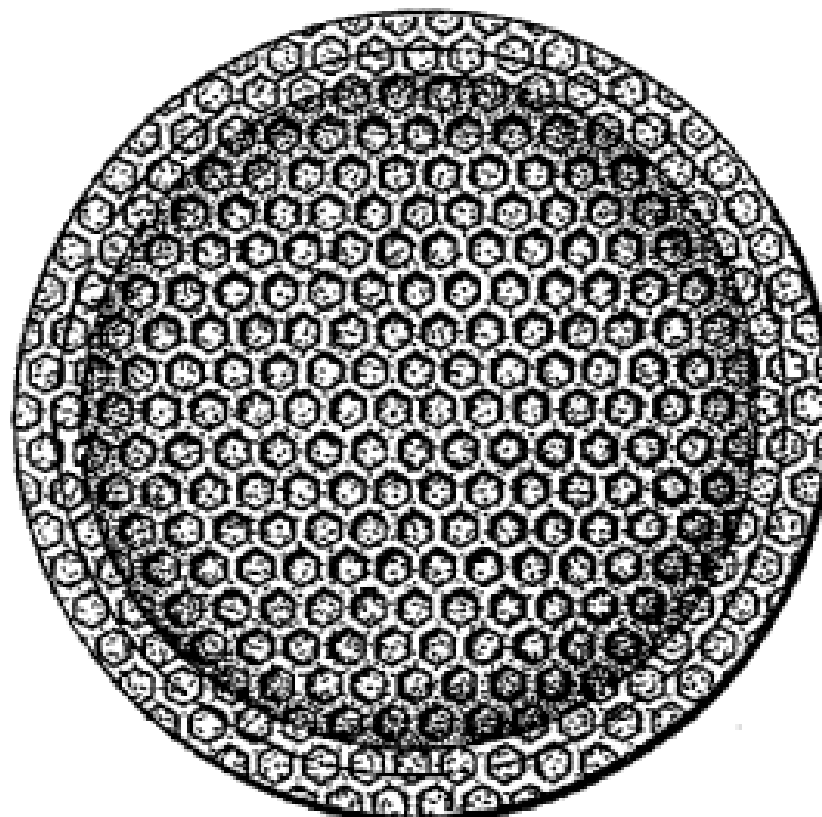
(31) Number	(32) Date	(33) Country
29/220184	28 Dec 2004	UNITED STATES OF AMERICA
- (56) Related Art Documents: **Not Applicable**
- (57) Statement of Newness and Distinctiveness: **Newness and distinctiveness resides in the pattern and/or ornamentation of the raised front portion of the front plan view of both the embodiments of the skin treatment article as shown in the accompanying representations. The portions indicated in broken lines in the accompanying representations are for illustrative purposes only and do not form part of the claimed design.**



- (21) Design Number: **10032/2006**
(22) Date of Filing Application: **21 June 2005**
(24) Date from which industrial property rights may have effect: **21 June 2005**
(54) Product in respect of which the design is registered: **Skin treatment article**
(51) International Design Classification: **24-04, 28-99**
(71) Name(s) and Address(s) of Applicant(s):
Johnson & Johnson Consumer Companies, Inc.
Grandview Road Skillman New Jersey 08558 United States of America
(72) Name(s) of Designer(s): **Michael W. Eknoian and David A. Burwell and Elizabeth P. Edwards and Raymond Ip and Lynn A. Lewin**
(45) Registration Date: **07 February 2006**
(30) Convention priority data:
(31) Number (32) Date (33) Country
29/220184 28 Dec 2004 UNITED STATES OF AMERICA
(56) Related Art Documents: **Not Applicable**
(57) Statement of Newness and Distinctiveness: **Newness and distinctiveness resides in the pattern and/or ornamentation of the raised front portion of the front plan view of both the embodiments of the skin treatment article as shown in the accompanying representations. The portions indicated in broken lines in the accompanying representations are for illustrative purposes only and do not form part of the claimed design.**

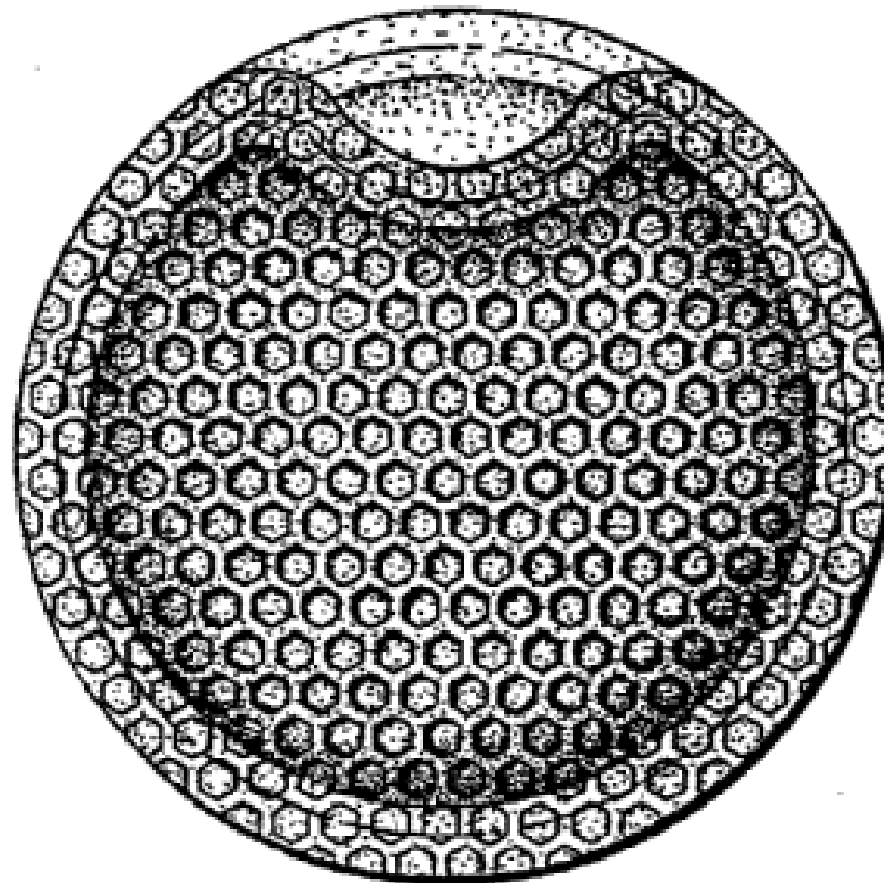


- (21) Design Number: **12626/2005**
(22) Date of Filing Application: **21 June 2005**
(24) Date from which industrial property rights may have effect: **21 June 2005**
(54) Product in respect of which the design is registered: **Skin treatment article**
(51) International Design Classification: **24-04, 28-99**
(71) Name(s) and Address(s) of Applicant(s):
Johnson & Johnson Consumer Companies, Inc.
Grandview Road Skillman New Jersey 08558 United States of America
(72) Name(s) of Designer(s): **Michael W. Eknoian and David A. Burwell and Elizabeth P. Edwards and Raymond Ip and Lynn A. Lewin**
(45) Registration Date: **07 February 2006**
(30) Convention priority data:
(31) Number (32) Date (33) Country
29/220209 28 Dec 2004 UNITED STATES OF AMERICA
(56) Related Art Documents: **Not Applicable**
(57) Statement of Newness and Distinctiveness: **Newness and distinctiveness resides in the pattern and/or ornamentation of the raised front portion of the front plan view of both the embodiments of the skin treatment article as shown in the accompanying representations. The portions indicated in broken lines in the accompanying representations are for illustrative purposes only and do not form part of the claimed design.**



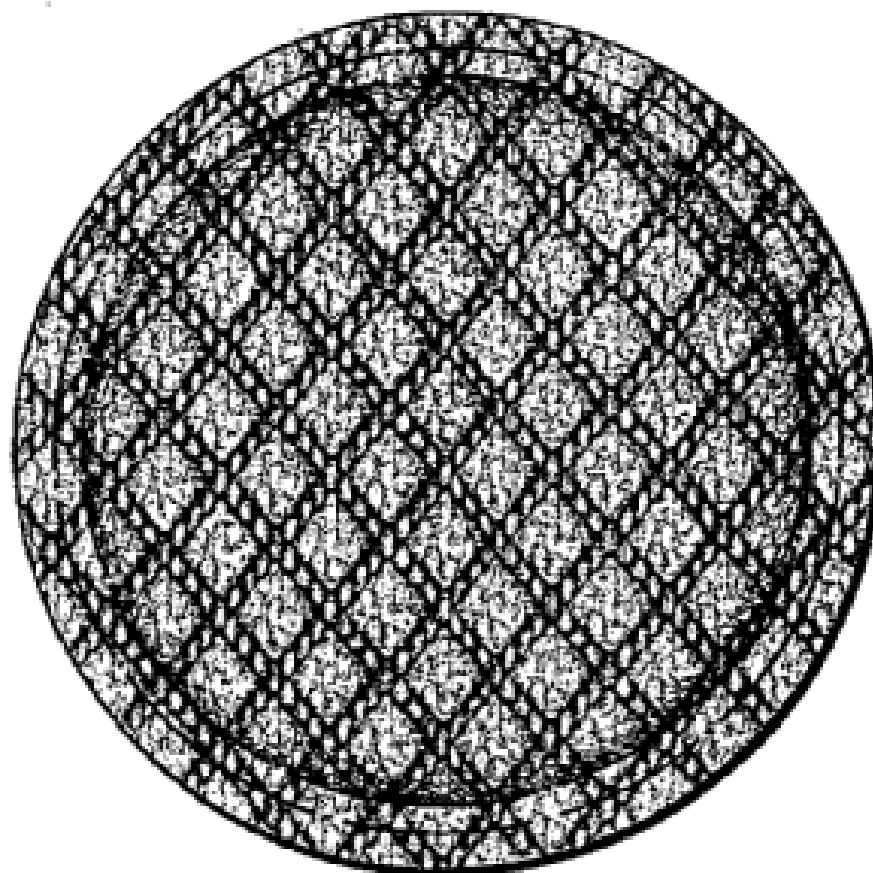
- (21) Design Number: **10033/2006**
- (22) Date of Filing Application: **21 June 2005**
- (24) Date from which industrial property rights may have effect: **21 June 2005**
- (54) Product in respect of which the design is registered: **Skin treatment article**
- (51) International Design Classification: **24-04, 28-99**
- (71) Name(s) and Address(s) of Applicant(s):
Johnson & Johnson Consumer Companies, Inc.
Grandview Road Skillman New Jersey 08558 United States of America
- (72) Name(s) of Designer(s): **Michael W. Eknoian and David A. Burwell and Elizabeth P. Edwards and Raymond Ip and Lynn A. Lewin**
- (45) Registration Date: **07 February 2006**
- (30) Convention priority data:

(31) Number	(32) Date	(33) Country
29/220209	28 Dec 2004	UNITED STATES OF AMERICA
- (56) Related Art Documents: **Not Applicable**
- (57) Statement of Newness and Distinctiveness: **Newness and distinctiveness resides in the pattern and/or ornamentation of the raised front portion of the front plan view of both the embodiments of the skin treatment article as shown in the accompanying representations. The portions indicated in broken lines in the accompanying representations are for illustrative purposes only and do not form part of the claimed design.**



- (21) Design Number: **12627/2005**
- (22) Date of Filing Application: **21 June 2005**
- (24) Date from which industrial property rights may have effect: **21 June 2005**
- (54) Product in respect of which the design is registered: **Skin treatment article**
- (51) International Design Classification: **24-04, 28-99**
- (71) Name(s) and Address(s) of Applicant(s):
Johnson & Johnson Consumer Companies, Inc.
Grandview Road Skillman New Jersey 08558 United States of America
- (72) Name(s) of Designer(s): **Michael W. Eknoian and David A. Burwell and Elizabeth P. Edwards and Raymond Ip and Lynn A. Lewin**
- (45) Registration Date: **07 February 2006**
- (30) Convention priority data:

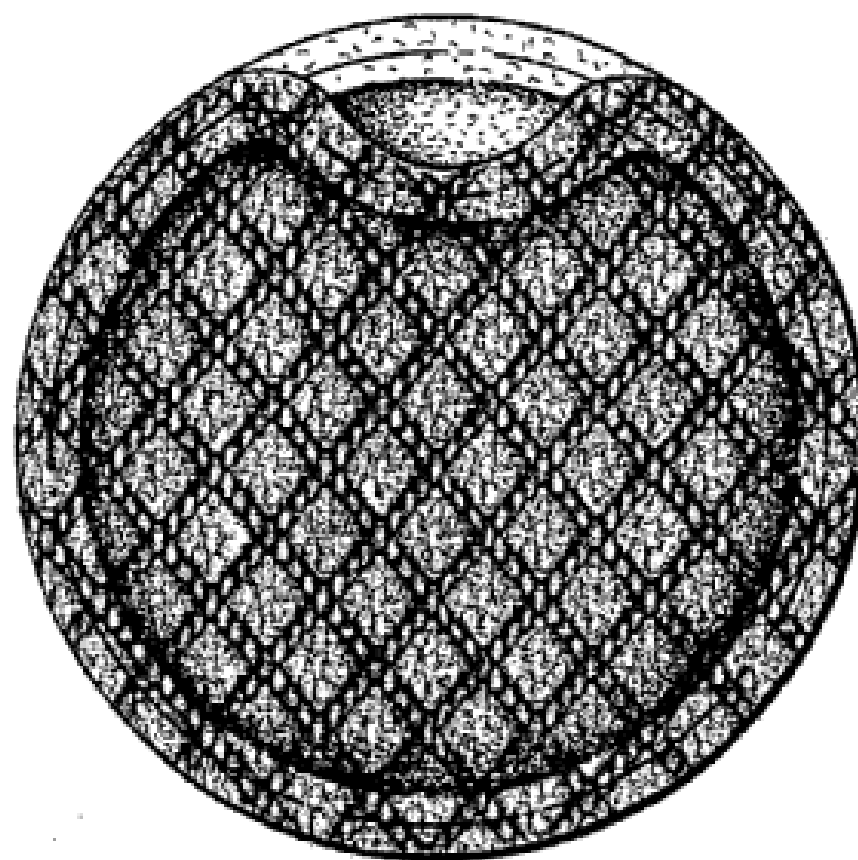
(31) Number	(32) Date	(33) Country
29/220249	28 Dec 2004	UNITED STATES OF AMERICA
- (56) Related Art Documents: **Not Applicable**
- (57) Statement of Newness and Distinctiveness: **Newness and distinctiveness resides in the pattern and/or ornamentation of the raised front portion of the front plan view of both the embodiments of the skin treatment article as shown in the accompanying representations. The portions indicated in broken lines in the accompanying representations are for illustrative purposes only and do not form part of the claimed design.**



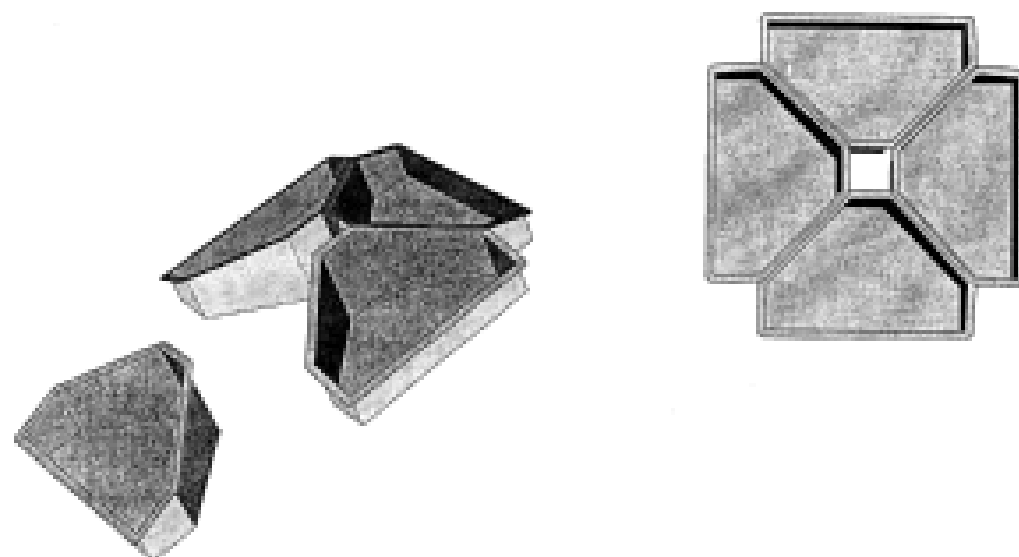
(21) Design Number: **10034/2006**
 (22) Date of Filing Application: **21 June 2005**
 (24) Date from which industrial property rights may have effect: **21 June 2005**
 (54) Product in respect of which the design is registered: **Skin treatment article**
 (51) International Design Classification: **24-04, 28-99**
 (71) Name(s) and Address(s) of Applicant(s):
Johnson & Johnson Consumer Companies, Inc.
Grandview Road Skillman New Jersey 08558 United States of America
 (72) Name(s) of Designer(s): **Michael W. Eknoian and David A. Burwell and Elizabeth P. Edwards and Raymond Ip and Lynn A. Lewin**
 (45) Registration Date: **07 February 2006**
 (30) Convention priority data:

(31) Number	(32) Date	(33) Country
29/220249	28 Dec 2004	UNITED STATES OF AMERICA

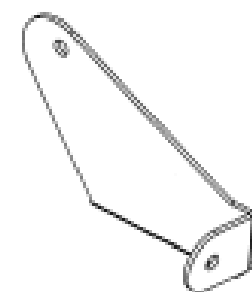
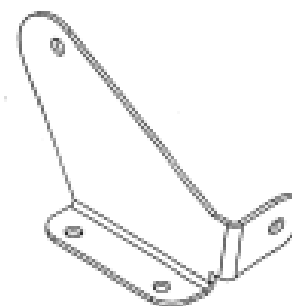
 (56) Related Art Documents: **Not Applicable**
 (57) Statement of Newness and Distinctiveness: **Newness and distinctiveness resides in the pattern and/or ornamentation of the raised front portion of the front plan view of both the embodiments of the skin treatment article as shown in the accompanying representations. The portions indicated in broken lines in the accompanying representations are for illustrative purposes only and do not form part of the claimed design.**



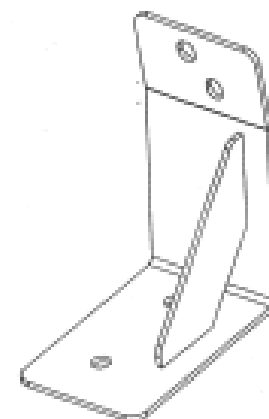
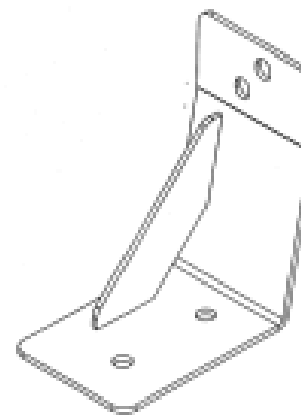
(21) Design Number: **13417/2005**
 (22) Date of Filing Application: **11 August 2005**
 (24) Date from which industrial property rights may have effect: **11 August 2005**
 (54) Product in respect of which the design is registered: **Food tray**
 (51) International Design Classification: **07-01B**
 (71) Name(s) and Address(s) of Applicant(s):
MQF Pty Limited
Presto Bldg 37-39 Wentworth St Greenacre New South Wales 2190 Australia
 (72) Name(s) of Designer(s): **Laszlo (Les) Knebl**
 (45) Registration Date: **07 February 2006**
 (56) Related Art Documents: **Not Applicable**
 (57) Statement of Newness and Distinctiveness: **Monopoly is claimed in the shape and configuration of the features of the article as depicted in the accompanying representations.**



- (21) Design Number: **13457/2005**
- (22) Date of Filing Application: **11 August 2005**
- (24) Date from which industrial property rights may have effect: **11 August 2005**
- (54) Product in respect of which the design is registered: **Right bracket Left bracket**
- (51) International Design Classification: **08-08L**
- (71) Name(s) and Address(s) of Applicant(s):
Jesent Pty Ltd
PO Box 252 Doveton Victoria 3177 Australia
- (72) Name(s) of Designer(s): **Robert Anson and Lawrence McCoy and Steve Gallienne**
- (45) Registration Date: **07 February 2006**
- (56) Related Art Documents: **Not Applicable**
- (57) Statement of Newness and Distinctiveness: **Nil**



- (21) Design Number: **13459/2005**
- (22) Date of Filing Application: **11 August 2005**
- (24) Date from which industrial property rights may have effect: **11 August 2005**
- (54) Product in respect of which the design is registered: **Right bracket Left bracket**
- (51) International Design Classification: **08-08L**
- (71) Name(s) and Address(s) of Applicant(s):
Jesent Pty Ltd
PO Box 252 Doveton Victoria 3177 Australia
- (72) Name(s) of Designer(s): **Robert Anson and Lawrence McCoy and Steve Gallienne**
- (45) Registration Date: **07 February 2006**
- (56) Related Art Documents: **Not Applicable**
- (57) Statement of Newness and Distinctiveness: **Nil**



(21) Design Number: **13580/2005**

(22) Date of Filing Application: **23 August 2005**

(24) Date from which industrial property rights may have effect: **23 August 2005**

(54) Product in respect of which the design is registered: **Timber decking biscuit**

(51) International Design Classification: **08-08NES**

(71) Name(s) and Address(s) of Applicant(s):

Peter C. LLoyd
118 Savoy Drive Florida Gardens Queensland 4218 Australia

(72) Name(s) of Designer(s): **Peter C. LLoyd**

(45) Registration Date: **07 February 2006**

(56) Related Art Documents: **Not Applicable**

(57) Statement of Newness and Distinctiveness: **Fixed spring for decking boards and unique fixing to floor joist and decking.**



(21) Design Number: **12670/2005**

(22) Date of Filing Application: **22 June 2005**

(24) Date from which industrial property rights may have effect: **22 June 2005**

(54) Product in respect of which the design is registered: **Lighting fixture**

(51) International Design Classification: **26-05B, 26-05C**

(71) Name(s) and Address(s) of Applicant(s):

Schreder
Rue de Lusambo 67 Brussels B-1190 Belgium

(72) Name(s) of Designer(s): **Jean-Marc Schneider**

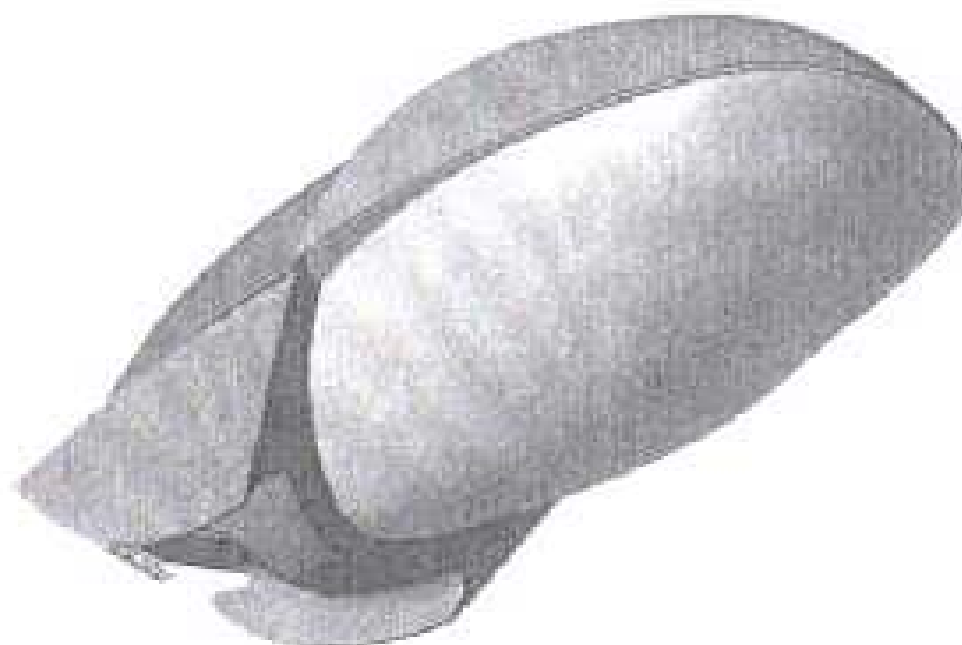
(45) Registration Date: **07 February 2006**

(30) Convention priority data:

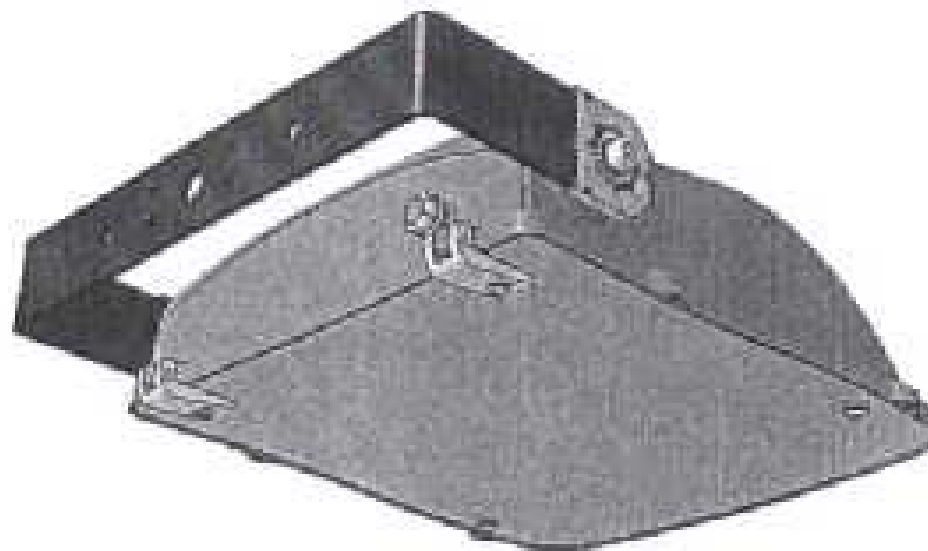
(31) Number	(32) Date	(33) Country
271895-0001	24 Dec 2004	EUROPEAN PATENT OFFICE (EP)

(56) Related Art Documents: **Not Applicable**

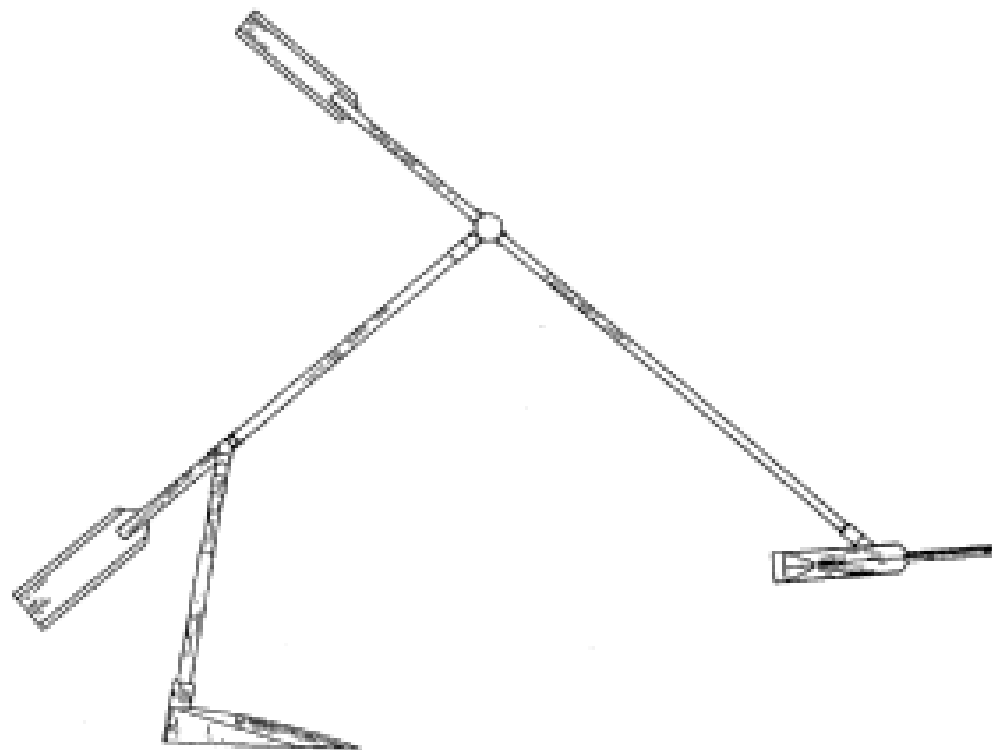
(57) Statement of Newness and Distinctiveness: **Nil**



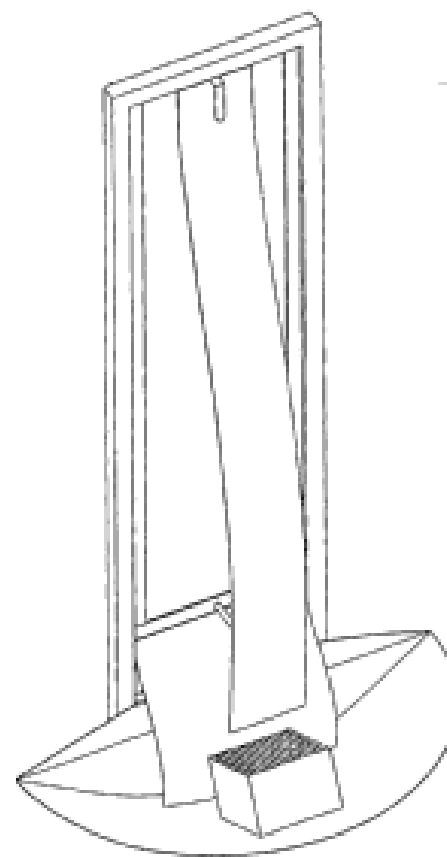
(21) Design Number: **12671/2005**
(22) Date of Filing Application: **22 June 2005**
(24) Date from which industrial property rights may have effect: **22 June 2005**
(54) Product in respect of which the design is registered: **Lighting fixture**
(51) International Design Classification: **26-05B, 26-05C**
(71) Name(s) and Address(s) of Applicant(s):
Schreder
Rue de Lusambo 67 Brussels B-1190 Belgium
(72) Name(s) of Designer(s): **Michel Tortel**
(45) Registration Date: **07 February 2006**
(30) Convention priority data:
(31) Number (32) Date (33) Country
271895-0002 24 Dec 2004 EUROPEAN PATENT OFFICE (EP)
(56) Related Art Documents: **Not Applicable**
(57) Statement of Newness and Distinctiveness: **Nil**



(21) Design Number: **12334/2005**
(22) Date of Filing Application: **27 May 2005**
(24) Date from which industrial property rights may have effect: **27 May 2005**
(54) Product in respect of which the design is registered: **Light generating apparatus**
(51) International Design Classification: **26-04**
(71) Name(s) and Address(s) of Applicant(s):
Camaco AG
Rotluhstrasse 67 Zurich Switzerland
(72) Name(s) of Designer(s): **Richard Sapper**
(45) Registration Date: **07 February 2006**
(30) Convention priority data:
(31) Number (32) Date (33) Country
29/218612 03 Dec 2004 UNITED STATES OF AMERICA
(56) Related Art Documents: **Not Applicable**
(57) Statement of Newness and Distinctiveness: **Newness and distinctiveness in the design as applied to a light generating apparatus resides in the shape and/or configuration thereof as is illustrated in the accompanying representations. The positions of the adjustable components of the light generating apparatus relative to one another should not be considered as limiting when assessing the newness and distinctiveness of the design.**

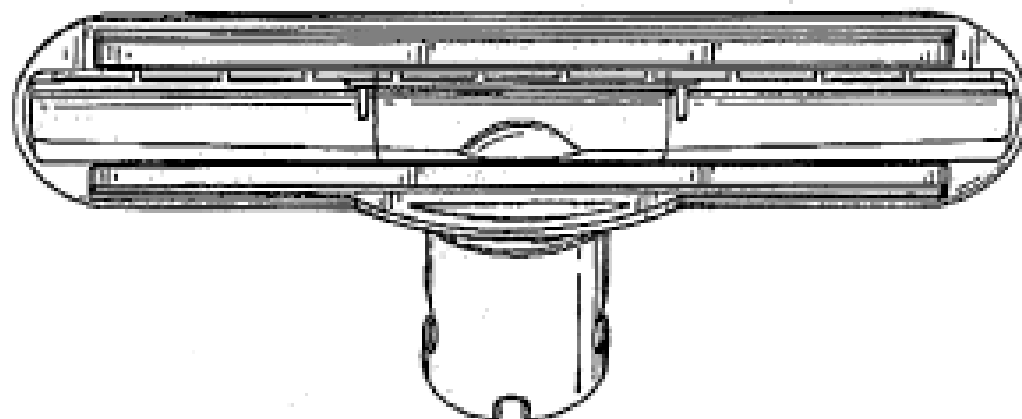


- (21) Design Number: **10811/2005**
- (22) Date of Filing Application: **01 March 2005**
- (24) Date from which industrial property rights may have effect: **01 March 2005**
- (54) Product in respect of which the design is registered: **Fountain**
- (51) International Design Classification: **11-99**
- (71) Name(s) and Address(s) of Applicant(s):
David Rusic
11 Fitzgerald Street Ferntree Gully Victoria 3156 Australia
- (72) Name(s) of Designer(s): **David Rusic**
- (45) Registration Date: **07 February 2006**
- (56) Related Art Documents: **Not Applicable**
- (57) Statement of Newness and Distinctiveness: **Those visual features of the fountain depicted in the representations that are new and distinctive are the shape and/or configuration.**

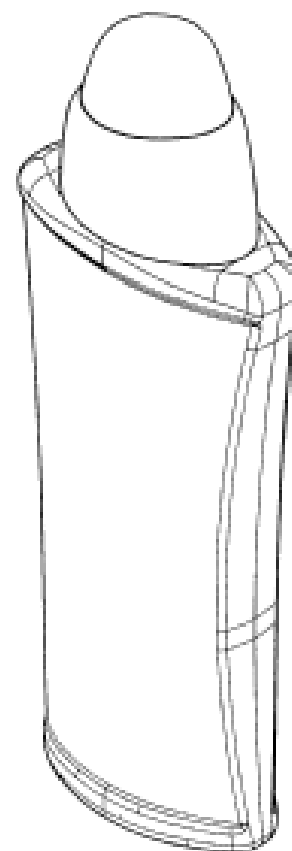


- (21) Design Number: **11364/2005**
- (22) Date of Filing Application: **05 April 2005**
- (24) Date from which industrial property rights may have effect: **05 April 2005**
- (54) Product in respect of which the design is registered: **An accessory for a cleaning appliance**
- (51) International Design Classification: **15-05**
- (71) Name(s) and Address(s) of Applicant(s):
Dyson Limited
Tetbury Hill Malmesbury Wiltshire SN16 0RP United Kingdom
- (72) Name(s) of Designer(s): **James Dyson and Samuel Emrys James and James Edward Gill**
- (45) Registration Date: **07 February 2006**
- (30) Convention priority data:

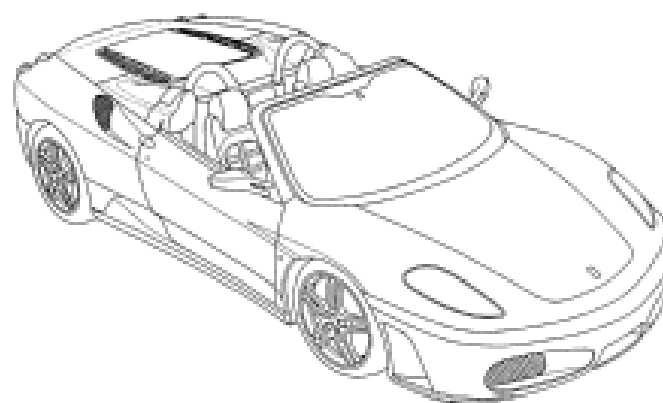
(31) Number	(32) Date	(33) Country
3019028	08 Oct 2004	UNITED KINGDOM
- (56) Related Art Documents: **Not Applicable**
- (57) Statement of Newness and Distinctiveness: **Newness and distinctiveness resides in the shape and/or configuration of the accessory for a cleaning appliance as shown in the accompanying representations.**



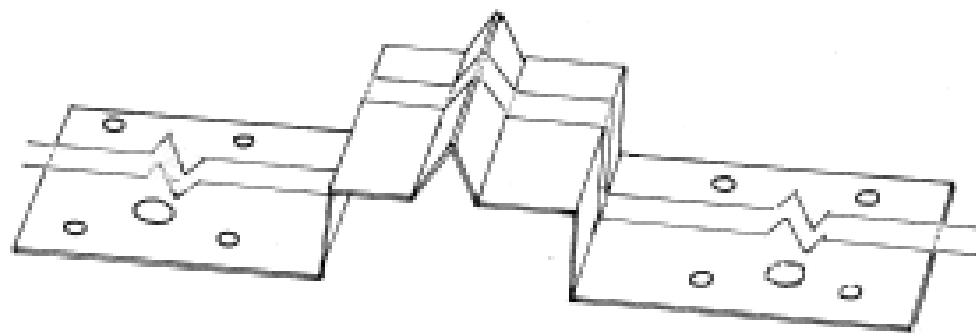
- (21) Design Number: **13603/2005**
(22) Date of Filing Application: **22 August 2005**
(24) Date from which industrial property rights may have effect: **22 August 2005**
(54) Product in respect of which the design is registered: **Bottle**
(51) International Design Classification: **09-01G**
(71) Name(s) and Address(s) of Applicant(s):
Henkel Kommanditgesellschaft auf Aktien
Henkelstrasse 67 40589 Dusseldorf Germany
(72) Name(s) of Designer(s): **Sandra Autz and Anne-Laure Wacquez and Asli Cobbers and Kevin Mignon**
(45) Registration Date: **07 February 2006**
(30) Convention priority data:
(31) Number (32) Date (33) Country
000310586 16 Mar 2005 EUROPEAN COMMUNITY
(56) Related Art Documents: **Not Applicable**
(57) Statement of Newness and Distinctiveness: **Newness and distinctiveness is claimed in the features of shape and/or configuration of a bottle as illustrated in the accompanying representations.**



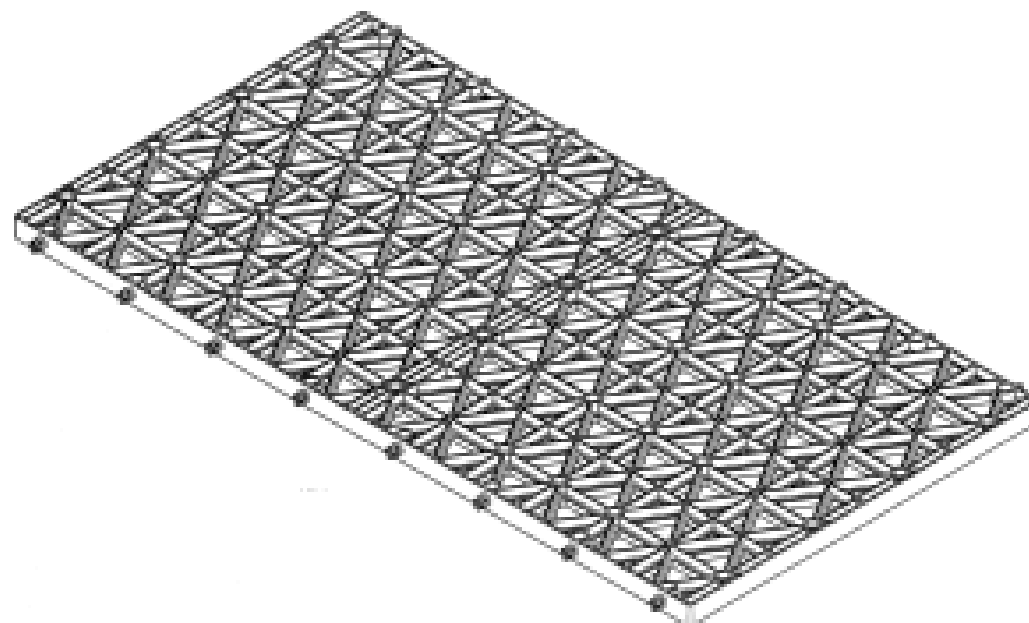
- (21) Design Number: **13560/2005**
(22) Date of Filing Application: **19 August 2005**
(24) Date from which industrial property rights may have effect: **19 August 2005**
(54) Product in respect of which the design is registered: **Motor vehicle and toy**
(51) International Design Classification: **21-01C, 12-08**
(71) Name(s) and Address(s) of Applicant(s):
Ferrari S.p.A.
Via Emilia Est 1163 I-41100 Modena Italy
(72) Name(s) of Designer(s): **Patrizio Moruzzi**
(45) Registration Date: **07 February 2006**
(30) Convention priority data:
(31) Number (32) Date (33) Country
000303169 28 Feb 2005 EUROPEAN COMMUNITY
(56) Related Art Documents: **Not Applicable**
(57) Statement of Newness and Distinctiveness: **Those features of the motor vehicle and toy depicted in the representations that are new and distinctive are the shape and/or configuration.**



- (21) Design Number: **12694/2005**
(22) Date of Filing Application: **27 June 2005**
(24) Date from which industrial property rights may have effect: **27 June 2005**
(54) Product in respect of which the design is registered: **Mounting bracket for use with star pickets, stakes or the like**
(51) International Design Classification: **08-08K**
(71) Name(s) and Address(s) of Applicant(s):
Chris Rhall
21 Edina Road Ferntree Gully Victoria 3156 Australia
(72) Name(s) of Designer(s): **Chris Rhall**
(45) Registration Date: **07 February 2006**
(56) Related Art Documents: **Not Applicable**
(57) Statement of Newness and Distinctiveness: **Visual features of the design which are new and distinctive are the features of shape and configuration of mounting bracket for use with star pickets, stakes or the like as illustrated in the representations. The mounting bracket is of indefinite length and of constant transverse cross-sectional shape throughout its length.**



- (21) Design Number: **12331/2005**
(22) Date of Filing Application: **27 May 2005**
(24) Date from which industrial property rights may have effect: **27 May 2005**
(54) Product in respect of which the design is registered: **Panel**
(51) International Design Classification: **23-01E, 99-00**
(71) Name(s) and Address(s) of Applicant(s):
Alan Sian Ghee Lee
15 Joan Road Singapore 298899 Singapore
(72) Name(s) of Designer(s): **Alan Sian Ghee Lee and David Oliver**
(45) Registration Date: **07 February 2006**
(56) Related Art Documents: **Not Applicable**
(57) Statement of Newness and Distinctiveness: **Each feature of the design considered separately or in combination with any other feature or features.**



- (21) Design Number: **12333/2005**
(22) Date of Filing Application: **27 May 2005**
(24) Date from which industrial property rights may have effect: **27 May 2005**

(54) Product in respect of which the design is registered: **Panel**

(51) International Design Classification: **23-01E, 99-00**

(71) Name(s) and Address(s) of Applicant(s):

Alan Sian Ghee Lee

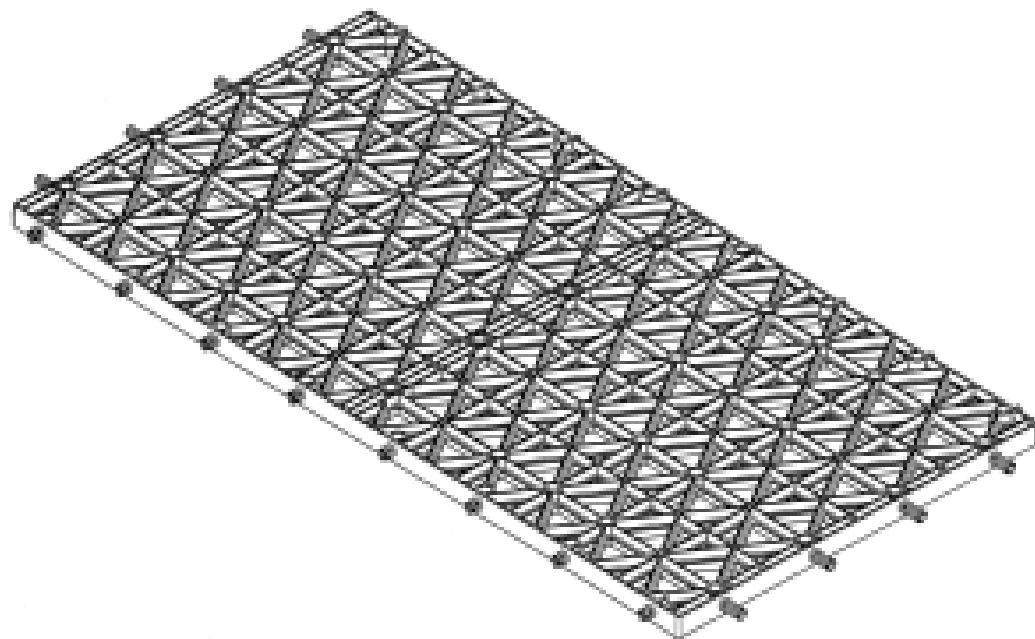
15 Joan Road Singapore 298899 Singapore

(72) Name(s) of Designer(s): **Alan Sian Ghee Lee and David Oliver**

(45) Registration Date: **07 February 2006**

(56) Related Art Documents: **Not Applicable**

(57) Statement of Newness and Distinctiveness: **Each feature of the design considered separately or in combination with any other feature or features.**



- (21) Design Number: **12414/2005**
(22) Date of Filing Application: **03 June 2005**
(24) Date from which industrial property rights may have effect: **03 June 2005**

(54) Product in respect of which the design is registered: **A Jointing Box**

(51) International Design Classification: **13-03C**

(71) Name(s) and Address(s) of Applicant(s):

Madison Technologies Pty Ltd

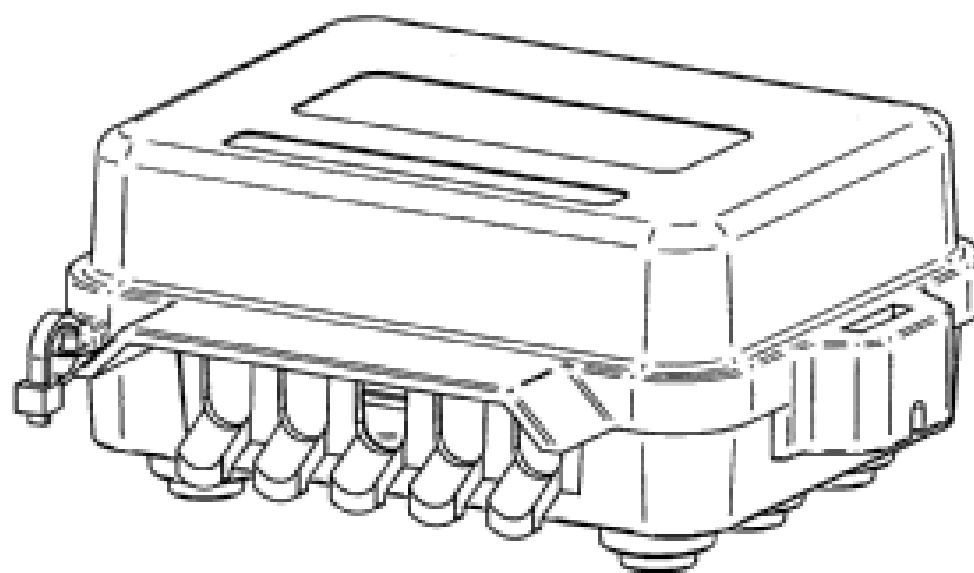
75 Proprietary Street Tingalpa Queensland 4173 Australia

(72) Name(s) of Designer(s): **Richard Anderson**

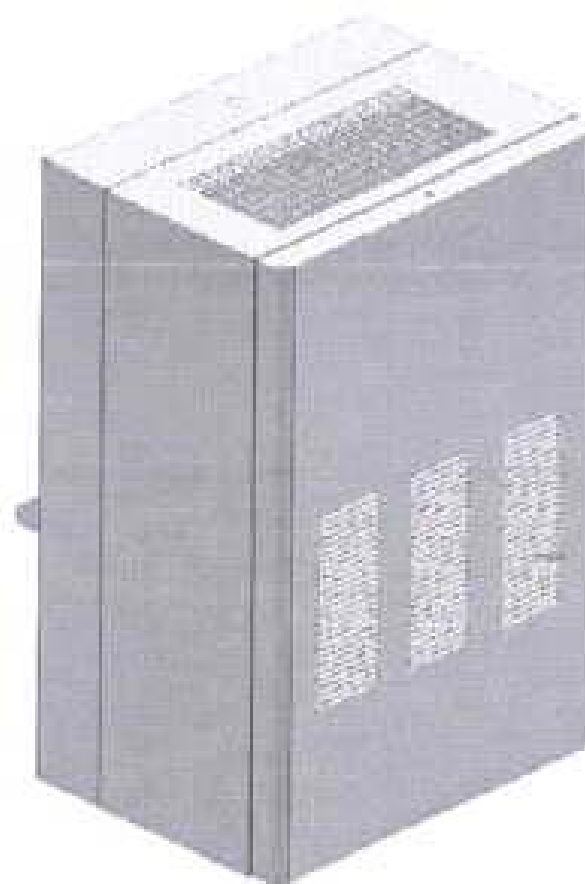
(45) Registration Date: **07 February 2006**

(56) Related Art Documents: **Not Applicable**

(57) Statement of Newness and Distinctiveness: **Nil**



- (21) Design Number: **11355/2005**
(22) Date of Filing Application: **05 April 2005**
(24) Date from which industrial property rights may have effect: **05 April 2005**
(54) Product in respect of which the design is registered: **Air conditioner for electric panels**
(51) International Design Classification: **23-04**
(71) Name(s) and Address(s) of Applicant(s):
Melquisedec Francisquini
Rua Dr. Oscar Monteiro de Barros 580 apt. 11 Sao Paulo Brazil
(72) Name(s) of Designer(s): **Melquisedec Francisquini**
(45) Registration Date: **07 February 2006**
(30) Convention priority data:
(31) Number (32) Date (33) Country
DI 6403563-8 05 Oct 2004 BRAZIL
(56) Related Art Documents: **Not Applicable**
(57) Statement of Newness and Distinctiveness: **Nil**



- (21) Design Number: **11354/2005**
(22) Date of Filing Application: **05 April 2005**
(24) Date from which industrial property rights may have effect: **05 April 2005**
(54) Product in respect of which the design is registered: **Air conditioner for electric panels**
(51) International Design Classification: **23-04**
(71) Name(s) and Address(s) of Applicant(s):
Melquisedec Francisquini
Rua Dr. Oscar Monteiro de Barros 580 apt. 11 Sao Paulo Brazil
(72) Name(s) of Designer(s): **Melquisedec Francisquini**
(45) Registration Date: **07 February 2006**
(30) Convention priority data:
(31) Number (32) Date (33) Country
DI 6403562-0 05 Oct 2004 BRAZIL
(56) Related Art Documents: **Not Applicable**
(57) Statement of Newness and Distinctiveness: **Nil**



(21) Design Number: **11578/2005**

(22) Date of Filing Application: **20 April 2005**

(24) Date from which industrial property rights may have effect: **20 April 2005**

(54) Product in respect of which the design is registered: **A highchair**

(51) International Design Classification: **06-01E**

(71) Name(s) and Address(s) of Applicant(s):

Link Treasure Limited

The Creque Building PO Box 116 Road Town Tortola BVI Taiwan

(72) Name(s) of Designer(s): **Youn-Fu You**

(45) Registration Date: **07 February 2006**

(30) Convention priority data:

(31) Number
093306230

(32) Date
22 Oct 2004

(33) Country
TAIWAN

(56) Related Art Documents: **Not Applicable**

(57) Statement of Newness and Distinctiveness: **Newness and distinctiveness resides in the features of shape and configuration of a highchair as shown in the accompanying representations.**



(21) Design Number: **11145/2005**

(22) Date of Filing Application: **24 March 2005**

(24) Date from which industrial property rights may have effect: **24 March 2005**

(54) Product in respect of which the design is registered: **Venetian shutter**

(51) International Design Classification: **06-10**

(71) Name(s) and Address(s) of Applicant(s):

LA Zouch Pty Ltd Trading as Classic Cedar Venetians

**1/41 Wentworth Road Macquarie Hills New South Wales 2285
Australia**

(72) Name(s) of Designer(s): **Stephen O'Keeffe**

(45) Registration Date: **07 February 2006**

(56) Related Art Documents: **Not Applicable**

(57) Statement of Newness and Distinctiveness: **A venetian blind inside a frame as a window covering.**



(21) Design Number: **12595/2005**

(22) Date of Filing Application: **20 June 2005**

(24) Date from which industrial property rights may have effect: **20 June 2005**

(54) Product in respect of which the design is registered: **Collapsible containers**

(51) International Design Classification: **09-03NES**

(71) Name(s) and Address(s) of Applicant(s):

Trax Packaging Limited
46 Deuxberry Avenue Northcote Auckland New Zealand

(72) Name(s) of Designer(s): **Michael Ross Kessell and Charles Graeme Murray**

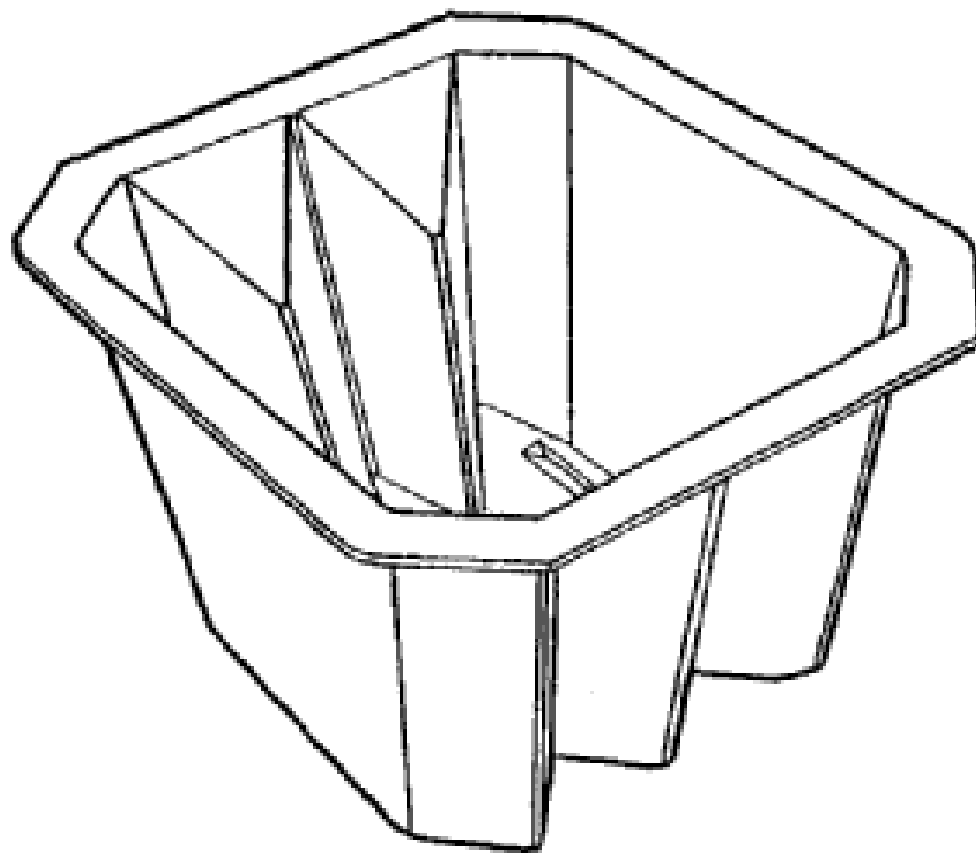
(45) Registration Date: **07 February 2006**

(30) Convention priority data:

(31) Number	(32) Date	(33) Country
405693	23 Dec 2004	NEW ZEALAND

(56) Related Art Documents: **Not Applicable**

(57) Statement of Newness and Distinctiveness: **Nil**



(21) Design Number: **15694/2005**

(22) Date of Filing Application: **20 June 2005**

(24) Date from which industrial property rights may have effect: **20 June 2005**

(54) Product in respect of which the design is registered: **Collapsible containers**

(51) International Design Classification: **09-03NES**

(71) Name(s) and Address(s) of Applicant(s):

Trax Packaging Limited
46 Deuxberry Avenue Northcote Auckland New Zealand

(72) Name(s) of Designer(s): **Michael Ross Kessell and Charles Graeme Murray**

(45) Registration Date: **07 February 2006**

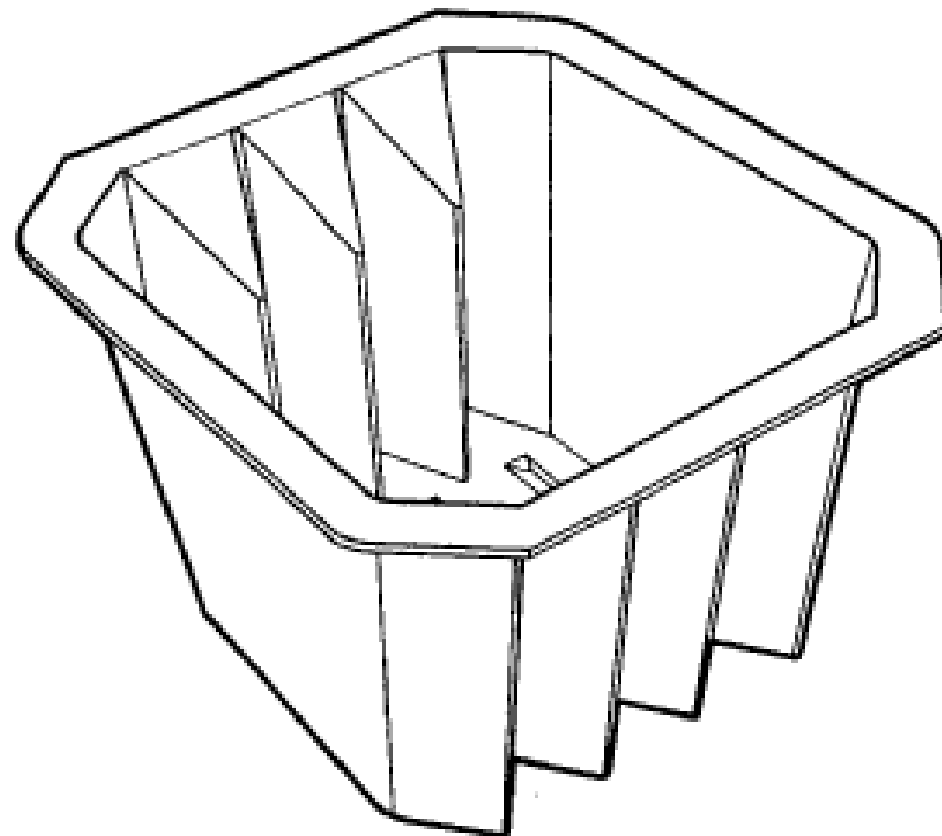
(30) Convention priority data:

(31) Number	(32) Date	(33) Country
405693	23 Dec 2004	NEW ZEALAND

(62) Divisional of: **305351**

(56) Related Art Documents: **Not Applicable**

(57) Statement of Newness and Distinctiveness: **Nil**



(21) Design Number: **15695/2005**

(22) Date of Filing Application: **20 June 2005**

(24) Date from which industrial property rights may have effect: **20 June 2005**

(54) Product in respect of which the design is registered: **Collapsible containers**

(51) International Design Classification: **09-03NES**

(71) Name(s) and Address(s) of Applicant(s):

**Trax Packaging Limited
46 Deuxberry Avenue Northcote Auckland New Zealand**

(72) Name(s) of Designer(s): **Michael Ross Kessell and Charles Graeme Murray**

(45) Registration Date: **07 February 2006**

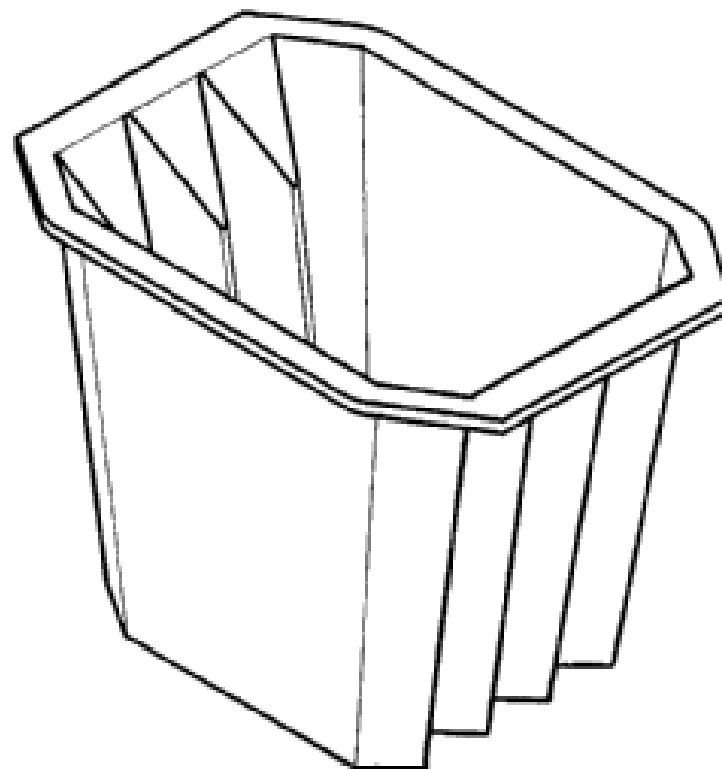
(30) Convention priority data:

(31) Number	(32) Date	(33) Country
405693	23 Dec 2004	NEW ZEALAND

(62) Divisional of: **305351**

(56) Related Art Documents: **Not Applicable**

(57) Statement of Newness and Distinctiveness: **Nil**



(21) Design Number: **15696/2005**

(22) Date of Filing Application: **20 June 2005**

(24) Date from which industrial property rights may have effect: **20 June 2005**

(54) Product in respect of which the design is registered: **Collapsible containers**

(51) International Design Classification: **09-03NES**

(71) Name(s) and Address(s) of Applicant(s):

**Trax Packaging Limited
46 Deuxberry Avenue Northcote Auckland New Zealand**

(72) Name(s) of Designer(s): **Michael Ross Kessell and Charles Graeme Murray**

(45) Registration Date: **07 February 2006**

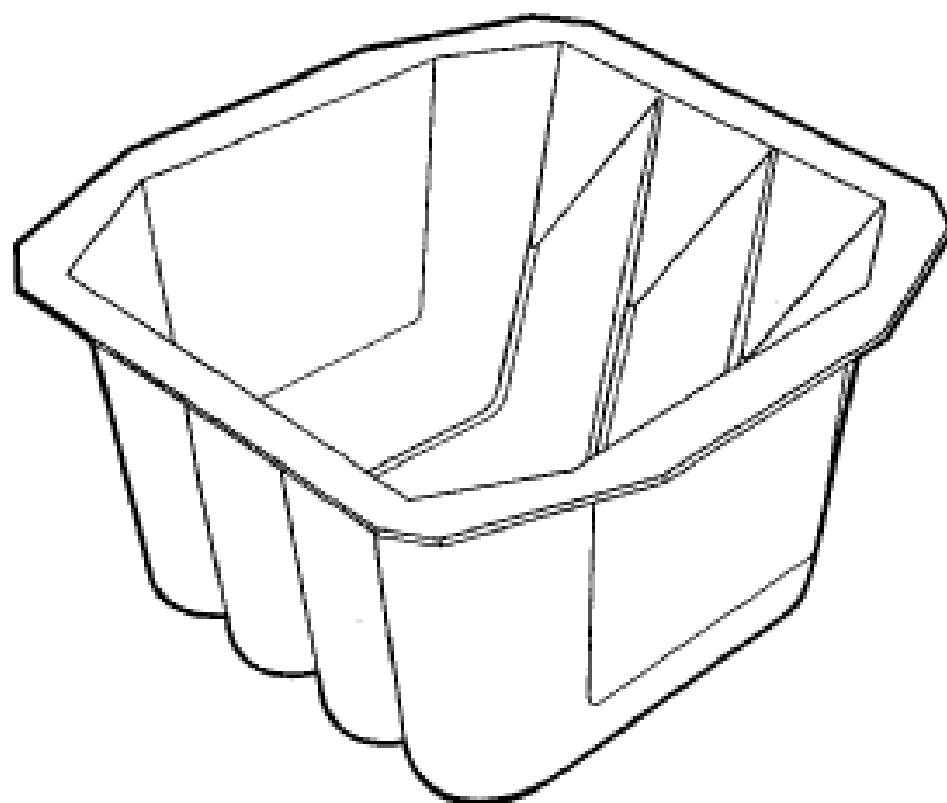
(30) Convention priority data:

(31) Number	(32) Date	(33) Country
405693	23 Dec 2004	NEW ZEALAND

(62) Divisional of: **305351**

(56) Related Art Documents: **Not Applicable**

(57) Statement of Newness and Distinctiveness: **Nil**



(21) Design Number: **15697/2005**

(22) Date of Filing Application: **20 June 2005**

(24) Date from which industrial property rights may have effect: **20 June 2005**

(54) Product in respect of which the design is registered: **Collapsible containers**

(51) International Design Classification: **09-03NES**

(71) Name(s) and Address(s) of Applicant(s):

Trax Packaging Limited
46 Deuxberry Avenue Northcote Auckland New Zealand

(72) Name(s) of Designer(s): **Michael Ross Kessell and Charles Graeme Murray**

(45) Registration Date: **07 February 2006**

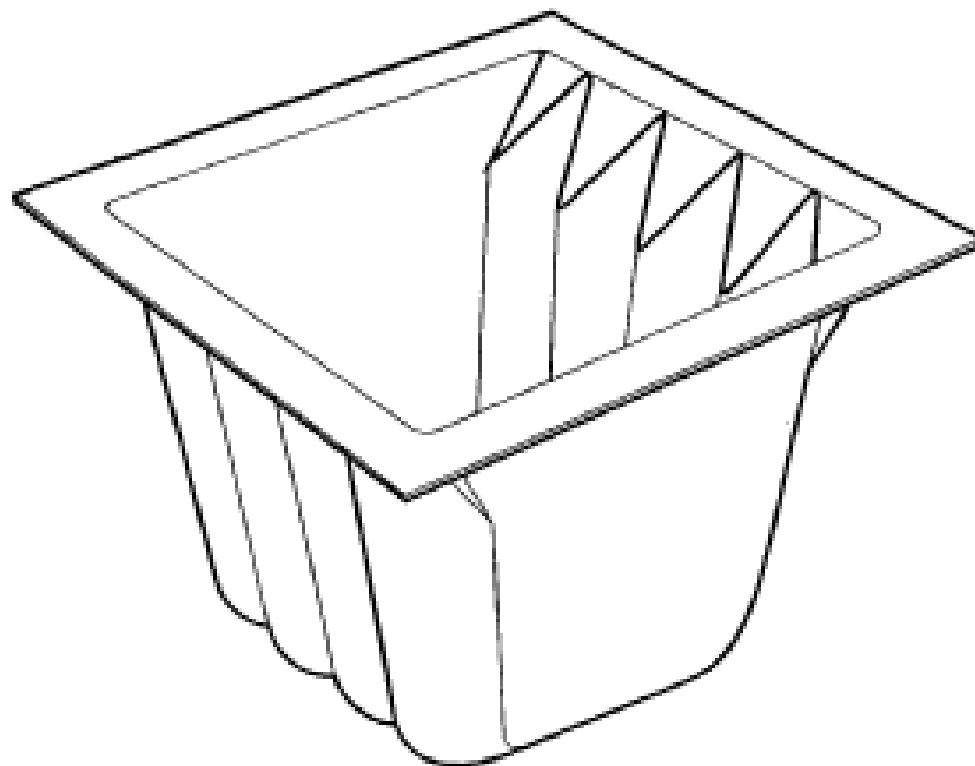
(30) Convention priority data:

(31) Number	(32) Date	(33) Country
405693	23 Dec 2004	NEW ZEALAND

(62) Divisional of: **305351**

(56) Related Art Documents: **Not Applicable**

(57) Statement of Newness and Distinctiveness: **Nil**



(21) Design Number: **10028/2006**

(22) Date of Filing Application: **05 January 2006**

(24) Date from which industrial property rights may have effect: **05 January 2006**

(54) Product in respect of which the design is registered: **Analyte test meter**

(51) International Design Classification: **10-04**

(71) Name(s) and Address(s) of Applicant(s):

Lifescan Scotland Limited
Beechwood Park North Inverness Inverness-shire IV2 3ED United Kingdom

(72) Name(s) of Designer(s): **Adelio Enzo Alfiero Bolognesi and Steven Alexander Syme and Mariano Cucchi**

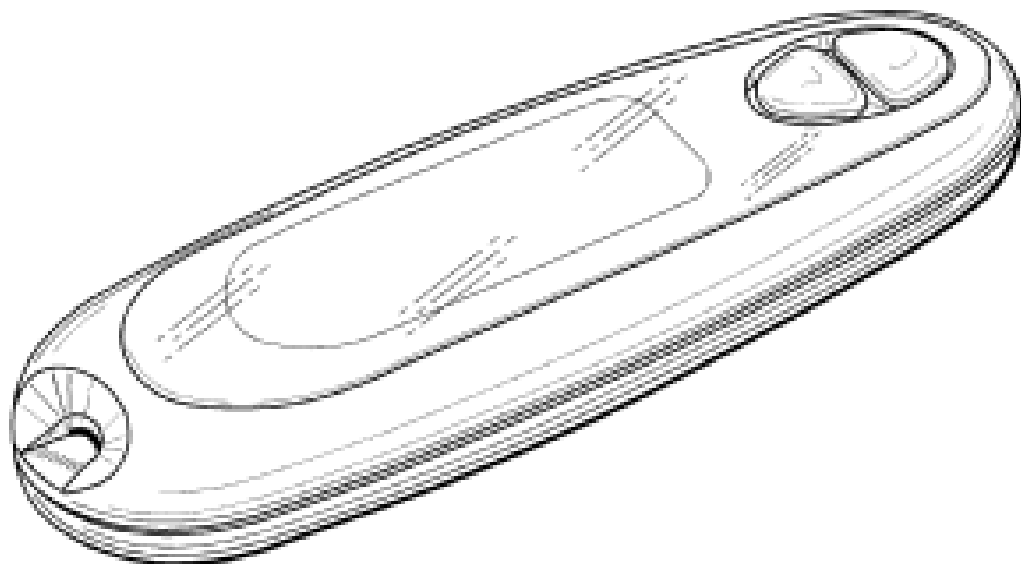
(45) Registration Date: **08 February 2006**

(30) Convention priority data:

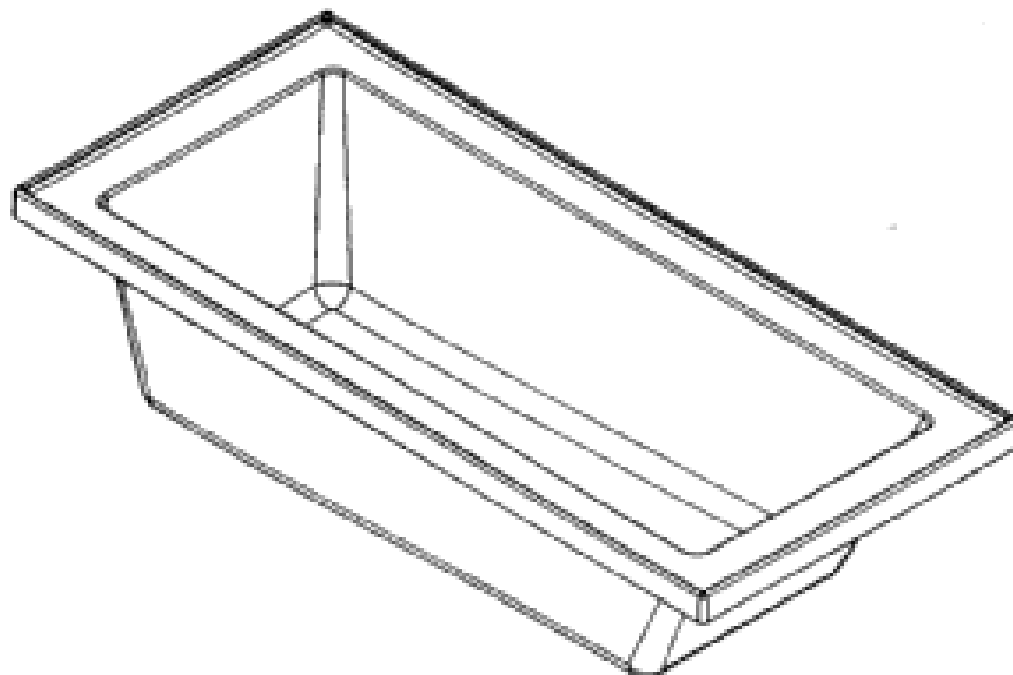
(31) Number	(32) Date	(33) Country
29/233,951	11 Jul 2005	UNITED STATES OF AMERICA

(56) Related Art Documents: **Not Applicable**

(57) Statement of Newness and Distinctiveness: **Nil**



- (21) Design Number: **13785/2005**
(22) Date of Filing Application: **02 September 2005**
(24) Date from which industrial property rights may have effect: **02 September 2005**
(54) Product in respect of which the design is registered: **A bath**
(51) International Design Classification: **23-02B**
(71) Name(s) and Address(s) of Applicant(s):
Caroma Industries Limited
Level 3 159 Coronation Drive Milton Queensland 4064 Australia
(72) Name(s) of Designer(s): **Vincent Kai Hong Ho and Stephen John Cummings**
(45) Registration Date: **08 February 2006**
(56) Related Art Documents: **Not Applicable**
(57) Statement of Newness and Distinctiveness: **Newness and distinctiveness is claimed in the features of shape and/or configuration of a bath as illustrated in the accompanying representations.**



- (21) Design Number: **11040/2005**
(22) Date of Filing Application: **02 December 2003**
(24) Date from which industrial property rights may have effect: **02 December 2003**
(54) Product in respect of which the design is registered: **Battery box**
(51) International Design Classification: **13-02**
(71) Name(s) and Address(s) of Applicant(s):
VB Autobatterie G.m.b.H.
Am Leineufer 51 D-30419 Hannover Germany
(72) Name(s) of Designer(s): **Peter Schellenberg**
(45) Registration Date: **08 February 2006**
(30) Convention priority data:

(31) Number	(32) Date	(33) Country
403 04 819.2	17 Jul 2003	GERMANY

(56) Related Art Documents: **Not Applicable**
(57) Statement of Newness and Distinctiveness: **The newness and distinctiveness of the design resides in the shape and/or configuration of a battery box shown in the representations.**



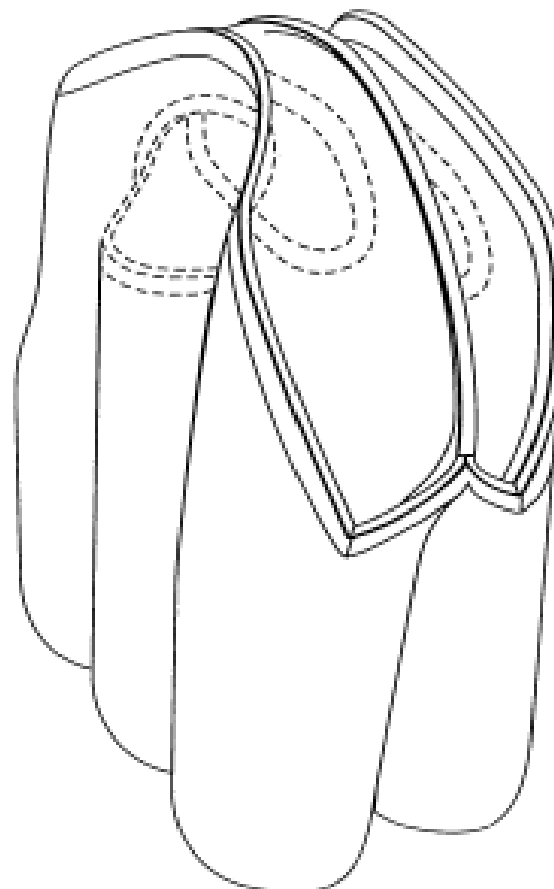
- (21) Design Number: **11041/2005**
- (22) Date of Filing Application: **02 December 2003**
- (24) Date from which industrial property rights may have effect: **02 December 2003**
- (54) Product in respect of which the design is registered: **Battery box**
- (51) International Design Classification: **13-02**
- (71) Name(s) and Address(s) of Applicant(s):
VB Autobatterie G.m.b.H.
Am Leineufer 51 D-30419 Hannover Germany
- (72) Name(s) of Designer(s): **Peter Schellenberg**
- (45) Registration Date: **08 February 2006**
- (30) Convention priority data:

(31) Number	(32) Date	(33) Country
403 04 819.2	17 Jul 2003	GERMANY
- (56) Related Art Documents: **Not Applicable**
- (57) Statement of Newness and Distinctiveness: **The newness and distinctiveness of the design resides in the shape and/or configuration of a battery box shown in the representations.**



- (21) Design Number: **11356/2005**
- (22) Date of Filing Application: **05 April 2005**
- (24) Date from which industrial property rights may have effect: **05 April 2005**
- (54) Product in respect of which the design is registered: **Six pack tote apparatus**
- (51) International Design Classification: **03-01NES, 09-03E**
- (71) Name(s) and Address(s) of Applicant(s):
Built NY, Inc.
40 Peck Slip 4th Floor New York NY 10038 United States of America
- (72) Name(s) of Designer(s): **John Roscoe Swartz and Aaron Lown**
- (45) Registration Date: **08 February 2006**
- (30) Convention priority data:

(31) Number	(32) Date	(33) Country
29/220,937	08 Jan 2005	UNITED STATES OF AMERICA
- (56) Related Art Documents: **Not Applicable**
- (57) Statement of Newness and Distinctiveness: **The newness and distinctiveness resides in the features of shape and/or configuration of the tote apparatus rendered in unbroken lines depicted in the accompanying representations When considering the newness and distinctiveness of the design the shape and/or configuration of the handle opening is to be disregarded.**



- (21) Design Number: **12232/2005**
(22) Date of Filing Application: **23 May 2005**
(24) Date from which industrial property rights may have effect: **23 May 2005**
(54) Product in respect of which the design is registered: **Equine/animal shin/fetlock boot with knee attachment for therapeutic inserts**
(51) International Design Classification: **24-04, 30-01**
(71) Name(s) and Address(s) of Applicant(s):
Peter David Green
13 Melastoma Way ARUNDEL QLD 4214
Katherine P.R. Green
13 Melastoma Way ARUNDEL QLD 4214
(72) Name(s) of Designer(s): **Peter David Green and Katherine P.R. Green**
(45) Registration Date: **08 February 2006**
(56) Related Art Documents: **Not Applicable**
(57) Statement of Newness and Distinctiveness: **Particular visual features of this design which are new and/or distinctive include: (.) The design conforms the contours of the leg, in particular the fetlock joint (.) The use of a pleat/s to achieve this (.) Cold packs shaped to correspond to the boot's design, in particular diagonally dissected corners. (.) The use of wrap around straps to aid the boots conformation to the leg & minimise slippage (.) The knee attachment is wholly unique, in particular the open back design allowing unrestricted movement of the knee joint.**



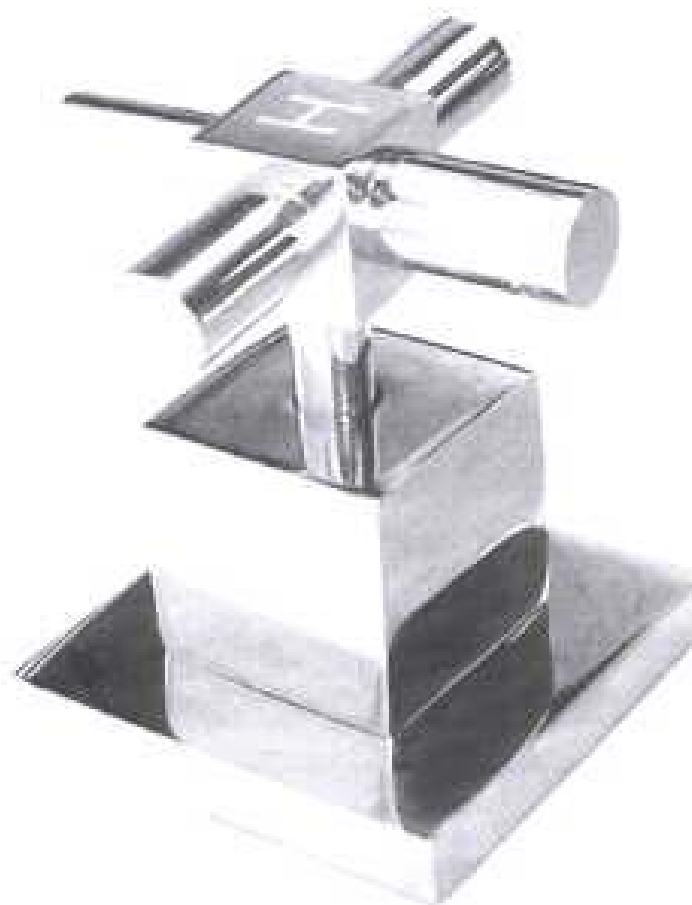
- (21) Design Number: **12233/2005**
(22) Date of Filing Application: **23 May 2005**
(24) Date from which industrial property rights may have effect: **23 May 2005**
(54) Product in respect of which the design is registered: **Equine/animal fetlock boot with crossover straps for therapeutic inserts**
(51) International Design Classification: **24-04, 30-01**
(71) Name(s) and Address(s) of Applicant(s):
Peter David Green
13 Melastoma Way ARUNDEL QLD 4214
Katherine P.R. Green
13 Melastoma Way ARUNDEL QLD 4214
(72) Name(s) of Designer(s): **P.D. Green and K.P.R. Green**
(45) Registration Date: **08 February 2006**
(56) Related Art Documents: **Not Applicable**
(57) Statement of Newness and Distinctiveness: **Particular visual features of this design which are new and/or distinctive include: (.) The design conforms the contours of the fetlock joint (.) The use of a pleat/s to achieve this (.) Cold packs shaped to correspond to the boots design in particular, diagonally dissected corners. (.) The use of crossover straps to aid the boot's conformation to the fetlock joint and minimise slippage.**



- (21) Design Number: **12234/2005**
(22) Date of Filing Application: **23 May 2005**
(24) Date from which industrial property rights may have effect: **23 May 2005**
(54) Product in respect of which the design is registered: **Hot/cold packs to liquid receptacles**
(51) International Design Classification: **07-06A**
(71) Name(s) and Address(s) of Applicant(s):
Peter David Green
13 Melastoma Way ARUNDEL QLD 4214
Katherine P.R. Green
13 Melastoma Way ARUNDEL QLD 4214
(72) Name(s) of Designer(s): **P.D. Green and K.P.R. Green**
(45) Registration Date: **08 February 2006**
(56) Related Art Documents: **Not Applicable**
(57) Statement of Newness and Distinctiveness: **Adjustable design allows the device, including inserts to fit around any shape or size liquid receptacle. Use of wrap around straps to firmly attach product to above. (.) The adjustable design allows the device including the inserts to fit around any shape or size liquid receptacle (.) The use of wrap around straps to firmly attach the product to the liquid receptacle.**



- (21) Design Number: **13319/2005**
(22) Date of Filing Application: **04 August 2005**
(24) Date from which industrial property rights may have effect: **04 August 2005**
(54) Product in respect of which the design is registered: **Tap top assembly**
(51) International Design Classification: **23-01H**
(71) Name(s) and Address(s) of Applicant(s):
Elson Australasia Pty Ltd
2/44 Eddie Road Minchinbury New South Wales 2770 Australia
(72) Name(s) of Designer(s): **Beverley Jiao**
(45) Registration Date: **08 February 2006**
(56) Related Art Documents: **Not Applicable**
(57) Statement of Newness and Distinctiveness: **Nil**



(21) Design Number: **13320/2005**

(22) Date of Filing Application: **04 August 2005**

(24) Date from which industrial property rights may have effect: **04 August 2005**

(54) Product in respect of which the design is registered: **Tap top assembly**

(51) International Design Classification: **23-01H**

(71) Name(s) and Address(s) of Applicant(s):

Elson Australasia Pty Ltd
2/44 Eddie Road Minchinbury New South Wales 2770 Australia

(72) Name(s) of Designer(s): **Beverley Jiao**

(45) Registration Date: **08 February 2006**

(56) Related Art Documents: **Not Applicable**

(57) Statement of Newness and Distinctiveness: **Nil**



(21) Design Number: **13322/2005**

(22) Date of Filing Application: **04 August 2005**

(24) Date from which industrial property rights may have effect: **04 August 2005**

(54) Product in respect of which the design is registered: **Bath**

(51) International Design Classification: **23-02B**

(71) Name(s) and Address(s) of Applicant(s):

Elson Australasia Pty Ltd
2/44 Eddie Road Minchinbury New South Wales 2770 Australia

(72) Name(s) of Designer(s): **Beverley Jiao**

(45) Registration Date: **08 February 2006**

(56) Related Art Documents: **Not Applicable**

(57) Statement of Newness and Distinctiveness: **Shell shap soap dish, anti slip design.**



(21) Design Number: **13323/2005**

(22) Date of Filing Application: **04 August 2005**

(24) Date from which industrial property rights may have effect: **04 August 2005**

(54) Product in respect of which the design is registered: **Shower base**

(51) International Design Classification: **23-02B**

(71) Name(s) and Address(s) of Applicant(s):

Elson Australasia Pty Ltd
2/44 Eddie Road Minchinbury New South Wales 2770 Australia

(72) Name(s) of Designer(s): **Beverley Jiao**

(45) Registration Date: **08 February 2006**

(56) Related Art Documents: **Not Applicable**

(57) Statement of Newness and Distinctiveness: **Anti slip design.**



(21) Design Number: **13685/2005**

(22) Date of Filing Application: **26 August 2005**

(24) Date from which industrial property rights may have effect: **26 August 2005**

(54) Product in respect of which the design is registered: **Roofing tile clip**

(51) International Design Classification: **08-08A**

(71) Name(s) and Address(s) of Applicant(s):

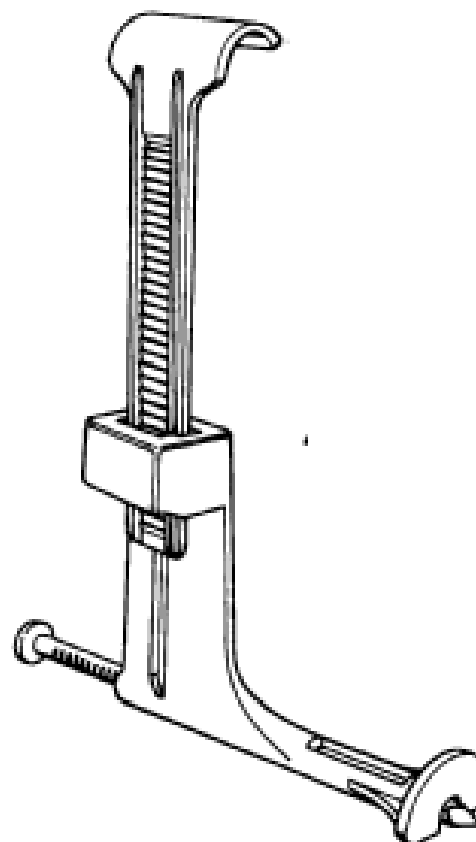
Haycolm Enterprises Pty Limited
Unit 18 No. 58 Cook Street Kurnell New South Wales 2231 Australia

(72) Name(s) of Designer(s): **Gregory Malcolm Hay**

(45) Registration Date: **08 February 2006**

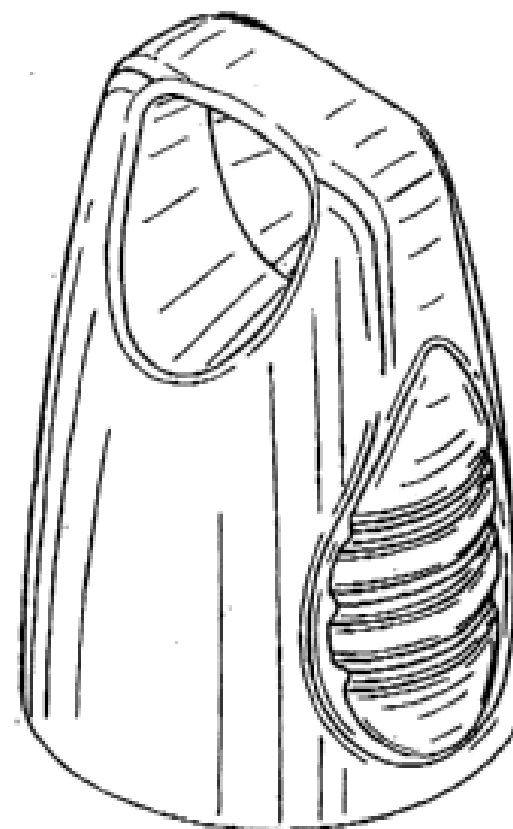
(56) Related Art Documents: **Not Applicable**

(57) Statement of Newness and Distinctiveness: **Newness and distinctiveness is claimed in respect of the shape and/or configuration of the product illustrated in the accompanying representations. The shape and/or configuration of the nail is to be disregarded.**



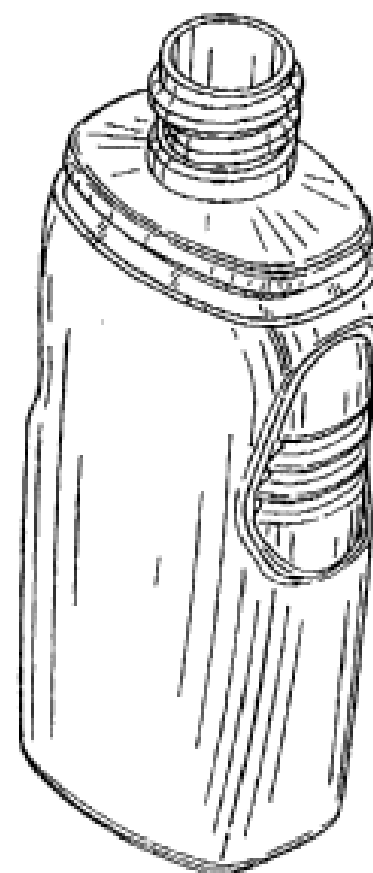
- (21) Design Number: **13686/2005**
- (22) Date of Filing Application: **26 August 2005**
- (24) Date from which industrial property rights may have effect: **26 August 2005**
- (54) Product in respect of which the design is registered: **Overcap for a container**
- (51) International Design Classification: **09-07C**
- (71) Name(s) and Address(s) of Applicant(s):
S.C. Johnson & Son, Inc.
1525 Howe Street Racine Wisconsin 53403-2236 United States of America
- (72) Name(s) of Designer(s): **George I. Nukuto and Neil P. Williams and Terrance M. Parve and Dirk K. Nickel**
- (45) Registration Date: **08 February 2006**
- (30) Convention priority data:

(31) Number	(32) Date	(33) Country
29/224282	28 Feb 2005	UNITED STATES OF AMERICA
- (56) Related Art Documents: **Not Applicable**
- (57) Statement of Newness and Distinctiveness: **Newness and distinctiveness is claimed in the features of shape and/or configuration of an overcap for a container as illustrated in the accompanying representations.**

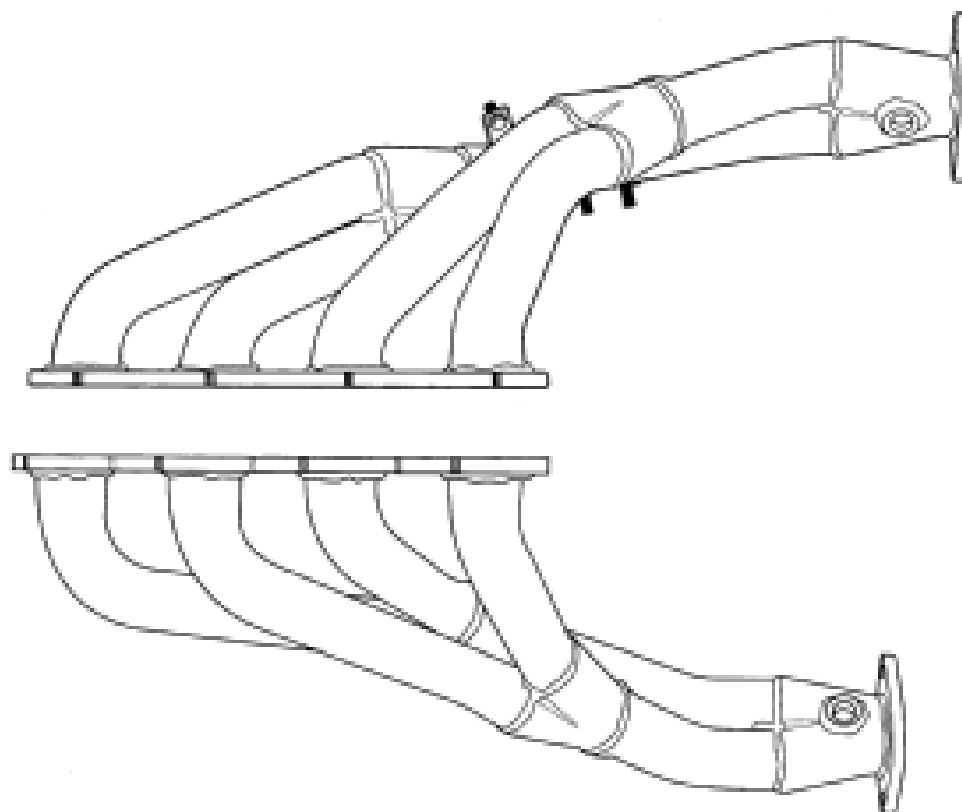


- (21) Design Number: **13687/2005**
- (22) Date of Filing Application: **26 August 2005**
- (24) Date from which industrial property rights may have effect: **26 August 2005**
- (54) Product in respect of which the design is registered: **Bottle**
- (51) International Design Classification: **09-01K**
- (71) Name(s) and Address(s) of Applicant(s):
S.C. Johnson & Son, Inc.
1525 Howe Street Racine Wisconsin 53403-2236 United States of America
- (72) Name(s) of Designer(s): **George I. Nukuto and Neil P. Williams and Edward J. Kunesh and Ivan Da Barp**
- (45) Registration Date: **08 February 2006**
- (30) Convention priority data:

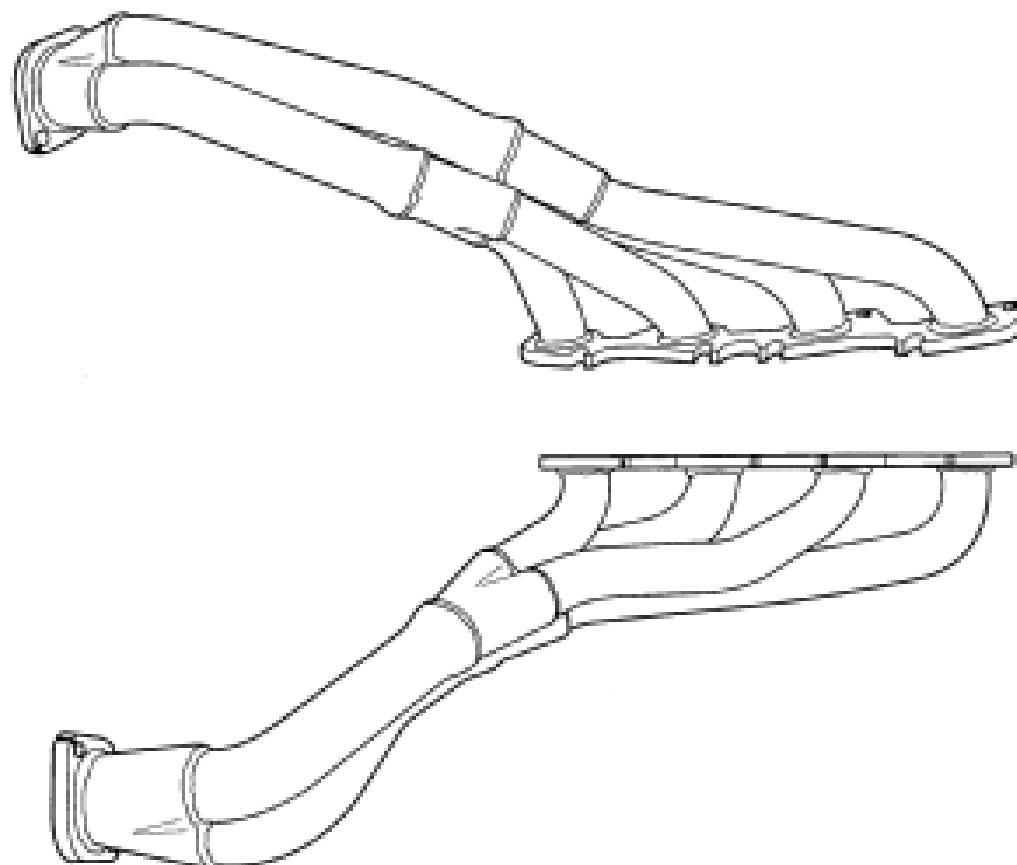
(31) Number	(32) Date	(33) Country
29/224300	28 Feb 2005	UNITED STATES OF AMERICA
- (56) Related Art Documents: **Not Applicable**
- (57) Statement of Newness and Distinctiveness: **Newness and distinctiveness is claimed in the features of shape and/or configuration of a bottle as illustrated in the accompanying representations.**



- (21) Design Number: **13698/2005**
- (22) Date of Filing Application: **30 August 2005**
- (24) Date from which industrial property rights may have effect: **30 August 2005**
- (54) Product in respect of which the design is registered: **A set of exhaust manifolds**
- (51) International Design Classification: **12-16N**
- (71) Name(s) and Address(s) of Applicant(s):
Pacemaker Headers Pty Ltd
6 Reese Avenue Richmond South Australia 5033 Australia
- (72) Name(s) of Designer(s): **Michael Richter**
- (45) Registration Date: **08 February 2006**
- (56) Related Art Documents: **Not Applicable**
- (57) Statement of Newness and Distinctiveness: **Nil**



- (21) Design Number: **13699/2005**
- (22) Date of Filing Application: **30 August 2005**
- (24) Date from which industrial property rights may have effect: **30 August 2005**
- (54) Product in respect of which the design is registered: **A set of exhaust manifolds**
- (51) International Design Classification: **12-16N**
- (71) Name(s) and Address(s) of Applicant(s):
Pacemaker Headers Pty Ltd
6 Reese Avenue Richmond South Australia 5033 Australia
- (72) Name(s) of Designer(s): **Michael Richter**
- (45) Registration Date: **08 February 2006**
- (56) Related Art Documents: **Not Applicable**
- (57) Statement of Newness and Distinctiveness: **Nil**



(21) Design Number: **13701/2005**

(22) Date of Filing Application: **29 August 2005**

(24) Date from which industrial property rights may have effect: **29 August 2005**

(54) Product in respect of which the design is registered: **Dispenser**

(51) International Design Classification: **23-02A**

(71) Name(s) and Address(s) of Applicant(s):

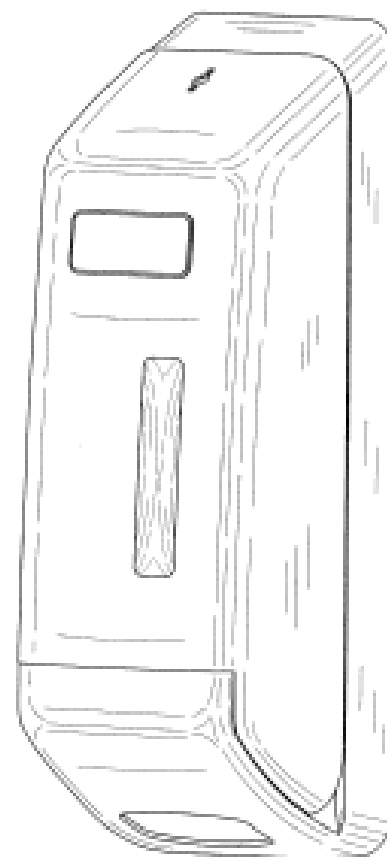
**ABC Tissue Products Pty Limited
34-36 Redfern Street Wetherill Park New South Wales 2164 Australia**

(72) Name(s) of Designer(s): **Ho Kwok Tim**

(45) Registration Date: **08 February 2006**

(56) Related Art Documents: **Not Applicable**

(57) Statement of Newness and Distinctiveness: **Each feature of the design considered separately or in combination with any other feature or features.**



(21) Design Number: **13321/2005**

(22) Date of Filing Application: **04 August 2005**

(24) Date from which industrial property rights may have effect: **04 August 2005**

(54) Product in respect of which the design is registered: **Tap outlet**

(51) International Design Classification: **23-01H**

(71) Name(s) and Address(s) of Applicant(s):

**Elson Australasia Pty Ltd
2/44 Eddie Road Minchinbury New South Wales 2770 Australia**

(72) Name(s) of Designer(s): **Beverley Jiao**

(45) Registration Date: **08 February 2006**

(56) Related Art Documents: **Not Applicable**

(57) Statement of Newness and Distinctiveness: **Nil**

