



**Australian Government**

---

**IP Australia**

**AUSTRALIAN OFFICIAL JOURNAL**

**OF**

**DESIGNS**

Did you know a searchable version of this journal is now available online?

It's FREE and EASY to SEARCH.

Find it at

<http://pericles.ipaustralia.gov.au/ols/epublish/content/olsEpublications.jsp>  
or using the "Online Journals" link on the IP Australia home page.

This Page Left Intentionally Blank

## Contents

### General Information & Notices

#### Proceedings Under the Designs Act 1906 preserved as a result of the provisions of Chapter 12 Part 2 of the Designs Act 2003

Application for Extension of Period of Registration .....	3952
Applications Lapsed .....	3951
Corrigenda .....	3955
Extension of Period of Registration of Designs .....	3952
Extensions of Time Granted .....	3953
Mortgages Registered .....	3954
Names Registered - Alterations and Amendments .....	3954
Registration Proceedings	
Registration Number Range 158506 to 158521 .....	3956
Registrations Ceased .....	3953
Subsequent Owners Registered .....	3953

#### Proceedings Under the Designs Act 2003

Applications Assigned .....	3974
Applications Lapsed .....	3973
Applications Lodged .....	3969
Applications Withdrawn .....	3972
Certificate of Examination .....	3976
Corrigenda .....	3975
Extension of Period of Registration of Design .....	3974
Extension of Time Granted Under Section 137 .....	3974
Names Registered - Alterations and Amendments .....	3974
Publication and Registration Proceedings	
Designs Registered 305375 to 305660. ....	3977
Subsequent Owners Registered .....	3974

This Page Left Intentionally Blank

## General Information

### EDITORIAL ENQUIRIES

All enquiries about official notices and general information in the Journal should be directed to IP Australia, (ABN No 38 113 072 755), PO Box 200 Woden ACT 2606

Or

Telephone 1300 651 010  
(International Callers +61 2 6283 2999 )  
Fax 02 6283 7999  
E-mail [assist@ipaustralia.gov.au](mailto:assist@ipaustralia.gov.au)

### CONTACT INFORMATION

Customer Service Network  
Telephone 1300 651 010 , Fax: 02 6283 7999  
E-mail: [assist@ipaustralia.gov.au](mailto:assist@ipaustralia.gov.au)

Customers can contact the Customer Service Network by telephone or by e-mail. Telephones are staffed between 9am and 5pm each working day.

Customers should contact the Customer Service Network for information about:

- All Patent Matters including PCT and Innovation Patents.
- All Trade Mark Matters.
- All Design Matters.

### Professional Standards Board for Patent and Trade Mark Attorneys.

Ph: 02 6283 2345 Fax: 02 6283 1048

### ORDERING PATENT DOCUMENTS

When ordering copies of Australian patent specifications, or abstracts and abridgments notified as open to public inspection on or after 26 October 1978, or as accepted on or after 16 November 1978, the documents should be referred to by application numbers only, preceded by letters AU-A or AU-B respectively.

### REQUESTS FOR INFORMATION UNDER SECTION 194 ( C )

A request for information under Section 194 ( C ) of the Patents Act 1990 should be made in the approved form and be accompanied by the prescribed fee. The request should be as detailed as possible.

### INFORMATION FROM REGISTERS

All requests for information from Register of Patents, Trade Marks or Designs, should be made in writing and accompanied by the prescribed fee. The Registers are located in Canberra and may be examined free of charge.

### COUNTRY CODES

For a listing of country codes used by IP Australia please refer to the Official Journals dated 7 November 1996.

### ABBREVIATIONS IN JOURNAL

Standard abbreviations are used in the name of companies and firms. Enquiries concerning the precise name should be directed to the Customer Service Network.

## FREEDOM OF INFORMATION ACT

What does it do?

- Gives you right to obtain information held by Commonwealth Ministers, Departments and most statutory bodies (these bodies are called agencies under the Act).
- Requires Commonwealth Government agencies to make available to members of the public:
  - Information about agencies, their functions and operations.
  - Information about rules and practices which are used in making decisions which affect you.
- Gives you a legal right to:
  - See non exempt documents held by agencies, and
  - appeal against a decision not to grant access to a document.

What documents can you see?

- The Act gives you a right to see documents lodged on or after 1 December 1977, or earlier if you need them to understand another document you have already.
- Documents include files, reports, computer printouts, maps, plans, photographs, tape recordings, films or videotapes.
- Documents which are available for purchase under the Patents Act 1990, the Trade Marks Act 1995 or Designs Act 2003 or Plant Breeder's Rights Act 1994 are not available under the Freedom of Information Act (Section 12 refers).

How do you apply?

Requests for access to documents must

- Be in writing
- Provide sufficient information so as to enable identification of the documents requested
- Specify an address in Australia where notices can be sent and
- Be accompanied by the application fee (currently \$30.00).

Requests for documents should be addressed to IP Australia, PO Box 200 Woden, ACT 2606, or Faxed to 02 6283 7999

## DECISIONS OF THE COMMISSIONER OF PATENTS AND REGISTRAR OF TRADE MARKS AND DESIGNS

- All decisions of the Commissioner and Registrars are available free of charge from AUSTLII's website

[www.austlii.edu.au](http://www.austlii.edu.au)

Copies of all written Patent and Design decisions are available (except if they would not be available under the provisions of the Freedom of Information legislation, e.g. if they would effectively disclose matter from documents that are not open to public inspection) on request for a cost of \$AU 25. They are also available for inspection in indexed volume series, dating from 1 January 1987, in the Office library, Canberra.

Copies of Trade Mark decisions may be accessed via IP Australia's website [www.ipaustralia.gov.au](http://www.ipaustralia.gov.au)

- Copies of the taped record of Patent and Design hearings are available (with the same exception as above) on request.
- When a written decision is issued the fact of the decision plus a brief head note will be published in the Official Notices section of the next available Patents, Trade Marks or Designs Journal.

## HEARINGS BEFORE THE COMMISSIONER OF PATENTS

Hearings before the Commissioner of Patents will usually be conducted at the Patent Office in Canberra and interstate hearing sessions are not provided. However, the Commissioner will conduct hearings outside of Canberra at a convenient time to all parties provided that the parties bear the travel costs of the hearing officer.

The various options for hearings are set out in the document "Options for Hearings" available on IP Australia's website at: [www.ipaustralia.gov.au/pdfs/patents/optionsforhearings.PDF](http://www.ipaustralia.gov.au/pdfs/patents/optionsforhearings.PDF)

## HEARINGS BEFORE THE REGISTRARS OF TRADE MARKS AND DESIGNS

Hearings before the Registrars of Trade Marks and Designs will be set down in Melbourne, Sydney, Adelaide, Perth and Brisbane during the periods indicated below.

### Designs and Trade Marks Hearings Sessions 2006

Melbourne	13 – 17 February 5 – 9 June 11 – 15 September
Sydney	13 – 17 March 17 – 21 July 16 – 20 October
Adelaide	14 – 15 August
Perth	17 – 18 August
Brisbane	24 – 25 August

Persons who desire matters to be set down for hearing in Melbourne, Sydney, Adelaide, Perth or Brisbane must give at least one month's notice of their intention to be heard. If such notice is not given, it may be that there would be insufficient time to allow for the execution of official procedures associated with the listing of hearings, and as a result, the matter involved might not be listed.

Subject to the convenience of this Office, hearings will be set down in Canberra at any time suitable to the parties.

## LIST OF STATE OFFICES

IP Australia State Offices are located in the Australian Capitals at the addresses given below. Requests for information may be obtained by calling at, phoning or writing to these offices or IP Australia, Canberra.

### Australian Capital Territory

Ground Floor  
Discovery House  
PHILLIP ACT 2606  
(PO Box 200, WODEN ACT 2606)  
Ph: 1300 651 010  
Fax: (02) 6283 7999

### New South Wales

Level 1  
45 Clarence Street  
SYDNEY NSW 2000  
Ph: 1300 651 010  
Fax: (02) 9249 5807

### Victoria

Level 6  
OCBC House  
565 Bourke Street  
MELBOURNE VIC 3000  
Ph: 1300 651 010  
Fax (03) 9612 9807

### Western Australia

2nd Floor  
East Point Plaza  
233 Adelaide Terrace  
PERTH WA 6000  
Ph: 1300 651 010  
Fax: (08) 9220 8907

### Queensland

Level 1  
Grant Thornton House  
102 Adelaide Street  
BRISBANE QLD 4000  
Ph: 1300 651 010  
Fax: (07) 3007 1107

### South Australia

Level 10  
Origin Energy House  
1 King William Street  
ADELAIDE SA 5000  
Ph: 1300 651 010  
Fax: (08) 8239 4507

### Tasmania

4th Floor  
AMP Building  
27 Elizabeth Street  
HOBART TAS 7000  
Ph: 1300 651 010  
Fax: (03) 6235 6307

# “INID” NUMBERS in use on Australian Design Documents

“INID” is an acronym for “Internationally agreed Numbers for the Identification of Data”.

## **(10) Data concerning the registration/renewal**

- (11) Serial number of the registration and/or number of the design document
- (12) Plain language designation of the kind of published document
- (19) Identification, using the two-letter code according to WIPO Standard ST.3, of the authority publishing or registering the industrial design

## **(20) Data concerning the application**

- (21) Serial number of the application
- (22) Date of filing of the application
- (24) Date from which the industrial design right has effect

## **(30) Data relating to priority under the Paris Convention**

- (31) Serial number assigned to the priority application
- (32) Date of filing of the priority application
- (33) Two-letter code, according to WIPO Standard ST.3, identifying the authority with which the priority application was made

## **(40) Date(s) of making information available to the public**

- (45) Date of publication of the registered industrial design by printing or similar process, or making it available to the public by any other means

## **(50) Miscellaneous Information**

- (51) International Classification for Industrial Designs (class and subclass of the Locarno Classification)
- (54) Designation of article(s) or product(s) covered by the industrial design or title of the industrial design
- (55) Reproduction of the industrial design (e.g., drawing, photograph) and explanations relating to the reproduction
- (56) List of prior art documents, if separate from descriptive text
- (57) Description of characteristic features of the industrial design including indication of colours

## **(60) References to other legally related application(s) and registration(s)**

- (62) Serial number(s) and, if available, filing date(s) of application(s), registration(s) or document(s) related by division
- (66) Serial number(s) of the application, or the registration, of the design(s) which is (are) a variant(s) of the present one

## **(70) Identification of parties concerned with the application or registration**

- (71) Name(s) and address(es) of the applicant(s)
- (72) Name(s) of the creator(s) if known to be such
- (74) Name(s) and address(es) of the representative(s)

This Page Left Intentionally Blank

Official Notice

## Schedule of Representations

### Background:

The formal requirements for representations in Schedule 2 of the *Designs Regulations 2004* allow for titles to be included with the representations. These titles are limited to words necessary for the understanding of the representation.

Designs Office practice allows for a schedule of representations included on a separate sheet to be used in place of the titles mentioned above. The schedule of representations is also referred to as a “description of drawings” by some applicants.

The schedule of representations, if included in an application, is placed on:

- the Register of Designs;
- the Certificate of Registration;
- the AU Designs Data Searching (ADDS) database;
- the application form that remains on the case file; and
- any copies of documents that include the representations such as certified copies of applications.

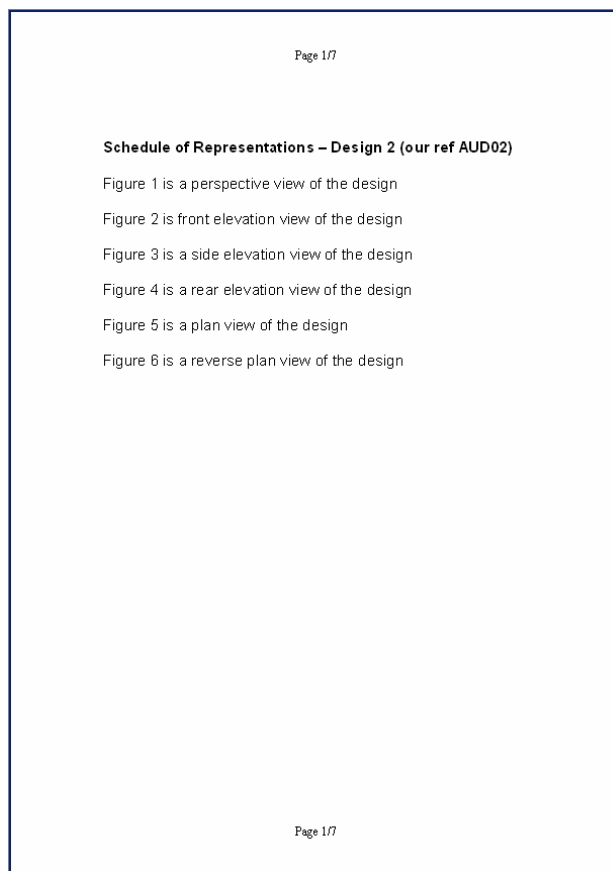
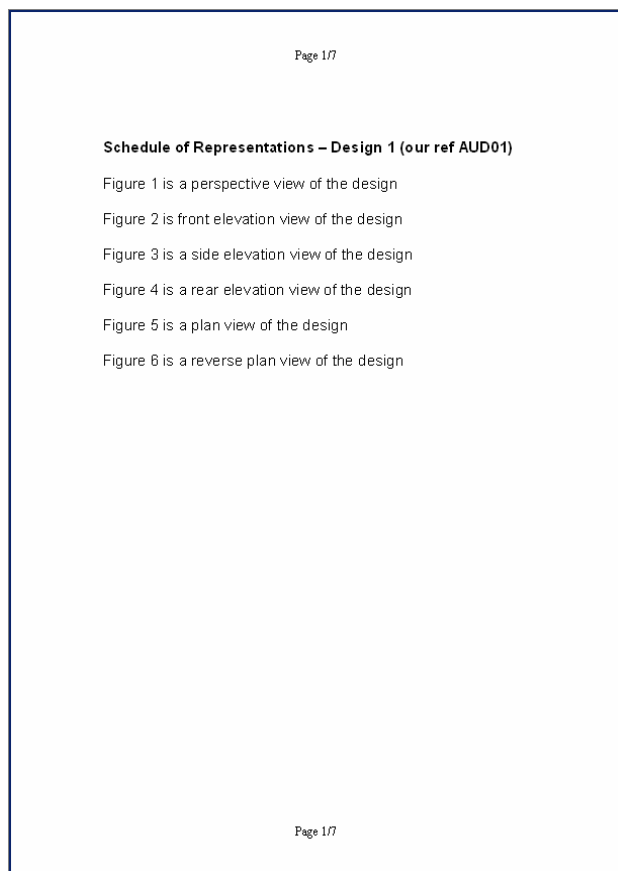
An issue has arisen concerning applications filed under the *Designs Act 2003* where a schedule of representations is filed. The following guidelines seek to overcome this problem.

### Guidelines for the schedule of representations:

The schedule of representations is presented alongside or as part of the representations, and should therefore comply with the Designs Office requirements for representations, and in particular:

1. Within the schedule of representations, a single sheet should not include information on more than one design.
2. Five copies of the schedule of representations should be included in the application.
3. Any amendment made to the representations should be reflected in the schedule of representations.

Below is an example of how the schedule of representations should be presented in an application that contains more than one design:



**Queries:** Cristina Castanedo  
 Designs Administration  
 +61 2 6283 2025

**Contact:** IP Australia  
**Phone:** 1300 651 010  
**Fax:** +61 2 6283 7999  
**E-mail:** [assist@ipaustalia.gov.au](mailto:assist@ipaustalia.gov.au)  
**Web:** [www.ipaustalia.gov.au](http://www.ipaustalia.gov.au)

Official Notice***Designs Act 2003***  
**Amendments to Registered Designs at Examination**

The following amendments have been made to details previously published in the Australian Official Journal of Designs during the Examination process:

<b>Registration Number</b>	<b>Amendment type</b>	<b>New details</b>
300391	Convention Details	US 29/194,309
300392	Convention Details	US 29/194,309
300393	Convention Details	US 29/194,309
300394	Convention Details	US 29/194,309
300395	Convention Details	US 29/194,309
300396	Convention Details	US 29/194,309
300397	Convention Details	US 29/194,310
300398	Convention Details	US 29/194,310
300399	Convention Details	US 29/194,310

**Contact:** IP Australia  
**Phone:** 1300 651 010  
**Fax:** +61 2 6283 7999  
**E-Mail:** [assist@ipaaustralia.gov.au](mailto:assist@ipaaustralia.gov.au)  
**Web:** [www.ipaustralia.gov.au](http://www.ipaustralia.gov.au)

Official Notice

## Withdrawal of Examination Manuals from Sale

As advised in the Official Notice published in the Australian Official Journal of Patents on 1 December 2005 and 4 January 2006, an improved more easily useable on-line format of the Patent Examination Manuals (Volume 1-3) was released. This matches the Trade Mark Examination Manual.

Due to the introduction of this new format combined with low numbers of requests for providing hard copy versions, it has become uneconomical to continue to provide printed manuals for sale. We will also no longer be providing printed updates for current manual holders.

The Manuals will continue to be available on our website and can be accessed free of charge at [www.ipaustralia.gov.au/resources/manuals.shtml](http://www.ipaustralia.gov.au/resources/manuals.shtml) . It is recommended regular users of the manuals subscribe to the official notice mailing list at [www.ipaustralia.gov.au/resources/lists\\_index.shtml#](http://www.ipaustralia.gov.au/resources/lists_index.shtml#) . This will allow you to receive notification of updates to the manuals as they occur. You will then have the option to download or print the updated version of the manuals or refer to the online version as required.

Please note that in order to provide more options to customers a printable format of the on-line Manual is available from within the Manual on the IP Australia web site. The printable format will reflect any updates to the Manual and allow customers the opportunity of printing out the Manual if they desire.

If you have any other queries or problems regarding any service provided through the Online Services facility please call our Customer Support Centre on 1300 651 010. Alternatively you can e-mail [assist@ipaustralia.gov.au](mailto:assist@ipaustralia.gov.au)

**Contact:** IP Australia  
**Phone:** 1300 651 010 or +61 2 6283 2999  
**Fax:** +61 2 6283 7999  
**E-mail:** [assist@ipaustralia.gov.au](mailto:assist@ipaustralia.gov.au)  
**Web:** [www.ipaustralia.gov.au](http://www.ipaustralia.gov.au)

Official Notice

**IP Australia Now Accepts Payments via  
American Express card (AMEX)**

IP Australia is pleased to announce the introduction of American Express card (AMEX) to the available methods of payment.

Customers can now make payments via American Express card for all IP Australia products and services where a credit card can be used, except for Patents On-Line Services (OLS), which is expected to be available at a later date.

An updated Payment Options Form is available on the IP Australia website at [www.ipaustralia.gov.au/resources/forms\\_finance.shtml](http://www.ipaustralia.gov.au/resources/forms_finance.shtml)

If you have any questions regarding this service, please call our Customer Services Network on 1300 651 010, or email [assist@ipaustralia.gov.au](mailto:assist@ipaustralia.gov.au)

**Contact:** IP Australia  
**Phone:** 1300 651 010  
**Fax:** +61 2 6283 7999  
**Email:** [assist@ipaustralia.gov.au](mailto:assist@ipaustralia.gov.au)  
**Web:** [www.ipaustralia.gov.au](http://www.ipaustralia.gov.au)

This Page Left Intentionally Blank

**Proceedings under the Designs Act 1906 preserved as a result of the provisions of Chapter 12 Part 2 of the Designs Act 2003.**

This Page Left Intentionally Blank

**Applications Lapsed**

00309 / 2004 (06-03A)	01657 / 2004 (03-01NES)
01662 / 2004 (05-05D)	01666 / 2004 (25-04)
01671 / 2004 (06-02)	01699 / 2004 (28-03NES)
01709 / 2004 (14-02)	01712 / 2004 (09-03H)
01717 / 2004 (06-11)	01718 / 2004 (06-11)
01719 / 2004 (06-11)	01720 / 2004 (06-11)
01721 / 2004 (06-11)	01722 / 2004 (06-11)
01723 / 2004 (06-11)	

**Application for Extension of Period of Registration**

Applications under Section 27A(2) for extension of registration of the following designs have been lodged. In the event that a design is shown to be not new or original, the Registrar may refuse to extend the period of registration. Sub-section 27A(4) allows any person to lodge at the Designs Office material relevant to the question whether the design is not new or original. That material must be lodged within 11 months of the date when the registration of the design was made. Further details of the conditions and procedures for the lodgement of material are contained in Form 8 provided under the Designs Regulation 24.

Registration Number	Registered Owner	Registration Date
158496	BLACK & DECKER INC.	01/02/2006
158501	PACTIV CORPORATION	01/02/2006
158502	BLACK & DECKER INC.	01/02/2006
158503	RAIN BIRD CORPORATION	01/02/2006
158505	EDWARD PATRICK DALMAU TRUSTEE OF THE R & M DALMAU FAMILY TRUST and MARY MARGARET DALMAU TRUSTEE OF THE R & M DALMAU FAMILY TRUST	01/02/2006

Registration Number	Registered Owner	Registration Date
157443	INFINITE SPIRITS INC.	02/02/2005
157490	LEADER PRODUCTS PTY LTD	09/02/2005
157557	REUBEN SCOTT RUNDLE and PAUL JAMES BEDFORD	21/02/2005
157559	SOCIETE DES PRODUITS NESTLE S.A.	21/02/2005
157588	CHRISTOPHER SHANE BACK	22/02/2005
157591	WARREN PETER WOODS and SAMMY DOMONIC ALOE	22/02/2005
157593	GEORGE NIKOLAIDIS	22/02/2005
157595	DRAGON TOYS LTD	22/02/2005
157596	DRAGON TOYS LTD	22/02/2005
157615	LEANNE RICHARDSON	25/02/2005
157624	KINGSLEY ENTERPRISES PTY LIMITED	28/02/2005
157702	SOCIETE DES PRODUITS NESTLE S.A.	11/03/2005
157704	INVERNESS MEDICAL LIMITED	11/03/2005
157751	GIOVANNI SABAINI	15/03/2005
157752	GIOVANNI SABAINI	15/03/2005
157753	GIOVANNI SABAINI	15/03/2005
157754	GIOVANNI SABAINI	15/03/2005
157840	MICHAELA CARTER	31/03/2005
157881	MELBOURNE 2006 COMMONWEALTH GAMES CORPORATION	31/03/2005
157882	MELBOURNE 2006 COMMONWEALTH GAMES CORPORATION	31/03/2005
157894	STEENDYK HOLDINGS PTY LTD	04/04/2005
157940	WIK FAR EAST LTD	18/04/2005
158309	SPOTLESS PLASTICS PTY LTD	23/09/2005
158310	SPOTLESS PLASTICS PTY LTD	23/09/2005
158487	E.M.E.H. INC.	01/02/2006
158490	FANS DIRECT PTY LTD	01/02/2006

**Extension of Period of Registration of Designs**

**1st Period (Section 27A(8))**

157443	157490	157491
157493	157494	157495
157496	157497	157498
157499	157500	157501
157509	157510	157511
157512	157513	157514
157515	157516	157517
157518	157519	157520
157521	157522	157523
157524	157525	157526
157527	157528	157529
157530	157531	157532
157533	157534	157535
157536	157537	157538
157539	157540	157541
157542	157543	157544
157545	157546	157547
157548	157549	157550
157551	157552	157553
157554	157555	157556
157557	157558	157559
157562	157563	157564
157565	157566	157567
157568	157569	157570
157571	157572	157573
157574	157613	

**2nd Period (Section 27A(12))**

139982	140015	140016
140061	140141	140257
140259	140465	140552
140569	140774	140775
140776	140777	140778
140779	140869	141405
141427	141463	141464
141465	141466	141515
141516	141531	141560
141574	141575	141592
141609	141613	141614
141642	141660	141676
141677		

	141690	141733
141799	141800	141801
141809	141810	141811
141812	141840	141860
141869	141881	141917
142060	142105	142115
142116	142121	142130
142232	142233	142254
142315	142336	142374
142595	142658	142828
142852	142853	142854
142855	142911	143051
143052	143169	143304
143339	143569	143704
143705	143768	144044
144045	144046	144047
144048	144297	144339
144593	144731	144909
145165	145350	145426
145429	145544	145603
145792	145926	146040
146113	146232	146311
148147	148447	156573
157255	157256	

**3rd Period (Section 27A(13))**

124686	124764	124835
124836	124837	124838
124839	124876	124877
124878	124925	124983
125022	125108	125149
125151	125152	125647
125717	125833	125834
125854	125948	126020
126456	126689	126690
126906	127413	127414
128159	128676	128755
129058	129684	129923
129924	129925	129926
129927	129928	130025
134846	136817	156573

**Registrations Ceased**

Note: Some of the following Registrations may have been previously advertised as ceased. In this instance, the previous advertisement still prevails.

108665	108732	108858
108860	108898	109018
109466	110129	110314
110333	110745	110755
111206	112002	114663
121259	122471	122986
123037	123064	123112
123159	123160	123209
123615	123616	123619
123967	124733	125372

126125	127225	128607
138455	138456	138587
139801	139802	139803
139804	139805	139807
139809	139907	139912
139967	140047	140194
140245	140246	140247
140248	140249	140316
140373	140374	140473
140584	140610	140611
140612	140613	140691
140977	141082	141926
142154	142272	142332
142699	142763	143145
144081	144082	144141
144142	144143	144144
144145	144161	144262
144263	144454	144455
145750	157359	157440
157476	157477	157478
157479	157480	157481
157482	157483	157484
157485	157488	157489
157492	157502	157503
157504	157505	157506
157507	157508	

**Extensions of time granted**

Applications lodged for extension of time have been granted.

01464/2004 **Patrick Thornton** An Extension of time to register an application has been granted to 21/02/2006

157443 **Infinite Spirits Inc.** An Extension of time to extend a registration has been granted to 03/02/2006

**Subsequent Owners Registered**

(The name in parentheses is that of the subsequent owner)

124388	( <b>Kraft Foods Limited;Amcor Packaging (Australia) Pty Ltd</b> ) Kraft Foods Limited;Pak Pacific Corporation Pty Ltd
123017	( <b>ITW Ramset Australia Pty Ltd</b> ) Modfix Australia Pty Ltd
124661	( <b>ITW Ramset Australia Pty Ltd</b> ) Modfix Australia Pty Ltd
124996	( <b>ITW Ramset Australia Pty Ltd</b> ) Modfix Australia Pty Ltd
125120	( <b>ITW Ramset Australia Pty Ltd</b> ) Modfix Australia Pty Ltd
128188	( <b>ITW Ramset Australia Pty Ltd</b> ) Modfix Australia Pty Ltd
128187	( <b>ITW Ramset Australia Pty Ltd</b> ) Modfix Australia Pty Ltd
125305	( <b>ITW Ramset Australia Pty Ltd</b> ) Modfix Australia Pty Ltd
117003	( <b>Arjo Hospital Equipment K.B.</b> ) Arjo Hospital Equipment A.B.

**Subsequent Owners Registered**

		142864	A mortgage has been granted to <b>National Australia Bank Limited</b>
114660	( <b>Big Wheels Truck Alignment Franchising Pty Limited</b> ) Narellan Truck Wheel Align Pty Limited	138478	A mortgage has been granted to <b>National Australia Bank Limited</b>
139556	( <b>Methven Australia Pty Ltd</b> ) Flexispray Pty Ltd		
139899	( <b>Orica Explosives Technology Pty Limited</b> ) Initiating Explosives Systems Pty Ltd		
115725	( <b>Nanjing Automobile (Group) Corporation</b> ) Rover Group Limited		
149490	( <b>Nanjing Automobile (Group) Corporation</b> ) MG Rover Group Limited		
150340	( <b>Nanjing Automobile (Group) Corporation</b> ) MG Rover Group Limited		
150355	( <b>Nanjing Automobile (Group) Corporation</b> ) MG Rover Group Limited		
150354	( <b>Nanjing Automobile (Group) Corporation</b> ) MG Rover Group Limited		
150406	( <b>Nanjing Automobile (Group) Corporation</b> ) MG Rover Group Limited		
150407	( <b>Nanjing Automobile (Group) Corporation</b> ) MG Rover Group Limited		

**Names Registered - Alterations and Amendments**

(The name in parentheses is the new name of the proprietor)

147978	( <b>Bapco Closures Research Limited</b> ) Spreckelsen McGeough Limited
147977	( <b>Bapco Closures Research Limited</b> ) Spreckelsen McGeough Limited
147976	( <b>Bapco Closures Research Limited</b> ) Spreckelsen McGeough Limited
155900	( <b>GE Healthcare Bio-Sciences AB</b> ) Amersham Biosciences A.B.
158370	( <b>GE Healthcare Bio-Sciences AB</b> ) Amersham Biosciences A.B.
158371	( <b>GE Healthcare Bio-Sciences AB</b> ) Amersham Biosciences A.B.
158372	( <b>GE Healthcare Bio-Sciences AB</b> ) Amersham Biosciences A.B.
141358	( <b>Clipsal Australia Pty Ltd</b> ) Gerard Industries Pty Ltd
123874	( <b>Trafalgar Building Products Pty Limited</b> ) Tyco Building Products Pty Limited
123875	( <b>Trafalgar Building Products Pty Limited</b> ) Tyco Building Products Pty Limited
123876	( <b>Trafalgar Building Products Pty Limited</b> ) Tyco Building Products Pty Limited
123677	( <b>Redpath Pacific Ltd</b> ) Edwards & Williams Greenhouses Limited

**Mortgages Registered**

157078	A mortgage has been granted to <b>National Australia Bank Limited</b>
152489	A mortgage has been granted to <b>National Australia Bank Limited</b>
151748	A mortgage has been granted to <b>National Australia Bank Limited</b>
148597	A mortgage has been granted to <b>National Australia Bank Limited</b>

**Corrigenda**

Number

In Vol 20 , No 4 , page 3801 under the heading **Registrations Ceased**; Design No. 157359 should be deleted.

Number

In Vol 19 , No 22 , page 2765 under the heading **Extension of Period of Registration** 153515 should be deleted.

**Registration Proceedings**

**Designs Registered**

This section provides a concordance between application number and registration number of Designs covered in this journal. It also shows the main class and registration date.

This section covers Registration numbers 158506 to 158521.

The registration number shown below should be used in all future correspondence.

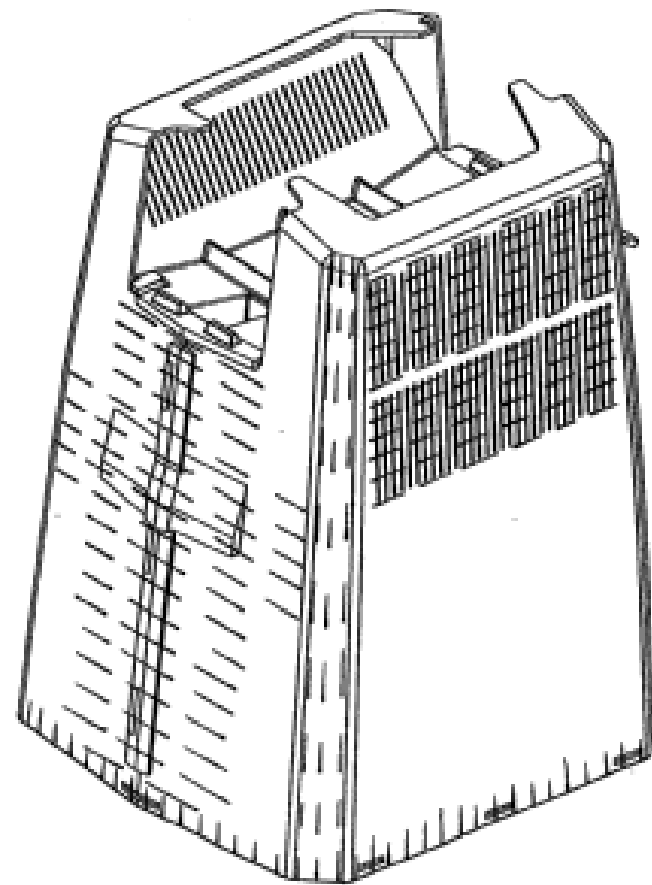
<b>Application Number</b>	<b>Registration Number</b>	<b>International Classification Code (IDC)</b>	<b>Registration Date</b>	<b>Application Number</b>	<b>Registration Number</b>	<b>International Classification Code (IDC)</b>	<b>Registration Date</b>
00679/2004	158506	26-05C	16/02/2006	01993/2004	158514	28-99	16/02/2006
00680/2004	158507	26-05C	16/02/2006	01994/2004	158515	28-99	16/02/2006
00681/2004	158508	26-05C	16/02/2006	01995/2004	158516	28-99	16/02/2006
00889/2004	158509	12-16B	16/02/2006	02034/2004	158517	14-02	16/02/2006
01552/2004	158510	23-01E	16/02/2006	02160/2004	158518	25-01C	16/02/2006
01553/2004	158511	23-01E	16/02/2006	02344/2004	158519	26-05D	16/02/2006
01625/2004	158512	03-01C	16/02/2006	02345/2004	158520	26-05D	16/02/2006
01913/2004	158513	07-01C	16/02/2006	02346/2004	158521	26-05D	16/02/2006

**Registration Proceedings**  
**Class Listing of Designs Registered**

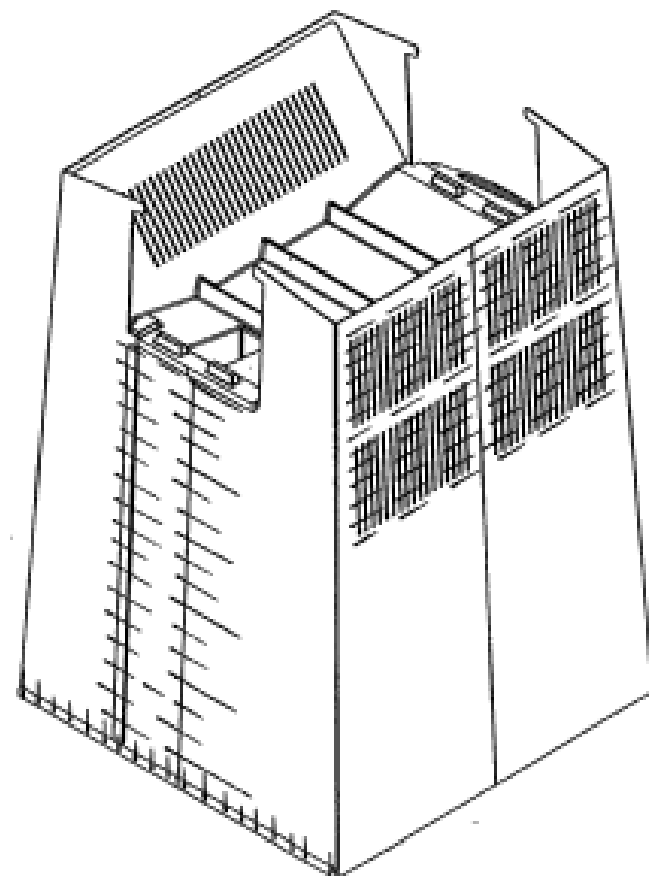
The following section shows an International Classification Code listing of the Registered Designs covered in this supplement.

<b>Classification</b>	<b>Registration Number</b>	<b>Application Number</b>	<b>Classification</b>	<b>Registration Number</b>	<b>Application Number</b>
03-01 C	158512	01625/2004	26-05 C	158506	00679/2004
07-01 B	158513	01913/2004	26-05 C	158507	00680/2004
07-01 C	158513	01913/2004	26-05 C	158508	00681/2004
12-16 B	158509	00889/2004	26-05 D	158519	02344/2004
14-02	158517	02034/2004	26-05 D	158520	02345/2004
15-04	158509	00889/2004	26-05 D	158521	02346/2004
23-01 E	158510	01552/2004	28-99	158514	01993/2004
23-01 E	158511	01553/2004	28-99	158515	01994/2004
23-01 NES	158510	01552/2004	28-99	158516	01995/2004
23-01 NES	158511	01553/2004			
25-01 C	158518	02160/2004			

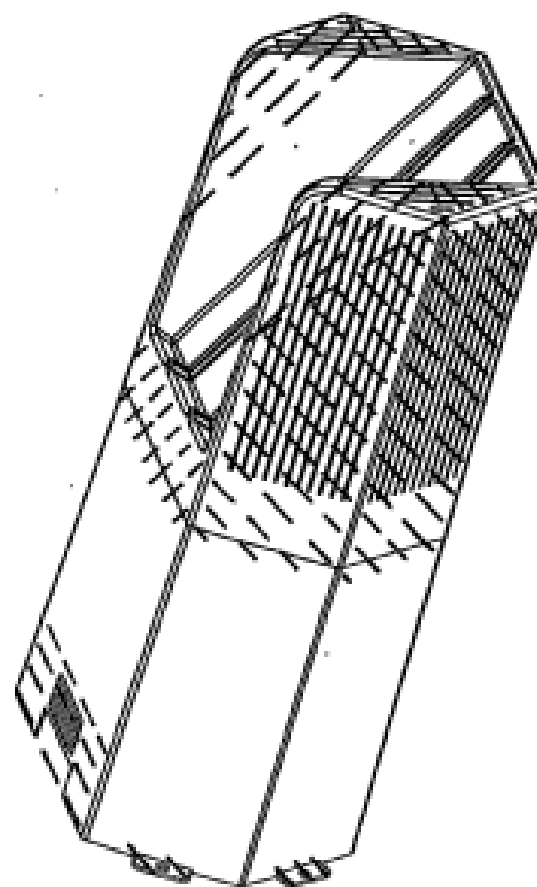
- (21) Application Number: **0679/2004**  
(22) Date of Filing Application: **24 February 2004**  
(24) Date from which industrial property rights may have effect: **24 February 2004**  
(54) Article in respect of which the design is registered: **Downlight protector housing**  
(51) International Design Classification: **26-05C**  
(71) Name(s) and Address(s) of Applicant(s):  
**Ian Thomas Craig**  
**81 McCrae Street Swan Hill Victoria 3585 Australia**  
**Julia Craig**  
**81 McCrae Street Swan Hill Victoria 3585 Australia**  
(72) Name(s) of Author(s): **Ian Thomas Craig and Julia Craig**  
(45) Registration Date: **16 February 2006**  
(56) Related Art Documents: **Not Applicable**  
(57) Statement of Monopoly: **Monopoly is claimed in the shape and configuration of the downlight protector housing as shown in the representations. No monopoly is claimed for those parts or sections shown in broken lines in the representations.**  
Statement of Novelty: **Nil**



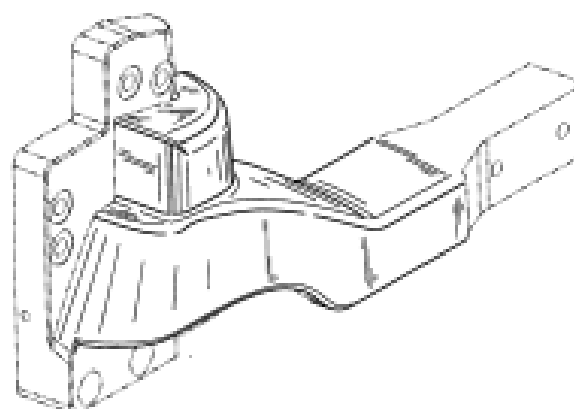
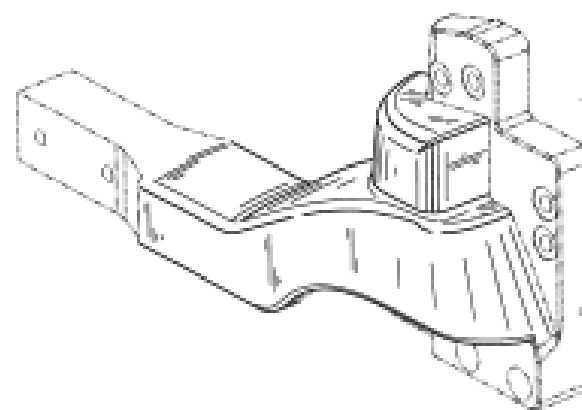
- (21) Application Number: **0680/2004**  
(22) Date of Filing Application: **24 February 2004**  
(24) Date from which industrial property rights may have effect: **24 February 2004**  
(54) Article in respect of which the design is registered: **Downlight protector housing**  
(51) International Design Classification: **26-05C**  
(71) Name(s) and Address(s) of Applicant(s):  
**Ian Thomas Craig**  
**81 McCrae Street Swan Hill Victoria 3585 Australia**  
**Julia Craig**  
**81 McCrae Street Swan Hill Victoria 3585 Australia**  
(72) Name(s) of Author(s): **Ian Thomas Craig and Julia Craig**  
(45) Registration Date: **16 February 2006**  
(56) Related Art Documents: **Not Applicable**  
(57) Statement of Monopoly: **Monopoly is claimed in the shape and configuration of the downlight protector housing as shown in the representations. No monopoly is claimed for those parts or sections shown in broken lines in the representations.**  
Statement of Novelty: **Nil**



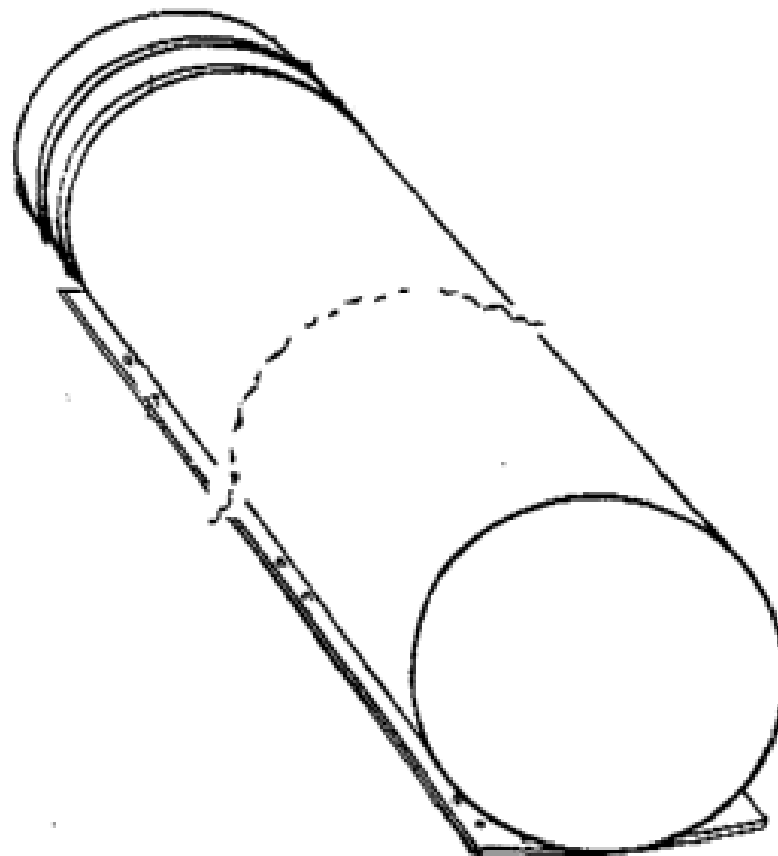
(21) Application Number: **0681/2004**  
 (22) Date of Filing Application: **24 February 2004**  
 (24) Date from which industrial property rights may have effect: **24 February 2004**  
 (54) Article in respect of which the design is registered: **Downlight protector housing**  
 (51) International Design Classification: **26-05C**  
 (71) Name(s) and Address(s) of Applicant(s):  
**Ian Thomas Craig**  
**81 McCrae Street Swan Hill Victoria 3585 Australia**  
**Julia Craig**  
**81 McCrae Street Swan Hill Victoria 3585 Australia**  
 (72) Name(s) of Author(s): **Ian Thomas Craig and Julia Craig**  
 (45) Registration Date: **16 February 2006**  
 (56) Related Art Documents: **Not Applicable**  
 (57) Statement of Monopoly: **Monopoly is claimed in the shape and configuration of the downlight protector housing as shown in the representations. No monopoly is claimed for those parts or sections shown in broken lines in the representations.**  
 Statement of Novelty: **Nil**



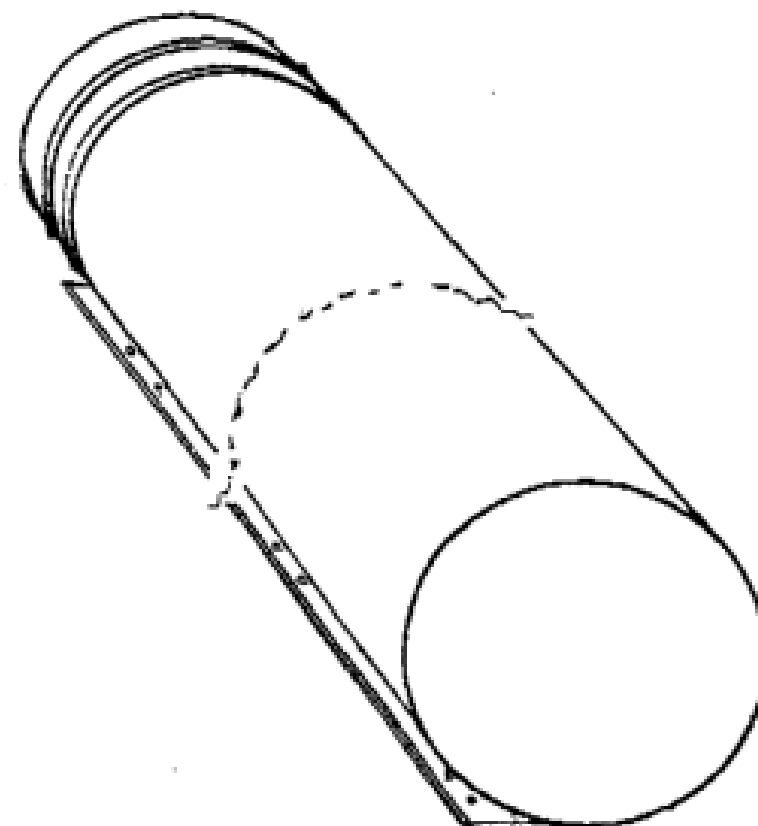
(21) Application Number: **0889/2004**  
 (22) Date of Filing Application: **08 March 2004**  
 (24) Date from which industrial property rights may have effect: **08 March 2004**  
 (54) Article in respect of which the design is registered: **A set of base legs for a material handling vehicle**  
 (51) International Design Classification: **12-16B, 15-04**  
 (74) Name(s) of Attorney(s): **PIZZEYS**  
 (71) Name(s) and Address(s) of Applicant(s):  
**The Raymond Corporation**  
**20 South Canal Street Greene New York 13778 United States of America**  
 (72) Name(s) of Author(s): **H. Scott Ryan and Douglas M. Russell and Thomas W. Confer and Gregory W. Smiley**  
 (45) Registration Date: **16 February 2006**  
 (30) Convention priority data:  
 (31) Number      (32) Date      (33) Country  
**29/189,653      9 Sep 2003      UNITED STATES OF AMERICA**  
 (56) Related Art Documents: **Not Applicable**  
 (57) Statement of Monopoly: **Monopoly is claimed in the features of shape and/or configuration of a set of base legs for a material handling vehicle as illustrated in the attached representations. When construing the extent of monopoly protection the features illustrated in dotted lines in the representations are to be disregarded.**  
 Statement of Novelty: **Nil**



- (21) Application Number: **1552/2004**  
(22) Date of Filing Application: **23 April 2004**  
(24) Date from which industrial property rights may have effect: **23 April 2004**  
(54) Article in respect of which the design is registered: **Flexible fluming (double cleat version)**  
(51) International Design Classification: **23-01E, 23-01NES**  
(74) Name(s) of Attorney(s): **MILLS OAKLEY LAWYERS**  
(71) Name(s) and Address(s) of Applicant(s):  
**Peter Madsen**  
**6 Nilgiri Road RD 2 Napier New Zealand**  
(72) Name(s) of Author(s): **Peter Madsen**  
(45) Registration Date: **16 February 2006**  
(56) Related Art Documents: **Not Applicable**  
(57) Statement of Monopoly: **Monopoly is claimed in the features of shape and configuration of the flexible fluming of indefinite length as illustrated in the accompanying representations. No monopoly is claimed in the positioning or number of eyelets or in the pipe to which the fluming is attached.**  
Statement of Novelty: **Nil**



- (21) Application Number: **1553/2004**  
(22) Date of Filing Application: **23 April 2004**  
(24) Date from which industrial property rights may have effect: **23 April 2004**  
(54) Article in respect of which the design is registered: **Flexible fluming (single cleat version)**  
(51) International Design Classification: **23-01E, 23-01NES**  
(74) Name(s) of Attorney(s): **MILLS OAKLEY LAWYERS**  
(71) Name(s) and Address(s) of Applicant(s):  
**Peter Madsen**  
**6 Nilgiri Road RD 2 Napier New Zealand**  
(72) Name(s) of Author(s): **Peter Madsen**  
(45) Registration Date: **16 February 2006**  
(56) Related Art Documents: **Not Applicable**  
(57) Statement of Monopoly: **Monopoly is claimed in the features of shape and configuration of the flexible fluming formed therewith of indefinite length as illustrated in the accompanying representations. No monopoly is claimed in the positioning or number of eyelets or in the pipe to which the fluming is attached.**  
Statement of Novelty: **Nil**



(19) AU

- (21) Application Number: **1625/2004**  
(22) Date of Filing Application: **28 April 2004**  
(24) Date from which industrial property rights may have effect: **28 April 2004**  
(54) Article in respect of which the design is registered: **A set of boxes for compact discs**

(51) International Design Classification: **03-01C**  
(74) Name(s) of Attorney(s): **PATENT ATTORNEY SERVICES**

(71) Name(s) and Address(s) of Applicant(s):  
**Dubois Limited**  
**Amaray House Arkwright Road Corby Northants NN17 5AE United Kingdom**

(72) Name(s) of Author(s): **Peter Antony Farrar and Robert Johnston**

(45) Registration Date: **16 February 2006**

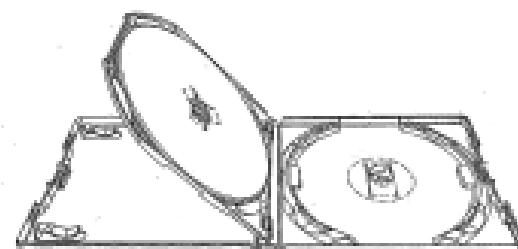
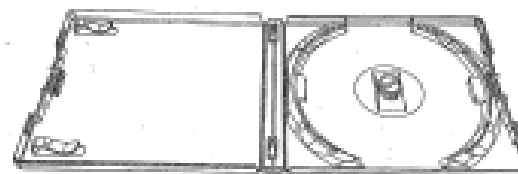
(30) Convention priority data:

(31) Number	(32) Date	(33) Country
<b>000102280</b>	<b>21 Nov 2003</b>	<b>EUROPEAN COMMUNITY</b>

(56) Related Art Documents: **Not Applicable**

(57) Statement of Monopoly: **Monopoly is claimed in the features of shape and configuration of a set of boxes for compact discs as shown in the accompanying representations. No monopoly is claimed in the shape and configuration of the central disc-holding devices in the third box, these devices being shown in broken lines in Figs. 3.2 to 3.5.**

Statement of Novelty: **Nil**



(19) AU

- (21) Application Number: **1913/2004**  
(22) Date of Filing Application: **20 May 2004**  
(24) Date from which industrial property rights may have effect: **20 May 2004**  
(54) Article in respect of which the design is registered: **Container**

(51) International Design Classification: **07-01C, 07-01B**  
(74) Name(s) of Attorney(s): **PHILLIPS ORMONDE & FITZPATRICK**

(71) Name(s) and Address(s) of Applicant(s):  
**Italesse S.r.l.**  
**Via dei Templari 6 34015 Muggia TS Italy**

(72) Name(s) of Author(s): **Claudio Barducci**

(45) Registration Date: **16 February 2006**

(30) Convention priority data:

(31) Number	(32) Date	(33) Country
<b>105465</b>	<b>20 Nov 2003</b>	<b>EUROPEAN COMMUNITY</b>

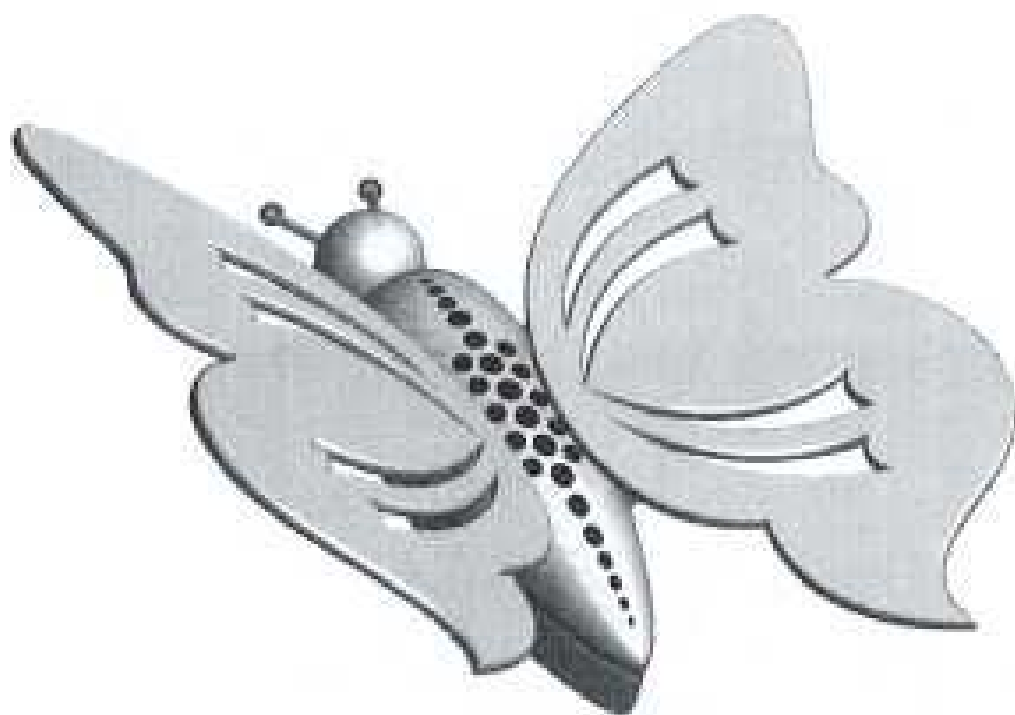
(56) Related Art Documents: **Not Applicable**

(57) Statement of Monopoly: **Monopoly is claimed in the shape and/or configuration of the container as shown in the representations.**

Statement of Novelty: **Nil**



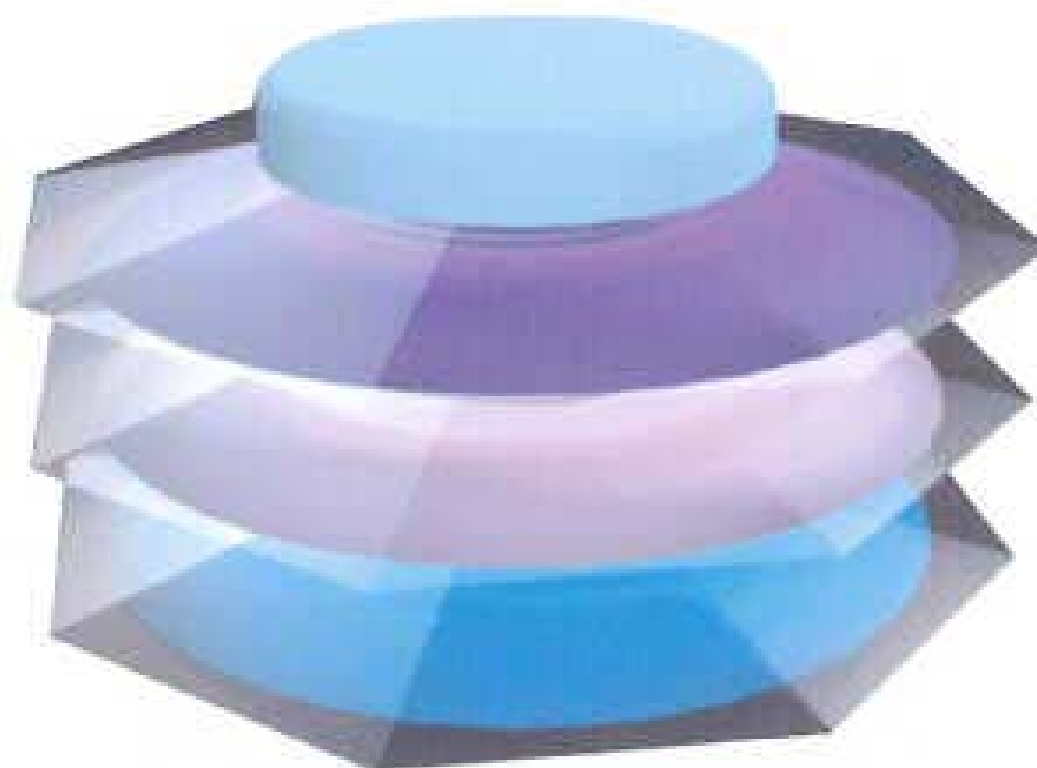
- (21) Application Number: **1993/2004**  
(22) Date of Filing Application: **27 May 2004**  
(24) Date from which industrial property rights may have effect: **27 May 2004**  
(54) Article in respect of which the design is registered: **An air freshener**  
(51) International Design Classification: **28-99**  
(71) Name(s) and Address(s) of Applicant(s):  
**Brand & Media Pty Ltd**  
**Suite 15 Jones Bay Wharf 19-21 Pirrama Road Pyrmont New South**  
**Wales 2009 Australia**  
(72) Name(s) of Author(s): **Kieron Dowd**  
(45) Registration Date: **16 February 2006**  
(56) Related Art Documents: **Not Applicable**  
(57) Statement of Monopoly: **Monopoly is claimed in the shape and**  
**configuration of an air freshener as shown in the representations.**  
Statement of Novelty: **Nil**



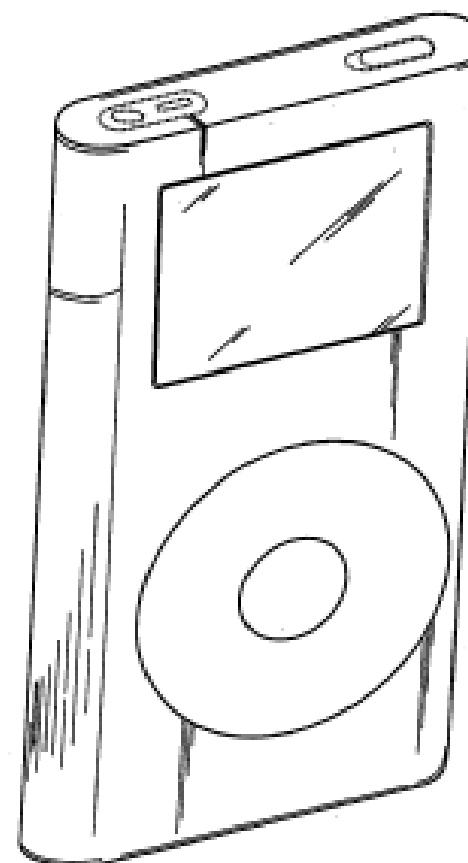
- (21) Application Number: **1994/2004**  
(22) Date of Filing Application: **27 May 2004**  
(24) Date from which industrial property rights may have effect: **27 May 2004**  
(54) Article in respect of which the design is registered: **An air freshener**  
(51) International Design Classification: **28-99**  
(71) Name(s) and Address(s) of Applicant(s):  
**Brand & Media Pty Ltd**  
**Suite 15 Jones Bay Wharf 19-21 Pirrama Road Pyrmont New South**  
**Wales 2009 Australia**  
(72) Name(s) of Author(s): **Kieron Dowd**  
(45) Registration Date: **16 February 2006**  
(56) Related Art Documents: **Not Applicable**  
(57) Statement of Monopoly: **Monopoly is claimed in the shape and**  
**configuration of an air freshener as shown in the representations.**  
Statement of Novelty: **Nil**



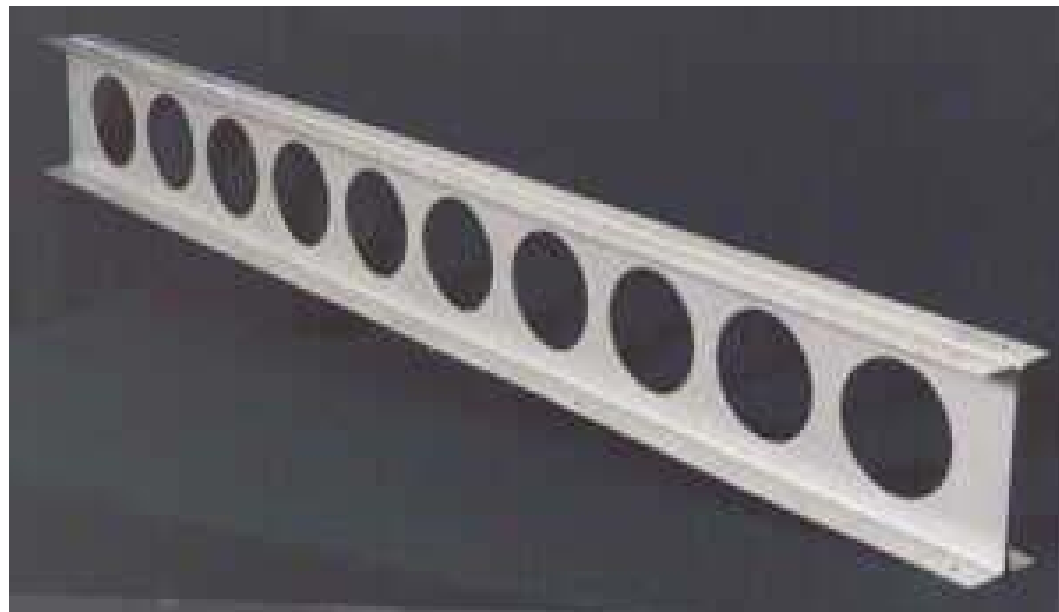
(21) Application Number: **1995/2004**  
(22) Date of Filing Application: **27 May 2004**  
(24) Date from which industrial property rights may have effect: **27 May 2004**  
(54) Article in respect of which the design is registered: **An air freshener**  
(51) International Design Classification: **28-99**  
(71) Name(s) and Address(s) of Applicant(s):  
**Brand & Media Pty Ltd**  
**Suite 15 Jones Bay Wharf 19-21 Pirrama Road Pyrmont New South**  
**Wales 2009 Australia**  
(72) Name(s) of Author(s): **Kieron Dowd**  
(45) Registration Date: **16 February 2006**  
(56) Related Art Documents: **Not Applicable**  
(57) Statement of Monopoly: **Monopoly is claimed in the shape and**  
**configuration of an air freshener as shown in the representations.**  
Statement of Novelty: **Nil**



(21) Application Number: **2034/2004**  
(22) Date of Filing Application: **31 May 2004**  
(24) Date from which industrial property rights may have effect: **31 May 2004**  
(54) Article in respect of which the design is registered: **A media device**  
(51) International Design Classification: **14-02**  
(74) Name(s) of Attorney(s): **Davies Collison Cave**  
(71) Name(s) and Address(s) of Applicant(s):  
**Apple Computer Inc.**  
**1 Infinite Loop Cupertino California 95014-2084 United States of**  
**America**  
(72) Name(s) of Author(s): **Bartley K. Andre and Daniele De luliis and Jonathan**  
**P. Ive and Daniel J. Coster and Richard P. Howarth and Steve Jobs and**  
**Duncan Robert Kerr and Shin Nishibori and Matthew Dean Rohrbach and**  
**Douglas B. Satzger and Calvin Q. Seid and Christopher J. Stringer and**  
**Eugene Anthony Whang**  
(45) Registration Date: **16 February 2006**  
(30) Convention priority data:  
(31) Number      (32) Date      (33) Country  
**29196832      5 Jan 2004      UNITED STATES OF AMERICA**  
(56) Related Art Documents: **Not Applicable**  
(57) Statement of Monopoly: **Monopoly is claimed in the features of shape**  
**and/or configuration of the media device as shown in the**  
**representations. In considering the extent of the monopoly protection,**  
**the features shown in broken lines in the representations are to be**  
**disregarded.**  
Statement of Novelty: **Nil**



- (21) Application Number: **2160/2004**  
(22) Date of Filing Application: **07 June 2004**  
(24) Date from which industrial property rights may have effect: **07 June 2004**  
(54) Article in respect of which the design is registered: **I-beam**  
(51) International Design Classification: **25-01C**  
(71) Name(s) and Address(s) of Applicant(s):  
**William M. Firth**  
**Oltam Road Currabubula New South Wales 2342 Australia**  
(72) Name(s) of Author(s): **William M. Firth**  
(45) Registration Date: **16 February 2006**  
(56) Related Art Documents: **Not Applicable**  
(57) Statement of Monopoly: **Monopoly is claimed in the shape and pattern and configuration of the I-beam as shown in the representations.**  
Statement of Novelty: **Nil**



- (21) Application Number: **2344/2004**  
(22) Date of Filing Application: **16 June 2004**  
(24) Date from which industrial property rights may have effect: **16 June 2004**  
(54) Article in respect of which the design is registered: **A lampshade**  
(51) International Design Classification: **26-05D**  
(71) Name(s) and Address(s) of Applicant(s):  
**Simon James Goldstein**  
**3/12 Cecil Street Ashfield New South Wales 2131 Australia**  
(72) Name(s) of Author(s): **Simon James Goldstein**  
(45) Registration Date: **16 February 2006**  
(56) Related Art Documents: **Not Applicable**  
(57) Statement of Monopoly: **Monopoly is claimed in the features of shape and configuration of a lampshade as shown in the accompanying representations.**  
Statement of Novelty: **Nil**



(21) Application Number: **2345/2004**

(22) Date of Filing Application: **16 June 2004**

(24) Date from which industrial property rights may have effect: **16 June 2004**

(54) Article in respect of which the design is registered: **A set of lampshades**

(51) International Design Classification: **26-05D**

(71) Name(s) and Address(s) of Applicant(s):

**Simon James Goldstein**  
**3/12 Cecil Street Ashfield New South Wales 2131 Australia**

(72) Name(s) of Author(s): **Simon James Goldstein**

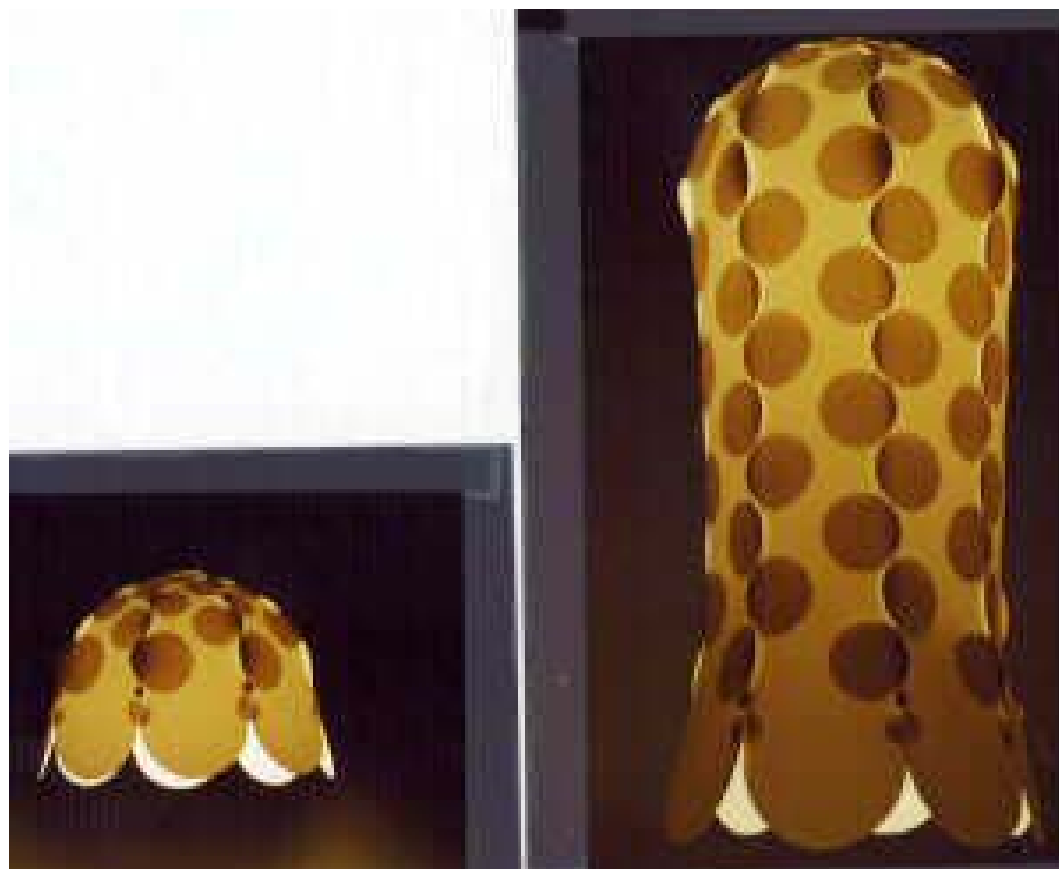
(45) Registration Date: **16 February 2006**

(61) Additional to: **155166**

(56) Related Art Documents: **Not Applicable**

(57) Statement of Monopoly: **Monopoly is claimed in the features of pattern and ornamentation of a set of lampshades as shown in the accompanying representations. No monopoly is claimed for the shape and configuration of the lampshades shown.**

Statement of Novelty: **Nil**



(21) Application Number: **2346/2004**

(22) Date of Filing Application: **16 June 2004**

(24) Date from which industrial property rights may have effect: **16 June 2004**

(54) Article in respect of which the design is registered: **A lampshade**

(51) International Design Classification: **26-05D**

(71) Name(s) and Address(s) of Applicant(s):

**Simon James Goldstein**  
**3/12 Cecil Street Ashfield New South Wales 2131 Australia**

(72) Name(s) of Author(s): **Simon James Goldstein**

(45) Registration Date: **16 February 2006**

(56) Related Art Documents: **Not Applicable**

(57) Statement of Monopoly: **Monopoly is claimed in the features of shape and configuration of a lampshade as shown in the accompanying representations.**

Statement of Novelty: **Nil**





**Proceedings under the Designs Act 2003.**

This Page Left Intentionally Blank

**Applications Lodged**

Lodgement information is in the following order: **Applicant's Name**; International Classification, Name of Product, Lodgement Date and **Design Number**. If the applicant claims an earlier priority date under an International Convention, the Convention Country and the associated filing date are shown in parentheses before the Lodgement Date. Divisional information will also appear in parentheses before the Lodgement Date.

<b>Acco Australia Pty Ltd;</b> 19-02, Desk tray, 08 Feb 2006	<b>10468/2006</b>	<b>BFH Sydcon Pty Limited;</b> 25-02C, 25-01NES, Fence rail, 15 Feb 2006	<b>10555/2006</b>
<b>Acco Australia Pty Ltd;</b> 19-02, File holder, 08 Feb 2006	<b>10471/2006</b>	<b>BFH Sydcon Pty Limited;</b> 25-02C, 25-01NES, Fence rail connector, 15 Feb 2006	<b>10556/2006</b>
<b>Acco Australia Pty Ltd;</b> 19-02, File holder, 08 Feb 2006	<b>10472/2006</b>	<b>BFH Sydcon Pty Limited;</b> 25-01E, Fence post, 15 Feb 2006	<b>10554/2006</b>
<b>Acco Australia Pty Ltd;</b> 19-02, Desk tray, 08 Feb 2006	<b>10469/2006</b>	<b>BFH Sydcon Pty Ltd;</b> 08-08K, Fence thru plate connector, 08 Feb 2006	<b>10432/2006</b>
<b>Acco Australia Pty Ltd;</b> 19-02, Desk tray, 08 Feb 2006	<b>10470/2006</b>	<b>BFH Sydcon Pty Ltd;</b> 08-08K, 25-01E, Fence rail and cover plate, 08 Feb 2006	<b>10433/2006</b>
<b>Amcor Limited;</b> 09-05, Packaging sleeve, (Divisional of 01712/2004) 10 Feb 2006	<b>10510/2006</b>	<b>BFH Sydcon Pty Ltd;</b> 25-01E, Fence post, 08 Feb 2006	<b>10435/2006</b>
<b>Arizona Nominees Pty Limited;</b> 25-02K, A venetian blind slat, 08 Feb 2006	<b>10451/2006</b>	<b>CabAdsCorp Pty Ltd;</b> 06-13NES, Sleeve for a seat, 09 Feb 2006	<b>10489/2006</b>
<b>Arizona Nominees Pty Limited;</b> 25-02K, A venetian blind slat, 08 Feb 2006	<b>10452/2006</b>	<b>Caterpillar Inc.;</b> 12-15C, Tire, (US, 16 Oct 2005) 09 Feb 2006	<b>10480/2006</b>
<b>Art Plastics Pty Ltd;</b> 23-01A, Pan connector component, 17 Feb 2006	<b>10583/2006</b>	<b>Cellini, Giuseppe; Morabito, Frank Fortunato;</b> 03-01NES, Recepticle, 10 Feb 2006	<b>10505/2006</b>
<b>Art Plastics Pty Ltd;</b> 25-02NES, 23-01NES, Square drain, 14 Feb 2006	<b>10526/2006</b>	<b>Clipsal Australia Pty Ltd;</b> 13-03E, Double switched socket, 13 Feb 2006	<b>10490/2006</b>
<b>Aunger Carcraft Pty Ltd;</b> 07-07B, Bucket, 16 Feb 2006	<b>10580/2006</b>	<b>Clipsal Australia Pty Ltd;</b> 13-03E, A double switched outlet, 13 Feb 2006	<b>10491/2006</b>
<b>ASSA ABLOY Australia Pty Limited;</b> 08-07, Lock housing, 10 Feb 2006	<b>10506/2006</b>	<b>Clipsal Australia Pty Ltd;</b> 13-03E, A triple switched outlet, 13 Feb 2006	<b>10492/2006</b>
<b>B.F.H. Sydcon Pty Ltd;</b> 25-01E, Fence post, 08 Feb 2006	<b>10434/2006</b>	<b>Clipsal Australia Pty Ltd;</b> 13-03C, Junction box, 13 Feb 2006	<b>10493/2006</b>
<b>B&amp;D Australia Pty Ltd;</b> 08-07, Lock fascia, 17 Feb 2006	<b>10598/2006</b>	<b>Clipsal Australia Pty Ltd;</b> 13-03NES, Push-button control station, 13 Feb 2006	<b>10494/2006</b>
<b>B&amp;D Australia Pty Ltd;</b> 08-07, Lock fascia, 17 Feb 2006	<b>10599/2006</b>	<b>Clipsal Australia Pty Ltd;</b> 13-03E, Single switched outlet, 13 Feb 2006	<b>10495/2006</b>
<b>Bambis Import Co. Pty Ltd;</b> 07-01D, Ceramic coffee mug, 07 Feb 2006	<b>10428/2006</b>	<b>Clipsal Australia Pty Ltd;</b> 13-03NES, Push-button control station housing, 13 Feb 2006	<b>10496/2006</b>
<b>Bambis Import Co. Pty Ltd;</b> 07-01D, Ceramic coffee mug, 07 Feb 2006	<b>10429/2006</b>	<b>Clipsal Australia Pty Ltd;</b> 13-03E, A single switch, 13 Feb 2006	<b>10497/2006</b>
<b>Bambis Import Co. Pty Ltd;</b> 07-01D, Ceramic coffee mug, 07 Feb 2006	<b>10430/2006</b>	<b>Clipsal Australia Pty Ltd;</b> 13-03E, Double switched outlet, 13 Feb 2006	<b>10498/2006</b>
<b>Bambis Import Co. Pty Ltd;</b> 07-01D, Ceramic coffee mug, 07 Feb 2006	<b>10431/2006</b>	<b>Clipsal Australia Pty Ltd;</b> 13-03E, A single switch, 13 Feb 2006	<b>10499/2006</b>
<b>Bidibots;</b> 02-01B, Nappy for premature infants, 15 Feb 2006	<b>10527/2006</b>	<b>Clipsal Australia Pty Ltd;</b> 13-03E, A single switch, 13 Feb 2006	<b>10500/2006</b>
<b>Broadhurst, Mark; Coniglio, Danny;</b> 08-08L, The original metal roofing bracket, 10 Feb 2006	<b>10476/2006</b>	<b>Clipsal Australia Pty Ltd;</b> 13-03E, A single switch, 13 Feb 2006	<b>10501/2006</b>
<b>Buschutz Engineering Pty Ltd;</b> 15-03A, A tyne, 10 Feb 2006	<b>10481/2006</b>	<b>Clipsal Australia Pty Ltd;</b> 13-03E, Switched socket outlet, 13 Feb 2006	<b>10502/2006</b>

<b>Clipsal Australia Pty Ltd;</b> 13-03E, Double switched socket, 13 Feb 2006	<b>10503/2006</b>	<b>Fujitsu Frontech Limited; Fujitsu Limited;</b> 18-01, Cash register, (JP, 19 Aug 2005) 17 Feb 2006	<b>10595/2006</b>
<b>Clipsal Australia Pty Ltd;</b> 13-03E, Switched socket, 13 Feb 2006	<b>10504/2006</b>	<b>Fujitsu Frontech Limited; Fujitsu Limited;</b> 18-01, Cash register, (JP, 30 Jan 2006) 17 Feb 2006	<b>10596/2006</b>
<b>Colgate-Palmolive Company;</b> 28-03NES, Electric toothbrush handle, (US, 17 Aug 2005) 08 Feb 2006	<b>10455/2006</b>	<b>Fujitsu Frontech Limited; Fujitsu Limited;</b> 18-01, Cash register, (JP, 30 Jan 2006) 17 Feb 2006	<b>10597/2006</b>
<b>Coniglio, Danny; Broadhurst, Mark;</b> 08-08L, The original metal roofing bracket, 10 Feb 2006	<b>10476/2006</b>	<b>Fujitsu Limited; Fujitsu Frontech Limited;</b> 18-01, Cash register, (JP, 30 Jan 2006) 17 Feb 2006	<b>10597/2006</b>
<b>Creative Products Enterprises Pty Limited;</b> 07-06A, 07-07A, Bottle holder with collar, 15 Feb 2006	<b>10549/2006</b>	<b>Fujitsu Limited; Fujitsu Frontech Limited;</b> 18-01, Cash register, (JP, 30 Jan 2006) 17 Feb 2006	<b>10596/2006</b>
<b>Creative Products Enterprises Pty Limited;</b> 07-06A, 07-07A, Sleeveless bottle holder, 15 Feb 2006	<b>10550/2006</b>	<b>Fujitsu Limited; Fujitsu Frontech Limited;</b> 18-01, Cash register, (JP, 19 Aug 2005) 17 Feb 2006	<b>10595/2006</b>
<b>Creative Products Enterprises Pty Limited;</b> 07-06A, 07-07A, Bottle holder with V neck, 15 Feb 2006	<b>10551/2006</b>	<b>Fujitsu Limited; Fujitsu Frontech Limited;</b> 18-01, Cash register, (JP, 19 Aug 2005) 17 Feb 2006	<b>10594/2006</b>
<b>Daikin Industries Ltd.;</b> 23-04, Out door unit for air conditioner, (JP, 18 Jan 2006) 08 Feb 2006	<b>10460/2006</b>	<b>Fusion Print Media Group Pty Ltd;</b> 20-02E, Display and blank thereof, 10 Feb 2006	<b>10507/2006</b>
<b>Daikin Industries Ltd.;</b> 23-04, Out door unit for air conditioner, (JP, 18 Jan 2006) 08 Feb 2006	<b>10461/2006</b>	<b>Garon Plastics Pty Ltd;</b> 07-02NES, 07-02N, Cooking basket, 09 Feb 2006	<b>10458/2006</b>
<b>Daikin Industries Ltd.;</b> 23-04, Out door unit for humidifier, (JP, 18 Jan 2006) 08 Feb 2006	<b>10462/2006</b>	<b>Granger, Janine Patrice; Smith, Alan Michael;</b> 02-04NES, Footwear, 10 Feb 2006	<b>10479/2006</b>
<b>Dalco Marketing Services, Inc.;</b> 09-01D, 08-03, Holster with knife, (US, 16 Sep 2005) 07 Feb 2006	<b>10446/2006</b>	<b>Greenberg, Ronald Allan;</b> 28-02, Straight tip permanent makeup applicator, 16 Feb 2006	<b>10577/2006</b>
<b>Dalsonware Pty Ltd;</b> 07-02P, Food cooking ring, 07 Feb 2006	<b>10439/2006</b>	<b>Greenberg, Ronald Allan;</b> 28-02, Curved tip permanent makeup applicator - multiple row, 16 Feb 2006	<b>10578/2006</b>
<b>DEDON GmbH;</b> 06-01L, Lounge chair 1, 15 Feb 2006	<b>10561/2006</b>	<b>Greenberg, Ronald Allan;</b> 28-02, Curved tip permanent makeup applicator - single row, 16 Feb 2006	<b>10579/2006</b>
<b>DEDON GmbH;</b> 06-01L, Lounge 2, 15 Feb 2006	<b>10562/2006</b>	<b>GMCA Pty Ltd;</b> 08-05M, A soldering iron, (EM, 10 Nov 2005) 15 Feb 2006	<b>10539/2006</b>
<b>DEDON GmbH;</b> 06-03B, Table, 15 Feb 2006	<b>10563/2006</b>	<b>GMCA Pty Ltd;</b> 13-02, Battery charging unit, (EM, 10 Nov 2005) 15 Feb 2006	<b>10540/2006</b>
<b>Eastcoast Australia Pty Ltd;</b> 21-01H, Dart board cabinet, 13 Feb 2006	<b>10515/2006</b>	<b>GMCA Pty Ltd;</b> 13-02, Battery charging unit, (EM, 10 Nov 2005) 15 Feb 2006	<b>10541/2006</b>
<b>Elopak Systems A.G.;</b> 09-03M, Packaging carton, (EM, 28 Jun 2004) 24 Dec 2004	<b>13899/2005</b>	<b>GMCA Pty Ltd;</b> 19-06, Engraver power tool, (EM, 10 Nov 2005) 15 Feb 2006	<b>10542/2006</b>
<b>Emecorp Pty Ltd;</b> 99-00, A stake, 09 Feb 2006	<b>10488/2006</b>	<b>GMCA Pty Ltd;</b> 08-05M, A solder gun, (EM, 10 Nov 2005) 15 Feb 2006	<b>10543/2006</b>
<b>Engel, Hartmut S.;</b> 26-05A, Lamp, 16 Feb 2006	<b>10567/2006</b>	<b>GMCA Pty Ltd;</b> 15-05, A powered blower, (EM, 10 Nov 2005) 15 Feb 2006	<b>10544/2006</b>
<b>Engel, Hartmut S.;</b> 26-05A, Lamp, 16 Feb 2006	<b>10568/2006</b>		
<b>Engel, Hartmut S.;</b> 26-05A, Lamp, 16 Feb 2006	<b>10569/2006</b>		
<b>Engel, Hartmut S.;</b> 26-05A, Lamp, 16 Feb 2006	<b>10570/2006</b>		
<b>Fujitsu Frontech Limited; Fujitsu Limited;</b> 18-01, Cash register, (JP, 19 Aug 2005) 17 Feb 2006	<b>10594/2006</b>		

<b>GMCA Pty Ltd;</b> 08-04, A powered screwdriver with a depth adjustment device, (EM, 10 Nov 2005) 15 Feb 2006	<b>10545/2006</b>	<b>Kohler Co.;</b> 23-01H, Faucet, (US, 09 Aug 2005) 08 Feb 2006	<b>10465/2006</b>
<b>Henderson, Peter;</b> 06-08, Coat hanger, 10 Feb 2006	<b>10482/2006</b>	<b>Kohler Co.;</b> 08-06, Handle, (US, 09 Aug 2005) 08 Feb 2006	<b>10466/2006</b>
<b>Henderson, Peter;</b> 06-08, Coat hanger, 10 Feb 2006	<b>10483/2006</b>	<b>Kohler Co.;</b> 23-01H, Faucet, (US, 09 Aug 2005) 08 Feb 2006	<b>10467/2006</b>
<b>Henderson, Peter;</b> 06-08, Coat hanger, 10 Feb 2006	<b>10484/2006</b>	<b>Koninklijke Philips Electronics N.V.;</b> 15-05, Electric sweeper, (EM, 16 Aug 2005) 08 Feb 2006	<b>10453/2006</b>
<b>Higgins, C.L.;</b> 11-02B, An ornamental urn, 09 Feb 2006	<b>10475/2006</b>	<b>Koninklijke Philips Electronics N.V.;</b> 14-03NES, 14-02, PC remote control card, (EM, 16 Aug 2005) 08 Feb 2006	<b>10454/2006</b>
<b>Intelligent Medical Technologies Pty Limited;</b> 24-04, Nebuliser, 15 Feb 2006	<b>10557/2006</b>	<b>Logipak Pty Limited;</b> 07-01NES, Locking tab of a lid, 14 Feb 2006	<b>10528/2006</b>
<b>Intelligent Medical Technologies Pty Limited;</b> 24-04, Nebuliser, 15 Feb 2006	<b>10558/2006</b>	<b>Magnor Pty Limited;</b> 15-05, 04-01, A pool broom fitting, 14 Feb 2006	<b>10519/2006</b>
<b>Intelligent Medical Technologies Pty Limited;</b> 24-04, Nebuliser, 15 Feb 2006	<b>10559/2006</b>	<b>Monarch Industries (Aust.) Pty. Ltd.;</b> 25-03, Spray booth, 14 Feb 2006	<b>10517/2006</b>
<b>Intelligent Medical Technologies Pty Limited;</b> 24-04, Nebuliser, 15 Feb 2006	<b>10560/2006</b>	<b>Monarch Industries (Aust.) Pty. Ltd.;</b> 25-03, Spray booth, 14 Feb 2006	<b>10518/2006</b>
<b>International Design Creations Pty Ltd;</b> 02-02NES, Product name not listed, 08 Feb 2006	<b>10447/2006</b>	<b>Morabito, Frank Fortunato; Cellini, Giuseppe;</b> 03-01NES, Recepticle, 10 Feb 2006	<b>10505/2006</b>
<b>Kabushiki Kaisha Toshiba;</b> 14-01, Digital audio player, (JP, 16 Dec 2005) 16 Feb 2006	<b>10573/2006</b>	<b>Nintendo Co., Ltd.;</b> 21-01N, A controller for an electronic game machine, (JP, 17 Aug 2005) 15 Feb 2006	<b>10552/2006</b>
<b>Kohler Co.;</b> 23-01H, Handle, (US, 16 Aug 2005) 16 Feb 2006	<b>10565/2006</b>	<b>Nintendo Co., Ltd.;</b> 21-01N, A controller for an electronic game machine, (JP, 17 Aug 2005) 15 Feb 2006	<b>10553/2006</b>
<b>Kohler Co.;</b> 23-01H, Handle, (US, 16 Aug 2005) 16 Feb 2006	<b>10566/2006</b>	<b>PepsiCo, Inc.;</b> 09-01NES, Bottle, (US, 09 Aug 2005) 07 Feb 2006	<b>10437/2006</b>
<b>Kohler Co.;</b> 23-01H, Faucet, (US, 09 Aug 2005) 08 Feb 2006	<b>10463/2006</b>	<b>PepsiCo, Inc.;</b> 09-01NES, Bottle, (US, 09 Aug 2005) 07 Feb 2006	<b>10438/2006</b>
<b>Kohler Co.;</b> 07-05D, Wall mountable support, (US, 11 Aug 2005) 09 Feb 2006	<b>10485/2006</b>	<b>Poly Industries Pty Ltd;</b> 07-01B, A bowl, 13 Feb 2006	<b>10522/2006</b>
<b>Kohler Co.;</b> 07-05D, Wall mountable support, (US, 11 Aug 2005) 09 Feb 2006	<b>10486/2006</b>	<b>Procter &amp; Gamble Company, The;</b> 09-01C, 09-01G, Container, (US, 19 Aug 2005) 07 Feb 2006	<b>10445/2006</b>
<b>Kohler Co.;</b> 07-05D, Wall mountable support, (US, 11 Aug 2005) 09 Feb 2006	<b>10487/2006</b>	<b>Purdue Research Foundation;</b> 12-11, Tricycle and tricycle frame, (US, 16 Aug 2005) 16 Feb 2006	<b>10564/2006</b>
<b>Kohler Co.;</b> 23-01H, Handle, (US, 09 Aug 2005) 08 Feb 2006	<b>10464/2006</b>	<b>Reckitt Benckiser Inc.;</b> 09-01NES, Bottle, (US, 21 Oct 2005) 10 Feb 2006	<b>10511/2006</b>
<b>Kohler Co.;</b> 23-01H, Spout, (US, 11 Aug 2005) 10 Feb 2006	<b>10512/2006</b>	<b>ResMed Ltd;</b> 23-04, Humidifier tub, (US, 09 Jan 2006) 15 Feb 2006	<b>10530/2006</b>
<b>Kohler Co.;</b> 23-02B, Showerhead, (US, 11 Aug 2005) 10 Feb 2006	<b>10513/2006</b>	<b>ResMed Ltd;</b> 23-04, Humidifier unit and tub, (US, 09 Jan 2006) 15 Feb 2006	<b>10531/2006</b>
		<b>ResMed Ltd;</b> 23-04, Humidifier unit, 15 Feb 2006	<b>10532/2006</b>

<b>ResMed Ltd;</b> 23-04, Combined flow generator humidifier tub and cradle, 15 Feb 2006	<b>10533/2006</b>	<b>Societe Des Produits Nestle S.A.;</b> 07-01NES, 09-05, Tube packaging for foodstuffs, (EM, 28 Sep 2005) 14 Feb 2006	<b>10547/2006</b>
<b>ResMed Ltd;</b> 23-04, Flow generator with humidifier, 15 Feb 2006	<b>10534/2006</b>	<b>Societe Des Produits Nestle S.A.;</b> 09-03NES, Dispenser packaging for foodstuffs, (EM, 28 Sep 2005) 14 Feb 2006	<b>10548/2006</b>
<b>ResMed Ltd;</b> 23-04, Flow generator, 15 Feb 2006	<b>10535/2006</b>	<b>Sonia, S.A.;</b> 06-08, A clothes hook, 07 Feb 2006	<b>10441/2006</b>
<b>ResMed Ltd;</b> 23-04, Humidifier tub, 15 Feb 2006	<b>10536/2006</b>	<b>Sonia, S.A.;</b> 23-02A, A toilet roll holder, 07 Feb 2006	<b>10442/2006</b>
<b>ResMed Ltd;</b> 23-04, Flow generator cradle, (US, 15 Aug 2005) 15 Feb 2006	<b>10537/2006</b>	<b>Sonia, S.A.;</b> 07-05D, A towel rail, 07 Feb 2006	<b>10443/2006</b>
<b>Robert Bosch GmbH;</b> 10-04, Pendulum laser, (DE, 21 Oct 2005) 09 Feb 2006	<b>10478/2006</b>	<b>Sonia, S.A.;</b> 07-05D, A towel rail, 07 Feb 2006	<b>10444/2006</b>
<b>Samsonite Corporation;</b> 03-01A, Hand luggage, (US, 06 Sep 2005) 10 Feb 2006	<b>10509/2006</b>	<b>Sony Ericsson Mobile Communications AB;</b> 14-01, Stereo headset, (US, 26 Sep 2005) 07 Feb 2006	<b>10440/2006</b>
<b>Samsonite Corporation;</b> 03-01A, Hand luggage, (US, 06 Sep 2005) 13 Feb 2006	<b>10524/2006</b>	<b>Sportsgirl Pty Ltd;</b> 02-02C, Dress, 16 Feb 2006	<b>10574/2006</b>
<b>Sanbrook Holdings Pty Ltd;</b> 07-01B, 07-03, Food serving combination, 13 Feb 2006	<b>10520/2006</b>	<b>Sportsgirl Pty Ltd;</b> 02-02C, 02-02NES, Shirts, 16 Feb 2006	<b>10575/2006</b>
<b>Sara Lee/DE N.V.;</b> 09-01NES, Bottle, (EM, 19 Oct 2005) 14 Feb 2006	<b>10538/2006</b>	<b>Star Maid International Pty Ltd;</b> 07-99NES, Cutting board holder, 10 Feb 2006	<b>10508/2006</b>
<b>Seiko Epson Corporation;</b> 14-02, Ink cartridge, (JP, 10 Nov 2005) 10 Feb 2006	<b>10514/2006</b>	<b>SCA Hygiene Products AB;</b> 05-06NES, Embossed sheet material, 16 Feb 2006	<b>10576/2006</b>
<b>Sharp Kabushiki Kaisha;</b> 14-03NES, Frequency converter for satellite broadcast, (JP, 28 Sep 2005) 08 Feb 2006	<b>10456/2006</b>	<b>Tamglass Ltd. Oy;</b> 15-99, Glass tempering machine, (EM, 07 Feb 2006) 10 Feb 2006	<b>10516/2006</b>
<b>Sharp Kabushiki Kaisha;</b> 07-02B, Microwave oven, (JP, 21 Oct 2005) 08 Feb 2006	<b>10457/2006</b>	<b>Team Poly Pty Ltd;</b> 23-01F, Tank lid, 09 Feb 2006	<b>10459/2006</b>
<b>Shin, Kil Seung;</b> 28-03B, Electric hair curling tongs, (KR, 19 Aug 2005) 14 Feb 2006	<b>10529/2006</b>	<b>Tedman, Paul Graham;</b> 12-10, Caravan/camper, 16 Feb 2006	<b>10582/2006</b>
<b>Slaney, Jennifer Ellen;</b> 23-04, Air grid, 14 Feb 2006	<b>10525/2006</b>	<b>Thursday Investments Limited;</b> 08-05NES, A cam shaft locking tool, (NZ, 18 Aug 2005) 16 Feb 2006	<b>10581/2006</b>
<b>Smith, Antony; Smith, Rachel;</b> 23-01F, Decorative cover of sewer and water tanks outer left exposed, 09 Feb 2006	<b>10450/2006</b>	<b>Tom Tom International B.V.;</b> 12-16NES, 10-05, Navigation system, (EM, 22 Aug 2005) 16 Feb 2006	<b>10571/2006</b>
<b>Smith, Alan Michael; Granger, Janine Patrice;</b> 02-04NES, Footwear, 10 Feb 2006	<b>10479/2006</b>	<b>Tom Tom International B.V.;</b> 12-16NES, 10-05, Navigation system, (EM, 29 Sep 2005) 16 Feb 2006	<b>10572/2006</b>
<b>Smith, Rachel; Smith, Antony;</b> 23-01F, Decorative cover of sewer and water tanks outer left exposed, 09 Feb 2006	<b>10450/2006</b>	<b>Toppco Pty Ltd;</b> 07-07A, A sheep cooler, 13 Feb 2006	<b>10521/2006</b>
<b>Societe Des Produits Nestle S.A.;</b> 07-01NES, Container packaging for foodstuffs, (EM, 27 Sep 2005) 14 Feb 2006	<b>10546/2006</b>	<b>Wenzhou Hall Electrical Appliance Manufacture Co., Ltd;</b> 13-03D, Ausb series wall switches and sockets (powerpoint), 10 Feb 2006	<b>10474/2006</b>
		<b>Wilson, William;</b> 02-02C, Jeans and trousers, 10 Feb 2006	<b>10477/2006</b>
		<b>Yan, Zhenguang;</b> 12-13, 12-11, Recreation vehicle, (CN, 30 Aug 2005) 13 Feb 2006	<b>10523/2006</b>

15004 / 2005 (10-06)

15388 / 2005 (09-03NES)

---

**Applications Lapsed**

14464 / 2004 (06-04NES)

10984 / 2005 (11-02B)

13324 / 2005 (12-06NES)

13413 / 2005 (12-06C)

15331 / 2005 (99-00)

15417 / 2005 (07-05E)

15419 / 2005 (07-05E)

15421 / 2005 (07-05E)

15509 / 2005 (02-02C)

15599 / 2005 (16-06)

15761 / 2004 (20-02E)

13298 / 2005 (06-08)

13372 / 2005 (09-07B)

13483 / 2005 (02-02C)

15415 / 2005 (11-01A)

15418 / 2005 (07-05E)

15420 / 2005 (07-05E)

15422 / 2005 (07-05E)

15585 / 2005 (16-06)

**Extension of Period of Registration of Designs**

302802

**Extensions of time granted under Section 137**

Applications lodged under section 137 for extension of time have been granted.

- 13506/2004 **Stephen Mark Attwood**
- 14143/2004 **Centritech Limited**
- 15626/2004 **Merz & Krell GmbH & Co. KGaA**
- 15635/2004 **Merz & Krell GmbH & Co. KGaA**
- 15636/2004 **Merz & Krell GmbH & Co. KGaA**
- 13026/2005 **Belinda Helos trading as Kitsch**
- 13026/2005 **Belinda Helos trading as Kitsch**
- 13027/2005 **Belinda Helos trading as Kitsch**
- 13027/2005 **Belinda Helos trading as Kitsch**
- 13028/2005 **Belinda Helos trading as Kitsch**
- 13028/2005 **Belinda Helos trading as Kitsch**
- 13029/2005 **Belinda Helos trading as Kitsch**
- 13029/2005 **Belinda Helos trading as Kitsch**
- 13030/2005 **Belinda Helos trading as Kitsch**
- 13030/2005 **Belinda Helos trading as Kitsch**
- 13031/2005 **Belinda Helos trading as Kitsch**
- 13031/2005 **Belinda Helos trading as Kitsch**
- 13032/2005 **Belinda Helos trading as Kitsch**
- 13032/2005 **Belinda Helos trading as Kitsch**
- 13033/2005 **Belinda Helos trading as Kitsch**
- 13033/2005 **Belinda Helos trading as Kitsch**
- 13034/2005 **Belinda Helos trading as Kitsch**
- 13034/2005 **Belinda Helos trading as Kitsch**
- 13035/2005 **Belinda Helos trading as Kitsch**
- 13035/2005 **Belinda Helos trading as Kitsch**
- 13036/2005 **Belinda Helos trading as Kitsch**
- 13036/2005 **Belinda Helos trading as Kitsch**
- 13372/2005 **Huhtamaki Australia Pty Limited**

**Applications Assigned**

(The name in parentheses is that of the subsequent applicant)

- 15243/2004 ( **Ross Woodcock** ) Forged Iron Art Pty Limited

**Subsequent Owners Registered**

(The name in parentheses is that of the subsequent owner)

- 305366 ( **Beverley Jiao** ) Elson Australasia Pty Ltd
- 305367 ( **Beverley Jiao** ) Elson Australasia Pty Ltd
- 305407 ( **Complete Display Solutions Pty Ltd;Andrew Stolp** ) Black Sheep Displays Pty Ltd;Complete Display Solutions Pty Ltd
- 305495 ( **Andrew Stolp** ) Black Sheep Displays Pty Ltd
- 304294 ( **Andrew Stolp** ) Black Sheep Displays Pty Ltd
- 300729 ( **Andrew Stolp** ) Black Sheep Displays Pty Ltd
- 304293 ( **Andrew Stolp** ) Black Sheep Displays Pty Ltd
- 300730 ( **Andrew Stolp** ) Black Sheep Displays Pty Ltd

**Names Registered - Alterations and Amendments**

(The name in parentheses is that of the subsequent applicant)

- 303499 ( **TomTom International B.V.** ) TomTom B.V.

**Corrigenda**

Number 301037

In Vol 19 , No 7 , page 977 under the heading **Australian Registered Design;** (51) International Design Classification should read: 23-01E 14-99.

**Certificate(s) of Examination**

Examination of the following Design Registration(s) has been completed. Infringement proceedings may now be commenced.

300391	25-01A	16/02/2006
300392	25-01A	16/02/2006
300393	25-01A	16/02/2006
300394	25-01A	16/02/2006
300395	25-01A	16/02/2006
300396	25-01A	16/02/2006
300397	25-01A	16/02/2006
300398	25-01A	16/02/2006
300399	25-01A	16/02/2006
300408	26-04	13/02/2006
301035	23-01E	13/02/2006
301037	23-01E	13/02/2006
302144	25-02C	14/02/2006
302501	24-01	20/02/2006
302803	19-08	22/02/2006
302953	12-16M	21/02/2006
302975	07-01NES	21/02/2006
303093	14-03A	20/02/2006
303229	09-01G	13/02/2006
303265	21-03	10/02/2006
303281	09-01B	20/02/2006
303290	12-16A	20/02/2006
303295	02-07A	13/02/2006
303382	07-07A	13/02/2006
303397	21-03	16/02/2006
303398	21-03	16/02/2006
303399	07-99C	13/02/2006
303427	07-99NES	13/02/2006
303461	10-04	10/02/2006
303559	23-04	20/02/2006

**Publication and Registration Proceedings**

**Designs Registered**

This section provides a concordance between design number and registration number of Designs covered in this journal. It also shows the main class and registration date.

This section covers Registration numbers 305375 to 305660 .

The registration number shown below should be used in all future correspondence.

<b>Design Number</b>	<b>Registration Number</b>	<b>International Classification Code (IDC)</b>	<b>Registration Date</b>	<b>Design Number</b>	<b>Registration Number</b>	<b>International Classification Code (IDC)</b>	<b>Registration Date</b>
13854/2004	305501	04-02	17/02/2006	11091/2005	305444	08-03	16/02/2006
13855/2004	305502	04-02	17/02/2006	11174/2005	305643	13-03D	22/02/2006
13856/2004	305503	04-02	17/02/2006	11175/2005	305644	13-03D	22/02/2006
13993/2004	305418	19-08	16/02/2006	11180/2005	305445	15-02	16/02/2006
14018/2004	305530	25-02C	20/02/2006	11192/2005	305504	29-02	17/02/2006
14770/2004	305641	20-01	22/02/2006	11193/2005	305505	29-02	17/02/2006
14771/2004	305642	20-01	22/02/2006	11289/2005	305618	20-03NES	22/02/2006
14943/2004	305468	23-01K	16/02/2006	11323/2005	305384	06-10	15/02/2006
15599/2004	305419	06-04NES	16/02/2006	11357/2005	305506	07-02L	17/02/2006
15708/2004	305420	23-01H	16/02/2006	11399/2005	305385	07-07A	15/02/2006
15857/2004	305531	12-10	20/02/2006	11403/2005	305386	07-07A	15/02/2006
15986/2004	305532	09-03M	20/02/2006	11404/2005	305387	23-02NES	15/02/2006
10006/2005	305376	25-03	15/02/2006	11417/2005	305517	20-03NES	20/02/2006
10153/2005	305421	13-03NES	16/02/2006	11502/2005	305469	10-04	16/02/2006
10154/2005	305422	13-03NES	16/02/2006	11530/2005	305486	25-01NES	16/02/2006
10207/2005	305595	25-01K	20/02/2006	11679/2005	305535	06-04NES	20/02/2006
10266/2005	305377	06-03NES	15/02/2006	11680/2005	305536	06-04NES	20/02/2006
10267/2005	305378	06-03NES	15/02/2006	12056/2005	305537	25-01B	20/02/2006
10406/2005	305379	23-02NES	15/02/2006	12068/2005	305388	06-13B	15/02/2006
10416/2005	305534	08-08NES	20/02/2006	12295/2005	305598	28-03NES	20/02/2006
10499/2005	305380	21-02A	15/02/2006	12365/2005	305599	03-01A	20/02/2006
10521/2005	305423	24-01	16/02/2006	12393/2005	305645	21-01N	22/02/2006
10522/2005	305424	21-02C	16/02/2006	12430/2005	305446	26-02	16/02/2006
10523/2005	305425	21-02C	16/02/2006	12572/2005	305611	25-01G	20/02/2006
10524/2005	305426	21-02C	16/02/2006	12631/2005	305538	21-02C	20/02/2006
10525/2005	305427	21-02C	16/02/2006	12780/2005	305454	15-05	16/02/2006
10693/2005	305511	12-06NES	20/02/2006	12781/2005	305455	15-05	16/02/2006
10694/2005	305512	12-06NES	20/02/2006	12782/2005	305456	15-05	16/02/2006
10695/2005	305513	12-06NES	20/02/2006	12790/2005	305539	14-02	20/02/2006
10741/2005	305381	08-07	15/02/2006	12822/2005	305540	14-02	20/02/2006
10742/2005	305382	08-07	15/02/2006	12969/2005	305470	14-03NES	16/02/2006
10744/2005	305383	08-07	15/02/2006	12970/2005	305458	13-03NES	16/02/2006
10822/2005	305514	06-01H	20/02/2006	13011/2005	305541	08-03	20/02/2006
10823/2005	305515	06-01H	20/02/2006	13104/2005	305542	19-06	20/02/2006
10824/2005	305516	06-01H	20/02/2006	13110/2005	305389	03-01NES	15/02/2006
10986/2005	305596	09-03K	20/02/2006	13134/2005	305466	15-05	16/02/2006
11017/2005	305428	06-06E	16/02/2006	13154/2005	305543	07-01B	20/02/2006
11018/2005	305429	06-06E	16/02/2006	13155/2005	305544	07-01B	20/02/2006
11019/2005	305430	06-06E	16/02/2006	13156/2005	305545	07-01NES	20/02/2006
11020/2005	305597	02-03	20/02/2006	13159/2005	305507	03-01NES	17/02/2006
11032/2005	305431	14-03A	16/02/2006	13160/2005	305518	03-01NES	20/02/2006
11033/2005	305432	14-03A	16/02/2006	13177/2005	305519	09-03M	20/02/2006
11034/2005	305433	14-03A	16/02/2006	13186/2005	305546	26-06	20/02/2006
11043/2005	305434	08-03	16/02/2006	13187/2005	305390	08-02	15/02/2006
11044/2005	305435	15-09	16/02/2006	13247/2005	305391	08-01	15/02/2006
11045/2005	305436	08-02	16/02/2006	13258/2005	305392	28-01	15/02/2006
11046/2005	305437	08-02	16/02/2006	13259/2005	305393	28-01	15/02/2006
11047/2005	305438	07-01NES	16/02/2006	13260/2005	305394	28-01	15/02/2006
11048/2005	305439	07-01NES	16/02/2006	13261/2005	305395	28-01	15/02/2006
11049/2005	305440	15-02	16/02/2006	13276/2005	305396	20-02NES	15/02/2006
11051/2005	305441	12-15B	16/02/2006	13278/2005	305471	19-06	16/02/2006
11055/2005	305442	15-04	16/02/2006	13289/2005	305547	14-03E	20/02/2006
11087/2005	305443	28-99	16/02/2006	13290/2005	305548	14-03E	20/02/2006

## Publication and Registration Proceedings - Designs Registered cont'd

Design Number	Registration Number	International Classification Code (IDC)	Registration Date	Design Number	Registration Number	International Classification Code (IDC)	Registration Date
13291/2005	305549	14-03E	20/02/2006	13626/2005	305401	21-02C	15/02/2006
13292/2005	305550	14-03E	20/02/2006	13627/2005	305402	21-02C	15/02/2006
13297/2005	305508	23-04	17/02/2006	13628/2005	305403	21-02C	15/02/2006
13300/2005	305397	22-05	15/02/2006	13656/2005	305405	03-03	15/02/2006
13313/2005	305509	26-05A	17/02/2006	13665/2005	305404	12-16L	15/02/2006
13327/2005	305510	14-01	17/02/2006	13666/2005	305406	12-16L	15/02/2006
13395/2005	305551	09-01G	20/02/2006	13673/2005	305407	20-03NES	15/02/2006
13396/2005	305552	09-01G	20/02/2006	13677/2005	305474	12-05	16/02/2006
13470/2005	305553	26-05B	20/02/2006	13679/2005	305408	28-99	15/02/2006
13471/2005	305554	01-06	20/02/2006	13680/2005	305409	28-99	15/02/2006
13472/2005	305555	01-06	20/02/2006	13681/2005	305410	09-01K	15/02/2006
13473/2005	305556	01-06	20/02/2006	13683/2005	305411	09-01K	15/02/2006
13503/2005	305600	08-03	20/02/2006	13688/2005	305412	09-07A	15/02/2006
13506/2005	305601	21-01H	20/02/2006	13689/2005	305413	09-01B	15/02/2006
13507/2005	305557	21-01H	20/02/2006	13690/2005	305414	09-01B	15/02/2006
13510/2005	305398	08-06	15/02/2006	13691/2005	305415	09-07C	15/02/2006
13515/2005	305558	23-02A	20/02/2006	13692/2005	305416	09-01K	15/02/2006
13518/2005	305520	23-01H	20/02/2006	13703/2005	305573	25-01K	20/02/2006
13519/2005	305521	23-01H	20/02/2006	13711/2005	305574	08-08NES	20/02/2006
13520/2005	305522	23-01H	20/02/2006	13712/2005	305575	23-02F	20/02/2006
13521/2005	305523	23-01H	20/02/2006	13714/2005	305576	23-02C	20/02/2006
13522/2005	305524	23-01H	20/02/2006	13715/2005	305577	23-02F	20/02/2006
13523/2005	305525	23-01H	20/02/2006	13716/2005	305578	23-02F	20/02/2006
13524/2005	305526	23-01H	20/02/2006	13717/2005	305579	23-02C	20/02/2006
13525/2005	305527	23-01H	20/02/2006	13718/2005	305580	23-02C	20/02/2006
13526/2005	305528	23-01H	20/02/2006	13719/2005	305475	23-02C	16/02/2006
13527/2005	305529	23-01H	20/02/2006	13720/2005	305476	23-02C	16/02/2006
13528/2005	305590	23-01H	20/02/2006	13721/2005	305581	23-04	20/02/2006
13529/2005	305591	23-01H	20/02/2006	13724/2005	305477	07-05A	16/02/2006
13530/2005	305592	23-01H	20/02/2006	13725/2005	305478	07-05A	16/02/2006
13531/2005	305593	23-01H	20/02/2006	13728/2005	305602	03-01C	20/02/2006
13532/2005	305594	23-01H	20/02/2006	13738/2005	305646	13-02	22/02/2006
13544/2005	305559	25-02D	20/02/2006	13739/2005	305647	26-05B	22/02/2006
13545/2005	305560	09-03K	20/02/2006	13740/2005	305648	26-05B	22/02/2006
13546/2005	305561	09-03M	20/02/2006	13745/2005	305479	08-01	16/02/2006
13547/2005	305562	07-01B	20/02/2006	13760/2005	305480	22-06	16/02/2006
13551/2005	305563	09-07A	20/02/2006	13761/2005	305481	22-06	16/02/2006
13573/2005	305467	04-02	16/02/2006	13762/2005	305482	23-02B	16/02/2006
13585/2005	305459	15-05	16/02/2006	13763/2005	305483	23-02B	16/02/2006
13586/2005	305460	15-05	16/02/2006	13767/2005	305487	06-09	16/02/2006
13587/2005	305461	09-01K	16/02/2006	13773/2005	305603	14-03D	20/02/2006
13588/2005	305462	15-05	16/02/2006	13774/2005	305488	12-16B	16/02/2006
13589/2005	305463	15-05	16/02/2006	13775/2005	305489	12-16B	16/02/2006
13590/2005	305464	15-05	16/02/2006	13776/2005	305490	12-16B	16/02/2006
13593/2005	305465	16-06	16/02/2006	13777/2005	305491	12-16B	16/02/2006
13599/2005	305564	12-16E	20/02/2006	13778/2005	305650	09-03NES	22/02/2006
13612/2005	305565	12-02	20/02/2006	13779/2005	305492	23-02B	16/02/2006
13613/2005	305566	09-01NES	20/02/2006	13780/2005	305604	23-02B	20/02/2006
13614/2005	305567	09-01K	20/02/2006	13781/2005	305496	23-02B	16/02/2006
13615/2005	305568	28-03A	20/02/2006	13782/2005	305497	23-02B	16/02/2006
13616/2005	305569	28-03A	20/02/2006	13783/2005	305498	23-02B	16/02/2006
13617/2005	305570	28-03A	20/02/2006	13784/2005	305499	23-02B	16/02/2006
13618/2005	305571	28-03A	20/02/2006	13787/2005	305484	07-01C	16/02/2006
13619/2005	305572	28-03A	20/02/2006	13788/2005	305493	12-16L	16/02/2006
13620/2005	305472	08-08L	16/02/2006	13789/2005	305494	12-16L	16/02/2006
13621/2005	305399	21-02F	15/02/2006	13790/2005	305651	14-03A	22/02/2006
13622/2005	305400	06-04NES	15/02/2006	13791/2005	305649	14-03A	22/02/2006
13624/2005	305473	08-08N	16/02/2006	13797/2005	305495	25-01K	16/02/2006

Publication and Registration Proceedings - Designs Registered cont'd

Design Number	Registration Number	International Classification Code (IDC)	Registration Date	Design Number	Registration Number	International Classification Code (IDC)	Registration Date
13800/2005	305605	01-01	20/02/2006	13959/2005	305632	22-06	22/02/2006
13801/2005	305606	01-01	20/02/2006	13964/2005	305633	31-00	22/02/2006
13802/2005	305500	08-05NES	16/02/2006	13965/2005	305634	02-04NES	22/02/2006
13808/2005	305607	07-04	20/02/2006	13968/2005	305635	02-04NES	22/02/2006
13809/2005	305608	07-04	20/02/2006	13969/2005	305636	02-04NES	22/02/2006
13810/2005	305609	07-04	20/02/2006	13978/2005	305637	11-02E	22/02/2006
13816/2005	305652	07-02B	22/02/2006	13979/2005	305638	11-02E	22/02/2006
13821/2005	305653	02-01A	22/02/2006	14012/2005	305639	13-03B	22/02/2006
13822/2005	305654	25-02C	22/02/2006	14065/2005	305640	14-01	22/02/2006
13827/2005	305655	09-03F	22/02/2006	14868/2005	305485	19-06	16/02/2006
13828/2005	305656	09-03F	22/02/2006	14943/2005	305586	07-05D	20/02/2006
13829/2005	305657	09-03F	22/02/2006	14944/2005	305587	07-05D	20/02/2006
13830/2005	305658	09-03F	22/02/2006	14945/2005	305588	07-05D	20/02/2006
13831/2005	305659	12-15NES	22/02/2006	15181/2005	305610	07-07A	20/02/2006
13832/2005	305660	12-15NES	22/02/2006	15679/2005	305612	19-06	20/02/2006
13872/2005	305582	03-01B	20/02/2006	15680/2005	305613	19-06	20/02/2006
13882/2005	305583	15-05	20/02/2006	15681/2005	305614	19-06	20/02/2006
13883/2005	305417	21-02C	15/02/2006	15847/2005	305447	26-02	16/02/2006
13888/2005	305584	07-02F	20/02/2006	15848/2005	305448	26-02	16/02/2006
13889/2005	305585	07-02F	20/02/2006	15849/2005	305449	26-02	16/02/2006
13899/2005	305533	09-03M	20/02/2006	15850/2005	305450	26-02	16/02/2006
13911/2005	305619	08-05B	22/02/2006	15851/2005	305451	26-02	16/02/2006
13912/2005	305620	08-05B	22/02/2006	15852/2005	305452	26-02	16/02/2006
13914/2005	305621	14-03NES	22/02/2006	15853/2005	305453	26-02	16/02/2006
13915/2005	305622	14-03NES	22/02/2006	10052/2006	305589	09-01NES	20/02/2006
13916/2005	305623	21-01NES	22/02/2006	10053/2006	305375	09-01NES	10/02/2006
13917/2005	305624	20-02C	22/02/2006	10099/2006	305457	13-03NES	16/02/2006
13928/2005	305625	07-02A	22/02/2006	10166/2006	305615	03-01NES	20/02/2006
13929/2005	305626	13-03C	22/02/2006	10167/2006	305616	03-01NES	20/02/2006
13930/2005	305627	07-02N	22/02/2006	10168/2006	305617	03-01NES	20/02/2006
13931/2005	305628	07-02N	22/02/2006				
13932/2005	305629	14-03E	22/02/2006				
13933/2005	305630	14-03E	22/02/2006				
13944/2005	305631	19-06	22/02/2006				

**Publication and Registration Proceedings**  
**Class Listing of Designs Published or Registered**

The following section shows an International Classification Code listing of the Registered or Published Designs covered in this supplement.

<b>Classification</b>	<b>Registration Number</b>	<b>Design Number</b>	<b>Classification</b>	<b>Registration Number</b>	<b>Design Number</b>
01-01	305605	13800/2005	07-02 N	305628	13931/2005
01-01	305606	13801/2005	07-04	305607	13808/2005
01-06	305554	13471/2005	07-04	305608	13809/2005
01-06	305555	13472/2005	07-04	305609	13810/2005
01-06	305556	13473/2005	07-05 A	305477	13724/2005
02-01 A	305653	13821/2005	07-05 A	305478	13725/2005
02-02 A	305653	13821/2005	07-05 D	305586	14943/2005
02-03	305597	11020/2005	07-05 D	305587	14944/2005
02-04 NES	305634	13965/2005	07-05 D	305588	14945/2005
02-04 NES	305635	13968/2005	07-06 A	305610	15181/2005
02-04 NES	305636	13969/2005	07-07 A	305385	11399/2005
03-01 A	305599	12365/2005	07-07 A	305386	11403/2005
03-01 B	305582	13872/2005	07-07 A	305610	15181/2005
03-01 C	305602	13728/2005	08-01	305391	13247/2005
03-01 NES	305389	13110/2005	08-01	305479	13745/2005
03-01 NES	305507	13159/2005	08-02	305390	13187/2005
03-01 NES	305518	13160/2005	08-02	305436	11045/2005
03-01 NES	305615	10166/2006	08-02	305437	11046/2005
03-01 NES	305616	10167/2006	08-03	305434	11043/2005
03-01 NES	305617	10168/2006	08-03	305435	11044/2005
03-03	305405	13656/2005	08-03	305444	11091/2005
04-02	305467	13573/2005	08-03	305541	13011/2005
04-02	305501	13854/2004	08-03	305600	13503/2005
04-02	305502	13855/2004	08-05 B	305619	13911/2005
04-02	305503	13856/2004	08-05 B	305620	13912/2005
06-01 F	305514	10822/2005	08-05 H	305607	13808/2005
06-01 F	305515	10823/2005	08-05 H	305608	13809/2005
06-01 F	305516	10824/2005	08-05 H	305609	13810/2005
06-01 H	305514	10822/2005	08-05 NES	305500	13802/2005
06-01 H	305515	10823/2005	08-06	305398	13510/2005
06-01 H	305516	10824/2005	08-07	305381	10741/2005
06-03 NES	305377	10266/2005	08-07	305382	10742/2005
06-03 NES	305378	10267/2005	08-07	305383	10744/2005
06-04 NES	305400	13622/2005	08-08 L	305472	13620/2005
06-04 NES	305419	15599/2004	08-08 M	305495	13797/2005
06-04 NES	305535	11679/2005	08-08 N	305473	13624/2005
06-04 NES	305536	11680/2005	08-08 NES	305534	10416/2005
06-06 E	305428	11017/2005	08-08 NES	305574	13711/2005
06-06 E	305429	11018/2005	09-01 B	305413	13689/2005
06-06 E	305430	11019/2005	09-01 B	305414	13690/2005
06-09	305487	13767/2005	09-01 G	305551	13395/2005
06-10	305384	11323/2005	09-01 G	305552	13396/2005
06-13 B	305388	12068/2005	09-01 K	305410	13681/2005
07-01 B	305543	13154/2005	09-01 K	305411	13683/2005
07-01 B	305544	13155/2005	09-01 K	305416	13692/2005
07-01 B	305562	13547/2005	09-01 K	305461	13587/2005
07-01 C	305484	13787/2005	09-01 K	305567	13614/2005
07-01 NES	305438	11047/2005	09-01 NES	305375	10053/2006
07-01 NES	305439	11048/2005	09-01 NES	305566	13613/2005
07-01 NES	305545	13156/2005	09-01 NES	305589	10052/2006
07-02 A	305625	13928/2005	09-03 F	305655	13827/2005
07-02 B	305652	13816/2005	09-03 F	305656	13828/2005
07-02 F	305584	13888/2005	09-03 F	305657	13829/2005
07-02 F	305585	13889/2005	09-03 F	305658	13830/2005
07-02 L	305506	11357/2005	09-03 K	305560	13545/2005
07-02 N	305627	13930/2005	09-03 K	305596	10986/2005

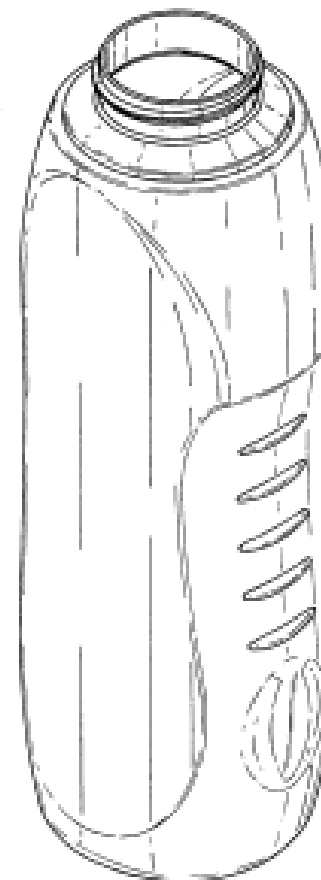
Registration Proceedings - Class Listing of Designs Published or Registered cont'd

Classification	Registration Number	Design Number	Classification	Registration Number	Design Number
09-03 M	305438	11047/2005	14-03 E	305629	13932/2005
09-03 M	305439	11048/2005	14-03 E	305630	13933/2005
09-03 M	305519	13177/2005	14-03 NES	305470	12969/2005
09-03 M	305532	15986/2004	14-03 NES	305603	13773/2005
09-03 M	305533	13899/2005	14-03 NES	305621	13914/2005
09-03 M	305561	13546/2005	14-03 NES	305622	13915/2005
09-03 NES	305650	13778/2005	15-02	305440	11049/2005
09-05	305519	13177/2005	15-02	305445	11180/2005
09-05	305602	13728/2005	15-04	305442	11055/2005
09-07 A	305412	13688/2005	15-05	305454	12780/2005
09-07 A	305563	13551/2005	15-05	305455	12781/2005
09-07 C	305415	13691/2005	15-05	305456	12782/2005
10-04	305469	11502/2005	15-05	305459	13585/2005
11-02 E	305637	13978/2005	15-05	305460	13586/2005
11-02 E	305638	13979/2005	15-05	305462	13588/2005
12-02	305565	13612/2005	15-05	305463	13589/2005
12-05	305474	13677/2005	15-05	305464	13590/2005
12-06 NES	305511	10693/2005	15-05	305466	13134/2005
12-06 NES	305512	10694/2005	15-05	305583	13882/2005
12-06 NES	305513	10695/2005	15-09	305435	11044/2005
12-10	305531	15857/2004	16-06	305465	13593/2005
12-15 B	305441	11051/2005	16-06	305597	11020/2005
12-15 NES	305659	13831/2005	19-06	305471	13278/2005
12-15 NES	305660	13832/2005	19-06	305485	14868/2005
12-16 B	305488	13774/2005	19-06	305542	13104/2005
12-16 B	305489	13775/2005	19-06	305612	15679/2005
12-16 B	305490	13776/2005	19-06	305613	15680/2005
12-16 B	305491	13777/2005	19-06	305614	15681/2005
12-16 E	305564	13599/2005	19-06	305631	13944/2005
12-16 L	305404	13665/2005	19-08	305418	13993/2004
12-16 L	305406	13666/2005	20-01	305641	14770/2004
12-16 L	305493	13788/2005	20-01	305642	14771/2004
12-16 L	305494	13789/2005	20-02 C	305624	13917/2005
12-16 NES	305504	11192/2005	20-02 E	305560	13545/2005
12-16 NES	305505	11193/2005	20-02 NES	305396	13276/2005
13-02	305646	13738/2005	20-03 NES	305407	13673/2005
13-03 B	305639	14012/2005	20-03 NES	305517	11417/2005
13-03 C	305626	13929/2005	20-03 NES	305618	11289/2005
13-03 D	305643	11174/2005	21-01 H	305557	13507/2005
13-03 D	305644	11175/2005	21-01 H	305601	13506/2005
13-03 NES	305421	10153/2005	21-01 N	305645	12393/2005
13-03 NES	305422	10154/2005	21-01 NES	305623	13916/2005
13-03 NES	305457	10099/2006	21-02 A	305380	10499/2005
13-03 NES	305458	12970/2005	21-02 C	305401	13626/2005
14-01	305510	13327/2005	21-02 C	305402	13627/2005
14-01	305603	13773/2005	21-02 C	305403	13628/2005
14-01	305640	14065/2005	21-02 C	305417	13883/2005
14-02	305539	12790/2005	21-02 C	305424	10522/2005
14-02	305540	12822/2005	21-02 C	305425	10523/2005
14-03 A	305431	11032/2005	21-02 C	305426	10524/2005
14-03 A	305432	11033/2005	21-02 C	305427	10525/2005
14-03 A	305433	11034/2005	21-02 C	305538	12631/2005
14-03 A	305649	13791/2005	21-02 F	305399	13621/2005
14-03 A	305651	13790/2005	22-05	305397	13300/2005
14-03 D	305603	13773/2005	22-06	305480	13760/2005
14-03 E	305547	13289/2005	22-06	305481	13761/2005
14-03 E	305548	13290/2005	22-06	305632	13959/2005
14-03 E	305549	13291/2005	22-99	305397	13300/2005
14-03 E	305550	13292/2005	23-01 H	305420	15708/2004

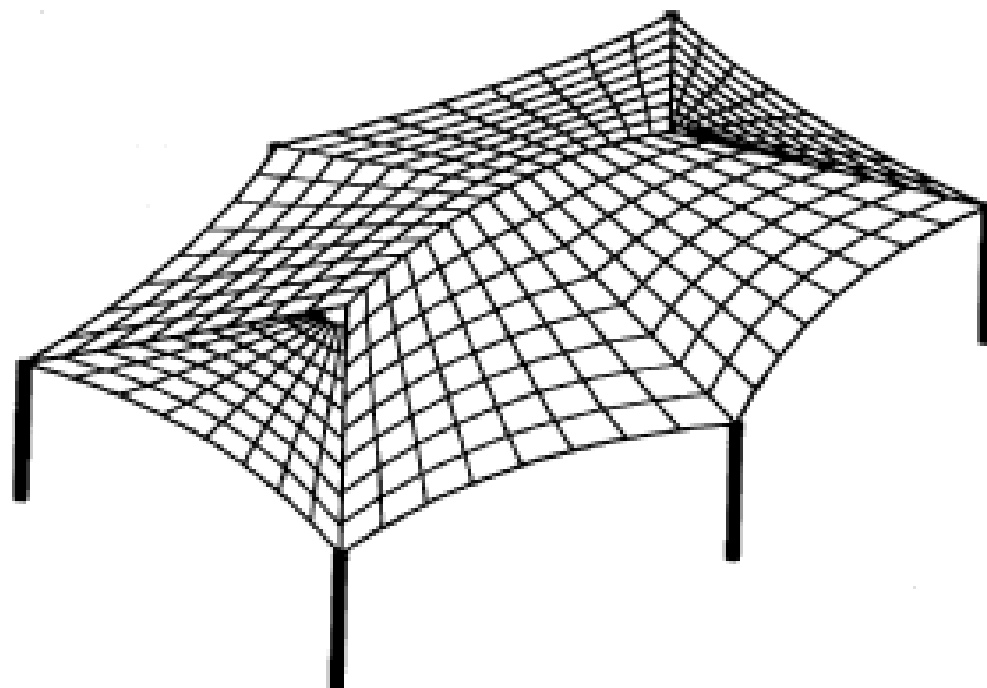
Registration Proceedings - Class Listing of Designs Published or Registered cont'd

Classification	Registration Number	Design Number	Classification	Registration Number	Design Number
23-01 H	305520	13518/2005	25-02 C	305530	14018/2004
23-01 H	305521	13519/2005	25-02 C	305654	13822/2005
23-01 H	305522	13520/2005	25-02 D	305559	13544/2005
23-01 H	305523	13521/2005	25-03	305376	10006/2005
23-01 H	305524	13522/2005	26-02	305446	12430/2005
23-01 H	305525	13523/2005	26-02	305447	15847/2005
23-01 H	305526	13524/2005	26-02	305448	15848/2005
23-01 H	305527	13525/2005	26-02	305449	15849/2005
23-01 H	305528	13526/2005	26-02	305450	15850/2005
23-01 H	305529	13527/2005	26-02	305451	15851/2005
23-01 H	305590	13528/2005	26-02	305452	15852/2005
23-01 H	305591	13529/2005	26-02	305453	15853/2005
23-01 H	305592	13530/2005	26-05 A	305509	13313/2005
23-01 H	305593	13531/2005	26-05 B	305553	13470/2005
23-01 H	305594	13532/2005	26-05 B	305647	13739/2005
23-01 K	305468	14943/2004	26-05 B	305648	13740/2005
23-02 A	305558	13515/2005	26-06	305546	13186/2005
23-02 B	305482	13762/2005	26-99	305446	12430/2005
23-02 B	305483	13763/2005	26-99	305447	15847/2005
23-02 B	305492	13779/2005	26-99	305448	15848/2005
23-02 B	305496	13781/2005	26-99	305449	15849/2005
23-02 B	305497	13782/2005	26-99	305450	15850/2005
23-02 B	305498	13783/2005	26-99	305451	15851/2005
23-02 B	305499	13784/2005	26-99	305452	15852/2005
23-02 B	305604	13780/2005	26-99	305453	15853/2005
23-02 C	305475	13719/2005	28-01	305392	13258/2005
23-02 C	305476	13720/2005	28-01	305393	13259/2005
23-02 C	305576	13714/2005	28-01	305394	13260/2005
23-02 C	305579	13717/2005	28-01	305395	13261/2005
23-02 C	305580	13718/2005	28-03 A	305568	13615/2005
23-02 F	305574	13711/2005	28-03 A	305569	13616/2005
23-02 F	305575	13712/2005	28-03 A	305570	13617/2005
23-02 F	305577	13715/2005	28-03 A	305571	13618/2005
23-02 F	305578	13716/2005	28-03 A	305572	13619/2005
23-02 NES	305379	10406/2005	28-03 NES	305503	13856/2004
23-02 NES	305387	11404/2005	28-03 NES	305598	12295/2005
23-04	305508	13297/2005	28-99	305408	13679/2005
23-04	305581	13721/2005	28-99	305409	13680/2005
24-01	305423	10521/2005	28-99	305443	11087/2005
25-01 B	305537	12056/2005	29-02	305504	11192/2005
25-01 D	305407	13673/2005	29-02	305505	11193/2005
25-01 G	305611	12572/2005	30-08	305619	13911/2005
25-01 K	305407	13673/2005	30-08	305620	13912/2005
25-01 K	305495	13797/2005	31-00	305633	13964/2005
25-01 K	305573	13703/2005			
25-01 K	305595	10207/2005			
25-01 NES	305486	11530/2005			

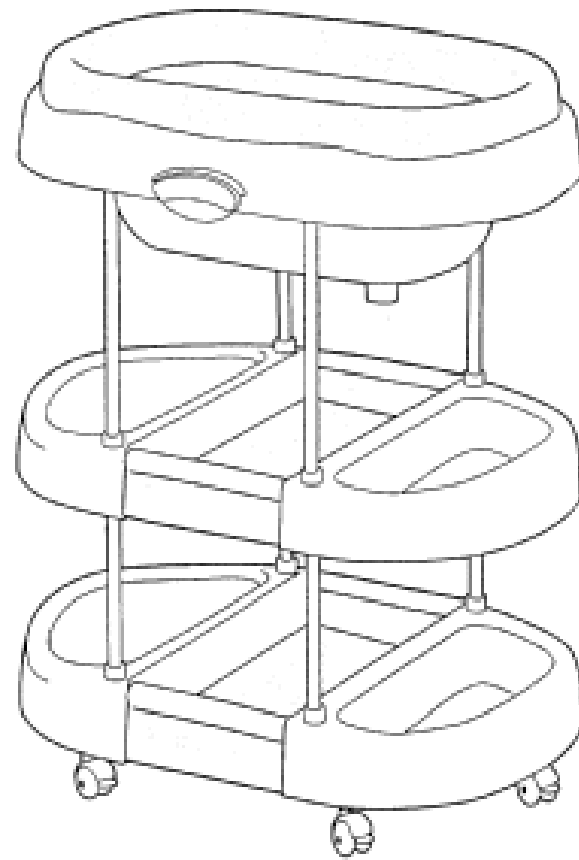
- (21) Design Number: **10053/2006**  
(22) Date of Filing Application: **10 January 2006**  
(24) Date from which industrial property rights may have effect: **10 January 2006**  
(54) Product in respect of which the design is registered: **Bottle**  
(51) International Design Classification: **09-01NES**  
(71) Name(s) and Address(s) of Applicant(s):  
**Reckitt Benckiser Inc.**  
**Morris Corporate Center IV 399 Interpace Parkway Parsippany New Jersey 07054 United States of America**  
(72) Name(s) of Designer(s): **Jon Lee and Daniel Sterling**  
(45) Registration Date: **10 February 2006**  
(30) Convention priority data:  
(31) Number      (32) Date      (33) Country  
**000386883-0001 12 Aug 2005 EUROPEAN COMMUNITY**  
(56) Related Art Documents: **Not Applicable**  
(57) Statement of Newness and Distinctiveness: **Newness and distinctiveness reside in the features of the design as shown in the representations.**



- (21) Design Number: **10006/2005**  
(22) Date of Filing Application: **05 January 2005**  
(24) Date from which industrial property rights may have effect: **05 January 2005**  
(54) Product in respect of which the design is registered: **Shade**  
(51) International Design Classification: **25-03**  
(71) Name(s) and Address(s) of Applicant(s):  
**Alexander Roy Prior**  
**20 Bell Street South Townsville Queensland 4810 Australia**  
(72) Name(s) of Designer(s): **Lex Prior**  
(45) Registration Date: **15 February 2006**  
(56) Related Art Documents: **Not Applicable**  
(57) Statement of Newness and Distinctiveness: **New and distinctive features of the design are the curved top combined with extra width created by side posts.**



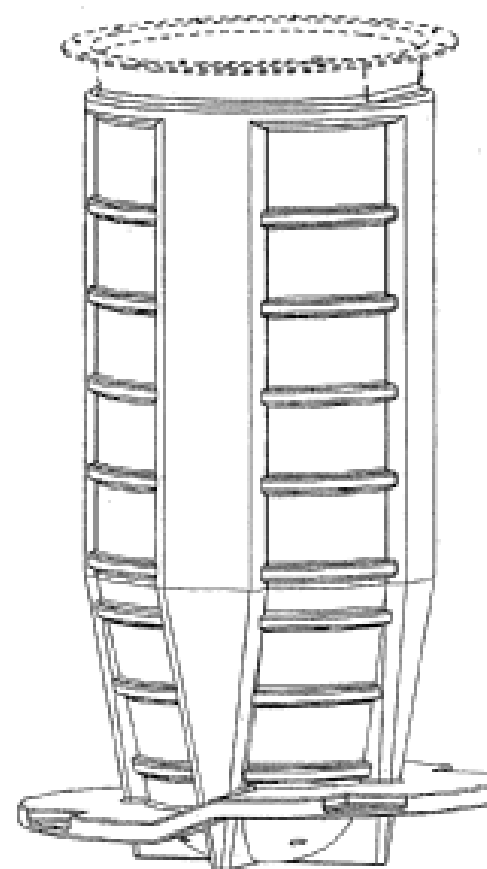
- (21) Design Number: **10266/2005**  
(22) Date of Filing Application: **27 January 2005**  
(24) Date from which industrial property rights may have effect: **27 January 2005**  
(54) Product in respect of which the design is registered: **Oval shaped changetable**  
(51) International Design Classification: **06-03NES**  
(71) Name(s) and Address(s) of Applicant(s):  
**James Richard Horsfall**  
**1 Lucas Street Emu Plains New South Wales 2750 Australia**  
(72) Name(s) of Designer(s): **James Richard Horsfall**  
(45) Registration Date: **15 February 2006**  
(56) Related Art Documents: **Not Applicable**  
(57) Statement of Newness and Distinctiveness: **Plastic oval shaped shelves, rounded ends on change pad.**



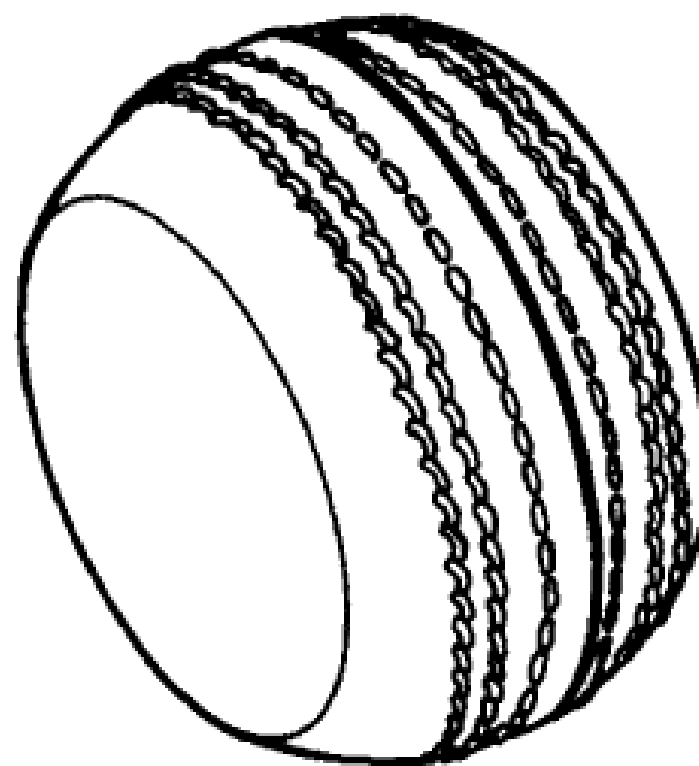
- (21) Design Number: **10267/2005**  
(22) Date of Filing Application: **27 January 2005**  
(24) Date from which industrial property rights may have effect: **27 January 2005**  
(54) Product in respect of which the design is registered: **Duo changetable**  
(51) International Design Classification: **06-03NES**  
(71) Name(s) and Address(s) of Applicant(s):  
**James Richard Horsfall**  
**1 Lucas Street Emu Plains New South Wales 2750 Australia**  
(72) Name(s) of Designer(s): **James Richard Horsfall**  
(45) Registration Date: **15 February 2006**  
(56) Related Art Documents: **Not Applicable**  
(57) Statement of Newness and Distinctiveness: **Plastic shaped shelves, bath stand slid out from changetable.**



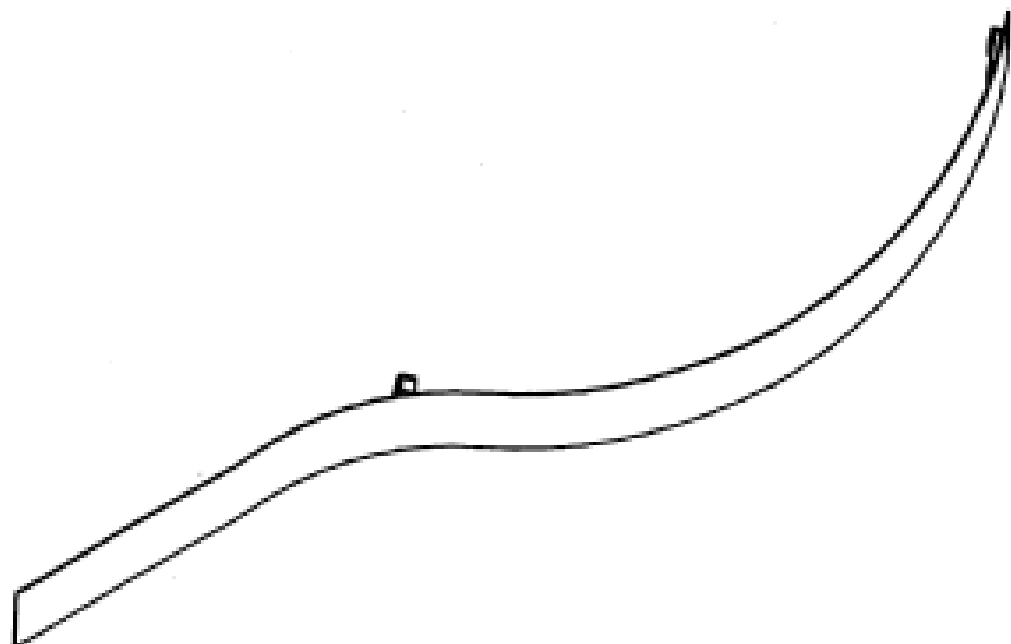
(21) Design Number: **10406/2005**  
 (22) Date of Filing Application: **02 February 2005**  
 (24) Date from which industrial property rights may have effect: **02 February 2005**  
 (54) Product in respect of which the design is registered: **A sewage tank**  
 (51) International Design Classification: **23-02NES**  
 (71) Name(s) and Address(s) of Applicant(s):  
**Environment One Corporation**  
**2773 Balltown Road Niskayuna New York 12309 United States of America**  
 (72) Name(s) of Designer(s): **Paul J. Daley and Clark A. Henry and Graeme Hisgrove and Adrian Massey**  
 (45) Registration Date: **15 February 2006**  
 (30) Convention priority data:  
 (31) Number (32) Date (33) Country  
**29/210528 02 Aug 2004 UNITED STATES OF AMERICA**  
 (56) Related Art Documents: **Not Applicable**  
 (57) Statement of Newness and Distinctiveness: **Newness and distinctiveness is claimed in those features of shape and/or configuration of a sewage tank illustrated in continuous lines in the accompanying representations.**



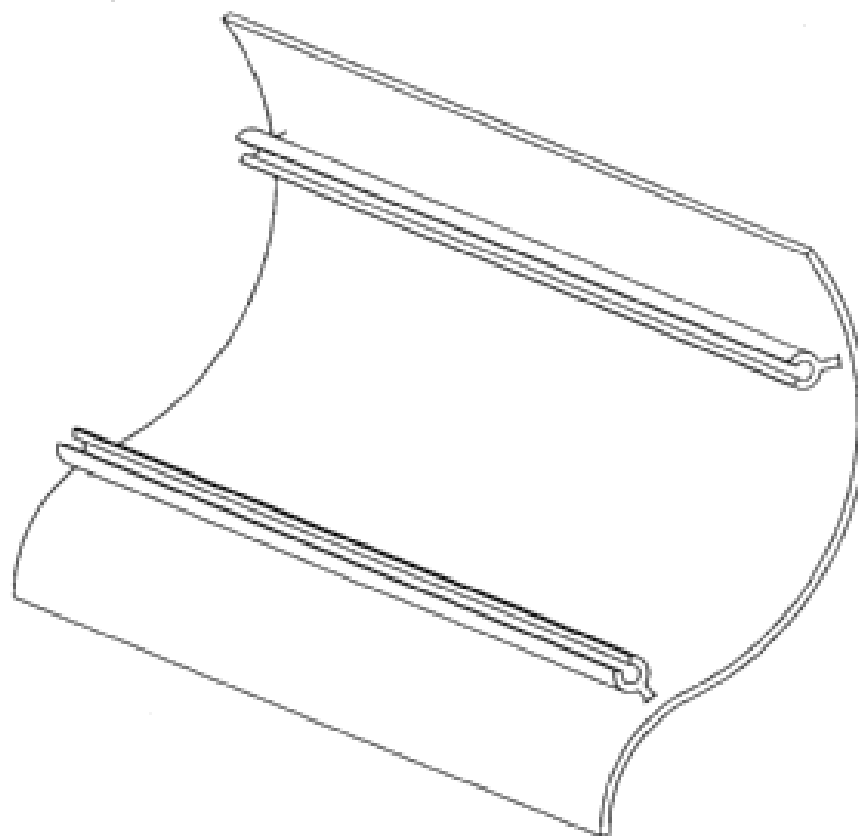
(21) Design Number: **10499/2005**  
 (22) Date of Filing Application: **09 February 2005**  
 (24) Date from which industrial property rights may have effect: **09 February 2005**  
 (54) Product in respect of which the design is registered: **Sports training ball**  
 (51) International Design Classification: **21-02A**  
 (71) Name(s) and Address(s) of Applicant(s):  
**Timothy Hoffmann**  
**61 Stanford Avenue Novar Gardens South Australia 5040 Australia**  
 (72) Name(s) of Designer(s): **Timothy Hoffmann**  
 (45) Registration Date: **15 February 2006**  
 (56) Related Art Documents: **Not Applicable**  
 (57) Statement of Newness and Distinctiveness: **Newness and distinctiveness resides in the shape and configuration of a sports training ball as shown in the accompanying representations.**



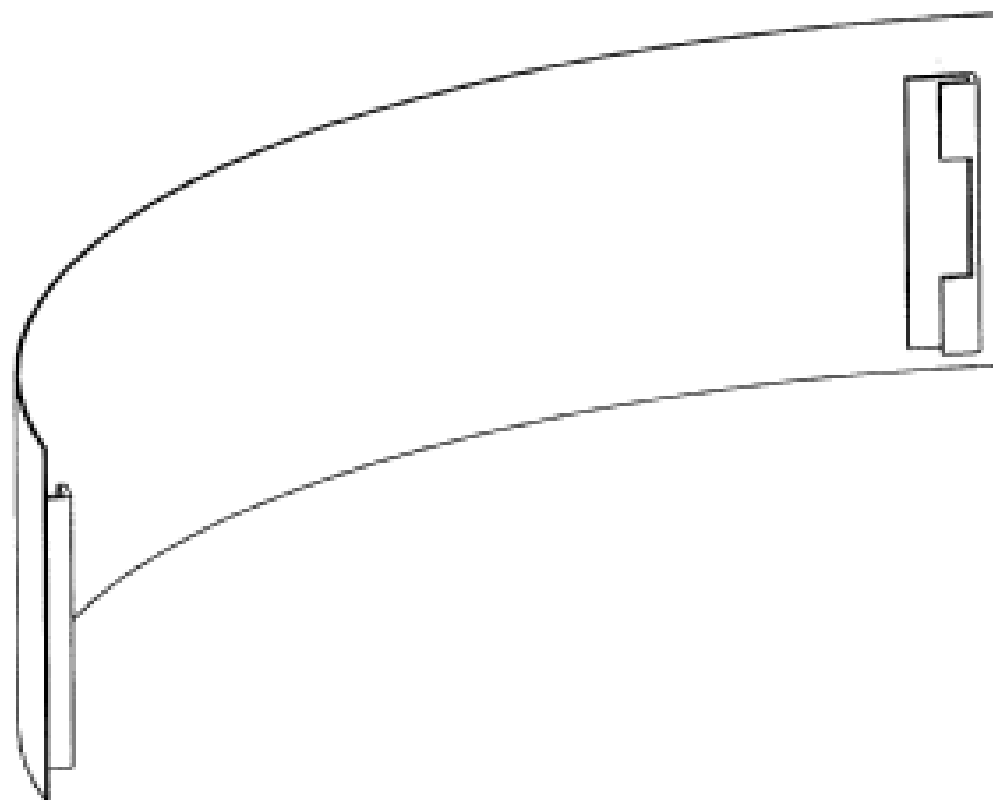
- (21) Design Number: **10741/2005**
- (22) Date of Filing Application: **25 February 2005**
- (24) Date from which industrial property rights may have effect: **25 February 2005**
- (54) Product in respect of which the design is registered: **Door closer cover**
- (51) International Design Classification: **08-07**
- (71) Name(s) and Address(s) of Applicant(s):  
**Asa Abloy Australia Pty Limited**  
**50 Edward Street Oakleigh Victoria 3166 Australia**
- (72) Name(s) of Designer(s): **John Henri Hoogendoorn**
- (45) Registration Date: **15 February 2006**
- (56) Related Art Documents: **Not Applicable**
- (57) Statement of Newness and Distinctiveness: **Nil**



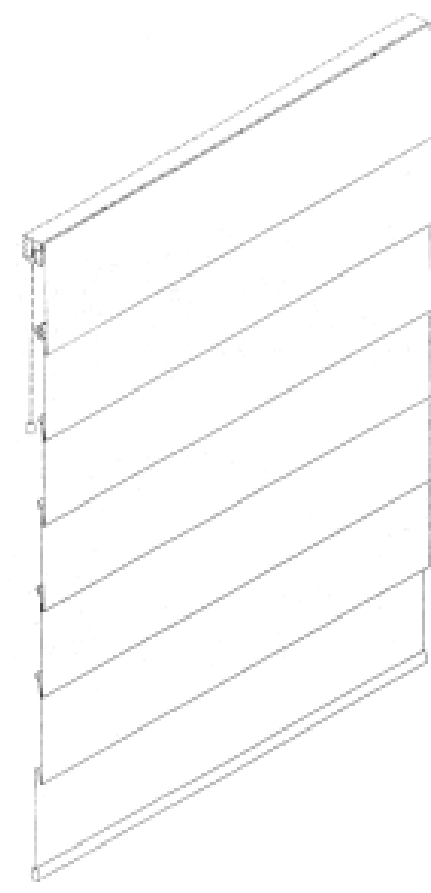
- (21) Design Number: **10742/2005**
- (22) Date of Filing Application: **25 February 2005**
- (24) Date from which industrial property rights may have effect: **25 February 2005**
- (54) Product in respect of which the design is registered: **Door closer cover**
- (51) International Design Classification: **08-07**
- (71) Name(s) and Address(s) of Applicant(s):  
**Asa Abloy Australia Pty Limited**  
**50 Edward Street Oakleigh Victoria 3166 Australia**
- (72) Name(s) of Designer(s): **John Henri Hoogendoorn**
- (45) Registration Date: **15 February 2006**
- (56) Related Art Documents: **Not Applicable**
- (57) Statement of Newness and Distinctiveness: **Nil**



- (21) Design Number: **10744/2005**  
(22) Date of Filing Application: **25 February 2005**  
(24) Date from which industrial property rights may have effect: **25 February 2005**  
(54) Product in respect of which the design is registered: **Door closer cover**  
(51) International Design Classification: **08-07**  
(71) Name(s) and Address(s) of Applicant(s):  
**Asa Abloy Australia Pty Limited**  
**50 Edward Street Oakleigh Victoria 3166 Australia**  
(72) Name(s) of Designer(s): **John Henri Hoogendoorn**  
(45) Registration Date: **15 February 2006**  
(56) Related Art Documents: **Not Applicable**  
(57) Statement of Newness and Distinctiveness: **Nil**



- (21) Design Number: **11323/2005**  
(22) Date of Filing Application: **04 April 2005**  
(24) Date from which industrial property rights may have effect: **04 April 2005**  
(54) Product in respect of which the design is registered: **Window covering**  
(51) International Design Classification: **06-10**  
(71) Name(s) and Address(s) of Applicant(s):  
**Teh Yor Co. Ltd**  
**129 2nd Floor Chung Shan N. Road Sec 1 Taipei 10418 Taiwan**  
(72) Name(s) of Designer(s): **Fu-Lai Yu and Shun-Chi Yu and Chin-Tien Huang**  
(45) Registration Date: **15 February 2006**  
(56) Related Art Documents: **Not Applicable**  
(57) Statement of Newness and Distinctiveness: **Newness resides in the shape and configuration of a window covering as shown in the accompanying representations.**



(21) Design Number: **11399/2005**

(22) Date of Filing Application: **06 April 2005**

(24) Date from which industrial property rights may have effect: **06 April 2005**

(54) Product in respect of which the design is registered: **Portable cooler**

(51) International Design Classification: **07-07A**

(71) Name(s) and Address(s) of Applicant(s):

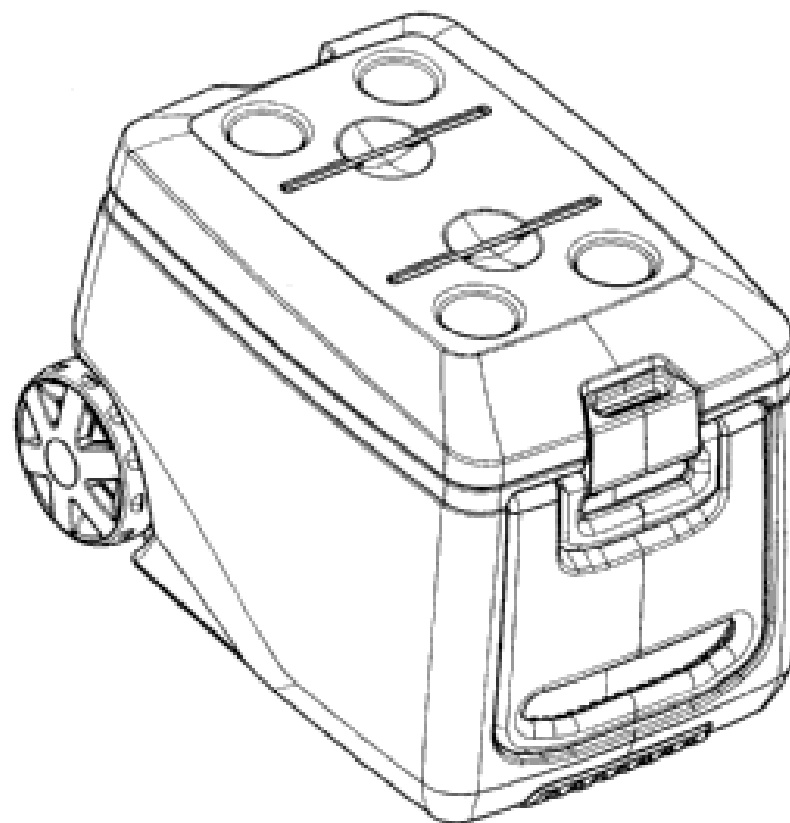
**HomeLeisure Limited**  
**5 Dividend Street Mansfield Queensland 4122 Australia**

(72) Name(s) of Designer(s): **Dean Holmes**

(45) Registration Date: **15 February 2006**

(56) Related Art Documents: **Not Applicable**

(57) Statement of Newness and Distinctiveness: **Those features of the portable cooler depicted in the representations that are new and distinctive are the shape and/or configuration.**



(21) Design Number: **11403/2005**

(22) Date of Filing Application: **06 April 2005**

(24) Date from which industrial property rights may have effect: **06 April 2005**

(54) Product in respect of which the design is registered: **Portable cooler**

(51) International Design Classification: **07-07A**

(71) Name(s) and Address(s) of Applicant(s):

**HomeLeisure Limited**  
**5 Dividend Street Mansfield Queensland 4122 Australia**

(72) Name(s) of Designer(s): **Dean Holmes**

(45) Registration Date: **15 February 2006**

(56) Related Art Documents: **Not Applicable**

(57) Statement of Newness and Distinctiveness: **Those features of the portable cooler depicted in the representations that are new and distinctive are the shape and/or configuration.**



(21) Design Number: **11404/2005**

(22) Date of Filing Application: **07 April 2005**

(24) Date from which industrial property rights may have effect: **07 April 2005**

(54) Product in respect of which the design is registered: **Floor waste grate design**

(51) International Design Classification: **23-02NES**

(71) Name(s) and Address(s) of Applicant(s):

**Maureen Irwin**

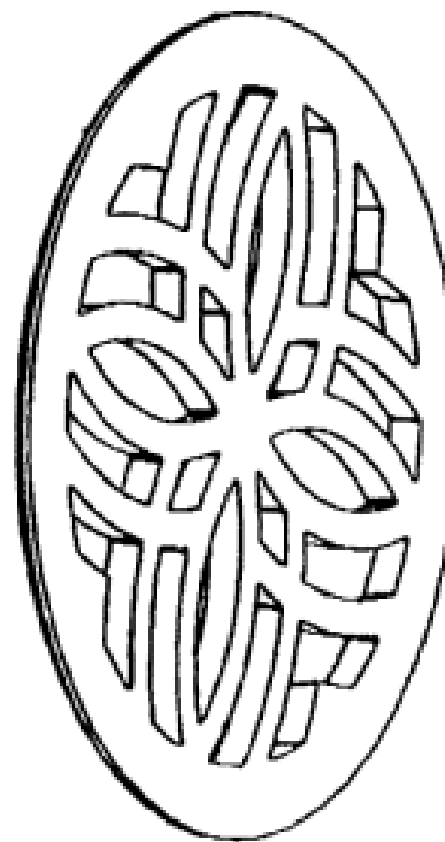
**2 Silky Oak Place Pelican Waters Queensland 4551 Australia**

(72) Name(s) of Designer(s): **Andrew Hobbs**

(45) Registration Date: **15 February 2006**

(56) Related Art Documents: **Not Applicable**

(57) Statement of Newness and Distinctiveness: **Monopoly is claimed in the shape and configuration of the floor grate as shown in the representation.**



(21) Design Number: **12068/2005**

(22) Date of Filing Application: **11 May 2005**

(24) Date from which industrial property rights may have effect: **11 May 2005**

(54) Product in respect of which the design is registered: **A bed base valance**

(51) International Design Classification: **06-13B**

(71) Name(s) and Address(s) of Applicant(s):

**Rosemary Anne Kennett**

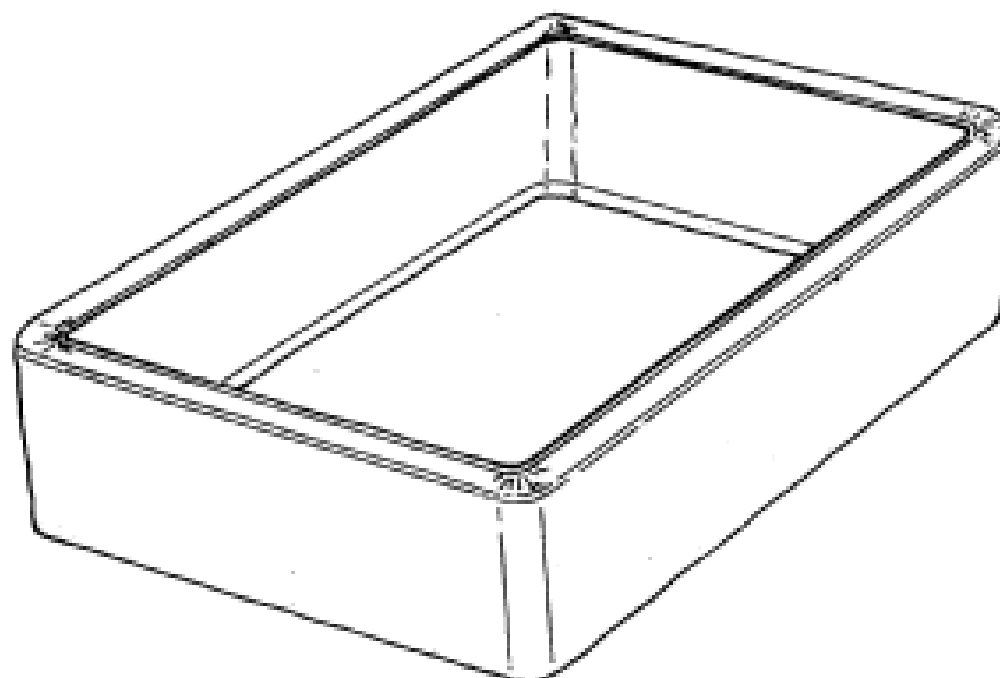
**7 McAllan Avenue Burnside South Australia 5056 Australia**

(72) Name(s) of Designer(s): **Rosemary Anne Kennett**

(45) Registration Date: **15 February 2006**

(56) Related Art Documents: **Not Applicable**

(57) Statement of Newness and Distinctiveness: **Newness and distinctiveness resides in the shape and configuration of a bed base valance as shown in the accompanying representations.**



(21) Design Number: **13110/2005**  
(22) Date of Filing Application: **22 July 2005**  
(24) Date from which industrial property rights may have effect: **22 July 2005**  
(54) Product in respect of which the design is registered: **Tablet dispenser**  
(51) International Design Classification: **03-01NES**  
(71) Name(s) and Address(s) of Applicant(s):

**Boots Healthcare International Limited**  
**1 Thane Road West Nottingham NG2 3AA United Kingdom**

(72) Name(s) of Designer(s): **Susan Wilson**

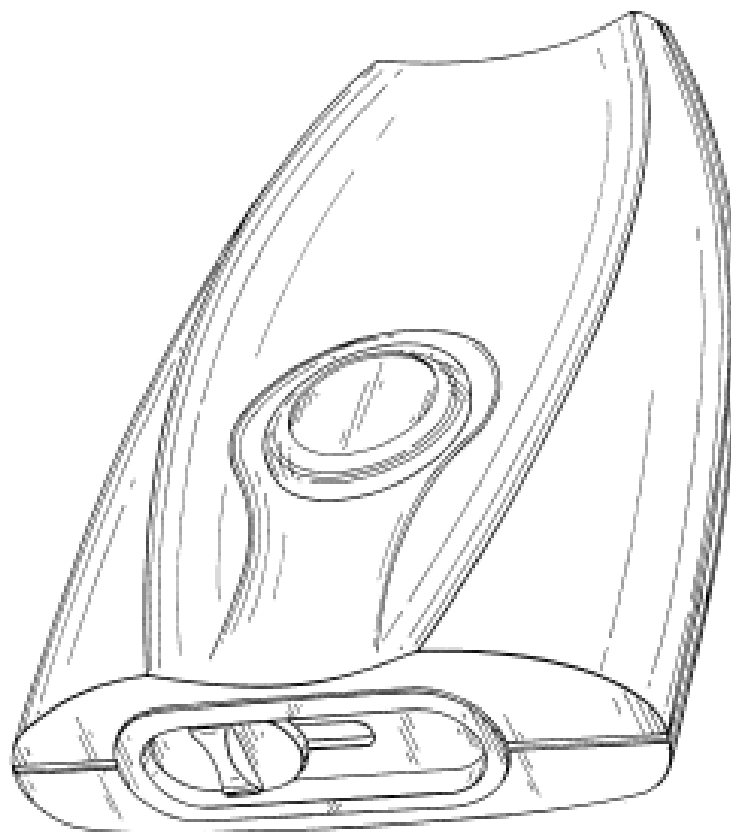
(45) Registration Date: **15 February 2006**

(30) Convention priority data:

(31) Number	(32) Date	(33) Country
<b>000285275</b>	<b>25 Jan 2005</b>	<b>EUROPEAN PATENT OFFICE (EP)</b>

(56) Related Art Documents: **Not Applicable**

(57) Statement of Newness and Distinctiveness: **Nil**



(21) Design Number: **13187/2005**  
(22) Date of Filing Application: **27 July 2005**  
(24) Date from which industrial property rights may have effect: **27 July 2005**  
(54) Product in respect of which the design is registered: **Hammer**  
(51) International Design Classification: **08-02**  
(71) Name(s) and Address(s) of Applicant(s):

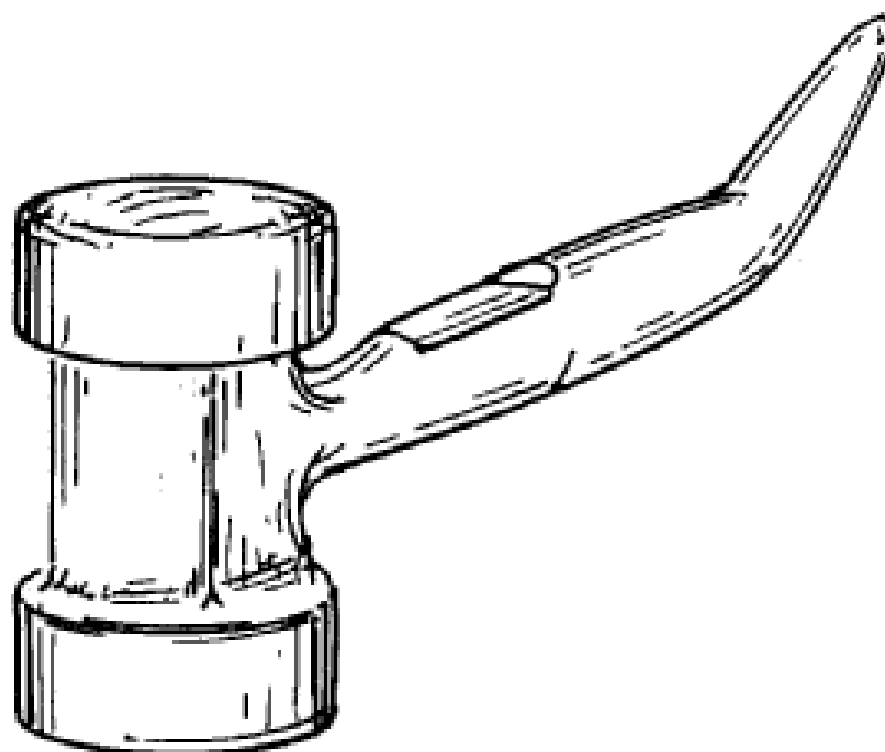
**Technique Tools Pty**  
**15 Steele Court Tullamarine Victoria 3043 Australia**

(72) Name(s) of Designer(s): **David Roger Nelson Salisbury**

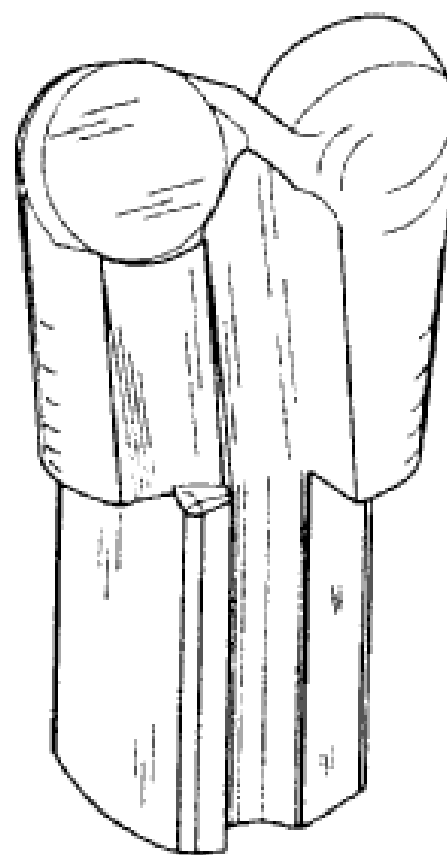
(45) Registration Date: **15 February 2006**

(56) Related Art Documents: **Not Applicable**

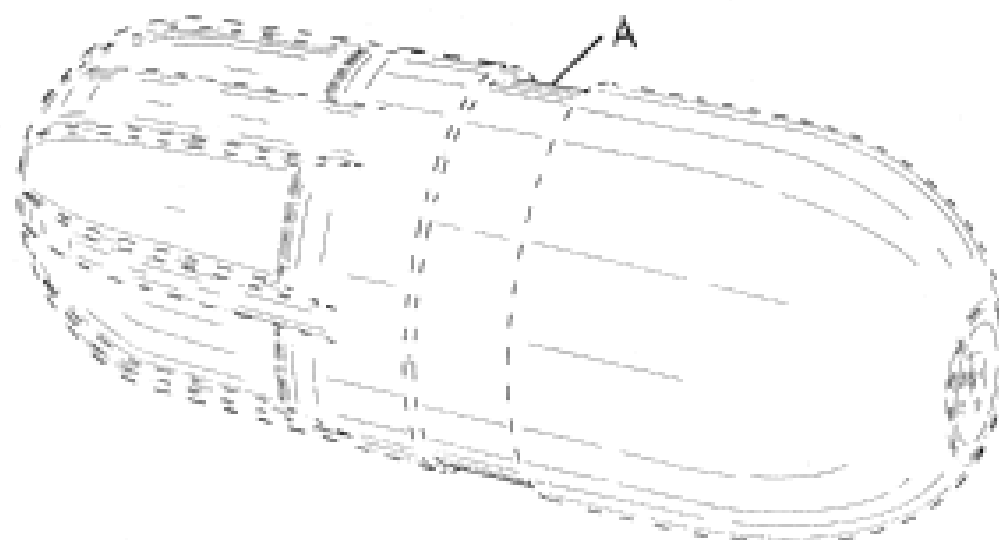
(57) Statement of Newness and Distinctiveness: **Nil**



- (21) Design Number: **13247/2005**  
(22) Date of Filing Application: **01 August 2005**  
(24) Date from which industrial property rights may have effect: **01 August 2005**  
(54) Product in respect of which the design is registered: **Heavy Duty Square Shank Roof Drill Bit**  
(51) International Design Classification: **08-01**  
(71) Name(s) and Address(s) of Applicant(s):  
**William J. Brady**  
**1767 Wishingwell Drive Creve Coeur Missouri 63141 United States of America**  
(72) Name(s) of Designer(s): **William J. Brady**  
(45) Registration Date: **15 February 2006**  
(30) Convention priority data:  
(31) Number (32) Date (33) Country  
**29/222641 01 Feb 2005 UNITED STATES OF AMERICA**  
(56) Related Art Documents: **Not Applicable**  
(57) Statement of Newness and Distinctiveness: **Newness and distinctiveness is claimed in the visual features of the shank shown in the representations, which begins below the shoulder shown in Figures 1 and 4.**



- (21) Design Number: **13258/2005**  
(22) Date of Filing Application: **07 January 2004**  
(24) Date from which industrial property rights may have effect: **30 July 2002**  
(54) Product in respect of which the design is registered: **A capsule comprising capsule shells and linker**  
(51) International Design Classification: **28-01**  
(71) Name(s) and Address(s) of Applicant(s):  
**SmithKline Beecham p.l.c.**  
**980 Great West Road Brentford Middlesex TW8 9GS United Kingdom**  
(72) Name(s) of Designer(s): **Stephen M. McAllister and Brian Hewitt**  
(45) Registration Date: **15 February 2006**  
(62) Divisional of: **154330**  
(56) Related Art Documents: **Not Applicable**  
(57) Statement of Newness and Distinctiveness: **Newness and distinctiveness is claimed in the part of the capsule formed by the linker marked "A" as shown in solid lines in the representations.**



(21) Design Number: **13259/2005**

(22) Date of Filing Application: **07 January 2004**

(24) Date from which industrial property rights may have effect: **30 July 2002**

(54) Product in respect of which the design is registered: **A capsule linker**

(51) International Design Classification: **28-01**

(71) Name(s) and Address(s) of Applicant(s):

**SmithKline Beecham p.l.c.**

**980 Great West Road Brentford Middlesex TW8 9GS United Kingdom**

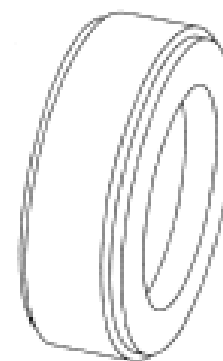
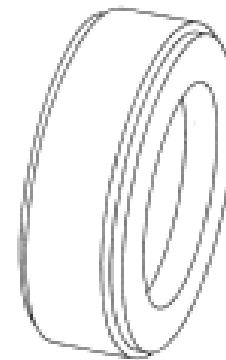
(72) Name(s) of Designer(s): **Stephen M. McAllister and Brian Hewitt**

(45) Registration Date: **15 February 2006**

(62) Divisional of: **154330**

(56) Related Art Documents: **Not Applicable**

(57) Statement of Newness and Distinctiveness: **Nil**



(21) Design Number: **13260/2005**

(22) Date of Filing Application: **07 January 2004**

(24) Date from which industrial property rights may have effect: **30 July 2002**

(54) Product in respect of which the design is registered: **A capsule linker**

(51) International Design Classification: **28-01**

(71) Name(s) and Address(s) of Applicant(s):

**SmithKline Beecham p.l.c.**

**980 Great West Road Brentford Middlesex TW8 9GS United Kingdom**

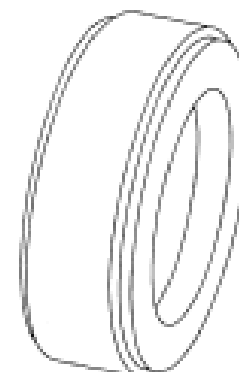
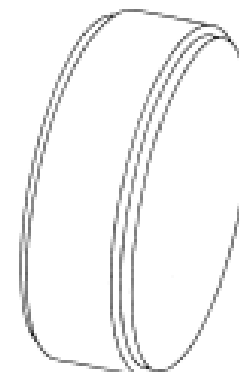
(72) Name(s) of Designer(s): **Stephen M. McAllister and Brian Hewitt**

(45) Registration Date: **15 February 2006**

(62) Divisional of: **154330**

(56) Related Art Documents: **Not Applicable**

(57) Statement of Newness and Distinctiveness: **Nil**



(21) Design Number: **13261/2005**

(22) Date of Filing Application: **07 January 2004**

(24) Date from which industrial property rights may have effect: **30 July 2002**

(54) Product in respect of which the design is registered: **A capsule linker**

(51) International Design Classification: **28-01**

(71) Name(s) and Address(s) of Applicant(s):

**SmithKline Beecham p.l.c.**

**980 Great West Road Brentford Middlesex TW8 9GS United Kingdom**

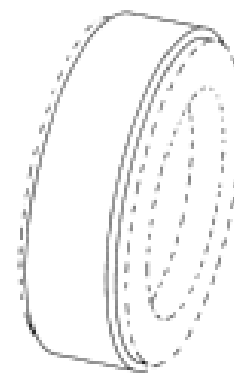
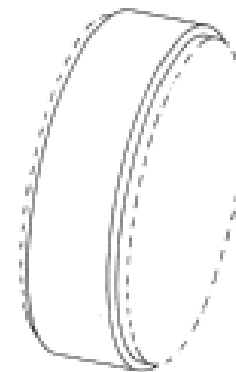
(72) Name(s) of Designer(s): **Stephen M. McAllister and Brian Hewitt**

(45) Registration Date: **15 February 2006**

(62) Divisional of: **154330**

(56) Related Art Documents: **Not Applicable**

(57) Statement of Newness and Distinctiveness: **Newness and distinctiveness is claimed in the features of shape and configuration of the part of the linker shown in solid lines in the representations.**



(21) Design Number: **13276/2005**

(22) Date of Filing Application: **02 August 2005**

(24) Date from which industrial property rights may have effect: **02 August 2005**

(54) Product in respect of which the design is registered: **Display equipment**

(51) International Design Classification: **20-02NES**

(71) Name(s) and Address(s) of Applicant(s):

**HL Display AB**

**Horisontvagen 26 SE-128 34 Skarpnack Sweden**

(72) Name(s) of Designer(s): **Bengt Ahlund**

(45) Registration Date: **15 February 2006**

(30) Convention priority data:

(31) Number

(32) Date

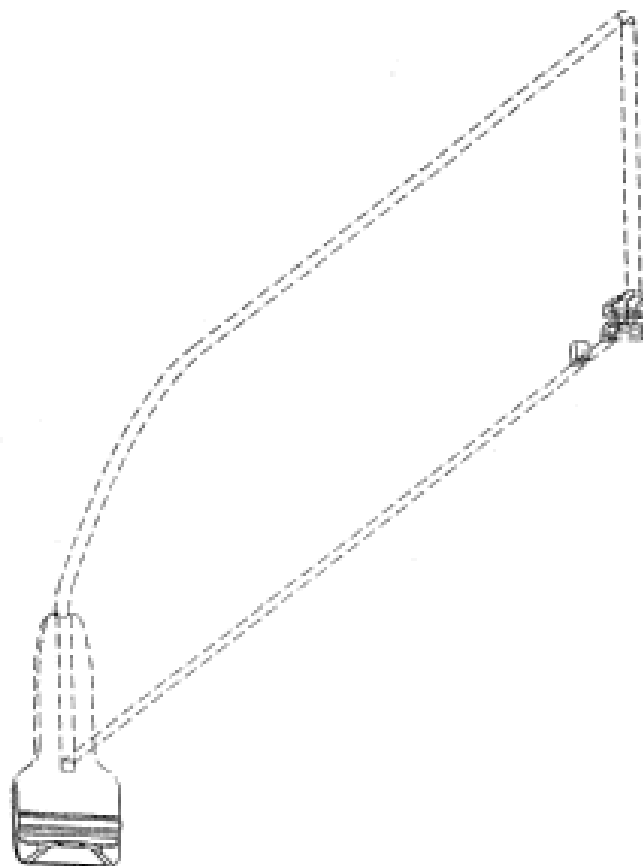
(33) Country

**000297171-0007 16 Feb 2005**

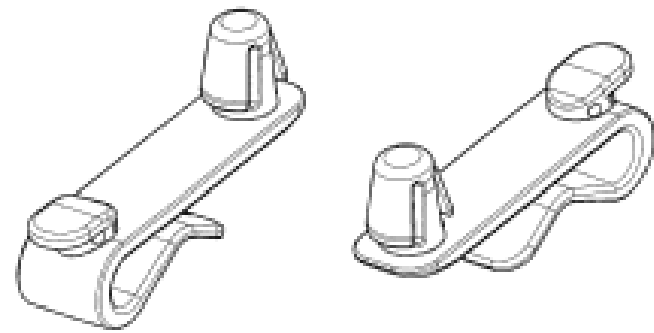
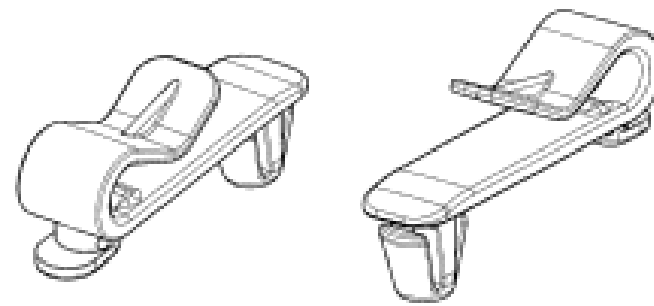
**EUROPEAN COMMUNITY**

(56) Related Art Documents: **Not Applicable**

(57) Statement of Newness and Distinctiveness: **Each feature of the design considered separately or in combination with any other feature or features.**



- (21) Design Number: **13300/2005**  
(22) Date of Filing Application: **04 August 2005**  
(24) Date from which industrial property rights may have effect: **04 August 2005**  
(54) Product in respect of which the design is registered: **Oyster bag riser**  
(51) International Design Classification: **22-05, 22-99**  
(71) Name(s) and Address(s) of Applicant(s):  
**BST Oyster Supplies Pty Ltd**  
**Lot 22 Oyster Drive Cowell South Australia 5602 Australia**  
(72) Name(s) of Designer(s): **Ashley Turner and Andrew William Whittaker**  
(45) Registration Date: **15 February 2006**  
(56) Related Art Documents: **Not Applicable**  
(57) Statement of Newness and Distinctiveness: **Newness and distinctiveness resides in the shape and configuration of an oyster bag riser as shown in the accompanying representations.**



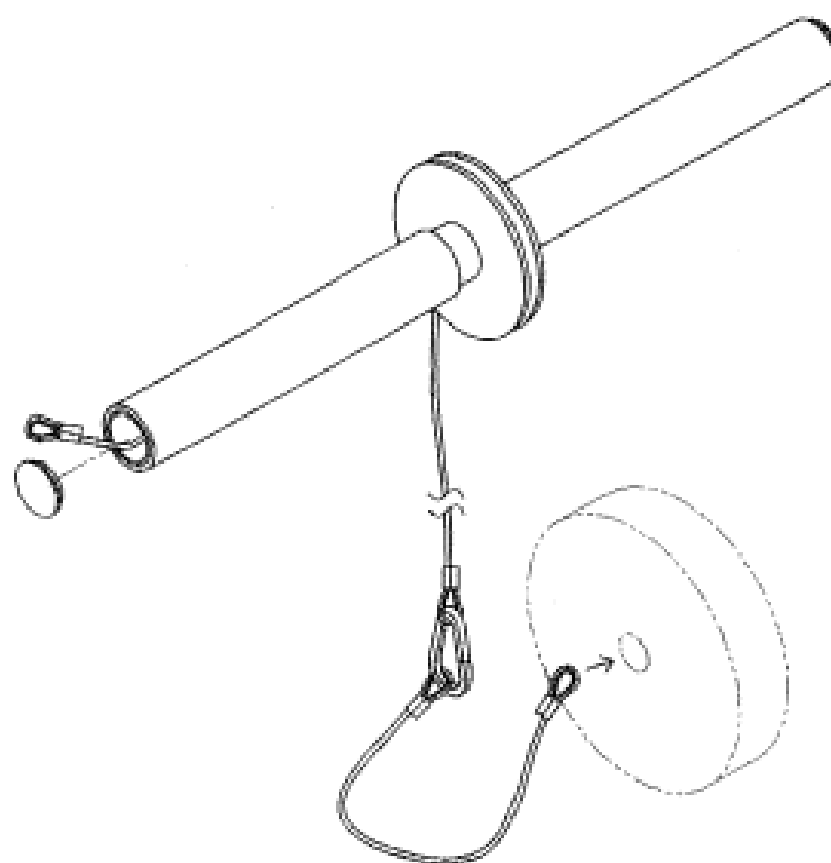
- (21) Design Number: **13510/2005**  
(22) Date of Filing Application: **17 August 2005**  
(24) Date from which industrial property rights may have effect: **17 August 2005**  
(54) Product in respect of which the design is registered: **Return spring hinge for pool gates**  
(51) International Design Classification: **08-06**  
(71) Name(s) and Address(s) of Applicant(s):  
**Wayne Milner**  
**128 Kings Road St Albans Victoria 3021 Australia**  
(72) Name(s) of Designer(s): **Wayne Russell Milner**  
(45) Registration Date: **15 February 2006**  
(56) Related Art Documents: **Not Applicable**  
(57) Statement of Newness and Distinctiveness: **Top and bottom of hinge has a dome shaped point.**



(19) AU

- (21) Design Number: **13621/2005**
- (22) Date of Filing Application: **23 August 2005**
- (24) Date from which industrial property rights may have effect: **23 August 2005**
- (54) Product in respect of which the design is registered: **Exercise apparatus for forearms**
- (51) International Design Classification: **21-02F**
- (71) Name(s) and Address(s) of Applicant(s):  
**Productions Imagine Enterprise Inc.**  
**353 Zieme Avenue apt. 1 Ville de L'ile Perrot Quebec J7V 4Z6 Canada**
- (72) Name(s) of Designer(s): **Pierre-Paul Beaupre**
- (45) Registration Date: **15 February 2006**
- (30) Convention priority data:  

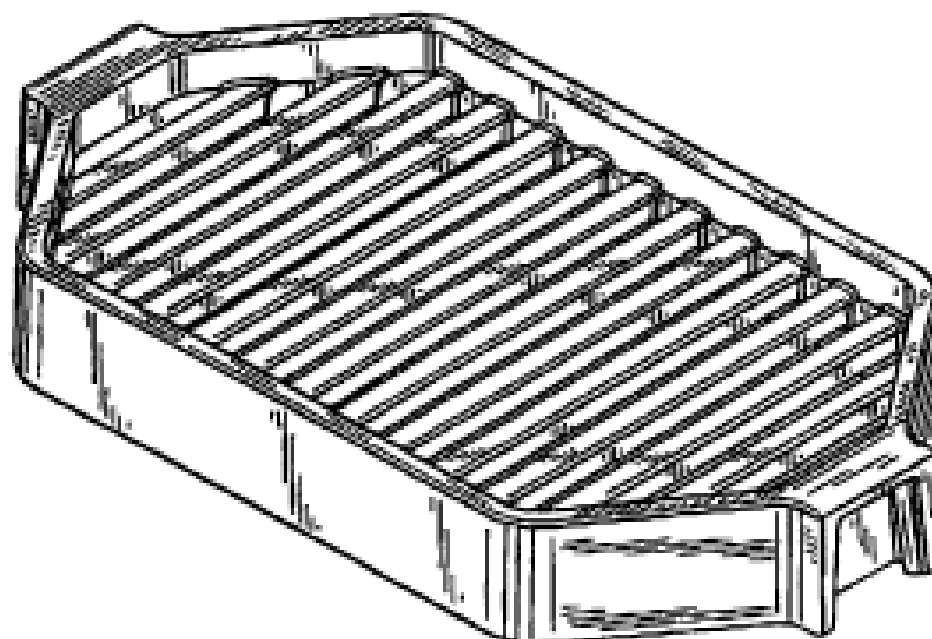
(31) Number	(32) Date	(33) Country
<b>110203</b>	<b>25 Feb 2005</b>	<b>CANADA</b>
- (56) Related Art Documents: **Not Applicable**
- (57) Statement of Newness and Distinctiveness: **Newness and distinctiveness is claimed in the features of shape and/or configuration of an exercise apparatus for forearms as illustrated in continuous lines in the accompanying representations.**



(19) AU

- (21) Design Number: **13622/2005**
- (22) Date of Filing Application: **23 August 2005**
- (24) Date from which industrial property rights may have effect: **23 August 2005**
- (54) Product in respect of which the design is registered: **Support**
- (51) International Design Classification: **06-04NES**
- (71) Name(s) and Address(s) of Applicant(s):  
**Kohler Co.**  
**444 Highland Drive Kohler WI 53044 United States of America**
- (72) Name(s) of Designer(s): **Mike Y. Daikubara and Mark A. Johnson**
- (45) Registration Date: **15 February 2006**
- (30) Convention priority data:  

(31) Number	(32) Date	(33) Country
<b>29/223961</b>	<b>23 Feb 2005</b>	<b>UNITED STATES OF AMERICA</b>
- (56) Related Art Documents: **Not Applicable**
- (57) Statement of Newness and Distinctiveness: **Nil**



(21) Design Number: **13626/2005**

(22) Date of Filing Application: **23 August 2005**

(24) Date from which industrial property rights may have effect: **23 August 2005**

(54) Product in respect of which the design is registered: **Golf tee**

(51) International Design Classification: **21-02C**

(71) Name(s) and Address(s) of Applicant(s):

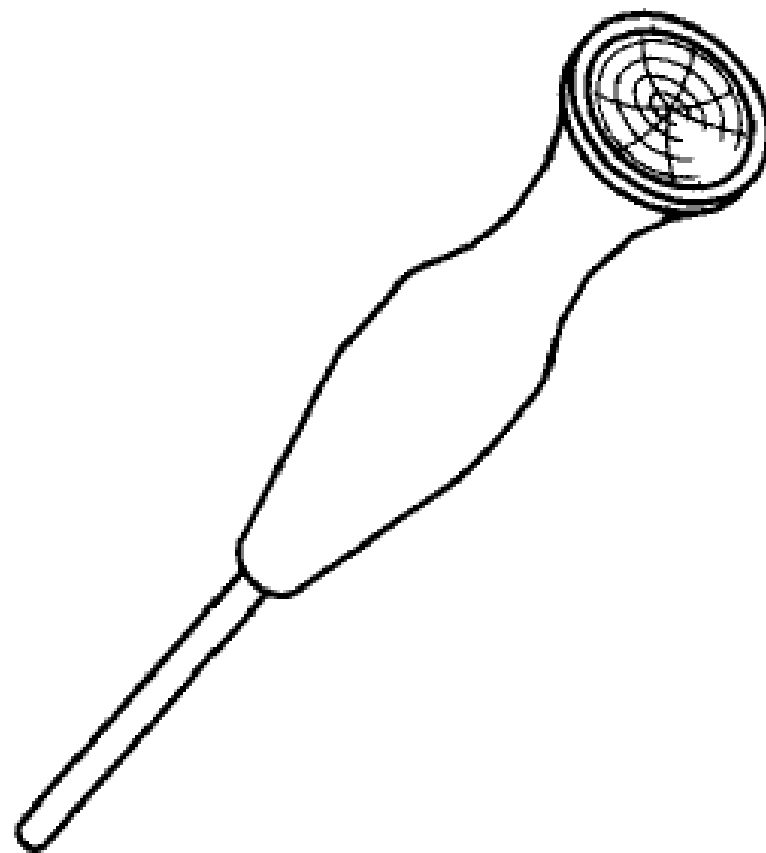
**George E. Bevan**  
**111 Blues Point Road McMahons Point New South Wales 2060**  
**Australia**

(72) Name(s) of Designer(s): **George E. Bevan**

(45) Registration Date: **15 February 2006**

(56) Related Art Documents: **Not Applicable**

(57) Statement of Newness and Distinctiveness: **Newness and distinctiveness resides in the shape and configuration of the golf tee and particularly in the relatively narrower depending portion which depends from the relatively thicker upper body of the golf tee. In the representations, the left hand side views show the depending portion in a straight orientation co-axial with upper body. The depending portion of the same golf tee is shown in an alternative deflected position in the right hand side views.**



(21) Design Number: **13627/2005**

(22) Date of Filing Application: **23 August 2005**

(24) Date from which industrial property rights may have effect: **23 August 2005**

(54) Product in respect of which the design is registered: **Golf tee**

(51) International Design Classification: **21-02C**

(71) Name(s) and Address(s) of Applicant(s):

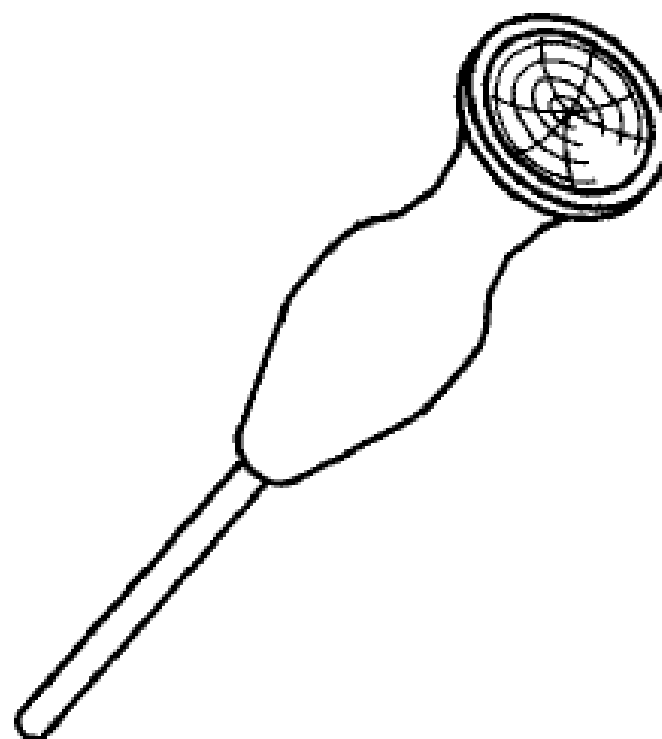
**George E. Bevan**  
**111 Blues Point Road McMahons Point New South Wales 2060**  
**Australia**

(72) Name(s) of Designer(s): **George E. Bevan**

(45) Registration Date: **15 February 2006**

(56) Related Art Documents: **Not Applicable**

(57) Statement of Newness and Distinctiveness: **Newness and distinctiveness resides in the shape and configuration of the golf tee and particularly in the relatively narrower depending portion which depends from the relatively thicker upper body of the golf tee. In the representations, the left hand side views show the depending portion in a straight orientation co-axial with upper body. The depending portion of the same golf tee is shown in an alternative deflected position in the right hand side views.**



(21) Design Number: **13628/2005**

(22) Date of Filing Application: **23 August 2005**

(24) Date from which industrial property rights may have effect: **23 August 2005**

(54) Product in respect of which the design is registered: **Golf tee**

(51) International Design Classification: **21-02C**

(71) Name(s) and Address(s) of Applicant(s):

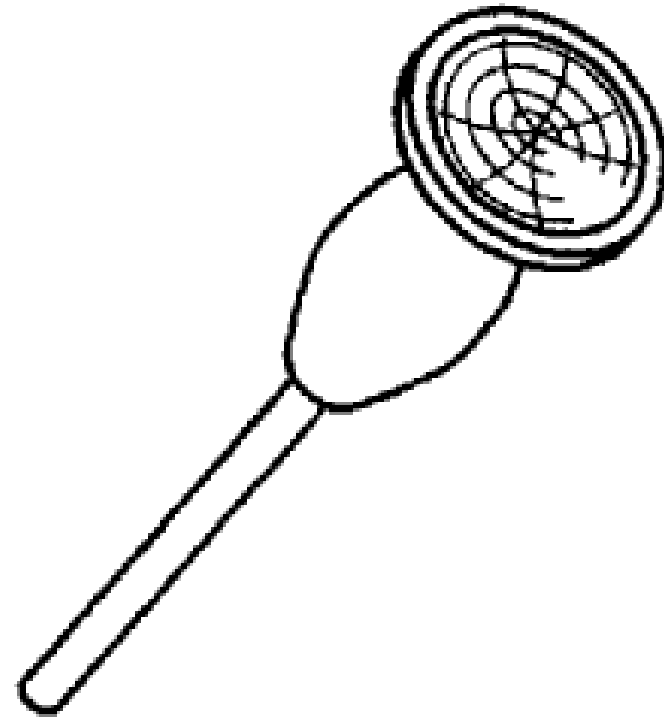
**George E. Bevan**  
**111 Blues Point Road McMahons Point New South Wales 2060**  
**Australia**

(72) Name(s) of Designer(s): **George E. Bevan**

(45) Registration Date: **15 February 2006**

(56) Related Art Documents: **Not Applicable**

(57) Statement of Newness and Distinctiveness: **Newness and distinctiveness resides in the shape and configuration of the golf tee and particularly in the relatively narrower depending portion which depends from the relatively thicker upper body of the golf tee. In the representations, the left hand side views show the depending portion in a straight orientation co-axial with upper body. The depending portion of the same golf tee is shown in an alternative deflected position in the right hand side views.**



(21) Design Number: **13665/2005**

(22) Date of Filing Application: **25 August 2005**

(24) Date from which industrial property rights may have effect: **25 August 2005**

(54) Product in respect of which the design is registered: **Ball mount head of a tow bar**

(51) International Design Classification: **12-16L**

(71) Name(s) and Address(s) of Applicant(s):

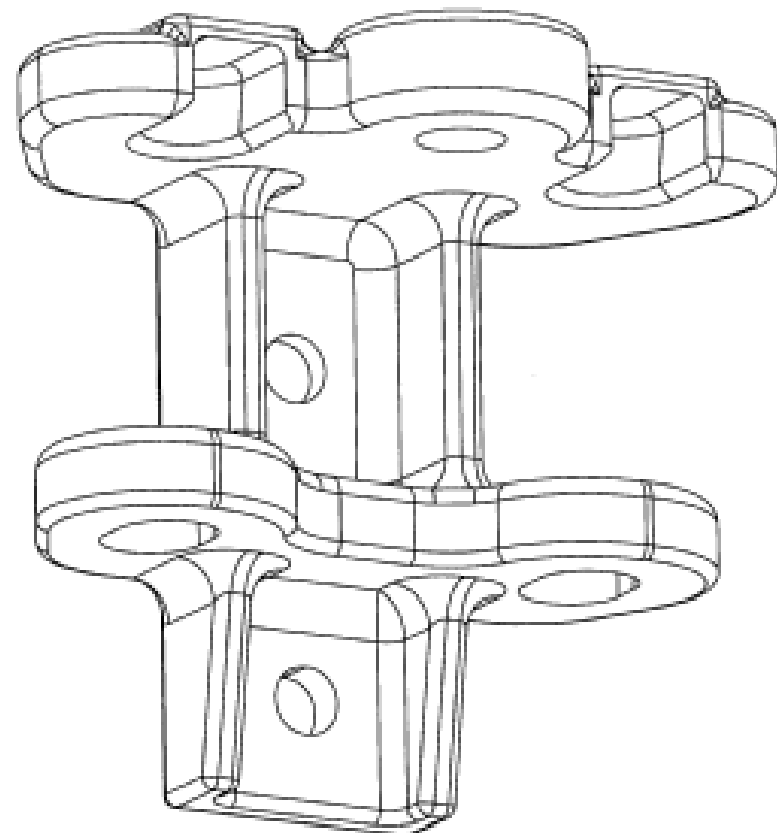
**Frontline Australasia Pty Ltd**  
**21 Commercial Road Dandenong Victoria 3175 Australia**

(72) Name(s) of Designer(s): **Daniel Trott and Robin Painter and Scott McDonald and John Doward and Rod Mawson and Brendan Price and Kevin Hooper**

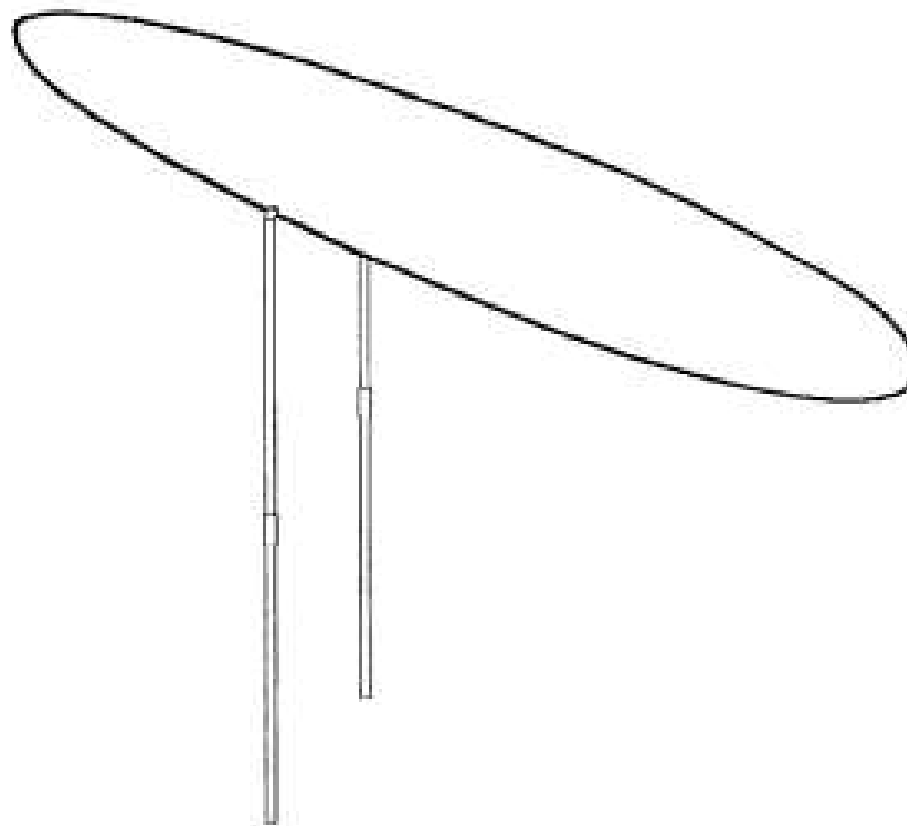
(45) Registration Date: **15 February 2006**

(56) Related Art Documents: **Not Applicable**

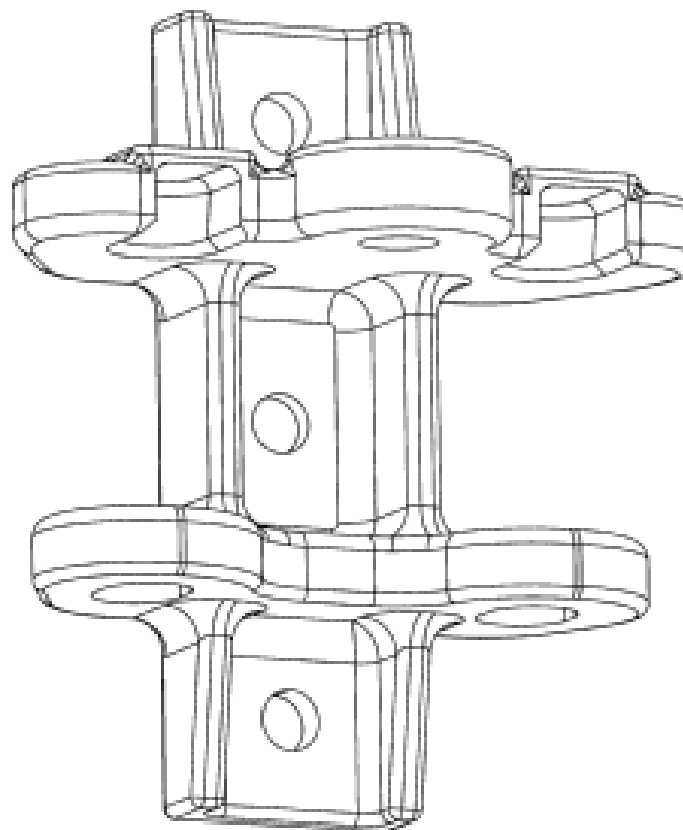
(57) Statement of Newness and Distinctiveness: **Nil**



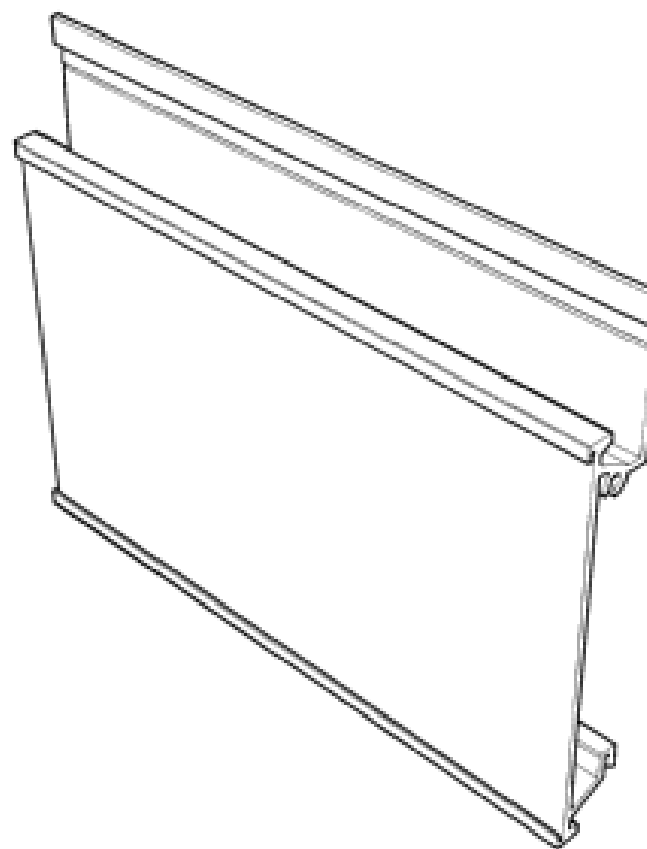
- (21) Design Number: **13656/2005**  
(22) Date of Filing Application: **26 August 2005**  
(24) Date from which industrial property rights may have effect: **26 August 2005**  
(54) Product in respect of which the design is registered: **Modular sun shade**  
(51) International Design Classification: **03-03**  
(71) Name(s) and Address(s) of Applicant(s):  
**Lee Namir**  
**PO Box 527 Vaucluse New South Wales 2030 Australia**  
(72) Name(s) of Designer(s): **Lee Namir**  
(45) Registration Date: **15 February 2006**  
(56) Related Art Documents: **Not Applicable**  
(57) Statement of Newness and Distinctiveness: **Newness and distinctiveness is claimed in the shape and configurations of the sun shade, and in the features of the shape and configurations of the poles and/or the surface of the sun shade, as shown in the representations.**



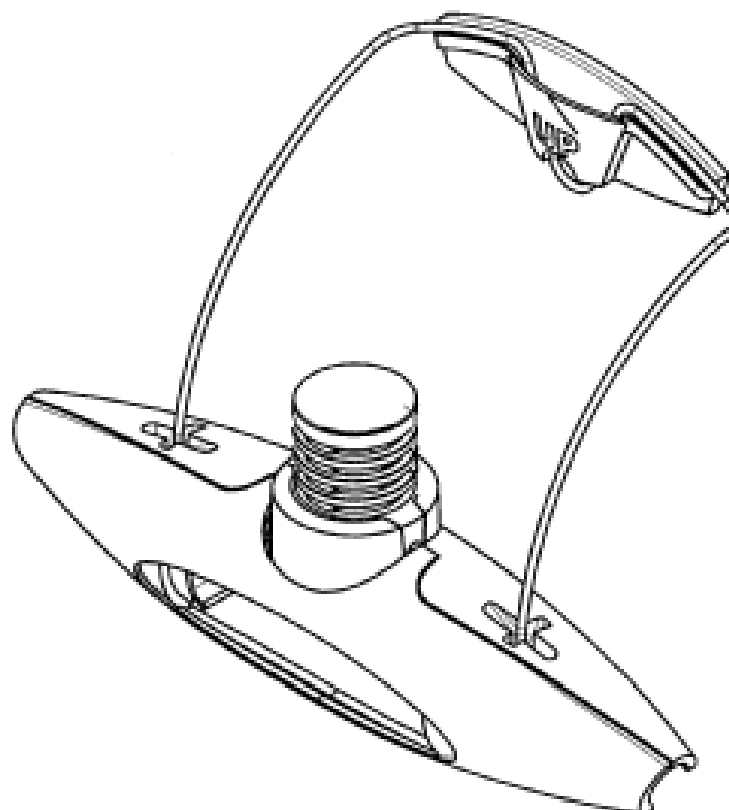
- (21) Design Number: **13666/2005**  
(22) Date of Filing Application: **25 August 2005**  
(24) Date from which industrial property rights may have effect: **25 August 2005**  
(54) Product in respect of which the design is registered: **Ball mount head of a tow bar**  
(51) International Design Classification: **12-16L**  
(71) Name(s) and Address(s) of Applicant(s):  
**Frontline Australasia Pty Ltd**  
**21 Commercial Road Dandenong Victoria 3175 Australia**  
(72) Name(s) of Designer(s): **Daniel Trott and Robin Painter and Scott McDonald and John Doward and Rod Mawson and Brendan Price and Kevin Hooper**  
(45) Registration Date: **15 February 2006**  
(56) Related Art Documents: **Not Applicable**  
(57) Statement of Newness and Distinctiveness: **Nil**



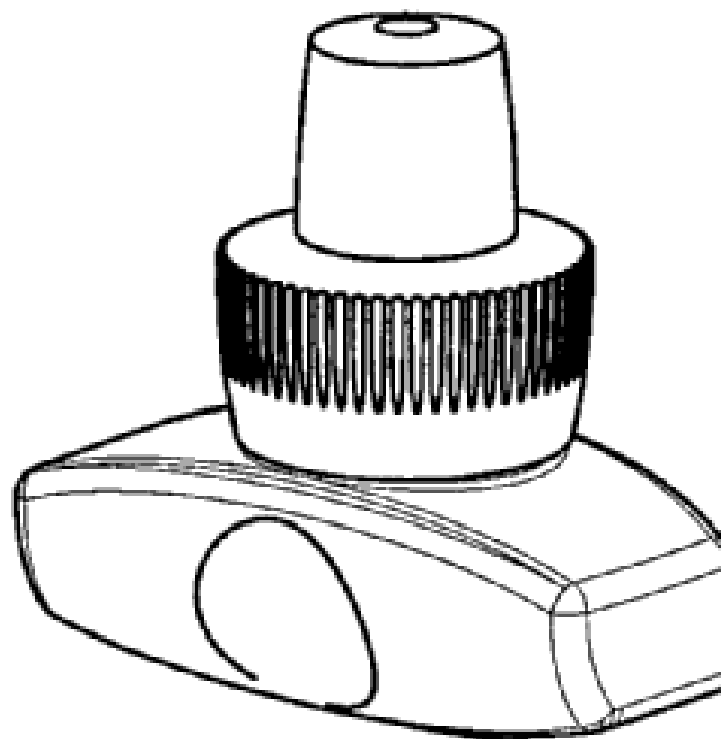
- (21) Design Number: **13673/2005**  
(22) Date of Filing Application: **29 August 2005**  
(24) Date from which industrial property rights may have effect: **29 August 2005**  
(54) Product in respect of which the design is registered: **Graphic display wall panel extrusion**  
(51) International Design Classification: **20-03NES, 25-01D, 25-01K**  
(71) Name(s) and Address(s) of Applicant(s):  
**Complete Display Solutions Pty Ltd**  
**Unit 2B/30 Leighton Place Hornsby New South Wales 2077 Australia**  
**Andrew Stolp**  
**100 Porters Road Kenthurst New South Wales 2156 Australia**  
(72) Name(s) of Designer(s): **Andrew Stolp**  
(45) Registration Date: **15 February 2006**  
(56) Related Art Documents: **Not Applicable**  
(57) Statement of Newness and Distinctiveness: **The extrusion features an accessory location slot and graphic panel retention clips on one side of the panel.**



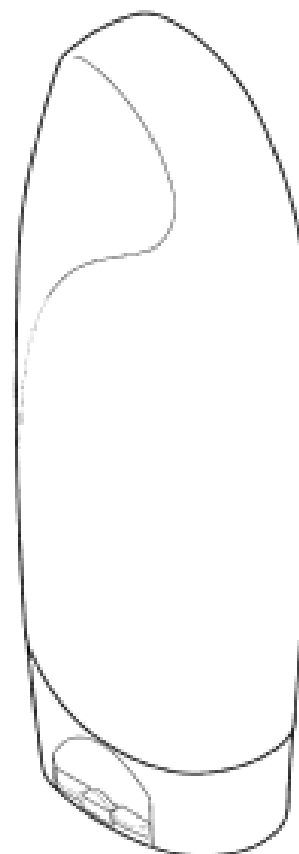
- (21) Design Number: **13679/2005**  
(22) Date of Filing Application: **26 August 2005**  
(24) Date from which industrial property rights may have effect: **26 August 2005**  
(54) Product in respect of which the design is registered: **Air deodorising apparatus**  
(51) International Design Classification: **28-99**  
(71) Name(s) and Address(s) of Applicant(s):  
**Samar, LLC**  
**10 South Riverside Plaza Suite 1800 Chicago Illinois 60606 United States of America**  
(72) Name(s) of Designer(s): **Juan Antonio Benito Corte`s**  
(45) Registration Date: **15 February 2006**  
(30) Convention priority data:  
(31) Number      (32) Date      (33) Country  
**306,162-0001      08 Mar 2005      EUROPEAN COMMUNITY**  
(56) Related Art Documents: **Not Applicable**  
(57) Statement of Newness and Distinctiveness: **Nil**



(21) Design Number: **13680/2005**  
(22) Date of Filing Application: **26 August 2005**  
(24) Date from which industrial property rights may have effect: **26 August 2005**  
(54) Product in respect of which the design is registered: **Air deodorising apparatus (part of-)**  
(51) International Design Classification: **28-99**  
(71) Name(s) and Address(s) of Applicant(s):  
**Samar, LLC**  
**10 South Riverside Plaza Suite 1800 Chicago Illinois 60606 United States of America**  
(72) Name(s) of Designer(s): **Juan Antonio Benito Corte`s**  
(45) Registration Date: **15 February 2006**  
(30) Convention priority data:  
(31) Number      (32) Date      (33) Country  
**306,162-0002      08 Mar 2005      EUROPEAN COMMUNITY**  
(56) Related Art Documents: **Not Applicable**  
(57) Statement of Newness and Distinctiveness: **Nil**

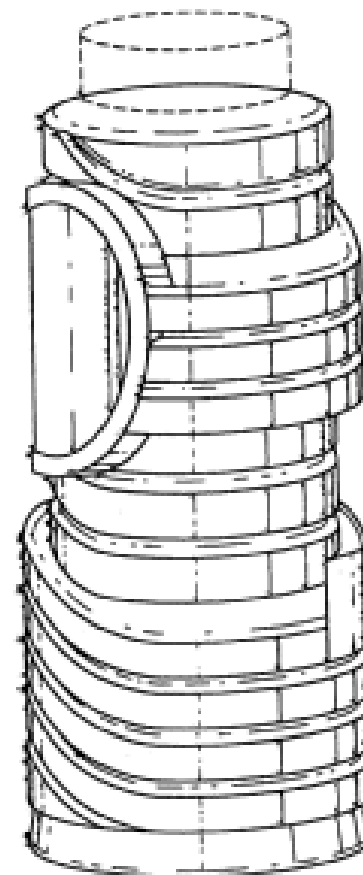


(21) Design Number: **13681/2005**  
(22) Date of Filing Application: **26 August 2005**  
(24) Date from which industrial property rights may have effect: **26 August 2005**  
(54) Product in respect of which the design is registered: **Bottle**  
(51) International Design Classification: **09-01K**  
(71) Name(s) and Address(s) of Applicant(s):  
**Samar, LLC**  
**10 South Riverside Plaza Suite 1800 Chicago Illinois 60606 United States of America**  
(72) Name(s) of Designer(s): **Johannes Antonius Gerardus Wilhelmus Zigmans**  
(45) Registration Date: **15 February 2006**  
(30) Convention priority data:  
(31) Number      (32) Date      (33) Country  
**360,359      17 Jun 2005      EUROPEAN COMMUNITY**  
(56) Related Art Documents: **Not Applicable**  
(57) Statement of Newness and Distinctiveness: **Nil**



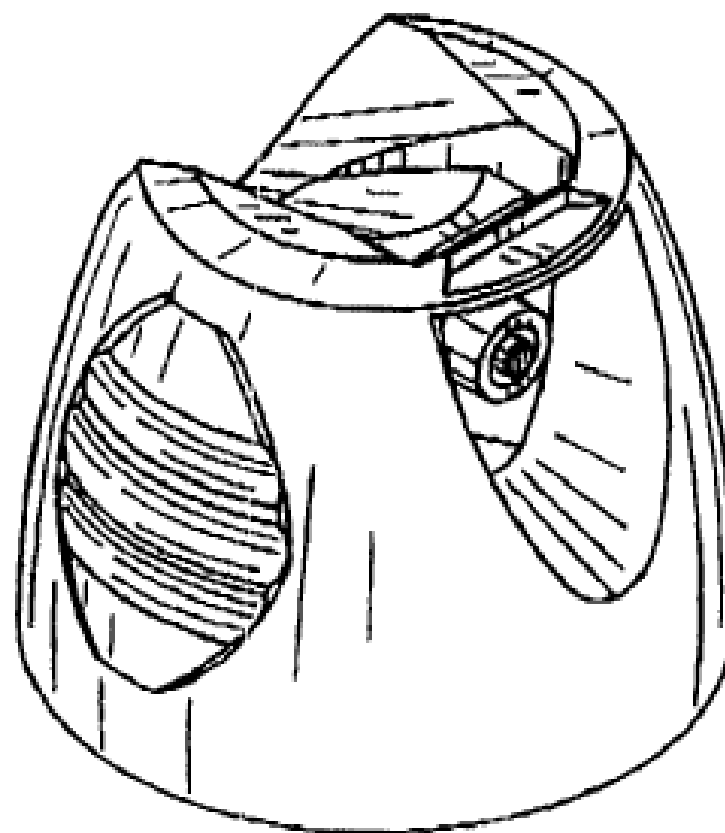
- (21) Design Number: **13683/2005**
- (22) Date of Filing Application: **26 August 2005**
- (24) Date from which industrial property rights may have effect: **26 August 2005**
- (54) Product in respect of which the design is registered: **A bottle**
- (51) International Design Classification: **09-01K**
- (71) Name(s) and Address(s) of Applicant(s):  
**Imperial Toy Corporation**  
**2060 E. 7th Street Los Angeles California 90021 United States of America**
- (72) Name(s) of Designer(s): **Susan Kort and Geoffrey Wasserman and David J. Kort and Robert J. Ivanic and Dorothy Johnson and Joseph Wong Wai Ching and Jeffrey Alan Jacobus and Peter Tiger and Art Hirsch**
- (45) Registration Date: **15 February 2006**
- (30) Convention priority data:  

(31) Number	(32) Date	(33) Country
<b>29224500</b>	<b>02 Mar 2005</b>	<b>UNITED STATES OF AMERICA</b>
- (56) Related Art Documents: **Not Applicable**
- (57) Statement of Newness and Distinctiveness: **Newness and distinctiveness is claimed in the visual features shown in solid lines in the representations.**

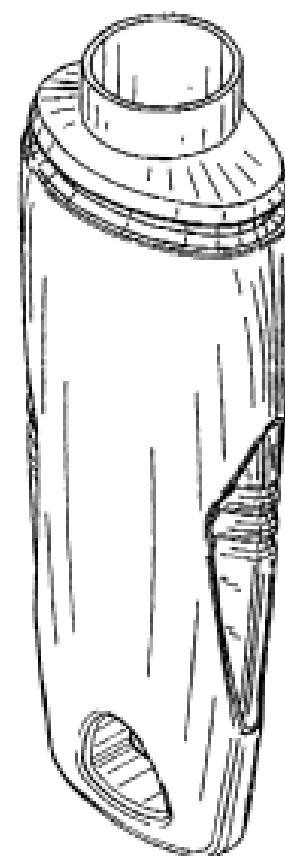


- (21) Design Number: **13688/2005**
- (22) Date of Filing Application: **26 August 2005**
- (24) Date from which industrial property rights may have effect: **26 August 2005**
- (54) Product in respect of which the design is registered: **Actuator cap**
- (51) International Design Classification: **09-07A**
- (71) Name(s) and Address(s) of Applicant(s):  
**S.C. Johnson & Son, Inc.**  
**1525 Howe Street Racine Wisconsin 53403-2236 United States of America**
- (72) Name(s) of Designer(s): **George I. Nukuto and Neil P. Williams and Edward J. Kunesh and Allen D. Miller and Dirk K. Nickel and Terrance M. Parve**
- (45) Registration Date: **15 February 2006**
- (30) Convention priority data:  

(31) Number	(32) Date	(33) Country
<b>29/224380</b>	<b>28 Feb 2005</b>	<b>UNITED STATES OF AMERICA</b>
- (56) Related Art Documents: **Not Applicable**
- (57) Statement of Newness and Distinctiveness: **Newness and distinctiveness is claimed in the features of shape and/or configuration of an actuator cap as illustrated in the accompanying representations.**



- (21) Design Number: **13689/2005**  
(22) Date of Filing Application: **26 August 2005**  
(24) Date from which industrial property rights may have effect: **26 August 2005**  
(54) Product in respect of which the design is registered: **Container**  
(51) International Design Classification: **09-01B**  
(71) Name(s) and Address(s) of Applicant(s):  
**S.C. Johnson & Son, Inc.**  
**1525 Howe Street Racine Wisconsin 53403-2236 United States of America**  
(72) Name(s) of Designer(s): **George I. Nukuto and Neil P. Williams and Ivan Da Barp**  
(45) Registration Date: **15 February 2006**  
(30) Convention priority data:  
(31) Number (32) Date (33) Country  
**29/224308 28 Feb 2005 UNITED STATES OF AMERICA**  
(56) Related Art Documents: **Not Applicable**  
(57) Statement of Newness and Distinctiveness: **Newness and distinctiveness is claimed in the features of shape and/or configuration of a container as illustrated in the accompanying representations.**



- (21) Design Number: **13690/2005**  
(22) Date of Filing Application: **26 August 2005**  
(24) Date from which industrial property rights may have effect: **26 August 2005**  
(54) Product in respect of which the design is registered: **Container**  
(51) International Design Classification: **09-01B**  
(71) Name(s) and Address(s) of Applicant(s):  
**S.C. Johnson & Son, Inc.**  
**1525 Howe Street Racine Wisconsin 53403-2236 United States of America**  
(72) Name(s) of Designer(s): **George I. Nukuto and Neil P. Williams and Ivan Da Barp**  
(45) Registration Date: **15 February 2006**  
(30) Convention priority data:  
(31) Number (32) Date (33) Country  
**29/224308 28 Feb 2005 UNITED STATES OF AMERICA**  
(56) Related Art Documents: **Not Applicable**  
(57) Statement of Newness and Distinctiveness: **Newness and distinctiveness is claimed in the features of shape and/or configuration of a container as illustrated in the accompanying representations.**



(21) Design Number: **13691/2005**

(22) Date of Filing Application: **26 August 2005**

(24) Date from which industrial property rights may have effect: **26 August 2005**

(54) Product in respect of which the design is registered: **Cap for a container**

(51) International Design Classification: **09-07C**

(71) Name(s) and Address(s) of Applicant(s):

**S.C. Johnson & Son, Inc.**  
**1525 Howe Street Racine Wisconsin 53403-2236 United States of America**

(72) Name(s) of Designer(s): **George I. Nukuto and Neil P. Williams and Edward J. Kunesh and Allen D. Miller**

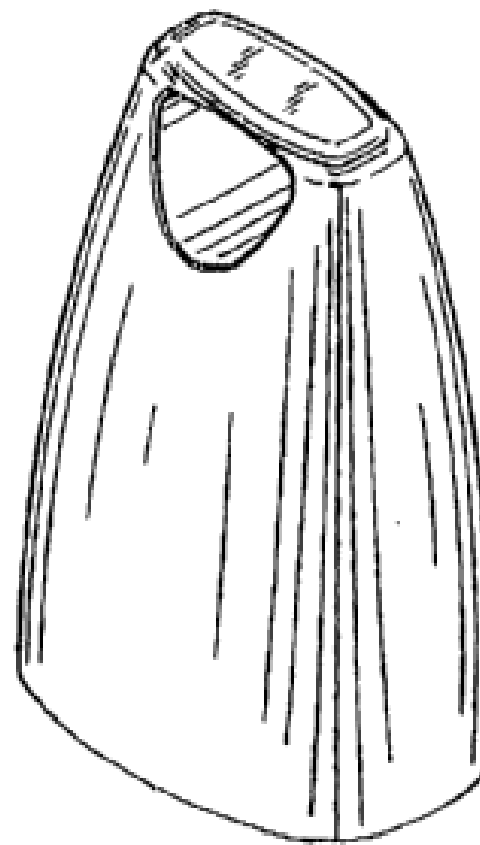
(45) Registration Date: **15 February 2006**

(30) Convention priority data:

(31) Number	(32) Date	(33) Country
<b>29/224312</b>	<b>28 Feb 2005</b>	<b>UNITED STATES OF AMERICA</b>

(56) Related Art Documents: **Not Applicable**

(57) Statement of Newness and Distinctiveness: **Newness and distinctiveness is claimed in the features of shape and/or configuration of a cap for a container as illustrated in the accompanying representations.**



(21) Design Number: **13692/2005**

(22) Date of Filing Application: **26 August 2005**

(24) Date from which industrial property rights may have effect: **26 August 2005**

(54) Product in respect of which the design is registered: **Bottle**

(51) International Design Classification: **09-01K**

(71) Name(s) and Address(s) of Applicant(s):

**S.C. Johnson & Son, Inc.**  
**1525 Howe Street Racine Wisconsin 53403-2236 United States of America**

(72) Name(s) of Designer(s): **George I. Nukuto and Neil P. Williams and Edward J. Kunesh and Ivan Da Barp**

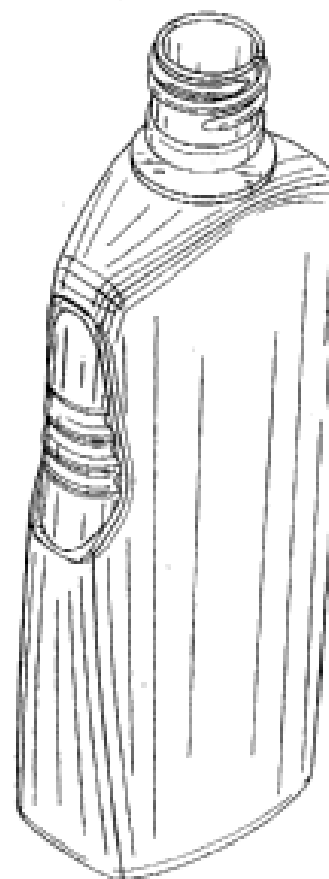
(45) Registration Date: **15 February 2006**

(30) Convention priority data:

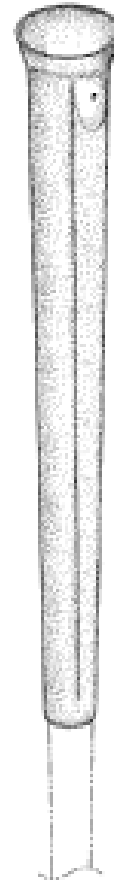
(31) Number	(32) Date	(33) Country
<b>29/224300</b>	<b>28 Feb 2005</b>	<b>UNITED STATES OF AMERICA</b>

(56) Related Art Documents: **Not Applicable**

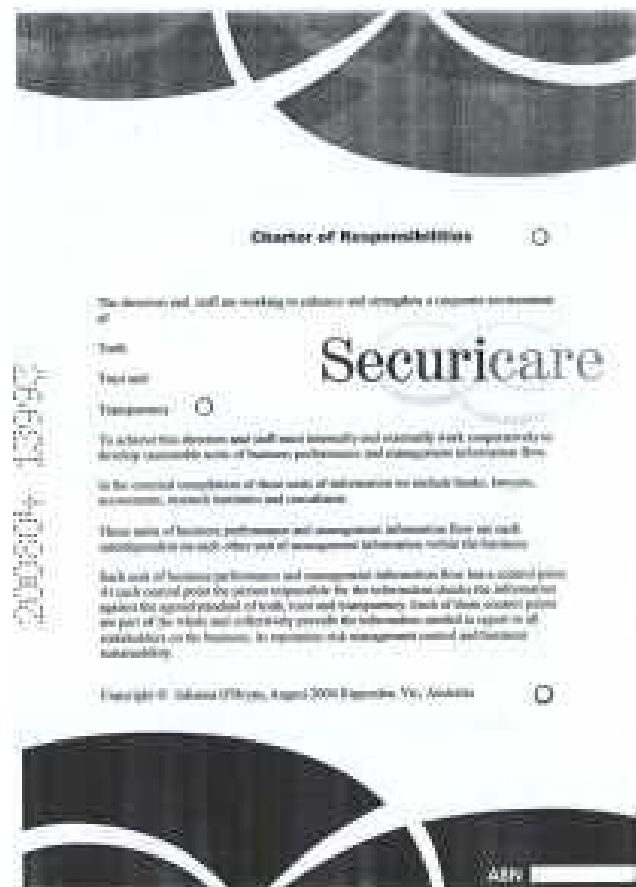
(57) Statement of Newness and Distinctiveness: **Newness and distinctiveness is claimed in the features of shape and/or configuration of a bottle as illustrated in the accompanying representations.**



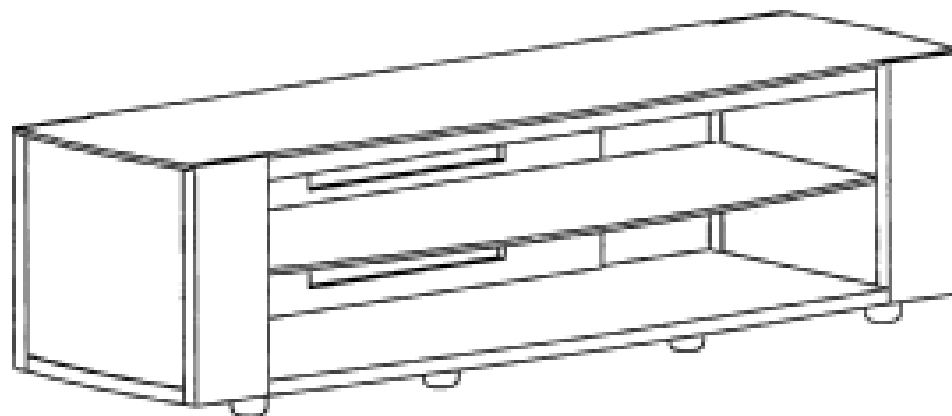
- (21) Design Number: **13883/2005**  
(22) Date of Filing Application: **08 September 2005**  
(24) Date from which industrial property rights may have effect: **08 September 2005**  
(54) Product in respect of which the design is registered: **Putter grip and ball retriever**  
(51) International Design Classification: **21-02C**  
(71) Name(s) and Address(s) of Applicant(s):  
**Dennis De Gruccio**  
**257 Knox Place Costa Mesa California 92627 United States of America**  
(72) Name(s) of Designer(s): **Dennis De Gruccio**  
(45) Registration Date: **15 February 2006**  
(30) Convention priority data:  
(31) Number (32) Date (33) Country  
**29/236855 23 Aug 2005 UNITED STATES OF AMERICA**  
(56) Related Art Documents: **Not Applicable**  
(57) Statement of Newness and Distinctiveness: **Newness and distinctiveness of the design resides in the shape and/or configuration of the putter grip and ball retriever as illustrated in the accompanying representations.**



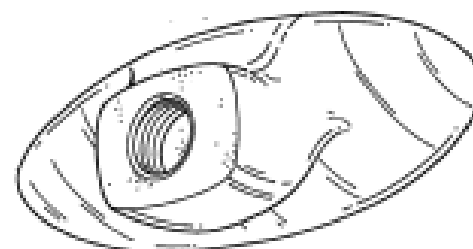
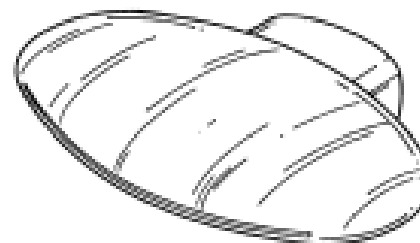
- (21) Design Number: **13993/2004**  
(22) Date of Filing Application: **20 August 2004**  
(24) Date from which industrial property rights may have effect: **20 August 2004**  
(54) Product in respect of which the design is registered: **Template**  
(51) International Design Classification: **19-08**  
(71) Name(s) and Address(s) of Applicant(s):  
**Julianna O'Bryan**  
**9 Myrtle Street Ripponlea Victoria 3185 Australia**  
(72) Name(s) of Designer(s): **Julianna O'Bryan**  
(45) Registration Date: **16 February 2006**  
(56) Related Art Documents: **Not Applicable**  
(57) Statement of Newness and Distinctiveness: **Nil**



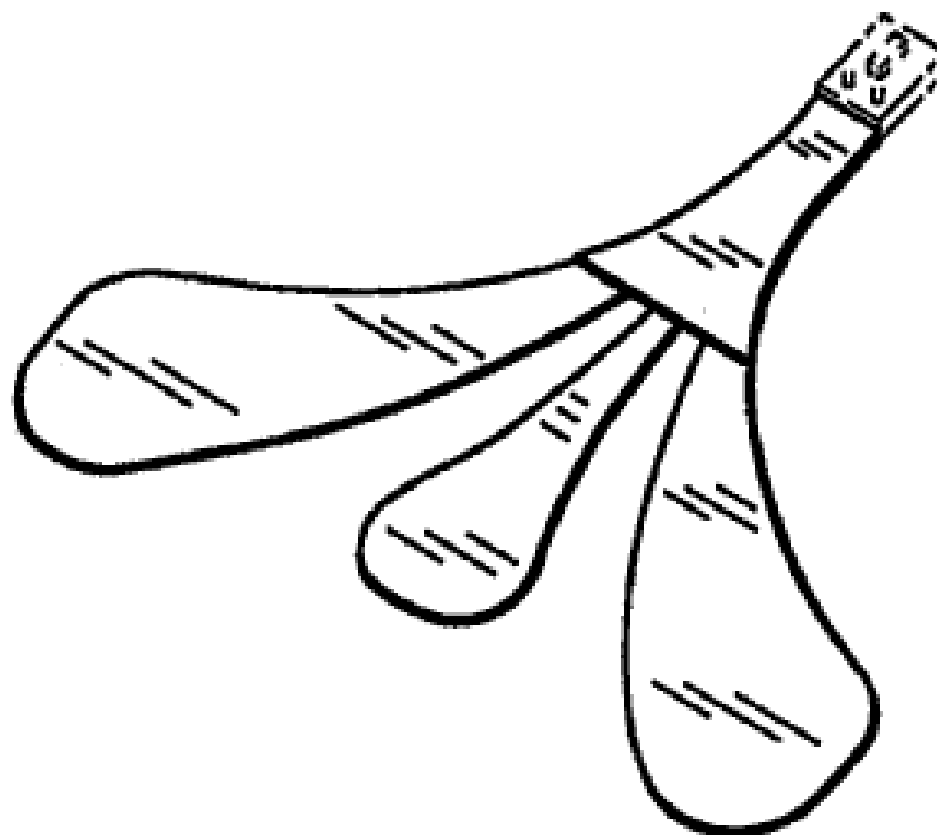
(21) Design Number: **15599/2004**  
(22) Date of Filing Application: **02 December 2004**  
(24) Date from which industrial property rights may have effect: **02 December 2004**  
(54) Product in respect of which the design is registered: **Stand**  
(51) International Design Classification: **06-04NES**  
(71) Name(s) and Address(s) of Applicant(s):  
**Criterion Manufacturing Limited**  
**18 Parkwood Place East Tamaki Auckland New Zealand**  
(72) Name(s) of Designer(s): **Peter Barry Moyle and Peke C.P.E Hallenheim**  
(45) Registration Date: **16 February 2006**  
(56) Related Art Documents: **Not Applicable**  
(57) Statement of Newness and Distinctiveness: **Nil**



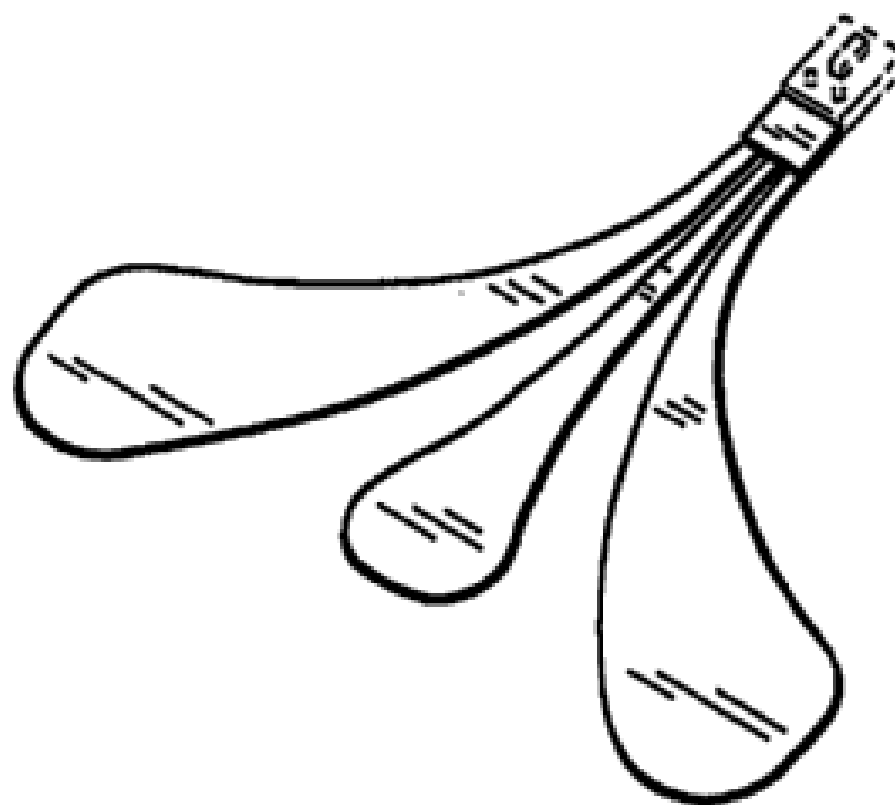
(21) Design Number: **15708/2004**  
(22) Date of Filing Application: **10 December 2004**  
(24) Date from which industrial property rights may have effect: **10 December 2004**  
(54) Product in respect of which the design is registered: **A spout**  
(51) International Design Classification: **23-01H**  
(71) Name(s) and Address(s) of Applicant(s):  
**Militaire Nominees Pty Ltd**  
**4 Collingwood Street Osborne Park Western Australia 6017 Australia**  
(72) Name(s) of Designer(s): **Armando Rigo**  
(45) Registration Date: **16 February 2006**  
(56) Related Art Documents: **Not Applicable**  
(57) Statement of Newness and Distinctiveness: **Nil**



(21) Design Number: **10153/2005**  
 (22) Date of Filing Application: **14 January 2005**  
 (24) Date from which industrial property rights may have effect: **14 January 2005**  
 (54) Product in respect of which the design is registered: **An electrode array**  
 (51) International Design Classification: **13-03NES**  
 (71) Name(s) and Address(s) of Applicant(s):  
**Everest Biomedical Instruments Co.**  
**PO Box 4544 St. Louis MO 63017 United States of America**  
 (72) Name(s) of Designer(s): **Daniel Metzger and Ray Heasty**  
 (45) Registration Date: **16 February 2006**  
 (30) Convention priority data:  
 (31) Number      (32) Date      (33) Country  
**29/209,252      13 Jul 2004      UNITED STATES OF AMERICA**  
 (56) Related Art Documents: **Not Applicable**  
 (57) Statement of Newness and Distinctiveness: **The particular features of the design which the applicant hereby identifies as new and distinctiveness are as follows: The features of shape and configuration as illustrated in Figs 1-5 of the representations.**



(21) Design Number: **10154/2005**  
 (22) Date of Filing Application: **14 January 2005**  
 (24) Date from which industrial property rights may have effect: **14 January 2005**  
 (54) Product in respect of which the design is registered: **An electrode array**  
 (51) International Design Classification: **13-03NES**  
 (71) Name(s) and Address(s) of Applicant(s):  
**Everest Biomedical Instruments Co.**  
**PO Box 4544 St. Louis MO 63017 United States of America**  
 (72) Name(s) of Designer(s): **Daniel Metzger and Ray Heasty**  
 (45) Registration Date: **16 February 2006**  
 (30) Convention priority data:  
 (31) Number      (32) Date      (33) Country  
**29/209,252      13 Jul 2004      UNITED STATES OF AMERICA**  
 (56) Related Art Documents: **Not Applicable**  
 (57) Statement of Newness and Distinctiveness: **The particular visual features of the design which the applicant hereby identifies as new and distinctiveness are as follows: The features of shape and configuration as illustrated in Figs 6-10 of the representations.**



(21) Design Number: **10521/2005**

(22) Date of Filing Application: **09 February 2005**

(24) Date from which industrial property rights may have effect: **09 February 2005**

(54) Product in respect of which the design is registered: **Oxygen diffuser mask**

(51) International Design Classification: **24-01**

(71) Name(s) and Address(s) of Applicant(s):

**Southmedic Incorporated  
50 Alliance Boulevard Barrie Ontario L4M 5K3 Canada**

(72) Name(s) of Designer(s): **Lee MacDonald**

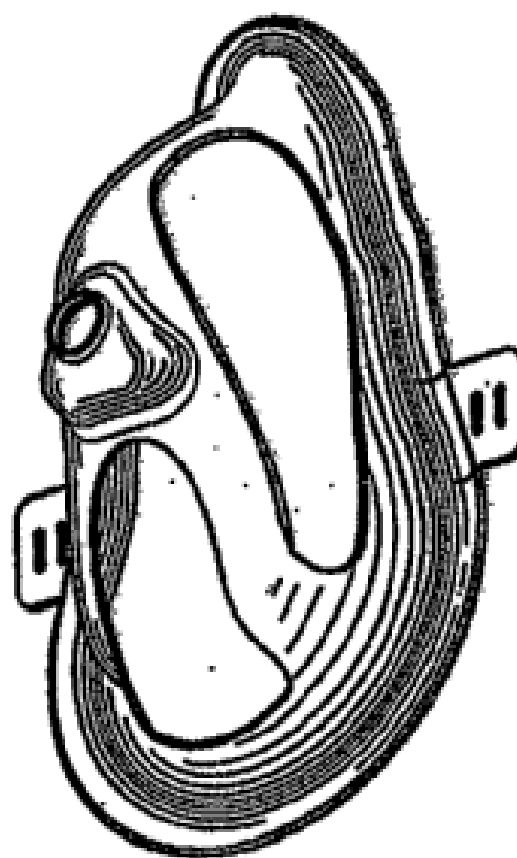
(45) Registration Date: **16 February 2006**

(30) Convention priority data:

(31) Number	(32) Date	(33) Country
<b>29/215216</b>	<b>15 Oct 2004</b>	<b>UNITED STATES OF AMERICA</b>

(56) Related Art Documents: **Not Applicable**

(57) Statement of Newness and Distinctiveness: **Newness and distinctiveness is claimed in the features of shape and/or configuration of the central triangular portion, the bridging portions leading to the central portion and the holes of an oxygen diffuser mask as illustrated in the accompanying representations.**



(21) Design Number: **10522/2005**

(22) Date of Filing Application: **09 February 2005**

(24) Date from which industrial property rights may have effect: **09 February 2005**

(54) Product in respect of which the design is registered: **Putter head**

(51) International Design Classification: **21-02C**

(71) Name(s) and Address(s) of Applicant(s):

**Callaway Golf Company  
2180 Rutherford Road Carlsbad California 92008 United States of America**

(72) Name(s) of Designer(s): **Andrew Oldknow**

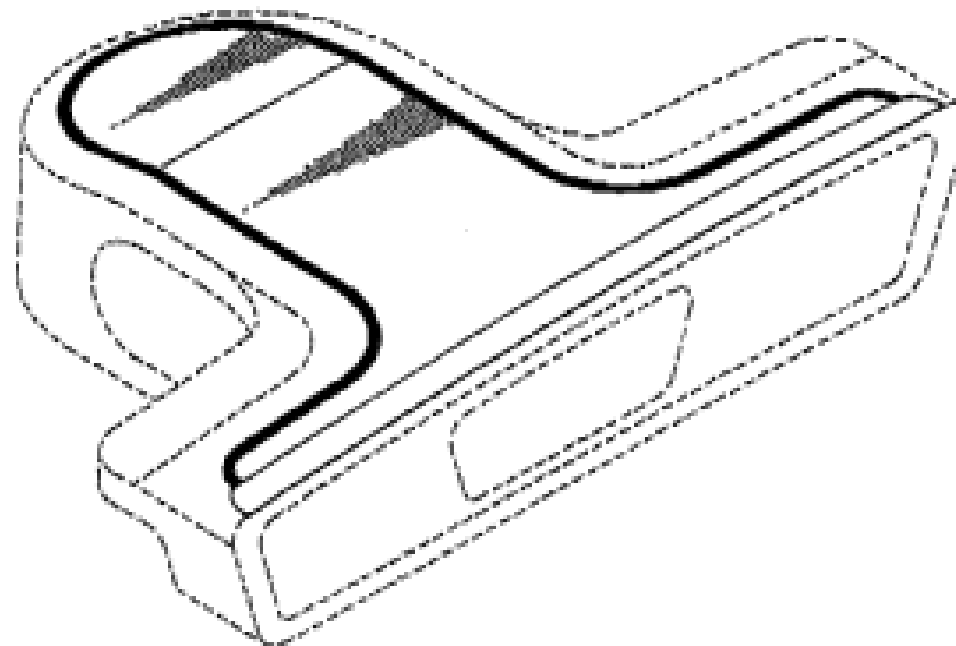
(45) Registration Date: **16 February 2006**

(30) Convention priority data:

(31) Number	(32) Date	(33) Country
<b>29/210984</b>	<b>09 Aug 2004</b>	<b>UNITED STATES OF AMERICA</b>

(56) Related Art Documents: **Not Applicable**

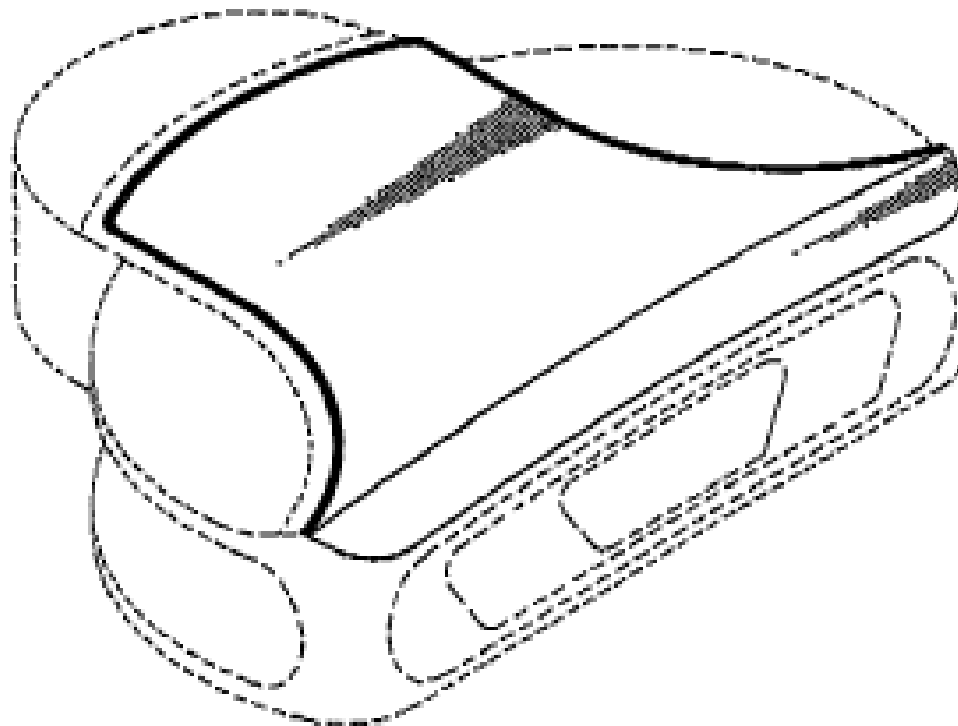
(57) Statement of Newness and Distinctiveness: **Newness and distinctiveness is claimed in the features of shape and/or configuration of a putter head illustrated in continuous lines in the accompanying representations.**



(21) Design Number: **10523/2005**  
 (22) Date of Filing Application: **09 February 2005**  
 (24) Date from which industrial property rights may have effect: **09 February 2005**  
 (54) Product in respect of which the design is registered: **Putter head**  
 (51) International Design Classification: **21-02C**  
 (71) Name(s) and Address(s) of Applicant(s):  
**Callaway Golf Company**  
**2180 Rutherford Road Carlsbad California 92008 United States of America**  
 (72) Name(s) of Designer(s): **Andrew Oldknow**  
 (45) Registration Date: **16 February 2006**  
 (30) Convention priority data:  

(31) Number	(32) Date	(33) Country
<b>29/210982</b>	<b>09 Aug 2004</b>	<b>UNITED STATES OF AMERICA</b>

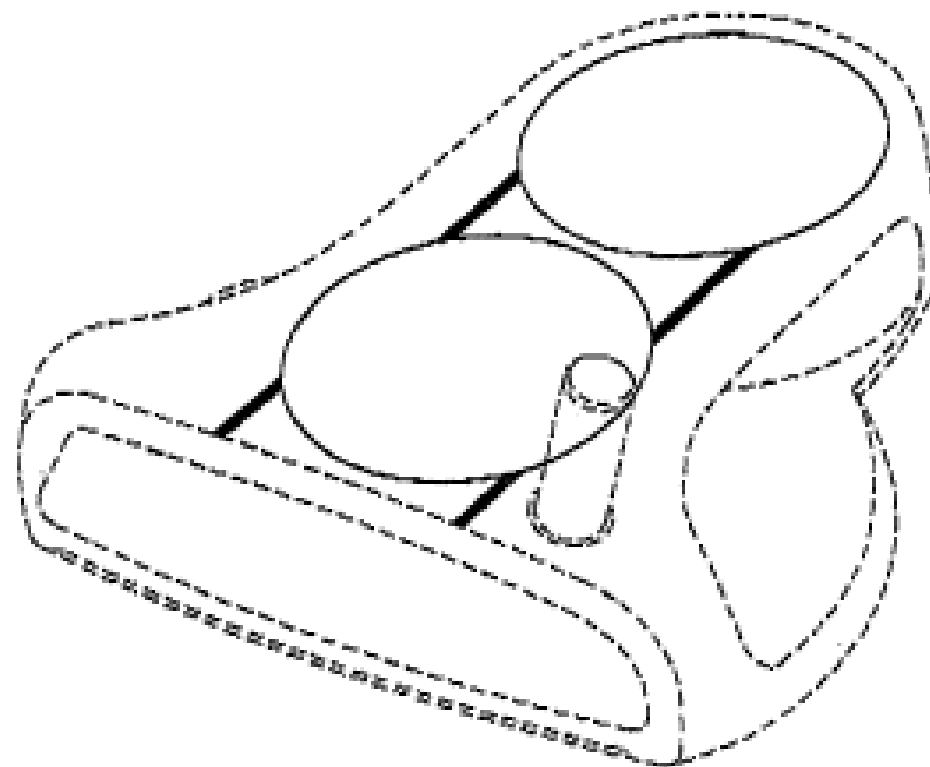
 (56) Related Art Documents: **Not Applicable**  
 (57) Statement of Newness and Distinctiveness: **Newness and distinctiveness is claimed in the features of shape and/or configuration of a putter head illustrated in continuous lines in the accompanying representations.**



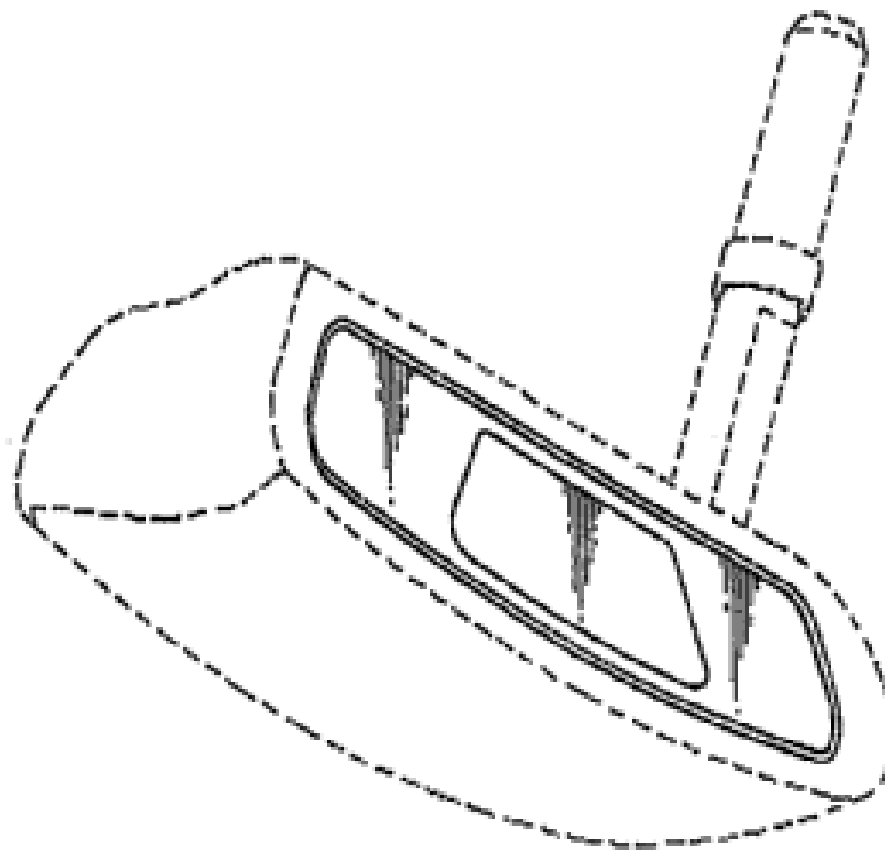
(21) Design Number: **10524/2005**  
 (22) Date of Filing Application: **09 February 2005**  
 (24) Date from which industrial property rights may have effect: **09 February 2005**  
 (54) Product in respect of which the design is registered: **Putter head**  
 (51) International Design Classification: **21-02C**  
 (71) Name(s) and Address(s) of Applicant(s):  
**Callaway Golf Company**  
**2180 Rutherford Road Carlsbad California 92008 United States of America**  
 (72) Name(s) of Designer(s): **Wayne H. Bryne and Andrew Oldknow**  
 (45) Registration Date: **16 February 2006**  
 (30) Convention priority data:  

(31) Number	(32) Date	(33) Country
<b>29/210983</b>	<b>09 Aug 2004</b>	<b>UNITED STATES OF AMERICA</b>

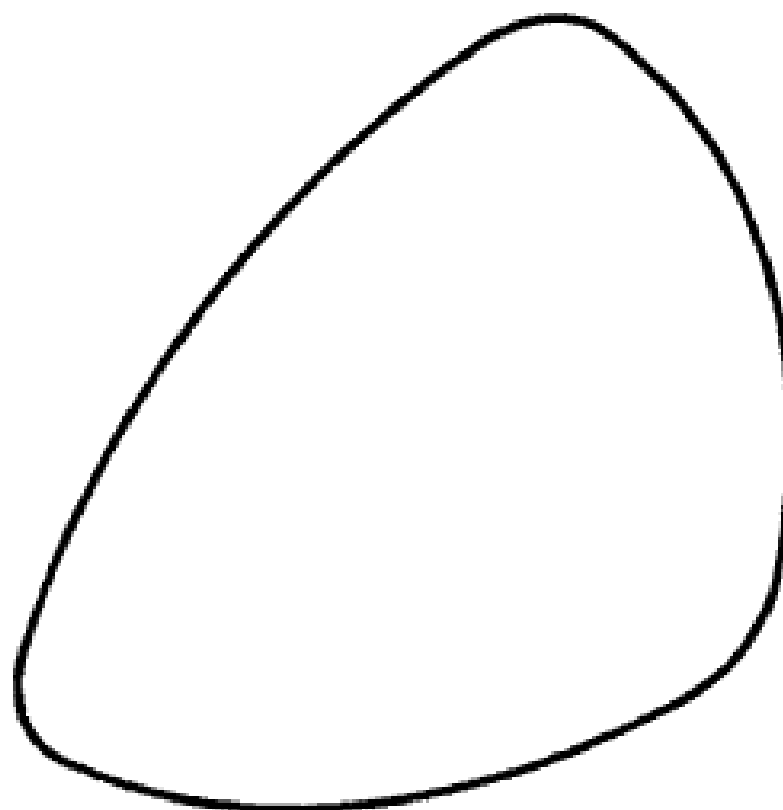
 (56) Related Art Documents: **Not Applicable**  
 (57) Statement of Newness and Distinctiveness: **Newness and distinctiveness is claimed in the features of pattern and/or ornamentation of the two parallel lines and the two circles on the upper surface of a putter head as illustrated in the accompanying representations.**



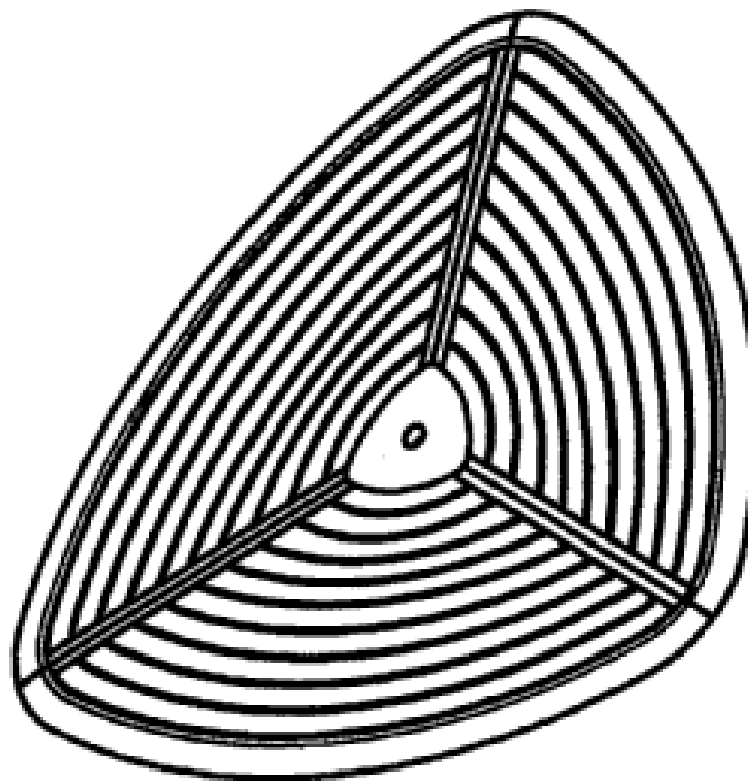
- (21) Design Number: **10525/2005**  
(22) Date of Filing Application: **09 February 2005**  
(24) Date from which industrial property rights may have effect: **09 February 2005**  
(54) Product in respect of which the design is registered: **Putter head**  
(51) International Design Classification: **21-02C**  
(71) Name(s) and Address(s) of Applicant(s):  
**Callaway Golf Company**  
**2180 Rutherford Road Carlsbad California 92008 United States of America**  
(72) Name(s) of Designer(s): **Augustin W. Rollinson and Andrew Oldknow**  
(45) Registration Date: **16 February 2006**  
(30) Convention priority data:  
(31) Number (32) Date (33) Country  
**29/211277 12 Aug 2004 UNITED STATES OF AMERICA**  
(56) Related Art Documents: **Not Applicable**  
(57) Statement of Newness and Distinctiveness: **Newness and distinctiveness is claimed in the features of pattern and/or ornamentation of a striking face insert of a putter head illustrated in continuous lines in the accompanying representations having particular regard to the central trapezoid portion.**



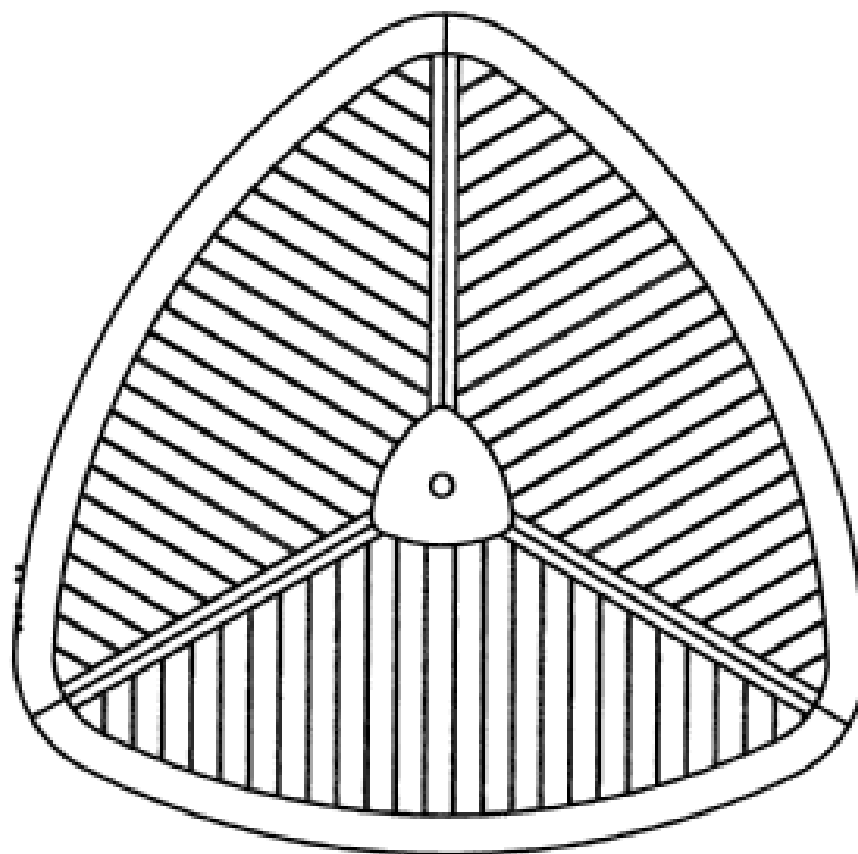
- (21) Design Number: **11017/2005**  
(22) Date of Filing Application: **15 March 2005**  
(24) Date from which industrial property rights may have effect: **15 March 2005**  
(54) Product in respect of which the design is registered: **Mallee table top design**  
**1**  
(51) International Design Classification: **06-06E**  
(71) Name(s) and Address(s) of Applicant(s):  
**Benjamin John Carson**  
**302/60 Lorimer Street Docklands Victoria 3008 Australia**  
(72) Name(s) of Designer(s): **Benjamin John Carson**  
(45) Registration Date: **16 February 2006**  
(56) Related Art Documents: **Not Applicable**  
(57) Statement of Newness and Distinctiveness: **A unique and distinctive shaped table top.**



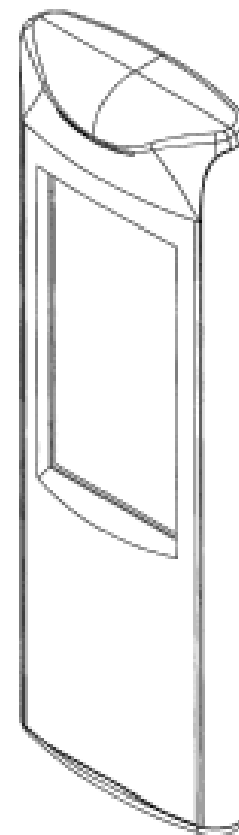
- (21) Design Number: **11018/2005**  
(22) Date of Filing Application: **15 March 2005**  
(24) Date from which industrial property rights may have effect: **15 March 2005**  
(54) Product in respect of which the design is registered: **Mallee table top design**  
**2**  
(51) International Design Classification: **06-06E**  
(71) Name(s) and Address(s) of Applicant(s):  
**Benjamin John Carson**  
**302/60 Lorimer Street Docklands Victoria 3008 Australia**  
(72) Name(s) of Designer(s): **Benjamin John Carson**  
(45) Registration Date: **16 February 2006**  
(56) Related Art Documents: **Not Applicable**  
(57) Statement of Newness and Distinctiveness: **A unique and distinctive shaped table top.**



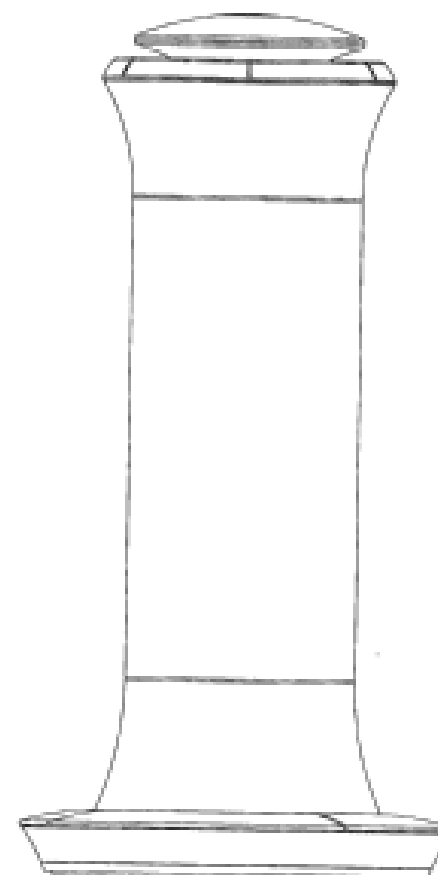
- (21) Design Number: **11019/2005**  
(22) Date of Filing Application: **15 March 2005**  
(24) Date from which industrial property rights may have effect: **15 March 2005**  
(54) Product in respect of which the design is registered: **Mallee table top design**  
**3**  
(51) International Design Classification: **06-06E**  
(71) Name(s) and Address(s) of Applicant(s):  
**Benjamin John Carson**  
**302/60 Lorimer Street Docklands Victoria 3008 Australia**  
(72) Name(s) of Designer(s): **Benjamin John Carson**  
(45) Registration Date: **16 February 2006**  
(56) Related Art Documents: **Not Applicable**  
(57) Statement of Newness and Distinctiveness: **A unique and distinctive shaped table top.**



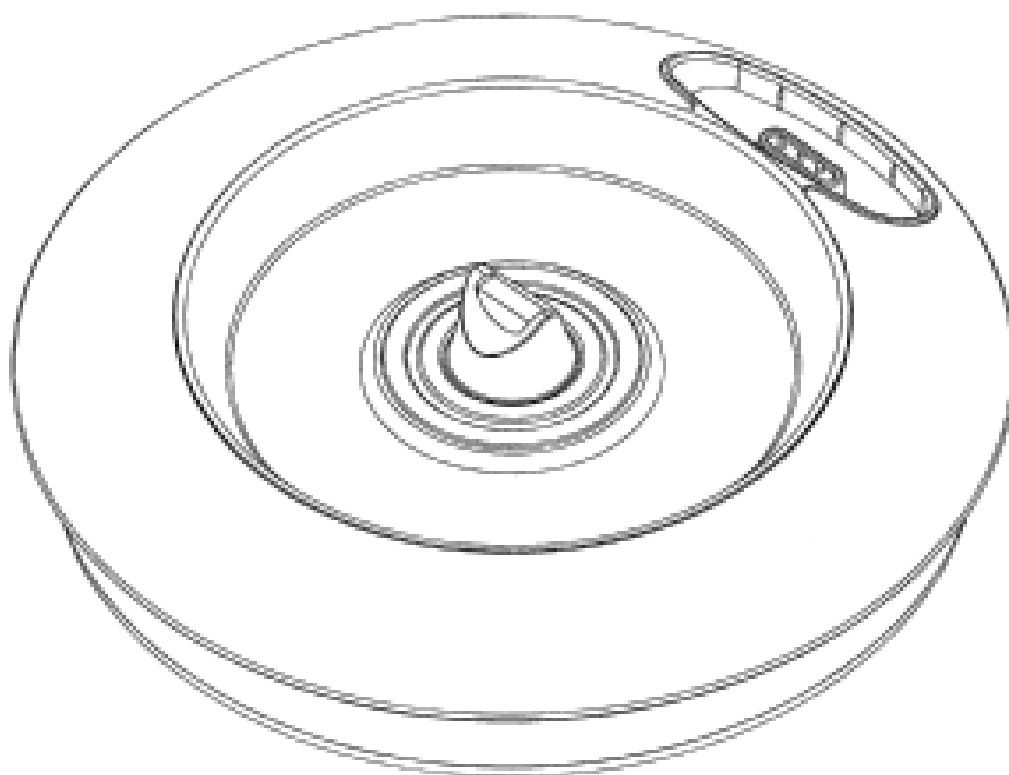
- (21) Design Number: **11032/2005**
- (22) Date of Filing Application: **15 March 2005**
- (24) Date from which industrial property rights may have effect: **15 March 2005**
- (54) Product in respect of which the design is registered: **A telephone hand set**
- (51) International Design Classification: **14-03A**
- (71) Name(s) and Address(s) of Applicant(s):  
**Crinia Corporation Pty Ltd**  
**5 Rothbury Place Cherrybrook New South Wales 2126 Australia**
- (72) Name(s) of Designer(s): **Richard Andrew Byers and Brad Peter Ryan and Robert John Smith and Murray David Kirby Hunter**
- (45) Registration Date: **16 February 2006**
- (56) Related Art Documents: **Not Applicable**
- (57) Statement of Newness and Distinctiveness: **Newness and distinctiveness is claimed in the features of shape and/or configuration of a telephone hand set as illustrated in the accompanying representations.**



- (21) Design Number: **11033/2005**
- (22) Date of Filing Application: **15 March 2005**
- (24) Date from which industrial property rights may have effect: **15 March 2005**
- (54) Product in respect of which the design is registered: **A post for a telephone assembly**
- (51) International Design Classification: **14-03A**
- (71) Name(s) and Address(s) of Applicant(s):  
**Crinia Corporation Pty Ltd**  
**5 Rothbury Place Cherrybrook New South Wales 2126 Australia**
- (72) Name(s) of Designer(s): **Richard Andrew Byers and Brad Peter Ryan and Murray David Kirby Hunter and Robert John Smith**
- (45) Registration Date: **16 February 2006**
- (56) Related Art Documents: **Not Applicable**
- (57) Statement of Newness and Distinctiveness: **Newness and distinctiveness is claimed in the features of shape and/or configuration of a post for a telephone assembly as illustrated in the accompanying representations.**

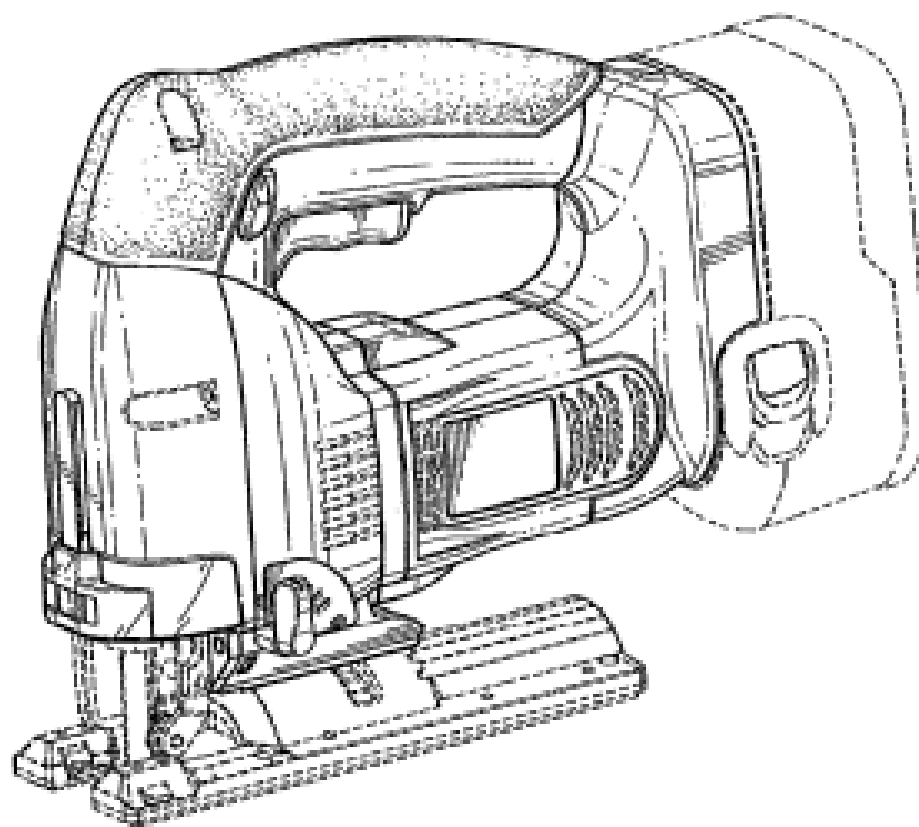


- (21) Design Number: **11034/2005**
- (22) Date of Filing Application: **15 March 2005**
- (24) Date from which industrial property rights may have effect: **15 March 2005**
- (54) Product in respect of which the design is registered: **A telephone assembly base**
- (51) International Design Classification: **14-03A**
- (71) Name(s) and Address(s) of Applicant(s):  
**Crinia Corporation Pty Ltd**  
**5 Rothbury Place Cherrybrook New South Wales 2126 Australia**
- (72) Name(s) of Designer(s): **Richard Andrew Byers and Brad Peter Ryan and Murray David Kirby Hunter and Robert John Smith**
- (45) Registration Date: **16 February 2006**
- (56) Related Art Documents: **Not Applicable**
- (57) Statement of Newness and Distinctiveness: **Newness and distinctiveness is claimed in the features of shape and/or configuration of a telephone assembly base as illustrated in the accompanying representations.**



- (21) Design Number: **11043/2005**
- (22) Date of Filing Application: **16 March 2005**
- (24) Date from which industrial property rights may have effect: **16 March 2005**
- (54) Product in respect of which the design is registered: **Jigsaw**
- (51) International Design Classification: **08-03**
- (71) Name(s) and Address(s) of Applicant(s):  
**One World Technologies Limited**  
**Cedar House 41 Cedar Avenue Hamilton HM 12 Bermuda**
- (72) Name(s) of Designer(s): **Thomas M. Parel and Kam Kee Wong**
- (45) Registration Date: **16 February 2006**
- (30) Convention priority data:
 

(31) Number	(32) Date	(33) Country
29/213474	17 Sep 2004	UNITED STATES OF AMERICA
- (56) Related Art Documents: **Not Applicable**
- (57) Statement of Newness and Distinctiveness: **Nil**



(21) Design Number: **11044/2005**

(22) Date of Filing Application: **16 March 2005**

(24) Date from which industrial property rights may have effect: **16 March 2005**

(54) Product in respect of which the design is registered: **Planer**

(51) International Design Classification: **15-09, 08-03**

(71) Name(s) and Address(s) of Applicant(s):

**One World Technologies Limited  
Cedar House 41 Cedar Avenue Hamilton HM 12 Bermuda**

(72) Name(s) of Designer(s): **Kenneth M. Brazell and Taku Ohi and Lap Hon Tsang**

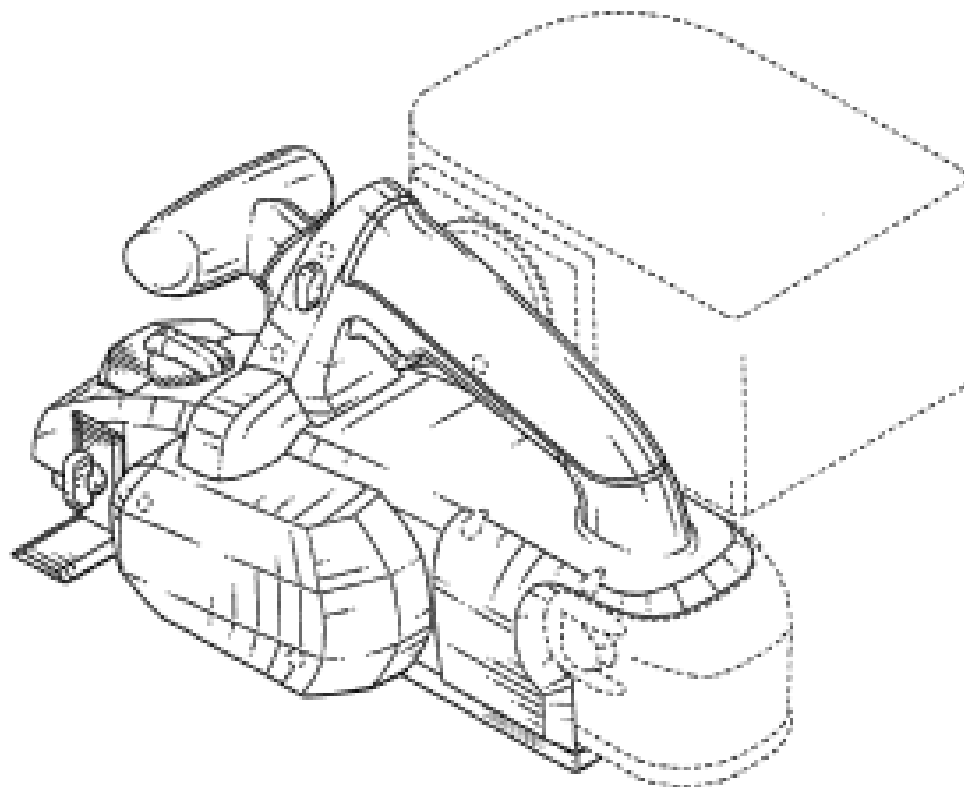
(45) Registration Date: **16 February 2006**

(30) Convention priority data:

(31) Number	(32) Date	(33) Country
<b>29/213922</b>	<b>24 Sep 2004</b>	<b>UNITED STATES OF AMERICA</b>

(56) Related Art Documents: **Not Applicable**

(57) Statement of Newness and Distinctiveness: **Nil**



(21) Design Number: **11045/2005**

(22) Date of Filing Application: **16 March 2005**

(24) Date from which industrial property rights may have effect: **16 March 2005**

(54) Product in respect of which the design is registered: **Right angle impact driver**

(51) International Design Classification: **08-02**

(71) Name(s) and Address(s) of Applicant(s):

**One World Technologies Limited  
Cedar House 41 Cedar Avenue Hamilton HM 12 Bermuda**

(72) Name(s) of Designer(s): **Kam Kee Wong and Taku Ohi and Wing Yuk Ma and Jing Min Mi**

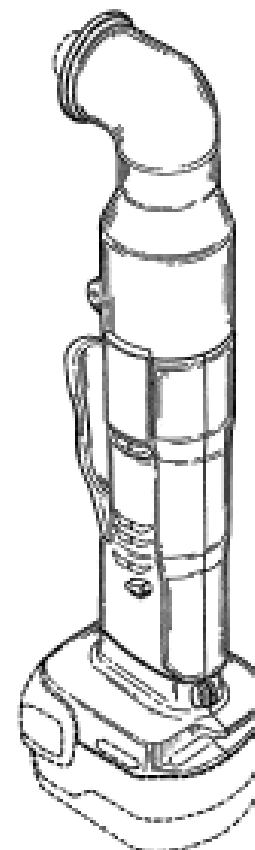
(45) Registration Date: **16 February 2006**

(30) Convention priority data:

(31) Number	(32) Date	(33) Country
<b>29/213522</b>	<b>17 Sep 2004</b>	<b>UNITED STATES OF AMERICA</b>

(56) Related Art Documents: **Not Applicable**

(57) Statement of Newness and Distinctiveness: **Nil**



(21) Design Number: **11046/2005**

(22) Date of Filing Application: **16 March 2005**

(24) Date from which industrial property rights may have effect: **16 March 2005**

(54) Product in respect of which the design is registered: **Impact driver**

(51) International Design Classification: **08-02**

(71) Name(s) and Address(s) of Applicant(s):

**One World Technologies Limited  
Cedar House 41 Cedar Avenue Hamilton HM 12 Bermuda**

(72) Name(s) of Designer(s): **Taku Ohi and Lap Hon Tsang**

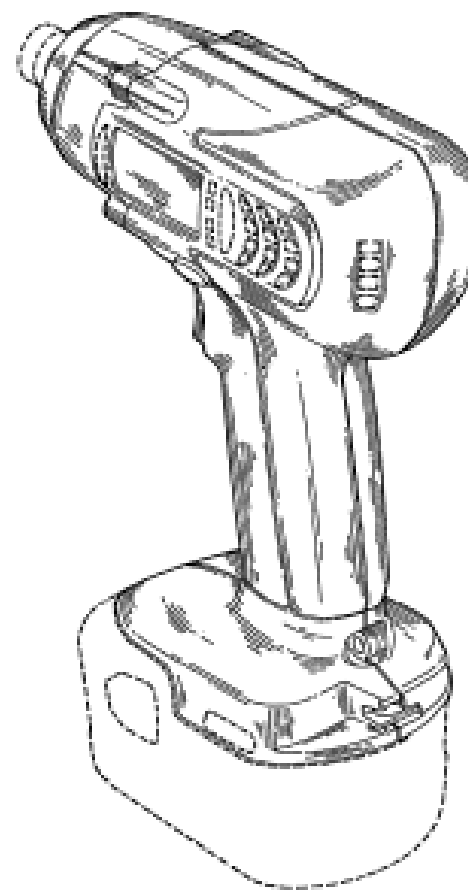
(45) Registration Date: **16 February 2006**

(30) Convention priority data:

(31) Number	(32) Date	(33) Country
<b>29/213975</b>	<b>24 Sep 2004</b>	<b>UNITED STATES OF AMERICA</b>

(56) Related Art Documents: **Not Applicable**

(57) Statement of Newness and Distinctiveness: **Nil**



(21) Design Number: **11047/2005**

(22) Date of Filing Application: **16 March 2005**

(24) Date from which industrial property rights may have effect: **16 March 2005**

(54) Product in respect of which the design is registered: **Container**

(51) International Design Classification: **07-01NES, 09-03M**

(71) Name(s) and Address(s) of Applicant(s):

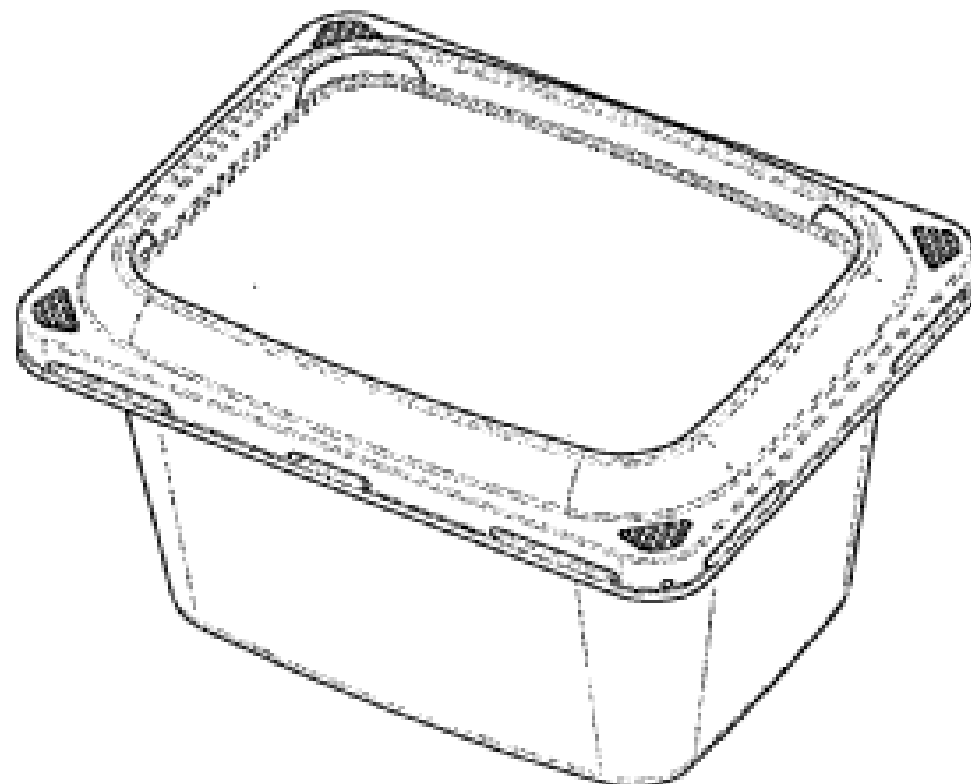
**Cryovac Australia Pty Ltd  
90 Keilor Park Drive Tullamarine Victoria 3043 Australia**

(72) Name(s) of Designer(s): **Michael Grima and Andrew Slodkiewicz**

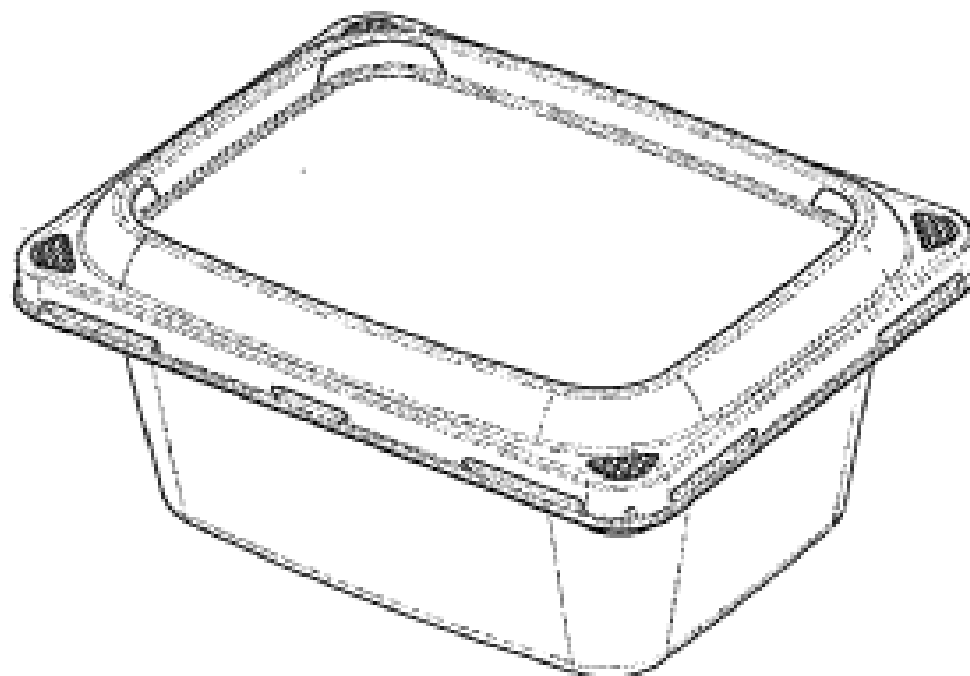
(45) Registration Date: **16 February 2006**

(56) Related Art Documents: **Not Applicable**

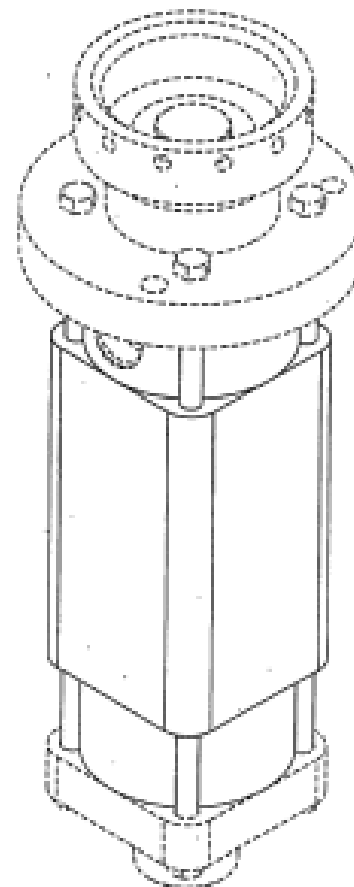
(57) Statement of Newness and Distinctiveness: **In considering the newness and distinctiveness of the design, regard is to be give to the overall shape and/or configuration of the design.**



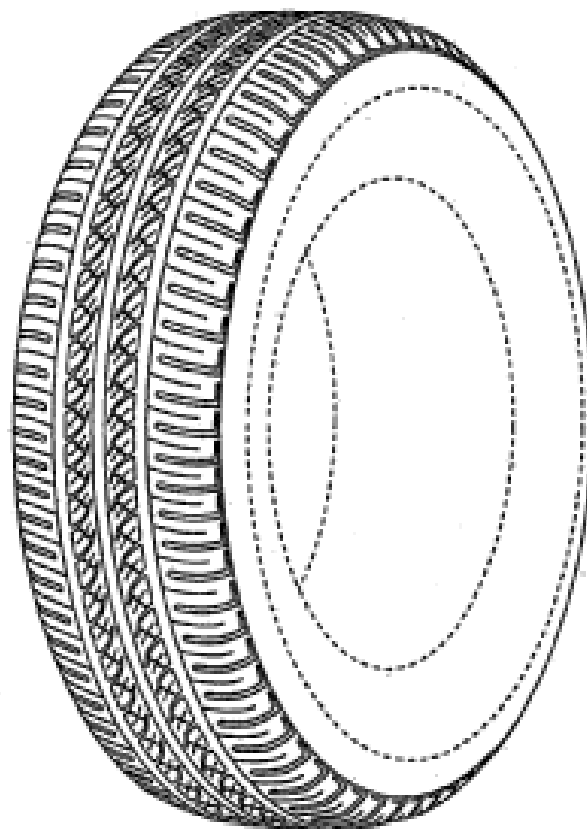
- (21) Design Number: **11048/2005**  
(22) Date of Filing Application: **16 March 2005**  
(24) Date from which industrial property rights may have effect: **16 March 2005**  
(54) Product in respect of which the design is registered: **Container**  
(51) International Design Classification: **07-01NES, 09-03M**  
(71) Name(s) and Address(s) of Applicant(s):  
**Cryovac Australia Pty Ltd**  
**90 Keilor Park Drive Tullamarine Victoria 3043 Australia**  
(72) Name(s) of Designer(s): **Michael Grima and Andrew Slodkiewicz**  
(45) Registration Date: **16 February 2006**  
(56) Related Art Documents: **Not Applicable**  
(57) Statement of Newness and Distinctiveness: **In considering the newness and distinctiveness of the design, regard is to be give to the overall shape and/or configuration of the design.**



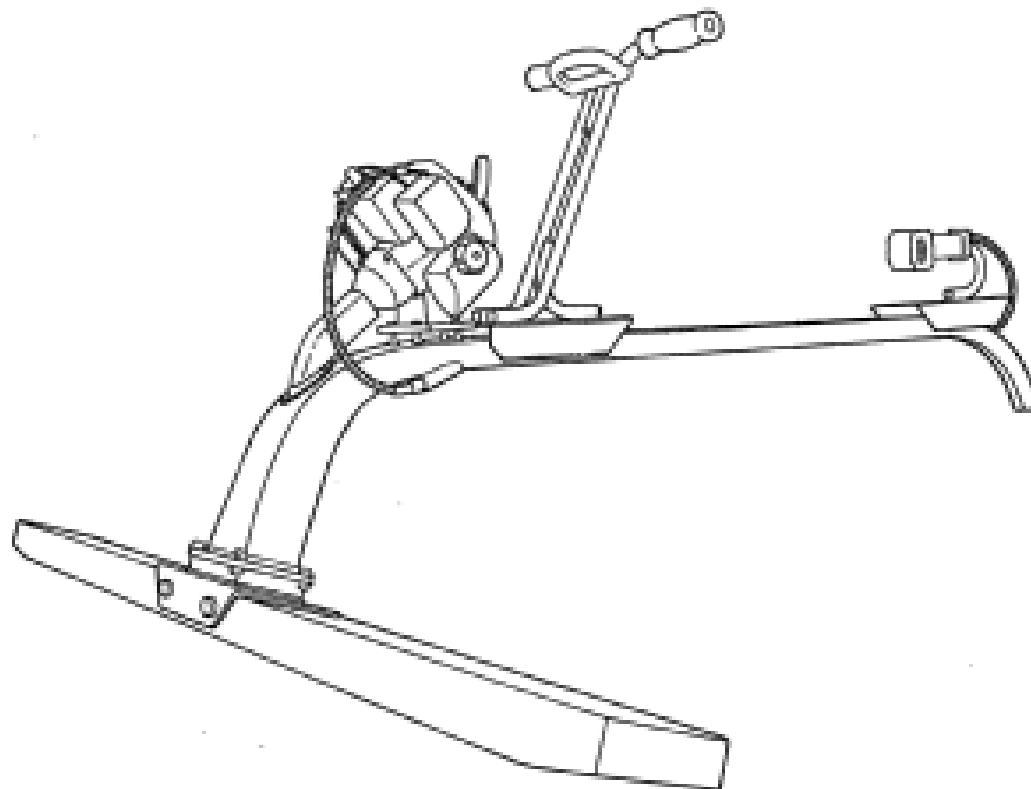
- (21) Design Number: **11049/2005**  
(22) Date of Filing Application: **16 March 2005**  
(24) Date from which industrial property rights may have effect: **16 March 2005**  
(54) Product in respect of which the design is registered: **Pump**  
(51) International Design Classification: **15-02**  
(71) Name(s) and Address(s) of Applicant(s):  
**Illinois Tool Works Inc.**  
**3600 West Lake Avenue Glenview Cook County Illinois 60025 United States of America**  
(72) Name(s) of Designer(s): **Christopher Strong**  
(45) Registration Date: **16 February 2006**  
(30) Convention priority data:  
(31) Number      (32) Date      (33) Country  
**29/216,034      28 Oct 2004      UNITED STATES OF AMERICA**  
(56) Related Art Documents: **Not Applicable**  
(57) Statement of Newness and Distinctiveness: **Those visual features of the pump depicted in continuous lines in the representations that are new and distinctive are the shape and/or configuration. The features shown in broken lines do not form part of the design and are to be disregarded when considering the overall impression of the design.**



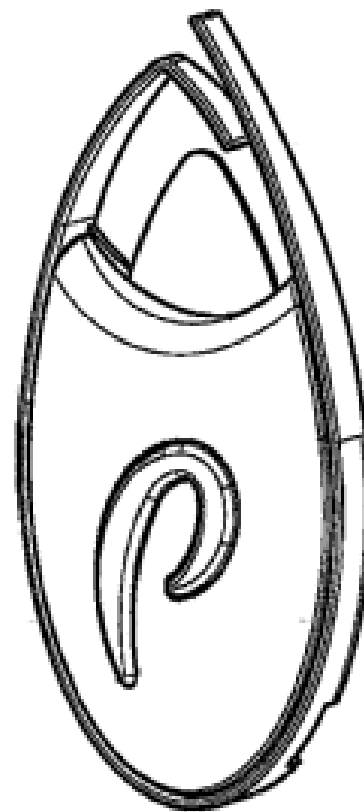
- (21) Design Number: **11051/2005**  
(22) Date of Filing Application: **16 March 2005**  
(24) Date from which industrial property rights may have effect: **16 March 2005**  
(54) Product in respect of which the design is registered: **An automobile tyre**  
(51) International Design Classification: **12-15B**  
(71) Name(s) and Address(s) of Applicant(s):  
**The Yokohama Rubber Co. Ltd**  
**36-11 Shimbashi 5-chome Minato-ku Tokyo Japan**  
(72) Name(s) of Designer(s): **Kenji Yamane and Koji Watanabe and Izumi Kuramochi and Hiroshi Tokizaki**  
(45) Registration Date: **16 February 2006**  
(30) Convention priority data:  
(31) Number (32) Date (33) Country  
**2004028823 24 Sep 2004 JAPAN**  
(56) Related Art Documents: **Not Applicable**  
(57) Statement of Newness and Distinctiveness: **Each feature of the design shown in solid lines considered separately or in combination with any other feature or features.**



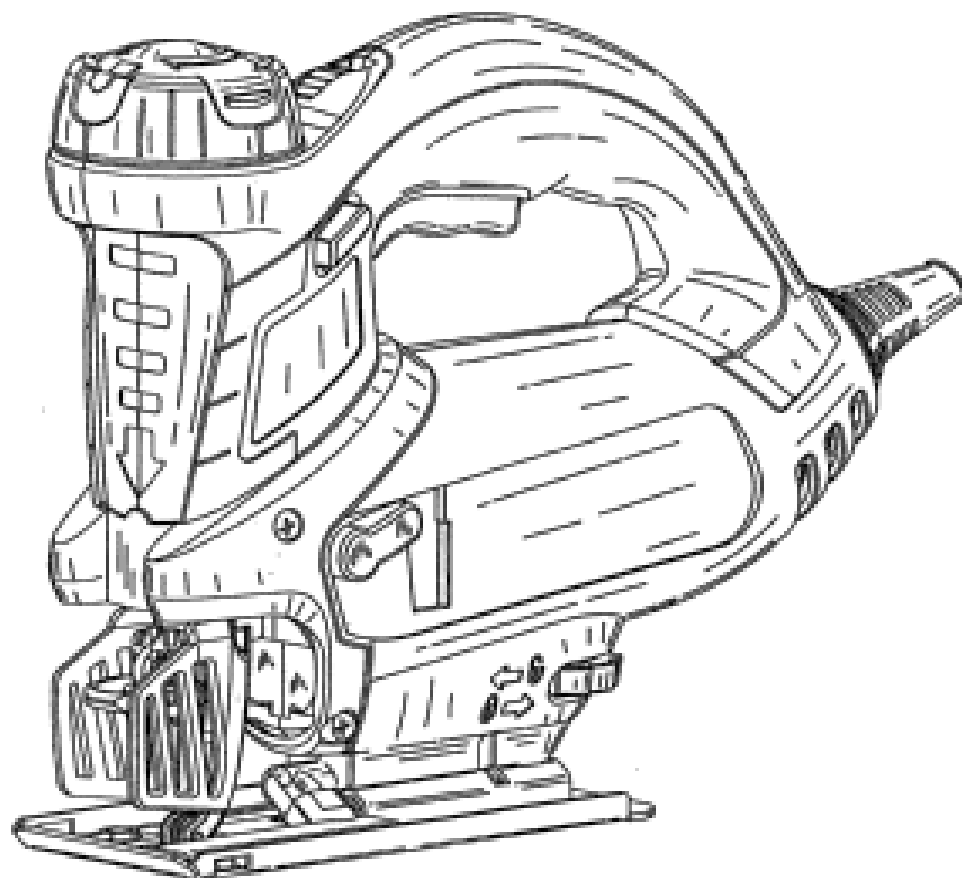
- (21) Design Number: **11055/2005**  
(22) Date of Filing Application: **17 March 2005**  
(24) Date from which industrial property rights may have effect: **17 March 2005**  
(54) Product in respect of which the design is registered: **Apparatus with a vibrating surface blade**  
(51) International Design Classification: **15-04**  
(71) Name(s) and Address(s) of Applicant(s):  
**Yves D'Alessandro**  
**Via Casenuove Granari 98 02034 Montopoli Di Sabina Italy**  
(72) Name(s) of Designer(s): **Yves D'Alessandro**  
(45) Registration Date: **16 February 2006**  
(30) Convention priority data:  
(31) Number (32) Date (33) Country  
**BO20040 17 Sep 2004 ITALY**  
**000040**  
(56) Related Art Documents: **Not Applicable**  
(57) Statement of Newness and Distinctiveness: **Nil**



- (21) Design Number: **11087/2005**  
(22) Date of Filing Application: **21 March 2005**  
(24) Date from which industrial property rights may have effect: **21 March 2005**  
(54) Product in respect of which the design is registered: **Air deodorising apparatus**  
(51) International Design Classification: **28-99**  
(71) Name(s) and Address(s) of Applicant(s):  
**Samar LLC**  
**10 South Riverside Plaza Suite 1800 Chicago Illinois 60606 United States of America**  
(72) Name(s) of Designer(s): **Jordi Miro**  
(45) Registration Date: **16 February 2006**  
(30) Convention priority data:  
(31) Number      (32) Date      (33) Country  
**000264882      09 Dec 2004      EUROPEAN COMMUNITY**  
(56) Related Art Documents: **Not Applicable**  
(57) Statement of Newness and Distinctiveness: **Nil**



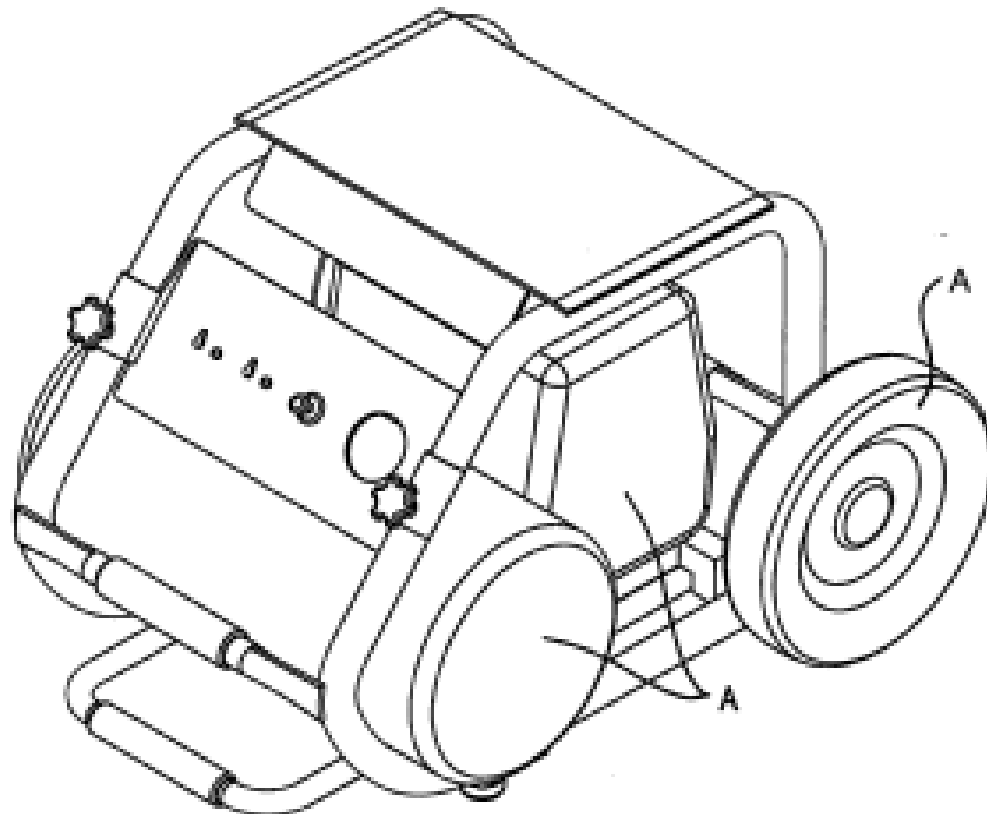
- (21) Design Number: **11091/2005**  
(22) Date of Filing Application: **24 May 2004**  
(24) Date from which industrial property rights may have effect: **24 May 2004**  
(54) Product in respect of which the design is registered: **A jigsaw**  
(51) International Design Classification: **08-03**  
(71) Name(s) and Address(s) of Applicant(s):  
**Black & Decker Inc.**  
**Drummond Plaza Office Park 1423 Kirkwood Highway Newark Delaware 19711 United States of America**  
(72) Name(s) of Designer(s): **Stephen Houghton**  
(45) Registration Date: **16 February 2006**  
(56) Related Art Documents: **Not Applicable**  
(57) Statement of Newness and Distinctiveness: **Nil**



- (21) Design Number: **11180/2005**
- (22) Date of Filing Application: **24 March 2005**
- (24) Date from which industrial property rights may have effect: **24 March 2005**
- (54) Product in respect of which the design is registered: **Air compressor frame**
- (51) International Design Classification: **15-02**
- (71) Name(s) and Address(s) of Applicant(s):

**Peerless Products Pty Ltd**  
**47-51 Havilah Road Bendigo Victoria 3552 Australia**

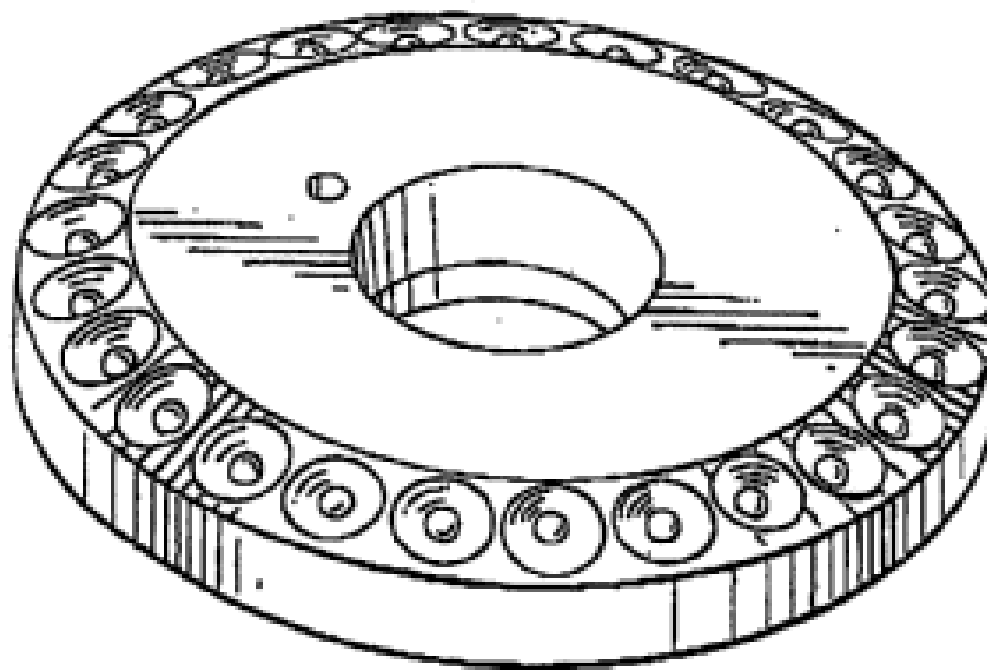
- (72) Name(s) of Designer(s): **Andrew Phillip Healey**
- (45) Registration Date: **16 February 2006**
- (56) Related Art Documents: **Not Applicable**
- (57) Statement of Newness and Distinctiveness: **Those visual features of the air compressor frame illustrated in the representations that are new and distinctive are the shape and/or configuration. The tank, motor and wheels marked A in the representations are to be disregarded in considering the extent of the newness and distinctiveness.**



- (21) Design Number: **12430/2005**
- (22) Date of Filing Application: **31 May 2005**
- (24) Date from which industrial property rights may have effect: **31 May 2005**
- (54) Product in respect of which the design is registered: **Camping lamp**
- (51) International Design Classification: **26-02, 26-99**
- (71) Name(s) and Address(s) of Applicant(s):

**Centritech Limited**  
**6/F Prince's Building Chater Road Central Hong Kong**

- (72) Name(s) of Designer(s): **Peter Waedeled**
  - (45) Registration Date: **16 February 2006**
  - (30) Convention priority data:
- |                   |                    |                                 |
|-------------------|--------------------|---------------------------------|
| (31) Number       | (32) Date          | (33) Country                    |
| <b>29/218,366</b> | <b>01 Dec 2004</b> | <b>UNITED STATES OF AMERICA</b> |
- (56) Related Art Documents: **Not Applicable**
  - (57) Statement of Newness and Distinctiveness: **Newness and distinctiveness is claimed in the shape and/or configuration of a camping lamp as illustrated by the unbroken lines in the accompanying representation/s.**



- (21) Design Number: **15847/2005**
- (22) Date of Filing Application: **31 May 2005**
- (24) Date from which industrial property rights may have effect: **31 May 2005**
- (54) Product in respect of which the design is registered: **Camping lamp**
- (51) International Design Classification: **26-02, 26-99**
- (71) Name(s) and Address(s) of Applicant(s):

**Centritech Limited**  
**6/F Prince's Building Chater Road Central Hong Kong**

(72) Name(s) of Designer(s): **Peter Waedeled**

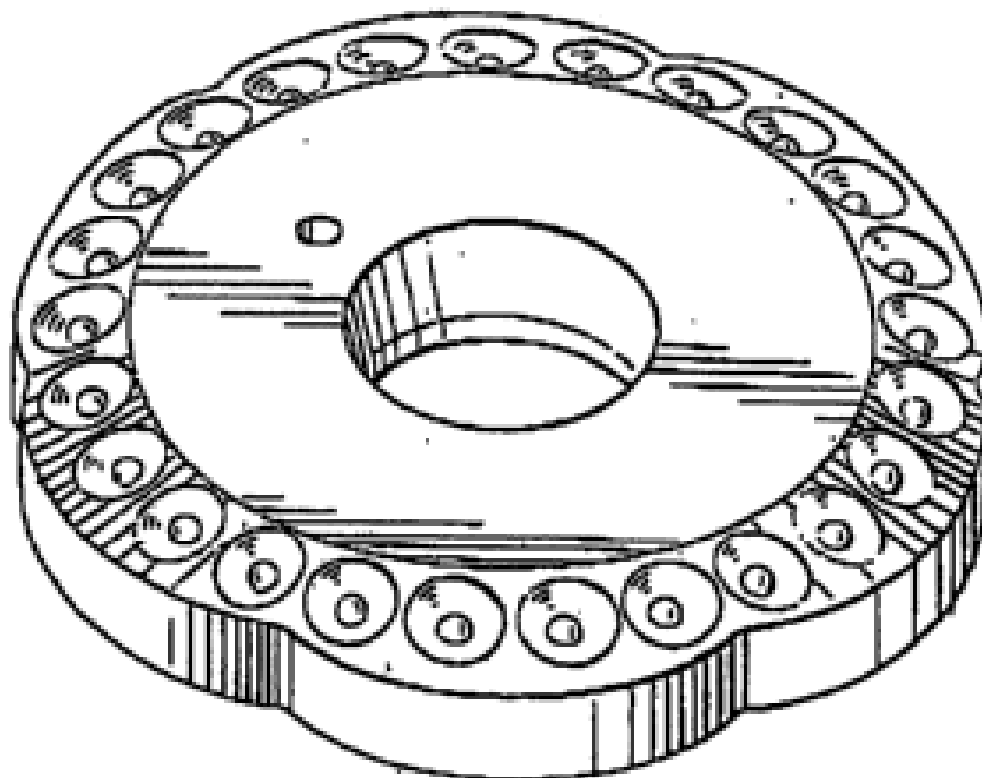
(45) Registration Date: **16 February 2006**

(30) Convention priority data:

(31) Number	(32) Date	(33) Country
<b>29/218,366</b>	<b>01 Dec 2004</b>	<b>UNITED STATES OF AMERICA</b>

(56) Related Art Documents: **Not Applicable**

(57) Statement of Newness and Distinctiveness: **Newness and distinctiveness is claimed in the shape and/or configuration of a camping lamp as illustrated by the unbroken lines in the accompanying representation/s.**



- (21) Design Number: **15848/2005**
- (22) Date of Filing Application: **31 May 2005**
- (24) Date from which industrial property rights may have effect: **31 May 2005**
- (54) Product in respect of which the design is registered: **Camping lamp**
- (51) International Design Classification: **26-02, 26-99**
- (71) Name(s) and Address(s) of Applicant(s):

**Centritech Limited**  
**6/F Prince's Building Chater Road Central Hong Kong**

(72) Name(s) of Designer(s): **Peter Waedeled**

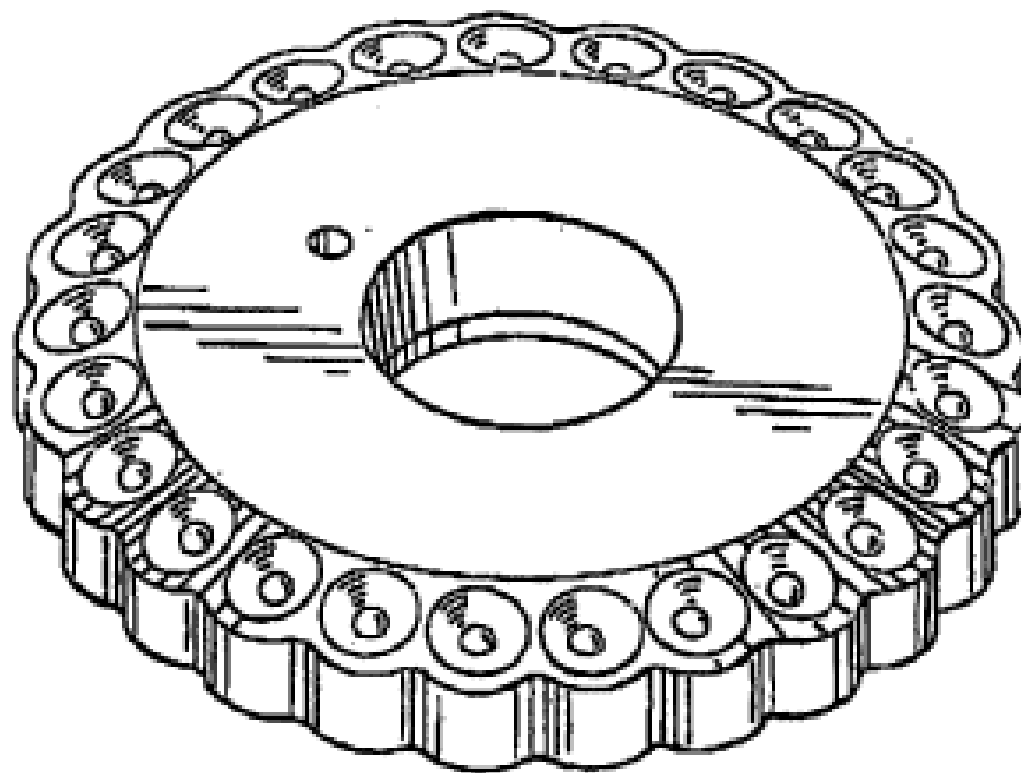
(45) Registration Date: **16 February 2006**

(30) Convention priority data:

(31) Number	(32) Date	(33) Country
<b>29/218,366</b>	<b>01 Dec 2004</b>	<b>UNITED STATES OF AMERICA</b>

(56) Related Art Documents: **Not Applicable**

(57) Statement of Newness and Distinctiveness: **Newness and distinctiveness is claimed in the shape and/or configuration of a camping lamp as illustrated by the unbroken lines in the accompanying representation/s.**



- (21) Design Number: **15849/2005**
- (22) Date of Filing Application: **31 May 2005**
- (24) Date from which industrial property rights may have effect: **31 May 2005**
- (54) Product in respect of which the design is registered: **Camping lamp**
- (51) International Design Classification: **26-02, 26-99**
- (71) Name(s) and Address(s) of Applicant(s):

**Centritech Limited**  
**6/F Prince's Building Chater Road Central Hong Kong**

(72) Name(s) of Designer(s): **Peter Waedeled**

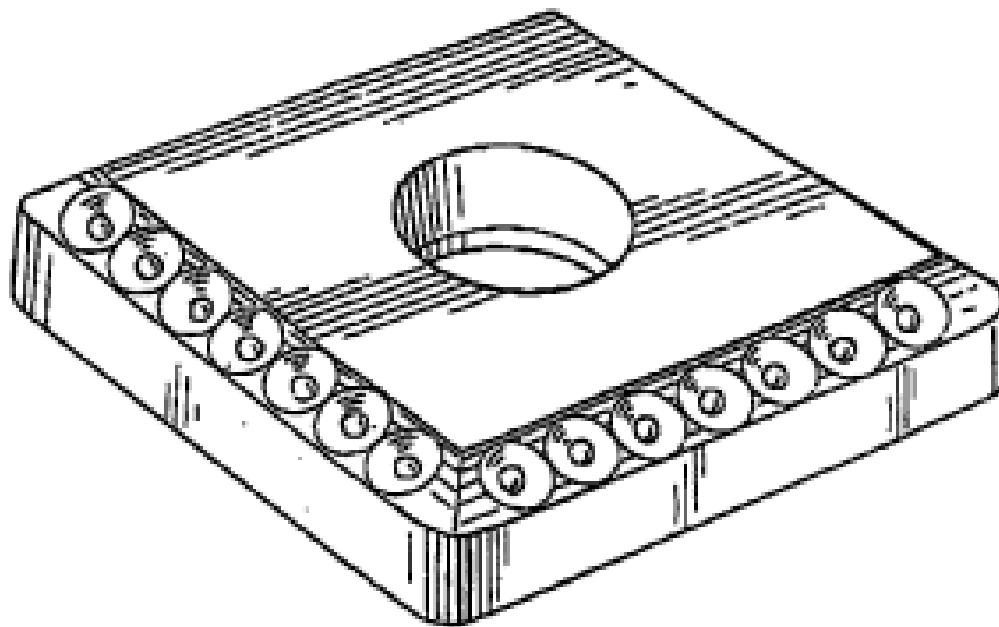
(45) Registration Date: **16 February 2006**

(30) Convention priority data:

(31) Number	(32) Date	(33) Country
<b>29/218,366</b>	<b>01 Dec 2004</b>	<b>UNITED STATES OF AMERICA</b>

(56) Related Art Documents: **Not Applicable**

(57) Statement of Newness and Distinctiveness: **Newness and distinctiveness is claimed in the shape and/or configuration of a camping lamp as illustrated by the unbroken lines in the accompanying representation/s.**



- (21) Design Number: **15850/2005**
- (22) Date of Filing Application: **31 May 2005**
- (24) Date from which industrial property rights may have effect: **31 May 2005**
- (54) Product in respect of which the design is registered: **Camping lamp**
- (51) International Design Classification: **26-02, 26-99**
- (71) Name(s) and Address(s) of Applicant(s):

**Centritech Limited**  
**6/F Prince's Building Chater Road Central Hong Kong**

(72) Name(s) of Designer(s): **Peter Waedeled**

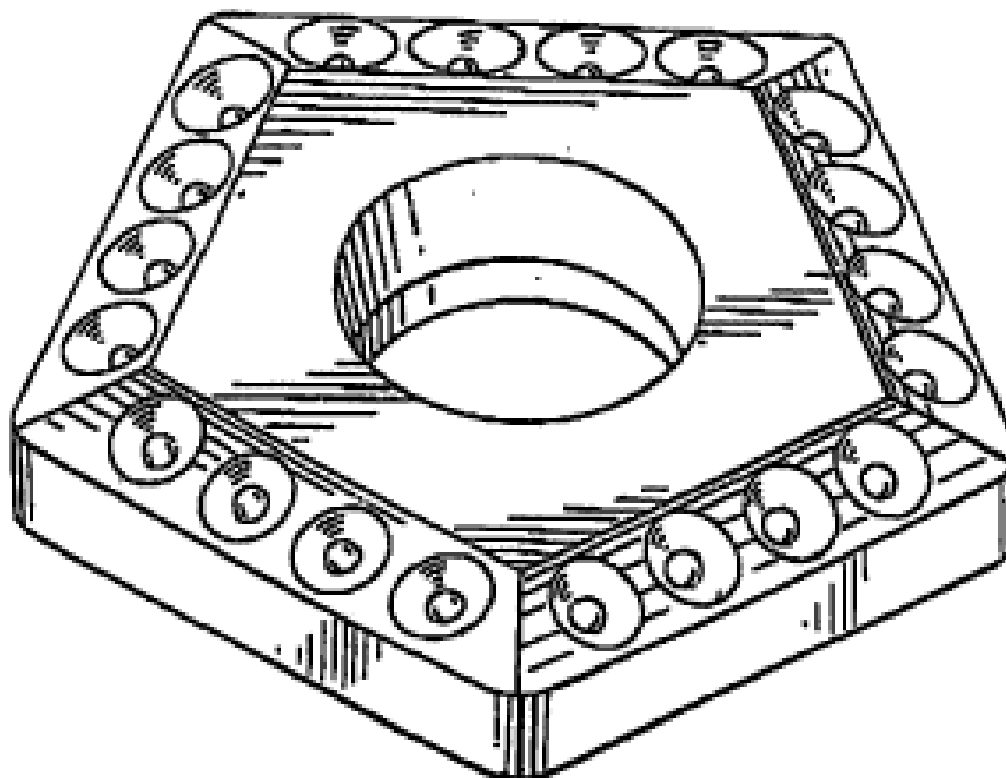
(45) Registration Date: **16 February 2006**

(30) Convention priority data:

(31) Number	(32) Date	(33) Country
<b>29/218,366</b>	<b>01 Dec 2004</b>	<b>UNITED STATES OF AMERICA</b>

(56) Related Art Documents: **Not Applicable**

(57) Statement of Newness and Distinctiveness: **Newness and distinctiveness is claimed in the shape and/or configuration of a camping lamp as illustrated by the unbroken lines in the accompanying representation/s.**



- (21) Design Number: **15851/2005**
- (22) Date of Filing Application: **31 May 2005**
- (24) Date from which industrial property rights may have effect: **31 May 2005**
- (54) Product in respect of which the design is registered: **Camping lamp**
- (51) International Design Classification: **26-02, 26-99**
- (71) Name(s) and Address(s) of Applicant(s):

**Centritech Limited**  
**6/F Prince's Building Chater Road Central Hong Kong**

(72) Name(s) of Designer(s): **Peter Waedeled**

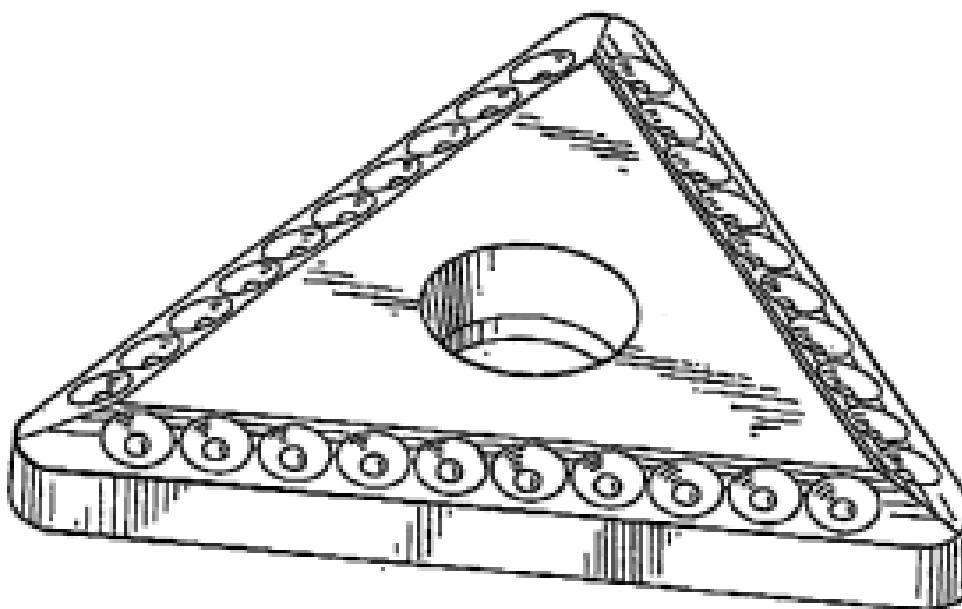
(45) Registration Date: **16 February 2006**

(30) Convention priority data:

(31) Number	(32) Date	(33) Country
<b>29/218,366</b>	<b>01 Dec 2004</b>	<b>UNITED STATES OF AMERICA</b>

(56) Related Art Documents: **Not Applicable**

(57) Statement of Newness and Distinctiveness: **Newness and distinctiveness is claimed in the shape and/or configuration of a camping lamp as illustrated by the unbroken lines in the accompanying representation/s.**



- (21) Design Number: **15852/2005**
- (22) Date of Filing Application: **31 May 2005**
- (24) Date from which industrial property rights may have effect: **31 May 2005**
- (54) Product in respect of which the design is registered: **Camping Lamp**
- (51) International Design Classification: **26-02, 26-99**
- (71) Name(s) and Address(s) of Applicant(s):

**Centritech Limited**  
**6/F Prince's Building Chater Road Central Hong Kong**

(72) Name(s) of Designer(s): **Peter Waedeled**

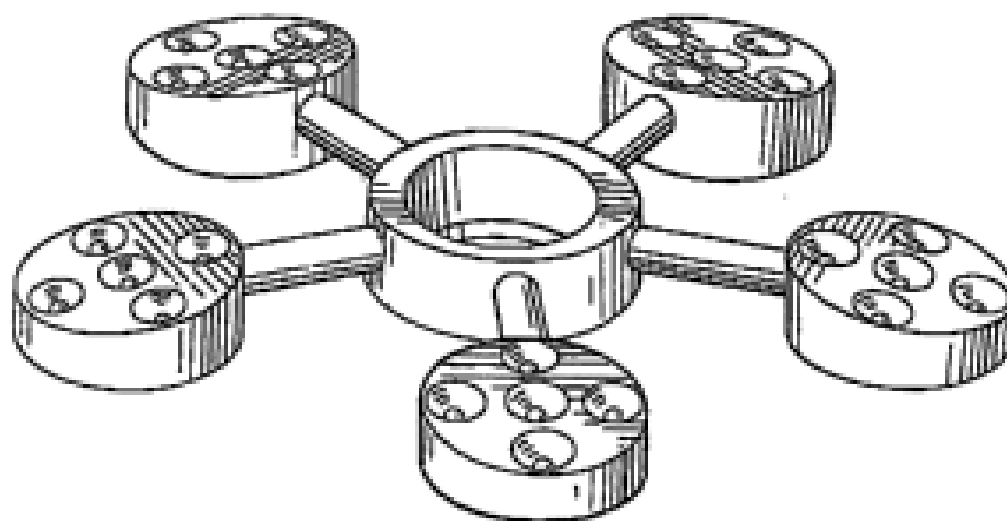
(45) Registration Date: **16 February 2006**

(30) Convention priority data:

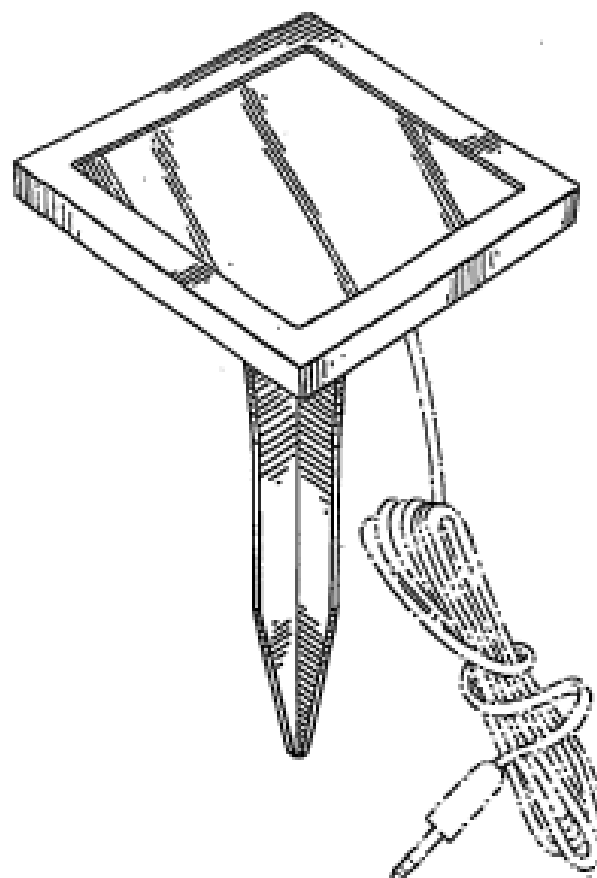
(31) Number	(32) Date	(33) Country
<b>29/218,366</b>	<b>01 Dec 2004</b>	<b>UNITED STATES OF AMERICA</b>

(56) Related Art Documents: **Not Applicable**

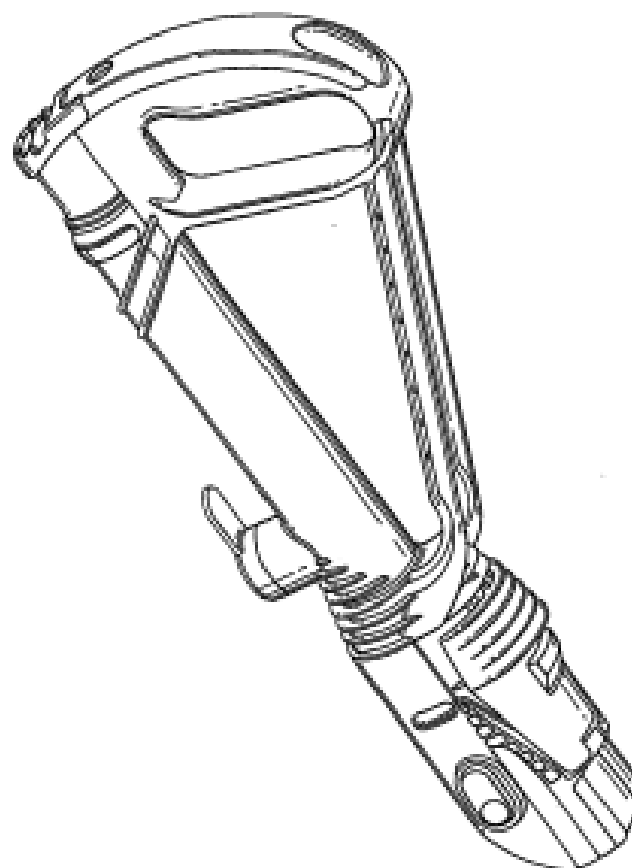
(57) Statement of Newness and Distinctiveness: **Newness and distinctiveness is claimed in the shape and/or configuration of a camping lamp as illustrated by the unbroken lines in the accompanying representation/s.**



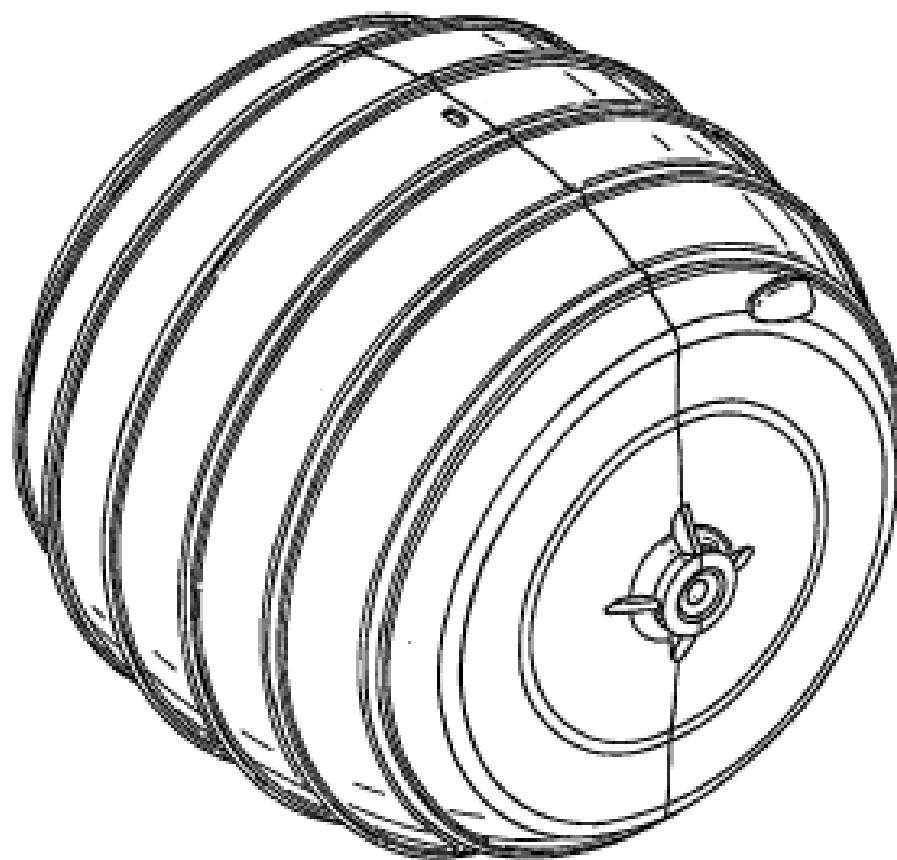
(21) Design Number: **15853/2005**  
(22) Date of Filing Application: **31 May 2005**  
(24) Date from which industrial property rights may have effect: **31 May 2005**  
(54) Product in respect of which the design is registered: **Camping lamp**  
(51) International Design Classification: **26-02, 26-99**  
(71) Name(s) and Address(s) of Applicant(s):  
**Centritech Limited**  
**6/F Prince's Building Chater Road Central Hong Kong**  
(72) Name(s) of Designer(s): **Peter Waedeled**  
(45) Registration Date: **16 February 2006**  
(30) Convention priority data:  
(31) Number (32) Date (33) Country  
**29/218,366 01 Dec 2004 UNITED STATES OF AMERICA**  
(56) Related Art Documents: **Not Applicable**  
(57) Statement of Newness and Distinctiveness: **Newness and distinctiveness is claimed in the shape and/or configuration of a camping lamp as illustrated by the unbroken lines in the accompanying representation/s.**



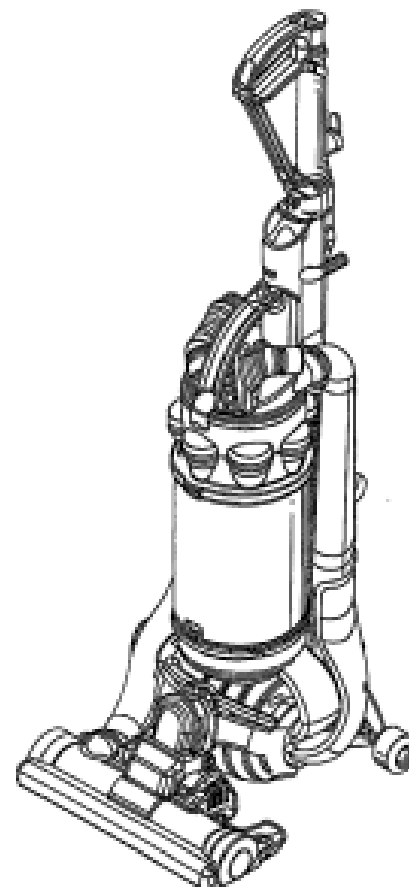
(21) Design Number: **12780/2005**  
(22) Date of Filing Application: **29 June 2005**  
(24) Date from which industrial property rights may have effect: **29 June 2005**  
(54) Product in respect of which the design is registered: **A handle for a surface-treating appliance**  
(51) International Design Classification: **15-05**  
(71) Name(s) and Address(s) of Applicant(s):  
**Dyson Limited**  
**Tetbury Hill Malmesbury Wiltshire SN16 0RP United Kingdom**  
(72) Name(s) of Designer(s): **James Dyson and Stuart Lloyd Genn**  
(45) Registration Date: **16 February 2006**  
(30) Convention priority data:  
(31) Number (32) Date (33) Country  
**3020040 19 Jan 2005 UNITED KINGDOM**  
(56) Related Art Documents: **Not Applicable**  
(57) Statement of Newness and Distinctiveness: **Newness and distinctiveness resides in the shape and/or configuration of the handle for a surface-treating article as shown in the accompanying representations.**



- (21) Design Number: **12781/2005**  
(22) Date of Filing Application: **29 June 2005**  
(24) Date from which industrial property rights may have effect: **29 June 2005**  
(54) Product in respect of which the design is registered: **A rolling support for a surface-treating appliance**  
(51) International Design Classification: **15-05**  
(71) Name(s) and Address(s) of Applicant(s):  
**Dyson Limited**  
**Tetbury Hill Malmesbury Wiltshire SN16 0RP United Kingdom**  
(72) Name(s) of Designer(s): **James Dyson and Gordon James Howes**  
(45) Registration Date: **16 February 2006**  
(30) Convention priority data:  
(31) Number (32) Date (33) Country  
**3020039 19 Jan 2005 UNITED KINGDOM**  
(56) Related Art Documents: **Not Applicable**  
(57) Statement of Newness and Distinctiveness: **Newness and distinctiveness resides in the shape and/or configuration of the rolling support for a surface-treating article as shown in the accompanying representations.**

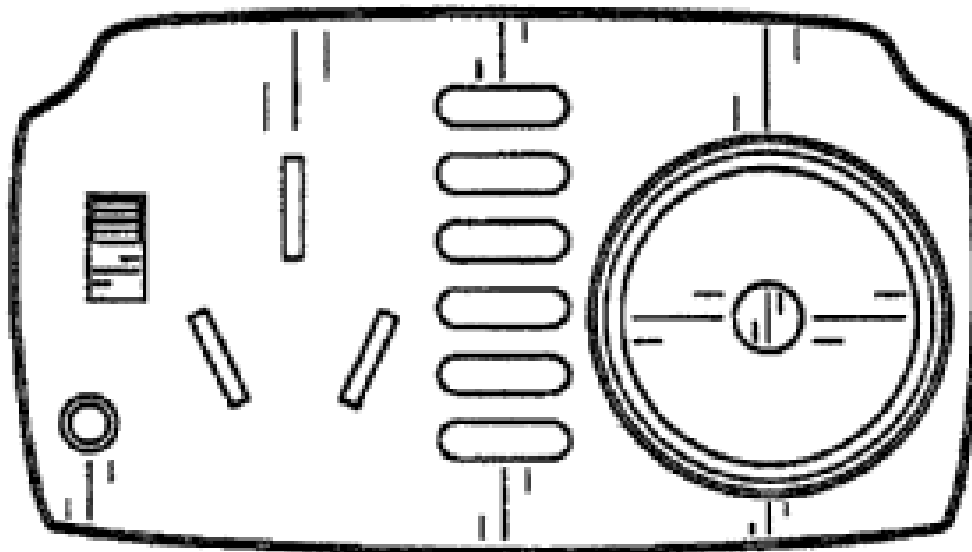


- (21) Design Number: **12782/2005**  
(22) Date of Filing Application: **29 June 2005**  
(24) Date from which industrial property rights may have effect: **29 June 2005**  
(54) Product in respect of which the design is registered: **A surface-treating appliance**  
(51) International Design Classification: **15-05**  
(71) Name(s) and Address(s) of Applicant(s):  
**Dyson Limited**  
**Tetbury Hill Malmesbury Wiltshire SN16 0RP United Kingdom**  
(72) Name(s) of Designer(s): **James Dyson and Gordon James Howes and Stuart Lloyd Genn and Nicholas Timothy Spence**  
(45) Registration Date: **16 February 2006**  
(30) Convention priority data:  
(31) Number (32) Date (33) Country  
**3020041 19 Jan 2005 UNITED KINGDOM**  
(56) Related Art Documents: **Not Applicable**  
(57) Statement of Newness and Distinctiveness: **Newness and distinctiveness resides in the shape and/or configuration of the surface-treating appliance as shown in the accompanying representations.**



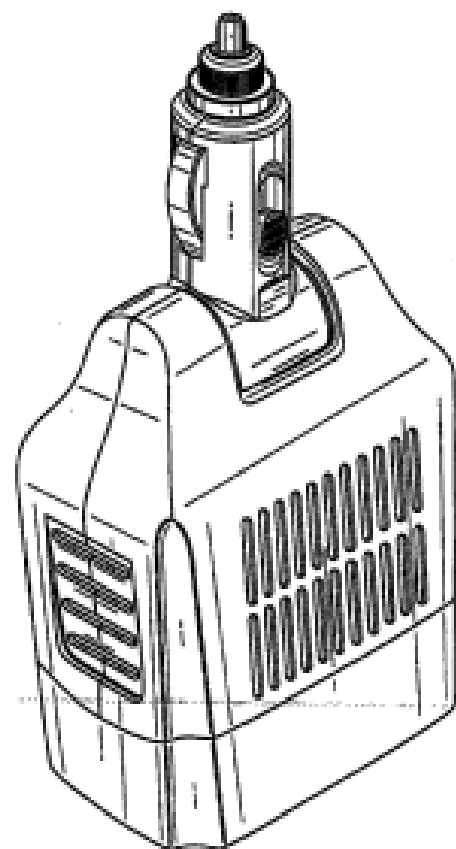
(19) AU

(21) Design Number: **10099/2006**  
 (22) Date of Filing Application: **11 July 2005**  
 (24) Date from which industrial property rights may have effect: **11 July 2005**  
 (54) Product in respect of which the design is registered: **DC and AC energy supply powered through cigarette lighter adaptor**  
 (51) International Design Classification: **13-03NES**  
 (71) Name(s) and Address(s) of Applicant(s):  
**Vector Products, Inc.**  
**4140 S.W. 28th Way Ft Lauderdale Florida 33312 United States of America**  
 (72) Name(s) of Designer(s): **Michael Krieger and Kevin Ellsworth**  
 (45) Registration Date: **16 February 2006**  
 (30) Convention priority data:  
 (31) Number (32) Date (33) Country  
**29/221,028 11 Jan 2005 UNITED STATES OF AMERICA**  
 (56) Related Art Documents: **Not Applicable**  
 (57) Statement of Newness and Distinctiveness: **The particular visual features of the design which are new and distinctive are shape or configuration.**



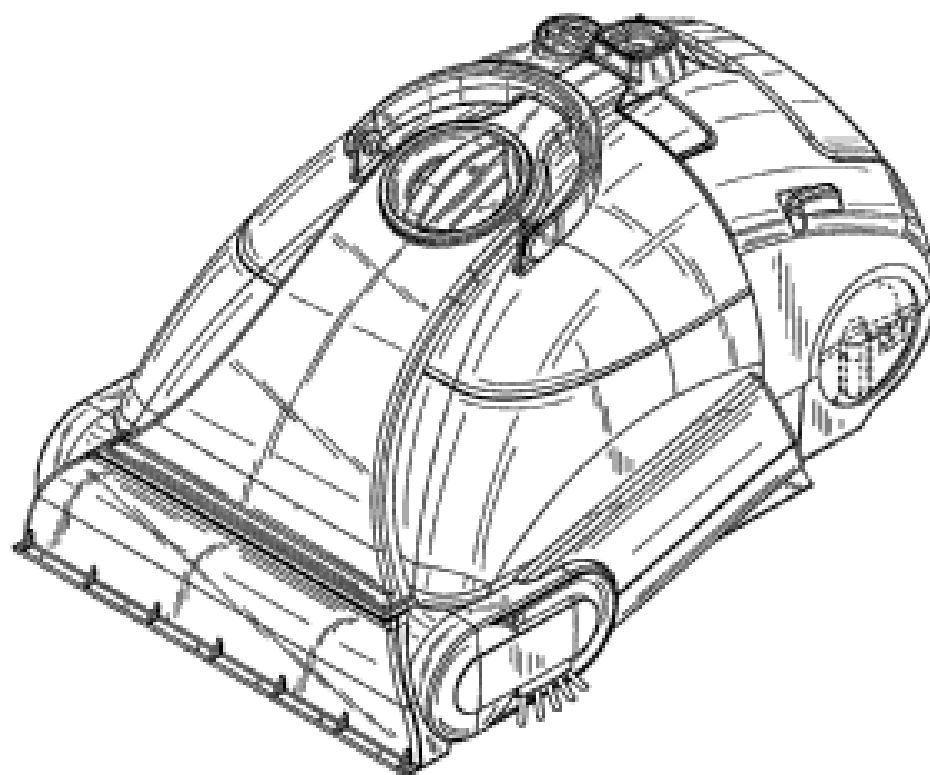
(19) AU

(21) Design Number: **12970/2005**  
 (22) Date of Filing Application: **11 July 2005**  
 (24) Date from which industrial property rights may have effect: **11 July 2005**  
 (54) Product in respect of which the design is registered: **DC and AC energy supply powered through cigarette lighter adaptor**  
 (51) International Design Classification: **13-03NES**  
 (71) Name(s) and Address(s) of Applicant(s):  
**Vector Products, Inc.**  
**4140 S.W. 28th Way Ft Lauderdale Florida 33312 United States of America**  
 (72) Name(s) of Designer(s): **Michael Krieger and Kevin Ellsworth**  
 (45) Registration Date: **16 February 2006**  
 (30) Convention priority data:  
 (31) Number (32) Date (33) Country  
**29/221,028 11 Jan 2005 UNITED STATES OF AMERICA**  
 (56) Related Art Documents: **Not Applicable**  
 (57) Statement of Newness and Distinctiveness: **The particular visual features of the design which are new and distinctive are shape or configuration.**



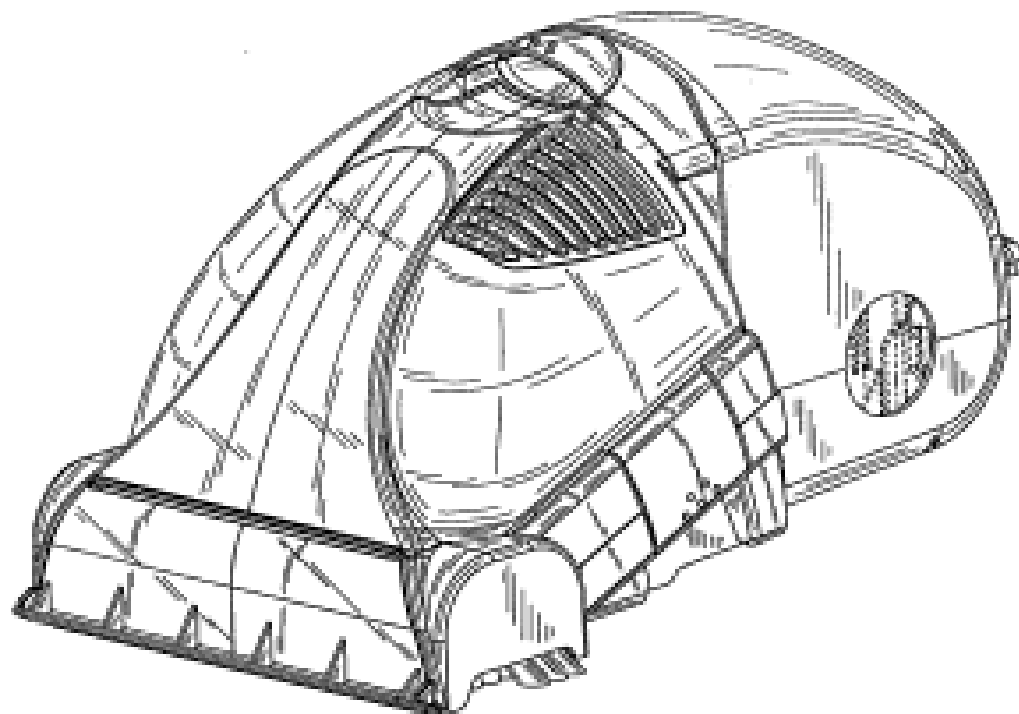
- (21) Design Number: **13585/2005**
- (22) Date of Filing Application: **22 August 2005**
- (24) Date from which industrial property rights may have effect: **22 August 2005**
- (54) Product in respect of which the design is registered: **Base portion for a vacuum cleaner**
- (51) International Design Classification: **15-05**
- (71) Name(s) and Address(s) of Applicant(s):  
**BISSELL Homecare, Inc.**  
**2345 Walker Avenue N.W. Grand Rapids Michigan 49544 United States of America**
- (72) Name(s) of Designer(s): **Douglas J. Medema and Kevin T. Downey and Mitchell E. Auerbach**
- (45) Registration Date: **16 February 2006**
- (30) Convention priority data:  

(31) Number	(32) Date	(33) Country
<b>29/225,498</b>	<b>16 Mar 2005</b>	<b>UNITED STATES OF AMERICA</b>
- (56) Related Art Documents: **Not Applicable**
- (57) Statement of Newness and Distinctiveness: **The shape and configuration of the product, other than those parts of the design shown by means of broken lines in the representations, are new and distinctive.**



- (21) Design Number: **13586/2005**
- (22) Date of Filing Application: **22 August 2005**
- (24) Date from which industrial property rights may have effect: **22 August 2005**
- (54) Product in respect of which the design is registered: **Base portion for an extractor/vacuum cleaner**
- (51) International Design Classification: **15-05**
- (71) Name(s) and Address(s) of Applicant(s):  
**BISSELL Homecare, Inc.**  
**2345 Walker Avenue N.W. Grand Rapids Michigan 49544 United States of America**
- (72) Name(s) of Designer(s): **Adam G. Carr and Douglas J. Medema**
- (45) Registration Date: **16 February 2006**
- (30) Convention priority data:  

(31) Number	(32) Date	(33) Country
<b>29/225,334</b>	<b>15 Mar 2005</b>	<b>UNITED STATES OF AMERICA</b>
- (56) Related Art Documents: **Not Applicable**
- (57) Statement of Newness and Distinctiveness: **The shape and configuration of the product, other than those parts of the design shown by means of broken lines in the representations, are new and distinctive.**



(21) Design Number: **13587/2005**

(22) Date of Filing Application: **22 August 2005**

(24) Date from which industrial property rights may have effect: **22 August 2005**

(54) Product in respect of which the design is registered: **Bottle**

(51) International Design Classification: **09-01K**

(71) Name(s) and Address(s) of Applicant(s):

**BISSELL Homecare, Inc.**  
**2345 Walker Avenue N.W. Grand Rapids Michigan 49544 United States of America**

(72) Name(s) of Designer(s): **Adam G. Carr and Douglas J. Medema**

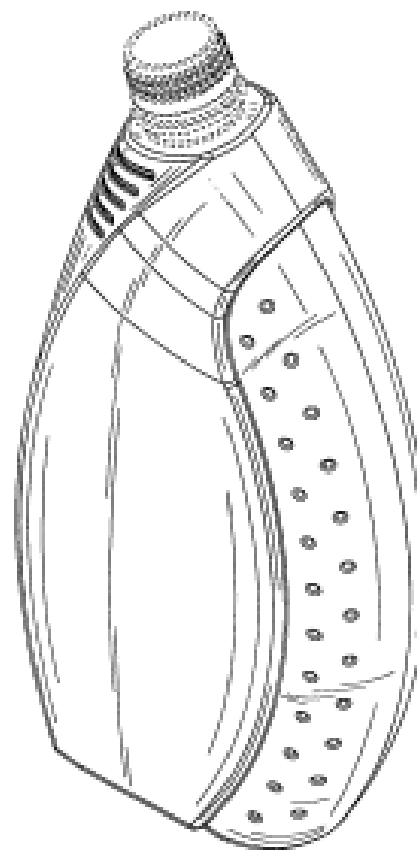
(45) Registration Date: **16 February 2006**

(30) Convention priority data:

(31) Number	(32) Date	(33) Country
<b>29/225,335</b>	<b>15 Mar 2005</b>	<b>UNITED STATES OF AMERICA</b>

(56) Related Art Documents: **Not Applicable**

(57) Statement of Newness and Distinctiveness: **The shape and configuration of the product, other than those parts of the design shown by means of broken lines in the representations, are new and distinctive.**



(21) Design Number: **13588/2005**

(22) Date of Filing Application: **22 August 2005**

(24) Date from which industrial property rights may have effect: **22 August 2005**

(54) Product in respect of which the design is registered: **Handle portion for an extractor/vacuum cleaner**

(51) International Design Classification: **15-05**

(71) Name(s) and Address(s) of Applicant(s):

**BISSELL Homecare, Inc.**  
**2345 Walker Avenue N.W. Grand Rapids Michigan 49544 United States of America**

(72) Name(s) of Designer(s): **Adam G. Carr and Douglas J. Medema**

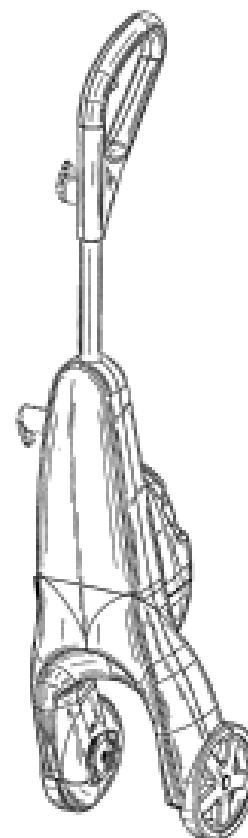
(45) Registration Date: **16 February 2006**

(30) Convention priority data:

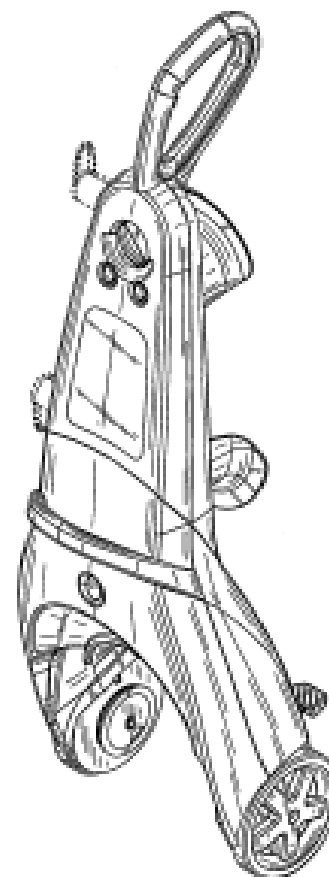
(31) Number	(32) Date	(33) Country
<b>29/225,349</b>	<b>15 Mar 2005</b>	<b>UNITED STATES OF AMERICA</b>

(56) Related Art Documents: **Not Applicable**

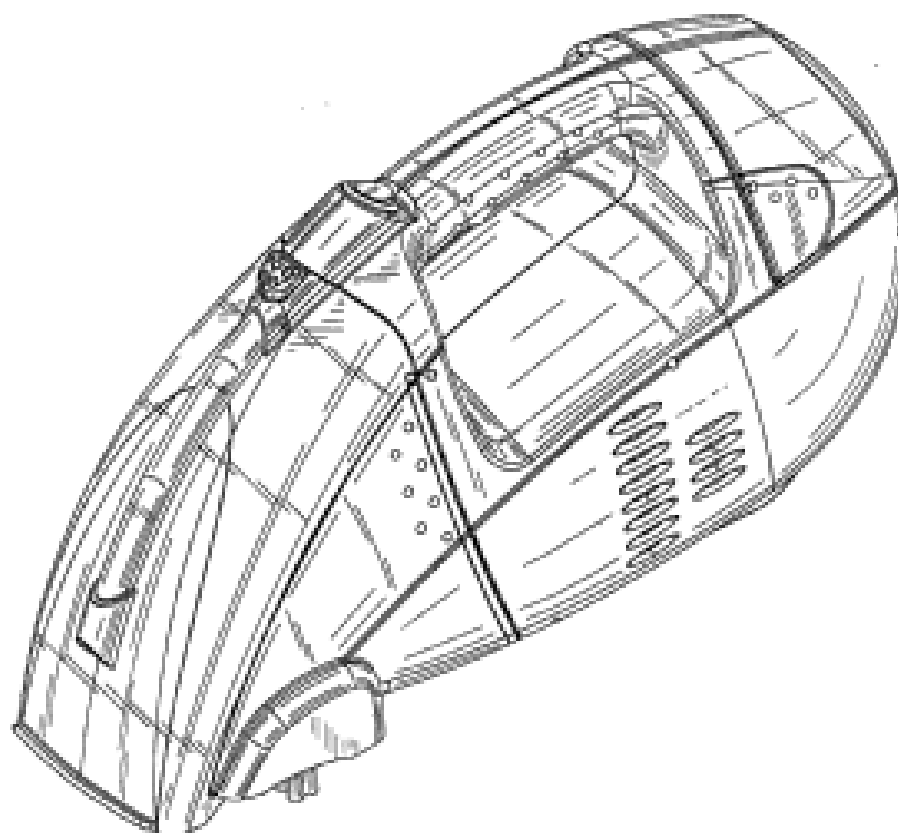
(57) Statement of Newness and Distinctiveness: **The shape and configuration of the product, other than those parts of the design shown by means of broken lines in the representations, are new and distinctive.**



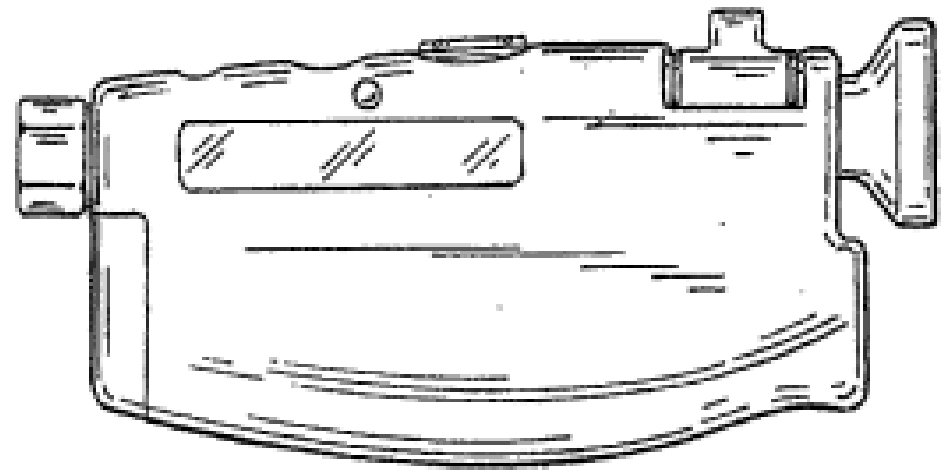
- (21) Design Number: **13589/2005**  
(22) Date of Filing Application: **22 August 2005**  
(24) Date from which industrial property rights may have effect: **22 August 2005**  
(54) Product in respect of which the design is registered: **Handle portion for a vacuum cleaner**  
(51) International Design Classification: **15-05**  
(71) Name(s) and Address(s) of Applicant(s):  
**BISSELL Homecare, Inc.**  
**2345 Walker Avenue N.W. Grand Rapids Michigan 49544 United States of America**  
(72) Name(s) of Designer(s): **Douglas J. Medema and Kevin T. Downey and Mitchell E. Auerbach**  
(45) Registration Date: **16 February 2006**  
(30) Convention priority data:  
(31) Number (32) Date (33) Country  
**29/225,501 16 Mar 2005 UNITED STATES OF AMERICA**  
(56) Related Art Documents: **Not Applicable**  
(57) Statement of Newness and Distinctiveness: **The shape and configuration of the product, other than those parts of the design shown by means of broken lines in the representations, are new and distinctive.**



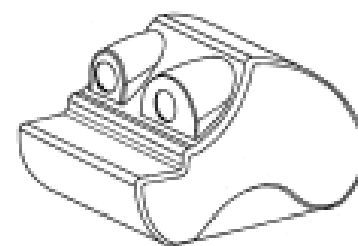
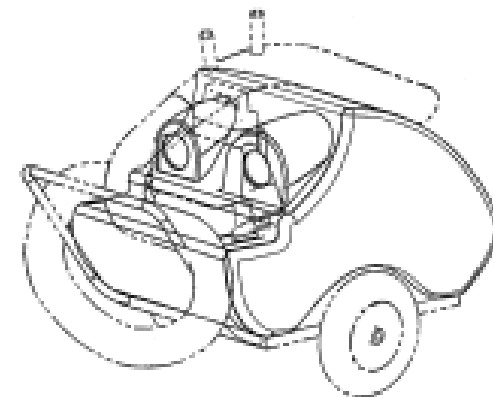
- (21) Design Number: **13590/2005**  
(22) Date of Filing Application: **22 August 2005**  
(24) Date from which industrial property rights may have effect: **22 August 2005**  
(54) Product in respect of which the design is registered: **Portable extractor/vacuum cleaner**  
(51) International Design Classification: **15-05**  
(71) Name(s) and Address(s) of Applicant(s):  
**BISSELL Homecare, Inc.**  
**2345 Walker Avenue N.W. Grand Rapids Michigan 49544 United States of America**  
(72) Name(s) of Designer(s): **Adam G. Carr**  
(45) Registration Date: **16 February 2006**  
(30) Convention priority data:  
(31) Number (32) Date (33) Country  
**29/225,348 15 Mar 2005 UNITED STATES OF AMERICA**  
(56) Related Art Documents: **Not Applicable**  
(57) Statement of Newness and Distinctiveness: **The shape and configuration of the product, other than those parts of the design shown by means of broken lines in the representations, are new and distinctive.**



- (21) Design Number: **13593/2005**  
(22) Date of Filing Application: **22 August 2005**  
(24) Date from which industrial property rights may have effect: **22 August 2005**  
(54) Product in respect of which the design is registered: **Boroscope**  
(51) International Design Classification: **16-06**  
(71) Name(s) and Address(s) of Applicant(s):  
**CML Innovative Technologies**  
**147 Railroad Avenue Hackensack New Jersey 07601 United States of America**  
(72) Name(s) of Designer(s): **Krzysztof Sosniak and Robert H. Hanes and Michael Rehberger and Gerard Lagadec**  
(45) Registration Date: **16 February 2006**  
(30) Convention priority data:  
(31) Number (32) Date (33) Country  
**29/224168 25 Feb 2005 UNITED STATES OF AMERICA**  
(56) Related Art Documents: **Not Applicable**  
(57) Statement of Newness and Distinctiveness: **Newness and distinctiveness resides in the shape and/or configuration of the boroscope as illustrated in the accompanying representations.**



- (21) Design Number: **13134/2005**  
(22) Date of Filing Application: **22 July 2005**  
(24) Date from which industrial property rights may have effect: **22 July 2005**  
(54) Product in respect of which the design is registered: **Agricultural vacuum machine**  
(51) International Design Classification: **15-05**  
(71) Name(s) and Address(s) of Applicant(s):  
**Monet Design Co. Pty Ltd**  
**4/23 Premier Circuit Warana Queensland 4575 Australia**  
(72) Name(s) of Designer(s): **David Paul Oberhofer**  
(45) Registration Date: **16 February 2006**  
(56) Related Art Documents: **Not Applicable**  
(57) Statement of Newness and Distinctiveness: **The newness and distinctiveness of the design resides in the shape and configuration of the agricultural vacuum machine shown in the representations.**



(21) Design Number: **13573/2005**

(22) Date of Filing Application: **19 August 2005**

(24) Date from which industrial property rights may have effect: **19 August 2005**

(54) Product in respect of which the design is registered: **A tongue scraper**

(51) International Design Classification: **04-02**

(71) Name(s) and Address(s) of Applicant(s):

**GlaxoSmithKline Consumer Healthcare GmbH & Co. KG  
Bussmatten 1 D-77815 Buehl (Baden) Germany**

(72) Name(s) of Designer(s): **Christoph Geiberger and Wolf-Dieter Muller**

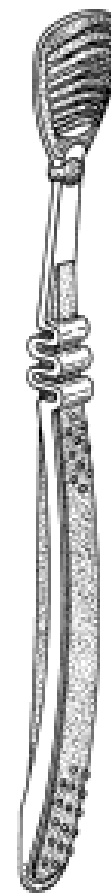
(45) Registration Date: **16 February 2006**

(30) Convention priority data:

(31) Number	(32) Date	(33) Country
<b>3020399</b>	<b>21 Feb 2005</b>	<b>UNITED KINGDOM</b>

(56) Related Art Documents: **Not Applicable**

(57) Statement of Newness and Distinctiveness: **Newness and distinctiveness is claimed in the shape and configuration of the head portion of the tongue scraper as shown in the representations.**



(21) Design Number: **14943/2004**

(22) Date of Filing Application: **20 October 2004**

(24) Date from which industrial property rights may have effect: **20 October 2004**

(54) Product in respect of which the design is registered: **Valve actuator**

(51) International Design Classification: **23-01K**

(71) Name(s) and Address(s) of Applicant(s):

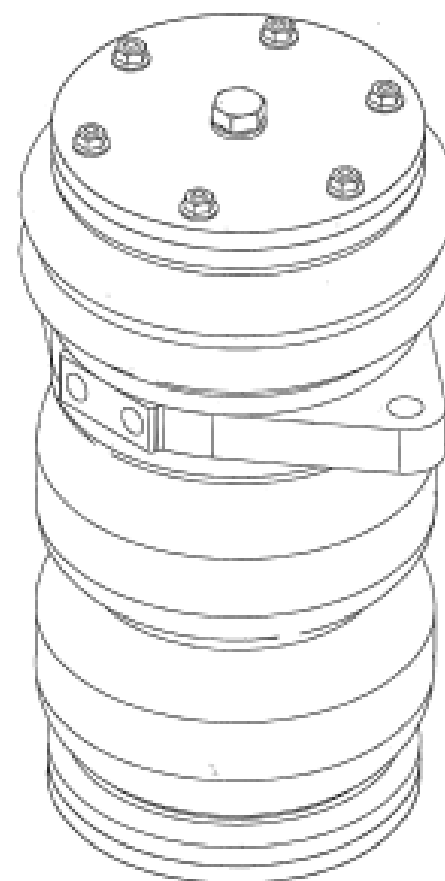
**Transmin Pty Limited  
35 Denninup Way Malaga Western Australia 6090 Australia**

(72) Name(s) of Designer(s): **Gregory Richard Haydon**

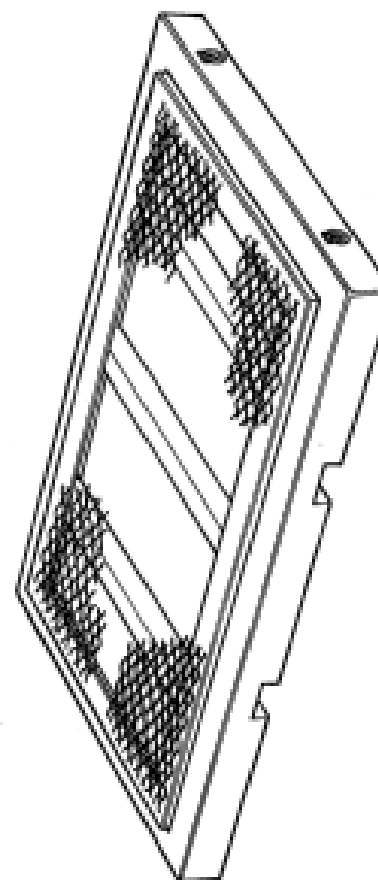
(45) Registration Date: **16 February 2006**

(56) Related Art Documents: **Not Applicable**

(57) Statement of Newness and Distinctiveness: **The visual features of the upper bellows and the lower bellows are to be disregarded when considering the newness and distinctiveness of the design.**

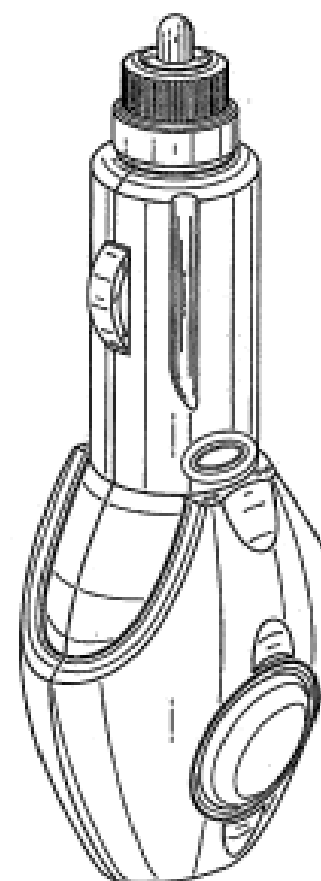


- (21) Design Number: **11502/2005**
- (22) Date of Filing Application: **15 April 2005**
- (24) Date from which industrial property rights may have effect: **15 April 2005**
- (54) Product in respect of which the design is registered: **A load scale**
- (51) International Design Classification: **10-04**
- (71) Name(s) and Address(s) of Applicant(s):  
**Chris Haynes**  
**PO Box 808 Naracoorte South Australia 5271 Australia**
- (72) Name(s) of Designer(s): **Chris Haynes**
- (45) Registration Date: **16 February 2006**
- (56) Related Art Documents: **Not Applicable**
- (57) Statement of Newness and Distinctiveness: **Newness and distinctiveness resides in the shape and configuration of the load scale as shown in the accompanying representations. In considering the scope of the design, no regard is to be given to the dimensions of the mesh.**

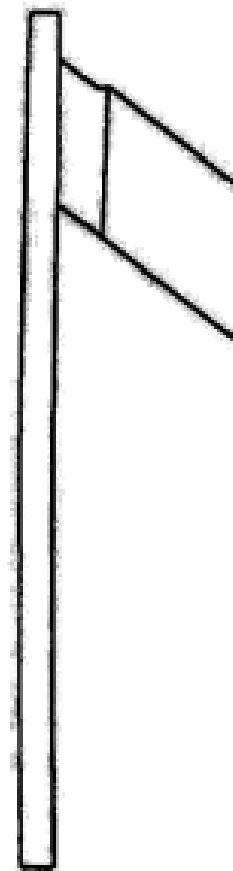


- (21) Design Number: **12969/2005**
- (22) Date of Filing Application: **11 July 2005**
- (24) Date from which industrial property rights may have effect: **11 July 2005**
- (54) Product in respect of which the design is registered: **FM transmitter powered through cigarette lighter adaptor**
- (51) International Design Classification: **14-03NES**
- (71) Name(s) and Address(s) of Applicant(s):  
**Vector Products, Inc.**  
**4140 S.W. 28th Way Ft Lauderdale Florida 33312 United States of America**
- (72) Name(s) of Designer(s): **Michael Krieger and Kevin Ellsworth**
- (45) Registration Date: **16 February 2006**
- (30) Convention priority data:  

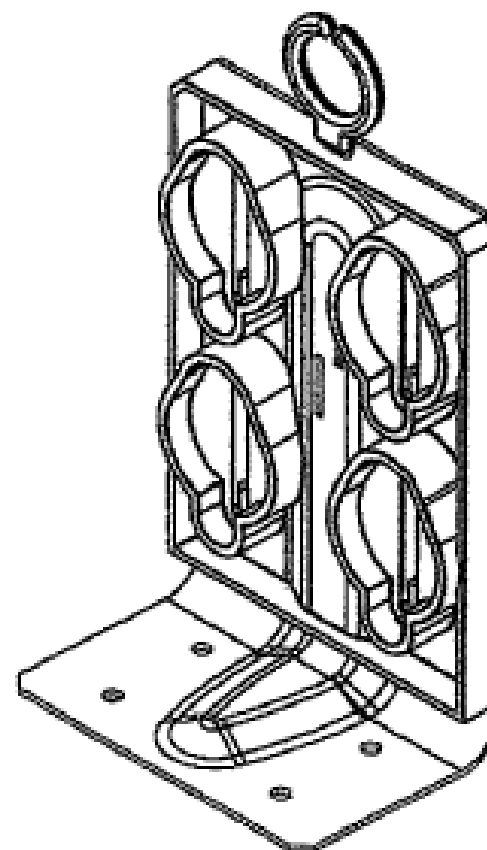
(31) Number	(32) Date	(33) Country
<b>29/221,027</b>	<b>11 Jan 2005</b>	<b>UNITED STATES OF AMERICA</b>
- (56) Related Art Documents: **Not Applicable**
- (57) Statement of Newness and Distinctiveness: **The particular visual features of the design which are new and distinctive are shape or configuration.**



- (21) Design Number: **13278/2005**  
(22) Date of Filing Application: **02 August 2005**  
(24) Date from which industrial property rights may have effect: **17 February 2004**  
(54) Product in respect of which the design is registered: **Clip for writing instrument**  
(51) International Design Classification: **19-06**  
(71) Name(s) and Address(s) of Applicant(s):  
**Merz & Krell GmbH & Co. KGaA**  
**Bahnhofstrasse 76 64401 Gross-Biebrau Germany**  
(72) Name(s) of Designer(s): **Aleksandar (Aleks) Tatic**  
(45) Registration Date: **16 February 2006**  
(62) Divisional of: **158273**  
(56) Related Art Documents: **Not Applicable**  
(57) Statement of Newness and Distinctiveness: **Each feature of the design considered separately or in combination with any other feature or features.**



- (21) Design Number: **13620/2005**  
(22) Date of Filing Application: **23 August 2005**  
(24) Date from which industrial property rights may have effect: **23 August 2005**  
(54) Product in respect of which the design is registered: **Internal wall bracket with installation aid**  
(51) International Design Classification: **08-08L**  
(71) Name(s) and Address(s) of Applicant(s):  
**Luke Aiden Knight**  
**1 Avonlea Place Orange New South Wales 2800 Australia**  
(72) Name(s) of Designer(s): **Luke Aiden Knight**  
(45) Registration Date: **16 February 2006**  
(56) Related Art Documents: **Not Applicable**  
(57) Statement of Newness and Distinctiveness: **Newness and distinctiveness is claimed in the features of shape and/or configuration of the installation aid of an internal wall bracket with installation aid as illustrated in the accompanying representations.**



(21) Design Number: **13624/2005**

(22) Date of Filing Application: **23 August 2005**

(24) Date from which industrial property rights may have effect: **23 August 2005**

(54) Product in respect of which the design is registered: **Support**

(51) International Design Classification: **08-08N**

(71) Name(s) and Address(s) of Applicant(s):

**Kohler Co.**

**444 Highland Drive Kohler WI 53044 United States of America**

(72) Name(s) of Designer(s): **Mike Y. Daikubara and Mark A. Johnson**

(45) Registration Date: **16 February 2006**

(30) Convention priority data:

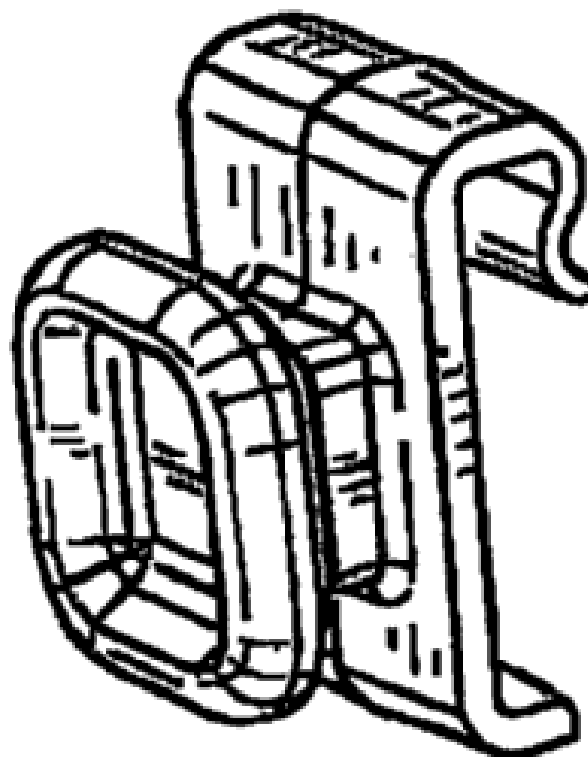
(31) Number  
**29/223961**

(32) Date  
**23 Feb 2005**

(33) Country  
**UNITED STATES OF AMERICA**

(56) Related Art Documents: **Not Applicable**

(57) Statement of Newness and Distinctiveness: **Nil**



(21) Design Number: **13677/2005**

(22) Date of Filing Application: **26 August 2005**

(24) Date from which industrial property rights may have effect: **26 August 2005**

(54) Product in respect of which the design is registered: **Roller door operator**

(51) International Design Classification: **12-05**

(71) Name(s) and Address(s) of Applicant(s):

**STL Management Pty Ltd**

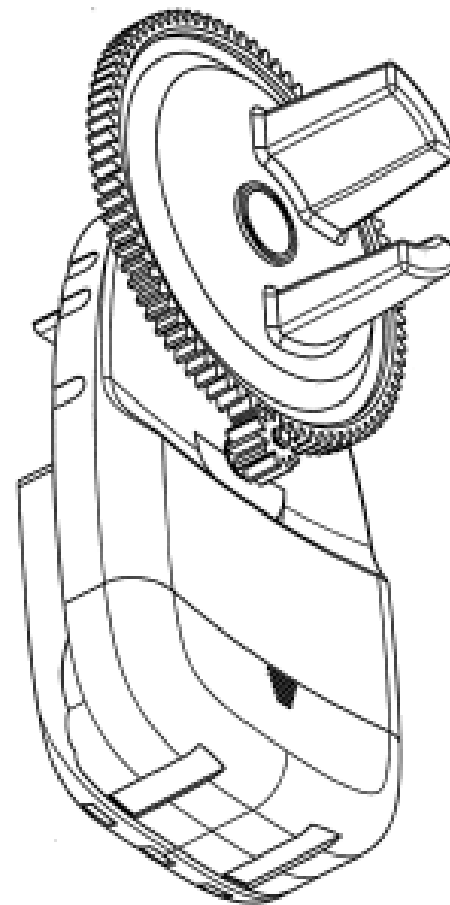
**51 Perivale Street Darra Queensland 4076 Australia**

(72) Name(s) of Designer(s): **Herbert Lee**

(45) Registration Date: **16 February 2006**

(56) Related Art Documents: **Not Applicable**

(57) Statement of Newness and Distinctiveness: **The new and distinctive features of the design are the shape and configuration of the roller door operator as shown in the accompanying drawings.**



(21) Design Number: **13719/2005**

(22) Date of Filing Application: **30 August 2005**

(24) Date from which industrial property rights may have effect: **30 August 2005**

(54) Product in respect of which the design is registered: **A toilet**

(51) International Design Classification: **23-02C**

(71) Name(s) and Address(s) of Applicant(s):

**Sonia, S.A.**

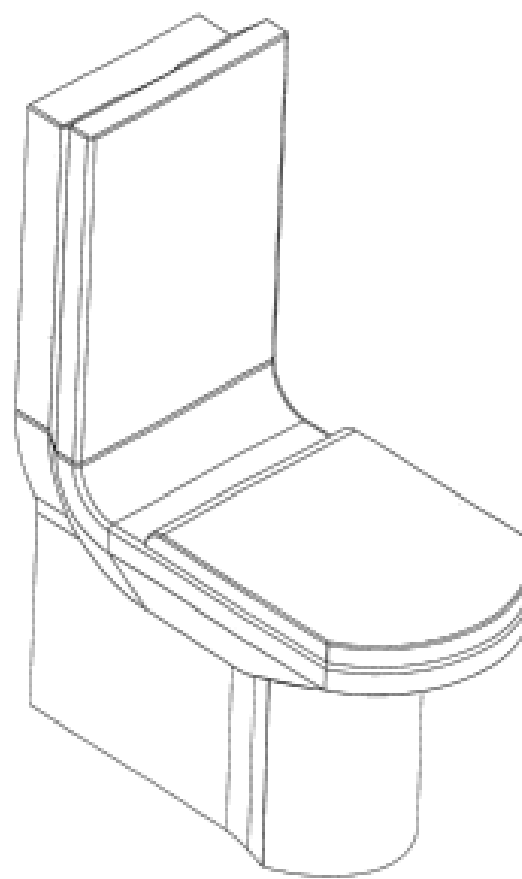
**Ctra. de Barcelona 35 Bonrepos (Valencia) 46131 Spain**

(72) Name(s) of Designer(s): **Jose Maria Ferrer Beltran**

(45) Registration Date: **16 February 2006**

(56) Related Art Documents: **Not Applicable**

(57) Statement of Newness and Distinctiveness: **Nil**



(21) Design Number: **13720/2005**

(22) Date of Filing Application: **30 August 2005**

(24) Date from which industrial property rights may have effect: **30 August 2005**

(54) Product in respect of which the design is registered: **A bidet**

(51) International Design Classification: **23-02C**

(71) Name(s) and Address(s) of Applicant(s):

**Sonia, S.A.**

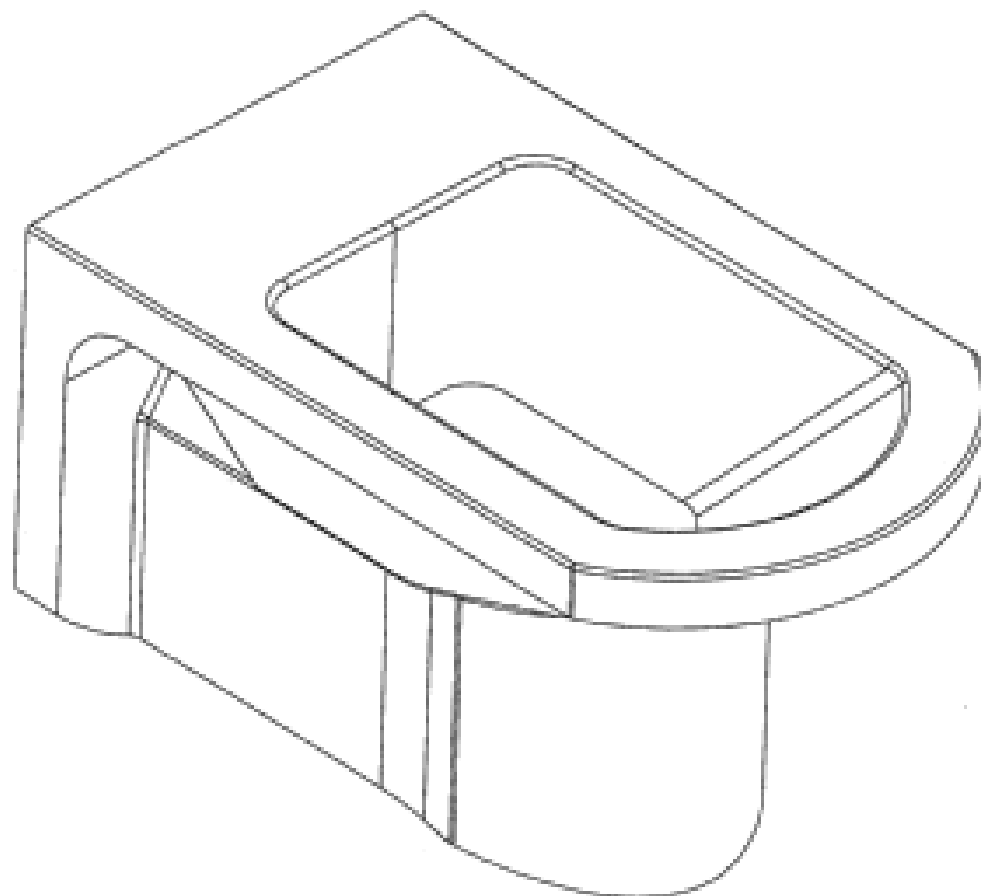
**Ctra. de Barcelona 35 Bonrepos (Valencia) 46131 Spain**

(72) Name(s) of Designer(s): **Jose Maria Ferrer Beltran**

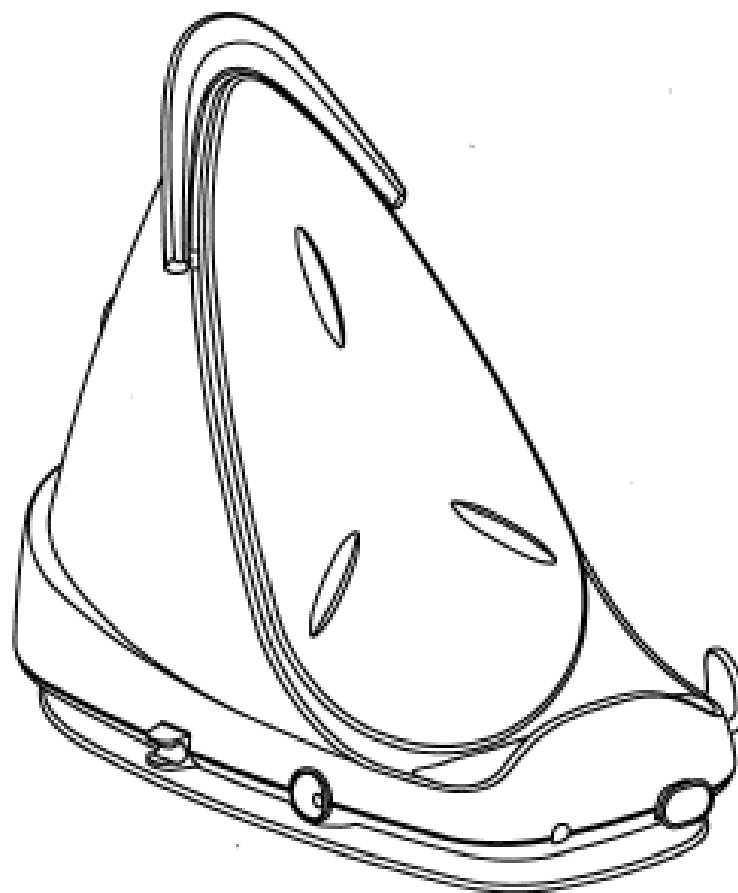
(45) Registration Date: **16 February 2006**

(56) Related Art Documents: **Not Applicable**

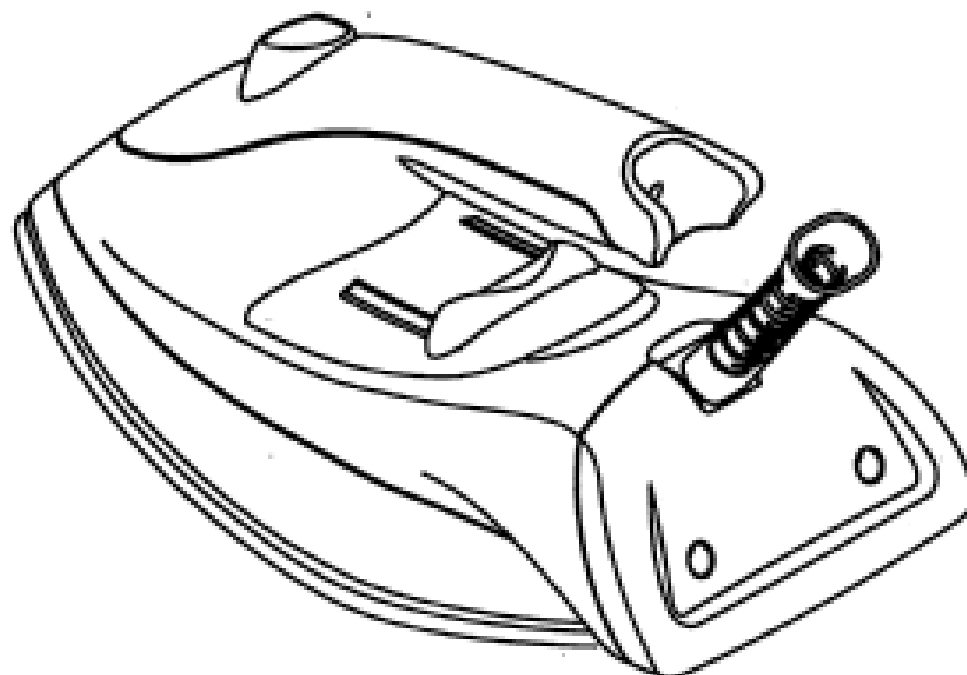
(57) Statement of Newness and Distinctiveness: **Nil**



- (21) Design Number: **13724/2005**  
(22) Date of Filing Application: **30 August 2005**  
(24) Date from which industrial property rights may have effect: **30 August 2005**  
(54) Product in respect of which the design is registered: **Steam generator for a laundry iron**  
(51) International Design Classification: **07-05A**  
(71) Name(s) and Address(s) of Applicant(s):  
**Calor**  
**Place Ambroise Courtois 69008 Lyon France**  
(72) Name(s) of Designer(s): **Fabrice Renault**  
(45) Registration Date: **16 February 2006**  
(30) Convention priority data:  
(31) Number      (32) Date      (33) Country  
**05 1100      02 Mar 2005      FRANCE**  
(56) Related Art Documents: **Not Applicable**  
(57) Statement of Newness and Distinctiveness: **The shape and configuration of the product is new and distinctive.**



- (21) Design Number: **13725/2005**  
(22) Date of Filing Application: **30 August 2005**  
(24) Date from which industrial property rights may have effect: **30 August 2005**  
(54) Product in respect of which the design is registered: **Laundry iron**  
(51) International Design Classification: **07-05A**  
(71) Name(s) and Address(s) of Applicant(s):  
**Calor**  
**Place Ambroise Courtois 69008 Lyon France**  
(72) Name(s) of Designer(s): **Fabrice Renault**  
(45) Registration Date: **16 February 2006**  
(30) Convention priority data:  
(31) Number      (32) Date      (33) Country  
**05 1100      02 Mar 2005      FRANCE**  
(56) Related Art Documents: **Not Applicable**  
(57) Statement of Newness and Distinctiveness: **The shape, configuration, pattern and ornamentation of the product is new and distinctive.**



(21) Design Number: **13745/2005**

(22) Date of Filing Application: **31 August 2005**

(24) Date from which industrial property rights may have effect: **31 August 2005**

(54) Product in respect of which the design is registered: **Drilling fastener**

(51) International Design Classification: **08-01**

(71) Name(s) and Address(s) of Applicant(s):

**Shinjo Manufacturing Co., Ltd  
1-22 Matsu 3-chome Nishinaru-ku Osaka Japan**

(72) Name(s) of Designer(s): **Katsumi Shinjo**

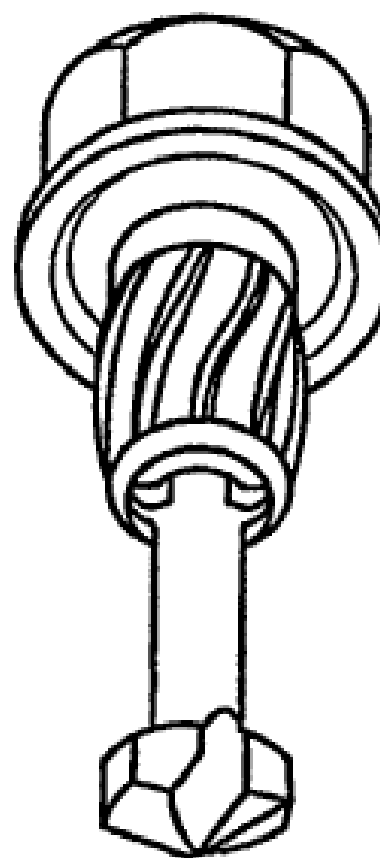
(45) Registration Date: **16 February 2006**

(30) Convention priority data:

(31) Number	(32) Date	(33) Country
<b>2005-008926</b>	<b>28 Mar 2005</b>	<b>JAPAN</b>

(56) Related Art Documents: **Not Applicable**

(57) Statement of Newness and Distinctiveness: **Newness and distinctiveness in the design as applied to a drilling fastener thereof reside in the shape and configuration thereof as illustrated in the accompanying representations.**



(21) Design Number: **13760/2005**

(22) Date of Filing Application: **01 September 2005**

(24) Date from which industrial property rights may have effect: **01 September 2005**

(54) Product in respect of which the design is registered: **Bait station**

(51) International Design Classification: **22-06**

(71) Name(s) and Address(s) of Applicant(s):

**S.C. Johnson & Son, Inc.  
1525 Howe Street Racine Wisconsin 53403-2236 United States of America**

(72) Name(s) of Designer(s): **Tyler D. Duston**

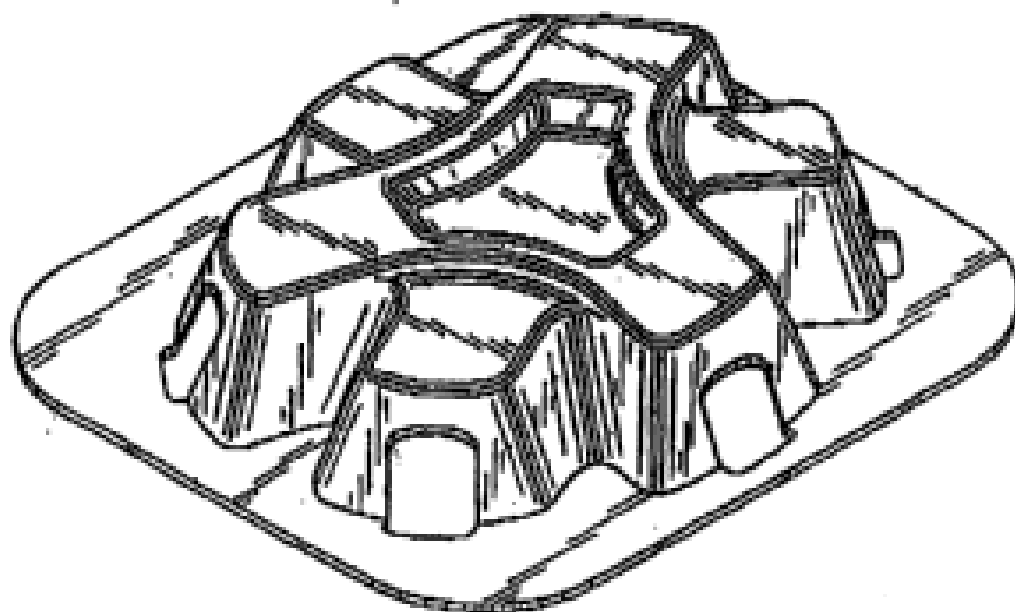
(45) Registration Date: **16 February 2006**

(30) Convention priority data:

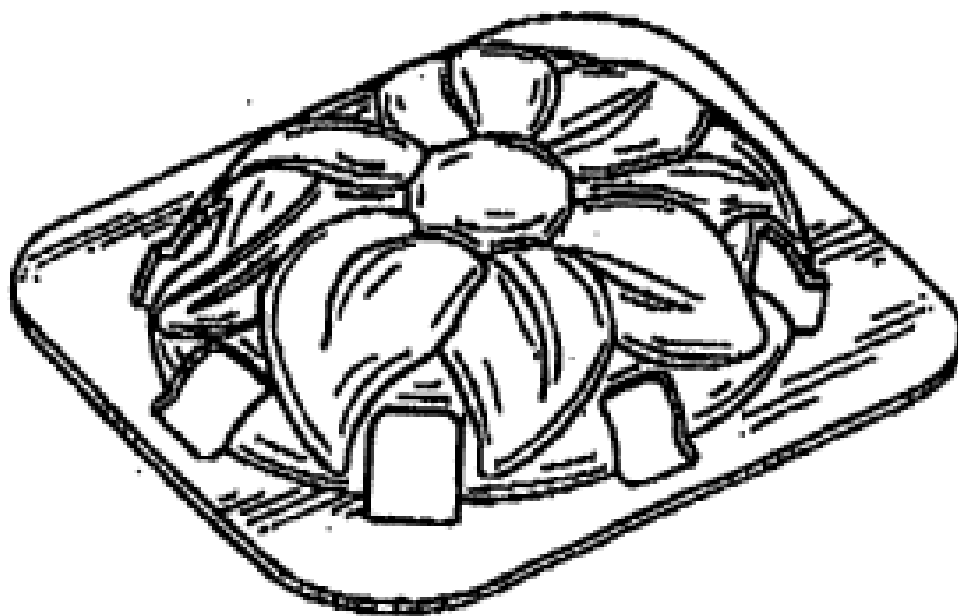
(31) Number	(32) Date	(33) Country
<b>29/224391</b>	<b>01 Mar 2005</b>	<b>UNITED STATES OF AMERICA</b>

(56) Related Art Documents: **Not Applicable**

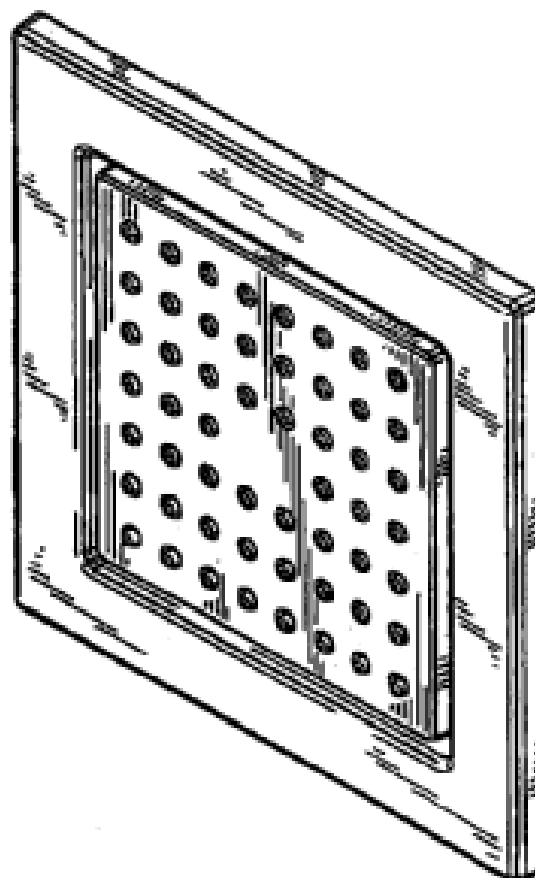
(57) Statement of Newness and Distinctiveness: **Newness and distinctiveness is claimed in the features of shape and/or configuration of a bait station as illustrated in the accompanying representations.**



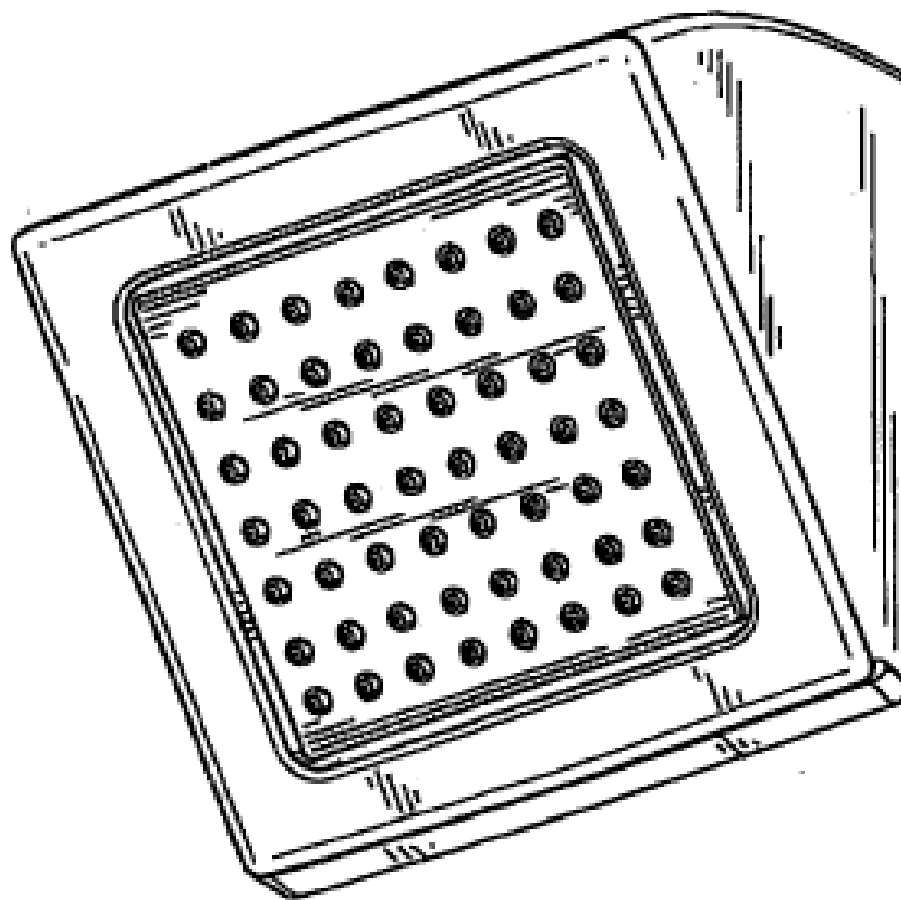
(21) Design Number: **13761/2005**  
(22) Date of Filing Application: **01 September 2005**  
(24) Date from which industrial property rights may have effect: **01 September 2005**  
(54) Product in respect of which the design is registered: **Bait station**  
(51) International Design Classification: **22-06**  
(71) Name(s) and Address(s) of Applicant(s):  
**S.C. Johnson & Son, Inc.**  
**1525 Howe Street Racine Wisconsin 53403-2236 United States of America**  
(72) Name(s) of Designer(s): **Tyler D. Duston**  
(45) Registration Date: **16 February 2006**  
(30) Convention priority data:  
(31) Number (32) Date (33) Country  
**29/224393 01 Mar 2005 UNITED STATES OF AMERICA**  
(56) Related Art Documents: **Not Applicable**  
(57) Statement of Newness and Distinctiveness: **Newness and distinctiveness is claimed in the features of shape and/or configuration of a bait station as illustrated in the accompanying representations.**



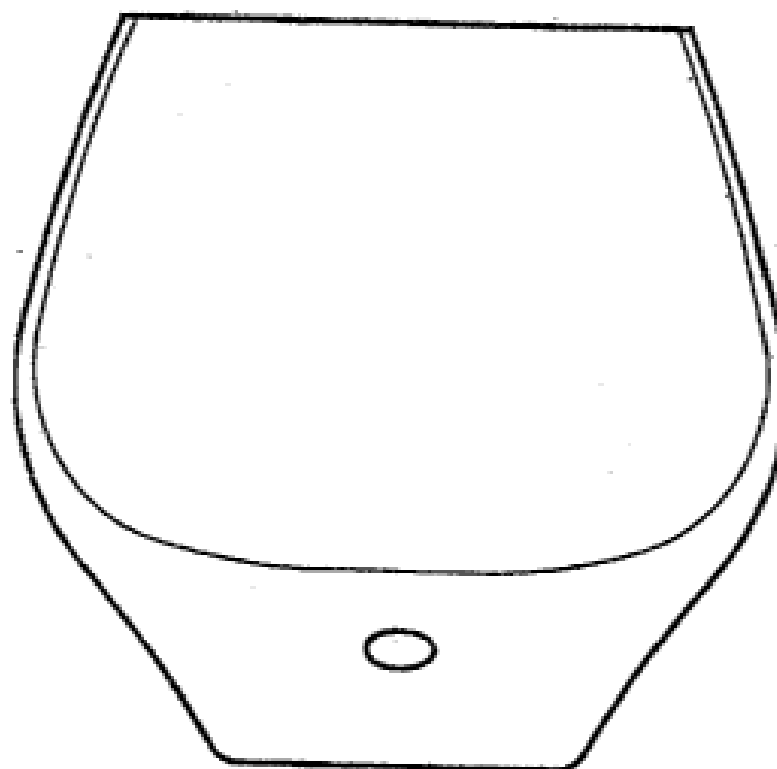
(21) Design Number: **13762/2005**  
(22) Date of Filing Application: **01 September 2005**  
(24) Date from which industrial property rights may have effect: **01 September 2005**  
(54) Product in respect of which the design is registered: **Showerhead**  
(51) International Design Classification: **23-02B**  
(71) Name(s) and Address(s) of Applicant(s):  
**Kohler Co.**  
**444 Highland Drive Kohler WI 53044 United States of America**  
(72) Name(s) of Designer(s): **Kristina J. Genslak and Niels J. Eilmus and Howard M. Montgomery**  
(45) Registration Date: **16 February 2006**  
(30) Convention priority data:  
(31) Number (32) Date (33) Country  
**29/224392 01 Mar 2005 UNITED STATES OF AMERICA**  
(56) Related Art Documents: **Not Applicable**  
(57) Statement of Newness and Distinctiveness: **Nil**



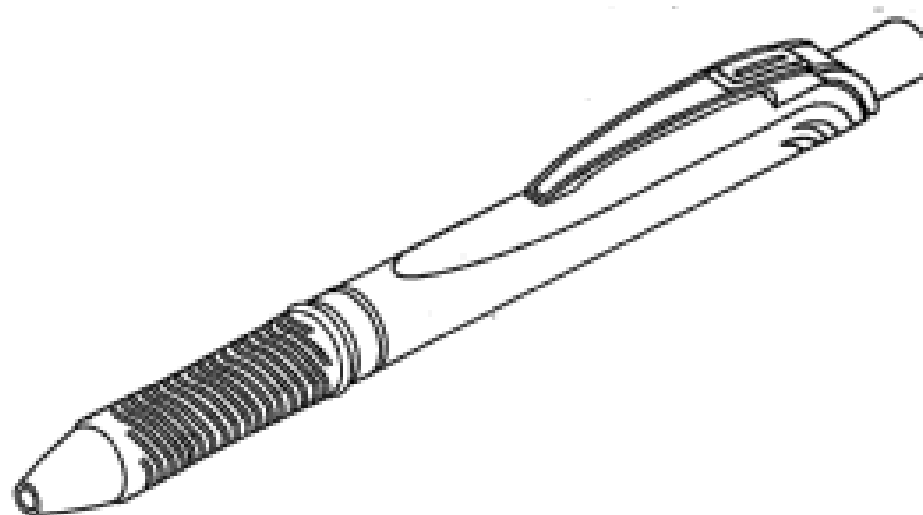
(21) Design Number: **13763/2005**  
(22) Date of Filing Application: **01 September 2005**  
(24) Date from which industrial property rights may have effect: **01 September 2005**  
(54) Product in respect of which the design is registered: **Showerhead**  
(51) International Design Classification: **23-02B**  
(71) Name(s) and Address(s) of Applicant(s):  
**Kohler Co.**  
**444 Highland Drive Kohler WI 53044 United States of America**  
(72) Name(s) of Designer(s): **Kristina J. Genslak and Niels J. Eilmus and Howard M. Montgomery**  
(45) Registration Date: **16 February 2006**  
(30) Convention priority data:  
(31) Number (32) Date (33) Country  
**29/224392 01 Mar 2005 UNITED STATES OF AMERICA**  
(56) Related Art Documents: **Not Applicable**  
(57) Statement of Newness and Distinctiveness: **Nil**



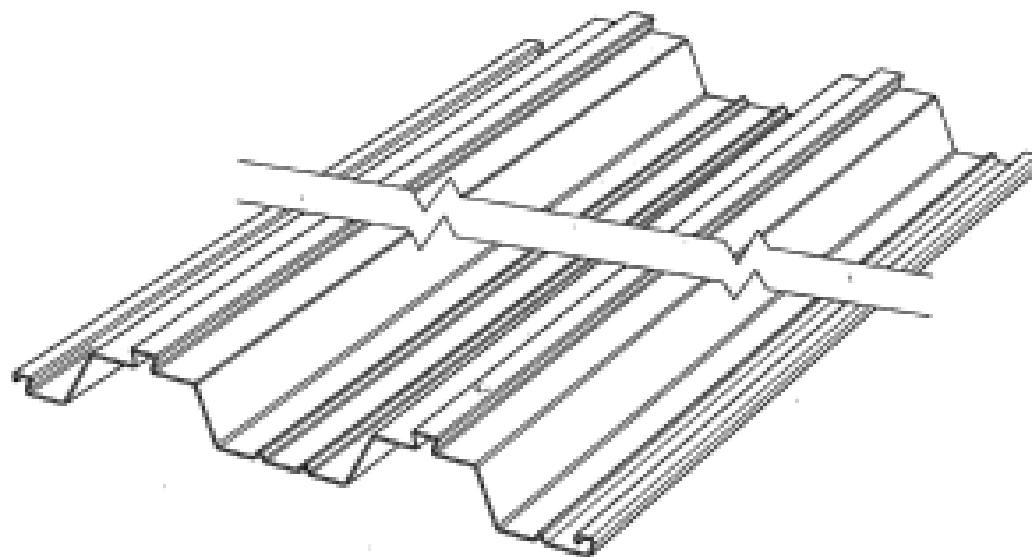
(21) Design Number: **13787/2005**  
(22) Date of Filing Application: **02 September 2005**  
(24) Date from which industrial property rights may have effect: **02 September 2005**  
(54) Product in respect of which the design is registered: **Glassware**  
(51) International Design Classification: **07-01C**  
(71) Name(s) and Address(s) of Applicant(s):  
**DUROBOR, Societe anonyme**  
**Rue Mademoiselle Hanicq 39 B-7060 Soignies Belgium**  
(72) Name(s) of Designer(s): **Vincent Assez**  
(45) Registration Date: **16 February 2006**  
(30) Convention priority data:  
(31) Number (32) Date (33) Country  
**000342571-0001 13 May 2005 BELGIUM**  
(56) Related Art Documents: **Not Applicable**  
(57) Statement of Newness and Distinctiveness: **Nil**



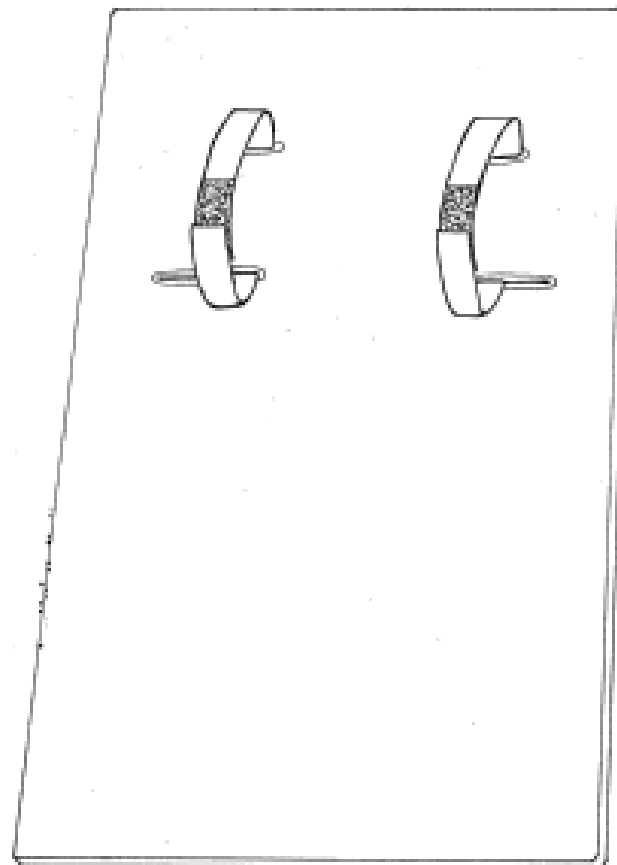
- (21) Design Number: **14868/2005**  
(22) Date of Filing Application: **03 November 2005**  
(24) Date from which industrial property rights may have effect: **03 November 2005**  
(54) Product in respect of which the design is registered: **A ball point pen**  
(51) International Design Classification: **19-06**  
(71) Name(s) and Address(s) of Applicant(s):  
**Pentel Kabushiki Kaisha**  
**7-2 Nihonbashi Koami-Cho Chuo-Ku Tokyo Japan**  
(72) Name(s) of Designer(s): **Tomoaki Shibata**  
(45) Registration Date: **16 February 2006**  
(30) Convention priority data:  
(31) Number      (32) Date      (33) Country  
**2005-016995      13 Jun 2005      JAPAN**  
(56) Related Art Documents: **Not Applicable**  
(57) Statement of Newness and Distinctiveness: **The shape and configuration of a ball point pen is new and distinctive.**



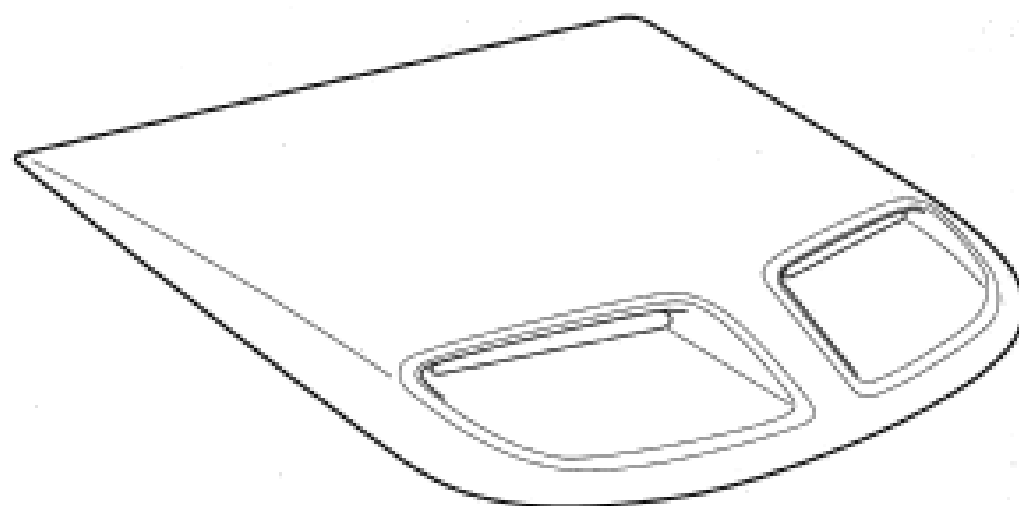
- (21) Design Number: **11530/2005**  
(22) Date of Filing Application: **15 April 2005**  
(24) Date from which industrial property rights may have effect: **15 April 2005**  
(54) Product in respect of which the design is registered: **Decking panel**  
(51) International Design Classification: **25-01NES**  
(71) Name(s) and Address(s) of Applicant(s):  
**Fielders Australia Pty Ltd**  
**15 Railway Terrace Mile End South Australia 5031 Australia**  
(72) Name(s) of Designer(s): **Joe Litmixay and Mark Patrick and Matt Lloyde**  
(45) Registration Date: **16 February 2006**  
(56) Related Art Documents: **Not Applicable**  
(57) Statement of Newness and Distinctiveness: **Newness and distinctiveness reside in the features of shape and configuration of a decking panel which is of indefinite length as shown in the accompanying representations. In considering the extent of monopoly protection, the shape and configuration of the ends of the ribs, squashed or unsquashed, is to be disregarded.**



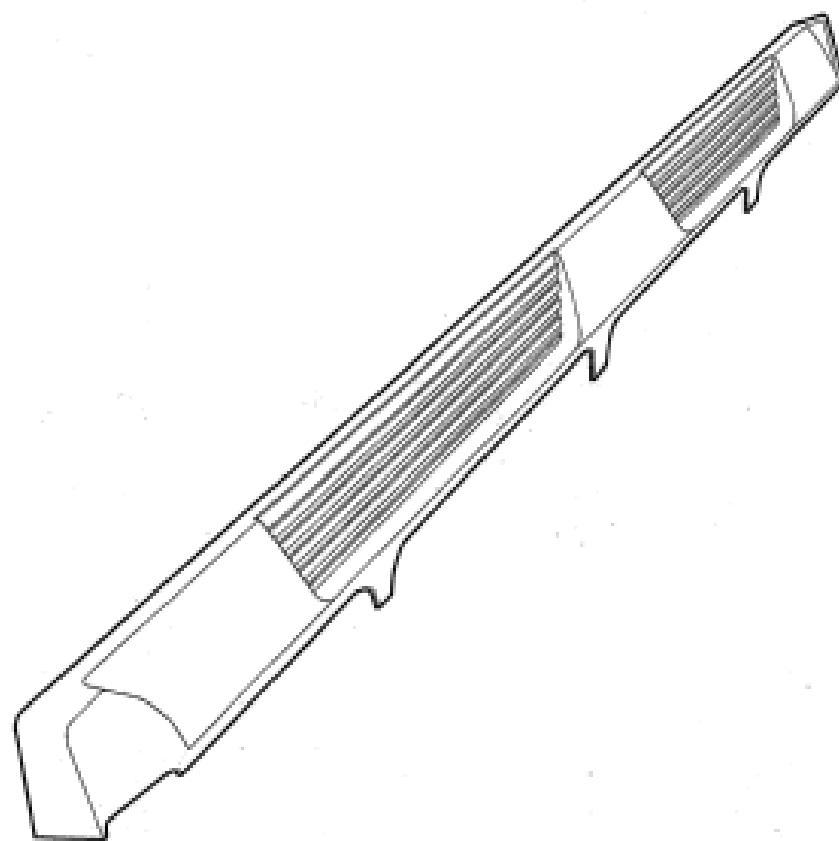
- (21) Design Number: **13767/2005**  
(22) Date of Filing Application: **02 September 2005**  
(24) Date from which industrial property rights may have effect: **02 September 2005**  
(54) Product in respect of which the design is registered: **Baby changing mat. table. station**  
(51) International Design Classification: **06-09**  
(71) Name(s) and Address(s) of Applicant(s):  
**Qing Zhang**  
**6/7 Passfield Street Brunswick West Victoria 3055 Australia**  
**Quan Chen**  
**6/7 Passfield Street Brunswick West Victoria 3055 Australia**  
(72) Name(s) of Designer(s): **Qing Zhang and Quan Chen**  
(45) Registration Date: **16 February 2006**  
(56) Related Art Documents: **Not Applicable**  
(57) Statement of Newness and Distinctiveness: **The new feature of the design is two straps fixed on the board as show in the representation and fastened with velcro or side lock. Bottom side of the straps can move along the track.**



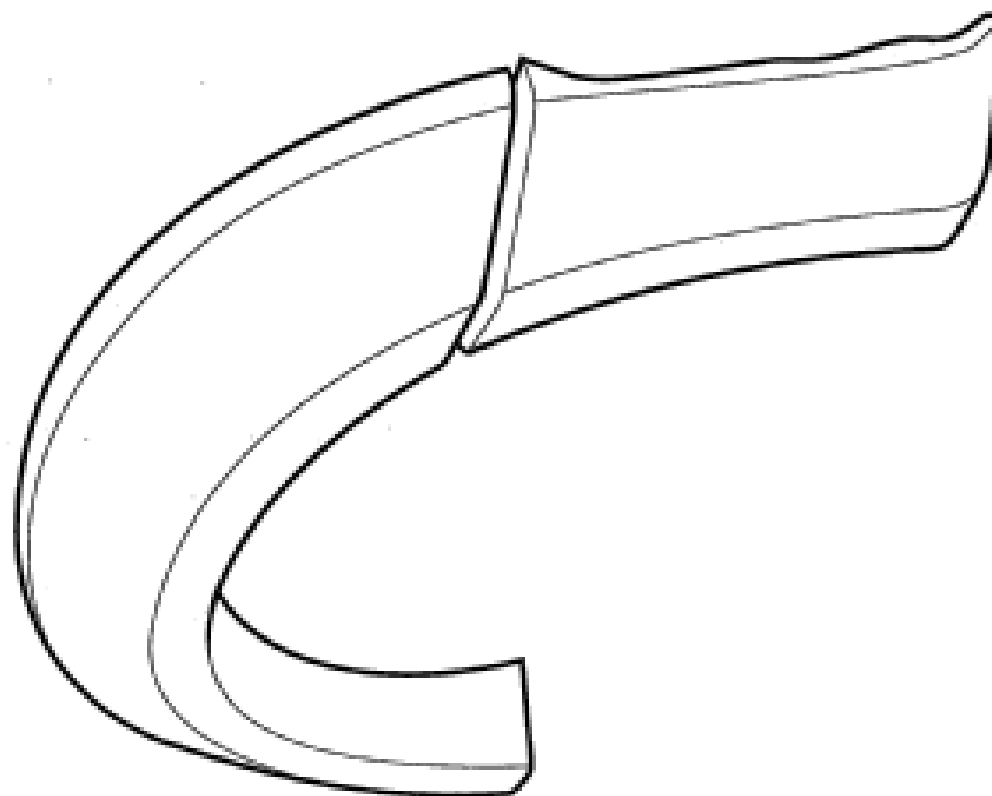
- (21) Design Number: **13774/2005**  
(22) Date of Filing Application: **02 September 2005**  
(24) Date from which industrial property rights may have effect: **02 September 2005**  
(54) Product in respect of which the design is registered: **Automobile bonnet scoop**  
(51) International Design Classification: **12-16B**  
(71) Name(s) and Address(s) of Applicant(s):  
**Alan Brian Kendall**  
**Unit 16 429 The Boulevard Kirrawee New South Wales 2232 Australia**  
(72) Name(s) of Designer(s): **John Learson**  
(45) Registration Date: **16 February 2006**  
(56) Related Art Documents: **Not Applicable**  
(57) Statement of Newness and Distinctiveness: **Each feature of the design considered separately or in combination with any other feature or features.**



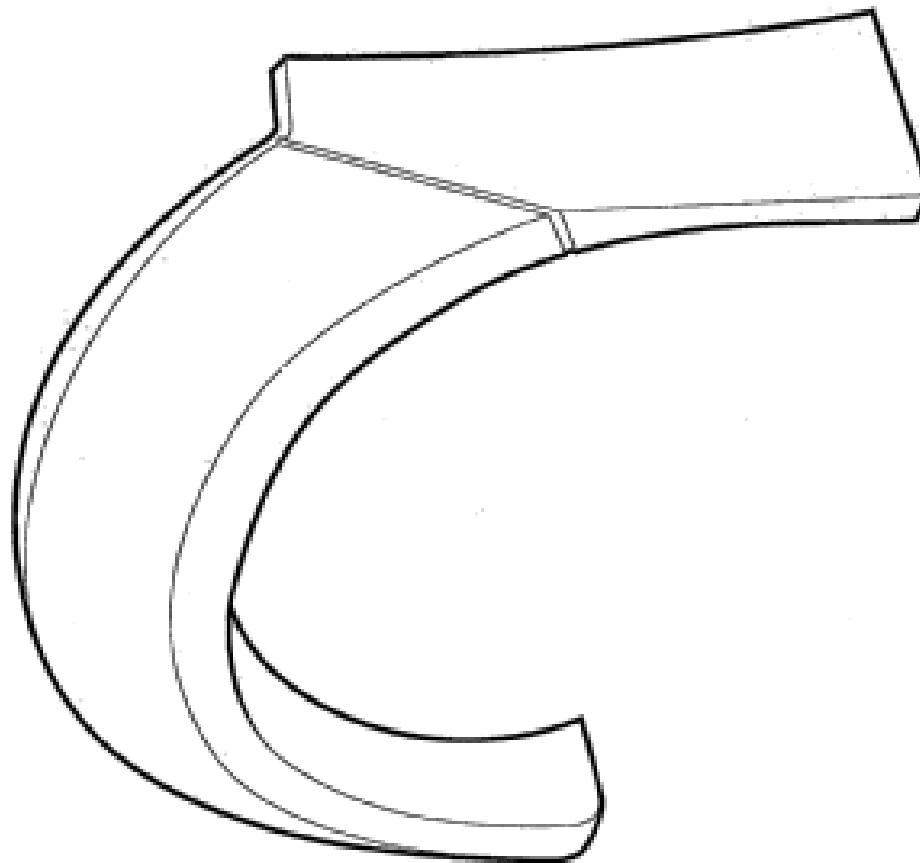
- (21) Design Number: **13775/2005**  
(22) Date of Filing Application: **02 September 2005**  
(24) Date from which industrial property rights may have effect: **02 September 2005**  
(54) Product in respect of which the design is registered: **Automobile sports step**  
(51) International Design Classification: **12-16B**  
(71) Name(s) and Address(s) of Applicant(s):  
**Alan Brian Kendall**  
**Unit 16 429 The Boulevard Kirrawee New South Wales 2232 Australia**  
(72) Name(s) of Designer(s): **John Learson**  
(45) Registration Date: **16 February 2006**  
(56) Related Art Documents: **Not Applicable**  
(57) Statement of Newness and Distinctiveness: **Each feature of the design considered separately or in combination with any other feature or features.**



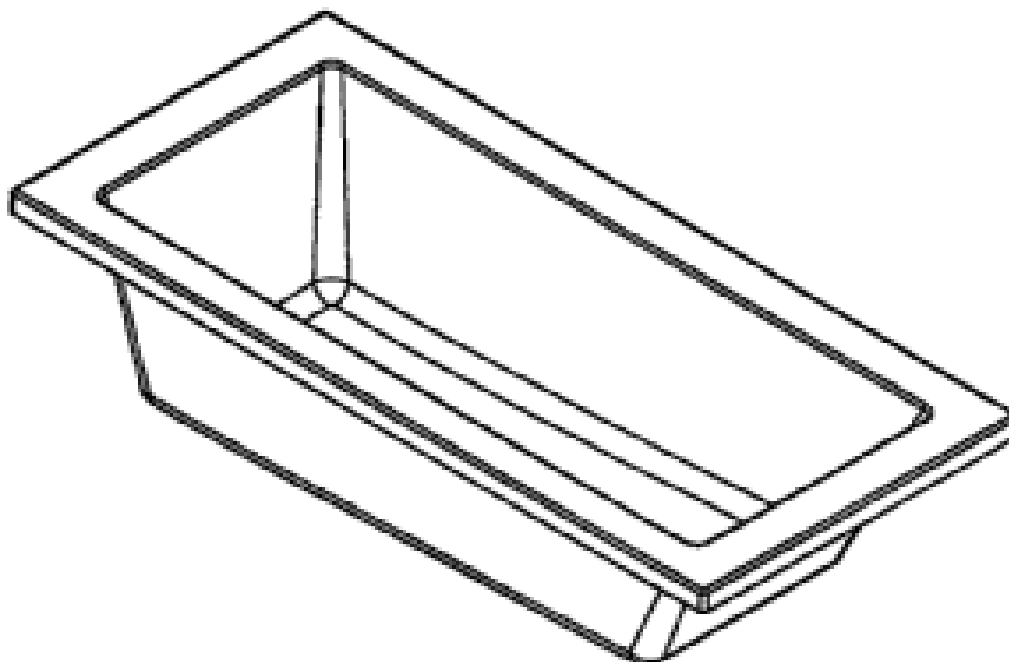
- (21) Design Number: **13776/2005**  
(22) Date of Filing Application: **02 September 2005**  
(24) Date from which industrial property rights may have effect: **02 September 2005**  
(54) Product in respect of which the design is registered: **Automobile front wheelarch flair**  
(51) International Design Classification: **12-16B**  
(71) Name(s) and Address(s) of Applicant(s):  
**Alan Brian Kendall**  
**Unit 16 429 The Boulevard Kirrawee New South Wales 2232 Australia**  
(72) Name(s) of Designer(s): **John Learson**  
(45) Registration Date: **16 February 2006**  
(56) Related Art Documents: **Not Applicable**  
(57) Statement of Newness and Distinctiveness: **Each feature of the design considered separately or in combination with any other feature or features.**



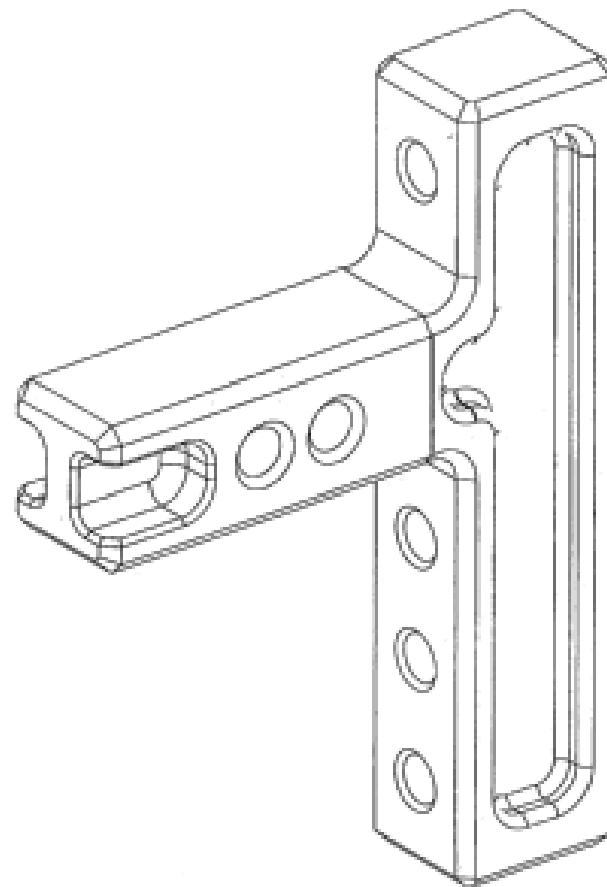
- (21) Design Number: **13777/2005**  
(22) Date of Filing Application: **02 September 2005**  
(24) Date from which industrial property rights may have effect: **02 September 2005**  
(54) Product in respect of which the design is registered: **Automobile rear wheelarch flair**  
(51) International Design Classification: **12-16B**  
(71) Name(s) and Address(s) of Applicant(s):  
**Alan Brian Kendall**  
**Unit 16 429 The Boulevard Kirrawee New South Wales 2232 Australia**  
(72) Name(s) of Designer(s): **John Learson**  
(45) Registration Date: **16 February 2006**  
(56) Related Art Documents: **Not Applicable**  
(57) Statement of Newness and Distinctiveness: **Each feature of the design considered separately or in combination with any other feature or features.**



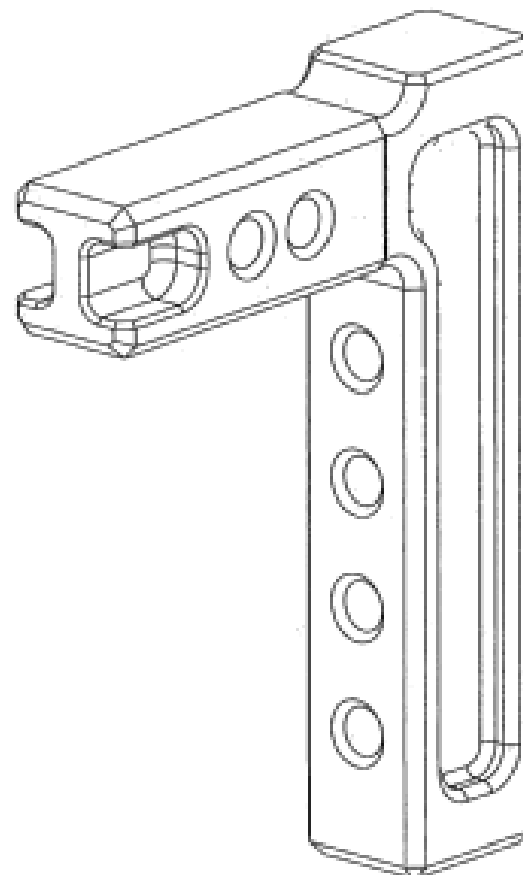
- (21) Design Number: **13779/2005**  
(22) Date of Filing Application: **02 September 2005**  
(24) Date from which industrial property rights may have effect: **02 September 2005**  
(54) Product in respect of which the design is registered: **A bath**  
(51) International Design Classification: **23-02B**  
(71) Name(s) and Address(s) of Applicant(s):  
**Caroma Industries Limited**  
**Level 3 159 Coronation Drive Milton Queensland 4064 Australia**  
(72) Name(s) of Designer(s): **Stephen John Cummings and Kai Hong Vincent Ho**  
(45) Registration Date: **16 February 2006**  
(56) Related Art Documents: **Not Applicable**  
(57) Statement of Newness and Distinctiveness: **Newness and distinctiveness is claimed in the features of shape and/or configuration of a bath as illustrated in the accompanying representations.**



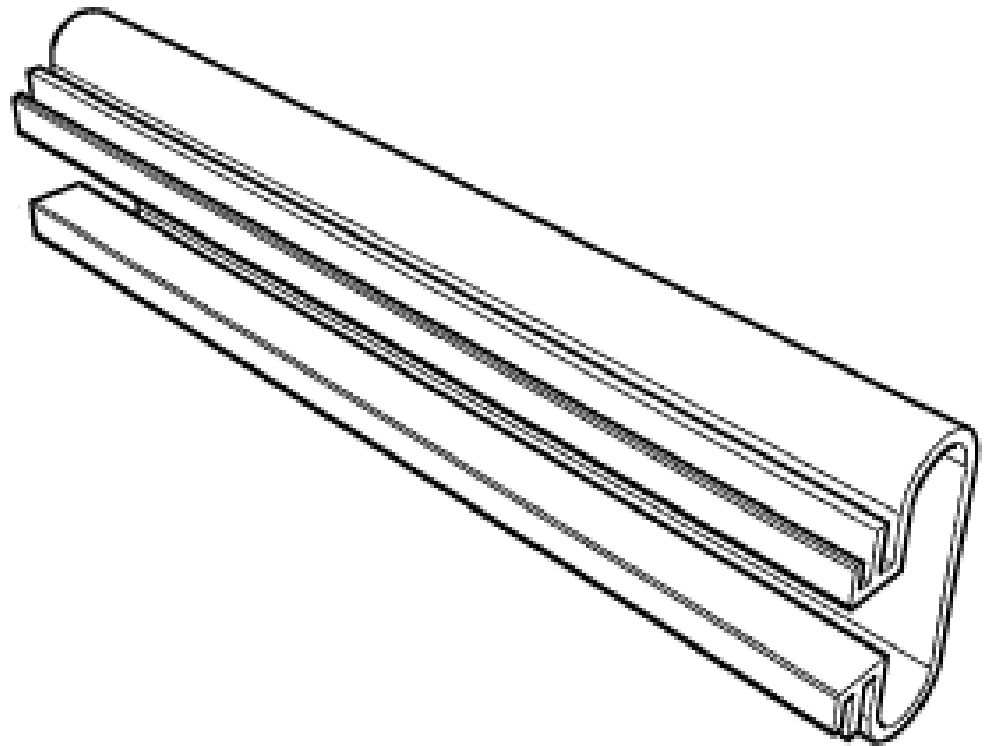
- (21) Design Number: **13788/2005**  
(22) Date of Filing Application: **02 September 2005**  
(24) Date from which industrial property rights may have effect: **02 September 2005**  
(54) Product in respect of which the design is registered: **T-block of a towing hitch**  
(51) International Design Classification: **12-16L**  
(71) Name(s) and Address(s) of Applicant(s):  
**Frontline Australasia Pty Ltd**  
**21 Commercial Road Dandenong Victoria 3175 Australia**  
(72) Name(s) of Designer(s): **Daniel Trott and Robin Painter and Scott McDonald and John Doward and Rod Mawson and Brendan Price and Kevin Hooper**  
(45) Registration Date: **16 February 2006**  
(56) Related Art Documents: **Not Applicable**  
(57) Statement of Newness and Distinctiveness: **Nil**



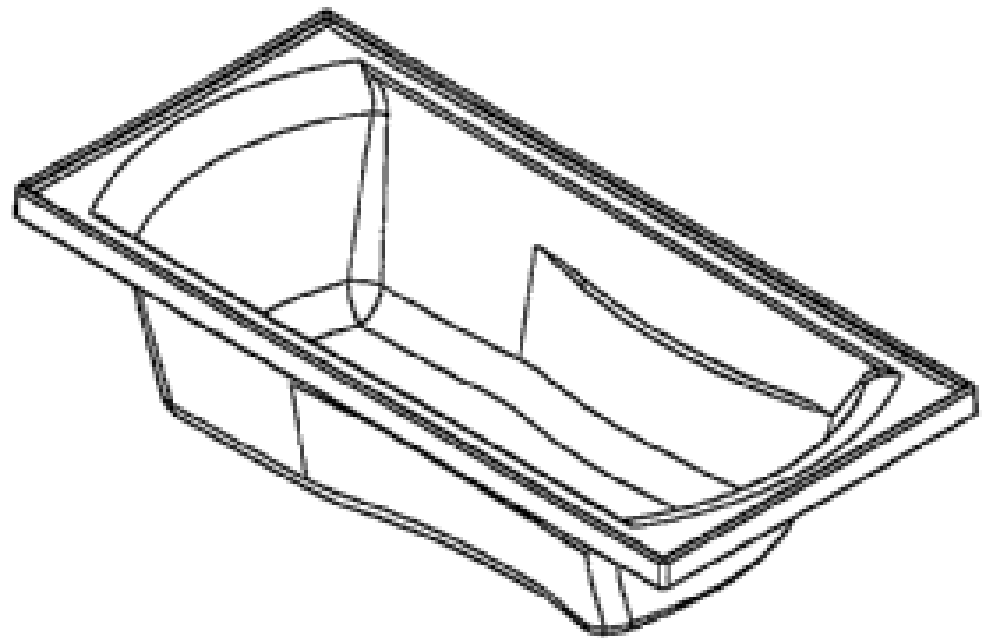
- (21) Design Number: **13789/2005**  
(22) Date of Filing Application: **02 September 2005**  
(24) Date from which industrial property rights may have effect: **02 September 2005**  
(54) Product in respect of which the design is registered: **L-block of a towing hitch**  
(51) International Design Classification: **12-16L**  
(71) Name(s) and Address(s) of Applicant(s):  
**Frontline Australasia Pty Ltd**  
**21 Commercial Road Dandenong Victoria 3175 Australia**  
(72) Name(s) of Designer(s): **Daniel Trott and Robin Painter and Scott McDonald and John Doward and Rod Mawson and Brendan Price and Kevin Hooper**  
(45) Registration Date: **16 February 2006**  
(56) Related Art Documents: **Not Applicable**  
(57) Statement of Newness and Distinctiveness: **Nil**



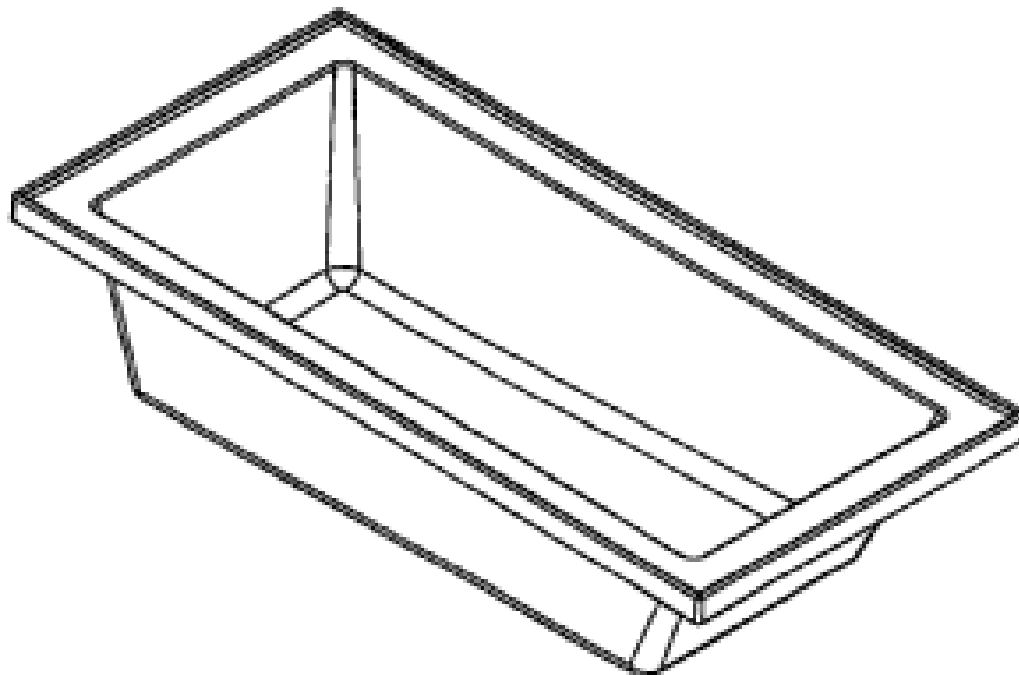
- (21) Design Number: **13797/2005**  
(22) Date of Filing Application: **05 September 2005**  
(24) Date from which industrial property rights may have effect: **05 September 2005**  
(54) Product in respect of which the design is registered: **Graphic display wall insert extrusion**  
(51) International Design Classification: **25-01K, 08-08M**  
(71) Name(s) and Address(s) of Applicant(s):  
**Andrew Stolp**  
**100 Porters Road Kenthurst New South Wales 2156 Australia**  
(72) Name(s) of Designer(s): **Andrew Stolp**  
(45) Registration Date: **16 February 2006**  
(56) Related Art Documents: **Not Applicable**  
(57) Statement of Newness and Distinctiveness: **The extrusion features graphic panel retention clips.**



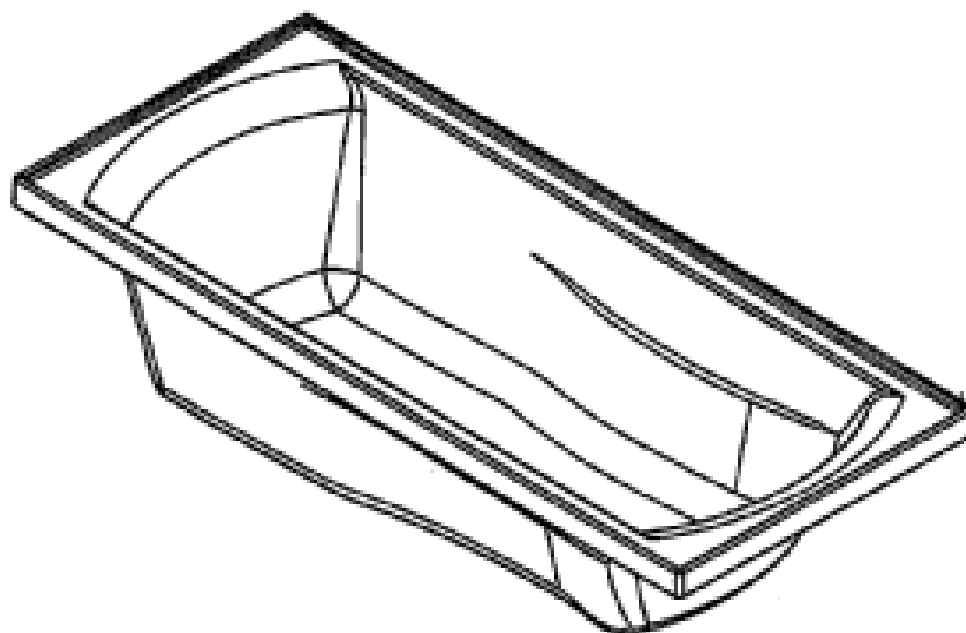
- (21) Design Number: **13781/2005**  
(22) Date of Filing Application: **02 September 2005**  
(24) Date from which industrial property rights may have effect: **02 September 2005**  
(54) Product in respect of which the design is registered: **A bath**  
(51) International Design Classification: **23-02B**  
(71) Name(s) and Address(s) of Applicant(s):  
**Caroma Industries Limited**  
**Level 3 159 Coronation Drive Milton Queensland 4064 Australia**  
(72) Name(s) of Designer(s): **Vincent Kai Hong Ho and Stephen John Cummings**  
(45) Registration Date: **16 February 2006**  
(56) Related Art Documents: **Not Applicable**  
(57) Statement of Newness and Distinctiveness: **Newness and distinctiveness is claimed in the features of shape and/or configuration of a bath as illustrated in the accompanying representations.**



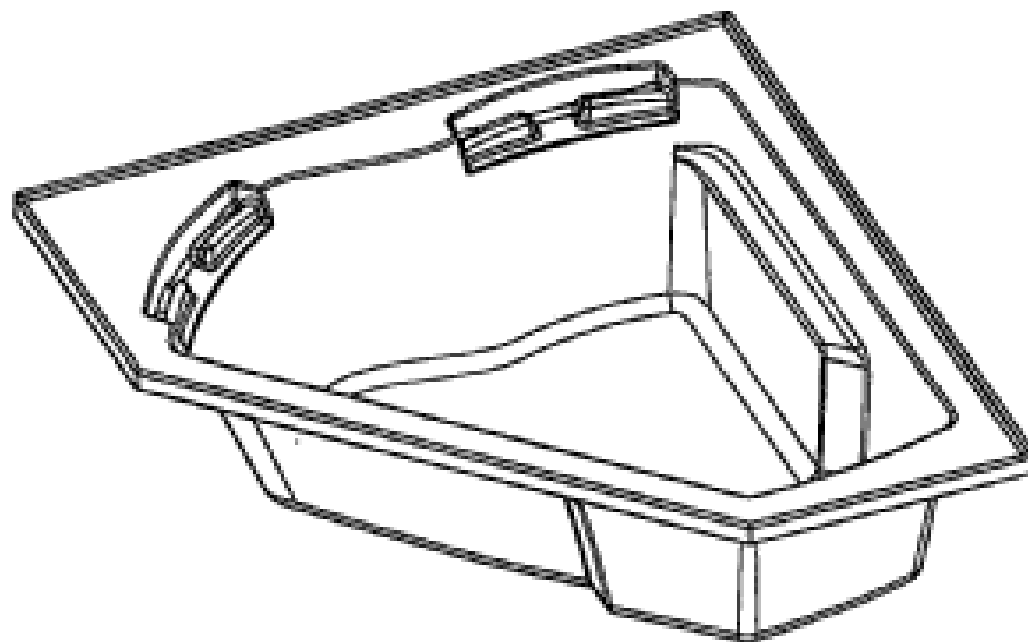
- (21) Design Number: **13782/2005**  
(22) Date of Filing Application: **02 September 2005**  
(24) Date from which industrial property rights may have effect: **02 September 2005**  
(54) Product in respect of which the design is registered: **A bath**  
(51) International Design Classification: **23-02B**  
(71) Name(s) and Address(s) of Applicant(s):  
**Caroma Industries Limited**  
**Level 3 159 Coronation Drive Milton Queensland 4064 Australia**  
(72) Name(s) of Designer(s): **Vincent Kai Hong Ho and Stephen John Cummings**  
(45) Registration Date: **16 February 2006**  
(56) Related Art Documents: **Not Applicable**  
(57) Statement of Newness and Distinctiveness: **Newness and distinctiveness is claimed in the features of shape and/or configuration of a bath as illustrated in the accompanying representations.**



- (21) Design Number: **13783/2005**  
(22) Date of Filing Application: **02 September 2005**  
(24) Date from which industrial property rights may have effect: **02 September 2005**  
(54) Product in respect of which the design is registered: **A bath**  
(51) International Design Classification: **23-02B**  
(71) Name(s) and Address(s) of Applicant(s):  
**Caroma Industries Limited**  
**Level 3 159 Coronation Drive Milton Queensland 4064 Australia**  
(72) Name(s) of Designer(s): **Vincent Kai Hong Ho and Stephen John Cummings**  
(45) Registration Date: **16 February 2006**  
(56) Related Art Documents: **Not Applicable**  
(57) Statement of Newness and Distinctiveness: **Newness and distinctiveness is claimed in the features of shape and/or configuration of a bath as illustrated in the accompanying representations.**



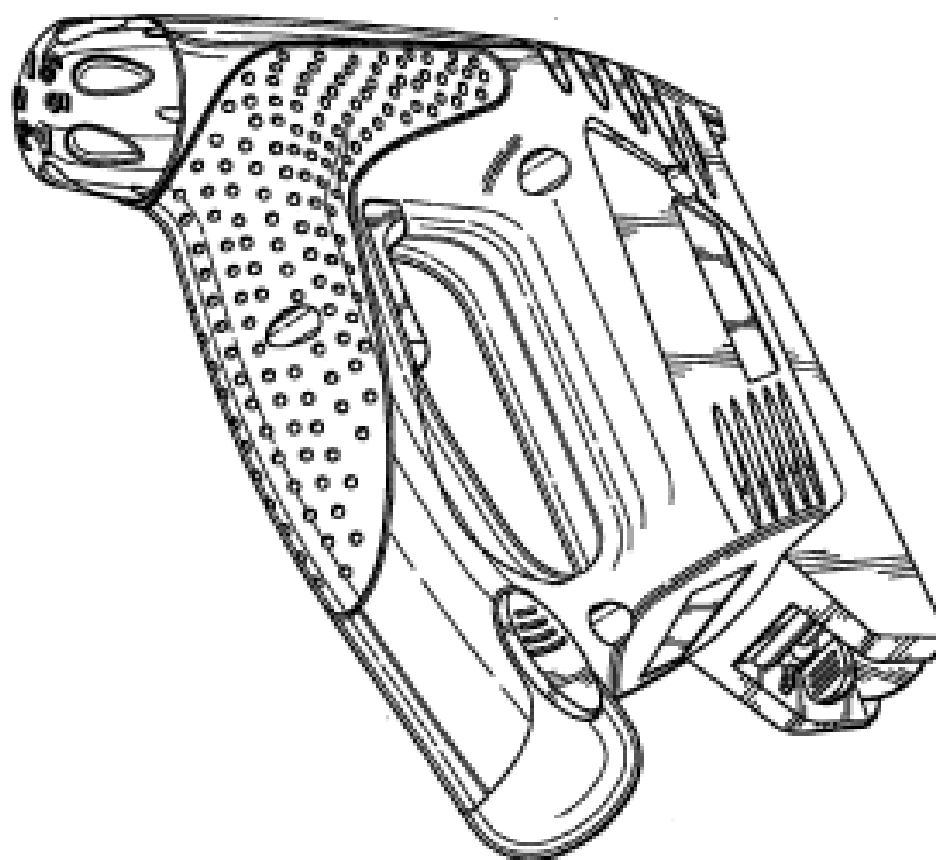
- (21) Design Number: **13784/2005**  
(22) Date of Filing Application: **02 September 2005**  
(24) Date from which industrial property rights may have effect: **02 September 2005**  
(54) Product in respect of which the design is registered: **A bath**  
(51) International Design Classification: **23-02B**  
(71) Name(s) and Address(s) of Applicant(s):  
**Caroma Industries Limited**  
**Level 3 159 Coronation Drive Milton Queensland 4064 Australia**  
(72) Name(s) of Designer(s): **Vincent Kai Hong Ho and Stephen John Cummings**  
(45) Registration Date: **16 February 2006**  
(56) Related Art Documents: **Not Applicable**  
(57) Statement of Newness and Distinctiveness: **Newness and distinctiveness is claimed in the features of shape and/or configuration of a bath as illustrated in the accompanying representations.**



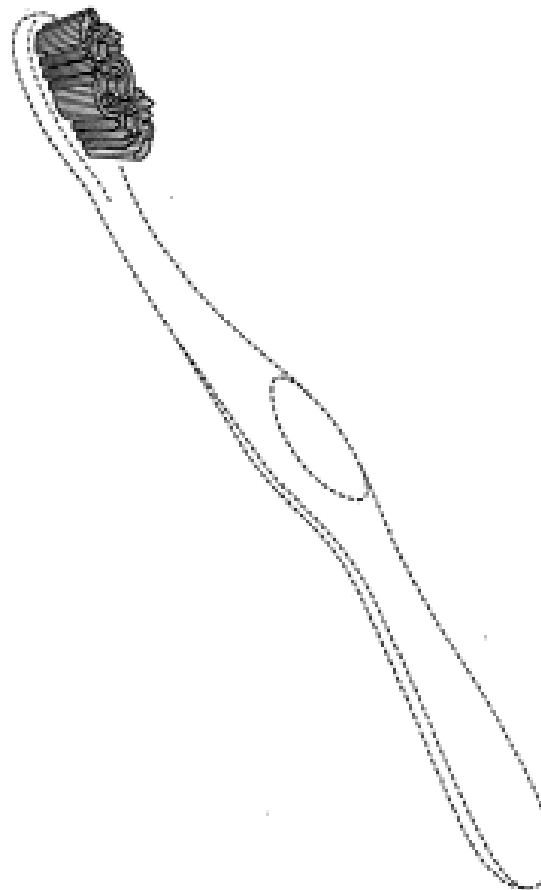
- (21) Design Number: **13802/2005**  
(22) Date of Filing Application: **05 September 2005**  
(24) Date from which industrial property rights may have effect: **05 September 2005**  
(54) Product in respect of which the design is registered: **Staple gun**  
(51) International Design Classification: **08-05NES**  
(71) Name(s) and Address(s) of Applicant(s):  
**Robert Bosch GmbH**  
**Postfach 30 02 20 D-70442 Stuttgart Germany**  
(72) Name(s) of Designer(s): **Klaus Baumgaertner**  
(45) Registration Date: **16 February 2006**  
(30) Convention priority data:  

(31) Number	(32) Date	(33) Country
<b>405 03 501.2</b>	<b>07 Jul 2005</b>	<b>GERMANY</b>

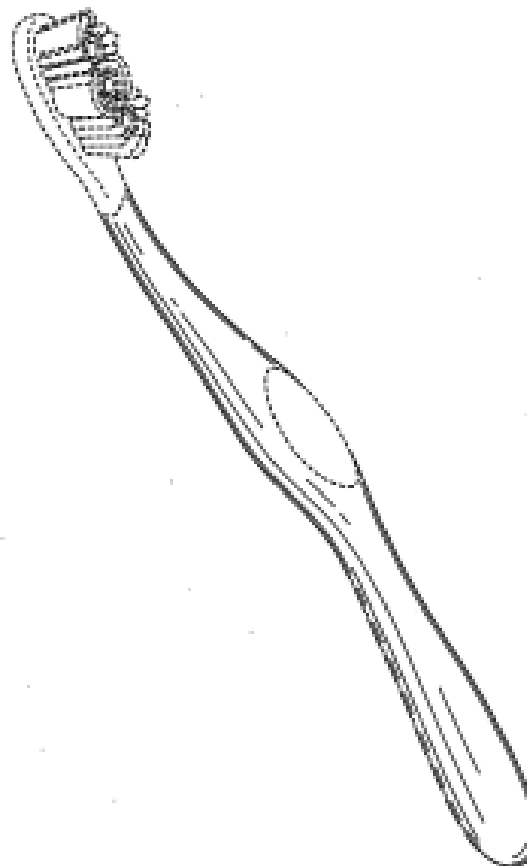
  
(56) Related Art Documents: **Not Applicable**  
(57) Statement of Newness and Distinctiveness: **Nil**



(21) Design Number: **13854/2004**  
(22) Date of Filing Application: **12 August 2004**  
(24) Date from which industrial property rights may have effect: **26 February 2004**  
(54) Product in respect of which the design is registered: **Toothbrush bristles**  
(51) International Design Classification: **04-02**  
(71) Name(s) and Address(s) of Applicant(s):  
**Colgate-Palmolive Company**  
**300 Park Avenue New York New York 10022 United States of America**  
(72) Name(s) of Designer(s): **Douglas J. Hohlbein**  
(45) Registration Date: **17 February 2006**  
(30) Convention priority data:  
(31) Number (32) Date (33) Country  
**29/189729 10 Sep 2003 UNITED STATES OF AMERICA**  
(62) Divisional of: **157204**  
(56) Related Art Documents: **Not Applicable**  
(57) Statement of Newness and Distinctiveness: **Nil**



(21) Design Number: **13855/2004**  
(22) Date of Filing Application: **12 August 2004**  
(24) Date from which industrial property rights may have effect: **26 February 2004**  
(54) Product in respect of which the design is registered: **Toothbrush handle**  
(51) International Design Classification: **04-02**  
(71) Name(s) and Address(s) of Applicant(s):  
**Colgate-Palmolive Company**  
**300 Park Avenue New York New York 10022 United States of America**  
(72) Name(s) of Designer(s): **Douglas J. Hohlbein and Luca Casini and Jacob Pringiers**  
(45) Registration Date: **17 February 2006**  
(30) Convention priority data:  
(31) Number (32) Date (33) Country  
**29/189729 10 Sep 2003 UNITED STATES OF AMERICA**  
(62) Divisional of: **157204**  
(56) Related Art Documents: **Not Applicable**  
(57) Statement of Newness and Distinctiveness: **Nil**



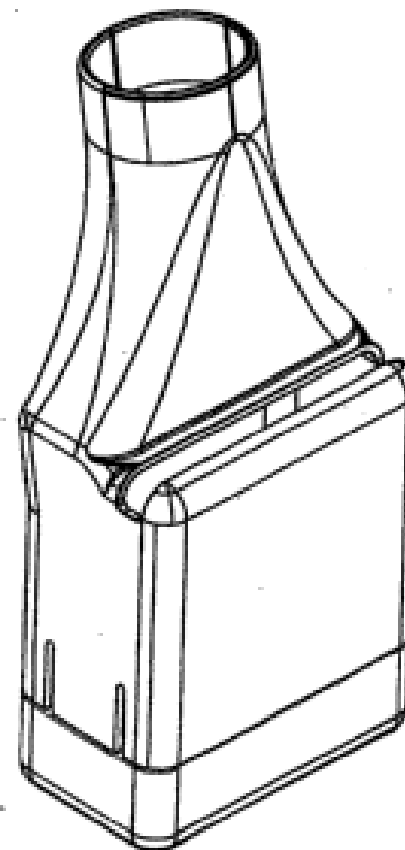
(19) AU

(21) Design Number: **13856/2004**  
(22) Date of Filing Application: **12 August 2004**  
(24) Date from which industrial property rights may have effect: **26 February 2004**  
(54) Product in respect of which the design is registered: **Tongue scrape**  
(51) International Design Classification: **04-02, 28-03NES**  
(71) Name(s) and Address(s) of Applicant(s):  
**Colgate-Palmolive Company**  
**300 Park Avenue New York New York 10022 United States of America**  
(72) Name(s) of Designer(s): **Douglas J. Hohlbein**  
(45) Registration Date: **17 February 2006**  
(30) Convention priority data:  
(31) Number (32) Date (33) Country  
**29/189729 10 Sep 2003 UNITED STATES OF AMERICA**  
(62) Divisional of: **157204**  
(56) Related Art Documents: **Not Applicable**  
(57) Statement of Newness and Distinctiveness: **Nil**



(19) AU

(21) Design Number: **11192/2005**  
(22) Date of Filing Application: **29 March 2005**  
(24) Date from which industrial property rights may have effect: **29 March 2005**  
(54) Product in respect of which the design is registered: **Vehicle seat belt buckle guard**  
(51) International Design Classification: **29-02, 12-16NES**  
(71) Name(s) and Address(s) of Applicant(s):  
**Charles Portelli**  
**2B Kerferd Street Hampton Victoria 3188 Australia**  
(72) Name(s) of Designer(s): **Charles Portelli**  
(45) Registration Date: **17 February 2006**  
(56) Related Art Documents: **Not Applicable**  
(57) Statement of Newness and Distinctiveness: **Nil**



(21) Design Number: **11193/2005**

(22) Date of Filing Application: **29 March 2005**

(24) Date from which industrial property rights may have effect: **29 March 2005**

(54) Product in respect of which the design is registered: **Vehicle seat belt buckle guard**

(51) International Design Classification: **29-02, 12-16NES**

(71) Name(s) and Address(s) of Applicant(s):

**Charles Portelli**

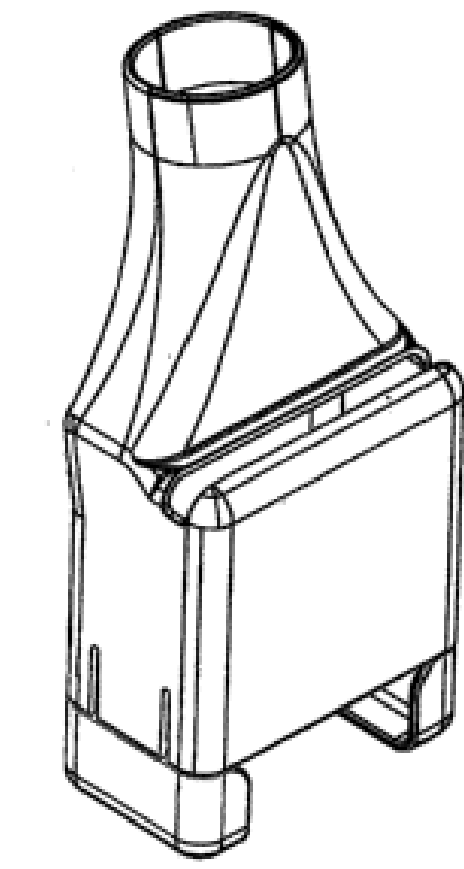
**2B Kerferd Street Hampton Victoria 3188 Australia**

(72) Name(s) of Designer(s): **Charles Portelli**

(45) Registration Date: **17 February 2006**

(56) Related Art Documents: **Not Applicable**

(57) Statement of Newness and Distinctiveness: **Nil**



(21) Design Number: **11357/2005**

(22) Date of Filing Application: **05 April 2005**

(24) Date from which industrial property rights may have effect: **05 April 2005**

(54) Product in respect of which the design is registered: **Coffee maker**

(51) International Design Classification: **07-02L**

(71) Name(s) and Address(s) of Applicant(s):

**Salton Europe Limited**

**Failsworth Manchester M35 OHS United Kingdom**

(72) Name(s) of Designer(s): **Graham Carrs**

(45) Registration Date: **17 February 2006**

(30) Convention priority data:

(31) Number

(32) Date

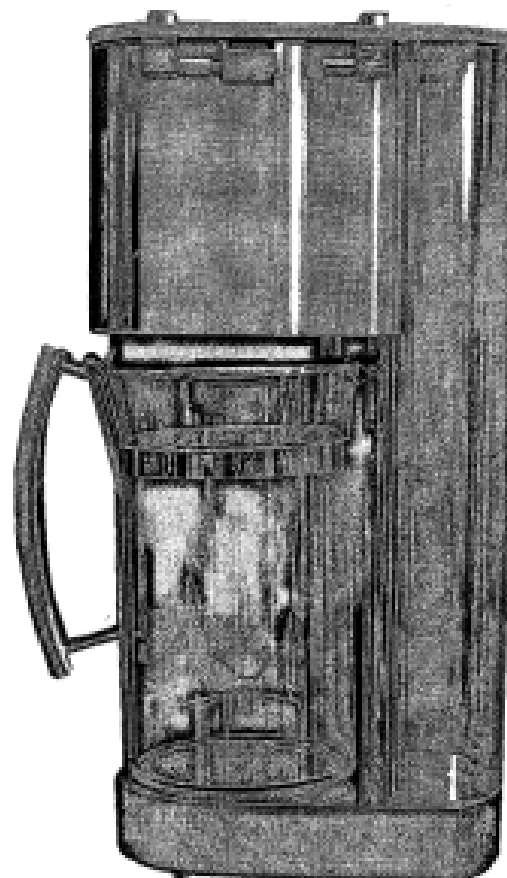
(33) Country

**000238985-0001 07 Oct 2004**

**EUROPEAN COMMUNITY**

(56) Related Art Documents: **Not Applicable**

(57) Statement of Newness and Distinctiveness: **The newness and distinctiveness of the design resides in the shape and configuration and/or pattern and ornamentation of the coffee maker shown in the representations.**



- (21) Design Number: **13159/2005**  
(22) Date of Filing Application: **25 July 2005**  
(24) Date from which industrial property rights may have effect: **25 July 2005**  
(54) Product in respect of which the design is registered: **Portable case**  
(51) International Design Classification: **03-01NES**  
(71) Name(s) and Address(s) of Applicant(s):

**Sony Computer Entertainment Inc.**  
**2-6-21 Minami-Aoyama Minato-ku Tokyo 107-0062 Japan**

(72) Name(s) of Designer(s): **Ken Kutaragi**

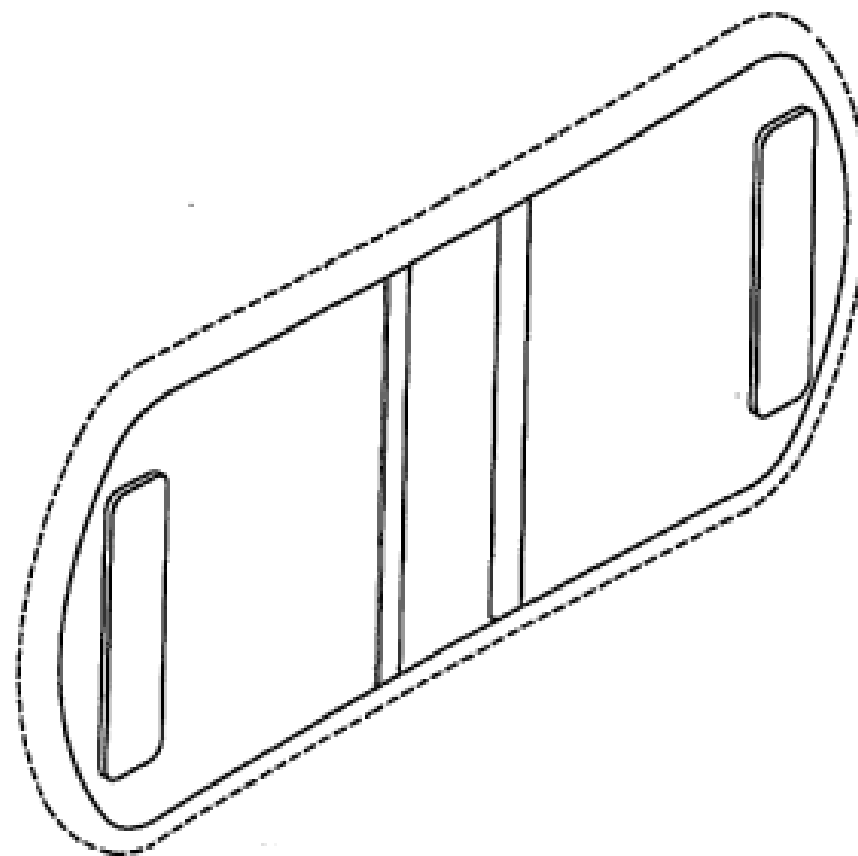
(45) Registration Date: **17 February 2006**

(30) Convention priority data:

(31) Number	(32) Date	(33) Country
<b>D2005-11340</b>	<b>15 Apr 2005</b>	<b>JAPAN</b>

(56) Related Art Documents: **Not Applicable**

(57) Statement of Newness and Distinctiveness: **Newness and distinctiveness resides in the shape and/or configuration of the portable case as shown in the accompanying representations. The portions indicated in broken lines in the accompanying representations are for illustrative purposes only and form no part of the claimed design.**



- (21) Design Number: **13297/2005**  
(22) Date of Filing Application: **03 August 2005**  
(24) Date from which industrial property rights may have effect: **03 August 2005**  
(54) Product in respect of which the design is registered: **Fan blade**  
(51) International Design Classification: **23-04**  
(71) Name(s) and Address(s) of Applicant(s):

**Michael John Hort**  
**3 Sylvia Street Chatswood New South Wales 2067 Australia**

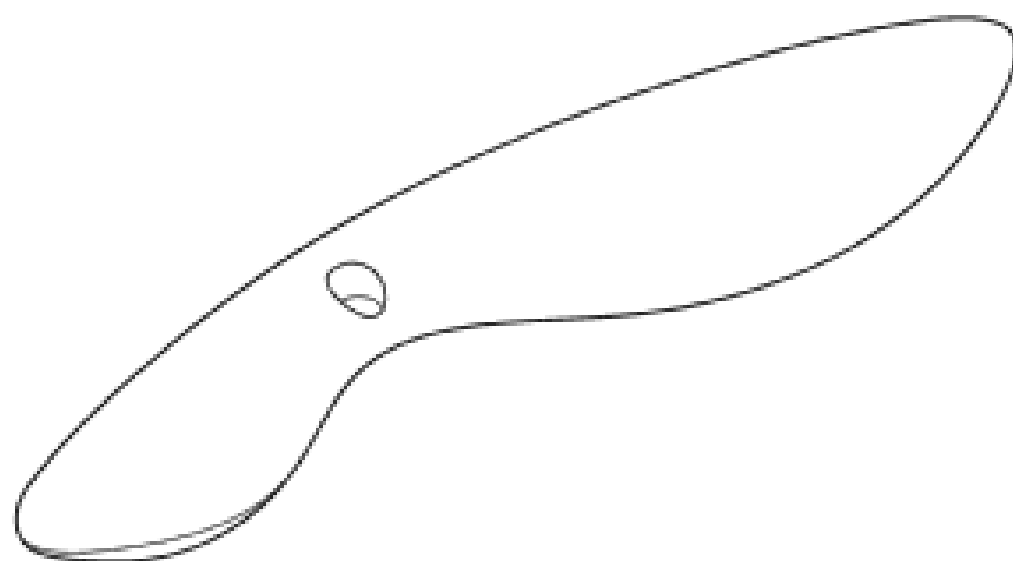
**Daniel Gasser**  
**1/45 Fletcher Avenue Tamarama New South Wales 2026 Australia**

(72) Name(s) of Designer(s): **Michael John Hort and Daniel Gasser**

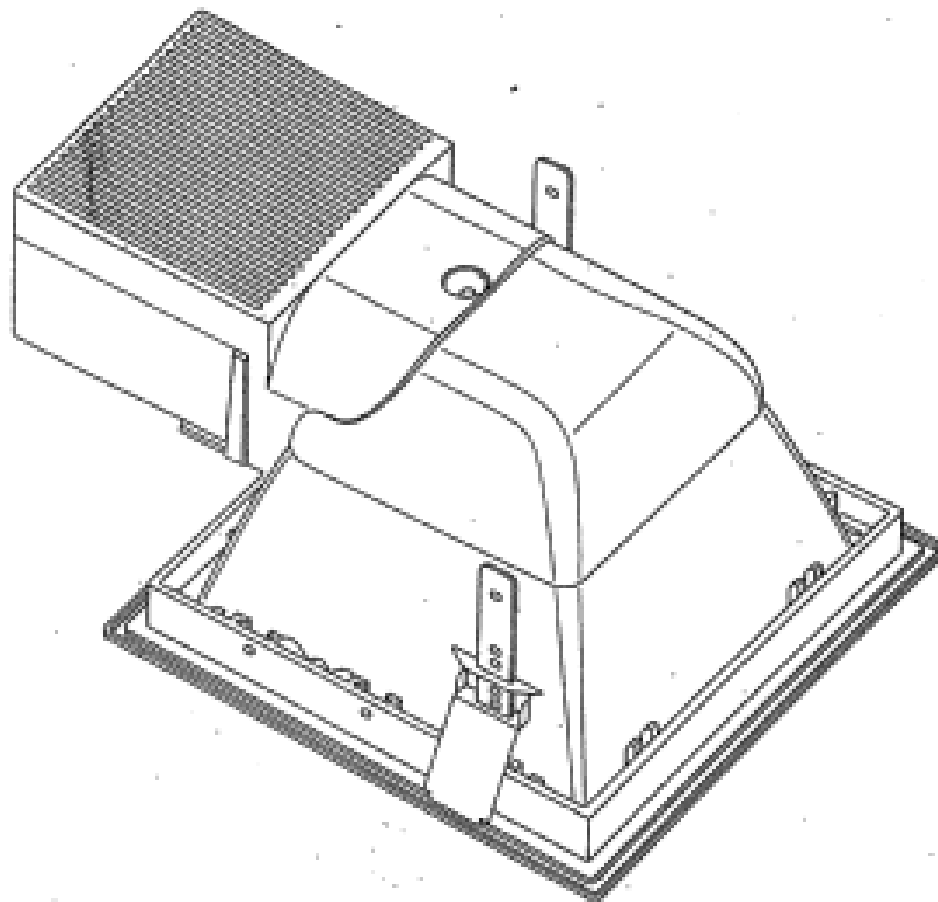
(45) Registration Date: **17 February 2006**

(56) Related Art Documents: **Not Applicable**

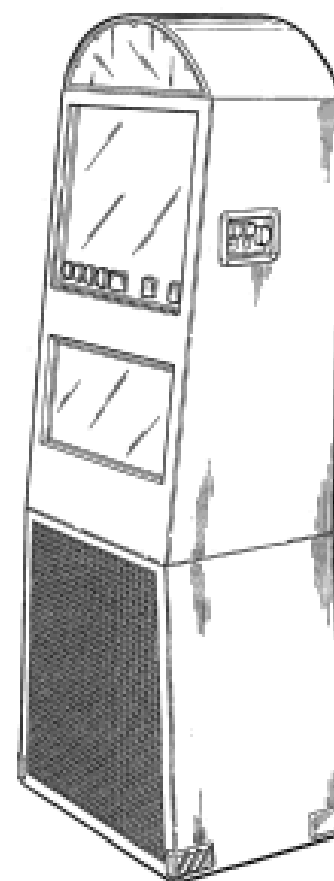
(57) Statement of Newness and Distinctiveness: **Visual features of the design which are new and distinctive are inter alia the features of shape and/or configuration of the curved leading and trailing edges of the long blade section when viewed from the top or bottom view, the angle between the long blade section and the pod section relative to one another when viewed from the front or back views and the relative lengths of the long blade section compared to the pod section. The precise location and dimensions of the shaft recess are to be disregarded.**



- (21) Design Number: **13313/2005**  
(22) Date of Filing Application: **03 August 2005**  
(24) Date from which industrial property rights may have effect: **03 August 2005**  
(54) Product in respect of which the design is registered: **Panel mounted light fixture**  
(51) International Design Classification: **26-05A**  
(71) Name(s) and Address(s) of Applicant(s):  
**Zumtobel Staff GmbH & Co. KG**  
**Grevenmarschstrasse 74-78 32657 Lemgo Germany**  
(72) Name(s) of Designer(s): **Chris Redfern**  
(45) Registration Date: **17 February 2006**  
(30) Convention priority data:  
(31) Number (32) Date (33) Country  
**000 07 Feb 2005 EUROPEAN COMMUNITY**  
**291695-0002**  
(56) Related Art Documents: **Not Applicable**  
(57) Statement of Newness and Distinctiveness: **Newness and distinctiveness is claimed in the features of shape and/or configuration of a panel mounted light fixture as illustrated in the accompanying representations.**

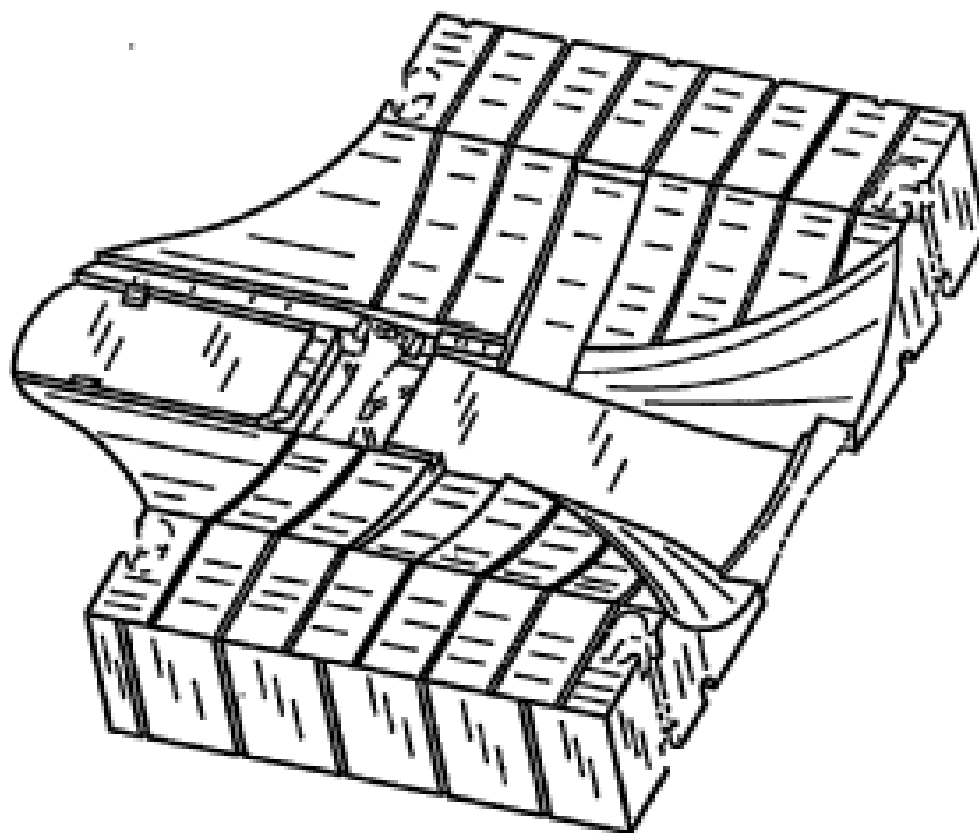


- (21) Design Number: **13327/2005**  
(22) Date of Filing Application: **05 August 2005**  
(24) Date from which industrial property rights may have effect: **05 August 2005**  
(54) Product in respect of which the design is registered: **Jukebox**  
(51) International Design Classification: **14-01**  
(71) Name(s) and Address(s) of Applicant(s):  
**Michael Hamilton**  
**6 Halinger Close Emu Heights New South Wales 2750 Australia**  
**Christopher Hill**  
**Unit 3 37 Borec Road Penrith New South Wales 2750 Australia**  
(72) Name(s) of Designer(s): **Michael Hamilton**  
(45) Registration Date: **17 February 2006**  
(56) Related Art Documents: **Not Applicable**  
(57) Statement of Newness and Distinctiveness: **Newness and distinctiveness is claimed in the features of shape and/or configuration of a jukebox as illustrated in the accompanying representations.**



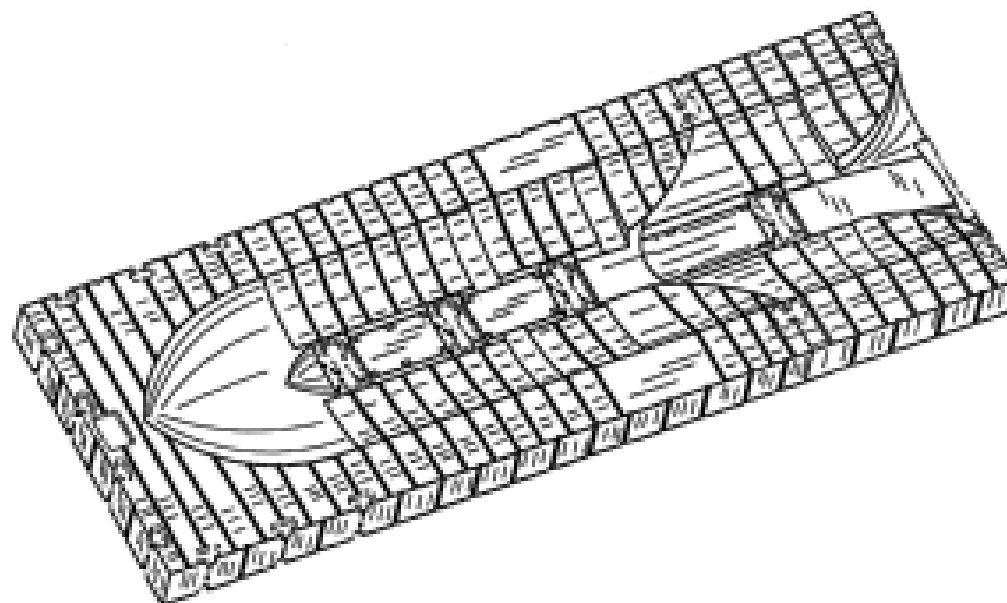
- (21) Design Number: **10693/2005**
- (22) Date of Filing Application: **23 February 2005**
- (24) Date from which industrial property rights may have effect: **23 February 2005**
- (54) Product in respect of which the design is registered: **Floating drive-on boat dock extension**
- (51) International Design Classification: **12-06NES**
- (71) Name(s) and Address(s) of Applicant(s):  
**E-Z Dock, Inc**  
**678 Highway 60 Monett MO 65708 United Sates of America**
- (72) Name(s) of Designer(s): **Troy Ostreng and Larry Moody**
- (45) Registration Date: **20 February 2006**
- (30) Convention priority data:  

(31) Number	(32) Date	(33) Country
<b>29/211,860</b>	<b>23 Aug 2004</b>	<b>UNITED STATES OF AMERICA</b>
- (56) Related Art Documents: **Not Applicable**
- (57) Statement of Newness and Distinctiveness: **Newness and distinctiveness are claimed in the features of shape and/or configuration of a floating drive-on boat dock extentions, as illustrated in the accompanying representatives.**



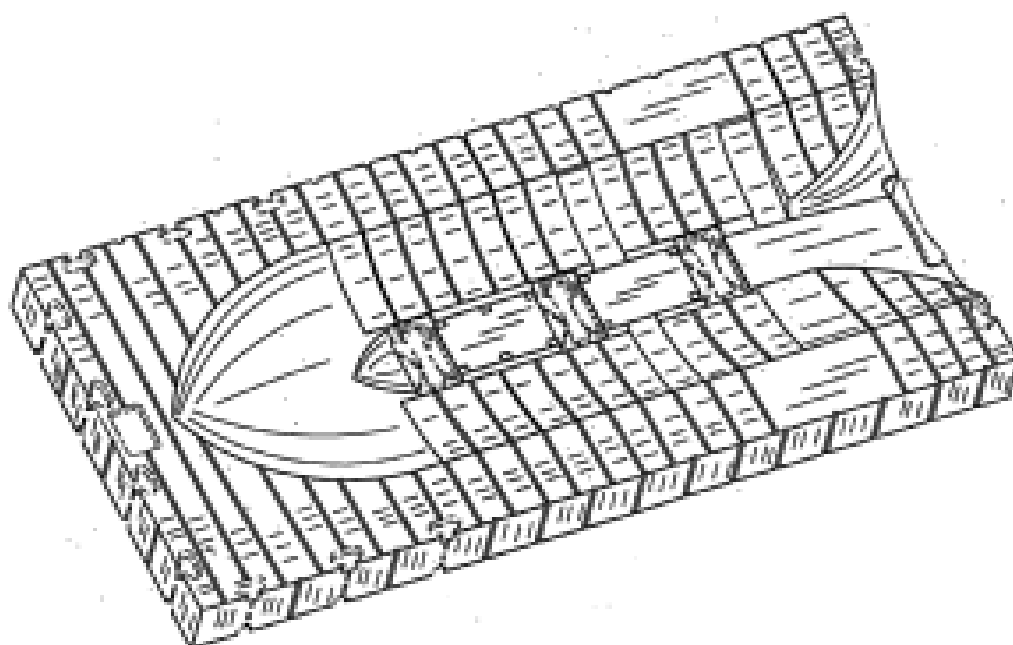
- (21) Design Number: **10694/2005**
- (22) Date of Filing Application: **23 February 2005**
- (24) Date from which industrial property rights may have effect: **23 February 2005**
- (54) Product in respect of which the design is registered: **Extended floating drive-on boat dock**
- (51) International Design Classification: **12-06NES**
- (71) Name(s) and Address(s) of Applicant(s):  
**E-Z Dock, Inc**  
**878 Highway 60 Monett MO 65708 United Sates of America**
- (72) Name(s) of Designer(s): **Troy Ostreng and Larry Moody**
- (45) Registration Date: **20 February 2006**
- (30) Convention priority data:  

(31) Number	(32) Date	(33) Country
<b>29/211,867</b>	<b>23 Aug 2004</b>	<b>UNITED STATES OF AMERICA</b>
- (56) Related Art Documents: **Not Applicable**
- (57) Statement of Newness and Distinctiveness: **Newness and distinctivness are claimed in the features of shape and/or configuration of an extended floating drive-on boat dock, as illustrated in the accompanying representatives.**



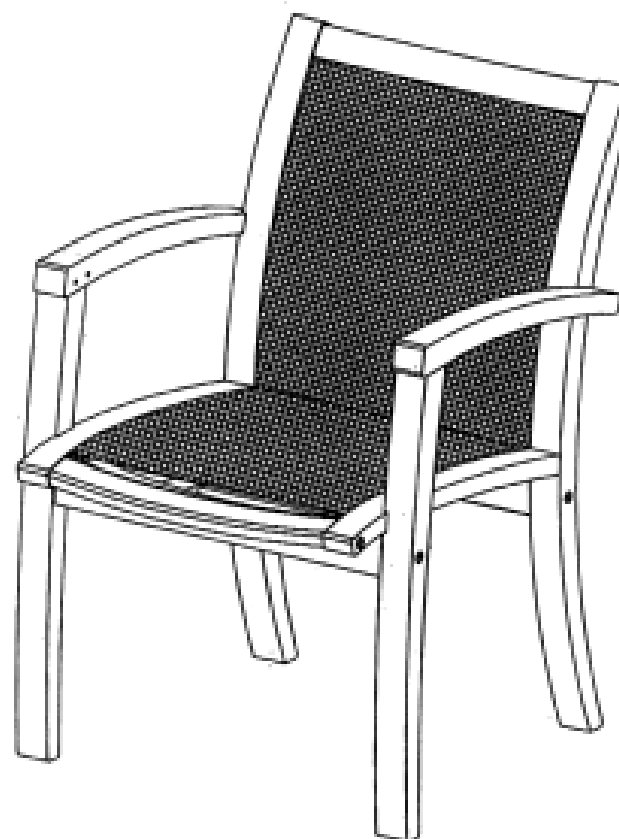
(19) AU

- (21) Design Number: **10695/2005**  
(22) Date of Filing Application: **23 February 2005**  
(24) Date from which industrial property rights may have effect: **23 February 2005**  
(54) Product in respect of which the design is registered: **Floating drive-on boat dock**  
(51) International Design Classification: **12-06NES**  
(71) Name(s) and Address(s) of Applicant(s):  
**E-Z Dock, Inc**  
**878 Highway 60 Monett MO 65708 United Sates of America**  
(72) Name(s) of Designer(s): **Troy Ostreng and Larry Moody**  
(45) Registration Date: **20 February 2006**  
(30) Convention priority data:  
(31) Number (32) Date (33) Country  
**29/211,862 23 Aug 2004 UNITED STATES OF AMERICA**  
(56) Related Art Documents: **Not Applicable**  
(57) Statement of Newness and Distinctiveness: **Newness and distinctiveness are claimed in the features of shape and/or configuration of a floating drive-on boat dock, as illustrated in the accompanying representatives.**



(19) AU

- (21) Design Number: **10822/2005**  
(22) Date of Filing Application: **02 March 2005**  
(24) Date from which industrial property rights may have effect: **02 March 2005**  
(54) Product in respect of which the design is registered: **A chair**  
(51) International Design Classification: **06-01H, 06-01F**  
(71) Name(s) and Address(s) of Applicant(s):  
**Rivico International Limited**  
**29th Floor Wing On Centre 111 Connaught Road Central Hong Kong**  
(72) Name(s) of Designer(s): **Thomas Zagler**  
(45) Registration Date: **20 February 2006**  
(30) Convention priority data:  
(31) Number (32) Date (33) Country  
**000288196 31 Jan 2005 EUROPEAN COMMUNITY**  
(56) Related Art Documents: **Not Applicable**  
(57) Statement of Newness and Distinctiveness: **Nil**



(21) Design Number: **10823/2005**

(22) Date of Filing Application: **02 March 2005**

(24) Date from which industrial property rights may have effect: **02 March 2005**

(54) Product in respect of which the design is registered: **A chair**

(51) International Design Classification: **06-01H, 06-01F**

(71) Name(s) and Address(s) of Applicant(s):

**Rivico International Limited**  
**29th Floor Wing On Centre 111 Connaught Road Central Hong Kong**

(72) Name(s) of Designer(s): **Thomas Zagler**

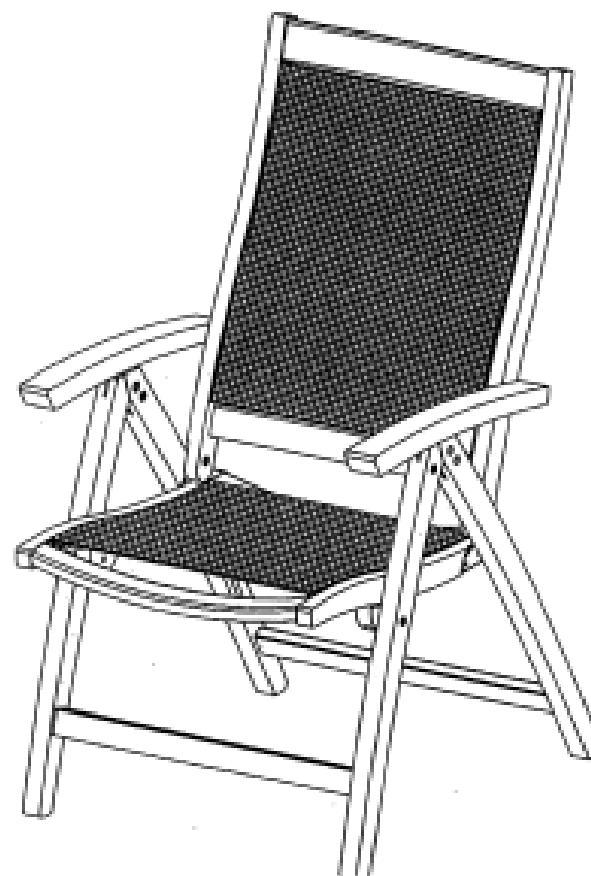
(45) Registration Date: **20 February 2006**

(30) Convention priority data:

(31) Number	(32) Date	(33) Country
<b>000288196</b>	<b>31 Jan 2005</b>	<b>EUROPEAN COMMUNITY</b>

(56) Related Art Documents: **Not Applicable**

(57) Statement of Newness and Distinctiveness: **Nil**



(21) Design Number: **10824/2005**

(22) Date of Filing Application: **02 March 2005**

(24) Date from which industrial property rights may have effect: **02 March 2005**

(54) Product in respect of which the design is registered: **A chair with arms A chair without arms**

(51) International Design Classification: **06-01H, 06-01F**

(71) Name(s) and Address(s) of Applicant(s):

**Rivico International Limited**  
**29th Floor Wing On Centre 111 Connaught Road Central Hong Kong**

(72) Name(s) of Designer(s): **Thomas Zagler**

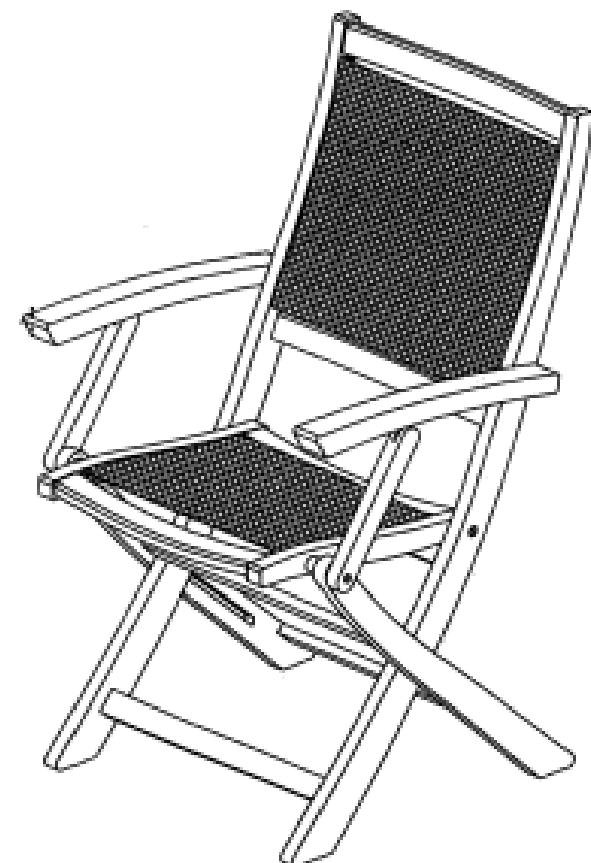
(45) Registration Date: **20 February 2006**

(30) Convention priority data:

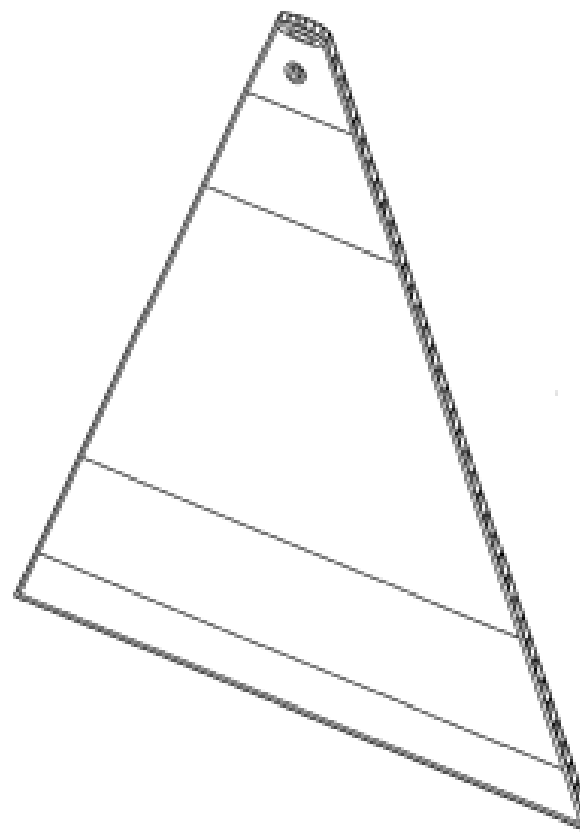
(31) Number	(32) Date	(33) Country
<b>000288196</b>	<b>31 Jan 2005</b>	<b>EUROPEAN COMMUNITY</b>

(56) Related Art Documents: **Not Applicable**

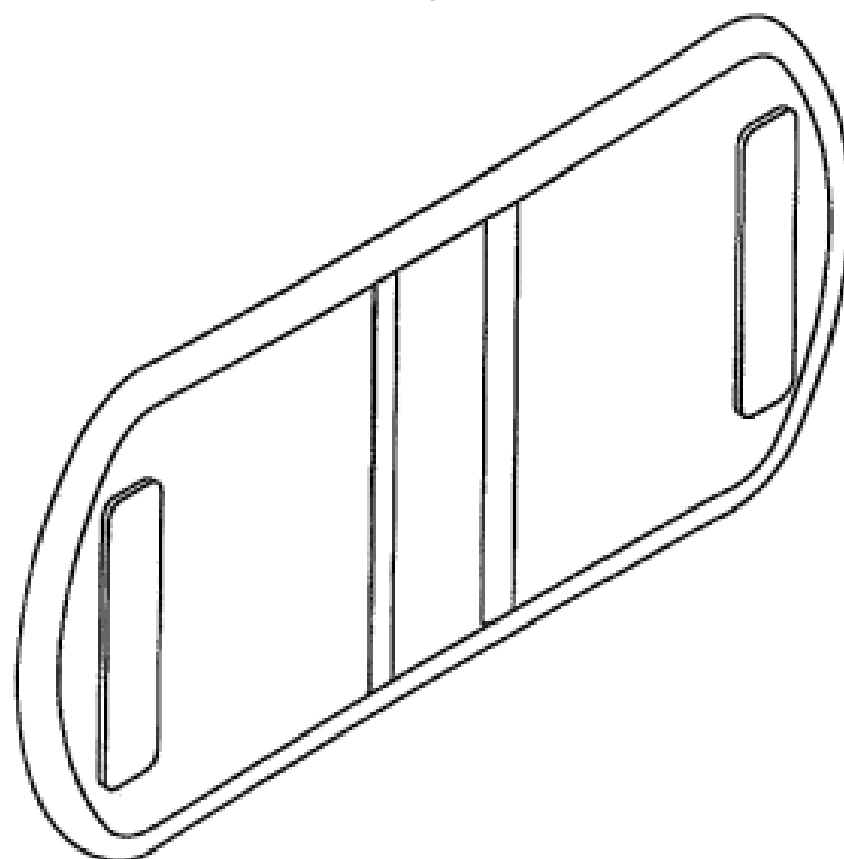
(57) Statement of Newness and Distinctiveness: **Nil**



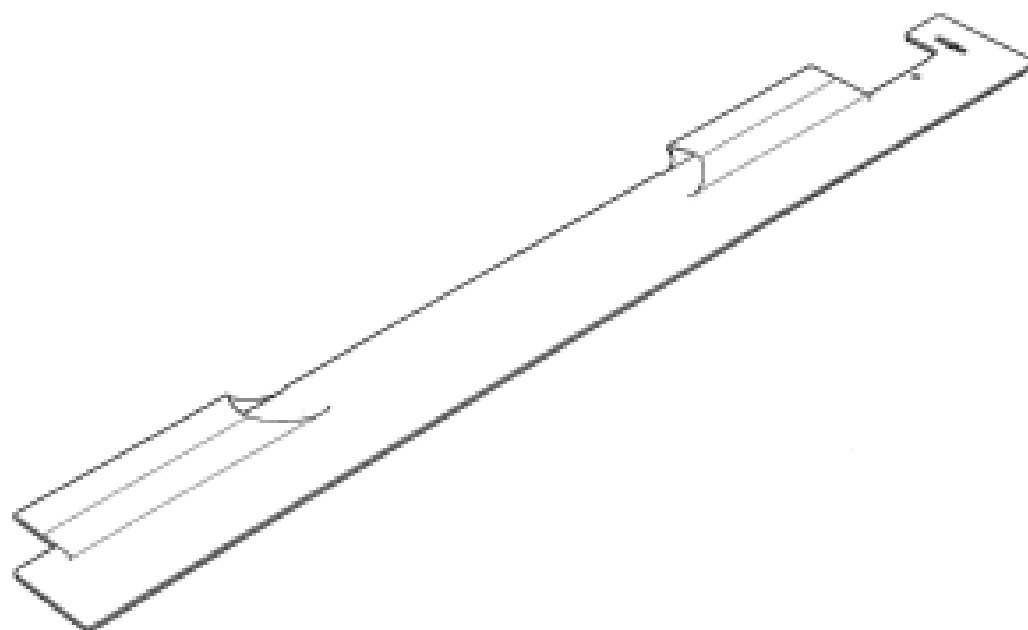
- (21) Design Number: **11417/2005**  
(22) Date of Filing Application: **07 April 2005**  
(24) Date from which industrial property rights may have effect: **07 April 2005**  
(54) Product in respect of which the design is registered: **Sign Board**  
(51) International Design Classification: **20-03NES**  
(71) Name(s) and Address(s) of Applicant(s):  
**Christopher Constantine Twyford**  
**10 Cornelian Crescent Carine Western Australia 6020 Australia**  
(72) Name(s) of Designer(s): **Christopher Constantine Twyford**  
(45) Registration Date: **20 February 2006**  
(56) Related Art Documents: **Not Applicable**  
(57) Statement of Newness and Distinctiveness: **Nil**



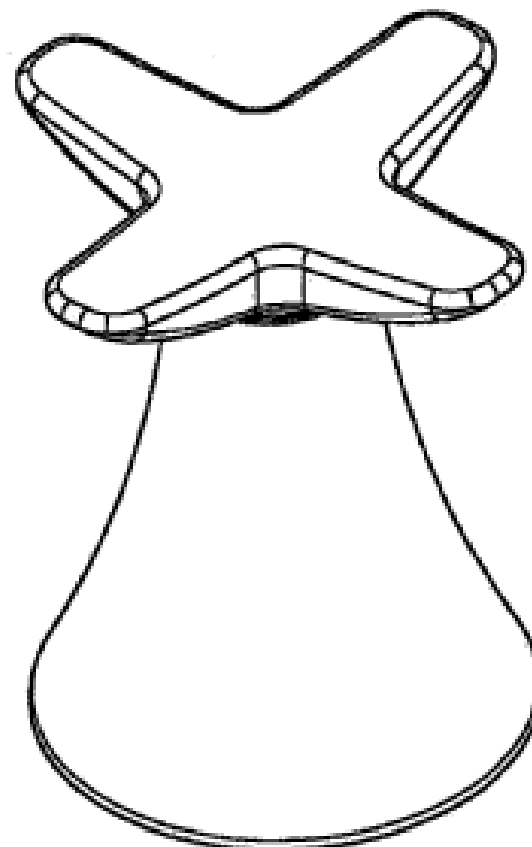
- (21) Design Number: **13160/2005**  
(22) Date of Filing Application: **25 July 2005**  
(24) Date from which industrial property rights may have effect: **25 July 2005**  
(54) Product in respect of which the design is registered: **Portable case**  
(51) International Design Classification: **03-01NES**  
(71) Name(s) and Address(s) of Applicant(s):  
**Sony Computer Entertainment Inc.**  
**2-6-21 Minami-Aoyama Minato-ku Tokyo 107-0062 Japan**  
(72) Name(s) of Designer(s): **Ken Kutaragi**  
(45) Registration Date: **20 February 2006**  
(30) Convention priority data:  
(31) Number (32) Date (33) Country  
**D2005-11340 15 Apr 2005 JAPAN**  
(56) Related Art Documents: **Not Applicable**  
(57) Statement of Newness and Distinctiveness: **Newness and distinctiveness resides in the shape and/or configuration of the portable case as shown in the accompanying representations.**



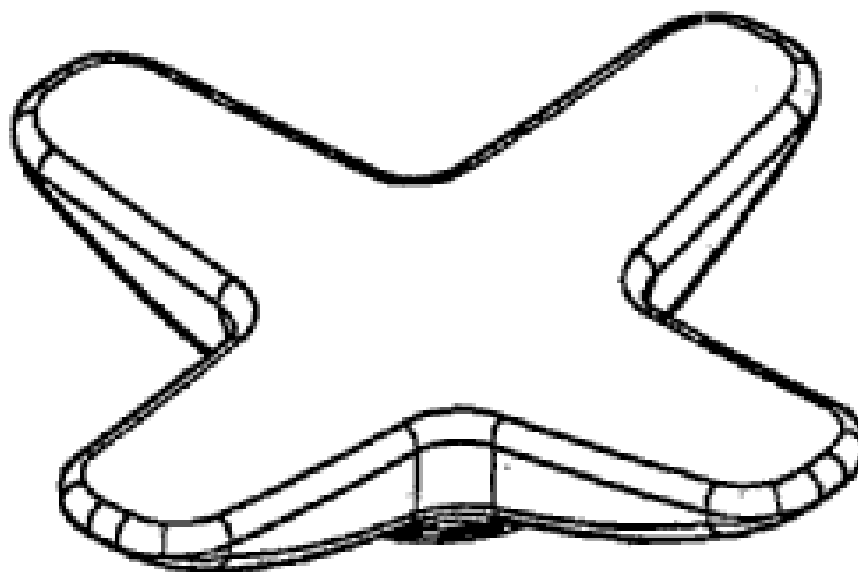
(21) Design Number: **13177/2005**  
(22) Date of Filing Application: **26 July 2005**  
(24) Date from which industrial property rights may have effect: **26 July 2005**  
(54) Product in respect of which the design is registered: **Packaging**  
(51) International Design Classification: **09-03M, 09-05**  
(71) Name(s) and Address(s) of Applicant(s):  
**Cameron Products Pty Ltd**  
**62 The Parade Norwood South Australia 5067 Australia**  
(72) Name(s) of Designer(s): **Graham Robert Porter**  
(45) Registration Date: **20 February 2006**  
(56) Related Art Documents: **Not Applicable**  
(57) Statement of Newness and Distinctiveness: **Nil**



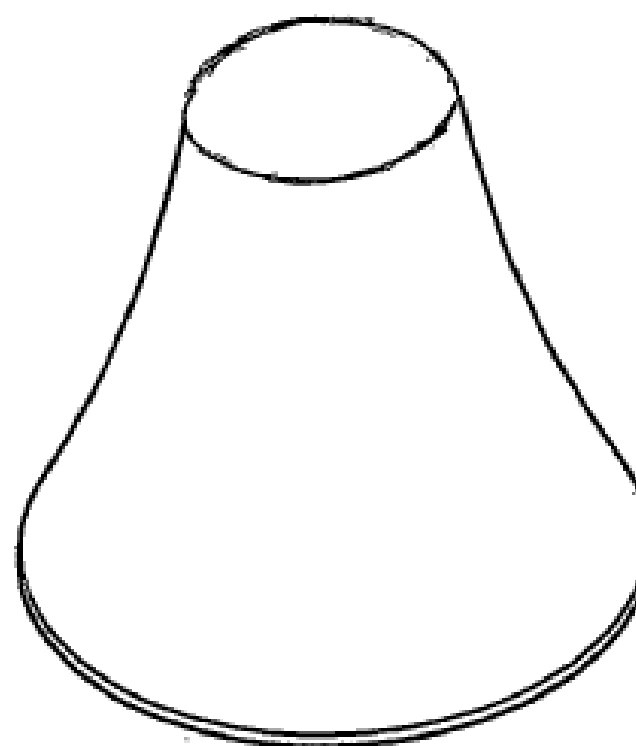
(21) Design Number: **13518/2005**  
(22) Date of Filing Application: **17 August 2005**  
(24) Date from which industrial property rights may have effect: **17 August 2005**  
(54) Product in respect of which the design is registered: **Stop cock**  
(51) International Design Classification: **23-01H**  
(71) Name(s) and Address(s) of Applicant(s):  
**Argent Australia Pty Ltd**  
**18 Wandoo Street Fortitude Valley Queensland 4006 Australia**  
(72) Name(s) of Designer(s): **John Mosbech Nielson**  
(45) Registration Date: **20 February 2006**  
(56) Related Art Documents: **Not Applicable**  
(57) Statement of Newness and Distinctiveness: **Nil**



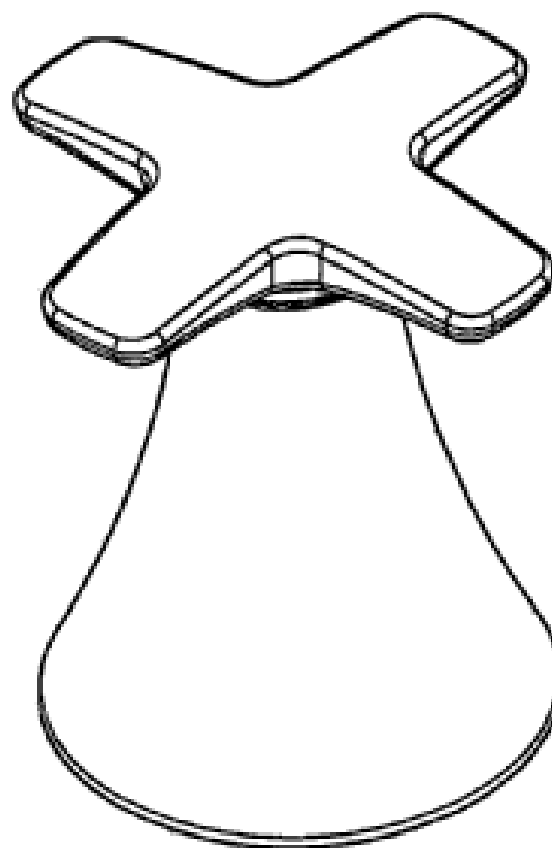
(21) Design Number: **13519/2005**  
(22) Date of Filing Application: **17 August 2005**  
(24) Date from which industrial property rights may have effect: **17 August 2005**  
(54) Product in respect of which the design is registered: **Handle**  
(51) International Design Classification: **23-01H**  
(71) Name(s) and Address(s) of Applicant(s):  
**Argent Australia Pty Ltd**  
**18 Wandoo Street Fortitude Valley Queensland 4006 Australia**  
(72) Name(s) of Designer(s): **John Mosbech Nielson**  
(45) Registration Date: **20 February 2006**  
(56) Related Art Documents: **Not Applicable**  
(57) Statement of Newness and Distinctiveness: **Nil**



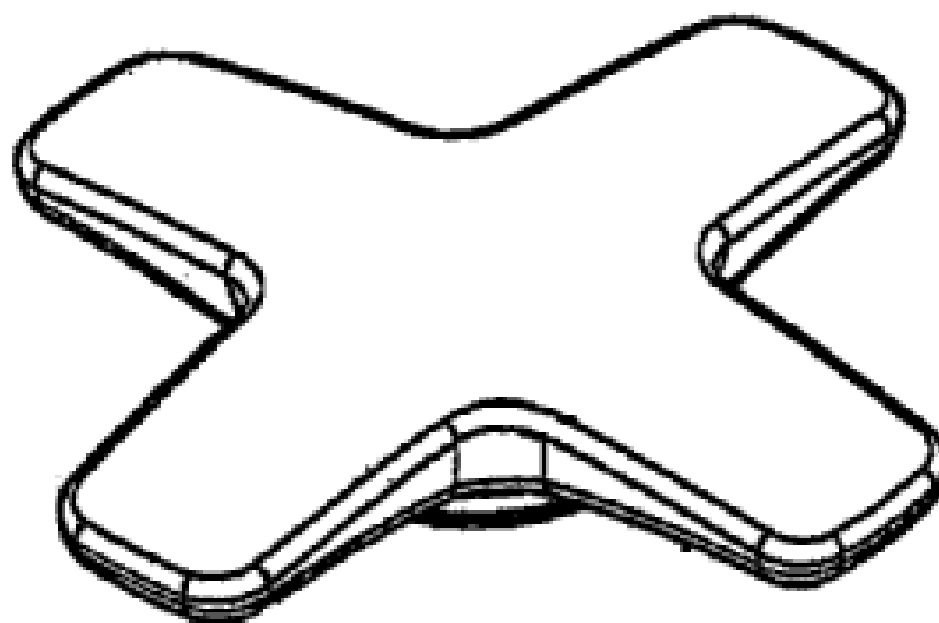
(21) Design Number: **13520/2005**  
(22) Date of Filing Application: **17 August 2005**  
(24) Date from which industrial property rights may have effect: **17 August 2005**  
(54) Product in respect of which the design is registered: **Flange**  
(51) International Design Classification: **23-01H**  
(71) Name(s) and Address(s) of Applicant(s):  
**Argent Australia Pty Ltd**  
**18 Wandoo Street Fortitude Valley Queensland 4006 Australia**  
(72) Name(s) of Designer(s): **John Mosbech Nielson**  
(45) Registration Date: **20 February 2006**  
(56) Related Art Documents: **Not Applicable**  
(57) Statement of Newness and Distinctiveness: **Nil**



(21) Design Number: **13521/2005**  
(22) Date of Filing Application: **17 August 2005**  
(24) Date from which industrial property rights may have effect: **17 August 2005**  
(54) Product in respect of which the design is registered: **Stop cock**  
(51) International Design Classification: **23-01H**  
(71) Name(s) and Address(s) of Applicant(s):  
**Argent Australia Pty Ltd**  
**18 Wandoo Street Fortitude Valley Queensland 4006 Australia**  
(72) Name(s) of Designer(s): **John Mosbech Nielson**  
(45) Registration Date: **20 February 2006**  
(56) Related Art Documents: **Not Applicable**  
(57) Statement of Newness and Distinctiveness: **Nil**



(21) Design Number: **13522/2005**  
(22) Date of Filing Application: **17 August 2005**  
(24) Date from which industrial property rights may have effect: **17 August 2005**  
(54) Product in respect of which the design is registered: **Handle**  
(51) International Design Classification: **23-01H**  
(71) Name(s) and Address(s) of Applicant(s):  
**Argent Australia Pty Ltd**  
**18 Wandoo Street Fortitude Valley Queensland 4006 Australia**  
(72) Name(s) of Designer(s): **John Mosbech Nielson**  
(45) Registration Date: **20 February 2006**  
(56) Related Art Documents: **Not Applicable**  
(57) Statement of Newness and Distinctiveness: **Nil**



(21) Design Number: **13523/2005**

(22) Date of Filing Application: **17 August 2005**

(24) Date from which industrial property rights may have effect: **17 August 2005**

(54) Product in respect of which the design is registered: **Stop cock**

(51) International Design Classification: **23-01H**

(71) Name(s) and Address(s) of Applicant(s):

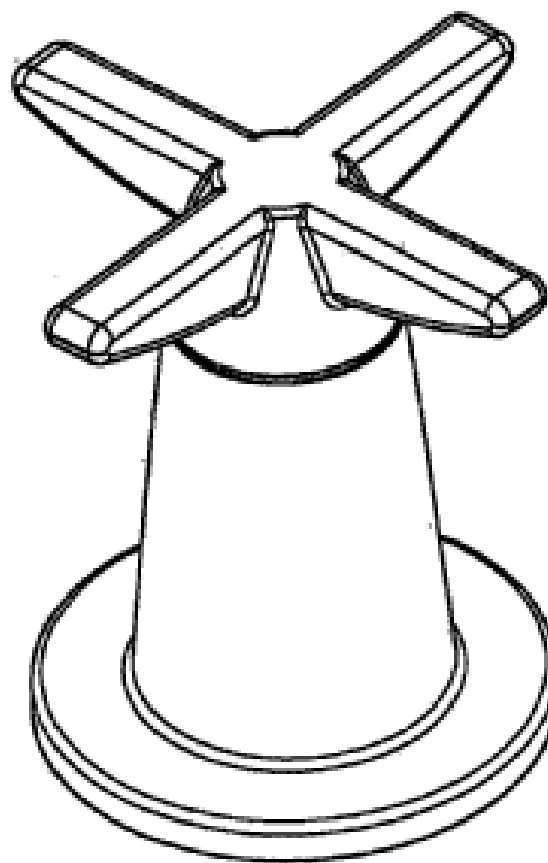
**Argent Australia Pty Ltd**  
**18 Wandoo Street Fortitude Valley Queensland 4006 Australia**

(72) Name(s) of Designer(s): **John Mosbech Nielson**

(45) Registration Date: **20 February 2006**

(56) Related Art Documents: **Not Applicable**

(57) Statement of Newness and Distinctiveness: **Nil**



(21) Design Number: **13524/2005**

(22) Date of Filing Application: **17 August 2005**

(24) Date from which industrial property rights may have effect: **17 August 2005**

(54) Product in respect of which the design is registered: **Handle**

(51) International Design Classification: **23-01H**

(71) Name(s) and Address(s) of Applicant(s):

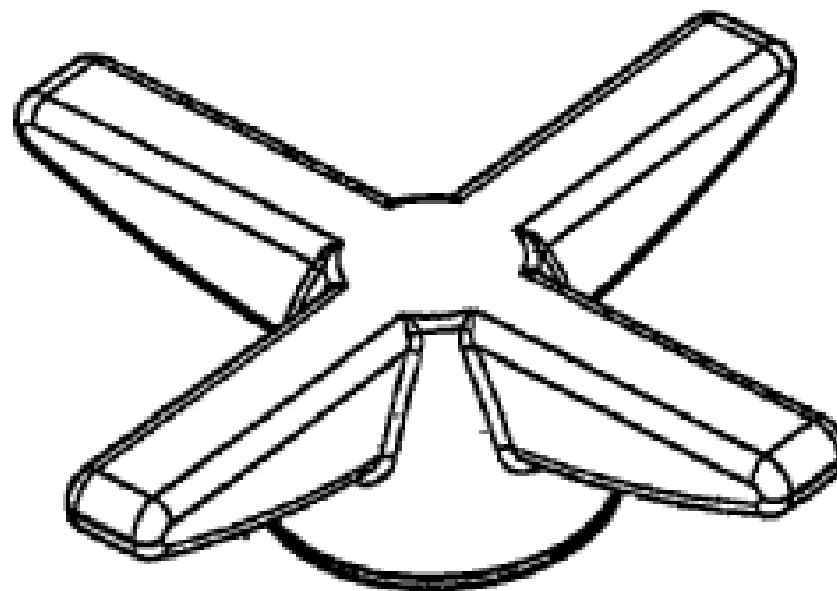
**Argent Australia Pty Ltd**  
**18 Wandoo Street Fortitude Valley Queensland 4006 Australia**

(72) Name(s) of Designer(s): **John Mosbech Nielson**

(45) Registration Date: **20 February 2006**

(56) Related Art Documents: **Not Applicable**

(57) Statement of Newness and Distinctiveness: **Nil**



(21) Design Number: **13525/2005**

(22) Date of Filing Application: **17 August 2005**

(24) Date from which industrial property rights may have effect: **17 August 2005**

(54) Product in respect of which the design is registered: **Flange**

(51) International Design Classification: **23-01H**

(71) Name(s) and Address(s) of Applicant(s):

**Argent Australia Pty Ltd**

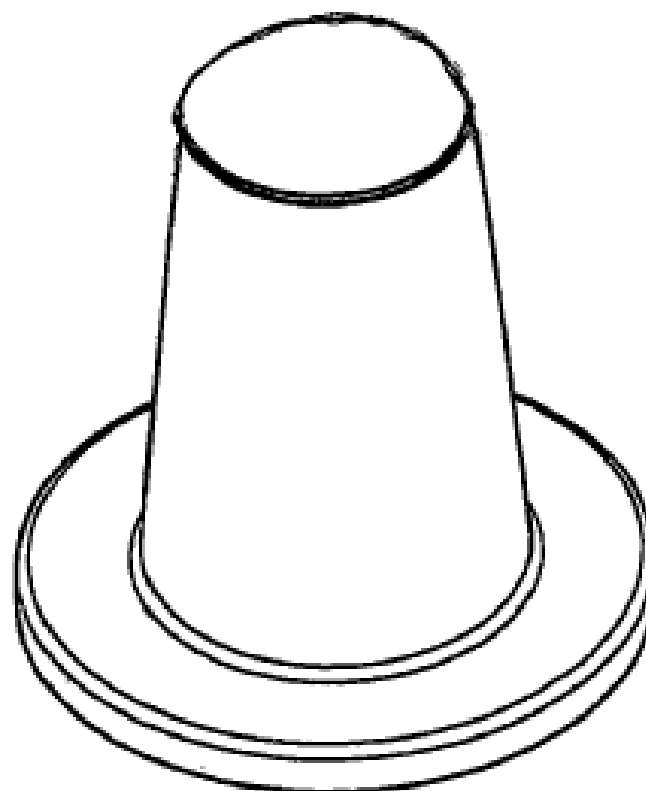
**18 Wandoo Street Fortitude Valley Queensland 4006 Australia**

(72) Name(s) of Designer(s): **John Mosbech Nielson**

(45) Registration Date: **20 February 2006**

(56) Related Art Documents: **Not Applicable**

(57) Statement of Newness and Distinctiveness: **Nil**



(21) Design Number: **13526/2005**

(22) Date of Filing Application: **17 August 2005**

(24) Date from which industrial property rights may have effect: **17 August 2005**

(54) Product in respect of which the design is registered: **Stop cock**

(51) International Design Classification: **23-01H**

(71) Name(s) and Address(s) of Applicant(s):

**Argent Australia Pty Ltd**

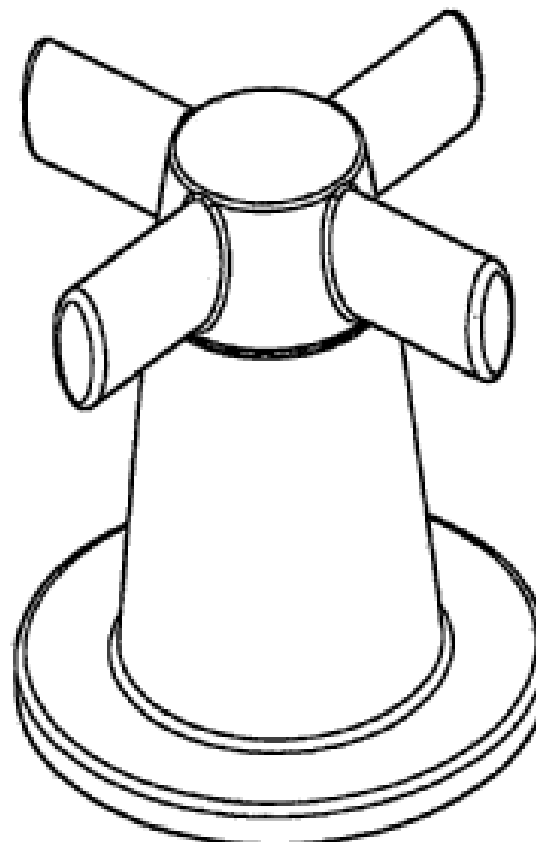
**18 Wandoo Street Fortitude Valley Queensland 4006 Australia**

(72) Name(s) of Designer(s): **John Mosbech Nielson**

(45) Registration Date: **20 February 2006**

(56) Related Art Documents: **Not Applicable**

(57) Statement of Newness and Distinctiveness: **Nil**



(21) Design Number: **13527/2005**

(22) Date of Filing Application: **17 August 2005**

(24) Date from which industrial property rights may have effect: **17 August 2005**

(54) Product in respect of which the design is registered: **Flange**

(51) International Design Classification: **23-01H**

(71) Name(s) and Address(s) of Applicant(s):

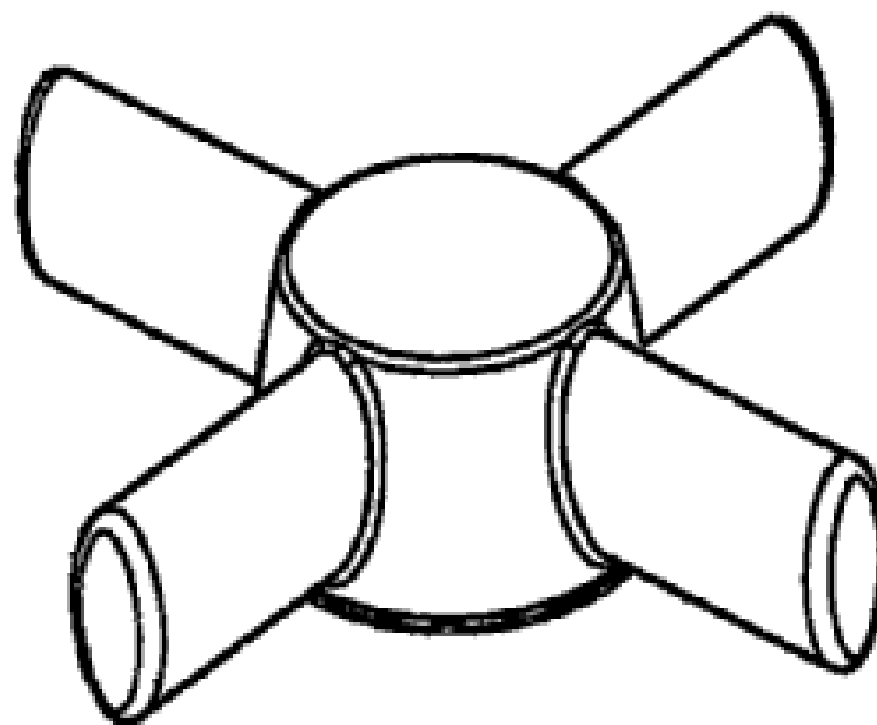
**Argent Australia Pty Ltd**  
**18 Wandoo Street Fortitude Valley Queensland 4006 Australia**

(72) Name(s) of Designer(s): **John Mosbech Nielson**

(45) Registration Date: **20 February 2006**

(56) Related Art Documents: **Not Applicable**

(57) Statement of Newness and Distinctiveness: **Nil**



(21) Design Number: **14018/2004**

(22) Date of Filing Application: **23 August 2004**

(24) Date from which industrial property rights may have effect: **23 August 2004**

(54) Product in respect of which the design is registered: **Fence panel**

(51) International Design Classification: **25-02C**

(71) Name(s) and Address(s) of Applicant(s):

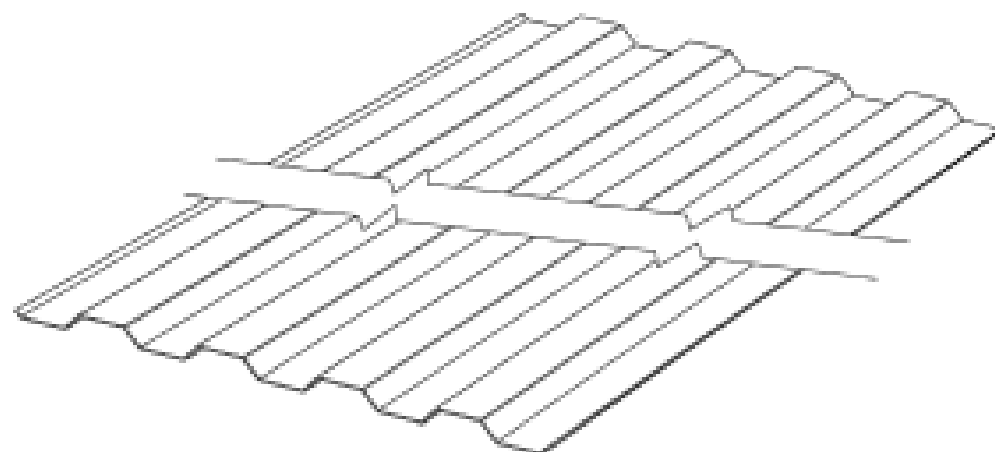
**Fielders Australia Pty Ltd**  
**15 Railway Terrace Mile End South Australia 5031 Australia**

(72) Name(s) of Designer(s): **David Newton**

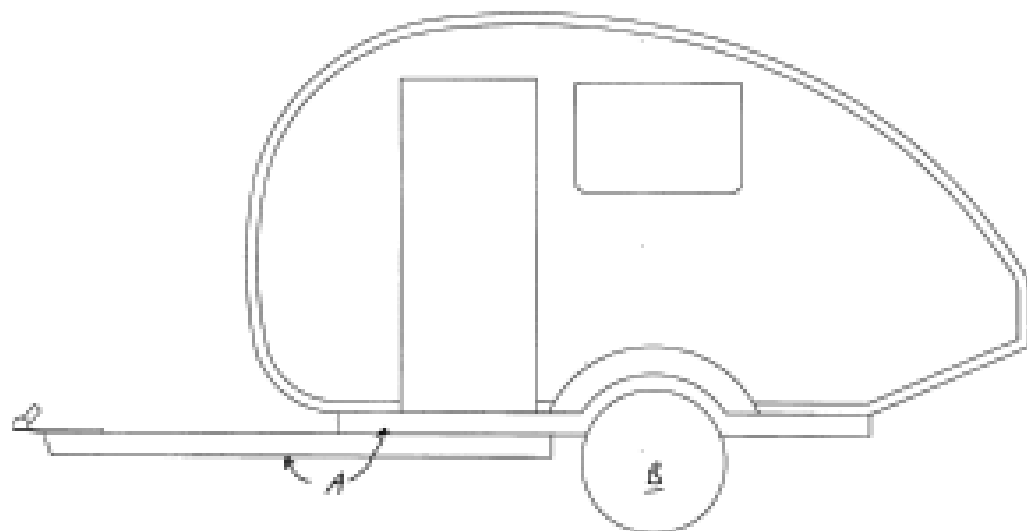
(45) Registration Date: **20 February 2006**

(56) Related Art Documents: **Not Applicable**

(57) Statement of Newness and Distinctiveness: **Newness and distinctiveness resides in the shape and configuration of the fence panel. In considering the extent of monopoly the length of the fence panel is to be disregarded.**

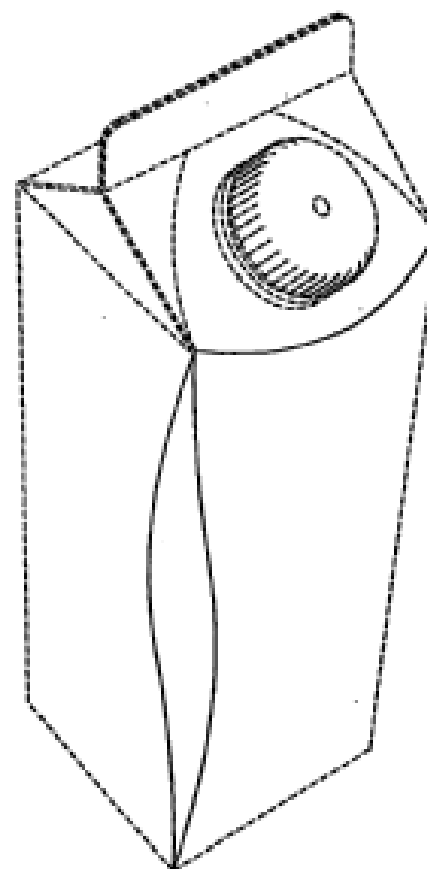


- (21) Design Number: **15857/2004**
- (22) Date of Filing Application: **17 December 2004**
- (24) Date from which industrial property rights may have effect: **17 December 2004**
- (54) Product in respect of which the design is registered: **A caravan**
- (51) International Design Classification: **12-10**
- (71) Name(s) and Address(s) of Applicant(s):  
**Recreation Vehicle Industries Pty Ltd**  
**260 Hume Highway Somerton Victoria 3062 Australia**
- (72) Name(s) of Designer(s): **Tony Bellamy and John Sparks**
- (45) Registration Date: **20 February 2006**
- (56) Related Art Documents: **Not Applicable**
- (57) Statement of Newness and Distinctiveness: **In considering the newness and distinctiveness of the design, regard is to be given to the overall shape and/or configuration of a caravan as shown in the representations. The chassis and it's elements and wheels marked 'A' and 'B' respectively do not form a part of the registration.**



- (21) Design Number: **15986/2004**
- (22) Date of Filing Application: **24 December 2004**
- (24) Date from which industrial property rights may have effect: **24 December 2004**
- (54) Product in respect of which the design is registered: **Packaging carton**
- (51) International Design Classification: **09-03M**
- (71) Name(s) and Address(s) of Applicant(s):  
**Elopak Systems A.G.**  
**Cherstrasse 4 Postfach CH-8152 Glattbrugg Switzerland**
- (72) Name(s) of Designer(s): **Ivica Franic**
- (45) Registration Date: **20 February 2006**
- (30) Convention priority data:

(31) Number	(32) Date	(33) Country
<b>196357-0001</b>	<b>28 Jun 2004</b>	<b>EUROPEAN COMMUNITY</b>
- (56) Related Art Documents: **Not Applicable**
- (57) Statement of Newness and Distinctiveness: **Nil**



(21) Design Number: **13899/2005**

(22) Date of Filing Application: **24 December 2004**

(24) Date from which industrial property rights may have effect: **24 December 2004**

(54) Product in respect of which the design is registered: **Packaging carton**

(51) International Design Classification: **09-03M**

(71) Name(s) and Address(s) of Applicant(s):

**Elopak Systems A.G.**  
**Cherstrasse 4 Postfach CH-8152 Glattbrugg Switzerland**

(72) Name(s) of Designer(s): **Ivica Franic**

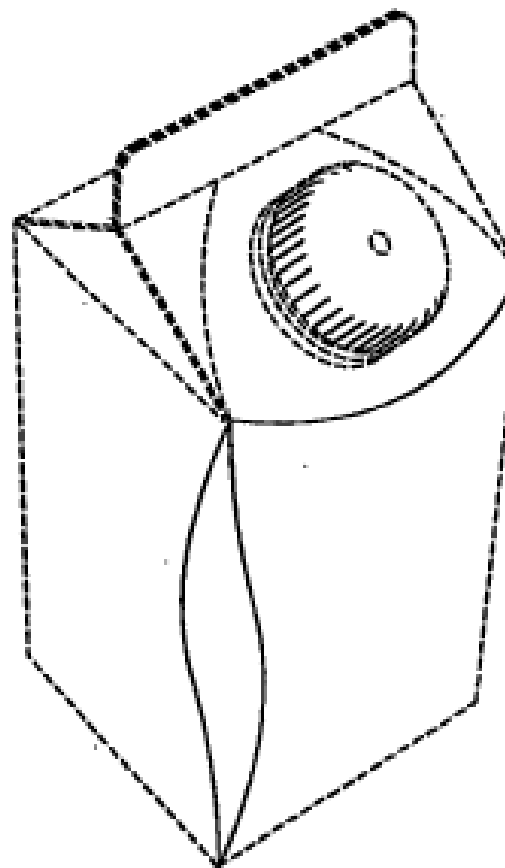
(45) Registration Date: **20 February 2006**

(30) Convention priority data:

(31) Number	(32) Date	(33) Country
<b>196357-0001</b>	<b>28 Jun 2004</b>	<b>EUROPEAN COMMUNITY</b>

(56) Related Art Documents: **Not Applicable**

(57) Statement of Newness and Distinctiveness: **Nil**



(21) Design Number: **10416/2005**

(22) Date of Filing Application: **03 February 2005**

(24) Date from which industrial property rights may have effect: **03 February 2005**

(54) Product in respect of which the design is registered: **A panel or ceiling holder**

(51) International Design Classification: **08-08NES**

(71) Name(s) and Address(s) of Applicant(s):

**Christopher John Hope**  
**572B Fergusson Drive Upper Hutt New Zealand**

(72) Name(s) of Designer(s): **Christopher John Hope**

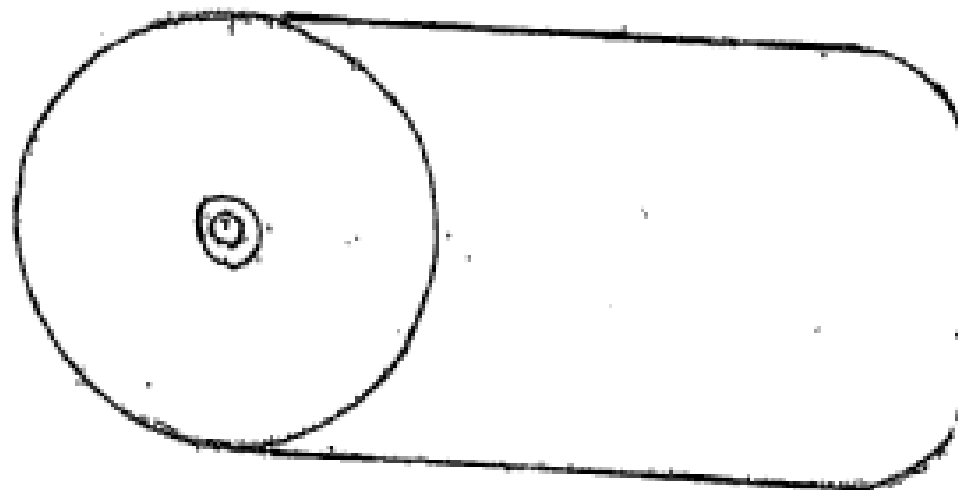
(45) Registration Date: **20 February 2006**

(30) Convention priority data:

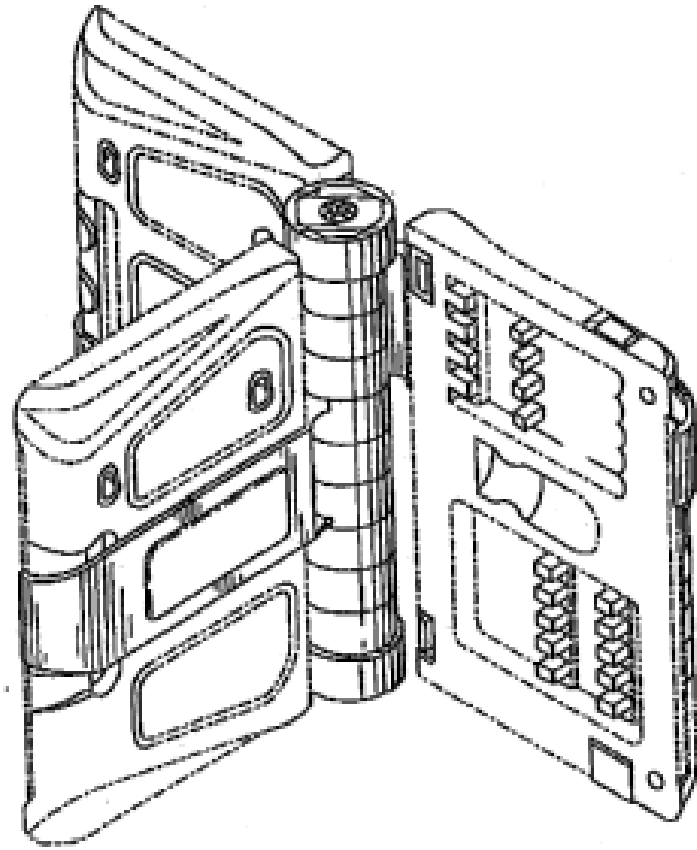
(31) Number	(32) Date	(33) Country
<b>405164</b>	<b>16 Aug 2004</b>	<b>NEW ZEALAND</b>

(56) Related Art Documents: **Not Applicable**

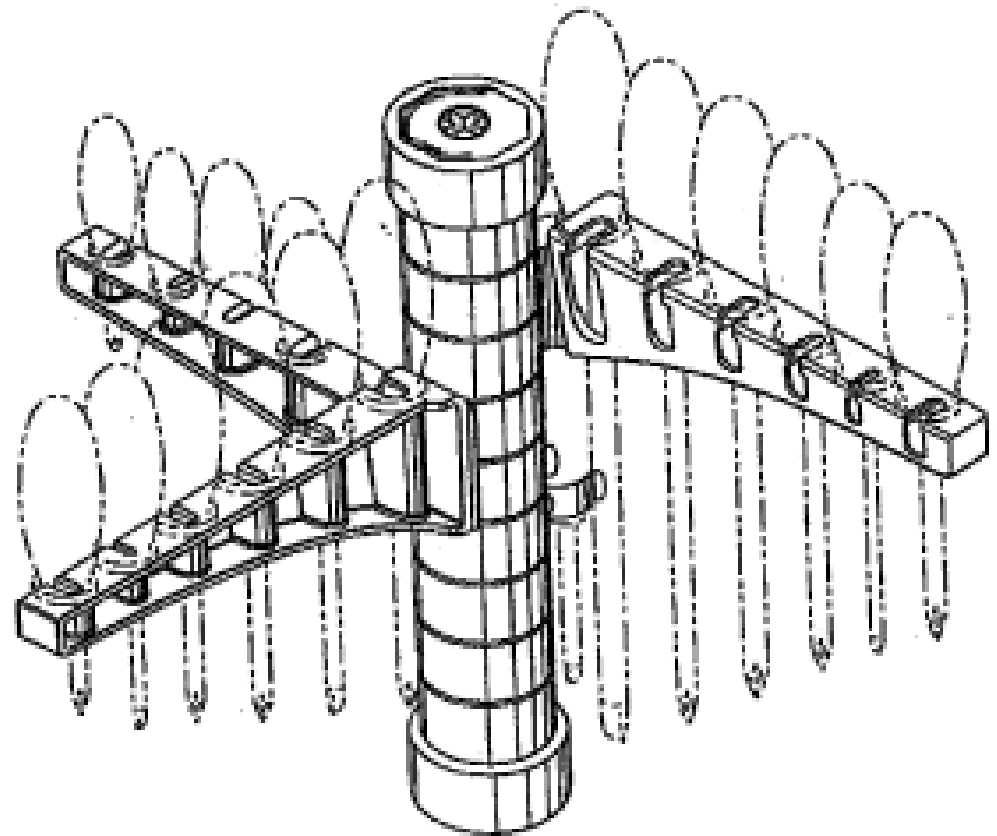
(57) Statement of Newness and Distinctiveness: **Nil**



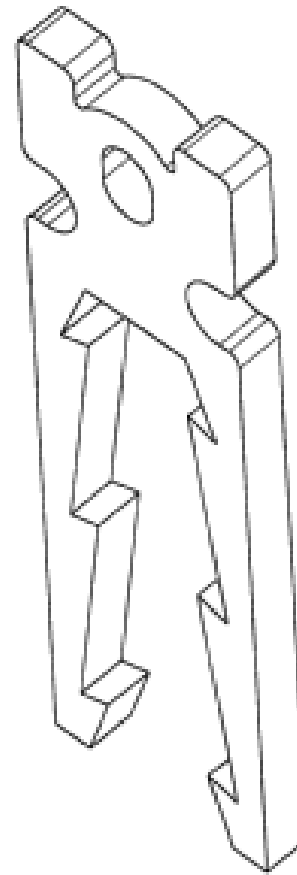
- (21) Design Number: **11679/2005**  
(22) Date of Filing Application: **26 April 2005**  
(24) Date from which industrial property rights may have effect: **26 April 2005**  
(54) Product in respect of which the design is registered: **Tool rack set**  
(51) International Design Classification: **06-04NES**  
(71) Name(s) and Address(s) of Applicant(s):  
**Global Distribution Management, Inc.**  
**211 Waukegan Road Suite 300 Northfield Illinois 60093 United States of America**  
(72) Name(s) of Designer(s): **Pei-Ying Lin**  
(45) Registration Date: **20 February 2006**  
(30) Convention priority data:  
(31) Number (32) Date (33) Country  
**93306276 26 Oct 2004 TAIWAN**  
(56) Related Art Documents: **Not Applicable**  
(57) Statement of Newness and Distinctiveness: **Nil**



- (21) Design Number: **11680/2005**  
(22) Date of Filing Application: **26 April 2005**  
(24) Date from which industrial property rights may have effect: **26 April 2005**  
(54) Product in respect of which the design is registered: **Tool holder set**  
(51) International Design Classification: **06-04NES**  
(71) Name(s) and Address(s) of Applicant(s):  
**Global Distribution Management, Inc.**  
**211 Waukegan Road Suite 300 Northfield Illinois 60093 United States of America**  
(72) Name(s) of Designer(s): **Pei-Ying Lin**  
(45) Registration Date: **20 February 2006**  
(30) Convention priority data:  
(31) Number (32) Date (33) Country  
**93306275 26 Oct 2004 TAIWAN**  
(56) Related Art Documents: **Not Applicable**  
(57) Statement of Newness and Distinctiveness: **Nil**



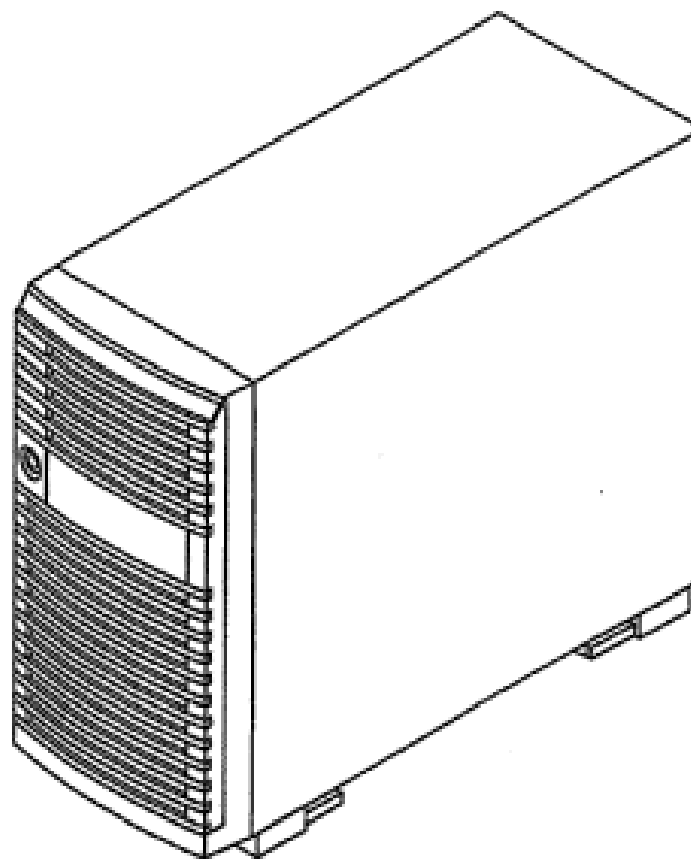
- (21) Design Number: **12056/2005**  
(22) Date of Filing Application: **09 May 2005**  
(24) Date from which industrial property rights may have effect: **09 May 2005**  
(54) Product in respect of which the design is registered: **A lifting anchor**  
(51) International Design Classification: **25-01B**  
(71) Name(s) and Address(s) of Applicant(s):  
**Cetram Pty Limited**  
**3 Chester Street Oakleigh Victoria 3166 Australia**  
(72) Name(s) of Designer(s): **Geoff Fletcher and Robert Urquhart Connell**  
(45) Registration Date: **20 February 2006**  
(56) Related Art Documents: **Not Applicable**  
(57) Statement of Newness and Distinctiveness: **Nil corresponds); and Figure 2 is a perspective view from one side (view from other side corresponds).**



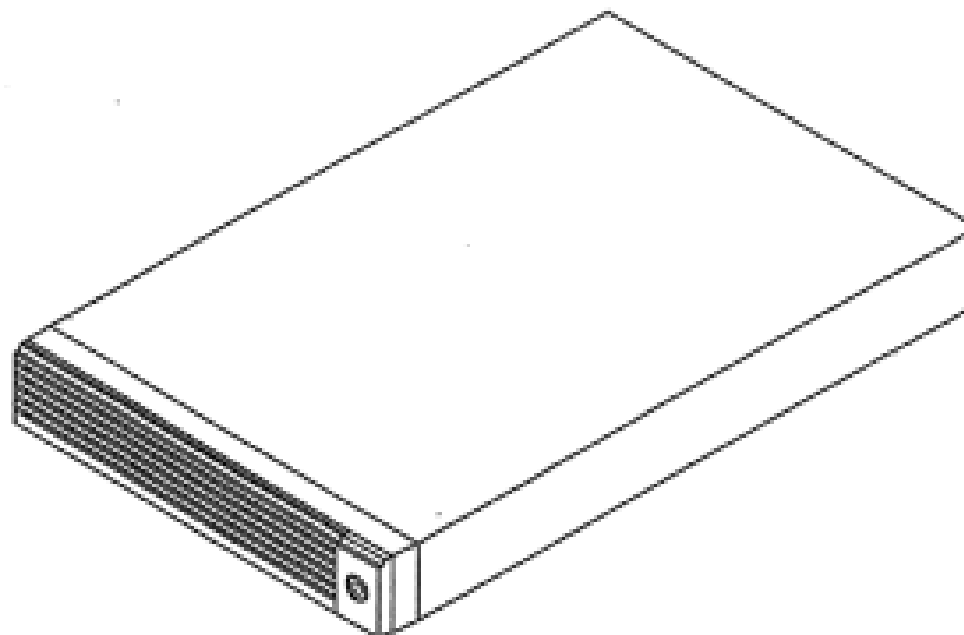
- (21) Design Number: **12631/2005**  
(22) Date of Filing Application: **21 June 2005**  
(24) Date from which industrial property rights may have effect: **21 June 2005**  
(54) Product in respect of which the design is registered: **Golf flag-stick accessory**  
(51) International Design Classification: **21-02C**  
(71) Name(s) and Address(s) of Applicant(s):  
**Andrew Julian Tyndale-Biscoe**  
**43 Saxon Road Sandhurst, Sandton Republic of South Africa**  
(72) Name(s) of Designer(s): **Darryl Stegmann and Nicolaas Willem Pretorius and Andrew Julian Tyndale-Biscoe**  
(45) Registration Date: **20 February 2006**  
(30) Convention priority data:  
(31) Number (32) Date (33) Country  
**2004/1779 20 Dec 2004 SOUTH AFRICA**  
(56) Related Art Documents: **Not Applicable**  
(57) Statement of Newness and Distinctiveness: **Newness and distinctiveness is claimed in the features of shape and/or configuration of a golf flag-stick accessory as illustrated in continuous lines in the accompanying representations.**



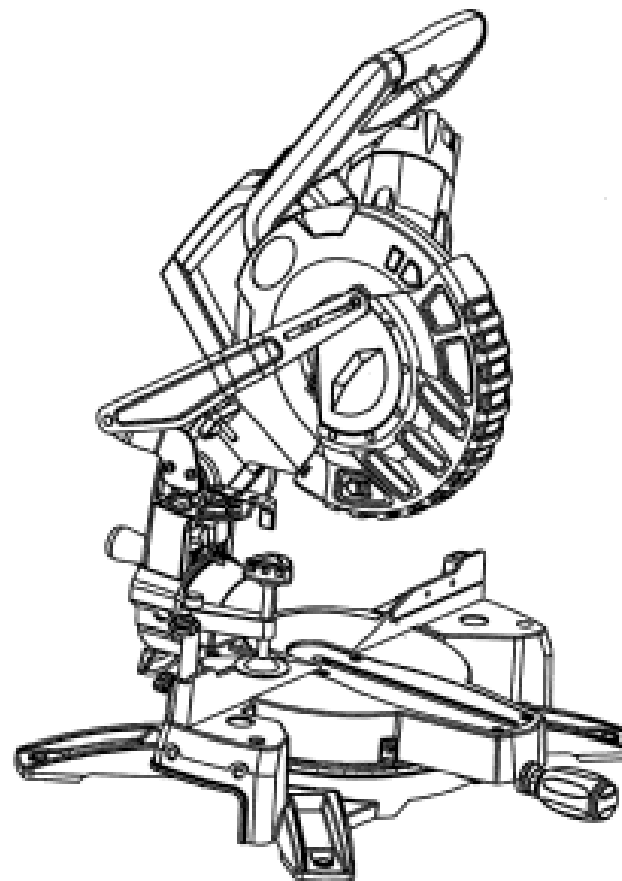
(21) Design Number: **12790/2005**  
(22) Date of Filing Application: **30 June 2005**  
(24) Date from which industrial property rights may have effect: **30 June 2005**  
(54) Product in respect of which the design is registered: **Computer server**  
(51) International Design Classification: **14-02**  
(71) Name(s) and Address(s) of Applicant(s):  
**NEC Corporation**  
**7-1 Shiba 5-Chome Minato-ku Tokyo Japan**  
(72) Name(s) of Designer(s): **Yuichi Sugihara and Kenichiro Matsushita**  
(45) Registration Date: **20 February 2006**  
(30) Convention priority data:  
(31) Number      (32) Date      (33) Country  
**2005-000738      14 Jan 2005      JAPAN**  
(56) Related Art Documents: **Not Applicable**  
(57) Statement of Newness and Distinctiveness: **Nil**



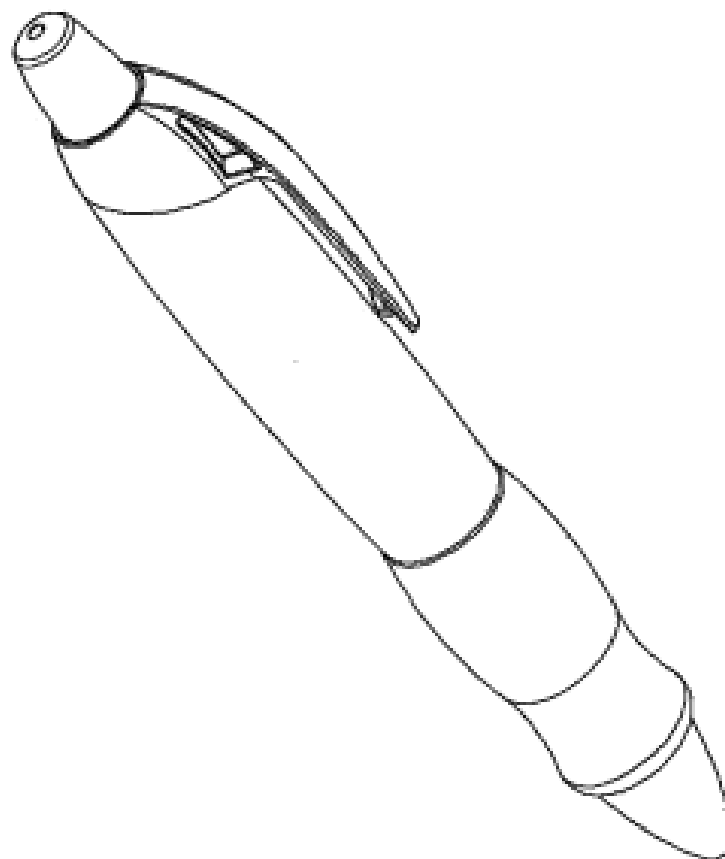
(21) Design Number: **12822/2005**  
(22) Date of Filing Application: **01 July 2005**  
(24) Date from which industrial property rights may have effect: **01 July 2005**  
(54) Product in respect of which the design is registered: **Computer server**  
(51) International Design Classification: **14-02**  
(71) Name(s) and Address(s) of Applicant(s):  
**NEC Corporation**  
**7-1 Shiba 5-Chome Minato-ku Tokyo Japan**  
(72) Name(s) of Designer(s): **Yuichi Sugihara and Kenichiro Matsushita**  
(45) Registration Date: **20 February 2006**  
(30) Convention priority data:  
(31) Number      (32) Date      (33) Country  
**2005-000739      14 Jan 2005      JAPAN**  
(56) Related Art Documents: **Not Applicable**  
(57) Statement of Newness and Distinctiveness: **Nil**



- (21) Design Number: **13011/2005**  
(22) Date of Filing Application: **14 July 2005**  
(24) Date from which industrial property rights may have effect: **14 July 2005**  
(54) Product in respect of which the design is registered: **A mitre saw**  
(51) International Design Classification: **08-03**  
(71) Name(s) and Address(s) of Applicant(s):  
**GMCA Pty Ltd**  
**45-55 South Centre Road Melbourne Airport Victoria 3045 Australia**  
(72) Name(s) of Designer(s): **Robert Firth**  
(45) Registration Date: **20 February 2006**  
(30) Convention priority data:  
(31) Number (32) Date (33) Country  
**000344791 12 May 2005 EUROPEAN COMMUNITY**  
(56) Related Art Documents: **Not Applicable**  
(57) Statement of Newness and Distinctiveness: **Newness and distinctiveness resides in the shape and configuration of a mitre saw as shown in the accompanying representations.**



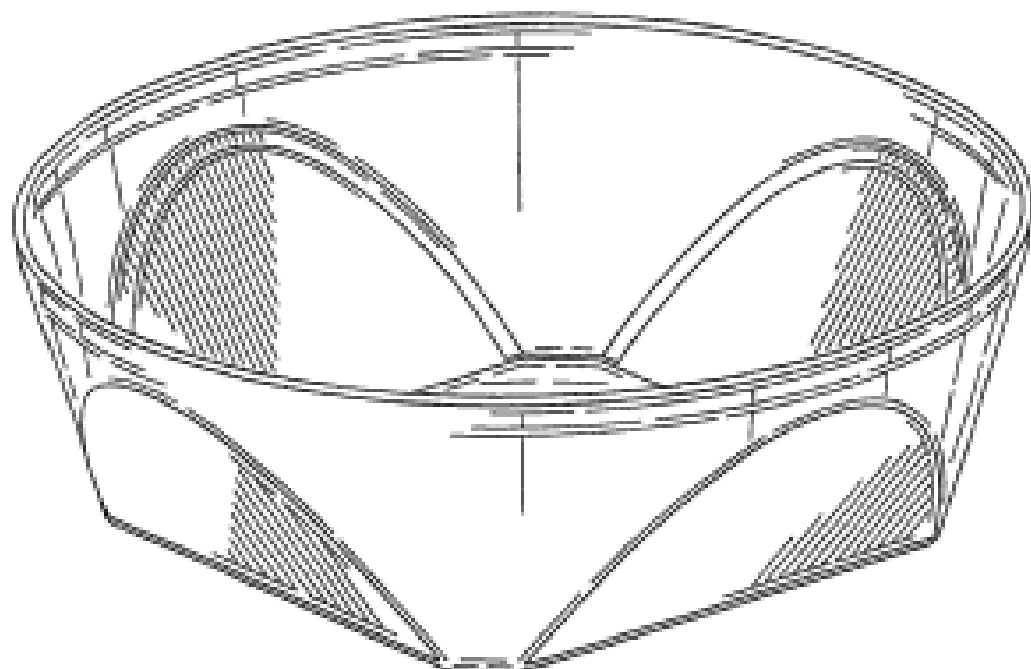
- (21) Design Number: **13104/2005**  
(22) Date of Filing Application: **20 July 2005**  
(24) Date from which industrial property rights may have effect: **20 July 2005**  
(54) Product in respect of which the design is registered: **Writing instrument**  
(51) International Design Classification: **19-06**  
(71) Name(s) and Address(s) of Applicant(s):  
**SOCIETE BIC**  
**14 rue Jeanne d'Asnieres 92 110 Clichy France**  
(72) Name(s) of Designer(s): **Michael Kent and Christopher J. Kuskowski and Gregory K. Hoffman**  
(45) Registration Date: **20 February 2006**  
(30) Convention priority data:  
(31) Number (32) Date (33) Country  
**29/226,031 23 Mar 2005 UNITED STATES OF AMERICA**  
(56) Related Art Documents: **Not Applicable**  
(57) Statement of Newness and Distinctiveness: **Those features of the writing instrument depicted in the representations that are new and distinctive are the shape and/or configuration.**



(21) Design Number: **13154/2005**  
 (22) Date of Filing Application: **25 July 2005**  
 (24) Date from which industrial property rights may have effect: **25 July 2005**  
 (54) Product in respect of which the design is registered: **Container**  
 (51) International Design Classification: **07-01B**  
 (71) Name(s) and Address(s) of Applicant(s):  
**Dart Industries Inc.**  
**14901 S. Orange Blossom Trail Orlando Florida 32837 United States of America**  
 (72) Name(s) of Designer(s): **Douglas M. Laib and Anita Suk Ping Liu**  
 (45) Registration Date: **20 February 2006**  
 (30) Convention priority data:  

(31) Number	(32) Date	(33) Country
<b>29/223,811</b>	<b>18 Feb 2005</b>	<b>UNITED STATES OF AMERICA</b>

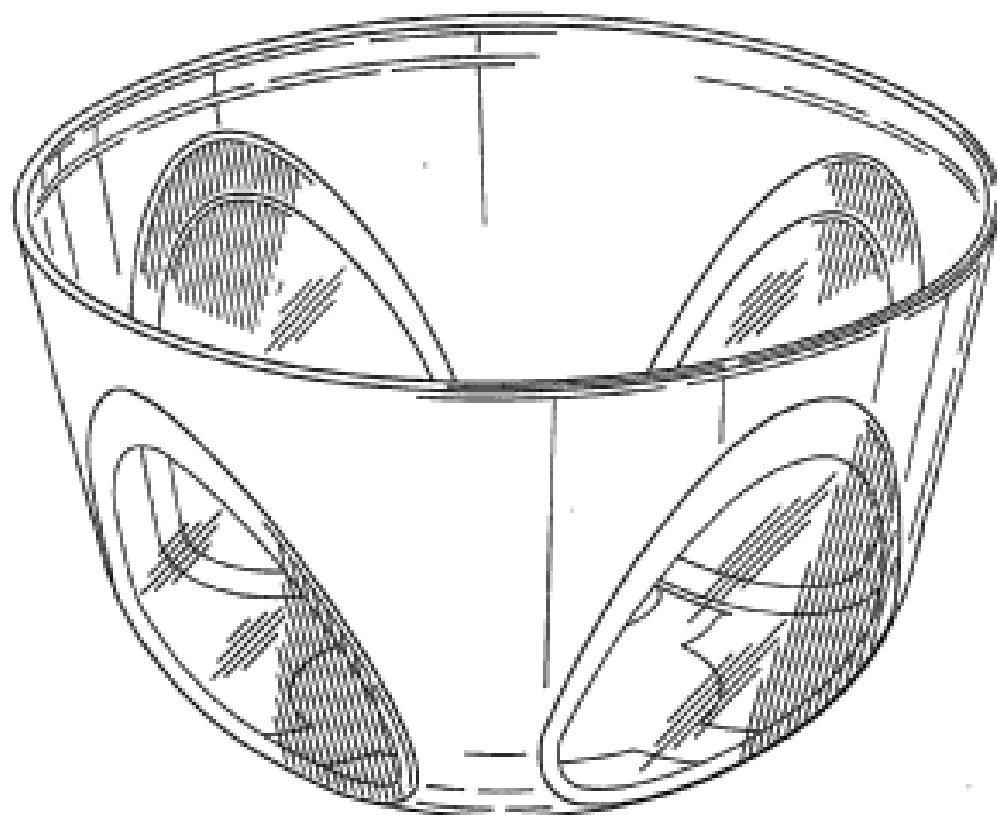
 (56) Related Art Documents: **Not Applicable**  
 (57) Statement of Newness and Distinctiveness: **Those features of the container depicted in the representations that are new and distinctive are the shape and/or configuration.**



(21) Design Number: **13155/2005**  
 (22) Date of Filing Application: **25 July 2005**  
 (24) Date from which industrial property rights may have effect: **25 July 2005**  
 (54) Product in respect of which the design is registered: **Container**  
 (51) International Design Classification: **07-01B**  
 (71) Name(s) and Address(s) of Applicant(s):  
**Dart Industries Inc.**  
**14901 S. Orange Blossom Trail Orlando Florida 32837 United States of America**  
 (72) Name(s) of Designer(s): **Douglas M. Laib and Anita Suk Ping Liu**  
 (45) Registration Date: **20 February 2006**  
 (30) Convention priority data:  

(31) Number	(32) Date	(33) Country
<b>29/223,752</b>	<b>18 Feb 2005</b>	<b>UNITED STATES OF AMERICA</b>

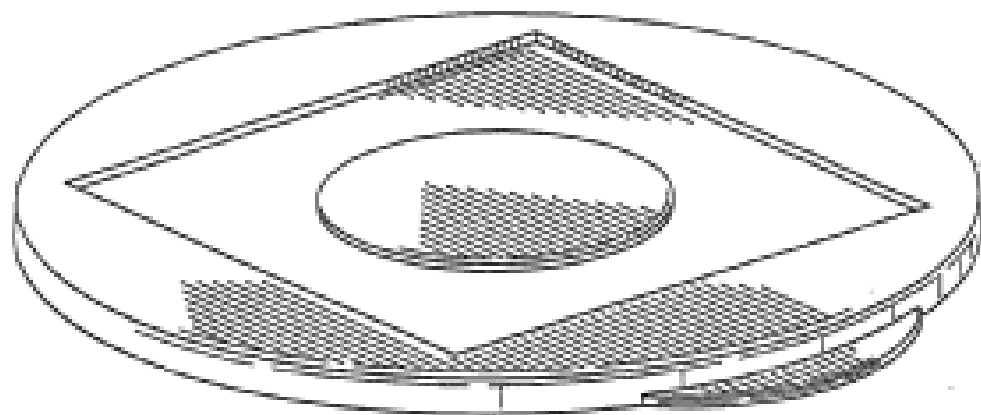
 (56) Related Art Documents: **Not Applicable**  
 (57) Statement of Newness and Distinctiveness: **Those features of the container depicted in the representations that are new and distinctive are the shape and/or configuration.**



(21) Design Number: **13156/2005**  
 (22) Date of Filing Application: **25 July 2005**  
 (24) Date from which industrial property rights may have effect: **25 July 2005**  
 (54) Product in respect of which the design is registered: **Cover**  
 (51) International Design Classification: **07-01NES**  
 (71) Name(s) and Address(s) of Applicant(s):  
**Dart Industries Inc.**  
**14901 S. Orange Blossom Trail Orlando Florida 32837 United States of America**  
 (72) Name(s) of Designer(s): **Douglas M. Laib**  
 (45) Registration Date: **20 February 2006**  
 (30) Convention priority data:  

(31) Number	(32) Date	(33) Country
<b>29/223,760</b>	<b>18 Feb 2005</b>	<b>UNITED STATES OF AMERICA</b>

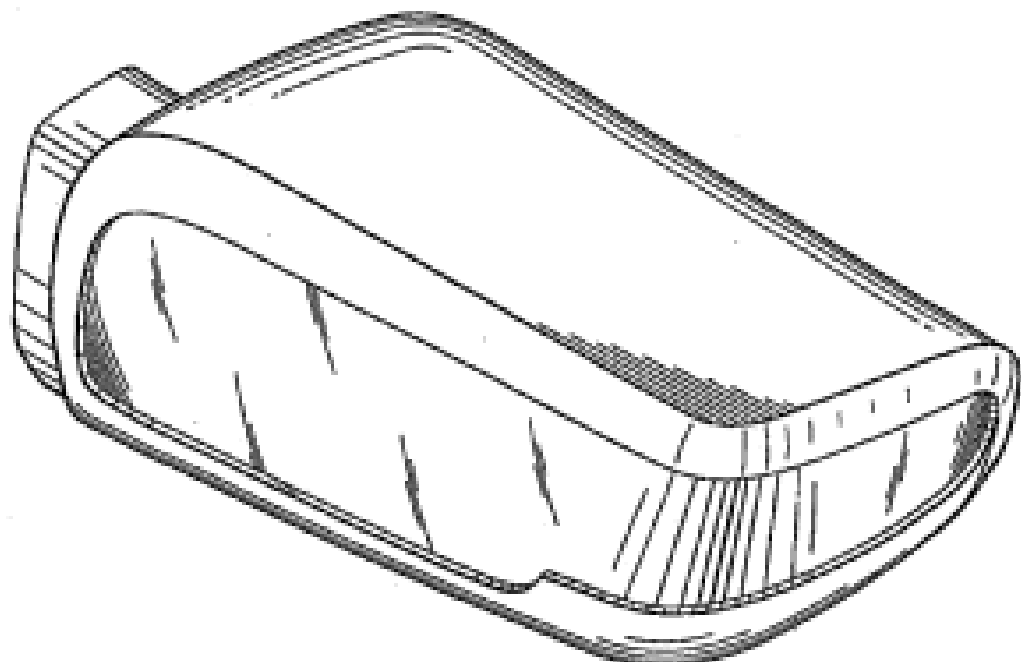
 (56) Related Art Documents: **Not Applicable**  
 (57) Statement of Newness and Distinctiveness: **Those features of the cover depicted in the representations that are new and distinctive are the shape and/or configuration.**



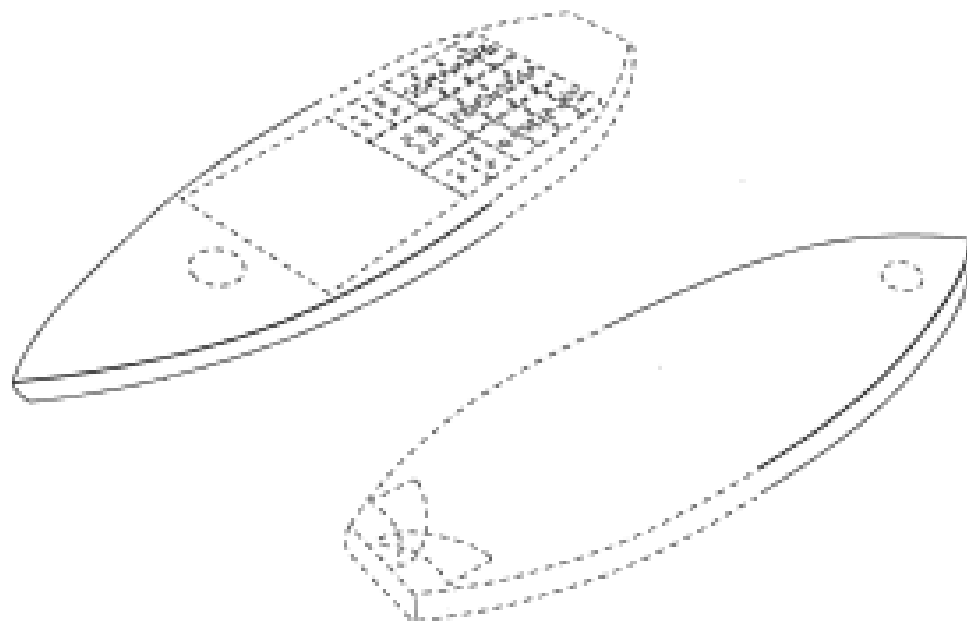
(21) Design Number: **13186/2005**  
 (22) Date of Filing Application: **27 July 2005**  
 (24) Date from which industrial property rights may have effect: **27 July 2005**  
 (54) Product in respect of which the design is registered: **Pod vehicle headlight**  
 (51) International Design Classification: **26-06**  
 (71) Name(s) and Address(s) of Applicant(s):  
**PACCAR Inc.**  
**777-106th Avenue Northeast Bellevue Washington 98004 United States of America**  
 (72) Name(s) of Designer(s): **Alec C. Wong and Daniel Farmer**  
 (45) Registration Date: **20 February 2006**  
 (30) Convention priority data:  

(31) Number	(32) Date	(33) Country
<b>29/222,399</b>	<b>28 Jan 2005</b>	<b>UNITED STATES OF AMERICA</b>

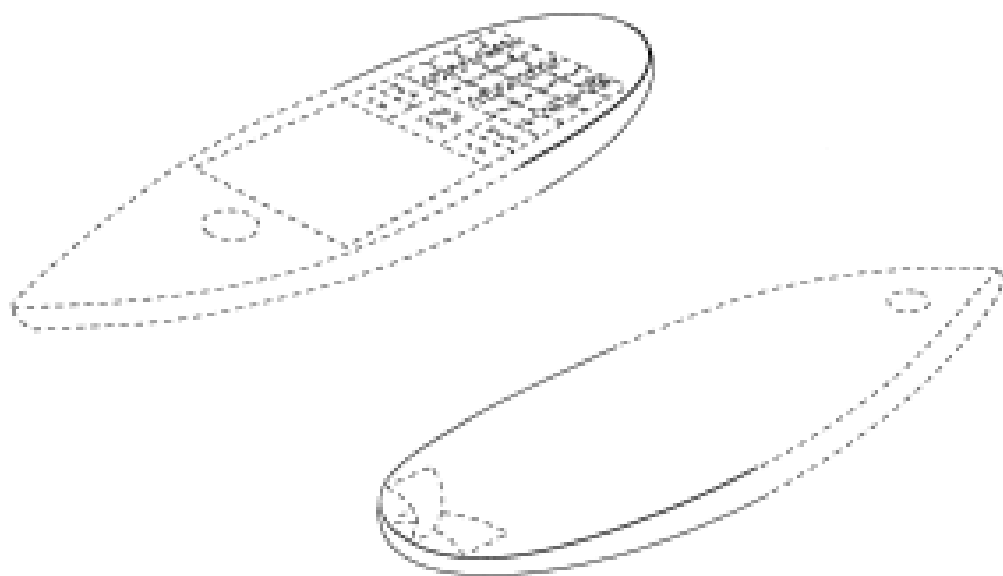
 (56) Related Art Documents: **Not Applicable**  
 (57) Statement of Newness and Distinctiveness: **Newness and distinctiveness are claimed in the features of shape and configuration of a pod vehicle headlight, as illustrated in the accompanying representatives.**



- (21) Design Number: **13289/2005**  
(22) Date of Filing Application: **02 August 2005**  
(24) Date from which industrial property rights may have effect: **02 August 2005**  
(54) Product in respect of which the design is registered: **A mobile phone**  
(51) International Design Classification: **14-03E**  
(71) Name(s) and Address(s) of Applicant(s):  
    **Nigel McNamara**  
    **PO Box 8094 Cleveland Queensland 4163 Australia**  
    **Barry McNamara**  
    **PO Box 21 Coolangatta Queensland 4225 Australia**  
(72) Name(s) of Designer(s): **Nigel McNamara and Barry McNamara**  
(45) Registration Date: **20 February 2006**  
(56) Related Art Documents: **Not Applicable**  
(57) Statement of Newness and Distinctiveness: **The particular visual features of the mobile phone that are to be regarded as new and distinctive are indicated by the features in solid lines in the accompanying representations. The features shown by dashed lines in the accompanying representations are to be disregarded when construing visual features of the design.**



- (21) Design Number: **13290/2005**  
(22) Date of Filing Application: **02 August 2005**  
(24) Date from which industrial property rights may have effect: **02 August 2005**  
(54) Product in respect of which the design is registered: **A mobile phone**  
(51) International Design Classification: **14-03E**  
(71) Name(s) and Address(s) of Applicant(s):  
    **Nigel McNamara**  
    **PO Box 8094 Cleveland Queensland 4163 Australia**  
    **Barry McNamara**  
    **PO Box 21 Coolangatta Queensland 4225 Australia**  
(72) Name(s) of Designer(s): **Nigel McNamara and Barry McNamara**  
(45) Registration Date: **20 February 2006**  
(56) Related Art Documents: **Not Applicable**  
(57) Statement of Newness and Distinctiveness: **The particular visual features of the mobile phone that are to be regarded as new and distinctive are indicated by the features in solid lines in the accompanying representations. The features shown by dashed lines in the accompanying representations are to be disregarded when construing visual features of the design.**



- (21) Design Number: **13291/2005**
- (22) Date of Filing Application: **02 August 2005**
- (24) Date from which industrial property rights may have effect: **02 August 2005**
- (54) Product in respect of which the design is registered: **A mobile phone**
- (51) International Design Classification: **14-03E**
- (71) Name(s) and Address(s) of Applicant(s):

**Nigel McNamara**  
**PO Box 8094 Cleveland Queensland 4163 Australia**

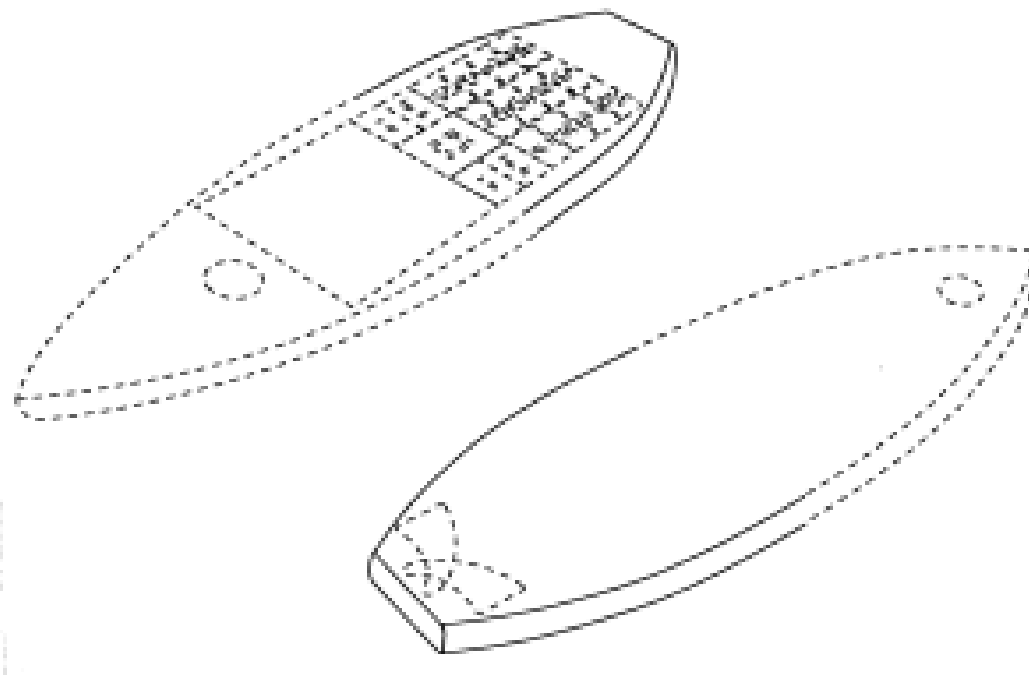
**Barry McNamara**  
**PO Box 21 Coolangatta Queensland 4225 Australia**

- (72) Name(s) of Designer(s): **Nigel McNamara and Barry McNamara**

- (45) Registration Date: **20 February 2006**

- (56) Related Art Documents: **Not Applicable**

- (57) Statement of Newness and Distinctiveness: **The particular visual features of the mobile phone that are to be regarded as new and distinctive are indicated by the features in solid lines in the accompanying representations. The features shown by dashed lines in the accompanying representations are to be disregarded when construing visual features of the design.**



- (21) Design Number: **13292/2005**
- (22) Date of Filing Application: **02 August 2005**
- (24) Date from which industrial property rights may have effect: **02 August 2005**
- (54) Product in respect of which the design is registered: **A mobile phone**
- (51) International Design Classification: **14-03E**
- (71) Name(s) and Address(s) of Applicant(s):

**Nigel McNamara**  
**PO Box 8094 Cleveland Queensland 4163 Australia**

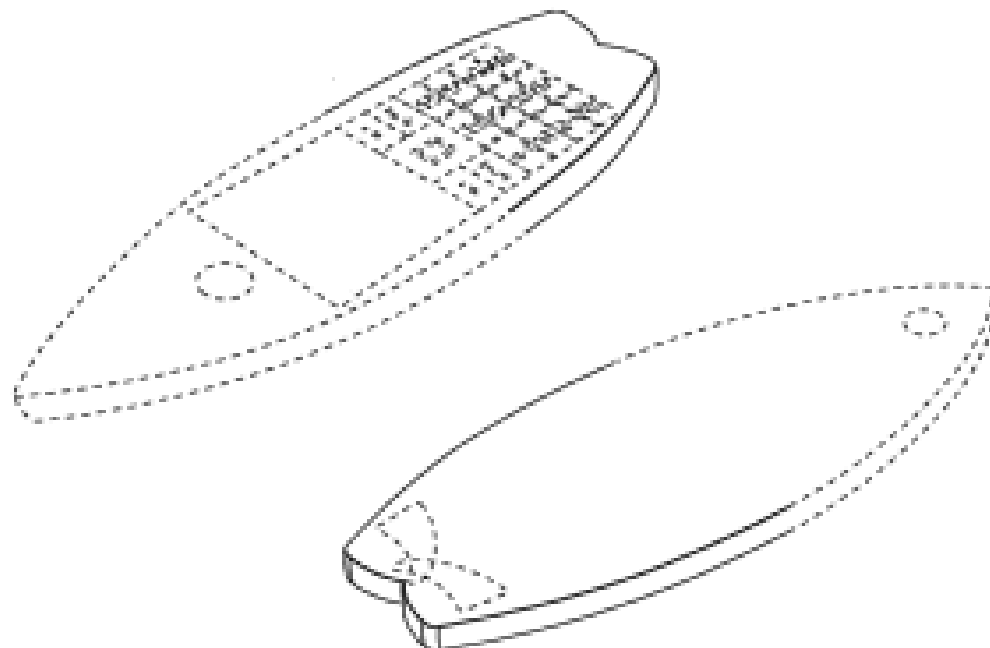
**Barry McNamara**  
**PO Box 21 Coolangatta Queensland 4225 Australia**

- (72) Name(s) of Designer(s): **Nigel McNamara and Barry McNamara**

- (45) Registration Date: **20 February 2006**

- (56) Related Art Documents: **Not Applicable**

- (57) Statement of Newness and Distinctiveness: **The particular visual features of the mobile phone that are to be regarded as new and distinctive are indicated by the features in solid lines in the accompanying representations. The features shown by dashed lines in the accompanying representations are to be disregarded when construing visual features of the design.**



(21) Design Number: **13395/2005**

(22) Date of Filing Application: **10 August 2005**

(24) Date from which industrial property rights may have effect: **10 August 2005**

(54) Product in respect of which the design is registered: **Bottle**

(51) International Design Classification: **09-01G**

(71) Name(s) and Address(s) of Applicant(s):

**The Procter & Gamble Company  
One Procter & Gamble Plaza Cincinnati Ohio 45202 United States of  
America**

(72) Name(s) of Designer(s): **Roberto Escobosa and Erica Heidi Hollmann and  
Yamilca Del Carmen Thoms and Stacy Alycia Thomas**

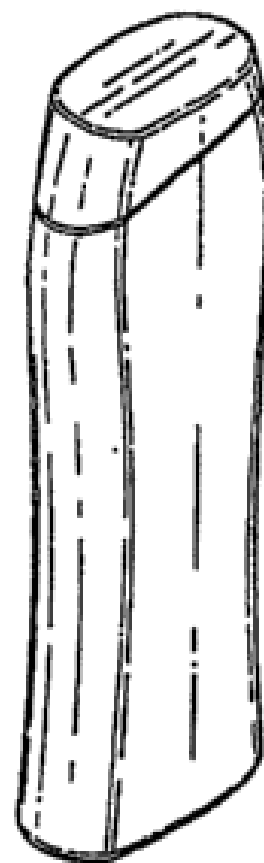
(45) Registration Date: **20 February 2006**

(30) Convention priority data:

(31) Number	(32) Date	(33) Country
<b>29/223,757</b>	<b>18 Feb 2005</b>	<b>UNITED STATES OF AMERICA</b>

(56) Related Art Documents: **Not Applicable**

(57) Statement of Newness and Distinctiveness: **Those features of the bottle  
depicted in the representations that are new and distinctive are the shape  
and/or configuration.**



(21) Design Number: **13396/2005**

(22) Date of Filing Application: **10 August 2005**

(24) Date from which industrial property rights may have effect: **10 August 2005**

(54) Product in respect of which the design is registered: **Bottle**

(51) International Design Classification: **09-01G**

(71) Name(s) and Address(s) of Applicant(s):

**The Procter & Gamble Company  
One Procter & Gamble Plaza Cincinnati Ohio 45202 United States of  
America**

(72) Name(s) of Designer(s): **Roberto Escobosa and Erica Heidi Hollmann and  
Yamilca Del Carmen Thoms and Stacy Alycia Thomas**

(45) Registration Date: **20 February 2006**

(30) Convention priority data:

(31) Number	(32) Date	(33) Country
<b>29/223,756</b>	<b>18 Feb 2005</b>	<b>UNITED STATES OF AMERICA</b>

(56) Related Art Documents: **Not Applicable**

(57) Statement of Newness and Distinctiveness: **Those features of the bottle  
depicted in the representations that are new and distinctive are the shape  
and/or configuration.**



(21) Design Number: **13470/2005**

(22) Date of Filing Application: **12 August 2005**

(24) Date from which industrial property rights may have effect: **12 August 2005**

(54) Product in respect of which the design is registered: **Lighting device**

(51) International Design Classification: **26-05B**

(71) Name(s) and Address(s) of Applicant(s):

**Gregory Jackson Porter**

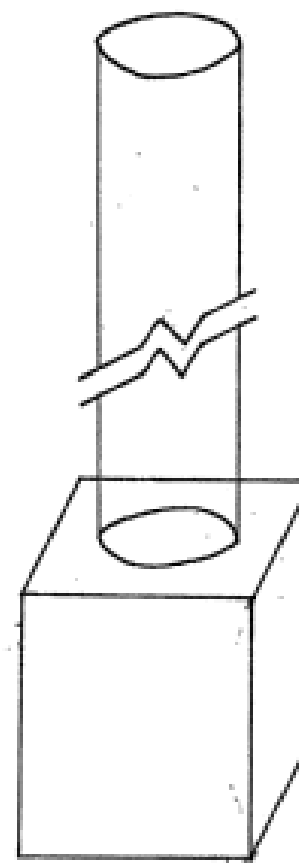
**8 Harvard Circuit Rouse Hill New South Wales 2155 Australia**

(72) Name(s) of Designer(s): **Gregory Jackson Porter**

(45) Registration Date: **20 February 2006**

(56) Related Art Documents: **Not Applicable**

(57) Statement of Newness and Distinctiveness: **Each feature of the design considered separately or in combination with any other feature or features.**



(21) Design Number: **13471/2005**

(22) Date of Filing Application: **12 August 2005**

(24) Date from which industrial property rights may have effect: **12 August 2005**

(54) Product in respect of which the design is registered: **Pet food**

(51) International Design Classification: **01-06**

(71) Name(s) and Address(s) of Applicant(s):

**Mars Incorporated**

**6885 Elm Street McLean 22101-3883 Virginia United States of America**

(72) Name(s) of Designer(s): **Juan Ramon Vilchis Cabanillas**

(45) Registration Date: **20 February 2006**

(30) Convention priority data:

(31) Number

(32) Date

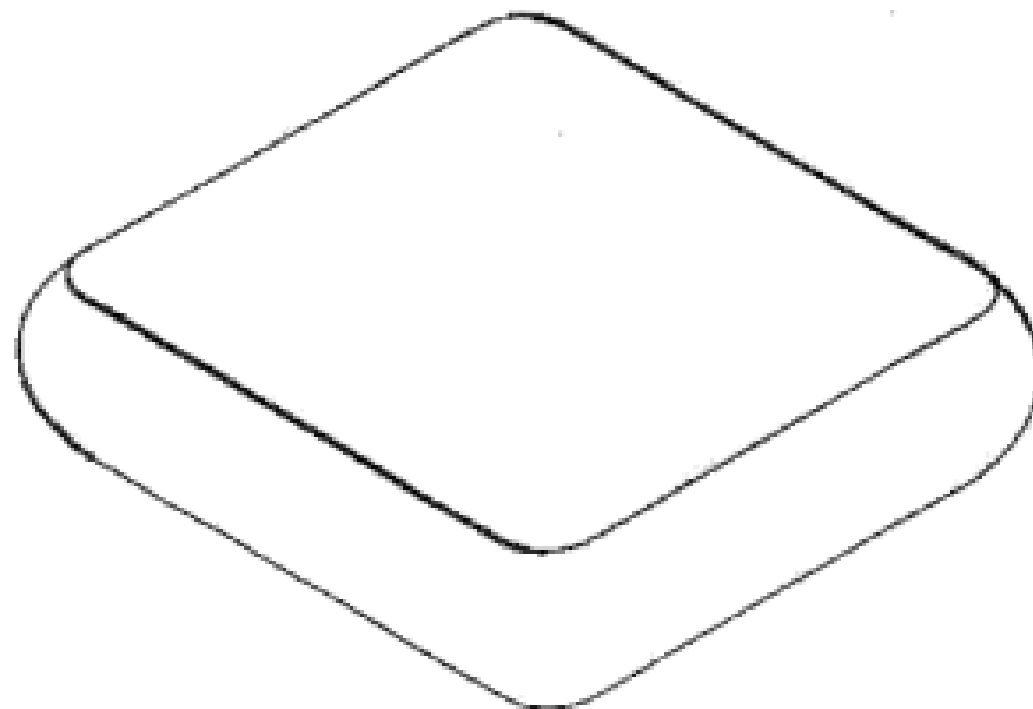
(33) Country

**PA/F/2005/00230 14 Feb 2005**

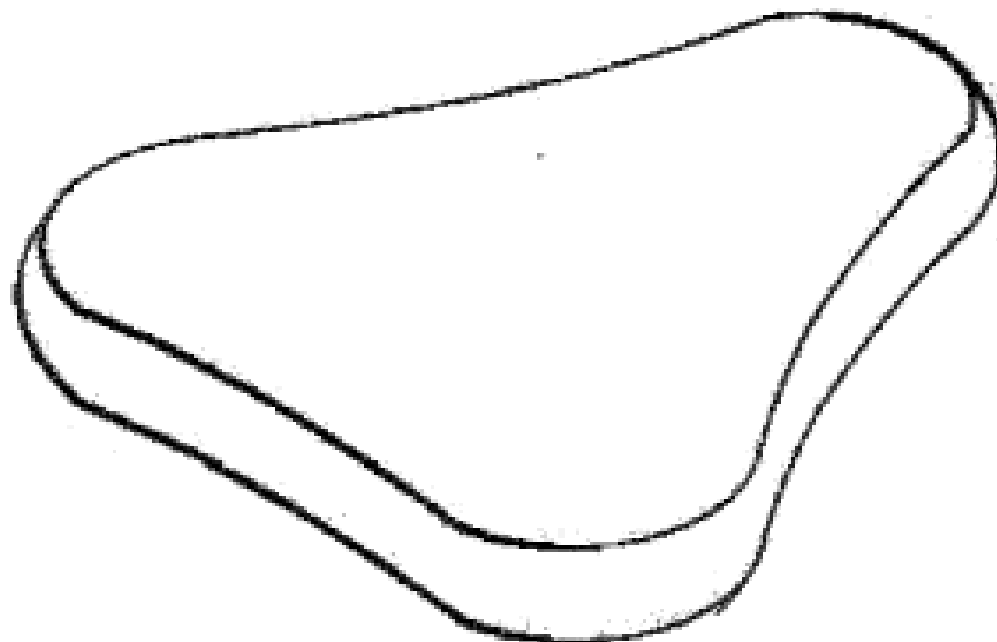
**MEXICO**

(56) Related Art Documents: **Not Applicable**

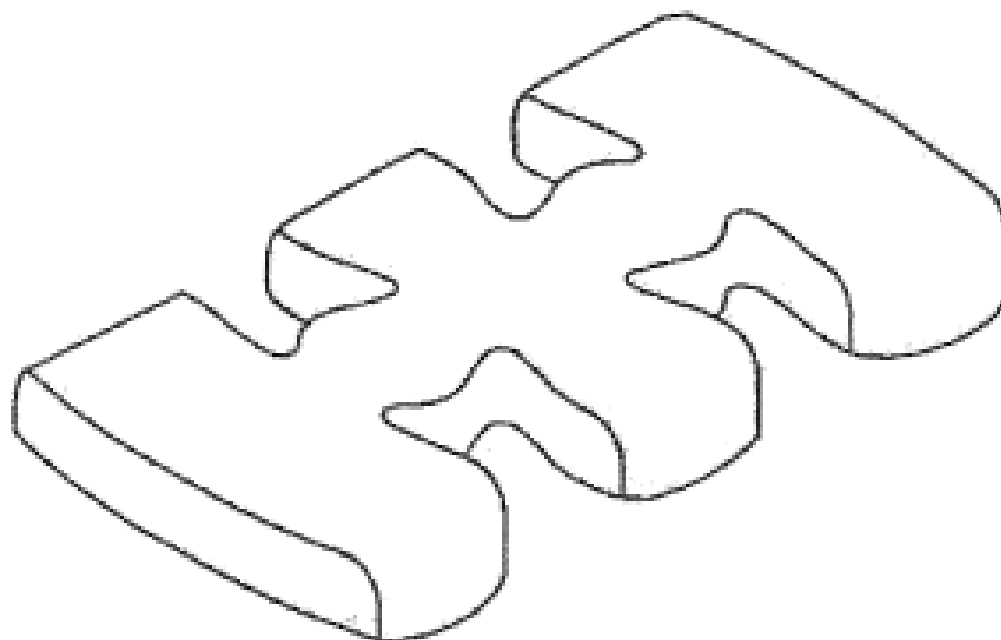
(57) Statement of Newness and Distinctiveness: **Monopoly is claimed in the shape and configuration of the features of the article as depicted in the accompanying representations.**



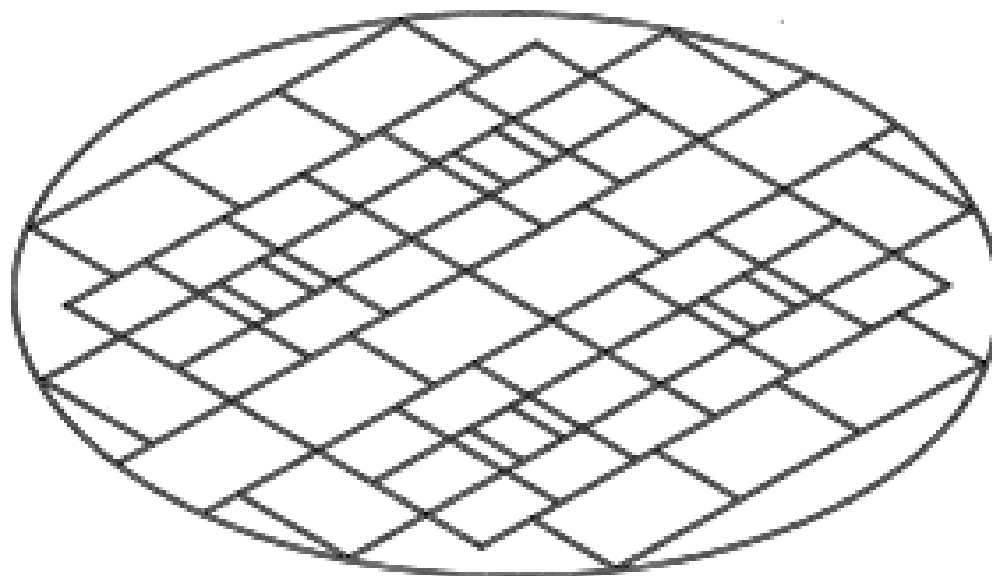
(21) Design Number: **13472/2005**  
(22) Date of Filing Application: **12 August 2005**  
(24) Date from which industrial property rights may have effect: **12 August 2005**  
(54) Product in respect of which the design is registered: **Pet food**  
(51) International Design Classification: **01-06**  
(71) Name(s) and Address(s) of Applicant(s):  
**Mars Incorporated**  
**6885 Elm Street McLean 22101-3883 Virginia United States of America**  
(72) Name(s) of Designer(s): **Juan Ramon Vilchis Cabanillas**  
(45) Registration Date: **20 February 2006**  
(30) Convention priority data:  
(31) Number (32) Date (33) Country  
**PA/F/2005/00229 14 Feb 2005 MEXICO**  
(56) Related Art Documents: **Not Applicable**  
(57) Statement of Newness and Distinctiveness: **Monopoly is claimed in the shape and configuration of the features of the article as depicted in the accompanying representations.**



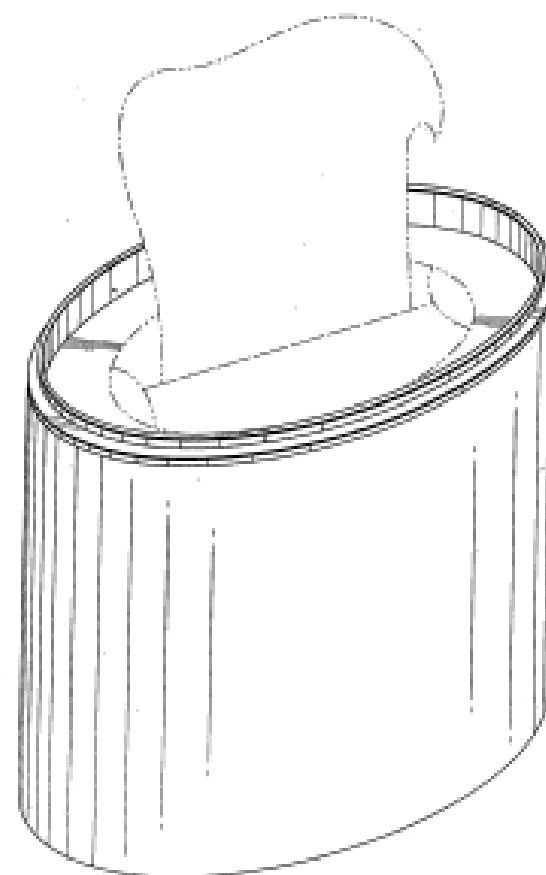
(21) Design Number: **13473/2005**  
(22) Date of Filing Application: **12 August 2005**  
(24) Date from which industrial property rights may have effect: **12 August 2005**  
(54) Product in respect of which the design is registered: **Pet food**  
(51) International Design Classification: **01-06**  
(71) Name(s) and Address(s) of Applicant(s):  
**Mars Incorporated**  
**6885 Elm Street McLean 22101-3883 Virginia United States of America**  
(72) Name(s) of Designer(s): **Juan Ramon Vilchis Cabanillas**  
(45) Registration Date: **20 February 2006**  
(30) Convention priority data:  
(31) Number (32) Date (33) Country  
**PA/F/2005/00231 14 Feb 2005 MEXICO**  
(56) Related Art Documents: **Not Applicable**  
(57) Statement of Newness and Distinctiveness: **Monopoly is claimed in the shape and configuration of the features of the article as depicted in the accompanying representations.**



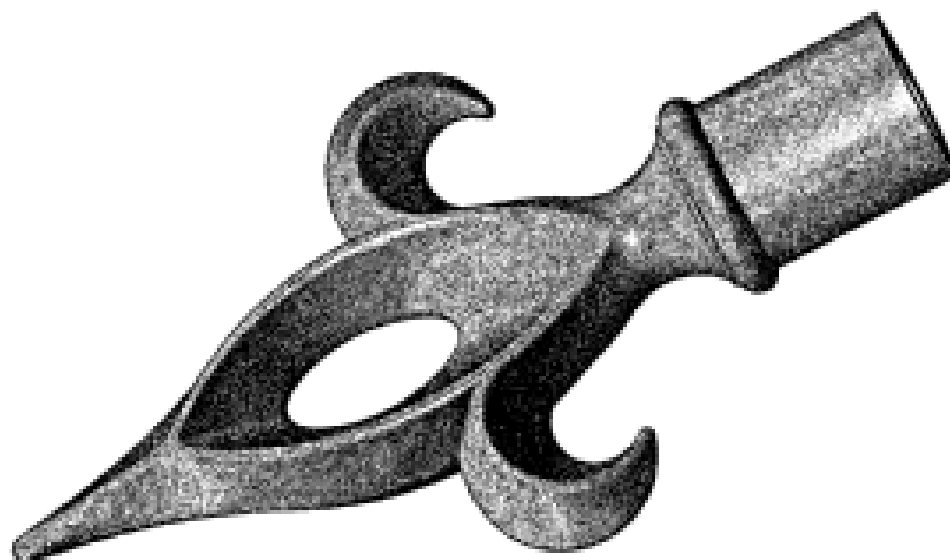
- (21) Design Number: **13507/2005**  
(22) Date of Filing Application: **15 August 2005**  
(24) Date from which industrial property rights may have effect: **15 August 2005**  
(54) Product in respect of which the design is registered: **Grid for a dartboard**  
(51) International Design Classification: **21-01H**  
(71) Name(s) and Address(s) of Applicant(s):  
**Poker-Dart Pty Ltd**  
**1 Penman Street Blairgowrie Victoria 3942 Australia**  
(72) Name(s) of Designer(s): **Philip Louis Sierakowski**  
(45) Registration Date: **20 February 2006**  
(56) Related Art Documents: **Not Applicable**  
(57) Statement of Newness and Distinctiveness: **Newness and distinctiveness reside in the features of shape and/or configuration of a grid for a dartboard as shown in the accompanying representations.**



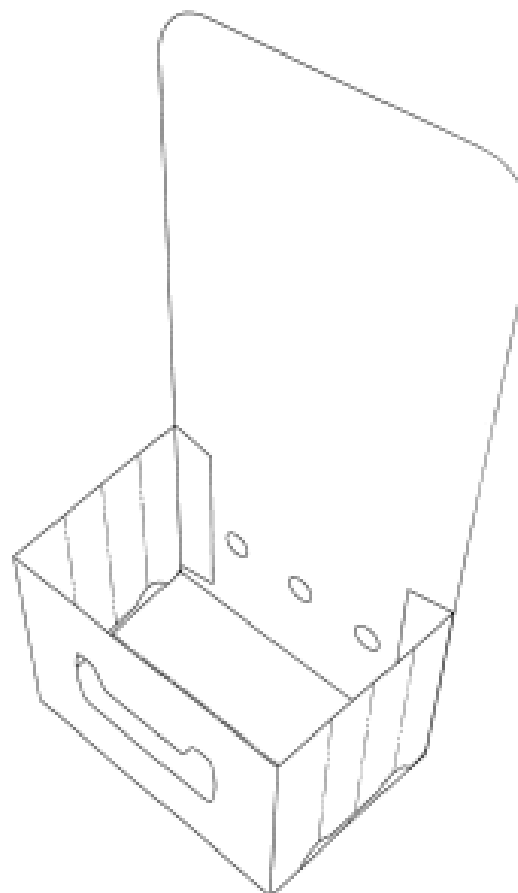
- (21) Design Number: **13515/2005**  
(22) Date of Filing Application: **16 August 2005**  
(24) Date from which industrial property rights may have effect: **16 August 2005**  
(54) Product in respect of which the design is registered: **Substrate dispenser**  
(51) International Design Classification: **23-02A**  
(71) Name(s) and Address(s) of Applicant(s):  
**Kimberly-Clark Worldwide, Inc.**  
**401 North Lake Street Neenah Wisconsin 54956 United States of America**  
(72) Name(s) of Designer(s): **Christine Marie Mau and Duane Lyle McDonald**  
(45) Registration Date: **20 February 2006**  
(30) Convention priority data:  
(31) Number      (32) Date      (33) Country  
**29/224355      01 Mar 2005      UNITED STATES OF AMERICA**  
(56) Related Art Documents: **Not Applicable**  
(57) Statement of Newness and Distinctiveness: **Newness and distinctiveness is claimed in the features of shape and/or configuration of the upper rim portion of a substrate dispenser as illustrated in continuous lines in the accompanying representations.**



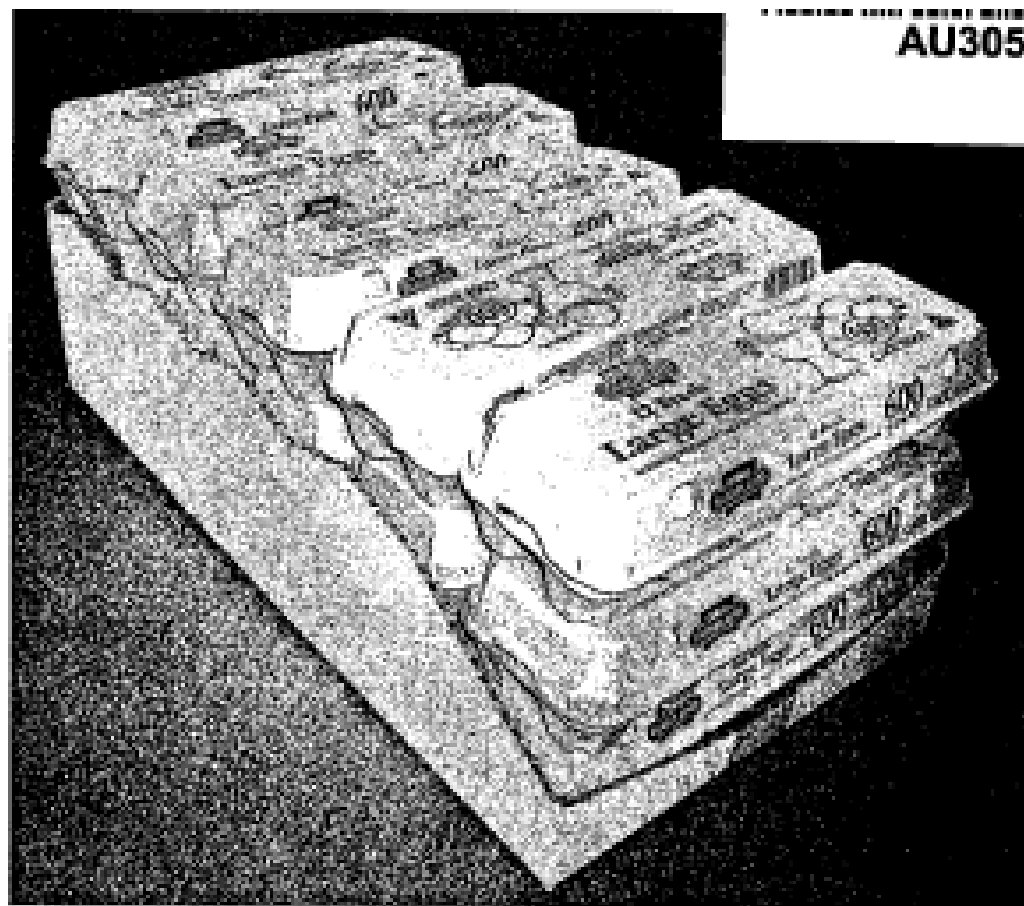
- (21) Design Number: **13544/2005**  
(22) Date of Filing Application: **18 August 2005**  
(24) Date from which industrial property rights may have effect: **18 August 2005**  
(54) Product in respect of which the design is registered: **Spear head decorative point**  
(51) International Design Classification: **25-02D**  
(71) Name(s) and Address(s) of Applicant(s):  
**Triple Star Diecasting Pty Ltd**  
**Factory 2 6 Park Drive Dandenong South Victoria 3175 Australia**  
(72) Name(s) of Designer(s): **Quoc C. Tieu and Chanh Ngo**  
(45) Registration Date: **20 February 2006**  
(56) Related Art Documents: **Not Applicable**  
(57) Statement of Newness and Distinctiveness: **Nil**



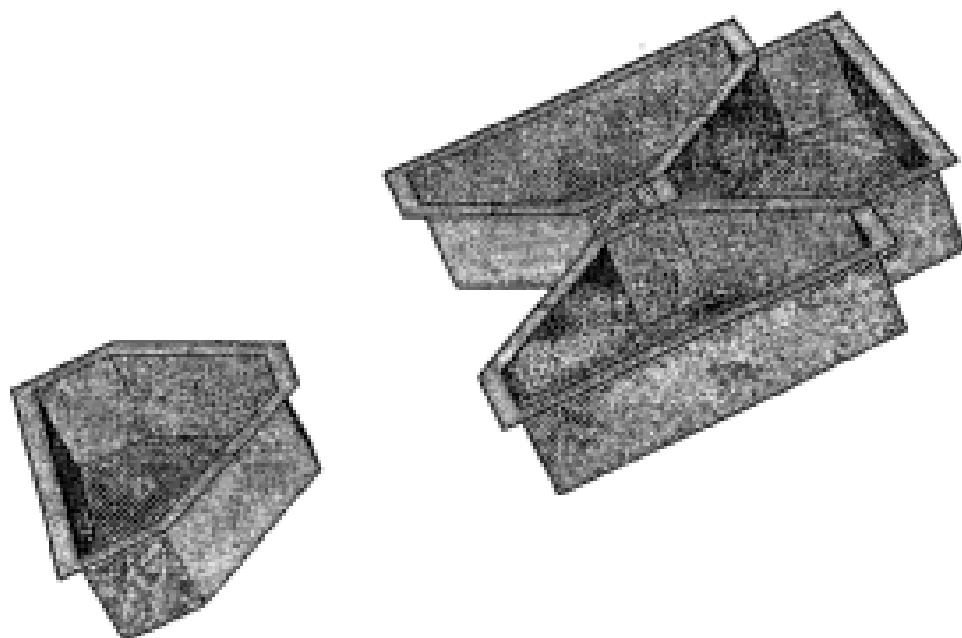
- (21) Design Number: **13545/2005**  
(22) Date of Filing Application: **18 August 2005**  
(24) Date from which industrial property rights may have effect: **18 August 2005**  
(54) Product in respect of which the design is registered: **Package for the display of fresh produce**  
(51) International Design Classification: **09-03K, 20-02E**  
(71) Name(s) and Address(s) of Applicant(s):  
**Thomas John Mauloni**  
**20 Robertson Road Mena Creek Queensland 4871 Australia**  
**Dianne Calmsden Mauloni**  
**20 Robertson Road Mena Creek Queensland 4871 Australia**  
**Matthew John Mauloni**  
**20 Robertson Road Mena Creek Queensland 4871 Australia**  
**Robert Thomas Mauloni**  
**11 Cardier Road Wangan Queensland 4871 Australia**  
**Thomas Samuel Mauloni**  
**20 Robertson Road Mena Creek Queensland 4871 Australia**  
(72) Name(s) of Designer(s): **Adam Garth**  
(45) Registration Date: **20 February 2006**  
(56) Related Art Documents: **Not Applicable**  
(57) Statement of Newness and Distinctiveness: **Nil**



- (21) Design Number: **13546/2005**  
(22) Date of Filing Application: **18 August 2005**  
(24) Date from which industrial property rights may have effect: **18 August 2005**  
(54) Product in respect of which the design is registered: **A container and blank therefor**  
(51) International Design Classification: **09-03M**  
(71) Name(s) and Address(s) of Applicant(s):  
**Ancor Limited**  
**679 Victoria Street Abbotsford Victoria 3067 Australia**  
(72) Name(s) of Designer(s): **Andrew Jackson**  
(45) Registration Date: **20 February 2006**  
(56) Related Art Documents: **Not Applicable**  
(57) Statement of Newness and Distinctiveness: **Newness and distinctiveness are claimed in the features of shape and configuration of the container and blank therefor depicted in the representations. When considering the extent of the monopoly, the egg cartons contained in the container are to be disregarded.**



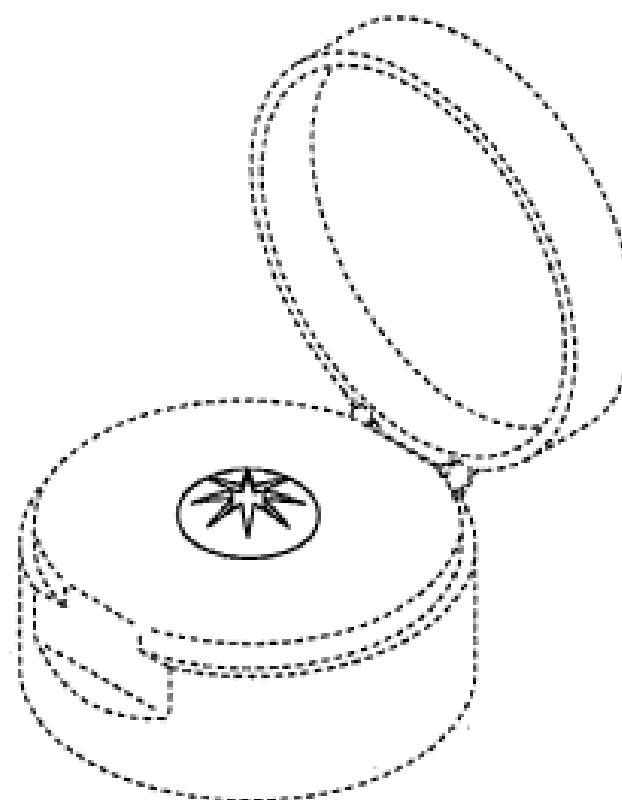
- (21) Design Number: **13547/2005**  
(22) Date of Filing Application: **18 August 2005**  
(24) Date from which industrial property rights may have effect: **18 August 2005**  
(54) Product in respect of which the design is registered: **Food container**  
(51) International Design Classification: **07-01B**  
(71) Name(s) and Address(s) of Applicant(s):  
**MQF Pty Limited**  
**Presto Building 37-39 Wentworth Street Greenacre New South Wales 2190 Australia**  
(72) Name(s) of Designer(s): **Laszlo (Les) Knebl**  
(45) Registration Date: **20 February 2006**  
(56) Related Art Documents: **Not Applicable**  
(57) Statement of Newness and Distinctiveness: **Monopoly is claimed in the shape and configuration of the features of the article as depicted in the accompanying representations.**



(21) Design Number: **13551/2005**  
 (22) Date of Filing Application: **18 August 2005**  
 (24) Date from which industrial property rights may have effect: **18 August 2005**  
 (54) Product in respect of which the design is registered: **Spout**  
 (51) International Design Classification: **09-07A**  
 (71) Name(s) and Address(s) of Applicant(s):  
**The Procter & Gamble Company**  
**One Procter & Gamble Plaza Cincinnati Ohio 45202 United States of America**  
 (72) Name(s) of Designer(s): **Yoshihisa Moribata and Seiichi Ido**  
 (45) Registration Date: **20 February 2006**  
 (30) Convention priority data:  

(31) Number	(32) Date	(33) Country
<b>3020449</b>	<b>25 Feb 2005</b>	<b>UNITED KINGDOM</b>

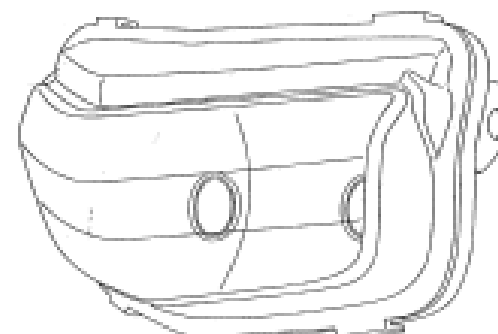
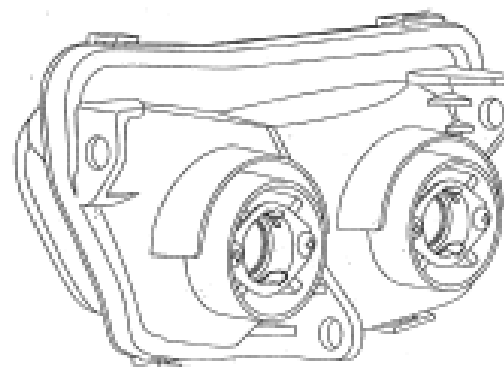
 (56) Related Art Documents: **Not Applicable**  
 (57) Statement of Newness and Distinctiveness: **Those features of the spout depicted in the representations that are new and distinctive are the shape and/or configuration of the orifice. The features shown in broken line are not part of the design and are to be disregarded when considering the overall impression of the design.**



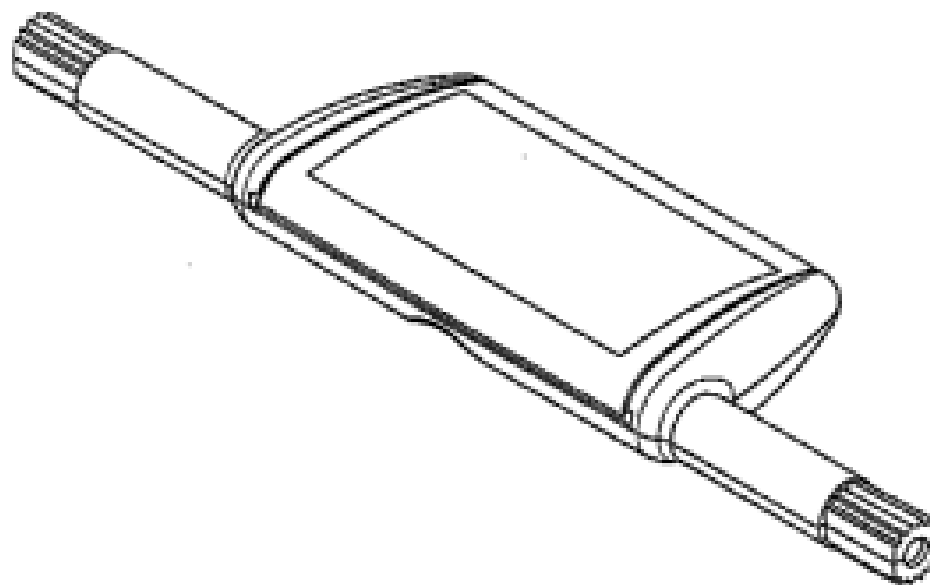
(21) Design Number: **13599/2005**  
 (22) Date of Filing Application: **22 August 2005**  
 (24) Date from which industrial property rights may have effect: **22 August 2005**  
 (54) Product in respect of which the design is registered: **Headlight case for a vehicle**  
 (51) International Design Classification: **12-16E**  
 (71) Name(s) and Address(s) of Applicant(s):  
**Honda Motor Co., Ltd**  
**1-1 Minami-Aoyama 2-chome Minato-ku Tokyo Japan**  
 (72) Name(s) of Designer(s): **Kazuhiro Kudo and Tetsuya Nakazawa**  
 (45) Registration Date: **20 February 2006**  
 (30) Convention priority data:  

(31) Number	(32) Date	(33) Country
<b>2005-005479</b>	<b>25 Feb 2005</b>	<b>JAPAN</b>

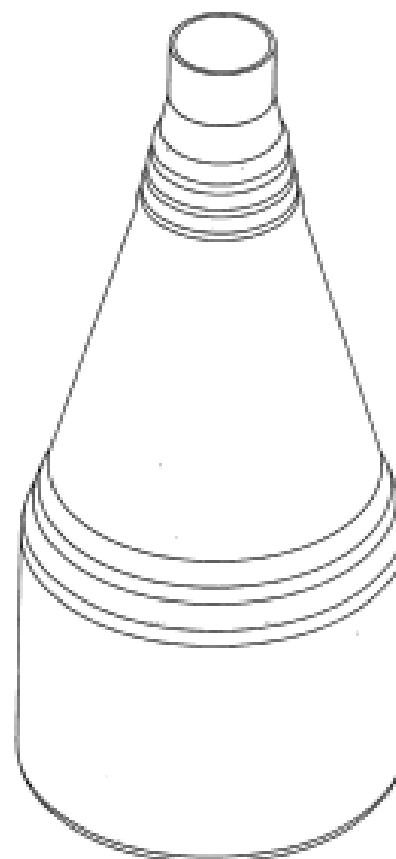
 (56) Related Art Documents: **Not Applicable**  
 (57) Statement of Newness and Distinctiveness: **Newness and distinctiveness is claimed in the features of shape and/or configuration of a headlight case for a vehicle as illustrated in the accompanying representations.**



- (21) Design Number: **13612/2005**  
(22) Date of Filing Application: **23 August 2005**  
(24) Date from which industrial property rights may have effect: **23 August 2005**  
(54) Product in respect of which the design is registered: **Handle for a shopping trolley**  
(51) International Design Classification: **12-02**  
(71) Name(s) and Address(s) of Applicant(s):  
**Sales Activation Solutions Group Limited**  
**2nd Floor Woolverstone House 61-62 Berners Street London W1T 3NJ**  
**United Kingdom**  
(72) Name(s) of Designer(s): **John Frederick Leutton**  
(45) Registration Date: **20 February 2006**  
(30) Convention priority data:  
(31) Number      (32) Date      (33) Country  
**000302948      23 Feb 2005      EUROPEAN COMMUNITY**  
(56) Related Art Documents: **Not Applicable**  
(57) Statement of Newness and Distinctiveness: **Nil**



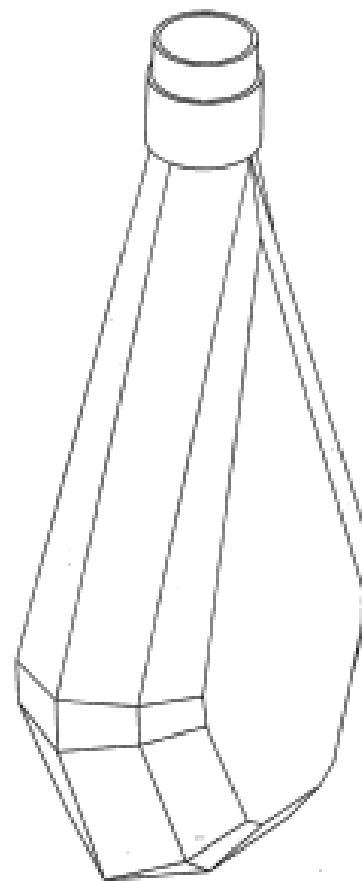
- (21) Design Number: **13613/2005**  
(22) Date of Filing Application: **23 August 2005**  
(24) Date from which industrial property rights may have effect: **23 August 2005**  
(54) Product in respect of which the design is registered: **Container**  
(51) International Design Classification: **09-01NES**  
(71) Name(s) and Address(s) of Applicant(s):  
**Brand Base Pty Ltd**  
**Suite 15 Jones Bay Wharf 19-21 Pirrama Road Pyrmont New South**  
**Wales 2009 Australia**  
(72) Name(s) of Designer(s): **Kieron Dowd**  
(45) Registration Date: **20 February 2006**  
(56) Related Art Documents: **Not Applicable**  
(57) Statement of Newness and Distinctiveness: **Nil**



- (21) Design Number: **13614/2005**
- (22) Date of Filing Application: **23 August 2005**
- (24) Date from which industrial property rights may have effect: **23 August 2005**
- (54) Product in respect of which the design is registered: **Container**
- (51) International Design Classification: **09-01K**
- (71) Name(s) and Address(s) of Applicant(s):

**Brand Base Pty Ltd**  
**Suite 15 Jones Bay Wharf 19-21 Pirrama Road Pyrmont New South**  
**Wales 2009 Australia**

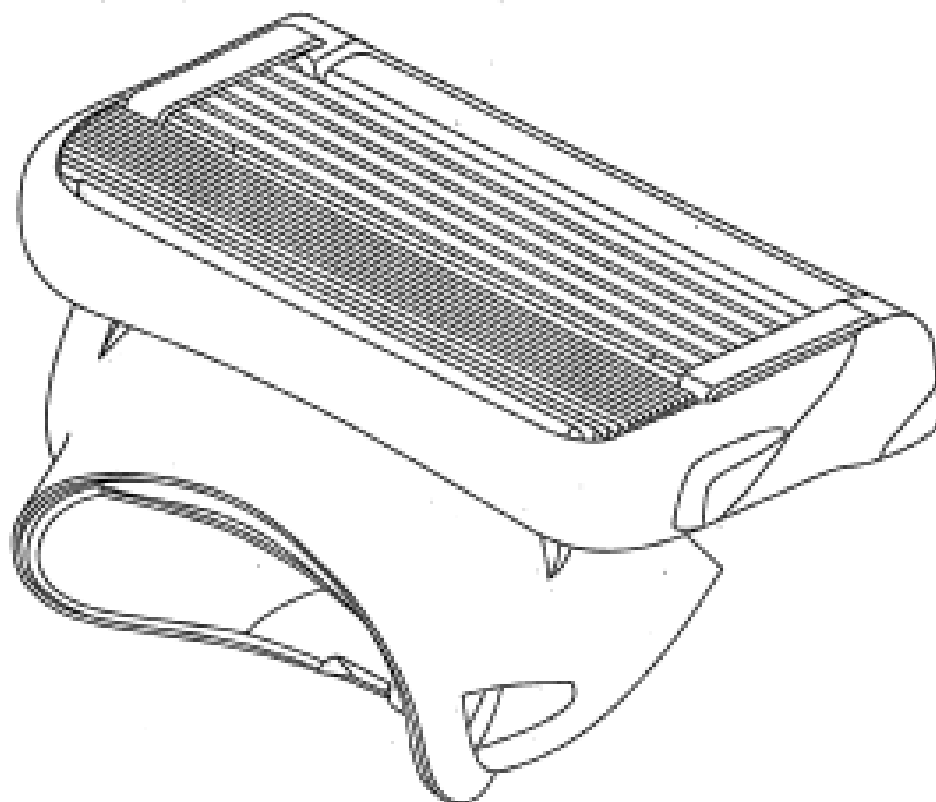
- (72) Name(s) of Designer(s): **Kieron Dowd**
- (45) Registration Date: **20 February 2006**
- (56) Related Art Documents: **Not Applicable**
- (57) Statement of Newness and Distinctiveness: **Nil**



- (21) Design Number: **13615/2005**
- (22) Date of Filing Application: **23 August 2005**
- (24) Date from which industrial property rights may have effect: **23 August 2005**
- (54) Product in respect of which the design is registered: **Razor cartridge**
- (51) International Design Classification: **28-03A**
- (71) Name(s) and Address(s) of Applicant(s):

**The Gillette Company**  
**Prudential Tower Building Boston Massachusetts 02199 United States**  
**of America**

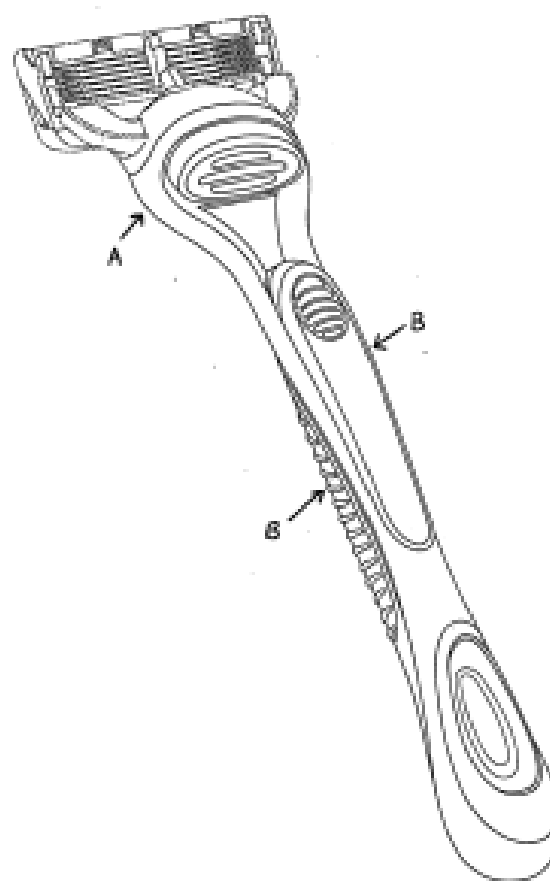
- (72) Name(s) of Designer(s): **Michael J. Gray and Craig Provost**
- (45) Registration Date: **20 February 2006**
- (30) Convention priority data:
  - (31) Number      (32) Date      (33) Country
  - 29/224093      24 Feb 2005      UNITED STATES OF AMERICA**
- (56) Related Art Documents: **Not Applicable**
- (57) Statement of Newness and Distinctiveness: **Newness and distinctiveness is claimed in the following features of a razor cartridge as illustrated in the accompanying representations: the configuration of the razor blades; the shape of the blade housing portion; and the shape of the base handle connecting portion.**



(21) Design Number: **13616/2005**  
 (22) Date of Filing Application: **23 August 2005**  
 (24) Date from which industrial property rights may have effect: **23 August 2005**  
 (54) Product in respect of which the design is registered: **Razor handle**  
 (51) International Design Classification: **28-03A**  
 (71) Name(s) and Address(s) of Applicant(s):  
**The Gillette Company**  
**Prudential Tower Building Boston Massachusetts 02199 United States of America**  
 (72) Name(s) of Designer(s): **Craig Provost and Michael J. Gray**  
 (45) Registration Date: **20 February 2006**  
 (30) Convention priority data:  

(31) Number	(32) Date	(33) Country
<b>29/224104</b>	<b>24 Feb 2005</b>	<b>UNITED STATES OF AMERICA</b>

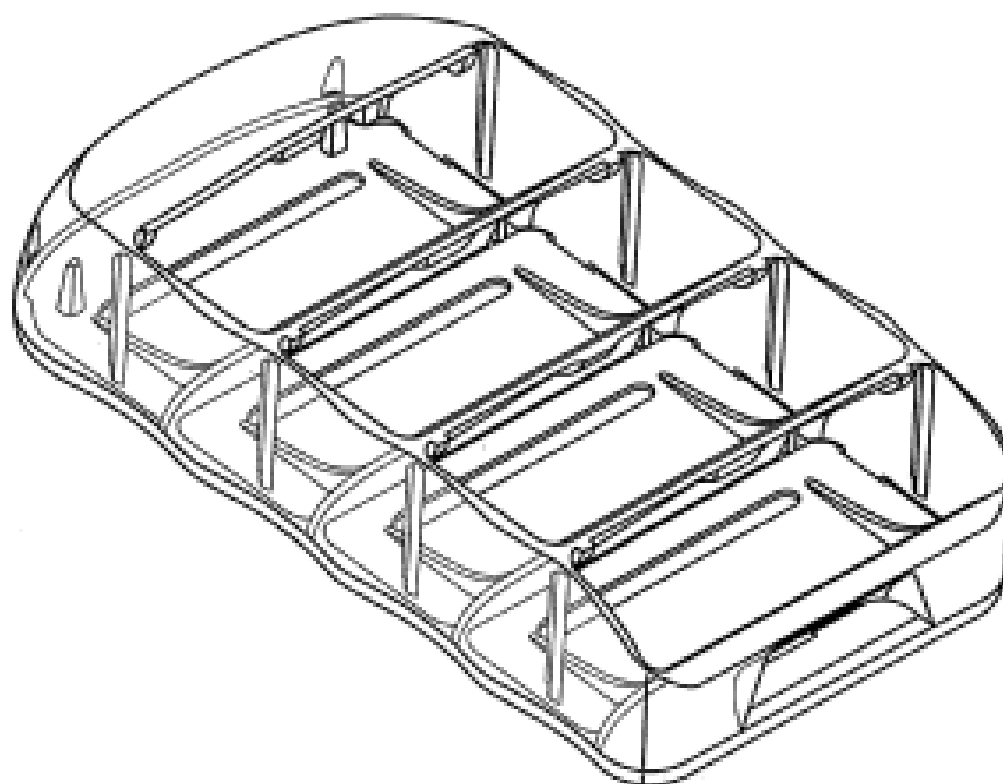
 (56) Related Art Documents: **Not Applicable**  
 (57) Statement of Newness and Distinctiveness: **Newness and distinctiveness is claimed in the features of shape and/or configuration of a razor handle as illustrated in continuous lines in the accompanying representations, and particularly in the features of shape and/or configuration of the following parts of the razor handle: the connecting portion labelled 'A' for connecting a cartridge to the razor handle; the gripping element(s) labelled 'B'; and the razor handle body.**



(21) Design Number: **13617/2005**  
 (22) Date of Filing Application: **23 August 2005**  
 (24) Date from which industrial property rights may have effect: **23 August 2005**  
 (54) Product in respect of which the design is registered: **Dispenser for razor cartridges**  
 (51) International Design Classification: **28-03A**  
 (71) Name(s) and Address(s) of Applicant(s):  
**The Gillette Company**  
**Prudential Tower Building Boston Massachusetts 02199 United States of America**  
 (72) Name(s) of Designer(s): **Michael J. Gray and Christopher Ramm**  
 (45) Registration Date: **20 February 2006**  
 (30) Convention priority data:  

(31) Number	(32) Date	(33) Country
<b>29/224098</b>	<b>24 Feb 2005</b>	<b>UNITED STATES OF AMERICA</b>

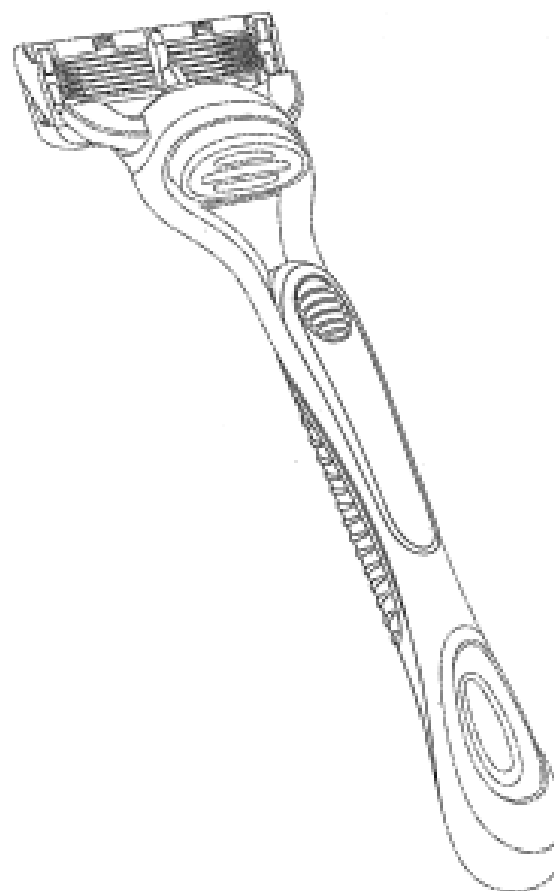
 (56) Related Art Documents: **Not Applicable**  
 (57) Statement of Newness and Distinctiveness: **Newness and distinctiveness is claimed in the following features of shape and/or configuration of a dispenser for razor cartridges as illustrated in the accompanying representations: the approximately quadrangular shape of the dispenser; the open top of the dispenser having pockets for razor cartridges; and the inclined partitions between the pockets.**



(21) Design Number: **13618/2005**  
 (22) Date of Filing Application: **23 August 2005**  
 (24) Date from which industrial property rights may have effect: **23 August 2005**  
 (54) Product in respect of which the design is registered: **Razor handle**  
 (51) International Design Classification: **28-03A**  
 (71) Name(s) and Address(s) of Applicant(s):  
**The Gillette Company**  
**Prudential Tower Building Boston Massachusetts 02199 United States of America**  
 (72) Name(s) of Designer(s): **Craig Provost and Michael J. Gray**  
 (45) Registration Date: **20 February 2006**  
 (30) Convention priority data:  

(31) Number	(32) Date	(33) Country
<b>29/224015</b>	<b>23 Feb 2005</b>	<b>UNITED STATES OF AMERICA</b>

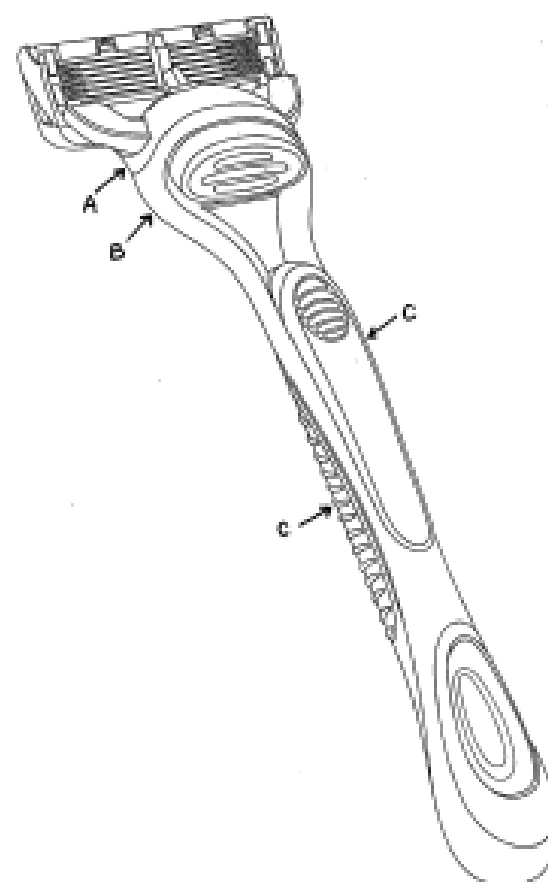
 (56) Related Art Documents: **Not Applicable**  
 (57) Statement of Newness and Distinctiveness: **Newness and distinctiveness is claimed in the features of shape and/or configuration of the gripping element(s) of a razor handle as illustrated in continuous lines in the accompanying representations.**



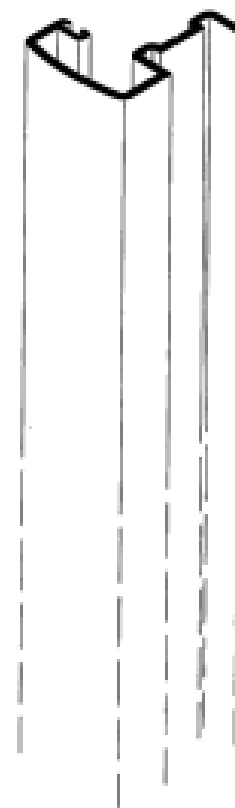
(21) Design Number: **13619/2005**  
 (22) Date of Filing Application: **23 August 2005**  
 (24) Date from which industrial property rights may have effect: **23 August 2005**  
 (54) Product in respect of which the design is registered: **Razor**  
 (51) International Design Classification: **28-03A**  
 (71) Name(s) and Address(s) of Applicant(s):  
**The Gillette Company**  
**Prudential Tower Building Boston Massachusetts 02199 United States of America**  
 (72) Name(s) of Designer(s): **Michael J. Gray and Craig Provost**  
 (45) Registration Date: **20 February 2006**  
 (30) Convention priority data:  

(31) Number	(32) Date	(33) Country
<b>29/223950</b>	<b>23 Feb 2005</b>	<b>UNITED STATES OF AMERICA</b>

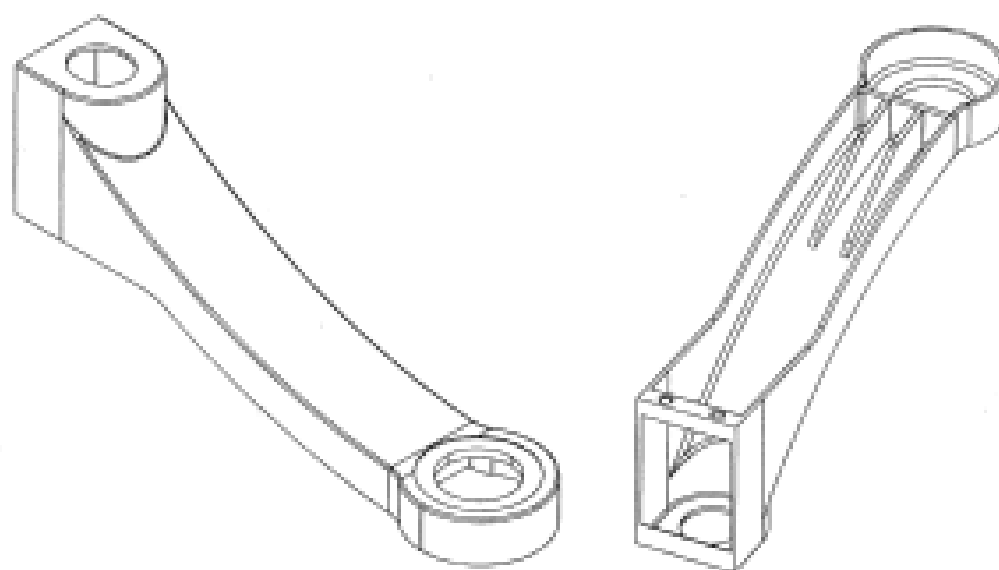
 (56) Related Art Documents: **Not Applicable**  
 (57) Statement of Newness and Distinctiveness: **Newness and distinctiveness is claimed in the following features of a razor as illustrated in the accompanying representations: the configuration of the razor blades mounted in the razor cartridge; the shape and/or configuration of the connection region between the razor cartridge and the handle, notably the base connecting portion of the razor cartridge labelled 'A' and the upper end of the connecting portion of the razor handle labelled 'B'; the shape and/or configuration of the gripping element(s) labelled 'C'; and the shape of the razor handle body.**



- (21) Design Number: **13703/2005**  
(22) Date of Filing Application: **29 August 2005**  
(24) Date from which industrial property rights may have effect: **29 August 2005**  
(54) Product in respect of which the design is registered: **Extrusion**  
(51) International Design Classification: **25-01K**  
(71) Name(s) and Address(s) of Applicant(s):  
**Crane Enfield Metals Pty Ltd**  
**2115 Castlereagh Road Penrith New South Wales 2750 Australia**  
(72) Name(s) of Designer(s): **Benjamin Ian Tilley**  
(45) Registration Date: **20 February 2006**  
(56) Related Art Documents: **Not Applicable**  
(57) Statement of Newness and Distinctiveness: **This product may be of any desired length but of constant cross section throughout that length.**



- (21) Design Number: **13711/2005**  
(22) Date of Filing Application: **30 August 2005**  
(24) Date from which industrial property rights may have effect: **30 August 2005**  
(54) Product in respect of which the design is registered: **A holder for a wash basin**  
(51) International Design Classification: **08-08NES, 23-02F**  
(71) Name(s) and Address(s) of Applicant(s):  
**Sonia, S.A.**  
**Ctra. de Barcelona 35 Bonrepos (Valencia) 46131 Spain**  
(72) Name(s) of Designer(s): **Jose Maria Ferrer Beltran**  
(45) Registration Date: **20 February 2006**  
(56) Related Art Documents: **Not Applicable**  
(57) Statement of Newness and Distinctiveness: **Nil**



(21) Design Number: **13712/2005**

(22) Date of Filing Application: **30 August 2005**

(24) Date from which industrial property rights may have effect: **30 August 2005**

(54) Product in respect of which the design is registered: **A wash basin**

(51) International Design Classification: **23-02F**

(71) Name(s) and Address(s) of Applicant(s):

**Sonia, S.A.**

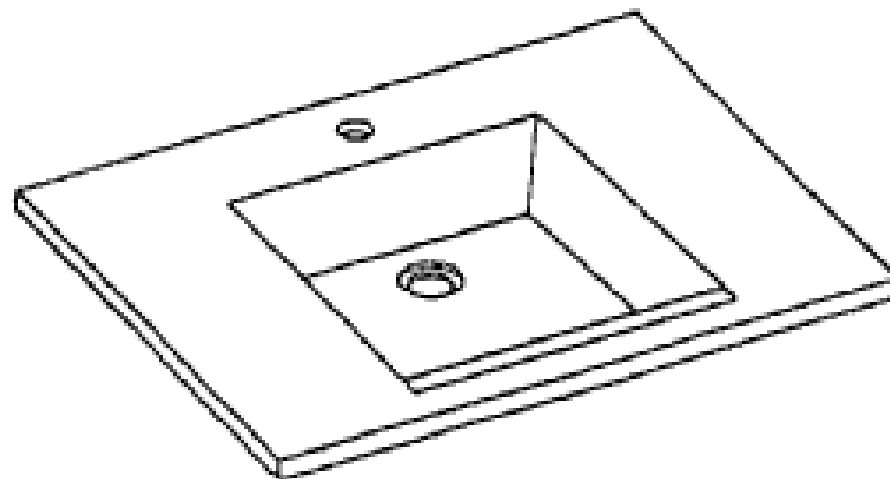
**Ctra. de Barcelona 35 Bonrepos (Valencia) 46131 Spain**

(72) Name(s) of Designer(s): **Jose Maria Ferrer Beltran**

(45) Registration Date: **20 February 2006**

(56) Related Art Documents: **Not Applicable**

(57) Statement of Newness and Distinctiveness: **Nil**



(21) Design Number: **13714/2005**

(22) Date of Filing Application: **30 August 2005**

(24) Date from which industrial property rights may have effect: **30 August 2005**

(54) Product in respect of which the design is registered: **A toilet**

(51) International Design Classification: **23-02C**

(71) Name(s) and Address(s) of Applicant(s):

**Sonia, S.A.**

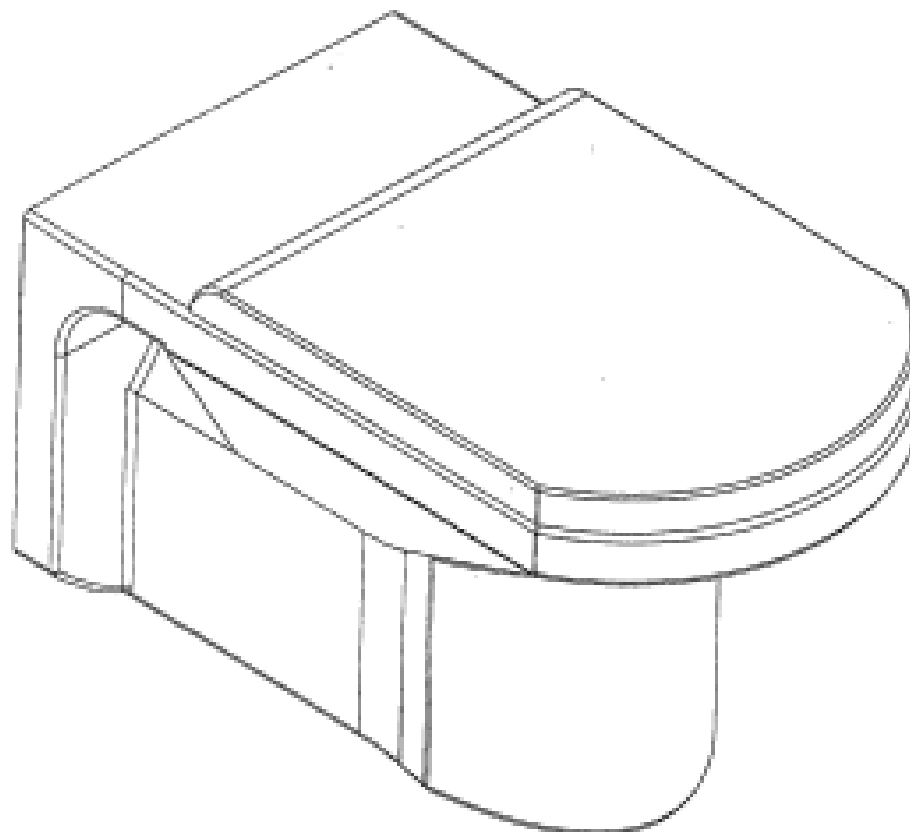
**Ctra. de Barcelona 35 Bonrepos (Valencia) 46131 Spain**

(72) Name(s) of Designer(s): **Jose Maria Ferrer Beltran**

(45) Registration Date: **20 February 2006**

(56) Related Art Documents: **Not Applicable**

(57) Statement of Newness and Distinctiveness: **Nil**



(21) Design Number: **13715/2005**

(22) Date of Filing Application: **30 August 2005**

(24) Date from which industrial property rights may have effect: **30 August 2005**

(54) Product in respect of which the design is registered: **A wash basin**

(51) International Design Classification: **23-02F**

(71) Name(s) and Address(s) of Applicant(s):

**Sonia, S.A.**

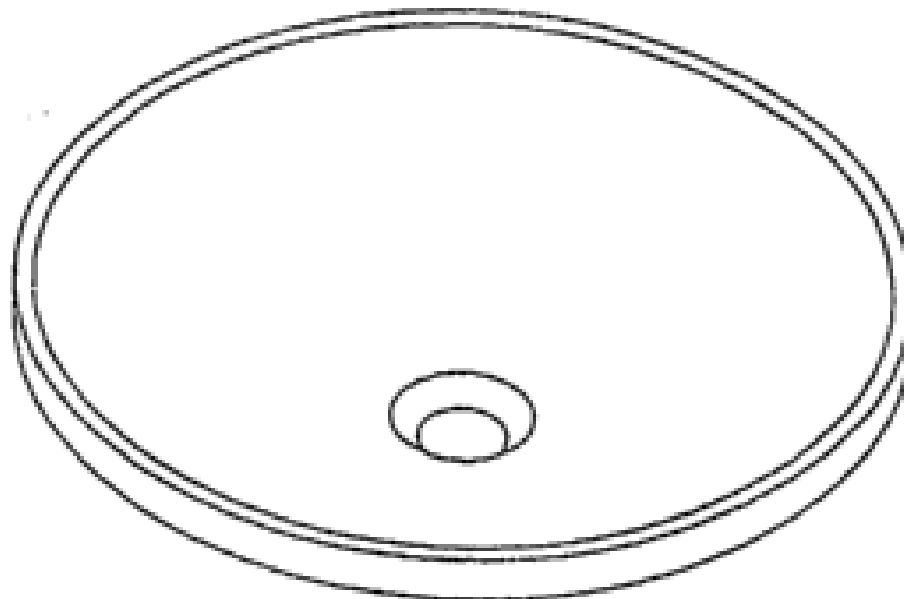
**Ctra. de Barcelona 35 Bonrepos (Valencia) 46131 Spain**

(72) Name(s) of Designer(s): **Jose Maria Ferrer Beltran**

(45) Registration Date: **20 February 2006**

(56) Related Art Documents: **Not Applicable**

(57) Statement of Newness and Distinctiveness: **Nil**



(21) Design Number: **13716/2005**

(22) Date of Filing Application: **30 August 2005**

(24) Date from which industrial property rights may have effect: **30 August 2005**

(54) Product in respect of which the design is registered: **A wash basin**

(51) International Design Classification: **23-02F**

(71) Name(s) and Address(s) of Applicant(s):

**Sonia, S.A.**

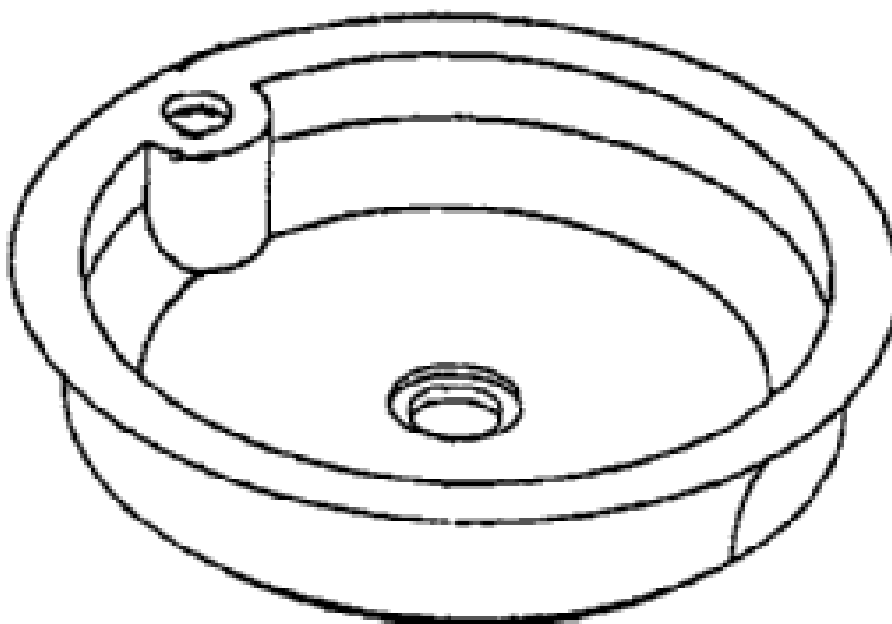
**Ctra. de Barcelona 35 Bonrepos (Valencia) 46131 Spain**

(72) Name(s) of Designer(s): **Jose Maria Ferrer Beltran**

(45) Registration Date: **20 February 2006**

(56) Related Art Documents: **Not Applicable**

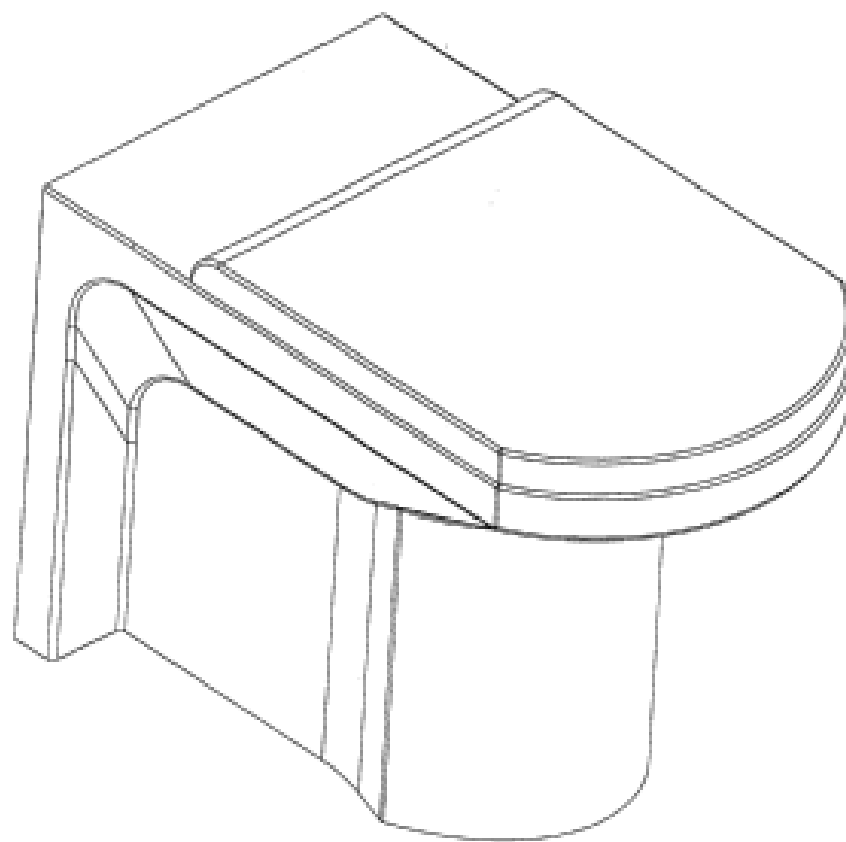
(57) Statement of Newness and Distinctiveness: **Nil**



- (21) Design Number: **13717/2005**
- (22) Date of Filing Application: **30 August 2005**
- (24) Date from which industrial property rights may have effect: **30 August 2005**
- (54) Product in respect of which the design is registered: **A toilet**
- (51) International Design Classification: **23-02C**
- (71) Name(s) and Address(s) of Applicant(s):

**Sonia, S.A.**  
**Ctra. de Barcelona 35 Bonrepos (Valencia) 46131 Spain**

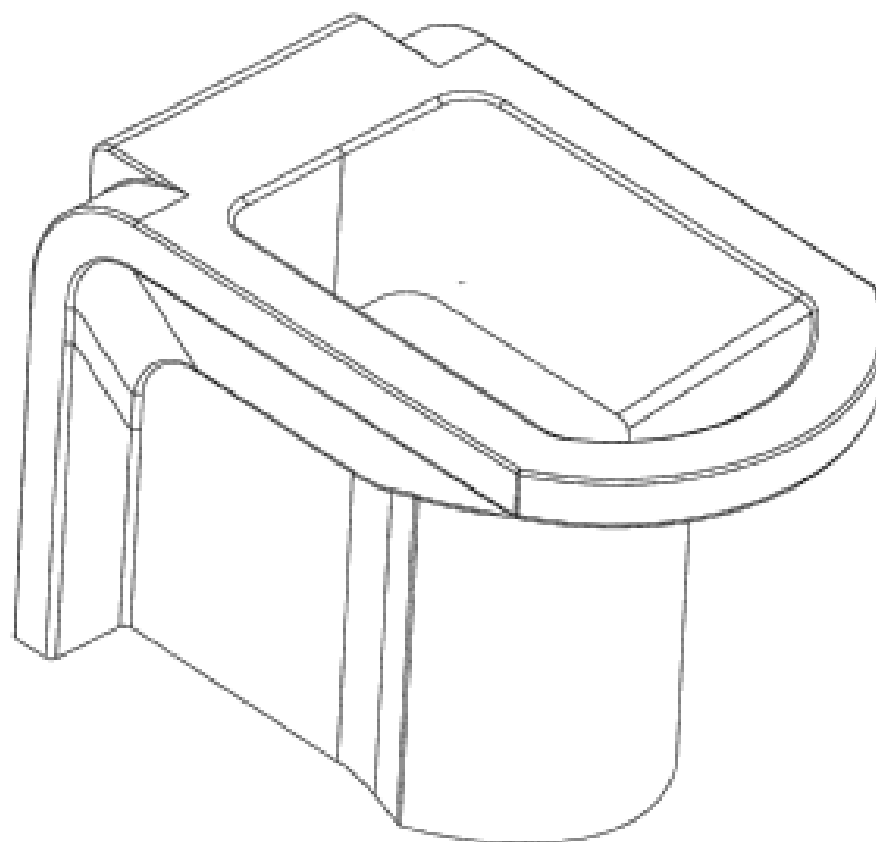
- (72) Name(s) of Designer(s): **Jose Maria Ferrer Beltran**
- (45) Registration Date: **20 February 2006**
- (56) Related Art Documents: **Not Applicable**
- (57) Statement of Newness and Distinctiveness: **Nil**



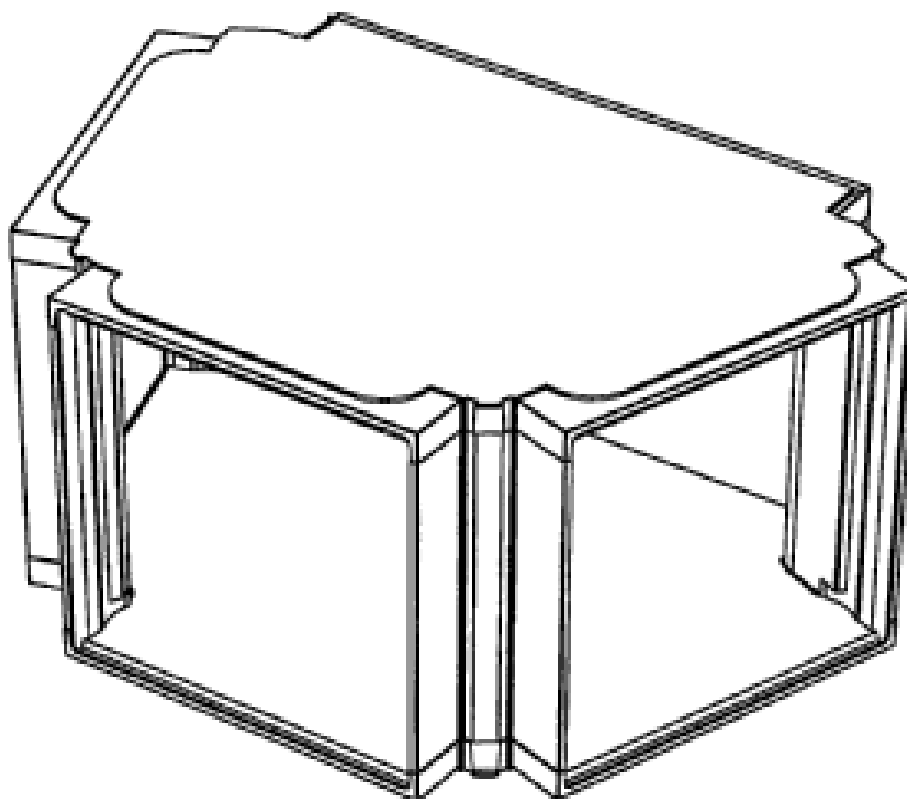
- (21) Design Number: **13718/2005**
- (22) Date of Filing Application: **30 August 2005**
- (24) Date from which industrial property rights may have effect: **30 August 2005**
- (54) Product in respect of which the design is registered: **A bidet**
- (51) International Design Classification: **23-02C**
- (71) Name(s) and Address(s) of Applicant(s):

**Sonia, S.A.**  
**Ctra. de Barcelona 35 Bonrepos (Valencia) 46131 Spain**

- (72) Name(s) of Designer(s): **Jose Maria Ferrer Beltran**
- (45) Registration Date: **20 February 2006**
- (56) Related Art Documents: **Not Applicable**
- (57) Statement of Newness and Distinctiveness: **Nil**



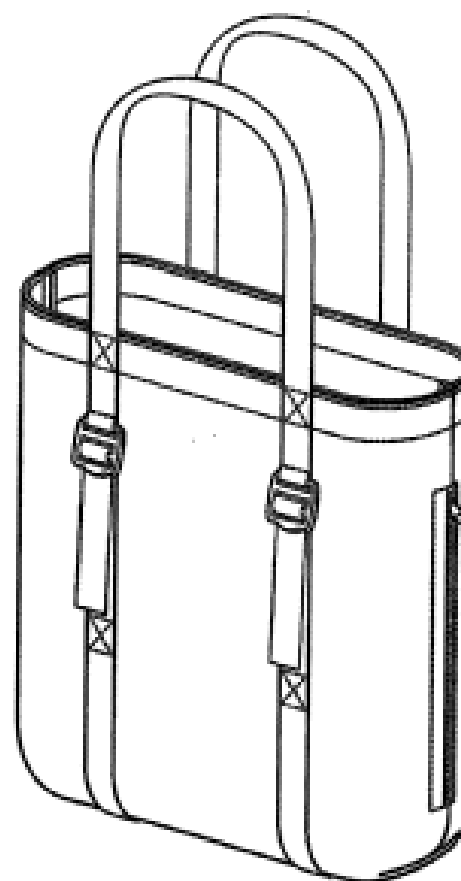
- (21) Design Number: **13721/2005**  
(22) Date of Filing Application: **30 August 2005**  
(24) Date from which industrial property rights may have effect: **30 August 2005**  
(54) Product in respect of which the design is registered: **Diffuser plenum box**  
(51) International Design Classification: **23-04**  
(71) Name(s) and Address(s) of Applicant(s):  
**Advantage Air (Aust) Pty Ltd**  
**4 Whyalla Street Willetton Western Australia 6155 Australia**  
(72) Name(s) of Designer(s): **Walter Kimble and Jason Nikolovski**  
(45) Registration Date: **20 February 2006**  
(56) Related Art Documents: **Not Applicable**  
(57) Statement of Newness and Distinctiveness: **Nil**



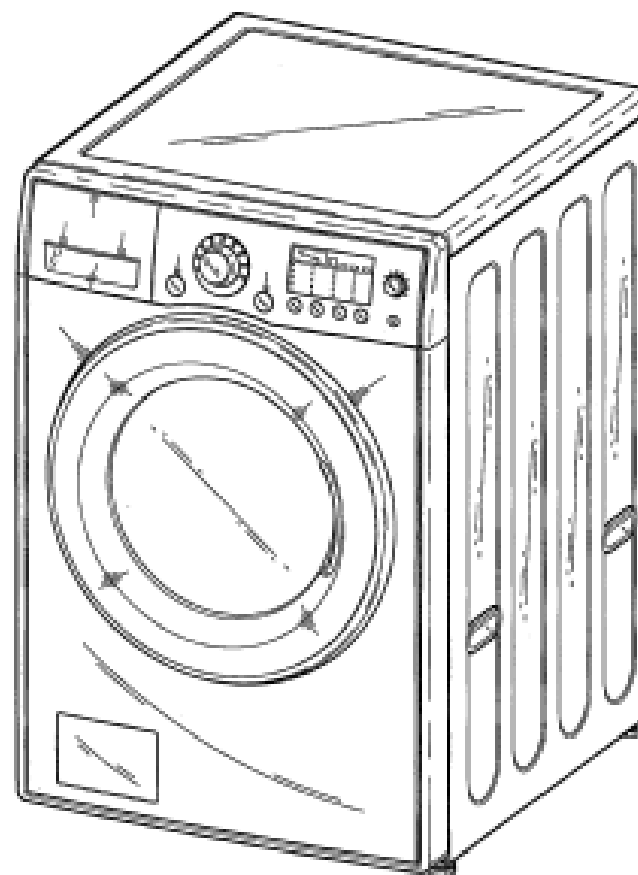
- (21) Design Number: **13872/2005**  
(22) Date of Filing Application: **08 September 2005**  
(24) Date from which industrial property rights may have effect: **08 September 2005**  
(54) Product in respect of which the design is registered: **Bag**  
(51) International Design Classification: **03-01B**  
(71) Name(s) and Address(s) of Applicant(s):  
**Super Planning Co., Ltd.**  
**1937 Uriuchi-cho Hamamatsu-shi Shizuoka-ken Japan**  
(72) Name(s) of Designer(s): **Takahisa Kamiya**  
(45) Registration Date: **20 February 2006**  
(30) Convention priority data:  

(31) Number	(32) Date	(33) Country
<b>2005-7606</b>	<b>14 Mar 2005</b>	<b>JAPAN</b>

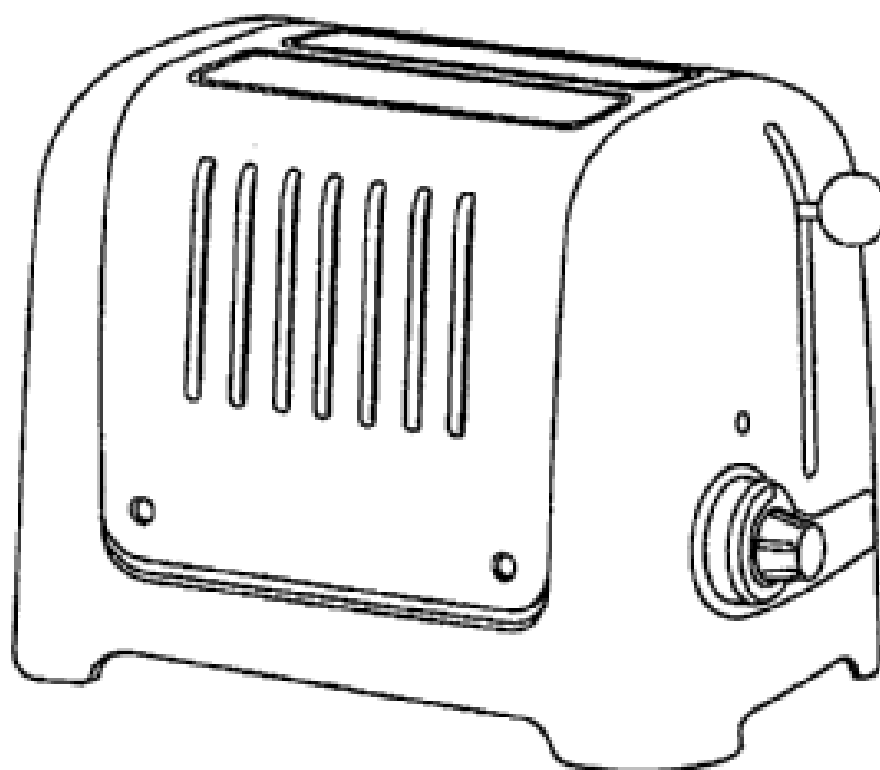
  
(56) Related Art Documents: **Not Applicable**  
(57) Statement of Newness and Distinctiveness: **Newness and distinctiveness is claimed in the features of shape and/or configuration of a bag as illustrated in the accompanying representations.**



- (21) Design Number: **13882/2005**  
(22) Date of Filing Application: **08 September 2005**  
(24) Date from which industrial property rights may have effect: **08 September 2005**  
(54) Product in respect of which the design is registered: **Washing machine**  
(51) International Design Classification: **15-05**  
(71) Name(s) and Address(s) of Applicant(s):  
**LG Electronics Inc.**  
**20 Yoido-dong Youngdungpo-ku Seoul Korea**  
(72) Name(s) of Designer(s): **Soon Uk Kwon and Young Il Kim and Ho Il Jeon**  
(45) Registration Date: **20 February 2006**  
(30) Convention priority data:  
(31) Number (32) Date (33) Country  
**30-2005-0007638 08 Mar 2005 REPUBLIC OF KOREA**  
(56) Related Art Documents: **Not Applicable**  
(57) Statement of Newness and Distinctiveness: **Nil**



- (21) Design Number: **13888/2005**  
(22) Date of Filing Application: **08 September 2005**  
(24) Date from which industrial property rights may have effect: **08 September 2005**  
(54) Product in respect of which the design is registered: **Toaster**  
(51) International Design Classification: **07-02F**  
(71) Name(s) and Address(s) of Applicant(s):  
**Dualit Limited**  
**County Oak Way Crawley West Sussex RH11 7ST Great Britain**  
(72) Name(s) of Designer(s): **Leslie Alexander Gort-Barten**  
(45) Registration Date: **20 February 2006**  
(30) Convention priority data:  
(31) Number (32) Date (33) Country  
**000305867-0001 08 Mar 2005 EUROPEAN COMMUNITY**  
(56) Related Art Documents: **Not Applicable**  
(57) Statement of Newness and Distinctiveness: **Those features of the toaster depicted in the representations that are new and distinctive are the shape and/or configuration. The features shown in broken lines are not part of the design and are to be disregarded when considering the overall impression of the design.**



- (21) Design Number: **13889/2005**  
(22) Date of Filing Application: **08 September 2005**  
(24) Date from which industrial property rights may have effect: **08 September 2005**  
(54) Product in respect of which the design is registered: **Toaster**  
(51) International Design Classification: **07-02F**  
(71) Name(s) and Address(s) of Applicant(s):

**Dualit Limited**  
**County Oak Way Crawley West Sussex RH11 7ST Great Britain**

(72) Name(s) of Designer(s): **Leslie Alexander Gort-Barten**

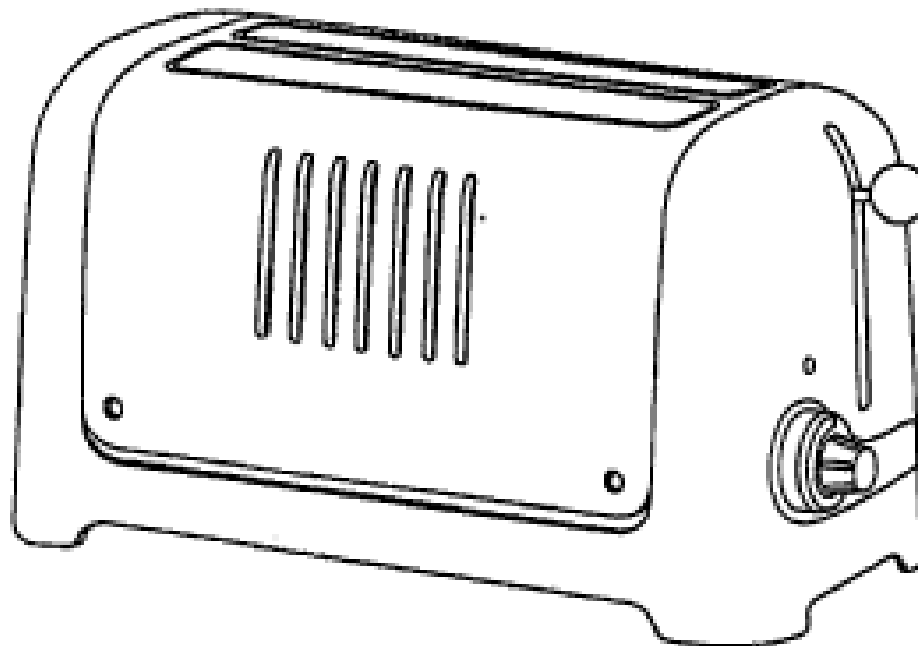
(45) Registration Date: **20 February 2006**

(30) Convention priority data:

(31) Number	(32) Date	(33) Country
<b>000305867-0002</b>	<b>08 Mar 2005</b>	<b>EUROPEAN COMMUNITY</b>

(56) Related Art Documents: **Not Applicable**

(57) Statement of Newness and Distinctiveness: **Those features of the toaster depicted in the representations that are new and distinctive are the shape and/or configuration. The features shown in broken lines are not part of the design and are to be disregarded when considering the overall impression of the design.**



- (21) Design Number: **14943/2005**  
(22) Date of Filing Application: **07 November 2005**  
(24) Date from which industrial property rights may have effect: **07 November 2005**  
(54) Product in respect of which the design is registered: **Single towel rail**  
(51) International Design Classification: **07-05D**  
(71) Name(s) and Address(s) of Applicant(s):

**Elson Australasia Pty Ltd**  
**2/44 Eddie Road Minchinbury New South Wales 2770 Australia**

(72) Name(s) of Designer(s): **Beverley Jiao**

(45) Registration Date: **20 February 2006**

(56) Related Art Documents: **Not Applicable**

(57) Statement of Newness and Distinctiveness: **Nil**



(21) Design Number: **14944/2005**

(22) Date of Filing Application: **07 November 2005**

(24) Date from which industrial property rights may have effect: **07 November 2005**

(54) Product in respect of which the design is registered: **Single towel rail**

(51) International Design Classification: **07-05D**

(71) Name(s) and Address(s) of Applicant(s):

**Elson Australasia Pty Ltd**

**2/44 Eddie Road Minchinbury New South Wales 2770 Australia**

(72) Name(s) of Designer(s): **Beverley Jiao**

(45) Registration Date: **20 February 2006**

(56) Related Art Documents: **Not Applicable**

(57) Statement of Newness and Distinctiveness: **Nil**



(21) Design Number: **14945/2005**

(22) Date of Filing Application: **07 November 2005**

(24) Date from which industrial property rights may have effect: **07 November 2005**

(54) Product in respect of which the design is registered: **Single towel rail**

(51) International Design Classification: **07-05D**

(71) Name(s) and Address(s) of Applicant(s):

**Elson Australasia Pty Ltd**

**2/44 Eddie Road Minchinbury New South Wales 2770 Australia**

(72) Name(s) of Designer(s): **Beverley Jiao**

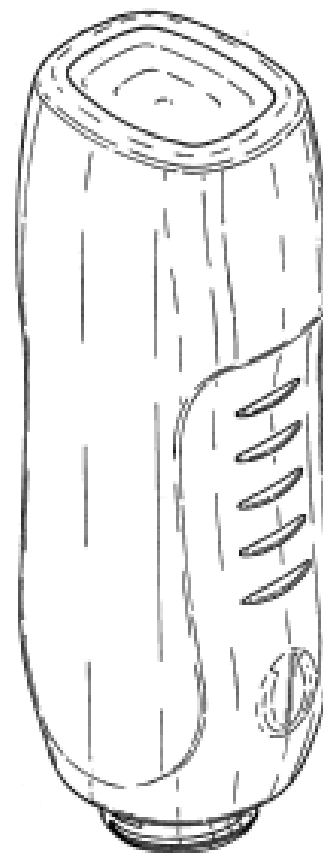
(45) Registration Date: **20 February 2006**

(56) Related Art Documents: **Not Applicable**

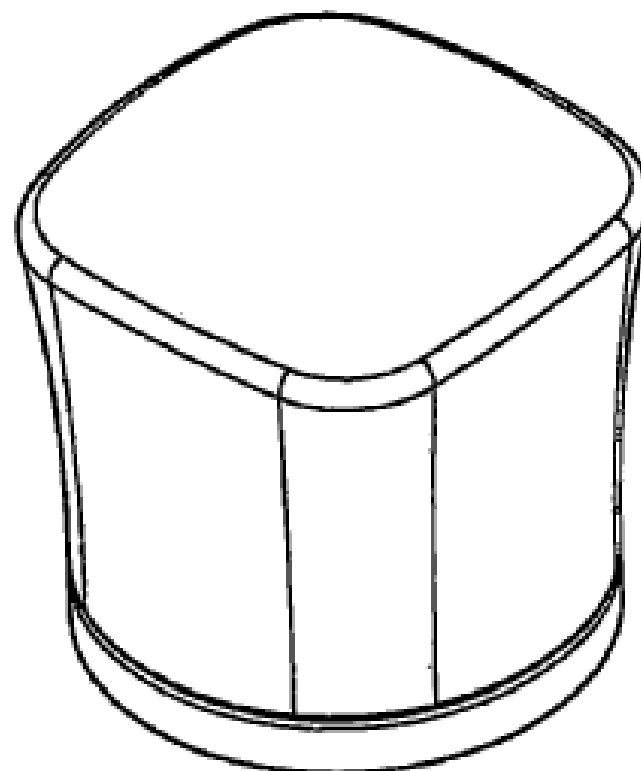
(57) Statement of Newness and Distinctiveness: **Nil**



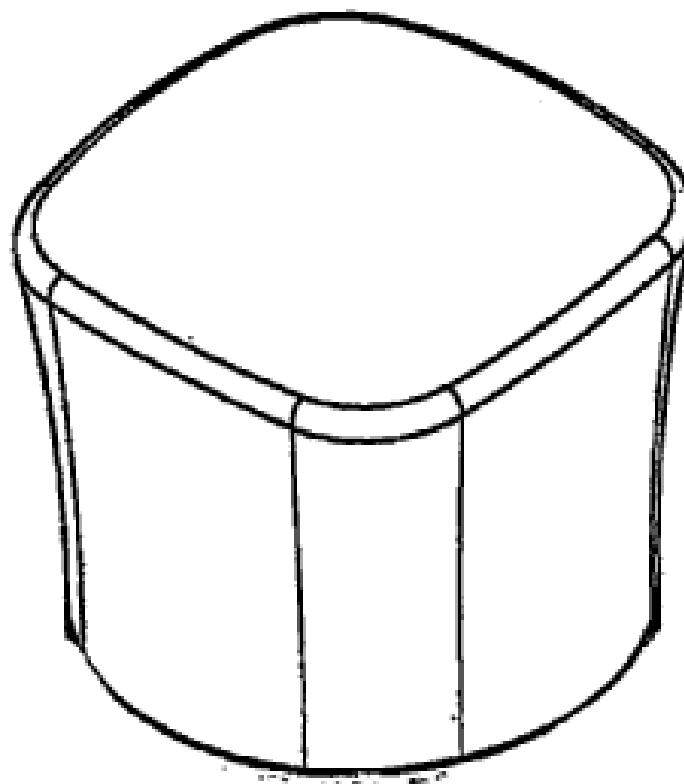
- (21) Design Number: **10052/2006**  
(22) Date of Filing Application: **10 January 2006**  
(24) Date from which industrial property rights may have effect: **10 January 2006**  
(54) Product in respect of which the design is registered: **Bottle**  
(51) International Design Classification: **09-01NES**  
(71) Name(s) and Address(s) of Applicant(s):  
**Reckitt Benckiser Inc.**  
**Morris Corporate Center IV 399 Interpace Parkway Parsippany NJ**  
**07054 United States of America**  
(72) Name(s) of Designer(s): **Jon Lee and Daniel Sterling**  
(45) Registration Date: **20 February 2006**  
(30) Convention priority data:  
(31) Number      (32) Date      (33) Country  
**000386883-0002 12 Aug 2005      EUROPEAN COMMUNITY**  
(56) Related Art Documents: **Not Applicable**  
(57) Statement of Newness and Distinctiveness: **Newness and distinctiveness**  
**reside in the features of the design as shown in the representations.**



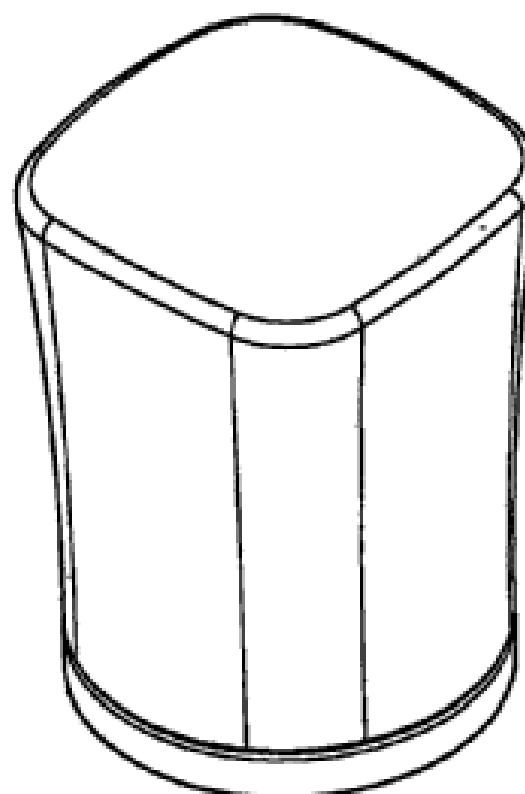
- (21) Design Number: **13528/2005**  
(22) Date of Filing Application: **17 August 2005**  
(24) Date from which industrial property rights may have effect: **17 August 2005**  
(54) Product in respect of which the design is registered: **Stop cock**  
(51) International Design Classification: **23-01H**  
(71) Name(s) and Address(s) of Applicant(s):  
**Argent Australia Pty Ltd**  
**18 Wandoo Street Fortitude Valley Queensland 4006 Australia**  
(72) Name(s) of Designer(s): **John Mosbech Nielson**  
(45) Registration Date: **20 February 2006**  
(56) Related Art Documents: **Not Applicable**  
(57) Statement of Newness and Distinctiveness: **Nil**



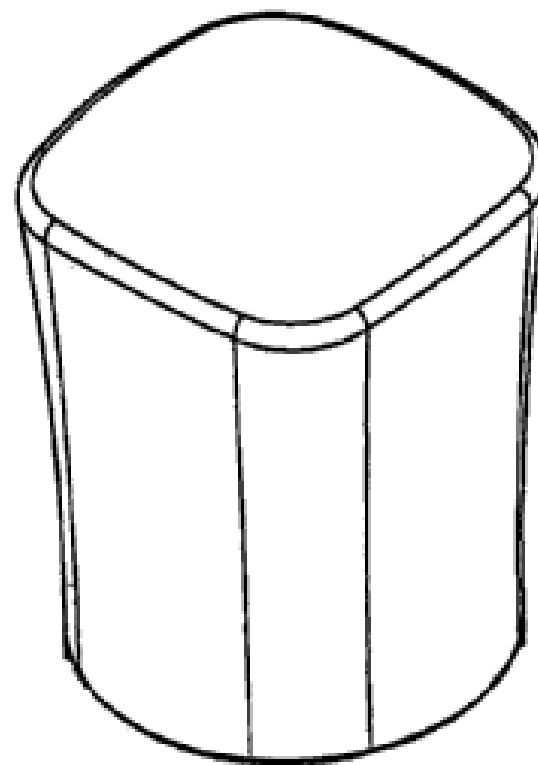
- (21) Design Number: **13529/2005**  
(22) Date of Filing Application: **17 August 2005**  
(24) Date from which industrial property rights may have effect: **17 August 2005**  
(54) Product in respect of which the design is registered: **Handle**  
(51) International Design Classification: **23-01H**  
(71) Name(s) and Address(s) of Applicant(s):  
**Argent Australia Pty Ltd**  
**18 Wandoo Street Fortitude Valley Queensland 4006 Australia**  
(72) Name(s) of Designer(s): **John Mosbech Nielson**  
(45) Registration Date: **20 February 2006**  
(56) Related Art Documents: **Not Applicable**  
(57) Statement of Newness and Distinctiveness: **Nil**



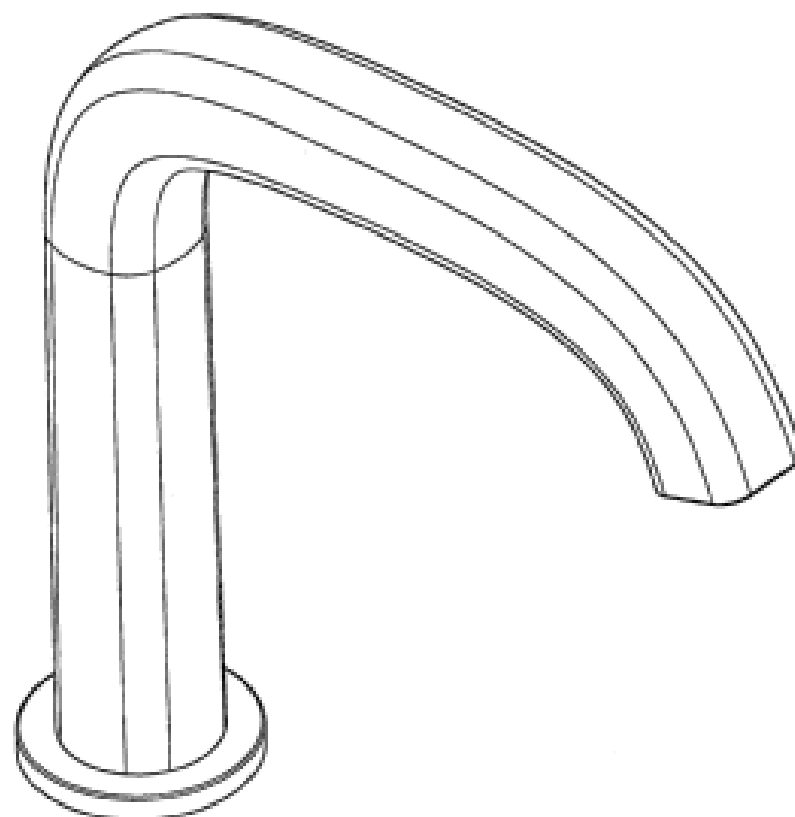
- (21) Design Number: **13530/2005**  
(22) Date of Filing Application: **17 August 2005**  
(24) Date from which industrial property rights may have effect: **17 August 2005**  
(54) Product in respect of which the design is registered: **Stop cock**  
(51) International Design Classification: **23-01H**  
(71) Name(s) and Address(s) of Applicant(s):  
**Argent Australia Pty Ltd**  
**18 Wandoo Street Fortitude Valley Queensland 4006 Australia**  
(72) Name(s) of Designer(s): **John Mosbech Nielson**  
(45) Registration Date: **20 February 2006**  
(56) Related Art Documents: **Not Applicable**  
(57) Statement of Newness and Distinctiveness: **Nil**



(21) Design Number: **13531/2005**  
(22) Date of Filing Application: **17 August 2005**  
(24) Date from which industrial property rights may have effect: **17 August 2005**  
(54) Product in respect of which the design is registered: **Handle**  
(51) International Design Classification: **23-01H**  
(71) Name(s) and Address(s) of Applicant(s):  
**Argent Australia Pty Ltd**  
**18 Wandoo Street Fortitude Valley Queensland 4006 Australia**  
(72) Name(s) of Designer(s): **John Mosbech Nielson**  
(45) Registration Date: **20 February 2006**  
(56) Related Art Documents: **Not Applicable**  
(57) Statement of Newness and Distinctiveness: **Nil**



(21) Design Number: **13532/2005**  
(22) Date of Filing Application: **17 August 2005**  
(24) Date from which industrial property rights may have effect: **17 August 2005**  
(54) Product in respect of which the design is registered: **Basin spout**  
(51) International Design Classification: **23-01H**  
(71) Name(s) and Address(s) of Applicant(s):  
**Argent Australia Pty Ltd**  
**18 Wandoo Street Fortitude Valley Queensland 4006 Australia**  
(72) Name(s) of Designer(s): **John Mosbech Nielson**  
(45) Registration Date: **20 February 2006**  
(56) Related Art Documents: **Not Applicable**  
(57) Statement of Newness and Distinctiveness: **Nil**



(21) Design Number: **10207/2005**

(22) Date of Filing Application: **19 January 2005**

(24) Date from which industrial property rights may have effect: **19 January 2005**

(54) Product in respect of which the design is registered: **An extrusion**

(51) International Design Classification: **25-01K**

(71) Name(s) and Address(s) of Applicant(s):

**Andrew Paul Cottle**

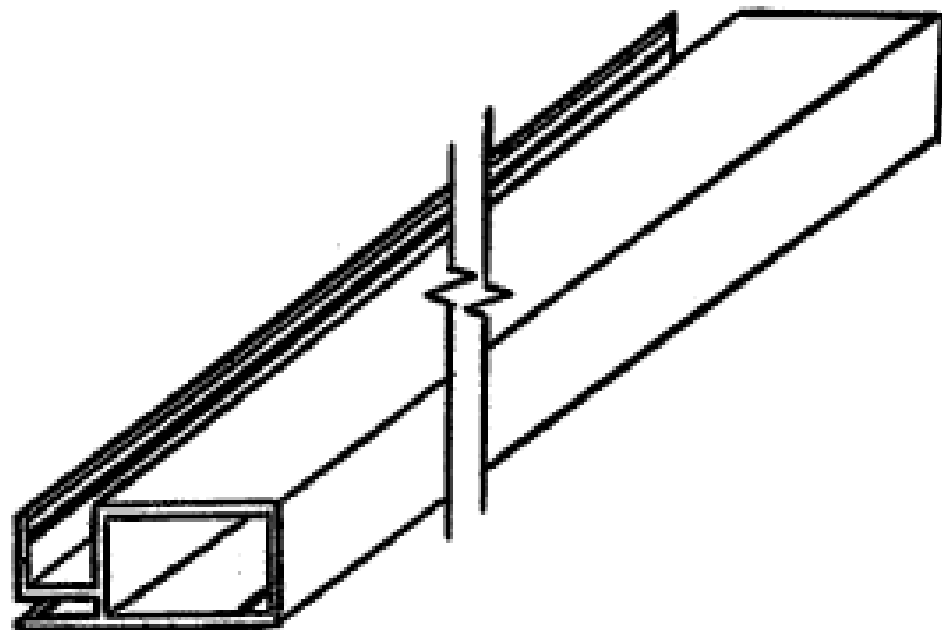
**7 Bluegum Boulevard Banora Point New South Wales 2486 Australia**

(72) Name(s) of Designer(s): **Andrew Paul Cottle**

(45) Registration Date: **20 February 2006**

(56) Related Art Documents: **Not Applicable**

(57) Statement of Newness and Distinctiveness: **Monopoly is claimed in the features of shape and or configuration of an extrusion of constant cross section and indefinite length as illustrated in the accompanying representations.**



(21) Design Number: **10986/2005**

(22) Date of Filing Application: **15 March 2005**

(24) Date from which industrial property rights may have effect: **15 March 2005**

(54) Product in respect of which the design is registered: **Corrugated fibre board die cut insert**

(51) International Design Classification: **09-03K**

(71) Name(s) and Address(s) of Applicant(s):

**Pandapak Pty Ltd Trading as Northwest Packaging**

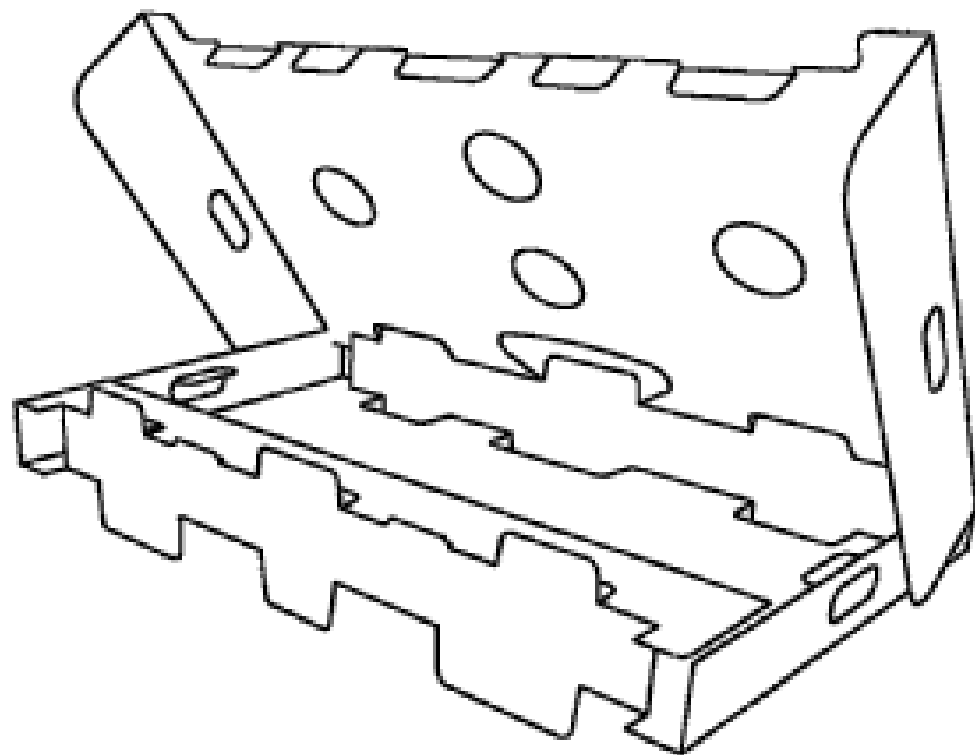
**7-8 Sovereign Place South Windsor New South Wales 2756 Australia**

(72) Name(s) of Designer(s): **Craig David Holland and Stuart Quentin Kelly**

(45) Registration Date: **20 February 2006**

(56) Related Art Documents: **Not Applicable**

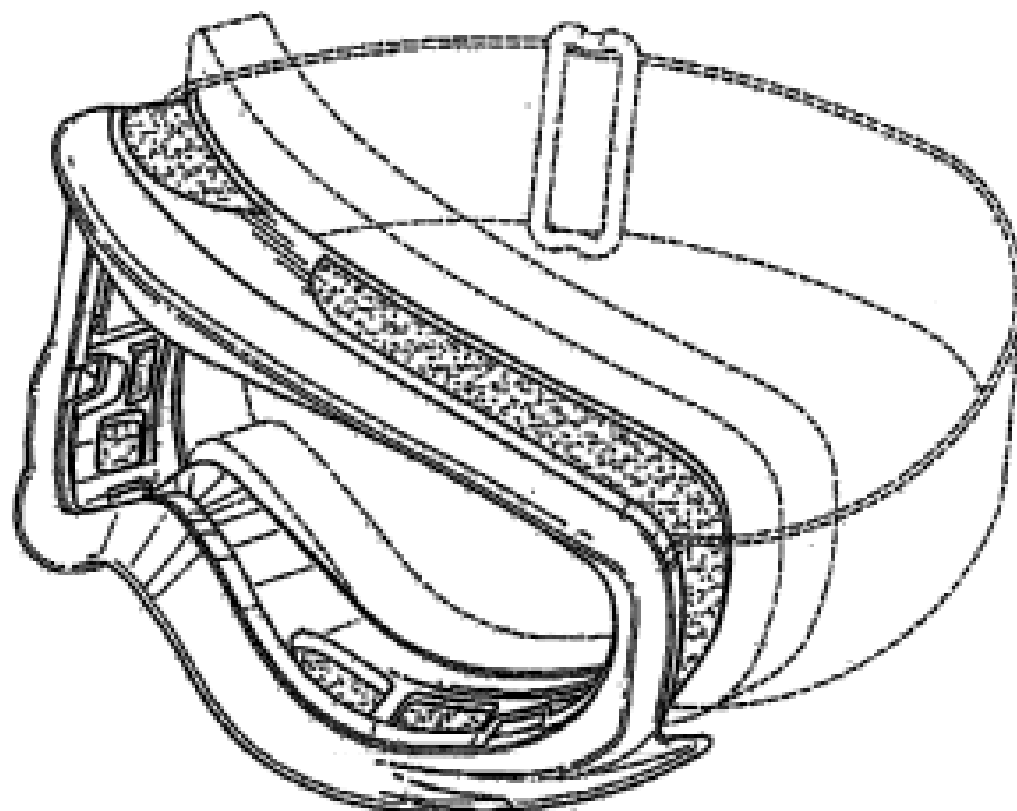
(57) Statement of Newness and Distinctiveness: **We have designed a new fibre board die cut insert that totally suspends a customers product within an outer shipping carton. The design offers maxium product protection, while not allowing the product to come into contact with the inner surfaces of the shipping carton. This new design was developed to eliminate styrene, which is currently extensively used in the packaging of major domestic appliances.**



(19) AU

- (21) Design Number: **11020/2005**
- (22) Date of Filing Application: **15 March 2005**
- (24) Date from which industrial property rights may have effect: **15 March 2005**
- (54) Product in respect of which the design is registered: **Eyewear**
- (51) International Design Classification: **02-03, 16-06**
- (71) Name(s) and Address(s) of Applicant(s):  
**Utopia Optics International, Inc.**  
**5701 West Adams Boulevard Los Angeles California 90016 United States of America**
- (72) Name(s) of Designer(s): **James Hartman**
- (45) Registration Date: **20 February 2006**
- (30) Convention priority data:  

(31) Number	(32) Date	(33) Country
<b>29/219,405</b>	<b>15 Dec 2004</b>	<b>UNITED STATES OF AMERICA</b>
- (56) Related Art Documents: **Not Applicable**
- (57) Statement of Newness and Distinctiveness: **Newness and distinctiveness are claimed in the features of shape and/or configuration of eyewear, as illustrated in the accompanying representations. In considering the scope of protection, the features shown in broken lines are to be disregarded.**

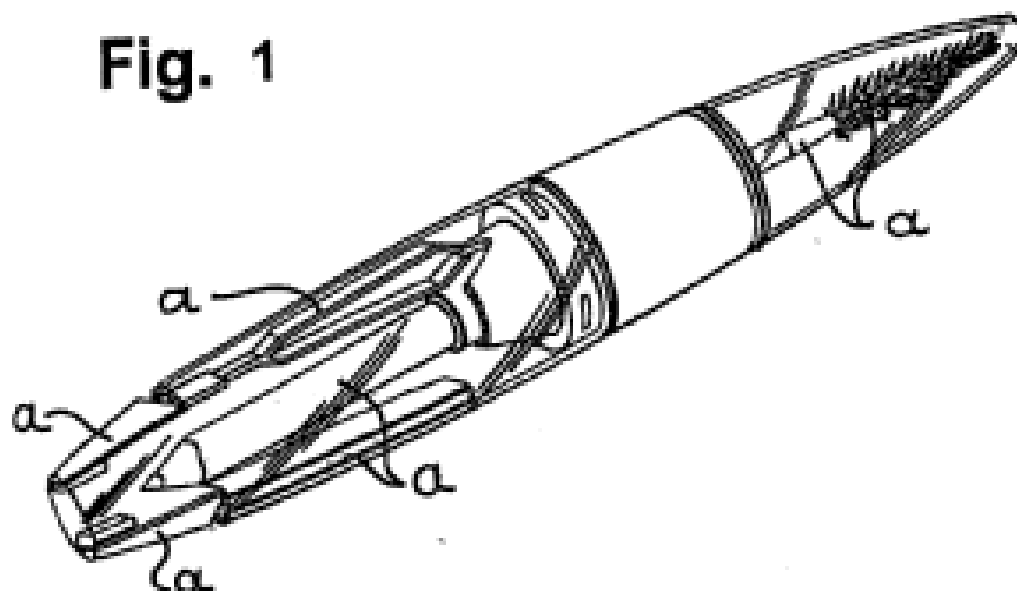


(19) AU

- (21) Design Number: **12295/2005**
- (22) Date of Filing Application: **24 May 2005**
- (24) Date from which industrial property rights may have effect: **24 May 2005**
- (54) Product in respect of which the design is registered: **Cosmetic case**
- (51) International Design Classification: **28-03NES**
- (71) Name(s) and Address(s) of Applicant(s):  
**E-L Management Corporation**  
**767 Fifth Avenue New York New York 10153 United States of America**
- (72) Name(s) of Designer(s): **Herve F. Bouix and Anne Carullo**
- (45) Registration Date: **20 February 2006**
- (30) Convention priority data:  

(31) Number	(32) Date	(33) Country
<b>29/218,007</b>	<b>24 Nov 2004</b>	<b>UNITED STATES OF AMERICA</b>
- (56) Related Art Documents: **Not Applicable**
- (57) Statement of Newness and Distinctiveness: **Those features of the cosmetic case depicted in the representations that are new and distinctive are the shape and/or configuration. The implements marked "a" are not part of the design and are to be disregarded when considering the overall impression of the design.**

**Fig. 1**



(21) Design Number: **12365/2005**

(22) Date of Filing Application: **01 June 2005**

(24) Date from which industrial property rights may have effect: **01 June 2005**

(54) Product in respect of which the design is registered: **Backpack**

(51) International Design Classification: **03-01A**

(71) Name(s) and Address(s) of Applicant(s):

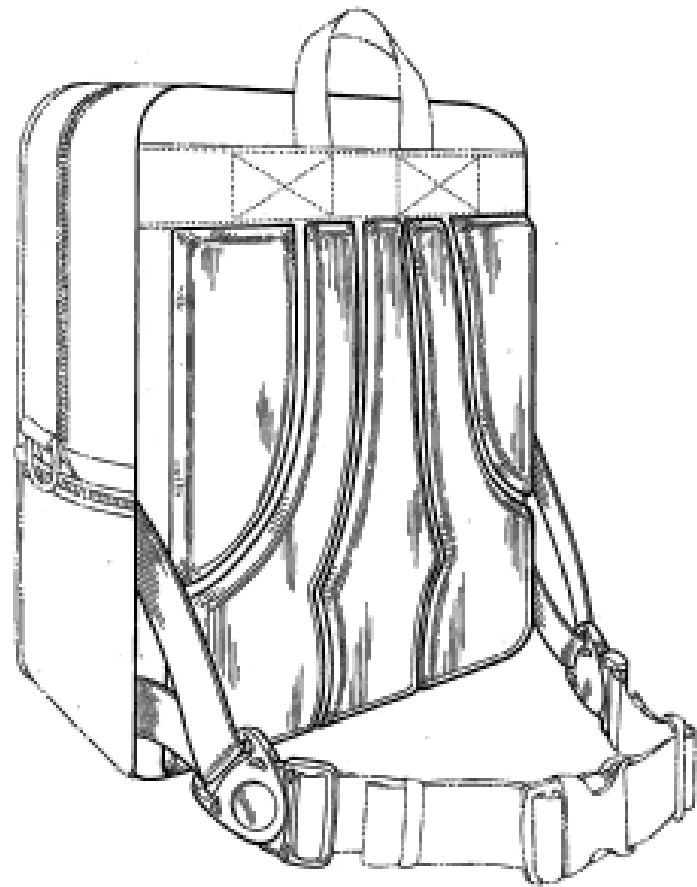
**Spartan Pty Ltd**  
**3/621 Whitehorse Road Mitcham Victoria 3132 Australia**

(72) Name(s) of Designer(s): **Helen Treloar**

(45) Registration Date: **20 February 2006**

(56) Related Art Documents: **Not Applicable**

(57) Statement of Newness and Distinctiveness: **Each feature of the design considered separately or in combination with any other feature or features as shown in bold. The features shown in phantom are to be disregarded.**



(21) Design Number: **13503/2005**

(22) Date of Filing Application: **16 August 2005**

(24) Date from which industrial property rights may have effect: **16 August 2005**

(54) Product in respect of which the design is registered: **Multi-function tile saw**

(51) International Design Classification: **08-03**

(71) Name(s) and Address(s) of Applicant(s):

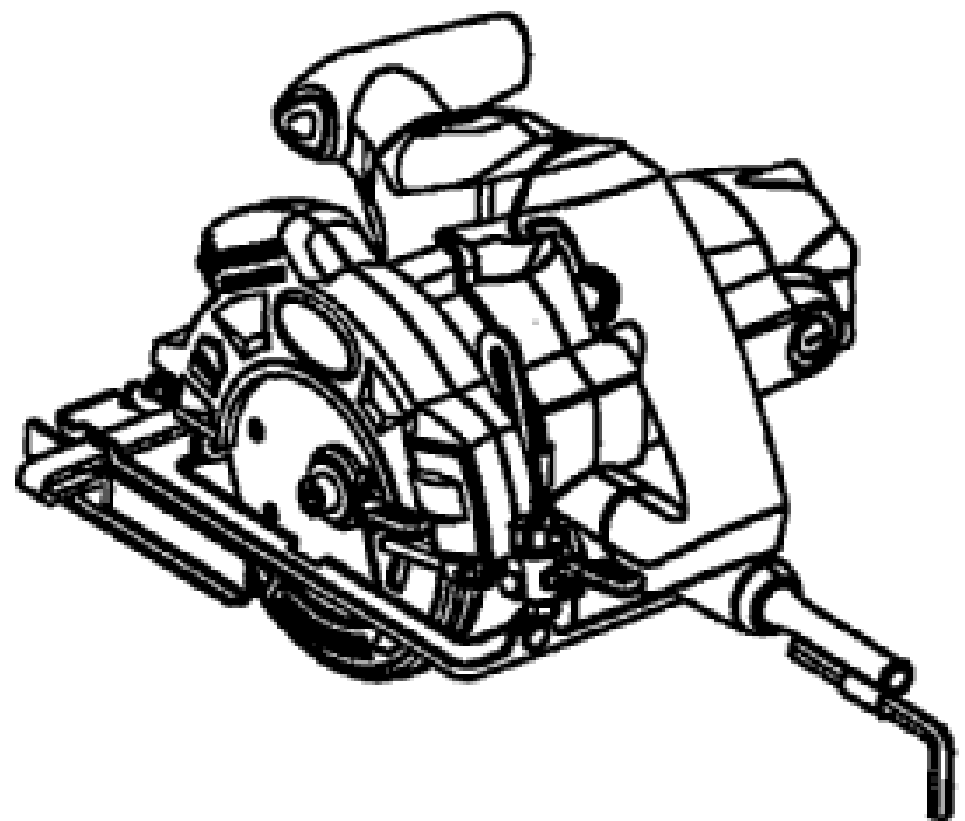
**GMCA Pty Ltd**  
**45-55 South Centre Road Melbourne Airport Victoria 3045 Australia**

(72) Name(s) of Designer(s): **James Hastie**

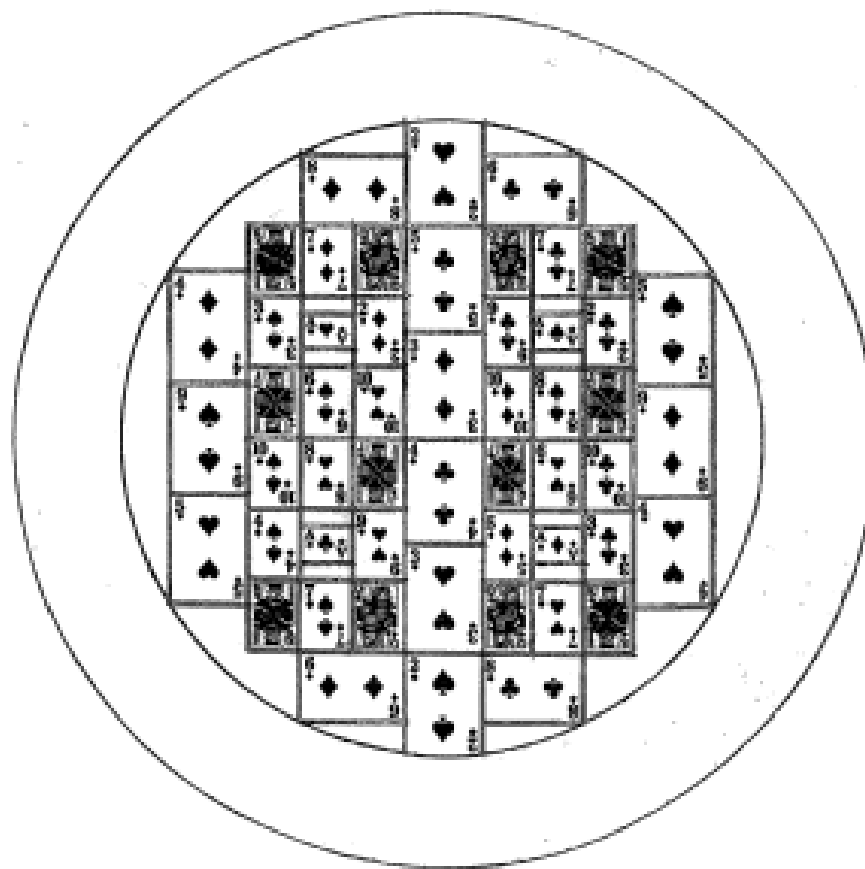
(45) Registration Date: **20 February 2006**

(56) Related Art Documents: **Not Applicable**

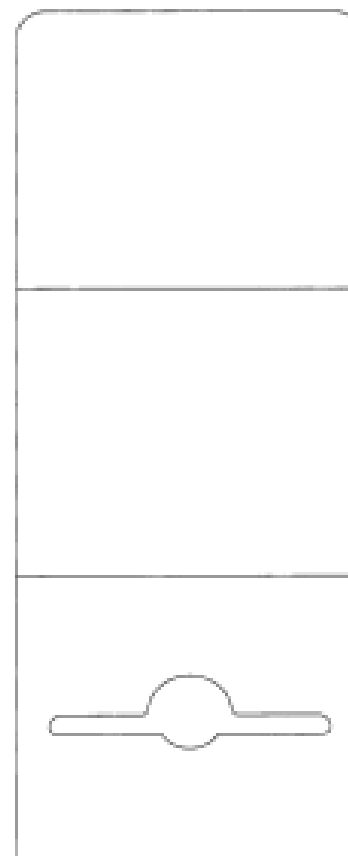
(57) Statement of Newness and Distinctiveness: **Newness and distinctiveness resides in the features of shape and configuration of a multi-function tile saw as shown in the accompanying representations.**



- (21) Design Number: **13506/2005**
- (22) Date of Filing Application: **15 August 2005**
- (24) Date from which industrial property rights may have effect: **15 August 2005**
- (54) Product in respect of which the design is registered: **Dartboard**
- (51) International Design Classification: **21-01H**
- (71) Name(s) and Address(s) of Applicant(s):  
**Poker-Dart Pty Ltd**  
**1 Penman Street Blairgowrie Victoria 3942 Australia**
- (72) Name(s) of Designer(s): **Philip Louis Sierakowski**
- (45) Registration Date: **20 February 2006**
- (56) Related Art Documents: **Not Applicable**
- (57) Statement of Newness and Distinctiveness: **Newness and distinctiveness reside in features of pattern and/or ornamentation of a face of a dartboard as shown in the accompanying representations.**



- (21) Design Number: **13728/2005**
- (22) Date of Filing Application: **31 August 2005**
- (24) Date from which industrial property rights may have effect: **31 August 2005**
- (54) Product in respect of which the design is registered: **CD/DVD wallet/folder/envelope**
- (51) International Design Classification: **03-01C, 09-05**
- (71) Name(s) and Address(s) of Applicant(s):  
**George Maniatis**  
**65 Pittwater Road Gladesville New South Wales 2111 Australia**
- (72) Name(s) of Designer(s): **George Maniatis**
- (45) Registration Date: **20 February 2006**
- (56) Related Art Documents: **Not Applicable**
- (57) Statement of Newness and Distinctiveness: **Nil**



- (21) Design Number: **13773/2005**  
(22) Date of Filing Application: **02 September 2005**  
(24) Date from which industrial property rights may have effect: **02 September 2005**  
(54) Product in respect of which the design is registered: **Front plate for an electronics enclosure**  
(51) International Design Classification: **14-03D, 14-03NES, 14-01**  
(71) Name(s) and Address(s) of Applicant(s):

**Pelco Sales, Inc.**  
**3500 Pelco Way Clovis 93612 CA United States of America**  
**Freedom Acquisitions, Inc.**  
**3500 Pelco Way Clovis 93612 CA United States of America**  
**Security Sales, LLC**  
**3500 Pelco Way Clovis 93612 CA United States of America**

(72) Name(s) of Designer(s): **Raul Cortes**

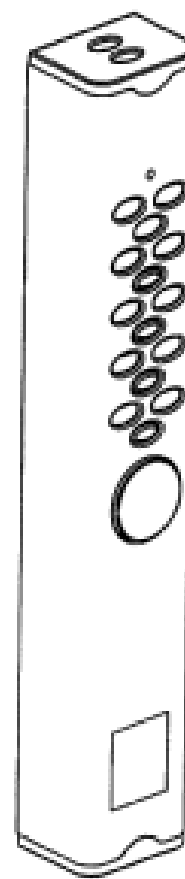
(45) Registration Date: **20 February 2006**

(30) Convention priority data:

(31) Number	(32) Date	(33) Country
<b>29/226956</b>	<b>04 Apr 2005</b>	<b>UNITED STATES OF AMERICA</b>

(56) Related Art Documents: **Not Applicable**

(57) Statement of Newness and Distinctiveness: **Newness and distinctiveness resides in the shape or configuration of the front plate for an electronics enclosure as shown in the representations. When interpreting the scope of protection, the broken lines in the figures are for illustrative purposes only and form no part of the claimed design.**



- (21) Design Number: **13780/2005**  
(22) Date of Filing Application: **02 September 2005**  
(24) Date from which industrial property rights may have effect: **02 September 2005**  
(54) Product in respect of which the design is registered: **A bath**  
(51) International Design Classification: **23-02B**  
(71) Name(s) and Address(s) of Applicant(s):

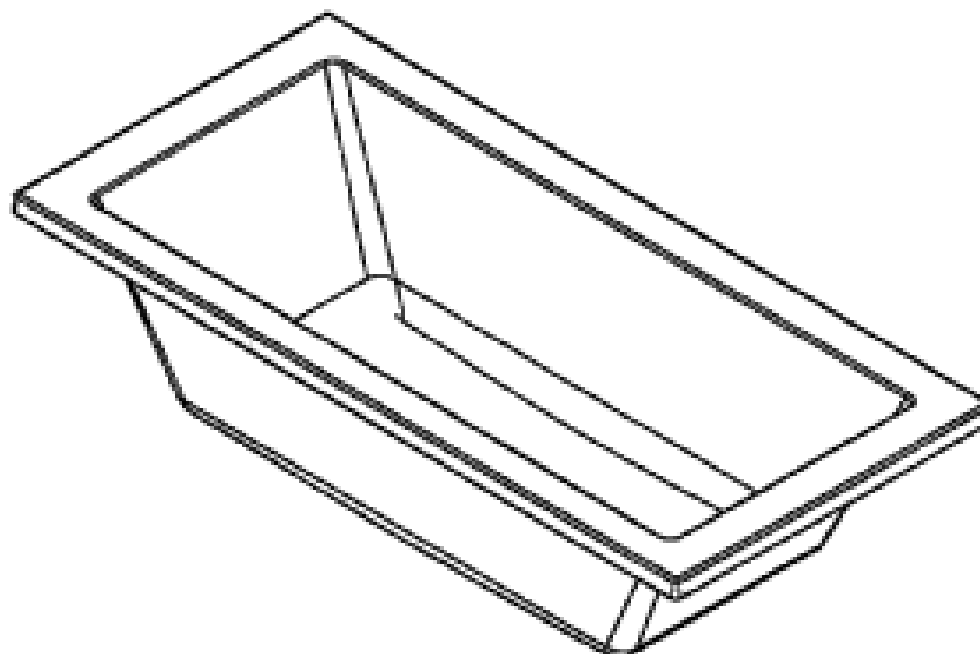
**Caroma Industries Limited**  
**Level 3 159 Coronation Drive Milton Queensland 4064 Australia**

(72) Name(s) of Designer(s): **Vincent Kai Hong Ho and Stephen John Cummings**

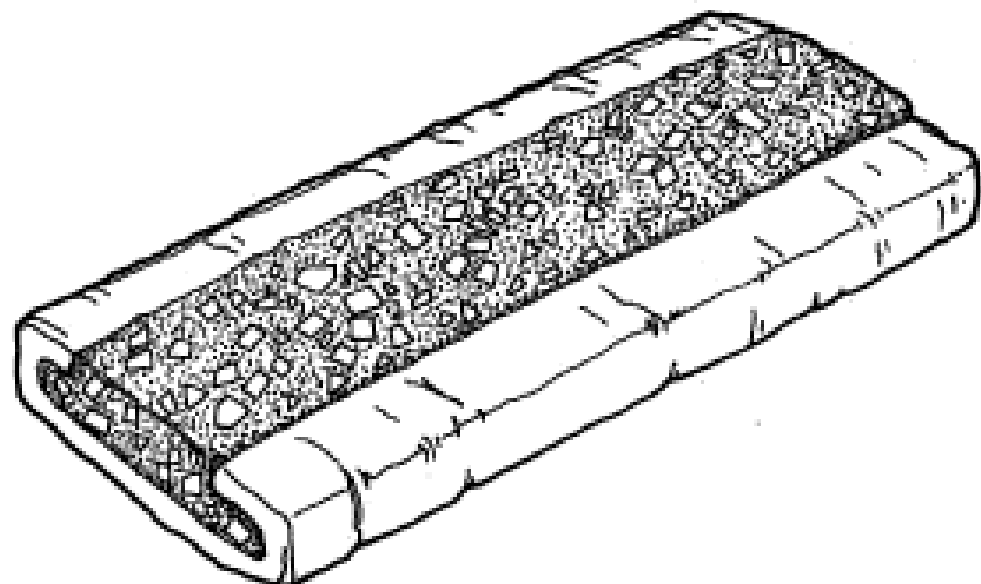
(45) Registration Date: **20 February 2006**

(56) Related Art Documents: **Not Applicable**

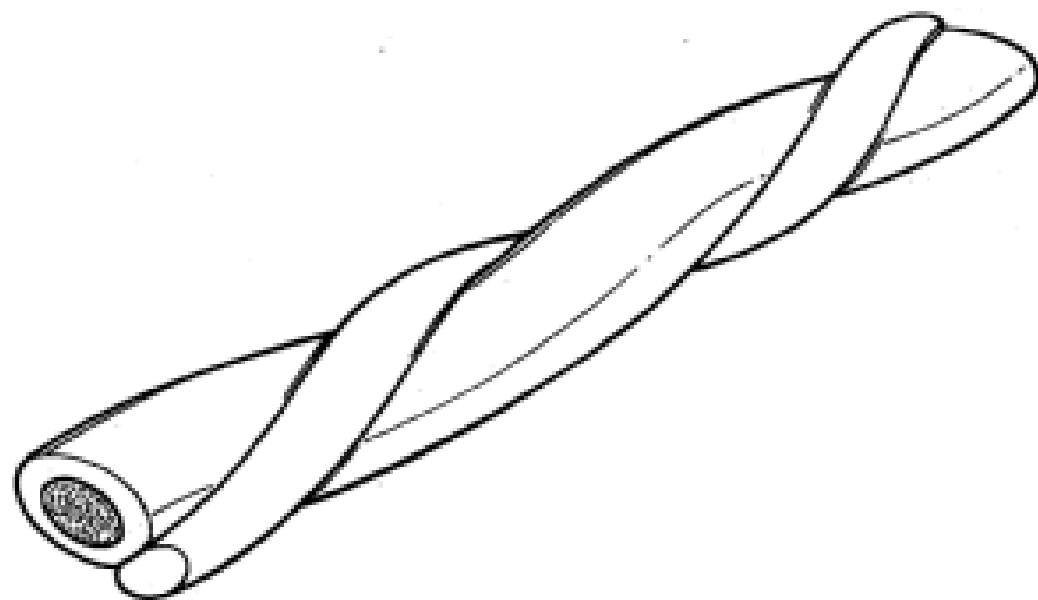
(57) Statement of Newness and Distinctiveness: **Newness and distinctiveness is claimed in the features of shape and/or configuration of a bath as illustrated in the accompanying representations.**



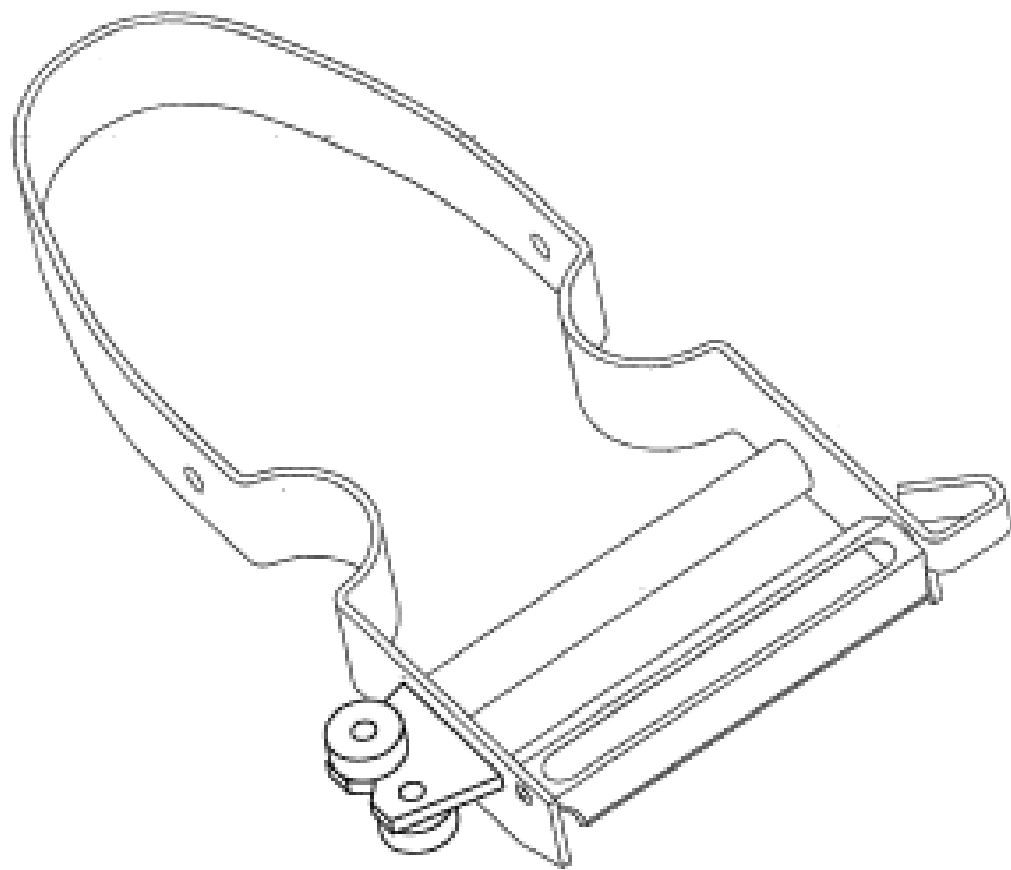
(21) Design Number: **13800/2005**  
(22) Date of Filing Application: **05 September 2005**  
(24) Date from which industrial property rights may have effect: **05 September 2005**  
(54) Product in respect of which the design is registered: **Fruit and cereal bar**  
(51) International Design Classification: **01-01**  
(71) Name(s) and Address(s) of Applicant(s):  
**The Uncle Tobys Company Limited**  
**75 Talavera Road Macquarie Park New South Wales 2113 Australia**  
(72) Name(s) of Designer(s): **Neil Funston**  
(45) Registration Date: **20 February 2006**  
(56) Related Art Documents: **Not Applicable**  
(57) Statement of Newness and Distinctiveness: **Nil**



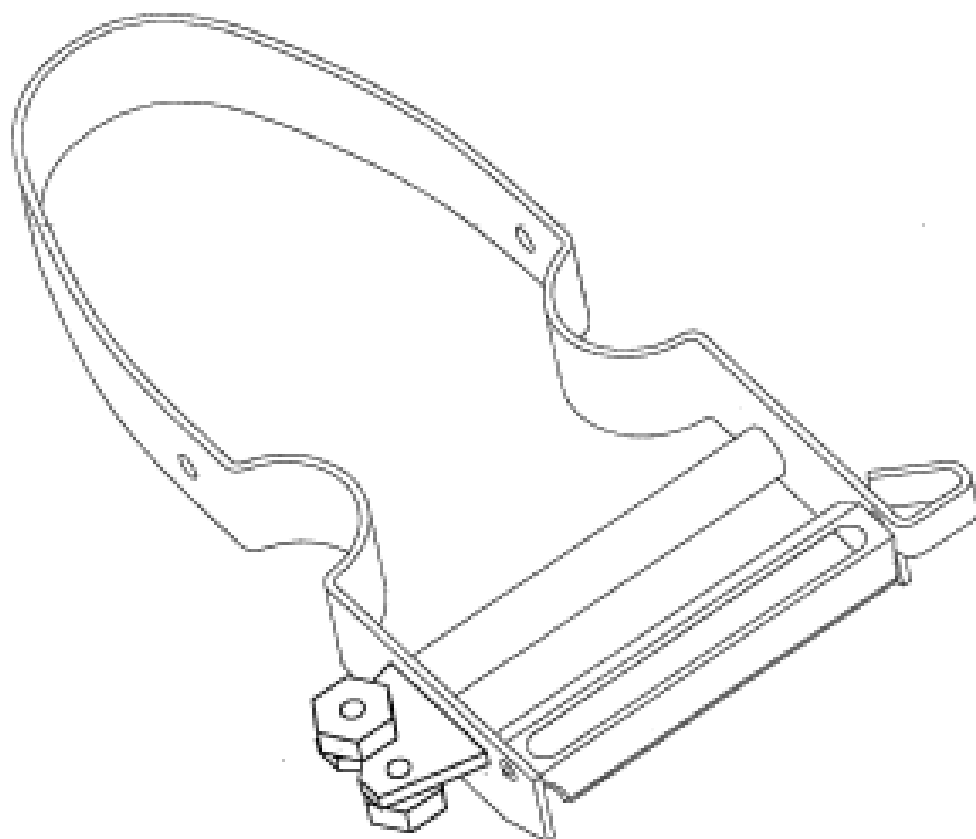
(21) Design Number: **13801/2005**  
(22) Date of Filing Application: **05 September 2005**  
(24) Date from which industrial property rights may have effect: **05 September 2005**  
(54) Product in respect of which the design is registered: **Food bar**  
(51) International Design Classification: **01-01**  
(71) Name(s) and Address(s) of Applicant(s):  
**The Uncle Tobys Company Limited**  
**75 Talavera Road Macquarie Park New South Wales 2113 Australia**  
(72) Name(s) of Designer(s): **Sue Knight**  
(45) Registration Date: **20 February 2006**  
(56) Related Art Documents: **Not Applicable**  
(57) Statement of Newness and Distinctiveness: **Nil**



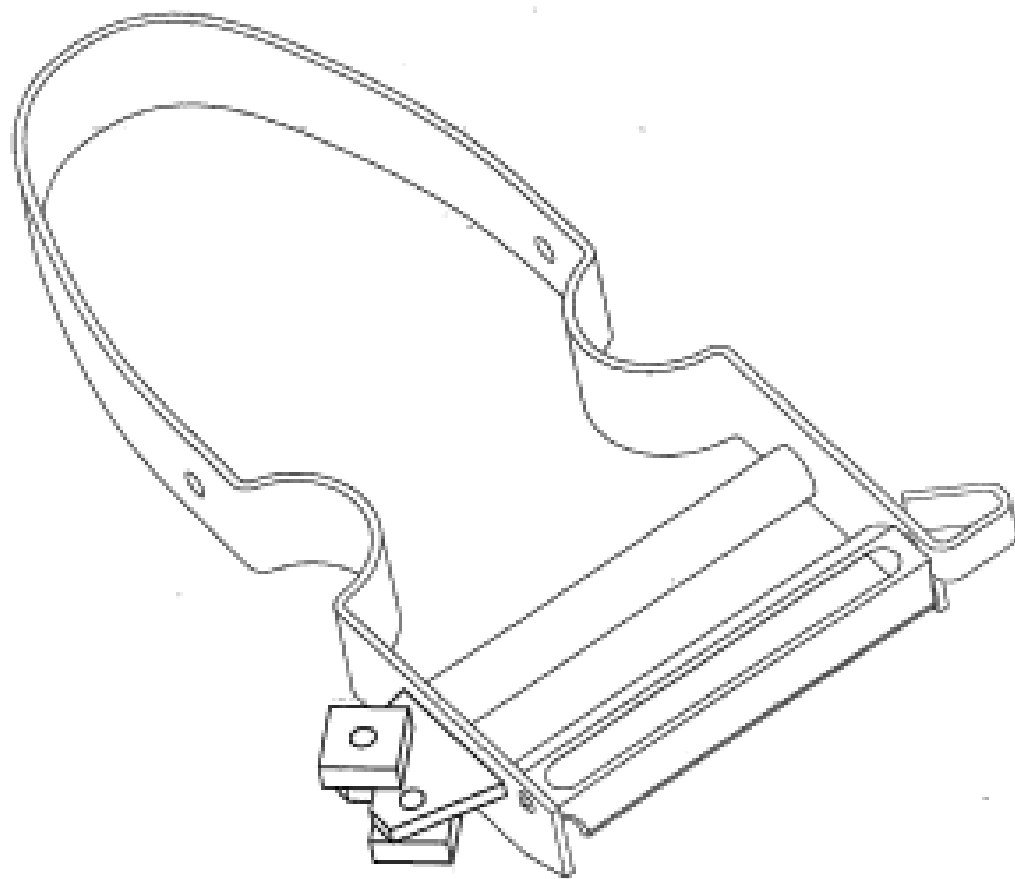
- (21) Design Number: **13808/2005**  
(22) Date of Filing Application: **05 September 2005**  
(24) Date from which industrial property rights may have effect: **05 September 2005**  
(54) Product in respect of which the design is registered: **Combined peeler and sharpener accessory**  
(51) International Design Classification: **07-04, 08-05H**  
(71) Name(s) and Address(s) of Applicant(s):  
**Mehrdad Zandipour**  
**4 Vineyard Avenue Smithfield New South Wales 2164 Australia**  
(72) Name(s) of Designer(s): **Mehrdad Zandipour**  
(45) Registration Date: **20 February 2006**  
(56) Related Art Documents: **Not Applicable**  
(57) Statement of Newness and Distinctiveness: **Newness and distinctiveness resides in the sharpener portion shown extending from the side of the peeler portion of the product shown in the representations.**



- (21) Design Number: **13809/2005**  
(22) Date of Filing Application: **05 September 2005**  
(24) Date from which industrial property rights may have effect: **05 September 2005**  
(54) Product in respect of which the design is registered: **Combined peeler and sharpener accessory**  
(51) International Design Classification: **07-04, 08-05H**  
(71) Name(s) and Address(s) of Applicant(s):  
**Mehrdad Zandipour**  
**4 Vineyard Avenue Smithfield New South Wales 2164 Australia**  
(72) Name(s) of Designer(s): **Mehrdad Zandipour**  
(45) Registration Date: **20 February 2006**  
(56) Related Art Documents: **Not Applicable**  
(57) Statement of Newness and Distinctiveness: **Newness and distinctiveness resides in the sharpener portion shown extending from the side of the peeler portion of the product shown in the representations.**

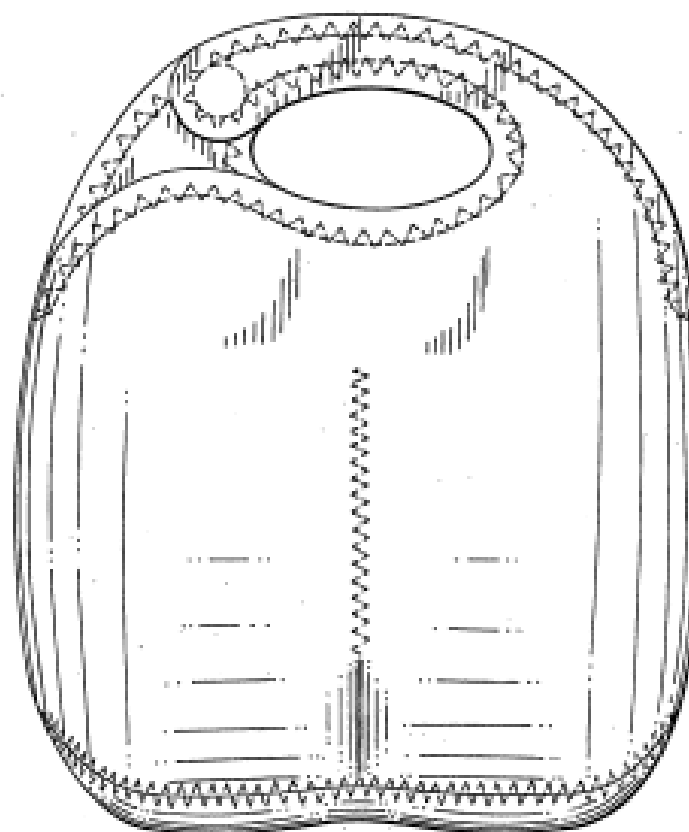


- (21) Design Number: **13810/2005**
- (22) Date of Filing Application: **05 September 2005**
- (24) Date from which industrial property rights may have effect: **05 September 2005**
- (54) Product in respect of which the design is registered: **Combined peeler and sharpener accessory**
- (51) International Design Classification: **07-04, 08-05H**
- (71) Name(s) and Address(s) of Applicant(s):  
**Mehrdad Zandipour**  
**4 Vineyard Avenue Smithfield New South Wales 2164 Australia**
- (72) Name(s) of Designer(s): **Mehrdad Zandipour**
- (45) Registration Date: **20 February 2006**
- (56) Related Art Documents: **Not Applicable**
- (57) Statement of Newness and Distinctiveness: **Newness and distinctiveness resides in the sharpener portion shown extending from the side of the peeler portion of the product shown in the representations.**

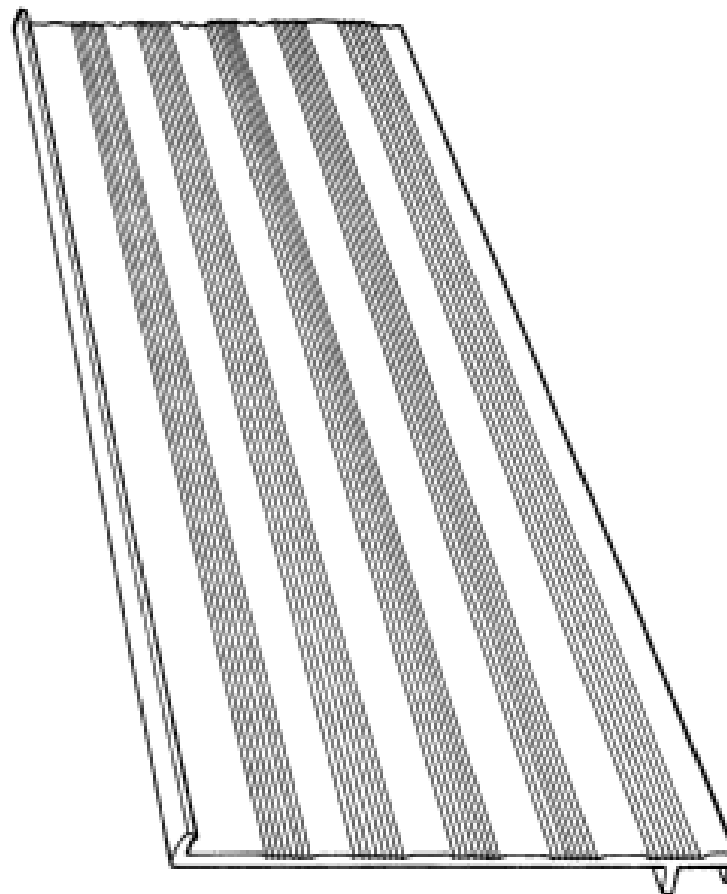


- (21) Design Number: **15181/2005**
- (22) Date of Filing Application: **25 November 2005**
- (24) Date from which industrial property rights may have effect: **25 November 2005**
- (54) Product in respect of which the design is registered: **Two-bottle tote**
- (51) International Design Classification: **07-07A, 07-06A**
- (71) Name(s) and Address(s) of Applicant(s):  
**Built NY, Inc.**  
**75 Spring Street 7th Floor New York NY 10012 United States of America**
- (72) Name(s) of Designer(s): **Aaron Lown and John Roscoe Swartz**
- (45) Registration Date: **20 February 2006**
- (30) Convention priority data:  

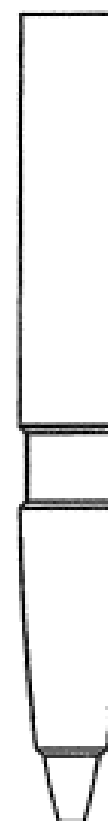
(31) Number	(32) Date	(33) Country
<b>29/230,704</b>	<b>25 May 2005</b>	<b>UNITED STATES OF AMERICA</b>
- (56) Related Art Documents: **Not Applicable**
- (57) Statement of Newness and Distinctiveness: **The newness and distinctiveness of the design resides in the features of shape and/or configuration shown in solid lines in the accompanying representations.**



- (21) Design Number: **12572/2005**  
(22) Date of Filing Application: **16 June 2005**  
(24) Date from which industrial property rights may have effect: **16 June 2005**  
(54) Product in respect of which the design is registered: **Verge flashing**  
(51) International Design Classification: **25-01G**  
(71) Name(s) and Address(s) of Applicant(s):  
**Haylcolm Enterprises Pty Limited**  
**Unit 18 No. 58 Cook Street Kurnell New South Wales 2231 Australia**  
(72) Name(s) of Designer(s): **Gregory Malcolm Hay and Grant Ison**  
(45) Registration Date: **20 February 2006**  
(56) Related Art Documents: **Not Applicable**  
(57) Statement of Newness and Distinctiveness: **Newness and distinctiveness is claimed in respect of the shape and/or configuration of the product illustrated in the accompanying representations. The product or article is of indefinite length.**



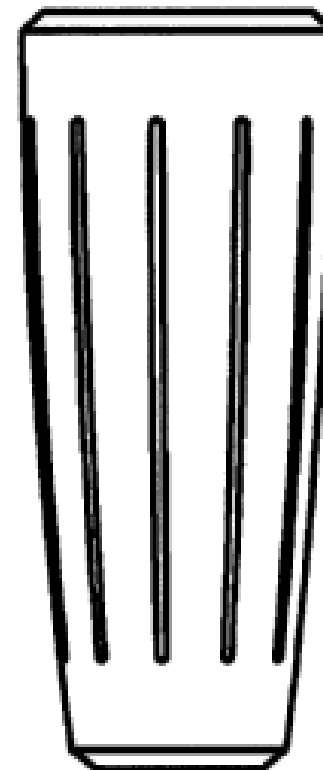
- (21) Design Number: **15679/2005**  
(22) Date of Filing Application: **21 December 2005**  
(24) Date from which industrial property rights may have effect: **21 December 2005**  
(54) Product in respect of which the design is registered: **Shaft and grip of writing instrument**  
(51) International Design Classification: **19-06**  
(71) Name(s) and Address(s) of Applicant(s):  
**Merz & Krell GmbH & Co. KGaA**  
**Bahnhofstrasse 76 64401 Gross-Bieberau Germany**  
(72) Name(s) of Designer(s): **Aleksander Tatic**  
(45) Registration Date: **20 February 2006**  
(30) Convention priority data:  
(31) Number      (32) Date      (33) Country  
**40503786.4      15 Jul 2005      GERMANY**  
(56) Related Art Documents: **Not Applicable**  
(57) Statement of Newness and Distinctiveness: **Newness and distinctiveness reside in the features of the design as shown in the representations.**



- (21) Design Number: **15680/2005**  
(22) Date of Filing Application: **21 December 2005**  
(24) Date from which industrial property rights may have effect: **21 December 2005**  
(54) Product in respect of which the design is registered: **Barrel of writing instrument**  
(51) International Design Classification: **19-06**  
(71) Name(s) and Address(s) of Applicant(s):  
**Merz & Krell GmbH & Co. KGaA**  
**Bahnhofstrasse 76 64401 Gross-Biebrau Germany**  
(72) Name(s) of Designer(s): **Aleksander Tatic**  
(45) Registration Date: **20 February 2006**  
(30) Convention priority data:  

(31) Number	(32) Date	(33) Country
<b>40503786.4</b>	<b>15 Jul 2005</b>	<b>GERMANY</b>

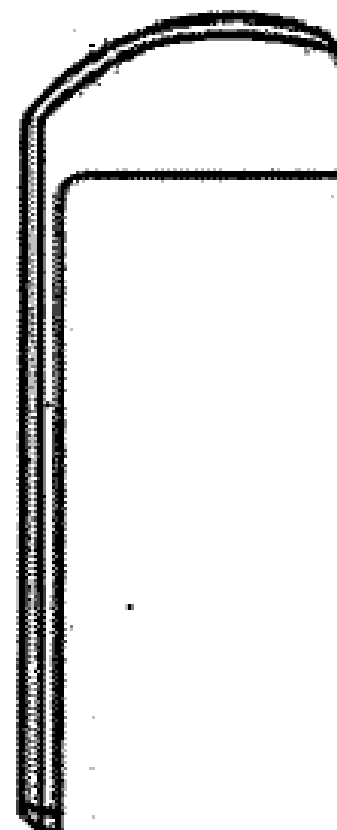
  
(56) Related Art Documents: **Not Applicable**  
(57) Statement of Newness and Distinctiveness: **Newness and distinctiveness reside in the features of the design as shown in the representations.**



- (21) Design Number: **15681/2005**  
(22) Date of Filing Application: **21 December 2005**  
(24) Date from which industrial property rights may have effect: **21 December 2005**  
(54) Product in respect of which the design is registered: **Clip for writing instrument**  
(51) International Design Classification: **19-06**  
(71) Name(s) and Address(s) of Applicant(s):  
**Merz & Krell GmbH & Co. KGaA**  
**Bahnhofstrasse 76 64401 Gross-Biebrau Germany**  
(72) Name(s) of Designer(s): **Aleksander Tatic**  
(45) Registration Date: **20 February 2006**  
(30) Convention priority data:  

(31) Number	(32) Date	(33) Country
<b>40503786.4</b>	<b>15 Jul 2005</b>	<b>GERMANY</b>

  
(56) Related Art Documents: **Not Applicable**  
(57) Statement of Newness and Distinctiveness: **Newness and distinctiveness reside in the features of the design as shown in the representations.**

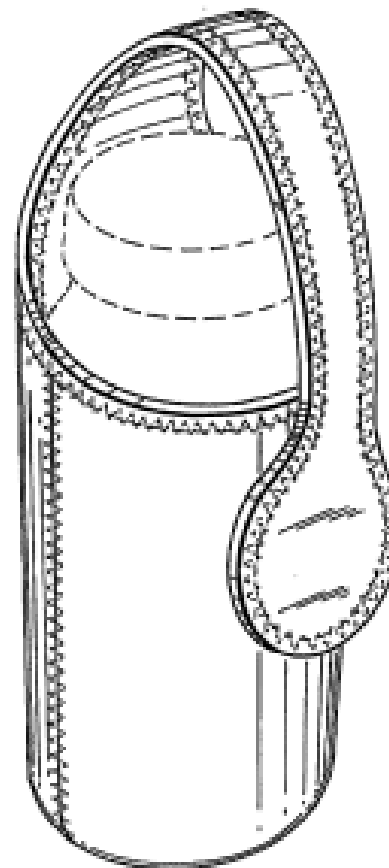


(19) AU

- (21) Design Number: **10166/2006**
- (22) Date of Filing Application: **18 January 2006**
- (24) Date from which industrial property rights may have effect: **18 January 2006**
- (54) Product in respect of which the design is registered: **Bottle tote**
- (51) International Design Classification: **03-01NES**
- (71) Name(s) and Address(s) of Applicant(s):  
**Built NY, Inc.**  
**75 Spring Street 7th Floor New York NY 10012 United States of America**
- (72) Name(s) of Designer(s): **Aaron Lown and John Roscoe Swartz**
- (45) Registration Date: **20 February 2006**
- (30) Convention priority data:

(31) Number	(32) Date	(33) Country
<b>29/244,170</b>	<b>06 Dec 2005</b>	<b>UNITED STATES OF AMERICA</b>

- (56) Related Art Documents: **Not Applicable**
- (57) Statement of Newness and Distinctiveness: **The newness and distinctiveness of the design resides in the feature of shape and/or configuration of the bottle tote shown in the accompanying representations, and wherein: Fig. 1 is a front view of a bottle tote according to the design; Fig. 2 is a top view of the design of figure 1; Fig. 3 is a right-side view of the design of figure 1; Fig. 4 is a rear view of the design of figure 1; Fig. 5 is a bottom view of the design of figure 1; and Fig. 6 is a front left perspective view of the design of figure 1. In the accompanying representations the bottle as depicted in broken lines is provided for the purposes of illustration only and forms no part of the design.**

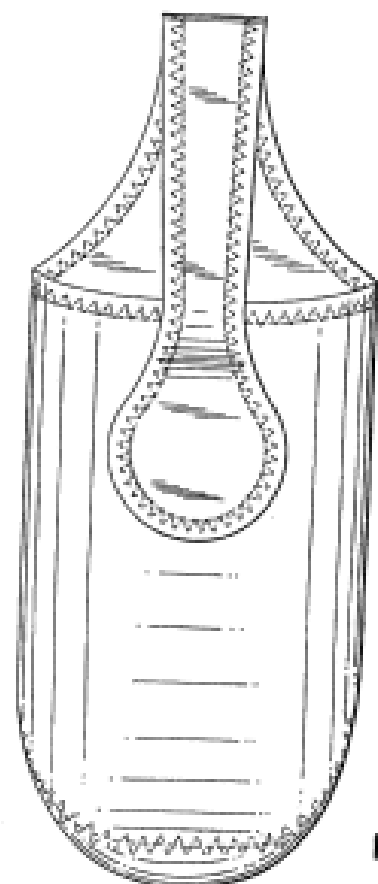


(19) AU

- (21) Design Number: **10167/2006**
- (22) Date of Filing Application: **18 January 2006**
- (24) Date from which industrial property rights may have effect: **18 January 2006**
- (54) Product in respect of which the design is registered: **Bottle tote**
- (51) International Design Classification: **03-01NES**
- (71) Name(s) and Address(s) of Applicant(s):  
**Built NY, Inc.**  
**75 Spring Street 7th Floor New York NY 10012 United States of America**
- (72) Name(s) of Designer(s): **Aaron Lown and John Roscoe Swartz**
- (45) Registration Date: **20 February 2006**
- (30) Convention priority data:

(31) Number	(32) Date	(33) Country
<b>29/244,170</b>	<b>06 Dec 2005</b>	<b>UNITED STATES OF AMERICA</b>

- (56) Related Art Documents: **Not Applicable**
- (57) Statement of Newness and Distinctiveness: **The newness and distinctiveness of the design resides in the feature of shape and/or configuration of the bottle tote shown in the accompanying representations, and wherein: Fig. 7 is a front view of a bottle tote according to the design; Fig. 8 is a top plan view of the design of figure 7; Fig. 9 is a side view of the design of figure 7; Fig. 10 is a rear view of the design of figure 7; and Fig. 11 is a bottom plan view of the design of figure 7.**



- (21) Design Number: **10168/2006**  
(22) Date of Filing Application: **18 January 2006**  
(24) Date from which industrial property rights may have effect: **18 January 2006**  
(54) Product in respect of which the design is registered: **Bottle tote**  
(51) International Design Classification: **03-01NES**  
(71) Name(s) and Address(s) of Applicant(s):

**Built NY, Inc.**  
**75 Spring Street 7th Floor New York NY 10012 United States of America**

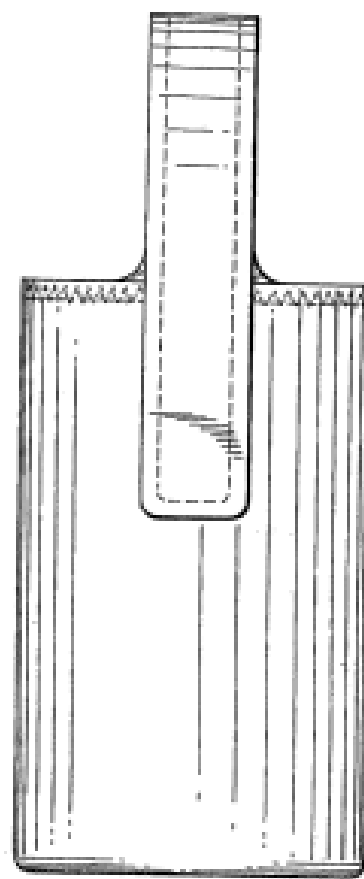
- (72) Name(s) of Designer(s): **Aaron Lown and John Roscoe Swartz**  
(45) Registration Date: **20 February 2006**

- (30) Convention priority data:

(31) Number	(32) Date	(33) Country
<b>29/244,170</b>	<b>06 Dec 2005</b>	<b>UNITED STATES OF AMERICA</b>

- (56) Related Art Documents: **Not Applicable**

- (57) Statement of Newness and Distinctiveness: **The newness and distinctiveness of the design resides in the feature of shape and/or configuration of the bottle tote shown in the accompanying representations, and wherein: Fig. 12 is a front view of a bottle tote according to the design; Fig. 13 is a top view of the design of figure 12; Fig. 14 is a bottom view of the design of figure 12; Fig. 15 is a right-side view of the design of figure 12; and Fig. 16 is a rear view of the design of figure 12.**



- (21) Design Number: **11289/2005**  
(22) Date of Filing Application: **30 March 2005**  
(24) Date from which industrial property rights may have effect: **30 March 2005**  
(54) Product in respect of which the design is registered: **Sign board**  
(51) International Design Classification: **20-03NES**  
(71) Name(s) and Address(s) of Applicant(s):

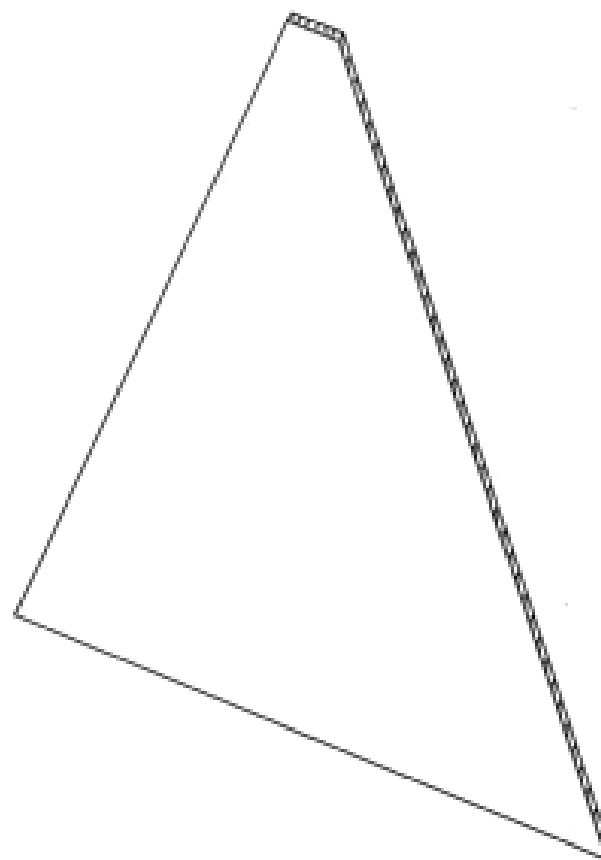
**Christopher Constantine Twyford**  
**10 Cornelian Crescent Carine Western Australia 6020 Australia**

- (72) Name(s) of Designer(s): **Christopher Constantine Twyford**

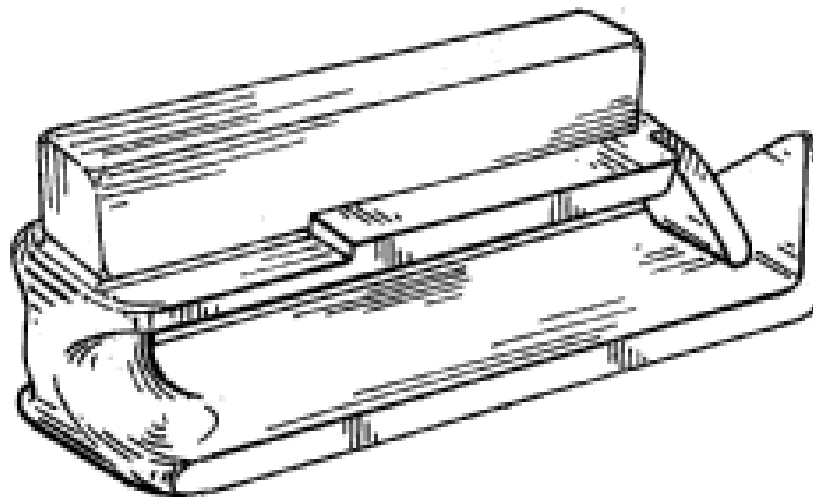
- (45) Registration Date: **22 February 2006**

- (56) Related Art Documents: **Not Applicable**

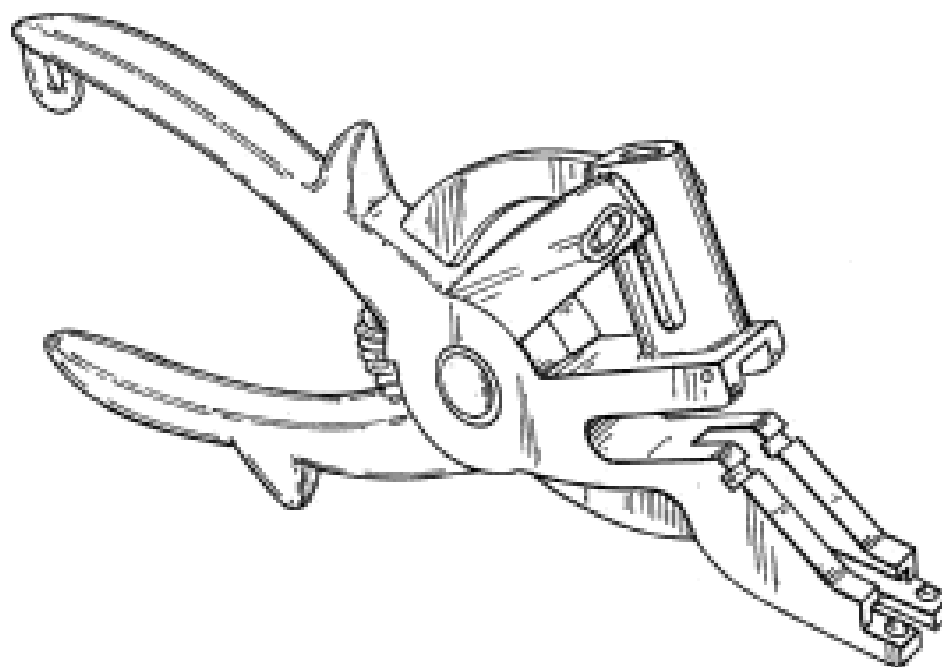
- (57) Statement of Newness and Distinctiveness: **Nil**



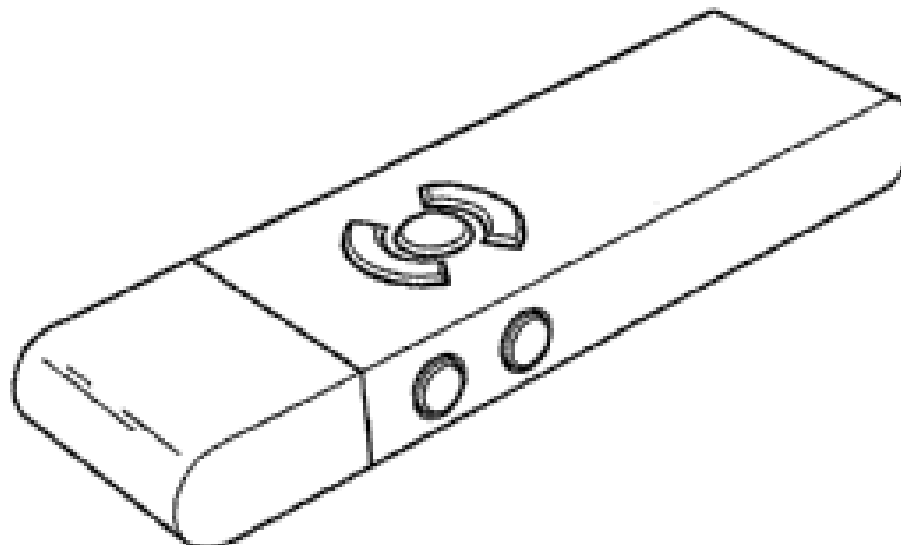
- (21) Design Number: **13911/2005**
- (22) Date of Filing Application: **23 March 2004**
- (24) Date from which industrial property rights may have effect: **23 March 2004**
- (54) Product in respect of which the design is registered: **Tag applicator**
- (51) International Design Classification: **08-05B, 30-08**
- (71) Name(s) and Address(s) of Applicant(s):  
**Leader Products Pty Ltd**  
**Hume Highway Craigieburn Victoria 3064 Australia**
- (72) Name(s) of Designer(s): **John Dumbrell**
- (45) Registration Date: **22 February 2006**
- (56) Related Art Documents: **Not Applicable**
- (57) Statement of Newness and Distinctiveness: **Nil**



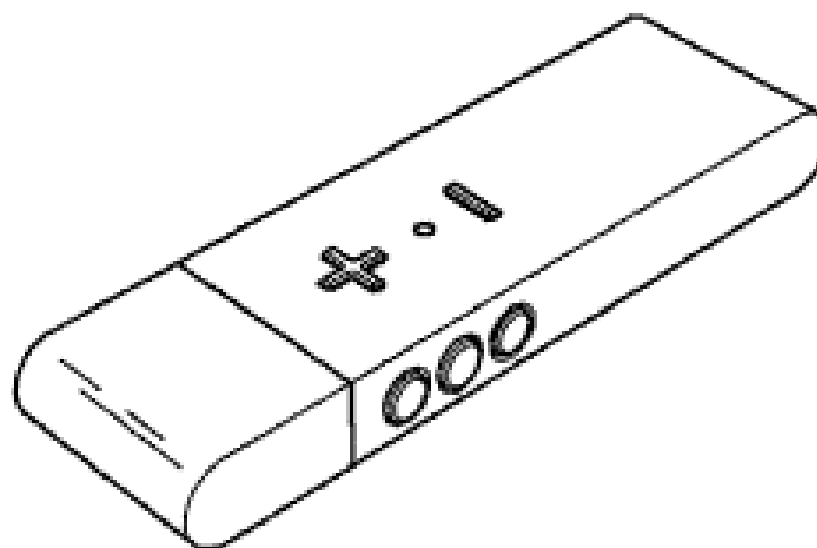
- (21) Design Number: **13912/2005**
- (22) Date of Filing Application: **23 March 2004**
- (24) Date from which industrial property rights may have effect: **23 March 2004**
- (54) Product in respect of which the design is registered: **Tag**
- (51) International Design Classification: **08-05B, 30-08**
- (71) Name(s) and Address(s) of Applicant(s):  
**Leader Products Pty Ltd**  
**Hume Highway Craigieburn Victoria 3064 Australia**
- (72) Name(s) of Designer(s): **John Dumbrell**
- (45) Registration Date: **22 February 2006**
- (56) Related Art Documents: **Not Applicable**
- (57) Statement of Newness and Distinctiveness: **Nil**



- (21) Design Number: **13914/2005**  
(22) Date of Filing Application: **09 September 2005**  
(24) Date from which industrial property rights may have effect: **09 September 2005**  
(54) Product in respect of which the design is registered: **USB driver having MP3 function**  
(51) International Design Classification: **14-03NES**  
(71) Name(s) and Address(s) of Applicant(s):  
**LG Electronics Inc.**  
**20 Yoido-dong Yongdungpo-gu Seoul 150-721 Republic of Korea**  
(72) Name(s) of Designer(s): **Jae Hoon Lee and Sung Young Park**  
(45) Registration Date: **22 February 2006**  
(30) Convention priority data:  
(31) Number (32) Date (33) Country  
**30-2005-0025427 28 Jul 2005 REPUBLIC OF KOREA**  
(56) Related Art Documents: **Not Applicable**  
(57) Statement of Newness and Distinctiveness: **Newness and distinctiveness in the design as applied to a USB drive thereof reside in the shape and configuration thereof as illustrated in the accompanying representations.**



- (21) Design Number: **13915/2005**  
(22) Date of Filing Application: **09 September 2005**  
(24) Date from which industrial property rights may have effect: **09 September 2005**  
(54) Product in respect of which the design is registered: **USB driver having MP3 function**  
(51) International Design Classification: **14-03NES**  
(71) Name(s) and Address(s) of Applicant(s):  
**LG Electronics Inc.**  
**20 Yoido-dong Yongdungpo-gu Seoul 150-721 Republic of Korea**  
(72) Name(s) of Designer(s): **Jae Hoon Lee and Sung Yong Park**  
(45) Registration Date: **22 February 2006**  
(30) Convention priority data:  
(31) Number (32) Date (33) Country  
**30-2005-0025431 28 Jul 2005 REPUBLIC OF KOREA**  
(56) Related Art Documents: **Not Applicable**  
(57) Statement of Newness and Distinctiveness: **Nil**



- (21) Design Number: **13916/2005**  
(22) Date of Filing Application: **09 September 2005**  
(24) Date from which industrial property rights may have effect: **09 September 2005**  
(54) Product in respect of which the design is registered: **A marble**  
(51) International Design Classification: **21-01NES**  
(71) Name(s) and Address(s) of Applicant(s):

**Andrew Farrugia**  
**13 Queenscliff Crescent Robina Queensland 4226 Australia**

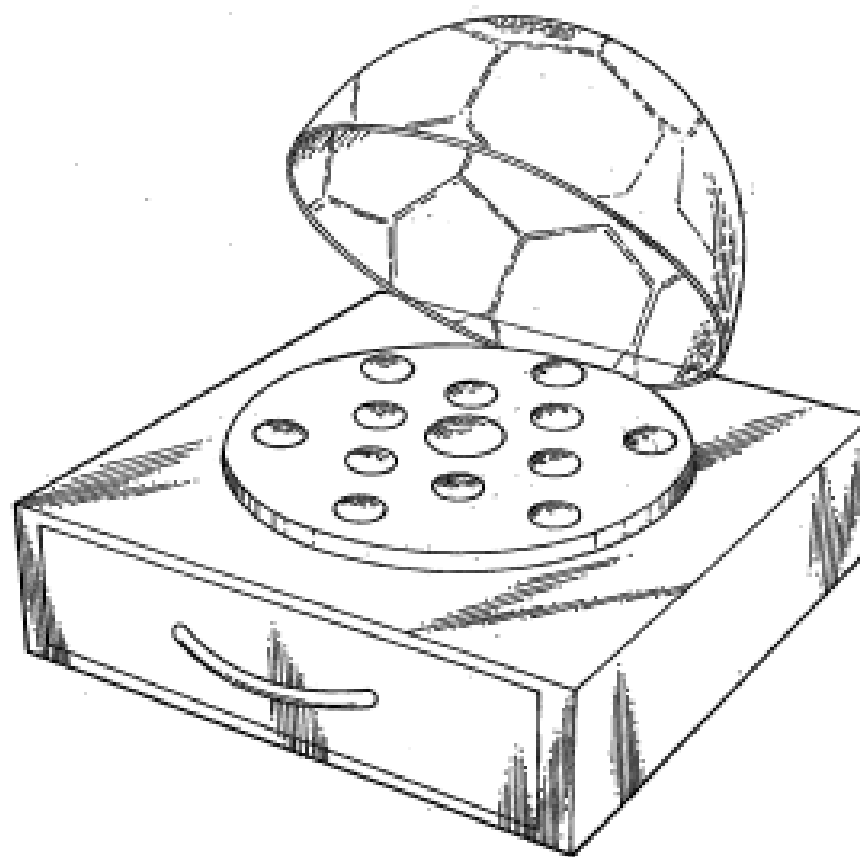
- (72) Name(s) of Designer(s): **Andrew Farrugia**  
(45) Registration Date: **22 February 2006**  
(56) Related Art Documents: **Not Applicable**  
(57) Statement of Newness and Distinctiveness: **The newness and distinctiveness of the design resides in the features of pattern and/or ornamentation disposed on the outer surface of the marble and in shape and/or configuration of the representative disc disposed within the marble as shown in the accompanying representations, said disc being capable of carrying various indicia and the like.**



- (21) Design Number: **13917/2005**  
(22) Date of Filing Application: **09 September 2005**  
(24) Date from which industrial property rights may have effect: **09 September 2005**  
(54) Product in respect of which the design is registered: **A display case**  
(51) International Design Classification: **20-02C**  
(71) Name(s) and Address(s) of Applicant(s):

**Andrew Farrugia**  
**13 Queenscliff Crescent Robina Queensland 4226 Australia**

- (72) Name(s) of Designer(s): **Andrew Farrugia**  
(45) Registration Date: **22 February 2006**  
(56) Related Art Documents: **Not Applicable**  
(57) Statement of Newness and Distinctiveness: **The newness and distinctiveness of the design resides in the shape and/or configuration of the display case as shown in the accompanying representations and in the features of pattern and/or ornamentation disposed on the outer surface of the lid of the display case.**



- (21) Design Number: **13928/2005**  
(22) Date of Filing Application: **09 September 2005**  
(24) Date from which industrial property rights may have effect: **09 September 2005**  
(54) Product in respect of which the design is registered: **Oven range**  
(51) International Design Classification: **07-02A**  
(71) Name(s) and Address(s) of Applicant(s):

**LG Electronics Inc.**  
**20 Yoido-dong Yongdungpo-gu Seoul Korea**

- (72) Name(s) of Designer(s): **Wook Jun Jung and Young Don Kim**

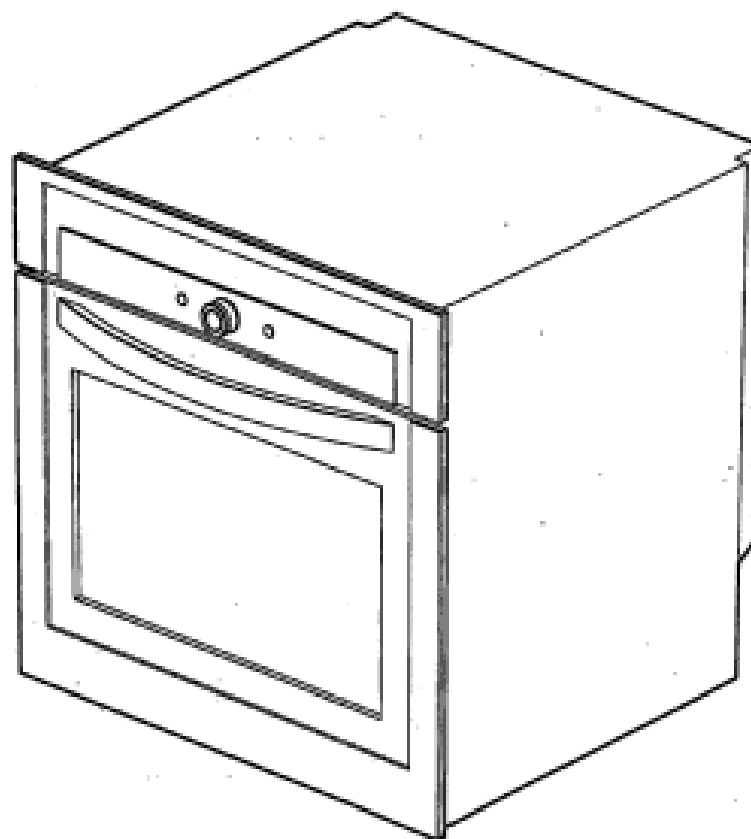
- (45) Registration Date: **22 February 2006**

- (30) Convention priority data:

(31) Number	(32) Date	(33) Country
<b>30-2005-0010475</b>	<b>30 Mar 2005</b>	<b>REPUBLIC OF KOREA</b>

- (56) Related Art Documents: **Not Applicable**

- (57) Statement of Newness and Distinctiveness: **Newness and distinctiveness is claimed in the visual features of shape and/or configuration as applied to an oven range as illustrated in the accompanying representations.**



- (21) Design Number: **13929/2005**  
(22) Date of Filing Application: **09 September 2005**  
(24) Date from which industrial property rights may have effect: **09 September 2005**  
(54) Product in respect of which the design is registered: **Movable ducting unit with video distribution amplifiers**  
(51) International Design Classification: **13-03C**  
(71) Name(s) and Address(s) of Applicant(s):

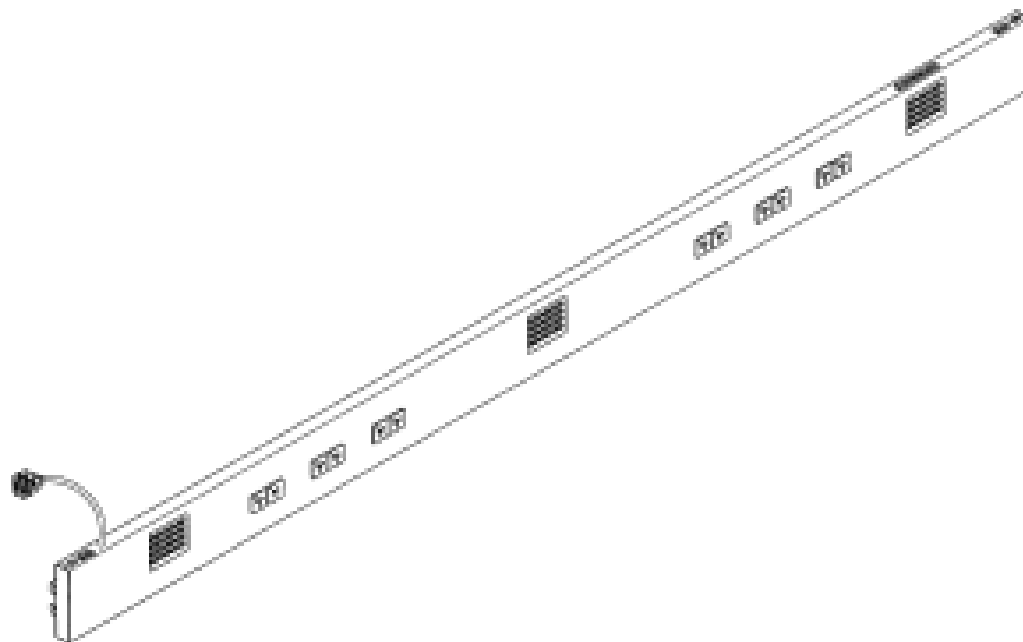
**Moduline Pty Ltd**  
**20 Reserve Street Preston Victoria 3072 Australia**

- (72) Name(s) of Designer(s): **Daniel Cesarin**

- (45) Registration Date: **22 February 2006**

- (56) Related Art Documents: **Not Applicable**

- (57) Statement of Newness and Distinctiveness: **The newness and distinctiveness of the design resides in the features of shape and configuration of the movable ducting unit incorporating video distribution amplifiers as shown in the accompanying representations.**



(21) Design Number: **13930/2005**  
(22) Date of Filing Application: **09 September 2005**  
(24) Date from which industrial property rights may have effect: **09 September 2005**  
(54) Product in respect of which the design is registered: **Pressure cooker**  
(51) International Design Classification: **07-02N**  
(71) Name(s) and Address(s) of Applicant(s):

**SEB S.A.**  
**Selongey 21260 France**

(72) Name(s) of Designer(s): **Philippe Roussard**

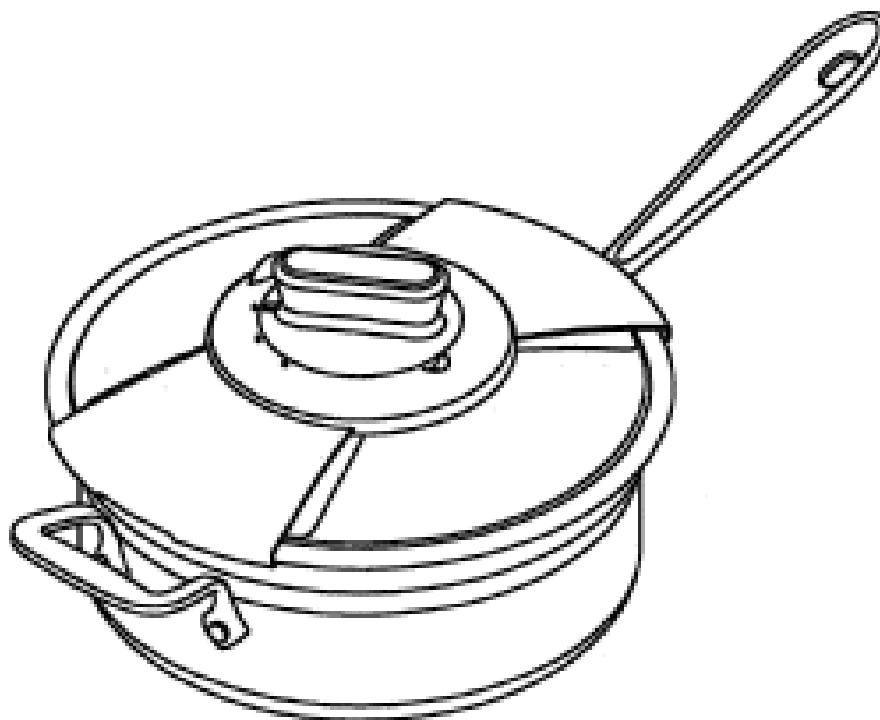
(45) Registration Date: **22 February 2006**

(30) Convention priority data:

(31) Number	(32) Date	(33) Country
<b>05 1416</b>	<b>10 Mar 2005</b>	<b>FRANCE</b>

(56) Related Art Documents: **Not Applicable**

(57) Statement of Newness and Distinctiveness: **Nil**



(21) Design Number: **13931/2005**  
(22) Date of Filing Application: **09 September 2005**  
(24) Date from which industrial property rights may have effect: **09 September 2005**  
(54) Product in respect of which the design is registered: **Pressure cooker**  
(51) International Design Classification: **07-02N**  
(71) Name(s) and Address(s) of Applicant(s):

**SEB S.A.**  
**Selongey 21260 France**

(72) Name(s) of Designer(s): **Philippe Roussard**

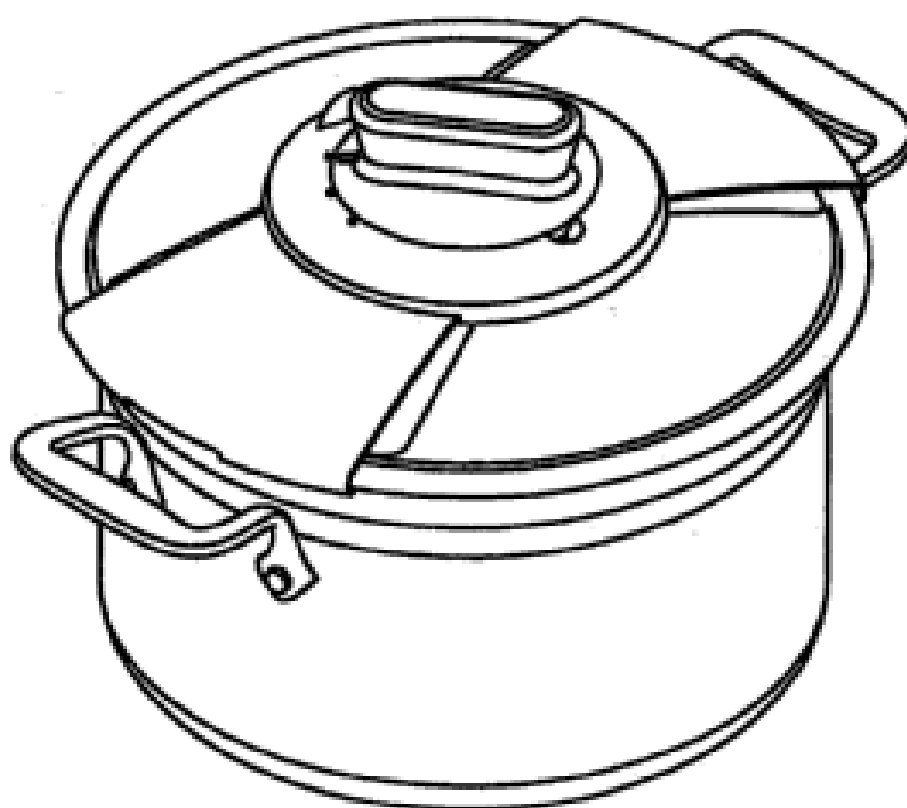
(45) Registration Date: **22 February 2006**

(30) Convention priority data:

(31) Number	(32) Date	(33) Country
<b>05 1416</b>	<b>10 Mar 2005</b>	<b>FRANCE</b>

(56) Related Art Documents: **Not Applicable**

(57) Statement of Newness and Distinctiveness: **Nil**



(21) Design Number: **13932/2005**  
(22) Date of Filing Application: **09 September 2005**  
(24) Date from which industrial property rights may have effect: **09 September 2005**  
(54) Product in respect of which the design is registered: **A handset**  
(51) International Design Classification: **14-03E**  
(71) Name(s) and Address(s) of Applicant(s):

**Nokia Corporation**  
**Keilalahdentie 4 FIN-02150 Espoo Finland**

(72) Name(s) of Designer(s): **Kenneth Bower**

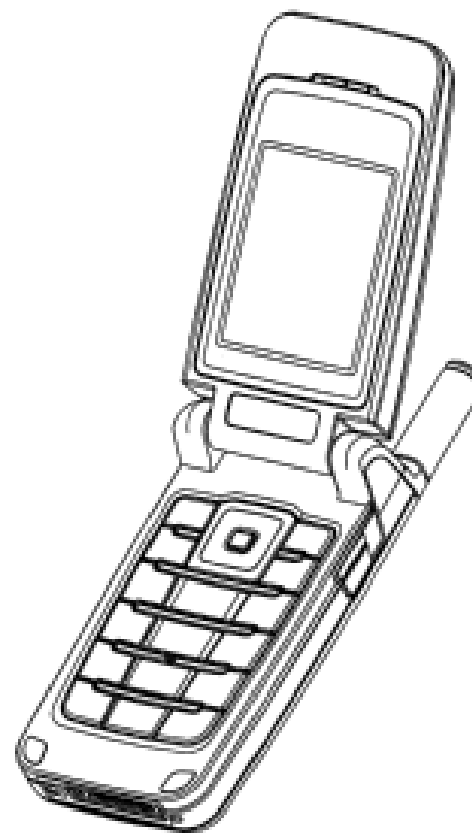
(45) Registration Date: **22 February 2006**

(30) Convention priority data:

(31) Number	(32) Date	(33) Country
<b>29225187</b>	<b>11 Mar 2005</b>	<b>FINLAND</b>

(56) Related Art Documents: **Not Applicable**

(57) Statement of Newness and Distinctiveness: **Nil**



(21) Design Number: **13933/2005**  
(22) Date of Filing Application: **09 September 2005**  
(24) Date from which industrial property rights may have effect: **09 September 2005**  
(54) Product in respect of which the design is registered: **A handset**  
(51) International Design Classification: **14-03E**  
(71) Name(s) and Address(s) of Applicant(s):

**Nokia Corporation**  
**Keilalahdentie 4 FIN-02150 Espoo Finland**

(72) Name(s) of Designer(s): **Kenneth Bower**

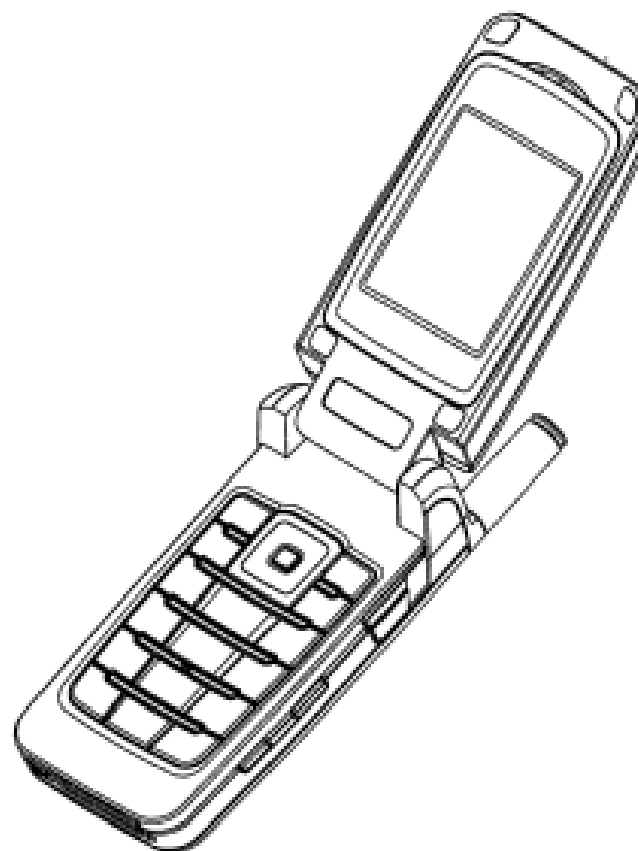
(45) Registration Date: **22 February 2006**

(30) Convention priority data:

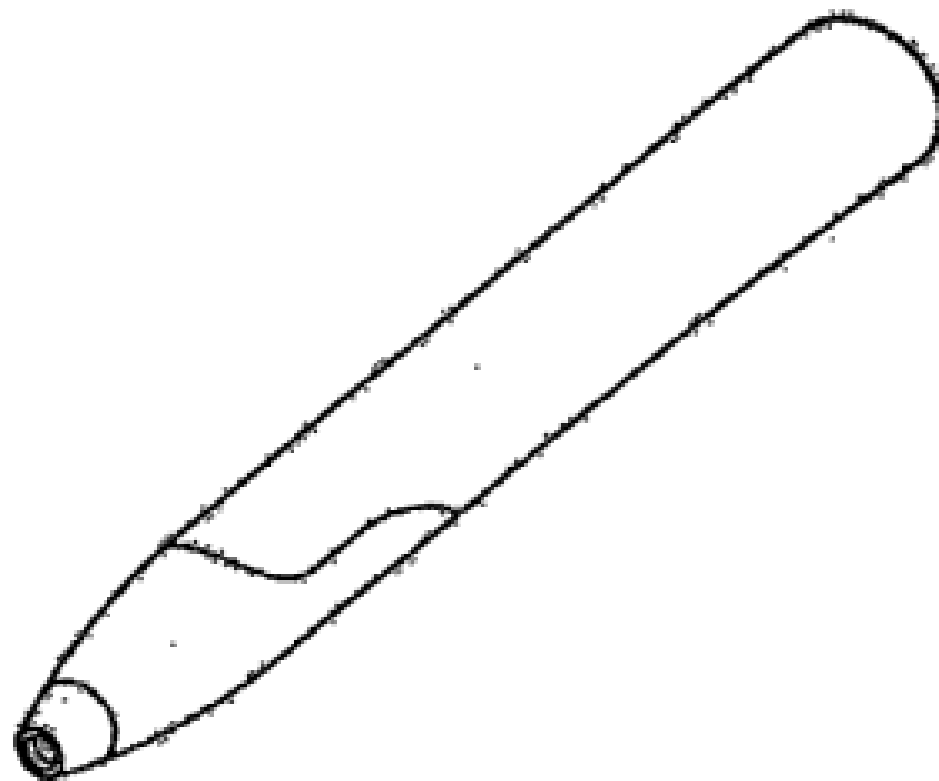
(31) Number	(32) Date	(33) Country
<b>29225187</b>	<b>11 Mar 2005</b>	<b>UNITED STATES OF AMERICA</b>

(56) Related Art Documents: **Not Applicable**

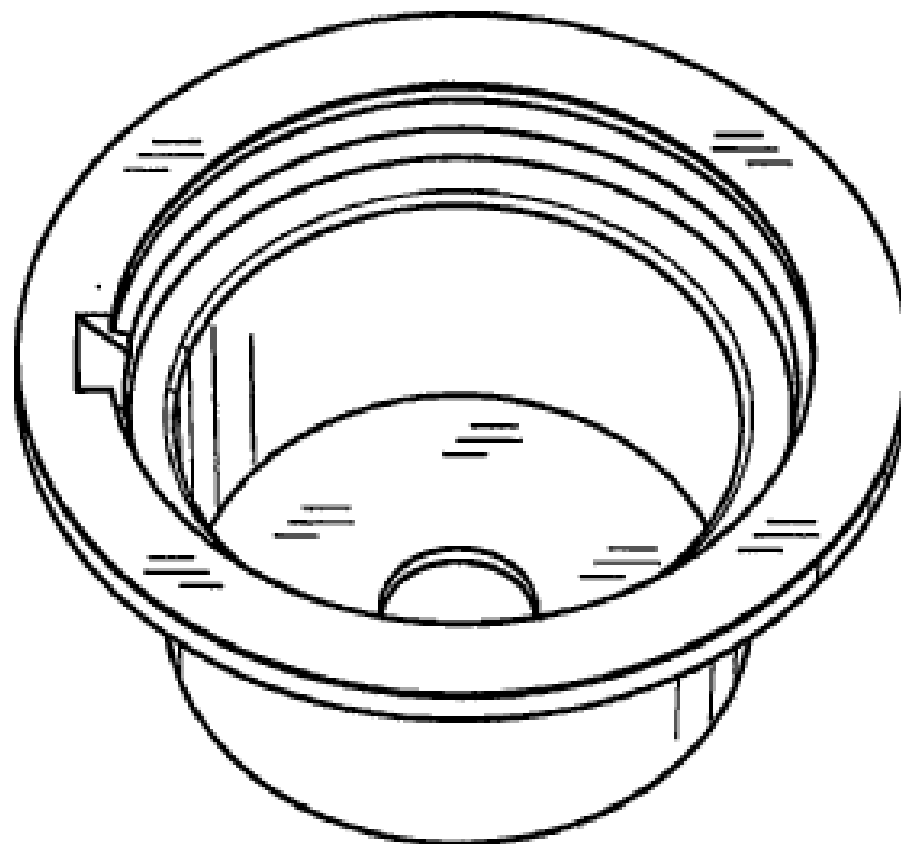
(57) Statement of Newness and Distinctiveness: **Nil**



- (21) Design Number: **13944/2005**  
(22) Date of Filing Application: **12 September 2005**  
(24) Date from which industrial property rights may have effect: **10 March 2004**  
(54) Product in respect of which the design is registered: **A component for a writing instrument**  
(51) International Design Classification: **19-06**  
(71) Name(s) and Address(s) of Applicant(s):  
**Merz & Krell GmbH & Co. KGaA**  
**Bahnhofstrasse 76 64401 Gross-Biebrerau Germany**  
(72) Name(s) of Designer(s): **Volkmar Rommel**  
(45) Registration Date: **22 February 2006**  
(62) Divisional of: **158303**  
(56) Related Art Documents: **Not Applicable**  
(57) Statement of Newness and Distinctiveness: **Each feature of the design considered separately or in combination with any other feature or features.**



- (21) Design Number: **13959/2005**  
(22) Date of Filing Application: **12 September 2005**  
(24) Date from which industrial property rights may have effect: **12 September 2005**  
(54) Product in respect of which the design is registered: **Housing for soil fumigator**  
(51) International Design Classification: **22-06**  
(71) Name(s) and Address(s) of Applicant(s):  
**Clare Elise Broadbent**  
**Unit 2 95 Lear Jet Drive Caboolture Queensland 4510 Australia**  
(72) Name(s) of Designer(s): **Clare Elise Broadbent**  
(45) Registration Date: **22 February 2006**  
(56) Related Art Documents: **Not Applicable**  
(57) Statement of Newness and Distinctiveness: **The newness and distinctiveness of the design resides in the shape and configuration of a housing for soil fumigator as illustrated in the accompanying representations.**



(19) AU

- (21) Design Number: **13964/2005**
- (22) Date of Filing Application: **12 September 2005**
- (24) Date from which industrial property rights may have effect: **12 September 2005**
- (54) Product in respect of which the design is registered: **Electric juice extractor**
- (51) International Design Classification: **31-00**
- (71) Name(s) and Address(s) of Applicant(s):

**Chun Lun Yip**  
**Goodway Plastic Products Ltd 3rd Flr Blk A & C King Yip Factory Bldg**  
**59 King Yip St Kwun Tong Kowloon Hong Kong**

(72) Name(s) of Designer(s): **Chun Lun Yip**

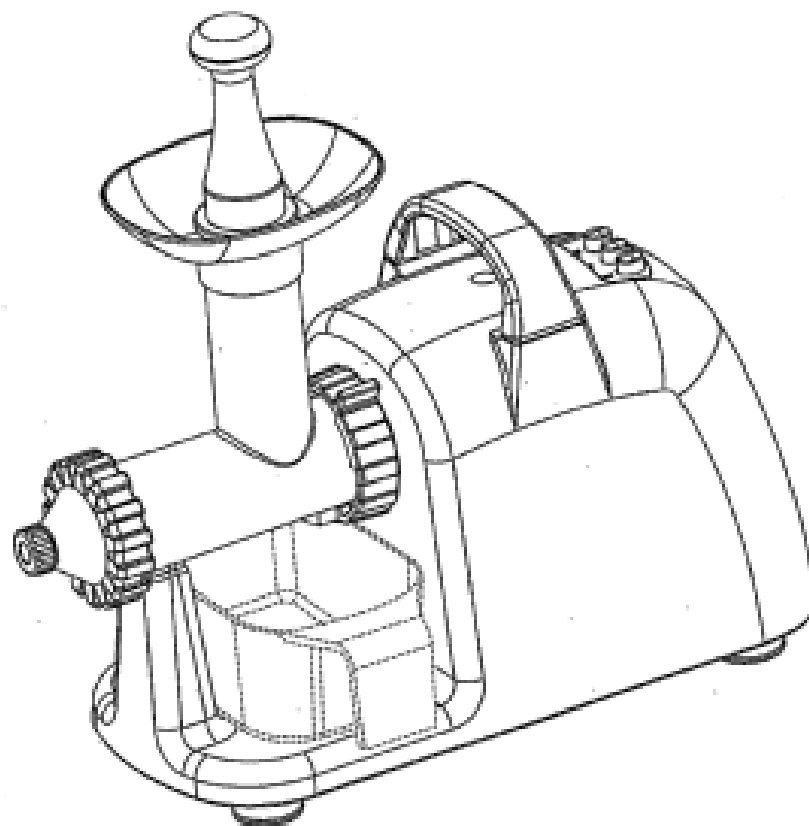
(45) Registration Date: **22 February 2006**

(30) Convention priority data:

(31) Number	(32) Date	(33) Country
<b>200530053068.8</b>	<b>11 Mar 2005</b>	<b>CHINA</b>

(56) Related Art Documents: **Not Applicable**

(57) Statement of Newness and Distinctiveness: **Newness and distinctiveness of the design is directed to the features of shape and configuration of an electric juice extractor as depicted in the attached representations. The vessel shown in dotted lines does not form part of the design and is to be excluded when considering the scope of the design. The features shown in the bottom plan view are to be omitted from any consideration of the distinctiveness of the design.**



(19) AU

- (21) Design Number: **13965/2005**
- (22) Date of Filing Application: **12 September 2005**
- (24) Date from which industrial property rights may have effect: **12 September 2005**
- (54) Product in respect of which the design is registered: **Footwear**
- (51) International Design Classification: **02-04NES**
- (71) Name(s) and Address(s) of Applicant(s):

**Crocs, Inc.**  
**6273 Monarch Park Place Niwot Colorado 80503 United States of**  
**America**

(72) Name(s) of Designer(s): **Scott Seamans**

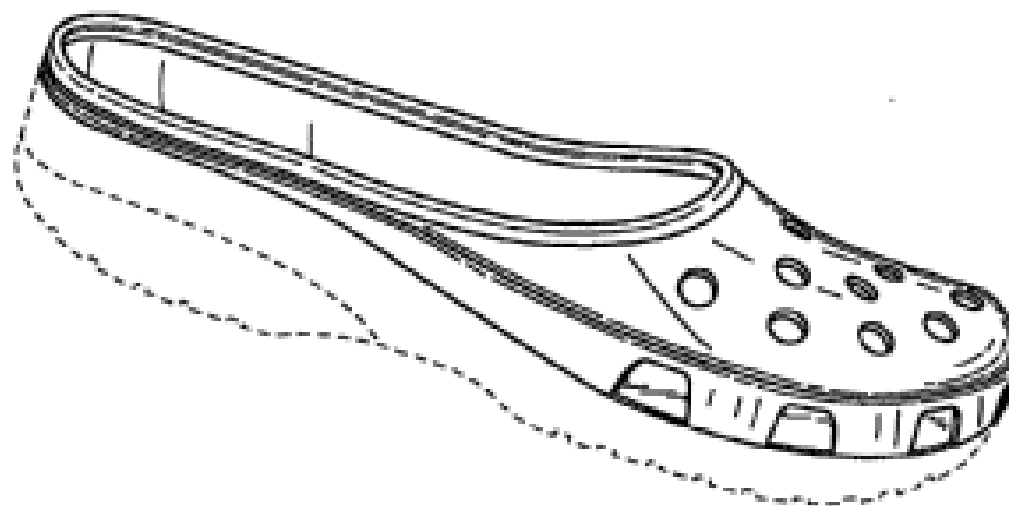
(45) Registration Date: **22 February 2006**

(30) Convention priority data:

(31) Number	(32) Date	(33) Country
<b>000308903-0004</b>	<b>11 Mar 2005</b>	<b>EUROPEAN COMMUNITY</b>

(56) Related Art Documents: **Not Applicable**

(57) Statement of Newness and Distinctiveness: **Newness and distinctiveness of the design resides in the features of shape and configuration of the footwear upper as shown in solid lines in the representations. When considering whether the design is substantially similar in overall impression to another design, no regard is to be given to those features of the design shown in phantom in the representations.**



- (21) Design Number: **13968/2005**  
(22) Date of Filing Application: **12 September 2005**  
(24) Date from which industrial property rights may have effect: **12 September 2005**  
(54) Product in respect of which the design is registered: **Footwear**  
(51) International Design Classification: **02-04NES**  
(71) Name(s) and Address(s) of Applicant(s):

**Crocs, Inc.**  
**6273 Monarch Park Place Niwot Colorado 80503 United States of America**

(72) Name(s) of Designer(s): **Kevin McCarthy**

(45) Registration Date: **22 February 2006**

(30) Convention priority data:

(31) Number	(32) Date	(33) Country
<b>00308903-0001</b>	<b>11 Mar 2005</b>	<b>EUROPEAN COMMUNITY</b>

(56) Related Art Documents: **Not Applicable**

(57) Statement of Newness and Distinctiveness: **Newness and distinctiveness resides in the features of shape and configuration of the footwear upper as depicted as part "A" in the representations. When considering whether the design is substantially similar in overall impression to another design, no regard is to be given to the features of the design labelled "B" and "C".**



- (21) Design Number: **13969/2005**  
(22) Date of Filing Application: **12 September 2005**  
(24) Date from which industrial property rights may have effect: **12 September 2005**  
(54) Product in respect of which the design is registered: **Footwear**  
(51) International Design Classification: **02-04NES**  
(71) Name(s) and Address(s) of Applicant(s):

**Crocs, Inc.**  
**6273 Monarch Park Place Niwot Colorado 80503 United States of America**

(72) Name(s) of Designer(s): **Kevin McCarthy**

(45) Registration Date: **22 February 2006**

(30) Convention priority data:

(31) Number	(32) Date	(33) Country
<b>00308903-0001</b>	<b>11 Mar 2005</b>	<b>EUROPEAN COMMUNITY</b>

(56) Related Art Documents: **Not Applicable**

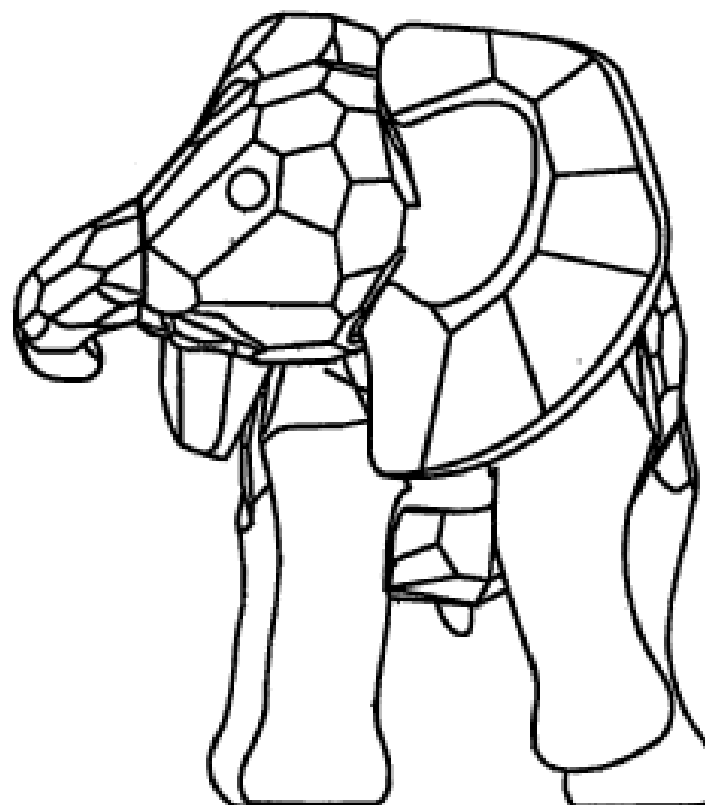
(57) Statement of Newness and Distinctiveness: **Newness and distinctiveness resides in the features of shape and configuration of the footwear sole as depicted as "B" in the representations. When considering whether the design is substantially similar in overall impression to another design, no regard is to be given to those features of the design labelled "A" and "C".**



(21) Design Number: **13978/2005**  
(22) Date of Filing Application: **13 September 2005**  
(24) Date from which industrial property rights may have effect: **13 September 2005**  
(54) Product in respect of which the design is registered: **Ornamental object made of glass**  
(51) International Design Classification: **11-02E**  
(71) Name(s) and Address(s) of Applicant(s):  
**Swarovski Aktiengesellschaft**  
**Droschistrasse 15 FL-9495 Triesen Liechtenstein**  
(72) Name(s) of Designer(s): **Anton Hirzinger**  
(45) Registration Date: **22 February 2006**  
(30) Convention priority data:  
(31) Number (32) Date (33) Country  
**324983 15 Apr 2005 EUROPEAN PATENT OFFICE (EP)**  
(56) Related Art Documents: **Not Applicable**  
(57) Statement of Newness and Distinctiveness: **Nil**



(21) Design Number: **13979/2005**  
(22) Date of Filing Application: **13 September 2005**  
(24) Date from which industrial property rights may have effect: **13 September 2005**  
(54) Product in respect of which the design is registered: **Ornamental object made of glass**  
(51) International Design Classification: **11-02E**  
(71) Name(s) and Address(s) of Applicant(s):  
**Swarovski Aktiengesellschaft**  
**Droschistrasse 15 FL-9495 Triesen Liechtenstein**  
(72) Name(s) of Designer(s): **Heinz Tabertshofer**  
(45) Registration Date: **22 February 2006**  
(30) Convention priority data:  
(31) Number (32) Date (33) Country  
**324983 15 Apr 2005 EUROPEAN PATENT OFFICE (EP)**  
(56) Related Art Documents: **Not Applicable**  
(57) Statement of Newness and Distinctiveness: **Nil**



- (21) Design Number: **14012/2005**  
(22) Date of Filing Application: **16 September 2005**  
(24) Date from which industrial property rights may have effect: **16 September 2005**  
(54) Product in respect of which the design is registered: **Cable housing**  
(51) International Design Classification: **13-03B**  
(71) Name(s) and Address(s) of Applicant(s):

**Belkin Corporation**  
**501 W. Walnut Street Compton California 90990 United States of America**

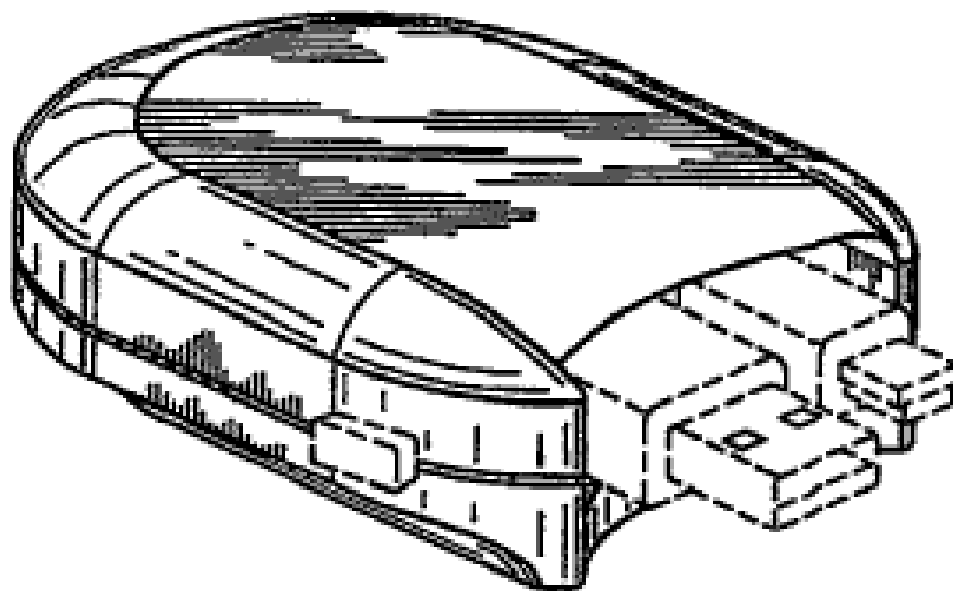
- (72) Name(s) of Designer(s): **John Wadsworth and Kenneth Mori**  
(45) Registration Date: **22 February 2006**

- (30) Convention priority data:

(31) Number	(32) Date	(33) Country
<b>29/225693</b>	<b>17 Mar 2005</b>	<b>UNITED STATES OF AMERICA</b>

- (56) Related Art Documents: **Not Applicable**

- (57) Statement of Newness and Distinctiveness: **Newness and distinctiveness is claimed in the features of shape and/or configuration of a cable housing as illustrated in the accompanying representations and when considering the design, the features shown in phantom are to be disregarded.**



- (21) Design Number: **14065/2005**  
(22) Date of Filing Application: **21 September 2005**  
(24) Date from which industrial property rights may have effect: **21 September 2005**  
(54) Product in respect of which the design is registered: **A music system**  
(51) International Design Classification: **14-01**  
(71) Name(s) and Address(s) of Applicant(s):

**Bang & Olufsen A/S**  
**Peter Bangs Vej 15 Postboks 40 7600 Struer Denmark**

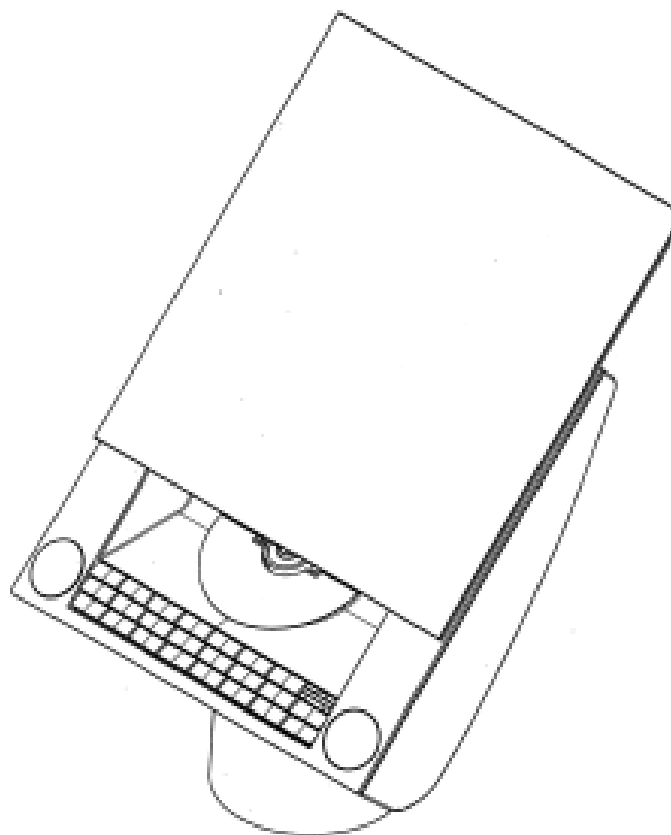
- (72) Name(s) of Designer(s): **David Lewis**  
(45) Registration Date: **22 February 2006**

- (30) Convention priority data:

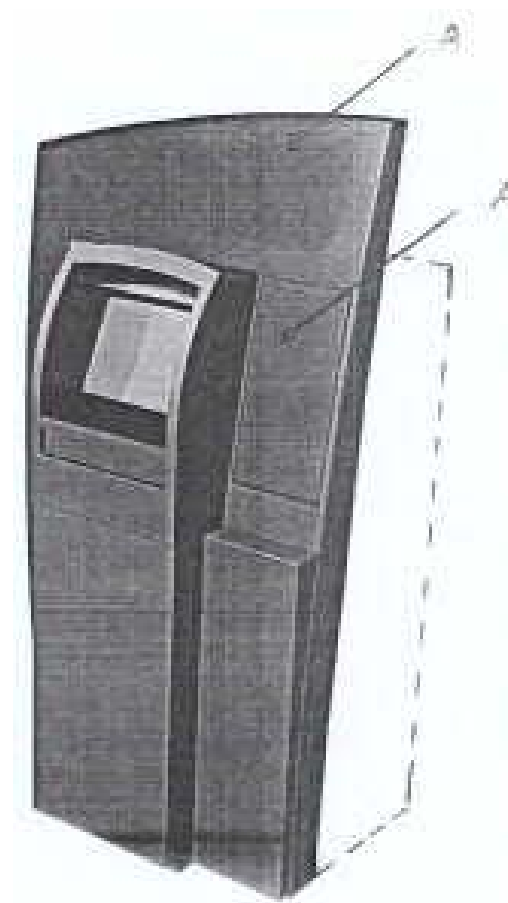
(31) Number	(32) Date	(33) Country
<b>DA</b>	<b>22 Mar 2005</b>	<b>DENMARK</b>
<b>200500098</b>		

- (56) Related Art Documents: **Not Applicable**

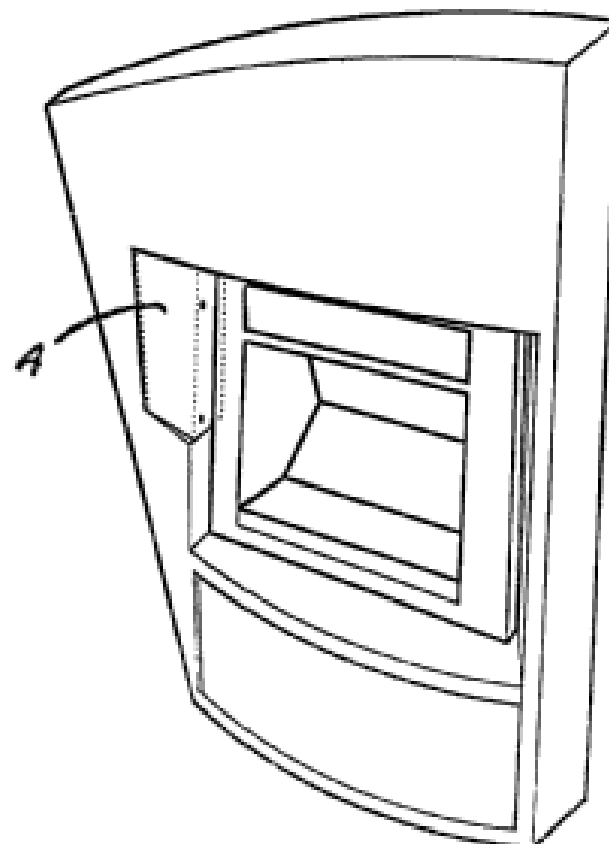
- (57) Statement of Newness and Distinctiveness: **Nil**



- (21) Design Number: **14770/2004**
- (22) Date of Filing Application: **08 October 2004**
- (24) Date from which industrial property rights may have effect: **08 October 2004**
- (54) Product in respect of which the design is registered: **Automatic teller machine**
- (51) International Design Classification: **20-01**
- (71) Name(s) and Address(s) of Applicant(s):  
**Credit Union Services Corporation (Australia) Limited**  
**5 Druitt Street Sydney New South Wales 2000 Australia**
- (72) Name(s) of Designer(s): **Pamela Stewart**
- (45) Registration Date: **22 February 2006**
- (56) Related Art Documents: **Not Applicable**
- (57) Statement of Newness and Distinctiveness: **In considering the extent of the monopoly sought, those features shown in phantom, recessed regions represented by arrows A, and the text and credit card display regions B and C respectively are to be disregared**



- (21) Design Number: **14771/2004**
- (22) Date of Filing Application: **08 October 2004**
- (24) Date from which industrial property rights may have effect: **08 October 2004**
- (54) Product in respect of which the design is registered: **Automatic teller machine**
- (51) International Design Classification: **20-01**
- (71) Name(s) and Address(s) of Applicant(s):  
**Credit Union Services Corporation (Australia) Limited**  
**5 Druitt Street Sydney New South Wales 2000 Australia**
- (72) Name(s) of Designer(s): **Pamela Stewart**
- (45) Registration Date: **22 February 2006**
- (56) Related Art Documents: **Not Applicable**
- (57) Statement of Newness and Distinctiveness: **In considering the extent of the monopoly sought, those features shown in phantom and recessed regions represented by arrow A are to be disregared**



(21) Design Number: 11174/2005

(22) Date of Filing Application: 29 March 2005

(24) Date from which industrial property rights may have effect: 29 March 2005

(54) Product in respect of which the design is registered: **Male general purpose power coupler**

(51) International Design Classification: 13-03D

(71) Name(s) and Address(s) of Applicant(s):

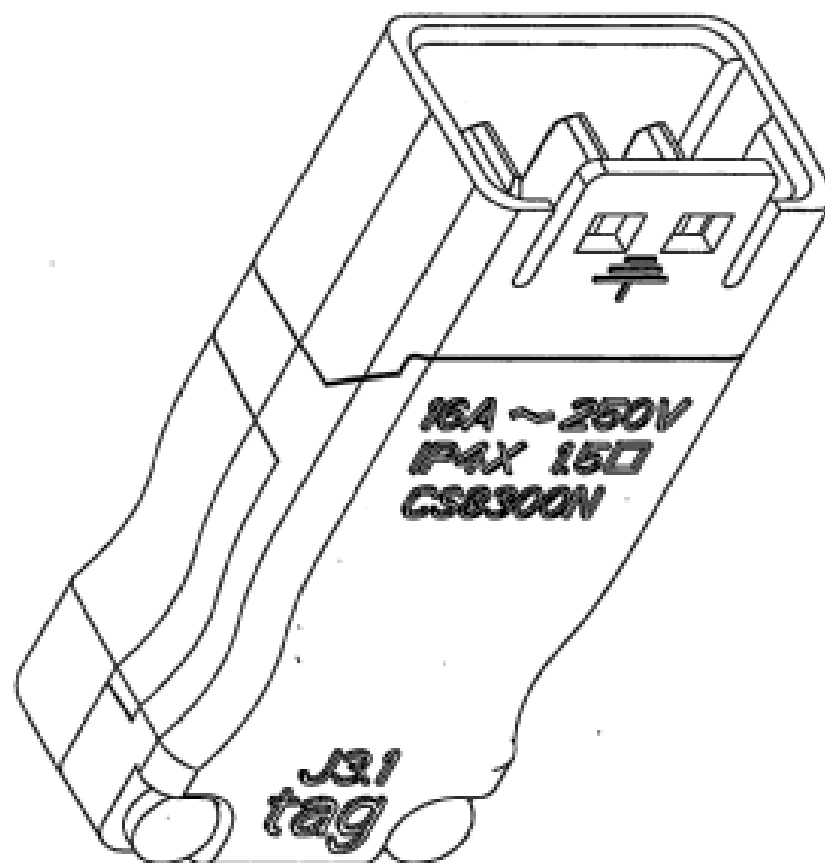
**Jeremy C. Gray**  
**CMS Electracom 3/29 Mitchell Road Brookvale New South Wales 2100**  
**Australia**

(72) Name(s) of Designer(s): **Jeremy C. Gray**

(45) Registration Date: 22 February 2006

(56) Related Art Documents: **Not Applicable**

(57) Statement of Newness and Distinctiveness: **Nil**



(21) Design Number: 11175/2005

(22) Date of Filing Application: 29 March 2005

(24) Date from which industrial property rights may have effect: 29 March 2005

(54) Product in respect of which the design is registered: **Female general purpose power coupler**

(51) International Design Classification: 13-03D

(71) Name(s) and Address(s) of Applicant(s):

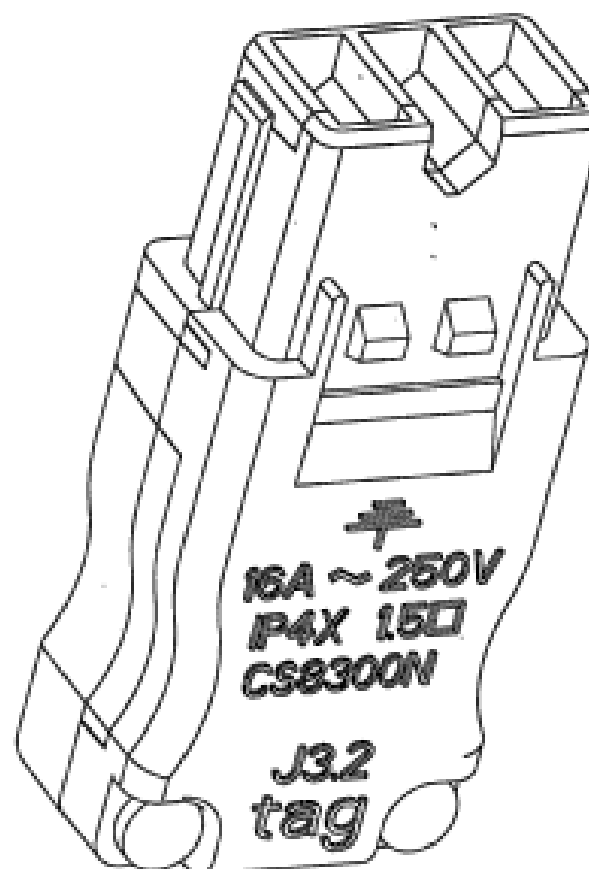
**Jeremy C. Gray**  
**CMS Electracom 3/29 Mitchell Road Brookvale New South Wales 2100**  
**Australia**

(72) Name(s) of Designer(s): **Jeremy C. Gray**

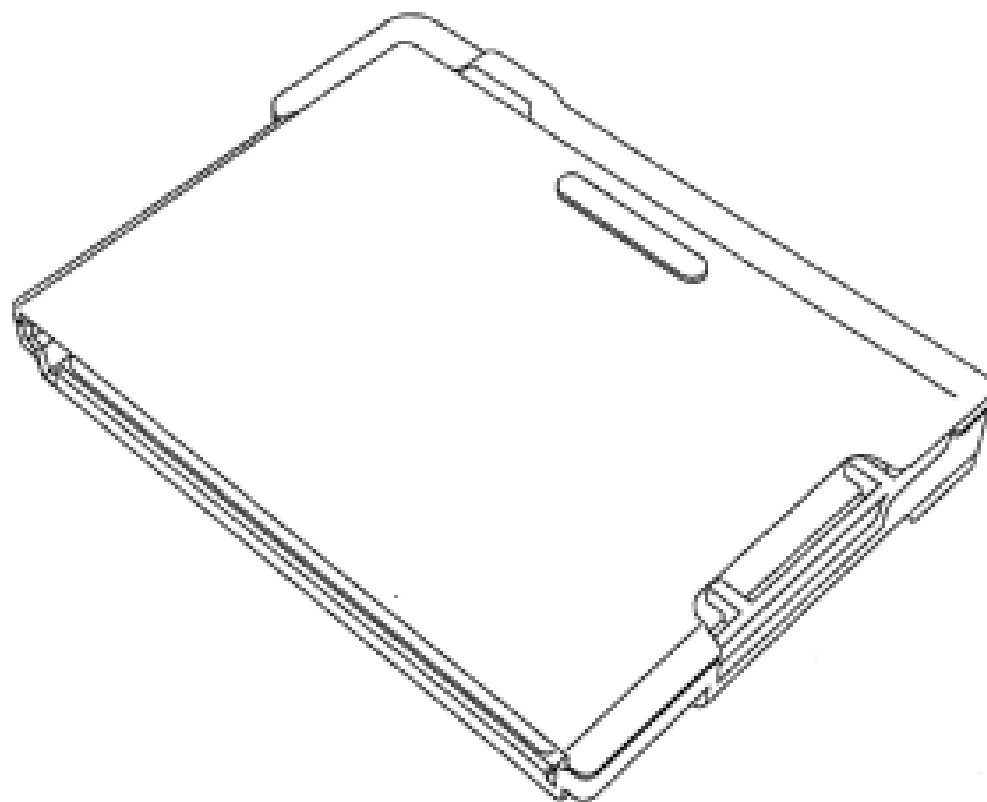
(45) Registration Date: 22 February 2006

(56) Related Art Documents: **Not Applicable**

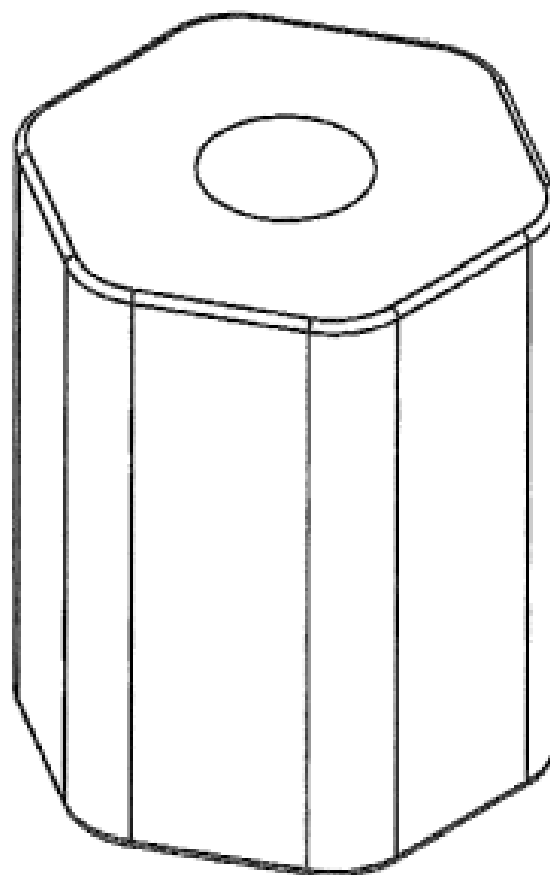
(57) Statement of Newness and Distinctiveness: **Nil**



- (21) Design Number: **12393/2005**  
(22) Date of Filing Application: **02 June 2005**  
(24) Date from which industrial property rights may have effect: **02 June 2005**  
(54) Product in respect of which the design is registered: **A memory adaptor for a game machine**  
(51) International Design Classification: **21-01N**  
(71) Name(s) and Address(s) of Applicant(s):  
**Nintendo Co., Ltd**  
**11-1 Hokotate-cho Kamitoba Minami-ku Kyoto-shi Kyoto Japan**  
(72) Name(s) of Designer(s): **Masato Ibuki**  
(45) Registration Date: **22 February 2006**  
(30) Convention priority data:  
(31) Number      (32) Date      (33) Country  
**2004-037131      03 Dec 2004      JAPAN**  
(56) Related Art Documents: **Not Applicable**  
(57) Statement of Newness and Distinctiveness: **Nil**



- (21) Design Number: **13738/2005**  
(22) Date of Filing Application: **30 August 2005**  
(24) Date from which industrial property rights may have effect: **30 August 2005**  
(54) Product in respect of which the design is registered: **Battery pack**  
(51) International Design Classification: **13-02**  
(71) Name(s) and Address(s) of Applicant(s):  
**Neoz Pty Ltd**  
**5-7 Manning Street Rozelle New South Wales 2039 Australia**  
(72) Name(s) of Designer(s): **Peter John Ellis and Chi Kin Chan**  
(45) Registration Date: **22 February 2006**  
(56) Related Art Documents: **Not Applicable**  
(57) Statement of Newness and Distinctiveness: **The main feature of the design is the central aperture which is vertically oriented as shown in the isometric and side views, so that the battery pack may be mounted on a stem and base as shown in the side view showing a stem and base of a lamp in dashed outline. The stem and base form no part of the design and are only shown to provide a context in which the design may be used.**



(21) Design Number: **13739/2005**

(22) Date of Filing Application: **30 August 2005**

(24) Date from which industrial property rights may have effect: **30 August 2005**

(54) Product in respect of which the design is registered: **Base and stem of lamp**

(51) International Design Classification: **26-05B**

(71) Name(s) and Address(s) of Applicant(s):

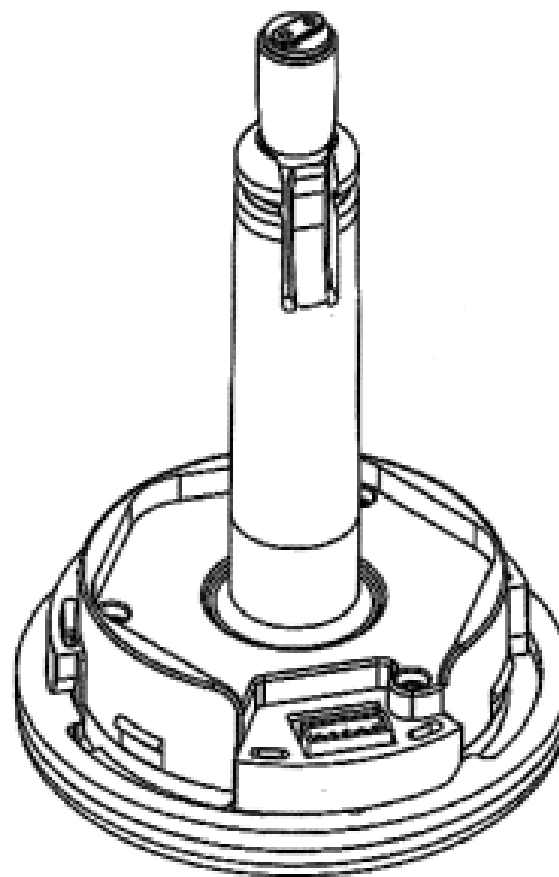
**Neoz Pty Ltd**  
**5-7 Manning Street Rozelle New South Wales 2039 Australia**

(72) Name(s) of Designer(s): **Peter John Ellis and Chi Kin Chan**

(45) Registration Date: **22 February 2006**

(56) Related Art Documents: **Not Applicable**

(57) Statement of Newness and Distinctiveness: **Newness and Distinctiveness resides in the appearance of the design shown in solid lines in the representations. The front view shows a lamp base and stem in dashed outline to illustrate how the base and stem interact with a cordless lamp, however the lamp base and stem form no part of the design.**



(21) Design Number: **13740/2005**

(22) Date of Filing Application: **30 August 2005**

(24) Date from which industrial property rights may have effect: **30 August 2005**

(54) Product in respect of which the design is registered: **Base station for cordless lamp or the like**

(51) International Design Classification: **26-05B**

(71) Name(s) and Address(s) of Applicant(s):

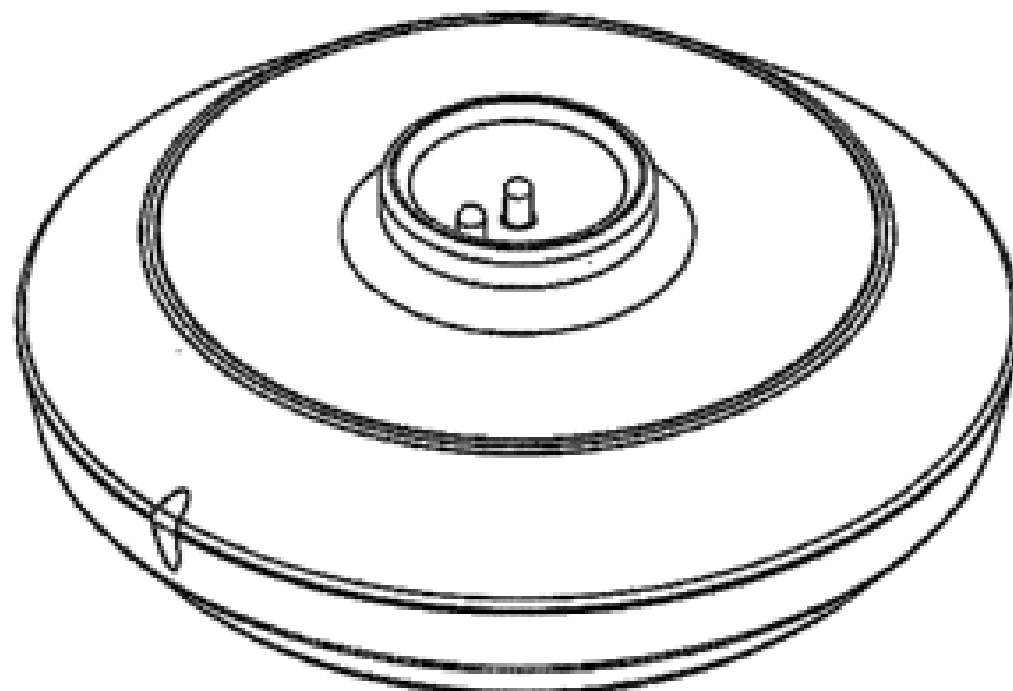
**Neoz Pty Ltd**  
**5-7 Manning Street Rozelle New South Wales 2039 Australia**

(72) Name(s) of Designer(s): **Peter John Ellis and Chi Kin Chan**

(45) Registration Date: **22 February 2006**

(56) Related Art Documents: **Not Applicable**

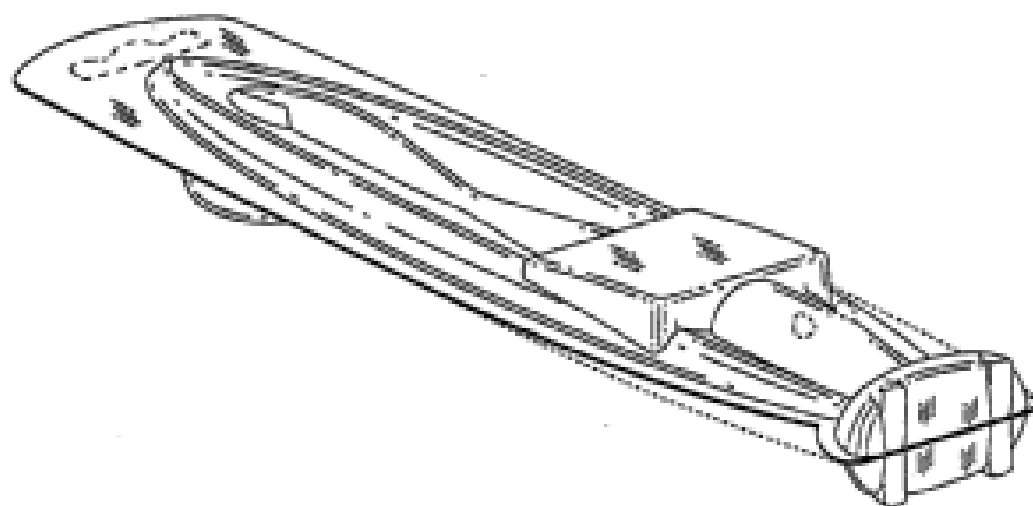
(57) Statement of Newness and Distinctiveness: **Newness and distinctiveness reside in the features of the design shown in solid lines in the representations. The front view shows a lamp base and stem in dashed outline to illustrate how the space station interacts with a cordless lamp, however the lamp base and stem form no part of the design.**



(21) Design Number: **13791/2005**  
 (22) Date of Filing Application: **02 September 2005**  
 (24) Date from which industrial property rights may have effect: **02 September 2005**  
 (54) Product in respect of which the design is registered: **Stereo headphone earplate**  
 (51) International Design Classification: **14-03A**  
 (71) Name(s) and Address(s) of Applicant(s):  
**Koss Corporation**  
**4129 North Port Washington Ave Milwaukee Wisconsin 53212 United States America**  
 (72) Name(s) of Designer(s): **Michael J. Koss and Mandy M. Johnson**  
 (45) Registration Date: **22 February 2006**  
 (30) Convention priority data:  
 (31) Number (32) Date (33) Country  
**29/224 431 02 Mar 2005 UNITED STATES OF AMERICA**  
 (56) Related Art Documents: **Not Applicable**  
 (57) Statement of Newness and Distinctiveness: **Newness and distinctiveness of the design resides in the shape and/or configuration of the stereo headphone earplate as illustrated in the accompanying representations.**



(21) Design Number: **13778/2005**  
 (22) Date of Filing Application: **02 September 2005**  
 (24) Date from which industrial property rights may have effect: **02 September 2005**  
 (54) Product in respect of which the design is registered: **Package**  
 (51) International Design Classification: **09-03NES**  
 (71) Name(s) and Address(s) of Applicant(s):  
**Colgate-Palmolive Company**  
**300 Park Avenue New York New York 10022 United States of America**  
 (72) Name(s) of Designer(s): **Robert Moskovich and Alan Sorrentino**  
 (45) Registration Date: **22 February 2006**  
 (30) Convention priority data:  
 (31) Number (32) Date (33) Country  
**29/224920 08 Mar 2005 UNITED STATES OF AMERICA**  
 (56) Related Art Documents: **Not Applicable**  
 (57) Statement of Newness and Distinctiveness: **Each feature of the design shown in solid lines considered separately or in combination with any other feature or features shown in solid lines.**



- (21) Design Number: **13790/2005**  
(22) Date of Filing Application: **02 September 2005**  
(24) Date from which industrial property rights may have effect: **02 September 2005**  
(54) Product in respect of which the design is registered: **Earplate for earphone**  
(51) International Design Classification: **14-03A**  
(71) Name(s) and Address(s) of Applicant(s):

**Koss Corporation**  
**4129 North Port Washington Ave Milwaukee Wisconsin 53212 United States America**

- (72) Name(s) of Designer(s): **Michael J. Koss and Mandy M. Johnson**

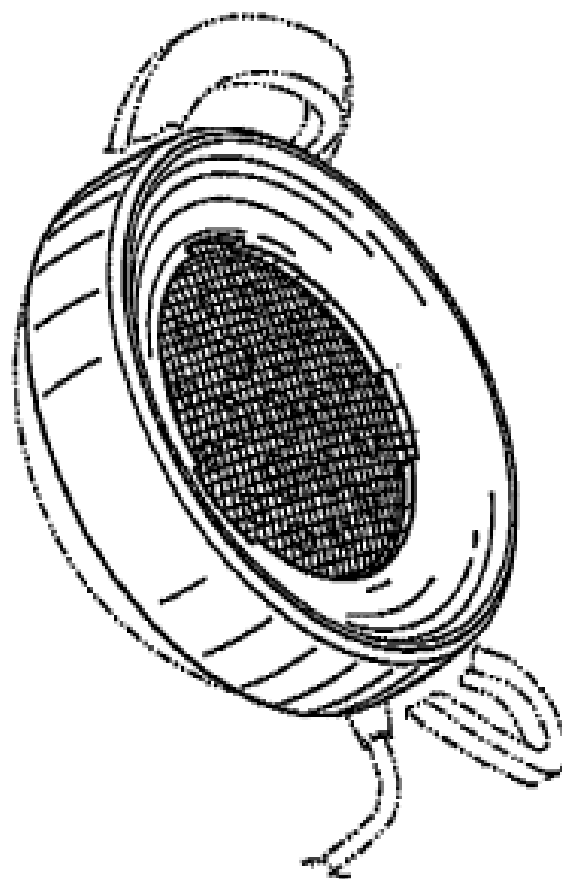
- (45) Registration Date: **22 February 2006**

- (30) Convention priority data:

(31) Number	(32) Date	(33) Country
<b>29/224490</b>	<b>02 Mar 2005</b>	<b>UNITED STATES OF AMERICA</b>

- (56) Related Art Documents: **Not Applicable**

- (57) Statement of Newness and Distinctiveness: **Newness and distinctiveness of the design resides in the shape and/or configuration of the earplate for an earphone as illustrated in the accompanying representations.**



- (21) Design Number: **13816/2005**  
(22) Date of Filing Application: **06 September 2005**  
(24) Date from which industrial property rights may have effect: **06 September 2005**  
(54) Product in respect of which the design is registered: **Microwave oven**  
(51) International Design Classification: **07-02B**  
(71) Name(s) and Address(s) of Applicant(s):

**Sharp Kabushiki Kaisha**  
**22-22 Nagaike-cho Abeno-ku Osaka Japan**

- (72) Name(s) of Designer(s): **Hiroshi Mizuno**

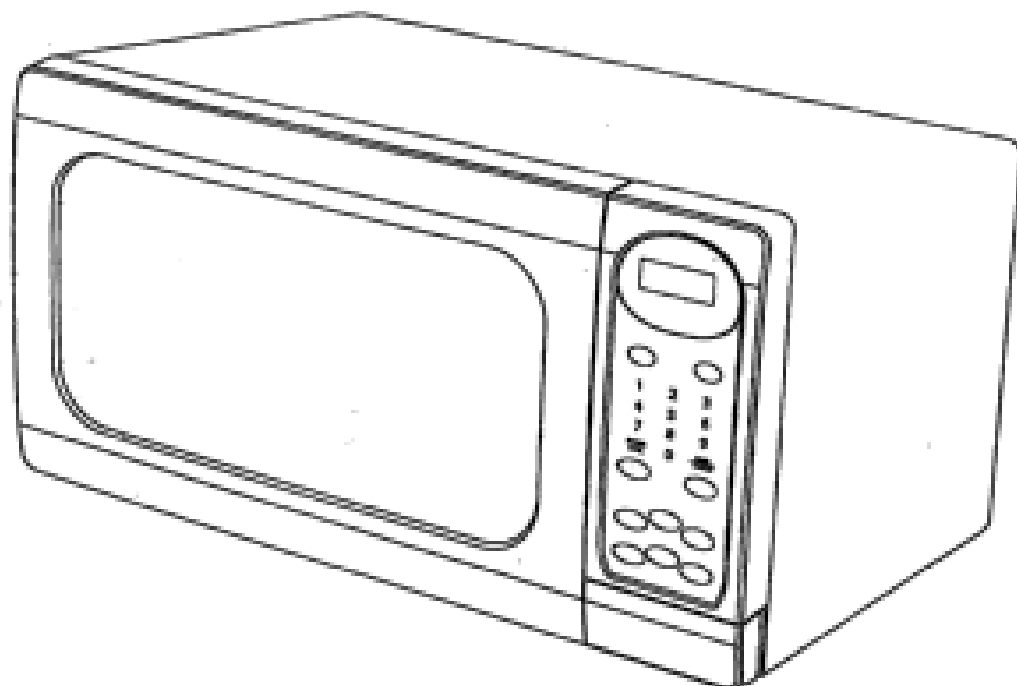
- (45) Registration Date: **22 February 2006**

- (30) Convention priority data:

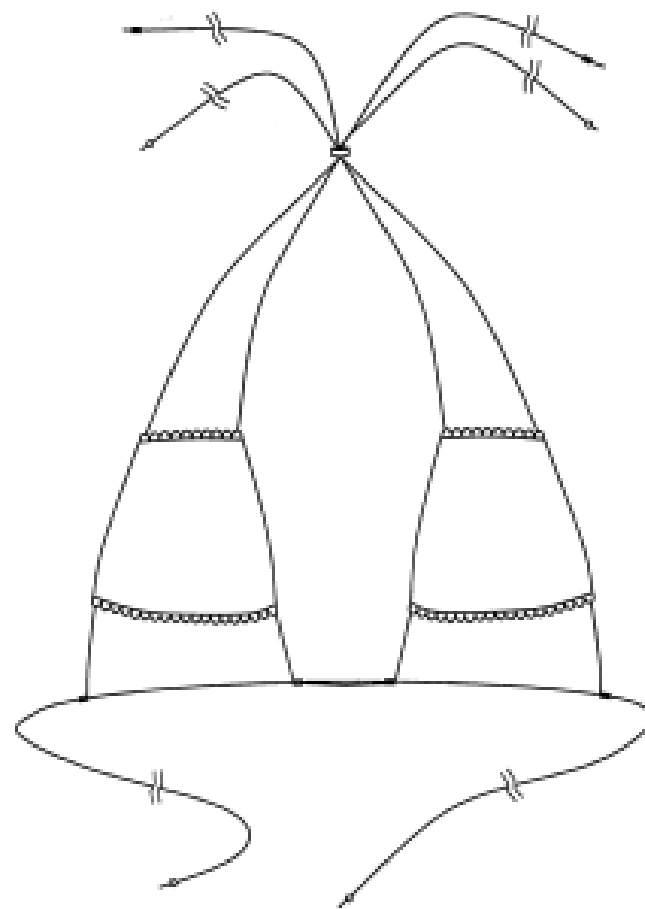
(31) Number	(32) Date	(33) Country
<b>2005-007663</b>	<b>15 Mar 2005</b>	<b>JAPAN</b>

- (56) Related Art Documents: **Not Applicable**

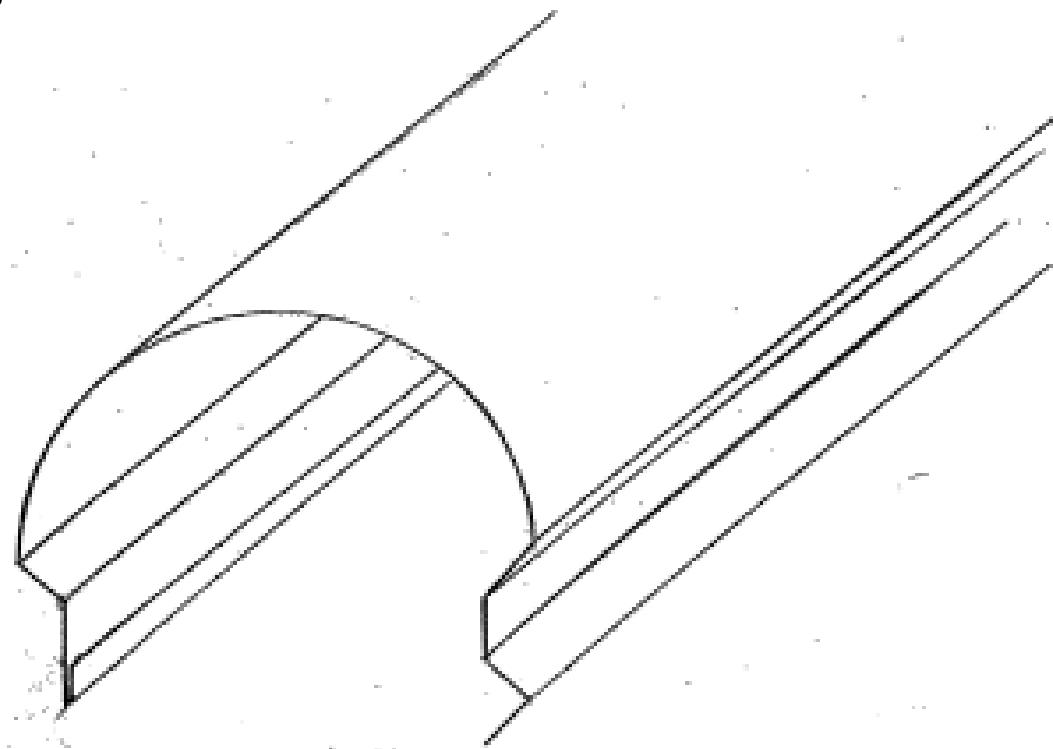
- (57) Statement of Newness and Distinctiveness: **Nil**



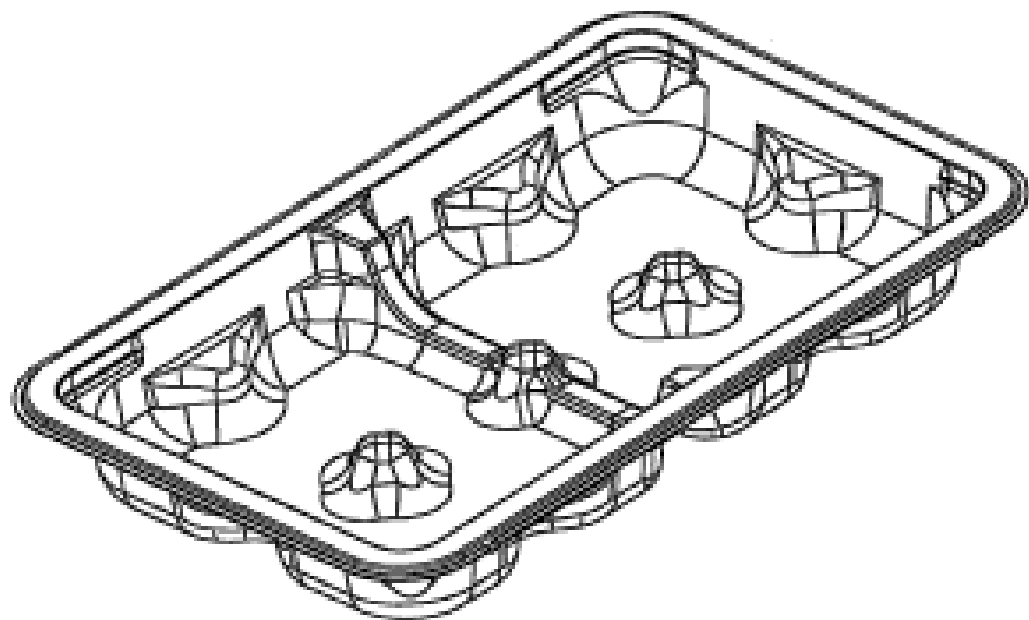
- (21) Design Number: **13821/2005**
- (22) Date of Filing Application: **06 September 2005**
- (24) Date from which industrial property rights may have effect: **06 September 2005**
- (54) Product in respect of which the design is registered: **A garment**
- (51) International Design Classification: **02-01A, 02-02A**
- (71) Name(s) and Address(s) of Applicant(s):  
**Tillie Lane Pty Limited**  
**1/35-41 Henry Street Pakenham Victoria 3810 Australia**
- (72) Name(s) of Designer(s): **Chantelle Kim Mita**
- (45) Registration Date: **22 February 2006**
- (56) Related Art Documents: **Not Applicable**



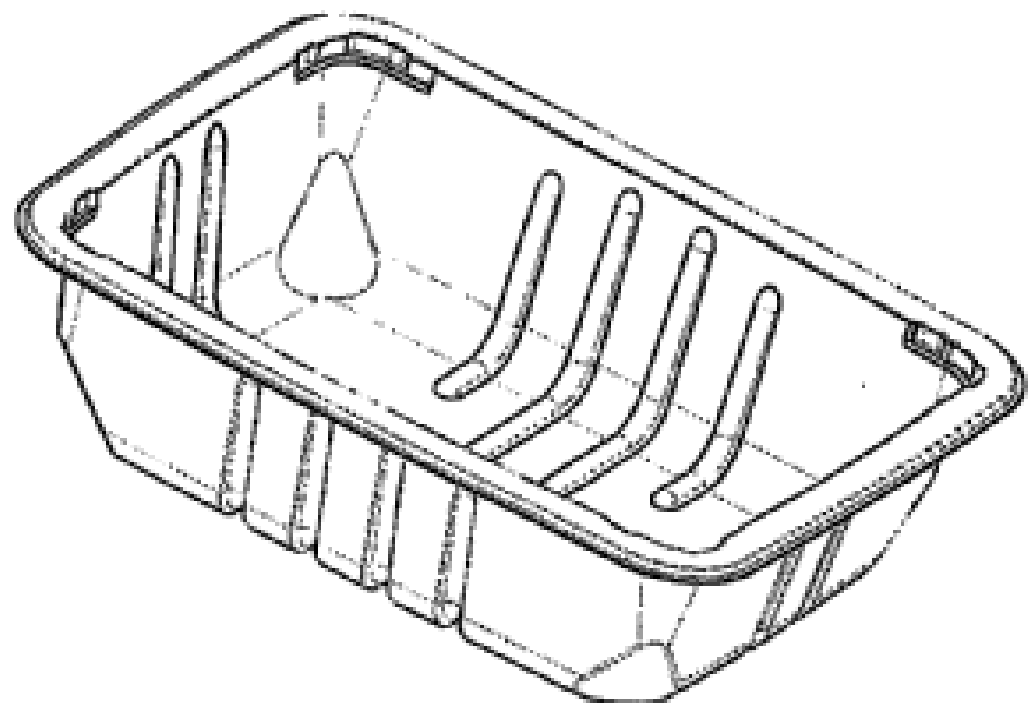
- (21) Design Number: **13822/2005**
- (22) Date of Filing Application: **07 September 2005**
- (24) Date from which industrial property rights may have effect: **07 September 2005**
- (54) Product in respect of which the design is registered: **Fence capping**
- (51) International Design Classification: **25-02C**
- (71) Name(s) and Address(s) of Applicant(s):  
**Robert Norman Ganley**  
**13 Blacks Road West Pennant Hills New South Wales 2125 Australia**
- (72) Name(s) of Designer(s): **Robert N. Ganley**
- (45) Registration Date: **22 February 2006**
- (56) Related Art Documents: **Not Applicable**
- (57) Statement of Newness and Distinctiveness: **Monopoly is claimed in the shape and configuration of the fence capping having an indefinite length.**



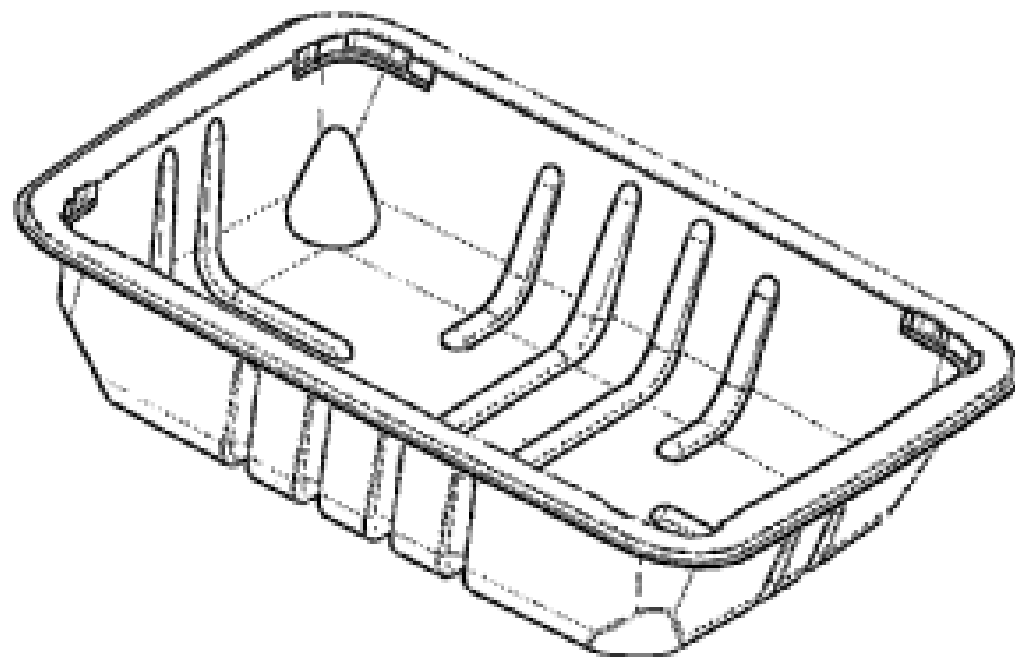
- (21) Design Number: **13827/2005**  
(22) Date of Filing Application: **07 September 2005**  
(24) Date from which industrial property rights may have effect: **07 September 2005**  
(54) Product in respect of which the design is registered: **Tray**  
(51) International Design Classification: **09-03F**  
(71) Name(s) and Address(s) of Applicant(s):  
**Cryovac Australia Pty Ltd**  
**90 Keilor Park Drive Tullamarine Victoria 3043 Australia**  
(72) Name(s) of Designer(s): **Andrew Slodkiewicz and Michael Grima**  
(45) Registration Date: **22 February 2006**  
(56) Related Art Documents: **Not Applicable**  
(57) Statement of Newness and Distinctiveness: **In considering the newness and distinctiveness of the design, regard is to be given to the overall shape and/or configuration of the design.**



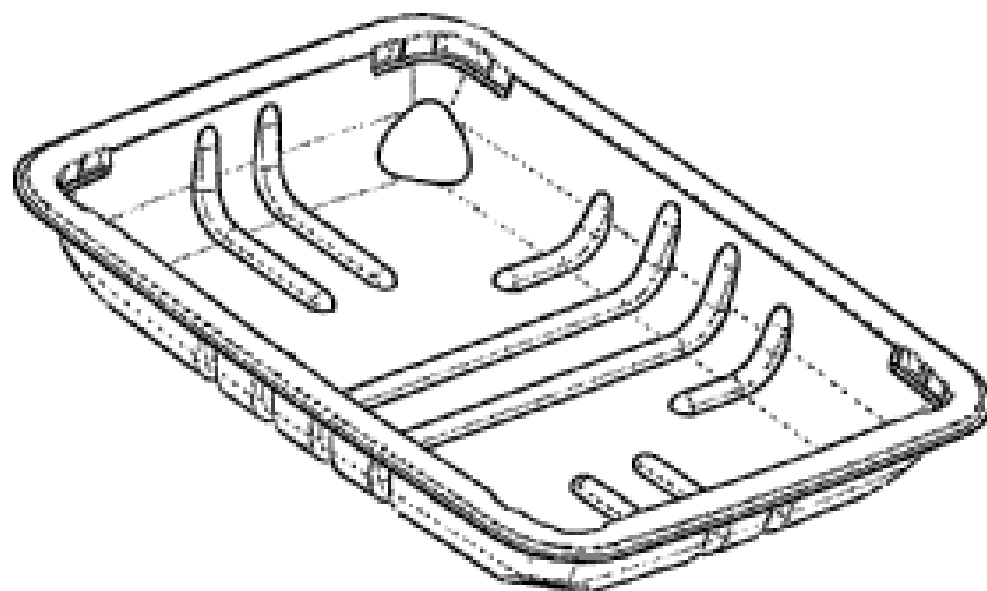
- (21) Design Number: **13828/2005**  
(22) Date of Filing Application: **07 September 2005**  
(24) Date from which industrial property rights may have effect: **07 September 2005**  
(54) Product in respect of which the design is registered: **Tray**  
(51) International Design Classification: **09-03F**  
(71) Name(s) and Address(s) of Applicant(s):  
**Cryovac Australia Pty Ltd**  
**90 Keilor Park Drive Tullamarine Victoria 3043 Australia**  
(72) Name(s) of Designer(s): **Andrew Slodkiewicz and Michael Grima**  
(45) Registration Date: **22 February 2006**  
(56) Related Art Documents: **Not Applicable**  
(57) Statement of Newness and Distinctiveness: **In considering the newness and distinctiveness of the design, regard is to be given to the overall shape and/or configuration of the design.**



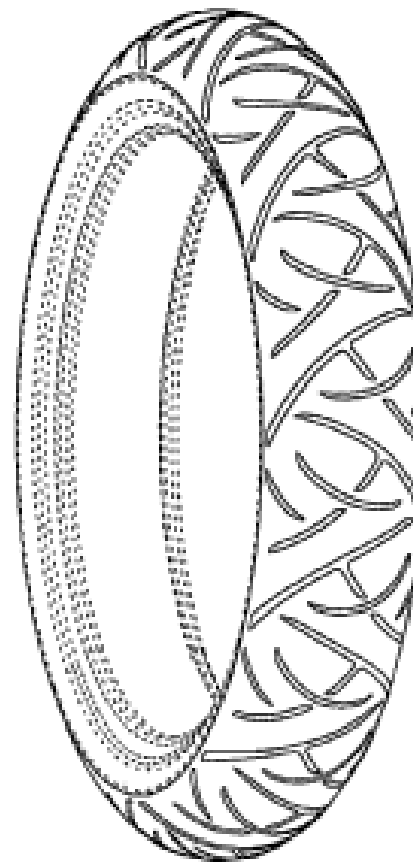
- (21) Design Number: **13829/2005**  
(22) Date of Filing Application: **07 September 2005**  
(24) Date from which industrial property rights may have effect: **07 September 2005**  
(54) Product in respect of which the design is registered: **Tray**  
(51) International Design Classification: **09-03F**  
(71) Name(s) and Address(s) of Applicant(s):  
**Cryovac Australia Pty Ltd**  
**90 Keilor Park Drive Tullamarine Victoria 3043 Australia**  
(72) Name(s) of Designer(s): **Andrew Slodkiewicz and Michael Grima**  
(45) Registration Date: **22 February 2006**  
(56) Related Art Documents: **Not Applicable**  
(57) Statement of Newness and Distinctiveness: **In considering the newness and distinctiveness of the design, regard is to be given to the overall shape and/or configuration of the design.**



- (21) Design Number: **13830/2005**  
(22) Date of Filing Application: **07 September 2005**  
(24) Date from which industrial property rights may have effect: **07 September 2005**  
(54) Product in respect of which the design is registered: **Tray**  
(51) International Design Classification: **09-03F**  
(71) Name(s) and Address(s) of Applicant(s):  
**Cryovac Australia Pty Ltd**  
**90 Keilor Park Drive Tullamarine Victoria 3043 Australia**  
(72) Name(s) of Designer(s): **Andrew Slodkiewicz and Michael Grima**  
(45) Registration Date: **22 February 2006**  
(56) Related Art Documents: **Not Applicable**  
(57) Statement of Newness and Distinctiveness: **In considering the newness and distinctiveness of the design, regard is to be given to the overall shape and/or configuration of the design.**



- (21) Design Number: **13831/2005**  
(22) Date of Filing Application: **07 September 2005**  
(24) Date from which industrial property rights may have effect: **07 September 2005**  
(54) Product in respect of which the design is registered: **A motorcycle tyre**  
(51) International Design Classification: **12-15NES**  
(71) Name(s) and Address(s) of Applicant(s):  
**Bridgestone Corporation**  
**10-1 Kyobashi 1-chome Chuo-ku Tokyo Japan**  
(72) Name(s) of Designer(s): **Daita Itoi**  
(45) Registration Date: **22 February 2006**  
(30) Convention priority data:  
(31) Number      (32) Date      (33) Country  
**2005-9396      30 Mar 2005      JAPAN**  
(56) Related Art Documents: **Not Applicable**  
(57) Statement of Newness and Distinctiveness: **Newness and distinctiveness is claimed in the visual features shown in solid lines in the representations.**



- (21) Design Number: **13832/2005**  
(22) Date of Filing Application: **07 September 2005**  
(24) Date from which industrial property rights may have effect: **07 September 2005**  
(54) Product in respect of which the design is registered: **A motorcycle tyre**  
(51) International Design Classification: **12-15NES**  
(71) Name(s) and Address(s) of Applicant(s):  
**Bridgestone Corporation**  
**10-1 Kyobashi 1-chome Chuo-ku Tokyo Japan**  
(72) Name(s) of Designer(s): **Daita Itoi**  
(45) Registration Date: **22 February 2006**  
(30) Convention priority data:  
(31) Number      (32) Date      (33) Country  
**2005-9397      30 Mar 2005      JAPAN**  
(56) Related Art Documents: **Not Applicable**  
(57) Statement of Newness and Distinctiveness: **Newness and distinctiveness is claimed in the visual features shown in solid lines in the representations.**

