



Australian Government

IP Australia

AUSTRALIAN OFFICIAL JOURNAL

OF

DESIGNS

Did you know a searchable version of this journal is now available online?

It's FREE and EASY to SEARCH.

Find it at

<http://pericles.ipaustralia.gov.au/ols/epublish/content/olsEpublications.jsp>
or using the "Online Journals" link on the IP Australia home page.

This Page Left Intentionally Blank

Contents

General Information & Notices

Proceedings Under the Designs Act 1906 preserved as a result of the provisions of Chapter 12 Part 2 of the Designs Act 2003

Application for Extension of Period of Registration	4128
Applications Lapsed	4127
Corrigenda	4131
Extension of Period of Registration of Designs	4128
Extensions of Time Granted	4129
Names Registered - Alterations and Amendments	4130
Registrations Ceased	4129
Subsequent Owners Registered	4130

Proceedings Under the Designs Act 2003

Applications Assigned	4139
Applications Lapsed	4137
Applications Lodged	4135
Applications Withdrawn	4137
Certificate of Examination	4141
Corrigenda	4140
Extension of Time Granted Under Section 137	4139
Publication and Registration Proceedings	
Designs Registered 305661 to 305833.....	4142
Subsequent Owners Registered	4139

This Page Left Intentionally Blank

General Information

EDITORIAL ENQUIRIES

All enquiries about official notices and general information in the Journal should be directed to IP Australia, (ABN No 38 113 072 755), PO Box 200 Woden ACT 2606

Or

Telephone 1300 651 010
(International Callers +61 2 6283 2999)
Fax 02 6283 7999
E-mail assist@ipaustralia.gov.au

CONTACT INFORMATION

Customer Service Network
Telephone 1300 651 010 , Fax: 02 6283 7999
E-mail: assist@ipaustralia.gov.au

Customers can contact the Customer Service Network by telephone or by e-mail. Telephones are staffed between 9am and 5pm each working day.

Customers should contact the Customer Service Network for information about:

- All Patent Matters including PCT and Innovation Patents.
- All Trade Mark Matters.
- All Design Matters.

Professional Standards Board for Patent and Trade Mark Attorneys.

Ph: 02 6283 2345 Fax: 02 6283 1048

ORDERING PATENT DOCUMENTS

When ordering copies of Australian patent specifications, or abstracts and abridgments notified as open to public inspection on or after 26 October 1978, or as accepted on or after 16 November 1978, the documents should be referred to by application numbers only, preceded by letters AU-A or AU-B respectively.

REQUESTS FOR INFORMATION UNDER SECTION 194 (C)

A request for information under Section 194 (C) of the Patents Act 1990 should be made in the approved form and be accompanied by the prescribed fee. The request should be as detailed as possible.

INFORMATION FROM REGISTERS

All requests for information from Register of Patents, Trade Marks or Designs, should be made in writing and accompanied by the prescribed fee. The Registers are located in Canberra and may be examined free of charge.

COUNTRY CODES

For a listing of country codes used by IP Australia please refer to the Official Journals dated 7 November 1996.

ABBREVIATIONS IN JOURNAL

Standard abbreviations are used in the name of companies and firms. Enquiries concerning the precise name should be directed to the Customer Service Network.

FREEDOM OF INFORMATION ACT

What does it do?

- Gives you right to obtain information held by Commonwealth Ministers, Departments and most statutory bodies (these bodies are called agencies under the Act).
- Requires Commonwealth Government agencies to make available to members of the public:
 - Information about agencies, their functions and operations.
 - Information about rules and practices which are used in making decisions which affect you.
- Gives you a legal right to:
 - See non exempt documents held by agencies, and
 - appeal against a decision not to grant access to a document.

What documents can you see?

- The Act gives you a right to see documents lodged on or after 1 December 1977, or earlier if you need them to understand another document you have already.
- Documents include files, reports, computer printouts, maps, plans, photographs, tape recordings, films or videotapes.
- Documents which are available for purchase under the Patents Act 1990, the Trade Marks Act 1995 or Designs Act 2003 or Plant Breeder's Rights Act 1994 are not available under the Freedom of Information Act (Section 12 refers).

How do you apply?

Requests for access to documents must

- Be in writing
- Provide sufficient information so as to enable identification of the documents requested
- Specify an address in Australia where notices can be sent and
- Be accompanied by the application fee (currently \$30.00).

Requests for documents should be addressed to IP Australia, PO Box 200 Woden, ACT 2606, or Faxed to 02 6283 7999

DECISIONS OF THE COMMISSIONER OF PATENTS AND REGISTRAR OF TRADE MARKS AND DESIGNS

- All decisions of the Commissioner and Registrars are available free of charge from AUSTLII's website

www.austlii.edu.au

Copies of all written Patent and Design decisions are available (except if they would not be available under the provisions of the Freedom of Information legislation, e.g. if they would effectively disclose matter from documents that are not open to public inspection) on request for a cost of \$AU 25. They are also available for inspection in indexed volume series, dating from 1 January 1987, in the Office library, Canberra.

Copies of Trade Mark decisions may be accessed via IP Australia's website www.ipaustralia.gov.au

- Copies of the taped record of Patent and Design hearings are available (with the same exception as above) on request.
- When a written decision is issued the fact of the decision plus a brief head note will be published in the Official Notices section of the next available Patents, Trade Marks or Designs Journal.

HEARINGS BEFORE THE COMMISSIONER OF PATENTS

Hearings before the Commissioner of Patents will usually be conducted at the Patent Office in Canberra and interstate hearing sessions are not provided. However, the Commissioner will conduct hearings outside of Canberra at a convenient time to all parties provided that the parties bear the travel costs of the hearing officer.

The various options for hearings are set out in the document "Options for Hearings" available on IP Australia's website at: www.ipaustralia.gov.au/pdfs/patents/optionsforhearings.PDF

HEARINGS BEFORE THE REGISTRARS OF TRADE MARKS AND DESIGNS

Hearings before the Registrars of Trade Marks and Designs will be set down in Melbourne, Sydney, Adelaide, Perth and Brisbane during the periods indicated below.

Designs and Trade Marks Hearings Sessions 2006

Melbourne	13 – 17 February 5 – 9 June 11 – 15 September
Sydney	13 – 17 March 17 – 21 July 16 – 20 October
Adelaide	14 – 15 August
Perth	17 – 18 August
Brisbane	24 – 25 August

Persons who desire matters to be set down for hearing in Melbourne, Sydney, Adelaide, Perth or Brisbane must give at least one month's notice of their intention to be heard. If such notice is not given, it may be that there would be insufficient time to allow for the execution of official procedures associated with the listing of hearings, and as a result, the matter involved might not be listed.

Subject to the convenience of this Office, hearings will be set down in Canberra at any time suitable to the parties.

LIST OF STATE OFFICES

IP Australia State Offices are located in the Australian Capitals at the addresses given below. Requests for information may be obtained by calling at, phoning or writing to these offices or IP Australia, Canberra.

Australian Capital Territory

Ground Floor
Discovery House
PHILLIP ACT 2606
(PO Box 200, WODEN ACT 2606)
Ph: 1300 651 010
Fax: (02) 6283 7999

New South Wales

Level 1
45 Clarence Street
SYDNEY NSW 2000
Ph: 1300 651 010
Fax: (02) 9249 5807

Victoria

Level 6
OCBC House
565 Bourke Street
MELBOURNE VIC 3000
Ph: 1300 651 010
Fax (03) 9612 9807

Western Australia

2nd Floor
East Point Plaza
233 Adelaide Terrace
PERTH WA 6000
Ph: 1300 651 010
Fax: (08) 9220 8907

Queensland

Level 1
Grant Thornton House
102 Adelaide Street
BRISBANE QLD 4000
Ph: 1300 651 010
Fax: (07) 3007 1107

South Australia

Level 10
Origin Energy House
1 King William Street
ADELAIDE SA 5000
Ph: 1300 651 010
Fax: (08) 8239 4507

Tasmania

4th Floor
AMP Building
27 Elizabeth Street
HOBART TAS 7000
Ph: 1300 651 010
Fax: (03) 6235 6307

“INID” NUMBERS in use on Australian Design Documents

“INID” is an acronym for “Internationally agreed Numbers for the Identification of Data”.

(10) Data concerning the registration/renewal

- (11) Serial number of the registration and/or number of the design document
- (12) Plain language designation of the kind of published document
- (19) Identification, using the two-letter code according to WIPO Standard ST.3, of the authority publishing or registering the industrial design

(20) Data concerning the application

- (21) Serial number of the application
- (22) Date of filing of the application
- (24) Date from which the industrial design right has effect

(30) Data relating to priority under the Paris Convention

- (31) Serial number assigned to the priority application
- (32) Date of filing of the priority application
- (33) Two-letter code, according to WIPO Standard ST.3, identifying the authority with which the priority application was made

(40) Date(s) of making information available to the public

- (45) Date of publication of the registered industrial design by printing or similar process, or making it available to the public by any other means

(50) Miscellaneous Information

- (51) International Classification for Industrial Designs (class and subclass of the Locarno Classification)
- (54) Designation of article(s) or product(s) covered by the industrial design or title of the industrial design
- (55) Reproduction of the industrial design (e.g., drawing, photograph) and explanations relating to the reproduction
- (56) List of prior art documents, if separate from descriptive text
- (57) Description of characteristic features of the industrial design including indication of colours

(60) References to other legally related application(s) and registration(s)

- (62) Serial number(s) and, if available, filing date(s) of application(s), registration(s) or document(s) related by division
- (66) Serial number(s) of the application, or the registration, of the design(s) which is (are) a variant(s) of the present one

(70) Identification of parties concerned with the application or registration

- (71) Name(s) and address(es) of the applicant(s)
- (72) Name(s) of the creator(s) if known to be such
- (74) Name(s) and address(es) of the representative(s)

This Page Left Intentionally Blank

Official Notice***Designs Act 2003***
Amendments to Registered Designs at Examination

The following amendments have been made to details previously published in the Australian Official Journal of Designs during the Examination process:

Registration Number	Amendment type	New details
303814	Classification	09-02Z, 09-03Z

Contact: IP Australia
Phone: 1300 651 010
Fax: +61 2 6283 7999
E-Mail: assist@ipaustrialia.gov.au
Web: www.ipaustrialia.gov.au

Official Notice**Canberra Day Holiday 20 March 2006**

The Canberra office of IP Australia (only) will be closed for the Canberra Day Holiday from 5pm on Friday 17 March and will reopen at 9am on Tuesday 21 March

Calls made to our customer service contact centre on 1300 651 010 will still be answered as normal, however customers should be aware that calls made to any other Canberra number of IP Australia during this period will go to voicemail and will not be answered until Tuesday 21 March.

Customers are reminded that our Online Services facility will be available throughout this time where certain application types can be lodged electronically. Alternatively, applications and other documentation may be faxed to IP Australia on +61 (0) 2 6283 7999.

Contact: IP Australia
Phone: 1300 651 010 or +61 2 6283 2999
Fax: +61 2 6283 7999
E-mail: assist@ipaustralia.gov.au
Web: www.ipaustralia.gov.au

**Proceedings under the Designs Act 1906 preserved as a
result of the provisions of Chapter 12 Part 2 of the Designs
Act 2003.**

This Page Left Intentionally Blank

Applications Lapsed

01740 / 2004 (13-03D)	01745 / 2004 (15-05)
01754 / 2004 (23-02F)	01755 / 2004 (09-09)
01756 / 2004 (23-02F)	01757 / 2004 (25-99)
01758 / 2004 (25-03)	01762 / 2004 (25-02NES)
01777 / 2004 (12-06NES)	01817 / 2004 (25-02C)
01820 / 2004 (08-08NES)	01832 / 2004 (15-02)

Application for Extension of Period of Registration

Applications under Section 27A(2) for extension of registration of the following designs have been lodged. In the event that a design is shown to be not new or original, the Registrar may refuse to extend the period of registration. Sub-section 27A(4) allows any person to lodge at the Designs Office material relevant to the question whether the design is not new or original. That material must be lodged within 11 months of the date when the registration of the design was made. Further details of the conditions and procedures for the lodgement of material are contained in Form 8 provided under the Designs Regulation 24.

Registration Number	Registered Owner	Registration Date
156934	NEW APPROACH PRODUCTS PTY LTD	29/11/2004
157331	TABACHI PTY LTD	24/01/2005
157476	GLOBAL ENVIRONMENT MANAGEMENT (FZC)	03/02/2005
157477	GLOBAL ENVIRONMENT MANAGEMENT (FZC)	03/02/2005
157479	GLOBAL ENVIRONMENT MANAGEMENT (FZC)	03/02/2005
157480	GLOBAL ENVIRONMENT MANAGEMENT (FZC)	03/02/2005
157481	GLOBAL ENVIRONMENT MANAGEMENT (FZC)	03/02/2005
157482	GLOBAL ENVIRONMENT MANAGEMENT (FZC)	03/02/2005
157483	GLOBAL ENVIRONMENT MANAGEMENT (FZC)	03/02/2005
157484	GLOBAL ENVIRONMENT MANAGEMENT (FZC)	03/02/2005
157485	GLOBAL ENVIRONMENT MANAGEMENT (FZC)	03/02/2005
157492	C TECH AG	09/02/2005
157612	FRANCESCO ANTONIO MARTINO	25/02/2005
157740	JASON TONNA	15/03/2005
157755	BEAUTE PRESTIGE INTERNATIONAL	15/03/2005
157831	DARELVALE HOLDINGS AUSTRALIA PTY LTD	30/03/2005
157838	BARTLEM PTY LTD	30/03/2005
157922	EDGE ENTERPRISES PTY LTD	18/04/2005
157923	EDGE ENTERPRISES PTY LTD	18/04/2005
157924	EDGE ENTERPRISES PTY LTD	18/04/2005
157925	WILLIAM CHESTER CLINE	18/04/2005
157926	WILLIAM CHESTER CLINE	18/04/2005
157942	MERRAN T. HARPELL	19/04/2005
157986	RENATA MARIA FISCHER	25/05/2005

Registration Number	Registered Owner	Registration Date
158022	LA CHEMISE LACOSTE	31/05/2005
158509	THE RAYMOND CORPORATION	16/02/2006
158512	DUBOIS LIMITED	16/02/2006

Extension of Period of Registration of Designs

1st Period (Section 27A(8))

156934	157331	157476
157477	157479	157480
157481	157482	157483
157484	157485	157492
157575	157576	157577
157578	157579	157580
157581	157582	157583
157584	157585	157586
157587	157588	157589
157591	157592	157593
157594	157595	157596
157597	157598	157599
157600	157601	157605
157606	157607	157608
157609	157610	157611
157612	157614	157615
157617	157618	157619
157620	157621	157622
157623	157624	157625
157626	157627	157628
157629	157630	157631
157632	157633	157634
157635	157636	157637
157638	157639	157640
157641	157642	157643
157644	157645	157646
157647	157648	157649
157650	157651	157652
157653	157654	157655
157656	157657	157659
157660	157661	157662
157663	157664	157666
157667	157669	157671
157672	157673	157674
157675	157676	157677
158497	158498	

2nd Period (Section 27A(12))

141629	141656	141721
141722	141734	141931
142085	142088	142089
142090	142216	142481
142581	142789	142807
143113	143114	144067
144302	144303	144742
145091	145284	145972
146010		

3rd Period (Section 27A(13))

123265	123788	124868
124905	124972	125168
125206	125271	125278
125353	125386	125463
126053	126380	126519
126643	126877	127790
128145	128286	128287
128288	128424	128485
128843	128862	129547
130048	130782	132054
132315	132639	134187
135931	136740	139647
139839	139840	139901
146945	146946	147843
150292	150417	150418
150812	152955	154280
155694	155695	157255
157256		

Registrations Ceased

Note: Some of the following Registrations may have been previously advertised as ceased. In this instance, the previous advertisement still prevails.

107552	108440	108822
108825	108868	108917
108925	108945	109030
109089	109151	109270
109482	109585	109958
109971	110000	110028
110029	110043	111108
111207	111452	112184
112185	112186	112187
112188	112189	112190
112250	112276	112278
112279	112280	112320
112816	112817	112954
112986	112987	113009
113187	114843	115216
121466	121523	121595
121894	122902	123042
123043	123044	123076
123078	123080	123081
123082	123131	123138
123140	123165	123166
123169	123215	123216
123337	123343	123493
123557	123562	123563
123613	123687	123688
123700	123885	124256
124257	124267	124268
124401	124669	124774
124843	124882	125033
125187	126469	126612

126789	127174	127256
127499	131125	131126
138591	138819	138820
138928	139131	139132
139932	139933	139950
139957	139968	139969
139971	139973	139974
139975	139976	139978
139979	140012	140013
140014	140021	140032
140033	140034	140036
140053	140054	140072
140093	140096	140097
140098	140101	140155
140156	140196	140250
140281	140282	140283
140284	140339	140340
140341	140416	140417
140418	140586	140615
140642	140662	140705
140761	140876	140934
141550	142883	143064
143146	143222	143223
143282	143362	143363
143364	143462	143546
144042	144307	144402
144612	145151	145152
145387	157560	157561
157602	157603	157604
157665	157668	

Extensions of time granted

Applications lodged for extension of time have been granted.

156934 **New Approach Products Pty Ltd** An Extension of time to extend a registration has been granted to 27/01/2006

157331 **Tabachi Pty Ltd** An Extension of time to extend a registration has been granted to 21/02/2006

00986/2004 **Colgate-Palmolive Company** An Extension of time to register an application has been granted to 22/04/2006

157485 **Global Environment Management (FZC)** An Extension of time to extend a registration has been granted to 20/02/2006

157476 **Global Environment Management (FZC)** An Extension of time to extend a registration has been granted to 20/02/2006

157477 **Global Environment Management (FZC)** An Extension of time to extend a registration has been granted to 20/02/2006

157478 **Global Environment Management (FZC)** An Extension of time to extend a registration has been granted to 20/02/2006

157479 **Global Environment Management (FZC)** An Extension of time to extend a registration has been granted to 20/02/2006

157480 **Global Environment Management (FZC)** An Extension of time to extend a registration has been granted to 20/02/2006

157481 **Global Environment Management (FZC)** An Extension of time to extend a registration has been granted to 20/02/2006

157482 **Global Environment Management (FZC)** An Extension of

time to extend a registration has been granted to 20/02/2006

157483 **Global Environment Management (FZC)** An Extension of time to extend a registration has been granted to 20/02/2006

157484 **Global Environment Management (FZC)** An Extension of time to extend a registration has been granted to 20/02/2006

Subsequent Owners Registered

(The name in parentheses is that of the subsequent owner)

- 134440 (**Zabel Industries International Ltd., d/b/a Zabel Environmental Technology**) Harry Nurse
- 157843 (**Lidia Kubasiak**) Buzz City Corporation Pty Ltd
- 150131 (**Lidia Kubasiak**) Buzz City Corporation Pty Ltd
- 143895 (**Interit Pty Ltd**) Intatek Pty Ltd
- 141613 (**Interit Pty Ltd**) Intatek Pty Ltd
- 135103 (**Interit Pty Ltd**) Intatek Pty Ltd
- 126804 (**Interit Pty Ltd**) Intatek Pty Ltd
- 135104 (**Interit Pty Ltd**) Intatek Pty Ltd
- 119830 (**Interit Pty Ltd**) Intatek Pty Ltd
- 154117 (**Interit Pty Ltd**) Intatek Pty Ltd
- 153732 (**Interit Pty Ltd**) Intatek Pty Ltd
- 117785 (**Pentair Water Holdings Pty Ltd**) Onga Pty Ltd
- 154938 (**Carolyn Joan Will**) Carolyn Will;Allen Will
- 146286 (**Zimco Group (Proprietary) Limited**) Dutton Plastics Engineering (Proprietary) Limited
- 149841 (**MCP Operations Pty Limited**) F H Faulding & Co. Limited
- 149484 (**Well Shin Technology Co.,Ltd**) Well Shin Enterprise Co. Ltd

Names Registered - Alterations and Amendments

(The name in parentheses is the new name of the proprietor)

- 146954 (**Rowlett Rutland Limited**) Rowlett Limited
- 157704 (**Lifescan Scotland Limited**) Inverness Medical Limited
- 157705 (**Lifescan Scotland Limited**) Inverness Medical Limited
- 145146 (**Pernod Ricard Pacific Pty Ltd**) Orlando Wyndham Group Pty Ltd
- 145150 (**Pernod Ricard Pacific Pty Ltd**) Orlando Wyndham Group Pty Ltd
- 145149 (**Pernod Ricard Pacific Pty Ltd**) Orlando Wyndham Group Pty Ltd
- 145148 (**Pernod Ricard Pacific Pty Ltd**) Orlando Wyndham Group Pty Ltd
- 145147 (**Pernod Ricard Pacific Pty Ltd**) Orlando Wyndham Group Pty Ltd

Corrigenda

Number

In Vol 20 , No 5 , page 3953 under the heading **Registration Ceased**; Design No. 157492 should be deleted.

This Page Left Intentionally Blank

Proceedings under the Designs Act 2003.

This Page Left Intentionally Blank

Applications Lodged

Lodgement information is in the following order: **Applicant's Name**; International Classification, Name of Product, Lodgement Date and **Design Number**. If the applicant claims an earlier priority date under an International Convention, the Convention Country and the associated filing date are shown in parentheses before the Lodgement Date. Divisional information will also appear in parentheses before the Lodgement Date.

A.J.R Soho Developments & Design Pty Ltd; 07-02E, Barbeque, BBQ, 2 "N" 1 cook and boil travel mate, 22 Feb 2006	10653/2006	Boonpetch Steel Galvanized Pallet Co., Ltd; 09-08, Pallet, 21 Feb 2006	10646/2006
Allen Hardware Products Pty Ltd; 23-01A, 23-01B, Joiner for extruded pipes or tubes, 15 Mar 2005	10739/2006	Boonpetch Steel Galvanized Pallet Co., Ltd; 09-08, Pallet, 21 Feb 2006	10647/2006
Allen Hardware Products Pty Ltd; 23-01A, 23-01B, Joiner for extruded pipes or tubes, 15 Mar 2005	10740/2006	Breakout Barrier Release Systems Australasia Pty Ltd; 08-07, Pneumatic locks, 24 Feb 2006	10694/2006
Allen Hardware Products Pty Ltd; 23-01A, 23-01B, Joiner for extruded pipes or tubes, 15 Mar 2005	10741/2006	Brown & Watson International Pty Ltd; 26-03, Light fitting, 23 Feb 2006	10681/2006
Allen Hardware Products Pty Ltd; 23-01A, 23-01B, Joiner for extruded pipes or tubes, 15 Mar 2005	10742/2006	Burrill, Mark; 18-03, House, apartment and room indicators, 22 Feb 2006	10644/2006
Allen Hardware Products Pty Ltd; 23-01A, 23-01B, Joiner for extruded pipes or tubes, 15 Mar 2005	10743/2006	Christopher Harper-Hughan MacCallum Training; 06-07, , 22 Feb 2006	10654/2006
Allen Hardware Products Pty Ltd; 23-01A, 23-01B, Joiner for extruded pipes or tubes, 15 Mar 2005	10744/2006	Cincotta, Sharron; 04-04, Paintbrush, 22 Feb 2006	10656/2006
Allen Hardware Products Pty Ltd; 23-01A, 23-01B, Joiner for extruded pipes or tubes, 15 Mar 2005	10745/2006	Diageo North America, Inc.; 09-01NES, Bottle, 28 Feb 2006	10844/2006
Allen Hardware Products Pty Ltd; 23-01A, 23-01B, Joiner for extruded pipes or tubes, 15 Mar 2005	10593/2006	Diageo North America, Inc.; 09-01NES, Bottle, 28 Feb 2006	10845/2006
Alustar AS; 25-04, Universal mounting collar for scaffolding, (NO, 22 Aug 2005) 17 Feb 2006	10613/2006	Diageo North America, Inc.; 09-01NES, Bottle, 28 Feb 2006	10846/2006
Amicus Trade AB; 08-08NES, Clip to hold fabrics and tarps, (US, 24 Jun 2005) 17 Feb 2006	10680/2006	Diepower Pty Ltd; 23-01C, Hose fitting, 22 Feb 2006	10672/2006
Anthony, Dean; 12-16M, 12-16A, Wheel and brake system, 24 Feb 2006	10679/2006	Diepower Pty Ltd; 23-01C, Hose fitting, 22 Feb 2006	10668/2006
Atanasovski, Vasko; 22-05, Fishhook, 23 Feb 2006	10606/2006	Diepower Pty Ltd; 23-01C, Hose fitting, 22 Feb 2006	10669/2006
Axial Vector Engine Corporation; 15-01, Internal combustion engine, (US, 17 Aug 2005) 17 Feb 2006	10600/2006	Diepower Pty Ltd; 23-01C, Hose fitting, 22 Feb 2006	10670/2006
B&D Australia Pty Ltd; 08-07, Lock fascia, 17 Feb 2006	10645/2006	Diepower Pty Ltd; 23-01C, Hose fitting, 22 Feb 2006	10671/2006
B&D Australia Pty Ltd; 08-07, Powered door operator, 21 Feb 2006	10601/2006	Diepower Pty Ltd; 23-01C, Hose fitting, 22 Feb 2006	10667/2006
B&D Australia Pty Ltd; 08-07, Lock fascia, 17 Feb 2006	10657/2006	Director of Public Transport; 20-02E, 21-02NES, 14-02, Information display unit, 17 Feb 2006	10590/2006
Becker sp. z.o.o.; 09-08, A pallet, 22 Feb 2006	10643/2006	Director of Public Transport; 20-02E, 21-02NES, 14-02, Information display unit, 17 Feb 2006	10591/2006
Bilardo Spencer Pty Ltd; 06-06G, A seat, 22 Feb 2006	10586/2006	Director of Public Transport; 20-02E, 21-02NES, 14-02, Information display unit, 17 Feb 2006	10592/2006
Bio Waste Systems Pty. Ltd.; 23-02C, Toilet pan, 17 Feb 2006		Duff, Simon; 06-06C, Castor, 20 Feb 2006	10602/2006
		Eastcoast Australia Pty Ltd; 06-04D, Bar cabinet, 17 Feb 2006	10584/2006
		Eastcoast Australia Pty Ltd; 21-01H, Dartboard cabinet, 17 Feb 2006	10585/2006

Elopak Systems AG; 09-03M, Packaging carton, (EM, 25 Aug 2005) 24 Feb 2006	10690/2006	Merz & Krell GmbH & Co. KGaA; 19-06, Writing utensil, (DE, 30 Aug 2005) 24 Feb 2006	10686/2006
Elopak Systems AG; 09-03M, Packaging carton, (EM, 25 Aug 2005) 24 Feb 2006	10689/2006	Merz & Krell GmbH & Co. KGaA; 19-06, Cap for writing utensil, (DE, 30 Aug 2005) 24 Feb 2006	10687/2006
Ferguson, Mark; 02-01NES, Product name not listed, 20 Feb 2006	10603/2006	Microsoft Corporation; 14-02, Portion of a keyboard, (US, 22 Aug 2005) 17 Feb 2006	10604/2006
Flanagan, John Leslie; 25-01E, Ground anchors, 23 Feb 2006	10655/2006	Microsoft Corporation; 14-02, Keyboard, (US, 22 Aug 2005) 17 Feb 2006	10605/2006
Galdes, Patrick; Neil, Gregory Peter; 25-02C, A fence member, 23 Feb 2006	10663/2006	Microsoft Corporation; 14-02, Electronic mouse, (US, 06 Sep 2005) 20 Feb 2006	10627/2006
Galdes, Patrick; Neil, Gregory Peter; 25-02C, A fence member, 23 Feb 2006	10662/2006	Microsoft Corporation; 14-02, Electronic mouse, (US, 25 Aug 2005) 20 Feb 2006	10628/2006
GMCA Pty Ltd; 08-03, Powered circular saw, (EM, 24 Nov 2005) 23 Feb 2006	10661/2006	Microsoft Corporation; 14-02, Portion of an element of an electronic device, (US, 25 Aug 2005) 20 Feb 2006	10629/2006
GMCA Pty Ltd; 08-03, Powered circular saw, (EM, 24 Nov 2005) 23 Feb 2006	10660/2006	Microsoft Corporation; 14-02, Electronic mouse, (US, 25 Aug 2005) 20 Feb 2006	10630/2006
GMCA Pty Ltd; 08-03, Powered circular saw, 23 Feb 2006	10664/2006	Neil, Gregory Peter; Galdes, Patrick; 25-02C, A fence member, 23 Feb 2006	10662/2006
H.P.M. Industries Pty Ltd; 13-03D, A face plate, 23 Feb 2006	10677/2006	Neil, Gregory Peter; Galdes, Patrick; 25-02C, A fence member, 23 Feb 2006	10663/2006
Hypercom Corporation; 14-02, Point of sale terminal, (US, 18 Aug 2005) 20 Feb 2006	10632/2006	Noble, Joel Raymond; 06-01E, Stool, 17 Feb 2006	10587/2006
Hypercom Corporation; 14-02, Point of sale terminal, (US, 18 Aug 2005) 20 Feb 2006	10631/2006	O'Reilly, Sarah Jane; 28-03NES, 06-06F, Teething rail, 23 Feb 2006	10676/2006
Intrinsic Enterprises Pty Ltd; 19-01, A card, 24 Feb 2006	10688/2006	Omodei, Bernard Joseph; 19-01, Product name not listed, 23 Feb 2006	10666/2006
Joyce, Carolyn; 21-01A, Seamus, 17 Feb 2006	10588/2006	Phoenix Industries Pty Ltd; 23-01H, Mixer tap and spout, 20 Feb 2006	10616/2006
Keating, Geoffrey Francis; 06-04NES, Shelf, 24 Feb 2006	10692/2006	Phoenix Industries Pty Ltd; 23-01H, Mixer tap and spout, 20 Feb 2006	10617/2006
Kenzo S.A.; 09-01G, Bottle, (FR, 13 Sep 2005) 20 Feb 2006	10615/2006	Phoenix Industries Pty Ltd; 23-01H, Mixer tap, 20 Feb 2006	10618/2006
Lacoste; 02-04NES, Shoe, (EM, 02 Feb 2006) 21 Feb 2006	10638/2006	Phoenix Industries Pty Ltd; 23-01H, Spout and mixer tap, 20 Feb 2006	10619/2006
Lagudi, Franco; 09-03F, Banana tray, 17 Feb 2006	10607/2006	Phoenix Industries Pty Ltd; 23-01H, Shower arm, 20 Feb 2006	10620/2006
Lewis, Lisa; 20-02B, Childrens mannequin Display product for childrens apparel/clothing, 23 Feb 2006	10659/2006	Powell, Nicholas Ross; 25-03, Rectangular swimming pool, 20 Feb 2006	10611/2006
Lugton, David; 06-06C, Table leveller, 21 Feb 2006	10614/2006	Powell, Nicholas Ross; 25-03, Hexagonal swimming pool, 20 Feb 2006	10612/2006
Merz & Krell GmbH & Co. KGaA; 19-02, Holder for writing utensils, (DE, 30 Aug 2005) 24 Feb 2006	10684/2006	PowerCrank Batteries Pty Ltd; 13-02, Car battery, 24 Feb 2006	10693/2006
Merz & Krell GmbH & Co. KGaA; 19-02, 19-06, Combination of writing utensil and holder, (DE, 30 Aug 2005) 24 Feb 2006	10685/2006	Procter & Gamble Company, The; 28-03NES, Applicator, (US, 31 Aug 2005) 22 Feb 2006	10674/2006

Samsonite Corporation; 03-01B, Hand luggage, (US, 06 Sep 2005) 21 Feb 2006	10648/2006	Sikki Pty Ltd; 21-01NES, Baby rattle/baby pacifier/neck pendant, 23 Feb 2006	10695/2006
Samsonite Corporation; 03-01B, Hand luggage, (US, 06 Sep 2005) 21 Feb 2006	10649/2006	Sony Kabushiki Kaisha; 14-02, Storage media, (JP, 08 Sep 2005) 22 Feb 2006	10673/2006
Samsonite Corporation; 03-01B, Hand luggage, (US, 06 Sep 2005) 21 Feb 2006	10650/2006	Star Maid International Pty Ltd; 07-04, Cutting board, 23 Feb 2006	10678/2006
Sandvik Tamrock Oy; 08-01, A user control for use in a drilling machine, (EM, 30 Aug 2005) 21 Feb 2006	10651/2006	Stiebel Eltron GMBH & Co. KG; 23-03H, Water heater, (EM, 05 Dec 2005) 23 Feb 2006	10683/2006
Sandvik Tamrock Oy; 08-01, A user control for use in a drilling machine, (EM, 30 Aug 2005) 21 Feb 2006	10652/2006	Stokely-Van Camp, Inc.; 09-01NES, Bottle, (US, 22 Aug 2005) 17 Feb 2006	10608/2006
Seaquist Closures Foreign, Inc.; 09-07C, A closure, (US, 25 Oct 2005) 21 Feb 2006	10633/2006	Stokely-Van Camp, Inc.; 09-01NES, Bottle, (US, 22 Aug 2005) 17 Feb 2006	10609/2006
Seaquist Closures Foreign, Inc.; 09-07C, A closure, (US, 25 Oct 2005) 21 Feb 2006	10634/2006	SOCIETE BIC; 07-99NES, Gas igniter, (EM, 19 Sep 2005) 23 Feb 2006	10682/2006
Seaquist Closures Foreign, Inc.; 09-07C, A closure, (US, 25 Oct 2005) 21 Feb 2006	10635/2006	Tarvis Technology Limited; 09-03NES, A container, (NZ, 23 Aug 2005) 22 Feb 2006	10658/2006
Seaquist Closures Foreign, Inc.; 09-07C, A closure, (US, 25 Oct 2005) 21 Feb 2006	10636/2006	Trujillo, Cesar; 16-06, 21-02D, A snorkel mask, (US, 19 Aug 2005) 17 Feb 2006	10589/2006
Shadow Boxer Group Pty Ltd; 21-02F, Exercise device, 17 Feb 2006	10610/2006	Wegener, Douglas Hartley; 99-00, A cone for a frost preventing apparatus, 23 Feb 2006	10665/2006
Shop Vac Corporation; 15-05, Floor polisher attachment, (US, 25 Aug 2005) 21 Feb 2006	10637/2006	Winbank, Michael John; 23-01L, Gutter guard, 21 Feb 2006	10639/2006
Signum Specialities Pty Ltd; 07-01NES, Container, 20 Feb 2006	10622/2006	Winbank, Michael John; 23-01L, Gutter guard, 21 Feb 2006	10640/2006
Signum Specialities Pty Ltd; 07-01NES, Container, 20 Feb 2006	10623/2006	Winbank, Michael John; 23-01L, Valley guard, 21 Feb 2006	10641/2006
Signum Specialities Pty Ltd; 07-01NES, Container, 20 Feb 2006	10624/2006	Winbank, Michael John; 23-01L, Valley guard, 21 Feb 2006	10642/2006
Signum Specialities Pty Ltd; 09-03F, 07-01NES, Lid for container, 20 Feb 2006	10625/2006	Woodstock Percussion Pty Ltd; 25-01B, 25-01NES, A lifting anchor, 22 Feb 2006	10675/2006
Signum Specialities Pty Ltd; 09-03F, 07-01NES, Lid for container, 20 Feb 2006	10626/2006	Wu, Cheng Shi; 11-99, Water wall fountain, 24 Feb 2006	10691/2006

Applications Withdrawn

15079 / 2005 (08-07)	15094 / 2005 (08-07)
15095 / 2005 (08-07)	15096 / 2005 (08-07)
15097 / 2005 (08-07)	

Applications Lapsed

10558 / 2005 (23-02A)
12318 / 2005 (30-03)
13416 / 2005 (25-02B)
13726 / 2005 (09-01K)
15614 / 2005 (12-16C)

10559 / 2005 (23-02A)
13345 / 2005 (11-01NES)
13667 / 2005 (21-02C)
15613 / 2005 (12-16C)

Extensions of time granted under Section 137

Applications lodged under section 137 for extension of time have been granted.

- 14143/2004 **Centritech Limited**
- 15661/2004 **CFPH, LLC**
- 15761/2004 **Darelmont Pty Ltd**
- 10658/2005 **The Procter & Gamble Company**
- 10659/2005 **The Procter & Gamble Company**
- 11117/2005 **Robert Welch Designs Limited**
- 11118/2005 **Robert Welch Designs Limited**
- 11119/2005 **Robert Welch Designs Limited**
- 11120/2005 **Robert Welch Designs Limited**
- 11121/2005 **Robert Welch Designs Limited**
- 11122/2005 **Robert Welch Designs Limited**
- 11123/2005 **Robert Welch Designs Limited**
- 11124/2005 **Robert Welch Designs Limited**
- 11125/2005 **Robert Welch Designs Limited**
- 11895/2005 **International Consolidated Business Pty Ltd**
- 11896/2005 **International Consolidated Business Pty Ltd**
- 11897/2005 **International Consolidated Business Pty Ltd**
- 11898/2005 **International Consolidated Business Pty Ltd**
- 11899/2005 **International Consolidated Business Pty Ltd**
- 11900/2005 **International Consolidated Business Pty Ltd**
- 12245/2005 **Gainex International Ltd**
- 12454/2005 **Linear Systems International Pty Ltd**
- 12701/2005 **Slatbox Pty Ltd**
- 12702/2005 **Slatbox Pty Ltd**
- 12707/2005 **Slatbox Pty Ltd**
- 12710/2005 **Slatbox Pty Ltd**
- 12714/2005 **Slatbox Pty Ltd**
- 12831/2005 **T&G Enterprises (VIC) Pty Ltd**
- 12983/2005 **Lorena Zanner**
- 12984/2005 **Lorena Zanner**
- 12989/2005 **International Consolidated Business Pty Ltd**
- 13107/2005 **CIBO Design Pty Ltd**
- 13199/2005 **T&G Enterprises (VIC) Pty Ltd**
- 14023/2005 **CFPH, LLC**
- 14055/2005 **Eveready Battery Company, Inc.**
- 15119/2005 **Mercupond Australia Pty Ltd**

- 15120/2005 **Mercupond Australia Pty Ltd**
- 15121/2005 **Mercupond Australia Pty Ltd**
- 15122/2005 **Mercupond Australia Pty Ltd**
- 15123/2005 **Mercupond Australia Pty Ltd**
- 15124/2005 **Mercupond Australia Pty Ltd**

Applications Assigned

(The name in parentheses is that of the subsequent applicant)

- 14224/2005 (**Fielders Australia Pty Ltd**) Venbro Pty Ltd

Subsequent Owners Registered

(The name in parentheses is that of the subsequent owner)

- 300986 (**Diageo Australia Ltd**) The Marketing Store Worldwide Pty Limited
- 300987 (**Diageo Australia Ltd**) The Marketing Store Worldwide Pty Limited

Corrigenda

Number 305396

In Vol 20 , No 5 , page 3993 under the heading **Statement of Newness and Distinctiveness** Statement of Newness and Distinctiveness should read: Each feature of the design shown in solid lines considered separately or in combination with any other feature or features.

Certificate(s) of Examination

Examination of the following Design Registration(s) has been completed. Infringement proceedings may now be commenced.

300901	06-03A	24/02/2006
301592	11-01NES	07/03/2006
303694	25-01F	07/03/2006
303695	25-01F	07/03/2006
303800	28-03A	06/03/2006
303801	28-03A	06/03/2006
303811	15-03A	06/03/2006
303812	15-03A	06/03/2006
303814	09-03L	06/03/2006
303815	28-03A	06/03/2006
303817	28-03A	01/03/2006
303818	28-03A	01/03/2006
303819	28-03A	01/03/2006
303820	28-03A	27/02/2006
303821	28-03A	27/02/2006
304001	28-03A	06/03/2006
304002	28-03A	06/03/2006
304003	28-03A	06/03/2006

Publication and Registration Proceedings

Designs Registered

This section provides a concordance between design number and registration number of Designs covered in this journal. It also shows the main class and registration date.

This section covers Registration numbers 305661 to 305833 .

The registration number shown below should be used in all future correspondence.

Design Number	Registration Number	International Classification Code (IDC)	Registration Date	Design Number	Registration Number	International Classification Code (IDC)	Registration Date
13115/2004	305684	06-08	27/02/2006	13474/2005	305752	23-02B	01/03/2006
13116/2004	305685	06-08	27/02/2006	13577/2005	305753	06-11	01/03/2006
13117/2004	305686	06-08	27/02/2006	13610/2005	305754	11-99	01/03/2006
13118/2004	305683	20-02E	27/02/2006	13649/2005	305793	13-03NES	06/03/2006
14514/2004	305693	28-03NES	27/02/2006	13671/2005	305755	21-02NES	01/03/2006
15232/2004	305687	06-01E	27/02/2006	13731/2005	305702	25-02H	27/02/2006
15770/2004	305661	21-01C	24/02/2006	13732/2005	305703	25-01K	27/02/2006
15921/2004	305662	08-03	24/02/2006	13733/2005	305704	25-01K	27/02/2006
10204/2005	305711	03-01A	27/02/2006	13734/2005	305705	25-01K	27/02/2006
10283/2005	305690	25-01F	27/02/2006	13735/2005	305706	25-01K	27/02/2006
10284/2005	305691	25-01F	27/02/2006	13742/2005	305756	09-01K	01/03/2006
10688/2005	305814	28-03B	07/03/2006	13743/2005	305757	09-01K	01/03/2006
10745/2005	305713	23-01B	28/02/2006	13754/2005	305707	09-01A	27/02/2006
10746/2005	305714	23-02NES	28/02/2006	13772/2005	305758	25-01B	01/03/2006
11072/2005	305748	14-99	01/03/2006	13786/2005	305759	11-02B	01/03/2006
11082/2005	305749	09-01C	01/03/2006	13795/2005	305673	25-01E	24/02/2006
11358/2005	305715	25-02G	28/02/2006	13796/2005	305674	25-01E	24/02/2006
11359/2005	305716	23-01A	28/02/2006	13807/2005	305817	09-01C	07/03/2006
11593/2005	305815	11-02E	07/03/2006	13813/2005	305723	09-01H	28/02/2006
11794/2005	305663	09-01G	24/02/2006	13823/2005	305794	12-16N	06/03/2006
11847/2005	305664	06-06NES	24/02/2006	13835/2005	305760	08-08L	01/03/2006
12069/2005	305750	09-01C	01/03/2006	13836/2005	305677	08-08L	24/02/2006
12070/2005	305688	09-01C	27/02/2006	13837/2005	305722	08-08L	28/02/2006
12293/2005	305712	23-02B	27/02/2006	13838/2005	305675	08-08L	24/02/2006
12541/2005	305694	07-01B	27/02/2006	13839/2005	305676	08-08L	24/02/2006
12542/2005	305695	07-01B	27/02/2006	13844/2005	305724	08-05A	28/02/2006
12961/2005	305771	06-06E	03/03/2006	13845/2005	305725	09-02B	28/02/2006
12962/2005	305772	06-03B	03/03/2006	13858/2005	305672	26-05A	24/02/2006
13018/2005	305666	01-06	24/02/2006	13859/2005	305818	12-08	07/03/2006
13068/2005	305816	07-01NES	07/03/2006	13860/2005	305819	12-08	07/03/2006
13109/2005	305751	23-01F	01/03/2006	13861/2005	305820	12-16C	07/03/2006
13196/2005	305667	25-02C	24/02/2006	13862/2005	305821	12-16C	07/03/2006
13202/2005	305668	02-02NES	24/02/2006	13863/2005	305822	12-16NES	07/03/2006
13252/2005	305717	25-04	28/02/2006	13864/2005	305795	12-16C	06/03/2006
13256/2005	305773	08-03	03/03/2006	13865/2005	305796	12-16B	06/03/2006
13257/2005	305718	08-03	28/02/2006	13866/2005	305797	12-08	06/03/2006
13265/2005	305774	10-01	03/03/2006	13867/2005	305798	12-08	06/03/2006
13279/2005	305719	19-06	28/02/2006	13868/2005	305761	26-06	01/03/2006
13286/2005	305775	09-03F	03/03/2006	13869/2005	305762	26-06	01/03/2006
13287/2005	305776	09-03F	03/03/2006	13870/2005	305763	26-06	01/03/2006
13314/2005	305669	26-05A	24/02/2006	13876/2005	305726	03-01D	28/02/2006
13315/2005	305670	26-05A	24/02/2006	13877/2005	305824	12-16NES	07/03/2006
13346/2005	305720	31-00	28/02/2006	13886/2005	305727	09-05	28/02/2006
13375/2005	305689	08-07	27/02/2006	13887/2005	305728	09-03L	28/02/2006
13384/2005	305671	21-01C	24/02/2006	13975/2005	305729	25-02C	28/02/2006
13387/2005	305721	14-01	28/02/2006	13976/2005	305730	09-01NES	28/02/2006
13449/2005	305696	06-04NES	27/02/2006	13977/2005	305731	09-01NES	28/02/2006
13450/2005	305697	06-03C	27/02/2006	13985/2005	305764	28-03B	01/03/2006
13451/2005	305698	06-03C	27/02/2006	13987/2005	305733	08-06	28/02/2006
13452/2005	305699	06-04NES	27/02/2006	13988/2005	305734	08-06	28/02/2006
13453/2005	305700	06-04NES	27/02/2006	13991/2005	305823	23-01B	07/03/2006
13454/2005	305701	06-04NES	27/02/2006	13992/2005	305708	19-07	27/02/2006
13461/2005	305792	17-03	06/03/2006	13994/2005	305765	23-01D	01/03/2006

Publication and Registration Proceedings - Designs Registered cont'd

Design Number	Registration Number	International Classification Code (IDC)	Registration Date	Design Number	Registration Number	International Classification Code (IDC)	Registration Date
13995/2005	305766	07-01NES	01/03/2006	14071/2005	305777	16-06	03/03/2006
13996/2005	305767	21-02D	01/03/2006	14073/2005	305778	23-01K	03/03/2006
13997/2005	305768	03-01C	01/03/2006	14076/2005	305779	14-01	03/03/2006
13998/2005	305769	14-03E	01/03/2006	14077/2005	305780	14-01	03/03/2006
14003/2005	305735	23-02F	28/02/2006	14079/2005	305832	26-05C	07/03/2006
14004/2005	305736	23-02F	28/02/2006	14084/2005	305811	09-03K	06/03/2006
14005/2005	305737	23-02F	28/02/2006	14085/2005	305781	14-03E	03/03/2006
14006/2005	305738	08-08D	28/02/2006	14086/2005	305782	14-03E	03/03/2006
14013/2005	305825	09-01NES	07/03/2006	14087/2005	305783	14-03E	03/03/2006
14016/2005	305770	12-16NES	01/03/2006	14100/2005	305784	23-01F	03/03/2006
14017/2005	305799	28-99	06/03/2006	14101/2005	305785	12-06B	03/03/2006
14019/2005	305709	28-99	27/02/2006	14120/2005	305786	07-01C	03/03/2006
14020/2005	305710	10-07	27/02/2006	14123/2005	305787	06-04NES	03/03/2006
14024/2005	305739	02-07B	28/02/2006	14128/2005	305743	20-02E	28/02/2006
14025/2005	305740	08-06	28/02/2006	14129/2005	305744	20-02E	28/02/2006
14026/2005	305741	23-01H	28/02/2006	14166/2005	305745	06-11	28/02/2006
14027/2005	305742	13-03D	28/02/2006	14167/2005	305746	06-11	28/02/2006
14028/2005	305800	28-03A	06/03/2006	14168/2005	305747	06-11	28/02/2006
14031/2005	305801	09-07A	06/03/2006	14309/2005	305833	03-01C	07/03/2006
14032/2005	305826	09-07A	07/03/2006	14467/2005	305788	25-01B	03/03/2006
14033/2005	305827	12-05	07/03/2006	15178/2005	305678	07-06A	24/02/2006
14035/2005	305802	02-04B	06/03/2006	15361/2005	305789	15-01	03/03/2006
14036/2005	305803	02-04NES	06/03/2006	15362/2005	305790	15-01	03/03/2006
14037/2005	305804	02-04NES	06/03/2006	15363/2005	305679	15-01	24/02/2006
14039/2005	305828	01-06	07/03/2006	15456/2005	305791	09-04	03/03/2006
14041/2005	305805	25-02C	06/03/2006	15528/2005	305680	21-04	24/02/2006
14042/2005	305806	25-02NES	06/03/2006	15600/2005	305665	06-06NES	24/02/2006
14043/2005	305692	12-08	27/02/2006	15719/2005	305812	15-04	06/03/2006
14049/2005	305829	12-11	07/03/2006	10149/2006	305681	07-01NES	24/02/2006
14050/2005	305807	13-03NES	06/03/2006	10150/2006	305682	07-01NES	24/02/2006
14051/2005	305808	13-03NES	06/03/2006	10323/2006	305732	21-02NES	28/02/2006
14063/2005	305830	14-01	07/03/2006	10347/2006	305813	28-99	06/03/2006
14064/2005	305831	14-03E	07/03/2006				
14066/2005	305809	14-03B	06/03/2006				
14067/2005	305810	14-01	06/03/2006				

Publication and Registration Proceedings
Class Listing of Designs Published or Registered

The following section shows an International Classification Code listing of the Registered or Published Designs covered in this supplement.

Classification	Registration Number	Design Number	Classification	Registration Number	Design Number
01-06	305666	13018/2005	08-08 L	305722	13837/2005
01-06	305828	14039/2005	08-08 L	305760	13835/2005
02-02 NES	305668	13202/2005	09-01 A	305707	13754/2005
02-04 B	305802	14035/2005	09-01 C	305688	12070/2005
02-04 NES	305803	14036/2005	09-01 C	305749	11082/2005
02-04 NES	305804	14037/2005	09-01 C	305750	12069/2005
02-07 B	305739	14024/2005	09-01 C	305817	13807/2005
03-01 A	305711	10204/2005	09-01 G	305663	11794/2005
03-01 C	305768	13997/2005	09-01 H	305723	13813/2005
03-01 C	305833	14309/2005	09-01 K	305756	13742/2005
03-01 D	305726	13876/2005	09-01 K	305757	13743/2005
06-01 E	305687	15232/2004	09-01 NES	305688	12070/2005
06-03 B	305772	12962/2005	09-01 NES	305730	13976/2005
06-03 C	305665	15600/2005	09-01 NES	305731	13977/2005
06-03 C	305697	13450/2005	09-01 NES	305750	12069/2005
06-03 C	305698	13451/2005	09-01 NES	305825	14013/2005
06-04 B	305700	13453/2005	09-02 B	305725	13845/2005
06-04 B	305701	13454/2005	09-02 NES	305707	13754/2005
06-04 NES	305696	13449/2005	09-03 F	305775	13286/2005
06-04 NES	305699	13452/2005	09-03 F	305776	13287/2005
06-04 NES	305700	13453/2005	09-03 K	305811	14084/2005
06-04 NES	305701	13454/2005	09-03 L	305728	13887/2005
06-04 NES	305772	12962/2005	09-03 NES	305688	12070/2005
06-04 NES	305787	14123/2005	09-03 NES	305750	12069/2005
06-06 E	305771	12961/2005	09-04	305791	15456/2005
06-06 NES	305664	11847/2005	09-05	305727	13886/2005
06-06 NES	305665	15600/2005	09-07 A	305801	14031/2005
06-08	305684	13115/2004	09-07 A	305826	14032/2005
06-08	305685	13116/2004	09-07 C	305826	14032/2005
06-08	305686	13117/2004	10-01	305774	13265/2005
06-11	305745	14166/2005	10-04	305689	13375/2005
06-11	305746	14167/2005	10-07	305710	14020/2005
06-11	305747	14168/2005	10-99	305689	13375/2005
06-11	305753	13577/2005	11-02 B	305759	13786/2005
07-01 B	305694	12541/2005	11-02 E	305815	11593/2005
07-01 B	305695	12542/2005	11-99	305754	13610/2005
07-01 C	305786	14120/2005	12-05	305827	14033/2005
07-01 NES	305681	10149/2006	12-06 B	305785	14101/2005
07-01 NES	305682	10150/2006	12-08	305692	14043/2005
07-01 NES	305766	13995/2005	12-08	305797	13866/2005
07-01 NES	305816	13068/2005	12-08	305798	13867/2005
07-06 A	305678	15178/2005	12-08	305818	13859/2005
07-07 A	305678	15178/2005	12-08	305819	13860/2005
08-03	305662	15921/2004	12-11	305738	14006/2005
08-03	305718	13257/2005	12-11	305829	14049/2005
08-03	305773	13256/2005	12-16 B	305796	13865/2005
08-05 A	305724	13844/2005	12-16 C	305795	13864/2005
08-06	305733	13987/2005	12-16 C	305820	13861/2005
08-06	305734	13988/2005	12-16 C	305821	13862/2005
08-06	305740	14025/2005	12-16 N	305794	13823/2005
08-07	305689	13375/2005	12-16 NES	305770	14016/2005
08-08 C	305686	13117/2004	12-16 NES	305822	13863/2005
08-08 D	305738	14006/2005	12-16 NES	305824	13877/2005
08-08 L	305675	13838/2005	13-03 D	305742	14027/2005
08-08 L	305676	13839/2005	13-03 NES	305793	13649/2005
08-08 L	305677	13836/2005	13-03 NES	305807	14050/2005

Registration Proceedings - Class Listing of Designs Published or Registered cont'd

Classification	Registration Number	Design Number	Classification	Registration Number	Design Number
13-03 NES	305808	14051/2005	23-02 F	305735	14003/2005
14-01	305721	13387/2005	23-02 F	305736	14004/2005
14-01	305779	14076/2005	23-02 F	305737	14005/2005
14-01	305780	14077/2005	23-02 NES	305714	10746/2005
14-01	305810	14067/2005	23-04	305715	11358/2005
14-01	305830	14063/2005	23-04	305789	15361/2005
14-03 B	305809	14066/2005	25-01 B	305758	13772/2005
14-03 E	305769	13998/2005	25-01 B	305788	14467/2005
14-03 E	305781	14085/2005	25-01 E	305673	13795/2005
14-03 E	305782	14086/2005	25-01 E	305674	13796/2005
14-03 E	305783	14087/2005	25-01 F	305690	10283/2005
14-03 E	305831	14064/2005	25-01 F	305691	10284/2005
14-99	305748	11072/2005	25-01 K	305703	13732/2005
15-01	305679	15363/2005	25-01 K	305704	13733/2005
15-01	305789	15361/2005	25-01 K	305705	13734/2005
15-01	305790	15362/2005	25-01 K	305706	13735/2005
15-03 B	305679	15363/2005	25-01 NES	305758	13772/2005
15-03 B	305789	15361/2005	25-02 A	305732	10323/2006
15-03 B	305790	15362/2005	25-02 C	305667	13196/2005
15-04	305812	15719/2005	25-02 C	305729	13975/2005
16-06	305777	14071/2005	25-02 C	305805	14041/2005
17-03	305792	13461/2005	25-02 G	305715	11358/2005
19-02	305787	14123/2005	25-02 H	305702	13731/2005
19-06	305719	13279/2005	25-02 NES	305805	14041/2005
19-07	305708	13992/2005	25-02 NES	305806	14042/2005
20-02 E	305683	13118/2004	25-04	305717	13252/2005
20-02 E	305743	14128/2005	26-05 A	305669	13314/2005
20-02 E	305744	14129/2005	26-05 A	305670	13315/2005
21-01 C	305661	15770/2004	26-05 A	305672	13858/2005
21-01 C	305671	13384/2005	26-05 C	305832	14079/2005
21-01 E	305671	13384/2005	26-06	305761	13868/2005
21-02 D	305767	13996/2005	26-06	305762	13869/2005
21-02 NES	305732	10323/2006	26-06	305763	13870/2005
21-02 NES	305755	13671/2005	28-03 A	305800	14028/2005
21-04	305680	15528/2005	28-03 B	305764	13985/2005
23-01 A	305716	11359/2005	28-03 B	305814	10688/2005
23-01 B	305713	10745/2005	28-03 NES	305693	14514/2004
23-01 B	305823	13991/2005	28-99	305709	14019/2005
23-01 D	305765	13994/2005	28-99	305799	14017/2005
23-01 F	305751	13109/2005	28-99	305813	10347/2006
23-01 F	305784	14100/2005	31-00	305720	13346/2005
23-01 H	305741	14026/2005			
23-01 K	305778	14073/2005			
23-02 B	305712	12293/2005			
23-02 B	305752	13474/2005			

- (21) Design Number: **15770/2004**
(22) Date of Filing Application: **30 November 2004**
(24) Date from which industrial property rights may have effect: **30 November 2004**
(54) Product in respect of which the design is registered: **Boat**
(51) International Design Classification: **21-01C**
(71) Name(s) and Address(s) of Applicant(s):

Clive Vernon Barrett
PO Box 726 Margate KZN 4275 South Africa

Susan Barrett
PO Box 726 Margate KZN 4275 South Africa

- (72) Name(s) of Designer(s): **Clive Vernon Barrett and Susan Barrett**

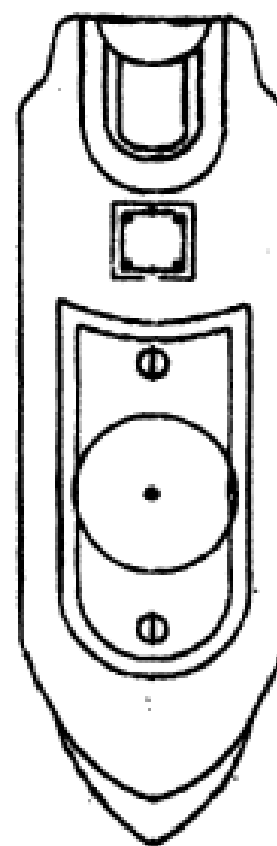
- (45) Registration Date: **24 February 2006**

- (30) Convention priority data:

(31) Number	(32) Date	(33) Country
A2004/0740	08 Jun 2004	SOUTH AFRICA

- (56) Related Art Documents: **Not Applicable**

- (57) Statement of Newness and Distinctiveness: **The novelty of the design resides in the features of shape and configuration of a boat as shown in the accompanying representations. Clarification of features not dictated solely by function. The entire shape of the boat is novel in that it resembles that of a dolphin. The vessel boasts sleek and flowing lines with gentle curves creating continuity throughout the design which is very pleasing to the eye. The round air filled two-tone buoy attached to the water tight hatch is a most surprising and unique feature which without a doubt creates the impression of fun and recreation. Novel features that sets the design of this boat apart from other boats and for which protection is sought: a) unique tri-hull design b) deep weighted keel below waterline c) low deck height above waterline d) air tight hatch cover e) light-weight air filled float (buoy) attached to hatch cover. f) very low superstructure g) dolphin shape appealing to the eye**



- (21) Design Number: **15921/2004**
(22) Date of Filing Application: **22 December 2004**
(24) Date from which industrial property rights may have effect: **22 December 2004**
(54) Product in respect of which the design is registered: **Cutting wheel**
(51) International Design Classification: **08-03**
(71) Name(s) and Address(s) of Applicant(s):

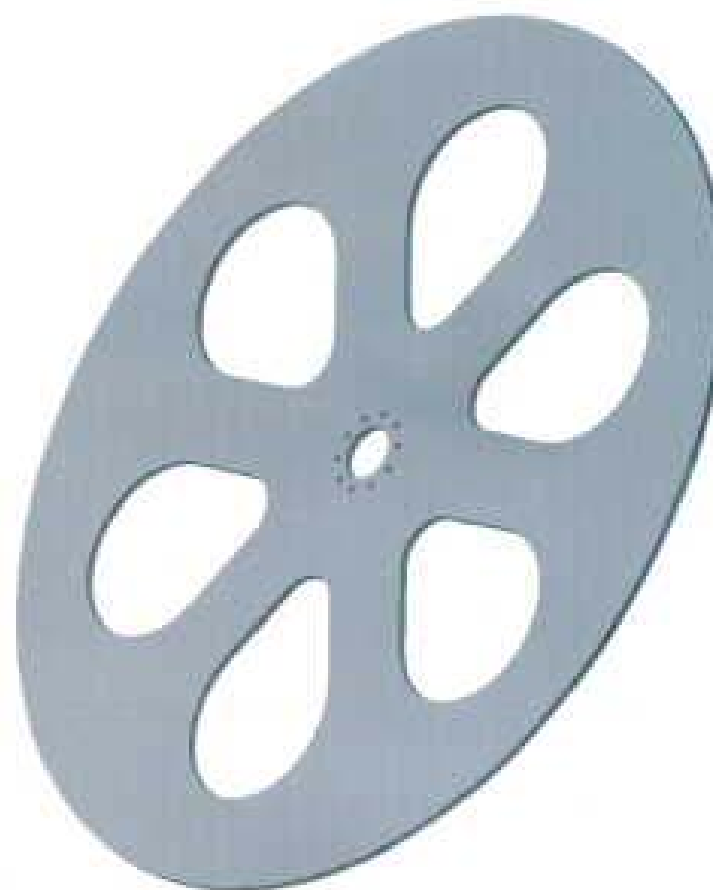
Shimijo Pty Ltd
1 Alfred Road Chipping Norton New South Wales 2170 Australia

- (72) Name(s) of Designer(s): **Troy Kenneth Stratti**

- (45) Registration Date: **24 February 2006**

- (56) Related Art Documents: **Not Applicable**

- (57) Statement of Newness and Distinctiveness: **The particular features of the design which are new and distinctive are the cut-outs of the wheel which are labelled with an arrow in the annotated front view provided herewith.**



(21) Design Number: **11794/2005**

(22) Date of Filing Application: **28 April 2005**

(24) Date from which industrial property rights may have effect: **28 April 2005**

(54) Product in respect of which the design is registered: **Container**

(51) International Design Classification: **09-01G**

(71) Name(s) and Address(s) of Applicant(s):

The Procter & Gamble Company
One Procter & Gamble Plaza Cincinnati Ohio 45202 United States of America

(72) Name(s) of Designer(s): **Tanya Nicole Blasko and Erica Heidi Hollmann and Stacy Alycia Thomas**

(45) Registration Date: **24 February 2006**

(30) Convention priority data:

(31) Number	(32) Date	(33) Country
29/216,512	04 Nov 2004	UNITED STATES OF AMERICA

(56) Related Art Documents: **Not Applicable**

(57) Statement of Newness and Distinctiveness: **Those visual features of the container depicted in the representations that are new and distinctive are the shape and/or configuration. The transition collar may be of any length, as indicated by the broken lines.**



(21) Design Number: **11847/2005**

(22) Date of Filing Application: **03 May 2005**

(24) Date from which industrial property rights may have effect: **03 May 2005**

(54) Product in respect of which the design is registered: **Desk screen**

(51) International Design Classification: **06-06NES**

(71) Name(s) and Address(s) of Applicant(s):

Balmark Pty Ltd
47 Norman Street Peakhurst New South Wales 2218 Australia

(72) Name(s) of Designer(s): **Jim Karpouzos**

(45) Registration Date: **24 February 2006**

(56) Related Art Documents: **Not Applicable**

(57) Statement of Newness and Distinctiveness: **Monopoly is claimed in respect of the shape and configuration of the desk screen system as shown in the attached representations.**

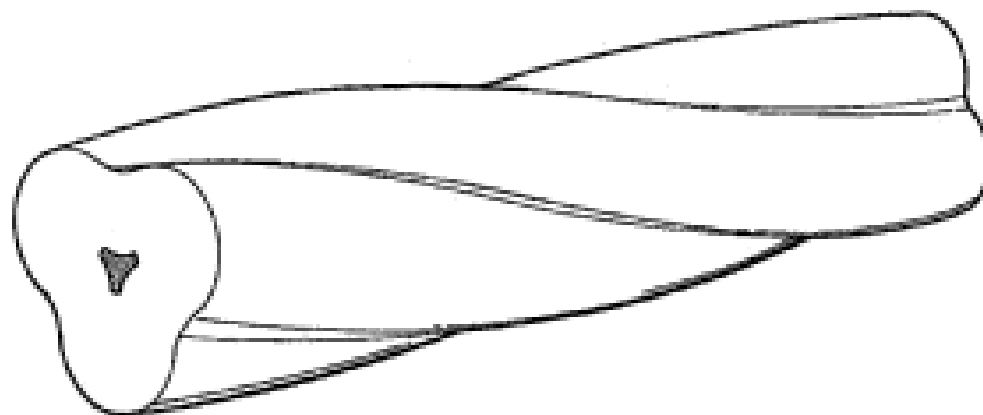


- (21) Design Number: **15600/2005**
- (22) Date of Filing Application: **03 May 2005**
- (24) Date from which industrial property rights may have effect: **03 May 2005**
- (54) Product in respect of which the design is registered: **Desk screen and desk (single unit)**
- (51) International Design Classification: **06-06NES, 06-03C**
- (71) Name(s) and Address(s) of Applicant(s):
Balmark Pty Ltd
47 Norman Street Peakhurst New South Wales 2218 Australia
- (72) Name(s) of Designer(s): **Jim Karpouzos**
- (45) Registration Date: **24 February 2006**
- (56) Related Art Documents: **Not Applicable**
- (57) Statement of Newness and Distinctiveness: **Monopoly is claimed in respect of the shape and configuration of the desk screen system as shown in the attached representations.**

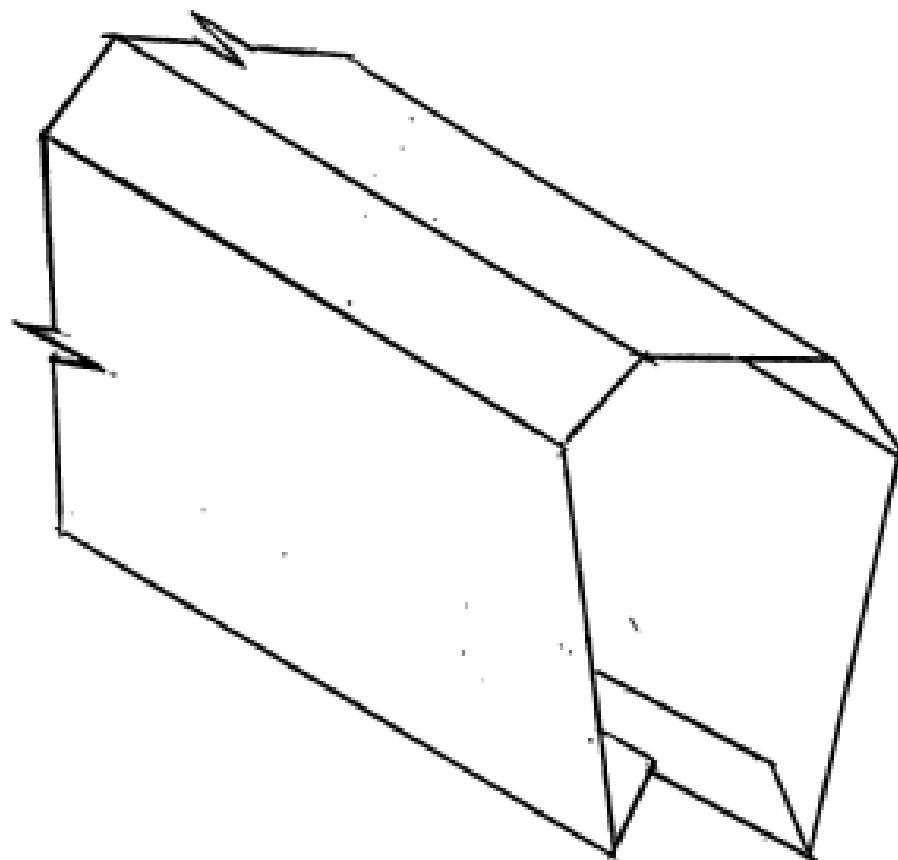


- (21) Design Number: **13018/2005**
- (22) Date of Filing Application: **14 July 2005**
- (24) Date from which industrial property rights may have effect: **14 July 2005**
- (54) Product in respect of which the design is registered: **Pet treat**
- (51) International Design Classification: **01-06**
- (71) Name(s) and Address(s) of Applicant(s):
Societe Des Produits Nestle S.A.
PO Box 353 1800 Vevey Switzerland
- (72) Name(s) of Designer(s): **Michael Leiweke and Gary Etheridge and Mario Albuja**
- (45) Registration Date: **24 February 2006**
- (30) Convention priority data:

(31) Number	(32) Date	(33) Country
29/221464	14 Jan 2005	UNITED STATES OF AMERICA
- (56) Related Art Documents: **Not Applicable**
- (57) Statement of Newness and Distinctiveness: **Newness and distinctiveness resides in the shape and/or configuration of the pet treat as illustrated the accompanying representations.**



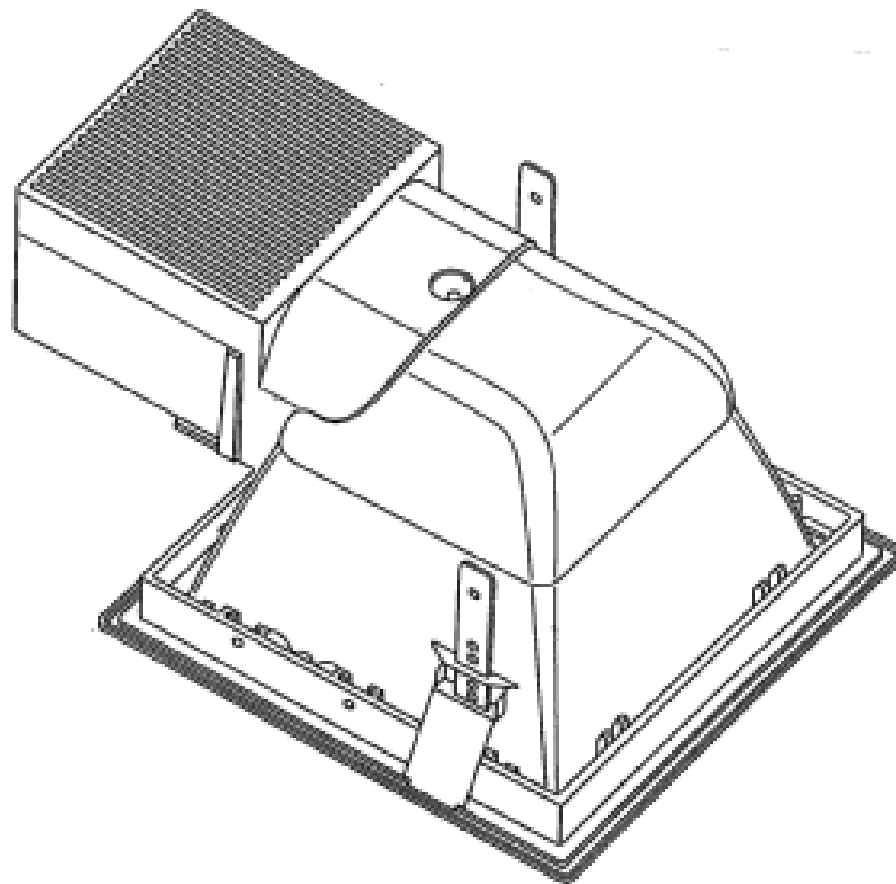
- (21) Design Number: **13196/2005**
(22) Date of Filing Application: **27 July 2005**
(24) Date from which industrial property rights may have effect: **27 July 2005**
(54) Product in respect of which the design is registered: **Fence capping**
(51) International Design Classification: **25-02C**
(71) Name(s) and Address(s) of Applicant(s):
Johannes Nicolaas Dungen
19 King Street Bayswater Victoria 3156 Australia
(72) Name(s) of Designer(s): **Johannes Dungen**
(45) Registration Date: **24 February 2006**
(56) Related Art Documents: **Not Applicable**
(57) Statement of Newness and Distinctiveness: **Monopoly is claimed in the shape and configuration of the timber paling fence metal capping.**



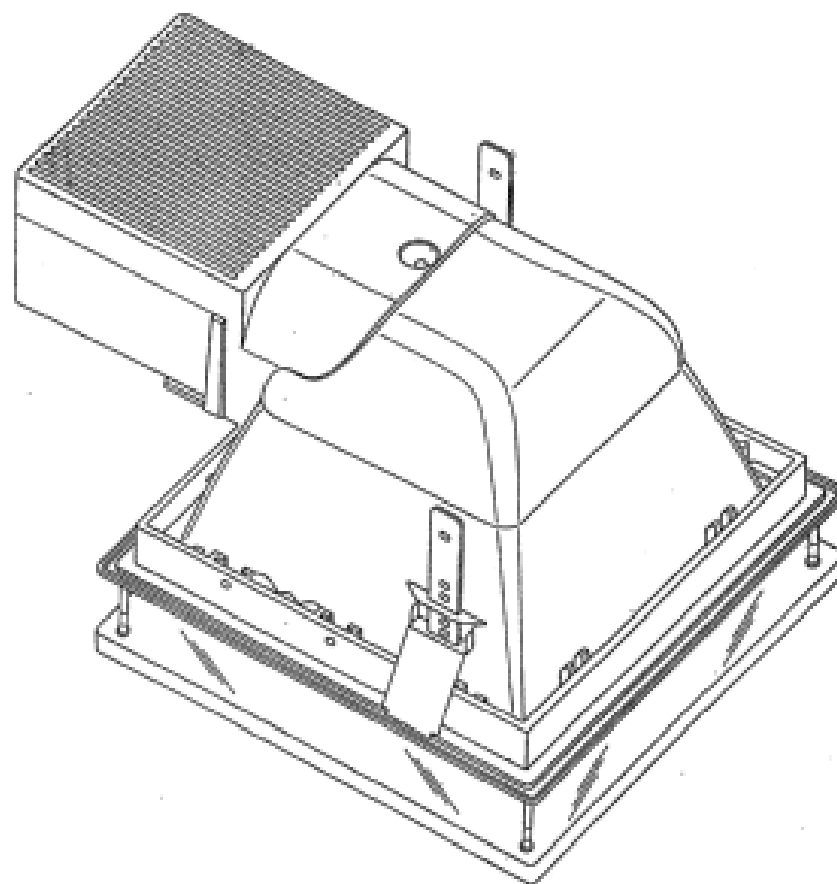
- (21) Design Number: **13202/2005**
(22) Date of Filing Application: **28 July 2005**
(24) Date from which industrial property rights may have effect: **28 July 2005**
(54) Product in respect of which the design is registered: **Shirt**
(51) International Design Classification: **02-02NES**
(71) Name(s) and Address(s) of Applicant(s):
Pacific Brands Sport & Leisure Pty Ltd
Level 3 290 Burwood Road Hawthorn Victoria 3122 Australia
(72) Name(s) of Designer(s): **Leigh Eam and Gilbert Huynh**
(45) Registration Date: **24 February 2006**
(56) Related Art Documents: **Not Applicable**
(57) Statement of Newness and Distinctiveness: **Newness and distinctiveness of the design resides in the shape and configuration of the underarm region of the shirt as shown in the accompanying representations. When considering whether the design is substantially similar, no regard should be given to the length of the arms of the shirt.**



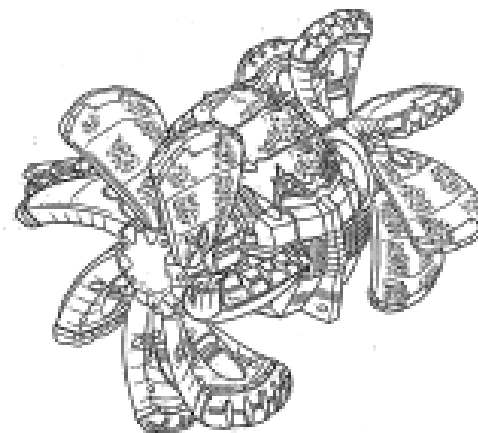
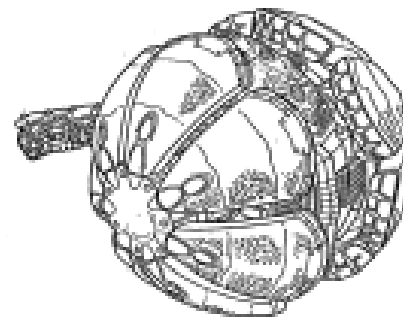
- (21) Design Number: **13314/2005**
(22) Date of Filing Application: **03 August 2005**
(24) Date from which industrial property rights may have effect: **03 August 2005**
(54) Product in respect of which the design is registered: **Panel mounted light fixture**
(51) International Design Classification: **26-05A**
(71) Name(s) and Address(s) of Applicant(s):
Zumtobel Staff GmbH & Co. KG
Grevenmarschstrasse 74-78 32657 Lemgo Germany
(72) Name(s) of Designer(s): **Chris Redfern**
(45) Registration Date: **24 February 2006**
(30) Convention priority data:
(31) Number (32) Date (33) Country
000 07 Feb 2005 EUROPEAN COMMUNITY
291695-0001
(56) Related Art Documents: **Not Applicable**
(57) Statement of Newness and Distinctiveness: **Newness and distinctiveness is claimed in the features of shape and/or configuration of a panel mounted light fixture as illustrated in the accompanying representations.**



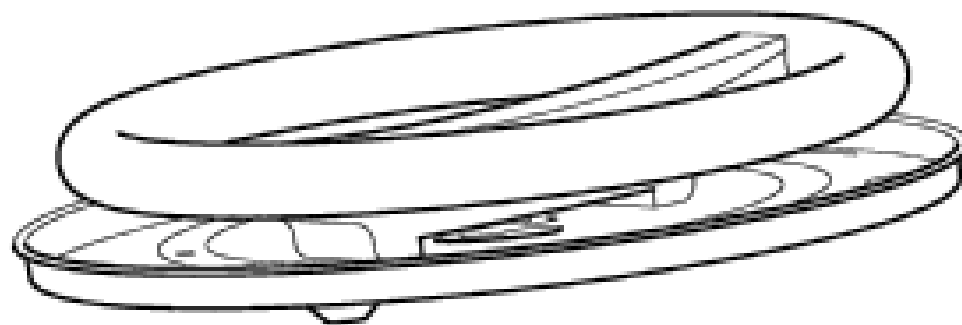
- (21) Design Number: **13315/2005**
(22) Date of Filing Application: **03 August 2005**
(24) Date from which industrial property rights may have effect: **03 August 2005**
(54) Product in respect of which the design is registered: **Panel mounted light fixture**
(51) International Design Classification: **26-05A**
(71) Name(s) and Address(s) of Applicant(s):
Zumtobel Staff GmbH & Co. KG
Grevenmarschstrasse 74-78 32657 Lemgo Germany
(72) Name(s) of Designer(s): **Chris Redfern**
(45) Registration Date: **24 February 2006**
(30) Convention priority data:
(31) Number (32) Date (33) Country
000 07 Feb 2005 EUROPEAN COMMUNITY
291695-0003
(56) Related Art Documents: **Not Applicable**
(57) Statement of Newness and Distinctiveness: **Newness and distinctiveness is claimed in the features of shape and/or configuration of a panel mounted light fixture as illustrated in the accompanying representations.**



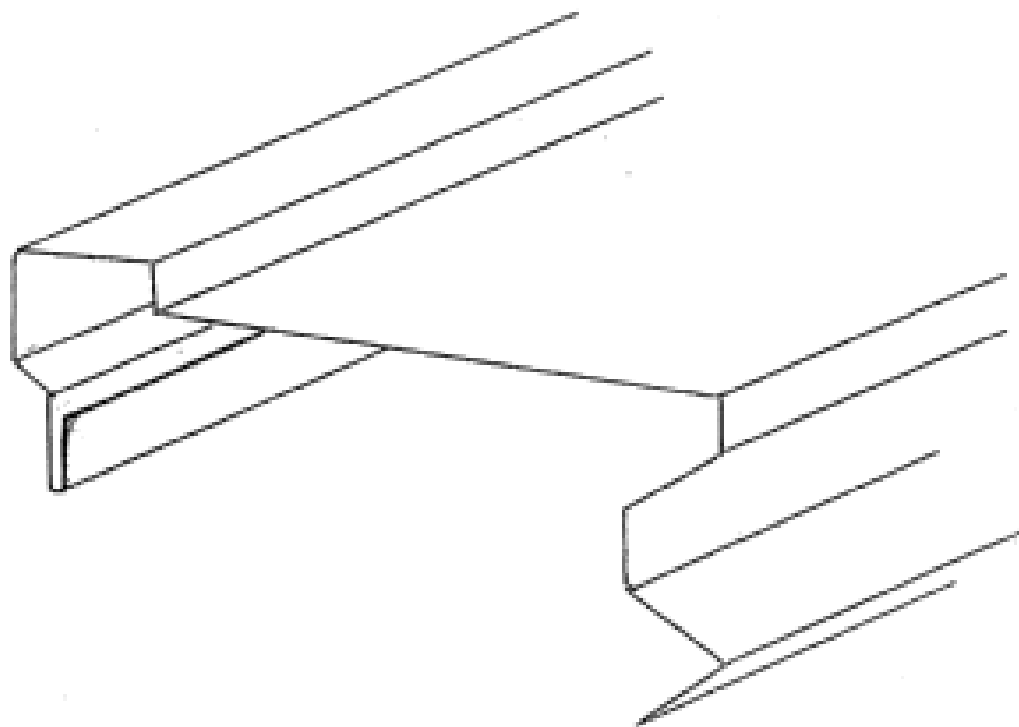
(21) Design Number: **13384/2005**
(22) Date of Filing Application: **09 August 2005**
(24) Date from which industrial property rights may have effect: **09 August 2005**
(54) Product in respect of which the design is registered: **A reconfigurable toy vehicle**
(51) International Design Classification: **21-01C, 21-01E**
(71) Name(s) and Address(s) of Applicant(s):
Mattel, Inc.
333 Continental Boulevard El Segundo CA 90245 United States of America
(72) Name(s) of Designer(s): **David Bowen and Paulo Kang**
(45) Registration Date: **24 February 2006**
(30) Convention priority data:
(31) Number (32) Date (33) Country
29/223,218 09 Feb 2005 UNITED STATES OF AMERICA
(56) Related Art Documents: **Not Applicable**
(57) Statement of Newness and Distinctiveness: **Nil**



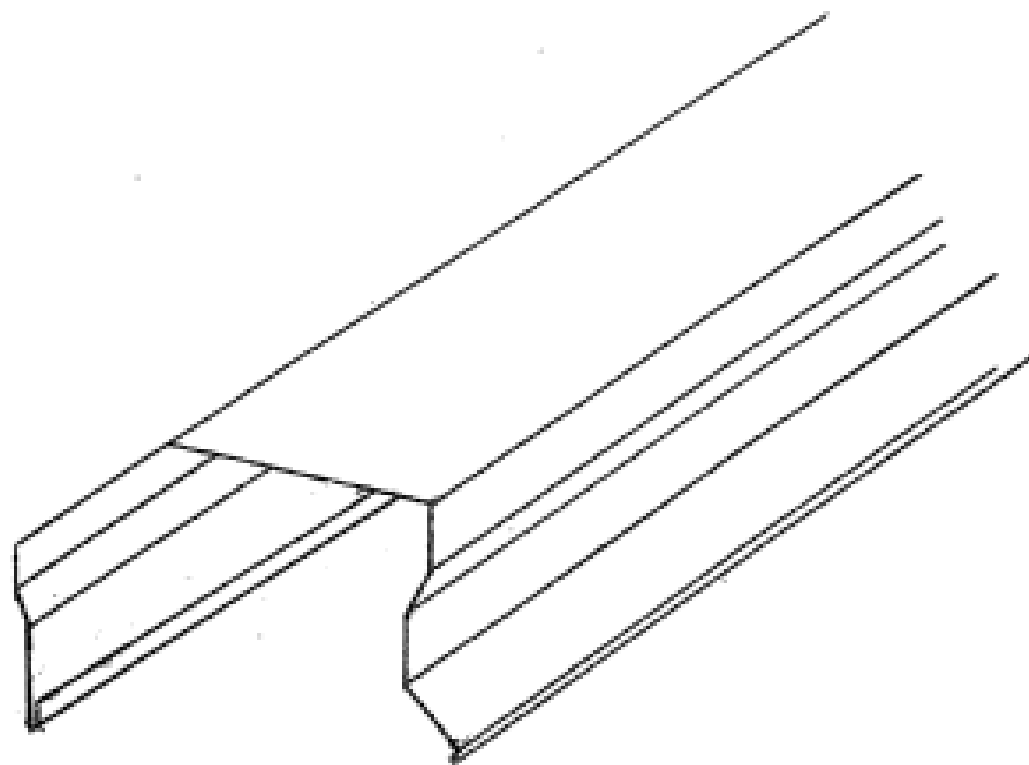
(21) Design Number: **13858/2005**
(22) Date of Filing Application: **08 September 2005**
(24) Date from which industrial property rights may have effect: **08 September 2005**
(54) Product in respect of which the design is registered: **Ceiling luminaire**
(51) International Design Classification: **26-05A**
(71) Name(s) and Address(s) of Applicant(s):
Koninklijke Philips Electronics N.V.
Groenewoudseweg 1 5621 BA Eindhoven The Netherlands
(72) Name(s) of Designer(s): **Tony Tseng**
(45) Registration Date: **24 February 2006**
(30) Convention priority data:
(31) Number (32) Date (33) Country
000315072 30 Mar 2005 EUROPEAN COMMUNITY
(56) Related Art Documents: **Not Applicable**
(57) Statement of Newness and Distinctiveness: **Each feature of the design considered separately or in combination with any other feature or features.**



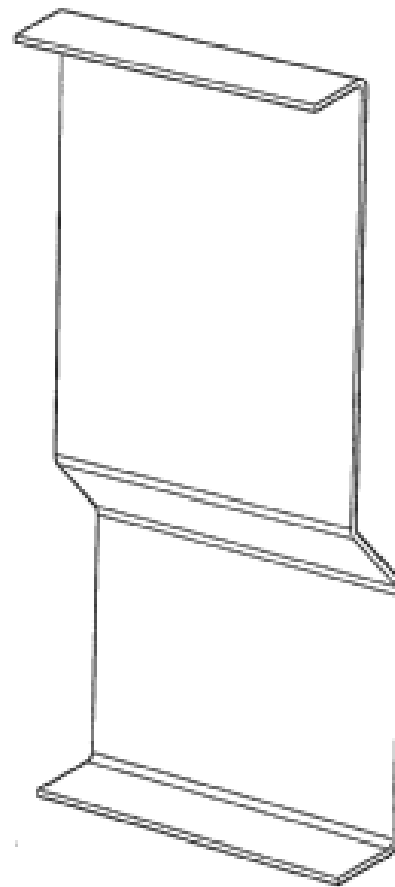
- (21) Design Number: **13795/2005**
(22) Date of Filing Application: **06 September 2005**
(24) Date from which industrial property rights may have effect: **06 September 2005**
(54) Product in respect of which the design is registered: **Fence capping**
(51) International Design Classification: **25-01E**
(71) Name(s) and Address(s) of Applicant(s):
Robert Norman Ganley
13 Blacks Road West Pennant Hills New South Wales 2125 Australia
(72) Name(s) of Designer(s): **Robert N. Ganley**
(45) Registration Date: **24 February 2006**
(56) Related Art Documents: **Not Applicable**
(57) Statement of Newness and Distinctiveness: **Monopoly is claimed in the shape and configuration of the fence capping having an indefinite length.**



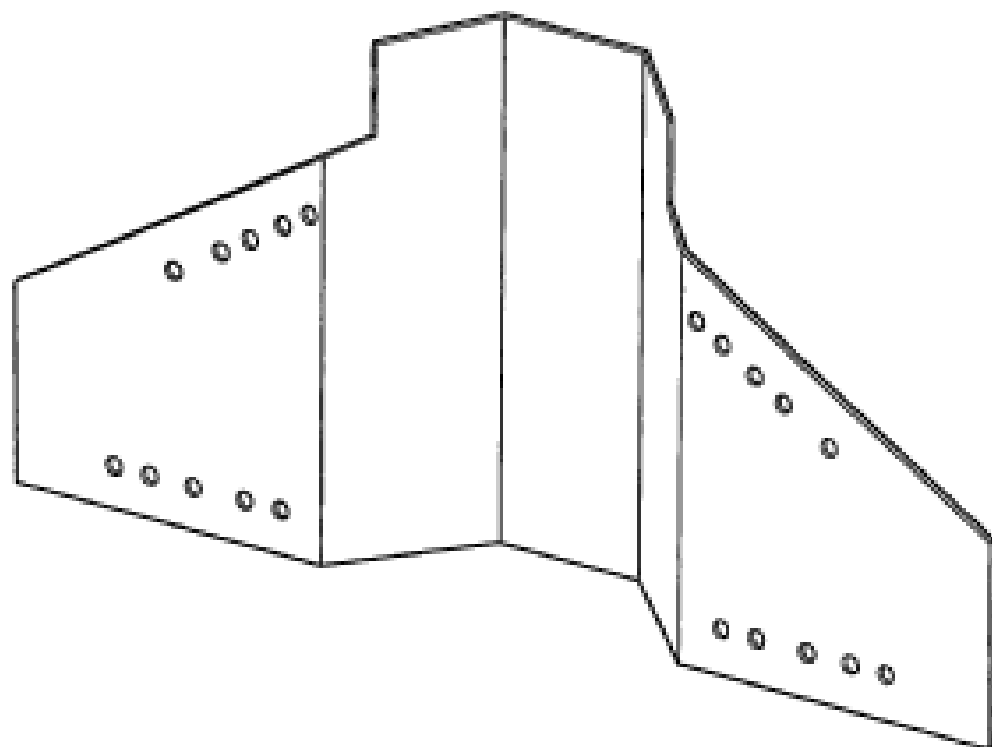
- (21) Design Number: **13796/2005**
(22) Date of Filing Application: **06 September 2005**
(24) Date from which industrial property rights may have effect: **06 September 2005**
(54) Product in respect of which the design is registered: **Fence capping**
(51) International Design Classification: **25-01E**
(71) Name(s) and Address(s) of Applicant(s):
Robert Norman Ganley
13 Blacks Road West Pennant Hills New South Wales 2125 Australia
(72) Name(s) of Designer(s): **Robert N. Ganley**
(45) Registration Date: **24 February 2006**
(56) Related Art Documents: **Not Applicable**
(57) Statement of Newness and Distinctiveness: **Monopoly is claimed in the shape and configuration of the fence capping having an indefinite length.**



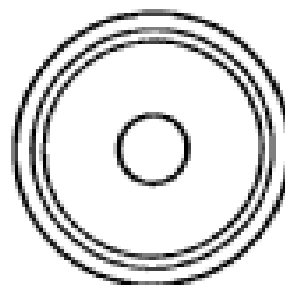
- (21) Design Number: **13838/2005**
- (22) Date of Filing Application: **07 September 2005**
- (24) Date from which industrial property rights may have effect: **07 September 2005**
- (54) Product in respect of which the design is registered: **Wall frame joining bracket**
- (51) International Design Classification: **08-08L**
- (71) Name(s) and Address(s) of Applicant(s):
QuickFrame Technologies Pty Ltd
Level 2 47 South Terrace Adelaide South Australia 5000 Australia
- (72) Name(s) of Designer(s): **Leon William Greeff and Graham John Peacock**
- (45) Registration Date: **24 February 2006**
- (56) Related Art Documents: **Not Applicable**
- (57) Statement of Newness and Distinctiveness: **Nil**



- (21) Design Number: **13839/2005**
- (22) Date of Filing Application: **07 September 2005**
- (24) Date from which industrial property rights may have effect: **07 September 2005**
- (54) Product in respect of which the design is registered: **Roof hip plate**
- (51) International Design Classification: **08-08L**
- (71) Name(s) and Address(s) of Applicant(s):
QuickFrame Technologies Pty Ltd
Level 2 47 South Terrace Adelaide South Australia 5000 Australia
- (72) Name(s) of Designer(s): **Leon William Greeff and Graham John Peacock**
- (45) Registration Date: **24 February 2006**
- (56) Related Art Documents: **Not Applicable**
- (57) Statement of Newness and Distinctiveness: **Nil**

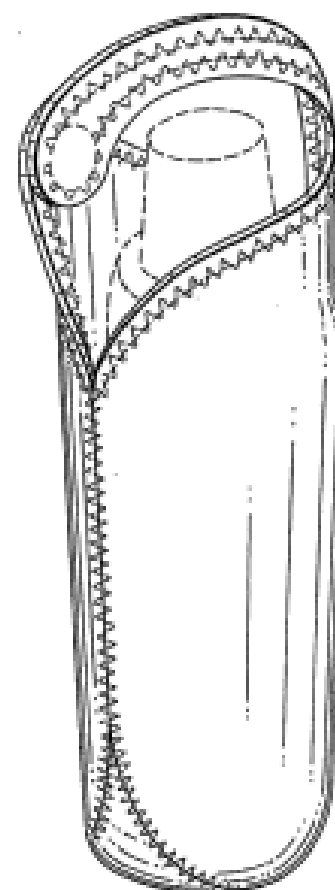


- (21) Design Number: **13836/2005**
- (22) Date of Filing Application: **07 September 2005**
- (24) Date from which industrial property rights may have effect: **07 September 2005**
- (54) Product in respect of which the design is registered: **Roof connector**
- (51) International Design Classification: **08-08L**
- (71) Name(s) and Address(s) of Applicant(s):
QuickFrame Technologies Pty Ltd
Level 2 47 South Terrace Adelaide South Australia 5000 Australia
- (72) Name(s) of Designer(s): **Leon William Greeff and Graham John Peacock**
- (45) Registration Date: **24 February 2006**
- (56) Related Art Documents: **Not Applicable**
- (57) Statement of Newness and Distinctiveness: **Nil**

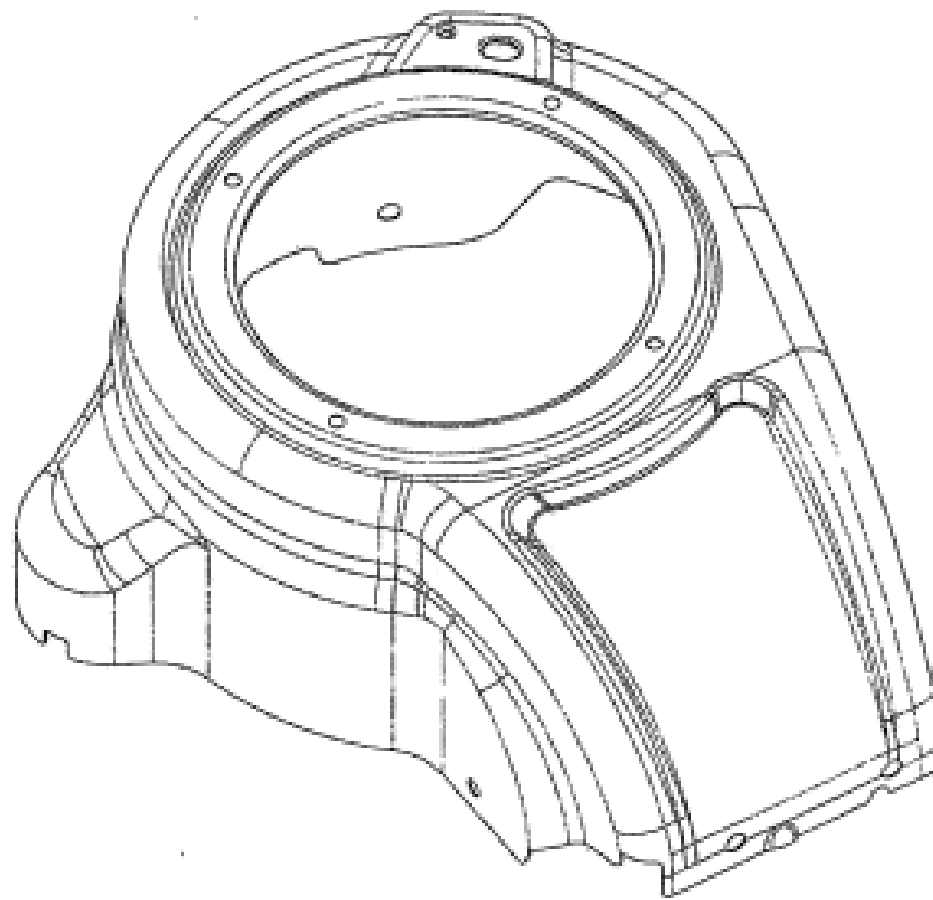


- (21) Design Number: **15178/2005**
- (22) Date of Filing Application: **24 November 2005**
- (24) Date from which industrial property rights may have effect: **24 November 2005**
- (54) Product in respect of which the design is registered: **Bottle tote**
- (51) International Design Classification: **07-06A, 07-07A**
- (71) Name(s) and Address(s) of Applicant(s):
Built NY, Inc.
75 Spring Street 7th Floor New York NY 10012 United States of America
- (72) Name(s) of Designer(s): **Aaron Lown and John Roscoe Swartz**
- (45) Registration Date: **24 February 2006**
- (30) Convention priority data:

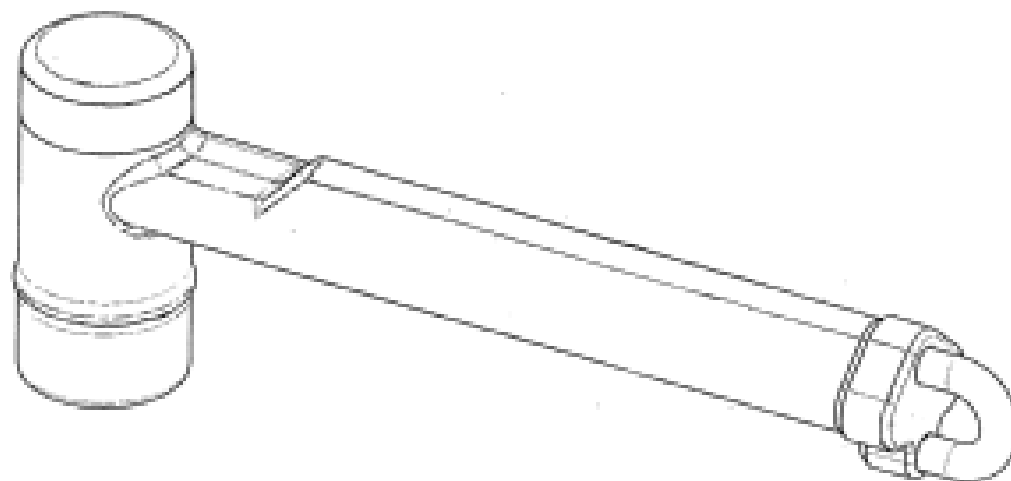
(31) Number	(32) Date	(33) Country
29/230,685	25 May 2005	UNITED STATES OF AMERICA
- (56) Related Art Documents: **Not Applicable**
- (57) Statement of Newness and Distinctiveness: **The newness and distinctiveness of the design resides in the features of shape and/or configuration shown in solid lines in the accompanying representations.**



- (21) Design Number: **15363/2005**
(22) Date of Filing Application: **02 December 2005**
(24) Date from which industrial property rights may have effect: **02 December 2005**
(54) Product in respect of which the design is registered: **Shroud**
(51) International Design Classification: **15-01, 15-03B**
(71) Name(s) and Address(s) of Applicant(s):
Briggs & Stratton Corporation
12301 W. Wirth Street Wauwatosa Wisconsin 53222 United States of America
(72) Name(s) of Designer(s): **Christopher J. Drew and Charles Lasky and Paul A. Leech and John P. McDonald and Brian P. Saiia and John R. Schneiker and Kipp K. Stevens and Christina E. Wisler**
(45) Registration Date: **24 February 2006**
(30) Convention priority data:
(31) Number (32) Date (33) Country
29/232,000 13 Jun 2005 UNITED STATES OF AMERICA
(56) Related Art Documents: **Not Applicable**
(57) Statement of Newness and Distinctiveness: **Nil**



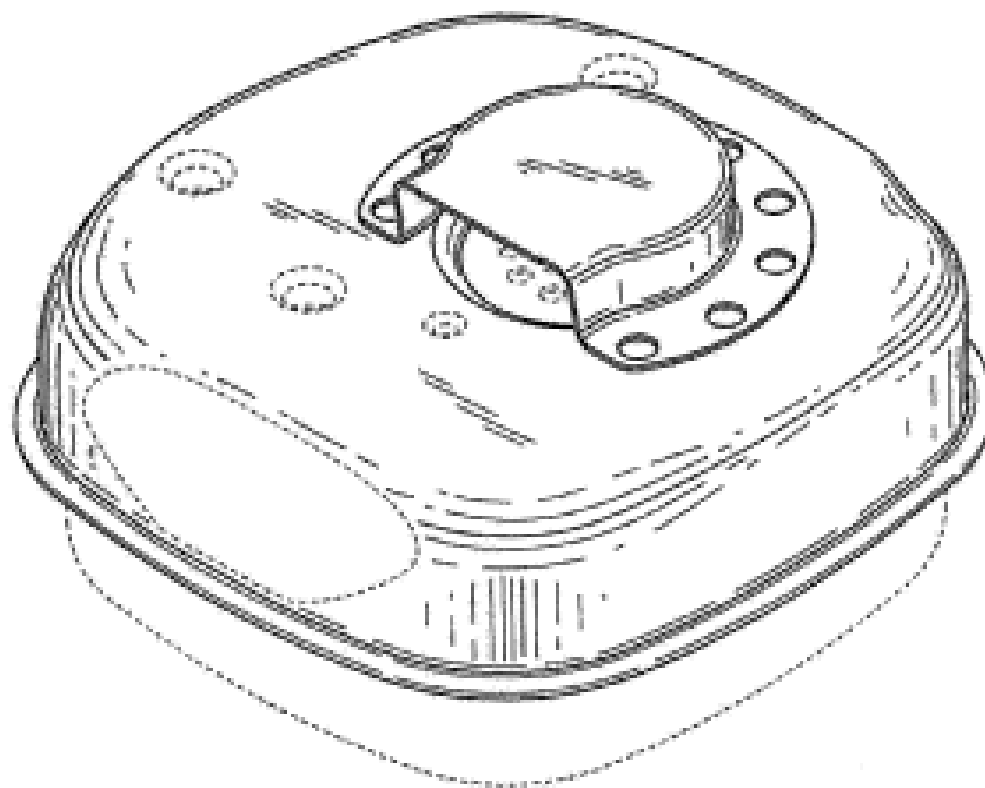
- (21) Design Number: **15528/2005**
(22) Date of Filing Application: **14 December 2005**
(24) Date from which industrial property rights may have effect: **14 December 2005**
(54) Product in respect of which the design is registered: **A tent peg tool**
(51) International Design Classification: **21-04**
(71) Name(s) and Address(s) of Applicant(s):
Norman Alfred Moxey
PO Box 7172 Urangan Queensland 4655 Australia
(72) Name(s) of Designer(s): **Norman Alfred Moxey**
(45) Registration Date: **24 February 2006**
(56) Related Art Documents: **Not Applicable**
(57) Statement of Newness and Distinctiveness: **Visual features of the design which are new and distinctive are the features of shape and configuration of a tent peg tool as illustrated in the representations.**



(21) Design Number: **10149/2006**
 (22) Date of Filing Application: **18 January 2006**
 (24) Date from which industrial property rights may have effect: **18 January 2006**
 (54) Product in respect of which the design is registered: **Container tether**
 (51) International Design Classification: **07-01NES**
 (71) Name(s) and Address(s) of Applicant(s):
Briggs & Stratton Corporation
12301 West Wirth Street Wauwatosa WI 53222 United States of America
 (72) Name(s) of Designer(s): **John J. Nagel and John A. Zbiegien Jr**
 (45) Registration Date: **24 February 2006**
 (30) Convention priority data:

(31) Number	(32) Date	(33) Country
29/235, 188	28 Jul 2005	UNITED STATES OF AMERICA

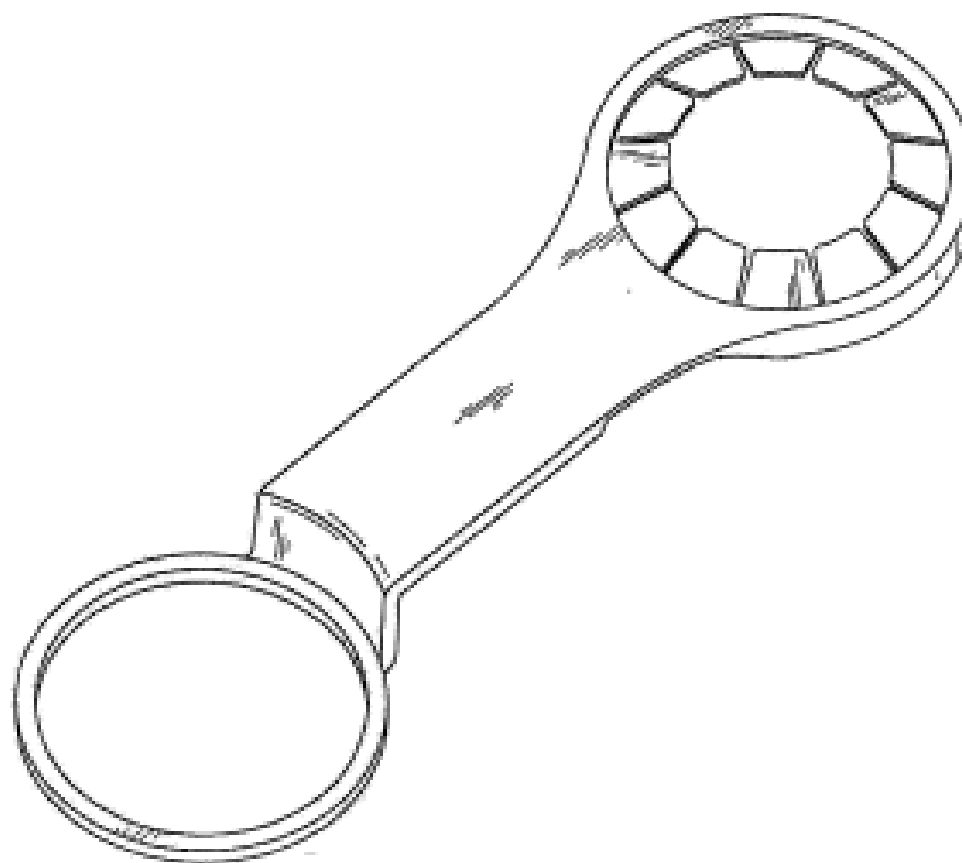
 (56) Related Art Documents: **Not Applicable**
 (57) Statement of Newness and Distinctiveness: **The features shown in broken line or phantom are for illustrative purposes only and form no part of the design.**



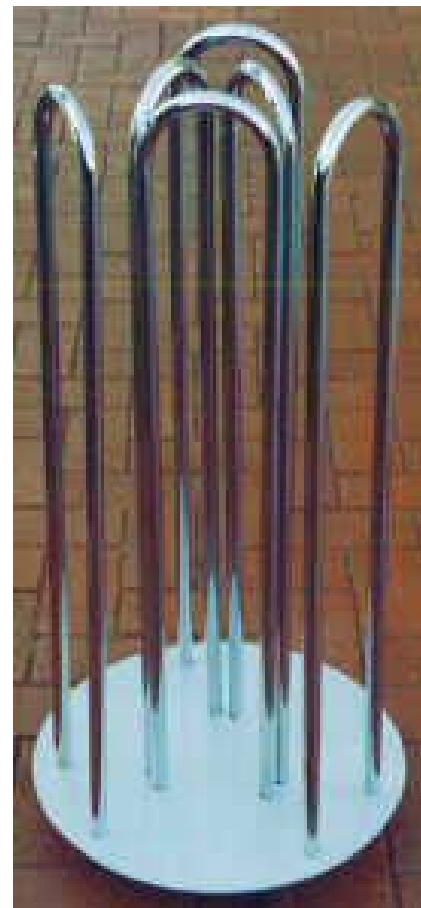
(21) Design Number: **10150/2006**
 (22) Date of Filing Application: **18 January 2006**
 (24) Date from which industrial property rights may have effect: **18 January 2006**
 (54) Product in respect of which the design is registered: **Container Tether**
 (51) International Design Classification: **07-01NES**
 (71) Name(s) and Address(s) of Applicant(s):
Briggs & Stratton Corporation
12301 West Wirth Street Wauwatosa WI 53222 United States of America
 (72) Name(s) of Designer(s): **Christina E. Wisler and Thomas D. Blum**
 (45) Registration Date: **24 February 2006**
 (30) Convention priority data:

(31) Number	(32) Date	(33) Country
29/235,054	27 Jul 2005	UNITED STATES OF AMERICA

 (56) Related Art Documents: **Not Applicable**
 (57) Statement of Newness and Distinctiveness: **Nil**



(21) Design Number: **13118/2004**
(22) Date of Filing Application: **02 July 2004**
(24) Date from which industrial property rights may have effect: **02 July 2004**
(54) Product in respect of which the design is registered: **Gear demonstrator display rack**
(51) International Design Classification: **20-02E**
(71) Name(s) and Address(s) of Applicant(s):
Hang 2 Pty Ltd
581 Morpung Avenue Irymple Victoria 3498 Australia
(72) Name(s) of Designer(s): **John Jeffery Thomson**
(45) Registration Date: **27 February 2006**
(56) Related Art Documents: **Not Applicable**
(57) Statement of Newness and Distinctiveness: **Nil**



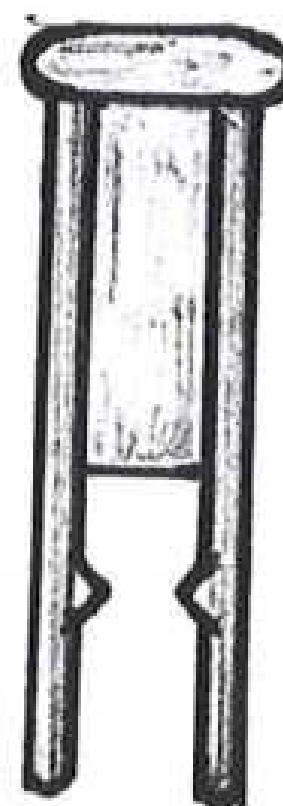
(21) Design Number: **13115/2004**
(22) Date of Filing Application: **02 July 2004**
(24) Date from which industrial property rights may have effect: **02 July 2004**
(54) Product in respect of which the design is registered: **Clothes hanger classification 06-08**
(51) International Design Classification: **06-08**
(71) Name(s) and Address(s) of Applicant(s):
Hang 2 Pty Ltd
581 Morpung Avenue Irymple Victoria 3498 Australia
(72) Name(s) of Designer(s): **John Jeffery Thomson**
(45) Registration Date: **27 February 2006**
(56) Related Art Documents: **Not Applicable**
(57) Statement of Newness and Distinctiveness: **Nil**



(21) Design Number: **13116/2004**
(22) Date of Filing Application: **02 July 2004**
(24) Date from which industrial property rights may have effect: **02 July 2004**
(54) Product in respect of which the design is registered: **Clothes hanger classification 06-08**
(51) International Design Classification: **06-08**
(71) Name(s) and Address(s) of Applicant(s):
Hang 2 Pty Ltd
581 Morpung Avenue Irymple Victoria 3498 Australia
(72) Name(s) of Designer(s): **John Jeffrey Thomson**
(45) Registration Date: **27 February 2006**
(56) Related Art Documents: **Not Applicable**
(57) Statement of Newness and Distinctiveness: **Nil**



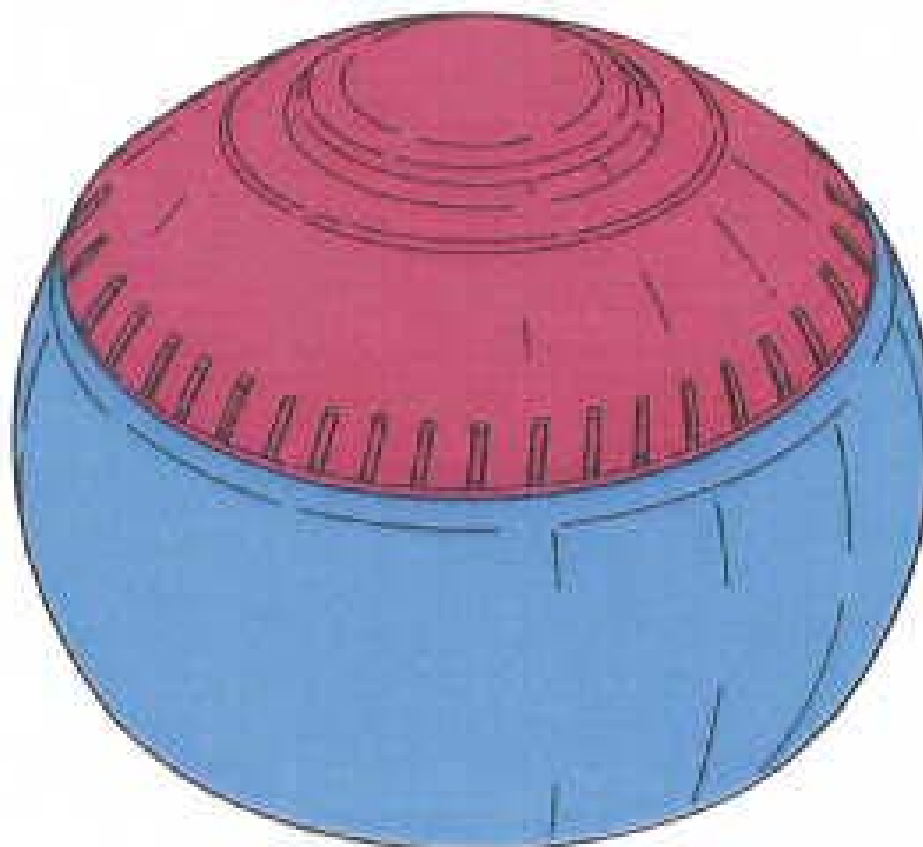
(21) Design Number: **13117/2004**
(22) Date of Filing Application: **02 July 2004**
(24) Date from which industrial property rights may have effect: **02 July 2004**
(54) Product in respect of which the design is registered: **Clothes hanger classification 06-08**
(51) International Design Classification: **06-08, 08-08C**
(71) Name(s) and Address(s) of Applicant(s):
Hang 2 Pty Ltd
581 Morpung Avenue Irymple Victoria 3498 Australia
(72) Name(s) of Designer(s): **John Jeffrey Thomson**
(45) Registration Date: **27 February 2006**
(56) Related Art Documents: **Not Applicable**
(57) Statement of Newness and Distinctiveness: **Nil**



- (21) Design Number: **15232/2004**
(22) Date of Filing Application: **11 November 2004**
(24) Date from which industrial property rights may have effect: **11 November 2004**
(54) Product in respect of which the design is registered: **Stool**
(51) International Design Classification: **06-01E**
(71) Name(s) and Address(s) of Applicant(s):
Karyn Chapman
Unit 8 Jackaranda Glades 1023 Brunswick Street New Farm
Queensland 2005 Australia
(72) Name(s) of Designer(s): **Karyn Chapman**
(45) Registration Date: **27 February 2006**
(56) Related Art Documents: **Not Applicable**
(57) Statement of Newness and Distinctiveness: **Monopoly is claimed in the shape of the stool seat. The back of the seat is higher than the front of the seat. There is a 5 degree slope forward on the seat of the stool.**



- (21) Design Number: **12070/2005**
(22) Date of Filing Application: **10 May 2005**
(24) Date from which industrial property rights may have effect: **10 May 2005**
(54) Product in respect of which the design is registered: **Container**
(51) International Design Classification: **09-01C, 09-01NES, 09-03NES**
(71) Name(s) and Address(s) of Applicant(s):
Reckitt Benckiser N.V.
Kantoorgebouw de Appelaer De Fruittuinen 2-12 2132 NZ Hoofddorp
The Netherlands
(72) Name(s) of Designer(s): **Richard Simkin**
(45) Registration Date: **27 February 2006**
(30) Convention priority data:
(31) Number (32) Date (33) Country
000254248 16 Nov 2004 EUROPEAN COMMUNITY
(56) Related Art Documents: **Not Applicable**
(57) Statement of Newness and Distinctiveness: **Each feature of the design considered separately or in combination with any other feature or features.**



- (21) Design Number: **13375/2005**
(22) Date of Filing Application: **08 August 2005**
(24) Date from which industrial property rights may have effect: **08 August 2005**
(54) Product in respect of which the design is registered: **Fingerprint reader device**
(51) International Design Classification: **08-07, 10-04, 10-99**
(71) Name(s) and Address(s) of Applicant(s):
BIO Recognition Systems Pty Ltd
Unit 11 Building F 16 Mars Road Lane Cove New South Wales 2066
Australia
(72) Name(s) of Designer(s): **Jon Reid**
(45) Registration Date: **27 February 2006**
(56) Related Art Documents: **Not Applicable**
(57) Statement of Newness and Distinctiveness: **Monopoly is claimed in the shape and design of the biolock device as shown in the representations. Monopoly is claimed in the shape and design of the biolock device as shown in the attached photo's.**



- (21) Design Number: **10283/2005**
(22) Date of Filing Application: **28 January 2005**
(24) Date from which industrial property rights may have effect: **28 January 2005**
(54) Product in respect of which the design is registered: **Tile**
(51) International Design Classification: **25-01F**
(71) Name(s) and Address(s) of Applicant(s):
Stone International Ltd
Lini Highway Port Vila Vanuatu
(72) Name(s) of Designer(s): **Nigel Brett Eaton**
(45) Registration Date: **27 February 2006**
(56) Related Art Documents: **Not Applicable**
(57) Statement of Newness and Distinctiveness: **The external outline of the tile allows the tile to interlock in a way that successfully disguises the joining of the tiles when laid.**



- (21) Design Number: **10284/2005**
(22) Date of Filing Application: **28 January 2005**
(24) Date from which industrial property rights may have effect: **28 January 2005**
(54) Product in respect of which the design is registered: **Tile**
(51) International Design Classification: **25-01F**
(71) Name(s) and Address(s) of Applicant(s):
Stone International Ltd
Lini Highway Port Vila Vanuatu
(72) Name(s) of Designer(s): **Nigel Brett Eaton**
(45) Registration Date: **27 February 2006**
(56) Related Art Documents: **Not Applicable**
(57) Statement of Newness and Distinctiveness: **The external outline of the tile allows the tile to interlock in a way that successfully disguises the joining of the tiles when laid.**



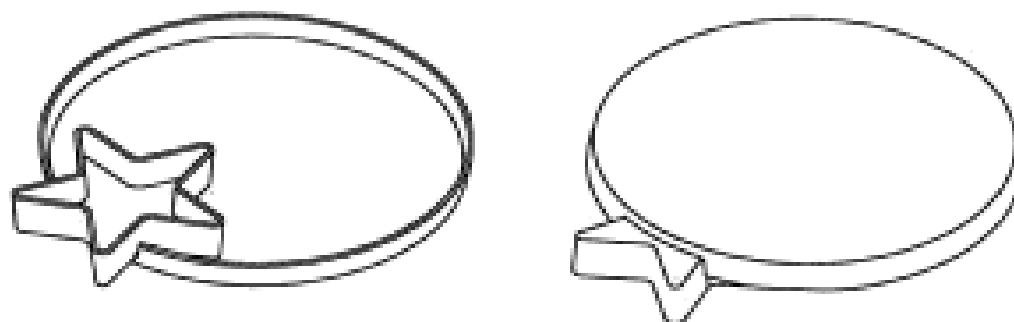
- (21) Design Number: **14043/2005**
(22) Date of Filing Application: **20 September 2005**
(24) Date from which industrial property rights may have effect: **20 September 2005**
(54) Product in respect of which the design is registered: **An automobile**
(51) International Design Classification: **12-08**
(71) Name(s) and Address(s) of Applicant(s):
GM Global Technology Operations, Inc.
300 Renaissance Center Detroit Michigan 48265-3000 United States of America
(72) Name(s) of Designer(s): **Mark Adams and Michael Pickstone and Frederick Backman and Kurt Beyer**
(45) Registration Date: **27 February 2006**
(30) Convention priority data:
(31) Number (32) Date (33) Country
000311915 21 Mar 2005 EUROPEAN COMMUNITY
(56) Related Art Documents: **Not Applicable**
(57) Statement of Newness and Distinctiveness: **The newness and distinctiveness of the design resides in the shape and configuration of an automobile as illustrated in the accompanying representations.**



- (21) Design Number: **14514/2004**
- (22) Date of Filing Application: **21 September 2004**
- (24) Date from which industrial property rights may have effect: **21 September 2004**
- (54) Product in respect of which the design is registered: **Head massager**
- (51) International Design Classification: **28-03NES**
- (71) Name(s) and Address(s) of Applicant(s):
Yingzhe Xiong
Unit 6/84 Queens Road Hurstville New South Wales 2220 Australia
- (72) Name(s) of Designer(s): **Yingzhe Xiong**
- (45) Registration Date: **27 February 2006**
- (56) Related Art Documents: **Not Applicable**
- (57) Statement of Newness and Distinctiveness: **This head massager comprises of a hand-held housing that contains an electronic vibration motor and 8 flexible stands that fit the shape of a head and extend the vibration from the motor. Also, the 8 strands can be rotated to left or right so that it can be easily stored or carried. In addition, 2 optional massage heads are provided.**



- (21) Design Number: **12541/2005**
- (22) Date of Filing Application: **10 June 2005**
- (24) Date from which industrial property rights may have effect: **10 June 2005**
- (54) Product in respect of which the design is registered: **Serving ware**
- (51) International Design Classification: **07-01B**
- (71) Name(s) and Address(s) of Applicant(s):
Bambis Import Co. Pty Ltd
1-9 Moreland Road East Coburg Victoria 3058 Australia
- (72) Name(s) of Designer(s): **Harry Pourounidis**
- (45) Registration Date: **27 February 2006**
- (56) Related Art Documents: **Not Applicable**
- (57) Statement of Newness and Distinctiveness: **The design features an interlocking system that locks each piece together to form unique serving ware pieces.**



(21) Design Number: **12542/2005**

(22) Date of Filing Application: **10 June 2005**

(24) Date from which industrial property rights may have effect: **10 June 2005**

(54) Product in respect of which the design is registered: **Serving ware**

(51) International Design Classification: **07-01B**

(71) Name(s) and Address(s) of Applicant(s):

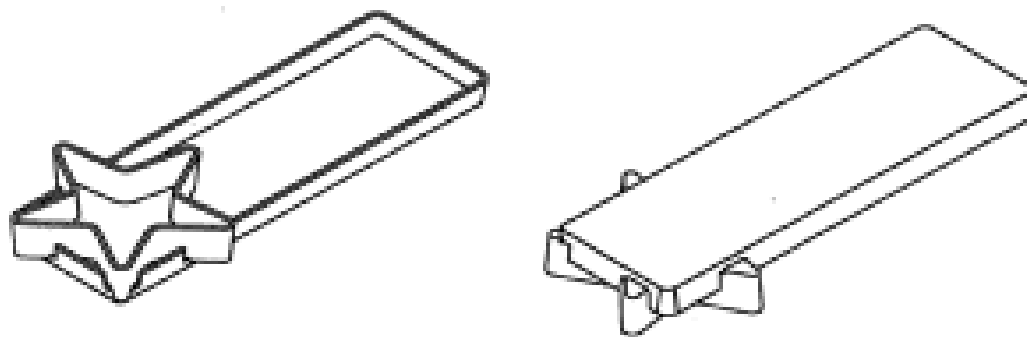
Bambis Import Co. Pty Ltd
1-9 Moreland Road East Coburg Victoria 3058 Australia

(72) Name(s) of Designer(s): **Harry Pourounidis**

(45) Registration Date: **27 February 2006**

(56) Related Art Documents: **Not Applicable**

(57) Statement of Newness and Distinctiveness: **The design features an interlocking system that was each piece together to form unique serving ware pieces.**



(21) Design Number: **13449/2005**

(22) Date of Filing Application: **11 August 2005**

(24) Date from which industrial property rights may have effect: **11 August 2005**

(54) Product in respect of which the design is registered: **Bookcase**

(51) International Design Classification: **06-04NES**

(71) Name(s) and Address(s) of Applicant(s):

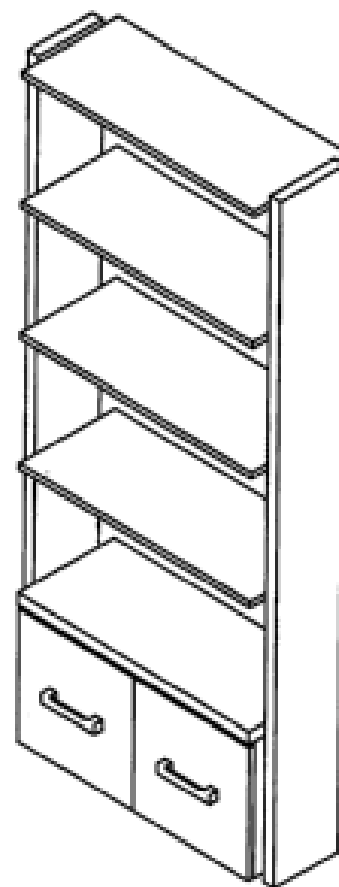
KD Concepts Pty Ltd
19-21 Charles Street St Marys New South Wales 2760 Australia

(72) Name(s) of Designer(s): **Angus Whyte**

(45) Registration Date: **27 February 2006**

(56) Related Art Documents: **Not Applicable**

(57) Statement of Newness and Distinctiveness: **Shape and configuration as per representation.**



(21) Design Number: **13450/2005**

(22) Date of Filing Application: **11 August 2005**

(24) Date from which industrial property rights may have effect: **11 August 2005**

(54) Product in respect of which the design is registered: **Desk**

(51) International Design Classification: **06-03C**

(71) Name(s) and Address(s) of Applicant(s):

KD Concepts Pty Ltd

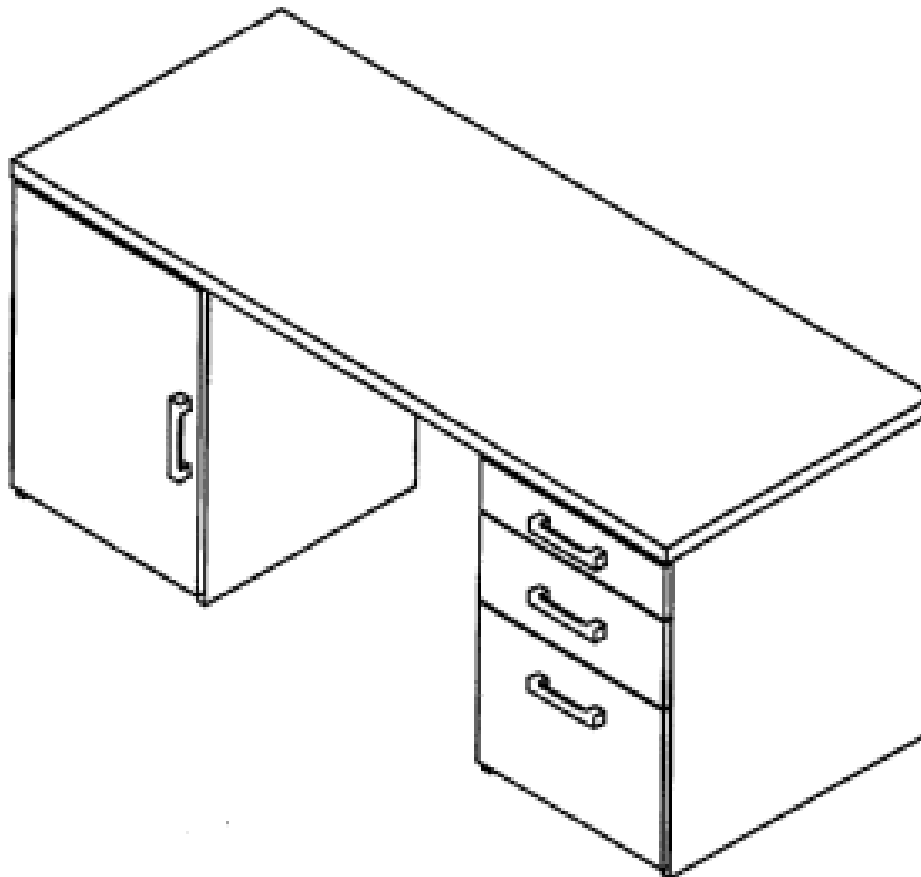
19-21 Charles Street St Marys New South Wales 2760 Australia

(72) Name(s) of Designer(s): **Angus Whyte**

(45) Registration Date: **27 February 2006**

(56) Related Art Documents: **Not Applicable**

(57) Statement of Newness and Distinctiveness: **Shape and configuration as per representation.**



(21) Design Number: **13451/2005**

(22) Date of Filing Application: **11 August 2005**

(24) Date from which industrial property rights may have effect: **11 August 2005**

(54) Product in respect of which the design is registered: **Work station**

(51) International Design Classification: **06-03C**

(71) Name(s) and Address(s) of Applicant(s):

KD Concepts Pty Ltd

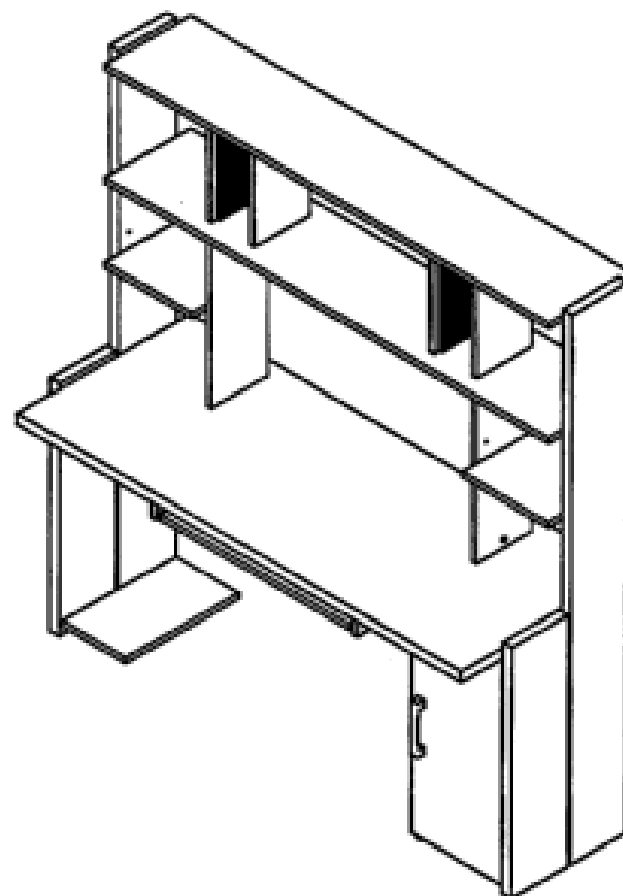
19-21 Charles Street St Marys New South Wales 2760 Australia

(72) Name(s) of Designer(s): **Angus Whyte**

(45) Registration Date: **27 February 2006**

(56) Related Art Documents: **Not Applicable**

(57) Statement of Newness and Distinctiveness: **Shape and configuration as per representation.**



(21) Design Number: **13452/2005**

(22) Date of Filing Application: **11 August 2005**

(24) Date from which industrial property rights may have effect: **11 August 2005**

(54) Product in respect of which the design is registered: **Wall shelf**

(51) International Design Classification: **06-04NES**

(71) Name(s) and Address(s) of Applicant(s):

KD Concepts Pty Ltd

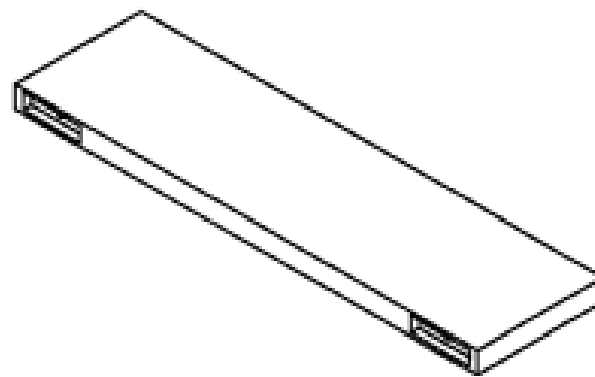
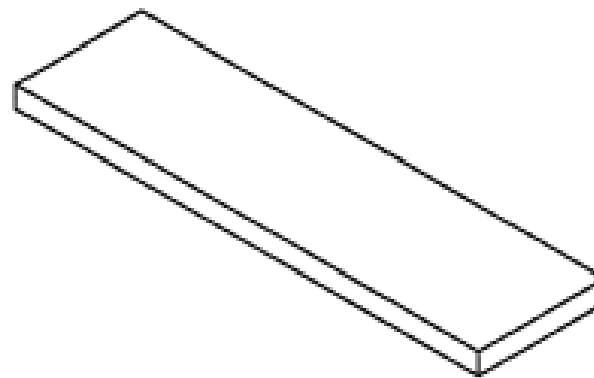
19-21 Charles Street St Marys New South Wales 2760 Australia

(72) Name(s) of Designer(s): **Angus Whyte**

(45) Registration Date: **27 February 2006**

(56) Related Art Documents: **Not Applicable**

(57) Statement of Newness and Distinctiveness: **Shape and configuration as per representation.**



(21) Design Number: **13453/2005**

(22) Date of Filing Application: **11 August 2005**

(24) Date from which industrial property rights may have effect: **11 August 2005**

(54) Product in respect of which the design is registered: **Storage unit**

(51) International Design Classification: **06-04NES, 06-04B**

(71) Name(s) and Address(s) of Applicant(s):

KD Concepts Pty Ltd

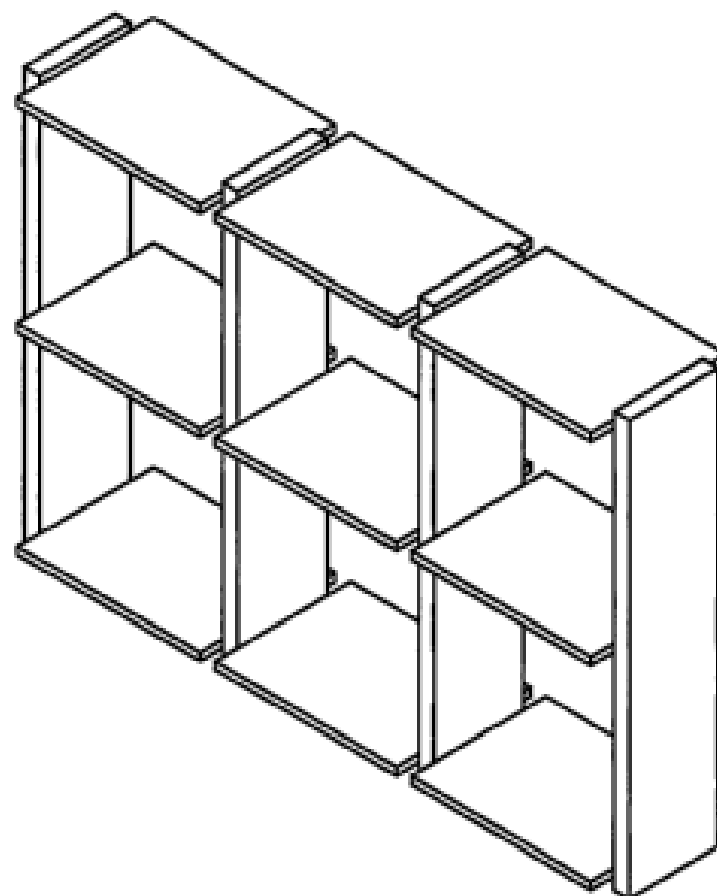
19-21 Charles Street St Marys New South Wales 2760 Australia

(72) Name(s) of Designer(s): **Angus Whyte**

(45) Registration Date: **27 February 2006**

(56) Related Art Documents: **Not Applicable**

(57) Statement of Newness and Distinctiveness: **Shape and configuration as per representation.**



(21) Design Number: **13454/2005**

(22) Date of Filing Application: **11 August 2005**

(24) Date from which industrial property rights may have effect: **11 August 2005**

(54) Product in respect of which the design is registered: **CD Box**

(51) International Design Classification: **06-04NES, 06-04B**

(71) Name(s) and Address(s) of Applicant(s):

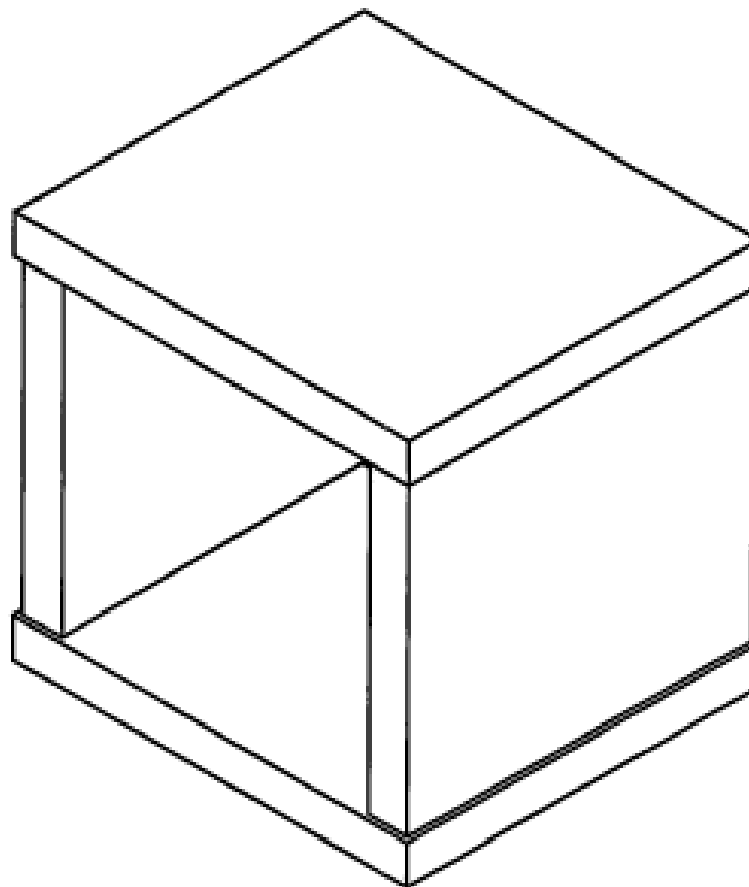
KD Concepts Pty Ltd
19-21 Charles Street St Marys New South Wales 2760 Australia

(72) Name(s) of Designer(s): **Angus Whyte**

(45) Registration Date: **27 February 2006**

(56) Related Art Documents: **Not Applicable**

(57) Statement of Newness and Distinctiveness: **Shape and configuration as per representation.**



(21) Design Number: **13731/2005**

(22) Date of Filing Application: **31 August 2005**

(24) Date from which industrial property rights may have effect: **31 August 2005**

(54) Product in respect of which the design is registered: **Screen frame extrusion**

(51) International Design Classification: **25-02H**

(71) Name(s) and Address(s) of Applicant(s):

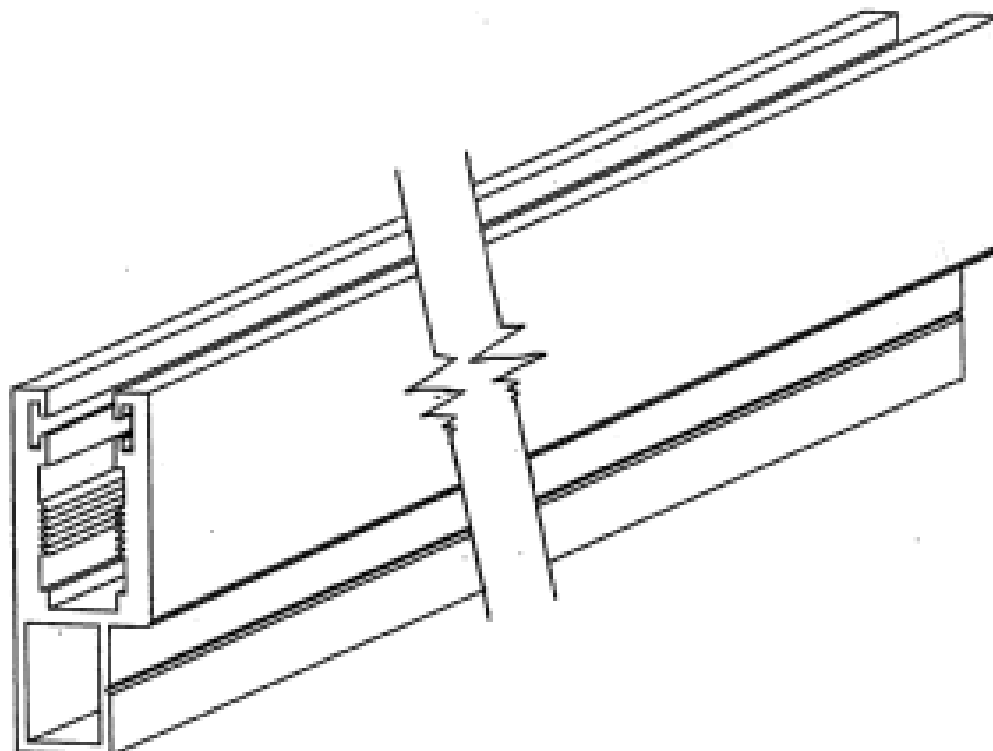
Prodrome Designs Pty Ltd
468 Stuart Highway Winnellie Northern Territory 0820 Australia

(72) Name(s) of Designer(s): **John Koukouvas**

(45) Registration Date: **27 February 2006**

(56) Related Art Documents: **Not Applicable**

(57) Statement of Newness and Distinctiveness: **Newness and distinctiveness reside in the features of shape and configuration of a screen frame extrusion of indefinite length, as shown in the accompanying representations.**



(21) Design Number: **13732/2005**

(22) Date of Filing Application: **31 August 2005**

(24) Date from which industrial property rights may have effect: **31 August 2005**

(54) Product in respect of which the design is registered: **An extrusion**

(51) International Design Classification: **25-01K**

(71) Name(s) and Address(s) of Applicant(s):

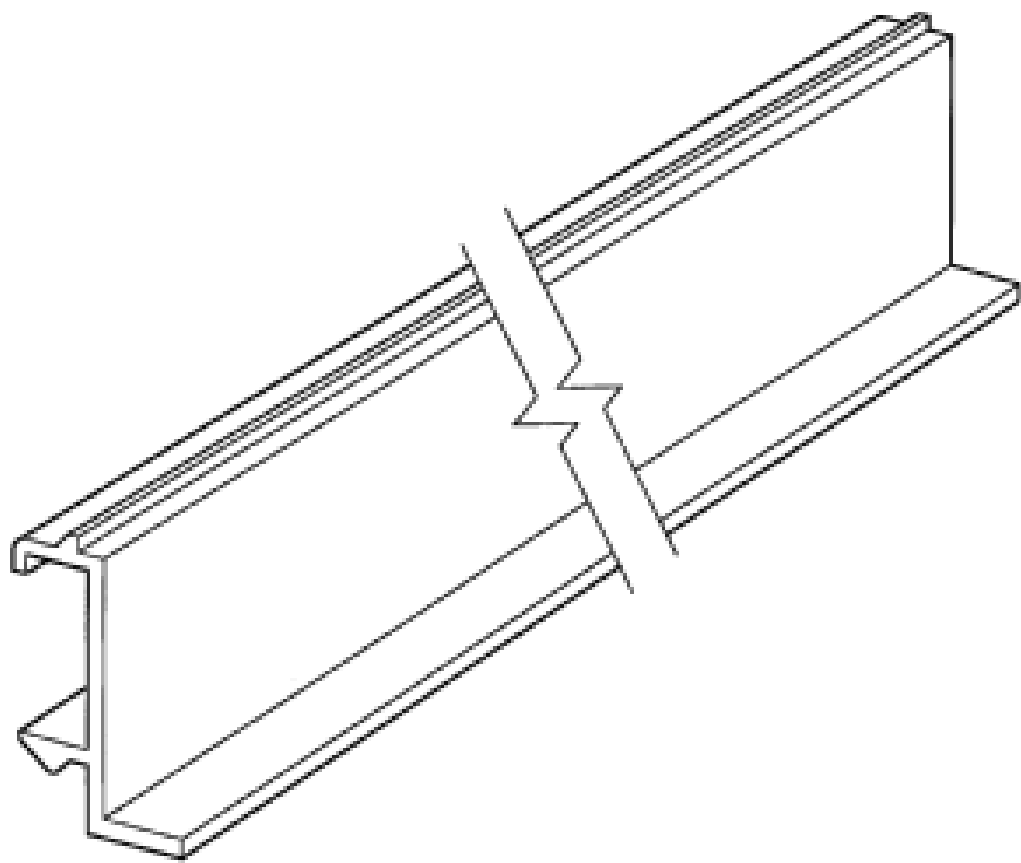
Prodrome Designs Pty Ltd
468 Stuart Highway Winnellie Northern Territory 0820 Australia

(72) Name(s) of Designer(s): **John Koukouvas**

(45) Registration Date: **27 February 2006**

(56) Related Art Documents: **Not Applicable**

(57) Statement of Newness and Distinctiveness: **Newness and distinctiveness reside in the features of shape and configuration of an extrusion of indefinite length, as shown in the accompanying representations.**



(21) Design Number: **13733/2005**

(22) Date of Filing Application: **31 August 2005**

(24) Date from which industrial property rights may have effect: **31 August 2005**

(54) Product in respect of which the design is registered: **A door frame extrusion**

(51) International Design Classification: **25-01K**

(71) Name(s) and Address(s) of Applicant(s):

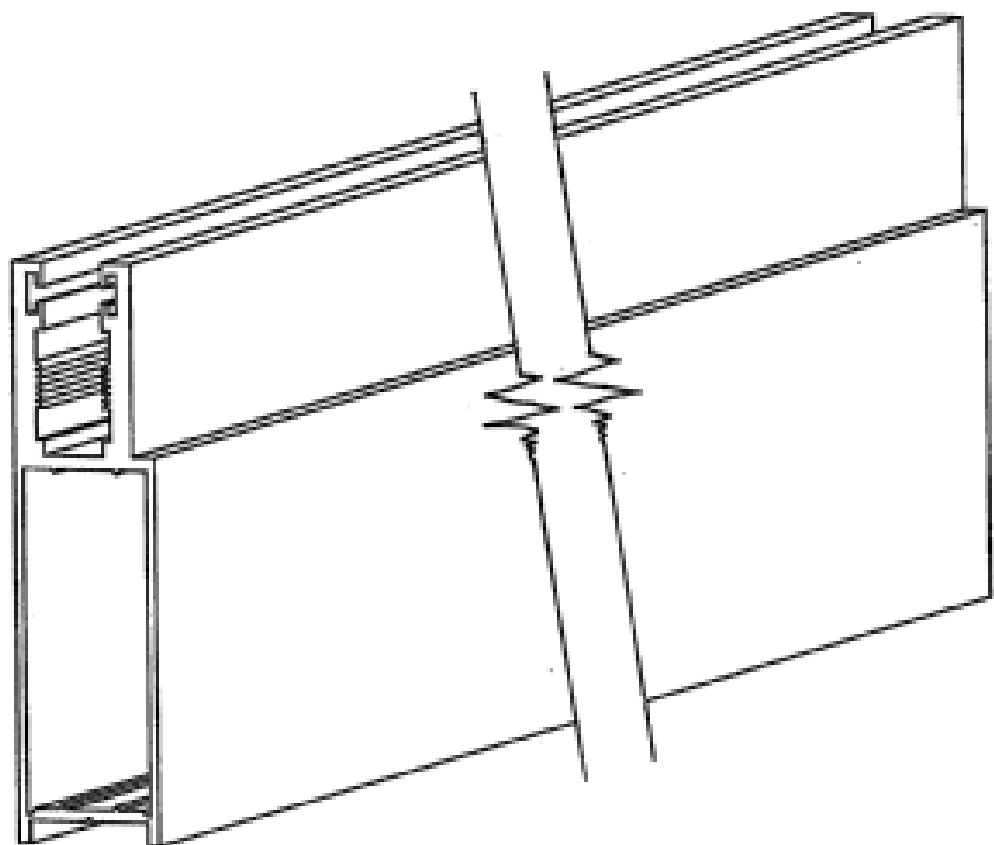
Prodrome Designs Pty Ltd
468 Stuart Highway Winnellie Northern Territory 0820 Australia

(72) Name(s) of Designer(s): **John Koukouvas**

(45) Registration Date: **27 February 2006**

(56) Related Art Documents: **Not Applicable**

(57) Statement of Newness and Distinctiveness: **Newness and distinctiveness reside in the features of shape and configuration of a door frame extrusion of indefinite length, as shown in the accompanying representations.**



(21) Design Number: **13734/2005**

(22) Date of Filing Application: **31 August 2005**

(24) Date from which industrial property rights may have effect: **31 August 2005**

(54) Product in respect of which the design is registered: **A hinge adaptor extrusion**

(51) International Design Classification: **25-01K**

(71) Name(s) and Address(s) of Applicant(s):

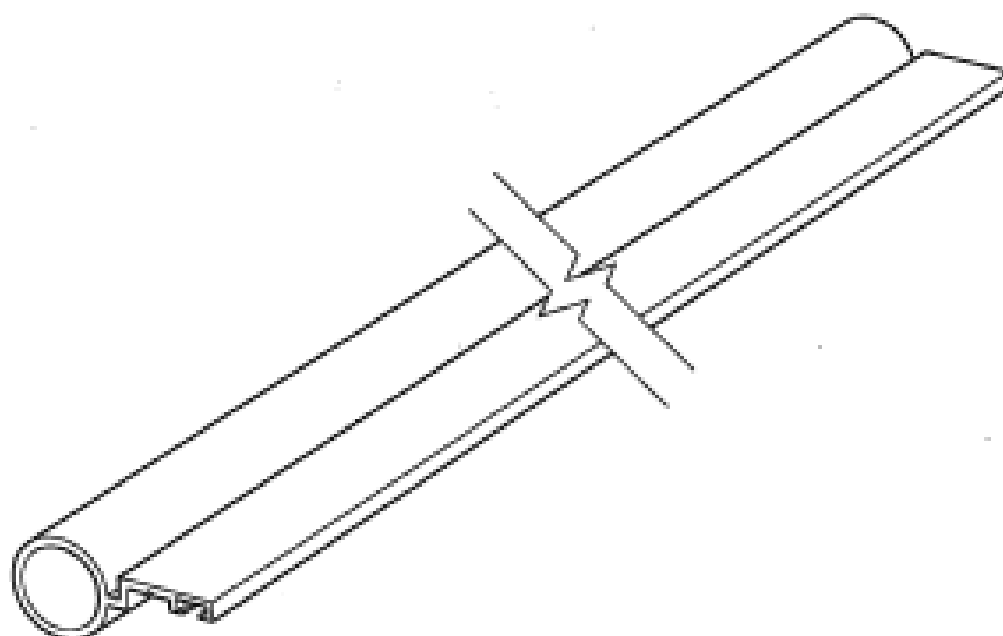
Prodrome Designs Pty Ltd
468 Stuart Highway Winnellie Northern Territory 0820 Australia

(72) Name(s) of Designer(s): **John Koukouvas**

(45) Registration Date: **27 February 2006**

(56) Related Art Documents: **Not Applicable**

(57) Statement of Newness and Distinctiveness: **Newness and distinctiveness reside in the features of shape and configuration of a hinge adaptor extrusion of indefinite length, as shown in the accompanying representations.**



(21) Design Number: **13735/2005**

(22) Date of Filing Application: **31 August 2005**

(24) Date from which industrial property rights may have effect: **31 August 2005**

(54) Product in respect of which the design is registered: **An extrusion**

(51) International Design Classification: **25-01K**

(71) Name(s) and Address(s) of Applicant(s):

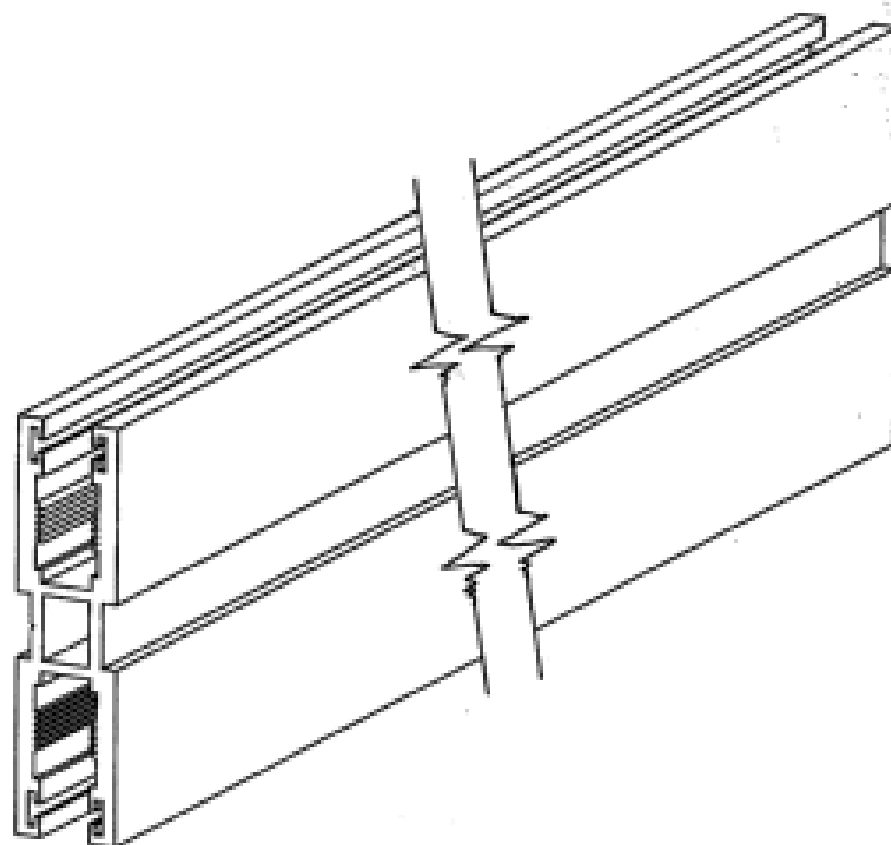
Prodrome Designs Pty Ltd
468 Stuart Highway Winnellie Northern Territory 0820 Australia

(72) Name(s) of Designer(s): **John Koukouvas**

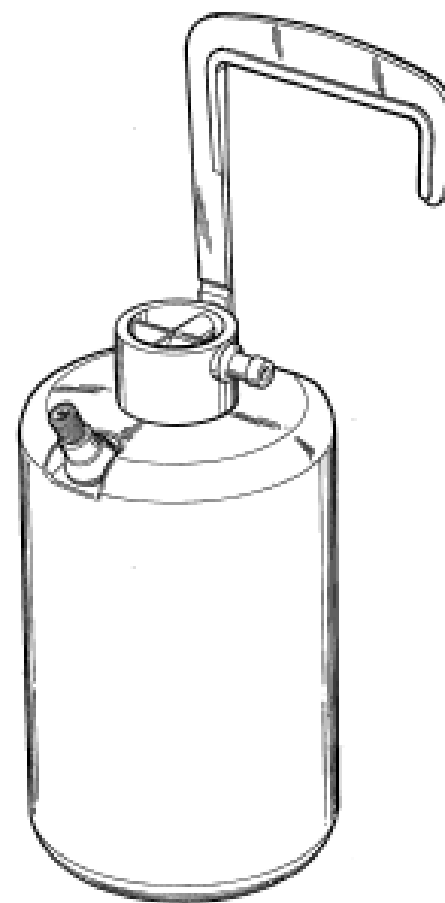
(45) Registration Date: **27 February 2006**

(56) Related Art Documents: **Not Applicable**

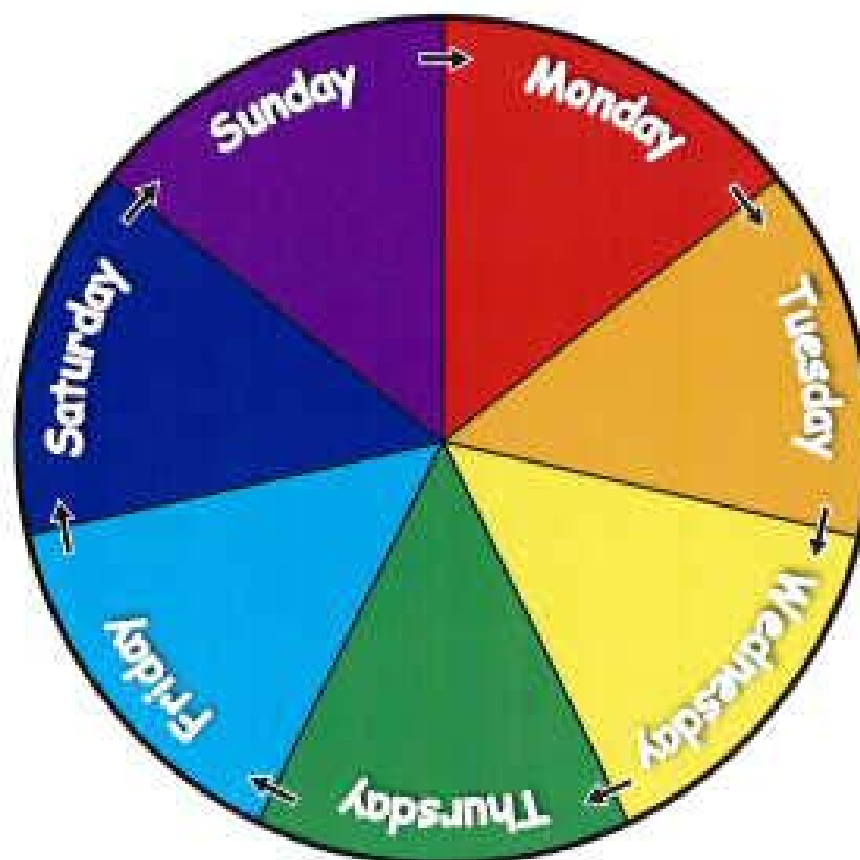
(57) Statement of Newness and Distinctiveness: **Newness and distinctiveness reside in the features of shape and configuration of an extrusion of indefinite length, as shown in the accompanying representations.**



- (21) Design Number: **13754/2005**
(22) Date of Filing Application: **01 September 2005**
(24) Date from which industrial property rights may have effect: **01 September 2005**
(54) Product in respect of which the design is registered: **Container/Apparatus for Retention and Dispensation of Sealant Compound**
(51) International Design Classification: **09-01A, 09-02NES**
(71) Name(s) and Address(s) of Applicant(s):
Trydel Research Pty Ltd
31 Cornhill Street Ferntree Gully Victoria 3156 Australia
(72) Name(s) of Designer(s): **Terence Dowel**
(45) Registration Date: **27 February 2006**
(56) Related Art Documents: **Not Applicable**
(57) Statement of Newness and Distinctiveness: **Nil**



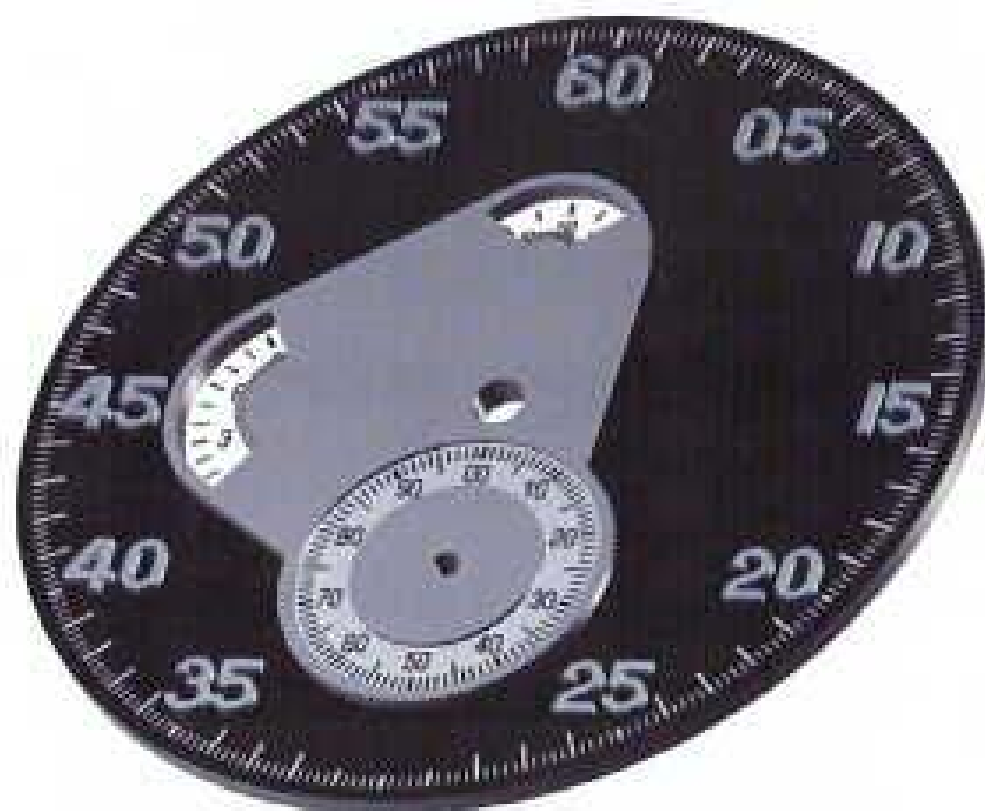
- (21) Design Number: **13992/2005**
(22) Date of Filing Application: **16 September 2005**
(24) Date from which industrial property rights may have effect: **16 September 2005**
(54) Product in respect of which the design is registered: **Children's weekly planner**
(51) International Design Classification: **19-07**
(71) Name(s) and Address(s) of Applicant(s):
Teresa Golin
13 Koowarra Terrace Largs North South Australia 5016 Australia
Josephine Kelsh
13 Koowarra Terrace Largs North South Australia 5016 Australia
(72) Name(s) of Designer(s): **Teresa Golin and Josephine Kelsh**
(45) Registration Date: **27 February 2006**
(56) Related Art Documents: **Not Applicable**
(57) Statement of Newness and Distinctiveness: **The newness of the design includes the circular shape for a weekly planner and the distinctive nature of the bright and colourful design.**



(21) Design Number: **14019/2005**
(22) Date of Filing Application: **16 September 2005**
(24) Date from which industrial property rights may have effect: **16 September 2005**
(54) Product in respect of which the design is registered: **Deodoriser for vehicle**
(51) International Design Classification: **28-99**
(71) Name(s) and Address(s) of Applicant(s):
Flauraud S.A.
62 avenue de Conthe 15000 Aurillac France
(72) Name(s) of Designer(s): **Pierre-Jean Flauraud**
(45) Registration Date: **27 February 2006**
(30) Convention priority data:
(31) Number (32) Date (33) Country
000321229 22 Mar 2005 EUROPEAN COMMUNITY
(56) Related Art Documents: **Not Applicable**
(57) Statement of Newness and Distinctiveness: **Nil**



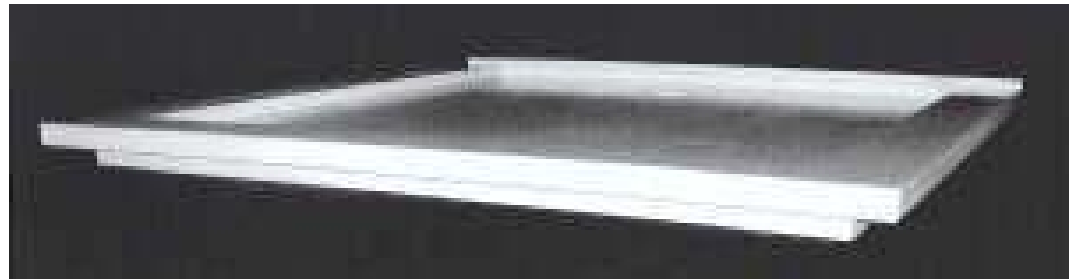
(21) Design Number: **14020/2005**
(22) Date of Filing Application: **16 September 2005**
(24) Date from which industrial property rights may have effect: **16 September 2005**
(54) Product in respect of which the design is registered: **Watch dial**
(51) International Design Classification: **10-07**
(71) Name(s) and Address(s) of Applicant(s):
TAG Heuer SA
14A avenue des Champs-Montants 2074 Marin Switzerland
(72) Name(s) of Designer(s): **Christoph Behling**
(45) Registration Date: **27 February 2006**
(30) Convention priority data:
(31) Number (32) Date (33) Country
DM/066491 30 Mar 2005 WORLD INTELLECTUAL PROPERTY ORGANIZATION (WIPO)
(56) Related Art Documents: **Not Applicable**
(57) Statement of Newness and Distinctiveness: **Newness and distinctiveness is claimed in the visual features of shape, configuration, pattern and/or ornamentation as applied to a watch dial as illustrated in the representations.**



- (21) Design Number: **10204/2005**
(22) Date of Filing Application: **20 January 2005**
(24) Date from which industrial property rights may have effect: **20 January 2005**
(54) Product in respect of which the design is registered: **Baby nappy bag**
(51) International Design Classification: **03-01A**
(71) Name(s) and Address(s) of Applicant(s):
Kapoochi Australia Pty Ltd
2 Spring Pastures Drive Mapleton Queensland 4560 Australia
(72) Name(s) of Designer(s): **Lucy Ormsby**
(45) Registration Date: **27 February 2006**
(56) Related Art Documents: **Not Applicable**
(57) Statement of Newness and Distinctiveness: **Nil**



- (21) Design Number: **12293/2005**
(22) Date of Filing Application: **25 May 2005**
(24) Date from which industrial property rights may have effect: **25 May 2005**
(54) Product in respect of which the design is registered: **Shower base**
(51) International Design Classification: **23-02B**
(71) Name(s) and Address(s) of Applicant(s):
Emmanuel James Agius
23 Hope Street Geelong West Victoria 3218 Australia
(72) Name(s) of Designer(s): **Emmanuel James Agius**
(45) Registration Date: **27 February 2006**
(56) Related Art Documents: **Not Applicable**
(57) Statement of Newness and Distinctiveness: **Relessed perimeter/edge allows shower base appear to float above floor, hides junction with adjacent floor finish creating a neat shadowline junction. Extra wide perimeter exaggerates this floating effect.**



(21) Design Number: **10745/2005**

(22) Date of Filing Application: **28 February 2005**

(24) Date from which industrial property rights may have effect: **28 February 2005**

(54) Product in respect of which the design is registered: **Plumbing conduit**

(51) International Design Classification: **23-01B**

(71) Name(s) and Address(s) of Applicant(s):

Art Plastics Pty Ltd
14 White Street Bayswater Western Australia 6053 Australia

(72) Name(s) of Designer(s): **Scott Johnstone**

(45) Registration Date: **28 February 2006**

(56) Related Art Documents: **Not Applicable**

(57) Statement of Newness and Distinctiveness: **A flexible portion on a bypass unit.**



(21) Design Number: **10746/2005**

(22) Date of Filing Application: **28 February 2005**

(24) Date from which industrial property rights may have effect: **28 February 2005**

(54) Product in respect of which the design is registered: **Drain grate**

(51) International Design Classification: **23-02NES**

(71) Name(s) and Address(s) of Applicant(s):

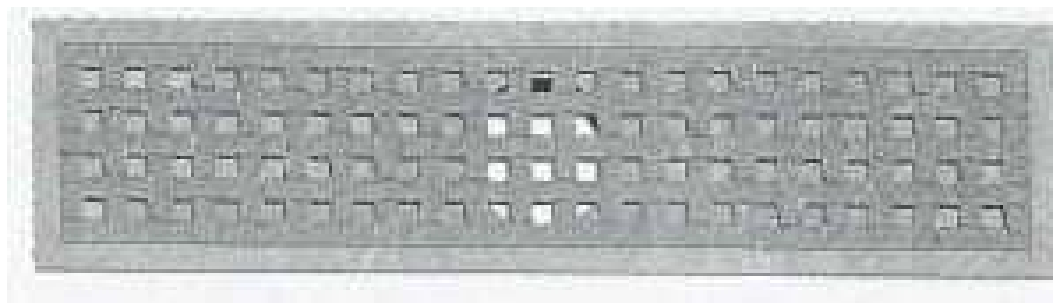
Art Plastics Pty Ltd
14 White Street Bayswater Western Australia 6053 Australia

(72) Name(s) of Designer(s): **Timothy George Lucas**

(45) Registration Date: **28 February 2006**

(56) Related Art Documents: **Not Applicable**

(57) Statement of Newness and Distinctiveness: **Nil**



- (21) Design Number: **11358/2005**
(22) Date of Filing Application: **05 April 2005**
(24) Date from which industrial property rights may have effect: **05 April 2005**
(54) Product in respect of which the design is registered: **Vent**
(51) International Design Classification: **25-02G, 23-04**
(71) Name(s) and Address(s) of Applicant(s):
Art Plastics Pty Ltd
14 White Street Bayswater Western Australia 6053 Australia
(72) Name(s) of Designer(s): **Scott Johnstone**
(45) Registration Date: **28 February 2006**
(56) Related Art Documents: **Not Applicable**
(57) Statement of Newness and Distinctiveness: **The grille section in the particular configuration as shown.**



- (21) Design Number: **11359/2005**
(22) Date of Filing Application: **05 April 2005**
(24) Date from which industrial property rights may have effect: **05 April 2005**
(54) Product in respect of which the design is registered: **Stormwater fitting**
(51) International Design Classification: **23-01A**
(71) Name(s) and Address(s) of Applicant(s):
Art Plastics Pty Ltd
14 White Street Bayswater Western Australia 6053 Australia
(72) Name(s) of Designer(s): **Timothy George Lucas**
(45) Registration Date: **28 February 2006**
(56) Related Art Documents: **Not Applicable**
(57) Statement of Newness and Distinctiveness: **Nil**



- (21) Design Number: **13252/2005**
(22) Date of Filing Application: **01 August 2005**
(24) Date from which industrial property rights may have effect: **01 August 2005**
(54) Product in respect of which the design is registered: **Roof safety rail system for metal roof sheeting**
(51) International Design Classification: **25-04**
(71) Name(s) and Address(s) of Applicant(s):
Garry Noel Horan
20 Barnard Place St Helens Park New South Wales 2560 Australia
(72) Name(s) of Designer(s): **Garry Noel Horan**
(45) Registration Date: **28 February 2006**
(56) Related Art Documents: **Not Applicable**
(57) Statement of Newness and Distinctiveness: **It allows the complete removal of the system without leaving any sacrificial components under the roof sheeting. This is achieved by the unique base plate incorporating a removable post mount.**



- (21) Design Number: **13257/2005**
(22) Date of Filing Application: **01 August 2005**
(24) Date from which industrial property rights may have effect: **01 August 2005**
(54) Product in respect of which the design is registered: **A saw**
(51) International Design Classification: **08-03**
(71) Name(s) and Address(s) of Applicant(s):
Black & Decker, Inc.
1207 Drummond Plaza Newark Delaware 19711 United States of America
(72) Name(s) of Designer(s): **David L. Wikle and Peter Chaikowsky and Warren A. Ceroll and Gregg L. Shetty and James D. Schroeder**
(45) Registration Date: **28 February 2006**
(30) Convention priority data:
(31) Number (32) Date (33) Country
29225123 11 Mar 2005 UNITED STATES OF AMERICA
(56) Related Art Documents: **Not Applicable**
(57) Statement of Newness and Distinctiveness: **Nil**



- (21) Design Number: **13279/2005**
(22) Date of Filing Application: **02 August 2005**
(24) Date from which industrial property rights may have effect: **17 February 2004**
(54) Product in respect of which the design is registered: **Operator for writing instrument**
(51) International Design Classification: **19-06**
(71) Name(s) and Address(s) of Applicant(s):
Merz & Krell GmbH & Co. KGaA
Bahnhofstrasse 76 64401 Gross-Bieberau Germany
(72) Name(s) of Designer(s): **Aleksandar (Aleks) Tatic**
(45) Registration Date: **28 February 2006**
(62) Divisional of: **158273**
(56) Related Art Documents: **Not Applicable**
(57) Statement of Newness and Distinctiveness: **Each feature of the design considered separately or in combination with any other feature or features.**



- (21) Design Number: **13346/2005**
(22) Date of Filing Application: **05 August 2005**
(24) Date from which industrial property rights may have effect: **05 August 2005**
(54) Product in respect of which the design is registered: **Juicer**
(51) International Design Classification: **31-00**
(71) Name(s) and Address(s) of Applicant(s):
Matsushita Electric Industrial Co. Ltd
1006 Oaza Kadoma Kadoma-shi Osaka 571-8501 Japan
(72) Name(s) of Designer(s): **Akinobu Kanza**
(45) Registration Date: **28 February 2006**
(56) Related Art Documents: **Not Applicable**
(57) Statement of Newness and Distinctiveness: **Newness and distinctiveness is claimed in the features of shape and/or configuration of a juicer as illustrated in the accompanying representations.**



- (21) Design Number: **13387/2005**
(22) Date of Filing Application: **10 August 2005**
(24) Date from which industrial property rights may have effect: **10 August 2005**
(54) Product in respect of which the design is registered: **Jukebox**
(51) International Design Classification: **14-01**
(71) Name(s) and Address(s) of Applicant(s):
Sean Paul Atkinson
62 The Avenue McCrae Victoria 3938 Australia
(72) Name(s) of Designer(s): **Sean Paul Atkinson**
(45) Registration Date: **28 February 2006**
(56) Related Art Documents: **Not Applicable**
(57) Statement of Newness and Distinctiveness: **Shape of a guitar. Guitar strings are sound activated lights.**



- (21) Design Number: **13837/2005**
(22) Date of Filing Application: **07 September 2005**
(24) Date from which industrial property rights may have effect: **07 September 2005**
(54) Product in respect of which the design is registered: **Roof tie down member**
(51) International Design Classification: **08-08L**
(71) Name(s) and Address(s) of Applicant(s):
QuickFrame Technologies Pty Ltd
Level 2 47 South Terrace Adelaide South Australia 5000 Australia
(72) Name(s) of Designer(s): **Leon William Greeff and Graham John Peacock**
(45) Registration Date: **28 February 2006**
(56) Related Art Documents: **Not Applicable**
(57) Statement of Newness and Distinctiveness: **Nil**



(21) Design Number: **13813/2005**

(22) Date of Filing Application: **31 August 2005**

(24) Date from which industrial property rights may have effect: **31 August 2005**

(54) Product in respect of which the design is registered: **Bottle**

(51) International Design Classification: **09-01H**

(71) Name(s) and Address(s) of Applicant(s):

**Moet Hennessy Asia Pacific Pte Ltd.
83 Clemenceau Avenue #17-07 UE Square Singapore 239920**

(72) Name(s) of Designer(s): **Sharon Werner**

(45) Registration Date: **28 February 2006**

(30) Convention priority data:

(31) Number	(32) Date	(33) Country
29/225,352	14 Mar 2005	UNITED STATES OF AMERICA

(56) Related Art Documents: **Not Applicable**

(57) Statement of Newness and Distinctiveness: **Newness and distinctiveness is claimed in the shape and/or configuration of a bottle as illustrated by the unbroken lines in the accompanying representation/s.**



(21) Design Number: **13844/2005**

(22) Date of Filing Application: **07 September 2005**

(24) Date from which industrial property rights may have effect: **07 September 2005**

(54) Product in respect of which the design is registered: **Watering container**

(51) International Design Classification: **08-05A**

(71) Name(s) and Address(s) of Applicant(s):

**Andrew Durant
180 North C Street Tustin CA 92780 United States of America**

(72) Name(s) of Designer(s): **Andrew Durant**

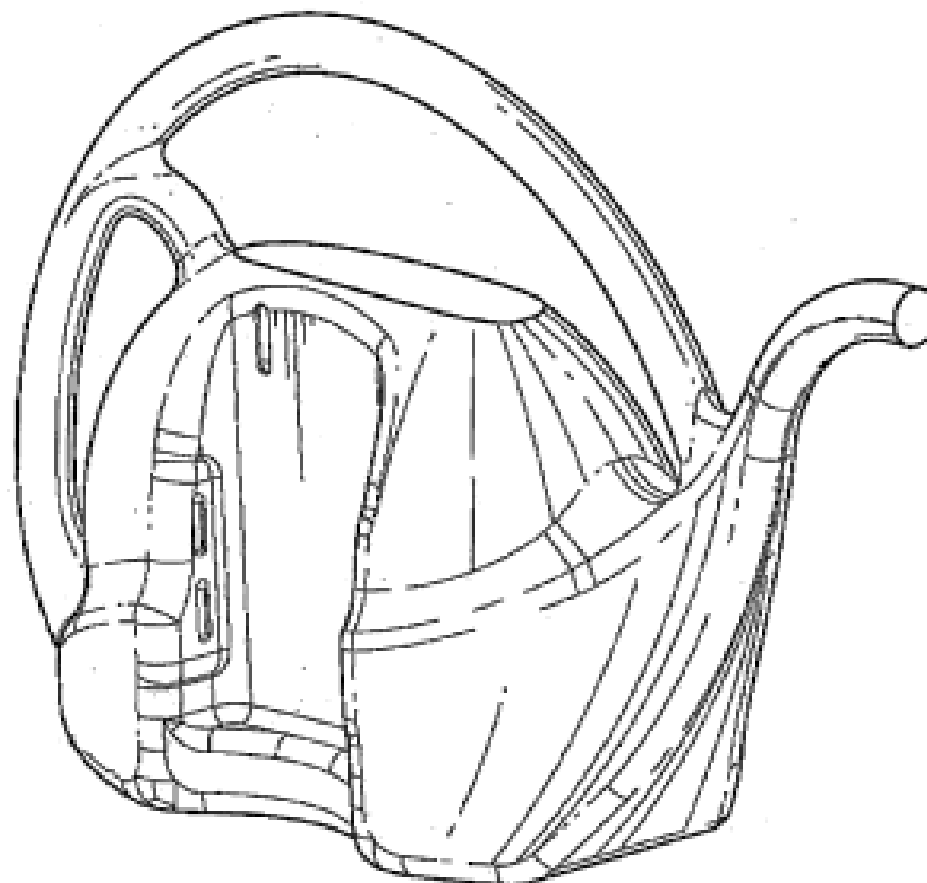
(45) Registration Date: **28 February 2006**

(30) Convention priority data:

(31) Number	(32) Date	(33) Country
29/224,917	07 Mar 2005	UNITED STATES OF AMERICA

(56) Related Art Documents: **Not Applicable**

(57) Statement of Newness and Distinctiveness: **Visual features of the design which are new and distinctive are the features of shape and configuration of the watering container as illustrated in the representations.**



- (21) Design Number: **13845/2005**
(22) Date of Filing Application: **07 September 2005**
(24) Date from which industrial property rights may have effect: **07 September 2005**
(54) Product in respect of which the design is registered: **Product container**
(51) International Design Classification: **09-02B**
(71) Name(s) and Address(s) of Applicant(s):

Andrew Durant
180 North C Street Tustin CA 92780 United States of America

(72) Name(s) of Designer(s): **Andrew Durant**

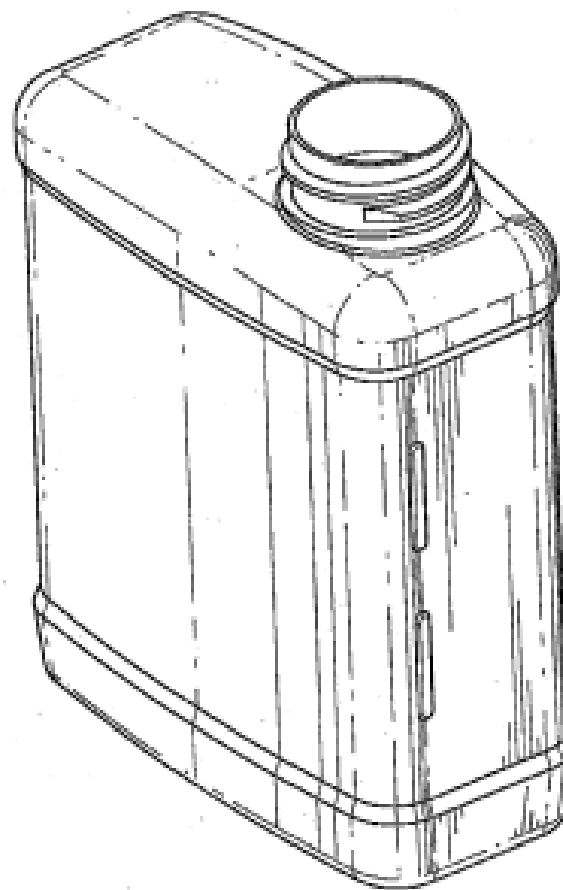
(45) Registration Date: **28 February 2006**

(30) Convention priority data:

(31) Number	(32) Date	(33) Country
29/224,918	07 Mar 2005	UNITED STATES OF AMERICA

(56) Related Art Documents: **Not Applicable**

(57) Statement of Newness and Distinctiveness: **Visual features of the design which are new and distinctive are the features of shape and configuration of the product container as illustrated in the representations.**



- (21) Design Number: **13876/2005**
(22) Date of Filing Application: **09 September 2005**
(24) Date from which industrial property rights may have effect: **09 September 2005**
(54) Product in respect of which the design is registered: **Cosmetic treatment console**
(51) International Design Classification: **03-01D**
(71) Name(s) and Address(s) of Applicant(s):

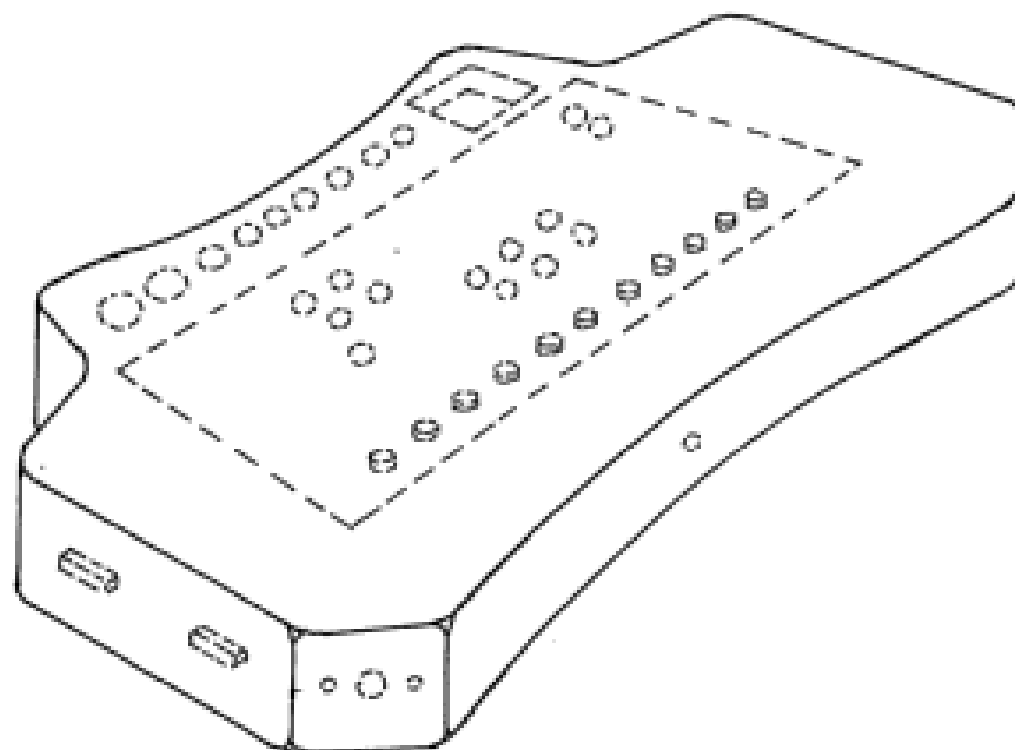
Ronald Allan Greenberg
41 Kintyre Road Woodforde South Australia 5072 Australia

(72) Name(s) of Designer(s): **Ronald Allan Greenberg**

(45) Registration Date: **28 February 2006**

(56) Related Art Documents: **Not Applicable**

(57) Statement of Newness and Distinctiveness: **Newness and distinctiveness resides in the shape and configuration of the cosmetic treatment console as shown in the accompanying representation. In considering the scope of the design no regard is to be given to the features illustrated in broken lines.**



- (21) Design Number: **13886/2005**
- (22) Date of Filing Application: **08 September 2005**
- (24) Date from which industrial property rights may have effect: **08 September 2005**
- (54) Product in respect of which the design is registered: **Container**
- (51) International Design Classification: **09-05**
- (71) Name(s) and Address(s) of Applicant(s):

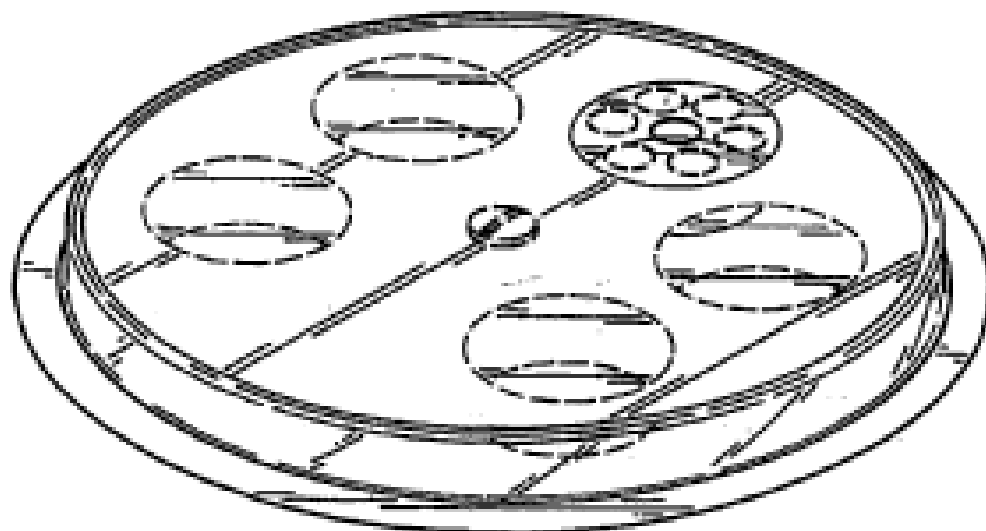
The Procter & Gamble Company
One Procter & Gamble Plaza Cincinnati Ohio 45202 United States of America

- (72) Name(s) of Designer(s): **Lee Burrowes**
- (45) Registration Date: **28 February 2006**

- (30) Convention priority data:

(31) Number	(32) Date	(33) Country
307160	10 Mar 2005	EUROPEAN COMMUNITY

- (56) Related Art Documents: **Not Applicable**
- (57) Statement of Newness and Distinctiveness: **Those features of the container depicted in the representations that are new and distinctive are the shape and/or configuration. The container may or may not be transparent and the broken line features may or may not depict hidden features or features that should be disregarded when considering the overall impression of the design.**



- (21) Design Number: **13887/2005**
- (22) Date of Filing Application: **08 September 2005**
- (24) Date from which industrial property rights may have effect: **08 September 2005**
- (54) Product in respect of which the design is registered: **Container**
- (51) International Design Classification: **09-03L**
- (71) Name(s) and Address(s) of Applicant(s):

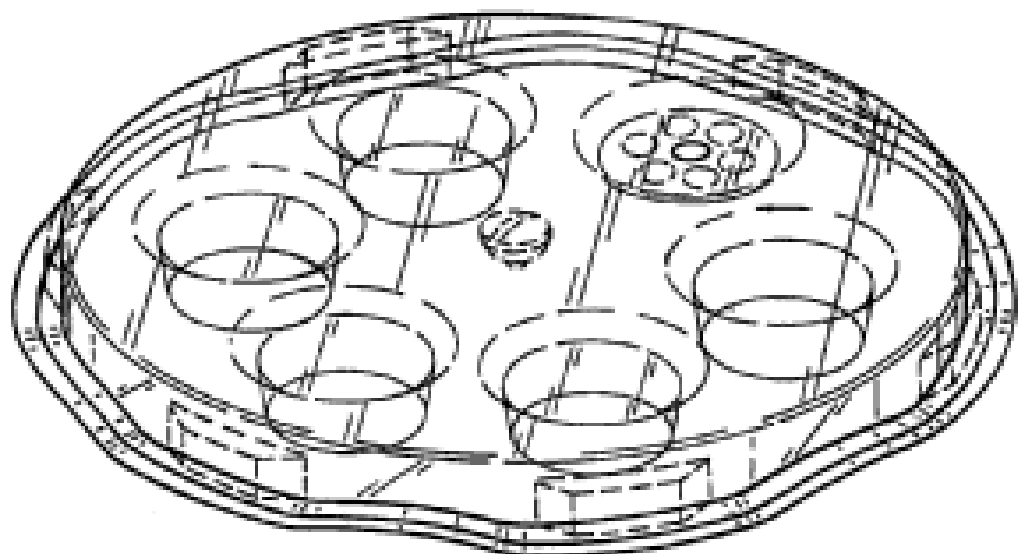
The Procter & Gamble Company
One Procter & Gamble Plaza Cincinnati Ohio 45202 United States of America

- (72) Name(s) of Designer(s): **Lee Burrowes**
- (45) Registration Date: **28 February 2006**

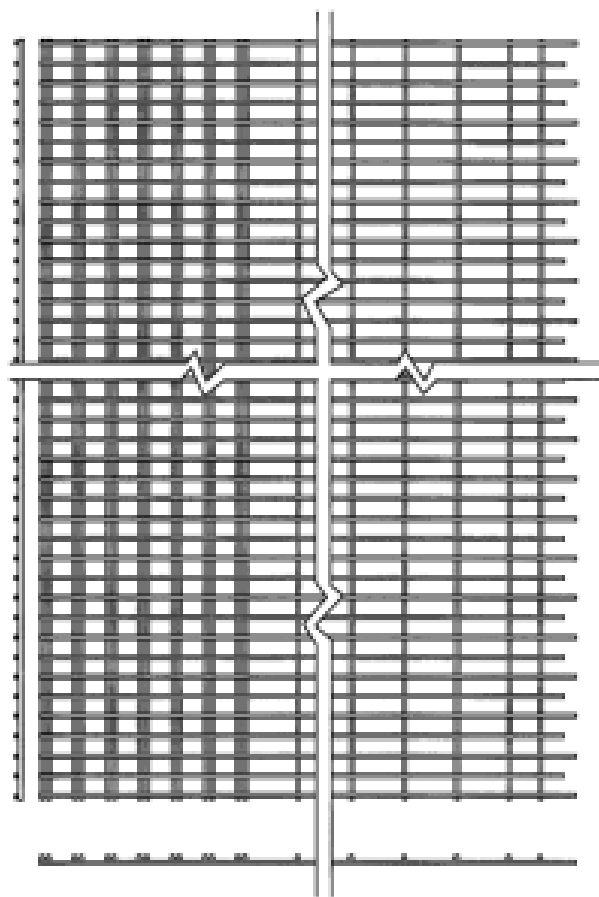
- (30) Convention priority data:

(31) Number	(32) Date	(33) Country
307160	10 Mar 2005	EUROPEAN COMMUNITY

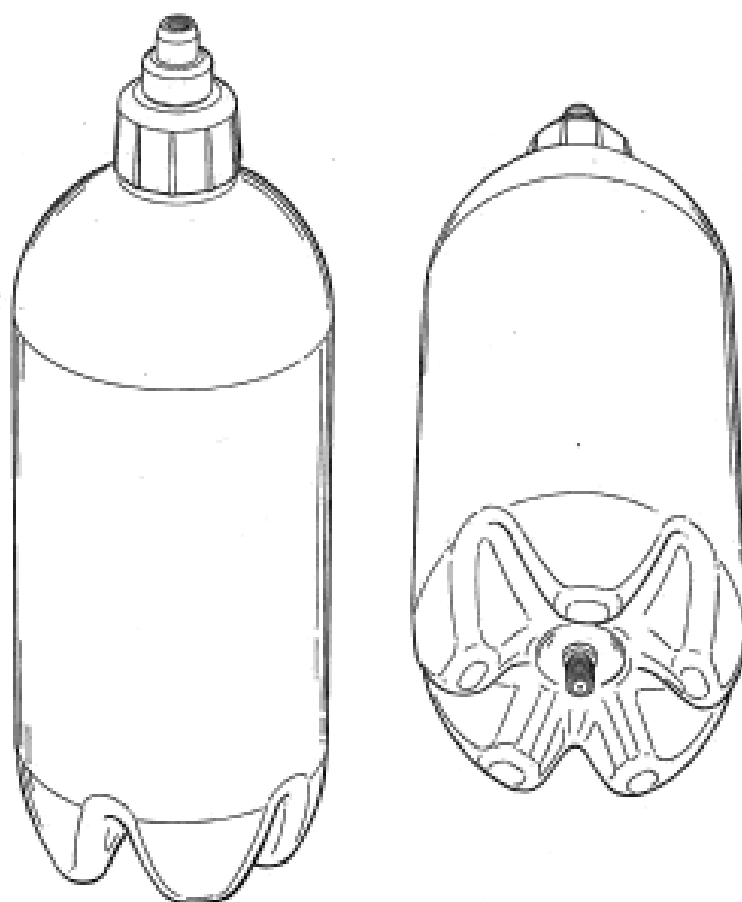
- (56) Related Art Documents: **Not Applicable**
- (57) Statement of Newness and Distinctiveness: **Those features of the container depicted in the representations that are new and distinctive are the shape and/or configuration. The container may or may not be transparent and the broken line features may or may not depict hidden features or features that should be disregarded when considering the overall impression of the design.**



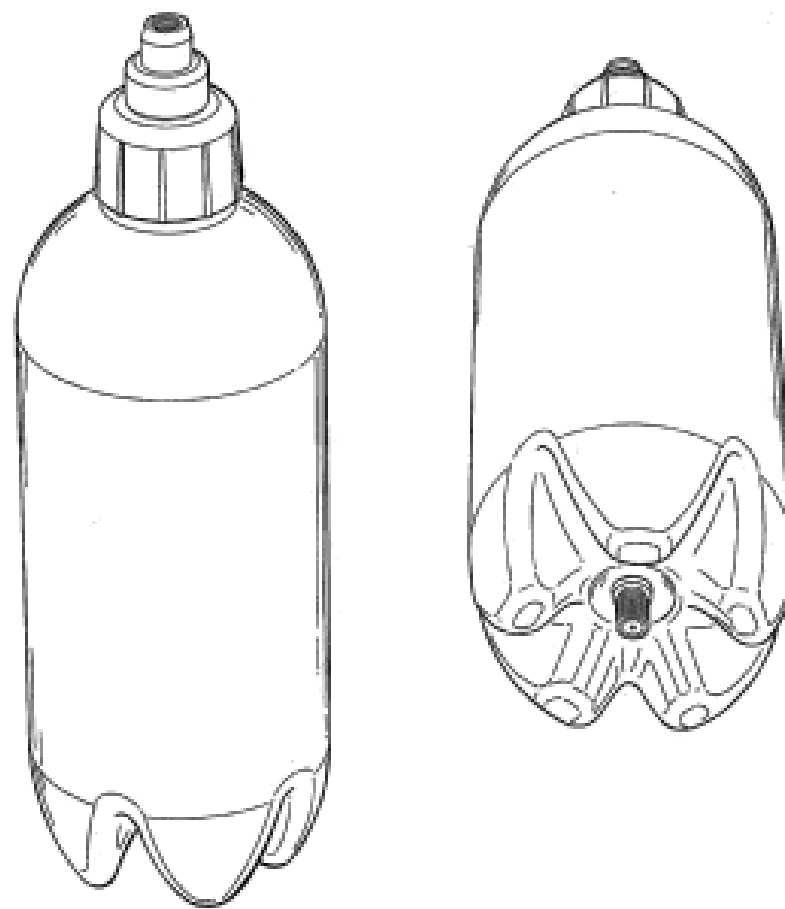
- (21) Design Number: **13975/2005**
- (22) Date of Filing Application: **14 September 2005**
- (24) Date from which industrial property rights may have effect: **14 September 2005**
- (54) Product in respect of which the design is registered: **Security fencing**
- (51) International Design Classification: **25-02C**
- (71) Name(s) and Address(s) of Applicant(s):
Australian Security Fencing Pty Ltd
76 Melbourne Street Riverstone New South Wales 2765 Australia
- (72) Name(s) of Designer(s): **Stephen Rasier**
- (45) Registration Date: **28 February 2006**
- (56) Related Art Documents: **Not Applicable**
- (57) Statement of Newness and Distinctiveness: **A statement of newness and distinctiveness is claimed in a weld mesh fence panel incorporating an uneven spike top and reinforcing cross bars as shown in the accompanying representations.**



- (21) Design Number: **13976/2005**
- (22) Date of Filing Application: **13 September 2005**
- (24) Date from which industrial property rights may have effect: **13 September 2005**
- (54) Product in respect of which the design is registered: **Containers**
- (51) International Design Classification: **09-01NES**
- (71) Name(s) and Address(s) of Applicant(s):
Trydel Research Pty Ltd
31 Cornhill Street Ferntree Gully Victoria 3156 Australia
- (72) Name(s) of Designer(s): **Terence Dowel**
- (45) Registration Date: **28 February 2006**
- (56) Related Art Documents: **Not Applicable**
- (57) Statement of Newness and Distinctiveness: **Nil**



(21) Design Number: **13977/2005**
(22) Date of Filing Application: **13 September 2005**
(24) Date from which industrial property rights may have effect: **13 September 2005**
(54) Product in respect of which the design is registered: **Container**
(51) International Design Classification: **09-01NES**
(71) Name(s) and Address(s) of Applicant(s):
Trydel Research Pty Ltd
31 Cornhill Street Ferntree Gully Victoria 3156 Australia
(72) Name(s) of Designer(s): **Terence Dowel**
(45) Registration Date: **28 February 2006**
(56) Related Art Documents: **Not Applicable**
(57) Statement of Newness and Distinctiveness: **Nil**



(21) Design Number: **10323/2006**
(22) Date of Filing Application: **02 February 2006**
(24) Date from which industrial property rights may have effect: **02 February 2006**
(54) Product in respect of which the design is registered: **Dance poles**
(51) International Design Classification: **21-02NES, 25-02A**
(71) Name(s) and Address(s) of Applicant(s):
Garry Reed
2/30A The Crescent Brighton South Australia 5048 Australia
(72) Name(s) of Designer(s): **Garry Reed**
(45) Registration Date: **28 February 2006**
(56) Related Art Documents: **Not Applicable**
(57) Statement of Newness and Distinctiveness: **Nil**



(21) Design Number: **13987/2005**

(22) Date of Filing Application: **14 September 2005**

(24) Date from which industrial property rights may have effect: **14 September 2005**

(54) Product in respect of which the design is registered: **Locking handle**

(51) International Design Classification: **08-06**

(71) Name(s) and Address(s) of Applicant(s):

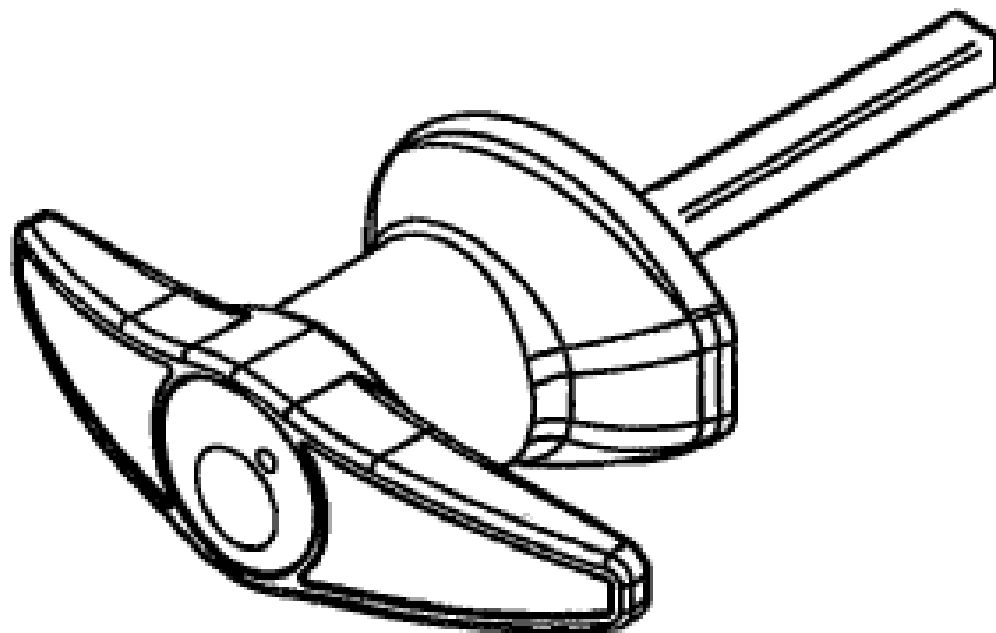
TNBT Holdings Pty Limited
246-250 Coward Street Mascot New South Wales 2020 Australia

(72) Name(s) of Designer(s): **Simon Butt**

(45) Registration Date: **28 February 2006**

(56) Related Art Documents: **Not Applicable**

(57) Statement of Newness and Distinctiveness: **Monopoly is claimed in the shape and/or configuration of a locking handle mechanism as illustrated in the accompanying representations.**



(21) Design Number: **13988/2005**

(22) Date of Filing Application: **14 September 2005**

(24) Date from which industrial property rights may have effect: **14 September 2005**

(54) Product in respect of which the design is registered: **Locking handle**

(51) International Design Classification: **08-06**

(71) Name(s) and Address(s) of Applicant(s):

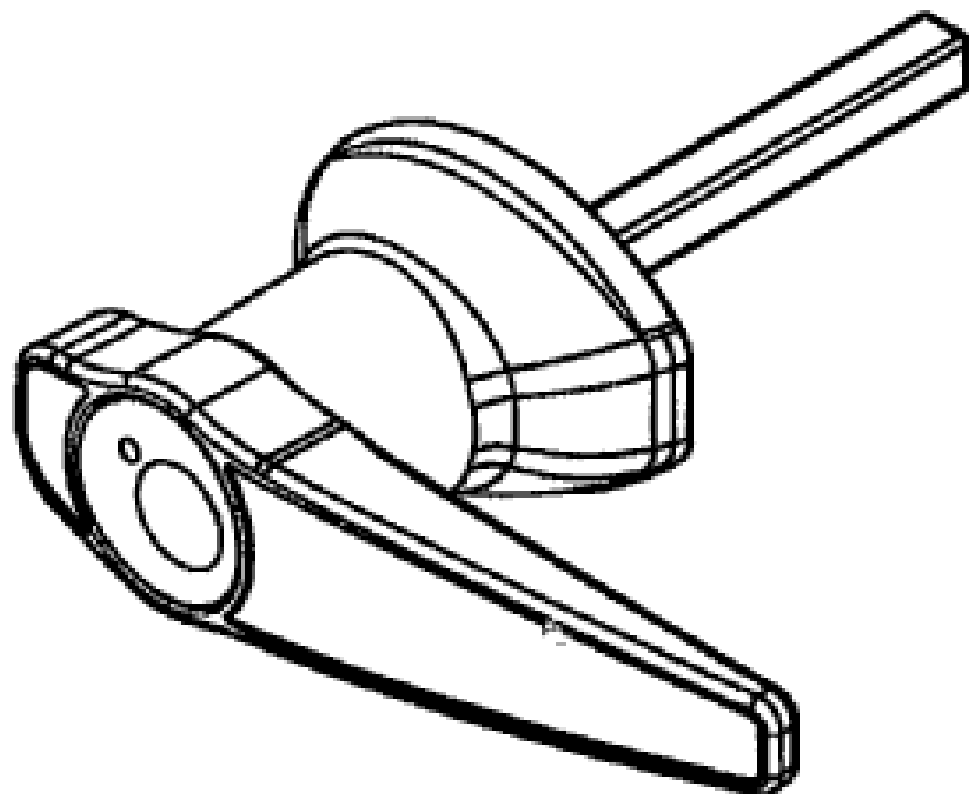
TNBT Holdings Pty Limited
246-250 Coward Street Mascot New South Wales 2020 Australia

(72) Name(s) of Designer(s): **Simon Butt**

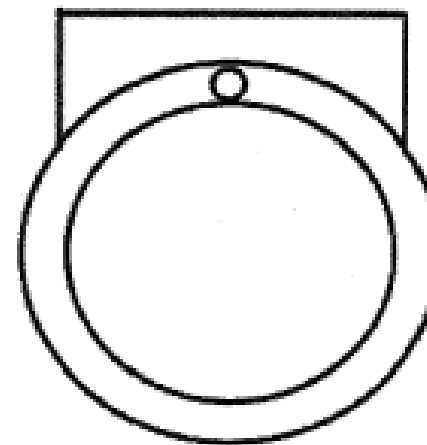
(45) Registration Date: **28 February 2006**

(56) Related Art Documents: **Not Applicable**

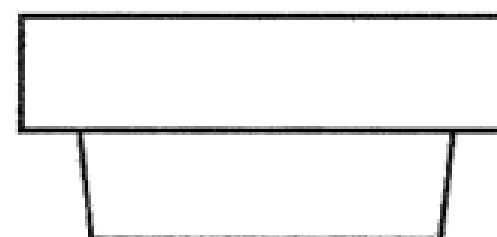
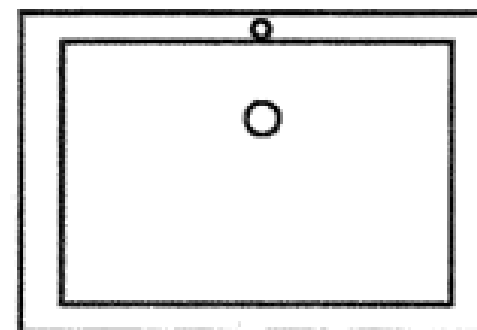
(57) Statement of Newness and Distinctiveness: **Monopoly is claimed in the shape and/or configuration of a locking handle mechanism as illustrated in the accompanying representations.**



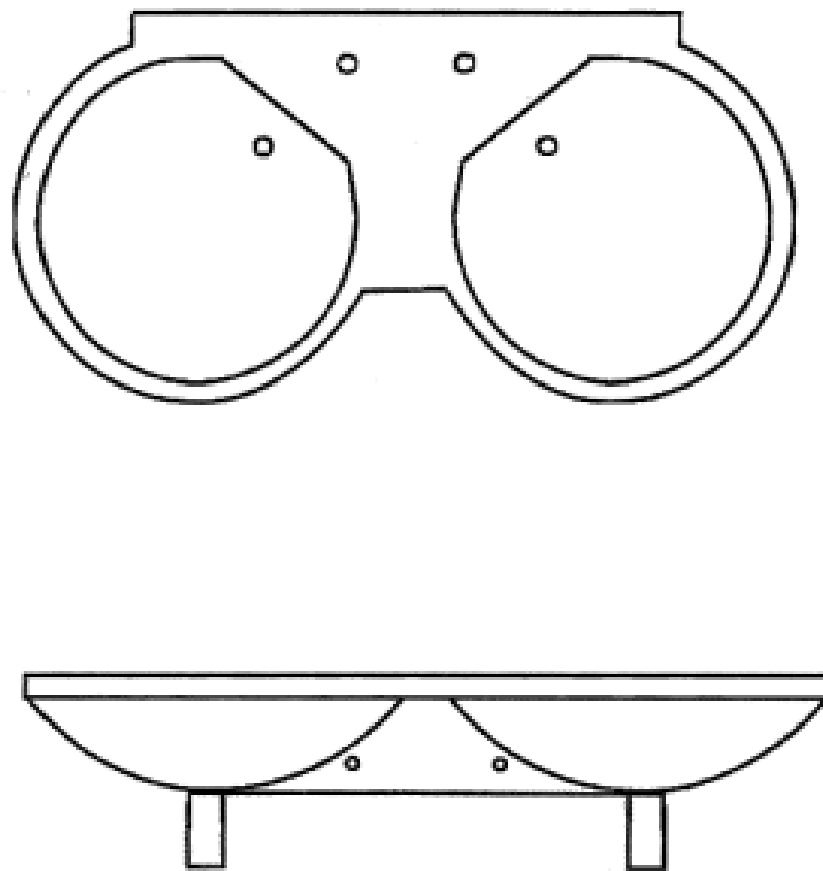
- (21) Design Number: **14003/2005**
- (22) Date of Filing Application: **19 September 2005**
- (24) Date from which industrial property rights may have effect: **19 September 2005**
- (54) Product in respect of which the design is registered: **Colorado wall hang S/round basin**
- (51) International Design Classification: **23-02F**
- (71) Name(s) and Address(s) of Applicant(s):
Colorado Products Pty Ltd
26-27/287 Victoria Road Rydalmere New South Wales 2216 Australia
- (72) Name(s) of Designer(s): **Clare S.R. Huang**
- (45) Registration Date: **28 February 2006**
- (56) Related Art Documents: **Not Applicable**
- (57) Statement of Newness and Distinctiveness: **Our statement of monopoly is claimed in the shapes and configuration of the design as shown in the representation.**



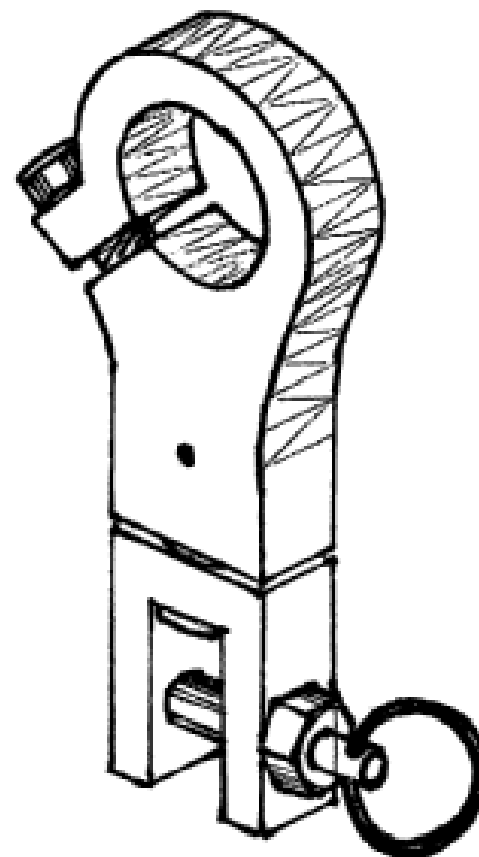
- (21) Design Number: **14004/2005**
- (22) Date of Filing Application: **19 September 2005**
- (24) Date from which industrial property rights may have effect: **19 September 2005**
- (54) Product in respect of which the design is registered: **Colorado wall hang D/decks basin**
- (51) International Design Classification: **23-02F**
- (71) Name(s) and Address(s) of Applicant(s):
Colorado Products Pty Ltd
26-27/287 Victoria Road Rydalmere New South Wales 2216 Australia
- (72) Name(s) of Designer(s): **Clare S.R. Huang**
- (45) Registration Date: **28 February 2006**
- (56) Related Art Documents: **Not Applicable**
- (57) Statement of Newness and Distinctiveness: **Our statement of monopoly is claimed in the shapes and configuration of the design as shown in the representation.**



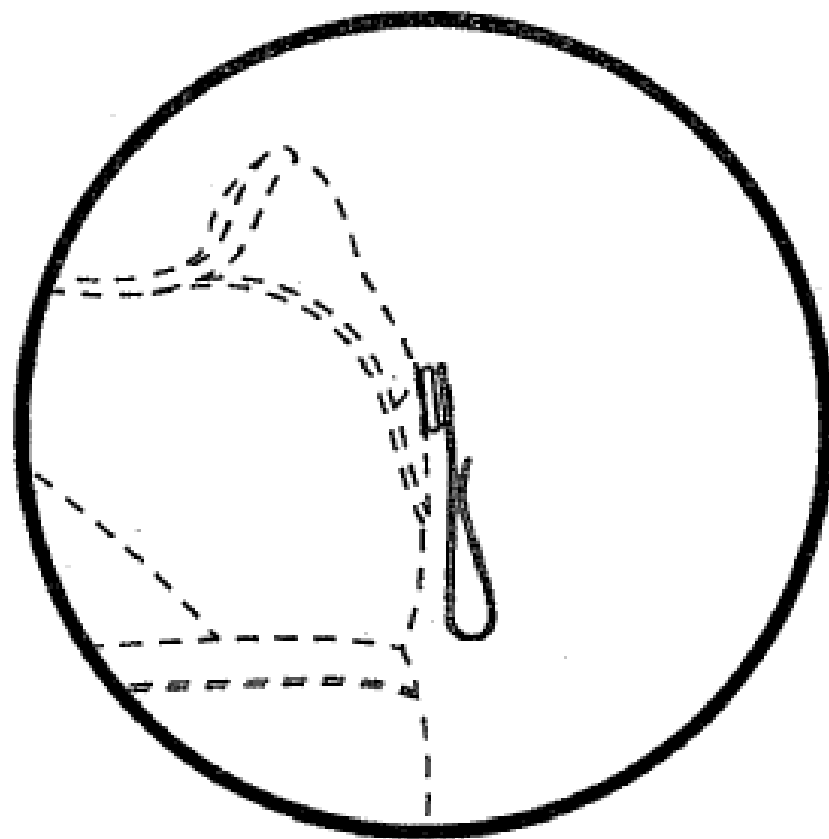
- (21) Design Number: **14005/2005**
(22) Date of Filing Application: **19 September 2005**
(24) Date from which industrial property rights may have effect: **19 September 2005**
(54) Product in respect of which the design is registered: **Colorado wall hang
D/round basin**
(51) International Design Classification: **23-02F**
(71) Name(s) and Address(s) of Applicant(s):
Colorado Products Pty Ltd
26-27/287 Victoria Road Rydalmere New South Wales 2216 Australia
(72) Name(s) of Designer(s): **Clare S.R. Huang**
(45) Registration Date: **28 February 2006**
(56) Related Art Documents: **Not Applicable**
(57) Statement of Newness and Distinctiveness: **Our statement of monopoly is
claimed in the shape and configuration of the design as shown in the
representation.**



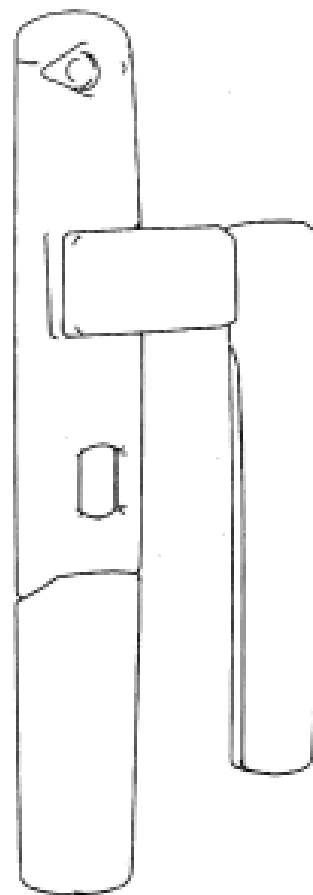
- (21) Design Number: **14006/2005**
(22) Date of Filing Application: **19 September 2005**
(24) Date from which industrial property rights may have effect: **19 September 2005**
(54) Product in respect of which the design is registered: **Bicycle push handle
seat post clamp (Type 2)**
(51) International Design Classification: **08-08D, 12-11**
(71) Name(s) and Address(s) of Applicant(s):
Jestomic Pty Ltd
PO Box 2865 Nerang Business Centre Queensland 4211 Australia
(72) Name(s) of Designer(s): **Michael Pyke**
(45) Registration Date: **28 February 2006**
(56) Related Art Documents: **Not Applicable**
(57) Statement of Newness and Distinctiveness: **Nil**



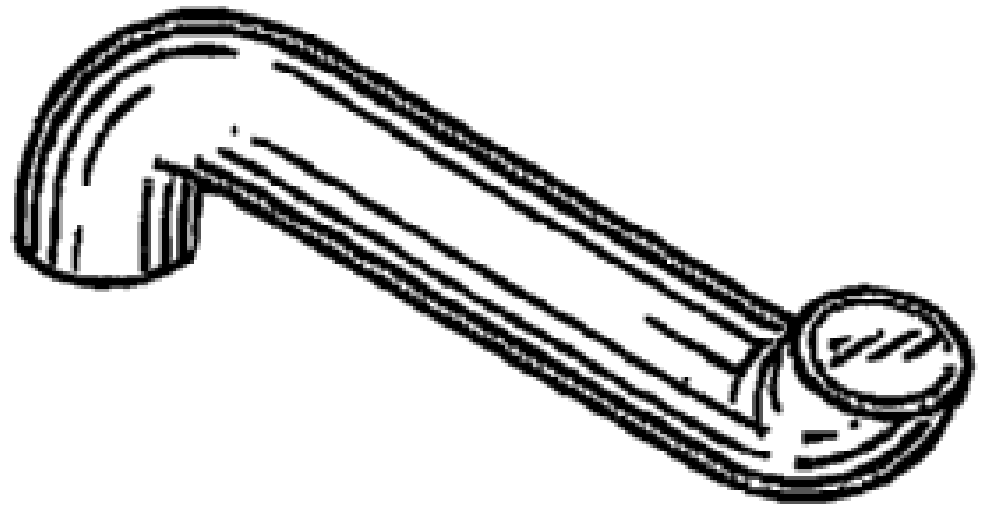
- (21) Design Number: **14024/2005**
(22) Date of Filing Application: **19 September 2005**
(24) Date from which industrial property rights may have effect: **19 September 2005**
(54) Product in respect of which the design is registered: **Clip for a shoe**
(51) International Design Classification: **02-07B**
(71) Name(s) and Address(s) of Applicant(s):
J Bloch Pty Ltd
8-18 William Street Beaconsfield New South Wales 2015 Australia
(72) Name(s) of Designer(s): **David Wilkenfeld**
(45) Registration Date: **28 February 2006**
(56) Related Art Documents: **Not Applicable**
(57) Statement of Newness and Distinctiveness: **The clip as applied to the shoe is new and distinctive. The shoe is disclaimed from the design.**



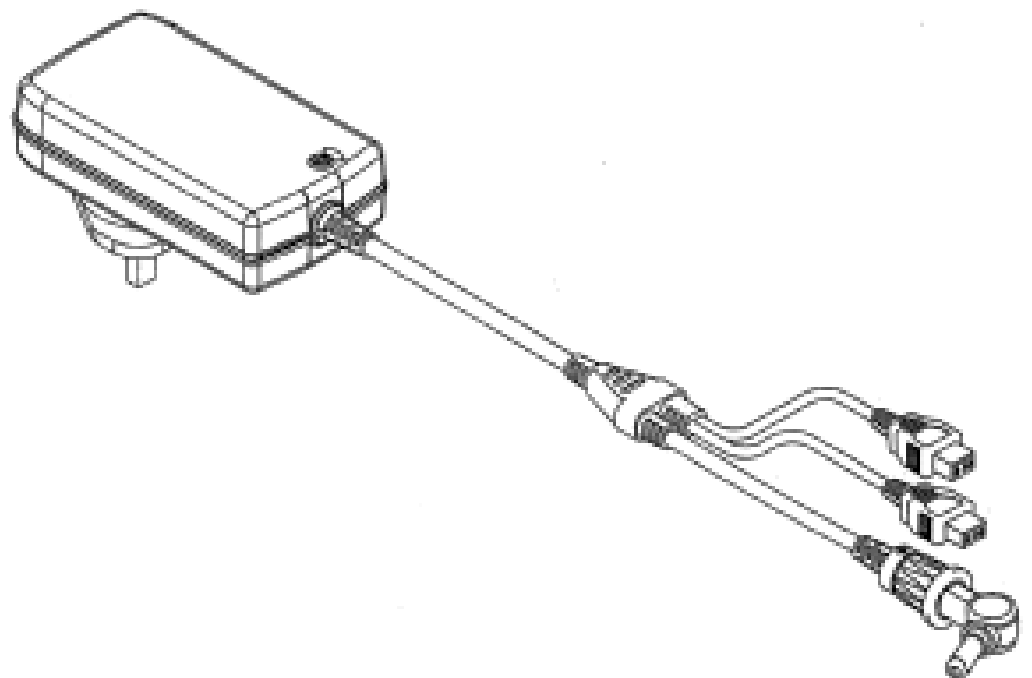
- (21) Design Number: **14025/2005**
(22) Date of Filing Application: **19 September 2005**
(24) Date from which industrial property rights may have effect: **19 September 2005**
(54) Product in respect of which the design is registered: **Door furniture for a lock**
(51) International Design Classification: **08-06**
(71) Name(s) and Address(s) of Applicant(s):
Azuma Design Pty Limited
160-162 Newton Road Wetherill Park New South Wales 2164 Australia
(72) Name(s) of Designer(s): **Richard Zitzelsperger and Phillip Michael Peet**
(45) Registration Date: **28 February 2006**
(56) Related Art Documents: **Not Applicable**
(57) Statement of Newness and Distinctiveness: **Newness and distinctiveness is claimed in the features of shape and/or configuration of a door furniture for a lock as illustrated in the accompanying representations.**



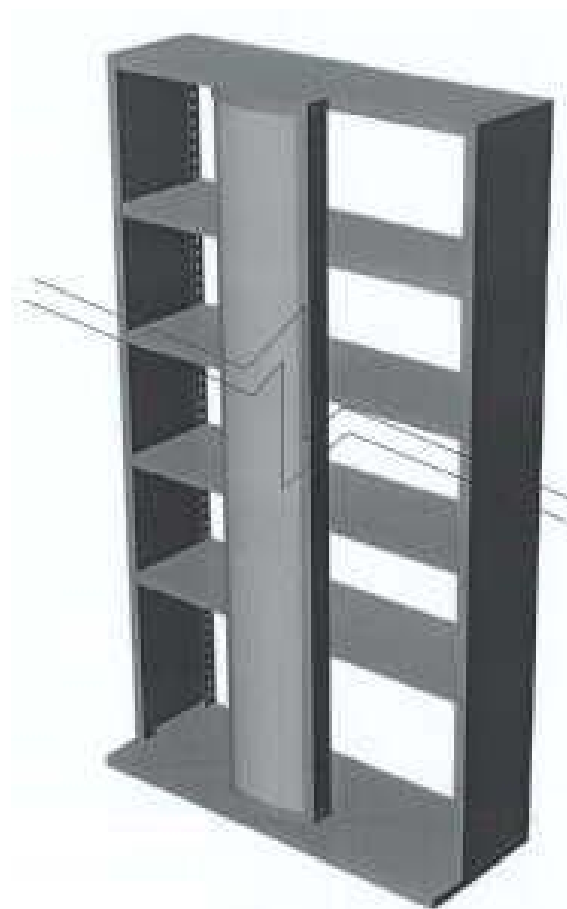
(21) Design Number: **14026/2005**
(22) Date of Filing Application: **19 September 2005**
(24) Date from which industrial property rights may have effect: **19 September 2005**
(54) Product in respect of which the design is registered: **Faucet handle**
(51) International Design Classification: **23-01H**
(71) Name(s) and Address(s) of Applicant(s):
Kohler Co.
444 Highland Drive Kohler WI 53044 United States of America
(72) Name(s) of Designer(s): **Jill E. Hundley**
(45) Registration Date: **28 February 2006**
(56) Related Art Documents: **Not Applicable**
(57) Statement of Newness and Distinctiveness: **Nil**



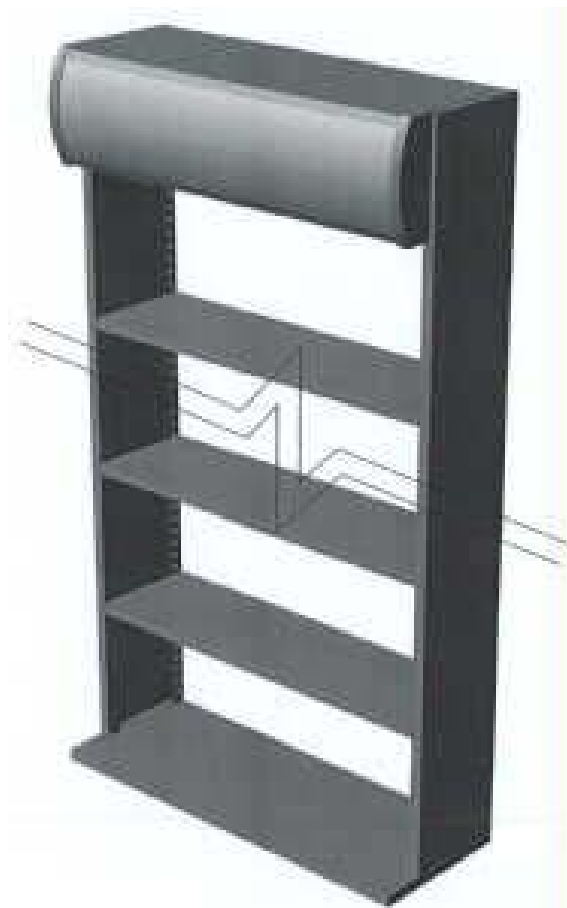
(21) Design Number: **14027/2005**
(22) Date of Filing Application: **19 September 2005**
(24) Date from which industrial property rights may have effect: **19 September 2005**
(54) Product in respect of which the design is registered: **Power adapter**
(51) International Design Classification: **13-03D**
(71) Name(s) and Address(s) of Applicant(s):
Combotronic Limited
Flat A 10th Floor Hop Lung Factory Building Shaukiwan Hong Kong
Sar People's Republic of China
(72) Name(s) of Designer(s): **Michael Pong Kei Wong**
(45) Registration Date: **28 February 2006**
(30) Convention priority data:
(31) Number (32) Date (33) Country
0501896.5 **16 Aug 2005** **HONG KONG**
(56) Related Art Documents: **Not Applicable**
(57) Statement of Newness and Distinctiveness: **Nil**



- (21) Design Number: **14128/2005**
- (22) Date of Filing Application: **23 September 2005**
- (24) Date from which industrial property rights may have effect: **23 September 2005**
- (54) Product in respect of which the design is registered: **A display stand**
- (51) International Design Classification: **20-02E**
- (71) Name(s) and Address(s) of Applicant(s):
Orford Refrigeration Pty Ltd
75 Vacy Street Toowoomba West Queensland 4350 Australia
- (72) Name(s) of Designer(s): **Nathan Debney and Dean Orford**
- (45) Registration Date: **28 February 2006**
- (56) Related Art Documents: **Not Applicable**
- (57) Statement of Newness and Distinctiveness: **Nil**



- (21) Design Number: **14129/2005**
- (22) Date of Filing Application: **23 September 2005**
- (24) Date from which industrial property rights may have effect: **23 September 2005**
- (54) Product in respect of which the design is registered: **A display stand**
- (51) International Design Classification: **20-02E**
- (71) Name(s) and Address(s) of Applicant(s):
Orford Refrigeration Pty Ltd
75 Vacy Street Toowoomba West Queensland 4350 Australia
- (72) Name(s) of Designer(s): **Nathan Debney and Dean Orford**
- (45) Registration Date: **28 February 2006**
- (56) Related Art Documents: **Not Applicable**
- (57) Statement of Newness and Distinctiveness: **Nil**



(21) Design Number: **14166/2005**

(22) Date of Filing Application: **23 September 2005**

(24) Date from which industrial property rights may have effect: **23 September 2005**

(54) Product in respect of which the design is registered: **Applied to carpet**

(51) International Design Classification: **06-11**

(71) Name(s) and Address(s) of Applicant(s):

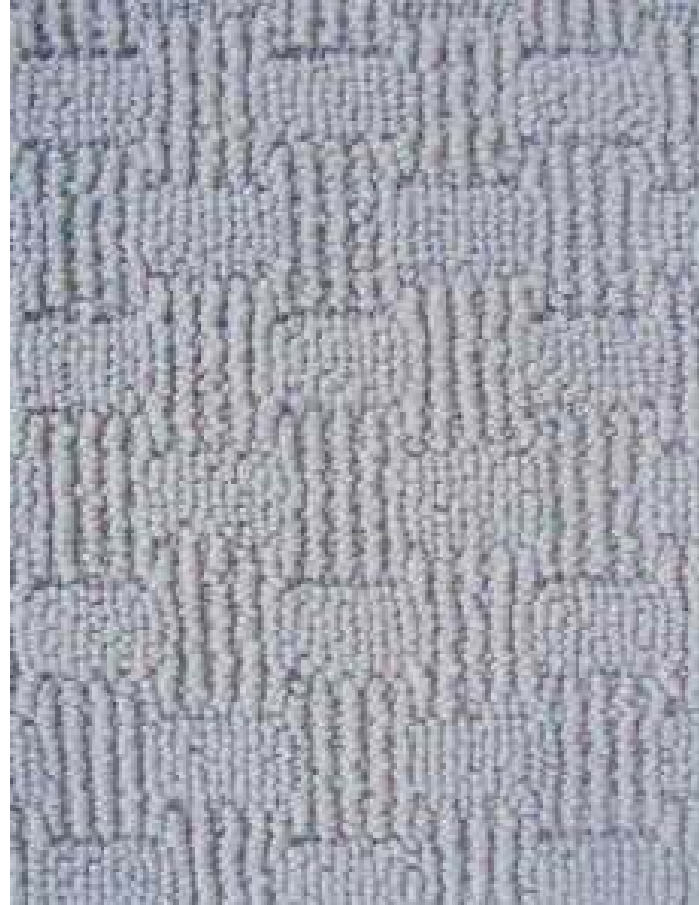
Feltex Carpets Pty Ltd
35-65 Paramount Road Tottenham Victoria 3012 Australia

(72) Name(s) of Designer(s): **Ray Prociw**

(45) Registration Date: **28 February 2006**

(56) Related Art Documents: **Not Applicable**

(57) Statement of Newness and Distinctiveness: **Nylon - multi level loop technology.**



(21) Design Number: **14167/2005**

(22) Date of Filing Application: **23 September 2005**

(24) Date from which industrial property rights may have effect: **23 September 2005**

(54) Product in respect of which the design is registered: **Applied to carpet**

(51) International Design Classification: **06-11**

(71) Name(s) and Address(s) of Applicant(s):

Feltex Carpets Pty Ltd
35-65 Paramount Road Tottenham Victoria 3012 Australia

(72) Name(s) of Designer(s): **Ray Prociw**

(45) Registration Date: **28 February 2006**

(56) Related Art Documents: **Not Applicable**

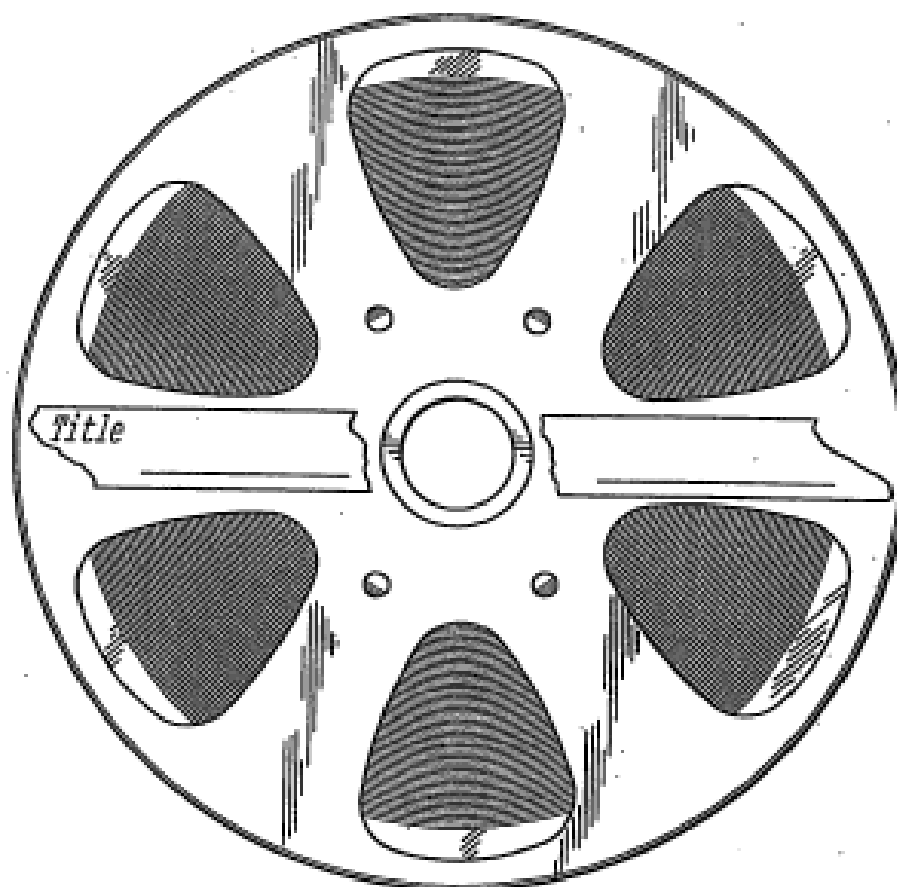
(57) Statement of Newness and Distinctiveness: **Nylon - level cut loop technology.**



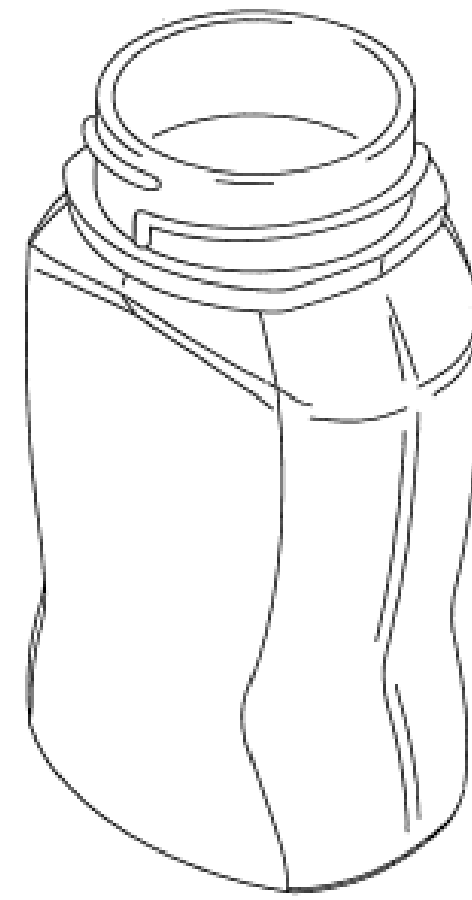
- (21) Design Number: **14168/2005**
- (22) Date of Filing Application: **23 September 2005**
- (24) Date from which industrial property rights may have effect: **23 September 2005**
- (54) Product in respect of which the design is registered: **Applied to carpet**
- (51) International Design Classification: **06-11**
- (71) Name(s) and Address(s) of Applicant(s):
Feltex Carpets Pty Ltd
35-65 Paramount Road Tottenham Victoria 3012 Australia
- (72) Name(s) of Designer(s): **Ray Prociw**
- (45) Registration Date: **28 February 2006**
- (56) Related Art Documents: **Not Applicable**
- (57) Statement of Newness and Distinctiveness: **Level cut loop print technology.**



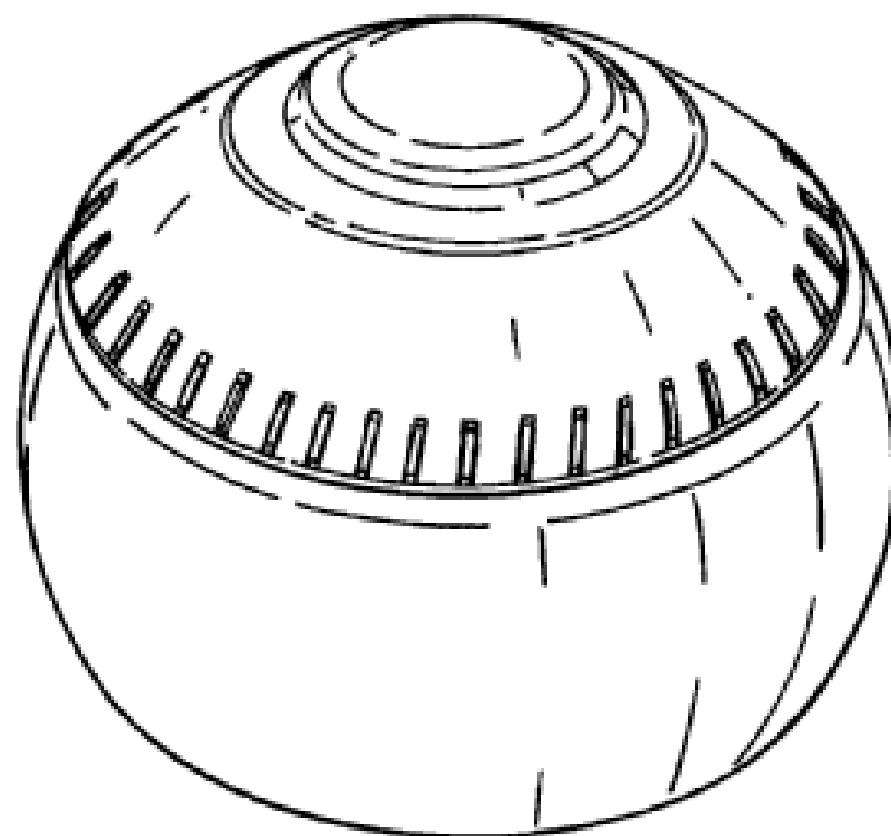
- (21) Design Number: **11072/2005**
- (22) Date of Filing Application: **18 March 2005**
- (24) Date from which industrial property rights may have effect: **25 November 2003**
- (54) Product in respect of which the design is registered: **Digital video disk**
- (51) International Design Classification: **14-99**
- (71) Name(s) and Address(s) of Applicant(s):
Verbatim Australia Pty Limited
1 Weir Street Glen Iris Victoria 3146 Australia
- (72) Name(s) of Designer(s): **Timothy J. Clatterbuck and Heather Sazama and John Cavanaugh and Jack Burke**
- (45) Registration Date: **01 March 2006**
- (62) Divisional of: **157913**
- (56) Related Art Documents: **Not Applicable**
- (57) Statement of Newness and Distinctiveness: **The features of pattern and/or ornamentation of the digital video disk illustrated in the representations.**



- (21) Design Number: **11082/2005**
(22) Date of Filing Application: **21 March 2005**
(24) Date from which industrial property rights may have effect: **21 March 2005**
(54) Product in respect of which the design is registered: **A jar**
(51) International Design Classification: **09-01C**
(71) Name(s) and Address(s) of Applicant(s):
Cerebos (Australia) Limited
2 Costello Place Seven Hills New South Wales 2147 Australia
(72) Name(s) of Designer(s): **David Francis**
(45) Registration Date: **01 March 2006**
(56) Related Art Documents: **Not Applicable**
(57) Statement of Newness and Distinctiveness: **Newness and distinctiveness is claimed in the shape and/or configuration of a jar as illustrated in the representations.**



- (21) Design Number: **12069/2005**
(22) Date of Filing Application: **10 May 2005**
(24) Date from which industrial property rights may have effect: **10 May 2005**
(54) Product in respect of which the design is registered: **Container**
(51) International Design Classification: **09-01C, 09-01NES, 09-03NES**
(71) Name(s) and Address(s) of Applicant(s):
Reckitt Benckiser N.V.
Kantoorgebouw de Appelaer De Fruittuinen 2-12 2132 NZ Hoofddorp
The Netherlands
(72) Name(s) of Designer(s): **Richard Simkin**
(45) Registration Date: **01 March 2006**
(30) Convention priority data:
(31) Number (32) Date (33) Country
000254248 16 Nov 2004 EUROPEAN COMMUNITY
(56) Related Art Documents: **Not Applicable**
(57) Statement of Newness and Distinctiveness: **Each feature of the design considered separately or in combination with any other feature or features.**



- (21) Design Number: **13109/2005**
(22) Date of Filing Application: **22 July 2005**
(24) Date from which industrial property rights may have effect: **22 July 2005**
(54) Product in respect of which the design is registered: **Gas bottle with handle and base support**
(51) International Design Classification: **23-01F**
(71) Name(s) and Address(s) of Applicant(s):
Bromic Pty Limited
1 Suttor Street Silverwater New South Wales 2128 Australia
(72) Name(s) of Designer(s): **Mark Michalowsky**
(45) Registration Date: **01 March 2006**
(56) Related Art Documents: **Not Applicable**
(57) Statement of Newness and Distinctiveness: **Shape of the handle and height. Shape of the base support.**



- (21) Design Number: **13474/2005**
(22) Date of Filing Application: **15 August 2005**
(24) Date from which industrial property rights may have effect: **15 August 2005**
(54) Product in respect of which the design is registered: **Detachable attachment for shower head**
(51) International Design Classification: **23-02B**
(71) Name(s) and Address(s) of Applicant(s):
David Philip Coates
25 The Moorlands Leeds LS17 8AB England
(72) Name(s) of Designer(s): **David Philip Coates**
(45) Registration Date: **01 March 2006**
(30) Convention priority data:
(31) Number (32) Date (33) Country
000302898 23 Feb 2005 EUROPEAN COMMUNITY
(56) Related Art Documents: **Not Applicable**
(57) Statement of Newness and Distinctiveness: **Newness and distinctiveness reside in the detachable attachment for shower head as shown in the accompanying representations.**



(21) Design Number: **13577/2005**

(22) Date of Filing Application: **22 August 2005**

(24) Date from which industrial property rights may have effect: **22 August 2005**

(54) Product in respect of which the design is registered: **Applied to "carpet"**

(51) International Design Classification: **06-11**

(71) Name(s) and Address(s) of Applicant(s):

Feltex Carpets Pty Ltd
35-65 Paramount Road Tottenham Victoria 3012 Australia

(72) Name(s) of Designer(s): **Ray Prociw**

(45) Registration Date: **01 March 2006**

(56) Related Art Documents: **Not Applicable**

(57) Statement of Newness and Distinctiveness: **Nylon - level cut loop technology.**



(21) Design Number: **13610/2005**

(22) Date of Filing Application: **22 August 2005**

(24) Date from which industrial property rights may have effect: **22 August 2005**

(54) Product in respect of which the design is registered: **Viscous liquid fountain**

(51) International Design Classification: **11-99**

(71) Name(s) and Address(s) of Applicant(s):

Andrew Cox
Suite 279 272 Victoria Avenue Chatswood New South Wales 2067
Australia

(72) Name(s) of Designer(s): **Andrew Cox**

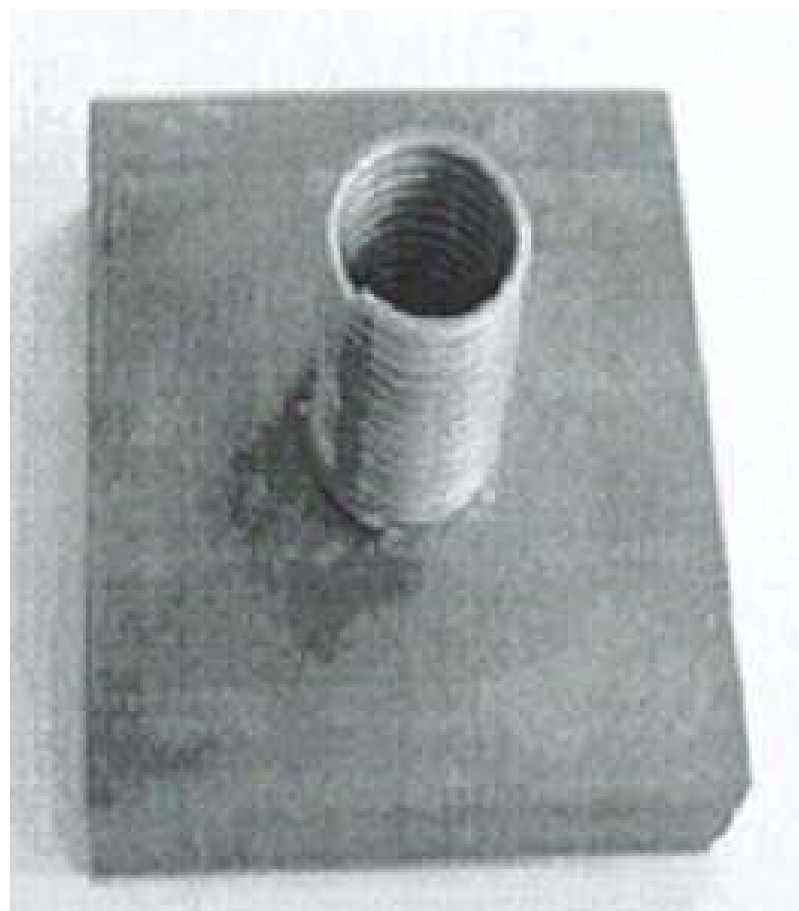
(45) Registration Date: **01 March 2006**

(56) Related Art Documents: **Not Applicable**

(57) Statement of Newness and Distinctiveness: **Nil**



- (21) Design Number: **13671/2005**
(22) Date of Filing Application: **26 August 2005**
(24) Date from which industrial property rights may have effect: **26 August 2005**
(54) Product in respect of which the design is registered: **Playframe protector base**
(51) International Design Classification: **21-02NES**
(71) Name(s) and Address(s) of Applicant(s):
Bradley Phillip Ingram
42 Alma Road Leppington New South Wales 2179 Australia
(72) Name(s) of Designer(s): **Bradley Phillip Ingram**
(45) Registration Date: **01 March 2006**
(56) Related Art Documents: **Not Applicable**
(57) Statement of Newness and Distinctiveness: **The design is new and distinctive. The type of material in the support part can be disregarded as it may vary.**



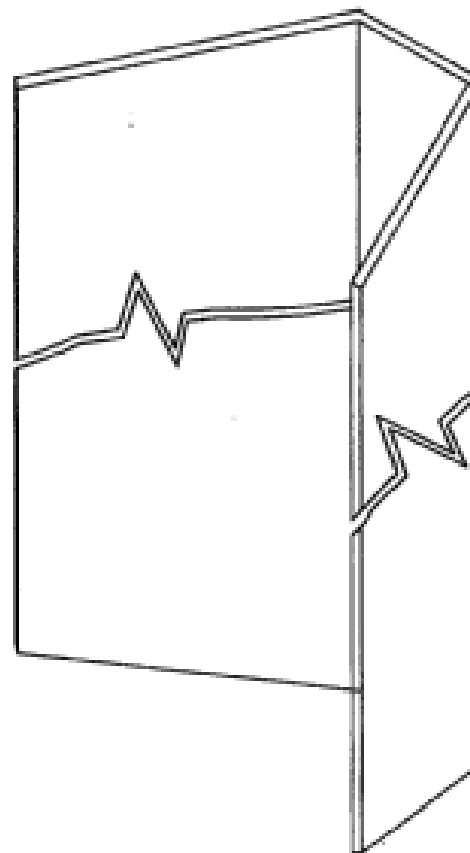
- (21) Design Number: **13742/2005**
(22) Date of Filing Application: **31 August 2005**
(24) Date from which industrial property rights may have effect: **31 August 2005**
(54) Product in respect of which the design is registered: **Bottle**
(51) International Design Classification: **09-01K**
(71) Name(s) and Address(s) of Applicant(s):
Henkel Kommanditgesellschaft auf Aktien
Henkelstrasse 67 40589 Dusseldorf Germany
(72) Name(s) of Designer(s): **Anja English**
(45) Registration Date: **01 March 2006**
(30) Convention priority data:
(31) Number (32) Date (33) Country
000316880 29 Mar 2005 EUROPEAN COMMUNITY
(56) Related Art Documents: **Not Applicable**
(57) Statement of Newness and Distinctiveness: **Newness and distinctiveness is claimed in the features of shape and/or configuration of bottle as illustrated in the accompanying representations.**



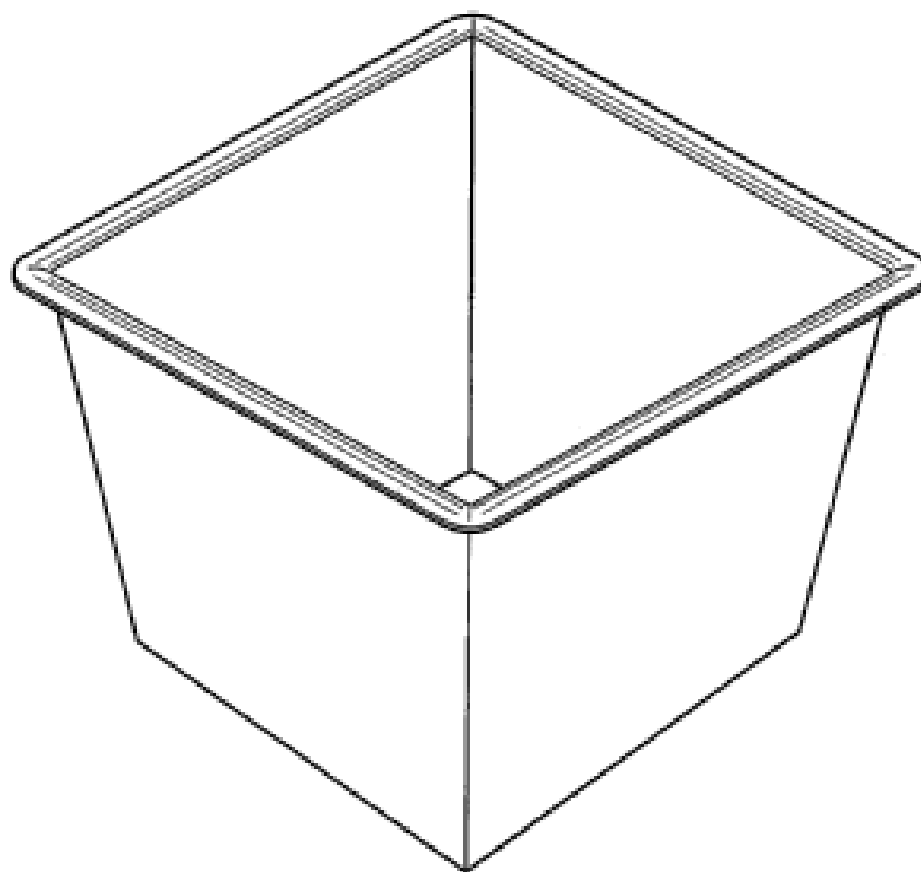
- (21) Design Number: **13743/2005**
(22) Date of Filing Application: **31 August 2005**
(24) Date from which industrial property rights may have effect: **31 August 2005**
(54) Product in respect of which the design is registered: **Bottle**
(51) International Design Classification: **09-01K**
(71) Name(s) and Address(s) of Applicant(s):
Henkel Kommanditgesellschaft auf Aktien
Henkelstrasse 67 40589 Dusseldorf Germany
(72) Name(s) of Designer(s): **Anja English**
(45) Registration Date: **01 March 2006**
(30) Convention priority data:
(31) Number (32) Date (33) Country
000316872 29 Mar 2005 EUROPEAN COMMUNITY
(56) Related Art Documents: **Not Applicable**
(57) Statement of Newness and Distinctiveness: **Newness and distinctiveness is claimed in the features of shape and/or configuration of bottle as illustrated in the accompanying representations.**



- (21) Design Number: **13772/2005**
(22) Date of Filing Application: **02 September 2005**
(24) Date from which industrial property rights may have effect: **02 September 2005**
(54) Product in respect of which the design is registered: **Pole reinforcing element**
(51) International Design Classification: **25-01B, 25-01NES**
(71) Name(s) and Address(s) of Applicant(s):
Pole Foundations Finance Pty Ltd
58 Antimony Street Carole Park Queensland 4300 Australia
(72) Name(s) of Designer(s): **Chris Rankine**
(45) Registration Date: **01 March 2006**
(56) Related Art Documents: **Not Applicable**
(57) Statement of Newness and Distinctiveness: **The newness and distinctiveness resides in the shape and configuration of the reinforcing element, and the reinforcing element is of indefinite length.**



- (21) Design Number: **13786/2005**
- (22) Date of Filing Application: **02 September 2005**
- (24) Date from which industrial property rights may have effect: **02 September 2005**
- (54) Product in respect of which the design is registered: **Plant pot**
- (51) International Design Classification: **11-02B**
- (71) Name(s) and Address(s) of Applicant(s):
P.N. White Industries Pty Ltd
24-26 Brooklyn Avenue Dandenong Victoria 3175 Australia
- (72) Name(s) of Designer(s): **Peter Ralph White**
- (45) Registration Date: **01 March 2006**
- (56) Related Art Documents: **Not Applicable**
- (57) Statement of Newness and Distinctiveness: **Newness and distinctiveness reside in the plant pot as shown in the accompanying representations.**



- (21) Design Number: **13835/2005**
- (22) Date of Filing Application: **07 September 2005**
- (24) Date from which industrial property rights may have effect: **07 September 2005**
- (54) Product in respect of which the design is registered: **Roof bracket**
- (51) International Design Classification: **08-08L**
- (71) Name(s) and Address(s) of Applicant(s):
QuickFrame Technologies Pty Ltd
Level 2 47 South Terrace Adelaide South Australia 5000 Australia
- (72) Name(s) of Designer(s): **Leon William Greeff and Graham John Peacock**
- (45) Registration Date: **01 March 2006**
- (56) Related Art Documents: **Not Applicable**
- (57) Statement of Newness and Distinctiveness: **Nil**



- (21) Design Number: **13868/2005**
(22) Date of Filing Application: **08 September 2005**
(24) Date from which industrial property rights may have effect: **08 September 2005**
(54) Product in respect of which the design is registered: **Front combination lamp for an automobile**
(51) International Design Classification: **26-06**
(71) Name(s) and Address(s) of Applicant(s):
Toyota Jidosha Kabushiki Kaisha
1 Toyota-cho Toyota-shi Aichi-ken 471-8571 Japan
(72) Name(s) of Designer(s): **Hiroaki Suzuki and Yosuke Konno**
(45) Registration Date: **01 March 2006**
(56) Related Art Documents: **Not Applicable**
(57) Statement of Newness and Distinctiveness: **Each feature of the design considered separately or in combination with any other feature or features.**



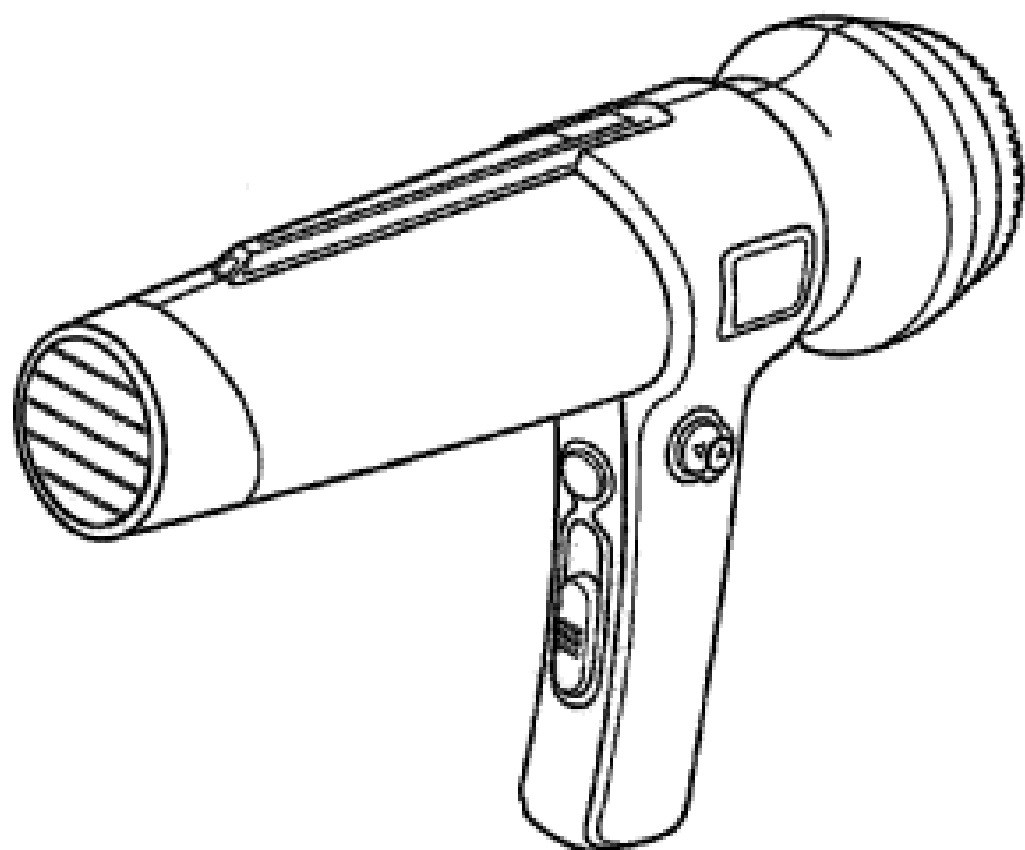
- (21) Design Number: **13869/2005**
(22) Date of Filing Application: **08 September 2005**
(24) Date from which industrial property rights may have effect: **08 September 2005**
(54) Product in respect of which the design is registered: **Rear combination lamp for an automobile**
(51) International Design Classification: **26-06**
(71) Name(s) and Address(s) of Applicant(s):
Toyota Jidosha Kabushiki Kaisha
1 Toyota-cho Toyota-shi Aichi-ken 471-8571 Japan
(72) Name(s) of Designer(s): **Yukio Kushima and Hideki Hayashi and Machio Nakamura**
(45) Registration Date: **01 March 2006**
(56) Related Art Documents: **Not Applicable**
(57) Statement of Newness and Distinctiveness: **Each feature of the design considered separately or in combination with any other feature or features.**



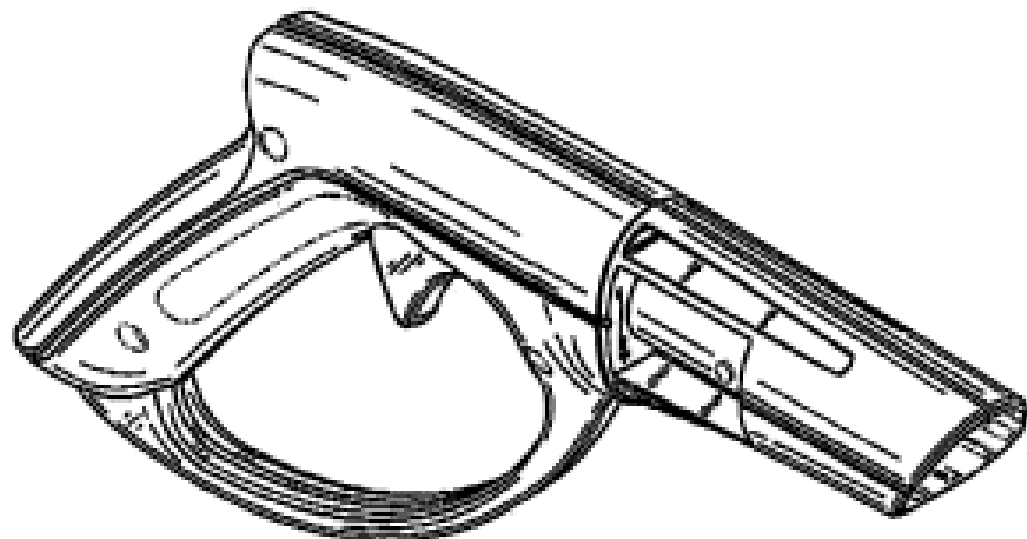
- (21) Design Number: **13870/2005**
(22) Date of Filing Application: **08 September 2005**
(24) Date from which industrial property rights may have effect: **08 September 2005**
(54) Product in respect of which the design is registered: **Front combination lamp for an automobile**
(51) International Design Classification: **26-06**
(71) Name(s) and Address(s) of Applicant(s):
Toyota Jidosha Kabushiki Kaisha
1 Toyota-cho Toyota-shi Aichi-ken 471-8571 Japan
(72) Name(s) of Designer(s): **Hiroaki Suzuki and Yosuke Konno**
(45) Registration Date: **01 March 2006**
(56) Related Art Documents: **Not Applicable**
(57) Statement of Newness and Distinctiveness: **Each feature of the design considered separately or in combination with any other feature or features.**



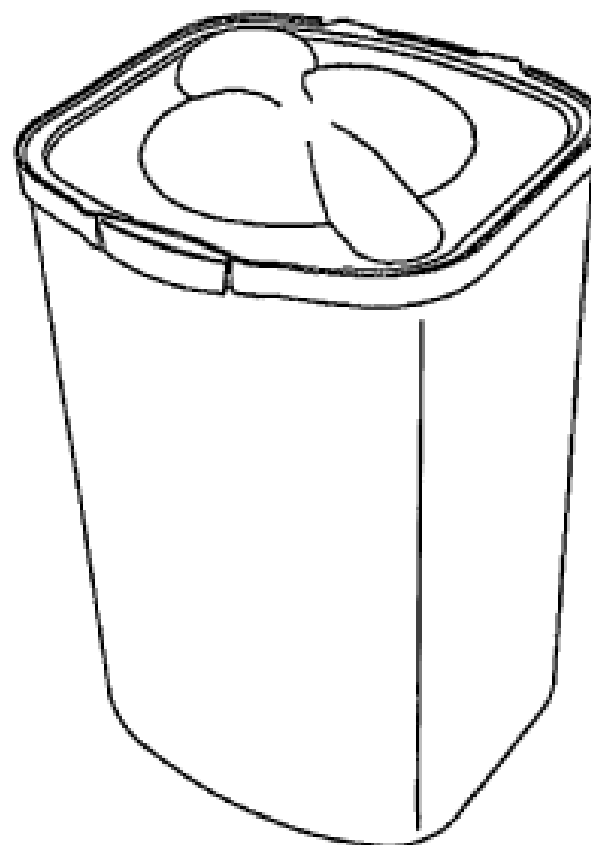
- (21) Design Number: **13985/2005**
(22) Date of Filing Application: **14 September 2005**
(24) Date from which industrial property rights may have effect: **14 September 2005**
(54) Product in respect of which the design is registered: **Hair dryer**
(51) International Design Classification: **28-03B**
(71) Name(s) and Address(s) of Applicant(s):
Kil Seung Shin
1060-5 Wolmun-1li Wabu-eup Namyangju-si Gyeonggi-Do South Korea
(72) Name(s) of Designer(s): **Kil Seung Shin**
(45) Registration Date: **01 March 2006**
(56) Related Art Documents: **Not Applicable**
(57) Statement of Newness and Distinctiveness: **Nil**



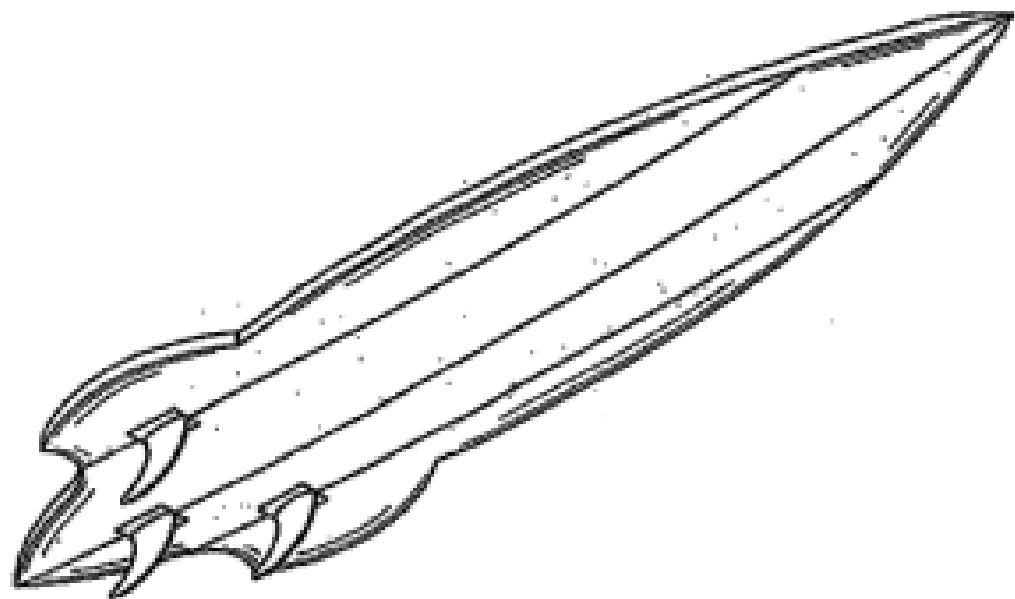
- (21) Design Number: **13994/2005**
(22) Date of Filing Application: **15 September 2005**
(24) Date from which industrial property rights may have effect: **15 September 2005**
(54) Product in respect of which the design is registered: **Handle**
(51) International Design Classification: **23-01D**
(71) Name(s) and Address(s) of Applicant(s):
S.C. Johnson & Son, Inc.
1525 Howe Street Racine Wisconsin 53403-2236 United States of America
(72) Name(s) of Designer(s): **Steven B. Mineau and Donald J. Schumacher**
(45) Registration Date: **01 March 2006**
(30) Convention priority data:
(31) Number (32) Date (33) Country
29/225389 15 Mar 2005 UNITED STATES OF AMERICA
(56) Related Art Documents: **Not Applicable**
(57) Statement of Newness and Distinctiveness: **Newness and distinctiveness is claimed in the features of shape and/or configuration of a handle as illustrated in continuous lines in the accompanying representations.**



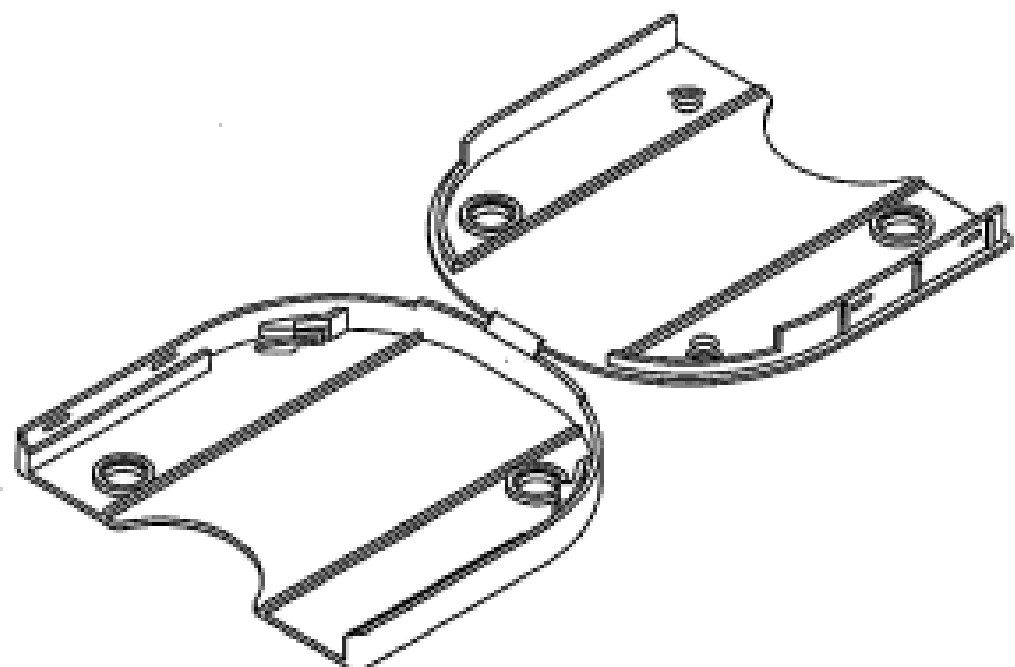
- (21) Design Number: **13995/2005**
(22) Date of Filing Application: **15 September 2005**
(24) Date from which industrial property rights may have effect: **15 September 2005**
(54) Product in respect of which the design is registered: **Baby food container**
(51) International Design Classification: **07-01NES**
(71) Name(s) and Address(s) of Applicant(s):
N.V. Nutricia
Eerste Stationsstraat 186 2712 HM Zoetermeer The Netherlands
(72) Name(s) of Designer(s): **Rita Karen Crawford and Nicolaas Luttk**
(45) Registration Date: **01 March 2006**
(30) Convention priority data:
(31) Number (32) Date (33) Country
000331608 26 Apr 2005 EUROPEAN PATENT OFFICE (EP)
(56) Related Art Documents: **Not Applicable**
(57) Statement of Newness and Distinctiveness: **Newness and distinctiveness is claimed in the shape and/or configuration of the baby food container as illustrated in the accompanying representations.**



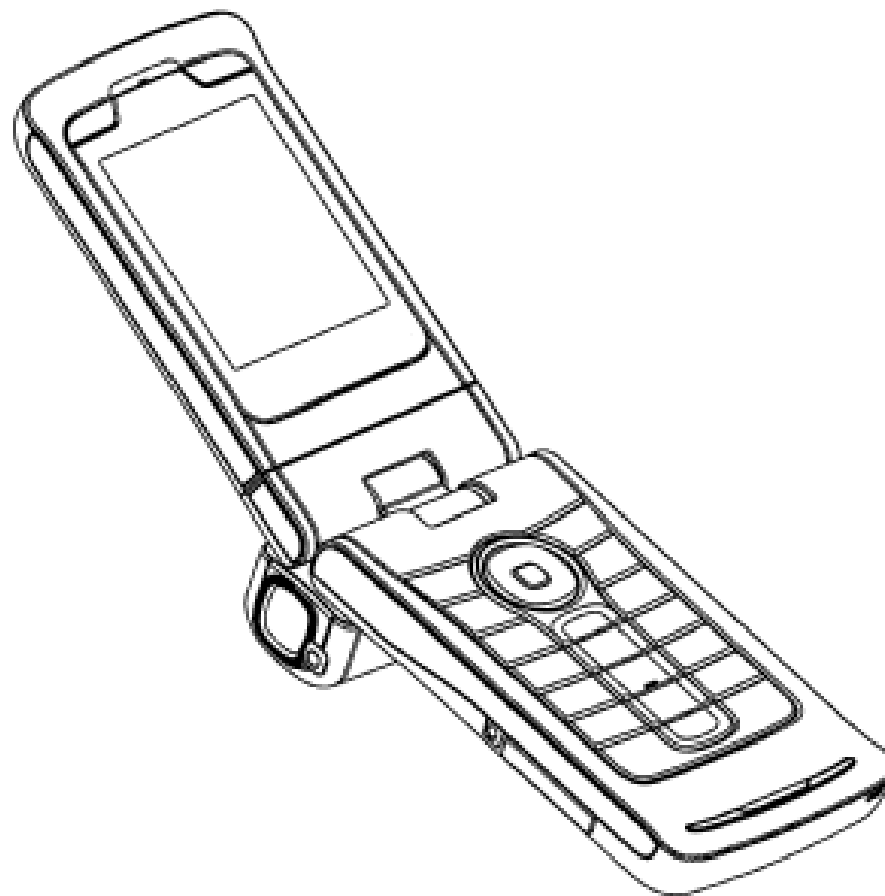
(21) Design Number: **13996/2005**
(22) Date of Filing Application: **15 September 2005**
(24) Date from which industrial property rights may have effect: **15 September 2005**
(54) Product in respect of which the design is registered: **Surfboard with wings**
(51) International Design Classification: **21-02D**
(71) Name(s) and Address(s) of Applicant(s):
Louis Stagnaro
3355 Hawk St. San Diego California 92103 United States of America
(72) Name(s) of Designer(s): **Louis Stagnaro**
(45) Registration Date: **01 March 2006**
(56) Related Art Documents: **Not Applicable**
(57) Statement of Newness and Distinctiveness: **Newness and distinctiveness resides in the shape and/or configuration of the surfboard with wings shown in the accompanying representations.**



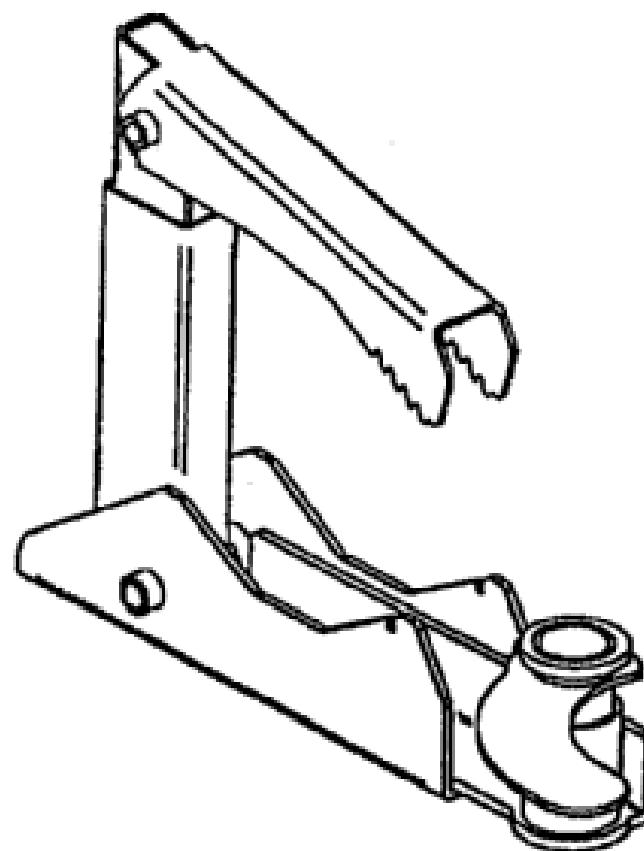
(21) Design Number: **13997/2005**
(22) Date of Filing Application: **15 September 2005**
(24) Date from which industrial property rights may have effect: **15 September 2005**
(54) Product in respect of which the design is registered: **Case for disk cartridge**
(51) International Design Classification: **03-01C**
(71) Name(s) and Address(s) of Applicant(s):
Sony Computer Entertainment Inc.
2-6-21 Minami-Aoyama Minato-ku Tokyo 107-0062 Japan
(72) Name(s) of Designer(s): **Ichiro Nemoto and Tanjo Wakimoto**
(45) Registration Date: **01 March 2006**
(30) Convention priority data:
(31) Number (32) Date (33) Country
2005-009446 30 Mar 2005 JAPAN
(56) Related Art Documents: **Not Applicable**
(57) Statement of Newness and Distinctiveness: **Newness and distinctiveness resides in the shape and/or configuration of the case for disk cartridge as shown in the accompanying representations.**



(21) Design Number: **13998/2005**
(22) Date of Filing Application: **15 September 2005**
(24) Date from which industrial property rights may have effect: **15 September 2005**
(54) Product in respect of which the design is registered: **A handset**
(51) International Design Classification: **14-03E**
(71) Name(s) and Address(s) of Applicant(s):
Nokia Corporation
Keilalahdentie 4 FIN-02150 Espoo Finland
(72) Name(s) of Designer(s): **Ingve Holmung and Anthony Dalby**
(45) Registration Date: **01 March 2006**
(30) Convention priority data:
(31) Number (32) Date (33) Country
M20050046 16 Mar 2005 FINLAND
(56) Related Art Documents: **Not Applicable**
(57) Statement of Newness and Distinctiveness: **Nil**



(21) Design Number: **14016/2005**
(22) Date of Filing Application: **16 September 2005**
(24) Date from which industrial property rights may have effect: **16 September 2005**
(54) Product in respect of which the design is registered: **An immobiliser for a vehicle wheel**
(51) International Design Classification: **12-16NES**
(71) Name(s) and Address(s) of Applicant(s):
Philip Denman
Flat 1 8 Redlion Street Boston Lincs PE21 6NY United Kingdom
(72) Name(s) of Designer(s): **Philip Denman**
(45) Registration Date: **01 March 2006**
(56) Related Art Documents: **Not Applicable**
(57) Statement of Newness and Distinctiveness: **Nil**



(21) Design Number: **12961/2005**

(22) Date of Filing Application: **05 July 2005**

(24) Date from which industrial property rights may have effect: **05 July 2005**

(54) Product in respect of which the design is registered: **Ozwood bar table top**

(51) International Design Classification: **06-06E**

(71) Name(s) and Address(s) of Applicant(s):

Johan Collections Pty Ltd
32 Higginbotham Road Gladesville New South Wales 2111 Australia

(72) Name(s) of Designer(s): **Shing Chi Tsang**

(45) Registration Date: **03 March 2006**

(56) Related Art Documents: **Not Applicable**

(57) Statement of Newness and Distinctiveness: **The bar table top has a recess which defines the seating location for the host with three guests to the right, left and front. The position aligns nicely with the bottles holder underneath the table top.**



(21) Design Number: **12962/2005**

(22) Date of Filing Application: **05 July 2005**

(24) Date from which industrial property rights may have effect: **05 July 2005**

(54) Product in respect of which the design is registered: **Ozwood wine bottles holder**

(51) International Design Classification: **06-03B, 06-04NES**

(71) Name(s) and Address(s) of Applicant(s):

Johan Collections Pty Ltd
32 Higginbotham Road Gladesville New South Wales 2111 Australia

(72) Name(s) of Designer(s): **Shing Chi Tsang**

(45) Registration Date: **03 March 2006**

(56) Related Art Documents: **Not Applicable**

(57) Statement of Newness and Distinctiveness: **The cross members of the bar table leg are modified into a rack for storing of wine. One cross member has holes for the bottle neck and the other cross member has curves cut out for positioning the bottle.**



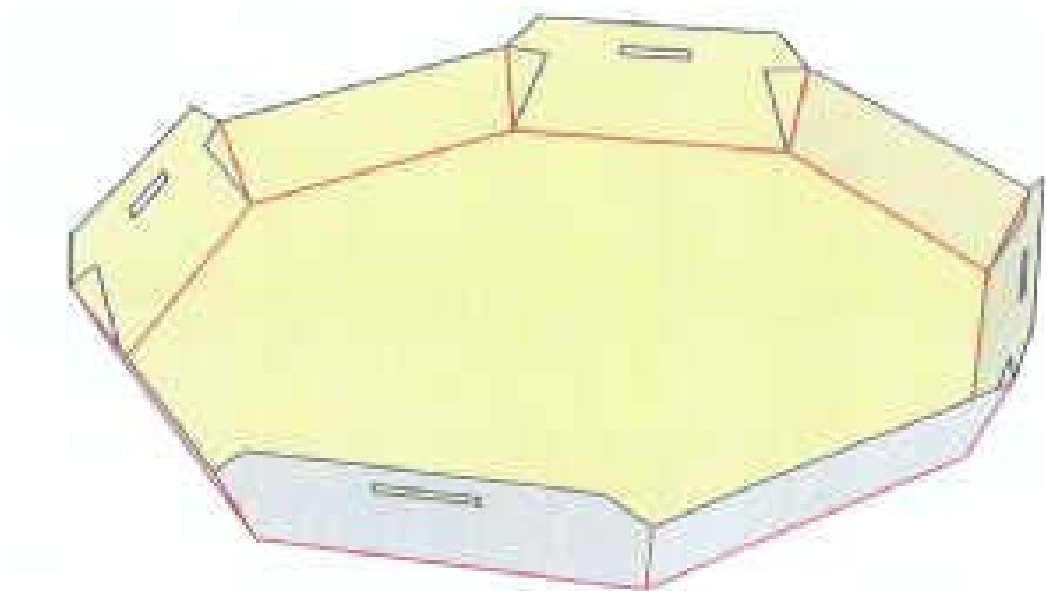
- (21) Design Number: **13256/2005**
(22) Date of Filing Application: **01 August 2005**
(24) Date from which industrial property rights may have effect: **01 August 2005**
(54) Product in respect of which the design is registered: **A saw**
(51) International Design Classification: **08-03**
(71) Name(s) and Address(s) of Applicant(s):
Black & Decker, Inc.
1207 Drummond Plaza Newark Delaware 19711 United States of America
(72) Name(s) of Designer(s): **David L. Wikle and Peter Chaikowsky and Warren A. Ceroll and Gregg L. Shetty and James D. Schroeder**
(45) Registration Date: **03 March 2006**
(30) Convention priority data:
(31) Number (32) Date (33) Country
29225123 11 Mar 2005 UNITED STATES OF AMERICA
(56) Related Art Documents: **Not Applicable**
(57) Statement of Newness and Distinctiveness: **Nil**



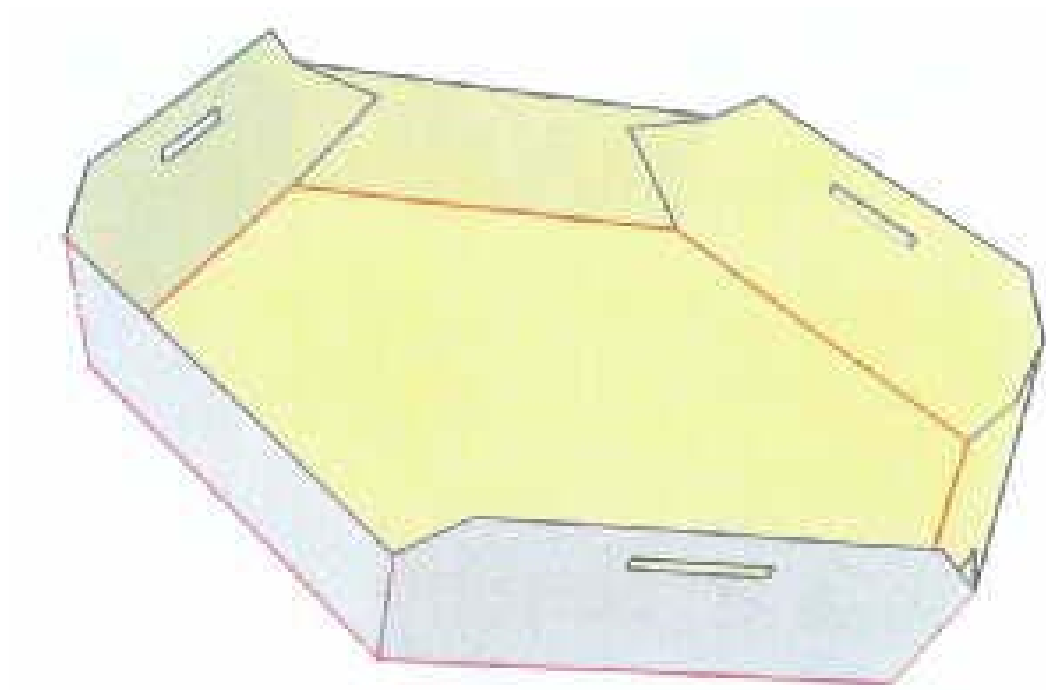
- (21) Design Number: **13265/2005**
(22) Date of Filing Application: **01 August 2005**
(24) Date from which industrial property rights may have effect: **01 August 2005**
(54) Product in respect of which the design is registered: **Classification 07-99Z miscellaneous bazza clock**
(51) International Design Classification: **10-01**
(71) Name(s) and Address(s) of Applicant(s):
Eastcoast Australia Pty Ltd
6/163 Prospect Highway Seven Hills New South Wales 2147 Australia
(72) Name(s) of Designer(s): **Johannes Jacobus Broerse**
(45) Registration Date: **03 March 2006**
(56) Related Art Documents: **Not Applicable**
(57) Statement of Newness and Distinctiveness: **This clock is an original design/shape/colour A 3D roulette clock with small chips to state the time of day.**



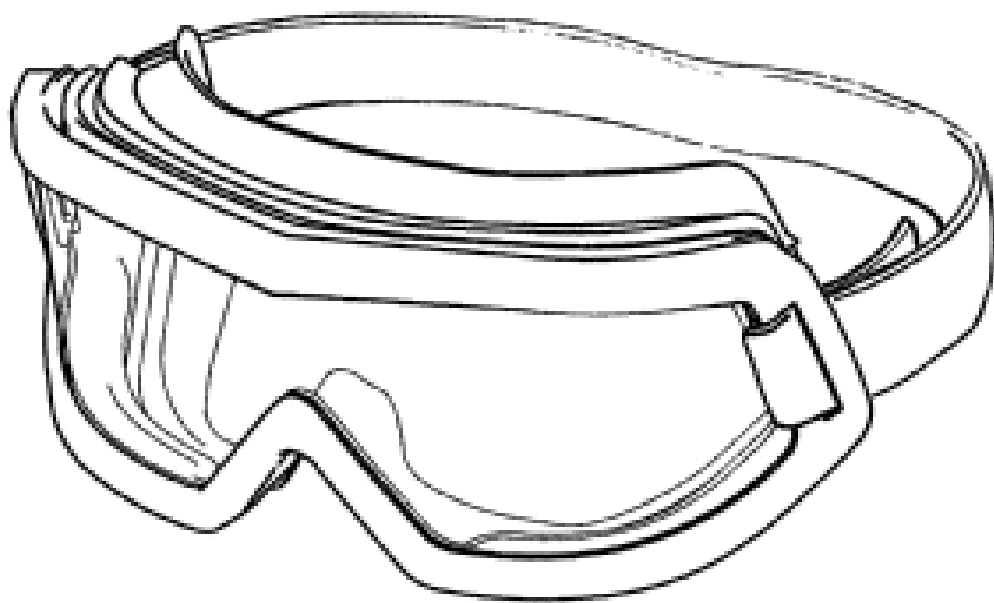
- (21) Design Number: **13286/2005**
- (22) Date of Filing Application: **02 August 2005**
- (24) Date from which industrial property rights may have effect: **02 August 2005**
- (54) Product in respect of which the design is registered: **Pizza tray**
- (51) International Design Classification: **09-03F**
- (71) Name(s) and Address(s) of Applicant(s):
Amcor Limited
679 Victoria Street Abbotsford Victoria 3067 Australia
- (72) Name(s) of Designer(s): **William George Howard**
- (45) Registration Date: **03 March 2006**
- (56) Related Art Documents: **Not Applicable**
- (57) Statement of Newness and Distinctiveness: **Nil**



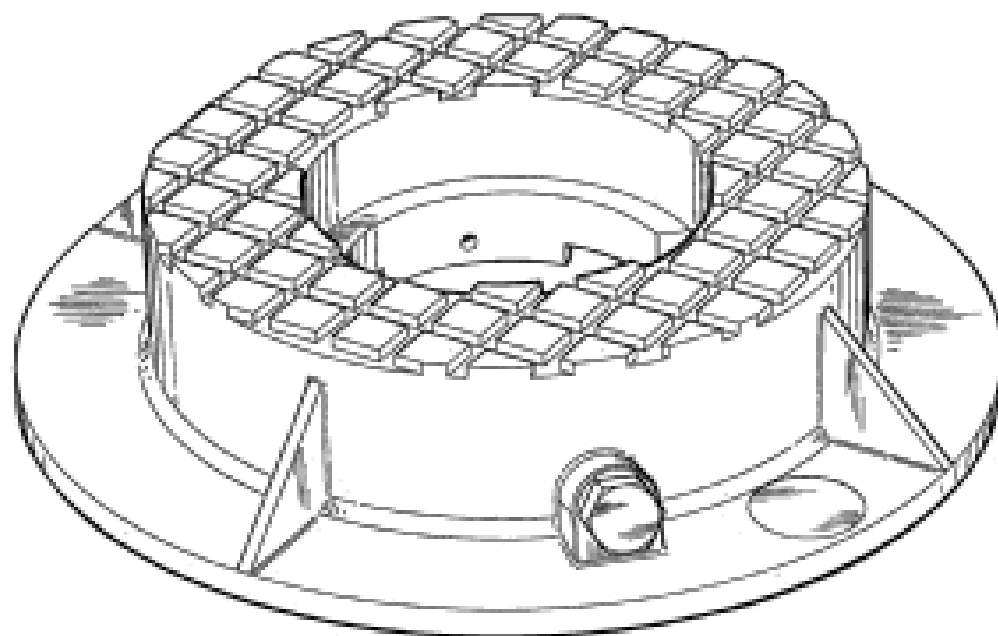
- (21) Design Number: **13287/2005**
- (22) Date of Filing Application: **02 August 2005**
- (24) Date from which industrial property rights may have effect: **02 August 2005**
- (54) Product in respect of which the design is registered: **Pizza tray**
- (51) International Design Classification: **09-03F**
- (71) Name(s) and Address(s) of Applicant(s):
Amcor Limited
679 Victoria Street Abbotsford Victoria 3067 Australia
- (72) Name(s) of Designer(s): **William George Howard**
- (45) Registration Date: **03 March 2006**
- (56) Related Art Documents: **Not Applicable**
- (57) Statement of Newness and Distinctiveness: **Nil**



- (21) Design Number: **14071/2005**
(22) Date of Filing Application: **21 September 2005**
(24) Date from which industrial property rights may have effect: **21 September 2005**
(54) Product in respect of which the design is registered: **Safety glasses**
(51) International Design Classification: **16-06**
(71) Name(s) and Address(s) of Applicant(s):
Uvex Arbeitsschutz GmbH
Wurzburger Strasse 189 D-90766 Furth Germany
(72) Name(s) of Designer(s): **Stefan Bruck**
(45) Registration Date: **03 March 2006**
(56) Related Art Documents: **Not Applicable**
(57) Statement of Newness and Distinctiveness: **Those features of the safety glasses depicted in the representations that are new and distinctive are the shape and/or configuration. The strap may be of any length.**



- (21) Design Number: **14073/2005**
(22) Date of Filing Application: **21 September 2005**
(24) Date from which industrial property rights may have effect: **21 September 2005**
(54) Product in respect of which the design is registered: **Valve surround**
(51) International Design Classification: **23-01K**
(71) Name(s) and Address(s) of Applicant(s):
Infratec International Pty Ltd
13 Hi-Tech Court Croydon South Victoria 3136 Australia
(72) Name(s) of Designer(s): **Philip Thompson**
(45) Registration Date: **03 March 2006**
(56) Related Art Documents: **Not Applicable**
(57) Statement of Newness and Distinctiveness: **Nil**



- (21) Design Number: **14076/2005**
(22) Date of Filing Application: **22 September 2005**
(24) Date from which industrial property rights may have effect: **22 September 2005**
(54) Product in respect of which the design is registered: **Media player**
(51) International Design Classification: **14-01**
(71) Name(s) and Address(s) of Applicant(s):

Creative Technology Ltd
31 International Business Park Creative Resource Singapore 609921

(72) Name(s) of Designer(s): **Boon Keat Eddy Toh**

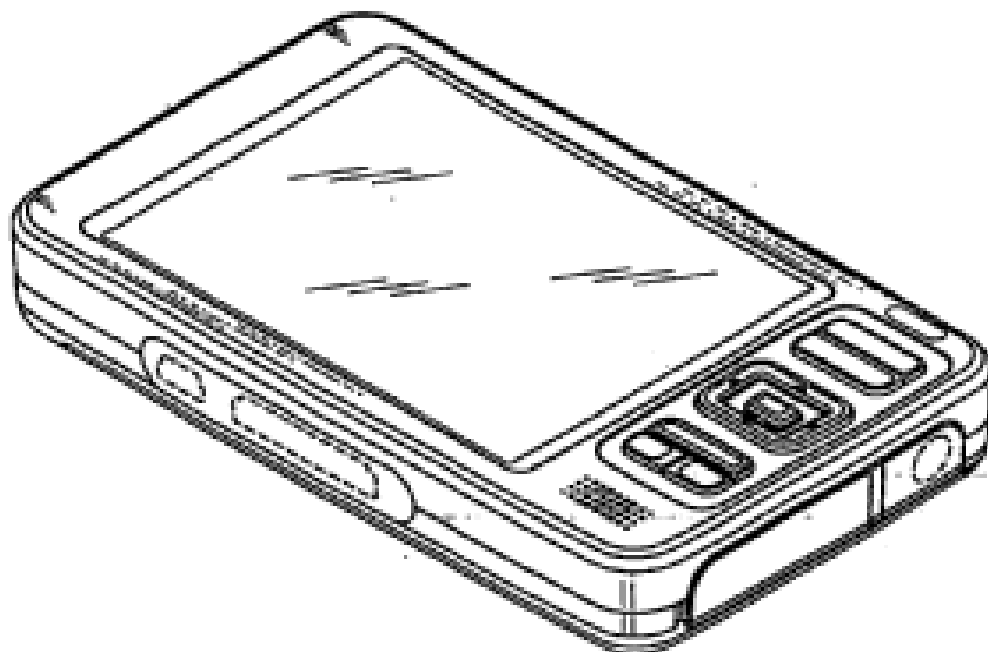
(45) Registration Date: **03 March 2006**

(30) Convention priority data:

(31) Number	(32) Date	(33) Country
29/231,772	08 Jun 2005	UNITED STATES OF AMERICA

(56) Related Art Documents: **Not Applicable**

(57) Statement of Newness and Distinctiveness: **Monopoly is claimed in the shape and configuration of the features of the article as depicted in the accompanying representations. The applicant claims monopoly in the features of the article depicted in solid lines. No monopoly is claimed in the features depicted in dashed (broken) lines in the accompanying representations.**



- (21) Design Number: **14077/2005**
(22) Date of Filing Application: **22 September 2005**
(24) Date from which industrial property rights may have effect: **22 September 2005**
(54) Product in respect of which the design is registered: **Media player**
(51) International Design Classification: **14-01**
(71) Name(s) and Address(s) of Applicant(s):

Creative Technology Ltd
31 International Business Park Creative Resource Singapore 609921

(72) Name(s) of Designer(s): **Adrian Ka-Wei Wong and Tan Jeng Khim and Boon Keat Eddy Toh and Anthony Kok Chong Oh**

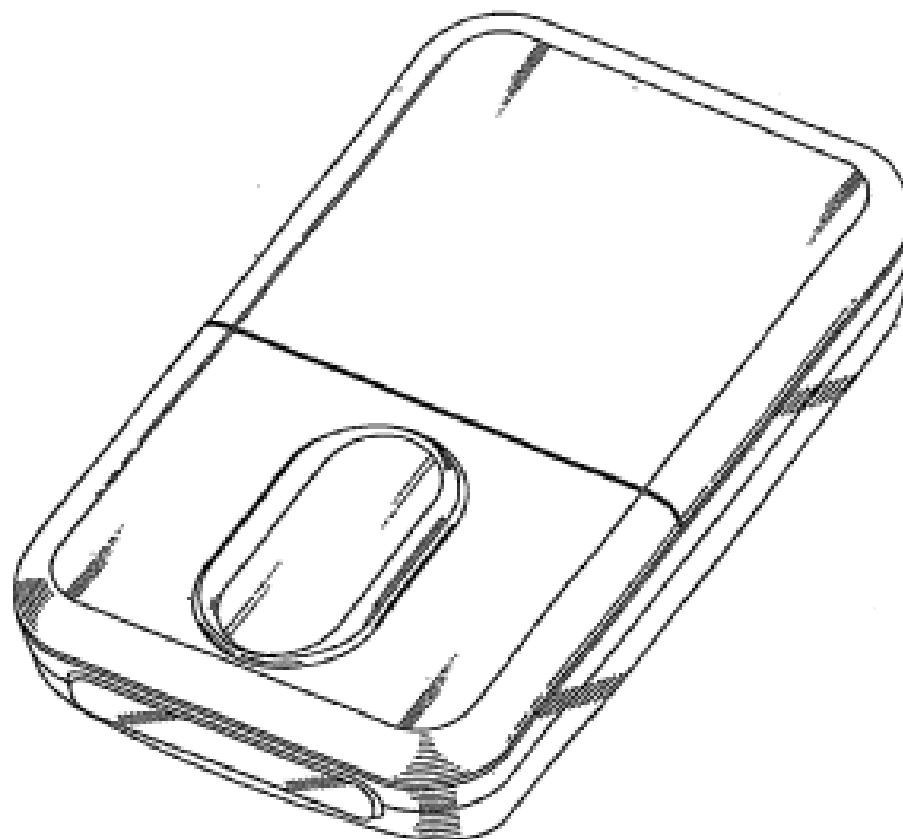
(45) Registration Date: **03 March 2006**

(30) Convention priority data:

(31) Number	(32) Date	(33) Country
29/233,699	06 Jul 2005	UNITED STATES OF AMERICA

(56) Related Art Documents: **Not Applicable**

(57) Statement of Newness and Distinctiveness: **Monopoly is claimed in the shape and configuration of the features of the article as depicted in the accompanying representations. The applicant claims monopoly in the features of the article depicted in solid lines. No monopoly is claimed in the features depicted in dashed (broken) lines in the accompanying representations.**



(21) Design Number: **14085/2005**
(22) Date of Filing Application: **22 September 2005**
(24) Date from which industrial property rights may have effect: **22 September 2005**
(54) Product in respect of which the design is registered: **A handset**
(51) International Design Classification: **14-03E**
(71) Name(s) and Address(s) of Applicant(s):
Nokia Corporation
Keilalahdentie 4 FIN-02150 Espoo Finland
(72) Name(s) of Designer(s): **Matti Juhani (Jussi) Ruohonen and Anthony Dalby**
(45) Registration Date: **03 March 2006**
(30) Convention priority data:
(31) Number (32) Date (33) Country
M20050051 23 Mar 2005 FINLAND
(56) Related Art Documents: **Not Applicable**
(57) Statement of Newness and Distinctiveness: **Nil**



(21) Design Number: **14086/2005**
(22) Date of Filing Application: **22 September 2005**
(24) Date from which industrial property rights may have effect: **22 September 2005**
(54) Product in respect of which the design is registered: **A handset**
(51) International Design Classification: **14-03E**
(71) Name(s) and Address(s) of Applicant(s):
Nokia Corporation
Keilalahdentie 4 FIN-02150 Espoo Finland
(72) Name(s) of Designer(s): **Aaron Moss**
(45) Registration Date: **03 March 2006**
(30) Convention priority data:
(31) Number (32) Date (33) Country
M20050050 23 Mar 2005 FINLAND
(56) Related Art Documents: **Not Applicable**
(57) Statement of Newness and Distinctiveness: **Nil**



(21) Design Number: **14087/2005**
(22) Date of Filing Application: **22 September 2005**
(24) Date from which industrial property rights may have effect: **22 September 2005**
(54) Product in respect of which the design is registered: **A handset/music device**
(51) International Design Classification: **14-03E**
(71) Name(s) and Address(s) of Applicant(s):
Nokia Corporation
Keilalahdentie 4 FIN-02150 Espoo Finland
(72) Name(s) of Designer(s): **Wei-Jong William Sheu**
(45) Registration Date: **03 March 2006**
(30) Convention priority data:
(31) Number (32) Date (33) Country
29225971 23 Mar 2005 UNITED STATES OF AMERICA
(56) Related Art Documents: **Not Applicable**
(57) Statement of Newness and Distinctiveness: **Nil**



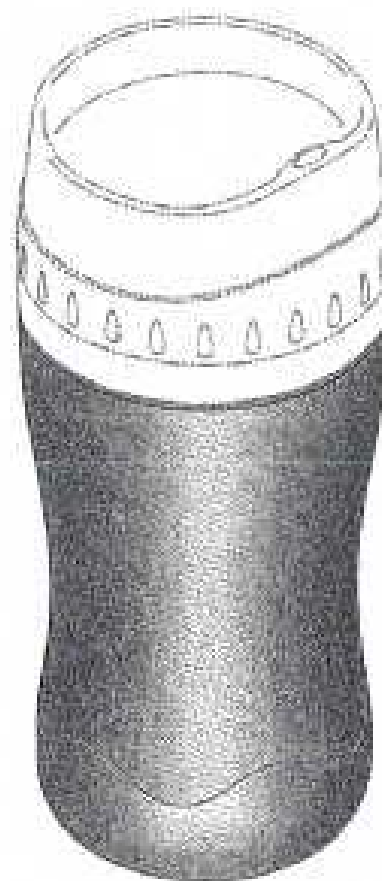
(21) Design Number: **14100/2005**
(22) Date of Filing Application: **26 September 2005**
(24) Date from which industrial property rights may have effect: **26 September 2005**
(54) Product in respect of which the design is registered: **Water storage**
(51) International Design Classification: **23-01F**
(71) Name(s) and Address(s) of Applicant(s):
Dirk Neugebauer
95 Carrolls Road Menangle New South Wales 2568 Australia
Cathy Neugebauer
95 Carrolls Road Menangle New South Wales 2568 Australia
Robert Currey
95 Carrolls Road Menangle New South Wales 2568 Australia
(72) Name(s) of Designer(s): **Dirk Neugebauer and Cathy Neugebauer and Robert Currey and Lynette Currey**
(45) Registration Date: **03 March 2006**
(56) Related Art Documents: **Not Applicable**
(57) Statement of Newness and Distinctiveness: **Nil**



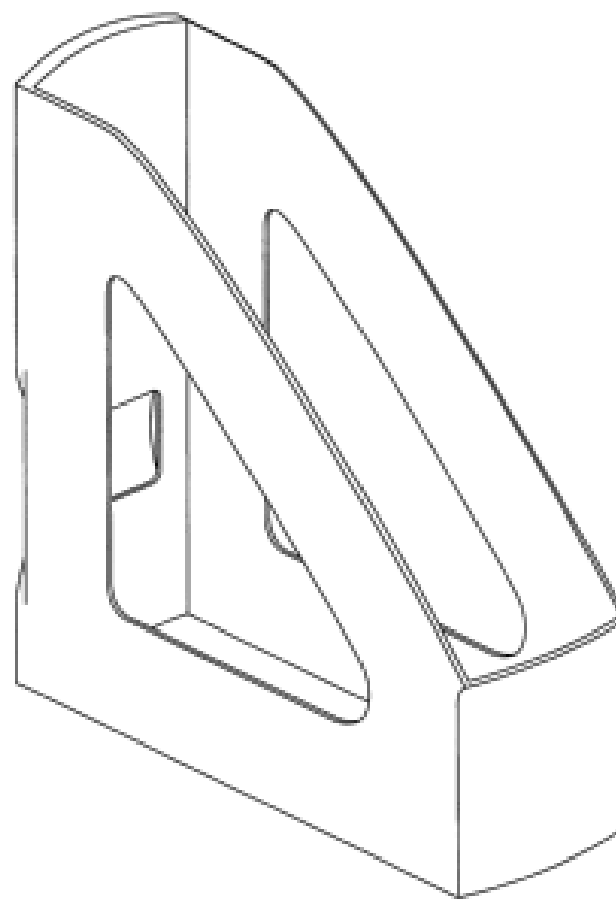
(21) Design Number: **14101/2005**
(22) Date of Filing Application: **26 September 2005**
(24) Date from which industrial property rights may have effect: **26 September 2005**
(54) Product in respect of which the design is registered: **Catamaran**
(51) International Design Classification: **12-06B**
(71) Name(s) and Address(s) of Applicant(s):
John Pilot
8B Ibis Court Busselton Western Australia 6280 Australia
(72) Name(s) of Designer(s): **John Pilot**
(45) Registration Date: **03 March 2006**
(56) Related Art Documents: **Not Applicable**
(57) Statement of Newness and Distinctiveness: **Nil**



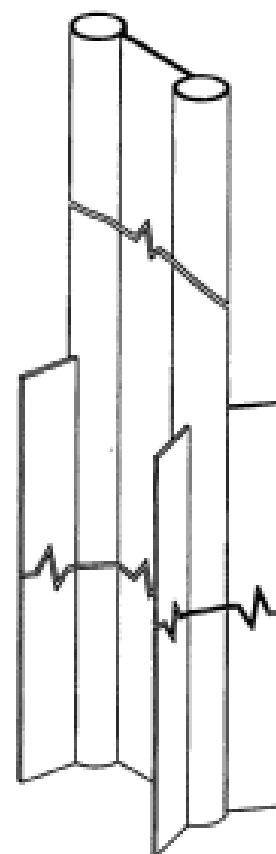
(21) Design Number: **14120/2005**
(22) Date of Filing Application: **23 September 2005**
(24) Date from which industrial property rights may have effect: **23 September 2005**
(54) Product in respect of which the design is registered: **Cup**
(51) International Design Classification: **07-01C**
(71) Name(s) and Address(s) of Applicant(s):
Playtex Products Inc.
300 Nyala Farms Road Westport Connecticut 06880 United States of America
(72) Name(s) of Designer(s): **Charles J. Renz and Joshua Lieberman and Stuart Naft**
(45) Registration Date: **03 March 2006**
(30) Convention priority data:
(31) Number (32) Date (33) Country
29/226,211 25 Mar 2005 UNITED STATES OF AMERICA
(56) Related Art Documents: **Not Applicable**
(57) Statement of Newness and Distinctiveness: **Those features of the cup depicted in the representations that are new and distinctive are the shape and/or configuration. The features shown in broken line are not part of the design and are to be disregarded when considering the overall impression of the design. The bottom view (Fig.8) may or may form part of the design.**



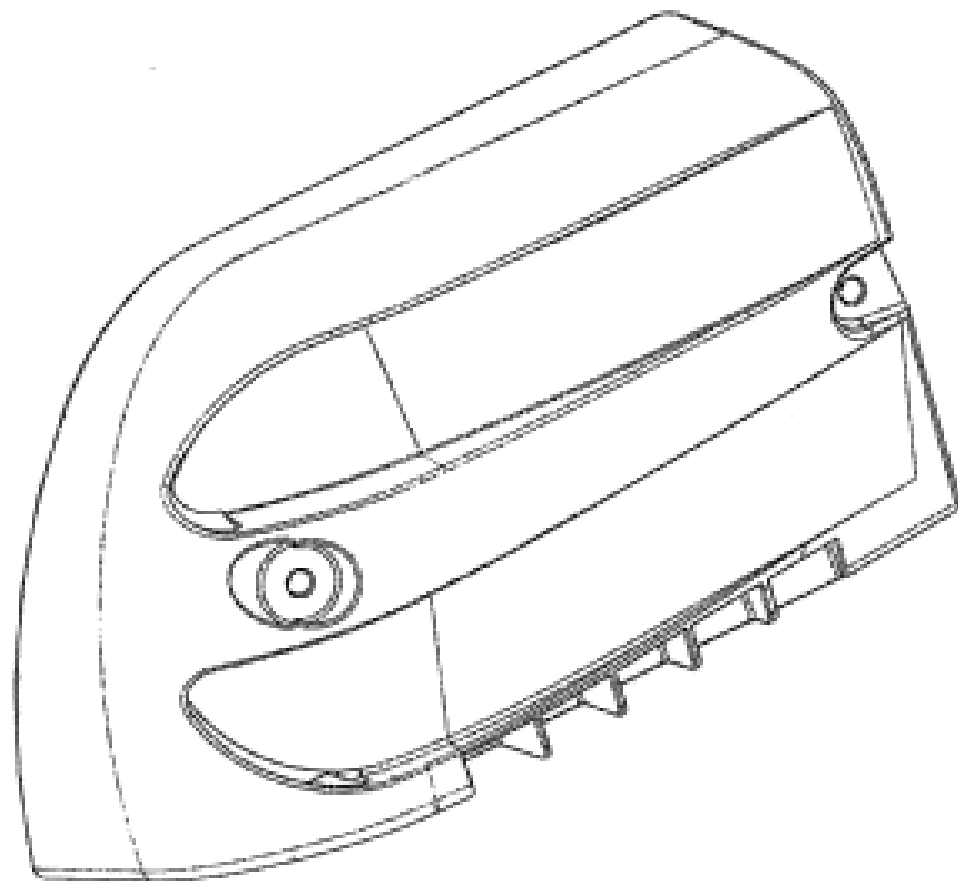
- (21) Design Number: **14123/2005**
(22) Date of Filing Application: **23 September 2005**
(24) Date from which industrial property rights may have effect: **23 September 2005**
(54) Product in respect of which the design is registered: **Magazine file**
(51) International Design Classification: **06-04NES, 19-02**
(71) Name(s) and Address(s) of Applicant(s):
Esselte Australia Pty Ltd
Level 1 82 Waterloo Road Macquarie Park New South Wales 2113
Australia
(72) Name(s) of Designer(s): **Nathan Bourke and Sam Trewartha and Andy Wana**
(45) Registration Date: **03 March 2006**
(56) Related Art Documents: **Not Applicable**
(57) Statement of Newness and Distinctiveness: **Each feature of the design considered separately or in combination with any other feature of features.**



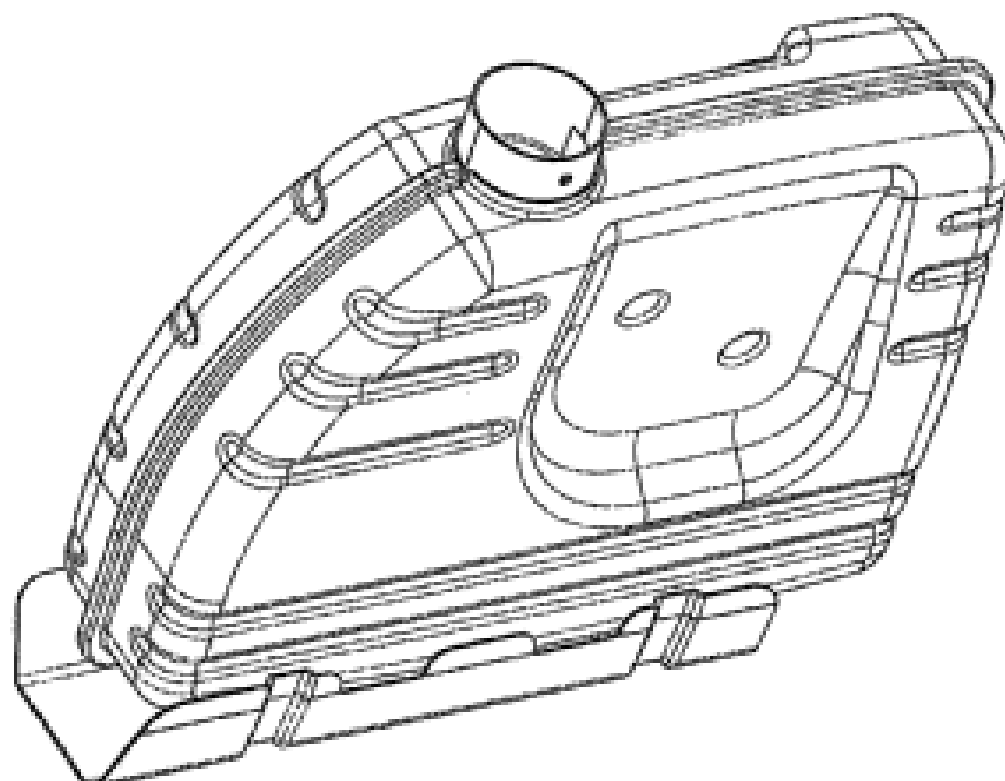
- (21) Design Number: **14467/2005**
(22) Date of Filing Application: **11 October 2005**
(24) Date from which industrial property rights may have effect: **11 October 2005**
(54) Product in respect of which the design is registered: **Pole Reinforcing Element**
(51) International Design Classification: **25-01B**
(71) Name(s) and Address(s) of Applicant(s):
Pole Foundations Finance Pty Ltd
58 Antimony Street Carole Park Queensland 4300 Australia
(72) Name(s) of Designer(s): **Charles Ralph and Chris Rankine and Robert Denham**
(45) Registration Date: **03 March 2006**
(56) Related Art Documents: **Not Applicable**
(57) Statement of Newness and Distinctiveness: **Newness and distinctiveness resides in the shape and configuration of the reinforcing element as shown in the accompanying representations, wherein regions "X" and "Y" are each of uniform cross-section and of indefinite length.**



(21) Design Number: **15361/2005**
 (22) Date of Filing Application: **02 December 2005**
 (24) Date from which industrial property rights may have effect: **02 December 2005**
 (54) Product in respect of which the design is registered: **Air cleaner**
 (51) International Design Classification: **15-01, 15-03B, 23-04**
 (71) Name(s) and Address(s) of Applicant(s):
Briggs & Stratton Corporation
12301 W. Wirth Street Wauwatosa Wisconsin 53222 United States of America
 (72) Name(s) of Designer(s): **Christopher J. Drew and Charles Lasky and Paul A. Leech and John P. McDonald and Brian P. Saiia and John R. Schneiker and Kipp K. Stevens and Christina E. Wisler**
 (45) Registration Date: **03 March 2006**
 (30) Convention priority data:
 (31) Number (32) Date (33) Country
29/232,000 13 Jun 2005 UNITED STATES OF AMERICA
 (56) Related Art Documents: **Not Applicable**
 (57) Statement of Newness and Distinctiveness: **Nil**



(21) Design Number: **15362/2005**
 (22) Date of Filing Application: **02 December 2005**
 (24) Date from which industrial property rights may have effect: **02 December 2005**
 (54) Product in respect of which the design is registered: **Muffler**
 (51) International Design Classification: **15-01, 15-03B**
 (71) Name(s) and Address(s) of Applicant(s):
Briggs & Stratton Corporation
12301 W. Wirth Street Wauwatosa Wisconsin 53222 United States of America
 (72) Name(s) of Designer(s): **Christopher J. Drew and Charles Lasky and Paul A. Leech and John P. McDonald and Brian P. Saiia and John R. Schneiker and Kipp K. Stevens and Christina E. Wisler**
 (45) Registration Date: **03 March 2006**
 (30) Convention priority data:
 (31) Number (32) Date (33) Country
29/232,000 13 Jun 2005 UNITED STATES OF AMERICA
 (56) Related Art Documents: **Not Applicable**
 (57) Statement of Newness and Distinctiveness: **Nil**



(21) Design Number: **15456/2005**

(22) Date of Filing Application: **07 December 2005**

(24) Date from which industrial property rights may have effect: **07 December 2005**

(54) Product in respect of which the design is registered: **A basket**

(51) International Design Classification: **09-04**

(71) Name(s) and Address(s) of Applicant(s):

**Wanzl Metallwarenfabrik GmbH
Postfach 11 29 89336 Leipheim Germany**

(72) Name(s) of Designer(s): **Ackigoz Ayhan and Blaha Martin**

(45) Registration Date: **03 March 2006**

(30) Convention priority data:

(31) Number
000363213

(32) Date
27 Jun 2005

(33) Country
**EUROPEAN PATENT OFFICE
(EP)**

(56) Related Art Documents: **Not Applicable**

(57) Statement of Newness and Distinctiveness: **Nil**



(21) Design Number: **13461/2005**

(22) Date of Filing Application: **15 August 2005**

(24) Date from which industrial property rights may have effect: **15 August 2005**

(54) Product in respect of which the design is registered: **Cast aluminium electric guitar**

(51) International Design Classification: **17-03**

(71) Name(s) and Address(s) of Applicant(s):

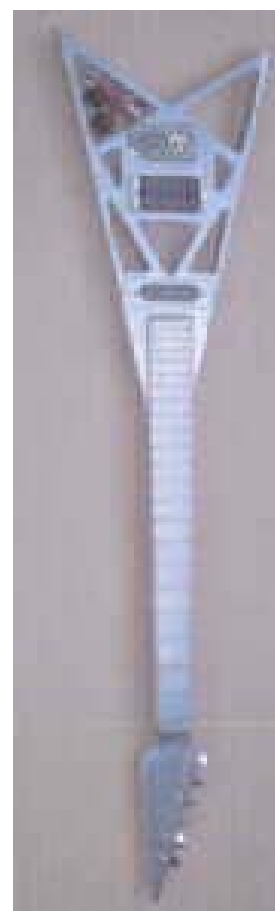
**Rafique Dindar
30 Otterden Street Gosnells Western Australia 6110 Australia**

(72) Name(s) of Designer(s): **Rafique Dindar**

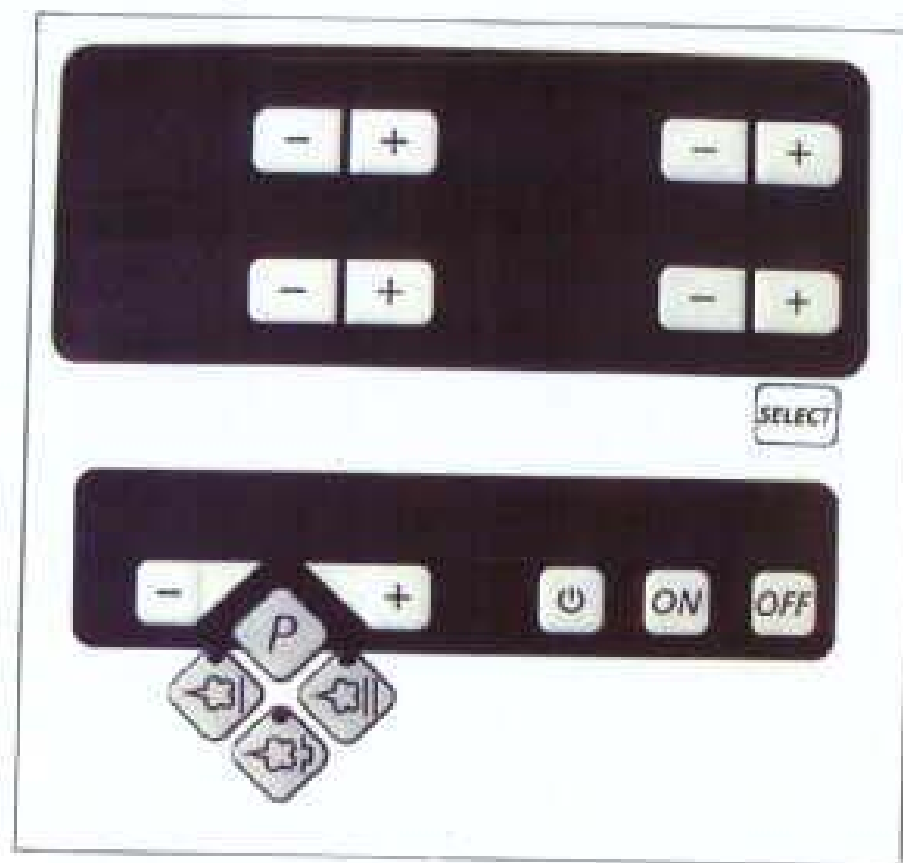
(45) Registration Date: **06 March 2006**

(56) Related Art Documents: **Not Applicable**

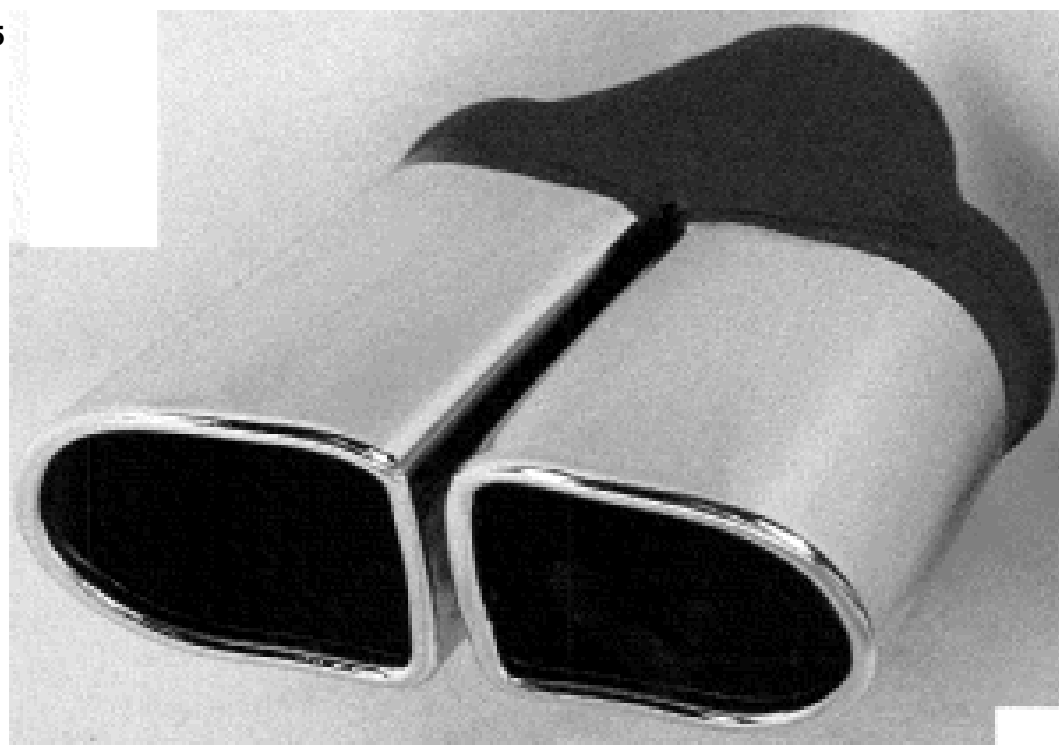
(57) Statement of Newness and Distinctiveness: **The shape is an original idea, the concept of a cast aluminium, one piece guitar is original.**



- (21) Design Number: **13649/2005**
(22) Date of Filing Application: **24 August 2005**
(24) Date from which industrial property rights may have effect: **24 August 2005**
(54) Product in respect of which the design is registered: **A control panel for a spray coating control unit**
(51) International Design Classification: **13-03NES**
(71) Name(s) and Address(s) of Applicant(s):
ITW Gema AG
Movenstrasse 17 CH-9015 St. Gallen Switzerland
(72) Name(s) of Designer(s): **Felix Mauchle and Christian Marxer**
(45) Registration Date: **06 March 2006**
(30) Convention priority data:
(31) Number (32) Date (33) Country
405 01 155.5 25 Feb 2005 GERMANY
(56) Related Art Documents: **Not Applicable**
(57) Statement of Newness and Distinctiveness: **Newness and distinctives is claimed in the configuration of the control buttons/pads and their associated display zones as shown in the representations.**



- (21) Design Number: **13823/2005**
(22) Date of Filing Application: **07 September 2005**
(24) Date from which industrial property rights may have effect: **07 September 2005**
(54) Product in respect of which the design is registered: **Automobile exhaust extension**
(51) International Design Classification: **12-16N**
(71) Name(s) and Address(s) of Applicant(s):
Daniel Woodbury
13 Windsor Street Richmond NSW Australia 2753
(72) Name(s) of Designer(s): **Daniel Woodbury**
(45) Registration Date: **06 March 2006**
(56) Related Art Documents: **Not Applicable**
(57) Statement of Newness and Distinctiveness: **This exhaust extension has a distinct "D" shape with a fine rolled edge collecting back into a single inlet.**



- (21) Design Number: **13864/2005**
(22) Date of Filing Application: **08 September 2005**
(24) Date from which industrial property rights may have effect: **08 September 2005**
(54) Product in respect of which the design is registered: **Rear bumper for an automobile**
(51) International Design Classification: **12-16C**
(71) Name(s) and Address(s) of Applicant(s):
Toyota Jidosha Kabushiki Kaisha
1 Toyota-cho Toyota-shi Aichi-ken 471-8571 Japan
(72) Name(s) of Designer(s): **Hideki Hayashi**
(45) Registration Date: **06 March 2006**
(56) Related Art Documents: **Not Applicable**
(57) Statement of Newness and Distinctiveness: **Each feature of the design considered separately or in combination with any other feature or features.**



- (21) Design Number: **13865/2005**
(22) Date of Filing Application: **08 September 2005**
(24) Date from which industrial property rights may have effect: **08 September 2005**
(54) Product in respect of which the design is registered: **Front grill for an automobile**
(51) International Design Classification: **12-16B**
(71) Name(s) and Address(s) of Applicant(s):
Toyota Jidosha Kabushiki Kaisha
1 Toyota-cho Toyota-shi Aichi-ken 471-8571 Japan
(72) Name(s) of Designer(s): **Hiroaki Suzuki and Nozomi Morishita**
(45) Registration Date: **06 March 2006**
(56) Related Art Documents: **Not Applicable**
(57) Statement of Newness and Distinctiveness: **Each feature of the design considered separately or in combination with any other feature or features.**



- (21) Design Number: **13866/2005**
(22) Date of Filing Application: **08 September 2005**
(24) Date from which industrial property rights may have effect: **08 September 2005**
(54) Product in respect of which the design is registered: **Automobile**
(51) International Design Classification: **12-08**
(71) Name(s) and Address(s) of Applicant(s):
Toyota Jidosha Kabushiki Kaisha
1 Toyota-cho Toyota-shi Aichi-ken 471-8571 Japan
(72) Name(s) of Designer(s): **Yoshikazu Harada and Masaki Motozaki and Hiroaki Suzuki and Hideki Hayashi**
(45) Registration Date: **06 March 2006**
(56) Related Art Documents: **Not Applicable**
(57) Statement of Newness and Distinctiveness: **Each feature of the design considered separately or in combination with any other feature or features.**



- (21) Design Number: **13867/2005**
(22) Date of Filing Application: **08 September 2005**
(24) Date from which industrial property rights may have effect: **08 September 2005**
(54) Product in respect of which the design is registered: **Automobile**
(51) International Design Classification: **12-08**
(71) Name(s) and Address(s) of Applicant(s):
Toyota Jidosha Kabushiki Kaisha
1 Toyota-cho Toyota-shi Aichi-ken 471-8571 Japan
(72) Name(s) of Designer(s): **Yoshikazu Harada and Masaki Motozaki and Hiroaki Suzuki and Hideki Hayashi**
(45) Registration Date: **06 March 2006**
(56) Related Art Documents: **Not Applicable**
(57) Statement of Newness and Distinctiveness: **Each feature of the design considered separately or in combination with any other feature or features.**



(21) Design Number: **14017/2005**

(22) Date of Filing Application: **16 September 2005**

(24) Date from which industrial property rights may have effect: **16 September 2005**

(54) Product in respect of which the design is registered: **Deodoriser for vehicle**

(51) International Design Classification: **28-99**

(71) Name(s) and Address(s) of Applicant(s):

Flauraud S.A.

62 avenue de Conthe 15000 Aurillac France

(72) Name(s) of Designer(s): **Pierre-Jean Flauraud**

(45) Registration Date: **06 March 2006**

(30) Convention priority data:

(31) Number

(32) Date

(33) Country

000321229

22 Mar 2005

EUROPEAN COMMUNITY

(56) Related Art Documents: **Not Applicable**

(57) Statement of Newness and Distinctiveness: **Nil**



(21) Design Number: **14028/2005**

(22) Date of Filing Application: **20 September 2005**

(24) Date from which industrial property rights may have effect: **20 September 2005**

(54) Product in respect of which the design is registered: **Electric shaver**

(51) International Design Classification: **28-03A**

(71) Name(s) and Address(s) of Applicant(s):

Braun GmbH

Frankfurter Strasse 145 D-61476 Kronberg im Taunus Germany

(72) Name(s) of Designer(s): **Roland Ullmann**

(45) Registration Date: **06 March 2006**

(30) Convention priority data:

(31) Number

(32) Date

(33) Country

000377460

26 Jul 2005

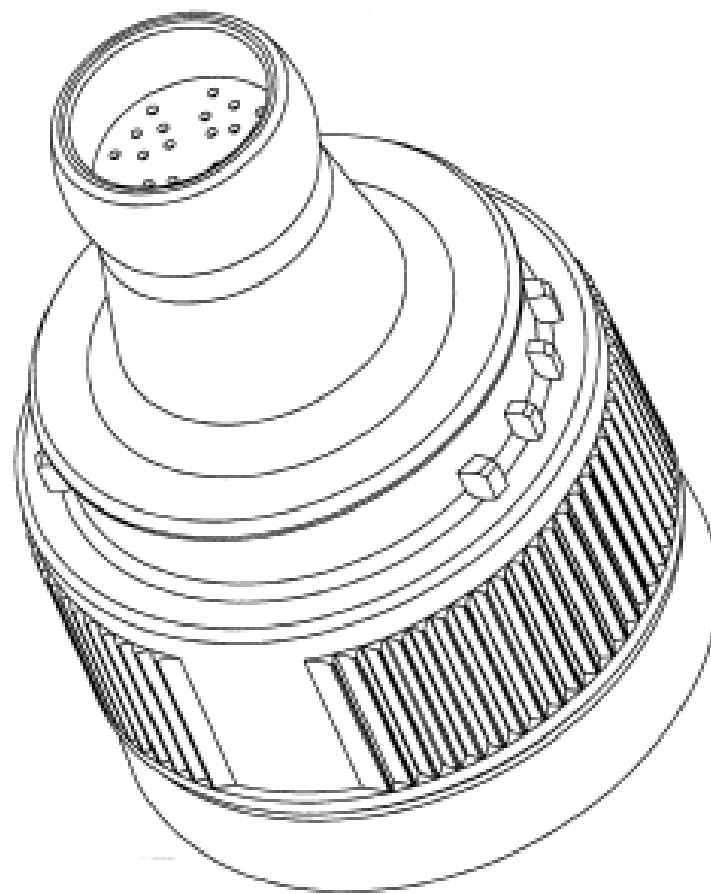
EUROPEAN COMMUNITY

(56) Related Art Documents: **Not Applicable**

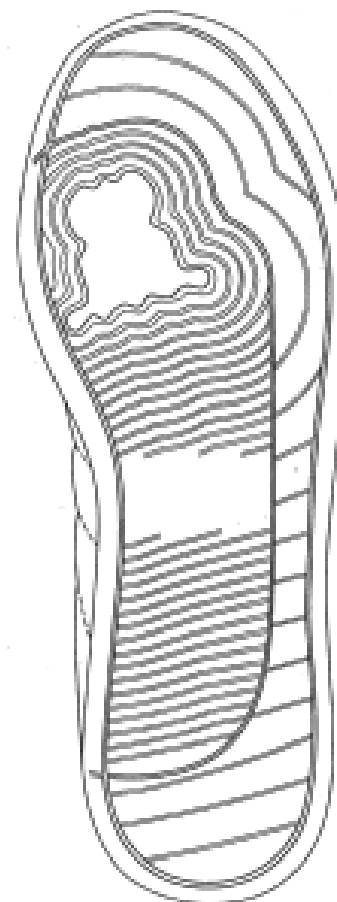
(57) Statement of Newness and Distinctiveness: **Nil**



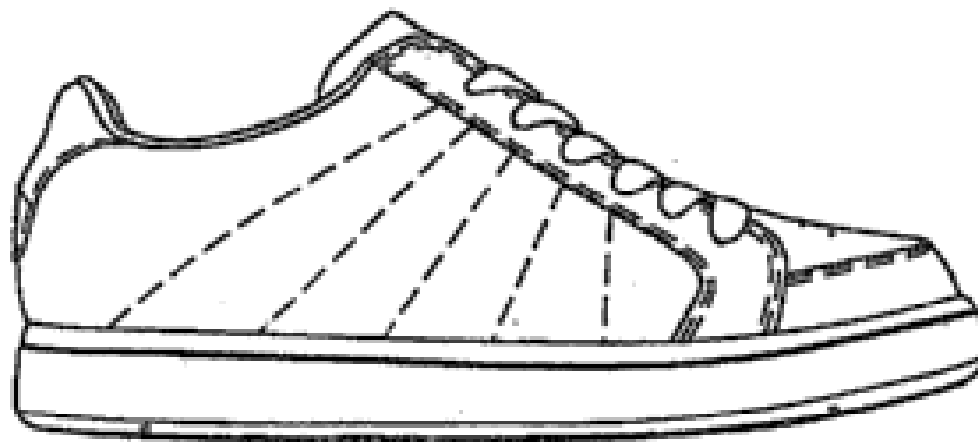
(21) Design Number: **14031/2005**
(22) Date of Filing Application: **19 September 2005**
(24) Date from which industrial property rights may have effect: **19 September 2005**
(54) Product in respect of which the design is registered: **Closure for container**
(51) International Design Classification: **09-07A**
(71) Name(s) and Address(s) of Applicant(s):
Portola Packaging Limited
3 Carriage Drive White Rose Way Doncaster South Yorkshire DN4 5NT
United Kingdom
(72) Name(s) of Designer(s): **Gerry Mavin and Timothy Stephenson**
(45) Registration Date: **06 March 2006**
(30) Convention priority data:
(31) Number (32) Date (33) Country
000316377 17 Mar 2005 EUROPEAN COMMUNITY
(56) Related Art Documents: **Not Applicable**
(57) Statement of Newness and Distinctiveness: **Nil**



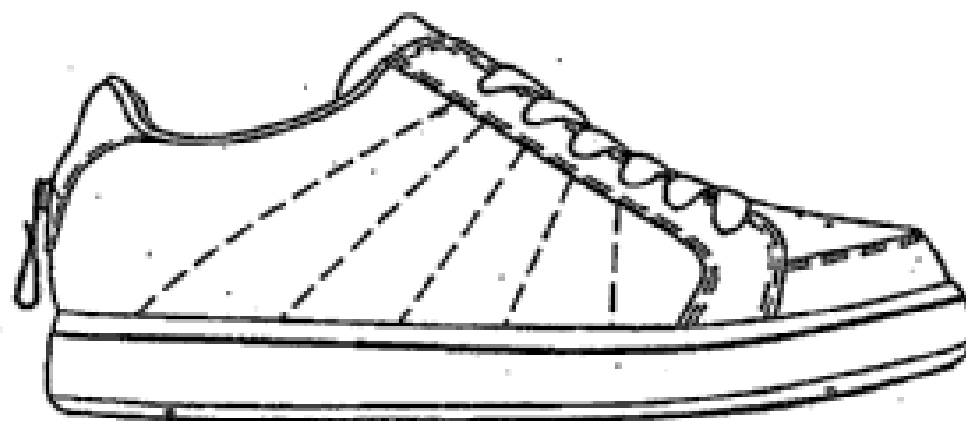
(21) Design Number: **14035/2005**
(22) Date of Filing Application: **19 September 2005**
(24) Date from which industrial property rights may have effect: **19 September 2005**
(54) Product in respect of which the design is registered: **Shoe**
(51) International Design Classification: **02-04B**
(71) Name(s) and Address(s) of Applicant(s):
J Bloch Pty Ltd
8-18 William Street Beaconsfield New South Wales 2015 Australia
(72) Name(s) of Designer(s): **David Wilkenfeld**
(45) Registration Date: **06 March 2006**
(56) Related Art Documents: **Not Applicable**
(57) Statement of Newness and Distinctiveness: **Nil**



- (21) Design Number: **14036/2005**
- (22) Date of Filing Application: **19 September 2005**
- (24) Date from which industrial property rights may have effect: **19 September 2005**
- (54) Product in respect of which the design is registered: **Shoe**
- (51) International Design Classification: **02-04NES**
- (71) Name(s) and Address(s) of Applicant(s):
J Bloch Pty Ltd
8-18 William Street Beaconsfield New South Wales 2015 Australia
- (72) Name(s) of Designer(s): **David Wilkenfeld**
- (45) Registration Date: **06 March 2006**
- (56) Related Art Documents: **Not Applicable**
- (57) Statement of Newness and Distinctiveness: **Nil**



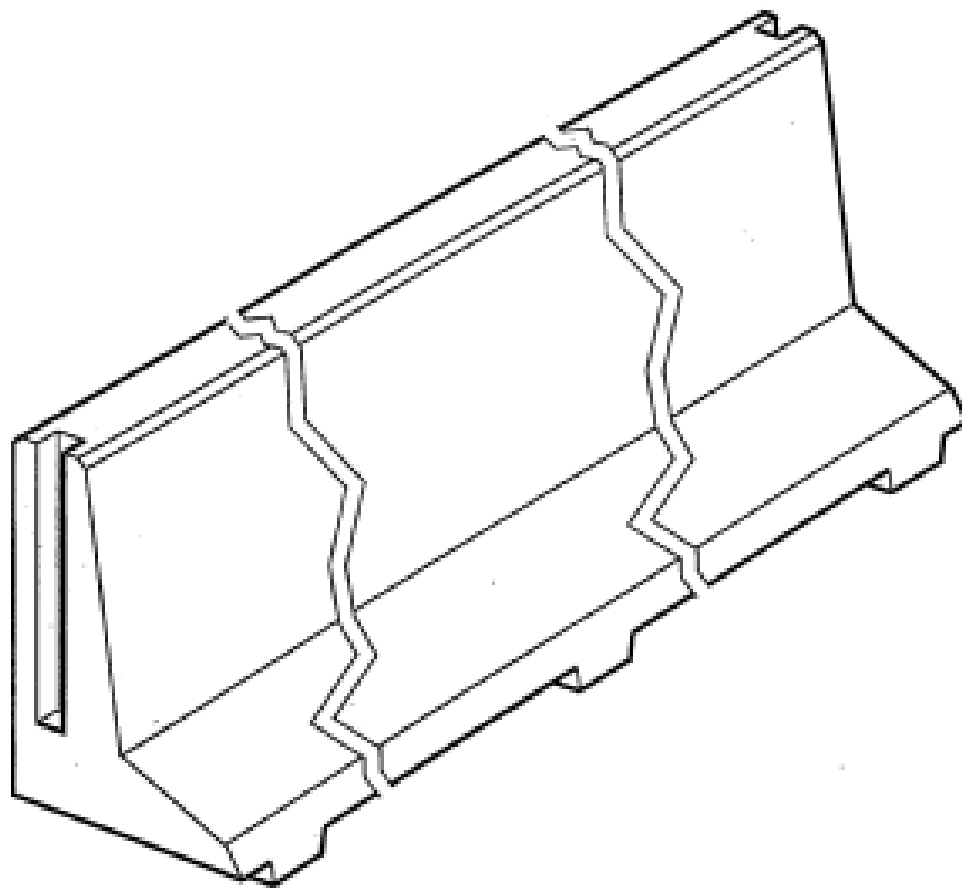
- (21) Design Number: **14037/2005**
- (22) Date of Filing Application: **19 September 2005**
- (24) Date from which industrial property rights may have effect: **19 September 2005**
- (54) Product in respect of which the design is registered: **Shoe**
- (51) International Design Classification: **02-04NES**
- (71) Name(s) and Address(s) of Applicant(s):
J Bloch Pty Ltd
8-18 William Street Beaconsfield New South Wales 2015 Australia
- (72) Name(s) of Designer(s): **David Wilkenfeld**
- (45) Registration Date: **06 March 2006**
- (56) Related Art Documents: **Not Applicable**
- (57) Statement of Newness and Distinctiveness: **Nil**



- (21) Design Number: **14041/2005**
(22) Date of Filing Application: **19 September 2005**
(24) Date from which industrial property rights may have effect: **19 September 2005**
(54) Product in respect of which the design is registered: **Barrier wall**
(51) International Design Classification: **25-02C, 25-02NES**
(71) Name(s) and Address(s) of Applicant(s):

Peter Neil Newman
Lot 285 Awhina Court Albany Western Australia 6330 Australia

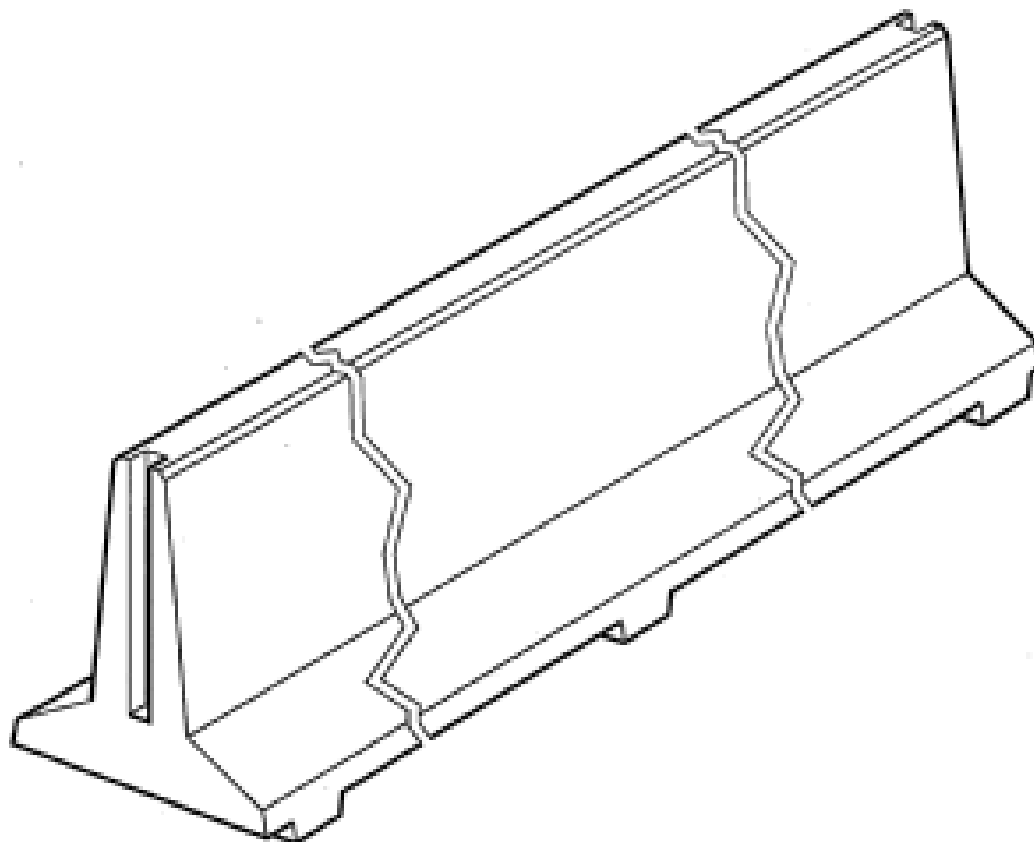
- (72) Name(s) of Designer(s): **Peter Neil Newman**
(45) Registration Date: **06 March 2006**
(56) Related Art Documents: **Not Applicable**
(57) Statement of Newness and Distinctiveness: **Newness and distinctiveness is claimed in the features of shape and configuration of a barrier wall of indeterminate length as depicted in the attached representations. The design may incorporate more than one intermediate rib portion on the base between the end rib portions.**



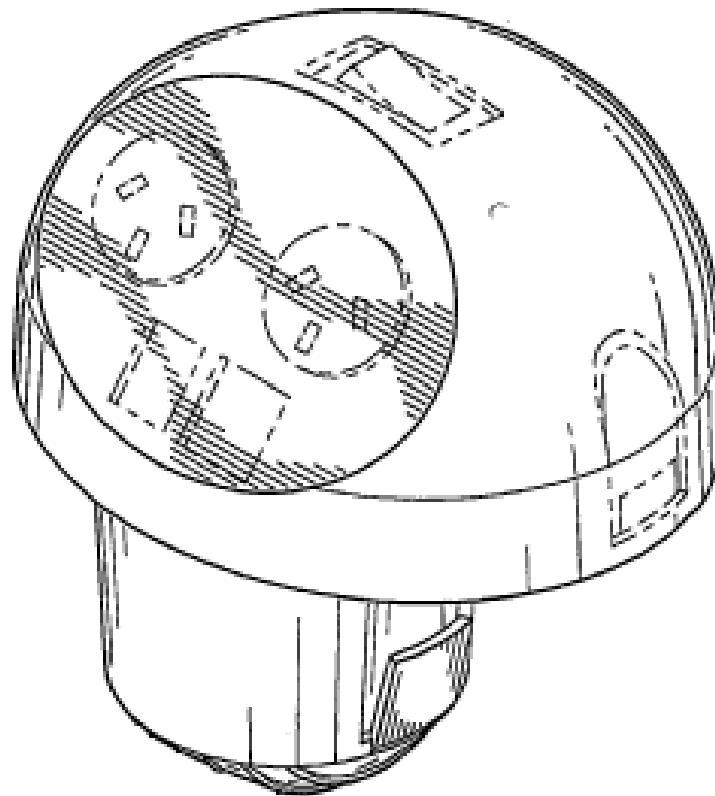
- (21) Design Number: **14042/2005**
(22) Date of Filing Application: **19 September 2005**
(24) Date from which industrial property rights may have effect: **19 September 2005**
(54) Product in respect of which the design is registered: **Divider barrier**
(51) International Design Classification: **25-02NES**
(71) Name(s) and Address(s) of Applicant(s):

Peter Neil Newman
Lot 285 Awhina Court Albany Western Australia 6330 Australia

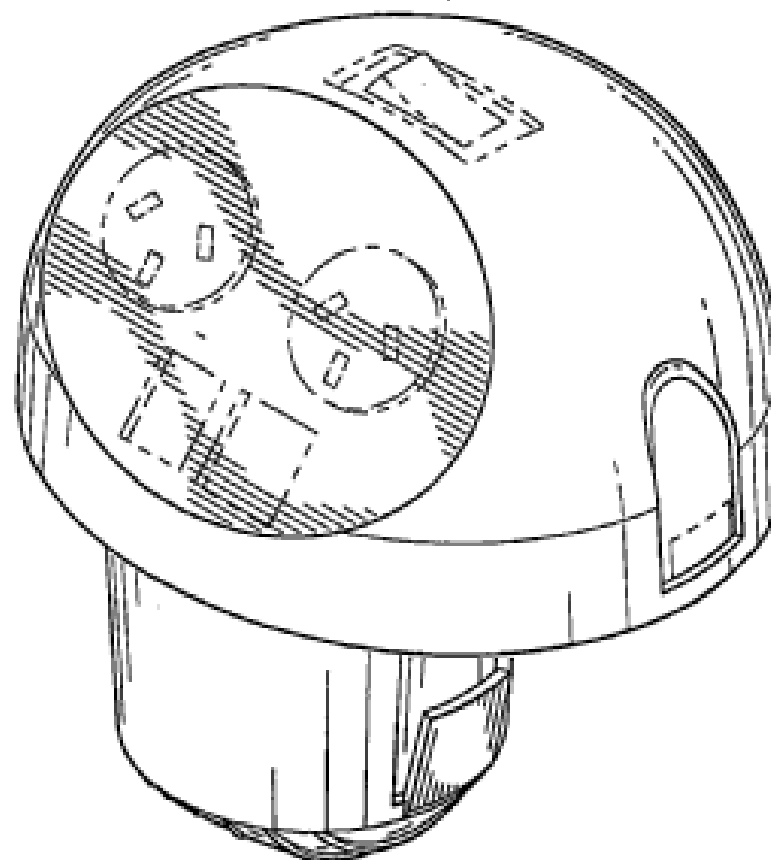
- (72) Name(s) of Designer(s): **Peter Neil Newman**
(45) Registration Date: **06 March 2006**
(56) Related Art Documents: **Not Applicable**
(57) Statement of Newness and Distinctiveness: **Newness and distinctiveness is claimed in the features of shape and configuration of a divider barrier of indeterminate length as depicted in the attached representations. The design may incorporate more than one intermediate rib portion on the base between the end rib portions.**



- (21) Design Number: **14050/2005**
(22) Date of Filing Application: **31 March 2004**
(24) Date from which industrial property rights may have effect: **31 March 2004**
(54) Product in respect of which the design is registered: **Power and communication hub**
(51) International Design Classification: **13-03NES**
(71) Name(s) and Address(s) of Applicant(s):
O'Sullivan Industries Inc.
1900 Gulf Street Lamar Missouri 64759 United States of America
(72) Name(s) of Designer(s): **Mark Strayer**
(45) Registration Date: **06 March 2006**
(30) Convention priority data:
(31) Number (32) Date (33) Country
29/191589 10 Oct 2003 UNITED STATES OF AMERICA
(56) Related Art Documents: **Not Applicable**
(57) Statement of Newness and Distinctiveness: **Monopoly is not claimed in those features shown in phantom in the representations. Such features shown in phantom do not constitute part of this design.**



- (21) Design Number: **14051/2005**
(22) Date of Filing Application: **31 March 2004**
(24) Date from which industrial property rights may have effect: **31 March 2004**
(54) Product in respect of which the design is registered: **Power and communication hub**
(51) International Design Classification: **13-03NES**
(71) Name(s) and Address(s) of Applicant(s):
O'Sullivan Industries Inc.
1900 Gulf Street Lamar Missouri 64759 United States of America
(72) Name(s) of Designer(s): **Mark Strayer**
(45) Registration Date: **06 March 2006**
(30) Convention priority data:
(31) Number (32) Date (33) Country
29/191589 10 Oct 2003 UNITED STATES OF AMERICA
(56) Related Art Documents: **Not Applicable**
(57) Statement of Newness and Distinctiveness: **Monopoly is not claimed in those features shown in phantom in the representations. Such features shown in phantom do not constitute part of this design.**



(21) Design Number: **14066/2005**
(22) Date of Filing Application: **21 September 2005**
(24) Date from which industrial property rights may have effect: **21 September 2005**
(54) Product in respect of which the design is registered: **A television**
(51) International Design Classification: **14-03B**
(71) Name(s) and Address(s) of Applicant(s):

Bang & Olufsen A/S
Peter Bangs Vej 15 Postboks 40 7600 Struer Denmark

(72) Name(s) of Designer(s): **David Lewis**

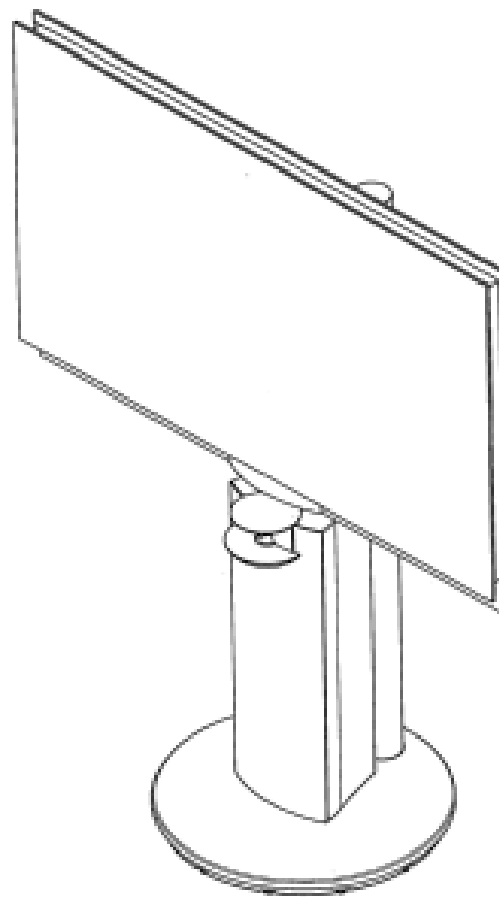
(45) Registration Date: **06 March 2006**

(30) Convention priority data:

(31) Number	(32) Date	(33) Country
DA200500099	22 Mar 2005	DENMARK

(56) Related Art Documents: **Not Applicable**

(57) Statement of Newness and Distinctiveness: **Nil**



(21) Design Number: **14067/2005**
(22) Date of Filing Application: **21 September 2005**
(24) Date from which industrial property rights may have effect: **21 September 2005**
(54) Product in respect of which the design is registered: **A loudspeaker**
(51) International Design Classification: **14-01**
(71) Name(s) and Address(s) of Applicant(s):

Bang & Olufsen A/S
Peter Bangs Vej 15 Postboks 40 7600 Struer Denmark

(72) Name(s) of Designer(s): **David Lewis**

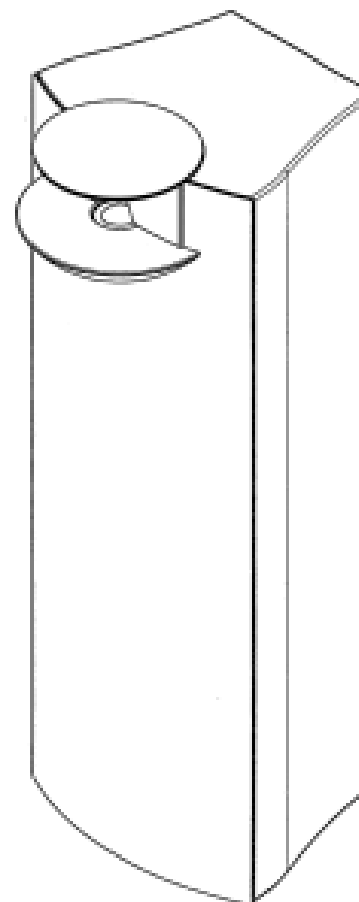
(45) Registration Date: **06 March 2006**

(30) Convention priority data:

(31) Number	(32) Date	(33) Country
DA200500099	22 Mar 2005	DENMARK

(56) Related Art Documents: **Not Applicable**

(57) Statement of Newness and Distinctiveness: **Nil**



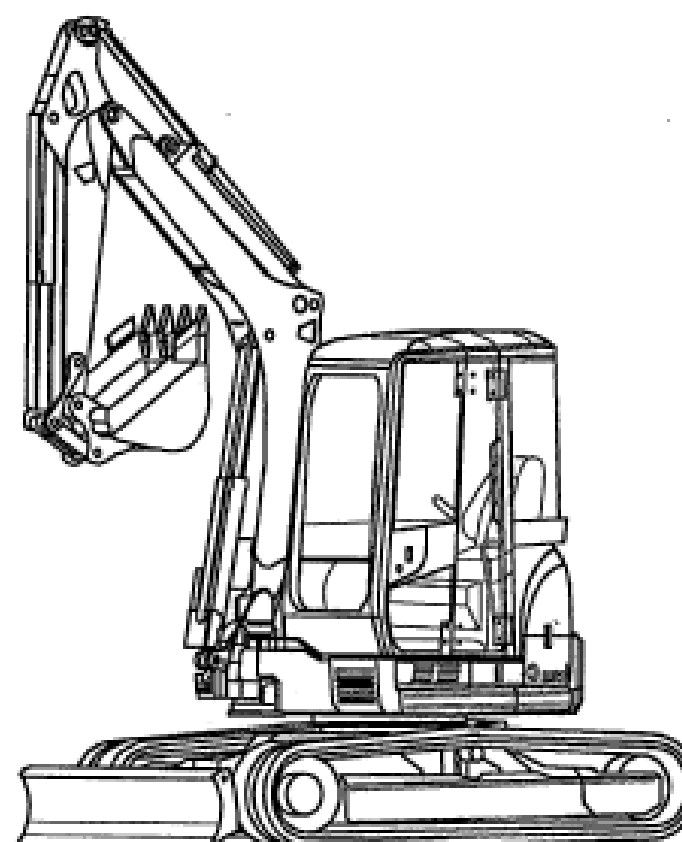
(21) Design Number: **14084/2005**
 (22) Date of Filing Application: **22 September 2005**
 (24) Date from which industrial property rights may have effect: **22 September 2005**
 (54) Product in respect of which the design is registered: **Tray and blank therefor**
 (51) International Design Classification: **09-03K**
 (71) Name(s) and Address(s) of Applicant(s):
Amcor Limited
679 Victoria Street Abbotsford Victoria 3067 Australia
 (72) Name(s) of Designer(s): **George Ganzenmuller and Gordon Mellis**
 (45) Registration Date: **06 March 2006**
 (56) Related Art Documents: **Not Applicable**
 (57) Statement of Newness and Distinctiveness: **Newness and distinctiveness are claimed in the features of shape and configuration of the tray and blank therefor depicted in the representations.**



(21) Design Number: **15719/2005**
 (22) Date of Filing Application: **29 December 2005**
 (24) Date from which industrial property rights may have effect: **29 December 2005**
 (54) Product in respect of which the design is registered: **Excavator**
 (51) International Design Classification: **15-04**
 (71) Name(s) and Address(s) of Applicant(s):
Yanmar Co. Ltd
1-32 Chayamachi Kita-ku Osaka-shi Osaka 530-0013 Japan
 (72) Name(s) of Designer(s): **Masamitsu Uemura**
 (45) Registration Date: **06 March 2006**
 (30) Convention priority data:

(31) Number	(32) Date	(33) Country
2005-19630	05 Jul 2005	JAPAN

 (56) Related Art Documents: **Not Applicable**
 (57) Statement of Newness and Distinctiveness: **Newness and distinctiveness reside in the features of the design as shown in the representations.**



(21) Design Number: **10347/2006**

(22) Date of Filing Application: **02 February 2006**

(24) Date from which industrial property rights may have effect: **02 February 2006**

(54) Product in respect of which the design is registered: **Tablet**

(51) International Design Classification: **28-99**

(71) Name(s) and Address(s) of Applicant(s):

Reckitt Benckiser N.V.
Kantoorgebouw de Appelaer De Fruittuinen 2-12 2132 NZ Hoofddorp
The Netherlands

(72) Name(s) of Designer(s): **Ralf Wiedemann**

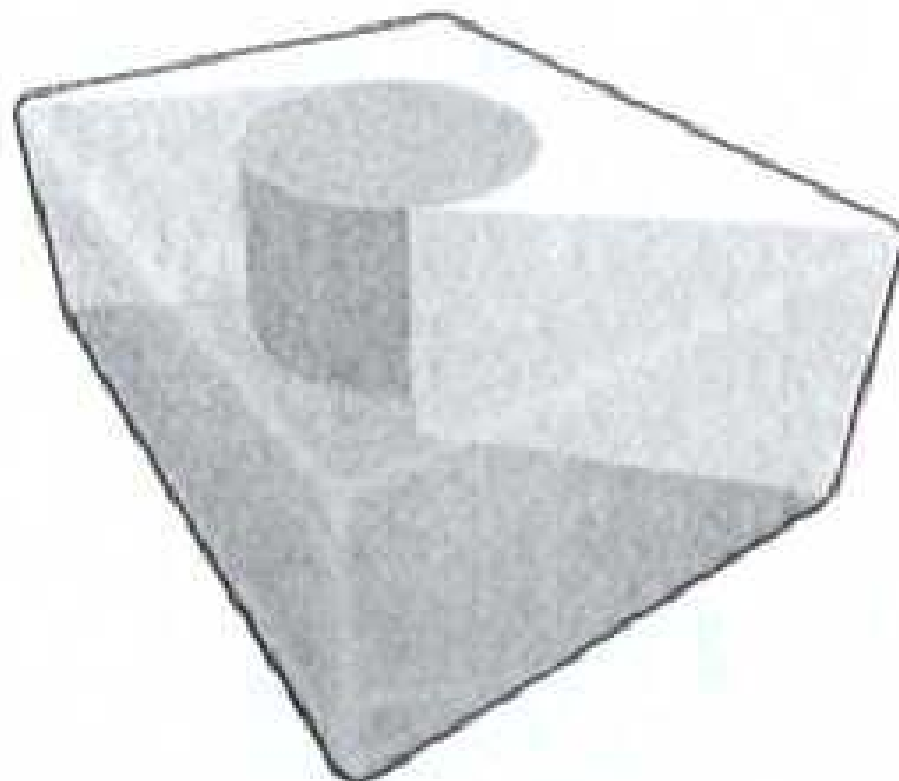
(45) Registration Date: **06 March 2006**

(30) Convention priority data:

(31) Number	(32) Date	(33) Country
000382197-16	03 Aug 2005	EUROPEAN COMMUNITY

(56) Related Art Documents: **Not Applicable**

(57) Statement of Newness and Distinctiveness: **Newness and distinctiveness reside in the features of the design as shown in the representations.**



(21) Design Number: **10688/2005**

(22) Date of Filing Application: **23 February 2005**

(24) Date from which industrial property rights may have effect: **23 February 2005**

(54) Product in respect of which the design is registered: **Hair drying accessory and hair protector**

(51) International Design Classification: **28-03B**

(71) Name(s) and Address(s) of Applicant(s):

A P Walker Design Services Pty. Limited
341/23-27 Romsey Street Waitara New South Wales 2077 Australia

(72) Name(s) of Designer(s): **Aurora Walker and Andrew Peter Walker**

(45) Registration Date: **07 March 2006**

(56) Related Art Documents: **Not Applicable**

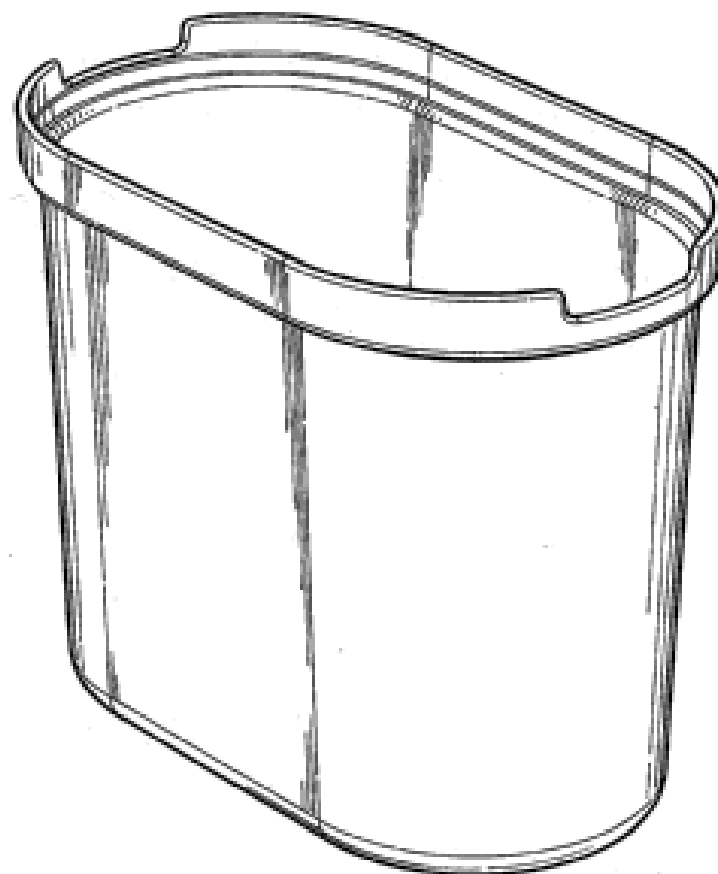
(57) Statement of Newness and Distinctiveness: **When it is used in conjunction with a hair-dryer the net balloons when dryer is switched on and net is on head-used to catch loose hair whilst drying hair.**



- (21) Design Number: **11593/2005**
(22) Date of Filing Application: **20 April 2005**
(24) Date from which industrial property rights may have effect: **20 April 2005**
(54) Product in respect of which the design is registered: **Statue**
(51) International Design Classification: **11-02E**
(71) Name(s) and Address(s) of Applicant(s):
 Pencharm Pty Ltd Trading as Phil's Gnome Home
 Lot 147 Salter Street Boyanup Western Australia 6237 Australia
 Gemdream Holdings Pty Ltd Trading as Phil's Gnome Home
 Lot 147 Salter Street Boyanup Western Australia 6237 Australia
(72) Name(s) of Designer(s): **David Howard**
(45) Registration Date: **07 March 2006**
(56) Related Art Documents: **Not Applicable**
(57) Statement of Newness and Distinctiveness: **Monopoly is claimed in the shape and configuration of the statue as shown in the representations.**



- (21) Design Number: **13068/2005**
(22) Date of Filing Application: **18 July 2005**
(24) Date from which industrial property rights may have effect: **18 July 2005**
(54) Product in respect of which the design is registered: **Medium container base**
(51) International Design Classification: **07-01NES**
(71) Name(s) and Address(s) of Applicant(s):
 The Decor Corporation Pty Ltd
 1314 Ferntree Gully Road Scoresby Victoria 3179 Australia
(72) Name(s) of Designer(s): **Arthur Richard Carlson**
(45) Registration Date: **07 March 2006**
(56) Related Art Documents: **Not Applicable**
(57) Statement of Newness and Distinctiveness: **Nil**



- (21) Design Number: **13807/2005**
(22) Date of Filing Application: **05 September 2005**
(24) Date from which industrial property rights may have effect: **05 September 2005**
(54) Product in respect of which the design is registered: **A jar**
(51) International Design Classification: **09-01C**
(71) Name(s) and Address(s) of Applicant(s):
Cerebos (Australia) Limited
2 Costello Place Seven Hills New South Wales 2147 Australia
(72) Name(s) of Designer(s): **David Francis**
(45) Registration Date: **07 March 2006**
(56) Related Art Documents: **Not Applicable**
(57) Statement of Newness and Distinctiveness: **Newness and distinctiveness is claimed in the shape and/or configuration of a jar as illustrated in the representations.**



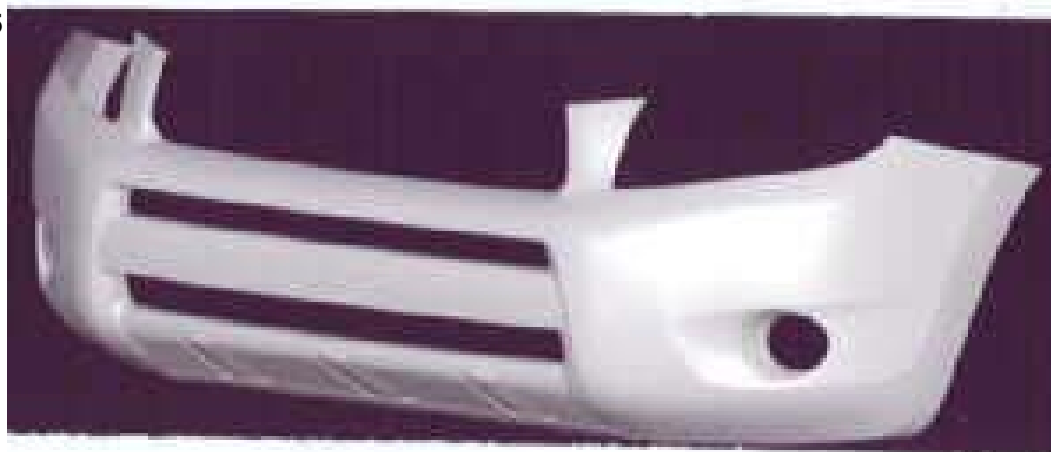
- (21) Design Number: **13859/2005**
(22) Date of Filing Application: **08 September 2005**
(24) Date from which industrial property rights may have effect: **08 September 2005**
(54) Product in respect of which the design is registered: **Automobile**
(51) International Design Classification: **12-08**
(71) Name(s) and Address(s) of Applicant(s):
Toyota Jidosha Kabushiki Kaisha
1 Toyota-cho Toyota-shi Aichi-ken 471-8571 Japan
(72) Name(s) of Designer(s): **Yoshikazu Harada and Masaki Motozaki and Hiroaki Suzuki and Hideki Hayashi**
(45) Registration Date: **07 March 2006**
(56) Related Art Documents: **Not Applicable**
(57) Statement of Newness and Distinctiveness: **Each feature of the design considered separately or in combination with any other feature or features.**



- (21) Design Number: **13860/2005**
(22) Date of Filing Application: **08 September 2005**
(24) Date from which industrial property rights may have effect: **08 September 2005**
(54) Product in respect of which the design is registered: **Automobile**
(51) International Design Classification: **12-08**
(71) Name(s) and Address(s) of Applicant(s):
Toyota Jidosha Kabushiki Kaisha
1 Toyota-cho Toyota-shi Aichi-ken 471-8571 Japan
(72) Name(s) of Designer(s): **Yoshikazu Harada and Masaki Motozaki and Hiroaki Suzuki and Hideki Hayashi**
(45) Registration Date: **07 March 2006**
(56) Related Art Documents: **Not Applicable**
(57) Statement of Newness and Distinctiveness: **Each feature of the design considered separately or in combination with any other feature or features.**



- (21) Design Number: **13861/2005**
(22) Date of Filing Application: **08 September 2005**
(24) Date from which industrial property rights may have effect: **08 September 2005**
(54) Product in respect of which the design is registered: **Front bumper for an automobile**
(51) International Design Classification: **12-16C**
(71) Name(s) and Address(s) of Applicant(s):
Toyota Jidosha Kabushiki Kaisha
1 Toyota-cho Toyota-shi Aichi-ken 471-8571 Japan
(72) Name(s) of Designer(s): **Hiroaki Suzuki and Yoshikazu Harada**
(45) Registration Date: **07 March 2006**
(56) Related Art Documents: **Not Applicable**
(57) Statement of Newness and Distinctiveness: **Each feature of the design considered separately or in combination with any other feature or features.**



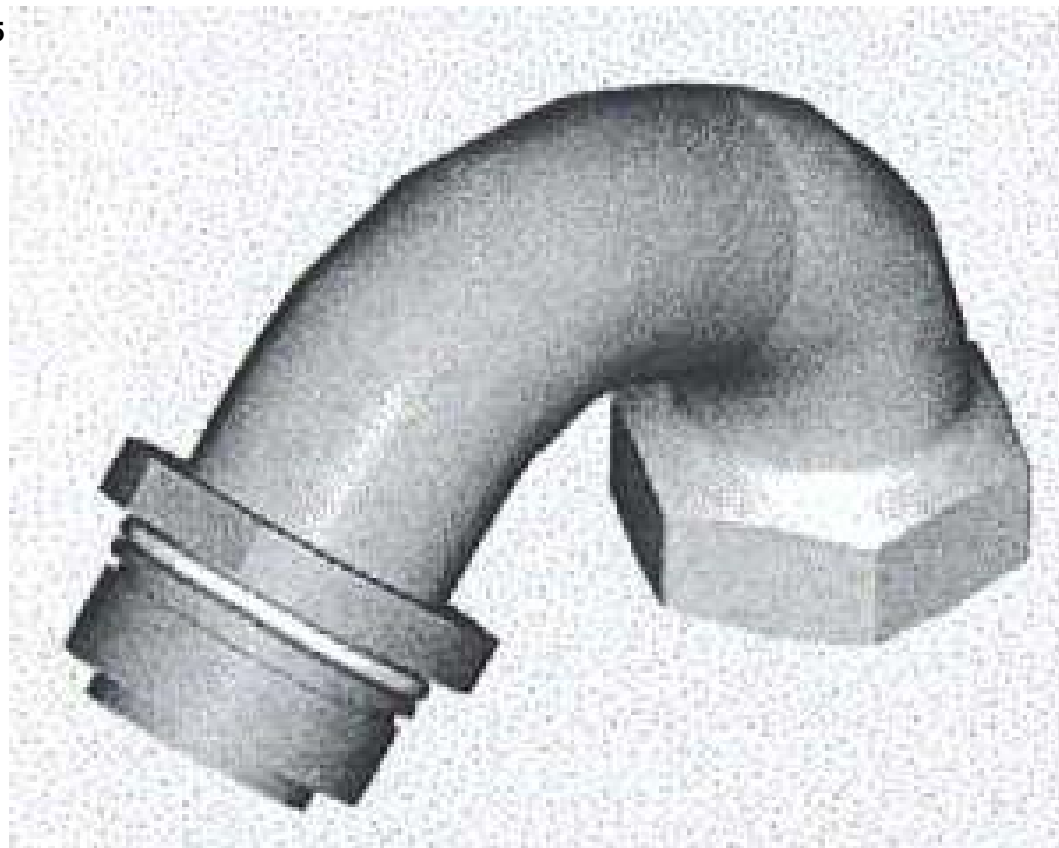
- (21) Design Number: **13862/2005**
(22) Date of Filing Application: **08 September 2005**
(24) Date from which industrial property rights may have effect: **08 September 2005**
(54) Product in respect of which the design is registered: **Rear bumper for an automobile**
(51) International Design Classification: **12-16C**
(71) Name(s) and Address(s) of Applicant(s):
Toyota Jidosha Kabushiki Kaisha
1 Toyota-cho Toyota-shi Aichi-ken 471-8571 Japan
(72) Name(s) of Designer(s): **Hideki Hayashi**
(45) Registration Date: **07 March 2006**
(56) Related Art Documents: **Not Applicable**
(57) Statement of Newness and Distinctiveness: **Each feature of the design considered separately or in combination with any other feature or features.**



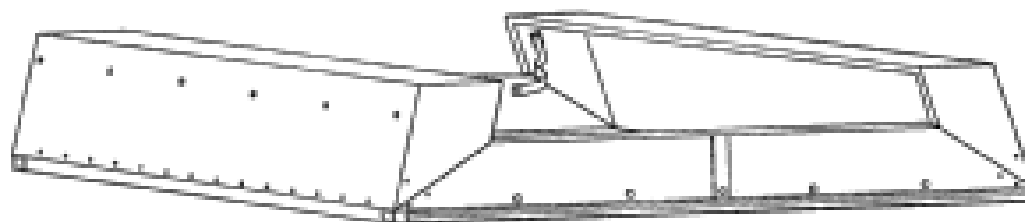
- (21) Design Number: **13863/2005**
(22) Date of Filing Application: **08 September 2005**
(24) Date from which industrial property rights may have effect: **08 September 2005**
(54) Product in respect of which the design is registered: **Spare tyre cover for an automobile**
(51) International Design Classification: **12-16NES**
(71) Name(s) and Address(s) of Applicant(s):
Toyota Jidosha Kabushiki Kaisha
1 Toyota-cho Toyota-shi Aichi-ken 471-8571 Japan
(72) Name(s) of Designer(s): **Hideki Hayashi**
(45) Registration Date: **07 March 2006**
(56) Related Art Documents: **Not Applicable**
(57) Statement of Newness and Distinctiveness: **Each feature of the design considered separately or in combination with any other feature or features.**



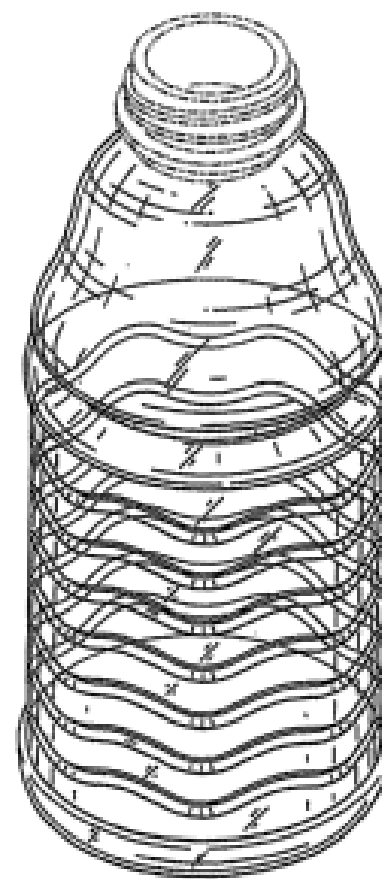
- (21) Design Number: **13991/2005**
(22) Date of Filing Application: **16 September 2005**
(24) Date from which industrial property rights may have effect: **16 September 2005**
(54) Product in respect of which the design is registered: **Swivel fitting**
(51) International Design Classification: **23-01B**
(71) Name(s) and Address(s) of Applicant(s):
Swivel Consultants (NZ) Ltd
79 Eugenia Rise Totara Heights Manukau City Auckland New Zealand
(72) Name(s) of Designer(s): **John Claude Tippett**
(45) Registration Date: **07 March 2006**
(56) Related Art Documents: **Not Applicable**
(57) Statement of Newness and Distinctiveness: **Nil**



- (21) Design Number: **13877/2005**
(22) Date of Filing Application: **09 September 2005**
(24) Date from which industrial property rights may have effect: **09 September 2005**
(54) Product in respect of which the design is registered: **A camper**
(51) International Design Classification: **12-16NES**
(71) Name(s) and Address(s) of Applicant(s):
Candy Canvas Pty Ltd
25 Becker Terrace Tintinara South Australia 5266 Australia
(72) Name(s) of Designer(s): **Phil Candy and Sandra Candy**
(45) Registration Date: **07 March 2006**
(56) Related Art Documents: **Not Applicable**
(57) Statement of Newness and Distinctiveness: **When considering the extent of newness and distinctiveness the features of the design shown in broken lines are to be disregarded.**

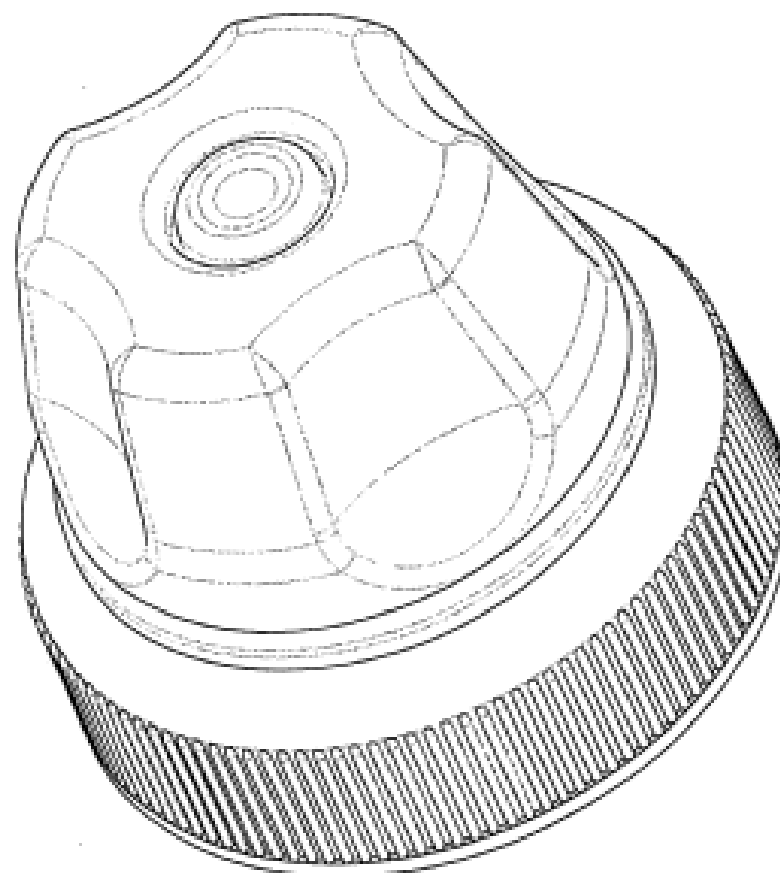


- (21) Design Number: **14013/2005**
- (22) Date of Filing Application: **16 September 2005**
- (24) Date from which industrial property rights may have effect: **19 March 2004**
- (54) Product in respect of which the design is registered: **Bottle**
- (51) International Design Classification: **09-01NES**
- (71) Name(s) and Address(s) of Applicant(s):
Stokely-Van Camp, Inc.
555 W. Monroe Street Suite 11-12 Chicago Illinois 60661 United States of America
- (72) Name(s) of Designer(s): **Gerald Zboch and Tracy M. Momany and Robert J. Groll**
- (45) Registration Date: **07 March 2006**
- (62) Divisional of: **158305**
- (56) Related Art Documents: **Not Applicable**
- (57) Statement of Newness and Distinctiveness: **Newness and distinctiveness is claimed in those features of shape and/or configuration of a bottle illustrated in continuous lines in the accompanying representations.**

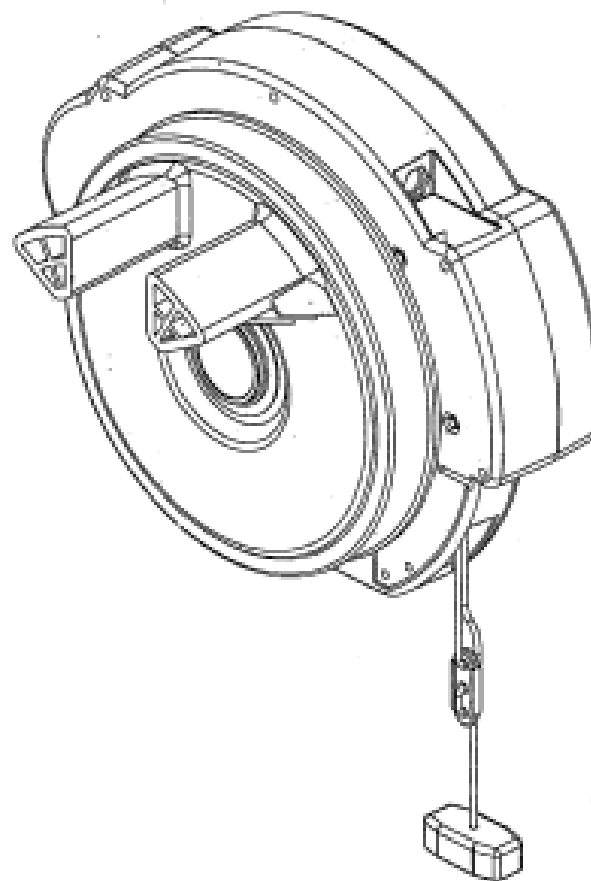


- (21) Design Number: **14032/2005**
- (22) Date of Filing Application: **19 September 2005**
- (24) Date from which industrial property rights may have effect: **19 September 2005**
- (54) Product in respect of which the design is registered: **Closure for container**
- (51) International Design Classification: **09-07A, 09-07C**
- (71) Name(s) and Address(s) of Applicant(s):
Portola Packaging Limited
3 Carriage Drive White Rose Way Doncaster South Yorkshire DN4 5NT United Kingdom
- (72) Name(s) of Designer(s): **Gerry Mavin and Timothy Stephenson**
- (45) Registration Date: **07 March 2006**
- (30) Convention priority data:

(31) Number	(32) Date	(33) Country
000316385	17 Mar 2005	EUROPEAN COMMUNITY
- (56) Related Art Documents: **Not Applicable**

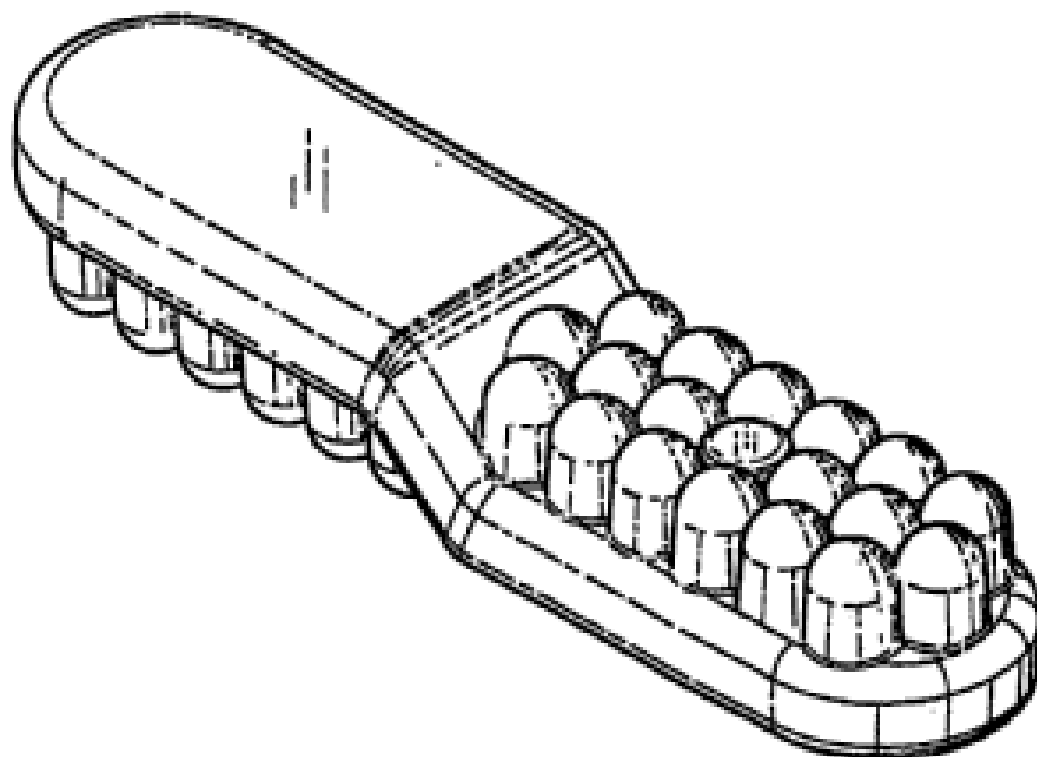


- (21) Design Number: **14033/2005**
- (22) Date of Filing Application: **19 September 2005**
- (24) Date from which industrial property rights may have effect: **19 September 2005**
- (54) Product in respect of which the design is registered: **Door drive unit**
- (51) International Design Classification: **12-05**
- (71) Name(s) and Address(s) of Applicant(s):
Automatic Technology Australia Pty Ltd
17-19 Advantage Road Highett Victoria 3190 Australia
- (72) Name(s) of Designer(s): **Ray Hawkins and Toan Quac Dang**
- (45) Registration Date: **07 March 2006**
- (56) Related Art Documents: **Not Applicable**
- (57) Statement of Newness and Distinctiveness: **Newness and distinctiveness is claimed in the shape and/or configuration of the door drive unit as shown in the accompanying representations. In considering which features are new and distinctive, the release handle and attached pull cord in the representations are to be disregarded.**

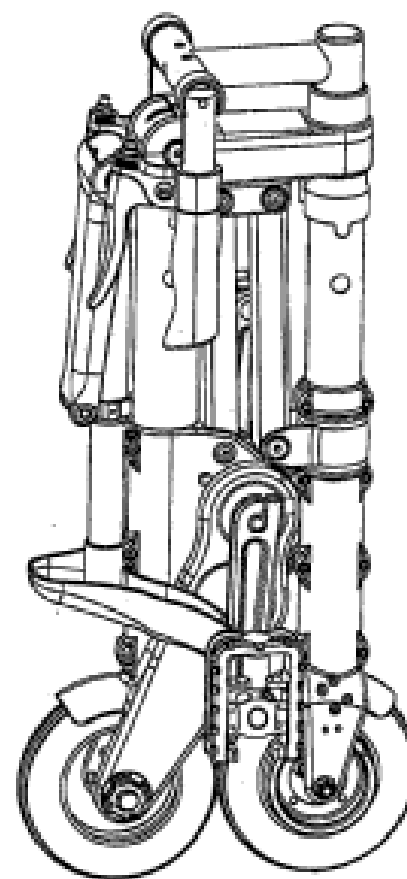


- (21) Design Number: **14039/2005**
- (22) Date of Filing Application: **20 September 2005**
- (24) Date from which industrial property rights may have effect: **20 September 2005**
- (54) Product in respect of which the design is registered: **Animal food supplement and gnaw**
- (51) International Design Classification: **01-06**
- (71) Name(s) and Address(s) of Applicant(s):
The IAMS Company
7250 Poe Avenue Dayton Ohio 45414 United States of America
- (72) Name(s) of Designer(s): **John William Koenig and Daniel P. Sterling and Lisa Ann MacKay and Peter Michaelian**
- (45) Registration Date: **07 March 2006**
- (30) Convention priority data:

(31) Number	(32) Date	(33) Country
29/226,391	28 Mar 2005	UNITED STATES OF AMERICA
- (56) Related Art Documents: **Not Applicable**
- (57) Statement of Newness and Distinctiveness: **Those visual features of the animal food supplement and gnaw depicted in the representations that are new and distinctive are the shape and/or configuration.**



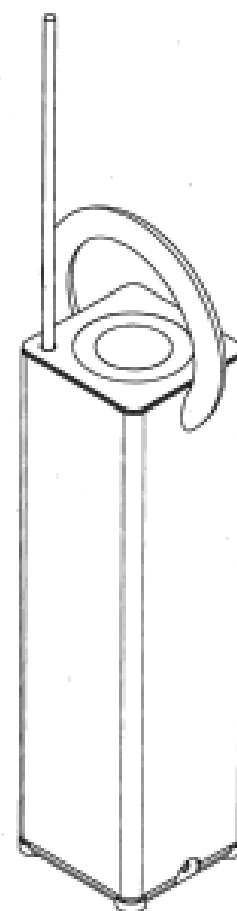
- (21) Design Number: **14049/2005**
(22) Date of Filing Application: **16 September 2005**
(24) Date from which industrial property rights may have effect: **16 September 2005**
(54) Product in respect of which the design is registered: **Bicycle**
(51) International Design Classification: **12-11**
(71) Name(s) and Address(s) of Applicant(s):
Daka Research Inc.
PO Box 957 Offshore Incorporations Centre Road Town Tortola
British Virgin Islands
(72) Name(s) of Designer(s): **Clive Marles Sinclair and Alexander Joseph Kalogroulis**
(45) Registration Date: **07 March 2006**
(56) Related Art Documents: **Not Applicable**
(57) Statement of Newness and Distinctiveness: **Nil**



- (21) Design Number: **14063/2005**
(22) Date of Filing Application: **21 September 2005**
(24) Date from which industrial property rights may have effect: **21 September 2005**
(54) Product in respect of which the design is registered: **A music system**
(51) International Design Classification: **14-01**
(71) Name(s) and Address(s) of Applicant(s):
Bang & Olufsen A/S
Peter Bangs Vej 15 Postboks 40 7600 Struer Denmark
(72) Name(s) of Designer(s): **David Lewis**
(45) Registration Date: **07 March 2006**
(30) Convention priority data:

(31) Number	(32) Date	(33) Country
DA200500100	22 Mar 2005	DENMARK

(56) Related Art Documents: **Not Applicable**
(57) Statement of Newness and Distinctiveness: **Nil**



(21) Design Number: **14064/2005**
(22) Date of Filing Application: **21 September 2005**
(24) Date from which industrial property rights may have effect: **21 September 2005**
(54) Product in respect of which the design is registered: **A mobile phone**
(51) International Design Classification: **14-03E**
(71) Name(s) and Address(s) of Applicant(s):

Bang & Olufsen A/S
Peter Bangs Vej 15 Postboks 40 7600 Struer Denmark

(72) Name(s) of Designer(s): **David Lewis**

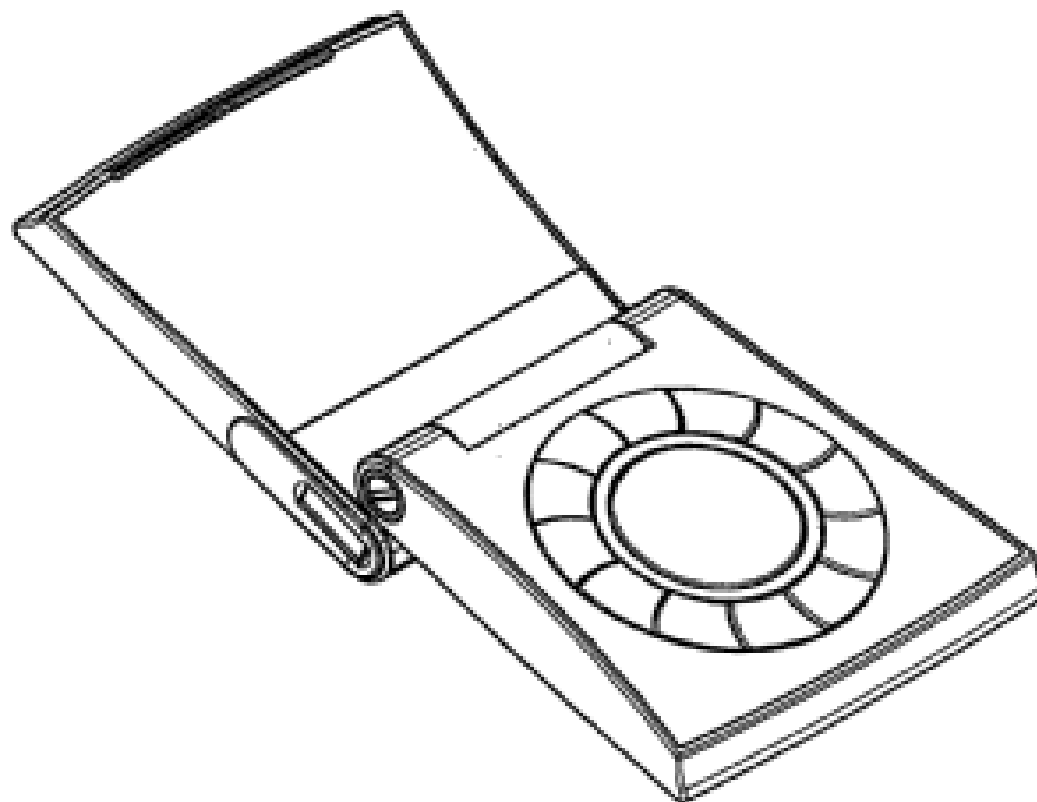
(45) Registration Date: **07 March 2006**

(30) Convention priority data:

(31) Number	(32) Date	(33) Country
DA200500101	29 Mar 2005	DENMARK

(56) Related Art Documents: **Not Applicable**

(57) Statement of Newness and Distinctiveness: **Nil**



(21) Design Number: **14079/2005**
(22) Date of Filing Application: **22 September 2005**
(24) Date from which industrial property rights may have effect: **22 September 2005**
(54) Product in respect of which the design is registered: **Light fixture with moving head**
(51) International Design Classification: **26-05C**
(71) Name(s) and Address(s) of Applicant(s):

Zumtobel Staff GmbH & Co. KG
Grevenmarschstr. 74-78 D-32657 Lemgo Germany

(72) Name(s) of Designer(s): **Roderick Dixon**

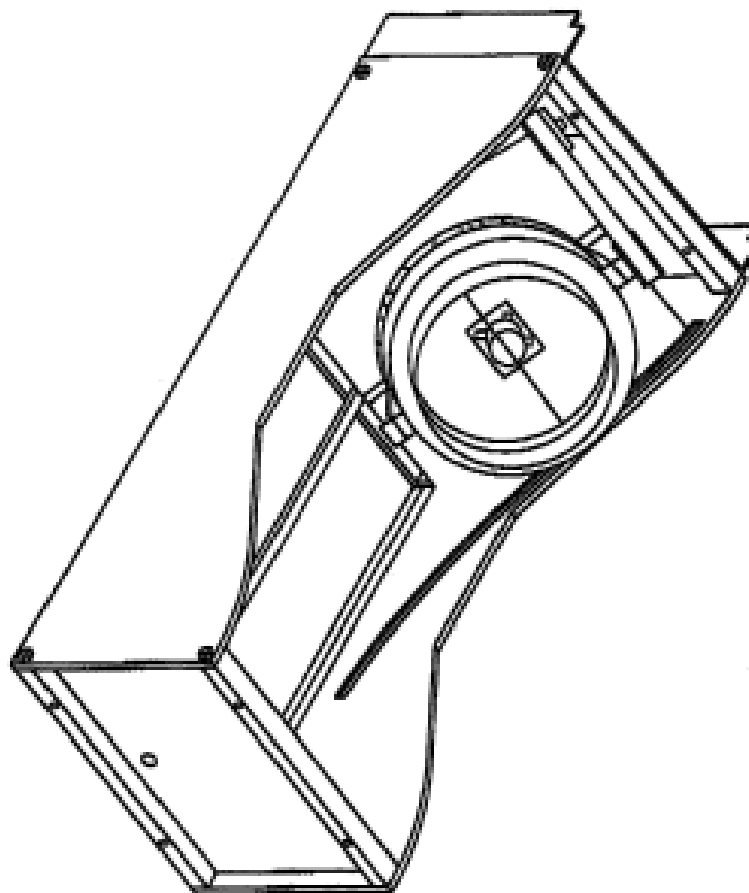
(45) Registration Date: **07 March 2006**

(30) Convention priority data:

(31) Number	(32) Date	(33) Country
000313	23 Mar 2005	EUROPEAN COMMUNITY
937-0001		

(56) Related Art Documents: **Not Applicable**

(57) Statement of Newness and Distinctiveness: **Newness and distinctiveness is claimed in the features of shape and/or configuration of a light fixture with moving head as illustrated in the accompanying representations.**



(21) Design Number: **14309/2005**

(22) Date of Filing Application: **30 September 2005**

(24) Date from which industrial property rights may have effect: **30 September 2005**

(54) Product in respect of which the design is registered: **Practice makes perfect driving range bag**

(51) International Design Classification: **03-01C**

(71) Name(s) and Address(s) of Applicant(s):

Golf Girl Australia Pty Ltd

5 Crimea Street Burnley Victoria 3121 Australia

(72) Name(s) of Designer(s): **Andrea Rushton and Fiona Cameron**

(45) Registration Date: **07 March 2006**

(56) Related Art Documents: **Not Applicable**

(57) Statement of Newness and Distinctiveness: **This golf girl 'practice makes perfect driving range bag' was designed in response to a need for an easy to carry and store, lightweight and practical driving range bag with a contemporary edge. Its features include: . Water resistant fabric . Folds and zips to a compact size . Over-the-shoulder strap for ease of carrying . Holds up to six clubs . Drawstring closure . Bold colour palette . Size closed: 27cm long by 14cm wide . Size open: 130cm long**

