



Australian Government

IP Australia

AUSTRALIAN OFFICIAL JOURNAL

OF

DESIGNS

Did you know a searchable version of this journal is now available online?

It's FREE and EASY to SEARCH.

Find it at

<http://pericles.ipaustralia.gov.au/ols/epublish/content/olsEpublications.jsp>
or using the "Online Journals" link on the IP Australia home page.

This Page Left Intentionally Blank

Contents

General Information & Notices

Proceedings Under the Designs Act 1906 preserved as a result of the provisions of Chapter 12 Part 2 of the Designs Act 2003

Application for Extension of Period of Registration	4404
Applications for Extension of Time	4405
Extension of Period of Registration of Designs	4404
Extensions of Time Granted	4405
Names Registered - Alterations and Amendments	4405
Registrations Ceased	4405
Subsequent Owners Registered	4405

Proceedings Under the Designs Act 2003

Applications for Extension of Time Under Section 137	4423
Applications Assigned	4423
Applications Lapsed	4421
Applications Lodged	4411
Applications Withdrawn	4421
Certificate of Examination	4425
Corrigenda	4424
Extension of Time Granted Under Section 137	4423
Publication and Registration Proceedings	
Designs Registered 306110 to 306320.....	4426
Subsequent Owners Registered	4423

This Page Left Intentionally Blank

General Information

EDITORIAL ENQUIRIES

All enquiries about official notices and general information in the Journal should be directed to IP Australia, (ABN No 38 113 072 755), PO Box 200 Woden ACT 2606

Or

Telephone 1300 651 010
(International Callers +61 2 6283 2999)
Fax 02 6283 7999
E-mail assist@ipaustralia.gov.au

CONTACT INFORMATION

Customer Service Network
Telephone 1300 651 010 , Fax: 02 6283 7999
E-mail: assist@ipaustralia.gov.au

Customers can contact the Customer Service Network by telephone or by e-mail. Telephones are staffed between 9am and 5pm each working day.

Customers should contact the Customer Service Network for information about:

- All Patent Matters including PCT and Innovation Patents.
- All Trade Mark Matters.
- All Design Matters.

Professional Standards Board for Patent and Trade Mark Attorneys.

Ph: 02 6283 2345 Fax: 02 6283 1048

ORDERING PATENT DOCUMENTS

When ordering copies of Australian patent specifications, or abstracts and abridgments notified as open to public inspection on or after 26 October 1978, or as accepted on or after 16 November 1978, the documents should be referred to by application numbers only, preceded by letters AU-A or AU-B respectively.

REQUESTS FOR INFORMATION UNDER SECTION 194 (C)

A request for information under Section 194 (C) of the Patents Act 1990 should be made in the approved form and be accompanied by the prescribed fee. The request should be as detailed as possible.

INFORMATION FROM REGISTERS

All requests for information from Register of Patents, Trade Marks or Designs, should be made in writing and accompanied by the prescribed fee. The Registers are located in Canberra and may be examined free of charge.

COUNTRY CODES

For a listing of country codes used by IP Australia please refer to the Official Journals dated 7 November 1996.

ABBREVIATIONS IN JOURNAL

Standard abbreviations are used in the name of companies and firms. Enquiries concerning the precise name should be directed to the Customer Service Network.

FREEDOM OF INFORMATION ACT

What does it do?

- Gives you right to obtain information held by Commonwealth Ministers, Departments and most statutory bodies (these bodies are called agencies under the Act).
- Requires Commonwealth Government agencies to make available to members of the public:
 - Information about agencies, their functions and operations.
 - Information about rules and practices which are used in making decisions which affect you.
- Gives you a legal right to:
 - See non exempt documents held by agencies, and
 - appeal against a decision not to grant access to a document.

What documents can you see?

- The Act gives you a right to see documents lodged on or after 1 December 1977, or earlier if you need them to understand another document you have already.
- Documents include files, reports, computer printouts, maps, plans, photographs, tape recordings, films or videotapes.
- Documents which are available for purchase under the Patents Act 1990, the Trade Marks Act 1995 or Designs Act 2003 or Plant Breeder's Rights Act 1994 are not available under the Freedom of Information Act (Section 12 refers).

How do you apply?

Requests for access to documents must

- Be in writing
- Provide sufficient information so as to enable identification of the documents requested
- Specify an address in Australia where notices can be sent and
- Be accompanied by the application fee (currently \$30.00).

Requests for documents should be addressed to IP Australia, PO Box 200 Woden, ACT 2606, or Faxed to 02 6283 7999

DECISIONS OF THE COMMISSIONER OF PATENTS AND REGISTRAR OF TRADE MARKS AND DESIGNS

- All decisions of the Commissioner and Registrars are available free of charge from AUSTLII's website

www.austlii.edu.au

Copies of all written Patent and Design decisions are available (except if they would not be available under the provisions of the Freedom of Information legislation, e.g. if they would effectively disclose matter from documents that are not open to public inspection) on request for a cost of \$AU 25. They are also available for inspection in indexed volume series, dating from 1 January 1987, in the Office library, Canberra.

Copies of Trade Mark decisions may be accessed via IP Australia's website www.ipaustralia.gov.au

- Copies of the taped record of Patent and Design hearings are available (with the same exception as above) on request.
- When a written decision is issued the fact of the decision plus a brief head note will be published in the Official Notices section of the next available Patents, Trade Marks or Designs Journal.

HEARINGS BEFORE THE COMMISSIONER OF PATENTS

Hearings before the Commissioner of Patents will usually be conducted at the Patent Office in Canberra and interstate hearing sessions are not provided. However, the Commissioner will conduct hearings outside of Canberra at a convenient time to all parties provided that the parties bear the travel costs of the hearing officer.

The various options for hearings are set out in the document "Options for Hearings" available on IP Australia's website at: www.ipaustralia.gov.au/pdfs/patents/optionsforhearings.PDF

HEARINGS BEFORE THE REGISTRARS OF TRADE MARKS AND DESIGNS

Hearings before the Registrars of Trade Marks and Designs will be set down in Melbourne, Sydney, Adelaide, Perth and Brisbane during the periods indicated below.

Designs and Trade Marks Hearings Sessions 2006

Melbourne	13 – 17 February 5 – 9 June 11 – 15 September
Sydney	13 – 17 March 17 – 21 July 16 – 20 October
Adelaide	14 – 15 August
Perth	17 – 18 August
Brisbane	24 – 25 August

Persons who desire matters to be set down for hearing in Melbourne, Sydney, Adelaide, Perth or Brisbane must give at least one month's notice of their intention to be heard. If such notice is not given, it may be that there would be insufficient time to allow for the execution of official procedures associated with the listing of hearings, and as a result, the matter involved might not be listed.

Subject to the convenience of this Office, hearings will be set down in Canberra at any time suitable to the parties.

LIST OF STATE OFFICES

IP Australia State Offices are located in the Australian Capitals at the addresses given below. Requests for information may be obtained by calling at, phoning or writing to these offices or IP Australia, Canberra.

Australian Capital Territory

Ground Floor
Discovery House
PHILLIP ACT 2606
(PO Box 200, WODEN ACT 2606)
Ph: 1300 651 010
Fax: (02) 6283 7999

New South Wales

Level 1
45 Clarence Street
SYDNEY NSW 2000
Ph: 1300 651 010
Fax: (02) 9249 5807

Victoria

Level 6
OCBC House
565 Bourke Street
MELBOURNE VIC 3000
Ph: 1300 651 010
Fax (03) 9612 9807

Western Australia

2nd Floor
East Point Plaza
233 Adelaide Terrace
PERTH WA 6000
Ph: 1300 651 010
Fax: (08) 9220 8907

Queensland

Level 1
Grant Thornton House
102 Adelaide Street
BRISBANE QLD 4000
Ph: 1300 651 010
Fax: (07) 3007 1107

South Australia

Level 10
Origin Energy House
1 King William Street
ADELAIDE SA 5000
Ph: 1300 651 010
Fax: (08) 8239 4507

Tasmania

4th Floor
AMP Building
27 Elizabeth Street
HOBART TAS 7000
Ph: 1300 651 010
Fax: (03) 6235 6307

“INID” NUMBERS in use on Australian Design Documents

“INID” is an acronym for “Internationally agreed Numbers for the Identification of Data”.

(10) Data concerning the registration/renewal

- (11) Serial number of the registration and/or number of the design document
- (12) Plain language designation of the kind of published document
- (19) Identification, using the two-letter code according to WIPO Standard ST.3, of the authority publishing or registering the industrial design

(20) Data concerning the application

- (21) Serial number of the application
- (22) Date of filing of the application
- (24) Date from which the industrial design right has effect

(30) Data relating to priority under the Paris Convention

- (31) Serial number assigned to the priority application
- (32) Date of filing of the priority application
- (33) Two-letter code, according to WIPO Standard ST.3, identifying the authority with which the priority application was made

(40) Date(s) of making information available to the public

- (45) Date of publication of the registered industrial design by printing or similar process, or making it available to the public by any other means

(50) Miscellaneous Information

- (51) International Classification for Industrial Designs (class and subclass of the Locarno Classification)
- (54) Designation of article(s) or product(s) covered by the industrial design or title of the industrial design
- (55) Reproduction of the industrial design (e.g., drawing, photograph) and explanations relating to the reproduction
- (56) List of prior art documents, if separate from descriptive text
- (57) Description of characteristic features of the industrial design including indication of colours

(60) References to other legally related application(s) and registration(s)

- (62) Serial number(s) and, if available, filing date(s) of application(s), registration(s) or document(s) related by division
- (66) Serial number(s) of the application, or the registration, of the design(s) which is (are) a variant(s) of the present one

(70) Identification of parties concerned with the application or registration

- (71) Name(s) and address(es) of the applicant(s)
- (72) Name(s) of the creator(s) if known to be such
- (74) Name(s) and address(es) of the representative(s)

This Page Left Intentionally Blank

Official Notice**Designs Act 2003
Amendments to Registered Designs at Examination**

The following amendments have been made to details previously published in the Australian Official Journal of Designs during the Examination process:

Registration Number	Amendment type	New details
300328	Classification	28-99
303298	Classification	02-03, 29-02
303299	Classification	02-03, 29-02
303347	Classification	19-06
303547	Classification	02-03, 29-02
303666	Classification	02-03, 29-02
303829	Classification	02-03, 29-02

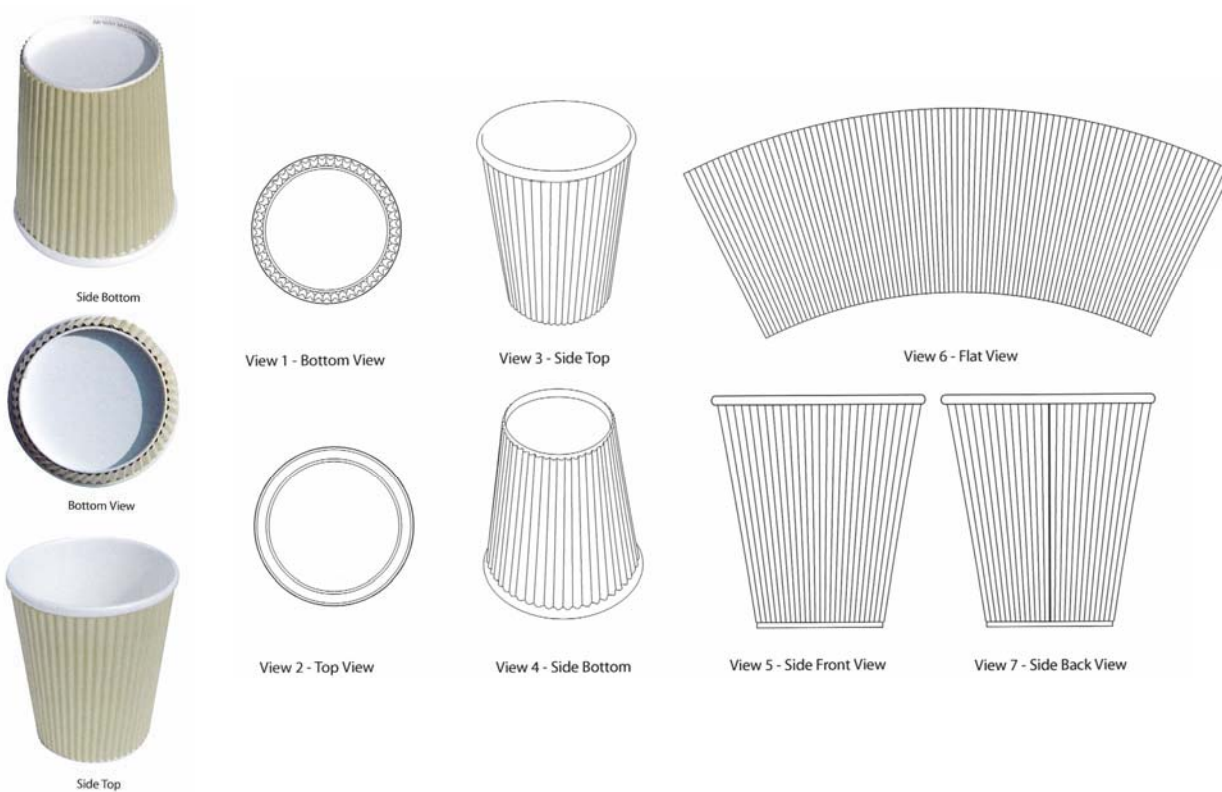
Contact: IP Australia
Phone: 1300 651 010
Fax: +61 2 6283 7999
E-Mail: assist@ipaaustralia.gov.au
Web: www.ipaustralia.gov.au

OFFICIAL NOTICE

**Designs Act 2003
Amendments to Registered Designs at Examination**

The following amendments have been made to details previously published in the Australian Official Journal of Designs during the Examination process:

Registration Number	Amendment type	New details
304960	Representations	Representations as below



Contact: IP Australia
Phone: 1300 651 010
Fax: +61 2 6283 7999
E-Mail: assist@ipaustralia.gov.au
Web: www.ipaustralia.gov.au

Official Notice**Designs Act 2003
Correction of Register**

The following corrections under Regulation 9.05 (1) have been made to details previously published in the Australian Official Journal of Designs:

Registration Number	Amendment type	New details
304994	Product Name	Array of seals

Contact: IP Australia
Phone: 1300 651 010
Fax: +61 2 6283 7999
E-Mail: assist@ipaaustralia.gov.au
Web: www.ipaustralia.gov.au

Official Notice**Intellectual Property Laws Amendment Bill 2006**

The Intellectual Property Laws Amendment Bill 2006 (“the Bill”) was introduced into the House of Representatives on 30 March 2006. The Bill amends the *Patents Act 1990*, the *Trade Marks Act 1995*, the *Designs Act 2003*, the *Plant Breeder’s Rights Act 1994* and the *Olympic Insignia Protection Act 1987* (“the Acts”).

The Bill amends the Patents Act to give effect to some outstanding recommendations of the Government’s response to the Intellectual Property and Competition Review Committee’s (IPCRC) report *Review of the Intellectual Property Legislation under the Competition Principles Agreement* and the Advisory Council on Intellectual Property’s (ACIP) report *Review of Enforcement of Industrial Property Rights*.

The Bill also implements wider springboarding provisions than those currently available by allowing springboarding on any pharmaceutical patent at any time. Springboarding refers to using the subject matter of a patent to collect the data required to obtain regulatory approval of a generic version of the product to which the patent relates, during the life of the patent.

Other amendments made by the Bill:

- give effect to the some outcomes of the recently concluded trade marks legislation review;
- allow the Registrar of Trade Marks to revoke the registration of trade marks in certain circumstances, providing a quick and inexpensive means of addressing incorrectly registered trade marks;
- amend the Trade Marks Act to make publicly available the majority of documents that relate to particular trade marks; and
- make a number of minor, technical and administrative amendments to the above Acts to correct some technical errors and to ensure that the legislation functions as intended.

Note: This notice is intended to provide a brief overview of the amendments contained in the Bill, and therefore focuses on the main issues. The Bill itself and the explanatory memorandum (EM) to the Bill should be considered for a detailed understanding of the provisions. The Bill and the EM are available on-line at BillsNet <http://www.aph.gov.au/ParlInfo/BillsNet/main.htm>. Regulations will need to be made to fully implement a number of the provisions in the Bill.

Revoking registration of trade marks

The Bill amends the Trade Marks Act to allow the Registrar of Trade Marks to revoke the registration of trade marks in circumstances in which the trade mark should not have been registered in the first place. This provision would be used, for example, when a trade mark is registered as a result of an error or oversight on the part of the Trade Marks Office while assessing an application for registration of a trade mark.

If a trade mark’s registration is revoked, it will revert to a pending application for registration of a trade mark. This will allow the application to be examined, or an opposition to the registration of the application to be heard, and a correct decision whether or not to register the trade mark to be made.

Non-payment of fees relating to trade marks

The Bill amends section 223 of the Trade Marks Act to repeal many of the fee payment requirements, and to provide that the details of how fees are paid will be prescribed in the *Trade Marks Regulations 1995*. This will enable this administrative function to be handled more flexibly by the Trade Marks Office, including streamlining fee payment methods and introducing modern methods of fee payment. These amendments will bring the fee payment provisions of the Trade Marks Act into line with the fee payment provisions in the Patents Act and the Designs Act.

This amendment will not alter any of the fees payable under the Trade Marks Act.

Registration process for certification trade marks

The Bill amends the Trade Marks Act to clarify the requirements of the rules governing the use of a certification trade mark (CTM), and modernises the language in which they are expressed. The proposed amendments also clarify that the CTM owner is responsible for determining whether an approved certifier possesses the qualifications, skills or abilities specified in the rules. Other amendments clarify the requirements that must be satisfied before the Registrar is able to accept an application for registration of a CTM.

The amendments also allow for administrative procedures relating to CTMs to be specified in the regulations, to enable these procedures to be handled more flexibly by the Trade Marks Office and the ACCC. The amendments also allow the rules to be published at an earlier stage than they are currently published.

Availability of documents about trade marks

The Bill amends the Trade Marks Act to make prescribed documents that relate to trade marks available for public inspection at an early stage in the trade mark application process. This amendment will provide a quick and efficient system that simplifies the processing of requests for information on trade mark files whilst balancing the interests of applicants for registration, who must sometimes file sensitive business information in order to obtain registration. The Registrar will be able to receive such information on an explicit understanding of confidentiality, and documents containing this information will not be made available for public inspection.

Relief for infringement of patents

The Bill amends the Patents Act to allow for exemplary damages to be awarded by a court in patent infringement actions, for example, in the case of flagrant or wilful infringement of a patent. Allowing the award of exemplary damages will serve as a deterrent against patent infringement, which will in turn strengthen patent rights. This amendment implements a recommendation of the IPCRC report.

Exemption of continued prior use from patent infringement

The Bill amends the prior user defence in the Patents Act to clarify that the prior user's rights include exploiting the product, method or process, that the prior use be only in Australia and that the prior use right may be assigned but not licensed. This amendment reaffirms the Government's commitment to ensuring that the legitimate interests of third parties are not compromised by the grant of a patent. This amendment implements a recommendation of the IPCRC report.

Springboarding and patents

The Bill amends the provisions in the Patents Act that relate to springboarding of patents for pharmaceuticals. The purpose of this amendment is to allow springboarding as an exception to patent infringement on any pharmaceutical patent at any time for purposes solely in connection with gaining regulatory approval of a pharmaceutical product in Australia or another territory, consistent with Australia's international obligations.

Prior to these amendments, the Patents Act contained a limited provision that only allowed springboarding on pharmaceutical patents after they had received an extension of patent term. This amendment aims to bring Australia's springboarding provisions closer to those of competitor countries and improve the environment for generic pharmaceutical companies conducting research and development in Australia.

Compulsory licensing and patents

In order to further promote the efficient use of patents and promote competition, the Bill adds a new provision to the existing compulsory licence provisions in the Patents Act. This provision will provide for a compulsory licence to be available as a remedy if a person has contravened the anti-competitive conduct provisions of the *Trade Practices Act 1974*. This amendment implements a recommendation of the IPCRC report.

Specifying claims for innovation patents

The Bill includes an amendment to clarify that the claims of an innovation patent define the invention.

Making divisional applications for innovation patents

The Bill includes an amendment to clarify that a divisional application from a granted innovation patent may only be made, in accordance with the regulations, between the period starting when the examination of the first innovation patent begins and ending when the first innovation patent either ends, ceases or is revoked.

Setting dates by regulation

The Bill amends the Trade Marks Act and the Plant Breeder's Rights Act so that the 'filing date' of an application for registration of a trade mark and the 'priority date' of an application for PBR in a plant variety may be set by the regulations made under those Acts. This will for example, allow regulations to be made allowing these dates to be re-set if an application under those Acts has been partially received as a result of a disruption of on-line filing services. This brings those Acts into line with the Patents Act and the Designs Act. Introducing this flexibility in the Trade Marks Act and the Plant Breeder's Rights Act will provide the ability to accommodate circumstances that may otherwise jeopardise applicants' rights.

Effect of office not being open for business

The Bill includes provisions to specify how actions may be done when the Patent, Trade Marks, Designs or Plant Breeder's Rights Offices or sub-offices are not open for business, for example, between the Christmas and New Years public holidays, or when the office is forced to close down as a result of an emergency situation. These amendments also allow regulations to specify when the Offices and sub-offices are not open for business.

Extensions of time

The Bill clarifies that the right of review under subsection 224(7) of the Trade Marks Act is limited to a decision of the Registrar not to extend the time for the doing of a 'relevant act'.

Approving forms

The Bill includes amendments to provide that approved forms under the Plant Breeder's Rights Act will no longer be "legislative instruments" for the purposes of the Legislative Instruments Act. This brings the Plant Breeder's Rights Act in line with other IP legislation and will mean that approved forms will no longer have to be registered on the Federal Register of Legislative instruments, and will not be subject to disallowance by Parliament.

Delegation

The Bill provides for the powers or functions under the Plant Breeder's Rights Act to be delegated to a prescribed employee or class of employees. This will allow for more efficient administration of the plant breeder's rights system, and brings the Plant Breeder's Rights Act into alignment with the Patents, Trade Marks and Designs Acts.

Statute law revision amendments

The Bill includes some technical amendments to correct minor errors in the Patents and Trade Marks Acts.

Queries: Janet Werner
Domestic Policy Section
+61 2 6283 2443

Michael ORourke
Domestic Policy Section
+61 2 6283 2017

Contact: IP Australia
Phone: 1300 651 010 or +61 2 6283 2999
Fax: +61 2 6283 7999
E-mail: assist@ipaaustralia.gov.au
Web: www.ipaustralia.gov.au

This Page Left Intentionally Blank

Proceedings under the Designs Act 1906 preserved as a result of the provisions of Chapter 12 Part 2 of the Designs Act 2003.

This Page Left Intentionally Blank

Applications Lapsed

There were no Applications Lapsed under this section

Application for Extension of Period of Registration

Applications under Section 27A(2) for extension of registration of the following designs have been lodged. In the event that a design is shown to be not new or original, the Registrar may refuse to extend the period of registration. Sub-section 27A(4) allows any person to lodge at the Designs Office material relevant to the question whether the design is not new or original. That material must be lodged within 11 months of the date when the registration of the design was made. Further details of the conditions and procedures for the lodgement of material are contained in Form 8 provided under the Designs Regulation 24.

Registration Number	Registered Owner	Registration Date
157478	GLOBAL ENVIRONMENT MANAGEMENT (FZC)	03/02/2005
157764	INDUSTRIAL GALVANIZERS CORPORATION PTY LTD	22/03/2005
157818	KELVIN STEWART LOCKWOOD	23/03/2005
157819	KELVIN STEWART LOCKWOOD	23/03/2005
157830	RAY W. ROOTS and CABBELL J. JUDD	30/03/2005
157839	MARK PERCIVAL OSBORNE	30/03/2005
157844	MICHAEL JON BEMROSE and LORRAINE FAY BEMROSE	31/03/2005
157873	PETER JOHN WELLS	31/03/2005
157892	KARIA PILLOWS PTY LTD	31/03/2005
157893	PAUL JAMES COUZNER	04/04/2005
157934	CHRISTOPHER JOHN WALTON	18/04/2005
157965	CARLTON AND UNITED BEVERAGES LIMITED	29/04/2005
157974	JOHN MALTZAHN and STEPHEN MACGOWAN	10/05/2005
158105	ASTRO-VAC (AUSTRALIA) PTY LTD	20/06/2005
158107	JOHN SCHOLTES INVESTMENTS (NO. 1) PTY LTD	20/06/2005
158110	WATERWORKS AUSTRALIA PTY LTD	29/06/2005
158522	ISUZU MOTORS LIMITED	21/03/2006

Extension of Period of Registration of Designs

1st Period (Section 27A(8))

157478	157759	157761
157762	157763	157764
157765	157766	157767
157768	157769	157771
157773	157775	157777
157778	157779	157780
157781	157782	157783
157784	157785	157787
157788	157789	157791

157794	157795	157796
157797	157798	157799
157800	157801	157802
157803	157804	157805
157806	157807	157808
157809	157810	157811
157812	157813	157814
157815	157816	157817
157818	157819	157820
157822	157823	157824
157825	157826	157827
157828	157829	157830
157831	157836	157837
157838	157839	157840
157841	157842	157843
157844	157845	157846
157847	157848	157849
157852	157853	157855
157856	157857	157858
157859	157860	157861
157862	157863	157864
157865	157866	157867
157869	157873	157874
157875	157876	157877
157879	157880	157881
157882	157883	157884
157885	157886	157887
157888	157891	157895
157896	157956	

2nd Period (Section 27A(12))

135510	140082	140303
140753	140830	140871
140926	140927	140928
141055	141056	141325
141492	141694	141724
141725	141730	141741
141780	141871	141898
142003	142040	142041
142091	142104	142119
142120	142169	142188
142189	142190	142219
142234	142238	142285
142287	142338	142386
142396	142482	142485
142488	142566	142567
142568	142571	142617
142787	142788	142792
142831	142832	142833
142849	142928	142951
142952	142953	142954
142963	143073	143159
143290	143291	143343
143391	143472	143474
143517	143573	143574
143581	143635	143654
143849	143851	143888
144049		

	144065	144304
144308	144309	144351
144466	144516	144606
144679	144779	144918
145064	145065	145068
145168	145236	145237
145238	145240	145241
145508	145509	145546
145547	145678	145679
145680	145681	145686
145687	145766	145767
145813	145973	145988
146016	146043	146044
146116	146694	147008
147373	147393	147731
147732	147733	148401
149007	149474	149725
150295	151191	152553

3rd Period (Section 27A(13))

124104	124249	124968
124986	125050	125070
125073	125092	125145
125169	125170	125174
125175	125178	125179
125346	125381	125433
125452	125522	125538
125582	125583	125584
125616	125872	125892
125951	125952	126206
126321	126346	126370
126438	126471	126658
127866	128160	128511
128628	128808	128809
128844	129247	129370
129627	129965	131109

Registrations Ceased

Note: Some of the following Registrations may have been previously advertised as ceased. In this instance, the previous advertisement still prevails.

108982	109039	109040
109068	109228	109322
109635	110456	110772
111430	123638	123853
124155	124355	124356
128053	138714	138935
138936	139053	139725
140476	140784	140880
141170	141647	142035
142177	142555	143224
144183	144457	144615
144616	144617	144618
144619	146757	148676
157760	157770	157772
157774	157793	157821

Applications for Extension of time

Applications for extension of time have been lodged. Objections must be lodged within 1 month from the date of this journal.

156300 **James Richard Horsfall** Extension of time to extend a registration. Address for Service: J. R. Horsfall PO Box 487 EMU PLAINS NSW 2750

Extensions of time granted

Applications lodged for extension of time have been granted.

135510 **Tarek Ibrahim** An Extension of time to extend a registration has been granted to 16/05/2005

04595/2003 **Clinical Designs Limited** An Extension of time to register an application has been granted to 13/08/2006

01053/2004 **Indplas Pty Ltd** An Extension of time to register an application has been granted to 11/02/2006

01192/2004 **Real Juice Pty Limited** An Extension of time to register an application has been granted to 11/04/2006

01899/2004 **DDS Enterprises Aust Pty Ltd** An Extension of time to register an application has been granted to 28/05/2006

02268/2004 **Australian Solid Tanking Systems Pty Ltd** An Extension of time to register an application has been granted to 13/04/2006

Subsequent Owners Registered

(The name in parentheses is that of the subsequent owner)

151060	(BenQ Mobile GmbH & Co. OHG) Siemens Aktiengesellschaft
152885	(BenQ Mobile GmbH & Co. OHG) Siemens Aktiengesellschaft
151282	(BenQ Mobile GmbH & Co. OHG) Siemens Aktiengesellschaft
151255	(BenQ Mobile GmbH & Co. OHG) Siemens Aktiengesellschaft
151388	(BenQ Mobile GmbH & Co. OHG) Siemens Aktiengesellschaft
153291	(BenQ Mobile GmbH & Co. OHG) Siemens Aktiengesellschaft
151241	(BenQ Mobile GmbH & Co. OHG) Siemens Aktiengesellschaft
141527	(Demain Technology Pty Ltd) Ozito Industries Pty Ltd

Names Registered - Alterations and Amendments

(The name in parentheses is the new name of the proprietor)

157965	(Carlton and United Beverages Limited) Carlton and United Breweries Limited
123017	(ITW Construction Products Australia Pty Ltd) ITW Ramset Australia Pty Ltd
124661	(ITW Construction Products Australia Pty Ltd) ITW Ramset Australia Pty Ltd

- 124996 **(ITW Construction Products Australia Pty Ltd)** ITW
Ramset Australia Pty Ltd
- 125120 **(ITW Construction Products Australia Pty Ltd)** ITW
Ramset Australia Pty Ltd
- 125305 **(ITW Construction Products Australia Pty Ltd)** ITW
Ramset Australia Pty Ltd
- 128187 **(ITW Construction Products Australia Pty Ltd)** ITW
Ramset Australia Pty Ltd
- 128188 **(ITW Construction Products Australia Pty Ltd)** ITW
Ramset Australia Pty Ltd
- 131810 **(Weir Minerals Australia Ltd)** Weir Warman Ltd
- 133542 **(Weir Minerals Australia Ltd)** Weir Warman Ltd
- 121878 **(Earthtechnica Co.,Ltd)** Kawasaki Jukogyo Kabushiki
Kaisha
- 121879 **(Earthtechnica Co.,Ltd)** Kawasaki Jukogyo Kabushiki
Kaisha

This Page Left Intentionally Blank

Proceedings under the Designs Act 2003.

This Page Left Intentionally Blank

Applications Lodged

Lodgement information is in the following order: **Applicant's Name**; International Classification, Name of Product, Lodgement Date and **Design Number**. If the applicant claims an earlier priority date under an International Convention, the Convention Country and the associated filing date are shown in parentheses before the Lodgement Date. Divisional information will also appear in parentheses before the Lodgement Date.

Advanced Building Systems Pty Ltd; 25-01B, Hairpin anchor, 17 Mar 2006	11045/2006	AB P H Nederman & Co; 23-04, Hood, (EM, 09 Sep 2005) 03 Mar 2006	10833/2006
Advanced Group Pty Ltd; 21-01L, Gameboard, 09 Mar 2006	10886/2006	AB P H Nederman & Co; 23-04, Hood, (EM, 09 Sep 2005) 03 Mar 2006	10834/2006
Akzo Nobel Coatings International B.V.; 08-05L, 09-03NES, Paint container, 03 Mar 2006	10830/2006	ADAR International; 28-03NES, Illuminating tweezers and case, (EM, 04 Jan 2006) 10 Mar 2006	10981/2006
Akzo Nobel Coatings International B.V.; 08-05L, 09-03NES, Paint container, 03 Mar 2006	10831/2006	Ball Packaging Europe GmbH; 09-02NES, 09-03L, Beverage can, (DE, 17 Sep 2005) 14 Mar 2006	11019/2006
Alexiou, Arthur; 27-06, A case to hold a cigarette packet, 09 Mar 2006	10897/2006	Ballwall Pty Ltd; 21-02NES, Title ball rebounder, 23 Mar 2006	11241/2006
Allen Hardware Products Pty Ltd; 23-01A, Joiner for extruded pipes or tubes, 21 Mar 2006	11178/2006	Bambury; 03-01A, 06-13C, Back pack and matching towel, 23 Mar 2006	11240/2006
Allen Hardware Products Pty Ltd; 23-01A, Joiner for extruded pipes or tubes, 21 Mar 2006	11148/2006	Bambury; 02-02NES, 02-04NES, 21-01A, Microplush & faux-fur trimmed hooded robe, microplush slippers with fur trim, microplush cookie cut teddy, 17 Mar 2006	11050/2006
Allen Hardware Products Pty Ltd; 23-01A, Joiner for extruded pipes or tubes, 21 Mar 2006	11149/2006	BenQ Mobile GmbH & Co. OHG; 14-03E, Mobile telephone, (EM, 09 Sep 2005) 06 Mar 2006	10859/2006
Allen Hardware Products Pty Ltd; 23-01A, Joiner for extruded pipes or tubes, 21 Mar 2006	11150/2006	Bilardo Spencer Pty Ltd; 06-01F, A chair, 24 Mar 2006	11248/2006
Allen Hardware Products Pty Ltd; 23-01A, Joiner for extruded pipes or tubes, 21 Mar 2006	11151/2006	Bilardo Spencer Pty Ltd; 06-01F, A chair, 24 Mar 2006	11249/2006
Angas Industrial Pty Ltd; 09-09, Locking device for securing wheelie bins (Bin Keeper), 08 Mar 2006	10882/2006	Biocorp Australia Pty Ltd; 09-09, 'Bio-can' sharps containers, 21 Mar 2006	11245/2006
Aquatica NZ Limited; 07-05B, A tub cabinet, (NZ, 29 Jun 2005) 22 Mar 2006	11231/2006	Blasevi, Crisoula; Blasevi, Rosario; 01-01, Confectionery flower, 14 Mar 2006	10982/2006
Architectural Window Systems Pty Ltd; 25-01K, An extrusion, 17 Mar 2006	11202/2006	Blasevi, Rosario; Blasevi, Crisoula; 01-01, Confectionery flower, 14 Mar 2006	10982/2006
Arnold & Richter Cine Technik GmbH & Co Betriebs KG; 26-05NES, 26-03, Automated stirrup, (DE, 08 Sep 2005) 08 Mar 2006	10900/2006	Blasevi, Crisoula; Blasevi, Rosario; 01-01, Confectionery flower, 14 Mar 2006	10983/2006
Astra Tech AB; 24-02, Surgical sunction instrument, (SE, 06 Oct 2005) 23 Feb 2006	10713/2006	Blasevi, Rosario; Blasevi, Crisoula; 01-01, Confectionery flower, 14 Mar 2006	10983/2006
AstraZeneca AB; 09-05, A device for holding a blister pack, (EM, 09 Sep 2005) 08 Mar 2006	10888/2006	Blasevi, Crisoula; Blasevi, Rosario; 01-01, Confectionery flower, 14 Mar 2006	10984/2006
Aztec Gold and Silver Pty Ltd; 11-01NES, A piece of jewellery, 17 Mar 2006	11035/2006	Blasevi, Rosario; Blasevi, Crisoula; 01-01, Confectionery flower, 14 Mar 2006	10984/2006
AB P H Nederman & Co; 23-04, Hood, (EM, 09 Sep 2005) 03 Mar 2006	10832/2006	Bobrick Washroom Equipment, Inc.; 06-01E, High chair, (US, 09 Sep 2005) 08 Mar 2006	10899/2006
		Booths Corp (Australia) Pty Ltd; 25-04, End connector, (Divisional of 02005/1357) 26 Mar 2004	11132/2006
		Booths Corp (Australia) Pty Ltd; 25-04, Structural beam, (Divisional of 13570/2005) 26 Mar 2004	11110/2006

Booths Corp (Australia) Pty Ltd; 25-04, JACK ASSEMBLY, (Divisional of 02005/1357) 26 Mar 2004	11133/2006	Booths Corp (Australia) Pty Ltd; 25-04, Grillage beam, (Divisional of 13570/2005) 26 Mar 2004	11121/2006
Booths Corp (Australia) Pty Ltd; 25-04, Racking bracket, (Divisional of 02005/1357) 26 Mar 2004	11134/2006	Booths Corp (Australia) Pty Ltd; 25-04, Grillage beam, (Divisional of 13570/2005) 26 Mar 2004	11122/2006
Booths Corp (Australia) Pty Ltd; 25-04, Angle brace bracket, (Divisional of 02005/1357) 26 Mar 2004	11135/2006	Booths Corp (Australia) Pty Ltd; 25-04, Grillage beam, (Divisional of 13570/2005) 26 Mar 2004	11123/2006
Booths Corp (Australia) Pty Ltd; 25-04, Baseplate, (Divisional of 02005/1357) 26 Mar 2004	11136/2006	Booths Corp (Australia) Pty Ltd; 25-04, Grillage beam, (Divisional of 13570/2005) 26 Mar 2004	11124/2006
Booths Corp (Australia) Pty Ltd; 25-04, Bracing angle, (Divisional of 02005/1357) 26 Mar 2004	11137/2006	Booths Corp (Australia) Pty Ltd; 25-04, Structural beam, (Divisional of 13570/2005) 26 Mar 2004	11125/2006
Booths Corp (Australia) Pty Ltd; 25-04, Needle beam connector, (Divisional of 02005/1357) 26 Mar 2004	11138/2006	Booths Corp (Australia) Pty Ltd; 25-04, Structural beam, (Divisional of 13570/2005) 26 Mar 2004	11126/2006
Booths Corp (Australia) Pty Ltd; 25-04, Scaffold tube bracket, (Divisional of 02005/1357) 26 Mar 2004	11139/2006	Booths Corp (Australia) Pty Ltd; 25-04, Structural beam, (Divisional of 13570/2005) 26 Mar 2004	11127/2006
Booths Corp (Australia) Pty Ltd; 25-04, Tie rod bracket, (Divisional of 02005/1357) 26 Mar 2004	11140/2006	Booths Corp (Australia) Pty Ltd; 25-04, Structural beam, (Divisional of 13570/2005) 26 Mar 2004	11128/2006
Booths Corp (Australia) Pty Ltd; 25-04, Web scaffold coupler, (Divisional of 02005/1357) 26 Mar 2004	11141/2006	Booths Corp (Australia) Pty Ltd; 25-04, Structural beam, (Divisional of 13570/2005) 26 Mar 2004	11129/2006
Booths Corp (Australia) Pty Ltd; 25-04, Truss fixing bracket, (Divisional of 02005/1357) 26 Mar 2004	11142/2006	Booths Corp (Australia) Pty Ltd; 25-04, Structural beam, (Divisional of 13570/2005) 26 Mar 2004	11130/2006
Booths Corp (Australia) Pty Ltd; 25-04, Structural beam, (Divisional of 13570/2005) 26 Mar 2004	11111/2006	Booths Corp (Australia) Pty Ltd; 25-04, Structural beam, (Divisional of 02005/1357) 26 Mar 2004	11131/2006
Booths Corp (Australia) Pty Ltd; 25-04, Structural beam, (Divisional of 13570/2005) 26 Mar 2004	11112/2006	Briggs & Stratton Corporation; 15-01, Cover for an engine, (US, 12 Oct 2005) 21 Mar 2006	11173/2006
Booths Corp (Australia) Pty Ltd; 25-04, Structural beam, (Divisional of 13570/2005) 26 Mar 2004	11113/2006	Briggs & Stratton Corporation; 15-01, Cover for an engine, (US, 12 Oct 2005) 21 Mar 2006	11172/2006
Booths Corp (Australia) Pty Ltd; 25-04, Structural beam, (Divisional of 13570/2005) 26 Mar 2004	11114/2006	Brother Industries Ltd; 15-06, Sewing machine, (JP, 20 Feb 2006) 14 Mar 2006	11008/2006
Booths Corp (Australia) Pty Ltd; 25-04, Structural beam, (Divisional of 13570/2005) 26 Mar 2004	11115/2006	Brother Industries, Ltd; 14-02, Ink cartridge, (JP, 18 Nov 2005) 23 Mar 2006	11237/2006
Booths Corp (Australia) Pty Ltd; 25-04, Structural beam, (Divisional of 13570/2005) 26 Mar 2004	11116/2006	Brother Industries, Ltd; 14-02, Ink cartridge, (JP, 18 Nov 2005) 23 Mar 2006	11238/2006
Booths Corp (Australia) Pty Ltd; 25-04, End connector, (Divisional of 13570/2005) 26 Mar 2004	11117/2006	Brother Industries, Ltd; 14-02, Ink cartridge, (JP, 18 Nov 2005) 23 Mar 2006	11239/2006
Booths Corp (Australia) Pty Ltd; 25-04, End connector, (Divisional of 13570/2005) 26 Mar 2004	11118/2006	Brother Industries, Ltd; 14-02, Ink cartridge, (JP, 18 Nov 2005) 23 Mar 2006	11235/2006
Booths Corp (Australia) Pty Ltd; 25-04, Jack assembly, 26 Mar 2004	11119/2006	Brother Industries, Ltd; 14-02, Ink cartridge, (JP, 18 Nov 2005) 23 Mar 2006	11236/2006
Booths Corp (Australia) Pty Ltd; 25-04, Racking bracket, (Divisional of 13570/2005) 26 Mar 2004	11120/2006		

Brown, Justin Peter; 06-01F, 06-03NES, A convertible chair, 08 Mar 2006	10907/2006	Coates Hire Operations Pty Limited; 25-01C, Structural beam, 24 Mar 2006	11258/2006
BBS Constructions Pty Ltd; 09-09, 3 Pac MRR - media/recycle waste box, 08 Mar 2006	10908/2006	Coates Hire Operations Pty Limited; 25-01C, Structural beam, 24 Mar 2006	11259/2006
BBS Kraftfahrzeugtechnik AG; 12-16A, Wheel, (EM, 26 Jan 2006) 07 Mar 2006	10874/2006	Coates Hire Operations Pty Limited; 25-01C, Structural beam, 24 Mar 2006	11260/2006
C & M Brick Pty Ltd; 25-01A, Brick, 16 Mar 2006	11026/2006	Coates Hire Operations Pty Limited; 25-04, Screw jack, 24 Mar 2006	11262/2006
Cabot Safety Intermediate Corporation; 24-04, Earplug with integral handle, (US, 11 Oct 2005) 21 Mar 2006	11171/2006	Coates Hire Operations Pty Limited; 25-04, Raking bracket, 24 Mar 2006	11263/2006
Callaway Golf Company; 21-02C, Golf club head, (US, 16 Sep 2005) 13 Mar 2006	10972/2006	Coates Hire Operations Pty Limited; 25-04, Screw jack, 24 Mar 2006	11264/2006
Carvana, David; Grema, Denis; Pesci, Mathew; 01-01, 3 For 3 Pizza, 23 Mar 2006	11208/2006	Coates Hire Operations Pty Limited; 25-01C, Structural beam, 24 Mar 2006	11266/2006
Carvana, David; Grema, Denis; Pesci, Mathew; 20-02C, 20-02E, Mobile display, 23 Mar 2006	11209/2006	Coates Hire Operations Pty Limited; 25-01C, Structural beam, 24 Mar 2006	11267/2006
Centritech Limited; 13-03E, Power strip device with master/slave switching, (US, 24 Feb 2004) 26 Oct 2005	15525/2005	Coates Hire Operations Pty Limited; 25-01C, Structural beam, 24 Mar 2006	11268/2006
Centritech Limited; 13-03E, Power strip device with master/slave switching, (US, 24 Feb 2004) 26 Oct 2005	15526/2005	Coates Hire Operations Pty Limited; 25-01C, Structural beam, 24 Mar 2006	11269/2006
Chiang, Chia C.; Sokol, Brent D.; 07-01NES, Display for produce, including ripening fruit and the like, 23 Feb 2005	11162/2006	Coates Hire Operations Pty Limited; 25-01C, Grillage beam, 24 Mar 2006	11270/2006
Chiang, Chia C.; Sokol, Brent D.; 07-01NES, Display for produce, including ripening fruit and the like, 23 Feb 2005	11161/2006	Coates Hire Operations Pty Limited; 25-01C, Grillage beam, 24 Mar 2006	11271/2006
Chiang, Chia C.; Sokol, Brent D.; 07-01NES, Display for produce, including ripening fruit and the like, 23 Feb 2005	11164/2006	Coates Hire Operations Pty Limited; 25-01C, Grillage beam, 24 Mar 2006	11272/2006
Chiang, Chia C.; Sokol, Brent D.; 07-01NES, Display for produce, including ripening fruit and the like, 23 Feb 2005	11163/2006	Coates Hire Operations Pty Limited; 25-04, Swivel scaffold, 24 Mar 2006	11273/2006
Chiang, Chia C.; Sokol, Brent D.; 07-01NES, Display for produce, including ripening fruit and the like, 23 Feb 2005	11160/2006	Coates Hire Operations Pty Limited; 25-04, Swivel scaffold, 24 Mar 2006	11274/2006
Chien, Hung-Chi; 23-03A, Electric heater, 14 Mar 2006	10980/2006	Coates Hire Operations Pty Limited; 25-04, Web scaffold, 24 Mar 2006	11275/2006
Chote, Graham Francis; 10-06, A tee marker, (NZ, 07 Sep 2005) 03 Mar 2006	10841/2006	Coates Hire Operations Pty Limited; 25-04, Web scaffold, 24 Mar 2006	11276/2006
Chuang, Jin Chen; 21-02F, A stepping exerciser, 07 Mar 2006	10873/2006	Coates Hire Operations Pty Limited; 25-04, Flange scaffold, 24 Mar 2006	11277/2006
Cipla Limited; 24-04, Capsule chamber, (IN, 14 Sep 2005) 14 Mar 2006	11009/2006	Coates Hire Operations Pty Limited; 25-04, Bracing clevis, 24 Mar 2006	11278/2006
Coates Hire Operations Pty Limited; 25-01C, Structural beam, 24 Mar 2006	11256/2006	Coates Hire Operations Pty Limited; 25-04, Needle beam connector, 24 Mar 2006	11279/2006
Coates Hire Operations Pty Limited; 25-01C, Structural beam, 24 Mar 2006	11257/2006	Colorado Products Pty. Ltd.; 23-02F, Sink, 09 Mar 2006	10885/2006
		Concordia Development S.r.l.; 09-01NES, Collapsible bottles or flagons (jugs) made of plastic, (EM, 09 Sep 2005) 08 Mar 2006	10894/2006
		Connected Group Australia Pty Ltd; 13-03D, Linea, 23 Mar 2006	11210/2006
		Cowey, Steven John; 25-02NES, A dock bumper slide mounting, 06 Mar 2006	10838/2006
		Daniel, Stavros; 07-01C, Coffee lid, 07 Mar 2006	10869/2006

Dart Industries Inc.; 07-01NES, Rack, (US, 07 Oct 2005) 15 Mar 2006	11020/2006	Global Brand Marketing Inc.; 02-04NES, Footwear, 03 Mar 2006	10836/2006
Didier, Ross; 06-01F, Chair, 02 Mar 2006	10829/2006	Graham, Raymond Paul; Ingleton, Jarrod Nicholas; 12-16NES, Vehicle number plate holder, 15 Mar 2006	11022/2006
Drury, Peter; 09-04, A basket, 21 Mar 2006	11183/2006	Graham, Raymond Paul; Ingleton, Jarrod Nicholas; 12-16NES, Vehicle number plate holder, 15 Mar 2006	11021/2006
Duskovic, Mike; 25-01G, Cladding material of indefinite length, 21 Mar 2006	11175/2006	Grema, Denis; Carvana, David; Pesci, Mathew; 20-02C, 20-02E, Mobile display, 23 Mar 2006	11209/2006
E D Oates Pty Ltd; 04-01, Cleaning implement, 15 Mar 2006	11023/2006	Grema, Denis; Carvana, David; Pesci, Mathew; 01-01, 3 For 3 Pizza, 23 Mar 2006	11208/2006
Edwards, Timothy; 09-09, Bag dispenser, 06 Mar 2006	10861/2006	GM Holden Ltd; 11-02E, Vehicle lamp housing, 16 Mar 2006	11092/2006
Ellison Educational Equipment, Inc.; 15-09, Hand operated die cutting machine, (US, 07 Sep 2005) 07 Mar 2006	10871/2006	GM Holden Ltd; 26-06, Vehicle lamp lens, 16 Mar 2006	11093/2006
Escape Fitness Limited; 21-02F, Exercise weights, (EM, 20 Sep 2005) 20 Mar 2006	11155/2006	GM Holden Ltd; 12-16A, Vehicle wheel, 16 Mar 2006	11094/2006
Escape Fitness Limited; 21-02F, Exercise weights, (EM, 20 Sep 2005) 20 Mar 2006	11156/2006	GM Holden Ltd; 12-16A, Vehicle wheel, 16 Mar 2006	11095/2006
Escape Fitness Limited; 21-02F, A weight for use in an exercise device, (EM, 20 Sep 2005) 20 Mar 2006	11157/2006	GM Holden Ltd; 12-16A, Vehicle wheel, 16 Mar 2006	11096/2006
Eton Corporation; 14-03D, Radio, (US, 03 Jan 2006) 03 Mar 2006	10839/2006	GM Holden Ltd; 12-16A, Vehicle wheel, 16 Mar 2006	11097/2006
Eveready Battery Company, Inc.; 26-02, A flashlight, (US, 18 Oct 2005) 23 Mar 2006	11233/2006	GM Holden Ltd; 12-16A, Vehicle wheel, 16 Mar 2006	11098/2006
Everest Biomedical Instruments, Co.; 24-02, Electrode array, (US, 22 Sep 2005) 22 Mar 2006	11224/2006	GM Holden Ltd; 12-16B, Vehicle sill extension, 16 Mar 2006	11099/2006
Everest Biomedical Instruments, Co.; 24-02, Electrode array, (US, 22 Sep 2005) 22 Mar 2006	11225/2006	GM Holden Ltd; 12-16B, Vehicle grille mesh, 16 Mar 2006	11100/2006
Feger di Gerardo Ferraioli S.p.A.; 09-01C, A jar, 14 Mar 2006	11010/2006	GM Holden Ltd; 12-16B, Vehicle applique, 16 Mar 2006	11101/2006
Feger di Gerardo Ferraioli S.p.A.; 09-01C, A jar, 14 Mar 2006	11011/2006	GM Holden Ltd; 12-16B, Vehicle fascia extension, 16 Mar 2006	11102/2006
Fendi Adele S.r.l.; 03-01B, Handbag, (EM, 24 Oct 2005) 17 Mar 2006	11043/2006	GM Holden Ltd; 12-16E, Vehicle lamp escutcheon, 16 Mar 2006	11103/2006
Feyen, Ben; 06-04NES, Gas bottle cage, 21 Mar 2006	11176/2006	GM Holden Ltd; 12-16E, Vehicle lamp escutcheon, 16 Mar 2006	11104/2006
Fiskars Danmark A/S; 08-08C, Clip and cover, (EM, 11 Oct 2005) 22 Mar 2006	11230/2006	GM Holden Ltd; 12-16B, Vehicle grille mesh, 16 Mar 2006	11105/2006
Fruehauf Pacific Limited; 12-08, 12-10, A trailer, (NZ, 16 Nov 2005) 21 Mar 2006	11192/2006	GM Holden Ltd; 12-16B, Vehicle fender vent, 16 Mar 2006	11106/2006
Fruehauf Pacific Limited; 12-08, 12-10, A trailer, (NZ, 16 Nov 2005) 21 Mar 2006	11193/2006	GM Holden Ltd; 12-16A, Vehicle wheel centre cap, 16 Mar 2006	11107/2006
Fujitsu General Limited; 23-04, Air conditioner, (JP, 27 Sep 2005) 21 Mar 2006	11187/2006	GM Holden Ltd; 12-16A, Vehicle wheel, 16 Mar 2006	11108/2006
		GM Holden Ltd; 12-16B, Vehicle roof panel, 16 Mar 2006	11057/2006
		GM Holden Ltd; 12-16B, Vehicle side panel, 16 Mar 2006	11058/2006
		GM Holden Ltd; 12-16B, Vehicle bootlid, 16 Mar 2006	11059/2006

GM Holden Ltd; 12-16B, Vehicle fuel filler door, 16 Mar 2006	11060/2006	GM Holden Ltd; 11-02B, Vehicle fascia insert, 16 Mar 2006	11086/2006
GM Holden Ltd; 12-16B, Vehicle door panel, 16 Mar 2006	11061/2006	GM Holden Ltd; 26-06, Vehicle lamp lens, 16 Mar 2006	11087/2006
GM Holden Ltd; 12-16B, Vehicle door panel, 16 Mar 2006	11062/2006	GM Holden Ltd; 11-02E, Vehicle lamp housing, 16 Mar 2006	11088/2006
GM Holden Ltd; 12-16B, Vehicle fender, 16 Mar 2006	11063/2006	GM Holden Ltd; 11-02E, Vehicle lamp housing, 16 Mar 2006	11089/2006
GM Holden Ltd; 12-16B, Vehicle bonnet, 16 Mar 2006	11064/2006	GM Holden Ltd; 26-06, Vehicle lamp lens, 16 Mar 2006	11090/2006
GM Holden Ltd; 12-16B, Vehicle sill panel, 16 Mar 2006	11065/2006	GM Holden Ltd; 26-06, Vehicle lamp lens, 16 Mar 2006	11091/2006
GM Holden Ltd; 12-16B, Vehicle sill panel, 16 Mar 2006	11066/2006	GMCA Pty Ltd; 08-03, Clamp for a circular blade or disc, (EM, 13 Feb 2006) 17 Mar 2006	11041/2006
GM Holden Ltd; 12-16B, Vehicle rear spoiler, 16 Mar 2006	11067/2006	Hagemeyer Asia Pacific Pty Ltd; 10-05, Sensor assembly, 06 Mar 2006	10851/2006
GM Holden Ltd; 12-16B, Vehicle spoiler, 16 Mar 2006	11068/2006	Hall, Shirley; 24-99, Personal sound amplifier, 02 Mar 2006	10795/2006
GM Holden Ltd; 12-16B, Vehicle body side moulding, 16 Mar 2006	11069/2006	Han, Jiwoon; 07-01B, Party plates, 09 Mar 2006	10896/2006
GM Holden Ltd; 12-16B, Vehicle grille, 16 Mar 2006	11070/2006	Hankook Tire Co., Ltd; 12-15B, Automobile tire, (KP, 30 Sep 2005) 28 Mar 2006	11303/2006
GM Holden Ltd; 12-16B, Vehicle grille, 16 Mar 2006	11071/2006	Hanson, Gilbert; Laughlin, Neil; Sutherland, John; 09-05, Tapered tube of aerofoil cross section capable of being linked together to form an extended articulated tube, 09 Mar 2006	10887/2006
GM Holden Ltd; 11-02B, Vehicle grille, 16 Mar 2006	11072/2006	Hayes, John Michael; 04-02, Tooth brush handle, 08 Mar 2006	10883/2006
GM Holden Ltd; 11-02B, Vehicle fascia, 16 Mar 2006	11073/2006	Heineken Brouwerijen B.V.; 09-01H, Bottle, 23 Mar 2006	11232/2006
GM Holden Ltd; 11-02B, Vehicle fascia, 16 Mar 2006	11074/2006	Helix Corporation Pty Limited; 21-02F, Exercise tool, 08 Mar 2006	10898/2006
GM Holden Ltd; 11-02B, Vehicle fascia, 16 Mar 2006	11075/2006	Hempsall, Jennifer; Staines, Gordon; 11-01K, Jewellery - pendant, 16 Mar 2006	11032/2006
GM Holden Ltd; 11-02B, Vehicle fascia grille insert, 16 Mar 2006	11076/2006	Hempsall, Jennifer; Staines, Gordon; 11-01K, Jewellery - pendant, 16 Mar 2006	11033/2006
GM Holden Ltd; 11-02E, Vehicle lamp escutcheon, 16 Mar 2006	11077/2006	Hocking, Robert L.; 11-01A, Jewellery, 28 Mar 2006	11286/2006
GM Holden Ltd; 11-02B, Vehicle fascia, 16 Mar 2006	11078/2006	Hocking, Robert L.; 11-01D, Jewellery, 28 Mar 2006	11287/2006
GM Holden Ltd; 11-02B, Vehicle fascia, 16 Mar 2006	11079/2006	Hocking, Robert L.; 11-01NES, Jewellery, 28 Mar 2006	11288/2006
GM Holden Ltd; 11-02B, Vehicle fascia, 16 Mar 2006	11080/2006	Holley, Mark; 03-01C, Complete cricket wicket set, 17 Mar 2006	11052/2006
GM Holden Ltd; 11-02B, Vehicle fascia insert, 16 Mar 2006	11081/2006	Honda Motor Co., Ltd.; 12-11, A motorcycle, (JP, 21 Sep 2005) 21 Mar 2006	11186/2006
GM Holden Ltd; 11-02B, Vehicle fascia insert, 16 Mar 2006	11082/2006	Honda Motor Co., Ltd.; 12-11, A motorcycle, (JP, 21 Sep 2005) 21 Mar 2006	11190/2006
GM Holden Ltd; 11-02B, Vehicle fascia insert, 16 Mar 2006	11083/2006		
GM Holden Ltd; 11-02B, Vehicle fascia insert, 16 Mar 2006	11084/2006		
GM Holden Ltd; 11-02B, Vehicle fascia insert, 16 Mar 2006	11085/2006		

Honda Motor Co., Ltd.; 12-11, A motorcycle, (JP, 21 Sep 2005) 21 Mar 2006	11191/2006	Jets Swimwear Pty Ltd; 02-02A, Swimwear and outerwear, 09 Mar 2006	10952/2006
Honda Motor Co., Ltd.; 12-11, A motorcycle, (JP, 21 Sep 2005) 21 Mar 2006	11188/2006	Jets Swimwear Pty Ltd; 02-02A, Swimwear and outerwear, 09 Mar 2006	10953/2006
Honda Motor Co., Ltd.; 12-11, Front cowl of motorcycle, (JP, 21 Sep 2005) 17 Mar 2006	11044/2006	Jets Swimwear Pty Ltd; 02-02A, Swimwear and outerwear, 09 Mar 2006	10954/2006
Horsfall, James Richard; 06-03NES, Change table with slide out bath and slide out shelves, 06 Mar 2006	10840/2006	Jets Swimwear Pty Ltd; 02-02A, Swimwear and outerwear, 09 Mar 2006	10955/2006
Hunter Douglas Inc.; 06-10, 25-02H, Cellular shade with arcuate cross section, (US, 07 Oct 2005) 23 Mar 2006	11234/2006	Jets Swimwear Pty Ltd; 02-02A, Swimwear and outerwear, 09 Mar 2006	10956/2006
Hunza Holdings Ltd; 26-05NES, 26-99, Anti-syphon device for luminaire, 23 Mar 2006	11207/2006	Jets Swimwear Pty Ltd; 02-02A, Swimwear and outerwear, 09 Mar 2006	10957/2006
Hunza Holdings Ltd; 26-05C, Luminaire, 23 Mar 2006	11206/2006	Jets Swimwear Pty Ltd; 02-02A, Swimwear and outerwear, 09 Mar 2006	10958/2006
Hunza Holdings Ltd; 26-05C, Luminaire, 23 Mar 2006	11203/2006	Johnson, Ross Alan; 26-03, Mobile lighting tower masthead, 16 Mar 2006	11034/2006
Hunza Holdings Ltd; 26-05C, Luminaire, 23 Mar 2006	11204/2006	JohnsonDiversey, Inc.; 04-01, Web material adapted to connect to a mop, (US, 03 Oct 2005) 22 Mar 2006	11212/2006
Hunza Holdings Ltd; 26-05C, Luminaire, 23 Mar 2006	11205/2006	JohnsonDiversey, Inc.; 15-99, Web converting roll, (US, 03 Oct 2005) 22 Mar 2006	11213/2006
In Win Development Inc.; 14-02, Computer system unit, 06 Mar 2006	10850/2006	Joseph & Chloe White, Trading as Stainform Industries; 07-05D, Wall rail bracket, 17 Mar 2006	11198/2006
Industrial Expression Pty Ltd; 08-06, Square door push with rounded corners, 27 Mar 2006	11280/2006	JH Stephenson Pty Ltd; 08-08L, Purlin bridge bracket, 01 Mar 2006	10797/2006
Ingleton, Jarrod Nicholas; Graham, Raymond Paul; 12-16NES, Vehicle number plate holder, 15 Mar 2006	11021/2006	Kabushiki Kaisha Hosokawa Yoko; 09-07NES, Clip for sealing a bag, (JP, 02 Sep 2005) 01 Mar 2006	10796/2006
Ingleton, Jarrod Nicholas; Graham, Raymond Paul; 12-16NES, Vehicle number plate holder, 15 Mar 2006	11022/2006	Keating, Geoffrey Francis; 06-04NES, Shelf, 31 Jan 2006	10302/2006
Innotech Pty Ltd; 06-04NES, A wall mountable box, 20 Mar 2006	11200/2006	Keating, Geoffrey Francis; 06-04NES, Shelf, 02 Mar 2006	10912/2006
Innotech Pty Ltd; 06-04NES, A wall mountable box, 20 Mar 2006	11201/2006	Keating, Geoffrey Francis; 06-04NES, Shelf, 02 Mar 2006	10913/2006
Intellectual Property Development Corporation Pty Ltd; 03-01A, Bag with handles and no gusset, 06 Mar 2006	10854/2006	Keating, Geoffrey Francis; 06-04NES, Shelf, 02 Mar 2006	10914/2006
J Bloch Pty Ltd; 02-04NES, A dance shoe, 21 Mar 2006	11185/2006	Keating, Geoffrey Francis; 06-04NES, Shelf, 02 Mar 2006	10915/2006
Japan Cash Machine Co., Ltd.; 10-05, 14-02, Bezel for a document validator, (JP, 16 Sep 2005) 14 Mar 2006	11005/2006	Keating, Geoffrey Francis; 06-04NES, Shelf, 02 Mar 2006	10916/2006
Jets Swimwear Pty Ltd; 03-04, Swimwear and outerwear, 01 Mar 2006	10842/2006	Keating, Geoffrey Francis; 06-04NES, Shelf, 02 Mar 2006	10917/2006
Jets Swimwear Pty Ltd; 02-02A, Swimwear and outerwear, 09 Mar 2006	10950/2006	Keating, Geoffrey Francis; 06-06A, Holder for plant pot/container (double), 08 Aug 2005	10918/2006
Jets Swimwear Pty Ltd; 02-02A, Swimwear and outerwear, 09 Mar 2006	10951/2006	Keating, Geoffrey Francis; 06-06A, Holder for plant pot/ container (triple), 08 Aug 2005	10303/2006
			10304/2006

Key Focus Australia Pty Ltd; 19-07, Music theory computer, 24 Mar 2006	11246/2006	Larsen, C.; Larsen, J.K.; 07-02E, 07-02A, Pizza oven Gas barbecue pizza oven, 23 Mar 2006	11284/2006
Key Focus Australia Pty Ltd; 19-07, 19-08, Musicians slide rule, 24 Mar 2006	11247/2006	Laughlin, Neil; Sutherland, John; Hanson, Gilbert; 09-05, Tapered tube of aerofoil cross section capable of being linked together to form an extended articulated tube, 09 Mar 2006	10887/2006
Kingsley Enterprises Pty Limited; 15-02, Compressor with a base plate, 15 Mar 2006	11024/2006	Ledlin, Katie Anne; 11-01NES, Pendant, 22 Mar 2006	11177/2006
Koppers Wood Products Pty Ltd; 25-02A, Sleeve for composite pole, 06 Mar 2006	10855/2006	Littlehales, Janet; 24-04, A sock-like covering that fits over a foot orthotic, 14 Mar 2006	10970/2006
Koppers Wood Products Pty Ltd; 25-02A, Sleeve for composite pole, 06 Mar 2006	10856/2006	Loadhog Limited; 09-08, A layer pad, (EM, 17 Oct 2005) 21 Mar 2006	11170/2006
Koppers Wood Products Pty Ltd; 25-02A, Composite pole, 06 Mar 2006	10857/2006	Lumos Lighting Pty Ltd; 26-05NES, Light, 20 Mar 2006	11147/2006
Koppers Wood Products Pty Ltd; 25-02A, Composite pole, 06 Mar 2006	10858/2006	Lunn, Julia; 06-05, Combined table and seat unit (Rectangular), (GB, 29 Sep 2005) 21 Mar 2006	11196/2006
KV's Restorace Fabrication; 15-01, Engine bracket for supercharger, 15 Mar 2006	11013/2006	Lunn, Julia; 06-05, Combined table and seat unit (Hexagonal), (GB, 29 Sep 2005) 21 Mar 2006	11197/2006
Lacoste; 02-04NES, A shoe, (EM, 03 Mar 2006) 22 Mar 2006	11217/2006	Lyell, Peter; 08-05L, Paint rollers, 10 Mar 2006	10960/2006
Lacoste; 02-04NES, A shoe, (EM, 03 Mar 2006) 22 Mar 2006	11218/2006	Lyell, Peter; 08-05L, Paint rollers, 10 Mar 2006	10961/2006
Lacoste; 02-04NES, A shoe, (EM, 03 Mar 2006) 22 Mar 2006	11219/2006	Lyell, Peter; 08-05L, Paint rollers, 10 Mar 2006	10962/2006
Lacoste; 02-04NES, A shoe, (EM, 03 Mar 2006) 22 Mar 2006	11220/2006	LG Electronics Inc.; 14-03B, Television receiver, (KR, 06 Sep 2005) 03 Mar 2006	10837/2006
Lacoste; 02-04NES, A shoe, (EM, 03 Mar 2006) 22 Mar 2006	11221/2006	LG Electronics Inc.; 14-03E, Cellular phone, (KR, 14 Sep 2005) 14 Mar 2006	11007/2006
Lacoste; 02-04B, A shoe heel, (EM, 03 Mar 2006) 22 Mar 2006	11222/2006	Magimix; 07-02K, Kettle, (EM, 10 Oct 2005) 16 Mar 2006	11036/2006
Lacoste; 02-04NES, A shoe, (EM, 03 Mar 2006) 22 Mar 2006	11223/2006	Magimix; 07-02F, Toaster, (EM, 10 Oct 2005) 16 Mar 2006	11037/2006
Lamson Concepts Pty Limited; 09-03L, 19-02, Carrier, 21 Mar 2006	11184/2006	Mass Technology (H.K.) Limited; 26-05A, Fluorescent tube, (HK, 29 Sep 2005) 20 Mar 2006	11158/2006
Larach, Oscar; 23-01F, Drainage cell, 14 Mar 2006	11014/2006	Master Lock Company; 08-07, Lock shackle, (US, 03 Mar 2005) 09 Mar 2006	10985/2006
Larach, Oscar; 23-01F, Drainage cell modular raintank inner panel, 14 Mar 2006	11015/2006	Master Lock Company; 08-07, Lock shackle, (US, 03 Mar 2005) 09 Mar 2006	10986/2006
Larach, Oscar; 23-01F, Raintank inner panel, 14 Mar 2006	11016/2006	Master Lock Company; 08-07, Lock shackle, (US, 03 Mar 2005) 09 Mar 2006	10987/2006
Larach, Oscar; 23-01F, Raintank wall panel, 14 Mar 2006	11017/2006	Master Lock Company; 08-07, Lock shackle, (US, 03 Mar 2005) 09 Mar 2006	10988/2006
Larach, Oscar; 23-01F, Drainage cell paver, 14 Mar 2006	11018/2006		
Larsen, J.K.; Larsen, C.; 07-02E, 07-02A, Pizza oven Gas barbecue pizza oven, 23 Mar 2006	11284/2006		

Master Lock Company; 08-07, Lock shackle, (US, 03 Mar 2005) 09 Mar 2006	10989/2006	Nestle Waters France; 09-01NES, Bottle, (EM, 29 Sep 2005) 17 Mar 2006	11047/2006
Master Lock Company; 08-07, Lock shackle, (US, 03 Mar 2005) 09 Mar 2006	10990/2006	Nestle Waters France; 09-01NES, Bottle, (EM, 29 Sep 2005) 17 Mar 2006	11048/2006
Master Lock Company; 08-07, Lock shackle, (US, 03 Mar 2005) 09 Mar 2006	10991/2006	Nogueira, Luis Rafael Marane; 02-04NES, Should be applied to the A\$20 note thongs, 10 Mar 2006	10963/2006
Master Lock Company; 08-07, Lock shackle, (US, 03 Mar 2005) 09 Mar 2006	10992/2006	Nogueira, Luis Rafael Marane; 02-04NES, Should be applied to the A\$20 note thongs, 10 Mar 2006	10964/2006
Master Lock Company; 08-07, Lock shackle, (US, 03 Mar 2005) 09 Mar 2006	10993/2006	Nogueira, Luis Rafael Marane; 02-04NES, Should be applied to the A\$20 note thongs, 10 Mar 2006	10965/2006
Master Lock Company; 08-07, Lock shackle, (US, 03 Mar 2005) 09 Mar 2006	10994/2006	Nogueira, Luis Rafael Marane; 02-04NES, Should be applied to the surf board image on the thongs, 10 Mar 2006	10966/2006
Master Lock Company; 08-07, Lock shackle, (US, 03 Mar 2005) 09 Mar 2006	10995/2006	Nogueira, Luis Rafael Marane; 02-04NES, Should be applied to the Australian Flag on the thongs, 10 Mar 2006	10967/2006
Master Lock Company; 08-07, Lock shackle, (US, 03 Mar 2005) 09 Mar 2006	10996/2006	Nokia Corporation; 14-03E, A handset, (FI, 28 Oct 2005) 24 Mar 2006	11253/2006
Master Lock Company; 08-07, Lock shackle, (US, 03 Mar 2005) 09 Mar 2006	10997/2006	Nokia Corporation; 14-03E, A handset, (FI, 28 Oct 2005) 24 Mar 2006	11254/2006
Master Lock Company; 08-07, Lock shackle, (US, 03 Mar 2005) 09 Mar 2006	10998/2006	Nokia Corporation; 14-03E, A handset, (FI, 28 Oct 2005) 24 Mar 2006	11252/2006
Master Lock Company; 08-07, Lock shackle, (US, 03 Mar 2005) 09 Mar 2006	10999/2006	Nokia Corporation; 14-03E, A handset, (FI, 03 Oct 2005) 22 Mar 2006	11228/2006
Master Lock Company; 08-07, Lock shackle, (US, 03 Mar 2005) 09 Mar 2006	11000/2006	Nokia Corporation; 14-01, A headset, (FI, 06 Sep 2005) 03 Mar 2006	10835/2006
Master Lock Company; 08-07, Lock shackle, (US, 03 Mar 2005) 09 Mar 2006	11001/2006	Nokia Corporation; 14-03E, A handset/music device, (FI, 21 Sep 2005) 20 Mar 2006	11153/2006
McKinnon, Daniel Robert; 11-02B, Self watering pot (for plants), 07 Mar 2006	10853/2006	Nokia Corporation; 14-03E, A handset, (US, 06 Oct 2005) 20 Mar 2006	11154/2006
Med-Eng Systems Inc.; 02-02B, Protective garment, 16 Mar 2006	11025/2006	Ogata, Chieko; 09-09, Waste disposal device, (JP, 27 Sep 2005) 24 Mar 2006	11251/2006
Melrose, David Murray; 09-01H, A container, (US, 12 Oct 2005) 22 Mar 2006	11214/2006	Orion Corporation; 09-03M, Packing box for confectionery, (KR, 30 Dec 2005) 17 Mar 2006	11038/2006
Millions, Billions & Trillions; 05-05A, Apparel & footwear, accessories, furnishings, 24 Mar 2006	11244/2006	Pacific Lining Solutions Pty Ltd; 23-01A, 23-01NES, Pipes, 27 Mar 2006	11281/2006
Money Controls Limited; 19-02, 09-03M, Container for banknotes, (EM, 27 Sep 2005) 27 Mar 2006	11255/2006	Pacific Products (International) Pty Limited; 23-01H, 23-02B, Signature shower set, 06 Mar 2006	10847/2006
Montage Group Pty Ltd; 08-07, A latch member, 14 Mar 2006	10973/2006	Pacific Products (International) Pty Limited; 23-01H, 23-02B, Signature bath set, 06 Mar 2006	10848/2006
Nelson, Paul Damian; 12-11, Bicycle seat, 07 Mar 2006	10875/2006	Pacific Products (International) Pty Limited; 23-01H, 23-02B, Signature basin set, 06 Mar 2006	10849/2006

Parker, Jae; 03-01NES, Hay bales, 08 Mar 2006	10884/2006	Procter & Gamble Company, The; 28-03NES, Cosmetic product, (US, 09 Sep 2005) 01 Mar 2006	10801/2006
Pat Cash Properties Pty Ltd; 02-03, Pat Cash headband/bandana, 17 Mar 2006	11199/2006	Procter & Gamble Company, The; 28-03NES, Cosmetic product, (US, 09 Sep 2005) 01 Mar 2006	10802/2006
Pesci, Mathew; Grema, Denis; Carvana, David; 20-02C, 20-02E, Mobile display, 23 Mar 2006	11209/2006	Pyner, Nicolas; 23-01B, 23-01NES, Grey water heat exchanges for showers, 24 Mar 2006	11243/2006
Pesci, Mathew; Grema, Denis; Carvana, David; 01-01, 3 For 3 Pizza, 23 Mar 2006	11208/2006	Rain Bird Corporation; 23-01E, Irrigation controller control panel, (US, 20 Sep 2005) 20 Mar 2006	11143/2006
Pi-Design AG; 07-01C, Drinking glasses, (DK, 14 Sep 2005) 14 Mar 2006	10975/2006	Rain Bird Corporation; 23-01E, Irrigation controller control panel, (US, 20 Sep 2005) 20 Mar 2006	11144/2006
Pi-Design AG; 07-01C, Drinking glasses, (DK, 14 Sep 2005) 14 Mar 2006	10976/2006	Rain Bird Corporation; 23-01E, Module for modular irrigation controller, (US, 20 Sep 2005) 20 Mar 2006	11145/2006
Pi-Design AG; 07-01C, Drinking glasses, (DK, 14 Sep 2005) 14 Mar 2006	10977/2006	Rain Bird Corporation; 23-01E, Module for modular irrigation controller, (US, 20 Sep 2005) 20 Mar 2006	11146/2006
Pi-Design AG; 07-01C, Drinking glasses, (DK, 14 Sep 2005) 14 Mar 2006	10978/2006	Reckitt Benckiser (Australia) Pty Limited; 22-06, Insect barrier device, (EM, 16 Sep 2005) 13 Mar 2006	10971/2006
Pi-Design AG; 07-01C, Drinking glasses, (DK, 14 Sep 2005) 14 Mar 2006	10979/2006	Reckitt Benckiser (UK) Limited; 28-03A, Razor head, (EM, 16 Sep 2005) 14 Mar 2006	11003/2006
Pirelli Pneumatici S.P.A.; 12-15C, Pneumatic tyre, (EM, 28 Oct 2005) 22 Mar 2006	11226/2006	Reckitt Benckiser (UK) Limited; 28-99, Air freshener device, (EM, 22 Sep 2005) 21 Mar 2006	11179/2006
Pirelli Pneumatici S.P.A.; 12-15C, Pneumatic tyre, (EM, 28 Oct 2005) 22 Mar 2006	11227/2006	Reckitt Benckiser (UK) Limited; 28-99, Air freshener device, (EM, 22 Sep 2005) 21 Mar 2006	11180/2006
Press Metal Aluminium (Australia) Pty Ltd; 08-09, 25-01K, Stile extrusion, 21 Mar 2006	11189/2006	Reckitt Benckiser (UK) Limited; 09-01A, Aerosol container with a spray cap, (EM, 23 Sep 2005) 21 Mar 2006	11181/2006
Presto Marine; 03-01B, Floating key ring device, 02 Mar 2006	10812/2006	Reckitt Benckiser (UK) Limited; 09-07A, Spray cap for an aerosol container, (EM, 23 Sep 2005) 21 Mar 2006	11182/2006
Pride Mobility Products Australia Pty Ltd; 12-12, Tiller for a motorised scooter, 21 Mar 2006	11152/2006	ResMed Ltd; 24-02, Mask frame, (US, 26 Sep 2005) 17 Mar 2006	11049/2006
Procter & Gamble Company, The; 28-03NES, Applicator, (Divisional of 10674/2006) 22 Mar 2006	11229/2006	Review Australia Pty Ltd; 02-02C, 02-02NES, Ladies garments, 17 Mar 2006	11051/2006
Procter & Gamble Company, The; 28-03NES, Cap for dispenser, (US, 21 Sep 2005) 02 Mar 2006	10843/2006	Rhee, Hae (Harry) Jeong; 25-03, Shade structure, 27 Mar 2006	11279/2006
Procter & Gamble Company, The; 28-03NES, Applicator, (Divisional of 14072/2005) 07 Mar 2006	10876/2006	Robert Bosch GmbH; 08-01, Screwdriver drill, (EM, 15 Dec 2005) 10 Mar 2006	10974/2006
Procter & Gamble Company, The; 28-03NES, Applicator, (Divisional of 14072/2005) 07 Mar 2006	10877/2006	Robert Bosch GmbH; 08-05NES, Handle, (EM, 12 Dec 2005) 28 Feb 2006	10771/2006
Procter & Gamble Company, The; 28-03NES, Cosmetic product, (US, 09 Sep 2005) 01 Mar 2006	10799/2006	Robert Bosch GmbH; 08-05NES, Handle, (EM, 12 Dec 2005) 28 Feb 2006	10772/2006
Procter & Gamble Company, The; 28-03NES, Cosmetic product, (US, 09 Sep 2005) 01 Mar 2006	10800/2006	Robert Bosch GmbH; 08-05NES, Handle, (EM, 12 Dec 2005) 28 Feb 2006	10773/2006

Robert Bosch GmbH; 08-05NES, Handle, (EM, 12 Dec 2005) 28 Feb 2006	10774/2006	Sheldon and Hammond Pty Ltd; 07-01G, A coffee plunger, 24 Mar 2006	11250/2006
Robert Bosch GmbH; 08-05NES, Handle, (EM, 12 Dec 2005) 28 Feb 2006	10775/2006	Silhouette International Schmied AG; 16-06, Sports glasses, (EM, 10 Feb 2006) 16 Mar 2006	11109/2006
Robert Bosch GmbH; 08-05NES, Handle, (EM, 12 Dec 2005) 28 Feb 2006	10776/2006	Skinner, Melanie; 19-08, Gift cards for wine, champagne or liquor bottles, 23 Mar 2006	11282/2006
Robert Bosch GmbH; 08-05NES, Handle, (EM, 12 Dec 2005) 28 Feb 2006	10777/2006	Skinner, Melanie; 19-08, Gift cards for wine, champagne or liquor bottles, 23 Mar 2006	11283/2006
Robert Bosch GmbH; 08-05NES, Handle, (EM, 12 Dec 2005) 28 Feb 2006	10778/2006	Societe Autonome de Verreries; 09-01H, Bottle, 22 Mar 2006	11215/2006
Roughan, Sean; 06-07, Frame, 17 Mar 2006	11039/2006	Societe Autonome de Verreries; 09-01H, Bottle, 22 Mar 2006	11216/2006
Rowland, Philip G.; 12-12, Patient trolleys, 21 Mar 2006	11194/2006	Sokol, Brent D.; Chiang, Chia C.; 07-01NES, Display for produce, including ripening fruit and the like, 23 Feb 2005	11161/2006
Rowland, Philip G.; 12-12, Shower trolley, 21 Mar 2006	11195/2006	Sokol, Brent D.; Chiang, Chia C.; 07-01NES, Display for produce, including ripening fruit and the like, 23 Feb 2005	11162/2006
Samsung Electronics Co., Ltd.; 15-05, Washing machine, (KR, 24 Dec 2005) 21 Mar 2006	11167/2006	Sokol, Brent D.; Chiang, Chia C.; 07-01NES, Display for produce, including ripening fruit and the like, 23 Feb 2005	11160/2006
Samsung Electronics Co., Ltd.; 15-05, Washing machine, (KR, 24 Dec 2005) 21 Mar 2006	11168/2006	Sokol, Brent D.; Chiang, Chia C.; 07-01NES, Display for produce, including ripening fruit and the like, 23 Feb 2005	11163/2006
Samsung Electronics Co., Ltd.; 15-05, Washing machine, (KR, 24 Dec 2005) 21 Mar 2006	11169/2006	Sokol, Brent D.; Chiang, Chia C.; 07-01NES, Display for produce, including ripening fruit and the like, 23 Feb 2005	11164/2006
Samsung Electronics Co., Ltd.; 15-05, Washing machine, (KR, 27 Dec 2005) 21 Mar 2006	11165/2006	Sportsgirl Pty Ltd; 02-02NES, Shirt, 07 Mar 2006	10852/2006
Samsung Electronics Co., Ltd.; 15-05, Washing machine, (KR, 26 Dec 2005) 21 Mar 2006	11166/2006	Sportsgirl Pty Ltd; 02-02B, 02-02NES, Beaded cape, 14 Mar 2006	11004/2006
Samsung Electronics Co., Ltd.; 15-05, Washing machine, (KR, 28 Nov 2005) 17 Mar 2006	11040/2006	Staines, Gordon; Hemsall, Jennifer; 11-01K, Jewellery - pendant, 16 Mar 2006	11032/2006
Samsung Electronics Co., Ltd.; 14-02, Notebook computer, 14 Mar 2006	11006/2006	Staines, Gordon; Hemsall, Jennifer; 11-01K, Jewellery - pendant, 16 Mar 2006	11033/2006
Samsung Electronics Co., Ltd.; 15-05, Washing machine, (KR, 28 Nov 2005) 20 Mar 2006	11159/2006	StyleRide Pty Ltd; 06-01D, A headrest, 06 Mar 2006	10863/2006
Samsung Electronics Co., Ltd.; 14-01, MP3 player, (KR, 10 Feb 2006) 08 Mar 2006	10895/2006	StyleRide Pty Ltd; 06-01D, A headrest, 06 Mar 2006	10864/2006
Schneider, Irene; 26-05B, Light, 14 Mar 2006	10969/2006	Sumitomo Rubber Industries, Ltd.; 12-15NES, Tire, (JP, 16 Sep 2005) 08 Mar 2006	10889/2006
Scott, Kenneth; 06-04NES, Nine rack, 07 Mar 2006	11029/2006	Sumitomo Rubber Industries, Ltd.; 12-15NES, Tire, (JP, 16 Sep 2005) 08 Mar 2006	10890/2006
Scott, Kenneth; 06-04NES, Wine rack, 07 Mar 2006	11030/2006	Sumitomo Rubber Industries, Ltd.; 12-15C, Tire, (JP, 26 Oct 2005) 08 Mar 2006	10891/2006
Scott, Kenneth; 06-04NES, Wine rack, 07 Mar 2006	11031/2006	Sumitomo Rubber Industries, Ltd.; 12-15C, Tire, (JP, 26 Oct 2005) 08 Mar 2006	10892/2006
Shankland, Scott Rigby; 26-03, Light bollards, 10 Mar 2006	11002/2006	Sumitomo Rubber Industries, Ltd.; 12-15NES, Tire, (JP, 28 Oct 2005) 08 Mar 2006	10893/2006
		Sunbeam Corporation Limited; 07-02K, Kettle, 07 Mar 2006	10870/2006

Sutherland, John; Laughlin, Neil; Hanson, Gilbert; 09-05, Tapered tube of aerofoil cross section capable of being linked together to form an extended articulated tube, 09 Mar 2006	10887/2006	Viater Pty Ltd; 24-04, An orthosis, 08 Mar 2006	10903/2006
SCA Hygiene Products AB; 23-02A, Wash room dispenser, (EM, 20 Sep 2005) 16 Mar 2006	11053/2006	Volkswagen do Brasil Industria de Veiculos Automotores Ltda.; 12-16C, A motor vehicle bumper, (BR, 16 Sep 2005) 15 Mar 2006	11027/2006
SCA Hygiene Products AB; 23-02A, Wash room dispenser, (EM, 20 Sep 2005) 16 Mar 2006	11054/2006	Volkswagen do Brasil Industria de Veiculos Automotores Ltda.; 12-16B, A motor vehicle cabin, (BR, 16 Sep 2005) 15 Mar 2006	11028/2006
SCA Hygiene Products AB; 23-02A, Wash room dispenser, (EM, 20 Sep 2005) 16 Mar 2006	11055/2006	Wagner Alarm-und Sicherungssysteme GmbH; 10-05, Smoke, fire and gas detector, (EP, 04 Nov 2005) 17 Mar 2006	11046/2006
SCA Hygiene Products AB; 23-02A, Wash room dispenser, (EM, 20 Sep 2005) 16 Mar 2006	11056/2006	Wahl Clipper Corporation; 28-03D, Hair trimmer, (US, 09 Sep 2005) 07 Mar 2006	10872/2006
SDS Digger Tools Pty Ltd; 08-01, A drill bit, 16 Mar 2006	11042/2006	Woodbury, Daniel; 12-16N, Automobile exhaust extension, 23 Mar 2006	11211/2006
SEME Electrical Engineering Co; 13-03C, Power supply box, 21 Mar 2006	11174/2006	WD-40 Company; 09-07A, Dual spray actuator for aerosol product, (US, 07 Oct 2005) 13 Mar 2006	10968/2006
SPA Electrics Pty Ltd; 26-05NES, Luminaire, 01 Mar 2006	10798/2006	Yueqing Wanlijia Electric Co., Ltd.; 13-03D, Electrical switch and socket, 09 Mar 2006	10909/2006
Tasker, David John; 14-01, Loudspeaker, 07 Mar 2006	10865/2006	Yueqing Wanlijia Electric Co., Ltd.; 13-03D, Electrical switch, 09 Mar 2006	10910/2006
Tasker, David John; 14-01, Loudspeaker, 07 Mar 2006	10866/2006	Yueqing Wanlijia Electric Co., Ltd.; 13-03D, Electrical switch and socket, 09 Mar 2006	10911/2006
Tasker, David John; 14-01, Loudspeaker, 07 Mar 2006	10867/2006	Zetco Pty Ltd; 23-01K, A plumbing valve, 08 Mar 2006	10901/2006
Tasker, David John; 14-01, Loudspeaker, 07 Mar 2006	10868/2006	Zetco Pty Ltd; 23-01K, A plumbing valve, 08 Mar 2006	10902/2006
Terlick, Peter; 03-01D, Tool carrier, 15 Mar 2006	11012/2006	1st Consulting (Trading Name for Greek Press Pty Ltd); 21-02F, 25-04, Handy step for standing on or for exercise, 29 Mar 2006	11242/2006
The Coleman Co Inc; 07-07A, Beverage jug, (US, 28 Sep 2005) 06 Mar 2006	10860/2006		
TRUpour Limited; 31-00, Beverage dispense valve, (EM, 07 Sep 2005) 06 Mar 2006	10862/2006		

Applications Withdrawn

14158 / 2005 (20-02NES)	14603 / 2005 (06-13C)
14604 / 2005 (06-13C)	14605 / 2005 (06-13C)
14606 / 2005 (06-13C)	14607 / 2005 (06-13C)
14608 / 2005 (06-13C)	10421 / 2006

Applications Lapsed

14642 / 2004 (08-03)	15598 / 2004 (06-04NES)	11076 / 2005 (07-07B)	11268 / 2005 (02-02C)
15674 / 2004 (08-08B)	10701 / 2005 (02-02B)	11322 / 2005 (15-07)	11388 / 2005 (21-01A)
10786 / 2005 (12-06NES)	10815 / 2005 (06-03C)	11389 / 2005 (21-01A)	11390 / 2005 (21-01A)
11011 / 2005 (08-05A)	11075 / 2005 (07-07B)	11391 / 2005 (21-01A)	12076 / 2005 (06-01C)

12900 / 2005 (09-05)	12989 / 2005 (05-06NES)
13326 / 2005 (09-03F)	13511 / 2005 (26-05D)
13537 / 2005 (02-02C)	13553 / 2005 (25-01G)
13554 / 2005 (25-01G)	13555 / 2005 (03-01NES)
13648 / 2005 (12-02)	13678 / 2005 (08-08C)
13684 / 2005 (02-02NES)	14075 / 2005 (07-01D)
14159 / 2005 (06-01E)	14160 / 2005 (06-01E)
14161 / 2005 (06-01E)	14162 / 2005 (06-01E)
14163 / 2005 (06-01E)	14175 / 2005 (08-07)
14176 / 2005 (08-07)	14334 / 2005 (02-04NES)

Applications for Extension of time under Section 137

Applications under section 137 for extension of time have been lodged. Objections must be lodged within 1 month from the date of this journal.

15684/2004 **Mine Consultants Australia Pty Ltd** Address for Service: Mine Consultants Australia P/LMCA PO Box 111 PARKES NSW 2870

Extensions of time granted under Section 137

Applications lodged under section 137 for extension of time have been granted.

10130/2006 **Luckie Fitzpatrick Pty Ltd**

10222/2006 **Emerald Springs Mareeba**

10253/2006 **Scanlan & Theodore**

Applications Assigned

(The name in parentheses is that of the subsequent applicant)

13191/2005 (**BenQ Mobile GmbH & Co. OHG**) Siemens Aktiengesellschaft

Subsequent Owners Registered

(The name in parentheses is that of the subsequent owner)

302673 (**Natural Icecream Systems Pty Ltd**) Mossy Enterprises Pty Ltd

302674 (**Natural Icecream Systems Pty Ltd**) Mossy Enterprises Pty Ltd

300059 (**BenQ Mobile GmbH & Co. OHG**) Siemens Aktiengesellschaft

300060 (**BenQ Mobile GmbH & Co. OHG**) Siemens Aktiengesellschaft

301284 (**BenQ Mobile GmbH & Co. OHG**) Siemens Aktiengesellschaft

303681 (**BenQ Mobile GmbH & Co. OHG**) Siemens Aktiengesellschaft

Corrigenda

Number 15307/2005

In Vol 20 , No 4 , page 3827 under the heading **Applications Lapsed**; Design No. 15307/05 should be deleted.

Certificate(s) of Examination

Examination of the following Design Registration(s) has been completed. Infringement proceedings may now be commenced.

300511	09-01G	04/04/2006
300777	28-99	05/04/2006
303018	24-04	05/04/2006
303298	02-03	28/03/2006
303299	02-03	28/03/2006
303504	21-03	27/03/2006
303505	21-03	24/03/2006
303506	21-03	24/03/2006
303507	21-03	24/03/2006
303508	21-03	24/03/2006
303542	25-01K	23/03/2006
303543	21-03	24/03/2006
303547	29-02	28/03/2006
303608	15-03B	29/03/2006
303646	10-05	31/03/2006
303666	02-03	28/03/2006
303690	26-02	03/04/2006
303691	26-02	03/04/2006
303692	26-02	03/04/2006
303693	26-02	03/04/2006
303805	08-01	30/03/2006
303829	02-03	28/03/2006
303924	15-01	23/03/2006
304004	23-03H	28/03/2006
304006	09-03E	04/04/2006
304014	28-99	31/03/2006
304623	08-09	24/03/2006
304889	08-05N	30/03/2006
306110	21-03	27/03/2006
306111	21-03	27/03/2006

Publication and Registration Proceedings

Designs Registered

This section provides a concordance between design number and registration number of Designs covered in this journal. It also shows the main class and registration date.

This section covers Registration numbers 306110 to 306320 .

The registration number shown below should be used in all future correspondence.

Design Number	Registration Number	International Classification Code (IDC)	Registration Date	Design Number	Registration Number	International Classification Code (IDC)	Registration Date
14464/2004	306225	06-04NES	29/03/2006	13046/2005	306185	23-01NES	28/03/2006
15275/2004	306246	06-06D	30/03/2006	13069/2005	306164	07-01NES	28/03/2006
10300/2005	306205	29-02	29/03/2006	13108/2005	306214	22-05	29/03/2006
10471/2005	306271	15-01	31/03/2006	13249/2005	306277	07-06NES	31/03/2006
10472/2005	306272	15-01	31/03/2006	13250/2005	306278	07-06NES	31/03/2006
10549/2005	306273	08-09	31/03/2006	13277/2005	306301	24-99	04/04/2006
10715/2005	306180	10-03	28/03/2006	13309/2005	306110	21-03	23/03/2006
10719/2005	306158	12-05	28/03/2006	13316/2005	306136	21-03	28/03/2006
10739/2005	306181	09-01K	28/03/2006	13317/2005	306137	21-03	28/03/2006
10740/2005	306182	09-05	28/03/2006	13318/2005	306111	21-03	23/03/2006
10773/2005	306206	07-05C	29/03/2006	13468/2005	306235	07-01NES	29/03/2006
10775/2005	306207	19-02	29/03/2006	13512/2005	306186	26-05D	28/03/2006
10871/2005	306208	25-01NES	29/03/2006	13516/2005	306187	15-02	28/03/2006
11014/2005	306226	21-01NES	29/03/2006	13517/2005	306188	06-13NES	28/03/2006
11022/2005	306284	23-01A	31/03/2006	13557/2005	306302	06-04NES	04/04/2006
11063/2005	306227	06-07	29/03/2006	13572/2005	306112	20-02NES	23/03/2006
11064/2005	306228	06-07	29/03/2006	13579/2005	306274	08-09	31/03/2006
11078/2005	306183	30-08	28/03/2006	13582/2005	306189	08-03	28/03/2006
11188/2005	306292	09-01NES	31/03/2006	13583/2005	306190	08-03	28/03/2006
11255/2005	306230	06-04NES	29/03/2006	13584/2005	306191	25-02NES	28/03/2006
11256/2005	306229	06-04NES	29/03/2006	13592/2005	306192	09-09	28/03/2006
11505/2005	306231	26-03	29/03/2006	13604/2005	306138	09-01A	28/03/2006
11536/2005	306184	15-01	28/03/2006	13605/2005	306139	09-01A	28/03/2006
11609/2005	306159	23-02A	28/03/2006	13606/2005	306140	09-01A	28/03/2006
11623/2005	306275	08-07	31/03/2006	13607/2005	306141	09-01A	28/03/2006
11665/2005	306209	03-03	29/03/2006	13611/2005	306236	07-02E	29/03/2006
11667/2005	306160	22-05	28/03/2006	13623/2005	306113	06-04NES	23/03/2006
11783/2005	306161	24-04	28/03/2006	13625/2005	306142	06-04NES	28/03/2006
11791/2005	306162	09-01C	28/03/2006	13638/2005	306245	07-02L	29/03/2006
11792/2005	306135	09-01A	28/03/2006	13652/2005	306307	07-07A	04/04/2006
11793/2005	306210	09-01G	29/03/2006	13653/2005	306308	07-07A	04/04/2006
11814/2005	306297	09-01NES	04/04/2006	13654/2005	306309	07-07A	04/04/2006
11826/2005	306254	31-00	30/03/2006	13746/2005	306143	08-08C	28/03/2006
11827/2005	306255	31-00	30/03/2006	13747/2005	306144	08-08C	28/03/2006
11828/2005	306256	31-00	30/03/2006	13748/2005	306145	08-08C	28/03/2006
11829/2005	306257	31-00	30/03/2006	13765/2005	306146	09-07A	28/03/2006
11830/2005	306258	31-00	30/03/2006	13766/2005	306147	09-07A	28/03/2006
11831/2005	306259	31-00	30/03/2006	13814/2005	306148	13-03B	28/03/2006
11832/2005	306260	31-00	30/03/2006	13815/2005	306149	23-01K	28/03/2006
11833/2005	306261	31-00	30/03/2006	13873/2005	306237	07-06D	29/03/2006
11834/2005	306262	31-00	30/03/2006	13874/2005	306238	07-06D	29/03/2006
11848/2005	306263	09-03NES	30/03/2006	13875/2005	306150	25-02A	28/03/2006
11908/2005	306264	14-03E	30/03/2006	13918/2005	306151	12-15NES	28/03/2006
12182/2005	306211	09-03L	29/03/2006	13935/2005	306239	08-03	29/03/2006
12221/2005	306163	25-02E	28/03/2006	13941/2005	306240	23-01E	29/03/2006
12245/2005	306232	07-02L	29/03/2006	13942/2005	306241	23-01E	29/03/2006
12253/2005	306265	14-03E	30/03/2006	13960/2005	306242	22-06	29/03/2006
12294/2005	306212	09-01G	29/03/2006	13982/2005	306266	07-07A	30/03/2006
12335/2005	306296	09-02NES	31/03/2006	13983/2005	306267	07-07A	30/03/2006
12454/2005	306233	08-08M	29/03/2006	13990/2005	306165	24-04	28/03/2006
12693/2005	306203	02-02NES	28/03/2006	14010/2005	306166	09-01NES	28/03/2006
12826/2005	306213	15-02	29/03/2006	14011/2005	306152	09-01NES	28/03/2006
13006/2005	306234	06-02	29/03/2006	14022/2005	306167	15-09	28/03/2006

Publication and Registration Proceedings - Designs Registered cont'd

Design Number	Registration Number	International Classification Code (IDC)	Registration Date	Design Number	Registration Number	International Classification Code (IDC)	Registration Date
14029/2005	306193	23-01F	28/03/2006	14336/2005	306173	08-05L	28/03/2006
14030/2005	306194	23-01F	28/03/2006	14337/2005	306219	08-05P	29/03/2006
14052/2005	306195	09-01C	28/03/2006	14338/2005	306220	06-01NES	29/03/2006
14055/2005	306114	28-03A	23/03/2006	14339/2005	306221	06-01NES	29/03/2006
14099/2005	306310	12-16N	04/04/2006	14342/2005	306280	23-01H	31/03/2006
14108/2005	306115	25-01C	23/03/2006	14343/2005	306281	23-01H	31/03/2006
14109/2005	306116	25-01C	23/03/2006	14353/2005	306282	15-01	31/03/2006
14110/2005	306117	25-01C	23/03/2006	14354/2005	306283	15-01	31/03/2006
14111/2005	306118	25-01C	23/03/2006	14360/2005	306305	04-02	04/04/2006
14112/2005	306119	25-01C	23/03/2006	14361/2005	306306	04-02	04/04/2006
14113/2005	306120	25-01C	23/03/2006	14362/2005	306174	09-01NES	28/03/2006
14136/2005	306121	13-03D	23/03/2006	14363/2005	306176	18-99	28/03/2006
14137/2005	306122	13-03D	23/03/2006	14364/2005	306175	14-03NES	28/03/2006
14138/2005	306123	13-03D	23/03/2006	14387/2005	306316	08-08NES	04/04/2006
14140/2005	306153	30-02	28/03/2006	14390/2005	306177	01-01	28/03/2006
14141/2005	306154	30-02	28/03/2006	14393/2005	306178	16-06	28/03/2006
14144/2005	306243	06-04NES	29/03/2006	14394/2005	306179	24-04	28/03/2006
14151/2005	306124	23-04	23/03/2006	14397/2005	306317	07-04	04/04/2006
14169/2005	306125	23-02B	23/03/2006	14447/2005	306244	28-03NES	29/03/2006
14170/2005	306126	23-02B	23/03/2006	15132/2005	306134	19-06	23/03/2006
14172/2005	306127	25-03	23/03/2006	15213/2005	306222	07-02E	29/03/2006
14179/2005	306128	08-06	23/03/2006	15569/2005	306298	09-01NES	04/04/2006
14180/2005	306129	25-01K	23/03/2006	15570/2005	306299	09-01NES	04/04/2006
14181/2005	306130	25-01K	23/03/2006	15571/2005	306300	09-01NES	04/04/2006
14196/2005	306311	12-08	04/04/2006	15572/2005	306276	08-07	31/03/2006
14201/2005	306312	12-16C	04/04/2006	15573/2005	306303	06-04NES	04/04/2006
14204/2005	306313	12-16C	04/04/2006	15574/2005	306304	06-04NES	04/04/2006
14205/2005	306314	12-16C	04/04/2006	10027/2006	306270	06-01H	30/03/2006
14206/2005	306315	12-08	04/04/2006	10229/2006	306204	02-02NES	28/03/2006
14210/2005	306131	12-16B	23/03/2006	10387/2006	306223	02-04NES	29/03/2006
14211/2005	306132	12-16C	23/03/2006	10391/2006	306224	02-04NES	29/03/2006
14212/2005	306133	12-16B	23/03/2006	10554/2006	306318	25-01E	04/04/2006
14246/2005	306215	25-01C	29/03/2006	10555/2006	306319	25-02C	04/04/2006
14251/2005	306196	19-02	28/03/2006	10556/2006	306320	25-02C	04/04/2006
14252/2005	306168	12-16G	28/03/2006	10732/2006	306247	06-04B	30/03/2006
14260/2005	306197	14-02	28/03/2006	10733/2006	306248	06-04B	30/03/2006
14261/2005	306198	14-02	28/03/2006	10734/2006	306249	06-04B	30/03/2006
14262/2005	306199	14-02	28/03/2006	10735/2006	306250	06-04B	30/03/2006
14264/2005	306169	14-99	28/03/2006	10736/2006	306251	06-04B	30/03/2006
14265/2005	306200	04-01	28/03/2006	10737/2006	306252	06-04B	30/03/2006
14267/2005	306201	09-07A	28/03/2006	10738/2006	306253	06-04B	30/03/2006
14268/2005	306216	09-05	29/03/2006	10739/2006	306285	23-01A	31/03/2006
14269/2005	306217	09-01NES	29/03/2006	10740/2006	306286	23-01A	31/03/2006
14270/2005	306170	21-02C	28/03/2006	10741/2006	306287	23-01A	31/03/2006
14271/2005	306202	21-02C	28/03/2006	10742/2006	306288	23-01A	31/03/2006
14272/2005	306155	08-07	28/03/2006	10743/2006	306289	23-01A	31/03/2006
14273/2005	306156	08-07	28/03/2006	10744/2006	306290	23-01A	31/03/2006
14274/2005	306157	04-02	28/03/2006	10745/2006	306291	23-01A	31/03/2006
14275/2005	306268	04-02	30/03/2006	10844/2006	306294	09-01NES	31/03/2006
14276/2005	306269	04-02	30/03/2006	10845/2006	306295	09-01NES	31/03/2006
14317/2005	306171	03-01B	28/03/2006	10846/2006	306293	09-01NES	31/03/2006
14318/2005	306172	24-04	28/03/2006				
14330/2005	306279	09-01G	31/03/2006				
14331/2005	306218	25-01A	29/03/2006				

Publication and Registration Proceedings
Class Listing of Designs Published or Registered

The following section shows an International Classification Code listing of the Registered or Published Designs covered in this supplement.

Classification	Registration Number	Design Number	Classification	Registration Number	Design Number
01-01	306177	14390/2005	07-06 NES	306277	13249/2005
02-02 NES	306203	12693/2005	07-06 NES	306278	13250/2005
02-02 NES	306204	10229/2006	07-07 A	306266	13982/2005
02-04 NES	306223	10387/2006	07-07 A	306267	13983/2005
02-04 NES	306224	10391/2006	07-07 A	306307	13652/2005
03-01 B	306171	14317/2005	07-07 A	306308	13653/2005
03-03	306209	11665/2005	07-07 A	306309	13654/2005
04-01	306200	14265/2005	08-03	306167	14022/2005
04-02	306157	14274/2005	08-03	306189	13582/2005
04-02	306268	14275/2005	08-03	306190	13583/2005
04-02	306269	14276/2005	08-03	306239	13935/2005
04-02	306305	14360/2005	08-05 L	306173	14336/2005
04-02	306306	14361/2005	08-05 P	306219	14337/2005
06-01 H	306270	10027/2006	08-06	306128	14179/2005
06-01 NES	306220	14338/2005	08-07	306155	14272/2005
06-01 NES	306221	14339/2005	08-07	306156	14273/2005
06-02	306234	13006/2005	08-07	306233	12454/2005
06-04 B	306247	10732/2006	08-07	306275	11623/2005
06-04 B	306248	10733/2006	08-07	306276	15572/2005
06-04 B	306249	10734/2006	08-08 C	306143	13746/2005
06-04 B	306250	10735/2006	08-08 C	306144	13747/2005
06-04 B	306251	10736/2006	08-08 C	306145	13748/2005
06-04 B	306252	10737/2006	08-08 M	306233	12454/2005
06-04 B	306253	10738/2006	08-08 NES	306316	14387/2005
06-04 D	306246	15275/2004	08-09	306273	10549/2005
06-04 NES	306113	13623/2005	08-09	306274	13579/2005
06-04 NES	306142	13625/2005	09-01 A	306135	11792/2005
06-04 NES	306225	14464/2004	09-01 A	306138	13604/2005
06-04 NES	306229	11256/2005	09-01 A	306139	13605/2005
06-04 NES	306230	11255/2005	09-01 A	306140	13606/2005
06-04 NES	306243	14144/2005	09-01 A	306141	13607/2005
06-04 NES	306302	13557/2005	09-01 C	306162	11791/2005
06-04 NES	306303	15573/2005	09-01 C	306195	14052/2005
06-04 NES	306304	15574/2005	09-01 G	306210	11793/2005
06-06 D	306246	15275/2004	09-01 G	306212	12294/2005
06-06 D	306247	10732/2006	09-01 G	306279	14330/2005
06-06 D	306248	10733/2006	09-01 K	306181	10739/2005
06-06 D	306249	10734/2006	09-01 NES	306152	14011/2005
06-06 D	306250	10735/2006	09-01 NES	306166	14010/2005
06-06 D	306251	10736/2006	09-01 NES	306174	14362/2005
06-06 D	306252	10737/2006	09-01 NES	306217	14269/2005
06-06 D	306253	10738/2006	09-01 NES	306292	11188/2005
06-07	306227	11063/2005	09-01 NES	306293	10846/2006
06-07	306228	11064/2005	09-01 NES	306294	10844/2006
06-13 NES	306188	13517/2005	09-01 NES	306295	10845/2006
07-01 NES	306164	13069/2005	09-01 NES	306297	11814/2005
07-01 NES	306235	13468/2005	09-01 NES	306298	15569/2005
07-02 E	306222	15213/2005	09-01 NES	306299	15570/2005
07-02 E	306236	13611/2005	09-01 NES	306300	15571/2005
07-02 L	306232	12245/2005	09-02 NES	306296	12335/2005
07-02 L	306245	13638/2005	09-03 L	306211	12182/2005
07-04	306200	14265/2005	09-03 NES	306263	11848/2005
07-04	306317	14397/2005	09-05	306182	10740/2005
07-05 C	306206	10773/2005	09-05	306216	14268/2005
07-06 D	306237	13873/2005	09-07 A	306146	13765/2005
07-06 D	306238	13874/2005	09-07 A	306147	13766/2005

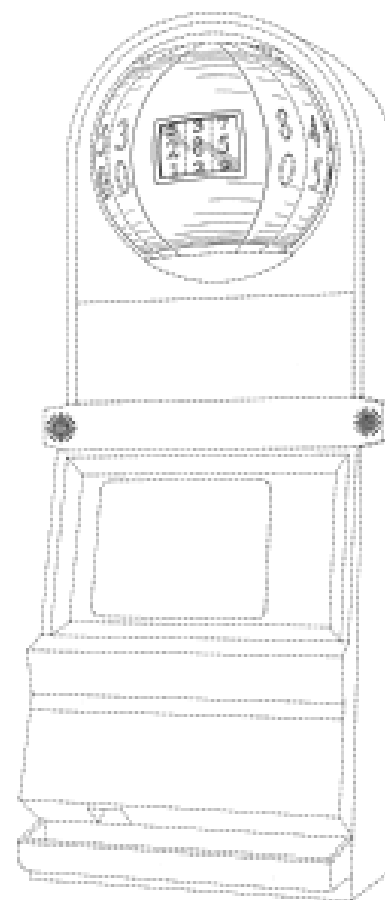
Registration Proceedings - Class Listing of Designs Published or Registered cont'd

Classification	Registration Number	Design Number	Classification	Registration Number	Design Number
09-07 A	306201	14267/2005	23-01 A	306284	11022/2005
09-07 C	306201	14267/2005	23-01 A	306285	10739/2006
09-09	306192	13592/2005	23-01 A	306286	10740/2006
10-03	306180	10715/2005	23-01 A	306287	10741/2006
11-02 NES	306264	11908/2005	23-01 A	306288	10742/2006
11-02 NES	306265	12253/2005	23-01 A	306289	10743/2006
12-05	306158	10719/2005	23-01 A	306290	10744/2006
12-08	306131	14210/2005	23-01 A	306291	10745/2006
12-08	306311	14196/2005	23-01 B	306284	11022/2005
12-08	306315	14206/2005	23-01 B	306285	10739/2006
12-15 NES	306151	13918/2005	23-01 B	306286	10740/2006
12-16 B	306131	14210/2005	23-01 B	306287	10741/2006
12-16 B	306133	14212/2005	23-01 B	306288	10742/2006
12-16 C	306132	14211/2005	23-01 B	306289	10743/2006
12-16 C	306312	14201/2005	23-01 B	306290	10744/2006
12-16 C	306313	14204/2005	23-01 B	306291	10745/2006
12-16 C	306314	14205/2005	23-01 E	306240	13941/2005
12-16 G	306168	14252/2005	23-01 E	306241	13942/2005
12-16 N	306310	14099/2005	23-01 F	306193	14029/2005
13-03 B	306148	13814/2005	23-01 F	306194	14030/2005
13-03 D	306121	14136/2005	23-01 H	306280	14342/2005
13-03 D	306122	14137/2005	23-01 H	306281	14343/2005
13-03 D	306123	14138/2005	23-01 K	306149	13815/2005
14-02	306197	14260/2005	23-01 NES	306185	13046/2005
14-02	306198	14261/2005	23-02 A	306159	11609/2005
14-02	306199	14262/2005	23-02 B	306113	13623/2005
14-02	306316	14387/2005	23-02 B	306125	14169/2005
14-03 E	306264	11908/2005	23-02 B	306126	14170/2005
14-03 E	306265	12253/2005	23-02 B	306142	13625/2005
14-03 NES	306175	14364/2005	23-02 C	306235	13468/2005
14-99	306169	14264/2005	23-04	306124	14151/2005
15-01	306184	11536/2005	24-04	306161	11783/2005
15-01	306271	10471/2005	24-04	306165	13990/2005
15-01	306272	10472/2005	24-04	306172	14318/2005
15-01	306282	14353/2005	24-04	306179	14394/2005
15-01	306283	14354/2005	24-99	306301	13277/2005
15-02	306187	13516/2005	25-01 A	306218	14331/2005
15-02	306213	12826/2005	25-01 C	306115	14108/2005
15-04	306151	13918/2005	25-01 C	306116	14109/2005
15-09	306167	14022/2005	25-01 C	306117	14110/2005
16-06	306178	14393/2005	25-01 C	306118	14111/2005
18-99	306176	14363/2005	25-01 C	306119	14112/2005
19-02	306196	14251/2005	25-01 C	306120	14113/2005
19-02	306207	10775/2005	25-01 C	306215	14246/2005
19-06	306134	15132/2005	25-01 E	306318	10554/2006
20-02 NES	306112	13572/2005	25-01 G	306143	13746/2005
20-03 NES	306277	13249/2005	25-01 G	306144	13747/2005
20-03 NES	306278	13250/2005	25-01 G	306145	13748/2005
21-01 NES	306226	11014/2005	25-01 K	306128	14179/2005
21-02 C	306170	14270/2005	25-01 K	306129	14180/2005
21-02 C	306202	14271/2005	25-01 K	306130	14181/2005
21-02 D	306296	12335/2005	25-01 K	306215	14246/2005
21-03	306110	13309/2005	25-01 NES	306115	14108/2005
21-03	306111	13318/2005	25-01 NES	306116	14109/2005
21-03	306136	13316/2005	25-01 NES	306117	14110/2005
21-03	306137	13317/2005	25-01 NES	306118	14111/2005
22-05	306160	11667/2005	25-01 NES	306119	14112/2005
22-05	306214	13108/2005	25-01 NES	306120	14113/2005
22-06	306242	13960/2005	25-01 NES	306208	10871/2005

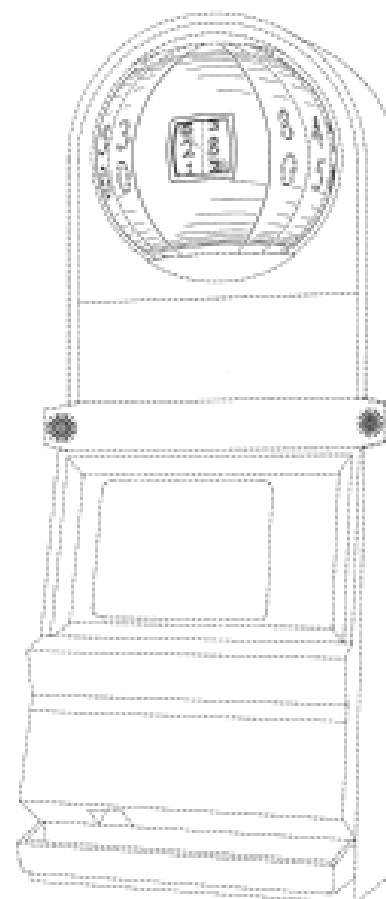
Registration Proceedings - Class Listing of Designs Published or Registered cont'd

Classification	Registration Number	Design Number	Classification	Registration Number	Design Number
25-01 NES	306319	10555/2006	29-02	306205	10300/2005
25-01 NES	306320	10556/2006	30-02	306153	14140/2005
25-02 A	306150	13875/2005	30-02	306154	14141/2005
25-02 C	306319	10555/2006	30-08	306183	11078/2005
25-02 C	306320	10556/2006	31-00	306254	11826/2005
25-02 E	306163	12221/2005	31-00	306255	11827/2005
25-02 H	306129	14180/2005	31-00	306256	11828/2005
25-02 H	306130	14181/2005	31-00	306257	11829/2005
25-02 NES	306191	13584/2005	31-00	306258	11830/2005
25-03	306127	14172/2005	31-00	306259	11831/2005
26-03	306231	11505/2005	31-00	306260	11832/2005
26-05 D	306186	13512/2005	31-00	306261	11833/2005
28-03 A	306114	14055/2005	31-00	306262	11834/2005
28-03 NES	306244	14447/2005			

(21) Design Number: **13309/2005**
 (22) Date of Filing Application: **03 August 2005**
 (24) Date from which industrial property rights may have effect: **10 March 2004**
 (54) Product in respect of which the design is registered: **A gaming device**
 (51) International Design Classification: **21-03**
 (71) Name(s) and Address(s) of Applicant(s):
IGT
9295 Prototype Drive Reno Nevada 89521 United States of America
 (72) Name(s) of Designer(s): **Anthony J. Baerlocher**
 (45) Registration Date: **23 March 2006**
 (30) Convention priority data:
 (31) Number (32) Date (33) Country
29/189,886 10 Sep 2003 UNITED STATES OF AMERICA
 (62) Divisional of: **158423**
 (56) Related Art Documents: **Not Applicable**
 (57) Statement of Newness and Distinctiveness: **In considering the extent of the monopoly sought, those features shown in phantom and the two "star" features are to be disregarded.**



(21) Design Number: **13318/2005**
 (22) Date of Filing Application: **03 August 2005**
 (24) Date from which industrial property rights may have effect: **10 March 2004**
 (54) Product in respect of which the design is registered: **A gaming device**
 (51) International Design Classification: **21-03**
 (71) Name(s) and Address(s) of Applicant(s):
IGT
9295 Prototype Drive Reno Nevada 89521 United States of America
 (72) Name(s) of Designer(s): **Anthony J. Baerlocher**
 (45) Registration Date: **23 March 2006**
 (30) Convention priority data:
 (31) Number (32) Date (33) Country
29/189,886 10 Sep 2003 UNITED STATES OF AMERICA
 (62) Divisional of: **158423**
 (56) Related Art Documents: **Not Applicable**
 (57) Statement of Newness and Distinctiveness: **In considering the extent of the monopoly sought, those features shown in phantom and the two "star" features are to be disregarded.**

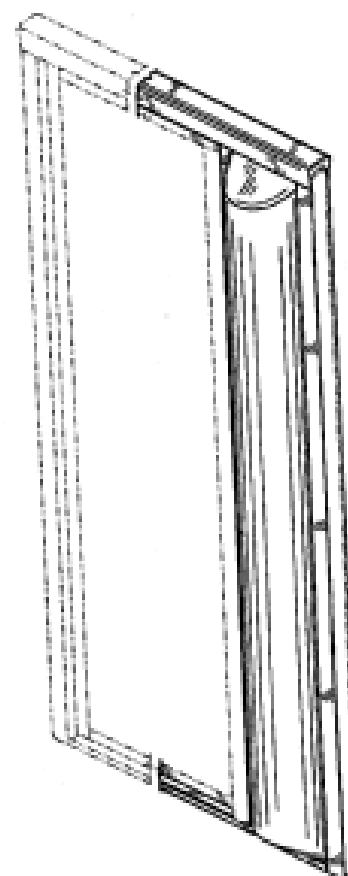


- (21) Design Number: **13572/2005**
- (22) Date of Filing Application: **22 August 2005**
- (24) Date from which industrial property rights may have effect: **22 August 2005**
- (54) Product in respect of which the design is registered: **Shelf stripping**
- (51) International Design Classification: **20-02NES**
- (71) Name(s) and Address(s) of Applicant(s):
Ilid Pty Ltd
118 Balmain Street Richmond Victoria 3121 Australia
- (72) Name(s) of Designer(s): **Peter Marples**
- (45) Registration Date: **23 March 2006**
- (56) Related Art Documents: **Not Applicable**
- (57) Statement of Newness and Distinctiveness: **Shelf stripping which has an additional strip along upper edge to which a point of sale holder can be attached.**

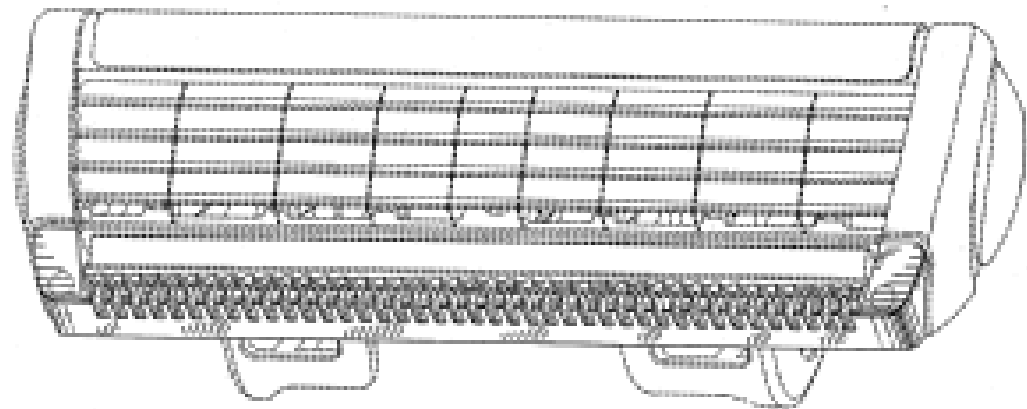


- (21) Design Number: **13623/2005**
- (22) Date of Filing Application: **23 August 2005**
- (24) Date from which industrial property rights may have effect: **23 August 2005**
- (54) Product in respect of which the design is registered: **Storage closure**
- (51) International Design Classification: **06-04NES, 23-02B**
- (71) Name(s) and Address(s) of Applicant(s):
Kohler Co.
444 Highland Drive Kohler WI 53044 United States of America
- (72) Name(s) of Designer(s): **Mike Y. Daikubara and Mark A. Johnson and Jennifer L. Wenzel and Jody L. Uecke and Steven J. Wietrzny**
- (45) Registration Date: **23 March 2006**
- (30) Convention priority data:

(31) Number	(32) Date	(33) Country
29/223964	23 Feb 2005	UNITED STATES OF AMERICA
- (56) Related Art Documents: **Not Applicable**
- (57) Statement of Newness and Distinctiveness: **When determining whether the design is substantially similar in overall impression to another design, no regard is to be had to those features shown in dotted outline in the accompanying drawings of the storage closure.**



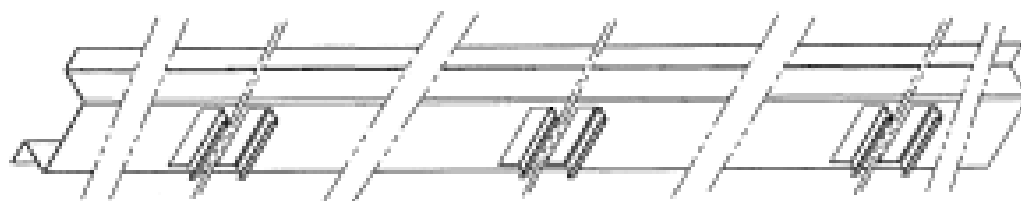
- (21) Design Number: **14055/2005**
(22) Date of Filing Application: **21 September 2005**
(24) Date from which industrial property rights may have effect: **21 September 2005**
(54) Product in respect of which the design is registered: **Guard bar**
(51) International Design Classification: **28-03A**
(71) Name(s) and Address(s) of Applicant(s):
Eveready Battery Company, Inc.
533 Maryville University Drive St Louis Missouri 63141 United States of America
(72) Name(s) of Designer(s): **Jay Bunnell and Stephen Fischer and Michael O'Malley and Jochen Thoene**
(45) Registration Date: **23 March 2006**
(30) Convention priority data:
(31) Number (32) Date (33) Country
29/226965 04 Apr 2005 UNITED STATES OF AMERICA
(56) Related Art Documents: **Not Applicable**
(57) Statement of Newness and Distinctiveness: **Nil**



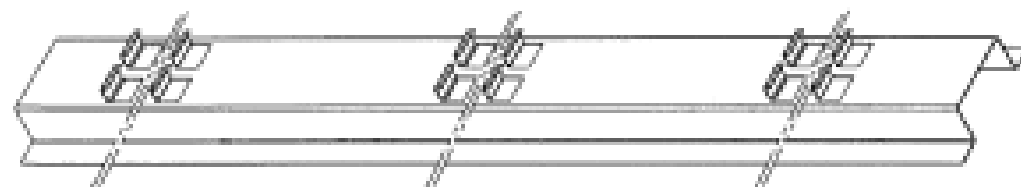
- (21) Design Number: **14108/2005**
(22) Date of Filing Application: **23 September 2005**
(24) Date from which industrial property rights may have effect: **23 September 2005**
(54) Product in respect of which the design is registered: **Rail clip**
(51) International Design Classification: **25-01C, 25-01NES**
(71) Name(s) and Address(s) of Applicant(s):
The Austral Brick Company Pty Ltd
Wallgrove Road Horsley Park New South Wales 2164 Australia
(72) Name(s) of Designer(s): **Catherine Mary Inglis and Gareth Winstanley and John Perry and David Townsend**
(45) Registration Date: **23 March 2006**
(56) Related Art Documents: **Not Applicable**
(57) Statement of Newness and Distinctiveness: **Those visual features of the rail clip depicted in the representations that are new and distinctive are the shape and/or configuration. The clip depicted in the representations may be of any length as indicated by the broken lines.**



- (21) Design Number: **14109/2005**
(22) Date of Filing Application: **23 September 2005**
(24) Date from which industrial property rights may have effect: **23 September 2005**
(54) Product in respect of which the design is registered: **Rail clip**
(51) International Design Classification: **25-01C, 25-01NES**
(71) Name(s) and Address(s) of Applicant(s):
The Austral Brick Company Pty Ltd
Wallgrove Road Horsley Park New South Wales 2164 Australia
(72) Name(s) of Designer(s): **Catherine Mary Inglis and Gareth Winstanley and John Perry and David Townsend**
(45) Registration Date: **23 March 2006**
(56) Related Art Documents: **Not Applicable**
(57) Statement of Newness and Distinctiveness: **Those visual features of the rail clip depicted in the representations that are new and distinctive are the shape and/or configuration. The rail clip depicted in the representations may be of any length as indicated by the by the broken lines.**



- (21) Design Number: **14110/2005**
(22) Date of Filing Application: **23 September 2005**
(24) Date from which industrial property rights may have effect: **23 September 2005**
(54) Product in respect of which the design is registered: **Rail clip**
(51) International Design Classification: **25-01C, 25-01NES**
(71) Name(s) and Address(s) of Applicant(s):
The Austral Brick Company Pty Ltd
Wallgrove Road Horsley Park New South Wales 2164 Australia
(72) Name(s) of Designer(s): **Catherine Mary Inglis and Gareth Winstanley and John Perry and David Townsend**
(45) Registration Date: **23 March 2006**
(56) Related Art Documents: **Not Applicable**
(57) Statement of Newness and Distinctiveness: **Those visual features of the rail clip depicted in the representations that are new and distinctive are the shape and/or configuration. The rail clip depicted in the representations may be of any length as indicated by the by the broken lines.**



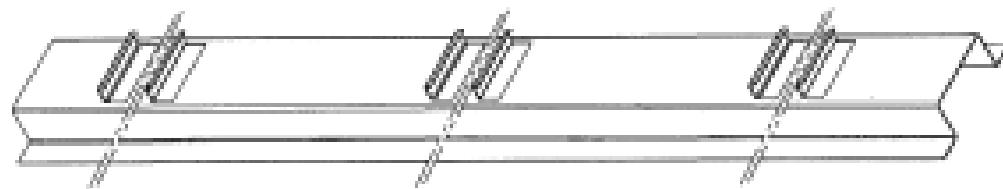
- (21) Design Number: **14111/2005**
(22) Date of Filing Application: **23 September 2005**
(24) Date from which industrial property rights may have effect: **23 September 2005**
(54) Product in respect of which the design is registered: **Rail clip**
(51) International Design Classification: **25-01C, 25-01NES**
(71) Name(s) and Address(s) of Applicant(s):
The Austral Brick Company Pty Ltd
Wallgrove Road Horsley Park New South Wales 2164 Australia
(72) Name(s) of Designer(s): **Catherine Mary Inglis and Gareth Winstanley and John Perry and David Townsend**
(45) Registration Date: **23 March 2006**
(56) Related Art Documents: **Not Applicable**
(57) Statement of Newness and Distinctiveness: **Those visual features of the rail clip depicted in the representations that are new and distinctive are the shape and/or configuration. The rail clip depicted in the representations may be of any length as indicated by the broken lines.**



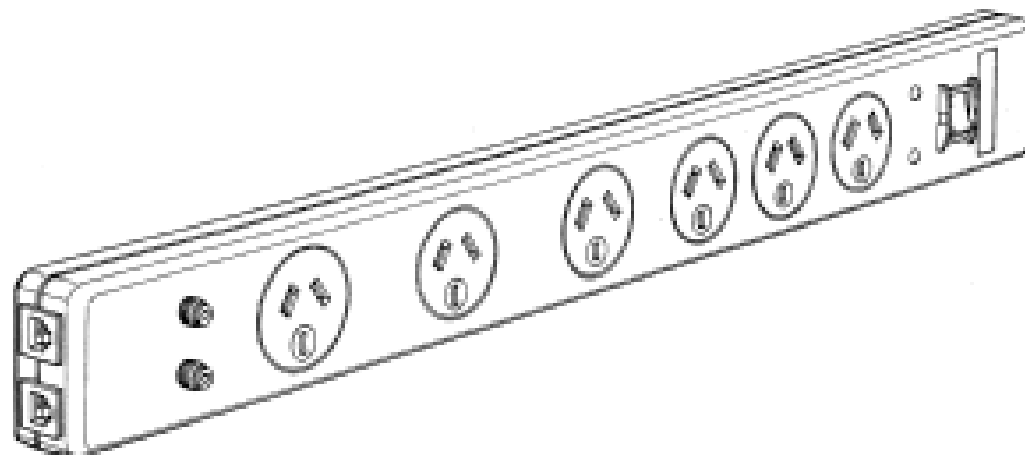
- (21) Design Number: **14112/2005**
(22) Date of Filing Application: **23 September 2005**
(24) Date from which industrial property rights may have effect: **23 September 2005**
(54) Product in respect of which the design is registered: **Rail clip**
(51) International Design Classification: **25-01C, 25-01NES**
(71) Name(s) and Address(s) of Applicant(s):
The Austral Brick Company Pty Ltd
Wallgrove Road Horsley Park New South Wales 2164 Australia
(72) Name(s) of Designer(s): **Catherine Mary Inglis and Gareth Winstanley and John Perry and David Townsend**
(45) Registration Date: **23 March 2006**
(56) Related Art Documents: **Not Applicable**
(57) Statement of Newness and Distinctiveness: **Those visual features of the rail clip depicted in the representations that are new and distinctive are the shape and/or configuration. The rail clip depicted in the representations may be of any length as indicated by the broken lines.**



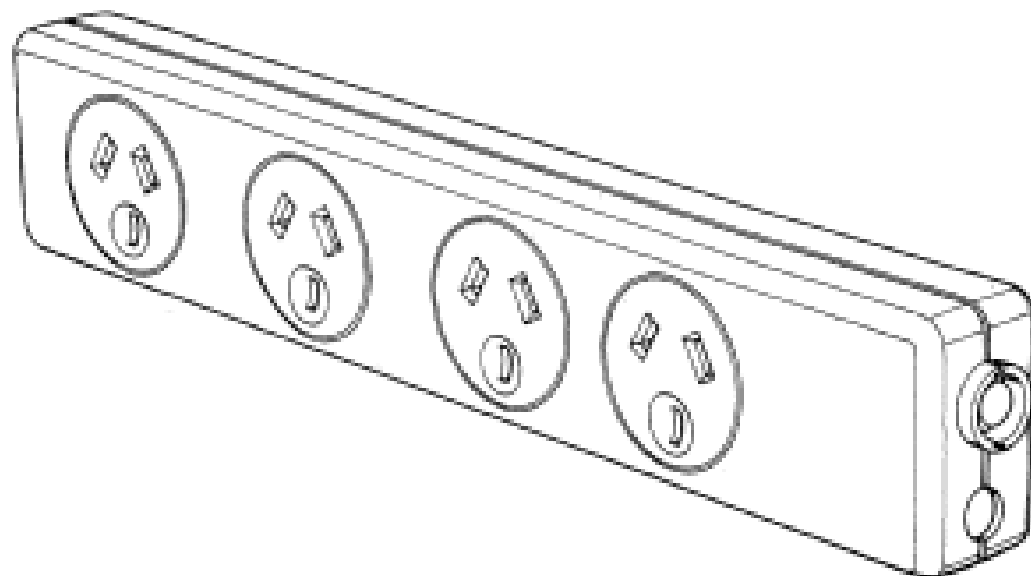
- (21) Design Number: **14113/2005**
(22) Date of Filing Application: **23 September 2005**
(24) Date from which industrial property rights may have effect: **23 September 2005**
(54) Product in respect of which the design is registered: **Rail clip**
(51) International Design Classification: **25-01C, 25-01NES**
(71) Name(s) and Address(s) of Applicant(s):
The Austral Brick Company Pty Ltd
Wallgrove Road Horsley Park New South Wales 2164 Australia
(72) Name(s) of Designer(s): **Catherine Mary Inglis and Gareth Winstanley and John Perry and David Townsend**
(45) Registration Date: **23 March 2006**
(56) Related Art Documents: **Not Applicable**
(57) Statement of Newness and Distinctiveness: **Those visual features of the rail clip depicted in the representations that are new and distinctive are the shape and/or configuration. The rail clip depicted in the representations may be of any length as indicated by the broken lines.**



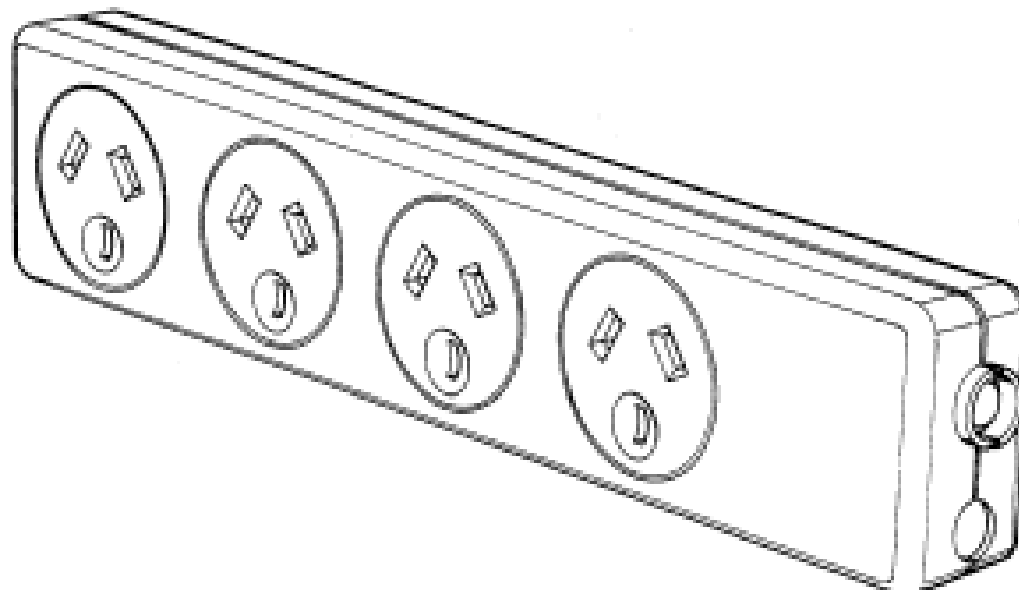
- (21) Design Number: **14136/2005**
(22) Date of Filing Application: **26 September 2005**
(24) Date from which industrial property rights may have effect: **26 September 2005**
(54) Product in respect of which the design is registered: **A power board**
(51) International Design Classification: **13-03D**
(71) Name(s) and Address(s) of Applicant(s):
Jackson Industries Pty Limited
Building C 2 Hudson Avenue Castle Hill New South Wales 2153 Australia
(72) Name(s) of Designer(s): **Ross A. Jackson**
(45) Registration Date: **23 March 2006**
(56) Related Art Documents: **Not Applicable**
(57) Statement of Newness and Distinctiveness: **Newness and distinctiveness is claimed in the features of shape and/or configuration of the outer casing, the raised protectors for the: circuit breaker; on/off switch; telecom; and RF sockets and the socket spacing of a power board as illustrated in the accompanying representations.**



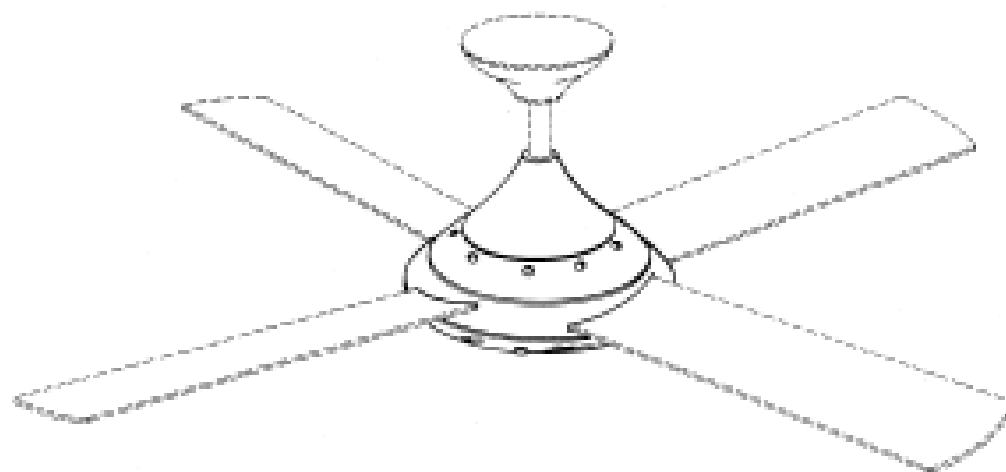
- (21) Design Number: **14137/2005**
- (22) Date of Filing Application: **26 September 2005**
- (24) Date from which industrial property rights may have effect: **26 September 2005**
- (54) Product in respect of which the design is registered: **A power board**
- (51) International Design Classification: **13-03D**
- (71) Name(s) and Address(s) of Applicant(s):
Jackson Industries Pty Limited
Building C 2 Hudson Avenue Castle Hill New South Wales 2153
Australia
- (72) Name(s) of Designer(s): **Ross A. Jackson**
- (45) Registration Date: **23 March 2006**
- (56) Related Art Documents: **Not Applicable**
- (57) Statement of Newness and Distinctiveness: **Newness and distinctiveness is claimed in the features of shape and/or configuration of the outer casing, the raised protector for the circuit breaker and the socket spacing of a power board as illustrated in the accompanying representations.**



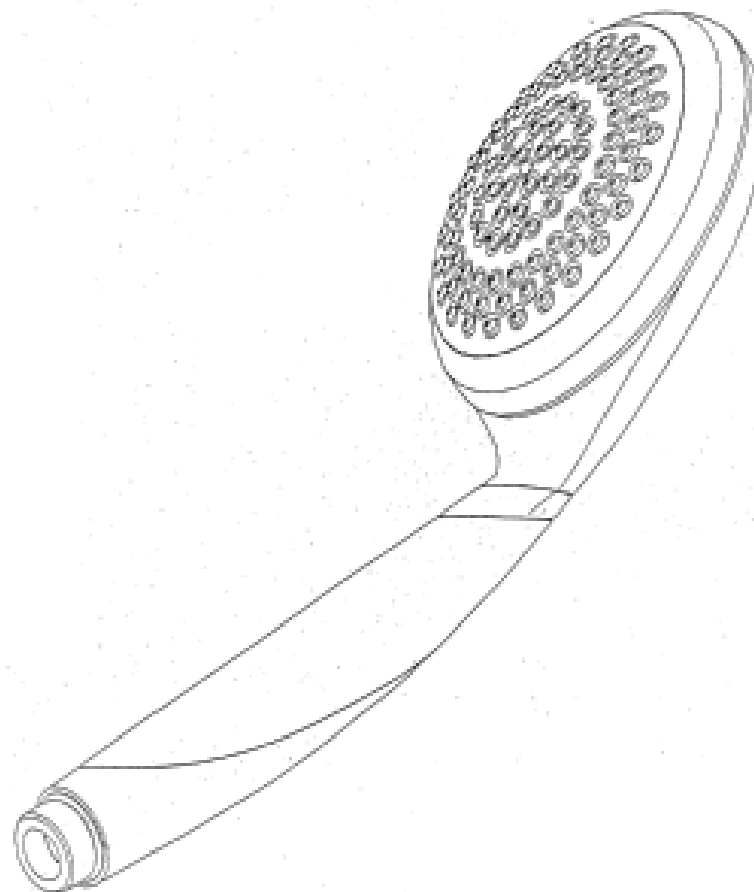
- (21) Design Number: **14138/2005**
- (22) Date of Filing Application: **26 September 2005**
- (24) Date from which industrial property rights may have effect: **26 September 2005**
- (54) Product in respect of which the design is registered: **A power board**
- (51) International Design Classification: **13-03D**
- (71) Name(s) and Address(s) of Applicant(s):
Jackson Industries Pty Limited
Building C 2 Hudson Avenue Castle Hill New South Wales 2153
Australia
- (72) Name(s) of Designer(s): **Ross A. Jackson**
- (45) Registration Date: **23 March 2006**
- (56) Related Art Documents: **Not Applicable**
- (57) Statement of Newness and Distinctiveness: **Newness and distinctiveness is claimed in the features of shape and/or configuration of the outer casing and the raised protector adjacent the circuit breaker of a power board as illustrated in the accompanying representations.**



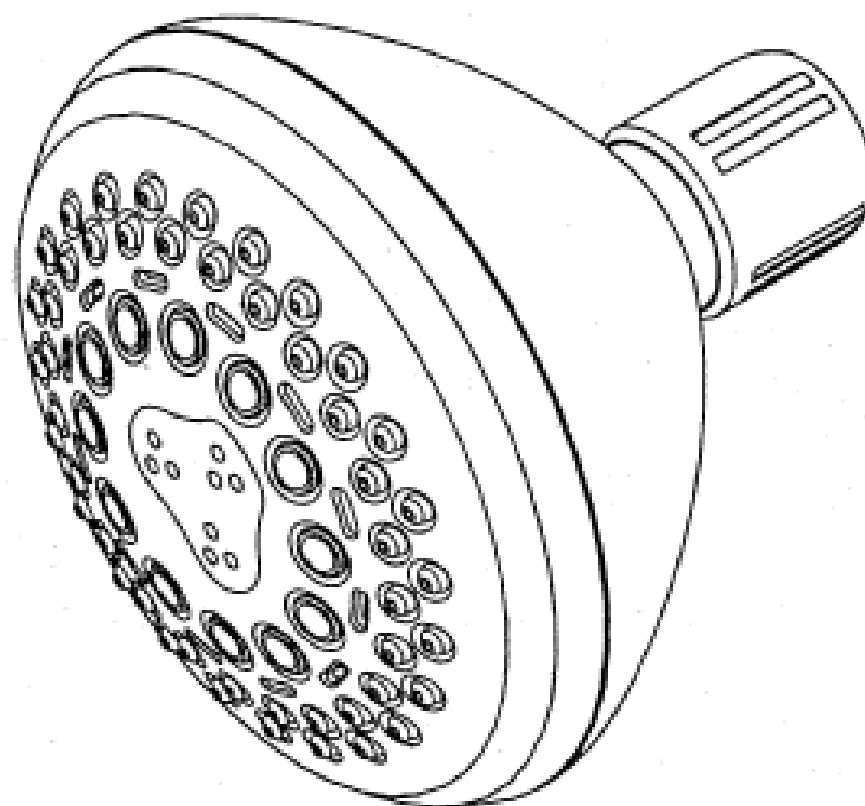
- (21) Design Number: **14151/2005**
(22) Date of Filing Application: **26 September 2005**
(24) Date from which industrial property rights may have effect: **26 September 2005**
(54) Product in respect of which the design is registered: **Ceiling fan**
(51) International Design Classification: **23-04**
(71) Name(s) and Address(s) of Applicant(s):
Hunter Pacific International Pty Ltd
Building 8 256 New Line Road Dural New South Wales 2158 Australia
(72) Name(s) of Designer(s): **Philip Allen**
(45) Registration Date: **23 March 2006**
(56) Related Art Documents: **Not Applicable**
(57) Statement of Newness and Distinctiveness: **Nil**



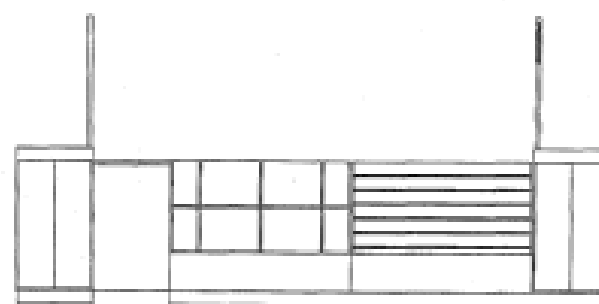
- (21) Design Number: **14169/2005**
(22) Date of Filing Application: **27 September 2005**
(24) Date from which industrial property rights may have effect: **31 March 2004**
(54) Product in respect of which the design is registered: **Shower head with handle**
(51) International Design Classification: **23-02B**
(71) Name(s) and Address(s) of Applicant(s):
Interbath Inc.
665 N Baldwin Park Boulevard City of Industry California 91746 United States of America
(72) Name(s) of Designer(s): **Claus D. Zieger**
(45) Registration Date: **23 March 2006**
(62) Divisional of: **158333**
(56) Related Art Documents: **Not Applicable**
(57) Statement of Newness and Distinctiveness: **Nil**



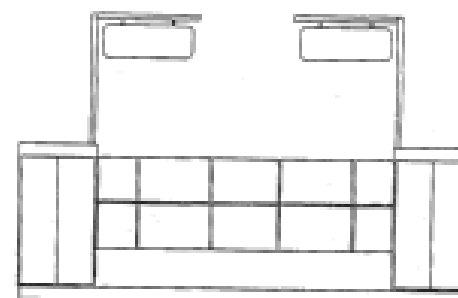
(21) Design Number: **14170/2005**
 (22) Date of Filing Application: **27 September 2005**
 (24) Date from which industrial property rights may have effect: **07 April 2004**
 (54) Product in respect of which the design is registered: **Showerhead**
 (51) International Design Classification: **23-02B**
 (71) Name(s) and Address(s) of Applicant(s):
Interbath Inc.
665 N Baldwin Park Boulevard City of Industry California 91746 United States of America
 (72) Name(s) of Designer(s): **Claus D. Zieger**
 (45) Registration Date: **23 March 2006**
 (62) Divisional of: **158409**
 (56) Related Art Documents: **Not Applicable**
 (57) Statement of Newness and Distinctiveness: **Nil**



(21) Design Number: **14172/2005**
 (22) Date of Filing Application: **27 September 2005**
 (24) Date from which industrial property rights may have effect: **27 September 2005**
 (54) Product in respect of which the design is registered: **Kiosk**
 (51) International Design Classification: **25-03**
 (71) Name(s) and Address(s) of Applicant(s):
Nivin Consulting Pty Limited
Unit 9 115 Fairford Road Padstow New South Wales 2211 Australia
Arien Displays Pty Limited
Unit 3/11 Flora Street Kirrawee New South Wales 2232 Australia
 (72) Name(s) of Designer(s): **Nivin Pavlous and Noel Wellauer**
 (45) Registration Date: **23 March 2006**
 (56) Related Art Documents: **Not Applicable**
 (57) Statement of Newness and Distinctiveness: **Each feature of the design considered separately or in combination with any other feature or features.**



SIDE VIEW - Entrance



FRONT VIEW

(21) Design Number: **14179/2005**

(22) Date of Filing Application: **27 September 2005**

(24) Date from which industrial property rights may have effect: **27 September 2005**

(54) Product in respect of which the design is registered: **Latch handle extrusion**

(51) International Design Classification: **08-06, 25-01K**

(71) Name(s) and Address(s) of Applicant(s):

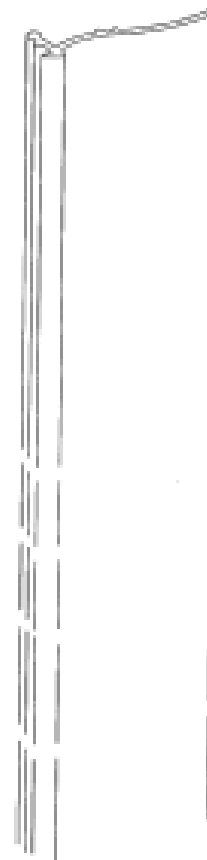
Crane Enfield Metals Pty Ltd
2115 Castlereagh Road Penrith New South Wales 2750 Australia

(72) Name(s) of Designer(s): **Matthew Leishman**

(45) Registration Date: **23 March 2006**

(56) Related Art Documents: **Not Applicable**

(57) Statement of Newness and Distinctiveness: **The product may be of any desired length but of constant cross section throughout the length.**



(21) Design Number: **14180/2005**

(22) Date of Filing Application: **27 September 2005**

(24) Date from which industrial property rights may have effect: **27 September 2005**

(54) Product in respect of which the design is registered: **Mullion extrusion**

(51) International Design Classification: **25-01K, 25-02H**

(71) Name(s) and Address(s) of Applicant(s):

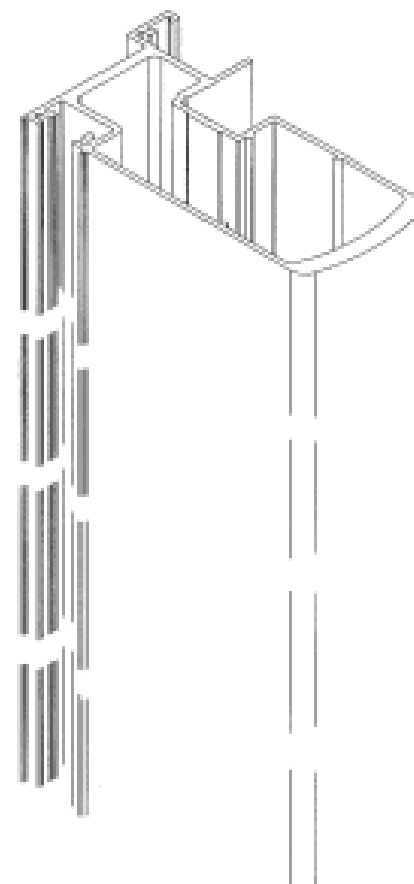
Crane Enfield Metals Pty Ltd
2115 Castlereagh Road Penrith New South Wales 2750 Australia

(72) Name(s) of Designer(s): **Matthew Leishman**

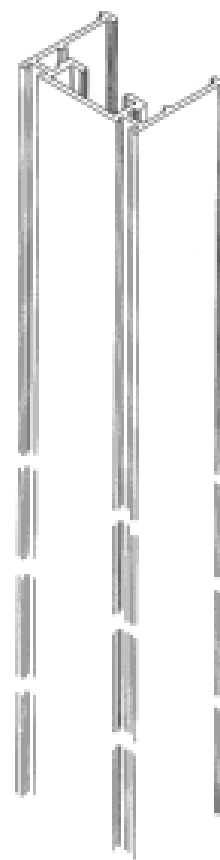
(45) Registration Date: **23 March 2006**

(56) Related Art Documents: **Not Applicable**

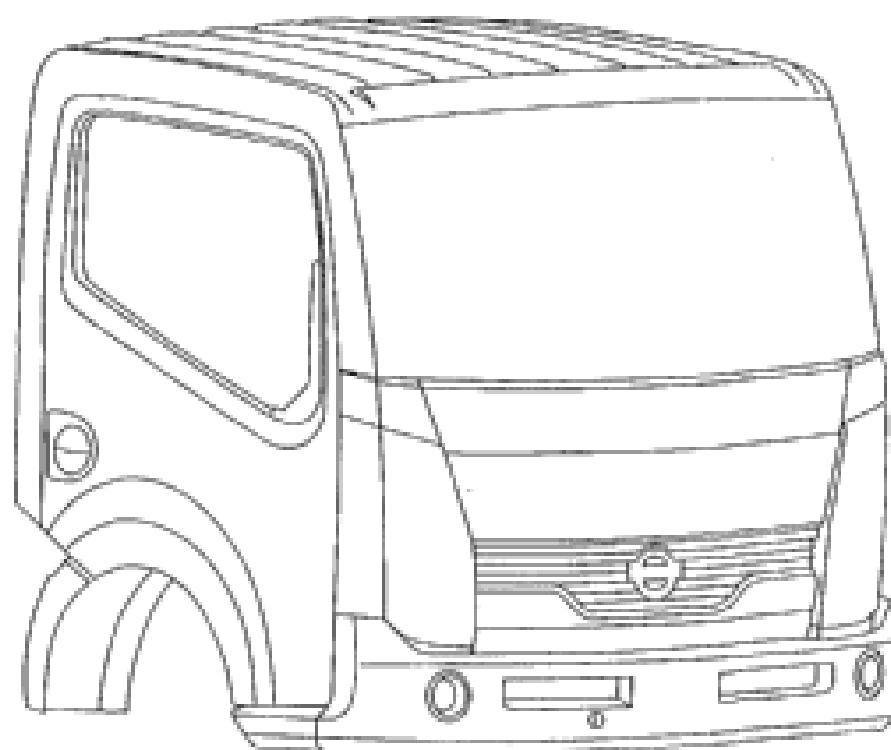
(57) Statement of Newness and Distinctiveness: **The product may be of any desired length but of constant cross section throughout that length.**



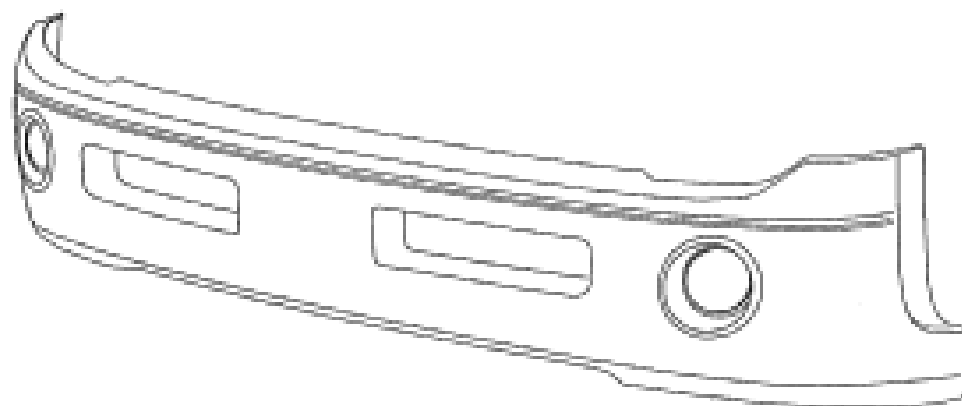
- (21) Design Number: **14181/2005**
(22) Date of Filing Application: **27 September 2005**
(24) Date from which industrial property rights may have effect: **27 September 2005**
(54) Product in respect of which the design is registered: **Frame extrusion**
(51) International Design Classification: **25-01K, 25-02H**
(71) Name(s) and Address(s) of Applicant(s):
Crane Enfield Metals Pty Ltd
2115 Castlereagh Road Penrith New South Wales 2750 Australia
(72) Name(s) of Designer(s): **Matthew Leishman**
(45) Registration Date: **23 March 2006**
(56) Related Art Documents: **Not Applicable**
(57) Statement of Newness and Distinctiveness: **The product may be of any desired length but of constant cross section throughout that length.**



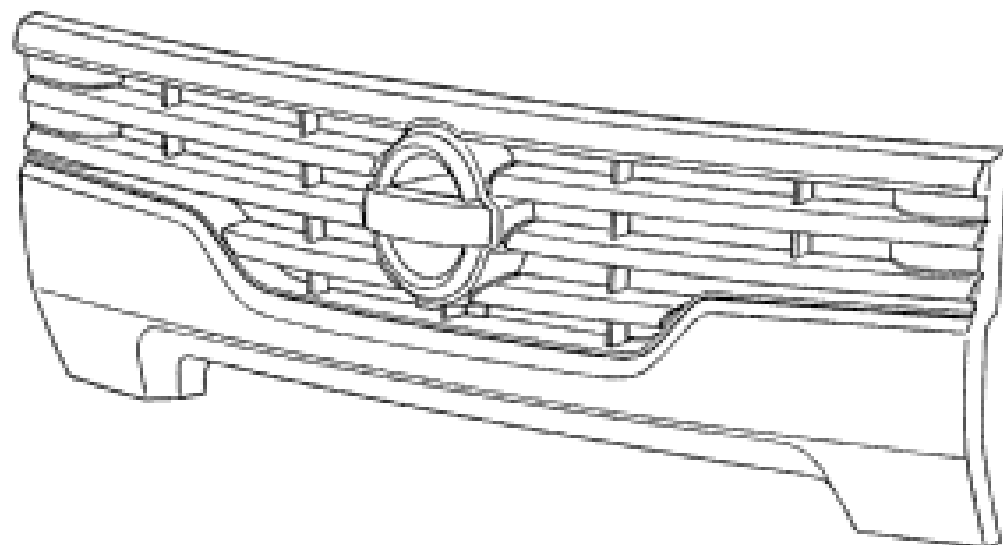
- (21) Design Number: **14210/2005**
(22) Date of Filing Application: **28 September 2005**
(24) Date from which industrial property rights may have effect: **28 September 2005**
(54) Product in respect of which the design is registered: **Cabin for automobile**
(51) International Design Classification: **12-16B, 12-08**
(71) Name(s) and Address(s) of Applicant(s):
Nissan Jidosha Kabushiki Kaisha
No.2 Takaracho Kanagawa-Ku Yokohama-Shi Kanagawa-Ken Japan
(72) Name(s) of Designer(s): **Kouichi Naitou and Takashi Oka and Toshihiro Nishimura**
(45) Registration Date: **23 March 2006**
(30) Convention priority data:
(31) Number (32) Date (33) Country
2005-011088 14 Apr 2005 JAPAN
(56) Related Art Documents: **Not Applicable**
(57) Statement of Newness and Distinctiveness: **Nil**



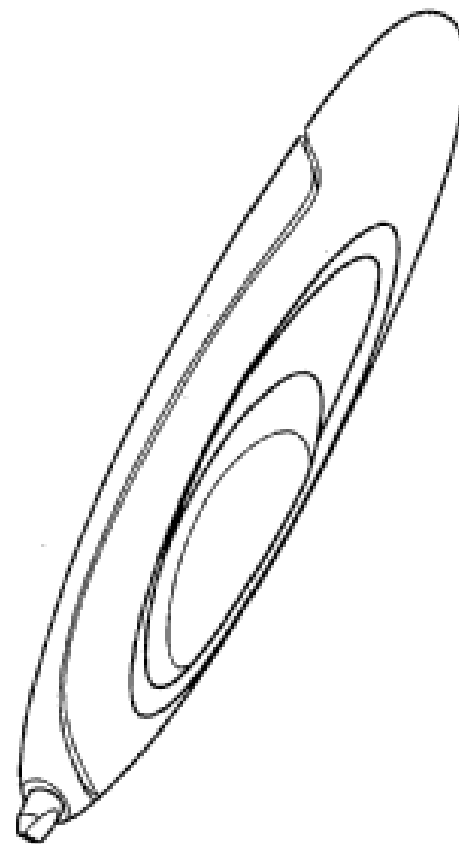
(21) Design Number: **14211/2005**
(22) Date of Filing Application: **28 September 2005**
(24) Date from which industrial property rights may have effect: **28 September 2005**
(54) Product in respect of which the design is registered: **Front bumper for automobile**
(51) International Design Classification: **12-16C**
(71) Name(s) and Address(s) of Applicant(s):
Nissan Jidosha Kabushiki Kaisha
No.2 Takaracho Kanagawa-Ku Yokohama-Shi Kanagawa-Ken Japan
(72) Name(s) of Designer(s): **Takashi Oka and Toshihiro Nishimura**
(45) Registration Date: **23 March 2006**
(30) Convention priority data:
(31) Number (32) Date (33) Country
2005-011071 14 Apr 2005 JAPAN
(56) Related Art Documents: **Not Applicable**
(57) Statement of Newness and Distinctiveness: **Nil**



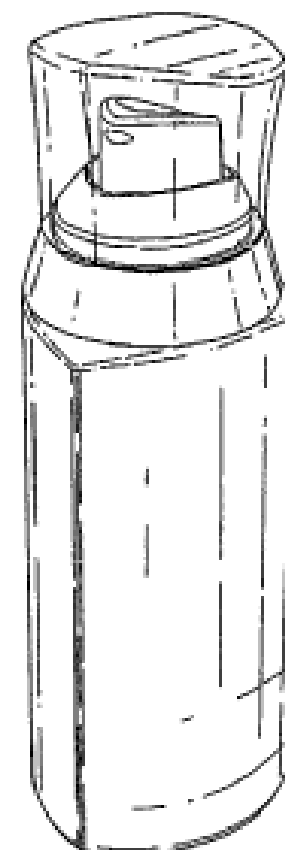
(21) Design Number: **14212/2005**
(22) Date of Filing Application: **28 September 2005**
(24) Date from which industrial property rights may have effect: **28 September 2005**
(54) Product in respect of which the design is registered: **Radiator grill for automobile**
(51) International Design Classification: **12-16B**
(71) Name(s) and Address(s) of Applicant(s):
Nissan Jidosha Kabushiki Kaisha
No.2 Takaracho Kanagawa-Ku Yokohama-Shi Kanagawa-Ken Japan
(72) Name(s) of Designer(s): **Takashi Oka and Toshihiro Nishimura**
(45) Registration Date: **23 March 2006**
(30) Convention priority data:
(31) Number (32) Date (33) Country
2005-011073 14 Apr 2005 JAPAN
(56) Related Art Documents: **Not Applicable**
(57) Statement of Newness and Distinctiveness: **Nil**



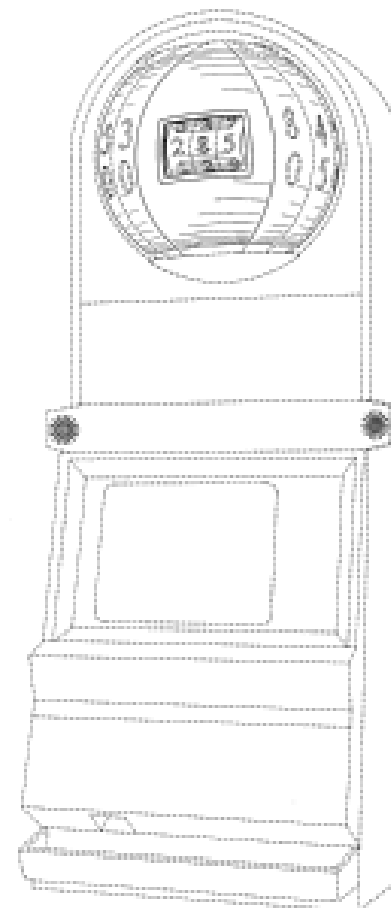
(21) Design Number: **15132/2005**
(22) Date of Filing Application: **21 November 2005**
(24) Date from which industrial property rights may have effect: **21 November 2005**
(54) Product in respect of which the design is registered: **Writing instrument**
(51) International Design Classification: **19-06**
(71) Name(s) and Address(s) of Applicant(s):
Reynolds
2 Place Edmond Regnault BP 30 Valence Cedex 9 26901 France
(72) Name(s) of Designer(s): **Fabrice Gallay and Shandra Ariel**
(45) Registration Date: **23 March 2006**
(30) Convention priority data:
(31) Number (32) Date (33) Country
000400411-0001 14 Sep 2005 EUROPEAN COMMUNITY
(56) Related Art Documents: **Not Applicable**
(57) Statement of Newness and Distinctiveness: **Nil**



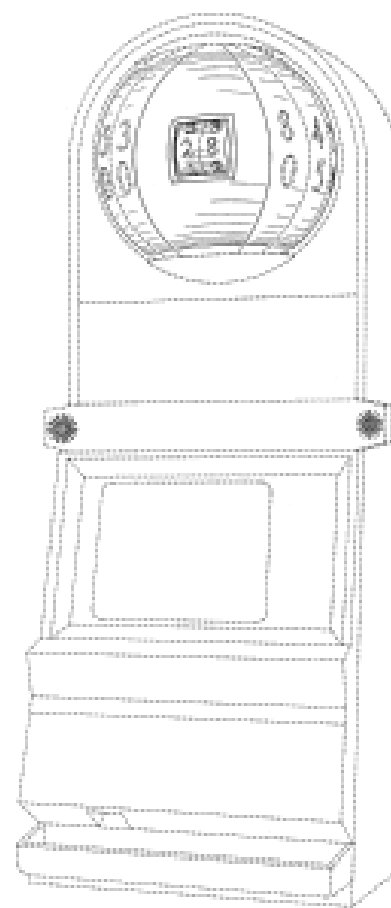
(21) Design Number: **11792/2005**
(22) Date of Filing Application: **28 April 2005**
(24) Date from which industrial property rights may have effect: **28 April 2005**
(54) Product in respect of which the design is registered: **Container**
(51) International Design Classification: **09-01A**
(71) Name(s) and Address(s) of Applicant(s):
The Procter & Gamble Company
One Procter & Gamble Plaza Cincinnati Ohio 45202 United States of America
(72) Name(s) of Designer(s): **Tanya Nicole Blasko and Erica Heidi Hollmann and Stacy Alycia Thomas**
(45) Registration Date: **28 March 2006**
(30) Convention priority data:
(31) Number (32) Date (33) Country
29/216,510 04 Nov 2004 UNITED STATES OF AMERICA
(56) Related Art Documents: **Not Applicable**
(57) Statement of Newness and Distinctiveness: **Those visual features of the container depicted in the representations that are new and distinctive are the shape and/or configuration**



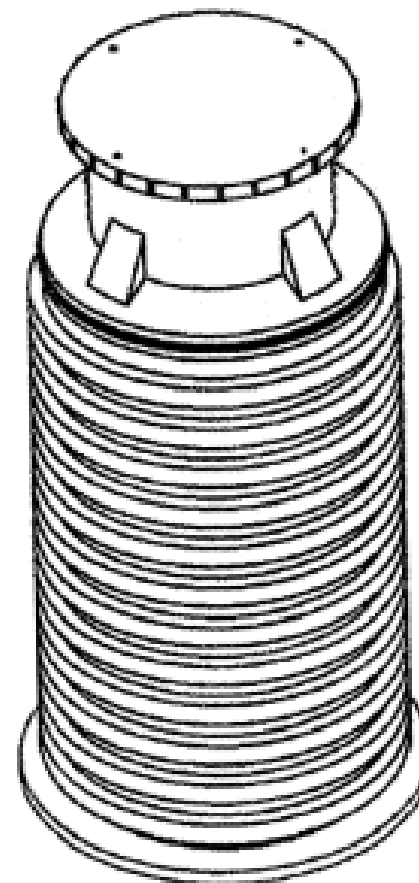
(21) Design Number: **13316/2005**
 (22) Date of Filing Application: **03 August 2005**
 (24) Date from which industrial property rights may have effect: **10 March 2004**
 (54) Product in respect of which the design is registered: **A gaming device**
 (51) International Design Classification: **21-03**
 (71) Name(s) and Address(s) of Applicant(s):
IGT
9295 Prototype Drive Reno Nevada 89521 United States of America
 (72) Name(s) of Designer(s): **Anthony J. Baerlocher**
 (45) Registration Date: **28 March 2006**
 (30) Convention priority data:
 (31) Number (32) Date (33) Country
29/189,886 10 Sep 2003 UNITED STATES OF AMERICA
 (62) Divisional of: **158423**
 (56) Related Art Documents: **Not Applicable**
 (57) Statement of Newness and Distinctiveness: **In considering the extent of the monopoly sought, those features shown in phantom and the two "star" features are to be disregarded.**



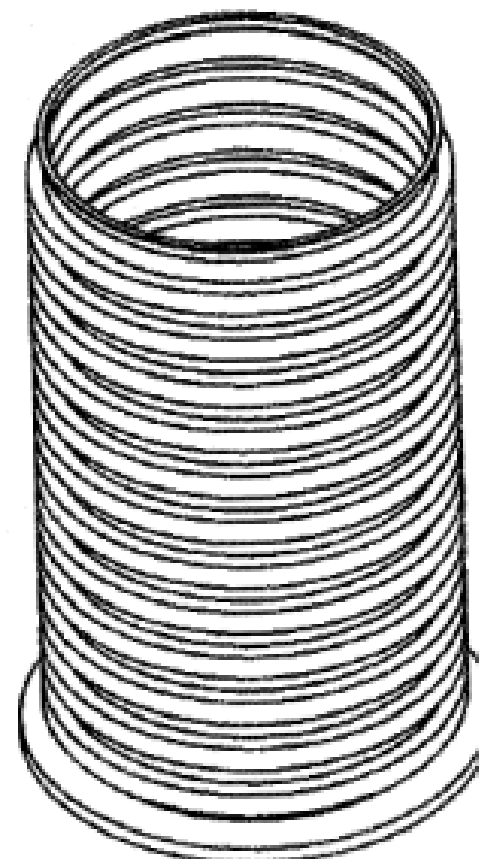
(21) Design Number: **13317/2005**
 (22) Date of Filing Application: **03 August 2005**
 (24) Date from which industrial property rights may have effect: **10 March 2004**
 (54) Product in respect of which the design is registered: **A gaming device**
 (51) International Design Classification: **21-03**
 (71) Name(s) and Address(s) of Applicant(s):
IGT
9295 Prototype Drive Reno Nevada 89521 United States of America
 (72) Name(s) of Designer(s): **Anthony J. Baerlocher**
 (45) Registration Date: **28 March 2006**
 (30) Convention priority data:
 (31) Number (32) Date (33) Country
29/189,886 10 Sep 2003 UNITED STATES OF AMERICA
 (62) Divisional of: **158423**
 (56) Related Art Documents: **Not Applicable**
 (57) Statement of Newness and Distinctiveness: **In considering the extent of the monopoly sought, those features shown in phantom and the two "star" features are to be disregarded.**



- (21) Design Number: **13604/2005**
- (22) Date of Filing Application: **22 August 2005**
- (24) Date from which industrial property rights may have effect: **22 August 2005**
- (54) Product in respect of which the design is registered: **Gas cylinder canister with neck and lid**
- (51) International Design Classification: **09-01A**
- (71) Name(s) and Address(s) of Applicant(s):
Elgas Limited
Level 1 10-18 Cliff Street Milsons Point New South Wales 2061
Australia
- (72) Name(s) of Designer(s): **Bill Ramsay**
- (45) Registration Date: **28 March 2006**
- (56) Related Art Documents: **Not Applicable**
- (57) Statement of Newness and Distinctiveness: **Nil**



- (21) Design Number: **13605/2005**
- (22) Date of Filing Application: **22 August 2005**
- (24) Date from which industrial property rights may have effect: **22 August 2005**
- (54) Product in respect of which the design is registered: **Gas cylinder canister**
- (51) International Design Classification: **09-01A**
- (71) Name(s) and Address(s) of Applicant(s):
Elgas Limited
Level 1 10-18 Cliff Street Milsons Point New South Wales 2061
Australia
- (72) Name(s) of Designer(s): **Bill Ramsay**
- (45) Registration Date: **28 March 2006**
- (56) Related Art Documents: **Not Applicable**
- (57) Statement of Newness and Distinctiveness: **Nil**



(21) Design Number: **13606/2005**

(22) Date of Filing Application: **22 August 2005**

(24) Date from which industrial property rights may have effect: **22 August 2005**

(54) Product in respect of which the design is registered: **Gas cylinder canister neck**

(51) International Design Classification: **09-01A**

(71) Name(s) and Address(s) of Applicant(s):

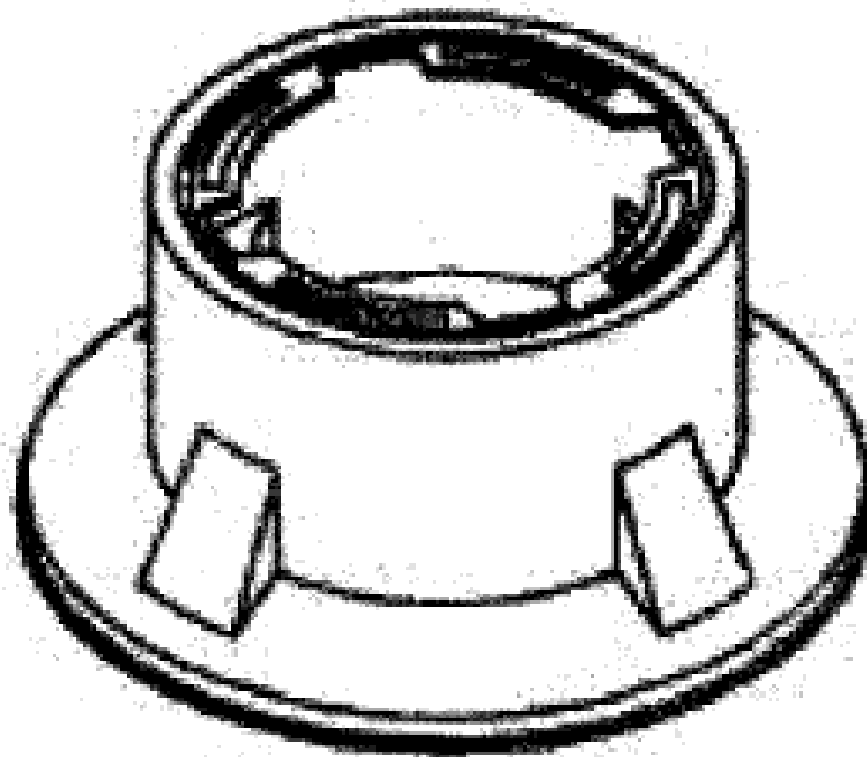
Elgas Limited
Level 1 10-18 Cliff Street Milsons Point New South Wales 2061
Australia

(72) Name(s) of Designer(s): **Bill Ramsay**

(45) Registration Date: **28 March 2006**

(56) Related Art Documents: **Not Applicable**

(57) Statement of Newness and Distinctiveness: **Nil**



(21) Design Number: **13607/2005**

(22) Date of Filing Application: **22 August 2005**

(24) Date from which industrial property rights may have effect: **22 August 2005**

(54) Product in respect of which the design is registered: **Gas cylinder canister lid**

(51) International Design Classification: **09-01A**

(71) Name(s) and Address(s) of Applicant(s):

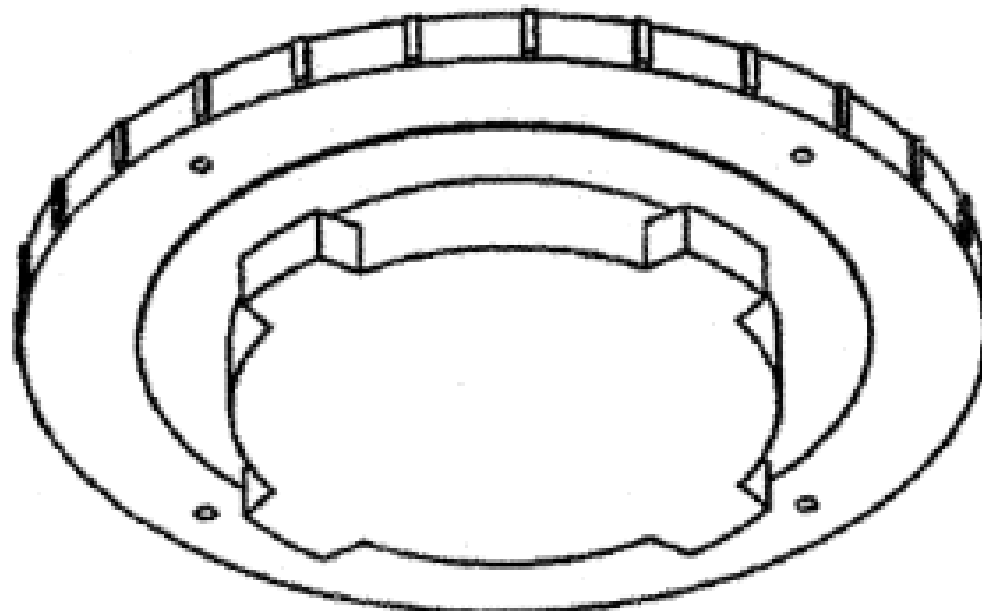
Elgas Limited
Level 1 10-18 Cliff Street Milsons Point New South Wales 2061
Australia

(72) Name(s) of Designer(s): **Bill Ramsay**

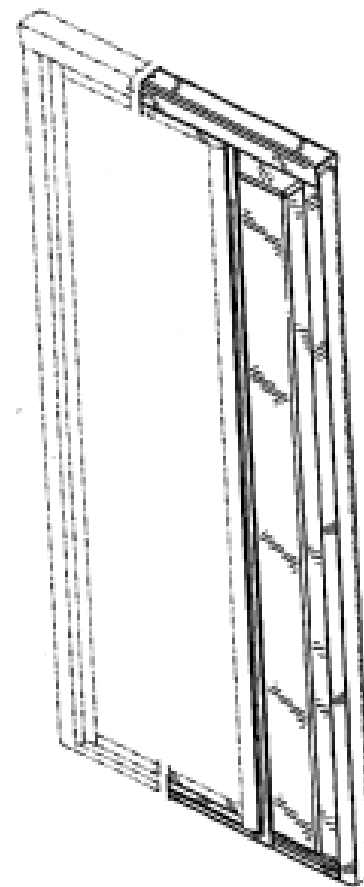
(45) Registration Date: **28 March 2006**

(56) Related Art Documents: **Not Applicable**

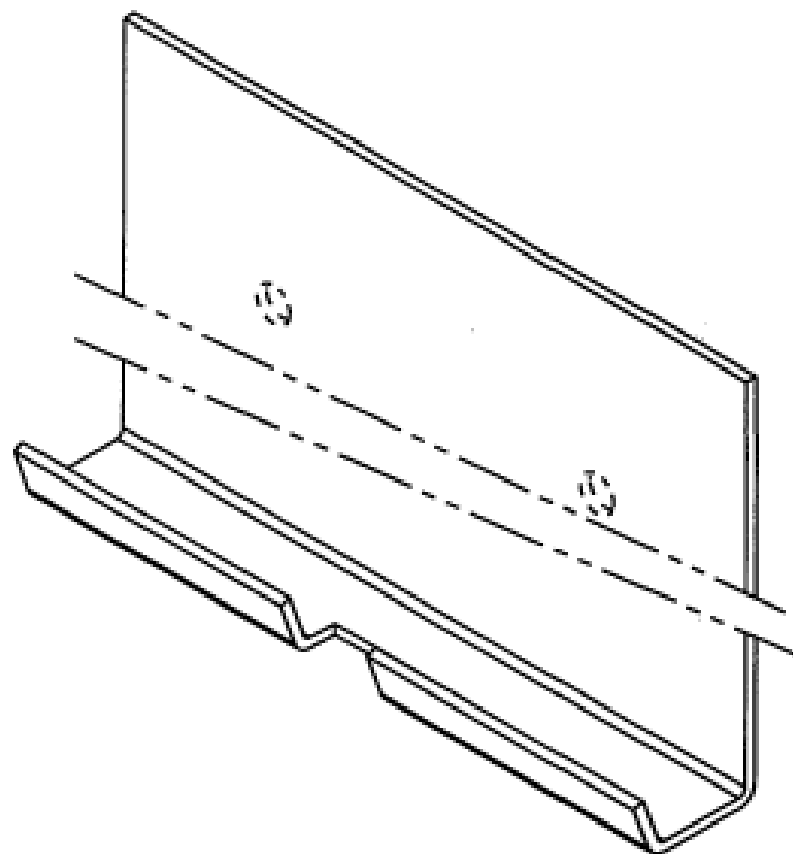
(57) Statement of Newness and Distinctiveness: **Nil**



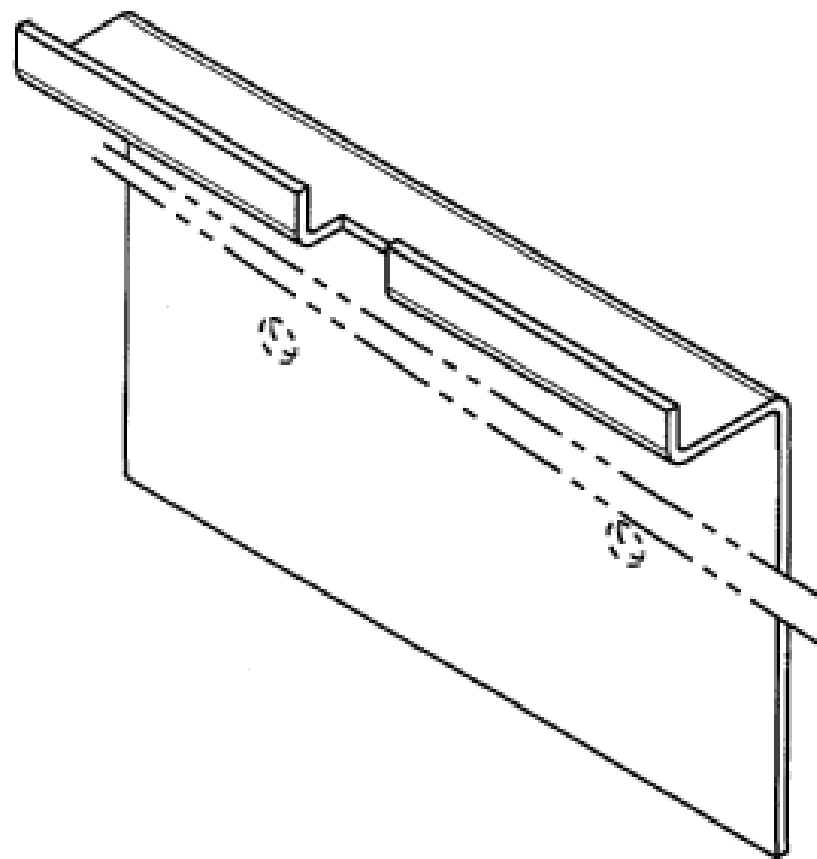
- (21) Design Number: **13625/2005**
(22) Date of Filing Application: **23 August 2005**
(24) Date from which industrial property rights may have effect: **23 August 2005**
(54) Product in respect of which the design is registered: **Storage closure**
(51) International Design Classification: **06-04NES, 23-02B**
(71) Name(s) and Address(s) of Applicant(s):
Kohler Co.
444 Highland Drive Kohler WI 53044 United States of America
(72) Name(s) of Designer(s): **Mike Y. Daikubara and Mark A. Johnson and Jennifer L. Wenzel and Jody L. Uecke and Steven J. Wietrzny**
(45) Registration Date: **28 March 2006**
(30) Convention priority data:
(31) Number (32) Date (33) Country
29/223964 23 Feb 2005 UNITED STATES OF AMERICA
(56) Related Art Documents: **Not Applicable**
(57) Statement of Newness and Distinctiveness: **When determining whether the design is substantially similar in overall impression to another design, no regard is to be had to those features shown in dotted outline in the accompanying drawings of the storage closure.**



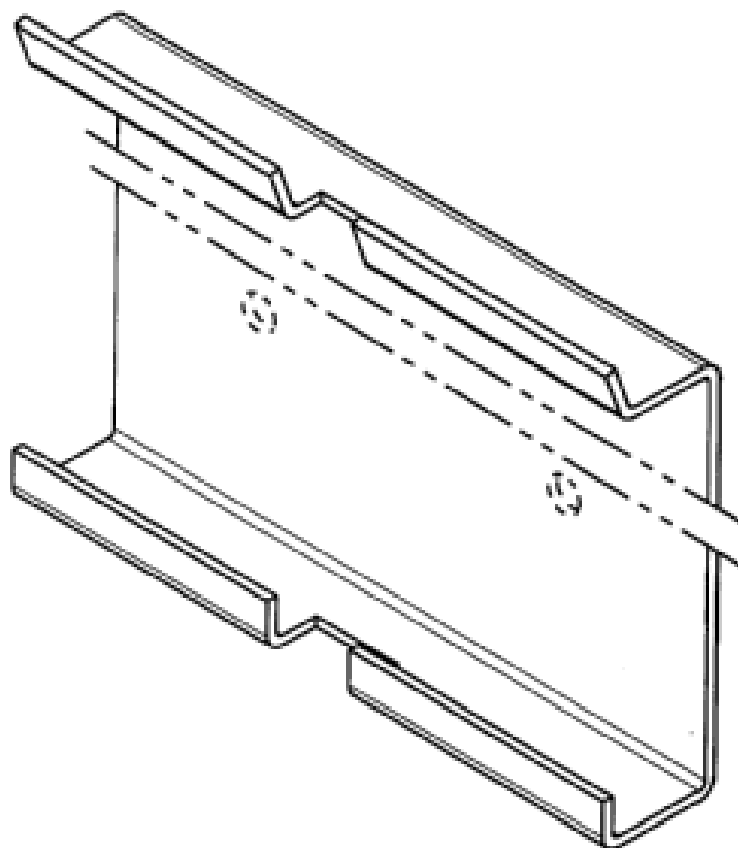
- (21) Design Number: **13746/2005**
(22) Date of Filing Application: **31 August 2005**
(24) Date from which industrial property rights may have effect: **31 August 2005**
(54) Product in respect of which the design is registered: **Facade Clip**
(51) International Design Classification: **08-08C, 25-01G**
(71) Name(s) and Address(s) of Applicant(s):
The Austral Brick Company Limited
Wallgrove Road Horsley Park New South Wales 2164 Australia
(72) Name(s) of Designer(s): **Catherine Mary Inglis and Gareth Winstanley and John Perry**
(45) Registration Date: **28 March 2006**
(56) Related Art Documents: **Not Applicable**
(57) Statement of Newness and Distinctiveness: **Those visual features of the clip depicted in the representations that are new and distinctive are the shape and/or configuration. The features shown in broken line are not part of the design and are to be disregarded when considering the overall impression of the design. The clip depicted in the representations may be of any height.**



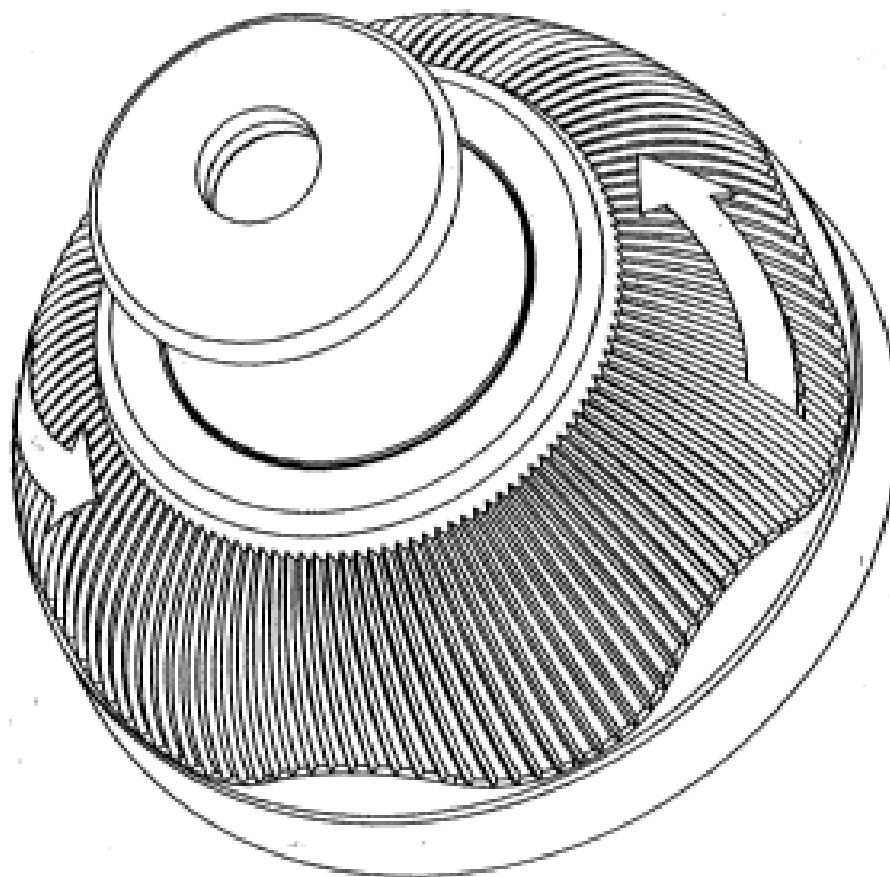
- (21) Design Number: **13747/2005**
(22) Date of Filing Application: **31 August 2005**
(24) Date from which industrial property rights may have effect: **31 August 2005**
(54) Product in respect of which the design is registered: **Facade Clip**
(51) International Design Classification: **08-08C, 25-01G**
(71) Name(s) and Address(s) of Applicant(s):
The Austral Brick Company Pty Ltd
Wallgrove Road Horsley Park New South Wales 2164 Australia
(72) Name(s) of Designer(s): **Catherine Mary Inglis and Gareth Winstanley and John Perry**
(45) Registration Date: **28 March 2006**
(56) Related Art Documents: **Not Applicable**
(57) Statement of Newness and Distinctiveness: **Those visual features of the clip depicted in the representations that are new and distinctive are the shape and/or configuration. The features shown in broken line are not part of the design and are to be disregarded when considering the overall impression of the design. The clip depicted in the representations may be of any height.**



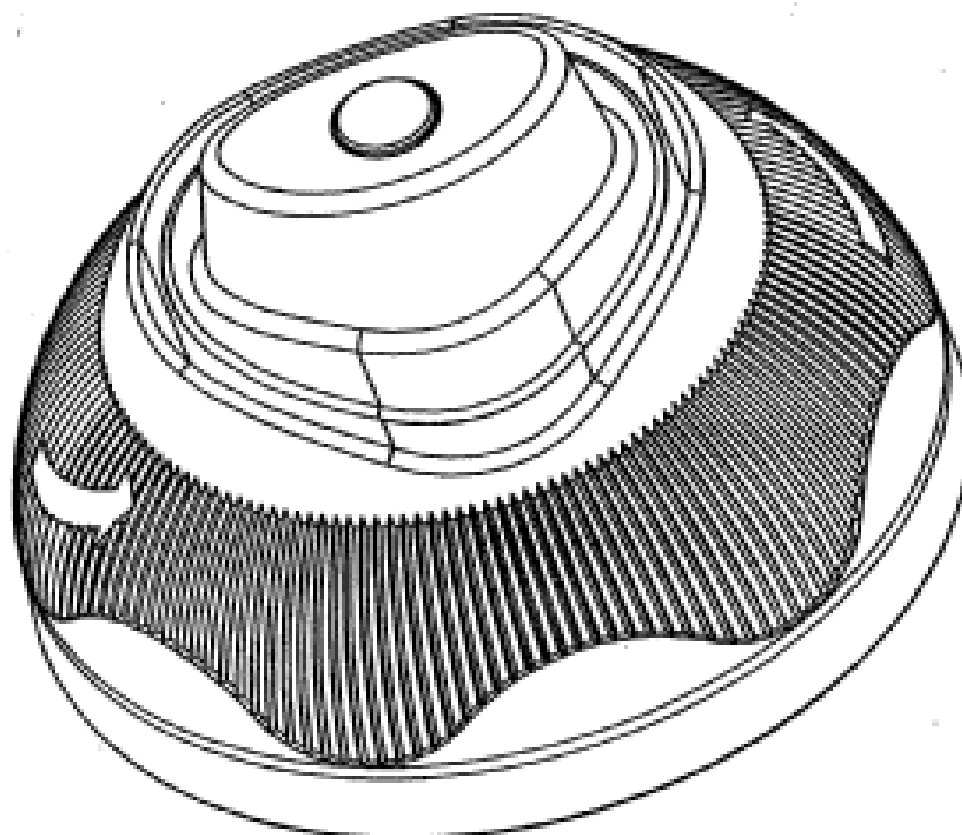
- (21) Design Number: **13748/2005**
(22) Date of Filing Application: **31 August 2005**
(24) Date from which industrial property rights may have effect: **31 August 2005**
(54) Product in respect of which the design is registered: **Facade Clip**
(51) International Design Classification: **08-08C, 25-01G**
(71) Name(s) and Address(s) of Applicant(s):
The Austral Brick Company Pty Ltd
Wallgrove Road Horsley Park New South Wales 2164 Australia
(72) Name(s) of Designer(s): **Catherine Mary Inglis and Gareth Winstanley and John Perry**
(45) Registration Date: **28 March 2006**
(56) Related Art Documents: **Not Applicable**
(57) Statement of Newness and Distinctiveness: **Those visual features of the clip depicted in the representations that are new and distinctive are the shape and/or configuration. The features shown in broken line are not part of the design and are to be disregarded when considering the overall impression of the design. The clip depicted in the representations may be of any height.**



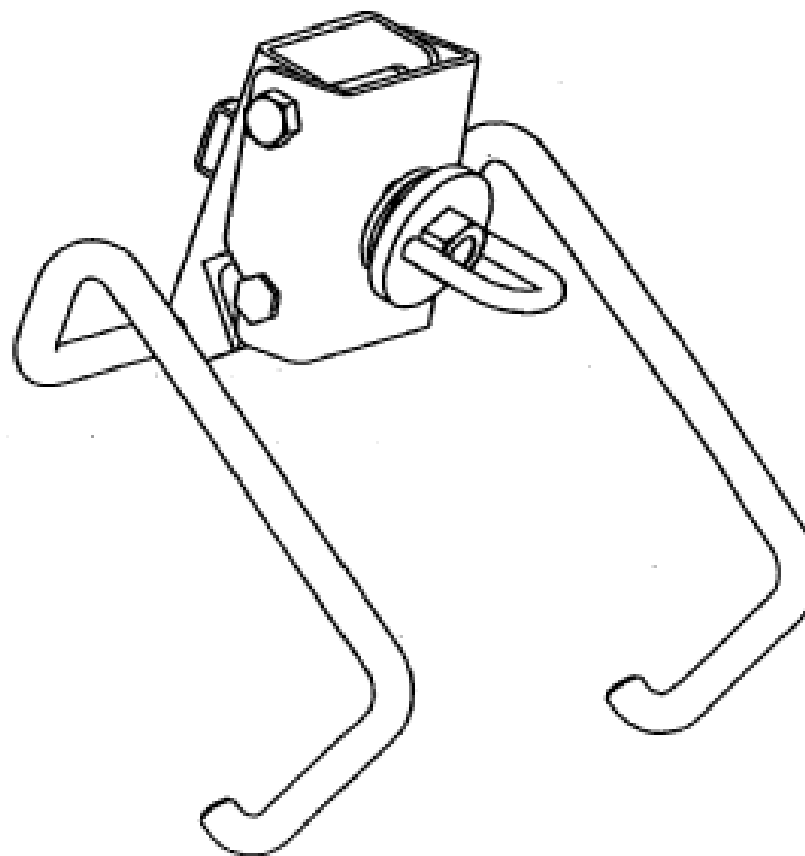
(21) Design Number: **13765/2005**
(22) Date of Filing Application: **02 September 2005**
(24) Date from which industrial property rights may have effect: **02 September 2005**
(54) Product in respect of which the design is registered: **A dispensing closure assembly**
(51) International Design Classification: **09-07A**
(71) Name(s) and Address(s) of Applicant(s):
Sistema Plastics Limited
80 Hugo Johnston Drive Penrose Auckland New Zealand
(72) Name(s) of Designer(s): **Brendan Jon Lindsay**
(45) Registration Date: **28 March 2006**
(30) Convention priority data:
(31) Number (32) Date (33) Country
405944 04 Mar 2005 NEW ZEALAND
(56) Related Art Documents: **Not Applicable**
(57) Statement of Newness and Distinctiveness: **Nil**



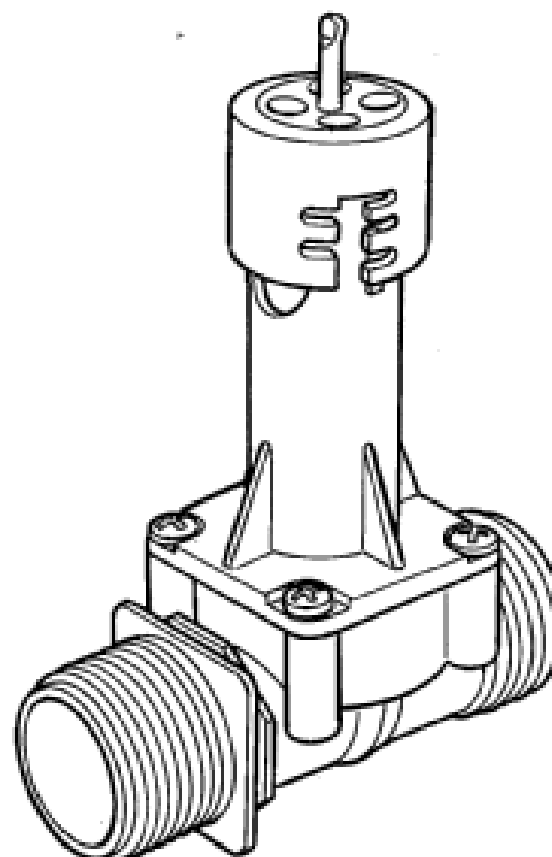
(21) Design Number: **13766/2005**
(22) Date of Filing Application: **02 September 2005**
(24) Date from which industrial property rights may have effect: **02 September 2005**
(54) Product in respect of which the design is registered: **A dispensing closure assembly**
(51) International Design Classification: **09-07A**
(71) Name(s) and Address(s) of Applicant(s):
Sistema Plastics Limited
80 Hugo Johnston Drive Penrose Auckland New Zealand
(72) Name(s) of Designer(s): **Brendan John Lindsay**
(45) Registration Date: **28 March 2006**
(30) Convention priority data:
(31) Number (32) Date (33) Country
405943 04 Mar 2005 NEW ZEALAND
(56) Related Art Documents: **Not Applicable**
(57) Statement of Newness and Distinctiveness: **Nil**



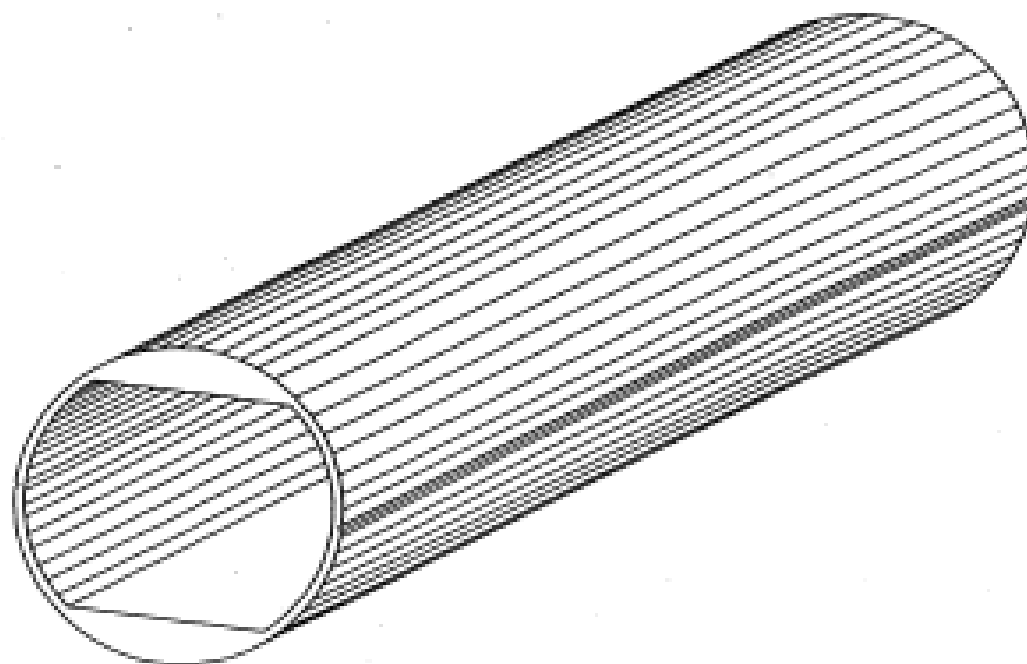
- (21) Design Number: **13814/2005**
(22) Date of Filing Application: **07 September 2005**
(24) Date from which industrial property rights may have effect: **07 September 2005**
(54) Product in respect of which the design is registered: **An electrical conductor clamp**
(51) International Design Classification: **13-03B**
(71) Name(s) and Address(s) of Applicant(s):
CKI Utilities Development Limited
Unit 3 (1) 3rd Floor Main Office Tower Financial Park Labuan Complex
Jln Merdeka 87000 WP Malaysia
HEI Utilities Development Limited
Unit 3 (1) 3rd Floor Main Office Tower Financial Park Labuan Complex
Jln Merdeka 87000 WP Malaysia
CKI Utilities Holdings Limited
Unit 3(1) 3rd Floor Main Office Tower Financial Park Labuan Complex
Jln Merdeka 87000 WP Malaysia
HEI Utilities Holdings Limited
Unit 3(1) 3rd Floor Main Office Tower Financial Park Labuan Complex
Jln Merdeka 87000 WP Malaysia
CKI/HEI Utilities Distribution Limited
Unit 3(1) 3rd Floor Main Office Tower Financial Park Labuan Complex
Jln Merdeka 87000 WP Malaysia
(72) Name(s) of Designer(s): **Peter Heinjus and Darien Just and Jihad Ali**
(45) Registration Date: **28 March 2006**
(56) Related Art Documents: **Not Applicable**
(57) Statement of Newness and Distinctiveness: **Newness and distinctiveness is claimed in the features of shape and configuration of an electrical conductor clamp as shown in the accompanying representations.**



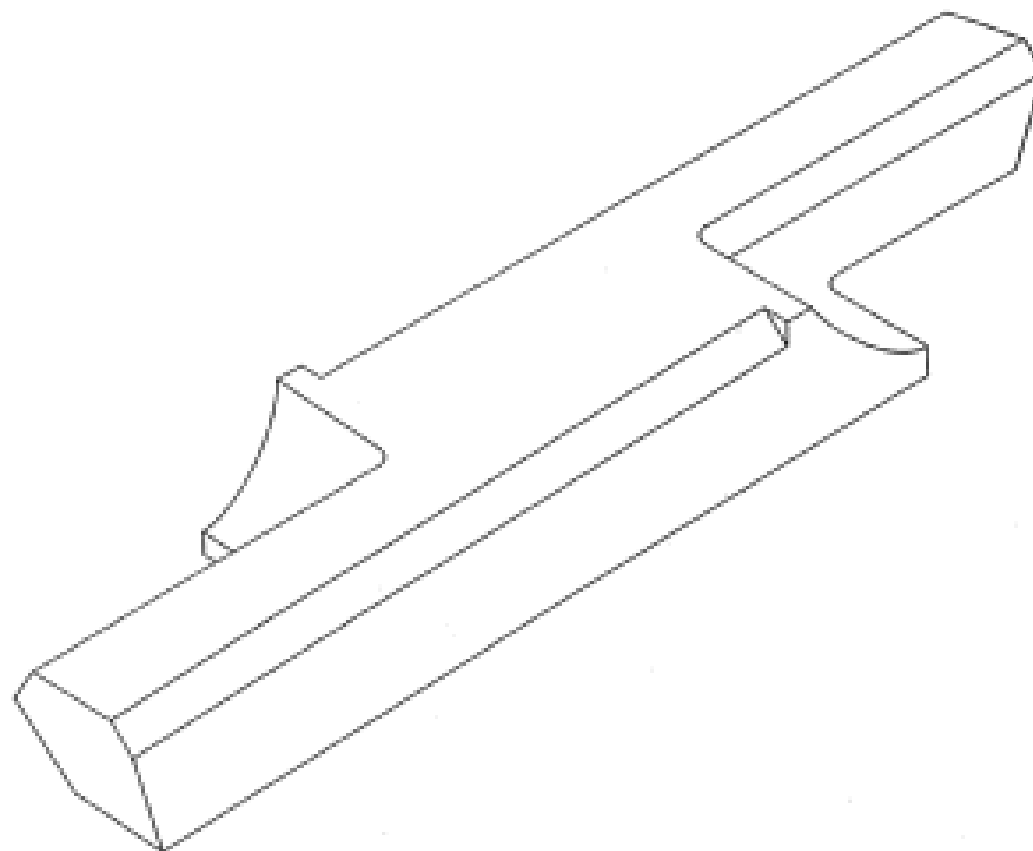
- (21) Design Number: **13815/2005**
(22) Date of Filing Application: **07 September 2005**
(24) Date from which industrial property rights may have effect: **07 September 2005**
(54) Product in respect of which the design is registered: **A valve**
(51) International Design Classification: **23-01K**
(71) Name(s) and Address(s) of Applicant(s):
Toro Australia Pty Limited
53 Howards Road Beverley South Australia 5009 Australia
(72) Name(s) of Designer(s): **Chris Appleton**
(45) Registration Date: **28 March 2006**
(56) Related Art Documents: **Not Applicable**
(57) Statement of Newness and Distinctiveness: **The newness and distinctiveness of the design resides in its shape and configuration as illustrated in the accompanying representations.**



- (21) Design Number: **13875/2005**
(22) Date of Filing Application: **09 September 2005**
(24) Date from which industrial property rights may have effect: **09 September 2005**
(54) Product in respect of which the design is registered: **A balustrading post**
(51) International Design Classification: **25-02A**
(71) Name(s) and Address(s) of Applicant(s):
Prodrome Designs Pty Ltd
468 Stuart Highway Winnellie Northern Territory 0820 Australia
(72) Name(s) of Designer(s): **John Koukouvas**
(45) Registration Date: **28 March 2006**
(56) Related Art Documents: **Not Applicable**
(57) Statement of Newness and Distinctiveness: **Newness and distinctiveness resides in the features of shape and configuration of a balustrading post of indefinite length as shown in the accompanying representations.**



- (21) Design Number: **13918/2005**
(22) Date of Filing Application: **09 September 2005**
(24) Date from which industrial property rights may have effect: **09 September 2005**
(54) Product in respect of which the design is registered: **Weld-On Pad for Track Links**
(51) International Design Classification: **12-15NES, 15-04**
(71) Name(s) and Address(s) of Applicant(s):
Trackex Pty Ltd
295 McDougall Street Wilsonton Queensland 4350 Australia
(72) Name(s) of Designer(s): **Steven Tate and Brian McRae and Arthur McNae**
(45) Registration Date: **28 March 2006**
(56) Related Art Documents: **Not Applicable**
(57) Statement of Newness and Distinctiveness: **The new and distinctive features of the design are the shape and configuration of a pad for a track link as shown in the representations.**



(21) Design Number: **14011/2005**

(22) Date of Filing Application: **16 September 2005**

(24) Date from which industrial property rights may have effect: **19 March 2004**

(54) Product in respect of which the design is registered: **Bottle**

(51) International Design Classification: **09-01NES**

(71) Name(s) and Address(s) of Applicant(s):

Stokely-Van Camp, Inc.
555 W. Monroe Street Suite 11-12 Chicago Illinois 60661 United States of America

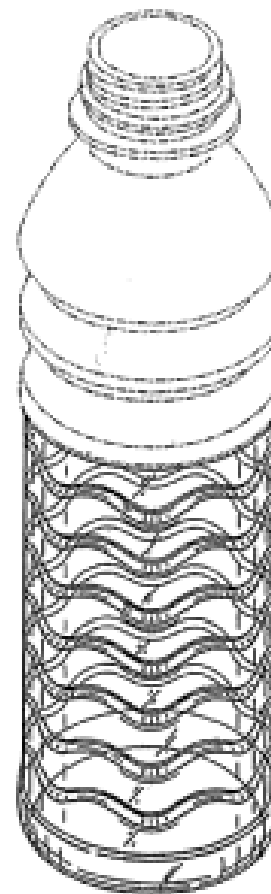
(72) Name(s) of Designer(s): **Gerald Zboch and Tracy M. Momany and Robert J. Groll**

(45) Registration Date: **28 March 2006**

(62) Divisional of: **158305**

(56) Related Art Documents: **Not Applicable**

(57) Statement of Newness and Distinctiveness: **Newness and distinctiveness is claimed in those features of shape and/or configuration of a bottle illustrated in continuous lines in the accompanying representations.**



(21) Design Number: **14140/2005**

(22) Date of Filing Application: **27 September 2005**

(24) Date from which industrial property rights may have effect: **27 September 2005**

(54) Product in respect of which the design is registered: **Fish tank**

(51) International Design Classification: **30-02**

(71) Name(s) and Address(s) of Applicant(s):

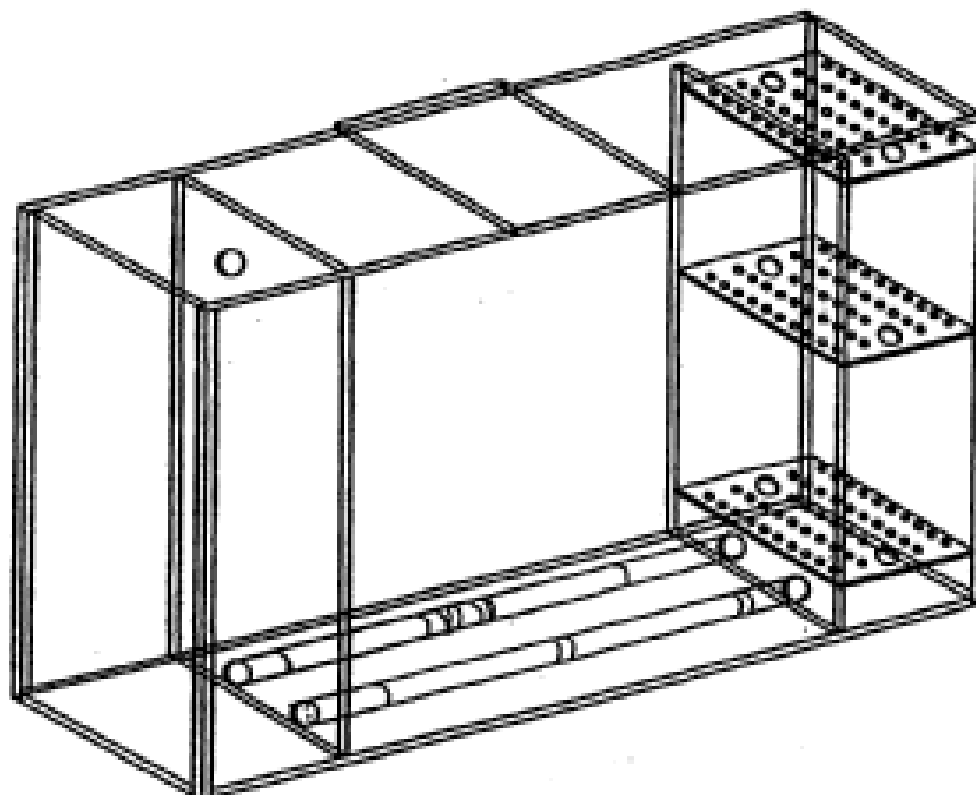
Ameline Cheong
9 Capua Place Avalon New South Wales 2107 Australia

(72) Name(s) of Designer(s): **Ameline Cheong**

(45) Registration Date: **28 March 2006**

(56) Related Art Documents: **Not Applicable**

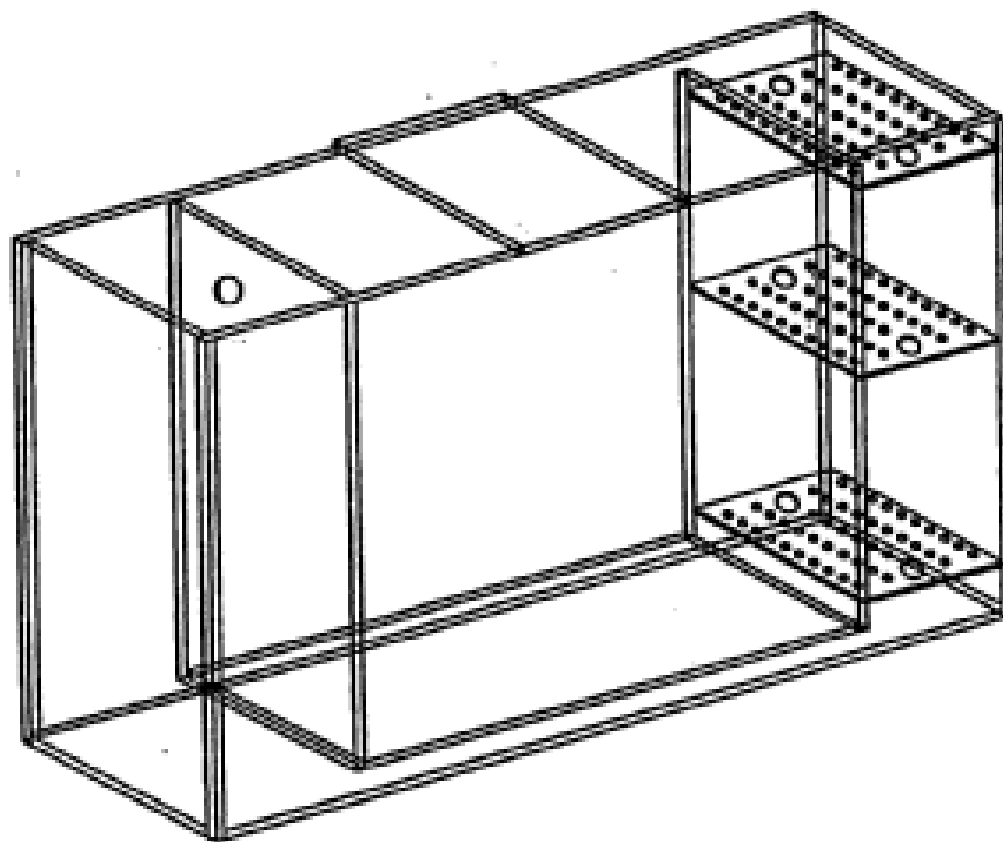
(57) Statement of Newness and Distinctiveness: **The features of the design for which novelty is claimed reside in the shape and configuration of the article as shown in the representations.**



(21) Design Number: **14141/2005**
(22) Date of Filing Application: **27 September 2005**
(24) Date from which industrial property rights may have effect: **27 September 2005**
(54) Product in respect of which the design is registered: **Fish tank**
(51) International Design Classification: **30-02**
(71) Name(s) and Address(s) of Applicant(s):

Ameline Cheong
9 Capua Place Avalon New South Wales 2107 Australia

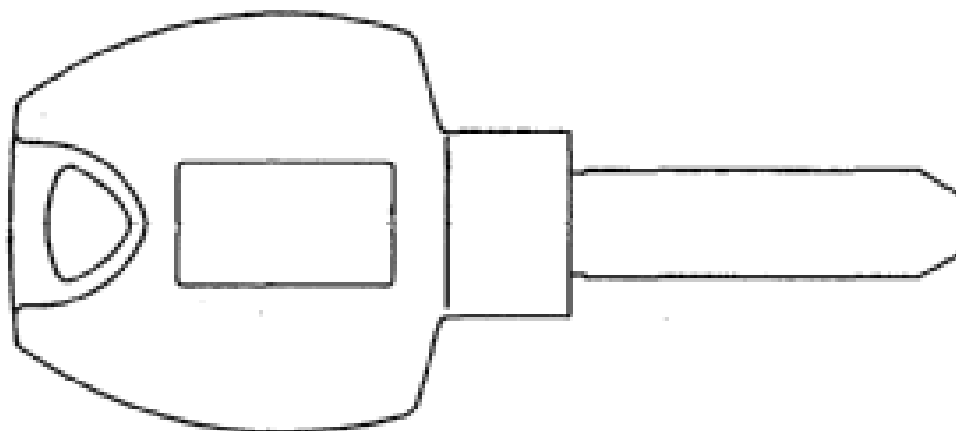
(72) Name(s) of Designer(s): **Ameline Cheong**
(45) Registration Date: **28 March 2006**
(56) Related Art Documents: **Not Applicable**
(57) Statement of Newness and Distinctiveness: **The features of the design for which novelty is claimed reside in the shape and configuration of the article as shown in the representations.**



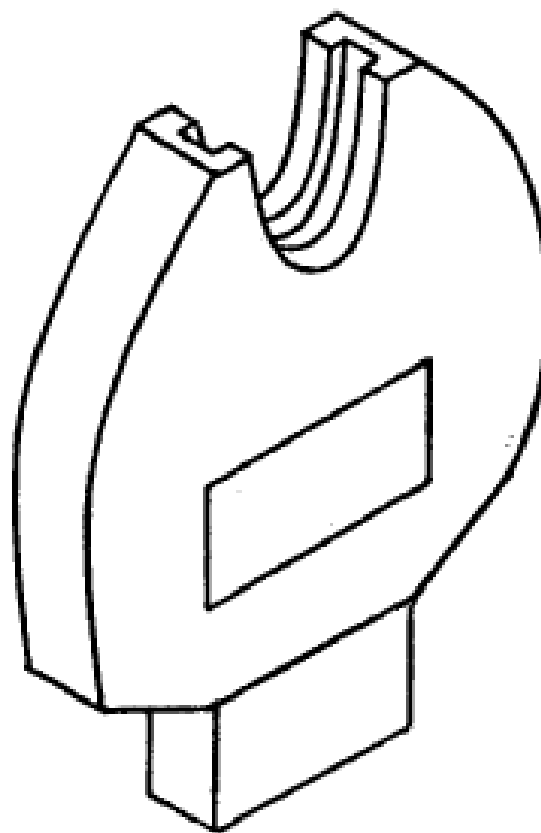
(21) Design Number: **14272/2005**
(22) Date of Filing Application: **29 September 2005**
(24) Date from which industrial property rights may have effect: **29 September 2005**
(54) Product in respect of which the design is registered: **Security key with cap and cap for a security key**
(51) International Design Classification: **08-07**
(71) Name(s) and Address(s) of Applicant(s):

Keso AG
Untere Schwandenstrasse 22 8805 Richterswil Switzerland

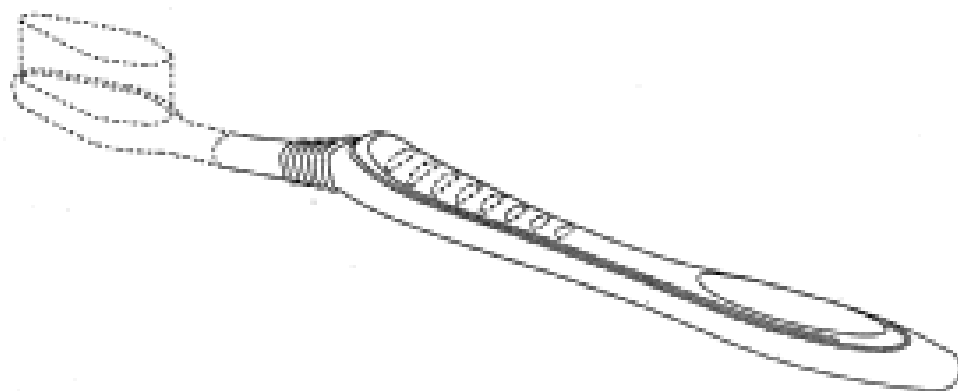
(72) Name(s) of Designer(s): **Ernst Keller and Bruno Vonlanthen and Urs Spani and Urs Oechslin**
(45) Registration Date: **28 March 2006**
(30) Convention priority data:
(31) Number (32) Date (33) Country
131.759 13 Apr 2005 SWITZERLAND
(56) Related Art Documents: **Not Applicable**
(57) Statement of Newness and Distinctiveness: **Nil**



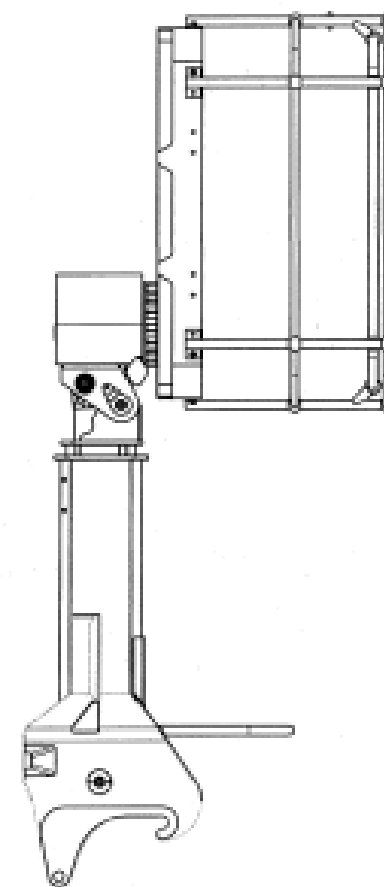
(21) Design Number: **14273/2005**
(22) Date of Filing Application: **29 September 2005**
(24) Date from which industrial property rights may have effect: **29 September 2005**
(54) Product in respect of which the design is registered: **Security key with cap and cap for a security key**
(51) International Design Classification: **08-07**
(71) Name(s) and Address(s) of Applicant(s):
Keso AG
Untere Schwandenstrasse 22 8805 Richterswil Switzerland
(72) Name(s) of Designer(s): **Ernst Keller and Bruno Vonlanthen and Urs Spani and Urs Oechslin**
(45) Registration Date: **28 March 2006**
(30) Convention priority data:
(31) Number (32) Date (33) Country
131.759 13 Apr 2005 SWITZERLAND
(56) Related Art Documents: **Not Applicable**
(57) Statement of Newness and Distinctiveness: **Nil**



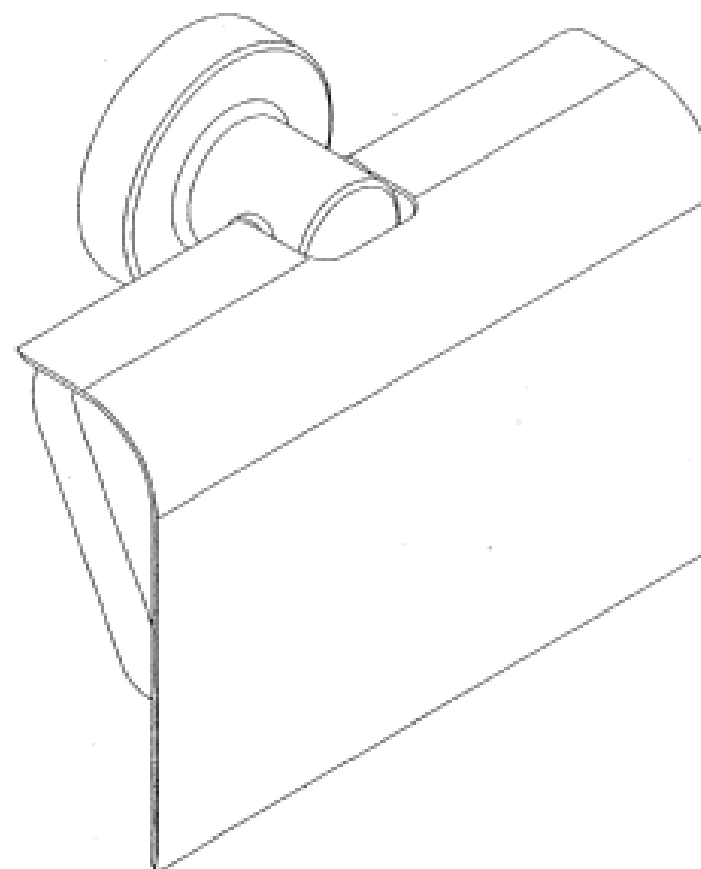
(21) Design Number: **14274/2005**
(22) Date of Filing Application: **29 September 2005**
(24) Date from which industrial property rights may have effect: **29 September 2005**
(54) Product in respect of which the design is registered: **Toothbrush**
(51) International Design Classification: **04-02**
(71) Name(s) and Address(s) of Applicant(s):
Colgate-Palmolive Company
300 Park Avenue New York New York 10022 United States of America
(72) Name(s) of Designer(s): **Robert Moskovich and Alan Sorrentino and Swanson Xi**
(45) Registration Date: **28 March 2006**
(30) Convention priority data:
(31) Number (32) Date (33) Country
29/226808 01 Apr 2005 UNITED STATES OF AMERICA
(56) Related Art Documents: **Not Applicable**
(57) Statement of Newness and Distinctiveness: **Each feature of the design shown in solid lines considered separately or in combination with any other feature or features shown in solid lines.**



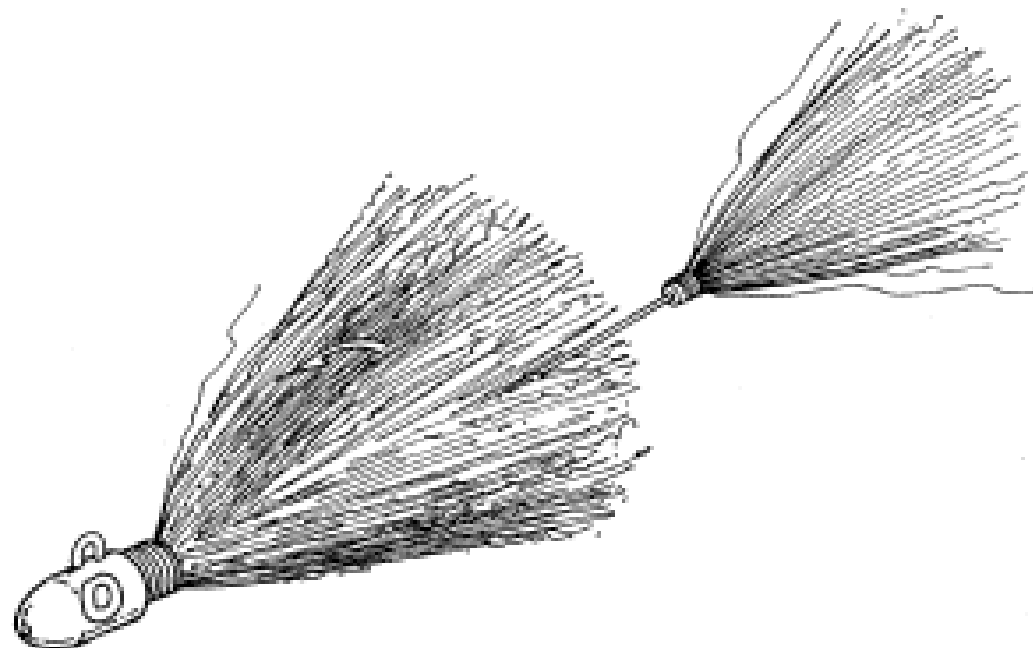
- (21) Design Number: **10719/2005**
(22) Date of Filing Application: **25 February 2005**
(24) Date from which industrial property rights may have effect: **25 February 2005**
(54) Product in respect of which the design is registered: **Telescopic integrated tool carrier man basket**
(51) International Design Classification: **12-05**
(71) Name(s) and Address(s) of Applicant(s):
Mine Consultants Australia Pty Ltd
2/228 Peak Hill Road Parkes New South Wales 2870 Australia
(72) Name(s) of Designer(s): **Paul David Barwick**
(45) Registration Date: **28 March 2006**
(56) Related Art Documents: **Not Applicable**
(57) Statement of Newness and Distinctiveness: **This man basket attachment enables convectional wheeled loaders to extend reach of man basket to 9-10 mtrs used in the mining industry underground.**



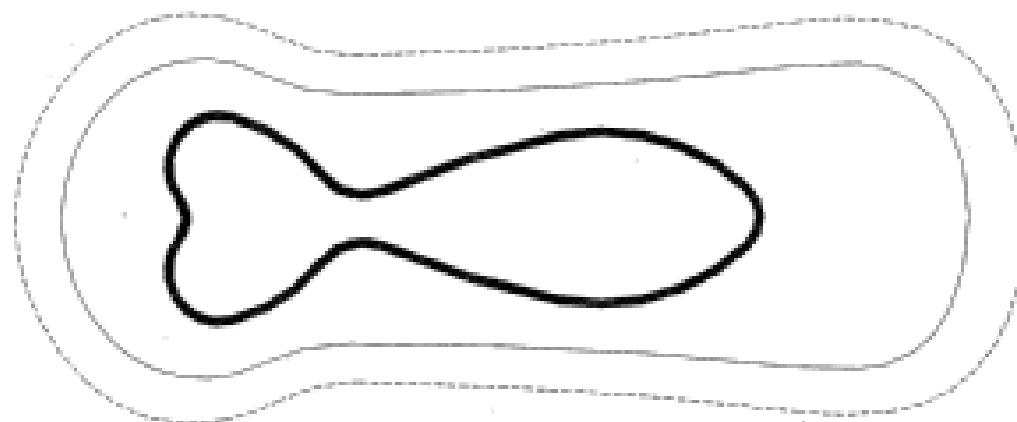
- (21) Design Number: **11609/2005**
(22) Date of Filing Application: **20 April 2005**
(24) Date from which industrial property rights may have effect: **20 April 2005**
(54) Product in respect of which the design is registered: **A toilet paper holder**
(51) International Design Classification: **23-02A**
(71) Name(s) and Address(s) of Applicant(s):
Sonia, S.A.
Ctra. de Barcelona 35 Bonrepos (Valencia) 46131 Spain
(72) Name(s) of Designer(s): **Jose Maria Ferrer Beltran**
(45) Registration Date: **28 March 2006**
(56) Related Art Documents: **Not Applicable**
(57) Statement of Newness and Distinctiveness: **Nil**



(21) Design Number: **11667/2005**
(22) Date of Filing Application: **27 April 2005**
(24) Date from which industrial property rights may have effect: **27 April 2005**
(54) Product in respect of which the design is registered: **Fishing lure**
(51) International Design Classification: **22-05**
(71) Name(s) and Address(s) of Applicant(s):
Halco Pty Ltd
8 Pakenham Street Fremantle Western Australia 6160 Australia
(72) Name(s) of Designer(s): **Benjamin Neil Patrick**
(45) Registration Date: **28 March 2006**
(56) Related Art Documents: **Not Applicable**
(57) Statement of Newness and Distinctiveness: **Nil**



(21) Design Number: **11783/2005**
(22) Date of Filing Application: **28 April 2005**
(24) Date from which industrial property rights may have effect: **28 April 2005**
(54) Product in respect of which the design is registered: **Sanitary towel**
(51) International Design Classification: **24-04**
(71) Name(s) and Address(s) of Applicant(s):
SCA Hygiene Products AB
S-405 03 Goteborg Sweden
(72) Name(s) of Designer(s): **Camilla Elfsberg and Anna Bagger-Sjoback**
(45) Registration Date: **28 March 2006**
(30) Convention priority data:
(31) Number (32) Date (33) Country
000258009-0001 12 Nov 2004 EUROPEAN PATENT OFFICE
(EP)
(56) Related Art Documents: **Not Applicable**
(57) Statement of Newness and Distinctiveness: **Nil**



(21) Design Number: **11791/2005**

(22) Date of Filing Application: **28 April 2005**

(24) Date from which industrial property rights may have effect: **28 April 2005**

(54) Product in respect of which the design is registered: **Container**

(51) International Design Classification: **09-01C**

(71) Name(s) and Address(s) of Applicant(s):

**The Procter & Gamble Company
One Procter & Gamble Plaza Cincinnati Ohio 45202 United States of
America**

(72) Name(s) of Designer(s): **Tanya Nicole Blasko and Erica Heidi Hollmann
and Stacy Alycia Thomas**

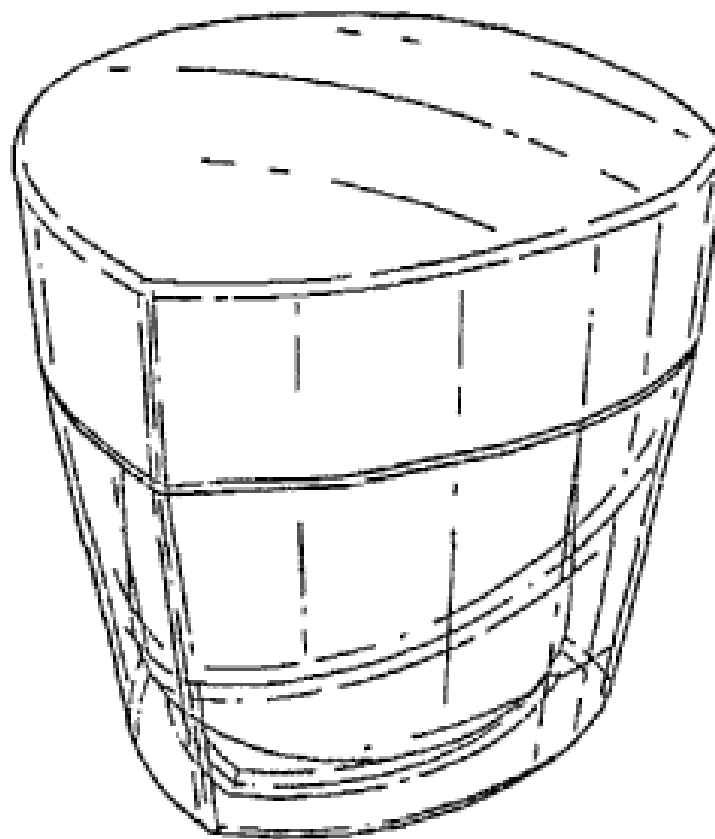
(45) Registration Date: **28 March 2006**

(30) Convention priority data:

(31) Number	(32) Date	(33) Country
29/216,506	04 Nov 2004	UNITED STATES OF AMERICA

(56) Related Art Documents: **Not Applicable**

(57) Statement of Newness and Distinctiveness: **Those visual features of the
container depicted in the representations that are new and distinctive are
the shape and/or configuration.**



(21) Design Number: **12221/2005**

(22) Date of Filing Application: **16 May 2005**

(24) Date from which industrial property rights may have effect: **16 May 2005**

(54) Product in respect of which the design is registered: **Corner piece for a wall**

(51) International Design Classification: **25-02E**

(71) Name(s) and Address(s) of Applicant(s):

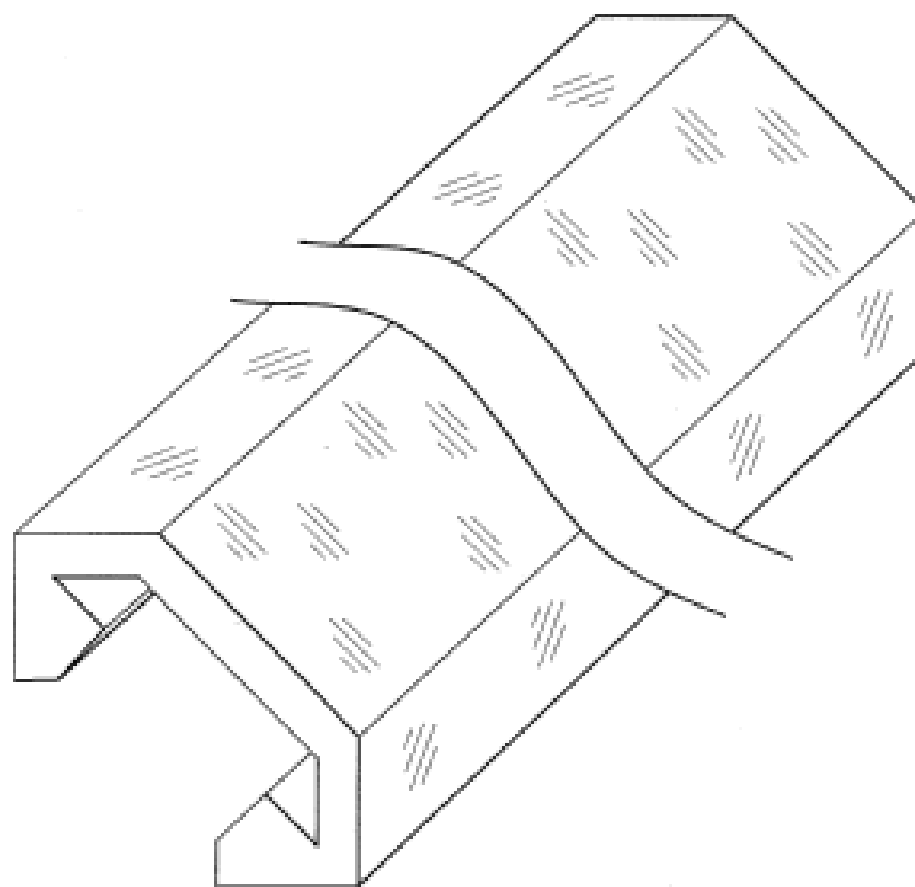
**B.A.T. Trims Pty Ltd
51-53 Nissan Drive Dandenong South Victoria 3175 Australia**

(72) Name(s) of Designer(s): **Gerhard Rudolf Flechsig**

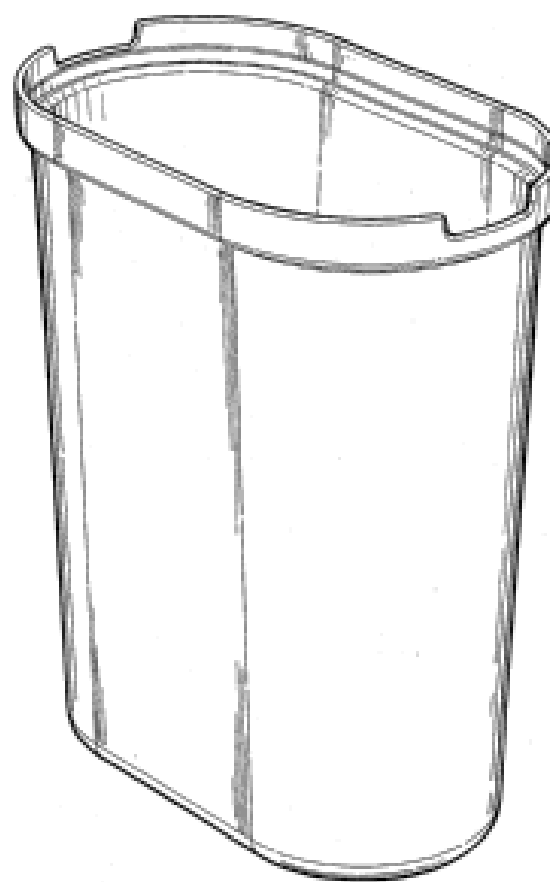
(45) Registration Date: **28 March 2006**

(56) Related Art Documents: **Not Applicable**

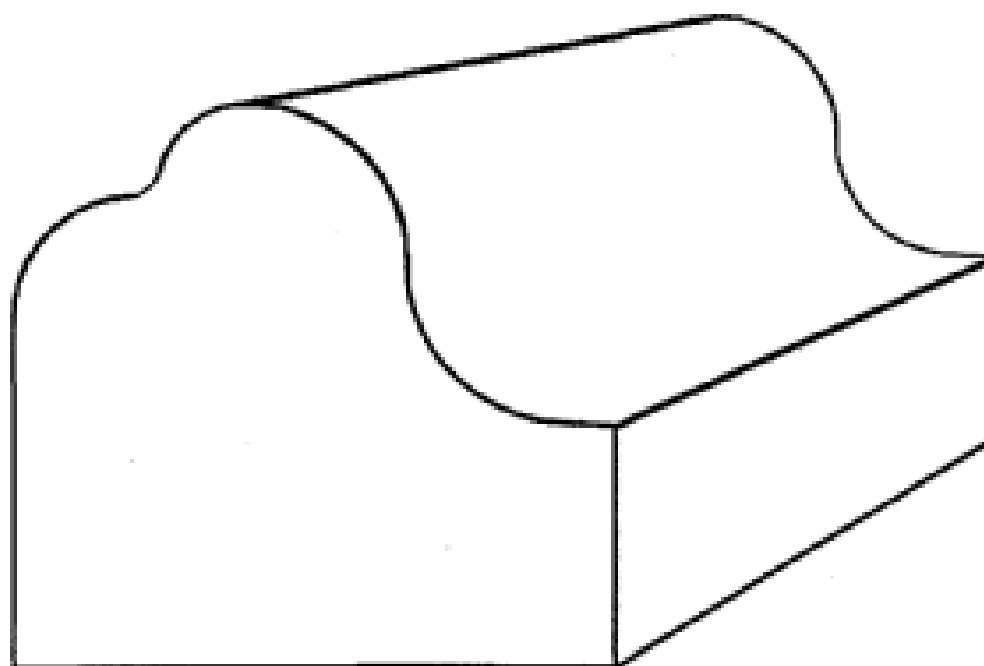
(57) Statement of Newness and Distinctiveness: **The statement of newness and
distinctiveness in respect of the design is in the features of shape and
configuration of a corner piece for a wall as shown in the accompanying
representations.**



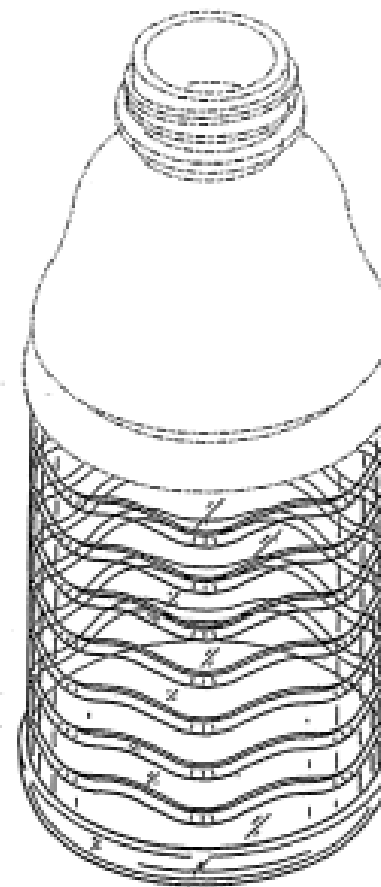
- (21) Design Number: **13069/2005**
(22) Date of Filing Application: **18 July 2005**
(24) Date from which industrial property rights may have effect: **18 July 2005**
(54) Product in respect of which the design is registered: **Tall container base**
(51) International Design Classification: **07-01NES**
(71) Name(s) and Address(s) of Applicant(s):
The Decor Corporation Pty Ltd
1314 Ferntree Gully Road Scoresby Victoria 3179 Australia
(72) Name(s) of Designer(s): **Arthur Richard Carlson**
(45) Registration Date: **28 March 2006**
(56) Related Art Documents: **Not Applicable**
(57) Statement of Newness and Distinctiveness: **Nil**



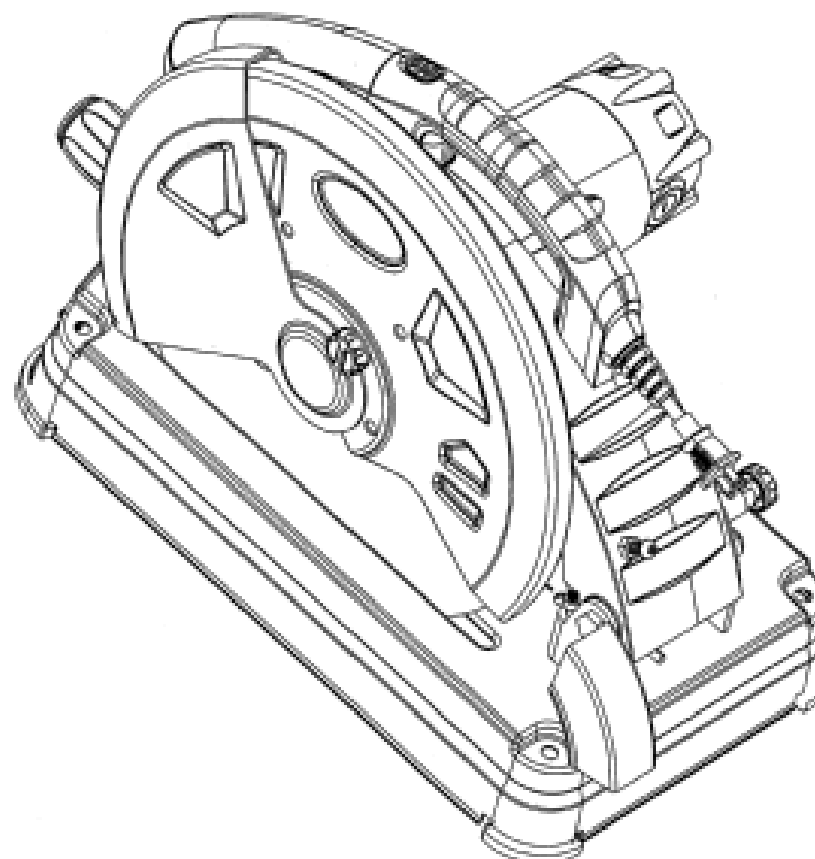
- (21) Design Number: **13990/2005**
(22) Date of Filing Application: **15 September 2005**
(24) Date from which industrial property rights may have effect: **15 September 2005**
(54) Product in respect of which the design is registered: **Product is intended to be applied as a neck orthotic**
(51) International Design Classification: **24-04**
(71) Name(s) and Address(s) of Applicant(s):
Adrian Dennewald
87 Bay Road Waverton New South Wales 2060 Australia
(72) Name(s) of Designer(s): **Adrian Dennewald**
(45) Registration Date: **28 March 2006**
(56) Related Art Documents: **Not Applicable**
(57) Statement of Newness and Distinctiveness: **The specific shape including the width, height, flat base, and diameter of the curvatures is distinctive in the identification of this new design.**



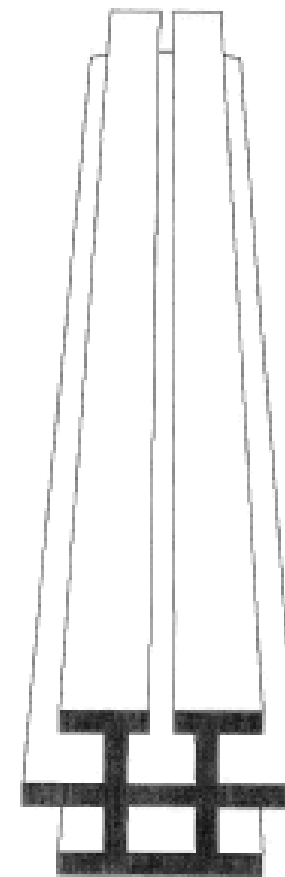
- (21) Design Number: **14010/2005**
(22) Date of Filing Application: **16 September 2005**
(24) Date from which industrial property rights may have effect: **19 March 2004**
(54) Product in respect of which the design is registered: **Bottle**
(51) International Design Classification: **09-01NES**
(71) Name(s) and Address(s) of Applicant(s):
Stokely-Van Camp, Inc.
555 W. Monroe Street Suite 11-12 Chicago Illinois 60661 United States of America
(72) Name(s) of Designer(s): **Gerald Zboch and Tracy M. Momany and Robert J. Groll**
(45) Registration Date: **28 March 2006**
(62) Divisional of: **158306**
(56) Related Art Documents: **Not Applicable**
(57) Statement of Newness and Distinctiveness: **Newness and distinctiveness is claimed in those features of shape and/or configuration of a bottle illustrated in continuous lines in the accompanying representations.**



- (21) Design Number: **14022/2005**
(22) Date of Filing Application: **19 September 2005**
(24) Date from which industrial property rights may have effect: **19 September 2005**
(54) Product in respect of which the design is registered: **Chop saw**
(51) International Design Classification: **15-09, 08-03**
(71) Name(s) and Address(s) of Applicant(s):
GMCA Pty Ltd
45-55 South Centre Road Melbourne Airport Victoria 3045 Australia
(72) Name(s) of Designer(s): **Marcus Nicholson**
(45) Registration Date: **28 March 2006**
(30) Convention priority data:
(31) Number (32) Date (33) Country
3022127 06 Aug 2005 UNITED KINGDOM
(56) Related Art Documents: **Not Applicable**
(57) Statement of Newness and Distinctiveness: **Newness and distinctiveness resides in the shape and configuration of a chop saw as shown in the accompanying representations.**

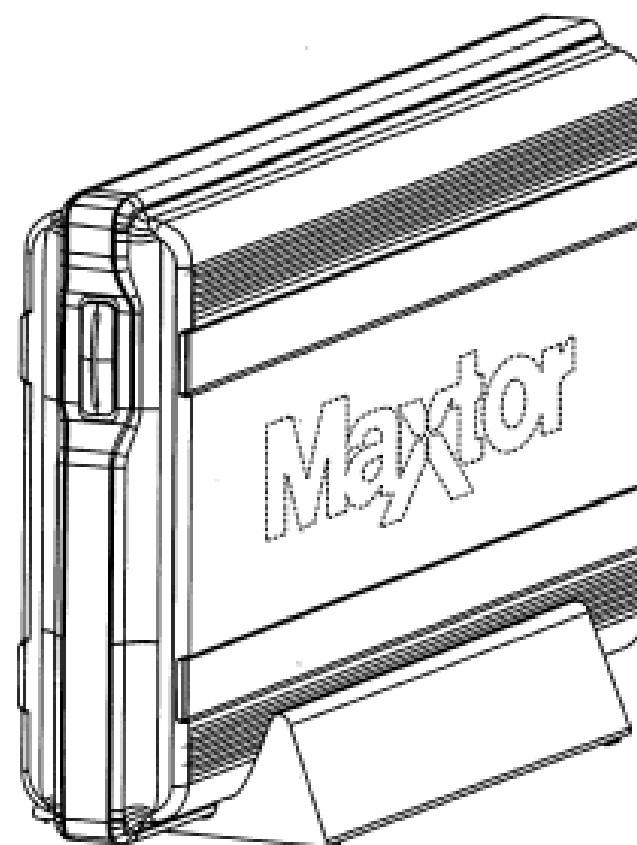


- (21) Design Number: **14252/2005**
- (22) Date of Filing Application: **30 September 2005**
- (24) Date from which industrial property rights may have effect: **30 September 2005**
- (54) Product in respect of which the design is registered: **Wiper blade holder**
- (51) International Design Classification: **12-16G**
- (71) Name(s) and Address(s) of Applicant(s):
Aunger Carcraft Pty Ltd
1307 Kingsford Smith Drive Eagle Farm Queensland 4009 Australia
- (72) Name(s) of Designer(s): **Richard Frappell**
- (45) Registration Date: **28 March 2006**
- (56) Related Art Documents: **Not Applicable**
- (57) Statement of Newness and Distinctiveness: **The newness and distinctiveness resides in the shape and configuration of a blade holder.**



- (21) Design Number: **14264/2005**
- (22) Date of Filing Application: **30 September 2005**
- (24) Date from which industrial property rights may have effect: **30 September 2005**
- (54) Product in respect of which the design is registered: **One button external backup storage**
- (51) International Design Classification: **14-99**
- (71) Name(s) and Address(s) of Applicant(s):
Maxtor Corporation
2452 Clover Basin Drive Longmont Colorado 80503 United States of America
- (72) Name(s) of Designer(s): **Patrick Weiher and Brandon Cruz and Alejandro Garfio and Diner Mondragon**
- (45) Registration Date: **28 March 2006**
- (30) Convention priority data:

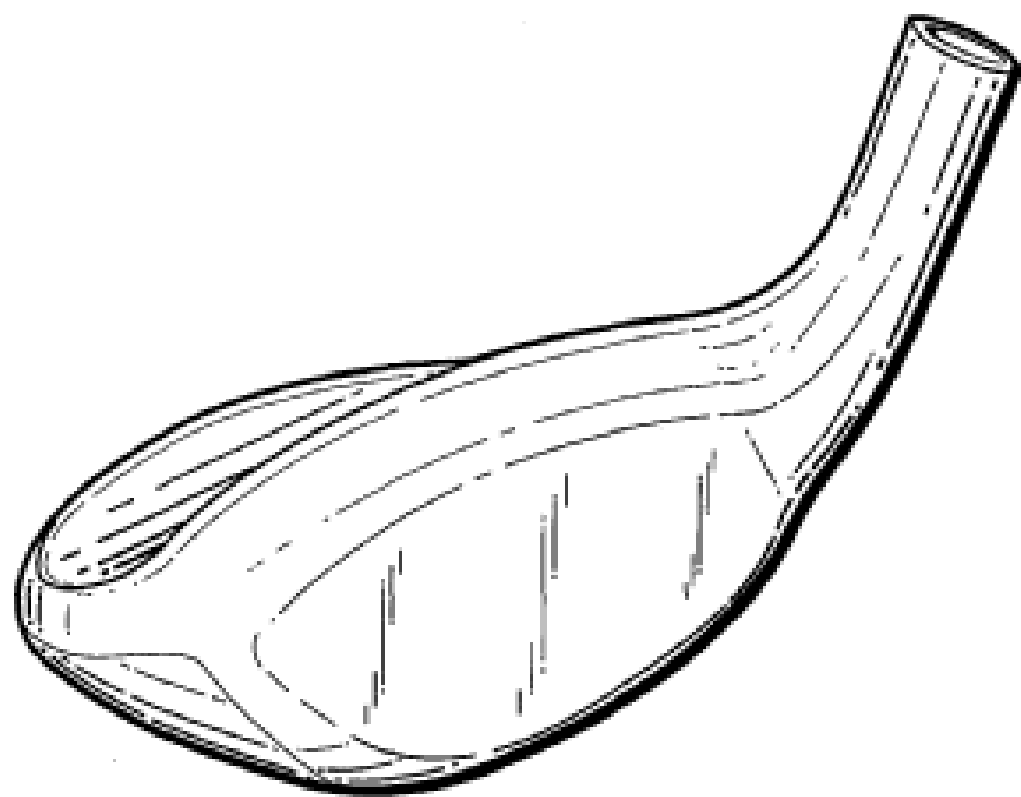
(31) Number	(32) Date	(33) Country
29227459	12 Apr 2005	UNITED STATES OF AMERICA
- (56) Related Art Documents: **Not Applicable**
- (57) Statement of Newness and Distinctiveness: **Newness and distinctiveness is claimed in the visual features shown in solid lines in the representations.**



(21) Design Number: **14270/2005**
 (22) Date of Filing Application: **29 September 2005**
 (24) Date from which industrial property rights may have effect: **29 September 2005**
 (54) Product in respect of which the design is registered: **Golf club head**
 (51) International Design Classification: **21-02C**
 (71) Name(s) and Address(s) of Applicant(s):
Karsten Manufacturing Corporation
2201 West Desert Cove Phoenix Arizona 85029 United States of America
 (72) Name(s) of Designer(s): **Richard R. Sanchez**
 (45) Registration Date: **28 March 2006**
 (30) Convention priority data:

(31) Number	(32) Date	(33) Country
29/226765	01 Apr 2005	UNITED STATES OF AMERICA

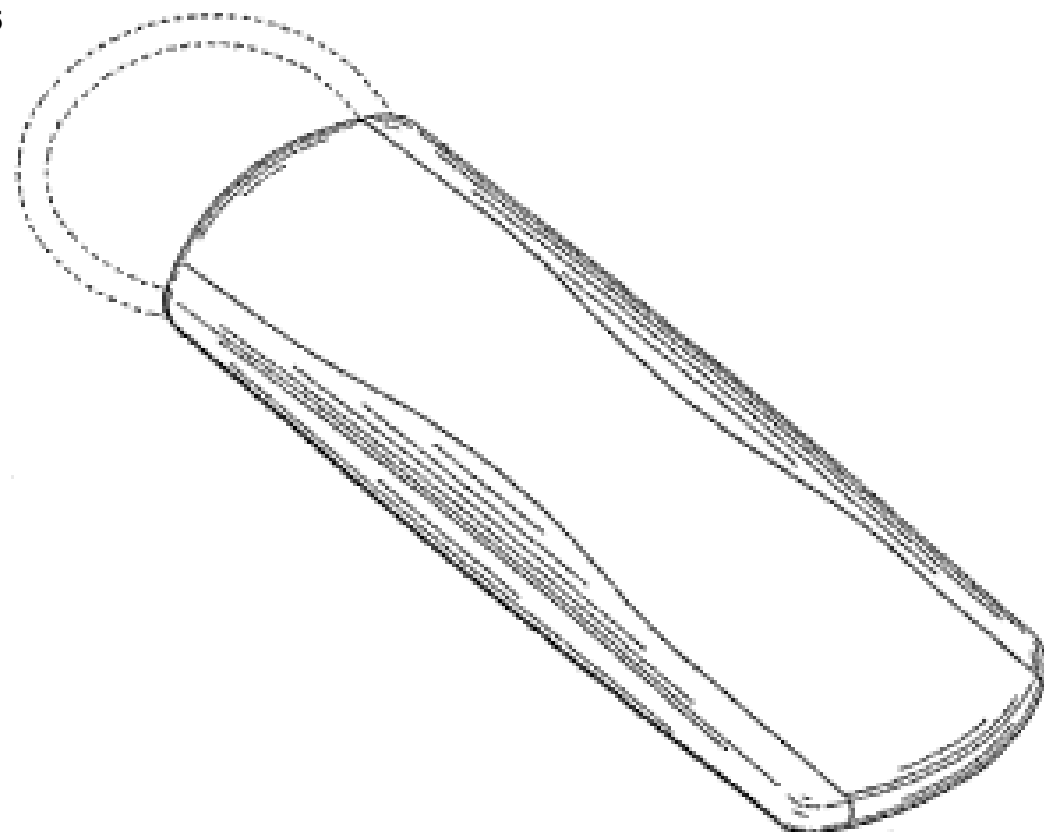
 (56) Related Art Documents: **Not Applicable**
 (57) Statement of Newness and Distinctiveness: **Nil**



(21) Design Number: **14317/2005**
 (22) Date of Filing Application: **30 September 2005**
 (24) Date from which industrial property rights may have effect: **30 September 2005**
 (54) Product in respect of which the design is registered: **Foldable transaction card case**
 (51) International Design Classification: **03-01B**
 (71) Name(s) and Address(s) of Applicant(s):
American Express Travel Related Services Company, Inc.
American Express Tower World Financial Center New York New York
10285-7900 United States of America
 (72) Name(s) of Designer(s): **Ellen Lasch and Lisa Ann Morrill Webb and Priscilla Gandel**
 (45) Registration Date: **28 March 2006**
 (30) Convention priority data:

(31) Number	(32) Date	(33) Country
29/226684	31 Mar 2005	UNITED STATES OF AMERICA

 (56) Related Art Documents: **Not Applicable**
 (57) Statement of Newness and Distinctiveness: **Newness and distinctiveness resides in the shape and/or configuration of the foldable transaction card case as illustrated in the accompanying representations. It is noted that the area shown in phantom line does not form part of the design.**



(21) Design Number: **14318/2005**

(22) Date of Filing Application: **03 October 2005**

(24) Date from which industrial property rights may have effect: **03 October 2005**

(54) Product in respect of which the design is registered: **Earplug**

(51) International Design Classification: **24-04**

(71) Name(s) and Address(s) of Applicant(s):

Howard Leight Industries, LLC
7828 Waterville Road San Diego California 92154 United States of America

(72) Name(s) of Designer(s): **Thomas W. Fleming**

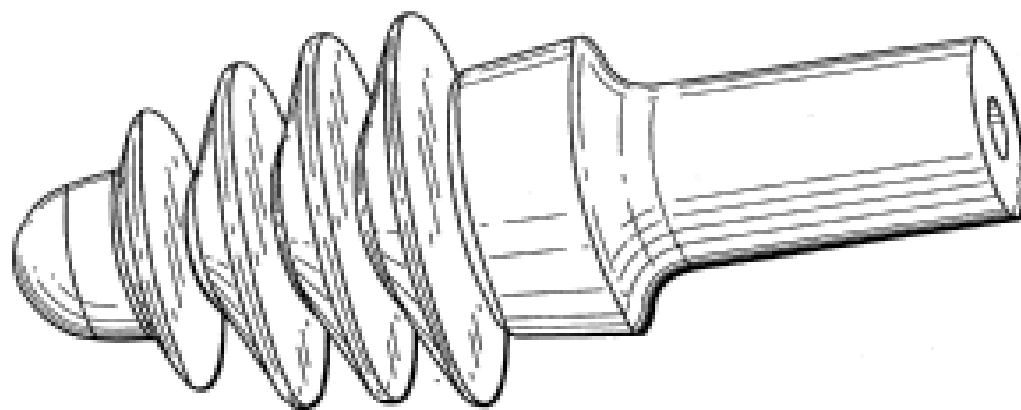
(45) Registration Date: **28 March 2006**

(30) Convention priority data:

(31) Number	(32) Date	(33) Country
29/230,527	23 May 2005	UNITED STATES OF AMERICA

(56) Related Art Documents: **Not Applicable**

(57) Statement of Newness and Distinctiveness: **Those features of the earplug depicted in the representations that are new and distinctive are the shape and/or configuration.**



(21) Design Number: **14336/2005**

(22) Date of Filing Application: **05 October 2005**

(24) Date from which industrial property rights may have effect: **31 March 2004**

(54) Product in respect of which the design is registered: **Weatherboard Paint Roller**

(51) International Design Classification: **08-05L**

(71) Name(s) and Address(s) of Applicant(s):

Young-Do Cho
8 Barwon Street Greystanes New South Wales 2145 Australia

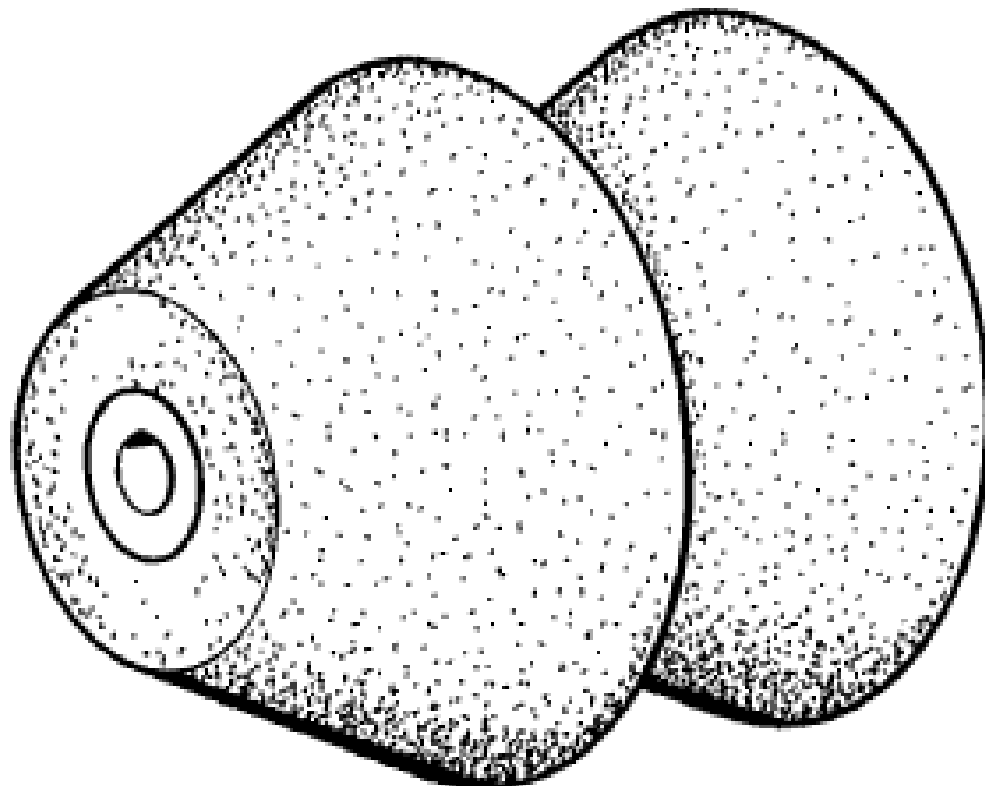
(72) Name(s) of Designer(s): **Young-Do Cho**

(45) Registration Date: **28 March 2006**

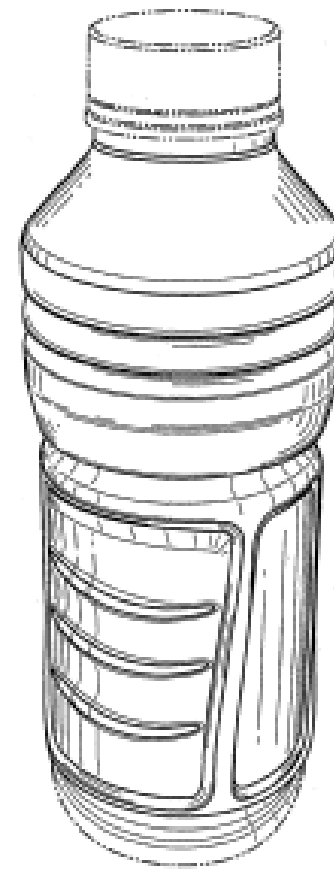
(62) Divisional of: **158405**

(56) Related Art Documents: **Not Applicable**

(57) Statement of Newness and Distinctiveness: **Newness and distinctiveness is claimed in the features of shape and/or configuration of a weatherboard paint roller as illustrated in the accompanying representations.**

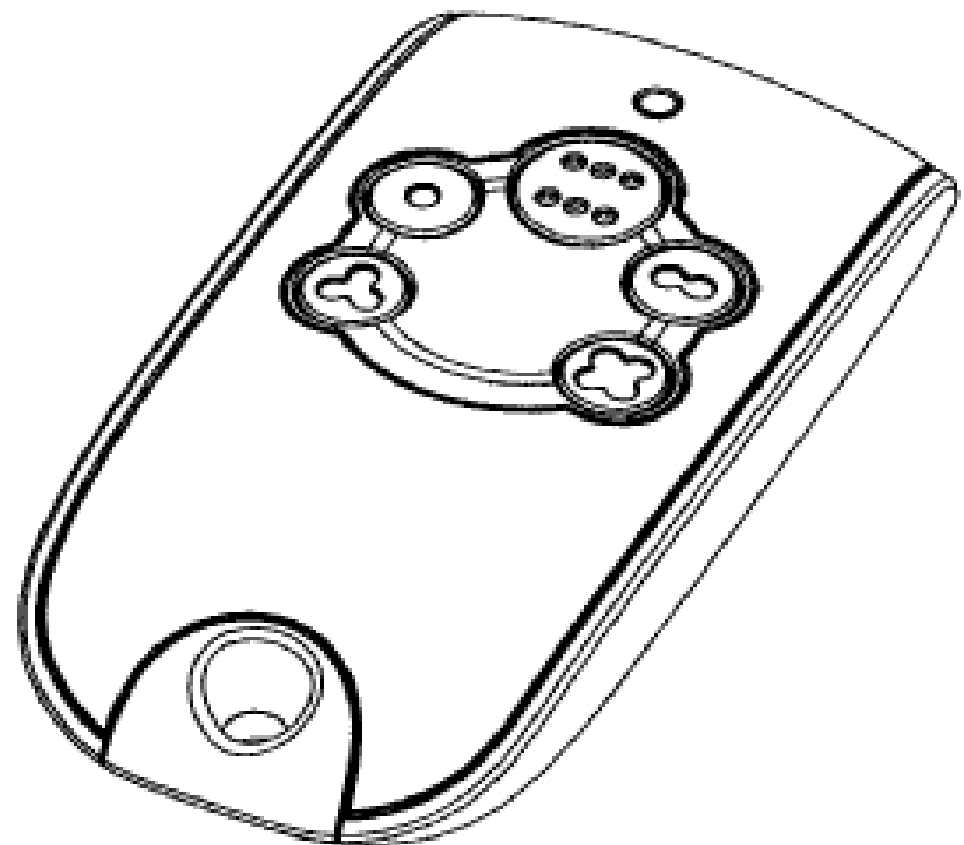


- (21) Design Number: **14362/2005**
- (22) Date of Filing Application: **06 October 2005**
- (24) Date from which industrial property rights may have effect: **12 April 2005**
- (54) Product in respect of which the design is registered: **Bottle**
- (51) International Design Classification: **09-01NES**
- (71) Name(s) and Address(s) of Applicant(s):
The Coca-Cola Company
One Coca-Cola Plaza NW Atlanta Georgia 30313 United States of America
- (72) Name(s) of Designer(s): **Randy Brown and Carie Davis**
- (45) Registration Date: **28 March 2006**
- (62) Divisional of: **303604**
- (56) Related Art Documents: **Not Applicable**
- (57) Statement of Newness and Distinctiveness: **Those visual features of the bottle depicted in continuous lines in the representations that are new and distinctive are the shape and/or configuration. The features shown in broken lines are to be disregarded when considering the overall impression of the design.**

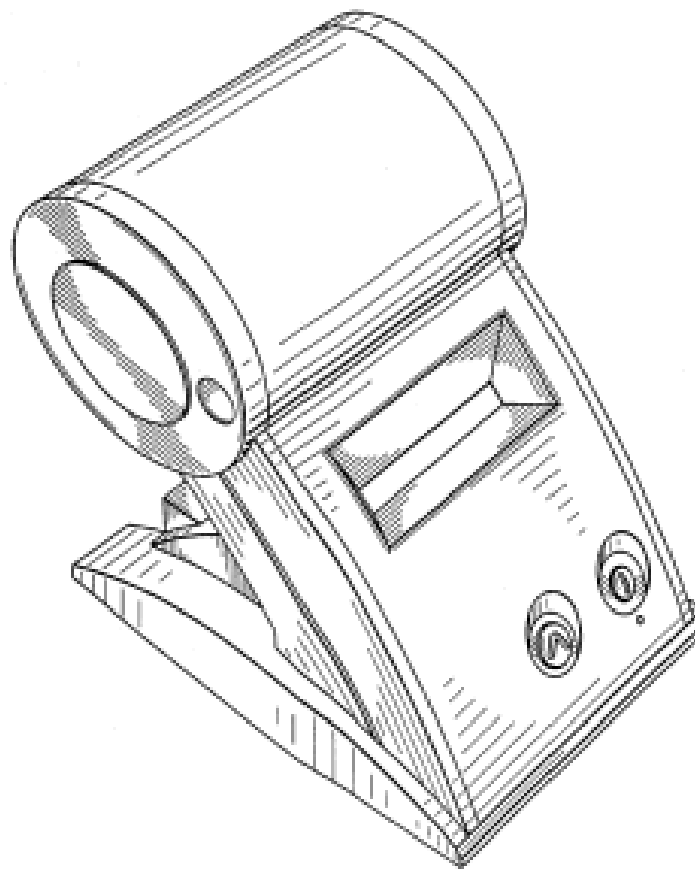


- (21) Design Number: **14364/2005**
- (22) Date of Filing Application: **06 October 2005**
- (24) Date from which industrial property rights may have effect: **06 October 2005**
- (54) Product in respect of which the design is registered: **Remote control**
- (51) International Design Classification: **14-03NES**
- (71) Name(s) and Address(s) of Applicant(s):
Somfy SAS
50 avenue du Nouveau Monde Cluses 74300 France
- (72) Name(s) of Designer(s): **Olivier Poulet and Matthieu Bonnaud**
- (45) Registration Date: **28 March 2006**
- (30) Convention priority data:

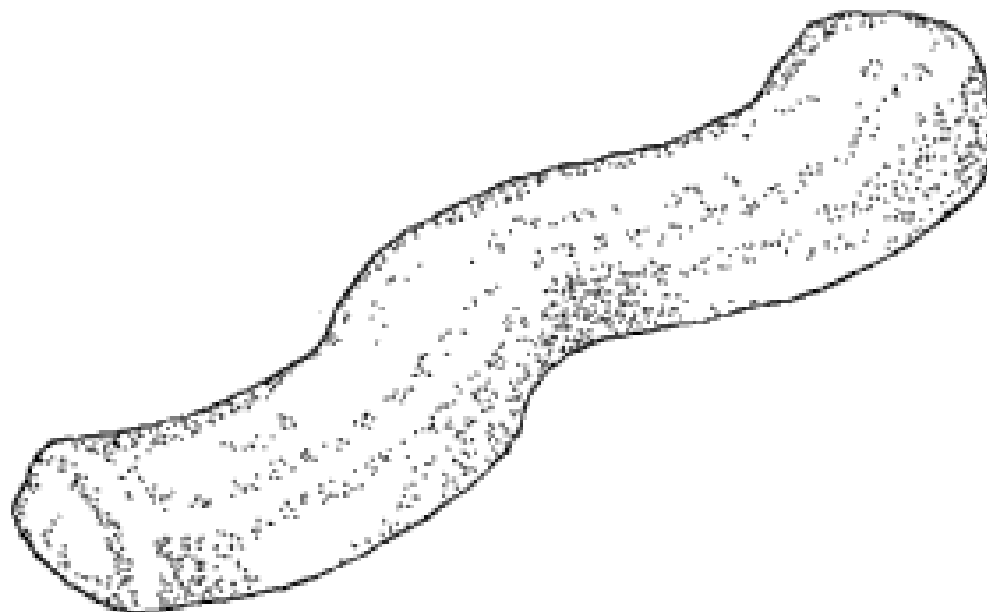
(31) Number	(32) Date	(33) Country
000324165-001	11 Apr 2005	EUROPEAN COMMUNITY
- (56) Related Art Documents: **Not Applicable**
- (57) Statement of Newness and Distinctiveness: **Nil**



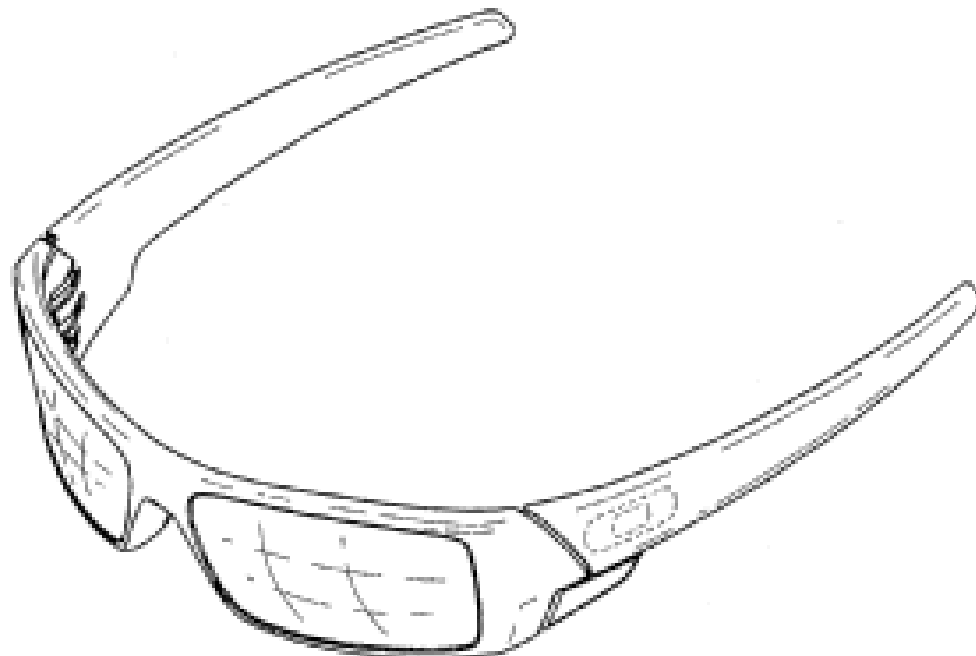
(21) Design Number: **14363/2005**
(22) Date of Filing Application: **06 October 2005**
(24) Date from which industrial property rights may have effect: **06 October 2005**
(54) Product in respect of which the design is registered: **Label printer**
(51) International Design Classification: **18-99**
(71) Name(s) and Address(s) of Applicant(s):
Seiko Instruments, Inc.
8 Nakase 1-chome Mihama-ku Chiba-shi Chiba 261-8507 Japan
(72) Name(s) of Designer(s): **Miyoji Hongo**
(45) Registration Date: **28 March 2006**
(30) Convention priority data:
(31) Number (32) Date (33) Country
29/230326 18 May 2005 UNITED STATES OF AMERICA
(56) Related Art Documents: **Not Applicable**
(57) Statement of Newness and Distinctiveness: **Nil**



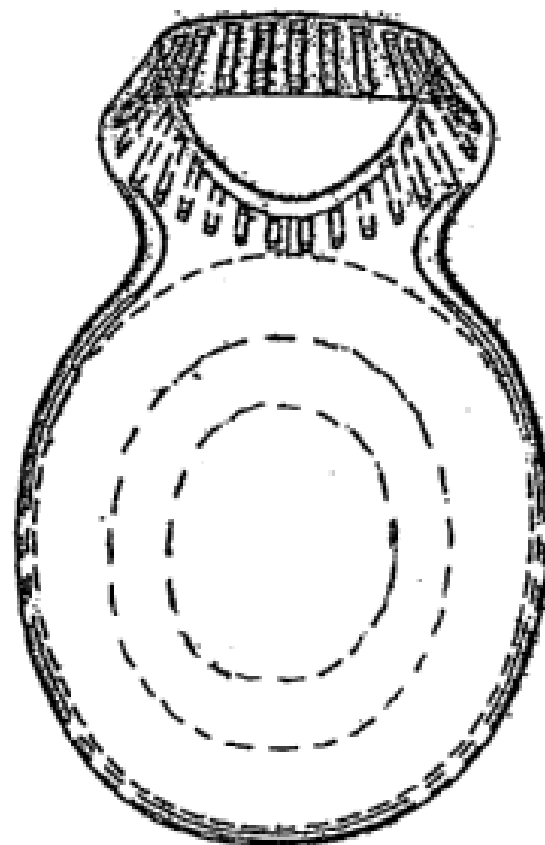
(21) Design Number: **14390/2005**
(22) Date of Filing Application: **07 October 2005**
(24) Date from which industrial property rights may have effect: **07 October 2005**
(54) Product in respect of which the design is registered: **Snack food product**
(51) International Design Classification: **01-01**
(71) Name(s) and Address(s) of Applicant(s):
Frito-Lay North America, Inc.
7701 Legacy Drive Plano Texas 75024-4099 United States of America
(72) Name(s) of Designer(s): **Michael Swann and Carmela Rivero-Jimenez**
(45) Registration Date: **28 March 2006**
(30) Convention priority data:
(31) Number (32) Date (33) Country
29/228,691 27 Apr 2005 UNITED STATES OF AMERICA
(56) Related Art Documents: **Not Applicable**
(57) Statement of Newness and Distinctiveness: **Nil**



(21) Design Number: **14393/2005**
(22) Date of Filing Application: **07 October 2005**
(24) Date from which industrial property rights may have effect: **07 October 2005**
(54) Product in respect of which the design is registered: **Eyeglasses**
(51) International Design Classification: **16-06**
(71) Name(s) and Address(s) of Applicant(s):
Oakley, Inc.
One Icon Foothill Ranch California 92610 United States of America
(72) Name(s) of Designer(s): **James H. Jannard and Hans Karsten Moritz and Colin Baden**
(45) Registration Date: **28 March 2006**
(30) Convention priority data:
(31) Number (32) Date (33) Country
29227719 13 Apr 2005 UNITED STATES OF AMERICA
(56) Related Art Documents: **Not Applicable**
(57) Statement of Newness and Distinctiveness: **Newness and distinctiveness is claimed in the visual features shown in solid lines in the representations.**



(21) Design Number: **14394/2005**
(22) Date of Filing Application: **07 October 2005**
(24) Date from which industrial property rights may have effect: **07 October 2005**
(54) Product in respect of which the design is registered: **Bunion cushion**
(51) International Design Classification: **24-04**
(71) Name(s) and Address(s) of Applicant(s):
LRC Products Limited
35 New Bridge Street London EC4V 6BW England
(72) Name(s) of Designer(s): **Mark Bayly and Justin McCarthy and Andrew Raper**
(45) Registration Date: **28 March 2006**
(30) Convention priority data:
(31) Number (32) Date (33) Country
000354857 03 Jun 2005 EUROPEAN COMMUNITY
(56) Related Art Documents: **Not Applicable**
(57) Statement of Newness and Distinctiveness: **Nil**



(21) Design Number: **10715/2005**

(22) Date of Filing Application: **25 February 2005**

(24) Date from which industrial property rights may have effect: **25 February 2005**

(54) Product in respect of which the design is registered: **Timer**

(51) International Design Classification: **10-03**

(71) Name(s) and Address(s) of Applicant(s):

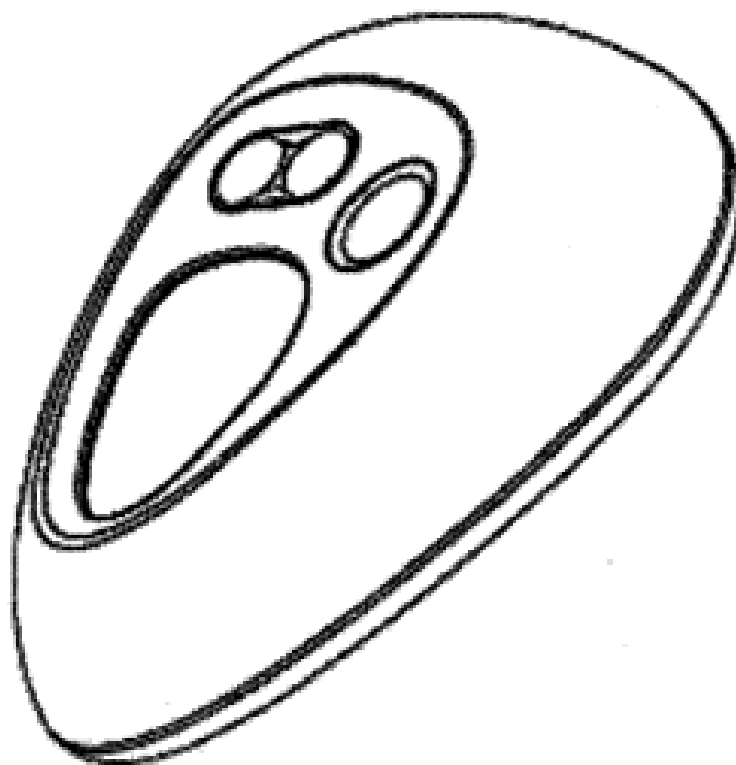
**Half a Teaspoon Pty Ltd
3 Charnwood Grove St Kilda Victoria 3182 Australia**

(72) Name(s) of Designer(s): **Steven Martinuzzo and Shannon Smith and stuart boyle and Paul Charlwood and Sandra Talty**

(45) Registration Date: **28 March 2006**

(56) Related Art Documents: **Not Applicable**

(57) Statement of Newness and Distinctiveness: **Nil**



(21) Design Number: **10739/2005**

(22) Date of Filing Application: **25 February 2005**

(24) Date from which industrial property rights may have effect: **25 February 2005**

(54) Product in respect of which the design is registered: **Container**

(51) International Design Classification: **09-01K**

(71) Name(s) and Address(s) of Applicant(s):

**Coles Supermarkets Australia Pty Ltd
National Office 800 Toorak Road Tooronga Victoria 3146 Australia**

(72) Name(s) of Designer(s): **Andrew Swain**

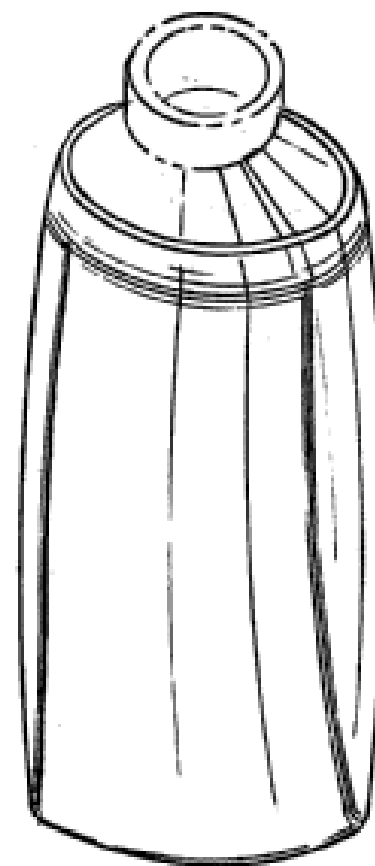
(45) Registration Date: **28 March 2006**

(56) Related Art Documents: **Not Applicable**

(57) Statement of Newness and Distinctiveness: **Those parts of the design that are new and distinctive are shown in continuous lines. In considering the overall impression of the design, the features shown in broken lines are to be disregarded.**



- (21) Design Number: **10740/2005**
(22) Date of Filing Application: **25 February 2005**
(24) Date from which industrial property rights may have effect: **25 February 2005**
(54) Product in respect of which the design is registered: **Container**
(51) International Design Classification: **09-05**
(71) Name(s) and Address(s) of Applicant(s):
Coles Supermarkets Australia Pty Ltd
National Office 800 Toorak Road Tooronga Victoria 3146 Australia
(72) Name(s) of Designer(s): **Andrew Swain**
(45) Registration Date: **28 March 2006**
(56) Related Art Documents: **Not Applicable**
(57) Statement of Newness and Distinctiveness: **Those parts of the design that are new and distinctive are shown in continuous lines. In considering the overall impression of the design, the features shown in broken lines are to be disregarded.**



- (21) Design Number: **11078/2005**
(22) Date of Filing Application: **21 March 2005**
(24) Date from which industrial property rights may have effect: **21 March 2005**
(54) Product in respect of which the design is registered: **An ear tag**
(51) International Design Classification: **30-08**
(71) Name(s) and Address(s) of Applicant(s):
Michael Stuart Gardner
108 Waiatarua Road Remuera Auckland New Zealand
Roy Victor Bladen
292 Glenmore Road Coatesville RD 3 Albany Auckland New Zealand
(72) Name(s) of Designer(s): **Michael Stuart Gardner and Roy Victor Bladen**
(45) Registration Date: **28 March 2006**
(30) Convention priority data:
(31) Number (32) Date (33) Country
405319 23 Sep 2004 NEW ZEALAND
(56) Related Art Documents: **Not Applicable**
(57) Statement of Newness and Distinctiveness: **The "newness" of the design is in respect of the boss end portion of the article as indicated by arrow A and shown in the representations.**



(21) Design Number: **11536/2005**

(22) Date of Filing Application: **18 April 2005**

(24) Date from which industrial property rights may have effect: **18 April 2005**

(54) Product in respect of which the design is registered: **Induction unit**

(51) International Design Classification: **15-01**

(71) Name(s) and Address(s) of Applicant(s):

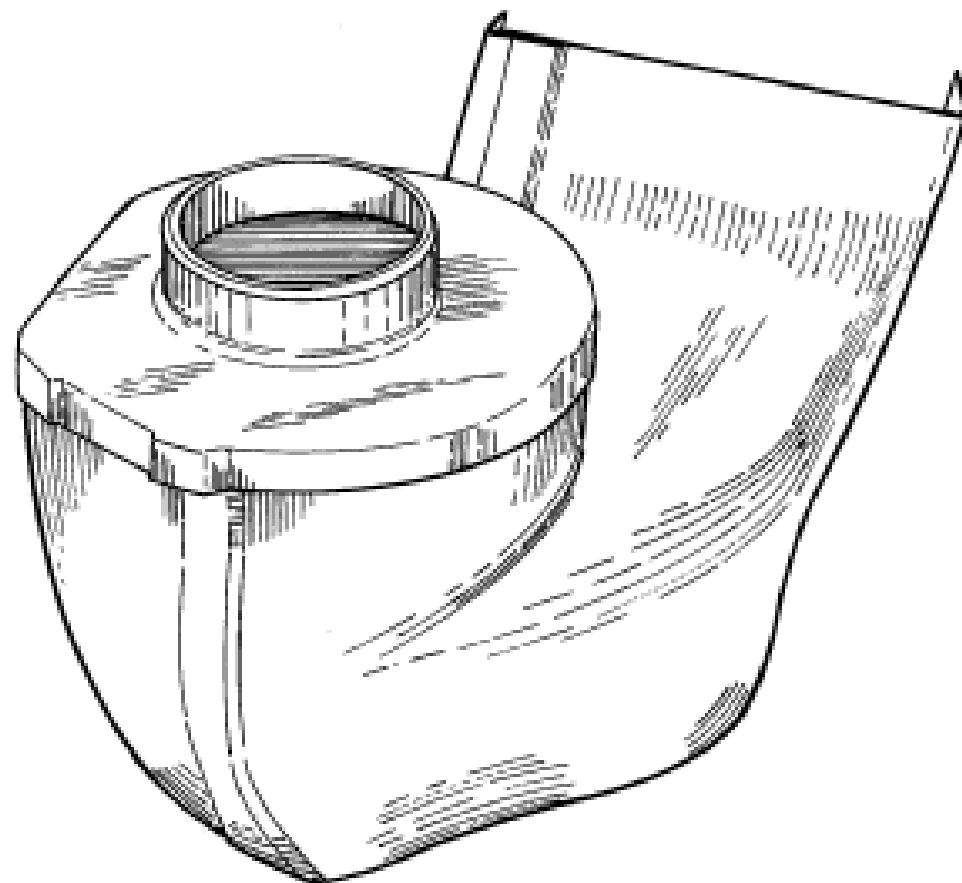
Bellnet Pty Ltd
PO Box 1981 Southport Queensland 4215 Australia

(72) Name(s) of Designer(s): **Kevin Hoverd**

(45) Registration Date: **28 March 2006**

(56) Related Art Documents: **Not Applicable**

(57) Statement of Newness and Distinctiveness: **Nil**



(21) Design Number: **13046/2005**

(22) Date of Filing Application: **18 July 2005**

(24) Date from which industrial property rights may have effect: **18 July 2005**

(54) Product in respect of which the design is registered: **V-Section plastics box**

(51) International Design Classification: **23-01NES**

(71) Name(s) and Address(s) of Applicant(s):

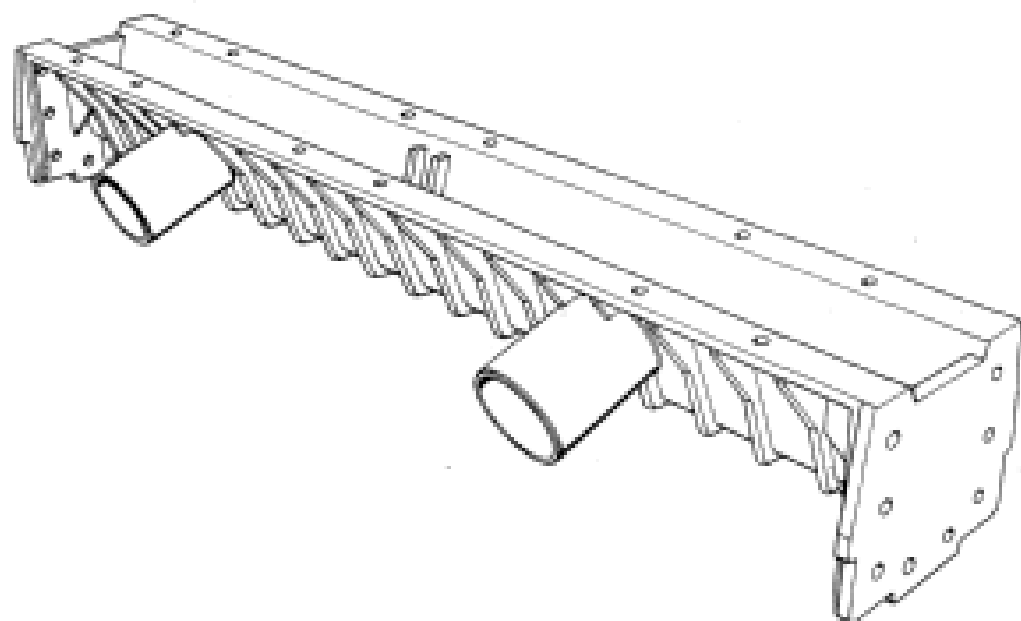
Delkor Pty Ltd
75 Hutchison Street St. Peters New South Wales 2044 Australia

(72) Name(s) of Designer(s): **Peter Geoffrey Herbert**

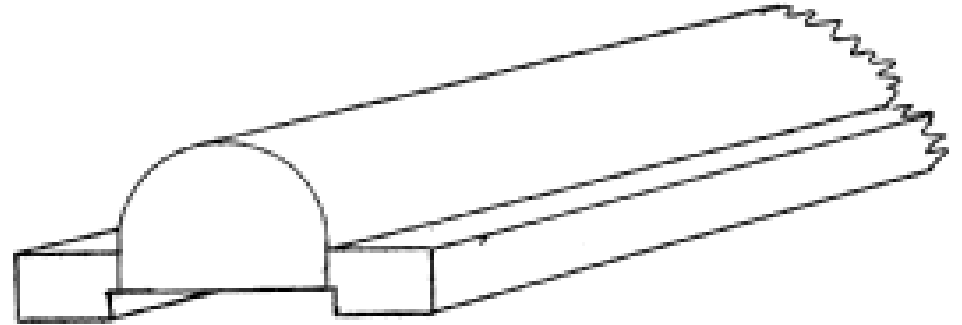
(45) Registration Date: **28 March 2006**

(56) Related Art Documents: **Not Applicable**

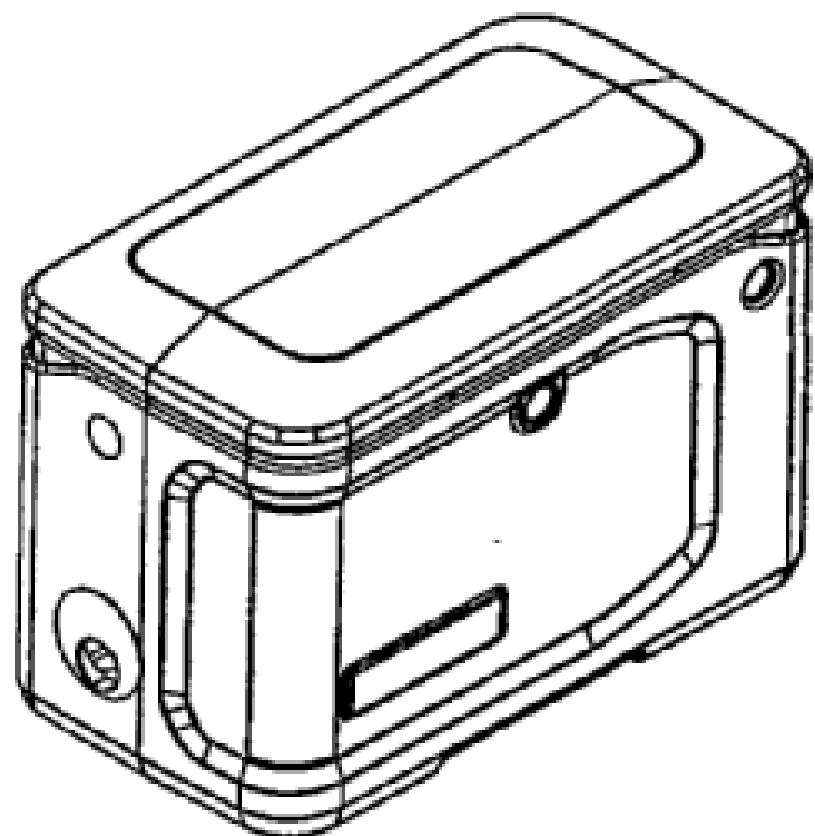
(57) Statement of Newness and Distinctiveness: **Monopoly is claimed in the shape and configuration of the plastics suction box of V-shaped cross-section as shown in the representations.**



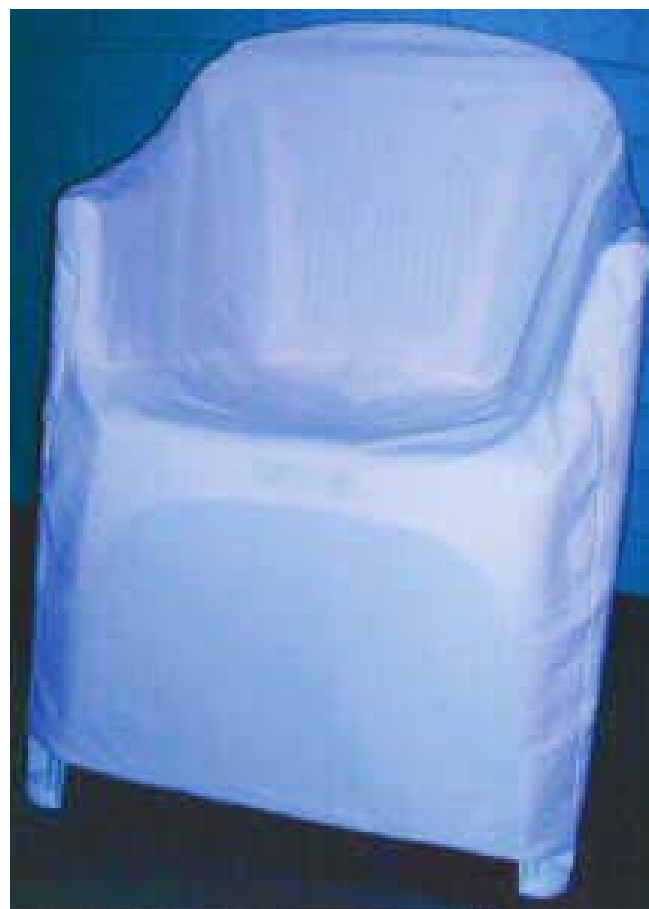
- (21) Design Number: **13512/2005**
(22) Date of Filing Application: **17 August 2005**
(24) Date from which industrial property rights may have effect: **17 August 2005**
(54) Product in respect of which the design is registered: **Lighting product**
(51) International Design Classification: **26-05D**
(71) Name(s) and Address(s) of Applicant(s):
Associated Controls (Aust.) Pty Ltd
PO Box 584 Concord New South Wales 2137 Australia
(72) Name(s) of Designer(s): **David Clarkson**
(45) Registration Date: **28 March 2006**
(56) Related Art Documents: **Not Applicable**
(57) Statement of Newness and Distinctiveness: **Nil**



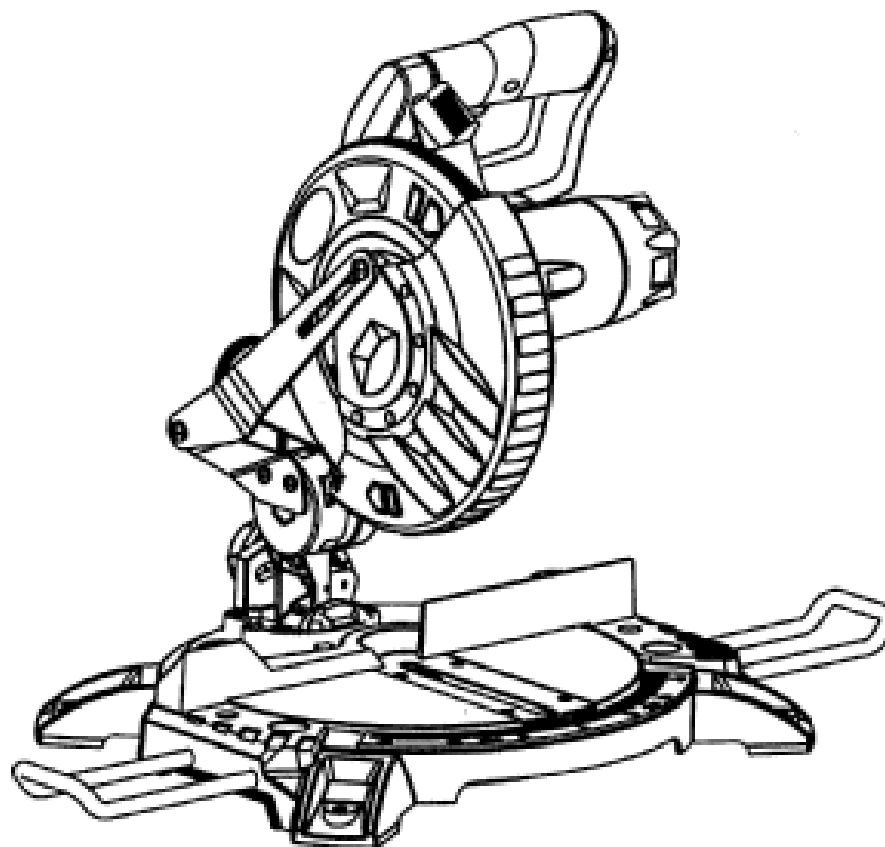
- (21) Design Number: **13516/2005**
(22) Date of Filing Application: **17 August 2005**
(24) Date from which industrial property rights may have effect: **17 August 2005**
(54) Product in respect of which the design is registered: **A pump housing**
(51) International Design Classification: **15-02**
(71) Name(s) and Address(s) of Applicant(s):
Team Poly Pty Ltd
36 Waddikee Road Lonsdale South Australia 5160 Australia
(72) Name(s) of Designer(s): **Gary William Retallick**
(45) Registration Date: **28 March 2006**
(56) Related Art Documents: **Not Applicable**
(57) Statement of Newness and Distinctiveness: **Newness and distinctiveness resides in the features of shape and configuration of a pump housing as shown in the accompanying representations.**



- (21) Design Number: **13517/2005**
(22) Date of Filing Application: **17 August 2005**
(24) Date from which industrial property rights may have effect: **17 August 2005**
(54) Product in respect of which the design is registered: **Plastic chair slip covers**
(51) International Design Classification: **06-13NES**
(71) Name(s) and Address(s) of Applicant(s):
Linda Baker
199 Grinsell Street Kotara New South Wales 2289 Australia
(72) Name(s) of Designer(s): **Linda Baker**
(45) Registration Date: **28 March 2006**
(56) Related Art Documents: **Not Applicable**
(57) Statement of Newness and Distinctiveness: **The design of the cover - in regards to curved seaming and two seam construction - no monopoly regards the plastic chair.**



- (21) Design Number: **13582/2005**
(22) Date of Filing Application: **23 August 2005**
(24) Date from which industrial property rights may have effect: **23 August 2005**
(54) Product in respect of which the design is registered: **Mitre saw**
(51) International Design Classification: **08-03**
(71) Name(s) and Address(s) of Applicant(s):
GMCA Pty Ltd
45-55 South Centre Road Melbourne Airport Victoria 3045 Australia
(72) Name(s) of Designer(s): **Robert Firth**
(45) Registration Date: **28 March 2006**
(30) Convention priority data:
(31) Number (32) Date (33) Country
000310008 11 Mar 2005 EUROPEAN COMMUNITY
(56) Related Art Documents: **Not Applicable**
(57) Statement of Newness and Distinctiveness: **Newness and distinctiveness resides in the shape and configuration of a mitre saw as shown in the accompanying representations.**



(21) Design Number: **13583/2005**

(22) Date of Filing Application: **23 August 2005**

(24) Date from which industrial property rights may have effect: **23 August 2005**

(54) Product in respect of which the design is registered: **Mitre saw**

(51) International Design Classification: **08-03**

(71) Name(s) and Address(s) of Applicant(s):

GMCA Pty Ltd
45-55 South Centre Road Melbourne Airport Victoria 3045 Australia

(72) Name(s) of Designer(s): **Robert Firth**

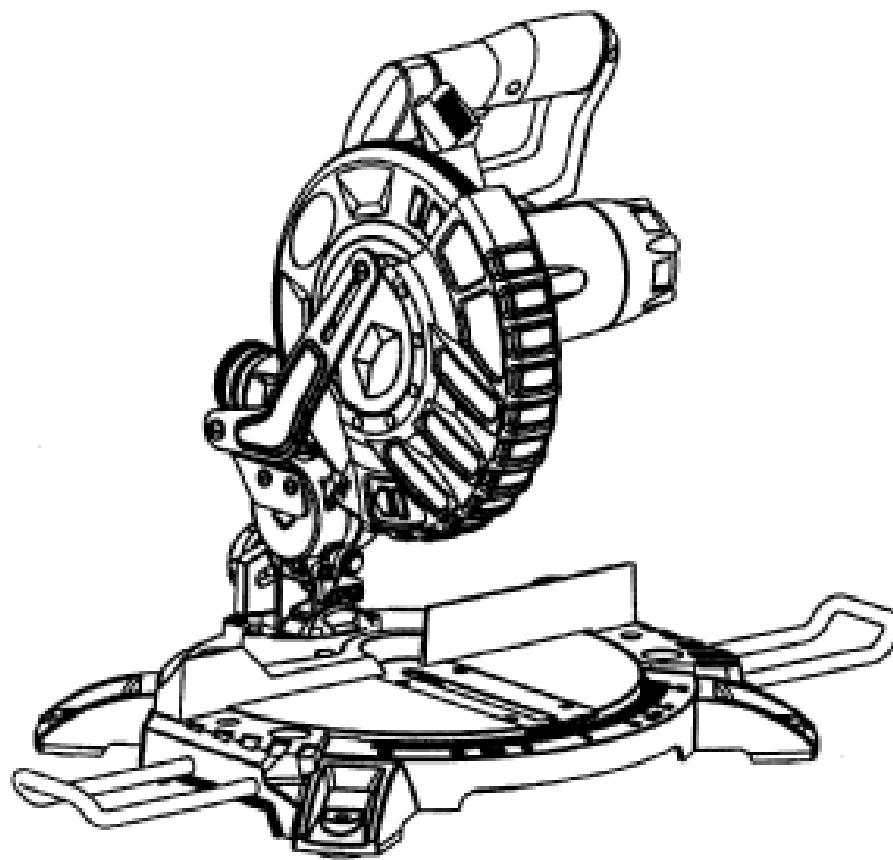
(45) Registration Date: **28 March 2006**

(30) Convention priority data:

(31) Number	(32) Date	(33) Country
000310008	11 Mar 2005	EUROPEAN COMMUNITY

(56) Related Art Documents: **Not Applicable**

(57) Statement of Newness and Distinctiveness: **Newness and distinctiveness resides in the shape and configuration of a mitre saw as shown in the accompanying representations.**



(21) Design Number: **13584/2005**

(22) Date of Filing Application: **23 August 2005**

(24) Date from which industrial property rights may have effect: **23 August 2005**

(54) Product in respect of which the design is registered: **A post**

(51) International Design Classification: **25-02NES**

(71) Name(s) and Address(s) of Applicant(s):

Jandenz Pty Ltd
30-34 Churchill Road North Dry Creek South Australia 5094 Australia

(72) Name(s) of Designer(s): **Geoff Kastelein**

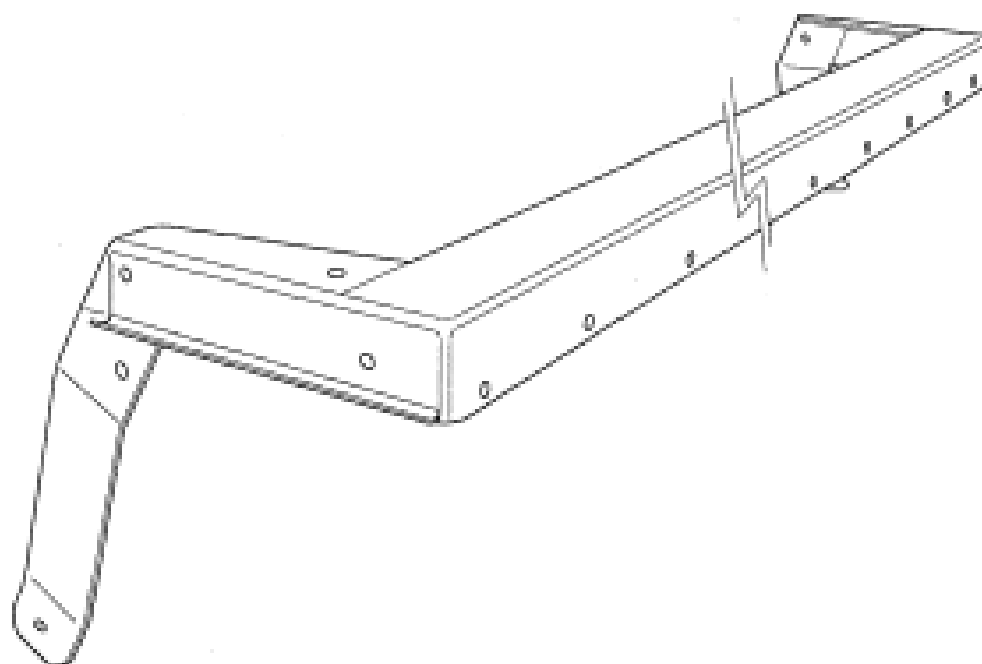
(45) Registration Date: **28 March 2006**

(56) Related Art Documents: **Not Applicable**

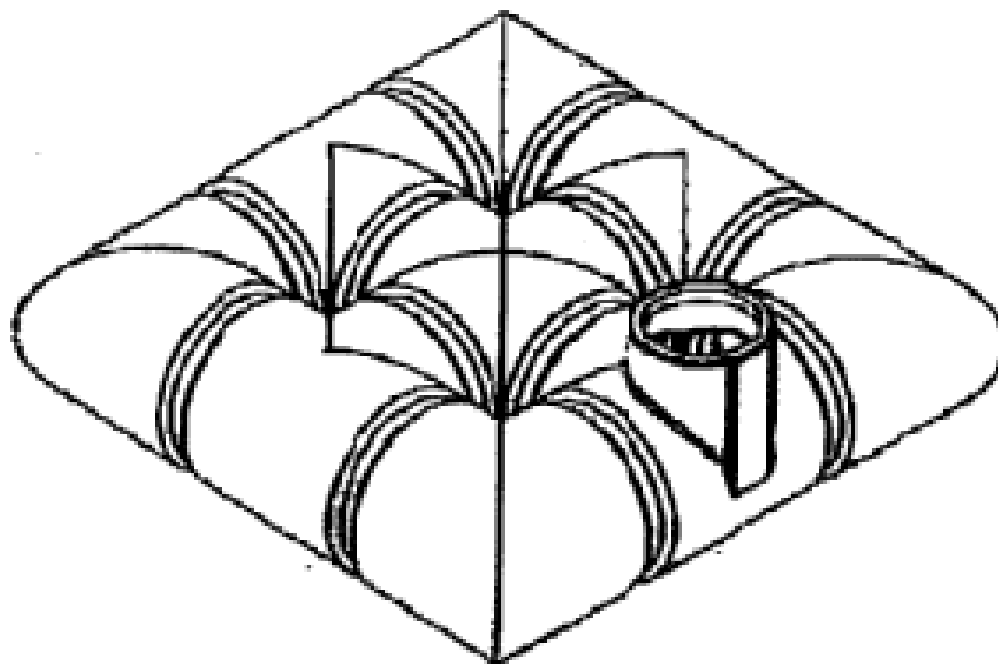
(57) Statement of Newness and Distinctiveness: **Newness and distinctiveness resides in the features of shape and configuration of a post as shown in the accompanying representations.**



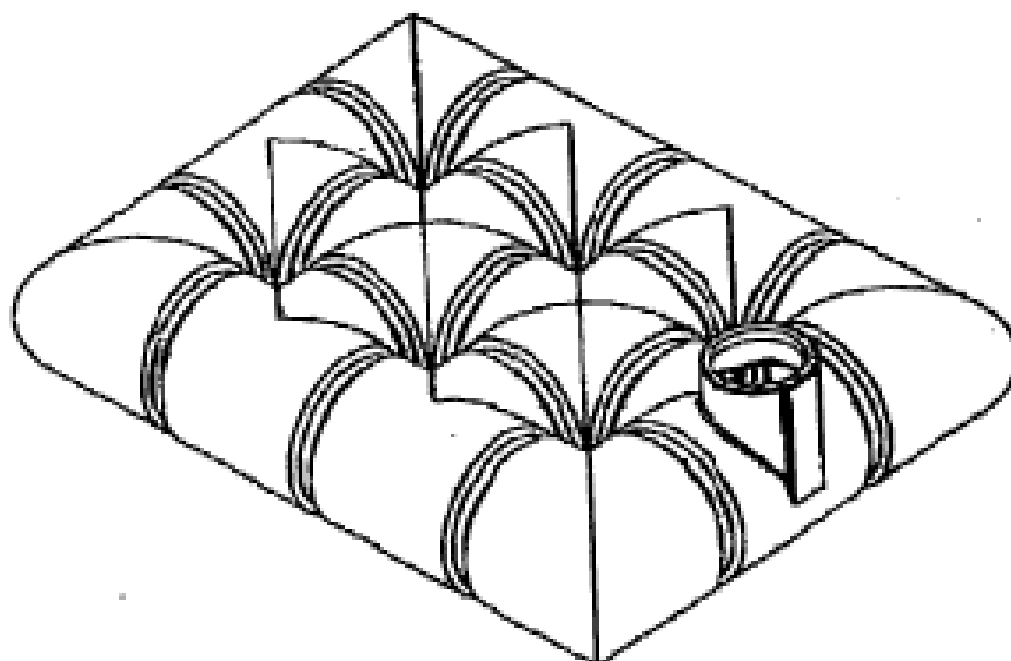
- (21) Design Number: **13592/2005**
(22) Date of Filing Application: **22 August 2005**
(24) Date from which industrial property rights may have effect: **22 August 2005**
(54) Product in respect of which the design is registered: **Reinforcing bracket**
(51) International Design Classification: **09-09**
(71) Name(s) and Address(s) of Applicant(s):
Rosario Quattrocchi
2 Wanaka Place Glenorie New South Wales 2157 Australia
(72) Name(s) of Designer(s): **Rosario Quattrocchi**
(45) Registration Date: **28 March 2006**
(56) Related Art Documents: **Not Applicable**
(57) Statement of Newness and Distinctiveness: **Newness and distinctiveness is claimed in the features of shape and configuration shown in solid lines in the representations. When considering the scope of monopoly claimed, holes shown in the representations for receiving rivets are to be disregarded.**



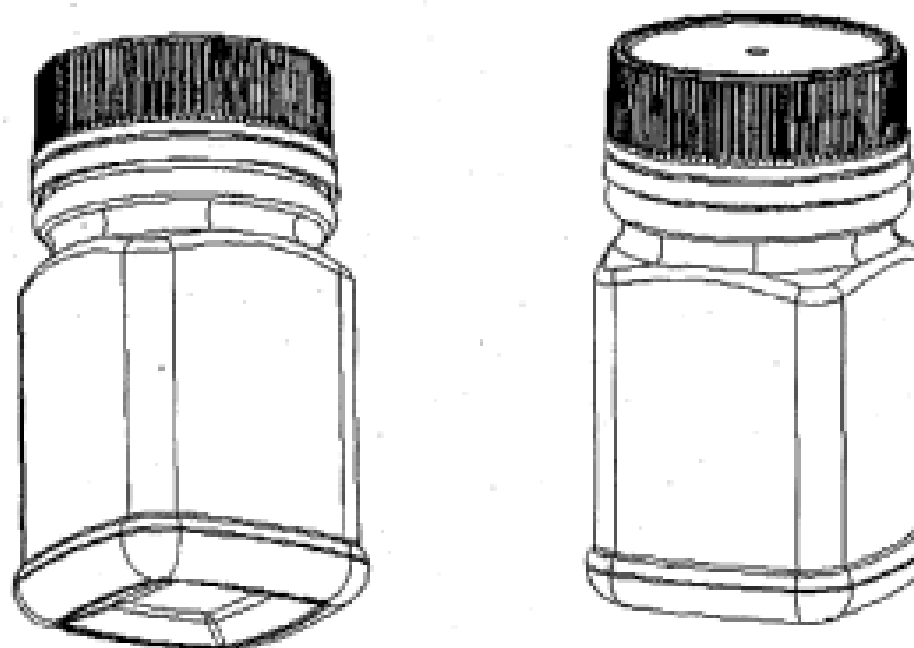
- (21) Design Number: **14029/2005**
(22) Date of Filing Application: **19 September 2005**
(24) Date from which industrial property rights may have effect: **19 September 2005**
(54) Product in respect of which the design is registered: **A tank**
(51) International Design Classification: **23-01F**
(71) Name(s) and Address(s) of Applicant(s):
Ajay Fibreglass Industries Pty Limited ATF The Fleming Family Trust
9 Robb Street Russelton Estate Alstonville New South Wales 2477
Australia
(72) Name(s) of Designer(s): **John Cameron Fleming**
(45) Registration Date: **28 March 2006**
(56) Related Art Documents: **Not Applicable**
(57) Statement of Newness and Distinctiveness: **The new and distinctive features of the design are the shape and configuration of a tank as shown in the representations.**



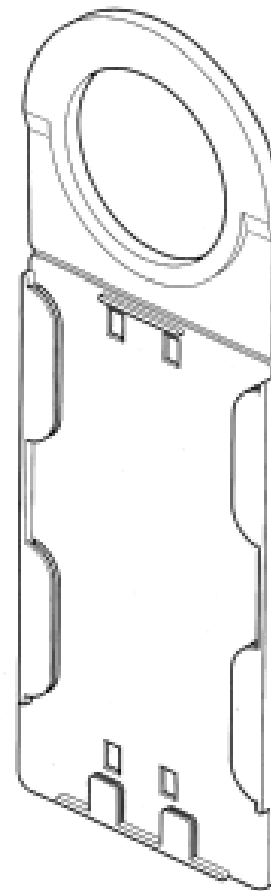
- (21) Design Number: **14030/2005**
(22) Date of Filing Application: **19 September 2005**
(24) Date from which industrial property rights may have effect: **19 September 2005**
(54) Product in respect of which the design is registered: **A tank**
(51) International Design Classification: **23-01F**
(71) Name(s) and Address(s) of Applicant(s):
Ajay Fibreglass Industries Pty Limited ATF The Fleming Family Trust
9 Robb Street Russelton Estate Alstonville New South Wales 2477
Australia
(72) Name(s) of Designer(s): **John Cameron Fleming**
(45) Registration Date: **28 March 2006**
(56) Related Art Documents: **Not Applicable**
(57) Statement of Newness and Distinctiveness: **The new and distinctive features of the design are the shape and configuration of a tank as shown in the representations.**



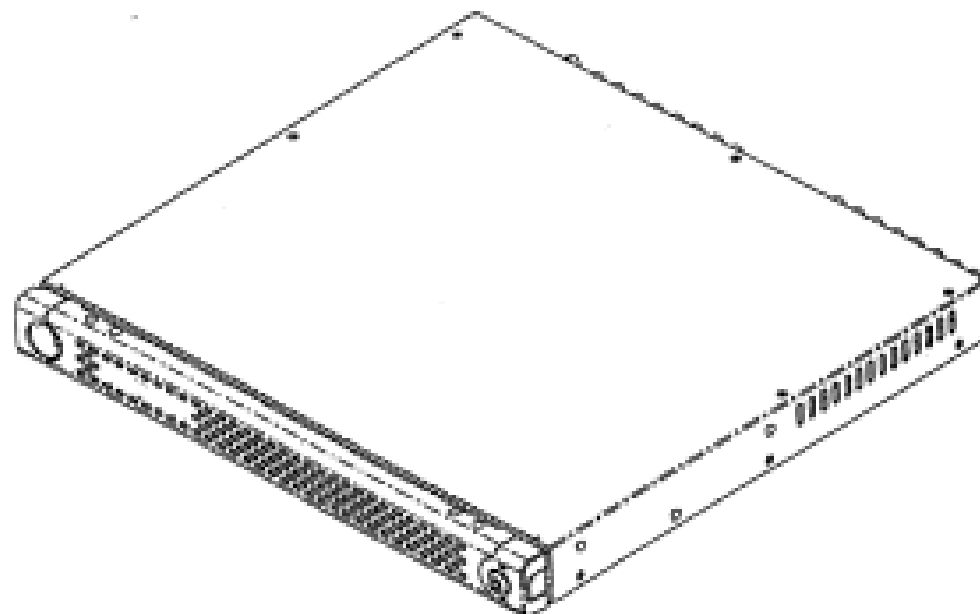
- (21) Design Number: **14052/2005**
(22) Date of Filing Application: **20 September 2005**
(24) Date from which industrial property rights may have effect: **20 September 2005**
(54) Product in respect of which the design is registered: **Plastic Jar/Container for packaging purposes**
(51) International Design Classification: **09-01C**
(71) Name(s) and Address(s) of Applicant(s):
Australian Garlic Producers Pty Ltd
Kulkyne Way Iraak, Victoria 3143
(72) Name(s) of Designer(s): **Chris Redfern**
(45) Registration Date: **28 March 2006**
(56) Related Art Documents: **Not Applicable**
(57) Statement of Newness and Distinctiveness: **. Wide neck opening relative to the width and depth of the jar (using standard 45mm screw-on closure). The width and depth of the jar is the same as the diameter of the cap. Width and depth of the container are in equal proportions. Generally in a curved-square body cross section. . The container has an annular shape immediately below the skirt of the cap. This serves to contain the tamper evident ring, protect the cap from side-ways impact, and create a distinctive transition from the neck section to the body cross section. . Large label area relative to the container's capacity and closure size, ie: approximately half of the overall height of the container consists of label area.**



(21) Design Number: **14251/2005**
(22) Date of Filing Application: **29 September 2005**
(24) Date from which industrial property rights may have effect: **29 September 2005**
(54) Product in respect of which the design is registered: **Tag holder**
(51) International Design Classification: **19-02**
(71) Name(s) and Address(s) of Applicant(s):
PCH Group Limited
11 Juna Drive Malaga Western Australia 6090 Australia
(72) Name(s) of Designer(s): **Paul Gregory**
(45) Registration Date: **28 March 2006**
(56) Related Art Documents: **Not Applicable**
(57) Statement of Newness and Distinctiveness: **Nil**

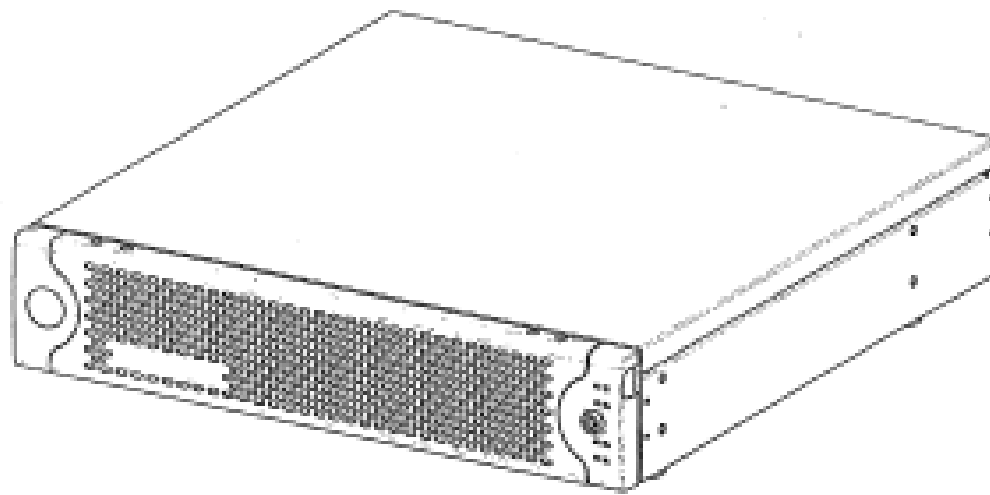


(21) Design Number: **14260/2005**
(22) Date of Filing Application: **29 September 2005**
(24) Date from which industrial property rights may have effect: **29 September 2005**
(54) Product in respect of which the design is registered: **Housing for electronic device**
(51) International Design Classification: **14-02**
(71) Name(s) and Address(s) of Applicant(s):
Pelco
3500 Pelco Way Clovis California 93612-5699 United States of America
(72) Name(s) of Designer(s): **Greg Max Millar and Raul Cortes and Richard Todd Boswell**
(45) Registration Date: **28 March 2006**
(30) Convention priority data:
(31) Number (32) Date (33) Country
29/227,013 05 Apr 2005 UNITED STATES OF AMERICA
(56) Related Art Documents: **Not Applicable**
(57) Statement of Newness and Distinctiveness: **Those features of the housing for electronic device depicted in the representations that are new and distinctive are the shape and/or configuration.**



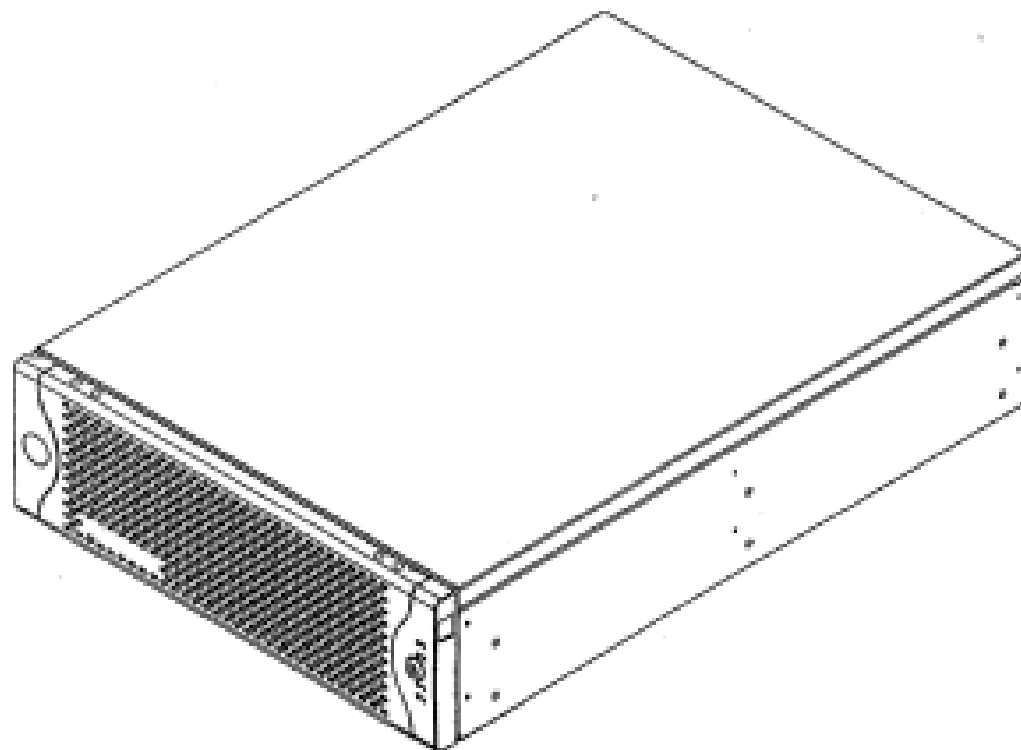
- (21) Design Number: **14261/2005**
- (22) Date of Filing Application: **29 September 2005**
- (24) Date from which industrial property rights may have effect: **29 September 2005**
- (54) Product in respect of which the design is registered: **Housing for electronic device**
- (51) International Design Classification: **14-02**
- (71) Name(s) and Address(s) of Applicant(s):
Pelco
3500 Pelco Way Clovis California 93612-5699 United States of America
- (72) Name(s) of Designer(s): **Greg Max Millar and Raul Cortes and Richard Todd Boswell**
- (45) Registration Date: **28 March 2006**
- (30) Convention priority data:

(31) Number	(32) Date	(33) Country
29/226,961	05 Apr 2005	UNITED STATES OF AMERICA
- (56) Related Art Documents: **Not Applicable**
- (57) Statement of Newness and Distinctiveness: **Those features of the housing for electronic device depicted in the representations that are new and distinctive are the shape and/or configuration.**

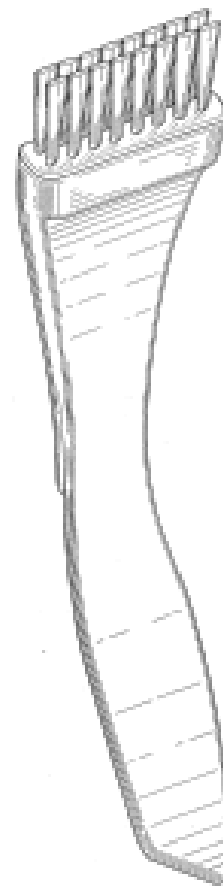


- (21) Design Number: **14262/2005**
- (22) Date of Filing Application: **29 September 2005**
- (24) Date from which industrial property rights may have effect: **29 September 2005**
- (54) Product in respect of which the design is registered: **Housing for electronic device**
- (51) International Design Classification: **14-02**
- (71) Name(s) and Address(s) of Applicant(s):
Pelco
3500 Pelco Way Clovis California 93612-5699 United States of America
- (72) Name(s) of Designer(s): **Greg Max Millar and Raul Cortes and Richard Todd Boswell**
- (45) Registration Date: **28 March 2006**
- (30) Convention priority data:

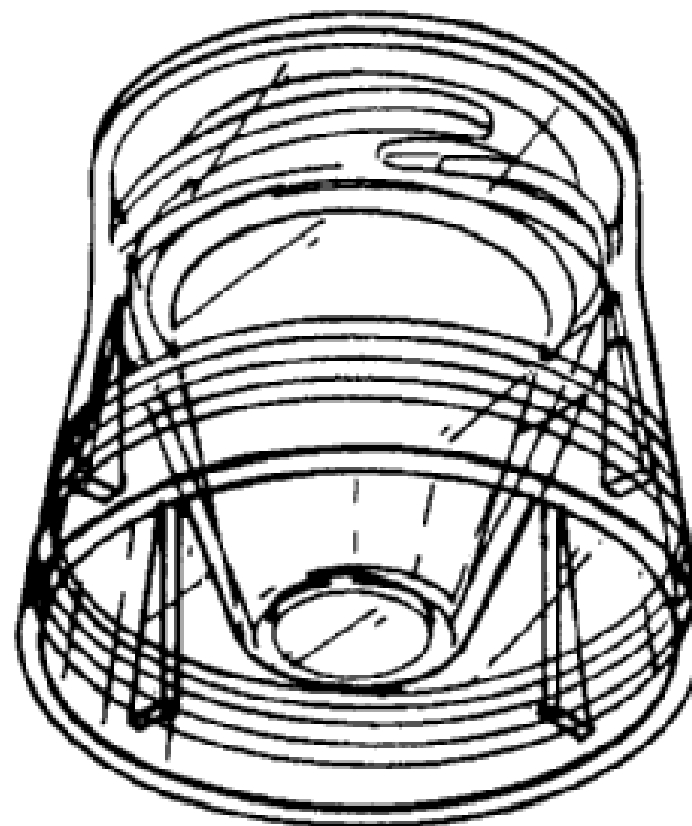
(31) Number	(32) Date	(33) Country
29/227,021	05 Apr 2005	UNITED STATES OF AMERICA
- (56) Related Art Documents: **Not Applicable**
- (57) Statement of Newness and Distinctiveness: **Those features of the housing for electronic device depicted in the representations that are new and distinctive are the shape and/or configuration.**



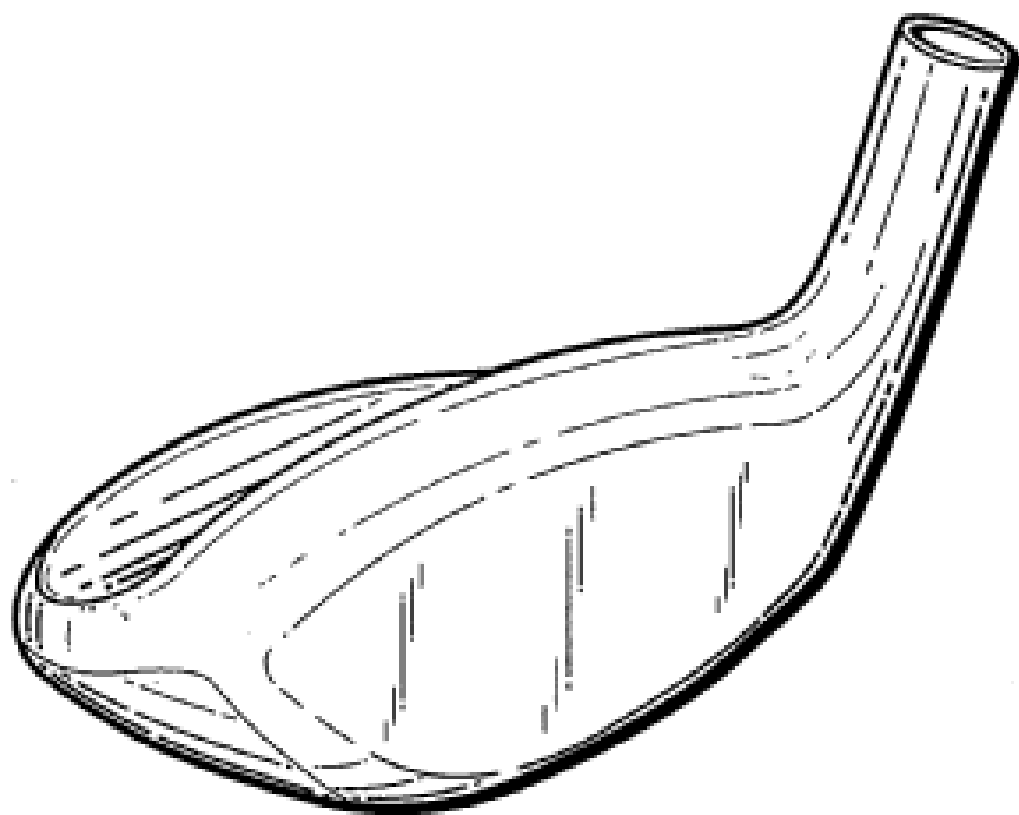
(21) Design Number: **14265/2005**
(22) Date of Filing Application: **30 September 2005**
(24) Date from which industrial property rights may have effect: **30 September 2005**
(54) Product in respect of which the design is registered: **Combination brush and spatula**
(51) International Design Classification: **04-01, 07-04**
(71) Name(s) and Address(s) of Applicant(s):
Combe Incorporated
1101 Westchester Avenue White Plains New York 10604-4597 United States of America
(72) Name(s) of Designer(s): **Alan J. Olsson and Luis R. Salmerson and Kevin Chan**
(45) Registration Date: **28 March 2006**
(30) Convention priority data:
(31) Number (32) Date (33) Country
29/227,410 12 Apr 2005 UNITED STATES OF AMERICA
(56) Related Art Documents: **Not Applicable**
(57) Statement of Newness and Distinctiveness: **Nil**



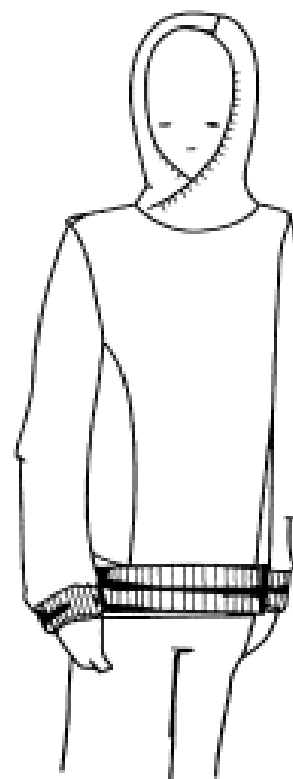
(21) Design Number: **14267/2005**
(22) Date of Filing Application: **30 September 2005**
(24) Date from which industrial property rights may have effect: **30 September 2005**
(54) Product in respect of which the design is registered: **A cap**
(51) International Design Classification: **09-07A, 09-07C**
(71) Name(s) and Address(s) of Applicant(s):
Glaxo Group Limited
Glaxo Wellcome House Berkeley Avenue Greenford Middlesex UB6 0NN United Kingdom
(72) Name(s) of Designer(s): **Gary Spencer**
(45) Registration Date: **28 March 2006**
(30) Convention priority data:
(31) Number (32) Date (33) Country
3020860 07 Apr 2005 UNITED KINGDOM
(56) Related Art Documents: **Not Applicable**
(57) Statement of Newness and Distinctiveness: **Nil**



(21) Design Number: **14271/2005**
(22) Date of Filing Application: **29 September 2005**
(24) Date from which industrial property rights may have effect: **29 September 2005**
(54) Product in respect of which the design is registered: **Golf club head**
(51) International Design Classification: **21-02C**
(71) Name(s) and Address(s) of Applicant(s):
Karsten Manufacturing Corporation
2201 West Desert Cove Phoenix Arizona 85029 United States of America
(72) Name(s) of Designer(s): **Richard R. Sanchez**
(45) Registration Date: **28 March 2006**
(30) Convention priority data:
(31) Number (32) Date (33) Country
29/226765 01 Apr 2005 UNITED STATES OF AMERICA
(56) Related Art Documents: **Not Applicable**
(57) Statement of Newness and Distinctiveness: **Nil**



(21) Design Number: **12693/2005**
(22) Date of Filing Application: **27 June 2005**
(24) Date from which industrial property rights may have effect: **27 June 2005**
(54) Product in respect of which the design is registered: **Reel hood garment**
(51) International Design Classification: **02-02NES**
(71) Name(s) and Address(s) of Applicant(s):
Sruli Recht
Studio 7 60 Language Street Collingwood Victoria 3066 Australia
(72) Name(s) of Designer(s): **Sruli Recht**
(45) Registration Date: **28 March 2006**
(56) Related Art Documents: **Not Applicable**
(57) Statement of Newness and Distinctiveness: **Blanket stitch detail on hood edge, curved side body shaping seam with pocket, invisible zip pocket closure, ribbing at bottom of garment and end of arms, cross over hood; press studs on hood front, invisible zip front closure, side body different textile, press studs at front base of garment; cross over hood ends just before shoulder, hood crosses the same.**



(21) Design Number: **10229/2006**

(22) Date of Filing Application: **23 January 2006**

(24) Date from which industrial property rights may have effect: **23 January 2006**

(54) Product in respect of which the design is registered: **Zip hood garment, Reel hood garment**

(51) International Design Classification: **02-02NES**

(71) Name(s) and Address(s) of Applicant(s):

Sruli Recht

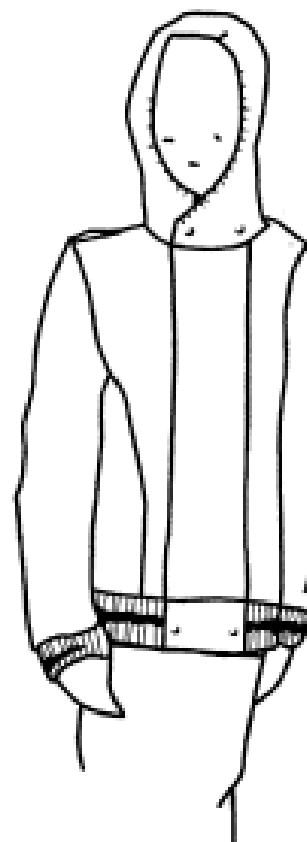
Studio 7 60 Language Street Collingwood Victoria 3066 Australia

(72) Name(s) of Designer(s): **Sruli Recht**

(45) Registration Date: **28 March 2006**

(56) Related Art Documents: **Not Applicable**

(57) Statement of Newness and Distinctiveness: **Blanket stitch detail on hood edge, curved side body shaping seam with pocket, invisible zip pocket closure, ribbing at bottom of garment and end of arms, cross over hood; press studs on hood front, invisible zip front closure, side body different textile, press studs at front base of garment; cross over hood ends just before shoulder, hood crosses the same.**



(21) Design Number: **10300/2005**

(22) Date of Filing Application: **27 January 2005**

(24) Date from which industrial property rights may have effect: **27 January 2005**

(54) Product in respect of which the design is registered: **Roof anchor**

(51) International Design Classification: **29-02**

(71) Name(s) and Address(s) of Applicant(s):

Alice Wendy Wilks

PO Box 392 Inverell New South Wales 2360 Australia

Bruce Ellis Wilks

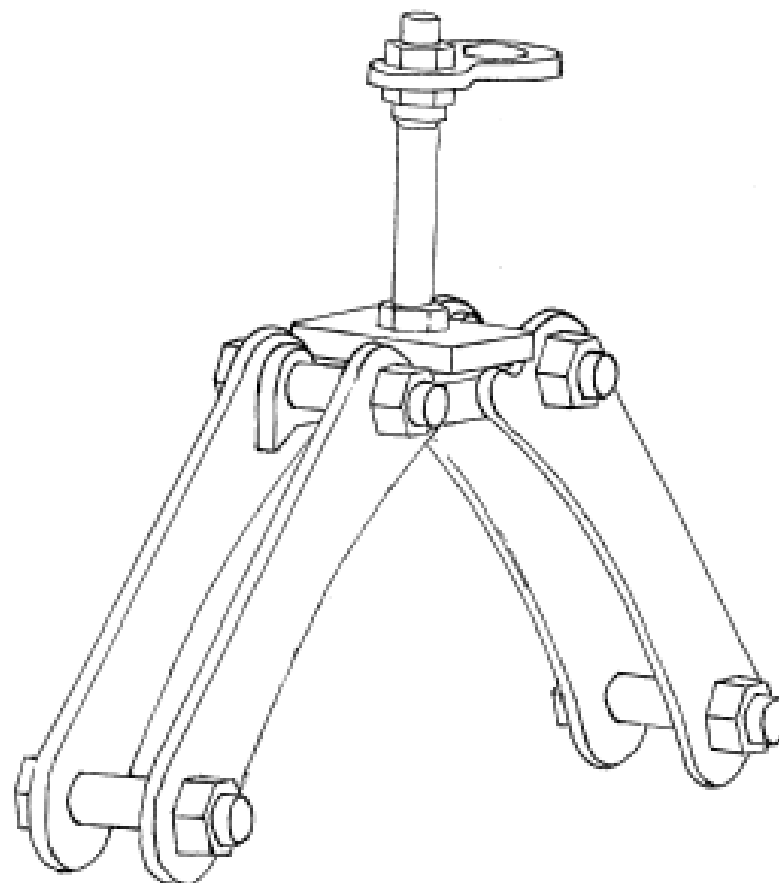
PO Box 392 Inverell New South Wales 2360 Australia

(72) Name(s) of Designer(s): **Kendall Munday and Andrew Blake**

(45) Registration Date: **29 March 2006**

(56) Related Art Documents: **Not Applicable**

(57) Statement of Newness and Distinctiveness: **Nil**



(21) Design Number: **10773/2005**

(22) Date of Filing Application: **01 March 2005**

(24) Date from which industrial property rights may have effect: **01 March 2005**

(54) Product in respect of which the design is registered: **Washing accessory**

(51) International Design Classification: **07-05C**

(71) Name(s) and Address(s) of Applicant(s):

Namib Dew CC

55 Chapmans Street Gordon's Bay 7151 Republic of South Africa

(72) Name(s) of Designer(s): **Pieter Umberto Uys**

(45) Registration Date: **29 March 2006**

(30) Convention priority data:

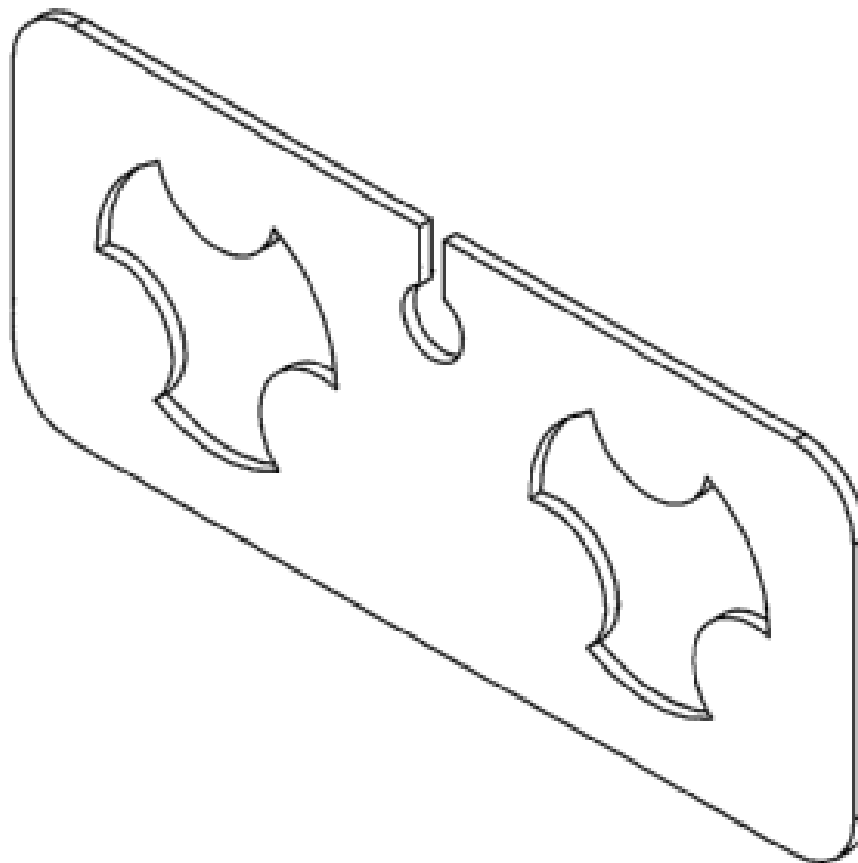
(31) Number
A2004/1153

(32) Date
01 Sep 2004

(33) Country
SOUTH AFRICA

(56) Related Art Documents: **Not Applicable**

(57) Statement of Newness and Distinctiveness: **Novelty and distinctiveness is claimed in the shape and/or configuration of a washing accessory as illustrated in the accompanying representations.**



(21) Design Number: **10775/2005**

(22) Date of Filing Application: **28 February 2005**

(24) Date from which industrial property rights may have effect: **28 February 2005**

(54) Product in respect of which the design is registered: **Seal**

(51) International Design Classification: **19-02**

(71) Name(s) and Address(s) of Applicant(s):

ITW Limited

Admiral House St Leonards Rd Windsor Berkshire SL4 3BL United Kingdom

(72) Name(s) of Designer(s): **Derrick Weedon and Christopher Benning**

(45) Registration Date: **29 March 2006**

(30) Convention priority data:

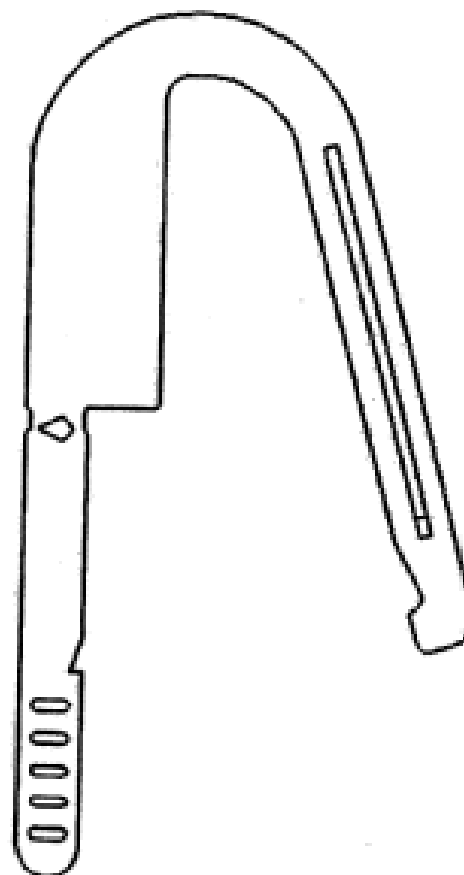
(31) Number
000272034

(32) Date
16 Dec 2004

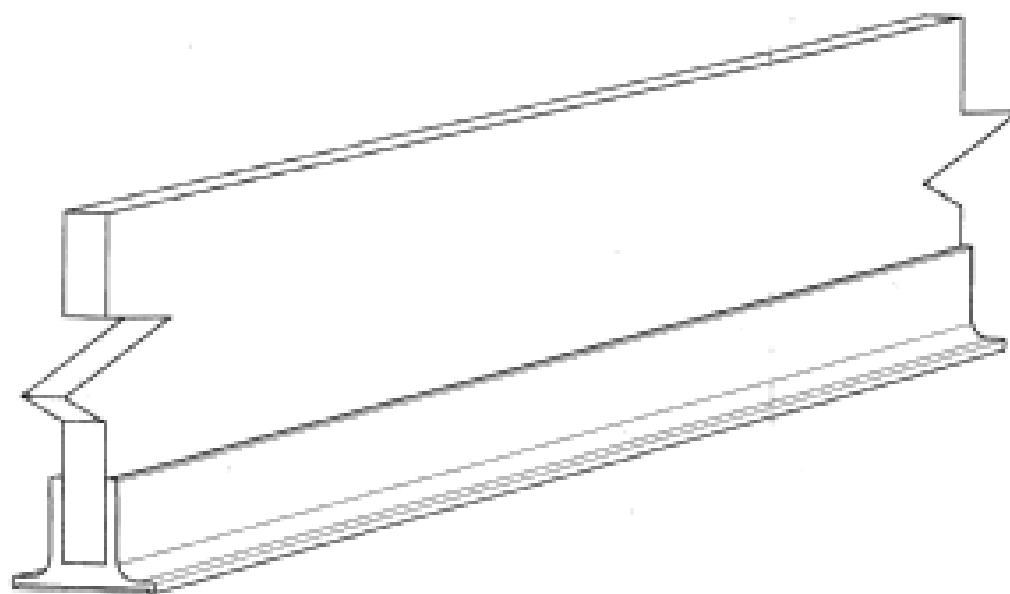
(33) Country
EUROPEAN COMMUNITY

(56) Related Art Documents: **Not Applicable**

(57) Statement of Newness and Distinctiveness: **Those visual features of the seal depicted in the representations that are new and distinctive are the shape and/or configuration.**



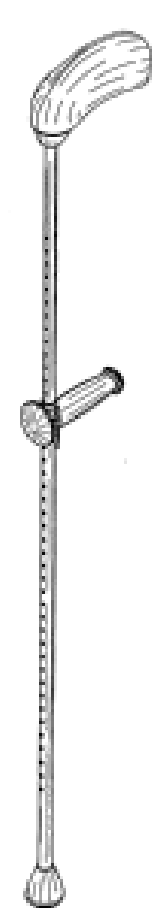
(21) Design Number: **10871/2005**
 (22) Date of Filing Application: **07 March 2005**
 (24) Date from which industrial property rights may have effect: **08 November 2002**
 (54) Product in respect of which the design is registered: **Bench guard**
 (51) International Design Classification: **25-01NES**
 (71) Name(s) and Address(s) of Applicant(s):
Darras L.J. Hancock
"Wilbara" MS 366 Grandchester Queensland 4340 Australia
 (72) Name(s) of Designer(s): **Darras L.J. Hancock**
 (45) Registration Date: **29 March 2006**
 (62) Divisional of: **157941**
 (56) Related Art Documents: **Not Applicable**
 (57) Statement of Newness and Distinctiveness: **Nil**



(21) Design Number: **11665/2005**
 (22) Date of Filing Application: **26 April 2005**
 (24) Date from which industrial property rights may have effect: **26 April 2005**
 (54) Product in respect of which the design is registered: **A crutch**
 (51) International Design Classification: **03-03**
 (71) Name(s) and Address(s) of Applicant(s):
Nexstep Mobility, LLC
2801 Queen Elaine Court El Dorado Hills 95762 United States of America
 (72) Name(s) of Designer(s): **Richard C. Davis**
 (45) Registration Date: **29 March 2006**
 (30) Convention priority data:

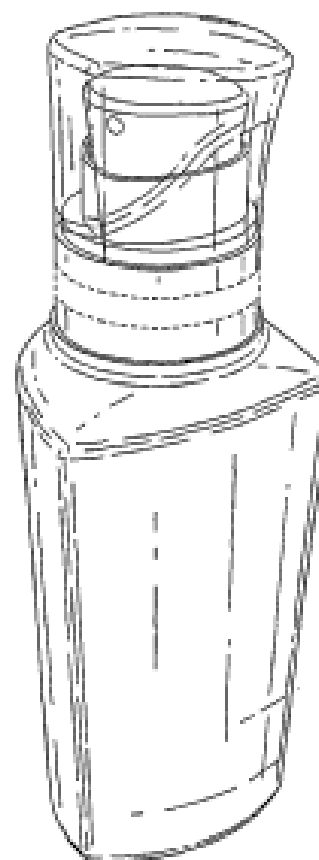
(31) Number	(32) Date	(33) Country
29/215762	25 Oct 2004	UNITED STATES OF AMERICA

 (56) Related Art Documents: **Not Applicable**
 (57) Statement of Newness and Distinctiveness: **Newness and distinctiveness in the design as applied to an axillary crutchform and features thereof reside in the shape and/or configuration thereof as illustrated in the accompanying representations. In assessing newness and distinctiveness, the portions depicted by dashed outline should be disregarded.**



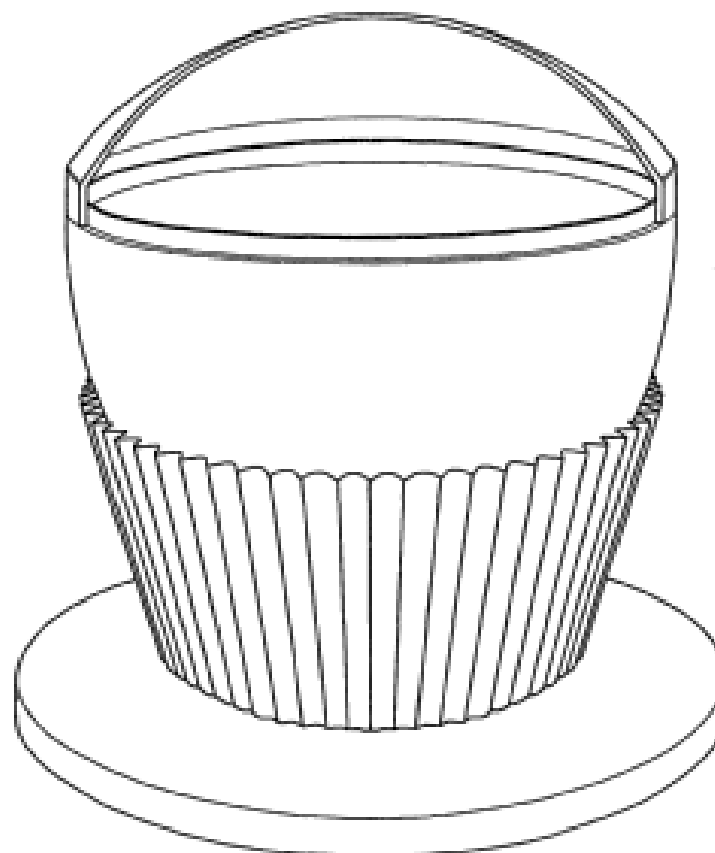
- (21) Design Number: **11793/2005**
- (22) Date of Filing Application: **28 April 2005**
- (24) Date from which industrial property rights may have effect: **28 April 2005**
- (54) Product in respect of which the design is registered: **Container**
- (51) International Design Classification: **09-01G**
- (71) Name(s) and Address(s) of Applicant(s):
The Procter & Gamble Company
One Procter & Gamble Plaza Cincinnati Ohio 45202 United States of America
- (72) Name(s) of Designer(s): **Tanya Nicole Blasko and Erica Heidi Hollmann and Stacy Alycia Thomas**
- (45) Registration Date: **29 March 2006**
- (30) Convention priority data:

(31) Number	(32) Date	(33) Country
29/216,511	04 Nov 2004	UNITED STATES OF AMERICA
- (56) Related Art Documents: **Not Applicable**
- (57) Statement of Newness and Distinctiveness: **Those visual features of the container depicted in the representations that are new and distinctive are the shape and/or configuration. The transition collar may be of any length, as indicated by the broken lines.**

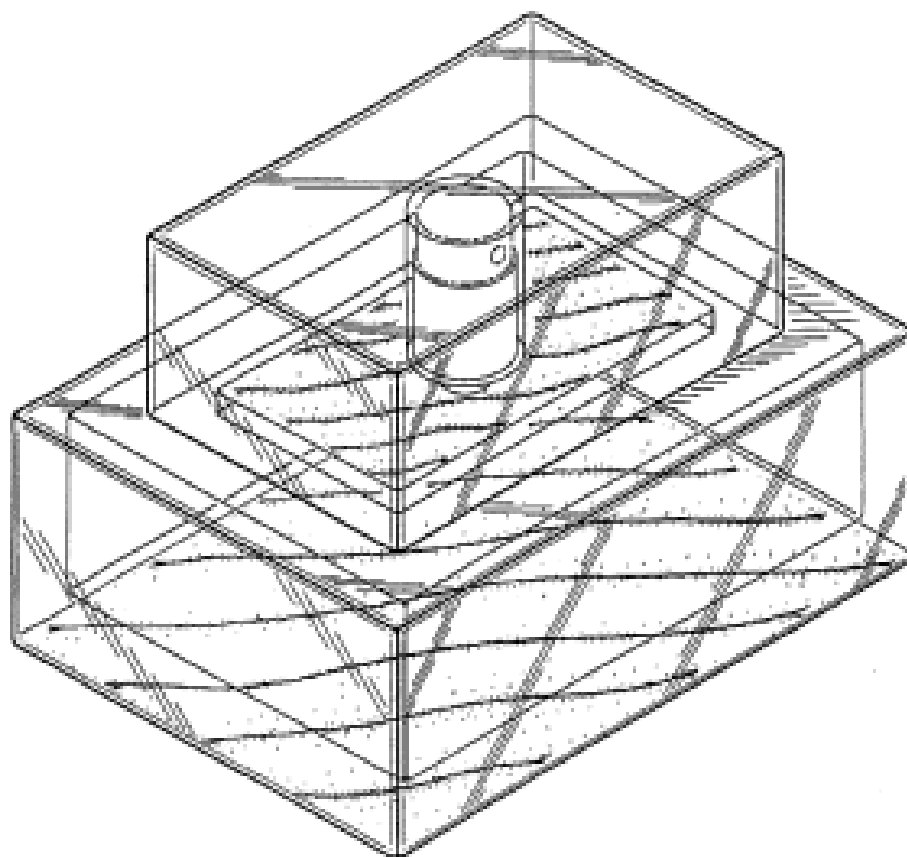


- (21) Design Number: **12182/2005**
- (22) Date of Filing Application: **16 May 2005**
- (24) Date from which industrial property rights may have effect: **16 May 2005**
- (54) Product in respect of which the design is registered: **Container**
- (51) International Design Classification: **09-03L**
- (71) Name(s) and Address(s) of Applicant(s):
Soremartec S.A.
Dreve de l'Arc-en-ciel 102 B-6700 Schoppach Arlon Belgium
- (72) Name(s) of Designer(s): **Sergio Mansuino**
- (45) Registration Date: **29 March 2006**
- (30) Convention priority data:

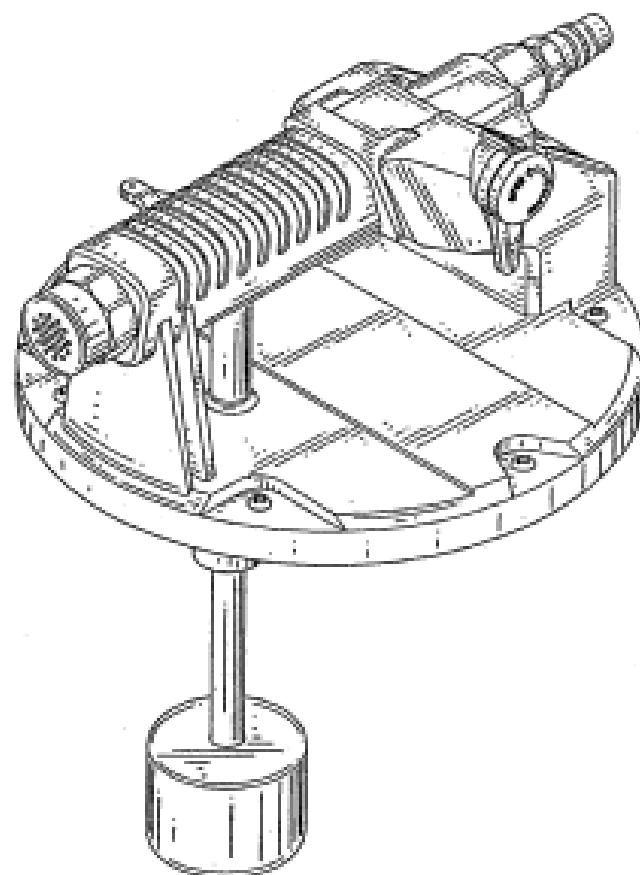
(31) Number	(32) Date	(33) Country
000255468	17 Nov 2004	EUROPEAN COMMUNITY
- (56) Related Art Documents: **Not Applicable**
- (57) Statement of Newness and Distinctiveness: **Those features of the container depicted in the representations that are new and distinctive are the shape and/or configuration. The features shown in the bottom view are not part of the design and are to be disregarded when considering the overall impression of the design.**



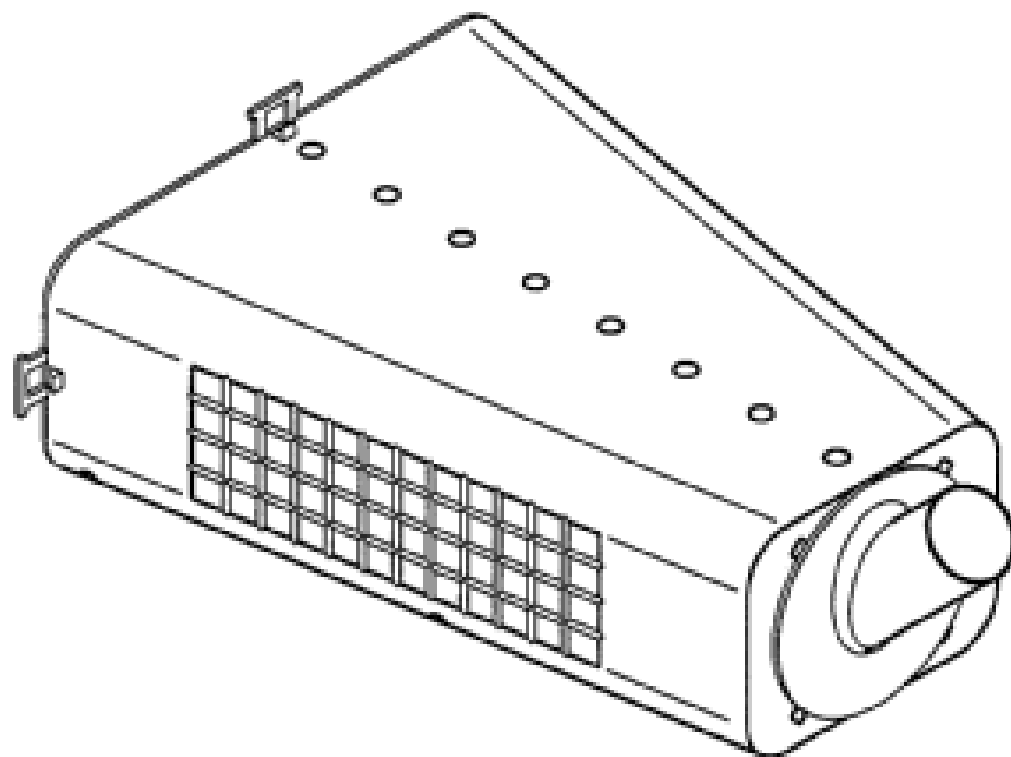
- (21) Design Number: **12294/2005**
(22) Date of Filing Application: **24 May 2005**
(24) Date from which industrial property rights may have effect: **24 May 2005**
(54) Product in respect of which the design is registered: **Bottle**
(51) International Design Classification: **09-01G**
(71) Name(s) and Address(s) of Applicant(s):
Michael Kors LLC
767 Fifth Avenue New York New York 10153 United States of America
(72) Name(s) of Designer(s): **Richard Lavigne**
(45) Registration Date: **29 March 2006**
(30) Convention priority data:
(31) Number (32) Date (33) Country
29/219,023 10 Dec 2004 UNITED STATES OF AMERICA
(56) Related Art Documents: **Not Applicable**
(57) Statement of Newness and Distinctiveness: **Those features of the bottle depicted in the representations that are new and distinctive are the shape and/or configuration, including the rippled surfaces of the bottom and cap. The features shown in broken line are not part of the design and are to be disregarded when considering the overall impression of the design.**



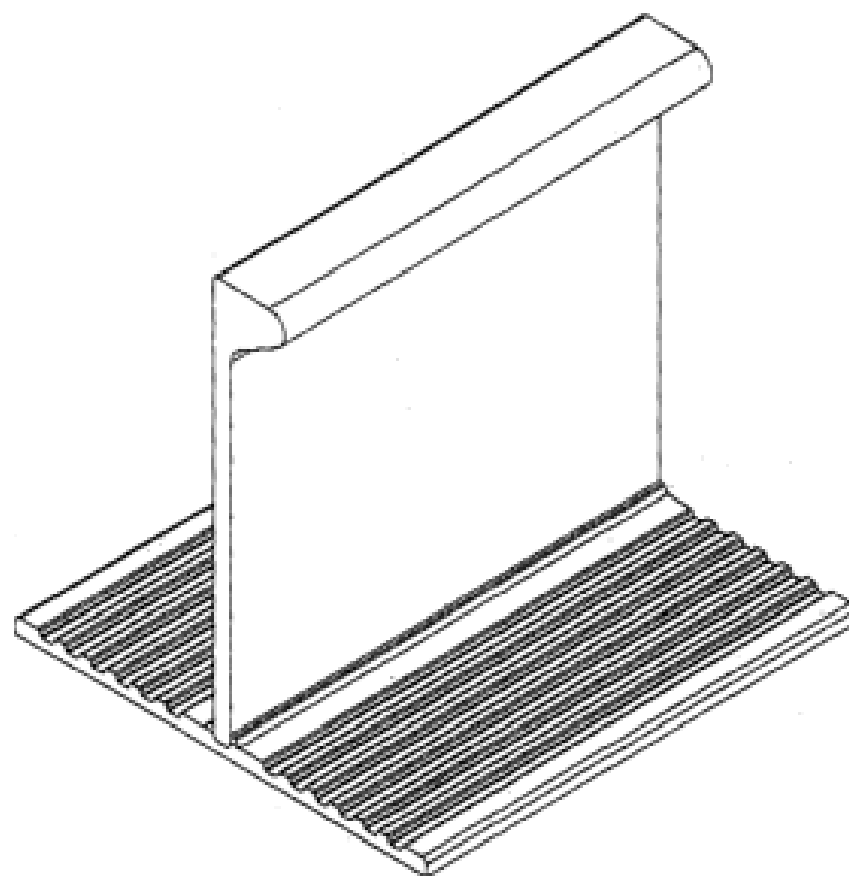
- (21) Design Number: **12826/2005**
(22) Date of Filing Application: **04 July 2005**
(24) Date from which industrial property rights may have effect: **04 July 2005**
(54) Product in respect of which the design is registered: **An extractor device**
(51) International Design Classification: **15-02**
(71) Name(s) and Address(s) of Applicant(s):
Chuan Jiing Enterprises Co., Ltd
No.27 Lane 57 Fong Jheng Rd Wu Feng Hsiang Taichung Hsien Taiwan
(72) Name(s) of Designer(s): **Tien-Tsai Tseng**
(45) Registration Date: **29 March 2006**
(56) Related Art Documents: **Not Applicable**
(57) Statement of Newness and Distinctiveness: **Newness and distinctiveness resides in the shape and configuration of an extractor device as shown in the accompanying representations.**



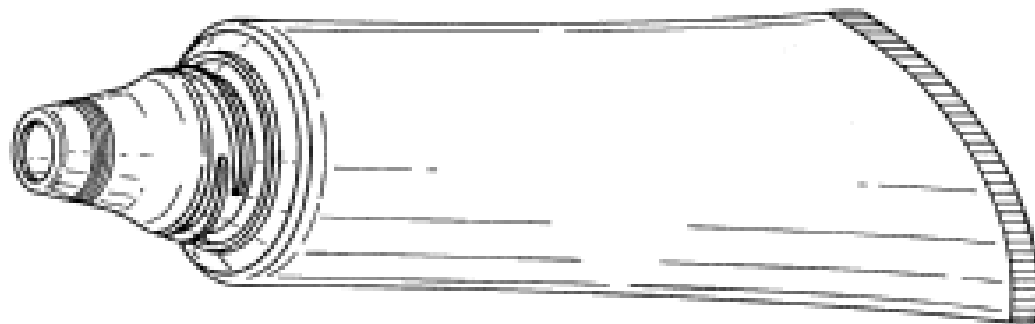
- (21) Design Number: **13108/2005**
(22) Date of Filing Application: **21 July 2005**
(24) Date from which industrial property rights may have effect: **21 July 2005**
(54) Product in respect of which the design is registered: **Aquaculture cell**
(51) International Design Classification: **22-05**
(71) Name(s) and Address(s) of Applicant(s):
Freshwater Crayfish Co. IP Pty Ltd
3 Ridge Avenue Hampton East Victoria 3188 Australia
(72) Name(s) of Designer(s): **Andrew Edward Grant**
(45) Registration Date: **29 March 2006**
(56) Related Art Documents: **Not Applicable**
(57) Statement of Newness and Distinctiveness: **Those features of the aquaculture cell depicted in the representations that are new and distinctive are the shape and/or configuration.**



- (21) Design Number: **14246/2005**
(22) Date of Filing Application: **29 September 2005**
(24) Date from which industrial property rights may have effect: **29 September 2005**
(54) Product in respect of which the design is registered: **A lintel**
(51) International Design Classification: **25-01C, 25-01K**
(71) Name(s) and Address(s) of Applicant(s):
Ronald E. Graham (Holdings) Pty Limited
137-147 Rookwood Road Yagoona New South Wales 2199 Australia
(72) Name(s) of Designer(s): **John Robert Morris**
(45) Registration Date: **29 March 2006**
(56) Related Art Documents: **Not Applicable**
(57) Statement of Newness and Distinctiveness: **Newness and distinctiveness is claimed in the features of shape and/or configuration of the cross-section of an extrusion as illustrated in the accompanying representations, wherein the cross-section of the extrusion is constant along its length.**



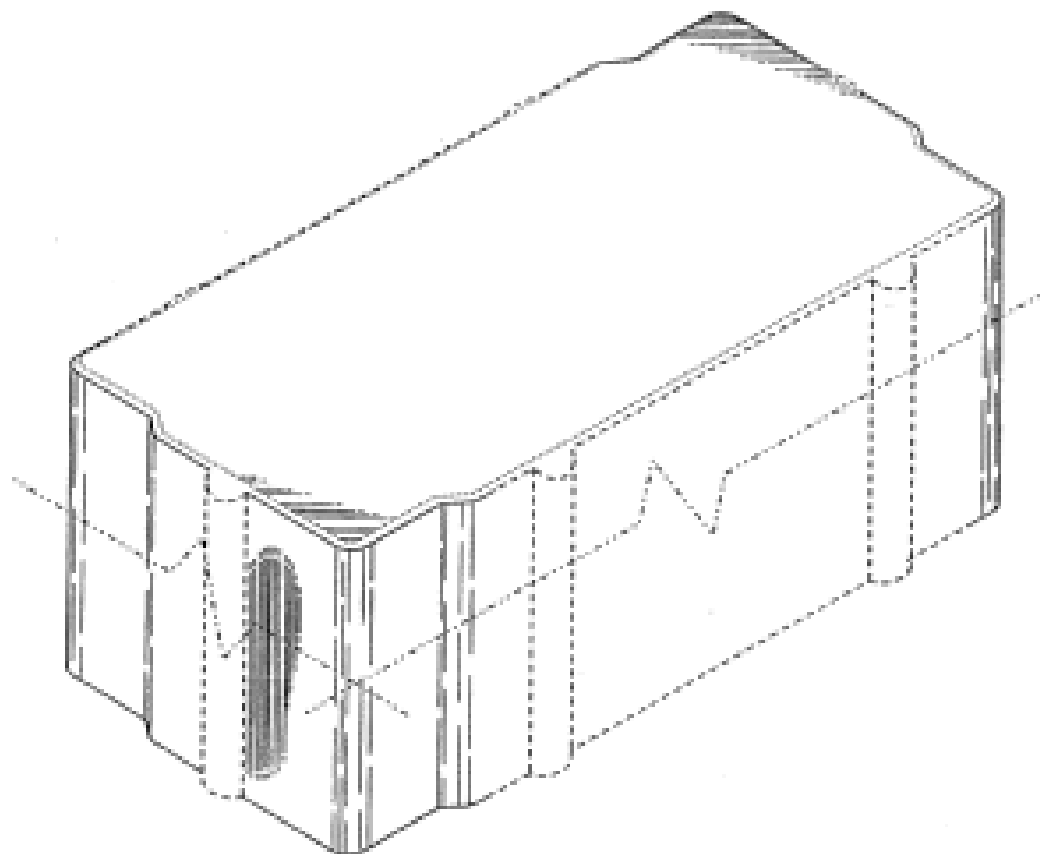
(21) Design Number: **14268/2005**
(22) Date of Filing Application: **30 September 2005**
(24) Date from which industrial property rights may have effect: **30 September 2005**
(54) Product in respect of which the design is registered: **A tube**
(51) International Design Classification: **09-05**
(71) Name(s) and Address(s) of Applicant(s):
Glaxo Group Limited
Glaxo Wellcome House Berkeley Avenue Greenford Middlesex UB6
0NN United Kingdom
(72) Name(s) of Designer(s): **Gary Spencer**
(45) Registration Date: **29 March 2006**
(30) Convention priority data:
(31) Number (32) Date (33) Country
3020861 07 Apr 2005 UNITED KINGDOM
(56) Related Art Documents: **Not Applicable**
(57) Statement of Newness and Distinctiveness: **Nil**



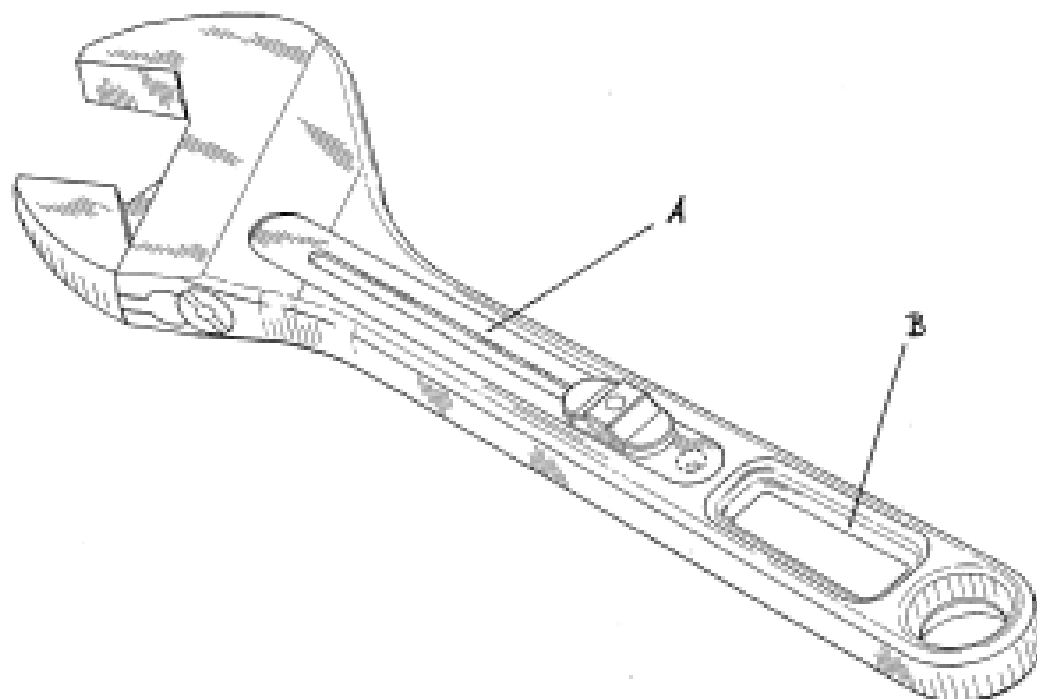
(21) Design Number: **14269/2005**
(22) Date of Filing Application: **30 September 2005**
(24) Date from which industrial property rights may have effect: **30 September 2005**
(54) Product in respect of which the design is registered: **Bottle**
(51) International Design Classification: **09-01NES**
(71) Name(s) and Address(s) of Applicant(s):
Stokely-Van Camp, Inc.
555 West Monroe Street Chicago Illinois 60661 United States of
America
(72) Name(s) of Designer(s): **David Melrose**
(45) Registration Date: **29 March 2006**
(56) Related Art Documents: **Not Applicable**
(57) Statement of Newness and Distinctiveness: **Newness and distinctiveness is claimed in features of shape and/or configuration of a bottle as illustrated in the accompanying representations.**



(21) Design Number: **14331/2005**
 (22) Date of Filing Application: **04 October 2005**
 (24) Date from which industrial property rights may have effect: **04 October 2005**
 (54) Product in respect of which the design is registered: **A paver**
 (51) International Design Classification: **25-01A**
 (71) Name(s) and Address(s) of Applicant(s):
Advanced Pavement Technology Inc.
67 Stonehill Road Oswego Illinois 60543 United States of America
 (72) Name(s) of Designer(s): **William C. Schneider**
 (45) Registration Date: **29 March 2006**
 (30) Convention priority data:
 (31) Number (32) Date (33) Country
29/226752 01 Apr 2005 UNITED STATES OF AMERICA
 (56) Related Art Documents: **Not Applicable**
 (57) Statement of Newness and Distinctiveness: **Newness and distinctiveness is claimed in the features of shape and/or configuration of the end portions of a cross-section of a paver as illustrated in continuous lines in the cross-sectional view of the accompanying representations.**



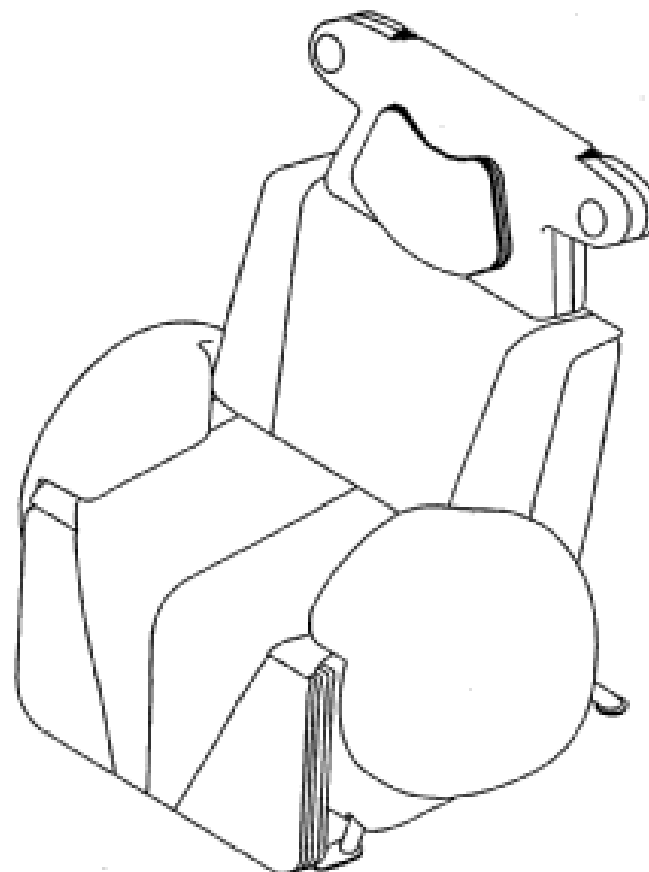
(21) Design Number: **14337/2005**
 (22) Date of Filing Application: **05 October 2005**
 (24) Date from which industrial property rights may have effect: **05 October 2005**
 (54) Product in respect of which the design is registered: **Adjustable wrench**
 (51) International Design Classification: **08-05P**
 (71) Name(s) and Address(s) of Applicant(s):
Cooper Brands, Inc.
600 Travis Suite 5800 Houston Texas 77002 United States of America
 (72) Name(s) of Designer(s): **Jonathan S. Beckwith**
 (45) Registration Date: **29 March 2006**
 (30) Convention priority data:
 (31) Number (32) Date (33) Country
29/230095 17 May 2005 UNITED STATES OF AMERICA
 (56) Related Art Documents: **Not Applicable**
 (57) Statement of Newness and Distinctiveness: **Newness and distinctiveness is claimed in the features of shape and/or configuration of the following parts of an adjustable wrench as illustrated and labelled in the accompanying representations: Slide mechanism labelled "A"; Indented area labelled "B".**



(21) Design Number: **14338/2005**
(22) Date of Filing Application: **05 October 2005**
(24) Date from which industrial property rights may have effect: **05 October 2005**
(54) Product in respect of which the design is registered: **Massage chair**
(51) International Design Classification: **06-01NES**
(71) Name(s) and Address(s) of Applicant(s):
Family Co., Ltd
1-17-26 Higashinakajima Higashiyodogawa-ku Osaka-shi Osaka
533-0033 Japan
(72) Name(s) of Designer(s): **Toshiyuki Kita**
(45) Registration Date: **29 March 2006**
(30) Convention priority data:
(31) Number (32) Date (33) Country
2005-010628 08 Apr 2005 JAPAN
(56) Related Art Documents: **Not Applicable**
(57) Statement of Newness and Distinctiveness: **Nil**



(21) Design Number: **14339/2005**
(22) Date of Filing Application: **05 October 2005**
(24) Date from which industrial property rights may have effect: **05 October 2005**
(54) Product in respect of which the design is registered: **Massage chair**
(51) International Design Classification: **06-01NES**
(71) Name(s) and Address(s) of Applicant(s):
Family Co., Ltd
1-17-26 Higashinakajima Higashiyodogawa-ku Osaka-shi Osaka
533-0033 Japan
(72) Name(s) of Designer(s): **Toshiyuki Kita**
(45) Registration Date: **29 March 2006**
(30) Convention priority data:
(31) Number (32) Date (33) Country
2005-010629 08 Apr 2005 JAPAN
(56) Related Art Documents: **Not Applicable**
(57) Statement of Newness and Distinctiveness: **Nil**



(21) Design Number: **15213/2005**
 (22) Date of Filing Application: **29 November 2005**
 (24) Date from which industrial property rights may have effect: **29 November 2005**
 (54) Product in respect of which the design is registered: **Barbecue/roasting spit**
 (51) International Design Classification: **07-02E**
 (71) Name(s) and Address(s) of Applicant(s):

Angela King
Ash Tree Farm North Green Pulham St Mary Suffolk IP21 4XX United Kingdom

(72) Name(s) of Designer(s): **Angela King**

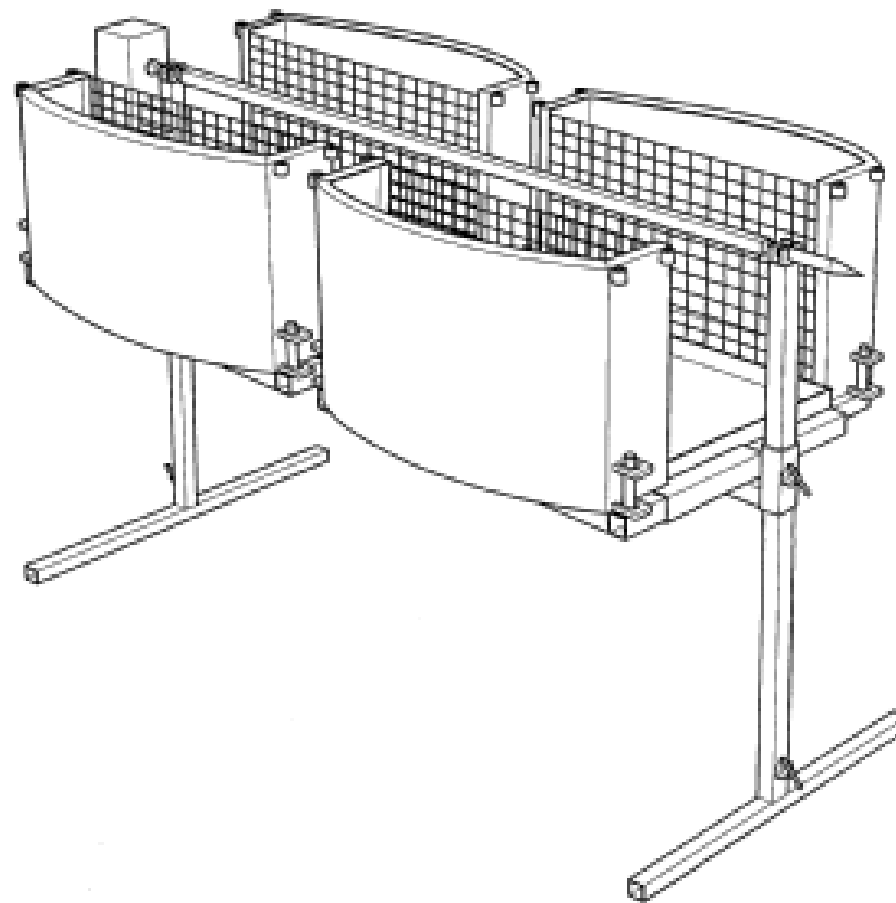
(45) Registration Date: **29 March 2006**

(30) Convention priority data:

(31) Number	(32) Date	(33) Country
3021473	03 Jun 2005	UNITED KINGDOM

(56) Related Art Documents: **Not Applicable**

(57) Statement of Newness and Distinctiveness: **Nil**



(21) Design Number: **10387/2006**
 (22) Date of Filing Application: **03 February 2006**
 (24) Date from which industrial property rights may have effect: **03 February 2006**
 (54) Product in respect of which the design is registered: **Sport shoe**
 (51) International Design Classification: **02-04NES**
 (71) Name(s) and Address(s) of Applicant(s):

Keen LLC
1201 Marina Village Suite 301 Alameda California 94501 United States of America

(72) Name(s) of Designer(s): **Rory W. Fuerst**

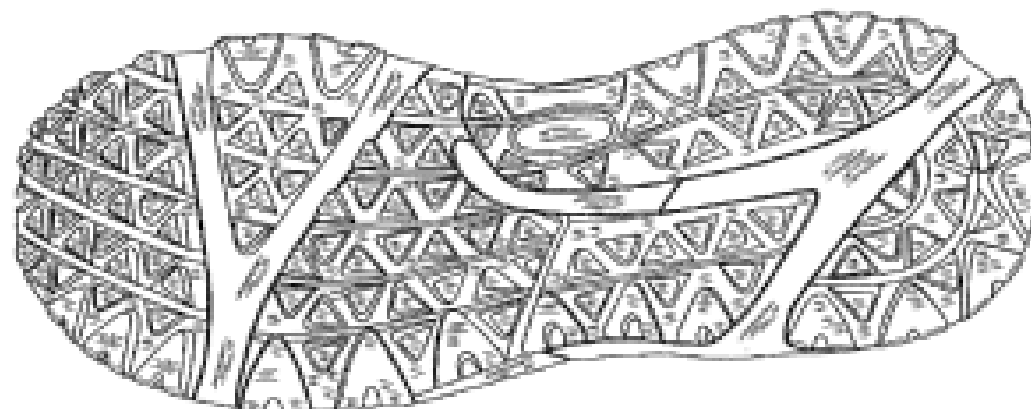
(45) Registration Date: **29 March 2006**

(30) Convention priority data:

(31) Number	(32) Date	(33) Country
29/235,610	04 Aug 2005	UNITED STATES OF AMERICA

(56) Related Art Documents: **Not Applicable**

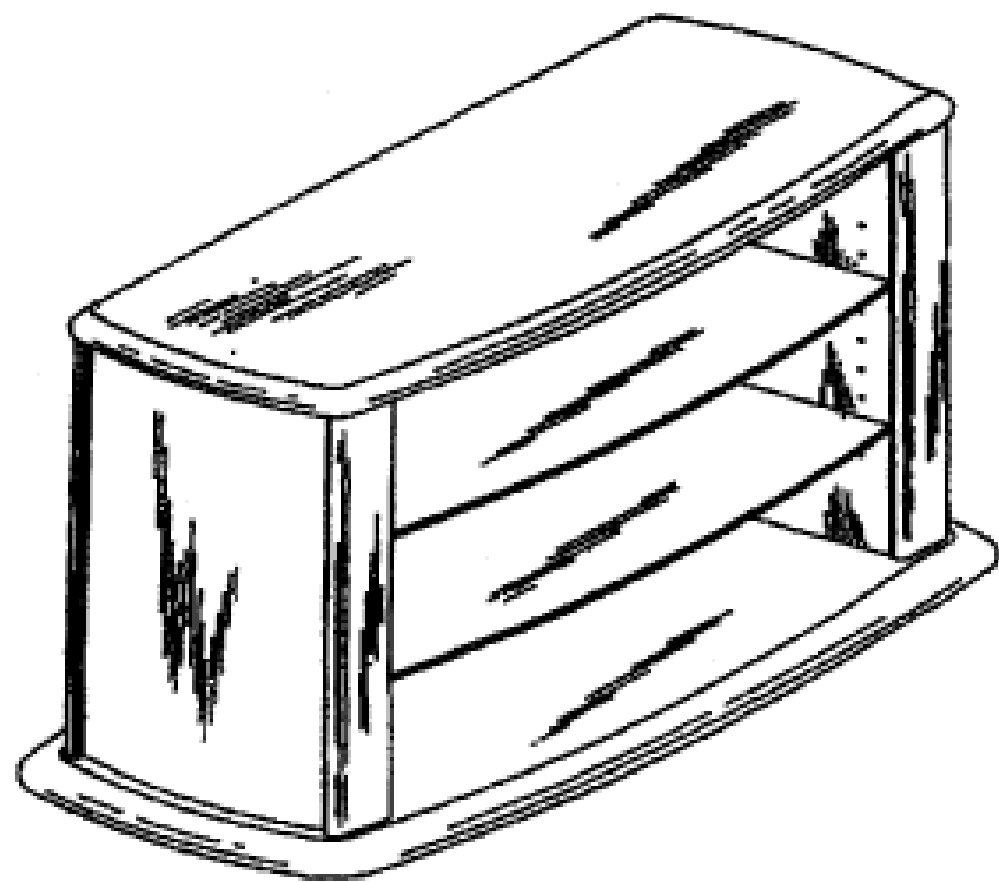
(57) Statement of Newness and Distinctiveness: **Nil**



(21) Design Number: **10391/2006**
(22) Date of Filing Application: **03 February 2006**
(24) Date from which industrial property rights may have effect: **03 February 2006**
(54) Product in respect of which the design is registered: **Sport shoe**
(51) International Design Classification: **02-04NES**
(71) Name(s) and Address(s) of Applicant(s):
Keen LLC
1201 Marina Village Suite 301 Alameda California 94501 United States of America
(72) Name(s) of Designer(s): **Rory W. Fuerst**
(45) Registration Date: **29 March 2006**
(30) Convention priority data:
(31) Number (32) Date (33) Country
29/235,610 04 Aug 2005 UNITED STATES OF AMERICA
(56) Related Art Documents: **Not Applicable**
(57) Statement of Newness and Distinctiveness: **Nil**



(21) Design Number: **14464/2004**
(22) Date of Filing Application: **17 September 2004**
(24) Date from which industrial property rights may have effect: **17 September 2004**
(54) Product in respect of which the design is registered: **Stand**
(51) International Design Classification: **06-04NES**
(71) Name(s) and Address(s) of Applicant(s):
Criterion Manufacturing Limited
18 Parkwood Place East Tamaki Auckland New Zealand
(72) Name(s) of Designer(s): **Peter Barry Moyle and Peke C.P.E. Hallenheim**
(45) Registration Date: **29 March 2006**
(56) Related Art Documents: **Not Applicable**
(57) Statement of Newness and Distinctiveness: **Nil**



(21) Design Number: **11014/2005**

(22) Date of Filing Application: **15 March 2005**

(24) Date from which industrial property rights may have effect: **15 March 2005**

(54) Product in respect of which the design is registered: **Game**

(51) International Design Classification: **21-01NES**

(71) Name(s) and Address(s) of Applicant(s):

Steven Turner

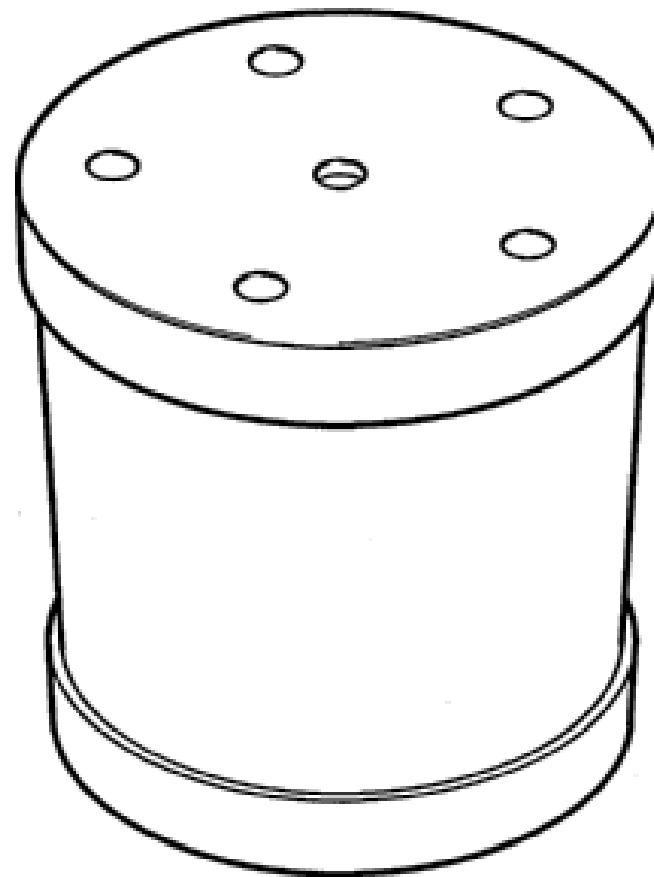
**Wangara Horticulture Supplies 79 Achievement Way Wangara
Western Australia 6065 Australia**

(72) Name(s) of Designer(s): **Steven Thomas Turner and Vivienne Julia Turner**

(45) Registration Date: **29 March 2006**

(56) Related Art Documents: **Not Applicable**

(57) Statement of Newness and Distinctiveness: **Nil**



(21) Design Number: **11063/2005**

(22) Date of Filing Application: **21 March 2005**

(24) Date from which industrial property rights may have effect: **21 March 2005**

(54) Product in respect of which the design is registered: **Display device**

(51) International Design Classification: **06-07**

(71) Name(s) and Address(s) of Applicant(s):

Ian Craigie

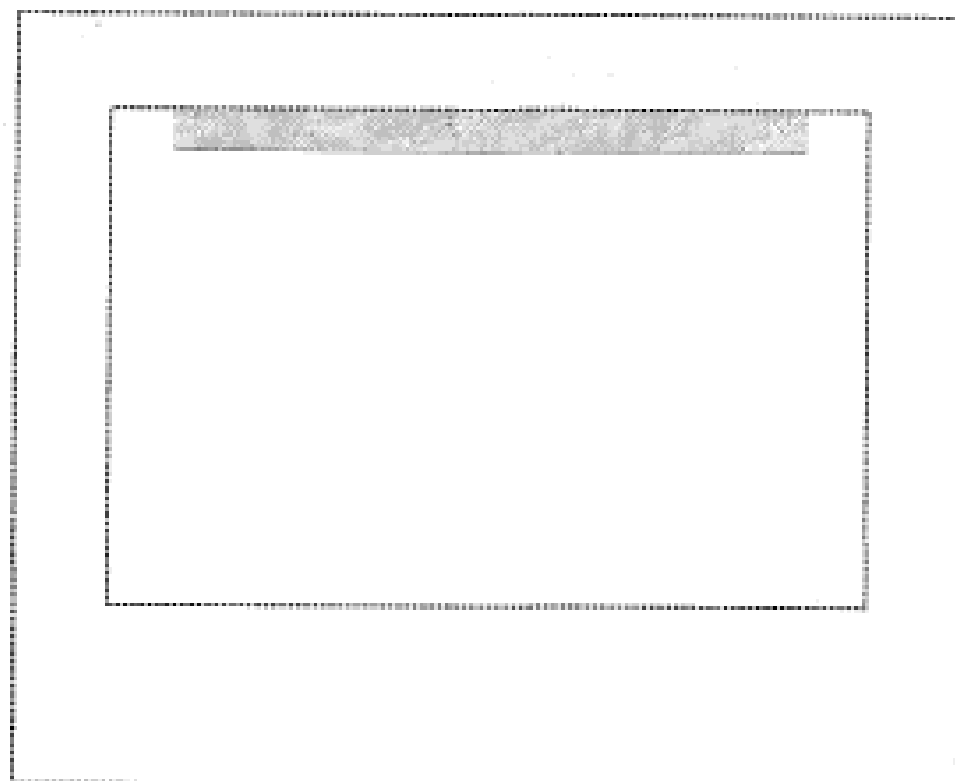
18/84 Old Pittwater Road Brookvale New South Wales 2100 Australia

(72) Name(s) of Designer(s): **Ian Craigie**

(45) Registration Date: **29 March 2006**

(56) Related Art Documents: **Not Applicable**

(57) Statement of Newness and Distinctiveness: **The design is new and distinctive as it consists of a display device with a single element on its rear surface; the element has a portion that can be bent away from the surface of the display panel as shown in the drawings. No limitation of shape and or dimension and or configuration and or ornamentation is claimed for the display panel of the display device as indicated by the outer dotted line in the drawings, the display panel is capable of being rectangular, or any other shape, with a single element on its rear surface. No limitation of shape and or dimension and or configuration and or ornamentation is claimed for viewing section of the display device as indicated by the inner dotted line in the drawings, the viewing section is capable of being rectangular, or any other shape, including multiple viewing sections. No limitation of shape and or dimension and or configuration and or ornamentation is claimed for the element on the rear surface of the display panel, other than it is generally flat as indicated by the drawings, the element can be rectangular or any other shape.**



(21) Design Number: **11064/2005**

(22) Date of Filing Application: **21 March 2005**

(24) Date from which industrial property rights may have effect: **21 March 2005**

(54) Product in respect of which the design is registered: **Display device**

(51) International Design Classification: **06-07**

(71) Name(s) and Address(s) of Applicant(s):

Ian Craigie

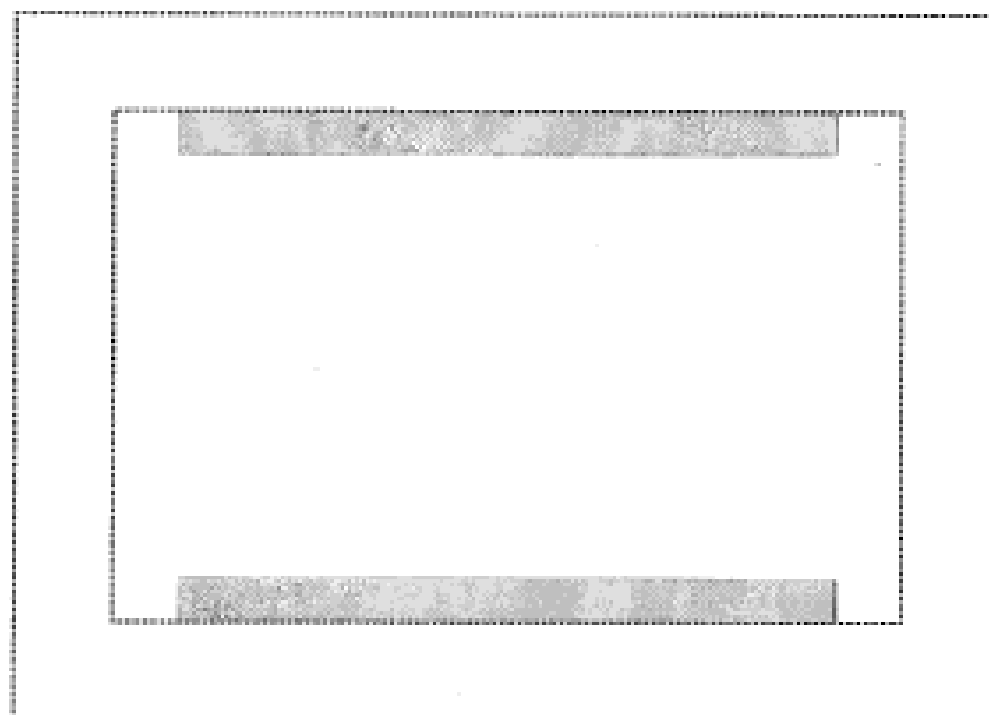
18/84 Old Pittwater Road Brookvale New South Wales 2100 Australia

(72) Name(s) of Designer(s): **Ian Craigie**

(45) Registration Date: **29 March 2006**

(56) Related Art Documents: **Not Applicable**

(57) Statement of Newness and Distinctiveness: **The design is new and distinctive as it consists of a display device with two elements on its rear surface; the elements have a portion that can be bent away from the surface of the display panel as shown in the drawings. No limitation of shape and or dimension and or configuration and or ornamentation is claimed for the display panel of the display device as indicated by the outer dotted line in the drawings, the display panel is capable of being rectangular, or any other shape, with two elements on its rear surface. No limitation of shape and or dimension and or configuration and or ornamentation is claimed for viewing section of the display device as indicated by the inner dotted line in the drawings, the viewing section is capable of being rectangular, or any other shape, including multiple viewing sections. No limitation of shape and or dimension and or configuration and or ornamentation is claimed for the elements on the rear surface of the display panel, other than they are generally flat as indicated by the drawings, the elements can be rectangular or any other shape.**



(21) Design Number: **11256/2005**

(22) Date of Filing Application: **30 March 2005**

(24) Date from which industrial property rights may have effect: **30 March 2005**

(54) Product in respect of which the design is registered: **A file rack**

(51) International Design Classification: **06-04NES**

(71) Name(s) and Address(s) of Applicant(s):

AusRecord Pty Ltd

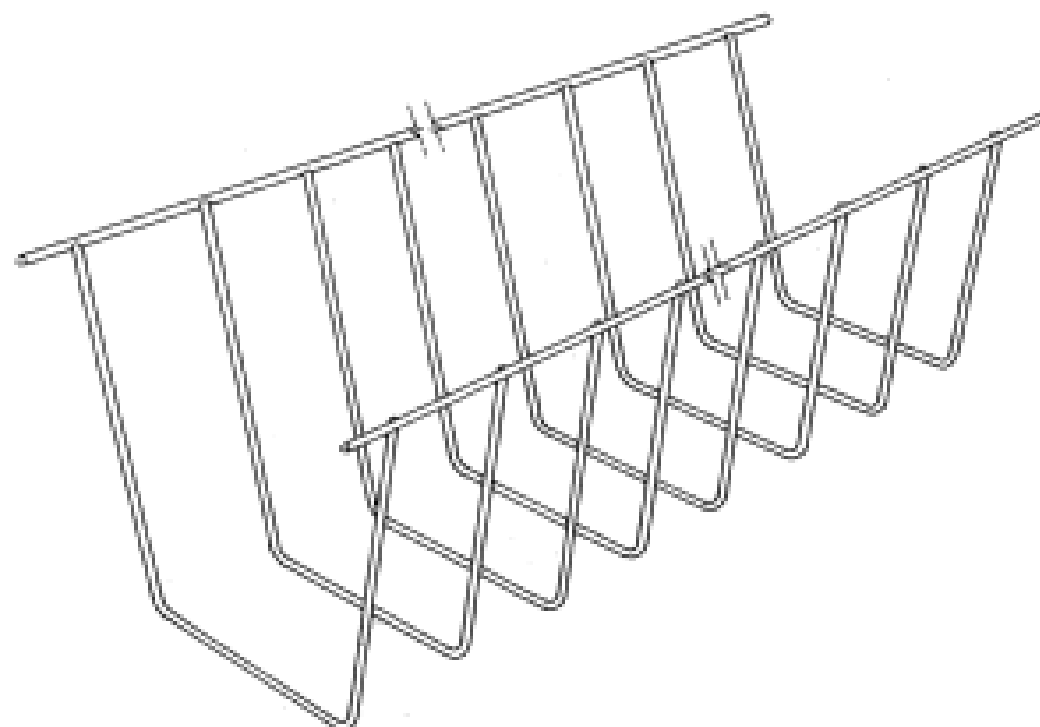
488 Great Eastern Highway Ascot Western Australia 6104 Australia

(72) Name(s) of Designer(s): **Paul Lamont and Clifton Hugh Peart**

(45) Registration Date: **29 March 2006**

(56) Related Art Documents: **Not Applicable**

(57) Statement of Newness and Distinctiveness: **Monopoly is claimed in the shape or configuration of a file rack as shown in the accompanying representations. The file rack is of indefinite length with the transverse members repeated at regular intervals as shown in the representations.**



(21) Design Number: **11255/2005**

(22) Date of Filing Application: **30 March 2005**

(24) Date from which industrial property rights may have effect: **30 March 2005**

(54) Product in respect of which the design is registered: **A file rack**

(51) International Design Classification: **06-04NES**

(71) Name(s) and Address(s) of Applicant(s):

AusRecord Pty Ltd

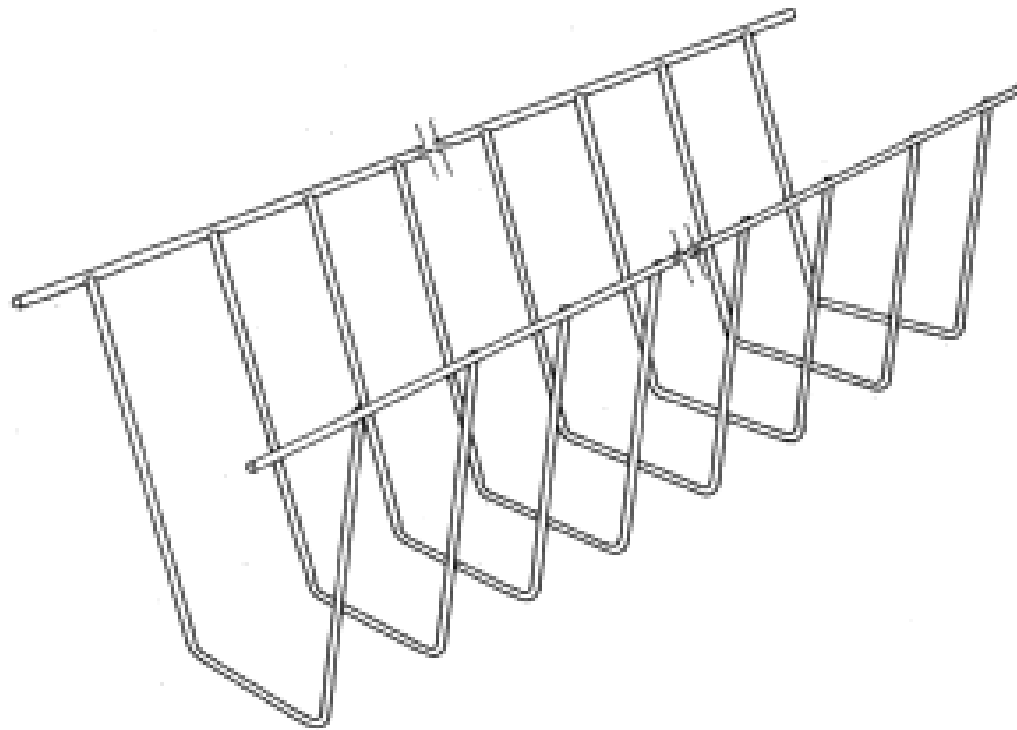
488 Great Eastern Highway Ascot Western Australia 6104 Australia

(72) Name(s) of Designer(s): **Paul Lamont and Clifton Hugh Peart**

(45) Registration Date: **29 March 2006**

(56) Related Art Documents: **Not Applicable**

(57) Statement of Newness and Distinctiveness: **Monopoly is claimed in the shape or configuration of a file rack as shown in the accompanying representations. The file rack is of indefinite length with the transverse members repeated at regular intervals as shown in the representations.**



(21) Design Number: **11505/2005**

(22) Date of Filing Application: **15 April 2005**

(24) Date from which industrial property rights may have effect: **15 April 2005**

(54) Product in respect of which the design is registered: **Adaptor for a light pole**

(51) International Design Classification: **26-03**

(71) Name(s) and Address(s) of Applicant(s):

Safe Swivel Patent Co. Pty Ltd

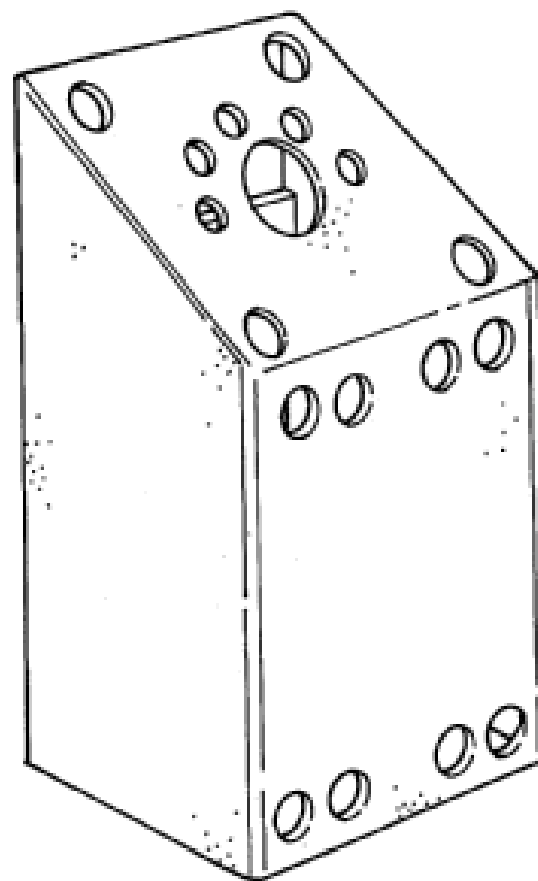
Unit 4 57 Gordon Road Mandurah Western Australia 6210 Australia

(72) Name(s) of Designer(s): **Robert John Pannekoek**

(45) Registration Date: **29 March 2006**

(56) Related Art Documents: **Not Applicable**

(57) Statement of Newness and Distinctiveness: **Nil**



(21) Design Number: **12245/2005**

(22) Date of Filing Application: **20 May 2005**

(24) Date from which industrial property rights may have effect: **20 May 2005**

(54) Product in respect of which the design is registered: **A coffee filter**

(51) International Design Classification: **07-02L**

(71) Name(s) and Address(s) of Applicant(s):

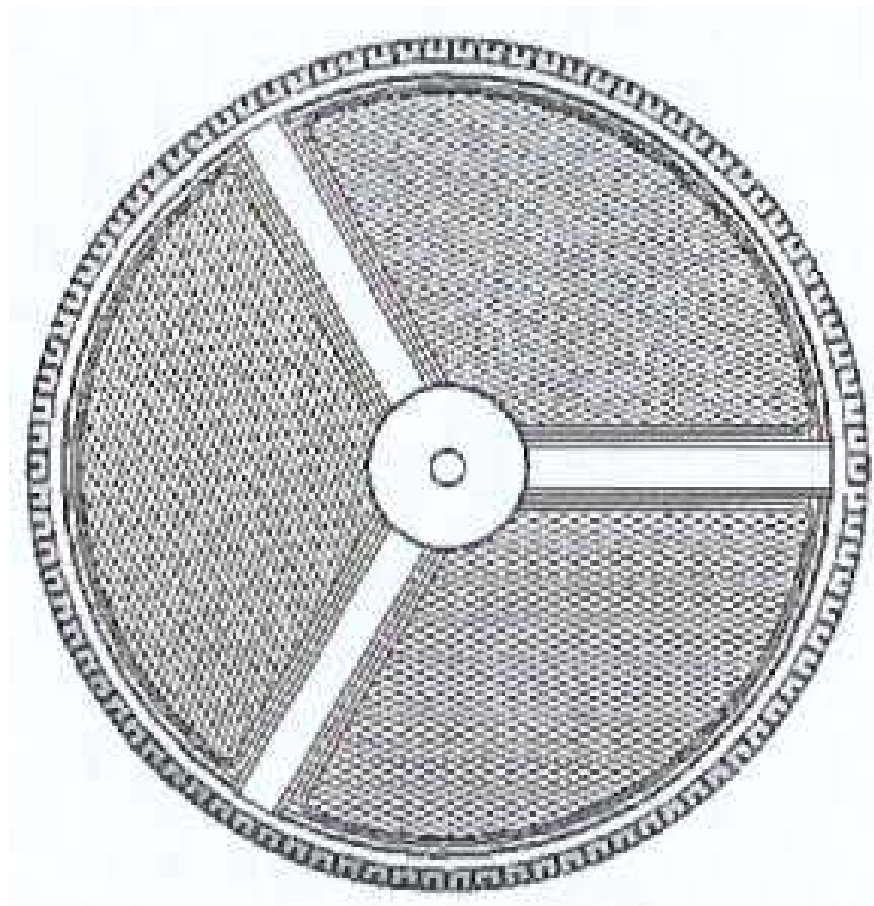
Gainex International Limited
Room 1013 Tsuen Wan Industrial Center Tsuen Wan N.T. Hong kong

(72) Name(s) of Designer(s): **Steven Lien**

(45) Registration Date: **29 March 2006**

(56) Related Art Documents: **Not Applicable**

(57) Statement of Newness and Distinctiveness: **A coffee filter as illustrated in the accompanying drawings.**



(21) Design Number: **12454/2005**

(22) Date of Filing Application: **07 June 2005**

(24) Date from which industrial property rights may have effect: **07 June 2005**

(54) Product in respect of which the design is registered: **A drawer security bracket**

(51) International Design Classification: **08-08M, 08-07**

(71) Name(s) and Address(s) of Applicant(s):

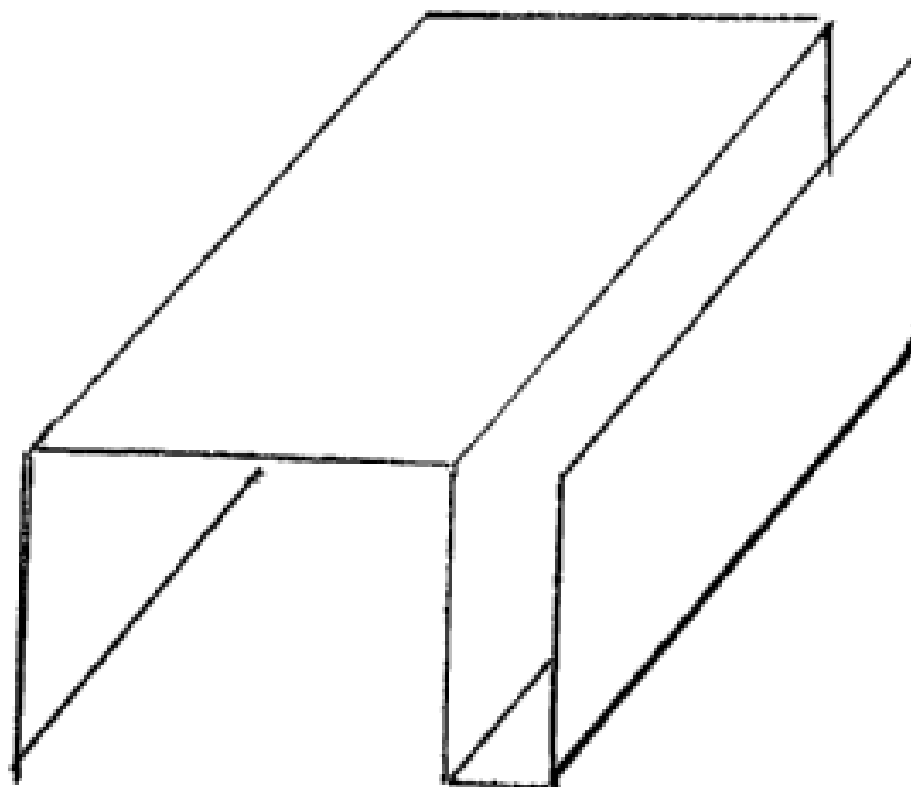
Linear Systems International Pty Ltd
Suite 6 272 Pacific Highway New South Wales 2065 Australia

(72) Name(s) of Designer(s): **John Hodges**

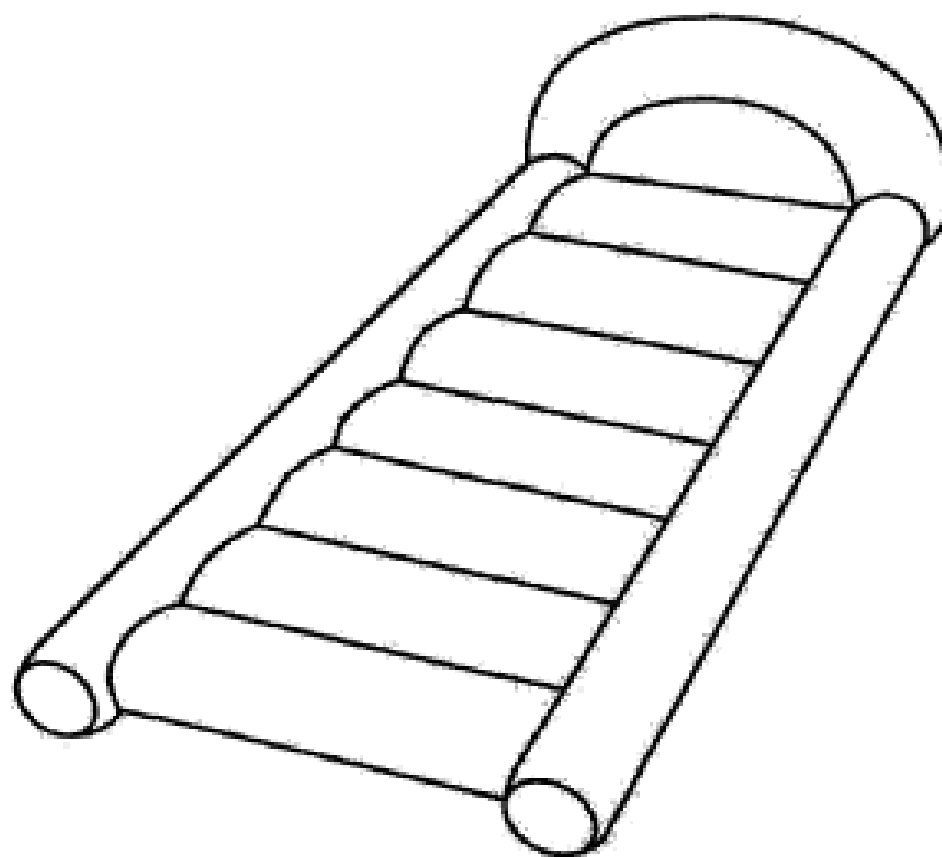
(45) Registration Date: **29 March 2006**

(56) Related Art Documents: **Not Applicable**

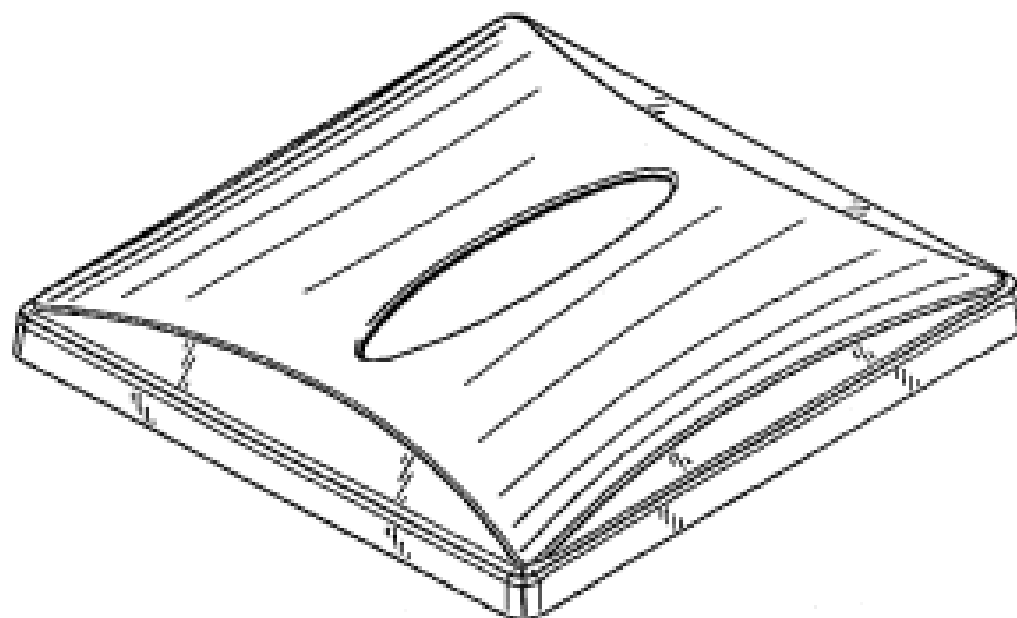
(57) Statement of Newness and Distinctiveness: **A drawer security bracket article as illustrated in the accompanying drawings.**



- (21) Design Number: **13006/2005**
(22) Date of Filing Application: **12 July 2005**
(24) Date from which industrial property rights may have effect: **12 July 2005**
(54) Product in respect of which the design is registered: **Toddler style readybed**
(51) International Design Classification: **06-02**
(71) Name(s) and Address(s) of Applicant(s):
Worlds Apart Limited
Unit 3 St. Columb Major Business Park Trekening St. Columb Major
Cornwall TR9 6SF England
(72) Name(s) of Designer(s): **Stuart Harris and Tammy Southgate**
(45) Registration Date: **29 March 2006**
(56) Related Art Documents: **Not Applicable**
(57) Statement of Newness and Distinctiveness: **Newness and distinctiveness reside in the toddler style readybed as shown in the accompanying representations.**



- (21) Design Number: **13468/2005**
(22) Date of Filing Application: **12 August 2005**
(24) Date from which industrial property rights may have effect: **12 August 2005**
(54) Product in respect of which the design is registered: **Cover**
(51) International Design Classification: **07-01NES, 23-02C**
(71) Name(s) and Address(s) of Applicant(s):
Kohler China Investment Ltd
19/F 138 Huaihai Road Shanghai 200021 Peoples Republic of China
(72) Name(s) of Designer(s): **Daniel Karraker and Selina Huang and Newman Lie**
(45) Registration Date: **29 March 2006**
(30) Convention priority data:
(31) Number (32) Date (33) Country
29/223412 14 Feb 2005 UNITED STATES OF AMERICA
(56) Related Art Documents: **Not Applicable**
(57) Statement of Newness and Distinctiveness: **Nil**



(21) Design Number: **13611/2005**

(22) Date of Filing Application: **23 August 2005**

(24) Date from which industrial property rights may have effect: **23 August 2005**

(54) Product in respect of which the design is registered: **Microwave oven**

(51) International Design Classification: **07-02E**

(71) Name(s) and Address(s) of Applicant(s):

LG Electronics Inc.

20 Yoido-dong Yongdungpo-gu Seoul Republic of Korea

(72) Name(s) of Designer(s): **Mun Woo Lee and Jung Hwan Lee**

(45) Registration Date: **29 March 2006**

(30) Convention priority data:

(31) Number

(32) Date

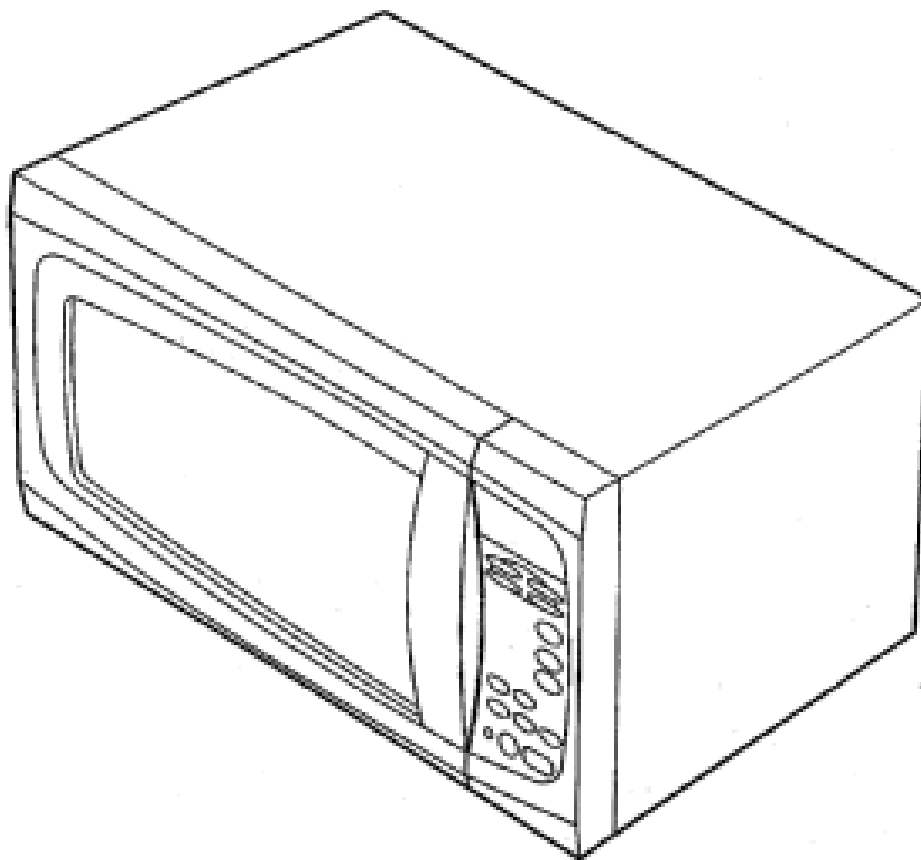
(33) Country

30-2005-006252 25 Feb 2005

REPUBLIC OF KOREA

(56) Related Art Documents: **Not Applicable**

(57) Statement of Newness and Distinctiveness: **Newness and distinctiveness resides in the visual features of shape and/or configuration of a microwave oven as illustrated in the representations.**



(21) Design Number: **13873/2005**

(22) Date of Filing Application: **08 September 2005**

(24) Date from which industrial property rights may have effect: **08 September 2005**

(54) Product in respect of which the design is registered: **Lever-pull corkscrew**

(51) International Design Classification: **07-06D**

(71) Name(s) and Address(s) of Applicant(s):

Argyle Wine Tools Pty Ltd

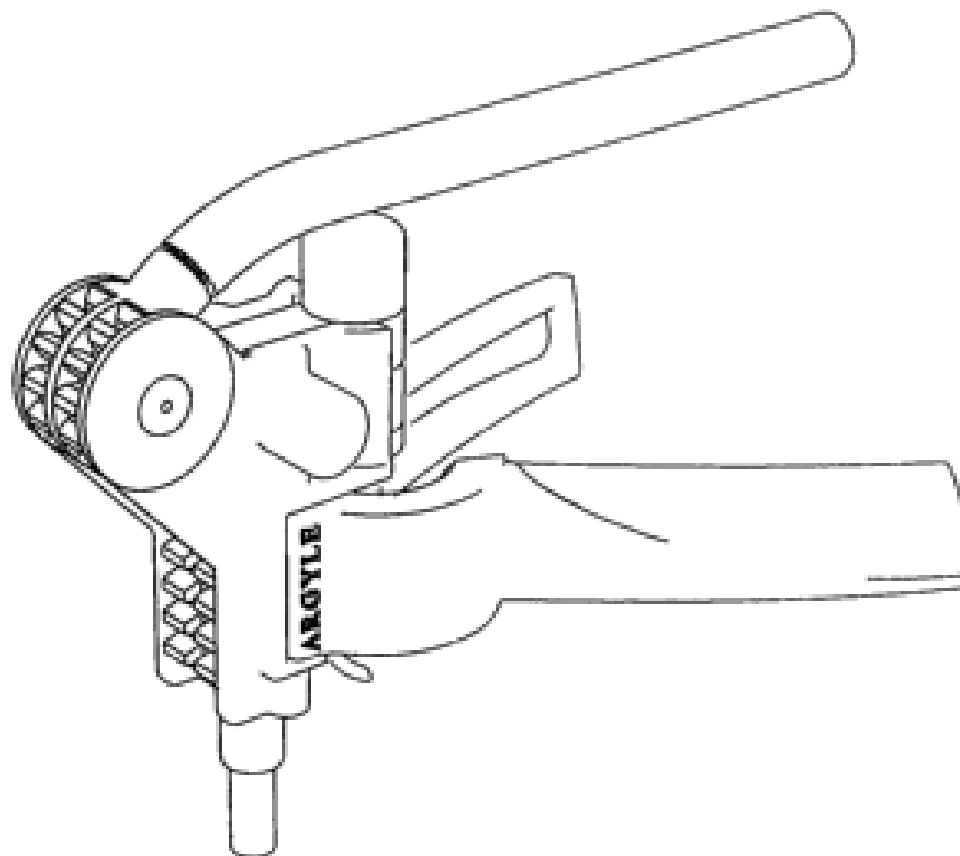
15 Midshipman Court Paradise Waters Queensland 4217 Australia

(72) Name(s) of Designer(s): **Danny Simons**

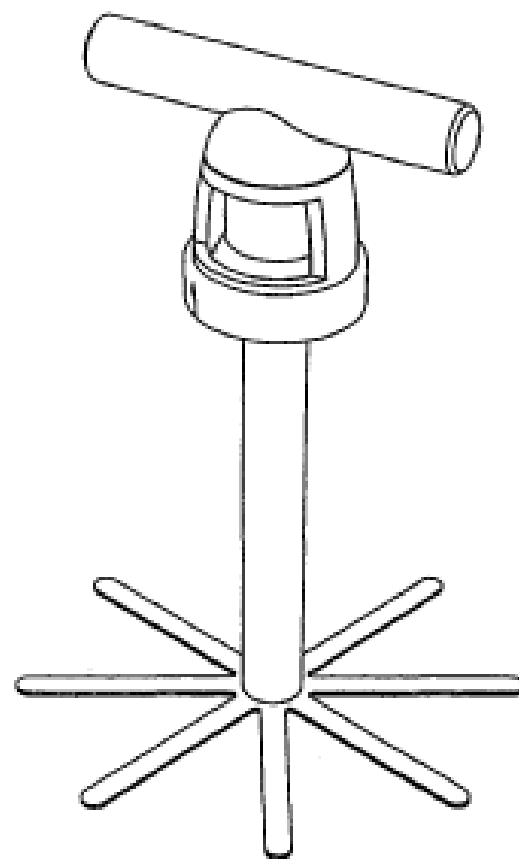
(45) Registration Date: **29 March 2006**

(56) Related Art Documents: **Not Applicable**

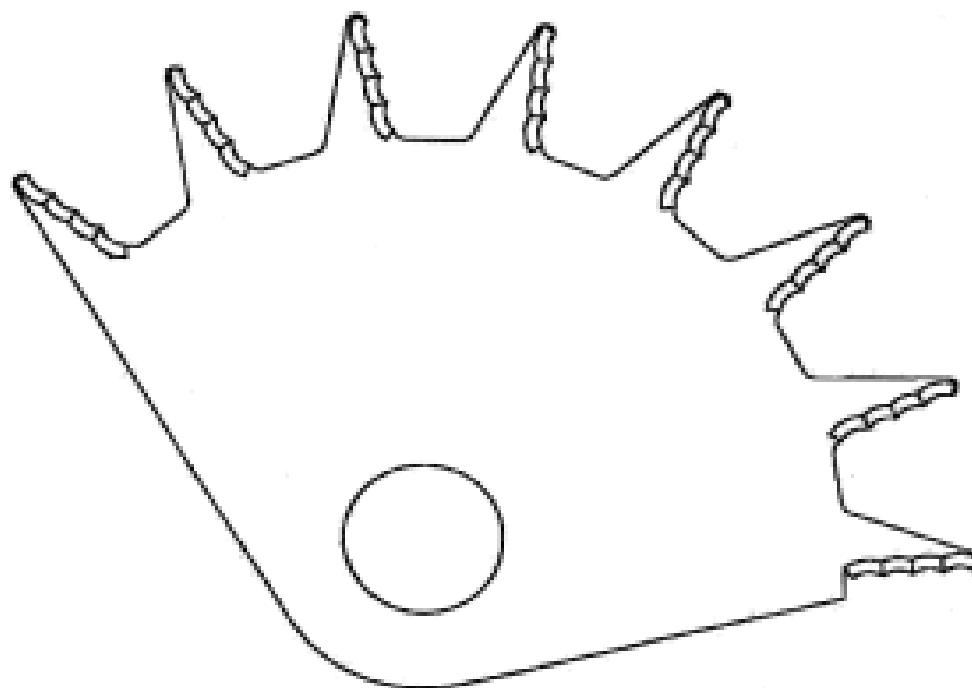
(57) Statement of Newness and Distinctiveness: **Nil**



- (21) Design Number: **13874/2005**
(22) Date of Filing Application: **08 September 2005**
(24) Date from which industrial property rights may have effect: **08 September 2005**
(54) Product in respect of which the design is registered: **Cork retriever**
(51) International Design Classification: **07-06D**
(71) Name(s) and Address(s) of Applicant(s):
Argyle Wine Tools Pty Ltd
15 Midshipman Court Paradise Waters Queensland 4217 Australia
(72) Name(s) of Designer(s): **Danny Simons**
(45) Registration Date: **29 March 2006**
(56) Related Art Documents: **Not Applicable**
(57) Statement of Newness and Distinctiveness: **Nil**



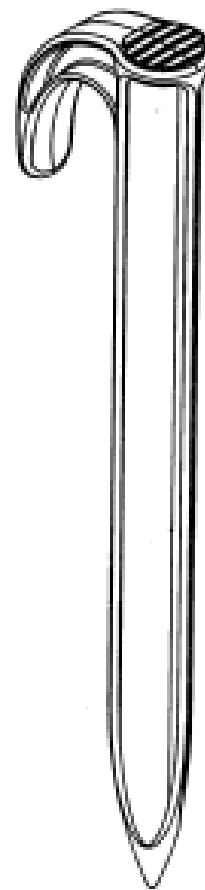
- (21) Design Number: **13935/2005**
(22) Date of Filing Application: **12 September 2005**
(24) Date from which industrial property rights may have effect: **12 September 2005**
(54) Product in respect of which the design is registered: **Pruning disc blade**
(51) International Design Classification: **08-03**
(71) Name(s) and Address(s) of Applicant(s):
Trevor Ledgard
237 Main Road McLaren Vale South Australia 5171 Australia
(72) Name(s) of Designer(s): **Trevor Ledgard**
(45) Registration Date: **29 March 2006**
(56) Related Art Documents: **Not Applicable**
(57) Statement of Newness and Distinctiveness: **Scallop indents on teeth, and the teeth arrangement of being symmetrically placed around the circumferential perimeter of the blade.**



- (21) Design Number: **13941/2005**
(22) Date of Filing Application: **12 September 2005**
(24) Date from which industrial property rights may have effect: **12 September 2005**
(54) Product in respect of which the design is registered: **An irrigation stake**
(51) International Design Classification: **23-01E**
(71) Name(s) and Address(s) of Applicant(s):

Antelco Pty Ltd
Pallamana Airfield Palmer Road Murray Bridge South Australia 5253
Australia

- (72) Name(s) of Designer(s): **Lyll Causby**
(45) Registration Date: **29 March 2006**
(56) Related Art Documents: **Not Applicable**
(57) Statement of Newness and Distinctiveness: **Newness and distinctiveness resides in the features of shape and configuration of an irrigation stake as shown in the accompanying representations.**



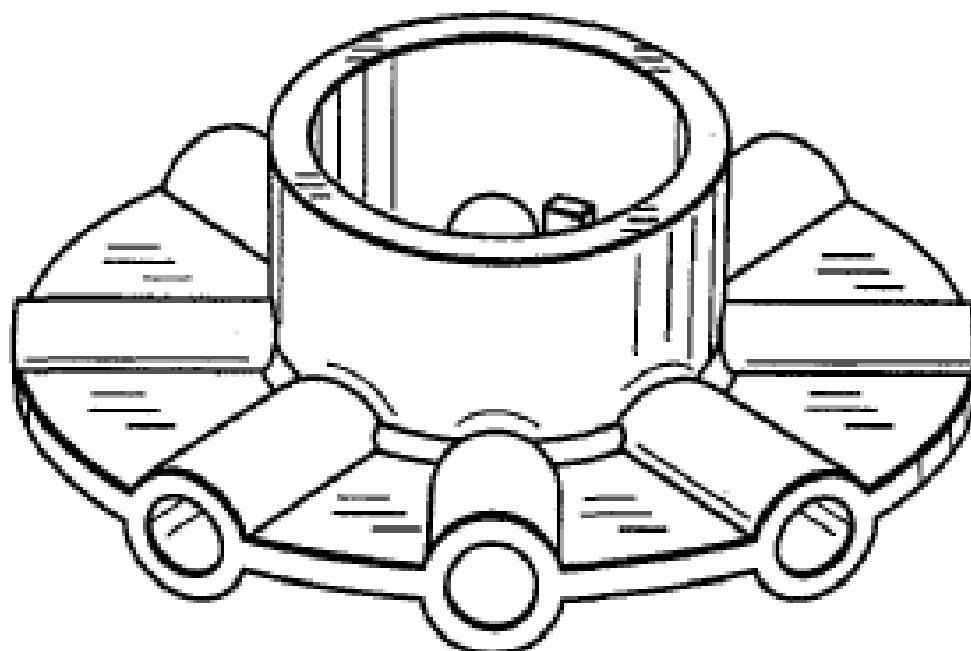
- (21) Design Number: **13942/2005**
(22) Date of Filing Application: **12 September 2005**
(24) Date from which industrial property rights may have effect: **12 September 2005**
(54) Product in respect of which the design is registered: **An irrigation stake**
(51) International Design Classification: **23-01E**
(71) Name(s) and Address(s) of Applicant(s):

Antelco Pty Ltd
Pallamana Airfield Palmer Road Murray Bridge South Australia 5253
Australia

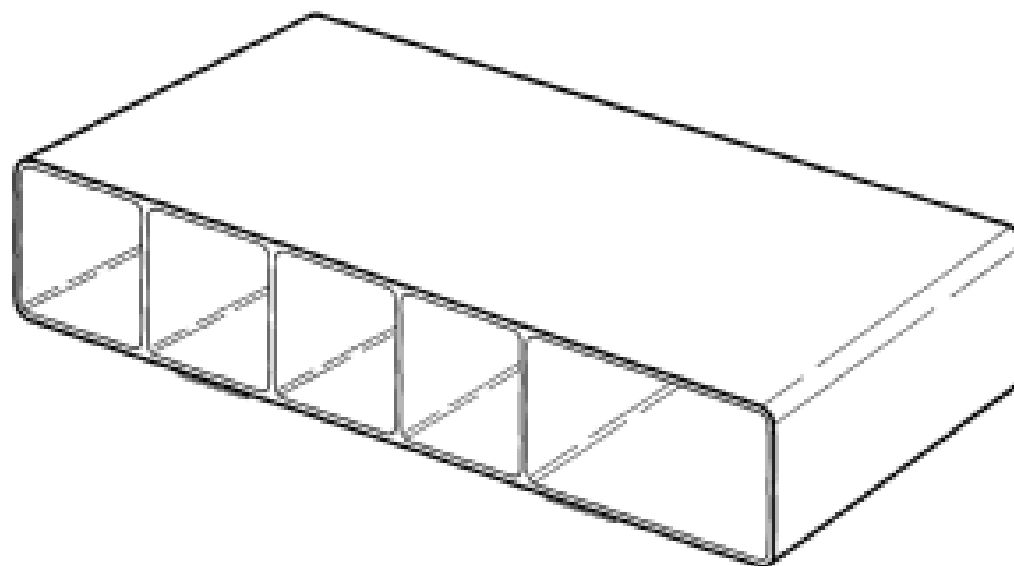
- (72) Name(s) of Designer(s): **Lyll Causby**
(45) Registration Date: **29 March 2006**
(56) Related Art Documents: **Not Applicable**
(57) Statement of Newness and Distinctiveness: **Newness and distinctiveness resides in the features of shape and configuration of an irrigation stake as shown in the accompanying representations.**



- (21) Design Number: **13960/2005**
(22) Date of Filing Application: **12 September 2005**
(24) Date from which industrial property rights may have effect: **12 September 2005**
(54) Product in respect of which the design is registered: **Soil Fumigant Distributor**
(51) International Design Classification: **22-06**
(71) Name(s) and Address(s) of Applicant(s):
Clare Elise Broadbent
Unit 2 95 Lear Jet Drive Caboolture Queensland 4510 Australia
(72) Name(s) of Designer(s): **Clare Elise Broadbent**
(45) Registration Date: **29 March 2006**
(56) Related Art Documents: **Not Applicable**
(57) Statement of Newness and Distinctiveness: **The newness and distinctiveness of the design resides in the shape and configuration of a chemical distributor as illustrated in the accompanying representations.**



- (21) Design Number: **14144/2005**
(22) Date of Filing Application: **23 September 2005**
(24) Date from which industrial property rights may have effect: **23 September 2005**
(54) Product in respect of which the design is registered: **Storage device**
(51) International Design Classification: **06-04NES**
(71) Name(s) and Address(s) of Applicant(s):
Springday Holdings Pty Ltd as trustee for the Miller Family Trust
248 Grove Road Lesmurdie Western Australia 6076 Australia
(72) Name(s) of Designer(s): **Eric Giles Miller**
(45) Registration Date: **29 March 2006**
(56) Related Art Documents: **Not Applicable**
(57) Statement of Newness and Distinctiveness: **Nil**



(21) Design Number: **14447/2005**

(22) Date of Filing Application: **10 October 2005**

(24) Date from which industrial property rights may have effect: **10 October 2005**

(54) Product in respect of which the design is registered: **Lotion applicator**

(51) International Design Classification: **28-03NES**

(71) Name(s) and Address(s) of Applicant(s):

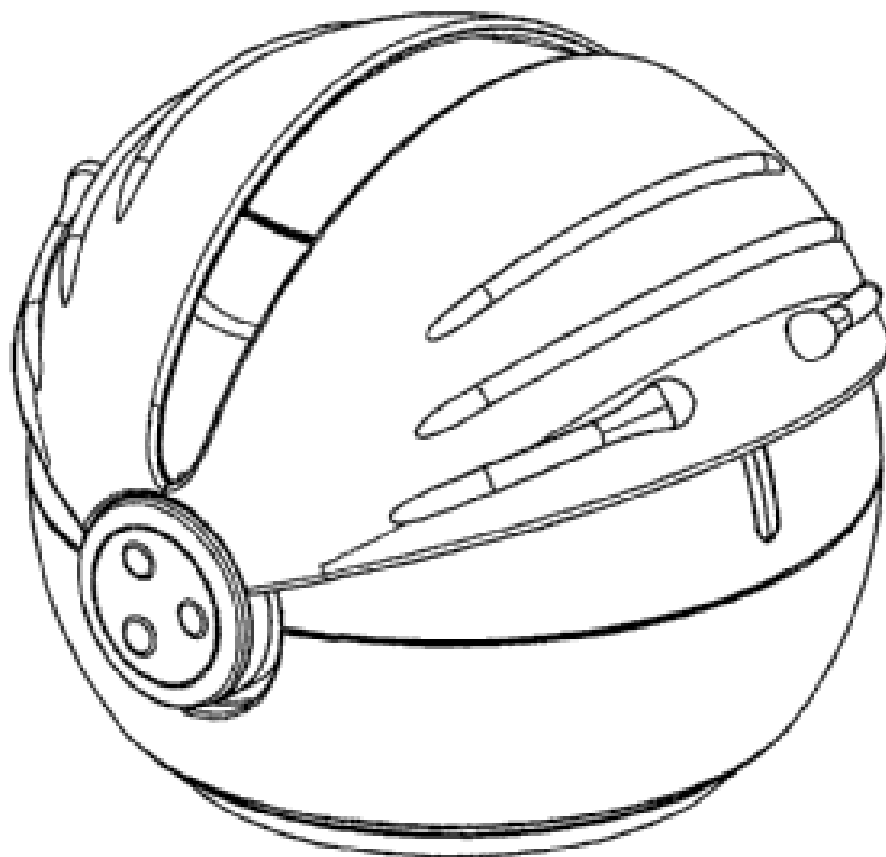
**SKL Solutions International Pty Ltd
Studio 147/804 Bourke Street Waterloo New South Wales 2017
Australia**

(72) Name(s) of Designer(s): **Garth Ryan**

(45) Registration Date: **29 March 2006**

(56) Related Art Documents: **Not Applicable**

(57) Statement of Newness and Distinctiveness: **Each feature of the design considered separately or in combination with any other feature or features.**



(21) Design Number: **13638/2005**

(22) Date of Filing Application: **25 August 2005**

(24) Date from which industrial property rights may have effect: **25 August 2005**

(54) Product in respect of which the design is registered: **Portable, non-electric espresso coffee maker**

(51) International Design Classification: **07-02L**

(71) Name(s) and Address(s) of Applicant(s):

**Simon Duff
PO Box 216 Berowra New South Wales 2081 Australia**

(72) Name(s) of Designer(s): **Simon Duff**

(45) Registration Date: **29 March 2006**

(56) Related Art Documents: **Not Applicable**

(57) Statement of Newness and Distinctiveness: **Overall look and shape of product.**



(19) AU

- (21) Design Number: **15275/2004**
- (22) Date of Filing Application: **27 August 2003**
- (24) Date from which industrial property rights may have effect: **27 August 2003**
- (54) Product in respect of which the design is registered: **Portion of a mesh drawer and frame assembly**
- (51) International Design Classification: **06-06D, 06-04D**
- (71) Name(s) and Address(s) of Applicant(s):

Design Ideas Ltd
2521 Stockyard Road Springfield Illinois 62702 United States of America

(72) Name(s) of Designer(s): **R. Neal Post and Christopher Hardy**

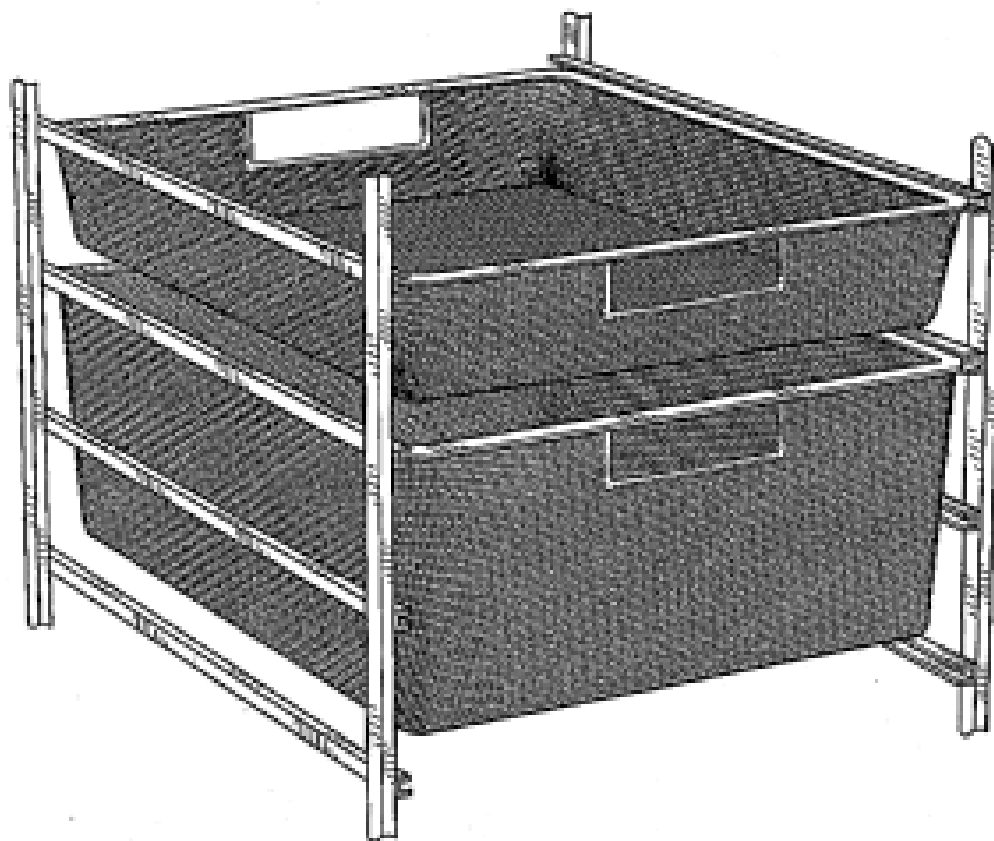
(45) Registration Date: **30 March 2006**

(30) Convention priority data:

(31) Number	(32) Date	(33) Country
29/176,610	27 Feb 2003	UNITED STATES OF AMERICA

(56) Related Art Documents: **Not Applicable**

(57) Statement of Newness and Distinctiveness: **Newness and distinctiveness of the design resides in the shape and configuration of the mesh drawer corners of a portion of a mesh drawer and frame assembly as shown in the accompanying representations.**



(19) AU

- (21) Design Number: **10732/2006**
- (22) Date of Filing Application: **27 August 2003**
- (24) Date from which industrial property rights may have effect: **27 August 2003**
- (54) Product in respect of which the design is registered: **Mesh drawer and frame assembly**
- (51) International Design Classification: **06-04B, 06-06D**
- (71) Name(s) and Address(s) of Applicant(s):

Design Ideas Ltd
2521 Stockyard Road Springfield Illinois 62702 United States of America

(72) Name(s) of Designer(s): **R. Neal Post and Christopher Hardy**

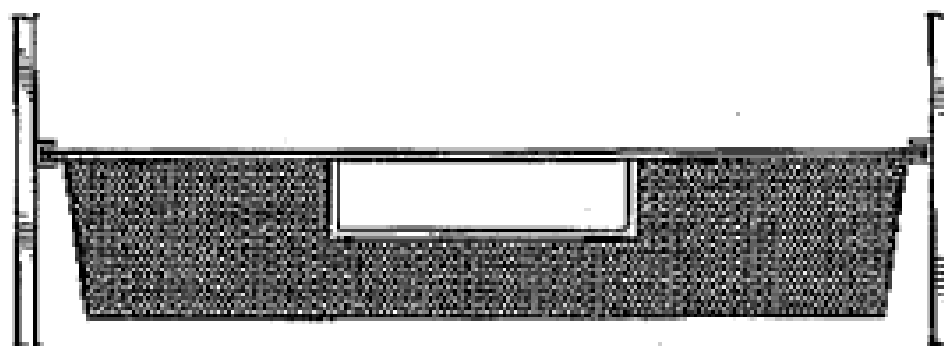
(45) Registration Date: **30 March 2006**

(30) Convention priority data:

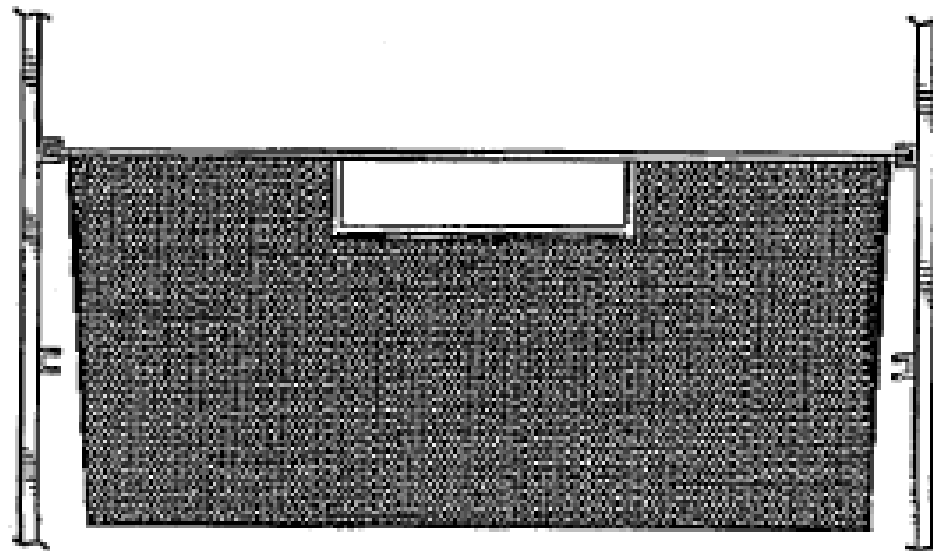
(31) Number	(32) Date	(33) Country
29/176610	27 Feb 2003	UNITED STATES OF AMERICA

(56) Related Art Documents: **Not Applicable**

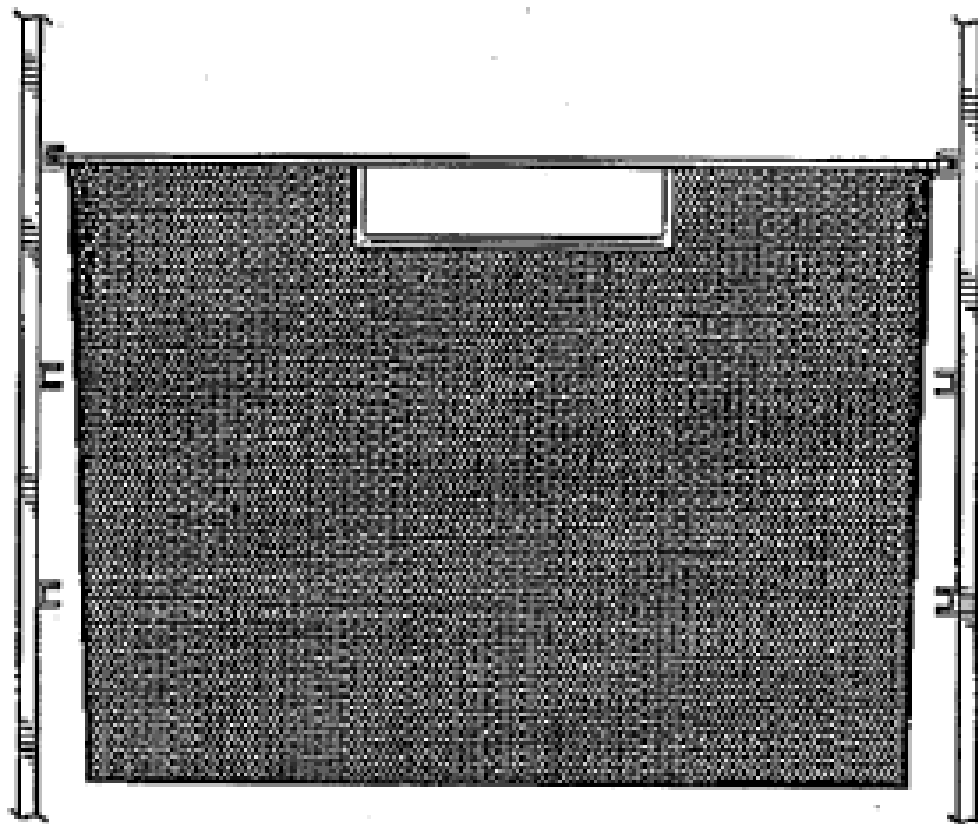
(57) Statement of Newness and Distinctiveness: **Newness and distinctiveness of the design resides in the shape and configuration of the mesh drawer corners of a portion of a mesh drawer and frame assembly as shown in the accompanying representations.**



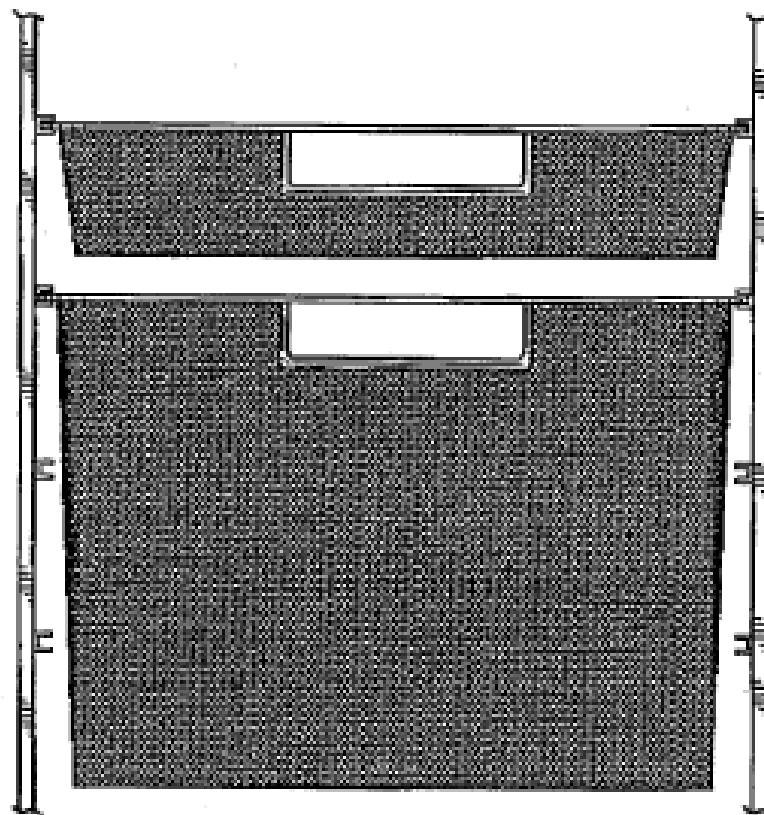
- (21) Design Number: **10733/2006**
(22) Date of Filing Application: **27 August 2003**
(24) Date from which industrial property rights may have effect: **27 August 2003**
(54) Product in respect of which the design is registered: **Mesh drawer and frame assembly**
(51) International Design Classification: **06-04B, 06-06D**
(71) Name(s) and Address(s) of Applicant(s):
Design Ideas Ltd
2521 Stockyard Road Springfield Illinois 62702 United States of America
(72) Name(s) of Designer(s): **R. Neal Post and Christopher Hardy**
(45) Registration Date: **30 March 2006**
(30) Convention priority data:
(31) Number (32) Date (33) Country
29/176610 27 Feb 2003 UNITED STATES OF AMERICA
(56) Related Art Documents: **Not Applicable**
(57) Statement of Newness and Distinctiveness: **Newness and distinctiveness of the design resides in the shape and configuration of the mesh drawer corners of a portion of a mesh drawer and frame assembly as shown in the accompanying representations.**



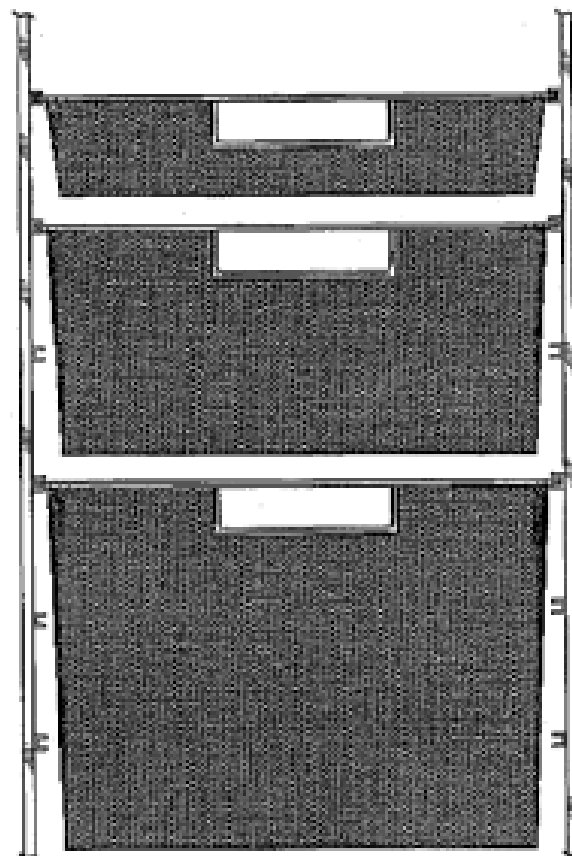
- (21) Design Number: **10734/2006**
(22) Date of Filing Application: **27 August 2003**
(24) Date from which industrial property rights may have effect: **27 August 2003**
(54) Product in respect of which the design is registered: **Mesh drawer and frame assembly**
(51) International Design Classification: **06-04B, 06-06D**
(71) Name(s) and Address(s) of Applicant(s):
Design Ideas Ltd
2521 Stockyard Road Springfield Illinois 62702 United States of America
(72) Name(s) of Designer(s): **R. Neal Post and Christopher Hardy**
(45) Registration Date: **30 March 2006**
(30) Convention priority data:
(31) Number (32) Date (33) Country
29/176610 27 Feb 2003 UNITED STATES OF AMERICA
(56) Related Art Documents: **Not Applicable**
(57) Statement of Newness and Distinctiveness: **Newness and distinctiveness of the design resides in the shape and configuration of the mesh drawer corners of a portion of a mesh drawer and frame assembly as shown in the accompanying representations.**



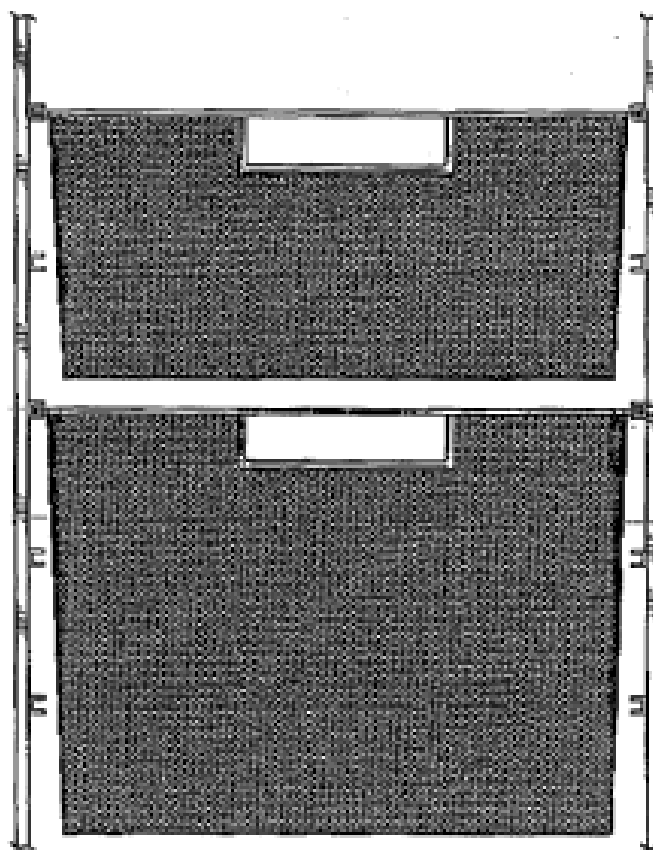
- (21) Design Number: **10735/2006**
(22) Date of Filing Application: **27 August 2003**
(24) Date from which industrial property rights may have effect: **27 August 2003**
(54) Product in respect of which the design is registered: **Mesh drawer and frame assembly**
(51) International Design Classification: **06-04B, 06-06D**
(71) Name(s) and Address(s) of Applicant(s):
Design Ideas Ltd
2521 Stockyard Road Springfield Illinois 62702 United States of America
(72) Name(s) of Designer(s): **R. Neal Post and Christopher Hardy**
(45) Registration Date: **30 March 2006**
(30) Convention priority data:
(31) Number (32) Date (33) Country
29/176610 27 Feb 2003 UNITED STATES OF AMERICA
(56) Related Art Documents: **Not Applicable**
(57) Statement of Newness and Distinctiveness: **Newness and distinctiveness of the design resides in the shape and configuration of the mesh drawer corners of a portion of a mesh drawer and frame assembly as shown in the accompanying representations.**



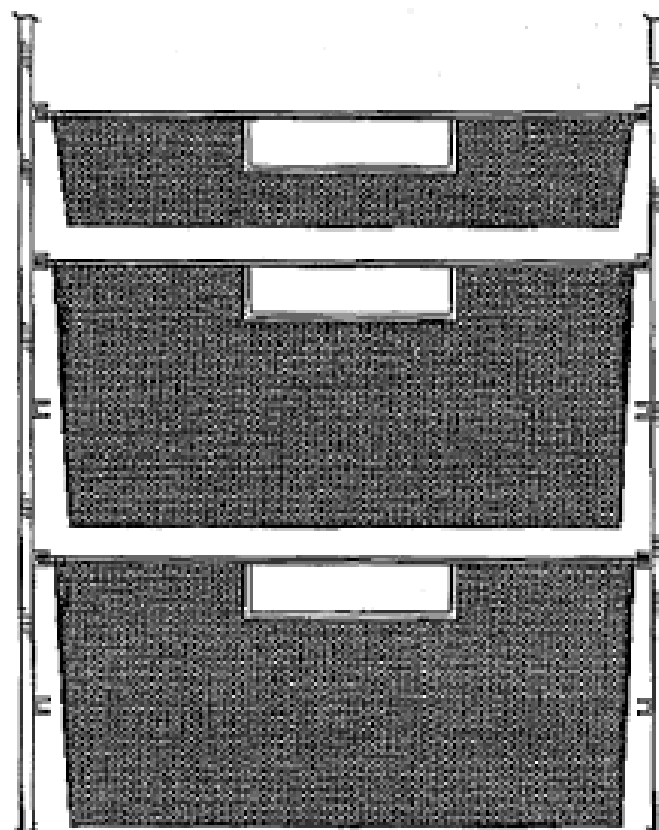
- (21) Design Number: **10736/2006**
(22) Date of Filing Application: **27 August 2003**
(24) Date from which industrial property rights may have effect: **27 August 2003**
(54) Product in respect of which the design is registered: **Mesh drawer and frame assembly**
(51) International Design Classification: **06-04B, 06-06D**
(71) Name(s) and Address(s) of Applicant(s):
Design Ideas Ltd
2521 Stockyard Road Springfield Illinois 62702 United States of America
(72) Name(s) of Designer(s): **R. Neal Post and Christopher Hardy**
(45) Registration Date: **30 March 2006**
(30) Convention priority data:
(31) Number (32) Date (33) Country
29/176610 27 Feb 2003 UNITED STATES OF AMERICA
(56) Related Art Documents: **Not Applicable**
(57) Statement of Newness and Distinctiveness: **Newness and distinctiveness of the design resides in the shape and configuration of the mesh drawer corners of a portion of a mesh drawer and frame assembly as shown in the accompanying representations.**



(21) Design Number: **10737/2006**
 (22) Date of Filing Application: **27 August 2003**
 (24) Date from which industrial property rights may have effect: **27 August 2003**
 (54) Product in respect of which the design is registered: **Mesh drawer and frame assembly**
 (51) International Design Classification: **06-04B, 06-06D**
 (71) Name(s) and Address(s) of Applicant(s):
Design Ideas Ltd
2521 Stockyard Road Springfield Illinois 62702 United States of America
 (72) Name(s) of Designer(s): **R. Neal Post and Christopher Hardy**
 (45) Registration Date: **30 March 2006**
 (30) Convention priority data:
 (31) Number (32) Date (33) Country
29/176610 27 Feb 2003 UNITED STATES OF AMERICA
 (56) Related Art Documents: **Not Applicable**
 (57) Statement of Newness and Distinctiveness: **Newness and distinctiveness of the design resides in the shape and configuration of the mesh drawer corners of a portion of a mesh drawer and frame assembly as shown in the accompanying representations.**



(21) Design Number: **10738/2006**
 (22) Date of Filing Application: **27 August 2003**
 (24) Date from which industrial property rights may have effect: **27 August 2003**
 (54) Product in respect of which the design is registered: **Mesh drawer and frame assembly**
 (51) International Design Classification: **06-04B, 06-06D**
 (71) Name(s) and Address(s) of Applicant(s):
Design Ideas Ltd
2521 Stockyard Road Springfield Illinois 62702 United States of America
 (72) Name(s) of Designer(s): **R. Neal Post and Christopher Hardy**
 (45) Registration Date: **30 March 2006**
 (30) Convention priority data:
 (31) Number (32) Date (33) Country
29/176610 27 Feb 2003 UNITED STATES OF AMERICA
 (56) Related Art Documents: **Not Applicable**
 (57) Statement of Newness and Distinctiveness: **Newness and distinctiveness of the design resides in the shape and configuration of the mesh drawer corners of a portion of a mesh drawer and frame assembly as shown in the accompanying representations.**



(21) Design Number: **11826/2005**

(22) Date of Filing Application: **29 April 2005**

(24) Date from which industrial property rights may have effect: **29 April 2005**

(54) Product in respect of which the design is registered: **4 Bottles wall mounted liquid dispenser**

(51) International Design Classification: **31-00**

(71) Name(s) and Address(s) of Applicant(s):

**Eastcoast Australia Pty Ltd
6/163 Prospect Highway Seven Hills New South Wales 2147 Australia**

(72) Name(s) of Designer(s): **Johannes Jacobus Broerse**

(45) Registration Date: **30 March 2006**

(56) Related Art Documents: **Not Applicable**

(57) Statement of Newness and Distinctiveness: **Precise and consistent dispenser without waste and easily dispensed the liquid.**



(21) Design Number: **11827/2005**

(22) Date of Filing Application: **29 April 2005**

(24) Date from which industrial property rights may have effect: **29 April 2005**

(54) Product in respect of which the design is registered: **4 Bottles carousel liquid dispenser with stand**

(51) International Design Classification: **31-00**

(71) Name(s) and Address(s) of Applicant(s):

**Eastcoast Australia Pty Ltd
6/163 Prospect Highway Seven Hills New South Wales 2147 Australia**

(72) Name(s) of Designer(s): **Johannes Jacobus Broerse**

(45) Registration Date: **30 March 2006**

(56) Related Art Documents: **Not Applicable**

(57) Statement of Newness and Distinctiveness: **Due to its revolving features, it is uncomparable to any product.**



(21) Design Number: **11828/2005**

(22) Date of Filing Application: **29 April 2005**

(24) Date from which industrial property rights may have effect: **29 April 2005**

(54) Product in respect of which the design is registered: **Single bottle liquid dispenser with stand**

(51) International Design Classification: **31-00**

(71) Name(s) and Address(s) of Applicant(s):

Eastcoast Australia Pty Ltd

6/163 Prospect Highway Seven Hills New South Wales 2147 Australia

(72) Name(s) of Designer(s): **Johannes Jacobus Broerse**

(45) Registration Date: **30 March 2006**

(56) Related Art Documents: **Not Applicable**

(57) Statement of Newness and Distinctiveness: **Original features and its storage lever mechanisms.**



(21) Design Number: **11829/2005**

(22) Date of Filing Application: **29 April 2005**

(24) Date from which industrial property rights may have effect: **29 April 2005**

(54) Product in respect of which the design is registered: **Double bottle liquid dispenser with stand**

(51) International Design Classification: **31-00**

(71) Name(s) and Address(s) of Applicant(s):

Eastcoast Australia Pty Ltd

6/163 Prospect Highway Seven Hills New South Wales 2147 Australia

(72) Name(s) of Designer(s): **Johannes Jacobus Broerse**

(45) Registration Date: **30 March 2006**

(56) Related Art Documents: **Not Applicable**

(57) Statement of Newness and Distinctiveness: **Uniqueness and its storage lever mechanisms.**



- (21) Design Number: **11830/2005**
(22) Date of Filing Application: **29 April 2005**
(24) Date from which industrial property rights may have effect: **29 April 2005**
(54) Product in respect of which the design is registered: **3 Bottles carousel liquid dispenser with stand**
(51) International Design Classification: **31-00**
(71) Name(s) and Address(s) of Applicant(s):
Eastcoast Australia Pty Ltd
6/163 Prospect Highway Seven Hills New South Wales 2147 Australia
(72) Name(s) of Designer(s): **Johannes Jacobus Broerse**
(45) Registration Date: **30 March 2006**
(56) Related Art Documents: **Not Applicable**
(57) Statement of Newness and Distinctiveness: **Revolving and easily dispensed liquid.**



- (21) Design Number: **11831/2005**
(22) Date of Filing Application: **29 April 2005**
(24) Date from which industrial property rights may have effect: **29 April 2005**
(54) Product in respect of which the design is registered: **Liquid dispenser**
(51) International Design Classification: **31-00**
(71) Name(s) and Address(s) of Applicant(s):
Eastcoast Australia Pty Ltd
6/163 Prospect Highway Seven Hills New South Wales 2147 Australia
(72) Name(s) of Designer(s): **Johannes Jacobus Broerse**
(45) Registration Date: **30 March 2006**
(56) Related Art Documents: **Not Applicable**
(57) Statement of Newness and Distinctiveness: **Unique in its shape and dispensing mechanism.**



- (21) Design Number: **11832/2005**
(22) Date of Filing Application: **29 April 2005**
(24) Date from which industrial property rights may have effect: **29 April 2005**
(54) Product in respect of which the design is registered: **Wall mounted liquid dispenser**
(51) International Design Classification: **31-00**
(71) Name(s) and Address(s) of Applicant(s):
Eastcoast Australia Pty Ltd
6/163 Prospect Highway Seven Hills New South Wales 2147 Australia
(72) Name(s) of Designer(s): **Johannes Jacobus Broerse**
(45) Registration Date: **30 March 2006**
(56) Related Art Documents: **Not Applicable**
(57) Statement of Newness and Distinctiveness: **Automatically adjusts the chamber - easy and consistent measures of liquor each time a glass is pressed against the nozzle.**



- (21) Design Number: **11833/2005**
(22) Date of Filing Application: **29 April 2005**
(24) Date from which industrial property rights may have effect: **29 April 2005**
(54) Product in respect of which the design is registered: **Double bottle wall mounted liquid dispenser**
(51) International Design Classification: **31-00**
(71) Name(s) and Address(s) of Applicant(s):
Eastcoast Australia Pty Ltd
6/163 Prospect Highway Seven Hills New South Wales 2147 Australia
(72) Name(s) of Designer(s): **Johannes Jacobus Broerse**
(45) Registration Date: **30 March 2006**
(56) Related Art Documents: **Not Applicable**
(57) Statement of Newness and Distinctiveness: **Nil**



- (21) Design Number: **11834/2005**
(22) Date of Filing Application: **29 April 2005**
(24) Date from which industrial property rights may have effect: **29 April 2005**
(54) Product in respect of which the design is registered: **Triple bottle wall mounted liquid dispenser**
(51) International Design Classification: **31-00**
(71) Name(s) and Address(s) of Applicant(s):
Eastcoast Australia Pty Ltd
6/163 Prospect Highway Seven Hills New South Wales 2147 Australia
(72) Name(s) of Designer(s): **Johannes Jacobus Broerse**
(45) Registration Date: **30 March 2006**
(56) Related Art Documents: **Not Applicable**
(57) Statement of Newness and Distinctiveness: **Unique in design and dispensing mechanism and bracket.**



- (21) Design Number: **11848/2005**
(22) Date of Filing Application: **03 May 2005**
(24) Date from which industrial property rights may have effect: **03 May 2005**
(54) Product in respect of which the design is registered: **Confectionery dispenser**
(51) International Design Classification: **09-03NES**
(71) Name(s) and Address(s) of Applicant(s):
Eastcoast Australia Pty Ltd
6/163 Prospect Highway Seven Hills New South Wales 2147 Australia
(72) Name(s) of Designer(s): **Johannes Jacobus Broerse**
(45) Registration Date: **30 March 2006**
(56) Related Art Documents: **Not Applicable**
(57) Statement of Newness and Distinctiveness: **Uniqueness of shape and size and slippery dip mechanism inside the machine.**



(21) Design Number: **11908/2005**

(22) Date of Filing Application: **05 May 2005**

(24) Date from which industrial property rights may have effect: **05 May 2005**

(54) Product in respect of which the design is registered: **Ornamental and communication telephone**

(51) International Design Classification: **14-03E, 11-02NES**

(71) Name(s) and Address(s) of Applicant(s):

**Eastcoast Australia Pty Ltd
6/163 Prospect Highway Seven Hills New South Wales 2147 Australia**

(72) Name(s) of Designer(s): **Johannes Jacobus Broerse**

(45) Registration Date: **30 March 2006**

(56) Related Art Documents: **Not Applicable**

(57) Statement of Newness and Distinctiveness: **Unique design feature and its telephone attachment.**



(21) Design Number: **12253/2005**

(22) Date of Filing Application: **20 May 2005**

(24) Date from which industrial property rights may have effect: **20 May 2005**

(54) Product in respect of which the design is registered: **Ornamental and telecommunication equipment**

(51) International Design Classification: **14-03E, 11-02NES**

(71) Name(s) and Address(s) of Applicant(s):

**Eastcoast Australia Pty Ltd
6/163 Prospect Highway Seven Hills New South Wales 2147 Australia**

(72) Name(s) of Designer(s): **Johannes Jacobus Broerse**

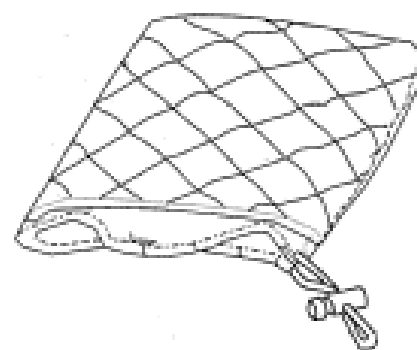
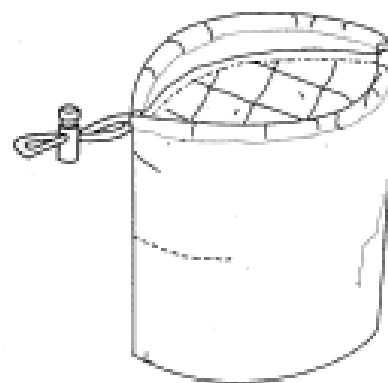
(45) Registration Date: **30 March 2006**

(56) Related Art Documents: **Not Applicable**

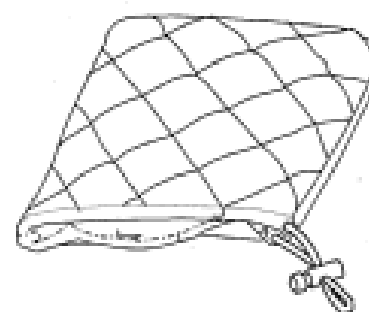
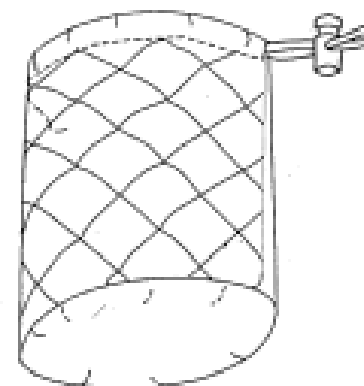
(57) Statement of Newness and Distinctiveness: **Unique-distinctive new design and its telephone.**



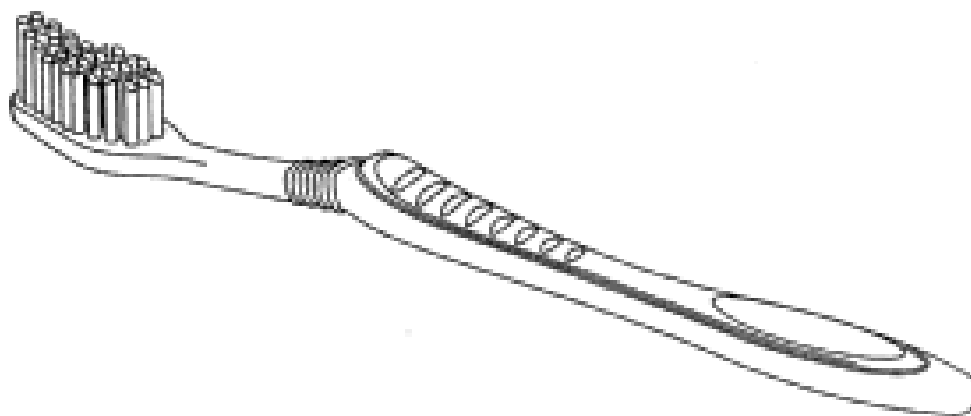
- (21) Design Number: **13982/2005**
(22) Date of Filing Application: **12 September 2005**
(24) Date from which industrial property rights may have effect: **12 September 2005**
(54) Product in respect of which the design is registered: **Camping accessory, kitchen accessory**
(51) International Design Classification: **07-07A**
(71) Name(s) and Address(s) of Applicant(s):
Nicholas Gostt
11 Evans Street Wollongong New South Wales 2500 Australia
Anthea Gostt
11 Evans Street Wollongong New South Wales 2500 Australia
(72) Name(s) of Designer(s): **Nicholas Gostt and Anthea Gostt**
(45) Registration Date: **30 March 2006**
(56) Related Art Documents: **Not Applicable**
(57) Statement of Newness and Distinctiveness: **Nil**



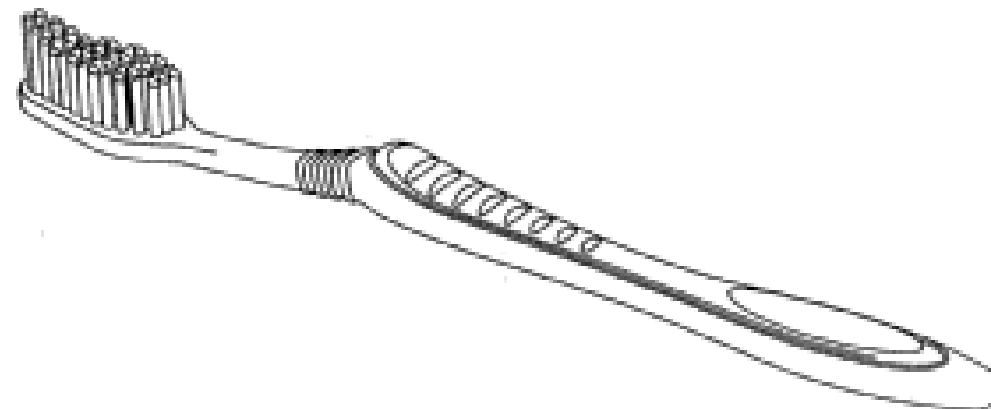
- (21) Design Number: **13983/2005**
(22) Date of Filing Application: **12 September 2005**
(24) Date from which industrial property rights may have effect: **12 September 2005**
(54) Product in respect of which the design is registered: **Camping accessory, kitchen accessory**
(51) International Design Classification: **07-07A**
(71) Name(s) and Address(s) of Applicant(s):
Nicholas Gostt
11 Evans Street Wollongong New South Wales 2500 Australia
Anthea Gostt
11 Evans Street Wollongong New South Wales 2500 Australia
(72) Name(s) of Designer(s): **Nicholas Gostt and Anthea Gostt**
(45) Registration Date: **30 March 2006**
(56) Related Art Documents: **Not Applicable**
(57) Statement of Newness and Distinctiveness: **Nil**



- (21) Design Number: **14275/2005**
(22) Date of Filing Application: **29 September 2005**
(24) Date from which industrial property rights may have effect: **29 September 2005**
(54) Product in respect of which the design is registered: **Toothbrush**
(51) International Design Classification: **04-02**
(71) Name(s) and Address(s) of Applicant(s):
Colgate-Palmolive Company
300 Park Avenue New York New York 10022 United States of America
(72) Name(s) of Designer(s): **Robert Moskovich and Alan Sorrentino and Swanson Xi**
(45) Registration Date: **30 March 2006**
(30) Convention priority data:
(31) Number (32) Date (33) Country
29/226806 01 Apr 2005 UNITED STATES OF AMERICA
(56) Related Art Documents: **Not Applicable**
(57) Statement of Newness and Distinctiveness: **Each feature of the design considered separately or in combination with any other feature or features.**



- (21) Design Number: **14276/2005**
(22) Date of Filing Application: **29 September 2005**
(24) Date from which industrial property rights may have effect: **29 September 2005**
(54) Product in respect of which the design is registered: **Toothbrush**
(51) International Design Classification: **04-02**
(71) Name(s) and Address(s) of Applicant(s):
Colgate-Palmolive Company
300 Park Avenue New York New York 10022 United States of America
(72) Name(s) of Designer(s): **Robert Moskovich and Alan Sorrentino and Swanson Xi**
(45) Registration Date: **30 March 2006**
(30) Convention priority data:
(31) Number (32) Date (33) Country
29/226806 01 Apr 2005 UNITED STATES OF AMERICA
(56) Related Art Documents: **Not Applicable**
(57) Statement of Newness and Distinctiveness: **Each feature of the design considered separately or in combination with any other feature or features.**



(21) Design Number: **10027/2006**

(22) Date of Filing Application: **05 January 2006**

(24) Date from which industrial property rights may have effect: **05 January 2006**

(54) Product in respect of which the design is registered: **Coffee and chat seat**

(51) International Design Classification: **06-01H**

(71) Name(s) and Address(s) of Applicant(s):

Jeff Osland

17 Shaun Street Glenwood New South Wales 2768 Australia

(72) Name(s) of Designer(s): **Jeffrey Stephen Osland**

(45) Registration Date: **30 March 2006**

(56) Related Art Documents: **Not Applicable**

(57) Statement of Newness and Distinctiveness: **I have arranged two chairs and a table (Coffee and Chat Seat) in a rather unique functional way. The functional concept is that of two chairs, facing the opposite directions, and the table in between joined together as one complete unit and which functions together as one unit. It does not function as a Coffee and Chat Seat if the two chairs, facing opposite directions and the adjoined table in between are not joined, hooked or connected together as one complete unit. The chairs and the table are joined in such a way to allow occupants: - to engage in conversation due to close diagonal eye contact, to engage in a meal, cake, coffee or drinks together in close proximity to one another. The photos included show the unit, two chairs and a table (Coffee and Chat Seat) joined together with the table being on the left hand side of each chair. The functional concept is the same where two chairs and a table (Coffee and Chat Seat) are joined together with the table on the right hand side of each chair. The unit (Coffee and Chat Seat) shown is constructed from timber, however the functional concept can be used in the same manner with any other construction material such as plastic or aluminium.**



(21) Design Number: **10471/2005**

(22) Date of Filing Application: **04 February 2005**

(24) Date from which industrial property rights may have effect: **04 February 2005**

(54) Product in respect of which the design is registered: **Air induction unit**

(51) International Design Classification: **15-01**

(71) Name(s) and Address(s) of Applicant(s):

Bellnet Pty Ltd

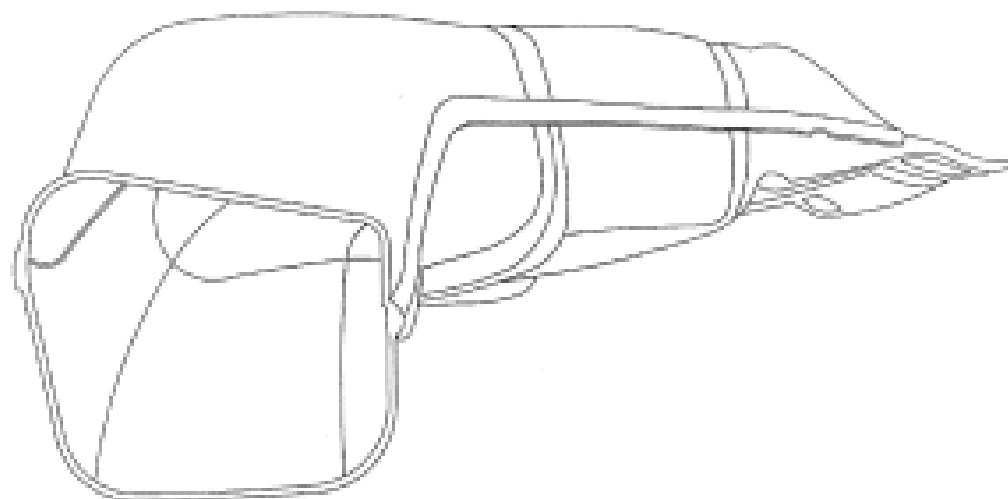
C/- SBM Services 3 Glenelg Avenue Mermaid Beach Queensland 4218 Australia

(72) Name(s) of Designer(s): **Kevin Hoverd**

(45) Registration Date: **31 March 2006**

(56) Related Art Documents: **Not Applicable**

(57) Statement of Newness and Distinctiveness: **Nil**



(21) Design Number: **10472/2005**

(22) Date of Filing Application: **04 February 2005**

(24) Date from which industrial property rights may have effect: **04 February 2005**

(54) Product in respect of which the design is registered: **Air induction unit**

(51) International Design Classification: **15-01**

(71) Name(s) and Address(s) of Applicant(s):

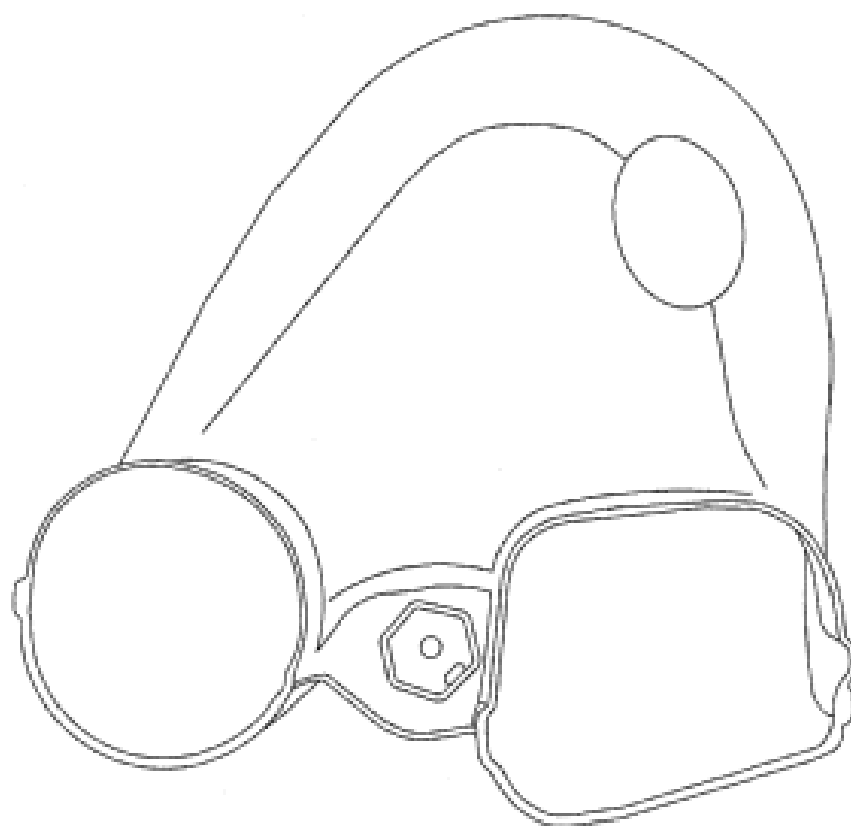
Bellnet Pty Ltd
C/- SBM Services 3 Glenelg Avenue Mermaid Beach Queensland 4218
Australia

(72) Name(s) of Designer(s): **Kevin Hoverd**

(45) Registration Date: **31 March 2006**

(56) Related Art Documents: **Not Applicable**

(57) Statement of Newness and Distinctiveness: **Nil**



(21) Design Number: **10549/2005**

(22) Date of Filing Application: **14 February 2005**

(24) Date from which industrial property rights may have effect: **14 February 2005**

(54) Product in respect of which the design is registered: **A window fastener**

(51) International Design Classification: **08-09**

(71) Name(s) and Address(s) of Applicant(s):

Asa Abloy New Zealand Limited
6 Portsmouth Road Miramar Wellington New Zealand

(72) Name(s) of Designer(s): **Stefan Schlumbom**

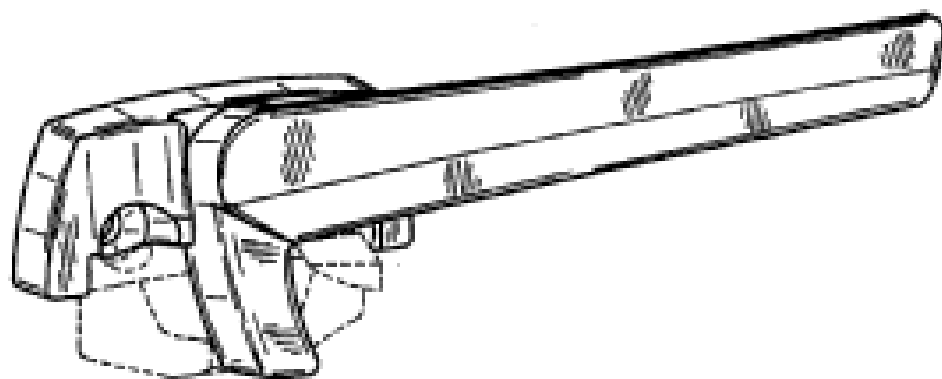
(45) Registration Date: **31 March 2006**

(30) Convention priority data:

(31) Number	(32) Date	(33) Country
405175	18 Aug 2004	NEW ZEALAND

(56) Related Art Documents: **Not Applicable**

(57) Statement of Newness and Distinctiveness: **Newness and distinctiveness is claimed in the feature of shape and configuration of a window fastener as illustrated in the representations accompanying the application.**



(21) Design Number: **13579/2005**

(22) Date of Filing Application: **14 February 2005**

(24) Date from which industrial property rights may have effect: **14 February 2005**

(54) Product in respect of which the design is registered: **A window fastener**

(51) International Design Classification: **08-09**

(71) Name(s) and Address(s) of Applicant(s):

**Asa Abloy New Zealand Limited
6 Portsmouth Road Miramar Wellington New Zealand**

(72) Name(s) of Designer(s): **Stefan Schlumbom**

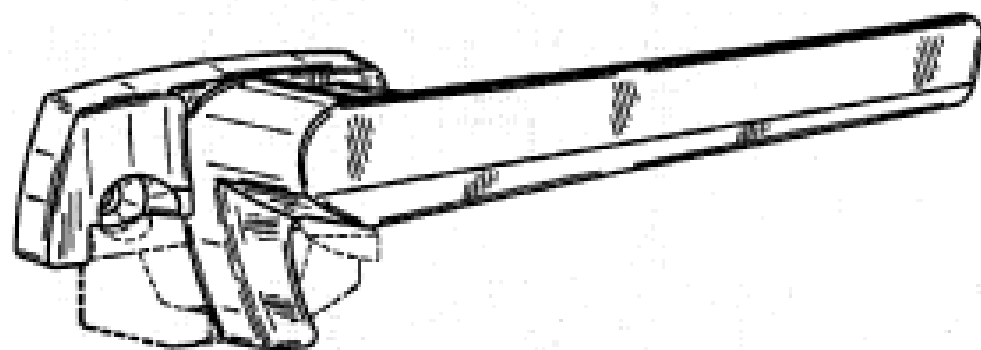
(45) Registration Date: **31 March 2006**

(30) Convention priority data:

(31) Number	(32) Date	(33) Country
405174	18 Aug 2004	NEW ZEALAND

(56) Related Art Documents: **Not Applicable**

(57) Statement of Newness and Distinctiveness: **Newness and distinctiveness is claimed in the feature of shape and configuration of a window fastener as illustrated in the representations accompanying the application.**



(21) Design Number: **11623/2005**

(22) Date of Filing Application: **20 April 2005**

(24) Date from which industrial property rights may have effect: **20 April 2005**

(54) Product in respect of which the design is registered: **A drive assembly for automatic gates**

(51) International Design Classification: **08-07**

(71) Name(s) and Address(s) of Applicant(s):

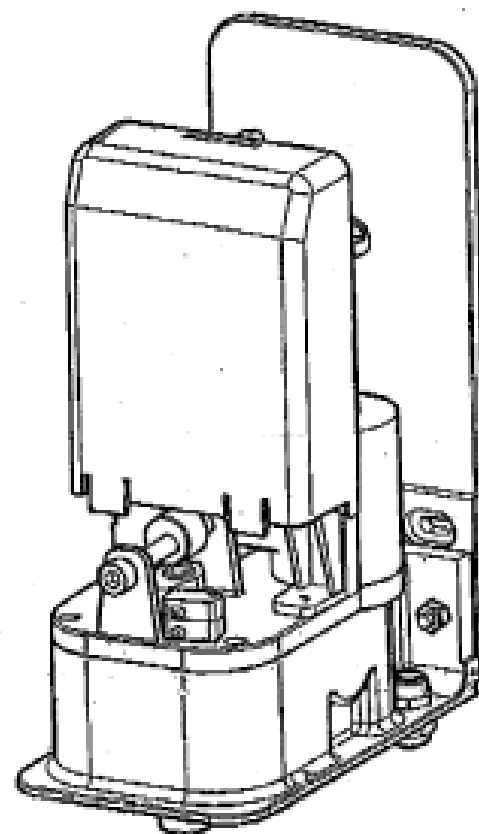
**Solar Ezy Pty Ltd
Unit 9/15 Stud Road Bayswater Victoria 3153 Australia**

(72) Name(s) of Designer(s): **Murray Charlesworth and Wayne Harris**

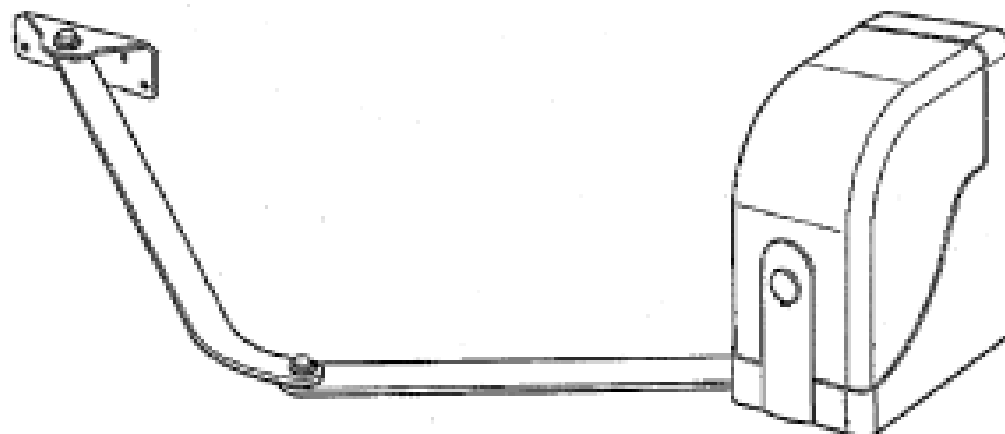
(45) Registration Date: **31 March 2006**

(56) Related Art Documents: **Not Applicable**

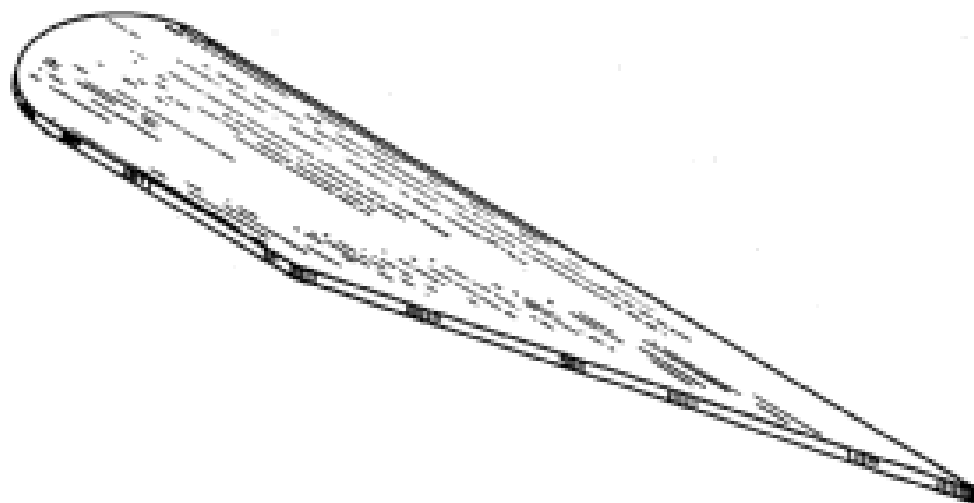
(57) Statement of Newness and Distinctiveness: **Newness distinctiveness resides in the shape and/or configuration of the modular assembly as represented in the accompanying drawings.**



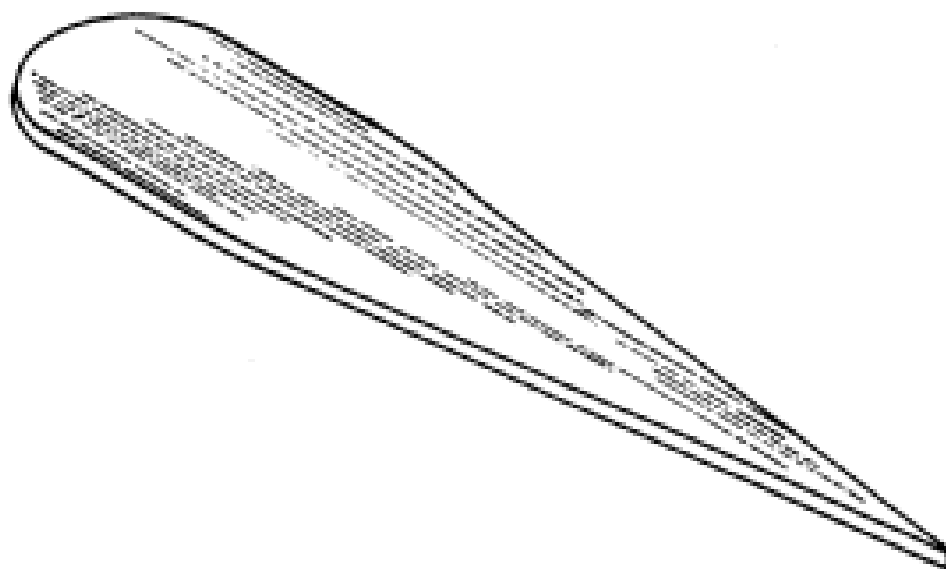
- (21) Design Number: **15572/2005**
(22) Date of Filing Application: **20 April 2005**
(24) Date from which industrial property rights may have effect: **20 April 2005**
(54) Product in respect of which the design is registered: **A drive assembly for automatic gates**
(51) International Design Classification: **08-07**
(71) Name(s) and Address(s) of Applicant(s):
Solar Ezy Pty Ltd
Unit 9/15 Stud Road Bayswater Victoria 3153 Australia
(72) Name(s) of Designer(s): **Murray Charlesworth and Wayne Harris**
(45) Registration Date: **31 March 2006**
(56) Related Art Documents: **Not Applicable**
(57) Statement of Newness and Distinctiveness: **Newness and distinctiveness resides in the shape and/or configuration of the modular assembly as represented in the accompanying drawings.**



- (21) Design Number: **13249/2005**
(22) Date of Filing Application: **01 August 2005**
(24) Date from which industrial property rights may have effect: **01 August 2005**
(54) Product in respect of which the design is registered: **Marker**
(51) International Design Classification: **07-06NES, 20-03NES**
(71) Name(s) and Address(s) of Applicant(s):
Russell John Robinson
Unit 3 22-24 Premier Circuit Warana Queensland 4575 Australia
Sharon Robinson
Unit 3 22-24 Premier Circuit Warana Queensland 4575 Australia
(72) Name(s) of Designer(s): **Russell John Robinson**
(45) Registration Date: **31 March 2006**
(56) Related Art Documents: **Not Applicable**
(57) Statement of Newness and Distinctiveness: **Nil**



- (21) Design Number: **13250/2005**
(22) Date of Filing Application: **01 August 2005**
(24) Date from which industrial property rights may have effect: **01 August 2005**
(54) Product in respect of which the design is registered: **Marker**
(51) International Design Classification: **07-06NES, 20-03NES**
(71) Name(s) and Address(s) of Applicant(s):
Russell John Robinson
Unit 3 22-24 Premier Circuit Warana Queensland 4575 Australia
Sharon Robinson
Unit 3 22-24 Premier Circuit Warana Queensland 4575 Australia
(72) Name(s) of Designer(s): **Russell John Robinson**
(45) Registration Date: **31 March 2006**
(56) Related Art Documents: **Not Applicable**
(57) Statement of Newness and Distinctiveness: **Nil**



- (21) Design Number: **14330/2005**
(22) Date of Filing Application: **04 October 2005**
(24) Date from which industrial property rights may have effect: **04 October 2005**
(54) Product in respect of which the design is registered: **Bottle**
(51) International Design Classification: **09-01G**
(71) Name(s) and Address(s) of Applicant(s):
Societe Autonome de Verreries
Place de la Gare 60960 Feuquieres France
(72) Name(s) of Designer(s): **Didier Rica**
(45) Registration Date: **31 March 2006**
(56) Related Art Documents: **Not Applicable**
(57) Statement of Newness and Distinctiveness: **Nil**



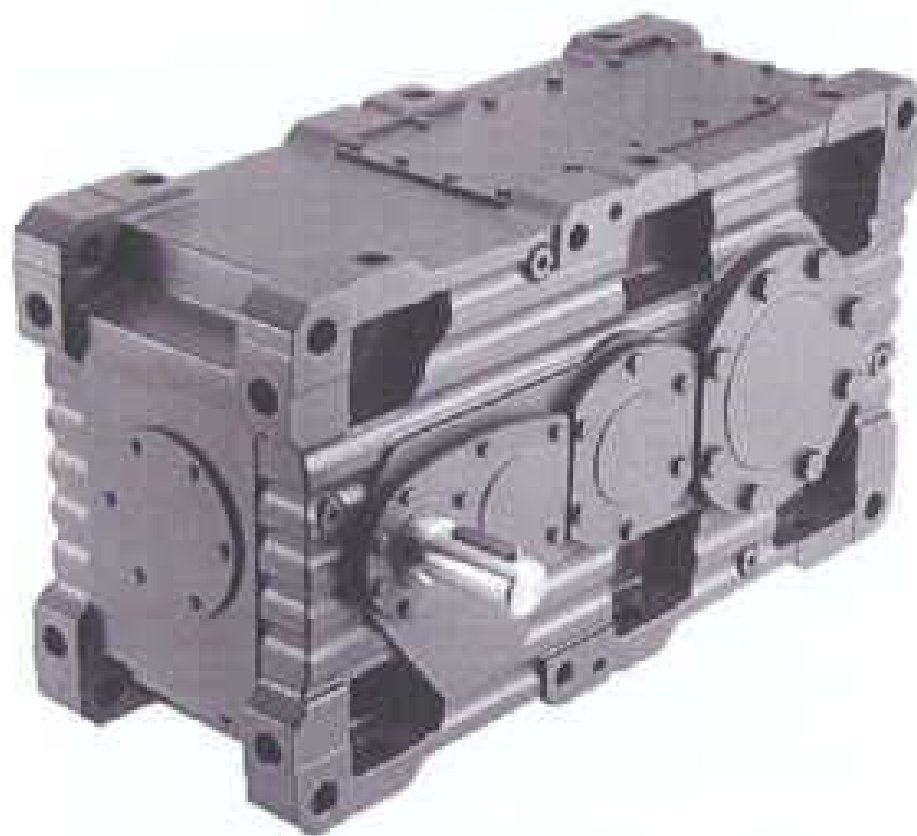
(21) Design Number: **14342/2005**
(22) Date of Filing Application: **05 October 2005**
(24) Date from which industrial property rights may have effect: **05 October 2005**
(54) Product in respect of which the design is registered: **Sanitary fittings**
(51) International Design Classification: **23-01H**
(71) Name(s) and Address(s) of Applicant(s):
Hansgrohe AG
Auestrasse 5-9 D-77761 Schiltach Germany
(72) Name(s) of Designer(s): **Andreas Haug and Tom Schonherr and Andreas Dimitriadis and Fabian Kollmann**
(45) Registration Date: **31 March 2006**
(30) Convention priority data:
(31) Number (32) Date (33) Country
32421500010002 08 Apr 2005 EUROPEAN COMMUNITY
(56) Related Art Documents: **Not Applicable**
(57) Statement of Newness and Distinctiveness: **Nil**



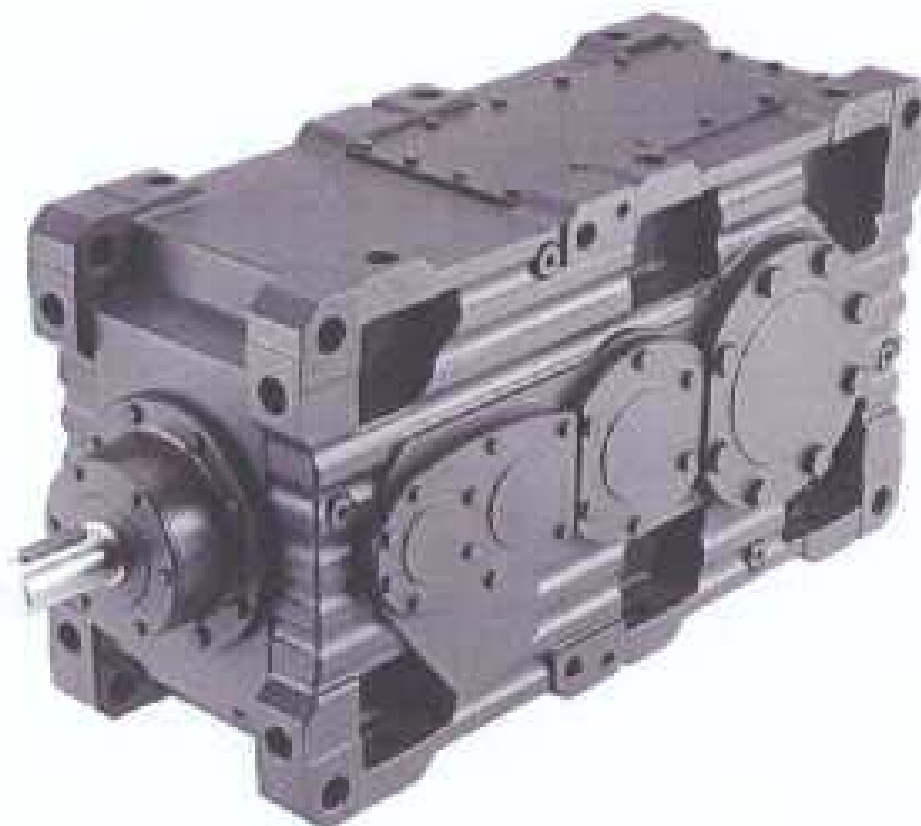
(21) Design Number: **14343/2005**
(22) Date of Filing Application: **05 October 2005**
(24) Date from which industrial property rights may have effect: **05 October 2005**
(54) Product in respect of which the design is registered: **Sanitary fittings**
(51) International Design Classification: **23-01H**
(71) Name(s) and Address(s) of Applicant(s):
Hansgrohe AG
Auestrasse 5-9 D-77761 Schiltach Germany
(72) Name(s) of Designer(s): **Andreas Haug and Tom Schonherr and Andreas Dimitriadis and Fabian Kollmann**
(45) Registration Date: **31 March 2006**
(30) Convention priority data:
(31) Number (32) Date (33) Country
32421500010002 08 Apr 2005 EUROPEAN COMMUNITY
(56) Related Art Documents: **Not Applicable**
(57) Statement of Newness and Distinctiveness: **Nil**



- (21) Design Number: **14353/2005**
(22) Date of Filing Application: **06 October 2005**
(24) Date from which industrial property rights may have effect: **06 October 2005**
(54) Product in respect of which the design is registered: **Heavy industrial gear unit**
(51) International Design Classification: **15-01**
(71) Name(s) and Address(s) of Applicant(s):
Sew-Eurodrive GmbH & Co. KG
Ernst-Blickle-Strasse 42 76646 Bruchsal Germany
(72) Name(s) of Designer(s): **Hans-Jurgen Lannoch**
(45) Registration Date: **31 March 2006**
(30) Convention priority data:
(31) Number (32) Date (33) Country
40502125.9 18 Apr 2005 GERMANY
(56) Related Art Documents: **Not Applicable**
(57) Statement of Newness and Distinctiveness: **Nil**



- (21) Design Number: **14354/2005**
(22) Date of Filing Application: **06 October 2005**
(24) Date from which industrial property rights may have effect: **06 October 2005**
(54) Product in respect of which the design is registered: **Heavy industrial gear unit**
(51) International Design Classification: **15-01**
(71) Name(s) and Address(s) of Applicant(s):
Sew-Eurodrive GmbH & Co. KG
Ernst-Blickle-Strasse 42 76646 Bruchsal Germany
(72) Name(s) of Designer(s): **Hans-Jurgen Lannoch**
(45) Registration Date: **31 March 2006**
(30) Convention priority data:
(31) Number (32) Date (33) Country
40502125.9 18 Apr 2005 GERMANY
(56) Related Art Documents: **Not Applicable**
(57) Statement of Newness and Distinctiveness: **Nil**



(21) Design Number: **11022/2005**

(22) Date of Filing Application: **15 March 2005**

(24) Date from which industrial property rights may have effect: **15 March 2005**

(54) Product in respect of which the design is registered: **Joiner for extruded pipes or tubes**

(51) International Design Classification: **23-01A, 23-01B**

(71) Name(s) and Address(s) of Applicant(s):

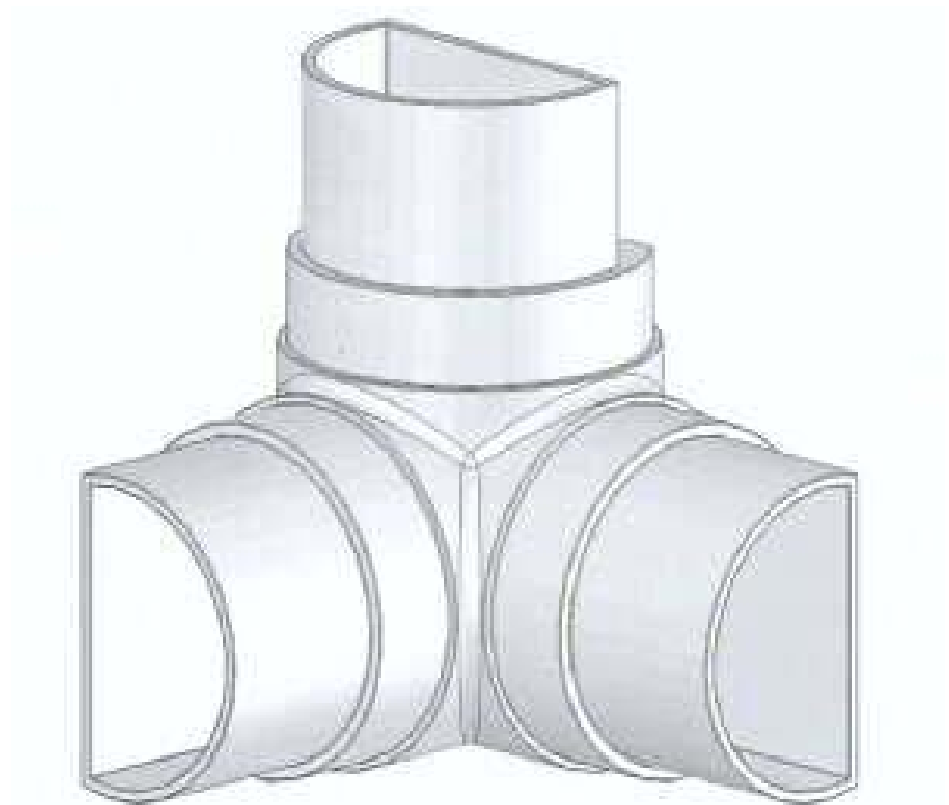
Allen Hardware Products Pty Ltd
6 Garden Street Kingsford New South Wales 2032 Australia

(72) Name(s) of Designer(s): **Alan George Harper and Dylan Daniel Retif**

(45) Registration Date: **31 March 2006**

(56) Related Art Documents: **Not Applicable**

(57) Statement of Newness and Distinctiveness: **Nil**



(21) Design Number: **10739/2006**

(22) Date of Filing Application: **15 March 2005**

(24) Date from which industrial property rights may have effect: **15 March 2005**

(54) Product in respect of which the design is registered: **Joiner for extruded pipes or tubes**

(51) International Design Classification: **23-01A, 23-01B**

(71) Name(s) and Address(s) of Applicant(s):

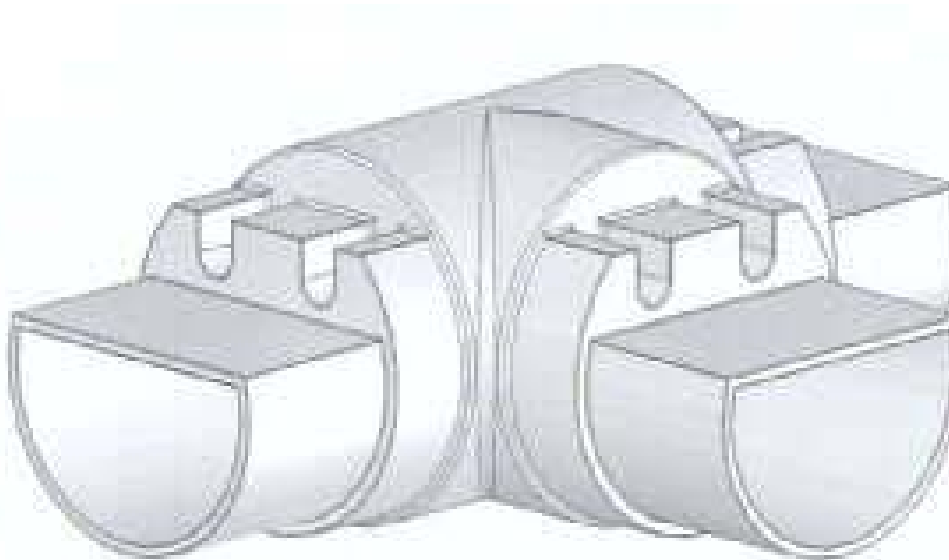
Allen Hardware Products Pty Ltd
6 Garden Street Kingsford New South Wales 2032 Australia

(72) Name(s) of Designer(s): **Alan George Harper and Dylan Daniel Retif**

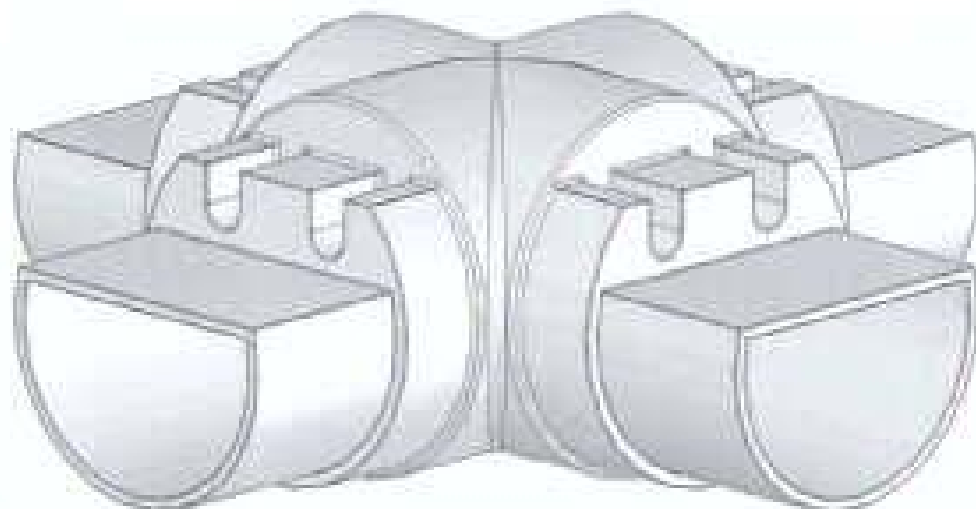
(45) Registration Date: **31 March 2006**

(56) Related Art Documents: **Not Applicable**

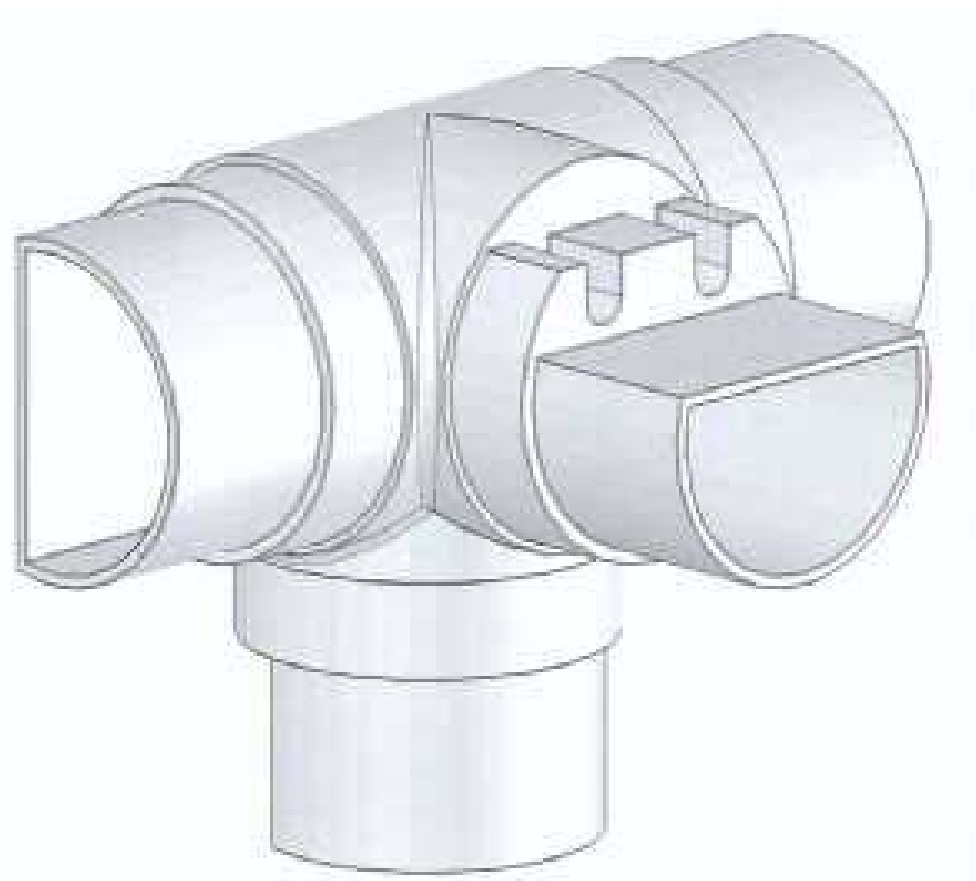
(57) Statement of Newness and Distinctiveness: **Nil**



- (21) Design Number: **10740/2006**
(22) Date of Filing Application: **15 March 2005**
(24) Date from which industrial property rights may have effect: **15 March 2005**
(54) Product in respect of which the design is registered: **Joiner for extruded pipes or tubes**
(51) International Design Classification: **23-01A, 23-01B**
(71) Name(s) and Address(s) of Applicant(s):
Allen Hardware Products Pty Ltd
6 Garden Street Kingsford New South Wales 2032 Australia
(72) Name(s) of Designer(s): **Alan George Harper and Dylan Daniel Retif**
(45) Registration Date: **31 March 2006**
(56) Related Art Documents: **Not Applicable**
(57) Statement of Newness and Distinctiveness: **Nil**



- (21) Design Number: **10741/2006**
(22) Date of Filing Application: **15 March 2005**
(24) Date from which industrial property rights may have effect: **15 March 2005**
(54) Product in respect of which the design is registered: **Joiner for extruded pipes or tubes**
(51) International Design Classification: **23-01A, 23-01B**
(71) Name(s) and Address(s) of Applicant(s):
Allen Hardware Products Pty Ltd
6 Garden Street Kingsford New South Wales 2032 Australia
(72) Name(s) of Designer(s): **Alan George Harper and Dylan Daniel Retif**
(45) Registration Date: **31 March 2006**
(56) Related Art Documents: **Not Applicable**
(57) Statement of Newness and Distinctiveness: **Nil**



(21) Design Number: **10742/2006**

(22) Date of Filing Application: **15 March 2005**

(24) Date from which industrial property rights may have effect: **15 March 2005**

(54) Product in respect of which the design is registered: **Joiner for extruded pipes or tubes**

(51) International Design Classification: **23-01A, 23-01B**

(71) Name(s) and Address(s) of Applicant(s):

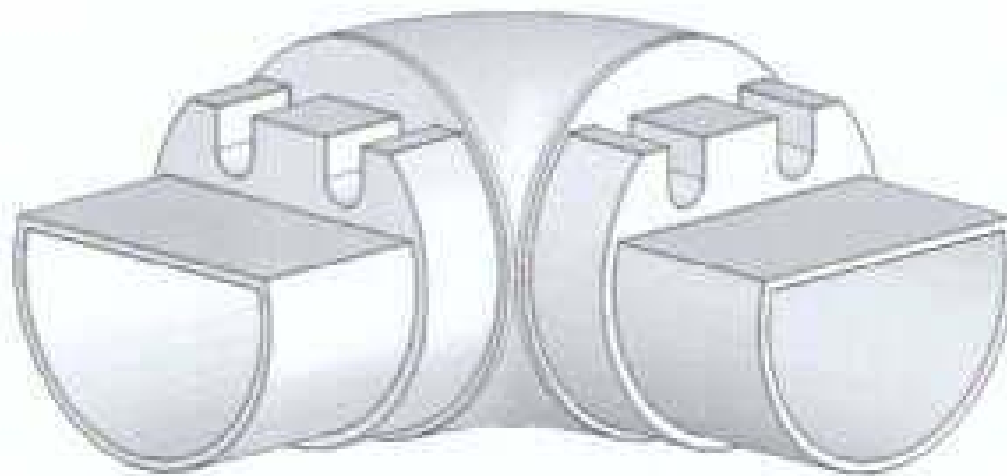
**Allen Hardware Products Pty Ltd
6 Garden Street Kingsford New South Wales 2032 Australia**

(72) Name(s) of Designer(s): **Alan George Harper and Dylan Daniel Retif**

(45) Registration Date: **31 March 2006**

(56) Related Art Documents: **Not Applicable**

(57) Statement of Newness and Distinctiveness: **Nil**



(21) Design Number: **10743/2006**

(22) Date of Filing Application: **15 March 2005**

(24) Date from which industrial property rights may have effect: **15 March 2005**

(54) Product in respect of which the design is registered: **Joiner for extruded pipes or tubes**

(51) International Design Classification: **23-01A, 23-01B**

(71) Name(s) and Address(s) of Applicant(s):

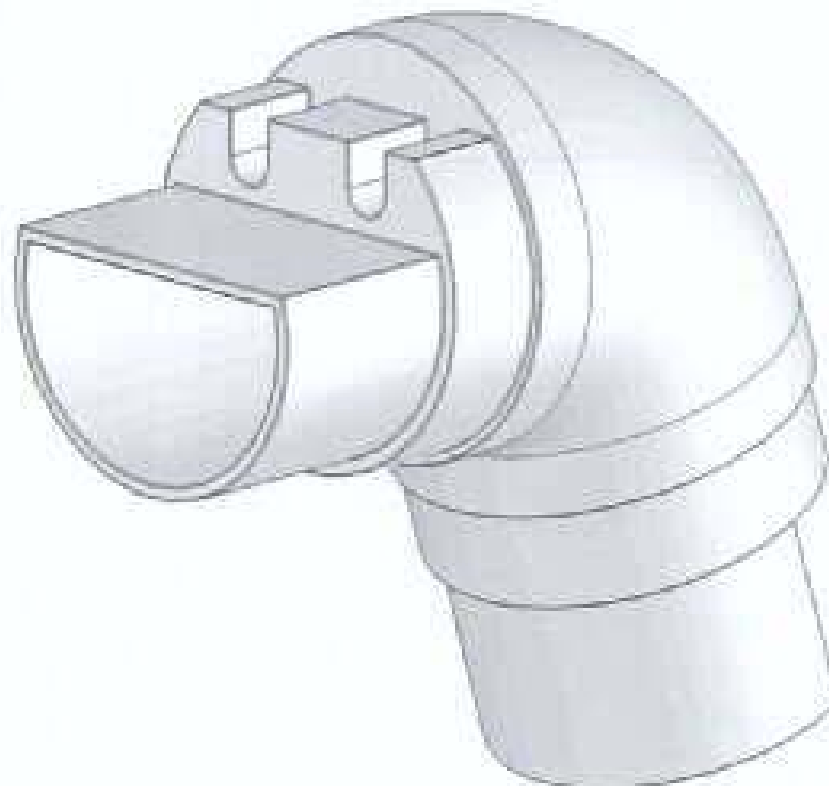
**Allen Hardware Products Pty Ltd
6 Garden Street Kingsford New South Wales 2032 Australia**

(72) Name(s) of Designer(s): **Alan George Harper and Dylan Daniel Retif**

(45) Registration Date: **31 March 2006**

(56) Related Art Documents: **Not Applicable**

(57) Statement of Newness and Distinctiveness: **Nil**



(21) Design Number: **10744/2006**

(22) Date of Filing Application: **15 March 2005**

(24) Date from which industrial property rights may have effect: **15 March 2005**

(54) Product in respect of which the design is registered: **Joiner for extruded pipes or tubes**

(51) International Design Classification: **23-01A, 23-01B**

(71) Name(s) and Address(s) of Applicant(s):

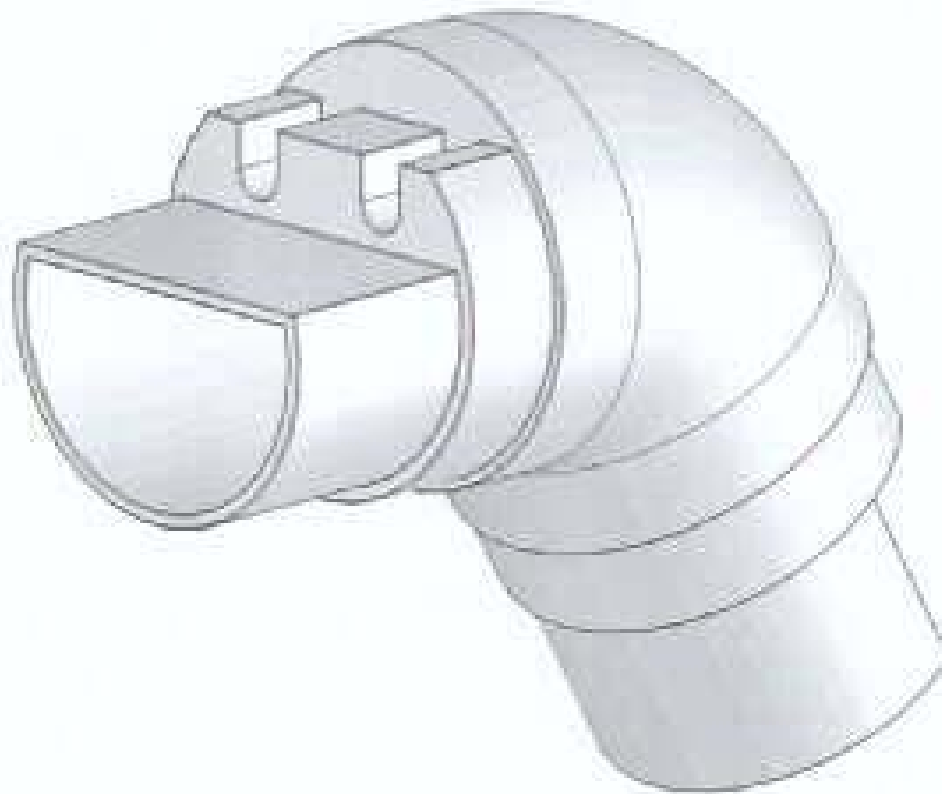
**Allen Hardware Products Pty Ltd
6 Garden Street Kingsford New South Wales 2032 Australia**

(72) Name(s) of Designer(s): **Alan George Harper and Dylan Daniel Retif**

(45) Registration Date: **31 March 2006**

(56) Related Art Documents: **Not Applicable**

(57) Statement of Newness and Distinctiveness: **Nil**



(21) Design Number: **10745/2006**

(22) Date of Filing Application: **15 March 2005**

(24) Date from which industrial property rights may have effect: **15 March 2005**

(54) Product in respect of which the design is registered: **Joiner for extruded pipes or tubes**

(51) International Design Classification: **23-01A, 23-01B**

(71) Name(s) and Address(s) of Applicant(s):

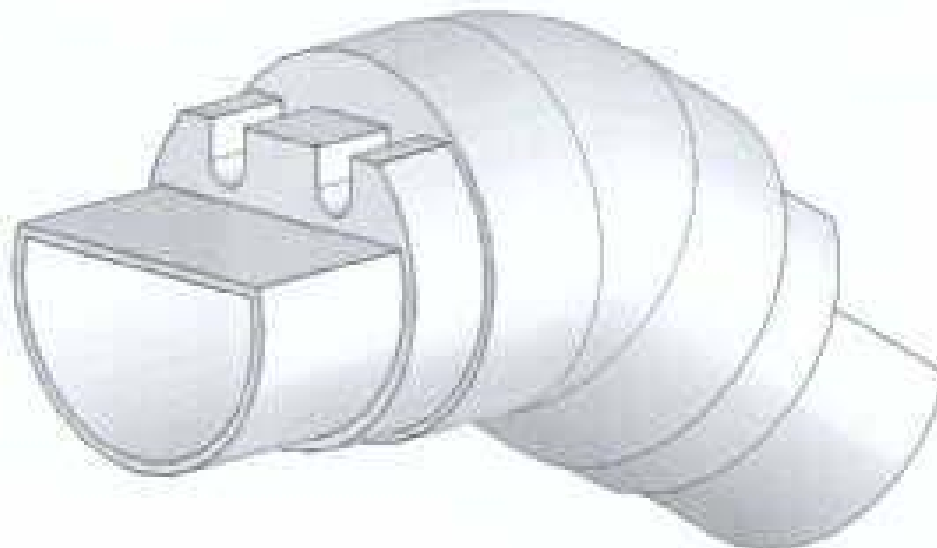
**Allen Hardware Products Pty Ltd
6 Garden Street Kingsford New South Wales 2032 Australia**

(72) Name(s) of Designer(s): **Alan George Harper and Dylan Daniel Retif**

(45) Registration Date: **31 March 2006**

(56) Related Art Documents: **Not Applicable**

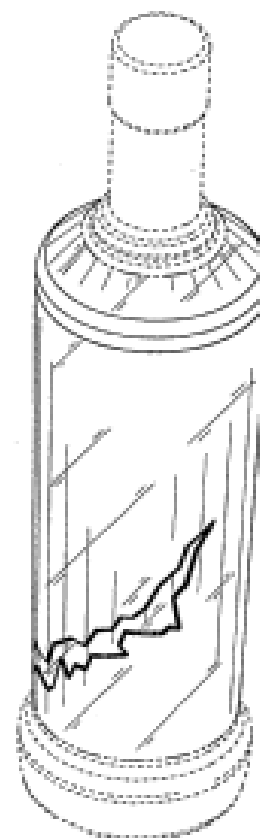
(57) Statement of Newness and Distinctiveness: **Nil**



- (21) Design Number: **11188/2005**
- (22) Date of Filing Application: **24 March 2005**
- (24) Date from which industrial property rights may have effect: **24 March 2005**
- (54) Product in respect of which the design is registered: **Bottle**
- (51) International Design Classification: **09-01NES**
- (71) Name(s) and Address(s) of Applicant(s):

Diageo North America, Inc.
801 Main Avenue Norwalk Connecticut 06851 United States of America

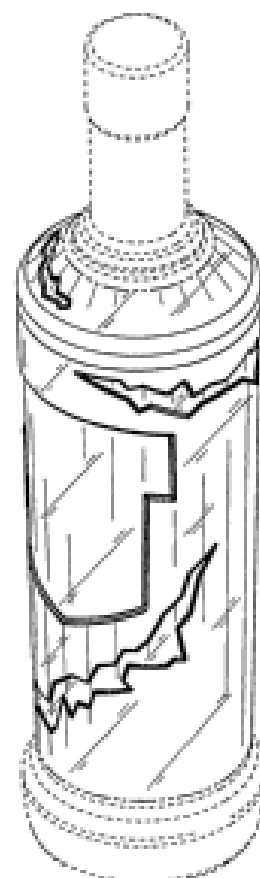
- (72) Name(s) of Designer(s): **Matthew Scott and Jamie Foss**
- (45) Registration Date: **31 March 2006**
- (56) Related Art Documents: **Not Applicable**
- (57) Statement of Newness and Distinctiveness: **Newness and distinctiveness in the design as applied to a bottle resides in the pattern and/or ornamentation. In assessing newness and distinctiveness, the upper and lower portion of the bottle represented by dashed lines in the representations should be disregarded.**



- (21) Design Number: **10846/2006**
- (22) Date of Filing Application: **24 March 2005**
- (24) Date from which industrial property rights may have effect: **24 March 2005**
- (54) Product in respect of which the design is registered: **Bottle**
- (51) International Design Classification: **09-01NES**
- (71) Name(s) and Address(s) of Applicant(s):

Diageo North America, Inc.
801 Main Avenue Norwalk Connecticut 06851 United States of America

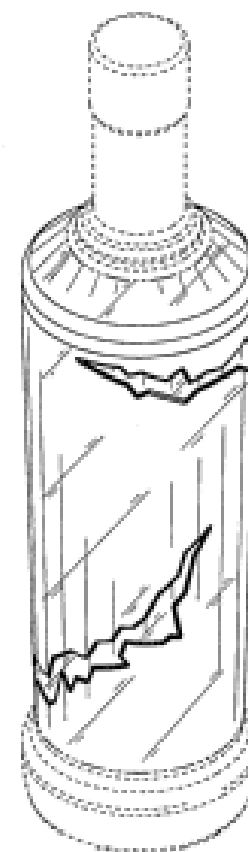
- (72) Name(s) of Designer(s): **Matthew Scott and Jamie Foss**
- (45) Registration Date: **31 March 2006**
- (56) Related Art Documents: **Not Applicable**
- (57) Statement of Newness and Distinctiveness: **Newness and distinctive in the design as applied to a bottle resides in the pattern and/or ornamentation. In assessing newness and distinctiveness, the upper and lower portion of the bottle represented by dashed lines in the representations should be disregarded.**



- (21) Design Number: **10844/2006**
- (22) Date of Filing Application: **24 March 2005**
- (24) Date from which industrial property rights may have effect: **24 March 2005**
- (54) Product in respect of which the design is registered: **Bottle**
- (51) International Design Classification: **09-01NES**
- (71) Name(s) and Address(s) of Applicant(s):

Diageo North America, Inc.
801 Main Avenue Norwalk Connecticut 06851 United States of America

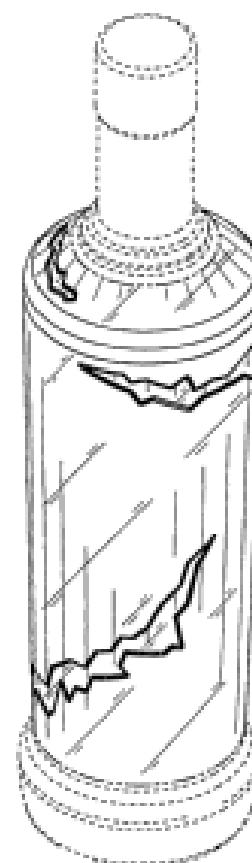
- (72) Name(s) of Designer(s): **Matthew Scott and Jamie Foss**
- (45) Registration Date: **31 March 2006**
- (56) Related Art Documents: **Not Applicable**
- (57) Statement of Newness and Distinctiveness: **Newness and distinctiveness in the design as applied to a bottle resides in the pattern and/or ornamentation. In assessing newness and distinctiveness, the upper and lower portion of the bottle represented by dashed lines in the representations should be disregarded.**



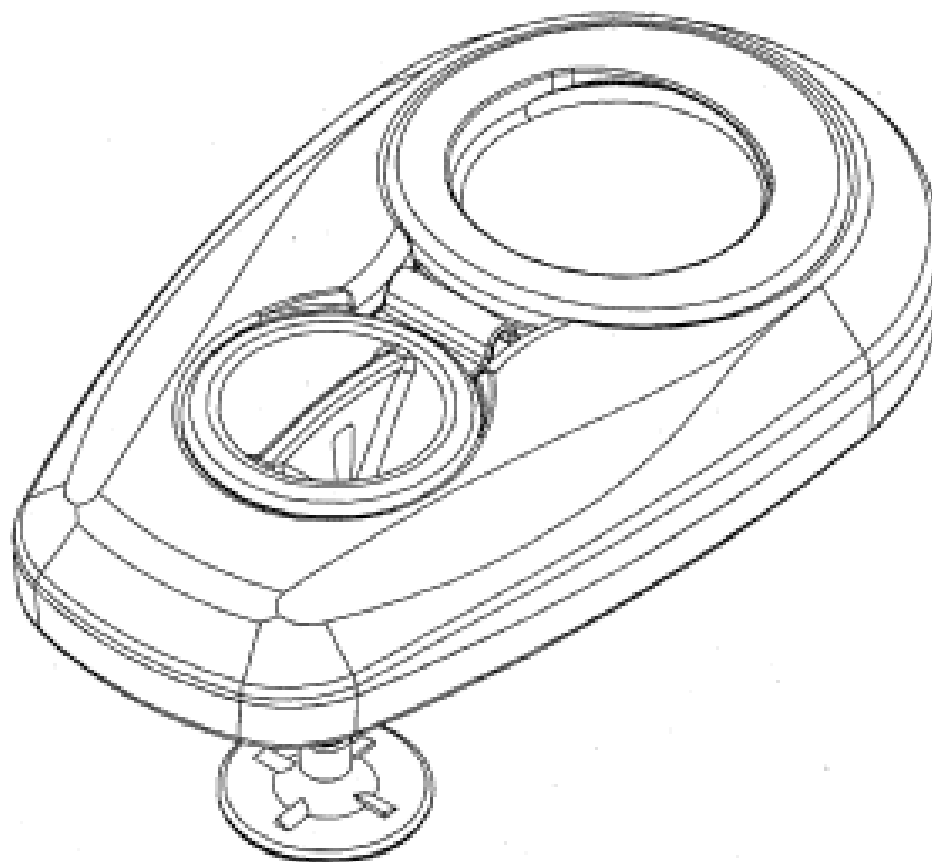
- (21) Design Number: **10845/2006**
- (22) Date of Filing Application: **24 March 2005**
- (24) Date from which industrial property rights may have effect: **24 March 2005**
- (54) Product in respect of which the design is registered: **Bottle**
- (51) International Design Classification: **09-01NES**
- (71) Name(s) and Address(s) of Applicant(s):

Diageo North America, Inc.
801 Main Avenue Norwalk Connecticut 06851 United States of America

- (72) Name(s) of Designer(s): **Matthew Scott and Jamie Foss**
- (45) Registration Date: **31 March 2006**
- (56) Related Art Documents: **Not Applicable**
- (57) Statement of Newness and Distinctiveness: **Newness and distinctive in the design as applied to a bottle resides in the pattern and/or ornamentation. In assessing newness and distinctiveness, the upper and lower portion of the bottle represented by dashed lines in the representations should be disregarded.**

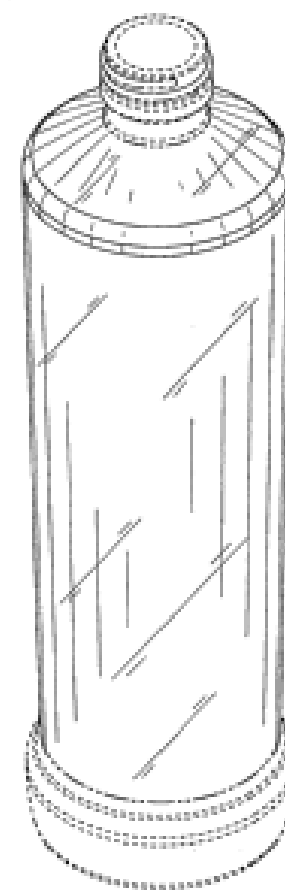


- (21) Design Number: **12335/2005**
- (22) Date of Filing Application: **30 May 2005**
- (24) Date from which industrial property rights may have effect: **30 May 2005**
- (54) Product in respect of which the design is registered: **Body board waterproof container with cover and lids**
- (51) International Design Classification: **09-02NES, 21-02D**
- (71) Name(s) and Address(s) of Applicant(s):
Ozsurf-Safe International Pty Limited
Unit 5 16 Mangrove Lane Taren Point New South Wales 2229 Australia
- (72) Name(s) of Designer(s): **Marc Philipp Veenendaal**
- (45) Registration Date: **31 March 2006**
- (56) Related Art Documents: **Not Applicable**
- (57) Statement of Newness and Distinctiveness: **Nil**



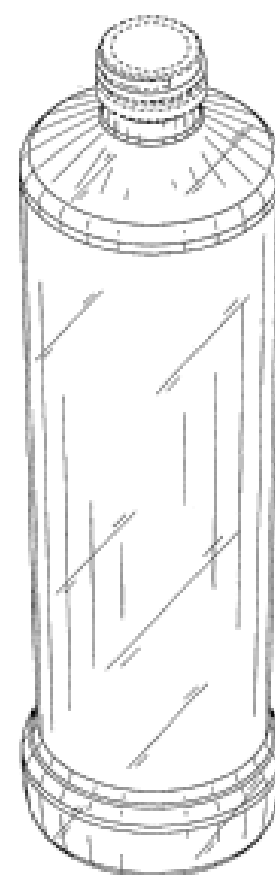
- (21) Design Number: **11814/2005**
- (22) Date of Filing Application: **29 April 2005**
- (24) Date from which industrial property rights may have effect: **29 April 2005**
- (54) Product in respect of which the design is registered: **A bottle**
- (51) International Design Classification: **09-01NES**
- (71) Name(s) and Address(s) of Applicant(s):
Diageo North America, Inc.
801 Main Avenue Norwalk Connecticut 06851 United States of America
- (72) Name(s) of Designer(s): **Matthew Scott**
- (45) Registration Date: **04 April 2006**
- (30) Convention priority data:

(31) Number	(32) Date	(33) Country
29/216100	29 Oct 2004	UNITED STATES OF AMERICA
- (56) Related Art Documents: **Not Applicable**
- (57) Statement of Newness and Distinctiveness: **Newness and distinctiveness in the design as applied to a bottle of embodiments 1 to 4 and features thereof reside in the shape and/or configuration, and/or pattern and/or ornamentation thereof, as illustrated in the accompanying representations. In assessing newness and distinctiveness, the portions depicted by broken outline should be disregarded.**



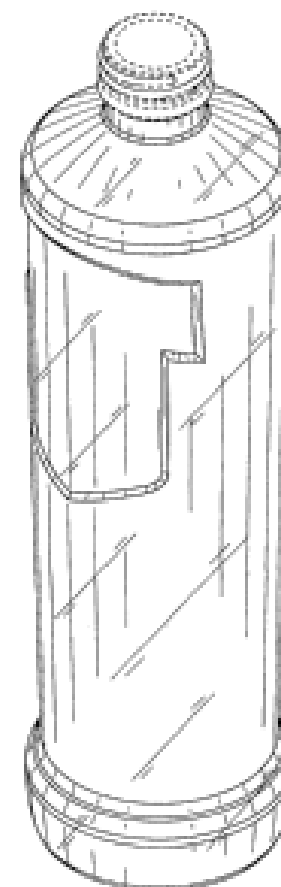
- (21) Design Number: **15569/2005**
- (22) Date of Filing Application: **29 April 2005**
- (24) Date from which industrial property rights may have effect: **29 April 2005**
- (54) Product in respect of which the design is registered: **A bottle**
- (51) International Design Classification: **09-01NES**
- (71) Name(s) and Address(s) of Applicant(s):
Diageo North America, Inc.
801 Main Avenue Norwalk Connecticut 06851 United States of America
- (72) Name(s) of Designer(s): **Matthew Scott**
- (45) Registration Date: **04 April 2006**
- (30) Convention priority data:

(31) Number	(32) Date	(33) Country
29/216100	29 Oct 2004	UNITED STATES OF AMERICA
- (56) Related Art Documents: **Not Applicable**
- (57) Statement of Newness and Distinctiveness: **Newness and distinctiveness in the design as applied to a bottle of embodiments 1 to 4 and features thereof reside in the shape and/or configuration, and/or pattern and/or ornamentation thereof, as illustrated in the accompanying representations. In assessing newness and distinctiveness, the portions depicted by broken outline should be disregarded.**

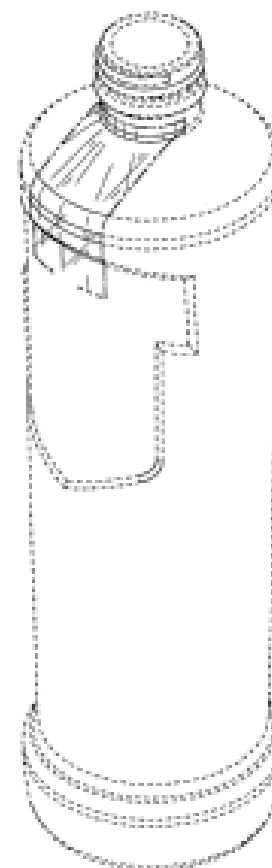


- (21) Design Number: **15570/2005**
- (22) Date of Filing Application: **29 April 2005**
- (24) Date from which industrial property rights may have effect: **29 April 2005**
- (54) Product in respect of which the design is registered: **A bottle**
- (51) International Design Classification: **09-01NES**
- (71) Name(s) and Address(s) of Applicant(s):
Diageo North America, Inc.
801 Main Avenue Norwalk Connecticut 06851 United States of America
- (72) Name(s) of Designer(s): **Matthew Scott**
- (45) Registration Date: **04 April 2006**
- (30) Convention priority data:

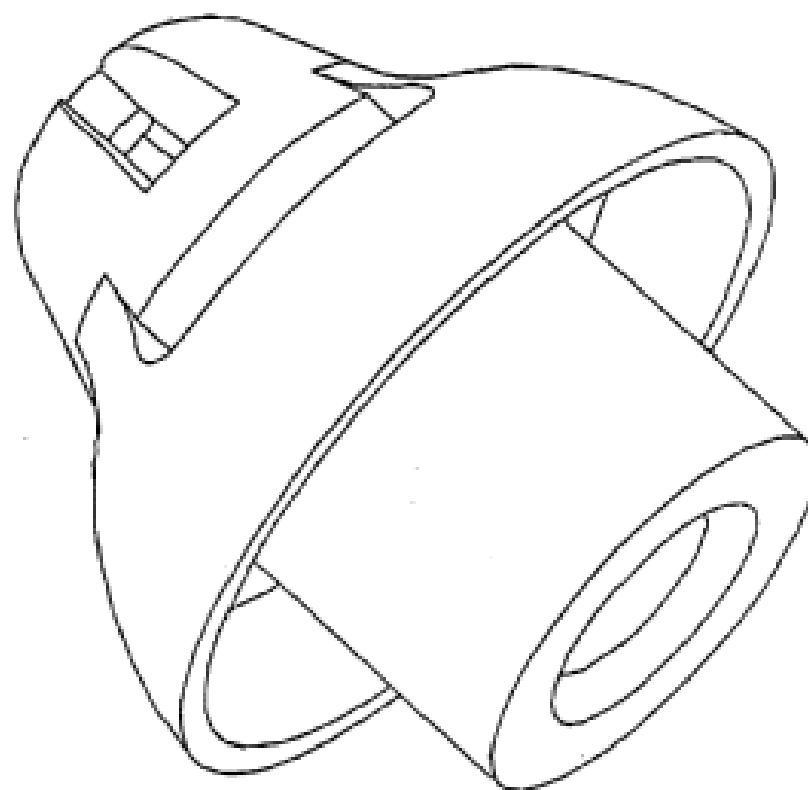
(31) Number	(32) Date	(33) Country
29/216100	29 Oct 2004	UNITED STATES OF AMERICA
- (56) Related Art Documents: **Not Applicable**
- (57) Statement of Newness and Distinctiveness: **Newness and distinctiveness in the design as applied to a bottle of embodiments 1 to 4 and features thereof reside in the shape and/or configuration, and/or pattern and/or ornamentation thereof, as illustrated in the accompanying representations. In assessing newness and distinctiveness, the portions depicted by broken outline should be disregarded.**



- (21) Design Number: **15571/2005**
(22) Date of Filing Application: **29 April 2005**
(24) Date from which industrial property rights may have effect: **29 April 2005**
(54) Product in respect of which the design is registered: **A bottle**
(51) International Design Classification: **09-01NES**
(71) Name(s) and Address(s) of Applicant(s):
Diageo North America, Inc.
801 Main Avenue Norwalk Connecticut 06851 United States of America
(72) Name(s) of Designer(s): **Matthew Scott**
(45) Registration Date: **04 April 2006**
(30) Convention priority data:
(31) Number (32) Date (33) Country
29/216100 29 Oct 2004 UNITED STATES OF AMERICA
(56) Related Art Documents: **Not Applicable**
(57) Statement of Newness and Distinctiveness: **Newness and distinctiveness in the design as applied to a bottle of embodiments 1 to 4 and features thereof reside in the shape and/or configuration, and/or pattern and/or ornamentation thereof, as illustrated in the accompanying representations. In assessing newness and distinctiveness, the portions depicted by broken outline should be disregarded.**



- (21) Design Number: **13277/2005**
(22) Date of Filing Application: **02 August 2005**
(24) Date from which industrial property rights may have effect: **02 August 2005**
(54) Product in respect of which the design is registered: **Part of hearing aid**
(51) International Design Classification: **24-99**
(71) Name(s) and Address(s) of Applicant(s):
Widex A/S
Ny Vestergaardsvej 25 DK-3500 Vaerlose Denmark
(72) Name(s) of Designer(s): **Christian Bohl Espersen**
(45) Registration Date: **04 April 2006**
(30) Convention priority data:
(31) Number (32) Date (33) Country
000289913-0001 03 Feb 2005 EUROPEAN COMMUNITY
(56) Related Art Documents: **Not Applicable**
(57) Statement of Newness and Distinctiveness: **Each feature of the design considered separately or in combination with any other feature of features.**



(21) Design Number: **13557/2005**

(22) Date of Filing Application: **19 August 2005**

(24) Date from which industrial property rights may have effect: **19 August 2005**

(54) Product in respect of which the design is registered: **DVD rack - large**

(51) International Design Classification: **06-04NES**

(71) Name(s) and Address(s) of Applicant(s):

Lachlan Furniture Pty Ltd
38-42 William Street Cowra New South Wales 2794 Australia

(72) Name(s) of Designer(s): **Glen Scott**

(45) Registration Date: **04 April 2006**

(56) Related Art Documents: **Not Applicable**

(57) Statement of Newness and Distinctiveness: **Nil**



(21) Design Number: **15573/2005**

(22) Date of Filing Application: **19 August 2005**

(24) Date from which industrial property rights may have effect: **19 August 2005**

(54) Product in respect of which the design is registered: **Dvd rack medium**

(51) International Design Classification: **06-04NES**

(71) Name(s) and Address(s) of Applicant(s):

Lachlan Furniture Pty Ltd
PO Box 493 Cowra New South Wales 2794 Australia

(72) Name(s) of Designer(s): **Glen Scott**

(45) Registration Date: **04 April 2006**

(56) Related Art Documents: **Not Applicable**

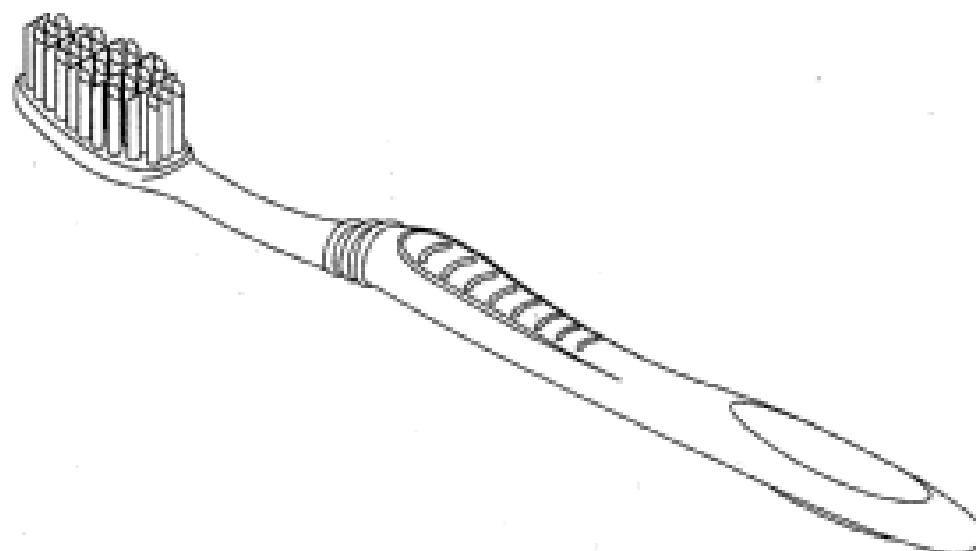
(57) Statement of Newness and Distinctiveness: **Nil**



- (21) Design Number: **15574/2005**
(22) Date of Filing Application: **19 August 2005**
(24) Date from which industrial property rights may have effect: **19 August 2005**
(54) Product in respect of which the design is registered: **Dvd rack small**
(51) International Design Classification: **06-04NES**
(71) Name(s) and Address(s) of Applicant(s):
Lachlan Furniture Pty Ltd
PO Box 493 Cowra New South Wales 2794 Australia
(72) Name(s) of Designer(s): **Glen Scott**
(45) Registration Date: **04 April 2006**
(56) Related Art Documents: **Not Applicable**
(57) Statement of Newness and Distinctiveness: **Nil**

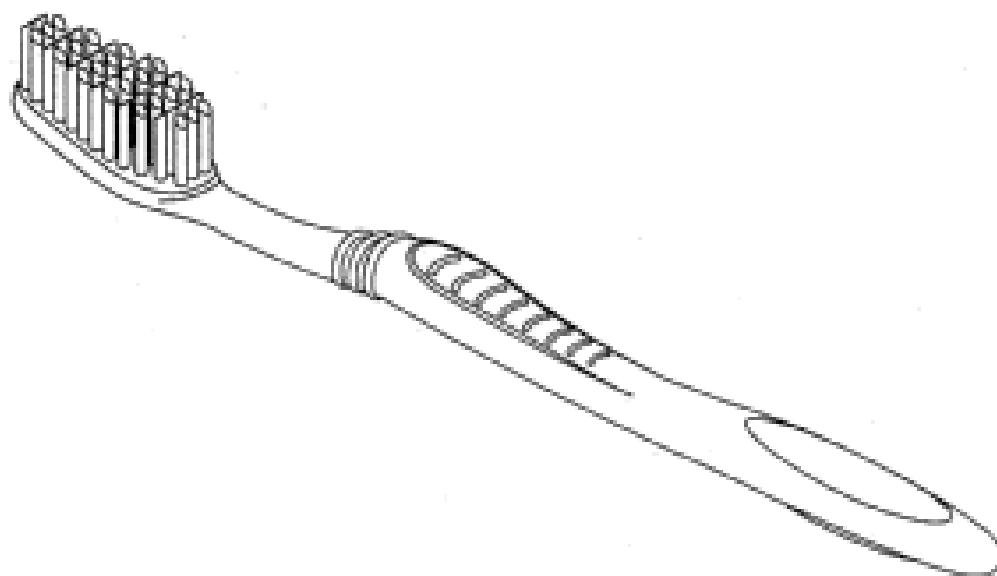


- (21) Design Number: **14360/2005**
(22) Date of Filing Application: **06 October 2005**
(24) Date from which industrial property rights may have effect: **06 October 2005**
(54) Product in respect of which the design is registered: **Toothbrush**
(51) International Design Classification: **04-02**
(71) Name(s) and Address(s) of Applicant(s):
Colgate-Palmolive Company
300 Park Avenue New York New York 10022 United States of America
(72) Name(s) of Designer(s): **Robert Moskovich and Alan Sorrentino and Swanson Xi**
(45) Registration Date: **04 April 2006**
(30) Convention priority data:
(31) Number (32) Date (33) Country
29/227276 08 Apr 2005 UNITED STATES OF AMERICA
(56) Related Art Documents: **Not Applicable**
(57) Statement of Newness and Distinctiveness: **Each feature of the design considered separately or in combination with any other feature or features.**



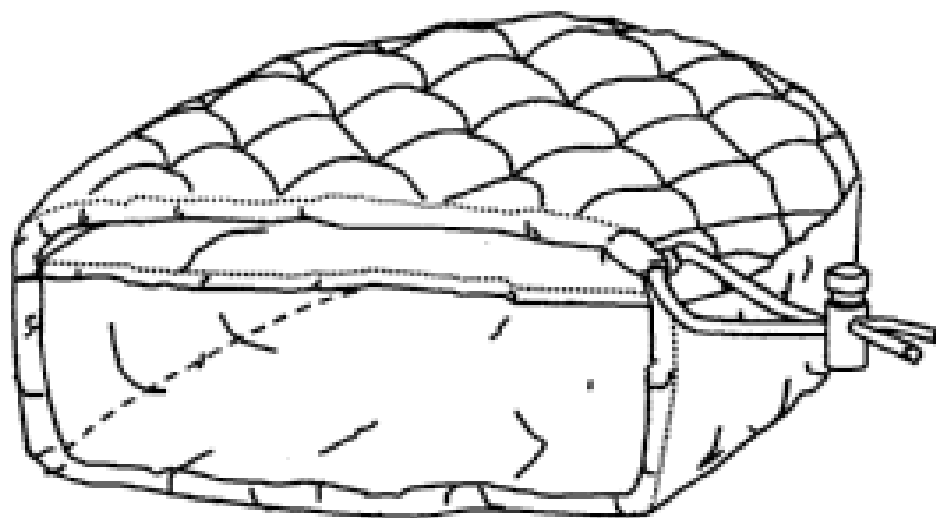
(19) AU

- (21) Design Number: **14361/2005**
(22) Date of Filing Application: **06 October 2005**
(24) Date from which industrial property rights may have effect: **06 October 2005**
(54) Product in respect of which the design is registered: **Toothbrush**
(51) International Design Classification: **04-02**
(71) Name(s) and Address(s) of Applicant(s):
Colgate-Palmolive Company
300 Park Avenue New York New York 10022 United States of America
(72) Name(s) of Designer(s): **Robert Moskovich and Alan Sorrentino and Swanson Xi**
(45) Registration Date: **04 April 2006**
(30) Convention priority data:
(31) Number (32) Date (33) Country
29/227276 08 Apr 2005 UNITED STATES OF AMERICA
(56) Related Art Documents: **Not Applicable**
(57) Statement of Newness and Distinctiveness: **Each feature of the design considered separately or in combination with any other feature or features.**

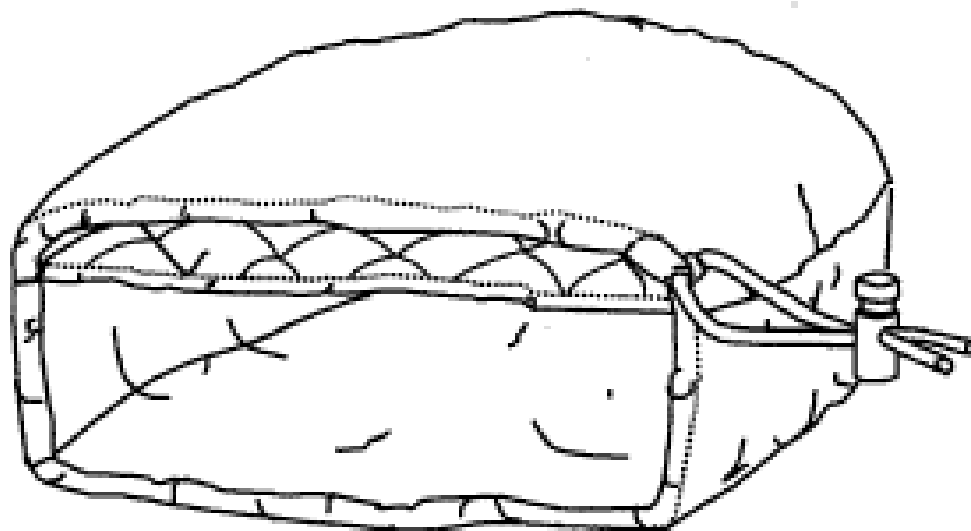


(19) AU

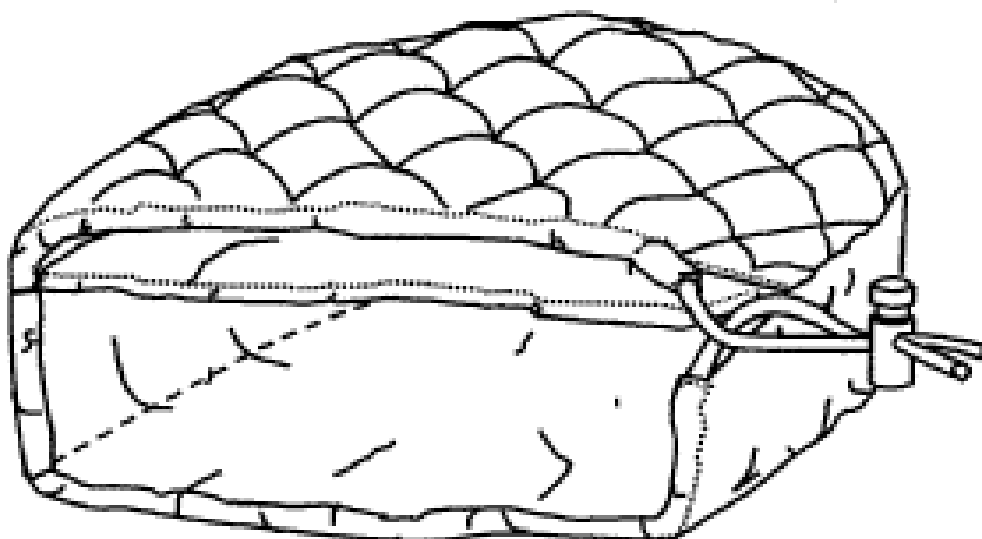
- (21) Design Number: **13652/2005**
(22) Date of Filing Application: **11 August 2005**
(24) Date from which industrial property rights may have effect: **11 August 2005**
(54) Product in respect of which the design is registered: **A bag/container/mitt for camping purposes**
(51) International Design Classification: **07-07A**
(71) Name(s) and Address(s) of Applicant(s):
Nicholas Gostt
11 Evans Street Wollongong New South Wales 2500 Australia
(72) Name(s) of Designer(s): **Nicholas Gostt and Anthea Gostt**
(45) Registration Date: **04 April 2006**
(56) Related Art Documents: **Not Applicable**
(57) Statement of Newness and Distinctiveness: **Nil**



- (21) Design Number: **13653/2005**
(22) Date of Filing Application: **11 August 2005**
(24) Date from which industrial property rights may have effect: **11 August 2005**
(54) Product in respect of which the design is registered: **A bag/container/mitt for camping purposes**
(51) International Design Classification: **07-07A**
(71) Name(s) and Address(s) of Applicant(s):
Nicholas Gostt
11 Evans Street Wollongong New South Wales 2500 Australia
(72) Name(s) of Designer(s): **Nicholas Gostt and Anthea Gostt**
(45) Registration Date: **04 April 2006**
(56) Related Art Documents: **Not Applicable**
(57) Statement of Newness and Distinctiveness: **Nil**



- (21) Design Number: **13654/2005**
(22) Date of Filing Application: **11 August 2005**
(24) Date from which industrial property rights may have effect: **11 August 2005**
(54) Product in respect of which the design is registered: **A bag/container/mitt for camping purposes**
(51) International Design Classification: **07-07A**
(71) Name(s) and Address(s) of Applicant(s):
Nicholas Gostt
11 Evans Street Wollongong New South Wales 2500 Australia
(72) Name(s) of Designer(s): **Nicholas Gostt and Anthea Gostt**
(45) Registration Date: **04 April 2006**
(56) Related Art Documents: **Not Applicable**
(57) Statement of Newness and Distinctiveness: **Nil**



- (21) Design Number: **14099/2005**
(22) Date of Filing Application: **26 September 2005**
(24) Date from which industrial property rights may have effect: **26 September 2005**
(54) Product in respect of which the design is registered: **Automobile exhaust extension**
(51) International Design Classification: **12-16N**
(71) Name(s) and Address(s) of Applicant(s):
Daniel Woodbury
13 Windsor Street Richmond NSW Australia 2753
(72) Name(s) of Designer(s): **Daniel Woodbury**
(45) Registration Date: **04 April 2006**
(56) Related Art Documents: **Not Applicable**
(57) Statement of Newness and Distinctiveness: **Has a distinct 'D' shape with a fine rolled edge designed to suit a dual exhaust. Forms a distinct oval shape when fitted.**



- (21) Design Number: **14196/2005**
(22) Date of Filing Application: **28 September 2005**
(24) Date from which industrial property rights may have effect: **28 September 2005**
(54) Product in respect of which the design is registered: **Automobile**
(51) International Design Classification: **12-08**
(71) Name(s) and Address(s) of Applicant(s):
Toyota Jidosha Kabushiki Kaisha
1 Toyota-cho Toyota-shi Aichi-ken 471-8571 Japan
(72) Name(s) of Designer(s): **Hisao Hara and Kenichi Onoue and Kuniaki Toyooka and Minoru Ogawa**
(45) Registration Date: **04 April 2006**
(56) Related Art Documents: **Not Applicable**
(57) Statement of Newness and Distinctiveness: **Those features of the automobile depicted in the representations that are new and distinctive are the shape and/or configuration.**



- (21) Design Number: **14201/2005**
(22) Date of Filing Application: **28 September 2005**
(24) Date from which industrial property rights may have effect: **28 September 2005**
(54) Product in respect of which the design is registered: **Bumper**
(51) International Design Classification: **12-16C**
(71) Name(s) and Address(s) of Applicant(s):
Toyota Jidosha Kabushiki Kaisha
1 Toyota-cho Toyota-shi Aichi-ken 471-8571 Japan
(72) Name(s) of Designer(s): **Minoru Ogawa and Yoshiyasu Neuchi and Kuniaki Toyooka**
(45) Registration Date: **04 April 2006**
(56) Related Art Documents: **Not Applicable**
(57) Statement of Newness and Distinctiveness: **Those features of the bumper depicted in the representations that are new and distinctive are the shape and/or configuration.**



- (21) Design Number: **14204/2005**
(22) Date of Filing Application: **28 September 2005**
(24) Date from which industrial property rights may have effect: **28 September 2005**
(54) Product in respect of which the design is registered: **Bumper**
(51) International Design Classification: **12-16C**
(71) Name(s) and Address(s) of Applicant(s):
Toyota Jidosha Kabushiki Kaisha
1 Toyota-cho Toyota-shi Aichi-ken 471-8571 Japan
(72) Name(s) of Designer(s): **Kuniaki Toyooka and Tomokazu Morikawa and Eiji Sakaba**
(45) Registration Date: **04 April 2006**
(56) Related Art Documents: **Not Applicable**
(57) Statement of Newness and Distinctiveness: **Those features of the bumper depicted in the representations that are new and distinctive are the shape and/or configuration.**



- (21) Design Number: **14205/2005**
(22) Date of Filing Application: **28 September 2005**
(24) Date from which industrial property rights may have effect: **28 September 2005**
(54) Product in respect of which the design is registered: **Bumper**
(51) International Design Classification: **12-16C**
(71) Name(s) and Address(s) of Applicant(s):
Toyota Jidosha Kabushiki Kaisha
1 Toyota-cho Toyota-shi Aichi-ken 471-8571 Japan
(72) Name(s) of Designer(s): **Hisao Hara and Tomokazu Morikawa and Eiji Sakaba**
(45) Registration Date: **04 April 2006**
(56) Related Art Documents: **Not Applicable**
(57) Statement of Newness and Distinctiveness: **Those features of the bumper depicted in the representations that are new and distinctive are the shape and/or configuration.**



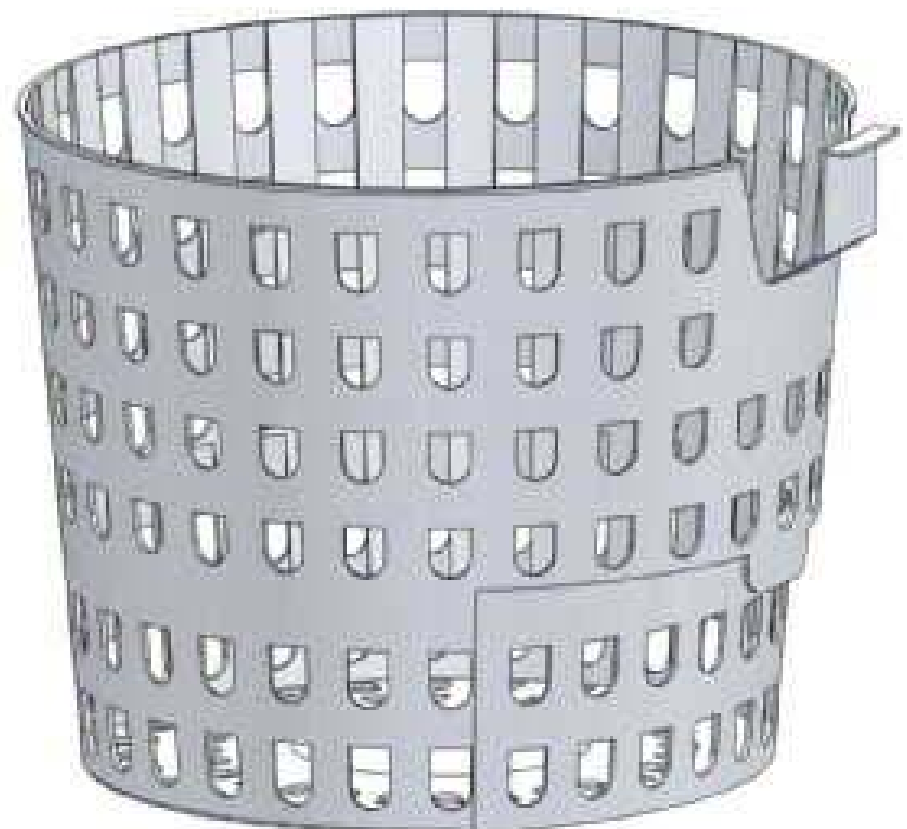
- (21) Design Number: **14206/2005**
(22) Date of Filing Application: **28 September 2005**
(24) Date from which industrial property rights may have effect: **28 September 2005**
(54) Product in respect of which the design is registered: **Automobile**
(51) International Design Classification: **12-08**
(71) Name(s) and Address(s) of Applicant(s):
Toyota Jidosha Kabushiki Kaisha
1 Toyota-cho Toyota-shi Aichi-ken 471-8571 Japan
(72) Name(s) of Designer(s): **Hisao Hara and Kenichi Onoue and Yoshiyasu Neuchi and Minoru Ogawa**
(45) Registration Date: **04 April 2006**
(56) Related Art Documents: **Not Applicable**
(57) Statement of Newness and Distinctiveness: **Those features of the automobile depicted in the representations that are new and distinctive are the shape and/or configuration.**



- (21) Design Number: **14387/2005**
(22) Date of Filing Application: **07 October 2005**
(24) Date from which industrial property rights may have effect: **07 October 2005**
(54) Product in respect of which the design is registered: **Rubber casing for computer mounting post**
(51) International Design Classification: **08-08NES, 14-02**
(71) Name(s) and Address(s) of Applicant(s):
Industrial Evolution Designs Pty Ltd
27/159 Arthur Street Homebush West New South Wales 2140 Australia
(72) Name(s) of Designer(s): **Brett Franzi and Tim Bird**
(45) Registration Date: **04 April 2006**
(56) Related Art Documents: **Not Applicable**
(57) Statement of Newness and Distinctiveness: **Rubber casing to fit industrial evolutions computer mounting post for inside a motor-vehicle.**



- (21) Design Number: **14397/2005**
(22) Date of Filing Application: **07 October 2005**
(24) Date from which industrial property rights may have effect: **07 October 2005**
(54) Product in respect of which the design is registered: **Strainer**
(51) International Design Classification: **07-04**
(71) Name(s) and Address(s) of Applicant(s):
NCI Packaging Pty Ltd
90-92 Chifley Drive Preston Victoria 3072 Australia
(72) Name(s) of Designer(s): **Employees of NCI Packaging Pty Ltd**
(45) Registration Date: **04 April 2006**
(56) Related Art Documents: **Not Applicable**
(57) Statement of Newness and Distinctiveness: **Newness and distinctiveness resides in the visual features of shape and/or configuration as applied to a strainer as illustrated in the accompanying representations.**



(21) Design Number: **10554/2006**

(22) Date of Filing Application: **15 February 2006**

(24) Date from which industrial property rights may have effect: **15 February 2006**

(54) Product in respect of which the design is registered: **Fence post**

(51) International Design Classification: **25-01E**

(71) Name(s) and Address(s) of Applicant(s):

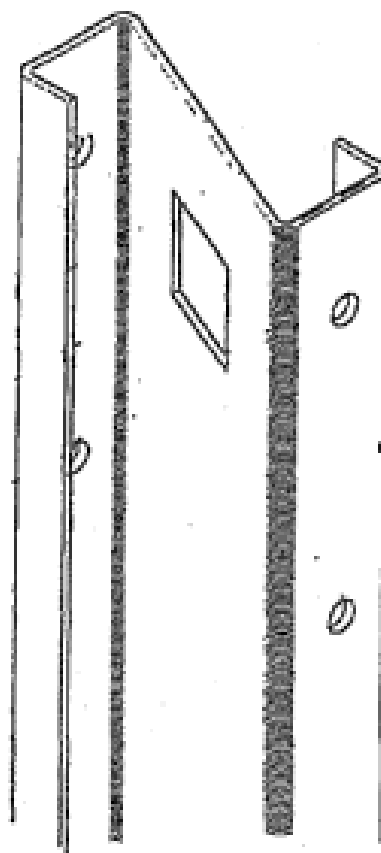
BFH Sydcon Pty Limited
Unit 7/176 South Creek Road Cromer New South Wales 2097 Australia

(72) Name(s) of Designer(s): **Ian Ferguson**

(45) Registration Date: **04 April 2006**

(56) Related Art Documents: **Not Applicable**

(57) Statement of Newness and Distinctiveness: **The size, shape and location of the holes illustrated are to be disregarded for the purpose of determining the scope of the design.**



(21) Design Number: **10555/2006**

(22) Date of Filing Application: **15 February 2006**

(24) Date from which industrial property rights may have effect: **15 February 2006**

(54) Product in respect of which the design is registered: **Fence rail**

(51) International Design Classification: **25-02C, 25-01NES**

(71) Name(s) and Address(s) of Applicant(s):

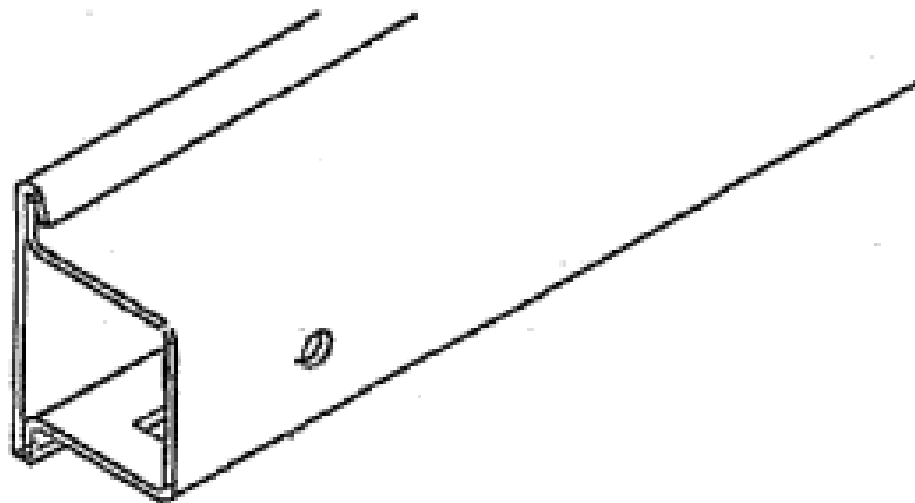
BFH Sydcon Pty Limited
Unit 7/176 South Creek Road Cromer New South Wales 2097 Australia

(72) Name(s) of Designer(s): **Ian Ferguson**

(45) Registration Date: **04 April 2006**

(56) Related Art Documents: **Not Applicable**

(57) Statement of Newness and Distinctiveness: **The size, shape and location of the holes illustrated are to be disregarded for the purpose of determining the scope of the design.**



- (21) Design Number: **10556/2006**
(22) Date of Filing Application: **15 February 2006**
(24) Date from which industrial property rights may have effect: **15 February 2006**
(54) Product in respect of which the design is registered: **Fence rail connector**
(51) International Design Classification: **25-02C, 25-01NES**
(71) Name(s) and Address(s) of Applicant(s):
BFH Sydcon Pty Limited
Unit 7/176 South Creek Road Cromer New South Wales 2097 Australia
(72) Name(s) of Designer(s): **Ian Ferguson**
(45) Registration Date: **04 April 2006**
(56) Related Art Documents: **Not Applicable**
(57) Statement of Newness and Distinctiveness: **The size and shape of the holes illustrated are to be disregarded for the purpose of determining the scope of the design.**

