



Australian Government

IP Australia

AUSTRALIAN OFFICIAL JOURNAL

OF

DESIGNS

Did you know a searchable version of this journal is now available online?

It's FREE and EASY to SEARCH.

Find it at

<http://pericles.ipaustralia.gov.au/ols/epublish/content/olsEpublications.jsp>
or using the "Online Journals" link on the IP Australia home page.

This Page Left Intentionally Blank

Contents

General Information & Notices

Proceedings Under the Designs Act 1906 preserved as a result of the provisions of Chapter 12 Part 2 of the Designs Act 2003

Application for Extension of Period of Registration	4538
Applications for Extension of Time	4539
Applications Assigned	4539
Applications Lapsed	4537
Corrigenda	4540
Extension of Period of Registration of Designs	4538
Extensions of Time Granted	4539
Mortgages Registered	4539
Names Registered - Alterations and Amendments	4539
Registration Proceedings	
Registration Number Range 158542 to 158561	4541
Registrations Ceased	4538
Subsequent Owners Registered	4539

Proceedings Under the Designs Act 2003

Applications Assigned	4560
Applications Lapsed	4559
Applications Lodged	4555
Certificate of Examination	4562
Corrigenda	4561
Designs Excluded	4559
Extension of Time Granted Under Section 137	4560
Publication and Registration Proceedings	
Designs Registered 306321 to 306504.....	4563
Subsequent Owners Registered	4560

This Page Left Intentionally Blank

General Information

EDITORIAL ENQUIRIES

All enquiries about official notices and general information in the Journal should be directed to IP Australia, (ABN No 38 113 072 755), PO Box 200 Woden ACT 2606

Or

Telephone 1300 651 010
(International Callers +61 2 6283 2999)
Fax 02 6283 7999
E-mail assist@ipaustralia.gov.au

CONTACT INFORMATION

Customer Service Network
Telephone 1300 651 010 , Fax: 02 6283 7999
E-mail: assist@ipaustralia.gov.au

Customers can contact the Customer Service Network by telephone or by e-mail. Telephones are staffed between 9am and 5pm each working day.

Customers should contact the Customer Service Network for information about:

- All Patent Matters including PCT and Innovation Patents.
- All Trade Mark Matters.
- All Design Matters.

Professional Standards Board for Patent and Trade Mark Attorneys.

Ph: 02 6283 2345 Fax: 02 6283 1048

ORDERING PATENT DOCUMENTS

When ordering copies of Australian patent specifications, or abstracts and abridgments notified as open to public inspection on or after 26 October 1978, or as accepted on or after 16 November 1978, the documents should be referred to by application numbers only, preceded by letters AU-A or AU-B respectively.

REQUESTS FOR INFORMATION UNDER SECTION 194 (C)

A request for information under Section 194 (C) of the Patents Act 1990 should be made in the approved form and be accompanied by the prescribed fee. The request should be as detailed as possible.

INFORMATION FROM REGISTERS

All requests for information from Register of Patents, Trade Marks or Designs, should be made in writing and accompanied by the prescribed fee. The Registers are located in Canberra and may be examined free of charge.

COUNTRY CODES

For a listing of country codes used by IP Australia please refer to the Official Journals dated 7 November 1996.

ABBREVIATIONS IN JOURNAL

Standard abbreviations are used in the name of companies and firms. Enquiries concerning the precise name should be directed to the Customer Service Network.

FREEDOM OF INFORMATION ACT

What does it do?

- Gives you right to obtain information held by Commonwealth Ministers, Departments and most statutory bodies (these bodies are called agencies under the Act).
- Requires Commonwealth Government agencies to make available to members of the public:
 - Information about agencies, their functions and operations.
 - Information about rules and practices which are used in making decisions which affect you.
- Gives you a legal right to:
 - See non exempt documents held by agencies, and
 - appeal against a decision not to grant access to a document.

What documents can you see?

- The Act gives you a right to see documents lodged on or after 1 December 1977, or earlier if you need them to understand another document you have already.
- Documents include files, reports, computer printouts, maps, plans, photographs, tape recordings, films or videotapes.
- Documents which are available for purchase under the Patents Act 1990, the Trade Marks Act 1995 or Designs Act 2003 or Plant Breeder's Rights Act 1994 are not available under the Freedom of Information Act (Section 12 refers).

How do you apply?

Requests for access to documents must

- Be in writing
- Provide sufficient information so as to enable identification of the documents requested
- Specify an address in Australia where notices can be sent and
- Be accompanied by the application fee (currently \$30.00).

Requests for documents should be addressed to IP Australia, PO Box 200 Woden, ACT 2606, or Faxed to 02 6283 7999

DECISIONS OF THE COMMISSIONER OF PATENTS AND REGISTRAR OF TRADE MARKS AND DESIGNS

- All decisions of the Commissioner and Registrars are available free of charge from AUSTLII's website

www.austlii.edu.au

Copies of all written Patent and Design decisions are available (except if they would not be available under the provisions of the Freedom of Information legislation, e.g. if they would effectively disclose matter from documents that are not open to public inspection) on request for a cost of \$AU 25. They are also available for inspection in indexed volume series, dating from 1 January 1987, in the Office library, Canberra.

Copies of Trade Mark decisions may be accessed via IP Australia's website www.ipaustralia.gov.au

- Copies of the taped record of Patent and Design hearings are available (with the same exception as above) on request.
- When a written decision is issued the fact of the decision plus a brief head note will be published in the Official Notices section of the next available Patents, Trade Marks or Designs Journal.

HEARINGS BEFORE THE COMMISSIONER OF PATENTS

Hearings before the Commissioner of Patents will usually be conducted at the Patent Office in Canberra and interstate hearing sessions are not provided. However, the Commissioner will conduct hearings outside of Canberra at a convenient time to all parties provided that the parties bear the travel costs of the hearing officer.

The various options for hearings are set out in the document "Options for Hearings" available on IP Australia's website at: www.ipaustralia.gov.au/pdfs/patents/optionsforhearings.PDF

HEARINGS BEFORE THE REGISTRARS OF TRADE MARKS AND DESIGNS

Hearings before the Registrars of Trade Marks and Designs will be set down in Melbourne, Sydney, Adelaide, Perth and Brisbane during the periods indicated below.

Designs and Trade Marks Hearings Sessions 2006

Melbourne	13 – 17 February 5 – 9 June 11 – 15 September
Sydney	13 – 17 March 17 – 21 July 16 – 20 October
Adelaide	14 – 15 August
Perth	17 – 18 August
Brisbane	24 – 25 August

Persons who desire matters to be set down for hearing in Melbourne, Sydney, Adelaide, Perth or Brisbane must give at least one month's notice of their intention to be heard. If such notice is not given, it may be that there would be insufficient time to allow for the execution of official procedures associated with the listing of hearings, and as a result, the matter involved might not be listed.

Subject to the convenience of this Office, hearings will be set down in Canberra at any time suitable to the parties.

LIST OF STATE OFFICES

IP Australia State Offices are located in the Australian Capitals at the addresses given below. Requests for information may be obtained by calling at, phoning or writing to these offices or IP Australia, Canberra.

Australian Capital Territory

Ground Floor
Discovery House
PHILLIP ACT 2606
(PO Box 200, WODEN ACT 2606)
Ph: 1300 651 010
Fax: (02) 6283 7999

New South Wales

Level 1
45 Clarence Street
SYDNEY NSW 2000
Ph: 1300 651 010
Fax: (02) 9249 5807

Victoria

Level 6
OCBC House
565 Bourke Street
MELBOURNE VIC 3000
Ph: 1300 651 010
Fax (03) 9612 9807

Western Australia

2nd Floor
East Point Plaza
233 Adelaide Terrace
PERTH WA 6000
Ph: 1300 651 010
Fax: (08) 9220 8907

Queensland

Level 1
Grant Thornton House
102 Adelaide Street
BRISBANE QLD 4000
Ph: 1300 651 010
Fax: (07) 3007 1107

South Australia

Level 10
Origin Energy House
1 King William Street
ADELAIDE SA 5000
Ph: 1300 651 010
Fax: (08) 8239 4507

Tasmania

4th Floor
AMP Building
27 Elizabeth Street
HOBART TAS 7000
Ph: 1300 651 010
Fax: (03) 6235 6307

“INID” NUMBERS in use on Australian Design Documents

“INID” is an acronym for “Internationally agreed Numbers for the Identification of Data”.

(10) Data concerning the registration/renewal

- (11) Serial number of the registration and/or number of the design document
- (12) Plain language designation of the kind of published document
- (19) Identification, using the two-letter code according to WIPO Standard ST.3, of the authority publishing or registering the industrial design

(20) Data concerning the application

- (21) Serial number of the application
- (22) Date of filing of the application
- (24) Date from which the industrial design right has effect

(30) Data relating to priority under the Paris Convention

- (31) Serial number assigned to the priority application
- (32) Date of filing of the priority application
- (33) Two-letter code, according to WIPO Standard ST.3, identifying the authority with which the priority application was made

(40) Date(s) of making information available to the public

- (45) Date of publication of the registered industrial design by printing or similar process, or making it available to the public by any other means

(50) Miscellaneous Information

- (51) International Classification for Industrial Designs (class and subclass of the Locarno Classification)
- (54) Designation of article(s) or product(s) covered by the industrial design or title of the industrial design
- (55) Reproduction of the industrial design (e.g., drawing, photograph) and explanations relating to the reproduction
- (56) List of prior art documents, if separate from descriptive text
- (57) Description of characteristic features of the industrial design including indication of colours

(60) References to other legally related application(s) and registration(s)

- (62) Serial number(s) and, if available, filing date(s) of application(s), registration(s) or document(s) related by division
- (66) Serial number(s) of the application, or the registration, of the design(s) which is (are) a variant(s) of the present one

(70) Identification of parties concerned with the application or registration

- (71) Name(s) and address(es) of the applicant(s)
- (72) Name(s) of the creator(s) if known to be such
- (74) Name(s) and address(es) of the representative(s)

This Page Left Intentionally Blank

Official Notice**Surrender of Design Registrations
123181, 129239**

A request under Section 49 of the *Design Act 2003* has been made by the registered owner of Design Registrations numbers 123181 and 129239 to surrender the registrations.

Any interested person may give notice to the Registrar that he or she wishes to be heard in relation to the above offer. This notice must be given within 1 month after 27 April 2006.

Your attention is drawn to Regulations 4.10 and 4.11 of the Design Regulations.

Address for Service: Mallesons Stephen Jaques, Level 60, Governor Phillip Tower, 1 Farrer Place, Sydney, New South Wales 2000, Australia.

Contact: IP Australia
Phone: 1300 651 010 or +61 2 6283 2999
Fax: +61 2 6283 7999
E-mail: assist@ipaustralia.gov.au
Web: www.ipaustralia.gov.au

Official Notice***Designs Act 2003***
Amendments to Registered Designs at Examination

The following amendments have been made to details previously published in the Australian Official Journal of Designs during the Examination process:

Registration Number	Amendment type	New details
304013	Classification	28-03A, 28-03Z

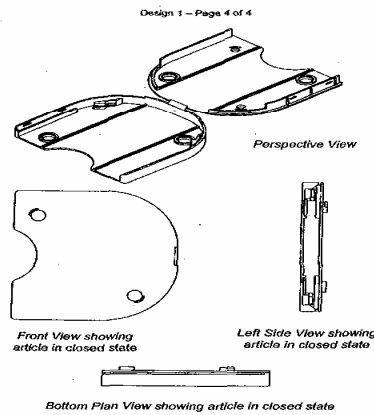
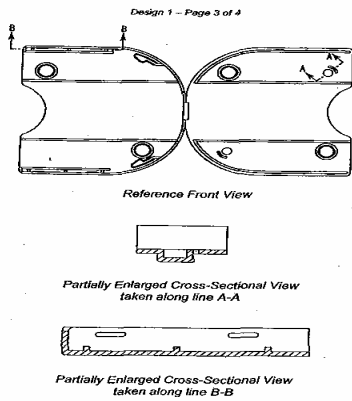
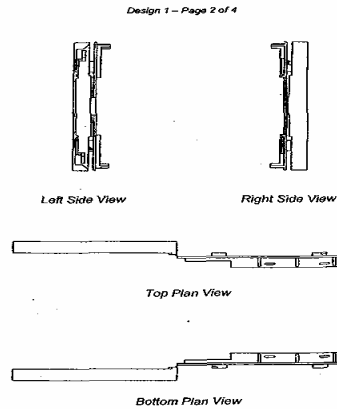
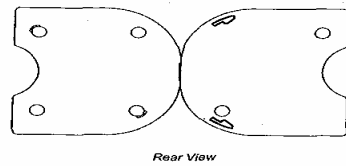
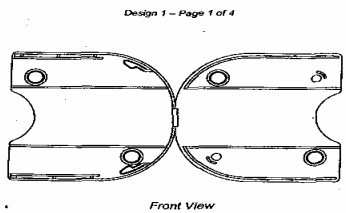
Contact: IP Australia
Phone: 1300 651 010
Fax: +61 2 6283 7999
E-Mail: assist@ipaustralia.gov.au
Web: www.ipaustralia.gov.au

Official Notice

Designs Act 2003
Correction of Register

The following corrections have been made to details previously published in the Australian Official Journal of Designs:

Registration Number	Amendment type	New details
305768	Representations	Representations as below



Contact: IP Australia
Phone: 1300 651 010
Fax: +61 2 6283 7999
E-Mail: assist@ipaustrialia.gov.au
Web: www.ipaustrialia.gov.au

**Proceedings under the Designs Act 1906 preserved as a
result of the provisions of Chapter 12 Part 2 of the Designs
Act 2003.**

This Page Left Intentionally Blank

Applications Lapsed

02264 / 2004 (19-04)
02277 / 2004 (25-02H)
02332 / 2004 (12-16B)

02265 / 2004 (12-08)
02322 / 2004 (24-04)
02397 / 2004 (09-01K)

Application for Extension of Period of Registration

Applications under Section 27A(2) for extension of registration of the following designs have been lodged. In the event that a design is shown to be not new or original, the Registrar may refuse to extend the period of registration. Sub-section 27A(4) allows any person to lodge at the Designs Office material relevant to the question whether the design is not new or original. That material must be lodged within 11 months of the date when the registration of the design was made. Further details of the conditions and procedures for the lodgement of material are contained in Form 8 provided under the Designs Regulation 24.

142428	142489	142598
142599	142663	142834
142848	142912	142955
143192	143309	143982
144186	144254	144370
144378	145648	145649
145709	146041	146233
146234	146235	146312
146313	146372	146373
146487	146640	146641
146834	147010	149144
154643		

Registration Number	Registered Owner	Registration Date
157790	PARABLE LIMITED	22/03/2005
157921	PATRICIA DOOLAN	18/04/2005
157945	AUSSIE TRAVELLER PTY LTD	19/04/2005
157953	MASTER LOCK COMPANY	22/04/2005
157996	ASSA ABLOY AUSTRALIA PTY LIMITED	26/05/2005
158003	ED NELSON	26/05/2005
158049	BORIS DOBRA	06/06/2005
158080	SIERRA WIRELESS INC.	06/06/2005
158106	THE DIAL CORPORATION	20/06/2005
158114	ACCO AUSTRALIA PTY LTD	29/06/2005
158382	TECHTRONIC INDUSTRIES CO. LTD	14/11/2005
158480	THE GILLETTE COMPANY	18/01/2006

3rd Period (Section 27A(13))

123833	124315	125093
125094	125177	125215
125383	125404	125487
125523	125544	125545
125744	125786	125809
125954	126013	126033
126112	126164	127545
128055	128398	128486
130380	140860	142088
142089	142090	

Registrations Ceased

Note: Some of the following Registrations may have been previously advertised as ceased. In this instance, the previous advertisement still prevails.

107830	108192	109150
109161	109162	109195
109196	109230	109239
109240	109245	109246
109247	109248	109279
109280	109299	109304
109343	109350	109413
109478	109484	109503
109655	109721	109771
109774	109890	109962
110263	110265	110363
111140	111433	112066
113492	113889	114476
123317	123318	123319
123322	123323	123528
123529	123530	123531
123532	123533	123534
123538	123539	123544
123545	123546	123553
123555	123571	123572
123574	123608	123633
123637	123639	123855
124440	124501	125183
126264	127868	133033
138715	138937	138938
138940	138947	138979
138980	139113	139704

Extension of Period of Registration of Designs

1st Period (Section 27A(8))

157790	157892	157893
157894	157901	157902
157903	157904	157905
157906	157909	157910
157913	157916	157917
157918	157919	157920
157922	157923	157924
157925	157926	157928
157930	157932	157933
157934	157935	157936
157937	157938	157940

2nd Period (Section 27A(12))

136681	139172	140935
141012	141471	141671
142002	142044	142045
142092	142135	142136
142137	142138	142142
142172	142191	142192
142222	142236	142237
142339	142340	142354

140221	140222	140285
140346	140383	140384
140393	140512	140561
140588	140663	140748
140749	140750	140797
140882	140929	140958
140959	140960	140961
140980	140981	141003
141060	141272	141273
141369	141505	141773
141983	142424	142725
142746	142747	142748
142749	142750	142751
142764	142765	142842
142907	143184	143185
143355	143449	144083
146280	148560	148561
148583	148641	148943
148944	148945	148946
148947	148948	150573
150574	150575	150576
150577	150578	150579
150580	150581	154371
157851	157854	157868
157870	157871	157872
157889	157890	157897
157898	157899	157900

Applications for Extension of time

Applications for extension of time have been lodged. Objections must be lodged within 1 month from the date of this journal.

154350 **RIC Investments Inc.** Extension of time to extend a registration. Address for Service: Mallesons Stephen Jaques Level 50 Bourke Place 600 Bourke Street MELBOURNE VIC 3000

Extensions of time granted

Applications lodged for extension of time have been granted.

124315 **Flower Carpet Pty Ltd** An Extension of time to extend a registration has been granted to 26/09/2005

02178/2004 **Lazaro Dorian** An Extension of time to register an application has been granted to 04/05/2006

157790 **Parable Limited** An Extension of time to extend a registration has been granted to 24/03/2006

Applications Assigned

(The name in parentheses is that of the subsequent applicant)

02010/2004 (**Kieron Dowd;Rodney Darryl Hunwick**) Zoom Products International Pty Ltd

Subsequent Owners Registered

(The name in parentheses is that of the subsequent owner)

132460	(Winer Diner Limited)	Michael John Lunn
133393	(Winer Diner Limited)	Michael John Lunn
154254	(Kieron Dowd;Rodney Darryl Hunwick)	Zoom Products International Pty Ltd

Names Registered - Alterations and Amendments

(The name in parentheses is the new name of the proprietor)

129104	(Yvong D. Sithakoul)	Yong D. Sithakoul
--------	-------------------------------	-------------------

Mortgages Registered

148359	A mortgage has been granted to Suncorp Metway Ltd
148329	A mortgage has been granted to Suncorp Metway Ltd
148353	A mortgage has been granted to Suncorp Metway Ltd
148356	A mortgage has been granted to Suncorp Metway Ltd
148357	A mortgage has been granted to Suncorp Metway Ltd
148358	A mortgage has been granted to Suncorp Metway Ltd
148354	A mortgage has been granted to Suncorp Metway Ltd
148355	A mortgage has been granted to Suncorp Metway Ltd

Corrigenda

Number

In Vol 19 , No 7 , page 788 under the heading **Registrations Ceased**; 136681 should be deleted.

Number

In Vol 20 , No 8 , page 4405 under the heading **Extension of Period of Registration of** 150295 should be deleted.

Registration Proceedings

Designs Registered

This section provides a concordance between application number and registration number of Designs covered in this journal. It also shows the main class and registration date.

This section covers Registration numbers 158542 to 158561.

The registration number shown below should be used in all future correspondence.

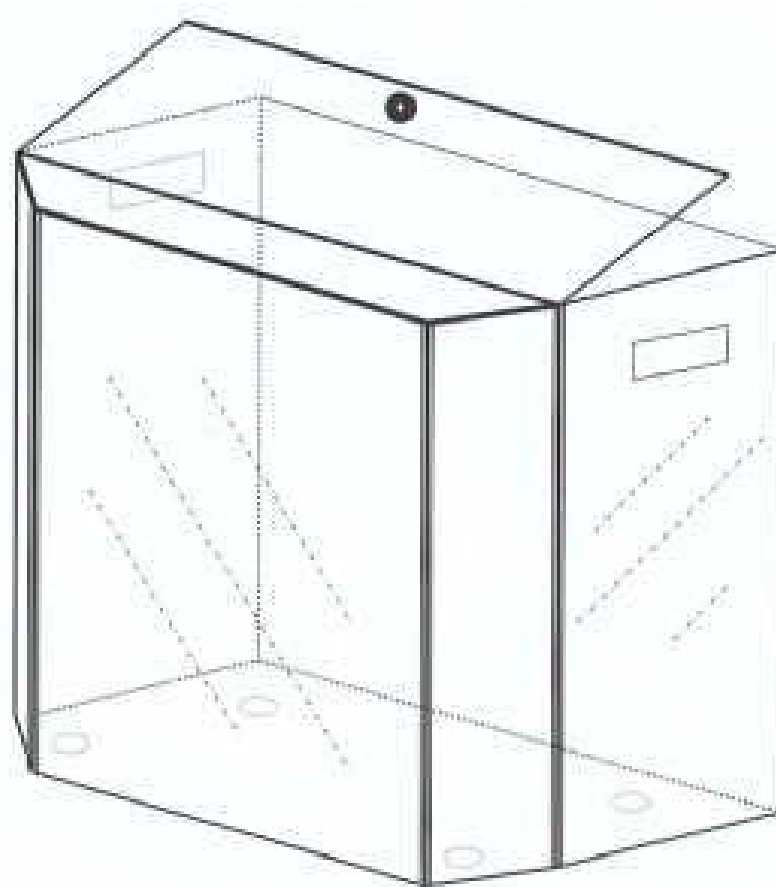
Application Number	Registration Number	International Classification Code (IDC)	Registration Date	Application Number	Registration Number	International Classification Code (IDC)	Registration Date
01053/2004	158542	07-07A	11/04/2006	02409/2004	158552	23-01F	11/04/2006
01192/2004	158543	21-01B	11/04/2006	02410/2004	158553	23-01F	11/04/2006
01926/2004	158544	02-03	11/04/2006	02411/2004	158554	23-01G	11/04/2006
01933/2004	158545	12-16K	11/04/2006	02412/2004	158555	23-01NES	11/04/2006
01935/2004	158546	12-16K	11/04/2006	02413/2004	158556	23-01NES	11/04/2006
02114/2004	158547	08-05A	11/04/2006	02449/2004	158557	09-05	11/04/2006
02269/2004	158548	25-02H	11/04/2006	02450/2004	158558	09-05	11/04/2006
02270/2004	158549	25-02H	11/04/2006	02451/2004	158559	09-05	11/04/2006
02271/2004	158550	25-02H	11/04/2006	02457/2004	158560	09-05	11/04/2006
02272/2004	158551	25-02H	11/04/2006	02510/2004	158561	25-01NES	11/04/2006

Registration Proceedings
Class Listing of Designs Registered

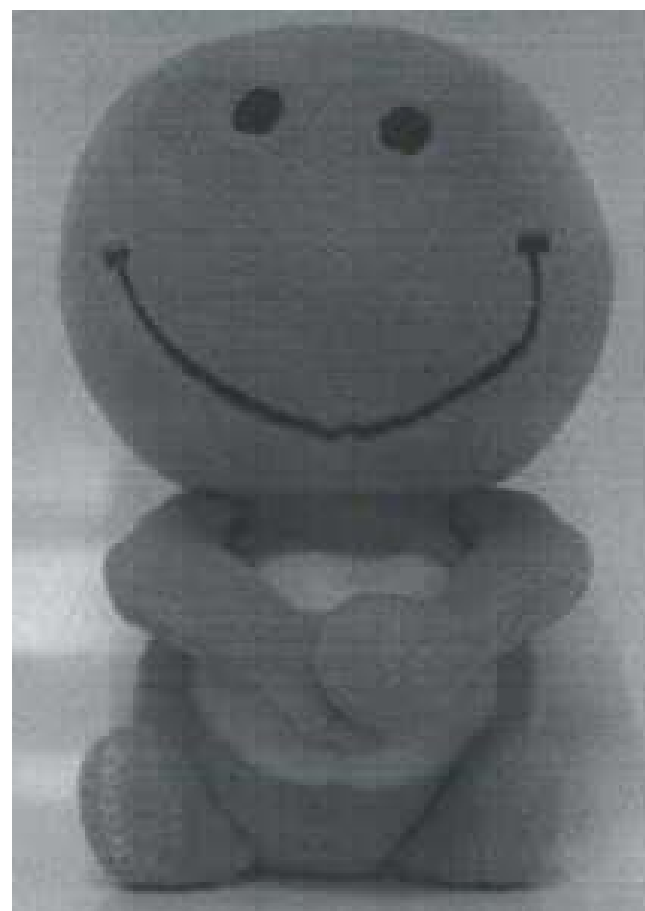
The following section shows an International Classification Code listing of the Registered Designs covered in this supplement.

Classification	Registration Number	Application Number	Classification	Registration Number	Application Number
02-03	158544	01926/2004	23-01 F	158553	02410/2004
07-07 A	158542	01053/2004	23-01 G	158554	02411/2004
08-05 A	158547	02114/2004	23-01 NES	158555	02412/2004
09-05	158557	02449/2004	23-01 NES	158556	02413/2004
09-05	158558	02450/2004	25-01 NES	158561	02510/2004
09-05	158559	02451/2004	25-02 H	158548	02269/2004
09-05	158560	02457/2004	25-02 H	158549	02270/2004
12-16 K	158545	01933/2004	25-02 H	158550	02271/2004
12-16 K	158546	01935/2004	25-02 H	158551	02272/2004
21-01 B	158543	01192/2004	25-03	158552	02409/2004
23-01 F	158552	02409/2004			

(21) Application Number: **1053/2004**
(22) Date of Filing Application: **19 March 2004**
(24) Date from which industrial property rights may have effect: **19 March 2004**
(54) Article in respect of which the design is registered: **A container**
(51) International Design Classification: **07-07A**
(71) Name(s) and Address(s) of Applicant(s):
Indplas Pty Ltd
233 Cribb Road Carindale Queensland 4152 Australia
(72) Name(s) of Author(s): **Anthony Peter Woodard**
(45) Registration Date: **11 April 2006**
(56) Related Art Documents: **Not Applicable**
(57) Statement of Monopoly: **Monopoly is claimed in the shape and configuration of a container as shown in the representations.**
Statement of Novelty: **Nil**



(21) Application Number: **1192/2004**
(22) Date of Filing Application: **30 March 2004**
(24) Date from which industrial property rights may have effect: **30 March 2004**
(54) Article in respect of which the design is registered: **A doll**
(51) International Design Classification: **21-01B**
(74) Name(s) of Attorney(s): **MALLESONS STEPHEN JAQUES**
(71) Name(s) and Address(s) of Applicant(s):
Real Juice Pty Limited
Nudie House 77 Corish Circle Pagewood New South Wales 2035
Australia
(72) Name(s) of Author(s): **James Ajaka**
(45) Registration Date: **11 April 2006**
(56) Related Art Documents: **Not Applicable**
(57) Statement of Monopoly: **Monopoly is claimed in the shape and/or configuration of a doll as shown in the accompanying representations and in considering the extent of monopoly protection, the text on the doll is to be disregarded.**
Statement of Novelty: **Nil**



- (21) Application Number: **1926/2004**
(22) Date of Filing Application: **24 May 2004**
(24) Date from which industrial property rights may have effect: **24 May 2004**
(54) Article in respect of which the design is registered: **Whale tail beanie**
(51) International Design Classification: **02-03**
(71) Name(s) and Address(s) of Applicant(s):

Sabine Quirine Brems
15 Bald Hills Road Pambula New South Wales 2549 Australia

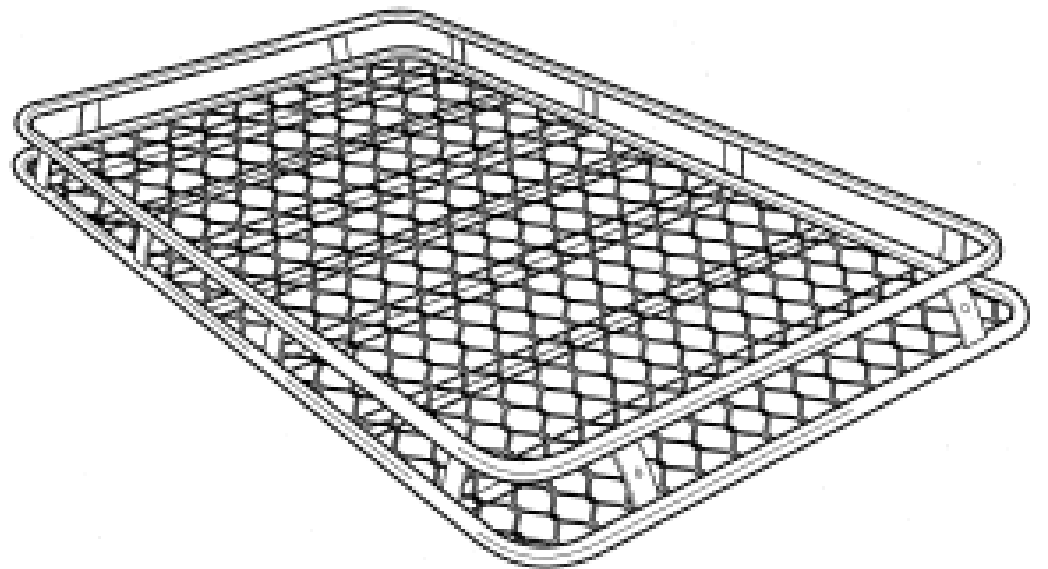
- (72) Name(s) of Author(s): **Sabine Quirine Brems**
(45) Registration Date: **11 April 2006**
(56) Related Art Documents: **Not Applicable**
(57) Statement of Monopoly: **Monopoly is claimed in the features of shape and configuration of the whale tail beanie as shown in the accompanying representations.**
Statement of Novelty: **Nil**



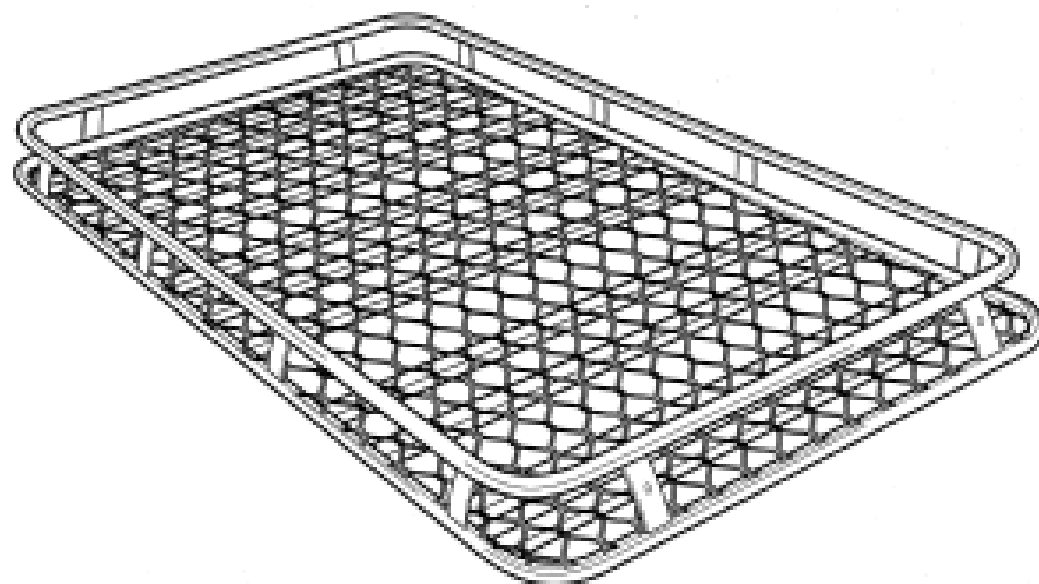
- (21) Application Number: **1933/2004**
(22) Date of Filing Application: **24 May 2004**
(24) Date from which industrial property rights may have effect: **24 May 2004**
(54) Article in respect of which the design is registered: **Roof rack**
(51) International Design Classification: **12-16K**
(74) Name(s) of Attorney(s): **WRAY & ASSOCIATES**
(71) Name(s) and Address(s) of Applicant(s):

Jaram Products Pty
12 Railway Parade Welshpool Western Australia 6106 Australia

- (72) Name(s) of Author(s): **Jonathan Lloyd McEwen**
(45) Registration Date: **11 April 2006**
(62) Divisional of: **158546**
(56) Related Art Documents: **Not Applicable**
(57) Statement of Monopoly: **Monopoly is claimed in the shape and configuration of a roof rack, as shown in the accompanying representations.**
Statement of Novelty: **Nil**



(21) Application Number: **1935/2004**
(22) Date of Filing Application: **24 May 2004**
(24) Date from which industrial property rights may have effect: **24 May 2004**
(54) Article in respect of which the design is registered: **Roof rack**
(51) International Design Classification: **12-16K**
(74) Name(s) of Attorney(s): **WRAY & ASSOCIATES**
(71) Name(s) and Address(s) of Applicant(s):
Jaram Products Pty
12 Railway Parade Welshpool Western Australia 6106 Australia
(72) Name(s) of Author(s): **Jonathan Lloyd McEwen**
(45) Registration Date: **11 April 2006**
(56) Related Art Documents: **Not Applicable**
(57) Statement of Monopoly: **Monopoly is claimed in the shape and configuration of a roof rack, as shown in the accompanying representations.**
Statement of Novelty: **Nil**



(21) Application Number: **2114/2004**
(22) Date of Filing Application: **02 June 2004**
(24) Date from which industrial property rights may have effect: **02 June 2004**
(54) Article in respect of which the design is registered: **Watering can**
(51) International Design Classification: **08-05A**
(71) Name(s) and Address(s) of Applicant(s):
Peter Mendelson
11 Fernleigh Aveue Korora New South Wales 2450 Australia
(72) Name(s) of Author(s): **Peter Mendelson**
(45) Registration Date: **11 April 2006**
(56) Related Art Documents: **Not Applicable**
(57) Statement of Monopoly: **Monopoly is claimed in the shape and configuration of the watering can as shown in the representation.**
Statement of Novelty: **Nil**



(21) Application Number: **2269/2004**

(22) Date of Filing Application: **11 June 2004**

(24) Date from which industrial property rights may have effect: **11 June 2004**

(54) Article in respect of which the design is registered: **A solid seal for blockwork tilt panel, air rated concrete & other building mediums**

(51) International Design Classification: **25-02H**

(71) Name(s) and Address(s) of Applicant(s):

Gary Neil Jones

35 Clematis Court Marcoola Queensland 4564 Australia

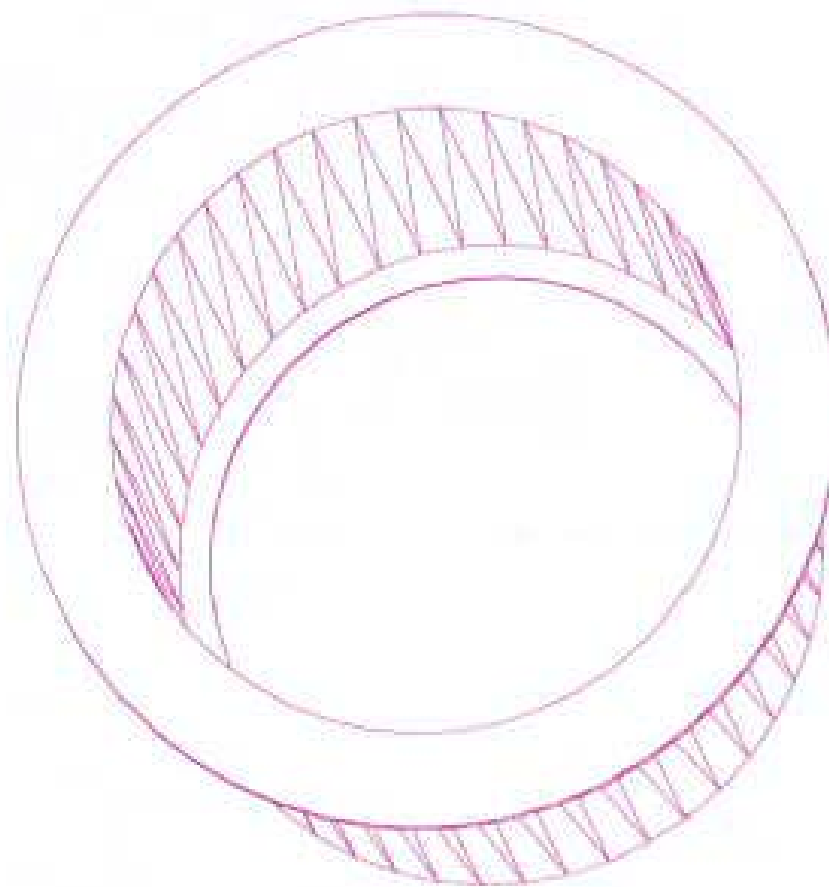
(72) Name(s) of Author(s): **Gary Neil Jones**

(45) Registration Date: **11 April 2006**

(56) Related Art Documents: **Not Applicable**

(57) Statement of Monopoly: **Monopoly is claimed in the shape and configuration of the solid seal as shown in the representations.**

Statement of Novelty: **Nil**



(21) Application Number: **2270/2004**

(22) Date of Filing Application: **11 June 2004**

(24) Date from which industrial property rights may have effect: **11 June 2004**

(54) Article in respect of which the design is registered: **A solid seal for blockwork air rated concrete and other building mediums**

(51) International Design Classification: **25-02H**

(71) Name(s) and Address(s) of Applicant(s):

Gary Neil Jones

35 Clematis Court Marcoola Queensland 4564 Australia

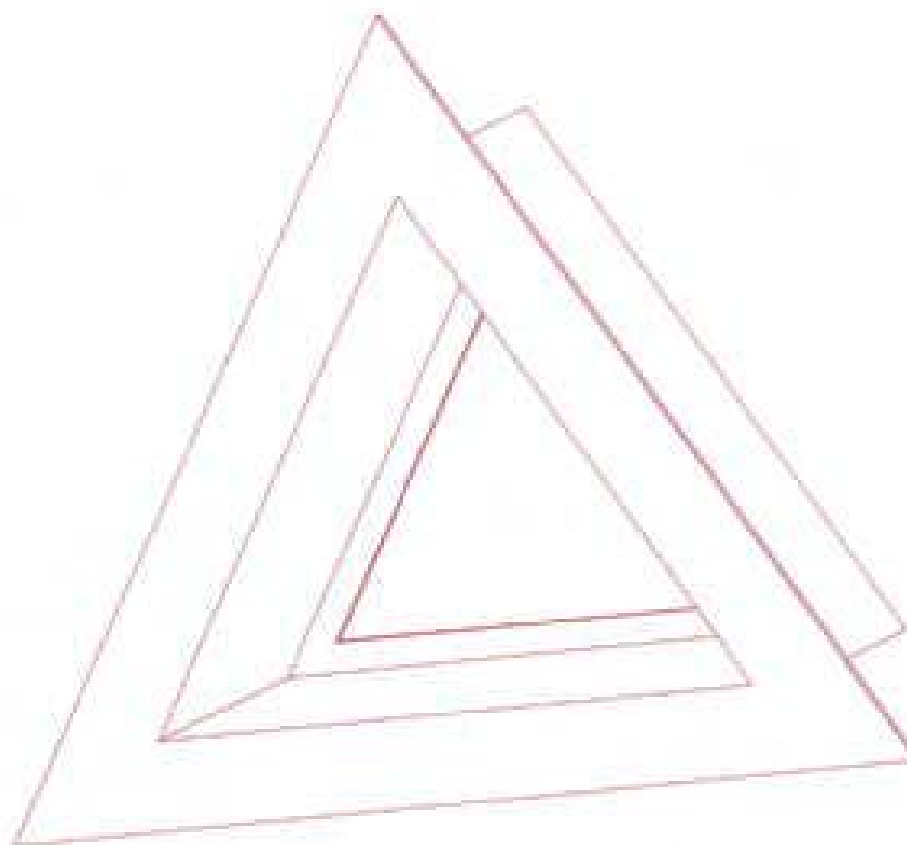
(72) Name(s) of Author(s): **Gary Neil Jones**

(45) Registration Date: **11 April 2006**

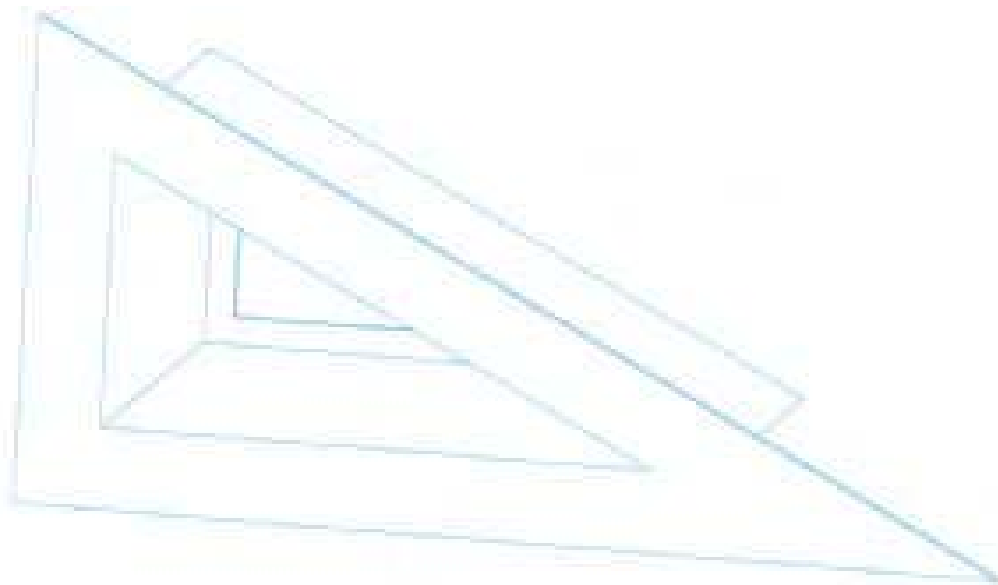
(56) Related Art Documents: **Not Applicable**

(57) Statement of Monopoly: **Monopoly is claimed in the shape and configuration of the solid seal as shown in the representations.**

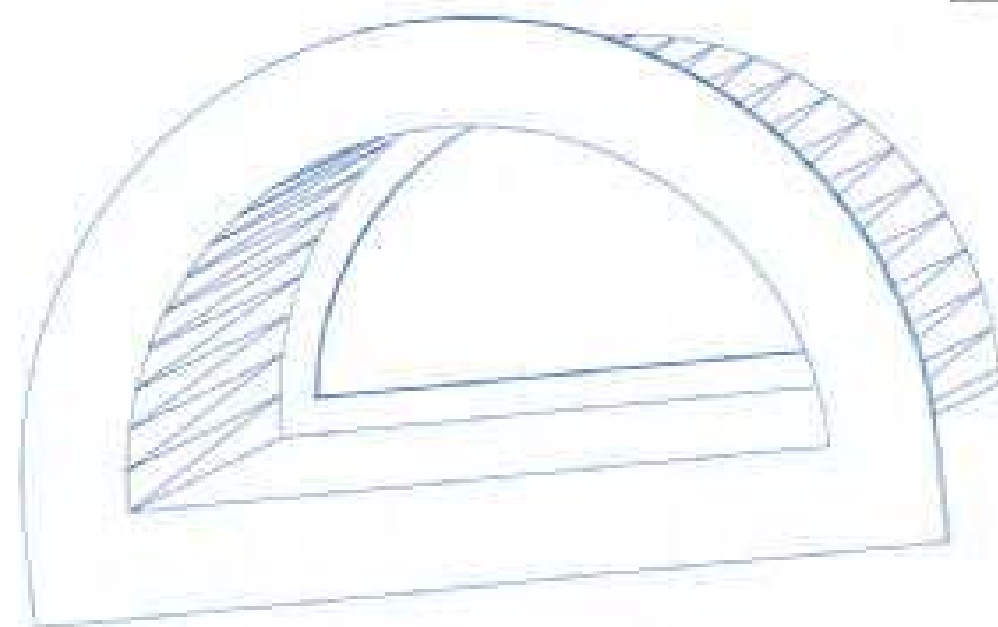
Statement of Novelty: **Nil**



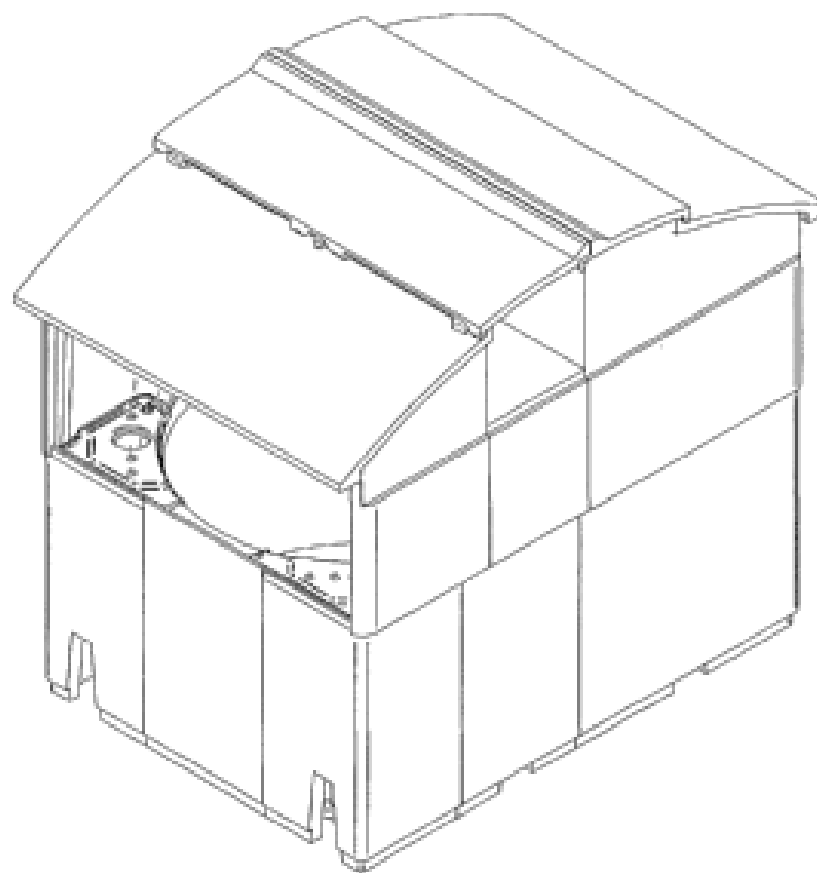
- (21) Application Number: **2271/2004**
(22) Date of Filing Application: **11 June 2004**
(24) Date from which industrial property rights may have effect: **11 June 2004**
(54) Article in respect of which the design is registered: **Solid seal for blockwork tilt panel air rated concrete and other building mediums**
(51) International Design Classification: **25-02H**
(71) Name(s) and Address(s) of Applicant(s):
Gary Neil Jones
35 Clematis Court Marcoola Queensland 4564 Australia
(72) Name(s) of Author(s): **Gary Neil Jones**
(45) Registration Date: **11 April 2006**
(56) Related Art Documents: **Not Applicable**
(57) Statement of Monopoly: **Monopoly is claimed in the shape and configuration of the solid seal as shown in the representations.**
Statement of Novelty: **Nil**



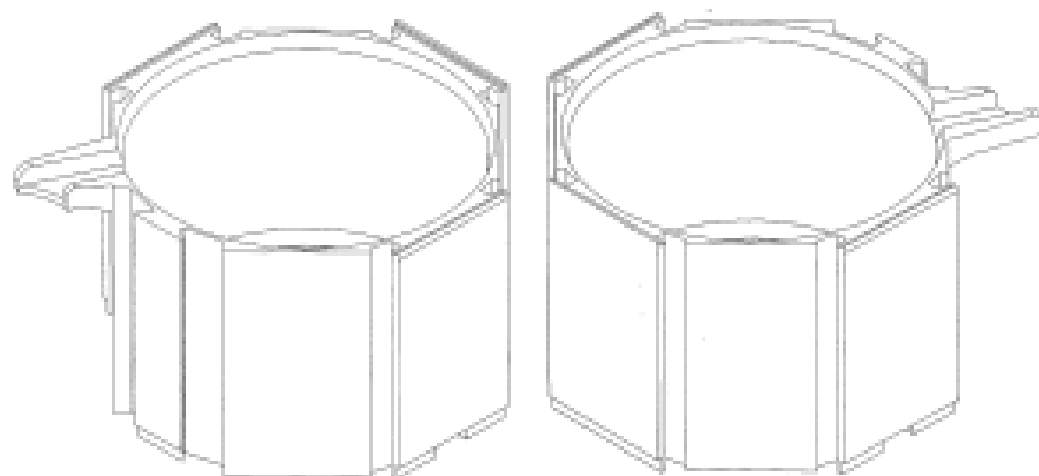
- (21) Application Number: **2272/2004**
(22) Date of Filing Application: **11 June 2004**
(24) Date from which industrial property rights may have effect: **11 June 2004**
(54) Article in respect of which the design is registered: **Solid seal for blockwork tilt panel air rated concrete and other building mediums**
(51) International Design Classification: **25-02H**
(71) Name(s) and Address(s) of Applicant(s):
Gary Neil Jones
35 Clematis Court Marcoola Queensland 4564 Australia
(72) Name(s) of Author(s): **Gary Neil Jones**
(45) Registration Date: **11 April 2006**
(56) Related Art Documents: **Not Applicable**
(57) Statement of Monopoly: **Monopoly is claimed in the shape and configuration of the solid seal as shown in the representations.**
Statement of Novelty: **Monopoly is claimed in the shape, configuration as shown in the representations for solid seal.**



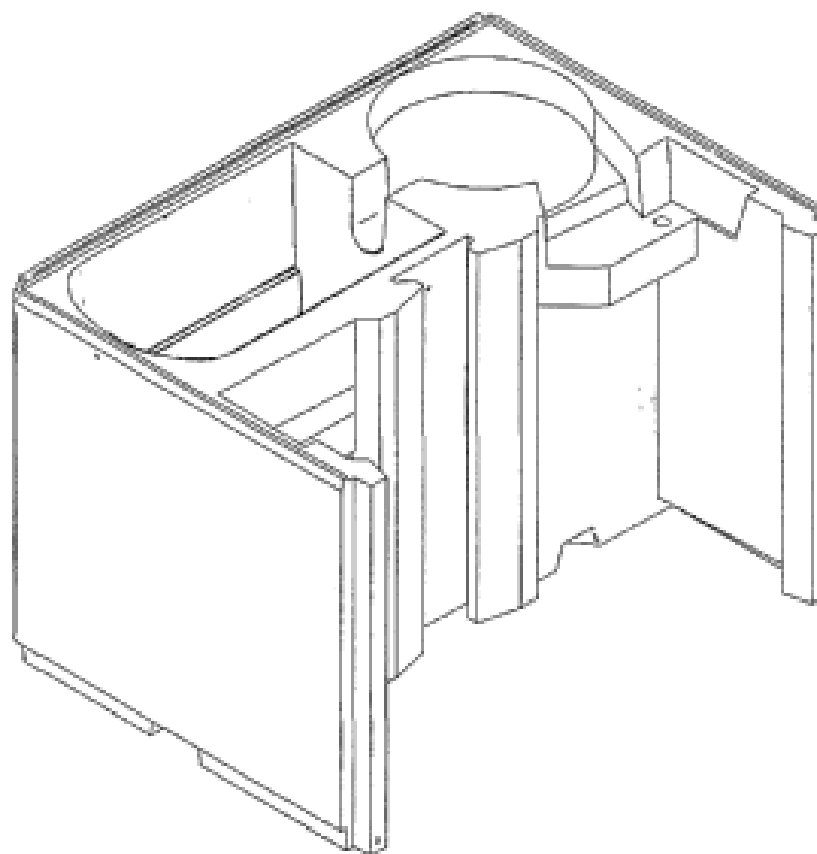
- (21) Application Number: **2409/2004**
(22) Date of Filing Application: **16 June 2004**
(24) Date from which industrial property rights may have effect: **16 June 2004**
(54) Article in respect of which the design is registered: **Portable aquaculture building**
(51) International Design Classification: **23-01F, 25-03**
(74) Name(s) of Attorney(s): **John R. G. Gardner**
(71) Name(s) and Address(s) of Applicant(s):
Cumminscorp Limited
10 Trade Court Ernest Queensland 4124 Australia
(72) Name(s) of Author(s): **Ian Geoffrey Cummins**
(45) Registration Date: **11 April 2006**
(56) Related Art Documents: **Not Applicable**
(57) Statement of Monopoly: **Monopoly is claimed in the shape and configuration of a portable aquaculture building as illustrated in the representations.**
Statement of Novelty: **Nil**



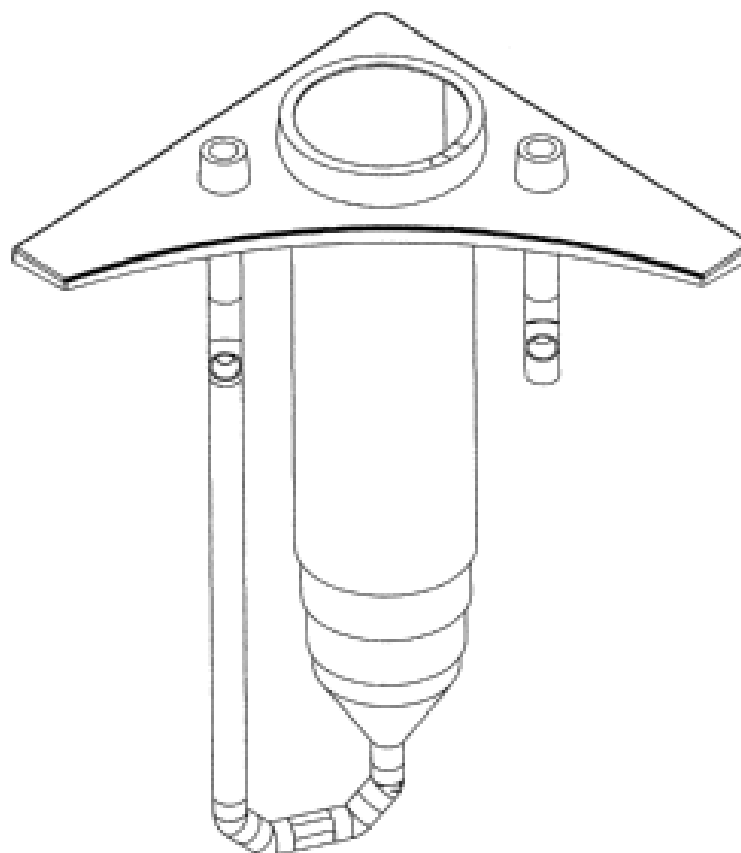
- (21) Application Number: **2410/2004**
(22) Date of Filing Application: **16 June 2004**
(24) Date from which industrial property rights may have effect: **16 June 2004**
(54) Article in respect of which the design is registered: **Aquaculture tank**
(51) International Design Classification: **23-01F**
(74) Name(s) of Attorney(s): **John R. G. Gardner**
(71) Name(s) and Address(s) of Applicant(s):
Cumminscorp Limited
10 Trade Court Ernest Queensland 4124 Australia
(72) Name(s) of Author(s): **Ian Geoffrey Cummins**
(45) Registration Date: **11 April 2006**
(56) Related Art Documents: **Not Applicable**
(57) Statement of Monopoly: **Monopoly is claimed in the shape and configuration of an aquaculture tank as illustrated in the representations.**
Statement of Novelty: **Nil**



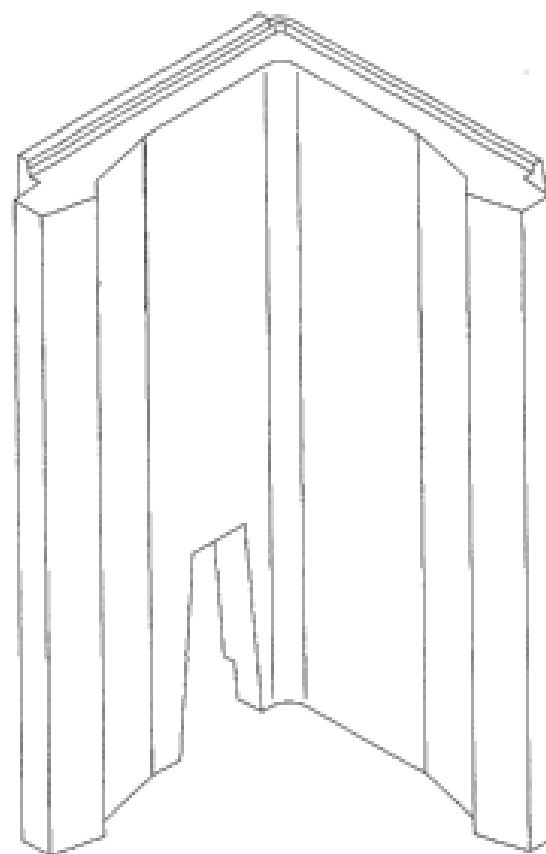
(21) Application Number: **2411/2004**
(22) Date of Filing Application: **16 June 2004**
(24) Date from which industrial property rights may have effect: **16 June 2004**
(54) Article in respect of which the design is registered: **Filtration chamber module**
(51) International Design Classification: **23-01G**
(74) Name(s) of Attorney(s): **John R. G. Gardner**
(71) Name(s) and Address(s) of Applicant(s):
Cumminscorp Limited
10 Trade Court Ernest Queensland 4124 Australia
(72) Name(s) of Author(s): **Ian Geoffrey Cummins**
(45) Registration Date: **11 April 2006**
(56) Related Art Documents: **Not Applicable**
(57) Statement of Monopoly: **Monopoly is claimed in the shape and configuration of a filtration chamber module as illustrated in the representations.**
Statement of Novelty: **Nil**



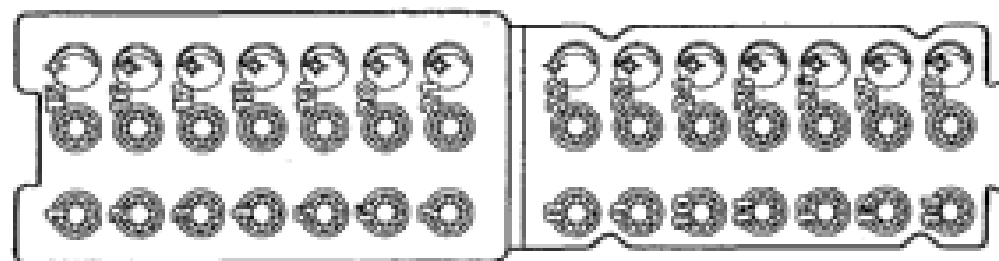
(21) Application Number: **2412/2004**
(22) Date of Filing Application: **16 June 2004**
(24) Date from which industrial property rights may have effect: **16 June 2004**
(54) Article in respect of which the design is registered: **Foam fractionator chamber module**
(51) International Design Classification: **23-01NES**
(74) Name(s) of Attorney(s): **John R. G. Gardner**
(71) Name(s) and Address(s) of Applicant(s):
Cumminscorp Limited
10 Trade Court Ernest Queensland 4124 Australia
(72) Name(s) of Author(s): **Ian Geoffrey Cummins**
(45) Registration Date: **11 April 2006**
(56) Related Art Documents: **Not Applicable**
(57) Statement of Monopoly: **Monopoly is claimed in the shape and configuration of a foam fractionator chamber module as illustrated in the representations.**
Statement of Novelty: **Nil**



- (21) Application Number: **2413/2004**
(22) Date of Filing Application: **16 June 2004**
(24) Date from which industrial property rights may have effect: **16 June 2004**
(54) Article in respect of which the design is registered: **A corner panel**
(51) International Design Classification: **23-01NES**
(74) Name(s) of Attorney(s): **John R. G. Gardner**
(71) Name(s) and Address(s) of Applicant(s):
Cumminscorp Limited
10 Trade Court Ernest Queensland 4124 Australia
(72) Name(s) of Author(s): **Ian Geoffrey Cummins**
(45) Registration Date: **11 April 2006**
(56) Related Art Documents: **Not Applicable**
(57) Statement of Monopoly: **Monopoly is claimed in the shape and configuration of a corner panel as illustrated in the representations.**
Statement of Novelty: **Nil**

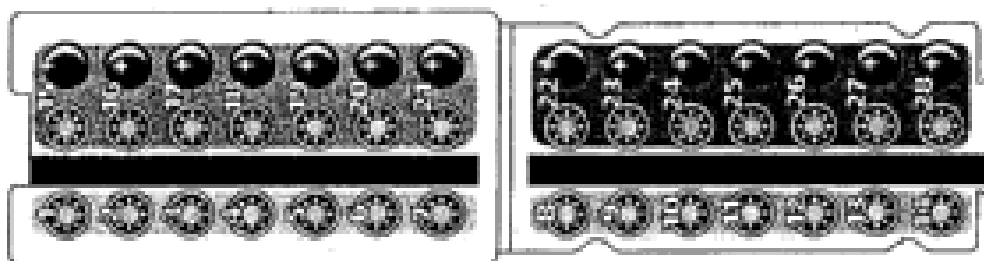


- (21) Application Number: **2449/2004**
(22) Date of Filing Application: **16 June 2004**
(24) Date from which industrial property rights may have effect: **28 November 2003**
(54) Article in respect of which the design is registered: **Packaging**
(51) International Design Classification: **09-05**
(74) Name(s) of Attorney(s): **Davies Collison Cave**
(71) Name(s) and Address(s) of Applicant(s):
Glaxo Group Limited
Glaxo Wellcome House Berkeley Avenue Greenford Middlesex UB6
0NN United Kingdom
(72) Name(s) of Author(s): **Yvette Spencer and Paul Richard Smith and Peter David Walker**
(45) Registration Date: **11 April 2006**
(62) Divisional of: **156150**
(56) Related Art Documents: **Not Applicable**
(57) Statement of Monopoly: **Monopoly is claimed in the features of pattern and/or ornamentation of the packaging as shown in the representations.**
Statement of Novelty: **Nil**



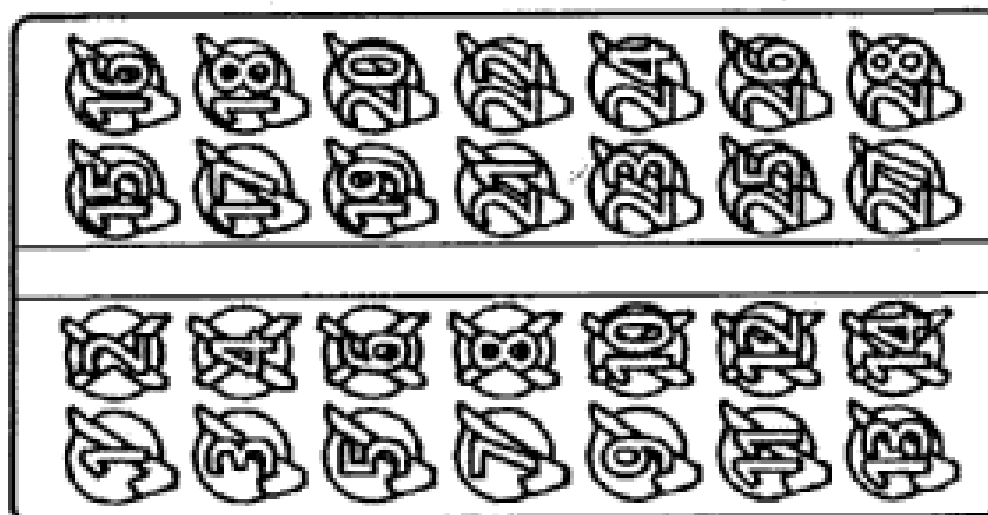
(19) AU

- (21) Application Number: **2450/2004**
- (22) Date of Filing Application: **16 June 2004**
- (24) Date from which industrial property rights may have effect: **28 November 2003**
- (54) Article in respect of which the design is registered: **Packaging**
- (51) International Design Classification: **09-05**
- (74) Name(s) of Attorney(s): **Davies Collison Cave**
- (71) Name(s) and Address(s) of Applicant(s):
Glaxo Group Limited
Glaxo Wellcome House Berkeley Avenue Greenford Middlesex UB6
0NN United Kingdom
- (72) Name(s) of Author(s): **Yvette Spencer and Paul Richard Smith and Peter David Walker**
- (45) Registration Date: **11 April 2006**
- (62) Divisional of: **156150**
- (56) Related Art Documents: **Not Applicable**
- (57) Statement of Monopoly: **Monopoly is claimed in the features of pattern and/or ornamentation of the packaging as shown in the representations.**
Statement of Novelty: **Nil**



(19) AU

- (21) Application Number: **2451/2004**
- (22) Date of Filing Application: **16 June 2004**
- (24) Date from which industrial property rights may have effect: **28 November 2003**
- (54) Article in respect of which the design is registered: **Packaging**
- (51) International Design Classification: **09-05**
- (74) Name(s) of Attorney(s): **Davies Collison Cave**
- (71) Name(s) and Address(s) of Applicant(s):
Glaxo Group Limited
Glaxo Wellcome House Berkeley Avenue Greenford Middlesex UB6
0NN United Kingdom
- (72) Name(s) of Author(s): **Yvette Spencer and Paul Richard Smith and Peter David Walker**
- (45) Registration Date: **11 April 2006**
- (62) Divisional of: **156150**
- (56) Related Art Documents: **Not Applicable**
- (57) Statement of Monopoly: **Monopoly is claimed in the features of pattern and/or ornamentation of the packaging as shown in the representations.**
Statement of Novelty: **Nil**



(19) AU

- (21) Application Number: **2457/2004**
(22) Date of Filing Application: **16 June 2004**
(24) Date from which industrial property rights may have effect: **28 November 2003**
(54) Article in respect of which the design is registered: **Packaging**
(51) International Design Classification: **09-05**
(74) Name(s) of Attorney(s): **Davies Collison Cave**
(71) Name(s) and Address(s) of Applicant(s):
Glaxo Group Limited
Glaxo Wellcome House Berkeley Avenue Greenford Middlesex UB6
0NN United Kingdom
(72) Name(s) of Author(s): **Yvette Spencer and Paul Richard Smith and Peter David Walker**
(45) Registration Date: **11 April 2006**
(62) Divisional of: **156150**
(56) Related Art Documents: **Not Applicable**
(57) Statement of Monopoly: **Monopoly is claimed in the features of pattern and/or ornamentation of the packaging as shown in the representations.**
Statement of Novelty: **Nil**



(19) AU

- (21) Application Number: **2510/2004**
(22) Date of Filing Application: **16 June 2004**
(24) Date from which industrial property rights may have effect: **16 June 2004**
(54) Article in respect of which the design is registered: **Decking timber**
(51) International Design Classification: **25-01NES**
(74) Name(s) of Attorney(s): **Griffith Hack**
(71) Name(s) and Address(s) of Applicant(s):
Jeremy Napier
3 Akoonah Drive Golden Square Bendigo Victoria 3555 Australia
(72) Name(s) of Author(s): **Jeremy Napier**
(45) Registration Date: **11 April 2006**
(56) Related Art Documents: **Not Applicable**
(57) Statement of Monopoly: **Monopoly is claimed in the shape and configuration of the decking timber as illustrated in the accompanying representations. In considering the extent of monopoly protection, the length of the decking timber is to be disregarded.**
Statement of Novelty: **Nil**



Proceedings under the Designs Act 2003.

This Page Left Intentionally Blank

Applications Lodged

Lodgement information is in the following order: **Applicant's Name**; International Classification, Name of Product, Lodgement Date and **Design Number**. If the applicant claims an earlier priority date under an International Convention, the Convention Country and the associated filing date are shown in parentheses before the Lodgement Date. Divisional information will also appear in parentheses before the Lodgement Date.

Acason, Steven James; Hawkins, Mark Phillip; 29-02, Edge impact protector, 27 Mar 2006	11285/2006	Cadet Shoes Pty Ltd; 02-04NES, Shoe, 05 Apr 2006	11414/2006
Acco Australia Pty Ltd; 19-04, An article for storing information, 31 Mar 2006	11357/2006	Cadet Shoes Pty Ltd; 02-04NES, Shoe, 05 Apr 2006	11415/2006
Acco Australia Pty Ltd; 19-99, A book mark, 31 Mar 2006	11358/2006	Cash Holdings Pty Ltd; 09-01B, 09-02B, Product name not listed, 06 Apr 2006	11423/2006
Advance Metal Products (Aust) Pty Ltd; 06-04B, Pedestal cabinet, 30 Mar 2006	11326/2006	Cerebos (Australia) Limited; 09-01NES, A container, 27 Mar 2006	11302/2006
Amcor Limited; 09-03K, A stackable tray and blank therefor, 27 Mar 2006	11295/2006	Chef'n Corporation; 07-06C, A dispenser for salt and pepper, (US, 06 Oct 2005) 31 Mar 2006	11362/2006
Amcor Limited; 09-03K, A stackable tray and blank therefor, 27 Mar 2006	11296/2006	Chef'n Corporation; 07-06C, A dispenser for salt and pepper, (US, 06 Oct 2005) 31 Mar 2006	11363/2006
Amcor Limited; 09-03K, A stackable tray and blank therefor, 27 Mar 2006	11297/2006	Chef'n Corporation; 10-04, A collapsible cup, (US, 06 Oct 2005) 31 Mar 2006	11364/2006
Apple Computer, Inc.; 03-01NES, A sleeve, (US, 10 Oct 2005) 03 Apr 2006	11371/2006	Church & Dwight Co., Inc.; 24-02, Diagnostic test device with removable overcap, (US, 29 Sep 2005) 29 Mar 2006	11328/2006
Apple Computer, Inc.; 03-01NES, A sleeve, (US, 10 Oct 2005) 03 Apr 2006	11372/2006	Coles Myer Ltd; 21-01A, Toy, 31 Mar 2006	11338/2006
Ashard, David John; 08-06, A hinge, 11 Apr 2006	11464/2006	Coles Myer Ltd; 21-01A, Toy, 31 Mar 2006	11339/2006
Associated Controls; 26-05D, Lighting product, 10 Apr 2006	11440/2006	Coles Myer Ltd; 21-01A, Toy, 31 Mar 2006	11340/2006
Associated Controls; 26-05D, Lighting product, 10 Apr 2006	11441/2006	Coles Myer Ltd; 21-01A, Toy, 31 Mar 2006	11337/2006
Atanasovski, Vasko; 22-05, Barb for a fish hook or lure, 05 Apr 2006	11419/2006	Coles Supermarkets Australia Pty Ltd; 09-01NES, Bottle, 31 Mar 2006	11336/2006
Australian Energy Systems Pty Ltd; 23-03D, A solar heating panel, 06 Apr 2006	11430/2006	Costantin, Daniele; 08-03, Product name not listed, 03 Apr 2006	11381/2006
AL-KO International Pty Ltd; 12-16L, Trailer coupling, 29 Mar 2006	11310/2006	Costantin, Daniele; 08-99, Product name not listed, 03 Apr 2006	11382/2006
ASSA ABLOY Australia Pty Limited; 08-06, Door furniture plate, 27 Mar 2006	11304/2006	Daka Research Inc.; 07-99D, Can opener, 22 Mar 2006	11311/2006
ASSA ABLOY Australia Pty Limited; 08-06, Door pull handle, 27 Mar 2006	11305/2006	Decor Corporation Pty Ltd, The; 07-01NES, 07-04, Large grid, 07 Apr 2006	11438/2006
ASSA ABLOY Australia Pty Limited; 08-06, Door furniture plate, 27 Mar 2006	11306/2006	Decor Corporation Pty Ltd, The; 07-01NES, 07-04, Small grid, 07 Apr 2006	11439/2006
Barbara K Enterprises Inc.; 08-01, 1. drills, portable drills, drills powered by electricity, (US, 17 Dec 2004) 02 May 2005	15857/2005	Diasinos, Belinda May; 02-02NES, Sports jerseys/tops, 10 Apr 2006	11445/2006
Bishop, Peter; Semple, John; 21-01L, Board game, 28 Mar 2006	11293/2006	Dioptics Medical Products, Inc.; 20-02E, Display apparatus for eyewear, (US, 06 Oct 2005) 29 Mar 2006	11327/2006
Bubbaroo Pty Ltd; 06-13B, Product name not listed, 06 Apr 2006	11420/2006	Ecobuoy Pty Ltd; 10-06, 29-02, Solar reflector, 06 Apr 2006	11431/2006

Edman Development Company Pty Limited; 08-08NES, Fast tounge fastener system for aluminium composite panels, 22 Mar 2006	11308/2006	Hirsch Armbander GmbH; 20-02E, Exhibition stand, (EP, 07 Oct 2005) 03 Apr 2006	11374/2006
Fernholly Pty Ltd; 12-06A, A boat hull, 30 Mar 2006	11347/2006	Hirsch Armbander GmbH; 20-02E, Exhibition stand, (EP, 07 Oct 2005) 03 Apr 2006	11375/2006
Forsyth, Guy; 02-05, Skivee neck warmer, 31 Mar 2006	11352/2006	Hirsch Armbander GmbH; 20-02E, Display stand, (EP, 07 Oct 2005) 03 Apr 2006	11376/2006
Foseco International Limited; 09-07A, 15-09, Casting nozzle, (EM, 17 Nov 2005) 28 Mar 2006	11316/2006	Hubco Automotive Limited; 12-16K, Roof rack crossbar having a cross-section that is fixed throughout its length, 04 Apr 2006	11388/2006
Gambro Lundia AB; 24-01, Blood or plasma treatment apparatus, (EM, 10 Oct 2005) 07 Apr 2006	11442/2006	Hunza Holdings Ltd; 26-05C, 26-05D, Luminaire, 31 Mar 2006	11335/2006
GlaxoSmithKline Consumer Healthcare GmbH & Co. KG; 04-02, A toothbrush, (GB, 29 Sep 2005) 28 Mar 2006	11309/2006	Ideal Design; Johnston, Brett; 06-03A, 06-04NES, 'E3' coffee table/entertainment unit, 29 Mar 2006	11292/2006
Granger, Janine Patrice; Smith, Alan Michael; 02-04NES, Footwear, 29 Mar 2006	11322/2006	J Bloch Pty Ltd; 02-04NES, A dance slipper, (US, 30 Nov 2005) 06 Apr 2006	11429/2006
Granger, Janine Patrice; Smith, Alan Michael; 02-04NES, Footwear, 29 Mar 2006	11323/2006	JohnsonDiversey, Inc.; 23-02A, Dispenser housing, (US, 11 Oct 2005) 05 Apr 2006	11412/2006
Granger, Janine Patrice; Smith, Alan Michael; 02-04NES, Footwear, 29 Mar 2006	11325/2006	Johnston, Brett; Ideal Design; 06-03A, 06-04NES, 'E3' coffee table/entertainment unit, 29 Mar 2006	11292/2006
Granger, Janine Patrice; Smith, Alan Michael; 02-04NES, Footwear, 29 Mar 2006	11324/2006	Jones, Richard; 12-05, 20-02NES, Motorcycle turntable, 29 Mar 2006	11289/2006
Granger, Janine Patrice; Smith, Alan Michael; 02-04NES, Footwear, 29 Mar 2006	11321/2006	Jones, John Bernard; 12-06C, Sea kayak, 31 Mar 2006	11353/2006
Granger, Janine Patrice; Smith, Alan Michael; 02-04NES, Footwear, 29 Mar 2006	11320/2006	Kimberly-Clark Worldwide, Inc.; 05-06NES, Toilet paper, (US, 13 Oct 2005) 30 Mar 2006	11348/2006
Granger, Janine Patrice; Smith, Alan Michael; 02-04NES, Footwear, 29 Mar 2006	11319/2006	Kohler Co.; 23-02C, Urinal, 10 Apr 2006	11461/2006
Granger, Janine Patrice; Smith, Alan Michael; 02-04NES, Footwear, 29 Mar 2006	11318/2006	Kohler Co.; 23-02C, Urinal, 10 Apr 2006	11462/2006
Griffin, Denis Louis Elton; 30-02, Aviary, 29 Mar 2006	11291/2006	Kohler France SAS; 23-02C, Toilet, 10 Apr 2006	11458/2006
Hawkins, Mark Phillip; Aason, Steven James; 29-02, Edge impact protector, 27 Mar 2006	11285/2006	Kohler France SAS; 23-02C, Toilet base, 10 Apr 2006	11459/2006
Henkel Kommanditgesellschaft auf Aktien; 19-06, Liquid correction pen, (EM, 09 Feb 2006) 10 Apr 2006	11451/2006	Link Treasure Limited; 12-12, Jogging stroller frame, 11 Apr 2006	11498/2006
Henkel Kommanditgesellschaft auf Aktien; 19-06, Liquid correction pen, (EM, 09 Feb 2006) 10 Apr 2006	11452/2006	Link Treasure Limited; 12-12, A baby stroller, (TW, 14 Dec 2005) 11 Apr 2006	11499/2006
Hinkler Books Pty Ltd; 19-04, Book and its pages, 29 Mar 2006	11313/2006	Loadtec Pty Ltd; 09-06, Securing strap, 23 Mar 2006	11365/2006
Hirsch Armbander GmbH; 20-02E, Exhibition stand, (EP, 07 Oct 2005) 03 Apr 2006	11373/2006	Loadtec Pty Ltd; 09-06, Securing strap, 23 Mar 2006	11368/2006
		Loadtec Pty Ltd; 09-06, Securing strap, 23 Mar 2006	11366/2006
		Loadtec Pty Ltd; 09-06, Securing strap, 23 Mar 2006	11367/2006

Master Lock Company; 08-07, Receiver pins, (US, 04 Sep 2003) 18 Feb 2004	11422/2006	Rado Uhren AG (Rado Watch Co Ltd) (Montres Rado SA); 10-02, Wristwatch, (WO, 05 Oct 2005) 05 Apr 2006	11413/2006
McKee, William Douglas; 21-02D, A water sports apparatus, (NZ, 23 Feb 2006) 04 Apr 2006	11411/2006	Raven Products Pty Ltd; 08-09, 25-01K, Door bottom seal extrusion, 17 Mar 2006	11307/2006
Mitsubishi Denki Kabushiki Kaisha; 15-07, Refrigerator, (JP, 30 Sep 2005) 28 Mar 2006	11315/2006	Reckitt Benckiser (Brasil) Ltda; 22-06, Bait station, (BR, 27 Sep 2005) 27 Mar 2006	11301/2006
Mulhall, Adam Francis Patrick; 27-06, Cigarette packet cover, 31 Mar 2006	11359/2006	Reckitt Benckiser (UK) Limited; 28-99, Air freshener device, (EM, 13 Oct 2005) 06 Apr 2006	11425/2006
Mulhall, Adam Francis Patrick; 03-01B, Wallet, 31 Mar 2006	11360/2006	Reckitt Benckiser (UK) Limited; 28-99, Air freshener device, (EM, 13 Oct 2005) 06 Apr 2006	11426/2006
Mulhall, Adam Francis Patrick; 27-06, Cigarette packet cover, 31 Mar 2006	11361/2006	Reckitt Benckiser (UK) Limited; 28-99, Refill for air freshener device, (EM, 13 Oct 2005) 06 Apr 2006	11427/2006
Naturally Stone; 23-02F, Bathroom vanity surfaces, 31 Mar 2006	11409/2006	Reckitt Benckiser (UK) Limited; 28-99, Refill for air freshener device, (EM, 13 Oct 2005) 06 Apr 2006	11428/2006
Ness, Gerald John; Whittaker, Geoffrey Allan; 25-03, 09-09, Refuge chamber, 07 Apr 2006	11433/2006	ResMed Ltd; 24-01, Mask assembly with elbow and vent cover, (US, 07 Oct 2005) 04 Apr 2006	11377/2006
Nokia Corporation; 14-03E, A handset, (US, 07 Oct 2005) 05 Apr 2006	11416/2006	Review Australia Pty Ltd; 02-02C, Ladies garments, 13 Oct 2005	11407/2006
Nokia Corporation; 14-03E, A handset, (US, 07 Oct 2005) 05 Apr 2006	11417/2006	Review Australia Pty Ltd; 02-02C, 02-02NES, Product name not listed, 06 Apr 2006	11432/2006
Nokia Corporation; 14-03A, A holder for a handset, (FI, 10 Oct 2005) 05 Apr 2006	11418/2006	Review Australia Pty Ltd; 02-02C, Ladies garments, 13 Oct 2005	11408/2006
Nokia Corporation; 14-03E, A handset, (FI, 05 Oct 2005) 04 Apr 2006	11389/2006	Ronald E. Graham (Holdings) Pty Limited; 25-01C, A bar, 27 Mar 2006	11300/2006
Otsuka Pharmaceutical Co., Ltd.; 09-03M, Packaging film, 31 Mar 2006	11356/2006	S.C. Johnson & Son, Inc.; 28-99, Decorative shell, (US, 03 Oct 2005) 03 Apr 2006	11383/2006
Parry, Stuart; 21-01A, 11-02E, Figurine, 05 Apr 2006	11392/2006	S.C. Johnson & Son, Inc.; 28-99, Lumina device, (US, 03 Oct 2005) 03 Apr 2006	11384/2006
Parry, Stuart; 21-01A, 11-02E, Figurine, 05 Apr 2006	11393/2006	S.C. Johnson & Son, Inc.; 28-99, Decorative shell, (US, 03 Oct 2005) 03 Apr 2006	11385/2006
Parry, Stuart; 21-01A, 11-02E, Figurine, 05 Apr 2006	11394/2006	S.C. Johnson & Son, Inc.; 28-99, Lumina bowl, (US, 03 Oct 2005) 03 Apr 2006	11386/2006
Parry, Stuart; 21-01A, 11-02E, Figurine, 05 Apr 2006	11395/2006	S.C. Johnson & Son, Inc.; 28-99, Decorative shell, (US, 03 Oct 2005) 03 Apr 2006	11387/2006
Parry, Stuart; 21-01A, 11-02E, Figurine, 05 Apr 2006	11396/2006	Scanlan & Theodore; 02-02B, 02-02C, 02-02NES, A lady's garment, 27 Mar 2006	11299/2006
Parry, Stuart; 21-01A, 11-02E, Figurine, 05 Apr 2006	11397/2006	Semple, John; Bishop, Peter; 21-01L, Board game, 28 Mar 2006	11293/2006
Parry, Stuart; 21-01A, 11-02E, Figurine, 05 Apr 2006	11398/2006	Sheldon and Hammond Pty Ltd; 07-02R, A handle, 29 Mar 2006	11329/2006
Parry, Stuart; 21-01A, 11-02E, Figurine, 05 Apr 2006	11399/2006	Sheldon and Hammond Pty Ltd; 07-02R, A handle, 29 Mar 2006	11330/2006
Pezos, John Archimides; 06-07, Product name not listed, 31 Mar 2006	11410/2006		
Powertrans Pty Ltd; 12-10, 12-13, A belly dump trailer, 31 Mar 2006	11341/2006		

Sheldon and Hammond Pty Ltd; 07-02N, A lid, 29 Mar 2006	11331/2006	Swarovski Aktiengesellschaft; 11-02E, Ornamental object made of glass, (EP, 10 Oct 2005) 04 Apr 2006	11400/2006
Sheldon and Hammond Pty Ltd; 07-02R, A handle, 29 Mar 2006	11332/2006	Swarovski Aktiengesellschaft; 11-02D, Ornamental object made of glass, (EP, 10 Oct 2005) 04 Apr 2006	11401/2006
Shirliff, Ian; 23-01H, Tap handle, 29 Mar 2006	11421/2006	Swarovski Aktiengesellschaft; 11-02E, Ornamental object made of glass, (EP, 10 Oct 2005) 04 Apr 2006	11402/2006
Shop Vac Corporation; 15-05, Canister vacuum body, 10 Apr 2006	11456/2006	Swarovski Aktiengesellschaft; 11-02E, Ornamental object made of glass, (EP, 10 Oct 2005) 04 Apr 2006	11403/2006
Shop Vac Corporation; 15-05, Canister vacuum power head, 10 Apr 2006	11457/2006	SOCIETE BIC; 19-02, Correction device, (EM, 19 Oct 2005) 03 Apr 2006	11369/2006
Shop Vac Corporation; 15-05, Upright vacuum, 07 Apr 2006	11435/2006	SOCIETE BIC; 19-06, Writing instrument, (EM, 19 Oct 2005) 03 Apr 2006	11370/2006
Silvan H2O Pty Ltd; 23-01G, Filter for fitting to storm water pipes for rainwater filtration, 03 Apr 2006	11350/2006	SULO MGB Australia Pty Ltd; 08-06, Hinge Pin, 28 Mar 2006	11317/2006
Sky Climber, LLC; 12-05, Hoist, (US, 04 Nov 2005) 07 Apr 2006	11436/2006	T&G Enterprises (VIC) Pty Ltd; 23-02B, Spa, 31 Mar 2006	11351/2006
Smith, Alan Michael; Granger, Janine Patrice; 02-04NES, Footwear, 29 Mar 2006	11323/2006	Tarca, Lee Adam; 25-02H, Leadlight window, 28 Mar 2006	11298/2006
Smith, Alan Michael; Granger, Janine Patrice; 02-04NES, Footwear, 29 Mar 2006	11325/2006	Techtronic Industries Company Limited; 08-01, Power tool, (US, 10 Jan 2006) 04 Apr 2006	11390/2006
Smith, Alan Michael; Granger, Janine Patrice; 02-04NES, Footwear, 29 Mar 2006	11324/2006	Techtronic Industries Company Limited; 08-01, 08-04, Power tool, (US, 10 Jan 2006) 04 Apr 2006	11391/2006
Smith, Alan Michael; Granger, Janine Patrice; 02-04NES, Footwear, 29 Mar 2006	11321/2006	Thorn Europhane; 26-05C, Light, (EM, 03 Nov 2005) 10 Apr 2006	11449/2006
Smith, Alan Michael; Granger, Janine Patrice; 02-04NES, Footwear, 29 Mar 2006	11322/2006	Thorn Europhane; 26-05C, Light, (EM, 03 Nov 2005) 10 Apr 2006	11450/2006
Smith, Alan Michael; Granger, Janine Patrice; 02-04NES, Footwear, 29 Mar 2006	11320/2006	Toyota Jidosha Kabushiki Kaisha; 26-06, Front combination lamp for an automobile, 28 Mar 2006	11312/2006
Smith, Alan Michael; Granger, Janine Patrice; 02-04NES, Footwear, 29 Mar 2006	11319/2006	Trymak Pty Ltd; 21-03, Concave, convex & twist panels arranged together to form playground structures, 03 Apr 2006	11349/2006
Smith, Alan Michael; Granger, Janine Patrice; 02-04NES, Footwear, 29 Mar 2006	11318/2006	Usher, Terence James; 02-02NES, T-shirts, leather jackets, coasters, plaques, clock faces, 3-D models, transfers, stickers, helmets, decals, 28 Mar 2006	11294/2006
Sonny Elegant Knitwear Ltd; 05-05NES, Pattern on fabric, 27 Sep 2005	11354/2006	Vector Products, Inc.; 26-02, Led and cold cathode fluorescent lamp, (US, 30 Sep 2005) 30 Mar 2006	11334/2006
Sonny Elegant Knitwear Ltd; 05-05D, Pattern on fabric, 27 Sep 2005	11355/2006	Walkatdara Art Uluru; 06-03B, 06-01C, Li bench, 05 Apr 2006	11404/2006
Steven Madden, Ltd.; 02-04B, 02-04NES, Shoe sole, (US, 03 Oct 2005) 03 Apr 2006	11378/2006	Wavemonkey Pty Ltd; 02-02B, Paddling jackets/dry tops/dry suits/water sports clothing, 29 Mar 2006	11290/2006
Steven Madden, Ltd.; 02-04NES, Shoe, (US, 03 Oct 2005) 03 Apr 2006	11379/2006	Weaver, Roslyn Joan; 06-13B, Sleeping bag for newborn infants, 10 Apr 2006	11434/2006
Steven Madden, Ltd.; 02-04NES, Shoe upper, (US, 03 Oct 2005) 03 Apr 2006	11380/2006		
Stormfageln AB; 12-06A, Boat, (SE, 30 Sep 2005) 28 Mar 2006	11314/2006		

Whittaker, Geoffrey Allan; Ness, Gerald 11433/2006
 John;
 25-03, 09-09, Refuge chamber, 07 Apr 2006

Designs Excluded

12701 / 2005 20-02NES	12702 / 2005 20-02NES
12710 / 2005 20-02NES	

Applications Lapsed

15409 / 2004 (06-06G)	15658 / 2004 (02-02C)
10779 / 2005 (05-06B)	11698 / 2005 (23-04)
11699 / 2005 (23-04)	12035 / 2005 (02-02C)
12036 / 2005 (02-02C)	13136 / 2005 (05-06NES)
13768 / 2005 (99-00)	13794 / 2005 (10-05)
13834 / 2005 (06-01C)	14320 / 2005 (23-03H)
10289 / 2006 (23-03NES)	10359 / 2006 (25-01A)
10360 / 2006 (25-01A)	10361 / 2006 (25-01A)
10362 / 2006 (25-01A)	10363 / 2006 (25-01A)
10364 / 2006 (25-01A)	10418 / 2006 (07-06B)
10423 / 2006	10424 / 2006
10425 / 2006	10426 / 2006
10427 / 2006	10428 / 2006 (07-01D)
10429 / 2006 (07-01D)	10430 / 2006 (07-01D)
10431 / 2006 (07-01D)	

Extensions of time granted under Section 137

Applications lodged under section 137 for extension of time have been granted.

13667/2005 **Adam Fraser**

14175/2005 **K.J. Ross Security Locks Pty Ltd**

14176/2005 **K.J. Ross Security Locks Pty Ltd**

Applications Assigned

(The name in parentheses is that of the subsequent applicant)

11196/2006 (**Leck Design Ltd**) Julia Lunn

11197/2006 (**Leck Design Ltd**) Julia Lunn

Subsequent Owners Registered

(The name in parentheses is that of the subsequent owner)

304356 (**Portbid Pty Ltd**) George Michael

305566 (**Kieron Dowd;Rodney Darryl Hunwick**) Brand Base Pty Ltd

305567 (**Kieron Dowd;Rodney Darryl Hunwick**) Brand Base Pty Ltd

Corrigenda

Number 15674/2004

In Vol 20 , No 8 , page 4421 under the heading **Application Lapsed**; Design No. 15674/2004 should be deleted.

Number 14642/2004

In Vol 20 , No 8 , page 4421 under the heading **Applications Lapsed**; Design No. 14642/2004 should be deleted.

Number 13938/2005

In Vol 20 , No 7 , page 4255 under the heading **Applications Lapsed**; Design No. 13938/2005 should be deleted.

Certificate(s) of Examination

Examination of the following Design Registration(s) has been completed. Infringement proceedings may now be commenced.

300767	02-04A	13/04/2006
301087	14-01	07/04/2006
301102	24-02	13/04/2006
301383	14-01	07/04/2006
301986	19-06	13/04/2006
302056	14-01	07/04/2006
302511	16-01	07/04/2006
302937	16-01	07/04/2006
302939	12-05	13/04/2006
303287	14-01	13/04/2006
303304	14-01	07/04/2006
303351	07-01D	13/04/2006
303809	26-05NES	10/04/2006
303816	09-01A	10/04/2006
303985	08-99	13/04/2006
304007	19-06	06/04/2006
304008	12-05	06/04/2006
304009	26-05NES	10/04/2006
304010	28-03A	10/04/2006
304013	28-03NES	10/04/2006

Publication and Registration Proceedings

Designs Registered

This section provides a concordance between design number and registration number of Designs covered in this journal. It also shows the main class and registration date.

This section covers Registration numbers 306321 to 306504 .

The registration number shown below should be used in all future correspondence.

Design Number	Registration Number	International Classification Code (IDC)	Registration Date	Design Number	Registration Number	International Classification Code (IDC)	Registration Date
15626/2004	306470	19-06	13/04/2006	14358/2005	306339	15-05	07/04/2006
10658/2005	306321	05-06NES	07/04/2006	14359/2005	306340	04-02	07/04/2006
10659/2005	306322	05-06NES	07/04/2006	14365/2005	306344	01-01	07/04/2006
10705/2005	306446	07-01NES	12/04/2006	14366/2005	306345	01-01	07/04/2006
10780/2005	306323	09-05	07/04/2006	14367/2005	306346	01-01	07/04/2006
11083/2005	306324	09-09	07/04/2006	14368/2005	306347	01-01	07/04/2006
11863/2005	306325	08-08G	07/04/2006	14369/2005	306348	01-01	07/04/2006
12343/2005	306362	09-01G	07/04/2006	14370/2005	306349	01-01	07/04/2006
12396/2005	306409	06-10	10/04/2006	14371/2005	306350	01-01	07/04/2006
12436/2005	306410	29-01	10/04/2006	14372/2005	306351	01-01	07/04/2006
12437/2005	306411	29-01	10/04/2006	14373/2005	306352	01-01	07/04/2006
12659/2005	306450	24-01	13/04/2006	14374/2005	306353	01-01	07/04/2006
13363/2005	306383	20-03NES	10/04/2006	14375/2005	306354	01-01	07/04/2006
13364/2005	306384	20-03NES	10/04/2006	14376/2005	306355	01-01	07/04/2006
13570/2005	306471	25-04	13/04/2006	14377/2005	306356	01-01	07/04/2006
13581/2005	306430	25-99	12/04/2006	14378/2005	306357	01-01	07/04/2006
13608/2005	306326	07-01NES	07/04/2006	14379/2005	306358	01-01	07/04/2006
13609/2005	306327	07-01B	07/04/2006	14380/2005	306359	01-01	07/04/2006
13661/2005	306363	14-03A	07/04/2006	14381/2005	306360	01-01	07/04/2006
13693/2005	306364	19-01	07/04/2006	14382/2005	306361	01-01	07/04/2006
13713/2005	306431	23-02F	12/04/2006	14440/2005	306438	07-01NES	12/04/2006
14008/2005	306432	08-08B	12/04/2006	14441/2005	306439	07-01NES	12/04/2006
14034/2005	306429	07-07A	10/04/2006	14445/2005	306440	24-01	12/04/2006
14069/2005	306328	14-03NES	07/04/2006	14448/2005	306412	21-01L	10/04/2006
14074/2005	306329	25-01K	07/04/2006	14450/2005	306365	14-03E	07/04/2006
14093/2005	306342	23-01H	07/04/2006	14452/2005	306441	06-06G	12/04/2006
14094/2005	306343	23-01H	07/04/2006	14453/2005	306442	06-06G	12/04/2006
14098/2005	306433	13-03D	12/04/2006	14454/2005	306443	06-06G	12/04/2006
14116/2005	306434	13-03D	12/04/2006	14456/2005	306444	06-01NES	12/04/2006
14117/2005	306435	13-03D	12/04/2006	14457/2005	306451	12-16A	13/04/2006
14118/2005	306436	13-03D	12/04/2006	14459/2005	306413	08-06	10/04/2006
14119/2005	306330	13-03D	07/04/2006	14460/2005	306414	07-01NES	10/04/2006
14155/2005	306331	21-02D	07/04/2006	14461/2005	306445	14-03E	12/04/2006
14202/2005	306332	12-16B	07/04/2006	14462/2005	306366	06-01E	07/04/2006
14203/2005	306333	12-08	07/04/2006	14466/2005	306367	12-10	07/04/2006
14207/2005	306396	12-16C	10/04/2006	14472/2005	306368	14-02	07/04/2006
14208/2005	306398	12-16B	10/04/2006	14473/2005	306381	14-02	07/04/2006
14209/2005	306397	12-08	10/04/2006	14475/2005	306369	21-01N	07/04/2006
14266/2005	306334	12-08	07/04/2006	14478/2005	306370	13-02	07/04/2006
14277/2005	306399	26-06	10/04/2006	14481/2005	306371	13-02	07/04/2006
14278/2005	306400	26-06	10/04/2006	14483/2005	306372	14-02	07/04/2006
14279/2005	306401	26-06	10/04/2006	14484/2005	306373	28-02	07/04/2006
14280/2005	306402	26-06	10/04/2006	14485/2005	306374	28-02	07/04/2006
14281/2005	306403	12-08	10/04/2006	14486/2005	306375	28-02	07/04/2006
14282/2005	306404	12-16B	10/04/2006	14487/2005	306415	28-02	10/04/2006
14283/2005	306405	12-16C	10/04/2006	14488/2005	306376	28-02	07/04/2006
14284/2005	306406	12-16C	10/04/2006	14489/2005	306377	28-02	07/04/2006
14285/2005	306407	12-16B	10/04/2006	14491/2005	306378	23-01A	07/04/2006
14315/2005	306335	15-99	07/04/2006	14500/2005	306379	07-05A	07/04/2006
14332/2005	306437	03-01D	12/04/2006	14501/2005	306380	09-01NES	07/04/2006
14349/2005	306336	08-07	07/04/2006	14512/2005	306416	14-01	10/04/2006
14356/2005	306337	12-15B	07/04/2006	14513/2005	306417	14-01	10/04/2006
14357/2005	306338	12-15NES	07/04/2006	14515/2005	306418	14-02	10/04/2006

Publication and Registration Proceedings - Designs Registered cont'd

Design Number	Registration Number	International Classification Code (IDC)	Registration Date	Design Number	Registration Number	International Classification Code (IDC)	Registration Date
14516/2005	306419	14-02	10/04/2006	10881/2006	306388	20-03NES	10/04/2006
14518/2005	306420	26-05A	10/04/2006	11110/2006	306472	25-04	13/04/2006
14519/2005	306421	26-05A	10/04/2006	11111/2006	306473	25-04	13/04/2006
14536/2005	306422	01-01	10/04/2006	11112/2006	306474	25-04	13/04/2006
14577/2005	306423	02-04NES	10/04/2006	11113/2006	306475	25-04	13/04/2006
14578/2005	306424	02-04NES	10/04/2006	11114/2006	306476	25-04	13/04/2006
14587/2005	306452	14-03NES	13/04/2006	11115/2006	306477	25-04	13/04/2006
14590/2005	306453	08-01	13/04/2006	11116/2006	306478	25-04	13/04/2006
14591/2005	306454	08-01	13/04/2006	11117/2006	306479	25-04	13/04/2006
14592/2005	306455	14-03B	13/04/2006	11118/2006	306480	25-04	13/04/2006
14593/2005	306456	14-03B	13/04/2006	11119/2006	306481	25-04	13/04/2006
14597/2005	306425	08-07	10/04/2006	11120/2006	306482	25-04	13/04/2006
14598/2005	306426	08-07	10/04/2006	11121/2006	306483	25-04	13/04/2006
14599/2005	306427	08-07	10/04/2006	11122/2006	306484	25-04	13/04/2006
14600/2005	306428	08-09	10/04/2006	11123/2006	306485	25-04	13/04/2006
14615/2005	306457	25-01K	13/04/2006	11124/2006	306486	25-04	13/04/2006
14616/2005	306459	25-01K	13/04/2006	11125/2006	306487	25-04	13/04/2006
14617/2005	306458	14-02	13/04/2006	11126/2006	306488	25-04	13/04/2006
14618/2005	306460	07-02L	13/04/2006	11127/2006	306489	25-04	13/04/2006
14619/2005	306461	15-05	13/04/2006	11128/2006	306490	25-04	13/04/2006
14627/2005	306462	21-02C	13/04/2006	11129/2006	306491	25-04	13/04/2006
14636/2005	306463	14-02	13/04/2006	11130/2006	306492	25-04	13/04/2006
14637/2005	306464	14-02	13/04/2006	11131/2006	306493	25-04	13/04/2006
14638/2005	306465	14-02	13/04/2006	11132/2006	306494	25-04	13/04/2006
14639/2005	306466	14-02	13/04/2006	11133/2006	306495	25-04	13/04/2006
14640/2005	306467	14-02	13/04/2006	11134/2006	306496	25-04	13/04/2006
14641/2005	306468	14-02	13/04/2006	11135/2006	306497	25-04	13/04/2006
14648/2005	306389	08-06	10/04/2006	11136/2006	306498	25-04	13/04/2006
14649/2005	306390	23-01H	10/04/2006	11137/2006	306499	25-04	13/04/2006
14650/2005	306391	23-01H	10/04/2006	11138/2006	306500	25-04	13/04/2006
14651/2005	306392	23-01H	10/04/2006	11139/2006	306501	25-04	13/04/2006
14652/2005	306393	23-01H	10/04/2006	11140/2006	306502	25-04	13/04/2006
14653/2005	306394	23-02B	10/04/2006	11141/2006	306503	25-04	13/04/2006
14654/2005	306395	23-02B	10/04/2006	11142/2006	306504	25-04	13/04/2006
14862/2005	306341	06-04NES	07/04/2006	11161/2006	306447	07-01NES	12/04/2006
15529/2005	306469	25-02C	13/04/2006	11162/2006	306448	07-01NES	12/04/2006
10345/2006	306408	12-09	10/04/2006	11163/2006	306449	07-01NES	12/04/2006
10522/2006	306382	07-01B	10/04/2006				
10878/2006	306385	20-03NES	10/04/2006				
10879/2006	306386	20-03NES	10/04/2006				
10880/2006	306387	20-03NES	10/04/2006				

Publication and Registration Proceedings
Class Listing of Designs Published or Registered

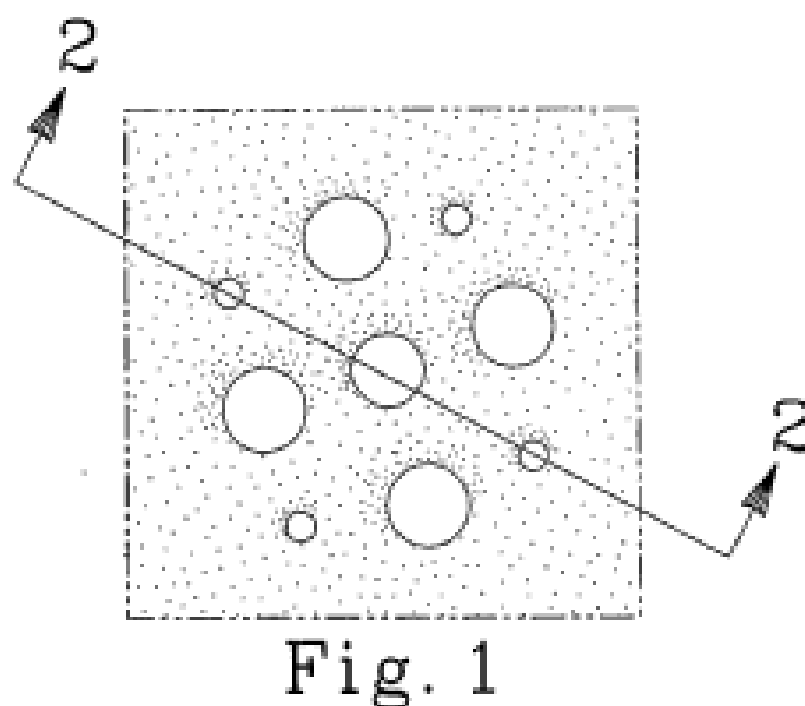
The following section shows an International Classification Code listing of the Registered or Published Designs covered in this supplement.

Classification	Registration Number	Design Number	Classification	Registration Number	Design Number
01-01	306344	14365/2005	08-08 B	306432	14008/2005
01-01	306345	14366/2005	08-08 G	306325	11863/2005
01-01	306346	14367/2005	08-09	306425	14597/2005
01-01	306347	14368/2005	08-09	306426	14598/2005
01-01	306348	14369/2005	08-09	306427	14599/2005
01-01	306349	14370/2005	08-09	306428	14600/2005
01-01	306350	14371/2005	09-01 G	306362	12343/2005
01-01	306351	14372/2005	09-01 NES	306380	14501/2005
01-01	306352	14373/2005	09-03 L	306422	14536/2005
01-01	306353	14374/2005	09-05	306323	10780/2005
01-01	306354	14375/2005	09-09	306324	11083/2005
01-01	306355	14376/2005	11-03	306412	14448/2005
01-01	306356	14377/2005	12-08	306333	14203/2005
01-01	306357	14378/2005	12-08	306334	14266/2005
01-01	306358	14379/2005	12-08	306397	14209/2005
01-01	306359	14380/2005	12-08	306403	14281/2005
01-01	306360	14381/2005	12-09	306408	10345/2006
01-01	306361	14382/2005	12-10	306367	14466/2005
01-01	306422	14536/2005	12-12	306324	11083/2005
02-04 NES	306423	14577/2005	12-15 B	306337	14356/2005
02-04 NES	306424	14578/2005	12-15 NES	306338	14357/2005
03-01 D	306437	14332/2005	12-16 A	306451	14457/2005
04-02	306340	14359/2005	12-16 B	306332	14202/2005
05-06 NES	306321	10658/2005	12-16 B	306398	14208/2005
05-06 NES	306322	10659/2005	12-16 B	306404	14282/2005
06-01 E	306366	14462/2005	12-16 B	306407	14285/2005
06-01 G	306366	14462/2005	12-16 C	306396	14207/2005
06-01 H	306366	14462/2005	12-16 C	306405	14283/2005
06-01 NES	306444	14456/2005	12-16 C	306406	14284/2005
06-04 NES	306341	14862/2005	13-02	306370	14478/2005
06-06 G	306441	14452/2005	13-02	306371	14481/2005
06-06 G	306442	14453/2005	13-03 D	306330	14119/2005
06-06 G	306443	14454/2005	13-03 D	306433	14098/2005
06-10	306409	12396/2005	13-03 D	306434	14116/2005
07-01 B	306327	13609/2005	13-03 D	306435	14117/2005
07-01 B	306382	10522/2006	13-03 D	306436	14118/2005
07-01 NES	306326	13608/2005	14-01	306416	14512/2005
07-01 NES	306327	13609/2005	14-01	306417	14513/2005
07-01 NES	306414	14460/2005	14-02	306368	14472/2005
07-01 NES	306438	14440/2005	14-02	306369	14475/2005
07-01 NES	306439	14441/2005	14-02	306372	14483/2005
07-01 NES	306446	10705/2005	14-02	306381	14473/2005
07-01 NES	306447	11161/2006	14-02	306418	14515/2005
07-01 NES	306448	11162/2006	14-02	306419	14516/2005
07-01 NES	306449	11163/2006	14-02	306458	14617/2005
07-02 L	306460	14618/2005	14-02	306463	14636/2005
07-05 A	306379	14500/2005	14-02	306464	14637/2005
07-07 A	306429	14034/2005	14-02	306465	14638/2005
08-01	306453	14590/2005	14-02	306466	14639/2005
08-01	306454	14591/2005	14-02	306467	14640/2005
08-06	306389	14648/2005	14-02	306468	14641/2005
08-06	306413	14459/2005	14-03 A	306363	13661/2005
08-07	306336	14349/2005	14-03 B	306455	14592/2005
08-07	306425	14597/2005	14-03 B	306456	14593/2005
08-07	306426	14598/2005	14-03 E	306365	14450/2005
08-07	306427	14599/2005	14-03 E	306445	14461/2005

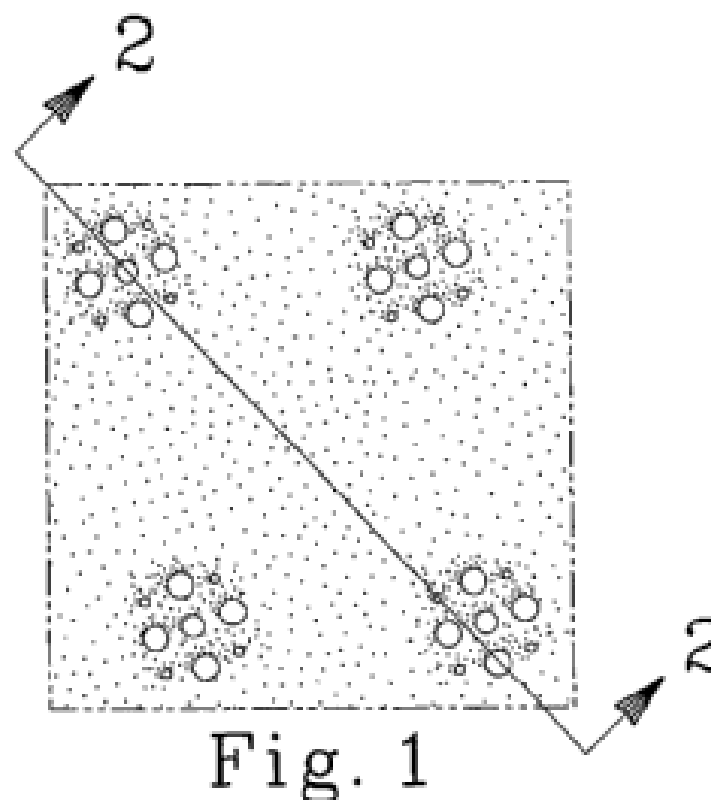
Registration Proceedings - Class Listing of Designs Published or Registered cont'd

Classification	Registration Number	Design Number	Classification	Registration Number	Design Number
14-03 NES	306328	14069/2005	25-04	306477	11115/2006
14-03 NES	306452	14587/2005	25-04	306478	11116/2006
15-05	306339	14358/2005	25-04	306479	11117/2006
15-05	306461	14619/2005	25-04	306480	11118/2006
15-99	306335	14315/2005	25-04	306481	11119/2006
19-01	306364	13693/2005	25-04	306482	11120/2006
19-06	306470	15626/2004	25-04	306483	11121/2006
20-02 NES	306412	14448/2005	25-04	306484	11122/2006
20-03 NES	306383	13363/2005	25-04	306485	11123/2006
20-03 NES	306384	13364/2005	25-04	306486	11124/2006
20-03 NES	306385	10878/2006	25-04	306487	11125/2006
20-03 NES	306386	10879/2006	25-04	306488	11126/2006
20-03 NES	306387	10880/2006	25-04	306489	11127/2006
20-03 NES	306388	10881/2006	25-04	306490	11128/2006
21-01 C	306334	14266/2005	25-04	306491	11129/2006
21-01 L	306412	14448/2005	25-04	306492	11130/2006
21-01 N	306368	14472/2005	25-04	306493	11131/2006
21-01 N	306369	14475/2005	25-04	306494	11132/2006
21-01 N	306372	14483/2005	25-04	306495	11133/2006
21-01 N	306381	14473/2005	25-04	306496	11134/2006
21-02 C	306462	14627/2005	25-04	306497	11135/2006
21-02 D	306331	14155/2005	25-04	306498	11136/2006
22-06	306430	13581/2005	25-04	306499	11137/2006
23-01 A	306378	14491/2005	25-04	306500	11138/2006
23-01 H	306342	14093/2005	25-04	306501	11139/2006
23-01 H	306343	14094/2005	25-04	306502	11140/2006
23-01 H	306389	14648/2005	25-04	306503	11141/2006
23-01 H	306390	14649/2005	25-04	306504	11142/2006
23-01 H	306391	14650/2005	25-99	306430	13581/2005
23-01 H	306392	14651/2005	26-05 A	306420	14518/2005
23-01 H	306393	14652/2005	26-05 A	306421	14519/2005
23-02 B	306394	14653/2005	26-06	306399	14277/2005
23-02 B	306395	14654/2005	26-06	306400	14278/2005
23-02 F	306431	13713/2005	26-06	306401	14279/2005
24-01	306440	14445/2005	26-06	306402	14280/2005
24-01	306450	12659/2005	28-02	306373	14484/2005
24-02	306440	14445/2005	28-02	306374	14485/2005
25-01 K	306329	14074/2005	28-02	306375	14486/2005
25-01 K	306457	14615/2005	28-02	306376	14488/2005
25-01 K	306459	14616/2005	28-02	306377	14489/2005
25-02 C	306469	15529/2005	28-02	306415	14487/2005
25-04	306471	13570/2005	29-01	306410	12436/2005
25-04	306472	11110/2006	29-01	306411	12437/2005
25-04	306473	11111/2006	31-00	306460	14618/2005
25-04	306474	11112/2006			
25-04	306475	11113/2006			
25-04	306476	11114/2006			

- (21) Design Number: **10658/2005**
(22) Date of Filing Application: **22 February 2005**
(24) Date from which industrial property rights may have effect: **22 February 2005**
(54) Product in respect of which the design is registered: **Fibrous material**
(51) International Design Classification: **05-06NES**
(71) Name(s) and Address(s) of Applicant(s):
The Procter & Gamble Company
One Procter & Gamble Plaza Cincinnati Ohio 45202 United States of America
(72) Name(s) of Designer(s): **Erik John Hasenoehrl and Yamilca Del Carmen Thoms**
(45) Registration Date: **07 April 2006**
(30) Convention priority data:
(31) Number (32) Date (33) Country
29/212,267 30 Aug 2004 UNITED STATES OF AMERICA
(56) Related Art Documents: **Not Applicable**
(57) Statement of Newness and Distinctiveness: **Those visual features of the fibrous material depicted in representations that are new and distinctive are the pattern and/or ornamentation. The fibrous material may be of any length or width and the pattern and/or ornamentation may be repeated throughout said material.**



- (21) Design Number: **10659/2005**
(22) Date of Filing Application: **22 February 2005**
(24) Date from which industrial property rights may have effect: **22 February 2005**
(54) Product in respect of which the design is registered: **Fibrous material**
(51) International Design Classification: **05-06NES**
(71) Name(s) and Address(s) of Applicant(s):
The Procter & Gamble Company
One Procter & Gamble Plaza Cincinnati Ohio 45202 United States of America
(72) Name(s) of Designer(s): **Erik John Hasenoehrl and Yamilca Del Carmen Thoms**
(45) Registration Date: **07 April 2006**
(30) Convention priority data:
(31) Number (32) Date (33) Country
29/212,268 30 Aug 2004 UNITED STATES OF AMERICA
(56) Related Art Documents: **Not Applicable**
(57) Statement of Newness and Distinctiveness: **Those visual features of the fibrous material depicted in representations that are new and distinctive are the pattern and/or ornamentation. The fibrous material may be of any length or width and the pattern and/or ornamentation may be repeated throughout said material.**



(21) Design Number: **10780/2005**

(22) Date of Filing Application: **28 February 2005**

(24) Date from which industrial property rights may have effect: **28 February 2005**

(54) Product in respect of which the design is registered: **A CD wallet and blank for a CD wallet**

(51) International Design Classification: **09-05**

(71) Name(s) and Address(s) of Applicant(s):

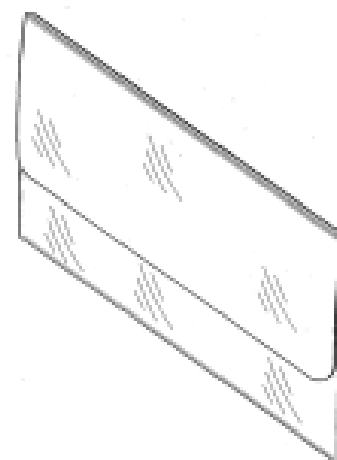
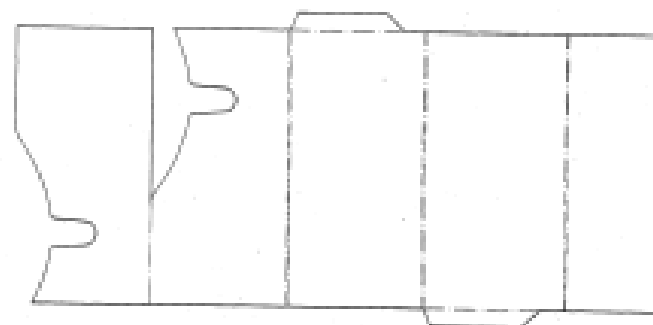
**Media Technology Pty Ltd
Unit 3 9 Orion Road Lane Cove New South Wales 2066 Australia**

(72) Name(s) of Designer(s): **Allan Leslie Morton and Garry Guerin**

(45) Registration Date: **07 April 2006**

(56) Related Art Documents: **Not Applicable**

(57) Statement of Newness and Distinctiveness: **The shape and configuration of the CD wallet and blank for a CD wallet as shown in the accompanying representation is new and distinctive.**



(21) Design Number: **11083/2005**

(22) Date of Filing Application: **22 March 2005**

(24) Date from which industrial property rights may have effect: **22 March 2005**

(54) Product in respect of which the design is registered: **Adjustable bin attachment to enable handling and manoeuvring of mobile garbage bins by persons in wheelchairs**

(51) International Design Classification: **09-09, 12-12**

(71) Name(s) and Address(s) of Applicant(s):

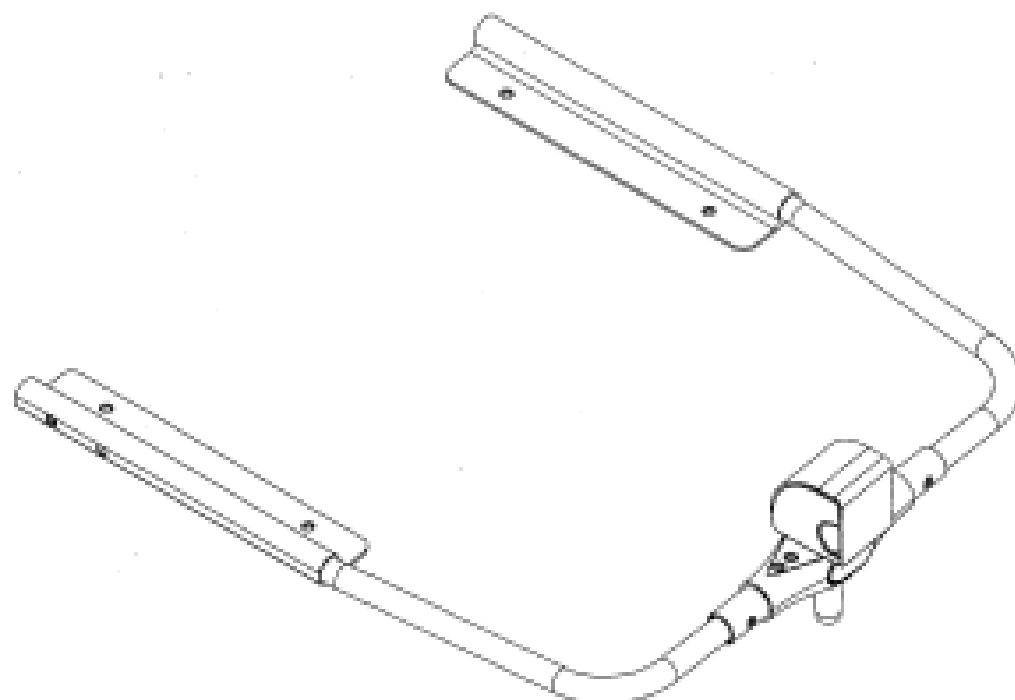
**Kingston City Council
PO Box 1000 Mentone Victoria 3194 Australia**

(72) Name(s) of Designer(s): **Oh Wei Siang and Christo Katsouranis**

(45) Registration Date: **07 April 2006**

(56) Related Art Documents: **Not Applicable**

(57) Statement of Newness and Distinctiveness: **Newness and distinctiveness is claimed in the features of shape and/or configuration of the bin catcher assembly, as illustrated on page 3 of the accompanying representations.**



- (21) Design Number: **11863/2005**
- (22) Date of Filing Application: **03 May 2005**
- (24) Date from which industrial property rights may have effect: **03 May 2005**
- (54) Product in respect of which the design is registered: **Storage device**
- (51) International Design Classification: **08-08G**
- (71) Name(s) and Address(s) of Applicant(s):

Vaughan John Hutchinson
175 Surrey Road RD 8 Tariki Inglewood New Zealand

(72) Name(s) of Designer(s): **Vaughan John Hutchinson**

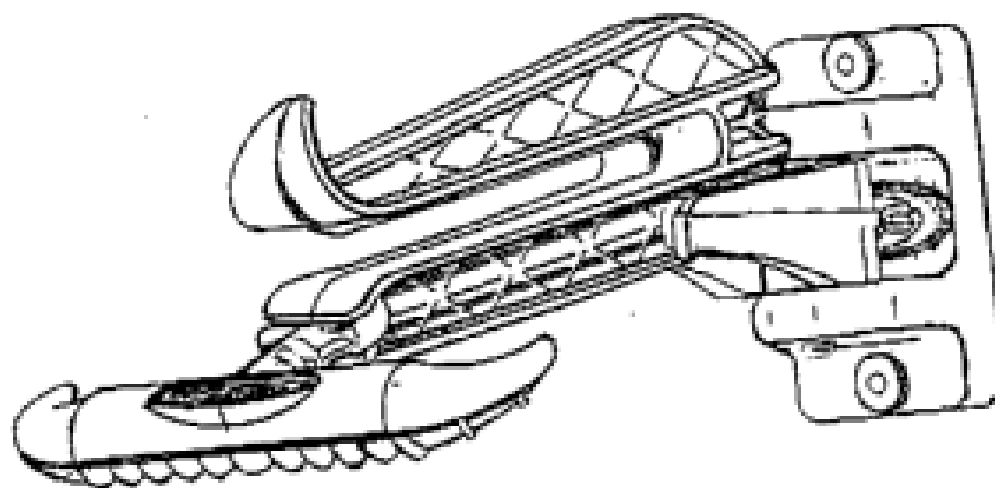
(45) Registration Date: **07 April 2006**

(30) Convention priority data:

(31) Number	(32) Date	(33) Country
405478	03 Nov 2004	NEW ZEALAND

(56) Related Art Documents: **Not Applicable**

(57) Statement of Newness and Distinctiveness: **Newness and distinctiveness are claimed in the features of shape and/or configuration of a storage device, as illustrated in the accompanying representatives.**



- (21) Design Number: **13608/2005**
- (22) Date of Filing Application: **23 August 2005**
- (24) Date from which industrial property rights may have effect: **23 August 2005**
- (54) Product in respect of which the design is registered: **Receptacle for the retention of sachet litter**
- (51) International Design Classification: **07-01NES**
- (71) Name(s) and Address(s) of Applicant(s):

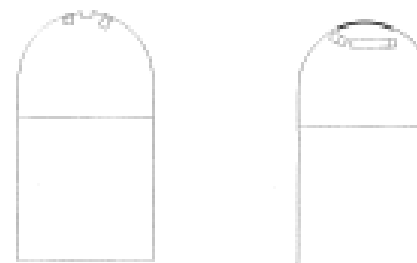
Robert Bernardis
5 Petty Street West Hobart Tasmania 7000 Australia

(72) Name(s) of Designer(s): **Robert Bernardis**

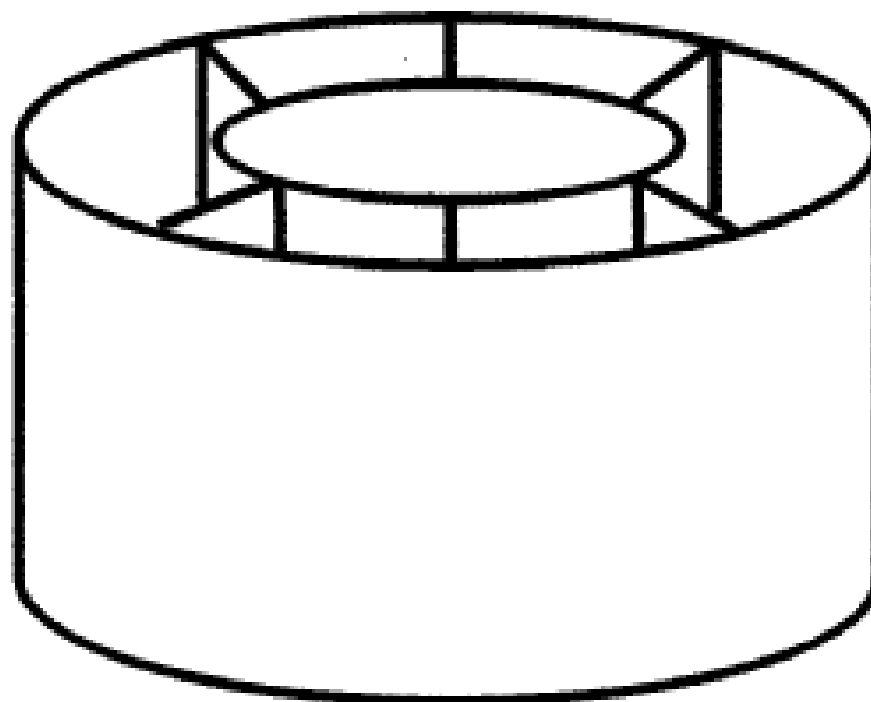
(45) Registration Date: **07 April 2006**

(56) Related Art Documents: **Not Applicable**

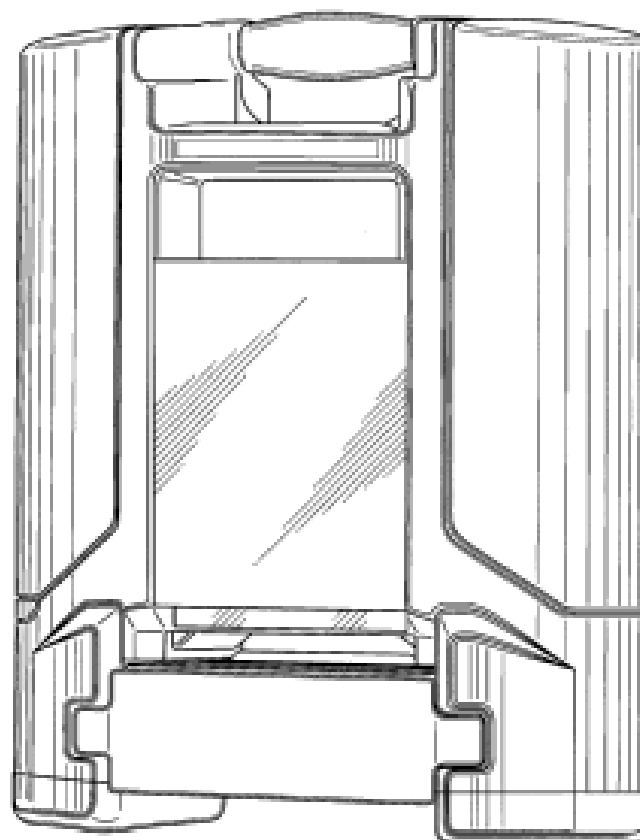
(57) Statement of Newness and Distinctiveness: **Nil**



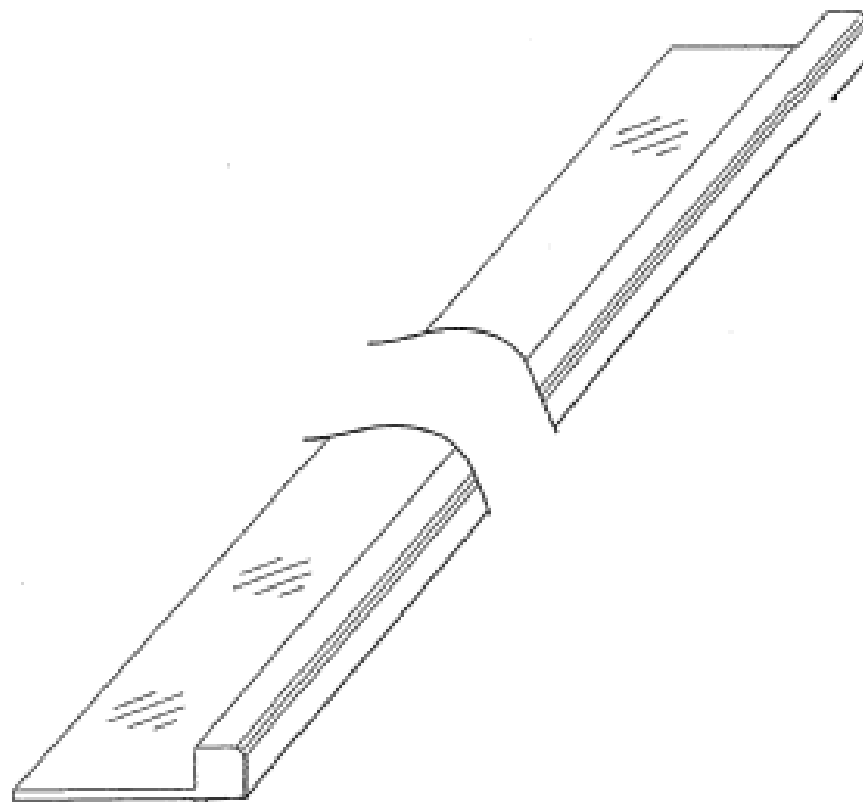
- (21) Design Number: **13609/2005**
(22) Date of Filing Application: **23 August 2005**
(24) Date from which industrial property rights may have effect: **23 August 2005**
(54) Product in respect of which the design is registered: **Receptacle for the retention of sachet pot and full sachets**
(51) International Design Classification: **07-01B, 07-01NES**
(71) Name(s) and Address(s) of Applicant(s):
Robert Bernardis
5 Petty Street West Hobart Tasmania 7000 Australia
(72) Name(s) of Designer(s): **Robert Bernardis**
(45) Registration Date: **07 April 2006**
(56) Related Art Documents: **Not Applicable**
(57) Statement of Newness and Distinctiveness: **Nil**



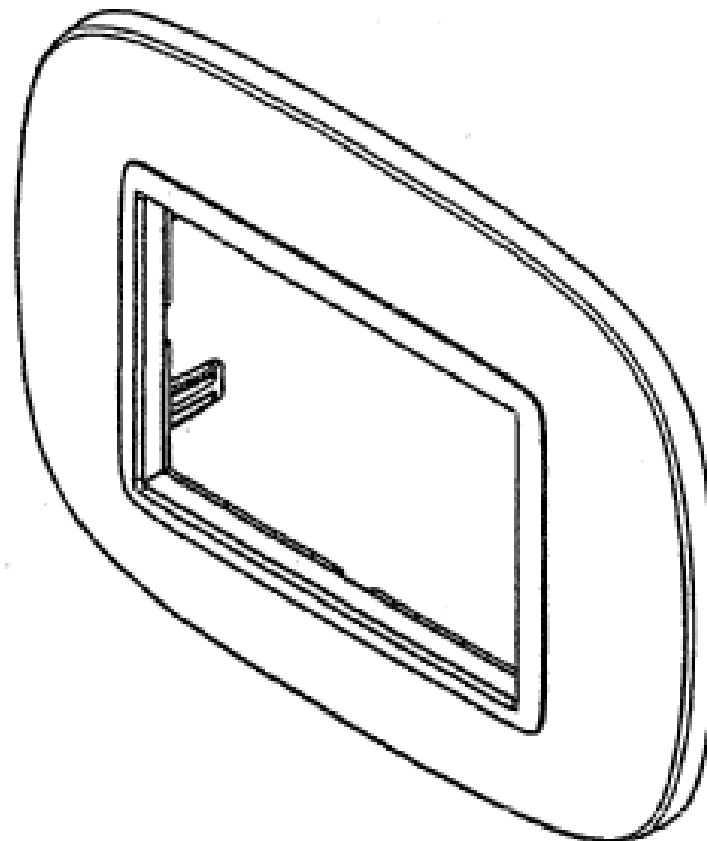
- (21) Design Number: **14069/2005**
(22) Date of Filing Application: **21 September 2005**
(24) Date from which industrial property rights may have effect: **21 September 2005**
(54) Product in respect of which the design is registered: **Radio transmitter unit**
(51) International Design Classification: **14-03NES**
(71) Name(s) and Address(s) of Applicant(s):
Med-Eng Systems Inc.
2400 St.Laurent Boulevard Ottawa Ontario K1C 8E3 Canada
(72) Name(s) of Designer(s): **Michael Brown and Paul Timmis**
(45) Registration Date: **07 April 2006**
(30) Convention priority data:
(31) Number (32) Date (33) Country
29/226,056 24 Mar 2005 UNITED STATES OF AMERICA
(56) Related Art Documents: **Not Applicable**
(57) Statement of Newness and Distinctiveness: **Newness and distinctiveness is claimed in the visual features of shape, configuration, pattern and/or ornamentation as applied to a radio transmitter unit as illustrated in the representations.**



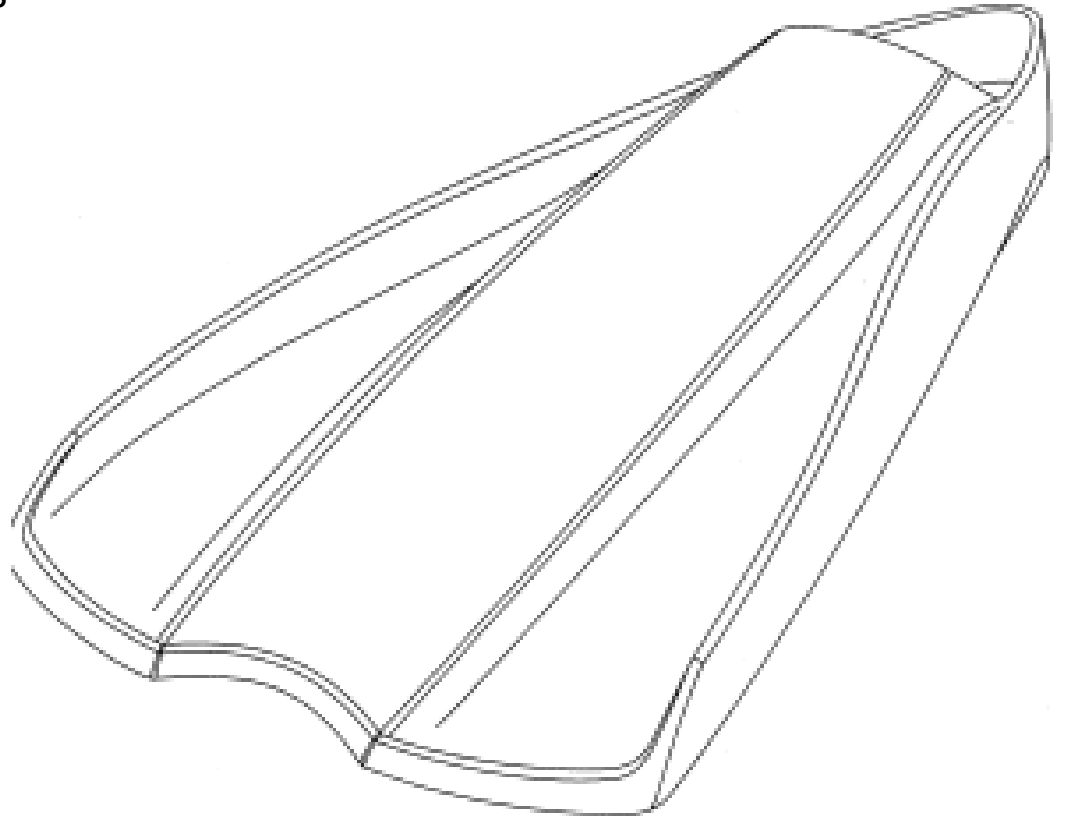
- (21) Design Number: **14074/2005**
(22) Date of Filing Application: **22 September 2005**
(24) Date from which industrial property rights may have effect: **22 September 2005**
(54) Product in respect of which the design is registered: **Extrusion for tile work (1 leg)**
(51) International Design Classification: **25-01K**
(71) Name(s) and Address(s) of Applicant(s):
B.A.T. Trims Pty Ltd
51-53 Nissan Drive Dandenong South Victoria 3175 Australia
(72) Name(s) of Designer(s): **Michael Gerhard Flechsig**
(45) Registration Date: **07 April 2006**
(56) Related Art Documents: **Not Applicable**
(57) Statement of Newness and Distinctiveness: **Newness and distinctiveness reside in the extrusion for tilework (1 leg) as shown in the accompanying representations.**



- (21) Design Number: **14119/2005**
(22) Date of Filing Application: **23 September 2005**
(24) Date from which industrial property rights may have effect: **23 September 2005**
(54) Product in respect of which the design is registered: **Cover plate**
(51) International Design Classification: **13-03D**
(71) Name(s) and Address(s) of Applicant(s):
BTICINO S.p.A.
Via Messina 38-20154 Milano Italy
(72) Name(s) of Designer(s): **Fabrizio Fabrizi**
(45) Registration Date: **07 April 2006**
(30) Convention priority data:
(31) Number (32) Date (33) Country
332507 07 Apr 2005 EUROPEAN COMMUNITY
(56) Related Art Documents: **Not Applicable**
(57) Statement of Newness and Distinctiveness: **Those features of the cover plate depicted in the representations that are new and distinctive are the shape and/or configuration.**



- (21) Design Number: **14155/2005**
(22) Date of Filing Application: **22 September 2005**
(24) Date from which industrial property rights may have effect: **22 September 2005**
(54) Product in respect of which the design is registered: **Swim fin**
(51) International Design Classification: **21-02D**
(71) Name(s) and Address(s) of Applicant(s):
Podware Pty Ltd
26 Curtin Crescent Maroubra New South Wales 2035 Australia
(72) Name(s) of Designer(s): **Shane Thomas Anthony Vassallo**
(45) Registration Date: **07 April 2006**
(56) Related Art Documents: **Not Applicable**
(57) Statement of Newness and Distinctiveness: **Monopoly is claimed in the features of the shape and configuration of the swim fin as shown in the accompanying representations.**



- (21) Design Number: **14202/2005**
(22) Date of Filing Application: **28 September 2005**
(24) Date from which industrial property rights may have effect: **28 September 2005**
(54) Product in respect of which the design is registered: **Liftgate panel**
(51) International Design Classification: **12-16B**
(71) Name(s) and Address(s) of Applicant(s):
Toyota Jidosha Kabushiki Kaisha
1 Toyota-cho Toyota-shi Aichi-ken 471-8571 Japan
(72) Name(s) of Designer(s): **Minoru Ogawa and Kenichi Onoue and Kuniaki Toyooka**
(45) Registration Date: **07 April 2006**
(56) Related Art Documents: **Not Applicable**
(57) Statement of Newness and Distinctiveness: **Those features of the liftgate panel depicted in the representations that are new and distinctive are the shape and/or configuration.**

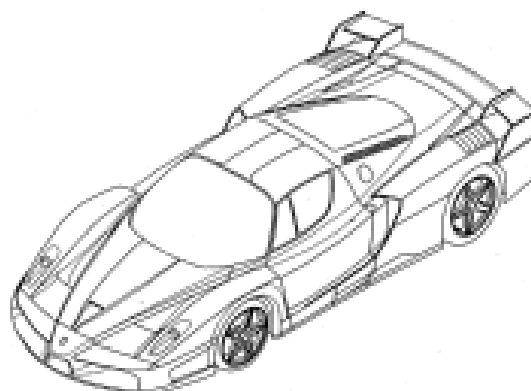
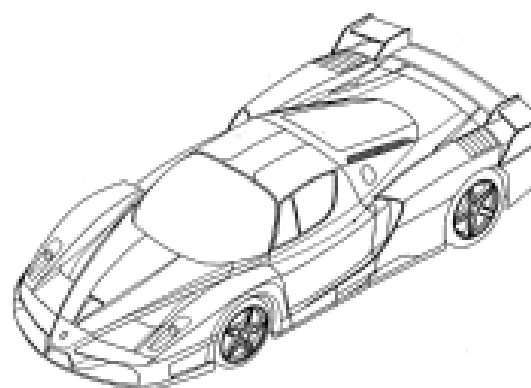


- (21) Design Number: **14203/2005**
- (22) Date of Filing Application: **28 September 2005**
- (24) Date from which industrial property rights may have effect: **28 September 2005**
- (54) Product in respect of which the design is registered: **Automobile**
- (51) International Design Classification: **12-08**
- (71) Name(s) and Address(s) of Applicant(s):
Toyota Jidosha Kabushiki Kaisha
1 Toyota-cho Toyota-shi Aichi-ken 471-8571 Japan
- (72) Name(s) of Designer(s): **Hisao Hara and Kenichi Onoue and Eiji Sakaba**
- (45) Registration Date: **07 April 2006**
- (56) Related Art Documents: **Not Applicable**
- (57) Statement of Newness and Distinctiveness: **Those features of the automobile depicted in the representations that are new and distinctive are the shape and/or configuration.**



- (21) Design Number: **14266/2005**
- (22) Date of Filing Application: **30 September 2005**
- (24) Date from which industrial property rights may have effect: **30 September 2005**
- (54) Product in respect of which the design is registered: **Car and toy car**
- (51) International Design Classification: **12-08, 21-01C**
- (71) Name(s) and Address(s) of Applicant(s):
Ferrari S.p.A.
Via Emilia Est 1163 I-41100 Modena Italy
- (72) Name(s) of Designer(s): **Giuseppe Petrotta**
- (45) Registration Date: **07 April 2006**
- (30) Convention priority data:

(31) Number	(32) Date	(33) Country
000322086	05 Apr 2005	EUROPEAN COMMUNITY
- (56) Related Art Documents: **Not Applicable**
- (57) Statement of Newness and Distinctiveness: **Those features of the car and toy car depicted in the representations that are new and distinctive are the shape and/or configuration.**



(21) Design Number: **14315/2005**

(22) Date of Filing Application: **04 October 2005**

(24) Date from which industrial property rights may have effect: **04 October 2005**

(54) Product in respect of which the design is registered: **Bushing**

(51) International Design Classification: **15-99**

(71) Name(s) and Address(s) of Applicant(s):

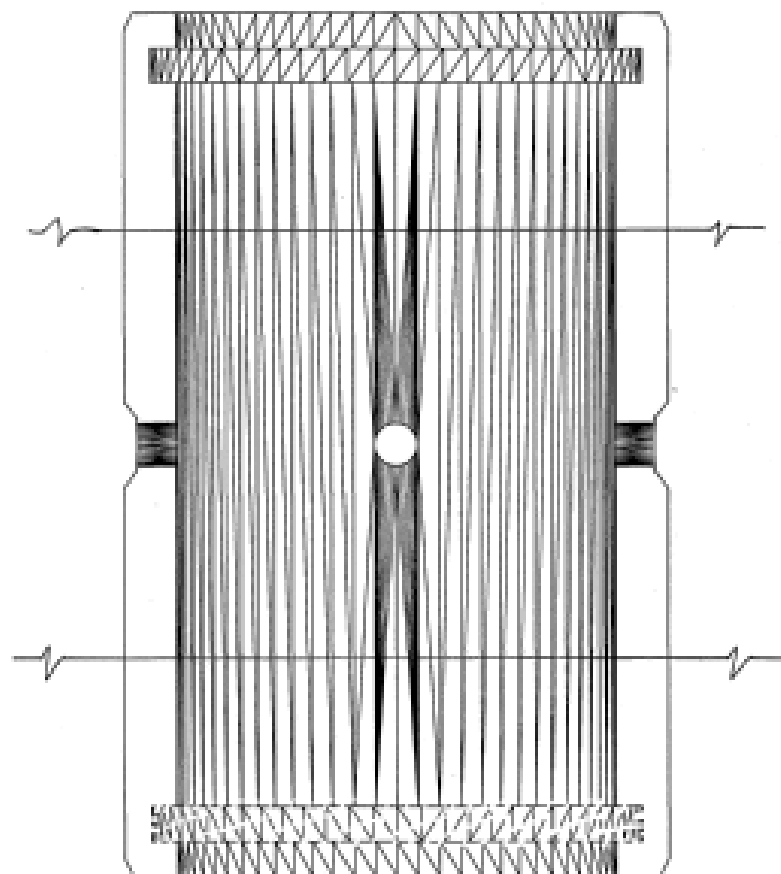
**Loton Investments Pty Ltd
218 South West Highway Bunbury Western Australia 6230 Australia**

(72) Name(s) of Designer(s): **Dudley Graham Blevins**

(45) Registration Date: **07 April 2006**

(56) Related Art Documents: **Not Applicable**

(57) Statement of Newness and Distinctiveness: **The particular visual features of the design which are new and distinctive are the use of at least one internal groove near the outer end of a bushing of indefinite length.**



(21) Design Number: **14349/2005**

(22) Date of Filing Application: **30 September 2005**

(24) Date from which industrial property rights may have effect: **30 September 2005**

(54) Product in respect of which the design is registered: **Re-keyable padlock**

(51) International Design Classification: **08-07**

(71) Name(s) and Address(s) of Applicant(s):

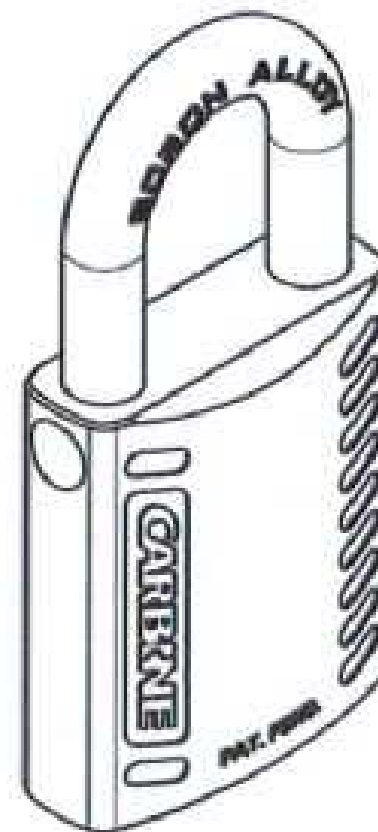
**TNBT Holdings Pty Ltd
246-250 Coward Street Mascot New South Wales 2020 Australia**

(72) Name(s) of Designer(s): **Scott Cheevers**

(45) Registration Date: **07 April 2006**

(56) Related Art Documents: **Not Applicable**

(57) Statement of Newness and Distinctiveness: **Monopoly is claimed in the overall shape, pattern and/or configuration of the body embossing detail as illustrated in the accompanying images. In determining the scope of the monopoly, no account should be taken of the overall shape and configuration of the padlock assembly as shown in the views.**



- (21) Design Number: **14356/2005**
(22) Date of Filing Application: **06 October 2005**
(24) Date from which industrial property rights may have effect: **06 October 2005**
(54) Product in respect of which the design is registered: **A pneumatic tyre**
(51) International Design Classification: **12-15B**
(71) Name(s) and Address(s) of Applicant(s):

Societe De Technologie Michelin
23 rue Breschet F-63000 Clermont-Ferrand Cedex France
Michelin Recherche et Technique S.A.
Route Louis Braille 10 et 12 CH-1763 Granges-Paccot Switzerland

(72) Name(s) of Designer(s): **Vincent Martin**

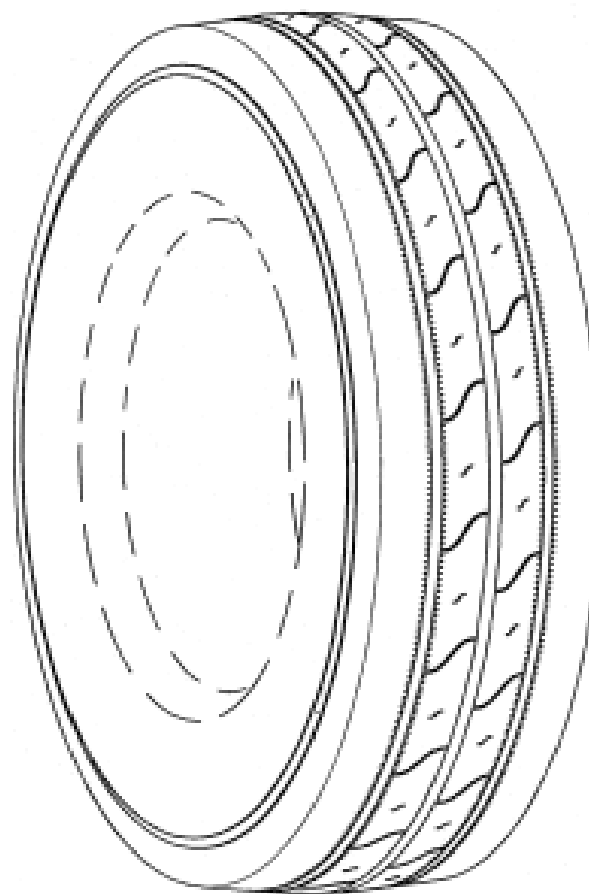
(45) Registration Date: **07 April 2006**

(30) Convention priority data:

(31) Number	(32) Date	(33) Country
05/2086	11 Apr 2005	FRANCE

(56) Related Art Documents: **Not Applicable**

(57) Statement of Newness and Distinctiveness: **Newness in the design resides in the shape or configuration applied to the tread region of the pneumatic tyre, no regard should be had to the remainder of the tyre.**



- (21) Design Number: **14357/2005**
(22) Date of Filing Application: **06 October 2005**
(24) Date from which industrial property rights may have effect: **06 October 2005**
(54) Product in respect of which the design is registered: **An automobile tyre**
(51) International Design Classification: **12-15NES**
(71) Name(s) and Address(s) of Applicant(s):

Bridgestone Corporation
10-1 Kyobashi 1-chome Chuo-ku Tokyo Japan

(72) Name(s) of Designer(s): **Naoya Ochi**

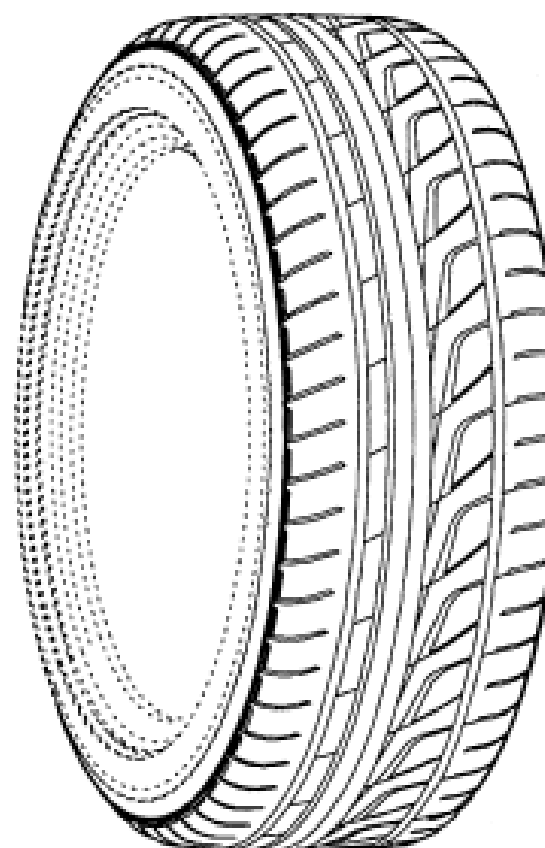
(45) Registration Date: **07 April 2006**

(30) Convention priority data:

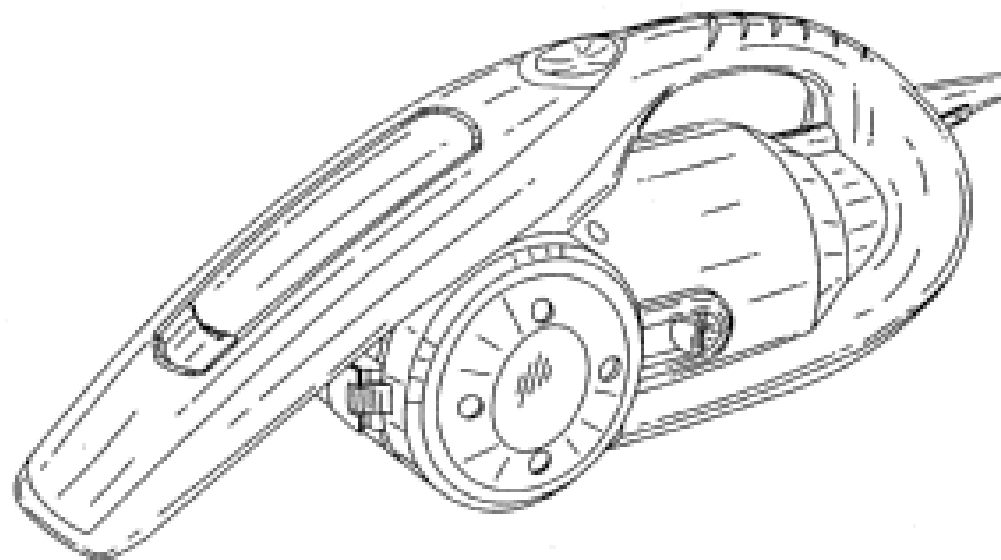
(31) Number	(32) Date	(33) Country
2005-10451	07 Apr 2005	JAPAN

(56) Related Art Documents: **Not Applicable**

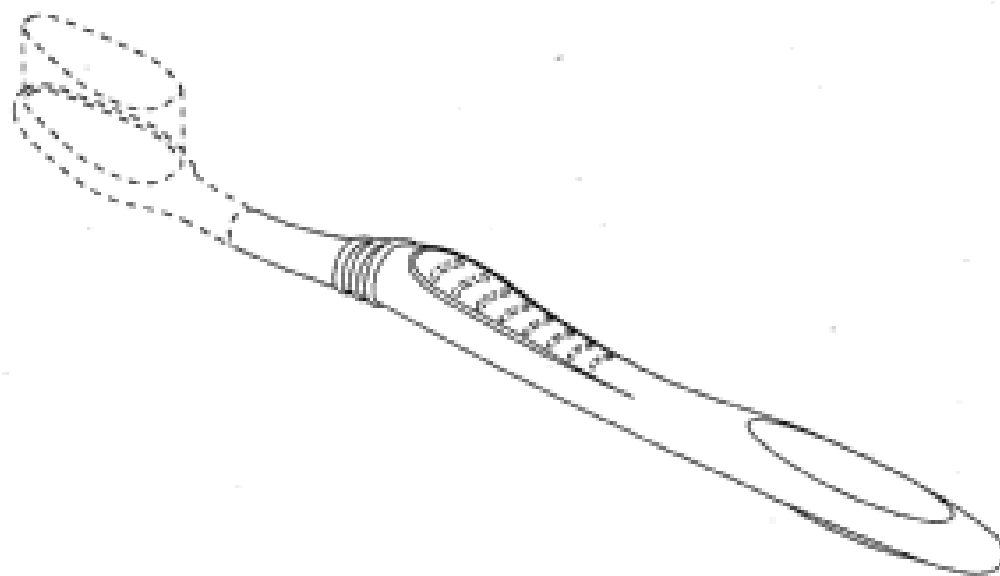
(57) Statement of Newness and Distinctiveness: **Newness and distinctiveness is claimed in the visual features shown in solid lines in the representations.**



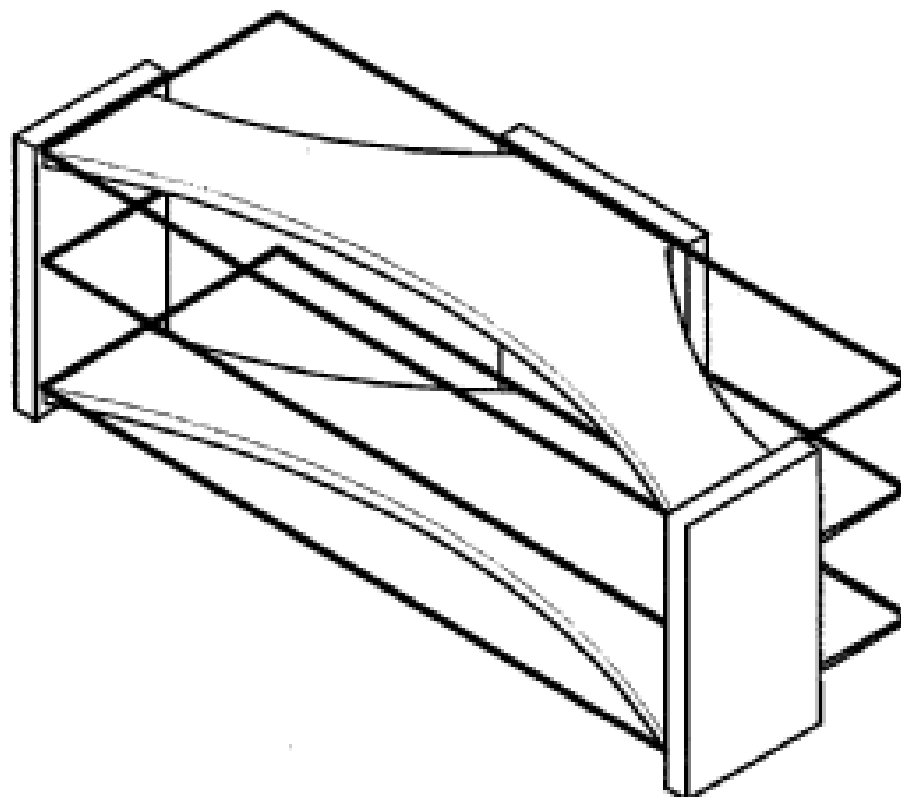
(21) Design Number: **14358/2005**
(22) Date of Filing Application: **06 October 2005**
(24) Date from which industrial property rights may have effect: **06 October 2005**
(54) Product in respect of which the design is registered: **A hand vacuum cleaner**
(51) International Design Classification: **15-05**
(71) Name(s) and Address(s) of Applicant(s):
Black & Decker, Inc.
1207 Drummond Plaza Newark Delaware 19711 United States of America
(72) Name(s) of Designer(s): **Mark Stratford**
(45) Registration Date: **07 April 2006**
(30) Convention priority data:
(31) Number (32) Date (33) Country
000364732 30 Jun 2005 EUROPEAN COMMUNITY
(56) Related Art Documents: **Not Applicable**
(57) Statement of Newness and Distinctiveness: **Nil**



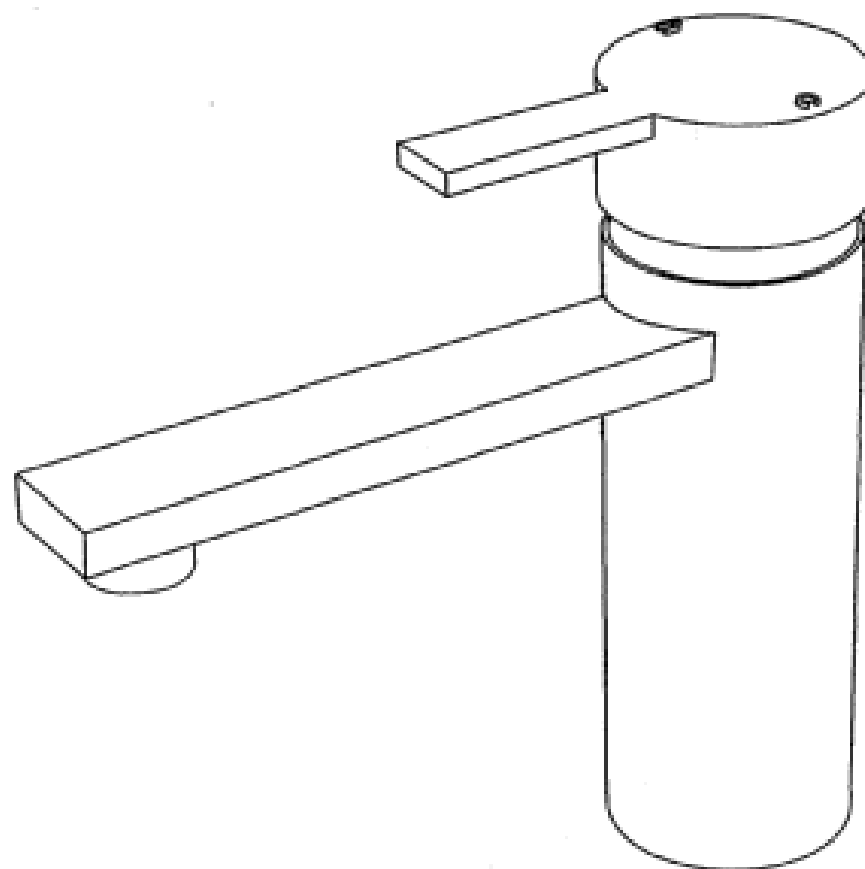
(21) Design Number: **14359/2005**
(22) Date of Filing Application: **06 October 2005**
(24) Date from which industrial property rights may have effect: **06 October 2005**
(54) Product in respect of which the design is registered: **Toothbrush**
(51) International Design Classification: **04-02**
(71) Name(s) and Address(s) of Applicant(s):
Colgate-Palmolive Company
300 Park Avenue New York New York 10022 United States of America
(72) Name(s) of Designer(s): **Robert Moskovich and Alan Sorrentino and Swanson Xi**
(45) Registration Date: **07 April 2006**
(30) Convention priority data:
(31) Number (32) Date (33) Country
29/227275 08 Apr 2005 UNITED STATES OF AMERICA
(56) Related Art Documents: **Not Applicable**
(57) Statement of Newness and Distinctiveness: **Each feature of the design considered separately shown in solid lines or in combination with any other feature or features shown in solid lines.**



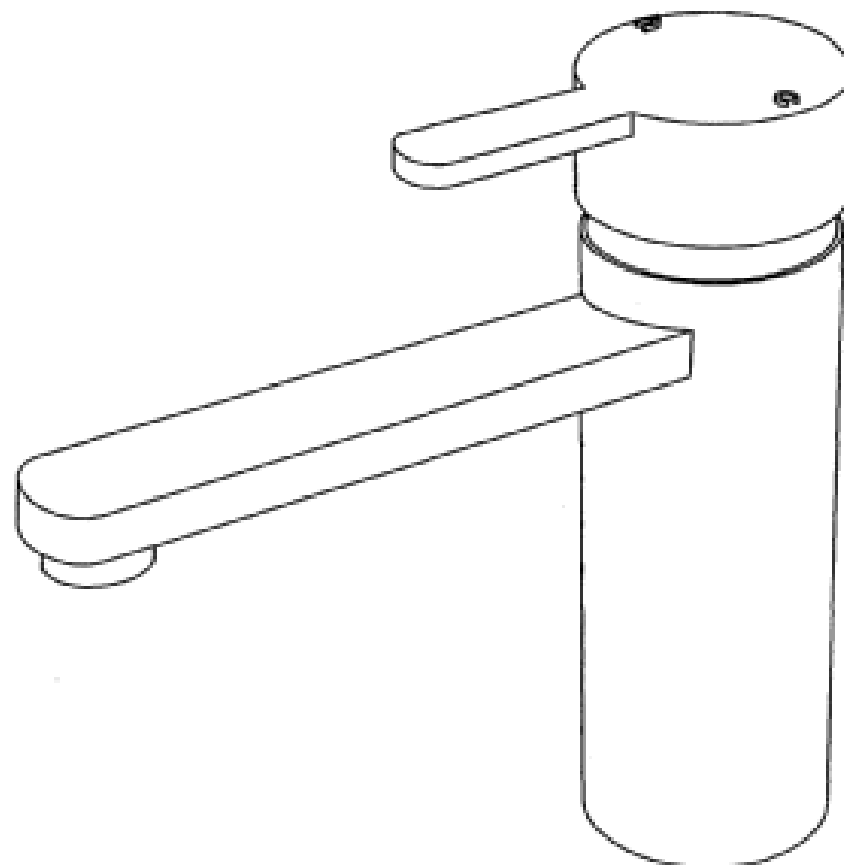
- (21) Design Number: **14862/2005**
(22) Date of Filing Application: **02 November 2005**
(24) Date from which industrial property rights may have effect: **02 November 2005**
(54) Product in respect of which the design is registered: **Entertainment unit**
(51) International Design Classification: **06-04NES**
(71) Name(s) and Address(s) of Applicant(s):
KD Concepts Pty Ltd
19-21 Charles Street St Marys New South Wales 2760 Australia
(72) Name(s) of Designer(s): **Cynthia Colli**
(45) Registration Date: **07 April 2006**
(56) Related Art Documents: **Not Applicable**
(57) Statement of Newness and Distinctiveness: **Shape and configuration as per representation.**



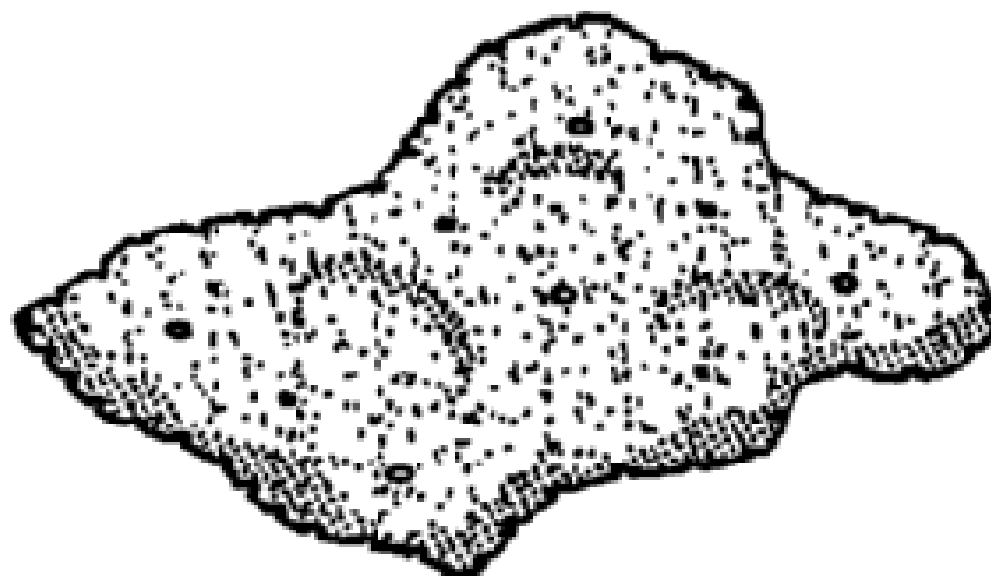
- (21) Design Number: **14093/2005**
(22) Date of Filing Application: **23 September 2005**
(24) Date from which industrial property rights may have effect: **23 September 2005**
(54) Product in respect of which the design is registered: **Mixer tapware**
(51) International Design Classification: **23-01H**
(71) Name(s) and Address(s) of Applicant(s):
Phoenix Industries Pty Ltd
7 Ashburn Place Blackburn Victoria 3130 Australia
(72) Name(s) of Designer(s): **Natalia Mona Tjahjono**
(45) Registration Date: **07 April 2006**
(56) Related Art Documents: **Not Applicable**
(57) Statement of Newness and Distinctiveness: **Nil**



(21) Design Number: **14094/2005**
(22) Date of Filing Application: **23 September 2005**
(24) Date from which industrial property rights may have effect: **23 September 2005**
(54) Product in respect of which the design is registered: **Mixer tapware**
(51) International Design Classification: **23-01H**
(71) Name(s) and Address(s) of Applicant(s):
Phoenix Industries Pty Ltd
7 Ashburn Place Blackburn Victoria 3130 Australia
(72) Name(s) of Designer(s): **Natalia Mona Tjahjono**
(45) Registration Date: **07 April 2006**
(56) Related Art Documents: **Not Applicable**
(57) Statement of Newness and Distinctiveness: **Nil**

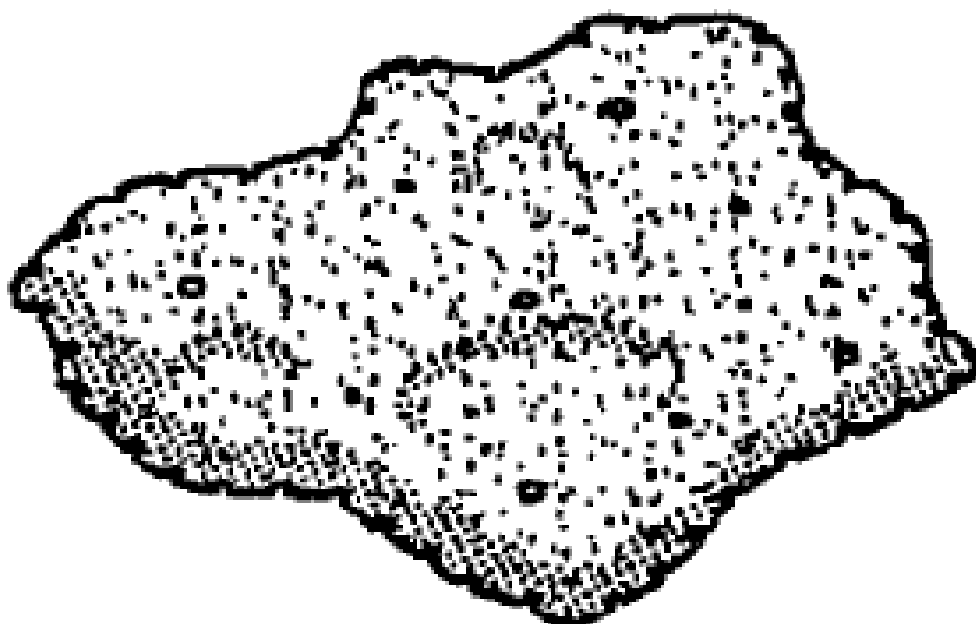


(21) Design Number: **14365/2005**
(22) Date of Filing Application: **06 October 2005**
(24) Date from which industrial property rights may have effect: **06 October 2005**
(54) Product in respect of which the design is registered: **Baked snack chips with irregular shape having notched edges**
(51) International Design Classification: **01-01**
(71) Name(s) and Address(s) of Applicant(s):
Kraft Foods Holdings, Inc.
Three Lakes Drive Northfield Illinois 60093 United States of America
(72) Name(s) of Designer(s): **Mihaelos N. Mihalos and Domenico Cassone and Zena E. Forte and Joseph Fierro and Henry Fernandes**
(45) Registration Date: **07 April 2006**
(30) Convention priority data:
(31) Number (32) Date (33) Country
29/227291 08 Apr 2005 UNITED STATES OF AMERICA
(56) Related Art Documents: **Not Applicable**
(57) Statement of Newness and Distinctiveness: **Nil**



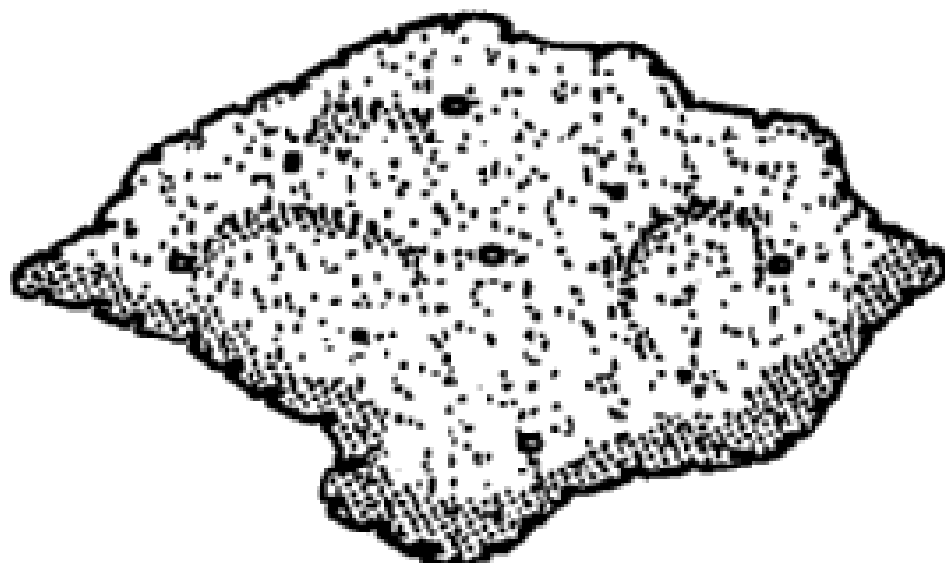
(19) AU

- (21) Design Number: **14366/2005**
(22) Date of Filing Application: **06 October 2005**
(24) Date from which industrial property rights may have effect: **06 October 2005**
(54) Product in respect of which the design is registered: **Baked snack chips with irregular shape having notched edges**
(51) International Design Classification: **01-01**
(71) Name(s) and Address(s) of Applicant(s):
Kraft Foods Holdings, Inc.
Three Lakes Drive Northfield Illinois 60093 United States of America
(72) Name(s) of Designer(s): **Mihaelos N. Mihalos and Domenico Cassone and Zena E. Forte and Joseph Fierro and Henry Fernandes**
(45) Registration Date: **07 April 2006**
(30) Convention priority data:
(31) Number (32) Date (33) Country
29/227291 08 Apr 2005 UNITED STATES OF AMERICA
(56) Related Art Documents: **Not Applicable**
(57) Statement of Newness and Distinctiveness: **Nil**



(19) AU

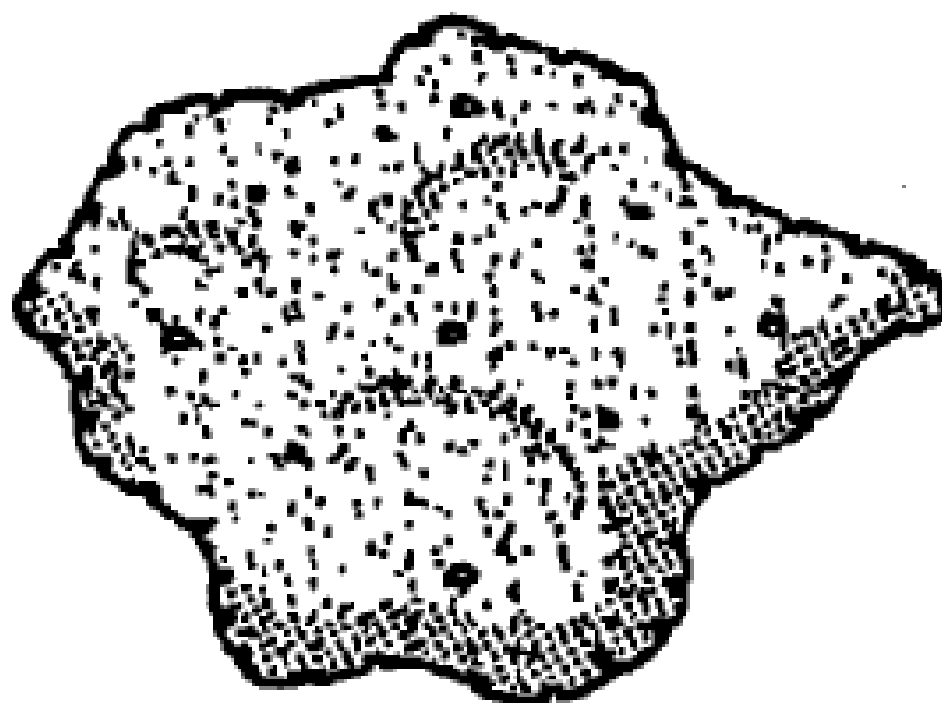
- (21) Design Number: **14367/2005**
(22) Date of Filing Application: **06 October 2005**
(24) Date from which industrial property rights may have effect: **06 October 2005**
(54) Product in respect of which the design is registered: **Baked snack chips with irregular shape having notched edges**
(51) International Design Classification: **01-01**
(71) Name(s) and Address(s) of Applicant(s):
Kraft Foods Holdings, Inc.
Three Lakes Drive Northfield Illinois 60093 United States of America
(72) Name(s) of Designer(s): **Mihaelos N. Mihalos and Domenico Cassone and Zena E. Forte and Joseph Fierro and Henry Fernandes**
(45) Registration Date: **07 April 2006**
(30) Convention priority data:
(31) Number (32) Date (33) Country
29/227291 08 Apr 2005 UNITED STATES OF AMERICA
(56) Related Art Documents: **Not Applicable**
(57) Statement of Newness and Distinctiveness: **Nil**



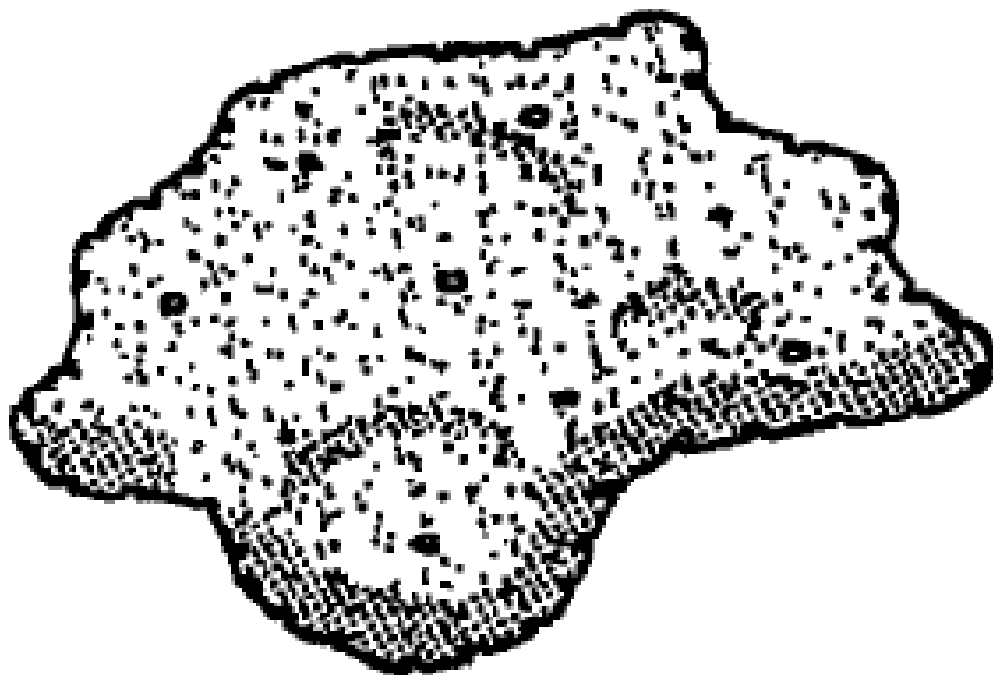
(21) Design Number: **14368/2005**
(22) Date of Filing Application: **06 October 2005**
(24) Date from which industrial property rights may have effect: **06 October 2005**
(54) Product in respect of which the design is registered: **Baked snack chips with irregular shape having notched edges**
(51) International Design Classification: **01-01**
(71) Name(s) and Address(s) of Applicant(s):
Kraft Foods Holdings, Inc.
Three Lakes Drive Northfield Illinois 60093 United States of America
(72) Name(s) of Designer(s): **Mihaelos N. Mihalos and Domenico Cassone and Zena E. Forte and Joseph Fierro and Henry Fernandes**
(45) Registration Date: **07 April 2006**
(30) Convention priority data:
(31) Number (32) Date (33) Country
29/227291 08 Apr 2005 UNITED STATES OF AMERICA
(56) Related Art Documents: **Not Applicable**
(57) Statement of Newness and Distinctiveness: **Nil**



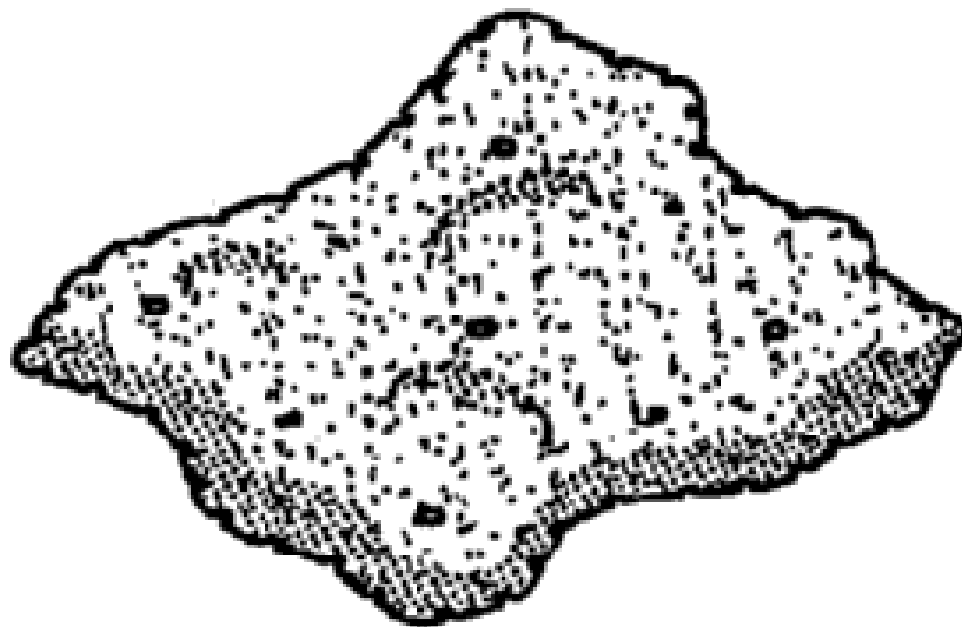
(21) Design Number: **14369/2005**
(22) Date of Filing Application: **06 October 2005**
(24) Date from which industrial property rights may have effect: **06 October 2005**
(54) Product in respect of which the design is registered: **Baked snack chips with irregular shape having notched edges**
(51) International Design Classification: **01-01**
(71) Name(s) and Address(s) of Applicant(s):
Kraft Foods Holdings, Inc.
Three Lakes Drive Northfield Illinois 60093 United States of America
(72) Name(s) of Designer(s): **Mihaelos N. Mihalos and Domenico Cassone and Zena E. Forte and Joseph Fierro and Henry Fernandes**
(45) Registration Date: **07 April 2006**
(30) Convention priority data:
(31) Number (32) Date (33) Country
29/227291 08 Apr 2005 UNITED STATES OF AMERICA
(56) Related Art Documents: **Not Applicable**
(57) Statement of Newness and Distinctiveness: **Nil**



(21) Design Number: **14370/2005**
(22) Date of Filing Application: **06 October 2005**
(24) Date from which industrial property rights may have effect: **06 October 2005**
(54) Product in respect of which the design is registered: **Baked snack chips with irregular shape having notched edges**
(51) International Design Classification: **01-01**
(71) Name(s) and Address(s) of Applicant(s):
Kraft Foods Holdings, Inc.
Three Lakes Drive Northfield Illinois 60093 United States of America
(72) Name(s) of Designer(s): **Mihaelos N. Mihalos and Domenico Cassone and Zena E. Forte and Joseph Fierro and Henry Fernandes**
(45) Registration Date: **07 April 2006**
(30) Convention priority data:
(31) Number (32) Date (33) Country
29/227291 08 Apr 2005 UNITED STATES OF AMERICA
(56) Related Art Documents: **Not Applicable**
(57) Statement of Newness and Distinctiveness: **Nil**

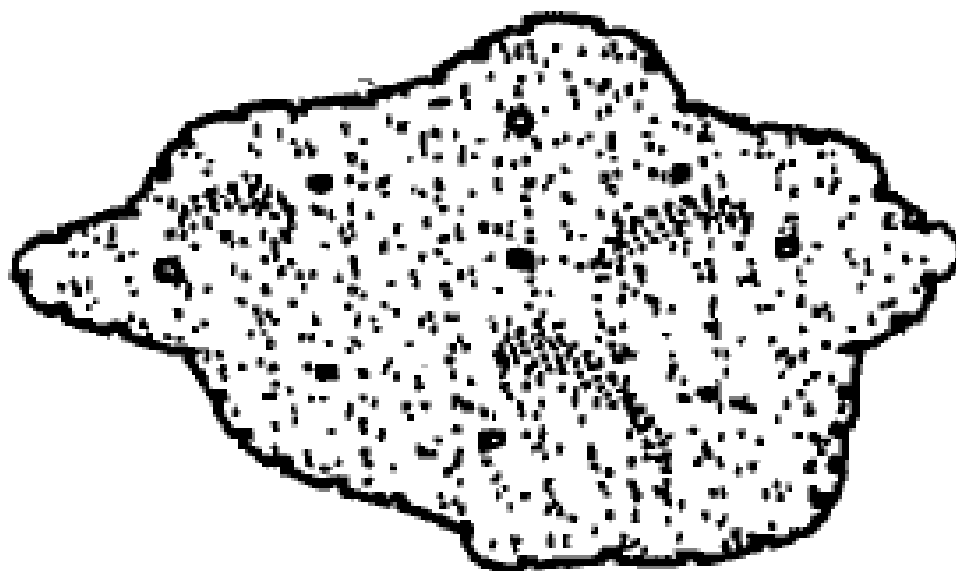


(21) Design Number: **14371/2005**
(22) Date of Filing Application: **06 October 2005**
(24) Date from which industrial property rights may have effect: **06 October 2005**
(54) Product in respect of which the design is registered: **Baked snack chips with irregular shape having notched edges**
(51) International Design Classification: **01-01**
(71) Name(s) and Address(s) of Applicant(s):
Kraft Foods Holdings, Inc.
Three Lakes Drive Northfield Illinois 60093 United States of America
(72) Name(s) of Designer(s): **Mihaelos N. Mihalos and Domenico Cassone and Zena E. Forte and Joseph Fierro and Henry Fernandes**
(45) Registration Date: **07 April 2006**
(30) Convention priority data:
(31) Number (32) Date (33) Country
29/227291 08 Apr 2005 UNITED STATES OF AMERICA
(56) Related Art Documents: **Not Applicable**
(57) Statement of Newness and Distinctiveness: **Nil**



(19) AU

- (21) Design Number: **14372/2005**
(22) Date of Filing Application: **06 October 2005**
(24) Date from which industrial property rights may have effect: **06 October 2005**
(54) Product in respect of which the design is registered: **Baked snack chips with irregular shape having notched edges**
(51) International Design Classification: **01-01**
(71) Name(s) and Address(s) of Applicant(s):
Kraft Foods Holdings, Inc.
Three Lakes Drive Northfield Illinois 60093 United States of America
(72) Name(s) of Designer(s): **Mihaelos N. Mihalos and Domenico Cassone and Zena E. Forte and Joseph Fierro and Henry Fernandes**
(45) Registration Date: **07 April 2006**
(30) Convention priority data:
(31) Number (32) Date (33) Country
29/227291 08 Apr 2005 UNITED STATES OF AMERICA
(56) Related Art Documents: **Not Applicable**
(57) Statement of Newness and Distinctiveness: **Nil**

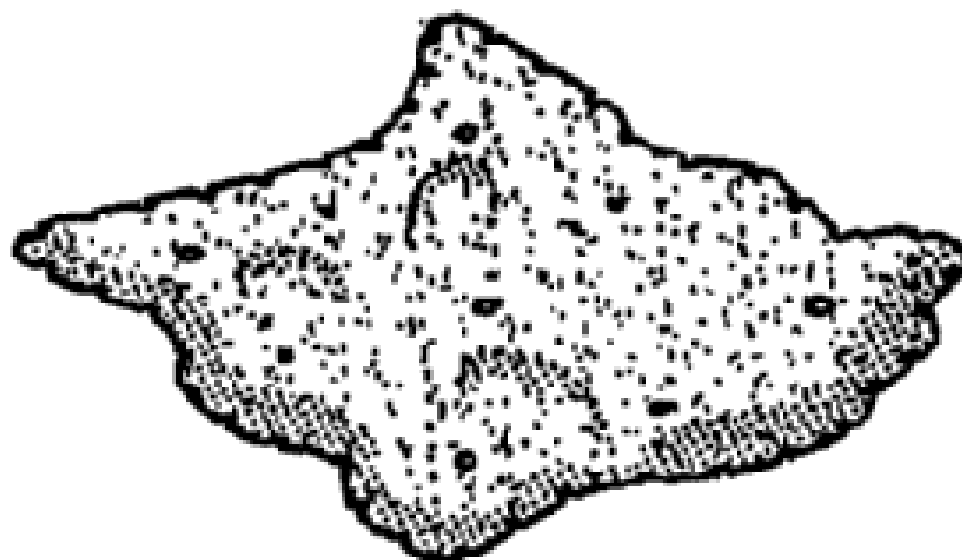


(19) AU

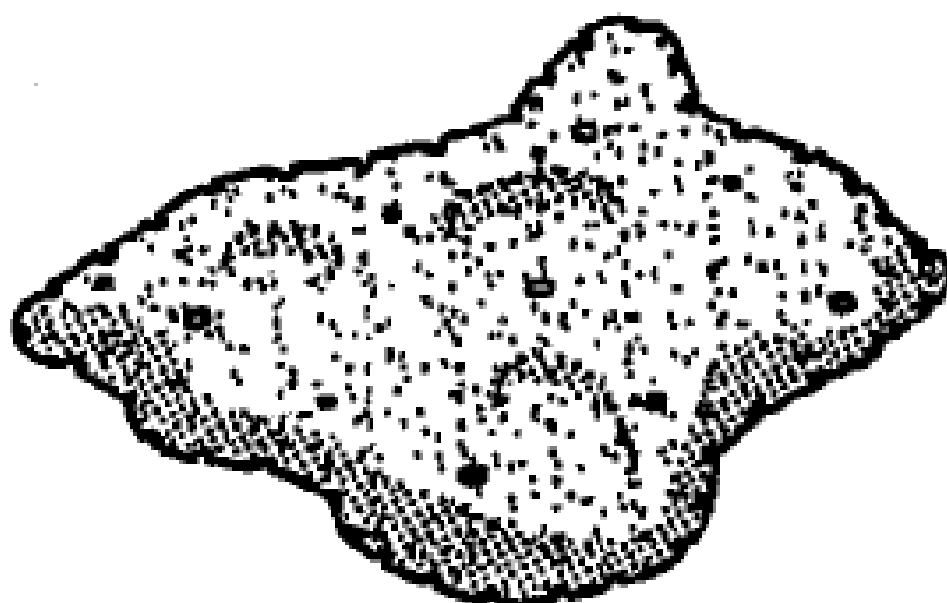
- (21) Design Number: **14373/2005**
(22) Date of Filing Application: **06 October 2005**
(24) Date from which industrial property rights may have effect: **06 October 2005**
(54) Product in respect of which the design is registered: **Baked snack chips with irregular shape having notched edges**
(51) International Design Classification: **01-01**
(71) Name(s) and Address(s) of Applicant(s):
Kraft Foods Holdings, Inc.
Three Lakes Drive Northfield Illinois 60093 United States of America
(72) Name(s) of Designer(s): **Mihaelos N. Mihalos and Domenico Cassone and Zena E. Forte and Joseph Fierro and Henry Fernandes**
(45) Registration Date: **07 April 2006**
(30) Convention priority data:
(31) Number (32) Date (33) Country
29/227291 08 Apr 2005 UNITED STATES OF AMERICA
(56) Related Art Documents: **Not Applicable**
(57) Statement of Newness and Distinctiveness: **Nil**



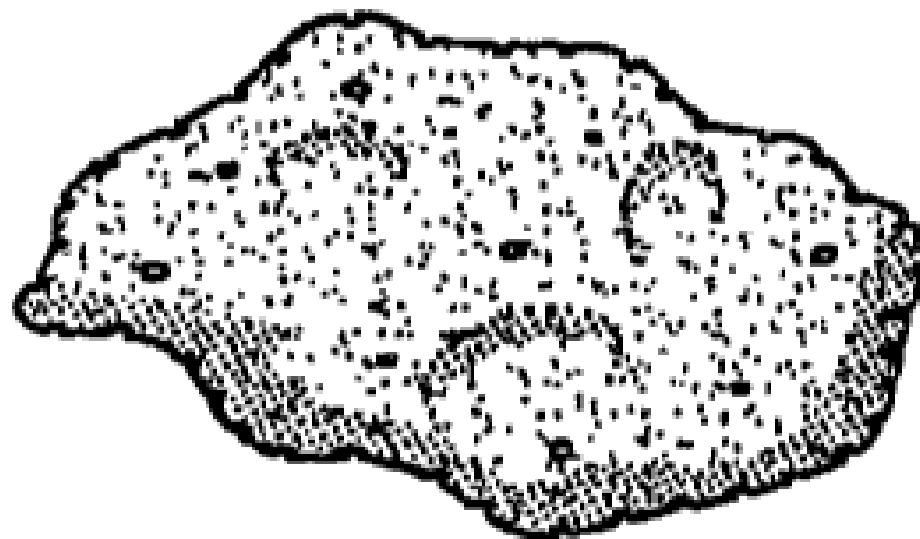
(21) Design Number: **14374/2005**
(22) Date of Filing Application: **06 October 2005**
(24) Date from which industrial property rights may have effect: **06 October 2005**
(54) Product in respect of which the design is registered: **Baked snack chips with irregular shape having notched edges**
(51) International Design Classification: **01-01**
(71) Name(s) and Address(s) of Applicant(s):
Kraft Foods Holdings, Inc.
Three Lakes Drive Northfield Illinois 60093 United States of America
(72) Name(s) of Designer(s): **Mihaelos N. Mihalos and Domenico Cassone and Zena E. Forte and Joseph Fierro and Henry Fernandes**
(45) Registration Date: **07 April 2006**
(30) Convention priority data:
(31) Number (32) Date (33) Country
29/227291 08 Apr 2005 UNITED STATES OF AMERICA
(56) Related Art Documents: **Not Applicable**
(57) Statement of Newness and Distinctiveness: **Nil**



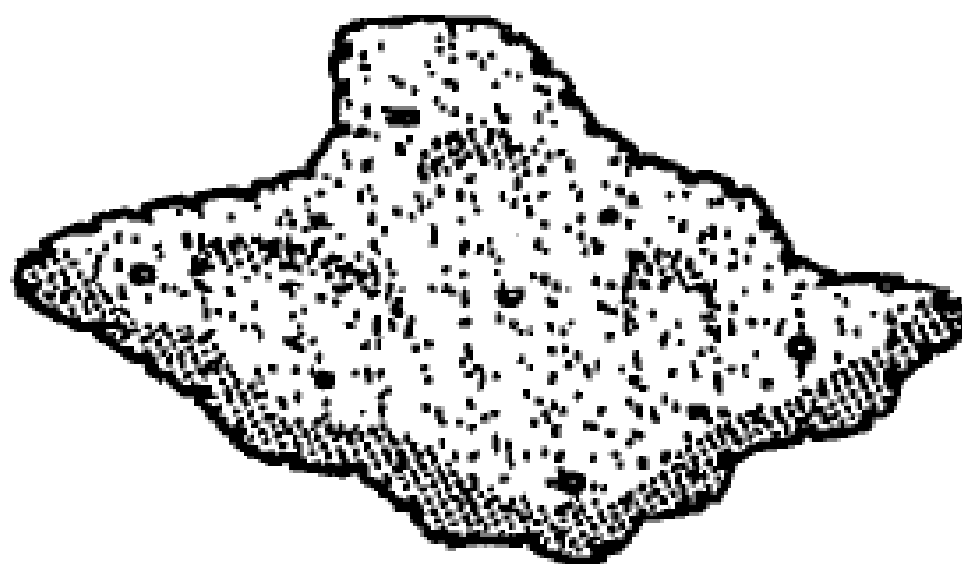
(21) Design Number: **14375/2005**
(22) Date of Filing Application: **06 October 2005**
(24) Date from which industrial property rights may have effect: **06 October 2005**
(54) Product in respect of which the design is registered: **Baked snack chips with irregular shape having notched edges**
(51) International Design Classification: **01-01**
(71) Name(s) and Address(s) of Applicant(s):
Kraft Foods Holdings, Inc.
Three Lakes Drive Northfield Illinois 60093 United States of America
(72) Name(s) of Designer(s): **Mihaelos N. Mihalos and Domenico Cassone and Zena E. Forte and Joseph Fierro and Henry Fernandes**
(45) Registration Date: **07 April 2006**
(30) Convention priority data:
(31) Number (32) Date (33) Country
29/227291 08 Apr 2005 UNITED STATES OF AMERICA
(56) Related Art Documents: **Not Applicable**
(57) Statement of Newness and Distinctiveness: **Nil**



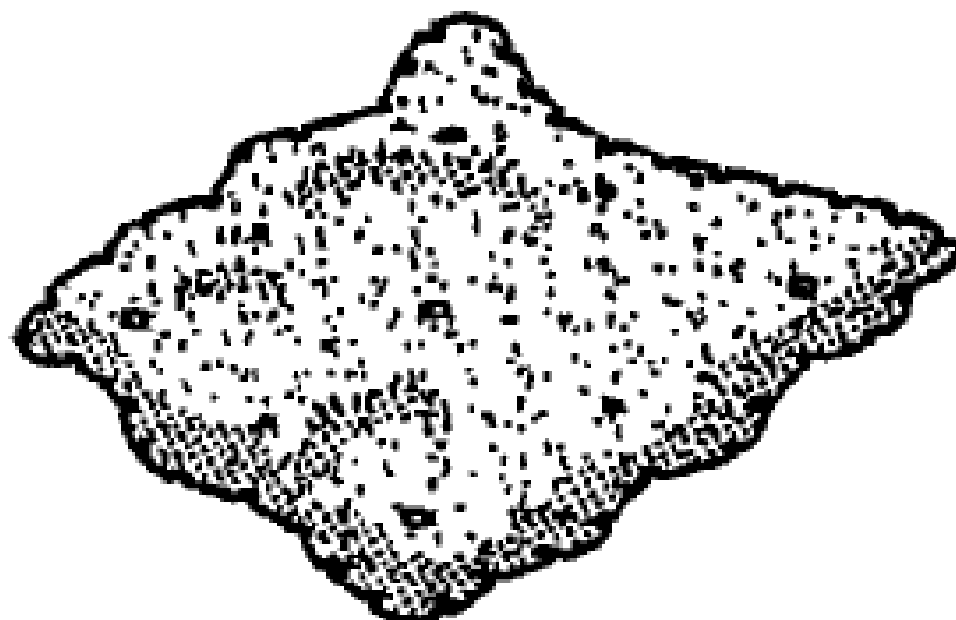
(21) Design Number: **14376/2005**
(22) Date of Filing Application: **06 October 2005**
(24) Date from which industrial property rights may have effect: **06 October 2005**
(54) Product in respect of which the design is registered: **Baked snack chips with irregular shape having notched edges**
(51) International Design Classification: **01-01**
(71) Name(s) and Address(s) of Applicant(s):
Kraft Foods Holdings, Inc.
Three Lakes Drive Northfield Illinois 60093 United States of America
(72) Name(s) of Designer(s): **Mihaelos N. Mihalos and Domenico Cassone and Zena E. Forte and Joseph Fierro and Henry Fernandes**
(45) Registration Date: **07 April 2006**
(30) Convention priority data:
(31) Number (32) Date (33) Country
29/227291 08 Apr 2005 UNITED STATES OF AMERICA
(56) Related Art Documents: **Not Applicable**
(57) Statement of Newness and Distinctiveness: **Nil**



(21) Design Number: **14377/2005**
(22) Date of Filing Application: **06 October 2005**
(24) Date from which industrial property rights may have effect: **06 October 2005**
(54) Product in respect of which the design is registered: **Baked snack chips with irregular shape having notched edges**
(51) International Design Classification: **01-01**
(71) Name(s) and Address(s) of Applicant(s):
Kraft Foods Holdings, Inc.
Three Lakes Drive Northfield Illinois 60093 United States of America
(72) Name(s) of Designer(s): **Mihaelos N. Mihalos and Domenico Cassone and Zena E. Forte and Joseph Fierro and Henry Fernandes**
(45) Registration Date: **07 April 2006**
(30) Convention priority data:
(31) Number (32) Date (33) Country
29/227291 08 Apr 2005 UNITED STATES OF AMERICA
(56) Related Art Documents: **Not Applicable**
(57) Statement of Newness and Distinctiveness: **Nil**



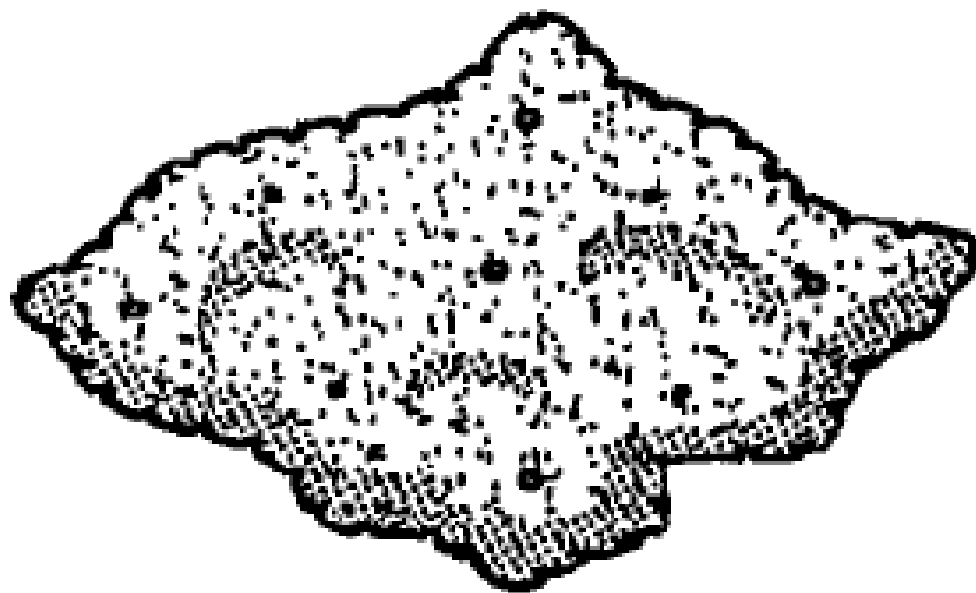
(21) Design Number: **14378/2005**
(22) Date of Filing Application: **06 October 2005**
(24) Date from which industrial property rights may have effect: **06 October 2005**
(54) Product in respect of which the design is registered: **Baked snack chips with irregular shape having notched edges**
(51) International Design Classification: **01-01**
(71) Name(s) and Address(s) of Applicant(s):
Kraft Foods Holdings, Inc.
Three Lakes Drive Northfield Illinois 60093 United States of America
(72) Name(s) of Designer(s): **Mihaelos N. Mihalos and Domenico Cassone and Zena E. Forte and Joseph Fierro and Henry Fernandes**
(45) Registration Date: **07 April 2006**
(30) Convention priority data:
(31) Number (32) Date (33) Country
29/227291 08 Apr 2005 UNITED STATES OF AMERICA
(56) Related Art Documents: **Not Applicable**
(57) Statement of Newness and Distinctiveness: **Nil**



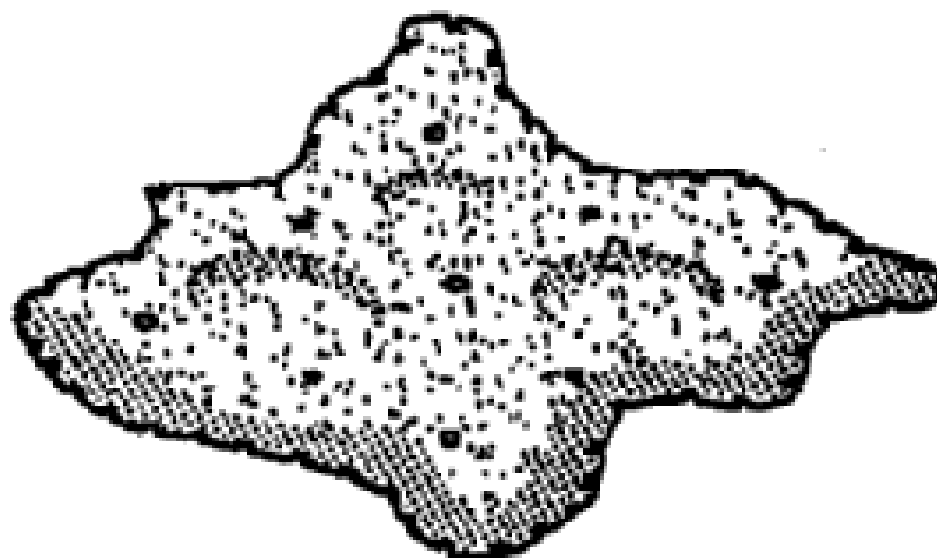
(21) Design Number: **14379/2005**
(22) Date of Filing Application: **06 October 2005**
(24) Date from which industrial property rights may have effect: **06 October 2005**
(54) Product in respect of which the design is registered: **Baked snack chips with irregular shape having notched edges**
(51) International Design Classification: **01-01**
(71) Name(s) and Address(s) of Applicant(s):
Kraft Foods Holdings, Inc.
Three Lakes Drive Northfield Illinois 60093 United States of America
(72) Name(s) of Designer(s): **Mihaelos N. Mihalos and Domenico Cassone and Zena E. Forte and Joseph Fierro and Henry Fernandes**
(45) Registration Date: **07 April 2006**
(30) Convention priority data:
(31) Number (32) Date (33) Country
29/227291 08 Apr 2005 UNITED STATES OF AMERICA
(56) Related Art Documents: **Not Applicable**
(57) Statement of Newness and Distinctiveness: **Nil**



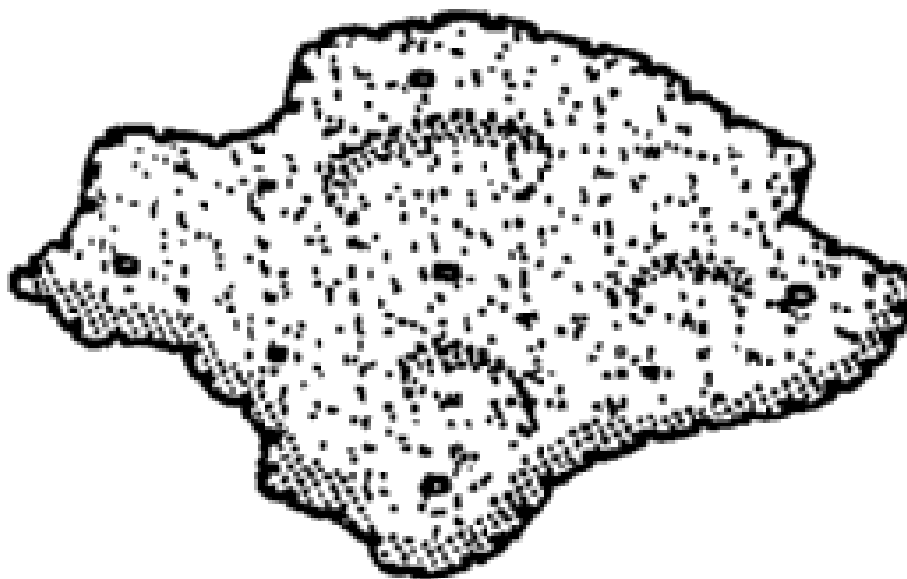
(21) Design Number: **14380/2005**
(22) Date of Filing Application: **06 October 2005**
(24) Date from which industrial property rights may have effect: **06 October 2005**
(54) Product in respect of which the design is registered: **Baked snack chips with irregular shape having notched edges**
(51) International Design Classification: **01-01**
(71) Name(s) and Address(s) of Applicant(s):
Kraft Foods Holdings, Inc.
Three Lakes Drive Northfield Illinois 60093 United States of America
(72) Name(s) of Designer(s): **Mihaelos N. Mihalos and Domenico Cassone and Zena E. Forte and Joseph Fierro and Henry Fernandes**
(45) Registration Date: **07 April 2006**
(30) Convention priority data:
(31) Number (32) Date (33) Country
29/227291 08 Apr 2005 UNITED STATES OF AMERICA
(56) Related Art Documents: **Not Applicable**
(57) Statement of Newness and Distinctiveness: **Nil**



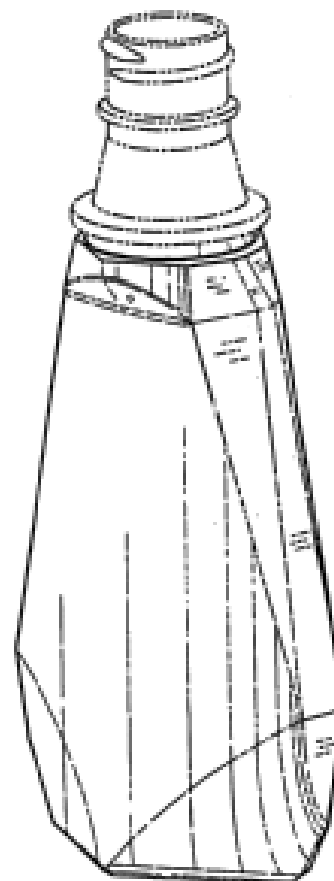
(21) Design Number: **14381/2005**
(22) Date of Filing Application: **06 October 2005**
(24) Date from which industrial property rights may have effect: **06 October 2005**
(54) Product in respect of which the design is registered: **Baked snack chips with irregular shape having notched edges**
(51) International Design Classification: **01-01**
(71) Name(s) and Address(s) of Applicant(s):
Kraft Foods Holdings, Inc.
Three Lakes Drive Northfield Illinois 60093 United States of America
(72) Name(s) of Designer(s): **Mihaelos N. Mihalos and Domenico Cassone and Zena E. Forte and Joseph Fierro and Henry Fernandes**
(45) Registration Date: **07 April 2006**
(30) Convention priority data:
(31) Number (32) Date (33) Country
29/227291 08 Apr 2005 UNITED STATES OF AMERICA
(56) Related Art Documents: **Not Applicable**
(57) Statement of Newness and Distinctiveness: **Nil**



(21) Design Number: **14382/2005**
 (22) Date of Filing Application: **06 October 2005**
 (24) Date from which industrial property rights may have effect: **06 October 2005**
 (54) Product in respect of which the design is registered: **Baked snack chips with irregular shape having notched edges**
 (51) International Design Classification: **01-01**
 (71) Name(s) and Address(s) of Applicant(s):
Kraft Foods Holdings, Inc.
Three Lakes Drive Northfield Illinois 60093 United States of America
 (72) Name(s) of Designer(s): **Mihaelos N. Mihalos and Domenico Cassone and Zena E. Forte and Joseph Fierro and Henry Fernandes**
 (45) Registration Date: **07 April 2006**
 (30) Convention priority data:
 (31) Number (32) Date (33) Country
29/227291 08 Apr 2005 UNITED STATES OF AMERICA
 (56) Related Art Documents: **Not Applicable**
 (57) Statement of Newness and Distinctiveness: **Nil**



(21) Design Number: **12343/2005**
 (22) Date of Filing Application: **30 May 2005**
 (24) Date from which industrial property rights may have effect: **30 May 2005**
 (54) Product in respect of which the design is registered: **Bottles**
 (51) International Design Classification: **09-01G**
 (71) Name(s) and Address(s) of Applicant(s):
The Procter & Gamble Company
One Procter & Gamble Plaza Cincinnati Ohio 45202 United States of America
 (72) Name(s) of Designer(s): **Timothy Sadley Owens and Shella Marie Kelly and Phillip Edwin Hague and Robert Maurice Lynch IV and Jason Craig Campbell**
 (45) Registration Date: **07 April 2006**
 (30) Convention priority data:
 (31) Number (32) Date (33) Country
29/219,712 21 Dec 2004 UNITED STATES OF AMERICA
 (56) Related Art Documents: **Not Applicable**
 (57) Statement of Newness and Distinctiveness: **Those features of the bottles depicted in the representations that are new and distinctive are the shape and/or configuration. The features shown in broken line are not part of the design and are to be disregarded when considering the overall impression of the design.**

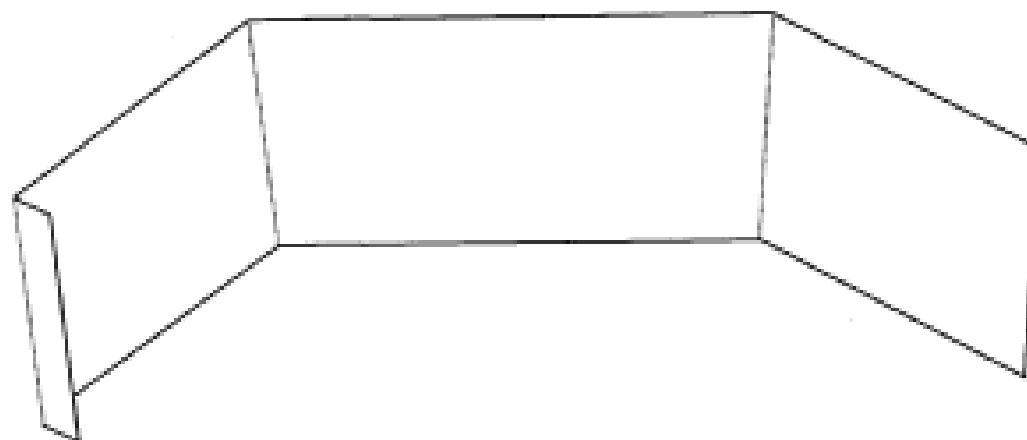


- (21) Design Number: **13661/2005**
- (22) Date of Filing Application: **25 August 2005**
- (24) Date from which industrial property rights may have effect: **25 August 2005**
- (54) Product in respect of which the design is registered: **A front cover for a handset**
- (51) International Design Classification: **14-03A**
- (71) Name(s) and Address(s) of Applicant(s):
Nokia Corporation
Keilalahdentie 4 FIN-02150 Espoo Finland
- (72) Name(s) of Designer(s): **Edward Mitchell**
- (45) Registration Date: **07 April 2006**
- (30) Convention priority data:

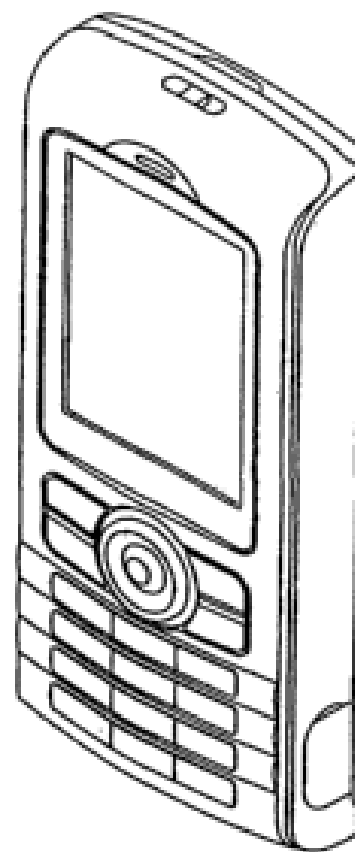
(31) Number	(32) Date	(33) Country
29224248	25 Feb 2005	UNITED STATES OF AMERICA
- (56) Related Art Documents: **Not Applicable**
- (57) Statement of Newness and Distinctiveness: **Newness and distinctiveness is claimed in the visual features shown in solid lines in the representations.**



- (21) Design Number: **13693/2005**
- (22) Date of Filing Application: **24 August 2005**
- (24) Date from which industrial property rights may have effect: **24 August 2005**
- (54) Product in respect of which the design is registered: **Postcard**
- (51) International Design Classification: **19-01**
- (71) Name(s) and Address(s) of Applicant(s):
Stewart Coates
150 Gifford Street Magnetic Island Queensland 4819 Australia
Ann Roche
150 Gifford Street Magnetic Island Queensland 4819 Australia
- (72) Name(s) of Designer(s): **Stewart Coates and Ann Roche**
- (45) Registration Date: **07 April 2006**
- (56) Related Art Documents: **Not Applicable**
- (57) Statement of Newness and Distinctiveness: **The new feature of the design is the multi panel, fold-out function displaying a panoramic centrefold image.**



- (21) Design Number: **14450/2005**
(22) Date of Filing Application: **10 October 2005**
(24) Date from which industrial property rights may have effect: **10 October 2005**
(54) Product in respect of which the design is registered: **Portable telephone**
(51) International Design Classification: **14-03E**
(71) Name(s) and Address(s) of Applicant(s):
Sharp Kabushiki Kaisha
22-22 Nagaïke-cho Abeno-ku Osaka Japan
(72) Name(s) of Designer(s): **Satoshi Mizuno and Yasuhiko Mano and Kazumi Naganuma**
(45) Registration Date: **07 April 2006**
(30) Convention priority data:
(31) Number (32) Date (33) Country
2005-015910 01 Jun 2005 JAPAN
(56) Related Art Documents: **Not Applicable**
(57) Statement of Newness and Distinctiveness: **Nil**



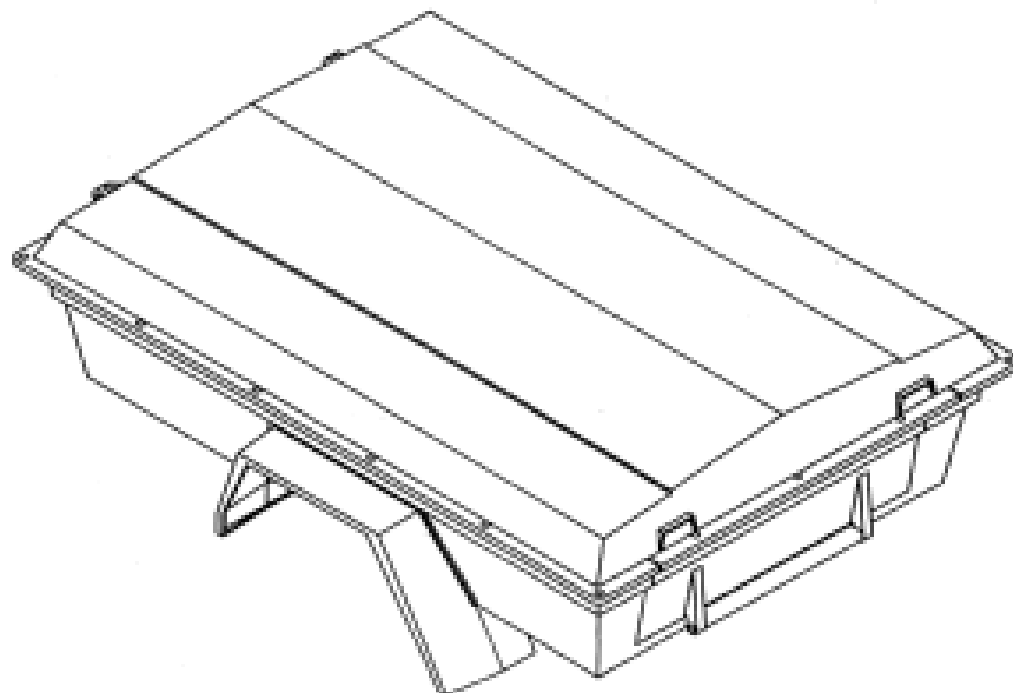
- (21) Design Number: **14462/2005**
(22) Date of Filing Application: **11 October 2005**
(24) Date from which industrial property rights may have effect: **11 October 2005**
(54) Product in respect of which the design is registered: **Chair and table**
(51) International Design Classification: **06-01E, 06-01G, 06-01H**
(71) Name(s) and Address(s) of Applicant(s):
Nique Enterprises Pty Limited
2 Ainsley Close Sommersby New South Wales 2250 Australia
(72) Name(s) of Designer(s): **Tom Bihari**
(45) Registration Date: **07 April 2006**
(56) Related Art Documents: **Not Applicable**
(57) Statement of Newness and Distinctiveness: **Newness and distinctiveness is claimed in respect of the shape and configuration of the combined chair and table as illustrated in the accompanying representations.**



- (21) Design Number: **14466/2005**
- (22) Date of Filing Application: **11 October 2005**
- (24) Date from which industrial property rights may have effect: **11 October 2005**
- (54) Product in respect of which the design is registered: **A trailer tray**
- (51) International Design Classification: **12-10**
- (71) Name(s) and Address(s) of Applicant(s):

Arthur Yeates
1337 Upper Ross River Road Kelso Queensland 4815 Australia

- (72) Name(s) of Designer(s): **Arthur Yeates**
- (45) Registration Date: **07 April 2006**
- (56) Related Art Documents: **Not Applicable**
- (57) Statement of Newness and Distinctiveness: **Newness and distinctiveness resides in the shape and configuration of the trailer tray shown in the accompanying representations, and in considering the extent of the monopoly protection, the features shown in phantom are to be disregarded.**



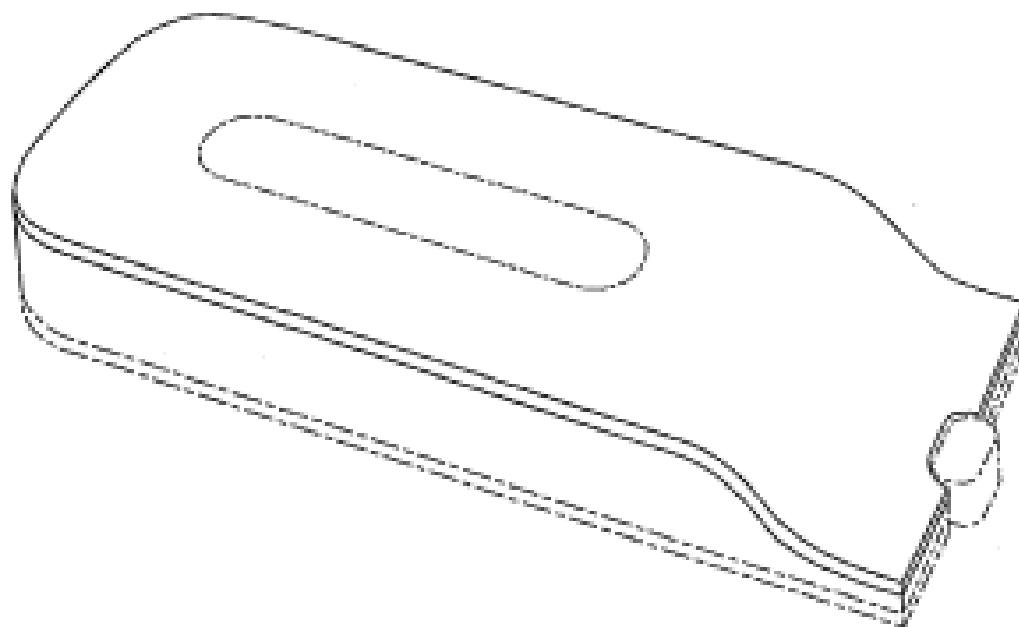
- (21) Design Number: **14472/2005**
- (22) Date of Filing Application: **12 October 2005**
- (24) Date from which industrial property rights may have effect: **12 October 2005**
- (54) Product in respect of which the design is registered: **Housing for a memory device**
- (51) International Design Classification: **14-02, 21-01N**
- (71) Name(s) and Address(s) of Applicant(s):

Microsoft Corporation
One Microsoft Way Redmond Washington 98052 United States of America

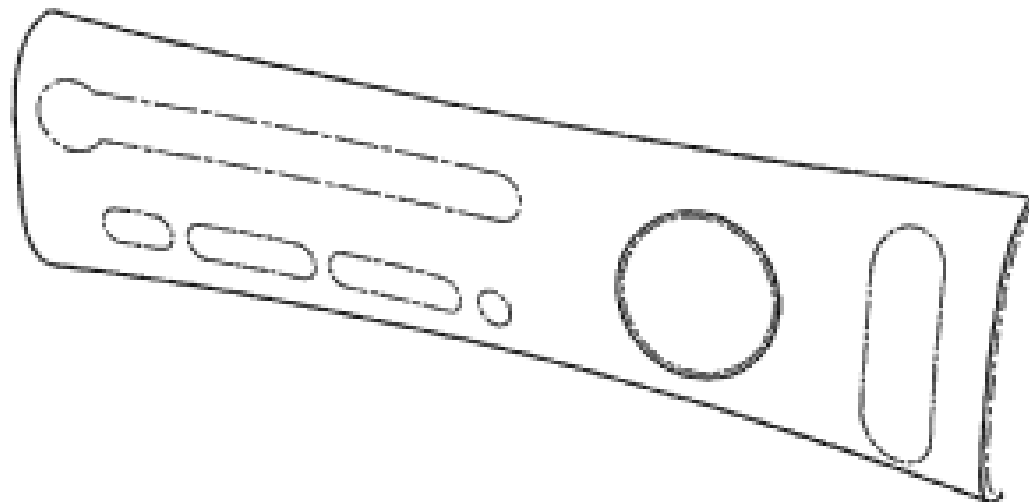
- (72) Name(s) of Designer(s): **Johnathan A. Hayes and Jeffery M. Reents**
- (45) Registration Date: **07 April 2006**
- (30) Convention priority data:

(31) Number	(32) Date	(33) Country
29/227646	14 Apr 2005	UNITED STATES OF AMERICA

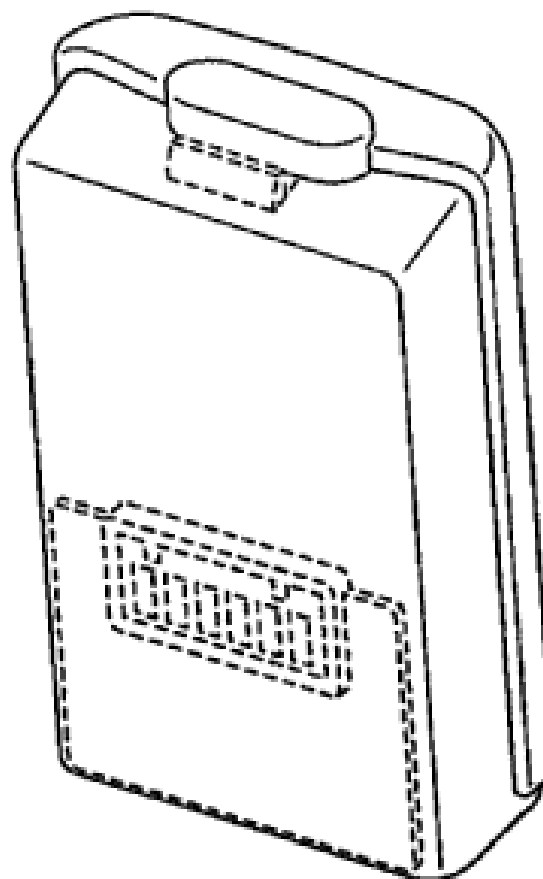
- (56) Related Art Documents: **Not Applicable**
- (57) Statement of Newness and Distinctiveness: **Newness and distinctiveness reside in the shape and configuration of a housing for a memory device as illustrated in the accompanying representations. The features shown in broken outline are illustrative only and do not form part of the design.**



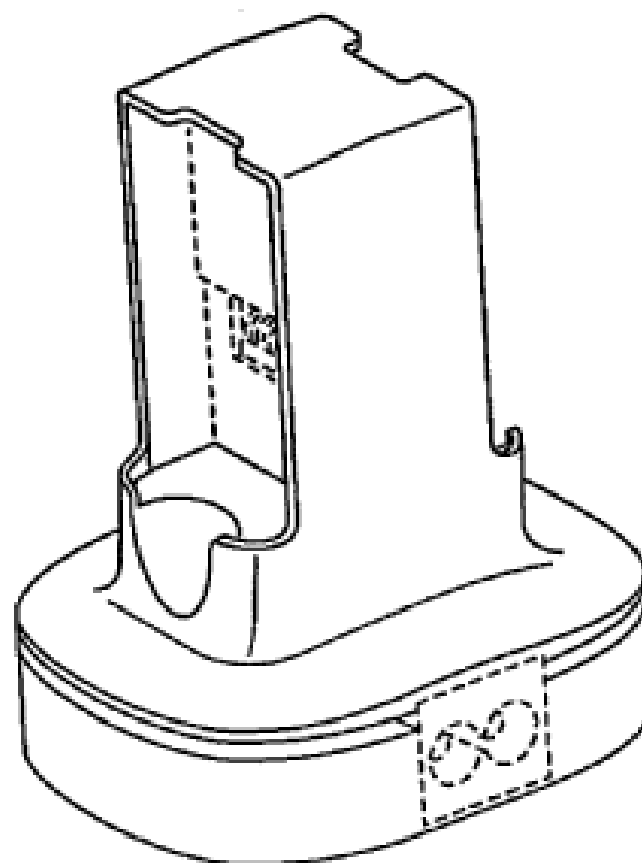
(21) Design Number: **14475/2005**
(22) Date of Filing Application: **12 October 2005**
(24) Date from which industrial property rights may have effect: **12 October 2005**
(54) Product in respect of which the design is registered: **Front panel for an electronic housing**
(51) International Design Classification: **21-01N, 14-02**
(71) Name(s) and Address(s) of Applicant(s):
Microsoft Corporation
One Microsoft Way Redmond Washington 98052 United States of America
(72) Name(s) of Designer(s): **Johnathan A. Hayes and Jeffery M. Reents**
(45) Registration Date: **07 April 2006**
(30) Convention priority data:
(31) Number (32) Date (33) Country
29/227645 14 Apr 2005 UNITED STATES OF AMERICA
(56) Related Art Documents: **Not Applicable**
(57) Statement of Newness and Distinctiveness: **Newness and distinctiveness reside in the shape and configuration of a front panel for an electronic housing as illustrated in the accompanying representations. The features shown in broken outline are illustrative only and do not form part of the design.**



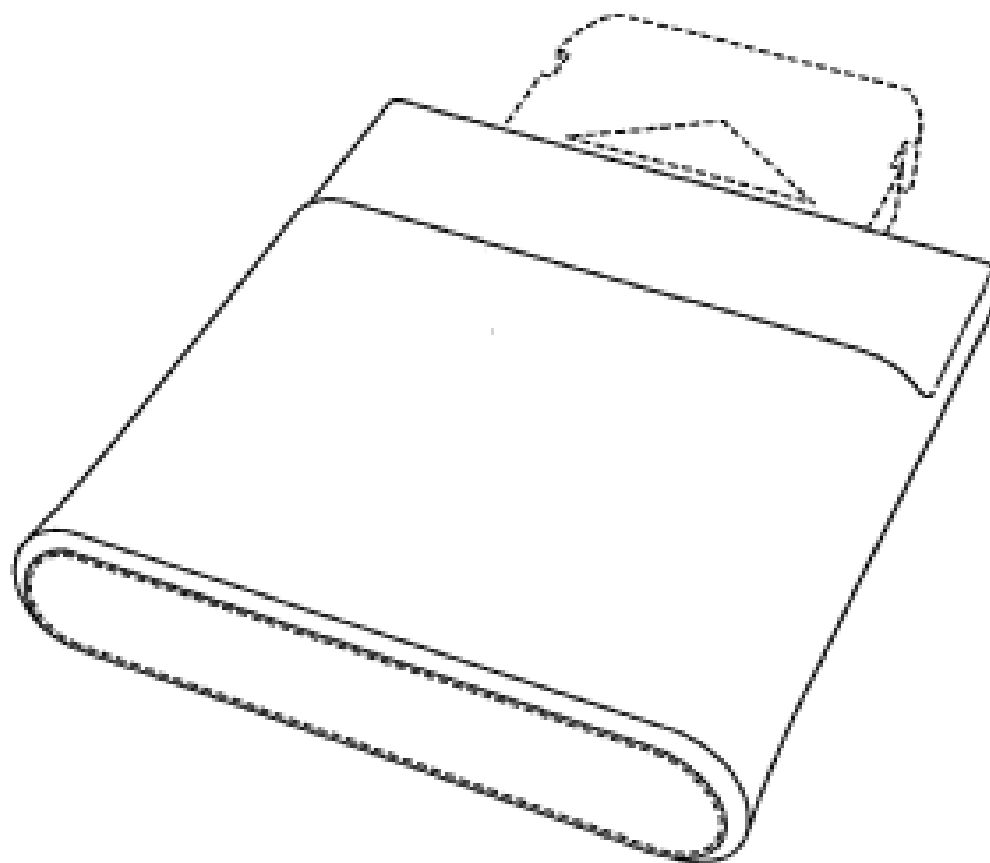
(21) Design Number: **14478/2005**
(22) Date of Filing Application: **12 October 2005**
(24) Date from which industrial property rights may have effect: **12 October 2005**
(54) Product in respect of which the design is registered: **Housing for a battery**
(51) International Design Classification: **13-02**
(71) Name(s) and Address(s) of Applicant(s):
Microsoft Corporation
One Microsoft Way Redmond Washington 98052 United States of America
(72) Name(s) of Designer(s): **Johnathan A. Hayes and Michael Baseflug and John Ikeda**
(45) Registration Date: **07 April 2006**
(30) Convention priority data:
(31) Number (32) Date (33) Country
29/227642 14 Apr 2005 UNITED STATES OF AMERICA
(56) Related Art Documents: **Not Applicable**
(57) Statement of Newness and Distinctiveness: **Newness and distinctiveness reside in the shape and configuration of a housing for a battery as illustrated in the accompanying representations. The features shown in broken outline are illustrative only and do not form part of the design.**



(21) Design Number: **14481/2005**
 (22) Date of Filing Application: **12 October 2005**
 (24) Date from which industrial property rights may have effect: **12 October 2005**
 (54) Product in respect of which the design is registered: **Housing for a battery charger**
 (51) International Design Classification: **13-02**
 (71) Name(s) and Address(s) of Applicant(s):
Microsoft Corporation
One Microsoft Way Redmond Washington 98052 United States of America
 (72) Name(s) of Designer(s): **Johnathan A. Hayes and Michael Baseflug and John Ikeda**
 (45) Registration Date: **07 April 2006**
 (30) Convention priority data:
 (31) Number (32) Date (33) Country
29/227640 14 Apr 2005 UNITED STATES OF AMERICA
 (56) Related Art Documents: **Not Applicable**
 (57) Statement of Newness and Distinctiveness: **Newness and distinctiveness reside in the shape and configuration of a housing for a battery charger as illustrated in the accompanying representations. The features shown in broken outline are illustrative only and do not form part of the design.**



(21) Design Number: **14483/2005**
 (22) Date of Filing Application: **12 October 2005**
 (24) Date from which industrial property rights may have effect: **12 October 2005**
 (54) Product in respect of which the design is registered: **Housing for a memory device**
 (51) International Design Classification: **14-02, 21-01N**
 (71) Name(s) and Address(s) of Applicant(s):
Microsoft Corporation
One Microsoft Way Redmond Washington 98052 United States of America
 (72) Name(s) of Designer(s): **Johnathan A. Hayes and Michael Baseflug and John Ikeda and James Y. Koo**
 (45) Registration Date: **07 April 2006**
 (30) Convention priority data:
 (31) Number (32) Date (33) Country
29/227623 14 Apr 2005 UNITED STATES OF AMERICA
 (56) Related Art Documents: **Not Applicable**
 (57) Statement of Newness and Distinctiveness: **Newness and distinctiveness reside in the shape and configuration of a housing for a memory device as illustrated in the accompanying representations. The features shown in broken outline are illustrative only and do not form part of the design.**



(21) Design Number: **14484/2005**

(22) Date of Filing Application: **12 October 2005**

(24) Date from which industrial property rights may have effect: **12 October 2005**

(54) Product in respect of which the design is registered: **Dentifrice**

(51) International Design Classification: **28-02**

(71) Name(s) and Address(s) of Applicant(s):

Colgate-Palmolive Company
300 Park Avenue New York New York 10022 United States of America

(72) Name(s) of Designer(s): **Thomas Boyd**

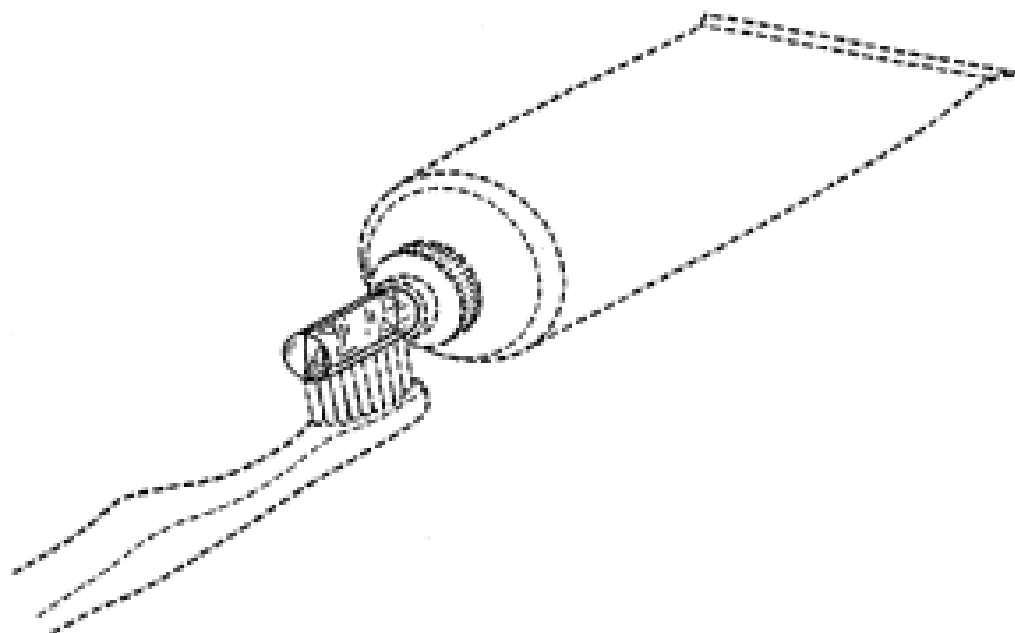
(45) Registration Date: **07 April 2006**

(30) Convention priority data:

(31) Number	(32) Date	(33) Country
29/227606	13 Apr 2005	UNITED STATES OF AMERICA

(56) Related Art Documents: **Not Applicable**

(57) Statement of Newness and Distinctiveness: **Novelty and distinctiveness reside in the features of toothpaste dispensed in two segments, one segment being substantially transparent and containing thin triangle shaped pieces, and the other segment being primarily opaque.**



(21) Design Number: **14485/2005**

(22) Date of Filing Application: **12 October 2005**

(24) Date from which industrial property rights may have effect: **12 October 2005**

(54) Product in respect of which the design is registered: **Dentifrice**

(51) International Design Classification: **28-02**

(71) Name(s) and Address(s) of Applicant(s):

Colgate-Palmolive Company
300 Park Avenue New York New York 10022 United States of America

(72) Name(s) of Designer(s): **Thomas Boyd**

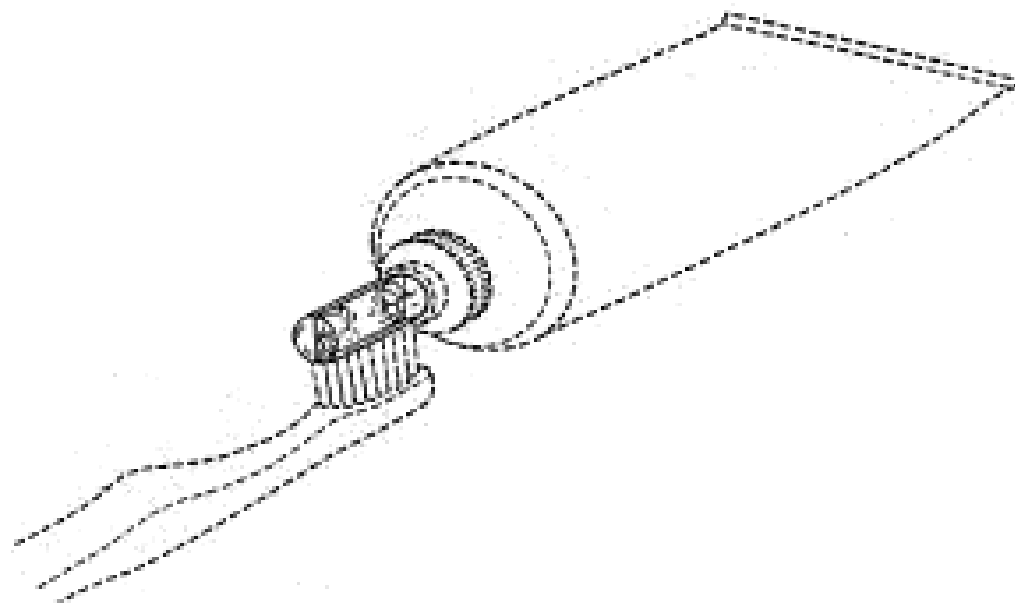
(45) Registration Date: **07 April 2006**

(30) Convention priority data:

(31) Number	(32) Date	(33) Country
29/227564	13 Apr 2005	UNITED STATES OF AMERICA

(56) Related Art Documents: **Not Applicable**

(57) Statement of Newness and Distinctiveness: **Novelty and distinctiveness resides in the features of toothpaste dispensed in two segments, one segment being substantially transparent and containing thin star shaped pieces, and the other segment being primarily opaque.**



(21) Design Number: **14486/2005**

(22) Date of Filing Application: **12 October 2005**

(24) Date from which industrial property rights may have effect: **12 October 2005**

(54) Product in respect of which the design is registered: **Dentifrice**

(51) International Design Classification: **28-02**

(71) Name(s) and Address(s) of Applicant(s):

**Colgate-Palmolive Company
300 Park Avenue New York New York 10022 United States of America**

(72) Name(s) of Designer(s): **Thomas Boyd**

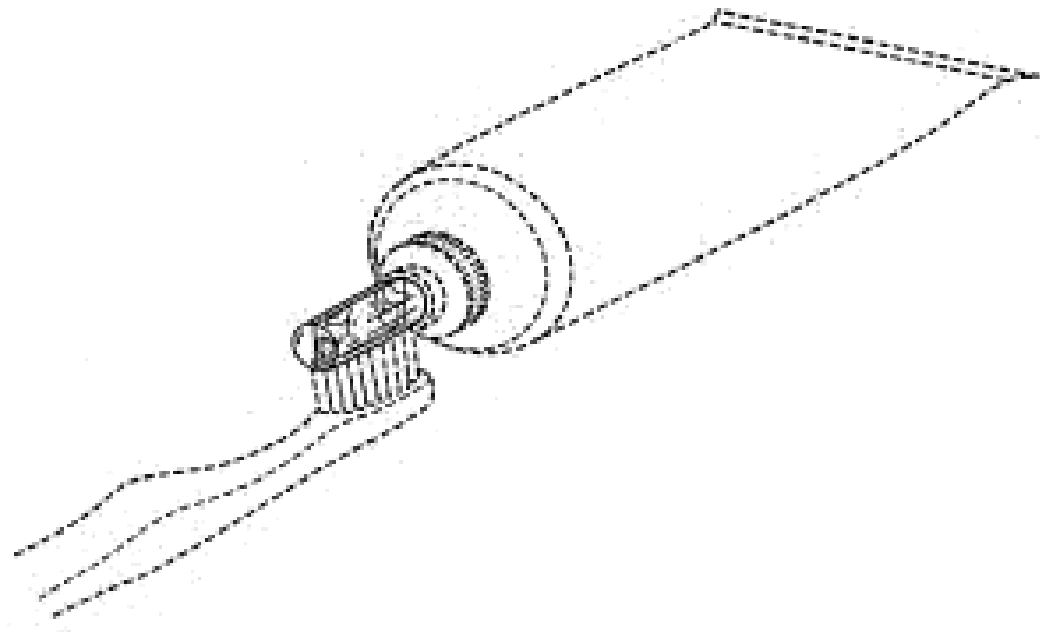
(45) Registration Date: **07 April 2006**

(30) Convention priority data:

(31) Number	(32) Date	(33) Country
29/227584	13 Apr 2005	UNITED STATES OF AMERICA

(56) Related Art Documents: **Not Applicable**

(57) Statement of Newness and Distinctiveness: **Novelty and distinctiveness resides in the features of toothpaste dispensed in two segments, one segment being substantially transparent and containing thin heart shaped pieces, and the other segment being primarily opaque.**



(21) Design Number: **14488/2005**

(22) Date of Filing Application: **12 October 2005**

(24) Date from which industrial property rights may have effect: **12 October 2005**

(54) Product in respect of which the design is registered: **Dentifrice**

(51) International Design Classification: **28-02**

(71) Name(s) and Address(s) of Applicant(s):

**Colgate-Palmolive Company
300 Park Avenue New York New York 10022 United States of America**

(72) Name(s) of Designer(s): **Thomas Boyd**

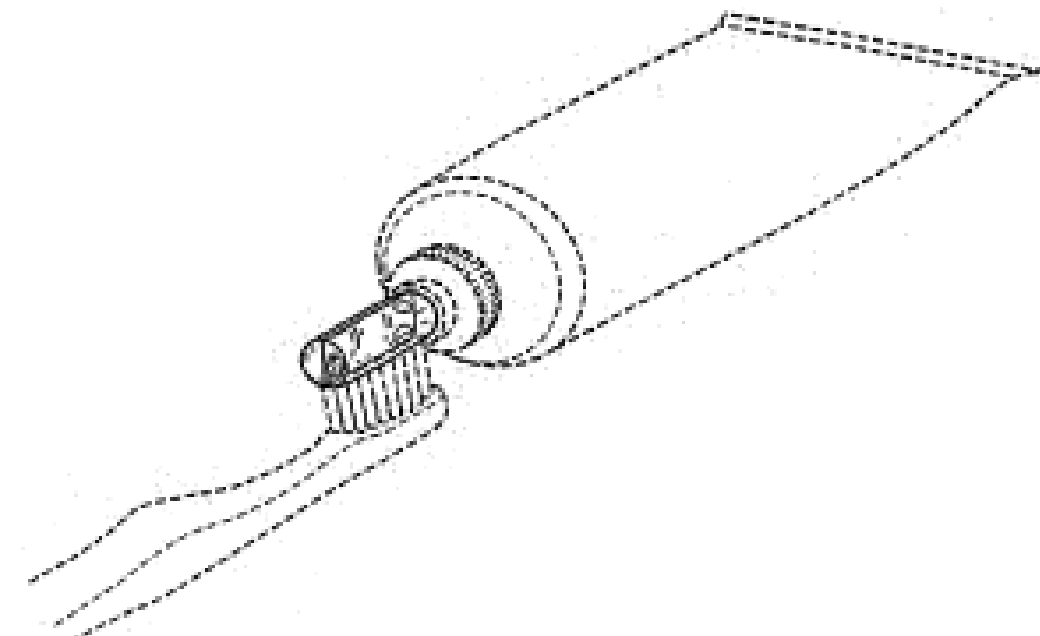
(45) Registration Date: **07 April 2006**

(30) Convention priority data:

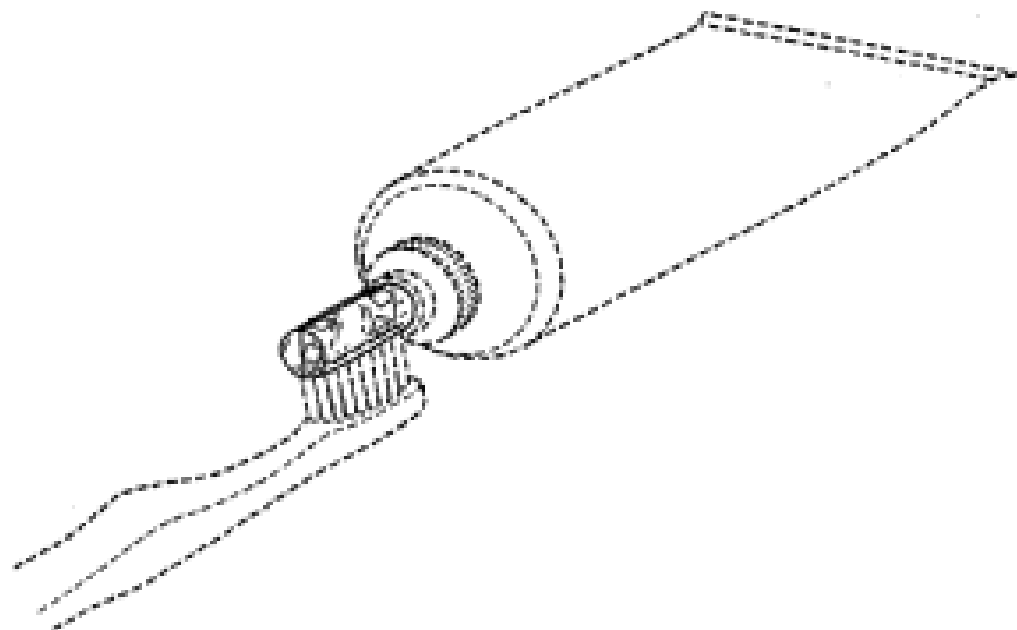
(31) Number	(32) Date	(33) Country
29/227583	13 Apr 2005	UNITED STATES OF AMERICA

(56) Related Art Documents: **Not Applicable**

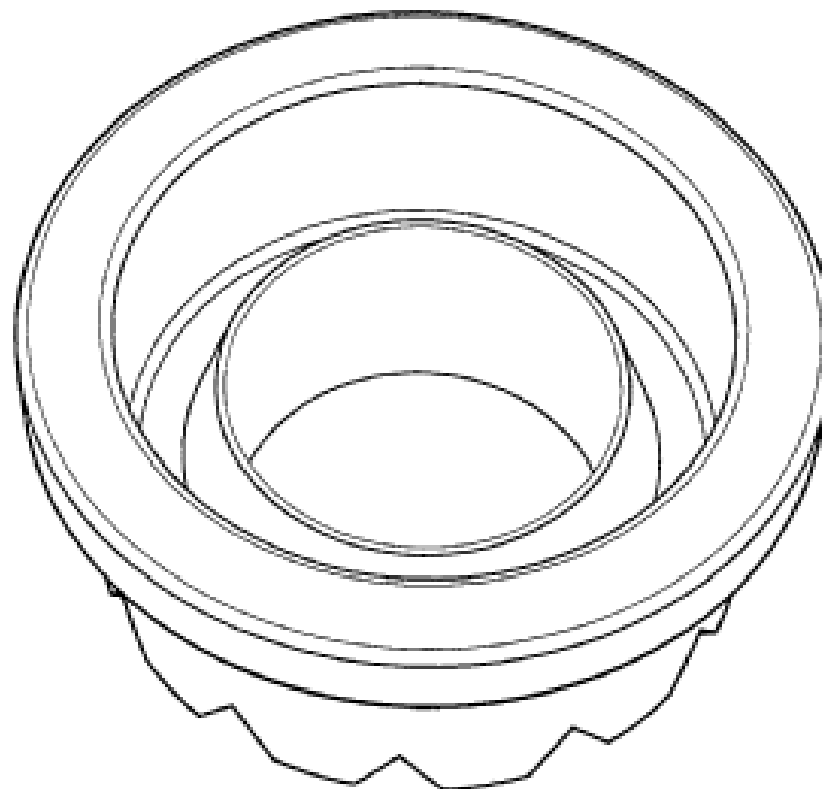
(57) Statement of Newness and Distinctiveness: **Novelty and distinctiveness resides in the features of toothpaste dispensed in two segments, one segment being substantially transparent and containing thin circular shaped pieces, and the other segment being primarily opaque.**



- (21) Design Number: **14489/2005**
(22) Date of Filing Application: **12 October 2005**
(24) Date from which industrial property rights may have effect: **12 October 2005**
(54) Product in respect of which the design is registered: **Dentifrice**
(51) International Design Classification: **28-02**
(71) Name(s) and Address(s) of Applicant(s):
Colgate-Palmolive Company
300 Park Avenue New York New York 10022 United States of America
(72) Name(s) of Designer(s): **Thomas Boyd**
(45) Registration Date: **07 April 2006**
(30) Convention priority data:
(31) Number (32) Date (33) Country
29/227566 13 Apr 2005 UNITED STATES OF AMERICA
(56) Related Art Documents: **Not Applicable**
(57) Statement of Newness and Distinctiveness: **Novelty and distinctiveness reside in the features of toothpaste dispensed in two segments, one segment being substantially transparent and containing thin quadrangular shaped pieces, and the other segment being primarily opaque.**



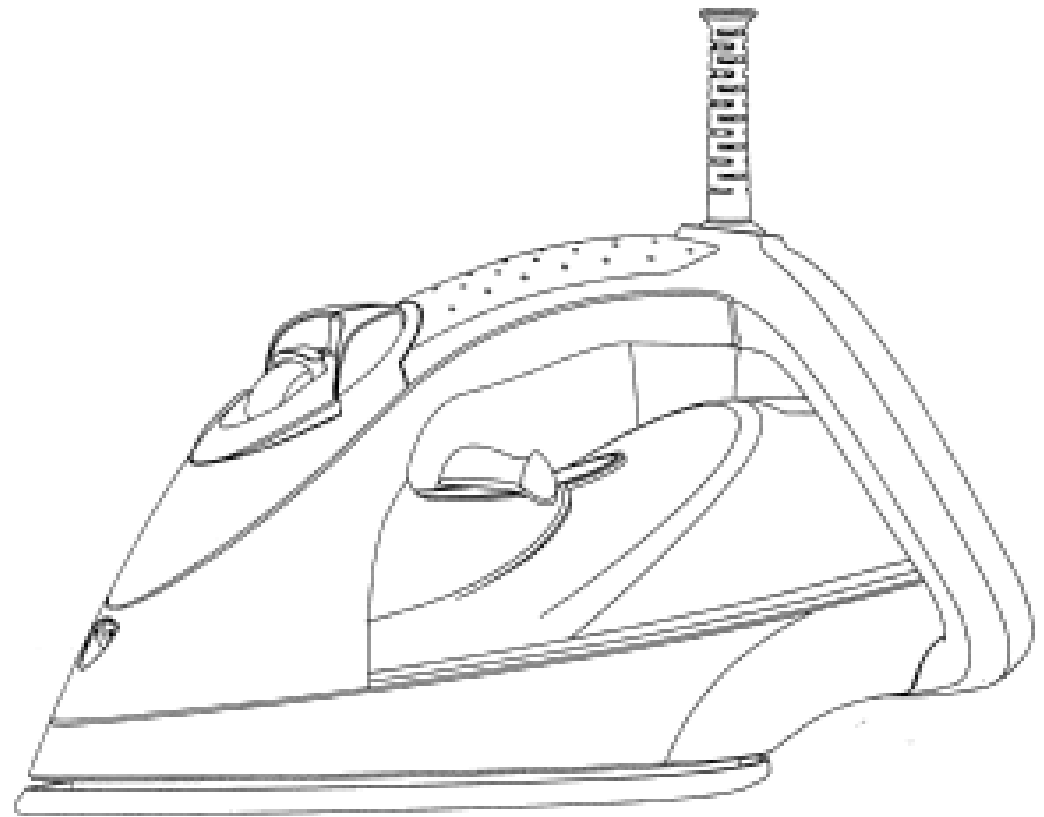
- (21) Design Number: **14491/2005**
(22) Date of Filing Application: **12 October 2005**
(24) Date from which industrial property rights may have effect: **12 October 2005**
(54) Product in respect of which the design is registered: **O-ring for sealing the end of a pipe in a pipe coupling**
(51) International Design Classification: **23-01A**
(71) Name(s) and Address(s) of Applicant(s):
Philmac Pty Ltd
53 Deeds Road North Plympton South Australia 5037 Australia
(72) Name(s) of Designer(s): **David Chelchowski and Geoffrey Brian Puckett and Malcolm Pridham**
(45) Registration Date: **07 April 2006**
(56) Related Art Documents: **Not Applicable**
(57) Statement of Newness and Distinctiveness: **Nil**



- (21) Design Number: **14500/2005**
- (22) Date of Filing Application: **12 October 2005**
- (24) Date from which industrial property rights may have effect: **12 October 2005**
- (54) Product in respect of which the design is registered: **Steam iron**
- (51) International Design Classification: **07-05A**
- (71) Name(s) and Address(s) of Applicant(s):

Calor
Place Ambroise Courtois 69008 Lyon France

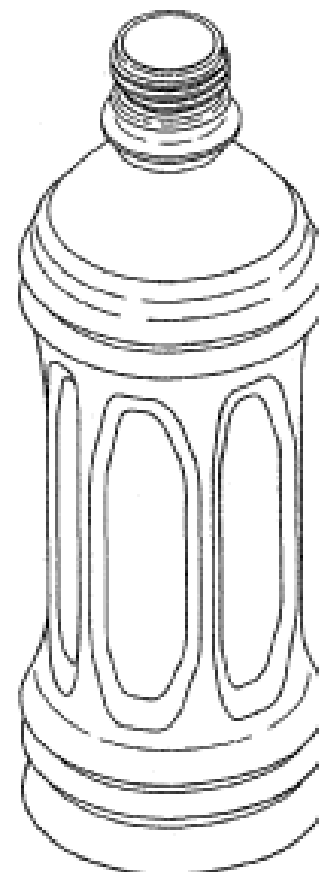
- (72) Name(s) of Designer(s): **Dick Powell**
- (45) Registration Date: **07 April 2006**
- (30) Convention priority data:
 - (31) Number (32) Date (33) Country
 - 05 2050 18 Apr 2005 FRANCE**
- (56) Related Art Documents: **Not Applicable**
- (57) Statement of Newness and Distinctiveness: **Nil**



- (21) Design Number: **14501/2005**
- (22) Date of Filing Application: **12 October 2005**
- (24) Date from which industrial property rights may have effect: **12 October 2005**
- (54) Product in respect of which the design is registered: **Container for beverages**
- (51) International Design Classification: **09-01NES**
- (71) Name(s) and Address(s) of Applicant(s):

Kirin Beverage Kabushiki Kaisha (also trading as Kirin Beverage Corporation)
1 Kanda Izumi-cho Chiyoda-ku Tokyo Japan

- (72) Name(s) of Designer(s): **Akira Sato**
- (45) Registration Date: **07 April 2006**
- (56) Related Art Documents: **Not Applicable**
- (57) Statement of Newness and Distinctiveness: **Nil**



(21) Design Number: **14473/2005**

(22) Date of Filing Application: **12 October 2005**

(24) Date from which industrial property rights may have effect: **12 October 2005**

(54) Product in respect of which the design is registered: **Electronic housing**

(51) International Design Classification: **14-02, 21-01N**

(71) Name(s) and Address(s) of Applicant(s):

Microsoft Corporation
One Microsoft Way Redmond Washington 98052 United States of America

(72) Name(s) of Designer(s): **Johnathan A. Hayes and Jeffery M. Reents**

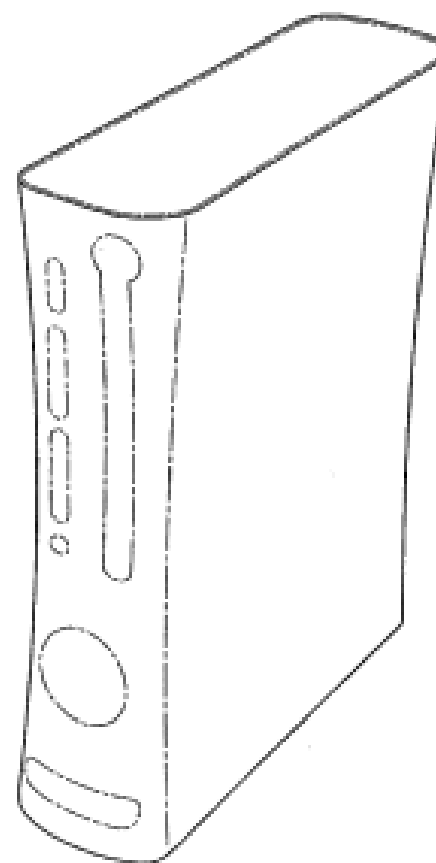
(45) Registration Date: **07 April 2006**

(30) Convention priority data:

(31) Number	(32) Date	(33) Country
29/227647	14 Apr 2005	UNITED STATES OF AMERICA

(56) Related Art Documents: **Not Applicable**

(57) Statement of Newness and Distinctiveness: **Newness and distinctiveness reside in the shape and configuration of an electronic housing as illustrated in the accompanying representations. The features shown in broken outline are illustrative only and do not form part of the design.**



(21) Design Number: **10522/2006**

(22) Date of Filing Application: **13 February 2006**

(24) Date from which industrial property rights may have effect: **13 February 2006**

(54) Product in respect of which the design is registered: **A bowl**

(51) International Design Classification: **07-01B**

(71) Name(s) and Address(s) of Applicant(s):

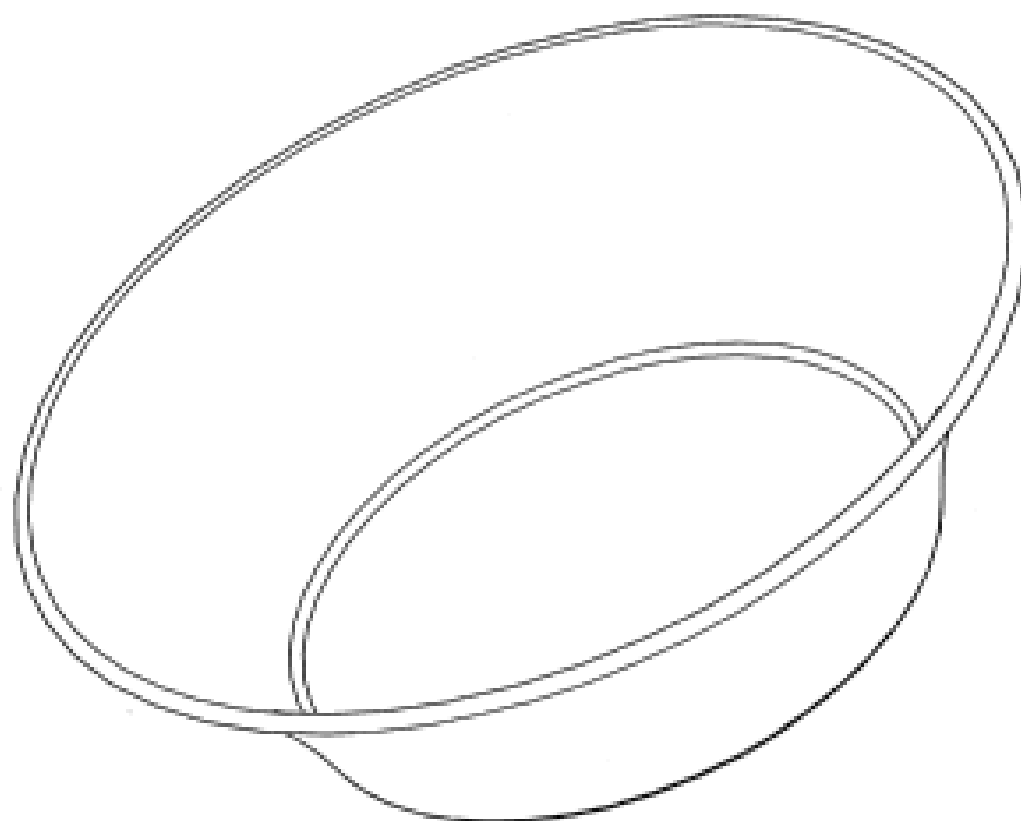
Poly Industries Pty Ltd
8 Green Street Revesby New South Wales 2212 Australia

(72) Name(s) of Designer(s): **Anthony Poly**

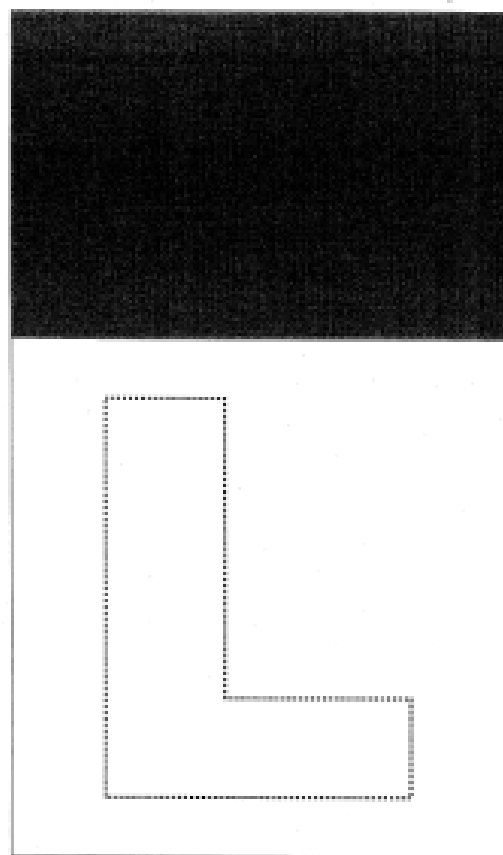
(45) Registration Date: **10 April 2006**

(56) Related Art Documents: **Not Applicable**

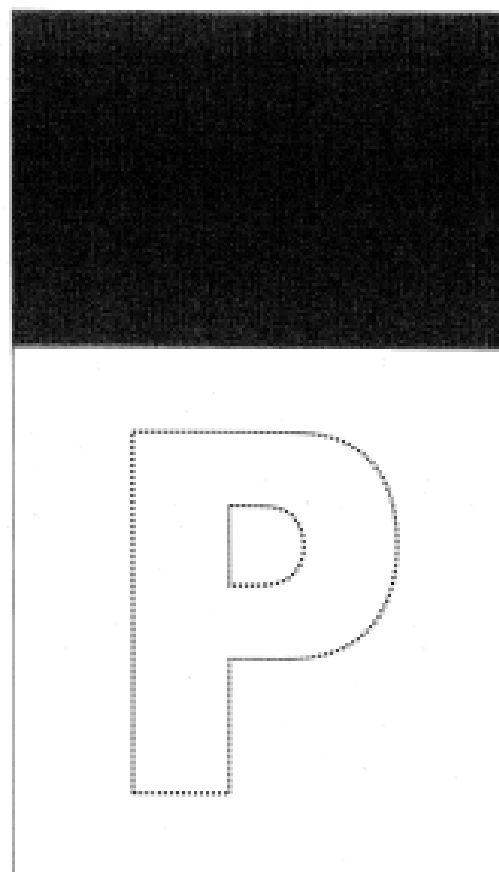
(57) Statement of Newness and Distinctiveness: **Newness and distinctiveness reside in the features of the design as shown in the representations.**



- (21) Design Number: **13363/2005**
(22) Date of Filing Application: **05 August 2005**
(24) Date from which industrial property rights may have effect: **05 August 2005**
(54) Product in respect of which the design is registered: **Driver ability plate**
(51) International Design Classification: **20-03NES**
(71) Name(s) and Address(s) of Applicant(s):
Shapai Pty Limited
12/80 Shadforth Street Mosman New South Wales 2088 Australia
(72) Name(s) of Designer(s): **Tina McElhinney and Natascha Temple-Smith and Nicole Hatfield**
(45) Registration Date: **10 April 2006**
(56) Related Art Documents: **Not Applicable**
(57) Statement of Newness and Distinctiveness: **When determining whether the design is substantially similar in overall impression to another design, no regard is to be had to those features shown in dotted outline in the drawings; such features are merely provided to illustrate the mode of use of the driver ability plate.**



- (21) Design Number: **13364/2005**
(22) Date of Filing Application: **05 August 2005**
(24) Date from which industrial property rights may have effect: **05 August 2005**
(54) Product in respect of which the design is registered: **Driver ability plate**
(51) International Design Classification: **20-03NES**
(71) Name(s) and Address(s) of Applicant(s):
Shapai Pty Limited
12/80 Shadforth Street Mosman New South Wales 2088 Australia
(72) Name(s) of Designer(s): **Tina McElhinney and Natascha Temple-Smith and Nicole Hatfield**
(45) Registration Date: **10 April 2006**
(56) Related Art Documents: **Not Applicable**
(57) Statement of Newness and Distinctiveness: **When determining whether the design is substantially similar in overall impression to another design, no regard is to be had to those features shown in dotted outline in the drawings; such features are merely provided to illustrate the mode of use of the driver ability plate.**



(21) Design Number: **10878/2006**

(22) Date of Filing Application: **05 August 2005**

(24) Date from which industrial property rights may have effect: **05 August 2005**

(54) Product in respect of which the design is registered: **Driver ability plate**

(51) International Design Classification: **20-03NES**

(71) Name(s) and Address(s) of Applicant(s):

Shapai Pty Limited

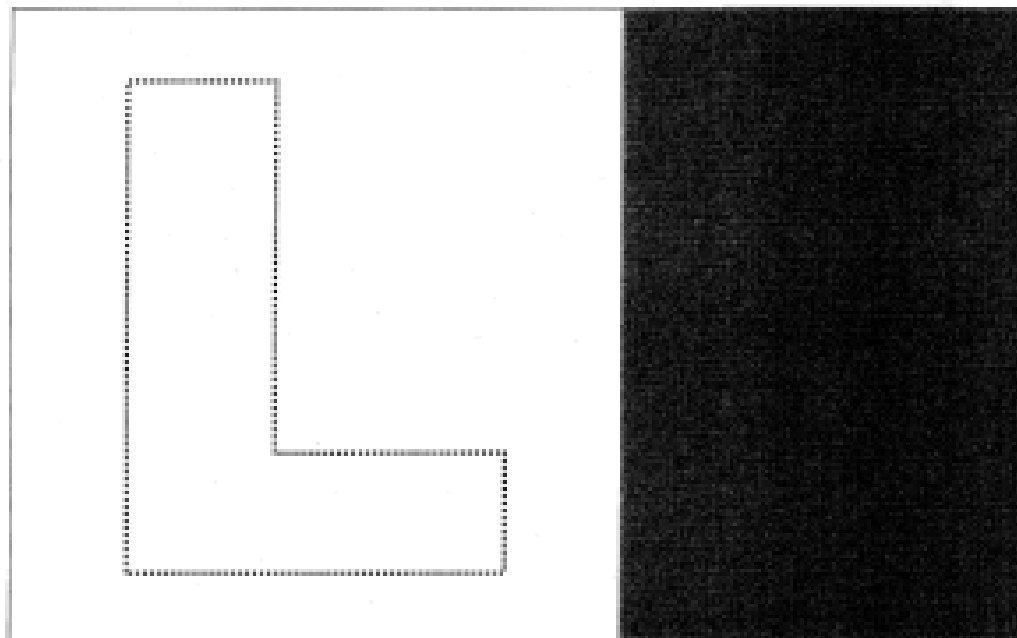
12/80 Shadforth Street Mosman New South Wales 2088 Australia

(72) Name(s) of Designer(s): **Tina McElhinney and Natascha Temple-Smith and Nicole Hatfield**

(45) Registration Date: **10 April 2006**

(56) Related Art Documents: **Not Applicable**

(57) Statement of Newness and Distinctiveness: **When determining whether the design is substantially similar in overall impression to another design, no regard is to be had to those features shown in dotted outline in the drawings; such features are merely provided to illustrate the mode of use of the driver ability plate.**



(21) Design Number: **10879/2006**

(22) Date of Filing Application: **05 August 2005**

(24) Date from which industrial property rights may have effect: **05 August 2005**

(54) Product in respect of which the design is registered: **Driver ability plate**

(51) International Design Classification: **20-03NES**

(71) Name(s) and Address(s) of Applicant(s):

Shapai Pty Limited

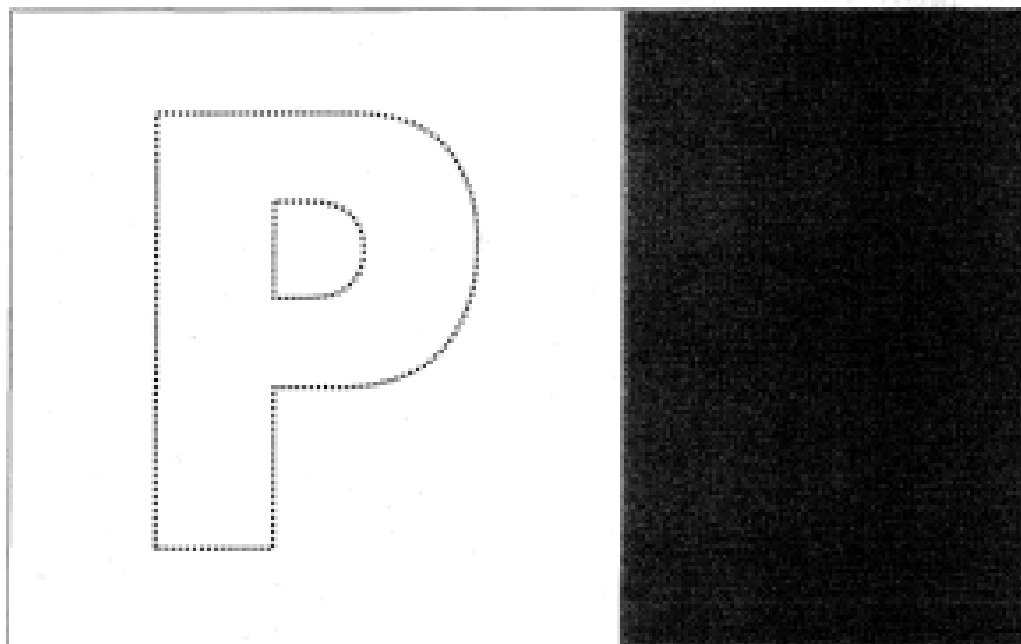
12/80 Shadforth Street Mosman New South Wales 2088 Australia

(72) Name(s) of Designer(s): **Tina McElhinney and Natascha Temple-Smith and Nicole Hatfield**

(45) Registration Date: **10 April 2006**

(56) Related Art Documents: **Not Applicable**

(57) Statement of Newness and Distinctiveness: **When determining whether the design is substantially similar in overall impression to another design, no regard is to be had to those features shown in dotted outline in the drawings; such features are merely provided to illustrate the mode of use of the driver ability plate.**



(21) Design Number: **10880/2006**

(22) Date of Filing Application: **05 August 2005**

(24) Date from which industrial property rights may have effect: **05 August 2005**

(54) Product in respect of which the design is registered: **Driver ability plate**

(51) International Design Classification: **20-03NES**

(71) Name(s) and Address(s) of Applicant(s):

Shapai Pty Limited

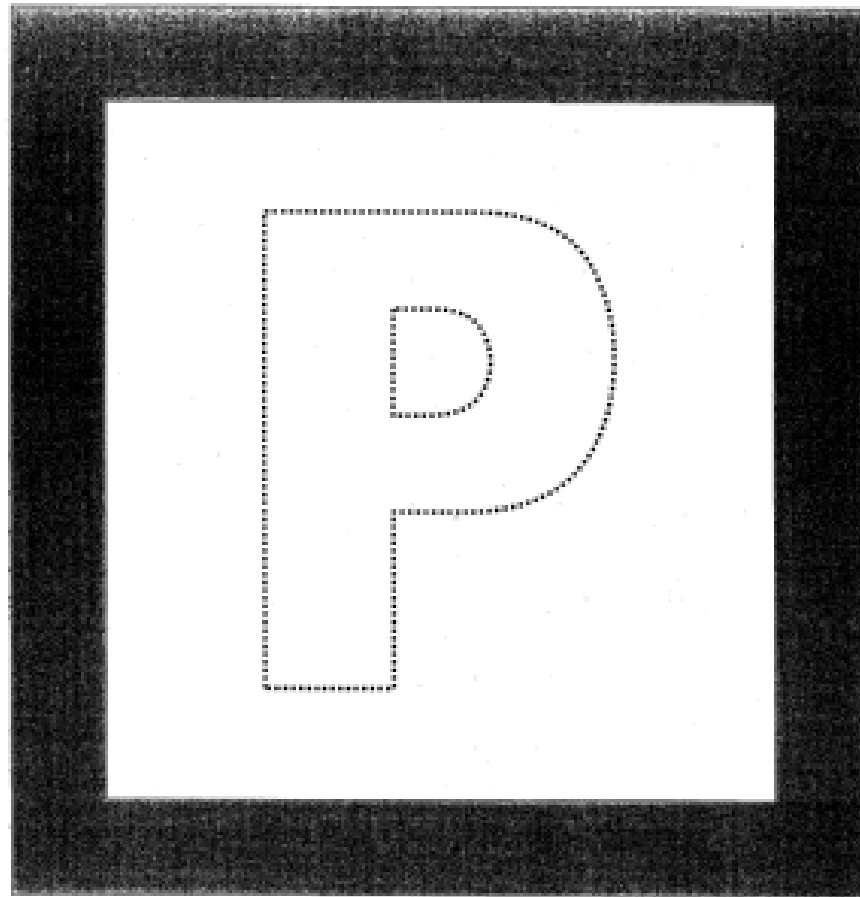
12/80 Shadforth Street Mosman New South Wales 2088 Australia

(72) Name(s) of Designer(s): **Tina McElhinney and Natascha Temple-Smith and Nicole Hatfield**

(45) Registration Date: **10 April 2006**

(56) Related Art Documents: **Not Applicable**

(57) Statement of Newness and Distinctiveness: **When determining whether the design is substantially similar in overall impression to another design, no regard is to be had to those features shown in dotted outline in the drawings; such features are merely provided to illustrate the mode of use of the driver ability plate.**



(21) Design Number: **10881/2006**

(22) Date of Filing Application: **05 August 2005**

(24) Date from which industrial property rights may have effect: **05 August 2005**

(54) Product in respect of which the design is registered: **Driver ability plate**

(51) International Design Classification: **20-03NES**

(71) Name(s) and Address(s) of Applicant(s):

Shapai Pty Limited

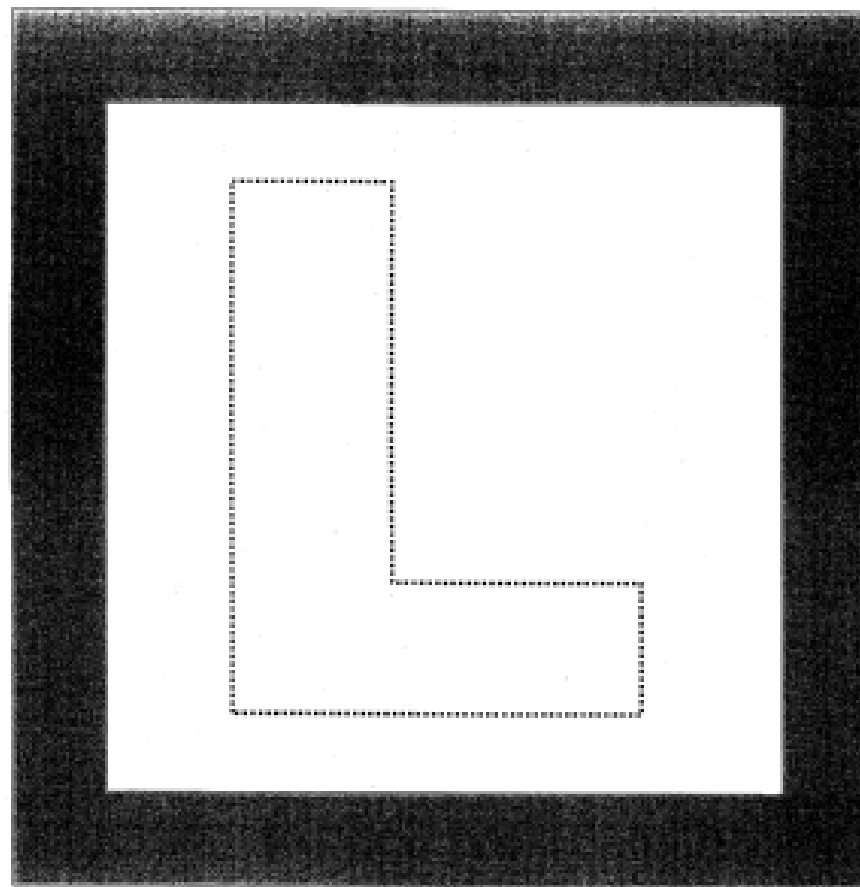
12/80 Shadforth Street Mosman New South Wales 2088 Australia

(72) Name(s) of Designer(s): **Tina McElhinney and Natascha Temple-Smith and Nicole Hatfield**

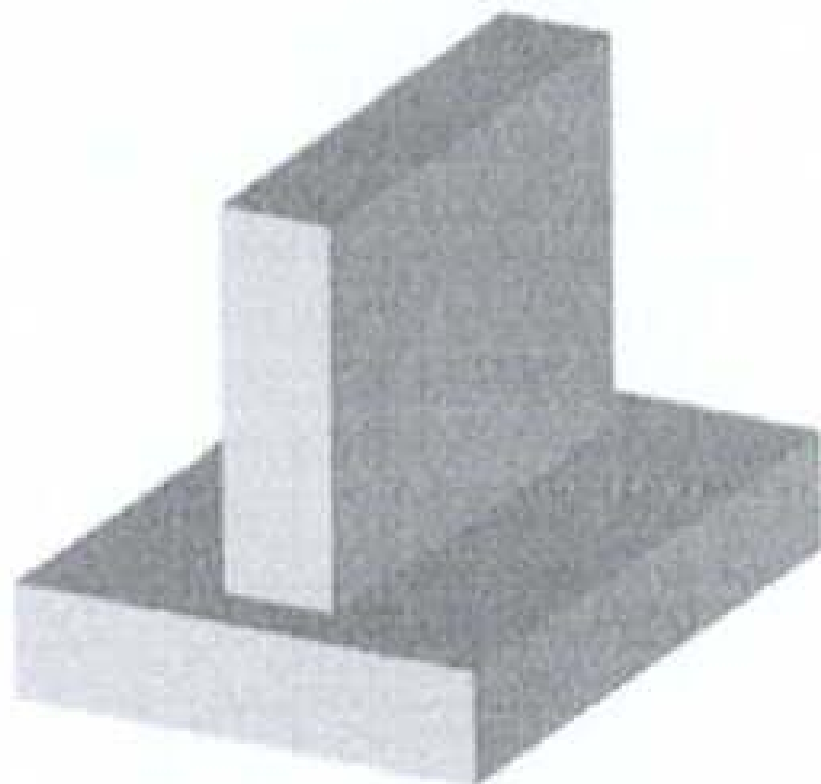
(45) Registration Date: **10 April 2006**

(56) Related Art Documents: **Not Applicable**

(57) Statement of Newness and Distinctiveness: **When determining whether the design is substantially similar in overall impression to another design, no regard is to be had to those features shown in dotted outline in the drawings; such features are merely provided to illustrate the mode of use of the driver ability plate.**



- (21) Design Number: **14648/2005**
(22) Date of Filing Application: **24 October 2005**
(24) Date from which industrial property rights may have effect: **24 October 2005**
(54) Product in respect of which the design is registered: **Handle and flange**
(51) International Design Classification: **08-06, 23-01H**
(71) Name(s) and Address(s) of Applicant(s):
Elson Australasia Pty Ltd
38 Eddie Road Minchinbury New South Wales 2770 Australia
(72) Name(s) of Designer(s): **Beverley Jiao**
(45) Registration Date: **10 April 2006**
(56) Related Art Documents: **Not Applicable**
(57) Statement of Newness and Distinctiveness: **Nil**



- (21) Design Number: **14649/2005**
(22) Date of Filing Application: **24 October 2005**
(24) Date from which industrial property rights may have effect: **24 October 2005**
(54) Product in respect of which the design is registered: **Spout**
(51) International Design Classification: **23-01H**
(71) Name(s) and Address(s) of Applicant(s):
Elson Australasia Pty Ltd
38 Eddie Road Minchinbury New South Wales 2770 Australia
(72) Name(s) of Designer(s): **Beverley Jiao**
(45) Registration Date: **10 April 2006**
(56) Related Art Documents: **Not Applicable**
(57) Statement of Newness and Distinctiveness: **Nil**



(21) Design Number: **14650/2005**

(22) Date of Filing Application: **24 October 2005**

(24) Date from which industrial property rights may have effect: **24 October 2005**

(54) Product in respect of which the design is registered: **Spout**

(51) International Design Classification: **23-01H**

(71) Name(s) and Address(s) of Applicant(s):

Elson Australasia Pty Ltd
38 Eddie Road Minchinbury New South Wales 2770 Australia

(72) Name(s) of Designer(s): **Beverley Jiao**

(45) Registration Date: **10 April 2006**

(56) Related Art Documents: **Not Applicable**

(57) Statement of Newness and Distinctiveness: **Nil**



(21) Design Number: **14651/2005**

(22) Date of Filing Application: **24 October 2005**

(24) Date from which industrial property rights may have effect: **24 October 2005**

(54) Product in respect of which the design is registered: **Spout**

(51) International Design Classification: **23-01H**

(71) Name(s) and Address(s) of Applicant(s):

Elson Australasia Pty Ltd
38 Eddie Road Minchinbury New South Wales 2770 Australia

(72) Name(s) of Designer(s): **Beverley Jiao**

(45) Registration Date: **10 April 2006**

(56) Related Art Documents: **Not Applicable**

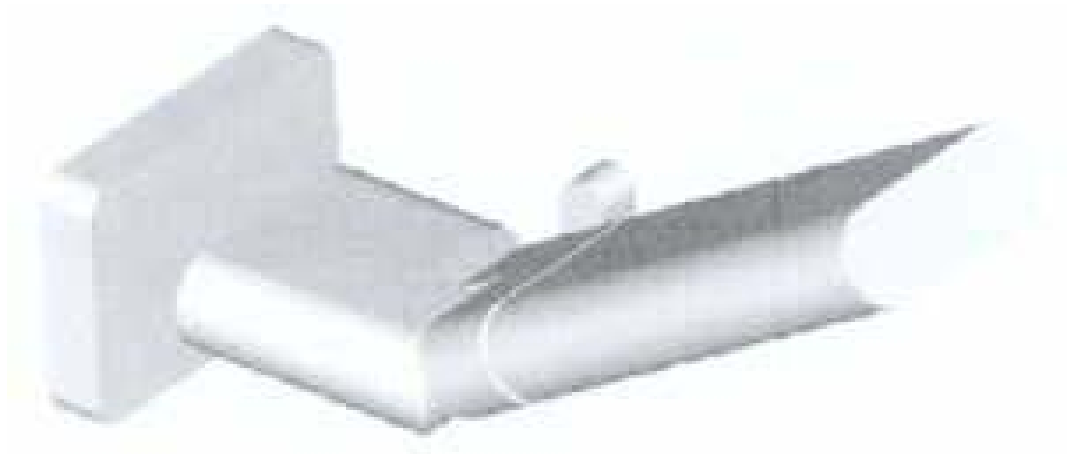
(57) Statement of Newness and Distinctiveness: **Nil**



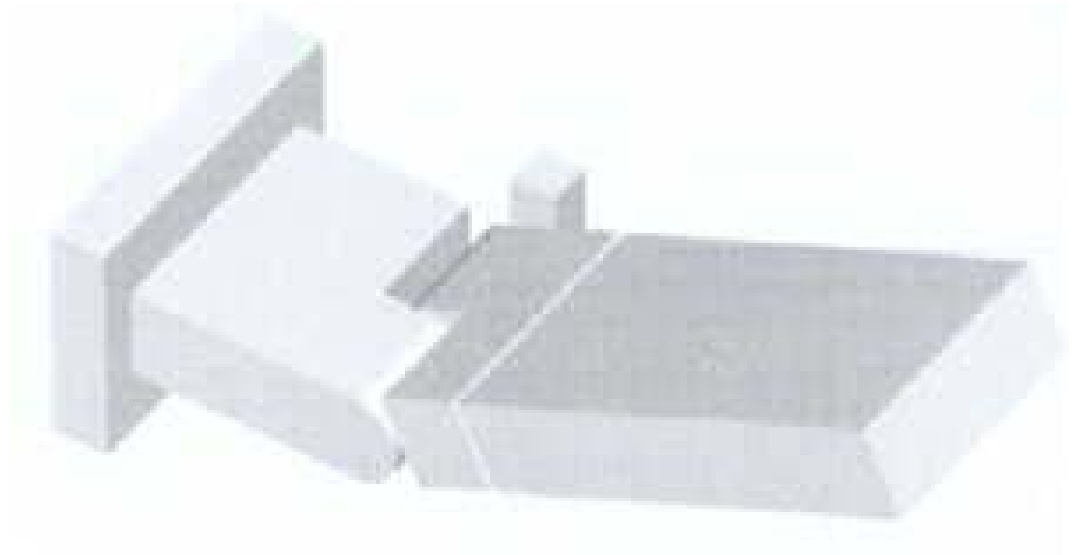
- (21) Design Number: **14652/2005**
(22) Date of Filing Application: **24 October 2005**
(24) Date from which industrial property rights may have effect: **24 October 2005**
(54) Product in respect of which the design is registered: **Spout**
(51) International Design Classification: **23-01H**
(71) Name(s) and Address(s) of Applicant(s):
Elson Australasia Pty Ltd
38 Eddie Road Minchinbury New South Wales 2770 Australia
(72) Name(s) of Designer(s): **Beverley Jiao**
(45) Registration Date: **10 April 2006**
(56) Related Art Documents: **Not Applicable**
(57) Statement of Newness and Distinctiveness: **Nil**



- (21) Design Number: **14653/2005**
(22) Date of Filing Application: **24 October 2005**
(24) Date from which industrial property rights may have effect: **24 October 2005**
(54) Product in respect of which the design is registered: **Shower**
(51) International Design Classification: **23-02B**
(71) Name(s) and Address(s) of Applicant(s):
Elson Australasia Pty Ltd
38 Eddie Road Minchinbury New South Wales 2770 Australia
(72) Name(s) of Designer(s): **Beverley Jiao**
(45) Registration Date: **10 April 2006**
(56) Related Art Documents: **Not Applicable**
(57) Statement of Newness and Distinctiveness: **Nil**



- (21) Design Number: **14654/2005**
(22) Date of Filing Application: **24 October 2005**
(24) Date from which industrial property rights may have effect: **24 October 2005**
(54) Product in respect of which the design is registered: **Shower**
(51) International Design Classification: **23-02B**
(71) Name(s) and Address(s) of Applicant(s):
Elson Australasia Pty Ltd
38 Eddie Road Minchinbury New South Wales 2770 Australia
(72) Name(s) of Designer(s): **Beverley Jiao**
(45) Registration Date: **10 April 2006**
(56) Related Art Documents: **Not Applicable**
(57) Statement of Newness and Distinctiveness: **Nil**



- (21) Design Number: **14207/2005**
(22) Date of Filing Application: **28 September 2005**
(24) Date from which industrial property rights may have effect: **28 September 2005**
(54) Product in respect of which the design is registered: **Bumper**
(51) International Design Classification: **12-16C**
(71) Name(s) and Address(s) of Applicant(s):
Toyota Jidosha Kabushiki Kaisha
1 Toyota-cho Toyota-shi Aichi-ken 471-8571 Japan
(72) Name(s) of Designer(s): **Hisao Hara and Kenichi Onoue and Yoshiyasu Neuchi**
(45) Registration Date: **10 April 2006**
(56) Related Art Documents: **Not Applicable**
(57) Statement of Newness and Distinctiveness: **Those features of the bumper depicted in the representations that are new and distinctive are the shape and/or configuration.**



- (21) Design Number: **14209/2005**
(22) Date of Filing Application: **28 September 2005**
(24) Date from which industrial property rights may have effect: **28 September 2005**
(54) Product in respect of which the design is registered: **Automobile**
(51) International Design Classification: **12-08**
(71) Name(s) and Address(s) of Applicant(s):
Toyota Jidosha Kabushiki Kaisha
1 Toyota-cho Toyota-shi Aichi-ken 471-8571 Japan
(72) Name(s) of Designer(s): **Kuniaki Toyooka and Tomokazu Morikawa and Yoshiyasu Neuchi**
(45) Registration Date: **10 April 2006**
(56) Related Art Documents: **Not Applicable**
(57) Statement of Newness and Distinctiveness: **Those features of the automobile depicted in the representations that are new and distinctive are the shape and/or configuration.**



- (21) Design Number: **14208/2005**
(22) Date of Filing Application: **28 September 2005**
(24) Date from which industrial property rights may have effect: **28 September 2005**
(54) Product in respect of which the design is registered: **Grille**
(51) International Design Classification: **12-16B**
(71) Name(s) and Address(s) of Applicant(s):
Toyota Jidosha Kabushiki Kaisha
1 Toyota-cho Toyota-shi Aichi-ken 471-8571 Japan
(72) Name(s) of Designer(s): **Kenichi Onoue and Yoshiyasu Neuchi and Takaaki Aoki**
(45) Registration Date: **10 April 2006**
(56) Related Art Documents: **Not Applicable**
(57) Statement of Newness and Distinctiveness: **Those features of the grille depicted in the representations that are new and distinctive are the shape and/or configuration.**



- (21) Design Number: **14277/2005**
(22) Date of Filing Application: **30 September 2005**
(24) Date from which industrial property rights may have effect: **30 September 2005**
(54) Product in respect of which the design is registered: **Front combination lamp for an automobile**
(51) International Design Classification: **26-06**
(71) Name(s) and Address(s) of Applicant(s):
Toyota Jidosha Kabushiki Kaisha
1 Toyota-cho Toyota-shi Aichi-ken 471-8571 Japan
(72) Name(s) of Designer(s): **Kenichi Okamura and Kenji Nobuhara and Naoki Kazaoka**
(45) Registration Date: **10 April 2006**
(56) Related Art Documents: **Not Applicable**
(57) Statement of Newness and Distinctiveness: **The statement of newness and distinctiveness of the design resides in the shape and configuration of a front combination lamp for an automobile as illustrated in the accompanying representations.**



- (21) Design Number: **14278/2005**
(22) Date of Filing Application: **30 September 2005**
(24) Date from which industrial property rights may have effect: **30 September 2005**
(54) Product in respect of which the design is registered: **Rear combination lamp for an automobile**
(51) International Design Classification: **26-06**
(71) Name(s) and Address(s) of Applicant(s):
Toyota Jidosha Kabushiki Kaisha
1 Toyota-cho Toyota-shi Aichi-ken 471-8571 Japan
(72) Name(s) of Designer(s): **Kenichi Okamura and Naoki Kazaoka**
(45) Registration Date: **10 April 2006**
(56) Related Art Documents: **Not Applicable**
(57) Statement of Newness and Distinctiveness: **The statement of newness and distinctiveness of the design resides in the shape and configuration of a rear combination lamp for an automobile as illustrated in the accompanying representations.**



- (21) Design Number: **14279/2005**
(22) Date of Filing Application: **30 September 2005**
(24) Date from which industrial property rights may have effect: **30 September 2005**
(54) Product in respect of which the design is registered: **Turn signal lamp for an automobile**
(51) International Design Classification: **26-06**
(71) Name(s) and Address(s) of Applicant(s):
Toyota Jidosha Kabushiki Kaisha
1 Toyota-cho Toyota-shi Aichi-ken 471-8571 Japan
(72) Name(s) of Designer(s): **Moto Takabatake**
(45) Registration Date: **10 April 2006**
(56) Related Art Documents: **Not Applicable**
(57) Statement of Newness and Distinctiveness: **The statement of newness and distinctiveness of the design resides in the shape and configuration of a turn signal lamp for an automobile as illustrated in the accompanying representations.**



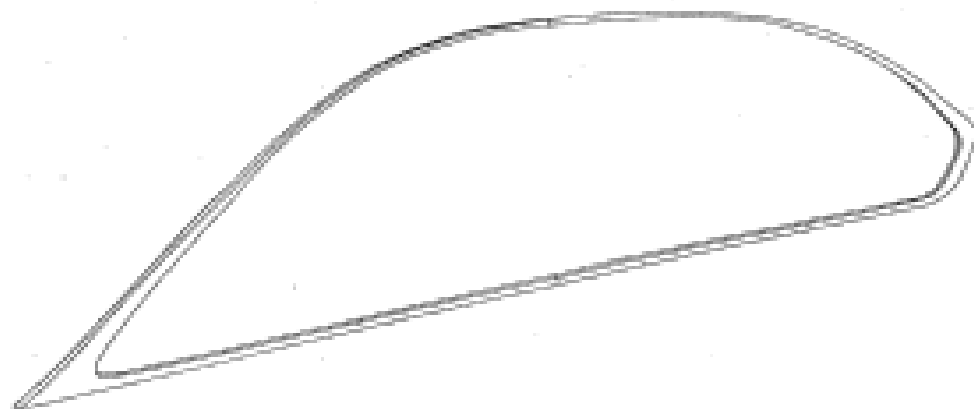
- (21) Design Number: **14280/2005**
(22) Date of Filing Application: **30 September 2005**
(24) Date from which industrial property rights may have effect: **30 September 2005**
(54) Product in respect of which the design is registered: **Front combination lamp for an automobile**
(51) International Design Classification: **26-06**
(71) Name(s) and Address(s) of Applicant(s):
Toyota Jidosha Kabushiki Kaisha
1 Toyota-cho Toyota-shi Aichi-ken 471-8571 Japan
(72) Name(s) of Designer(s): **Kenichi Okamura and Moto Takabatake and Hiroya Kitazumi**
(45) Registration Date: **10 April 2006**
(56) Related Art Documents: **Not Applicable**
(57) Statement of Newness and Distinctiveness: **The statement of newness and distinctiveness of the design resides in the shape and configuration of a front combination lamp for an automobile as illustrated in the accompanying representations.**



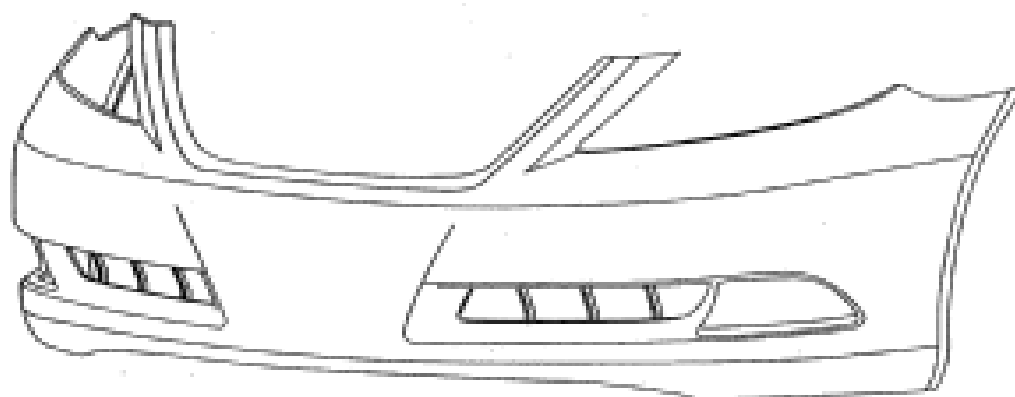
- (21) Design Number: **14281/2005**
(22) Date of Filing Application: **30 September 2005**
(24) Date from which industrial property rights may have effect: **30 September 2005**
(54) Product in respect of which the design is registered: **Automobile**
(51) International Design Classification: **12-08**
(71) Name(s) and Address(s) of Applicant(s):
Toyota Jidosha Kabushiki Kaisha
1 Toyota-cho Toyota-shi Aichi-ken 471-8571 Japan
(72) Name(s) of Designer(s): **Yo Hiruta and Yahiko Kumai and Kenji Kido**
(45) Registration Date: **10 April 2006**
(56) Related Art Documents: **Not Applicable**
(57) Statement of Newness and Distinctiveness: **The statement of newness and distinctiveness of the design resides in the shape and configuration of an automobile as illustrated in the accompanying representations.**



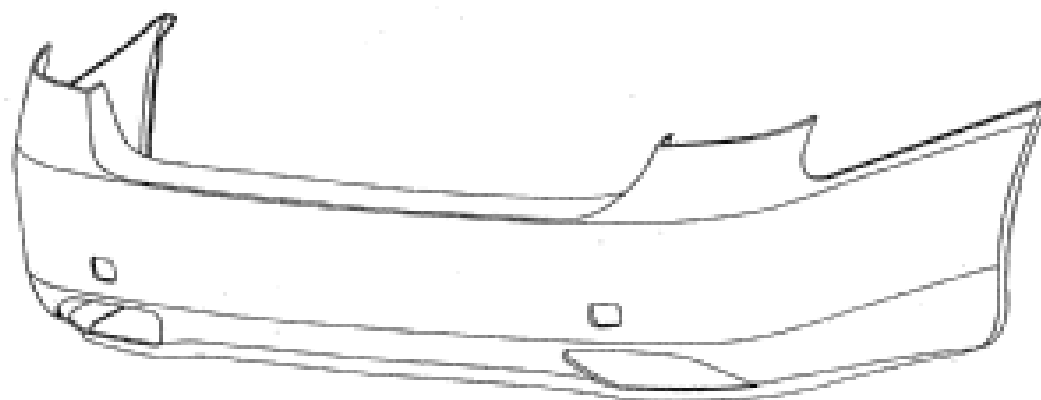
- (21) Design Number: **14282/2005**
(22) Date of Filing Application: **30 September 2005**
(24) Date from which industrial property rights may have effect: **30 September 2005**
(54) Product in respect of which the design is registered: **Side window moulding for an automobile**
(51) International Design Classification: **12-16B**
(71) Name(s) and Address(s) of Applicant(s):
Toyota Jidosha Kabushiki Kaisha
1 Toyota-cho Toyota-shi Aichi-ken 471-8571 Japan
(72) Name(s) of Designer(s): **Yo Hiruta and Yahiko Kumai and Kenji Kido**
(45) Registration Date: **10 April 2006**
(56) Related Art Documents: **Not Applicable**
(57) Statement of Newness and Distinctiveness: **The statement of newness and distinctiveness of the design resides in the shape and configuration of a side window moulding for an automobile as illustrated in the accompanying representations.**



- (21) Design Number: **14283/2005**
(22) Date of Filing Application: **30 September 2005**
(24) Date from which industrial property rights may have effect: **30 September 2005**
(54) Product in respect of which the design is registered: **Front bumper for an automobile**
(51) International Design Classification: **12-16C**
(71) Name(s) and Address(s) of Applicant(s):
Toyota Jidosha Kabushiki Kaisha
1 Toyota-cho Toyota-shi Aichi-ken 471-8571 Japan
(72) Name(s) of Designer(s): **Yo Hiruta and Yahiko Kumai and Kenji Kido**
(45) Registration Date: **10 April 2006**
(56) Related Art Documents: **Not Applicable**
(57) Statement of Newness and Distinctiveness: **The statement of newness and distinctiveness of the design resides in the shape and configuration of a front bumper for an automobile as illustrated in the accompanying representations.**



- (21) Design Number: **14284/2005**
(22) Date of Filing Application: **30 September 2005**
(24) Date from which industrial property rights may have effect: **30 September 2005**
(54) Product in respect of which the design is registered: **Rear bumper for an automobile**
(51) International Design Classification: **12-16C**
(71) Name(s) and Address(s) of Applicant(s):
Toyota Jidosha Kabushiki Kaisha
1 Toyota-cho Toyota-shi Aichi-ken 471-8571 Japan
(72) Name(s) of Designer(s): **Yo Hiruta and Yahiko Kumai and Kenji Kido**
(45) Registration Date: **10 April 2006**
(56) Related Art Documents: **Not Applicable**
(57) Statement of Newness and Distinctiveness: **The statement of newness and distinctiveness of the design resides in the shape and configuration of a rear bumper for an automobile as illustrated in the accompanying representations.**



- (21) Design Number: **14285/2005**
(22) Date of Filing Application: **30 September 2005**
(24) Date from which industrial property rights may have effect: **30 September 2005**
(54) Product in respect of which the design is registered: **Front grille for an automobile**
(51) International Design Classification: **12-16B**
(71) Name(s) and Address(s) of Applicant(s):
Toyota Jidosha Kabushiki Kaisha
1 Toyota-cho Toyota-shi Aichi-ken 471-8571 Japan
(72) Name(s) of Designer(s): **Kenichi Okamura**
(45) Registration Date: **10 April 2006**
(56) Related Art Documents: **Not Applicable**
(57) Statement of Newness and Distinctiveness: **The statement of newness and distinctiveness of the design resides in the shape and configuration of a front grille for an automobile as illustrated in the accompanying representations.**



- (21) Design Number: **10345/2006**
(22) Date of Filing Application: **02 February 2006**
(24) Date from which industrial property rights may have effect: **02 February 2006**
(54) Product in respect of which the design is registered: **Tractor**
(51) International Design Classification: **12-09**
(71) Name(s) and Address(s) of Applicant(s):
Yanmar Co., Ltd.
1-32 Chayamachi Kita-ku Osaka-shi Osaka 530-0013 Japan
(72) Name(s) of Designer(s): **Youichirou Nishi and Kensaku Wakuta and Toshikazu Matsubayashi and Junko Shibaoka and Kunihiko Matsumoto and Kenji Shiba and Yuuki Ootomo and Naoki Yamamoto and Masahiro Hanafusa**
(45) Registration Date: **10 April 2006**
(30) Convention priority data:
(31) Number (32) Date (33) Country
2005-23314 10 Aug 2005 JAPAN
(56) Related Art Documents: **Not Applicable**
(57) Statement of Newness and Distinctiveness: **Newness and distinctiveness reside in the features of the design as shown in the representations.**



(21) Design Number: **12396/2005**

(22) Date of Filing Application: **02 June 2005**

(24) Date from which industrial property rights may have effect: **02 June 2005**

(54) Product in respect of which the design is registered: **Tilting device**

(51) International Design Classification: **06-10**

(71) Name(s) and Address(s) of Applicant(s):

**Smederod Trading AB
Industrivagen 6 SE-433 61 Partille Sweden**

(72) Name(s) of Designer(s): **Sten Smederod**

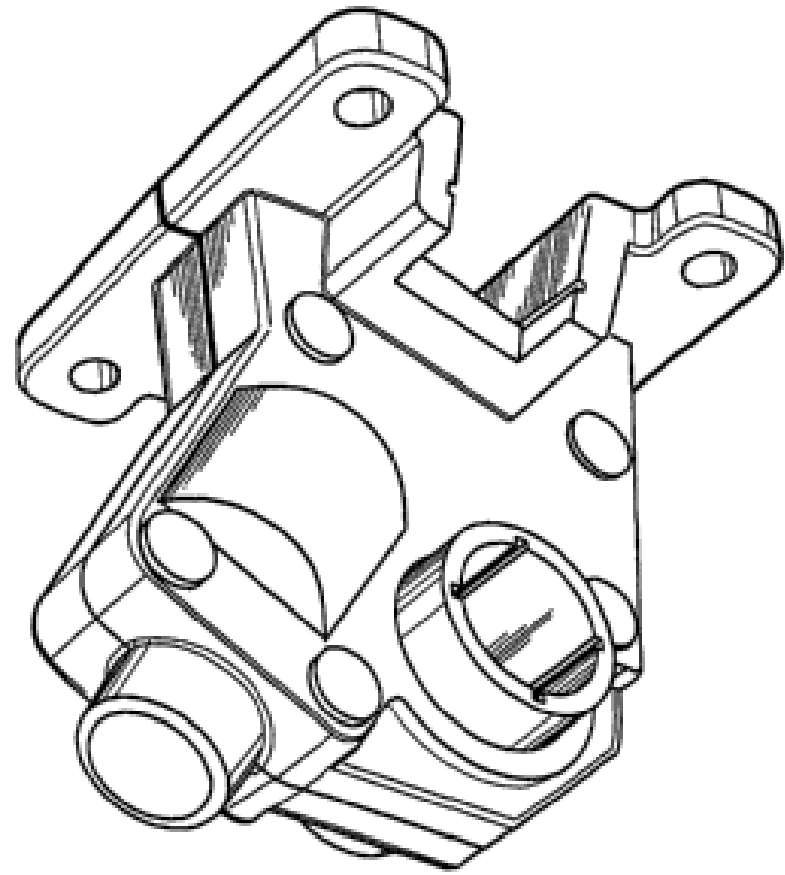
(45) Registration Date: **10 April 2006**

(30) Convention priority data:

(31) Number	(32) Date	(33) Country
000267935	14 Dec 2004	EUROPEAN COMMUNITY

(56) Related Art Documents: **Not Applicable**

(57) Statement of Newness and Distinctiveness: **Those features of the tilting device depicted in the representations that are new and distinctive are the shape and/or configuration. The features shown in broken line are not part of the design and are to be disregarded when considering the overall impression of the design.**



(21) Design Number: **12436/2005**

(22) Date of Filing Application: **06 June 2005**

(24) Date from which industrial property rights may have effect: **06 June 2005**

(54) Product in respect of which the design is registered: **Fire extinguisher**

(51) International Design Classification: **29-01**

(71) Name(s) and Address(s) of Applicant(s):

**Spring Carnival Pty Limited
17 Western Street Yarralumla ACT 2600 Australia**

(72) Name(s) of Designer(s): **Jonathon Springfield**

(45) Registration Date: **10 April 2006**

(56) Related Art Documents: **Not Applicable**

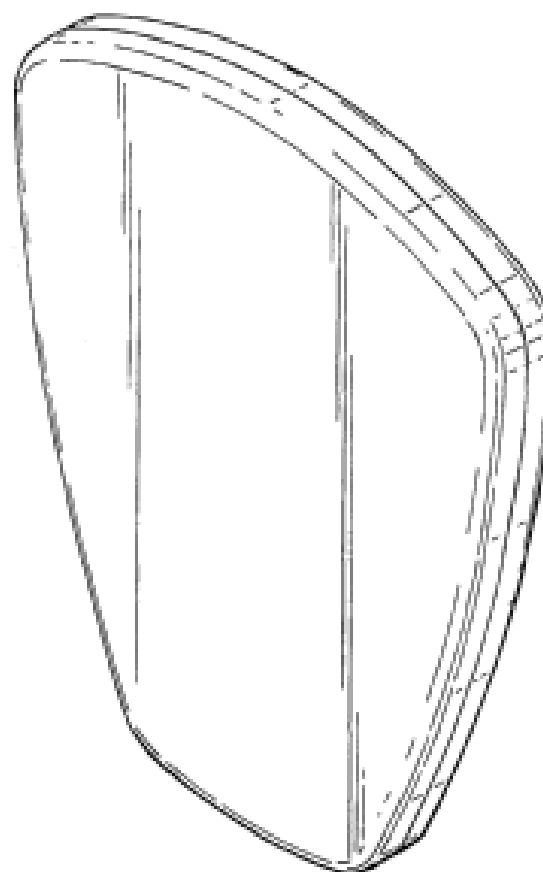
(57) Statement of Newness and Distinctiveness: **Newness is claimed in the features of shape and configuration of the fire extinguisher as shown in the accompanying representations.**



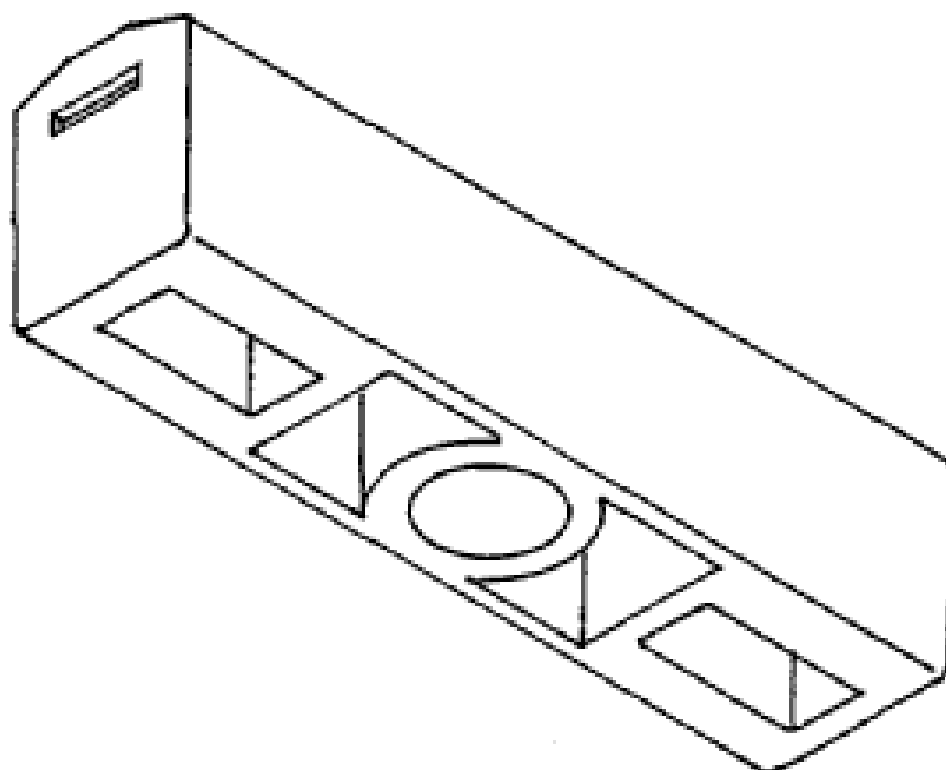
- (21) Design Number: **12437/2005**
(22) Date of Filing Application: **06 June 2005**
(24) Date from which industrial property rights may have effect: **06 June 2005**
(54) Product in respect of which the design is registered: **Fire extinguisher with pistol grip**
(51) International Design Classification: **29-01**
(71) Name(s) and Address(s) of Applicant(s):
Spring Carnival Pty Limited
17 Western Street Yarralumla ACT 2600 Australia
(72) Name(s) of Designer(s): **Jonathon Springfield**
(45) Registration Date: **10 April 2006**
(56) Related Art Documents: **Not Applicable**
(57) Statement of Newness and Distinctiveness: **Newness is claimed in the features of shape and configuration of the fire extinguisher with pistol grip as shown in the accompanying representations.**



- (21) Design Number: **14448/2005**
(22) Date of Filing Application: **10 October 2005**
(24) Date from which industrial property rights may have effect: **10 October 2005**
(54) Product in respect of which the design is registered: **Token**
(51) International Design Classification: **21-01L, 11-03, 20-02NES**
(71) Name(s) and Address(s) of Applicant(s):
Unilever PLC
Unilever House Blackfriars London EC4P 4BQ United Kingdom
(72) Name(s) of Designer(s): **Bartholomeus Johannes Antonius van Haperen and Taede Franciscus Kroon**
(45) Registration Date: **10 April 2006**
(30) Convention priority data:
(31) Number (32) Date (33) Country
3021059 28 Apr 2005 UNITED KINGDOM
(56) Related Art Documents: **Not Applicable**
(57) Statement of Newness and Distinctiveness: **Newness and distinctiveness is claimed in the visual features shown in solid lines in the representations.**

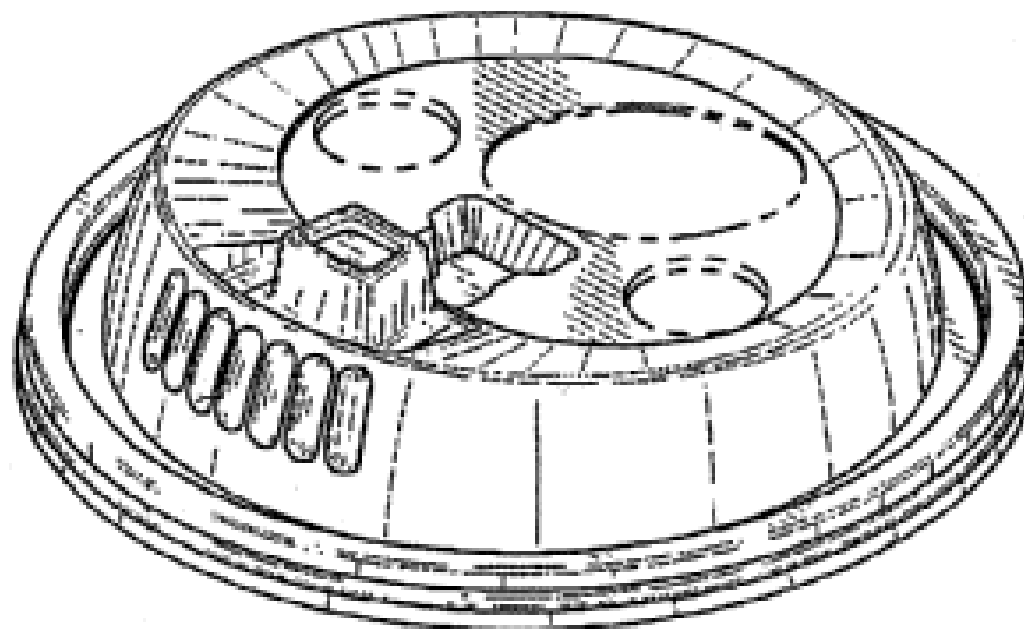


- (21) Design Number: **14459/2005**
- (22) Date of Filing Application: **12 October 2005**
- (24) Date from which industrial property rights may have effect: **12 October 2005**
- (54) Product in respect of which the design is registered: **Pivot block for doors or windows**
- (51) International Design Classification: **08-06**
- (71) Name(s) and Address(s) of Applicant(s):
Pacific Enterprises (Aust) Pty Ltd
6 Mosrael Place Scoresby Victoria 3179 Australia
- (72) Name(s) of Designer(s): **Graeme Byrne and David Li**
- (45) Registration Date: **10 April 2006**
- (56) Related Art Documents: **Not Applicable**
- (57) Statement of Newness and Distinctiveness: **Newness and distinctiveness are claimed in the features of shape and/or configuration of a pivot block for doors or windows, as illustrated in the accompanying representations.**



- (21) Design Number: **14460/2005**
- (22) Date of Filing Application: **11 October 2005**
- (24) Date from which industrial property rights may have effect: **11 October 2005**
- (54) Product in respect of which the design is registered: **Contoured profile domed lid**
- (51) International Design Classification: **07-01NES**
- (71) Name(s) and Address(s) of Applicant(s):
WinCup Holdings, Inc.
3 Radnor Corporate Center Radnor Pennsylvania 19087 United States of America
- (72) Name(s) of Designer(s): **Bobby V. Hundley and Joseph H. Quatmann**
- (45) Registration Date: **10 April 2006**
- (30) Convention priority data:

(31) Number	(32) Date	(33) Country
29/227,432	11 Apr 2005	UNITED STATES OF AMERICA
- (56) Related Art Documents: **Not Applicable**
- (57) Statement of Newness and Distinctiveness: **Newness resides in the shape or configuration of a contoured profile domed lid as shown in the representations. The dashed lines are shown in the views for illustrative or disclosure purposes only, and form no part of the claimed design.**



(21) Design Number: **14487/2005**

(22) Date of Filing Application: **12 October 2005**

(24) Date from which industrial property rights may have effect: **12 October 2005**

(54) Product in respect of which the design is registered: **Dentifrice**

(51) International Design Classification: **28-02**

(71) Name(s) and Address(s) of Applicant(s):

Colgate-Palmolive Company
300 Park Avenue New York New York 10022 United States of America

(72) Name(s) of Designer(s): **Thomas Boyd**

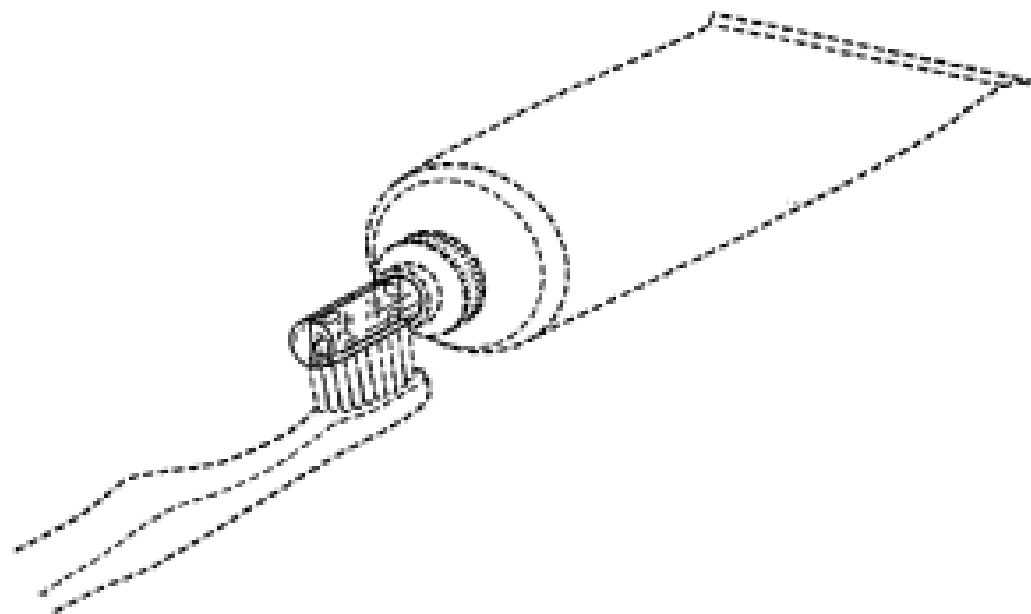
(45) Registration Date: **10 April 2006**

(30) Convention priority data:

(31) Number	(32) Date	(33) Country
29/227565	13 Apr 2005	UNITED STATES OF AMERICA

(56) Related Art Documents: **Not Applicable**

(57) Statement of Newness and Distinctiveness: **Novelty and distinctiveness reside in the features of toothbrush dispensed in two segments, one segment being substantially transparent and containing thin hexagon shaped pieces, and the other segment being primarily opaque.**



(21) Design Number: **14512/2005**

(22) Date of Filing Application: **13 October 2005**

(24) Date from which industrial property rights may have effect: **13 October 2005**

(54) Product in respect of which the design is registered: **Microphone**

(51) International Design Classification: **14-01**

(71) Name(s) and Address(s) of Applicant(s):

Sony Computer Entertainment Inc.
2-6-21 Minami-Aoyama Minato-ku Tokyo 107-0062 Japan

(72) Name(s) of Designer(s): **Minoru Shimizu**

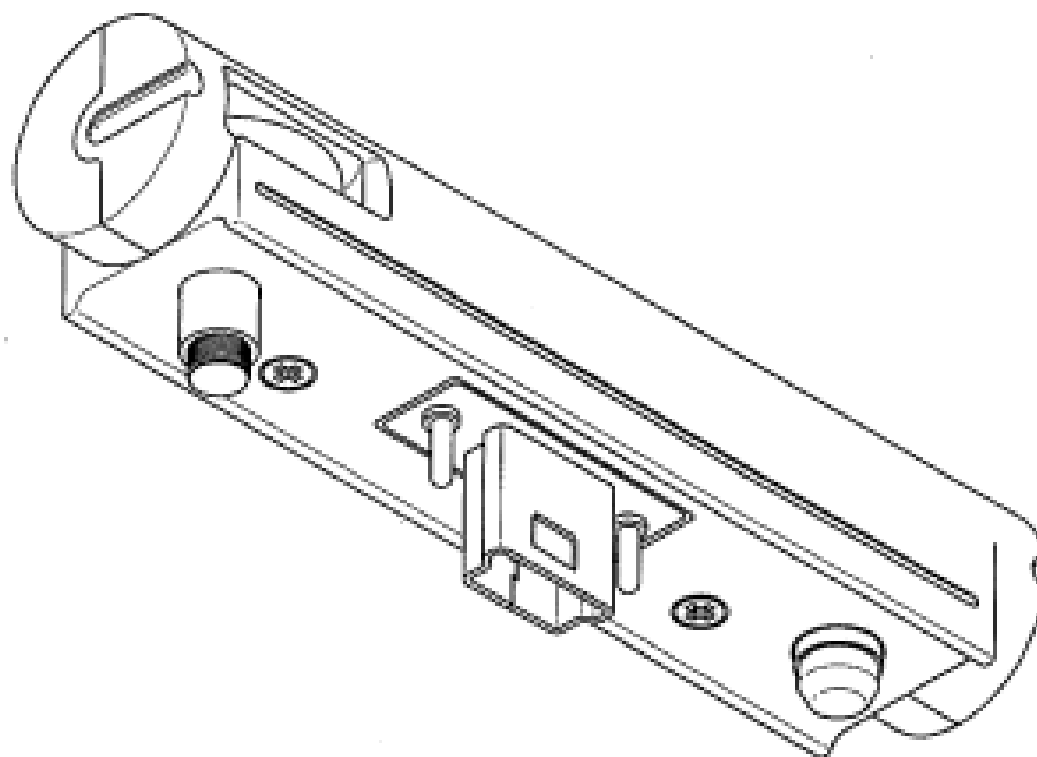
(45) Registration Date: **10 April 2006**

(30) Convention priority data:

(31) Number	(32) Date	(33) Country
D2005-20783	15 Jul 2005	JAPAN

(56) Related Art Documents: **Not Applicable**

(57) Statement of Newness and Distinctiveness: **Newness and distinctiveness resides in the shape and/or configuration of the microphone as shown in the accompanying representations.**



(21) Design Number: **14513/2005**
(22) Date of Filing Application: **13 October 2005**
(24) Date from which industrial property rights may have effect: **13 October 2005**
(54) Product in respect of which the design is registered: **Microphone**
(51) International Design Classification: **14-01**
(71) Name(s) and Address(s) of Applicant(s):

Sony Computer Entertainment Inc.
2-6-21 Minami-Aoyama Minato-ku Tokyo 107-0062 Japan

(72) Name(s) of Designer(s): **Minoru Shimizu**

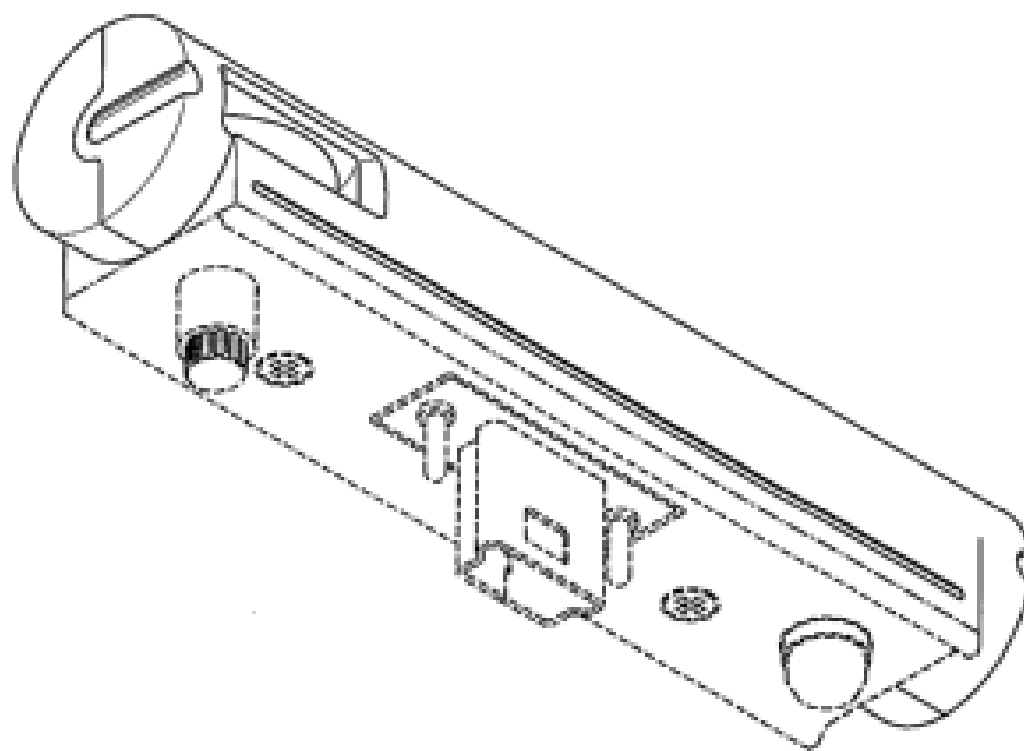
(45) Registration Date: **10 April 2006**

(30) Convention priority data:

(31) Number	(32) Date	(33) Country
D2005-20784	15 Jul 2005	JAPAN

(56) Related Art Documents: **Not Applicable**

(57) Statement of Newness and Distinctiveness: **Newness and distinctiveness resides in the shape and/or configuration of the microphone as shown in the accompanying representations. The portions indicated in broken lines in the accompanying representations are for illustrative purposes only and form no part of the claimed design.**



(21) Design Number: **14515/2005**
(22) Date of Filing Application: **13 October 2005**
(24) Date from which industrial property rights may have effect: **13 October 2005**
(54) Product in respect of which the design is registered: **Arithmetic and control unit**
(51) International Design Classification: **14-02**
(71) Name(s) and Address(s) of Applicant(s):

Sony Computer Entertainment Inc.
2-6-21 Minami-Aoyama Minato-ku Tokyo 107-0062 Japan

(72) Name(s) of Designer(s): **Ken Kutaragi and Teiyu Goto**

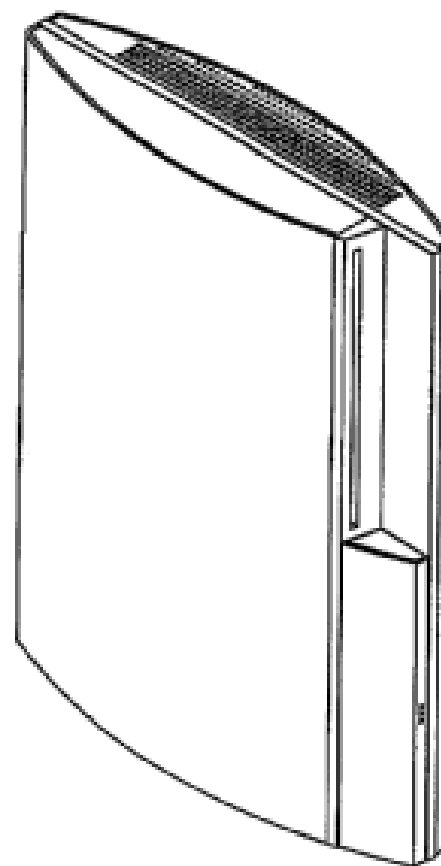
(45) Registration Date: **10 April 2006**

(30) Convention priority data:

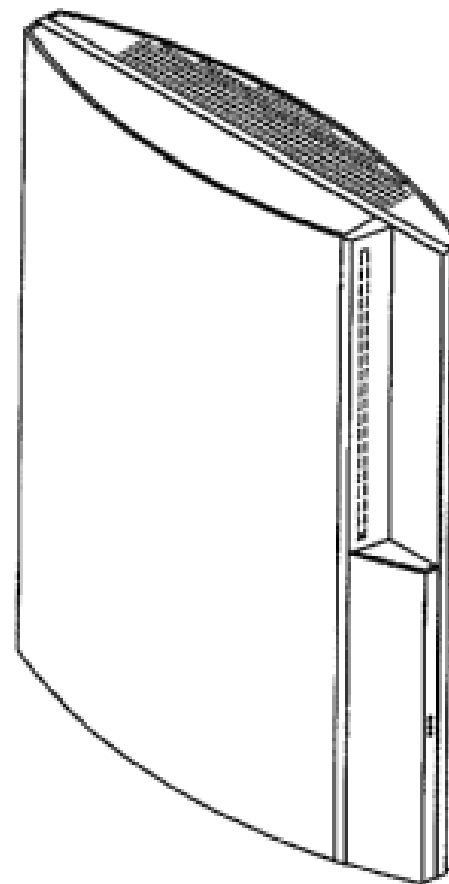
(31) Number	(32) Date	(33) Country
D2005-13963	16 May 2005	JAPAN

(56) Related Art Documents: **Not Applicable**

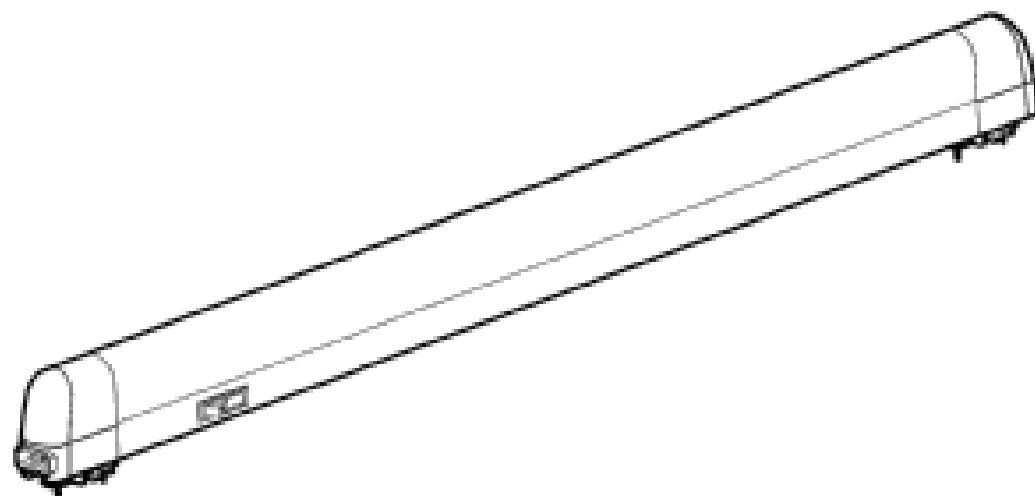
(57) Statement of Newness and Distinctiveness: **Newness and distinctiveness resides in the shape and/or configuration of the arithmetic and control unit as shown in the accompanying representations.**



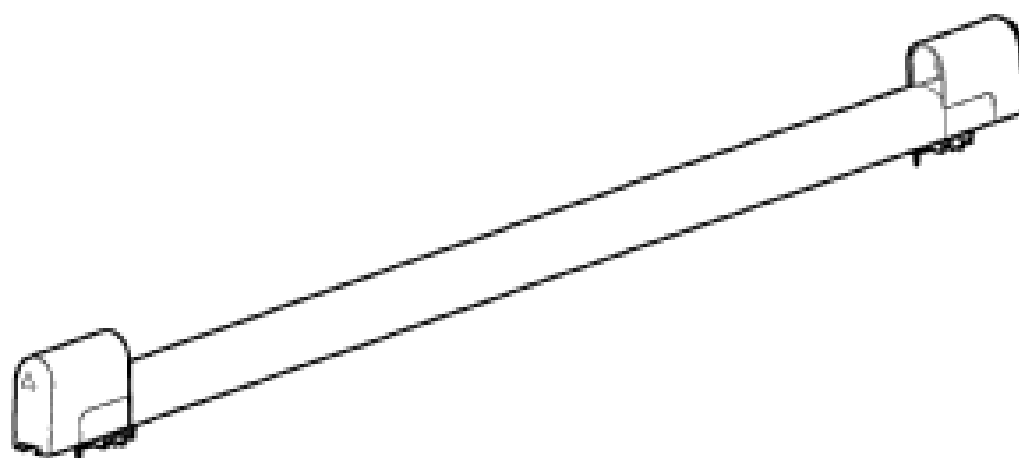
- (21) Design Number: **14516/2005**
(22) Date of Filing Application: **13 October 2005**
(24) Date from which industrial property rights may have effect: **13 October 2005**
(54) Product in respect of which the design is registered: **Arithmetic and control unit**
(51) International Design Classification: **14-02**
(71) Name(s) and Address(s) of Applicant(s):
Sony Computer Entertainment Inc.
2-6-21 Minami-Aoyama Minato-ku Tokyo 107-0062 Japan
(72) Name(s) of Designer(s): **Ken Kutaragi and Teiyu Goto**
(45) Registration Date: **10 April 2006**
(30) Convention priority data:
(31) Number (32) Date (33) Country
D2005-13962 16 May 2005 JAPAN
(56) Related Art Documents: **Not Applicable**
(57) Statement of Newness and Distinctiveness: **Newness and distinctiveness resides in the shape and/or configuration of the arithmetic and control unit as shown in the accompanying representations. The portions indicated in broken lines in the accompanying representations are for illustrative purposes only and form no part of the claimed design.**



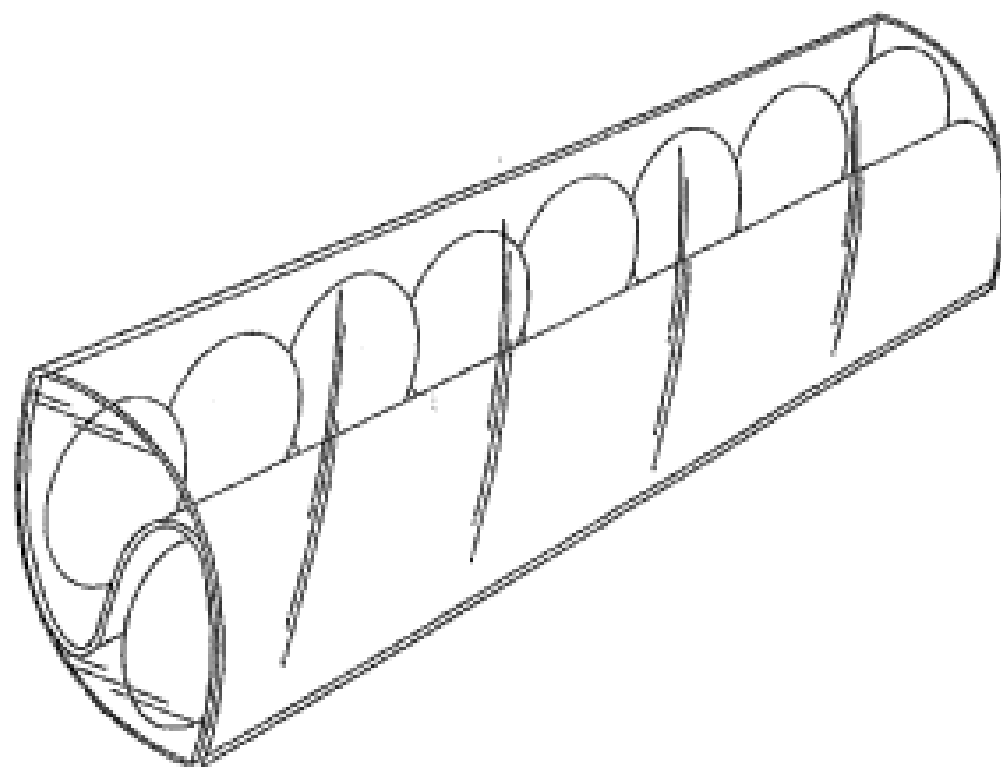
- (21) Design Number: **14518/2005**
(22) Date of Filing Application: **13 October 2005**
(24) Date from which industrial property rights may have effect: **13 October 2005**
(54) Product in respect of which the design is registered: **Luminaire (batten)**
(51) International Design Classification: **26-05A**
(71) Name(s) and Address(s) of Applicant(s):
Koninklijke Philips Electronics N.V.
Groenwoodseweg 1 5621 BA Eindhoven The Netherlands
(72) Name(s) of Designer(s): **Tony Tseng**
(45) Registration Date: **10 April 2006**
(30) Convention priority data:
(31) Number (32) Date (33) Country
000330915-0001 27 Apr 2005 EUROPEAN COMMUNITY
(56) Related Art Documents: **Not Applicable**
(57) Statement of Newness and Distinctiveness: **Each feature of the design considered separately or in combination with any other feature or features.**



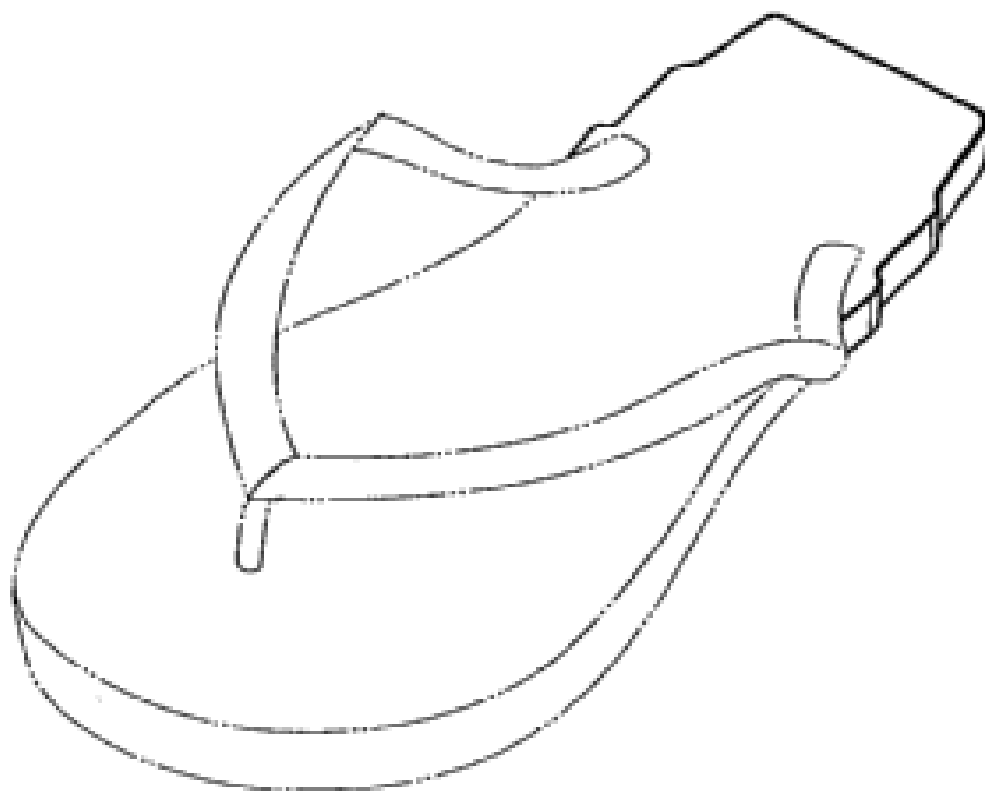
- (21) Design Number: **14519/2005**
(22) Date of Filing Application: **13 October 2005**
(24) Date from which industrial property rights may have effect: **13 October 2005**
(54) Product in respect of which the design is registered: **Luminaire (batten)**
(51) International Design Classification: **26-05A**
(71) Name(s) and Address(s) of Applicant(s):
Koninklijke Philips Electronics N.V.
Groenwoudseweg 1 5621 BA Eindhoven The Netherlands
(72) Name(s) of Designer(s): **Tony Tseng**
(45) Registration Date: **10 April 2006**
(30) Convention priority data:
(31) Number (32) Date (33) Country
000330915-0002 27 Apr 2005 EUROPEAN COMMUNITY
(56) Related Art Documents: **Not Applicable**
(57) Statement of Newness and Distinctiveness: **Each feature of the design considered separately or in combination with any other feature or features.**



- (21) Design Number: **14536/2005**
(22) Date of Filing Application: **14 October 2005**
(24) Date from which industrial property rights may have effect: **14 October 2005**
(54) Product in respect of which the design is registered: **Product dispenser**
(51) International Design Classification: **01-01, 09-03L**
(71) Name(s) and Address(s) of Applicant(s):
Wm. Wrigley Jr. Company
410 N. Michigan Avenue Chicago Illinois United States of America
(72) Name(s) of Designer(s): **Jonathan Edward Rathbone**
(45) Registration Date: **10 April 2006**
(30) Convention priority data:
(31) Number (32) Date (33) Country
29/229635 09 May 2005 UNITED STATES OF AMERICA
(56) Related Art Documents: **Not Applicable**
(57) Statement of Newness and Distinctiveness: **Newness and distinctiveness is claimed in the features of shape and/or configuration of a product dispenser as illustrated in the accompanying representations.**



- (21) Design Number: **14577/2005**
(22) Date of Filing Application: **18 October 2005**
(24) Date from which industrial property rights may have effect: **22 April 2004**
(54) Product in respect of which the design is registered: **Footwear**
(51) International Design Classification: **02-04NES**
(71) Name(s) and Address(s) of Applicant(s):
Sole Surfer International Pty Ltd
Suite 1 Level 6 234-242 George Street Sydney New South Wales 2000
Australia
(72) Name(s) of Designer(s): **Justin Douglas King**
(45) Registration Date: **10 April 2006**
(62) Divisional of: **158443**
(56) Related Art Documents: **Not Applicable**
(57) Statement of Newness and Distinctiveness: **Newness and distinctiveness is claimed in the shape and configuration and pattern and ornamentation applied to footwear, as illustrated in the accompanying representations. The portions of the article shown in dashed lines do not constitute a part of the design.**



- (21) Design Number: **14578/2005**
(22) Date of Filing Application: **18 October 2005**
(24) Date from which industrial property rights may have effect: **22 April 2004**
(54) Product in respect of which the design is registered: **Footwear**
(51) International Design Classification: **02-04NES**
(71) Name(s) and Address(s) of Applicant(s):
Sole Surfer International Pty Ltd
Suite 1 Level 6 234-242 George Street Sydney New South Wales 2000
Australia
(72) Name(s) of Designer(s): **Justin Douglas King**
(45) Registration Date: **10 April 2006**
(62) Divisional of: **158443**
(56) Related Art Documents: **Not Applicable**
(57) Statement of Newness and Distinctiveness: **Newness and distinctiveness is claimed in the shape and configuration and pattern and ornamentation applied to footwear, as illustrated in the accompanying representations. The portions of the article shown in dashed lines do not constitute a part of the design.**



(21) Design Number: **14597/2005**

(22) Date of Filing Application: **14 October 2005**

(24) Date from which industrial property rights may have effect: **14 October 2005**

(54) Product in respect of which the design is registered: **Escutcheon plate lock**

(51) International Design Classification: **08-07, 08-09**

(71) Name(s) and Address(s) of Applicant(s):

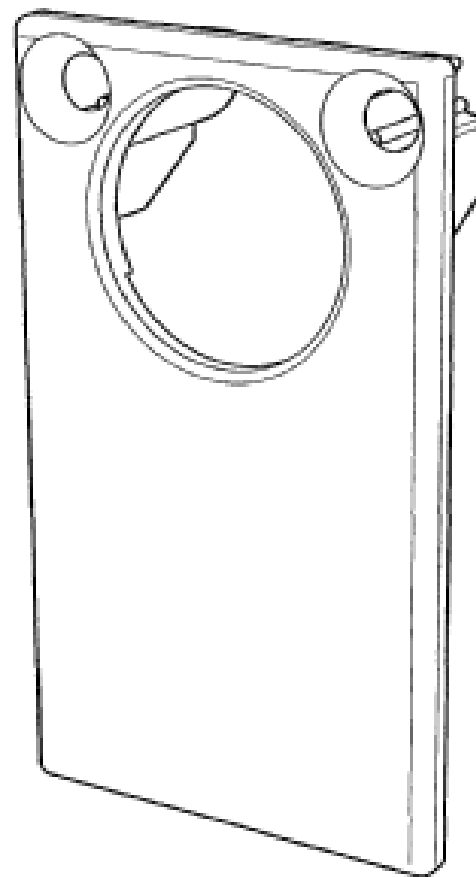
Raven Products Pty Ltd
22 Aldershot Road Lonsdale South Australia 5160 Australia

(72) Name(s) of Designer(s): **Russell Clark**

(45) Registration Date: **10 April 2006**

(56) Related Art Documents: **Not Applicable**

(57) Statement of Newness and Distinctiveness: **Nil**



(21) Design Number: **14598/2005**

(22) Date of Filing Application: **14 October 2005**

(24) Date from which industrial property rights may have effect: **14 October 2005**

(54) Product in respect of which the design is registered: **Escutcheon plate lock**

(51) International Design Classification: **08-07, 08-09**

(71) Name(s) and Address(s) of Applicant(s):

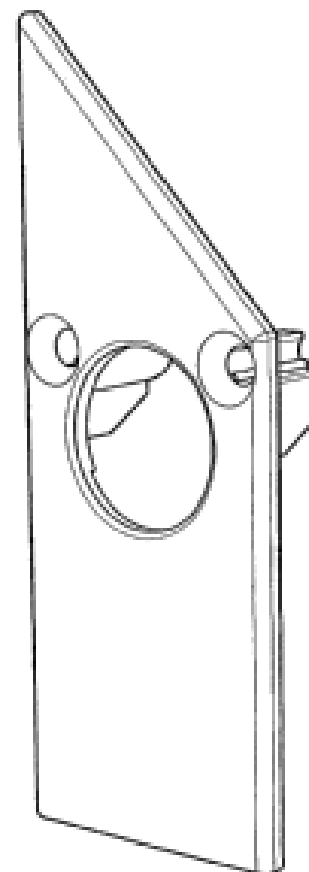
Raven Products Pty Ltd
22 Aldershot Road Lonsdale South Australia 5160 Australia

(72) Name(s) of Designer(s): **Russell Clark**

(45) Registration Date: **10 April 2006**

(56) Related Art Documents: **Not Applicable**

(57) Statement of Newness and Distinctiveness: **Nil**



(21) Design Number: **14599/2005**

(22) Date of Filing Application: **14 October 2005**

(24) Date from which industrial property rights may have effect: **14 October 2005**

(54) Product in respect of which the design is registered: **Escutcheon plate lock**

(51) International Design Classification: **08-07, 08-09**

(71) Name(s) and Address(s) of Applicant(s):

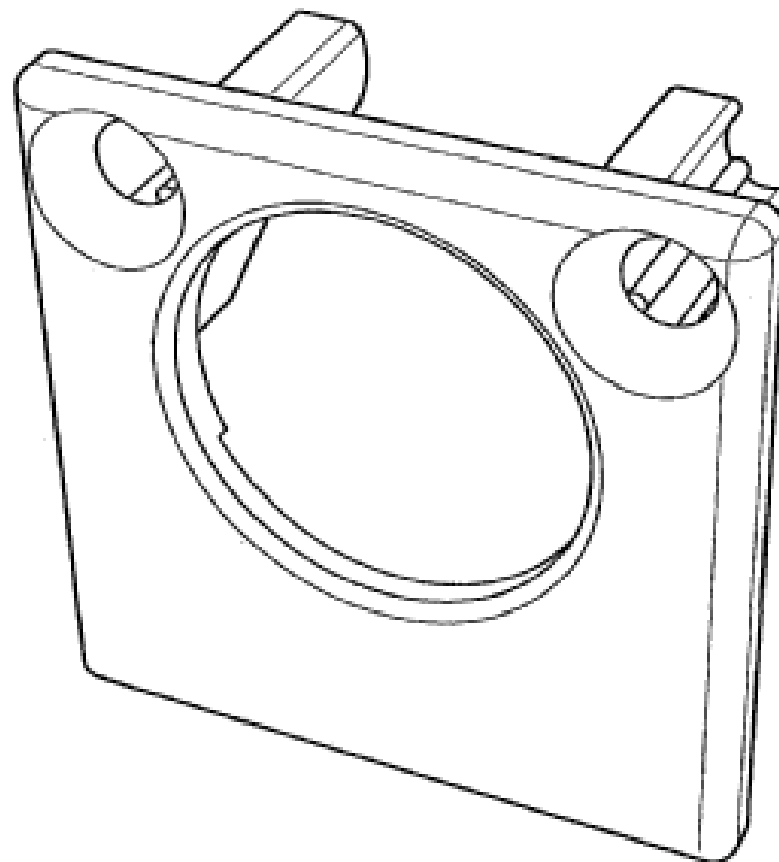
Raven Products Pty Ltd
22 Aldershot Road Lonsdale South Australia 5160 Australia

(72) Name(s) of Designer(s): **Russell Clark**

(45) Registration Date: **10 April 2006**

(56) Related Art Documents: **Not Applicable**

(57) Statement of Newness and Distinctiveness: **Nil**



(21) Design Number: **14600/2005**

(22) Date of Filing Application: **14 October 2005**

(24) Date from which industrial property rights may have effect: **14 October 2005**

(54) Product in respect of which the design is registered: **Door seal base extension**

(51) International Design Classification: **08-09**

(71) Name(s) and Address(s) of Applicant(s):

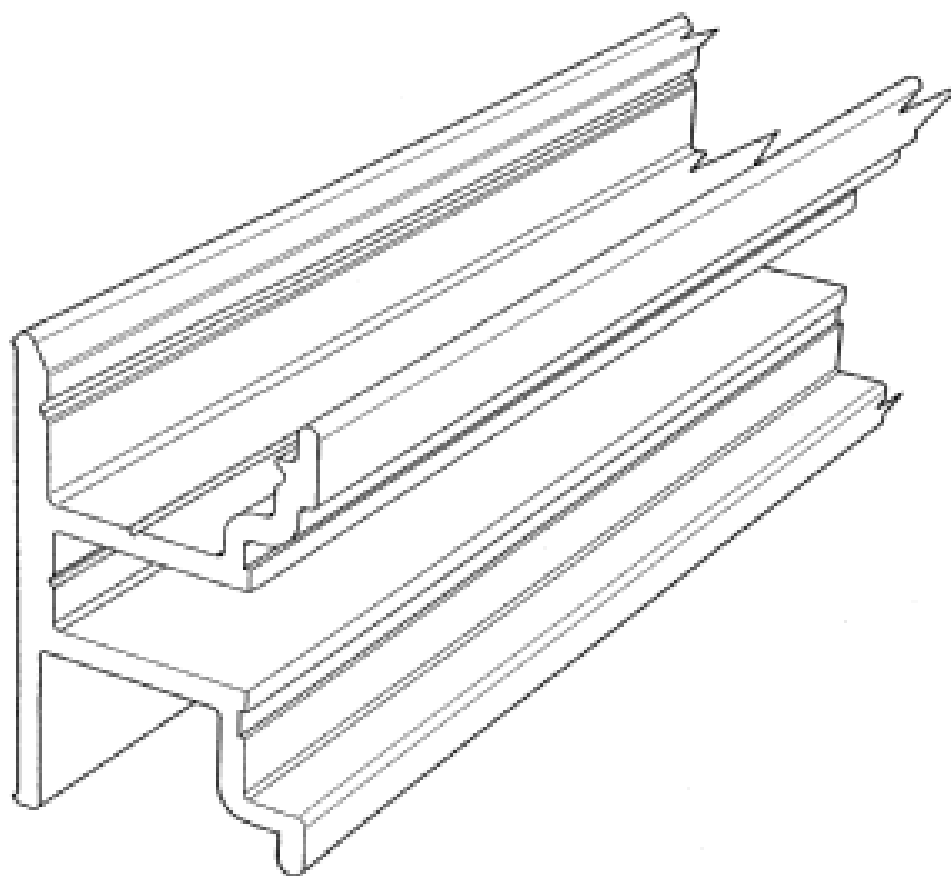
Raven Products Pty Ltd
22 Aldershot Road Lonsdale South Australia 5160 Australia

(72) Name(s) of Designer(s): **Russell Clark**

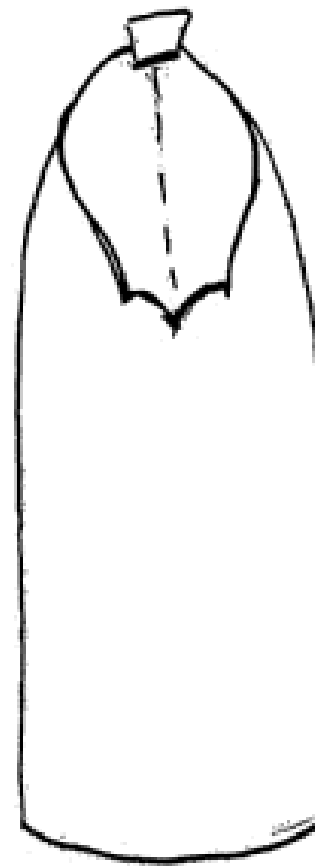
(45) Registration Date: **10 April 2006**

(56) Related Art Documents: **Not Applicable**

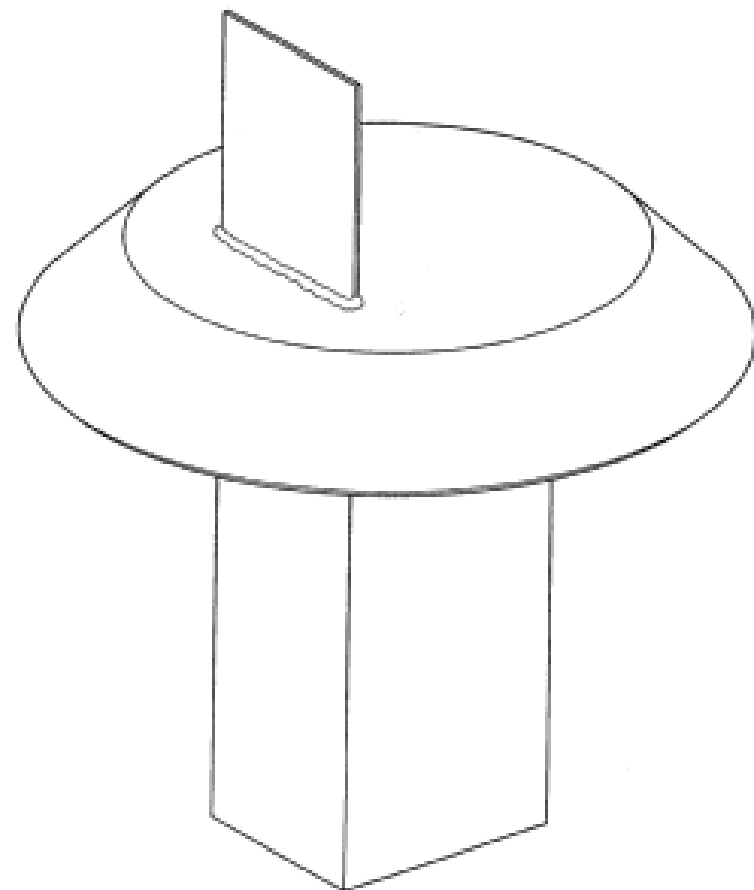
(57) Statement of Newness and Distinctiveness: **Nil**



- (21) Design Number: **14034/2005**
(22) Date of Filing Application: **20 September 2005**
(24) Date from which industrial property rights may have effect: **20 September 2005**
(54) Product in respect of which the design is registered: **Smaller bottled alcoholic mixer drinks and designer beers in 275ml to 375ml bottles as an insulator**
(51) International Design Classification: **07-07A**
(71) Name(s) and Address(s) of Applicant(s):
Aleta Ayres
29 Wendover Crescent Hillside Victoria 3037 Australia
Pauline Aloï
29 Wendover Crescent Hillside Victoria 3037 Australia
(72) Name(s) of Designer(s): **Aleta Ayres and Pauline Aloï**
(45) Registration Date: **10 April 2006**
(56) Related Art Documents: **Not Applicable**
(57) Statement of Newness and Distinctiveness: **Slimmer holder for smaller bottles, longer body shaped to contour up part of the bottle neck to give a snug fit. Easier to hold ring and sweetheart shaped opening to allow easy bottle access. Does not use zip or velcro opening. New and distinctive design configuration as a bottle insulator designed for the market with women in mind.**



- (21) Design Number: **13581/2005**
(22) Date of Filing Application: **23 August 2005**
(24) Date from which industrial property rights may have effect: **23 August 2005**
(54) Product in respect of which the design is registered: **Pier head**
(51) International Design Classification: **25-99, 22-06**
(71) Name(s) and Address(s) of Applicant(s):
Kerry Robert Bennett
Lot 102 Canobolas Road Orange New South Wales 2800 Australia
(72) Name(s) of Designer(s): **Kerry Robert Bennett**
(45) Registration Date: **12 April 2006**
(56) Related Art Documents: **Not Applicable**
(57) Statement of Newness and Distinctiveness: **Nil**



(21) Design Number: **13713/2005**

(22) Date of Filing Application: **30 August 2005**

(24) Date from which industrial property rights may have effect: **30 August 2005**

(54) Product in respect of which the design is registered: **A wash basin**

(51) International Design Classification: **23-02F**

(71) Name(s) and Address(s) of Applicant(s):

Sonia, S.A.

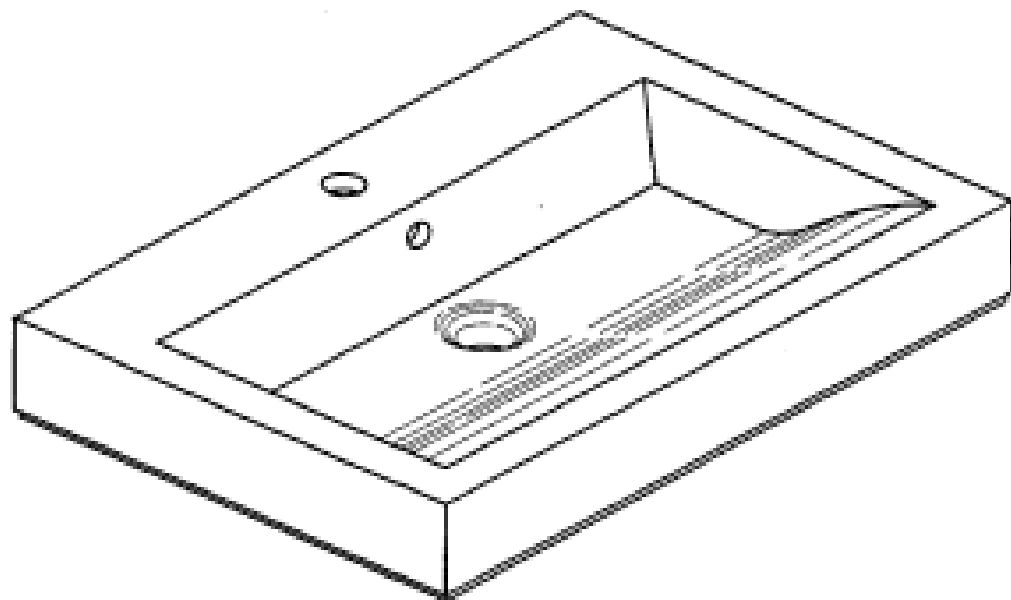
Ctra. de Barcelona 35 Bonrepos (Valencia) 46131 Spain

(72) Name(s) of Designer(s): **Jose Maria Ferrer Beltran**

(45) Registration Date: **12 April 2006**

(56) Related Art Documents: **Not Applicable**

(57) Statement of Newness and Distinctiveness: **Nil**



(21) Design Number: **14008/2005**

(22) Date of Filing Application: **16 September 2005**

(24) Date from which industrial property rights may have effect: **16 September 2005**

(54) Product in respect of which the design is registered: **A spacer**

(51) International Design Classification: **08-08B**

(71) Name(s) and Address(s) of Applicant(s):

Lindsay R. White

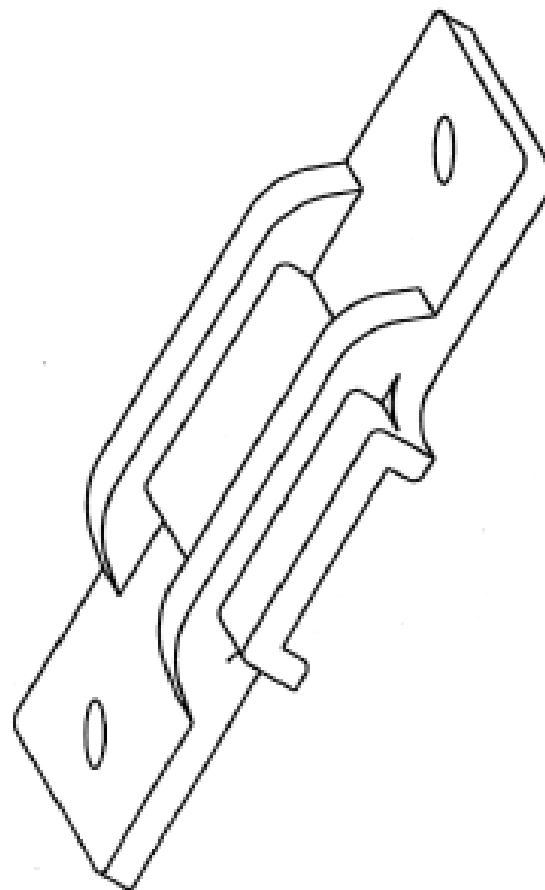
19-23 Taragala Street Cowra New South Wales 2794 Australia

(72) Name(s) of Designer(s): **Lindsay R. White**

(45) Registration Date: **12 April 2006**

(56) Related Art Documents: **Not Applicable**

(57) Statement of Newness and Distinctiveness: **Nil**



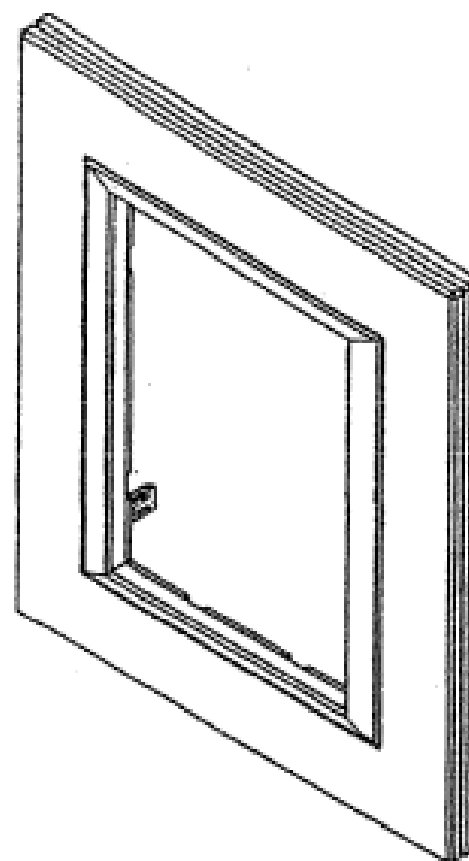
(19) AU

- (21) Design Number: **14098/2005**
(22) Date of Filing Application: **23 September 2005**
(24) Date from which industrial property rights may have effect: **23 September 2005**
(54) Product in respect of which the design is registered: **Single Switch Electrical Fitting, 2 Gang Switch Electrical Fitting, 3 Gang Switch Electrical Fitting, 6 Gang Switch**
(51) International Design Classification: **13-03D**
(71) Name(s) and Address(s) of Applicant(s):
Schneider Electric New Zealand Holdings Limited
14 Hazeldean Road Addington Christchurch New Zealand
(72) Name(s) of Designer(s): **David Kelly and David Scottorn and Douglas Gwatkin and Iain Wickens and Ian Richardson and James Huggins and Martin Scottorn and Steward Macdonald**
(45) Registration Date: **12 April 2006**
(30) Convention priority data:
(31) Number (32) Date (33) Country
406002 23 Mar 2005 NEW ZEALAND
(56) Related Art Documents: **Not Applicable**
(57) Statement of Newness and Distinctiveness: **The novelty claimed for the design resides in the features of shape and/or configuration all as shown in the representations excluding the shape and configuration of the fittings behind the front face of each of the fittings, apparent in the side and top views of each fitting.**

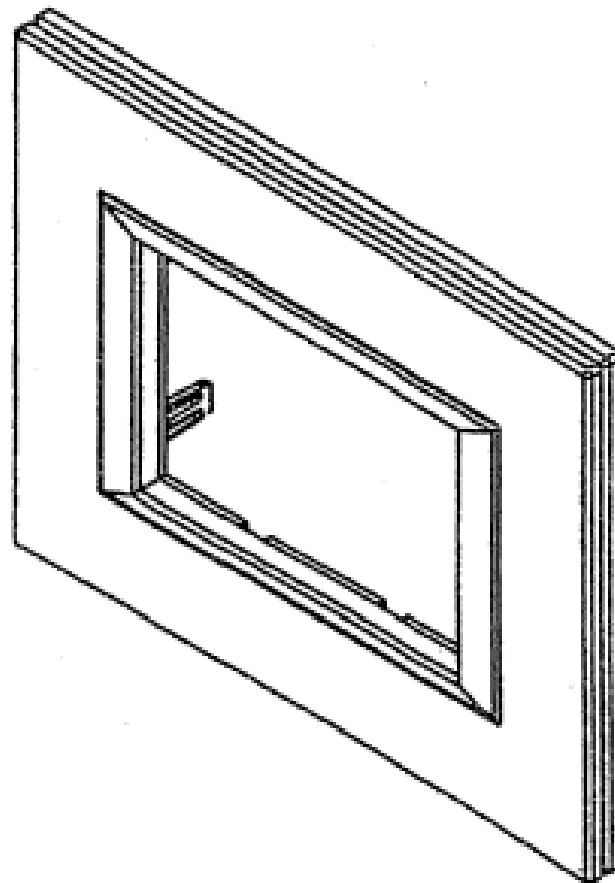


(19) AU

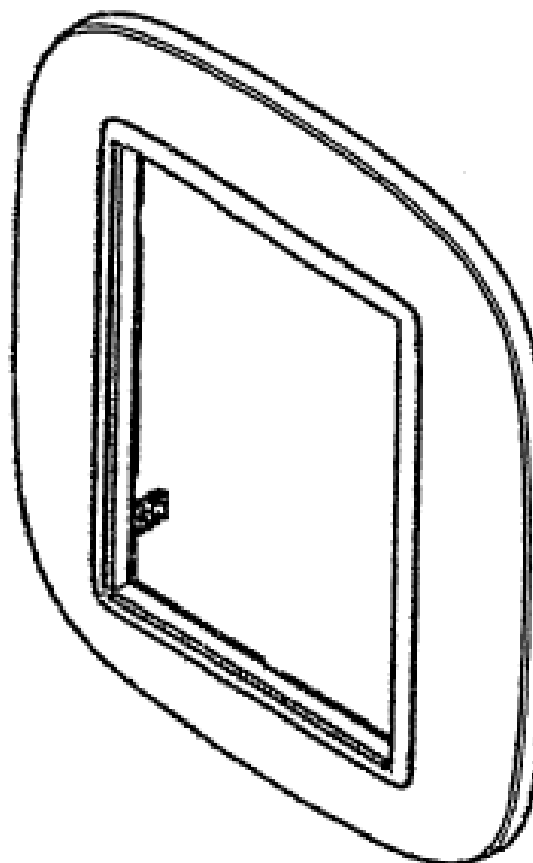
- (21) Design Number: **14116/2005**
(22) Date of Filing Application: **23 September 2005**
(24) Date from which industrial property rights may have effect: **23 September 2005**
(54) Product in respect of which the design is registered: **Cover plate**
(51) International Design Classification: **13-03D**
(71) Name(s) and Address(s) of Applicant(s):
BTICINO S.p.A.
Via Messina 38-20154 Milano Italy
(72) Name(s) of Designer(s): **Fabrizio Fabrizi**
(45) Registration Date: **12 April 2006**
(30) Convention priority data:
(31) Number (32) Date (33) Country
332507 07 Apr 2005 EUROPEAN COMMUNITY
(56) Related Art Documents: **Not Applicable**
(57) Statement of Newness and Distinctiveness: **Those features of the cover plate depicted in the representations that are new and distinctive are the shape and/or configuration.**



- (21) Design Number: **14117/2005**
(22) Date of Filing Application: **23 September 2005**
(24) Date from which industrial property rights may have effect: **23 September 2005**
(54) Product in respect of which the design is registered: **Cover plate**
(51) International Design Classification: **13-03D**
(71) Name(s) and Address(s) of Applicant(s):
BTICINO S.p.A.
Via Messina 38-20154 Milano Italy
(72) Name(s) of Designer(s): **Fabrizio Fabrizi**
(45) Registration Date: **12 April 2006**
(30) Convention priority data:
(31) Number (32) Date (33) Country
332507 07 Apr 2005 EUROPEAN COMMUNITY
(56) Related Art Documents: **Not Applicable**
(57) Statement of Newness and Distinctiveness: **Those features of the cover plate depicted in the representations that are new and distinctive are the shape and/or configuration.**



- (21) Design Number: **14118/2005**
(22) Date of Filing Application: **23 September 2005**
(24) Date from which industrial property rights may have effect: **23 September 2005**
(54) Product in respect of which the design is registered: **Cover plate**
(51) International Design Classification: **13-03D**
(71) Name(s) and Address(s) of Applicant(s):
BTICINO S.p.A.
Via Messina 38-20154 Milano Italy
(72) Name(s) of Designer(s): **Fabrizio Fabrizi**
(45) Registration Date: **12 April 2006**
(30) Convention priority data:
(31) Number (32) Date (33) Country
332507 07 Apr 2005 EUROPEAN COMMUNITY
(56) Related Art Documents: **Not Applicable**
(57) Statement of Newness and Distinctiveness: **Those features of the cover plate depicted in the representations that are new and distinctive are the shape and/or configuration.**



(21) Design Number: **14332/2005**
(22) Date of Filing Application: **04 October 2005**
(24) Date from which industrial property rights may have effect: **04 October 2005**
(54) Product in respect of which the design is registered: **Container**
(51) International Design Classification: **03-01D**
(71) Name(s) and Address(s) of Applicant(s):

Robert Bosch GmbH
Postfach 30 02 20 D-70442 Stuttgart Germany

(72) Name(s) of Designer(s): **Hans-Peter Aglassinger**

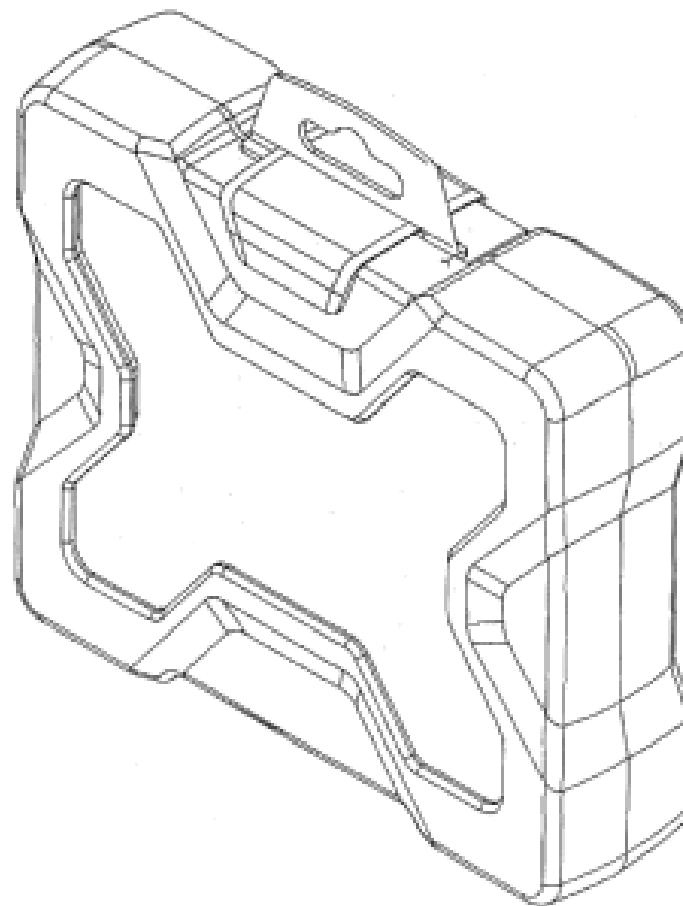
(45) Registration Date: **12 April 2006**

(30) Convention priority data:

(31) Number	(32) Date	(33) Country
405 028 19.9	02 Jun 2005	GERMANY

(56) Related Art Documents: **Not Applicable**

(57) Statement of Newness and Distinctiveness: **Nil**



(21) Design Number: **14440/2005**
(22) Date of Filing Application: **10 October 2005**
(24) Date from which industrial property rights may have effect: **10 October 2005**
(54) Product in respect of which the design is registered: **Long lunch container**
(51) International Design Classification: **07-01NES**
(71) Name(s) and Address(s) of Applicant(s):

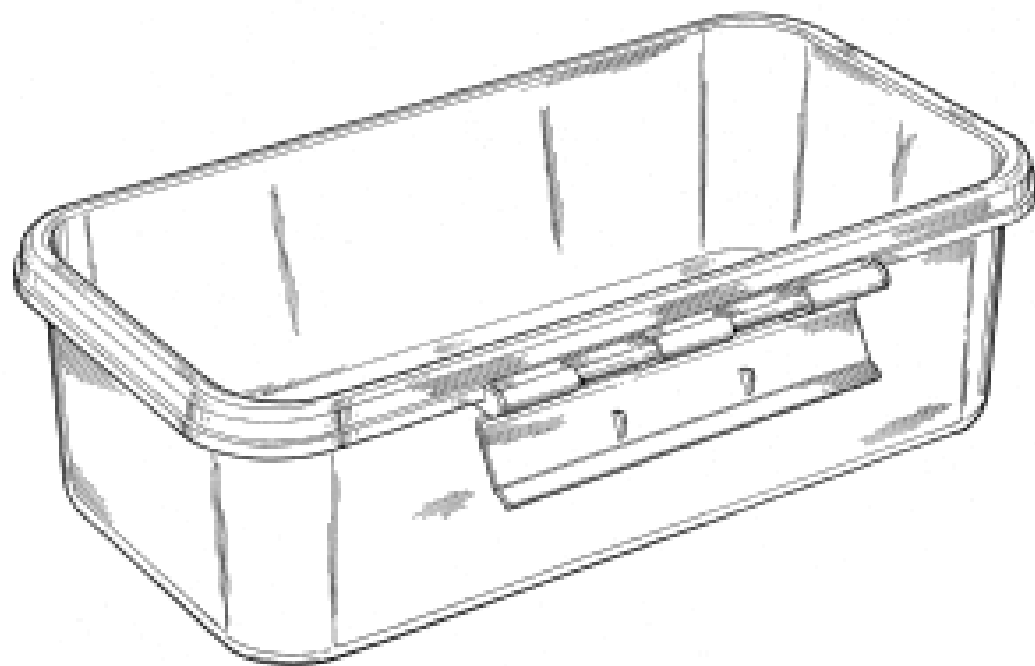
The Decor Corporation Pty Ltd
1314 Ferntree Gully Road Scoresby Victoria 3179 Australia

(72) Name(s) of Designer(s): **Jim Samartgis**

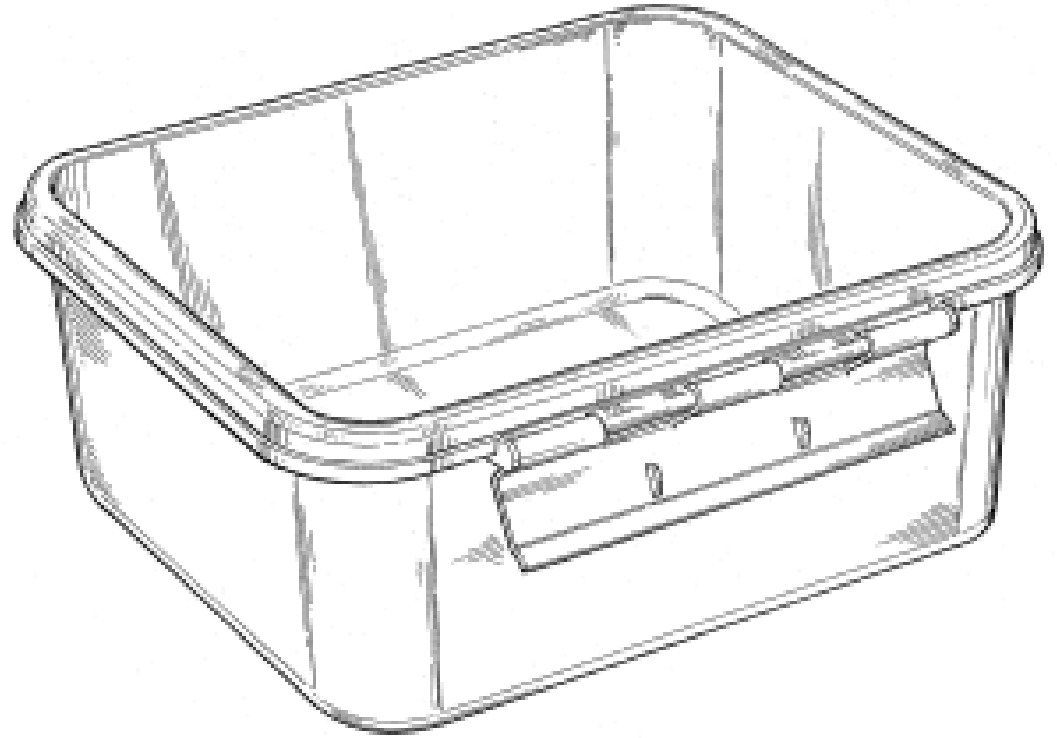
(45) Registration Date: **12 April 2006**

(56) Related Art Documents: **Not Applicable**

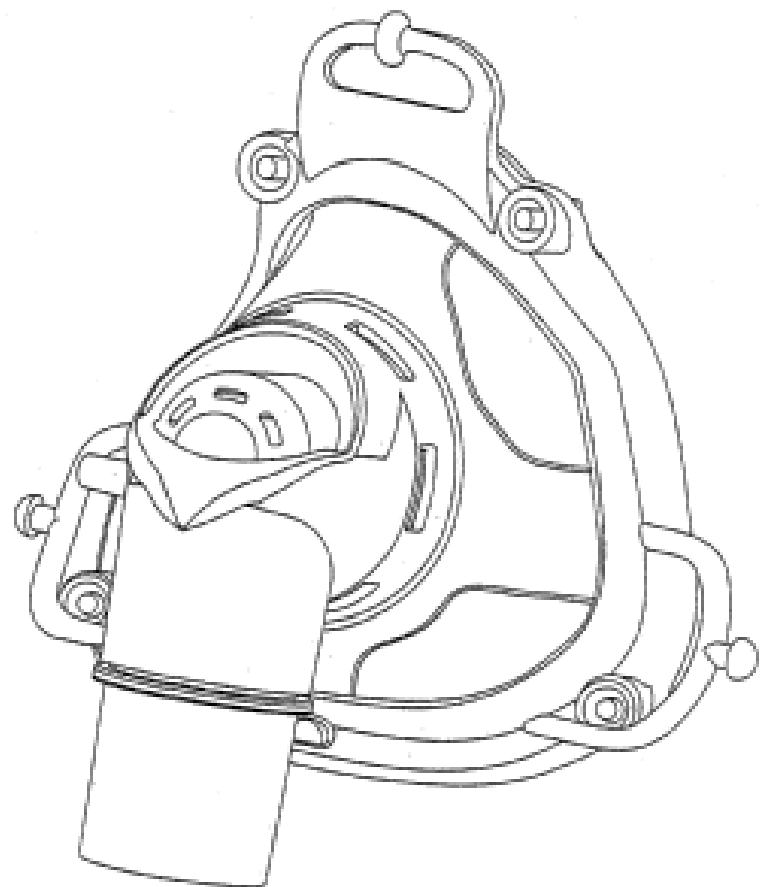
(57) Statement of Newness and Distinctiveness: **Nil**



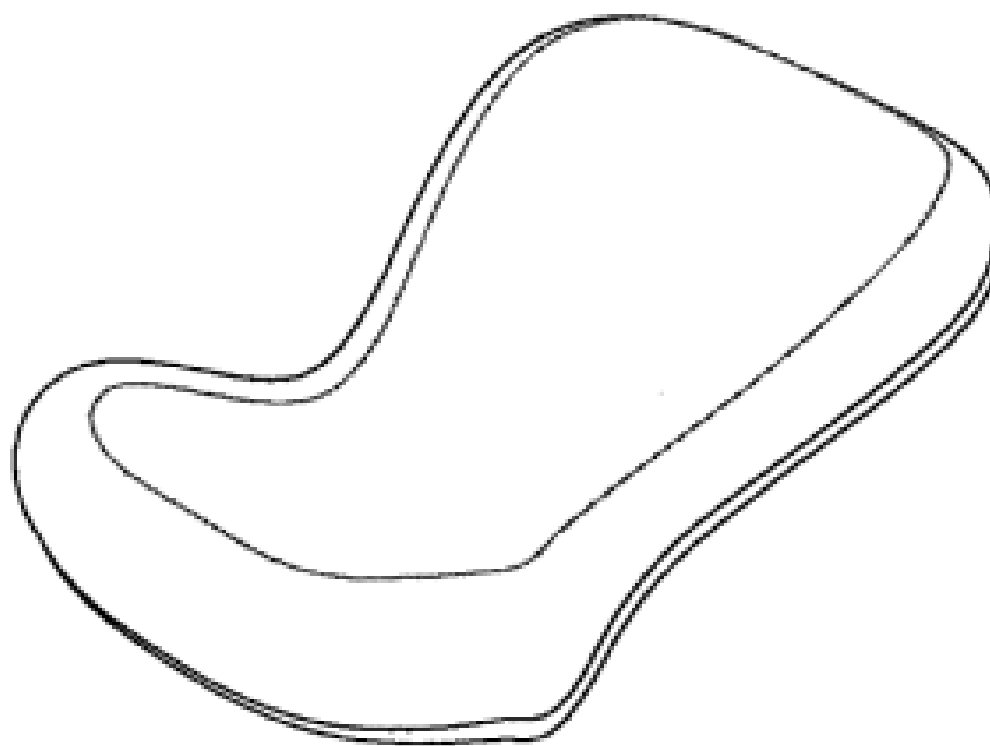
(21) Design Number: **14441/2005**
(22) Date of Filing Application: **10 October 2005**
(24) Date from which industrial property rights may have effect: **10 October 2005**
(54) Product in respect of which the design is registered: **Deep lunch container**
(51) International Design Classification: **07-01NES**
(71) Name(s) and Address(s) of Applicant(s):
The Decor Corporation Pty Ltd
1314 Ferntree Gully Road Scoresby Victoria 3179 Australia
(72) Name(s) of Designer(s): **Jim Samartgis**
(45) Registration Date: **12 April 2006**
(56) Related Art Documents: **Not Applicable**
(57) Statement of Newness and Distinctiveness: **Nil**



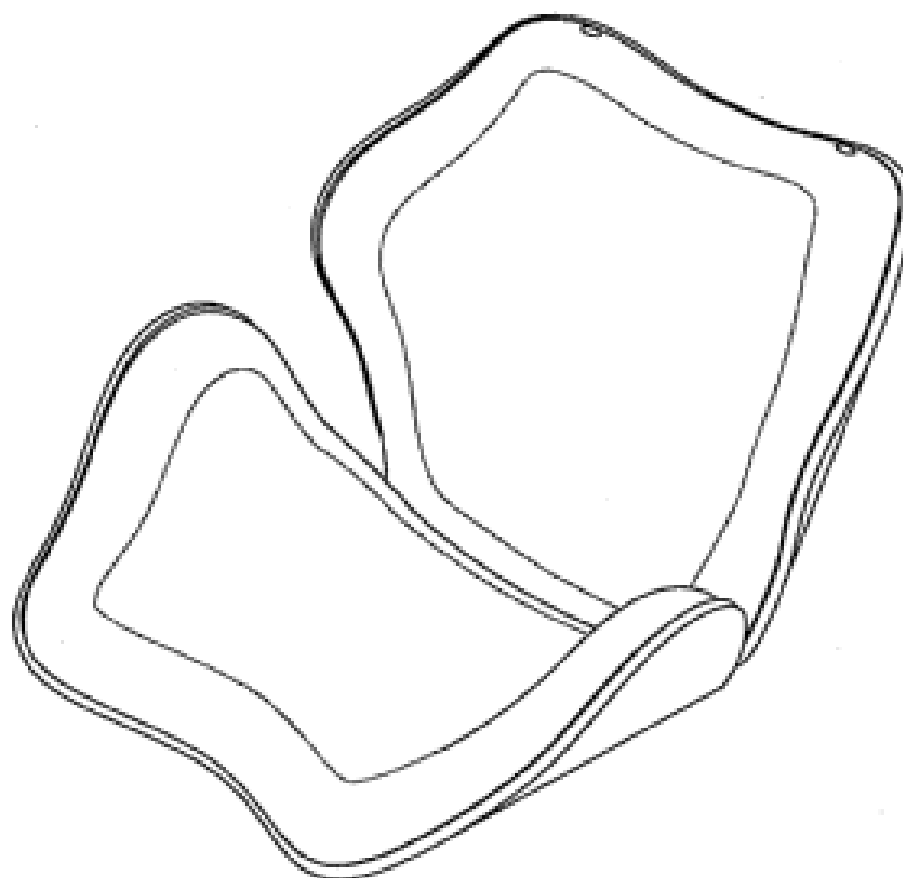
(21) Design Number: **14445/2005**
(22) Date of Filing Application: **10 October 2005**
(24) Date from which industrial property rights may have effect: **10 October 2005**
(54) Product in respect of which the design is registered: **Nasal mask**
(51) International Design Classification: **24-01, 24-02**
(71) Name(s) and Address(s) of Applicant(s):
ResMed Limited
1 Elizabeth Macarthur Drive Bella Vista New South Wales 2153
Australia
(72) Name(s) of Designer(s): **Michael Andrew Jones and Amal Shirley**
Amarasinghe and Timothy Tsun-Fai Fu
(45) Registration Date: **12 April 2006**
(30) Convention priority data:
(31) Number (32) Date (33) Country
29/228,101 20 Apr 2005 UNITED STATES OF AMERICA
(56) Related Art Documents: **Not Applicable**
(57) Statement of Newness and Distinctiveness: **Nil**



(21) Design Number: **14452/2005**
(22) Date of Filing Application: **10 October 2005**
(24) Date from which industrial property rights may have effect: **10 October 2005**
(54) Product in respect of which the design is registered: **Footrest**
(51) International Design Classification: **06-06G**
(71) Name(s) and Address(s) of Applicant(s):
Toshiyuki Kita
IDK-Design TS Bldg 2F 3-1-2 Tenma Kita-Ku JP-530-0043 Osaka Japan
(72) Name(s) of Designer(s): **Toshiyuki Kita**
(45) Registration Date: **12 April 2006**
(30) Convention priority data:
(31) Number (32) Date (33) Country
20050186 12 Apr 2005 NORWAY
(56) Related Art Documents: **Not Applicable**
(57) Statement of Newness and Distinctiveness: **Newness and distinctiveness resides in the shape and/or configuration of the footrest as illustrated in the accompanying representations.**



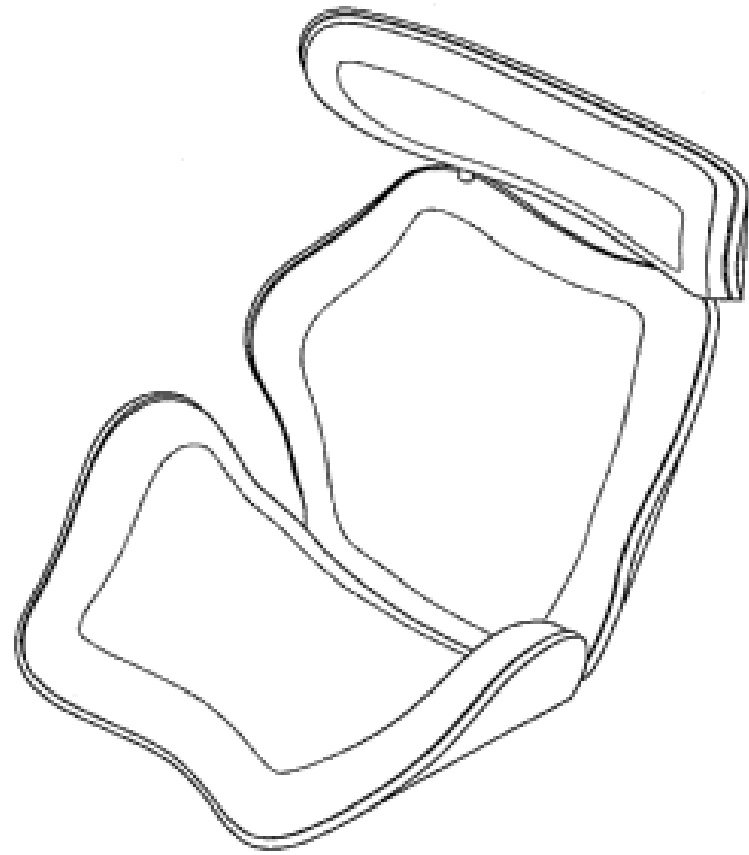
(21) Design Number: **14453/2005**
(22) Date of Filing Application: **10 October 2005**
(24) Date from which industrial property rights may have effect: **10 October 2005**
(54) Product in respect of which the design is registered: **Chair body**
(51) International Design Classification: **06-06G**
(71) Name(s) and Address(s) of Applicant(s):
Toshiyuki Kita
IDK-Design TS Bldg 2F 3-1-2 Tenma Kita-Ku JP-530-0043 Osaka Japan
(72) Name(s) of Designer(s): **Toshiyuki Kita**
(45) Registration Date: **12 April 2006**
(30) Convention priority data:
(31) Number (32) Date (33) Country
20050186 12 Apr 2005 NORWAY
(56) Related Art Documents: **Not Applicable**
(57) Statement of Newness and Distinctiveness: **Newness and distinctiveness resides in the shape and/or configuration of the chair body as illustrated in the accompanying representations.**



- (21) Design Number: **14454/2005**
(22) Date of Filing Application: **10 October 2005**
(24) Date from which industrial property rights may have effect: **10 October 2005**
(54) Product in respect of which the design is registered: **Chair body**
(51) International Design Classification: **06-06G**
(71) Name(s) and Address(s) of Applicant(s):
Toshiyuki Kita
IDK-Design TS Bldg 2F 3-1-2 Tenma Kita-Ku JP-530-0043 Osaka Japan
(72) Name(s) of Designer(s): **Toshiyuki Kita**
(45) Registration Date: **12 April 2006**
(30) Convention priority data:

(31) Number	(32) Date	(33) Country
20050186	12 Apr 2005	NORWAY

(56) Related Art Documents: **Not Applicable**
(57) Statement of Newness and Distinctiveness: **Newness and distinctiveness resides in the shape and/or configuration of the chair body as illustrated in the accompanying representations.**



- (21) Design Number: **14456/2005**
(22) Date of Filing Application: **10 October 2005**
(24) Date from which industrial property rights may have effect: **10 October 2005**
(54) Product in respect of which the design is registered: **Reclining chair**
(51) International Design Classification: **06-01NES**
(71) Name(s) and Address(s) of Applicant(s):
Toshiyuki Kita
IDK-Design TS Bldg 2F 3-1-2 Tenma Kita-Ku JP-530-0043 Osaka Japan
(72) Name(s) of Designer(s): **Toshiyuki Kita**
(45) Registration Date: **12 April 2006**
(30) Convention priority data:

(31) Number	(32) Date	(33) Country
20050186	12 Apr 2005	NORWAY

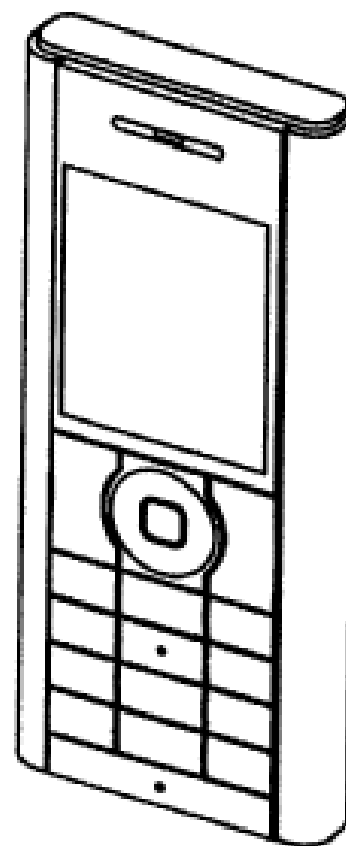
(56) Related Art Documents: **Not Applicable**
(57) Statement of Newness and Distinctiveness: **Newness and distinctiveness resides in the shape and/or configuration of the reclining chair as illustrated in the accompanying representations.**



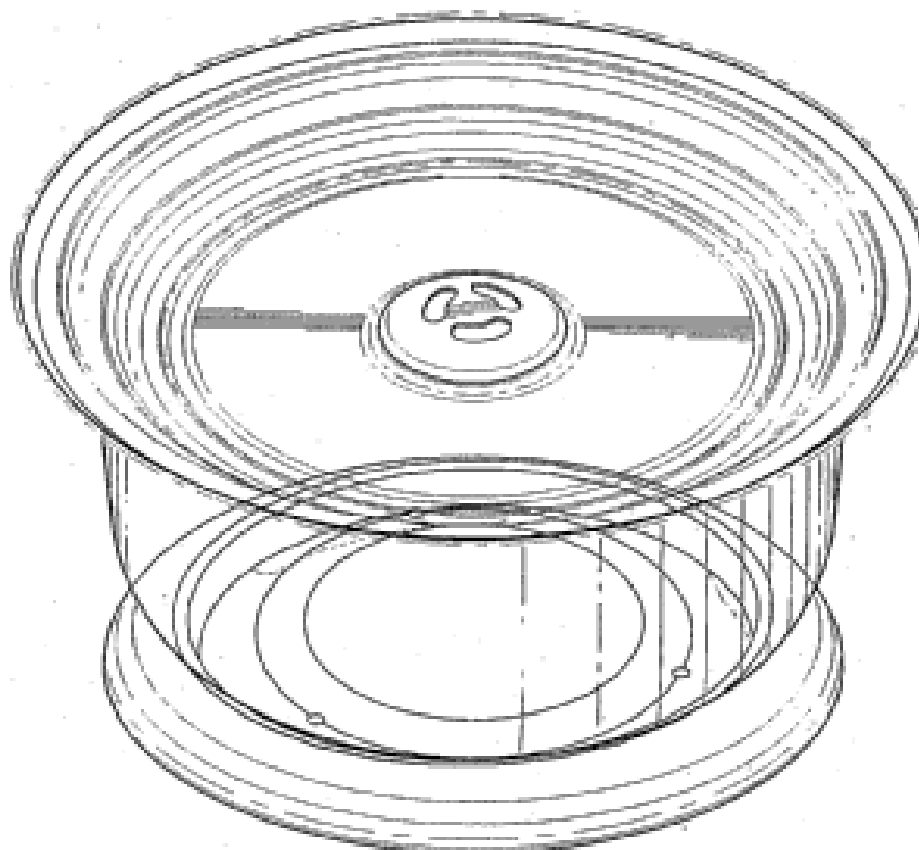
(21) Design Number: **14461/2005**
 (22) Date of Filing Application: **11 October 2005**
 (24) Date from which industrial property rights may have effect: **11 October 2005**
 (54) Product in respect of which the design is registered: **Portable wireless telephone**
 (51) International Design Classification: **14-03E**
 (71) Name(s) and Address(s) of Applicant(s):
NEC Corporation
7-1 Shiba 5-Chome Minato-ku Tokyo Japan
 (72) Name(s) of Designer(s): **Madoka Yoshino and Jun Watanabe and Satoshi Sugawara**
 (45) Registration Date: **12 April 2006**
 (30) Convention priority data:

(31) Number	(32) Date	(33) Country
2005-022366	01 Aug 2005	JAPAN

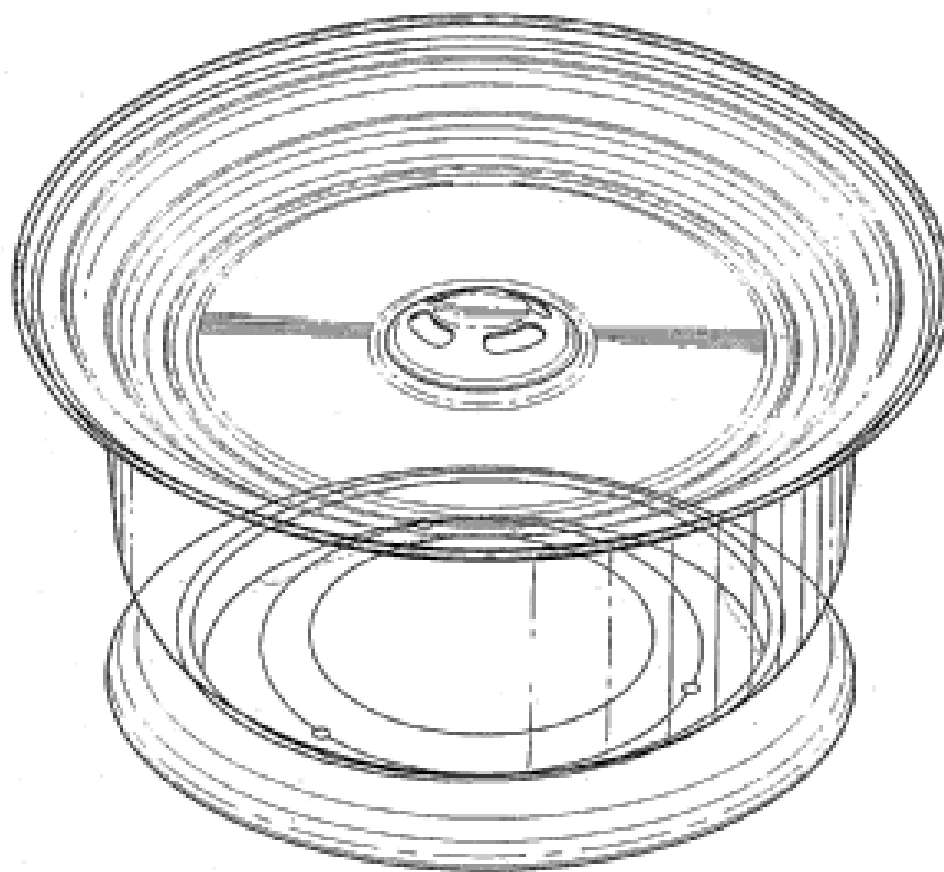
 (56) Related Art Documents: **Not Applicable**
 (57) Statement of Newness and Distinctiveness: **Nil**



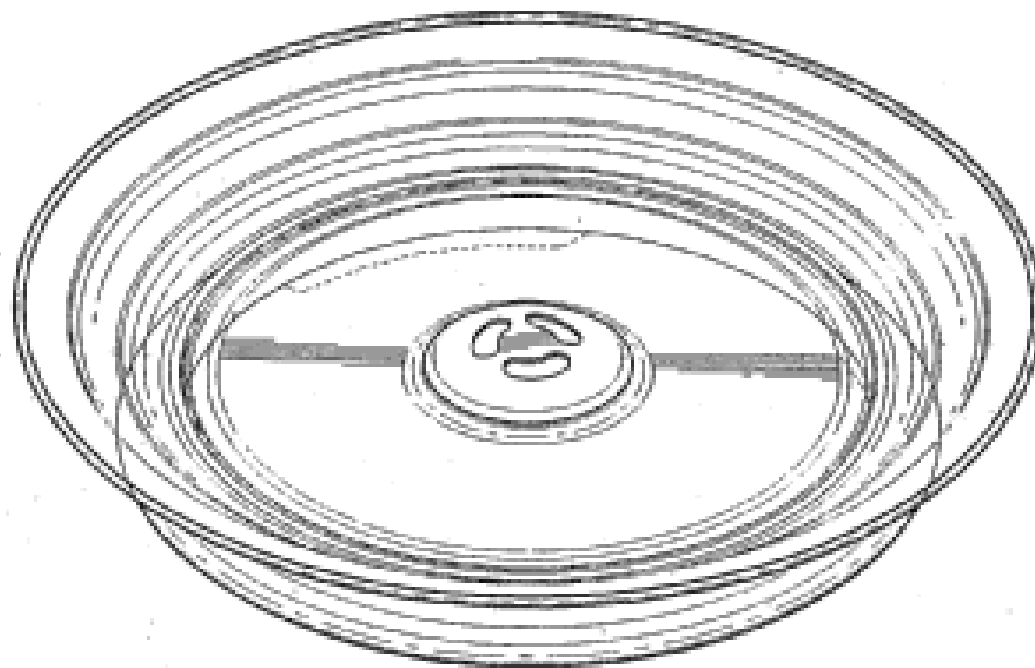
(21) Design Number: **10705/2005**
 (22) Date of Filing Application: **23 February 2005**
 (24) Date from which industrial property rights may have effect: **23 February 2005**
 (54) Product in respect of which the design is registered: **Display for produce, including ripening fruit and the like**
 (51) International Design Classification: **07-01NES**
 (71) Name(s) and Address(s) of Applicant(s):
Brent D. Sokol
418 North La Jolla Avenue Los Angeles California 90048 United States of America
Chia C. Chiang
418 North La Jolla Avenue Los Angeles California 90048 United States of America
 (72) Name(s) of Designer(s): **Chia C. Chiang and Brent D. Sokol and Blake McEldowney and Max Burton**
 (45) Registration Date: **12 April 2006**
 (56) Related Art Documents: **Not Applicable**
 (57) Statement of Newness and Distinctiveness: **Newness and distinctiveness is claimed in the visual features of shape and/or configuration as applied to a display for produce, including ripening fruit and the like, having a round vent as illustrated in the accompanying representations. In considering which features are new and distinctive the portions of the display illustrated in broken lines are to be disregarded.**



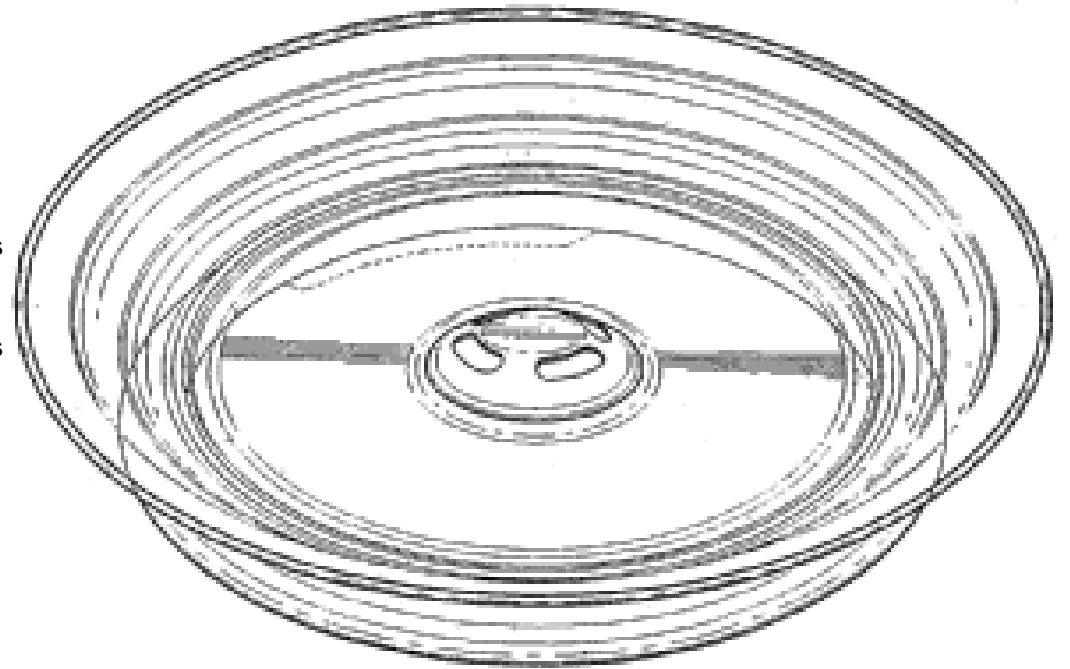
- (21) Design Number: **11161/2006**
(22) Date of Filing Application: **23 February 2005**
(24) Date from which industrial property rights may have effect: **23 February 2005**
(54) Product in respect of which the design is registered: **Display for produce, including ripening fruit and the like**
(51) International Design Classification: **07-01NES**
(71) Name(s) and Address(s) of Applicant(s):
Brent D. Sokol
418 North La Jolla Avenue Los Angeles California 90048 United States of America
Chia C. Chiang
418 North La Jolla Avenue Los Angeles California 90048 United States of America
(72) Name(s) of Designer(s): **Chia C. Chiang and Brent D. Sokol and Blake McEldowney and Max Burton**
(45) Registration Date: **12 April 2006**
(56) Related Art Documents: **Not Applicable**
(57) Statement of Newness and Distinctiveness: **Newness and distinctiveness is claimed in the visual features of shape and/or configuration as applied to a display for produce, including ripening fruit and the like, as illustrated in the accompanying representations. In considering which features are new and distinctive the portions of the display illustrated in broken lines are to be disregarded.**



- (21) Design Number: **11162/2006**
(22) Date of Filing Application: **23 February 2005**
(24) Date from which industrial property rights may have effect: **23 February 2005**
(54) Product in respect of which the design is registered: **Display for produce, including ripening fruit and the like**
(51) International Design Classification: **07-01NES**
(71) Name(s) and Address(s) of Applicant(s):
Brent D. Sokol
418 North La Jolla Avenue Los Angeles California 90048 United States of America
Chia C. Chiang
418 North La Jolla Avenue Los Angeles California 90048 United States of America
(72) Name(s) of Designer(s): **Chia C. Chiang and Brent D. Sokol and Blake McEldowney and Max Burton**
(45) Registration Date: **12 April 2006**
(56) Related Art Documents: **Not Applicable**
(57) Statement of Newness and Distinctiveness: **Newness and distinctiveness is claimed in the visual features of shape and/or configuration as applied to a display for produce, including ripening fruit and the like, as illustrated in the accompanying representations. In considering which features are new and distinctive the portions of the display illustrated in broken lines are to be disregarded.**



- (21) Design Number: **11163/2006**
(22) Date of Filing Application: **23 February 2005**
(24) Date from which industrial property rights may have effect: **23 February 2005**
(54) Product in respect of which the design is registered: **Display for produce, including ripening fruit and the like**
(51) International Design Classification: **07-01NES**
(71) Name(s) and Address(s) of Applicant(s):
Brent D. Sokol
418 North La Jolla Avenue Los Angeles California 90048 United States of America
Chia C. Chiang
418 North La Jolla Avenue Los Angeles California 90048 United States of America
(72) Name(s) of Designer(s): **Chia C. Chiang and Brent D. Sokol and Blake McEldowney and Max Burton**
(45) Registration Date: **12 April 2006**
(56) Related Art Documents: **Not Applicable**
(57) Statement of Newness and Distinctiveness: **Newness and distinctiveness is claimed in the visual features of shape and/or configuration as applied to a display for produce, including ripening fruit and the like, as illustrated in the accompanying representations. In considering which features are new and distinctive the portions of the display illustrated in broken lines are to be disregarded.**



- (21) Design Number: **12659/2005**
(22) Date of Filing Application: **23 June 2005**
(24) Date from which industrial property rights may have effect: **23 June 2005**
(54) Product in respect of which the design is registered: **Medication injection device**
(51) International Design Classification: **24-01**
(71) Name(s) and Address(s) of Applicant(s):
Ares Trading S.A.
Zone Industrielle de l'Ouriettaz 1170 Audonne Switzerland
(72) Name(s) of Designer(s): **Robert Prasser and Gerhard Lauchard and Werner Wurmbauer and Gerhard Kolger**
(45) Registration Date: **13 April 2006**
(30) Convention priority data:
(31) Number (32) Date (33) Country
131615 09 Feb 2005 SWITZERLAND
(56) Related Art Documents: **Not Applicable**
(57) Statement of Newness and Distinctiveness: **Nil**



(21) Design Number: **14457/2005**

(22) Date of Filing Application: **11 October 2005**

(24) Date from which industrial property rights may have effect: **11 October 2005**

(54) Product in respect of which the design is registered: **Wheel hub cover for rotary air coupling**

(51) International Design Classification: **12-16A**

(71) Name(s) and Address(s) of Applicant(s):

Col-Ven S.A.

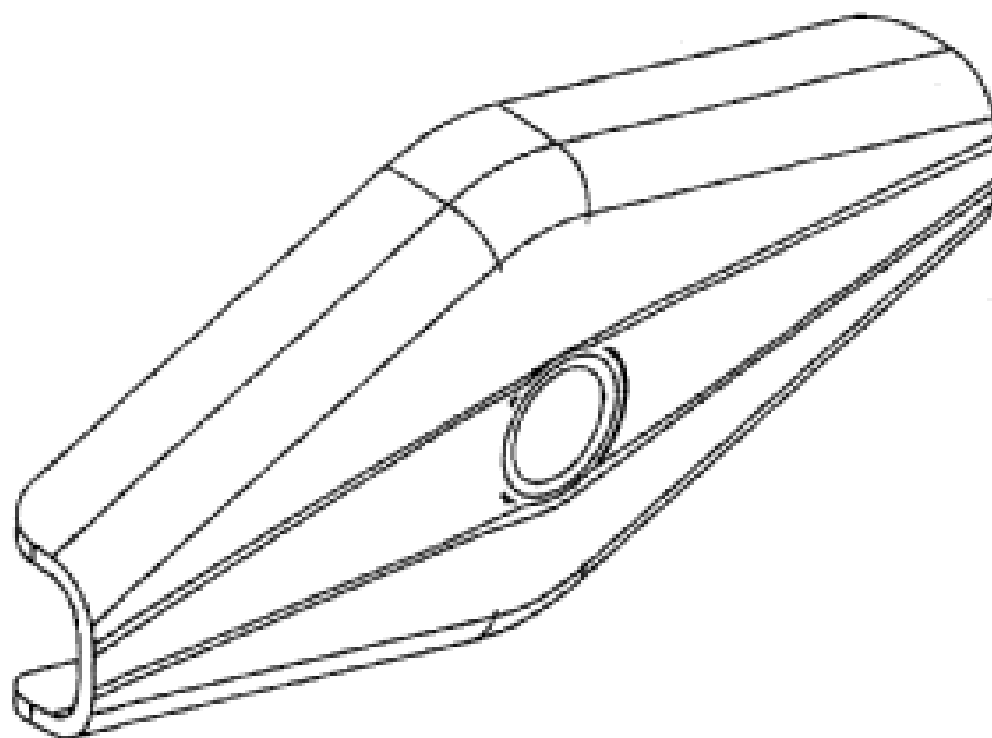
Ruta 11 Km. 814 (3574) Guadalupe Norte Santa Fe Argentina

(72) Name(s) of Designer(s): **Rafael Antonio Colussi and Nestor Juan Venica**

(45) Registration Date: **13 April 2006**

(56) Related Art Documents: **Not Applicable**

(57) Statement of Newness and Distinctiveness: **Newness and distinctiveness is claimed in the visual features of the wheel hub cover for rotary air coupling shown in solid lines in the representations.**



(21) Design Number: **14587/2005**

(22) Date of Filing Application: **19 October 2005**

(24) Date from which industrial property rights may have effect: **19 October 2005**

(54) Product in respect of which the design is registered: **Antenna**

(51) International Design Classification: **14-03NES**

(71) Name(s) and Address(s) of Applicant(s):

Matchmaster Communications Pty Ltd

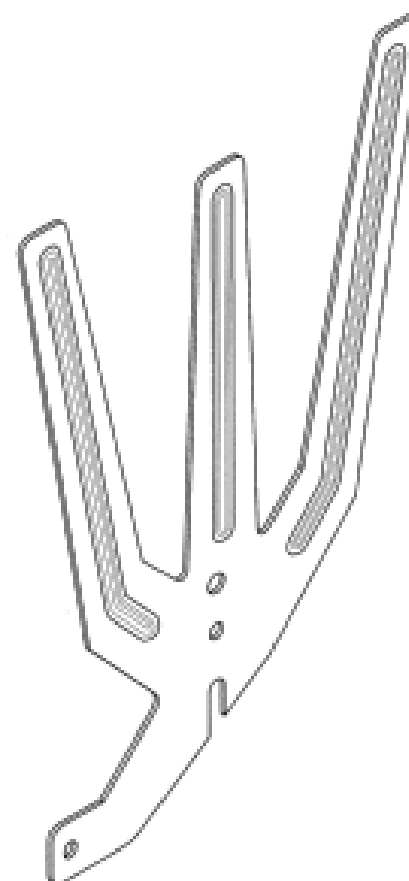
48-50 Belmore Road Punchbowl New South Wales 2196 Australia

(72) Name(s) of Designer(s): **Earl Englet**

(45) Registration Date: **13 April 2006**

(56) Related Art Documents: **Not Applicable**

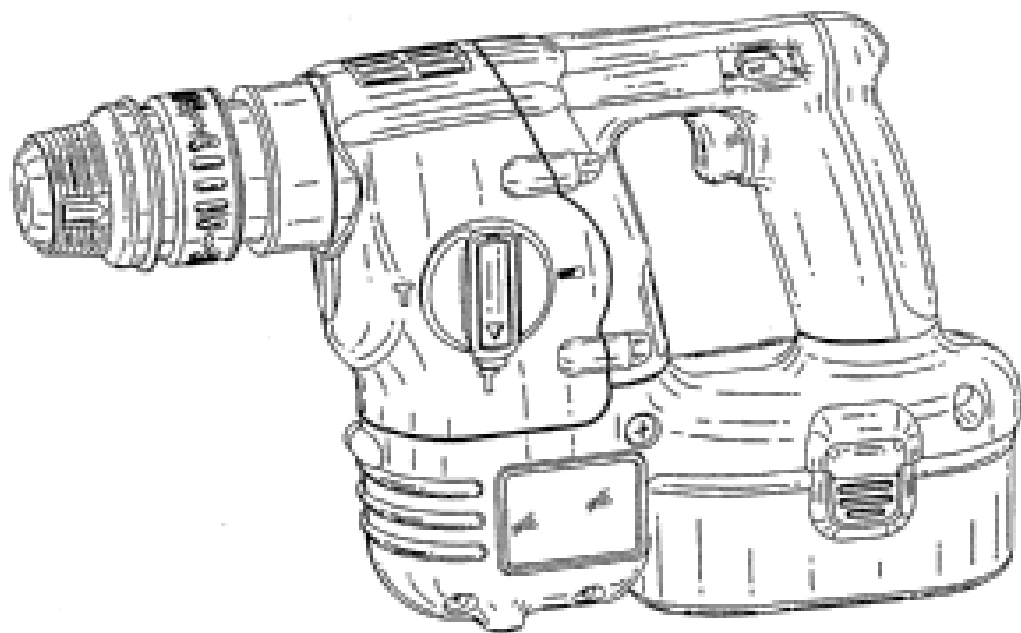
(57) Statement of Newness and Distinctiveness: **Each feature of the design considered separately or in combination with any other feature or features.**



(19) AU

- (21) Design Number: **14590/2005**
- (22) Date of Filing Application: **19 October 2005**
- (24) Date from which industrial property rights may have effect: **19 October 2005**
- (54) Product in respect of which the design is registered: **A hammer drill**
- (51) International Design Classification: **08-01**
- (71) Name(s) and Address(s) of Applicant(s):
Black & Decker, Inc.
1207 Drummond Plaza Newark Delaware 19711 United States of America
- (72) Name(s) of Designer(s): **Michael Stirm**
- (45) Registration Date: **13 April 2006**
- (30) Convention priority data:

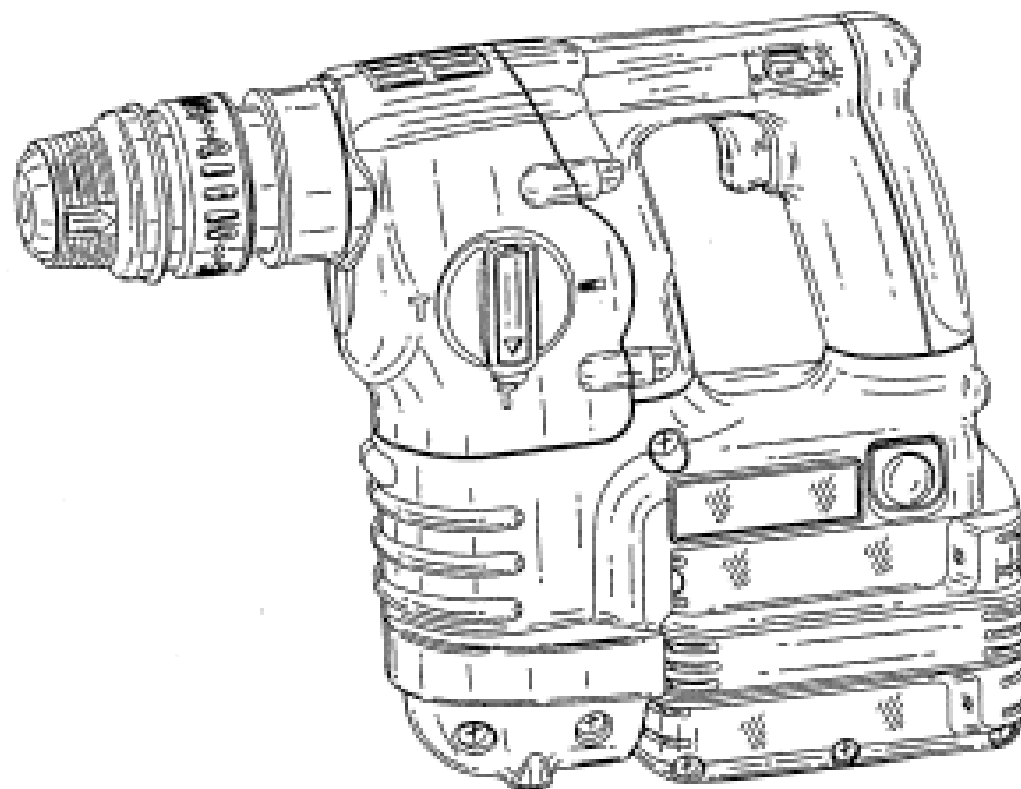
(31) Number	(32) Date	(33) Country
000332747	28 Apr 2005	EUROPEAN COMMUNITY
- (56) Related Art Documents: **Not Applicable**
- (57) Statement of Newness and Distinctiveness: **Nil**



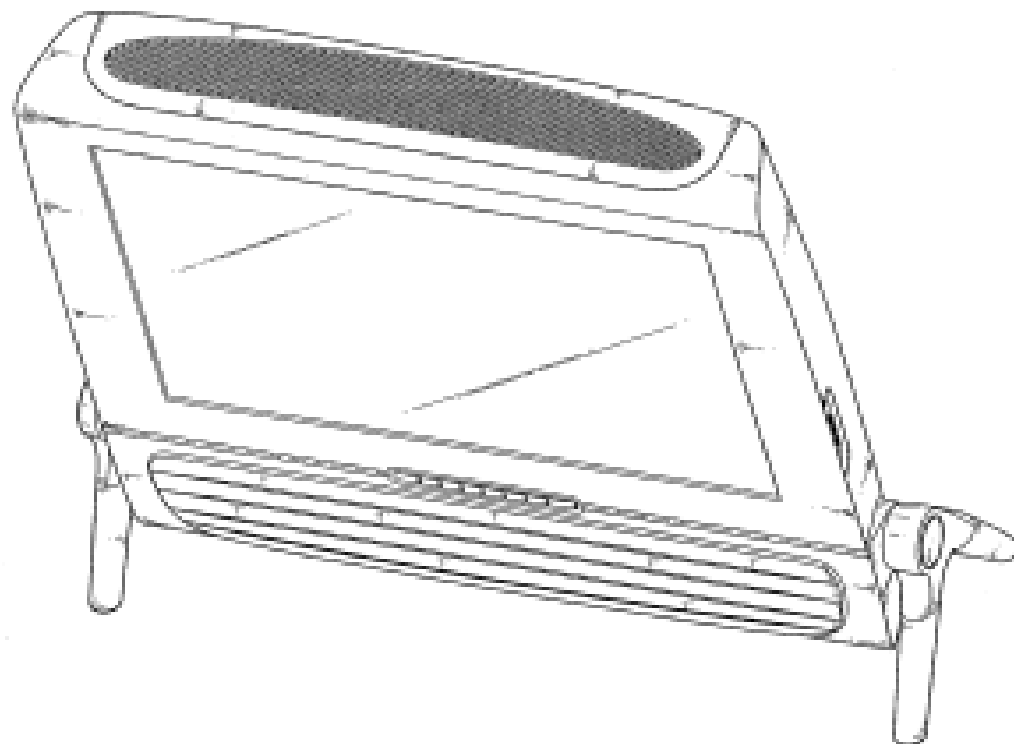
(19) AU

- (21) Design Number: **14591/2005**
- (22) Date of Filing Application: **19 October 2005**
- (24) Date from which industrial property rights may have effect: **19 October 2005**
- (54) Product in respect of which the design is registered: **A hammer drill**
- (51) International Design Classification: **08-01**
- (71) Name(s) and Address(s) of Applicant(s):
Black & Decker, Inc.
1207 Drummond Plaza Newark Delaware 19711 United States of America
- (72) Name(s) of Designer(s): **Michael Stirm**
- (45) Registration Date: **13 April 2006**
- (30) Convention priority data:

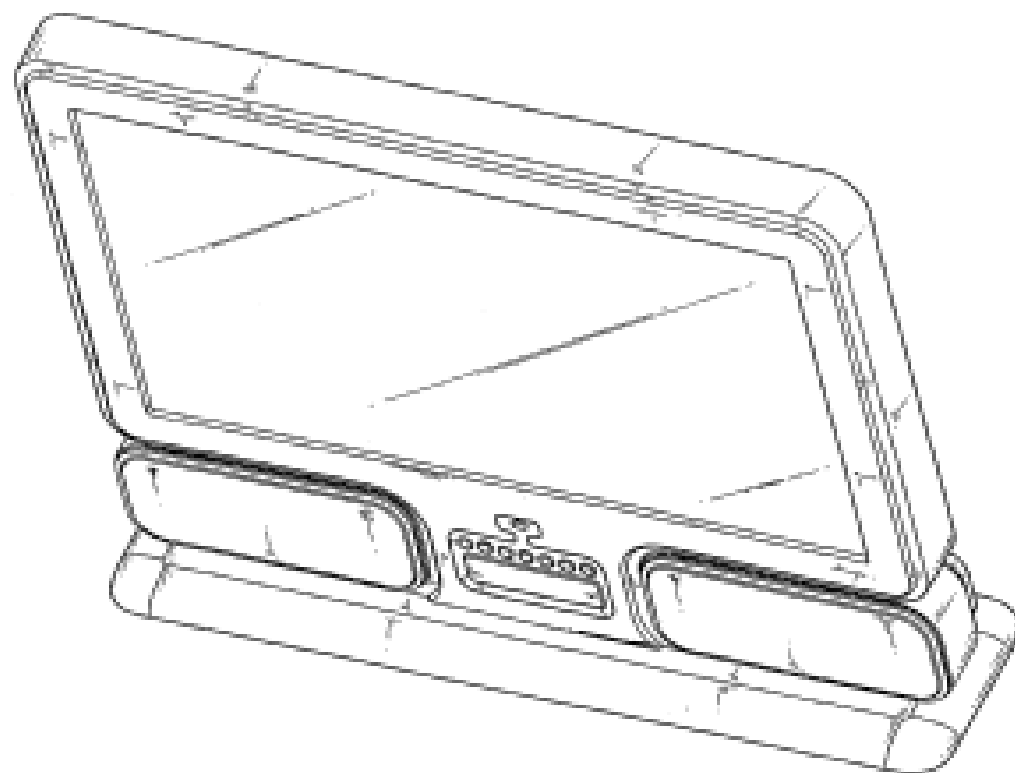
(31) Number	(32) Date	(33) Country
000332754	28 Apr 2005	EUROPEAN COMMUNITY
- (56) Related Art Documents: **Not Applicable**
- (57) Statement of Newness and Distinctiveness: **Nil**



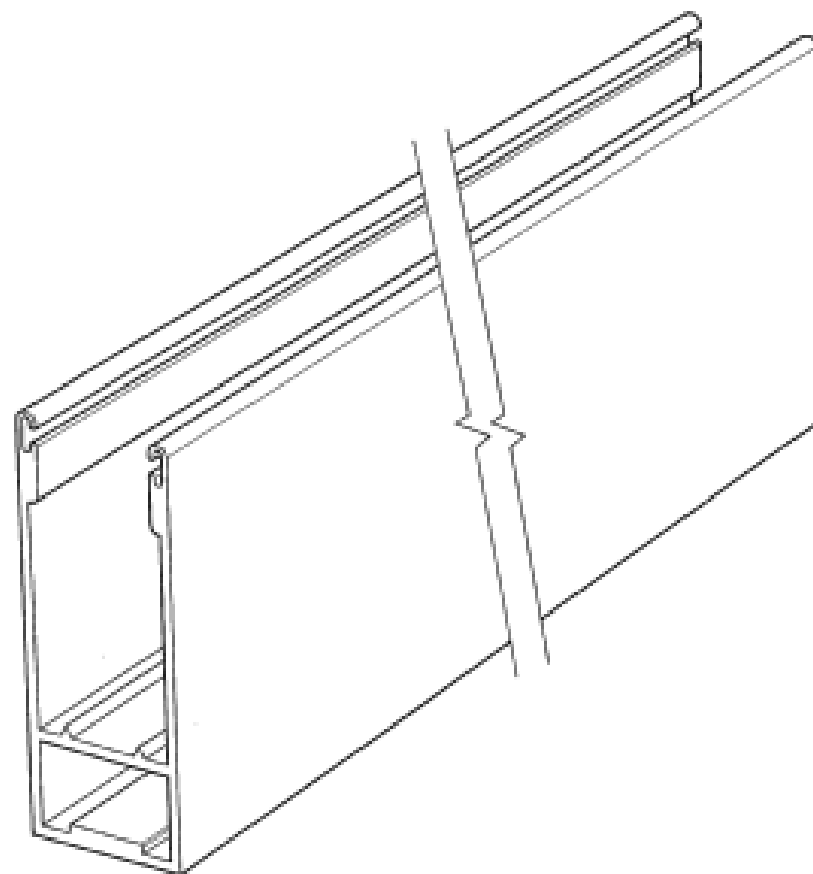
(21) Design Number: **14592/2005**
(22) Date of Filing Application: **19 October 2005**
(24) Date from which industrial property rights may have effect: **19 October 2005**
(54) Product in respect of which the design is registered: **Television**
(51) International Design Classification: **14-03B**
(71) Name(s) and Address(s) of Applicant(s):
Hannspree, Inc.
11th Fl. No. 480 Rueiguang Rd Neihu District Taipei City Taiwan
(72) Name(s) of Designer(s): **Holger Hoehn and Chih-Ming Chu**
(45) Registration Date: **13 April 2006**
(56) Related Art Documents: **Not Applicable**
(57) Statement of Newness and Distinctiveness: **Nil**



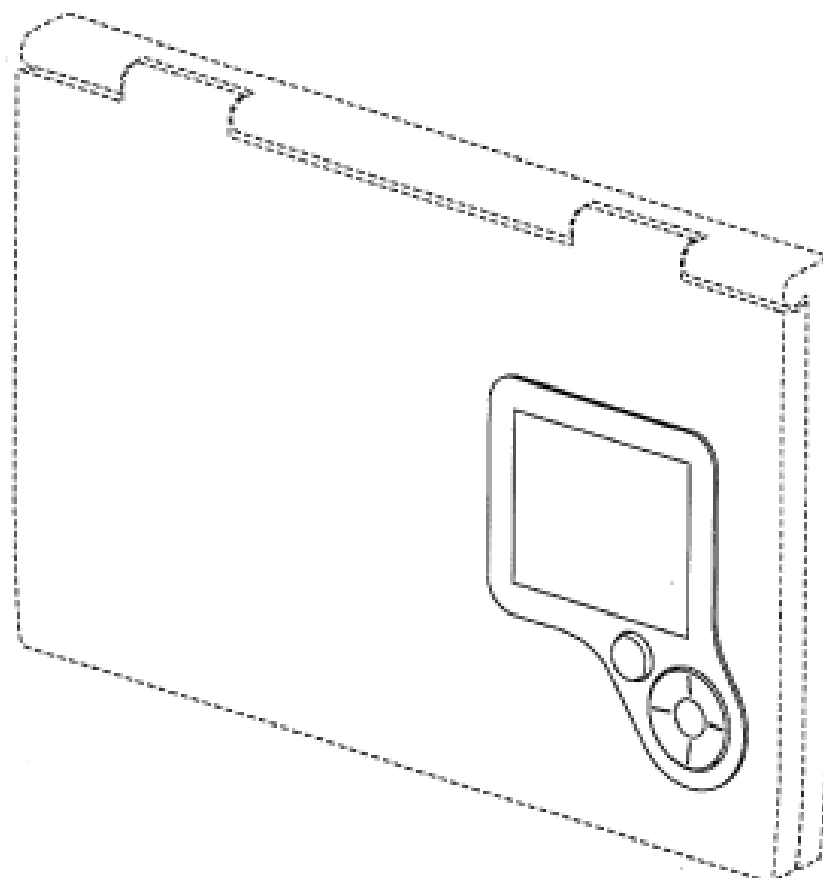
(21) Design Number: **14593/2005**
(22) Date of Filing Application: **19 October 2005**
(24) Date from which industrial property rights may have effect: **19 October 2005**
(54) Product in respect of which the design is registered: **Television**
(51) International Design Classification: **14-03B**
(71) Name(s) and Address(s) of Applicant(s):
Hannspree, Inc.
11th Fl. No. 480 Rueiguang Rd Neihu District Taipei City Taiwan
(72) Name(s) of Designer(s): **Yi-Chung Chiu**
(45) Registration Date: **13 April 2006**
(56) Related Art Documents: **Not Applicable**
(57) Statement of Newness and Distinctiveness: **Nil**



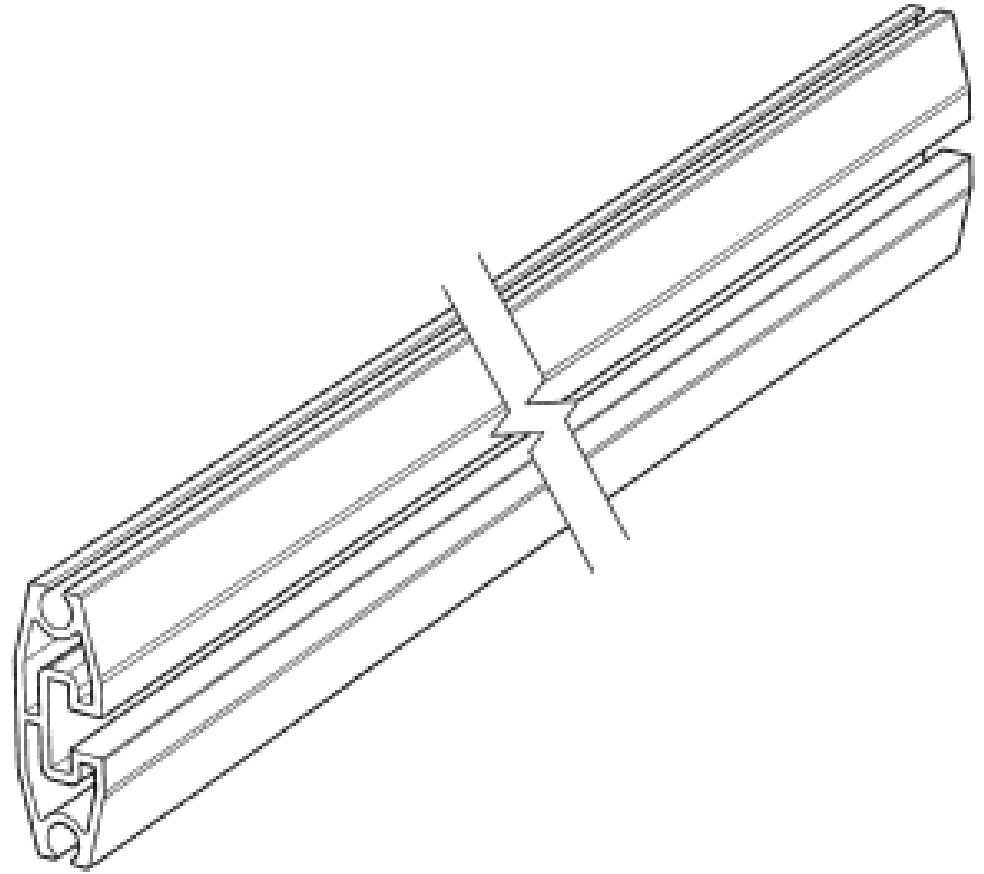
(21) Design Number: **14615/2005**
 (22) Date of Filing Application: **21 October 2005**
 (24) Date from which industrial property rights may have effect: **21 October 2005**
 (54) Product in respect of which the design is registered: **Extrusion**
 (51) International Design Classification: **25-01K**
 (71) Name(s) and Address(s) of Applicant(s):
Robert Malcolm Smith
Airport Road Renmark South Australia 5341 Australia
 (72) Name(s) of Designer(s): **Robert Malcolm Smith**
 (45) Registration Date: **13 April 2006**
 (56) Related Art Documents: **Not Applicable**
 (57) Statement of Newness and Distinctiveness: **Newness is claimed in the extrusion of indefinite length as shown in the accompanying representations.**



(21) Design Number: **14617/2005**
 (22) Date of Filing Application: **20 October 2005**
 (24) Date from which industrial property rights may have effect: **20 October 2005**
 (54) Product in respect of which the design is registered: **A display and controls for a portable computing device**
 (51) International Design Classification: **14-02**
 (71) Name(s) and Address(s) of Applicant(s):
Microsoft Corporation
One Microsoft Way Redmond Washington 98052 United States of America
 (72) Name(s) of Designer(s): **Andrew Fuller and Daniel J. Polivy and Neils Van Dongen and Richard J. Swaney and Siram Viji**
 (45) Registration Date: **13 April 2006**
 (30) Convention priority data:
 (31) Number (32) Date (33) Country
29/228343 22 Apr 2005 UNITED STATES OF AMERICA
 (56) Related Art Documents: **Not Applicable**
 (57) Statement of Newness and Distinctiveness: **Newness and distinctiveness reside in the shape and configuration of a display and controls for a portable computing device as illustrated in the accompanying representations. The features shown in broken outline are illustrative only and do not form part of the design.**



- (21) Design Number: **14616/2005**
(22) Date of Filing Application: **21 October 2005**
(24) Date from which industrial property rights may have effect: **21 October 2005**
(54) Product in respect of which the design is registered: **Extrusion**
(51) International Design Classification: **25-01K**
(71) Name(s) and Address(s) of Applicant(s):
Robert Malcolm Smith
Airport Road Renmark South Australia 5341 Australia
(72) Name(s) of Designer(s): **Robert Malcolm Smith**
(45) Registration Date: **13 April 2006**
(56) Related Art Documents: **Not Applicable**
(57) Statement of Newness and Distinctiveness: **Newness is claimed in the extrusion of indefinite length as shown in the accompanying representations.**



- (21) Design Number: **14618/2005**
(22) Date of Filing Application: **21 October 2005**
(24) Date from which industrial property rights may have effect: **21 October 2005**
(54) Product in respect of which the design is registered: **Espresso maker**
(51) International Design Classification: **07-02L, 31-00**
(71) Name(s) and Address(s) of Applicant(s):
Breville Pty Limited
Building 2 Port Air Industrial Estate 1A Hale St Botany New South Wales 2019 Australia
(72) Name(s) of Designer(s): **Eddie Siu**
(45) Registration Date: **13 April 2006**
(56) Related Art Documents: **Not Applicable**
(57) Statement of Newness and Distinctiveness: **Newness is claimed in the features of shape and configuration of the espresso maker as shown in the accompanying representations. Newness is not claimed in the electrical cord.**



(21) Design Number: **14619/2005**
(22) Date of Filing Application: **20 October 2005**
(24) Date from which industrial property rights may have effect: **20 October 2005**
(54) Product in respect of which the design is registered: **Drum washing machine**
(51) International Design Classification: **15-05**
(71) Name(s) and Address(s) of Applicant(s):

LG Electronics Inc.
20 Yoido-dong Yongdungpo-gu Seoul 150-721 Republic of Korea

(72) Name(s) of Designer(s): **Soon Uk Kwon and Young Il Kim and Ho Il Jeon**

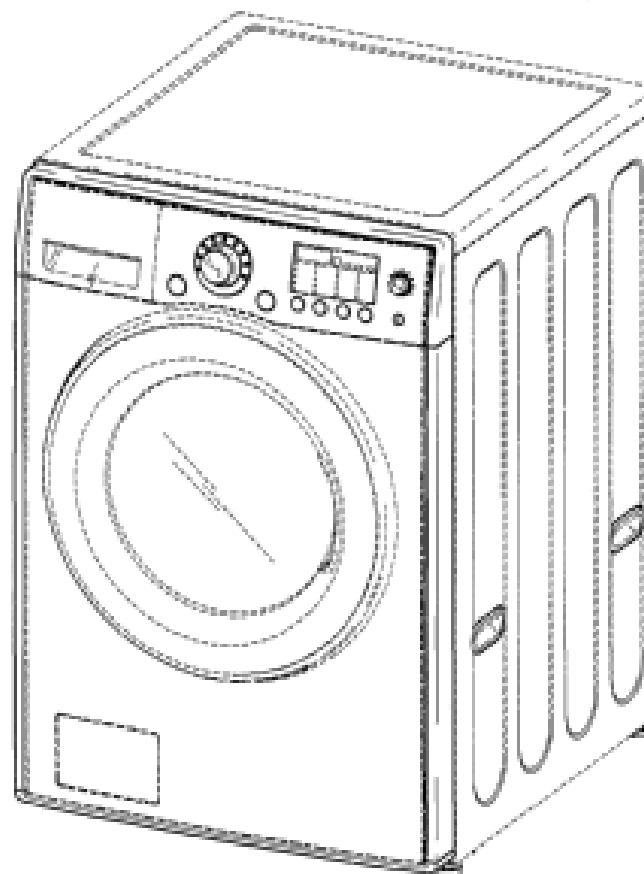
(45) Registration Date: **13 April 2006**

(30) Convention priority data:

(31) Number	(32) Date	(33) Country
30-2005-0013400	21 Apr 2005	REPUBLIC OF KOREA

(56) Related Art Documents: **Not Applicable**

(57) Statement of Newness and Distinctiveness: **Newness and distinctiveness in the design as applied to a drum washing machine reside in the shape and configuration thereof as illustrated in the accompanying representations. In assessing newness and distinctiveness, the dashed line portions of the design should be disregarded.**



(21) Design Number: **14627/2005**
(22) Date of Filing Application: **20 October 2005**
(24) Date from which industrial property rights may have effect: **20 October 2005**
(54) Product in respect of which the design is registered: **Golf putter head**
(51) International Design Classification: **21-02C**
(71) Name(s) and Address(s) of Applicant(s):

Karsten Manufacturing Corporation
2201 West Desert Cove Phoenix Arizona 85029 United States of America

(72) Name(s) of Designer(s): **David D. Jones and John K. Solheim**

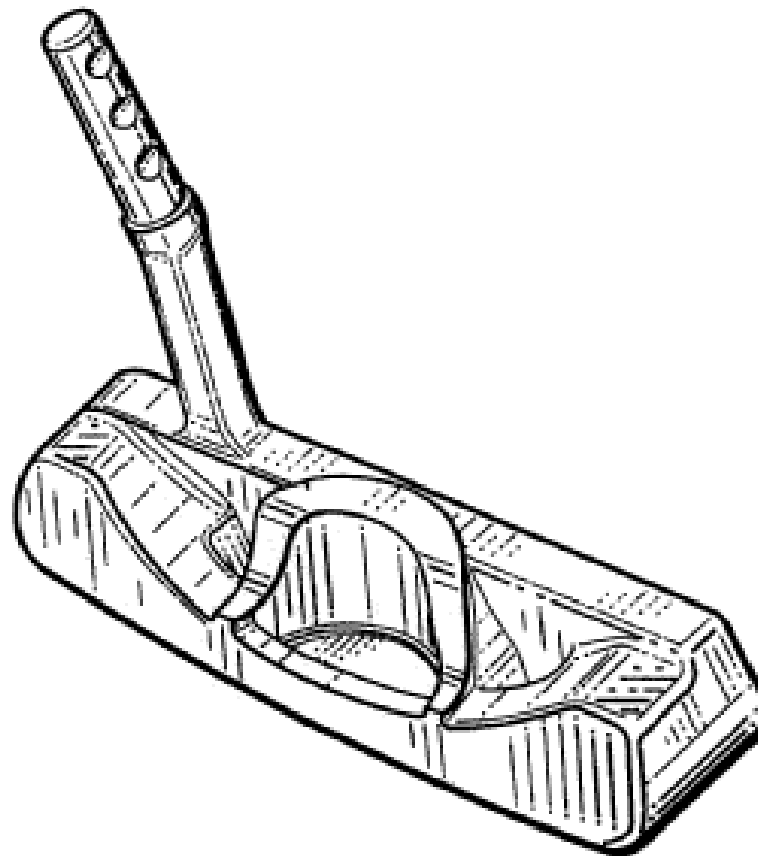
(45) Registration Date: **13 April 2006**

(30) Convention priority data:

(31) Number	(32) Date	(33) Country
29/230600	23 May 2005	UNITED STATES OF AMERICA

(56) Related Art Documents: **Not Applicable**

(57) Statement of Newness and Distinctiveness: **Nil**



- (21) Design Number: **14636/2005**
- (22) Date of Filing Application: **21 October 2005**
- (24) Date from which industrial property rights may have effect: **21 October 2005**
- (54) Product in respect of which the design is registered: **A dock insert**
- (51) International Design Classification: **14-02**
- (71) Name(s) and Address(s) of Applicant(s):
Apple Computer, Inc.
1 Infinite Loop Cupertino California 95014-2084 United States of America
- (72) Name(s) of Designer(s): **Bartley K. Andre and Daniele De Iuliis and Jonathan P. Ive and Shin Nishibori and Douglas B. Satzger and Christopher J. Stringer and Rico Zorkendorfer and Daniel J. Coster and Richard P. Howarth and Duncan Robert Kerr and Matthew Dean Rohrbach and Calvin Q. Seid and Eugene Anthony Whang**
- (45) Registration Date: **13 April 2006**
- (30) Convention priority data:

(31) Number	(32) Date	(33) Country
29237111	24 Aug 2005	UNITED STATES OF AMERICA
- (56) Related Art Documents: **Not Applicable**
- (57) Statement of Newness and Distinctiveness: **Newness and distinctiveness is claimed in the visual features shown in solid lines in the representations.**

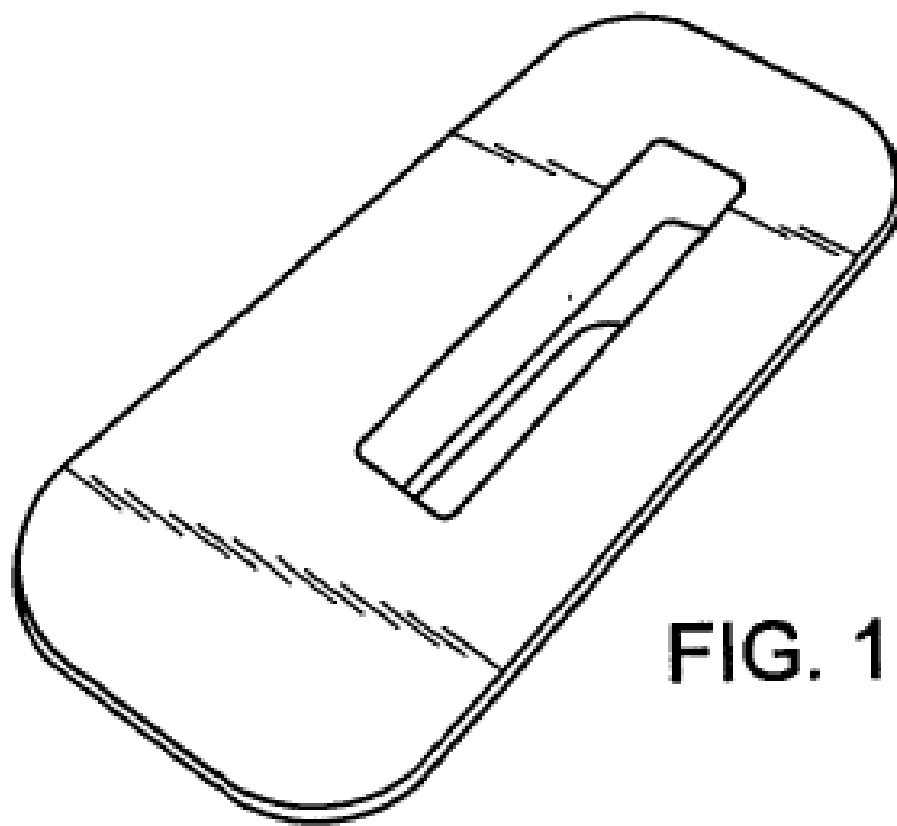
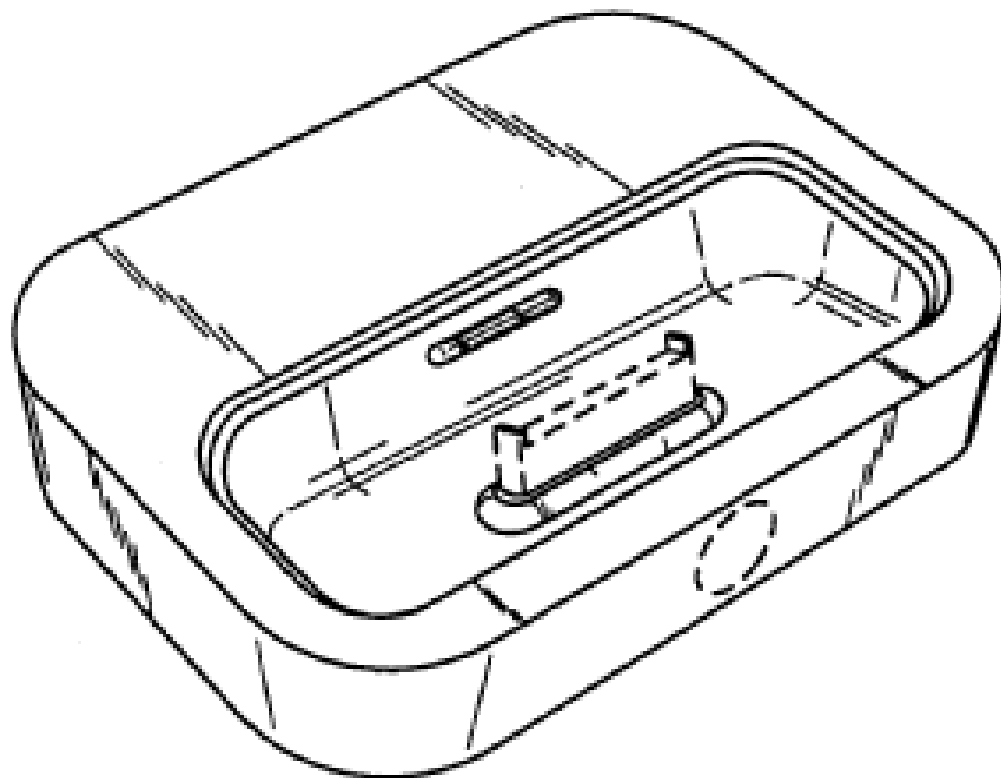


FIG. 1

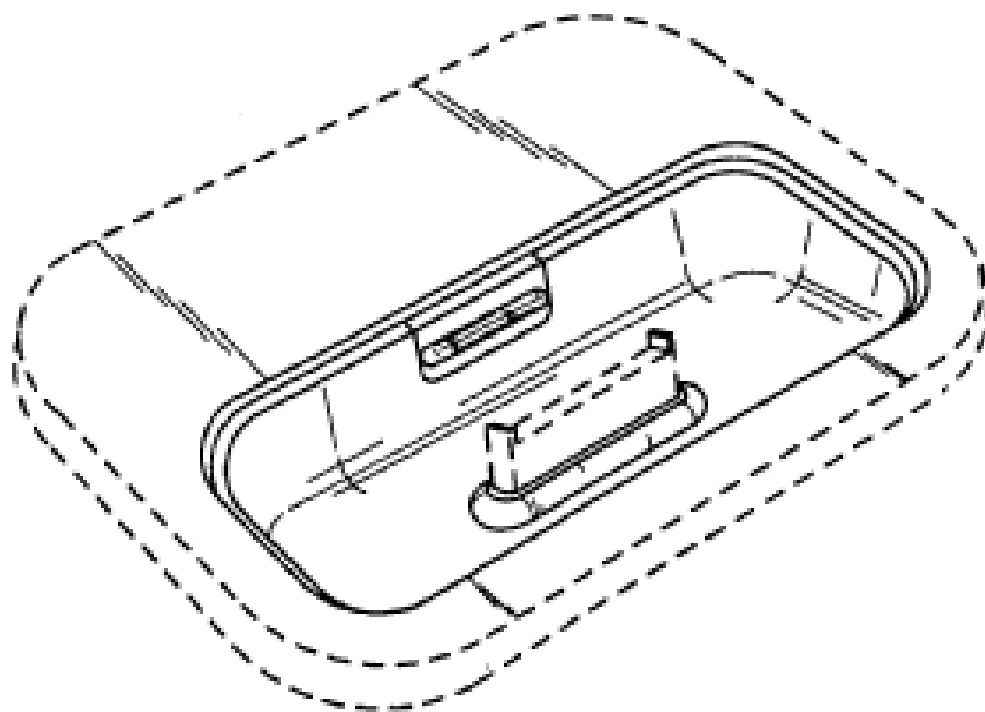
- (21) Design Number: **14637/2005**
- (22) Date of Filing Application: **21 October 2005**
- (24) Date from which industrial property rights may have effect: **21 October 2005**
- (54) Product in respect of which the design is registered: **A docking station**
- (51) International Design Classification: **14-02**
- (71) Name(s) and Address(s) of Applicant(s):
Apple Computer, Inc.
1 Infinite Loop Cupertino California 95014-2084 United States of America
- (72) Name(s) of Designer(s): **Bartley K. Andre and Daniele De Iuliis and Duncan Robert Kerr and Matthew Dean Rohrbach and Calvin Q. Seid and Eugene Anthony Whang and Daniel J. Coster and Richard P. Howarth and Steve Jobs and Shin Nishibori and Douglas B. Satzger and Christopher J. Stringer and Rico Zorkendorfer**
- (45) Registration Date: **13 April 2006**
- (30) Convention priority data:

(31) Number	(32) Date	(33) Country
29237233	24 Aug 2005	UNITED STATES OF AMERICA
- (56) Related Art Documents: **Not Applicable**
- (57) Statement of Newness and Distinctiveness: **Newness and distinctiveness is claimed in the visual features shown in solid lines in the representations.**



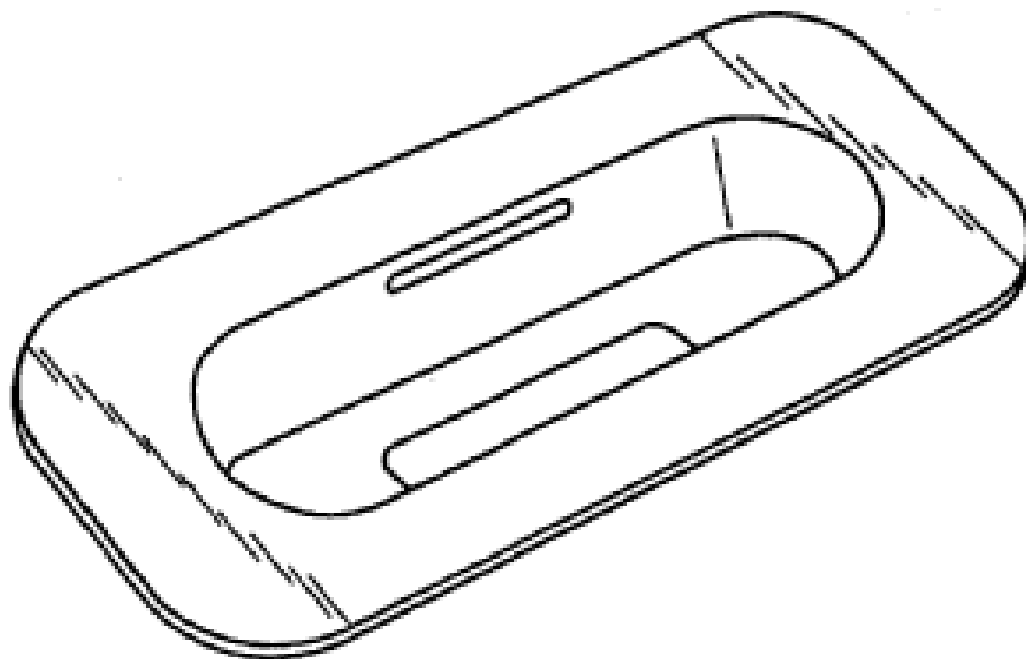
(19) AU

- (21) Design Number: **14638/2005**
(22) Date of Filing Application: **21 October 2005**
(24) Date from which industrial property rights may have effect: **21 October 2005**
(54) Product in respect of which the design is registered: **A docking station**
(51) International Design Classification: **14-02**
(71) Name(s) and Address(s) of Applicant(s):
Apple Computer, Inc.
1 Infinite Loop Cupertino California 95014-2084 United States of America
(72) Name(s) of Designer(s): **Bartley K. Andre and Daniele De Iuliis and Jonathan P. Ive and Shin Nishibori and Douglas B. Satzger and Christopher J. Stringer and Rico Zorkendorfer and Daniel J. Coster and Richard P. Howarth and Duncan Robert Kerr and Matthew Dean Rohrbach and Calvin Q. Seid and Eugene Anthony Whang and Steve Jobs**
(45) Registration Date: **13 April 2006**
(30) Convention priority data:
(31) Number (32) Date (33) Country
29237084 24 Aug 2005 UNITED STATES OF AMERICA
(56) Related Art Documents: **Not Applicable**
(57) Statement of Newness and Distinctiveness: **Newness and distinctiveness is claimed in the visual features shown in solid lines in the representations.**

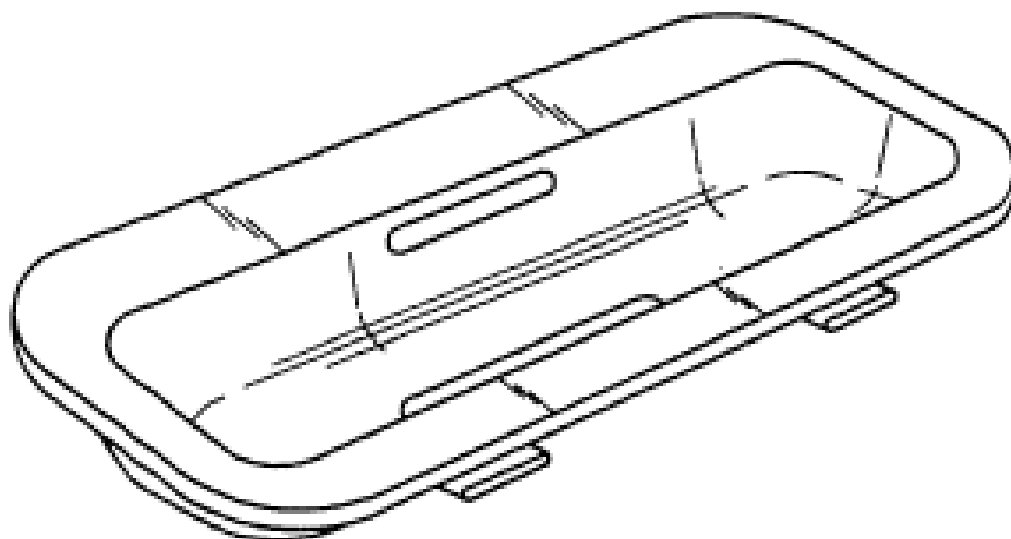


(19) AU

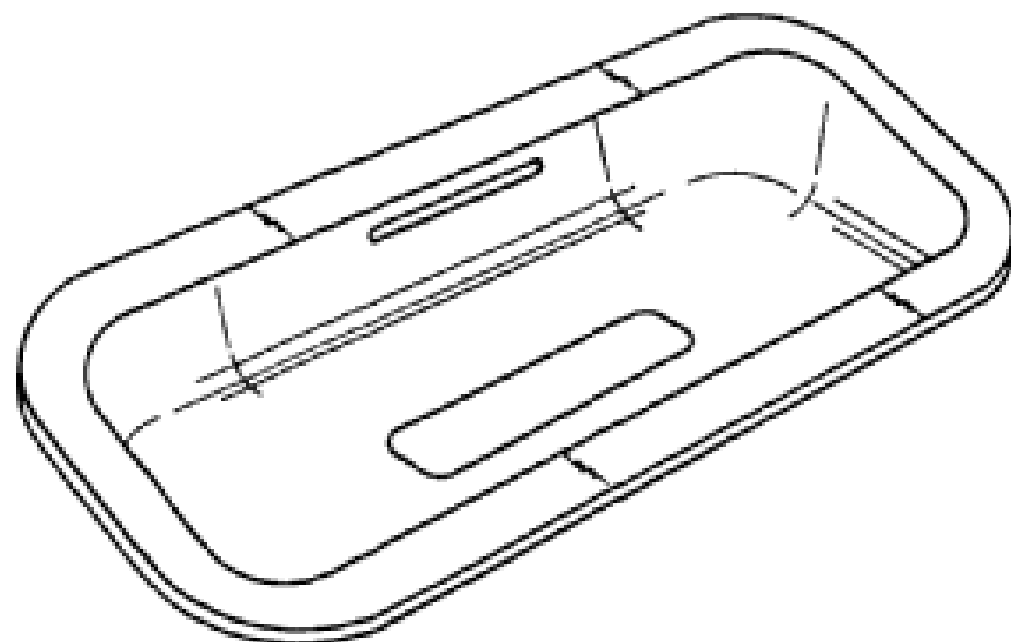
- (21) Design Number: **14639/2005**
(22) Date of Filing Application: **21 October 2005**
(24) Date from which industrial property rights may have effect: **21 October 2005**
(54) Product in respect of which the design is registered: **A dock insert**
(51) International Design Classification: **14-02**
(71) Name(s) and Address(s) of Applicant(s):
Apple Computer, Inc.
1 Infinite Loop Cupertino California 95014-2084 United States of America
(72) Name(s) of Designer(s): **Bartley K. Andre and Daniele De Iuliis and Jonathan P. Ive and Shin Nishibori and Douglas B. Satzger and Christopher J. Stringer and Rico Zorkendorfer and Daniel J. Coster and Richard P. Howarth and Duncan Robert Kerr and Matthew Dean Rohrbach and Calvin Q. Seid and Eugene Anthony Whang**
(45) Registration Date: **13 April 2006**
(30) Convention priority data:
(31) Number (32) Date (33) Country
29237112 24 Aug 2005 UNITED STATES OF AMERICA
(56) Related Art Documents: **Not Applicable**
(57) Statement of Newness and Distinctiveness: **Newness and distinctiveness is claimed in the visual features shown in solid lines in the representations.**



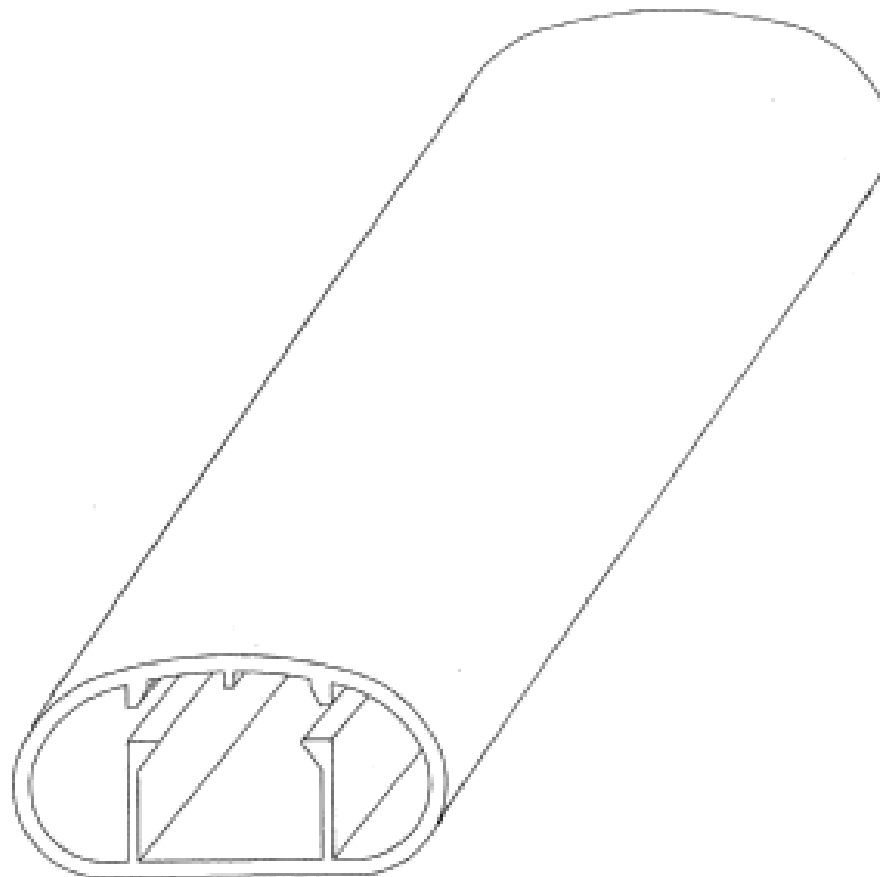
- (21) Design Number: **14640/2005**
(22) Date of Filing Application: **21 October 2005**
(24) Date from which industrial property rights may have effect: **21 October 2005**
(54) Product in respect of which the design is registered: **A dock insert**
(51) International Design Classification: **14-02**
(71) Name(s) and Address(s) of Applicant(s):
Apple Computer, Inc.
1 Infinite Loop Cupertino California 95014-2084 United States of America
(72) Name(s) of Designer(s): **Bartley K. Andre and Daniele De Iuliis and Jonathan P. Ive and Duncan Robert Kerr and Matthew Dean Rohrbach and Calvin Q. Seid and Eugene Anthony Whang and Daniel J. Coster and Richard P. Howarth and Shin Nishibori and Douglas B. Satzger and Christopher J. Stringer and Rico Zorkendorfer**
(45) Registration Date: **13 April 2006**
(30) Convention priority data:
(31) Number (32) Date (33) Country
29237097 24 Aug 2005 UNITED STATES OF AMERICA
(56) Related Art Documents: **Not Applicable**
(57) Statement of Newness and Distinctiveness: **Newness and distinctiveness is claimed in the visual features shown in solid lines in the representations.**



- (21) Design Number: **14641/2005**
(22) Date of Filing Application: **21 October 2005**
(24) Date from which industrial property rights may have effect: **21 October 2005**
(54) Product in respect of which the design is registered: **A dock insert**
(51) International Design Classification: **14-02**
(71) Name(s) and Address(s) of Applicant(s):
Apple Computer, Inc.
1 Infinite Loop Cupertino California 95014-2084 United States of America
(72) Name(s) of Designer(s): **Bartley K. Andre and Daniele De Iuliis and Jonathan P. Ive and Duncan Robert Kerr and Matthew Dean Rohrbach and Calvin Q. Seid and Eugene Anthony Whang and Daniel J. Coster and Richard P. Howarth and Shin Nishibori and Douglas B. Satzger and Christopher J. Stringer and Rico Zorkendorfer**
(45) Registration Date: **13 April 2006**
(30) Convention priority data:
(31) Number (32) Date (33) Country
29237097 24 Aug 2005 UNITED STATES OF AMERICA
(56) Related Art Documents: **Not Applicable**
(57) Statement of Newness and Distinctiveness: **Newness and distinctiveness is claimed in the visual features shown in solid lines in the representations.**



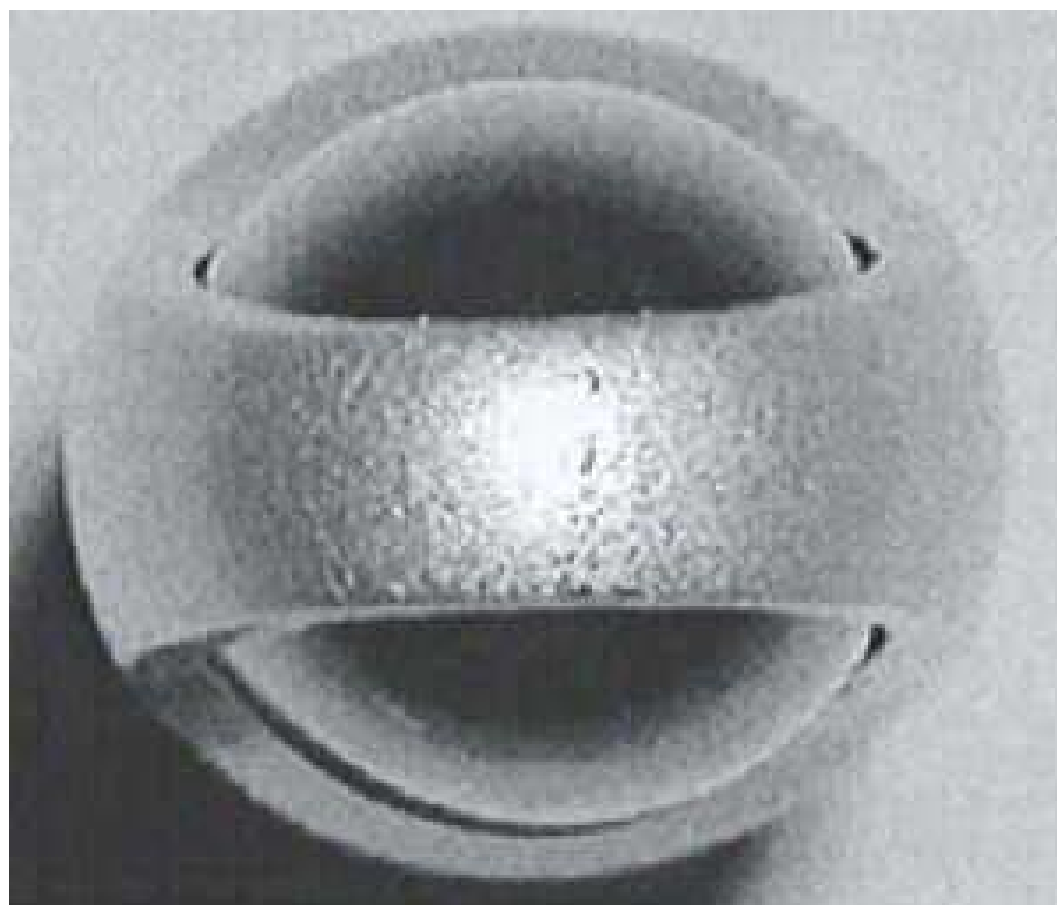
- (21) Design Number: **15529/2005**
(22) Date of Filing Application: **14 December 2005**
(24) Date from which industrial property rights may have effect: **14 December 2005**
(54) Product in respect of which the design is registered: **Handrail**
(51) International Design Classification: **25-02C**
(71) Name(s) and Address(s) of Applicant(s):
Readymade Railings Pty Ltd
81 Gavenlock Road Tuggerah New South Wales 2259 Australia
(72) Name(s) of Designer(s): **Michael Arthur Pilon**
(45) Registration Date: **13 April 2006**
(56) Related Art Documents: **Not Applicable**
(57) Statement of Newness and Distinctiveness: **Newness and distinctiveness resides in the shape and configuration of the extruded metal section of constant cross-section and indefinite length as illustrated in the accompanying representations.**



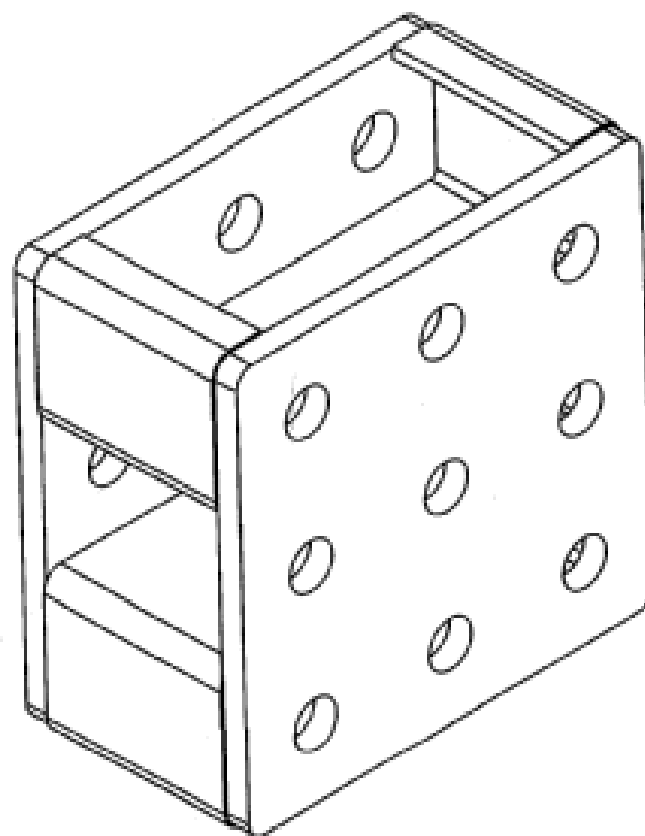
- (21) Design Number: **15626/2004**
(22) Date of Filing Application: **03 December 2004**
(24) Date from which industrial property rights may have effect: **03 December 2004**
(54) Product in respect of which the design is registered: **Writing utensil**
(51) International Design Classification: **19-06**
(71) Name(s) and Address(s) of Applicant(s):
Merz & Krell GmbH & Co. KGaA
Bahnhofstrasse 76 64401 Gross-Bieberau Germany
(72) Name(s) of Designer(s): **Hans-Juergen Beyer**
(45) Registration Date: **13 April 2006**
(30) Convention priority data:

(31) Number	(32) Date	(33) Country
40403544.2	09 Jun 2004	GERMANY

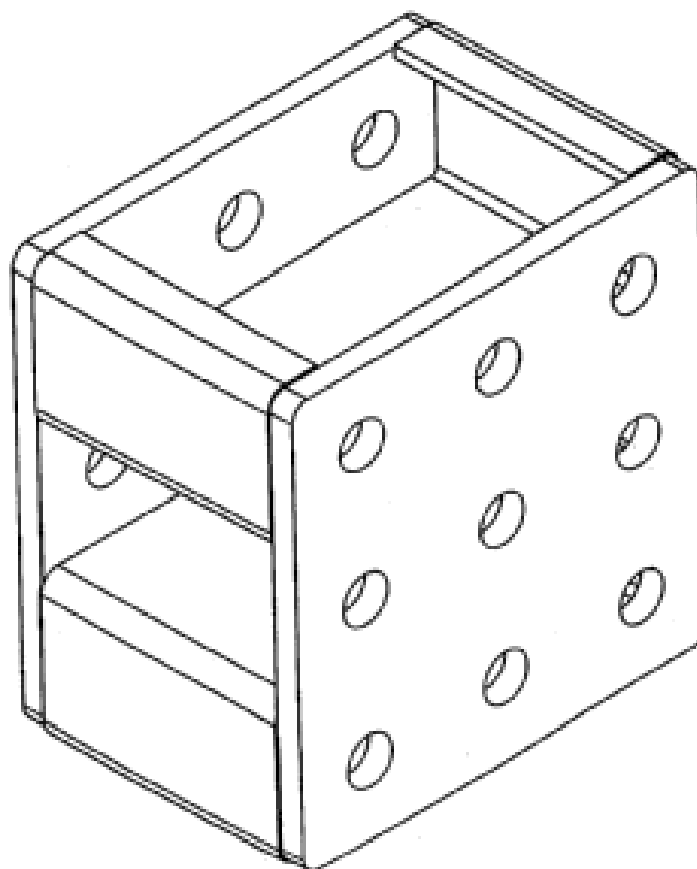
(56) Related Art Documents: **Not Applicable**
(57) Statement of Newness and Distinctiveness: **Newness and distinctiveness reside in the combination of features as seen in the single top end view, making no reference to Australian Design Registration Nos 301989 or 301990.**



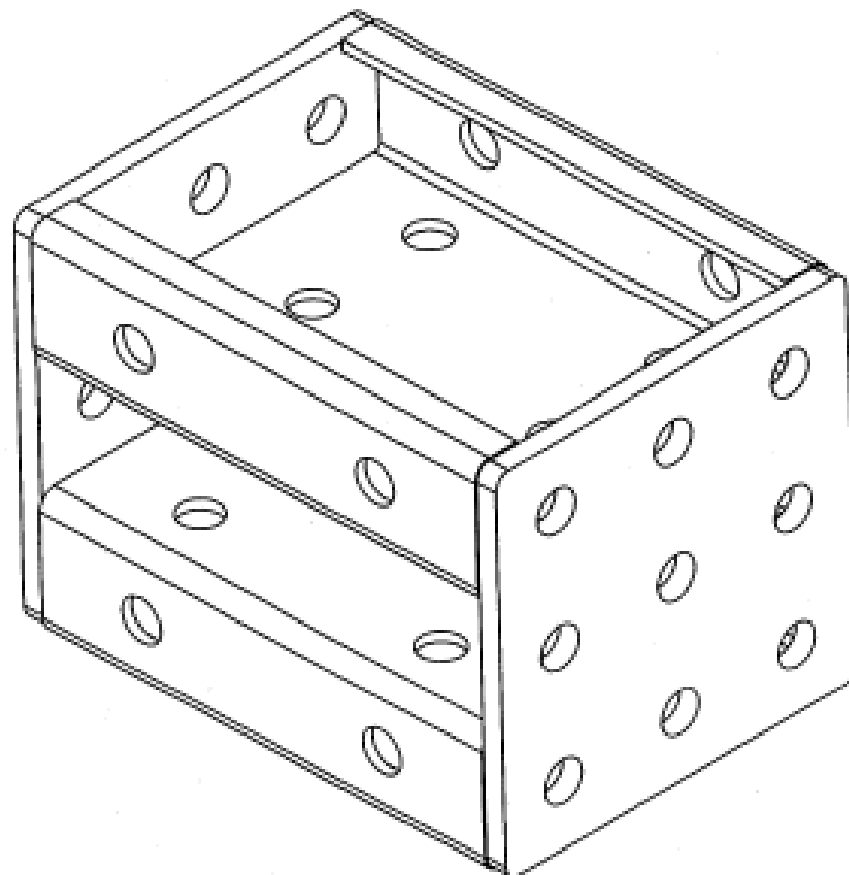
- (21) Design Number: **13570/2005**
(22) Date of Filing Application: **26 March 2004**
(24) Date from which industrial property rights may have effect: **26 March 2004**
(54) Product in respect of which the design is registered: **Structural beam**
(51) International Design Classification: **25-04**
(71) Name(s) and Address(s) of Applicant(s):
Booths Corp (Australia) Pty Ltd
23 Canterbury Road Punchbowl New South Wales 2196 Australia
(72) Name(s) of Designer(s): **David Baxter and Peter Geelan**
(45) Registration Date: **13 April 2006**
(56) Related Art Documents: **Not Applicable**
(57) Statement of Newness and Distinctiveness: **Nil**



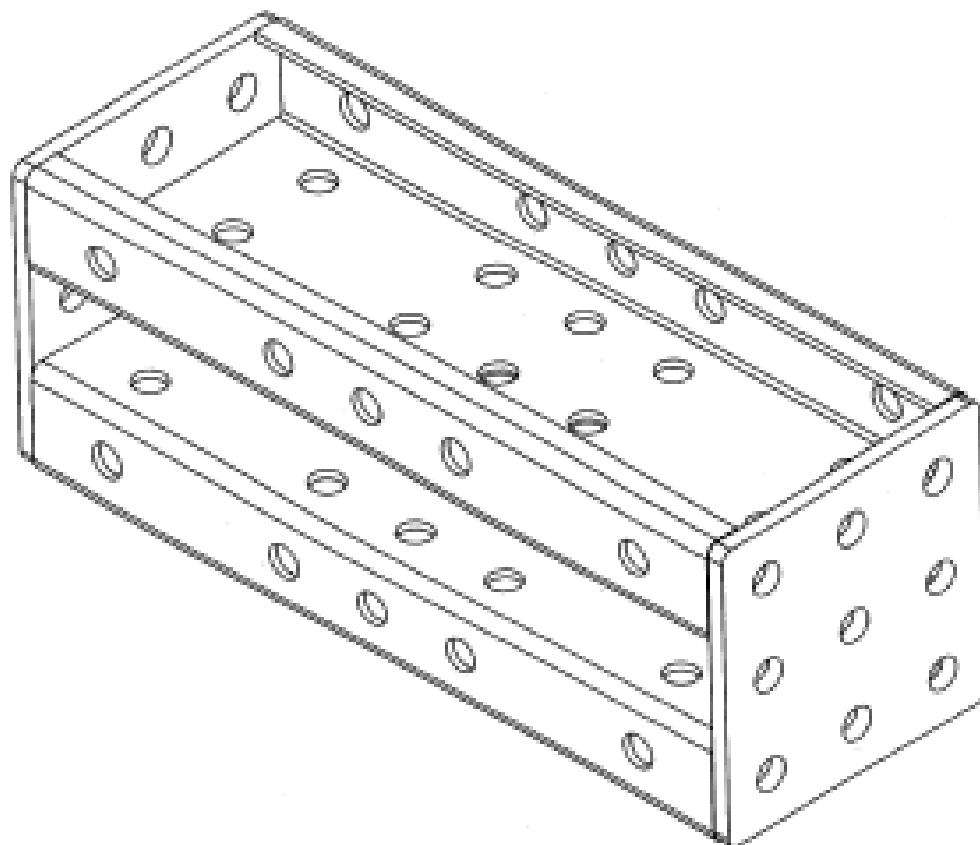
- (21) Design Number: **11110/2006**
(22) Date of Filing Application: **26 March 2004**
(24) Date from which industrial property rights may have effect: **26 March 2004**
(54) Product in respect of which the design is registered: **Structural beam**
(51) International Design Classification: **25-04**
(71) Name(s) and Address(s) of Applicant(s):
Booths Corp (Australia) Pty Ltd
23 Canterbury Road Punchbowl New South Wales 2196 Australia
(72) Name(s) of Designer(s): **David Baxter and Peter Geelan**
(45) Registration Date: **13 April 2006**
(56) Related Art Documents: **Not Applicable**
(57) Statement of Newness and Distinctiveness: **Nil**



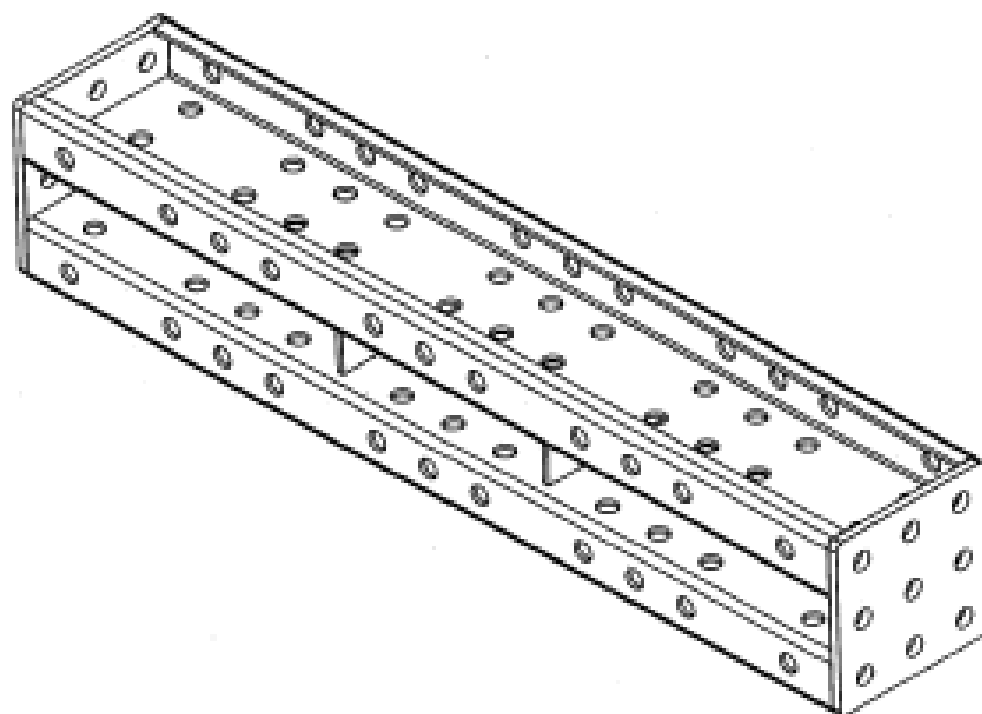
- (21) Design Number: **11111/2006**
(22) Date of Filing Application: **26 March 2004**
(24) Date from which industrial property rights may have effect: **26 March 2004**
(54) Product in respect of which the design is registered: **Structural beam**
(51) International Design Classification: **25-04**
(71) Name(s) and Address(s) of Applicant(s):
Booths Corp (Australia) Pty Ltd
23 Canterbury Road Punchbowl New South Wales 2196 Australia
(72) Name(s) of Designer(s): **David Baxter and Peter Geelan**
(45) Registration Date: **13 April 2006**
(56) Related Art Documents: **Not Applicable**
(57) Statement of Newness and Distinctiveness: **Nil**



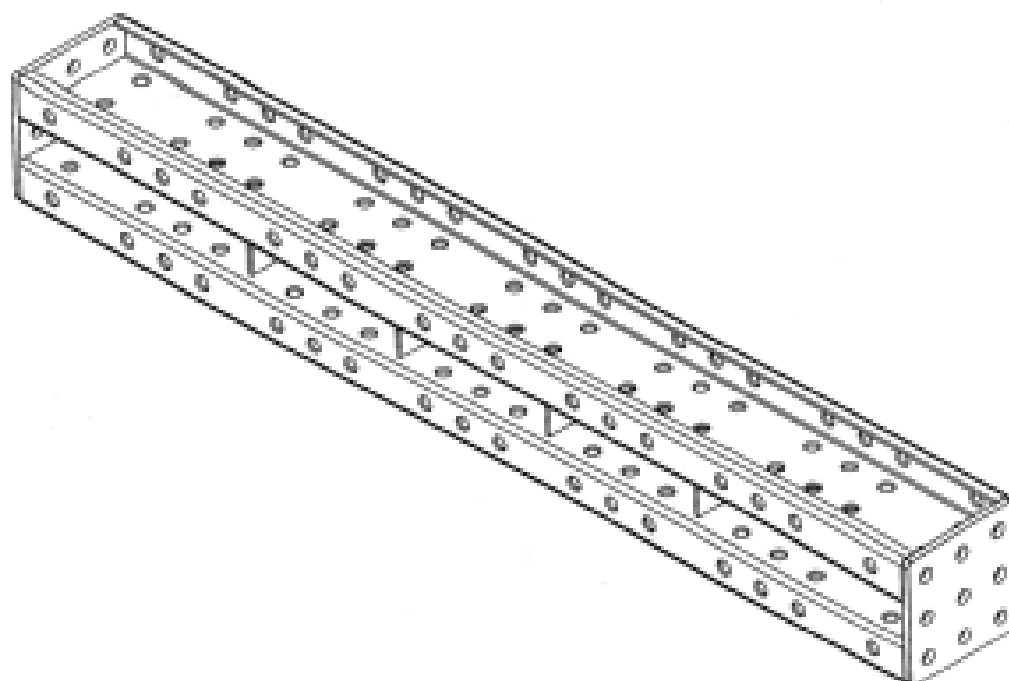
- (21) Design Number: **11112/2006**
(22) Date of Filing Application: **26 March 2004**
(24) Date from which industrial property rights may have effect: **26 March 2004**
(54) Product in respect of which the design is registered: **Structural beam**
(51) International Design Classification: **25-04**
(71) Name(s) and Address(s) of Applicant(s):
Booths Corp (Australia) Pty Ltd
23 Canterbury Road Punchbowl New South Wales 2196 Australia
(72) Name(s) of Designer(s): **David Baxter and Peter Geelan**
(45) Registration Date: **13 April 2006**
(56) Related Art Documents: **Not Applicable**
(57) Statement of Newness and Distinctiveness: **Nil**



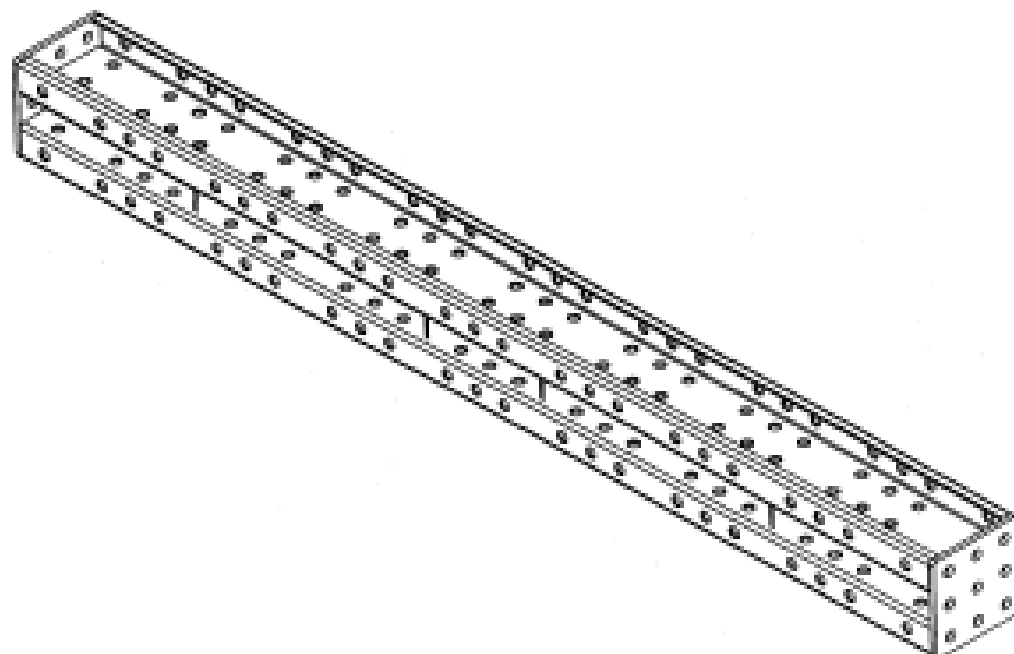
- (21) Design Number: **11113/2006**
(22) Date of Filing Application: **26 March 2004**
(24) Date from which industrial property rights may have effect: **26 March 2004**
(54) Product in respect of which the design is registered: **Structural beam**
(51) International Design Classification: **25-04**
(71) Name(s) and Address(s) of Applicant(s):
Booths Corp (Australia) Pty Ltd
23 Canterbury Road Punchbowl New South Wales 2196 Australia
(72) Name(s) of Designer(s): **David Baxter and Peter Geelan**
(45) Registration Date: **13 April 2006**
(56) Related Art Documents: **Not Applicable**
(57) Statement of Newness and Distinctiveness: **Nil**



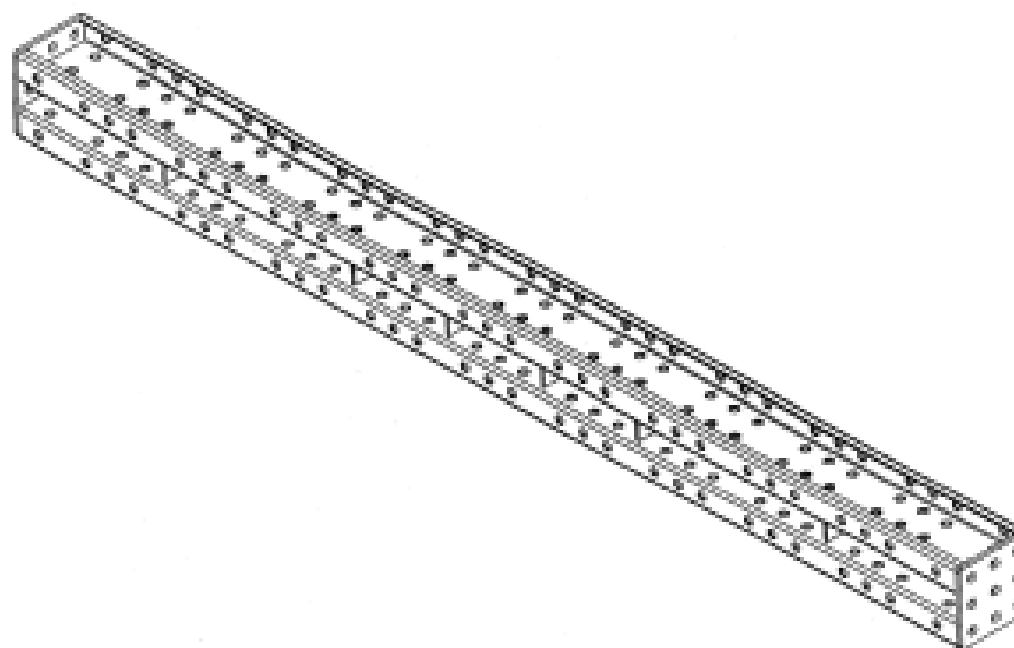
- (21) Design Number: **11114/2006**
(22) Date of Filing Application: **26 March 2004**
(24) Date from which industrial property rights may have effect: **26 March 2004**
(54) Product in respect of which the design is registered: **Structural beam**
(51) International Design Classification: **25-04**
(71) Name(s) and Address(s) of Applicant(s):
Booths Corp (Australia) Pty Ltd
23 Canterbury Road Punchbowl New South Wales 2196 Australia
(72) Name(s) of Designer(s): **David Baxter and Peter Geelan**
(45) Registration Date: **13 April 2006**
(56) Related Art Documents: **Not Applicable**
(57) Statement of Newness and Distinctiveness: **Nil**



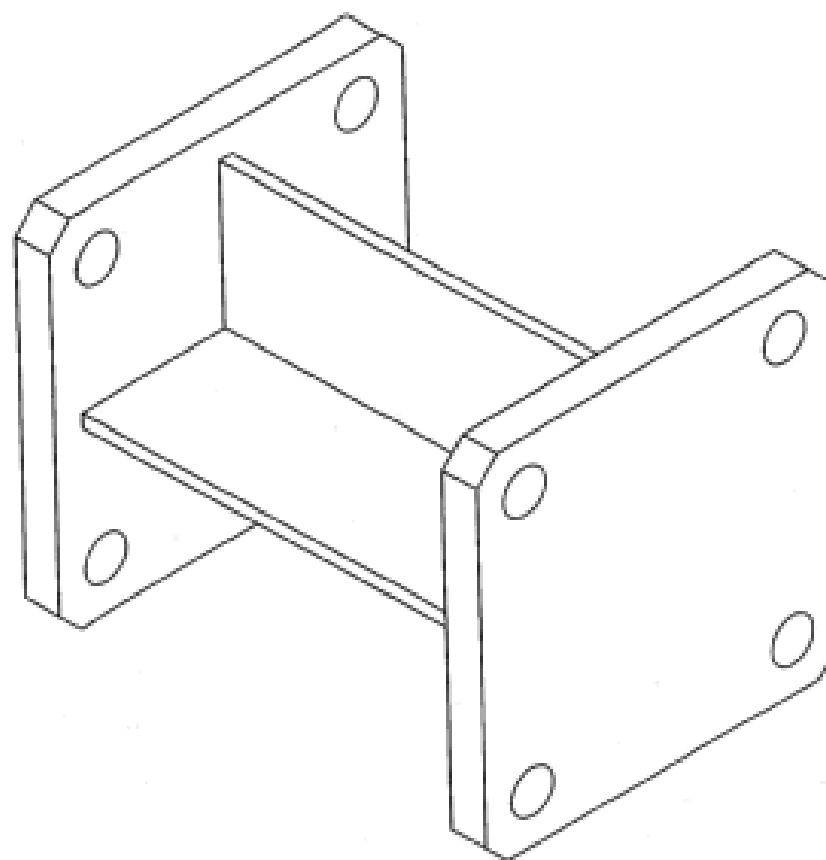
- (21) Design Number: **11115/2006**
(22) Date of Filing Application: **26 March 2004**
(24) Date from which industrial property rights may have effect: **26 March 2004**
(54) Product in respect of which the design is registered: **Structural beam**
(51) International Design Classification: **25-04**
(71) Name(s) and Address(s) of Applicant(s):
Booths Corp (Australia) Pty Ltd
23 Canterbury Road Punchbowl New South Wales 2196 Australia
(72) Name(s) of Designer(s): **David Baxter and Peter Geelan**
(45) Registration Date: **13 April 2006**
(56) Related Art Documents: **Not Applicable**
(57) Statement of Newness and Distinctiveness: **Nil**



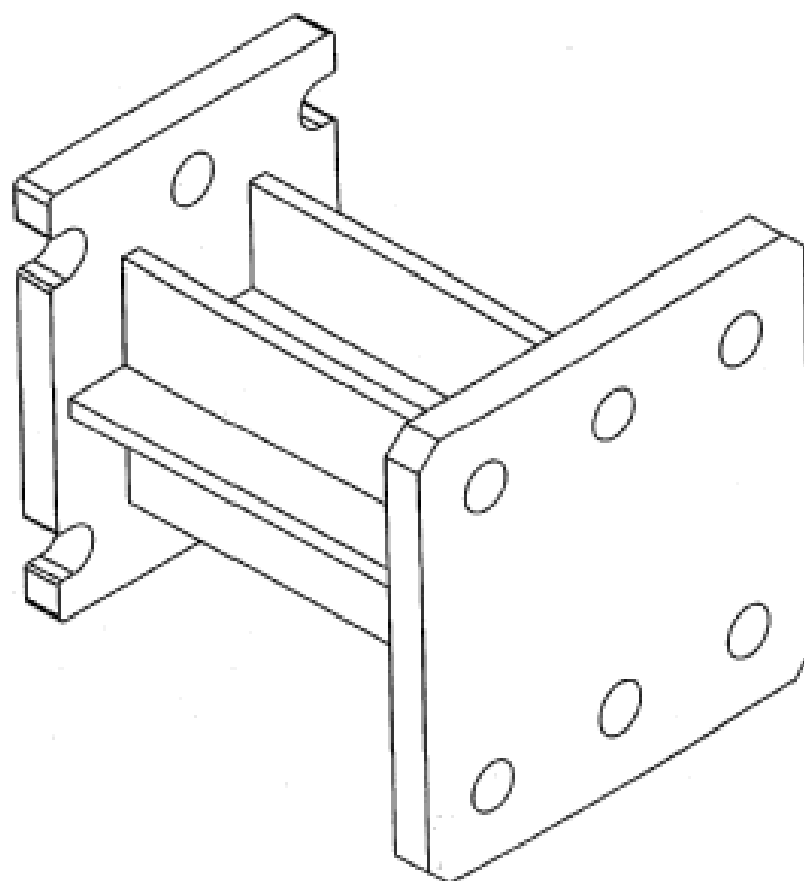
- (21) Design Number: **11116/2006**
(22) Date of Filing Application: **26 March 2004**
(24) Date from which industrial property rights may have effect: **26 March 2004**
(54) Product in respect of which the design is registered: **Structural beam**
(51) International Design Classification: **25-04**
(71) Name(s) and Address(s) of Applicant(s):
Booths Corp (Australia) Pty Ltd
23 Canterbury Road Punchbowl New South Wales 2196 Australia
(72) Name(s) of Designer(s): **Peter Geelan and David Baxter**
(45) Registration Date: **13 April 2006**
(56) Related Art Documents: **Not Applicable**
(57) Statement of Newness and Distinctiveness: **Nil**



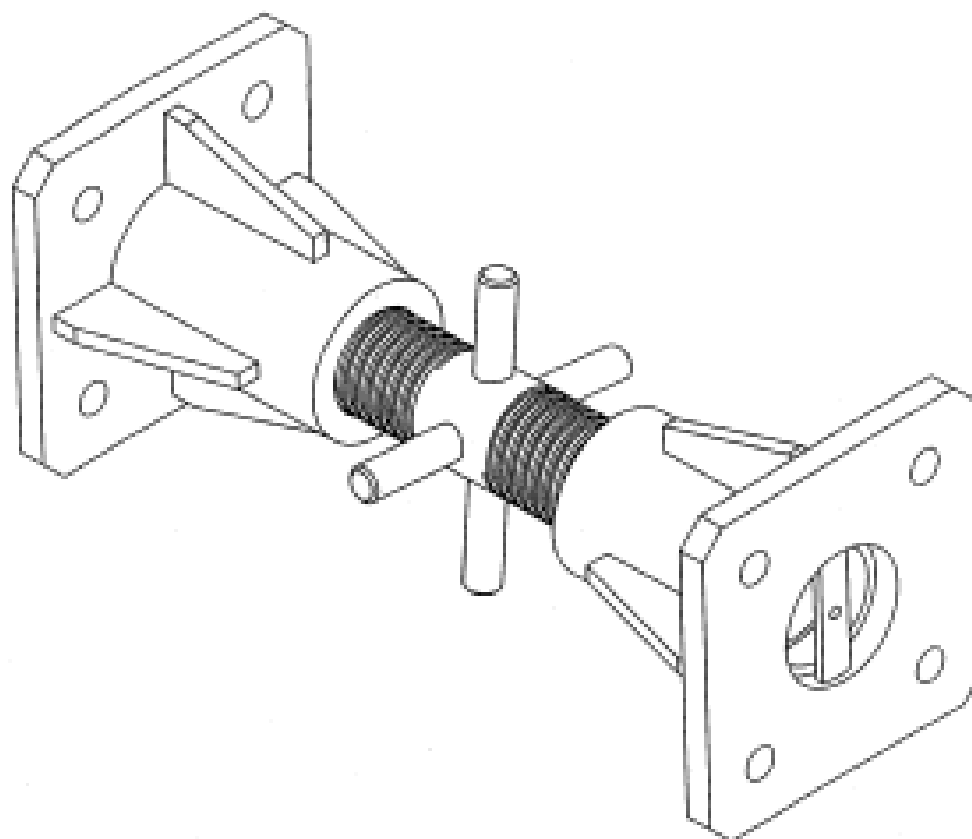
- (21) Design Number: **11117/2006**
(22) Date of Filing Application: **26 March 2004**
(24) Date from which industrial property rights may have effect: **26 March 2004**
(54) Product in respect of which the design is registered: **End connector**
(51) International Design Classification: **25-04**
(71) Name(s) and Address(s) of Applicant(s):
Booths Corp (Australia) Pty Ltd
23 Canterbury Road Punchbowl New South Wales 2196 Australia
(72) Name(s) of Designer(s): **David Baxter and Peter Geelan**
(45) Registration Date: **13 April 2006**
(56) Related Art Documents: **Not Applicable**
(57) Statement of Newness and Distinctiveness: **Nil**



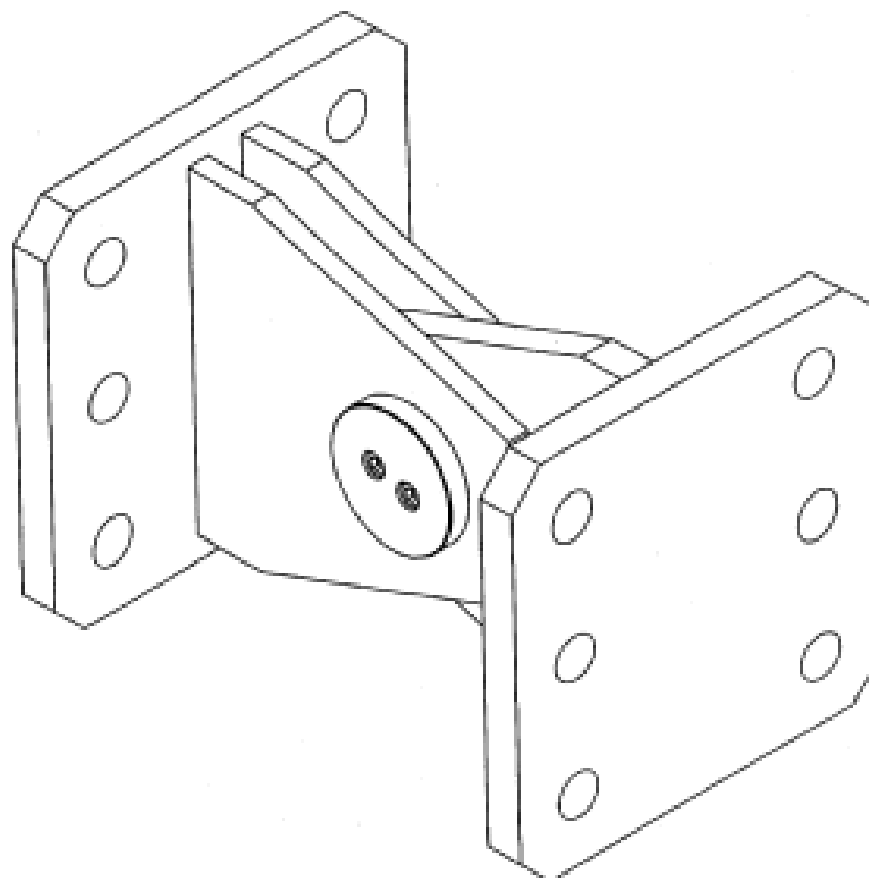
- (21) Design Number: **11118/2006**
(22) Date of Filing Application: **26 March 2004**
(24) Date from which industrial property rights may have effect: **26 March 2004**
(54) Product in respect of which the design is registered: **End connector**
(51) International Design Classification: **25-04**
(71) Name(s) and Address(s) of Applicant(s):
Booths Corp (Australia) Pty Ltd
23 Canterbury Road Punchbowl New South Wales 2196 Australia
(72) Name(s) of Designer(s): **David Baxter and Peter Geelan**
(45) Registration Date: **13 April 2006**
(56) Related Art Documents: **Not Applicable**
(57) Statement of Newness and Distinctiveness: **Nil**



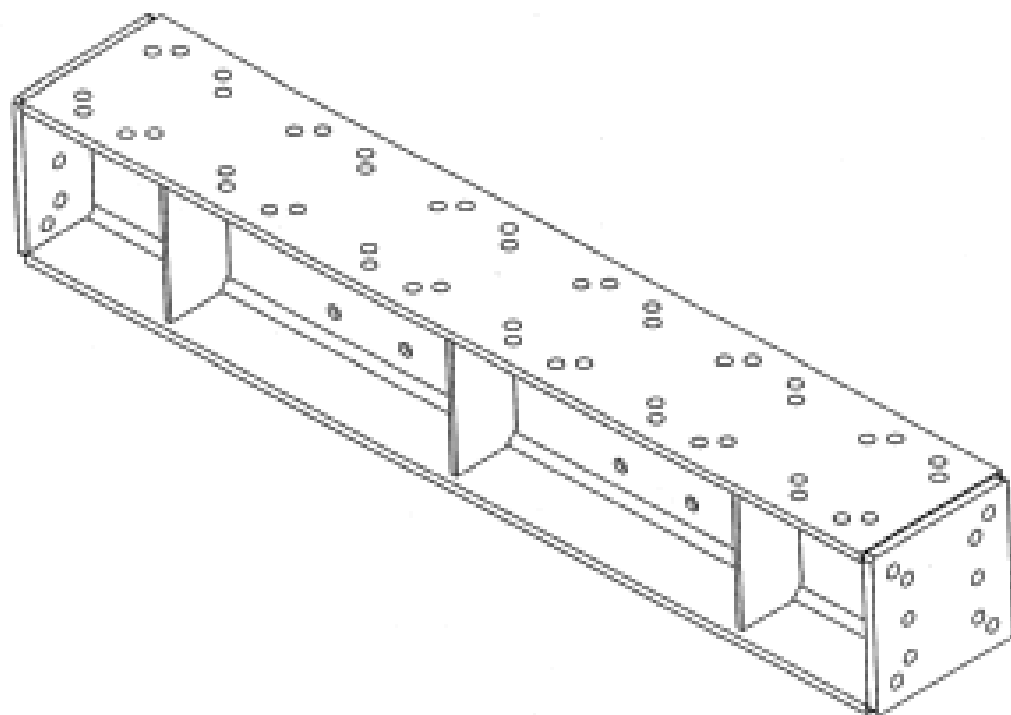
- (21) Design Number: **11119/2006**
- (22) Date of Filing Application: **26 March 2004**
- (24) Date from which industrial property rights may have effect: **26 March 2004**
- (54) Product in respect of which the design is registered: **Jack assembly**
- (51) International Design Classification: **25-04**
- (71) Name(s) and Address(s) of Applicant(s):
Booths Corp (Australia) Pty Ltd
23 Canterbury Road Punchbowl New South Wales 2196 Australia
- (72) Name(s) of Designer(s): **David Baxter and Peter Geelan**
- (45) Registration Date: **13 April 2006**
- (56) Related Art Documents: **Not Applicable**
- (57) Statement of Newness and Distinctiveness: **Nil**



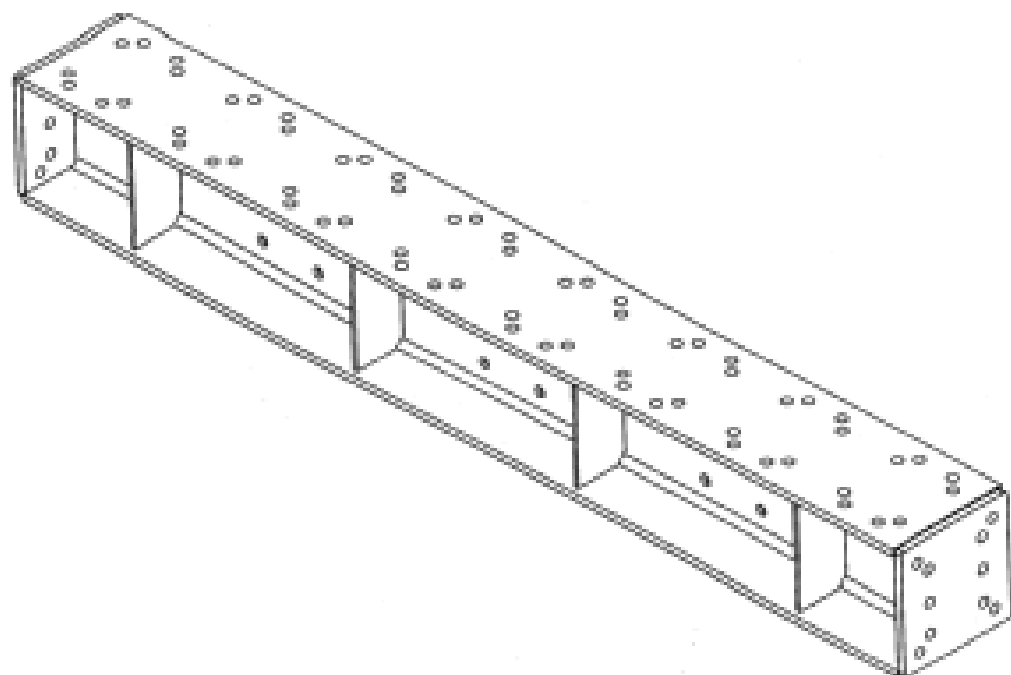
- (21) Design Number: **11120/2006**
- (22) Date of Filing Application: **26 March 2004**
- (24) Date from which industrial property rights may have effect: **26 March 2004**
- (54) Product in respect of which the design is registered: **Racking bracket**
- (51) International Design Classification: **25-04**
- (71) Name(s) and Address(s) of Applicant(s):
Booths Corp (Australia) Pty Ltd
23 Canterbury Road Punchbowl New South Wales 2196 Australia
- (72) Name(s) of Designer(s): **David Baxter and Peter Geelan**
- (45) Registration Date: **13 April 2006**
- (56) Related Art Documents: **Not Applicable**
- (57) Statement of Newness and Distinctiveness: **Nil**



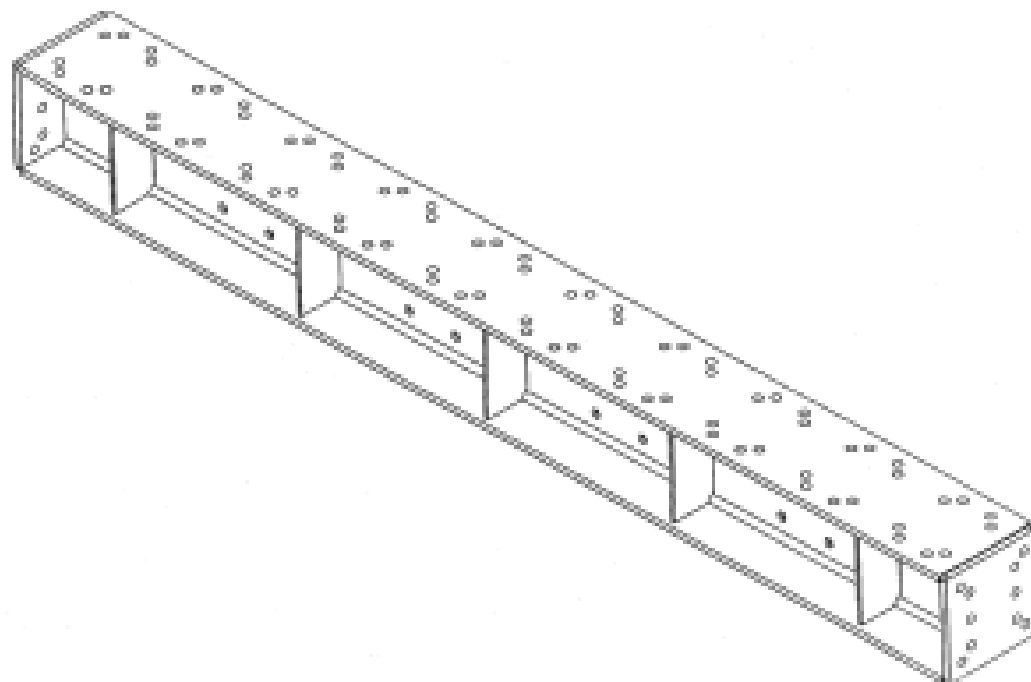
- (21) Design Number: **11121/2006**
- (22) Date of Filing Application: **26 March 2004**
- (24) Date from which industrial property rights may have effect: **26 March 2004**
- (54) Product in respect of which the design is registered: **Grillage beam**
- (51) International Design Classification: **25-04**
- (71) Name(s) and Address(s) of Applicant(s):
Booths Corp (Australia) Pty Ltd
23 Canterbury Road Punchbowl New South Wales 2196 Australia
- (72) Name(s) of Designer(s): **David Baxter and Peter Geelan**
- (45) Registration Date: **13 April 2006**
- (56) Related Art Documents: **Not Applicable**
- (57) Statement of Newness and Distinctiveness: **Nil**



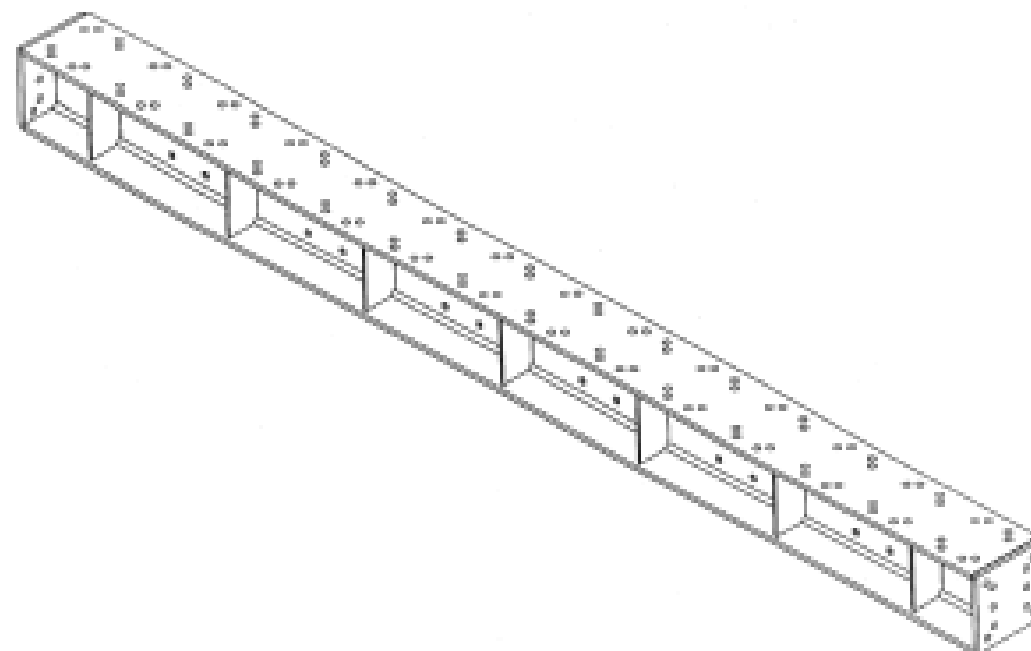
- (21) Design Number: **11122/2006**
- (22) Date of Filing Application: **26 March 2004**
- (24) Date from which industrial property rights may have effect: **26 March 2004**
- (54) Product in respect of which the design is registered: **Grillage beam**
- (51) International Design Classification: **25-04**
- (71) Name(s) and Address(s) of Applicant(s):
Booths Corp (Australia) Pty Ltd
23 Canterbury Road Punchbowl New South Wales 2196 Australia
- (72) Name(s) of Designer(s): **David Baxter and Peter Geelan**
- (45) Registration Date: **13 April 2006**
- (56) Related Art Documents: **Not Applicable**
- (57) Statement of Newness and Distinctiveness: **Nil**



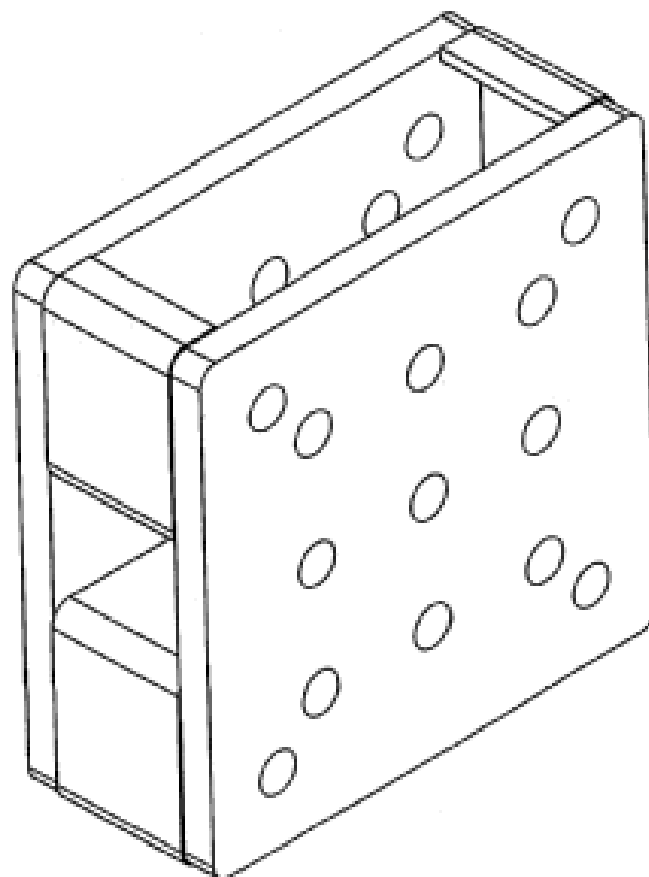
- (21) Design Number: **11123/2006**
(22) Date of Filing Application: **26 March 2004**
(24) Date from which industrial property rights may have effect: **26 March 2004**
(54) Product in respect of which the design is registered: **Grillage beam**
(51) International Design Classification: **25-04**
(71) Name(s) and Address(s) of Applicant(s):
Booths Corp (Australia) Pty Ltd
23 Canterbury Road Punchbowl New South Wales 2196 Australia
(72) Name(s) of Designer(s): **David Baxter and Peter Geelan**
(45) Registration Date: **13 April 2006**
(56) Related Art Documents: **Not Applicable**
(57) Statement of Newness and Distinctiveness: **Nil**



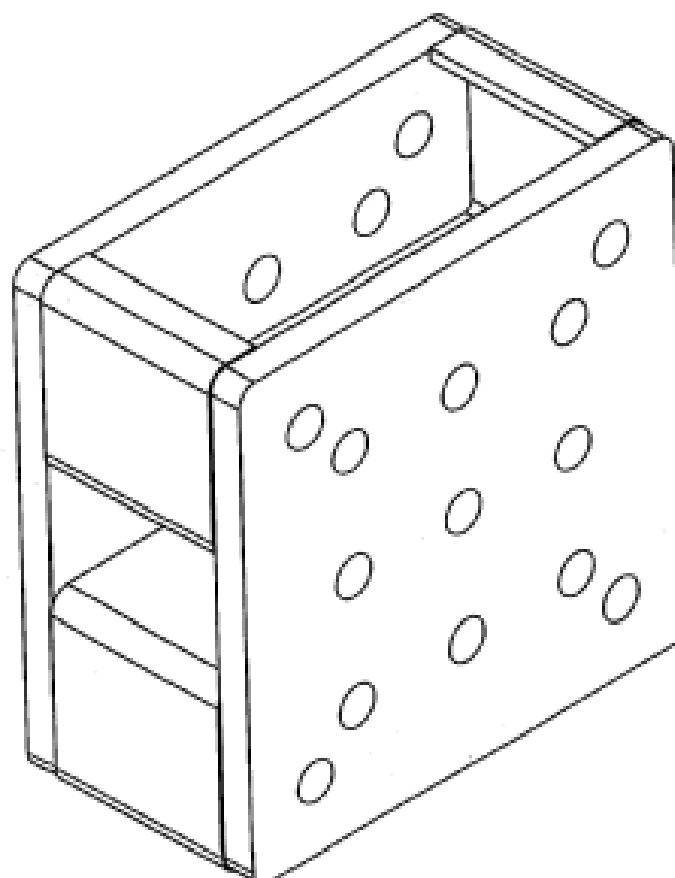
- (21) Design Number: **11124/2006**
(22) Date of Filing Application: **26 March 2004**
(24) Date from which industrial property rights may have effect: **26 March 2004**
(54) Product in respect of which the design is registered: **Grillage beam**
(51) International Design Classification: **25-04**
(71) Name(s) and Address(s) of Applicant(s):
Booths Corp (Australia) Pty Ltd
23 Canterbury Road Punchbowl New South Wales 2196 Australia
(72) Name(s) of Designer(s): **David Baxter and Peter Geelan**
(45) Registration Date: **13 April 2006**
(56) Related Art Documents: **Not Applicable**
(57) Statement of Newness and Distinctiveness: **Nil**



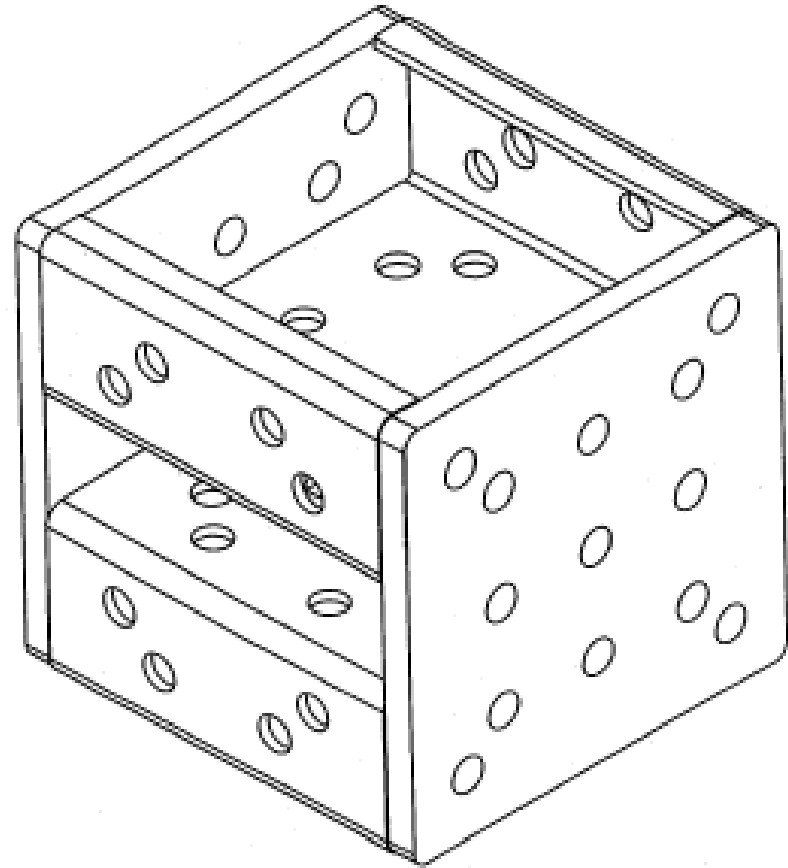
- (21) Design Number: **11125/2006**
- (22) Date of Filing Application: **26 March 2004**
- (24) Date from which industrial property rights may have effect: **26 March 2004**
- (54) Product in respect of which the design is registered: **Structural beam**
- (51) International Design Classification: **25-04**
- (71) Name(s) and Address(s) of Applicant(s):
Booths Corp (Australia) Pty Ltd
23 Canterbury Road Punchbowl New South Wales 2196 Australia
- (72) Name(s) of Designer(s): **David Baxter and Peter Geelan**
- (45) Registration Date: **13 April 2006**
- (56) Related Art Documents: **Not Applicable**
- (57) Statement of Newness and Distinctiveness: **Nil**



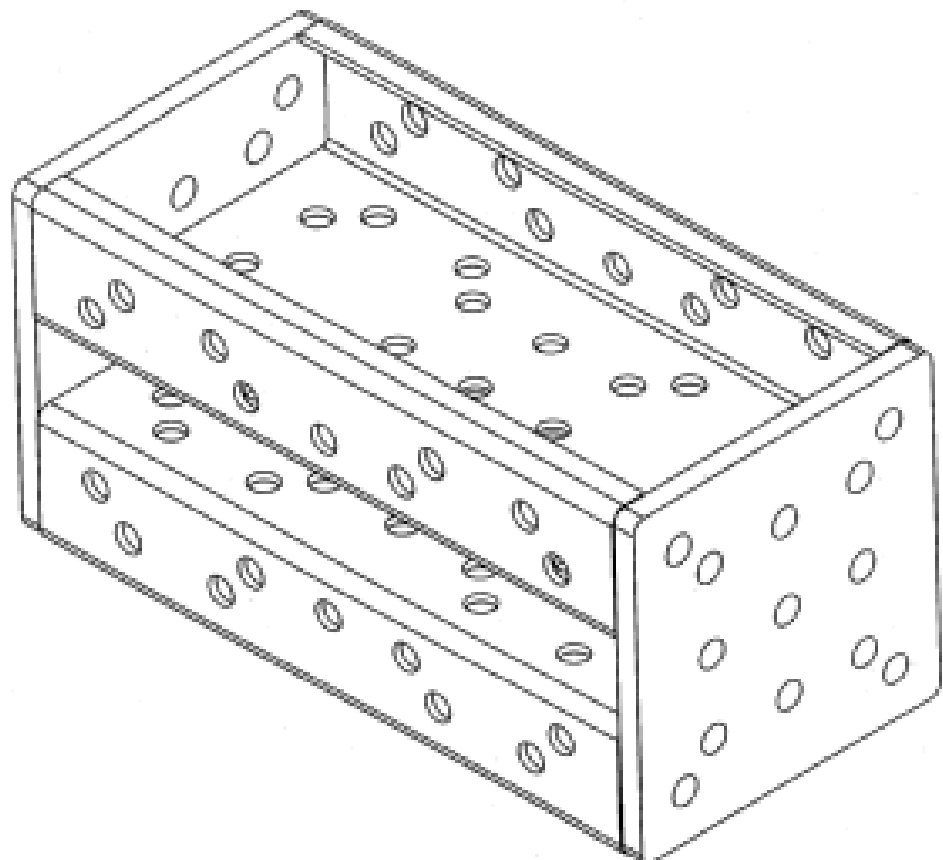
- (21) Design Number: **11126/2006**
- (22) Date of Filing Application: **26 March 2004**
- (24) Date from which industrial property rights may have effect: **26 March 2004**
- (54) Product in respect of which the design is registered: **Structural beam**
- (51) International Design Classification: **25-04**
- (71) Name(s) and Address(s) of Applicant(s):
Booths Corp (Australia) Pty Ltd
23 Canterbury Road Punchbowl New South Wales 2196 Australia
- (72) Name(s) of Designer(s): **David Baxter and Peter Geelan**
- (45) Registration Date: **13 April 2006**
- (56) Related Art Documents: **Not Applicable**
- (57) Statement of Newness and Distinctiveness: **Nil**



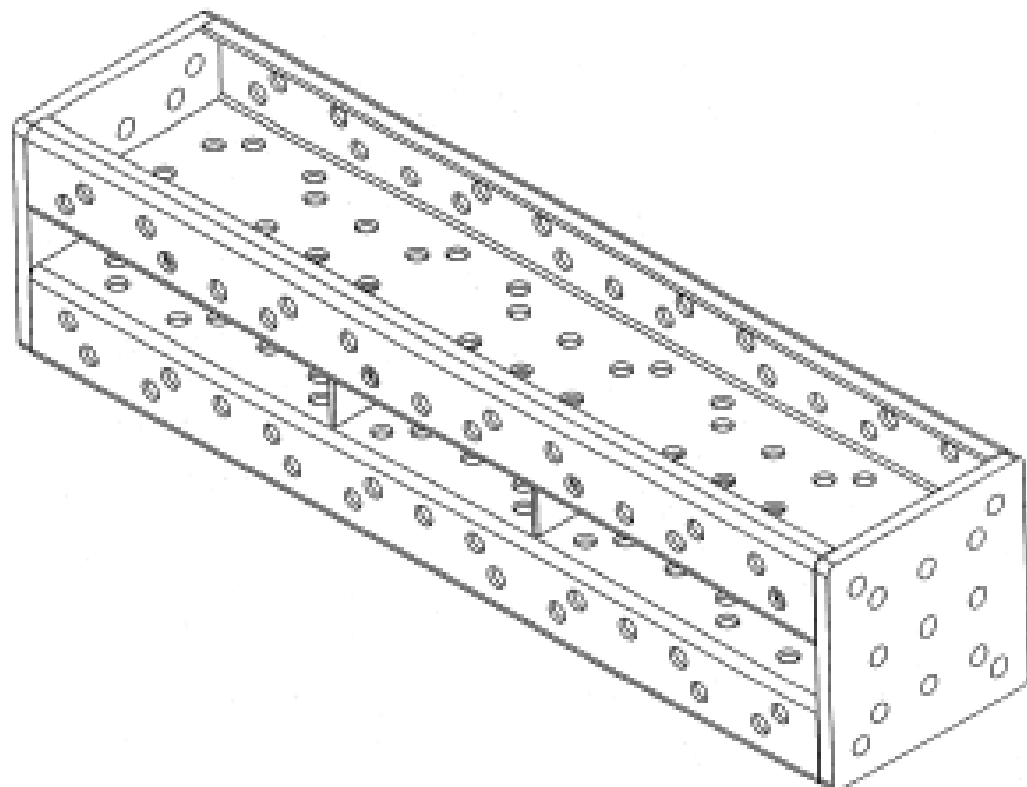
- (21) Design Number: **11127/2006**
- (22) Date of Filing Application: **26 March 2004**
- (24) Date from which industrial property rights may have effect: **26 March 2004**
- (54) Product in respect of which the design is registered: **Structural beam**
- (51) International Design Classification: **25-04**
- (71) Name(s) and Address(s) of Applicant(s):
Booths Corp (Australia) Pty Ltd
23 Canterbury Road Punchbowl New South Wales 2196 Australia
- (72) Name(s) of Designer(s): **David Baxter and Peter Geelan**
- (45) Registration Date: **13 April 2006**
- (56) Related Art Documents: **Not Applicable**
- (57) Statement of Newness and Distinctiveness: **Nil**



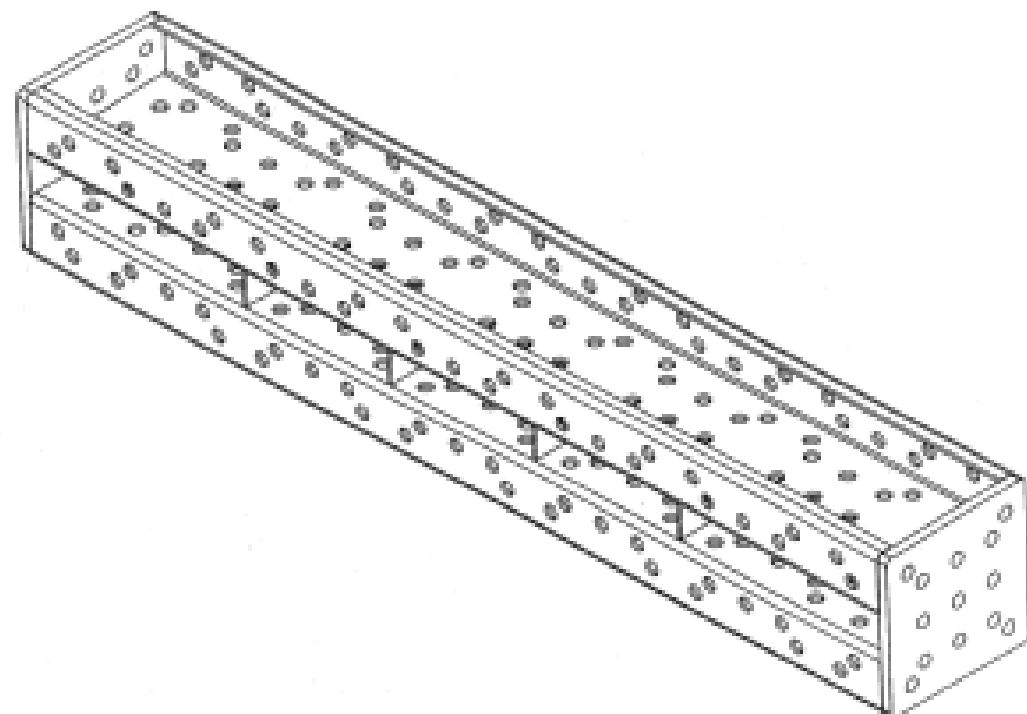
- (21) Design Number: **11128/2006**
- (22) Date of Filing Application: **26 March 2004**
- (24) Date from which industrial property rights may have effect: **26 March 2004**
- (54) Product in respect of which the design is registered: **Structural beam**
- (51) International Design Classification: **25-04**
- (71) Name(s) and Address(s) of Applicant(s):
Booths Corp (Australia) Pty Ltd
23 Canterbury Road Punchbowl New South Wales 2196 Australia
- (72) Name(s) of Designer(s): **David Baxter and Peter Geelan**
- (45) Registration Date: **13 April 2006**
- (56) Related Art Documents: **Not Applicable**
- (57) Statement of Newness and Distinctiveness: **Nil**



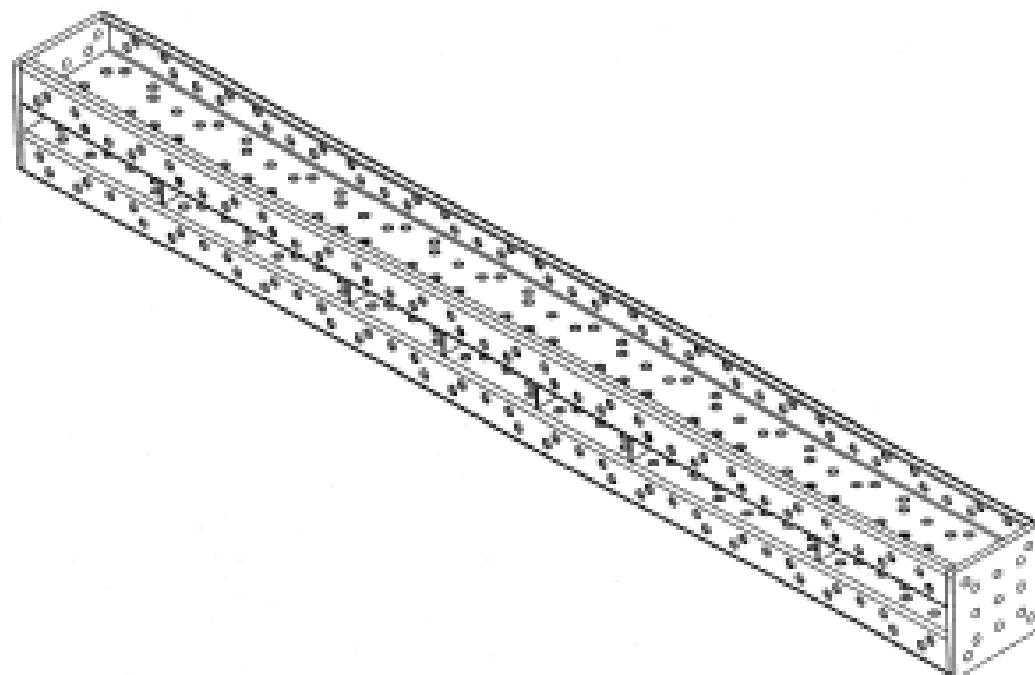
- (21) Design Number: **11129/2006**
(22) Date of Filing Application: **26 March 2004**
(24) Date from which industrial property rights may have effect: **26 March 2004**
(54) Product in respect of which the design is registered: **Structural beam**
(51) International Design Classification: **25-04**
(71) Name(s) and Address(s) of Applicant(s):
Booths Corp (Australia) Pty Ltd
23 Canterbury Road Punchbowl New South Wales 2196 Australia
(72) Name(s) of Designer(s): **David Baxter and Peter Geelan**
(45) Registration Date: **13 April 2006**
(56) Related Art Documents: **Not Applicable**
(57) Statement of Newness and Distinctiveness: **Nil**



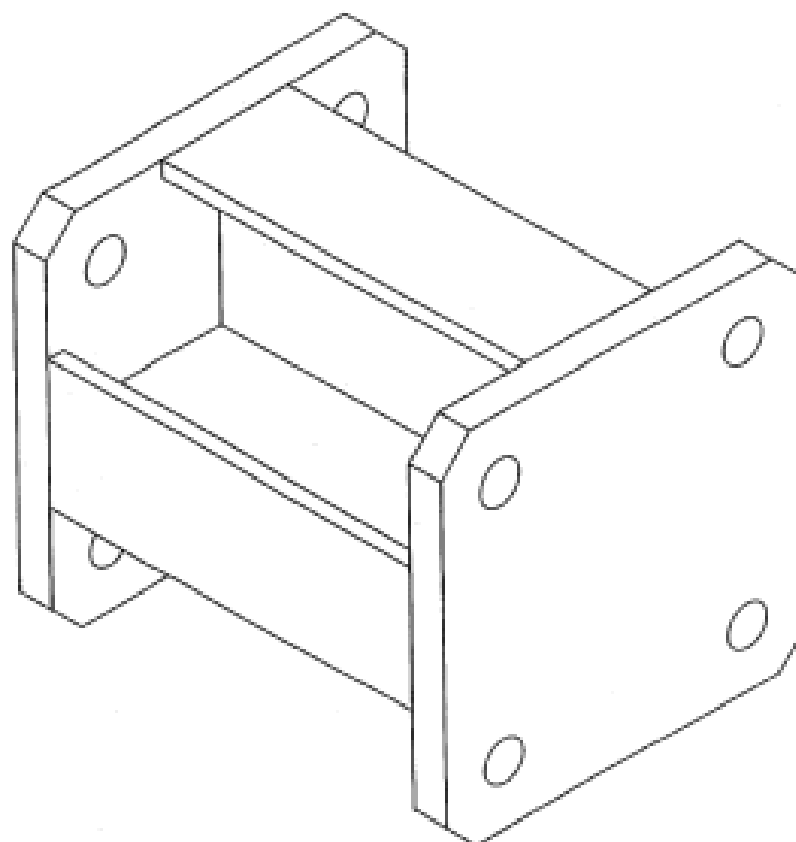
- (21) Design Number: **11130/2006**
(22) Date of Filing Application: **26 March 2004**
(24) Date from which industrial property rights may have effect: **26 March 2004**
(54) Product in respect of which the design is registered: **Structural beam**
(51) International Design Classification: **25-04**
(71) Name(s) and Address(s) of Applicant(s):
Booths Corp (Australia) Pty Ltd
23 Canterbury Road Punchbowl New South Wales 2196 Australia
(72) Name(s) of Designer(s): **David Baxter and Peter Geelan**
(45) Registration Date: **13 April 2006**
(56) Related Art Documents: **Not Applicable**
(57) Statement of Newness and Distinctiveness: **Nil**



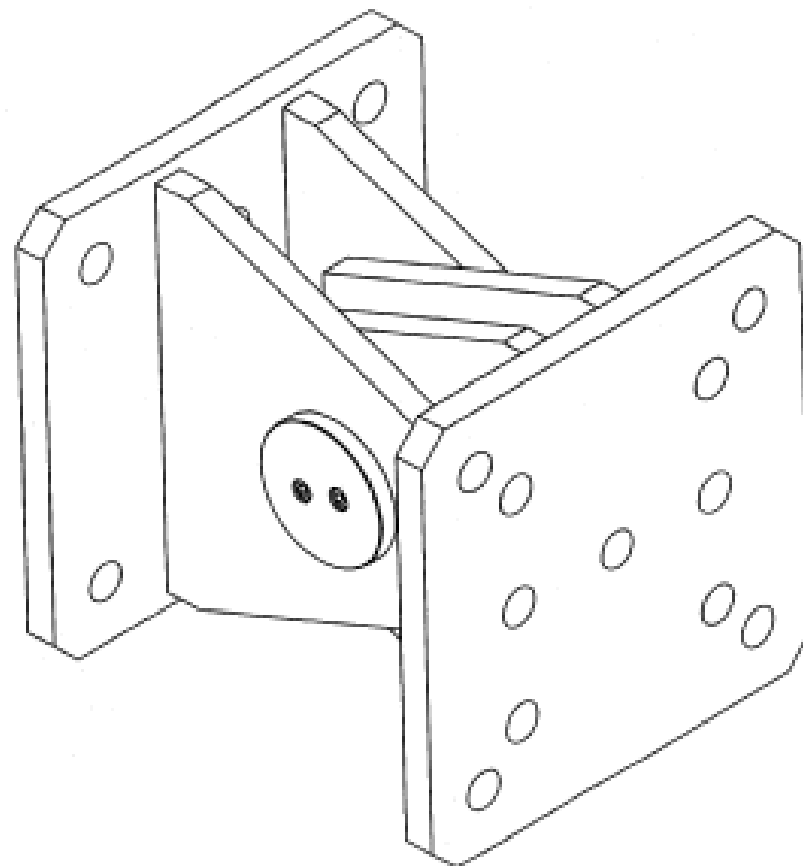
- (21) Design Number: **11131/2006**
(22) Date of Filing Application: **26 March 2004**
(24) Date from which industrial property rights may have effect: **26 March 2004**
(54) Product in respect of which the design is registered: **Structural beam**
(51) International Design Classification: **25-04**
(71) Name(s) and Address(s) of Applicant(s):
Booths Corp (Australia) Pty Ltd
23 Canterbury Road Punchbowl New South Wales 2196 Australia
(72) Name(s) of Designer(s): **David Baxter and Peter Geelan**
(45) Registration Date: **13 April 2006**
(56) Related Art Documents: **Not Applicable**
(57) Statement of Newness and Distinctiveness: **Nil**



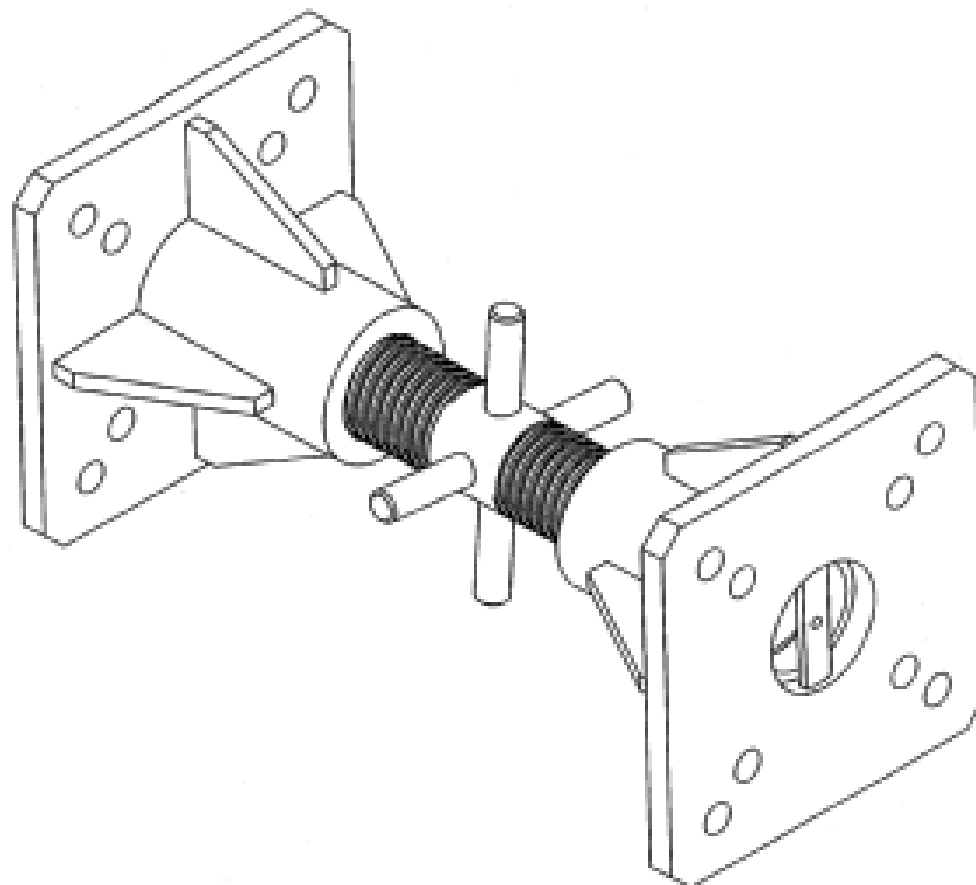
- (21) Design Number: **11132/2006**
(22) Date of Filing Application: **26 March 2004**
(24) Date from which industrial property rights may have effect: **26 March 2004**
(54) Product in respect of which the design is registered: **End connector**
(51) International Design Classification: **25-04**
(71) Name(s) and Address(s) of Applicant(s):
Booths Corp (Australia) Pty Ltd
23 Canterbury Road Punchbowl New South Wales 2196 Australia
(72) Name(s) of Designer(s): **David Baxter and Peter Geelan**
(45) Registration Date: **13 April 2006**
(56) Related Art Documents: **Not Applicable**
(57) Statement of Newness and Distinctiveness: **Nil**



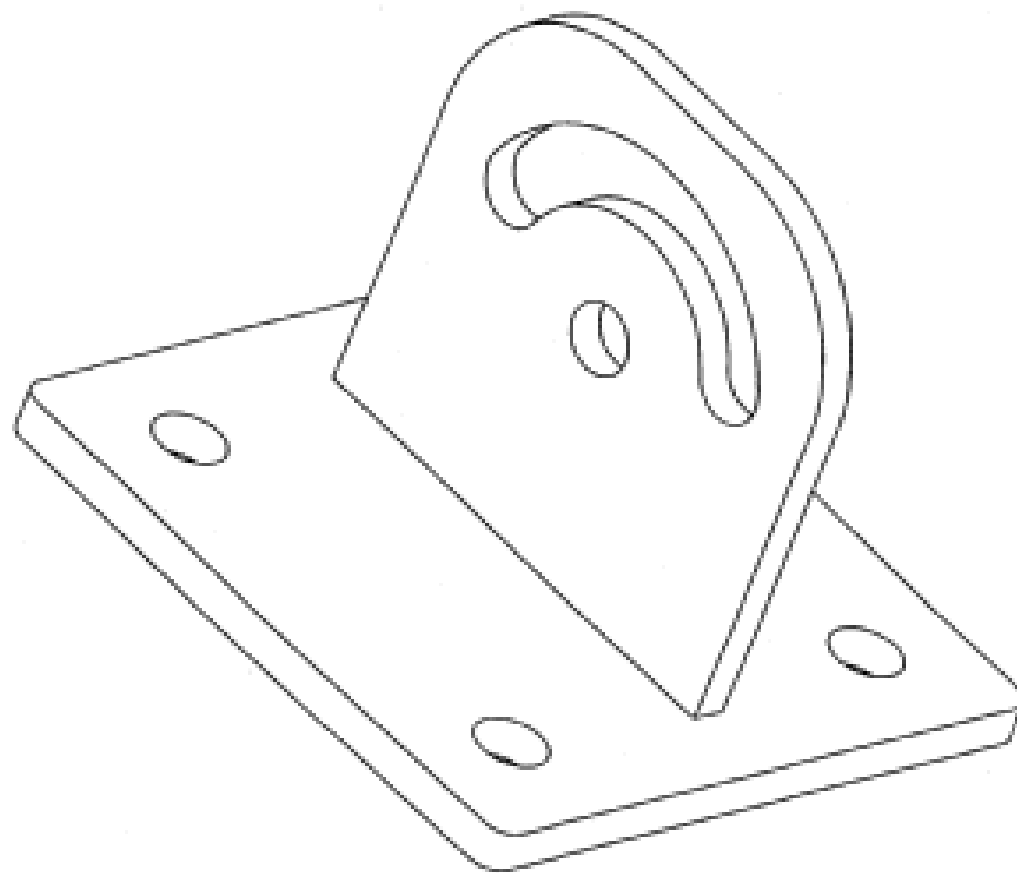
(21) Design Number: **11133/2006**
(22) Date of Filing Application: **26 March 2004**
(24) Date from which industrial property rights may have effect: **26 March 2004**
(54) Product in respect of which the design is registered: **Racking bracket**
(51) International Design Classification: **25-04**
(71) Name(s) and Address(s) of Applicant(s):
Booths Corp (Australia) Pty Ltd
23 Canterbury Road Punchbowl New South Wales 2196 Australia
(72) Name(s) of Designer(s): **Peter Geelan and David Baxter**
(45) Registration Date: **13 April 2006**
(56) Related Art Documents: **Not Applicable**
(57) Statement of Newness and Distinctiveness: **Nil**



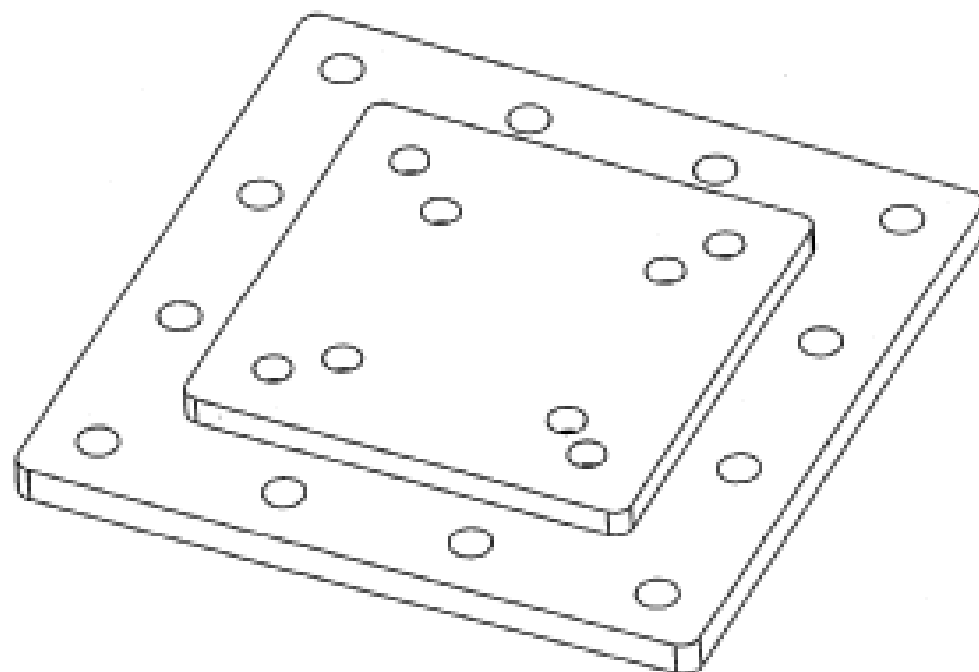
(21) Design Number: **11134/2006**
(22) Date of Filing Application: **26 March 2004**
(24) Date from which industrial property rights may have effect: **26 March 2004**
(54) Product in respect of which the design is registered: **Jack assembly**
(51) International Design Classification: **25-04**
(71) Name(s) and Address(s) of Applicant(s):
Booths Corp (Australia) Pty Ltd
23 Canterbury Road Punchbowl New South Wales 2196 Australia
(72) Name(s) of Designer(s): **David Baxter and Peter Geelan**
(45) Registration Date: **13 April 2006**
(56) Related Art Documents: **Not Applicable**
(57) Statement of Newness and Distinctiveness: **Nil**



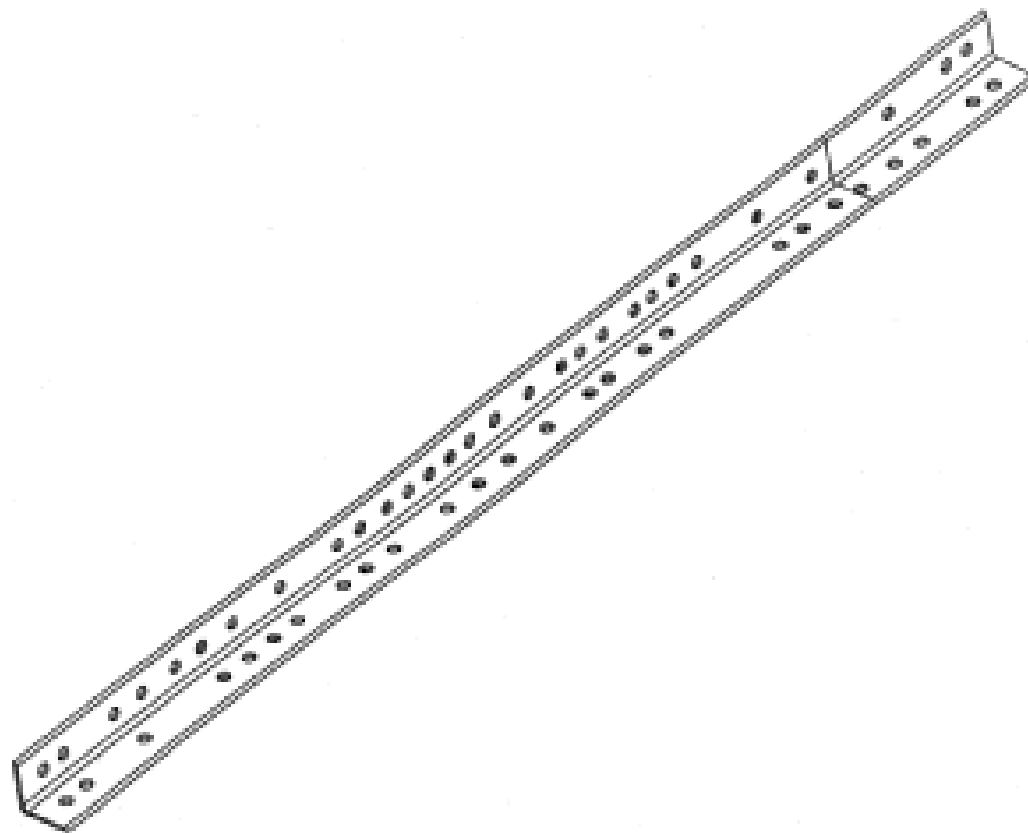
(21) Design Number: **11135/2006**
(22) Date of Filing Application: **26 March 2004**
(24) Date from which industrial property rights may have effect: **26 March 2004**
(54) Product in respect of which the design is registered: **Angle brace bracket**
(51) International Design Classification: **25-04**
(71) Name(s) and Address(s) of Applicant(s):
Booths Corp (Australia) Pty Ltd
23 Canterbury Road Punchbowl New South Wales 2196 Australia
(72) Name(s) of Designer(s): **David Baxter and Peter Geelan**
(45) Registration Date: **13 April 2006**
(56) Related Art Documents: **Not Applicable**
(57) Statement of Newness and Distinctiveness: **Nil**



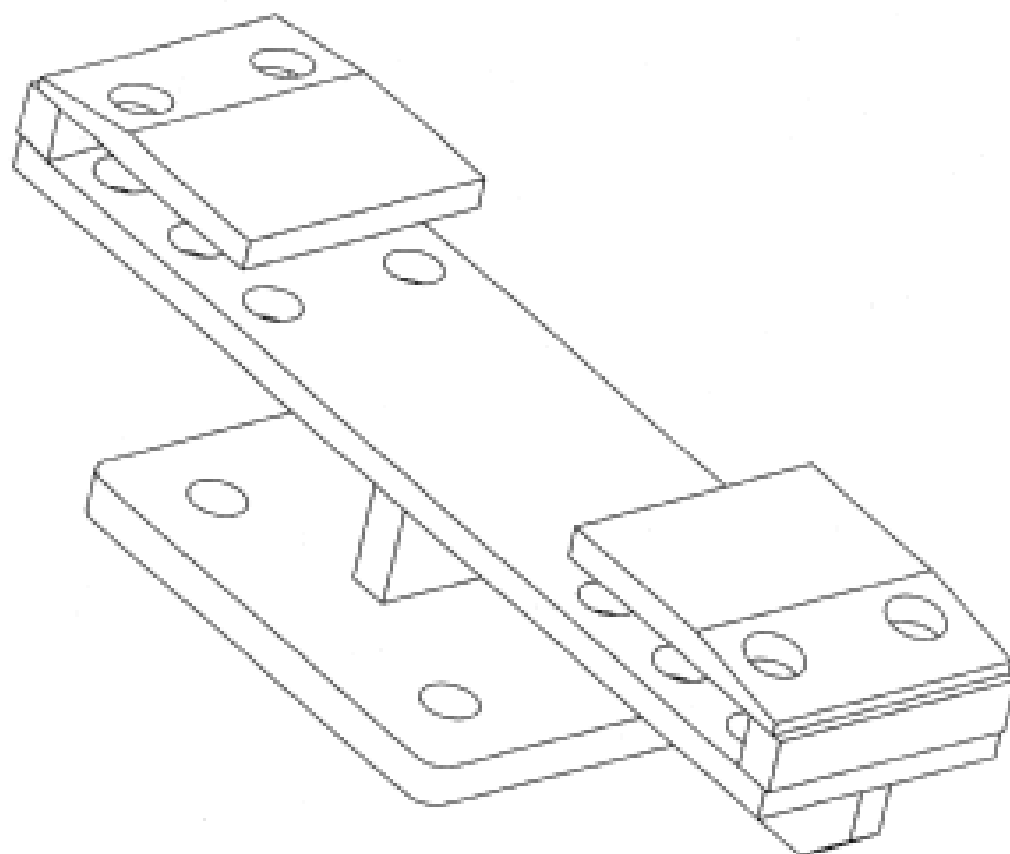
(21) Design Number: **11136/2006**
(22) Date of Filing Application: **26 March 2004**
(24) Date from which industrial property rights may have effect: **26 March 2004**
(54) Product in respect of which the design is registered: **Baseplate**
(51) International Design Classification: **25-04**
(71) Name(s) and Address(s) of Applicant(s):
Booths Corp (Australia) Pty Ltd
23 Canterbury Road Punchbowl New South Wales 2196 Australia
(72) Name(s) of Designer(s): **David Baxter and Peter Geelan**
(45) Registration Date: **13 April 2006**
(56) Related Art Documents: **Not Applicable**
(57) Statement of Newness and Distinctiveness: **Nil**



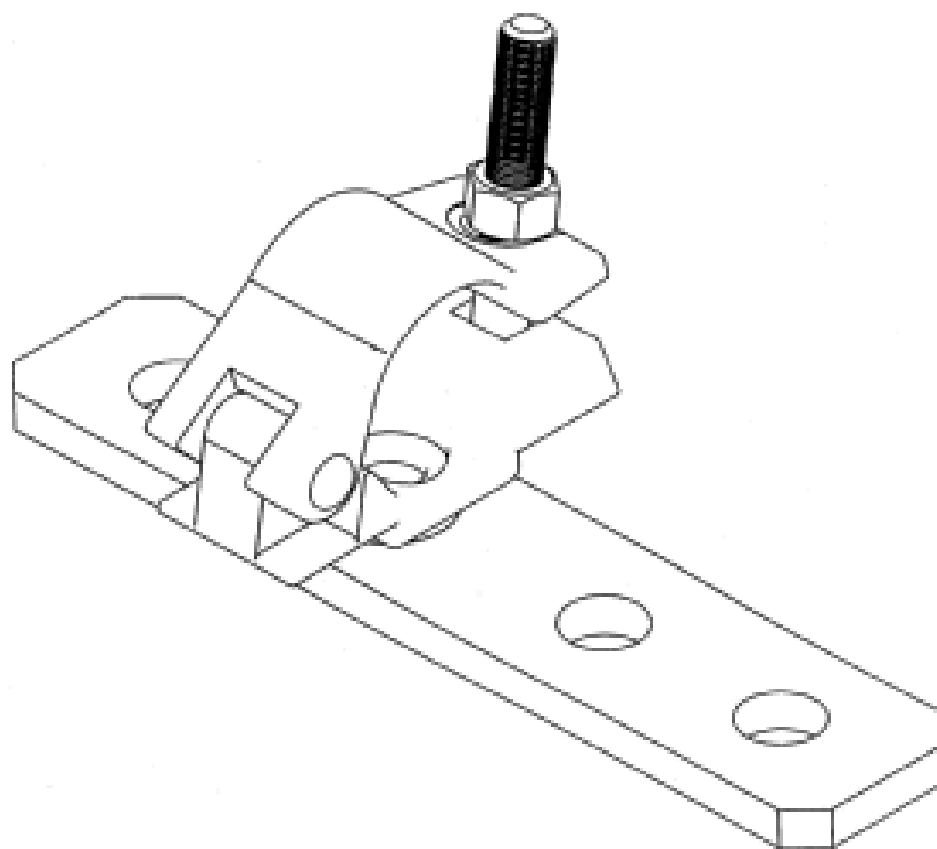
- (21) Design Number: **11137/2006**
(22) Date of Filing Application: **26 March 2004**
(24) Date from which industrial property rights may have effect: **26 March 2004**
(54) Product in respect of which the design is registered: **Bracing angle**
(51) International Design Classification: **25-04**
(71) Name(s) and Address(s) of Applicant(s):
Booths Corp (Australia) Pty Ltd
23 Canterbury Road Punchbowl New South Wales 2196 Australia
(72) Name(s) of Designer(s): **David Baxter and Peter Geelan**
(45) Registration Date: **13 April 2006**
(56) Related Art Documents: **Not Applicable**
(57) Statement of Newness and Distinctiveness: **Nil**



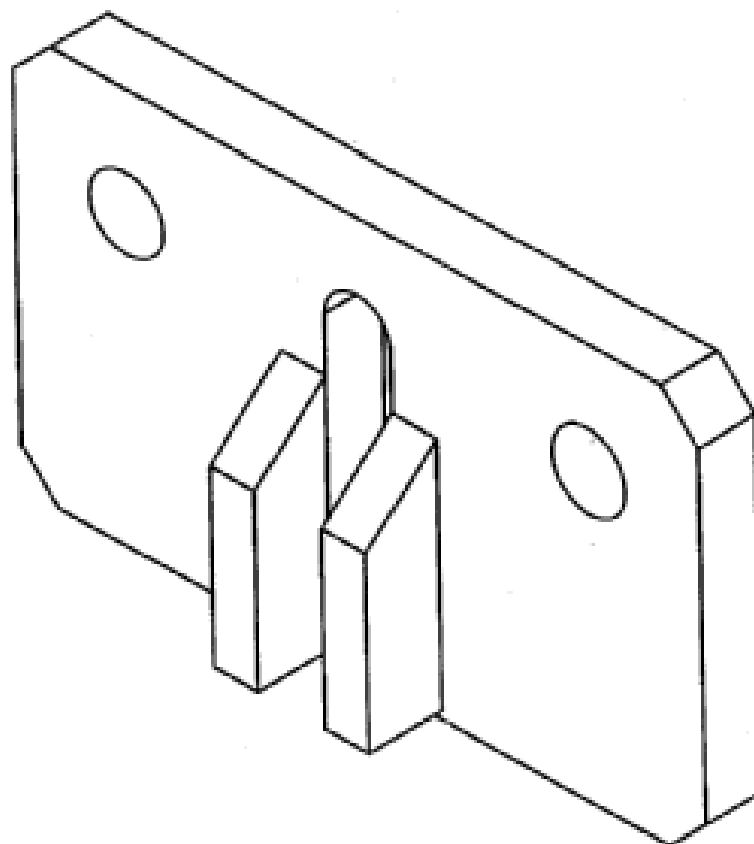
- (21) Design Number: **11138/2006**
(22) Date of Filing Application: **26 March 2004**
(24) Date from which industrial property rights may have effect: **26 March 2004**
(54) Product in respect of which the design is registered: **Needle beam connector**
(51) International Design Classification: **25-04**
(71) Name(s) and Address(s) of Applicant(s):
Booths Corp (Australia) Pty Ltd
23 Canterbury Road Punchbowl New South Wales 2196 Australia
(72) Name(s) of Designer(s): **David Baxter and Peter Geelan**
(45) Registration Date: **13 April 2006**
(56) Related Art Documents: **Not Applicable**
(57) Statement of Newness and Distinctiveness: **Nil**



- (21) Design Number: **11139/2006**
- (22) Date of Filing Application: **26 March 2004**
- (24) Date from which industrial property rights may have effect: **26 March 2004**
- (54) Product in respect of which the design is registered: **Scaffold tube bracket**
- (51) International Design Classification: **25-04**
- (71) Name(s) and Address(s) of Applicant(s):
Booths Corp (Australia) Pty Ltd
23 Canterbury Road Punchbowl New South Wales 2196 Australia
- (72) Name(s) of Designer(s): **David Baxter and Peter Geelan**
- (45) Registration Date: **13 April 2006**
- (56) Related Art Documents: **Not Applicable**
- (57) Statement of Newness and Distinctiveness: **Nil**



- (21) Design Number: **11140/2006**
- (22) Date of Filing Application: **26 March 2004**
- (24) Date from which industrial property rights may have effect: **26 March 2004**
- (54) Product in respect of which the design is registered: **Tie rod bracket**
- (51) International Design Classification: **25-04**
- (71) Name(s) and Address(s) of Applicant(s):
Booths Corp (Australia) Pty Ltd
23 Canterbury Road Punchbowl New South Wales 2196 Australia
- (72) Name(s) of Designer(s): **David Baxter and Peter Geelan**
- (45) Registration Date: **13 April 2006**
- (56) Related Art Documents: **Not Applicable**
- (57) Statement of Newness and Distinctiveness: **Nil**



(21) Design Number: **11141/2006**

(22) Date of Filing Application: **26 March 2004**

(24) Date from which industrial property rights may have effect: **26 March 2004**

(54) Product in respect of which the design is registered: **Web scaffold coupler**

(51) International Design Classification: **25-04**

(71) Name(s) and Address(s) of Applicant(s):

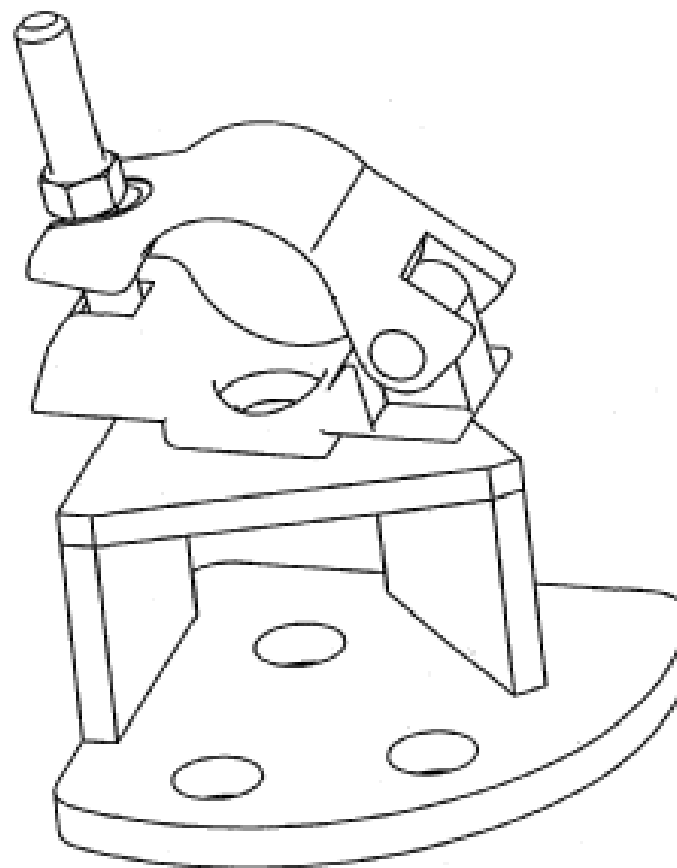
Booths Corp (Australia) Pty Ltd
23 Canterbury Road Punchbowl New South Wales 2196 Australia

(72) Name(s) of Designer(s): **David Baxter and Peter Geelan**

(45) Registration Date: **13 April 2006**

(56) Related Art Documents: **Not Applicable**

(57) Statement of Newness and Distinctiveness: **Nil**



(21) Design Number: **11142/2006**

(22) Date of Filing Application: **26 March 2004**

(24) Date from which industrial property rights may have effect: **26 March 2004**

(54) Product in respect of which the design is registered: **Truss fixing bracket**

(51) International Design Classification: **25-04**

(71) Name(s) and Address(s) of Applicant(s):

Booths Corp (Australia) Pty Ltd
23 Canterbury Road Punchbowl New South Wales 2196 Australia

(72) Name(s) of Designer(s): **David Baxter and Peter Geelan**

(45) Registration Date: **13 April 2006**

(56) Related Art Documents: **Not Applicable**

(57) Statement of Newness and Distinctiveness: **Nil**

