



Australian Government

IP Australia

AUSTRALIAN OFFICIAL JOURNAL

OF

DESIGNS

Did you know a searchable version of this journal is now available online?
It's FREE and EASY to SEARCH.

Find it at

<http://pericles.ipaustralia.gov.au/ols/epublish/content/olsEpublications.jsp>
or using the "Online Journals" link on the IP Australia home page.

This Page Left Intentionally Blank

Contents

General Information & Notices

**Proceedings Under the Designs Act 1906 preserved as a result of the provisions of Chapter 12
Part 2 of the Designs Act 2003**

Application for Extension of Period of Registration	4660
Extension of Period of Registration of Designs	4660
Names Registered - Alterations and Amendments	4661
Registrations Ceased	4660

Proceedings Under the Designs Act 2003

Applications Lapsed	4669
Applications Lodged	4665
Applications Withdrawn	4669
Certificate of Examination	4672
Extension of Time Granted Under Section 137	4671
Publication and Registration Proceedings	
Designs Registered 306505 to 306535.....	4673
Registrations Ceased	4671
Subsequent Owners Registered	4671

This Page Left Intentionally Blank

General Information

EDITORIAL ENQUIRIES

All enquiries about official notices and general information in the Journal should be directed to IP Australia, (ABN No 38 113 072 755), PO Box 200 Woden ACT 2606

Or

Telephone 1300 651 010
(International Callers +61 2 6283 2999)
Fax 02 6283 7999
E-mail assist@ipaustralia.gov.au

CONTACT INFORMATION

Customer Service Network
Telephone 1300 651 010 , Fax: 02 6283 7999
E-mail: assist@ipaustralia.gov.au

Customers can contact the Customer Service Network by telephone or by e-mail. Telephones are staffed between 9am and 5pm each working day.

Customers should contact the Customer Service Network for information about:

- All Patent Matters including PCT and Innovation Patents.
- All Trade Mark Matters.
- All Design Matters.

Professional Standards Board for Patent and Trade Mark Attorneys.

Ph: 02 6283 2345 Fax: 02 6283 1048

ORDERING PATENT DOCUMENTS

When ordering copies of Australian patent specifications, or abstracts and abridgments notified as open to public inspection on or after 26 October 1978, or as accepted on or after 16 November 1978, the documents should be referred to by application numbers only, preceded by letters AU-A or AU-B respectively.

REQUESTS FOR INFORMATION UNDER SECTION 194 (C)

A request for information under Section 194 (C) of the Patents Act 1990 should be made in the approved form and be accompanied by the prescribed fee. The request should be as detailed as possible.

INFORMATION FROM REGISTERS

All requests for information from Register of Patents, Trade Marks or Designs, should be made in writing and accompanied by the prescribed fee. The Registers are located in Canberra and may be examined free of charge.

COUNTRY CODES

For a listing of country codes used by IP Australia please refer to the Official Journals dated 7 November 1996.

ABBREVIATIONS IN JOURNAL

Standard abbreviations are used in the name of companies and firms. Enquiries concerning the precise name should be directed to the Customer Service Network.

FREEDOM OF INFORMATION ACT

What does it do?

- Gives you right to obtain information held by Commonwealth Ministers, Departments and most statutory bodies (these bodies are called agencies under the Act).
- Requires Commonwealth Government agencies to make available to members of the public:
 - Information about agencies, their functions and operations.
 - Information about rules and practices which are used in making decisions which affect you.
- Gives you a legal right to:
 - See non exempt documents held by agencies, and
 - appeal against a decision not to grant access to a document.

What documents can you see?

- The Act gives you a right to see documents lodged on or after 1 December 1977, or earlier if you need them to understand another document you have already.
- Documents include files, reports, computer printouts, maps, plans, photographs, tape recordings, films or videotapes.
- Documents which are available for purchase under the Patents Act 1990, the Trade Marks Act 1995 or Designs Act 2003 or Plant Breeder's Rights Act 1994 are not available under the Freedom of Information Act (Section 12 refers).

How do you apply?

Requests for access to documents must

- Be in writing
- Provide sufficient information so as to enable identification of the documents requested
- Specify an address in Australia where notices can be sent and
- Be accompanied by the application fee (currently \$30.00).

Requests for documents should be addressed to IP Australia, PO Box 200 Woden, ACT 2606, or Faxed to 02 6283 7999

DECISIONS OF THE COMMISSIONER OF PATENTS AND REGISTRAR OF TRADE MARKS AND DESIGNS

- All decisions of the Commissioner and Registrars are available free of charge from AUSTLII's website

www.austlii.edu.au

Copies of all written Patent and Design decisions are available (except if they would not be available under the provisions of the Freedom of Information legislation, e.g. if they would effectively disclose matter from documents that are not open to public inspection) on request for a cost of \$AU 25. They are also available for inspection in indexed volume series, dating from 1 January 1987, in the Office library, Canberra.

Copies of Trade Mark decisions may be accessed via IP Australia's website www.ipaustralia.gov.au

- Copies of the taped record of Patent and Design hearings are available (with the same exception as above) on request.
- When a written decision is issued the fact of the decision plus a brief head note will be published in the Official Notices section of the next available Patents, Trade Marks or Designs Journal.

HEARINGS BEFORE THE COMMISSIONER OF PATENTS

Hearings before the Commissioner of Patents will usually be conducted at the Patent Office in Canberra and interstate hearing sessions are not provided. However, the Commissioner will conduct hearings outside of Canberra at a convenient time to all parties provided that the parties bear the travel costs of the hearing officer.

The various options for hearings are set out in the document "Options for Hearings" available on IP Australia's website at: www.ipaustralia.gov.au/pdfs/patents/optionsforhearings.PDF

HEARINGS BEFORE THE REGISTRARS OF TRADE MARKS AND DESIGNS

Hearings before the Registrars of Trade Marks and Designs will be set down in Melbourne, Sydney, Adelaide, Perth and Brisbane during the periods indicated below.

Designs and Trade Marks Hearings Sessions 2006

Melbourne	13 – 17 February 5 – 9 June 11 – 15 September
Sydney	13 – 17 March 17 – 21 July 16 – 20 October
Adelaide	14 – 15 August
Perth	17 – 18 August
Brisbane	24 – 25 August

Persons who desire matters to be set down for hearing in Melbourne, Sydney, Adelaide, Perth or Brisbane must give at least one month's notice of their intention to be heard. If such notice is not given, it may be that there would be insufficient time to allow for the execution of official procedures associated with the listing of hearings, and as a result, the matter involved might not be listed.

Subject to the convenience of this Office, hearings will be set down in Canberra at any time suitable to the parties.

LIST OF STATE OFFICES

IP Australia State Offices are located in the Australian Capitals at the addresses given below. Requests for information may be obtained by calling at, phoning or writing to these offices or IP Australia, Canberra.

Australian Capital Territory

Ground Floor
Discovery House
PHILLIP ACT 2606
(PO Box 200, WODEN ACT 2606)
Ph: 1300 651 010
Fax: (02) 6283 7999

New South Wales

Level 1
45 Clarence Street
SYDNEY NSW 2000
Ph: 1300 651 010
Fax: (02) 9249 5807

Victoria

Level 6
OCBC House
565 Bourke Street
MELBOURNE VIC 3000
Ph: 1300 651 010
Fax (03) 9612 9807

Western Australia

2nd Floor
East Point Plaza
233 Adelaide Terrace
PERTH WA 6000
Ph: 1300 651 010
Fax: (08) 9220 8907

Queensland

Level 1
Grant Thornton House
102 Adelaide Street
BRISBANE QLD 4000
Ph: 1300 651 010
Fax: (07) 3007 1107

South Australia

Level 10
Origin Energy House
1 King William Street
ADELAIDE SA 5000
Ph: 1300 651 010
Fax: (08) 8239 4507

Tasmania

4th Floor
AMP Building
27 Elizabeth Street
HOBART TAS 7000
Ph: 1300 651 010
Fax: (03) 6235 6307

“INID” NUMBERS in use on Australian Design Documents

“INID” is an acronym for “Internationally agreed Numbers for the Identification of Data”.

(10) Data concerning the registration/renewal

- (11) Serial number of the registration and/or number of the design document
- (12) Plain language designation of the kind of published document
- (19) Identification, using the two-letter code according to WIPO Standard ST.3, of the authority publishing or registering the industrial design

(20) Data concerning the application

- (21) Serial number of the application
- (22) Date of filing of the application
- (24) Date from which the industrial design right has effect

(30) Data relating to priority under the Paris Convention

- (31) Serial number assigned to the priority application
- (32) Date of filing of the priority application
- (33) Two-letter code, according to WIPO Standard ST.3, identifying the authority with which the priority application was made

(40) Date(s) of making information available to the public

- (45) Date of publication of the registered industrial design by printing or similar process, or making it available to the public by any other means

(50) Miscellaneous Information

- (51) International Classification for Industrial Designs (class and subclass of the Locarno Classification)
- (54) Designation of article(s) or product(s) covered by the industrial design or title of the industrial design
- (55) Reproduction of the industrial design (e.g., drawing, photograph) and explanations relating to the reproduction
- (56) List of prior art documents, if separate from descriptive text
- (57) Description of characteristic features of the industrial design including indication of colours

(60) References to other legally related application(s) and registration(s)

- (62) Serial number(s) and, if available, filing date(s) of application(s), registration(s) or document(s) related by division
- (66) Serial number(s) of the application, or the registration, of the design(s) which is (are) a variant(s) of the present one

(70) Identification of parties concerned with the application or registration

- (71) Name(s) and address(es) of the applicant(s)
- (72) Name(s) of the creator(s) if known to be such
- (74) Name(s) and address(es) of the representative(s)

This Page Left Intentionally Blank

Official Notice

Designs Act 2003
Amendments to Registered Designs at Examination

The following amendments have been made to details previously published in the Australian Official Journal of Designs during the Examination process:

Registration Number	Amendment type	New details
301102	Representations	Representations as below



Fig. 1

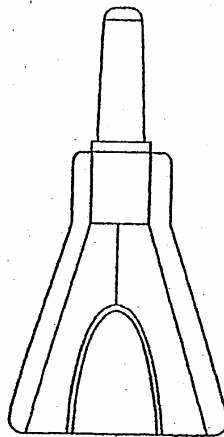


Fig. 2

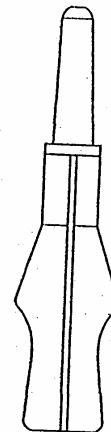


Fig. 3



Fig. 4

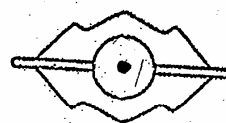


Fig. 5

Contact: IP Australia
Phone: 1300 651 010
Fax: +61 2 6283 7999
E-Mail: assist@ipaustrialia.gov.au
Web: www.ipaustrialia.gov.au

Official Notice***Designs Act 2003***
Amendments to Registered Designs at Examination

The following amendments have been made to details previously published in the Australian Official Journal of Designs during the Examination process:

Registration Number	Amendment type	New details
303639	Classification	11-02Z, 25-03, 99-00

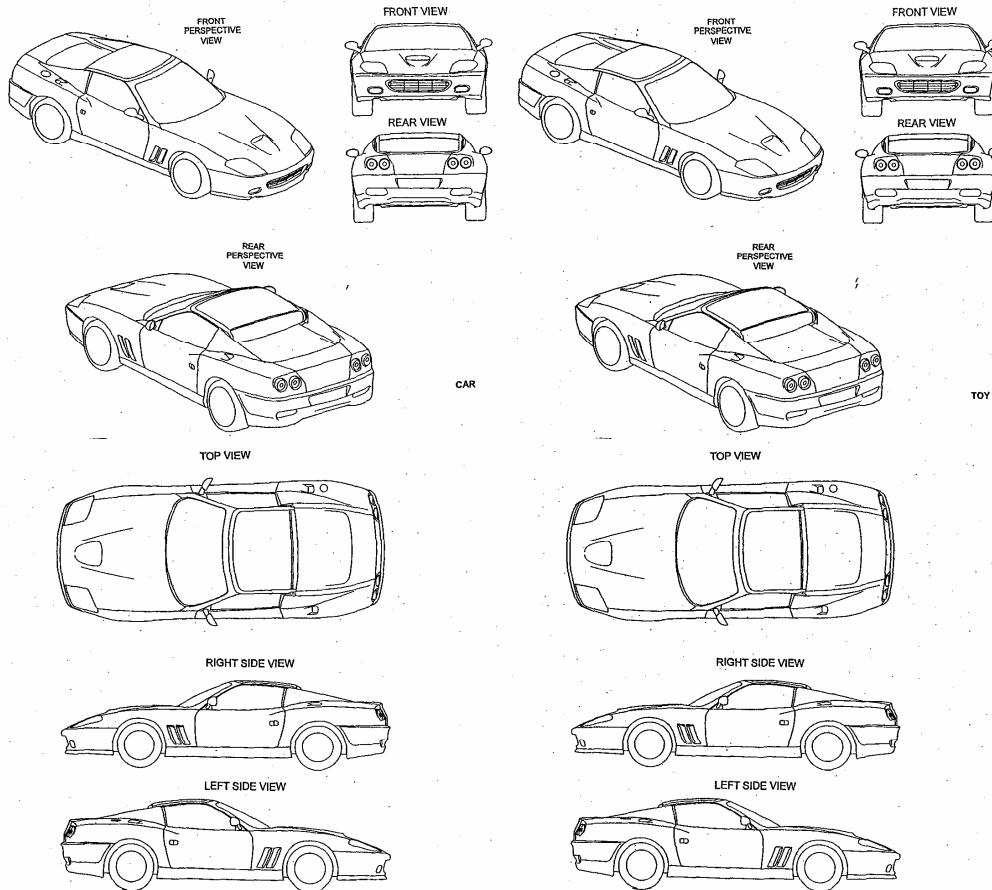
Contact: IP Australia
Phone: 1300 651 010
Fax: +61 2 6283 7999
E-Mail: assist@ipaustrialia.gov.au
Web: www.ipaustrialia.gov.au

Official Notice

Designs Act 2003
Correction of Register

The following corrections under Regulation 9.05 (2) (a) have been made to details previously published in the Australian Official Journal of Designs:

Registration Number	Amendment type	New details
306069	Representations	Representations as below



Contact: IP Australia
Phone: 1300 651 010
Fax: +61 2 6283 7999
E-Mail: assist@ipaustralia.gov.au
Web: www.ipaustralia.gov.au

This Page Left Intentionally Blank

**Proceedings under the Designs Act 1906 preserved as a
result of the provisions of Chapter 12 Part 2 of the Designs
Act 2003.**

This Page Left Intentionally Blank

Applications Lapsed

There were no Applications Lapsed under this section

Application for Extension of Period of Registration

Applications under Section 27A(2) for extension of registration of the following designs have been lodged. In the event that a design is shown to be not new or original, the Registrar may refuse to extend the period of registration. Sub-section 27A(4) allows any person to lodge at the Designs Office material relevant to the question whether the design is not new or original. That material must be lodged within 11 months of the date when the registration of the design was made. Further details of the conditions and procedures for the lodgement of material are contained in Form 8 provided under the Designs Regulation 24.

Registration Number	Registered Owner	Registration Date
157941	DARRAS L.J. HANCOCK	19/04/2005
157961	MARS INCORPORATED	29/04/2005
157976	RECKITT BENCKISER (UK) LIMITED	10/05/2005
157979	ROGER CLEVELAND GOLF COMPANY INC.	18/05/2005
157980	ROGER CLEVELAND GOLF COMPANY INC.	18/05/2005
158153	THE COLEMAN COMPANY INC.	25/07/2005
158157	ADVANCED INDUSTRIAL PRODUCTS PTY LTD	25/07/2005
158163	INTEMPO UK LIMITED	25/07/2005
158557	GLAXO GROUP LIMITED	11/04/2006
158558	GLAXO GROUP LIMITED	11/04/2006
158559	GLAXO GROUP LIMITED	11/04/2006
158560	GLAXO GROUP LIMITED	11/04/2006

Extension of Period of Registration of Designs

1st Period (Section 27A(8))

157921	157941	157942
157943	157944	157945
157946	157947	157949
157950	157951	157952
157953	157954	157955
157957	157958	157960
157961	157965	157966
157967	157968	157969
157970	157971	

2nd Period (Section 27A(12))

140671	140672	140953
141400	141495	141764
141897	141953	141973
142152	142220	142239
142240	142241	142256
142286	142303	142304
142305	142306	142307
142308	142320	142322

142323	142324	142325
142326	142341	142343
142356	142358	142378
142379	142380	142381
142382	142387	142398
142446	142447	142450
142570	142618	142619
142637	142758	142769
142770	142771	142772
142773	142774	142775
142776	142777	142793
142810	142836	142865
142947	143029	143056
143057	143076	143086
143155	143170	143171
143310	143341	143577
143603	143607	143710
143711	143923	144780
144964	145169	145355
145485	145486	145595
145814	145815	146013
146045	146374	146375
146376	146377	146868
146869	147007	148509
148512	149346	149392
151074	157906	157946
157957		

3rd Period (Section 27A(13))

125320	125368	125385
125455	125456	125471
125515	125547	125671
125738	125739	125902
125931	125976	125977
126261	126676	126683
126684	126685	127831
127832	128023	128833
128878	129381	129382
129485	129605	129686
131683	157906	157946
157957		

Registrations Ceased

Note: Some of the following Registrations may have been previously advertised as ceased. In this instance, the previous advertisement still prevails.

109387	109414	109472
109652	109653	109654
109864	110127	110137
110532	122289	123177
123658	123748	123749
123770	123807	123816
123822	123986	124781
125636	126158	126159
127623	127784	128141
138949	138950	138951

138952	138960	139052
139461	140398	140435
140436	140480	140481
140483	140502	140664
140696	140697	140897
140898	140945	140946
140948	141005	141061
141062	141186	141507
141570	141618	141828
142183	142806	143047
144242	144243	144244
157908	157911	157912
157927	157929	157931
157939	157948	157959

Names Registered - Alterations and Amendments

(The name in parentheses is the new name of the proprietor)

155354	(Heltech Industries Pty Ltd) Evolution International Pty Ltd
155355	(Heltech Industries Pty Ltd) Evolution International Pty Ltd
158537	(Heltech Industries Pty Ltd) Evolution International Pty Ltd
158538	(Heltech Industries Pty Ltd) Evolution International Pty Ltd
131809	(Weir Minerals Australia Ltd) Warman International Limited
133541	(Weir Minerals Australia Ltd) Warman International Limited
137941	(Weir Minerals Australia Ltd) Warman International Limited
137942	(Weir Minerals Australia Ltd) Warman International Limited
137943	(Weir Minerals Australia Ltd) Warman International Limited
137944	(Weir Minerals Australia Ltd) Warman International Limited
137945	(Weir Minerals Australia Ltd) Warman International Limited
137946	(Weir Minerals Australia Ltd) Warman International Limited
138185	(Weir Minerals Australia Ltd) Warman International Limited

This Page Left Intentionally Blank

Proceedings under the Designs Act 2003.

This Page Left Intentionally Blank

Applications Lodged

Lodgement information is in the following order: **Applicant's Name**; International Classification, Name of Product, Lodgement Date and **Design Number**. If the applicant claims an earlier priority date under an International Convention, the Convention Country and the associated filing date are shown in parentheses before the Lodgement Date. Divisional information will also appear in parentheses before the Lodgement Date.

Agwill Pty Ltd; 20-02NES, 25-01K, Sign frame system and display/notice board cabinets, 11 Apr 2006	11446/2006	Boluce Illuminazione S.R.L.; 26-05C, Lamp, (EM, 13 Oct 2005) 13 Apr 2006	11552/2006
Agwill Pty Ltd; 20-02NES, 25-01K, Sign frame system and display/notice board cabinets, 11 Apr 2006	11447/2006	Boluce Illuminazione S.R.L.; 26-05C, Lamp, (EM, 13 Oct 2005) 13 Apr 2006	11553/2006
Aiphone Co., Ltd; 14-03A, An intercom with TV monitor, (JP, 14 Oct 2005) 11 Apr 2006	11509/2006	Boorman, Kirby Anne; 06-03D, 30-02, A fishtank/pooltable incorporation, 13 Apr 2006	11541/2006
Allen, Danny; 23-02E, Waste pipe, 11 Apr 2006	11448/2006	Breville Pty Limited; 31-00, Juicer, 13 Apr 2006	11554/2006
Annabanno Design; 02-05, Hand knitted 10ply woolen blend scarf with vintage button-through fastening feature, 21 Apr 2006	11631/2006	Breville Pty Limited; 07-02F, 07-02K, Combination kettle and toaster, 21 Apr 2006	11633/2006
Aquadecors; 23-01G, AG02 aquarium filter, 21 Apr 2006	11637/2006	Calderwood, James A.; 15-03A, A ripper boot block and attached bullet tooth, 20 Apr 2006	11635/2006
Ashard, David John; 08-07, A latch assembly, 11 Apr 2006	11465/2006	Callaway Golf Company; 21-02C, Golf club head, (US, 13 Oct 2005) 13 Apr 2006	11555/2006
Ausbrush Panels Pty Ltd; 25-02C, A brush fence or screen panel, 19 Apr 2006	11594/2006	Callaway Golf Company; 21-02C, Putter head, (US, 12 Oct 2005) 12 Apr 2006	11530/2006
Barros Laboratories Pty Ltd; 04-02, A toothbrush, 21 Apr 2006	11657/2006	Campbell, Rosanne; 26-04, Candles, 18 Apr 2006	11569/2006
Bayari Holdings S.A.; 28-03B, Hair straightening iron, (AR, 25 Jan 2006) 19 Apr 2006	11640/2006	Cash Holdings Pty Ltd; 09-01B, 09-02B, Product name not listed, 11 Apr 2006	11515/2006
Bayari Holdings S.A.; 28-03B, Hair curling iron, (AR, 25 Jan 2006) 19 Apr 2006	11644/2006	Chef'n Corporation; 07-06NES, 07-03, A chop stick, (US, 11 Oct 2005) 10 Apr 2006	11494/2006
Bayari Holdings S.A.; 28-03B, Manual hair dryer, (AR, 25 Jan 2006) 19 Apr 2006	11641/2006	Chef'n Corporation; 07-06NES, 07-03, A chop stick, (US, 11 Oct 2005) 10 Apr 2006	11495/2006
Bayari Holdings S.A.; 28-03B, Manual hair dryer, (AR, 25 Jan 2006) 19 Apr 2006	11642/2006	Chef'n Corporation; 07-04, A juicer, (US, 17 Oct 2005) 11 Apr 2006	11513/2006
Bayari Holdings S.A.; 28-03B, Hair curling iron, (AR, 25 Jan 2006) 19 Apr 2006	11643/2006	Chef'n Corporation; 07-04, A juicer, (US, 17 Oct 2005) 11 Apr 2006	11514/2006
Black & Decker, Inc.; 15-05, A hand vacuum cleaner, (EM, 31 Oct 2005) 18 Apr 2006	11603/2006	Comat Pty Ltd, (as trustee for the Watson Family Trust); 01-01, Confectionary, 21 Apr 2006	11658/2006
Black & Decker, Inc.; 08-03, A chain saw, (EM, 18 Oct 2005) 10 Apr 2006	11483/2006	Comat Pty Ltd, (as trustee for the Watson Family Trust); 01-01, Confectionary, 21 Apr 2006	11660/2006
Blue Swimmer Group; 06-13C, Beach towels, 20 Apr 2006	11613/2006	Comat Pty Ltd, (as trustee for the Watson Family Trust); 01-01, Confectionary, 21 Apr 2006	11661/2006
Blue Swimmer Group; 06-13C, Beach towels, 20 Apr 2006	11614/2006	Comat Pty Ltd, (as trustee for the Watson Family Trust); 01-01, Confectionary, 21 Apr 2006	11662/2006
Blue Swimmer Group; 06-13C, Beach towels, 20 Apr 2006	11615/2006	Comat Pty Ltd, (as trustee for the Watson Family Trust); 01-01, Confectionary, 21 Apr 2006	11663/2006

Comat Pty Ltd, (as trustee for the Watson Family Trust); 01-01, Confectionary, 21 Apr 2006	11664/2006	Fink, Thomas Andrew; 28-03NES, Massage apparatus, apparatus for mobilization of human back, apparatus for exercise of human back, apparatus for human, back therapy., (US, 18 Oct 2005) 14 Apr 2006	11572/2006
Comat Pty Ltd, (as trustee for the Watson Family Trust); 01-01, Confectionary, 21 Apr 2006	11665/2006	FitChips Pty Ltd; 09-03NES, 09-03M, Container, 06 Apr 2006	11424/2006
Comat Pty Ltd, (as trustee for the Watson Family Trust); 01-01, Confectionary, 21 Apr 2006	11666/2006	Frankham, Robert Paul; Grevis, Gary John; 08-08NES, Solenoid actuated block bracket, 31 Mar 2006	11443/2006
Comat Pty Ltd, (as trustee for the Watson Family Trust); 01-01, Confectionary, 21 Apr 2006	11667/2006	Fraser and Neave Limited; 09-01NES, FRUITREE bottle device, (SG, 27 Oct 2005) 18 Apr 2006	11606/2006
Comat Pty Ltd, (as trustee for the Watson Family Trust); 01-01, Confectionary, 21 Apr 2006	11668/2006	Galatis, John; 08-05A, Rake, 18 Apr 2006	11549/2006
Comat Pty Ltd, (as trustee for the Watson Family Trust); 01-01, Confectionary, 21 Apr 2006	11669/2006	General Mills Marketing, Inc.; 09-01NES, Bottle, (US, 22 Dec 2005) 20 Apr 2006	11624/2006
Comat Pty Ltd, (as trustee for the Watson Family Trust); 01-01, Confectionary, 21 Apr 2006	11670/2006	General Mills, Inc.; 01-01, Food product, (US, 20 Dec 2005) 20 Apr 2006	11625/2006
Comat Pty Ltd, (as trustee for the Watson Family Trust); 01-01, Confectionary, 21 Apr 2006	11659/2006	Gerardis, Dorothea; 29-02, Device for protection against radiation, (GR, 04 Nov 2005) 20 Apr 2006	11630/2006
Combimouse Pty Ltd; 14-02, Combimouse (combination keyboard and mouse as per US patent 5,936,555., 18 Apr 2006	11550/2006	Giddy Ox Pty Ltd; 02-07A, 03-01B, A bandalero, 13 Apr 2006	11551/2006
Cormack Packaging Pty Ltd; 09-07A, Improved device, 29 Mar 2006	11333/2006	Gillett, Stephen Frank; 25-02NES, The new features E1m x 1m modular decking timber with kapur hardwood top base made from new ACQ permapine, (Arsenic free), 18 Apr 2006	11593/2006
Crocs, Inc.; 02-04NES, Footwear, (US, 26 Oct 2005) 10 Apr 2006	11488/2006	Globaleyes Distribution Pty Ltd; 20-03NES, A sign, 12 Apr 2006	11529/2006
Crocs, Inc.; 02-04NES, Footwear, (US, 26 Oct 2005) 10 Apr 2006	11491/2006	Gordius Mak Pty. Ltd.; 02-07C, Cufflinks by Gordius Mak - "Jekyll and Hyde", 20 Apr 2006	11650/2006
Crocs, Inc.; 02-04NES, Footwear, (US, 26 Oct 2005) 10 Apr 2006	11492/2006	Gordius Mak Pty. Ltd.; 02-07C, Cufflinks by Gordius Mak - "One Step Ahead", 20 Apr 2006	11651/2006
Crocs, Inc.; 02-04NES, Footwear, (US, 26 Oct 2005) 10 Apr 2006	11493/2006	Grevis, Gary John; Frankham, Robert Paul; 08-08NES, Solenoid actuated block bracket, 31 Mar 2006	11443/2006
Crocs, Inc.; 02-04NES, Footwear, (US, 26 Oct 2005) 10 Apr 2006	11489/2006	GM Holden Ltd; 12-16A, Vehicle wheel, 18 Apr 2006	11601/2006
Crocs, Inc.; 02-04NES, Footwear, (US, 26 Oct 2005) 10 Apr 2006	11490/2006	GM Holden Ltd; 12-16B, Fender, 12 Apr 2006	11527/2006
Crocs, Inc.; 02-04NES, Footwear, (US, 26 Oct 2005) 10 Apr 2006	11487/2006	Honda Motor Co., Ltd.; 26-06, A front combination lamp for an automobile, (JP, 11 Oct 2005) 11 Apr 2006	11500/2006
Decor Corporation Pty Ltd, The; 07-07NES, Lunch box, 07 Apr 2006	11437/2006	Honda Motor Co., Ltd.; 26-06, A rear combination lamp for an automobile, (JP, 11 Oct 2005) 11 Apr 2006	11501/2006
Elson Australasia Pty Ltd; 23-01A, Cistern/washing machine stop, 10 Apr 2006	11516/2006	Honda Motor Co., Ltd.; 12-08, An automobile, (JP, 21 Oct 2005) 11 Apr 2006	11502/2006
Emerson Electric Co.; 23-03H, Water heater enclosure, (US, 11 Oct 2005) 10 Apr 2006	11468/2006	Horsfall, James; 06-09, 06-13NES, Travel pad, 05 Apr 2006	11405/2006

Horsfall, James; 06-09, 06-13NES, Travel pad, 05 Apr 2006	11406/2006	IGT; 21-03, Symbol display of a gaming machine, (US, 30 Sep 2004) 30 Mar 2005	11579/2006
Ingham, Alan Lawrence; 11-05, Australian Flag, 19 Apr 2006	11592/2006	IGT; 21-03, Symbol display of a gaming machine, (US, 30 Sep 2004) 30 Mar 2005	11580/2006
International Consolidated Business Pty Ltd; 03-01A, Bag, 12 Jul 2005	11616/2006	IGT; 21-03, Symbol display of a gaming machine, (US, 30 Sep 2004) 30 Mar 2005	11581/2006
International Consolidated Business Pty Ltd; 03-01A, Bag, 12 Jul 2005	11617/2006	IGT; 21-03, Symbol display of a gaming machine, (US, 30 Sep 2004) 30 Mar 2005	11582/2006
International Consolidated Business Pty Ltd; 03-01A, Bag, 12 Jul 2005	11618/2006	IGT; 21-03, Symbol display of a gaming machine, (US, 30 Sep 2004) 30 Mar 2005	11583/2006
International Consolidated Business Pty Ltd; 03-01A, Bag, 12 Jul 2005	11619/2006	IGT; 21-03, Symbol display of a gaming machine, (US, 30 Sep 2004) 30 Mar 2005	11584/2006
International Consolidated Business Pty Ltd; 03-01A, Bag, 12 Jul 2005	11620/2006	Jets Swimwear Pty Ltd; 02-02A, Swimwear and outerwear, 11 Apr 2006	11503/2006
International Consolidated Business Pty Ltd; 03-01A, Bag, 12 Jul 2005	11621/2006	Jets Swimwear Pty Ltd; 02-02A, Swimwear and outerwear, 11 Apr 2006	11517/2006
International Consolidated Business Pty Ltd; 03-01A, Bag, 12 Jul 2005	11622/2006	Jets Swimwear Pty Ltd; 02-02A, Swimwear and outerwear, 11 Apr 2006	11518/2006
International Research & Marketing Corp Pty Ltd; 23-02F, Stainless steel sink models 1200CF, 1200CLF, 18 Apr 2006	11588/2006	Jets Swimwear Pty Ltd; 02-02A, Swimwear and outerwear, 11 Apr 2006	11519/2006
International Research & Marketing Corp Pty Ltd; 23-02F, Stainless steel sink, models 1200CS, 1200CLS, 18 Apr 2006	11589/2006	Jets Swimwear Pty Ltd; 02-02A, Swimwear and outerwear, 11 Apr 2006	11520/2006
International Research & Marketing Corp Pty Ltd; 23-02F, Stainless steel sinks models 1200S, 10105, 850S, 18 Apr 2006	11590/2006	Jets Swimwear Pty Ltd; 02-02A, Swimwear and outerwear, 11 Apr 2006	11521/2006
International Research & Marketing Corp Pty Ltd; 23-02F, Stainless steel sinks models 1200F, 1120F, 1010F, 850F, 18 Apr 2006	11591/2006	Jets Swimwear Pty Ltd; 02-02A, Swimwear and outerwear, 11 Apr 2006	11522/2006
Intervision Design Pty Ltd; 19-08, Bottle gift card, 20 Apr 2006	11612/2006	Jets Swimwear Pty Ltd; 02-02A, Swimwear and outerwear, 11 Apr 2006	11523/2006
Itec System S.r.l.; 08-07, Antitheft device for autovehicles, (EM, 17 Oct 2005) 13 Apr 2006	11557/2006	Jets Swimwear Pty Ltd; 02-02A, Swimwear and outerwear, 11 Apr 2006	11524/2006
IGT; 21-03, Symbol display of a gaming machine, (US, 30 Sep 2004) 30 Mar 2005	11575/2006	Kabushiki Kaisha Toshiba; 14-01, Digital audio player, (JP, 11 Nov 2005) 13 Apr 2006	11546/2006
IGT; 21-03, Symbol display of a gaming machine, (US, 30 Sep 2004) 30 Mar 2005	11576/2006	Kabushiki Kaisha Toshiba; 14-01, Digital audio player, (JP, 11 Nov 2005) 13 Apr 2006	11544/2006
IGT; 21-03, Symbol display of a gaming machine, (US, 30 Sep 2004) 30 Mar 2005	11577/2006	Kohler Co.; 23-02C, Urinal, 13 Apr 2006	11559/2006
IGT; 21-03, Symbol display of a gaming machine, (US, 30 Sep 2004) 30 Mar 2005	11578/2006	Kohler Co.; 23-02F, Lavatory, 13 Apr 2006	11560/2006
		Kohler Co.; 23-02F, Lavatory, 13 Apr 2006	11561/2006
		Kohler Co.; 23-02C, Toilet base, 13 Apr 2006	11562/2006
		Kohler Co.; 23-02C, Toilet, 13 Apr 2006	11563/2006

Kohler Co.; 23-04, Air cleaner, (US, 12 Oct 2005) 12 Apr 2006	11531/2006	NEC Corporation; 14-03E, Portable wireless telephone, (JP, 03 Feb 2006) 13 Apr 2006	11545/2006
Kohler Co.; 07-05D, 08-08NES, 23-02A, Wall mountable support, 10 Apr 2006	11453/2006	NEC Infrontia Corporation; 14-03E, Telephone, 19 Apr 2006	11648/2006
Kohler Co.; 07-05D, 08-08NES, 23-02A, Wall mountable support, 10 Apr 2006	11454/2006	Okamura Corporation; 06-01F, Chair, (JP, 20 Oct 2005) 18 Apr 2006	11598/2006
Kohler Co.; 07-05D, 08-08NES, 23-02A, Wall mountable support, 10 Apr 2006	11455/2006	Okamura Corporation; 06-01F, Chair, (JP, 20 Oct 2005) 18 Apr 2006	11597/2006
Kohler Co.; 08-08G, 08-08NES, Support, 10 Apr 2006	11460/2006	On Way Co., Ltd.; 03-01A, 09-04, Carrybag, (DE, 17 Oct 2005) 12 Apr 2006	11528/2006
Kohler Co.; 07-05D, 08-08NES, 08-08G, 23-02A, Wall mountable support, 10 Apr 2006	11463/2006	Orion Corporation; 09-03NES, Packing box for confectionery, 21 Apr 2006	11656/2006
Koninklijke Philips Electronics N.V.; 26-04, Energy saving lamp, (EM, 18 Oct 2005) 18 Apr 2006	11609/2006	OSKO Forklifts Pty Ltd; 12-05, A materials handling prime mover, 21 Apr 2006	11636/2006
Koninklijke Philips Electronics N.V.; 07-02L, Padholder for senseo coffeemaker, (EM, 18 Oct 2005) 18 Apr 2006	11610/2006	Pi-Design AG; 07-99D, Can opener, (DK, 19 Oct 2005) 13 Apr 2006	11535/2006
Koninklijke Philips Electronics N.V.; 07-05A, Electric steam iron, (EM, 18 Oct 2005) 18 Apr 2006	11608/2006	Pi-Design AG; 31-00, Juicer (electrical), (DK, 18 Oct 2005) 13 Apr 2006	11536/2006
Kraft Foods R & D, Inc.; 01-01, Confectionery bars, (US, 17 Oct 2005) 18 Apr 2006	11607/2006	Polyaire Pty Ltd; 23-04, Air distribution duct, 11 Apr 2006	11511/2006
LG Electronics Inc.; 14-03E, Cellular phone, (KR, 29 Nov 2005) 20 Apr 2006	11626/2006	Precision Foam Manufacturing Pty. Ltd.; 06-09, "Collapsible Synthetic Foam Cushion", 20 Mar 2006	11604/2006
LG Electronics Inc.; 14-03E, Cellular phone, 10 Apr 2006	11486/2006	Prodrome Designs Pty Ltd; 25-01K, A building frame section, 18 Apr 2006	11542/2006
LG Electronics Inc.; 14-03E, Cellular phone, (KR, 26 Dec 2005) 11 Apr 2006	11507/2006	Prodrome Designs Pty Ltd; 25-01K, A window sub-frame section, 18 Apr 2006	11543/2006
LG Electronics Inc.; 14-03B, Television receiver, (KR, 14 Oct 2005) 11 Apr 2006	11508/2006	PCH Group Limited; 25-04, Scaffold stairway, 13 Apr 2006	11548/2006
Maxtor Corporation; 14-99, 14-02, External storage device, (US, 14 Oct 2005) 10 Apr 2006	11485/2006	R.M. Stratford-Smith; 08-03, A power tool for cutting and bevelling puc pipe simultaenously. The off cut is also beveled, 12 Apr 2006	11526/2006
Maxtor Corporation; 14-99, 14-02, External storage device, (US, 14 Oct 2005) 10 Apr 2006	11484/2006	Reckitt Benckiser (Australia) Pty Limited; 22-06, An insecticide refill device, (EM, 10 Oct 2005) 10 Apr 2006	11467/2006
Merz & Krell GmbH & Co. KGaA; 19-06, Writing instrument, (DE, 25 Oct 2005) 19 Apr 2006	11645/2006	Reckitt Benckiser (Australia) Pty Limited; 22-06, An insecticide refill device, (EM, 10 Oct 2005) 10 Apr 2006	11466/2006
Merz & Krell GmbH & Co. KGaA; 19-06, Operating button for a writing instrument, (DE, 25 Oct 2005) 19 Apr 2006	11646/2006	Reckitt Benckiser (UK) Limited; 28-99, Air freshener device, (EM, 14 Oct 2005) 13 Apr 2006	11567/2006
Merz & Krell GmbH & Co. KGaA; 19-06, Clip for a writing instrument, (DE, 25 Oct 2005) 19 Apr 2006	11647/2006	Reckitt Benckiser (UK) Limited; 28-99, Air freshener device, (EM, 14 Oct 2005) 13 Apr 2006	11568/2006
Nansen, Brett A.; 08-10, Bike rack adapter plate for level ride kit, 12 Apr 2006	11510/2006	Robert Welch Designs Limited; 07-02R, 07-03, Handle for kitchen utensil, (EM, 12 Oct 2005) 10 Apr 2006	11480/2006
		Robert Welch Designs Limited; 07-02R, 07-03, Handle for kitchen utensil, (EM, 12 Oct 2005) 10 Apr 2006	11481/2006

Robert Welch Designs Limited; 07-02R, 07-03, Handle for kitchen utensil, (EM, 12 Oct 2005) 10 Apr 2006	11472/2006	Schweizer, Jean-Pierre; 11-01A, Ring, (WO, 18 Oct 2005) 11 Apr 2006	11506/2006
Robert Welch Designs Limited; 07-02R, 07-03, Handle for kitchen utensil, (EM, 12 Oct 2005) 10 Apr 2006	11473/2006	Sharp Kabushiki Kaisha; 18-01, Cash register, (JP, 21 Dec 2005) 10 Apr 2006	11470/2006
Robert Welch Designs Limited; 07-02R, 07-03, Handle for kitchen utensil, (EM, 12 Oct 2005) 10 Apr 2006	11474/2006	Sharp Kabushiki Kaisha; 14-03E, Portable telephone, (JP, 14 Dec 2005) 10 Apr 2006	11471/2006
Robert Welch Designs Limited; 07-02R, 07-03, Handle for kitchen utensil, (EM, 12 Oct 2005) 10 Apr 2006	11475/2006	Sharp Kabushiki Kaisha; 18-01, Cash register, (JP, 21 Dec 2005) 10 Apr 2006	11469/2006
Robert Welch Designs Limited; 07-02R, 07-03, Handle for kitchen utensil, (EM, 12 Oct 2005) 10 Apr 2006	11476/2006	Smart Home Products Pty Ltd; 25-02H, 25-03, Shade, 11 Apr 2006	11444/2006
Robert Welch Designs Limited; 07-02R, 07-03, Handle for kitchen utensil, (EM, 12 Oct 2005) 10 Apr 2006	11477/2006	Snapple Beverage Corporation; 09-01NES, A bottle, (US, 17 Oct 2005) 18 Apr 2006	11602/2006
Robert Welch Designs Limited; 07-02R, 07-03, Handle for kitchen utensil, (EM, 12 Oct 2005) 10 Apr 2006	11478/2006	Swanston, William Francis; 22-06, Mosquito barrier, 10 Apr 2006	11482/2006
Robert Welch Designs Limited; 07-02R, 07-03, Handle for kitchen utensil, (EM, 12 Oct 2005) 10 Apr 2006	11479/2006	TechTronic Industries Co., Ltd; 03-01NES, Pressure washer nozzle storage carrier, (US, 03 Jan 2006) 11 Apr 2006	11512/2006
S.C. Johnson & Son Inc.; 28-99, Cover plate for a fragrance dispenser, (US, 11 Oct 2005) 11 Apr 2006	11504/2006	Tiltform Technologies Ltd; 08-08L, 15-09, A formwork bracket, 13 Apr 2006	11537/2006
S.C. Johnson & Son, Inc.; 09-03L, Container body, (US, 13 Oct 2005) 13 Apr 2006	11558/2006	Ventrassist Pty Ltd; 24-04, Shoulder sling, 13 Apr 2006	11533/2006
S.C. Johnson & Son, Inc.; 09-01F, Container body with dispensing cap, (US, 13 Oct 2005) 13 Apr 2006	11556/2006	Ventrassist Pty Ltd & The University of NSW; 02-07A, Buckle, 13 Apr 2006	11532/2006
Schlegel, Robert F.; 12-16K, Motor vehicle cargo carrier, 21 Apr 2006	11638/2006	Wilson, John Alexander; 06-03NES, 06-02, Massage table frame, 10 Apr 2006	11497/2006
Schlegel, Robert F.; 12-16K, Motor vehicle cargo carrier, 21 Apr 2006	11639/2006	Wilson, John Alexander; 06-03NES, 06-02, Massage table frame, 10 Apr 2006	11496/2006
Schweizer, Jean-Pierre; 11-01A, Ring, (WO, 18 Oct 2005) 11 Apr 2006	11505/2006	Zandipour, Mehrdad; 07-04, Vegetable slicer, 20 Apr 2006	11632/2006

Applications Withdrawn

10560 / 2005 (06-13C)	10561 / 2005 (06-13C)	15610 / 2005 (06-13C)
10564 / 2005 (06-13C)	10967 / 2005 (09-07A)	
14471 / 2005 (25-03)	15603 / 2005 (06-13NES)	
15608 / 2005 (06-13NES)	15609 / 2005 (06-13NES)	

Applications Lapsed

15234 / 2004 (30-01)	15243 / 2004 (25-03)	11029 / 2005 (12-11)	11030 / 2005 (11-02NES)
11025 / 2005 (21-01C)	11026 / 2005 (12-07)	13107 / 2005 (06-06D)	13670 / 2005 (02-05)
11027 / 2005 (12-11)	11028 / 2005 (12-07)	13694 / 2005 (02-02NES)	13700 / 2005 (07-02E)

13878 / 2005 (26-02)
13940 / 2005 (17-99)
13967 / 2005 (02-04NES)
14009 / 2005 (19-01)
10432 / 2006 (08-08K)
10434 / 2006 (25-01E)

13913 / 2005 (07-06A)
13966 / 2005 (02-04NES)
14007 / 2005 (06-09)
14567 / 2005 (07-01C)
10433 / 2006 (08-08K)
10435 / 2006 (25-01E)

Registrations Ceased

300550

Extensions of time granted under Section 137

Applications lodged under section 137 for extension of time have been granted.

301327 **Klaas Nierop**

12989/2005 **International Consolidated Business Pty Ltd**

15603/2005 **Nicholas Gostt**

15604/2005 **Nicholas Gostt**

15605/2005 **Nicholas Gostt**

15606/2005 **Nicholas Gostt**

15607/2005 **Nicholas Gostt**

15608/2005 **Nicholas Gostt**

15609/2005 **Nicholas Gostt**

15610/2005 **Nicholas Gostt**

15611/2005 **Nicholas Gostt**

15612/2005 **Nicholas Gostt**

Subsequent Owners Registered

(The name in parentheses is that of the subsequent owner)

306245 (**Craig Hiron**) Simon Duff

Certificate(s) of Examination

Examination of the following Design Registration(s) has been completed. Infringement proceedings may now be commenced.

300011	13-02	02/05/2006
302639	19-07	28/04/2006
303356	08-07	02/05/2006
303357	08-07	02/05/2006
303374	16-01	27/04/2006
303454	11-01NES	02/05/2006
303639	11-02NES	02/05/2006
304023	09-03NES	28/04/2006
304065	24-02	28/04/2006
304167	07-01C	27/04/2006
304380	23-01NES	02/05/2006
304381	23-01B	03/05/2006
305068	07-01C	24/04/2006
305069	07-01C	24/04/2006
306270	06-01H	26/04/2006

Publication and Registration Proceedings

Designs Registered

This section provides a concordance between design number and registration number of Designs covered in this journal. It also shows the main class and registration date.

This section covers Registration numbers 306505 to 306535 .

The registration number shown below should be used in all future correspondence.

Design Number	Registration Number	International Classification Code (IDC)	Registration Date	Design Number	Registration Number	International Classification Code (IDC)	Registration Date
10721/2005	306509	07-01B	02/05/2006	10615/2006	306518	09-01G	02/05/2006
11191/2005	306510	11-01NES	02/05/2006	10631/2006	306519	14-02	02/05/2006
12827/2005	306505	15-02	24/04/2006	10632/2006	306520	14-02	02/05/2006
13339/2005	306532	02-03	02/05/2006	10637/2006	306521	15-05	02/05/2006
13389/2005	306512	13-03D	02/05/2006	10853/2006	306522	11-02B	02/05/2006
13390/2005	306513	13-03D	02/05/2006	10901/2006	306523	23-01K	02/05/2006
13391/2005	306514	13-03D	02/05/2006	10902/2006	306524	23-01K	02/05/2006
14588/2005	306533	08-08L	02/05/2006	11006/2006	306525	14-02	02/05/2006
14589/2005	306534	08-08L	02/05/2006	11045/2006	306526	25-01B	02/05/2006
14826/2005	306535	23-04	02/05/2006	11172/2006	306527	15-01	02/05/2006
15541/2005	306515	02-05	02/05/2006	11173/2006	306528	15-01	02/05/2006
10220/2006	306506	28-03NES	02/05/2006	11233/2006	306529	26-02	02/05/2006
10305/2006	306507	31-00	02/05/2006	11245/2006	306511	09-09	02/05/2006
10354/2006	306508	23-04	02/05/2006	11301/2006	306530	22-06	02/05/2006
10355/2006	306516	23-04	02/05/2006	11549/2006	306531	08-05A	02/05/2006
10584/2006	306517	06-04D	02/05/2006				

Publication and Registration Proceedings
Class Listing of Designs Published or Registered

The following section shows an International Classification Code listing of the Registered or Published Designs covered in this supplement.

Classification	Registration Number	Design Number	Classification	Registration Number	Design Number
02-03	306532	13339/2005	15-01	306527	11172/2006
02-05	306515	15541/2005	15-01	306528	11173/2006
02-05	306532	13339/2005	15-02	306505	12827/2005
06-04 D	306517	10584/2006	15-05	306521	10637/2006
07-01 B	306509	10721/2005	22-06	306530	11301/2006
08-05 A	306531	11549/2006	23-01 K	306523	10901/2006
08-08 L	306533	14588/2005	23-01 K	306524	10902/2006
08-08 L	306534	14589/2005	23-04	306508	10354/2006
09-01 G	306518	10615/2006	23-04	306516	10355/2006
09-09	306511	11245/2006	23-04	306535	14826/2005
11-01 NES	306510	11191/2005	25-01 B	306526	11045/2006
11-02 B	306522	10853/2006	26-02	306529	11233/2006
13-03 D	306512	13389/2005	28-03 NES	306506	10220/2006
13-03 D	306513	13390/2005	29-02	306533	14588/2005
13-03 D	306514	13391/2005	29-02	306534	14589/2005
14-02	306519	10631/2006	31-00	306507	10305/2006
14-02	306520	10632/2006			
14-02	306525	11006/2006			

(21) Design Number: **12827/2005**

(22) Date of Filing Application: **04 July 2005**

(24) Date from which industrial property rights may have effect: **04 July 2005**

(54) Product in respect of which the design is registered: **An extractor basket**

(51) International Design Classification: **15-02**

(71) Name(s) and Address(s) of Applicant(s):

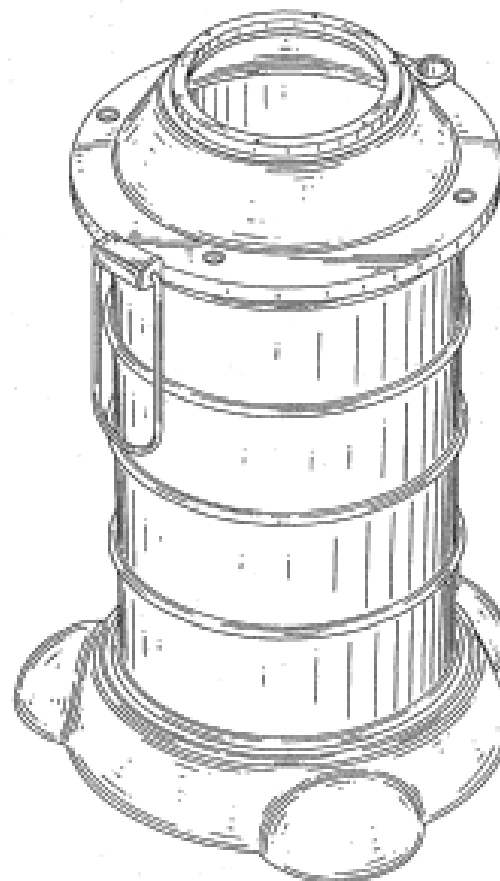
Chuan Jiing Enterprises Co., Ltd
No.27 Lane 57 Fong Jheng Rd Wu Feng Hsiang Taichung Hsien
Taiwan

(72) Name(s) of Designer(s): **Tien-Tsai Tseng**

(45) Registration Date: **24 April 2006**

(56) Related Art Documents: **Not Applicable**

(57) Statement of Newness and Distinctiveness: **Newness and distinctiveness resides in the shape and configuration of an extractor basket as shown in the accompanying representations.**



(21) Design Number: **10220/2006**

(22) Date of Filing Application: **23 January 2006**

(24) Date from which industrial property rights may have effect: **23 January 2006**

(54) Product in respect of which the design is registered: **Hand dryer**

(51) International Design Classification: **28-03NES**

(71) Name(s) and Address(s) of Applicant(s):

Mitsubishi Denki Kabushiki Kaisha
7-3 Marunouchi 2-Chome Chiyoda-Ku Tokyo 100-8310 Japan

(72) Name(s) of Designer(s): **Yutaka Nikaido and Takeyuki Hori**

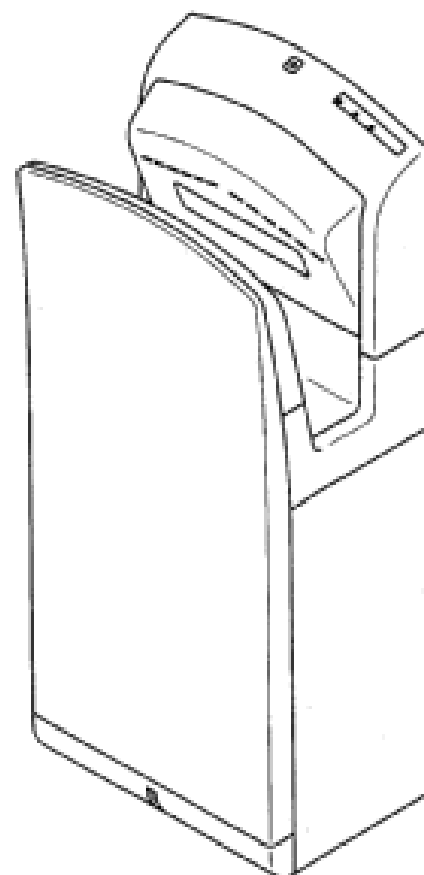
(45) Registration Date: **02 May 2006**

(30) Convention priority data:

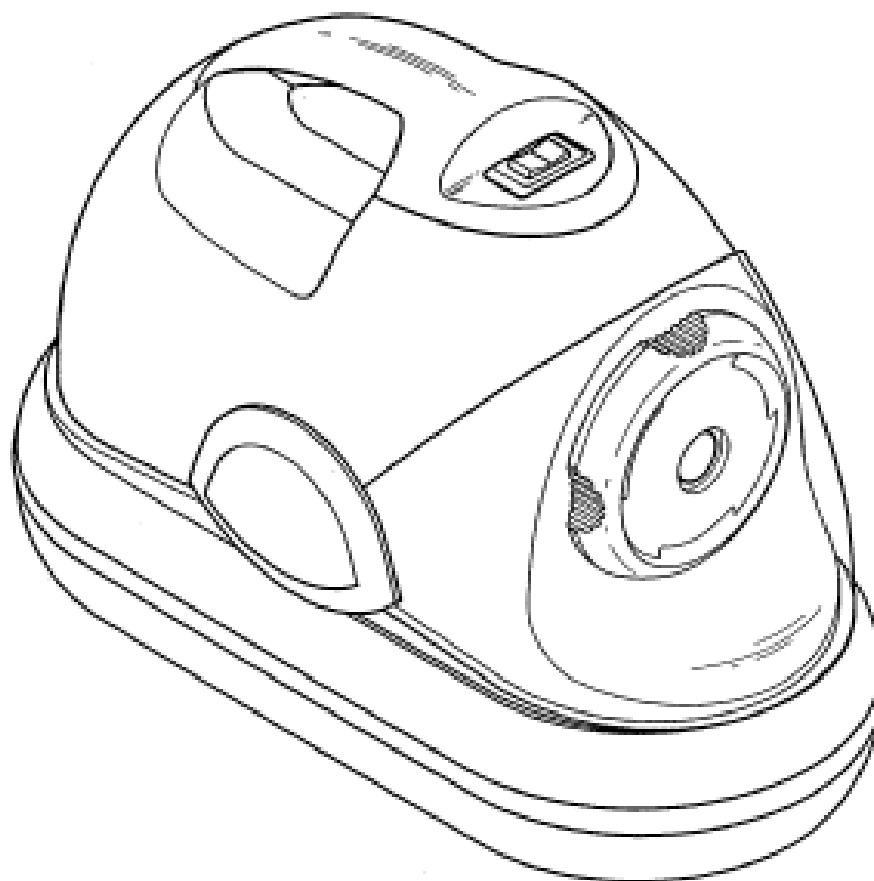
(31) Number	(32) Date	(33) Country
2005-022579	03 Aug 2005	JAPAN

(56) Related Art Documents: **Not Applicable**

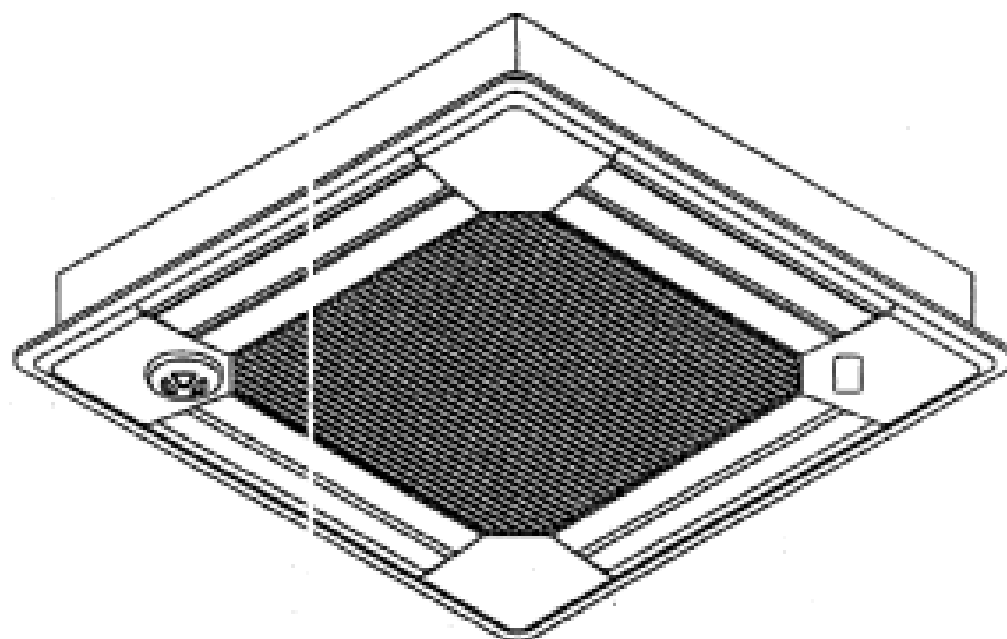
(57) Statement of Newness and Distinctiveness: **Nil**



- (21) Design Number: **10305/2006**
(22) Date of Filing Application: **31 January 2006**
(24) Date from which industrial property rights may have effect: **31 January 2006**
(54) Product in respect of which the design is registered: **Body of food processing device**
(51) International Design Classification: **31-00**
(71) Name(s) and Address(s) of Applicant(s):
Nuc Electronics Co., Ltd
679 Chimsan-3Dong Buk-gu Daegu Republic of Korea
(72) Name(s) of Designer(s): **Jong-Boo Kim**
(45) Registration Date: **02 May 2006**
(56) Related Art Documents: **Not Applicable**
(57) Statement of Newness and Distinctiveness: **Newness and distinctiveness reside in the features of the design as shown in the representations.**



- (21) Design Number: **10354/2006**
(22) Date of Filing Application: **02 February 2006**
(24) Date from which industrial property rights may have effect: **02 February 2006**
(54) Product in respect of which the design is registered: **Air conditioner**
(51) International Design Classification: **23-04**
(71) Name(s) and Address(s) of Applicant(s):
Mitsubishi Denki Kabushiki Kaisha
7-3 Marunouchi 2-chome Chiyoda-ku Tokyo 100-8310 Japan
(72) Name(s) of Designer(s): **Masataka Nagahori**
(45) Registration Date: **02 May 2006**
(30) Convention priority data:
(31) Number (32) Date (33) Country
2005-022823 05 Aug 2005 JAPAN
(56) Related Art Documents: **Not Applicable**
(57) Statement of Newness and Distinctiveness: **Nil**



(21) Design Number: **10721/2005**

(22) Date of Filing Application: **24 February 2005**

(24) Date from which industrial property rights may have effect: **24 February 2005**

(54) Product in respect of which the design is registered: **Bowl**

(51) International Design Classification: **07-01B**

(71) Name(s) and Address(s) of Applicant(s):

**Thebe International Pty Ltd
461 Plummer Street Port Melbourne Victoria 3207 Australia**

(72) Name(s) of Designer(s): **Joshua Handy**

(45) Registration Date: **02 May 2006**

(56) Related Art Documents: **Not Applicable**

(57) Statement of Newness and Distinctiveness: **The applicant claims as being new and distinctive the following features of the design the subject of this application: (i) the shape and configuration of the lip of the bowl, which is circular but not concentric relative to the base of the bowl, providing the bowl with a protruding lip; and (ii) the shape and configuration of the base of the bowl as shown in sheet 4/4 of the representation.**



(21) Design Number: **11191/2005**

(22) Date of Filing Application: **29 March 2005**

(24) Date from which industrial property rights may have effect: **29 March 2005**

(54) Product in respect of which the design is registered: **A piece of jewellery**

(51) International Design Classification: **11-01NES**

(71) Name(s) and Address(s) of Applicant(s):

**Aztec Gold and Silver Pty Ltd
627 Military Road Mosman New South Wales 2088 Australia**

(72) Name(s) of Designer(s): **David Campbell**

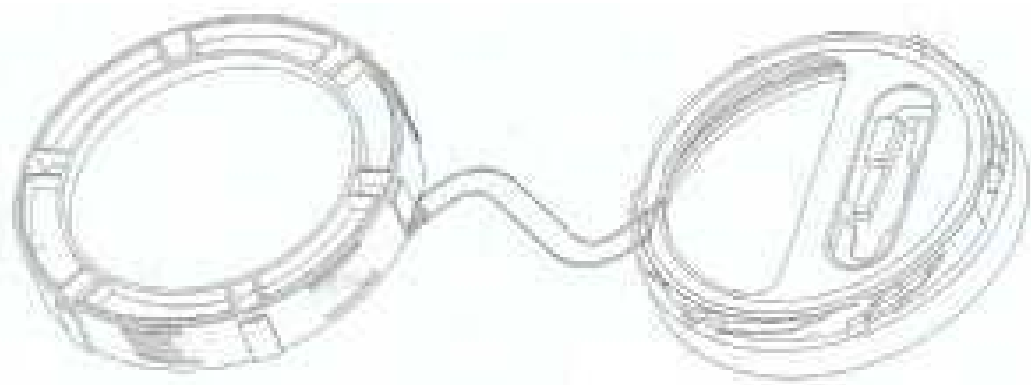
(45) Registration Date: **02 May 2006**

(56) Related Art Documents: **Not Applicable**

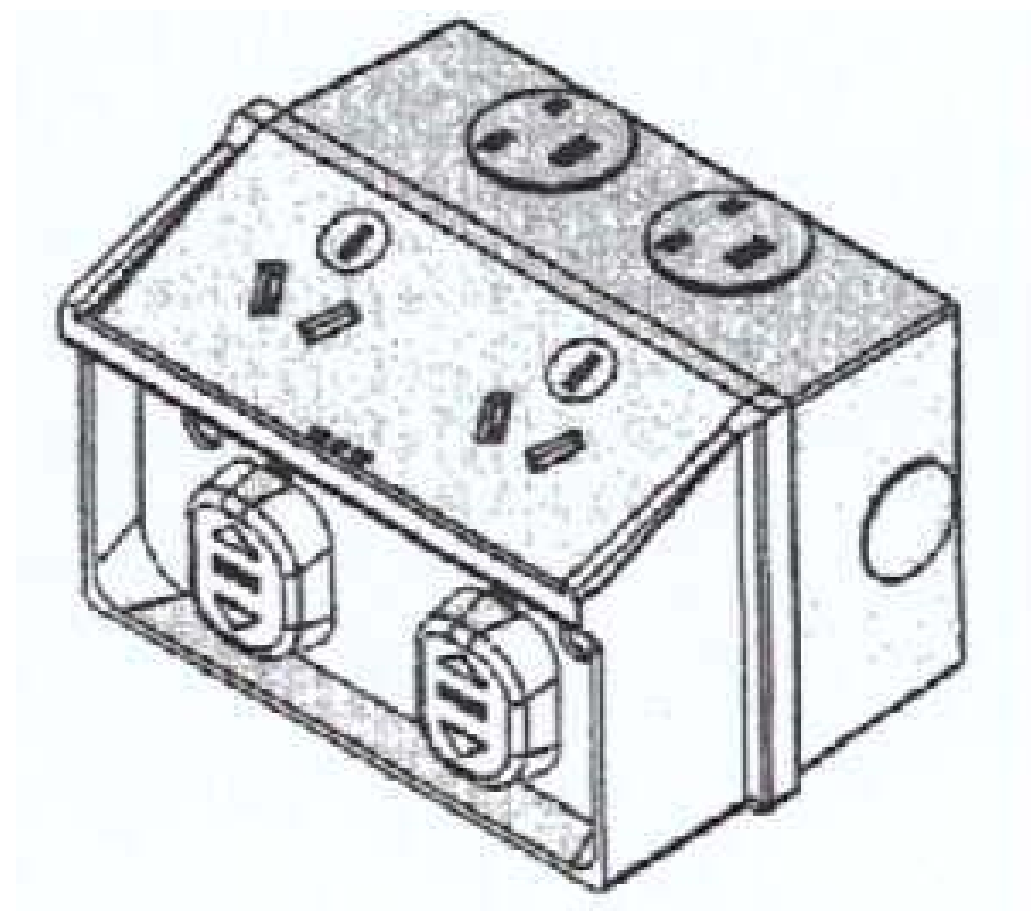
(57) Statement of Newness and Distinctiveness: **The newness and distinctiveness in respect of the design is claimed in the features of shape and configuration of the piece of jewellery, as illustrated in the accompanying representations. The method of holding the stones in place are to be ignored.**



- (21) Design Number: **11245/2006**
(22) Date of Filing Application: **21 March 2006**
(24) Date from which industrial property rights may have effect: **21 March 2006**
(54) Product in respect of which the design is registered: **'Bio-can' sharps containers**
(51) International Design Classification: **09-09**
(71) Name(s) and Address(s) of Applicant(s):
Biocorp Australia Pty Ltd
Factory 5/51 Cleeland Road Oakleigh South Victoria 3167 Australia
(72) Name(s) of Designer(s): **John Dawson**
(45) Registration Date: **02 May 2006**
(56) Related Art Documents: **Not Applicable**
(57) Statement of Newness and Distinctiveness: **See attached-which details an aperture within the base cap for removing needles safely and ultimately being able to 'lock' them inside the container.**



- (21) Design Number: **13389/2005**
(22) Date of Filing Application: **10 August 2005**
(24) Date from which industrial property rights may have effect: **10 August 2005**
(54) Product in respect of which the design is registered: **Wall switch**
(51) International Design Classification: **13-03D**
(71) Name(s) and Address(s) of Applicant(s):
Wenzhou Hall Electrical Appliance Manufacture Co., Ltd
16-1 Baozhou Road Wenzhou Zhejiang 325000 China
(72) Name(s) of Designer(s): **Dinghua Zhang and Changhua Zhang**
(45) Registration Date: **02 May 2006**
(56) Related Art Documents: **Not Applicable**
(57) Statement of Newness and Distinctiveness: **Shape design**



(21) Design Number: **13390/2005**

(22) Date of Filing Application: **10 August 2005**

(24) Date from which industrial property rights may have effect: **10 August 2005**

(54) Product in respect of which the design is registered: **Wall double powerpoint**

(51) International Design Classification: **13-03D**

(71) Name(s) and Address(s) of Applicant(s):

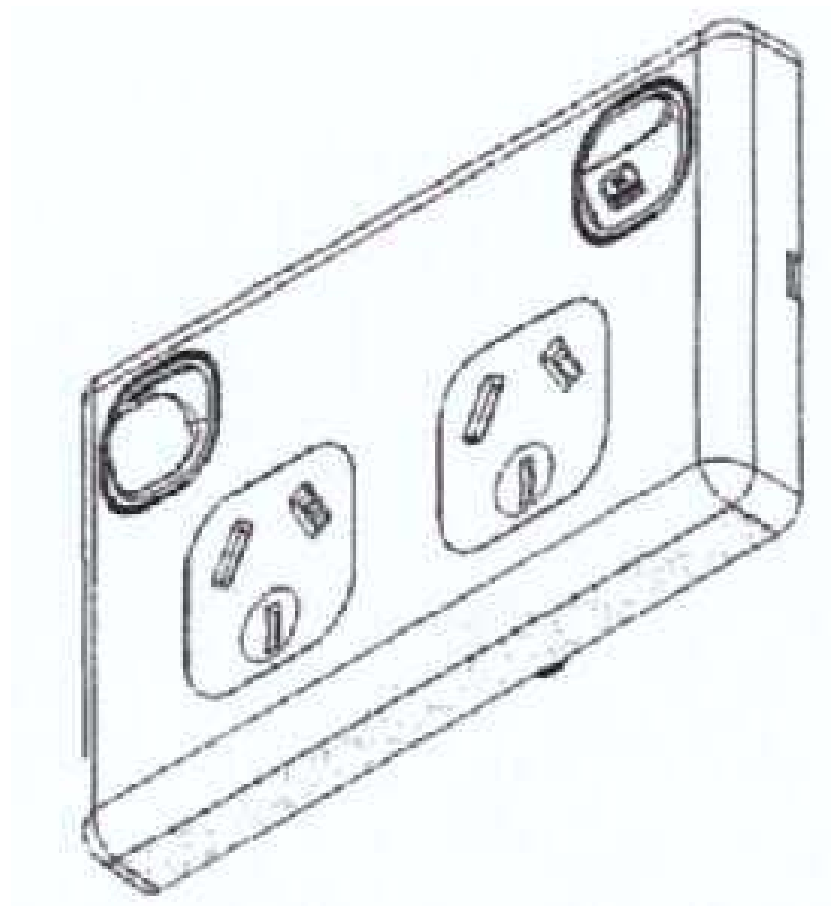
**Wenzhou Hall Electrical Appliance Manufacture Co., Ltd
16-1 Baozhou Road Wenzhou Zhejiang 325000 China**

(72) Name(s) of Designer(s): **Dinghua Zhang and Changhua Zhang**

(45) Registration Date: **02 May 2006**

(56) Related Art Documents: **Not Applicable**

(57) Statement of Newness and Distinctiveness: **Shape design and thickness of cover and frame.**



(21) Design Number: **13391/2005**

(22) Date of Filing Application: **10 August 2005**

(24) Date from which industrial property rights may have effect: **10 August 2005**

(54) Product in respect of which the design is registered: **Weather proof powerpoint**

(51) International Design Classification: **13-03D**

(71) Name(s) and Address(s) of Applicant(s):

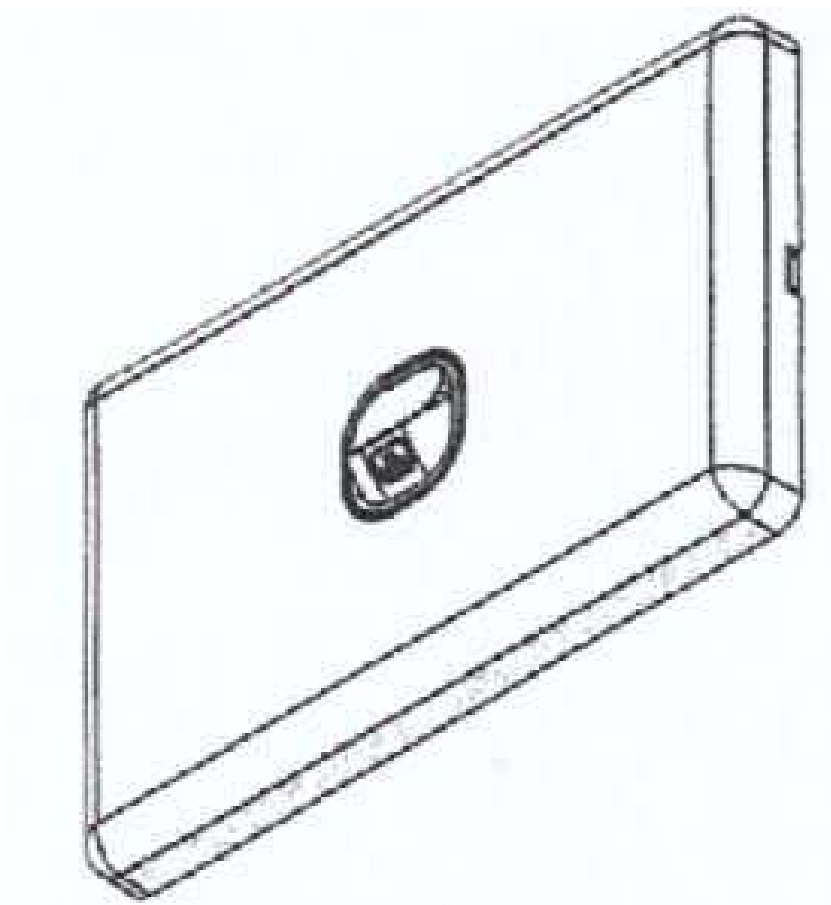
**Wenzhou Hall Electrical Appliance Manufacture Co., Ltd
16-1 Baozhou Road Wenzhou Zhejiang 325000 China**

(72) Name(s) of Designer(s): **Dinghua Zhang and Changhua Zhang**

(45) Registration Date: **02 May 2006**

(56) Related Art Documents: **Not Applicable**

(57) Statement of Newness and Distinctiveness: **Shape design and thickness of cover and frame.**



(21) Design Number: **15541/2005**
(22) Date of Filing Application: **15 December 2005**
(24) Date from which industrial property rights may have effect: **15 December 2005**
(54) Product in respect of which the design is registered: **Infant attire**
(51) International Design Classification: **02-05**
(71) Name(s) and Address(s) of Applicant(s):

Amelia Bristed Nilsson
19 Alberon Street Parnell Auckland New Zealand

(72) Name(s) of Designer(s): **Amelia Bristed Nilsson**

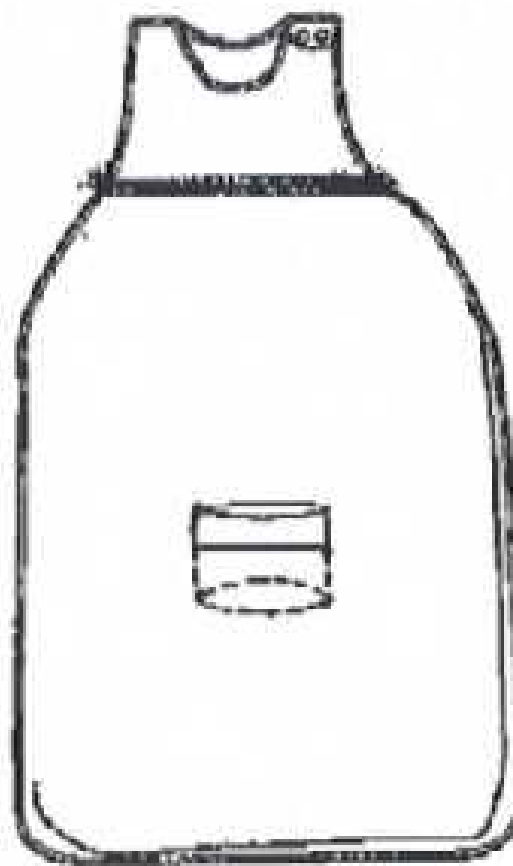
(45) Registration Date: **02 May 2006**

(30) Convention priority data:

(31) Number	(32) Date	(33) Country
000382288-0001	29 Jul 2005	EUROPEAN PATENT OFFICE (EP)

(56) Related Art Documents: **Not Applicable**

(57) Statement of Newness and Distinctiveness: **Monopoly resides in the features of shape and configuration of "Infant Attire" all as shown in the accompanying representations.**



(21) Design Number: **10355/2006**
(22) Date of Filing Application: **02 February 2006**
(24) Date from which industrial property rights may have effect: **02 February 2006**
(54) Product in respect of which the design is registered: **Air conditioner**
(51) International Design Classification: **23-04**
(71) Name(s) and Address(s) of Applicant(s):

Mitsubishi Denki Kabushiki Kaisha
7-3 Marunouchi 2-chome Chiyoda-ku Tokyo 100-8310 Japan

(72) Name(s) of Designer(s): **Masataka Nagahori**

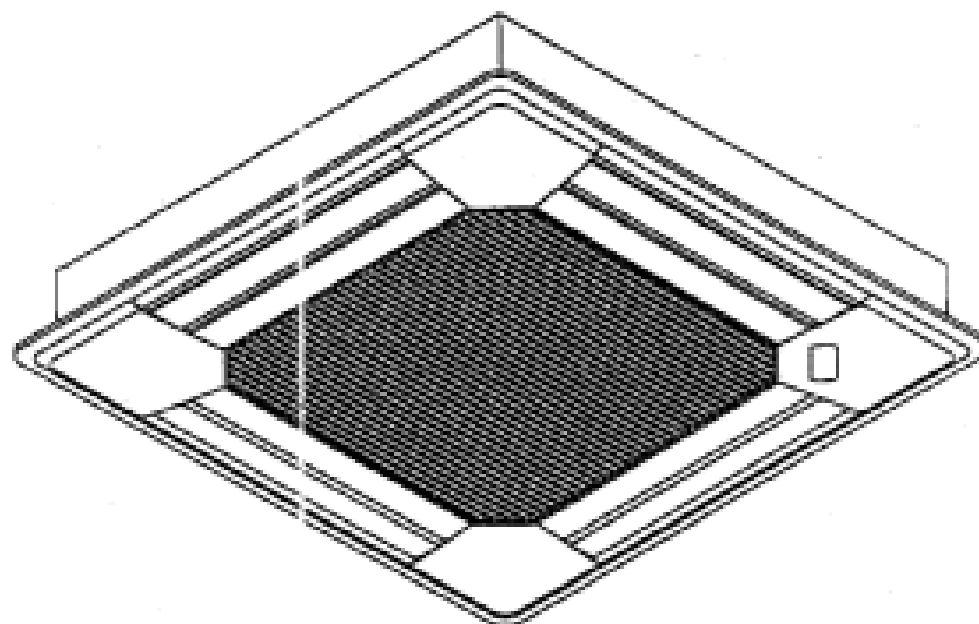
(45) Registration Date: **02 May 2006**

(30) Convention priority data:

(31) Number	(32) Date	(33) Country
2005-022824	05 Aug 2005	JAPAN

(56) Related Art Documents: **Not Applicable**

(57) Statement of Newness and Distinctiveness: **Nil**



- (21) Design Number: **10584/2006**
(22) Date of Filing Application: **17 February 2006**
(24) Date from which industrial property rights may have effect: **17 February 2006**
(54) Product in respect of which the design is registered: **Bar cabinet**
(51) International Design Classification: **06-04D**
(71) Name(s) and Address(s) of Applicant(s):
Eastcoast Australia Pty Ltd
6/163 Prospect Highway Seven Hills New South Wales 2147 Australia
(72) Name(s) of Designer(s): **Johannes Jacobus Broerse**
(45) Registration Date: **02 May 2006**
(56) Related Art Documents: **Not Applicable**
(57) Statement of Newness and Distinctiveness: **Bar cabinet made out of timber with two sides doors for storage. In the middle, the cabinet has a mirror to which is attached two liquid dispenser. This product is suitable as an ornamental as well as a barware product.**



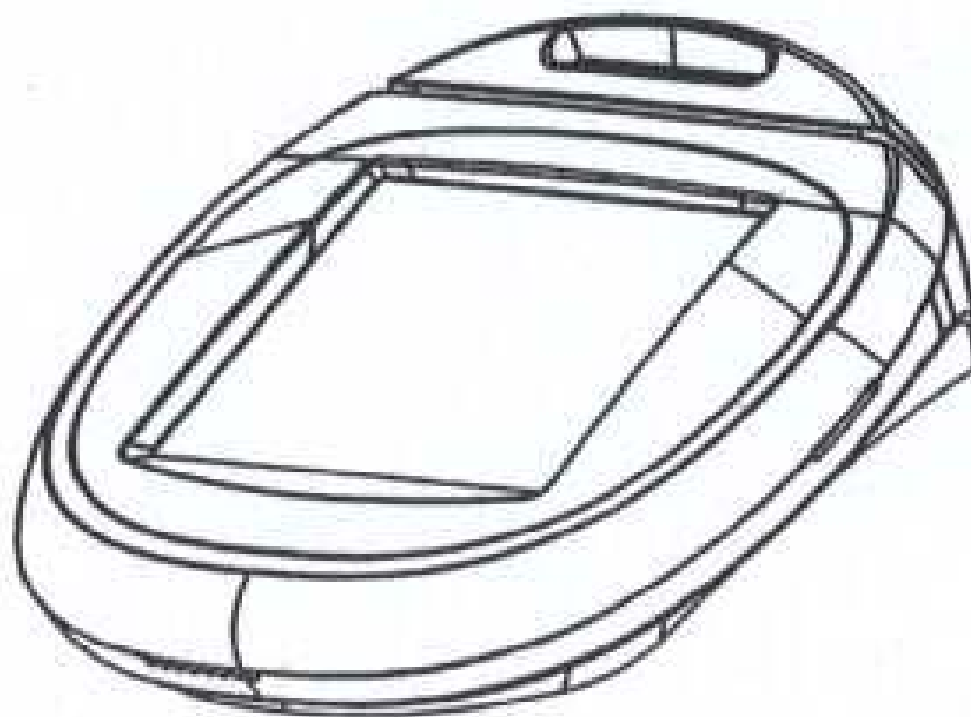
- (21) Design Number: **10615/2006**
(22) Date of Filing Application: **20 February 2006**
(24) Date from which industrial property rights may have effect: **20 February 2006**
(54) Product in respect of which the design is registered: **Bottle**
(51) International Design Classification: **09-01G**
(71) Name(s) and Address(s) of Applicant(s):
Kenzo S.A.
1 rue du Pont Neuf 75001 Paris France
(72) Name(s) of Designer(s): **Karim Rashid**
(45) Registration Date: **02 May 2006**
(30) Convention priority data:

(31) Number	(32) Date	(33) Country
05 4420	13 Sep 2005	FRANCE

(56) Related Art Documents: **Not Applicable**
(57) Statement of Newness and Distinctiveness: **Nil**



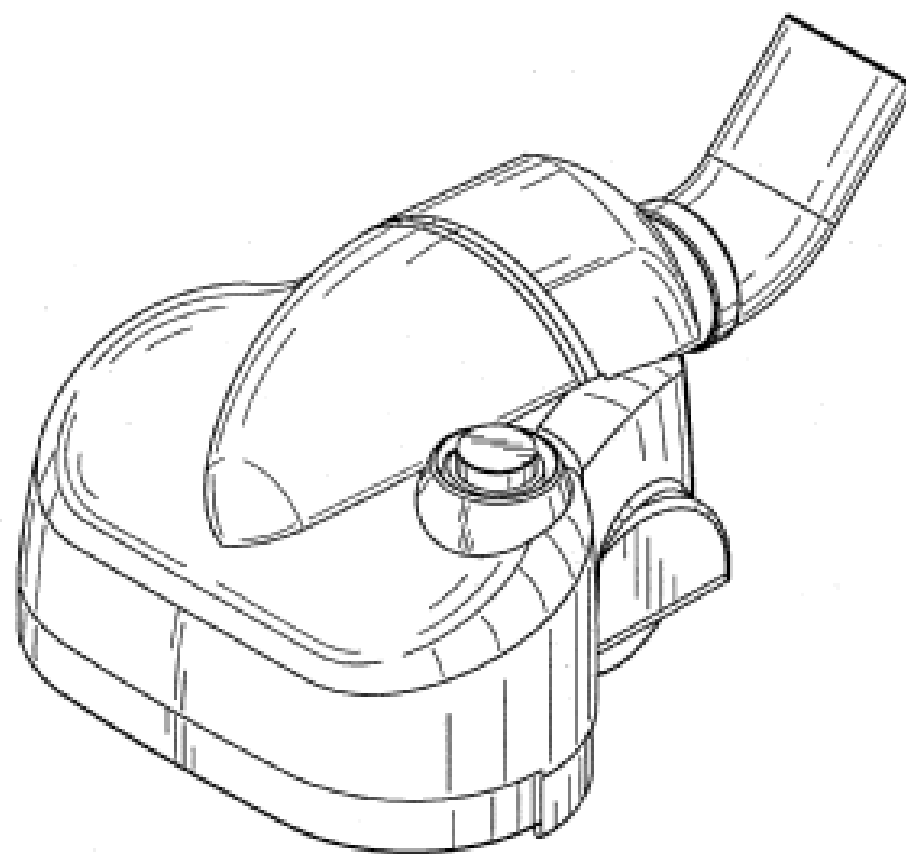
(21) Design Number: **10631/2006**
 (22) Date of Filing Application: **20 February 2006**
 (24) Date from which industrial property rights may have effect: **20 February 2006**
 (54) Product in respect of which the design is registered: **Point of sale terminal**
 (51) International Design Classification: **14-02**
 (71) Name(s) and Address(s) of Applicant(s):
Hypercom Corporation
2851 West Kathleen Road Phoenix Arizona 85053 United States of America
 (72) Name(s) of Designer(s): **Chris Henry and William Shumate**
 (45) Registration Date: **02 May 2006**
 (30) Convention priority data:
 (31) Number (32) Date (33) Country
29/236654 18 Aug 2005 UNITED STATES OF AMERICA
 (56) Related Art Documents: **Not Applicable**
 (57) Statement of Newness and Distinctiveness: **Newness and distinctiveness reside in the features of the design as shown in the representations.**



(21) Design Number: **10632/2006**
 (22) Date of Filing Application: **20 February 2006**
 (24) Date from which industrial property rights may have effect: **20 February 2006**
 (54) Product in respect of which the design is registered: **Point of sale terminal**
 (51) International Design Classification: **14-02**
 (71) Name(s) and Address(s) of Applicant(s):
Hypercom Corporation
2851 West Kathleen Road Phoenix Arizona 85053 United States of America
 (72) Name(s) of Designer(s): **Chris Henry and William Shumate**
 (45) Registration Date: **02 May 2006**
 (30) Convention priority data:
 (31) Number (32) Date (33) Country
29/236651 18 Aug 2005 UNITED STATES OF AMERICA
 (56) Related Art Documents: **Not Applicable**
 (57) Statement of Newness and Distinctiveness: **Newness and distinctiveness reside in the features of the design as shown in the representations.**



(21) Design Number: **10637/2006**
(22) Date of Filing Application: **21 February 2006**
(24) Date from which industrial property rights may have effect: **21 February 2006**
(54) Product in respect of which the design is registered: **Floor polisher attachment**
(51) International Design Classification: **15-05**
(71) Name(s) and Address(s) of Applicant(s):
Shop Vac Corporation
2323 Reach Road Williamsport PA 17701 United States of America
(72) Name(s) of Designer(s): **Robert Lent Crevling Jr and Melvin E. Wolfe Jr and John Griffin**
(45) Registration Date: **02 May 2006**
(30) Convention priority data:
(31) Number (32) Date (33) Country
29/237205 25 Aug 2005 UNITED STATES OF AMERICA
(56) Related Art Documents: **Not Applicable**
(57) Statement of Newness and Distinctiveness: **Nil**



(21) Design Number: **10853/2006**
(22) Date of Filing Application: **07 March 2006**
(24) Date from which industrial property rights may have effect: **07 March 2006**
(54) Product in respect of which the design is registered: **Self watering pot (for plants)**
(51) International Design Classification: **11-02B**
(71) Name(s) and Address(s) of Applicant(s):
Daniel Robert McKinnon
12 Baker Road Bayswater North Victoria 3153 Australia
(72) Name(s) of Designer(s): **Daniel Robert McKinnon**
(45) Registration Date: **02 May 2006**
(56) Related Art Documents: **Not Applicable**
(57) Statement of Newness and Distinctiveness: **Clear window on side of pot.**



(21) Design Number: **10901/2006**

(22) Date of Filing Application: **08 March 2006**

(24) Date from which industrial property rights may have effect: **08 March 2006**

(54) Product in respect of which the design is registered: **A plumbing valve**

(51) International Design Classification: **23-01K**

(71) Name(s) and Address(s) of Applicant(s):

Zetco Pty Ltd

9/33 Maddox Street Alexandria New South Wales 2015 Australia

(72) Name(s) of Designer(s): **Scott Alexander Michaels**

(45) Registration Date: **02 May 2006**

(56) Related Art Documents: **Not Applicable**

(57) Statement of Newness and Distinctiveness: **Newness and distinctiveness is claimed in respect of the shape and/or configuration of the body of the product illustrated in the accompanying representations. In carrying out a consideration in accordance with section 19, the shape and/or configuration of the handle of the valve is not to be considered new or distinctive.**



(21) Design Number: **10902/2006**

(22) Date of Filing Application: **08 March 2006**

(24) Date from which industrial property rights may have effect: **08 March 2006**

(54) Product in respect of which the design is registered: **A plumbing valve**

(51) International Design Classification: **23-01K**

(71) Name(s) and Address(s) of Applicant(s):

Zetco Pty Ltd

9/33 Maddox Street Alexandria New South Wales 2015 Australia

(72) Name(s) of Designer(s): **Scott Alexander Michaels**

(45) Registration Date: **02 May 2006**

(56) Related Art Documents: **Not Applicable**

(57) Statement of Newness and Distinctiveness: **Newness and distinctiveness is claimed in respect of the shape and/or configuration of the body of the product illustrated in the accompanying representations. In carrying out a consideration in accordance with section 19, the shape and/or configuration of the handle of the valve is not to be considered new or distinctive.**



(21) Design Number: **11006/2006**

(22) Date of Filing Application: **14 March 2006**

(24) Date from which industrial property rights may have effect: **14 March 2006**

(54) Product in respect of which the design is registered: **Notebook computer**

(51) International Design Classification: **14-02**

(71) Name(s) and Address(s) of Applicant(s):

Samsung Electronics Co., Ltd.

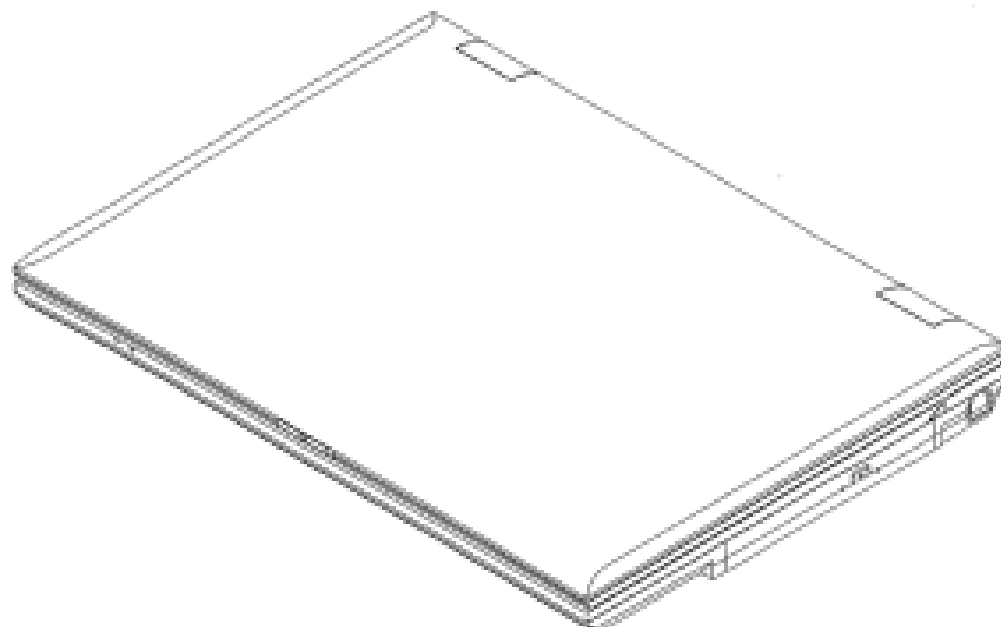
416 Maetan-Dong Paldal-Gu Suwon-City Kyungki-Do 442-370 South Korea

(72) Name(s) of Designer(s): **Seung-Wook Jeong**

(45) Registration Date: **02 May 2006**

(56) Related Art Documents: **Not Applicable**

(57) Statement of Newness and Distinctiveness: **Nil**



(21) Design Number: **11045/2006**

(22) Date of Filing Application: **17 March 2006**

(24) Date from which industrial property rights may have effect: **17 March 2006**

(54) Product in respect of which the design is registered: **Hairpin anchor**

(51) International Design Classification: **25-01B**

(71) Name(s) and Address(s) of Applicant(s):

Advanced Building Systems Pty Ltd

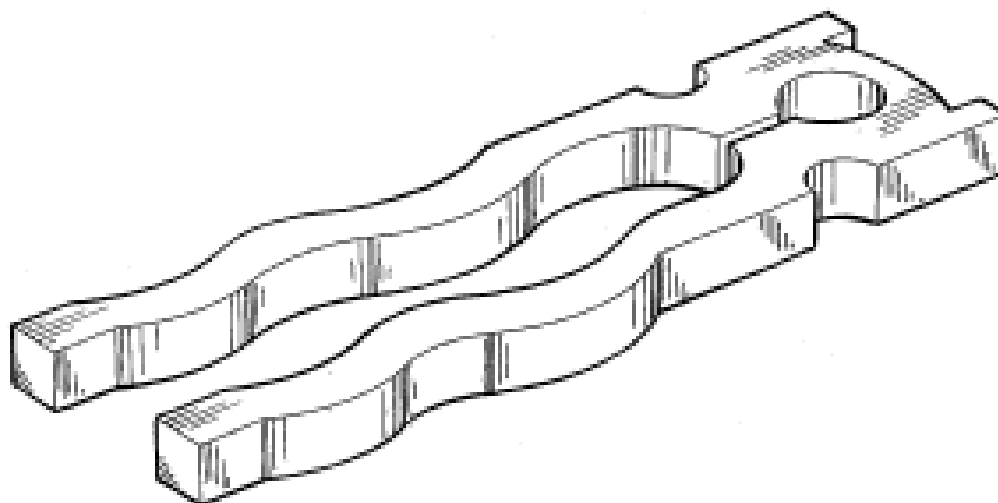
Unit 2/22 Violet Street Revesby New South Wales 2212 Australia

(72) Name(s) of Designer(s): **Malcolm Davis**

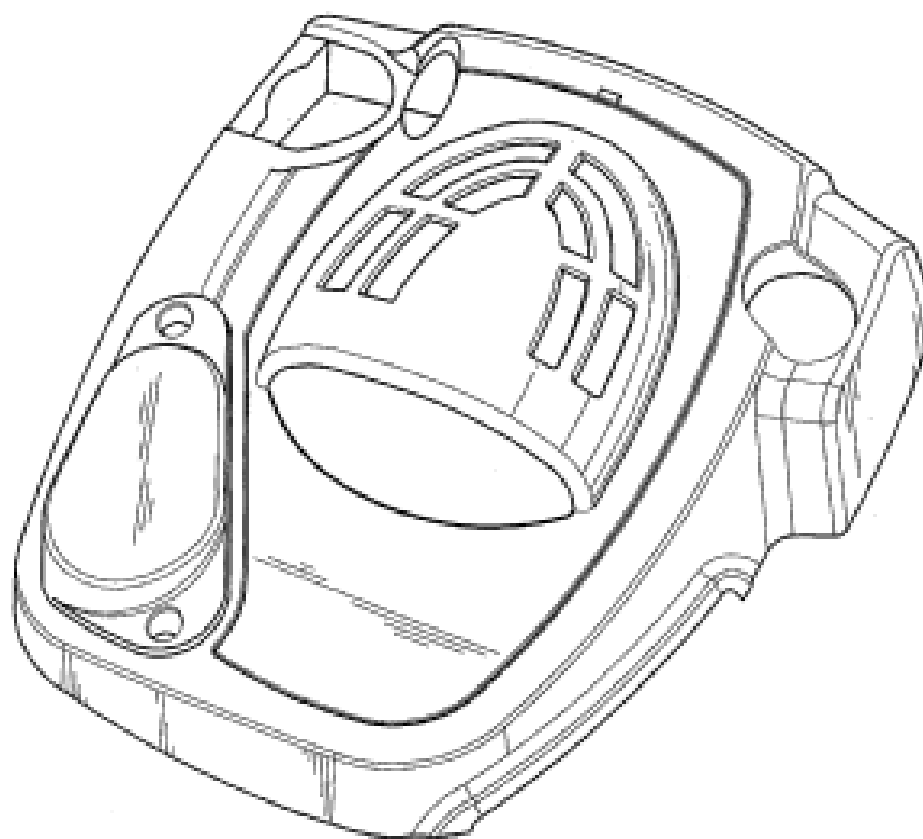
(45) Registration Date: **02 May 2006**

(56) Related Art Documents: **Not Applicable**

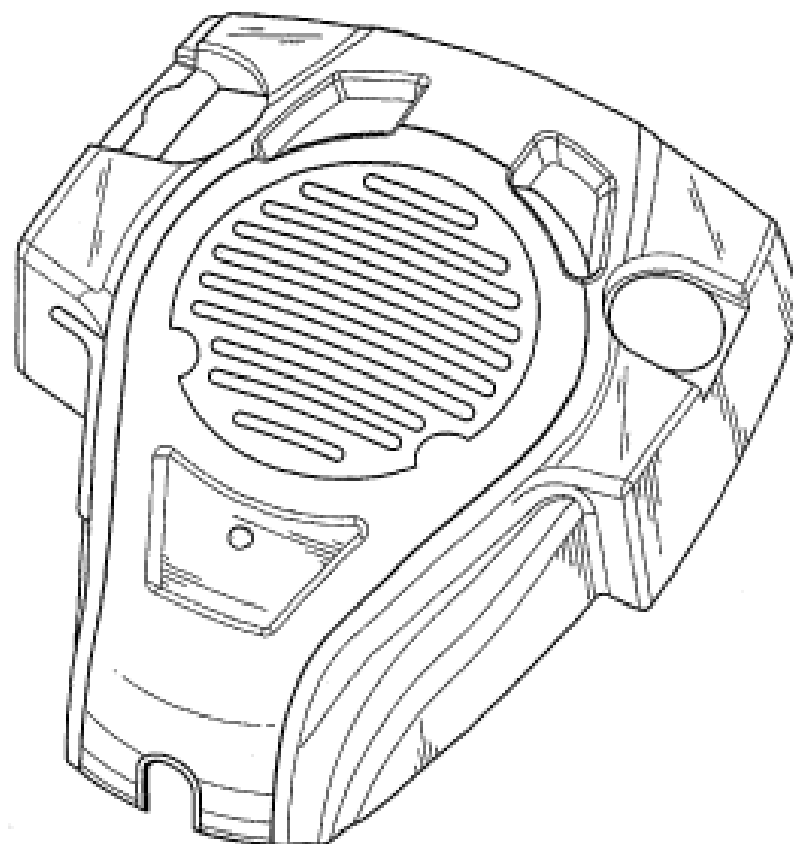
(57) Statement of Newness and Distinctiveness: **Newness and distinctiveness reside in the features of the design as shown in the representations.**



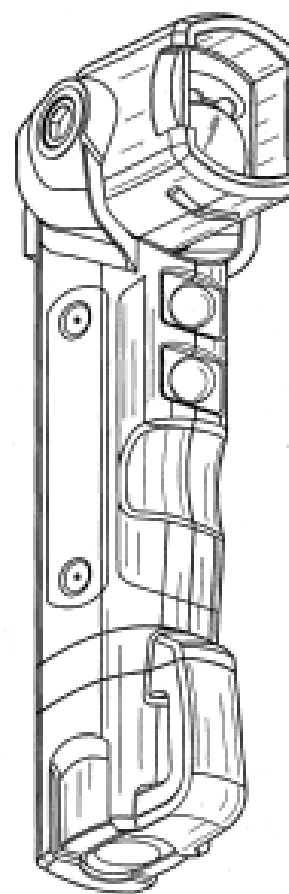
(21) Design Number: **11172/2006**
(22) Date of Filing Application: **21 March 2006**
(24) Date from which industrial property rights may have effect: **21 March 2006**
(54) Product in respect of which the design is registered: **Cover for an engine**
(51) International Design Classification: **15-01**
(71) Name(s) and Address(s) of Applicant(s):
Briggs & Stratton Corporation
12301 West Wirth Avenue Wauwatosa Wisconsin 53222 United States of America
(72) Name(s) of Designer(s): **Dennis A. Vervoorn**
(45) Registration Date: **02 May 2006**
(30) Convention priority data:
(31) Number (32) Date (33) Country
29/240,333 12 Oct 2005 UNITED STATES OF AMERICA
(56) Related Art Documents: **Not Applicable**
(57) Statement of Newness and Distinctiveness: **Nil**



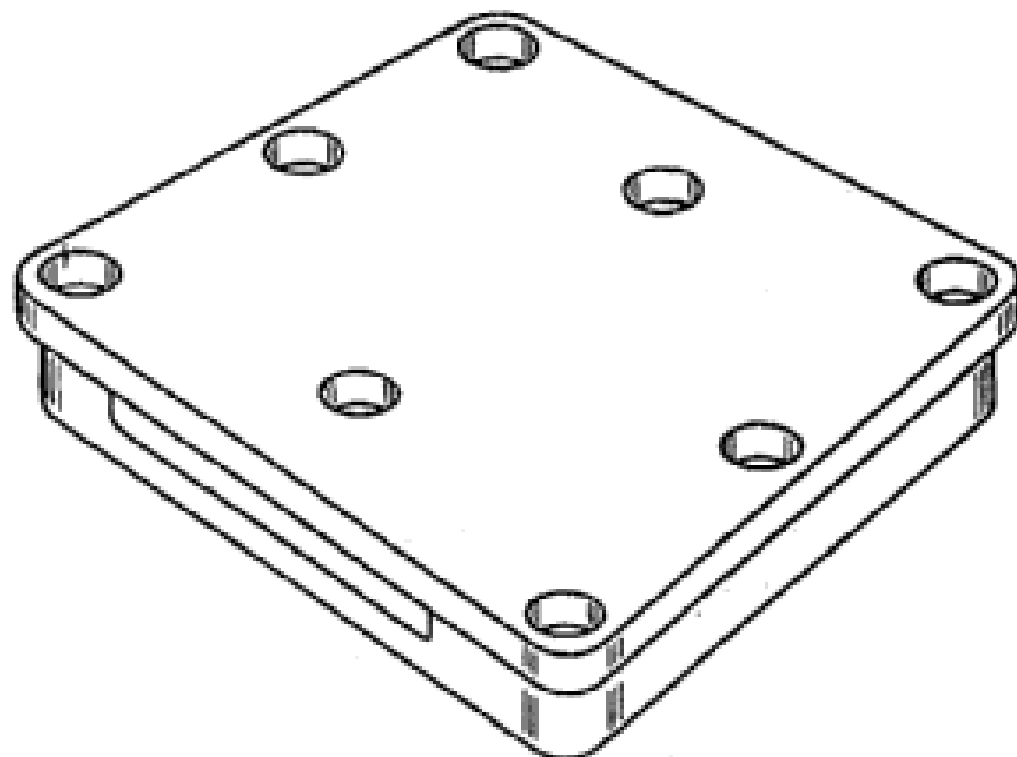
(21) Design Number: **11173/2006**
(22) Date of Filing Application: **21 March 2006**
(24) Date from which industrial property rights may have effect: **21 March 2006**
(54) Product in respect of which the design is registered: **Cover for an engine**
(51) International Design Classification: **15-01**
(71) Name(s) and Address(s) of Applicant(s):
Briggs & Stratton Corporation
12301 West Wirth Avenue Wauwatosa Wisconsin 53222 United States of America
(72) Name(s) of Designer(s): **Dennis A. Vervoorn**
(45) Registration Date: **02 May 2006**
(30) Convention priority data:
(31) Number (32) Date (33) Country
29/240,332 12 Oct 2005 UNITED STATES OF AMERICA
(56) Related Art Documents: **Not Applicable**
(57) Statement of Newness and Distinctiveness: **Nil**



- (21) Design Number: **11233/2006**
(22) Date of Filing Application: **23 March 2006**
(24) Date from which industrial property rights may have effect: **23 March 2006**
(54) Product in respect of which the design is registered: **A flashlight**
(51) International Design Classification: **26-02**
(71) Name(s) and Address(s) of Applicant(s):
Eveready Battery Company, Inc.
533 Maryville University Drive St Louis Missouri 63141 United States of America
(72) Name(s) of Designer(s): **Ronald J. Kingston and Scott W. Osiecki and Garth R. Gibby**
(45) Registration Date: **02 May 2006**
(30) Convention priority data:
(31) Number (32) Date (33) Country
29/240722 18 Oct 2005 UNITED STATES OF AMERICA
(56) Related Art Documents: **Not Applicable**
(57) Statement of Newness and Distinctiveness: **Nil**



- (21) Design Number: **11301/2006**
(22) Date of Filing Application: **27 March 2006**
(24) Date from which industrial property rights may have effect: **27 March 2006**
(54) Product in respect of which the design is registered: **Bait station**
(51) International Design Classification: **22-06**
(71) Name(s) and Address(s) of Applicant(s):
Reckitt Benckiser (Brasil) Ltda
Rodovia Raposo Tavares 8015 Km18 05577-900 Sao Paulo SP Brazil
(72) Name(s) of Designer(s): **Alvaro Luiz Correa De Figueiredo Sa**
(45) Registration Date: **02 May 2006**
(30) Convention priority data:
(31) Number (32) Date (33) Country
DI 6503469-4 27 Sep 2005 BRAZIL
(56) Related Art Documents: **Not Applicable**
(57) Statement of Newness and Distinctiveness: **Newness and distinctiveness reside in the features of the design as shown in the representations.**



(21) Design Number: **11549/2006**

(22) Date of Filing Application: **18 April 2006**

(24) Date from which industrial property rights may have effect: **18 April 2006**

(54) Product in respect of which the design is registered: **Rake**

(51) International Design Classification: **08-05A**

(71) Name(s) and Address(s) of Applicant(s):

John Galatis

29 Dalkeith Road Nedlands Western Australia 6009 Australia

(72) Name(s) of Designer(s): **John Galatis**

(45) Registration Date: **02 May 2006**

(56) Related Art Documents: **Not Applicable**

(57) Statement of Newness and Distinctiveness: **The rake spikes are longer and thicker than equivalent product.**



(21) Design Number: **13339/2005**

(22) Date of Filing Application: **21 February 2005**

(24) Date from which industrial property rights may have effect: **21 February 2005**

(54) Product in respect of which the design is registered: **Mostly silk satins and of the silk nature as well as other fabrics**

(51) International Design Classification: **02-03, 02-05**

(71) Name(s) and Address(s) of Applicant(s):

Loulita Montero

68/1 Millenium Circuit Pelican Waters Queensland 4551 Australia

(72) Name(s) of Designer(s): **Loulita Montero**

(45) Registration Date: **02 May 2006**

(56) Related Art Documents: **Not Applicable**

(57) Statement of Newness and Distinctiveness: **The 'scarfband' material covers the design with the fabric continuing so it has the headscarf look.**



(21) Design Number: **14588/2005**

(22) Date of Filing Application: **19 October 2005**

(24) Date from which industrial property rights may have effect: **19 October 2005**

(54) Product in respect of which the design is registered: **Roofing safety rail**

(51) International Design Classification: **08-08L, 29-02**

(71) Name(s) and Address(s) of Applicant(s):

Stuey's Roofing Pty Ltd
8 Mill Road Yarra Glen Victoria 3775 Australia

(72) Name(s) of Designer(s): **Stuart Michael Byron**

(45) Registration Date: **02 May 2006**

(56) Related Art Documents: **Not Applicable**

(57) Statement of Newness and Distinctiveness: **Visual features of the design which are new and distinctive are the features of shape and configuration of the roofing safety rail as illustrated in the representations.**



(21) Design Number: **14589/2005**

(22) Date of Filing Application: **19 October 2005**

(24) Date from which industrial property rights may have effect: **19 October 2005**

(54) Product in respect of which the design is registered: **Roofing safety rail**

(51) International Design Classification: **08-08L, 29-02**

(71) Name(s) and Address(s) of Applicant(s):

Stuey's Roofing Pty Ltd
8 Mill Road Yarra Glen Victoria 3775 Australia

(72) Name(s) of Designer(s): **Stuart Michael Byron**

(45) Registration Date: **02 May 2006**

(56) Related Art Documents: **Not Applicable**

(57) Statement of Newness and Distinctiveness: **Visual features of the design which are new and distinctive are the features of shape and configuration of the roofing safety rail as illustrated in the representations.**



- (21) Design Number: **14826/2005**
(22) Date of Filing Application: **01 November 2005**
(24) Date from which industrial property rights may have effect: **01 November 2005**
(54) Product in respect of which the design is registered: **Air conditioner**
(51) International Design Classification: **23-04**
(71) Name(s) and Address(s) of Applicant(s):
Mitsubishi Denki Kabushiki Kaisha
2-3 Marunouchi 2-Chome Chiyoda-Ku Tokyo 100-8310 Japan
(72) Name(s) of Designer(s): **Takanori Miyake and Hiroshi Asaoka and**
Masataka Nagahori and Dai Sato
(45) Registration Date: **02 May 2006**
(30) Convention priority data:
(31) Number (32) Date (33) Country
2005-017172 14 Jun 2005 JAPAN
(56) Related Art Documents: **Not Applicable**
(57) Statement of Newness and Distinctiveness: **Nil**

