



Australian Government

IP Australia

AUSTRALIAN OFFICIAL JOURNAL

OF

DESIGNS

Did you know a searchable version of this journal is now available online?
It's FREE and EASY to SEARCH.

Find it at

<http://pericles.ipaustralia.gov.au/ols/epublish/content/olsEpublications.jsp>
or using the "Online Journals" link on the IP Australia home page.

This Page Left Intentionally Blank

Contents

General Information & Notices

Proceedings Under the Designs Act 1906 preserved as a result of the provisions of Chapter 12 Part 2 of the Designs Act 2003

Application for Extension of Period of Registration	4692
Applications Lapsed	4691
Extension of Period of Registration of Designs	4692
Extensions of Time Granted	4693
Names Registered - Alterations and Amendments	4693
Registration Proceedings	
Registration Number Range 158562 to 158570	4694
Registrations Ceased	4692
Subsequent Owners Registered	4693

Proceedings Under the Designs Act 2003

Applications for Extension of Time Under Section 137	4712
Applications Assigned	4713
Applications Lapsed	4711
Applications Lodged	4703
Applications Withdrawn	4711
Certificate of Examination	4715
Corrigenda	4714
Designs Excluded	4711
Extension of Time Granted Under Section 137	4712
Names Registered - Alterations and Amendments	4713
Publication and Registration Proceedings	
Designs Registered 306536 to 306843.	4716
Subsequent Owners Registered	4713

This Page Left Intentionally Blank

General Information

EDITORIAL ENQUIRIES

All enquiries about official notices and general information in the Journal should be directed to IP Australia, (ABN No 38 113 072 755), PO Box 200 Woden ACT 2606

Or

Telephone 1300 651 010
(International Callers +61 2 6283 2999)
Fax 02 6283 7999
E-mail assist@ipaustralia.gov.au

CONTACT INFORMATION

Customer Service Network
Telephone 1300 651 010 , Fax: 02 6283 7999
E-mail: assist@ipaustralia.gov.au

Customers can contact the Customer Service Network by telephone or by e-mail. Telephones are staffed between 9am and 5pm each working day.

Customers should contact the Customer Service Network for information about:

- All Patent Matters including PCT and Innovation Patents.
- All Trade Mark Matters.
- All Design Matters.

Professional Standards Board for Patent and Trade Mark Attorneys.

Ph: 02 6283 2345 Fax: 02 6283 1048

ORDERING PATENT DOCUMENTS

When ordering copies of Australian patent specifications, or abstracts and abridgments notified as open to public inspection on or after 26 October 1978, or as accepted on or after 16 November 1978, the documents should be referred to by application numbers only, preceded by letters AU-A or AU-B respectively.

REQUESTS FOR INFORMATION UNDER SECTION 194 (C)

A request for information under Section 194 (C) of the Patents Act 1990 should be made in the approved form and be accompanied by the prescribed fee. The request should be as detailed as possible.

INFORMATION FROM REGISTERS

All requests for information from Register of Patents, Trade Marks or Designs, should be made in writing and accompanied by the prescribed fee. The Registers are located in Canberra and may be examined free of charge.

COUNTRY CODES

For a listing of country codes used by IP Australia please refer to the Official Journals dated 7 November 1996.

ABBREVIATIONS IN JOURNAL

Standard abbreviations are used in the name of companies and firms. Enquiries concerning the precise name should be directed to the Customer Service Network.

FREEDOM OF INFORMATION ACT

What does it do?

- Gives you right to obtain information held by Commonwealth Ministers, Departments and most statutory bodies (these bodies are called agencies under the Act).
- Requires Commonwealth Government agencies to make available to members of the public:
 - Information about agencies, their functions and operations.
 - Information about rules and practices which are used in making decisions which affect you.
- Gives you a legal right to:
 - See non exempt documents held by agencies, and
 - appeal against a decision not to grant access to a document.

What documents can you see?

- The Act gives you a right to see documents lodged on or after 1 December 1977, or earlier if you need them to understand another document you have already.
- Documents include files, reports, computer printouts, maps, plans, photographs, tape recordings, films or videotapes.
- Documents which are available for purchase under the Patents Act 1990, the Trade Marks Act 1995 or Designs Act 2003 or Plant Breeder's Rights Act 1994 are not available under the Freedom of Information Act (Section 12 refers).

How do you apply?

Requests for access to documents must

- Be in writing
- Provide sufficient information so as to enable identification of the documents requested
- Specify an address in Australia where notices can be sent and
- Be accompanied by the application fee (currently \$30.00).

Requests for documents should be addressed to IP Australia, PO Box 200 Woden, ACT 2606, or Faxed to 02 6283 7999

DECISIONS OF THE COMMISSIONER OF PATENTS AND REGISTRAR OF TRADE MARKS AND DESIGNS

- All decisions of the Commissioner and Registrars are available free of charge from AUSTLII's website

www.austlii.edu.au

Copies of all written Patent and Design decisions are available (except if they would not be available under the provisions of the Freedom of Information legislation, e.g. if they would effectively disclose matter from documents that are not open to public inspection) on request for a cost of \$AU 25. They are also available for inspection in indexed volume series, dating from 1 January 1987, in the Office library, Canberra.

Copies of Trade Mark decisions may be accessed via IP Australia's website www.ipaustralia.gov.au

- Copies of the taped record of Patent and Design hearings are available (with the same exception as above) on request.
- When a written decision is issued the fact of the decision plus a brief head note will be published in the Official Notices section of the next available Patents, Trade Marks or Designs Journal.

HEARINGS BEFORE THE COMMISSIONER OF PATENTS

Hearings before the Commissioner of Patents will usually be conducted at the Patent Office in Canberra and interstate hearing sessions are not provided. However, the Commissioner will conduct hearings outside of Canberra at a convenient time to all parties provided that the parties bear the travel costs of the hearing officer.

The various options for hearings are set out in the document "Options for Hearings" available on IP Australia's website at: www.ipaustralia.gov.au/pdfs/patents/optionsforhearings.PDF

HEARINGS BEFORE THE REGISTRARS OF TRADE MARKS AND DESIGNS

Hearings before the Registrars of Trade Marks and Designs will be set down in Melbourne, Sydney, Adelaide, Perth and Brisbane during the periods indicated below.

Designs and Trade Marks Hearings Sessions 2006

Melbourne	13 – 17 February 5 – 9 June 11 – 15 September
Sydney	13 – 17 March 17 – 21 July 16 – 20 October
Adelaide	14 – 15 August
Perth	17 – 18 August
Brisbane	24 – 25 August

Persons who desire matters to be set down for hearing in Melbourne, Sydney, Adelaide, Perth or Brisbane must give at least one month's notice of their intention to be heard. If such notice is not given, it may be that there would be insufficient time to allow for the execution of official procedures associated with the listing of hearings, and as a result, the matter involved might not be listed.

Subject to the convenience of this Office, hearings will be set down in Canberra at any time suitable to the parties.

LIST OF STATE OFFICES

IP Australia State Offices are located in the Australian Capitals at the addresses given below. Requests for information may be obtained by calling at, phoning or writing to these offices or IP Australia, Canberra.

Australian Capital Territory

Ground Floor
Discovery House
PHILLIP ACT 2606
(PO Box 200, WODEN ACT 2606)
Ph: 1300 651 010
Fax: (02) 6283 7999

New South Wales

Level 1
45 Clarence Street
SYDNEY NSW 2000
Ph: 1300 651 010
Fax: (02) 9249 5807

Victoria

Level 6
OCBC House
565 Bourke Street
MELBOURNE VIC 3000
Ph: 1300 651 010
Fax (03) 9612 9807

Western Australia

2nd Floor
East Point Plaza
233 Adelaide Terrace
PERTH WA 6000
Ph: 1300 651 010
Fax: (08) 9220 8907

Queensland

Level 1
Grant Thornton House
102 Adelaide Street
BRISBANE QLD 4000
Ph: 1300 651 010
Fax: (07) 3007 1107

South Australia

Level 10
Origin Energy House
1 King William Street
ADELAIDE SA 5000
Ph: 1300 651 010
Fax: (08) 8239 4507

Tasmania

4th Floor
AMP Building
27 Elizabeth Street
HOBART TAS 7000
Ph: 1300 651 010
Fax: (03) 6235 6307

“INID” NUMBERS in use on Australian Design Documents

“INID” is an acronym for “Internationally agreed Numbers for the Identification of Data”.

(10) Data concerning the registration/renewal

- (11) Serial number of the registration and/or number of the design document
- (12) Plain language designation of the kind of published document
- (19) Identification, using the two-letter code according to WIPO Standard ST.3, of the authority publishing or registering the industrial design

(20) Data concerning the application

- (21) Serial number of the application
- (22) Date of filing of the application
- (24) Date from which the industrial design right has effect

(30) Data relating to priority under the Paris Convention

- (31) Serial number assigned to the priority application
- (32) Date of filing of the priority application
- (33) Two-letter code, according to WIPO Standard ST.3, identifying the authority with which the priority application was made

(40) Date(s) of making information available to the public

- (45) Date of publication of the registered industrial design by printing or similar process, or making it available to the public by any other means

(50) Miscellaneous Information

- (51) International Classification for Industrial Designs (class and subclass of the Locarno Classification)
- (54) Designation of article(s) or product(s) covered by the industrial design or title of the industrial design
- (55) Reproduction of the industrial design (e.g., drawing, photograph) and explanations relating to the reproduction
- (56) List of prior art documents, if separate from descriptive text
- (57) Description of characteristic features of the industrial design including indication of colours

(60) References to other legally related application(s) and registration(s)

- (62) Serial number(s) and, if available, filing date(s) of application(s), registration(s) or document(s) related by division
- (66) Serial number(s) of the application, or the registration, of the design(s) which is (are) a variant(s) of the present one

(70) Identification of parties concerned with the application or registration

- (71) Name(s) and address(es) of the applicant(s)
- (72) Name(s) of the creator(s) if known to be such
- (74) Name(s) and address(es) of the representative(s)

This Page Left Intentionally Blank

Official Notice*Designs Act 2003***Amendments to Registered Designs at Examination**

The following amendments have been made to details previously published in the Australian Official Journal of Designs during the Examination process:

Registration Number	Amendment type	New details
304012	Classification	15-03B
304013	Classification	28-03Z, 28-03A
304359	Classification	15-01, 23-01G

Contact: IP Australia
Phone: 1300 651 010 or +61 2 6283 2999
Fax: +61 2 6283 7999
E-mail: assist@ipaustralia.gov.au
Web: www.ipaustralia.gov.au

This Page Left Intentionally Blank

Proceedings under the Designs Act 1906 preserved as a result of the provisions of Chapter 12 Part 2 of the Designs Act 2003.

This Page Left Intentionally Blank

Applications Lapsed

00986 / 2004 (09-01NES)	00987 / 2004 (09-01NES)
02124 / 2004 (19-08)	02136 / 2004 (28-02)
02137 / 2004 (28-02)	02323 / 2004 (23-02B)
02441 / 2004 (19-02)	02452 / 2004 (09-05)
02455 / 2004 (09-05)	02458 / 2004 (09-05)
02480 / 2004 (08-01)	02500 / 2004 (07-01NES)
02503 / 2004 (25-01K)	02507 / 2004 (09-03L)
02508 / 2004 (09-03L)	02509 / 2004 (09-03L)
02545 / 2004 (25-02NES)	02554 / 2004 (25-02NES)
02572 / 2004 (28-03NES)	02573 / 2004 (28-03NES)
02574 / 2004 (28-03B)	02575 / 2004 (09-03F)
02576 / 2004 (28-03NES)	

Application for Extension of Period of Registration

Applications under Section 27A(2) for extension of registration of the following designs have been lodged. In the event that a design is shown to be not new or original, the Registrar may refuse to extend the period of registration. Sub-section 27A(4) allows any person to lodge at the Designs Office material relevant to the question whether the design is not new or original. That material must be lodged within 11 months of the date when the registration of the design was made. Further details of the conditions and procedures for the lodgement of material are contained in Form 8 provided under the Designs Regulation 24.

Registration Number	Registered Owner	Registration Date
157977	DEKS INDUSTRIES PTY LTD	10/05/2005
157978	FRITO-LAY NORTH AMERICA, INC.	18/05/2005
158024	TRIMAX INDUSTRIES LIMITED	31/05/2005
158025	TRIMAX INDUSTRIES LIMITED	31/05/2005
158026	TRIMAX INDUSTRIES LIMITED	31/05/2005
158027	TRIMAX INDUSTRIES LIMITED	31/05/2005
158028	TRIMAX INDUSTRIES LIMITED	31/05/2005
158029	TRIMAX INDUSTRIES LIMITED	31/05/2005
158030	TRIMAX INDUSTRIES LIMITED	31/05/2005
158072	RETAIL AND COMMERCIAL PROPERTIES PTY LTD	06/06/2005
158172	DAVID GEORGE COOK	26/07/2005
158202	DUBOIS LIMITED	01/08/2005
158536	SHARP KABUSHIKI KAISHA	21/03/2006

Extension of Period of Registration of Designs

1st Period (Section 27A(8))

157974	157975	157976
157977		

2nd Period (Section 27A(12))

140831	141013	141581
141970	142269	142344
142362	142366	142367
142388	142406	142407
142408	142409	142513
142539	142540	142639
142667	142837	142838
142957	142958	142962
143027	143077	143115
143578	143579	143749
143847	143848	144023
144156	144157	144750
144805	145070	145071
145652	145816	146119
146219	146756	146942
147009		

147301	147531
151755	151756
151758	151759
151915	152398
152901	152902
152904	152905
	147531
	151757
	151913
	152667
	152903
	152906

3rd Period (Section 27A(13))

124450	125217	125352
125415	125416	125632
125655	125659	125746
125747	125776	125838
125839	126786	126823
127269	127863	127972
128444	128481	128883
128910	128975	129284
129285	129291	129508
129544	129555	129556
129774	129844	134583
136532		

Registrations Ceased

Note: Some of the following Registrations may have been previously advertised as ceased. In this instance, the previous advertisement still prevails.

109420	109422	109459
109508	109544	109557
109632	109640	109647
109735	109736	109845
109846	109979	109983
110204	110459	110460
111196	111796	111797
111912	112191	112277
113254	114670	114981
123820	123826	123860
123863	123864	123865
123867	123904	123922
123936	124007	124100
124243	124402	124737
126028	126237	126574
127037	127462	127511
128044	128045	128158
128476	128477	128702
130696	131330	138961
139001	139462	139480
139501	139542	139663
140440	140442	140464
140484	140515	140546
140547	140548	140549
140550	140595	140596
140597	140598	140599
140600	140601	140603
140621	140622	140623
140624	140625	140647
140648	140725	140726
140751	140820	140984

140985	141025	141063
141064	141209	141210
141211	141331	141351
141352	141353	141354
141394	141395	141396
141397	141421	141446
141447	141551	141552
141553	141590	141668
141670	141847	142184
142279	142334	142944
142983	143090	143091
143102	143103	143104
143105	143106	143107
143108	143109	143110
143111	143205	143244
143245	143390	143451
143452	143453	143454
144002	144043	144146
144460	144461	144462
144540	144541	144542
144848	145076	145077
145094	145095	145471
147714	147715	147716
147717	147718	147742
149437	149438	149439
149440	149441	149442
150931	152186	157973

Subsequent Owners Registered

	Aktiengesellschaft
156650	(BenQ Mobile GmbH & Co. OHG) Siemens Aktiengesellschaft

Names Registered - Alterations and Amendments

(The name in parentheses is the new name of the proprietor)

151003	(Australian Surgical Design & Manufacture Pty Ltd) Australian Surgical Design and Manufacture Pty Limited
117003	(Arjo Hospital Equipment AB (organization No.556247-0145)) Arjo Hospital Equipment K.B. 556247-0145

Extensions of time granted

Applications lodged for extension of time have been granted.

157908 **Anthony John Cole** An Extension of time to extend a registration has been granted to 15/05/2006

Subsequent Owners Registered

(The name in parentheses is that of the subsequent owner)

111151	(VSEH Subco Pty Ltd) Vision Systems Ltd
127796	(Gulf Rubber Australia Pty Ltd) Gulf Rubber (Aust.) Pty Limited
129555	(Gulf Rubber Australia Pty Ltd) Gulf Rubber (Aust.) Pty Limited
129556	(Gulf Rubber Australia Pty Ltd) Gulf Rubber (Aust.) Pty Limited
125776	(Gulf Rubber Australia Pty Ltd) Gulf Rubber (Aust.) Pty Limited
127139	(Gulf Rubber Australia Pty Ltd) Gulf Rubber (Aust.) Pty Limited
127140	(Gulf Rubber Australia Pty Ltd) Gulf Rubber (Aust.) Pty Limited
127269	(Gulf Rubber Australia Pty Ltd) Gulf Rubber (Aust.) Pty Limited
154255	(BenQ Mobile GmbH & Co. OHG) Siemens Aktiengesellschaft
155194	(BenQ Mobile GmbH & Co. OHG) Siemens Aktiengesellschaft
155395	(BenQ Mobile GmbH & Co. OHG) Siemens

Registration Proceedings

Designs Registered

This section provides a concordance between application number and registration number of Designs covered in this journal. It also shows the main class and registration date.

This section covers Registration numbers 158562 to 158570.

The registration number shown below should be used in all future correspondence.

Application Number	Registration Number	International Classification Code (IDC)	Registration Date	Application Number	Registration Number	International Classification Code (IDC)	Registration Date
02824/2003	158562	12-05	15/05/2006	02348/2004	158567	09-01NES	15/05/2006
00423/2004	158563	09-05	15/05/2006	02448/2004	158568	09-05	15/05/2006
02010/2004	158564	01-06	15/05/2006	02456/2004	158569	09-05	15/05/2006
02268/2004	158565	25-02NES	15/05/2006	02459/2004	158570	09-05	15/05/2006
02347/2004	158566	09-01NES	15/05/2006				

Registration Proceedings
Class Listing of Designs Registered

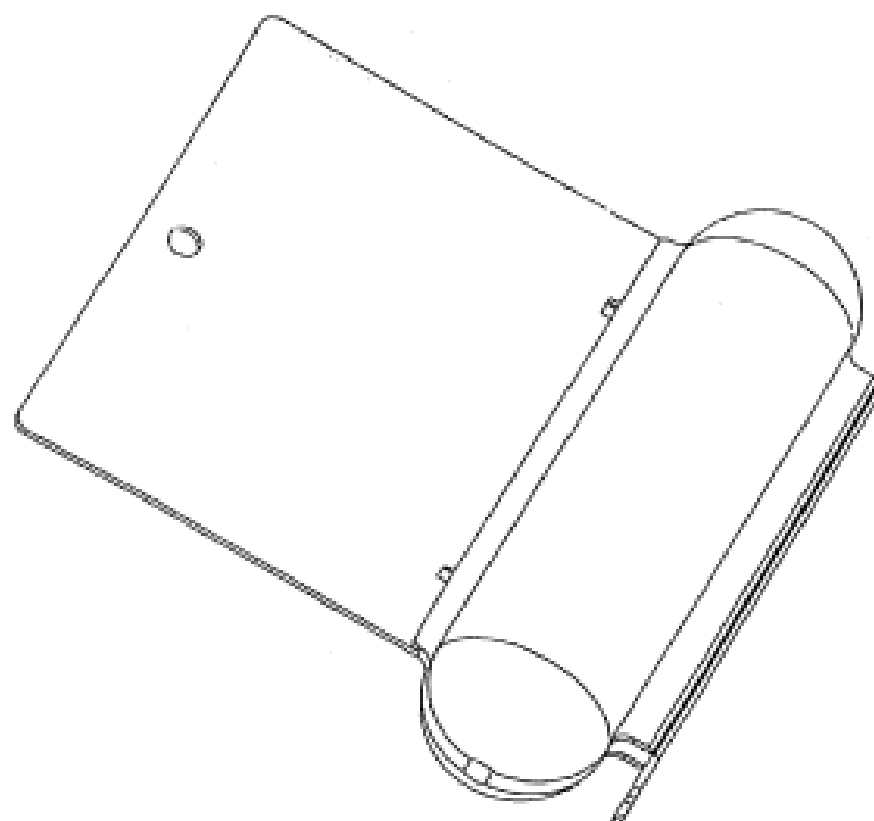
The following section shows an International Classification Code listing of the Registered Designs covered in this supplement.

Classification	Registration Number	Application Number	Classification	Registration Number	Application Number
01-06	158564	02010/2004	09-05	158568	02448/2004
09-01 H	158566	02347/2004	09-05	158569	02456/2004
09-01 H	158567	02348/2004	09-05	158570	02459/2004
09-01 NES	158566	02347/2004	12-05	158562	02824/2003
09-01 NES	158567	02348/2004	25-02 NES	158565	02268/2004
09-03 F	158564	02010/2004			
09-05	158563	00423/2004			

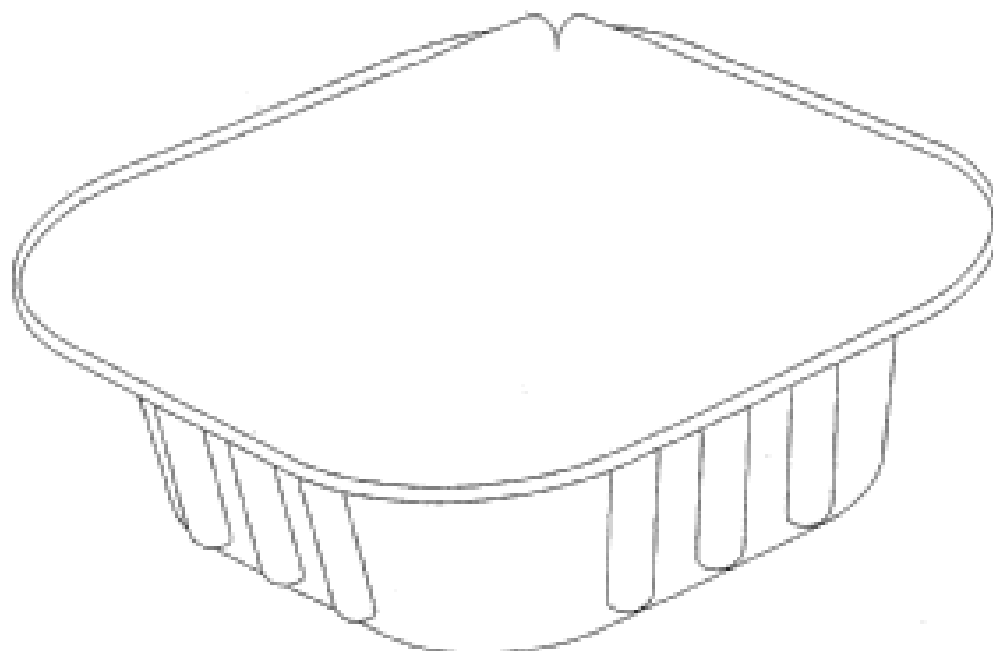
(21) Application Number: **2824/2003**
(22) Date of Filing Application: **18 August 2003**
(24) Date from which industrial property rights may have effect: **18 August 2003**
(54) Article in respect of which the design is registered: **Lifting device**
(51) International Design Classification: **12-05**
(71) Name(s) and Address(s) of Applicant(s):
Peter Dallas Crook
"Ourimperee" Gunnedah New South Wales 2380 Australia
Angela Margaret Crook
"Ourimperee" Gunnedah New South Wales 2380 Australia
(72) Name(s) of Author(s): **Peter Dallas Crook and Angela Margaret Crook**
(45) Registration Date: **15 May 2006**
(56) Related Art Documents: **Not Applicable**
(57) Statement of Monopoly: **Monopoly is claimed in the features of shape and configuration of the lifting device as shown in the representations. The utility vehicle does not form part of the design.**
Statement of Novelty: **Nil**



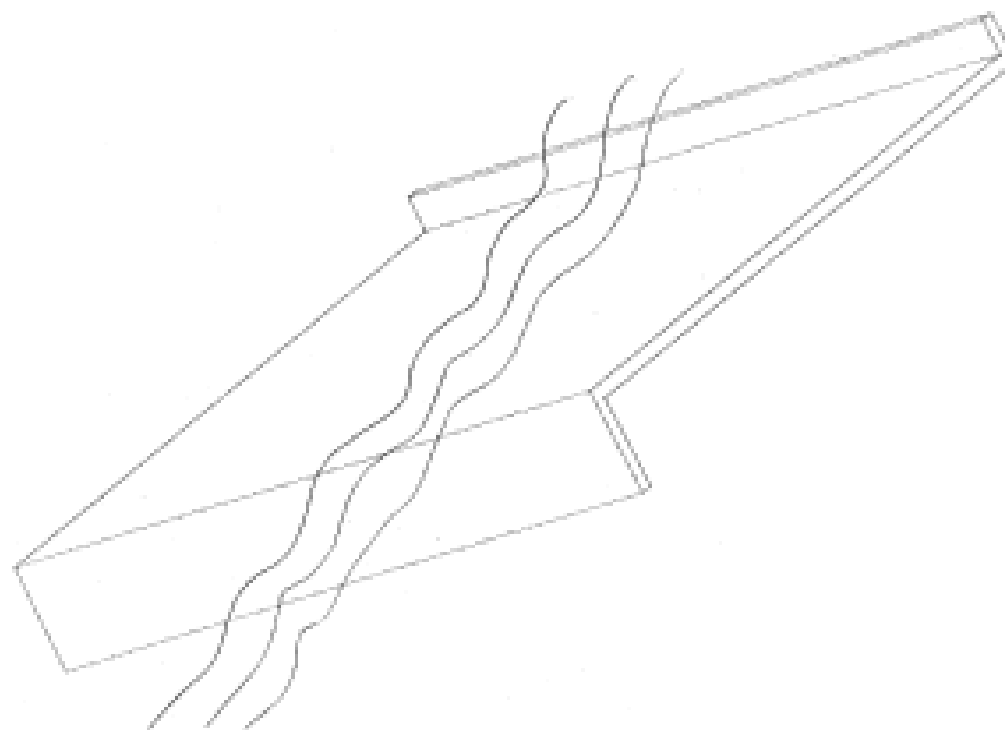
(21) Application Number: **0423/2004**
(22) Date of Filing Application: **05 February 2004**
(24) Date from which industrial property rights may have effect: **05 February 2004**
(54) Article in respect of which the design is registered: **A container**
(51) International Design Classification: **09-05**
(74) Name(s) of Attorney(s): **A J Park**
(71) Name(s) and Address(s) of Applicant(s):
Healthcare Manufacturing Group Limited
14-16 Norman Spencer Drive Manukau City Auckland New Zealand
(72) Name(s) of Author(s): **Roderick Francis Galantai**
(45) Registration Date: **15 May 2006**
(30) Convention priority data:
(31) Number (32) Date (33) Country
403781 11 Aug 2003 NEW ZEALAND
(56) Related Art Documents: **Not Applicable**
(57) Statement of Monopoly: **The monopoly resides in the features of shape and configuration of the tamper evident container as shown in the accompanying representations.**
Statement of Novelty: **Nil**



- (21) Application Number: **2010/2004**
(22) Date of Filing Application: **27 May 2004**
(24) Date from which industrial property rights may have effect: **27 May 2004**
(54) Article in respect of which the design is registered: **Prepackaged pet food product**
(51) International Design Classification: **01-06, 09-03F**
(74) Name(s) of Attorney(s): **WALLINGTON-DUMMER**
(71) Name(s) and Address(s) of Applicant(s):
Kieron Dowd
Suite 15 Jones Bay Wharf 19-21 Pirrama Road Pyrmont New South Wales 2009 Australia
Rodney Darryl Hunwick
22 Derriwong Road Dural New South Wales 2158 Australia
(72) Name(s) of Author(s): **Kieron Dowd and Rodney Hunwick**
(45) Registration Date: **15 May 2006**
(56) Related Art Documents: **Not Applicable**
(57) Statement of Monopoly: **Monopoly resides in the shape and/or configuration of prepackaged pet food product as illustrated in the representations.**
Statement of Novelty: **Nil**



- (21) Application Number: **2268/2004**
(22) Date of Filing Application: **11 June 2004**
(24) Date from which industrial property rights may have effect: **11 June 2004**
(54) Article in respect of which the design is registered: **Extruded sill flashing**
(51) International Design Classification: **25-02NES**
(71) Name(s) and Address(s) of Applicant(s):
Australian Solid Tanking Systems Pty Ltd
35 Clematis Court Marcoola Queensland 4564 Australia
(72) Name(s) of Author(s): **Gary Neil Jones**
(45) Registration Date: **15 May 2006**
(56) Related Art Documents: **Not Applicable**
(57) Statement of Monopoly: **Monopoly is claimed in the shape and configuration of extruded sill flashing as shown in the representations (of indefinite length).**
Statement of Novelty: **Nil**



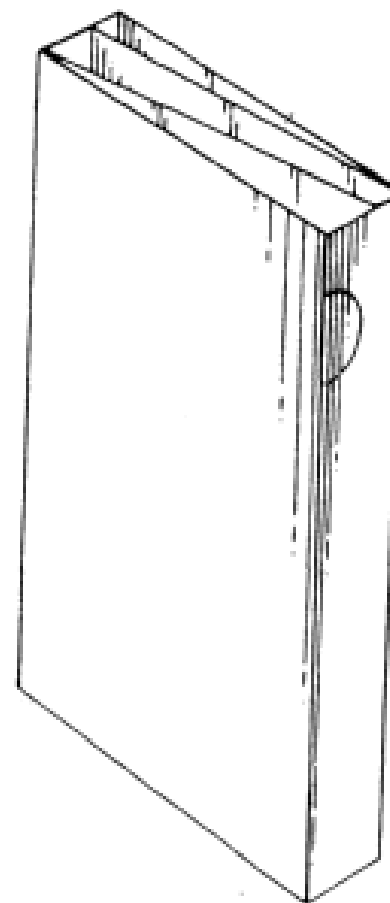
(21) Application Number: **2347/2004**
(22) Date of Filing Application: **16 June 2004**
(24) Date from which industrial property rights may have effect: **16 June 2004**
(54) Article in respect of which the design is registered: **Bottle with emboss**
(51) International Design Classification: **09-01NES, 09-01H**
(74) Name(s) of Attorney(s): **Davies Collison Cave**
(71) Name(s) and Address(s) of Applicant(s):
R & A Bailey & Co.
Nangor House Western Estate Dublin 12 Republic of Ireland
(72) Name(s) of Author(s): **Richard Brandt and Peter Knapp and Chris Hart and Matthew Scott and Joanne Emery**
(45) Registration Date: **15 May 2006**
(30) Convention priority data:
(31) Number (32) Date (33) Country
000170584 16 Apr 2004 EUROPEAN COMMUNITY
(56) Related Art Documents: **Not Applicable**
(57) Statement of Monopoly: **Monopoly is claimed in the shape, configuration, pattern and/or ornamentation of the article as illustrated in the accompanying representations.**
Statement of Novelty: **Nil**



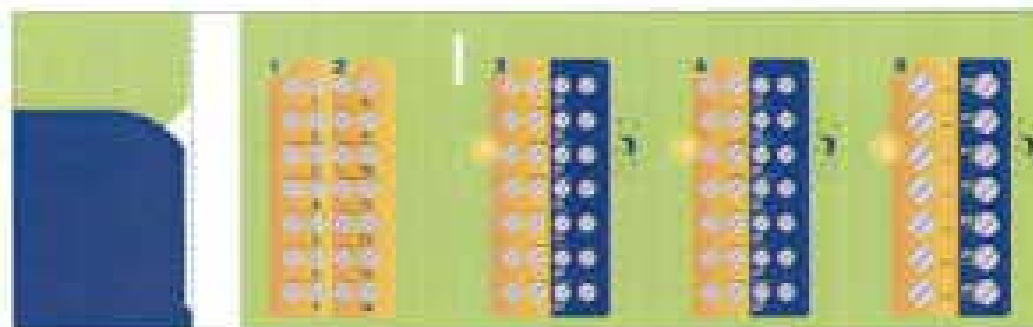
(21) Application Number: **2348/2004**
(22) Date of Filing Application: **16 June 2004**
(24) Date from which industrial property rights may have effect: **16 June 2004**
(54) Article in respect of which the design is registered: **Bottle with label**
(51) International Design Classification: **09-01NES, 09-01H**
(74) Name(s) of Attorney(s): **Davies Collison Cave**
(71) Name(s) and Address(s) of Applicant(s):
R & A Bailey & Co.
Nangor House Western Estate Dublin 12 Republic of Ireland
(72) Name(s) of Author(s): **Richard Brandt and Peter Knapp and Chris Hart and Matthew Scott and Joanne Emery**
(45) Registration Date: **15 May 2006**
(30) Convention priority data:
(31) Number (32) Date (33) Country
000170584 16 Apr 2004 EUROPEAN COMMUNITY
(56) Related Art Documents: **Not Applicable**
(57) Statement of Monopoly: **Monopoly is claimed in the shape, configuration, pattern and/or ornamentation of the article as illustrated in the accompanying representations.**
Statement of Novelty: **Nil**



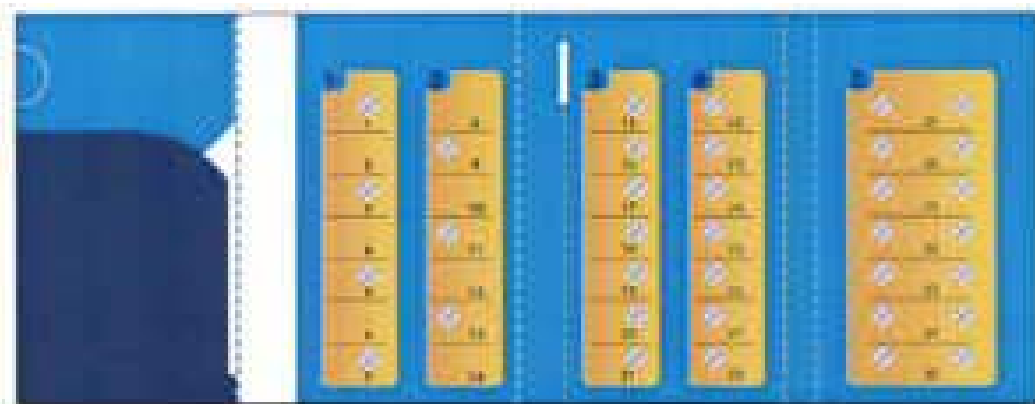
(21) Application Number: **2448/2004**
(22) Date of Filing Application: **16 June 2004**
(24) Date from which industrial property rights may have effect: **24 October 2003**
(54) Article in respect of which the design is registered: **Packaging**
(51) International Design Classification: **09-05**
(74) Name(s) of Attorney(s): **Davies Collison Cave**
(71) Name(s) and Address(s) of Applicant(s):
Glaxo Group Limited
Glaxo Wellcome House Berkeley Avenue Greenford Middlesex UB6
0NN United Kingdom
(72) Name(s) of Author(s): **Judy Jo Gibbs and Philippe Bruno Ragot and**
Jeffrey Michael Schons and Hong Helen Ye
(45) Registration Date: **15 May 2006**
(62) Divisional of: **157763**
(56) Related Art Documents: **Not Applicable**
(57) Statement of Monopoly: **Monopoly is claimed in the features of pattern and/or ornamentation of the sun and moon symbols of the packaging illustrated in Figure 1 of the attached representations. In considering the extent of monopoly protection, the pattern and/or ornamentation of the numbers on the packaging is to be disregarded.**
Statement of Novelty: **Nil**



(21) Application Number: **2456/2004**
(22) Date of Filing Application: **16 June 2004**
(24) Date from which industrial property rights may have effect: **24 October 2003**
(54) Article in respect of which the design is registered: **Packaging**
(51) International Design Classification: **09-05**
(74) Name(s) of Attorney(s): **Davies Collison Cave**
(71) Name(s) and Address(s) of Applicant(s):
Glaxo Group Limited
Glaxo Wellcome House Berkeley Avenue Greenford Middlesex UB6
0NN United Kingdom
(72) Name(s) of Author(s): **Judy Jo Gibbs and Philippe Bruno Ragot and**
Jeffrey Michael Schons and Hong Helen Ye
(45) Registration Date: **15 May 2006**
(62) Divisional of: **157763**
(56) Related Art Documents: **Not Applicable**
(57) Statement of Monopoly: **Monopoly is claimed in the features of pattern and/or ornamentation of the packaging illustrated in Figure 1 of the attached representations. In considering the extent of monopoly protection, the pattern and/or ornamentation of the numbers on the packaging is to be disregarded.**
Statement of Novelty: **Nil**



- (21) Application Number: **2459/2004**
(22) Date of Filing Application: **16 June 2004**
(24) Date from which industrial property rights may have effect: **24 October 2003**
(54) Article in respect of which the design is registered: **Packaging**
(51) International Design Classification: **09-05**
(74) Name(s) of Attorney(s): **Davies Collison Cave**
(71) Name(s) and Address(s) of Applicant(s):
Glaxo Group Limited
Glaxo Wellcome House Berkeley Avenue Greenford Middlesex UB6
0NN United Kingdom
(72) Name(s) of Author(s): **Judy Jo Gibbs and Philippe Bruno Ragot and**
Jeffrey Michael Schons and Hong Helen Ye
(45) Registration Date: **15 May 2006**
(62) Divisional of: **157763**
(56) Related Art Documents: **Not Applicable**
(57) Statement of Monopoly: **Monopoly is claimed in the features of pattern and/or ornamentation of the packaging illustrated in Figure 1 of the attached representations. In considering the extent of monopoly protection, the pattern and/or ornamentation of the numbers on the packaging is to be disregarded.**
Statement of Novelty: **Nil**



Proceedings under the Designs Act 2003.

This Page Left Intentionally Blank

Applications Lodged

Lodgement information is in the following order: **Applicant's Name**; International Classification, Name of Product, Lodgement Date and **Design Number**. If the applicant claims an earlier priority date under an International Convention, the Convention Country and the associated filing date are shown in parentheses before the Lodgement Date. Divisional information will also appear in parentheses before the Lodgement Date.

Adams, Stacey Louise; 11-02A, Memorial vase, 03 May 2006	11816/2006	BGC (Australia) Pty Ltd; 09-03H, Spacer for use in a pack of slab-like elements, 09 May 2006	12013/2006
Advanced Circuits and Systems Pty Ltd; 13-03D, 14-03NES, A housing for a filter, 21 Apr 2006	11655/2006	BOC Group plc, The; 23-01K, Valve guard for a gas cylinder, (GB, 10 Nov 2005) 27 Apr 2006	11744/2006
Aircast LLC; 24-04, Brace, (US, 27 Oct 2005) 27 Apr 2006	11745/2006	C.E. Niehoff & Co.; 13-01, Electrical alternator, (US, 18 Oct 2005) 18 Apr 2006	11605/2006
Alcan Technology & Management Ltd; 09-03L, 09-03F, Container, (EM, 01 Nov 2005) 13 Apr 2006	11547/2006	Cabot Safety Intermediate Corporation; 24-04, Earplug stem, (US, 09 Nov 2005) 26 Apr 2006	11737/2006
Aluminium Extrusion and Distribution Pty Limited; 25-02H, 25-01K, Window head/sill extrusion, 09 May 2006	12015/2006	Cabot Safety Intermediate Corporation; 24-04, Earplug stem, (US, 09 Nov 2005) 26 Apr 2006	11738/2006
Aluminium Extrusion and Distribution Pty Limited; 25-02H, 25-01K, Window sash extrusion, 09 May 2006	12016/2006	Cabot Safety Intermediate Corporation; 24-04, Earplug stem, (US, 09 Nov 2005) 26 Apr 2006	11739/2006
Amcor Limited; 09-03NES, A carton and a blank for a carton, 03 May 2006	11897/2006	Cabot Safety Intermediate Corporation; 24-04, Earplug stem, (US, 09 Nov 2005) 26 Apr 2006	11736/2006
Australian Honey Exports Pty Ltd; 09-01K, 09-01C, Container, 20 Apr 2006	11627/2006	Callaway Golf Company; 21-02C, Putter head, (US, 25 Oct 2005) 24 Apr 2006	11720/2006
Australian Keg Company Pty Ltd; 09-02A, 09-02NES, Storage bin, 10 May 2006	12056/2006	Callaway Golf Company; 21-02C, Putter head, (US, 07 Nov 2005) 02 May 2006	11832/2006
ADC GmbH; 13-03E, A connection module, (DE, 11 Jan 2006) 04 May 2006	11909/2006	Callaway Golf Company; 21-02C, Putter head, (US, 07 Nov 2005) 02 May 2006	11833/2006
ADC GmbH; 13-03E, A connection module, (DE, 11 Jan 2006) 04 May 2006	11910/2006	Capral Aluminium Limited; 25-01K, Extrusion, 03 May 2006	11843/2006
ADC GmbH; 13-03E, A connection module, (DE, 11 Jan 2006) 04 May 2006	11908/2006	Capral Aluminium Limited; 25-01K, Extrusion, 03 May 2006	11878/2006
Bentham, Michael Frank; Bentham, Barbara Mary; 11-05, Flag, 28 Apr 2006	11751/2006	Capral Aluminium Limited; 25-01K, Extrusion, 03 May 2006	11879/2006
Bentham, Barbara Mary; Bentham, Michael Frank; 11-05, Flag, 28 Apr 2006	11751/2006	Capral Aluminium Limited; 25-01K, Extrusion, 03 May 2006	11880/2006
Blue Swimmer Group; 06-13C, Beach towel, 24 Apr 2006	11692/2006	Capral Aluminium Limited; 25-01K, Extrusion, 03 May 2006	11881/2006
Blue Swimmer Group; 06-13C, Beach towel, 24 Apr 2006	11693/2006	Capral Aluminium Limited; 25-01K, Extrusion, 03 May 2006	11882/2006
Blue Swimmer Group; 06-13C, Beach towel, 24 Apr 2006	11694/2006	Capral Aluminium Limited; 25-01K, Extrusion, 03 May 2006	11883/2006
Botsai, Kurt; Sellers, David R.; Sawhney, Ravi K.; Steele, Craig R.; Hussey, Lance G.; Risley, Simon; Englin, Robb; 02-04B, A detachable sole for an ankle and foot covering, (US, 27 Oct 2005) 26 Apr 2006	11741/2006	Capral Aluminium Limited; 25-01K, Extrusion, 03 May 2006	11884/2006
		Capral Aluminium Limited; 25-01K, Extrusion, 03 May 2006	11885/2006
		Capral Aluminium Limited; 25-01K, Extrusion, 03 May 2006	11886/2006

Capral Aluminium Limited; 08-08L, 08-08NES, Connector, 03 May 2006	11887/2006	Capral Aluminium Limited; 25-01K, Extrusion, 03 May 2006	11862/2006
Capral Aluminium Limited; 08-08L, 08-08NES, Corner cleat, 03 May 2006	11888/2006	Capral Aluminium Limited; 25-01K, Extrusion, 03 May 2006	11864/2006
Capral Aluminium Limited; 25-01K, Extrusion, 03 May 2006	11889/2006	Capral Aluminium Limited; 25-01K, Extrusion, 03 May 2006	11865/2006
Capral Aluminium Limited; 25-01K, Extrusion, 03 May 2006	11890/2006	Capral Aluminium Limited; 25-01K, Extrusion, 03 May 2006	11866/2006
Capral Aluminium Limited; 25-01K, Extrusion, 03 May 2006	11891/2006	Capral Aluminium Limited; 25-01K, Extrusion, 03 May 2006	11867/2006
Capral Aluminium Limited; 25-01K, Extrusion, 03 May 2006	11892/2006	Capral Aluminium Limited; 25-01K, Extrusion, 03 May 2006	11868/2006
Capral Aluminium Limited; 25-01K, Gasket, 03 May 2006	11893/2006	Capral Aluminium Limited; 25-01K, Extrusion, 03 May 2006	11869/2006
Capral Aluminium Limited; 25-01K, Extrusion, 03 May 2006	11894/2006	Capral Aluminium Limited; 25-01K, Extrusion, 03 May 2006	11870/2006
Capral Aluminium Limited; 25-01K, Extrusion, 03 May 2006	11895/2006	Capral Aluminium Limited; 25-01K, Extrusion, 03 May 2006	11871/2006
Capral Aluminium Limited; 25-01K, Extrusion, 03 May 2006	11844/2006	Capral Aluminium Limited; 25-01K, Extrusion, 03 May 2006	11872/2006
Capral Aluminium Limited; 25-01K, Extrusion, 03 May 2006	11845/2006	Capral Aluminium Limited; 25-01K, Extrusion, 03 May 2006	11873/2006
Capral Aluminium Limited; 25-01K, Extrusion, 03 May 2006	11846/2006	Capral Aluminium Limited; 25-01K, Extrusion, 03 May 2006	11874/2006
Capral Aluminium Limited; 25-01K, Extrusion, 03 May 2006	11863/2006	Capral Aluminium Limited; 25-01K, Extrusion, 03 May 2006	11875/2006
Capral Aluminium Limited; 25-01K, Extrusion, 03 May 2006	11848/2006	Capral Aluminium Limited; 25-01K, Extrusion, 03 May 2006	11876/2006
Capral Aluminium Limited; 25-01K, Endcap, 03 May 2006	11849/2006	Capral Aluminium Limited; 25-01K, Extrusion, 03 May 2006	11877/2006
Capral Aluminium Limited; 25-01K, Extrusion, 03 May 2006	11850/2006	Casala Meubelen Nederland B.V.; 06-01F, A chair, (BX, 11 Feb 2005) 10 May 2005	10448/2006
Capral Aluminium Limited; 25-01NES, 25-01K, Spacer, 03 May 2006	11851/2006	Cave Vinicole De Pfaffenheim-Gueberschwihr et environs; Viticulteurs reunis;; de Pfaffenheim-Gueberschwihr et environs Societe Vinicole de;; Pfaffenheim-Gueberschwihr et environs; 19-08, Wine label, (FR, 26 Oct 2005) 26 Apr 2006	11731/2006
Capral Aluminium Limited; 08-06, Hinge, 03 May 2006	11852/2006	Cave Vinicole De Pfaffenheim-Gueberschwihr et environs; Viticulteurs reunis;; de Pfaffenheim-Gueberschwihr et environs Societe Vinicole de;; Pfaffenheim-Gueberschwihr et environs; 19-08, Wine label, (FR, 26 Oct 2005) 26 Apr 2006	11732/2006
Capral Aluminium Limited; 25-02K, Louvre blade, 03 May 2006	11853/2006		
Capral Aluminium Limited; 25-01K, Extrusion, 03 May 2006	11854/2006		
Capral Aluminium Limited; 25-01K, Extrusion, 03 May 2006	11855/2006		
Capral Aluminium Limited; 25-01K, Extrusion, 03 May 2006	11856/2006		
Capral Aluminium Limited; 25-01K, Extrusion, 03 May 2006	11857/2006		
Capral Aluminium Limited; 25-01K, Extrusion, 03 May 2006	11858/2006	Coca-Cola Company, The; 09-01NES, Bottle, (US, 10 Nov 2005) 24 Apr 2006	11714/2006
Capral Aluminium Limited; 25-01K, Extrusion, 03 May 2006	11859/2006	Coca-Cola Company, The; 09-01NES, Bottle, (US, 10 Nov 2005) 24 Apr 2006	11715/2006
Capral Aluminium Limited; 25-01K, Extrusion, 03 May 2006	11860/2006		
Capral Aluminium Limited; 25-01K, Extrusion, 03 May 2006	11861/2006	Comat Pty Ltd, (as trustee for the Watson Family Trust); 01-01, Confectionary, 21 Apr 2006	11679/2006

Comat Pty Ltd, (as trustee for the Watson Family Trust); 01-01, Confectionary, 21 Apr 2006	11680/2006	Crocs, Inc.; 02-04NES, Footwear, (US, 26 Oct 2005) 26 Apr 2006	11734/2006
Comat Pty Ltd, (as trustee for the Watson Family Trust); 01-01, Confectionary, 21 Apr 2006	11681/2006	Crown Equipment Corporation; 12-05, Materials handling vehicle, (US, 08 Nov 2005) 27 Apr 2006	11756/2006
Comat Pty Ltd, (as trustee for the Watson Family Trust); 01-01, Confectionary, 21 Apr 2006	11682/2006	Crown Equipment Corporation; 12-05, 12-16B, Overhead guard for a materials handling vehicle, (US, 08 Nov 2005) 27 Apr 2006	11755/2006
Comat Pty Ltd, (as trustee for the Watson Family Trust); 01-01, Confectionary, 21 Apr 2006	11683/2006	Crown Equipment Corporation; 12-05, 12-16NES, Operator compartment step arrangement for a materials handling vehicle, (US, 08 Nov 2005) 27 Apr 2006	11757/2006
Comat Pty Ltd, (as trustee for the Watson Family Trust); 01-01, Confectionary, 21 Apr 2006	11684/2006	Dagenham Pty Ltd; 25-02NES, Retractable barrier, 05 May 2006	11903/2006
Comat Pty Ltd, (as trustee for the Watson Family Trust); 01-01, Confectionary, 21 Apr 2006	11685/2006	Dauphin Entwicklungs-und Beteiligungs GmbH; 06-01F, Chair, 02 May 2006	11820/2006
Comat Pty Ltd, (as trustee for the Watson Family Trust); 01-01, Confectionary, 21 Apr 2006	11686/2006	Dauphin Entwicklungs-und Beteiligungs GmbH; 06-01F, Chair, 02 May 2006	11818/2006
Comat Pty Ltd, (as trustee for the Watson Family Trust); 01-01, Confectionary, 21 Apr 2006	11688/2006	De Beer, Barend Daniel; 19-06, Finger couplable writing instrument cap, (ZA, 04 Nov 2005) 01 May 2006	11805/2006
Comat Pty Ltd, (as trustee for the Watson Family Trust); 01-01, Confectionary, 21 Apr 2006	11687/2006	Decor Corporation Pty Ltd, The; 04-02, Toilet brush, 08 May 2006	12002/2006
Comat Pty Ltd, (as trustee for the Watson Family Trust); 01-01, Confectionary, 21 Apr 2006	11671/2006	Decor Corporation Pty Ltd, The; 07-01NES, Container, 24 Apr 2006	11717/2006
Comat Pty Ltd, (as trustee for the Watson Family Trust); 01-01, Confectionary, 21 Apr 2006	11672/2006	Decor Corporation Pty Ltd, The; 07-01NES, Container, 24 Apr 2006	11718/2006
Comat Pty Ltd, (as trustee for the Watson Family Trust); 01-01, Confectionary, 21 Apr 2006	11673/2006	Decor Corporation Pty Ltd, The; 07-01NES, Container, 24 Apr 2006	11719/2006
Comat Pty Ltd, (as trustee for the Watson Family Trust); 01-01, Confectionary, 21 Apr 2006	11674/2006	Dynamic Closures (Aust) Pty Ltd; 25-01K, Extrusion, 28 Apr 2006	11775/2006
Comat Pty Ltd, (as trustee for the Watson Family Trust); 01-01, Confectionary, 21 Apr 2006	11675/2006	Dynamic Closures (Aust) Pty Ltd; 25-01K, A movable array of extrusions, 28 Apr 2006	11776/2006
Comat Pty Ltd, (as trustee for the Watson Family Trust); 01-01, Confectionary, 21 Apr 2006	11676/2006	Dynamic Closures (Aust) Pty Ltd; 25-01K, A movable array of extrusions, 28 Apr 2006	11777/2006
Comat Pty Ltd, (as trustee for the Watson Family Trust); 01-01, Confectionary, 21 Apr 2006	11677/2006	DF World of Spices GmbH; 07-06C, 07-07NES, Packaging, (EM, 15 Dec 2005) 08 May 2006	12003/2006
Comat Pty Ltd, (as trustee for the Watson Family Trust); 01-01, Confectionary, 21 Apr 2006	11678/2006	D4D Technologies, L.P.; 08-08NES, 15-09, Square mandrel, 12 Apr 2006	11538/2006
Comat Pty Ltd, (as trustee for the Watson Family Trust); 01-01, Confectionary, 21 Apr 2006	11678/2006	Ecco-Sit International; 06-06G, Chair back outer moulding, 08 May 2006	12004/2006
Compagnie Plastic Omnium; 21-03, An outgame structure, (EM, 25 Oct 2005) 26 Apr 2006	11735/2006	Ecco-Sit International; 06-06G, Chair back outer moulding, 08 May 2006	12005/2006
Cook, David; 08-08NES, 25-04, Outdoor industry, spreader rails, roof rails, annex rails, aluminium as gahuaxsird tube, 28 Apr 2006	11760/2006	Eder, Johann George; Kerr, Graeme Russel; Hansen, Carl Frederic; 10-04, Housing, 09 May 2006	12014/2006
		Ekornes ASA; 06-01G, Sofa, (NO, 28 Oct 2005) 28 Apr 2006	11797/2006

Elson Australasia Pty Ltd; 23-01H, Cistern/washing machine stop, 08 May 2006	11977/2006	GM Holden Ltd; 12-16B, Vehicle grille, 04 May 2006	11926/2006
Elson Australasia Pty Ltd; 23-01H, Lever top assembly, 08 May 2006	11978/2006	GM Holden Ltd; 12-16E, Left-and right-side vehicle lamp housings, 04 May 2006	11927/2006
Englin, Robb; Sellers, David R.; Sawhney, Ravi K.; Botsai, Kurt; Steele, Craig R.; Hussey, Lance G.; Risley, Simon; 02-04B, A detachable sole for an ankle and foot covering, (US, 27 Oct 2005) 26 Apr 2006	11741/2006	GM Holden Ltd; 12-16B, Vehicle grille, 04 May 2006	11928/2006
Euroglass S.P.A.; 09-01H, Carafe, 24 Apr 2006	11703/2006	GM Holden Ltd; 12-16B, Vehicle grille, 04 May 2006	11929/2006
Eveready Battery Company, Inc.; 26-02, A flashlight, 05 May 2006	11984/2006	GM Holden Ltd; 12-16B, Vehicle grille escutcheon, 04 May 2006	11930/2006
Eveready Battery Company, Inc.; 26-02, A flashlight, 05 May 2006	11985/2006	GM Holden Ltd; 12-16B, Vehicle grille escutcheon, 04 May 2006	11931/2006
Eveready Battery Company, Inc.; 26-02, A flashlight, 05 May 2006	11986/2006	GM Holden Ltd; 12-16B, 12-16C, Vehicle fascia, 04 May 2006	11932/2006
ESCUBE Packaging; 09-03H, Catch lock interlocking dividers, 05 May 2006	11982/2006	GM Holden Ltd; 12-16B, 12-16C, Vehicle fascia, 04 May 2006	11933/2006
ESCUBE Packaging; 09-03H, Catch lock interlocking dividers, 05 May 2006	11982/2006	GM Holden Ltd; 12-16B, Left-and right-side vehicle sill panels, 04 May 2006	11934/2006
Forehan, John; 30-08, An animal eartag having an internal disc transponder, 03 May 2006	11808/2006	GM Holden Ltd; 12-16B, Left-and right-side vehicle sill panels, 04 May 2006	11935/2006
Fraisbon Foods Limited; 09-03F, Container for food, (NZ, 23 Dec 2005) 24 Apr 2006	11724/2006	GM Holden Ltd; 12-16B, Vehicle towbar cutout cover, 04 May 2006	11936/2006
Fretwell, Jason; 23-02A, Toothbrush holder, (EM, 24 Oct 2005) 24 Apr 2006	11706/2006	GM Holden Ltd; 12-16B, Vehicle towbar cutout cover, 04 May 2006	11937/2006
Gary Frencham Pty Ltd; 25-01G, Cladding member of indefinite length and indefinite width, 10 May 2006	12017/2006	GM Holden Ltd; 12-16B, Vehicle decor panel, 04 May 2006	11938/2006
Gary Frencham Pty Ltd; 25-01G, Cladding member of indefinite length and indefinite width, 10 May 2006	12018/2006	GM Holden Ltd; 12-16B, Vehicle fascia, 04 May 2006	11939/2006
Goodyear Tire & Rubber Company, The; 12-15B, Tyre, (US, 17 Nov 2005) 04 May 2006	11965/2006	GM Holden Ltd; 12-16B, Left-and right-side vehicle fascia inserts, 04 May 2006	11940/2006
Groh, William S.; Schrick, Steven M.; Lee, Albert L. IV; 13-02, 3V nano battery module, (US, 21 Nov 2005) 26 Apr 2006	11740/2006	GM Holden Ltd; 12-16E, Left-and right-side vehicle lamp housings, 04 May 2006	11941/2006
GM Holden Ltd; 12-16B, Vehicle bonnet, 04 May 2006	11920/2006	GM Holden Ltd; 12-16E, Left-and right-side vehicle lamp bezels, 04 May 2006	11942/2006
GM Holden Ltd; 12-16A, Vehicle wheel, 04 May 2006	11921/2006	GM Holden Ltd; 12-16E, Left-and right-side vehicle lamp housings, 04 May 2006	11943/2006
GM Holden Ltd; 12-16A, Vehicle wheel, 04 May 2006	11922/2006	GM Holden Ltd; 12-16E, 26-06, Left-and right-side vehicle indicator repeater lenses, 04 May 2006	11911/2006
GM Holden Ltd; 12-16E, Left-and right-side vehicle lamp housings, 04 May 2006	11923/2006	GM Holden Ltd; 12-16B, Left-and right-side vehicle side panels, 04 May 2006	11912/2006
GM Holden Ltd; 12-16E, 26-06, Left-and right-side vehicle lamp lenses, 04 May 2006	11924/2006	GM Holden Ltd; 12-16B, Vehicle roof panel, 04 May 2006	11913/2006
GM Holden Ltd; 12-16E, Left-and right-side vehicle lamp housings, 04 May 2006	11925/2006	GM Holden Ltd; 12-16B, Left-and right-side vehicle sill panels, 04 May 2006	11914/2006
		GM Holden Ltd; 12-16A, Vehicle wheel cover, 04 May 2006	11915/2006
		GM Holden Ltd; 12-16A, Vehicle wheel, 04 May 2006	

GM Holden Ltd; 12-16D, Vehicle decor strip, 04 May 2006	11916/2006	Industrial Evolution Pty Ltd; 14-02, Compact docking station to secure a laptop computer in a vehicle, 05 May 2006	11970/2006
GM Holden Ltd; 12-16D, Vehicle decor strip, 04 May 2006	11917/2006	International Consolidated Business Pty Ltd; 09-05, Bag, 22 Jul 2005	11992/2006
GM Holden Ltd; 12-16B, Vehicle spoiler, 04 May 2006	11918/2006	International Consolidated Business Pty Ltd; 09-05, Bag, 22 Jul 2005	11993/2006
GM Holden Ltd; 12-16B, Vehicle Bootlid, 04 May 2006	11919/2006	International Consolidated Business Pty Ltd; 09-05, Bag, 22 Jul 2005	11994/2006
GMCA Pty Ltd; 08-05NES, An electrically powered glue gun, (EM, 10 Nov 2005) 10 May 2006	12019/2006	International Consolidated Business Pty Ltd; 09-05, Bag, 22 Jul 2005	11995/2006
GMCA Pty Ltd; 08-03, Circular saw, (GB, 03 Mar 2006) 10 May 2006	12020/2006	International Consolidated Business Pty Ltd; 09-05, Bag, 22 Jul 2005	11996/2006
GMCA Pty Ltd; 15-99, Powered nailer tool, (EM, 22 Feb 2006) 26 Apr 2006	11721/2006	International Consolidated Business Pty Ltd; 09-05, Bag, 22 Jul 2005	11997/2006
Hansen, Carl Frederic; Eder, Johann George; Kerr, Graeme Russel; 10-04, Housing, 09 May 2006	12014/2006	Jamella Limited; 28-03B, Iron, (EM, 04 Nov 2005) 24 Apr 2006	11716/2006
Hargrave, Dallas; O'Neill, Allan; 08-06, 12-16L, Ball x pivot intended application is for gate hinge and/or engine mount, 08 May 2006	11967/2006	Kerckhaert BV; 30-99, Horseshoe, (EP, 03 Nov 2005) 02 May 2006	11821/2006
Haworth, Inc.; 06-01F, Chair design, (US, 28 Feb 2005) 26 Aug 2005	11342/2006	Kerr, Graeme Russel; Eder, Johann George; Hansen, Carl Frederic; 10-04, Housing, 09 May 2006	12014/2006
Haworth, Inc.; 06-01F, Chair design, (US, 28 Feb 2005) 26 Aug 2005	11343/2006	Koninklijke Philips Electronics N.V.; 28-03A, 2-head dry shaver, (EM, 25 Nov 2005) 08 May 2006	12001/2006
Haworth, Inc.; 06-01F, Chair design, (US, 28 Feb 2005) 26 Aug 2005	11344/2006	Koninklijke Philips Electronics N.V.; 15-05, Vacuum cleaner, (EM, 08 Nov 2005) 03 May 2006	11835/2006
Haworth, Inc.; 06-01F, Chair design, (US, 28 Feb 2005) 26 Aug 2005	11345/2006	Kraft Foods Holdings, Inc.; 09-01C, Grippable container, (US, 27 Oct 2005) 27 Apr 2006	11743/2006
Haworth, Inc.; 06-01F, Chair design, (US, 28 Feb 2005) 26 Aug 2005	11346/2006	Lee, Albert L. IV; Schrick, Steven M.; Groh, William S.; 13-02, 3V nano battery module, (US, 21 Nov 2005) 26 Apr 2006	11740/2006
Herqules Child Care S.A.; 12-12, Perambulator, (EM, 31 Oct 2005) 28 Apr 2006	11767/2006	Linak A/S; 14-03NES, A hand control, especially for hospital and care beds, (DK, 11 Nov 2005) 03 May 2006	11836/2006
Hucks, Alan; 06-04NES, Winerack or storage system - modular class 06-04Z, 05 May 2006	11969/2006	Linak A/S; 14-03NES, A hand control, especially for hospital and care beds, (DK, 11 Nov 2005) 03 May 2006	11837/2006
Huhtamaki (UK) Limited; 09-07A, Lid, (EM, 19 Oct 2005) 13 Apr 2006	11564/2006	Linak A/S; 14-03NES, A hand control, especially for hospital and care beds, (DK, 11 Nov 2005) 03 May 2006	11838/2006
Huhtamaki (UK) Limited; 09-07A, Lid, (EM, 19 Oct 2005) 13 Apr 2006	11565/2006	Linak A/S; 13-03NES, An enclosure for electrical equipment, (DK, 09 Nov 2005) 02 May 2006	11827/2006
Huhtamaki (UK) Limited; 09-07A, Lid, (EM, 19 Oct 2005) 13 Apr 2006	11566/2006	Machine Man Fencing; 25-01E, Fence post, 09 May 2006	12010/2006
Hussey, Lance G.; Sellers, David R.; Sawhney, Ravi K.; Botsai, Kurt; Steele, Craig R.; Risley, Simon; Englin, Robb; 02-04B, A detachable sole for an ankle and foot covering, (US, 27 Oct 2005) 26 Apr 2006	11741/2006		

Machine Man Fencing; 25-02C, Fence rail, 09 May 2006	12011/2006	National Display Systems Pty Ltd; 20-02E, Shopfitting unit, 04 May 2006	11963/2006
Maxymoo baby; 11-02F, 19-08, Design is to be applied to commercial canvas for resale in childrens stores as kids painting/decor for rooms, 05 May 2006	11904/2006	National Display Systems Pty Ltd; 20-02E, Shopfitting unit, 04 May 2006	11964/2006
McGill, Andrew Charles; 25-03, 03-03, PVC umbrella, 12 May 2006	12044/2006	Nokia Corporation; 14-03E, A handset, (US, 24 Oct 2005) 24 Apr 2006	11710/2006
McInnes, Gregory Charles; 12-10, Set of trailers, 27 Apr 2006	11998/2006	Nokia Corporation; 14-03E, A handset, (FI, 31 Oct 2005) 27 Apr 2006	11754/2006
Metalicus Australia; 02-02C, 02-02NES, 02-01B, 02-05, 02-07NES, Clothing, 24 Apr 2006	11702/2006	Nokia Corporation; 14-03A, A front cover for a handset, (US, 24 Oct 2005) 24 Apr 2006	11711/2006
Mihalic, Marijan Stephen; 03-01NES, Bag (cover for electronic welder), 01 May 2006	11762/2006	Nokia Corporation; 14-03E, A handset, (US, 24 Oct 2005) 24 Apr 2006	11712/2006
Mobiletron Electronics Co., Ltd.; 08-01, Electric handtool, 05 May 2006	12059/2006	Nokia Corporation; 14-03E, A handset, (US, 24 Oct 2005) 24 Apr 2006	11713/2006
Mobiletron Electronics Co., Ltd.; 26-02, Flashlight, 05 May 2006	12058/2006	O'Keeffe, Stephen John; 08-09, 25-02H, Bay window cleats for venetian blinds, 24 Apr 2006	11700/2006
Mobiletron Electronics Co., Ltd.; 08-01, 08-05NES, Electric handtool, 05 May 2006	12057/2006	O'Neill, Allan; Hargrave, Dallas; 08-06, 12-16L, Ball x pivot intended application is for gate hinge and/or engine mount, 08 May 2006	11967/2006
Mobiletron Electronics Co., Ltd. a Taiwanese company; 15-99, Electric nailer, 02 May 2006	11901/2006	Okamura Corporation; 06-01NES, Chair, (JP, 20 Oct 2005) 18 Apr 2006	11595/2006
Mobiletron Electronics Co., Ltd. a Taiwanese company; 13-02, Battery charger for electric tool, 02 May 2006	11902/2006	Okamura Corporation; 06-01NES, Chair, (JP, 20 Oct 2005) 18 Apr 2006	11596/2006
Molanda Pty Ltd; 15-02, 15-99, Package pump station with mixer tank, 18 Apr 2006	11570/2006	Ortech Pty Ltd; 08-08NES, 07-06A, Drink holder attachment for a booster seat, 26 Apr 2006	11707/2006
Morley, Colin; 03-03, 25-03, Bivvy brolley with storm sides, 27 Apr 2006	11796/2006	Pacific Worldwide Pty Ltd; 09-03M, Sweet and sour tamarind, 19 Apr 2006	11599/2006
National Association for Stock Car Auto Racing, Inc.; 12-08, 12-16NES, Tapered drive shaft housing, 05 May 2006	11973/2006	Pacific Worldwide Pty Ltd; 09-03M, Sweet tamarind, 19 Apr 2006	11600/2006
National Display Systems Pty Ltd; 20-02E, Shopfitting unit, 04 May 2006	11955/2006	Pentair Water Pool and Spa, Inc.; 13-03C, Junction box, (US, 31 Oct 2005) 20 Apr 2006	11725/2006
National Display Systems Pty Ltd; 20-02E, Shopfitting unit, 04 May 2006	11956/2006	PepsiCo, Inc.; 09-03L, Beverage container, (US, 28 Oct 2005) 28 Apr 2006	11763/2006
National Display Systems Pty Ltd; 20-02E, Shopfitting unit, 04 May 2006	11957/2006	PepsiCo, Inc.; 09-03L, Beverage container, (US, 28 Oct 2005) 28 Apr 2006	11764/2006
National Display Systems Pty Ltd; 20-02E, Shopfitting unit, 04 May 2006	11958/2006	Pi-Design AG; 07-01G, 07-01D, Mug press, (DK, 19 Oct 2005) 19 Apr 2006	11611/2006
National Display Systems Pty Ltd; 20-02E, Shopfitting unit, 04 May 2006	11959/2006	Pouypoudat, Christophe; 21-02D, 24-99, Inflatable birthing pool, 09 May 2006	12009/2006
National Display Systems Pty Ltd; 20-02E, Shopfitting unit, 04 May 2006	11960/2006	Quaker Oats Company, The; 07-01NES, Container, (US, 03 Nov 2005) 02 May 2006	11834/2006
National Display Systems Pty Ltd; 20-02E, Shopfitting unit, 04 May 2006	11961/2006		
National Display Systems Pty Ltd; 20-02E, Shopfitting unit, 04 May 2006	11962/2006		

Quaker Oats Company, The; 09-07B, Lid, (US, 03 Nov 2005) 03 May 2006	11839/2006	Ronald E. Graham (Holdings) Pty Limited; 25-01A, 25-02NES, Concrete lintel, 02 May 2006	11823/2006
Quaker Oats Company, The; 09-07B, Lid, (US, 03 Nov 2005) 03 May 2006	11840/2006	Ronald E. Graham (Holdings) Pty Limited; 25-01A, 25-02NES, Concrete lintel, 02 May 2006	11824/2006
Quaker Oats Company, The; 09-03NES, Container, (US, 03 Nov 2005) 03 May 2006	11841/2006	Rowland, Philip G.; 06-01A, Patient transfer and procedure trolley, 24 Apr 2006	11761/2006
Quaker Oats Company, The; 09-03NES, Container, (US, 03 Nov 2005) 03 May 2006	11842/2006	REM Systems Limited; 03-01D, 24-01, Secure medical cabinet, (NZ, 03 Nov 2005) 03 May 2006	11815/2006
Quaker Oats Company, The; 07-01NES, Lid, (US, 03 Nov 2005) 02 May 2006	11828/2006	S.C. Johnson & Son, Inc.; 28-99, Diffuser disposed in a decorative container, (US, 02 Nov 2005) 01 May 2006	11806/2006
Quaker Oats Company, The; 07-01NES, Container, (US, 03 Nov 2005) 02 May 2006	11829/2006	S.C. Johnson & Son, Inc.; 26-01, Decorative candle holder, (US, 10 Nov 2005) 10 May 2006	12053/2006
Quaker Oats Company, The; 07-01NES, Container, (US, 03 Nov 2005) 02 May 2006	11830/2006	S.C. Johnson & Son, Inc.; 26-01, Decorative candle holder, (US, 10 Nov 2005) 10 May 2006	12054/2006
Quaker Oats Company, The; 07-01NES, Container, (US, 03 Nov 2005) 02 May 2006	11831/2006	S.C. Johnson & Son, Inc.; 26-01, 26-99, Melting plate for a decorative candle holder, (US, 10 Nov 2005) 10 May 2006	12055/2006
Quaker Oats Company, The; 07-01NES, Container, (US, 03 Nov 2005) 02 May 2006	11825/2006	Saeco IPR Limited; 07-02L, Drink making machines, (EM, 10 Nov 2005) 05 May 2006	11979/2006
Quaker Oats Company, The; 07-01NES, Container, (US, 03 Nov 2005) 02 May 2006	11826/2006	Saeco IPR Limited; 07-02L, Drink making machines, (EM, 10 Nov 2005) 05 May 2006	11980/2006
Raymont, William Stanley; 21-01L, Dice, 28 Apr 2006	11752/2006	Saeco IPR Limited; 07-02L, Drink making machines (part of-), (EM, 10 Nov 2005) 05 May 2006	11981/2006
Raymont, William Stanley; 21-01L, Dice, 28 Apr 2006	11758/2006	Saint-Gobain Calmar, Inc.; 09-07A, Spray nozzle, (US, 17 Nov 2005) 27 Apr 2006	11746/2006
Raymont, William Stanley; 21-01L, Dice, 28 Apr 2006	11759/2006	Saint-Gobain Calmar, Inc.; 09-07A, Spray nozzle, (US, 17 Nov 2005) 27 Apr 2006	11747/2006
Reality Products Limited; 07-05D, Airer, (GB, 08 Nov 2005) 08 May 2006	11968/2006	Saint-Gobain Calmar, Inc.; 09-07A, Spray nozzle, (US, 17 Nov 2005) 27 Apr 2006	11748/2006
Reckitt Benckiser (UK) Limited; 09-07C, Cap, (EM, 26 Oct 2005) 26 Apr 2006	11729/2006	Saint-Gobain Calmar, Inc.; 09-07A, Spray nozzle, (US, 17 Nov 2005) 27 Apr 2006	11749/2006
Reckitt Benckiser (UK) Limited; 28-99, Air freshener device, (EM, 07 Nov 2005) 05 May 2006	11989/2006	Saint-Gobain Calmar, Inc.; 09-07A, Spray nozzle, (US, 17 Nov 2005) 27 Apr 2006	11750/2006
Reckitt Benckiser (UK) Limited; 28-99, Air freshener device, (EM, 08 Nov 2005) 05 May 2006	11990/2006	Salco Group Pty Ltd; 02-02NES, 02-01A, A top, 19 Apr 2006	11649/2006
Review Australia Pty Ltd; 02-02C, 02-02NES, Ladies garment, 08 May 2006	11983/2006	Salouros, Andrew; 23-01F, Container for use as part of a modular water storage system, (Divisional of 11057/2005) 09 May 2006	12022/2006
Risley, Simon; Sellers, David R.; Sawhney, Ravi K.; Botsai, Kurt; Steele, Craig R.; Hussey, Lance G.; Englin, Robb; 02-04B, A detachable sole for an ankle and foot covering, (US, 27 Oct 2005) 26 Apr 2006	11741/2006	Sandvik Intellectual Property AB; 15-99, Ceramic wear plate, (SE, 28 Oct 2005) 28 Apr 2006	11769/2006
Risnes, Gunnar; 02-02B, Work pants/trousers, 28 Apr 2006	11742/2006		
Ronald E. Graham (Holdings) Pty Limited; 25-01A, 25-02NES, Concrete lintel, 02 May 2006	11822/2006		

Sandvik Intellectual Property AB; 15-99, Ceramic wear plate, (SE, 28 Oct 2005) 28 Apr 2006	11770/2006	Shure Acquisition Holdings, Inc.; 14-01, An earphone, (US, 30 Nov 2005) 28 Apr 2006	11768/2006
Sandvik Intellectual Property AB; 15-99, Ceramic wear plate, (SE, 28 Oct 2005) 28 Apr 2006	11771/2006	SmartQuip Industries Pty Ltd; 15-05, "Outback vac" industrial vacuum cleaner, 28 Apr 2006	11795/2006
Sandvik Intellectual Property AB; 15-99, Ceramic wear plate, (SE, 28 Oct 2005) 28 Apr 2006	11772/2006	Snapple Beverage Corporation; 09-01NES, A bottle, (US, 22 Nov 2005) 21 Apr 2006	11689/2006
Sandvik Intellectual Property AB; 15-99, Ceramic wear plate, (SE, 28 Oct 2005) 28 Apr 2006	11773/2006	Southcorp Brands Pty Ltd; 09-01H, Container, 24 Apr 2006	11708/2006
Sandvik Intellectual Property AB; 15-99, Ceramic wear plate, (SE, 28 Oct 2005) 28 Apr 2006	11774/2006	Southcorp Brands Pty Ltd; 09-01H, Container, 24 Apr 2006	11709/2006
Sanyo Electric Co., Ltd.; 28-03A, An electric razor, (JP, 04 Nov 2005) 04 May 2006	11907/2006	Specialised constructions (Australia) Pty Ltd; 25-01D, Wall panel, 03 May 2006	11896/2006
Sawhney, Ravi K.; Sellers, David R.; Botsai, Kurt; Steele, Craig R.; Hussey, Lance G.; Risley, Simon; Englin, Robb; 02-04B, A detachable sole for an ankle and foot covering, (US, 27 Oct 2005) 26 Apr 2006	11741/2006	Steele, Craig R.; Sellers, David R.; Sawhney, Ravi K.; Botsai, Kurt; Hussey, Lance G.; Risley, Simon; Englin, Robb; 02-04B, A detachable sole for an ankle and foot covering, (US, 27 Oct 2005) 26 Apr 2006	11741/2006
Schneider Electric (New Zealand) Holdings Limited; 13-03NES, A relay module, (NZ, 09 Nov 2005) 09 May 2006	11999/2006	Stone, Harvey; 21-01L, 06-03D, A cue and ball table game, 21 Apr 2006	11634/2006
Schrick, Steven M.; Lee, Albert L. IV; Groh, William S.; 13-02, 3V nano battery module, (US, 21 Nov 2005) 26 Apr 2006	11740/2006	Sullivan, Jane Frances; 06-08, Vehicle clothes hanger, 26 Apr 2006	11733/2006
Scolmore International Limited; 26-05C, 26-05NES, Light fitting, (EM, 07 Nov 2005) 03 May 2006	11899/2006	Szymanski, John; Szymanski, Michelle Dawn; 07-07A, Can insulator, 12 Apr 2006	11539/2006
Scolmore International Limited; 26-05C, 26-05NES, Light fitting, (EM, 07 Nov 2005) 03 May 2006	11900/2006	Szymanski, Michelle Dawn; Szymanski, John; 07-07A, Can insulator, 12 Apr 2006	11539/2006
Sellers, David R.; Sawhney, Ravi K.; Botsai, Kurt; Steele, Craig R.; Hussey, Lance G.; Risley, Simon; Englin, Robb; 02-04B, A detachable sole for an ankle and foot covering, (US, 27 Oct 2005) 26 Apr 2006	11741/2006	Tang, Phuoc Hung; 25-02C, Fence infill, 09 May 2006	12012/2006
Shagrín, Denny Julius; 21-02A, Seduction billiard game, 21 Apr 2006	11695/2006	Techtronic Industries Company Limited; 15-05, Pressure washer, (US, 03 Mar 2006) 24 Apr 2006	11704/2006
Shagrín, Denny Julius; 21-02A, Seduction billiard game, 21 Apr 2006	11696/2006	Techtronic Industries Company Limited; 15-05, Pressure washer, (US, 03 Mar 2006) 24 Apr 2006	11705/2006
Shagrín, Denny Julius; 21-02A, Seduction billiard game, 21 Apr 2006	11697/2006	The Decor Corporation Pty Ltd; 04-01, Dish brush, 02 May 2006	11817/2006
Shagrín, Denny Julius; 21-02A, Seduction billiard game, 21 Apr 2006	11698/2006	Underwood, Daniel Charles; 08-08NES, A dowel cover, 19 Apr 2006	11652/2006
Shagrín, Denny Julius; 21-02A, Seduction billiard game, 21 Apr 2006	11699/2006	Urban Art Projects; 06-01C, 'Environ' bency, 24 Apr 2006	11701/2006
Shairzal Pty Ltd; 12-02, Trolley with latch, (Divisional of 13648/2005) 26 Aug 2005	11905/2006	Vac-U-Digga Pty Ltd; 12-10, 12-13, Chassis mountable multi-processing monocoque recycling tank, 21 Apr 2006	11653/2006
Shairzal Pty Ltd; 08-07, Trolley latch, (Divisional of 13648/2005) 26 Aug 2005	11906/2006	Vac-U-Digga Pty Ltd; 12-10, 12-13, Trailer mounted multi-processing monocoque recycling tank, 21 Apr 2006	11654/2006
		Vacupack Pty Ltd; 09-03F, 09-03M, Thermoformed trays and blisters, 13 Apr 2006	11540/2006

Vent-Axia Group Limited; 23-04, Extractor fan, (EM, 26 Oct 2005) 21 Apr 2006	11690/2006	Webb Arts; 07-06C, Two piece Opera House ceramic salt and pepper shaker, 03 May 2006	11807/2006
Vent-Axia Group Limited; 23-04, Extractor fan, (EM, 26 Oct 2005) 21 Apr 2006	11691/2006	Wharton, Mark E.; 30-06, Animal bed, (US, 30 Mar 2006) 03 May 2006	11898/2006
Ventrassist Pty Ltd; 24-04, Harness, 13 Apr 2006	11534/2006	Wicked Vision Limited; 21-01H, 22-02, A three blade boomerang, (GB, 15 Mar 2003) 02 May 2006	12060/2006
Viking BBQ's Australia Pty Ltd; 07-02E, Used for outdoor cooking of any food products on a BBQ including a full lamb, goat or pig roasted by an electric, motor, 03 May 2006	11809/2006	Windmiller, David; 09-01K, 07-01E, Bottle, (US, 20 Oct 2005) 20 Apr 2006	11628/2006
Visy R & D Pty Ltd; 09-03K, 09-03F, Tray with reduced base sag, 20 Apr 2006	11623/2006	Windmiller, David; 09-01K, 07-01E, Bottle, (US, 20 Dec 2005) 20 Apr 2006	11629/2006
Water Pod Australia Pty Ltd; 23-01F, Water storage tank, 05 May 2006	11988/2006	Zumtobel Lighting GmbH & Co. KG; 26-05A, Light fixture, (EM, 11 Nov 2005) 05 May 2006	11987/2006
Watson, Helen; Watson, Paul; 03-01NES, 07-05C, Clothesline peg bag, 27 Apr 2006	11728/2006	3M Innovative Properties Company; 16-02, Projector, (US, 29 Nov 2005) 09 May 2006	12021/2006
Watson, Paul; Watson, Helen; 03-01NES, 07-05C, Clothesline peg bag, 27 Apr 2006	11728/2006		

Applications Withdrawn

11740 / 2005 (02-02NES)	13967 / 2005 (02-04NES)	11291 / 2006 (30-02)	11537 / 2006 (08-08L)
13971 / 2005 (02-04NES)	10024 / 2006 (21-02F)		
10360 / 2006 (25-01A)	10361 / 2006 (25-01A)		
10362 / 2006 (25-01A)	10363 / 2006 (25-01A)		
10364 / 2006 (25-01A)	11230 / 2006 (08-08C)		

Designs Excluded

14402 / 2005 23-02A	14404 / 2005 08-08G
14405 / 2005 08-08N	

Applications Lapsed

10976 / 2005 (16-05)	10977 / 2005 (16-99)	14852 / 2005 (07-02F)	10525 / 2006 (23-04)
10978 / 2005 (16-99)	11008 / 2005 (12-16A)	10654 / 2006 (06-07)	
11009 / 2005 (12-15D)	11251 / 2005 (02-04NES)		
11413 / 2005 (07-01D)	11414 / 2005 (07-01D)		
11415 / 2005 (07-01D)	11416 / 2005 (07-01D)		
12021 / 2005 (30-03)	12041 / 2005 (07-02E)		
12140 / 2005 (12-16NES)	12669 / 2005 (19-08)		
12836 / 2005 (06-01E)	13857 / 2005 (13-03E)		
14040 / 2005 (07-05C)	14068 / 2005 (30-02)		
14091 / 2005 (09-03K)	14092 / 2005 (09-03K)		
14097 / 2005 (21-04)	14153 / 2005 (09-05)		
14775 / 2005 (09-03E)	14846 / 2005 (07-02F)		
14847 / 2005 (07-02F)	14851 / 2005 (07-02F)		

Applications for Extension of time under Section 137

Applications under section 137 for extension of time have been lodged. Objections must be lodged within 1 month from the date of this journal.

14439/2004 **Morrison International Pty Ltd** Address for Service: Morrison International Pty Ltd Level 1 88 High Street FREMANTLE WA 6160

Extensions of time granted under Section 137

Applications lodged under section 137 for extension of time have been granted.

- 15968/2004 **Street Furniture Australia Pty Ltd**
- 15969/2004 **Street Furniture Australia Pty Ltd**
- 15970/2004 **Street Furniture Australia Pty Ltd**
- 15971/2004 **Street Furniture Australia Pty Ltd**
- 15972/2004 **Street Furniture Australia Pty Ltd**
- 15973/2004 **Street Furniture Australia Pty Ltd**
- 15974/2004 **Street Furniture Australia Pty Ltd**
- 10779/2005 **International Consolidated Business Pty Ltd**
- 10781/2005 **Ausscot Gas Pty Ltd**
- 11075/2005 **Peter Lazarou**
- 11076/2005 **Peter Lazarou**
- 11722/2005 **Scanlan & Theodore**
- 11725/2005 **Scanlan & Theodore**
- 11730/2005 **Scanlan & Theodore**
- 11731/2005 **Scanlan & Theodore**
- 11734/2005 **Scanlan & Theodore**
- 11736/2005 **Scanlan & Theodore**
- 11737/2005 **Scanlan & Theodore**
- 11738/2005 **Scanlan & Theodore**
- 11739/2005 **Scanlan & Theodore**
- 11740/2005 **Scanlan & Theodore**
- 11742/2005 **Scanlan & Theodore**
- 11743/2005 **Scanlan & Theodore**
- 11745/2005 **Scanlan & Theodore**
- 11747/2005 **Scanlan & Theodore**
- 11748/2005 **Scanlan & Theodore**
- 11750/2005 **Scanlan & Theodore**
- 11752/2005 **Scanlan & Theodore**
- 11753/2005 **Scanlan & Theodore**

- 11754/2005 **Scanlan & Theodore**
- 11757/2005 **Scanlan & Theodore**
- 11758/2005 **Scanlan & Theodore**
- 11895/2005 **International Consolidated Business Pty Ltd**
- 11896/2005 **International Consolidated Business Pty Ltd**
- 11897/2005 **International Consolidated Business Pty Ltd**
- 11898/2005 **International Consolidated Business Pty Ltd**
- 11899/2005 **International Consolidated Business Pty Ltd**
- 11900/2005 **International Consolidated Business Pty Ltd**
- 11914/2005 **Scanlan & Theodore**
- 11920/2005 **Scanlan & Theodore**
- 11922/2005 **Scanlan & Theodore**
- 11924/2005 **Scanlan & Theodore**
- 11925/2005 **Scanlan & Theodore**
- 11931/2005 **Scanlan & Theodore**
- 11932/2005 **Scanlan & Theodore**
- 11934/2005 **Scanlan & Theodore**
- 11935/2005 **Scanlan & Theodore**
- 11936/2005 **Scanlan & Theodore**
- 11937/2005 **Scanlan & Theodore**
- 11940/2005 **Scanlan & Theodore**
- 11947/2005 **Scanlan & Theodore**
- 11959/2005 **Scanlan & Theodore**
- 11960/2005 **Scanlan & Theodore**
- 11966/2005 **Scanlan & Theodore**
- 12076/2005 **Kylie Ann Bickle**
- 12831/2005 **T&G Enterprises (VIC) Pty Ltd**
- 12900/2005 **International Consolidated Business Pty Ltd**
- 13126/2005 **Baby Shade Ltd**
- 13136/2005 **International Consolidated Business Pty Ltd**
- 13199/2005 **T&G Enterprises (VIC) Pty Ltd**
- 13553/2005 **Com-Shape Technology Ltd.**
- 13554/2005 **Com-Shape Technology Ltd.**
- 13648/2005 **Shairzal Pty Ltd**
- 13834/2005 **Kylie Ann Bickle**
- 13940/2005 **Mike Plested**
- 14009/2005 **Acco Australia Pty Ltd**
- 10231/2006 **Crazy Creek Products, Inc**
- 10359/2006 **Fletcher Building Holdings Limited**
- 10360/2006 **Fletcher Building Holdings Limited**

10361/2006 **Fletcher Building Holdings Limited**

10362/2006 **Fletcher Building Holdings Limited**

10363/2006 **Fletcher Building Holdings Limited**

10364/2006 **Fletcher Building Holdings Limited**

Applications Assigned

(The name in parentheses is that of the subsequent applicant)

14668/2005 (**Total Pty Ltd**) Nifty Retractable Antenna's

Subsequent Owners Registered

(The name in parentheses is that of the subsequent owner)

302251 (**Gulf Rubber Australia Pty Ltd**) Gulf Rubber Group Pty Ltd
 304335 (**Panel Crimp Pty Ltd**) Brenmont Pty Ltd
 303862 (**BenQ Mobile GmbH & Co. OHG**) Siemens Aktiengesellschaft
 304436 (**BenQ Mobile GmbH & Co. OHG**) Siemens Aktiengesellschaft
 304481 (**BenQ Mobile GmbH & Co. OHG**) Siemens Aktiengesellschaft
 304482 (**BenQ Mobile GmbH & Co. OHG**) Siemens Aktiengesellschaft
 304483 (**BenQ Mobile GmbH & Co. OHG**) Siemens Aktiengesellschaft
 305032 (**BenQ Mobile GmbH & Co. OHG**) Siemens Aktiengesellschaft
 300906 (**Kenetics Innovations Pte Ltd**) Infineon Technologies Asia Pacific Pte Ltd;Kenetics Innovations Pte Ltd

Names Registered - Alterations and Amendments

(The name in parentheses is that of the subsequent applicant)

300386 (**Australian Surgical Design & Manufacture Pty Ltd**) Australian Surgical Design and Manufacture Pty Limited
 300387 (**Australian Surgical Design & Manufacture Pty Ltd**) Australian Surgical Design and Manufacture Pty Limited

Corrigenda

Number 13966/2005

In Vol 20 , No 10 , page 4670 under the heading **Applications Lapsed**; Design No. 13966/05 should be deleted.

Certificate(s) of Examination

Examination of the following Design Registration(s) has been completed. Infringement proceedings may now be commenced.

302706	06-11	10/05/2006
303343	24-01	12/05/2006
303619	23-01G	08/05/2006
303830	13-03D	08/05/2006
303832	13-03D	08/05/2006
303861	13-03D	08/05/2006
303963	25-02C	10/05/2006
303980	28-03A	04/05/2006
303981	28-03A	04/05/2006
303982	28-03A	04/05/2006
303983	06-05	05/05/2006
303984	20-03NES	11/05/2006
304012	15-03B	05/05/2006
304015	08-03	05/05/2006
304084	07-03	12/05/2006
304248	10-05	12/05/2006
304281	24-01	09/05/2006
304282	24-01	09/05/2006
304359	23-01G	08/05/2006
304362	02-01B	05/05/2006
304513	03-01D	09/05/2006
304566	02-01A	05/05/2006
304634	21-03	09/05/2006
304702	11-01H	09/05/2006
304872	15-01	09/05/2006
304881	12-13	09/05/2006
304932	28-03A	09/05/2006

Publication and Registration Proceedings

Designs Registered

This section provides a concordance between design number and registration number of Designs covered in this journal. It also shows the main class and registration date.

This section covers Registration numbers 306536 to 306843 .

The registration number shown below should be used in all future correspondence.

Design Number	Registration Number	International Classification Code (IDC)	Registration Date	Design Number	Registration Number	International Classification Code (IDC)	Registration Date
14143/2004	306660	13-03E	10/05/2006	13047/2005	306720	13-03E	11/05/2006
14978/2004	306750	12-16C	12/05/2006	13048/2005	306721	13-03E	11/05/2006
15243/2004	306536	25-03	05/05/2006	13049/2005	306737	13-03E	12/05/2006
15761/2004	306597	20-02E	08/05/2006	13093/2005	306539	06-11	05/05/2006
10418/2005	306598	03-01NES	08/05/2006	13094/2005	306540	06-11	05/05/2006
10419/2005	306677	03-01NES	10/05/2006	13095/2005	306541	06-11	05/05/2006
10449/2005	306814	25-04	16/05/2006	13096/2005	306542	06-11	05/05/2006
10562/2005	306537	06-13C	05/05/2006	13231/2005	306601	09-08	08/05/2006
10563/2005	306538	06-13C	05/05/2006	13254/2005	306822	03-01C	16/05/2006
10704/2005	306557	07-01NES	05/05/2006	13340/2005	306633	08-08B	09/05/2006
10707/2005	306558	07-01NES	05/05/2006	13342/2005	306714	06-04NES	11/05/2006
10905/2005	306579	20-03NES	08/05/2006	13648/2005	306800	12-02	16/05/2006
10962/2005	306559	09-07A	05/05/2006	13676/2005	306602	06-01F	08/05/2006
10963/2005	306560	09-07A	05/05/2006	13727/2005	306823	08-08C	16/05/2006
10964/2005	306561	09-07A	05/05/2006	13744/2005	306697	27-02	11/05/2006
10965/2005	306576	09-07A	05/05/2006	13798/2005	306775	25-02C	15/05/2006
10966/2005	306562	09-07A	05/05/2006	13834/2005	306801	06-01C	16/05/2006
10974/2005	306815	13-03C	16/05/2006	13846/2005	306634	08-07	09/05/2006
11069/2005	306643	06-06F	09/05/2006	13878/2005	306659	26-02	10/05/2006
11504/2005	306580	26-05A	08/05/2006	13884/2005	306738	13-03NES	12/05/2006
11574/2005	306816	05-05NES	16/05/2006	13885/2005	306603	21-01B	08/05/2006
11575/2005	306817	05-05NES	16/05/2006	13891/2005	306565	23-02B	05/05/2006
11576/2005	306818	05-05NES	16/05/2006	13892/2005	306566	23-02B	05/05/2006
11824/2005	306644	08-01	09/05/2006	13893/2005	306567	23-02B	05/05/2006
12074/2005	306631	11-02B	09/05/2006	13894/2005	306568	23-02B	05/05/2006
12075/2005	306799	06-01C	16/05/2006	13895/2005	306569	23-02B	05/05/2006
12175/2005	306657	08-03	10/05/2006	13896/2005	306570	23-02B	05/05/2006
12176/2005	306658	08-03	10/05/2006	13897/2005	306571	23-02B	05/05/2006
12179/2005	306632	06-01F	09/05/2006	13898/2005	306572	23-02B	05/05/2006
12327/2005	306820	12-11	16/05/2006	13970/2005	306582	02-04NES	08/05/2006
12353/2005	306821	12-16B	16/05/2006	14001/2005	306824	25-01E	16/05/2006
12461/2005	306581	20-03C	08/05/2006	14014/2005	306825	09-03D	16/05/2006
12512/2005	306599	25-04	08/05/2006	14038/2005	306635	08-04	09/05/2006
12520/2005	306734	12-16NES	12/05/2006	14072/2005	306776	28-03NES	15/05/2006
12535/2005	306600	12-06B	08/05/2006	14096/2005	306836	30-02	16/05/2006
12536/2005	306735	07-02N	12/05/2006	14114/2005	306583	13-03A	08/05/2006
12543/2005	306685	07-01C	10/05/2006	14115/2005	306756	13-03A	12/05/2006
12544/2005	306686	07-04	10/05/2006	14145/2005	306739	04-03	12/05/2006
12545/2005	306687	09-07C	10/05/2006	14146/2005	306740	15-05	12/05/2006
12546/2005	306688	08-03	10/05/2006	14147/2005	306604	15-05	08/05/2006
12547/2005	306689	07-06D	10/05/2006	14148/2005	306698	15-05	11/05/2006
12610/2005	306754	23-01A	12/05/2006	14149/2005	306699	15-05	11/05/2006
12611/2005	306755	09-07A	12/05/2006	14152/2005	306702	16-06	11/05/2006
12672/2005	306834	07-02NES	16/05/2006	14154/2005	306826	06-13NES	16/05/2006
12673/2005	306683	21-02B	10/05/2006	14191/2005	306700	12-16G	11/05/2006
12674/2005	306684	21-02B	10/05/2006	14292/2005	306777	23-01H	15/05/2006
12692/2005	306736	02-02NES	12/05/2006	14293/2005	306778	23-01H	15/05/2006
12859/2005	306717	09-03M	11/05/2006	14294/2005	306779	23-01H	15/05/2006
12880/2005	306718	08-08NES	11/05/2006	14295/2005	306781	23-01H	15/05/2006
12884/2005	306835	14-01	16/05/2006	14296/2005	306780	23-01H	15/05/2006
12885/2005	306719	06-02	11/05/2006	14297/2005	306783	23-01H	15/05/2006
13037/2005	306690	06-06F	10/05/2006	14298/2005	306782	23-01H	15/05/2006
13038/2005	306691	09-03NES	10/05/2006	14340/2005	306701	08-08NES	11/05/2006

Publication and Registration Proceedings - Designs Registered cont'd

Design Number	Registration Number	International Classification Code (IDC)	Registration Date	Design Number	Registration Number	International Classification Code (IDC)	Registration Date
14341/2005	306722	08-08NES	11/05/2006	14620/2005	306731	15-05	11/05/2006
14344/2005	306573	04-02	05/05/2006	14621/2005	306586	15-05	08/05/2006
14345/2005	306574	04-02	05/05/2006	14622/2005	306749	15-05	12/05/2006
14346/2005	306575	04-02	05/05/2006	14643/2005	306732	08-05F	11/05/2006
14426/2005	306661	07-06A	10/05/2006	14644/2005	306587	08-03	08/05/2006
14427/2005	306662	07-06A	10/05/2006	14657/2005	306609	23-02A	08/05/2006
14429/2005	306757	06-04D	12/05/2006	14658/2005	306610	21-02C	08/05/2006
14430/2005	306758	06-04NES	12/05/2006	14659/2005	306649	21-02C	09/05/2006
14431/2005	306759	06-03A	12/05/2006	14660/2005	306611	21-02C	08/05/2006
14432/2005	306760	06-04NES	12/05/2006	14669/2005	306594	09-05	08/05/2006
14433/2005	306761	06-04F	12/05/2006	14670/2005	306704	09-05	11/05/2006
14434/2005	306762	06-04NES	12/05/2006	14671/2005	306705	09-05	11/05/2006
14435/2005	306763	06-04NES	12/05/2006	14672/2005	306706	09-05	11/05/2006
14455/2005	306692	06-06G	10/05/2006	14673/2005	306767	09-05	12/05/2006
14463/2005	306584	12-16B	08/05/2006	14684/2005	306837	09-03K	16/05/2006
14464/2005	306741	12-16B	12/05/2006	14689/2005	306768	28-03A	12/05/2006
14482/2005	306605	21-01N	08/05/2006	14690/2005	306769	28-03A	12/05/2006
14492/2005	306827	12-16C	16/05/2006	14704/2005	306543	09-01G	05/05/2006
14494/2005	306828	12-16C	16/05/2006	14705/2005	306650	14-03E	09/05/2006
14495/2005	306829	12-16C	16/05/2006	14706/2005	306669	28-03NES	10/05/2006
14496/2005	306830	12-16A	16/05/2006	14707/2005	306595	28-03NES	08/05/2006
14510/2005	306723	12-16NES	11/05/2006	14708/2005	306770	28-03NES	12/05/2006
14524/2005	306606	08-09	08/05/2006	14709/2005	306651	26-02	09/05/2006
14525/2005	306695	26-05C	10/05/2006	14710/2005	306652	26-02	09/05/2006
14526/2005	306764	03-03	12/05/2006	14711/2005	306694	23-02B	10/05/2006
14527/2005	306663	09-07A	10/05/2006	14719/2005	306596	12-12	08/05/2006
14528/2005	306664	09-07A	10/05/2006	14720/2005	306588	12-12	08/05/2006
14529/2005	306665	09-07A	10/05/2006	14721/2005	306589	12-12	08/05/2006
14530/2005	306802	02-02C	16/05/2006	14722/2005	306590	12-12	08/05/2006
14531/2005	306765	13-03D	12/05/2006	14723/2005	306591	12-12	08/05/2006
14532/2005	306766	13-03D	12/05/2006	14724/2005	306733	20-02NES	11/05/2006
14533/2005	306607	06-04NES	08/05/2006	14734/2005	306592	23-02B	08/05/2006
14540/2005	306742	09-01C	12/05/2006	14735/2005	306670	23-02D	10/05/2006
14541/2005	306743	09-01C	12/05/2006	14736/2005	306707	21-02C	11/05/2006
14542/2005	306744	09-07B	12/05/2006	14737/2005	306771	21-02C	12/05/2006
14543/2005	306745	09-07B	12/05/2006	14738/2005	306708	21-02C	11/05/2006
14544/2005	306608	09-01C	08/05/2006	14739/2005	306612	21-02C	08/05/2006
14545/2005	306703	09-01C	11/05/2006	14740/2005	306613	21-02C	08/05/2006
14546/2005	306746	09-01C	12/05/2006	14745/2005	306672	08-05N	10/05/2006
14553/2005	306666	31-00	10/05/2006	14746/2005	306711	13-03C	11/05/2006
14554/2005	306667	31-00	10/05/2006	14751/2005	306673	09-01NES	10/05/2006
14555/2005	306724	21-02A	11/05/2006	14752/2005	306593	09-01NES	08/05/2006
14556/2005	306803	07-02B	16/05/2006	14753/2005	306838	08-09	16/05/2006
14558/2005	306748	09-01K	12/05/2006	14754/2005	306839	14-03NES	16/05/2006
14559/2005	306668	09-07A	10/05/2006	14757/2005	306804	07-01B	16/05/2006
14565/2005	306725	28-99	11/05/2006	14759/2005	306653	21-02C	09/05/2006
14566/2005	306726	28-99	11/05/2006	14760/2005	306772	21-02C	12/05/2006
14568/2005	306645	09-01A	09/05/2006	14761/2005	306654	21-02C	09/05/2006
14570/2005	306747	08-03	12/05/2006	14762/2005	306709	23-03A	11/05/2006
14571/2005	306727	13-02	11/05/2006	14764/2005	306614	15-07	08/05/2006
14572/2005	306728	09-03F	11/05/2006	14765/2005	306712	15-07	11/05/2006
14573/2005	306585	09-03F	08/05/2006	14766/2005	306710	15-07	11/05/2006
14574/2005	306646	28-99	09/05/2006	14772/2005	306840	21-02A	16/05/2006
14575/2005	306647	28-99	09/05/2006	14778/2005	306841	21-02C	16/05/2006
14595/2005	306729	23-02B	11/05/2006	14779/2005	306842	21-02C	16/05/2006
14596/2005	306730	23-02B	11/05/2006	14793/2005	306805	23-01H	16/05/2006
14611/2005	306636	07-02N	09/05/2006	14794/2005	306806	23-01H	16/05/2006
14612/2005	306693	07-02N	10/05/2006	14795/2005	306674	08-09	10/05/2006

Publication and Registration Proceedings - Designs Registered cont'd

Design Number	Registration Number	International Classification Code (IDC)	Registration Date	Design Number	Registration Number	International Classification Code (IDC)	Registration Date
14796/2005	306696	04-01	10/05/2006	10386/2006	306549	02-04B	05/05/2006
14797/2005	306615	21-02D	08/05/2006	10388/2006	306550	02-04NES	05/05/2006
14798/2005	306713	21-02D	11/05/2006	10389/2006	306551	02-04NES	05/05/2006
14799/2005	306655	22-05	09/05/2006	10392/2006	306552	02-04B	05/05/2006
14800/2005	306831	25-01K	16/05/2006	10448/2006	306618	06-01F	09/05/2006
14814/2005	306807	07-05D	16/05/2006	10477/2006	306553	02-02C	05/05/2006
14829/2005	306773	14-03B	12/05/2006	10675/2006	306554	25-01B	05/05/2006
14830/2005	306832	21-01N	16/05/2006	10808/2006	306555	21-01NES	05/05/2006
14837/2005	306616	16-06	08/05/2006	10813/2006	306556	11-05	05/05/2006
14839/2005	306617	16-06	08/05/2006	10985/2006	306619	08-07	09/05/2006
14844/2005	306808	26-05C	16/05/2006	10986/2006	306620	08-07	09/05/2006
14853/2005	306809	08-08K	16/05/2006	10987/2006	306621	08-07	09/05/2006
14867/2005	306784	04-02	15/05/2006	10988/2006	306622	08-07	09/05/2006
14870/2005	306785	08-08NES	15/05/2006	10989/2006	306623	08-07	09/05/2006
14873/2005	306786	08-08D	15/05/2006	10990/2006	306624	08-07	09/05/2006
14874/2005	306787	25-02E	15/05/2006	10991/2006	306625	08-07	09/05/2006
14875/2005	306788	25-02E	15/05/2006	10992/2006	306626	08-07	09/05/2006
14876/2005	306789	25-02E	15/05/2006	10993/2006	306627	08-07	09/05/2006
14877/2005	306790	25-02E	15/05/2006	10994/2006	306628	08-07	09/05/2006
14887/2005	306810	20-01	16/05/2006	10995/2006	306629	08-07	09/05/2006
14890/2005	306811	09-01G	16/05/2006	10996/2006	306637	08-07	09/05/2006
14891/2005	306791	08-05NES	15/05/2006	10997/2006	306638	08-07	09/05/2006
14892/2005	306792	25-01K	15/05/2006	10998/2006	306639	08-07	09/05/2006
14893/2005	306793	25-01K	15/05/2006	10999/2006	306640	08-07	09/05/2006
14946/2005	306812	12-02	16/05/2006	11000/2006	306641	08-07	09/05/2006
14947/2005	306813	31-00	16/05/2006	11001/2006	306642	08-07	09/05/2006
15522/2005	306751	12-15NES	12/05/2006	11160/2006	306563	07-01NES	05/05/2006
15523/2005	306752	12-15NES	12/05/2006	11164/2006	306564	07-01NES	05/05/2006
15524/2005	306753	08-03	12/05/2006	11292/2006	306794	06-03A	16/05/2006
15525/2005	306675	13-03E	10/05/2006	11342/2006	306678	06-01F	10/05/2006
15526/2005	306676	13-03E	10/05/2006	11343/2006	306679	06-01F	10/05/2006
15533/2005	306843	15-05	16/05/2006	11344/2006	306680	06-01F	10/05/2006
15641/2005	306544	08-01	05/05/2006	11345/2006	306681	06-01F	10/05/2006
15721/2005	306833	08-03	16/05/2006	11346/2006	306682	06-01F	10/05/2006
15857/2005	306656	08-01	09/05/2006	11354/2006	306795	05-05NES	16/05/2006
10007/2006	306577	20-03C	08/05/2006	11355/2006	306796	05-05D	16/05/2006
10039/2006	306545	28-99	05/05/2006	11407/2006	306797	02-02C	16/05/2006
10040/2006	306546	28-99	05/05/2006	11408/2006	306798	02-02C	16/05/2006
10041/2006	306547	28-99	05/05/2006	11656/2006	306819	09-03NES	16/05/2006
10042/2006	306548	28-99	05/05/2006	11729/2006	306630	09-07C	09/05/2006
10093/2006	306774	06-04NES	15/05/2006				
10302/2006	306578	06-04NES	08/05/2006				
10303/2006	306715	06-06A	11/05/2006				
10304/2006	306716	06-06A	11/05/2006				

Publication and Registration Proceedings
Class Listing of Designs Published or Registered

The following section shows an International Classification Code listing of the Registered or Published Designs covered in this supplement.

Classification	Registration Number	Design Number	Classification	Registration Number	Design Number
02-02 B	306537	10562/2005	06-04 NES	306794	11292/2006
02-02 B	306538	10563/2005	06-06 A	306715	10303/2006
02-02 B	306826	14154/2005	06-06 A	306716	10304/2006
02-02 C	306553	10477/2006	06-06 F	306643	11069/2005
02-02 C	306797	11407/2006	06-06 F	306690	13037/2005
02-02 C	306798	11408/2006	06-06 G	306692	14455/2005
02-02 C	306802	14530/2005	06-07	306579	10905/2005
02-02 NES	306736	12692/2005	06-11	306539	13093/2005
02-04 B	306549	10386/2006	06-11	306540	13094/2005
02-04 B	306552	10392/2006	06-11	306541	13095/2005
02-04 NES	306550	10388/2006	06-11	306542	13096/2005
02-04 NES	306551	10389/2006	06-13 C	306537	10562/2005
02-04 NES	306582	13970/2005	06-13 C	306538	10563/2005
03-01 C	306822	13254/2005	06-13 NES	306826	14154/2005
03-01 NES	306598	10418/2005	06-99	306719	12885/2005
03-01 NES	306677	10419/2005	07-01 B	306636	14611/2005
03-03	306764	14526/2005	07-01 B	306693	14612/2005
04-01	306672	14745/2005	07-01 B	306804	14757/2005
04-01	306674	14795/2005	07-01 C	306685	12543/2005
04-01	306696	14796/2005	07-01 NES	306557	10704/2005
04-02	306573	14344/2005	07-01 NES	306558	10707/2005
04-02	306574	14345/2005	07-01 NES	306563	11160/2006
04-02	306575	14346/2005	07-01 NES	306564	11164/2006
04-02	306784	14867/2005	07-02 B	306803	14556/2005
04-03	306739	14145/2005	07-02 N	306636	14611/2005
05-05 D	306796	11355/2006	07-02 N	306693	14612/2005
05-05 NES	306795	11354/2006	07-02 N	306735	12536/2005
05-05 NES	306816	11574/2005	07-02 NES	306834	12672/2005
05-05 NES	306817	11575/2005	07-04	306686	12544/2005
05-05 NES	306818	11576/2005	07-05 D	306807	14814/2005
05-06 A	306816	11574/2005	07-06 A	306661	14426/2005
05-06 A	306817	11575/2005	07-06 A	306662	14427/2005
05-06 A	306818	11576/2005	07-06 D	306689	12547/2005
06-01 C	306799	12075/2005	07-07 A	306614	14764/2005
06-01 C	306801	13834/2005	07-07 A	306710	14766/2005
06-01 F	306602	13676/2005	07-07 A	306712	14765/2005
06-01 F	306618	10448/2006	08-01	306544	15641/2005
06-01 F	306632	12179/2005	08-01	306644	11824/2005
06-01 F	306678	11342/2006	08-01	306656	15857/2005
06-01 F	306679	11343/2006	08-03	306587	14644/2005
06-01 F	306680	11344/2006	08-03	306657	12175/2005
06-01 F	306681	11345/2006	08-03	306658	12176/2005
06-01 F	306682	11346/2006	08-03	306688	12546/2005
06-02	306719	12885/2005	08-03	306747	14570/2005
06-03 A	306759	14431/2005	08-03	306753	15524/2005
06-03 A	306794	11292/2006	08-03	306833	15721/2005
06-04 D	306757	14429/2005	08-04	306635	14038/2005
06-04 F	306761	14433/2005	08-05 F	306732	14643/2005
06-04 NES	306578	10302/2006	08-05 N	306672	14745/2005
06-04 NES	306607	14533/2005	08-05 NES	306732	14643/2005
06-04 NES	306714	13342/2005	08-05 NES	306791	14891/2005
06-04 NES	306758	14430/2005	08-07	306619	10985/2006
06-04 NES	306760	14432/2005	08-07	306620	10986/2006
06-04 NES	306762	14434/2005	08-07	306621	10987/2006
06-04 NES	306763	14435/2005	08-07	306622	10988/2006
06-04 NES	306774	10093/2006	08-07	306623	10989/2006

Registration Proceedings - Class Listing of Designs Published or Registered cont'd

Classification	Registration Number	Design Number	Classification	Registration Number	Design Number
08-07	306624	10990/2006	09-07 A	306755	12611/2005
08-07	306625	10991/2006	09-07 B	306744	14542/2005
08-07	306626	10992/2006	09-07 B	306745	14543/2005
08-07	306627	10993/2006	09-07 C	306630	11729/2006
08-07	306628	10994/2006	09-07 C	306687	12545/2005
08-07	306629	10995/2006	09-08	306601	13231/2005
08-07	306634	13846/2005	10-05	306701	14340/2005
08-07	306637	10996/2006	10-05	306722	14341/2005
08-07	306638	10997/2006	11-02 B	306631	12074/2005
08-07	306639	10998/2006	11-05	306556	10813/2006
08-07	306640	10999/2006	12-02	306800	13648/2005
08-07	306641	11000/2006	12-02	306812	14946/2005
08-07	306642	11001/2006	12-06 B	306600	12535/2005
08-08 B	306633	13340/2005	12-11	306820	12327/2005
08-08 C	306823	13727/2005	12-12	306588	14720/2005
08-08 D	306786	14873/2005	12-12	306589	14721/2005
08-08 K	306809	14853/2005	12-12	306590	14722/2005
08-08 NES	306701	14340/2005	12-12	306591	14723/2005
08-08 NES	306718	12880/2005	12-12	306596	14719/2005
08-08 NES	306722	14341/2005	12-15 NES	306751	15522/2005
08-08 NES	306785	14870/2005	12-15 NES	306752	15523/2005
08-09	306606	14524/2005	12-16 A	306830	14496/2005
08-09	306674	14795/2005	12-16 B	306584	14463/2005
08-09	306696	14796/2005	12-16 B	306741	14464/2005
08-09	306718	12880/2005	12-16 B	306820	12327/2005
08-09	306838	14753/2005	12-16 B	306821	12353/2005
09-01 A	306645	14568/2005	12-16 C	306750	14978/2004
09-01 C	306608	14544/2005	12-16 C	306827	14492/2005
09-01 C	306703	14545/2005	12-16 C	306828	14494/2005
09-01 C	306742	14540/2005	12-16 C	306829	14495/2005
09-01 C	306743	14541/2005	12-16 G	306700	14191/2005
09-01 C	306746	14546/2005	12-16 NES	306723	14510/2005
09-01 G	306543	14704/2005	12-16 NES	306734	12520/2005
09-01 G	306811	14890/2005	13-02	306727	14571/2005
09-01 K	306748	14558/2005	13-03 A	306583	14114/2005
09-01 NES	306593	14752/2005	13-03 A	306756	14115/2005
09-01 NES	306673	14751/2005	13-03 C	306711	14746/2005
09-03 D	306825	14014/2005	13-03 C	306815	10974/2005
09-03 F	306585	14573/2005	13-03 D	306583	14114/2005
09-03 F	306728	14572/2005	13-03 D	306756	14115/2005
09-03 K	306837	14684/2005	13-03 D	306765	14531/2005
09-03 M	306717	12859/2005	13-03 D	306766	14532/2005
09-03 NES	306691	13038/2005	13-03 E	306660	14143/2004
09-03 NES	306819	11656/2006	13-03 E	306675	15525/2005
09-05	306594	14669/2005	13-03 E	306676	15526/2005
09-05	306704	14670/2005	13-03 E	306720	13047/2005
09-05	306705	14671/2005	13-03 E	306721	13048/2005
09-05	306706	14672/2005	13-03 E	306737	13049/2005
09-05	306767	14673/2005	13-03 NES	306738	13884/2005
09-07 A	306559	10962/2005	14-01	306835	12884/2005
09-07 A	306560	10963/2005	14-02	306605	14482/2005
09-07 A	306561	10964/2005	14-03 B	306773	14829/2005
09-07 A	306562	10966/2005	14-03 E	306650	14705/2005
09-07 A	306576	10965/2005	14-03 NES	306839	14754/2005
09-07 A	306663	14527/2005	15-05	306586	14621/2005
09-07 A	306664	14528/2005	15-05	306604	14147/2005
09-07 A	306665	14529/2005	15-05	306698	14148/2005
09-07 A	306668	14559/2005	15-05	306699	14149/2005
09-07 A	306754	12610/2005	15-05	306731	14620/2005

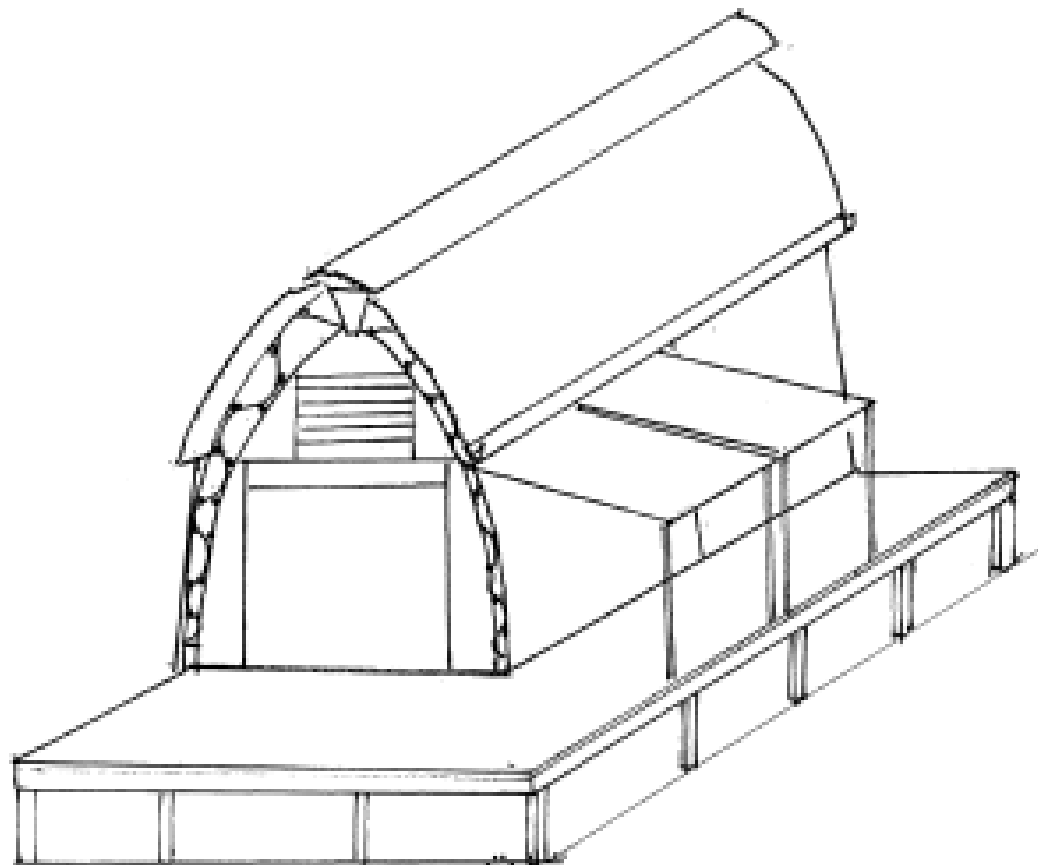
Registration Proceedings - Class Listing of Designs Published or Registered cont'd

Classification	Registration Number	Design Number	Classification	Registration Number	Design Number
15-05	306739	14145/2005	23-02 B	306567	13893/2005
15-05	306740	14146/2005	23-02 B	306568	13894/2005
15-05	306749	14622/2005	23-02 B	306569	13895/2005
15-05	306843	15533/2005	23-02 B	306570	13896/2005
15-07	306614	14764/2005	23-02 B	306571	13897/2005
15-07	306710	14766/2005	23-02 B	306572	13898/2005
15-07	306712	14765/2005	23-02 B	306592	14734/2005
16-06	306616	14837/2005	23-02 B	306694	14711/2005
16-06	306617	14839/2005	23-02 B	306729	14595/2005
16-06	306702	14152/2005	23-02 B	306730	14596/2005
19-08	306733	14724/2005	23-02 D	306670	14735/2005
20-01	306810	14887/2005	23-03 A	306709	14762/2005
20-02 E	306597	15761/2004	24-01	306836	14096/2005
20-02 NES	306733	14724/2005	25-01 B	306554	10675/2006
20-03 C	306577	10007/2006	25-01 E	306824	14001/2005
20-03 C	306581	12461/2005	25-01 K	306711	14746/2005
20-03 NES	306579	10905/2005	25-01 K	306792	14892/2005
21-01 B	306603	13885/2005	25-01 K	306793	14893/2005
21-01 N	306605	14482/2005	25-01 K	306831	14800/2005
21-01 N	306832	14830/2005	25-01 NES	306554	10675/2006
21-01 NES	306555	10808/2006	25-02 C	306775	13798/2005
21-01 NES	306588	14720/2005	25-02 E	306787	14874/2005
21-01 NES	306589	14721/2005	25-02 E	306788	14875/2005
21-01 NES	306590	14722/2005	25-02 E	306789	14876/2005
21-01 NES	306591	14723/2005	25-02 E	306790	14877/2005
21-01 NES	306596	14719/2005	25-03	306536	15243/2004
21-02 A	306724	14555/2005	25-03	306764	14526/2005
21-02 A	306840	14772/2005	25-03	306824	14001/2005
21-02 B	306683	12673/2005	25-04	306599	12512/2005
21-02 B	306684	12674/2005	25-04	306814	10449/2005
21-02 C	306610	14658/2005	26-02	306651	14709/2005
21-02 C	306611	14660/2005	26-02	306652	14710/2005
21-02 C	306612	14739/2005	26-02	306659	13878/2005
21-02 C	306613	14740/2005	26-03	306580	11504/2005
21-02 C	306649	14659/2005	26-03	306808	14844/2005
21-02 C	306653	14759/2005	26-05 A	306580	11504/2005
21-02 C	306654	14761/2005	26-05 B	306580	11504/2005
21-02 C	306707	14736/2005	26-05 C	306695	14525/2005
21-02 C	306708	14738/2005	26-05 C	306808	14844/2005
21-02 C	306771	14737/2005	27-02	306697	13744/2005
21-02 C	306772	14760/2005	28-02	306595	14707/2005
21-02 C	306841	14778/2005	28-02	306669	14706/2005
21-02 C	306842	14779/2005	28-02	306770	14708/2005
21-02 D	306615	14797/2005	28-03 A	306768	14689/2005
21-02 D	306713	14798/2005	28-03 A	306769	14690/2005
22-05	306655	14799/2005	28-03 NES	306595	14707/2005
23-01 A	306754	12610/2005	28-03 NES	306669	14706/2005
23-01 H	306777	14292/2005	28-03 NES	306770	14708/2005
23-01 H	306778	14293/2005	28-03 NES	306776	14072/2005
23-01 H	306779	14294/2005	28-99	306545	10039/2006
23-01 H	306780	14296/2005	28-99	306546	10040/2006
23-01 H	306781	14295/2005	28-99	306547	10041/2006
23-01 H	306782	14298/2005	28-99	306548	10042/2006
23-01 H	306783	14297/2005	28-99	306646	14574/2005
23-01 H	306805	14793/2005	28-99	306647	14575/2005
23-01 H	306806	14794/2005	28-99	306725	14565/2005
23-02 A	306609	14657/2005	28-99	306726	14566/2005
23-02 B	306565	13891/2005	30-02	306836	14096/2005
23-02 B	306566	13892/2005	30-03	306804	14757/2005

Registration Proceedings - Class Listing of Designs Published or Registered cont'd

Classification	Registration Number	Design Number	Classification	Registration Number	Design Number
31-00	306666	14553/2005	31-00	306813	14947/2005
31-00	306667	14554/2005			

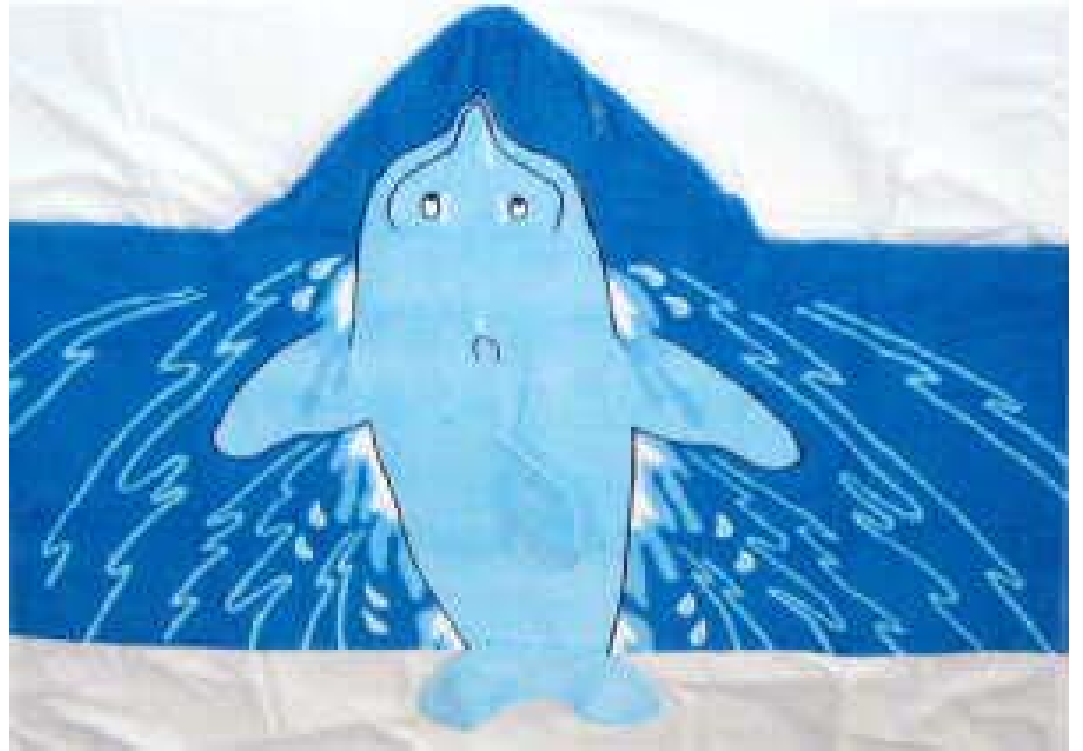
- (21) Design Number: **15243/2004**
- (22) Date of Filing Application: **12 November 2004**
- (24) Date from which industrial property rights may have effect: **12 November 2004**
- (54) Product in respect of which the design is registered: **Gunya shelters**
- (51) International Design Classification: **25-03**
- (71) Name(s) and Address(s) of Applicant(s):
Ross Woodcock
Earls Court Ellsmore Road Exeter New South Wales 2579 Australia
- (72) Name(s) of Designer(s): **Ross Woodcock**
- (45) Registration Date: **05 May 2006**
- (56) Related Art Documents: **Not Applicable**
- (57) Statement of Newness and Distinctiveness: **The design of the shelter and the shape and configuration of the truss is new and distinctive.**



- (21) Design Number: **10562/2005**
- (22) Date of Filing Application: **14 February 2005**
- (24) Date from which industrial property rights may have effect: **14 February 2005**
- (54) Product in respect of which the design is registered: **Beach cape**
- (51) International Design Classification: **06-13C, 02-02B**
- (71) Name(s) and Address(s) of Applicant(s):
Kingtex International Pty Ltd
5B Tarlington Place Smithfield New South Wales 2164 Australia
- (72) Name(s) of Designer(s): **Jing Xuan Li**
- (45) Registration Date: **05 May 2006**
- (56) Related Art Documents: **Not Applicable**
- (57) Statement of Newness and Distinctiveness: **There is no current design for the beach cape or beach towel. The hood and the attachment at the base/bottom of the towel form part of the design of the beach cape.**



- (21) Design Number: **10563/2005**
(22) Date of Filing Application: **14 February 2005**
(24) Date from which industrial property rights may have effect: **14 February 2005**
(54) Product in respect of which the design is registered: **Beach cape**
(51) International Design Classification: **06-13C, 02-02B**
(71) Name(s) and Address(s) of Applicant(s):
Kingtex International Pty Ltd
5B Tarlington Place Smithfield New South Wales 2164 Australia
(72) Name(s) of Designer(s): **Jing Xuan Li**
(45) Registration Date: **05 May 2006**
(56) Related Art Documents: **Not Applicable**
(57) Statement of Newness and Distinctiveness: **There is no current design for the beach cape or beach towel. The hood and the attachment at the base/bottom of the towel form part of the design of the beach cape.**



- (21) Design Number: **13093/2005**
(22) Date of Filing Application: **18 July 2005**
(24) Date from which industrial property rights may have effect: **18 July 2005**
(54) Product in respect of which the design is registered: **Carpet**
(51) International Design Classification: **06-11**
(71) Name(s) and Address(s) of Applicant(s):
Feltex Carpets Pty Ltd
35-65 Paramount Road Tottenham Victoria 3012 Australia
(72) Name(s) of Designer(s): **Max Watson**
(45) Registration Date: **05 May 2006**
(56) Related Art Documents: **Not Applicable**
(57) Statement of Newness and Distinctiveness: **Wool-multi level loop technology.**



(21) Design Number: **13094/2005**

(22) Date of Filing Application: **18 July 2005**

(24) Date from which industrial property rights may have effect: **18 July 2005**

(54) Product in respect of which the design is registered: **carpet**

(51) International Design Classification: **06-11**

(71) Name(s) and Address(s) of Applicant(s):

Feltex Carpets Pty Ltd
35-65 Paramount Road Tottenham Victoria 3012 Australia

(72) Name(s) of Designer(s): **Max Watson**

(45) Registration Date: **05 May 2006**

(56) Related Art Documents: **Not Applicable**

(57) Statement of Newness and Distinctiveness: **Wool-multi level loop technology.**



(21) Design Number: **13095/2005**

(22) Date of Filing Application: **18 July 2005**

(24) Date from which industrial property rights may have effect: **18 July 2005**

(54) Product in respect of which the design is registered: **Carpet**

(51) International Design Classification: **06-11**

(71) Name(s) and Address(s) of Applicant(s):

Feltex Carpets Pty Ltd
35-65 Paramount Road Tottenham Victoria 3012 Australia

(72) Name(s) of Designer(s): **Ray Prociw**

(45) Registration Date: **05 May 2006**

(56) Related Art Documents: **Not Applicable**

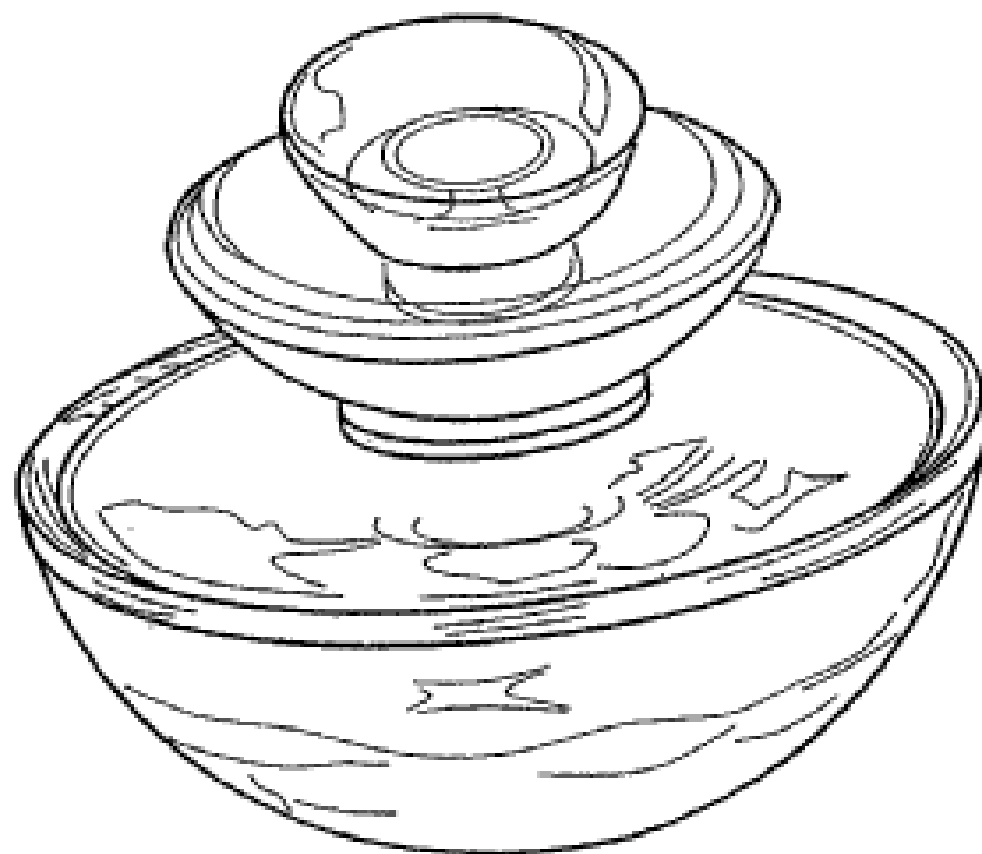
(57) Statement of Newness and Distinctiveness: **Solution dyed nylon-multi level loop technology.**



(21) Design Number: **13096/2005**
(22) Date of Filing Application: **18 July 2005**
(24) Date from which industrial property rights may have effect: **18 July 2005**
(54) Product in respect of which the design is registered: **Carpet**
(51) International Design Classification: **06-11**
(71) Name(s) and Address(s) of Applicant(s):
Feltex Carpets Pty Ltd
35-65 Paramount Road Tottenham Victoria 3012 Australia
(72) Name(s) of Designer(s): **Ray Prociw**
(45) Registration Date: **05 May 2006**
(56) Related Art Documents: **Not Applicable**
(57) Statement of Newness and Distinctiveness: **LCL-level cut loop technology.**



(21) Design Number: **14704/2005**
(22) Date of Filing Application: **25 October 2005**
(24) Date from which industrial property rights may have effect: **25 October 2005**
(54) Product in respect of which the design is registered: **Flask for Perfumery Products**
(51) International Design Classification: **09-01G**
(71) Name(s) and Address(s) of Applicant(s):
Guerlain Societe Anonyme
68 Avenue Des Champs Elysees 75008 Paris France
(72) Name(s) of Designer(s): **Serge Mansau**
(45) Registration Date: **05 May 2006**
(30) Convention priority data:
(31) Number (32) Date (33) Country
000363775 27 Jun 2005 EUROPEAN PATENT OFFICE (EP)
(56) Related Art Documents: **Not Applicable**
(57) Statement of Newness and Distinctiveness: **Nil**



(21) Design Number: **15641/2005**

(22) Date of Filing Application: **20 December 2005**

(24) Date from which industrial property rights may have effect: **20 December 2005**

(54) Product in respect of which the design is registered: **Hand held power tool**

(51) International Design Classification: **08-01**

(71) Name(s) and Address(s) of Applicant(s):

Jetyd Corp.

218 Island Road Mahwah New Jersey 07430 United States Of America

(72) Name(s) of Designer(s): **Jason Junkers**

(45) Registration Date: **05 May 2006**

(30) Convention priority data:

(31) Number

(32) Date

(33) Country

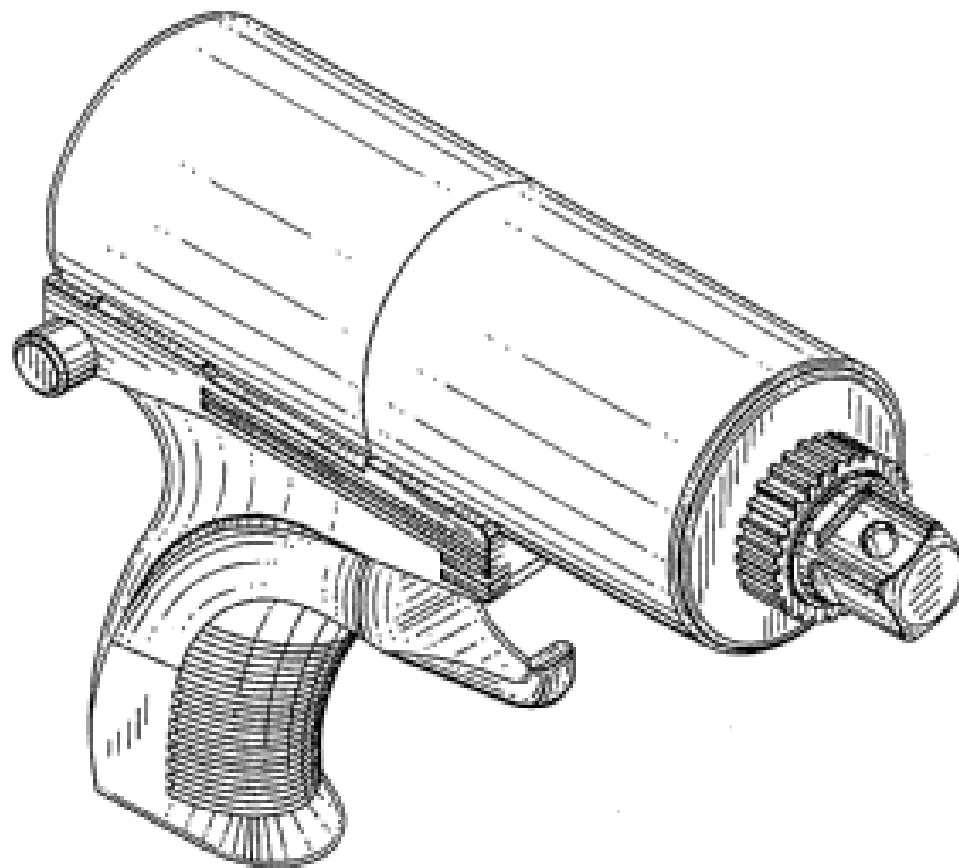
29/236329

15 Aug 2005

UNITED STATES OF AMERICA

(56) Related Art Documents: **Not Applicable**

(57) Statement of Newness and Distinctiveness: **Newness and distinctiveness reside in the features of the design as shown in the representations.**



(21) Design Number: **10039/2006**

(22) Date of Filing Application: **09 January 2006**

(24) Date from which industrial property rights may have effect: **09 January 2006**

(54) Product in respect of which the design is registered: **Dishwasher freshening article**

(51) International Design Classification: **28-99**

(71) Name(s) and Address(s) of Applicant(s):

Reckitt Benckiser N.V.

**Kantoorgebouw de Appelaer De Fruittuinen 2-12 2132 NZ Hoofddorp
The Netherlands**

(72) Name(s) of Designer(s): **Refik Oner**

(45) Registration Date: **05 May 2006**

(30) Convention priority data:

(31) Number

(32) Date

(33) Country

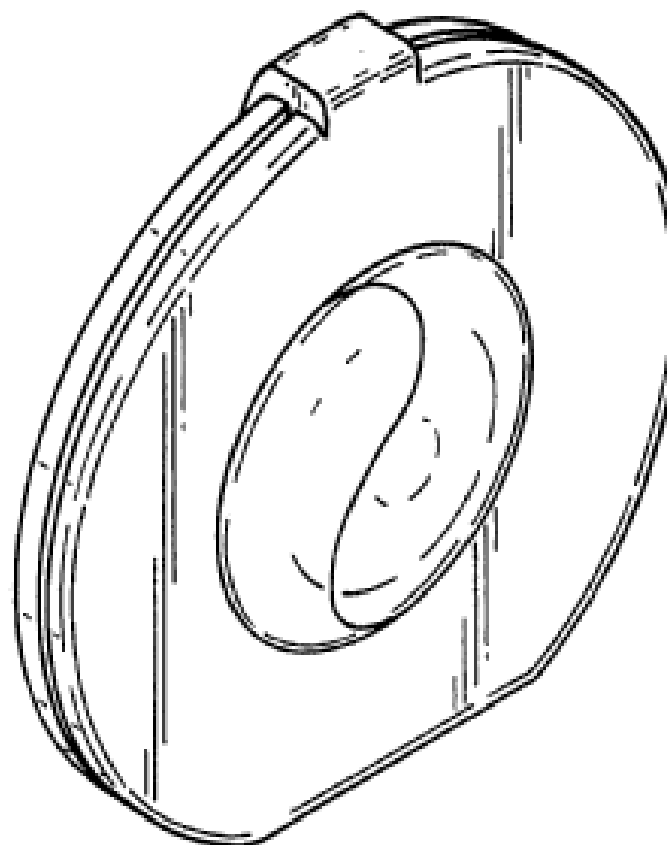
000373873

18 Jul 2005

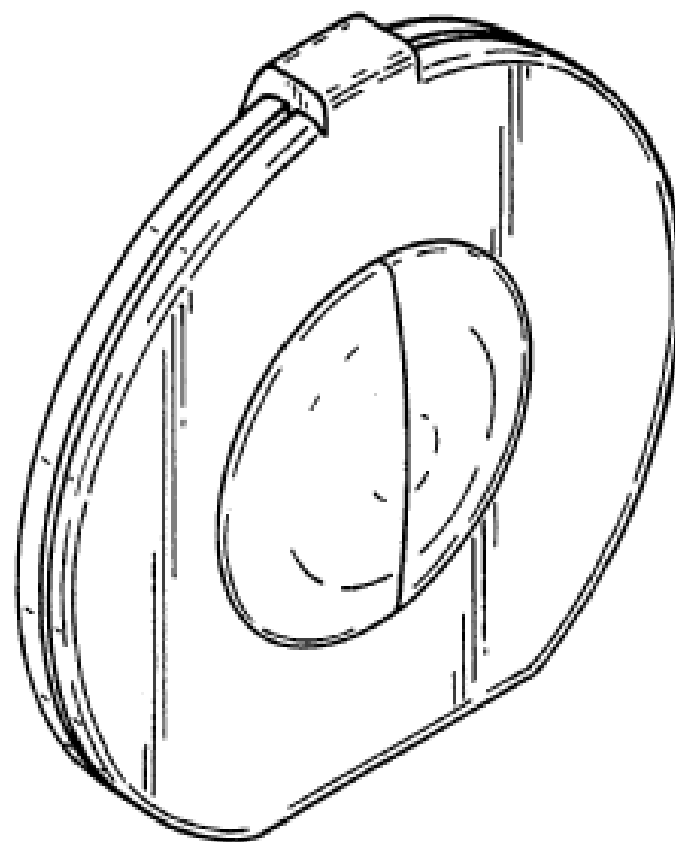
EUROPEAN COMMUNITY

(56) Related Art Documents: **Not Applicable**

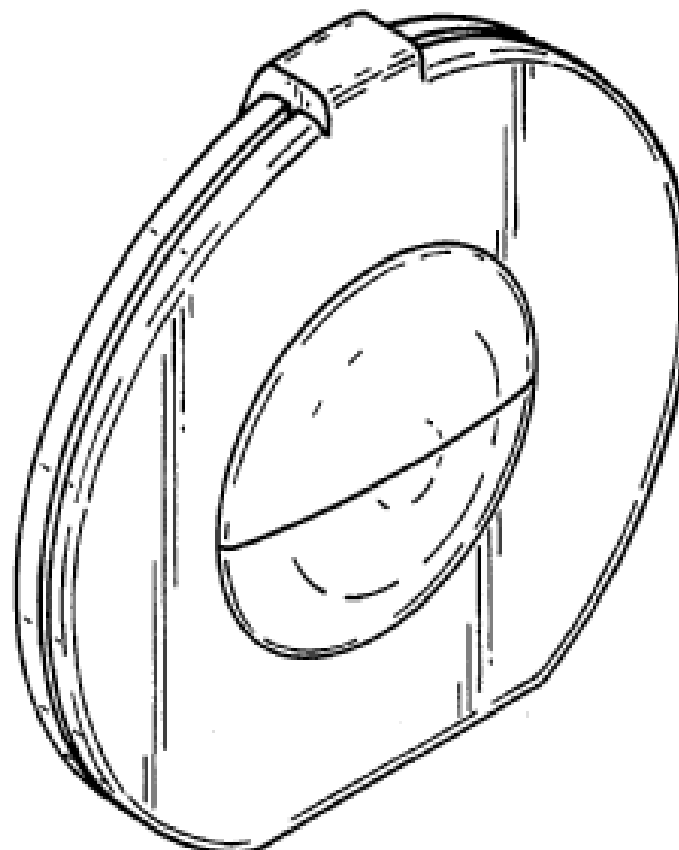
(57) Statement of Newness and Distinctiveness: **Newness and distinctiveness reside in the features of the design as shown in the representations.**



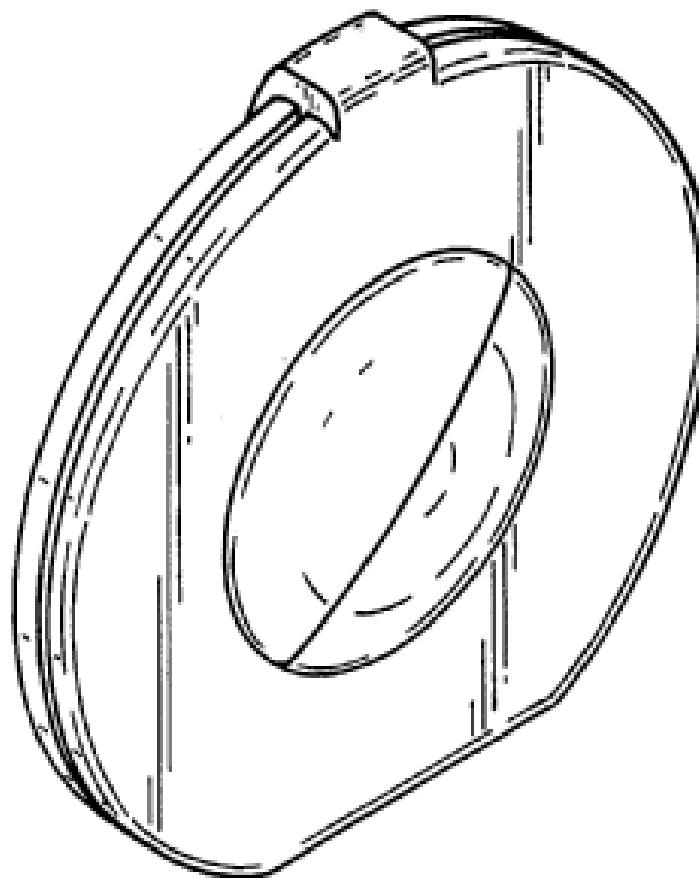
- (21) Design Number: **10040/2006**
(22) Date of Filing Application: **09 January 2006**
(24) Date from which industrial property rights may have effect: **09 January 2006**
(54) Product in respect of which the design is registered: **Dishwasher freshening article**
(51) International Design Classification: **28-99**
(71) Name(s) and Address(s) of Applicant(s):
Reckitt Benckiser N.V.
Kantoorgebouw de Appelaer De Fruittuinen 2-12 2132 NZ Hoofddorp
The Netherlands
(72) Name(s) of Designer(s): **Refik Oner**
(45) Registration Date: **05 May 2006**
(30) Convention priority data:
(31) Number (32) Date (33) Country
000373873 18 Jul 2005 EUROPEAN COMMUNITY
(56) Related Art Documents: **Not Applicable**
(57) Statement of Newness and Distinctiveness: **Newness and distinctiveness reside in the features of the design as shown in the representations.**



- (21) Design Number: **10041/2006**
(22) Date of Filing Application: **09 January 2006**
(24) Date from which industrial property rights may have effect: **09 January 2006**
(54) Product in respect of which the design is registered: **Dishwasher freshening article**
(51) International Design Classification: **28-99**
(71) Name(s) and Address(s) of Applicant(s):
Reckitt Benckiser N.V.
Kantoorgebouw de Appelaer De Fruittuinen 2-12 2132 NZ Hoofddorp
The Netherlands
(72) Name(s) of Designer(s): **Refik Oner**
(45) Registration Date: **05 May 2006**
(30) Convention priority data:
(31) Number (32) Date (33) Country
000373873 18 Jul 2005 EUROPEAN COMMUNITY
(56) Related Art Documents: **Not Applicable**
(57) Statement of Newness and Distinctiveness: **Newness and distinctiveness reside in the features of the design as shown in the representations.**



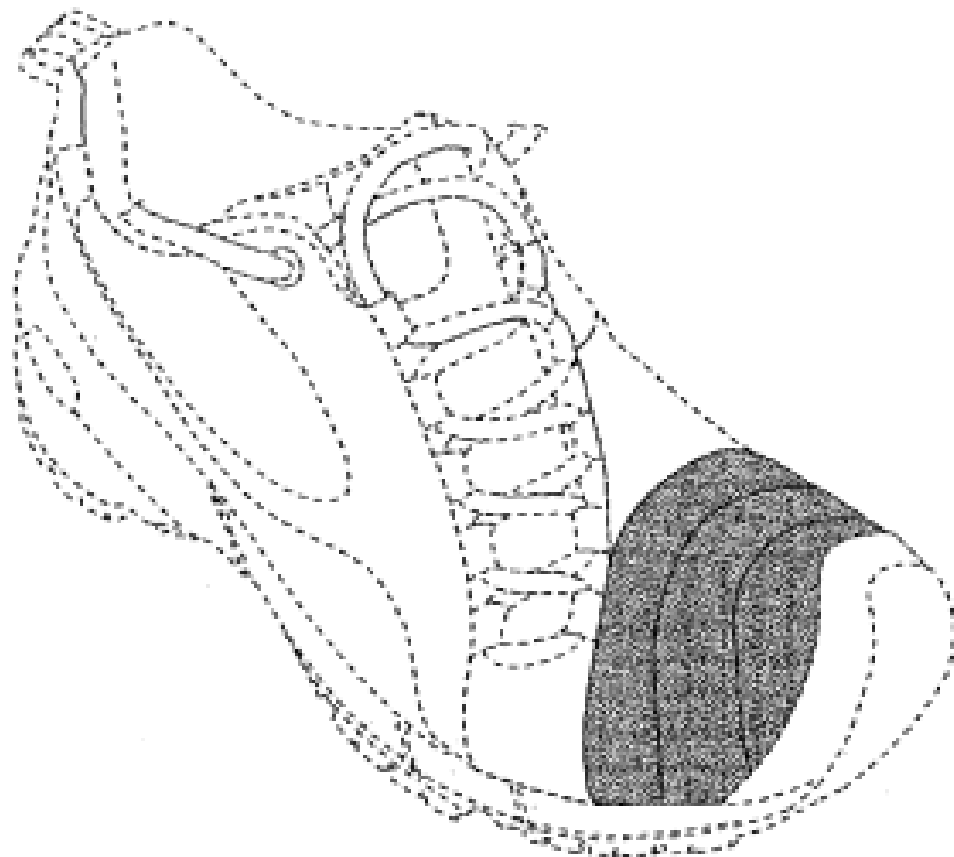
(21) Design Number: **10042/2006**
(22) Date of Filing Application: **09 January 2006**
(24) Date from which industrial property rights may have effect: **09 January 2006**
(54) Product in respect of which the design is registered: **Dishwasher freshening article**
(51) International Design Classification: **28-99**
(71) Name(s) and Address(s) of Applicant(s):
Reckitt Benckiser N.V.
Kantoorgebouw de Appelaer De Fruittuinen 2-12 2132 NZ Hoofddorp
The Netherlands
(72) Name(s) of Designer(s): **Refik Oner**
(45) Registration Date: **05 May 2006**
(30) Convention priority data:
(31) Number (32) Date (33) Country
000373873 18 Jul 2005 EUROPEAN COMMUNITY
(56) Related Art Documents: **Not Applicable**
(57) Statement of Newness and Distinctiveness: **Newness and distinctiveness reside in the features of the design as shown in the representations.**



(21) Design Number: **10386/2006**
(22) Date of Filing Application: **03 February 2006**
(24) Date from which industrial property rights may have effect: **03 February 2006**
(54) Product in respect of which the design is registered: **Shoe sole**
(51) International Design Classification: **02-04B**
(71) Name(s) and Address(s) of Applicant(s):
Keen LLC
1201 Marina Village Suite 301 Alameda California 94501 United States of America
(72) Name(s) of Designer(s): **Rory W. Fuerst**
(45) Registration Date: **05 May 2006**
(30) Convention priority data:
(31) Number (32) Date (33) Country
29/235,610 04 Aug 2005 UNITED STATES OF AMERICA
(56) Related Art Documents: **Not Applicable**
(57) Statement of Newness and Distinctiveness: **Monopoly is claimed in the design as applied to the shoe sole as shown in the drawings. In considering the scope of the monopoly claimed, no reference is to be had to the features of a shoe which are depicted in the drawings using broken lines.**



(21) Design Number: **10388/2006**
 (22) Date of Filing Application: **03 February 2006**
 (24) Date from which industrial property rights may have effect: **03 February 2006**
 (54) Product in respect of which the design is registered: **Toe portion of a shoe upper**
 (51) International Design Classification: **02-04NES**
 (71) Name(s) and Address(s) of Applicant(s):
Keen LLC
1201 Marina Village Suite 301 Alameda California 94501 United States of America
 (72) Name(s) of Designer(s): **Rory W. Fuerst**
 (45) Registration Date: **05 May 2006**
 (30) Convention priority data:
 (31) Number (32) Date (33) Country
29/235,610 04 Aug 2005 UNITED STATES OF AMERICA
 (56) Related Art Documents: **Not Applicable**
 (57) Statement of Newness and Distinctiveness: **Monopoly is claimed in the design as applied to the toe portion of a shoe upper as shown in the drawings. In considering the scope of the monopoly claimed, no reference is to be had to the features of a shoe which are depicted in the drawings using broken lines.**



(21) Design Number: **10389/2006**
 (22) Date of Filing Application: **03 February 2006**
 (24) Date from which industrial property rights may have effect: **03 February 2006**
 (54) Product in respect of which the design is registered: **Lacing portion of a shoe upper**
 (51) International Design Classification: **02-04NES**
 (71) Name(s) and Address(s) of Applicant(s):
Keen LLC
1201 Marina Village Suite 301 Alameda California 94501 United States of America
 (72) Name(s) of Designer(s): **Rory W. Fuerst**
 (45) Registration Date: **05 May 2006**
 (30) Convention priority data:
 (31) Number (32) Date (33) Country
29/235,610 04 Aug 2005 UNITED STATES OF AMERICA
 (56) Related Art Documents: **Not Applicable**
 (57) Statement of Newness and Distinctiveness: **Monopoly is claimed in the design as applied to the lacing portion of a shoe upper as shown in the drawings. In considering the scope of the monopoly claimed, no reference is to be had to the features of a shoe which are depicted in the drawings using broken lines or the laces as depicted in the drawings.**



- (21) Design Number: **10392/2006**
- (22) Date of Filing Application: **03 February 2006**
- (24) Date from which industrial property rights may have effect: **03 February 2006**
- (54) Product in respect of which the design is registered: **Shoe sole**
- (51) International Design Classification: **02-04B**
- (71) Name(s) and Address(s) of Applicant(s):
Keen LLC
1201 Marina Village Suite 301 Alameda California 94501 United States of America
- (72) Name(s) of Designer(s): **Rory W. Fuerst**
- (45) Registration Date: **05 May 2006**
- (30) Convention priority data:

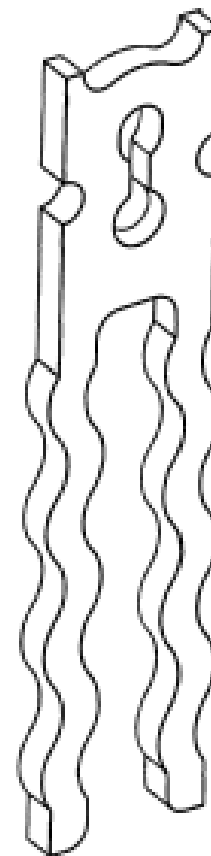
(31) Number	(32) Date	(33) Country
29/235,610	04 Aug 2005	UNITED STATES OF AMERICA
- (56) Related Art Documents: **Not Applicable**
- (57) Statement of Newness and Distinctiveness: **Monopoly is claimed in the design as applied to the shoe sole as shown in the drawings. In considering the scope of the monopoly claimed, no reference is to be had to the features of a shoe which are depicted in the drawings using broken lines.**



- (21) Design Number: **10477/2006**
- (22) Date of Filing Application: **10 February 2006**
- (24) Date from which industrial property rights may have effect: **10 February 2006**
- (54) Product in respect of which the design is registered: **Lower Body Garment**
- (51) International Design Classification: **02-02C**
- (71) Name(s) and Address(s) of Applicant(s):
William Wilson
7A Agett Road Claremont Western Australia 6010 Australia
- (72) Name(s) of Designer(s): **William Wilson**
- (45) Registration Date: **05 May 2006**
- (56) Related Art Documents: **Not Applicable**
- (57) Statement of Newness and Distinctiveness: **The V shaped appearance and configuration and the absence of a fly as depicted in the enclosed design representation.**



- (21) Design Number: **10675/2006**
(22) Date of Filing Application: **22 February 2006**
(24) Date from which industrial property rights may have effect: **22 February 2006**
(54) Product in respect of which the design is registered: **A lifting anchor**
(51) International Design Classification: **25-01B, 25-01NES**
(71) Name(s) and Address(s) of Applicant(s):
Woodstock Percussion Pty Ltd
14 Hillside Crescent Epping New South Wales 2121 Australia
(72) Name(s) of Designer(s): **Rodney Mackay Sim**
(45) Registration Date: **05 May 2006**
(56) Related Art Documents: **Not Applicable**
(57) Statement of Newness and Distinctiveness: **Newness and distinctiveness is claimed in respect of the shape and/or configuration of the head of the product illustrated in the accompanying representations. In carrying out a consideration in accordance with section 19, the shape and/or configuration of the two legs is not to be considered as either new or distinctive.**



- (21) Design Number: **10808/2006**
(22) Date of Filing Application: **02 March 2006**
(24) Date from which industrial property rights may have effect: **02 March 2006**
(54) Product in respect of which the design is registered: **Toy**
(51) International Design Classification: **21-01NES**
(71) Name(s) and Address(s) of Applicant(s):
Clare Anne Brown
1981 Wheatlands Road Kenmare Victoria 3395 Australia
(72) Name(s) of Designer(s): **Clare Anne Brown and Karen Marie McKay**
(45) Registration Date: **05 May 2006**
(56) Related Art Documents: **Not Applicable**
(57) Statement of Newness and Distinctiveness: **The new features of the ball is the way in which the shapes have been put together to make it easy to catch for toddlers ball skills.**



(21) Design Number: **10813/2006**

(22) Date of Filing Application: **03 March 2006**

(24) Date from which industrial property rights may have effect: **03 March 2006**

(54) Product in respect of which the design is registered: **Australian Flag**

(51) International Design Classification: **11-05**

(71) Name(s) and Address(s) of Applicant(s):

Rodney John Davies

**49 Scarborough Beach Road Scarborough Western Australia 6019
Australia**

(72) Name(s) of Designer(s): **Rodney John Davies**

(45) Registration Date: **05 May 2006**

(56) Related Art Documents: **Not Applicable**

(57) Statement of Newness and Distinctiveness: **Stars are different, inclusion of red kangaroo with white outline.**



(21) Design Number: **10704/2005**

(22) Date of Filing Application: **23 February 2005**

(24) Date from which industrial property rights may have effect: **23 February 2005**

(54) Product in respect of which the design is registered: **Display for produce, including ripening fruit and the like**

(51) International Design Classification: **07-01NES**

(71) Name(s) and Address(s) of Applicant(s):

Brent D. Sokol

**418 North La Jolla Avenue Los Angeles California 90048 United States
of America**

Chia C. Chiang

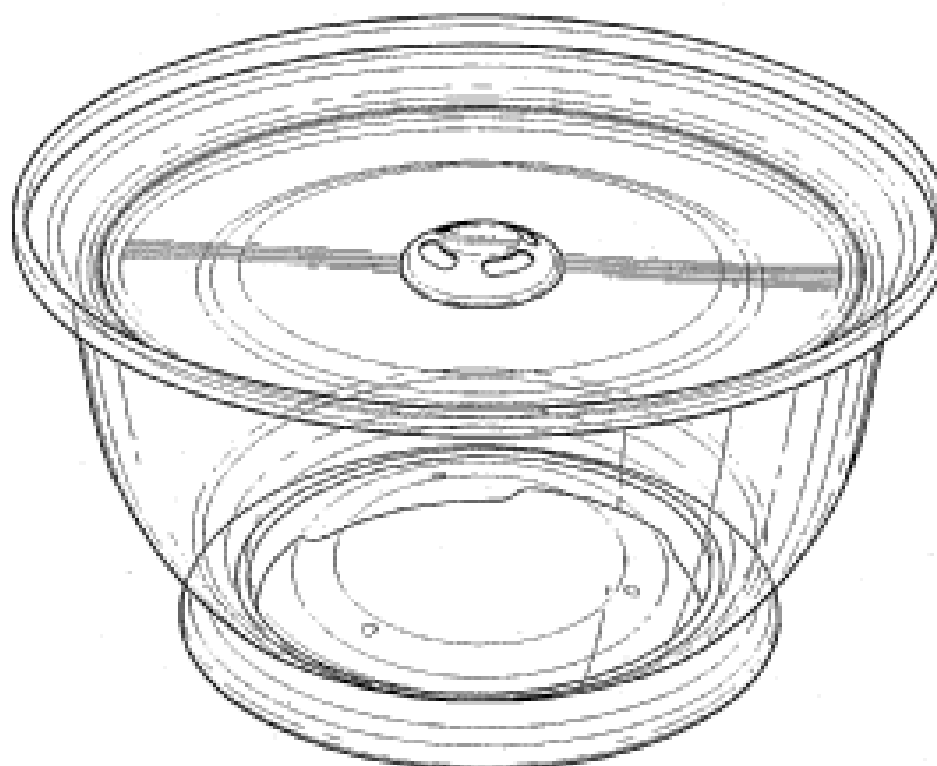
**418 North La Jolla Avenue Los Angeles California 90048 United States
of America**

(72) Name(s) of Designer(s): **Chia C. Chiang and Brent D. Sokol and Blake
McEldowney and Max Burton**

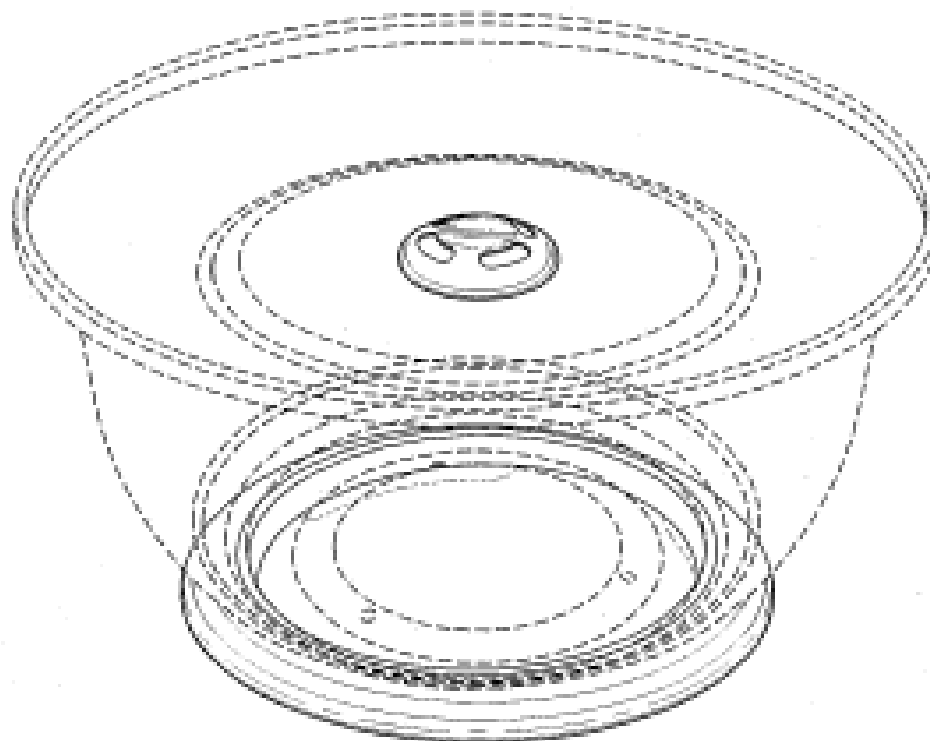
(45) Registration Date: **05 May 2006**

(56) Related Art Documents: **Not Applicable**

(57) Statement of Newness and Distinctiveness: **Newness and distinctiveness is claimed in the visual features of shape and/or configuration as applied to a display for produce, including ripening fruit and the like, having a round vent as illustrated in the accompanying representations. In considering which features are new and distinctive the portions of the display illustrated in broken lines are to be disregarded.**

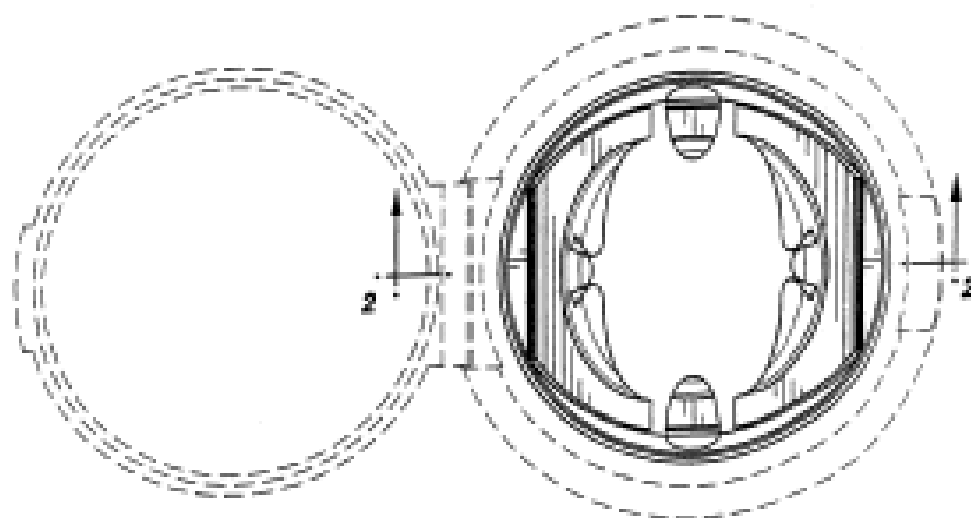


- (21) Design Number: **10707/2005**
- (22) Date of Filing Application: **23 February 2005**
- (24) Date from which industrial property rights may have effect: **23 February 2005**
- (54) Product in respect of which the design is registered: **Display for produce, including ripening fruit and the like**
- (51) International Design Classification: **07-01NES**
- (71) Name(s) and Address(s) of Applicant(s):
Brent D. Sokol
418 North La Jolla Avenue Los Angeles California 90048 United States of America
Chia C. Chiang
418 North La Jolla Avenue Los Angeles California 90048 United States of America
- (72) Name(s) of Designer(s): **Chia C. Chiang and Brent D. Sokol and Blake McEldowney and Max Burton**
- (45) Registration Date: **05 May 2006**
- (56) Related Art Documents: **Not Applicable**
- (57) Statement of Newness and Distinctiveness: **Newness and distinctiveness is claimed in the visual features of shape and/or configuration as applied to a display for produce, including ripening fruit and the like, having a round vent as illustrated in the accompanying representations. In considering which features are new and distinctive the portions of the display illustrated in broken lines are to be disregarded.**



- (21) Design Number: **10962/2005**
- (22) Date of Filing Application: **10 March 2005**
- (24) Date from which industrial property rights may have effect: **10 March 2005**
- (54) Product in respect of which the design is registered: **A lid with a variable inner orifice**
- (51) International Design Classification: **09-07A**
- (71) Name(s) and Address(s) of Applicant(s):
Union Street Brand Packaging, Inc.
203 Union Street Clinton MA 01510 United States of America
- (72) Name(s) of Designer(s): **Christopher T. Evans and Christopher Gieda and David J. Schultz and Paul Bertram**
- (45) Registration Date: **05 May 2006**
- (30) Convention priority data:

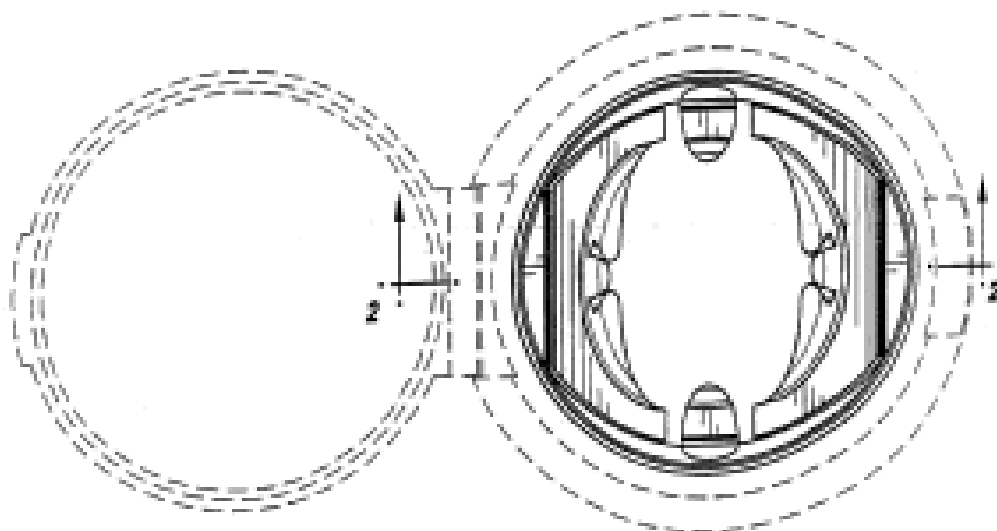
(31) Number	(32) Date	(33) Country
29/213,102	13 Sep 2004	UNITED STATES OF AMERICA
- (56) Related Art Documents: **Not Applicable**
- (57) Statement of Newness and Distinctiveness: **When determining whether any of the designs are 1 to 5 are substantially similar in overall impression to another design, no regard should be had to those features shown in broken outline.**



(19) AU

- (21) Design Number: **10963/2005**
- (22) Date of Filing Application: **10 March 2005**
- (24) Date from which industrial property rights may have effect: **10 March 2005**
- (54) Product in respect of which the design is registered: **A lid with a variable inner orifice**
- (51) International Design Classification: **09-07A**
- (71) Name(s) and Address(s) of Applicant(s):
Union Street Brand Packaging, Inc.
203 Union Street Clinton MA 01510 United States of America
- (72) Name(s) of Designer(s): **Christopher T. Evans and Christopher Gieda and David J. Schultz and Paul Bertram**
- (45) Registration Date: **05 May 2006**
- (30) Convention priority data:

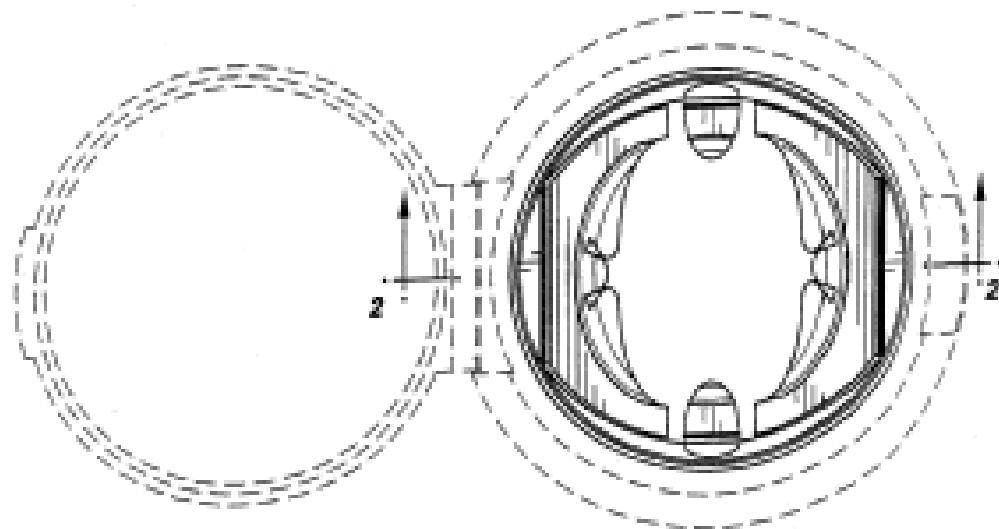
(31) Number	(32) Date	(33) Country
29/213,102	13 Sep 2004	UNITED STATES OF AMERICA
- (56) Related Art Documents: **Not Applicable**
- (57) Statement of Newness and Distinctiveness: **When determining whether any of the designs are substantially similar in overall impression to another design, no regard should be had to those features shown in broken outline.**



(19) AU

- (21) Design Number: **10964/2005**
- (22) Date of Filing Application: **10 March 2005**
- (24) Date from which industrial property rights may have effect: **10 March 2005**
- (54) Product in respect of which the design is registered: **A lid with a variable inner orifice**
- (51) International Design Classification: **09-07A**
- (71) Name(s) and Address(s) of Applicant(s):
Union Street Brand Packaging, Inc.
203 Union Street Clinton MA 01510 United States of America
- (72) Name(s) of Designer(s): **Christopher T. Evans and Christopher Gieda and David J. Schultz and Paul Bertram**
- (45) Registration Date: **05 May 2006**
- (30) Convention priority data:

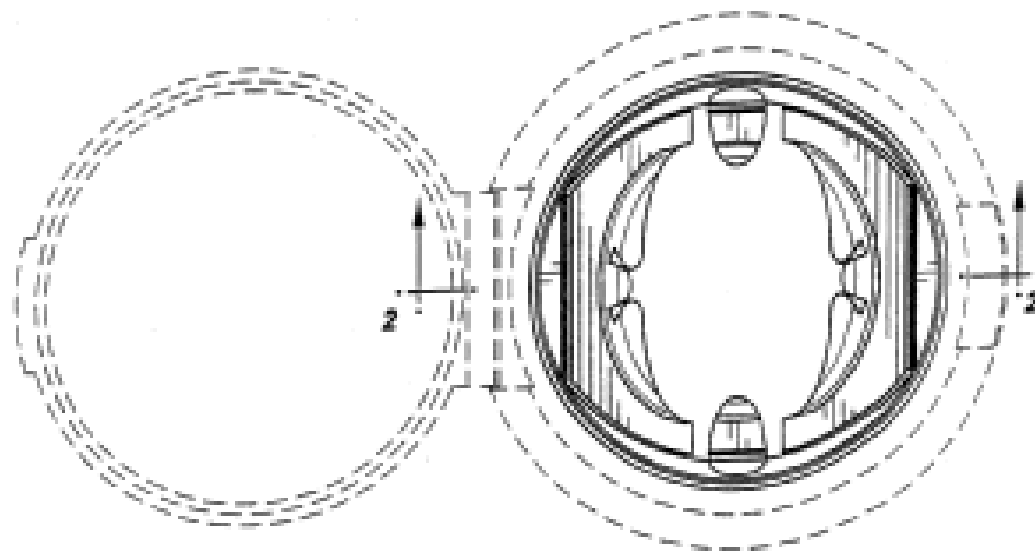
(31) Number	(32) Date	(33) Country
29/213,102	13 Sep 2004	UNITED STATES OF AMERICA
- (56) Related Art Documents: **Not Applicable**
- (57) Statement of Newness and Distinctiveness: **When determining whether any of the designs 1 to 5 are substantially similar in overall impression to another design, no regard should be had to those features shown in broken outline.**



(19) AU

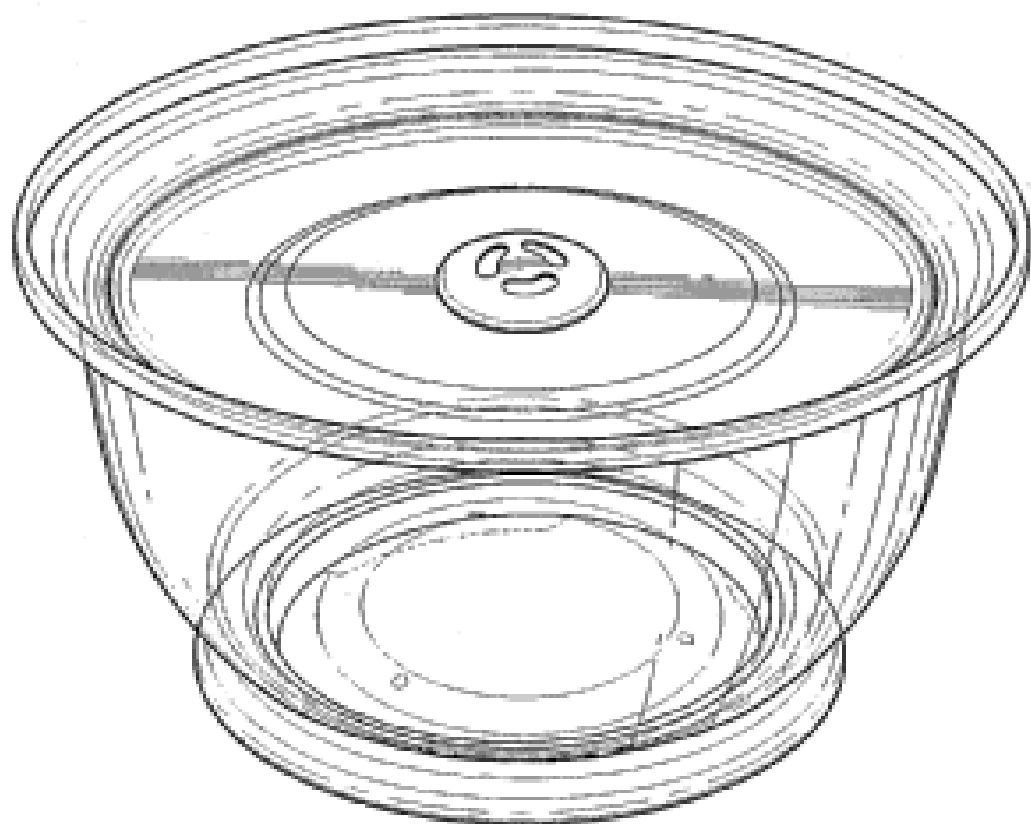
- (21) Design Number: **10966/2005**
- (22) Date of Filing Application: **10 March 2005**
- (24) Date from which industrial property rights may have effect: **10 March 2005**
- (54) Product in respect of which the design is registered: **A lid with a variable inner orifice**
- (51) International Design Classification: **09-07A**
- (71) Name(s) and Address(s) of Applicant(s):
Union Street Brand Packaging, Inc.
203 Union Street Clinton MA 01510 United States of America
- (72) Name(s) of Designer(s): **Christopher T. Evans and Christopher Gieda and David J. Schultz and Paul Bertram**
- (45) Registration Date: **05 May 2006**
- (30) Convention priority data:

(31) Number	(32) Date	(33) Country
29/213,102	13 Sep 2004	UNITED STATES OF AMERICA
- (56) Related Art Documents: **Not Applicable**
- (57) Statement of Newness and Distinctiveness: **When determining whether any of the designs 1 to 5 are substantially similar in overall impression to another design, no regard should be had to those features shown in broken outline.**

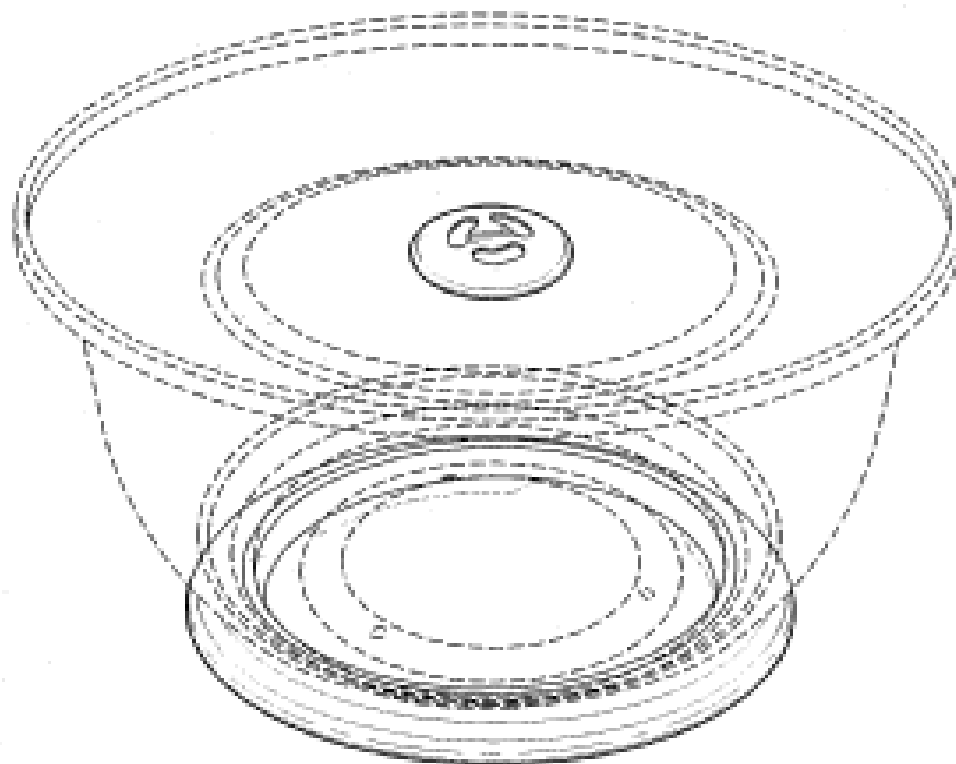


(19) AU

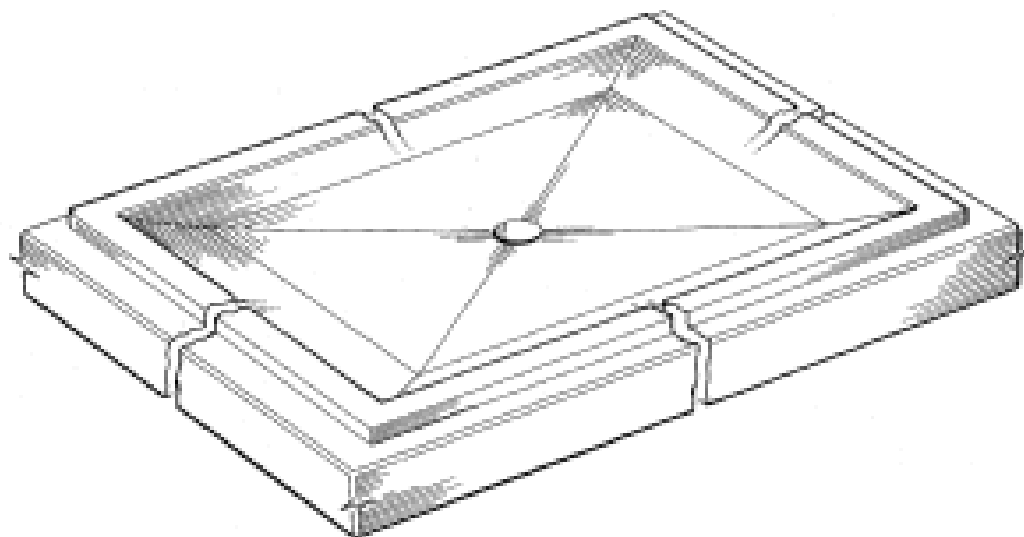
- (21) Design Number: **11160/2006**
- (22) Date of Filing Application: **23 February 2005**
- (24) Date from which industrial property rights may have effect: **23 February 2005**
- (54) Product in respect of which the design is registered: **Display for produce, including ripening fruit and the like**
- (51) International Design Classification: **07-01NES**
- (71) Name(s) and Address(s) of Applicant(s):
Brent D. Sokol
418 North La Jolla Avenue Los Angeles California 90048 United States of America
Chia C. Chiang
418 North La Jolla Avenue Los Angeles California 90048 United States of America
- (72) Name(s) of Designer(s): **Chia C. Chiang and Brent D. Sokol and Blake McEldowney and Max Burton**
- (45) Registration Date: **05 May 2006**
- (56) Related Art Documents: **Not Applicable**
- (57) Statement of Newness and Distinctiveness: **Newness and distinctiveness is claimed in the visual features of shape and/or configuration as applied to a display for produce, including ripening fruit and the like, as illustrated in the accompanying representations.**



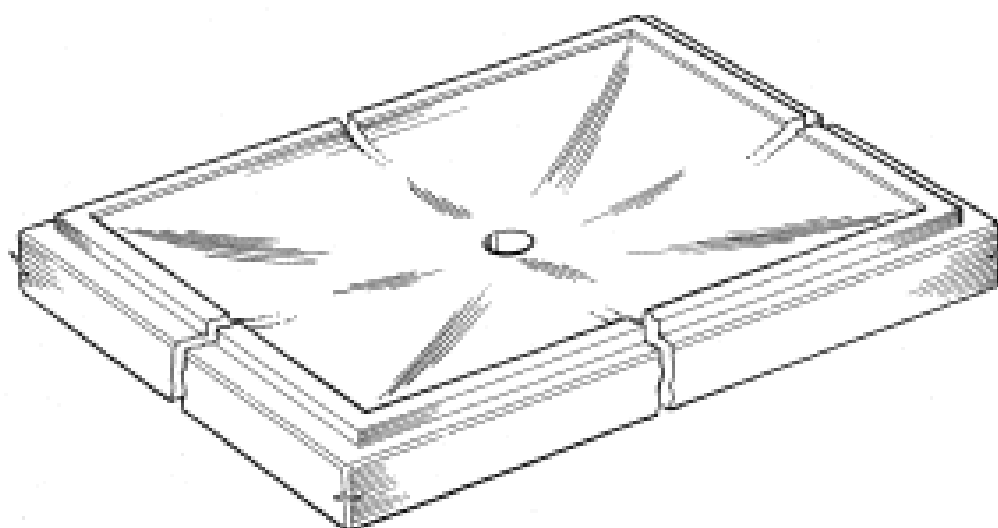
- (21) Design Number: **11164/2006**
(22) Date of Filing Application: **23 February 2005**
(24) Date from which industrial property rights may have effect: **23 February 2005**
(54) Product in respect of which the design is registered: **Display for produce, including ripening fruit and the like**
(51) International Design Classification: **07-01NES**
(71) Name(s) and Address(s) of Applicant(s):
Brent D. Sokol
418 North La Jolla Avenue Los Angeles California 90048 United States of America
Chia C. Chiang
418 North La Jolla Avenue Los Angeles California 90048 United States of America
(72) Name(s) of Designer(s): **Chia C. Chiang and Brent D. Sokol and Blake McEldowney and Max Burton**
(45) Registration Date: **05 May 2006**
(56) Related Art Documents: **Not Applicable**
(57) Statement of Newness and Distinctiveness: **Newness and distinctiveness is claimed in the visual features of shape and/or configuration as applied to a display for produce, including ripening fruit and the like, as illustrated in the accompanying representations. In considering which features are new and distinctive the portions of the display illustrated in broken lines are to be disregarded.**



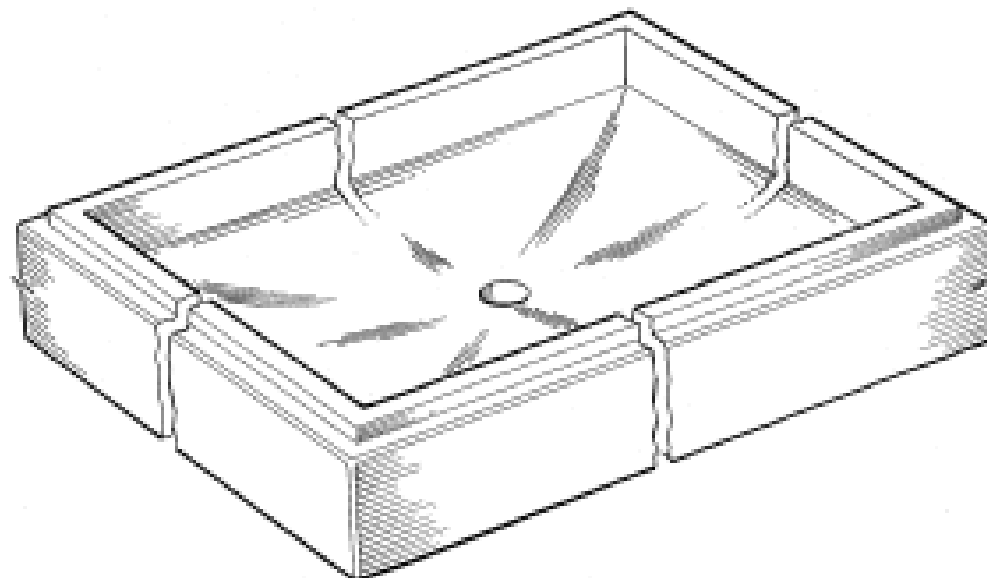
- (21) Design Number: **13891/2005**
(22) Date of Filing Application: **08 September 2005**
(24) Date from which industrial property rights may have effect: **08 September 2005**
(54) Product in respect of which the design is registered: **Shower base**
(51) International Design Classification: **23-02B**
(71) Name(s) and Address(s) of Applicant(s):
David John Green
14 Treetop Court Narre Warren South Victoria 3805 Australia
(72) Name(s) of Designer(s): **David John Green**
(45) Registration Date: **05 May 2006**
(56) Related Art Documents: **Not Applicable**
(57) Statement of Newness and Distinctiveness: **Nil**



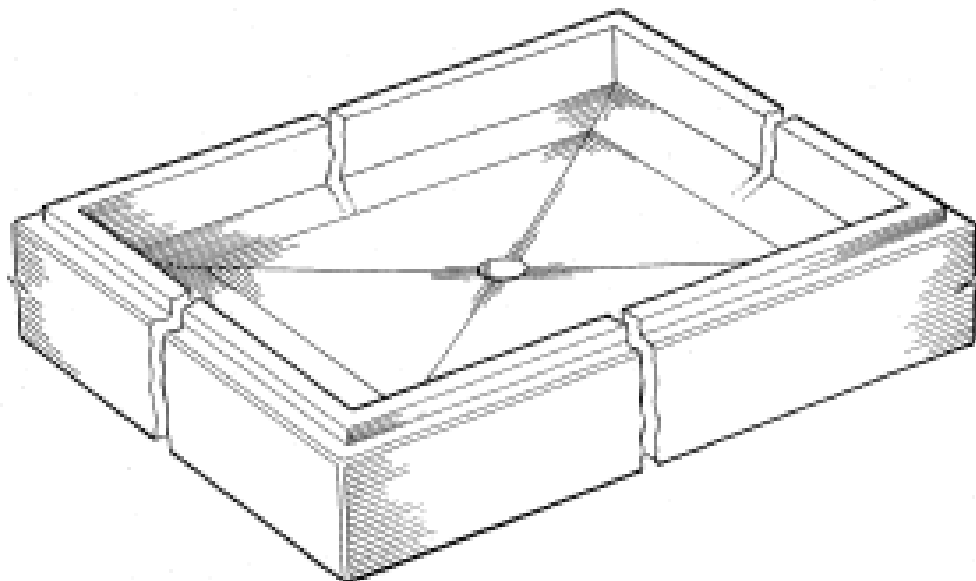
(21) Design Number: **13892/2005**
(22) Date of Filing Application: **08 September 2005**
(24) Date from which industrial property rights may have effect: **08 September 2005**
(54) Product in respect of which the design is registered: **Shower base**
(51) International Design Classification: **23-02B**
(71) Name(s) and Address(s) of Applicant(s):
David John Green
14 Treetop Court Narre Warren South Victoria 3805 Australia
(72) Name(s) of Designer(s): **David John Green**
(45) Registration Date: **05 May 2006**
(56) Related Art Documents: **Not Applicable**
(57) Statement of Newness and Distinctiveness: **Nil**



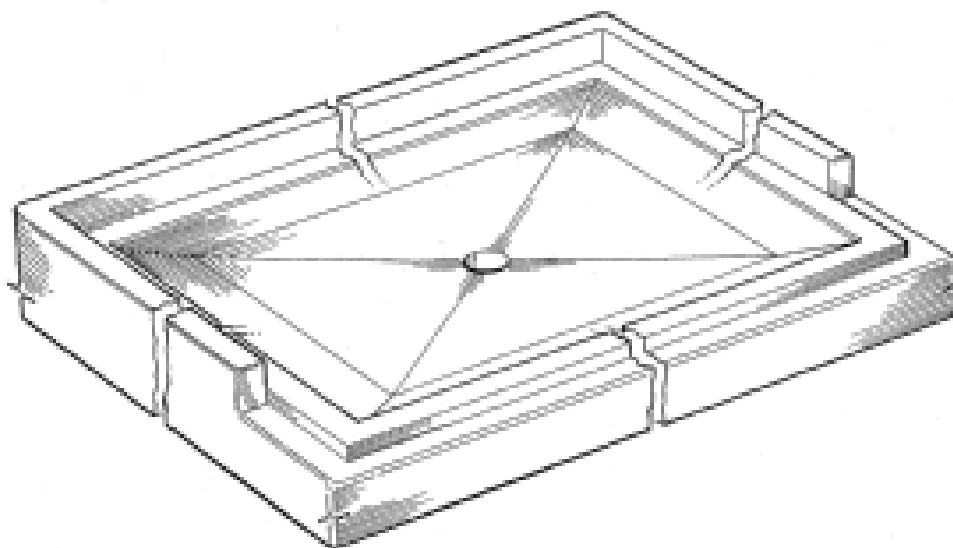
(21) Design Number: **13893/2005**
(22) Date of Filing Application: **08 September 2005**
(24) Date from which industrial property rights may have effect: **08 September 2005**
(54) Product in respect of which the design is registered: **Shower base**
(51) International Design Classification: **23-02B**
(71) Name(s) and Address(s) of Applicant(s):
David John Green
14 Treetop Court Narre Warren South Victoria 3805 Australia
(72) Name(s) of Designer(s): **David John Green**
(45) Registration Date: **05 May 2006**
(56) Related Art Documents: **Not Applicable**
(57) Statement of Newness and Distinctiveness: **Nil**



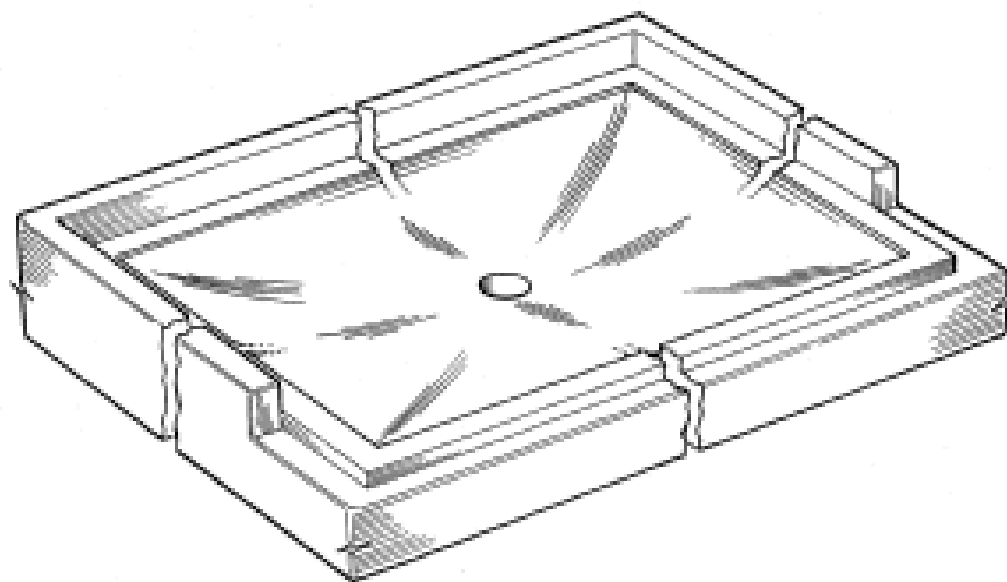
(21) Design Number: **13894/2005**
(22) Date of Filing Application: **08 September 2005**
(24) Date from which industrial property rights may have effect: **08 September 2005**
(54) Product in respect of which the design is registered: **Shower base**
(51) International Design Classification: **23-02B**
(71) Name(s) and Address(s) of Applicant(s):
David John Green
14 Treetop Court Narre Warren South Victoria 3805 Australia
(72) Name(s) of Designer(s): **David John Green**
(45) Registration Date: **05 May 2006**
(56) Related Art Documents: **Not Applicable**
(57) Statement of Newness and Distinctiveness: **Nil**



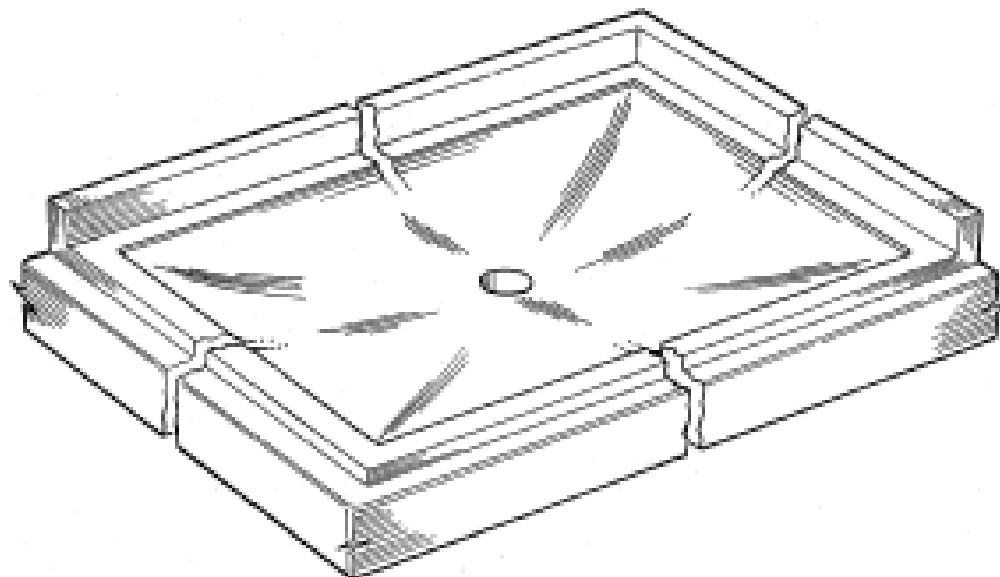
(21) Design Number: **13895/2005**
(22) Date of Filing Application: **08 September 2005**
(24) Date from which industrial property rights may have effect: **08 September 2005**
(54) Product in respect of which the design is registered: **Shower base**
(51) International Design Classification: **23-02B**
(71) Name(s) and Address(s) of Applicant(s):
David John Green
14 Treetop Court Narre Warren South Victoria 3805 Australia
(72) Name(s) of Designer(s): **David John Green**
(45) Registration Date: **05 May 2006**
(56) Related Art Documents: **Not Applicable**
(57) Statement of Newness and Distinctiveness: **Nil**



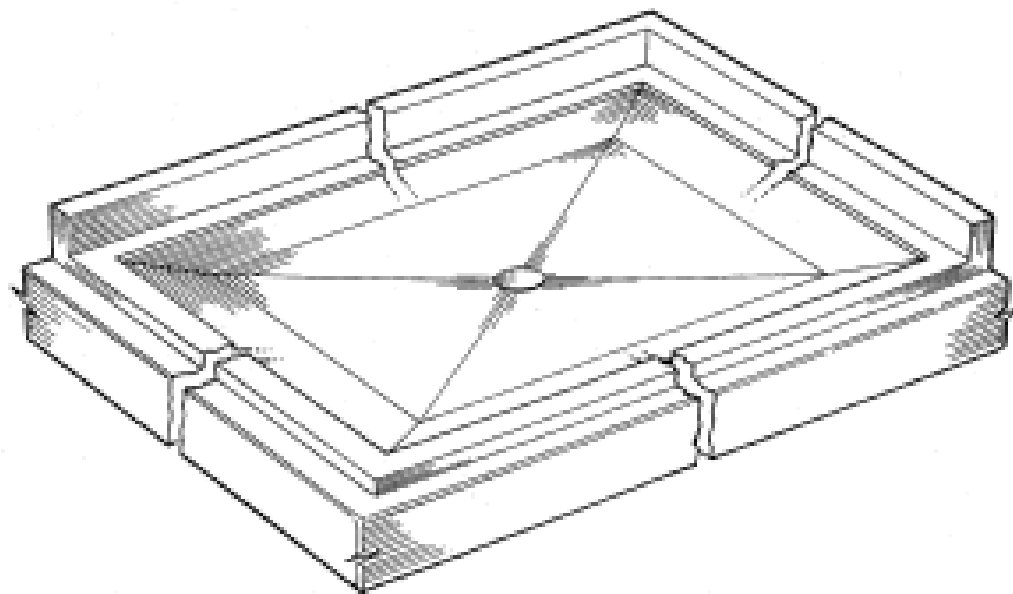
(21) Design Number: **13896/2005**
(22) Date of Filing Application: **08 September 2005**
(24) Date from which industrial property rights may have effect: **08 September 2005**
(54) Product in respect of which the design is registered: **Shower base**
(51) International Design Classification: **23-02B**
(71) Name(s) and Address(s) of Applicant(s):
David John Green
14 Treetop Court Narre Warren South Victoria 3805 Australia
(72) Name(s) of Designer(s): **David John Green**
(45) Registration Date: **05 May 2006**
(56) Related Art Documents: **Not Applicable**
(57) Statement of Newness and Distinctiveness: **Nil**



(21) Design Number: **13897/2005**
(22) Date of Filing Application: **08 September 2005**
(24) Date from which industrial property rights may have effect: **08 September 2005**
(54) Product in respect of which the design is registered: **Shower base**
(51) International Design Classification: **23-02B**
(71) Name(s) and Address(s) of Applicant(s):
David John Green
14 Treetop Court Narre Warren South Victoria 3805 Australia
(72) Name(s) of Designer(s): **David John Green**
(45) Registration Date: **05 May 2006**
(56) Related Art Documents: **Not Applicable**
(57) Statement of Newness and Distinctiveness: **Nil**



(21) Design Number: **13898/2005**
(22) Date of Filing Application: **08 September 2005**
(24) Date from which industrial property rights may have effect: **08 September 2005**
(54) Product in respect of which the design is registered: **Shower base**
(51) International Design Classification: **23-02B**
(71) Name(s) and Address(s) of Applicant(s):
David John Green
14 Treetop Court Narre Warren South Victoria 3805 Australia
(72) Name(s) of Designer(s): **David John Green**
(45) Registration Date: **05 May 2006**
(56) Related Art Documents: **Not Applicable**
(57) Statement of Newness and Distinctiveness: **Nil**



(21) Design Number: **14344/2005**
(22) Date of Filing Application: **05 October 2005**
(24) Date from which industrial property rights may have effect: **05 October 2005**
(54) Product in respect of which the design is registered: **Toothbrush**
(51) International Design Classification: **04-02**
(71) Name(s) and Address(s) of Applicant(s):
The Gillette Company
Prudential Tower Building Boston Massachusetts 02199 United States of America
(72) Name(s) of Designer(s): **Bjorn Kling and Benjamin Wilson and Ellen Conrad and Heidrun Schmelcher**
(45) Registration Date: **05 May 2006**
(30) Convention priority data:
(31) Number (32) Date (33) Country
000335286 27 Apr 2005 EUROPEAN COMMUNITY
(56) Related Art Documents: **Not Applicable**
(57) Statement of Newness and Distinctiveness: **Nil**



- (21) Design Number: **14345/2005**
(22) Date of Filing Application: **05 October 2005**
(24) Date from which industrial property rights may have effect: **05 October 2005**
(54) Product in respect of which the design is registered: **Toothbrush**
(51) International Design Classification: **04-02**
(71) Name(s) and Address(s) of Applicant(s):
The Gillette Company
Prudential Tower Building Boston Massachusetts 02199 United States of America
(72) Name(s) of Designer(s): **Bjorn Kling and Benjamin Wilson and Ellen Conrad and Heidrun Schmelcher**
(45) Registration Date: **05 May 2006**
(30) Convention priority data:
(31) Number (32) Date (33) Country
000335286 27 Apr 2005 EUROPEAN COMMUNITY
(56) Related Art Documents: **Not Applicable**
(57) Statement of Newness and Distinctiveness: **Nil**

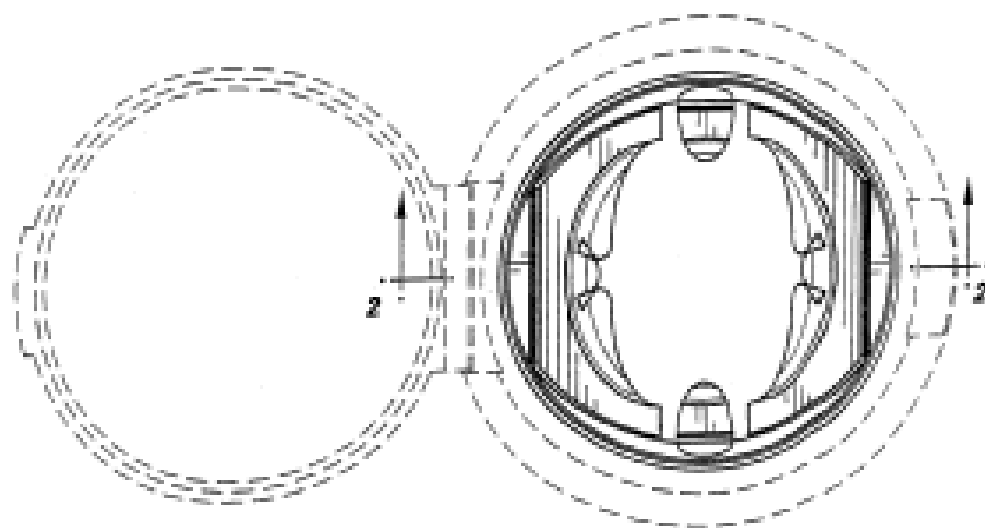


- (21) Design Number: **14346/2005**
(22) Date of Filing Application: **05 October 2005**
(24) Date from which industrial property rights may have effect: **05 October 2005**
(54) Product in respect of which the design is registered: **Toothbrush**
(51) International Design Classification: **04-02**
(71) Name(s) and Address(s) of Applicant(s):
The Gillette Company
Prudential Tower Building Boston Massachusetts 02199 United States of America
(72) Name(s) of Designer(s): **Bjorn Kling and Benjamin Wilson and Heidrun Schmelcher**
(45) Registration Date: **05 May 2006**
(30) Convention priority data:
(31) Number (32) Date (33) Country
000335286 27 Apr 2005 EUROPEAN COMMUNITY
(56) Related Art Documents: **Not Applicable**
(57) Statement of Newness and Distinctiveness: **Nil**



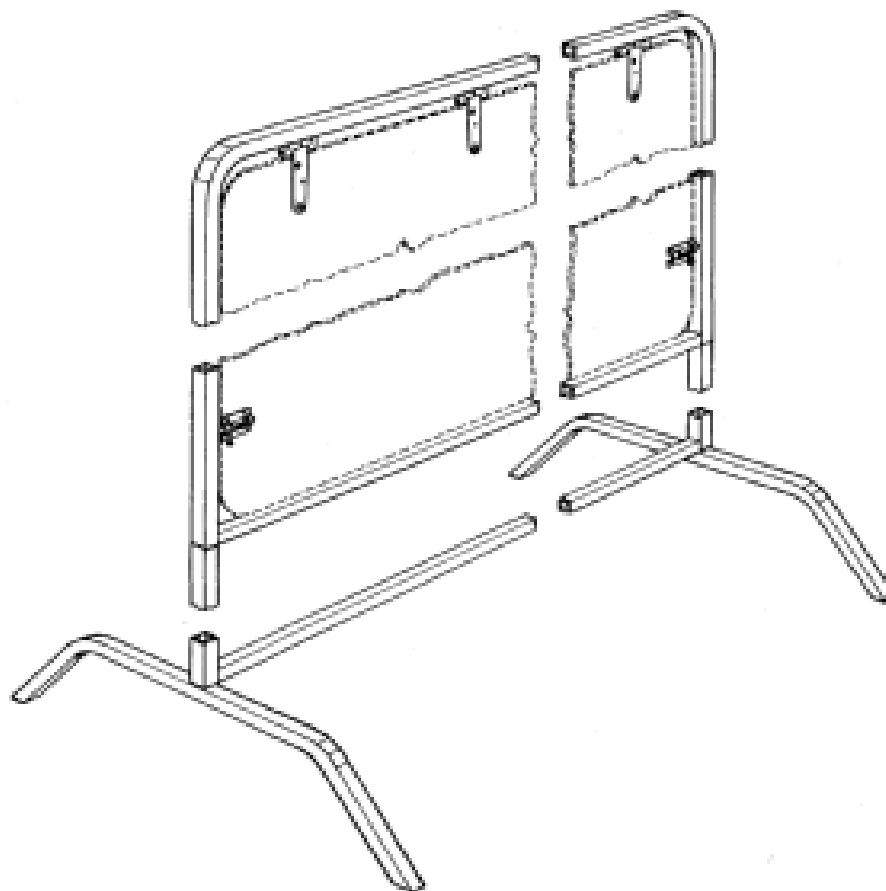
(19) AU

- (21) Design Number: **10965/2005**
(22) Date of Filing Application: **10 March 2005**
(24) Date from which industrial property rights may have effect: **10 March 2005**
(54) Product in respect of which the design is registered: **A lid with a variable inner orifice**
(51) International Design Classification: **09-07A**
(71) Name(s) and Address(s) of Applicant(s):
Union Street Brand Packaging, Inc.
203 Union Street Clinton MA 01510 United States of America
(72) Name(s) of Designer(s): **Christopher T. Evans and Christopher Gieda and David J. Schultz and Paul Bertram**
(45) Registration Date: **05 May 2006**
(30) Convention priority data:
(31) Number (32) Date (33) Country
29/213,102 13 Sep 2004 UNITED STATES OF AMERICA
(56) Related Art Documents: **Not Applicable**
(57) Statement of Newness and Distinctiveness: **When determining whether any of the designs 1 to 5 are substantially similar in overall impression to another design, no regard should be had to those features shown in broken outline.**

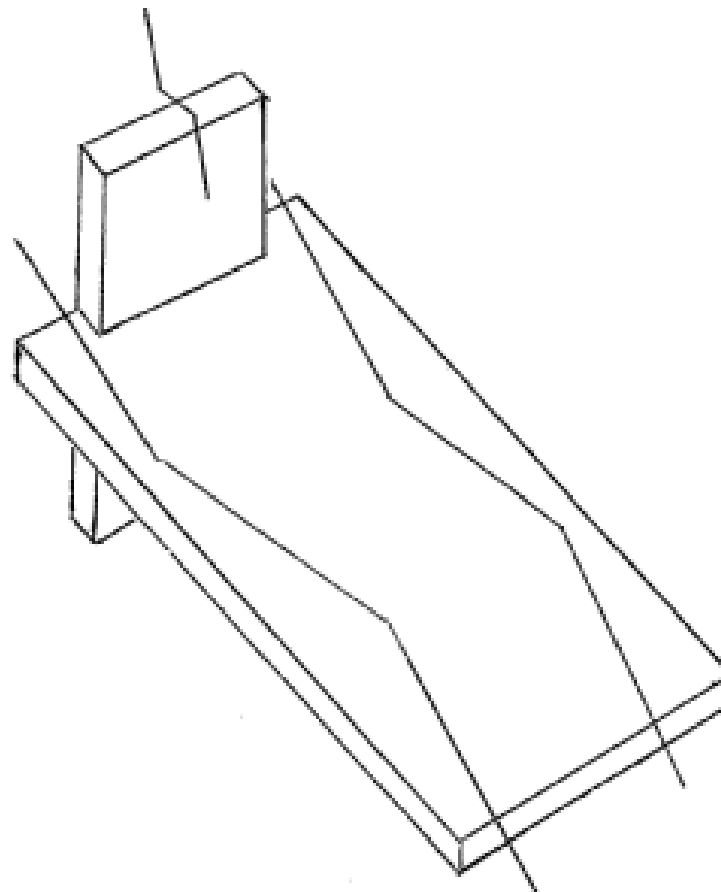


(19) AU

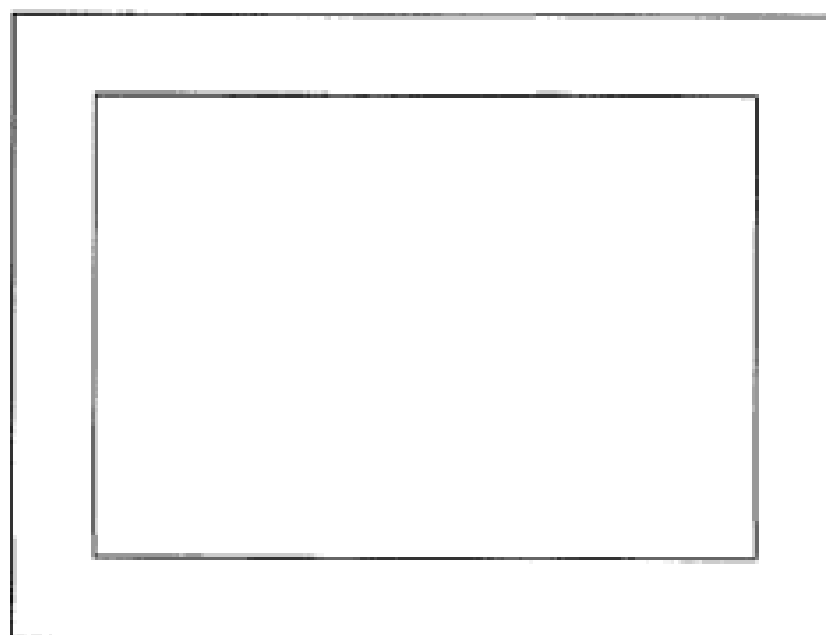
- (21) Design Number: **10007/2006**
(22) Date of Filing Application: **08 June 2005**
(24) Date from which industrial property rights may have effect: **08 June 2005**
(54) Product in respect of which the design is registered: **Collapsible sign frame**
(51) International Design Classification: **20-03C**
(71) Name(s) and Address(s) of Applicant(s):
David John Gibbons
11 Meehans Terrace Harrington Park New South Wales 2567 Australia
(72) Name(s) of Designer(s): **David John Gibbons**
(45) Registration Date: **08 May 2006**
(56) Related Art Documents: **Not Applicable**
(57) Statement of Newness and Distinctiveness: **The frame legs are able to rotate, two positions being illustrated in the representations. The frame body is of indefinite length and height as illustrated in the representations. The sign, shown in phantom, and the hinges and bolt locks do not form part of the design and are disclaimed.**



- (21) Design Number: **10302/2006**
- (22) Date of Filing Application: **31 January 2006**
- (24) Date from which industrial property rights may have effect: **31 January 2006**
- (54) Product in respect of which the design is registered: **Shelf**
- (51) International Design Classification: **06-04NES**
- (71) Name(s) and Address(s) of Applicant(s):
Geoffrey Francis Keating
44 Jacana Parade Ballajura Western Australia 6066 Australia
- (72) Name(s) of Designer(s): **Geoffrey Francis Keating**
- (45) Registration Date: **08 May 2006**
- (56) Related Art Documents: **Not Applicable**
- (57) Statement of Newness and Distinctiveness: **Newness and distinctiveness is claimed in the features of shape and/or configuration of a shelf as illustrated in the accompanying representations.**



- (21) Design Number: **10905/2005**
- (22) Date of Filing Application: **09 March 2005**
- (24) Date from which industrial property rights may have effect: **09 March 2005**
- (54) Product in respect of which the design is registered: **Display frame**
- (51) International Design Classification: **20-03NES, 06-07**
- (71) Name(s) and Address(s) of Applicant(s):
Ian Craigie
18/84 Old Pittwater Road Brookvale New South Wales 2100 Australia
- (72) Name(s) of Designer(s): **Ian Craigie**
- (45) Registration Date: **08 May 2006**
- (56) Related Art Documents: **Not Applicable**
- (57) Statement of Newness and Distinctiveness: **Nil**



(21) Design Number: **11504/2005**

(22) Date of Filing Application: **15 April 2005**

(24) Date from which industrial property rights may have effect: **15 April 2005**

(54) Product in respect of which the design is registered: **Light mount**

(51) International Design Classification: **26-05A, 26-05B, 26-03**

(71) Name(s) and Address(s) of Applicant(s):

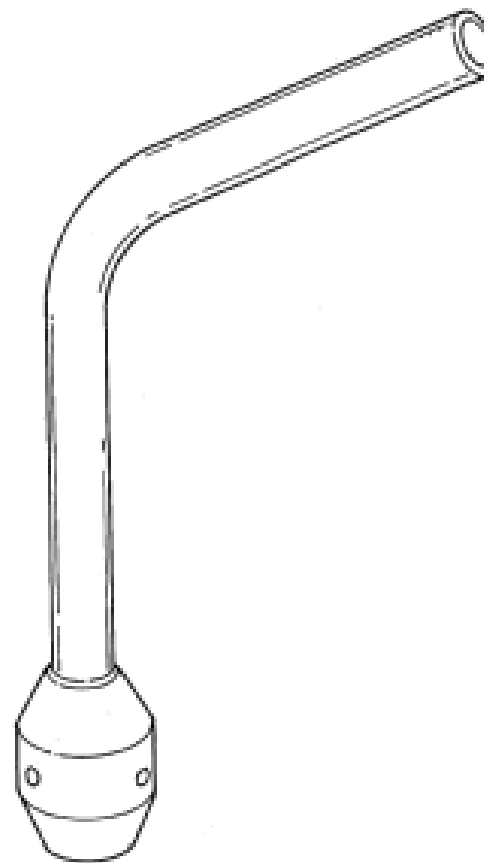
Safe Swivel Patent Co. Pty Ltd
Unit 4 57 Gordon Road Mandurah Western Australia 6210 Australia

(72) Name(s) of Designer(s): **Robert John Pannekoek**

(45) Registration Date: **08 May 2006**

(56) Related Art Documents: **Not Applicable**

(57) Statement of Newness and Distinctiveness: **Nil**



(21) Design Number: **12461/2005**

(22) Date of Filing Application: **08 June 2005**

(24) Date from which industrial property rights may have effect: **08 June 2005**

(54) Product in respect of which the design is registered: **Collapsible sign frame**

(51) International Design Classification: **20-03C**

(71) Name(s) and Address(s) of Applicant(s):

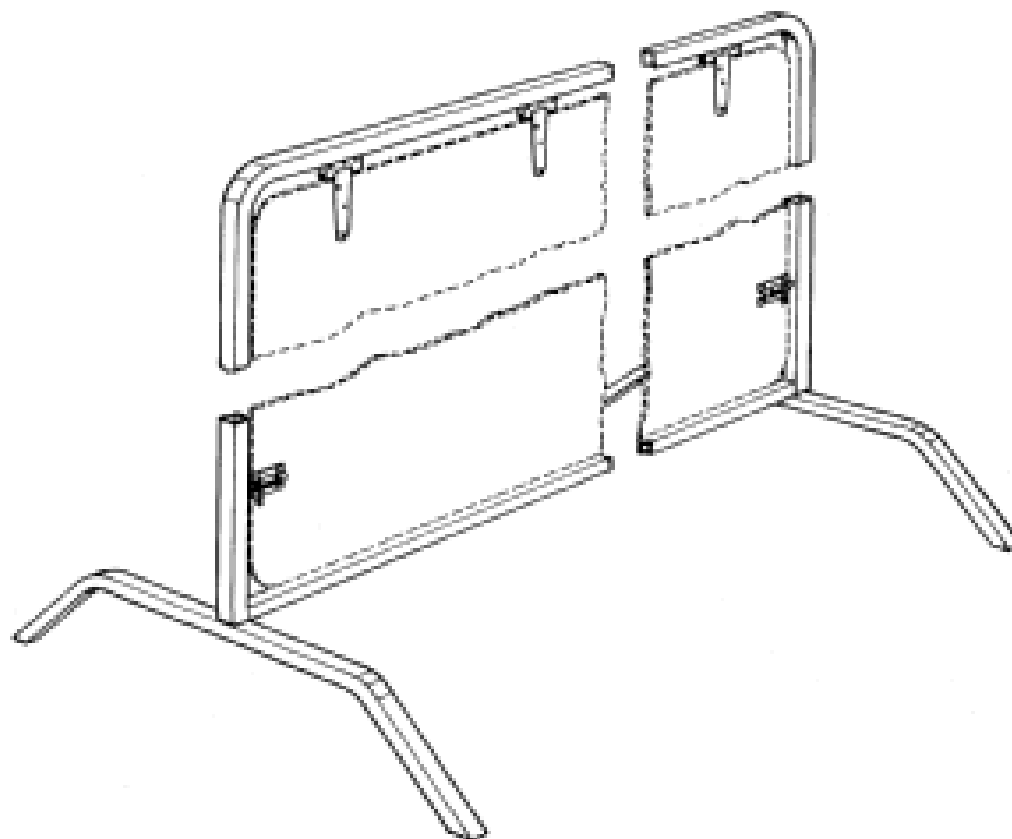
David John Gibbons
11 Meehans Terrace Harrington Park New South Wales 2567 Australia

(72) Name(s) of Designer(s): **David John Gibbons**

(45) Registration Date: **08 May 2006**

(56) Related Art Documents: **Not Applicable**

(57) Statement of Newness and Distinctiveness: **The frame legs are able to rotate, two positions being illustrated in the representations. The frame body is of indefinite length and height as illustrated in the representations. The sign, shown in phantom, and the hinges and bolt locks do not form part of the design and are disclaimed.**



- (21) Design Number: **13970/2005**
(22) Date of Filing Application: **12 September 2005**
(24) Date from which industrial property rights may have effect: **12 September 2005**
(54) Product in respect of which the design is registered: **Footwear**
(51) International Design Classification: **02-04NES**
(71) Name(s) and Address(s) of Applicant(s):

Crocs, Inc.
6273 Monarch Park Place Niwot Colorado 80503 United States of America

(72) Name(s) of Designer(s): **Scott Seamans**

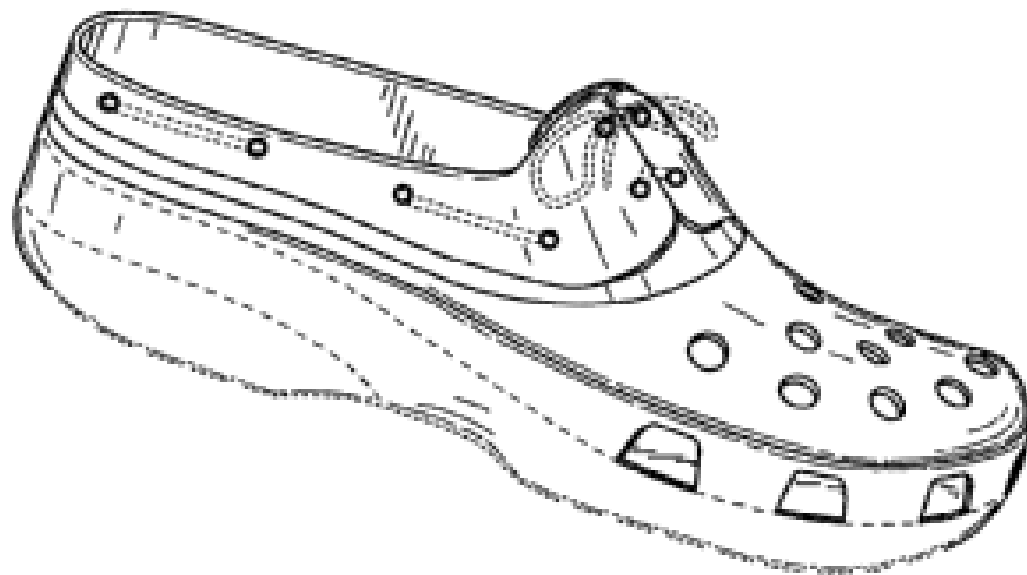
(45) Registration Date: **08 May 2006**

(30) Convention priority data:

(31) Number	(32) Date	(33) Country
00308903-0002	11 Mar 2005	EUROPEAN COMMUNITY

(56) Related Art Documents: **Not Applicable**

(57) Statement of Newness and Distinctiveness: **Newness and distinctiveness of the design resides in the features of shape and configuration of the footwear upper as shown in solid lines in the representations. When considering whether the design is substantially similar in overall impression to another design, no regard is to be given to those features of the design shown in phantom in the representations.**



- (21) Design Number: **14114/2005**
(22) Date of Filing Application: **23 September 2005**
(24) Date from which industrial property rights may have effect: **23 September 2005**
(54) Product in respect of which the design is registered: **Electrical apparatus**
(51) International Design Classification: **13-03A, 13-03D**
(71) Name(s) and Address(s) of Applicant(s):

BTICINO S.p.A.
Via Messina 38-20154 Milano Italy

(72) Name(s) of Designer(s): **Fabrizio Fabrizi**

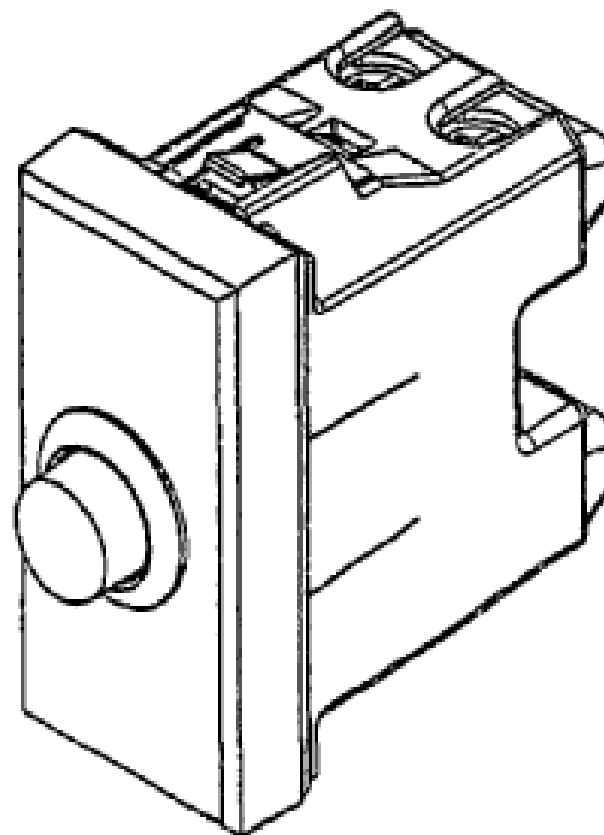
(45) Registration Date: **08 May 2006**

(30) Convention priority data:

(31) Number	(32) Date	(33) Country
332507	07 Apr 2005	EUROPEAN COMMUNITY

(56) Related Art Documents: **Not Applicable**

(57) Statement of Newness and Distinctiveness: **Nil**



(21) Design Number: **14463/2005**

(22) Date of Filing Application: **11 October 2005**

(24) Date from which industrial property rights may have effect: **11 October 2005**

(54) Product in respect of which the design is registered: **Automobile front skirt**

(51) International Design Classification: **12-16B**

(71) Name(s) and Address(s) of Applicant(s):

Alan Brian Kendall

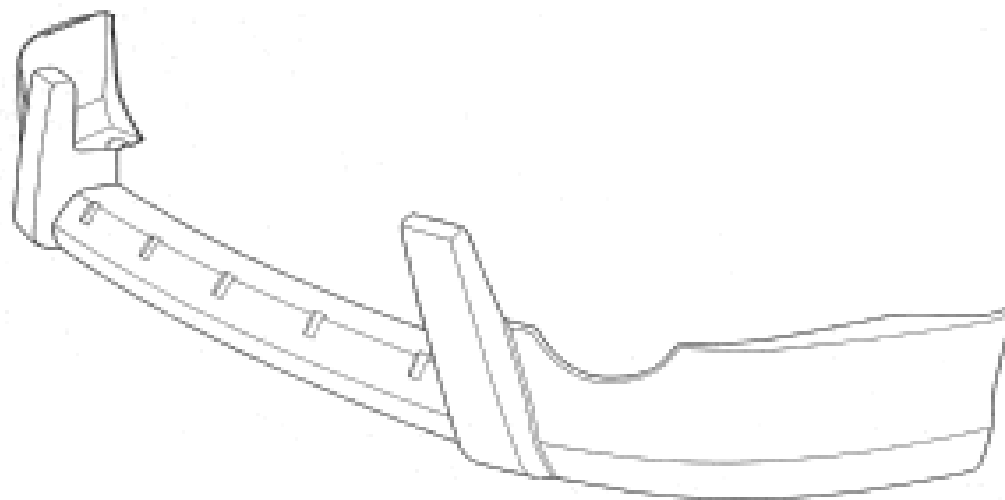
Unit 16 429 The Boulevard Kirrawee New South Wales 2232 Australia

(72) Name(s) of Designer(s): **John Learson**

(45) Registration Date: **08 May 2006**

(56) Related Art Documents: **Not Applicable**

(57) Statement of Newness and Distinctiveness: **Each feature of the design considered separately or in combination with any other feature or features.**



(21) Design Number: **14573/2005**

(22) Date of Filing Application: **18 October 2005**

(24) Date from which industrial property rights may have effect: **18 October 2005**

(54) Product in respect of which the design is registered: **Collapsible carton component**

(51) International Design Classification: **09-03F**

(71) Name(s) and Address(s) of Applicant(s):

Airpak Pty Ltd

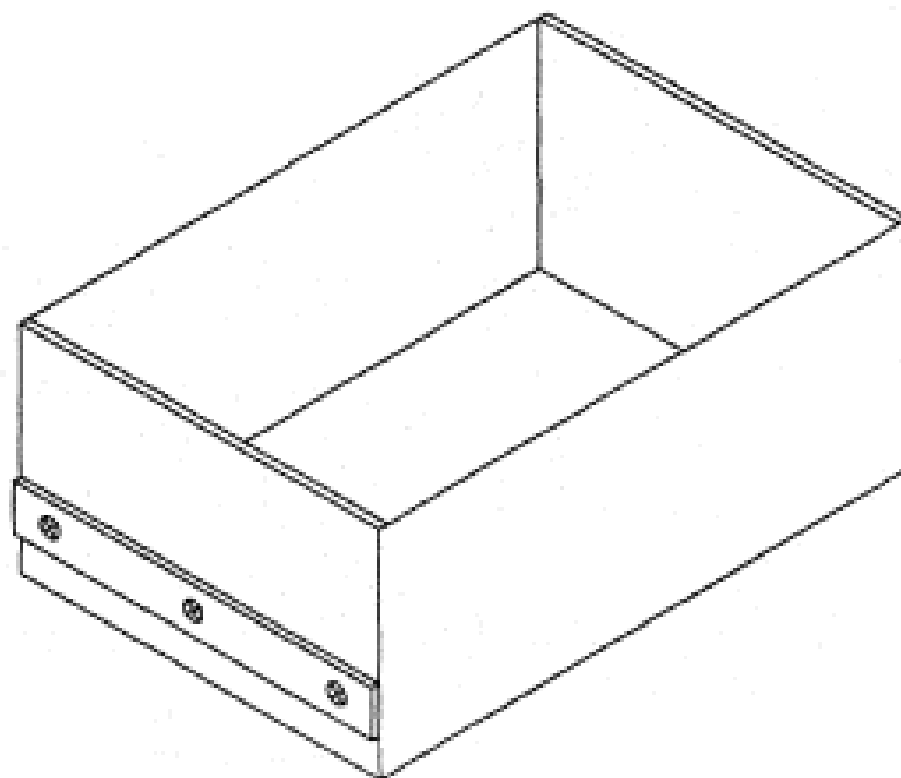
116 Churchill Avenue Subiaco Western Australia 6008 Australia

(72) Name(s) of Designer(s): **Richard Norman Kehoe and Anthony Dimetrious Kongras and Chaiyaboon Kulsiriwadi and Isaias Florenca**

(45) Registration Date: **08 May 2006**

(56) Related Art Documents: **Not Applicable**

(57) Statement of Newness and Distinctiveness: **Nil**



- (21) Design Number: **14621/2005**
(22) Date of Filing Application: **20 October 2005**
(24) Date from which industrial property rights may have effect: **20 October 2005**
(54) Product in respect of which the design is registered: **Drum washing machine**
(51) International Design Classification: **15-05**
(71) Name(s) and Address(s) of Applicant(s):

LG Electronics Inc.
20 Yoido-dong Yongdungpo-gu Seoul 150-721 Republic of Korea

- (72) Name(s) of Designer(s): **Soon Uk Kwon and Young Il Kim and Ho Il Jeon**

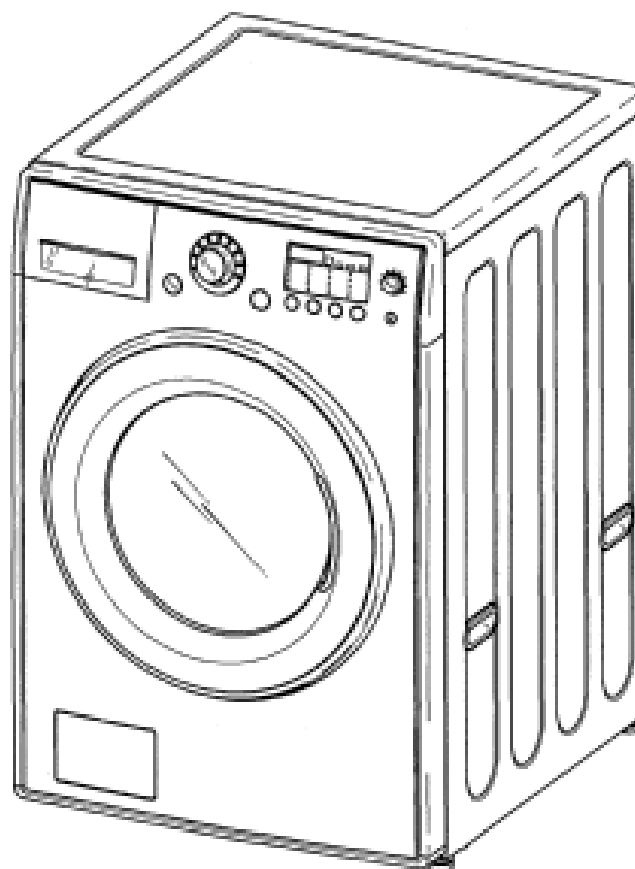
- (45) Registration Date: **08 May 2006**

- (30) Convention priority data:

(31) Number	(32) Date	(33) Country
30-2005-0013407	21 Apr 2005	REPUBLIC OF KOREA

- (56) Related Art Documents: **Not Applicable**

- (57) Statement of Newness and Distinctiveness: **Newness and distinctiveness in the design as applied to a drum washing machine reside in the shape and configuration thereof as illustrated in the accompanying representations.**



- (21) Design Number: **14644/2005**
(22) Date of Filing Application: **21 October 2005**
(24) Date from which industrial property rights may have effect: **21 October 2005**
(54) Product in respect of which the design is registered: **Band saw**
(51) International Design Classification: **08-03**
(71) Name(s) and Address(s) of Applicant(s):

TechTronic Industries Co., Ltd
24/F CDW Building 388 Castle Peak Road Tsuen Wan New Territories
Hong Kong

- (72) Name(s) of Designer(s): **Bernhard Nortmann and Todd M. Chipner and Huabo Li YongXin**

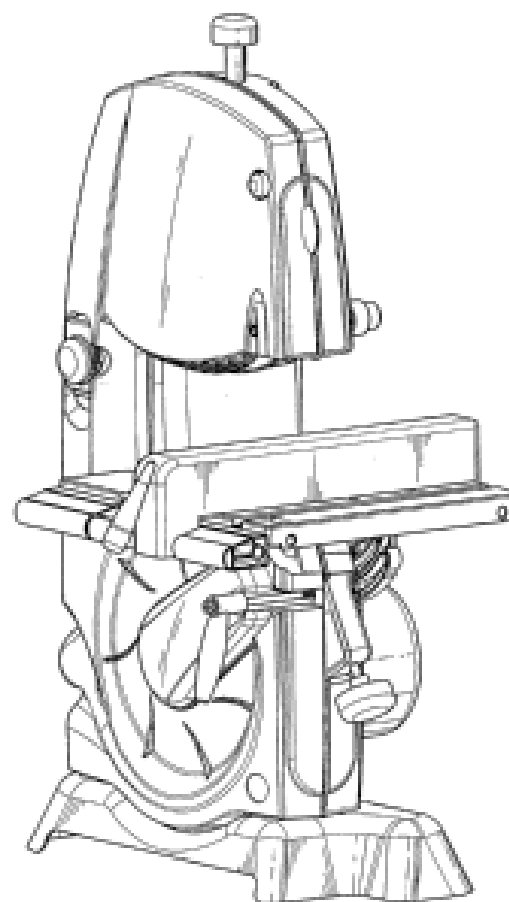
- (45) Registration Date: **08 May 2006**

- (30) Convention priority data:

(31) Number	(32) Date	(33) Country
29/228546	25 Apr 2005	UNITED STATES OF AMERICA

- (56) Related Art Documents: **Not Applicable**

- (57) Statement of Newness and Distinctiveness: **Newness and distinctiveness is claimed in the shape and ornamentation of a band saw as shown in the accompanying representations.**



(21) Design Number: **14720/2005**

(22) Date of Filing Application: **25 October 2005**

(24) Date from which industrial property rights may have effect: **25 October 2005**

(54) Product in respect of which the design is registered: **Baby or doll carriage**

(51) International Design Classification: **12-12, 21-01NES**

(71) Name(s) and Address(s) of Applicant(s):

Udo Berger

Am Industriegleis 9 D-84030 Germany

(72) Name(s) of Designer(s): **Udo Berger**

(45) Registration Date: **08 May 2006**

(56) Related Art Documents: **Not Applicable**

(57) Statement of Newness and Distinctiveness: **Nil**



(21) Design Number: **14721/2005**

(22) Date of Filing Application: **25 October 2005**

(24) Date from which industrial property rights may have effect: **25 October 2005**

(54) Product in respect of which the design is registered: **Baby or doll carriage**

(51) International Design Classification: **12-12, 21-01NES**

(71) Name(s) and Address(s) of Applicant(s):

Udo Berger

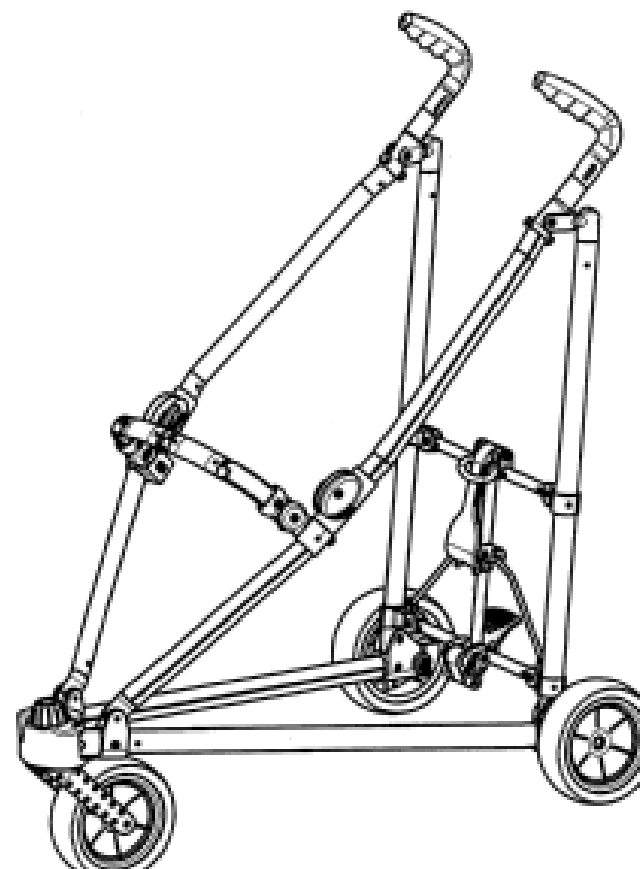
Am Industriegleis 9 D-84030 Germany

(72) Name(s) of Designer(s): **Udo Berger**

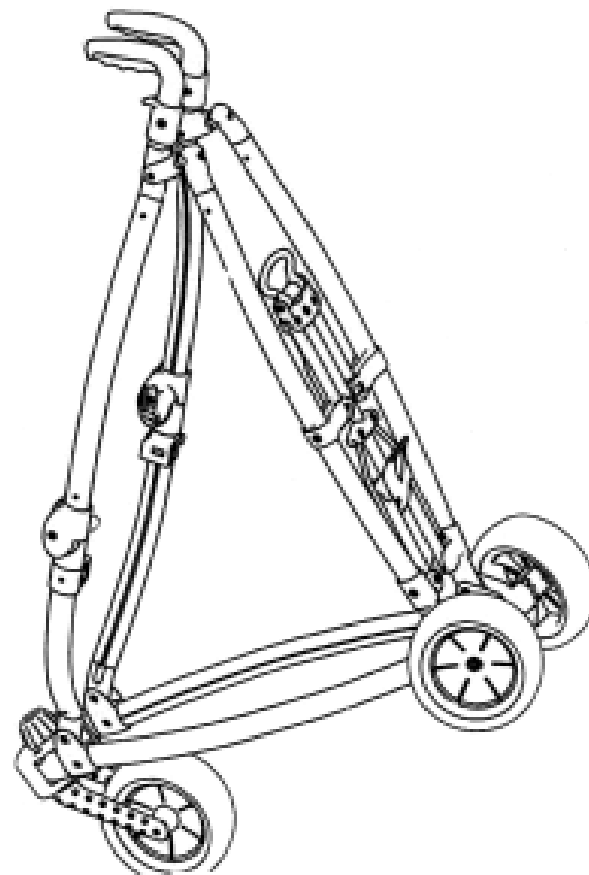
(45) Registration Date: **08 May 2006**

(56) Related Art Documents: **Not Applicable**

(57) Statement of Newness and Distinctiveness: **Nil**



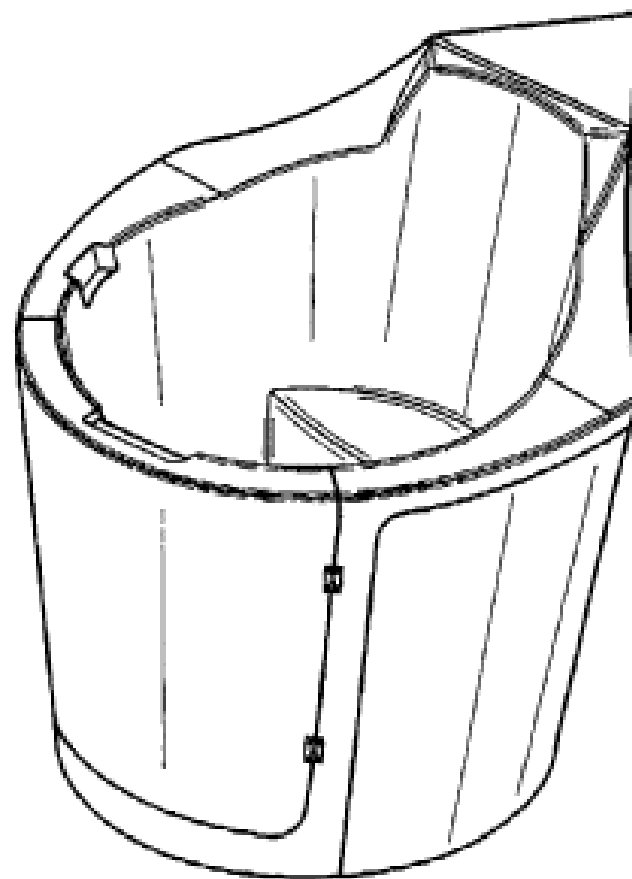
- (21) Design Number: **14722/2005**
(22) Date of Filing Application: **25 October 2005**
(24) Date from which industrial property rights may have effect: **25 October 2005**
(54) Product in respect of which the design is registered: **Baby or doll carriage**
(51) International Design Classification: **12-12, 21-01NES**
(71) Name(s) and Address(s) of Applicant(s):
Udo Berger
Am Industriegleis 9 D-84030 Germany
(72) Name(s) of Designer(s): **Udo Berger**
(45) Registration Date: **08 May 2006**
(56) Related Art Documents: **Not Applicable**
(57) Statement of Newness and Distinctiveness: **Nil**



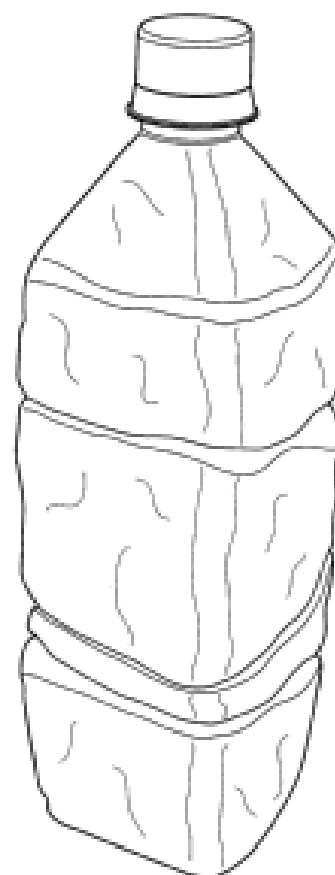
- (21) Design Number: **14723/2005**
(22) Date of Filing Application: **25 October 2005**
(24) Date from which industrial property rights may have effect: **25 October 2005**
(54) Product in respect of which the design is registered: **Baby or doll carriage**
(51) International Design Classification: **12-12, 21-01NES**
(71) Name(s) and Address(s) of Applicant(s):
Udo Berger
Am Industriegleis 9 D-84030 Germany
(72) Name(s) of Designer(s): **Udo Berger**
(45) Registration Date: **08 May 2006**
(56) Related Art Documents: **Not Applicable**
(57) Statement of Newness and Distinctiveness: **Nil**



- (21) Design Number: **14734/2005**
- (22) Date of Filing Application: **18 October 2005**
- (24) Date from which industrial property rights may have effect: **18 October 2005**
- (54) Product in respect of which the design is registered: **Step-in bath**
- (51) International Design Classification: **23-02B**
- (71) Name(s) and Address(s) of Applicant(s):
**Valerie Margaret Saunders trading as Bronswood Building Supplies
355 Fogarty Road Maryknoll Victoria 3812 Australia**
- (72) Name(s) of Designer(s): **Gary Saunders**
- (45) Registration Date: **08 May 2006**
- (56) Related Art Documents: **Not Applicable**
- (57) Statement of Newness and Distinctiveness: **Newness and distinctiveness reside in the step-in bath as shown in the accompanying representations.**



- (21) Design Number: **14752/2005**
- (22) Date of Filing Application: **28 October 2005**
- (24) Date from which industrial property rights may have effect: **28 October 2005**
- (54) Product in respect of which the design is registered: **A bottle**
- (51) International Design Classification: **09-01NES**
- (71) Name(s) and Address(s) of Applicant(s):
**Bickford's Australia Pty Ltd
162 Cross Keys Road Salisbury South South Australia 5106 Australia**
- (72) Name(s) of Designer(s): **David Melrose**
- (45) Registration Date: **08 May 2006**
- (56) Related Art Documents: **Not Applicable**
- (57) Statement of Newness and Distinctiveness: **Nil**

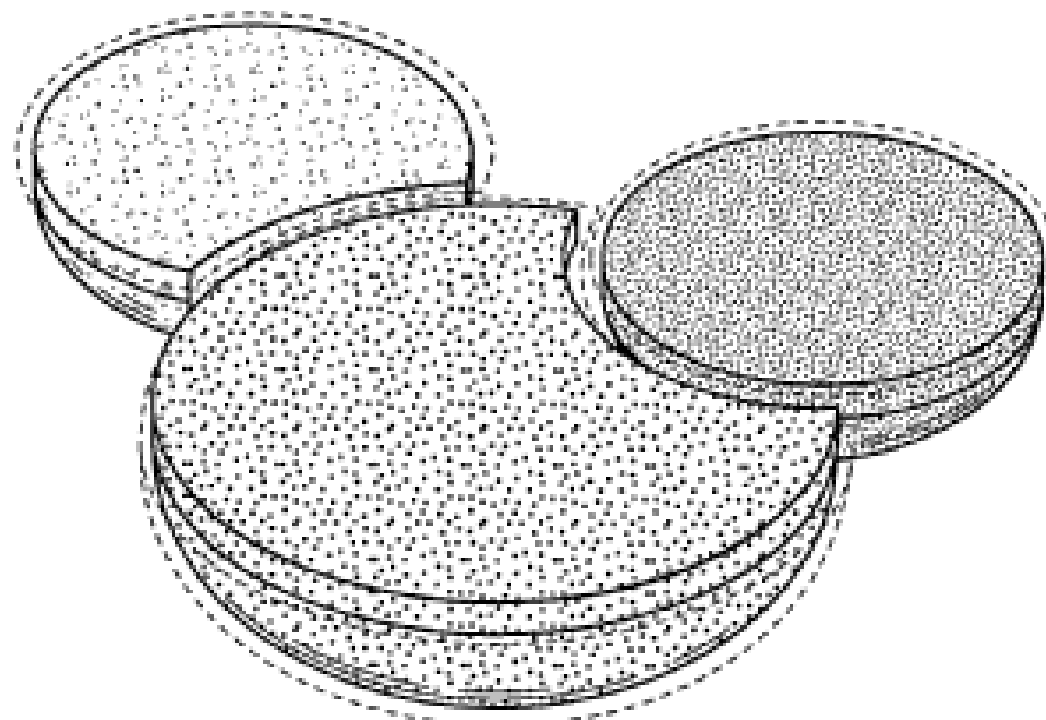


- (21) Design Number: **14669/2005**
- (22) Date of Filing Application: **25 October 2005**
- (24) Date from which industrial property rights may have effect: **25 October 2005**
- (54) Product in respect of which the design is registered: **Plastic bag**
- (51) International Design Classification: **09-05**
- (71) Name(s) and Address(s) of Applicant(s):
International Consolidated Business Pty Ltd
563 Bourke Street Melbourne Victoria 3000 Australia
- (72) Name(s) of Designer(s): **Philip Craig Withers**
- (45) Registration Date: **08 May 2006**
- (56) Related Art Documents: **Not Applicable**
- (57) Statement of Newness and Distinctiveness: **Monopoly is claimed in the shape and configuration of a plastic bag as shown in the attached representations, in particular, the way the tops of the plastic bags are joined together in a shallow wave or sinusoidal arrangement when the bag is folded in four (4) and laid flat.**



- (21) Design Number: **14707/2005**
- (22) Date of Filing Application: **25 October 2005**
- (24) Date from which industrial property rights may have effect: **25 October 2005**
- (54) Product in respect of which the design is registered: **Cosmetic block combination**
- (51) International Design Classification: **28-03NES, 28-02**
- (71) Name(s) and Address(s) of Applicant(s):
Physicians Formula Cosmetics, Inc.
1055 West Eighth Street Azusa California 91702 United States of America
- (72) Name(s) of Designer(s): **Ingrid Jackel-Marken**
- (45) Registration Date: **08 May 2006**
- (30) Convention priority data:

(31) Number	(32) Date	(33) Country
29/228864	29 Apr 2005	UNITED STATES OF AMERICA
- (56) Related Art Documents: **Not Applicable**
- (57) Statement of Newness and Distinctiveness: **Newness and distinctiveness of the design resides in the shape and configuration of the cosmetic block combination as shown in the accompanying representations. When considering whether the design is substantially similar in overall impression to another design, no regard is to be given to the container shown in broken lines.**



(21) Design Number: **14719/2005**

(22) Date of Filing Application: **25 October 2005**

(24) Date from which industrial property rights may have effect: **25 October 2005**

(54) Product in respect of which the design is registered: **Baby or doll carriage**

(51) International Design Classification: **12-12, 21-01NES**

(71) Name(s) and Address(s) of Applicant(s):

Udo Berger

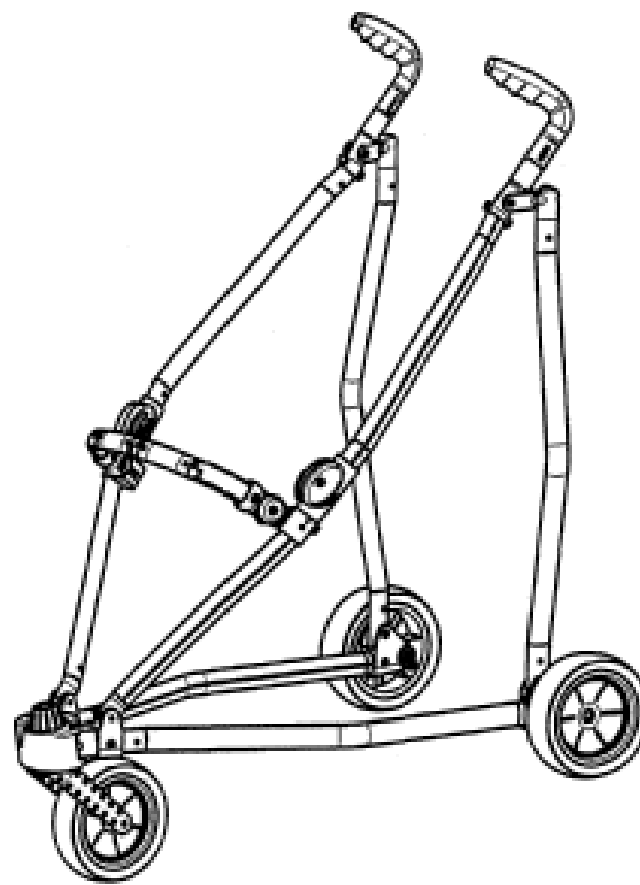
Am Industriegleis 9 D-84030 Germany

(72) Name(s) of Designer(s): **Udo Berger**

(45) Registration Date: **08 May 2006**

(56) Related Art Documents: **Not Applicable**

(57) Statement of Newness and Distinctiveness: **Nil**



(21) Design Number: **15761/2004**

(22) Date of Filing Application: **10 December 2004**

(24) Date from which industrial property rights may have effect: **10 December 2004**

(54) Product in respect of which the design is registered: **Product display stand**

(51) International Design Classification: **20-02E**

(71) Name(s) and Address(s) of Applicant(s):

Darelmont Pty Ltd

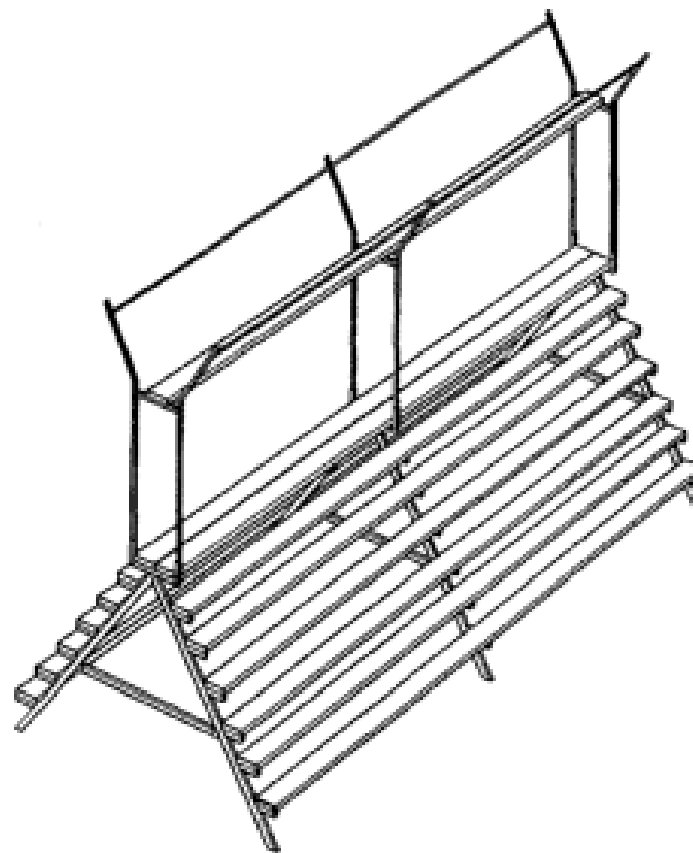
1375 Frankston-Flinders Road Tyabb Victoria 3913 Australia

(72) Name(s) of Designer(s): **Eric Werner Haar**

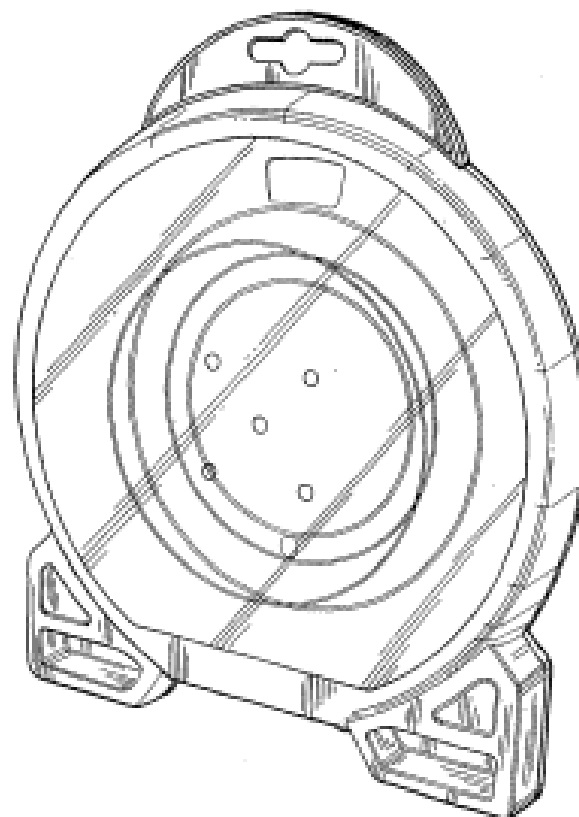
(45) Registration Date: **08 May 2006**

(56) Related Art Documents: **Not Applicable**

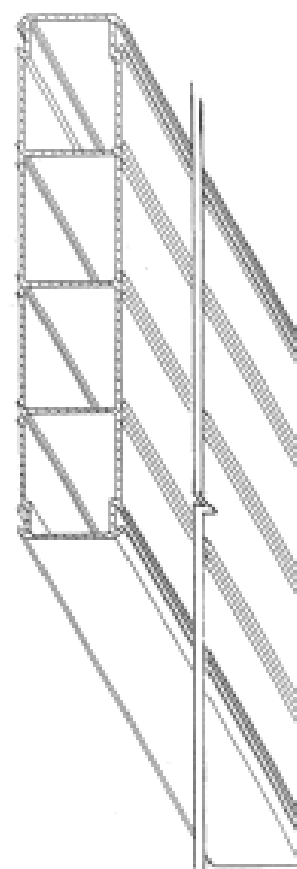
(57) Statement of Newness and Distinctiveness: **Newness and distinctiveness reside in the product display stand as shown in the accompanying representations.**



- (21) Design Number: **10418/2005**
(22) Date of Filing Application: **03 February 2005**
(24) Date from which industrial property rights may have effect: **03 February 2005**
(54) Product in respect of which the design is registered: **Case for cutting threads, especially for brush cutters and string trimmers**
(51) International Design Classification: **03-01NES**
(71) Name(s) and Address(s) of Applicant(s):
Speed France
53 rue de Chavanne 69400 Arnas France
(72) Name(s) of Designer(s): **Emmanuel Legrand**
(45) Registration Date: **08 May 2006**
(30) Convention priority data:
(31) Number (32) Date (33) Country
000 265 848 09 Dec 2004 EUROPEAN COMMUNITY
(56) Related Art Documents: **Not Applicable**
(57) Statement of Newness and Distinctiveness: **Newness and distinctiveness is claimed in the features of shape and/or configuration of a case for cutting threads, especially for brush cutters and string trimmers as illustrated in the accompanying representations.**



- (21) Design Number: **12512/2005**
(22) Date of Filing Application: **10 June 2005**
(24) Date from which industrial property rights may have effect: **10 June 2005**
(54) Product in respect of which the design is registered: **A Plank**
(51) International Design Classification: **25-04**
(71) Name(s) and Address(s) of Applicant(s):
Asia Pacific Importers (Aust) Pty Ltd
18 Springfield Court Upper Coomera Queensland 4210 Australia
(72) Name(s) of Designer(s): **Ray Garden and Dave Marshall and David Norwood**
(45) Registration Date: **08 May 2006**
(56) Related Art Documents: **Not Applicable**
(57) Statement of Newness and Distinctiveness: **The particular visual features of the design which the applicant hereby identifies as new and distinctive are as follows: a plank article as illustrated in the accompanying drawings**

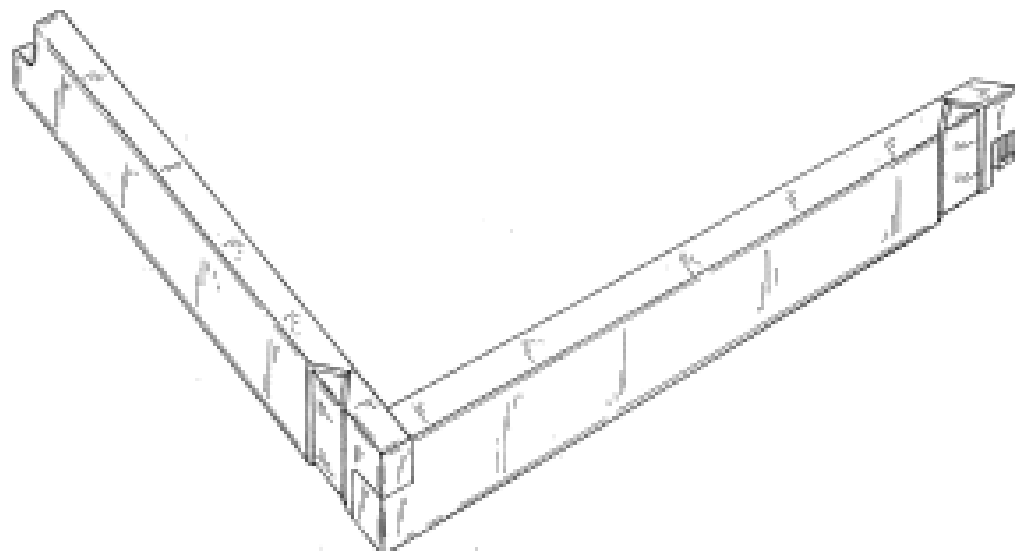


- (21) Design Number: **12535/2005**
- (22) Date of Filing Application: **15 June 2005**
- (24) Date from which industrial property rights may have effect: **15 June 2005**
- (54) Product in respect of which the design is registered: **Sailing yacht**
- (51) International Design Classification: **12-06B**
- (71) Name(s) and Address(s) of Applicant(s):
Ronald Walter Stokes
13 Dame Pattie Drive Willetton Western Australia 6155 Australia
- (72) Name(s) of Designer(s): **Ronald Walter Stokes**
- (45) Registration Date: **08 May 2006**
- (56) Related Art Documents: **Not Applicable**
- (57) Statement of Newness and Distinctiveness: **Newness or distinctiveness is claimed in the shape and configuration of the hull as shown in the accompanying representations. No newness or distinctiveness is claimed for the deck design, mast or keel.**

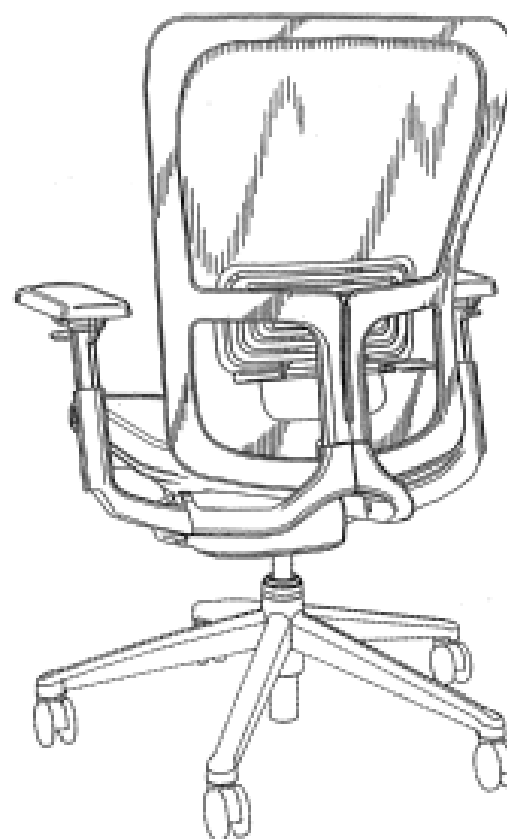


- (21) Design Number: **13231/2005**
- (22) Date of Filing Application: **28 July 2005**
- (24) Date from which industrial property rights may have effect: **28 July 2005**
- (54) Product in respect of which the design is registered: **Extendible pallet guard**
- (51) International Design Classification: **09-08**
- (71) Name(s) and Address(s) of Applicant(s):
Paul Giampavolo
10 Kingsbridge Road Fairfield New Jersey 07004 United States of America
- (72) Name(s) of Designer(s): **Paul Giampavolo**
- (45) Registration Date: **08 May 2006**
- (30) Convention priority data:

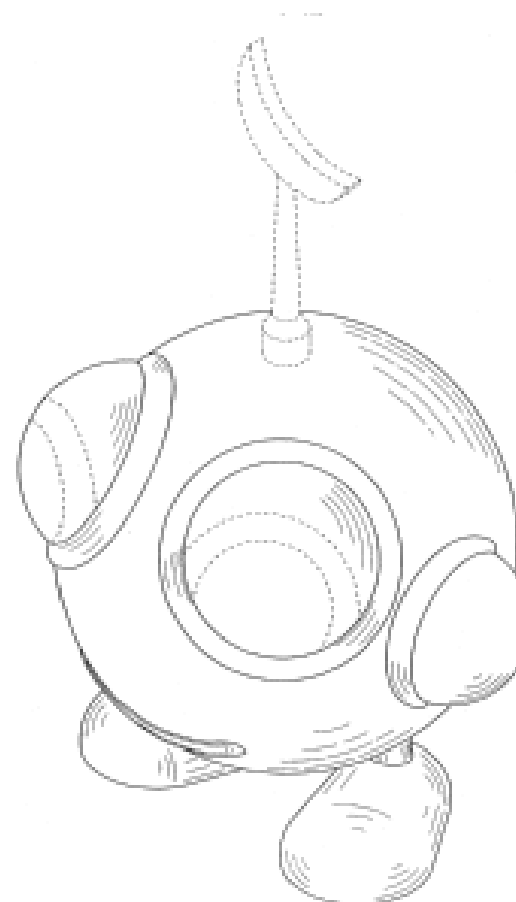
(31) Number	(32) Date	(33) Country
29/222,368	28 Jan 2005	UNITED STATES OF AMERICA
- (56) Related Art Documents: **Not Applicable**
- (57) Statement of Newness and Distinctiveness: **Newness and distinctiveness is claimed in the shape and/or configuration of an "Extendible pallet guard" as illustrated in the representations.**



(21) Design Number: **13676/2005**
 (22) Date of Filing Application: **26 August 2005**
 (24) Date from which industrial property rights may have effect: **26 August 2005**
 (54) Product in respect of which the design is registered: **Chair design**
 (51) International Design Classification: **06-01F**
 (71) Name(s) and Address(s) of Applicant(s):
Haworth, Inc.
One Haworth Center 1400 Highway M-40 Holland MI 49423 United States of America
 (72) Name(s) of Designer(s): **Jorn Dalmann and Larry A. Wilkerson and Joe Willette and Michael W. Welsh and Pete Beyer**
 (45) Registration Date: **08 May 2006**
 (30) Convention priority data:
 (31) Number (32) Date (33) Country
29/224,332 28 Feb 2005 UNITED STATES OF AMERICA
 (56) Related Art Documents: **Not Applicable**
 (57) Statement of Newness and Distinctiveness: **Newness and distinctiveness is claimed in the external visual features of shape and configuration of a design for an office chair as illustrated in the accompanying representations. The visual features represented by broken lines form no part of the design.**



(21) Design Number: **13885/2005**
 (22) Date of Filing Application: **08 September 2005**
 (24) Date from which industrial property rights may have effect: **08 September 2005**
 (54) Product in respect of which the design is registered: **Character figurine**
 (51) International Design Classification: **21-01B**
 (71) Name(s) and Address(s) of Applicant(s):
Ascadia, Inc
Suite 438 1246 Uni Avenue West St Paul Minnesota 55104 United States of America
 (72) Name(s) of Designer(s): **Matthew C. Strother and Erik R. Norsted and Timothy D. Kehoe**
 (45) Registration Date: **08 May 2006**
 (30) Convention priority data:
 (31) Number (32) Date (33) Country
29/226,266 25 Mar 2005 UNITED STATES OF AMERICA
 (56) Related Art Documents: **Not Applicable**
 (57) Statement of Newness and Distinctiveness: **The broken lines shown in the accompanying drawings are for illustrative purposes only and do not form part of the claimed design.**



(21) Design Number: **14147/2005**
(22) Date of Filing Application: **26 September 2005**
(24) Date from which industrial property rights may have effect: **26 September 2005**
(54) Product in respect of which the design is registered: **A cleaner with tools**
(51) International Design Classification: **15-05**
(71) Name(s) and Address(s) of Applicant(s):

Vax Limited
Quillgold House Kingswood Road Hampton Lovett Droitwich
Worcester WR9 0QH United Kingdom

(72) Name(s) of Designer(s): **Reuben Proud and Bengt Ivar Anders Ivarsson**

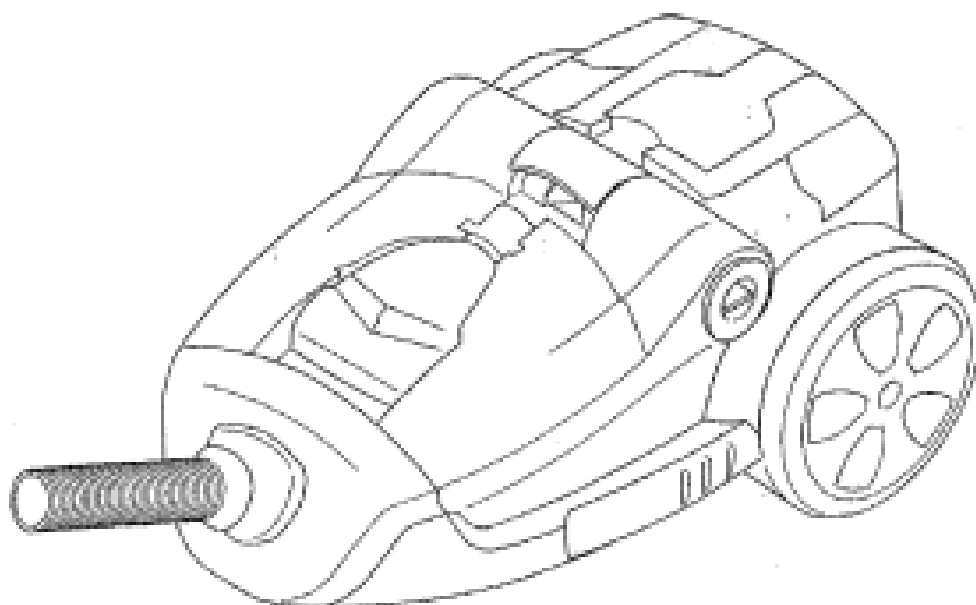
(45) Registration Date: **08 May 2006**

(30) Convention priority data:

(31) Number	(32) Date	(33) Country
000323787	08 Apr 2005	EUROPEAN PATENT OFFICE (EP)

(56) Related Art Documents: **Not Applicable**

(57) Statement of Newness and Distinctiveness: **Newness and distinctiveness is claimed in the ornamental shape of a cleaner with tools as shown in the representations.**



(21) Design Number: **14482/2005**
(22) Date of Filing Application: **12 October 2005**
(24) Date from which industrial property rights may have effect: **12 October 2005**
(54) Product in respect of which the design is registered: **Portion of a game controller**
(51) International Design Classification: **21-01N, 14-02**
(71) Name(s) and Address(s) of Applicant(s):

Microsoft Corporation
One Microsoft Way Redmond Washington 98052 United States of America

(72) Name(s) of Designer(s): **Johnathan A. Hayes and Michael Baseflug and Gregory A. Martinez**

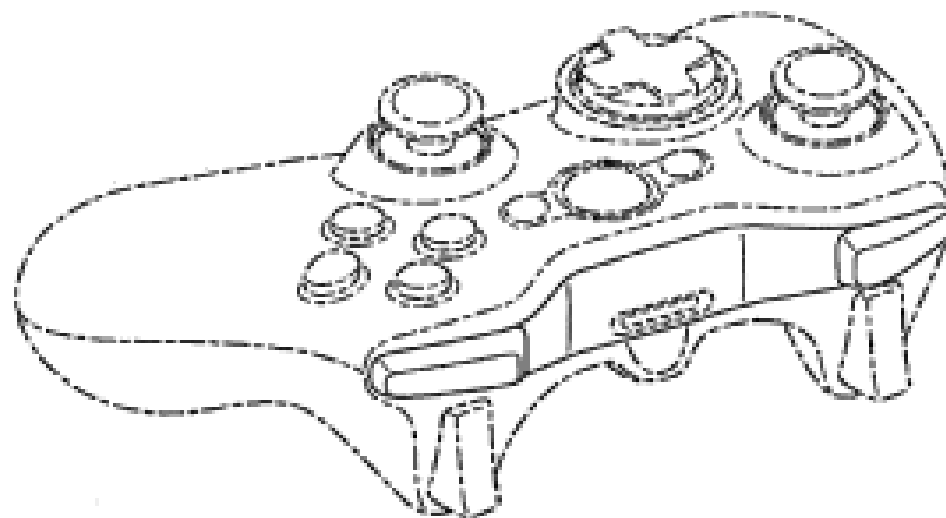
(45) Registration Date: **08 May 2006**

(30) Convention priority data:

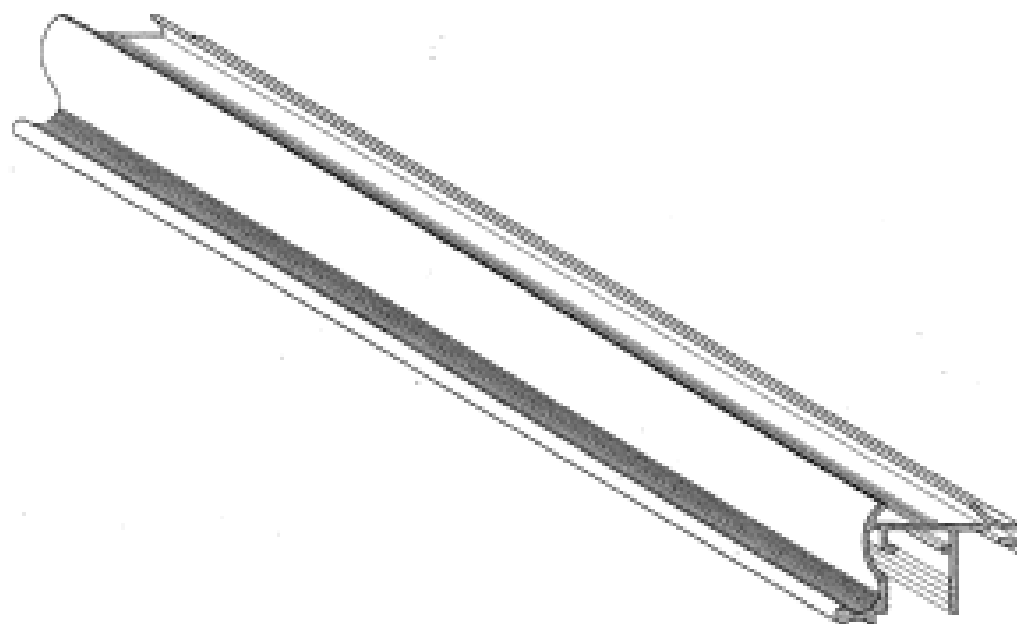
(31) Number	(32) Date	(33) Country
29/227639	14 Apr 2005	UNITED STATES OF AMERICA

(56) Related Art Documents: **Not Applicable**

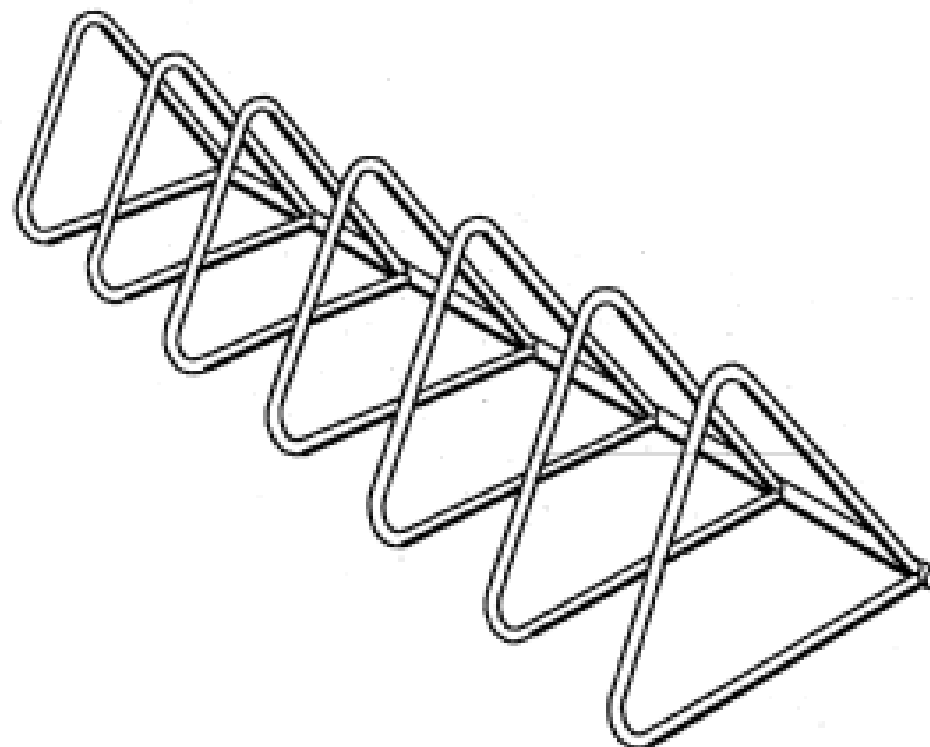
(57) Statement of Newness and Distinctiveness: **Newness and distinctiveness reside in the shape and configuration of a portion of a game controller as illustrated in the accompanying representations. The features shown in broken outline are illustrative only and do not form part of the design.**



- (21) Design Number: **14524/2005**
(22) Date of Filing Application: **13 October 2005**
(24) Date from which industrial property rights may have effect: **13 October 2005**
(54) Product in respect of which the design is registered: **Stile**
(51) International Design Classification: **08-09**
(71) Name(s) and Address(s) of Applicant(s):
Ullrich Aluminium Pty Limited
185-187 Woodpark Road Smithfield New South Wales 2164 Australia
(72) Name(s) of Designer(s): **Peter Ciscato**
(45) Registration Date: **08 May 2006**
(56) Related Art Documents: **Not Applicable**
(57) Statement of Newness and Distinctiveness: **Newness and distinctiveness resides in the shape and configuration of a stile of constant cross-section and indefinite length as illustrated in the accompanying representations.**



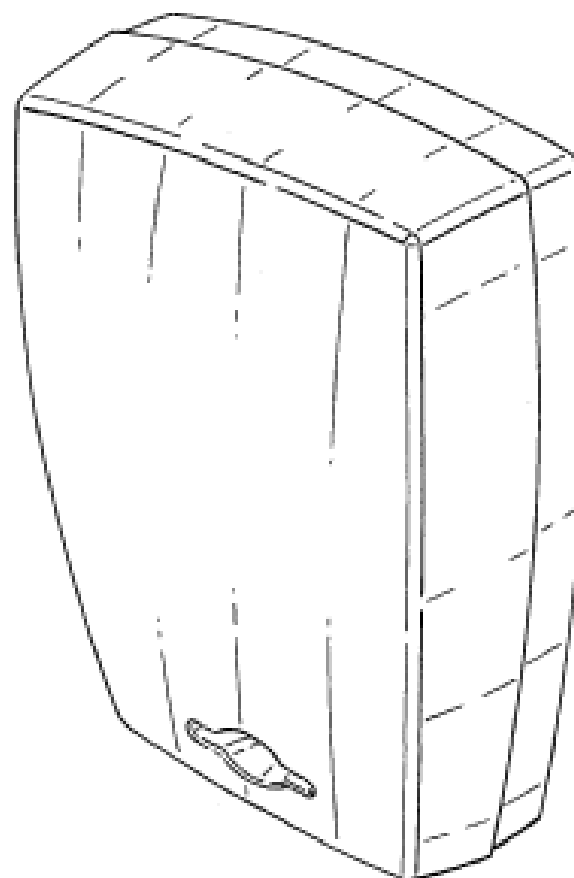
- (21) Design Number: **14533/2005**
(22) Date of Filing Application: **13 October 2005**
(24) Date from which industrial property rights may have effect: **13 October 2005**
(54) Product in respect of which the design is registered: **Filing rack**
(51) International Design Classification: **06-04NES**
(71) Name(s) and Address(s) of Applicant(s):
Timothy James Ord
73 Hauraki Road Palm Beach Waiheke Island Auckland New Zealand
(72) Name(s) of Designer(s): **Timothy James Ord**
(45) Registration Date: **08 May 2006**
(56) Related Art Documents: **Not Applicable**
(57) Statement of Newness and Distinctiveness: **The design is to be applied to a filing rack and novelty claimed resides in the features of shape and configuration applied as shown in the accompanying representations.**



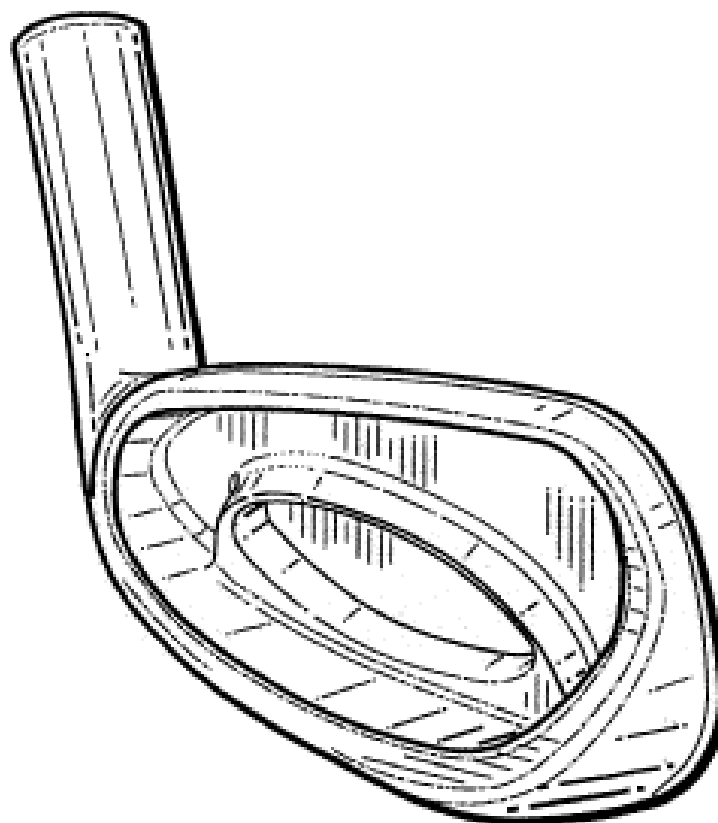
- (21) Design Number: **14544/2005**
(22) Date of Filing Application: **17 October 2005**
(24) Date from which industrial property rights may have effect: **17 October 2005**
(54) Product in respect of which the design is registered: **A container**
(51) International Design Classification: **09-01C**
(71) Name(s) and Address(s) of Applicant(s):
Societe des Produits Nestle S.A.
1800 Vevey Switzerland
(72) Name(s) of Designer(s): **David Francis**
(45) Registration Date: **08 May 2006**
(56) Related Art Documents: **Not Applicable**
(57) Statement of Newness and Distinctiveness: **Nil**



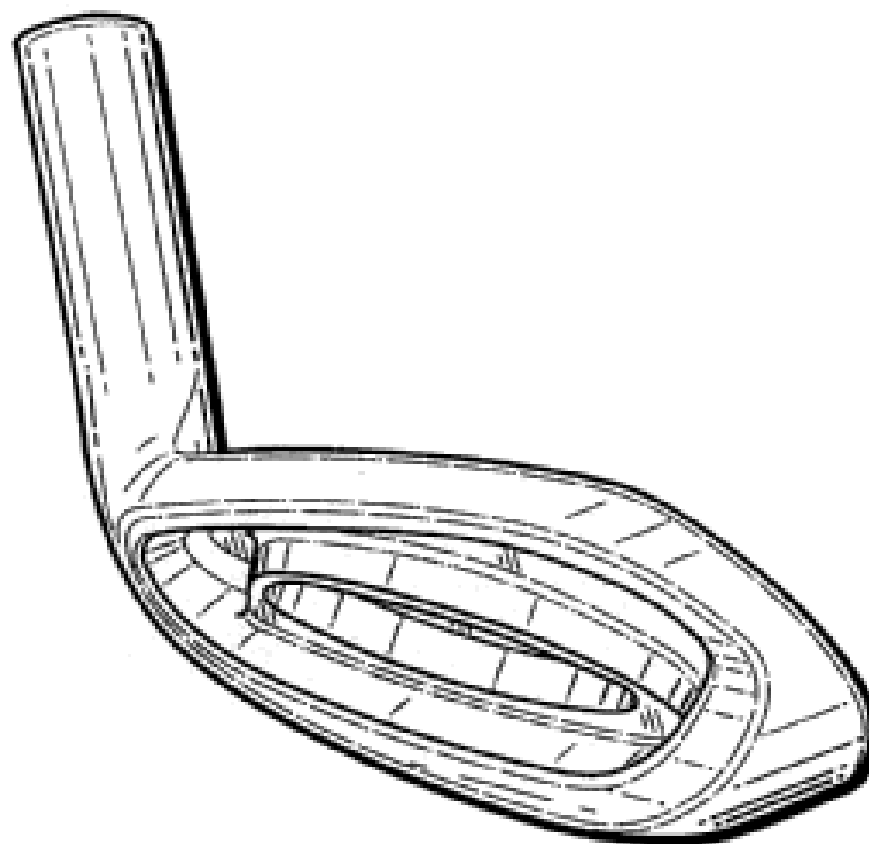
- (21) Design Number: **14657/2005**
(22) Date of Filing Application: **24 October 2005**
(24) Date from which industrial property rights may have effect: **24 October 2005**
(54) Product in respect of which the design is registered: **Dispensing machine**
(51) International Design Classification: **23-02A**
(71) Name(s) and Address(s) of Applicant(s):
Unilever PLC
Unilever House Blackfriars London EC4P 4BQ United Kingdom
(72) Name(s) of Designer(s): **Bartholomeus Johannes Antonius van Haperen**
and Taede Franciscus Kroon
(45) Registration Date: **08 May 2006**
(30) Convention priority data:
(31) Number (32) Date (33) Country
3021058 28 Apr 2005 UNITED KINGDOM
(56) Related Art Documents: **Not Applicable**
(57) Statement of Newness and Distinctiveness: **Newness and distinctiveness is claimed in the visual features shown in solid lines in the representations.**



(21) Design Number: **14658/2005**
(22) Date of Filing Application: **24 October 2005**
(24) Date from which industrial property rights may have effect: **24 October 2005**
(54) Product in respect of which the design is registered: **Golf iron head**
(51) International Design Classification: **21-02C**
(71) Name(s) and Address(s) of Applicant(s):
Karsten Manufacturing Corporation
2201 West Desert Cove Phoenix Arizona 85029 United States of America
(72) Name(s) of Designer(s): **Michael R. Nicolette and Bradley D. Schweigert and Marty R. Jertson and John A. Solheim and Eric V. Cole**
(45) Registration Date: **08 May 2006**
(30) Convention priority data:
(31) Number (32) Date (33) Country
29/230784 25 May 2005 UNITED STATES OF AMERICA
(56) Related Art Documents: **Not Applicable**
(57) Statement of Newness and Distinctiveness: **Nil**



(21) Design Number: **14660/2005**
(22) Date of Filing Application: **24 October 2005**
(24) Date from which industrial property rights may have effect: **24 October 2005**
(54) Product in respect of which the design is registered: **Golf iron head**
(51) International Design Classification: **21-02C**
(71) Name(s) and Address(s) of Applicant(s):
Karsten Manufacturing Corporation
2201 West Desert Cove Phoenix Arizona 85029 United States of America
(72) Name(s) of Designer(s): **Michael R. Nicolette and Bradley D. Schweigert and Marty R. Jertson and John A. Solheim and Eric V. Cole**
(45) Registration Date: **08 May 2006**
(30) Convention priority data:
(31) Number (32) Date (33) Country
29/230784 25 May 2005 UNITED STATES OF AMERICA
(56) Related Art Documents: **Not Applicable**
(57) Statement of Newness and Distinctiveness: **Nil**



(21) Design Number: **14739/2005**

(22) Date of Filing Application: **26 October 2005**

(24) Date from which industrial property rights may have effect: **26 October 2005**

(54) Product in respect of which the design is registered: **Golf putter head**

(51) International Design Classification: **21-02C**

(71) Name(s) and Address(s) of Applicant(s):

**Karsten Manufacturing Corporation
2201 West Desert Cove Phoenix Arizona 85029 United States of
America**

(72) Name(s) of Designer(s): **David D. Jones and John K. Solheim**

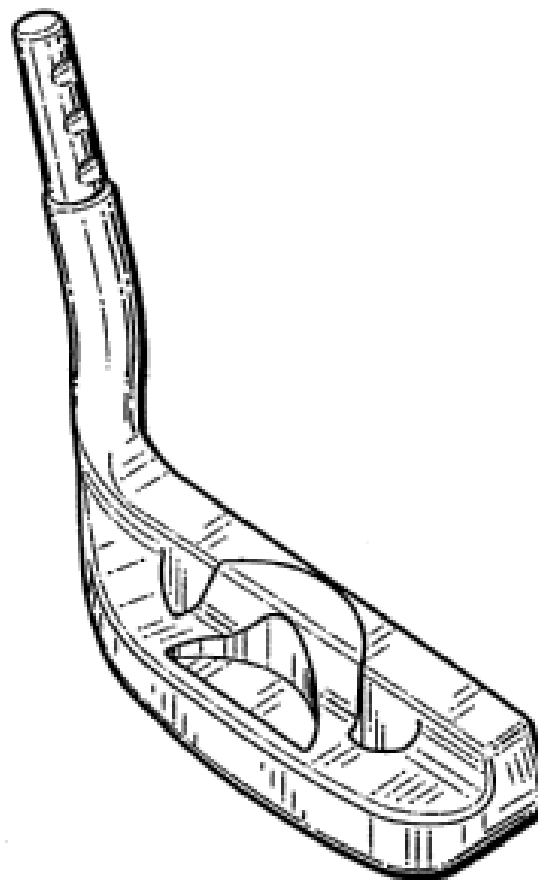
(45) Registration Date: **08 May 2006**

(30) Convention priority data:

(31) Number	(32) Date	(33) Country
29/230582	23 May 2005	UNITED STATES OF AMERICA

(56) Related Art Documents: **Not Applicable**

(57) Statement of Newness and Distinctiveness: **Nil**



(21) Design Number: **14740/2005**

(22) Date of Filing Application: **26 October 2005**

(24) Date from which industrial property rights may have effect: **26 October 2005**

(54) Product in respect of which the design is registered: **Golf putter head**

(51) International Design Classification: **21-02C**

(71) Name(s) and Address(s) of Applicant(s):

**Karsten Manufacturing Corporation
2201 West Desert Cove Phoenix Arizona 85029 United States of
America**

(72) Name(s) of Designer(s): **David D. Jones**

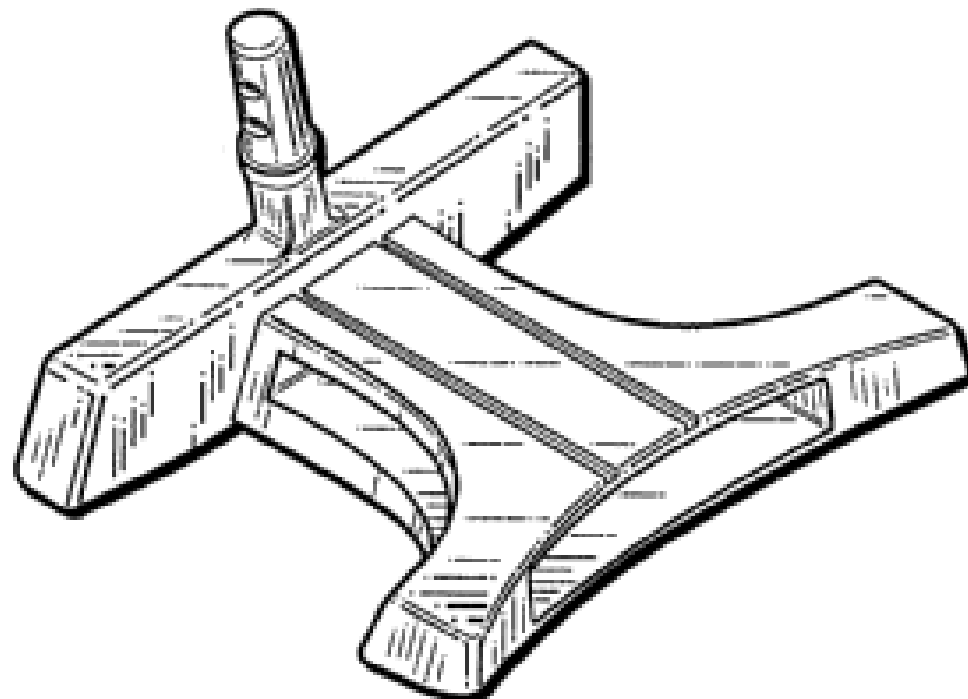
(45) Registration Date: **08 May 2006**

(30) Convention priority data:

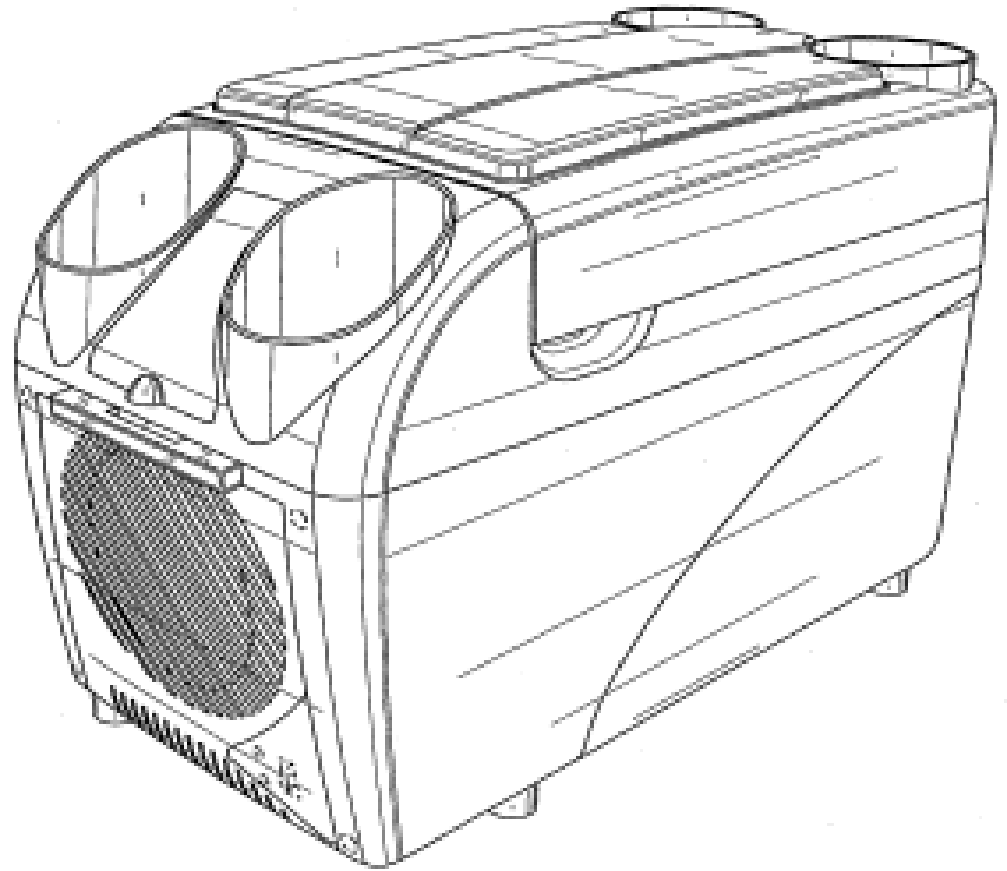
(31) Number	(32) Date	(33) Country
29/231183	01 Jun 2005	UNITED STATES OF AMERICA

(56) Related Art Documents: **Not Applicable**

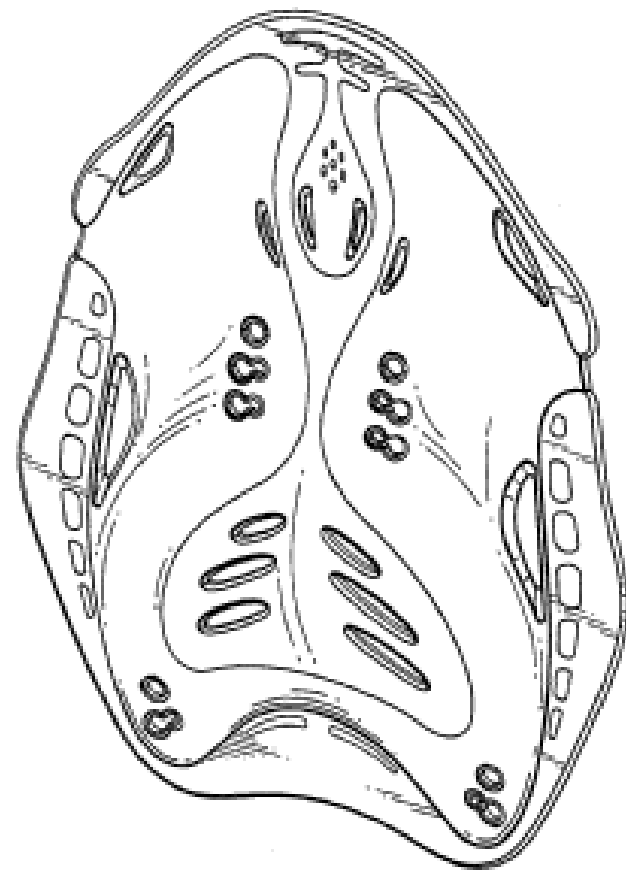
(57) Statement of Newness and Distinctiveness: **Nil**



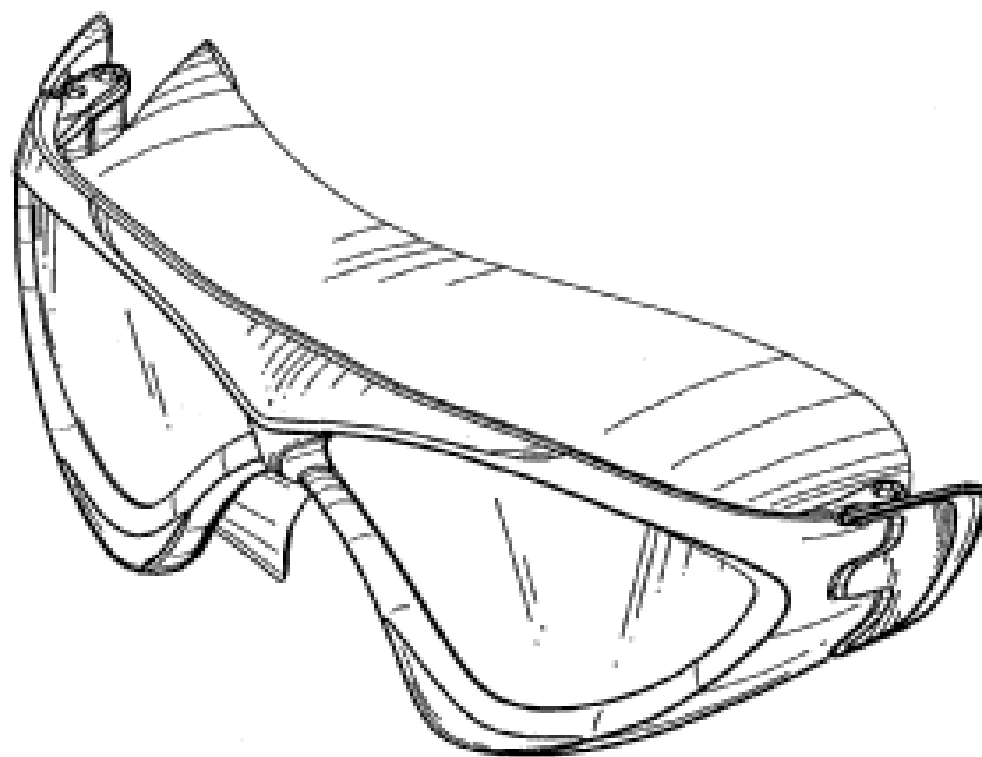
- (21) Design Number: **14764/2005**
(22) Date of Filing Application: **28 October 2005**
(24) Date from which industrial property rights may have effect: **28 October 2005**
(54) Product in respect of which the design is registered: **Travel cooler and warmer**
(51) International Design Classification: **15-07, 07-07A**
(71) Name(s) and Address(s) of Applicant(s):
Vector Products, Inc.
4140 S.W. 28th Way Ft Lauderdale Florida 33312 United States of America
(72) Name(s) of Designer(s): **Michael Krieger and Kevin Ellsworth**
(45) Registration Date: **08 May 2006**
(30) Convention priority data:
(31) Number (32) Date (33) Country
29/228,838 29 Apr 2005 UNITED STATES OF AMERICA
(56) Related Art Documents: **Not Applicable**
(57) Statement of Newness and Distinctiveness: - **The particular visual features of the design which are new and distinctive are shape or configuration. - The broken lines immediately adjacent the shaded areas represent the bounds of the claimed design while all other broken lines are for illustrative purposes only. The broken lines form no part of the claimed design.**



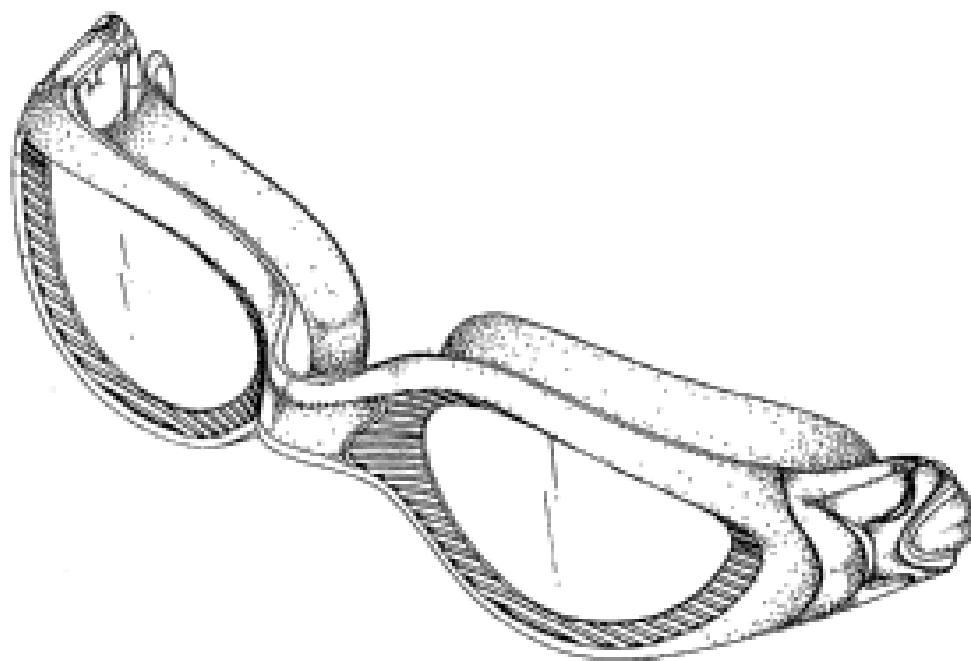
- (21) Design Number: **14797/2005**
(22) Date of Filing Application: **27 October 2005**
(24) Date from which industrial property rights may have effect: **27 October 2005**
(54) Product in respect of which the design is registered: **Swimming oar**
(51) International Design Classification: **21-02D**
(71) Name(s) and Address(s) of Applicant(s):
Herman Chiang
11F-2 No. 634-9 Ching-Ping Rd Chung-Ho City Taipei Hsien Taiwan
(72) Name(s) of Designer(s): **Herman Chiang**
(45) Registration Date: **08 May 2006**
(56) Related Art Documents: **Not Applicable**
(57) Statement of Newness and Distinctiveness: **Nil**



(21) Design Number: **14837/2005**
(22) Date of Filing Application: **01 November 2005**
(24) Date from which industrial property rights may have effect: **01 November 2005**
(54) Product in respect of which the design is registered: **Swimming goggles**
(51) International Design Classification: **16-06**
(71) Name(s) and Address(s) of Applicant(s):
Herman Chiang
11F-2 No. 634-9 Ching-Ping Rd Chung-Ho City Taipei Hsien Taiwan
(72) Name(s) of Designer(s): **Herman Chiang**
(45) Registration Date: **08 May 2006**
(56) Related Art Documents: **Not Applicable**
(57) Statement of Newness and Distinctiveness: **Nil**



(21) Design Number: **14839/2005**
(22) Date of Filing Application: **01 November 2005**
(24) Date from which industrial property rights may have effect: **01 November 2005**
(54) Product in respect of which the design is registered: **Swimming goggles**
(51) International Design Classification: **16-06**
(71) Name(s) and Address(s) of Applicant(s):
Herman Chiang
11F-2 No. 634-9 Ching-Ping Rd Chung-Ho City Taipei Hsien Taiwan
(72) Name(s) of Designer(s): **Herman Chiang**
(45) Registration Date: **08 May 2006**
(56) Related Art Documents: **Not Applicable**
(57) Statement of Newness and Distinctiveness: **Nil**



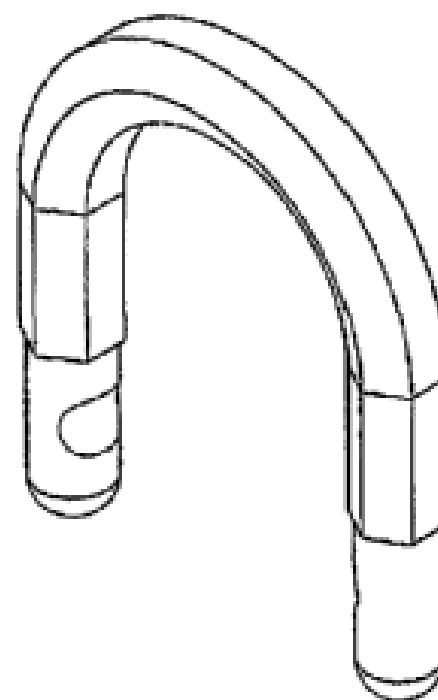
(19) AU

- (21) Design Number: **10448/2006**
(22) Date of Filing Application: **10 May 2005**
(24) Date from which industrial property rights may have effect: **10 May 2005**
(54) Product in respect of which the design is registered: **A chair**
(51) International Design Classification: **06-01F**
(71) Name(s) and Address(s) of Applicant(s):
Casala Meubelen Nederland B.V.
Rolweg no. 8 NL-4104 AV Culemborg The Netherlands
(72) Name(s) of Designer(s): **Sigurd Rothe**
(45) Registration Date: **09 May 2006**
(30) Convention priority data:
(31) Number (32) Date (33) Country
81415-1,81415-2 11 Feb 2005 BENELUX
(56) Related Art Documents: **Not Applicable**
(57) Statement of Newness and Distinctiveness: **Newness and distinctiveness is claimed in the shape and/or configuration of a chair as illustrated by the unbroken lines in the accompanying representation/s.**



(19) AU

- (21) Design Number: **10985/2006**
(22) Date of Filing Application: **09 March 2006**
(24) Date from which industrial property rights may have effect: **09 March 2006**
(54) Product in respect of which the design is registered: **Lock shackle**
(51) International Design Classification: **08-07**
(71) Name(s) and Address(s) of Applicant(s):
Master Lock Company
137 W. Forest Avenue PO Box 927 Oak Creek Wisconsin 53154 United States of America
(72) Name(s) of Designer(s): **John Heppner**
(45) Registration Date: **09 May 2006**
(30) Convention priority data:
(31) Number (32) Date (33) Country
29/224,525 03 Mar 2005 UNITED STATES OF AMERICA
(56) Related Art Documents: **Not Applicable**
(57) Statement of Newness and Distinctiveness: **Nil**



(21) Design Number: **10986/2006**

(22) Date of Filing Application: **09 March 2006**

(24) Date from which industrial property rights may have effect: **09 March 2006**

(54) Product in respect of which the design is registered: **Lock shackle**

(51) International Design Classification: **08-07**

(71) Name(s) and Address(s) of Applicant(s):

Master Lock Company
137 W. Forest Avenue PO Box 927 Oak Creek Wisconsin 53154 United States of America

(72) Name(s) of Designer(s): **John Heppner**

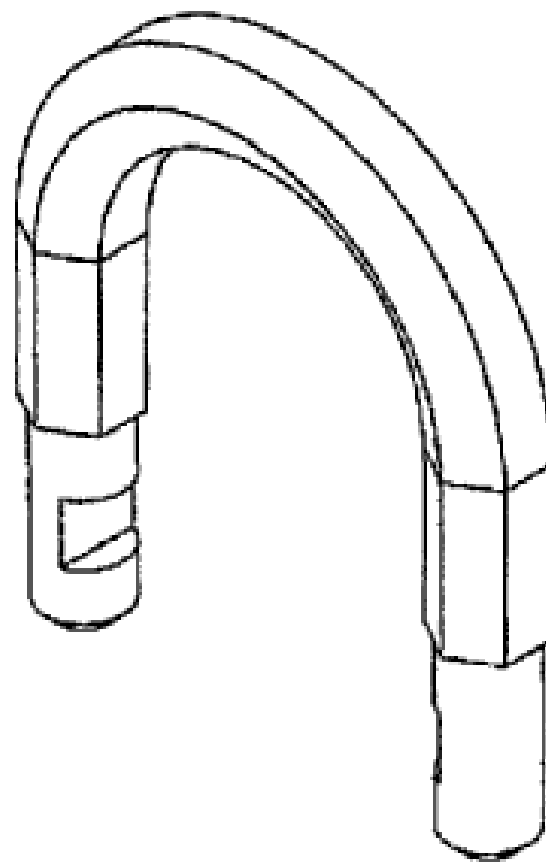
(45) Registration Date: **09 May 2006**

(30) Convention priority data:

(31) Number	(32) Date	(33) Country
29/224,525	03 Mar 2005	UNITED STATES OF AMERICA

(56) Related Art Documents: **Not Applicable**

(57) Statement of Newness and Distinctiveness: **Nil**



(21) Design Number: **10987/2006**

(22) Date of Filing Application: **09 March 2006**

(24) Date from which industrial property rights may have effect: **09 March 2006**

(54) Product in respect of which the design is registered: **Lock shackle**

(51) International Design Classification: **08-07**

(71) Name(s) and Address(s) of Applicant(s):

Master Lock Company
137 W. Forest Avenue PO Box 927 Oak Creek Wisconsin 53154 United States of America

(72) Name(s) of Designer(s): **John Heppner**

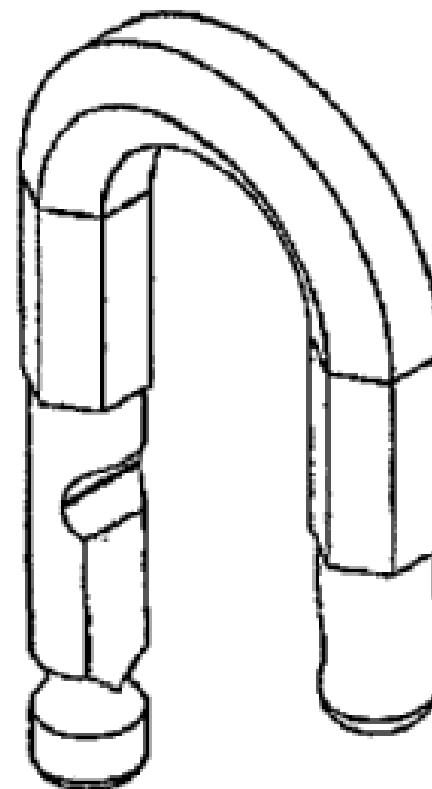
(45) Registration Date: **09 May 2006**

(30) Convention priority data:

(31) Number	(32) Date	(33) Country
29/224,525	03 Mar 2005	UNITED STATES OF AMERICA

(56) Related Art Documents: **Not Applicable**

(57) Statement of Newness and Distinctiveness: **Nil**



(21) Design Number: **10988/2006**

(22) Date of Filing Application: **09 March 2006**

(24) Date from which industrial property rights may have effect: **09 March 2006**

(54) Product in respect of which the design is registered: **Lock shackle**

(51) International Design Classification: **08-07**

(71) Name(s) and Address(s) of Applicant(s):

Master Lock Company
137 W. Forest Avenue PO Box 927 Oak Creek Wisconsin 53154 United States of America

(72) Name(s) of Designer(s): **John Heppner**

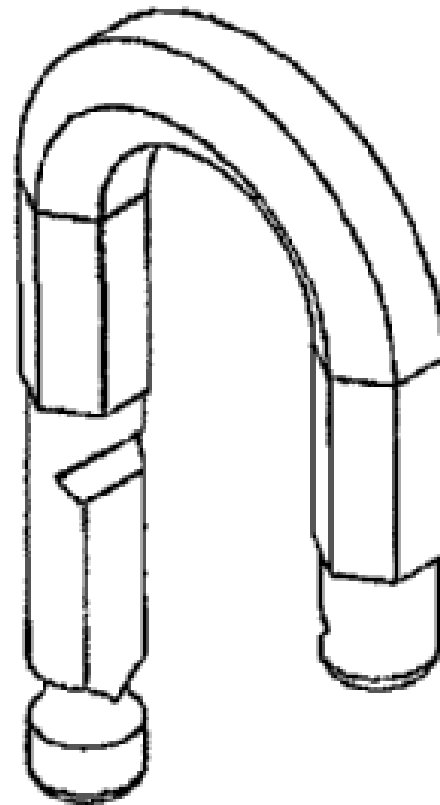
(45) Registration Date: **09 May 2006**

(30) Convention priority data:

(31) Number	(32) Date	(33) Country
29/224,525	03 Mar 2005	UNITED STATES OF AMERICA

(56) Related Art Documents: **Not Applicable**

(57) Statement of Newness and Distinctiveness: **Nil**



(21) Design Number: **10989/2006**

(22) Date of Filing Application: **09 March 2006**

(24) Date from which industrial property rights may have effect: **09 March 2006**

(54) Product in respect of which the design is registered: **Lock shackle**

(51) International Design Classification: **08-07**

(71) Name(s) and Address(s) of Applicant(s):

Master Lock Company
137 W. Forest Avenue PO Box 927 Oak Creek Wisconsin 53154 United States of America

(72) Name(s) of Designer(s): **John Heppner**

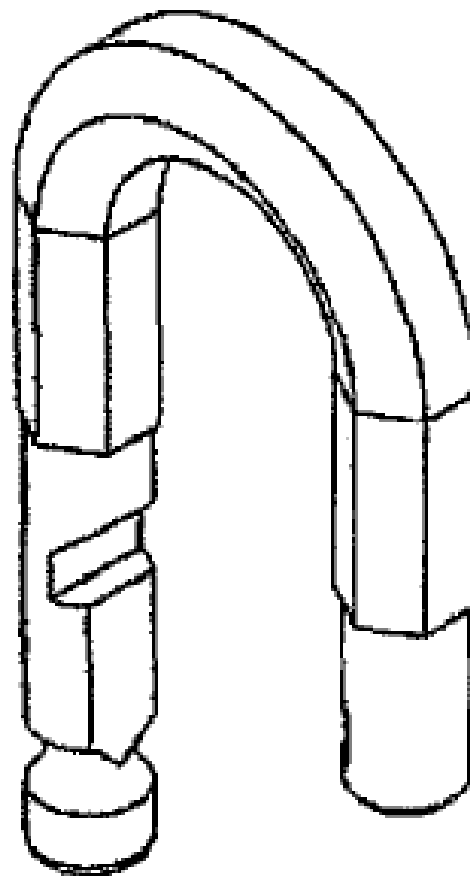
(45) Registration Date: **09 May 2006**

(30) Convention priority data:

(31) Number	(32) Date	(33) Country
29/224,525	03 Mar 2005	UNITED STATES OF AMERICA

(56) Related Art Documents: **Not Applicable**

(57) Statement of Newness and Distinctiveness: **Nil**



(21) Design Number: **10990/2006**

(22) Date of Filing Application: **09 March 2006**

(24) Date from which industrial property rights may have effect: **09 March 2006**

(54) Product in respect of which the design is registered: **Lock shackle**

(51) International Design Classification: **08-07**

(71) Name(s) and Address(s) of Applicant(s):

Master Lock Company
137 W. Forest Avenue PO Box 927 Oak Creek Wisconsin 53154 United States of America

(72) Name(s) of Designer(s): **John Heppner**

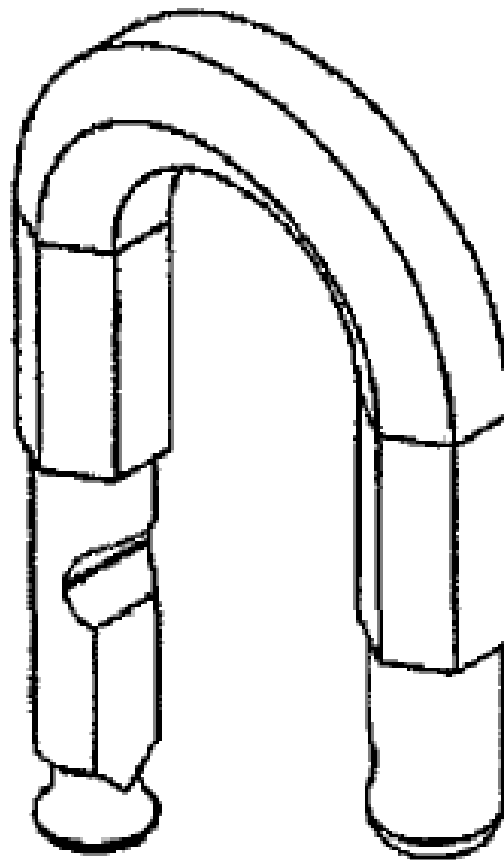
(45) Registration Date: **09 May 2006**

(30) Convention priority data:

(31) Number	(32) Date	(33) Country
29/224,525	03 Mar 2005	UNITED STATES OF AMERICA

(56) Related Art Documents: **Not Applicable**

(57) Statement of Newness and Distinctiveness: **Nil**



(21) Design Number: **10991/2006**

(22) Date of Filing Application: **09 March 2006**

(24) Date from which industrial property rights may have effect: **09 March 2006**

(54) Product in respect of which the design is registered: **Lock shackle**

(51) International Design Classification: **08-07**

(71) Name(s) and Address(s) of Applicant(s):

Master Lock Company
137 W. Forest Avenue PO Box 927 Oak Creek Wisconsin 53154 United States of America

(72) Name(s) of Designer(s): **John Heppner**

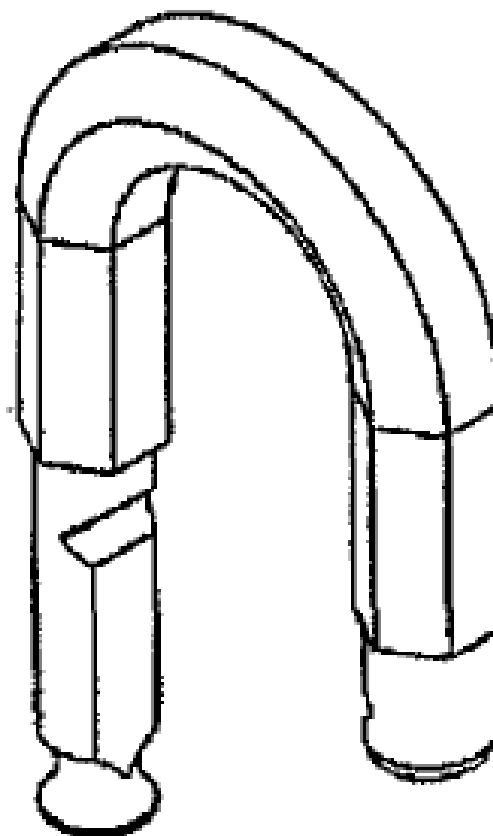
(45) Registration Date: **09 May 2006**

(30) Convention priority data:

(31) Number	(32) Date	(33) Country
29/224,525	03 Mar 2005	UNITED STATES OF AMERICA

(56) Related Art Documents: **Not Applicable**

(57) Statement of Newness and Distinctiveness: **Nil**



(21) Design Number: **10992/2006**

(22) Date of Filing Application: **09 March 2006**

(24) Date from which industrial property rights may have effect: **09 March 2006**

(54) Product in respect of which the design is registered: **Lock shackle**

(51) International Design Classification: **08-07**

(71) Name(s) and Address(s) of Applicant(s):

Master Lock Company
137 W. Forest Avenue PO Box 927 Oak Creek Wisconsin 53154 United States of America

(72) Name(s) of Designer(s): **John Heppner**

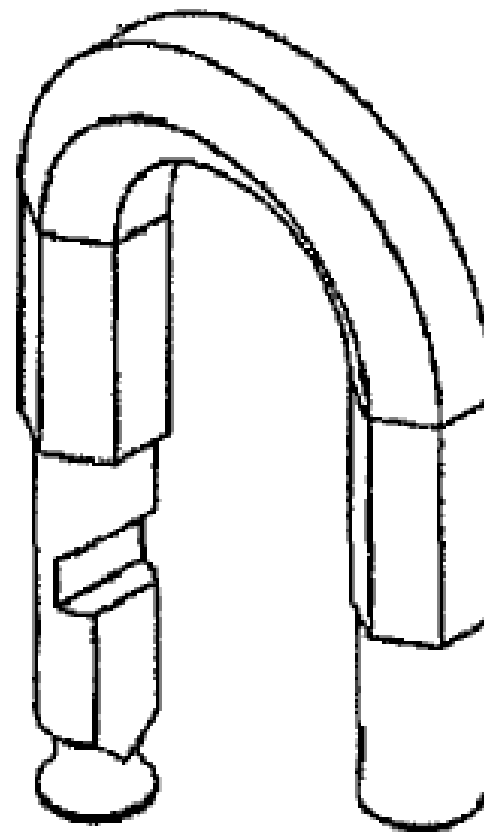
(45) Registration Date: **09 May 2006**

(30) Convention priority data:

(31) Number	(32) Date	(33) Country
29/224,525	03 Mar 2005	UNITED STATES OF AMERICA

(56) Related Art Documents: **Not Applicable**

(57) Statement of Newness and Distinctiveness: **Nil**



(21) Design Number: **10993/2006**

(22) Date of Filing Application: **09 March 2006**

(24) Date from which industrial property rights may have effect: **09 March 2006**

(54) Product in respect of which the design is registered: **Lock shackle**

(51) International Design Classification: **08-07**

(71) Name(s) and Address(s) of Applicant(s):

Master Lock Company
137 W. Forest Avenue PO Box 927 Oak Creek Wisconsin 53154 United States of America

(72) Name(s) of Designer(s): **John Heppner**

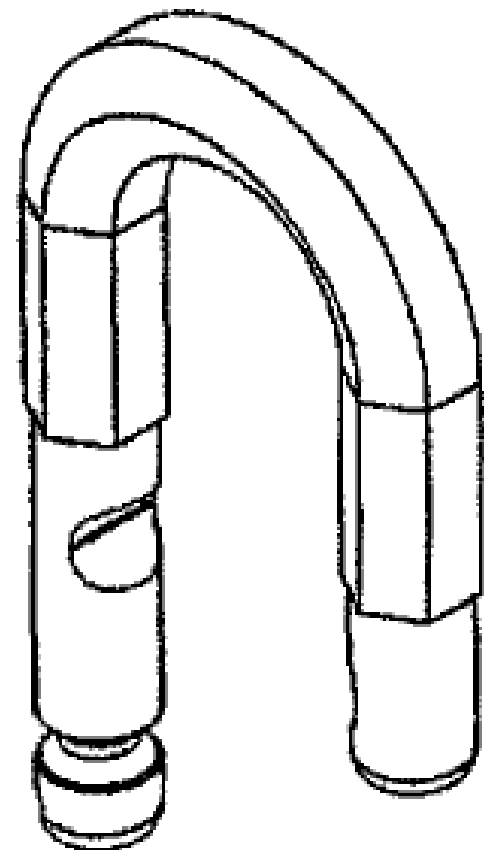
(45) Registration Date: **09 May 2006**

(30) Convention priority data:

(31) Number	(32) Date	(33) Country
29/224,525	03 Mar 2005	UNITED STATES OF AMERICA

(56) Related Art Documents: **Not Applicable**

(57) Statement of Newness and Distinctiveness: **Nil**



(21) Design Number: **10994/2006**

(22) Date of Filing Application: **09 March 2006**

(24) Date from which industrial property rights may have effect: **09 March 2006**

(54) Product in respect of which the design is registered: **Lock shackle**

(51) International Design Classification: **08-07**

(71) Name(s) and Address(s) of Applicant(s):

Master Lock Company
137 W. Forest Avenue PO Box 927 Oak Creek Wisconsin 53154 United States of America

(72) Name(s) of Designer(s): **John Heppner**

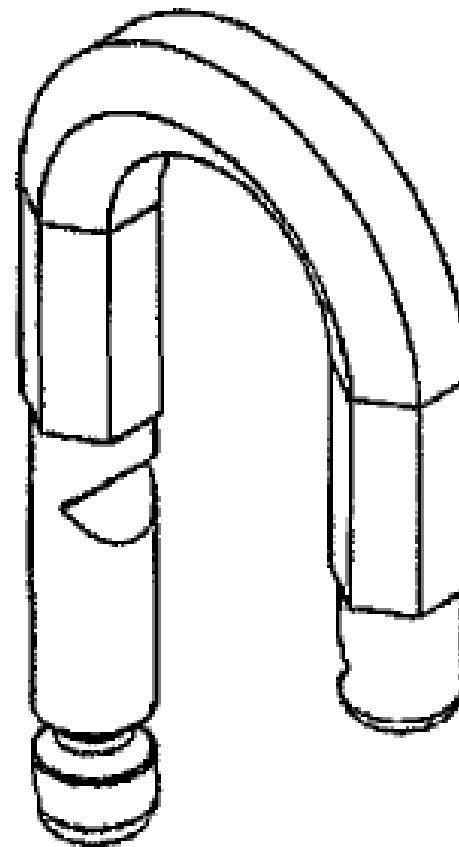
(45) Registration Date: **09 May 2006**

(30) Convention priority data:

(31) Number	(32) Date	(33) Country
29/224,525	03 Mar 2005	UNITED STATES OF AMERICA

(56) Related Art Documents: **Not Applicable**

(57) Statement of Newness and Distinctiveness: **Nil**



(21) Design Number: **10995/2006**

(22) Date of Filing Application: **09 March 2006**

(24) Date from which industrial property rights may have effect: **09 March 2006**

(54) Product in respect of which the design is registered: **Lock shackle**

(51) International Design Classification: **08-07**

(71) Name(s) and Address(s) of Applicant(s):

Master Lock Company
137 W. Forest Avenue PO Box 927 Oak Creek Wisconsin 53154 United States of America

(72) Name(s) of Designer(s): **John Heppner**

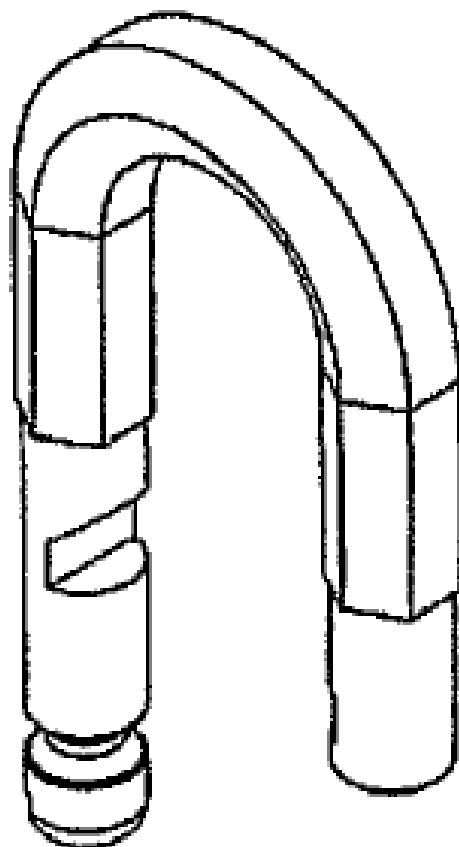
(45) Registration Date: **09 May 2006**

(30) Convention priority data:

(31) Number	(32) Date	(33) Country
29/224,525	03 Mar 2005	UNITED STATES OF AMERICA

(56) Related Art Documents: **Not Applicable**

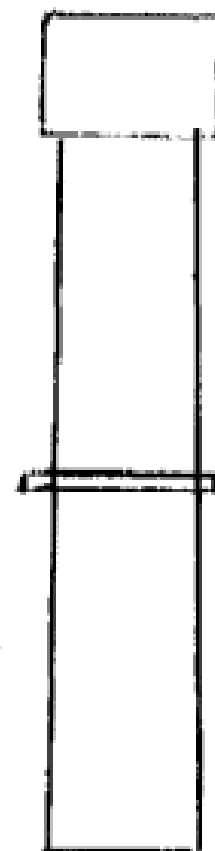
(57) Statement of Newness and Distinctiveness: **Nil**



- (21) Design Number: **11729/2006**
(22) Date of Filing Application: **26 April 2006**
(24) Date from which industrial property rights may have effect: **26 April 2006**
(54) Product in respect of which the design is registered: **Cap**
(51) International Design Classification: **09-07C**
(71) Name(s) and Address(s) of Applicant(s):
Reckitt Benckiser (UK) Limited
103-105 Bath Road Slough Berkshire SL1 3UH United Kingdom
(72) Name(s) of Designer(s): **Rachel Russell and Francis Lovell and Odile Beranger and Sandra Michaud and Aurele Hurtis**
(45) Registration Date: **09 May 2006**
(30) Convention priority data:
(31) Number (32) Date (33) Country
000421110-0004 26 Oct 2005 EUROPEAN COMMUNITY
(56) Related Art Documents: **Not Applicable**
(57) Statement of Newness and Distinctiveness: **Newness and distinctiveness reside in the features of the design as shown in the representations.**



- (21) Design Number: **12074/2005**
(22) Date of Filing Application: **11 May 2005**
(24) Date from which industrial property rights may have effect: **11 May 2005**
(54) Product in respect of which the design is registered: **Water feeding garden stake**
(51) International Design Classification: **11-02B**
(71) Name(s) and Address(s) of Applicant(s):
Field North Pty Ltd
112 Baynes St Terang Victoria 3264
(72) Name(s) of Designer(s): **James Robert Beasley and James Desmond Beasley**
(45) Registration Date: **09 May 2006**
(56) Related Art Documents: **Not Applicable**
(57) Statement of Newness and Distinctiveness: **It is the first garden stake to have a gauge. The first garden stake to be transparent. It has a unique wedge shaped bottom for stability, and can extend to infinity.**

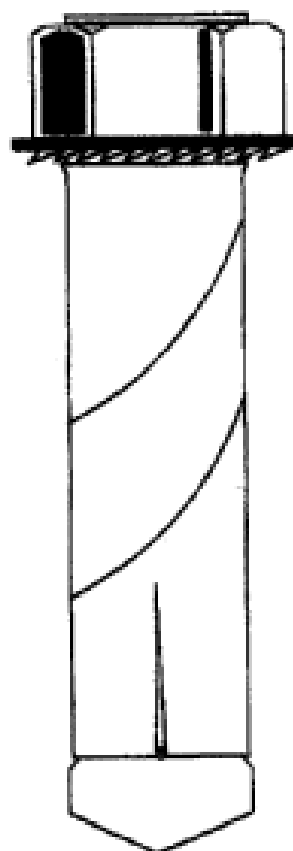


- (21) Design Number: **12179/2005**
- (22) Date of Filing Application: **10 May 2005**
- (24) Date from which industrial property rights may have effect: **10 May 2005**
- (54) Product in respect of which the design is registered: **A chair**
- (51) International Design Classification: **06-01F**
- (71) Name(s) and Address(s) of Applicant(s):
Casala Meubelen Nederland B.V.
Rolweg no. 8 NL-4104 AV Culemborg The Netherlands
- (72) Name(s) of Designer(s): **Sigurd Rothe**
- (45) Registration Date: **09 May 2006**
- (30) Convention priority data:

(31) Number	(32) Date	(33) Country
81415-01,81415	11 Feb 2005	BENELUX
- (56) Related Art Documents: **Not Applicable**
- (57) Statement of Newness and Distinctiveness: **Newness and distinctiveness is claimed in the shape and/or configuration of a chair as illustrated by the unbroken lines in the accompanying representation/s.**



- (21) Design Number: **13340/2005**
- (22) Date of Filing Application: **08 August 2005**
- (24) Date from which industrial property rights may have effect: **08 August 2005**
- (54) Product in respect of which the design is registered: **Self drilling masonry bolt**
- (51) International Design Classification: **08-08B**
- (71) Name(s) and Address(s) of Applicant(s):
Michael R. Valenzisi
Farm 2052 Stanbridge Via Leeton PO Box 35 Leeton New South Wales
2705 Australia
Domenico Nardi
Farm 2052 Stanbridge Via Leeton PO Box 35 Leeton New South Wales
2705 Australia
- (72) Name(s) of Designer(s): **Michael Valenzisi and Domenico Nardi**
- (45) Registration Date: **09 May 2006**
- (56) Related Art Documents: **Not Applicable**
- (57) Statement of Newness and Distinctiveness: **A self-drilling masonry bolt is a new idea developed after much planning and trials over a period of time. A combination of several other designs, these things are brought together and used in a different way to the conveytional way of using them. An electric drill with a reverse gear fitted, is required to use this new masonry bolt. A masonry tip is used on the end of a bolt, which has a left hand thread on the top half of it. A left hand threaded nut and washery moulded into one piece is used. On the bottom side of the washer the surface is pleated to enable it to brush away the debris when it gets to the surface being drilled. On the shank, a sleeve is fitted, which has a helical rotor. To help pull the debris out of the hole being drilled. On the top of the bolt is an enlarged head, which stops the nut from coming off when drilling is in motion. At the lower end of the bolt, is a small cam, which engages the sleeve to turn in conjunction with the bolt, which in turn extracts the debris caused by the drilling via the helical rotor. Once the bolt has been drilled in to the full depth, so the nut is now touching the surface, drill is engaged into reverse. The nut now in the hole. The process of putting in the new self tightens on the bolt and expands the lower end of the sleeve, securing it in the hole. The process of putting in the "new self drilling masonry bolt" is now complete. This new process of securing an item to cement, or even to wood, is extremely simple as it only requires an electric drill fitted in reverse**

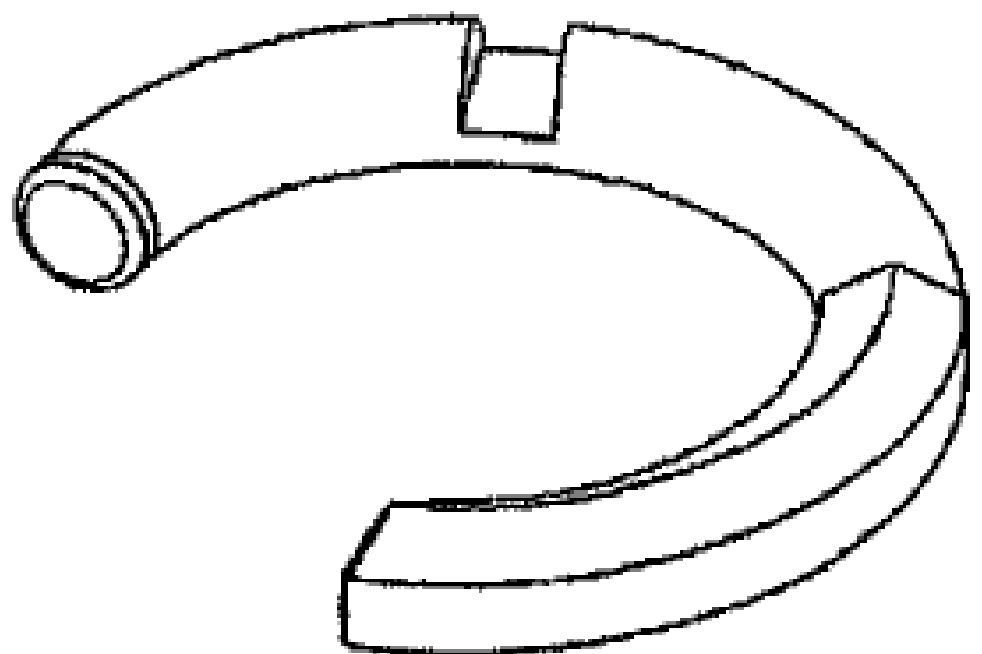


of the bolt is shown.

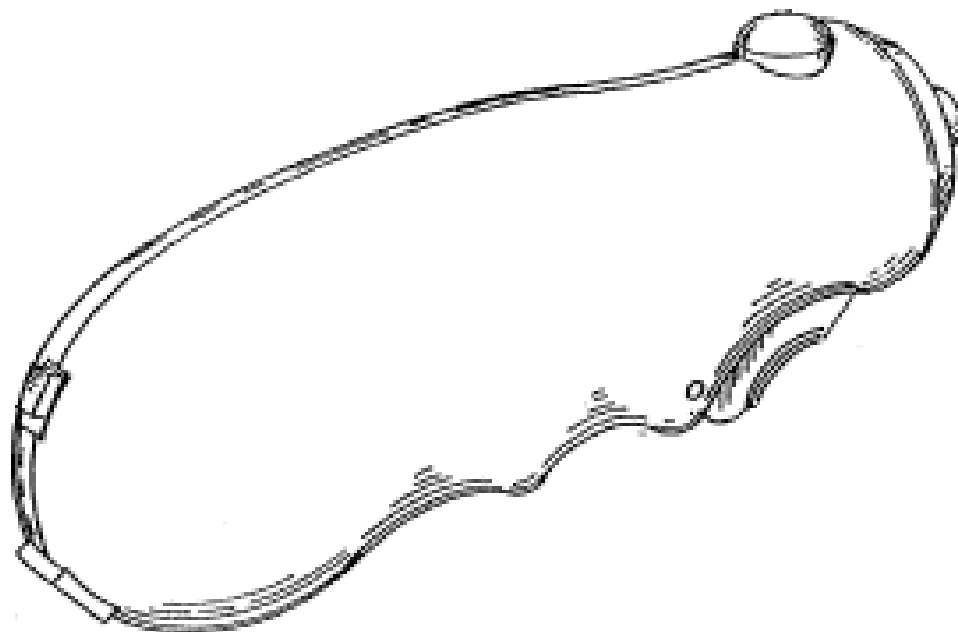
(12) AUSTRALIAN REGISTERED DESIGN
(19) AU

(11) AU-S- 306634

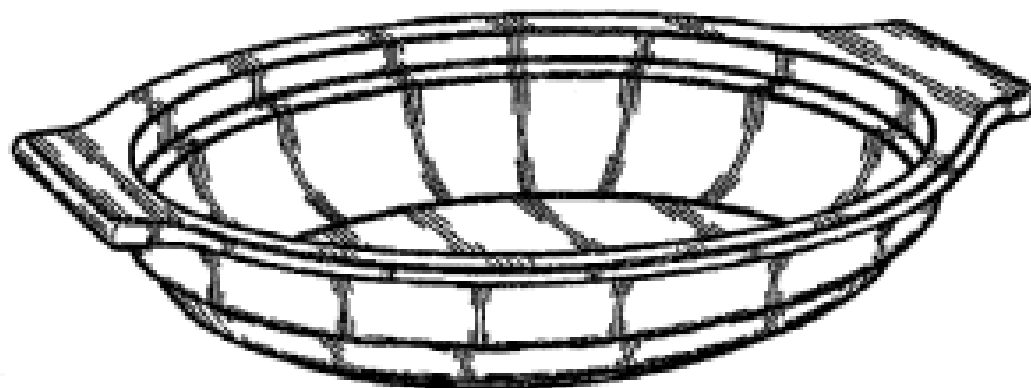
(21) Design Number: **13846/2005**
(22) Date of Filing Application: **07 September 2005**
(24) Date from which industrial property rights may have effect: **07 September 2005**
(54) Product in respect of which the design is registered: **Lock shackle**
(51) International Design Classification: **08-07**
(71) Name(s) and Address(s) of Applicant(s):
Master Lock Company
137 W. Forest Avenue PO Box 927 Oak Creek Wisconsin 53154 United States of America
(72) Name(s) of Designer(s): **John Heppner**
(45) Registration Date: **09 May 2006**
(30) Convention priority data:
(31) Number (32) Date (33) Country
29/224,525 03 Mar 2005 UNITED STATES OF AMERICA
(56) Related Art Documents: **Not Applicable**
(57) Statement of Newness and Distinctiveness: **Nil**



- (21) Design Number: **14038/2005**
(22) Date of Filing Application: **19 September 2005**
(24) Date from which industrial property rights may have effect: **19 September 2005**
(54) Product in respect of which the design is registered: **Power Screwdriver/Drill**
(51) International Design Classification: **08-04**
(71) Name(s) and Address(s) of Applicant(s):
Robert W. Wise
365 Ely Road Petaluma California 94954 United States of America
(72) Name(s) of Designer(s): **Robert W. Wise**
(45) Registration Date: **09 May 2006**
(30) Convention priority data:
(31) Number (32) Date (33) Country
29/226875 01 Apr 2005 UNITED STATES OF AMERICA
(56) Related Art Documents: **Not Applicable**
(57) Statement of Newness and Distinctiveness: **Newness and distinctiveness of the design resides in the shape and/or configuration of the power driver as shown in the accompanying representations.**



- (21) Design Number: **14611/2005**
(22) Date of Filing Application: **21 October 2005**
(24) Date from which industrial property rights may have effect: **21 October 2005**
(54) Product in respect of which the design is registered: **Cooking vessel**
(51) International Design Classification: **07-02N, 07-01B**
(71) Name(s) and Address(s) of Applicant(s):
Emile Henry Industrie
13 rue Georges de Vichy 751110 Marcigny France
(72) Name(s) of Designer(s): **Jacques Henry**
(45) Registration Date: **09 May 2006**
(30) Convention priority data:
(31) Number (32) Date (33) Country
000329313 22 Apr 2005 FRANCE
(56) Related Art Documents: **Not Applicable**
(57) Statement of Newness and Distinctiveness: **In considering the newness or distinctiveness of the design, regard is to be given to the overall shape and/or configuration of a cooking vessel as shown in the representations.**



(21) Design Number: **10996/2006**

(22) Date of Filing Application: **09 March 2006**

(24) Date from which industrial property rights may have effect: **09 March 2006**

(54) Product in respect of which the design is registered: **Lock shackle**

(51) International Design Classification: **08-07**

(71) Name(s) and Address(s) of Applicant(s):

Master Lock Company
137 W. Forest Avenue PO Box 927 Oak Creek Wisconsin 53154 United States of America

(72) Name(s) of Designer(s): **John Heppner**

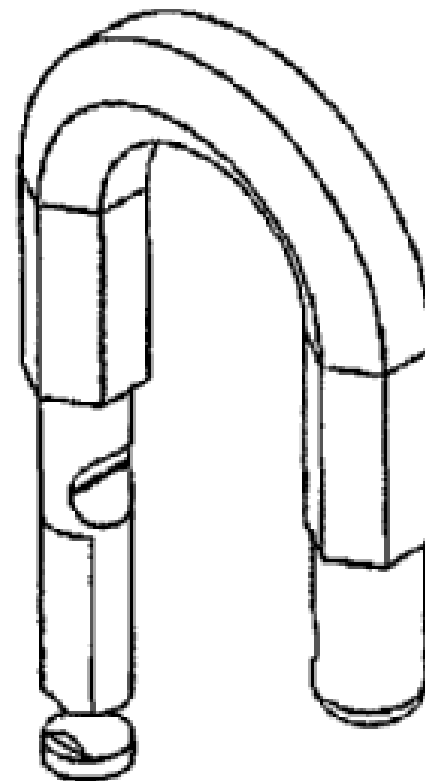
(45) Registration Date: **09 May 2006**

(30) Convention priority data:

(31) Number	(32) Date	(33) Country
29/224,525	03 Mar 2005	UNITED STATES OF AMERICA

(56) Related Art Documents: **Not Applicable**

(57) Statement of Newness and Distinctiveness: **Nil**



(21) Design Number: **10997/2006**

(22) Date of Filing Application: **09 March 2006**

(24) Date from which industrial property rights may have effect: **09 March 2006**

(54) Product in respect of which the design is registered: **Lock shackle**

(51) International Design Classification: **08-07**

(71) Name(s) and Address(s) of Applicant(s):

Master Lock Company
137 W. Forest Avenue PO Box 927 Oak Creek Wisconsin 53154 United States of America

(72) Name(s) of Designer(s): **John Heppner**

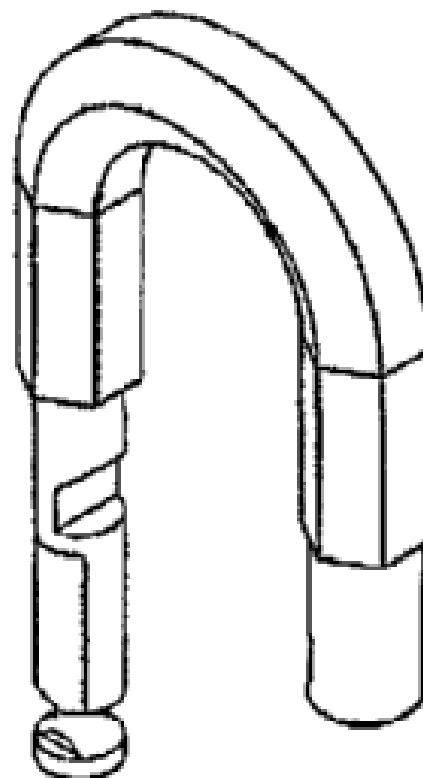
(45) Registration Date: **09 May 2006**

(30) Convention priority data:

(31) Number	(32) Date	(33) Country
29/224,525	03 Mar 2005	UNITED STATES OF AMERICA

(56) Related Art Documents: **Not Applicable**

(57) Statement of Newness and Distinctiveness: **Nil**



(21) Design Number: **10998/2006**

(22) Date of Filing Application: **09 March 2006**

(24) Date from which industrial property rights may have effect: **09 March 2006**

(54) Product in respect of which the design is registered: **Lock shackle**

(51) International Design Classification: **08-07**

(71) Name(s) and Address(s) of Applicant(s):

Master Lock Company
137 W. Forest Avenue PO Box 927 Oak Creek Wisconsin 53154 United States of America

(72) Name(s) of Designer(s): **John Heppner**

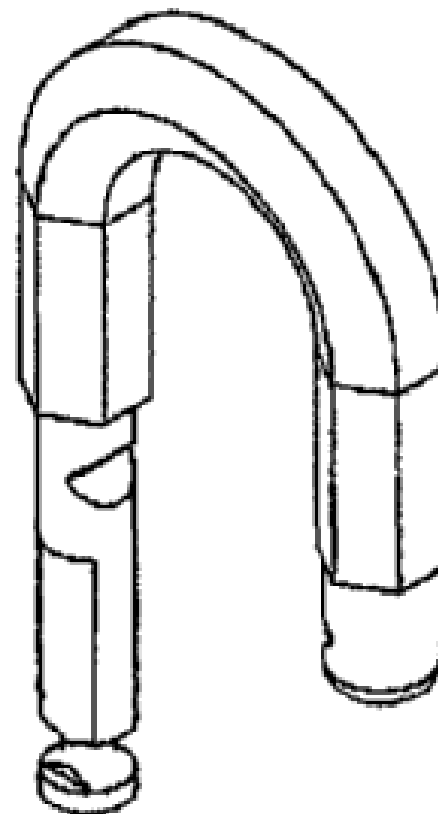
(45) Registration Date: **09 May 2006**

(30) Convention priority data:

(31) Number	(32) Date	(33) Country
29/224,525	03 Mar 2005	UNITED STATES OF AMERICA

(56) Related Art Documents: **Not Applicable**

(57) Statement of Newness and Distinctiveness: **Nil**



(21) Design Number: **10999/2006**

(22) Date of Filing Application: **09 March 2006**

(24) Date from which industrial property rights may have effect: **09 March 2006**

(54) Product in respect of which the design is registered: **Lock shackle**

(51) International Design Classification: **08-07**

(71) Name(s) and Address(s) of Applicant(s):

Master Lock Company
137 W. Forest Avenue PO Box 927 Oak Creek Wisconsin 53154 United States of America

(72) Name(s) of Designer(s): **John Heppner**

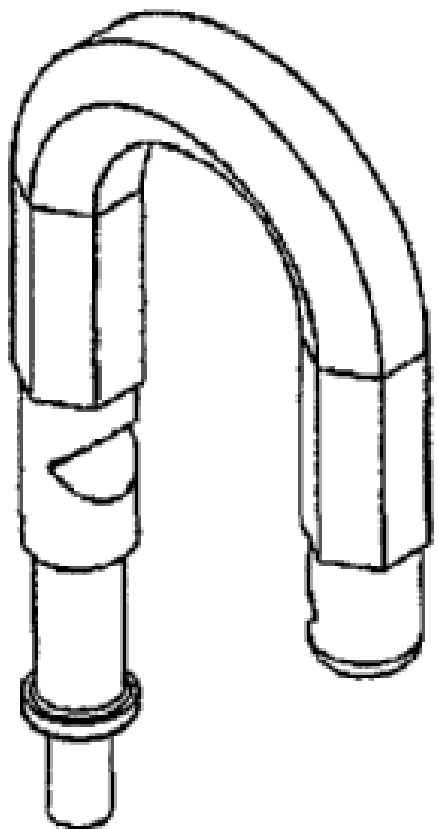
(45) Registration Date: **09 May 2006**

(30) Convention priority data:

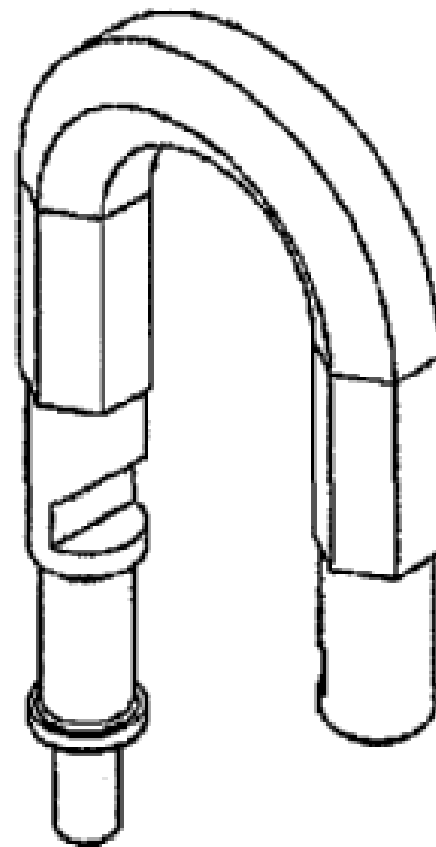
(31) Number	(32) Date	(33) Country
29/224,525	03 Mar 2005	UNITED STATES OF AMERICA

(56) Related Art Documents: **Not Applicable**

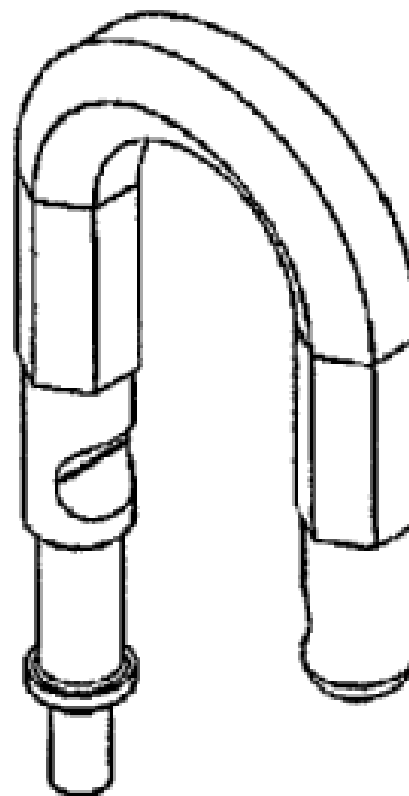
(57) Statement of Newness and Distinctiveness: **Nil**



(21) Design Number: **11000/2006**
(22) Date of Filing Application: **09 March 2006**
(24) Date from which industrial property rights may have effect: **09 March 2006**
(54) Product in respect of which the design is registered: **Lock shackle**
(51) International Design Classification: **08-07**
(71) Name(s) and Address(s) of Applicant(s):
Master Lock Company
137 W. Forest Avenue PO Box 927 Oak Creek Wisconsin 53154 United States of America
(72) Name(s) of Designer(s): **John Heppner**
(45) Registration Date: **09 May 2006**
(30) Convention priority data:
(31) Number (32) Date (33) Country
29/224,525 03 Mar 2005 UNITED STATES OF AMERICA
(56) Related Art Documents: **Not Applicable**
(57) Statement of Newness and Distinctiveness: **Nil**



(21) Design Number: **11001/2006**
(22) Date of Filing Application: **09 March 2006**
(24) Date from which industrial property rights may have effect: **09 March 2006**
(54) Product in respect of which the design is registered: **Lock shackle**
(51) International Design Classification: **08-07**
(71) Name(s) and Address(s) of Applicant(s):
Master Lock Company
137 W. Forest Avenue PO Box 927 Oak Creek Wisconsin 53154 United States of America
(72) Name(s) of Designer(s): **John Heppner**
(45) Registration Date: **09 May 2006**
(30) Convention priority data:
(31) Number (32) Date (33) Country
29/224,525 03 Mar 2005 UNITED STATES OF AMERICA
(56) Related Art Documents: **Not Applicable**
(57) Statement of Newness and Distinctiveness: **Nil**



(21) Design Number: **11069/2005**

(22) Date of Filing Application: **17 March 2005**

(24) Date from which industrial property rights may have effect: **17 March 2005**

(54) Product in respect of which the design is registered: **A slat boot**

(51) International Design Classification: **06-06F**

(71) Name(s) and Address(s) of Applicant(s):

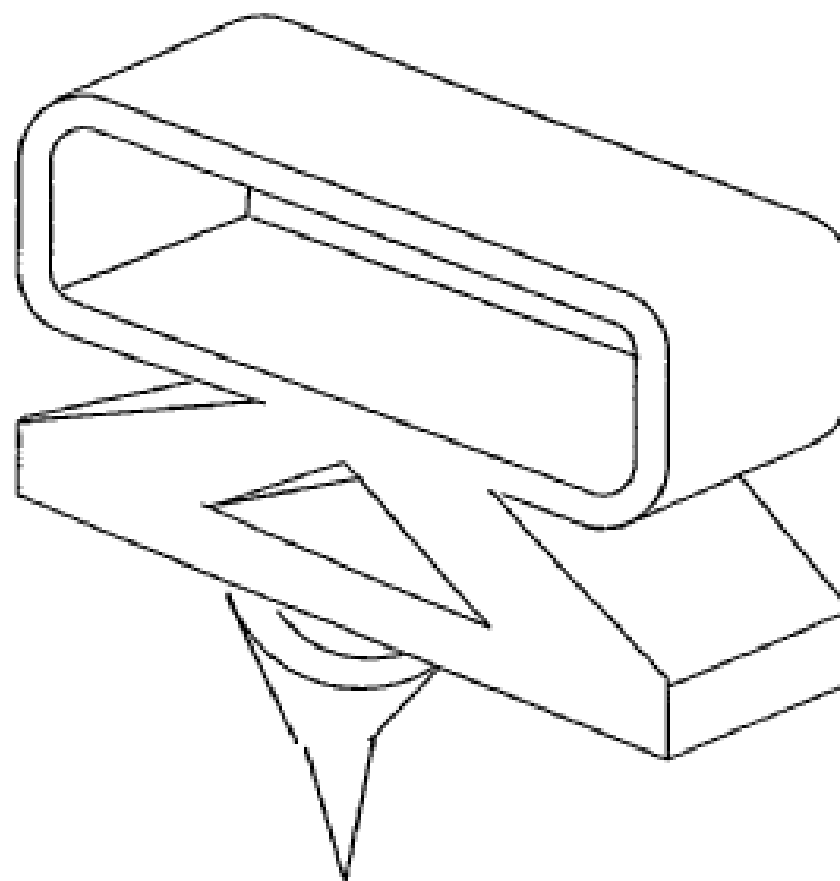
David Fealy
c/-Hardware by Design 32 Green Street Thomastown Victoria 3074
Australia

(72) Name(s) of Designer(s): **David Fealy**

(45) Registration Date: **09 May 2006**

(56) Related Art Documents: **Not Applicable**

(57) Statement of Newness and Distinctiveness: **Nil**



(21) Design Number: **11824/2005**

(22) Date of Filing Application: **02 May 2005**

(24) Date from which industrial property rights may have effect: **02 May 2005**

(54) Product in respect of which the design is registered: **Drills, portable drills, drills powered by electricity**

(51) International Design Classification: **08-01**

(71) Name(s) and Address(s) of Applicant(s):

Barbara K Enterprises Inc.
25 West 45th Street Floor 2 New York United States of America 10036

(72) Name(s) of Designer(s): **Barbara Kavovtt and Read Worth and Shelley Chen**

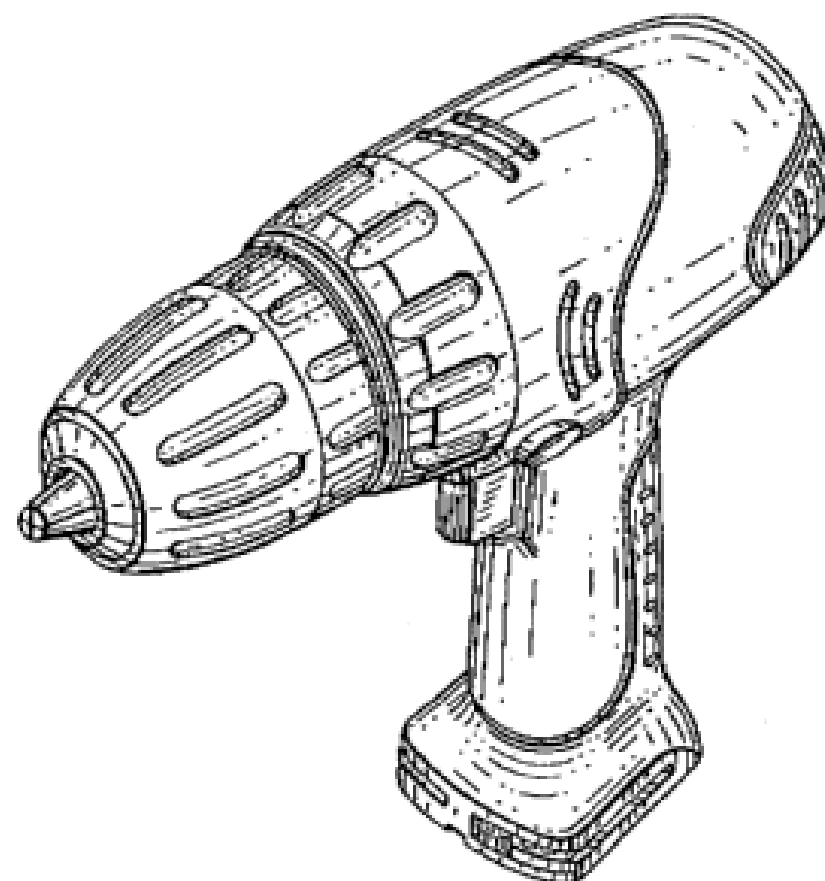
(45) Registration Date: **09 May 2006**

(30) Convention priority data:

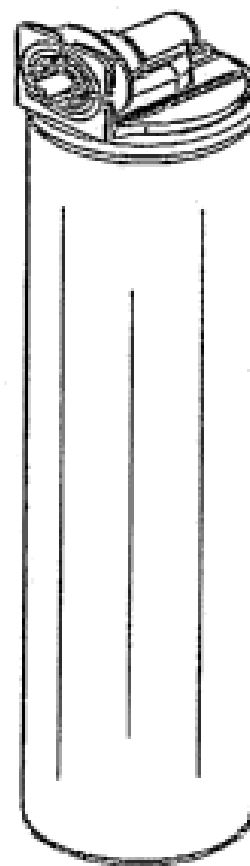
(31) Number	(32) Date	(33) Country
27,217,964	17 Dec 2004	UNITED STATES OF AMERICA

(56) Related Art Documents: **Not Applicable**

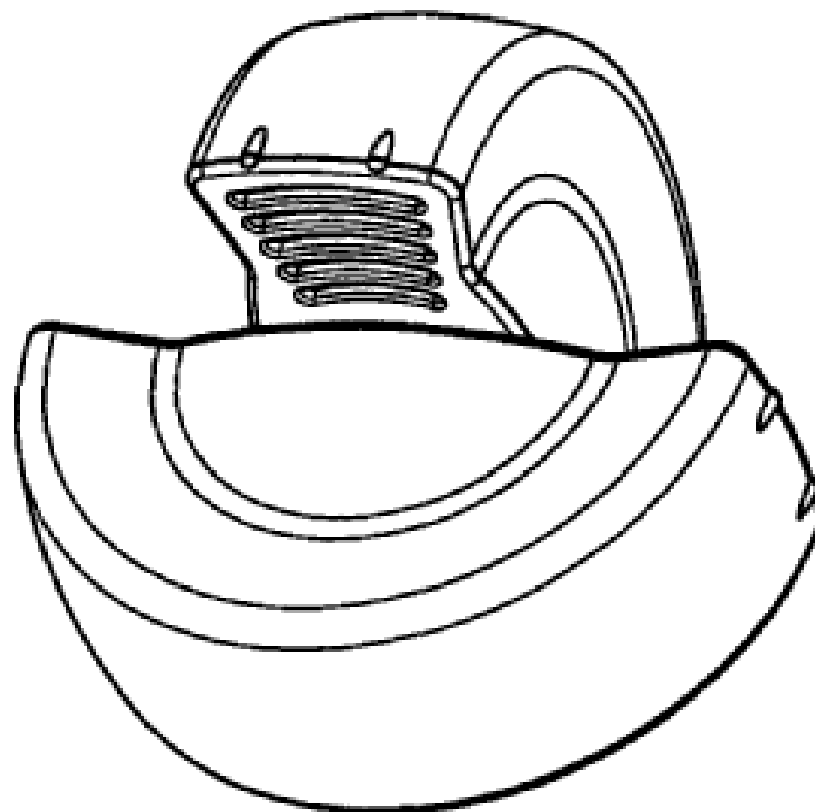
(57) Statement of Newness and Distinctiveness: **Newness and distinctiveness is claimed in the shape and various configuration of the design of the drill.**



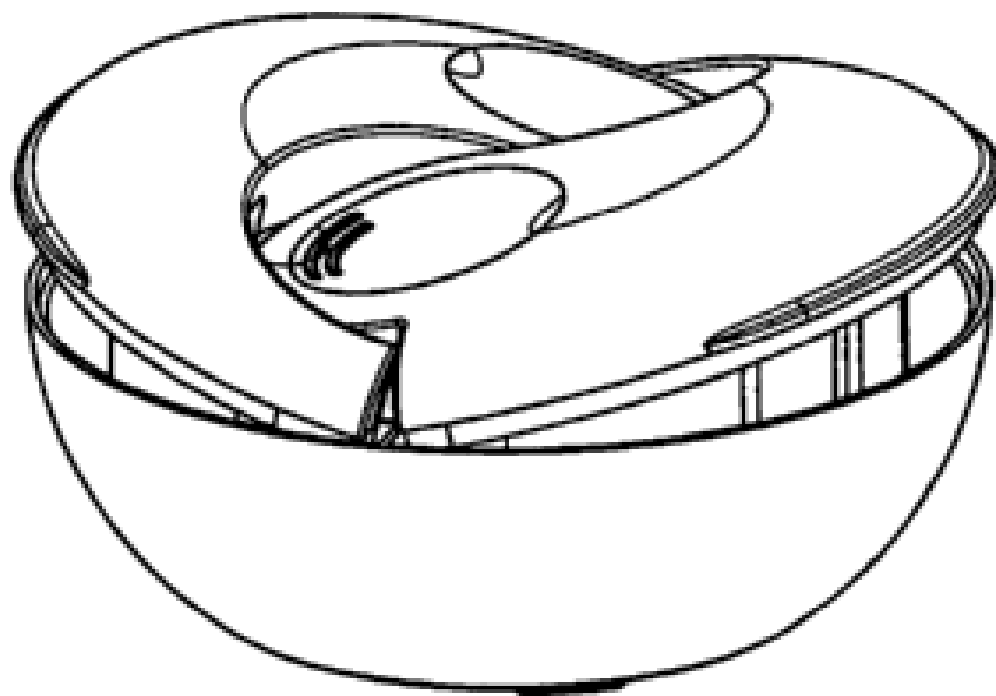
- (21) Design Number: **14568/2005**
(22) Date of Filing Application: **18 October 2005**
(24) Date from which industrial property rights may have effect: **18 October 2005**
(54) Product in respect of which the design is registered: **A fuel cannister with refillable dosage valve**
(51) International Design Classification: **09-01A**
(71) Name(s) and Address(s) of Applicant(s):
Rex McCormack
22 Pine Grove Tairua New Zealand
Hamish William Hamilton
17 Maldon Street Sydenham Christchurch New Zealand
(72) Name(s) of Designer(s): **Rex McCormack and Hamish William Hamilton**
(45) Registration Date: **09 May 2006**
(30) Convention priority data:
(31) Number (32) Date (33) Country
406065 18 Apr 2005 NEW ZEALAND
(56) Related Art Documents: **Not Applicable**
(57) Statement of Newness and Distinctiveness: **Newness and distinctiveness are claimed in the features of pattern and/or ornamentation of a fuel cannister with refillable dosage valve, as illustrated in the accompanying representations.**



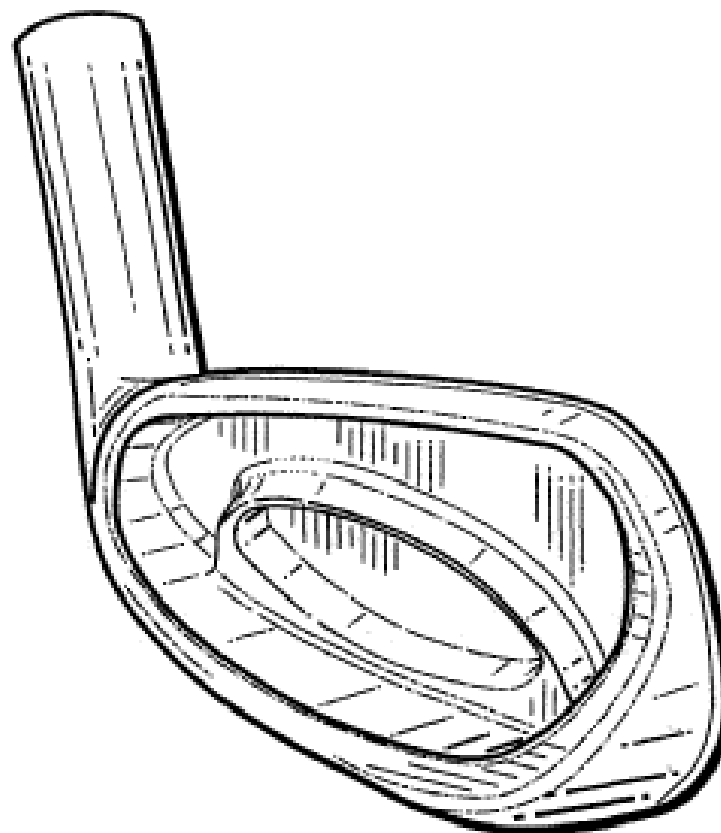
- (21) Design Number: **14574/2005**
(22) Date of Filing Application: **18 October 2005**
(24) Date from which industrial property rights may have effect: **18 October 2005**
(54) Product in respect of which the design is registered: **Scent dispensing device**
(51) International Design Classification: **28-99**
(71) Name(s) and Address(s) of Applicant(s):
Intellectual Property Development Corporation Pty Ltd
Level 9 51 Queen Street Melbourne Victoria 3000 Australia
(72) Name(s) of Designer(s): **Mark Bayly**
(45) Registration Date: **09 May 2006**
(56) Related Art Documents: **Not Applicable**
(57) Statement of Newness and Distinctiveness: **Newness and distinctiveness are claimed in the features of shape and/or configuration of a scent dispensing device, as illustrated in the accompanying representations.**



- (21) Design Number: **14575/2005**
(22) Date of Filing Application: **18 October 2005**
(24) Date from which industrial property rights may have effect: **18 October 2005**
(54) Product in respect of which the design is registered: **Scent dispensing device**
(51) International Design Classification: **28-99**
(71) Name(s) and Address(s) of Applicant(s):
**Intellectual Property Development Corporation Pty Ltd
Level 9 51 Queen Street Melbourne Victoria 3000 Australia**
(72) Name(s) of Designer(s): **Mark Bayly**
(45) Registration Date: **09 May 2006**
(56) Related Art Documents: **Not Applicable**
(57) Statement of Newness and Distinctiveness: **Newness and distinctiveness are claimed in the features of shape and/or configuration of a scent dispensing device, as illustrated in the accompanying representations.**



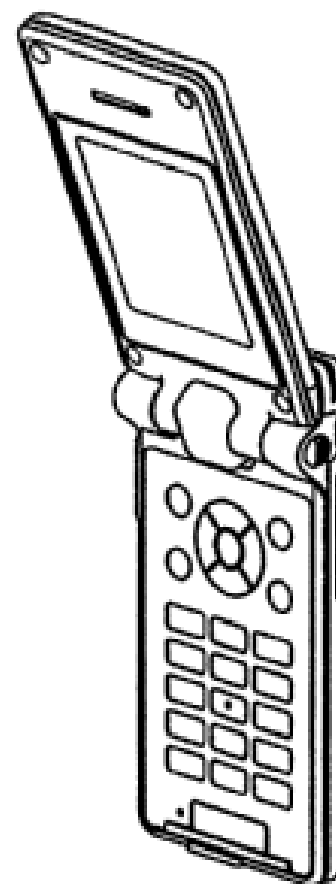
- (21) Design Number: **14659/2005**
(22) Date of Filing Application: **24 October 2005**
(24) Date from which industrial property rights may have effect: **24 October 2005**
(54) Product in respect of which the design is registered: **Golf iron head**
(51) International Design Classification: **21-02C**
(71) Name(s) and Address(s) of Applicant(s):
**Karsten Manufacturing Corporation
2201 West Desert Cove Phoenix Arizona 85029 United States of America**
(72) Name(s) of Designer(s): **Michael R. Nicolette and Bradley D. Schweigert and Marty R. Jertson and John A. Solheim and Eric V. Cole**
(45) Registration Date: **09 May 2006**
(30) Convention priority data:
(31) Number (32) Date (33) Country
29/230784 25 May 2005 UNITED STATES OF AMERICA
(56) Related Art Documents: **Not Applicable**
(57) Statement of Newness and Distinctiveness: **Nil**



(21) Design Number: **14705/2005**
 (22) Date of Filing Application: **25 October 2005**
 (24) Date from which industrial property rights may have effect: **25 October 2005**
 (54) Product in respect of which the design is registered: **Portable wireless telephone**
 (51) International Design Classification: **14-03E**
 (71) Name(s) and Address(s) of Applicant(s):
NEC Corporation
7-1 Shiba 5-Chome Minato-ku Tokyo Japan
 (72) Name(s) of Designer(s): **Jun Watanabe and Kazuhiro Takeda and Toshiki Yamanaka and Makoto Nemoto**
 (45) Registration Date: **09 May 2006**
 (30) Convention priority data:

(31) Number	(32) Date	(33) Country
2005-023724	16 Aug 2005	JAPAN

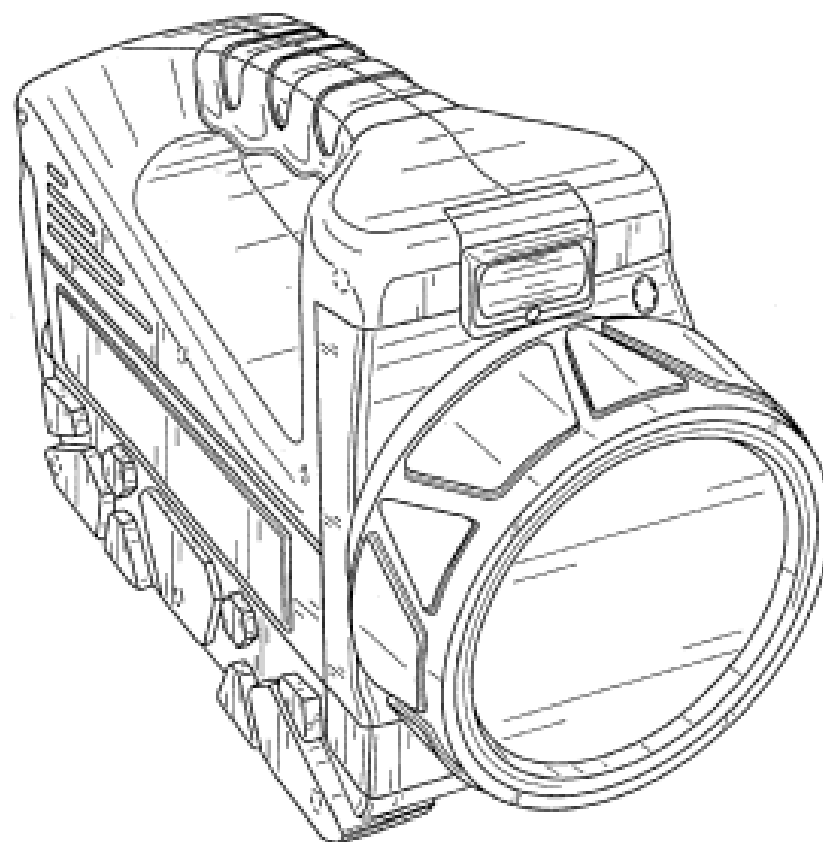
 (56) Related Art Documents: **Not Applicable**
 (57) Statement of Newness and Distinctiveness: **Nil**



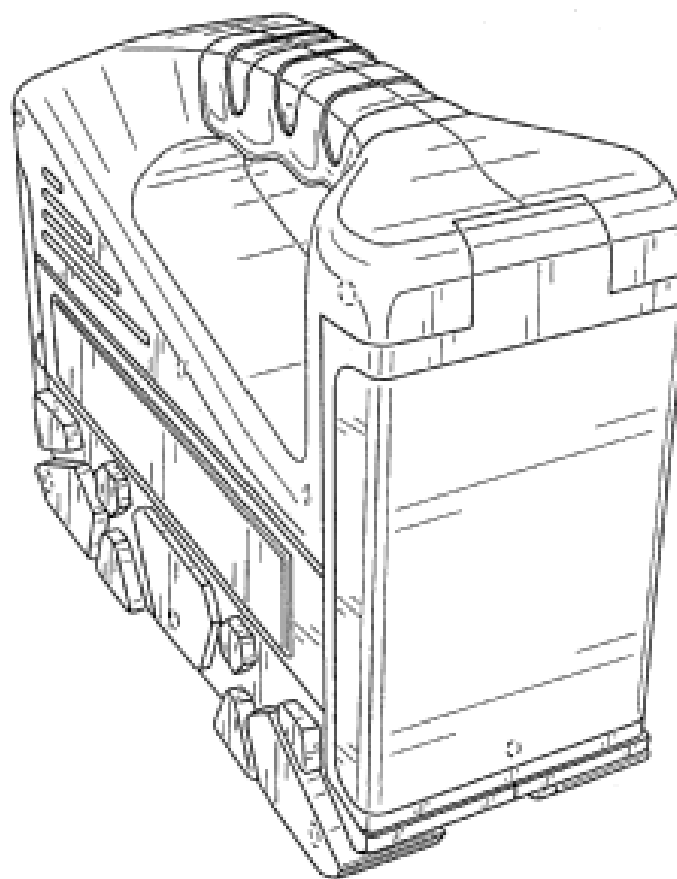
(21) Design Number: **14709/2005**
 (22) Date of Filing Application: **25 October 2005**
 (24) Date from which industrial property rights may have effect: **25 October 2005**
 (54) Product in respect of which the design is registered: **Rechargeable inflator and spotlight**
 (51) International Design Classification: **26-02**
 (71) Name(s) and Address(s) of Applicant(s):
Vector Products, Inc.
4140 S.W. 28th Way Ft Lauderdale Florida 33312 United States of America
 (72) Name(s) of Designer(s): **Michael Krieger and Kevin Ellsworth**
 (45) Registration Date: **09 May 2006**
 (30) Convention priority data:

(31) Number	(32) Date	(33) Country
29228574	26 Apr 2005	UNITED STATES OF AMERICA

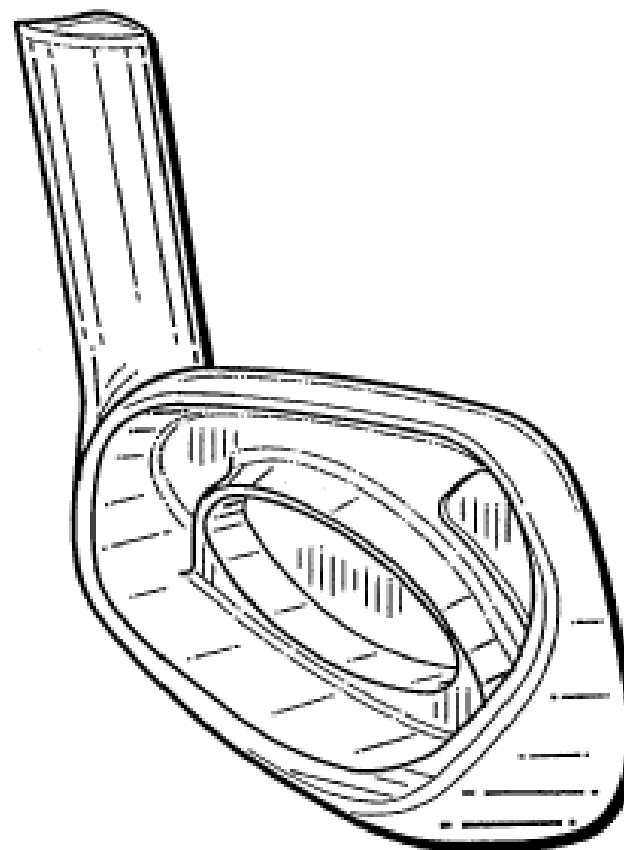
 (56) Related Art Documents: **Not Applicable**
 (57) Statement of Newness and Distinctiveness: **Newness and distinctiveness is claimed in the visual features shown in solid lines in the representations.**



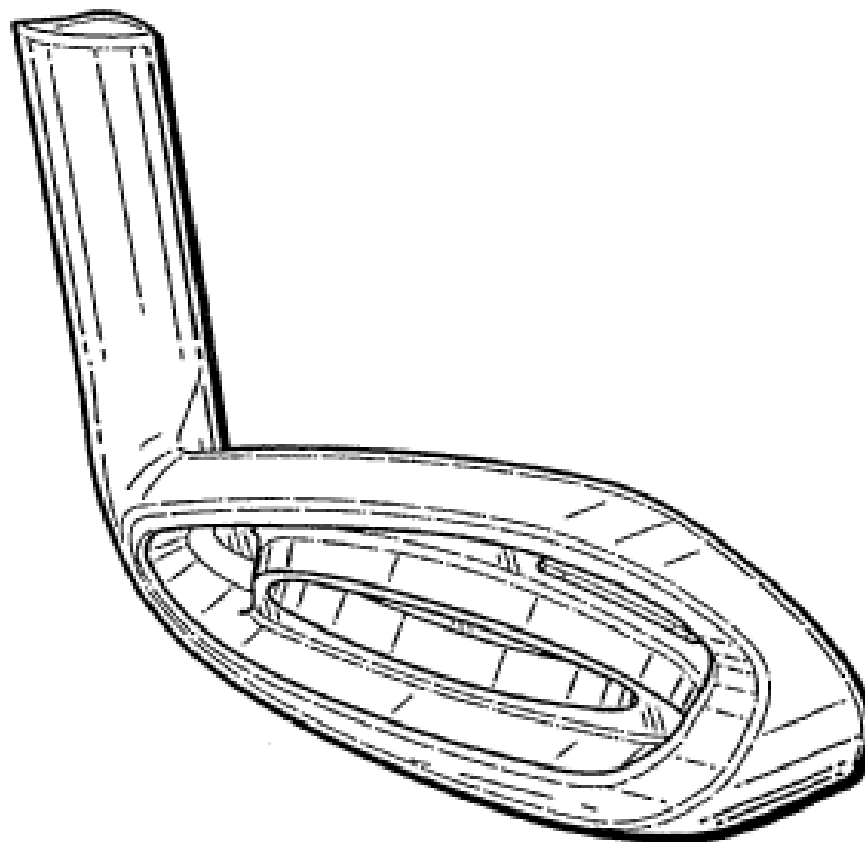
(21) Design Number: **14710/2005**
 (22) Date of Filing Application: **25 October 2005**
 (24) Date from which industrial property rights may have effect: **25 October 2005**
 (54) Product in respect of which the design is registered: **Rechargeable inflator and lantern**
 (51) International Design Classification: **26-02**
 (71) Name(s) and Address(s) of Applicant(s):
Vector Products, Inc.
4140 S.W. 28th Way Ft Lauderdale Florida 33312 United States of America
 (72) Name(s) of Designer(s): **Michael Krieger and Kevin Ellsworth**
 (45) Registration Date: **09 May 2006**
 (30) Convention priority data:
 (31) Number (32) Date (33) Country
29228575 26 Apr 2005 UNITED STATES OF AMERICA
 (56) Related Art Documents: **Not Applicable**
 (57) Statement of Newness and Distinctiveness: **Newness and distinctiveness is claimed in the visual features shown in solid lines in the representations.**



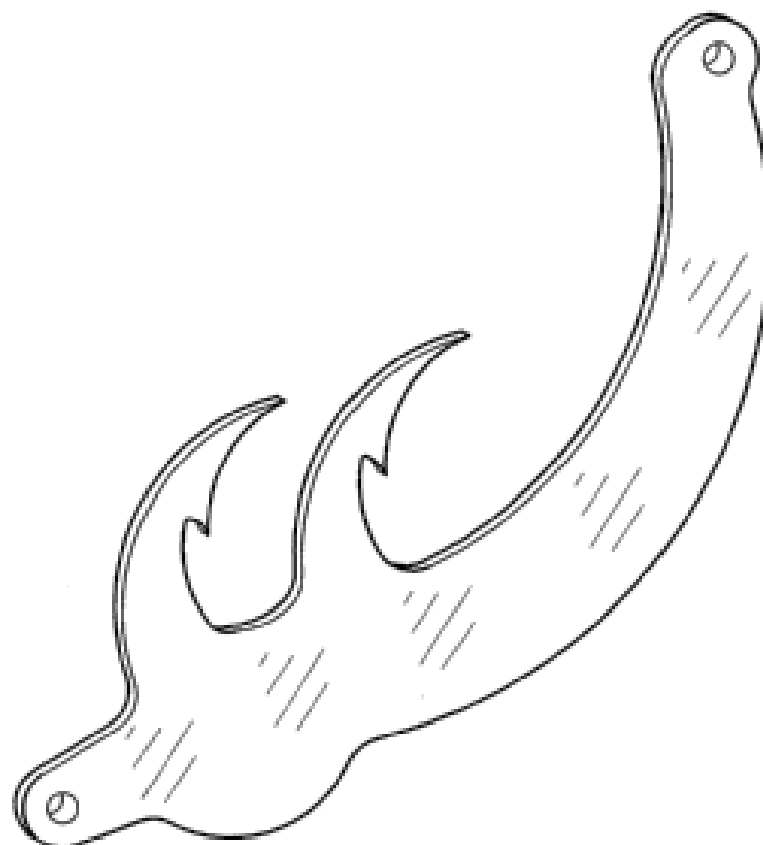
(21) Design Number: **14759/2005**
 (22) Date of Filing Application: **27 October 2005**
 (24) Date from which industrial property rights may have effect: **27 October 2005**
 (54) Product in respect of which the design is registered: **Golf iron head**
 (51) International Design Classification: **21-02C**
 (71) Name(s) and Address(s) of Applicant(s):
Karsten Manufacturing Corporation
2201 West Desert Cove Phoenix Arizona 85029 United States of America
 (72) Name(s) of Designer(s): **Bradley D. Schweigert and Michael R. Nicolette and Marty R. Jertson and John A. Solheim and Eric V. Cole**
 (45) Registration Date: **09 May 2006**
 (30) Convention priority data:
 (31) Number (32) Date (33) Country
29/230838 25 May 2005 UNITED STATES OF AMERICA
 (56) Related Art Documents: **Not Applicable**
 (57) Statement of Newness and Distinctiveness: **Nil**



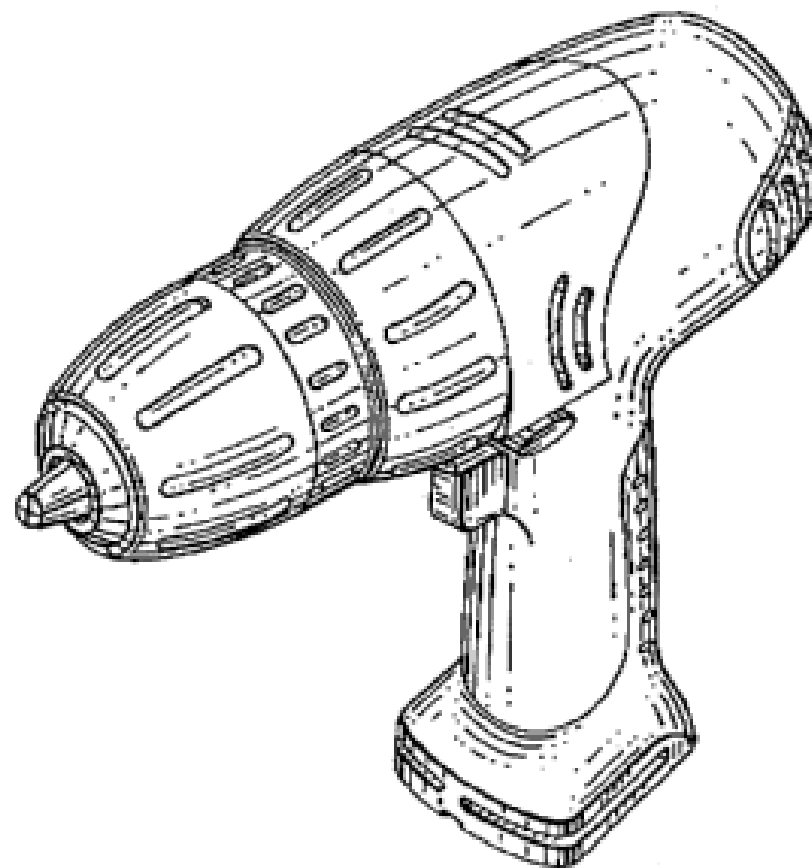
(21) Design Number: **14761/2005**
(22) Date of Filing Application: **27 October 2005**
(24) Date from which industrial property rights may have effect: **27 October 2005**
(54) Product in respect of which the design is registered: **Golf iron head**
(51) International Design Classification: **21-02C**
(71) Name(s) and Address(s) of Applicant(s):
Karsten Manufacturing Corporation
2201 West Desert Cove Phoenix Arizona 85029 United States of America
(72) Name(s) of Designer(s): **Bradley D. Schweigert and Michael R. Nicolette and Marty R. Jertson and John A. Solheim and Eric V. Cole**
(45) Registration Date: **09 May 2006**
(30) Convention priority data:
(31) Number (32) Date (33) Country
29/230838 25 May 2005 UNITED STATES OF AMERICA
(56) Related Art Documents: **Not Applicable**
(57) Statement of Newness and Distinctiveness: **Nil**



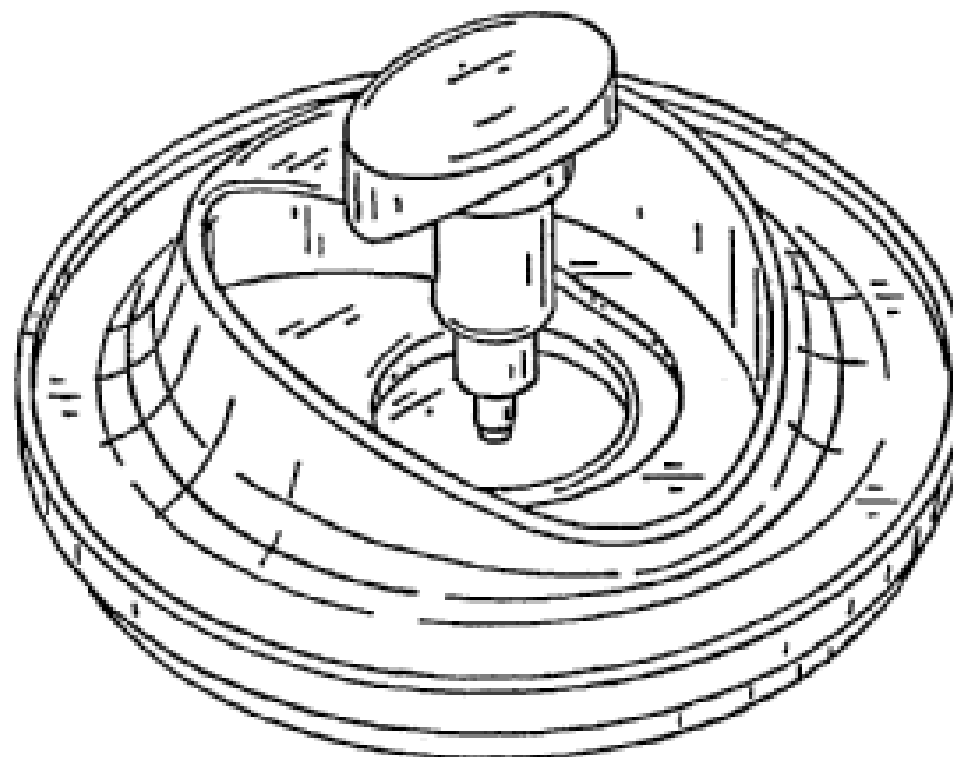
(21) Design Number: **14799/2005**
(22) Date of Filing Application: **27 October 2005**
(24) Date from which industrial property rights may have effect: **27 October 2005**
(54) Product in respect of which the design is registered: **Bait engager**
(51) International Design Classification: **22-05**
(71) Name(s) and Address(s) of Applicant(s):
Lavery Engineering Pty. Ltd.
Factory 5/21-23 Gatwick Road Bayswater North Victoria 3153 Australia
(72) Name(s) of Designer(s): **Vena Lavery**
(45) Registration Date: **09 May 2006**
(56) Related Art Documents: **Not Applicable**
(57) Statement of Newness and Distinctiveness: **Newness and distinctiveness reside in the bait engager as shown in the accompanying representations.**



(21) Design Number: **15857/2005**
 (22) Date of Filing Application: **02 May 2005**
 (24) Date from which industrial property rights may have effect: **02 May 2005**
 (54) Product in respect of which the design is registered: **Drills, portable drills, drills powered by electricity**
 (51) International Design Classification: **08-01**
 (71) Name(s) and Address(s) of Applicant(s):
Barbara K Enterprises Inc.
25 West 45th Street Floor 2 New York United States of America 10036
 (72) Name(s) of Designer(s): **Barbara Kavovtt and Read Worth and Shelley Chen**
 (45) Registration Date: **09 May 2006**
 (30) Convention priority data:
 (31) Number (32) Date (33) Country
27,217,964 17 Dec 2004 UNITED STATES OF AMERICA
 (56) Related Art Documents: **Not Applicable**
 (57) Statement of Newness and Distinctiveness: **Newness and distinctiveness is claimed in the shape and various configuration of the design of the drill.**



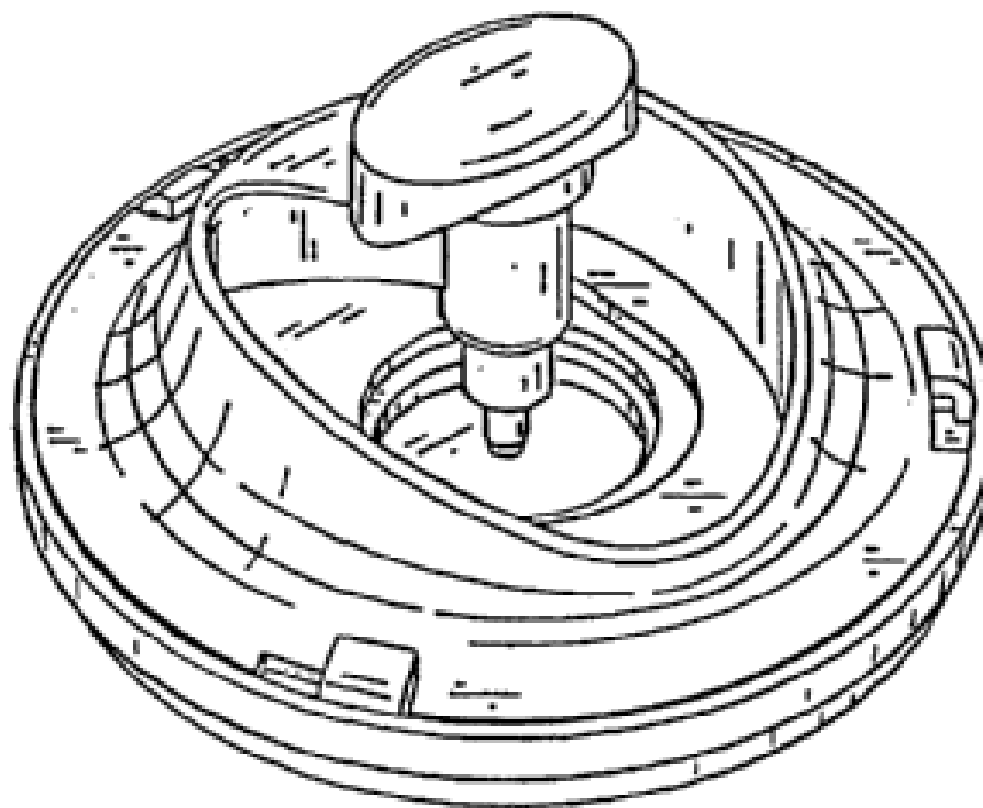
(21) Design Number: **12175/2005**
 (22) Date of Filing Application: **14 November 2003**
 (24) Date from which industrial property rights may have effect: **14 November 2003**
 (54) Product in respect of which the design is registered: **Cutting device**
 (51) International Design Classification: **08-03**
 (71) Name(s) and Address(s) of Applicant(s):
Alterra Holdings Corporation
PO Box 230030 Tigard Oregon 97281-0030 United States of America
 (72) Name(s) of Designer(s): **Mark A. McLean and William J. Schulz**
 (45) Registration Date: **10 May 2006**
 (30) Convention priority data:
 (31) Number (32) Date (33) Country
29/181796 15 May 2003 UNITED STATES OF AMERICA
 (56) Related Art Documents: **Not Applicable**
 (57) Statement of Newness and Distinctiveness: **The newness and distinctiveness of the design resides in the features of shape and configuration of the cutting device shown in the drawings.**



(19) AU

- (21) Design Number: **12176/2005**
- (22) Date of Filing Application: **14 November 2003**
- (24) Date from which industrial property rights may have effect: **14 November 2003**
- (54) Product in respect of which the design is registered: **Cutting device**
- (51) International Design Classification: **08-03**
- (71) Name(s) and Address(s) of Applicant(s):
Alterra Holdings Corporation
14200 Southwest 72nd Avenue Portland Oregon 97224 United States of America
- (72) Name(s) of Designer(s): **Mark A. McLean and William J. Schulz**
- (45) Registration Date: **10 May 2006**
- (30) Convention priority data:

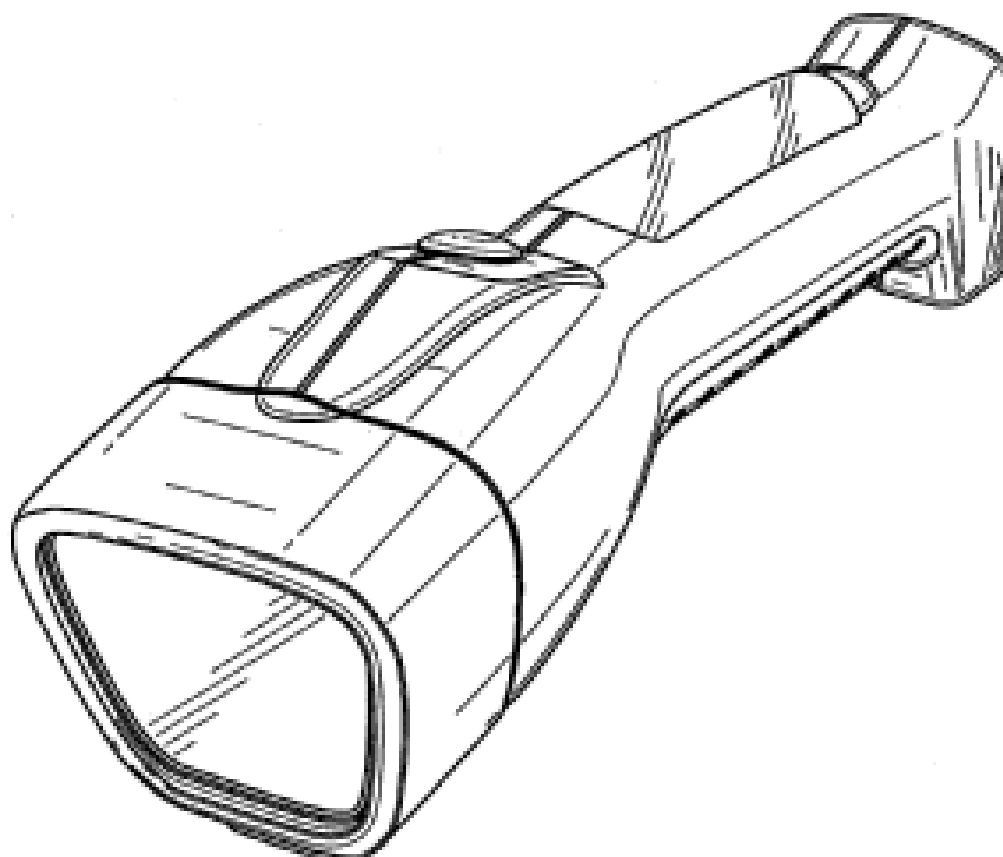
(31) Number	(32) Date	(33) Country
29/181796	15 May 2003	UNITED STATES OF AMERICA
- (56) Related Art Documents: **Not Applicable**
- (57) Statement of Newness and Distinctiveness: **The newness and distinctiveness of the design resides in the features of shape and configuration of the cutting device shown in the drawings.**



(19) AU

- (21) Design Number: **13878/2005**
- (22) Date of Filing Application: **09 September 2005**
- (24) Date from which industrial property rights may have effect: **09 September 2005**
- (54) Product in respect of which the design is registered: **Two-way flashlight**
- (51) International Design Classification: **26-02**
- (71) Name(s) and Address(s) of Applicant(s):
Vector Products, Inc.
4140 S.W. 28th Way Ft Lauderdale Florida 33312 United States of America
- (72) Name(s) of Designer(s): **Michael Krieger and Kevin Ellsworth**
- (45) Registration Date: **10 May 2006**
- (30) Convention priority data:

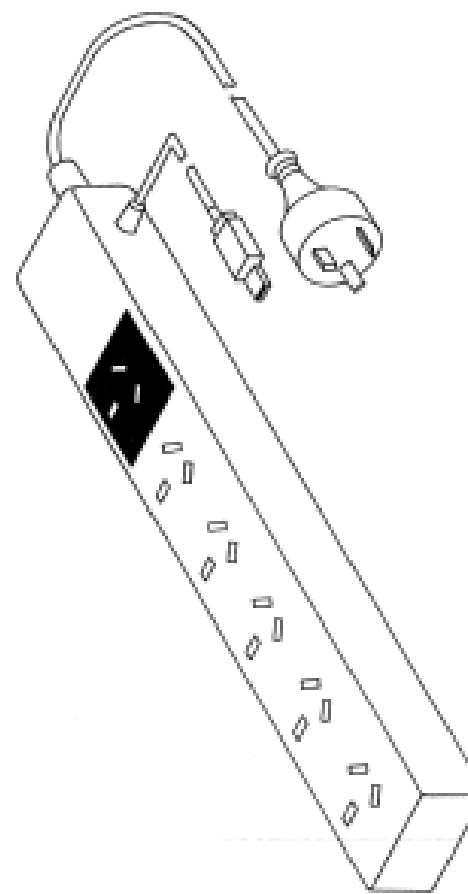
(31) Number	(32) Date	(33) Country
29/225,057	11 Mar 2005	UNITED STATES OF AMERICA
- (56) Related Art Documents: **Not Applicable**
- (57) Statement of Newness and Distinctiveness: **- The particular visual features of the design which are new and distinctive are shape or configuration. - The application contains two embodiments. Figures 1-7 show the first embodiment directed to the entire flashlight. - Figures 8-14 show the second embodiment disclaiming the flashlight body shown in broken lines. The broken lines immediately adjacent the shaded areas represent the bounds of the claimed design while all other broken lines are for illustrative purposes only. The broken lines form no part of the claimed design.**



(19) AU

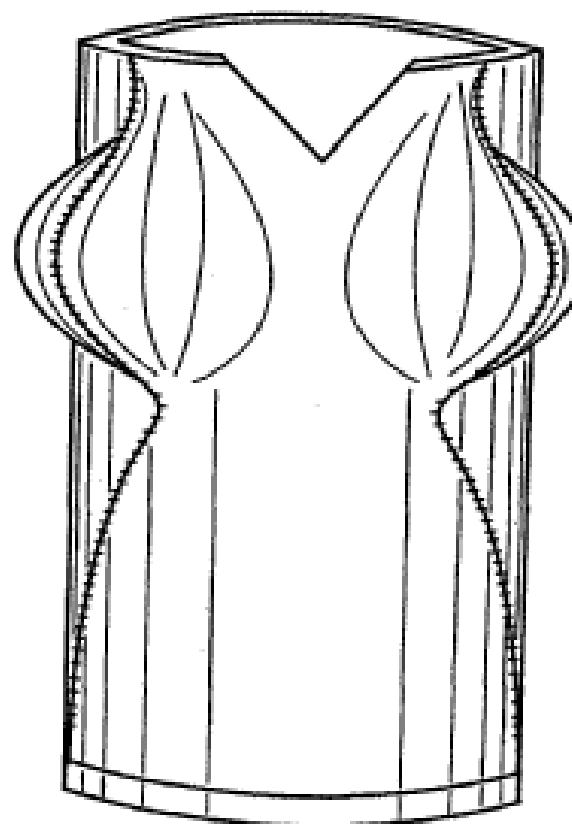
- (21) Design Number: **14143/2004**
- (22) Date of Filing Application: **24 August 2004**
- (24) Date from which industrial property rights may have effect: **24 August 2004**
- (54) Product in respect of which the design is registered: **Power strip device with master/slave switching**
- (51) International Design Classification: **13-03E**
- (71) Name(s) and Address(s) of Applicant(s):
Centritech Limited
6/F Prince's Building Chater Road Central Hong Kong
- (72) Name(s) of Designer(s): **Peter Waedeled**
- (45) Registration Date: **10 May 2006**
- (30) Convention priority data:

(31) Number	(32) Date	(33) Country
29/200,180	24 Feb 2004	UNITED STATES OF AMERICA
- (56) Related Art Documents: **Not Applicable**
- (57) Statement of Newness and Distinctiveness: **Newness and distinctiveness is claimed in the shape and/or configuration of a power strip device with master/slave switching as illustrated in the accompanying representations.**

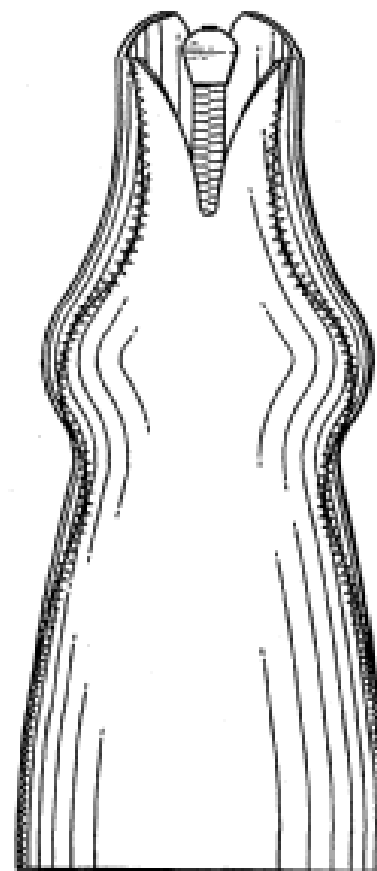


(19) AU

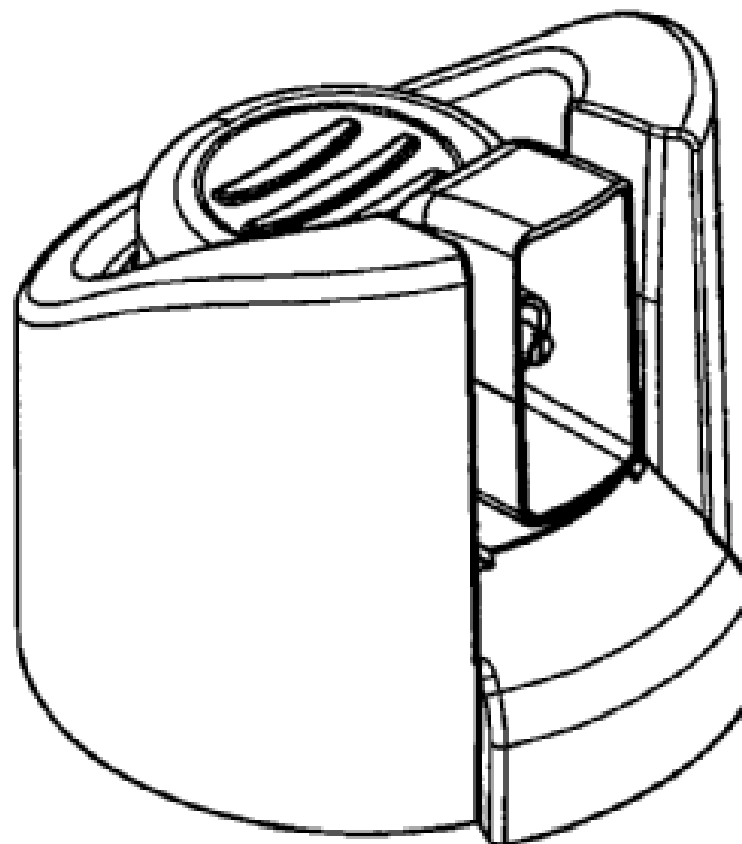
- (21) Design Number: **14426/2005**
- (22) Date of Filing Application: **29 September 2005**
- (24) Date from which industrial property rights may have effect: **29 September 2005**
- (54) Product in respect of which the design is registered: **Can stubby holder**
- (51) International Design Classification: **07-06A**
- (71) Name(s) and Address(s) of Applicant(s):
Aussie Cooler Company
1612 Stoneway Grapewine Texas 76051 United States of America
- (72) Name(s) of Designer(s): **Sheryl Garrick and Theresa Zacharias**
- (45) Registration Date: **10 May 2006**
- (56) Related Art Documents: **Not Applicable**
- (57) Statement of Newness and Distinctiveness: **A can stubby holder with boobs and an hour-glass design. Constructed with neoprene.**



- (21) Design Number: **14427/2005**
(22) Date of Filing Application: **29 September 2005**
(24) Date from which industrial property rights may have effect: **29 September 2005**
(54) Product in respect of which the design is registered: **Bottle stubby holder**
(51) International Design Classification: **07-06A**
(71) Name(s) and Address(s) of Applicant(s):
Aussie Cooler Company
1612 Stoneway Grapewine Texas 76051 United States of America
(72) Name(s) of Designer(s): **Sheryl Garrick and Theresa Zacharias**
(45) Registration Date: **10 May 2006**
(56) Related Art Documents: **Not Applicable**
(57) Statement of Newness and Distinctiveness: **A bottle stubby holder with boobs and an hour-glass shape. Constructed of neoprene.**



- (21) Design Number: **14527/2005**
(22) Date of Filing Application: **13 October 2005**
(24) Date from which industrial property rights may have effect: **13 October 2005**
(54) Product in respect of which the design is registered: **Cap for aerosol can**
(51) International Design Classification: **09-07A**
(71) Name(s) and Address(s) of Applicant(s):
Intellectual Property Development Corporation Pty Ltd
Level 9 51 Queen Street Melbourne Victoria 3000 Australia
(72) Name(s) of Designer(s): **Mark Bayly**
(45) Registration Date: **10 May 2006**
(56) Related Art Documents: **Not Applicable**
(57) Statement of Newness and Distinctiveness: **Newness and distinctiveness are claimed in the features of shape and/or configuration of a cap for aerosol can, as illustrated in the accompanying representations.**



(21) Design Number: **14528/2005**

(22) Date of Filing Application: **13 October 2005**

(24) Date from which industrial property rights may have effect: **13 October 2005**

(54) Product in respect of which the design is registered: **Cap for aerosol can**

(51) International Design Classification: **09-07A**

(71) Name(s) and Address(s) of Applicant(s):

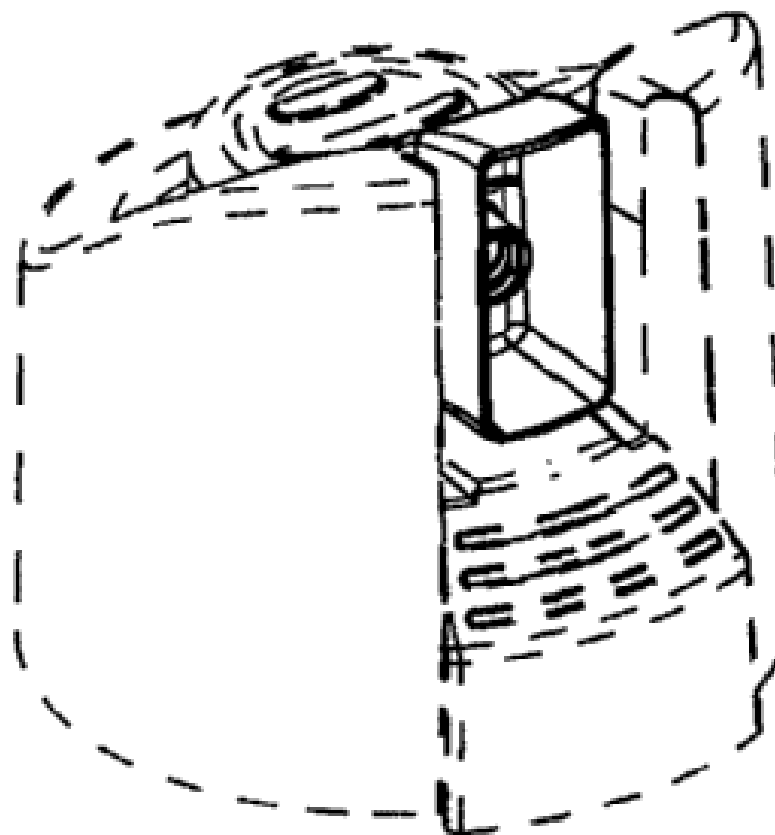
**Intellectual Property Development Corporation Pty Ltd
Level 9 51 Queen Street Melbourne Victoria 3000 Australia**

(72) Name(s) of Designer(s): **Mark Bayly**

(45) Registration Date: **10 May 2006**

(56) Related Art Documents: **Not Applicable**

(57) Statement of Newness and Distinctiveness: **Newness and distinctiveness are claimed in the features of shape and/or configuration of an amplifying chamber for a cap for aerosol can, as illustrated in the accompanying representations. In considering the scope of the design, the features shown in dashed lines are for illustrative purposes only.**



(21) Design Number: **14529/2005**

(22) Date of Filing Application: **13 October 2005**

(24) Date from which industrial property rights may have effect: **13 October 2005**

(54) Product in respect of which the design is registered: **Cap for aerosol can**

(51) International Design Classification: **09-07A**

(71) Name(s) and Address(s) of Applicant(s):

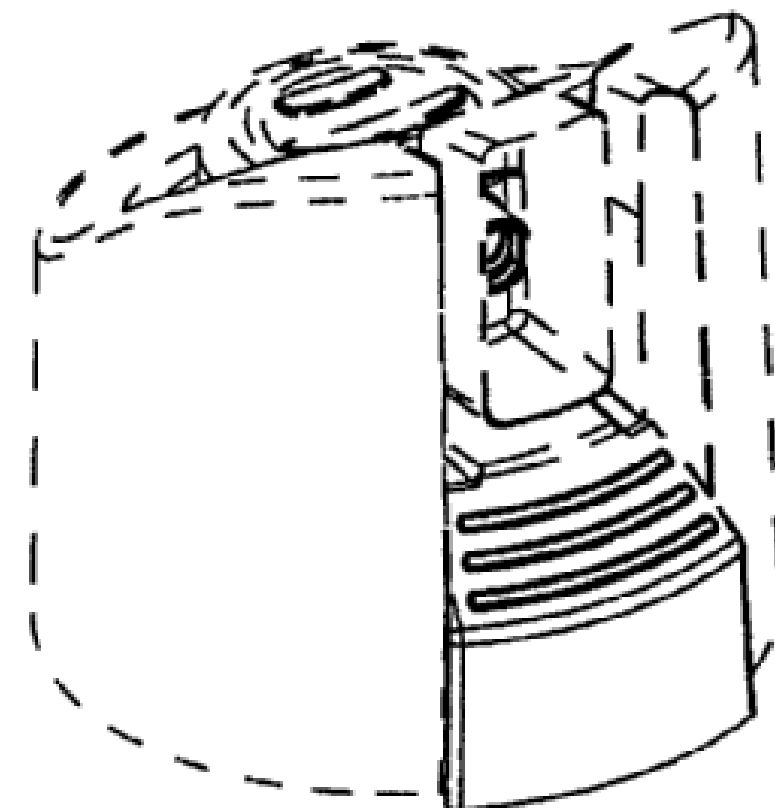
**Intellectual Property Development Corporation Pty Ltd
Level 9 51 Queen Street Melbourne Victoria 3000 Australia**

(72) Name(s) of Designer(s): **Mark Bayly**

(45) Registration Date: **10 May 2006**

(56) Related Art Documents: **Not Applicable**

(57) Statement of Newness and Distinctiveness: **Newness and distinctiveness are claimed in the features of shape and/or configuration of a mounting slot for a cap for aerosol can, as illustrated in the accompanying representations. In considering the scope of the design, the features shown in dashed lines are for illustrative purposes only.**



- (21) Design Number: **14553/2005**
- (22) Date of Filing Application: **18 October 2005**
- (24) Date from which industrial property rights may have effect: **18 October 2005**
- (54) Product in respect of which the design is registered: **Blender**
- (51) International Design Classification: **31-00**
- (71) Name(s) and Address(s) of Applicant(s):

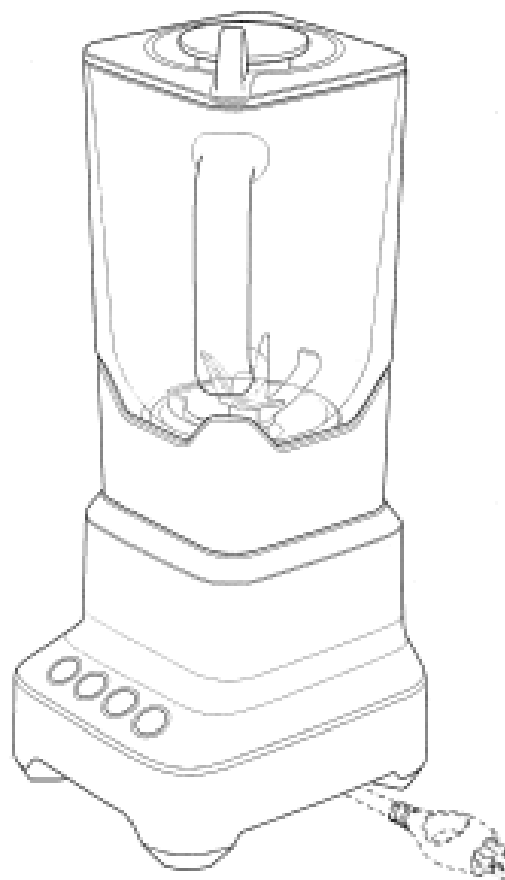
Breville Pty Limited
Building 2 Port Air Industrial Estate 1A Hale St Botany New South
Wales 2019 Australia

- (72) Name(s) of Designer(s): **David Davenport and Gerard A. White**

- (45) Registration Date: **10 May 2006**

- (56) Related Art Documents: **Not Applicable**

- (57) Statement of Newness and Distinctiveness: **Newness is claimed in the features of shape and configuration of each of the blenders as shown in the accompanying representations. Newness is not claimed in the electrical cord of either one.**



- (21) Design Number: **14554/2005**
- (22) Date of Filing Application: **18 October 2005**
- (24) Date from which industrial property rights may have effect: **18 October 2005**
- (54) Product in respect of which the design is registered: **Blender**
- (51) International Design Classification: **31-00**
- (71) Name(s) and Address(s) of Applicant(s):

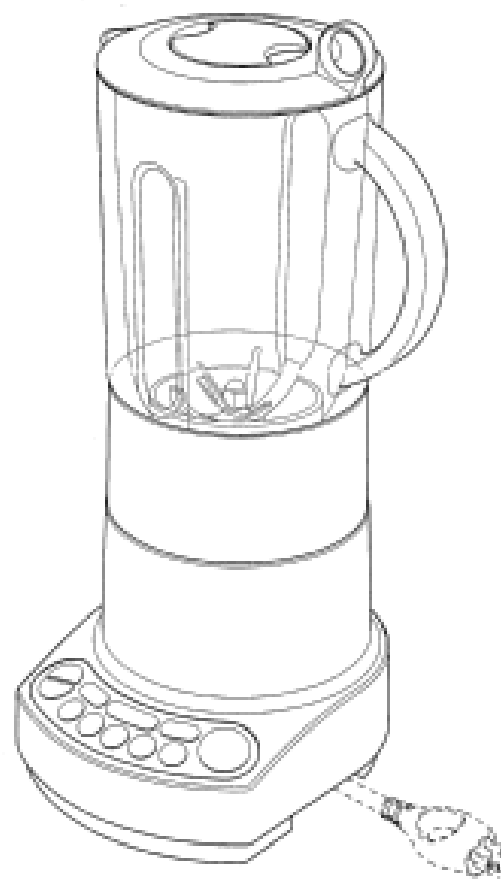
Breville Pty Limited
Building 2 Port Air Industrial Estate 1A Hale St Botany New South
Wales 2019 Australia

- (72) Name(s) of Designer(s): **Gerard Andrew White and David Davenport**

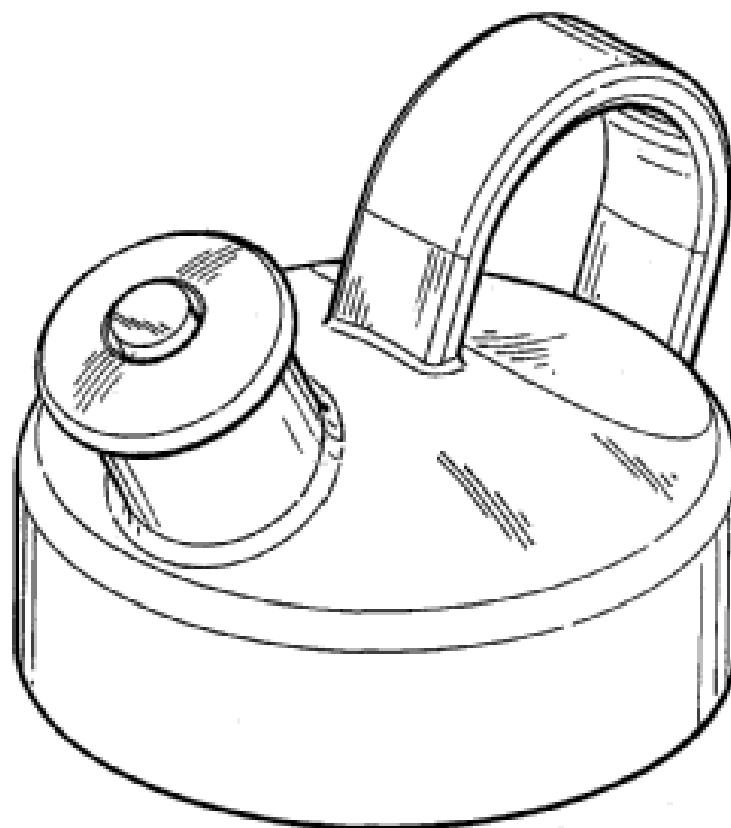
- (45) Registration Date: **10 May 2006**

- (56) Related Art Documents: **Not Applicable**

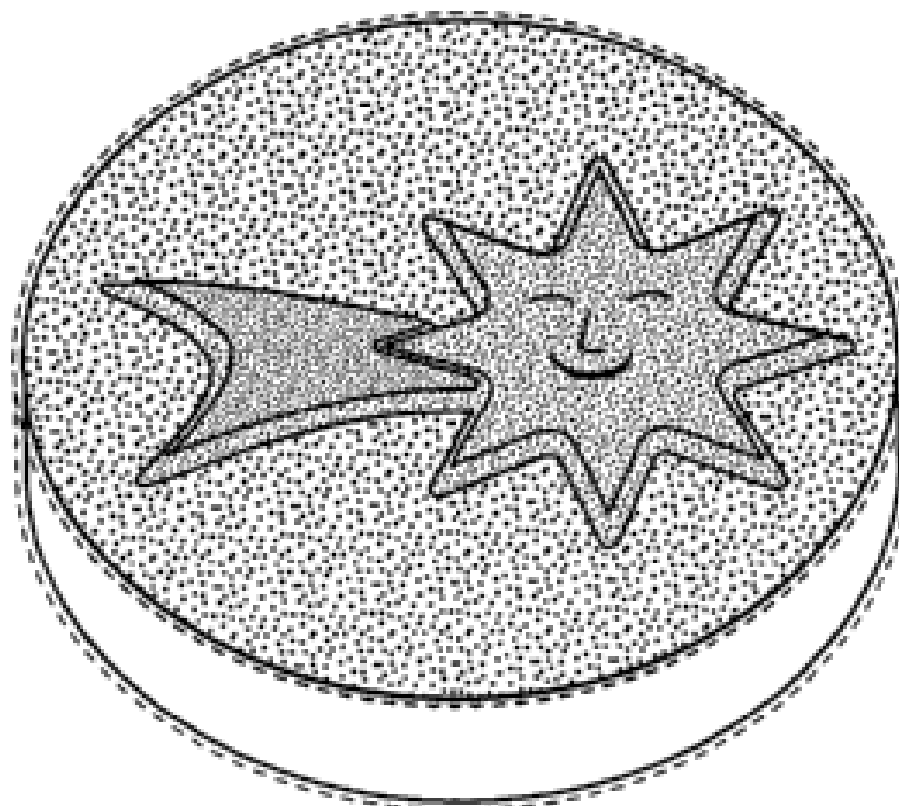
- (57) Statement of Newness and Distinctiveness: **Newness is claimed in the features of shape and configuration of each of the blenders as shown in the accompanying representations. Newness is not claimed in the electrical cord of either one.**



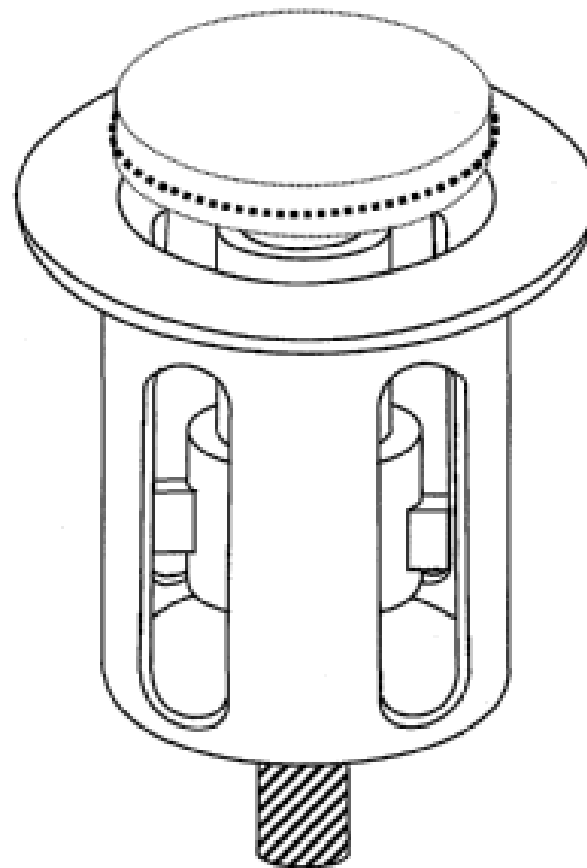
- (21) Design Number: **14559/2005**
(22) Date of Filing Application: **17 October 2005**
(24) Date from which industrial property rights may have effect: **17 October 2005**
(54) Product in respect of which the design is registered: **Cap**
(51) International Design Classification: **09-07A**
(71) Name(s) and Address(s) of Applicant(s):
The Decor Corporation Pty Ltd
1314 Ferntree Gully Road Scoresby Victoria 3179 Australia
(72) Name(s) of Designer(s): **Jim Samartgis**
(45) Registration Date: **10 May 2006**
(56) Related Art Documents: **Not Applicable**
(57) Statement of Newness and Distinctiveness: **Nil**



- (21) Design Number: **14706/2005**
(22) Date of Filing Application: **25 October 2005**
(24) Date from which industrial property rights may have effect: **25 October 2005**
(54) Product in respect of which the design is registered: **Cosmetic block**
(51) International Design Classification: **28-03NES, 28-02**
(71) Name(s) and Address(s) of Applicant(s):
Physicians Formula Cosmetics, Inc.
1055 West Eighth Street Azusa California 91702 United States of America
(72) Name(s) of Designer(s): **Ingrid Jackel-Marken**
(45) Registration Date: **10 May 2006**
(30) Convention priority data:
(31) Number (32) Date (33) Country
29/228866 29 Apr 2005 UNITED STATES OF AMERICA
(56) Related Art Documents: **Not Applicable**
(57) Statement of Newness and Distinctiveness: **Newness and distinctiveness of the design resides in the shape and configuration and pattern and ornamentation of the cosmetic block as shown in the accompanying representations. When considering whether the design is substantially similar in overall impression to another design, no regard is to be given to the container shown in broken lines.**

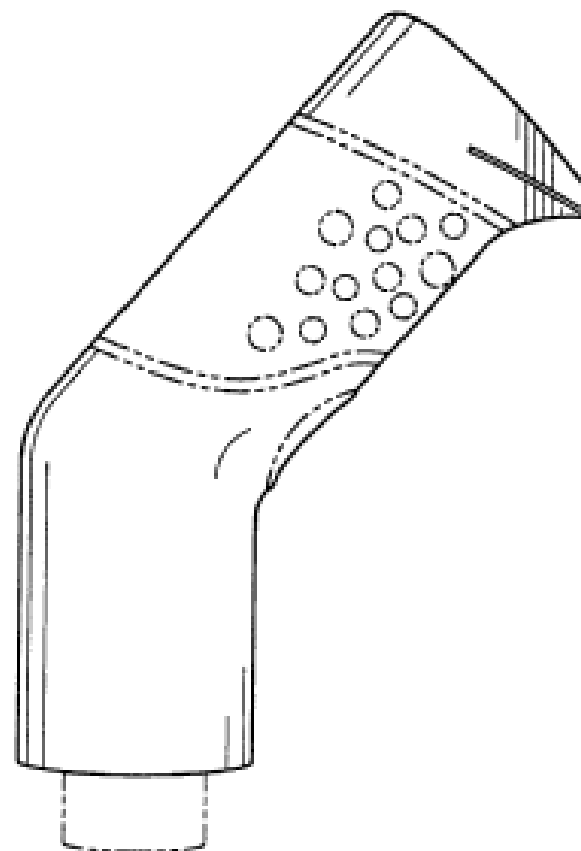


- (21) Design Number: **14735/2005**
- (22) Date of Filing Application: **27 October 2005**
- (24) Date from which industrial property rights may have effect: **27 October 2005**
- (54) Product in respect of which the design is registered: **Waste plug insert**
- (51) International Design Classification: **23-02D**
- (71) Name(s) and Address(s) of Applicant(s):
Architectural Designer Products Pty Ltd
237 Berkeley Road Unanderra New South Wales 2526 Australia
- (72) Name(s) of Designer(s): **Andrew Jones**
- (45) Registration Date: **10 May 2006**
- (56) Related Art Documents: **Not Applicable**
- (57) Statement of Newness and Distinctiveness: **Monopoly is claimed in the shape and configuration of a Waste Plug Insert as shown in the accompanying representations. In considering the scope of monopoly protection, the features shown in broken lines in the representations should be disregarded.**



- (21) Design Number: **14745/2005**
- (22) Date of Filing Application: **26 October 2005**
- (24) Date from which industrial property rights may have effect: **26 October 2005**
- (54) Product in respect of which the design is registered: **A hand-held scrubber**
- (51) International Design Classification: **08-05N, 04-01**
- (71) Name(s) and Address(s) of Applicant(s):
Black & Decker, Inc.
1207 Drummond Plaza Newark Delaware 19711 United States of America
- (72) Name(s) of Designer(s): **Weston J. Van Wambeke**
- (45) Registration Date: **10 May 2006**
- (30) Convention priority data:

(31) Number	(32) Date	(33) Country
29229473	05 May 2005	UNITED STATES OF AMERICA
- (56) Related Art Documents: **Not Applicable**
- (57) Statement of Newness and Distinctiveness: **Newness and distinctiveness is claimed in the visual features shown in solid lines in the representations.**



(21) Design Number: **14751/2005**

(22) Date of Filing Application: **28 October 2005**

(24) Date from which industrial property rights may have effect: **28 October 2005**

(54) Product in respect of which the design is registered: **A bottle**

(51) International Design Classification: **09-01NES**

(71) Name(s) and Address(s) of Applicant(s):

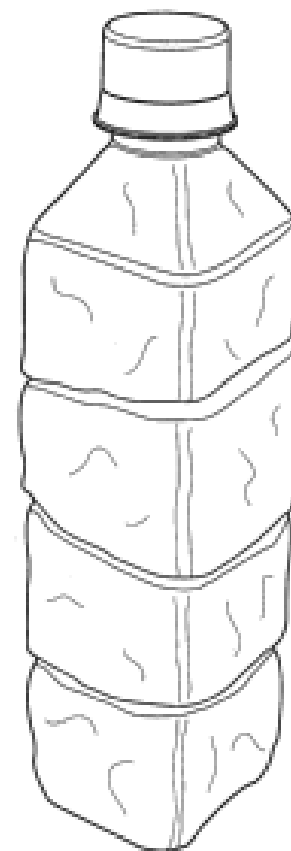
Bickford's Australia Pty Ltd
162 Cross Keys Road Salisbury South South Australia 5106 Australia

(72) Name(s) of Designer(s): **David Melrose**

(45) Registration Date: **10 May 2006**

(56) Related Art Documents: **Not Applicable**

(57) Statement of Newness and Distinctiveness: **Nil**



(21) Design Number: **14795/2005**

(22) Date of Filing Application: **27 October 2005**

(24) Date from which industrial property rights may have effect: **27 October 2005**

(54) Product in respect of which the design is registered: **Door brush extrusion**

(51) International Design Classification: **08-09, 04-01**

(71) Name(s) and Address(s) of Applicant(s):

Raven Products Pty Ltd
22 Aldershot Road Lonsdale South Australia 5160 Australia

(72) Name(s) of Designer(s): **Russell Clark**

(45) Registration Date: **10 May 2006**

(56) Related Art Documents: **Not Applicable**

(57) Statement of Newness and Distinctiveness: **Nil**



(21) Design Number: **15525/2005**

(22) Date of Filing Application: **24 August 2004**

(24) Date from which industrial property rights may have effect: **24 August 2004**

(54) Product in respect of which the design is registered: **Power strip device with master/slave switching**

(51) International Design Classification: **13-03E**

(71) Name(s) and Address(s) of Applicant(s):

Centritech Limited
6/F Prince's Building Chater Road Central Hong Kong

(72) Name(s) of Designer(s): **Peter Waedeled**

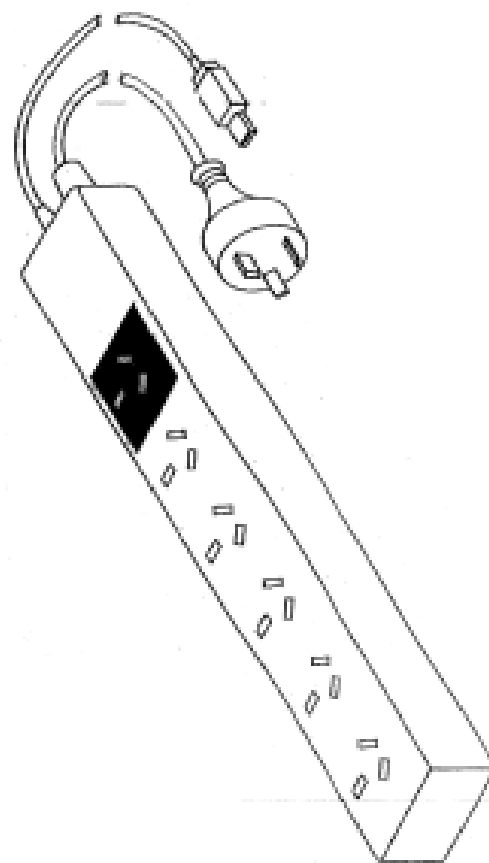
(45) Registration Date: **10 May 2006**

(30) Convention priority data:

(31) Number	(32) Date	(33) Country
29/200,180	24 Feb 2004	UNITED STATES OF AMERICA

(56) Related Art Documents: **Not Applicable**

(57) Statement of Newness and Distinctiveness: **Newness and distinctiveness is claimed in the shape and/or configuration of a power strip device with master/slave switching as illustrated in the accompanying representations.**



(21) Design Number: **15526/2005**

(22) Date of Filing Application: **24 August 2004**

(24) Date from which industrial property rights may have effect: **24 August 2004**

(54) Product in respect of which the design is registered: **Power strip device with master/slave switching**

(51) International Design Classification: **13-03E**

(71) Name(s) and Address(s) of Applicant(s):

Centritech Limited
6/F Prince's Building Chater Road Central Hong Kong

(72) Name(s) of Designer(s): **Peter Waedeled**

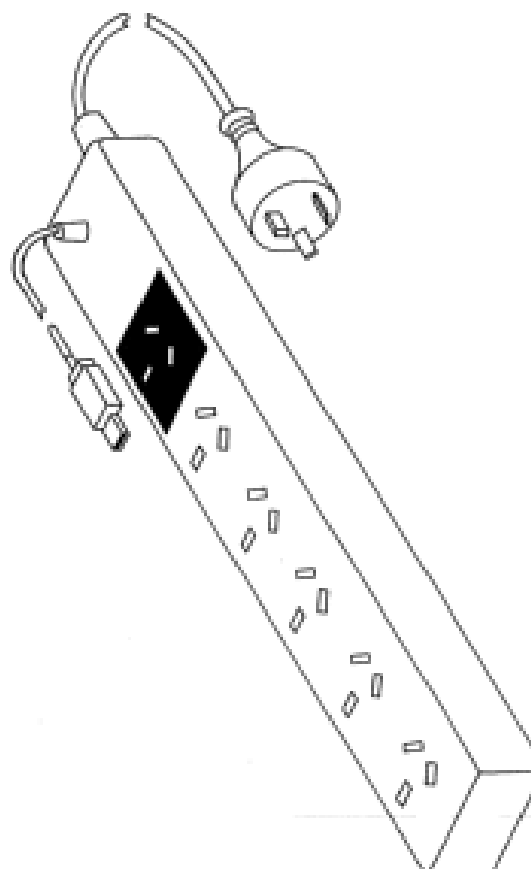
(45) Registration Date: **10 May 2006**

(30) Convention priority data:

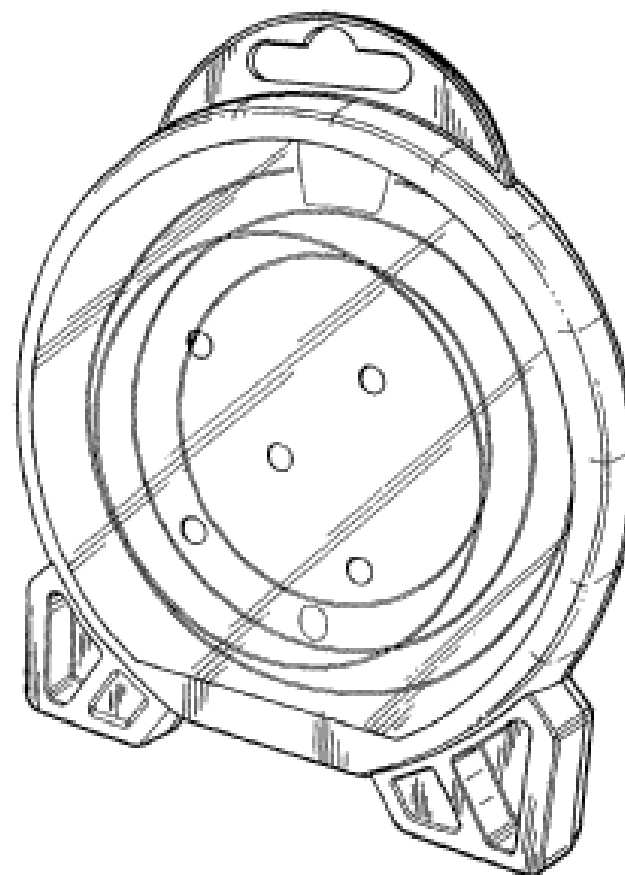
(31) Number	(32) Date	(33) Country
29/200,180	24 Feb 2004	UNITED STATES OF AMERICA

(56) Related Art Documents: **Not Applicable**

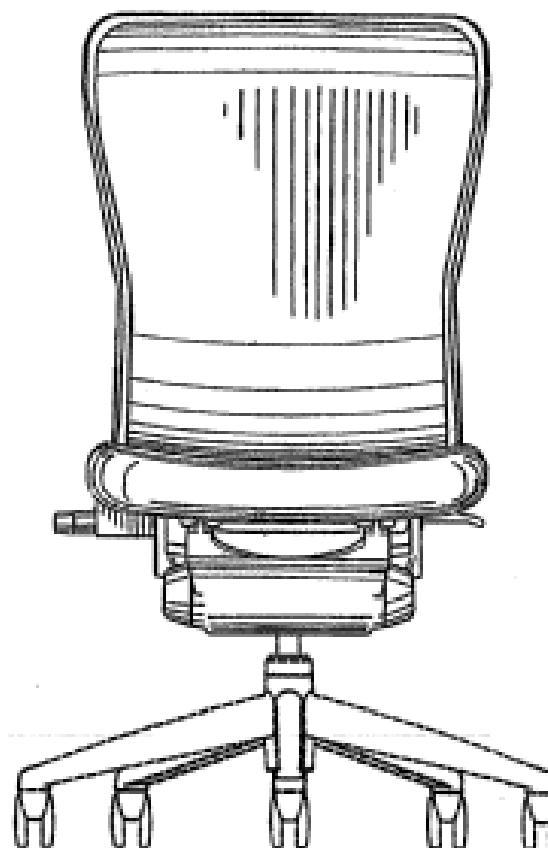
(57) Statement of Newness and Distinctiveness: **Newness and distinctiveness is claimed in the shape and/or configuration of a power strip device with master/slave switching as illustrated in the accompanying representations.**



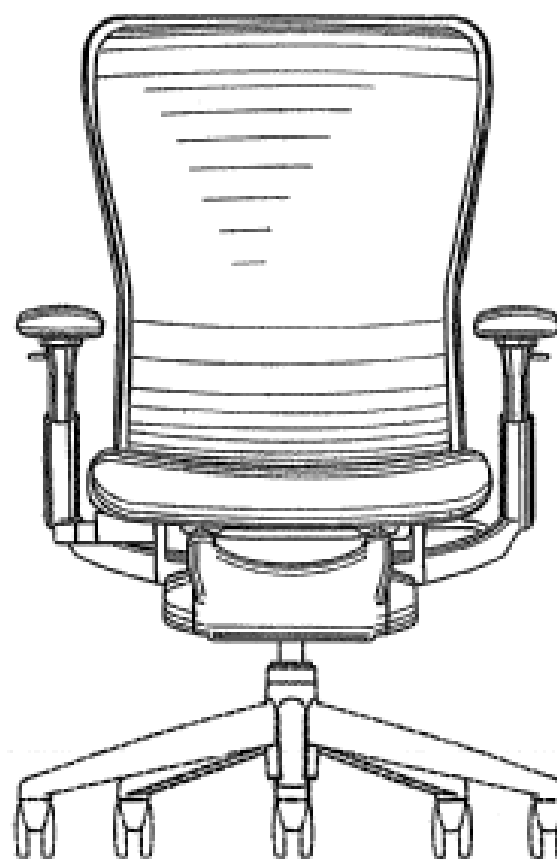
- (21) Design Number: **10419/2005**
(22) Date of Filing Application: **03 February 2005**
(24) Date from which industrial property rights may have effect: **03 February 2005**
(54) Product in respect of which the design is registered: **Case for cutting threads, especially for brush cutters and string trimmers**
(51) International Design Classification: **03-01NES**
(71) Name(s) and Address(s) of Applicant(s):
Speed France
53 rue de Chavanne 69400 Arnas France
(72) Name(s) of Designer(s): **Emmanuel Legrand**
(45) Registration Date: **10 May 2006**
(30) Convention priority data:
(31) Number (32) Date (33) Country
000 265 848 09 Dec 2004 EUROPEAN COMMUNITY
(56) Related Art Documents: **Not Applicable**
(57) Statement of Newness and Distinctiveness: **Newness and distinctiveness is claimed in the features of shape and/or configuration of a case for cutting threads, especially for brush cutters and string trimmers as illustrated in the accompanying representations.**



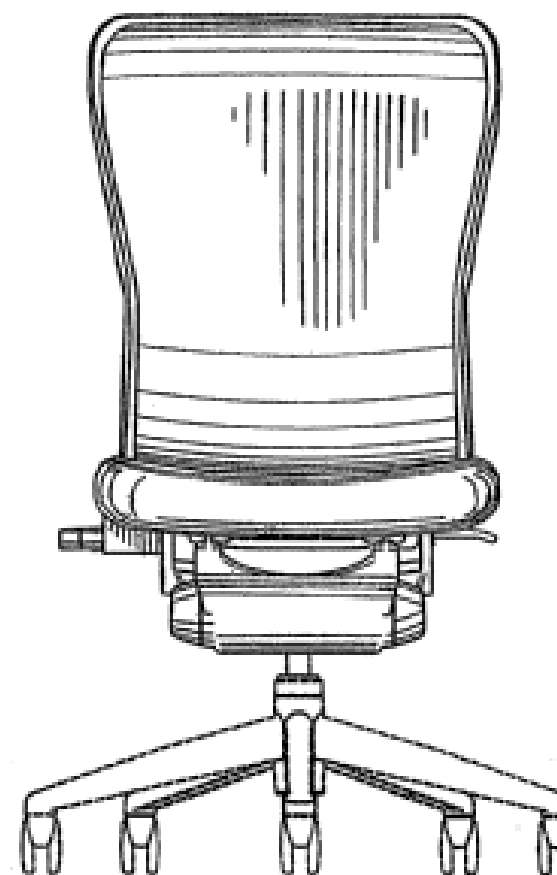
- (21) Design Number: **11342/2006**
(22) Date of Filing Application: **26 August 2005**
(24) Date from which industrial property rights may have effect: **26 August 2005**
(54) Product in respect of which the design is registered: **Chair design**
(51) International Design Classification: **06-01F**
(71) Name(s) and Address(s) of Applicant(s):
Haworth, Inc.
One Haworth Center 1400 Highway M-40 Holland MI 49423 United States of America
(72) Name(s) of Designer(s): **Jorn Dalmann and Michael W. Welsh and Pete Beyer**
(45) Registration Date: **10 May 2006**
(30) Convention priority data:
(31) Number (32) Date (33) Country
29/224,332 28 Feb 2005 UNITED STATES OF AMERICA
(56) Related Art Documents: **Not Applicable**
(57) Statement of Newness and Distinctiveness: **Newness and distinctiveness is claimed in the external visual features of shape and configuration of a design for an office chair as illustrated in the accompanying representations. The visual features represented by broken lines form no part of the design.**



(21) Design Number: **11343/2006**
 (22) Date of Filing Application: **26 August 2005**
 (24) Date from which industrial property rights may have effect: **26 August 2005**
 (54) Product in respect of which the design is registered: **Chair design**
 (51) International Design Classification: **06-01F**
 (71) Name(s) and Address(s) of Applicant(s):
Haworth, Inc.
One Haworth Center 1400 Highway M-40 Holland MI 49423 United States of America
 (72) Name(s) of Designer(s): **Jorn Dalmann and Michael W. Welsh and Pete Beyer**
 (45) Registration Date: **10 May 2006**
 (30) Convention priority data:
 (31) Number (32) Date (33) Country
29/224,332 28 Feb 2005 UNITED STATES OF AMERICA
 (56) Related Art Documents: **Not Applicable**
 (57) Statement of Newness and Distinctiveness: **Newness and distinctiveness is claimed in the external visual features of shape and configuration of a design for an office chair as illustrated in the accompanying representations. The visual features represented by broken lines form no part of the design.**

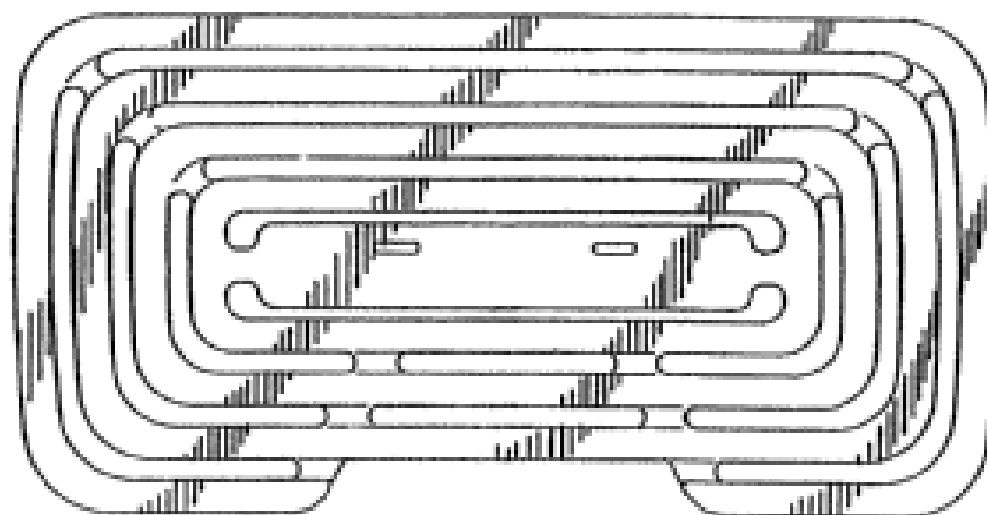


(21) Design Number: **11344/2006**
 (22) Date of Filing Application: **26 August 2005**
 (24) Date from which industrial property rights may have effect: **26 August 2005**
 (54) Product in respect of which the design is registered: **Chair design**
 (51) International Design Classification: **06-01F**
 (71) Name(s) and Address(s) of Applicant(s):
Haworth, Inc.
One Haworth Center 1400 Highway M-40 Holland MI 49423 United States of America
 (72) Name(s) of Designer(s): **Jorn Dalmann and Michael W. Welsh and Pete Beyer**
 (45) Registration Date: **10 May 2006**
 (30) Convention priority data:
 (31) Number (32) Date (33) Country
29/224,332 28 Feb 2005 UNITED STATES OF AMERICA
 (56) Related Art Documents: **Not Applicable**
 (57) Statement of Newness and Distinctiveness: **Newness and distinctiveness is claimed in the external visual features of shape and configuration of a design for an office chair as illustrated in the accompanying representations. The visual features represented by broken lines form no part of the design.**



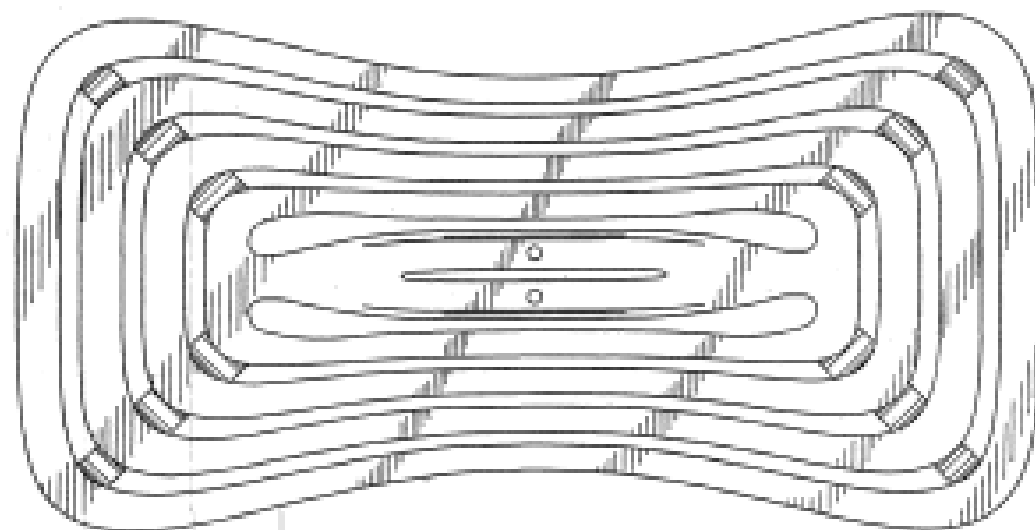
(19) AU

(21) Design Number: **11345/2006**
(22) Date of Filing Application: **26 August 2005**
(24) Date from which industrial property rights may have effect: **26 August 2005**
(54) Product in respect of which the design is registered: **Chair design**
(51) International Design Classification: **06-01F**
(71) Name(s) and Address(s) of Applicant(s):
Haworth, Inc.
One Haworth Center 1400 Highway M-40 Holland MI 49423 United States of America
(72) Name(s) of Designer(s): **Larry A. Wilkerson and Joe Willette**
(45) Registration Date: **10 May 2006**
(30) Convention priority data:
(31) Number (32) Date (33) Country
29/224,332 28 Feb 2005 UNITED STATES OF AMERICA
(56) Related Art Documents: **Not Applicable**
(57) Statement of Newness and Distinctiveness: **Nil**



(19) AU

(21) Design Number: **11346/2006**
(22) Date of Filing Application: **26 August 2005**
(24) Date from which industrial property rights may have effect: **26 August 2005**
(54) Product in respect of which the design is registered: **Chair design**
(51) International Design Classification: **06-01F**
(71) Name(s) and Address(s) of Applicant(s):
Haworth, Inc.
One Haworth Center 1400 Highway M-40 Holland MI 49423 United States of America
(72) Name(s) of Designer(s): **Larry A. Wilkerson and Joe Willette**
(45) Registration Date: **10 May 2006**
(30) Convention priority data:
(31) Number (32) Date (33) Country
29/224,332 28 Feb 2005 UNITED STATES OF AMERICA
(56) Related Art Documents: **Not Applicable**
(57) Statement of Newness and Distinctiveness: **Nil**



(21) Design Number: **12673/2005**

(22) Date of Filing Application: **04 December 2003**

(24) Date from which industrial property rights may have effect: **04 December 2003**

(54) Product in respect of which the design is registered: **A cue tip**

(51) International Design Classification: **21-02B**

(71) Name(s) and Address(s) of Applicant(s):

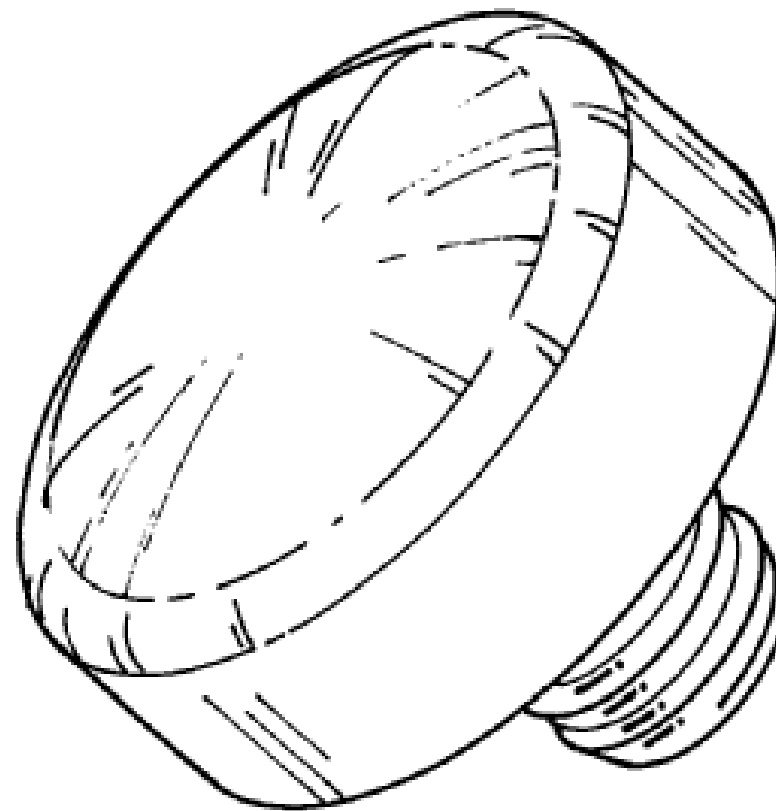
**AMW Projects Pty Ltd
34 Gympie Way Willetton Western Australia 6155 Australia**

(72) Name(s) of Designer(s): **Stephen Gregory King**

(45) Registration Date: **10 May 2006**

(56) Related Art Documents: **Not Applicable**

(57) Statement of Newness and Distinctiveness: **Monopoly is claimed in the features of shape or configuration of a cue tip as illustrated in the accompanying representations.**



(21) Design Number: **12674/2005**

(22) Date of Filing Application: **04 December 2003**

(24) Date from which industrial property rights may have effect: **04 December 2003**

(54) Product in respect of which the design is registered: **A cue tip**

(51) International Design Classification: **21-02B**

(71) Name(s) and Address(s) of Applicant(s):

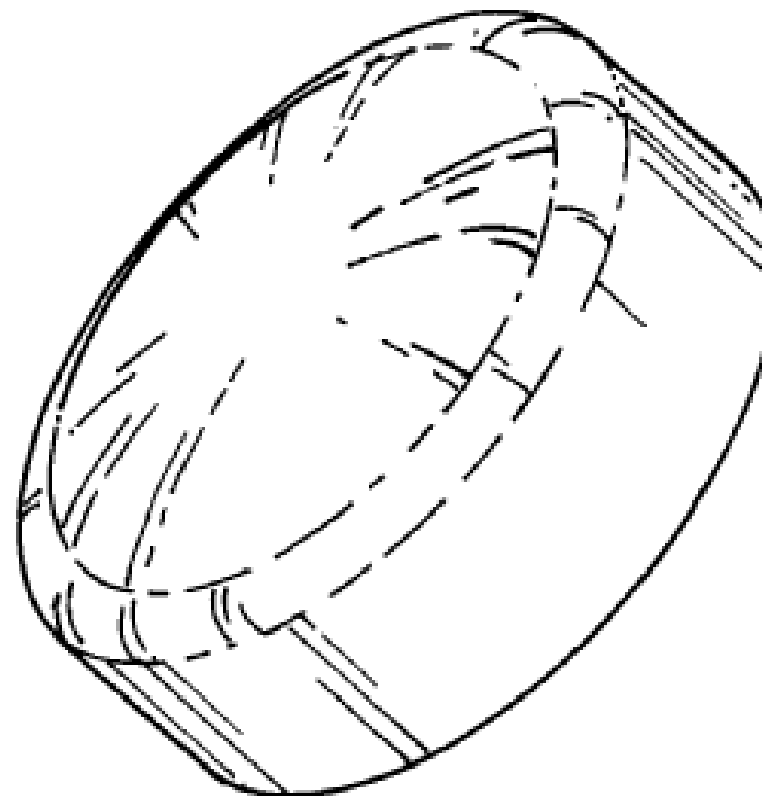
**AMW Projects Pty Ltd
34 Gympie Way Willetton Western Australia 6155 Australia**

(72) Name(s) of Designer(s): **Stephen Gregory King**

(45) Registration Date: **10 May 2006**

(56) Related Art Documents: **Not Applicable**

(57) Statement of Newness and Distinctiveness: **Monopoly is claimed in the features of shape or configuration of a cue tip as illustrated in the accompanying representations.**



(21) Design Number: **12543/2005**

(22) Date of Filing Application: **10 June 2005**

(24) Date from which industrial property rights may have effect: **10 June 2005**

(54) Product in respect of which the design is registered: **Drinking glass tumblers**

(51) International Design Classification: **07-01C**

(71) Name(s) and Address(s) of Applicant(s):

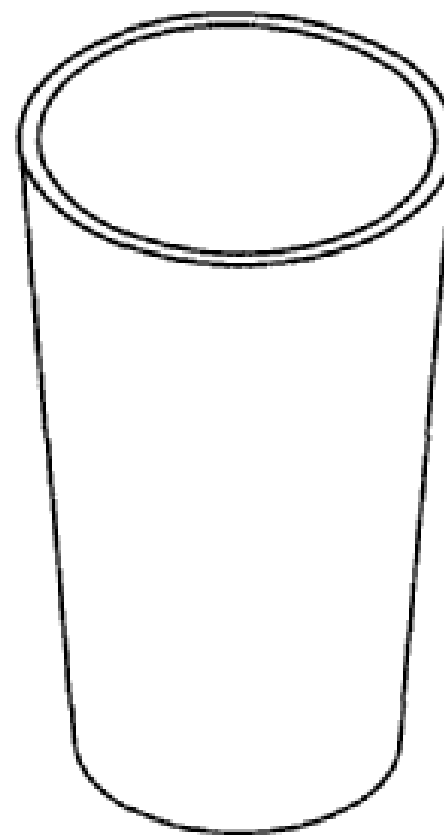
Bambis Import Co. Pty Ltd
1-9 Moreland Road East Coburg Victoria 3058 Australia

(72) Name(s) of Designer(s): **Harry Pourounidis**

(45) Registration Date: **10 May 2006**

(56) Related Art Documents: **Not Applicable**

(57) Statement of Newness and Distinctiveness: **Embossed logo in base of glass.**



(21) Design Number: **12544/2005**

(22) Date of Filing Application: **10 June 2005**

(24) Date from which industrial property rights may have effect: **10 June 2005**

(54) Product in respect of which the design is registered: **Stainless steel cocktail strainer**

(51) International Design Classification: **07-04**

(71) Name(s) and Address(s) of Applicant(s):

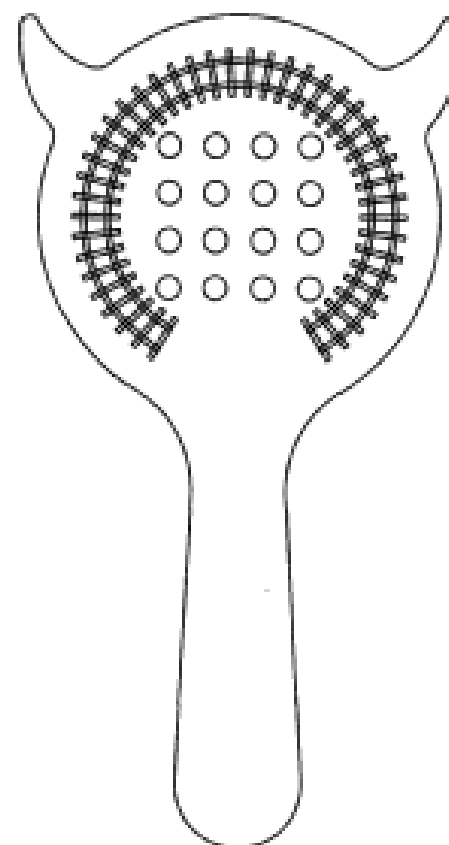
Bambis Import Co. Pty Ltd
1-9 Moreland Road East Coburg Victoria 3058 Australia

(72) Name(s) of Designer(s): **Harry Pourounidis**

(45) Registration Date: **10 May 2006**

(56) Related Art Documents: **Not Applicable**

(57) Statement of Newness and Distinctiveness: **Unique shape as per attached perspective.**



(21) Design Number: **12545/2005**

(22) Date of Filing Application: **10 June 2005**

(24) Date from which industrial property rights may have effect: **10 June 2005**

(54) Product in respect of which the design is registered: **Bottle stopper**

(51) International Design Classification: **09-07C**

(71) Name(s) and Address(s) of Applicant(s):

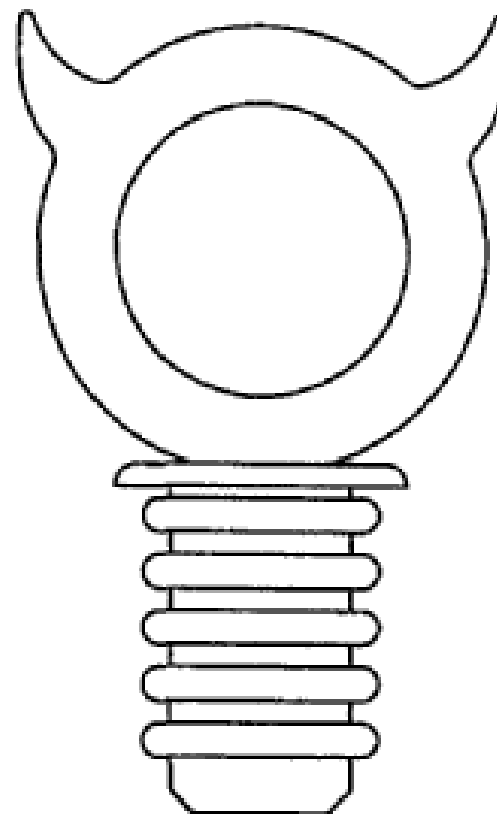
Bambis Import Co. Pty Ltd
1-9 Moreland Road East Coburg Victoria 3058 Australia

(72) Name(s) of Designer(s): **Harry Pourounidis**

(45) Registration Date: **10 May 2006**

(56) Related Art Documents: **Not Applicable**

(57) Statement of Newness and Distinctiveness: **Unique shape as per attached perspective.**



(21) Design Number: **12546/2005**

(22) Date of Filing Application: **10 June 2005**

(24) Date from which industrial property rights may have effect: **10 June 2005**

(54) Product in respect of which the design is registered: **Foil cutter**

(51) International Design Classification: **08-03**

(71) Name(s) and Address(s) of Applicant(s):

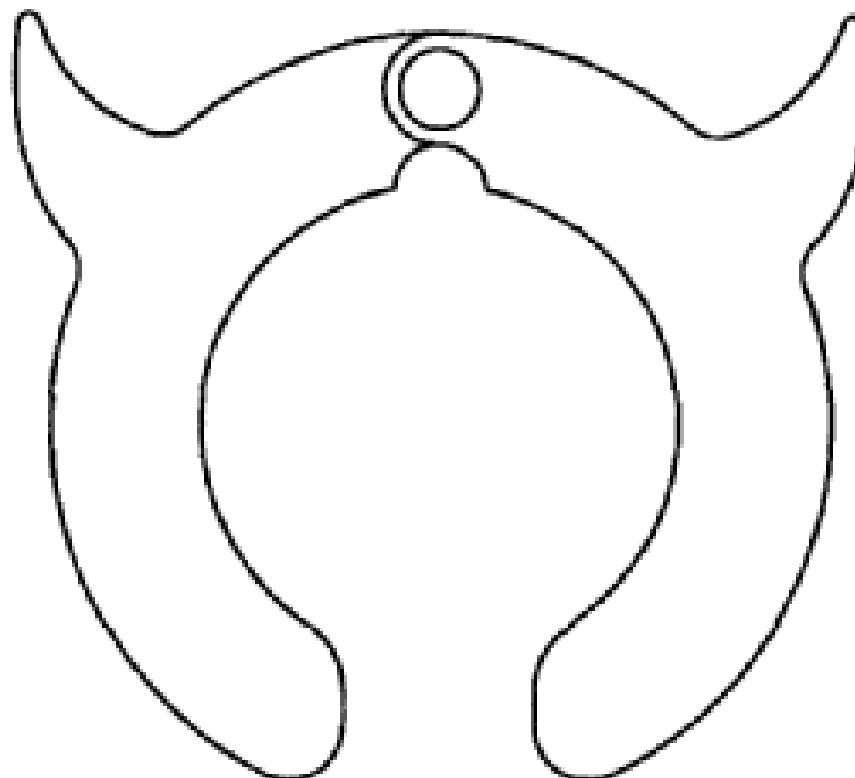
Bambis Import Co. Pty Ltd
1-9 Moreland Road East Coburg Victoria 3058 Australia

(72) Name(s) of Designer(s): **Harry Pourounidis**

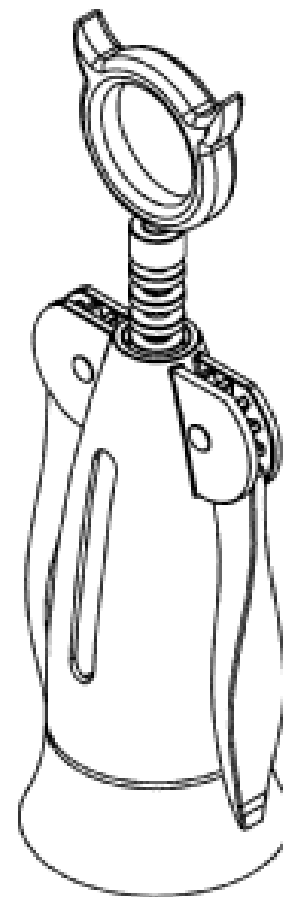
(45) Registration Date: **10 May 2006**

(56) Related Art Documents: **Not Applicable**

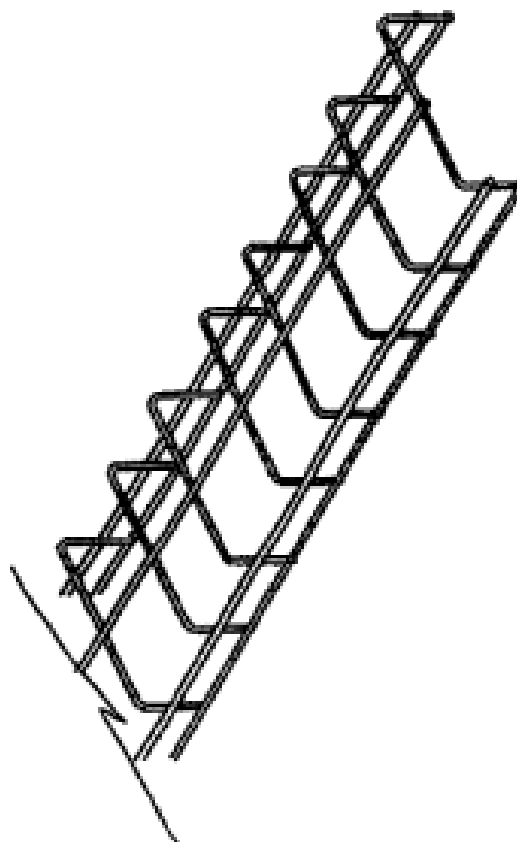
(57) Statement of Newness and Distinctiveness: **Unique shape as per attached perspective.**



- (21) Design Number: **12547/2005**
(22) Date of Filing Application: **10 June 2005**
(24) Date from which industrial property rights may have effect: **10 June 2005**
(54) Product in respect of which the design is registered: **Corkscrew**
(51) International Design Classification: **07-06D**
(71) Name(s) and Address(s) of Applicant(s):
Bambis Import Co. Pty Ltd
1-9 Moreland Road East Coburg Victoria 3058 Australia
(72) Name(s) of Designer(s): **Harry Pourounidis**
(45) Registration Date: **10 May 2006**
(56) Related Art Documents: **Not Applicable**
(57) Statement of Newness and Distinctiveness: **Unique shape as per attached perspective.**



- (21) Design Number: **13037/2005**
(22) Date of Filing Application: **01 December 2003**
(24) Date from which industrial property rights may have effect: **01 December 2003**
(54) Product in respect of which the design is registered: **Slat support structure**
(51) International Design Classification: **06-06F**
(71) Name(s) and Address(s) of Applicant(s):
David Fealy
32 Green Street Thomastown Victoria 3074 Australia
(72) Name(s) of Designer(s): **David Fealy**
(45) Registration Date: **10 May 2006**
(56) Related Art Documents: **Not Applicable**
(57) Statement of Newness and Distinctiveness: **A slat support structure as illustrated in the accompanying drawings.**



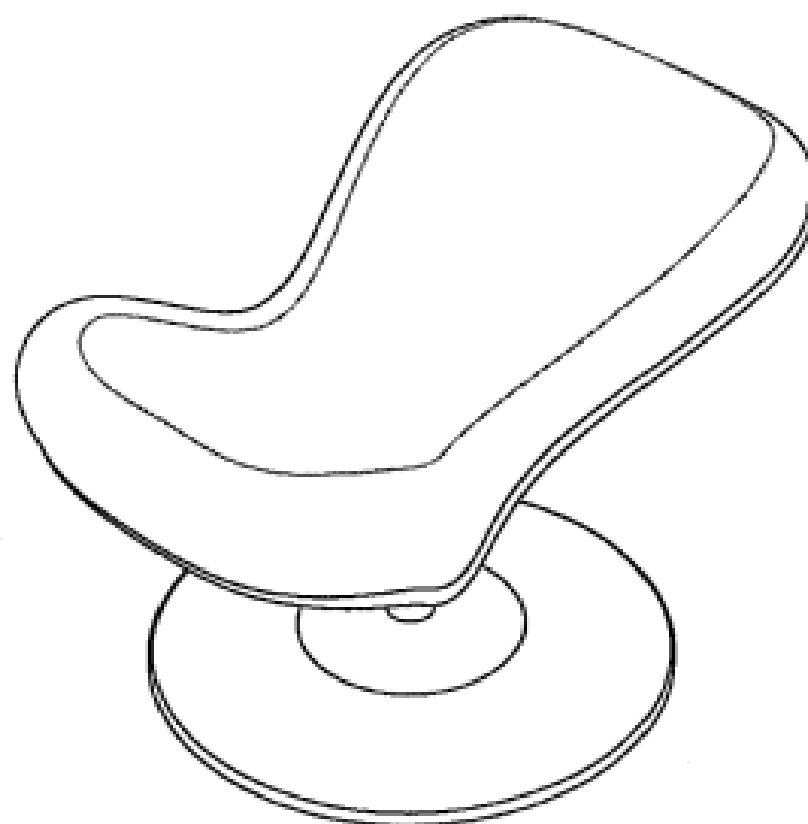
- (21) Design Number: **13038/2005**
(22) Date of Filing Application: **08 December 2003**
(24) Date from which industrial property rights may have effect: **08 December 2003**
(54) Product in respect of which the design is registered: **Confectionery dispenser pack**
(51) International Design Classification: **09-03NES**
(71) Name(s) and Address(s) of Applicant(s):
Mars Incorporated
6885 Elm Street McLean 22101-3810 Virginia United States of America
(72) Name(s) of Designer(s): **Cameron Dellar**
(45) Registration Date: **10 May 2006**
(56) Related Art Documents: **Not Applicable**
(57) Statement of Newness and Distinctiveness: **Monopoly is claimed in the shape and configuration of the article as depicted in the accompanying representations.**



- (21) Design Number: **14455/2005**
(22) Date of Filing Application: **10 October 2005**
(24) Date from which industrial property rights may have effect: **10 October 2005**
(54) Product in respect of which the design is registered: **Footrest**
(51) International Design Classification: **06-06G**
(71) Name(s) and Address(s) of Applicant(s):
Toshiyuki Kita
IDK-Design TS Bldg 2F 3-1-2 Tenma Kita-Ku JP-530-0043 Osaka Japan
(72) Name(s) of Designer(s): **Toshiyuki Kita**
(45) Registration Date: **10 May 2006**
(30) Convention priority data:

(31) Number	(32) Date	(33) Country
20050186	12 Apr 2005	NORWAY

(56) Related Art Documents: **Not Applicable**
(57) Statement of Newness and Distinctiveness: **Newness and distinctiveness resides in the shape and/or configuration of the footrest as illustrated in the accompanying representations.**



- (21) Design Number: **14612/2005**
(22) Date of Filing Application: **21 October 2005**
(24) Date from which industrial property rights may have effect: **21 October 2005**
(54) Product in respect of which the design is registered: **Cooking vessel**
(51) International Design Classification: **07-02N, 07-01B**
(71) Name(s) and Address(s) of Applicant(s):

Emile Henry Industrie
13 rue Georges de Vichy 751110 Marcigny France

(72) Name(s) of Designer(s): **Jacques Henry**

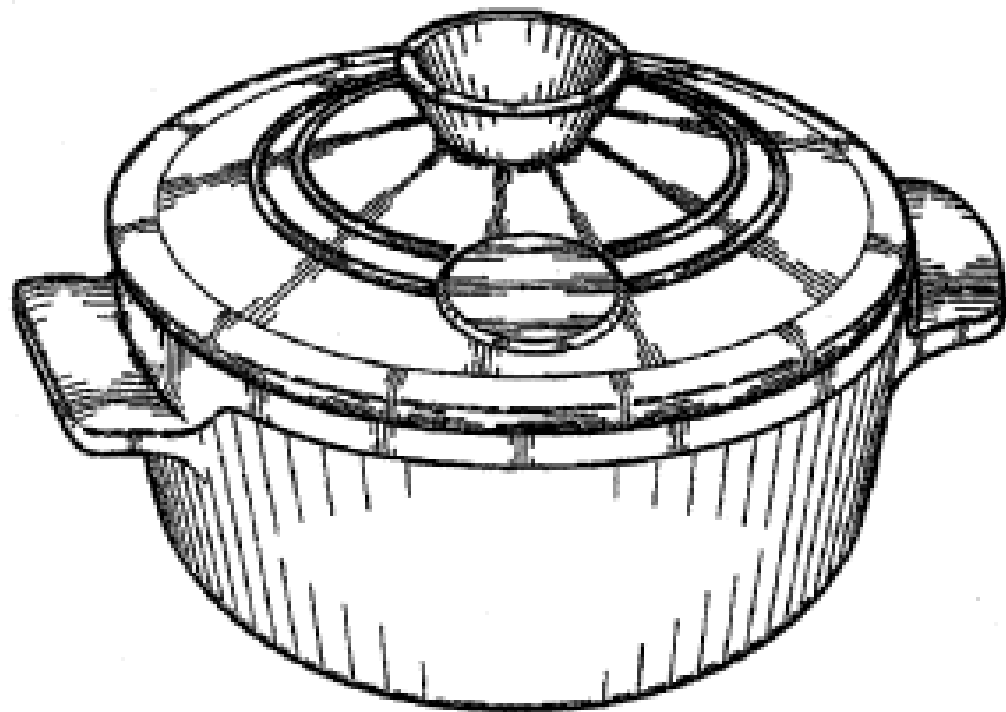
(45) Registration Date: **10 May 2006**

(30) Convention priority data:

(31) Number	(32) Date	(33) Country
000329313	22 Apr 2005	FRANCE

(56) Related Art Documents: **Not Applicable**

(57) Statement of Newness and Distinctiveness: **In considering the newness and distinctiveness of the design, regard is to be given to the overall shape and/or configuration of a cooking vessel as shown in the representations.**



- (21) Design Number: **14711/2005**
(22) Date of Filing Application: **25 October 2005**
(24) Date from which industrial property rights may have effect: **22 April 2004**
(54) Product in respect of which the design is registered: **Tub for bathing**
(51) International Design Classification: **23-02B**
(71) Name(s) and Address(s) of Applicant(s):

Kohler Co.
444 Highland Drive Kohler WI 53044 United States of America

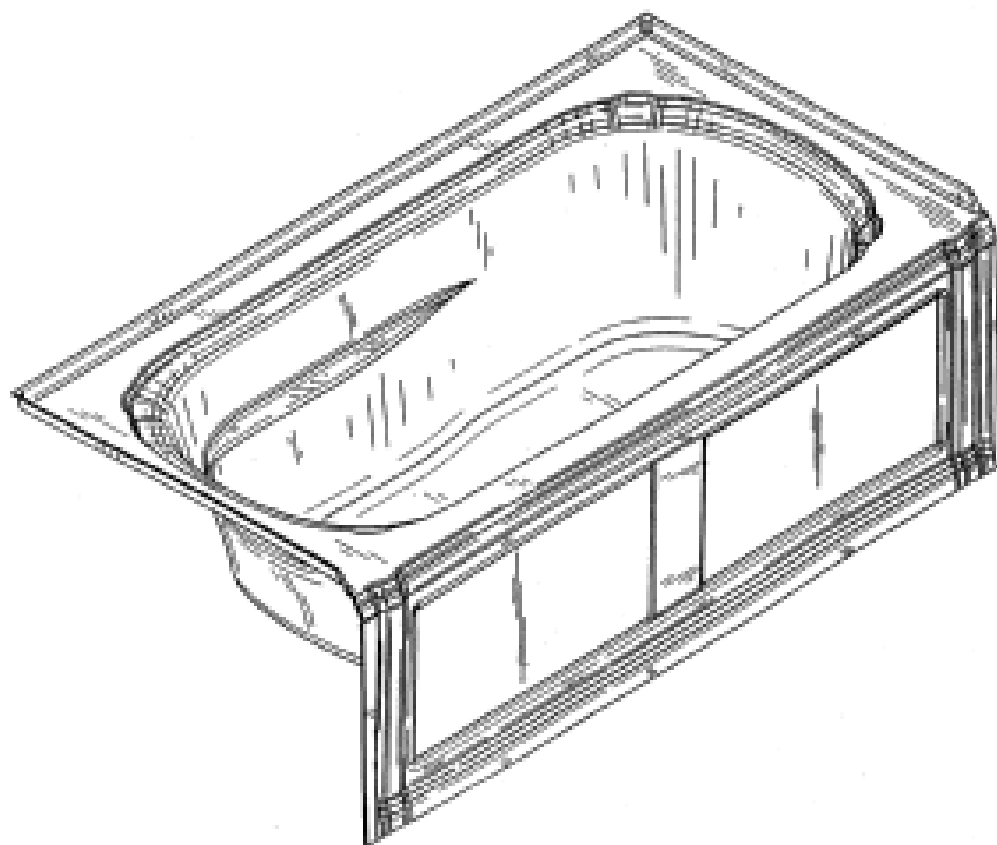
(72) Name(s) of Designer(s): **Michael R. Bates**

(45) Registration Date: **10 May 2006**

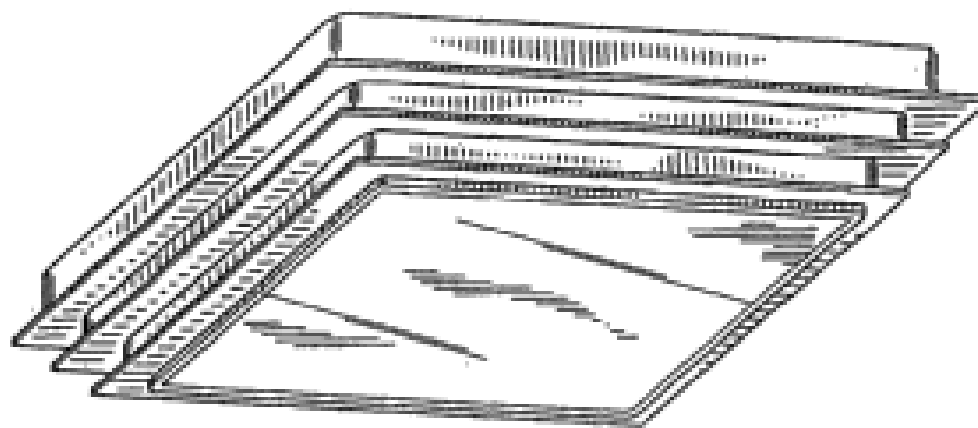
(62) Divisional of: **158368**

(56) Related Art Documents: **Not Applicable**

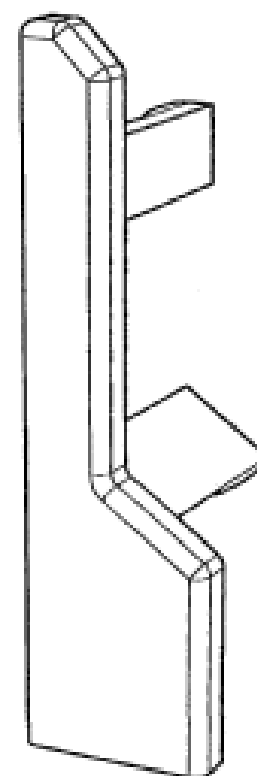
(57) Statement of Newness and Distinctiveness: **Nil**



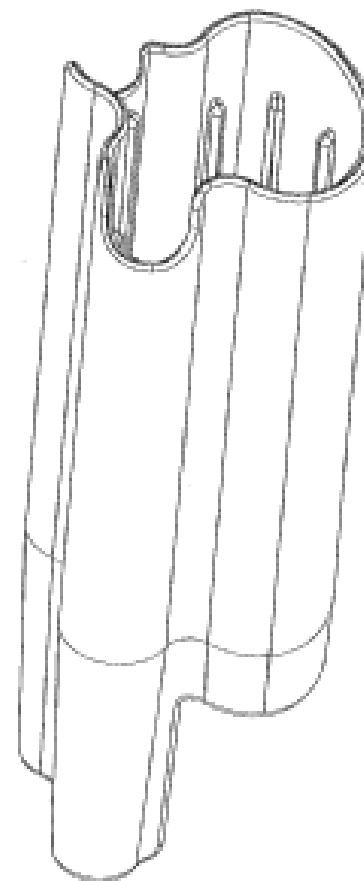
(21) Design Number: **14525/2005**
(22) Date of Filing Application: **13 October 2005**
(24) Date from which industrial property rights may have effect: **25 January 2005**
(54) Product in respect of which the design is registered: **Light fitting**
(51) International Design Classification: **26-05C**
(71) Name(s) and Address(s) of Applicant(s):
Zumtobel Staff GmbH & Co. KG
Grevenmarschstrasse 74-78 32657 Lemgo Germany
(72) Name(s) of Designer(s): **Luciano Cesaro**
(45) Registration Date: **10 May 2006**
(62) Divisional of: **303594**
(56) Related Art Documents: **Not Applicable**
(57) Statement of Newness and Distinctiveness: **Nil**



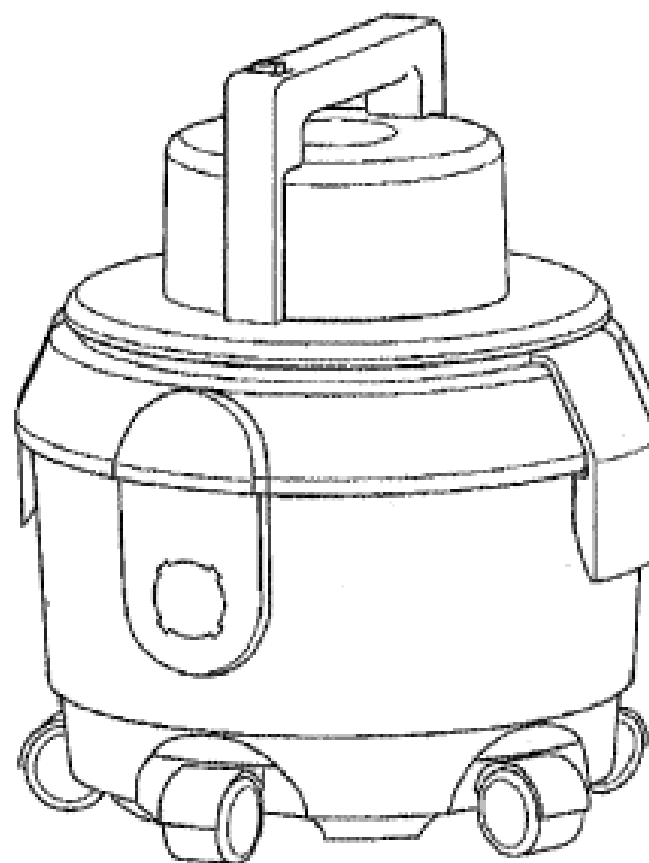
(21) Design Number: **14796/2005**
(22) Date of Filing Application: **27 October 2005**
(24) Date from which industrial property rights may have effect: **27 October 2005**
(54) Product in respect of which the design is registered: **Door brush end cap**
(51) International Design Classification: **04-01, 08-09**
(71) Name(s) and Address(s) of Applicant(s):
Raven Products Pty Ltd
22 Aldershot Road Lonsdale South Australia 5160 Australia
(72) Name(s) of Designer(s): **Russell Clark**
(45) Registration Date: **10 May 2006**
(56) Related Art Documents: **Not Applicable**
(57) Statement of Newness and Distinctiveness: **Nil**



- (21) Design Number: **13744/2005**
(22) Date of Filing Application: **31 August 2005**
(24) Date from which industrial property rights may have effect: **31 August 2005**
(54) Product in respect of which the design is registered: **A holder for lighter and cigarettes**
(51) International Design Classification: **27-02**
(71) Name(s) and Address(s) of Applicant(s):
Beverley Eisman
22 Bondi Road Bondi Junction New South Wales 2022 Australia
(72) Name(s) of Designer(s): **Beverley Eisman**
(45) Registration Date: **11 May 2006**
(56) Related Art Documents: **Not Applicable**
(57) Statement of Newness and Distinctiveness: **Newness and distinctiveness is claimed in the features of shape and/or configuration of a holder for lighter and cigarettes as illustrated in continuous lines in the accompanying representations.**



- (21) Design Number: **14148/2005**
(22) Date of Filing Application: **26 September 2005**
(24) Date from which industrial property rights may have effect: **26 September 2005**
(54) Product in respect of which the design is registered: **A cleaner**
(51) International Design Classification: **15-05**
(71) Name(s) and Address(s) of Applicant(s):
Vax Limited
Quillgold House Kingswood Road Hampton Lovett Droitwich
Worcester WR9 0QH United Kingdom
(72) Name(s) of Designer(s): **Reuben Proud and Bengt Ivar Anders Ivarsson**
(45) Registration Date: **11 May 2006**
(30) Convention priority data:
(31) Number (32) Date (33) Country
000323787 08 Apr 2005 EUROPEAN PATENT OFFICE
(EP)
(56) Related Art Documents: **Not Applicable**
(57) Statement of Newness and Distinctiveness: **Newness and distinctiveness is claimed in the ornamental shape of a cleaner as shown in the attached representations.**



- (21) Design Number: **14149/2005**
(22) Date of Filing Application: **26 September 2005**
(24) Date from which industrial property rights may have effect: **26 September 2005**
(54) Product in respect of which the design is registered: **Hose handle for cleaner**
(51) International Design Classification: **15-05**
(71) Name(s) and Address(s) of Applicant(s):

Vax Limited
Quillgold House Kingswood Road Hampton Lovett Droitwich
Worcester WR9 0QH United Kingdom

(72) Name(s) of Designer(s): **Reuben Proud and Bengt Ivar Anders Ivarsson**

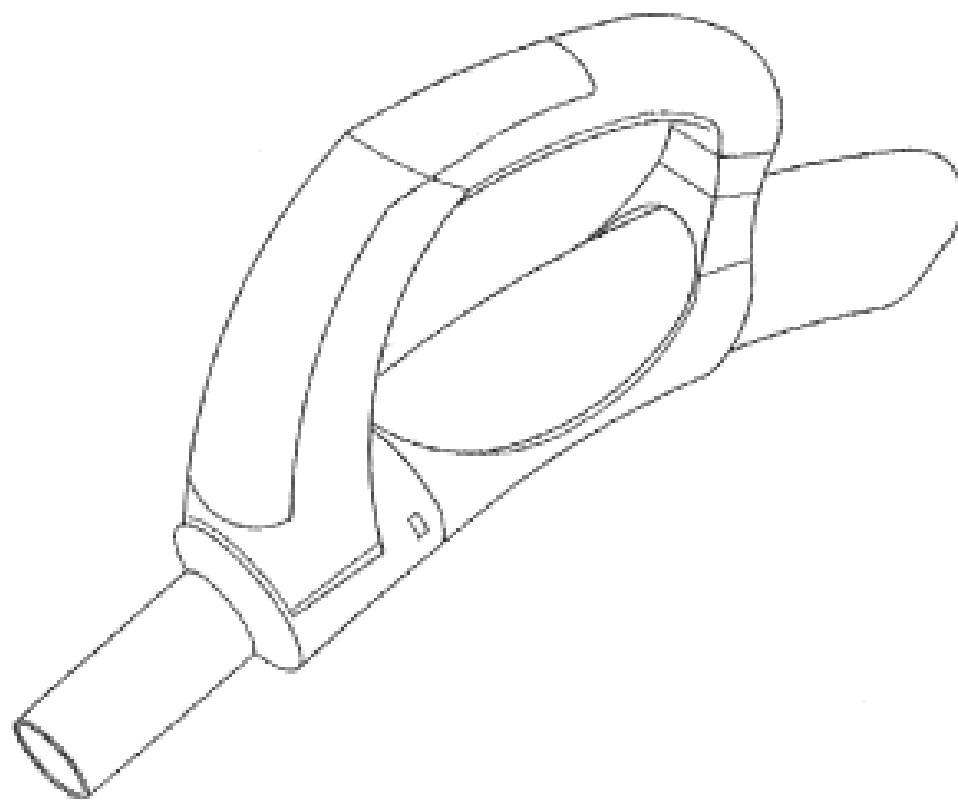
(45) Registration Date: **11 May 2006**

(30) Convention priority data:

(31) Number	(32) Date	(33) Country
000323787	08 Apr 2005	EUROPEAN PATENT OFFICE (EP)

(56) Related Art Documents: **Not Applicable**

(57) Statement of Newness and Distinctiveness: **Newness and distinctiveness is claimed in the ornamental shape of a hose handle for a cleaner as shown in the representations.**



- (21) Design Number: **14191/2005**
(22) Date of Filing Application: **27 September 2005**
(24) Date from which industrial property rights may have effect: **27 September 2005**
(54) Product in respect of which the design is registered: **Windscreen Wiper Blade Refill**
(51) International Design Classification: **12-16G**
(71) Name(s) and Address(s) of Applicant(s):

Tru Vision Pty Ltd
1006 Beaudesert Road Coopers Plains Queensland 4108 Australia

(72) Name(s) of Designer(s): **Robin Boyd**

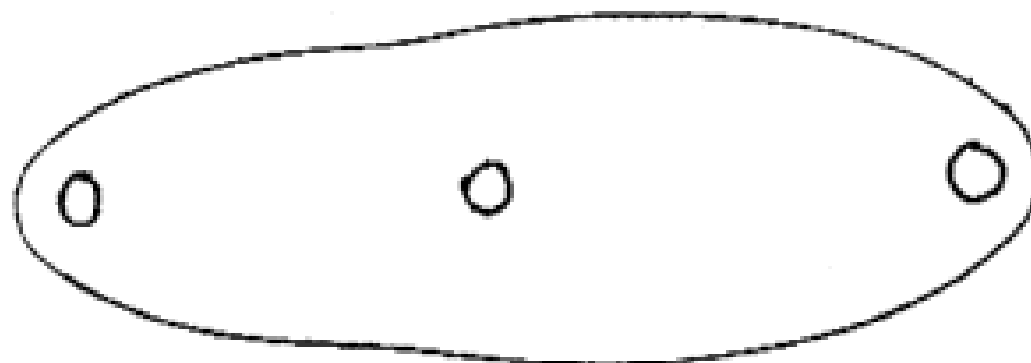
(45) Registration Date: **11 May 2006**

(56) Related Art Documents: **Not Applicable**

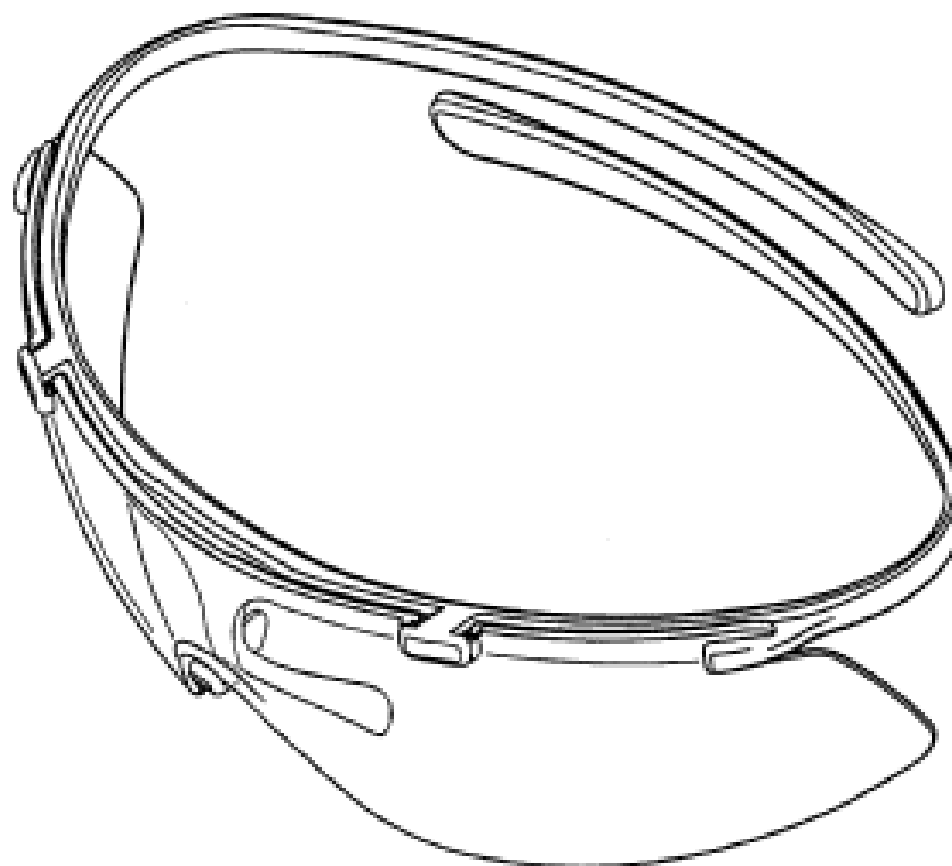
(57) Statement of Newness and Distinctiveness: **This design puts a rubber profile together with a particular clip to form the design.**



- (21) Design Number: **14340/2005**
(22) Date of Filing Application: **05 October 2005**
(24) Date from which industrial property rights may have effect: **05 October 2005**
(54) Product in respect of which the design is registered: **Backing plate for an electronic alarm**
(51) International Design Classification: **08-08NES, 10-05**
(71) Name(s) and Address(s) of Applicant(s):
Angelo Rachele
71 Brooks Avenue Shepparton Victoria 3630 Australia
(72) Name(s) of Designer(s): **Angelo Rachele**
(45) Registration Date: **11 May 2006**
(56) Related Art Documents: **Not Applicable**
(57) Statement of Newness and Distinctiveness: **Nil**



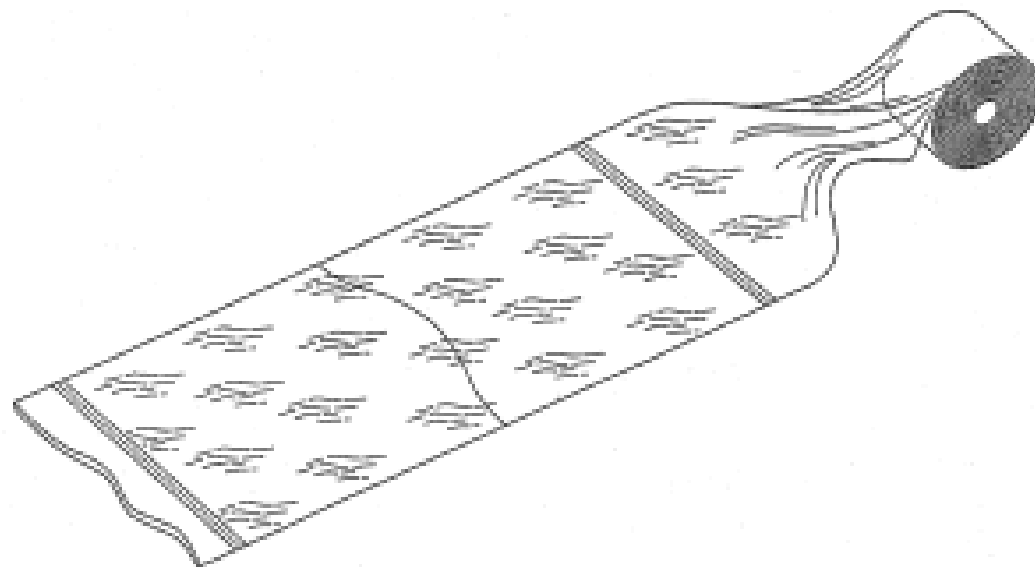
- (21) Design Number: **14152/2005**
(22) Date of Filing Application: **26 September 2005**
(24) Date from which industrial property rights may have effect: **26 September 2005**
(54) Product in respect of which the design is registered: **Eyewear**
(51) International Design Classification: **16-06**
(71) Name(s) and Address(s) of Applicant(s):
Uvex Arbeitsschutz GmbH
Wurzburger Strasse 189 D-90766 Furth Germany
(72) Name(s) of Designer(s): **Stefan Bruck**
(45) Registration Date: **11 May 2006**
(30) Convention priority data:
(31) Number (32) Date (33) Country
000358684-0001 13 Jun 2005 EUROPEAN COMMUNITY
(56) Related Art Documents: **Not Applicable**
(57) Statement of Newness and Distinctiveness: **Those features of the eyewear depicted in the representations that are new and distinctive are the shape and/or configuration.**



- (21) Design Number: **14545/2005**
(22) Date of Filing Application: **17 October 2005**
(24) Date from which industrial property rights may have effect: **17 October 2005**
(54) Product in respect of which the design is registered: **A container**
(51) International Design Classification: **09-01C**
(71) Name(s) and Address(s) of Applicant(s):
Societe des Produits Nestle S.A.
1800 Vevey Switzerland
(72) Name(s) of Designer(s): **David Francis**
(45) Registration Date: **11 May 2006**
(56) Related Art Documents: **Not Applicable**
(57) Statement of Newness and Distinctiveness: **Nil**



- (21) Design Number: **14670/2005**
(22) Date of Filing Application: **25 October 2005**
(24) Date from which industrial property rights may have effect: **25 October 2005**
(54) Product in respect of which the design is registered: **Plastic bag**
(51) International Design Classification: **09-05**
(71) Name(s) and Address(s) of Applicant(s):
International Consolidated Business Pty Ltd
563 Bourke Street Melbourne Victoria 3000 Australia
(72) Name(s) of Designer(s): **Philip Craig Withers**
(45) Registration Date: **11 May 2006**
(56) Related Art Documents: **Not Applicable**
(57) Statement of Newness and Distinctiveness: **Monopoly is claimed in the shape and configuration of a plastic bag as shown in the attached representations, in particular, the way the tops of the plastic bags are joined together in a shallow wave or sinusoidal wave arrangement in a roll format.**



- (21) Design Number: **14671/2005**
- (22) Date of Filing Application: **25 October 2005**
- (24) Date from which industrial property rights may have effect: **25 October 2005**
- (54) Product in respect of which the design is registered: **Plastic bag**
- (51) International Design Classification: **09-05**
- (71) Name(s) and Address(s) of Applicant(s):

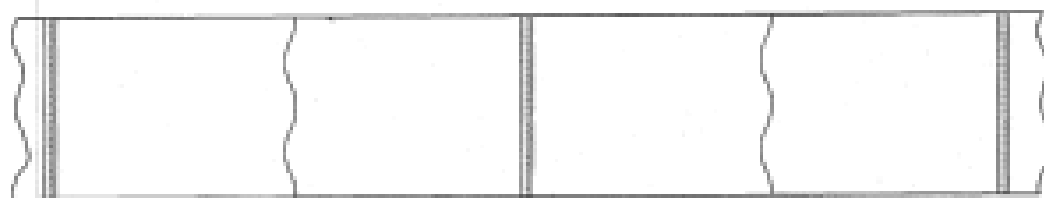
**International Consolidated Business Pty Ltd
563 Bourke Street Melbourne Victoria 3000 Australia**

- (72) Name(s) of Designer(s): **Philip Craig Withers**

- (45) Registration Date: **11 May 2006**

- (56) Related Art Documents: **Not Applicable**

- (57) Statement of Newness and Distinctiveness: **Monopoly is claimed in the shape and configuration of a plastic bag as shown in the attached representations, in particular, the way the tops of the plastic bags are joined together in a shallow wave or sinusoidal arrangement when fully laid flat.**



- (21) Design Number: **14672/2005**
- (22) Date of Filing Application: **25 October 2005**
- (24) Date from which industrial property rights may have effect: **25 October 2005**
- (54) Product in respect of which the design is registered: **Plastic bag**
- (51) International Design Classification: **09-05**
- (71) Name(s) and Address(s) of Applicant(s):

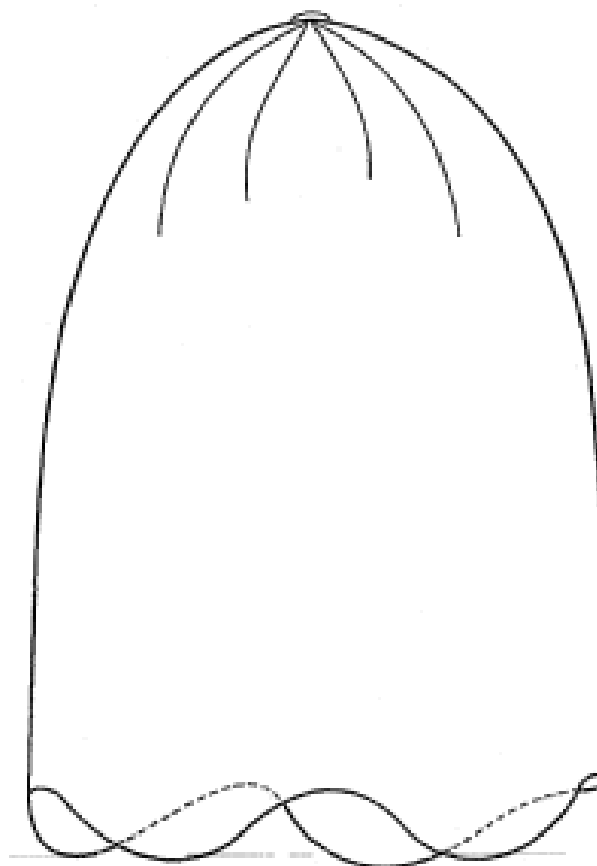
**International Consolidated Business Pty Ltd
563 Bourke Street Melbourne Victoria 3000 Australia**

- (72) Name(s) of Designer(s): **Philip Craig Withers**

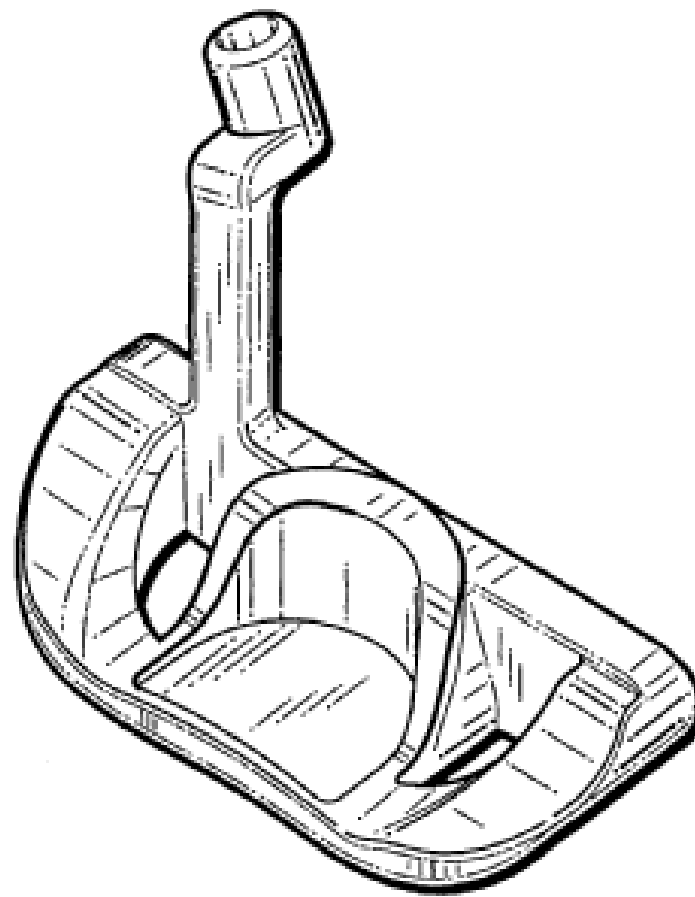
- (45) Registration Date: **11 May 2006**

- (56) Related Art Documents: **Not Applicable**

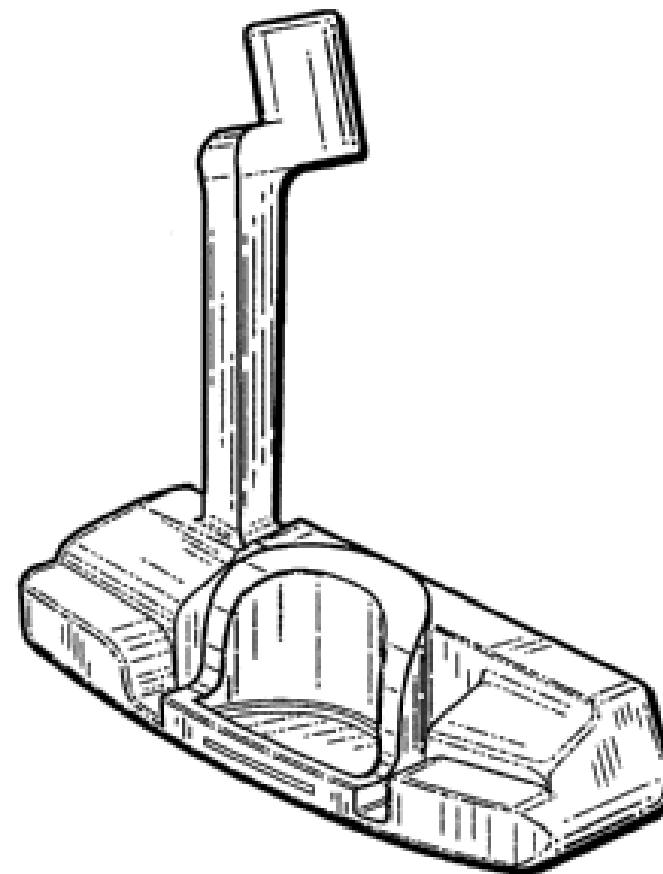
- (57) Statement of Newness and Distinctiveness: **Monopoly is claimed in the shape and configuration of a plastic bag as shown in the attached representations, in particular, the shallow waves at the opening of the bag and the star seal base of the bag.**



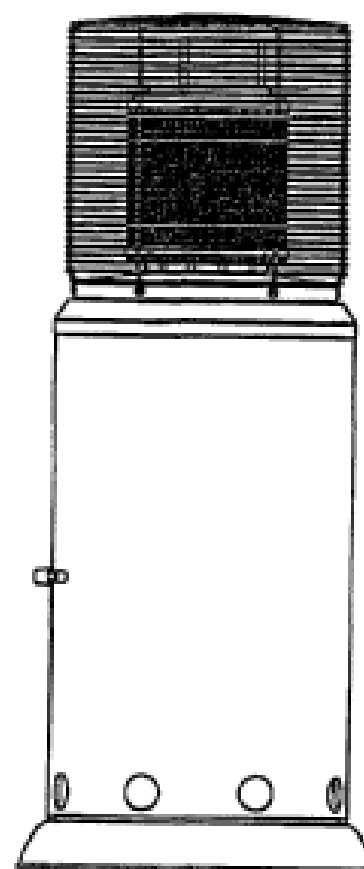
(21) Design Number: **14736/2005**
(22) Date of Filing Application: **26 October 2005**
(24) Date from which industrial property rights may have effect: **26 October 2005**
(54) Product in respect of which the design is registered: **Golf putter head**
(51) International Design Classification: **21-02C**
(71) Name(s) and Address(s) of Applicant(s):
Karsten Manufacturing Corporation
2201 West Desert Cove Phoenix Arizona 85029 United States of America
(72) Name(s) of Designer(s): **David D. Jones and John K. Solheim**
(45) Registration Date: **11 May 2006**
(30) Convention priority data:
(31) Number (32) Date (33) Country
29/230599 23 May 2005 UNITED STATES OF AMERICA
(56) Related Art Documents: **Not Applicable**
(57) Statement of Newness and Distinctiveness: **Nil**



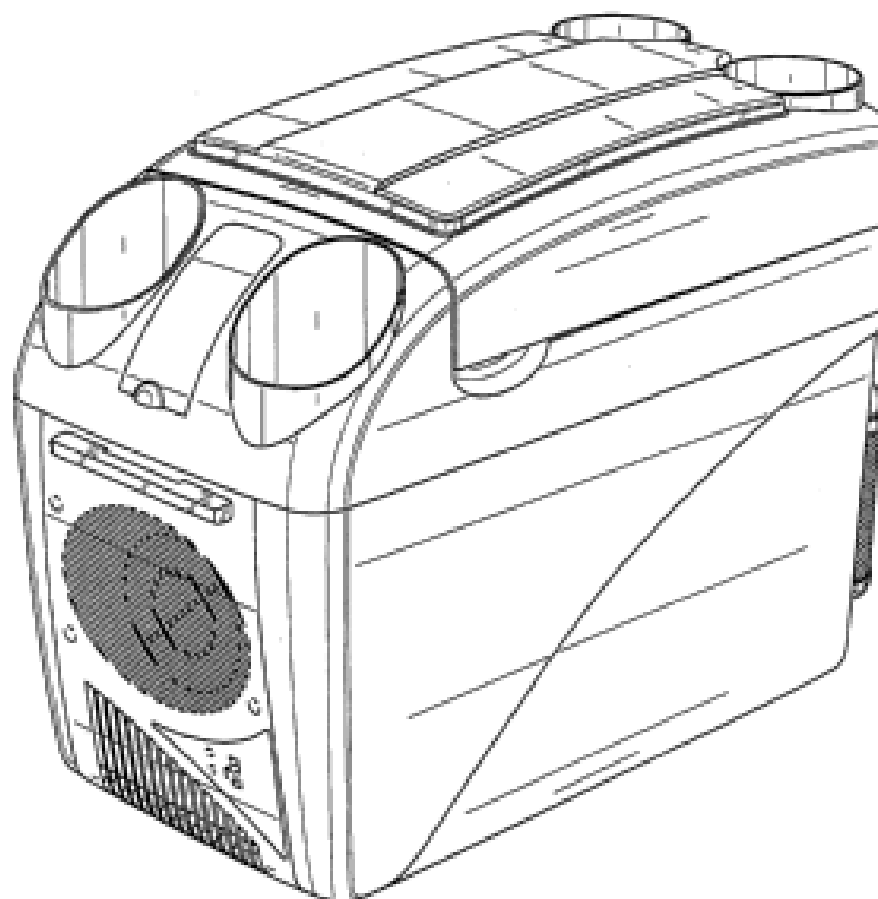
(21) Design Number: **14738/2005**
(22) Date of Filing Application: **26 October 2005**
(24) Date from which industrial property rights may have effect: **26 October 2005**
(54) Product in respect of which the design is registered: **Golf putter head**
(51) International Design Classification: **21-02C**
(71) Name(s) and Address(s) of Applicant(s):
Karsten Manufacturing Corporation
2201 West Desert Cove Phoenix Arizona 85029 United States of America
(72) Name(s) of Designer(s): **John K. Solheim and David D. Jones**
(45) Registration Date: **11 May 2006**
(30) Convention priority data:
(31) Number (32) Date (33) Country
29/230598 23 May 2005 UNITED STATES OF AMERICA
(56) Related Art Documents: **Not Applicable**
(57) Statement of Newness and Distinctiveness: **Nil**



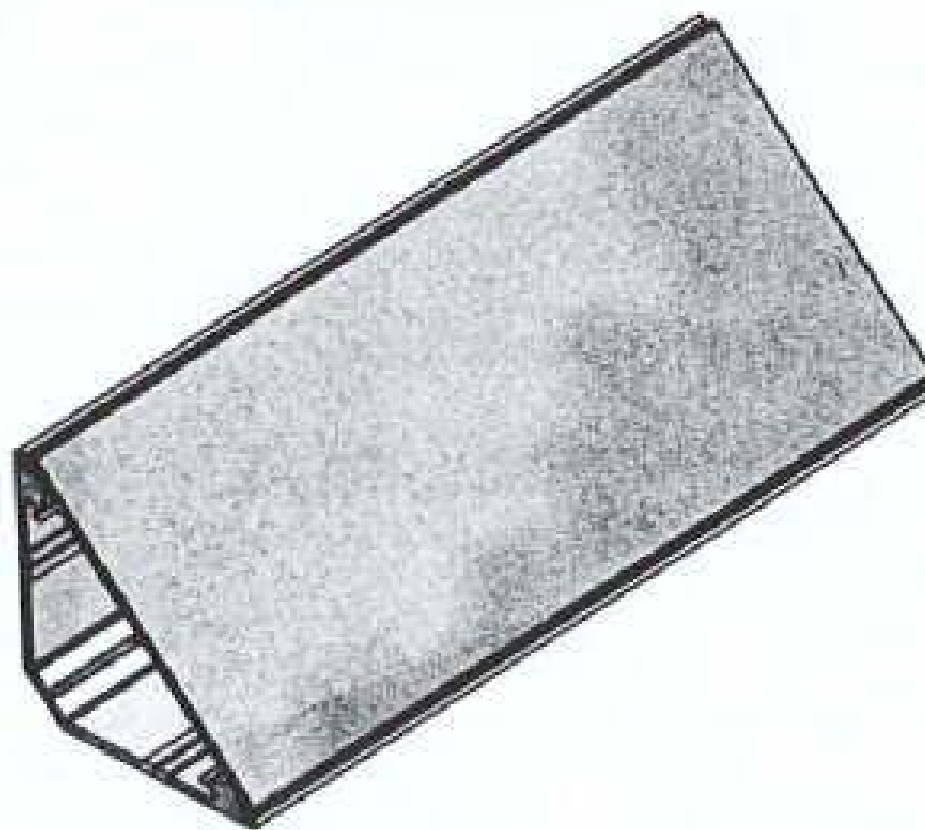
- (21) Design Number: **14762/2005**
(22) Date of Filing Application: **28 October 2005**
(24) Date from which industrial property rights may have effect: **28 October 2005**
(54) Product in respect of which the design is registered: **Heater**
(51) International Design Classification: **23-03A**
(71) Name(s) and Address(s) of Applicant(s):
Turner Leisure Products Pty Ltd
33-35 Lionel Road Mt Waverley Victoria 3149 Australia
(72) Name(s) of Designer(s): **Philip Simpfendorfer**
(45) Registration Date: **11 May 2006**
(56) Related Art Documents: **Not Applicable**
(57) Statement of Newness and Distinctiveness: **Nil**



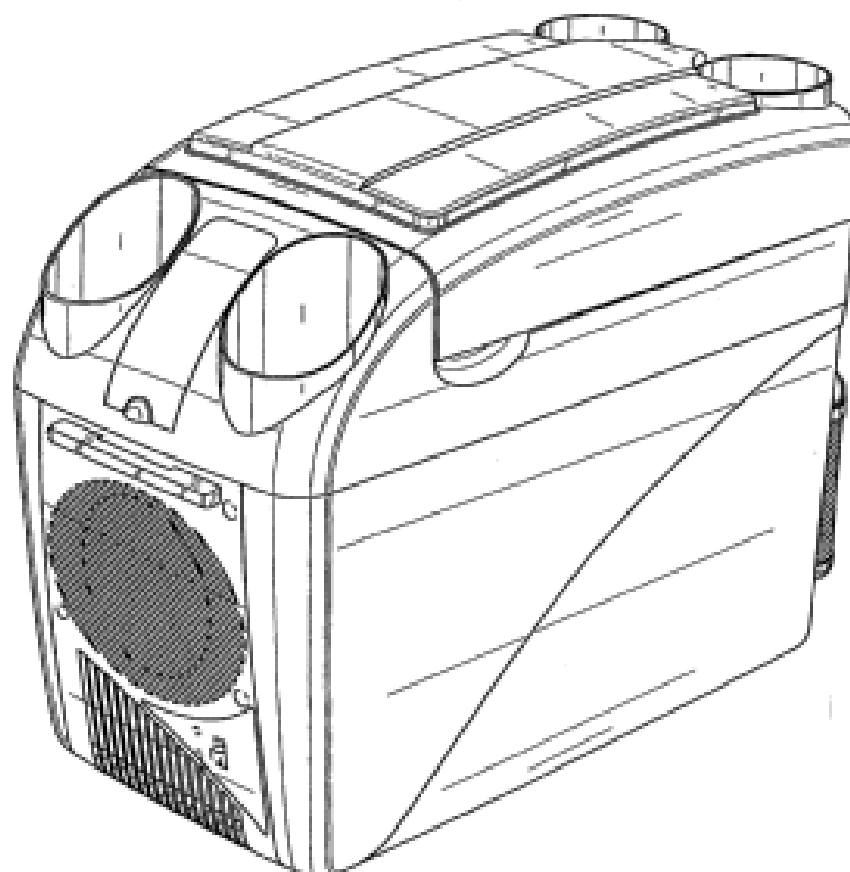
- (21) Design Number: **14766/2005**
(22) Date of Filing Application: **28 October 2005**
(24) Date from which industrial property rights may have effect: **28 October 2005**
(54) Product in respect of which the design is registered: **Travel cooler and warmer**
(51) International Design Classification: **15-07, 07-07A**
(71) Name(s) and Address(s) of Applicant(s):
Vector Products, Inc.
4140 S.W. 28th Way Ft Lauderdale Florida 33312 United States of America
(72) Name(s) of Designer(s): **Michael Krieger and Kevin Ellsworth**
(45) Registration Date: **11 May 2006**
(30) Convention priority data:
(31) Number (32) Date (33) Country
29/228,839 29 Apr 2005 UNITED STATES OF AMERICA
(56) Related Art Documents: **Not Applicable**
(57) Statement of Newness and Distinctiveness: - **The particular visual features of the design which are new and distinctive are shape or configuration. - The broken lines immediately adjacent the shaded areas represent the bounds of the claimed design while all other broken lines are for illustrative purposes only. The broken lines form no part of the claimed design.**



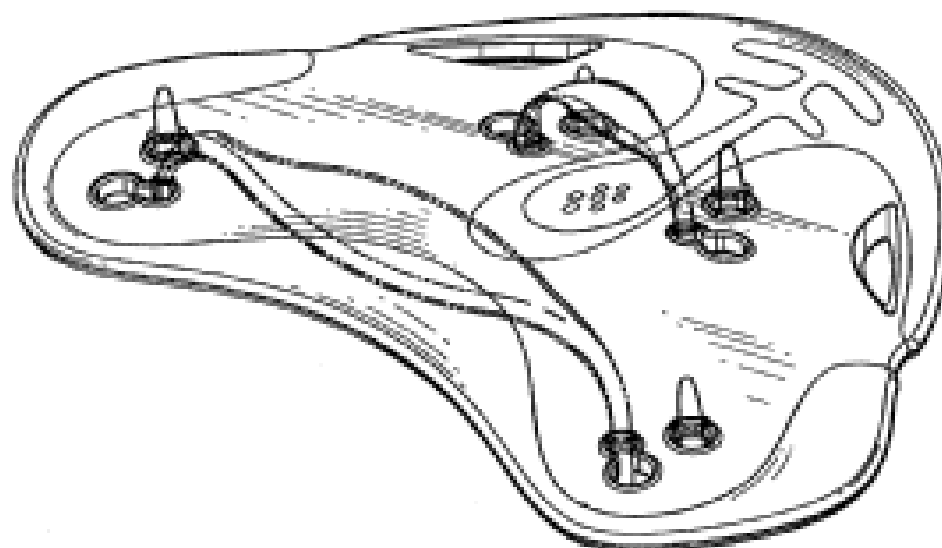
- (21) Design Number: **14746/2005**
(22) Date of Filing Application: **26 October 2005**
(24) Date from which industrial property rights may have effect: **26 October 2005**
(54) Product in respect of which the design is registered: **Ducting**
(51) International Design Classification: **13-03C, 25-01K**
(71) Name(s) and Address(s) of Applicant(s):
Moduline Pty Ltd
20 Reserve Street Preston Victoria 3072 Australia
(72) Name(s) of Designer(s): **Alex Morrison**
(45) Registration Date: **11 May 2006**
(56) Related Art Documents: **Not Applicable**
(57) Statement of Newness and Distinctiveness: **The newness and distinctiveness of the design resides in the external features of shape and configuration of the ducting as shown in the representations, the ducting being of indefinite length.**



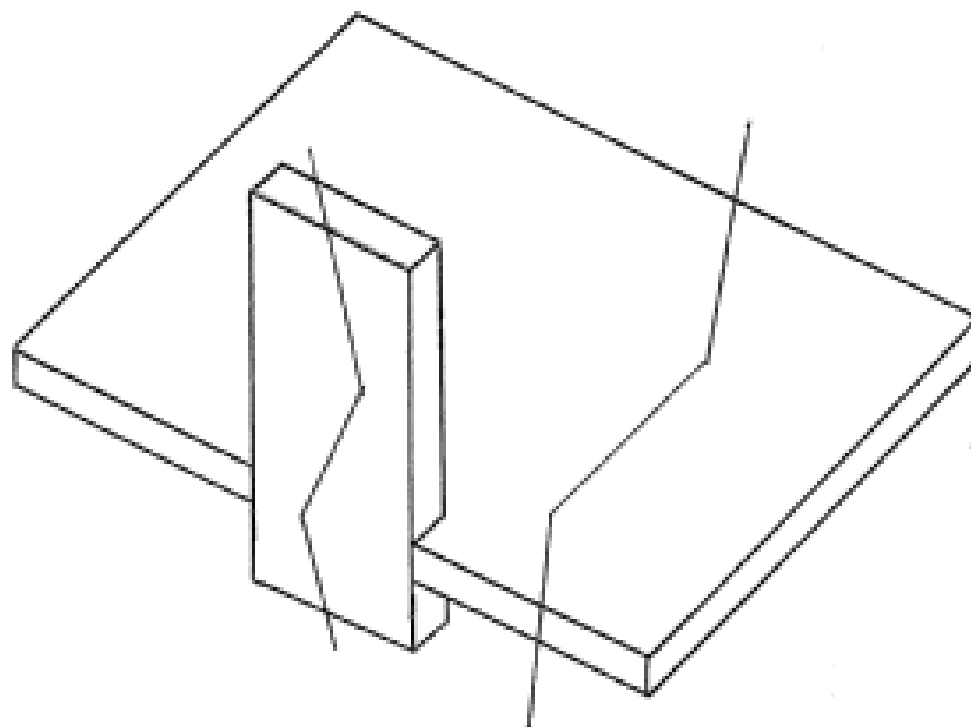
- (21) Design Number: **14765/2005**
(22) Date of Filing Application: **28 October 2005**
(24) Date from which industrial property rights may have effect: **28 October 2005**
(54) Product in respect of which the design is registered: **Travel cooler and warmer**
(51) International Design Classification: **15-07, 07-07A**
(71) Name(s) and Address(s) of Applicant(s):
Vector Products, Inc.
4140 S.W. 28th Way Ft Lauderdale Florida 33312 United States of America
(72) Name(s) of Designer(s): **Michael Krieger and Kevin Ellsworth**
(45) Registration Date: **11 May 2006**
(30) Convention priority data:
(31) Number (32) Date (33) Country
29/228,837 29 Apr 2005 UNITED STATES OF AMERICA
(56) Related Art Documents: **Not Applicable**
(57) Statement of Newness and Distinctiveness: **- The particular visual features of the design which are new and distinctive are shape or configuration. - The broken lines immediately adjacent the shaded areas represent the bounds of the claimed design while all other broken lines are for illustrative purposes only. The broken lines form no part of the claimed design.**



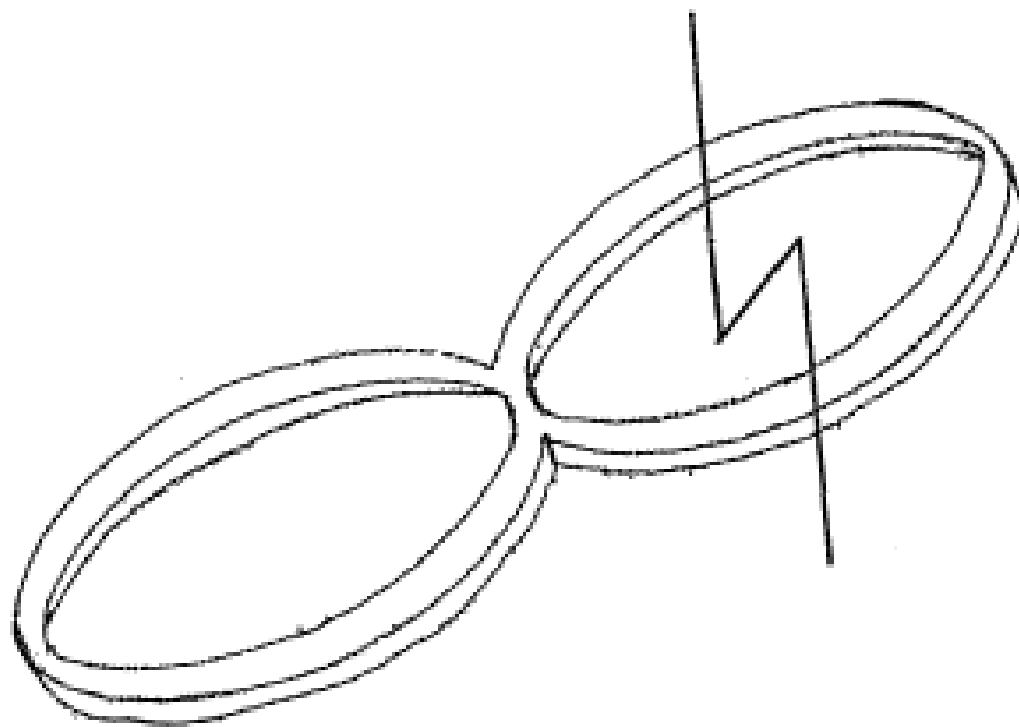
- (21) Design Number: **14798/2005**
(22) Date of Filing Application: **27 October 2005**
(24) Date from which industrial property rights may have effect: **27 October 2005**
(54) Product in respect of which the design is registered: **Swimming oar**
(51) International Design Classification: **21-02D**
(71) Name(s) and Address(s) of Applicant(s):
Herman Chiang
11F-2 No. 634-9 Ching-Ping Rd Chung-Ho City Taipei Hsien Taiwan
(72) Name(s) of Designer(s): **Herman Chiang**
(45) Registration Date: **11 May 2006**
(56) Related Art Documents: **Not Applicable**
(57) Statement of Newness and Distinctiveness: **Nil**



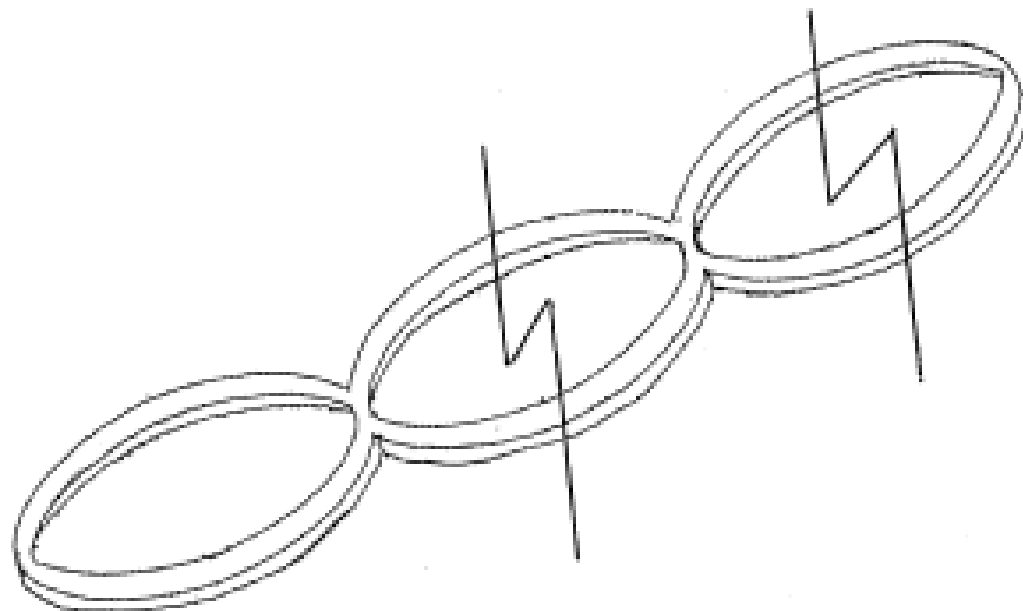
- (21) Design Number: **13342/2005**
(22) Date of Filing Application: **08 August 2005**
(24) Date from which industrial property rights may have effect: **08 August 2005**
(54) Product in respect of which the design is registered: **Shelf**
(51) International Design Classification: **06-04NES**
(71) Name(s) and Address(s) of Applicant(s):
Geoffrey Francis Keating
44 Jacana Parade Ballajura Western Australia 6066 Australia
(72) Name(s) of Designer(s): **Geoffrey Francis Keating**
(45) Registration Date: **11 May 2006**
(56) Related Art Documents: **Not Applicable**
(57) Statement of Newness and Distinctiveness: **Newness and distinctiveness is claimed in the features of shape and/or configuration of a shelf as illustrated in the accompanying representations.**



- (21) Design Number: **10303/2006**
(22) Date of Filing Application: **08 August 2005**
(24) Date from which industrial property rights may have effect: **08 August 2005**
(54) Product in respect of which the design is registered: **Holder for plant pot/container (double)**
(51) International Design Classification: **06-06A**
(71) Name(s) and Address(s) of Applicant(s):
Geoffrey Francis Keating
44 Jacana Parade Ballajura Western Australia 6066 Australia
(72) Name(s) of Designer(s): **Geoffrey Francis Keating**
(45) Registration Date: **11 May 2006**
(56) Related Art Documents: **Not Applicable**
(57) Statement of Newness and Distinctiveness: **Newness and distinctiveness is claimed in the features of shape and/or configuration of a 'holder for plant pot/container (double)' as illustrated in the accompanying representations. The holding structures may vary in size as illustrated.**



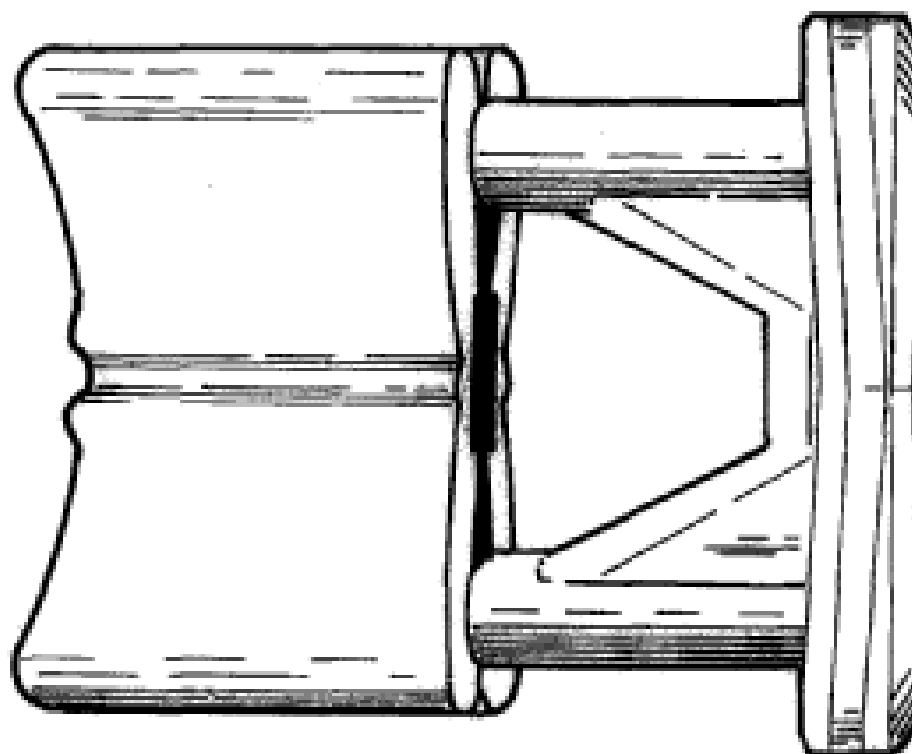
- (21) Design Number: **10304/2006**
(22) Date of Filing Application: **08 August 2005**
(24) Date from which industrial property rights may have effect: **08 August 2005**
(54) Product in respect of which the design is registered: **Holder for plant pot/container (triple)**
(51) International Design Classification: **06-06A**
(71) Name(s) and Address(s) of Applicant(s):
Geoffrey Francis Keating
44 Jacana Parade Ballajura Western Australia 6066 Australia
(72) Name(s) of Designer(s): **Geoffrey Francis Keating**
(45) Registration Date: **11 May 2006**
(56) Related Art Documents: **Not Applicable**
(57) Statement of Newness and Distinctiveness: **Newness and distinctiveness is claimed in the features of shape and/or configuration of a 'holder for plant pot/container (triple)' as illustrated in the accompanying representations. The size of the holding structures may vary in size as illustrated.**



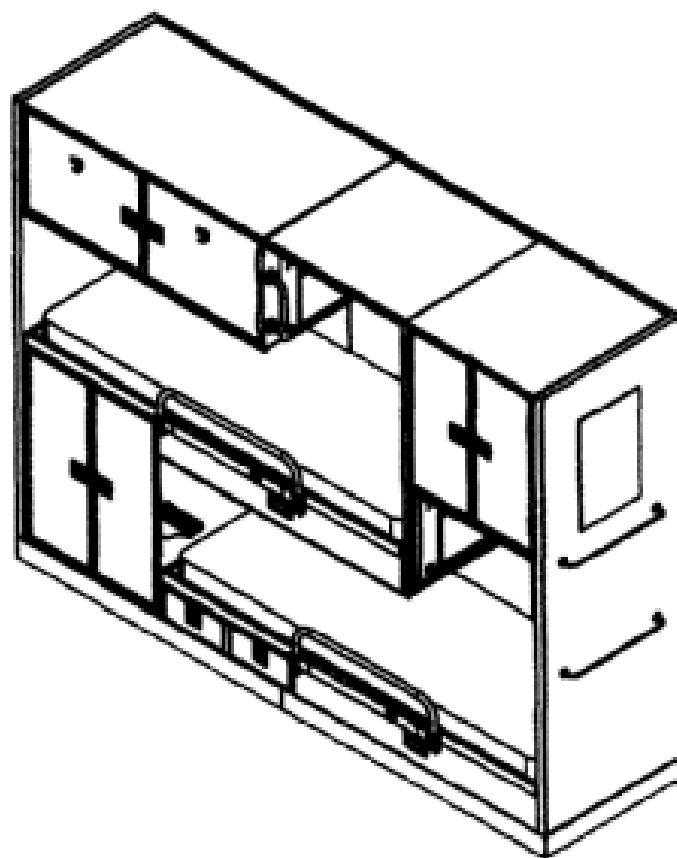
- (21) Design Number: **12859/2005**
- (22) Date of Filing Application: **06 July 2005**
- (24) Date from which industrial property rights may have effect: **06 July 2005**
- (54) Product in respect of which the design is registered: **Packaging for electrical products, globes and lighting products.**
- (51) International Design Classification: **09-03M**
- (71) Name(s) and Address(s) of Applicant(s):
Jolly International Pty Ltd
2/227 Windsor Road Northmead New South Wales 2152 Australia
- (72) Name(s) of Designer(s): **A. Jolly**
- (45) Registration Date: **11 May 2006**
- (56) Related Art Documents: **Not Applicable**
- (57) Statement of Newness and Distinctiveness: **Nil**



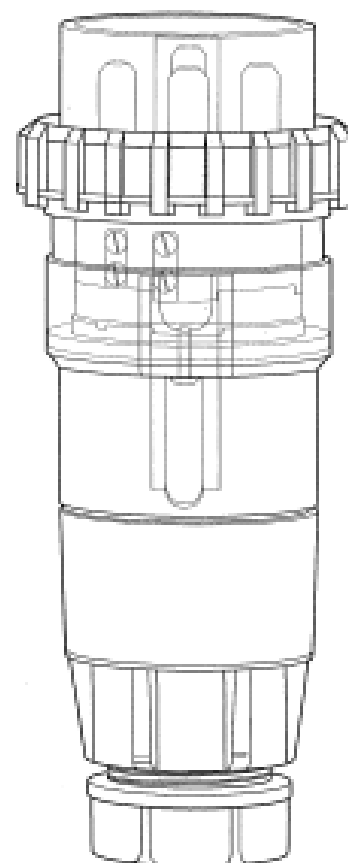
- (21) Design Number: **12880/2005**
- (22) Date of Filing Application: **06 July 2005**
- (24) Date from which industrial property rights may have effect: **06 July 2005**
- (54) Product in respect of which the design is registered: **Expandable connector assembly**
- (51) International Design Classification: **08-08NES, 08-09**
- (71) Name(s) and Address(s) of Applicant(s):
Joining Systems Australia Pty Ltd
C/-Grant Thornton (QLD) P/L 102 Adelaide Street Brisbane
Queensland 4000 Australia
- (72) Name(s) of Designer(s): **Richard Alan Walker**
- (45) Registration Date: **11 May 2006**
- (56) Related Art Documents: **Not Applicable**
- (57) Statement of Newness and Distinctiveness: **Nil**



- (21) Design Number: **12885/2005**
(22) Date of Filing Application: **07 July 2005**
(24) Date from which industrial property rights may have effect: **07 July 2005**
(54) Product in respect of which the design is registered: **Sleeping berth module**
(51) International Design Classification: **06-02, 06-99**
(71) Name(s) and Address(s) of Applicant(s):
Peter Anthony Hannah
3/7-11 Berry Street Cronulla New South Wales 2230 Australia
(72) Name(s) of Designer(s): **Peter Anthony Hannah**
(45) Registration Date: **11 May 2006**
(56) Related Art Documents: **Not Applicable**
(57) Statement of Newness and Distinctiveness: **Shape and configuration of a sleeping berth module as illustrated in the attached drawings.**



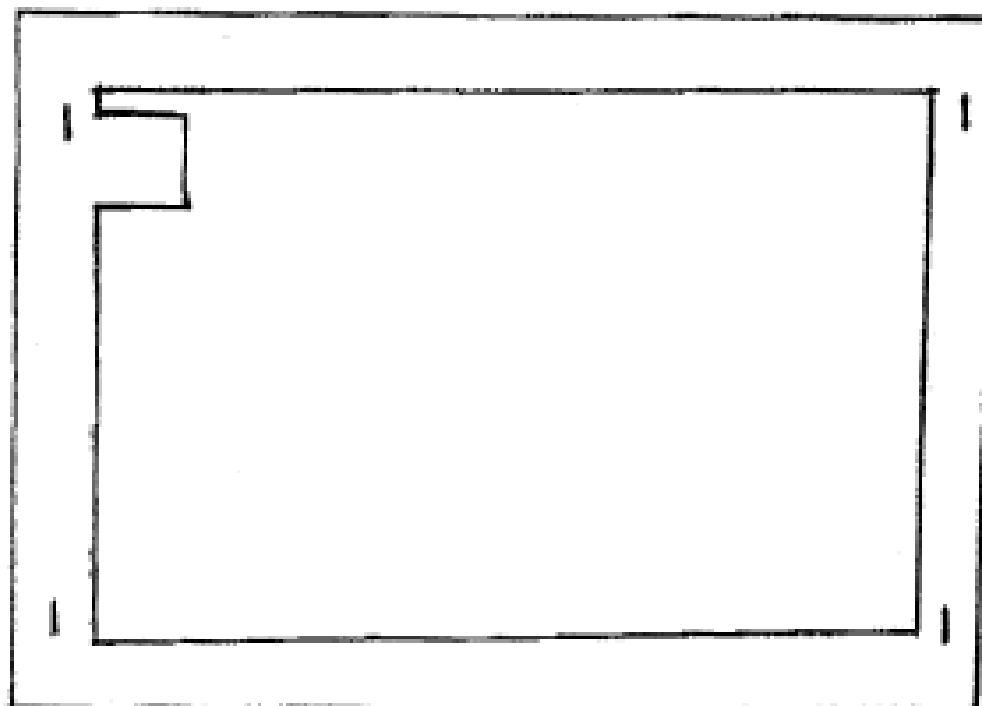
- (21) Design Number: **13047/2005**
(22) Date of Filing Application: **18 July 2005**
(24) Date from which industrial property rights may have effect: **18 July 2005**
(54) Product in respect of which the design is registered: **An electrical plug**
(51) International Design Classification: **13-03E**
(71) Name(s) and Address(s) of Applicant(s):
Anartelle Pty Ltd
278 Grange Road Flinders Park South Australia 5025 Australia
(72) Name(s) of Designer(s): **Anthony Aucone**
(45) Registration Date: **11 May 2006**
(56) Related Art Documents: **Not Applicable**
(57) Statement of Newness and Distinctiveness: **Nil**



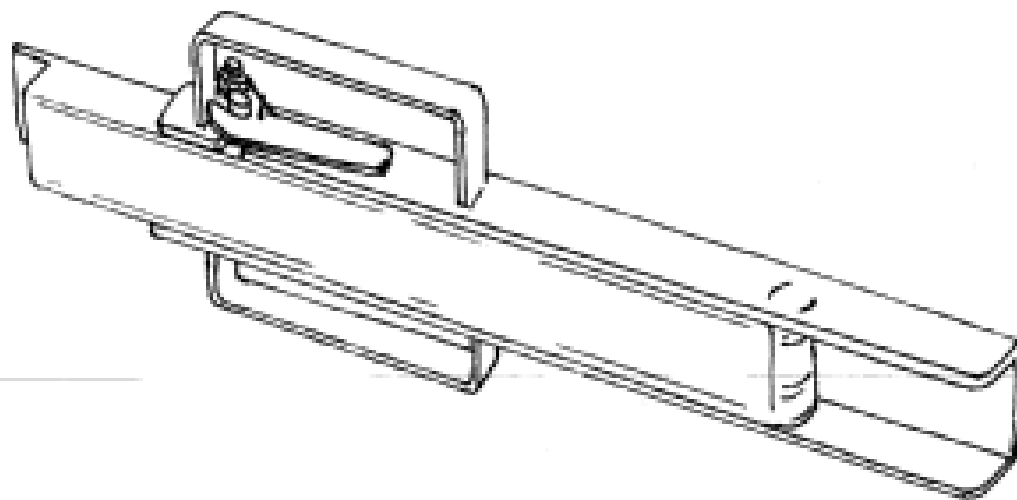
- (21) Design Number: **13048/2005**
- (22) Date of Filing Application: **18 July 2005**
- (24) Date from which industrial property rights may have effect: **18 July 2005**
- (54) Product in respect of which the design is registered: **An electrical socket**
- (51) International Design Classification: **13-03E**
- (71) Name(s) and Address(s) of Applicant(s):
Anartelle Pty Ltd
278 Grange Road Flinders Park South Australia 5025 Australia
- (72) Name(s) of Designer(s): **Anthony Aucone**
- (45) Registration Date: **11 May 2006**
- (56) Related Art Documents: **Not Applicable**
- (57) Statement of Newness and Distinctiveness: **Nil**



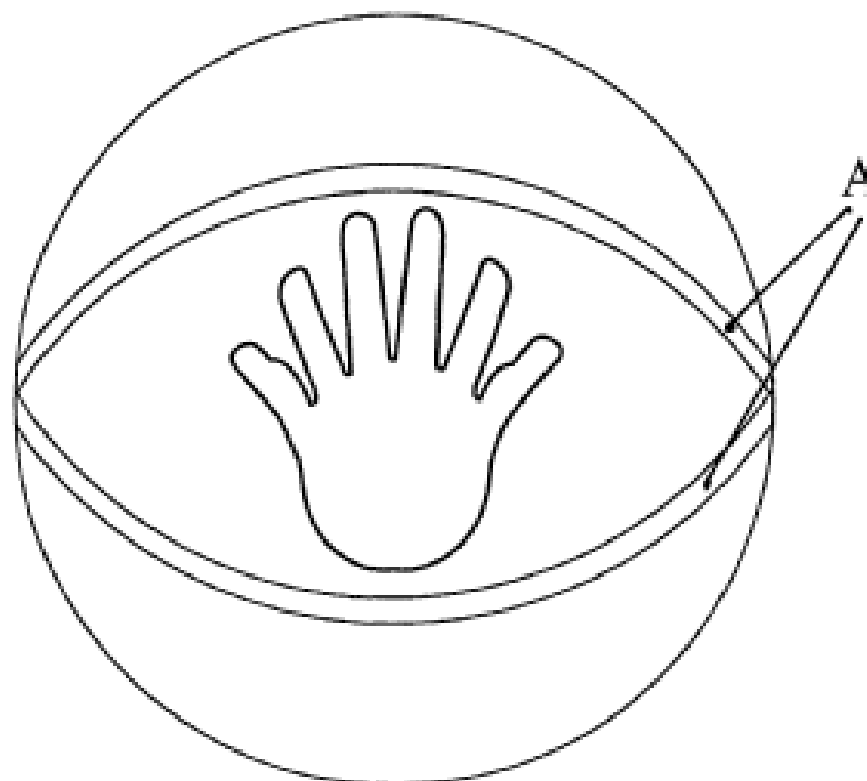
- (21) Design Number: **14341/2005**
- (22) Date of Filing Application: **05 October 2005**
- (24) Date from which industrial property rights may have effect: **05 October 2005**
- (54) Product in respect of which the design is registered: **Backing plate for an electronic alarm**
- (51) International Design Classification: **08-08NES, 10-05**
- (71) Name(s) and Address(s) of Applicant(s):
Angelo Rachele
71 Brooks Avenue Shepparton Victoria 3630 Australia
- (72) Name(s) of Designer(s): **Angelo Rachele**
- (45) Registration Date: **11 May 2006**
- (56) Related Art Documents: **Not Applicable**
- (57) Statement of Newness and Distinctiveness: **Nil**



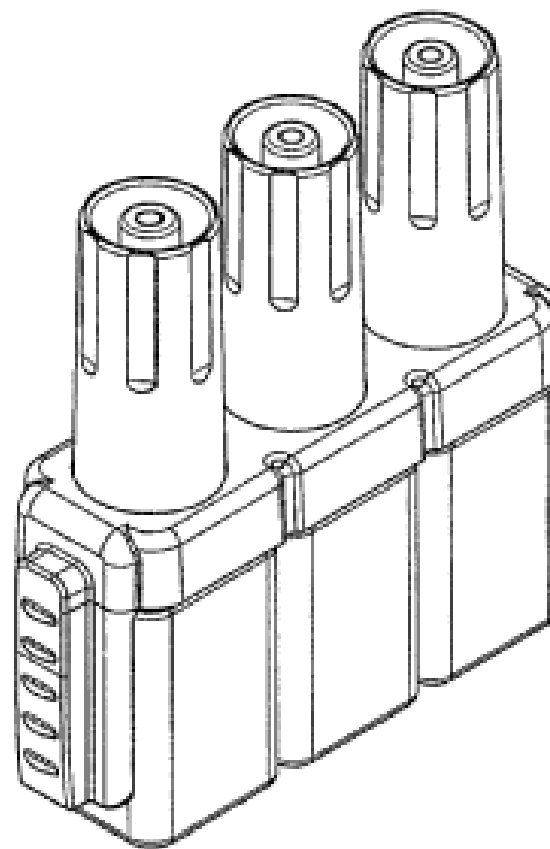
- (21) Design Number: **14510/2005**
- (22) Date of Filing Application: **13 October 2005**
- (24) Date from which industrial property rights may have effect: **13 October 2005**
- (54) Product in respect of which the design is registered: **Removable roof post for truck bodies or trailers**
- (51) International Design Classification: **12-16NES**
- (71) Name(s) and Address(s) of Applicant(s):
Philip A. Masterson
4 Royal Street Upper Ferntree Gully Victoria 3156 Australia
- (72) Name(s) of Designer(s): **Philip A. Masterson**
- (45) Registration Date: **11 May 2006**
- (56) Related Art Documents: **Not Applicable**
- (57) Statement of Newness and Distinctiveness: **The new feature of this design is the automatic locking latch only operated manually when releasing but automatically locking itself when pushed closed.**



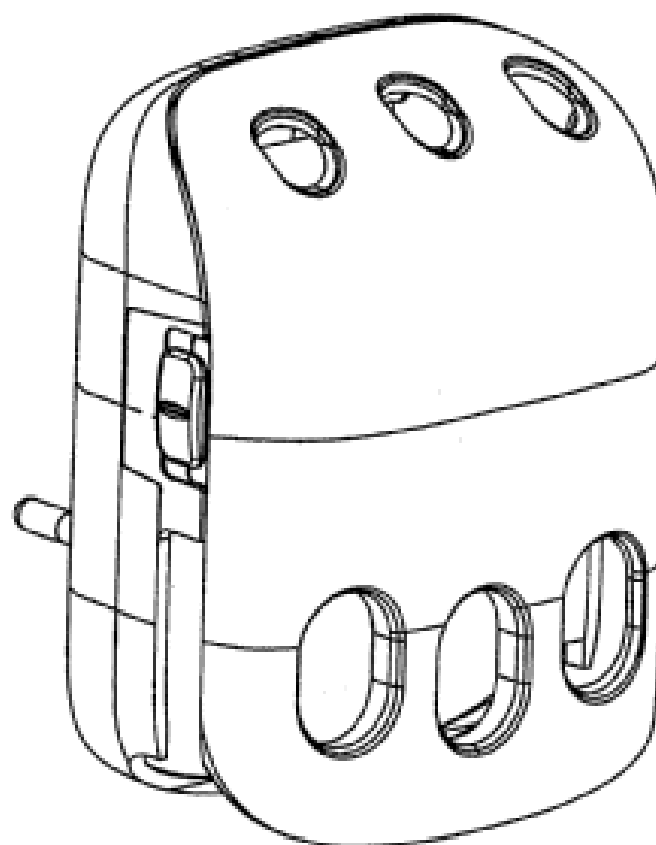
- (21) Design Number: **14555/2005**
- (22) Date of Filing Application: **17 October 2005**
- (24) Date from which industrial property rights may have effect: **17 October 2005**
- (54) Product in respect of which the design is registered: **Basketball**
- (51) International Design Classification: **21-02A**
- (71) Name(s) and Address(s) of Applicant(s):
Tyrrells Administrations Pty Ltd
183A Victoria Road Gladesville New South Wales 2111 Australia
- (72) Name(s) of Designer(s): **Allison Nealon**
- (45) Registration Date: **11 May 2006**
- (56) Related Art Documents: **Not Applicable**
- (57) Statement of Newness and Distinctiveness: **Newness and distinctiveness in the design as applied to a basketball having a hand locating means reside in the shape and configuration thereof as illustrated in the accompanying representations. In assessing newness and distinctiveness, the portions marked as "A" should be disregarded.**



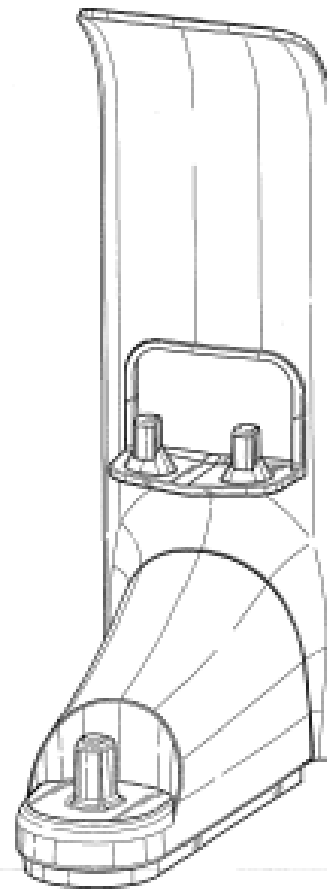
(21) Design Number: **14565/2005**
(22) Date of Filing Application: **18 October 2005**
(24) Date from which industrial property rights may have effect: **18 October 2005**
(54) Product in respect of which the design is registered: **Refill for air deodorising apparatus**
(51) International Design Classification: **28-99**
(71) Name(s) and Address(s) of Applicant(s):
Samar, LLC
10 South Riverside Plaza Suite 1800 Chicago Illinois 60606 United States of America
(72) Name(s) of Designer(s): **Bjorn Weggelaar**
(45) Registration Date: **11 May 2006**
(30) Convention priority data:
(31) Number (32) Date (33) Country
385,752-0002 12 Aug 2005 EUROPEAN COMMUNITY
(56) Related Art Documents: **Not Applicable**
(57) Statement of Newness and Distinctiveness: **Nil**



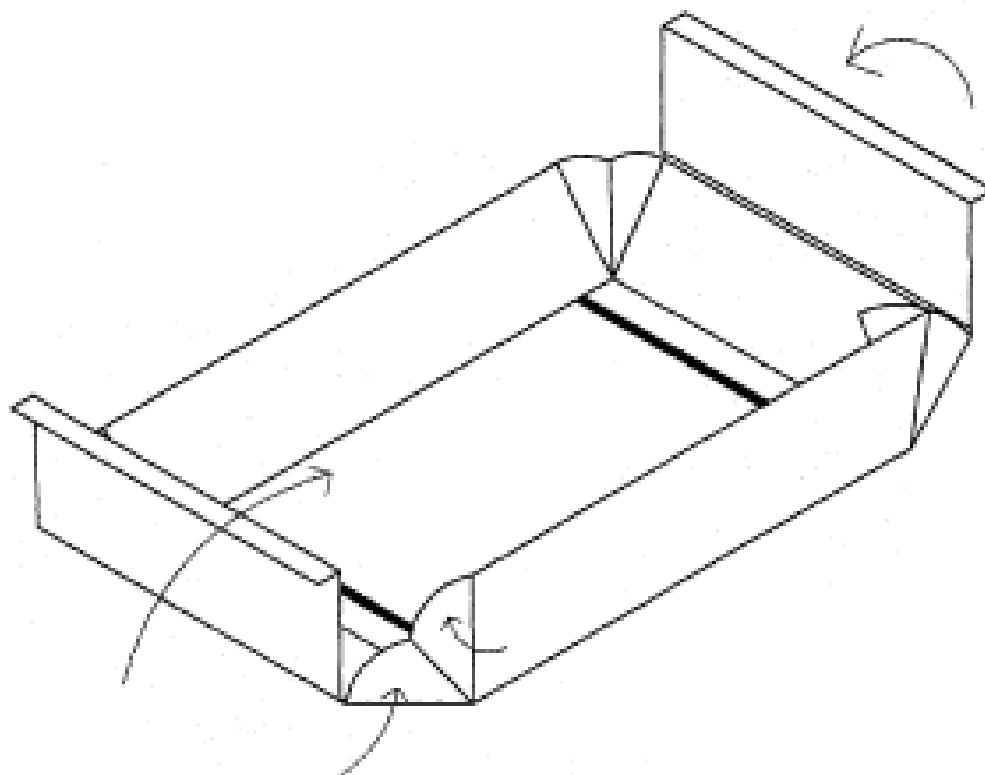
(21) Design Number: **14566/2005**
(22) Date of Filing Application: **18 October 2005**
(24) Date from which industrial property rights may have effect: **18 October 2005**
(54) Product in respect of which the design is registered: **Air deodorising apparatus**
(51) International Design Classification: **28-99**
(71) Name(s) and Address(s) of Applicant(s):
Samar, LLC
10 South Riverside Plaza Suite 1800 Chicago Illinois 60606 United States of America
(72) Name(s) of Designer(s): **Bjorn Waggelaar**
(45) Registration Date: **11 May 2006**
(30) Convention priority data:
(31) Number (32) Date (33) Country
385,752,0001 12 Aug 2005 EUROPEAN COMMUNITY
(56) Related Art Documents: **Not Applicable**
(57) Statement of Newness and Distinctiveness: **Nil**



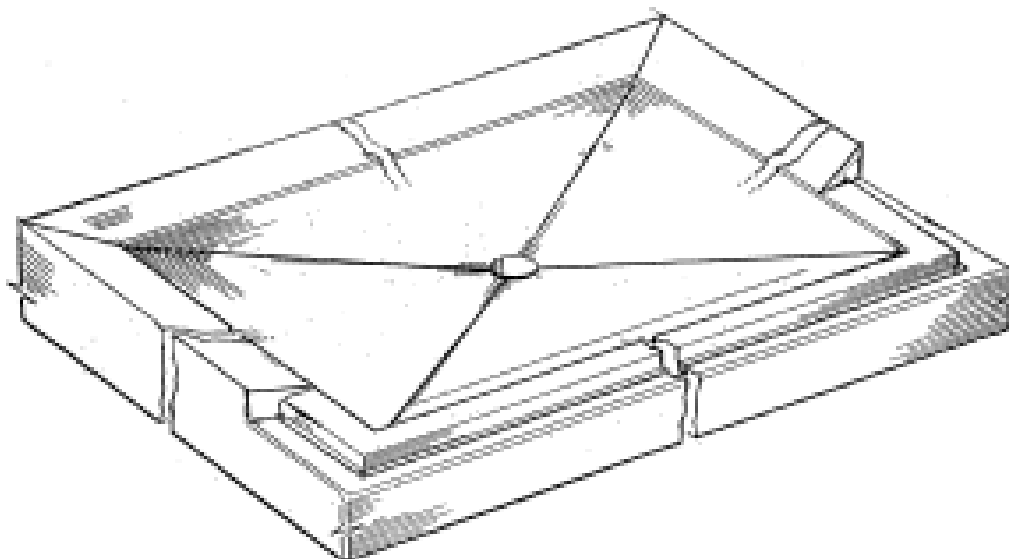
(21) Design Number: **14571/2005**
(22) Date of Filing Application: **18 October 2005**
(24) Date from which industrial property rights may have effect: **18 October 2005**
(54) Product in respect of which the design is registered: **Combination of a charger unit and holding device**
(51) International Design Classification: **13-02**
(71) Name(s) and Address(s) of Applicant(s):
Braun GmbH
Frankfurter Strasse 145 D-61476 Kronberg im Taunus Germany
(72) Name(s) of Designer(s): **Duy Phong Vu**
(45) Registration Date: **11 May 2006**
(30) Convention priority data:
(31) Number (32) Date (33) Country
40502279.4 28 Apr 2005 GERMANY
(56) Related Art Documents: **Not Applicable**
(57) Statement of Newness and Distinctiveness: **Nil**



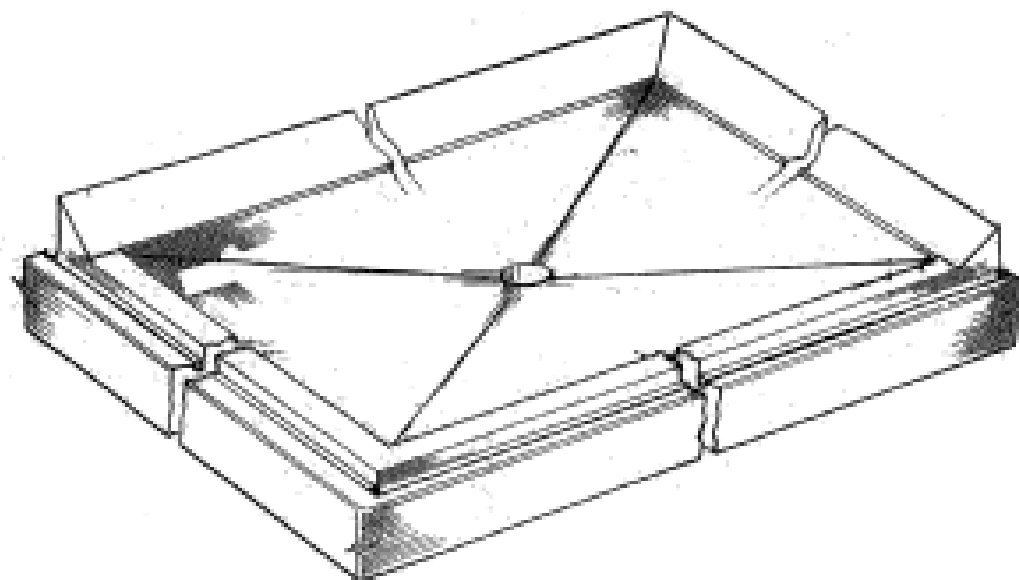
(21) Design Number: **14572/2005**
(22) Date of Filing Application: **18 October 2005**
(24) Date from which industrial property rights may have effect: **18 October 2005**
(54) Product in respect of which the design is registered: **Collapsible carton component**
(51) International Design Classification: **09-03F**
(71) Name(s) and Address(s) of Applicant(s):
Airpak Pty Ltd
116 Churchill Avenue Subiaco Western Australia 6008 Australia
(72) Name(s) of Designer(s): **Richard Norman Kehoe and Anthony Dimetrious Kongras and Chaiyaboon Kulsiriwadi and Isaias Florenca**
(45) Registration Date: **11 May 2006**
(56) Related Art Documents: **Not Applicable**
(57) Statement of Newness and Distinctiveness: **Nil**



(21) Design Number: **14595/2005**
(22) Date of Filing Application: **19 October 2005**
(24) Date from which industrial property rights may have effect: **19 October 2005**
(54) Product in respect of which the design is registered: **Shower base**
(51) International Design Classification: **23-02B**
(71) Name(s) and Address(s) of Applicant(s):
David John Green
14 Treetop Court Narre Warren South Victoria 3805 Australia
(72) Name(s) of Designer(s): **David John Green**
(45) Registration Date: **11 May 2006**
(56) Related Art Documents: **Not Applicable**
(57) Statement of Newness and Distinctiveness: **Nil**



(21) Design Number: **14596/2005**
(22) Date of Filing Application: **19 October 2005**
(24) Date from which industrial property rights may have effect: **19 October 2005**
(54) Product in respect of which the design is registered: **Shower base**
(51) International Design Classification: **23-02B**
(71) Name(s) and Address(s) of Applicant(s):
David John Green
14 Treetop Court Narre Warren South Victoria 3805 Australia
(72) Name(s) of Designer(s): **David John Green**
(45) Registration Date: **11 May 2006**
(56) Related Art Documents: **Not Applicable**
(57) Statement of Newness and Distinctiveness: **Nil**



- (21) Design Number: **14620/2005**
(22) Date of Filing Application: **20 October 2005**
(24) Date from which industrial property rights may have effect: **20 October 2005**
(54) Product in respect of which the design is registered: **Drum washing machine**
(51) International Design Classification: **15-05**
(71) Name(s) and Address(s) of Applicant(s):

LG Electronics Inc.
20 Yoido-dong Yongdungpo-gu Seoul 150-721 Republic of Korea

- (72) Name(s) of Designer(s): **Soon Uk Kwon and Young Il Kim and Ho Il Jeon**

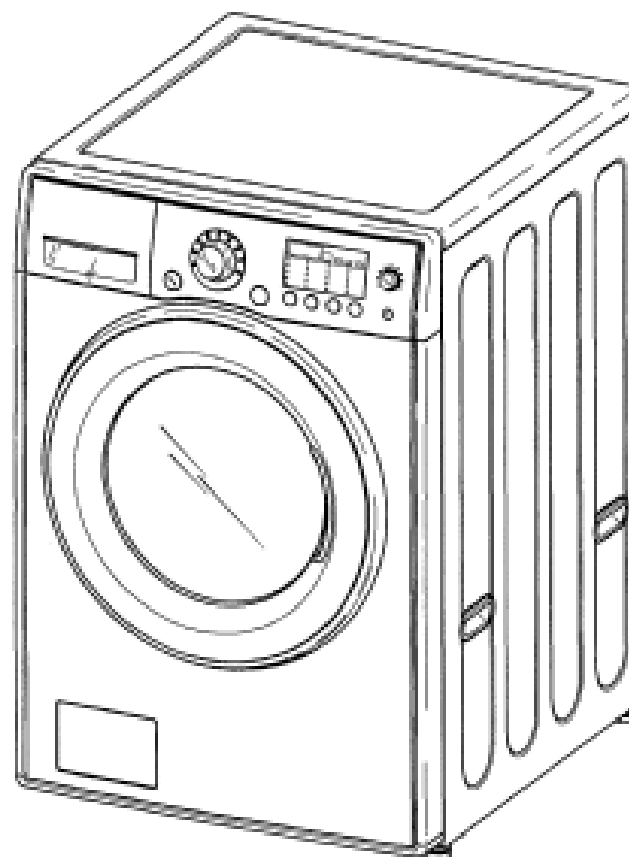
- (45) Registration Date: **11 May 2006**

- (30) Convention priority data:

(31) Number	(32) Date	(33) Country
30-2005-0013409	21 Apr 2005	REPUBLIC OF KOREA

- (56) Related Art Documents: **Not Applicable**

- (57) Statement of Newness and Distinctiveness: **Newness and distinctiveness in the design as applied to a drum washing machine reside in the shape and configuration thereof as illustrated in the accompanying representations.**



- (21) Design Number: **14643/2005**
(22) Date of Filing Application: **21 October 2005**
(24) Date from which industrial property rights may have effect: **21 October 2005**
(54) Product in respect of which the design is registered: **Hand press**
(51) International Design Classification: **08-05F, 08-05NES**
(71) Name(s) and Address(s) of Applicant(s):

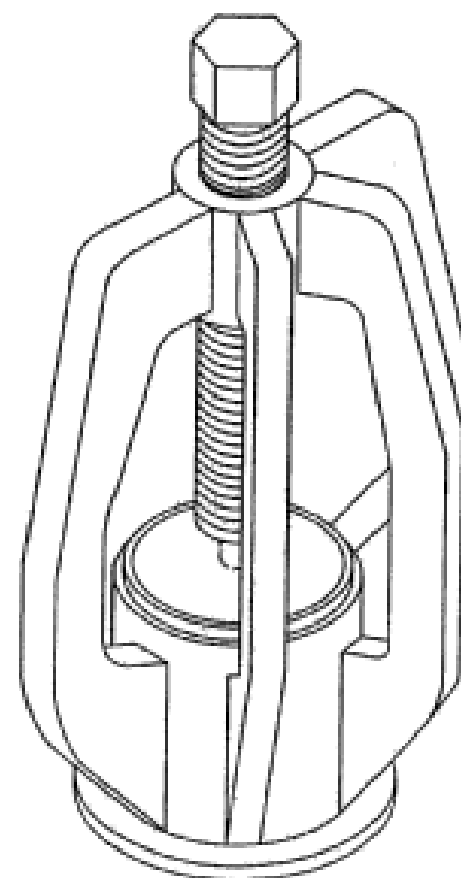
Glen Robert Duffy
11 Murray Place Forest Lake Queensland 4078 Australia

- (72) Name(s) of Designer(s): **Glen Robert Duffy**

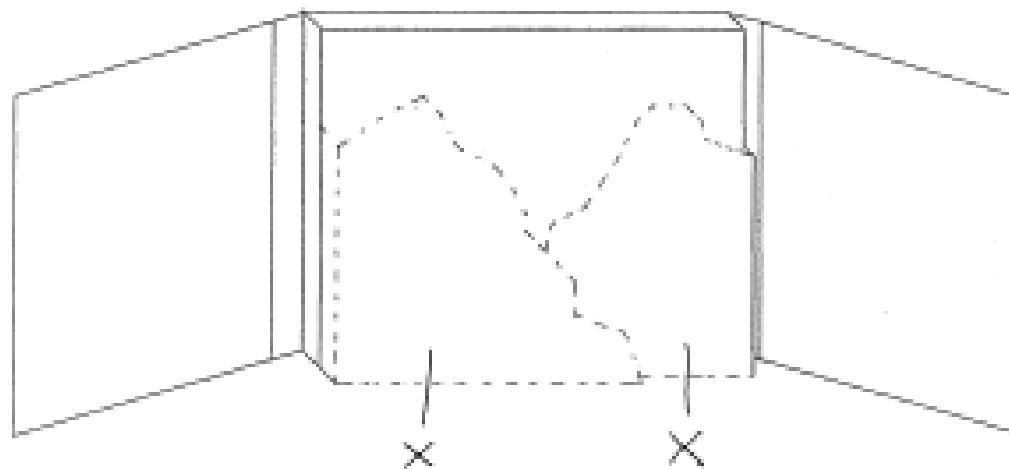
- (45) Registration Date: **11 May 2006**

- (56) Related Art Documents: **Not Applicable**

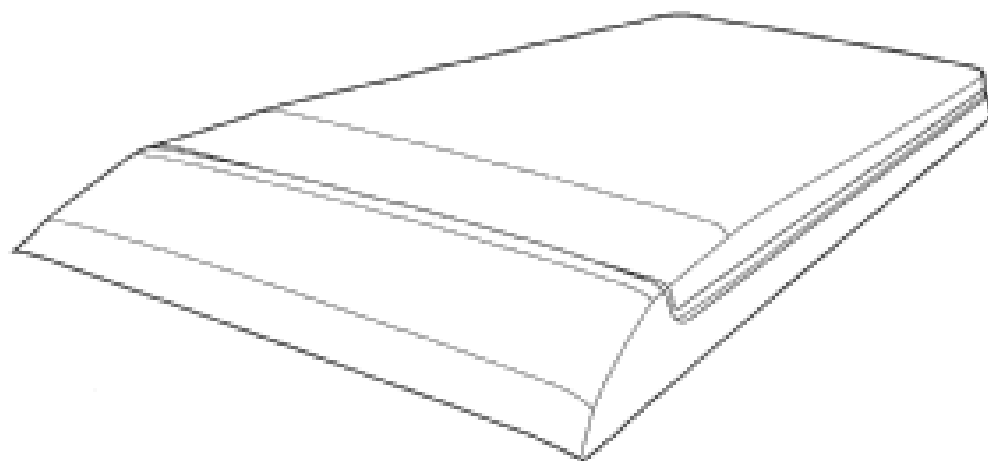
- (57) Statement of Newness and Distinctiveness: **Newness and distinctiveness resides in the shape and configuration of the hand press shown in the accompanying representations, and in considering the extent of the monopoly protection, the features of the jacking screw shown in phantom are to be disregarded.**



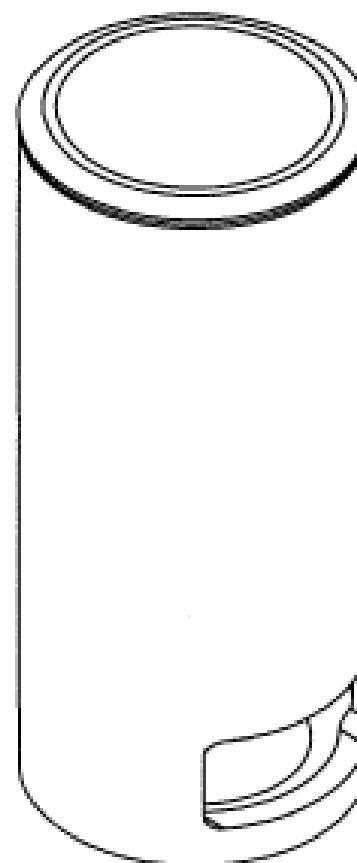
- (21) Design Number: **14724/2005**
(22) Date of Filing Application: **25 October 2005**
(24) Date from which industrial property rights may have effect: **25 October 2005**
(54) Product in respect of which the design is registered: **Display folder and unassembled blank therefor**
(51) International Design Classification: **20-02NES, 19-08**
(71) Name(s) and Address(s) of Applicant(s):
Print Workz Pty Ltd
24 Baker Street Richmond Victoria 3121 Australia
(72) Name(s) of Designer(s): **Mark Stevens**
(45) Registration Date: **11 May 2006**
(56) Related Art Documents: **Not Applicable**
(57) Statement of Newness and Distinctiveness: **Newness and distinctiveness resides in the features of the shape and configuration of a display folder. When considering newness and distinctiveness the shape of the folding portions marked X is to be disregarded.**



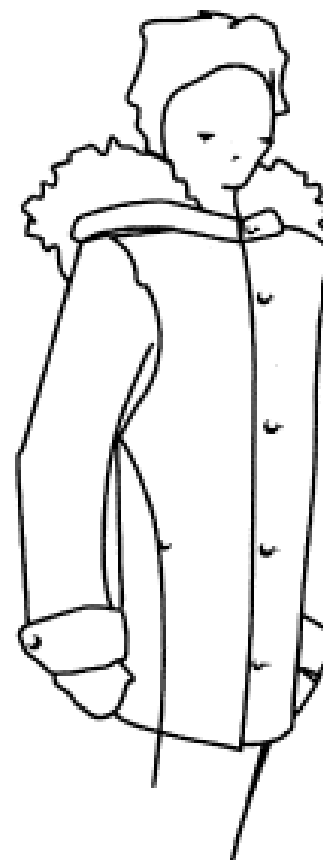
- (21) Design Number: **12520/2005**
(22) Date of Filing Application: **10 June 2005**
(24) Date from which industrial property rights may have effect: **10 June 2005**
(54) Product in respect of which the design is registered: **Pop-up roof**
(51) International Design Classification: **12-16NES**
(71) Name(s) and Address(s) of Applicant(s):
Frontline Camper Conversions Pty Ltd
36 Cross Street Brookvale New South Wales 2100 Australia
(72) Name(s) of Designer(s): **Peter Farrugia**
(45) Registration Date: **12 May 2006**
(56) Related Art Documents: **Not Applicable**
(57) Statement of Newness and Distinctiveness: **Monopoly is claimed in respect of the shape and configuration of a pop up roof as shown in the attached representations.**



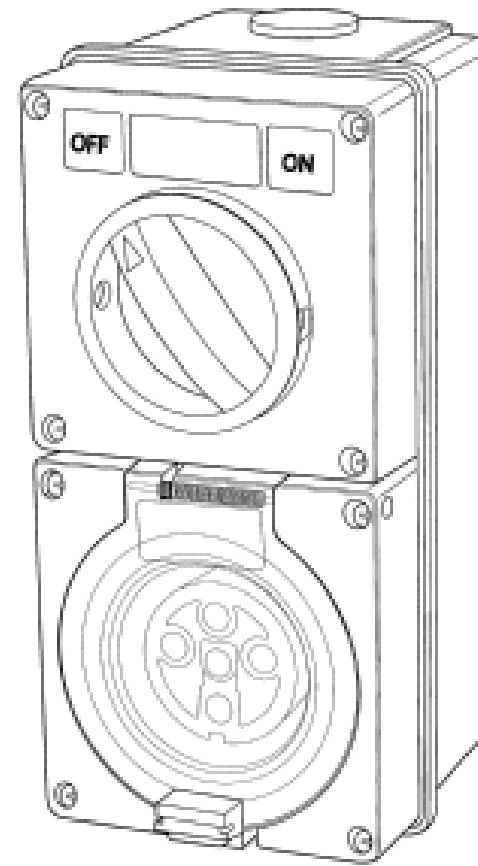
- (21) Design Number: **12536/2005**
(22) Date of Filing Application: **10 June 2005**
(24) Date from which industrial property rights may have effect: **10 June 2005**
(54) Product in respect of which the design is registered: **Ceramic and stainless steel single fondue warmer**
(51) International Design Classification: **07-02N**
(71) Name(s) and Address(s) of Applicant(s):
Bambis Import Co. Pty Ltd
1-9 Moreland Road East Coburg Victoria 3058 Australia
(72) Name(s) of Designer(s): **Harry Pourounidis**
(45) Registration Date: **12 May 2006**
(56) Related Art Documents: **Not Applicable**
(57) Statement of Newness and Distinctiveness: **As per attached perspective.**



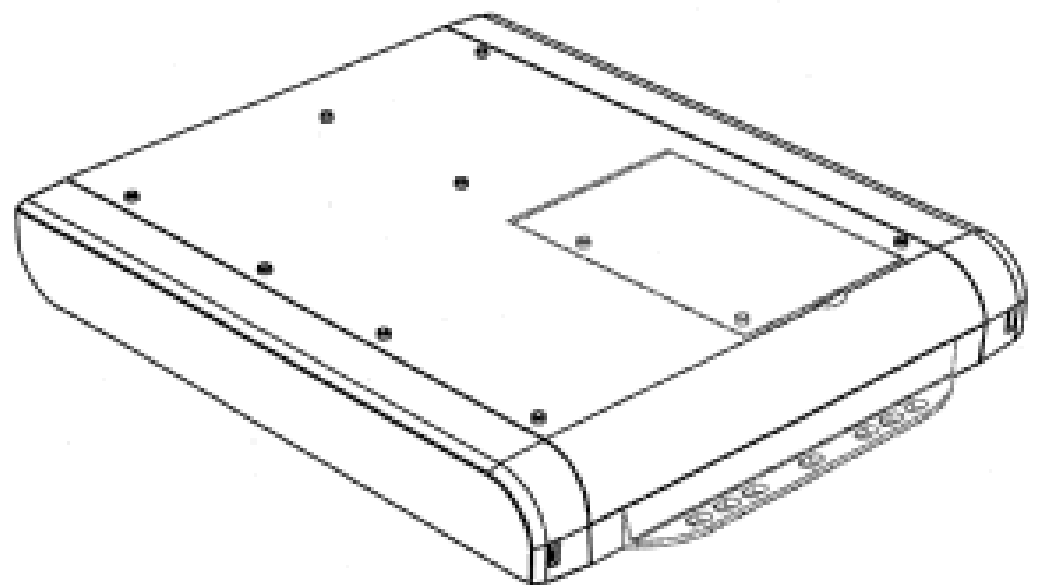
- (21) Design Number: **12692/2005**
(22) Date of Filing Application: **27 June 2005**
(24) Date from which industrial property rights may have effect: **27 June 2005**
(54) Product in respect of which the design is registered: **Scape koat garment**
(51) International Design Classification: **02-02NES**
(71) Name(s) and Address(s) of Applicant(s):
Sruli Recht
Studio 7 60 Language Street Collingwood Victoria 3066 Australia
(72) Name(s) of Designer(s): **Sruli Recht**
(45) Registration Date: **12 May 2006**
(56) Related Art Documents: **Not Applicable**
(57) Statement of Newness and Distinctiveness: **Button up stand collar hood extension, two piece sleeve very chunky, exaggerated side body shaping with button up pocket, seam ends in back side body below armhole, three quarter length coat, cross pattern button layout, pocket out of side body, overlapping cuff, fur hood and seam structure, quilt lining. Sleeve-cuff curved hem shaping with angled edge, working cuff overlapping button up, two piece sleeve oversized and very chunky. Hood-oversized quilted hood, seam design shaping through hood, stand collar from hood extension, natural lamb wool hood edge. Chest pockets in facing, facing extends to side body.**



- (21) Design Number: **13049/2005**
- (22) Date of Filing Application: **18 July 2005**
- (24) Date from which industrial property rights may have effect: **18 July 2005**
- (54) Product in respect of which the design is registered: **An electrical socket and switch**
- (51) International Design Classification: **13-03E**
- (71) Name(s) and Address(s) of Applicant(s):
Anartelle Pty Ltd
278 Grange Road Flinders Park South Australia 5025 Australia
- (72) Name(s) of Designer(s): **Anthony Aucone**
- (45) Registration Date: **12 May 2006**
- (56) Related Art Documents: **Not Applicable**
- (57) Statement of Newness and Distinctiveness: **Nil**



- (21) Design Number: **13884/2005**
- (22) Date of Filing Application: **08 September 2005**
- (24) Date from which industrial property rights may have effect: **08 September 2005**
- (54) Product in respect of which the design is registered: **Controller box (air conditioning)**
- (51) International Design Classification: **13-03NES**
- (71) Name(s) and Address(s) of Applicant(s):
Advantage Air (Aust) Pty Ltd
4 Whyalla Street Willetton Western Australia 6155 Australia
- (72) Name(s) of Designer(s): **Walter Kimble and Jason Nikolovski**
- (45) Registration Date: **12 May 2006**
- (56) Related Art Documents: **Not Applicable**
- (57) Statement of Newness and Distinctiveness: **Newness and distinctiveness is claimed in the visual features of an air conditioning controller box. The length 'L' and width 'W' of the controller box may vary in proportion to one another. The bracket and the top cover panel shown in phantom in the representations are to be disregarded for the purpose of assessing visual features of the controller box.**



(21) Design Number: **14145/2005**
 (22) Date of Filing Application: **26 September 2005**
 (24) Date from which industrial property rights may have effect: **26 September 2005**
 (54) Product in respect of which the design is registered: **Brush for a cleaner**
 (51) International Design Classification: **04-03, 15-05**
 (71) Name(s) and Address(s) of Applicant(s):

Vax Limited
Quillgold House Kingswood Road Hampton Lovett Droitwich
Worcester WR9 0QH United Kingdom

(72) Name(s) of Designer(s): **Reuben Proud and Bengt Ivar Anders Ivarsson**

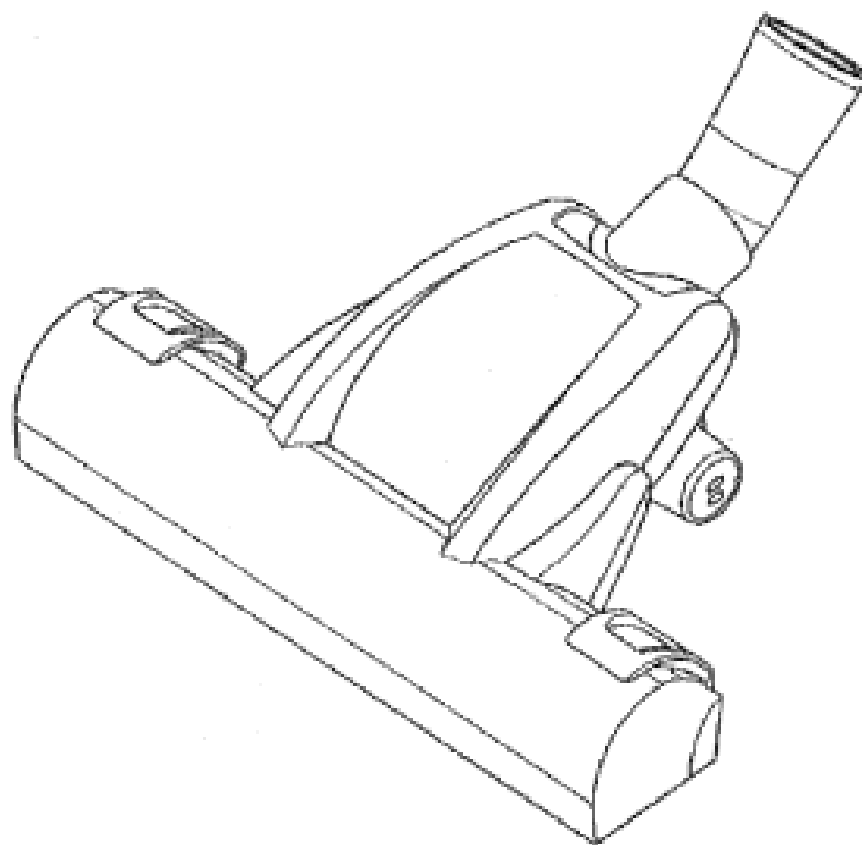
(45) Registration Date: **12 May 2006**

(30) Convention priority data:

(31) Number	(32) Date	(33) Country
000323787	08 Apr 2005	EUROPEAN PATENT OFFICE (EP)

(56) Related Art Documents: **Not Applicable**

(57) Statement of Newness and Distinctiveness: **Newness and distinctiveness is claimed in the ornamental shape of a brush for a cleaner as shown in the representations.**



(21) Design Number: **14146/2005**
 (22) Date of Filing Application: **26 September 2005**
 (24) Date from which industrial property rights may have effect: **26 September 2005**
 (54) Product in respect of which the design is registered: **A cleaner**
 (51) International Design Classification: **15-05**
 (71) Name(s) and Address(s) of Applicant(s):

Vax Limited
Quillgold House Kingswood Road Hampton Lovett Droitwich
Worcester WR9 0QH United Kingdom

(72) Name(s) of Designer(s): **Reuben Proud and Bengt Ivar Anders Ivarsson**

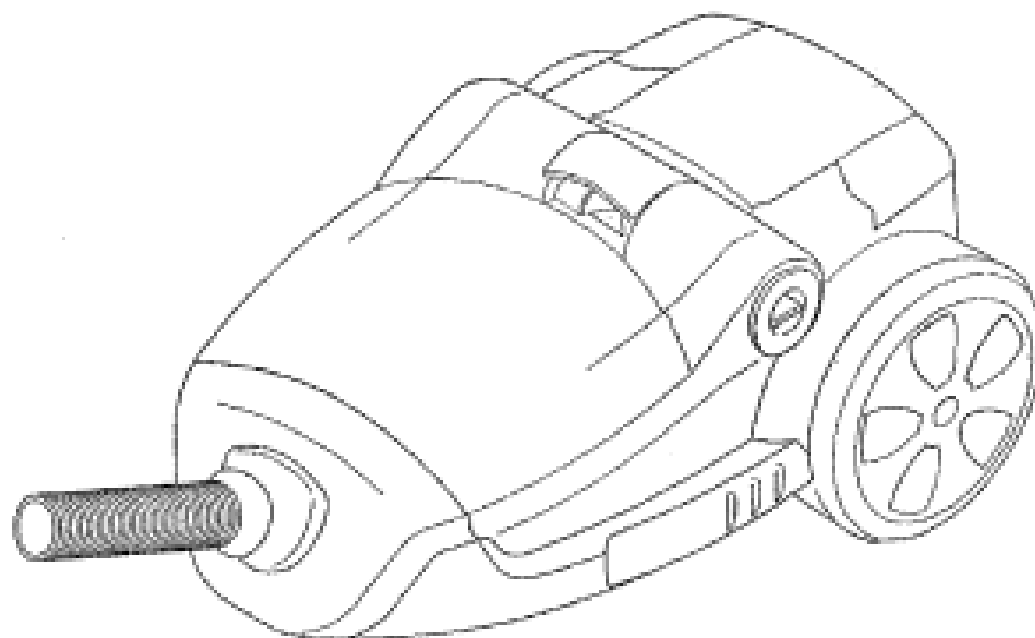
(45) Registration Date: **12 May 2006**

(30) Convention priority data:

(31) Number	(32) Date	(33) Country
000323787	08 Apr 2005	EUROPEAN PATENT OFFICE (EP)

(56) Related Art Documents: **Not Applicable**

(57) Statement of Newness and Distinctiveness: **Newness and distinctiveness is claimed in the ornamental shape of a cleaner as shown in the representations.**



(21) Design Number: **14464/2005**

(22) Date of Filing Application: **11 October 2005**

(24) Date from which industrial property rights may have effect: **11 October 2005**

(54) Product in respect of which the design is registered: **Automobile side skirt**

(51) International Design Classification: **12-16B**

(71) Name(s) and Address(s) of Applicant(s):

Alan Brian Kendall

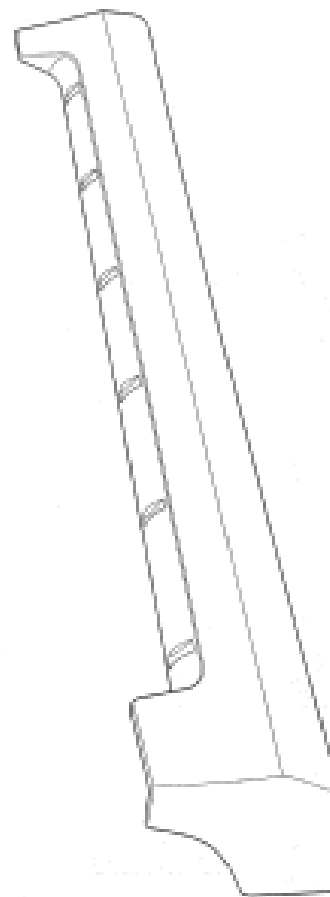
Unit 16 429 The Boulevard Kirrawee New South Wales 2232 Australia

(72) Name(s) of Designer(s): **John Learson**

(45) Registration Date: **12 May 2006**

(56) Related Art Documents: **Not Applicable**

(57) Statement of Newness and Distinctiveness: **Each feature of the design considered separately or in combination with any other feature or features.**



(21) Design Number: **14540/2005**

(22) Date of Filing Application: **17 October 2005**

(24) Date from which industrial property rights may have effect: **17 October 2005**

(54) Product in respect of which the design is registered: **A container**

(51) International Design Classification: **09-01C**

(71) Name(s) and Address(s) of Applicant(s):

Societe des Produits Nestle S.A.

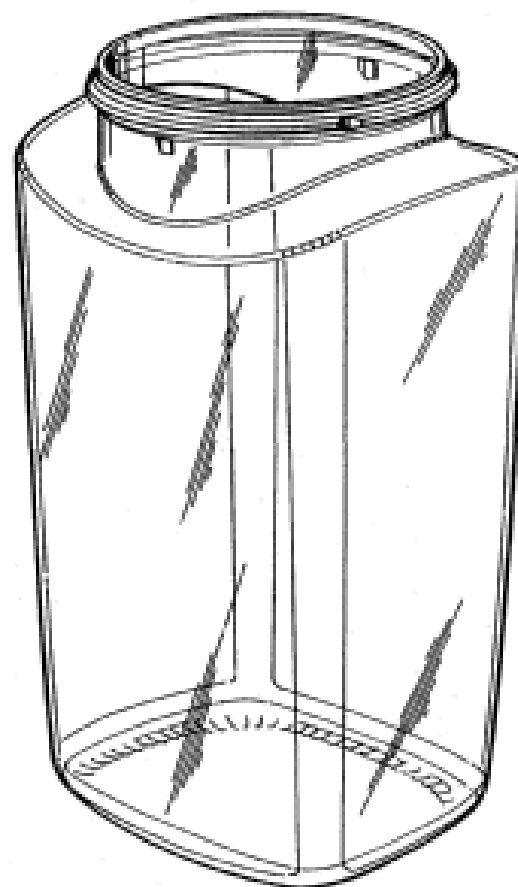
1800 Vevey Switzerland

(72) Name(s) of Designer(s): **David Francis**

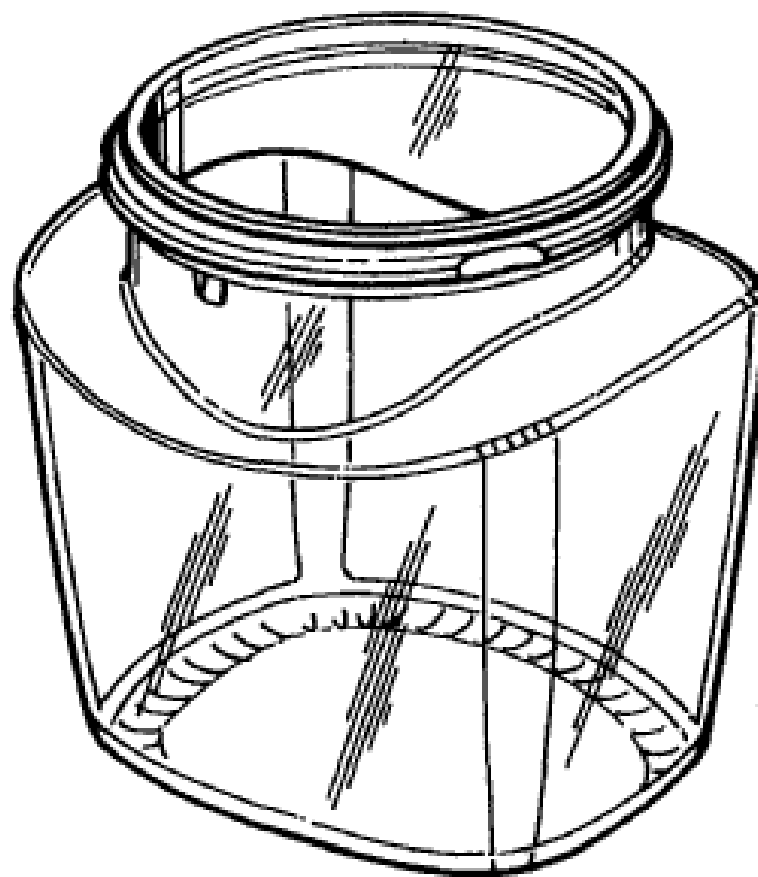
(45) Registration Date: **12 May 2006**

(56) Related Art Documents: **Not Applicable**

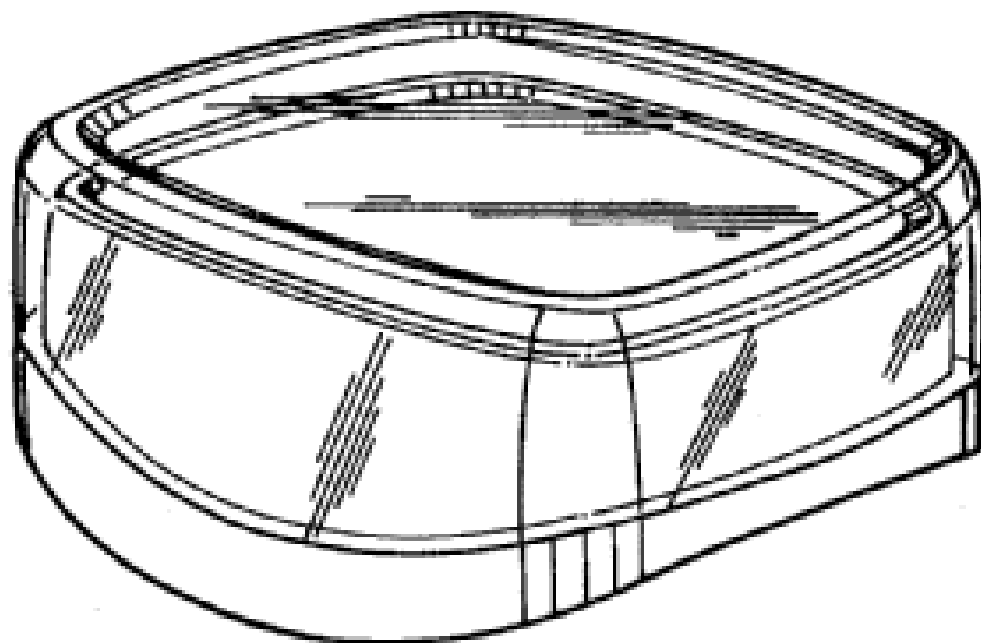
(57) Statement of Newness and Distinctiveness: **Nil**



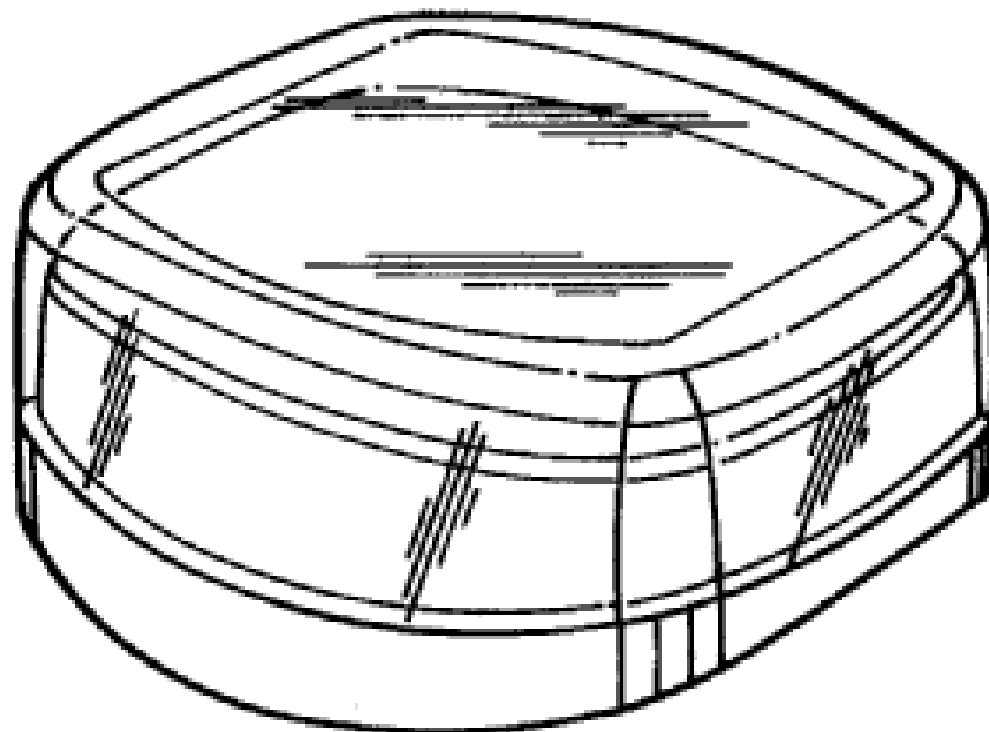
- (21) Design Number: **14541/2005**
- (22) Date of Filing Application: **17 October 2005**
- (24) Date from which industrial property rights may have effect: **17 October 2005**
- (54) Product in respect of which the design is registered: **A container**
- (51) International Design Classification: **09-01C**
- (71) Name(s) and Address(s) of Applicant(s):
Societe des Produits Nestle S.A.
1800 Vevey Switzerland
- (72) Name(s) of Designer(s): **David Francis**
- (45) Registration Date: **12 May 2006**
- (56) Related Art Documents: **Not Applicable**
- (57) Statement of Newness and Distinctiveness: **Nil**



- (21) Design Number: **14542/2005**
- (22) Date of Filing Application: **17 October 2005**
- (24) Date from which industrial property rights may have effect: **17 October 2005**
- (54) Product in respect of which the design is registered: **A closure**
- (51) International Design Classification: **09-07B**
- (71) Name(s) and Address(s) of Applicant(s):
Societe des Produits Nestle S.A.
1800 Vevey Switzerland
- (72) Name(s) of Designer(s): **David Francis**
- (45) Registration Date: **12 May 2006**
- (56) Related Art Documents: **Not Applicable**
- (57) Statement of Newness and Distinctiveness: **Nil**



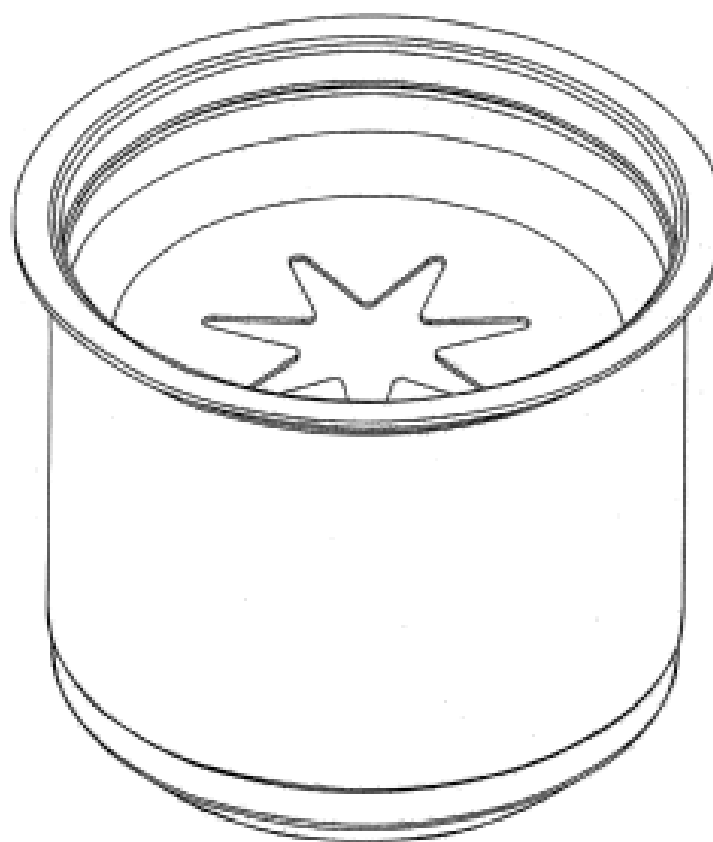
- (21) Design Number: **14543/2005**
(22) Date of Filing Application: **17 October 2005**
(24) Date from which industrial property rights may have effect: **17 October 2005**
(54) Product in respect of which the design is registered: **A closure**
(51) International Design Classification: **09-07B**
(71) Name(s) and Address(s) of Applicant(s):
Societe des Produits Nestle S.A.
1800 Vevey Switzerland
(72) Name(s) of Designer(s): **David Francis**
(45) Registration Date: **12 May 2006**
(56) Related Art Documents: **Not Applicable**
(57) Statement of Newness and Distinctiveness: **Nil**



- (21) Design Number: **14546/2005**
(22) Date of Filing Application: **14 October 2005**
(24) Date from which industrial property rights may have effect: **14 October 2005**
(54) Product in respect of which the design is registered: **Container**
(51) International Design Classification: **09-01C**
(71) Name(s) and Address(s) of Applicant(s):
Ezee Whip Ice-Cream Limited
Maple House Main Street Cosgrove Milton Keynes MK19 7DL United Kingdom
(72) Name(s) of Designer(s): **Andrew Michael Wells**
(45) Registration Date: **12 May 2006**
(30) Convention priority data:

(31) Number	(32) Date	(33) Country
000415021	12 Oct 2005	EUROPEAN COMMUNITY

(56) Related Art Documents: **Not Applicable**
(57) Statement of Newness and Distinctiveness: **The design comprises a combination of a container body and a piston which is movable within the container body to extrude any contents in the container body through an aperture in the piston.**



(19) AU

- (21) Design Number: **14570/2005**
- (22) Date of Filing Application: **18 October 2005**
- (24) Date from which industrial property rights may have effect: **18 October 2005**
- (54) Product in respect of which the design is registered: **A router**
- (51) International Design Classification: **08-03**
- (71) Name(s) and Address(s) of Applicant(s):

Black & Decker, Inc.
1207 Drummond Plaza Newark Delaware 19711 United States of America

(72) Name(s) of Designer(s): **Nigel Robson**

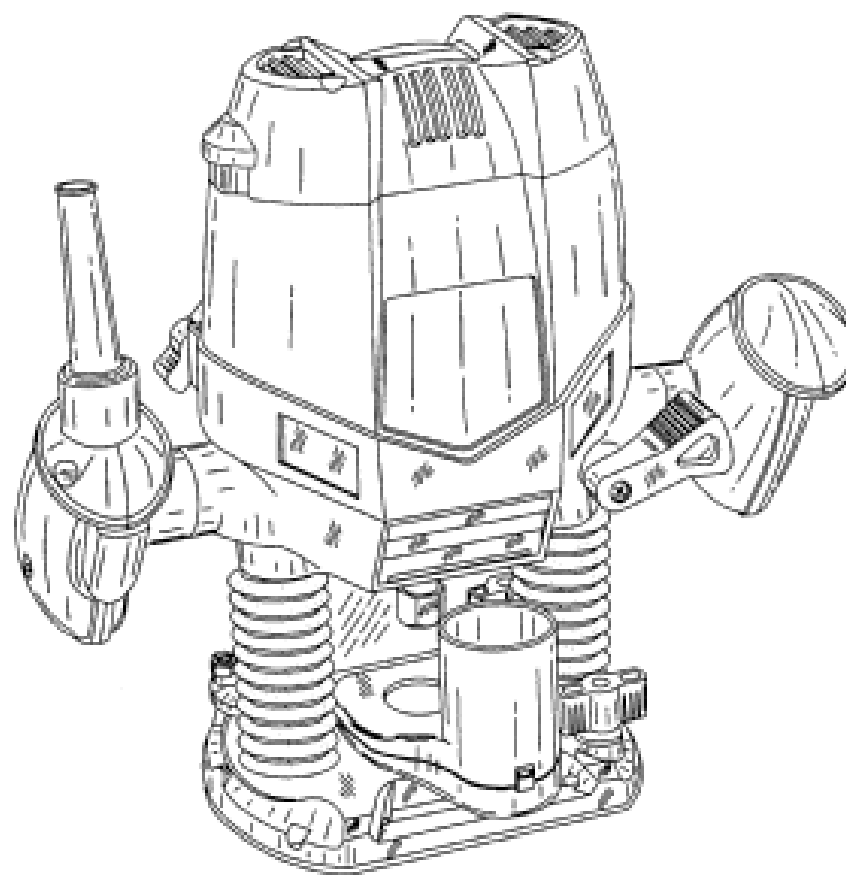
(45) Registration Date: **12 May 2006**

(30) Convention priority data:

(31) Number	(32) Date	(33) Country
3021655	22 Jun 2005	UNITED KINGDOM

(56) Related Art Documents: **Not Applicable**

(57) Statement of Newness and Distinctiveness: **Nil**



(19) AU

- (21) Design Number: **14558/2005**
- (22) Date of Filing Application: **17 October 2005**
- (24) Date from which industrial property rights may have effect: **17 October 2005**
- (54) Product in respect of which the design is registered: **Bottle**
- (51) International Design Classification: **09-01K**
- (71) Name(s) and Address(s) of Applicant(s):

The Coca-Cola Company
One Coca-Cola Plaza NW Atlanta Georgia 30313 United States of America

(72) Name(s) of Designer(s): **Robert P. Grant**

(45) Registration Date: **12 May 2006**

(30) Convention priority data:

(31) Number	(32) Date	(33) Country
29/229,226	04 May 2005	UNITED STATES OF AMERICA

(56) Related Art Documents: **Not Applicable**

(57) Statement of Newness and Distinctiveness: **Those features of the bottle depicted in the representations that are new and distinctive are the shape and/or configuration. The features shown in broken lines are not part of the design and are to be disregarded when considering the overall impression of the design.**



- (21) Design Number: **14622/2005**
(22) Date of Filing Application: **20 October 2005**
(24) Date from which industrial property rights may have effect: **20 October 2005**
(54) Product in respect of which the design is registered: **Drum washing machine**
(51) International Design Classification: **15-05**
(71) Name(s) and Address(s) of Applicant(s):

LG Electronics Inc.
20 Yoido-dong Yongdungpo-gu Seoul 150-721 Republic of Korea

- (72) Name(s) of Designer(s): **Soon Uk Kwon and Young Il Kim and Ho Il Jeon**

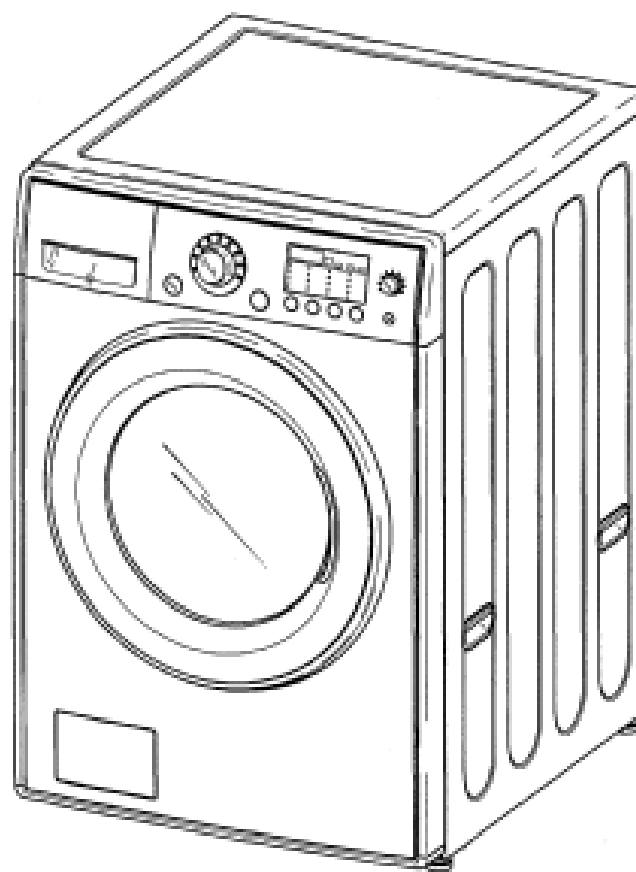
- (45) Registration Date: **12 May 2006**

- (30) Convention priority data:

(31) Number	(32) Date	(33) Country
30-2005-0013408	21 Apr 2005	REPUBLIC OF KOREA

- (56) Related Art Documents: **Not Applicable**

- (57) Statement of Newness and Distinctiveness: **Newness and distinctiveness in the design as applied to a drum washing machine reside in the shape and configuration thereof as illustrated in the accompanying representations.**



- (21) Design Number: **14978/2004**
(22) Date of Filing Application: **20 October 2004**
(24) Date from which industrial property rights may have effect: **20 October 2004**
(54) Product in respect of which the design is registered: **Vehicle mounted carrier**
(51) International Design Classification: **12-16C**
(71) Name(s) and Address(s) of Applicant(s):

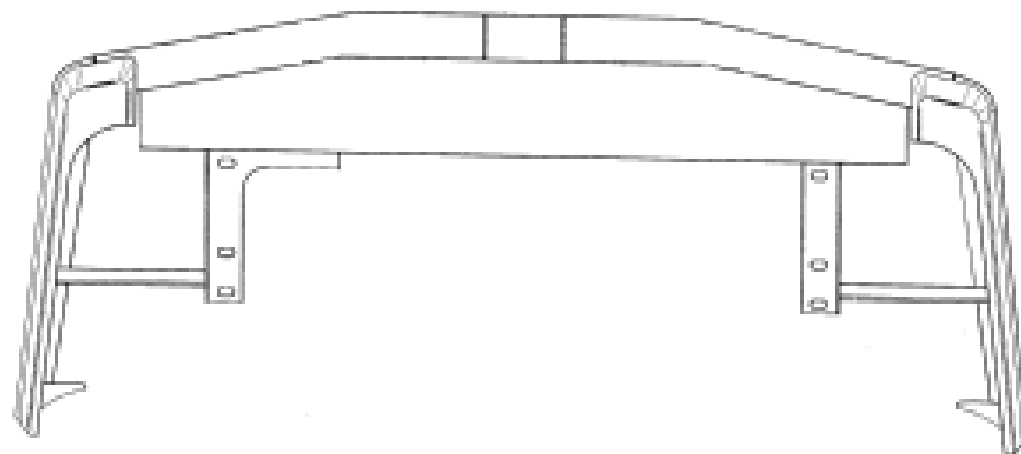
ARB Corporation Limited
42/44 Garden Street Kilsyth Victoria 3137 Australia

- (72) Name(s) of Designer(s): **Peter Ivan Anderson**

- (45) Registration Date: **12 May 2006**

- (56) Related Art Documents: **Not Applicable**

- (57) Statement of Newness and Distinctiveness: **The new and distinctive features of the design are the shape or configuration of a vehicle mounted carrier as illustrated in the accompanying representations. The items shown in broken outline do not form part of the design and are indicative of typical items which may be mounted on the carrier.**



- (21) Design Number: **15522/2005**
(22) Date of Filing Application: **13 December 2005**
(24) Date from which industrial property rights may have effect: **13 December 2005**
(54) Product in respect of which the design is registered: **Motorcycle tyre**
(51) International Design Classification: **12-15NES**
(71) Name(s) and Address(s) of Applicant(s):

Bridgestone Corporation
10-1 Kyobashi 1-chome Chuo-ku Tokyo Japan

(72) Name(s) of Designer(s): **Daita Itoi**

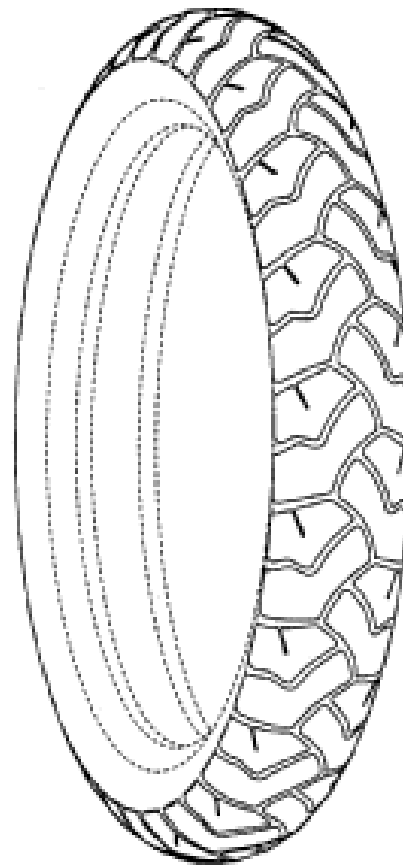
(45) Registration Date: **12 May 2006**

(30) Convention priority data:

(31) Number	(32) Date	(33) Country
2005-17978	21 Jun 2005	JAPAN

(56) Related Art Documents: **Not Applicable**

(57) Statement of Newness and Distinctiveness: **Newness and distinctiveness is claimed in the visual features shown in solid lines in the representations.**



- (21) Design Number: **15523/2005**
(22) Date of Filing Application: **13 December 2005**
(24) Date from which industrial property rights may have effect: **13 December 2005**
(54) Product in respect of which the design is registered: **Motorcycle tyre**
(51) International Design Classification: **12-15NES**
(71) Name(s) and Address(s) of Applicant(s):

Bridgestone Corporation
10-1 Kyobashi 1-chome Chuo-ku Tokyo Japan

(72) Name(s) of Designer(s): **Daita Itoi**

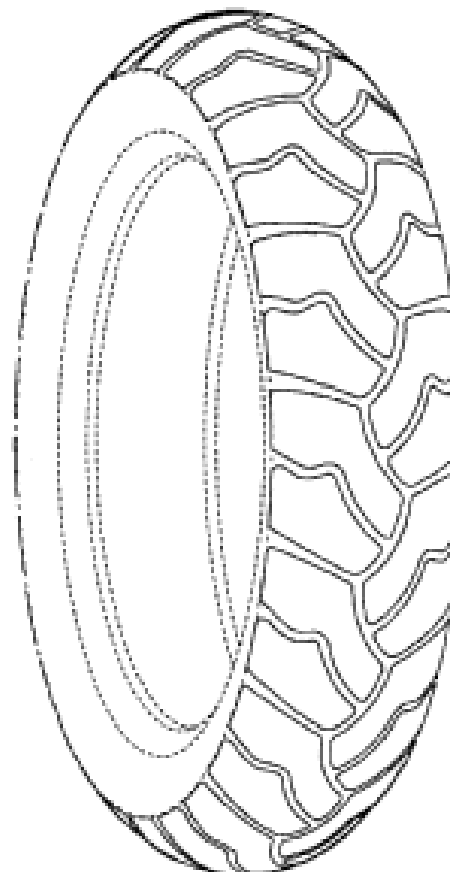
(45) Registration Date: **12 May 2006**

(30) Convention priority data:

(31) Number	(32) Date	(33) Country
2005-17979	21 Jun 2005	JAPAN

(56) Related Art Documents: **Not Applicable**

(57) Statement of Newness and Distinctiveness: **Newness and distinctiveness is claimed in the visual features shown in solid lines in the representations.**



(21) Design Number: **15524/2005**
(22) Date of Filing Application: **13 December 2005**
(24) Date from which industrial property rights may have effect: **13 December 2005**
(54) Product in respect of which the design is registered: **Pole hedge trimmer**
(51) International Design Classification: **08-03**
(71) Name(s) and Address(s) of Applicant(s):

Black & Decker Inc.
1207 Drummond Plaza Newark Delaware 19711 United States of America

(72) Name(s) of Designer(s): **Ashok Samuel Baskar and Jason Busschaert**

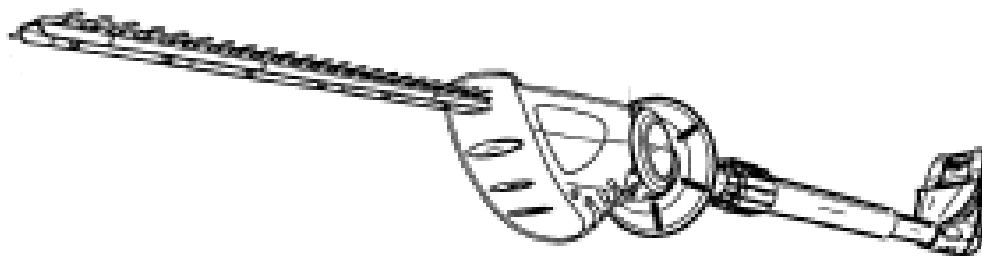
(45) Registration Date: **12 May 2006**

(30) Convention priority data:

(31) Number	(32) Date	(33) Country
29233332	30 Jun 2005	UNITED STATES OF AMERICA

(56) Related Art Documents: **Not Applicable**

(57) Statement of Newness and Distinctiveness: **Nil**



(21) Design Number: **12610/2005**
(22) Date of Filing Application: **20 June 2005**
(24) Date from which industrial property rights may have effect: **20 June 2005**
(54) Product in respect of which the design is registered: **Nozzle**
(51) International Design Classification: **23-01A, 09-07A**
(71) Name(s) and Address(s) of Applicant(s):

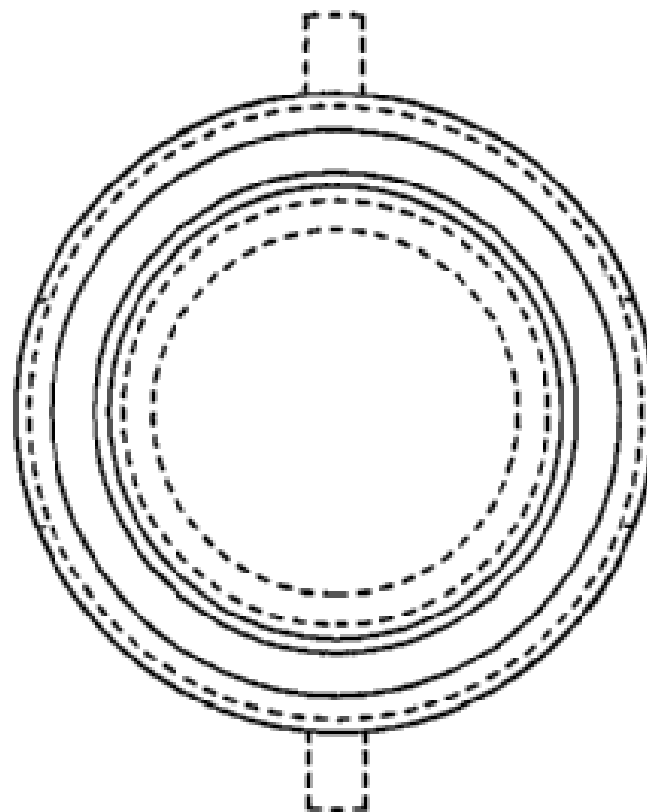
Hill Holdings LLC
2040 Johnson Court Unit A Kingston Illinois 60145 United States of America

(72) Name(s) of Designer(s): **David Ren**

(45) Registration Date: **12 May 2006**

(56) Related Art Documents: **Not Applicable**

(57) Statement of Newness and Distinctiveness: **The shape and configuration of a support flange for a nozzle as shown in solid lines in the accompanying representations. Features shown in broken lines are to be disregarded in determining the novelty and distinctiveness of the accompanying design.**



(21) Design Number: **12611/2005**

(22) Date of Filing Application: **20 June 2005**

(24) Date from which industrial property rights may have effect: **20 June 2005**

(54) Product in respect of which the design is registered: **Dispensing lid**

(51) International Design Classification: **09-07A**

(71) Name(s) and Address(s) of Applicant(s):

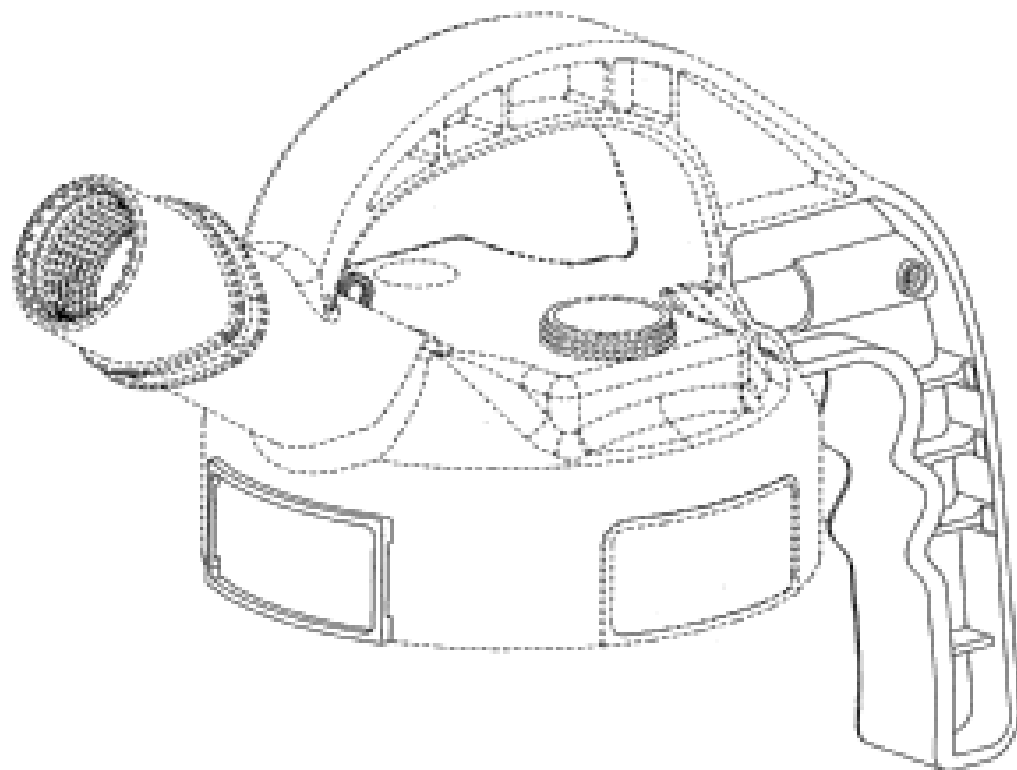
Hill Holdings LLC
2040 Johnson Court Unit A Kingston Illinois 60145 United States of America

(72) Name(s) of Designer(s): **David Ren**

(45) Registration Date: **12 May 2006**

(56) Related Art Documents: **Not Applicable**

(57) Statement of Newness and Distinctiveness: **The shape and configuration of identification panel receiving members for a dispensing lid as shown in solid lines in the accompanying representations. Features shown in broken lines are to be disregarded in determining the novelty and distinctiveness of the accompanying design.**



(21) Design Number: **14115/2005**

(22) Date of Filing Application: **23 September 2005**

(24) Date from which industrial property rights may have effect: **23 September 2005**

(54) Product in respect of which the design is registered: **Electrical apparatus**

(51) International Design Classification: **13-03A, 13-03D**

(71) Name(s) and Address(s) of Applicant(s):

BTICINO S.p.A.
Via Messina 38-20154 Milano Italy

(72) Name(s) of Designer(s): **Fabrizio Fabrizi**

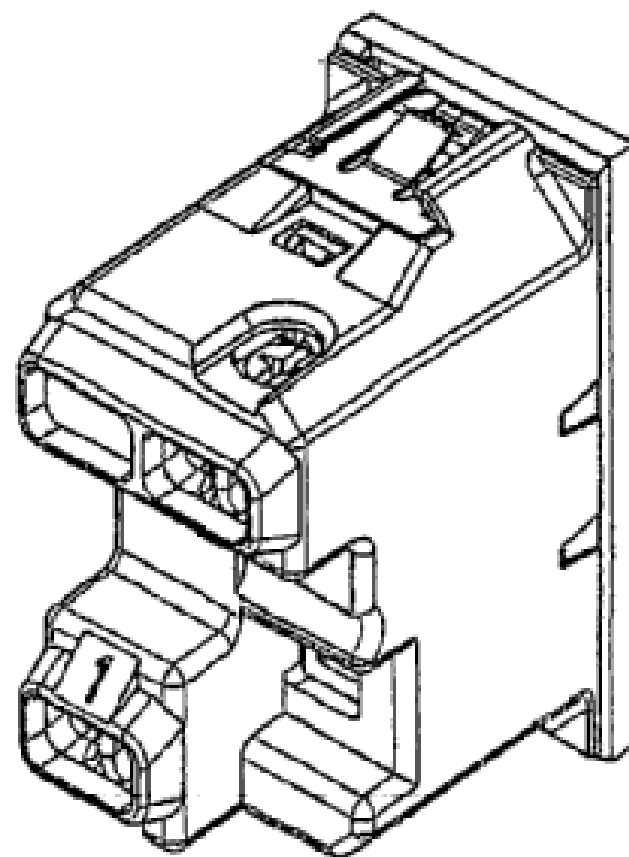
(45) Registration Date: **12 May 2006**

(30) Convention priority data:

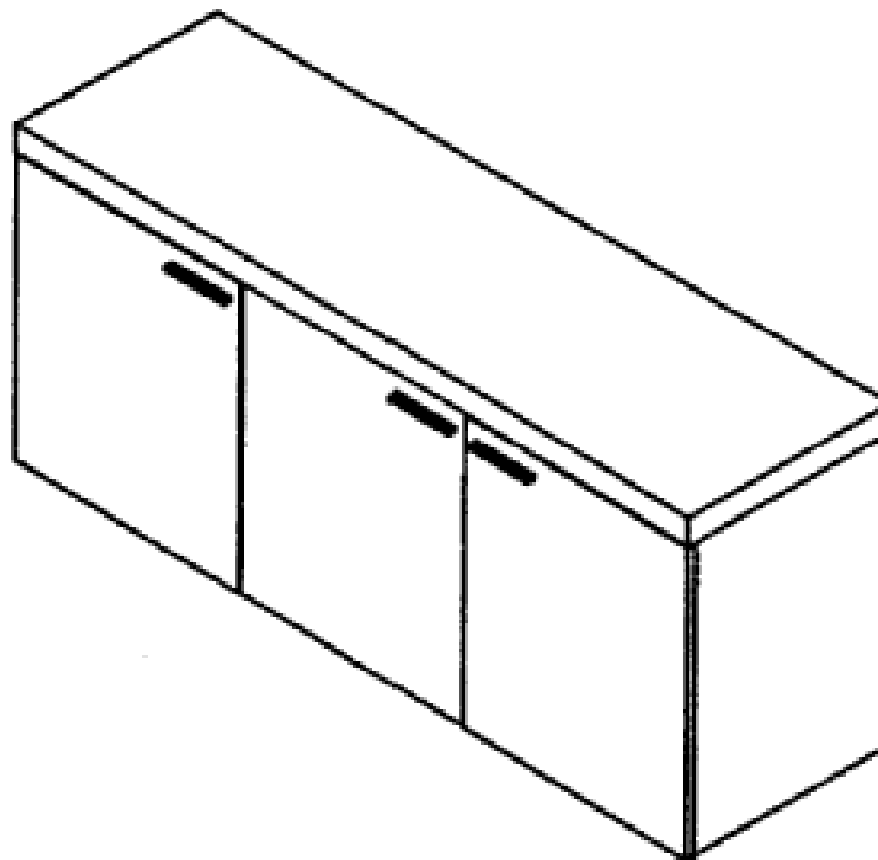
(31) Number	(32) Date	(33) Country
332507	07 Apr 2005	EUROPEAN COMMUNITY

(56) Related Art Documents: **Not Applicable**

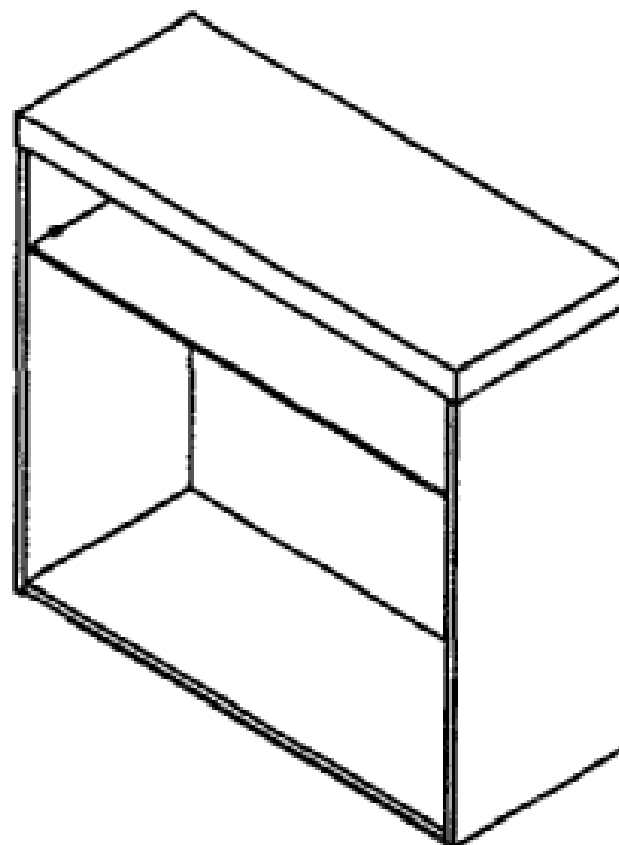
(57) Statement of Newness and Distinctiveness: **Nil**



- (21) Design Number: **14429/2005**
(22) Date of Filing Application: **06 October 2005**
(24) Date from which industrial property rights may have effect: **06 October 2005**
(54) Product in respect of which the design is registered: **Buffet**
(51) International Design Classification: **06-04D**
(71) Name(s) and Address(s) of Applicant(s):
KD Concepts Pty Ltd
19-21 Charles Street St Marys New South Wales 2760 Australia
(72) Name(s) of Designer(s): **Angus Whyte and Cynthia Colli**
(45) Registration Date: **12 May 2006**
(56) Related Art Documents: **Not Applicable**
(57) Statement of Newness and Distinctiveness: **Shape and configuration as per representation.**



- (21) Design Number: **14430/2005**
(22) Date of Filing Application: **06 October 2005**
(24) Date from which industrial property rights may have effect: **06 October 2005**
(54) Product in respect of which the design is registered: **Console**
(51) International Design Classification: **06-04NES**
(71) Name(s) and Address(s) of Applicant(s):
KD Concepts Pty Ltd
19-21 Charles Street St Marys New South Wales 2760 Australia
(72) Name(s) of Designer(s): **Angus Whyte and Cynthia Colli**
(45) Registration Date: **12 May 2006**
(56) Related Art Documents: **Not Applicable**
(57) Statement of Newness and Distinctiveness: **Shape and configuration as per representation.**



(21) Design Number: **14431/2005**

(22) Date of Filing Application: **06 October 2005**

(24) Date from which industrial property rights may have effect: **06 October 2005**

(54) Product in respect of which the design is registered: **Coffee table**

(51) International Design Classification: **06-03A**

(71) Name(s) and Address(s) of Applicant(s):

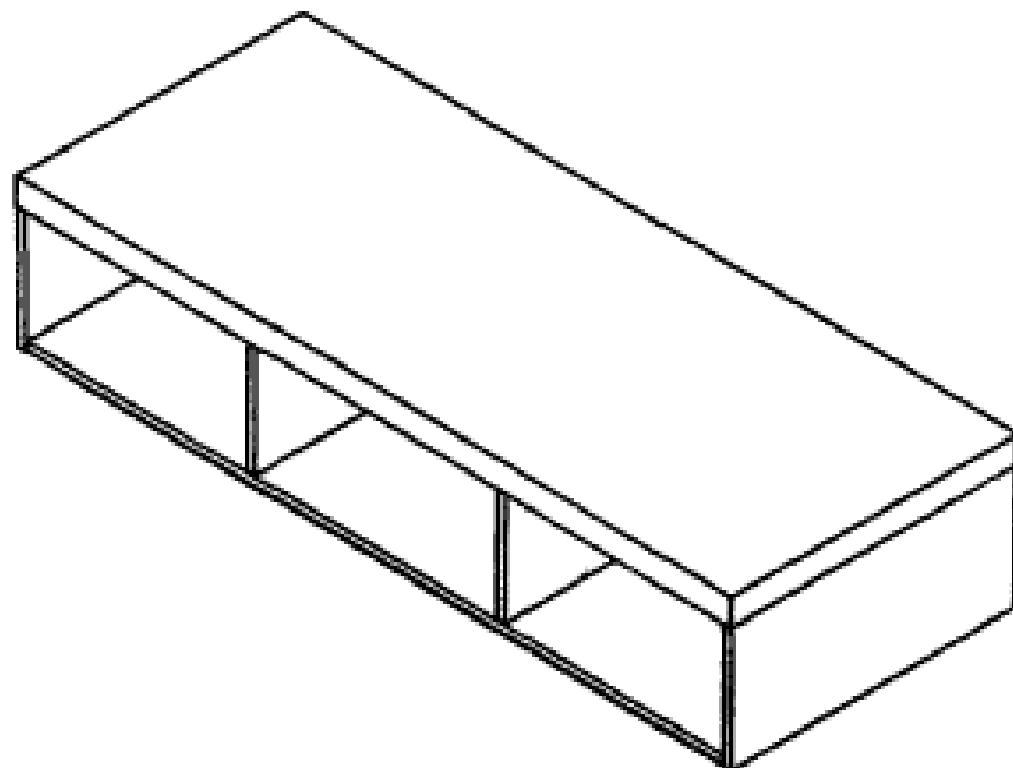
KD Concepts Pty Ltd
19-21 Charles Street St Marys New South Wales 2760 Australia

(72) Name(s) of Designer(s): **Angus Whyte and Cynthia Colli**

(45) Registration Date: **12 May 2006**

(56) Related Art Documents: **Not Applicable**

(57) Statement of Newness and Distinctiveness: **Shape and configuration as per representation.**



(21) Design Number: **14432/2005**

(22) Date of Filing Application: **06 October 2005**

(24) Date from which industrial property rights may have effect: **06 October 2005**

(54) Product in respect of which the design is registered: **Entertainment unit**

(51) International Design Classification: **06-04NES**

(71) Name(s) and Address(s) of Applicant(s):

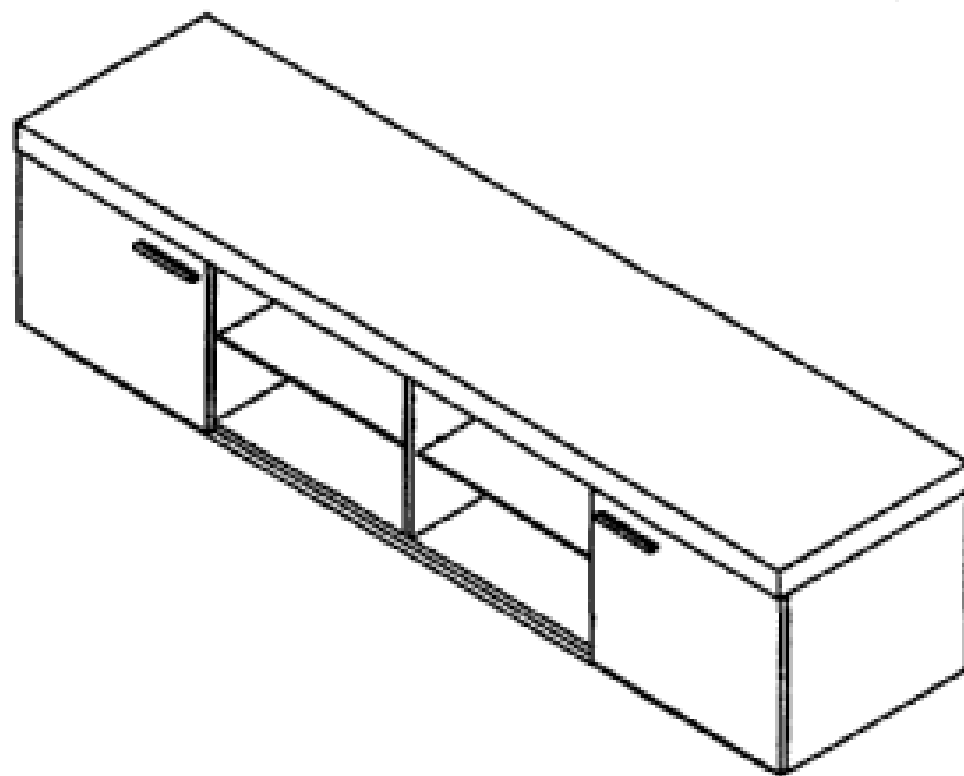
KD Concepts Pty Ltd
19-21 Charles Street St Marys New South Wales 2760 Australia

(72) Name(s) of Designer(s): **Angus Whyte and Cynthia Colli**

(45) Registration Date: **12 May 2006**

(56) Related Art Documents: **Not Applicable**

(57) Statement of Newness and Distinctiveness: **Shape and configuration as per representation.**



(21) Design Number: **14433/2005**

(22) Date of Filing Application: **06 October 2005**

(24) Date from which industrial property rights may have effect: **06 October 2005**

(54) Product in respect of which the design is registered: **Side table/storage**

(51) International Design Classification: **06-04F**

(71) Name(s) and Address(s) of Applicant(s):

KD Concepts Pty Ltd

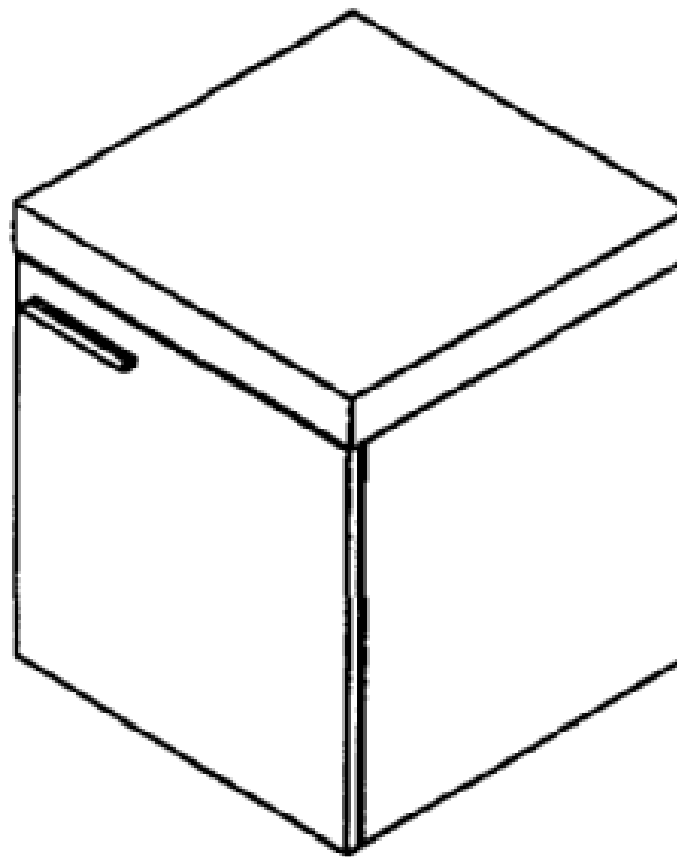
19-21 Charles Street St Marys New South Wales 2760 Australia

(72) Name(s) of Designer(s): **Angus Whyte and Cynthia Colli**

(45) Registration Date: **12 May 2006**

(56) Related Art Documents: **Not Applicable**

(57) Statement of Newness and Distinctiveness: **Shape and configuration as per representation.**



(21) Design Number: **14434/2005**

(22) Date of Filing Application: **06 October 2005**

(24) Date from which industrial property rights may have effect: **06 October 2005**

(54) Product in respect of which the design is registered: **Storage tower**

(51) International Design Classification: **06-04NES**

(71) Name(s) and Address(s) of Applicant(s):

KD Concepts Pty Ltd

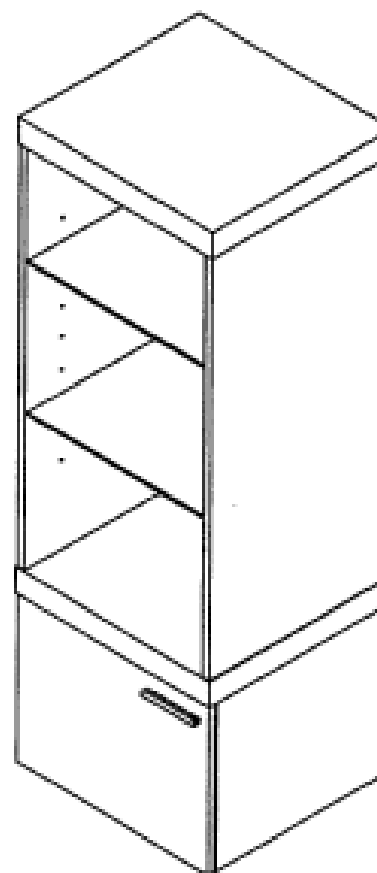
19-21 Charles Street St Marys New South Wales 2760 Australia

(72) Name(s) of Designer(s): **Angus Whyte and Cynthia Colli**

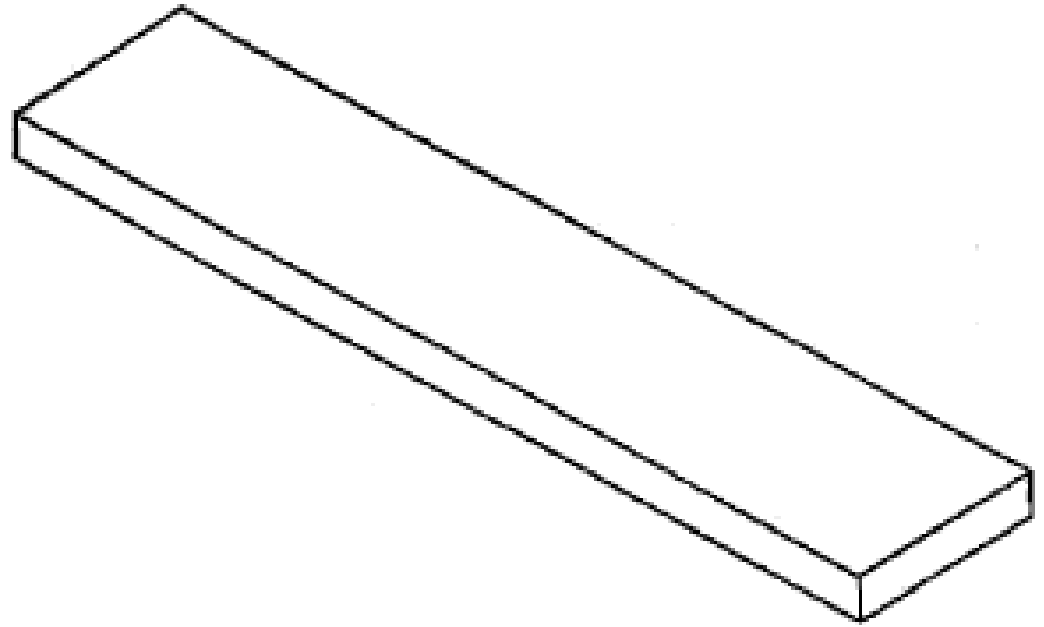
(45) Registration Date: **12 May 2006**

(56) Related Art Documents: **Not Applicable**

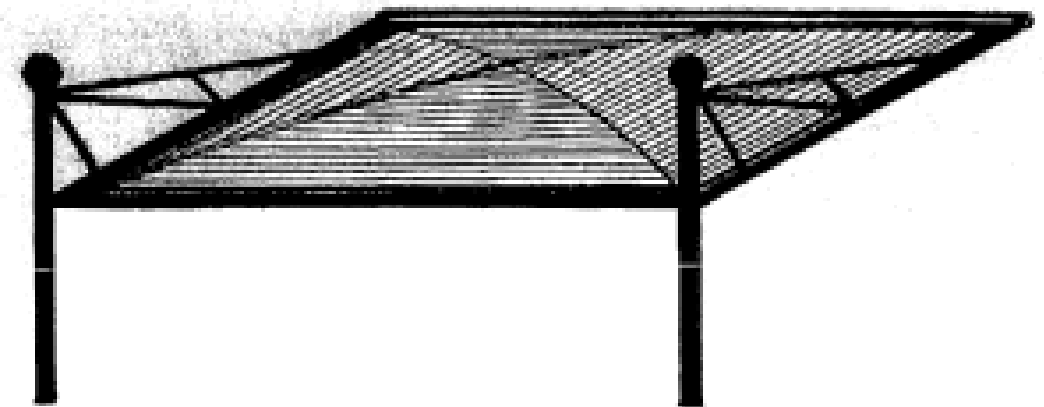
(57) Statement of Newness and Distinctiveness: **Shape and configuration as per representation.**



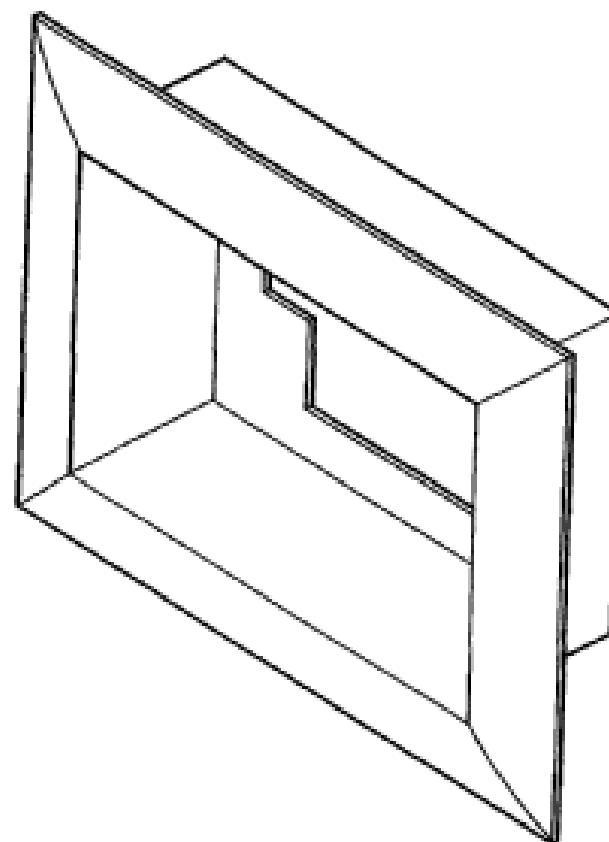
- (21) Design Number: **14435/2005**
(22) Date of Filing Application: **06 October 2005**
(24) Date from which industrial property rights may have effect: **06 October 2005**
(54) Product in respect of which the design is registered: **Wall shelf**
(51) International Design Classification: **06-04NES**
(71) Name(s) and Address(s) of Applicant(s):
KD Concepts Pty Ltd
19-21 Charles Street St Marys New South Wales 2760 Australia
(72) Name(s) of Designer(s): **Angus Whyte and Cynthia Colli**
(45) Registration Date: **12 May 2006**
(56) Related Art Documents: **Not Applicable**
(57) Statement of Newness and Distinctiveness: **Shape and configuration as per representation.**



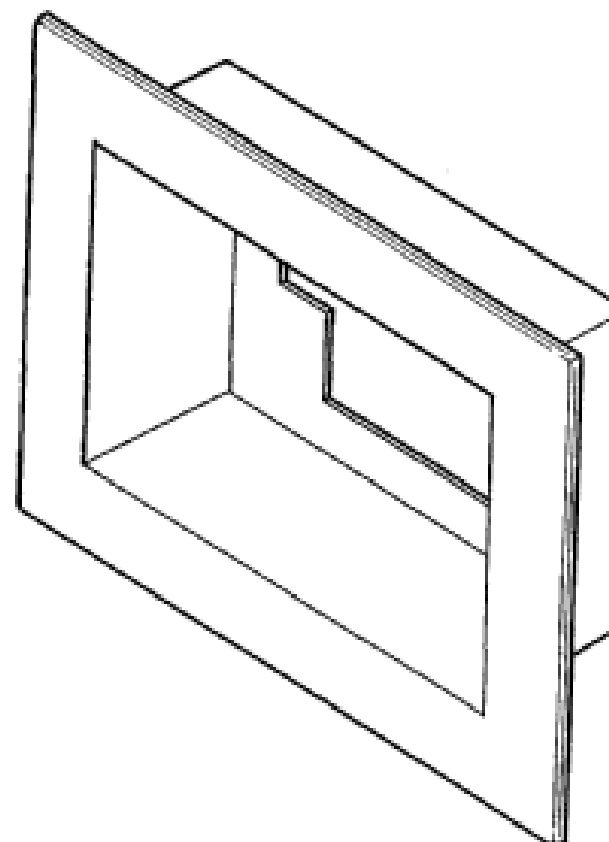
- (21) Design Number: **14526/2005**
(22) Date of Filing Application: **13 October 2005**
(24) Date from which industrial property rights may have effect: **13 October 2005**
(54) Product in respect of which the design is registered: **A shade**
(51) International Design Classification: **03-03, 25-03**
(71) Name(s) and Address(s) of Applicant(s):
Zainul Abedeen Parker
PO Box 15 005 Dinsdale Hamilton New Zealand
Zainodein Abdulla
24A Crawshaw Drive Nawton Hamilton New Zealand
(72) Name(s) of Designer(s): **Zainul Abedeen Parker and Zainodein Abdulla**
(45) Registration Date: **12 May 2006**
(56) Related Art Documents: **Not Applicable**
(57) Statement of Newness and Distinctiveness: **Newness and distinctiveness are claimed in the features of shape and configuration, all as shown in the accompanying representations, except for the detail of the ground level.**



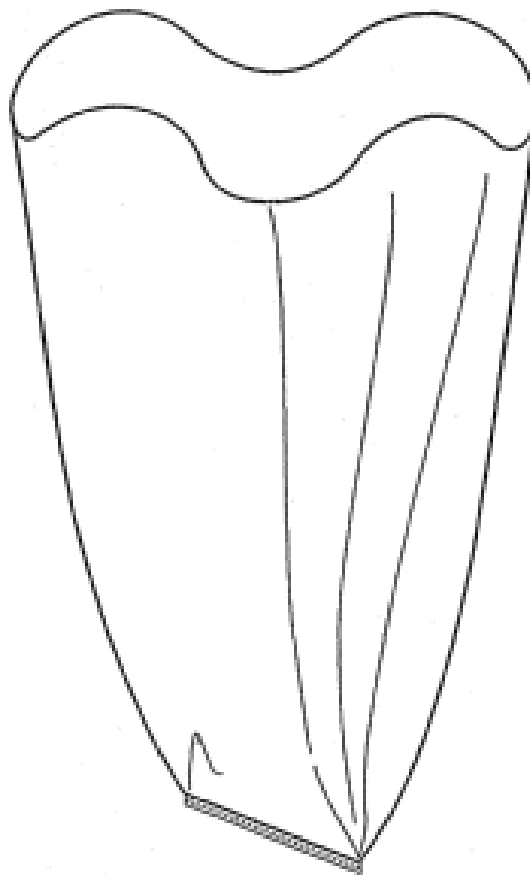
- (21) Design Number: **14531/2005**
(22) Date of Filing Application: **13 October 2005**
(24) Date from which industrial property rights may have effect: **13 October 2005**
(54) Product in respect of which the design is registered: **Recessed mounting for wall outlet**
(51) International Design Classification: **13-03D**
(71) Name(s) and Address(s) of Applicant(s):
 Peter Fitzgerald
 12 Ivy Court Cranbourne North Victoria 3977 Australia
 John Fitzgerald
 Lot 84 Eden Place Drouin Victoria 3818 Australia
(72) Name(s) of Designer(s): **John Fitzgerald and Peter Fitzgerald**
(45) Registration Date: **12 May 2006**
(56) Related Art Documents: **Not Applicable**
(57) Statement of Newness and Distinctiveness: **Nil**



- (21) Design Number: **14532/2005**
(22) Date of Filing Application: **13 October 2005**
(24) Date from which industrial property rights may have effect: **13 October 2005**
(54) Product in respect of which the design is registered: **Recessed mounting for wall outlet**
(51) International Design Classification: **13-03D**
(71) Name(s) and Address(s) of Applicant(s):
 Peter Fitzgerald
 12 Ivy Court Cranbourne North Victoria 3977 Australia
 John Fitzgerald
 Lot 84 Eden Place Drouin Victoria 3818 Australia
(72) Name(s) of Designer(s): **John Fitzgerald and Peter Fitzgerald**
(45) Registration Date: **12 May 2006**
(56) Related Art Documents: **Not Applicable**
(57) Statement of Newness and Distinctiveness: **Nil**



- (21) Design Number: **14673/2005**
(22) Date of Filing Application: **25 October 2005**
(24) Date from which industrial property rights may have effect: **25 October 2005**
(54) Product in respect of which the design is registered: **Plastic bag**
(51) International Design Classification: **09-05**
(71) Name(s) and Address(s) of Applicant(s):
International Consolidated Business Pty Ltd
563 Bourke Street Melbourne Victoria 3000 Australia
(72) Name(s) of Designer(s): **Philip Craig Withers**
(45) Registration Date: **12 May 2006**
(56) Related Art Documents: **Not Applicable**
(57) Statement of Newness and Distinctiveness: **Monopoly is claimed in the shape and configuration of a plastic bag as shown in the attached representations, in particular, the shallow waves at the opening of the bag and the flat seal base of the bag.**



- (21) Design Number: **14689/2005**
(22) Date of Filing Application: **25 October 2005**
(24) Date from which industrial property rights may have effect: **25 October 2005**
(54) Product in respect of which the design is registered: **Razor handle**
(51) International Design Classification: **28-03A**
(71) Name(s) and Address(s) of Applicant(s):
The Gillette Company
Prudential Tower Building Boston Massachusetts 02199 United States of America
(72) Name(s) of Designer(s): **Craig Provost and Michael J. Gray**
(45) Registration Date: **12 May 2006**
(30) Convention priority data:
(31) Number (32) Date (33) Country
29/228673 27 Apr 2005 UNITED STATES OF AMERICA
(56) Related Art Documents: **Not Applicable**
(57) Statement of Newness and Distinctiveness: **Newness and distinctiveness is claimed in the features of shape and/or configuration of a razor handle as illustrated in continuous lines in the accompanying representations.**



(19) AU

- (21) Design Number: **14690/2005**
- (22) Date of Filing Application: **25 October 2005**
- (24) Date from which industrial property rights may have effect: **25 October 2005**
- (54) Product in respect of which the design is registered: **Razor**
- (51) International Design Classification: **28-03A**
- (71) Name(s) and Address(s) of Applicant(s):
The Gillette Company
Prudential Tower Building Boston Massachusetts 02199 United States of America
- (72) Name(s) of Designer(s): **Michael J. Gray and Craig Provost**
- (45) Registration Date: **12 May 2006**
- (30) Convention priority data:

(31) Number	(32) Date	(33) Country
29/228674	27 Apr 2005	UNITED STATES OF AMERICA
- (56) Related Art Documents: **Not Applicable**
- (57) Statement of Newness and Distinctiveness: **Newness and distinctiveness is claimed in the features of shape and/or configuration of a razor as illustrated in the accompanying representations.**



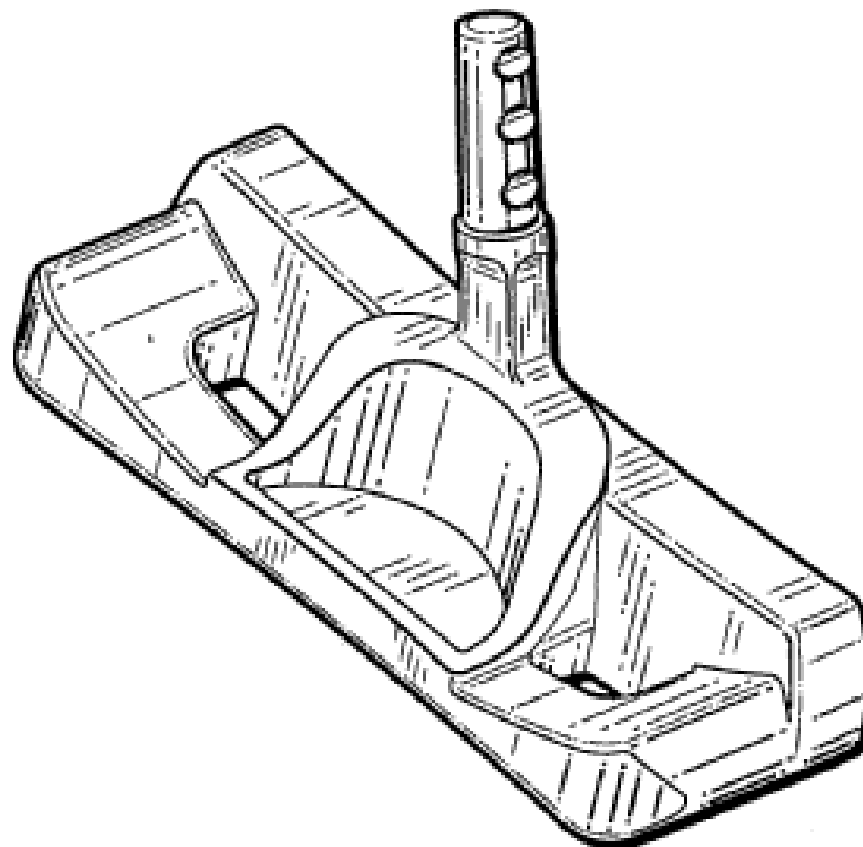
(19) AU

- (21) Design Number: **14708/2005**
- (22) Date of Filing Application: **25 October 2005**
- (24) Date from which industrial property rights may have effect: **25 October 2005**
- (54) Product in respect of which the design is registered: **Cosmetic block**
- (51) International Design Classification: **28-03NES, 28-02**
- (71) Name(s) and Address(s) of Applicant(s):
Physicians Formula Cosmetics, Inc.
1055 West Eighth Street Azusa California 91702 United States of America
- (72) Name(s) of Designer(s): **Ingrid Jackel-Marken**
- (45) Registration Date: **12 May 2006**
- (30) Convention priority data:

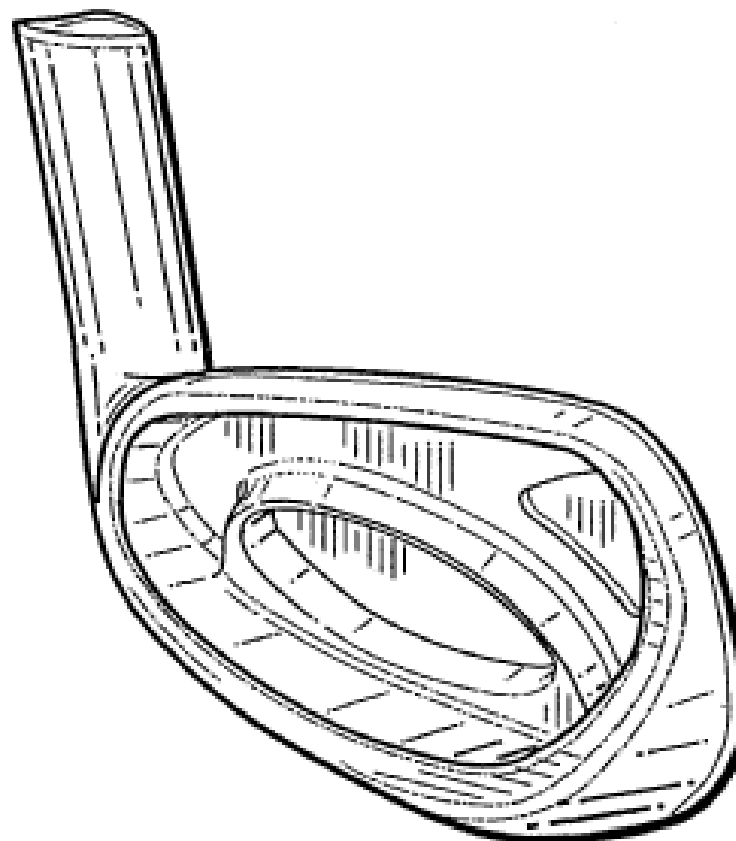
(31) Number	(32) Date	(33) Country
29/228865	29 Apr 2005	UNITED STATES OF AMERICA
- (56) Related Art Documents: **Not Applicable**
- (57) Statement of Newness and Distinctiveness: **Newness and distinctiveness of the design resides in the shape and configuration and pattern and ornamentation of the cosmetic block as shown in the accompanying representations. When considering whether the design is substantially similar in overall impression to another design, no regard is to be given to the container shown in broken lines.**



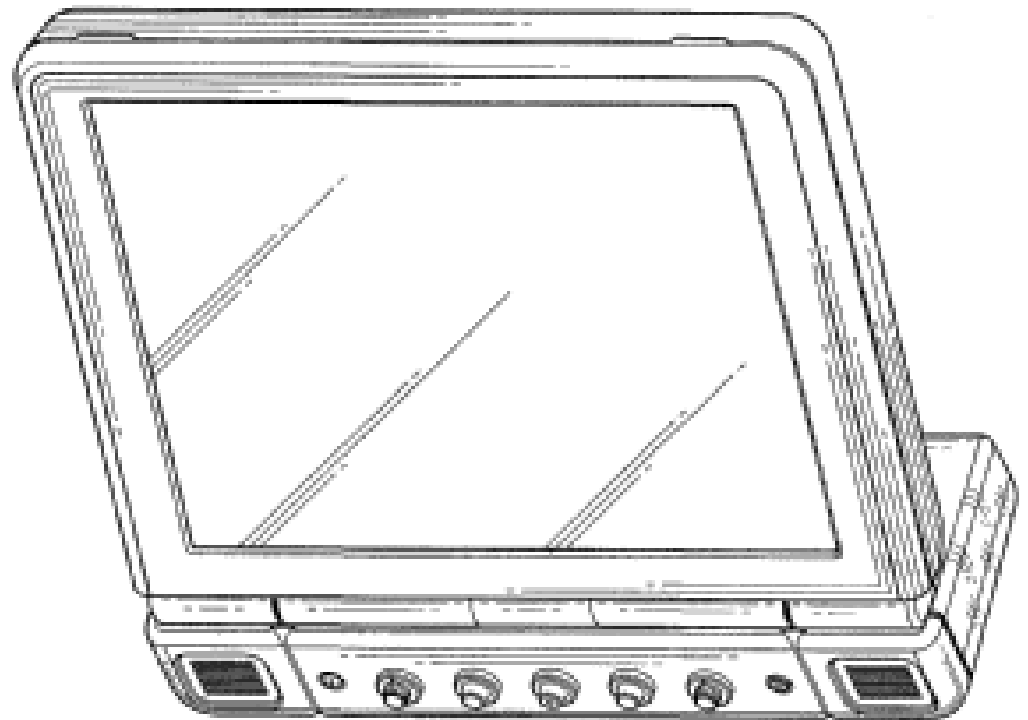
(21) Design Number: **14737/2005**
(22) Date of Filing Application: **26 October 2005**
(24) Date from which industrial property rights may have effect: **26 October 2005**
(54) Product in respect of which the design is registered: **Golf putter head**
(51) International Design Classification: **21-02C**
(71) Name(s) and Address(s) of Applicant(s):
Karsten Manufacturing Corporation
2201 West Desert Cove Phoenix Arizona 85029 United States of America
(72) Name(s) of Designer(s): **David D. Jones and John K. Solheim**
(45) Registration Date: **12 May 2006**
(30) Convention priority data:
(31) Number (32) Date (33) Country
29/230583 23 May 2005 UNITED STATES OF AMERICA
(56) Related Art Documents: **Not Applicable**
(57) Statement of Newness and Distinctiveness: **Nil**



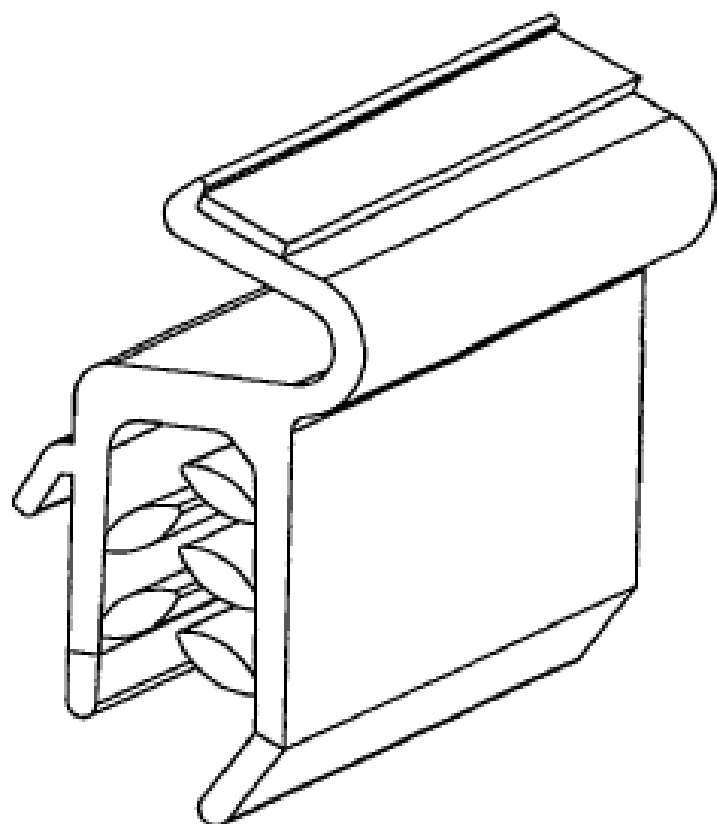
(21) Design Number: **14760/2005**
(22) Date of Filing Application: **27 October 2005**
(24) Date from which industrial property rights may have effect: **27 October 2005**
(54) Product in respect of which the design is registered: **Golf iron head**
(51) International Design Classification: **21-02C**
(71) Name(s) and Address(s) of Applicant(s):
Karsten Manufacturing Corporation
2201 West Desert Cove Phoenix Arizona 85029 United States of America
(72) Name(s) of Designer(s): **Bradley D. Schweigert and Michael R. Nicolette and Marty R. Jertson and John A. Solheim and Eric V. Cole**
(45) Registration Date: **12 May 2006**
(30) Convention priority data:
(31) Number (32) Date (33) Country
29/230838 25 May 2005 UNITED STATES OF AMERICA
(56) Related Art Documents: **Not Applicable**
(57) Statement of Newness and Distinctiveness: **Nil**



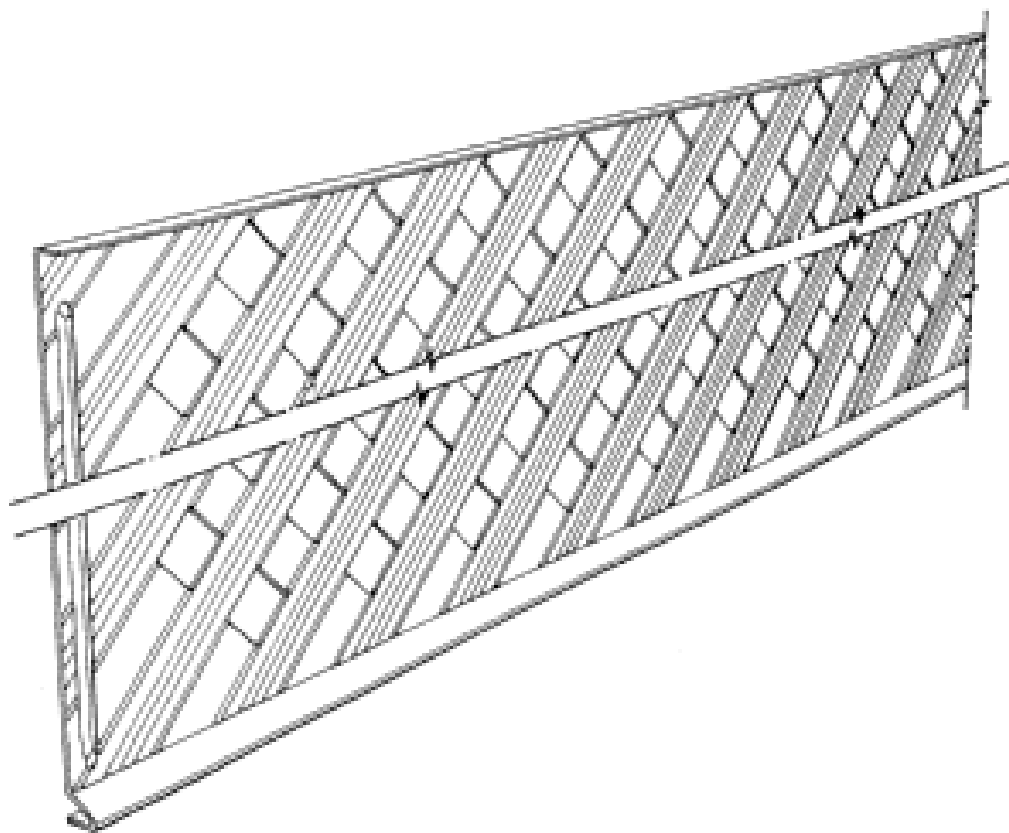
- (21) Design Number: **14829/2005**
(22) Date of Filing Application: **01 November 2005**
(24) Date from which industrial property rights may have effect: **01 November 2005**
(54) Product in respect of which the design is registered: **Television set**
(51) International Design Classification: **14-03B**
(71) Name(s) and Address(s) of Applicant(s):
Hannspree, Inc.
11F No.480 Rueiguang Road Neihu District Taipei City 114 Taiwan
(72) Name(s) of Designer(s): **John Smith**
(45) Registration Date: **12 May 2006**
(56) Related Art Documents: **Not Applicable**
(57) Statement of Newness and Distinctiveness: **Nil**



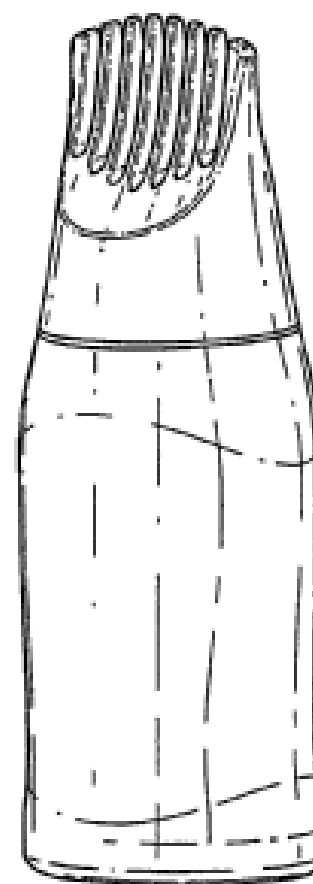
- (21) Design Number: **10093/2006**
(22) Date of Filing Application: **13 January 2006**
(24) Date from which industrial property rights may have effect: **13 January 2006**
(54) Product in respect of which the design is registered: **Point of Sale Holder for Shelf Stripping**
(51) International Design Classification: **06-04NES**
(71) Name(s) and Address(s) of Applicant(s):
Ilid Pty Ltd
118 Balmain Street Richmond Victoria 3121 Australia
(72) Name(s) of Designer(s): **Peter Marples**
(45) Registration Date: **15 May 2006**
(56) Related Art Documents: **Not Applicable**
(57) Statement of Newness and Distinctiveness: **Point of sale holder which has a compressable friction pad which ensures that product does not slide out of position when attached to shelf-stripping.**



- (21) Design Number: **13798/2005**
(22) Date of Filing Application: **02 September 2005**
(24) Date from which industrial property rights may have effect: **02 September 2005**
(54) Product in respect of which the design is registered: **Decorative Lattice Panel**
(51) International Design Classification: **25-02C**
(71) Name(s) and Address(s) of Applicant(s):
Dunn and Farrugia Pty Ltd
44 Preston Street Penrith New South Wales 2750 Australia
(72) Name(s) of Designer(s): **Max Dunn**
(45) Registration Date: **15 May 2006**
(56) Related Art Documents: **Not Applicable**
(57) Statement of Newness and Distinctiveness: **Nil**



- (21) Design Number: **14072/2005**
(22) Date of Filing Application: **21 September 2005**
(24) Date from which industrial property rights may have effect: **21 September 2005**
(54) Product in respect of which the design is registered: **Applicator**
(51) International Design Classification: **28-03NES**
(71) Name(s) and Address(s) of Applicant(s):
The Procter & Gamble Company
One Procter & Gamble Plaza Cincinnati Ohio 45202 United States of America
(72) Name(s) of Designer(s): **William John Davis and John Edward Sheppard and John David Lamb**
(45) Registration Date: **15 May 2006**
(30) Convention priority data:
(31) Number (32) Date (33) Country
29/226,544 30 Mar 2005 UNITED STATES OF AMERICA
(56) Related Art Documents: **Not Applicable**
(57) Statement of Newness and Distinctiveness: **Those features of the applicator depicted in the representations that are new and distinctive are the shape and/or configuration. The bottom view (Fig. 5) is not part of the design and should be disregarded when considering the overall impression of the design.**



- (21) Design Number: **14292/2005**
(22) Date of Filing Application: **29 September 2005**
(24) Date from which industrial property rights may have effect: **29 September 2005**
(54) Product in respect of which the design is registered: **Handle**
(51) International Design Classification: **23-01H**
(71) Name(s) and Address(s) of Applicant(s):
Dorf Clark Industries Limited
194 Milperra Road Revesby New South Wales 2212 Australia
(72) Name(s) of Designer(s): **Steven Cummings and Kai Hong Vincent Ho**
(45) Registration Date: **15 May 2006**
(56) Related Art Documents: **Not Applicable**
(57) Statement of Newness and Distinctiveness: **Nil**



- (21) Design Number: **14293/2005**
(22) Date of Filing Application: **29 September 2005**
(24) Date from which industrial property rights may have effect: **29 September 2005**
(54) Product in respect of which the design is registered: **Handle and flange**
(51) International Design Classification: **23-01H**
(71) Name(s) and Address(s) of Applicant(s):
Dorf Clark Industries Limited
194 Milperra Road Revesby New South Wales 2212 Australia
(72) Name(s) of Designer(s): **Steven Cummings and Kai Hong Vincent Ho**
(45) Registration Date: **15 May 2006**
(56) Related Art Documents: **Not Applicable**
(57) Statement of Newness and Distinctiveness: **Nil**



- (21) Design Number: **14294/2005**
- (22) Date of Filing Application: **29 September 2005**
- (24) Date from which industrial property rights may have effect: **29 September 2005**
- (54) Product in respect of which the design is registered: **Outlet and flange**
- (51) International Design Classification: **23-01H**
- (71) Name(s) and Address(s) of Applicant(s):
Dorf Clark Industries Limited
194 Milperra Road Revesby New South Wales 2212 Australia
- (72) Name(s) of Designer(s): **Steven Cummings and Kai Hong Vincent Ho**
- (45) Registration Date: **15 May 2006**
- (56) Related Art Documents: **Not Applicable**
- (57) Statement of Newness and Distinctiveness: **Nil**



- (21) Design Number: **14296/2005**
- (22) Date of Filing Application: **29 September 2005**
- (24) Date from which industrial property rights may have effect: **29 September 2005**
- (54) Product in respect of which the design is registered: **Handle and flange**
- (51) International Design Classification: **23-01H**
- (71) Name(s) and Address(s) of Applicant(s):
Dorf Clark Industries Limited
194 Milperra Road Revesby New South Wales 2212 Australia
- (72) Name(s) of Designer(s): **Steven Cummings and David Giorgio**
- (45) Registration Date: **15 May 2006**
- (56) Related Art Documents: **Not Applicable**
- (57) Statement of Newness and Distinctiveness: **Nil**



- (21) Design Number: **14295/2005**
(22) Date of Filing Application: **29 September 2005**
(24) Date from which industrial property rights may have effect: **29 September 2005**
(54) Product in respect of which the design is registered: **Handle**
(51) International Design Classification: **23-01H**
(71) Name(s) and Address(s) of Applicant(s):
Dorf Clark Industries Limited
194 Milperra Road Revesby New South Wales 2212 Australia
(72) Name(s) of Designer(s): **Steven Cummings and David Giorgio**
(45) Registration Date: **15 May 2006**
(56) Related Art Documents: **Not Applicable**
(57) Statement of Newness and Distinctiveness: **Nil**



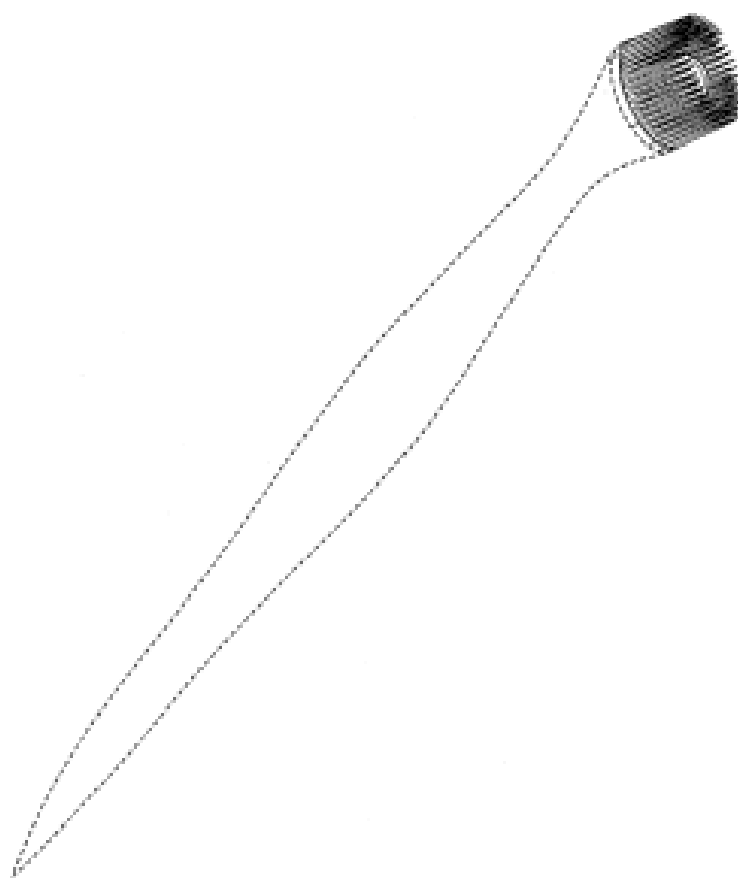
- (21) Design Number: **14298/2005**
(22) Date of Filing Application: **29 September 2005**
(24) Date from which industrial property rights may have effect: **29 September 2005**
(54) Product in respect of which the design is registered: **Handle and flange**
(51) International Design Classification: **23-01H**
(71) Name(s) and Address(s) of Applicant(s):
Dorf Clark Industries Limited
194 Milperra Road Revesby New South Wales 2212 Australia
(72) Name(s) of Designer(s): **Steven Cummings and Kai Hong Vincent Ho**
(45) Registration Date: **15 May 2006**
(56) Related Art Documents: **Not Applicable**
(57) Statement of Newness and Distinctiveness: **Nil**



(21) Design Number: **14297/2005**
(22) Date of Filing Application: **29 September 2005**
(24) Date from which industrial property rights may have effect: **29 September 2005**
(54) Product in respect of which the design is registered: **Handle**
(51) International Design Classification: **23-01H**
(71) Name(s) and Address(s) of Applicant(s):
Dorf Clark Industries Limited
194 Milperra Road Revesby New South Wales 2212 Australia
(72) Name(s) of Designer(s): **Steven Cummings and Kai Hong Vincent Ho**
(45) Registration Date: **15 May 2006**
(56) Related Art Documents: **Not Applicable**
(57) Statement of Newness and Distinctiveness: **Nil**



(21) Design Number: **14867/2005**
(22) Date of Filing Application: **03 November 2005**
(24) Date from which industrial property rights may have effect: **03 November 2005**
(54) Product in respect of which the design is registered: **Head for a toothbrush**
(51) International Design Classification: **04-02**
(71) Name(s) and Address(s) of Applicant(s):
Colgate-Palmolive Company
300 Park Avenue New York New York 10022 United States of America
(72) Name(s) of Designer(s): **Douglas J. Hohlbein**
(45) Registration Date: **15 May 2006**
(30) Convention priority data:
(31) Number (32) Date (33) Country
29/231487 06 Jun 2005 UNITED STATES OF AMERICA
(56) Related Art Documents: **Not Applicable**
(57) Statement of Newness and Distinctiveness: **Each feature of the design considered separately or in combination with any other feature or features.**



(21) Design Number: **14870/2005**

(22) Date of Filing Application: **03 November 2005**

(24) Date from which industrial property rights may have effect: **03 November 2005**

(54) Product in respect of which the design is registered: **Support structure for pavers**

(51) International Design Classification: **08-08NES**

(71) Name(s) and Address(s) of Applicant(s):

Alan Sian Ghee Lee

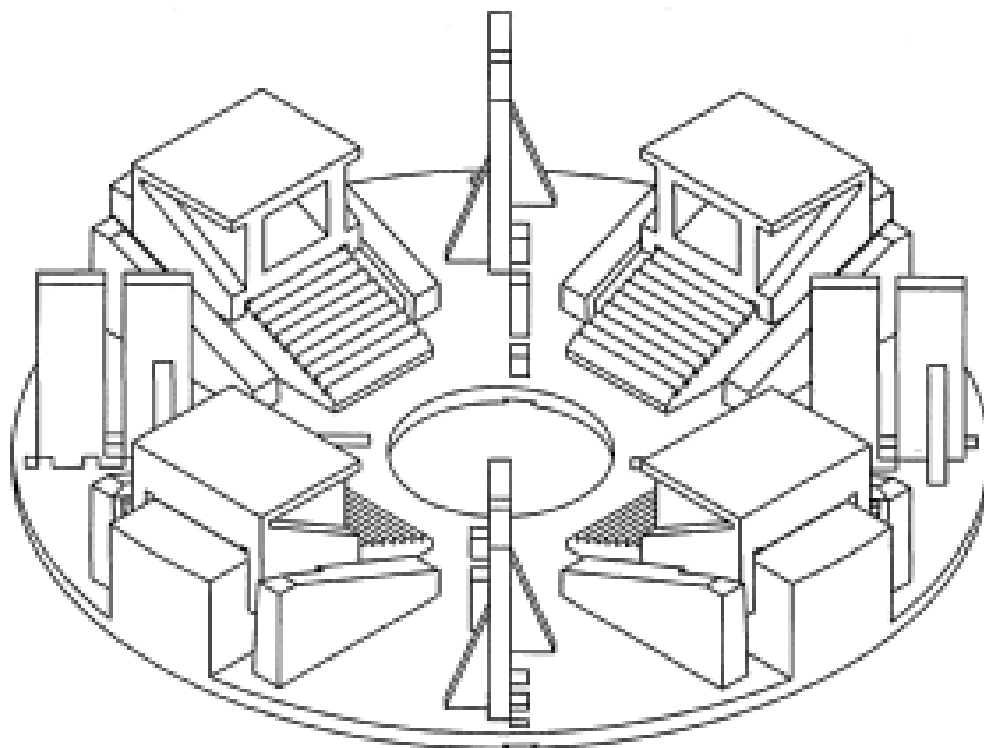
21 Almond Crescent 67779 Singapore

(72) Name(s) of Designer(s): **Alan Sian Ghee Lee**

(45) Registration Date: **15 May 2006**

(56) Related Art Documents: **Not Applicable**

(57) Statement of Newness and Distinctiveness: **Novlety and distinctiveness reside in particular in the appearance of the trapezodial pillars disposed either side of each of the four stepped portions. The chocks may move and be positioned anywhere on the stepped portions.**



(21) Design Number: **14873/2005**

(22) Date of Filing Application: **03 November 2005**

(24) Date from which industrial property rights may have effect: **03 November 2005**

(54) Product in respect of which the design is registered: **Wedge clamp**

(51) International Design Classification: **08-08D**

(71) Name(s) and Address(s) of Applicant(s):

Fulton Industries Australia Pty Ltd

Unit 8 13 Gribbens Road West Gosford New South Wales 2250

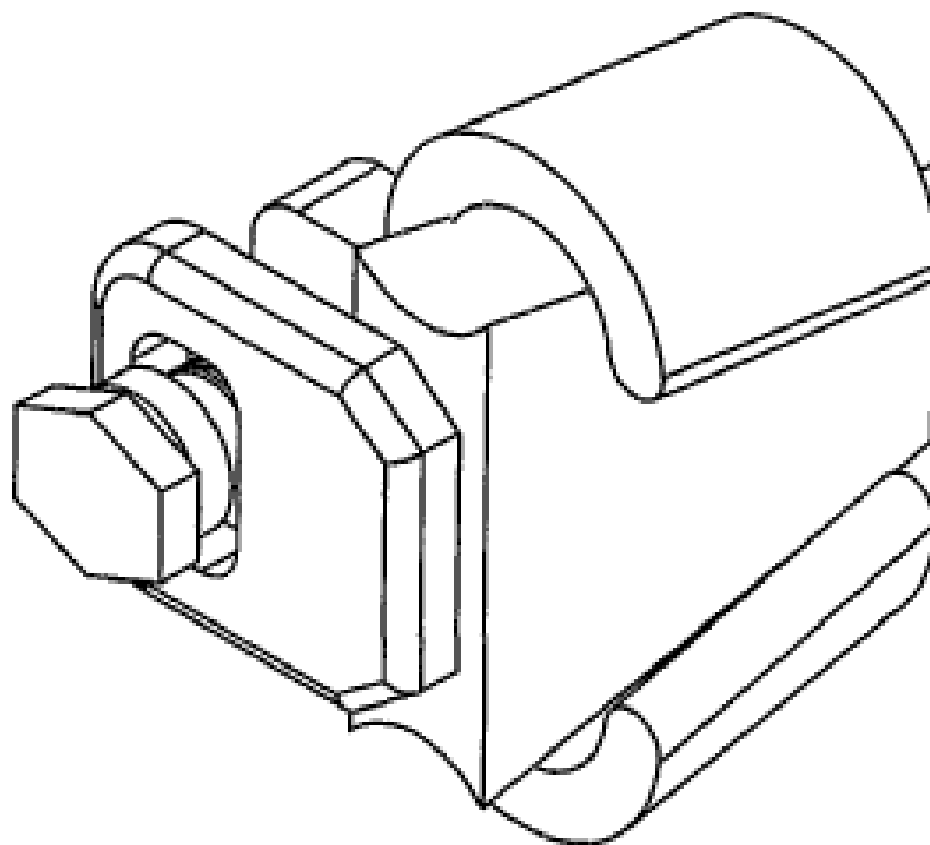
Australia

(72) Name(s) of Designer(s): **Robert Fulton and Francis Sexton and Mark Donnelly**

(45) Registration Date: **15 May 2006**

(56) Related Art Documents: **Not Applicable**

(57) Statement of Newness and Distinctiveness: **Newness and distinctiveness is claimed in the shape and/or configuration of a wedge clamp as illustrated in the representations. No newness or distinctiveness is claimed for the fastening bolt.**



(21) Design Number: **14874/2005**

(22) Date of Filing Application: **04 November 2005**

(24) Date from which industrial property rights may have effect: **04 November 2005**

(54) Product in respect of which the design is registered: **Cornice (fibrous plaster)**

(51) International Design Classification: **25-02E**

(71) Name(s) and Address(s) of Applicant(s):

Nicholas Leaver

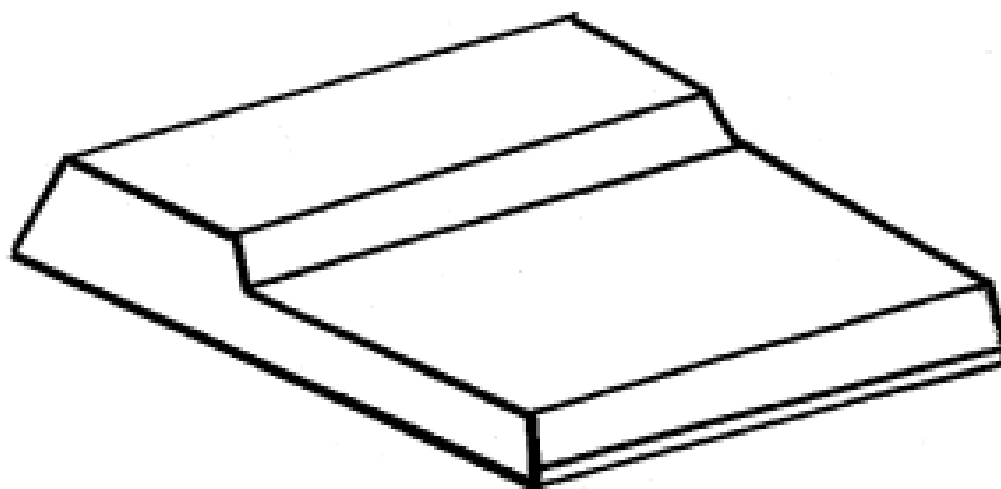
1a Penong Street Hyde Park South Australia 5061 Australia

(72) Name(s) of Designer(s): **Nicholas Leaver**

(45) Registration Date: **15 May 2006**

(56) Related Art Documents: **Not Applicable**

(57) Statement of Newness and Distinctiveness: **1. Cornice that is fixed to ceiling only, flat against wall. 2. Vaulted ceiling appearance. 3. Design application is for general shape, irrespective of face pattern.**



(21) Design Number: **14875/2005**

(22) Date of Filing Application: **04 November 2005**

(24) Date from which industrial property rights may have effect: **04 November 2005**

(54) Product in respect of which the design is registered: **Cornice (fibrous plaster)**

(51) International Design Classification: **25-02E**

(71) Name(s) and Address(s) of Applicant(s):

Nicholas Leaver

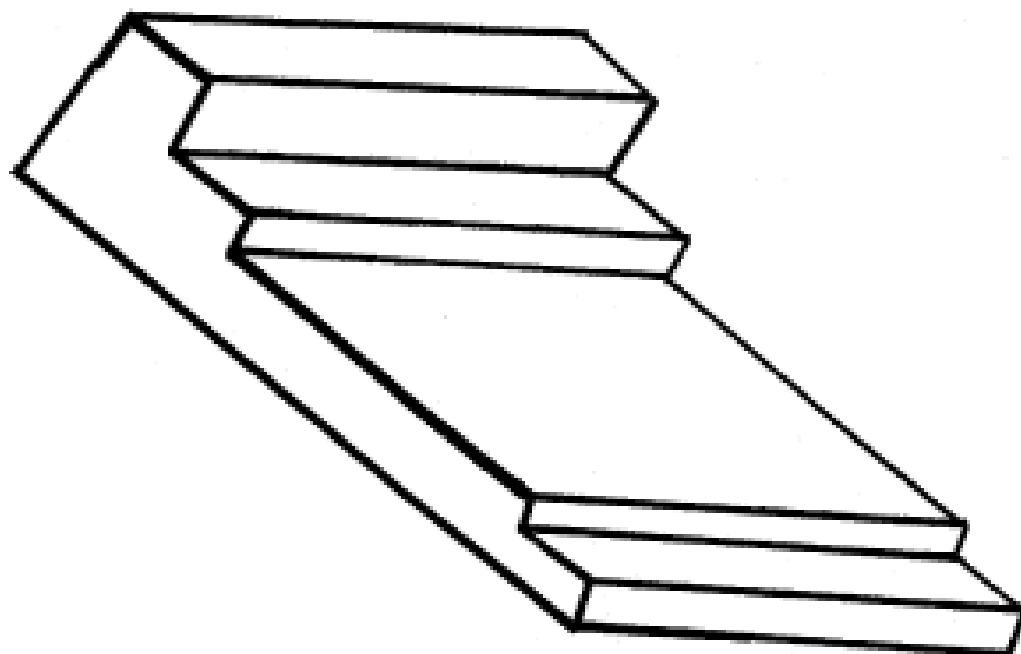
1a Penong Street Hyde Park South Australia 5061 Australia

(72) Name(s) of Designer(s): **Nicholas Leaver**

(45) Registration Date: **15 May 2006**

(56) Related Art Documents: **Not Applicable**

(57) Statement of Newness and Distinctiveness: **1. Cornice that is fixed to ceiling only, flat against wall. 2. Vaulted ceiling appearance. 3. Design application is for general shape, irrespective of face pattern.**



(21) Design Number: **14876/2005**

(22) Date of Filing Application: **04 November 2005**

(24) Date from which industrial property rights may have effect: **04 November 2005**

(54) Product in respect of which the design is registered: **Cornice (fibrous plaster)**

(51) International Design Classification: **25-02E**

(71) Name(s) and Address(s) of Applicant(s):

Nicholas Leaver

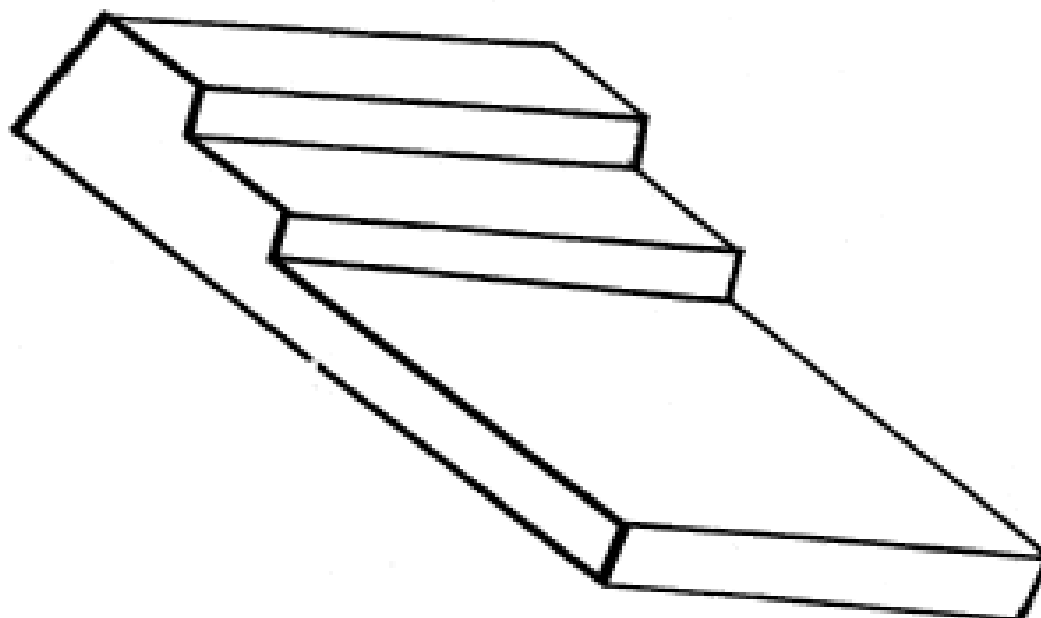
1a Penong Street Hyde Park South Australia 5061 Australia

(72) Name(s) of Designer(s): **Nicholas Leaver**

(45) Registration Date: **15 May 2006**

(56) Related Art Documents: **Not Applicable**

(57) Statement of Newness and Distinctiveness: **1. Cornice that is fixed to ceiling only, flat against wall. 2. Vaulted ceiling appearance. 3. Design application is for general shape, irrespective of face pattern.**



(21) Design Number: **14877/2005**

(22) Date of Filing Application: **04 November 2005**

(24) Date from which industrial property rights may have effect: **04 November 2005**

(54) Product in respect of which the design is registered: **Cornice (fibrous plaster)**

(51) International Design Classification: **25-02E**

(71) Name(s) and Address(s) of Applicant(s):

Nicholas Leaver

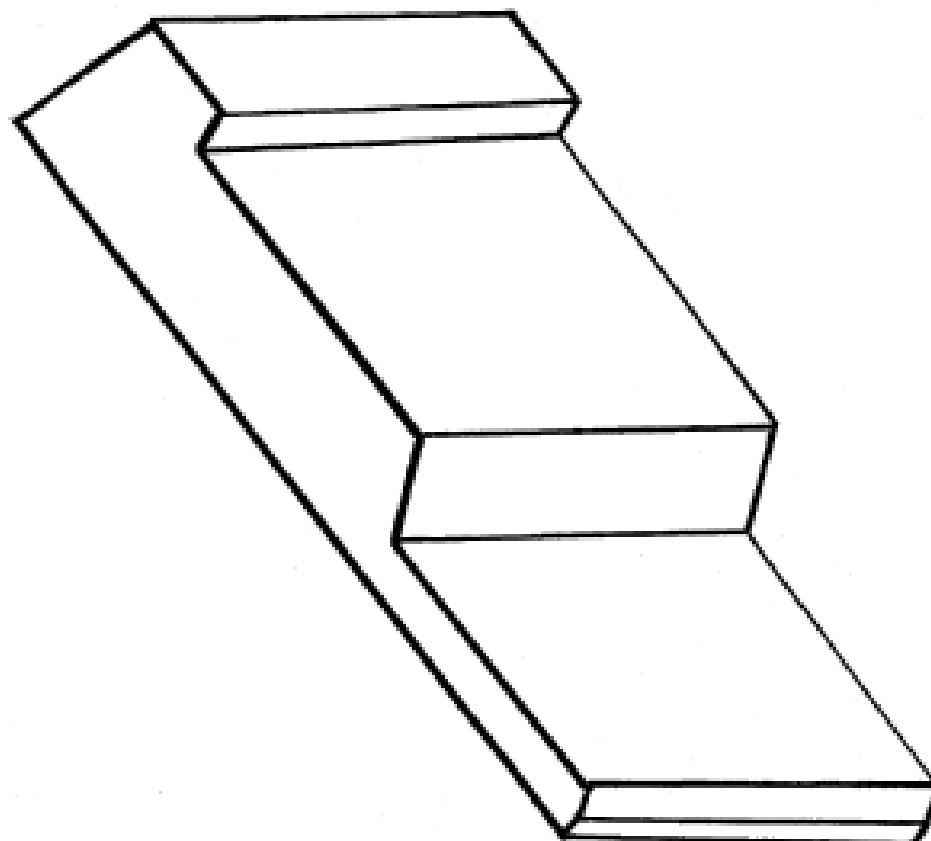
1a Penong Street Hyde Park South Australia 5061 Australia

(72) Name(s) of Designer(s): **Nicholas Leaver**

(45) Registration Date: **15 May 2006**

(56) Related Art Documents: **Not Applicable**

(57) Statement of Newness and Distinctiveness: **1. Cornice that is fixed to ceiling only, flat against wall. 2. Vaulted ceiling appearance. 3. Design application is for general shape, irrespective of face pattern.**



(21) Design Number: **14891/2005**

(22) Date of Filing Application: **04 November 2005**

(24) Date from which industrial property rights may have effect: **04 November 2005**

(54) Product in respect of which the design is registered: **Mitre box**

(51) International Design Classification: **08-05NES**

(71) Name(s) and Address(s) of Applicant(s):

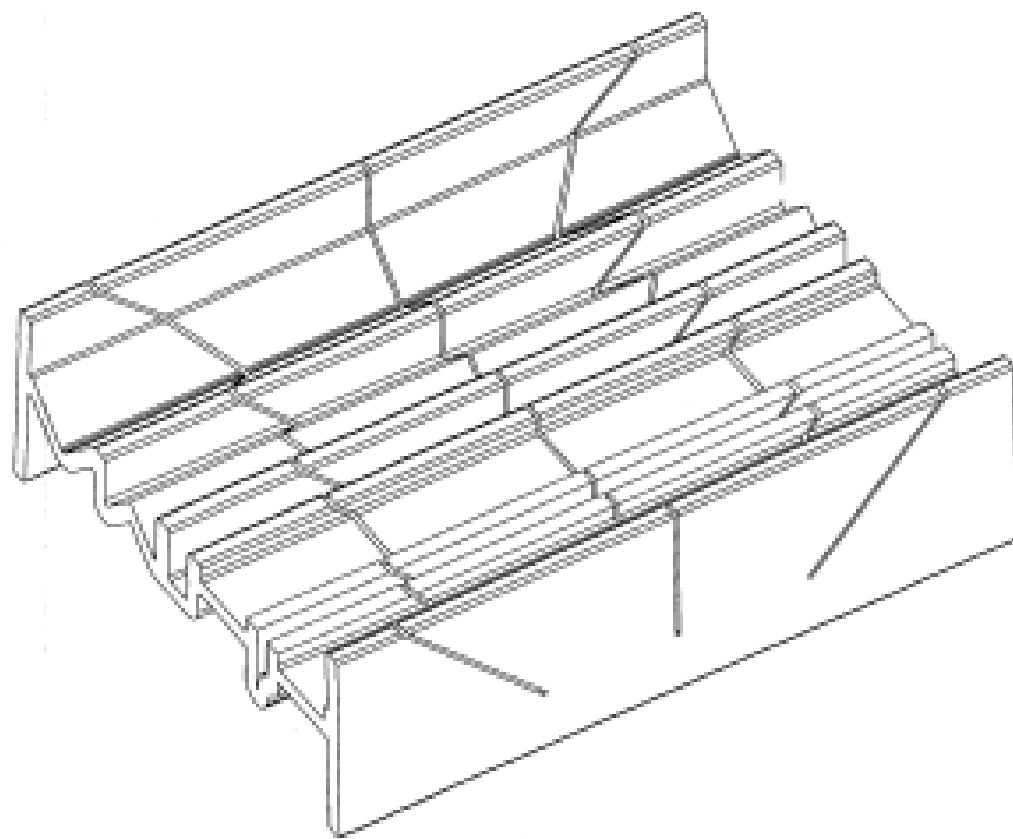
Laminex Group Limited
90-94 Tram Road Doncaster Victoria 3108 Australia

(72) Name(s) of Designer(s): **Cameron Dellar and Steven Kulak**

(45) Registration Date: **15 May 2006**

(56) Related Art Documents: **Not Applicable**

(57) Statement of Newness and Distinctiveness: **Those features of the mitre box depicted in the representations that are new and distinctive are the shape and/or configuration.**



(21) Design Number: **14892/2005**

(22) Date of Filing Application: **04 November 2005**

(24) Date from which industrial property rights may have effect: **04 November 2005**

(54) Product in respect of which the design is registered: **Extrusion**

(51) International Design Classification: **25-01K**

(71) Name(s) and Address(s) of Applicant(s):

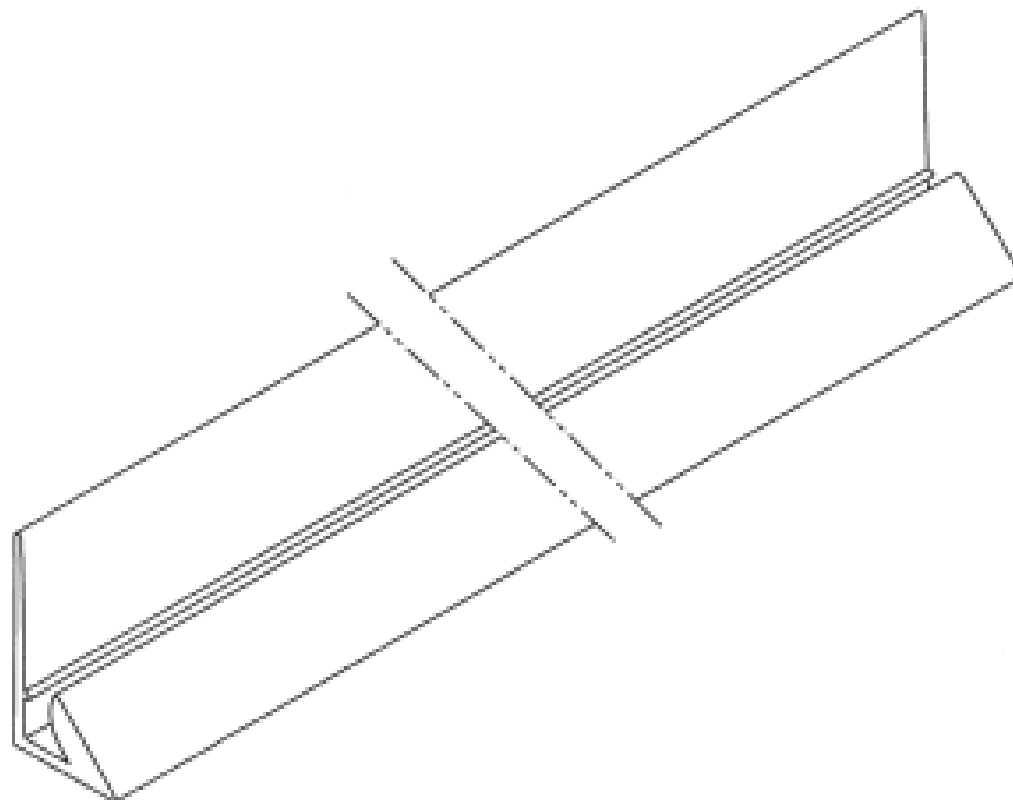
Laminex Group Limited
90-94 Tram Road Doncaster Victoria 3108 Australia

(72) Name(s) of Designer(s): **Cameron Dellar and Steven Kulak**

(45) Registration Date: **15 May 2006**

(56) Related Art Documents: **Not Applicable**

(57) Statement of Newness and Distinctiveness: **Those features of the extrusion depicted in the representations that are new and distinctive are the shape and/or configuration. The extrusion depicted in the representation is of indefinite length.**



(21) Design Number: **14893/2005**

(22) Date of Filing Application: **04 November 2005**

(24) Date from which industrial property rights may have effect: **04 November 2005**

(54) Product in respect of which the design is registered: **Extrusion**

(51) International Design Classification: **25-01K**

(71) Name(s) and Address(s) of Applicant(s):

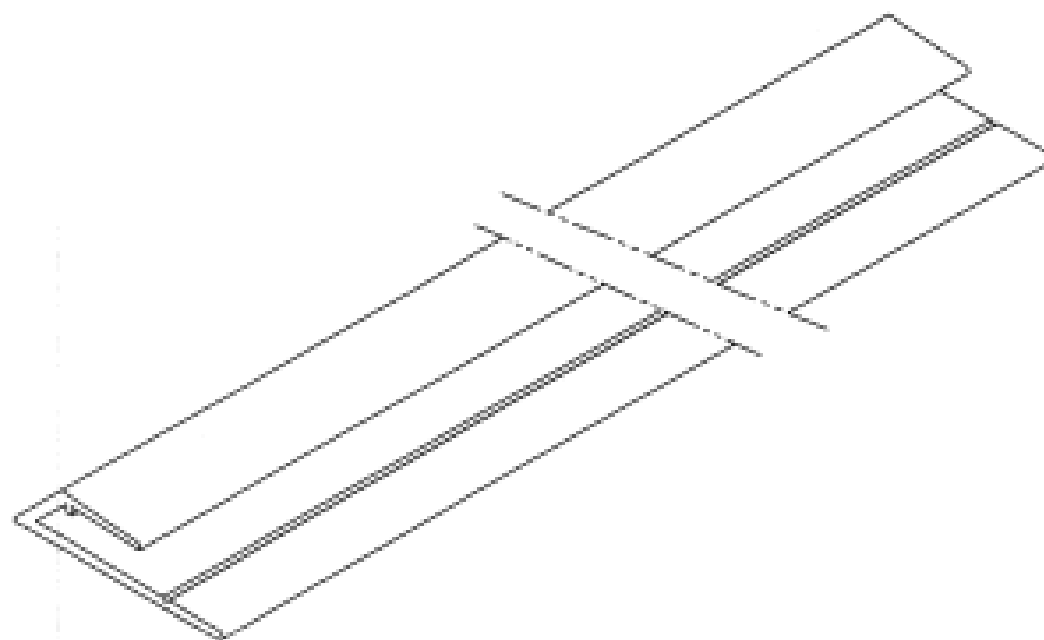
Laminex Group Limited
90-94 Tram Road Doncaster Victoria 3108 Australia

(72) Name(s) of Designer(s): **Cameron Dellar and Steven Kulak**

(45) Registration Date: **15 May 2006**

(56) Related Art Documents: **Not Applicable**

(57) Statement of Newness and Distinctiveness: **Those features of the extrusion depicted in the representations that are new and distinctive are the shape and/or configuration. The extrusion depicted in the representation is of indefinite length.**



(21) Design Number: **11292/2006**

(22) Date of Filing Application: **29 March 2006**

(24) Date from which industrial property rights may have effect: **29 March 2006**

(54) Product in respect of which the design is registered: **'E3' coffee table/entertainment unit**

(51) International Design Classification: **06-03A, 06-04NES**

(71) Name(s) and Address(s) of Applicant(s):

Ideal Design
32 Georgetown Road Georgetown New South Wales 2298 Australia

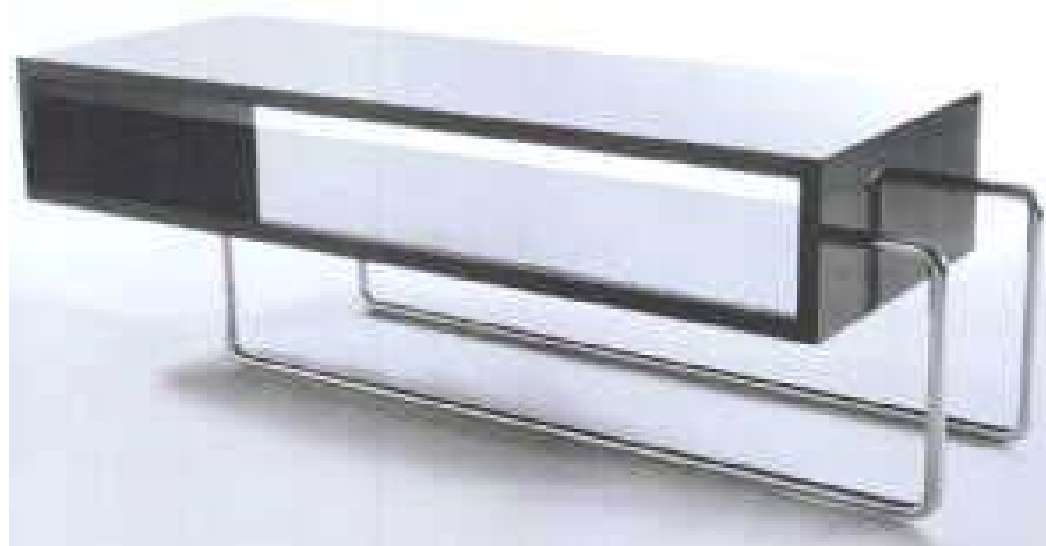
Brett Johnston
32 Georgetown Road Georgetown New South Wales 2298 Australia

(72) Name(s) of Designer(s): **Brett Johnston**

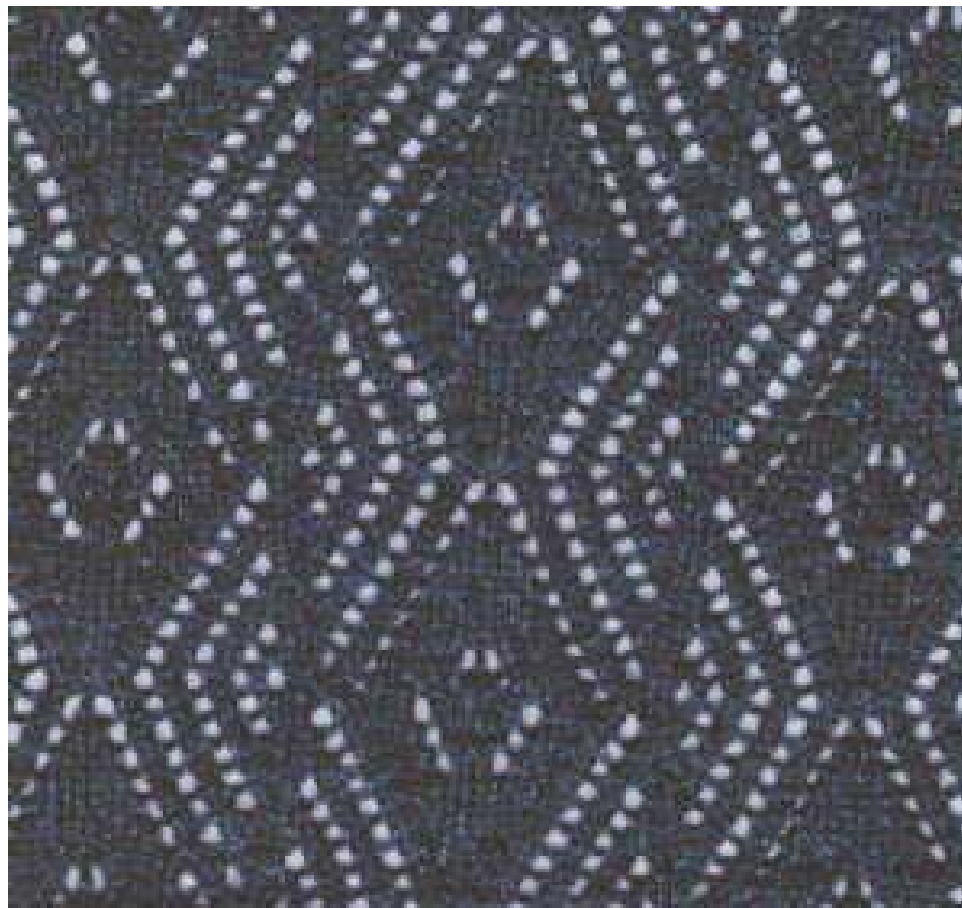
(45) Registration Date: **16 May 2006**

(56) Related Art Documents: **Not Applicable**

(57) Statement of Newness and Distinctiveness: **The square body of the table being offset from the legs encapsulates motion. While the legs are not braced together, the table structure and stability perform normally.**



(21) Design Number: **11354/2006**
(22) Date of Filing Application: **27 September 2005**
(24) Date from which industrial property rights may have effect: **27 September 2005**
(54) Product in respect of which the design is registered: **Pattern on fabric**
(51) International Design Classification: **05-05NES**
(71) Name(s) and Address(s) of Applicant(s):
Sonny Elegant Knitwear Ltd
180 Stoddard Road Mt Roskill Auckland New Zealand
(72) Name(s) of Designer(s): **Tony Milich**
(45) Registration Date: **16 May 2006**
(56) Related Art Documents: **Not Applicable**
(57) Statement of Newness and Distinctiveness: **Nil**



(21) Design Number: **11355/2006**
(22) Date of Filing Application: **27 September 2005**
(24) Date from which industrial property rights may have effect: **27 September 2005**
(54) Product in respect of which the design is registered: **Pattern on fabric**
(51) International Design Classification: **05-05D**
(71) Name(s) and Address(s) of Applicant(s):
Sonny Elegant Knitwear Ltd
180 Stoddard Road Mt Roskill Auckland New Zealand
(72) Name(s) of Designer(s): **Tony Milich**
(45) Registration Date: **16 May 2006**
(56) Related Art Documents: **Not Applicable**
(57) Statement of Newness and Distinctiveness: **Nil**



- (21) Design Number: **11407/2006**
- (22) Date of Filing Application: **13 October 2005**
- (24) Date from which industrial property rights may have effect: **13 October 2005**
- (54) Product in respect of which the design is registered: **Ladies garments**
- (51) International Design Classification: **02-02C**
- (71) Name(s) and Address(s) of Applicant(s):
Review Australia Pty Ltd
25-31 Rokeby Street Collingwood Victoria 3066 Australia
- (72) Name(s) of Designer(s): **Jayne Ellis**
- (45) Registration Date: **16 May 2006**
- (56) Related Art Documents: **Not Applicable**
- (57) Statement of Newness and Distinctiveness: **Nil**



- (21) Design Number: **11408/2006**
- (22) Date of Filing Application: **13 October 2005**
- (24) Date from which industrial property rights may have effect: **13 October 2005**
- (54) Product in respect of which the design is registered: **Ladies garments**
- (51) International Design Classification: **02-02C**
- (71) Name(s) and Address(s) of Applicant(s):
Review Australia Pty Ltd
25-31 Rokeby Street Collingwood Victoria 3066 Australia
- (72) Name(s) of Designer(s): **Jayne Ellis**
- (45) Registration Date: **16 May 2006**
- (56) Related Art Documents: **Not Applicable**
- (57) Statement of Newness and Distinctiveness: **Nil**



- (21) Design Number: **12075/2005**
(22) Date of Filing Application: **11 May 2005**
(24) Date from which industrial property rights may have effect: **11 May 2005**
(54) Product in respect of which the design is registered: **Streetscape furniture - bench seating**
(51) International Design Classification: **06-01C**
(71) Name(s) and Address(s) of Applicant(s):
Kylie Ann Bickle
PO Box 819 Paddington Queensland 4064 Australia
(72) Name(s) of Designer(s): **Kylie Ann Bickle**
(45) Registration Date: **16 May 2006**
(56) Related Art Documents: **Not Applicable**
(57) Statement of Newness and Distinctiveness: **Nil**



- (21) Design Number: **13648/2005**
(22) Date of Filing Application: **24 August 2005**
(24) Date from which industrial property rights may have effect: **24 August 2005**
(54) Product in respect of which the design is registered: **Trolley with latch**
(51) International Design Classification: **12-02**
(71) Name(s) and Address(s) of Applicant(s):
Shairzal Pty Ltd
28 Jersey Road Bayswater Victoria 3153 Australia
(72) Name(s) of Designer(s): **David Ian Holm and Ernest James Benson and Anthony Farrugia**
(45) Registration Date: **16 May 2006**
(56) Related Art Documents: **Not Applicable**
(57) Statement of Newness and Distinctiveness: **Those features of the trolley with latch depicted in the representations that are new and distinctive are the shape and/or configuration. Neither the wheels of the trolley nor the textured markings on the instrument panel (best detailed in Figure 5) are part of the design and these aspects should be disregarded when considering the overall impression of the design.**



- (21) Design Number: **13834/2005**
- (22) Date of Filing Application: **08 September 2005**
- (24) Date from which industrial property rights may have effect: **08 September 2005**
- (54) Product in respect of which the design is registered: **Streetscape furniture - bench seating**
- (51) International Design Classification: **06-01C**
- (71) Name(s) and Address(s) of Applicant(s):
Kylie Ann Bickle
PO Box 819 Paddington Queensland 4064 Australia
- (72) Name(s) of Designer(s): **Kylie Ann Bickle**
- (45) Registration Date: **16 May 2006**
- (56) Related Art Documents: **Not Applicable**
- (57) Statement of Newness and Distinctiveness: **Nil**



- (21) Design Number: **14530/2005**
- (22) Date of Filing Application: **13 October 2005**
- (24) Date from which industrial property rights may have effect: **13 October 2005**
- (54) Product in respect of which the design is registered: **Ladies garments**
- (51) International Design Classification: **02-02C**
- (71) Name(s) and Address(s) of Applicant(s):
Review Australia Pty Ltd
25-31 Rokeby Street Collingwood Victoria 3066 Australia
- (72) Name(s) of Designer(s): **Jayne Ellis**
- (45) Registration Date: **16 May 2006**
- (56) Related Art Documents: **Not Applicable**
- (57) Statement of Newness and Distinctiveness: **Nil**



(21) Design Number: **14556/2005**

(22) Date of Filing Application: **17 October 2005**

(24) Date from which industrial property rights may have effect: **17 October 2005**

(54) Product in respect of which the design is registered: **Bantam microwave oven**

(51) International Design Classification: **07-02B**

(71) Name(s) and Address(s) of Applicant(s):

Timothy Butt

1 Bell Street Gordon New South Wales 2072 Australia

(72) Name(s) of Designer(s): **Timothy Butt**

(45) Registration Date: **16 May 2006**

(56) Related Art Documents: **Not Applicable**

(57) Statement of Newness and Distinctiveness: **Front and top opening door, round overall microwave shape, button shapes.**



(21) Design Number: **14757/2005**

(22) Date of Filing Application: **27 October 2005**

(24) Date from which industrial property rights may have effect: **27 October 2005**

(54) Product in respect of which the design is registered: **Dome tray container for pet food**

(51) International Design Classification: **07-01B, 30-03**

(71) Name(s) and Address(s) of Applicant(s):

Effem Foods Pty Ltd

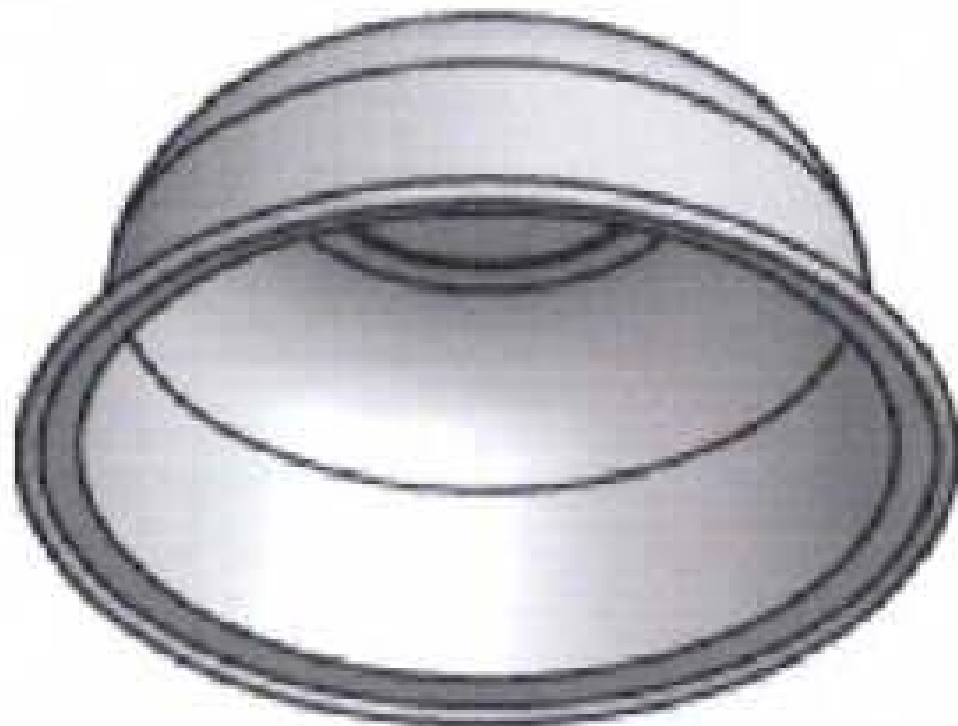
Kelly Street Wodonga Victoria 3690 Australia

(72) Name(s) of Designer(s): **Anthony Bell**

(45) Registration Date: **16 May 2006**

(56) Related Art Documents: **Not Applicable**

(57) Statement of Newness and Distinctiveness: **Monopoly is claimed in the shape and configuration of the features of the article as depicted in the accompanying representations.**



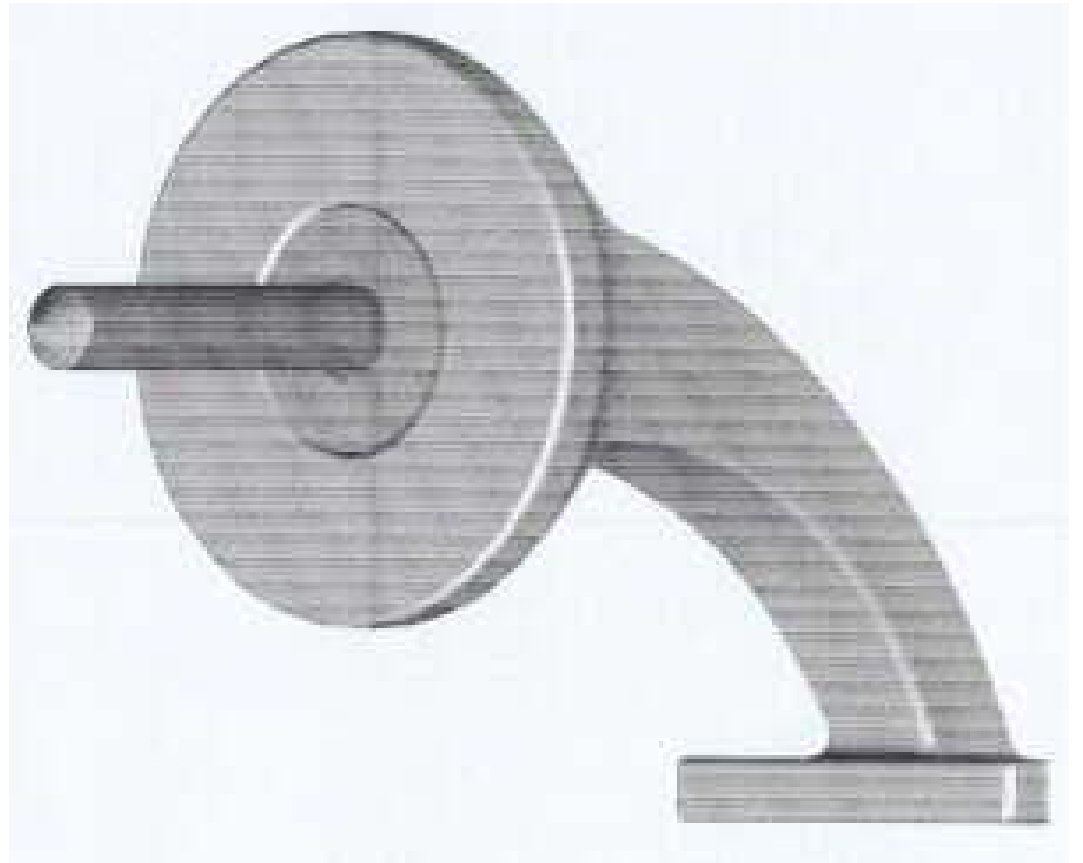
(21) Design Number: **14793/2005**
(22) Date of Filing Application: **31 October 2005**
(24) Date from which industrial property rights may have effect: **31 October 2005**
(54) Product in respect of which the design is registered: **Tap**
(51) International Design Classification: **23-01H**
(71) Name(s) and Address(s) of Applicant(s):
Phoenix Industries Pty Ltd
7 Ashburn Place Blackburn Victoria 3130 Australia
(72) Name(s) of Designer(s): **Phillip Stansbury**
(45) Registration Date: **16 May 2006**
(56) Related Art Documents: **Not Applicable**
(57) Statement of Newness and Distinctiveness: **Nil**



(21) Design Number: **14794/2005**
(22) Date of Filing Application: **31 October 2005**
(24) Date from which industrial property rights may have effect: **31 October 2005**
(54) Product in respect of which the design is registered: **Spout**
(51) International Design Classification: **23-01H**
(71) Name(s) and Address(s) of Applicant(s):
Phoenix Industries Pty Ltd
7 Ashburn Place Blackburn Victoria 3130 Australia
(72) Name(s) of Designer(s): **Phillip Stansbury**
(45) Registration Date: **16 May 2006**
(56) Related Art Documents: **Not Applicable**
(57) Statement of Newness and Distinctiveness: **Nil**



- (21) Design Number: **14814/2005**
(22) Date of Filing Application: **28 October 2005**
(24) Date from which industrial property rights may have effect: **28 October 2005**
(54) Product in respect of which the design is registered: **Hand rail bracket**
(51) International Design Classification: **07-05D**
(71) Name(s) and Address(s) of Applicant(s):
Emro Products Pty Ltd
20 Enterprise Street Caloundra Queensland 4551 Australia
(72) Name(s) of Designer(s): **Uwe Wauge and Martin Roth**
(45) Registration Date: **16 May 2006**
(56) Related Art Documents: **Not Applicable**
(57) Statement of Newness and Distinctiveness: **Base and fixing mechanism.**



- (21) Design Number: **14844/2005**
(22) Date of Filing Application: **03 November 2005**
(24) Date from which industrial property rights may have effect: **05 May 2004**
(54) Product in respect of which the design is registered: **Lamp**
(51) International Design Classification: **26-05C, 26-03**
(71) Name(s) and Address(s) of Applicant(s):
Boluce Illuminazione S.R.L.
Via Francesco Nullo Calusco D'Adda (Bergamo) 240330 Italy
(72) Name(s) of Designer(s): **Gianmario Bosisio**
(45) Registration Date: **16 May 2006**
(62) Divisional of: **01671/2004**
(56) Related Art Documents: **Not Applicable**
(57) Statement of Newness and Distinctiveness: **Nil**



- (21) Design Number: **14853/2005**
(22) Date of Filing Application: **02 November 2005**
(24) Date from which industrial property rights may have effect: **02 November 2005**
(54) Product in respect of which the design is registered: **Fence mounting device**
(51) International Design Classification: **08-08K**
(71) Name(s) and Address(s) of Applicant(s):

Peter John McNeil
3 MacMasters Parade MacMasters Beach New South Wales 2251
Australia

- (72) Name(s) of Designer(s): **Peter John McNeil**
(45) Registration Date: **16 May 2006**
(56) Related Art Documents: **Not Applicable**
(57) Statement of Newness and Distinctiveness: **Newness and distinctiveness is claimed in the visual features shown in solid lines in the representations.**



- (21) Design Number: **14887/2005**
(22) Date of Filing Application: **04 November 2005**
(24) Date from which industrial property rights may have effect: **04 November 2005**
(54) Product in respect of which the design is registered: **Drink machine parts**
(51) International Design Classification: **20-01**
(71) Name(s) and Address(s) of Applicant(s):

Societe Des Produits Nestle S.A.
1800 Vevey Switzerland

- (72) Name(s) of Designer(s): **Antoine Cahen**
(45) Registration Date: **16 May 2006**
(30) Convention priority data:
(31) Number (32) Date (33) Country
131927 24 Jun 2005 SWITZERLAND
(56) Related Art Documents: **Not Applicable**
(57) Statement of Newness and Distinctiveness: **Nil**



(21) Design Number: **14890/2005**

(22) Date of Filing Application: **04 November 2005**

(24) Date from which industrial property rights may have effect: **04 November 2005**

(54) Product in respect of which the design is registered: **Container**

(51) International Design Classification: **09-01G**

(71) Name(s) and Address(s) of Applicant(s):

**Kobayashi Seiyaku Kabushiki Kaisha also trading as Kobayashi
Pharmaceutical Co. Ltd
3-6 Doshomachi 4-chome Chuo-ku Osaka Japan**

(72) Name(s) of Designer(s): **Shuji Kawashima and Akiko Kodama**

(45) Registration Date: **16 May 2006**

(30) Convention priority data:

(31) Number	(32) Date	(33) Country
2005-017971	21 Jun 2005	JAPAN

(56) Related Art Documents: **Not Applicable**

(57) Statement of Newness and Distinctiveness: **Those visual features of the container depicted in the representations that are new and distinctive are the shape and/or configuration.**



(21) Design Number: **14946/2005**

(22) Date of Filing Application: **09 November 2005**

(24) Date from which industrial property rights may have effect: **09 November 2005**

(54) Product in respect of which the design is registered: **Camera cart/production cart-film/video**

(51) International Design Classification: **12-02**

(71) Name(s) and Address(s) of Applicant(s):

**Rastorder Pty Ltd
33 Old Berowra Road Hornsby New South Wales 2077 Australia**

(72) Name(s) of Designer(s): **Robert Barry Stalder**

(45) Registration Date: **16 May 2006**

(56) Related Art Documents: **Not Applicable**

(57) Statement of Newness and Distinctiveness: **This cart designated model 2G has an overall new appearance to other carts of a similar nature, by maintaining the distinctive themes that are a feature of rastorder carts. They are in configuration of 25mm (1inch) square tubing, this particular patterned sheeting, the use of dark colours and even in the use and placement of small accessories, such as brakes, hooks and coffee cup holders. More specifically: In the particular style of a four rail chassis, narrowing down to a two rail chassis at one end and incorporating a pull out sliding drawer in it. Its particular style of front castor wheels and their mounting configuration on this cart. Its style and placement of additional pull out sliding drawers and/or trays, incorporated in the top of the cart. All of the above aspects are illustrated in the representations.**



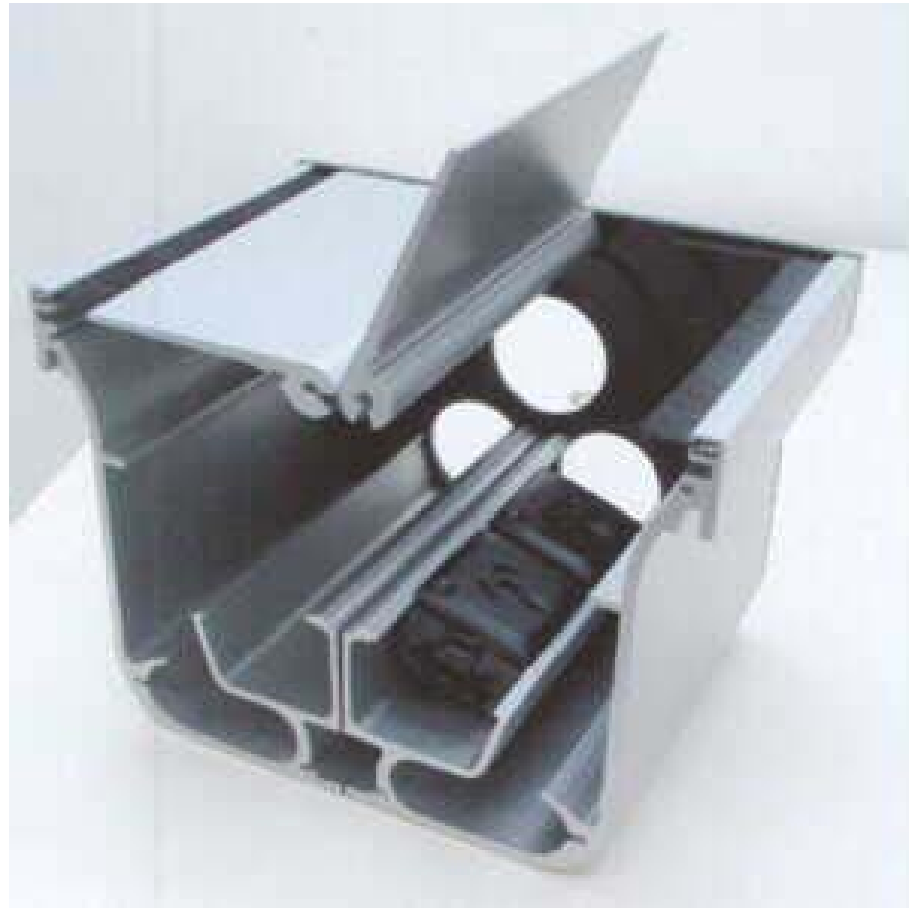
- (21) Design Number: **14947/2005**
(22) Date of Filing Application: **08 November 2005**
(24) Date from which industrial property rights may have effect: **08 November 2005**
(54) Product in respect of which the design is registered: **Drink machine**
(51) International Design Classification: **31-00**
(71) Name(s) and Address(s) of Applicant(s):
Societe Des Produits Nestle S.A.
1800 Vevey Switzerland
(72) Name(s) of Designer(s): **Remy Jacquet and Yves Marmier and Pierre Struzka and William Kohler and Camille Mairot**
(45) Registration Date: **16 May 2006**
(30) Convention priority data:
(31) Number (32) Date (33) Country
131758 10 May 2005 SWITZERLAND
(56) Related Art Documents: **Not Applicable**
(57) Statement of Newness and Distinctiveness: **Newness and distinctiveness resides in the drink machine as shown, without reference to the power cable.**



- (21) Design Number: **10449/2005**
(22) Date of Filing Application: **04 February 2005**
(24) Date from which industrial property rights may have effect: **04 February 2005**
(54) Product in respect of which the design is registered: **Gutter clamp for ladders**
(51) International Design Classification: **25-04**
(71) Name(s) and Address(s) of Applicant(s):
Warren Ballantyne
PO Box 2025 Bundaberg Queensland 4670 Australia
(72) Name(s) of Designer(s): **Warren Ballantyne**
(45) Registration Date: **16 May 2006**
(56) Related Art Documents: **Not Applicable**
(57) Statement of Newness and Distinctiveness: **Nil**



- (21) Design Number: **10974/2005**
(22) Date of Filing Application: **14 March 2005**
(24) Date from which industrial property rights may have effect: **14 March 2005**
(54) Product in respect of which the design is registered: **Softwiring cable tray or cable management duct used in office/corporate desks and tables.**
(51) International Design Classification: **13-03C**
(71) Name(s) and Address(s) of Applicant(s):
Richard Munao
21-23 Levey Street Chippendale New South Wales Australia 2008
(72) Name(s) of Designer(s): **Simon Duff**
(45) Registration Date: **16 May 2006**
(56) Related Art Documents: **Not Applicable**
(57) Statement of Newness and Distinctiveness: **The shape of design and general "look" of the 2 doors that open in top of tray to allow access to duct below.**



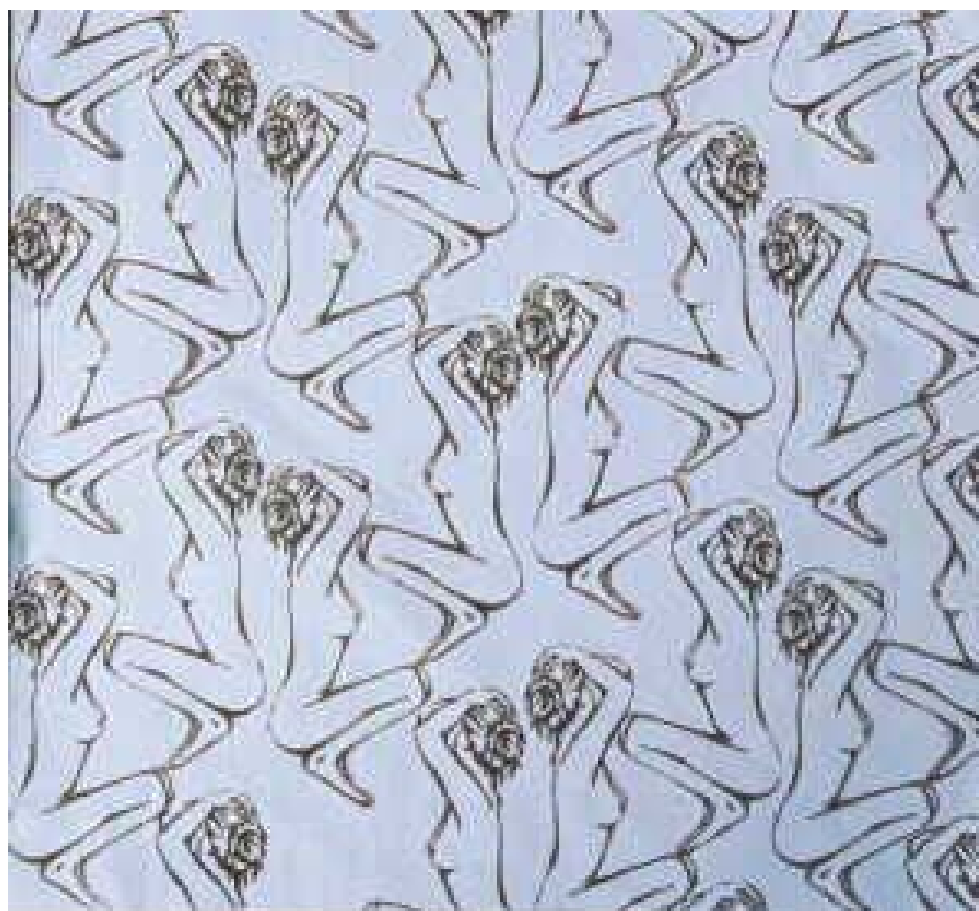
- (21) Design Number: **11574/2005**
(22) Date of Filing Application: **15 April 2005**
(24) Date from which industrial property rights may have effect: **15 April 2005**
(54) Product in respect of which the design is registered: **Wallpaper and fabric**
(51) International Design Classification: **05-05NES, 05-06A**
(71) Name(s) and Address(s) of Applicant(s):
Alexandra Quantick
37 Whitewood Drive Upper Sturt South Australia 5156 Australia
(72) Name(s) of Designer(s): **Alexandra Quantick**
(45) Registration Date: **16 May 2006**
(56) Related Art Documents: **Not Applicable**
(57) Statement of Newness and Distinctiveness: **Original design of female silhouette form 'naked' in repeat pattern. This design applies to the pattern and ornamentation as seen in the representation. Colours may vary.**



- (21) Design Number: **11575/2005**
(22) Date of Filing Application: **15 April 2005**
(24) Date from which industrial property rights may have effect: **15 April 2005**
(54) Product in respect of which the design is registered: **Wall coverings and fabrics**
(51) International Design Classification: **05-05NES, 05-06A**
(71) Name(s) and Address(s) of Applicant(s):
Alexandra Quantick
37 Whitewood Drive Upper Sturt South Australia 5156 Australia
(72) Name(s) of Designer(s): **Alexandra Quantick**
(45) Registration Date: **16 May 2006**
(56) Related Art Documents: **Not Applicable**
(57) Statement of Newness and Distinctiveness: **Original design of female silhouettes lying within a checkered landscape of rectangles. The design applies to the pattern and ornamentation as seen in the representation. Colours may vary.**



- (21) Design Number: **11576/2005**
(22) Date of Filing Application: **15 April 2005**
(24) Date from which industrial property rights may have effect: **15 April 2005**
(54) Product in respect of which the design is registered: **Wallpaper and fabrics**
(51) International Design Classification: **05-05NES, 05-06A**
(71) Name(s) and Address(s) of Applicant(s):
Alexandra Quantick
37 Whitewood Drive Upper Sturt South Australia 5156 Australia
(72) Name(s) of Designer(s): **Alexandra Quantick**
(45) Registration Date: **16 May 2006**
(56) Related Art Documents: **Not Applicable**
(57) Statement of Newness and Distinctiveness: **Women forms nude in repeat pattern. The design applies to the pattern and ornamentation as seen in the representation. Colours may vary.**



(21) Design Number: **11656/2006**

(22) Date of Filing Application: **21 April 2006**

(24) Date from which industrial property rights may have effect: **21 April 2006**

(54) Product in respect of which the design is registered: **Packing box for confectionery**

(51) International Design Classification: **09-03NES**

(71) Name(s) and Address(s) of Applicant(s):

Orion Corporation

30-10 Munbae-Dong Yongsan-Gu Seoul Republic of Korea

(72) Name(s) of Designer(s): **Hwa-Kyung Lee**

(45) Registration Date: **16 May 2006**

(56) Related Art Documents: **Not Applicable**

(57) Statement of Newness and Distinctiveness: **The newness distinctiveness of the design resides in the features of shape, configuration and pattern of the product shown in the accompanying representations.**



(21) Design Number: **12327/2005**

(22) Date of Filing Application: **27 May 2005**

(24) Date from which industrial property rights may have effect: **27 May 2005**

(54) Product in respect of which the design is registered: **Front cowl for motorcycle**

(51) International Design Classification: **12-11, 12-16B**

(71) Name(s) and Address(s) of Applicant(s):

Honda Motor Co., Ltd

1-1 Minami-Aoyama 2-chome Minato-ku Tokyo Japan

(72) Name(s) of Designer(s): **Masamoto Ito and Hiroyuki Miyazaki**

(45) Registration Date: **16 May 2006**

(30) Convention priority data:

(31) Number	(32) Date	(33) Country
2004-036390	29 Nov 2004	JAPAN

(56) Related Art Documents: **Not Applicable**

(57) Statement of Newness and Distinctiveness: **Newness and distinctiveness is claimed in the features of shape and/or configuration of a front cowl for motorcycle as illustrated in the accompanying representations.**



(21) Design Number: **12353/2005**

(22) Date of Filing Application: **31 May 2005**

(24) Date from which industrial property rights may have effect: **31 May 2005**

(54) Product in respect of which the design is registered: **Vehicle tonneau cover**

(51) International Design Classification: **12-16B**

(71) Name(s) and Address(s) of Applicant(s):

Holden Ltd

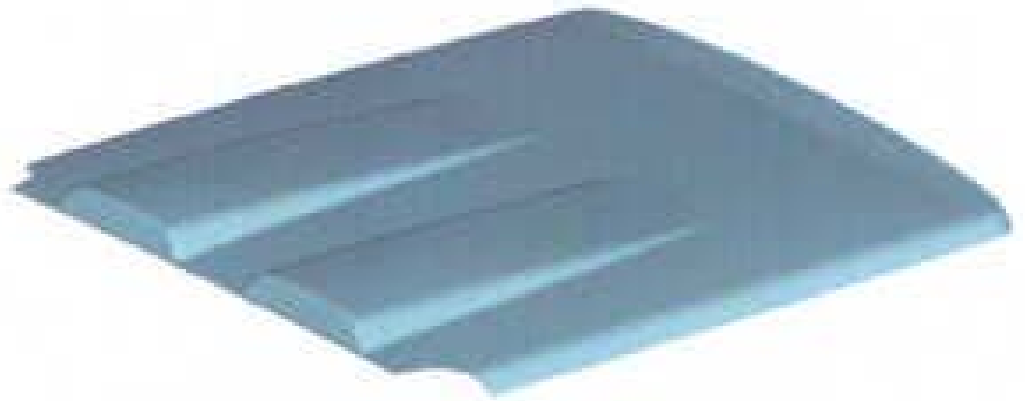
241 Salmon Street Port Melbourne Victoria 3207 Australia

(72) Name(s) of Designer(s): **Jeff Haggarty**

(45) Registration Date: **16 May 2006**

(56) Related Art Documents: **Not Applicable**

(57) Statement of Newness and Distinctiveness: **Newness and distinctiveness is claimed in the shape and/or configuration of a vehicle tonneau cover as shown in the representations.**



(21) Design Number: **13254/2005**

(22) Date of Filing Application: **01 August 2005**

(24) Date from which industrial property rights may have effect: **01 August 2005**

(54) Product in respect of which the design is registered: **Lawn bowls travel bag designed to carry eight bowls**

(51) International Design Classification: **03-01C**

(71) Name(s) and Address(s) of Applicant(s):

Goodridge Australia Pty Ltd

36 Commercial Drive Ashmore Queensland 4214 Australia

(72) Name(s) of Designer(s): **Shane Globits and Roger Goodridge**

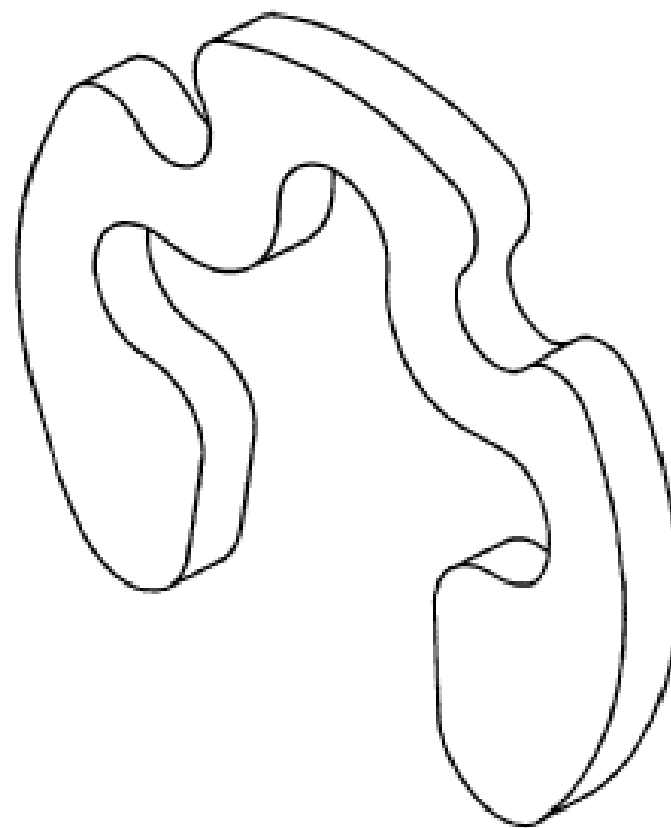
(45) Registration Date: **16 May 2006**

(56) Related Art Documents: **Not Applicable**

(57) Statement of Newness and Distinctiveness: **Designed to carry four to eight bowls with three removable dividers in the bottom half of the bag on two wheels and single trolley pole.**



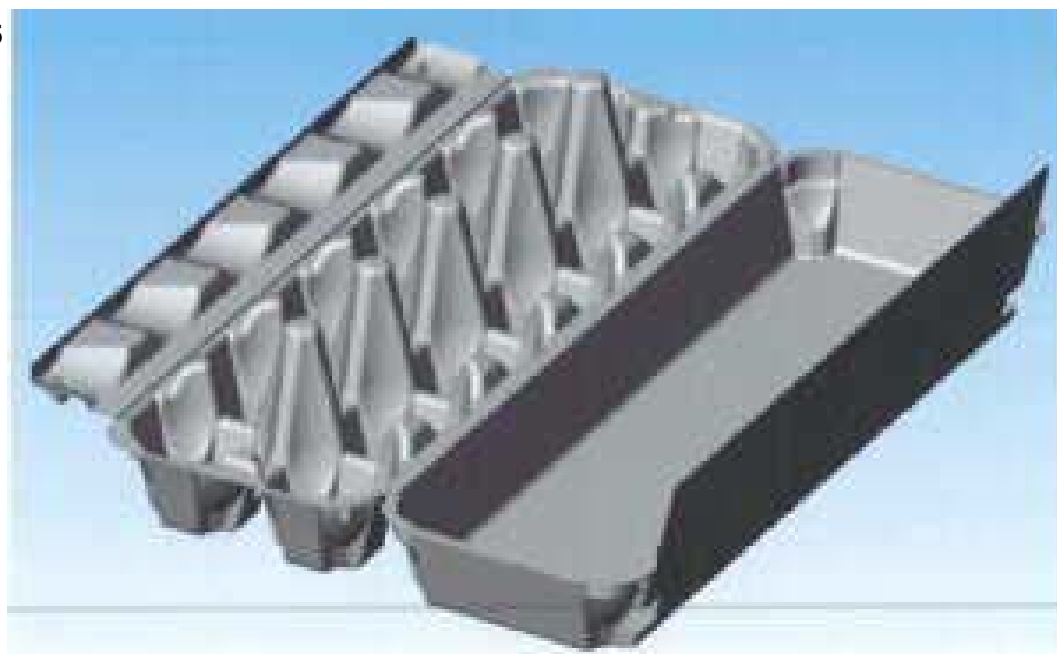
(21) Design Number: **13727/2005**
(22) Date of Filing Application: **31 August 2005**
(24) Date from which industrial property rights may have effect: **31 August 2005**
(54) Product in respect of which the design is registered: **A Retainer For A Shaft**
(51) International Design Classification: **08-08C**
(71) Name(s) and Address(s) of Applicant(s):
Chubu Bearing Kabushikikaisha
20-13 Nishihioki 2-chome Nakagawa-ku Nagoya-shi Aichi-ken
454-0004 Japan
(72) Name(s) of Designer(s): **Kouichi Tanaka and Yoshichika Tanaka**
(45) Registration Date: **16 May 2006**
(30) Convention priority data:
(31) Number (32) Date (33) Country
2005-6299 04 Mar 2005 JAPAN
(56) Related Art Documents: **Not Applicable**
(57) Statement of Newness and Distinctiveness: **Nil**



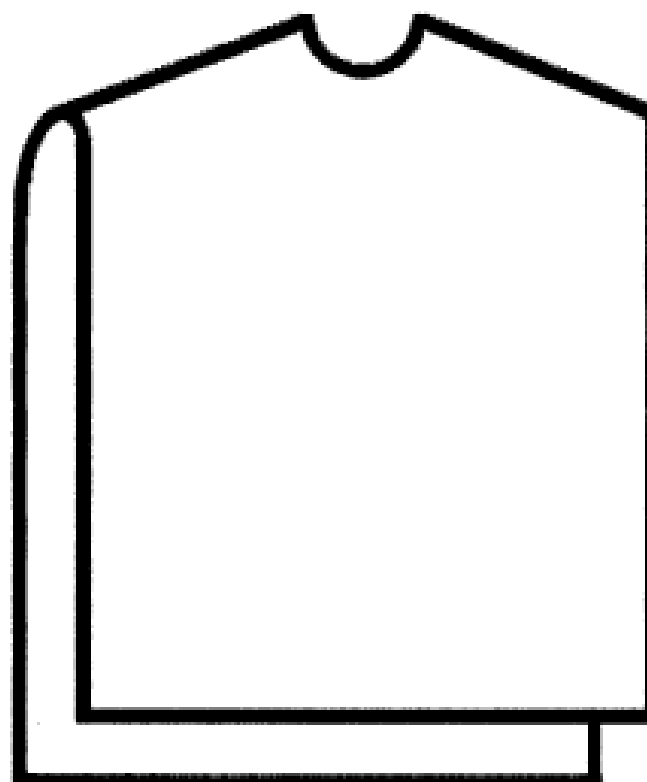
(21) Design Number: **14001/2005**
(22) Date of Filing Application: **16 September 2005**
(24) Date from which industrial property rights may have effect: **16 September 2005**
(54) Product in respect of which the design is registered: **Rebated pool coping**
(51) International Design Classification: **25-01E, 25-03**
(71) Name(s) and Address(s) of Applicant(s):
Maison A European Design Pty Ltd
57 Rundle Street East Kent Town South Australia 5067 Australia
(72) Name(s) of Designer(s): **Peter Merchant**
(45) Registration Date: **16 May 2006**
(56) Related Art Documents: **Not Applicable**
(57) Statement of Newness and Distinctiveness: **Sandstone rebated pool coping inlaid with tiles.**



- (21) Design Number: **14014/2005**
(22) Date of Filing Application: **19 September 2005**
(24) Date from which industrial property rights may have effect: **19 September 2005**
(54) Product in respect of which the design is registered: **Egg carton**
(51) International Design Classification: **09-03D**
(71) Name(s) and Address(s) of Applicant(s):
Farm Pride Foods Limited
551 Chandler Road Keysborough Victoria 3173 Australia
(72) Name(s) of Designer(s): **Bruce De Lacy**
(45) Registration Date: **16 May 2006**
(56) Related Art Documents: **Not Applicable**
(57) Statement of Newness and Distinctiveness: **The new and distinctive features of the design is the shape of the egg carton.**



- (21) Design Number: **14154/2005**
(22) Date of Filing Application: **26 September 2005**
(24) Date from which industrial property rights may have effect: **26 September 2005**
(54) Product in respect of which the design is registered: **Garment protector/covers**
(51) International Design Classification: **06-13NES, 02-02B**
(71) Name(s) and Address(s) of Applicant(s):
Cheryll-Rose Ramos
8 Rooney Street Maidstone Victoria 3012 Australia
(72) Name(s) of Designer(s): **Cheryll-Rose Ramos**
(45) Registration Date: **16 May 2006**
(56) Related Art Documents: **Not Applicable**
(57) Statement of Newness and Distinctiveness: **The garment protector is open at the sides to enable viewing of the garment within (without having to remove the protector/cover off or move the garment from the closet).**



- (21) Design Number: **14492/2005**
(22) Date of Filing Application: **12 October 2005**
(24) Date from which industrial property rights may have effect: **12 October 2005**
(54) Product in respect of which the design is registered: **Bumper bar for a vehicle**
(51) International Design Classification: **12-16C**
(71) Name(s) and Address(s) of Applicant(s):
Ford Motor Company of Australia Limited
1735 Sydney Road Campbellfield Victoria 3061 Australia
(72) Name(s) of Designer(s): **Graham Wadsworth**
(45) Registration Date: **16 May 2006**
(56) Related Art Documents: **Not Applicable**
(57) Statement of Newness and Distinctiveness: **Newness and distinctiveness is claimed in the visual features of shape and/or configuration as applied to a bumper bar for a vehicle as illustrated in the representations.**



- (21) Design Number: **14494/2005**
(22) Date of Filing Application: **12 October 2005**
(24) Date from which industrial property rights may have effect: **12 October 2005**
(54) Product in respect of which the design is registered: **Bumper bar for a vehicle**
(51) International Design Classification: **12-16C**
(71) Name(s) and Address(s) of Applicant(s):
Ford Motor Company of Australia Limited
1735 Sydney Road Campbellfield Victoria 3061 Australia
(72) Name(s) of Designer(s): **Graham Wadsworth**
(45) Registration Date: **16 May 2006**
(56) Related Art Documents: **Not Applicable**
(57) Statement of Newness and Distinctiveness: **Newness and distinctiveness is claimed in the visual features of shape and/or configuration as applied to a bumper bar for a vehicle as illustrated in the representations.**



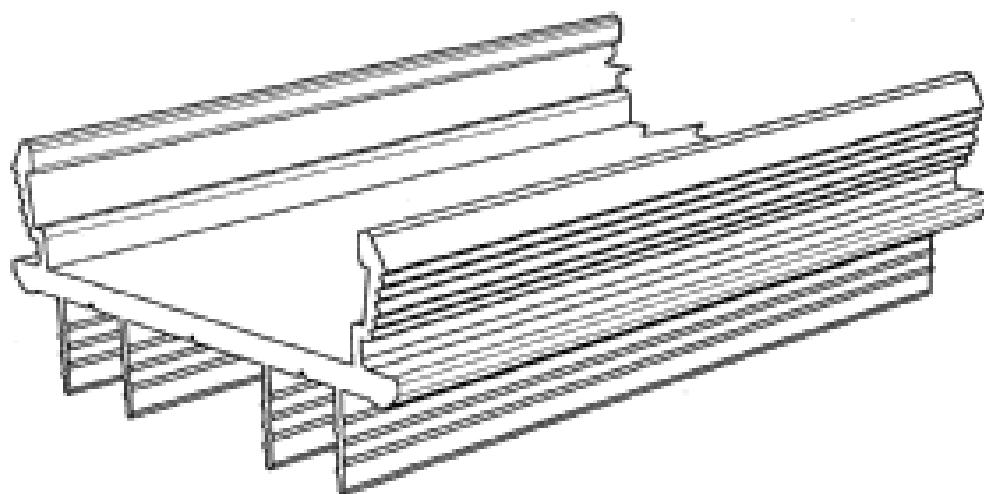
- (21) Design Number: **14495/2005**
(22) Date of Filing Application: **12 October 2005**
(24) Date from which industrial property rights may have effect: **12 October 2005**
(54) Product in respect of which the design is registered: **Bumper bar for a vehicle**
(51) International Design Classification: **12-16C**
(71) Name(s) and Address(s) of Applicant(s):
Ford Motor Company of Australia Limited
1735 Sydney Road Campbellfield Victoria 3061 Australia
(72) Name(s) of Designer(s): **Graham Wadsworth**
(45) Registration Date: **16 May 2006**
(56) Related Art Documents: **Not Applicable**
(57) Statement of Newness and Distinctiveness: **Newness and distinctiveness is claimed in the visual features of shape and/or configuration as applied to a bumper bar for a vehicle as illustrated in the representations.**



- (21) Design Number: **14496/2005**
(22) Date of Filing Application: **12 October 2005**
(24) Date from which industrial property rights may have effect: **12 October 2005**
(54) Product in respect of which the design is registered: **Wheel**
(51) International Design Classification: **12-16A**
(71) Name(s) and Address(s) of Applicant(s):
Ford Motor Company of Australia Limited
1735 Sydney Road Campbellfield Victoria 3061 Australia
(72) Name(s) of Designer(s): **Graham Wadsworth**
(45) Registration Date: **16 May 2006**
(56) Related Art Documents: **Not Applicable**
(57) Statement of Newness and Distinctiveness: **Newness and distinctiveness is claimed in the visual features of shape and/or configuration as applied to a wheel as illustrated in the representations.**



- (21) Design Number: **14800/2005**
(22) Date of Filing Application: **28 October 2005**
(24) Date from which industrial property rights may have effect: **28 October 2005**
(54) Product in respect of which the design is registered: **Extrusion**
(51) International Design Classification: **25-01K**
(71) Name(s) and Address(s) of Applicant(s):
 Raven Products Pty Ltd
 22 Aldershot Road Lonsdale South Australia 5160 Australia
(72) Name(s) of Designer(s): **Russell Clark**
(45) Registration Date: **16 May 2006**
(56) Related Art Documents: **Not Applicable**
(57) Statement of Newness and Distinctiveness: **Nil**



- (21) Design Number: **14830/2005**
(22) Date of Filing Application: **01 November 2005**
(24) Date from which industrial property rights may have effect: **01 November 2005**
(54) Product in respect of which the design is registered: **Video games accessory**
(51) International Design Classification: **21-01N**
(71) Name(s) and Address(s) of Applicant(s):
 Sony Computer Entertainment Europe Limited
 30 Golden Square London W1F 9LK United Kingdom
(72) Name(s) of Designer(s): **David Crooke**
(45) Registration Date: **16 May 2006**
(30) Convention priority data:
 (31) Number (32) Date (33) Country
 343876-0001 11 May 2005 EUROPEAN COMMUNITY
(56) Related Art Documents: **Not Applicable**
(57) Statement of Newness and Distinctiveness: **Newness and distinctiveness resides in the shape and/or configuration of a video games accessory as depicted in the accompanying representations.**



(21) Design Number: **15721/2005**

(22) Date of Filing Application: **22 December 2005**

(24) Date from which industrial property rights may have effect: **09 June 2004**

(54) Product in respect of which the design is registered: **A saw**

(51) International Design Classification: **08-03**

(71) Name(s) and Address(s) of Applicant(s):

**Black & Decker Inc.
1207 Drummond Plaza Newark Delaware 19711 United States of
America**

(72) Name(s) of Designer(s): **Bob Welsh**

(45) Registration Date: **16 May 2006**

(30) Convention priority data:

(31) Number	(32) Date	(33) Country
29197152	09 Jan 2004	UNITED STATES OF AMERICA

(62) Divisional of: **158502**

(56) Related Art Documents: **Not Applicable**

(57) Statement of Newness and Distinctiveness: **Nil**



(21) Design Number: **12672/2005**

(22) Date of Filing Application: **24 June 2005**

(24) Date from which industrial property rights may have effect: **24 June 2005**

(54) Product in respect of which the design is registered: **Kitchen knife storage
and display**

(51) International Design Classification: **07-02NES**

(71) Name(s) and Address(s) of Applicant(s):

**Rodney Mason
33 Kuringai Road Tootgarook Victoria 3941**

(72) Name(s) of Designer(s): **Rodney Mason**

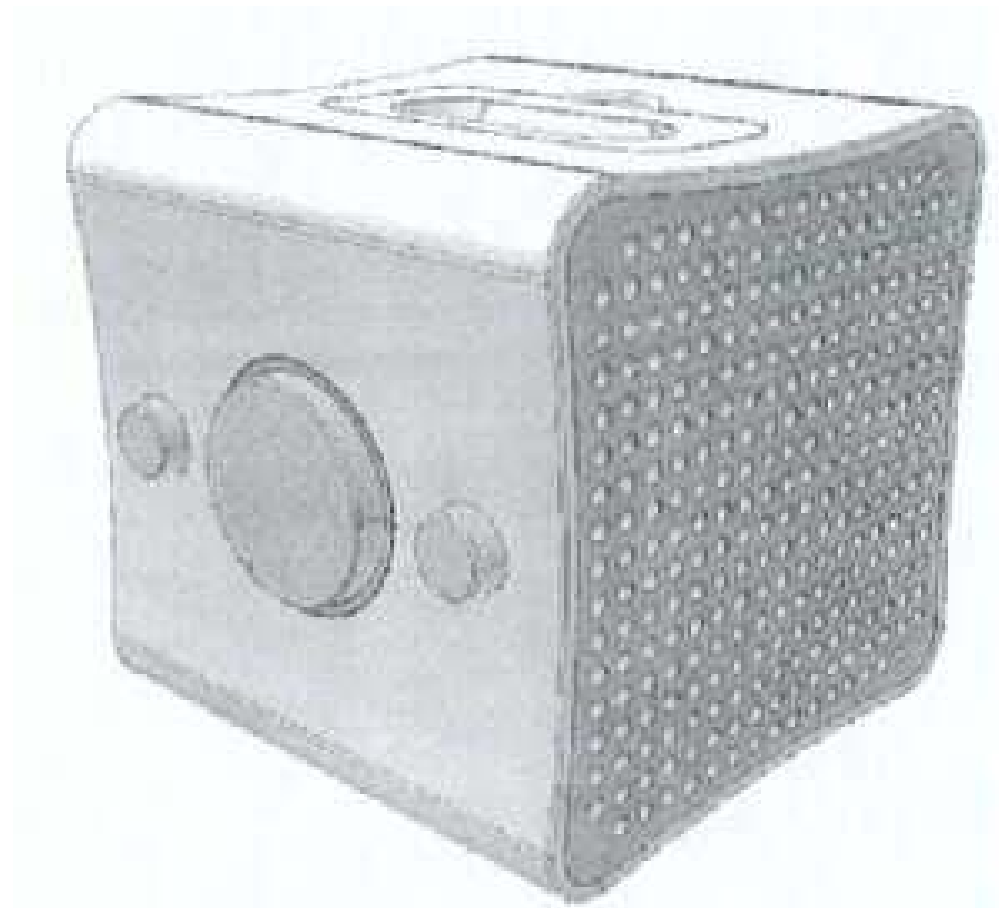
(45) Registration Date: **16 May 2006**

(56) Related Art Documents: **Not Applicable**

(57) Statement of Newness and Distinctiveness: **Oi' knife display uses
removable polypropelene bristle cartridges that come in a range of
colours to house knives. The outer casing is aluminium and the base is
non-marking polyethelene.**



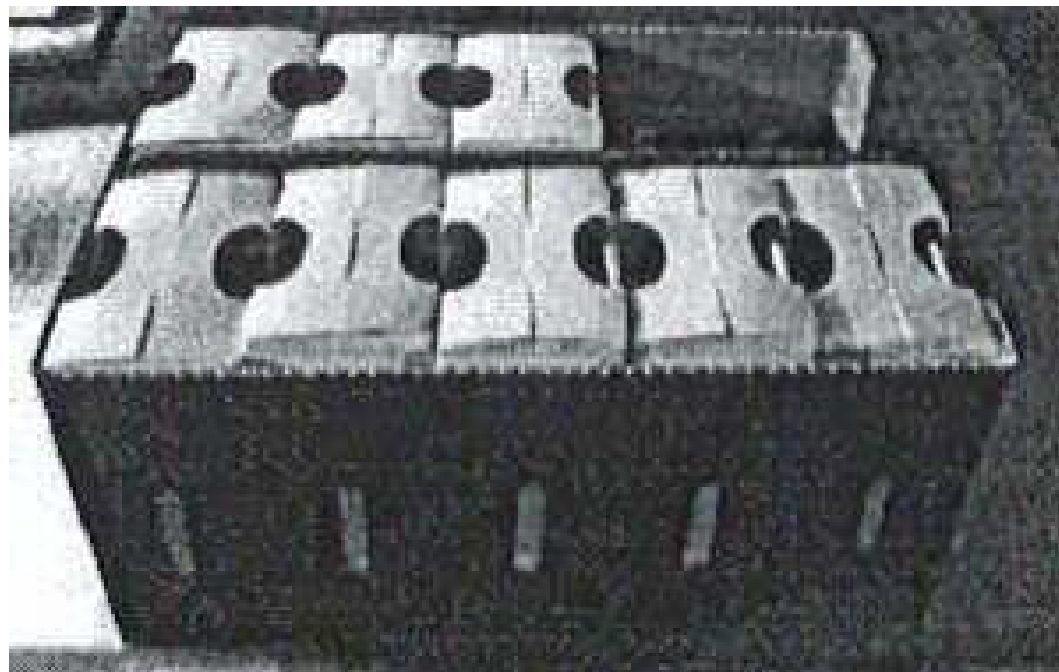
- (21) Design Number: **12884/2005**
(22) Date of Filing Application: **06 July 2005**
(24) Date from which industrial property rights may have effect: **06 July 2005**
(54) Product in respect of which the design is registered: **Speaker**
(51) International Design Classification: **14-01**
(71) Name(s) and Address(s) of Applicant(s):
youSP B.V.
Rijnsburgerweg 96 2231 AG Rijnsburg The Netherlands
(72) Name(s) of Designer(s): **Sebastiaan R. Peersmann**
(45) Registration Date: **16 May 2006**
(56) Related Art Documents: **Not Applicable**
(57) Statement of Newness and Distinctiveness: **Newness and distinctiveness is claimed in the features of shape and/or configuration of a speaker as illustrated in the accompanying representations.**



- (21) Design Number: **14096/2005**
(22) Date of Filing Application: **23 September 2005**
(24) Date from which industrial property rights may have effect: **23 September 2005**
(54) Product in respect of which the design is registered: **Micro isolator for laboratory mice**
(51) International Design Classification: **30-02, 24-01**
(71) Name(s) and Address(s) of Applicant(s):
Paul McEvoy
1141 Hay Street West Perth Western Australia 6005 Australia
(72) Name(s) of Designer(s): **Paul McEvoy**
(45) Registration Date: **16 May 2006**
(56) Related Art Documents: **Not Applicable**
(57) Statement of Newness and Distinctiveness: **Nil**



(21) Design Number: **14684/2005**
(22) Date of Filing Application: **24 October 2005**
(24) Date from which industrial property rights may have effect: **24 October 2005**
(54) Product in respect of which the design is registered: **Fresh produce packaging**
(51) International Design Classification: **09-03K**
(71) Name(s) and Address(s) of Applicant(s):
Metro Mushrooms Pty Limited
Stand 66 "A" Shed Sydney Markets New South Wales 2129 Australia
(72) Name(s) of Designer(s): **Paul Peter Sassine**
(45) Registration Date: **16 May 2006**
(56) Related Art Documents: **Not Applicable**
(57) Statement of Newness and Distinctiveness: **Ventilation at side and at top opening.**



(21) Design Number: **14753/2005**
(22) Date of Filing Application: **27 October 2005**
(24) Date from which industrial property rights may have effect: **27 October 2005**
(54) Product in respect of which the design is registered: **Door opener**
(51) International Design Classification: **08-09**
(71) Name(s) and Address(s) of Applicant(s):
Somfy SAS
50 avenue du Nouveau Monde Cluses 74300 France
(72) Name(s) of Designer(s): **Olivier Poulet and Matthieu Bonnaud**
(45) Registration Date: **16 May 2006**
(30) Convention priority data:
(31) Number (32) Date (33) Country
000337167-002 04 May 2005 EUROPEAN COMMUNITY
(56) Related Art Documents: **Not Applicable**
(57) Statement of Newness and Distinctiveness: **Nil**



(21) Design Number: **14754/2005**
(22) Date of Filing Application: **27 October 2005**
(24) Date from which industrial property rights may have effect: **27 October 2005**
(54) Product in respect of which the design is registered: **Remote control**
(51) International Design Classification: **14-03NES**
(71) Name(s) and Address(s) of Applicant(s):
Somfy SAS
50 avenue du Nouveau Monde Cluses 74300 France
(72) Name(s) of Designer(s): **Olivier Poulet and Matthieu Bonnaud**
(45) Registration Date: **16 May 2006**
(30) Convention priority data:
(31) Number (32) Date (33) Country
000345327 17 May 2005 EUROPEAN COMMUNITY
(56) Related Art Documents: **Not Applicable**
(57) Statement of Newness and Distinctiveness: **Nil**



(21) Design Number: **14772/2005**
(22) Date of Filing Application: **28 October 2005**
(24) Date from which industrial property rights may have effect: **28 October 2005**
(54) Product in respect of which the design is registered: **Ball**
(51) International Design Classification: **21-02A**
(71) Name(s) and Address(s) of Applicant(s):
Canine Hardware Inc.
PO Box 88339 Seattle Washington 98138 United States of America
(72) Name(s) of Designer(s): **Mark J. Oblack and Justin A. Bagley and Nathan Brians**
(45) Registration Date: **16 May 2006**
(30) Convention priority data:
(31) Number (32) Date (33) Country
29/228,877 29 Apr 2005 UNITED STATES OF AMERICA
(56) Related Art Documents: **Not Applicable**
(57) Statement of Newness and Distinctiveness: **The newness and distinctiveness of the ball depicted in the representations is shown by the shape and configuration of the welt which is of a varying width as depicted in the representations.**



(21) Design Number: **14778/2005**

(22) Date of Filing Application: **28 October 2005**

(24) Date from which industrial property rights may have effect: **28 October 2005**

(54) Product in respect of which the design is registered: **Golf club head**

(51) International Design Classification: **21-02C**

(71) Name(s) and Address(s) of Applicant(s):

**Karsten Manufacturing Corporation
2201 West Desert Cove Phoenix Arizona 85029 United States of
America**

(72) Name(s) of Designer(s): **Bradley D. Schweigert and Xiaojian Chen and
Michael R. Nicolette and Marty R. Jertson**

(45) Registration Date: **16 May 2006**

(30) Convention priority data:

(31) Number	(32) Date	(33) Country
29/231561	06 Jun 2005	UNITED STATES OF AMERICA

(56) Related Art Documents: **Not Applicable**

(57) Statement of Newness and Distinctiveness: **Nil**



(21) Design Number: **14779/2005**

(22) Date of Filing Application: **28 October 2005**

(24) Date from which industrial property rights may have effect: **28 October 2005**

(54) Product in respect of which the design is registered: **Golf driver head**

(51) International Design Classification: **21-02C**

(71) Name(s) and Address(s) of Applicant(s):

**Karsten Manufacturing Corporation
2201 West Desert Cove Phoenix Arizona 85029 United States of
America**

(72) Name(s) of Designer(s): **Bradley D. Schweigert and Xiaojian Chen and
Michael R. Nicolette and Marty R. Jertson**

(45) Registration Date: **16 May 2006**

(30) Convention priority data:

(31) Number	(32) Date	(33) Country
29/231560	06 Jun 2005	UNITED STATES OF AMERICA

(56) Related Art Documents: **Not Applicable**

(57) Statement of Newness and Distinctiveness: **Nil**



- (21) Design Number: **15533/2005**
(22) Date of Filing Application: **15 December 2005**
(24) Date from which industrial property rights may have effect: **15 December 2005**
(54) Product in respect of which the design is registered: **Bagless vacuum cleaner**
(51) International Design Classification: **15-05**
(71) Name(s) and Address(s) of Applicant(s):
World of Technologies (Aust) Pty Ltd
25 Hub Arcade 15-23 Langhorne Street Dandenong Victoria 3175
Australia
(72) Name(s) of Designer(s): **Ding Wei Ming**
(45) Registration Date: **16 May 2006**
(56) Related Art Documents: **Not Applicable**
(57) Statement of Newness and Distinctiveness: **Nil**

