



Australian Government

IP Australia

AUSTRALIAN OFFICIAL JOURNAL

OF

DESIGNS

Did you know a searchable version of this journal is now available online?

It's FREE and EASY to SEARCH.

Find it at

<http://pericles.ipaustralia.gov.au/ols/epublish/content/olsEpublications.jsp>
or using the "Online Journals" link on the IP Australia home page.

This Page Left Intentionally Blank

Contents

General Information & Notices

Proceedings Under the Designs Act 1906 preserved as a result of the provisions of Chapter 12 Part 2 of the Designs Act 2003

Application for Extension of Period of Registration	5218
Applications for Extension of Time	5219
Extension of Period of Registration of Designs	5218
Extensions of Time Granted	5219
Names Registered - Alterations and Amendments	5219
Registrations Ceased	5218
Subsequent Owners Registered	5219

Proceedings Under the Designs Act 2003

Applications Lapsed	5230
Applications Lodged	5225
Certificate of Examination	5234
Corrigenda	5233
Extension of Time Granted Under Section 137	5231
Names Registered - Alterations and Amendments	5231
Publication and Registration Proceedings	
Designs Registered 307423 to 307615.....	5235
Registrations Ceased	5231
Subsequent Owners Registered	5231

This Page Left Intentionally Blank

General Information

EDITORIAL ENQUIRIES

All enquiries about official notices and general information in the Journal should be directed to IP Australia, (ABN No 38 113 072 755), PO Box 200 Woden ACT 2606

Or

Telephone 1300 651 010
(International Callers +61 2 6283 2999)
Fax 02 6283 7999
E-mail assist@ipaustralia.gov.au

CONTACT INFORMATION

Customer Service Network
Telephone 1300 651 010 , Fax: 02 6283 7999
E-mail: assist@ipaustralia.gov.au

Customers can contact the Customer Service Network by telephone or by e-mail. Telephones are staffed between 9am and 5pm each working day.

Customers should contact the Customer Service Network for information about:

- All Patent Matters including PCT and Innovation Patents.
- All Trade Mark Matters.
- All Design Matters.

Professional Standards Board for Patent and Trade Mark Attorneys.

Ph: 02 6283 2345 Fax: 02 6283 1048

ORDERING PATENT DOCUMENTS

When ordering copies of Australian patent specifications, or abstracts and abridgments notified as open to public inspection on or after 26 October 1978, or as accepted on or after 16 November 1978, the documents should be referred to by application numbers only, preceded by letters AU-A or AU-B respectively.

REQUESTS FOR INFORMATION UNDER SECTION 194 (C)

A request for information under Section 194 (C) of the Patents Act 1990 should be made in the approved form and be accompanied by the prescribed fee. The request should be as detailed as possible.

INFORMATION FROM REGISTERS

All requests for information from Register of Patents, Trade Marks or Designs, should be made in writing and accompanied by the prescribed fee. The Registers are located in Canberra and may be examined free of charge.

COUNTRY CODES

For a listing of country codes used by IP Australia please refer to the Official Journals dated 7 November 1996.

ABBREVIATIONS IN JOURNAL

Standard abbreviations are used in the name of companies and firms. Enquiries concerning the precise name should be directed to the Customer Service Network.

FREEDOM OF INFORMATION ACT

What does it do?

- Gives you right to obtain information held by Commonwealth Ministers, Departments and most statutory bodies (these bodies are called agencies under the Act).
- Requires Commonwealth Government agencies to make available to members of the public:
 - Information about agencies, their functions and operations.
 - Information about rules and practices which are used in making decisions which affect you.
- Gives you a legal right to:
 - See non exempt documents held by agencies, and
 - appeal against a decision not to grant access to a document.

What documents can you see?

- The Act gives you a right to see documents lodged on or after 1 December 1977, or earlier if you need them to understand another document you have already.
- Documents include files, reports, computer printouts, maps, plans, photographs, tape recordings, films or videotapes.
- Documents which are available for purchase under the Patents Act 1990, the Trade Marks Act 1995 or Designs Act 2003 or Plant Breeder's Rights Act 1994 are not available under the Freedom of Information Act (Section 12 refers).

How do you apply?

Requests for access to documents must

- Be in writing
- Provide sufficient information so as to enable identification of the documents requested
- Specify an address in Australia where notices can be sent and
- Be accompanied by the application fee (currently \$30.00).

Requests for documents should be addressed to IP Australia, PO Box 200 Woden, ACT 2606, or Faxed to 02 6283 7999

DECISIONS OF THE COMMISSIONER OF PATENTS AND REGISTRAR OF TRADE MARKS AND DESIGNS

- All decisions of the Commissioner and Registrars are available free of charge from AUSTLII's website

www.austlii.edu.au

Copies of all written Patent and Design decisions are available (except if they would not be available under the provisions of the Freedom of Information legislation, e.g. if they would effectively disclose matter from documents that are not open to public inspection) on request for a cost of \$AU 25. They are also available for inspection in indexed volume series, dating from 1 January 1987, in the Office library, Canberra.

Copies of Trade Mark decisions may be accessed via IP Australia's website www.ipaustralia.gov.au

- Copies of the taped record of Patent and Design hearings are available (with the same exception as above) on request.
- When a written decision is issued the fact of the decision plus a brief head note will be published in the Official Notices section of the next available Patents, Trade Marks or Designs Journal.

HEARINGS BEFORE THE COMMISSIONER OF PATENTS

Hearings before the Commissioner of Patents will usually be conducted at the Patent Office in Canberra and interstate hearing sessions are not provided. However, the Commissioner will conduct hearings outside of Canberra at a convenient time to all parties provided that the parties bear the travel costs of the hearing officer.

The various options for hearings are set out in the document "Options for Hearings" available on IP Australia's website at: www.ipaustralia.gov.au/pdfs/patents/optionsforhearings.PDF

HEARINGS BEFORE THE REGISTRARS OF TRADE MARKS AND DESIGNS

Hearings before the Registrars of Trade Marks and Designs will be set down in Melbourne, Sydney, Adelaide, Perth and Brisbane during the periods indicated below.

Designs and Trade Marks Hearings Sessions 2006

Melbourne	13 – 17 February 5 – 9 June 11 – 15 September
Sydney	13 – 17 March 17 – 21 July 16 – 20 October
Adelaide	14 – 15 August
Perth	17 – 18 August
Brisbane	24 – 25 August

Persons who desire matters to be set down for hearing in Melbourne, Sydney, Adelaide, Perth or Brisbane must give at least one month's notice of their intention to be heard. If such notice is not given, it may be that there would be insufficient time to allow for the execution of official procedures associated with the listing of hearings, and as a result, the matter involved might not be listed.

Subject to the convenience of this Office, hearings will be set down in Canberra at any time suitable to the parties.

LIST OF STATE OFFICES

IP Australia State Offices are located in the Australian Capitals at the addresses given below. Requests for information may be obtained by calling at, phoning or writing to these offices or IP Australia, Canberra.

Australian Capital Territory

Ground Floor
Discovery House
PHILLIP ACT 2606
(PO Box 200, WODEN ACT 2606)
Ph: 1300 651 010
Fax: (02) 6283 7999

New South Wales

Level 1
45 Clarence Street
SYDNEY NSW 2000
Ph: 1300 651 010
Fax: (02) 9249 5807

Victoria

Level 6
OCBC House
565 Bourke Street
MELBOURNE VIC 3000
Ph: 1300 651 010
Fax (03) 9612 9807

Western Australia

2nd Floor
East Point Plaza
233 Adelaide Terrace
PERTH WA 6000
Ph: 1300 651 010
Fax: (08) 9220 8907

Queensland

Level 1
Grant Thornton House
102 Adelaide Street
BRISBANE QLD 4000
Ph: 1300 651 010
Fax: (07) 3007 1107

South Australia

Level 10
Origin Energy House
1 King William Street
ADELAIDE SA 5000
Ph: 1300 651 010
Fax: (08) 8239 4507

Tasmania

4th Floor
AMP Building
27 Elizabeth Street
HOBART TAS 7000
Ph: 1300 651 010
Fax: (03) 6235 6307

“INID” NUMBERS in use on Australian Design Documents

“INID” is an acronym for “Internationally agreed Numbers for the Identification of Data”.

(10) Data concerning the registration/renewal

- (11) Serial number of the registration and/or number of the design document
- (12) Plain language designation of the kind of published document
- (19) Identification, using the two-letter code according to WIPO Standard ST.3, of the authority publishing or registering the industrial design

(20) Data concerning the application

- (21) Serial number of the application
- (22) Date of filing of the application
- (24) Date from which the industrial design right has effect

(30) Data relating to priority under the Paris Convention

- (31) Serial number assigned to the priority application
- (32) Date of filing of the priority application
- (33) Two-letter code, according to WIPO Standard ST.3, identifying the authority with which the priority application was made

(40) Date(s) of making information available to the public

- (45) Date of publication of the registered industrial design by printing or similar process, or making it available to the public by any other means

(50) Miscellaneous Information

- (51) International Classification for Industrial Designs (class and subclass of the Locarno Classification)
- (54) Designation of article(s) or product(s) covered by the industrial design or title of the industrial design
- (55) Reproduction of the industrial design (e.g., drawing, photograph) and explanations relating to the reproduction
- (56) List of prior art documents, if separate from descriptive text
- (57) Description of characteristic features of the industrial design including indication of colours

(60) References to other legally related application(s) and registration(s)

- (62) Serial number(s) and, if available, filing date(s) of application(s), registration(s) or document(s) related by division
- (66) Serial number(s) of the application, or the registration, of the design(s) which is (are) a variant(s) of the present one

(70) Identification of parties concerned with the application or registration

- (71) Name(s) and address(es) of the applicant(s)
- (72) Name(s) of the creator(s) if known to be such
- (74) Name(s) and address(es) of the representative(s)

This Page Left Intentionally Blank

Official Notice**Designs Act 2003
Amendments to Registered Designs at Examination**

The following amendments have been made to details previously published in the Australian Official Journal of Designs during the Examination process:

Registration Number	Amendment type	New details
304796	Product Name	Petroleum wrap tank

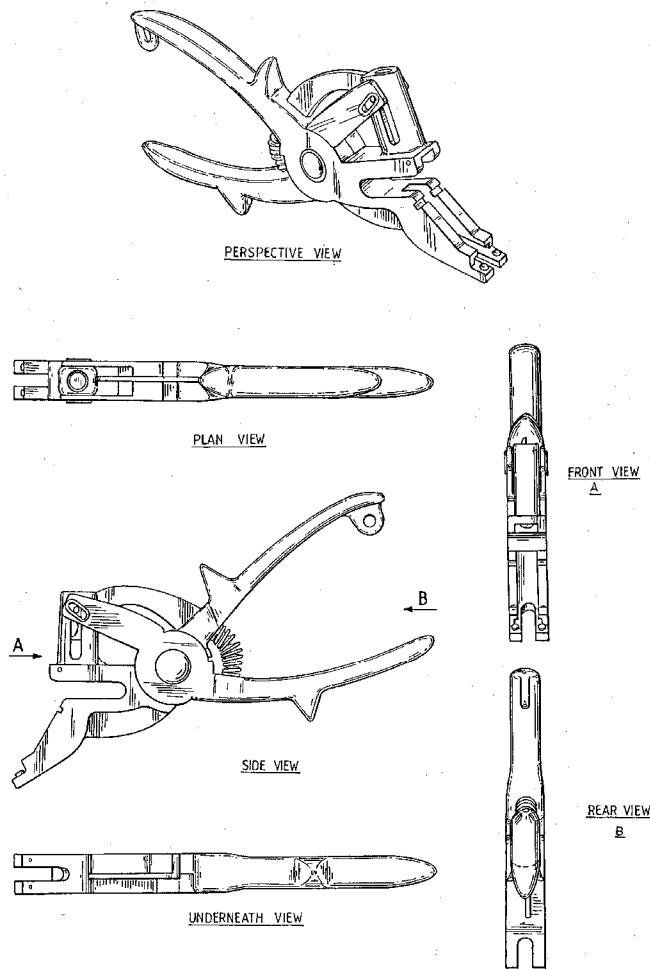
Contact: IP Australia
Phone: 1300 651 010
Fax: +61 2 6283 7999
E-Mail: assist@ipaaustralia.gov.au
Web: www.ipaustralia.gov.au

Official Notice

**Designs Act 2003
Correction of Register**

The following corrections under Regulation 9.05 (1) have been made to details previously published in the Australian Official Journal of Designs:

Registration Number	Amendment type	New details
305619	Representations	Representations as below



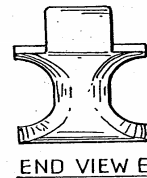
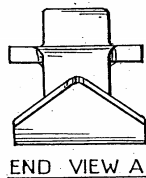
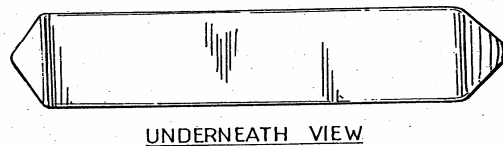
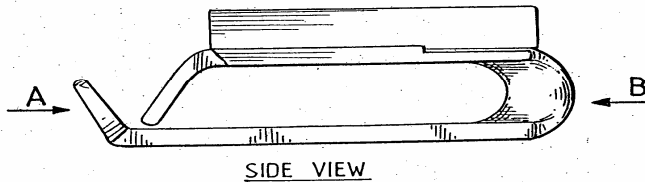
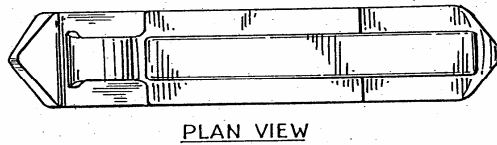
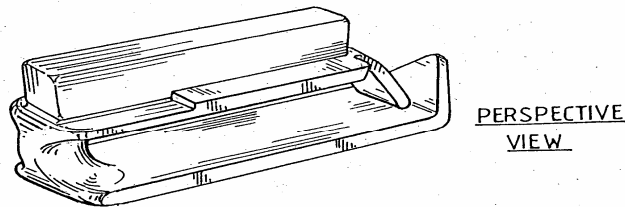
Contact: IP Australia
Phone: 1300 651 010
Fax: +61 2 6283 7999
E-Mail: assist@ipaustralia.gov.au
Web: www.ipaustralia.gov.au

Official Notice

**Designs Act 2003
Correction of Register**

The following corrections under Regulation 9.05 (1) have been made to details previously published in the Australian Official Journal of Designs:

Registration Number	Amendment type	New details
305620	Representations	Representations as below



Contact: IP Australia
Phone: 1300 651 010
Fax: +61 2 6283 7999
E-Mail: assist@ipaustralia.gov.au
Web: www.ipaustralia.gov.au

This Page Left Intentionally Blank

**Proceedings under the Designs Act 1906 preserved as a
result of the provisions of Chapter 12 Part 2 of the Designs
Act 2003.**

This Page Left Intentionally Blank

Applications Lapsed

There were no Applications Lapsed under this section

Application for Extension of Period of Registration

Applications under Section 27A(2) for extension of registration of the following designs have been lodged. In the event that a design is shown to be not new or original, the Registrar may refuse to extend the period of registration. Sub-section 27A(4) allows any person to lodge at the Designs Office material relevant to the question whether the design is not new or original. That material must be lodged within 11 months of the date when the registration of the design was made. Further details of the conditions and procedures for the lodgement of material are contained in Form 8 provided under the Designs Regulation 24.

Registration Number	Registered Owner	Registration Date
156640	BRUNO JOZEF HEIJER and JILL MARIE HEIJER	12/10/2004
156922	DORTE DUCKWORTH	17/11/2004
157333	RODNEY STEPHEN HORAN	24/01/2005
158112	EDUCO SERVICES PTY LTD	29/06/2005
158126	RETAIL & COMMERCIAL PROPERTIES PTY LTD	07/07/2005
158136	RECKITT BENCKISER N.V.	07/07/2005
158143	BENJAMIN JOHN CARSON	22/07/2005
158239	CARGLASS LUXEMBOURG S.A.R.L., ZUG BRANCH	03/08/2005
158243	ROY GRIPSKE & SONS PTY LTD	03/08/2005
158265	LE CREUSET S.A.	26/08/2005
158286	RAY CEREZO	12/09/2005

Extension of Period of Registration of Designs

1st Period (Section 27A(8))

156640	156922	157333
158031	158041	158042
158081	158082	158083
158084	158085	158086
158087	158088	158089
158090	158091	158092
158093	158094	158095
158097	158098	158099
158100	158101	158102
158103	158104	158105
158106	158107	158108
158109		

2nd Period (Section 27A(12))

138678	138679	138680
138682	138683	141225
141423	141584	141633
142078	142288	142875
142917	143116	143154
143235	143313	143314
143470	143498	143528

143620	143684	143719
143889	144248	144313
144314	144315	144467
144626	144753	145556
145610	145711	145930
145966	146014	146052
146053	146172	146173
146174	146175	146176
146278	146379	146499
146548	146696	146697
146871	146872	146922
146923	147084	147094
147511	147772	147858
148119	148402	151169
151170	151171	151172
151204	151233	151663
151664	151665	151666
151667	151668	151669
151670	151671	151672
151673	151674	151675
151676	151859	151860
158043	158044	158045
158046		

3rd Period (Section 27A(13))

125198	125309	125310
125475	125791	125792
125933	126069	126077
126078	126079	126083
126108	126115	126150
126169	126170	126207
126211	126212	126300
126326	126350	126580
126672	126687	126696
127728	127729	127730
127731	127732	127833
128189	128428	128429
128799	129240	129272
129545	129546	129848
140134	153637	153638
153658		

Registrations Ceased

Note: Some of the following Registrations may have been previously advertised as ceased. In this instance, the previous advertisement still prevails.

108561	109703	109704
109750	109753	109755
109756	109816	109818
109831	109832	109833
109834	109835	109836
109857	109858	109876
109887	109888	109894
109908	109909	109912
109994	109995	109996
110036	110039	110082

110141	110171	110203
110242	110321	110773
110910	111048	111352
111383	111384	112064
112210	112342	112343
112344	112345	112347
113789	114602	114603
116613	116614	117872
117873	124087	124096
124097	124163	124173
124211	124215	124247
124344	124345	124347
124486	124522	124543
124604	124795	124902
125325	125326	125884
126576	126577	126592
126712	126998	127500
128022	128441	129017
139406	139502	139578
139665	139705	139834
140000	140703	140754
140770	140802	140803
140804	140805	140806
140826	140827	140841
140842	140843	140844
140845	140846	140888
140889	140890	140891
140903	140904	140905
140906	140952	141010
141011	141027	141089
141109	141110	141148
141187	141188	141189
141190	141212	141213
141299	141356	141422
141485	141698	141829
141831	141832	141890
141891	141948	142480
142558	142654	142655
142656	142728	142785
143007	143008	143025
143067	143388	143427
143456	143457	143492
144087	144088	144089
144182	144184	144296
144755	144797	144990
145113	145182	145183
145184	145201	145202
145203	145204	145205
145206	145207	145311
145764	147003	147004
147005	147839	152410
158071	158074	158096

Applications for Extension of time

Applications for extension of time have been lodged. Objections must be lodged within 1 month from the date of this journal.

146050 **Black & Decker Inc.** Extension of time to extend a registration. Address for Service: Davies Collison Cave Level 15 1 Nicholson Street MELBOURNE VIC 3000

154400 **William Swanston** Extension of time to extend a registration. Address for Service: W. Swanston PO Box 739 BOTANY NSW 1455

154401 **William Swanston** Extension of time to extend a registration. Address for Service: W. Swanston PO Box 739 BOTANY NSW 1455

Extensions of time granted

Applications lodged for extension of time have been granted.

138678 **Polivac International Pty Ltd** An Extension of time to extend a registration has been granted to 19/07/2005

138679 **Polivac International Pty Ltd** An Extension of time to extend a registration has been granted to 15/07/2005

138680 **Polivac International Pty Ltd** An Extension of time to extend a registration has been granted to 15/07/2005

138682 **Polivac International Pty Ltd** An Extension of time to extend a registration has been granted to 15/07/2005

138683 **Polivac International Pty Ltd** An Extension of time to extend a registration has been granted to 15/07/2005

157333 **Rodney Stephen Horan** An Extension of time to extend a registration has been granted to 22/03/2006

156922 **Dorte Duckworth** An Extension of time to extend a registration has been granted to 18/11/2005

156640 **Bruno Jozef Heijer** An Extension of time to extend a registration has been granted to 12/11/2005

Subsequent Owners Registered

(The name in parentheses is that of the subsequent owner)

125581	(Airdrill Pty Ltd) Norncott Pty Ltd Trading as Air Drill
140489	(Airdrill Pty Ltd) Norncott Pty Ltd
133467	(Freshfield Properties Pty Ltd) JLV Industries Pty Ltd
137901	(Freshfield Properties Pty Ltd) JLV Industries Pty Ltd
140168	(Freshfield Properties Pty Ltd) JLV Industries Pty Ltd
136257	(Freshfield Properties Pty Ltd) JLV Industries Pty Ltd
137900	(Freshfield Properties Pty Ltd) JLV Industries Pty Ltd
140166	(Freshfield Properties Pty Ltd) JLV Industries Pty Ltd
140271	(Freshfield Properties Pty Ltd) JLV Industries Pty Ltd
140270	(Freshfield Properties Pty Ltd) JLV Industries Pty Ltd
140169	(Freshfield Properties Pty Ltd) JLV Industries Pty Ltd
145284	(Freshfield Properties Pty Ltd) JLV Industries Pty Ltd
148620	(Freshfield Properties Pty Ltd) JLV Industries Pty Ltd
144637	(Coors Worldwide, Inc.) Brandbrew S.A.
144637	(Coors EMEA Properties, Inc.) Coors Worldwide, Inc.
144637	(Coors European Properties GmbH.) Coors EMEA Properties, Inc.

Names Registered - Alterations and Amendments

(The name in parentheses is the new name of the proprietor)

- 145070 (**Diageo Brands B.V.**) Guinness United Distillers & Vintners Amsterdam B.V.
- 144543 (**Alto Holdings Limited**) Vertex Pacific Limited
- 133563 (**Alto Holdings Limited**) Vertex Pacific Limited
- 132038 (**Alto Holdings Limited**) Vertex Pacific Limited
- 118044 (**Alto Holdings Limited**) Vertex Pacific Limited
- 129067 (**Alto Holdings Limited**) Vertex Pacific Limited
- 128985 (**Alto Holdings Limited**) Vertex Pacific Limited
- 128986 (**Alto Holdings Limited**) Vertex Pacific Limited
- 128584 (**Alto Holdings Limited**) Vertex Pacific Limited
- 129913 (**Alto Holdings Limited**) Vertex Pacific Limited
- 148068 (**Alto Holdings Limited**) Vertex Pacific Limited
- 145965 (**Alto Holdings Limited**) Vertex Pacific Limited
- 145964 (**Alto Holdings Limited**) Vertex Pacific Limited
- 118045 (**Alto Holdings Limited**) Vertex Pacific Limited
- 137881 (**Alto Holdings Limited**) Vertex Pacific Limited
- 135947 (**Alto Holdings Limited**) Vertex Pacific Limited
- 130954 (**Alto Holdings Limited**) Vertex Pacific Limited
- 148815 (**Alto Holdings Limited**) Vertex Pacific Limited
- 118043 (**Alto Holdings Limited**) Vertex Pacific Limited
- 125643 (**Alto Holdings Limited**) Vertex Pacific Limited
- 125642 (**Alto Holdings Limited**) Vertex Pacific Limited
- 128984 (**Alto Holdings Limited**) Vertex Pacific Limited
- 148980 (**Alto Holdings Limited**) Vertex Pacific Limited
- 156763 (**Cardinal Health 303, Inc.**) Alaris Medical Systems Inc.
- 153649 (**Cardinal Health 303, Inc.**) Alaris Medical Systems Inc.
- 144123 (**Cardinal Health 303, Inc.**) Alaris Medical Systems, Inc.
- 144124 (**Cardinal Health 303, Inc.**) Alaris Medical Systems, Inc.
- 144125 (**Cardinal Health 303, Inc.**) Alaris Medical Systems, Inc.
- 144122 (**Cardinal Health 303, Inc.**) Alaris Medical Systems, Inc.
- 142602 (**Clipsal Australia Pty Ltd**) Gerard Industries Pty Ltd
- 127796 (**Gulf Rubber (Aust.) Pty. Limited**) Gulf Rubber Australia Pty Ltd
- 127139 (**Gulf Rubber (Aust.) Pty. Limited**) Gulf Rubber Australia Pty Ltd
- 127140 (**Gulf Rubber (Aust.) Pty. Limited**) Gulf Rubber Australia Pty Ltd
- 127269 (**Gulf Rubber (Aust.) Pty. Limited**) Gulf Rubber Australia Pty Ltd
- 129556 (**Gulf Rubber (Aust.) Pty. Limited**) Gulf Rubber Australia Pty Ltd
- 129555 (**Gulf Rubber (Aust.) Pty. Limited**) Gulf Rubber Australia Pty Ltd

This Page Left Intentionally Blank

Proceedings under the Designs Act 2003.

This Page Left Intentionally Blank

Applications Lodged

Lodgement information is in the following order: **Applicant's Name**; International Classification, Name of Product, Lodgement Date and **Design Number**. If the applicant claims an earlier priority date under an International Convention, the Convention Country and the associated filing date are shown in parentheses before the Lodgement Date. Divisional information will also appear in parentheses before the Lodgement Date.

A & I Composites Pty Ltd; 12-05, Manhole lid lifter, 08 Jun 2006	12493/2006	British American Tobacco (New Zealand) Limited; 27-06, A pack, (NZ, 23 Dec 2005) 19 Jun 2006	12614/2006
Access Business Group International LLC; 28-01, A tablet, (US, 06 Jan 2006) 06 Jun 2006	12472/2006	British American Tobacco (New Zealand) Limited; 27-06, A pack, (NZ, 23 Dec 2005) 19 Jun 2006	12613/2006
Addacus Limited; 19-07, Teaching apparatus, (EM, 09 Mar 2006) 09 Jun 2006	12502/2006	Burkert Werke GmbH & Co. KG; 23-01K, Switching valve, (DE, 09 Dec 2005) 31 May 2006	12397/2006
Aruze Corporation; 21-03, Slot machine, (JP, 08 Mar 2006) 08 Jun 2006	12494/2006	Burkert Werke GmbH & Co. KG; 23-01K, Switching valve, (DE, 09 Dec 2005) 31 May 2006	12398/2006
Ashard, David John; 25-02B, A door, 19 Jun 2006	12625/2006	Burkert Werke GmbH & Co. KG; 23-01K, Switching valve, (DE, 09 Dec 2005) 31 May 2006	12399/2006
Assa Abloy New Zealand Limited; 08-06, A hinge, (NZ, 14 Feb 2006) 06 Jun 2006	12455/2006	Burkert Werke GmbH & Co. KG; 23-01K, Switching valve, (DE, 09 Dec 2005) 31 May 2006	12400/2006
Ausplow Pty. Ltd.; 15-03A, 08-01, A plough digging adapter and blade assembly, 08 Jun 2006	12495/2006	Burkert Werke GmbH & Co. KG; 23-01K, Switching valve, (DE, 09 Dec 2005) 31 May 2006	12401/2006
Ausplow Pty. Ltd.; 15-03A, 08-01, Digging blade, 08 Jun 2006	12496/2006	Burkert Werke GmbH & Co. KG; 23-01K, Switching valve, (DE, 09 Dec 2005) 31 May 2006	12402/2006
Ausplow Pty. Ltd.; 15-03A, 08-01, A mounting adapter for a plough digging blade, 08 Jun 2006	12497/2006	Burkert Werke GmbH & Co. KG; 23-01K, Switching valve, (DE, 09 Dec 2005) 31 May 2006	12403/2006
Axcess Oss Pty Ltd; 03-01NES, Bag (double layer) for the burial or cremation of animals (decorative disc and tassle not included), 09 Jun 2006	12491/2006	Burkert Werke GmbH & Co. KG; 23-01K, Switching valve, (DE, 09 Dec 2005) 31 May 2006	12404/2006
Azuma Design Pty Limited; 08-06, Door furniture, 19 Jun 2006	12616/2006	Burkert Werke GmbH & Co. KG; 23-01K, Switching valve, (DE, 09 Dec 2005) 31 May 2006	12405/2006
Azuma Design Pty Limited; 08-06, 08-07, Door furniture, 19 Jun 2006	12617/2006	Burkert Werke GmbH & Co. KG; 23-01K, Switching valve, (DE, 09 Dec 2005) 31 May 2006	12406/2006
AHT Cooling Systems GmbH; 15-07, Refrigeration machinery and apparatus, (EM, 16 Dec 2005) 14 Jun 2006	12546/2006	Cantarella Bros Pty Ltd; 09-01H, 09-01NES, Bottle for beverages, 16 Jun 2006	12612/2006
AHT Cooling Systems GmbH; 15-07, Refrigeration machinery and apparatus, (EM, 16 Dec 2005) 14 Jun 2006	12547/2006	Chamberlain Group, Inc., The; 25-02NES, Barrier movement operator housing, 16 Jun 2006	12608/2006
AHT Cooling Systems GmbH; 15-07, Refrigeration machinery and apparatus, (EM, 16 Dec 2005) 14 Jun 2006	12548/2006	Coca-Cola Company, The; 09-01NES, Bottle, (CN, 30 Dec 2005) 15 Jun 2006	12554/2006
AMDEC (Aust) Pty Ltd; 25-01D, Hollow plaster panel, 16 Jun 2006	12555/2006	Coghlan, Jared; 25-04, Product name not listed, 07 Jun 2006	12476/2006
ARB Corporation Limited; 08-08L, Impact bracket, 15 Jun 2006	12553/2006	Cohen, Wayne; 10-06, Rugby ball-shaped mini horn, (HK, 24 Apr 2006) 06 Jun 2006	12468/2006
Bidibots; 02-01B, Nappy for premature babies, 13 Jun 2006	12537/2006	Colibri System S.p.A.; 18-04, Book covering apparatus, (EM, 15 Dec 2005) 09 Jun 2006	12500/2006
Bridgestone Firestone North American Tire, LLC; 12-15C, Tire, (US, 16 May 2006) 15 Jun 2006	12562/2006		

Crabclaw Holdings Pty Ltd; 06-13NES, Multipurpose sleep wrap, 06 Jun 2006	12474/2006	Food Pack Pty Ltd; 07-06A, Beverage container, 16 Jun 2006	12607/2006
Crocs, Inc.; 02-04NES, Footwear, (US, 20 Mar 2006) 14 Jun 2006	12543/2006	Franken, Manfred Edward; 23-01F, Modular water tank, 13 Jun 2006	12536/2006
Daikin Industries Ltd.; 23-04, Air conditioner, 13 Jun 2006	12529/2006	Gauci, John G.; 07-05C, Clothes peg, 02 Jun 2006	12413/2006
Dart Industries Inc.; 07-04, Kitchen utensil, (US, 25 Jan 2006) 16 Jun 2006	12583/2006	Goodyear Tire & Rubber Company, The; 12-15B, A tyre, (US, 20 Dec 2005) 07 Jun 2006	12479/2006
Dart Industries Inc.; 07-01B, 07-01NES, Container, (US, 20 Jan 2006) 16 Jun 2006	12584/2006	Griffin, Denis Louis Elton; 30-02, Aviary for indoor situations, 31 May 2006	12442/2006
Dart Industries Inc.; 07-01B, 07-01NES, Food server, (US, 20 Jan 2006) 16 Jun 2006	12585/2006	GM Global Technology Operations, Inc.; 21-01C, 12-08, A motor vehicle and a model vehicle, 31 May 2006	12407/2006
Dart Industries Inc.; 07-01A, 07-01B, Plate, (US, 20 Jan 2006) 16 Jun 2006	12586/2006	GM Global Technology Operations, Inc.; 12-08, 21-01C, A motor vehicle and a model vehicle, 09 Jun 2006	12501/2006
Decor Corporation Pty Ltd, The; 07-01NES, 19-08, Tag, 19 Jun 2006	12629/2006	GMCA Pty Ltd.; 08-05N, Powered angle grinder, (EM, 07 Dec 2005) 06 Jun 2006	12451/2006
Decortech Limited.; 25-01D, 25-01G, Acoustic cladding, (NZ, 27 Feb 2006) 19 Jun 2006	12626/2006	GMCA Pty Ltd.; 08-03, Powered planer, (EM, 27 Jan 2006) 08 Jun 2006	12487/2006
Donovan, Travis; Hackett, Daniel; 21-02F, Exercise equipment, 14 Jun 2006	12549/2006	GMCA Pty Ltd.; 08-05N, Powered angle grinder, (EM, 07 Dec 2005) 06 Jun 2006	12450/2006
Durance, David.; 06-02, Bed headboard, 13 Jun 2006	12534/2006	Hackett, Daniel; Donovan, Travis; 21-02F, Exercise equipment, 14 Jun 2006	12549/2006
Durance, David.; 06-02, 06-03NES, 06-04F, 06-05, Bedroom furniture, 13 Jun 2006	12535/2006	Harveys Industries, Inc.; 03-01B, A tote bag, 09 Jun 2006	12504/2006
Emerson Electric Co.; 09-09, Grind ring for a food waste disposer, (US, 12 Dec 2005) 05 Jun 2006	12449/2006	Harveys Industries, Inc.; 03-01B, A wallet, 09 Jun 2006	12505/2006
Feltex Carpets Pty Ltd.; 06-11, Carpet, 02 Jun 2006	12417/2006	Henkel Kommanditgesellschaft auf Aktien.; 09-01NES, Receptacle, (EM, 07 Feb 2006) 19 Jun 2006	12618/2006
Feltex Carpets Pty Ltd.; 06-11, Carpet, 02 Jun 2006	12418/2006	Henkel Kommanditgesellschaft auf Aktien.; 09-01NES, Receptacle, (EM, 07 Feb 2006) 19 Jun 2006	12619/2006
Feltex Carpets Pty Ltd.; 06-11, Carpet, 02 Jun 2006	12419/2006	Henkel Kommanditgesellschaft auf Aktien.; 09-01NES, Receptacle, (EM, 07 Feb 2006) 19 Jun 2006	12620/2006
Feltex Carpets Pty Ltd.; 06-11, Carpet, 02 Jun 2006	12420/2006	Henkel Kommanditgesellschaft auf Aktien.; 09-01NES, Receptacle, (EM, 07 Feb 2006) 19 Jun 2006	12621/2006
Feltex Carpets Pty Ltd.; 06-11, Carpet, 02 Jun 2006	12421/2006	Herder Holdings Ltd.; 30-01, Portective equine boot, (US, 16 Dec 2005) 13 Jun 2006	12551/2006
Food Pack Pty Ltd.; 07-06A, Beverage cup sleeve, 16 Jun 2006	12602/2006	Honda Motor Co., Ltd.; 13-01, An engine operated generator, (JP, 26 Dec 2005) 19 Jun 2006	12622/2006
Food Pack Pty Ltd.; 07-01C, Beverage container, 16 Jun 2006	12603/2006	Honda Motor Co., Ltd.; 12-11, A motorcycle, (JP, 02 Dec 2005) 01 Jun 2006	12411/2006
Food Pack Pty Ltd.; 07-01C, Beverage container, 16 Jun 2006	12604/2006	Huhtamaki Australia Pty Limited.; 09-02A, 09-02C, 09-03L, A container, 14 Jun 2006	12563/2006
Food Pack Pty Ltd.; 07-06A, Beverage cup sleeve, 16 Jun 2006	12605/2006	Huhtamaki Australia Pty Limited.; 09-07B, 09-07NES, A lid, 14 Jun 2006	12564/2006
Food Pack Pty Ltd.; 07-01C, Beverage container, 16 Jun 2006	12606/2006		

Huhtamaki Australia Pty Limited; 09-07B, 09-07NES, A lid, 14 Jun 2006	12566/2006	Keating, Geoffrey Francis; 11-02C, Plant pot/container holder (triple square), 05 Jun 2006	12437/2006
Huhtamaki Australia Pty Limited; 09-02A, 09-02C, 09-03L, A container, 15 Jun 2006	12567/2006	Keating, Geoffrey Francis; 11-02C, Plant pots/containers holder (triple diagonal)., 05 Jun 2006	12438/2006
Huhtamaki Australia Pty Limited; 09-07B, 09-07NES, A lid, 15 Jun 2006	12568/2006	Keating, Geoffrey Francis; 11-02C, Plant pots/container holder (double diagonal)., 05 Jun 2006	12439/2006
Huhtamaki Australia Pty Limited; 09-02A, 09-02C, 09-03K, A container with lid, 15 Jun 2006	12569/2006	Keating, Geoffrey Francis; 11-02C, Plant pots/containers holder (corner), 05 Jun 2006	12435/2006
Huhtamaki Australia Pty Limited; 09-07B, 09-07NES, A lid, 15 Jun 2006	12570/2006	Kel Development B.V.; 08-05NES, 08-05G, Mastic gun, (EM, 13 Dec 2005) 13 Jun 2006	12518/2006
Huhtamaki Australia Pty Limited; 09-02A, 09-02C, 09-03K, A container, 15 Jun 2006	12571/2006	Koninklijke Philips Electronics N.V.; 07-05A, Ironing board, (EM, 14 Dec 2005) 09 Jun 2006	12510/2006
Huhtamaki Australia Pty Limited; 09-07B, 09-07NES, A lid, 15 Jun 2006	12572/2006	Koninklijke Philips Electronics N.V.; 07-05A, Ironing board, (EM, 14 Dec 2005) 09 Jun 2006	12511/2006
Huhtamaki Australia Pty Limited; 09-03F, 07-01NES, A container, 13 Jun 2006	12539/2006	KBT Engineering Pty Ltd; 12-02, A wheeled support for panel-like items, 13 Jun 2006	12516/2006
Huhtamaki Australia Pty Limited; 09-07B, 07-01NES, A lid for a container, 13 Jun 2006	12540/2006	Lacoste; 02-04NES, Shoe, (EM, 21 Apr 2006) 05 Jun 2006	12445/2006
Icebirg Pty Ltd/Birgit Moller; 20-02E, 03-01NES, A jewellery hanger, 13 Jun 2006	12538/2006	Laird, Jeffrey Kenneth; 12-10, Trailer, 07 Jun 2006	12464/2006
Ingrisch, Norbert; 21-01D, 21-01NES, Soft toys - Promotional material - caps - T-shirts - print material - watches, 20 Jun 2006	12623/2006	Lamarque, Maryse Danielle; 09-06, Design for elastic hook tensioner, 14 Jun 2006	12550/2006
Jackson Industries Pty Limited; 13-03D, A plug, 05 Jun 2006	12447/2006	Lifescan, Inc.; 24-02, 10-04, Analyte test meter, (US, 16 Dec 2005) 13 Jun 2006	12527/2006
Jackson Industries Pty Limited; 13-03D, A plug, 05 Jun 2006	12448/2006	Liu, Yan Hua; 08-03, A board cutter, installed on electrical saw to cut boards, 05 Jun 2006	12440/2006
Jimmyjane, Inc.; 28-03NES, Vibrating massager, (US, 09 Dec 2005) 09 Jun 2006	12513/2006	Love N Care Pty Ltd; 12-12, Adiva sport jogger, 08 Jun 2006	12482/2006
Jimmyjane, Inc.; 28-03NES, Vibrating massager assembly (with base), (US, 09 Dec 2005) 09 Jun 2006	12514/2006	MacNaught Pty Limited; 15-02, Pump, 07 Jun 2006	12481/2006
Jimmyjane, Inc.; 28-03NES, 14-03NES, Remote control for vibrating massager, (US, 09 Dec 2005) 09 Jun 2006	12515/2006	Master Lock Company LLC; 08-07, Lock shackle, (US, 08 Dec 2005) 07 Jun 2006	12485/2006
JohnsonDiversey, Inc.; 15-05, Floor scrubbing brush adapted for use on a floor scrubbing machine, (US, 20 Dec 2005) 07 Jun 2006	12480/2006	Master Lock Company LLC; 08-08G, Hook, (US, 13 Dec 2005) 13 Jun 2006	12528/2006
Joyce, Timothy; 08-05P, 08-05NES, Ratchet, hand tensioner tools, 07 Jun 2006	12463/2006	Master Lock Company LLC; 08-08G, Hook, (US, 13 Dec 2005) 13 Jun 2006	12531/2006
K. Hartwall Oy Ab; 09-08, Loading pallet, (EM, 29 Dec 2005) 14 Jun 2006	12541/2006	Master Lock Company LLC; 08-08G, Hook, (US, 13 Dec 2005) 13 Jun 2006	12532/2006
Keating, Geoffrey Francis; 11-02C, Plant pots/container holder (double square), 05 Jun 2006	12436/2006	Master Lock Company LLC; 08-08G, Hook, (US, 13 Dec 2005) 13 Jun 2006	12533/2006
		Master Lock Company LLC; 09-03NES, Display package, (US, 07 Dec 2005) 07 Jun 2006	12486/2006
		Matchmaster Communications Pty Ltd; 14-03NES, Antenna, 13 Jun 2006	12524/2006

Matchmaster Communications Pty Ltd; 14-03NES, Antenna, 13 Jun 2006	12525/2006	Negotiation Circle Pty. Ltd., The; 19-01, 19-99, Durable writing surfaces eg. whiteboards, flipchart paper, stationery - to explain and/or reinforce this teaching, method, 19 Jun 2006	12590/2006
Matchmaster Communications Pty Ltd; 14-03NES, Antenna, 13 Jun 2006	12526/2006		
Mattar, Farah Trading as Jala Wrought Iron; Mattar, Marlin Trading as Jala Wrought Iron; 25-02C, 25-01NES, A double sliding gate track, 19 Jun 2006	12575/2006	Nokia Corporation; 09-03M, 09-03NES, A box, (FI, 19 Dec 2005) 19 Jun 2006	12628/2006
Mattar, Marlin Trading as Jala Wrought Iron; Mattar, Farah Trading as Jala Wrought Iron; 25-02C, 25-01NES, A double sliding gate track, 19 Jun 2006	12575/2006	North, Stuart; 09-03K, Packaging carton, (NZ, 23 Dec 2005) 14 Jun 2006	12542/2006
Mattar, Farah Trading as Jala Wrought Iron; Mattar, Marlin Trading as Jala Wrought Iron; 25-01NES, A roll formed metal section, 19 Jun 2006	12576/2006	Note Graphic, Trading as Supawood Architectural Lining Systems; 25-01D, Interior decorative and accoustic wall lining panel system, 09 Jun 2006	12582/2006
Mattar, Marlin Trading as Jala Wrought Iron; Mattar, Farah Trading as Jala Wrought Iron; 25-01NES, A roll formed metal section, 19 Jun 2006	12576/2006	Okalyi, Sandra; 11-05, Sculptural xmas tree tier, 19 Jun 2006	12580/2006
Mattar, Farah Trading as Jala Wrought Iron; Mattar, Marlin Trading as Jala Wrought Iron; 25-01NES, A roll formed metal section, 19 Jun 2006	12577/2006	OSIM International Ltd; 28-03NES, Leg and foot massager, 14 Jun 2006	12545/2006
Mattar, Marlin Trading as Jala Wrought Iron; Mattar, Farah Trading as Jala Wrought Iron; 25-01NES, A roll formed metal section, 19 Jun 2006	12577/2006	Pace Micro Technology Plc; 14-03NES, Broadcast data receiver/set top box, (EM, 10 Feb 2006) 06 Jun 2006	12452/2006
Mattar, Farah Trading as Jala Wrought Iron; Mattar, Marlin Trading as Jala Wrought Iron; 25-02NES, 25-02C, 08-09, Double wheel, 19 Jun 2006	12578/2006	Pi-Design AG; 07-01F, Ice tea jug, (DK, 09 Jan 2006) 20 Jun 2006	12624/2006
Mattar, Marlin Trading as Jala Wrought Iron; Mattar, Farah Trading as Jala Wrought Iron; 25-02NES, 25-02C, 08-09, Double wheel, 19 Jun 2006	12578/2006	Pi-Design AG; 07-02R, Gadget handle, (DK, 16 Dec 2005) 07 Jun 2006	12462/2006
Mattar, Farah Trading as Jala Wrought Iron; Mattar, Marlin Trading as Jala Wrought Iron; 25-01NES, A roll formed metal section, 19 Jun 2006	12579/2006	Pointflame Services Limited; 08-08C, 08-08M, Clip, (EM, 19 Dec 2005) 19 Jun 2006	12630/2006
Mattar, Marlin Trading as Jala Wrought Iron; Mattar, Farah Trading as Jala Wrought Iron; 25-01NES, A roll formed metal section, 19 Jun 2006	12579/2006	Pointflame Services Limited; 08-08C, 08-08M, Clip, (EM, 19 Dec 2005) 19 Jun 2006	12631/2006
Miller UK Limited; 15-04, Coupler for attaching an accessory to the arm of an excavator, (EM, 16 Dec 2005) 15 Jun 2006	12558/2006	Power of 2, Software & Marketing Pty Ltd, The; 19-02, Tag protector, 05 Jun 2006	12441/2006
Miller UK Limited; 15-04, Coupler for attaching an accessory to the arm of an excavator, (EM, 16 Dec 2005) 15 Jun 2006	12559/2006	Premier Hospitality Services Pty Ltd; 23-01K, 31-00, Brass or SS gas valves used on beer systems, 16 Jun 2006	12573/2006
Miller UK Limited; 15-04, Coupler for attaching an accessory to the arm of an excavator, (EM, 16 Dec 2005) 15 Jun 2006	12560/2006	Progressive Gaming International Corporation; 21-01L, A casino table, (US, 16 Dec 2005) 14 Jun 2006	12544/2006
Miller UK Limited; 15-04, Coupler for attaching an accessory to the arm of an excavator, (EM, 16 Dec 2005) 15 Jun 2006	12561/2006	Puckababy BV; 06-13B, 06-13NES, Puckababy swaddle bag, sizes mini and maxi, (EM, 16 Jan 2006) 08 Jun 2006	12498/2006
		Puckababy BV; 06-13B, 06-13NES, Puckababy swaddle bag, size Pre, (EM, 16 Jan 2006) 08 Jun 2006	12499/2006
		PEMI Trade, s.r.o.; 09-01A, Spray can, (EM, 22 May 2006) 19 Jun 2006	12627/2006
		PSW Pty Ltd; 02-03, Slouch hat, 16 Jun 2006	12588/2006
		PSW Pty Ltd; 02-03, Slouch hat, 16 Jun 2006	12589/2006

Reckitt Benckiser (Australia) Pty Limited; 26-05NES, 26-01, Insect repellent device, 16 Jun 2006	12611/2006	Tefal; 07-02NES, 07-02N, A skillet, (FR, 02 Dec 2005) 01 Jun 2006	12408/2006
Reckitt Benckiser N.V.; 09-01K, Package, (EM, 16 Dec 2005) 16 Jun 2006	12609/2006	Tiny Love Ltd; 06-11, Activity mat, (IL, 07 Dec 2005) 06 Jun 2006	12469/2006
Reckitt Benckiser N.V.; 09-01K, Package, (EM, 16 Dec 2005) 16 Jun 2006	12610/2006	Tokenools Pty. Ltd.; 13-03NES, 15-09, ARC welding apparatus, 19 Jun 2006	12581/2006
Review Australia Pty Ltd; 02-02C, 02-02NES, Ladies garments, 16 Jun 2006	12552/2006	Toshiba Tec Kabushiki Kaisha; 14-02, Toner cartridge, (JP, 16 Dec 2005) 13 Jun 2006	12530/2006
Rodlok Pty Ltd; 22-05, A fishing rod holder comprising of three parts, 06 Jun 2006	12475/2006	Trade Guys International Pty Ltd; 03-01C, A hub for a digital media storage case, 09 Jun 2006	12517/2006
S.C. Johnson & Son, Inc.; 28-99, Refill cartridge for a volatile dispenser, (US, 15 Dec 2005) 13 Jun 2006	12519/2006	Trade Guys International Pty Ltd; 06-04NES, Modular shelving, 08 Jun 2006	12492/2006
S.C. Johnson & Son, Inc.; 23-04, Volatile dispenser housing, (US, 15 Dec 2005) 13 Jun 2006	12520/2006	Traditional Trade Practices; 14-04, TTP Soft Pty - Ltd - software/GBMS, 05 Jun 2006	12457/2006
S.C. Johnson and Son Inc.; 08-08F, Holder for a scrubber, (US, 07 Dec 2005) 05 Jun 2006	12446/2006	Trevor Lindsay Limited; 08-01, Router tool bit, (NZ, 25 May 2006) 16 Jun 2006	12615/2006
Safe Swivel Patent Co Pty Ltd; 25-02A, Collar for a pole, 07 Jun 2006	12473/2006	Trimcast Pty Ltd; 03-01D, 09-02A, 09-02C, 09-03K, Storage container, 16 Jun 2006	12587/2006
Sega Corporation; 14-02, Portable game device, (JP, 13 Feb 2006) 13 Jun 2006	12521/2006	Tru-Steel Structures; 12-05, Roof Mate, 27 Apr 2006	12488/2006
Simons, Barry; 06-03C, 30-02, Alpaca shearing and handling table, 15 Jun 2006	12565/2006	Tudor, Julian; 09-03C, 09-03NES, Package, 08 Jun 2006	12483/2006
SmithKline Beecham Corporation; 03-01D, A pill case, (US, 08 Dec 2005) 06 Jun 2006	12470/2006	Tudor, Julian; 09-03C, 09-03NES, Package, 08 Jun 2006	12484/2006
SmithKline Beecham Corporation; 03-01D, A pill case, (US, 08 Dec 2005) 06 Jun 2006	12471/2006	Turner Broadcasting System, Inc.; 14-04, User interface for a display screen, (US, 02 Dec 2005) 01 Jun 2006	12414/2006
Societe Des Produits Nestle S.A.; 09-01K, 09-01NES, Bottle, (CH, 17 Mar 2006) 09 Jun 2006	12512/2006	Turner Broadcasting System, Inc.; 14-04, User interface for a display screen, (US, 02 Dec 2005) 01 Jun 2006	12416/2006
Sportsgirl Pty Ltd; 02-02NES, Top, 13 Jun 2006	12506/2006	Turner Broadcasting System, Inc.; 14-04, User interface for a display screen, (US, 02 Dec 2005) 01 Jun 2006	12415/2006
Sportsgirl Pty Ltd; 02-02C, Dress, 13 Jun 2006	12507/2006	Villeroy & Boch AG.; 07-01D, Cup, (EM, 19 Dec 2005) 16 Jun 2006	12591/2006
Sportsgirl Pty Ltd; 02-02NES, Jackets, 13 Jun 2006	12503/2006	Villeroy & Boch AG.; 07-01B, 07-01NES, Bowl, (EM, 19 Dec 2005) 16 Jun 2006	12592/2006
Sunbeam Corporation Limited; 07-02G, Grill, 09 Jun 2006	12508/2006	Villeroy & Boch AG.; 07-01A, 07-01B, Plate, (EM, 19 Dec 2005) 16 Jun 2006	12593/2006
Sunbeam Corporation Limited; 07-02H, Grill, 09 Jun 2006	12509/2006	Villeroy & Boch AG.; 07-01D, Cup, (EM, 19 Dec 2005) 16 Jun 2006	12594/2006
SCA Hygiene Products AB; 23-02A, Towel dispensing device, (EM, 07 Dec 2005) 05 Jun 2006	12477/2006	Villeroy & Boch AG.; 07-01A, 07-01B, Plate, (EM, 19 Dec 2005) 16 Jun 2006	12595/2006
SCA Hygiene Products AB; 23-02A, Towel dispensing device, (EM, 07 Dec 2005) 05 Jun 2006	12478/2006	Villeroy & Boch AG.; 07-01A, 07-01B, Plate, (EM, 19 Dec 2005) 16 Jun 2006	12596/2006

Villeroy & Boch AG.; 07-01D, Saucer, (EM, 19 Dec 2005) 16 Jun 2006	12597/2006	Wm. Wrigley Jr. Company; 09-03L, 09-05, Product dispenser, (US, 12 Dec 2005) 13 Jun 2006	12522/2006
Villeroy & Boch AG.; 07-01B, 07-01NES, Bowl, (EM, 19 Dec 2005) 16 Jun 2006	12598/2006	Wm. Wrigley Jr. Company; 09-03NES, 09-05, Product dispenser, (US, 12 Dec 2005) 13 Jun 2006	12523/2006
Villeroy & Boch AG.; 07-01B, Plate, (EM, 19 Dec 2005) 16 Jun 2006	12599/2006	Wm. Wrigley Jr. Company; 09-03L, 09-03NES, Product dispenser, (US, 02 Dec 2005) 01 Jun 2006	12409/2006
Villeroy & Boch AG.; 07-01B, Plate, (EM, 19 Dec 2005) 16 Jun 2006	12600/2006	Wm. Wrigley Jr. Company; 09-03L, 09-03NES, Product dispenser, (US, 02 Dec 2005) 01 Jun 2006	12410/2006
Villeroy & Boch AG.; 07-01B, Bowl, (EM, 19 Dec 2005) 16 Jun 2006	12601/2006	WEM Technology Limited; 14-02, 14-04, Information terminal device, (US, 16 Dec 2005) 16 Jun 2006	12574/2006
Whiteheart Licensing Pty Ltd; 02-04NES, , 08 Jun 2006	12489/2006	Zobe Holding S.p.A.; 23-04, Electrical diffusing evaporator of active substances, (EM, 20 Dec 2005) 15 Jun 2006	12556/2006
Whiteheart Licensing Pty Ltd; 02-04NES, Sports shoe, 08 Jun 2006	12490/2006	Zobe Holding S.p.A.; 23-04, Diffusing evaporator of active substances suitable to be used in motor vehicles, (EM, 20 Dec 2005) 15 Jun 2006	12557/2006
Will, Carolyn Joan; 25-03, Hi-Tek Aussie pool covers, 01 Jun 2006	12458/2006		
Wm. Wrigley Jr. Company; 09-03L, 09-03NES, Product dispenser, (US, 02 Dec 2005) 01 Jun 2006	12412/2006		

Applications Lapsed

14549 / 2005 (30-02)	14552 / 2005 (02-02B)
14581 / 2005 (21-01A)	14582 / 2005 (21-01A)
14583 / 2005 (21-01A)	14594 / 2005 (21-01L)
14630 / 2005 (19-08)	14635 / 2005 (12-02)
15542 / 2005 (06-04NES)	15635 / 2005 (19-08)
11381 / 2006 (08-03)	11382 / 2006 (08-99)
11599 / 2006 (09-03M)	11600 / 2006 (09-03M)

Registrations Ceased

300187	300230	300340
300341	300342	300470
300550	300597	300599
300787	300861	301317
301318	301319	301320
301346	301531	302001
302052	302053	302054
302132	302237	302250
302391	302532	302533
302534	302535	

Extensions of time granted under Section 137

Applications lodged under section 137 for extension of time have been granted.

- 301993 **Merz & Krell GmbH & Co. KGaA**
- 302896 **Morrison IP Pty Ltd as Trustee for Morrison IP Trust**
- 13555/2005 **Grillslinger International Limited**
- 14306/2005 **Dennis Whelan**
- 14355/2005 **Axcess Oss Pty Ltd**
- 15149/2005 **Ross Didier**
- 15417/2005 **Intellectual Property Development Corporation Pty Ltd**
- 15419/2005 **Intellectual Property Development Corporation Pty Ltd**
- 15420/2005 **Intellectual Property Development Corporation Pty Ltd**
- 15421/2005 **Intellectual Property Development Corporation Pty Ltd**
- 15422/2005 **Intellectual Property Development Corporation Pty Ltd**

Subsequent Owners Registered

(The name in parentheses is that of the subsequent owner)

- 303069 (**Pamela Halouvas;Michael Halouvas**) Halo Designs International Pty Ltd
- 303070 (**Pamela Halouvas;Michael Halouvas**) Halo Designs International Pty Ltd

Names Registered - Alterations and Amendments

(The name in parentheses is that of the subsequent applicant)

- 303321 (**Feltex Australia Pty Ltd**) Feltex Carpets Pty Ltd
- 303325 (**Feltex Australia Pty Ltd**) Feltex Carpets Pty Ltd
- 305247 (**Alto Holdings Limited**) Vertex Pacific Limited
- 302551 (**Alto Holdings Limited**) Vertex Pacific Limited
- 302552 (**Alto Holdings Limited**) Vertex Pacific Limited
- 302556 (**Alto Holdings Limited**) Vertex Pacific Limited

302555 (**Alto Holdings Limited**) Vertex Pacific Limited
302554 (**Alto Holdings Limited**) Vertex Pacific Limited
302553 (**Alto Holdings Limited**) Vertex Pacific Limited

Corrigenda

Number 307331

In Vol 20 , No 13 , page 5169 under the heading **Australian Registered Design**; (30) Convention priority data:(31) Number should read: 40405720.9 (32) Date should read: 30 September 2004 (33) Country should read: Germany.

Number 304970

In Vol 20 , No 3 , page 3708 under the heading **Australian Registered Design**; (72) Name(s) of Designer(s) should read: Joseph E. Kaminkow and Anthony J. Baerlocher and Kehl T. Lesourd and Kirk A. Tedsen and Eric L. Wagner and Christopher D. Carlisle.

Number 307238

In Vol 20 , No 13 , page 5122 under the heading **Australian Registered Design**; (72) Name(s) of Designer(s) should read: Michael MacVittie and Kehl T. Lesourd and Kirk A. Tedsen and Eric L. Wagner and Christopher D. Carlisle.

Number 307258

In Vol 20 , No 13 , page 5132 under the heading **Australian Registered Design**; (72) Name(s) of Designer(s) should read: Michael MacVittie and Kehl T. Lesourd and Kirk A. Tedsen and Eric L. Wagner and Christopher D. Carlisle.

Number 307257

In Vol 20 , No 13 , page 5132 under the heading **Australian Registered Design**; (72) Name(s) of Designer(s) should read: Michael MacVittie and Kehl T. Lesourd and Kirk A. Tedsen and Eric L. Wagner and Christopher D. Carlisle.

Certificate(s) of Examination

Examination of the following Design Registration(s) has been completed. Infringement proceedings may now be commenced.

300427	07-02B	19/06/2006
300703	07-01NES	23/06/2006
300704	07-01NES	23/06/2006
300711	08-03	19/06/2006
301100	28-03A	29/06/2006
301893	28-03A	29/06/2006
302322	04-02	29/06/2006
302367	25-01E	20/06/2006
303364	07-01NES	26/06/2006
303510	01-06	29/06/2006
303782	28-03B	20/06/2006
303783	28-03B	20/06/2006
304059	28-99	21/06/2006
304101	28-03NES	29/06/2006
304102	28-03NES	29/06/2006
304241	24-02	29/06/2006
304277	20-02E	21/06/2006
304287	13-03D	19/06/2006
304324	13-03D	19/06/2006
304325	13-03D	19/06/2006
304329	13-03D	20/06/2006
304330	13-03D	19/06/2006
304344	20-02E	21/06/2006
304499	15-05	19/06/2006
304500	15-05	19/06/2006
304501	15-05	19/06/2006
304502	15-05	19/06/2006
304514	08-06	20/06/2006
304666	09-01NES	27/06/2006
304796	23-01F	21/06/2006
304886	25-02C	20/06/2006
304887	25-02C	20/06/2006
304888	25-02C	20/06/2006
304890	12-05	23/06/2006
304926	18-04	23/06/2006
304927	18-04	23/06/2006
305020	24-01	27/06/2006
305094	19-06	28/06/2006
305107	15-05	26/06/2006
305108	04-01	26/06/2006
305109	15-05	26/06/2006
306318	25-01E	29/06/2006
306319	25-02C	29/06/2006
306320	25-02C	29/06/2006
306717	09-03M	22/06/2006

Publication and Registration Proceedings

Designs Registered

This section provides a concordance between design number and registration number of Designs covered in this journal. It also shows the main class and registration date.

This section covers Registration numbers 307423 to 307615 .

The registration number shown below should be used in all future correspondence.

Design Number	Registration Number	International Classification Code (IDC)	Registration Date	Design Number	Registration Number	International Classification Code (IDC)	Registration Date
15436/2004	307461	01-01	19/06/2006	15248/2005	307511	12-08	21/06/2006
10791/2005	307565	11-01E	22/06/2006	15249/2005	307512	08-01	21/06/2006
12251/2005	307558	19-08	22/06/2006	15307/2005	307513	07-04	21/06/2006
12788/2005	307504	25-01K	21/06/2006	15316/2005	307580	08-09	26/06/2006
13240/2005	307484	02-02NES	22/06/2006	15318/2005	307524	23-02A	21/06/2006
13710/2005	307485	07-01C	22/06/2006	15333/2005	307436	08-05N	20/06/2006
14306/2005	307566	06-07	22/06/2006	15334/2005	307437	08-04	20/06/2006
14313/2005	307446	21-01L	19/06/2006	15338/2005	307548	12-16C	22/06/2006
14438/2005	307423	12-02	20/06/2006	15340/2005	307491	09-07A	22/06/2006
14439/2005	307505	12-02	21/06/2006	15350/2005	307568	29-01	22/06/2006
14506/2005	307447	08-07	19/06/2006	15352/2005	307465	16-06	20/06/2006
14550/2005	307424	26-05D	20/06/2006	15354/2005	307466	16-06	20/06/2006
14580/2005	307448	21-01A	19/06/2006	15355/2005	307467	16-06	20/06/2006
14584/2005	307449	21-01A	19/06/2006	15357/2005	307468	16-06	20/06/2006
14632/2005	307463	12-16N	20/06/2006	15358/2005	307469	16-06	20/06/2006
14712/2005	307575	02-04NES	26/06/2006	15359/2005	307470	16-06	20/06/2006
14713/2005	307576	02-04NES	26/06/2006	15360/2005	307471	20-01	20/06/2006
14714/2005	307577	02-04NES	26/06/2006	15364/2005	307514	09-07A	21/06/2006
14715/2005	307578	02-04NES	26/06/2006	15365/2005	307515	09-01NES	21/06/2006
14716/2005	307546	02-04NES	22/06/2006	15366/2005	307516	09-01C	21/06/2006
14718/2005	307547	02-04NES	22/06/2006	15367/2005	307517	23-01G	21/06/2006
14897/2005	307450	30-04	19/06/2006	15368/2005	307518	09-03M	21/06/2006
14898/2005	307451	30-04	19/06/2006	15385/2005	307549	09-03NES	22/06/2006
15002/2005	307486	11-99	22/06/2006	15386/2005	307550	09-01A	22/06/2006
15032/2005	307464	21-02D	20/06/2006	15387/2005	307551	09-01A	22/06/2006
15038/2005	307425	08-07	20/06/2006	15389/2005	307490	19-06	22/06/2006
15063/2005	307426	21-01F	20/06/2006	15392/2005	307525	29-02	21/06/2006
15086/2005	307487	25-01A	22/06/2006	15393/2005	307526	07-02B	21/06/2006
15104/2005	307579	02-02NES	26/06/2006	15396/2005	307492	08-08NES	22/06/2006
15108/2005	307427	28-03A	20/06/2006	15397/2005	307453	08-08NES	19/06/2006
15109/2005	307428	28-03A	20/06/2006	15398/2005	307454	08-08NES	19/06/2006
15125/2005	307506	23-01F	21/06/2006	15399/2005	307455	08-08NES	19/06/2006
15146/2005	307431	07-99NES	20/06/2006	15400/2005	307456	08-08NES	19/06/2006
15150/2005	307452	07-05D	19/06/2006	15401/2005	307457	08-08NES	19/06/2006
15154/2005	307429	14-01	20/06/2006	15402/2005	307458	08-08NES	19/06/2006
15155/2005	307430	14-01	20/06/2006	15403/2005	307460	25-01K	19/06/2006
15164/2005	307567	21-03	22/06/2006	15404/2005	307459	25-01K	19/06/2006
15173/2005	307507	28-03A	21/06/2006	15405/2005	307493	25-01K	22/06/2006
15174/2005	307508	08-08M	21/06/2006	15406/2005	307527	21-01C	21/06/2006
15179/2005	307509	25-02H	21/06/2006	15424/2005	307528	09-01H	21/06/2006
15222/2005	307432	07-05D	20/06/2006	15425/2005	307529	09-03L	21/06/2006
15223/2005	307433	07-05D	20/06/2006	15427/2005	307530	23-02C	21/06/2006
15224/2005	307434	23-02A	20/06/2006	15428/2005	307531	23-02C	21/06/2006
15225/2005	307435	08-08G	20/06/2006	15429/2005	307532	23-02C	21/06/2006
15229/2005	307559	19-08	22/06/2006	15430/2005	307533	07-01C	21/06/2006
15230/2005	307560	19-08	22/06/2006	15431/2005	307534	07-01C	21/06/2006
15231/2005	307561	19-08	22/06/2006	15432/2005	307535	07-01C	21/06/2006
15232/2005	307562	19-08	22/06/2006	15433/2005	307536	06-01D	21/06/2006
15233/2005	307563	19-08	22/06/2006	15434/2005	307537	09-03M	21/06/2006
15234/2005	307564	19-08	22/06/2006	15435/2005	307538	09-03M	21/06/2006
15235/2005	307489	06-03B	22/06/2006	15436/2005	307539	09-03M	21/06/2006
15236/2005	307488	06-01E	22/06/2006	15437/2005	307540	09-03M	21/06/2006
15247/2005	307510	06-01L	21/06/2006	15438/2005	307541	09-03M	21/06/2006

Publication and Registration Proceedings - Designs Registered cont'd

Design Number	Registration Number	International Classification Code (IDC)	Registration Date	Design Number	Registration Number	International Classification Code (IDC)	Registration Date
15439/2005	307542	09-03M	21/06/2006	15539/2005	307573	12-16L	22/06/2006
15446/2005	307581	08-01	26/06/2006	15540/2005	307574	12-16L	22/06/2006
15447/2005	307569	19-06	22/06/2006	15546/2005	307585	08-03	26/06/2006
15448/2005	307543	08-03	21/06/2006	15547/2005	307586	08-05N	26/06/2006
15455/2005	307519	09-01NES	21/06/2006	15548/2005	307587	08-05N	26/06/2006
15457/2005	307520	14-03E	21/06/2006	15549/2005	307588	08-03	26/06/2006
15458/2005	307544	20-03NES	21/06/2006	15551/2005	307582	08-01	26/06/2006
15460/2005	307438	12-16L	20/06/2006	15552/2005	307583	06-10	26/06/2006
15461/2005	307439	12-16L	20/06/2006	15553/2005	307584	08-01	26/06/2006
15462/2005	307440	23-01A	20/06/2006	15554/2005	307606	15-05	26/06/2006
15463/2005	307441	12-16L	20/06/2006	15564/2005	307589	09-01G	26/06/2006
15464/2005	307442	12-16L	20/06/2006	15565/2005	307590	09-01NES	26/06/2006
15465/2005	307494	23-01A	22/06/2006	15566/2005	307591	28-03NES	26/06/2006
15466/2005	307472	23-01A	20/06/2006	15567/2005	307607	21-02C	26/06/2006
15467/2005	307473	23-01A	20/06/2006	15568/2005	307592	25-02C	26/06/2006
15472/2005	307474	26-02	20/06/2006	15581/2005	307593	12-16C	26/06/2006
15474/2005	307495	25-03	22/06/2006	15582/2005	307594	12-16C	26/06/2006
15475/2005	307496	14-03E	22/06/2006	15583/2005	307608	25-01B	26/06/2006
15476/2005	307497	21-01N	22/06/2006	15584/2005	307609	25-01B	26/06/2006
15477/2005	307475	21-01N	20/06/2006	15620/2005	307610	23-01A	26/06/2006
15478/2005	307476	21-01N	20/06/2006	15621/2005	307611	23-01K	26/06/2006
15479/2005	307477	07-02N	20/06/2006	15623/2005	307612	25-01K	26/06/2006
15480/2005	307478	14-03E	20/06/2006	15624/2005	307613	25-01K	26/06/2006
15481/2005	307479	14-03E	20/06/2006	15625/2005	307614	25-01K	26/06/2006
15482/2005	307498	12-11	22/06/2006	15626/2005	307615	12-11	26/06/2006
15485/2005	307499	14-03E	22/06/2006	15842/2005	307503	08-08G	22/06/2006
15486/2005	307500	14-03E	22/06/2006	15872/2005	307462	09-02B	19/06/2006
15487/2005	307501	14-03E	22/06/2006	10060/2006	307595	16-06	26/06/2006
15490/2005	307502	12-05	22/06/2006	10861/2006	307545	09-09	22/06/2006
15491/2005	307480	07-01B	20/06/2006	10865/2006	307596	14-01	26/06/2006
15492/2005	307521	07-01B	21/06/2006	10866/2006	307597	14-01	26/06/2006
15493/2005	307481	07-01NES	20/06/2006	10867/2006	307598	14-01	26/06/2006
15498/2005	307522	23-01F	21/06/2006	10868/2006	307599	14-01	26/06/2006
15499/2005	307482	21-02D	20/06/2006	10982/2006	307443	01-01	19/06/2006
15500/2005	307483	08-07	20/06/2006	10983/2006	307444	01-01	19/06/2006
15508/2005	307523	07-07A	21/06/2006	10984/2006	307445	01-01	19/06/2006
15511/2005	307552	09-04	22/06/2006	11950/2006	307600	09-09	26/06/2006
15515/2005	307570	02-07D	22/06/2006	11951/2006	307601	09-09	26/06/2006
15516/2005	307553	15-03NES	22/06/2006	11952/2006	307602	09-09	26/06/2006
15517/2005	307554	08-01	22/06/2006	11953/2006	307603	09-09	26/06/2006
15518/2005	307555	07-02A	22/06/2006	12001/2006	307604	28-03A	26/06/2006
15519/2005	307556	07-02A	22/06/2006	12027/2006	307605	08-01	26/06/2006
15520/2005	307557	07-02A	22/06/2006				
15534/2005	307571	14-02	22/06/2006				
15538/2005	307572	12-16L	22/06/2006				

Publication and Registration Proceedings
Class Listing of Designs Published or Registered

The following section shows an International Classification Code listing of the Registered or Published Designs covered in this supplement.

Classification	Registration Number	Design Number	Classification	Registration Number	Design Number
01-01	307443	10982/2006	08-03	307588	15549/2005
01-01	307444	10983/2006	08-04	307437	15334/2005
01-01	307445	10984/2006	08-05 N	307436	15333/2005
01-01	307461	15436/2004	08-05 N	307586	15547/2005
02-02 A	307464	15032/2005	08-05 N	307587	15548/2005
02-02 NES	307484	13240/2005	08-07	307425	15038/2005
02-02 NES	307579	15104/2005	08-07	307447	14506/2005
02-04 NES	307546	14716/2005	08-07	307483	15500/2005
02-04 NES	307547	14718/2005	08-08 G	307435	15225/2005
02-04 NES	307575	14712/2005	08-08 G	307503	15842/2005
02-04 NES	307576	14713/2005	08-08 M	307508	15174/2005
02-04 NES	307577	14714/2005	08-08 N	307508	15174/2005
02-04 NES	307578	14715/2005	08-08 NES	307453	15397/2005
02-05	307565	10791/2005	08-08 NES	307454	15398/2005
02-07 D	307570	15515/2005	08-08 NES	307455	15399/2005
02-07 NES	307559	15229/2005	08-08 NES	307456	15400/2005
02-07 NES	307560	15230/2005	08-08 NES	307457	15401/2005
02-07 NES	307561	15231/2005	08-08 NES	307458	15402/2005
02-07 NES	307562	15232/2005	08-08 NES	307492	15396/2005
02-07 NES	307563	15233/2005	08-08 NES	307503	15842/2005
02-07 NES	307564	15234/2005	08-09	307580	15316/2005
06-01 D	307536	15433/2005	09-01 A	307550	15386/2005
06-01 E	307488	15236/2005	09-01 A	307551	15387/2005
06-01 L	307510	15247/2005	09-01 C	307516	15366/2005
06-03 B	307489	15235/2005	09-01 G	307589	15564/2005
06-04 NES	307489	15235/2005	09-01 H	307528	15424/2005
06-07	307566	14306/2005	09-01 NES	307515	15365/2005
06-10	307583	15552/2005	09-01 NES	307519	15455/2005
07-01 B	307480	15491/2005	09-01 NES	307590	15565/2005
07-01 B	307521	15492/2005	09-02 B	307462	15872/2005
07-01 C	307485	13710/2005	09-03 C	307529	15425/2005
07-01 C	307533	15430/2005	09-03 L	307529	15425/2005
07-01 C	307534	15431/2005	09-03 M	307518	15368/2005
07-01 C	307535	15432/2005	09-03 M	307537	15434/2005
07-01 NES	307480	15491/2005	09-03 M	307538	15435/2005
07-01 NES	307481	15493/2005	09-03 M	307539	15436/2005
07-01 NES	307521	15492/2005	09-03 M	307540	15437/2005
07-02 A	307555	15518/2005	09-03 M	307541	15438/2005
07-02 A	307556	15519/2005	09-03 M	307542	15439/2005
07-02 A	307557	15520/2005	09-03 NES	307549	15385/2005
07-02 B	307526	15393/2005	09-04	307552	15511/2005
07-02 N	307477	15479/2005	09-07 A	307491	15340/2005
07-04	307513	15307/2005	09-07 A	307514	15364/2005
07-05 D	307432	15222/2005	09-07 A	307551	15387/2005
07-05 D	307433	15223/2005	09-09	307545	10861/2006
07-05 D	307452	15150/2005	09-09	307600	11950/2006
07-07 A	307523	15508/2005	09-09	307601	11951/2006
07-99 NES	307431	15146/2005	09-09	307602	11952/2006
08-01	307512	15249/2005	09-09	307603	11953/2006
08-01	307554	15517/2005	11-01 E	307565	10791/2005
08-01	307581	15446/2005	11-99	307486	15002/2005
08-01	307582	15551/2005	12-02	307423	14438/2005
08-01	307584	15553/2005	12-02	307505	14439/2005
08-01	307605	12027/2006	12-05	307502	15490/2005
08-03	307543	15448/2005	12-08	307511	15248/2005
08-03	307585	15546/2005	12-11	307498	15482/2005

Registration Proceedings - Class Listing of Designs Published or Registered cont'd

Classification	Registration Number	Design Number	Classification	Registration Number	Design Number
12-11	307615	15626/2005	21-01 L	307446	14313/2005
12-16 C	307548	15338/2005	21-01 N	307475	15477/2005
12-16 C	307593	15581/2005	21-01 N	307476	15478/2005
12-16 C	307594	15582/2005	21-01 N	307497	15476/2005
12-16 L	307425	15038/2005	21-02 C	307607	15567/2005
12-16 L	307438	15460/2005	21-02 D	307464	15032/2005
12-16 L	307439	15461/2005	21-02 D	307482	15499/2005
12-16 L	307441	15463/2005	21-03	307567	15164/2005
12-16 L	307442	15464/2005	23-01 A	307440	15462/2005
12-16 L	307572	15538/2005	23-01 A	307472	15466/2005
12-16 L	307573	15539/2005	23-01 A	307473	15467/2005
12-16 L	307574	15540/2005	23-01 A	307494	15465/2005
12-16 N	307463	14632/2005	23-01 A	307610	15620/2005
14-01	307429	15154/2005	23-01 F	307506	15125/2005
14-01	307430	15155/2005	23-01 F	307522	15498/2005
14-01	307596	10865/2006	23-01 G	307517	15367/2005
14-01	307597	10866/2006	23-01 K	307611	15621/2005
14-01	307598	10867/2006	23-02 A	307434	15224/2005
14-01	307599	10868/2006	23-02 A	307524	15318/2005
14-02	307571	15534/2005	23-02 C	307530	15427/2005
14-03 E	307478	15480/2005	23-02 C	307531	15428/2005
14-03 E	307479	15481/2005	23-02 C	307532	15429/2005
14-03 E	307496	15475/2005	25-01 A	307487	15086/2005
14-03 E	307499	15485/2005	25-01 B	307608	15583/2005
14-03 E	307500	15486/2005	25-01 B	307609	15584/2005
14-03 E	307501	15487/2005	25-01 K	307459	15404/2005
14-03 E	307520	15457/2005	25-01 K	307460	15403/2005
15-03 NES	307553	15516/2005	25-01 K	307493	15405/2005
15-05	307606	15554/2005	25-01 K	307504	12788/2005
16-06	307465	15352/2005	25-01 K	307612	15623/2005
16-06	307466	15354/2005	25-01 K	307613	15624/2005
16-06	307467	15355/2005	25-01 K	307614	15625/2005
16-06	307468	15357/2005	25-02 C	307592	15568/2005
16-06	307469	15358/2005	25-02 D	307592	15568/2005
16-06	307470	15359/2005	25-02 H	307509	15179/2005
16-06	307595	10060/2006	25-03	307495	15474/2005
19-06	307490	15389/2005	26-02	307474	15472/2005
19-06	307569	15447/2005	26-05 D	307424	14550/2005
19-08	307558	12251/2005	28-03 A	307427	15108/2005
19-08	307559	15229/2005	28-03 A	307428	15109/2005
19-08	307560	15230/2005	28-03 A	307507	15173/2005
19-08	307561	15231/2005	28-03 A	307604	12001/2006
19-08	307562	15232/2005	28-03 NES	307591	15566/2005
19-08	307563	15233/2005	29-01	307568	15350/2005
19-08	307564	15234/2005	29-02	307525	15392/2005
20-01	307471	15360/2005	30-04	307450	14897/2005
20-03 NES	307544	15458/2005	30-04	307451	14898/2005
21-01 A	307448	14580/2005			
21-01 A	307449	14584/2005			
21-01 C	307527	15406/2005			
21-01 F	307426	15063/2005			

(21) Design Number: **14438/2005**

(22) Date of Filing Application: **10 October 2005**

(24) Date from which industrial property rights may have effect: **10 October 2005**

(54) Product in respect of which the design is registered: **A cart**

(51) International Design Classification: **12-02**

(71) Name(s) and Address(s) of Applicant(s):

Celter B.V.

Lepelaar 82 Groningen 9728 XG The Netherlands

(72) Name(s) of Designer(s): **Lucas Poppinga**

(45) Registration Date: **20 June 2006**

(56) Related Art Documents: **Not Applicable**

(57) Statement of Newness and Distinctiveness: **The newness and distinctiveness of the design resides in the shape and configuration of the cart. The wheels shown in broken lines do not form part of the design.**



(21) Design Number: **14550/2005**

(22) Date of Filing Application: **14 October 2005**

(24) Date from which industrial property rights may have effect: **14 October 2005**

(54) Product in respect of which the design is registered: **Ceiling mounted light fitting**

(51) International Design Classification: **26-05D**

(71) Name(s) and Address(s) of Applicant(s):

Sikki Pty Ltd

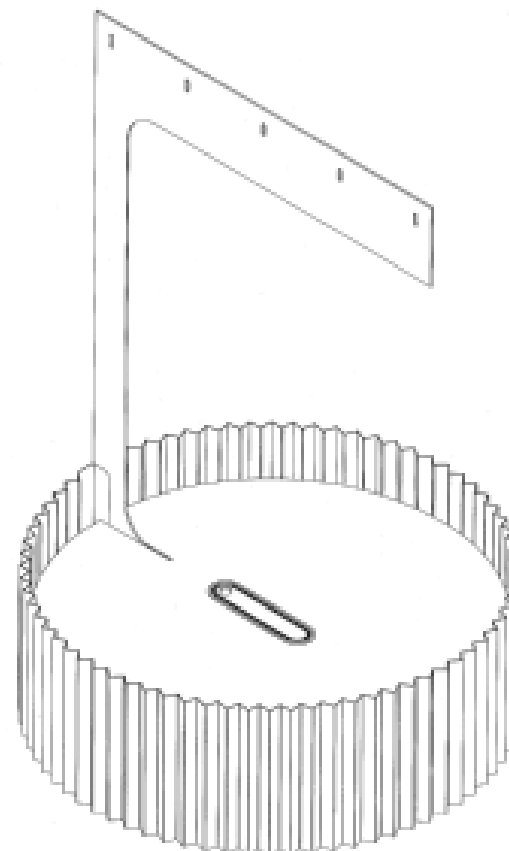
21-25 Downie Street Maryville New South Wales 2300 Australia

(72) Name(s) of Designer(s): **Christo Kulder and Alice Lees**

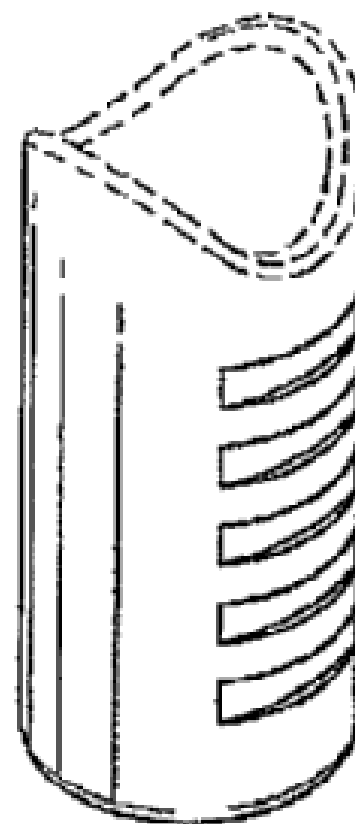
(45) Registration Date: **20 June 2006**

(56) Related Art Documents: **Not Applicable**

(57) Statement of Newness and Distinctiveness: **Cantilevered hanging arrangement concealed wiring folded laminated (wood/metal) shade.**



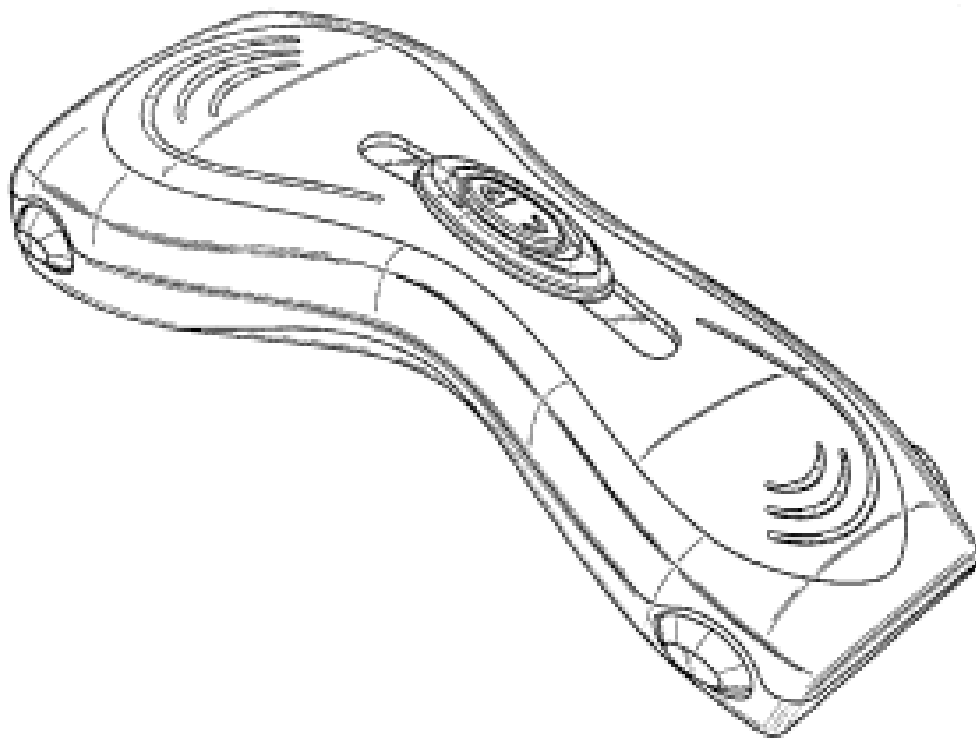
(21) Design Number: **15038/2005**
(22) Date of Filing Application: **14 November 2005**
(24) Date from which industrial property rights may have effect: **14 November 2005**
(54) Product in respect of which the design is registered: **Pin cap for a receiver pin assembly for a trailer hitch**
(51) International Design Classification: **08-07, 12-16L**
(71) Name(s) and Address(s) of Applicant(s):
Master Lock Company
137 W. Forest Avenue PO Box 927 Oak Creek Wisconsin 53154 United States of America
(72) Name(s) of Designer(s): **Scott Kalous**
(45) Registration Date: **20 June 2006**
(30) Convention priority data:
(31) Number (32) Date (33) Country
29/232,230 16 Jun 2005 UNITED STATES OF AMERICA
(56) Related Art Documents: **Not Applicable**
(57) Statement of Newness and Distinctiveness: **Newness and distinctiveness are provided by the shape and/or configuration of the design shown in the representations. The features shown in broken lines in the representations are for illustrative purposes only and should not be considered when construing visual features of the design.**



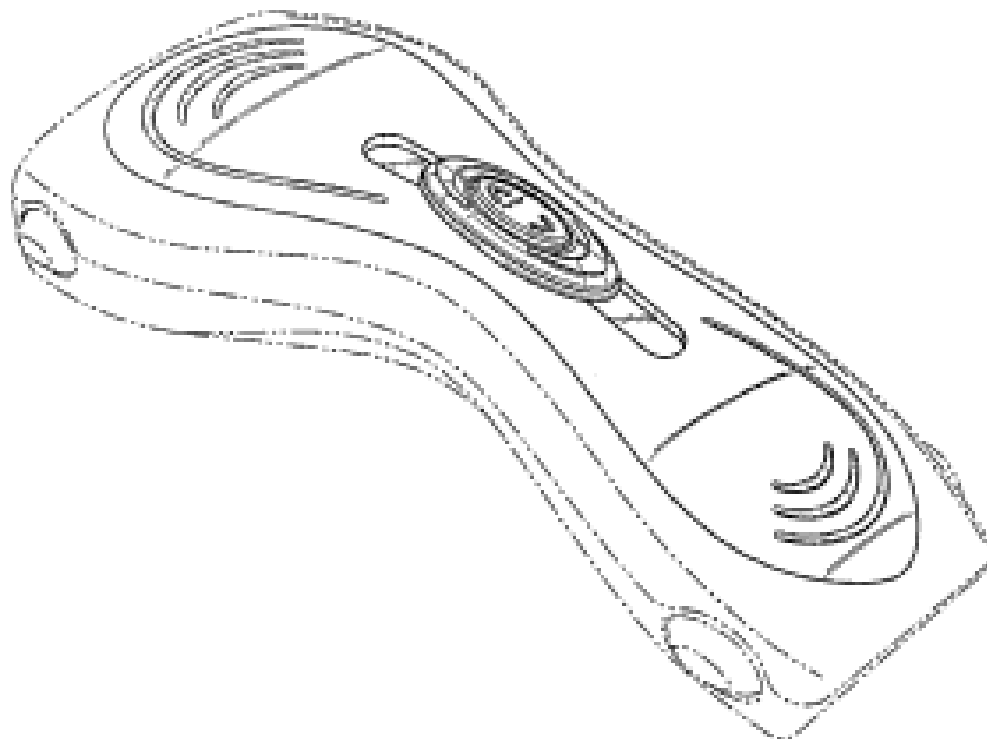
(21) Design Number: **15063/2005**
(22) Date of Filing Application: **15 November 2005**
(24) Date from which industrial property rights may have effect: **15 November 2005**
(54) Product in respect of which the design is registered: **Child's pedal car**
(51) International Design Classification: **21-01F**
(71) Name(s) and Address(s) of Applicant(s):
Nostalgic Pedal Cars
11 Gynea Court Armadale Western Australia 6112 Australia
(72) Name(s) of Designer(s): **Ronald Edwin (Bill) Downey**
(45) Registration Date: **20 June 2006**
(56) Related Art Documents: **Not Applicable**
(57) Statement of Newness and Distinctiveness: **Nil**



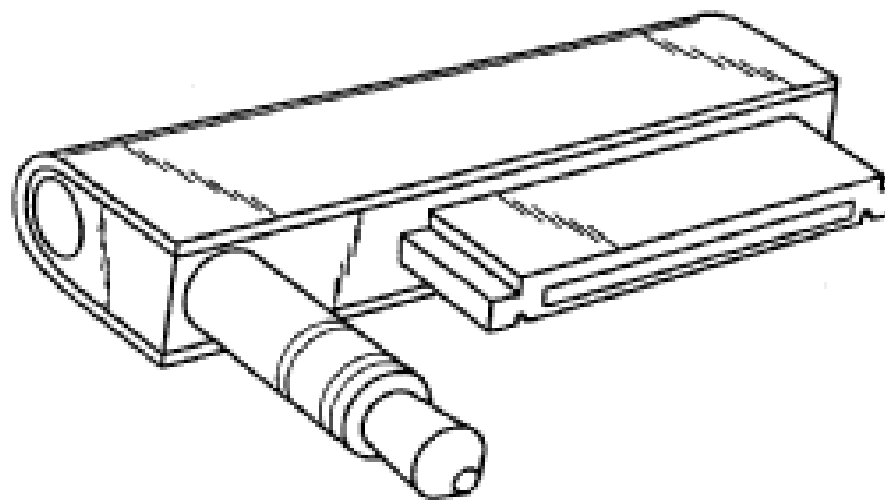
- (21) Design Number: **15108/2005**
(22) Date of Filing Application: **21 November 2005**
(24) Date from which industrial property rights may have effect: **21 November 2005**
(54) Product in respect of which the design is registered: **Razor handle**
(51) International Design Classification: **28-03A**
(71) Name(s) and Address(s) of Applicant(s):
SOCIETE BIC
14 rue Jeanne d'Asnieres 92 110 Clichy France
(72) Name(s) of Designer(s): **Yiannis Marios Psimadas and Andreas Vasiliadis and Alexis Angelides and Irimi Matinopoulos**
(45) Registration Date: **20 June 2006**
(30) Convention priority data:
(31) Number (32) Date (33) Country
000351531-0001 30 May 2005 EUROPEAN COMMUNITY
(56) Related Art Documents: **Not Applicable**
(57) Statement of Newness and Distinctiveness: **Those features of the razor handle depicted in the representations that are new and distinctive are the shape and/or configuration. The features shown in broken line are not part of the design and are to be disregarded when considering the overall impression of the design.**



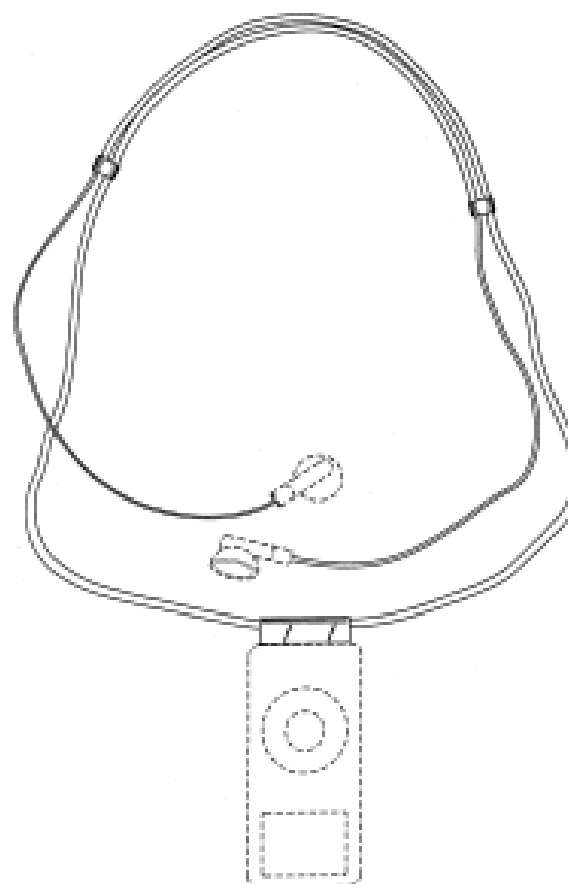
- (21) Design Number: **15109/2005**
(22) Date of Filing Application: **21 November 2005**
(24) Date from which industrial property rights may have effect: **21 November 2005**
(54) Product in respect of which the design is registered: **Razor handle**
(51) International Design Classification: **28-03A**
(71) Name(s) and Address(s) of Applicant(s):
SOCIETE BIC
14 rue Jeanne d'Asnieres 92 110 Clichy France
(72) Name(s) of Designer(s): **Yiannis Marios Psimadas and Andreas Vasiliadis and Alexis Angelides**
(45) Registration Date: **20 June 2006**
(30) Convention priority data:
(31) Number (32) Date (33) Country
000351531-0002 30 May 2005 EUROPEAN COMMUNITY
(56) Related Art Documents: **Not Applicable**
(57) Statement of Newness and Distinctiveness: **Those features of the razor handle depicted in the representations that are new and distinctive are the shape and/or configuration. The features shown in broken line are not part of the design and are to be disregarded when considering the overall impression of the design.**



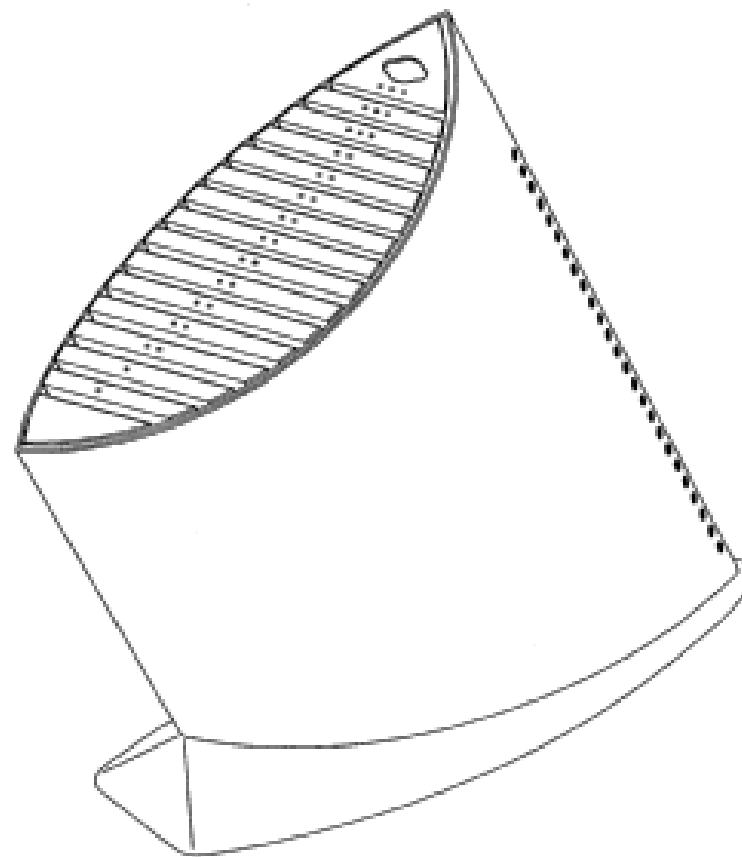
(21) Design Number: **15154/2005**
 (22) Date of Filing Application: **23 November 2005**
 (24) Date from which industrial property rights may have effect: **23 November 2005**
 (54) Product in respect of which the design is registered: **An electronic device holder**
 (51) International Design Classification: **14-01**
 (71) Name(s) and Address(s) of Applicant(s):
Apple Computer, Inc.
1 Infinite Loop Cupertino California 95014-2084 United States of America
 (72) Name(s) of Designer(s): **Bartley K. Andre and Richard P. Howarth and Duncan Robert Kerr and Douglas B. Satzger and Eugene Anthony Whang and Daniel J. Coster and Jonathan P. Ive and Shin Nishibori and Calvin Q. Seid and Rico Zorkendorfer and Daniele De Iuliis and Steve Jobs and Matthew Dean Rohrbach and Christopher J. Stringer**
 (45) Registration Date: **20 June 2006**
 (30) Convention priority data:
 (31) Number (32) Date (33) Country
29237287 24 Aug 2005 UNITED STATES OF AMERICA
 (56) Related Art Documents: **Not Applicable**
 (57) Statement of Newness and Distinctiveness: **Newness and distinctiveness is claimed in the visual features shown in solid lines in the representations.**



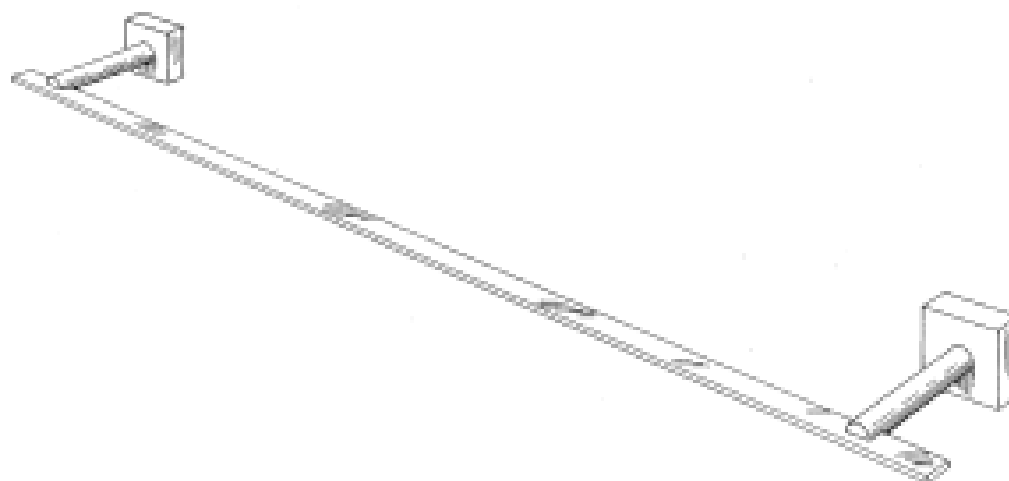
(21) Design Number: **15155/2005**
 (22) Date of Filing Application: **23 November 2005**
 (24) Date from which industrial property rights may have effect: **23 November 2005**
 (54) Product in respect of which the design is registered: **A lanyard**
 (51) International Design Classification: **14-01**
 (71) Name(s) and Address(s) of Applicant(s):
Apple Computer, Inc.
1 Infinite Loop Cupertino California 95014-2084 United States of America
 (72) Name(s) of Designer(s): **Bartley K. Andre and Daniel J. Coster and Daniele De Iuliis and Richard P. Howarth and Jonathan P. Ive and Steve Jobs and Duncan Robert Kerr and Shin Nishibori and Matthew Dean Rohrbach and Douglas B. Satzger and Calvin Q. Seid and Christopher J. Stringer and Eugene Anthony Whang and Rico Zorkendorfer**
 (45) Registration Date: **20 June 2006**
 (30) Convention priority data:
 (31) Number (32) Date (33) Country
29237086 24 Aug 2005 UNITED STATES OF AMERICA
 (56) Related Art Documents: **Not Applicable**
 (57) Statement of Newness and Distinctiveness: **Newness and distinctiveness is claimed in the visual features shown in solid lines in the representations.**



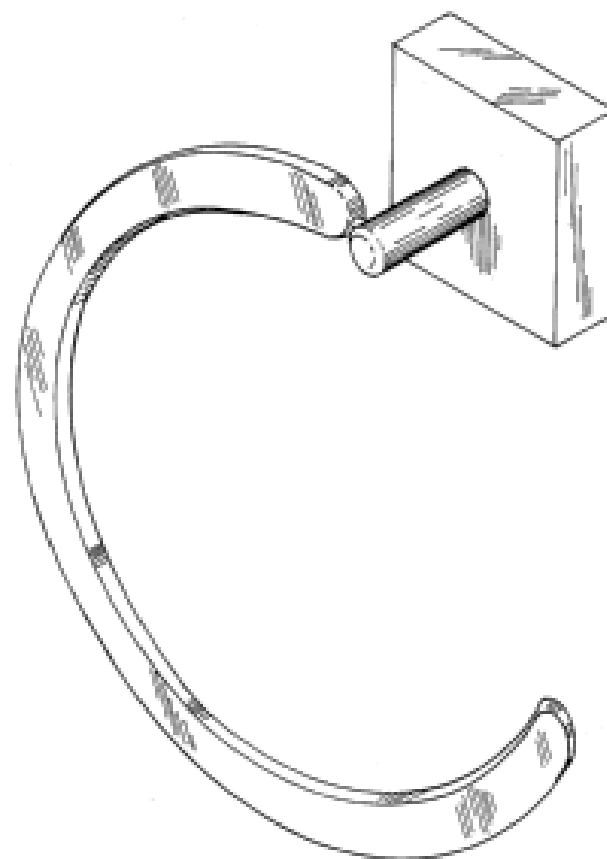
(21) Design Number: **15146/2005**
(22) Date of Filing Application: **22 November 2005**
(24) Date from which industrial property rights may have effect: **22 November 2005**
(54) Product in respect of which the design is registered: **Knife block**
(51) International Design Classification: **07-99NES**
(71) Name(s) and Address(s) of Applicant(s):
Yoshida Metal Industry Co., Ltd
1447-3 Oaza Shimonakano Yoshida-machi Nishikanbara-gun Niigata
Japan
(72) Name(s) of Designer(s): **Komin Yamada**
(45) Registration Date: **20 June 2006**
(30) Convention priority data:
(31) Number (32) Date (33) Country
2005-16033 02 Jun 2005 JAPAN
(56) Related Art Documents: **Not Applicable**
(57) Statement of Newness and Distinctiveness: **Nil**



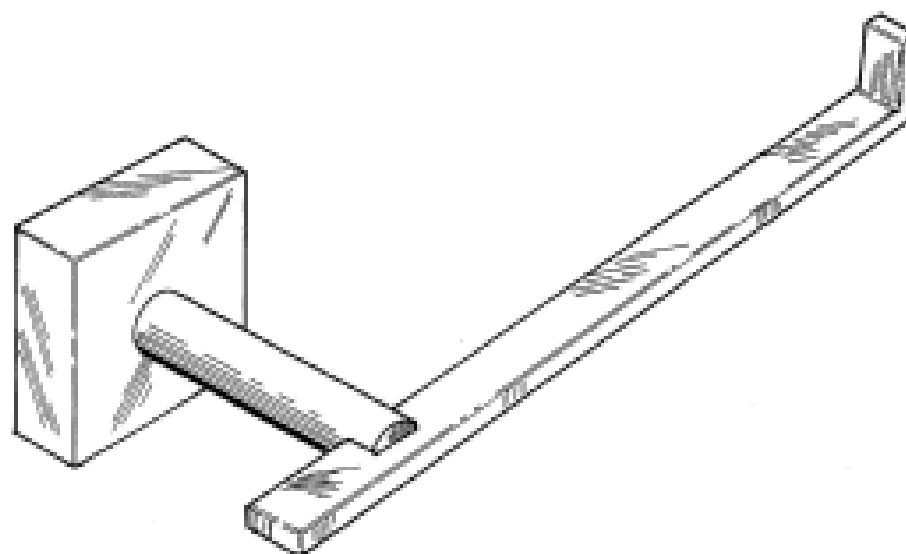
(21) Design Number: **15222/2005**
(22) Date of Filing Application: **25 November 2005**
(24) Date from which industrial property rights may have effect: **25 November 2005**
(54) Product in respect of which the design is registered: **Towel rail**
(51) International Design Classification: **07-05D**
(71) Name(s) and Address(s) of Applicant(s):
Argent Australia Pty Ltd
18 Wandoo Street Fortitude Valley Queensland 4006 Australia
(72) Name(s) of Designer(s): **Damien Cool**
(45) Registration Date: **20 June 2006**
(56) Related Art Documents: **Not Applicable**
(57) Statement of Newness and Distinctiveness: **Nil**



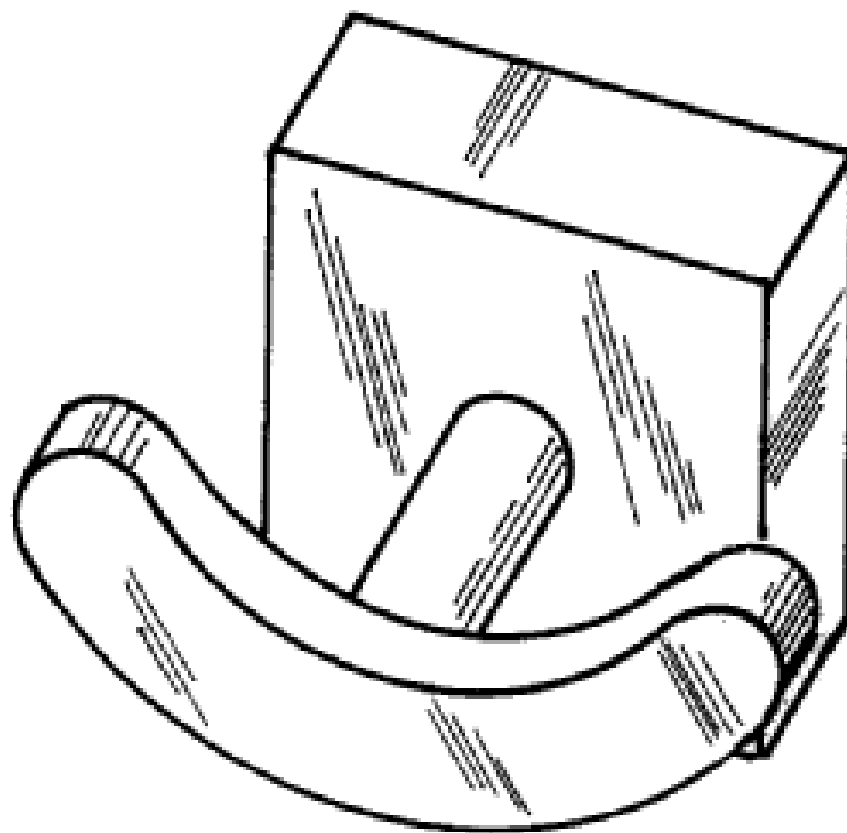
(21) Design Number: **15223/2005**
(22) Date of Filing Application: **25 November 2005**
(24) Date from which industrial property rights may have effect: **25 November 2005**
(54) Product in respect of which the design is registered: **Towel ring**
(51) International Design Classification: **07-05D**
(71) Name(s) and Address(s) of Applicant(s):
Argent Australia Pty Ltd
18 Wandoo Street Fortitude Valley Queensland 4006 Australia
(72) Name(s) of Designer(s): **Damien Cool**
(45) Registration Date: **20 June 2006**
(56) Related Art Documents: **Not Applicable**
(57) Statement of Newness and Distinctiveness: **Nil**



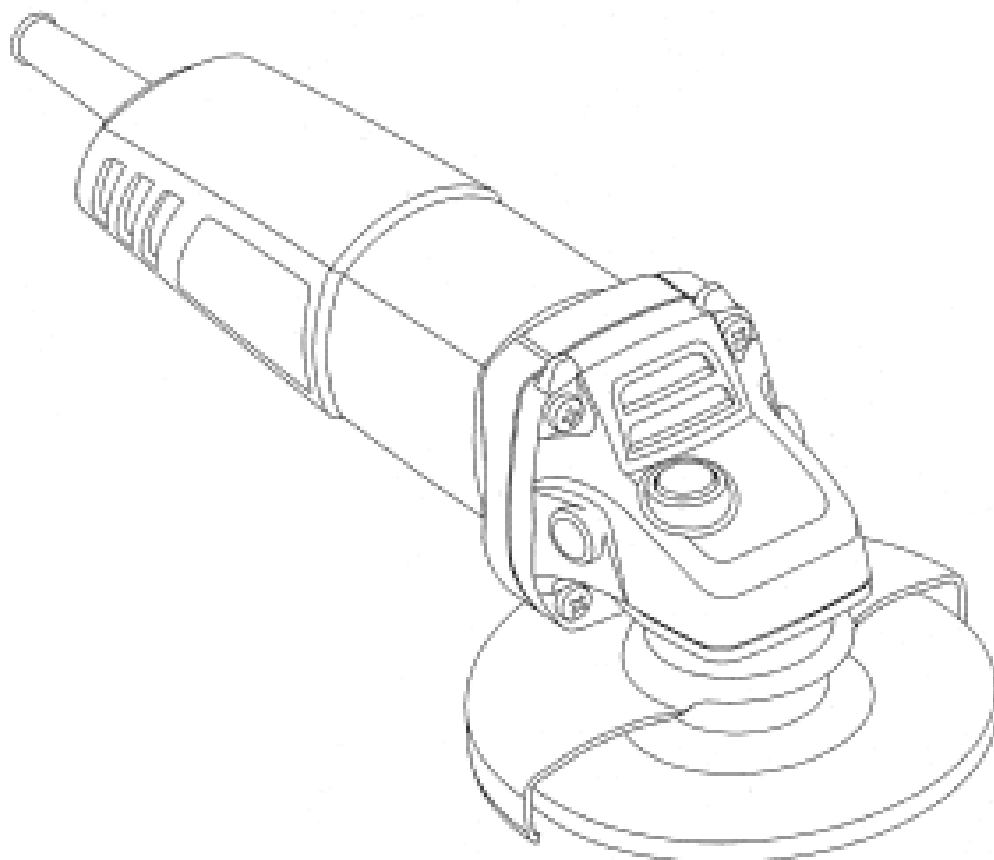
(21) Design Number: **15224/2005**
(22) Date of Filing Application: **25 November 2005**
(24) Date from which industrial property rights may have effect: **25 November 2005**
(54) Product in respect of which the design is registered: **Toilet roll holder**
(51) International Design Classification: **23-02A**
(71) Name(s) and Address(s) of Applicant(s):
Argent Australia Pty Ltd
18 Wandoo Street Fortitude Valley Queensland 4006 Australia
(72) Name(s) of Designer(s): **Damien Cool**
(45) Registration Date: **20 June 2006**
(56) Related Art Documents: **Not Applicable**
(57) Statement of Newness and Distinctiveness: **Nil**



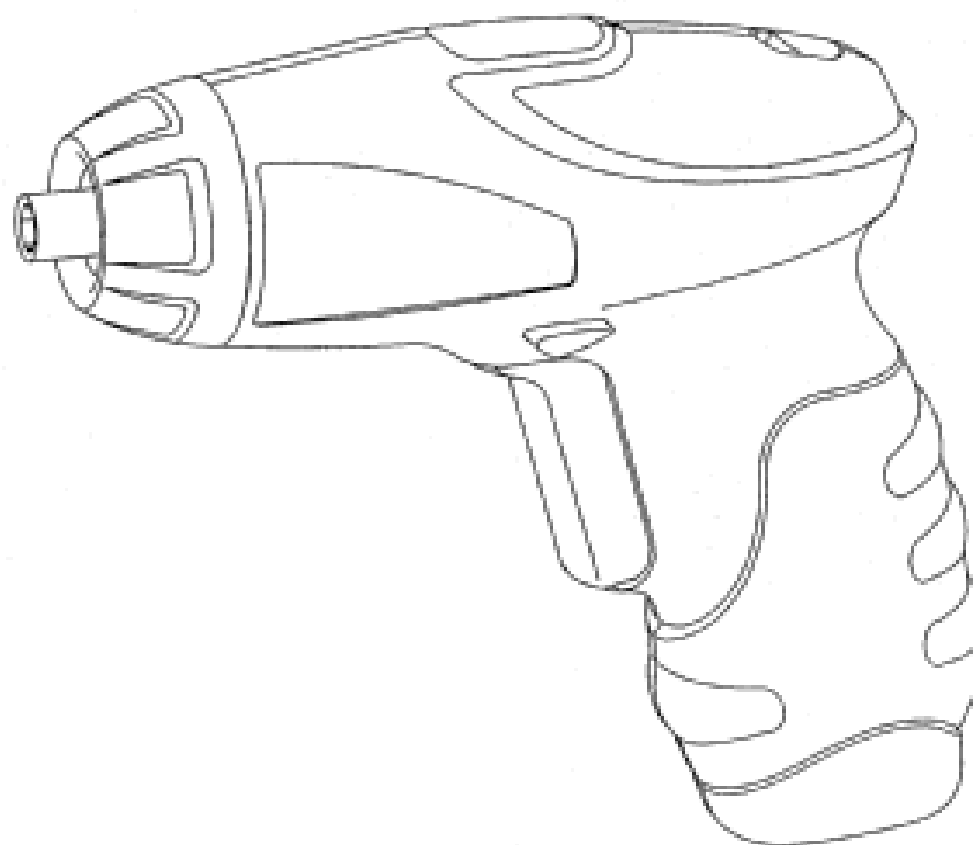
(21) Design Number: **15225/2005**
(22) Date of Filing Application: **25 November 2005**
(24) Date from which industrial property rights may have effect: **25 November 2005**
(54) Product in respect of which the design is registered: **Robe hook**
(51) International Design Classification: **08-08G**
(71) Name(s) and Address(s) of Applicant(s):
Argent Australia Pty Ltd
18 Wandoo Street Fortitude Valley Queensland 4006 Australia
(72) Name(s) of Designer(s): **Damien Cool**
(45) Registration Date: **20 June 2006**
(56) Related Art Documents: **Not Applicable**
(57) Statement of Newness and Distinctiveness: **Nil**



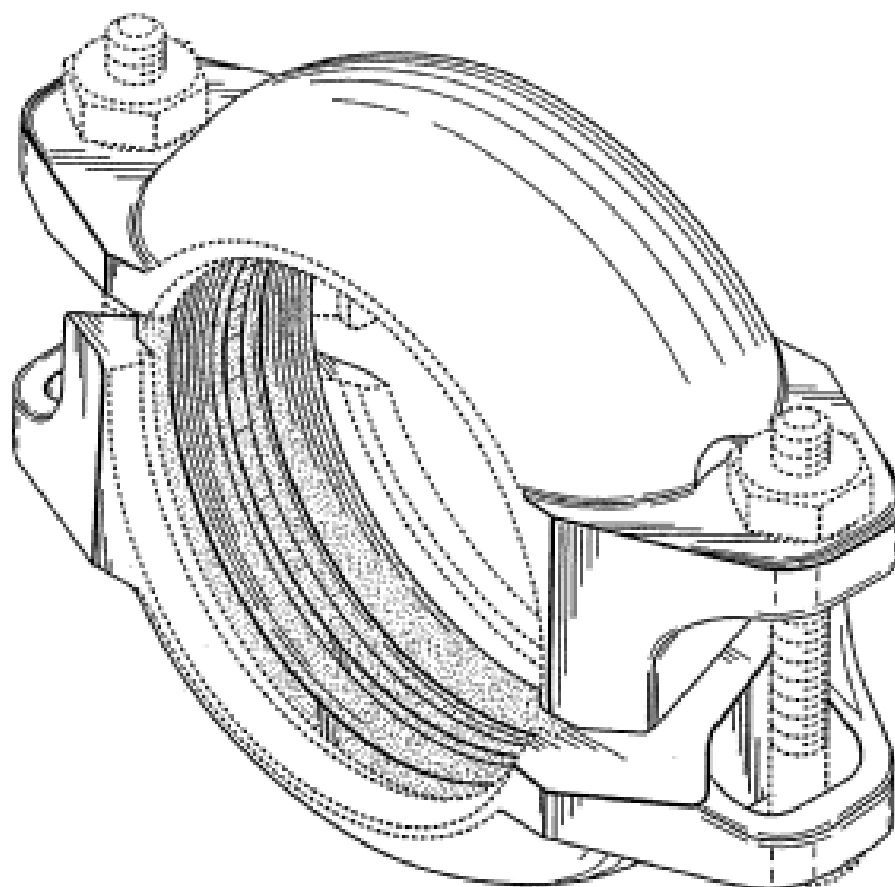
(21) Design Number: **15333/2005**
(22) Date of Filing Application: **01 December 2005**
(24) Date from which industrial property rights may have effect: **01 December 2005**
(54) Product in respect of which the design is registered: **Angle grinder**
(51) International Design Classification: **08-05N**
(71) Name(s) and Address(s) of Applicant(s):
Nanjing Chervon Industry Co., Ltd
No.9 Shengli West Road Jiangning Economic & Technical
Development Zone Nanjing Jiangsu 211100 China
(72) Name(s) of Designer(s): **Shuming Wu**
(45) Registration Date: **20 June 2006**
(30) Convention priority data:
(31) Number (32) Date (33) Country
200530084723.6 **09 Jun 2005** **CHINA**
(56) Related Art Documents: **Not Applicable**
(57) Statement of Newness and Distinctiveness: **Each feature of the design considered separately or in combination with any other feature or features.**



- (21) Design Number: **15334/2005**
(22) Date of Filing Application: **01 December 2005**
(24) Date from which industrial property rights may have effect: **01 December 2005**
(54) Product in respect of which the design is registered: **Screwdriver**
(51) International Design Classification: **08-04**
(71) Name(s) and Address(s) of Applicant(s):
Nanjing Chervon Industry Co., Ltd
No.9 Shengli West Road Jiangning Economic & Technical
Development Zone Nanjing Jiangsu 211100 China
(72) Name(s) of Designer(s): **Shuming Wu**
(45) Registration Date: **20 June 2006**
(30) Convention priority data:
(31) Number (32) Date (33) Country
200530084566.9 08 Jun 2005 CHINA
(56) Related Art Documents: **Not Applicable**
(57) Statement of Newness and Distinctiveness: **Each feature of the design considered separately or in combination with any other feature or features.**



- (21) Design Number: **15460/2005**
(22) Date of Filing Application: **08 December 2005**
(24) Date from which industrial property rights may have effect: **08 December 2005**
(54) Product in respect of which the design is registered: **Mechanical coupling**
(51) International Design Classification: **12-16L**
(71) Name(s) and Address(s) of Applicant(s):
Victaulic Company
4901 Kesslersville Road Easton Pennsylvania 18040 United States of
America
(72) Name(s) of Designer(s): **John Gibb and Douglas R. Dole and Michael V.**
Porter and William A. Nagle
(45) Registration Date: **20 June 2006**
(30) Convention priority data:
(31) Number (32) Date (33) Country
29/232359 17 Jun 2005 UNITED STATES OF AMERICA
(56) Related Art Documents: **Not Applicable**
(57) Statement of Newness and Distinctiveness: **Newness and distinctiveness is claimed in those features of shape and/or configuration of a mechanical coupling illustrated in continuous lines in the accompanying representations.**



- (21) Design Number: **15461/2005**
- (22) Date of Filing Application: **08 December 2005**
- (24) Date from which industrial property rights may have effect: **08 December 2005**
- (54) Product in respect of which the design is registered: **Mechanical coupling**
- (51) International Design Classification: **12-16L**
- (71) Name(s) and Address(s) of Applicant(s):

Victaulic Company
4901 Kesslersville Road Easton Pennsylvania 18040 United States of America

- (72) Name(s) of Designer(s): **John Gibb and Douglas R. Dole and Michael V. Porter and William A. Nagle**

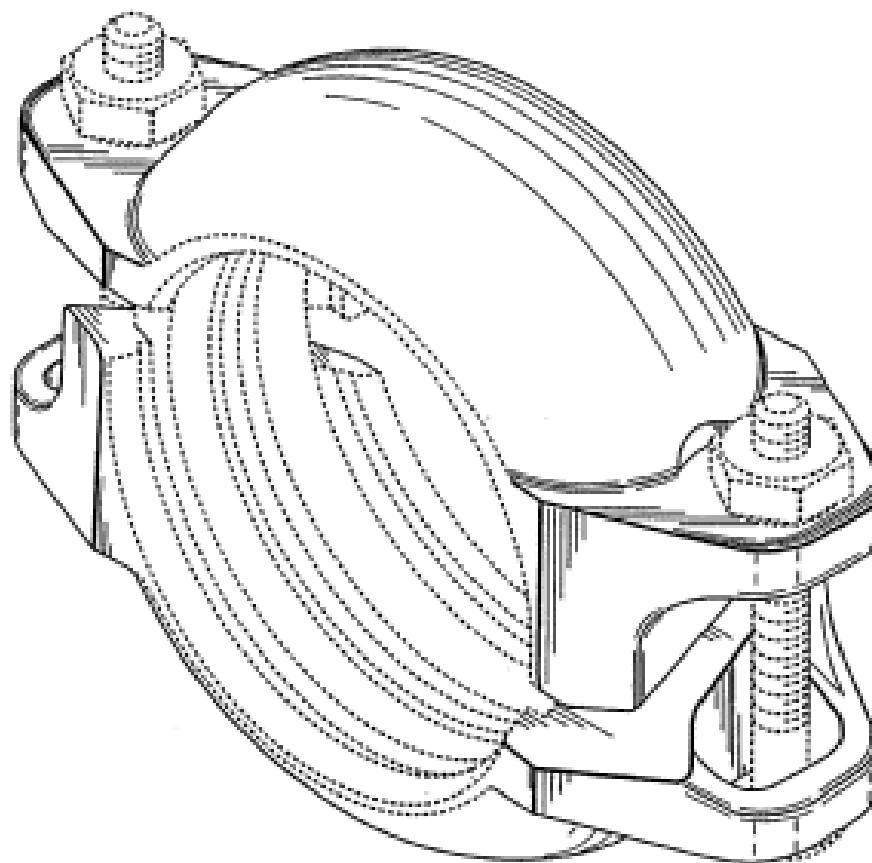
- (45) Registration Date: **20 June 2006**

- (30) Convention priority data:

(31) Number	(32) Date	(33) Country
29/232359	17 Jun 2005	UNITED STATES OF AMERICA

- (56) Related Art Documents: **Not Applicable**

- (57) Statement of Newness and Distinctiveness: **Newness and distinctiveness is claimed in those features of shape and/or configuration of a mechanical coupling illustrated in continuous lines in the accompanying representations.**



- (21) Design Number: **15462/2005**
- (22) Date of Filing Application: **08 December 2005**
- (24) Date from which industrial property rights may have effect: **08 December 2005**
- (54) Product in respect of which the design is registered: **Pipe coupling**
- (51) International Design Classification: **23-01A**
- (71) Name(s) and Address(s) of Applicant(s):

Victaulic Company
4901 Kesslersville Road Easton Pennsylvania 18040 United States of America

- (72) Name(s) of Designer(s): **John Gibb and Douglas R. Dole and Michael V. Porter and William A. Nagle**

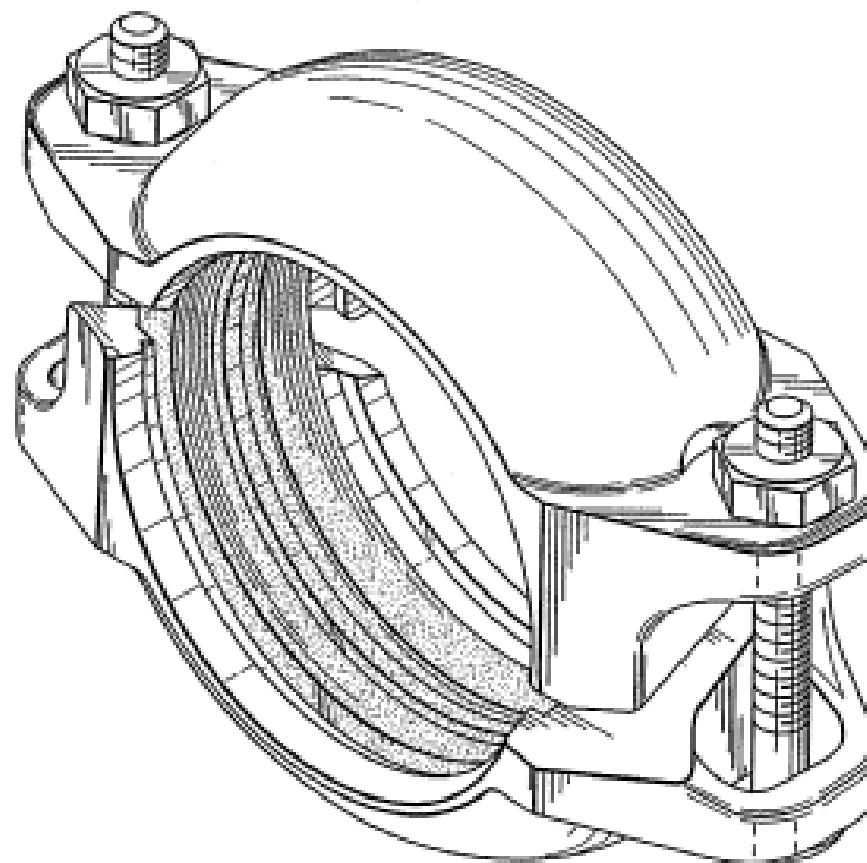
- (45) Registration Date: **20 June 2006**

- (30) Convention priority data:

(31) Number	(32) Date	(33) Country
29/232362	17 Jun 2005	UNITED STATES OF AMERICA

- (56) Related Art Documents: **Not Applicable**

- (57) Statement of Newness and Distinctiveness: **Newness and distinctiveness is claimed in the features of shape and/or configuration of a pipe coupling as illustrated in the accompanying representations.**



- (21) Design Number: **15463/2005**
- (22) Date of Filing Application: **08 December 2005**
- (24) Date from which industrial property rights may have effect: **08 December 2005**
- (54) Product in respect of which the design is registered: **Mechanical coupling**
- (51) International Design Classification: **12-16L**
- (71) Name(s) and Address(s) of Applicant(s):

Victaulic Company
4901 Kesslersville Road Easton Pennsylvania 18040 United States of America

- (72) Name(s) of Designer(s): **John Gibb and Douglas R. Dole and Michael V. Porter and William A. Nagle**

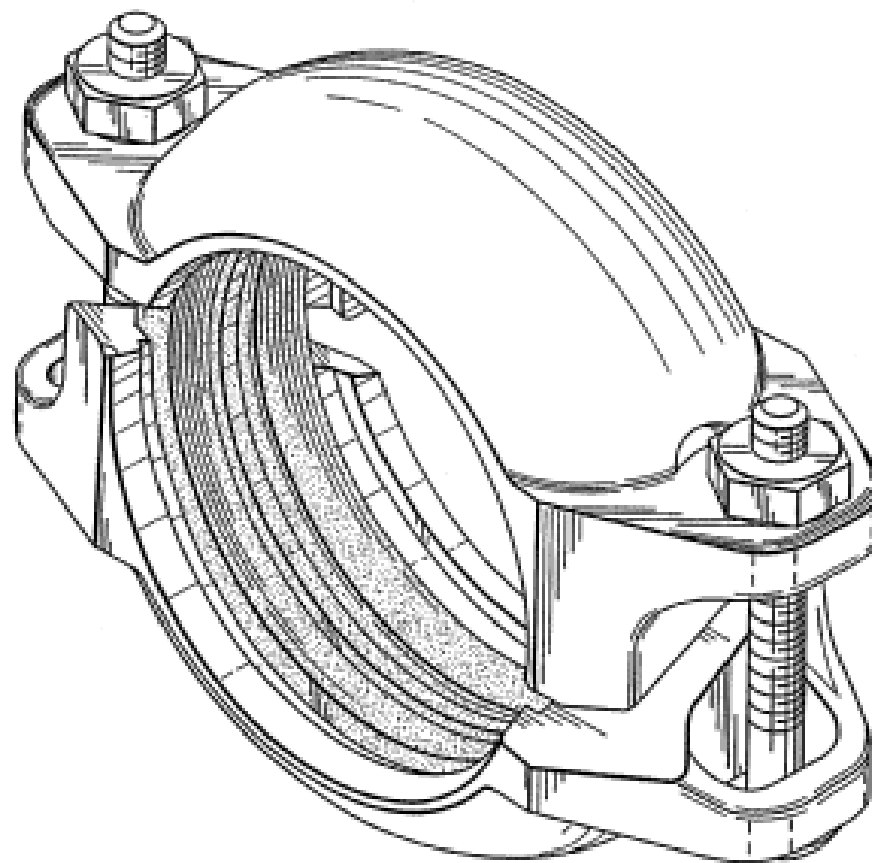
- (45) Registration Date: **20 June 2006**

- (30) Convention priority data:

(31) Number	(32) Date	(33) Country
29/232359	17 Jun 2005	UNITED STATES OF AMERICA

- (56) Related Art Documents: **Not Applicable**

- (57) Statement of Newness and Distinctiveness: **Newness and distinctiveness is claimed in the features of shape and/or configuration of a mechanical coupling as illustrated in the accompanying representations.**



- (21) Design Number: **15464/2005**
- (22) Date of Filing Application: **08 December 2005**
- (24) Date from which industrial property rights may have effect: **08 December 2005**
- (54) Product in respect of which the design is registered: **Mechanical coupling**
- (51) International Design Classification: **12-16L**
- (71) Name(s) and Address(s) of Applicant(s):

Victaulic Company
4901 Kesslersville Road Easton Pennsylvania 18040 United States of America

- (72) Name(s) of Designer(s): **John Gibb and Douglas R. Dole and Michael V. Porter and William A. Nagle**

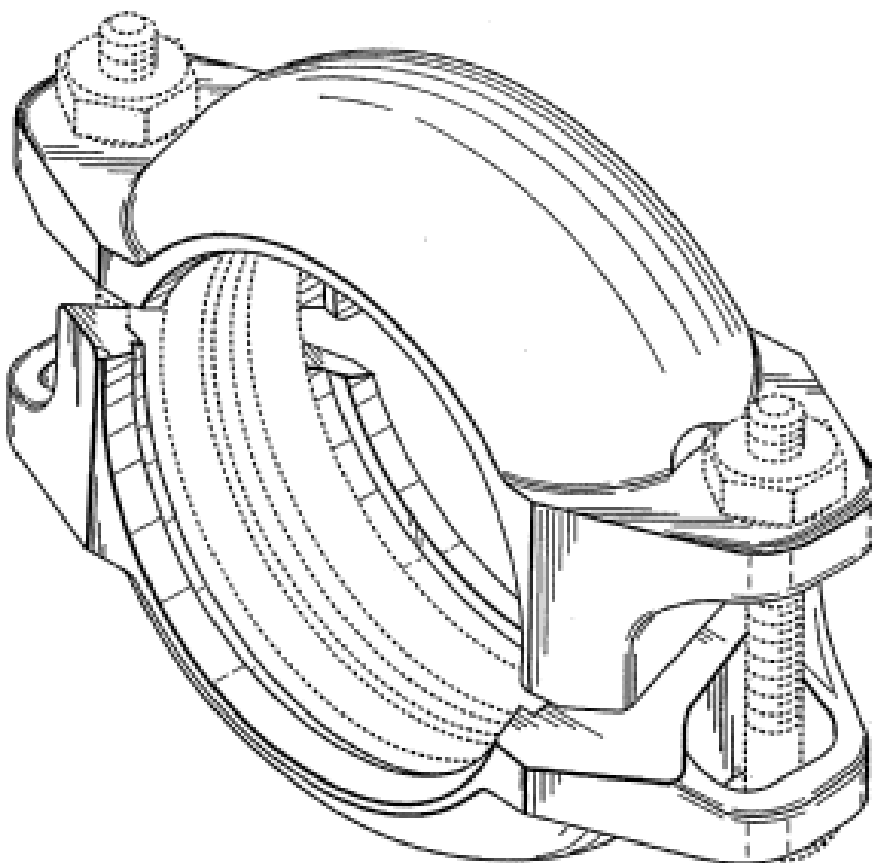
- (45) Registration Date: **20 June 2006**

- (30) Convention priority data:

(31) Number	(32) Date	(33) Country
29/232359	17 Jun 2005	UNITED STATES OF AMERICA

- (56) Related Art Documents: **Not Applicable**

- (57) Statement of Newness and Distinctiveness: **Newness and distinctiveness is claimed in those features of shape and/or configuration of a mechanical coupling illustrated in continuous lines in the accompanying representations.**



- (21) Design Number: **10982/2006**
(22) Date of Filing Application: **14 March 2006**
(24) Date from which industrial property rights may have effect: **14 March 2006**
(54) Product in respect of which the design is registered: **Confectionery flower long stem with flat top bulb**
(51) International Design Classification: **01-01**
(71) Name(s) and Address(s) of Applicant(s):
 Crisoula Blasevi
 21 Sherwood Street Revesby New South Wales 2212 Australia
 Rosario Blasevi
 21 Sherwood Street Revesby New South Wales 2212 Australia
(72) Name(s) of Designer(s): **Crisoula Blasevi and Rosario Blasevi**
(45) Registration Date: **19 June 2006**
(56) Related Art Documents: **Not Applicable**
(57) Statement of Newness and Distinctiveness: **The new features of the design are the shape, configuration, pattern and ornamentation of the set of confectionery flowers as shown in the representations.**



- (21) Design Number: **10983/2006**
(22) Date of Filing Application: **14 March 2006**
(24) Date from which industrial property rights may have effect: **14 March 2006**
(54) Product in respect of which the design is registered: **Confectionery flower short stem with flat top bulb**
(51) International Design Classification: **01-01**
(71) Name(s) and Address(s) of Applicant(s):
 Crisoula Blasevi
 21 Sherwood Street Revesby New South Wales 2212 Australia
 Rosario Blasevi
 21 Sherwood Street Revesby New South Wales 2212 Australia
(72) Name(s) of Designer(s): **Crisoula Blasevi and Rosario Blasevi**
(45) Registration Date: **19 June 2006**
(56) Related Art Documents: **Not Applicable**
(57) Statement of Newness and Distinctiveness: **The new features of the design are the shape, configuration, pattern and ornamentation of the set of confectionery flowers as shown in the representations.**



- (21) Design Number: **10984/2006**
(22) Date of Filing Application: **14 March 2006**
(24) Date from which industrial property rights may have effect: **14 March 2006**
(54) Product in respect of which the design is registered: **Confectionery flower short stem with rounded bulb**
(51) International Design Classification: **01-01**
(71) Name(s) and Address(s) of Applicant(s):
Crisoula Blasevi
21 Sherwood Street Revesby New South Wales 2212 Australia
Rosario Blasevi
21 Sherwood Street Revesby New South Wales 2212 Australia
(72) Name(s) of Designer(s): **Crisoula Blasevi and Rosario Blasevi**
(45) Registration Date: **19 June 2006**
(56) Related Art Documents: **Not Applicable**
(57) Statement of Newness and Distinctiveness: **The new features of the design are the shape, configuration, pattern and ornamentation of the set of confectionery flowers as shown in the representations.**



- (21) Design Number: **14313/2005**
(22) Date of Filing Application: **04 October 2005**
(24) Date from which industrial property rights may have effect: **04 October 2005**
(54) Product in respect of which the design is registered: **Game board**
(51) International Design Classification: **21-01L**
(71) Name(s) and Address(s) of Applicant(s):
Robert Fantuzzi
31 Denton Street Wishart Queensland 4122 Australia
(72) Name(s) of Designer(s): **Robert Fantuzzi**
(45) Registration Date: **19 June 2006**
(56) Related Art Documents: **Not Applicable**
(57) Statement of Newness and Distinctiveness: **The design incorporates a unique track and fold for game play.**



(21) Design Number: **14506/2005**

(22) Date of Filing Application: **13 October 2005**

(24) Date from which industrial property rights may have effect: **13 October 2005**

(54) Product in respect of which the design is registered: **Key blank**

(51) International Design Classification: **08-07**

(71) Name(s) and Address(s) of Applicant(s):

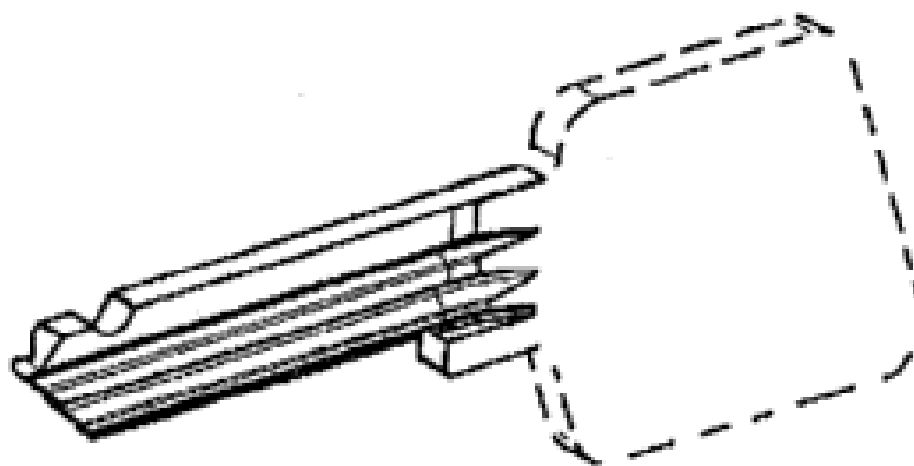
**EVVA-WERK Spezialerzeugung von Zylinder-und Sicherheitsschlossern
Gesellschaft m.b.H & Co. Kommanditgesellschaft
Wienerbergstrasse 59-65 Wien A-1120 Austria**

(72) Name(s) of Designer(s): **Kurt Prunbauer**

(45) Registration Date: **19 June 2006**

(56) Related Art Documents: **Not Applicable**

(57) Statement of Newness and Distinctiveness: **The novelty of the design resides in the shape and configuration of the shaft of the key blank, and no claim is made in this application in respect of the shape of the head of the key blank.**



(21) Design Number: **14580/2005**

(22) Date of Filing Application: **19 October 2005**

(24) Date from which industrial property rights may have effect: **19 October 2005**

(54) Product in respect of which the design is registered: **Electronic toy**

(51) International Design Classification: **21-01A**

(71) Name(s) and Address(s) of Applicant(s):

**Hasbro, Inc.
1027 Newport Avenue Pawtucket Rhode Island 02862 United States of
America**

(72) Name(s) of Designer(s): **Richard J. Maddocks and Eduardo J. Rodriguez
and Shelly M. Smith and Yae Do Chung**

(45) Registration Date: **19 June 2006**

(30) Convention priority data:

(31) Number	(32) Date	(33) Country
000336565	26 Apr 2005	EUROPEAN COMMUNITY

(56) Related Art Documents: **Not Applicable**

(57) Statement of Newness and Distinctiveness: **Newness and distinctiveness is claimed in the features of: (i) shape and/or configuration; and (ii) the pattern and/or ornamentation provided by the lighter chest region and darker surrounding body; of an electronic toy as illustrated in the accompanying representations.**



- (21) Design Number: **14584/2005**
(22) Date of Filing Application: **19 October 2005**
(24) Date from which industrial property rights may have effect: **19 October 2005**
(54) Product in respect of which the design is registered: **Electronic toy**
(51) International Design Classification: **21-01A**
(71) Name(s) and Address(s) of Applicant(s):
Hasbro, Inc.
1027 Newport Avenue Pawtucket Rhode Island 02862 United States of America
(72) Name(s) of Designer(s): **Richard J. Maddocks and Eduardo J. Rodriguez and Shelly M. Smith and Yae Do Chung**
(45) Registration Date: **19 June 2006**
(30) Convention priority data:
(31) Number (32) Date (33) Country
000336565 26 Apr 2005 EUROPEAN COMMUNITY
(56) Related Art Documents: **Not Applicable**
(57) Statement of Newness and Distinctiveness: **Newness and distinctiveness is claimed in the features of: (i) shape and/or configuration; and (ii) the pattern and/or ornamentation provided by the light central chest region and darker surrounding body; of an electronic toy as illustrated in the accompanying representations.**



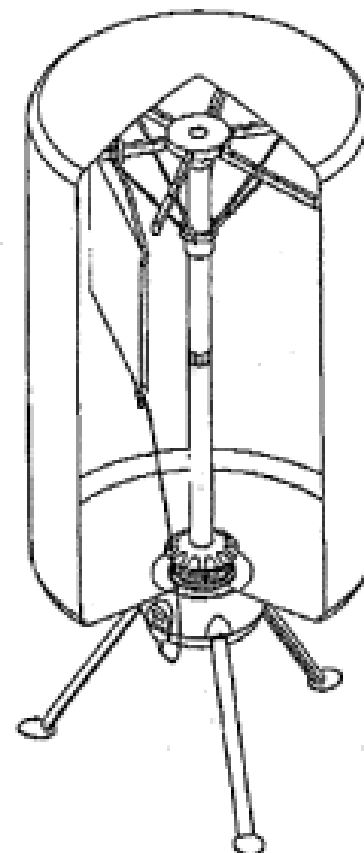
- (21) Design Number: **14897/2005**
(22) Date of Filing Application: **04 November 2005**
(24) Date from which industrial property rights may have effect: **04 November 2005**
(54) Product in respect of which the design is registered: **A strap fitting**
(51) International Design Classification: **30-04**
(71) Name(s) and Address(s) of Applicant(s):
Hammersmith Nominees Pty Ltd
430 Newcastle Street Perth Western Australia 6000 Australia
(72) Name(s) of Designer(s): **Kenneth John Bates**
(45) Registration Date: **19 June 2006**
(56) Related Art Documents: **Not Applicable**
(57) Statement of Newness and Distinctiveness: **Newness and distinctiveness is claimed in the shape of the fitting as shown in the representations.**



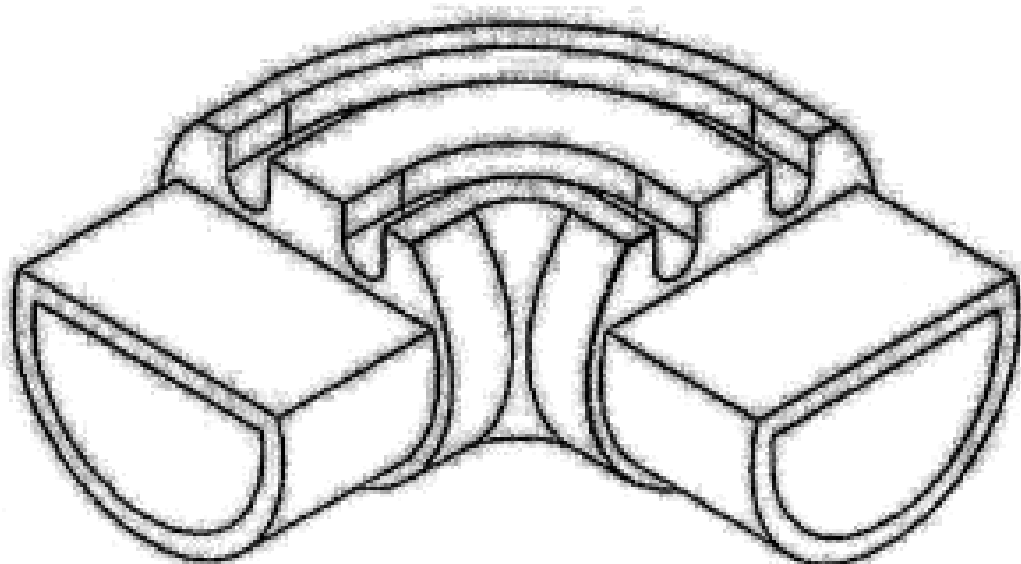
- (21) Design Number: **14898/2005**
(22) Date of Filing Application: **04 November 2005**
(24) Date from which industrial property rights may have effect: **04 November 2005**
(54) Product in respect of which the design is registered: **A strap fitting**
(51) International Design Classification: **30-04**
(71) Name(s) and Address(s) of Applicant(s):
Hammersmith Nominees Pty Ltd
430 Newcastle Street Perth Western Australia 6000 Australia
(72) Name(s) of Designer(s): **Kenneth John Bates**
(45) Registration Date: **19 June 2006**
(56) Related Art Documents: **Not Applicable**
(57) Statement of Newness and Distinctiveness: **Newness and distinctiveness is claimed in the shape of the fitting as shown in the representations.**



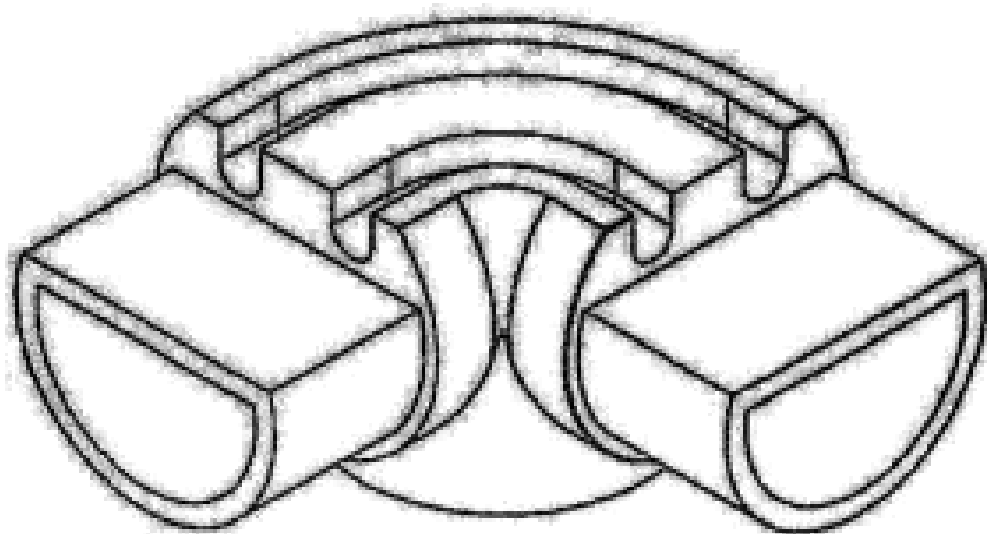
- (21) Design Number: **15150/2005**
(22) Date of Filing Application: **24 November 2005**
(24) Date from which industrial property rights may have effect: **24 November 2005**
(54) Product in respect of which the design is registered: **Laundry drying equipment and cover**
(51) International Design Classification: **07-05D**
(71) Name(s) and Address(s) of Applicant(s):
Tranquiltech Sdn Bhd
Lot 557E Jalan Subang 3 Subang Industrial Estate 47610 Subang Jaya
Selangor Darul Ehsan
(72) Name(s) of Designer(s): **Oon Kian Chye**
(45) Registration Date: **19 June 2006**
(30) Convention priority data:
(31) Number (32) Date (33) Country
D2005/949/J 27 May 2005 SINGAPORE
(56) Related Art Documents: **Not Applicable**
(57) Statement of Newness and Distinctiveness: **Newness and distinctiveness is claimed in the features of shape and configuration of the Laundry Drying Equipment and Cover as illustrated in the representations accompanying the application.**



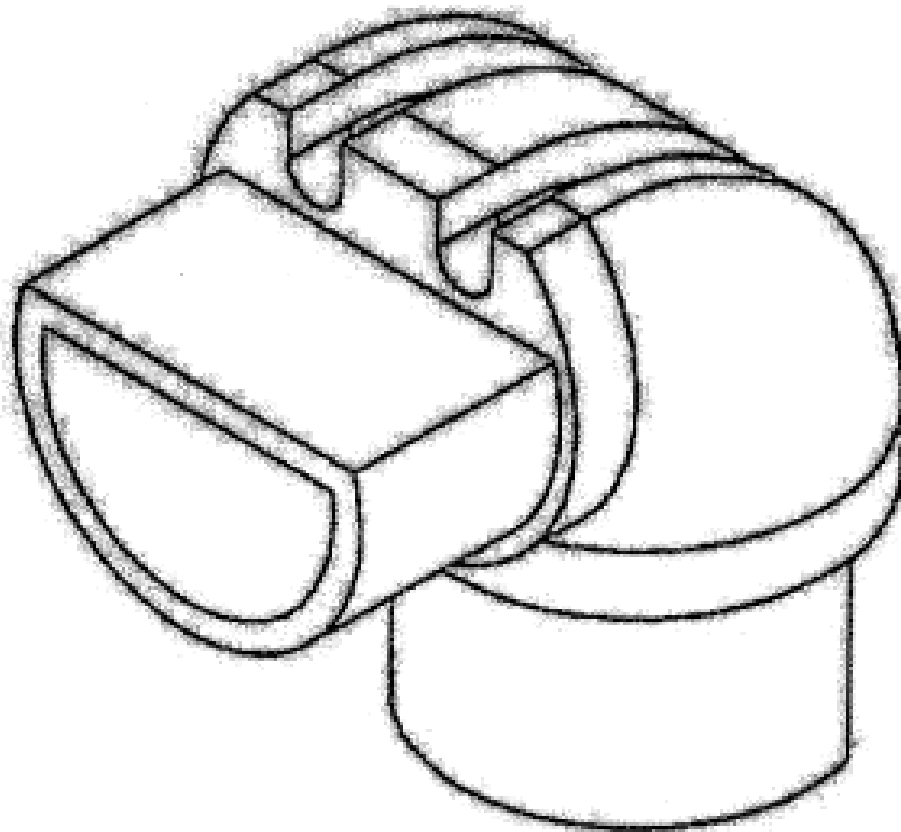
- (21) Design Number: **15397/2005**
(22) Date of Filing Application: **05 December 2005**
(24) Date from which industrial property rights may have effect: **05 December 2005**
(54) Product in respect of which the design is registered: **Connector**
(51) International Design Classification: **08-08NES**
(71) Name(s) and Address(s) of Applicant(s):
Tclip Pty Ltd
17-19 Monte-Khoury Drive Loganholme Queensland 4129 Australia
(72) Name(s) of Designer(s): **Stephen Petith and Richard Dinning and Alan Harper**
(45) Registration Date: **19 June 2006**
(56) Related Art Documents: **Not Applicable**
(57) Statement of Newness and Distinctiveness: **The statement of newness and distinctiveness of the design resides in the shape and configuration of a connector as illustrated in the accompanying representations.**



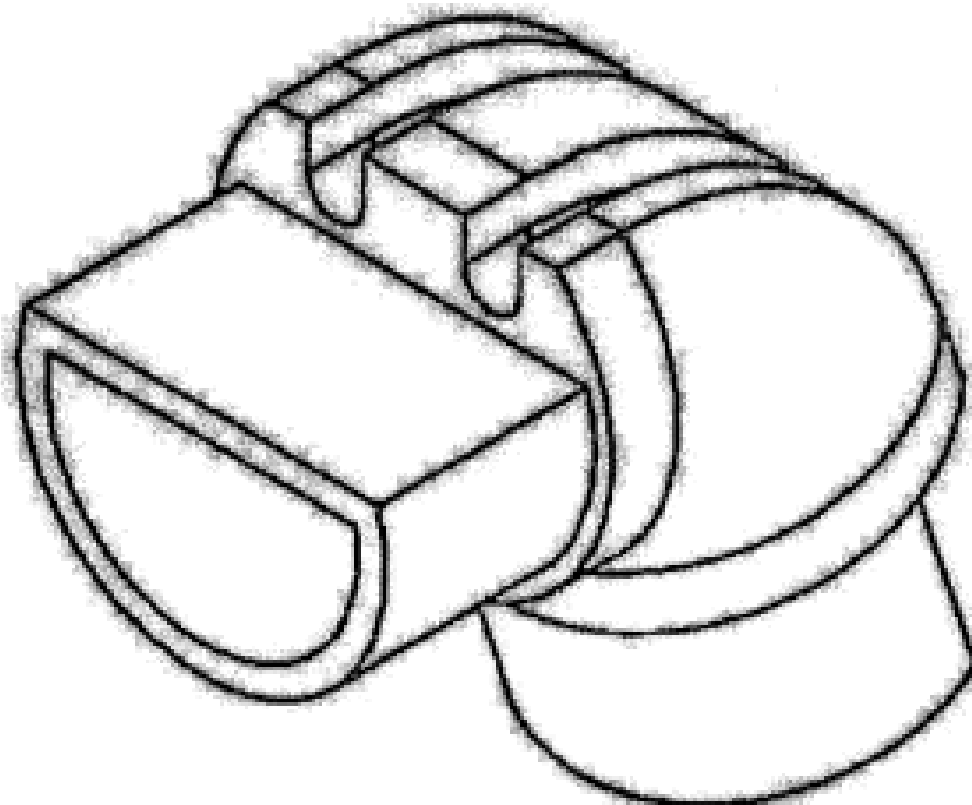
- (21) Design Number: **15398/2005**
(22) Date of Filing Application: **05 December 2005**
(24) Date from which industrial property rights may have effect: **05 December 2005**
(54) Product in respect of which the design is registered: **Connector**
(51) International Design Classification: **08-08NES**
(71) Name(s) and Address(s) of Applicant(s):
Tclip Pty Ltd
17-19 Monte-Khoury Drive Loganholme Queensland 4129 Australia
(72) Name(s) of Designer(s): **Stephen Petith and Richard Dinning and Alan Harper**
(45) Registration Date: **19 June 2006**
(56) Related Art Documents: **Not Applicable**
(57) Statement of Newness and Distinctiveness: **The statement of newness and distinctiveness of the design resides in the shape and configuration of a connector as illustrated in the accompanying representations.**



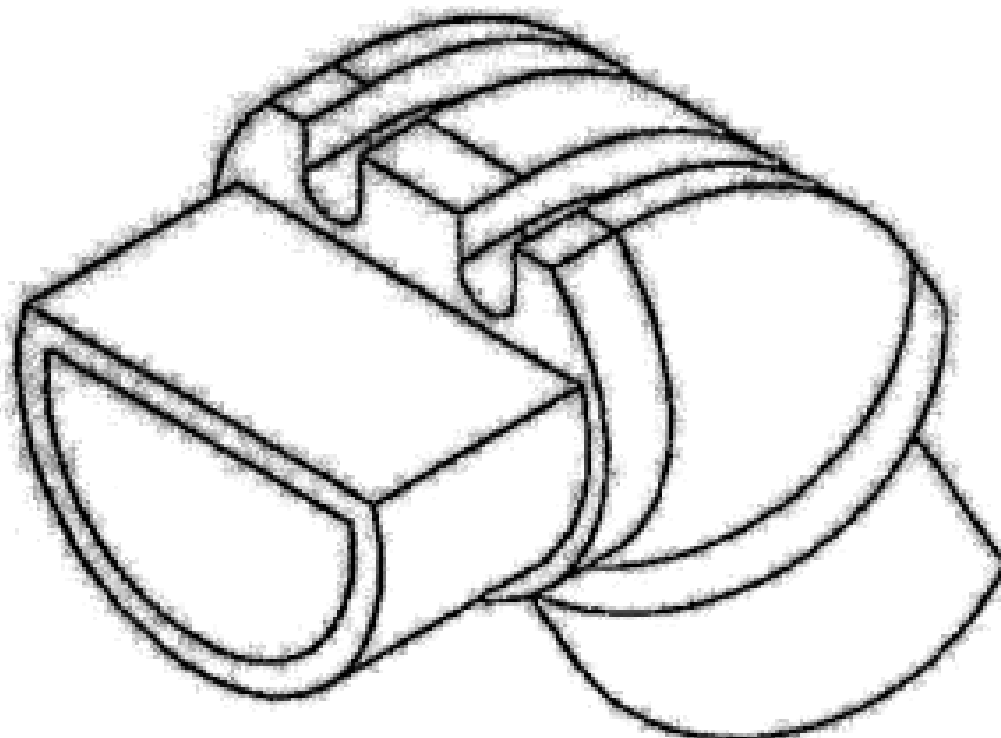
- (21) Design Number: **15399/2005**
(22) Date of Filing Application: **05 December 2005**
(24) Date from which industrial property rights may have effect: **05 December 2005**
(54) Product in respect of which the design is registered: **Connector**
(51) International Design Classification: **08-08NES**
(71) Name(s) and Address(s) of Applicant(s):
Tclip Pty Ltd
17-19 Monte-Khoury Drive Loganholme Queensland 4129 Australia
(72) Name(s) of Designer(s): **Stephen Petith and Richard Dinning and Alan Harper**
(45) Registration Date: **19 June 2006**
(56) Related Art Documents: **Not Applicable**
(57) Statement of Newness and Distinctiveness: **The statement of newness and distinctiveness of the design resides in the shape and configuration of a connector as illustrated in the accompanying representations.**



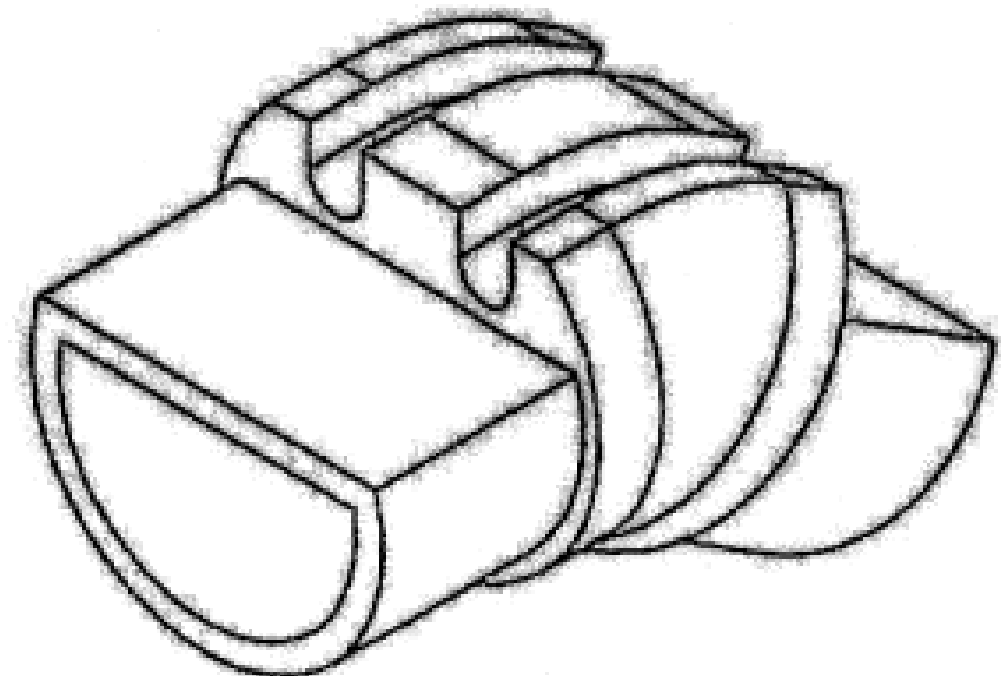
- (21) Design Number: **15400/2005**
(22) Date of Filing Application: **05 December 2005**
(24) Date from which industrial property rights may have effect: **05 December 2005**
(54) Product in respect of which the design is registered: **Connector**
(51) International Design Classification: **08-08NES**
(71) Name(s) and Address(s) of Applicant(s):
Tclip Pty Ltd
17-19 Monte-Khoury Drive Loganholme Queensland 4129 Australia
(72) Name(s) of Designer(s): **Stephen Petith and Richard Dinning and Alan Harper**
(45) Registration Date: **19 June 2006**
(56) Related Art Documents: **Not Applicable**
(57) Statement of Newness and Distinctiveness: **The statement of newness and distinctiveness of the design resides in the shape and configuration of a connector as illustrated in the accompanying representations.**



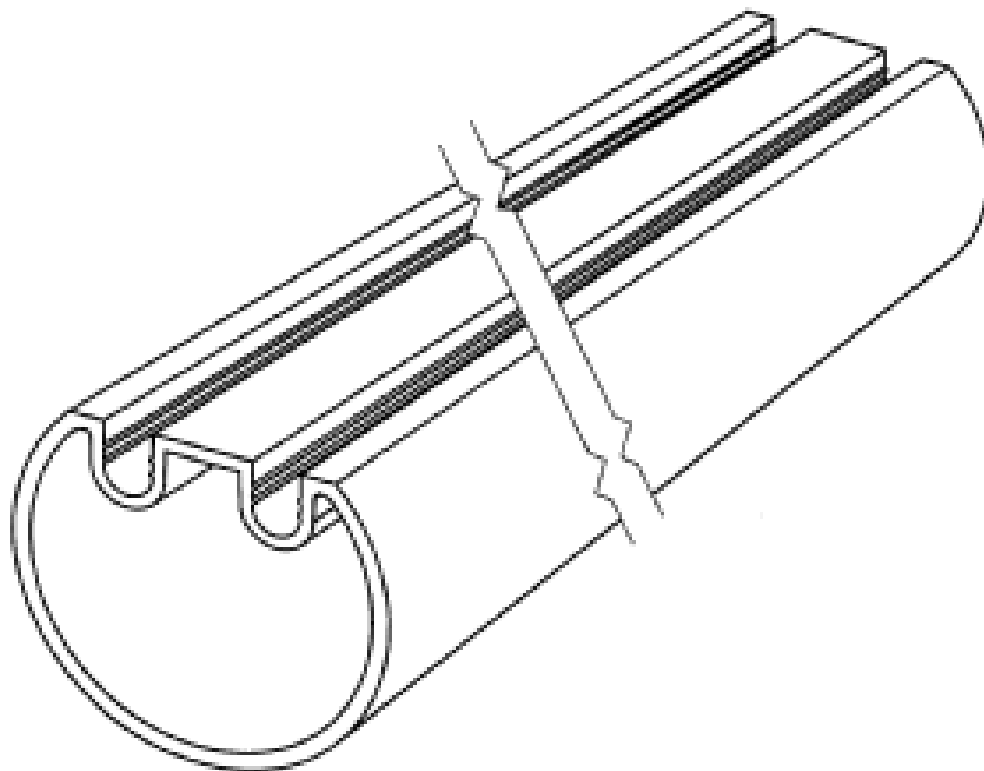
- (21) Design Number: **15401/2005**
(22) Date of Filing Application: **05 December 2005**
(24) Date from which industrial property rights may have effect: **05 December 2005**
(54) Product in respect of which the design is registered: **Connector**
(51) International Design Classification: **08-08NES**
(71) Name(s) and Address(s) of Applicant(s):
Tclip Pty Ltd
17-19 Monte-Khoury Drive Loganholme Queensland 4129 Australia
(72) Name(s) of Designer(s): **Stephen Petith and Richard Dinning and Alan Harper**
(45) Registration Date: **19 June 2006**
(56) Related Art Documents: **Not Applicable**
(57) Statement of Newness and Distinctiveness: **The statement of newness and distinctiveness of the design resides in the shape and configuration of a connector as illustrated in the accompanying representations.**



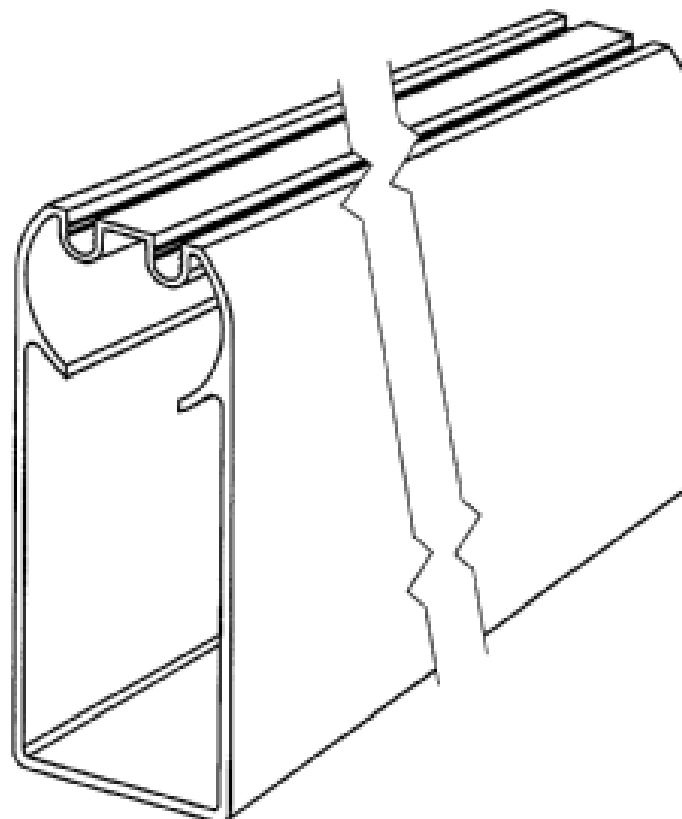
- (21) Design Number: **15402/2005**
(22) Date of Filing Application: **05 December 2005**
(24) Date from which industrial property rights may have effect: **05 December 2005**
(54) Product in respect of which the design is registered: **Connector**
(51) International Design Classification: **08-08NES**
(71) Name(s) and Address(s) of Applicant(s):
Tclip Pty Ltd
17-19 Monte-Khoury Drive Loganholme Queensland 4129 Australia
(72) Name(s) of Designer(s): **Stephen Petith and Richard Dinning and Alan Harper**
(45) Registration Date: **19 June 2006**
(56) Related Art Documents: **Not Applicable**
(57) Statement of Newness and Distinctiveness: **The statement of newness and distinctiveness of the design resides in the shape and configuration of a connector as illustrated in the accompanying representations.**



- (21) Design Number: **15404/2005**
(22) Date of Filing Application: **05 December 2005**
(24) Date from which industrial property rights may have effect: **05 December 2005**
(54) Product in respect of which the design is registered: **Hollow section**
(51) International Design Classification: **25-01K**
(71) Name(s) and Address(s) of Applicant(s):
Tclip Pty Ltd
17-19 Monte-Khoury Drive Loganholme Queensland 4129 Australia
(72) Name(s) of Designer(s): **Stephen Petith and Richard Dinning and Alan Harper**
(45) Registration Date: **19 June 2006**
(56) Related Art Documents: **Not Applicable**
(57) Statement of Newness and Distinctiveness: **The statement of newness and distinctiveness of the design resides in the shape and configuration of a hollow section as illustrated in the accompanying representations. The design is of indefinite length and is of constant cross section.**



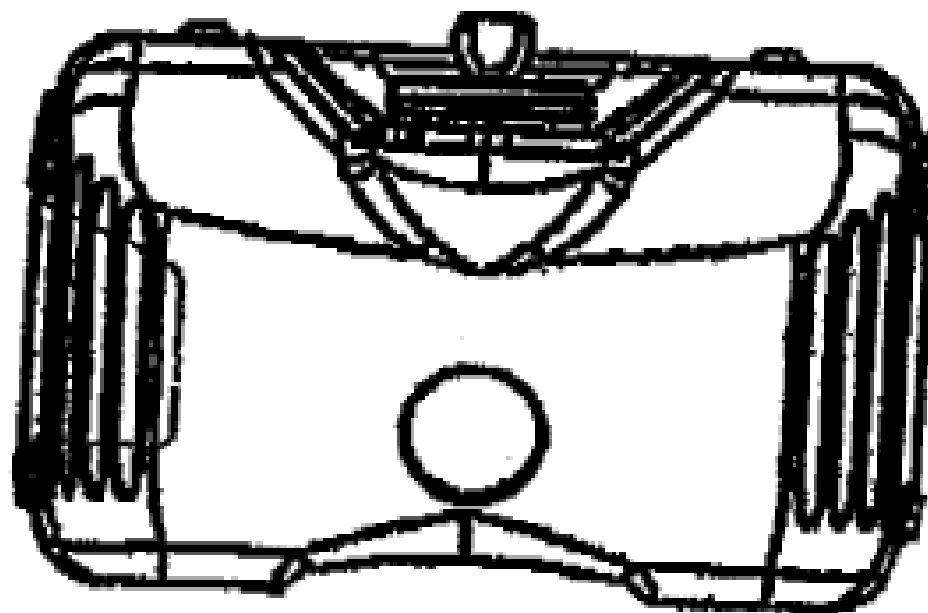
- (21) Design Number: **15403/2005**
(22) Date of Filing Application: **05 December 2005**
(24) Date from which industrial property rights may have effect: **05 December 2005**
(54) Product in respect of which the design is registered: **Hollow section**
(51) International Design Classification: **25-01K**
(71) Name(s) and Address(s) of Applicant(s):
Tclip Pty Ltd
17-19 Monte-Khoury Drive Loganholme Queensland 4129 Australia
(72) Name(s) of Designer(s): **Stephen Petith and Richard Dinning and Alan Harper**
(45) Registration Date: **19 June 2006**
(56) Related Art Documents: **Not Applicable**
(57) Statement of Newness and Distinctiveness: **The statement of newness and distinctiveness of the design resides in the shape and configuration of a hollow section as illustrated in the accompanying representations. The design is of indefinite length and is of constant cross section.**



- (21) Design Number: **15436/2004**
(22) Date of Filing Application: **25 November 2004**
(24) Date from which industrial property rights may have effect: **25 November 2004**
(54) Product in respect of which the design is registered: **Confectionery flower long stem with rounded bulb**
(51) International Design Classification: **01-01**
(71) Name(s) and Address(s) of Applicant(s):
Crisoula Blasevi
21 Sherwood Street Revesby New South Wales 2212 Australia
Rosario Blasevi
21 Sherwood Street Revesby New South Wales 2212 Australia
(72) Name(s) of Designer(s): **Crisoula Blasevi and Rosario Blasevi**
(45) Registration Date: **19 June 2006**
(56) Related Art Documents: **Not Applicable**
(57) Statement of Newness and Distinctiveness: **The new features of the design are the shape, configuration, pattern and ornamentation of the set of confectionery flowers as shown in the representations.**



- (21) Design Number: **15872/2005**
(22) Date of Filing Application: **11 November 2005**
(24) Date from which industrial property rights may have effect: **11 November 2005**
(54) Product in respect of which the design is registered: **Stackable jerry can with recess**
(51) International Design Classification: **09-02B**
(71) Name(s) and Address(s) of Applicant(s):
Vertex Pacific Limited
696 Te Rapa Road Hamilton New Zealand
(72) Name(s) of Designer(s): **Allan Dorset and Lance Knighton**
(45) Registration Date: **19 June 2006**
(30) Convention priority data:
(31) Number (32) Date (33) Country
406225 12 May 2005 NEW ZEALAND
(56) Related Art Documents: **Not Applicable**
(57) Statement of Newness and Distinctiveness: **Nil.**



(21) Design Number: **14632/2005**

(22) Date of Filing Application: **24 October 2005**

(24) Date from which industrial property rights may have effect: **24 October 2005**

(54) Product in respect of which the design is registered: **Automobile exhaust extension**

(51) International Design Classification: **12-16N**

(71) Name(s) and Address(s) of Applicant(s):

Daniel Woodbury

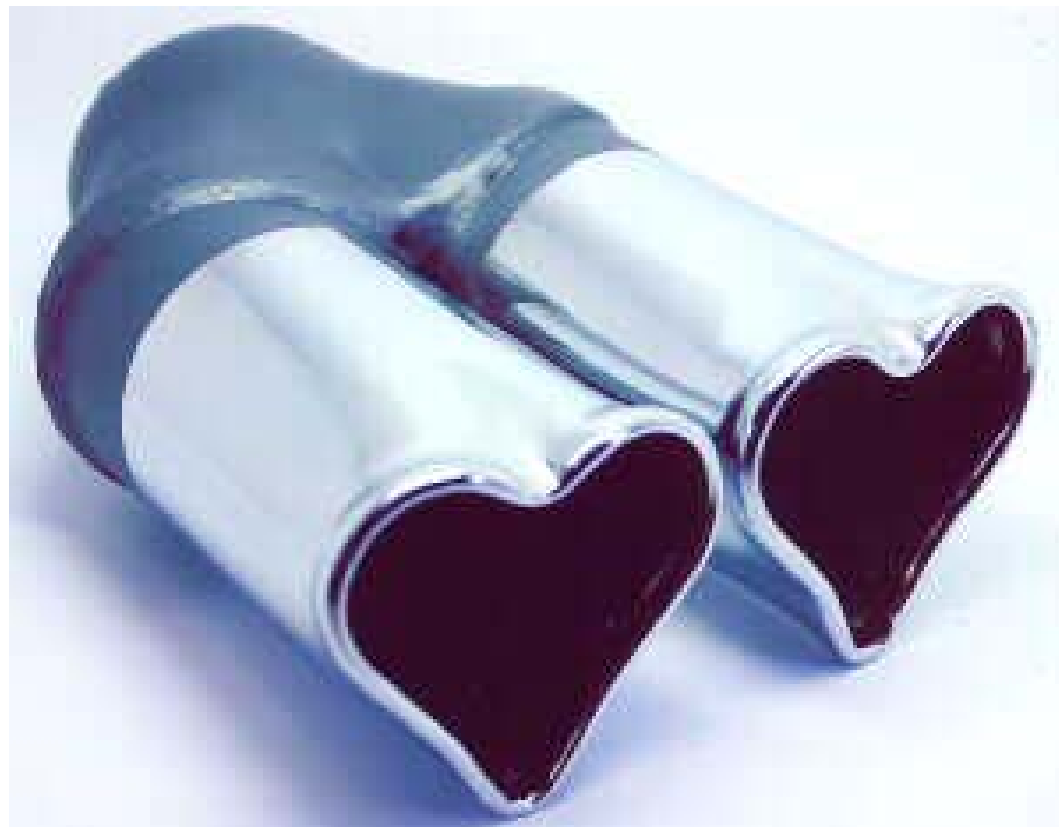
13 Windsor Street Richmond New South Wales 2753 Australia

(72) Name(s) of Designer(s): **Daniel Woodbury**

(45) Registration Date: **20 June 2006**

(56) Related Art Documents: **Not Applicable**

(57) Statement of Newness and Distinctiveness: **This has a unique 'love heart' shape with a fine rolled edge. Is new in the way the two collect into one.**



(21) Design Number: **15032/2005**

(22) Date of Filing Application: **15 November 2005**

(24) Date from which industrial property rights may have effect: **15 November 2005**

(54) Product in respect of which the design is registered: **Splashsuit Baby-Wetsuit**

(51) International Design Classification: **21-02D, 02-02A**

(71) Name(s) and Address(s) of Applicant(s):

Catherine Bradshaw

67 Cox's Road North Ryde New South Wales 2113 Australia

(72) Name(s) of Designer(s): **Catherine Bradshaw**

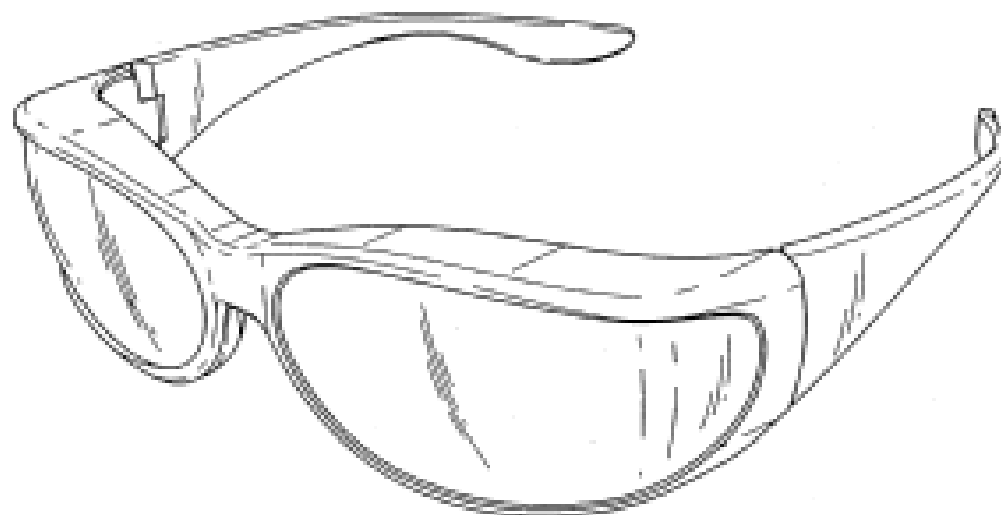
(45) Registration Date: **20 June 2006**

(56) Related Art Documents: **Not Applicable**

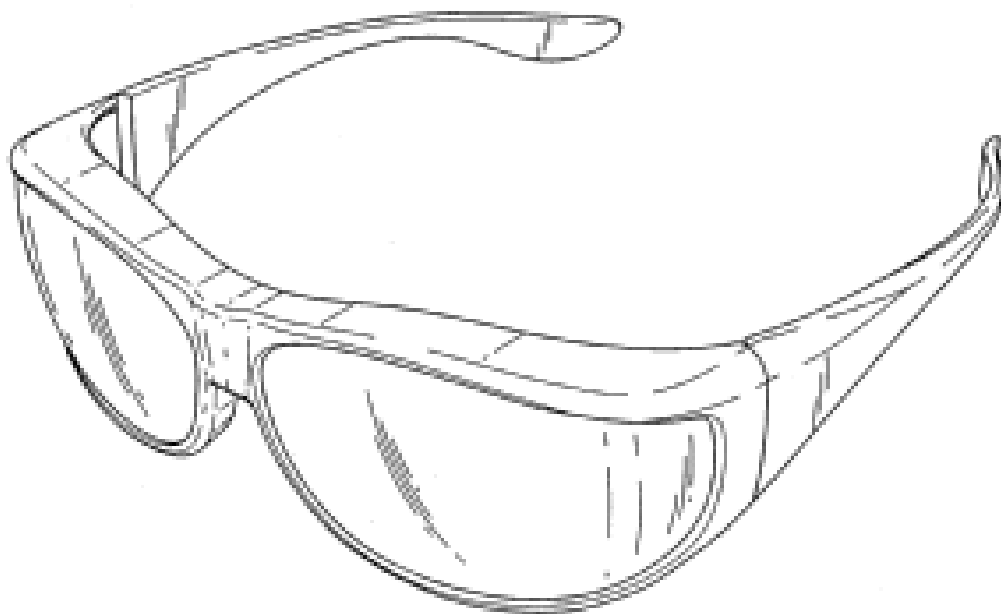
(57) Statement of Newness and Distinctiveness: **Design opens out completely flat with straps fastening on back of wetsuit, and between legs on inside. High alignment of suit around bottom and legs gives overall impression of standard swimsuit.**



(21) Design Number: **15352/2005**
(22) Date of Filing Application: **02 December 2005**
(24) Date from which industrial property rights may have effect: **02 December 2005**
(54) Product in respect of which the design is registered: **Eyeglasses**
(51) International Design Classification: **16-06**
(71) Name(s) and Address(s) of Applicant(s):
Dioptics Medical Products, Inc.
51 Zaca Lane San Luis Obispo California 93401 United States of America
(72) Name(s) of Designer(s): **Henry Welling Lane**
(45) Registration Date: **20 June 2006**
(30) Convention priority data:
(31) Number (32) Date (33) Country
29231399 03 Jun 2005 UNITED STATES OF AMERICA
(56) Related Art Documents: **Not Applicable**
(57) Statement of Newness and Distinctiveness: **Nil**



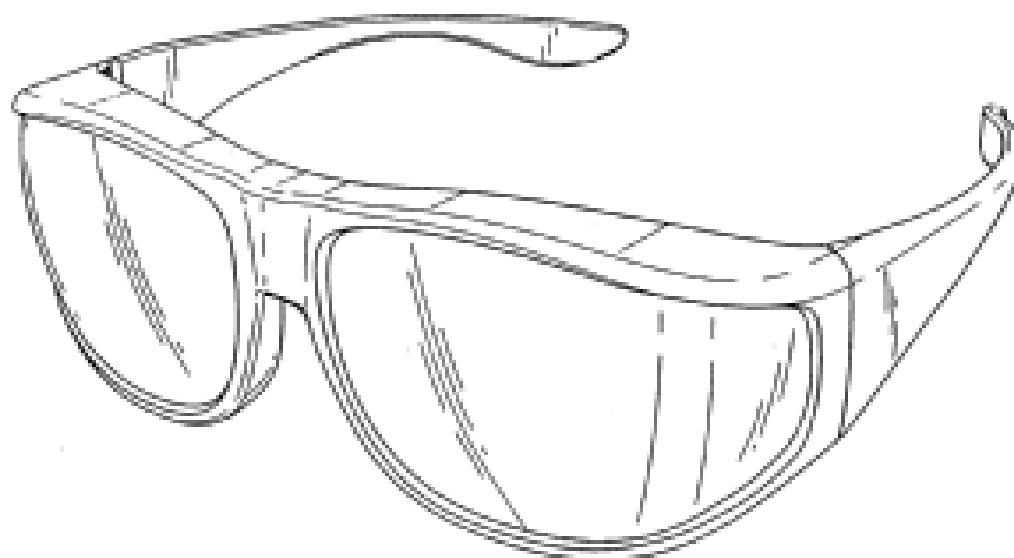
(21) Design Number: **15354/2005**
(22) Date of Filing Application: **02 December 2005**
(24) Date from which industrial property rights may have effect: **02 December 2005**
(54) Product in respect of which the design is registered: **Eyeglasses**
(51) International Design Classification: **16-06**
(71) Name(s) and Address(s) of Applicant(s):
Dioptics Medical Products, Inc.
51 Zaca Lane San Luis Obispo California 93401 United States of America
(72) Name(s) of Designer(s): **Henry Welling Lane**
(45) Registration Date: **20 June 2006**
(30) Convention priority data:
(31) Number (32) Date (33) Country
29231385 03 Jun 2005 UNITED STATES OF AMERICA
(56) Related Art Documents: **Not Applicable**
(57) Statement of Newness and Distinctiveness: **Nil**



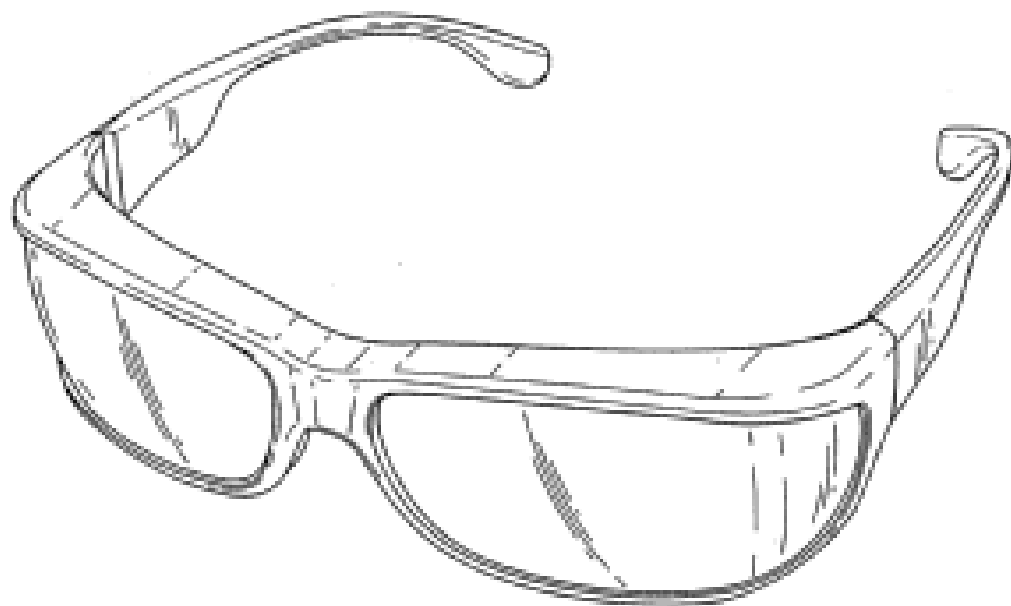
(21) Design Number: **15355/2005**
(22) Date of Filing Application: **02 December 2005**
(24) Date from which industrial property rights may have effect: **02 December 2005**
(54) Product in respect of which the design is registered: **Eyeglasses**
(51) International Design Classification: **16-06**
(71) Name(s) and Address(s) of Applicant(s):
Dioptics Medical Products, Inc.
51 Zaca Lane San Luis Obispo California 93401 United States of America
(72) Name(s) of Designer(s): **Henry Welling Lane**
(45) Registration Date: **20 June 2006**
(30) Convention priority data:
(31) Number (32) Date (33) Country
29231378 03 Jun 2005 UNITED STATES OF AMERICA
(56) Related Art Documents: **Not Applicable**
(57) Statement of Newness and Distinctiveness: **Nil**



(21) Design Number: **15357/2005**
(22) Date of Filing Application: **02 December 2005**
(24) Date from which industrial property rights may have effect: **02 December 2005**
(54) Product in respect of which the design is registered: **Eyeglasses**
(51) International Design Classification: **16-06**
(71) Name(s) and Address(s) of Applicant(s):
Dioptics Medical Products, Inc.
51 Zaca Lane San Luis Obispo California 93401 United States of America
(72) Name(s) of Designer(s): **Henry Welling Lane**
(45) Registration Date: **20 June 2006**
(30) Convention priority data:
(31) Number (32) Date (33) Country
29231388 03 Jun 2005 UNITED STATES OF AMERICA
(56) Related Art Documents: **Not Applicable**
(57) Statement of Newness and Distinctiveness: **Nil**



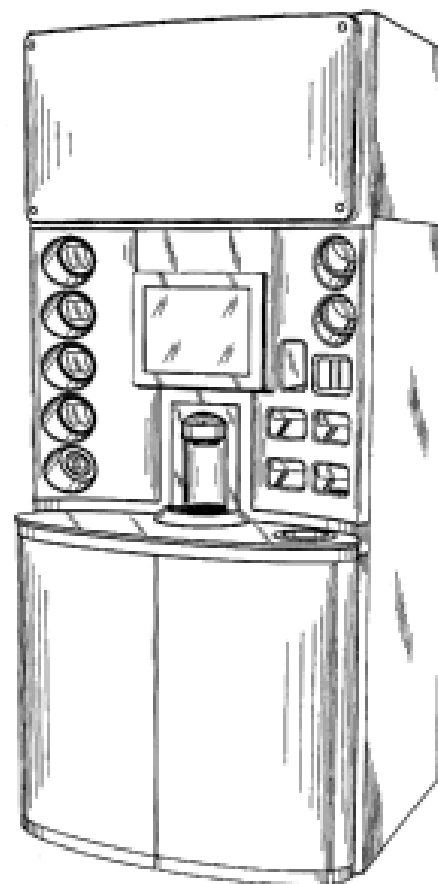
(21) Design Number: **15358/2005**
(22) Date of Filing Application: **02 December 2005**
(24) Date from which industrial property rights may have effect: **02 December 2005**
(54) Product in respect of which the design is registered: **Eyeglasses**
(51) International Design Classification: **16-06**
(71) Name(s) and Address(s) of Applicant(s):
Dioptics Medical Products, Inc.
51 Zaca Lane San Luis Obispo California 93401 United States of America
(72) Name(s) of Designer(s): **Henry Welling Lane**
(45) Registration Date: **20 June 2006**
(30) Convention priority data:
(31) Number (32) Date (33) Country
29233187 29 Jun 2005 UNITED STATES OF AMERICA
(56) Related Art Documents: **Not Applicable**
(57) Statement of Newness and Distinctiveness: **Nil**



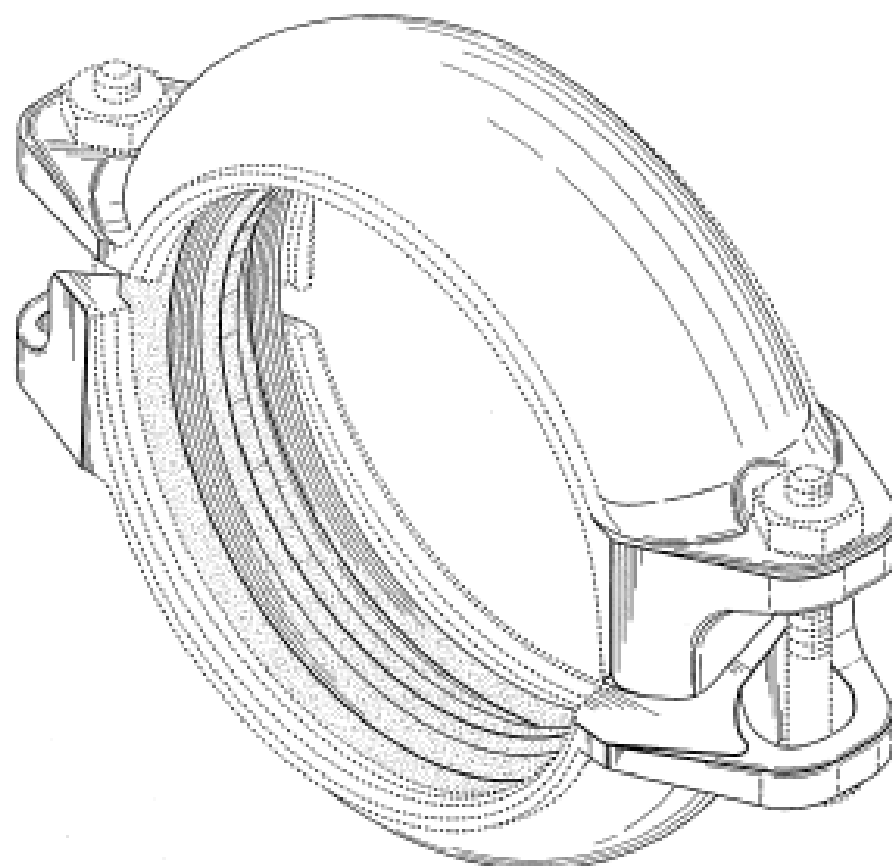
(21) Design Number: **15359/2005**
(22) Date of Filing Application: **02 December 2005**
(24) Date from which industrial property rights may have effect: **02 December 2005**
(54) Product in respect of which the design is registered: **Eyeglasses**
(51) International Design Classification: **16-06**
(71) Name(s) and Address(s) of Applicant(s):
Dioptics Medical Products, Inc.
51 Zaca Lane San Luis Obispo California 93401 United States of America
(72) Name(s) of Designer(s): **Henry Welling Lane**
(45) Registration Date: **20 June 2006**
(30) Convention priority data:
(31) Number (32) Date (33) Country
29233186 29 Jun 2005 UNITED STATES OF AMERICA
(56) Related Art Documents: **Not Applicable**
(57) Statement of Newness and Distinctiveness: **Nil**



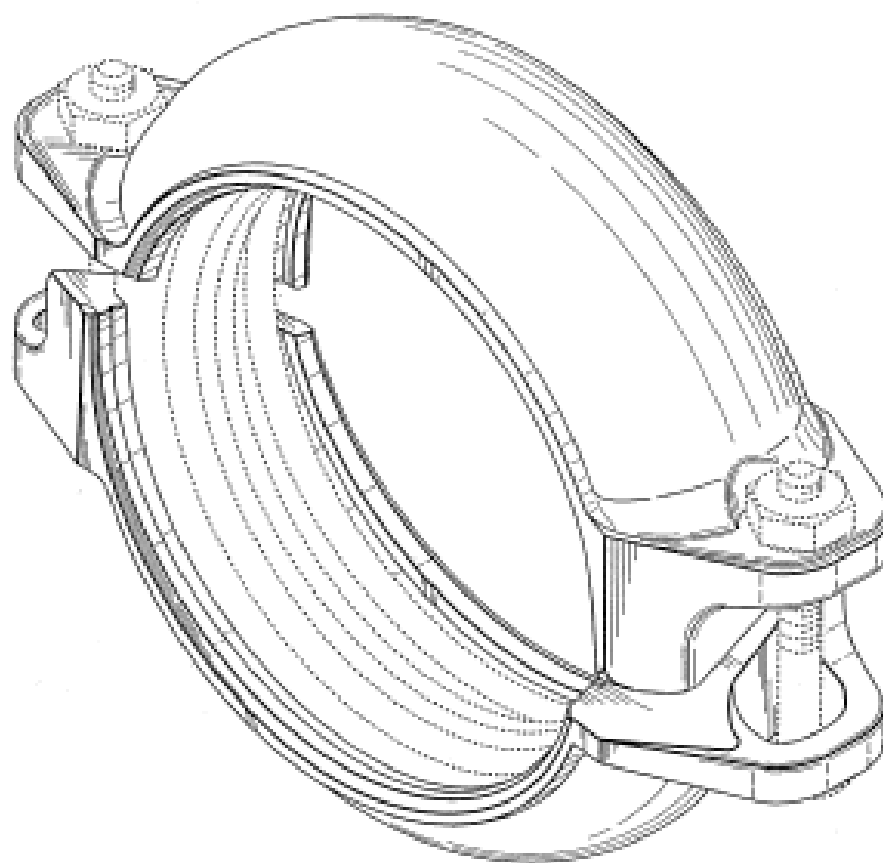
(21) Design Number: **15360/2005**
 (22) Date of Filing Application: **02 December 2005**
 (24) Date from which industrial property rights may have effect: **02 December 2005**
 (54) Product in respect of which the design is registered: **Coffee vending machine**
 (51) International Design Classification: **20-01**
 (71) Name(s) and Address(s) of Applicant(s):
Coffee Nation Limited
3 Knaves Beech Loudwater High Wycombe Buckinghamshire HP10
9QR United Kingdom
 (72) Name(s) of Designer(s): **Matt Tidman and Ian Whately and Zoe Powell and**
Dick Powell and Adrian Caroen
 (45) Registration Date: **20 June 2006**
 (30) Convention priority data:
 (31) Number (32) Date (33) Country
000350418 06 Jun 2005 EUROPEAN COMMUNITY
 (56) Related Art Documents: **Not Applicable**
 (57) Statement of Newness and Distinctiveness: **Nil**



(21) Design Number: **15466/2005**
 (22) Date of Filing Application: **08 December 2005**
 (24) Date from which industrial property rights may have effect: **08 December 2005**
 (54) Product in respect of which the design is registered: **Pipe coupling**
 (51) International Design Classification: **23-01A**
 (71) Name(s) and Address(s) of Applicant(s):
Victaulic Company
4901 Kesslersville Road Easton Pennsylvania 18040 United States of
America
 (72) Name(s) of Designer(s): **John Gibb and Douglas R. Dole and Michael V.**
Porter and William A. Nagle
 (45) Registration Date: **20 June 2006**
 (30) Convention priority data:
 (31) Number (32) Date (33) Country
29/232362 17 Jun 2005 UNITED STATES OF AMERICA
 (56) Related Art Documents: **Not Applicable**
 (57) Statement of Newness and Distinctiveness: **Newness and distinctiveness is**
claimed in those features of shape and/or configuration of a pipe
coupling illustrated in continuous lines in the accompanying
representations.



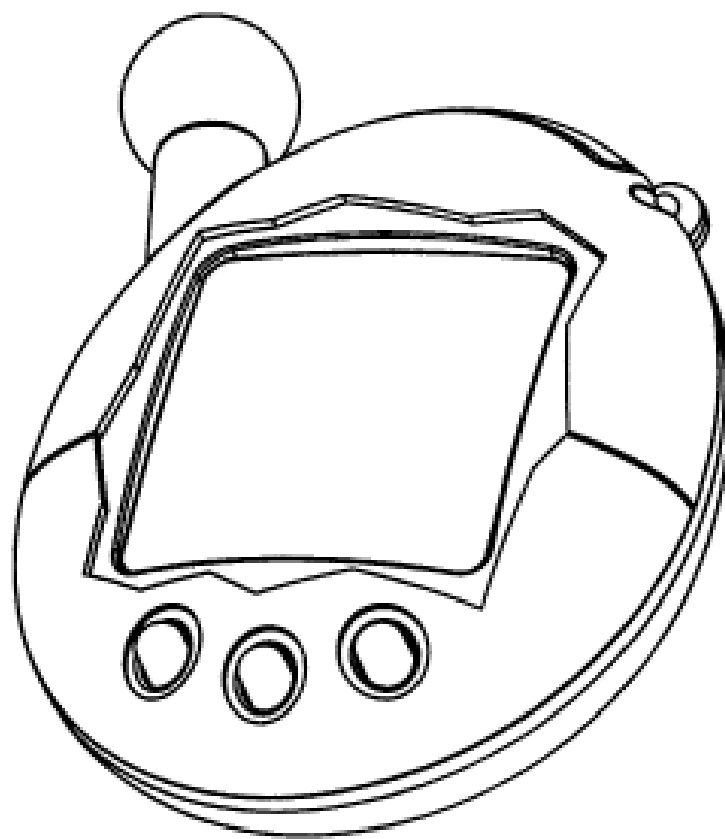
- (21) Design Number: **15467/2005**
(22) Date of Filing Application: **08 December 2005**
(24) Date from which industrial property rights may have effect: **08 December 2005**
(54) Product in respect of which the design is registered: **Pipe coupling**
(51) International Design Classification: **23-01A**
(71) Name(s) and Address(s) of Applicant(s):
Victaulic Company
4901 Kesslersville Road Easton Pennsylvania 18040 United States of America
(72) Name(s) of Designer(s): **John Gibb and Douglas R. Dole and Michael V. Porter and William A. Nagle**
(45) Registration Date: **20 June 2006**
(30) Convention priority data:
(31) Number (32) Date (33) Country
29/232362 17 Jun 2005 UNITED STATES OF AMERICA
(56) Related Art Documents: **Not Applicable**
(57) Statement of Newness and Distinctiveness: **Newness and distinctiveness is claimed in those features of shape and/or configuration of a pipe coupling illustrated in continuous lines.**



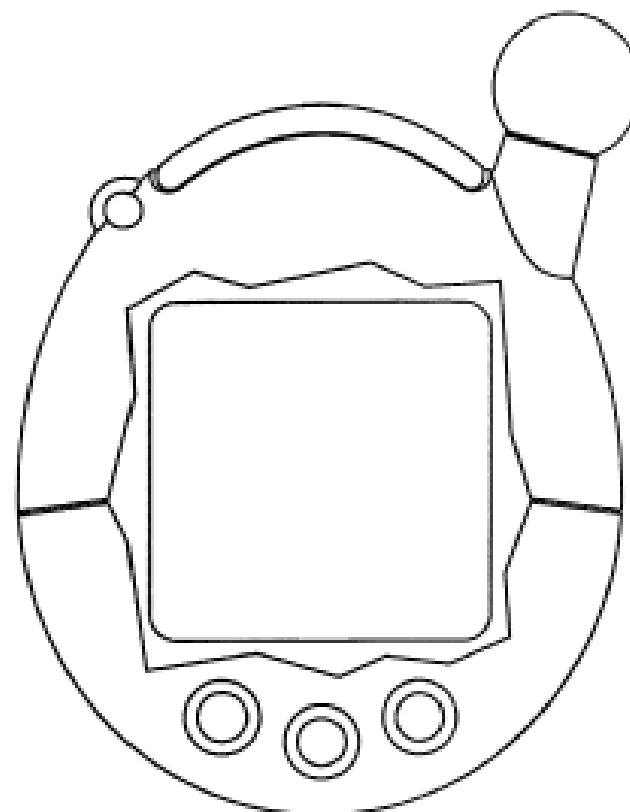
- (21) Design Number: **15472/2005**
(22) Date of Filing Application: **08 December 2005**
(24) Date from which industrial property rights may have effect: **08 December 2005**
(54) Product in respect of which the design is registered: **Light**
(51) International Design Classification: **26-02**
(71) Name(s) and Address(s) of Applicant(s):
Brilliant Lighting (Australia) Pty Ltd
956 Stud Road Rowville Victoria 3178 Australia
(72) Name(s) of Designer(s): **Norman Levin**
(45) Registration Date: **20 June 2006**
(56) Related Art Documents: **Not Applicable**
(57) Statement of Newness and Distinctiveness: **Newness and distinctiveness resides in the visual features of shape and/or configuration as applied to a light as illustrated in the accompanying representations.**



(21) Design Number: **15477/2005**
(22) Date of Filing Application: **08 December 2005**
(24) Date from which industrial property rights may have effect: **08 December 2005**
(54) Product in respect of which the design is registered: **Portable game device with LCD**
(51) International Design Classification: **21-01N**
(71) Name(s) and Address(s) of Applicant(s):
Kabushiki Kaisha Bandai
4-8 Komagata 1-chome Taito-ku Tokyo Japan
WiZ Co Ltd
42-3 Nihonbashi Hamacho 3-chome Chuo-ku Tokyo Japan
(72) Name(s) of Designer(s): **Kazue Murase and Akihiro Yokoi**
(45) Registration Date: **20 June 2006**
(30) Convention priority data:
(31) Number (32) Date (33) Country
2005-026704 15 Sep 2005 JAPAN
(56) Related Art Documents: **Not Applicable**
(57) Statement of Newness and Distinctiveness: **Nil**



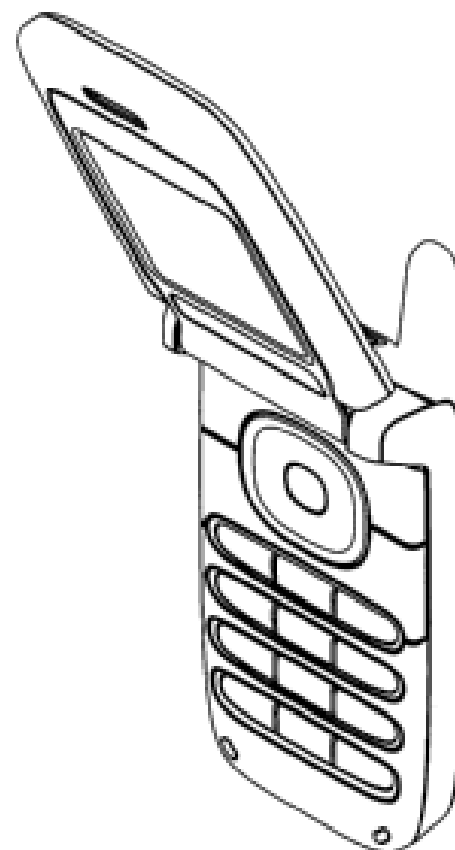
(21) Design Number: **15478/2005**
(22) Date of Filing Application: **08 December 2005**
(24) Date from which industrial property rights may have effect: **08 December 2005**
(54) Product in respect of which the design is registered: **Portable game device with LCD**
(51) International Design Classification: **21-01N**
(71) Name(s) and Address(s) of Applicant(s):
Kabushiki Kaisha Bandai
4-8 Komagata 1-chome Taito-ku Tokyo Japan
WiZ Co Ltd
42-3 Nihonbashi Hamacho 3-chome Chuo-ku Tokyo Japan
(72) Name(s) of Designer(s): **Kazue Murase and Akihiro Yokoi**
(45) Registration Date: **20 June 2006**
(30) Convention priority data:
(31) Number (32) Date (33) Country
2005-026706 15 Sep 2005 JAPAN
(56) Related Art Documents: **Not Applicable**
(57) Statement of Newness and Distinctiveness: **Nil**



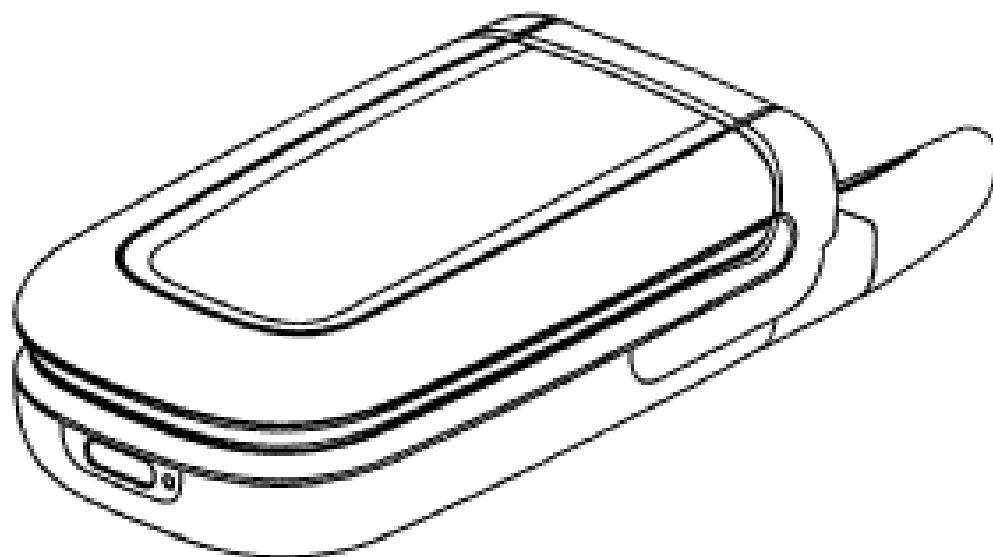
(21) Design Number: **15479/2005**
(22) Date of Filing Application: **08 December 2005**
(24) Date from which industrial property rights may have effect: **08 December 2005**
(54) Product in respect of which the design is registered: **Deep fryer**
(51) International Design Classification: **07-02N**
(71) Name(s) and Address(s) of Applicant(s):
Koninklijke Philips Electronics N.V.
Groenewoudseweg 1 NL-5621 BA Eindhoven The Netherlands
(72) Name(s) of Designer(s): **Paula Andrea Allende Fritsch**
(45) Registration Date: **20 June 2006**
(30) Convention priority data:
(31) Number (32) Date (33) Country
000355128 14 Jun 2005 EUROPEAN COMMUNITY
(56) Related Art Documents: **Not Applicable**
(57) Statement of Newness and Distinctiveness: **Newness and distinctiveness reside in the features of the design as shown in the representations.**



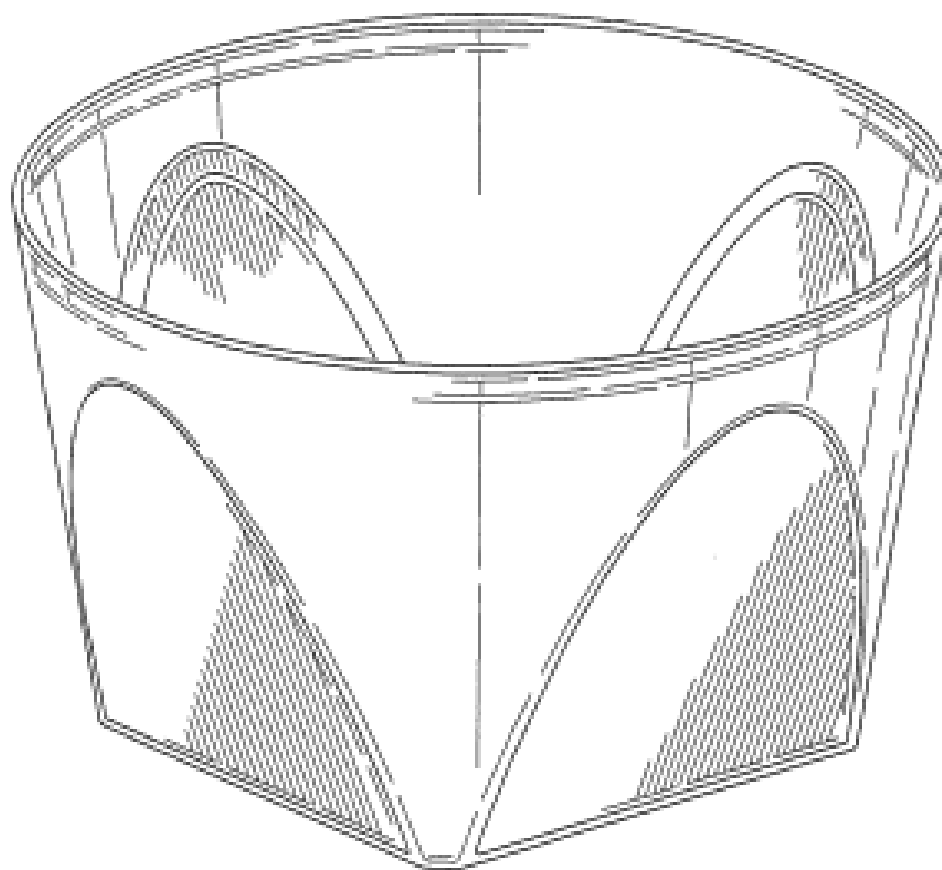
(21) Design Number: **15480/2005**
(22) Date of Filing Application: **08 December 2005**
(24) Date from which industrial property rights may have effect: **08 December 2005**
(54) Product in respect of which the design is registered: **A handset**
(51) International Design Classification: **14-03E**
(71) Name(s) and Address(s) of Applicant(s):
Nokia Corporation
Keilalahdentie 4 FIN-02150 Espoo Finland
(72) Name(s) of Designer(s): **Chun-Wei Su**
(45) Registration Date: **20 June 2006**
(30) Convention priority data:
(31) Number (32) Date (33) Country
M20050096 08 Jun 2005 FINLAND
(56) Related Art Documents: **Not Applicable**
(57) Statement of Newness and Distinctiveness: **Nil**



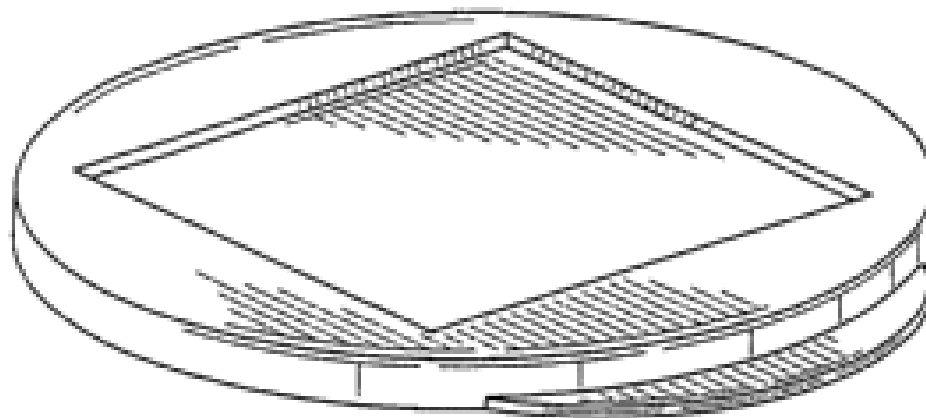
- (21) Design Number: **15481/2005**
(22) Date of Filing Application: **08 December 2005**
(24) Date from which industrial property rights may have effect: **08 December 2005**
(54) Product in respect of which the design is registered: **A handset**
(51) International Design Classification: **14-03E**
(71) Name(s) and Address(s) of Applicant(s):
Nokia Corporation
Keilalahdentie 4 FIN-02150 Espoo Finland
(72) Name(s) of Designer(s): **Jonathan Dry and Thomas Arbisi and Andrew Gartrell and Kelley Ann Lee**
(45) Registration Date: **20 June 2006**
(30) Convention priority data:
(31) Number (32) Date (33) Country
29231616 08 Jun 2005 UNITED STATES OF AMERICA
(56) Related Art Documents: **Not Applicable**
(57) Statement of Newness and Distinctiveness: **Nil**



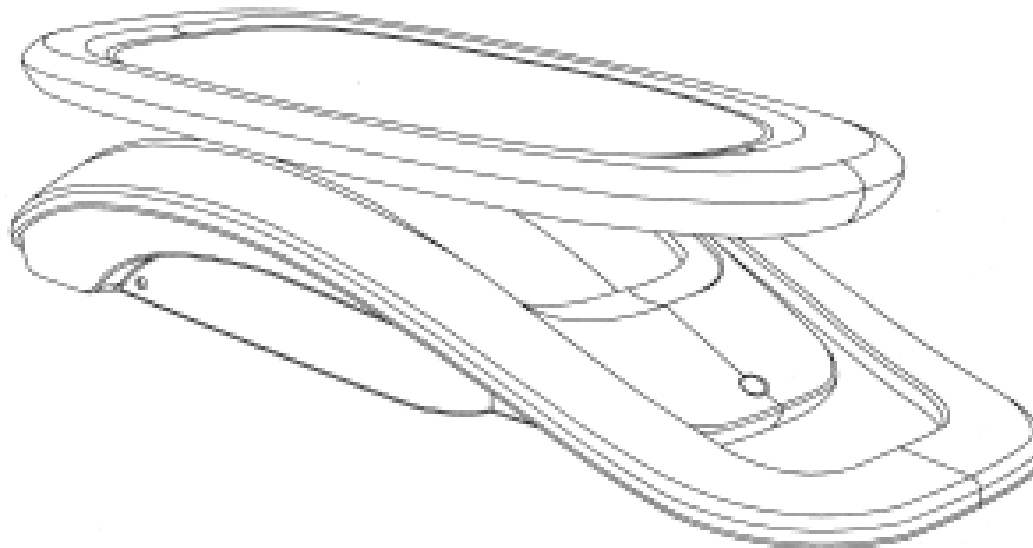
- (21) Design Number: **15491/2005**
(22) Date of Filing Application: **09 December 2005**
(24) Date from which industrial property rights may have effect: **25 July 2005**
(54) Product in respect of which the design is registered: **Container**
(51) International Design Classification: **07-01B, 07-01NES**
(71) Name(s) and Address(s) of Applicant(s):
Dart Industries Inc.
14901 S. Orange Blossom Trail Orlando Florida 32837 United States of America
(72) Name(s) of Designer(s): **Douglas M. Laib and Anita Suk Ping Liu**
(45) Registration Date: **20 June 2006**
(62) Divisional of: **305543**
(56) Related Art Documents: **Not Applicable**
(57) Statement of Newness and Distinctiveness: **Those features of the container depicted in the representations that are new and distinctive are the shape and/or configuration.**



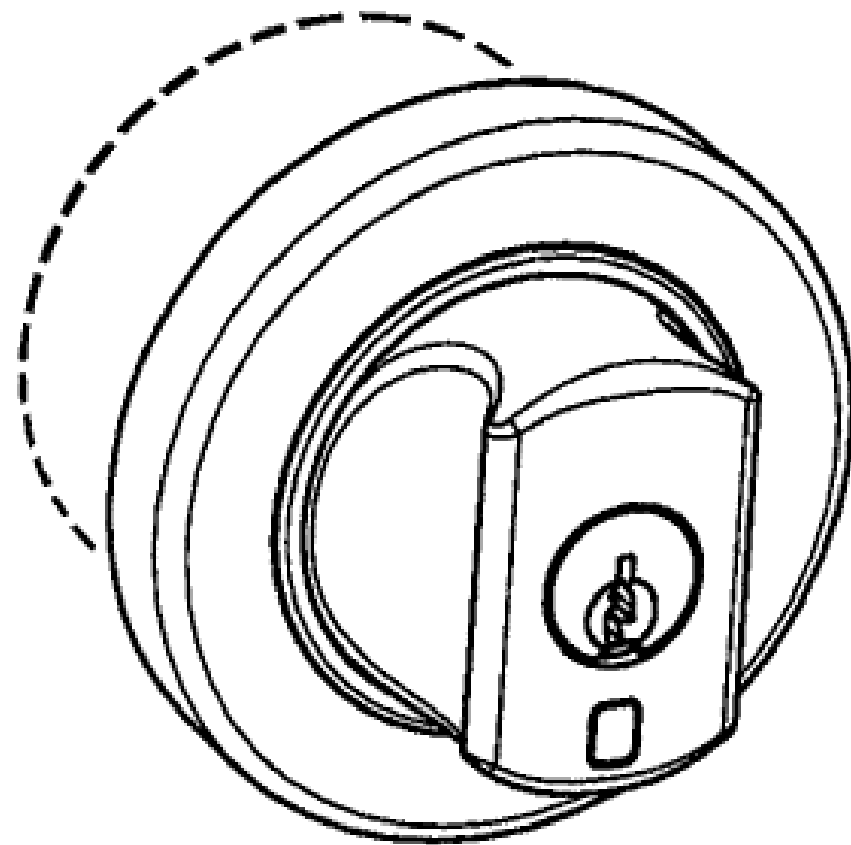
- (21) Design Number: **15493/2005**
(22) Date of Filing Application: **09 December 2005**
(24) Date from which industrial property rights may have effect: **25 July 2005**
(54) Product in respect of which the design is registered: **Cover**
(51) International Design Classification: **07-01NES**
(71) Name(s) and Address(s) of Applicant(s):
Dart Industries Inc.
14901 S. Orange Blossom Trail Orlando Florida 32837 United States of America
(72) Name(s) of Designer(s): **Douglas M. Laib**
(45) Registration Date: **20 June 2006**
(62) Divisional of: **305545**
(56) Related Art Documents: **Not Applicable**
(57) Statement of Newness and Distinctiveness: **Those features of the cover depicted in the representations that are new and distinctive are the shape and/or configuration.**



- (21) Design Number: **15499/2005**
(22) Date of Filing Application: **12 December 2005**
(24) Date from which industrial property rights may have effect: **12 December 2005**
(54) Product in respect of which the design is registered: **Surfing simulator**
(51) International Design Classification: **21-02D**
(71) Name(s) and Address(s) of Applicant(s):
OSIM International Ltd
65 Ubi Avenue 1 OSIM Headquarters Singapore 408939
(72) Name(s) of Designer(s): **Elwyn Ng Kwang Ling**
(45) Registration Date: **20 June 2006**
(56) Related Art Documents: **Not Applicable**
(57) Statement of Newness and Distinctiveness: **Monopoly is claimed in the shape and configuration of the features of the article as depicted in the accompanying representations. The applicant claims monopoly in the features of the article depicted in solid lines.**



- (21) Design Number: **15500/2005**
(22) Date of Filing Application: **12 December 2005**
(24) Date from which industrial property rights may have effect: **12 December 2005**
(54) Product in respect of which the design is registered: **Turn knob and rose**
(51) International Design Classification: **08-07**
(71) Name(s) and Address(s) of Applicant(s):
ASSA ABLOY Australia Pty Limited
50 Edward Street Oakleigh Victoria 3166 Australia
(72) Name(s) of Designer(s): **Donald John Newman**
(45) Registration Date: **20 June 2006**
(56) Related Art Documents: **Not Applicable**
(57) Statement of Newness and Distinctiveness: **Those features of the turn knob and rose depicted in the representations that are new and distinctive are the shape and/or configuration. The features shown in broken line are not part of the design and are to be disregarded when considering the overall impression of the design.**



- (21) Design Number: **13240/2005**
(22) Date of Filing Application: **29 July 2005**
(24) Date from which industrial property rights may have effect: **29 July 2005**
(54) Product in respect of which the design is registered: **Ladies garments**
(51) International Design Classification: **02-02NES**
(71) Name(s) and Address(s) of Applicant(s):
Review Australia Pty Ltd
25-31 Rokeby Street Collingwood Victoria 3066 Australia
(72) Name(s) of Designer(s): **Jayne Ellis**
(45) Registration Date: **22 June 2006**
(56) Related Art Documents: **Not Applicable**
(57) Statement of Newness and Distinctiveness: **Nil**



(21) Design Number: **13710/2005**

(22) Date of Filing Application: **30 August 2005**

(24) Date from which industrial property rights may have effect: **30 August 2005**

(54) Product in respect of which the design is registered: **Disposable paper hot drink cups**

(51) International Design Classification: **07-01C**

(71) Name(s) and Address(s) of Applicant(s):

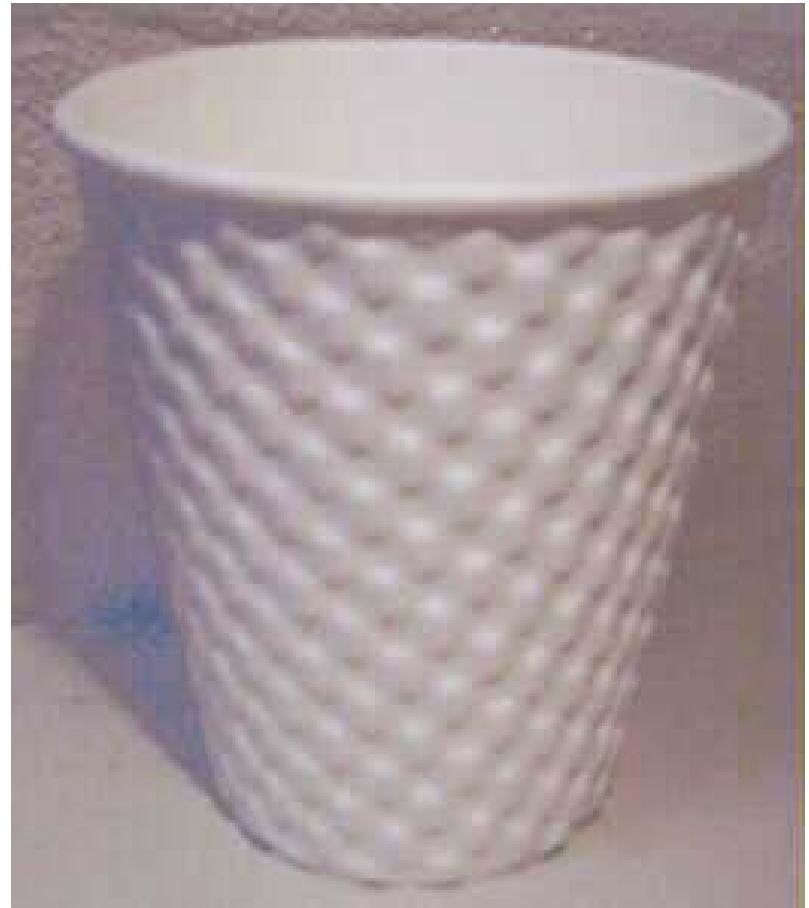
**Portwest Corporation Pty Ltd
PO Box 3081 Malaga Dc Western Australia 6945 Australia**

(72) Name(s) of Designer(s): **Philip Samali**

(45) Registration Date: **22 June 2006**

(56) Related Art Documents: **Not Applicable**

(57) Statement of Newness and Distinctiveness: **Outer wrap of twin wall cup has a dimpled indent effect which traps the air between both layers of the cup and improves insulation qualities.**



(21) Design Number: **15002/2005**

(22) Date of Filing Application: **09 November 2005**

(24) Date from which industrial property rights may have effect: **09 November 2005**

(54) Product in respect of which the design is registered: **A tower fountain**

(51) International Design Classification: **11-99**

(71) Name(s) and Address(s) of Applicant(s):

**Elegant Garden World Pty Ltd
40 Lisbon Street Fairfield East New South Wales 2165 Australia**

(72) Name(s) of Designer(s): **Cheng Shi Wu**

(45) Registration Date: **22 June 2006**

(56) Related Art Documents: **Not Applicable**

(57) Statement of Newness and Distinctiveness: **This particular shape with transparent or translucent material looks like a tower when a light connected to inside of the column of the fountain.**



(21) Design Number: **15086/2005**

(22) Date of Filing Application: **17 November 2005**

(24) Date from which industrial property rights may have effect: **17 November 2005**

(54) Product in respect of which the design is registered: **Paver**

(51) International Design Classification: **25-01A**

(71) Name(s) and Address(s) of Applicant(s):

**Astral Property Pty Limited
Unit 3 19-21 Gibbes Street Chatswood New South Wales 2067
Australia**

(72) Name(s) of Designer(s): **Humberto Urriola**

(45) Registration Date: **22 June 2006**

(56) Related Art Documents: **Not Applicable**

(57) Statement of Newness and Distinctiveness: **The newness and distinctiveness in respect of the design is claimed in the features of shape and configuration of the paver, as illustrated in the accompanying representations.**



(21) Design Number: **15236/2005**

(22) Date of Filing Application: **25 November 2005**

(24) Date from which industrial property rights may have effect: **25 November 2005**

(54) Product in respect of which the design is registered: **Up down stool**

(51) International Design Classification: **06-01E**

(71) Name(s) and Address(s) of Applicant(s):

**Stuart Pinkerton
36 Veda Street Hamilton New South Wales 2303 Australia**

(72) Name(s) of Designer(s): **Stuart Pinkerton**

(45) Registration Date: **22 June 2006**

(56) Related Art Documents: **Not Applicable**

(57) Statement of Newness and Distinctiveness: **A stool which has a dual function as a chair via an angled back rest. This back rest, when in down mode, appears hidden along the back legs of the stool.**



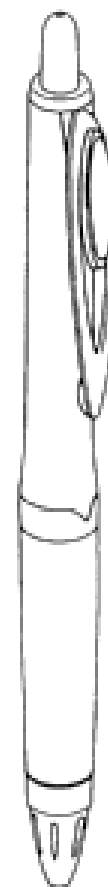
- (21) Design Number: **15235/2005**
(22) Date of Filing Application: **25 November 2005**
(24) Date from which industrial property rights may have effect: **25 November 2005**
(54) Product in respect of which the design is registered: **Coffee Table**
(51) International Design Classification: **06-03B, 06-04NES**
(71) Name(s) and Address(s) of Applicant(s):
Stuart Pinkerton
36 Veda Street Hamilton New South Wales 2303 Australia
(72) Name(s) of Designer(s): **Stuart Pinkerton**
(45) Registration Date: **22 June 2006**
(56) Related Art Documents: **Not Applicable**
(57) Statement of Newness and Distinctiveness: **Design reflects shape and movement of a slide projector so that (i) it can be moved around a floor on casters easily and (ii) square book compartments in a round shape allows books to be placed vertically in the sides for easy access rather than in stacks on top.**



- (21) Design Number: **15389/2005**
(22) Date of Filing Application: **30 November 2005**
(24) Date from which industrial property rights may have effect: **30 November 2005**
(54) Product in respect of which the design is registered: **Pen**
(51) International Design Classification: **19-06**
(71) Name(s) and Address(s) of Applicant(s):
Mitsubishi Pencil Co., Ltd
23-37 5 Chome Higashi-Ohi Shinagawa-Ku Tokyo Japan
(72) Name(s) of Designer(s): **Tsuyoshi Nishida**
(45) Registration Date: **22 June 2006**
(30) Convention priority data:

(31) Number	(32) Date	(33) Country
000352554	30 May 2005	EUROPEAN COMMUNITY

(56) Related Art Documents: **Not Applicable**
(57) Statement of Newness and Distinctiveness: **Nil**



(21) Design Number: **15340/2005**

(22) Date of Filing Application: **01 December 2005**

(24) Date from which industrial property rights may have effect: **01 December 2005**

(54) Product in respect of which the design is registered: **A plastering nozzle**

(51) International Design Classification: **09-07A**

(71) Name(s) and Address(s) of Applicant(s):

Leonid Kraskov

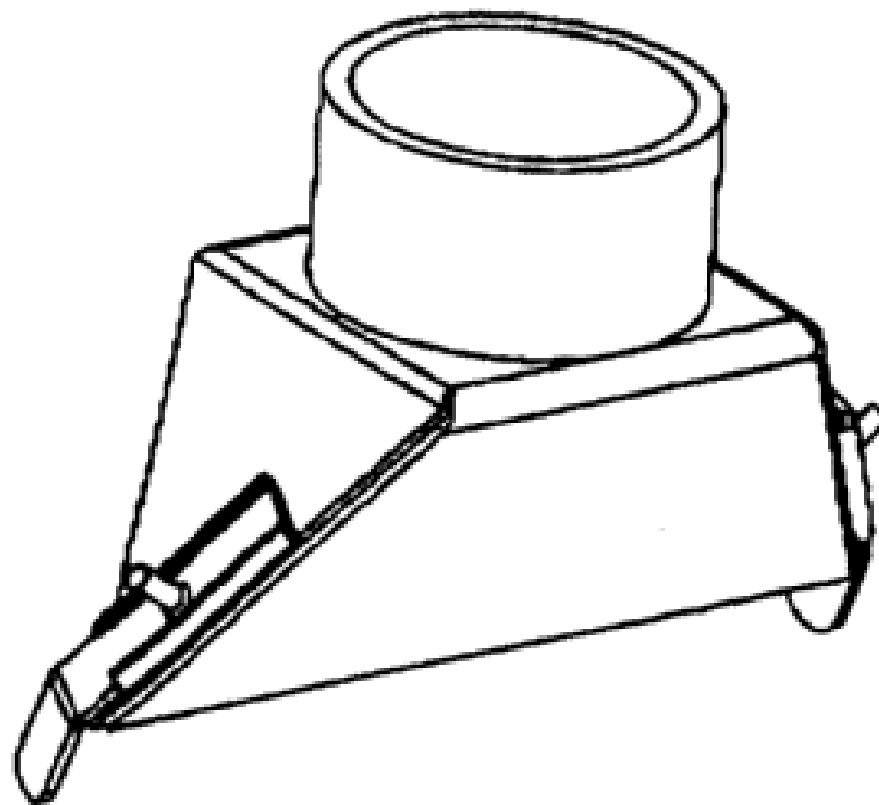
52 Water Street Auburn New South Wales 2144 Australia

(72) Name(s) of Designer(s): **Leonid Kraskov**

(45) Registration Date: **22 June 2006**

(56) Related Art Documents: **Not Applicable**

(57) Statement of Newness and Distinctiveness: **Newness and distinctiveness is claimed in the features of shape and/or configuration of a plastering nozzle as illustrated in the accompanying representations.**



(21) Design Number: **15396/2005**

(22) Date of Filing Application: **05 December 2005**

(24) Date from which industrial property rights may have effect: **05 December 2005**

(54) Product in respect of which the design is registered: **Connector**

(51) International Design Classification: **08-08NES**

(71) Name(s) and Address(s) of Applicant(s):

Tclip Pty Ltd

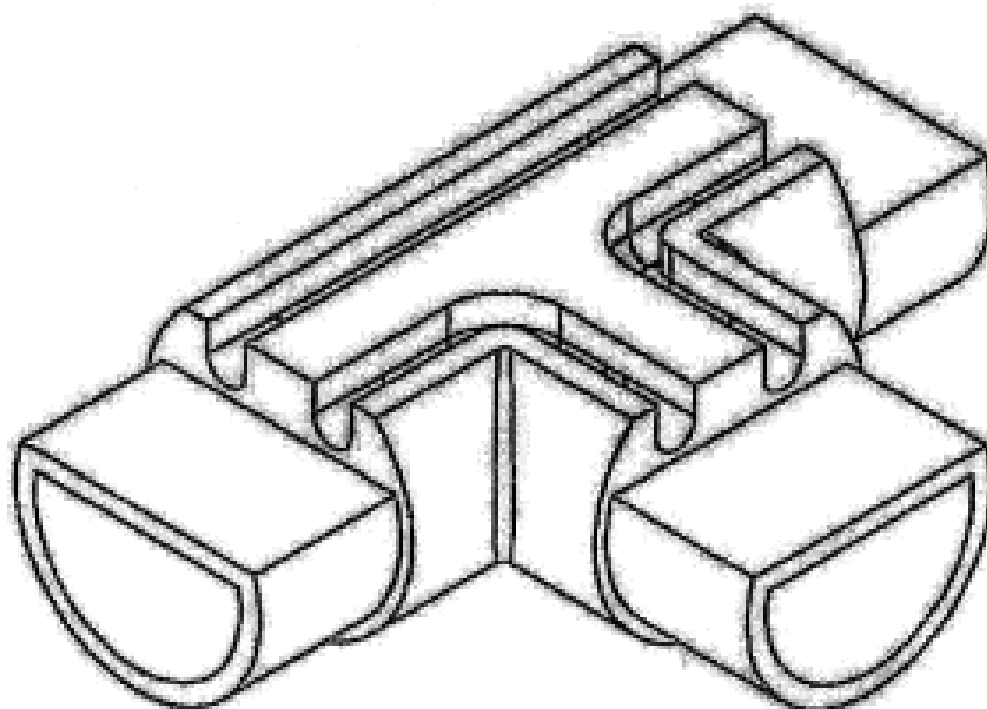
17-19 Monte-Khoury Drive Loganholme Queensland 4129 Australia

(72) Name(s) of Designer(s): **Stephen Petith and Richard Dinning and Alan Harper**

(45) Registration Date: **22 June 2006**

(56) Related Art Documents: **Not Applicable**

(57) Statement of Newness and Distinctiveness: **The statement of newness and distinctiveness of the design resides in the shape and configuration of a connector as illustrated in the accompanying representations.**



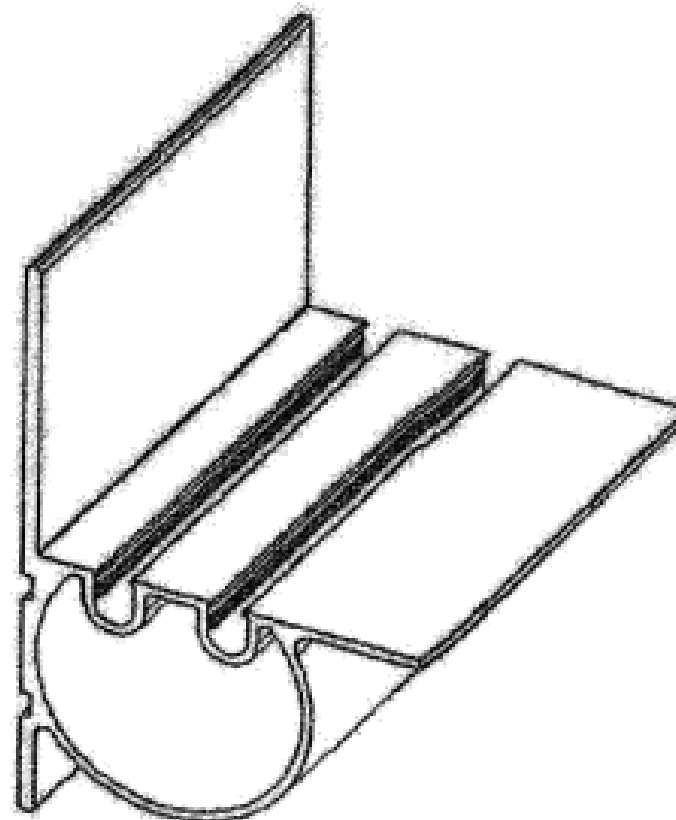
- (21) Design Number: **15405/2005**
- (22) Date of Filing Application: **05 December 2005**
- (24) Date from which industrial property rights may have effect: **05 December 2005**
- (54) Product in respect of which the design is registered: **Hollow section**
- (51) International Design Classification: **25-01K**
- (71) Name(s) and Address(s) of Applicant(s):

Tclip Pty Ltd
17-19 Monte-Khoury Drive Loganholme Queensland 4129 Australia

- (72) Name(s) of Designer(s): **Stephen Petith and Richard Dinning and Alan Harper**

- (45) Registration Date: **22 June 2006**
- (56) Related Art Documents: **Not Applicable**

- (57) Statement of Newness and Distinctiveness: **The statement of newness and distinctiveness of the design resides in the shape and configuration of a hollow section as illustrated in the accompanying representations. The design is of indefinite length and is of constant cross section.**



- (21) Design Number: **15465/2005**
- (22) Date of Filing Application: **08 December 2005**
- (24) Date from which industrial property rights may have effect: **08 December 2005**
- (54) Product in respect of which the design is registered: **Pipe coupling**
- (51) International Design Classification: **23-01A**
- (71) Name(s) and Address(s) of Applicant(s):

Victaulic Company
4901 Kesslersville Road Easton Pennsylvania 18040 United States of America

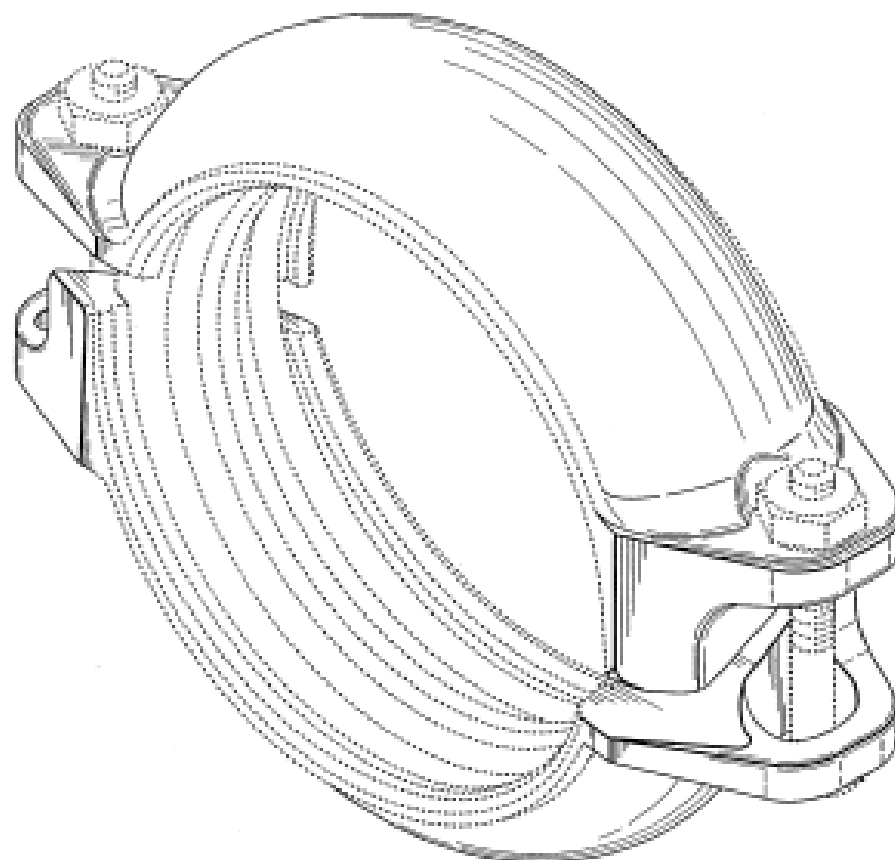
- (72) Name(s) of Designer(s): **John Gibb and Douglas R. Dole and Michael V. Porter and William A. Nagle**

- (45) Registration Date: **22 June 2006**
- (30) Convention priority data:

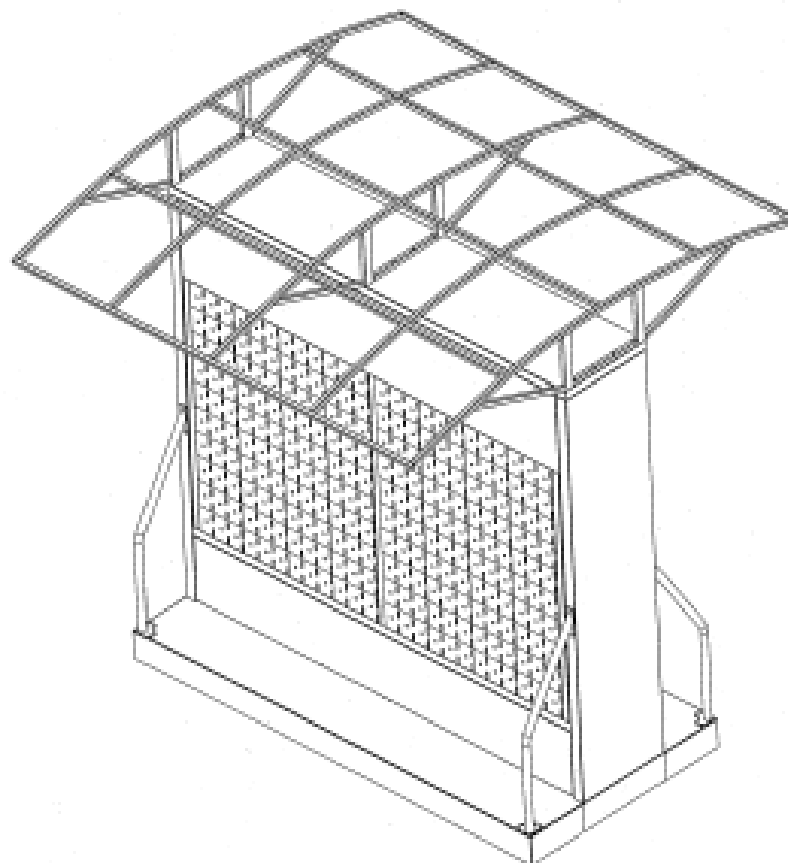
(31) Number	(32) Date	(33) Country
29/232362	17 Jun 2005	UNITED STATES OF AMERICA

- (56) Related Art Documents: **Not Applicable**

- (57) Statement of Newness and Distinctiveness: **Newness and distinctiveness is claimed in those features of shape and/or configuration of a pipe coupling illustrated in continuous lines in the accompanying representations.**

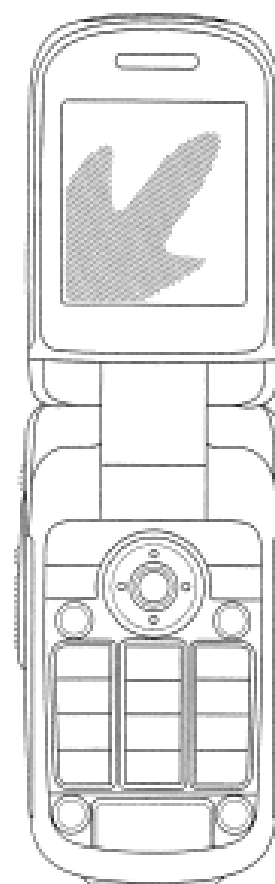


- (21) Design Number: **15474/2005**
- (22) Date of Filing Application: **08 December 2005**
- (24) Date from which industrial property rights may have effect: **08 December 2005**
- (54) Product in respect of which the design is registered: **Post office box unit**
- (51) International Design Classification: **25-03**
- (71) Name(s) and Address(s) of Applicant(s):
Australian Postal Corporation
Level 20 321 Exhibition Street Melbourne Victoria 3000 Australia
- (72) Name(s) of Designer(s): **Warren Jack**
- (45) Registration Date: **22 June 2006**
- (56) Related Art Documents: **Not Applicable**
- (57) Statement of Newness and Distinctiveness: **Newness and distinctiveness is claimed in the visual features of shape and/or configuration applicable to a post office box unit as illustrated in the accompanying representations.**

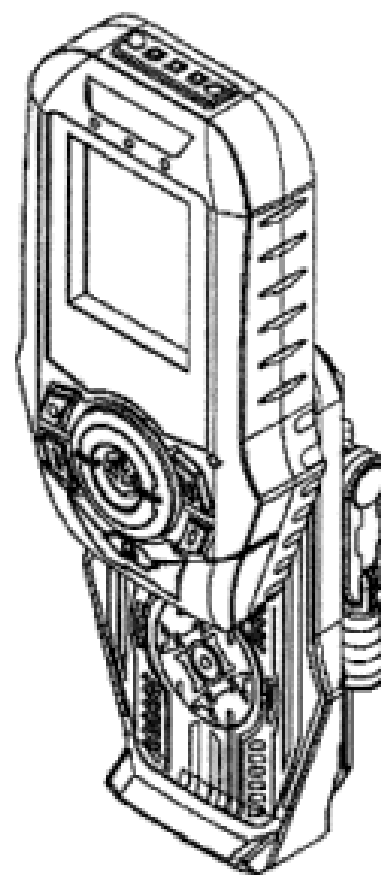


- (21) Design Number: **15475/2005**
- (22) Date of Filing Application: **08 December 2005**
- (24) Date from which industrial property rights may have effect: **08 December 2005**
- (54) Product in respect of which the design is registered: **Portable communications device**
- (51) International Design Classification: **14-03E**
- (71) Name(s) and Address(s) of Applicant(s):
Sony Ericsson Mobile Communications AB
Nya Vattentorget SE 221 88 Lund Sweden
- (72) Name(s) of Designer(s): **Charles Hunt and Elliott Hsu**
- (45) Registration Date: **22 June 2006**
- (30) Convention priority data:

(31) Number	(32) Date	(33) Country
29/235,050	27 Jul 2005	UNITED STATES OF AMERICA
- (56) Related Art Documents: **Not Applicable**
- (57) Statement of Newness and Distinctiveness: **For the purpose and newness and distinctiveness the features shown in broken lines are to be disregarded.**



- (21) Design Number: **15476/2005**
(22) Date of Filing Application: **08 December 2005**
(24) Date from which industrial property rights may have effect: **08 December 2005**
(54) Product in respect of which the design is registered: **Portable game device with LCD**
(51) International Design Classification: **21-01N**
(71) Name(s) and Address(s) of Applicant(s):
Kabushiki Kaisha Bandai
4-8 Komagata 1-chome Taito-ku Tokyo Japan
(72) Name(s) of Designer(s): **Shotaro Matsuno**
(45) Registration Date: **22 June 2006**
(30) Convention priority data:
(31) Number (32) Date (33) Country
2005-018140 22 Jun 2005 JAPAN
(56) Related Art Documents: **Not Applicable**
(57) Statement of Newness and Distinctiveness: **Nil**



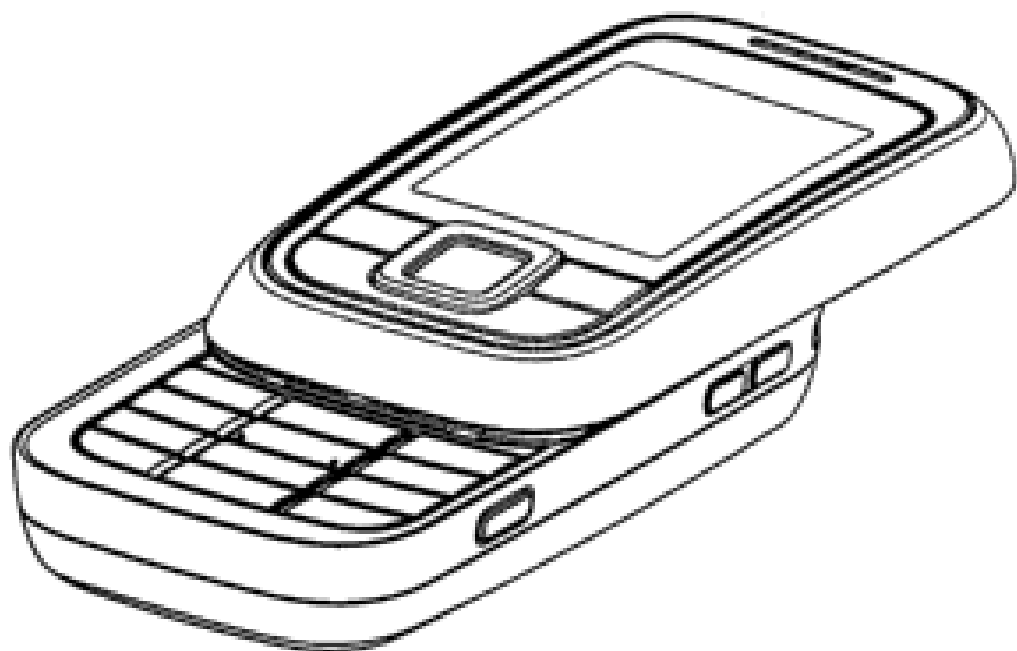
- (21) Design Number: **15482/2005**
(22) Date of Filing Application: **09 December 2005**
(24) Date from which industrial property rights may have effect: **09 December 2005**
(54) Product in respect of which the design is registered: **A motor scooter**
(51) International Design Classification: **12-11**
(71) Name(s) and Address(s) of Applicant(s):
Honda Motor Co., Ltd
1-1 Minami-Aoyama 2-chome Minato-ku Tokyo Japan
(72) Name(s) of Designer(s): **Rika Mizuta and Jun Tanaka**
(45) Registration Date: **22 June 2006**
(30) Convention priority data:
(31) Number (32) Date (33) Country
2005-023952 19 Aug 2005 JAPAN
(56) Related Art Documents: **Not Applicable**
(57) Statement of Newness and Distinctiveness: **Newness and distinctiveness is claimed in the features of shape and/or configuration of a motor scooter as illustrated in the accompanying representations, having particular regard to: (.) the handlebar cover with a user-facing instrumentation panel and front facing substantially trapezoidal headlight; (.) the front cover below the handlebar cover, the front cover having two substantially V-shaped lines, two apertures disposed in a substantially V-shaped formation, substantially triangular signal lights, and leg shields on both sides; (.) the body side covers located between the seat and the rear wheel; (.) the rail behind the seat, the rail having an end frame with a substantially X-shaped bar; and (.) the rear combination lamp having an outline comprising of a horizontal straight upper line, and arced lower line and arced side lines, and within which a white substantially trapezoidal area is located.**



(21) Design Number: **15485/2005**
(22) Date of Filing Application: **09 December 2005**
(24) Date from which industrial property rights may have effect: **09 December 2005**
(54) Product in respect of which the design is registered: **A handset**
(51) International Design Classification: **14-03E**
(71) Name(s) and Address(s) of Applicant(s):
Nokia Corporation
Keilalahdentie 4 FIN-02150 Espoo Finland
(72) Name(s) of Designer(s): **Justin Lyles**
(45) Registration Date: **22 June 2006**
(30) Convention priority data:
(31) Number (32) Date (33) Country
29231712 09 Jun 2005 UNITED STATES OF AMERICA
(56) Related Art Documents: **Not Applicable**
(57) Statement of Newness and Distinctiveness: **Nil**



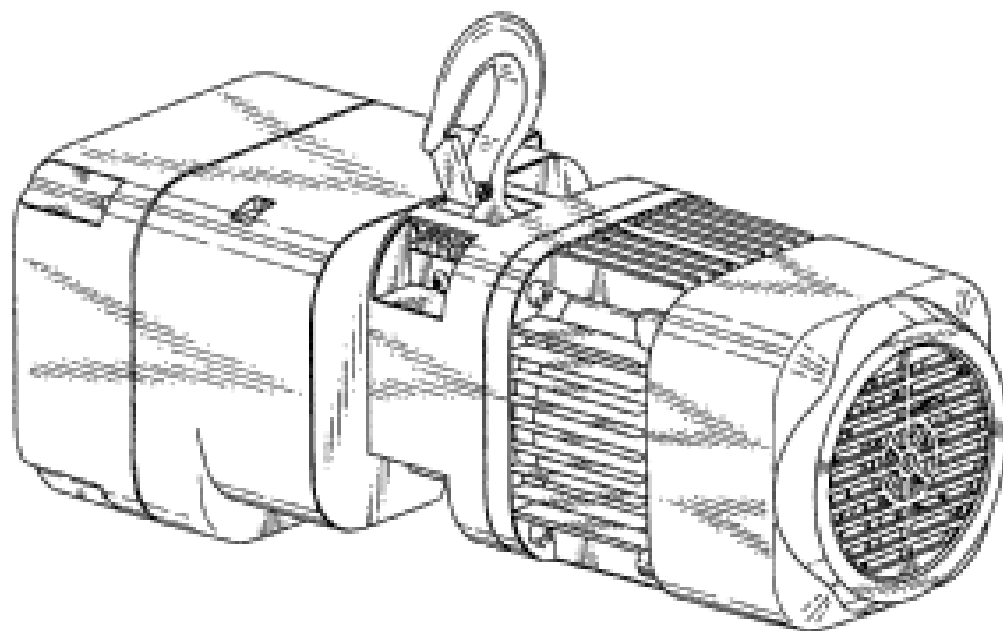
(21) Design Number: **15486/2005**
(22) Date of Filing Application: **09 December 2005**
(24) Date from which industrial property rights may have effect: **09 December 2005**
(54) Product in respect of which the design is registered: **A handset**
(51) International Design Classification: **14-03E**
(71) Name(s) and Address(s) of Applicant(s):
Nokia Corporation
Keilalahdentie 4 FIN-02150 Espoo Finland
(72) Name(s) of Designer(s): **Duncan Burns and Justin Lyles and Aaron Moss**
(45) Registration Date: **22 June 2006**
(30) Convention priority data:
(31) Number (32) Date (33) Country
29231713 09 Jun 2005 UNITED STATES OF AMERICA
(56) Related Art Documents: **Not Applicable**
(57) Statement of Newness and Distinctiveness: **Nil**



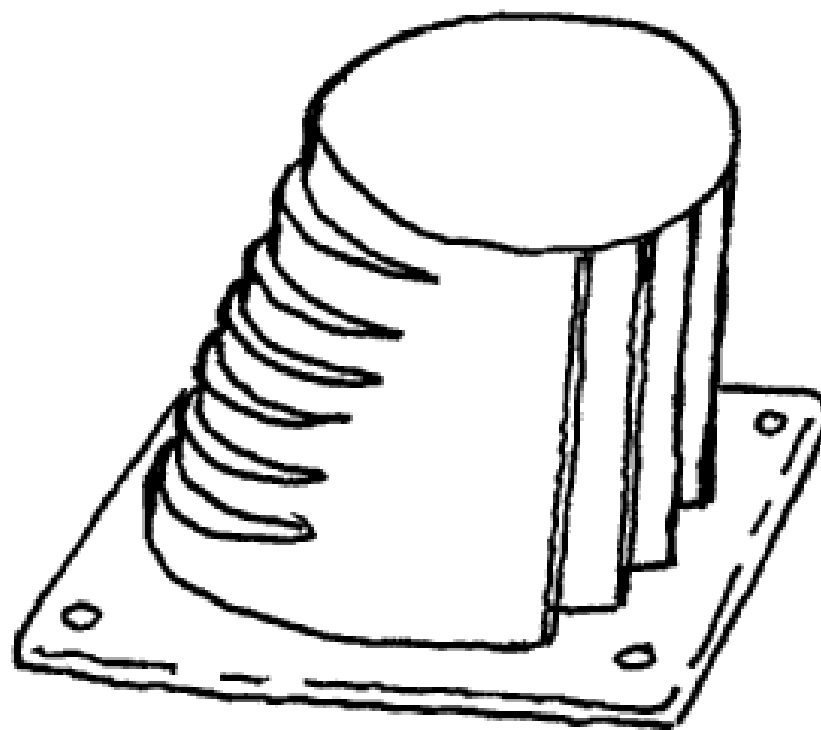
- (21) Design Number: **15487/2005**
(22) Date of Filing Application: **09 December 2005**
(24) Date from which industrial property rights may have effect: **09 December 2005**
(54) Product in respect of which the design is registered: **A handset**
(51) International Design Classification: **14-03E**
(71) Name(s) and Address(s) of Applicant(s):
Nokia Corporation
Keilalahdentie 4 FIN-02150 Espoo Finland
(72) Name(s) of Designer(s): **Justin Lyles**
(45) Registration Date: **22 June 2006**
(30) Convention priority data:
(31) Number (32) Date (33) Country
29231716 09 Jun 2005 UNITED STATES OF AMERICA
(56) Related Art Documents: **Not Applicable**
(57) Statement of Newness and Distinctiveness: **Nil**



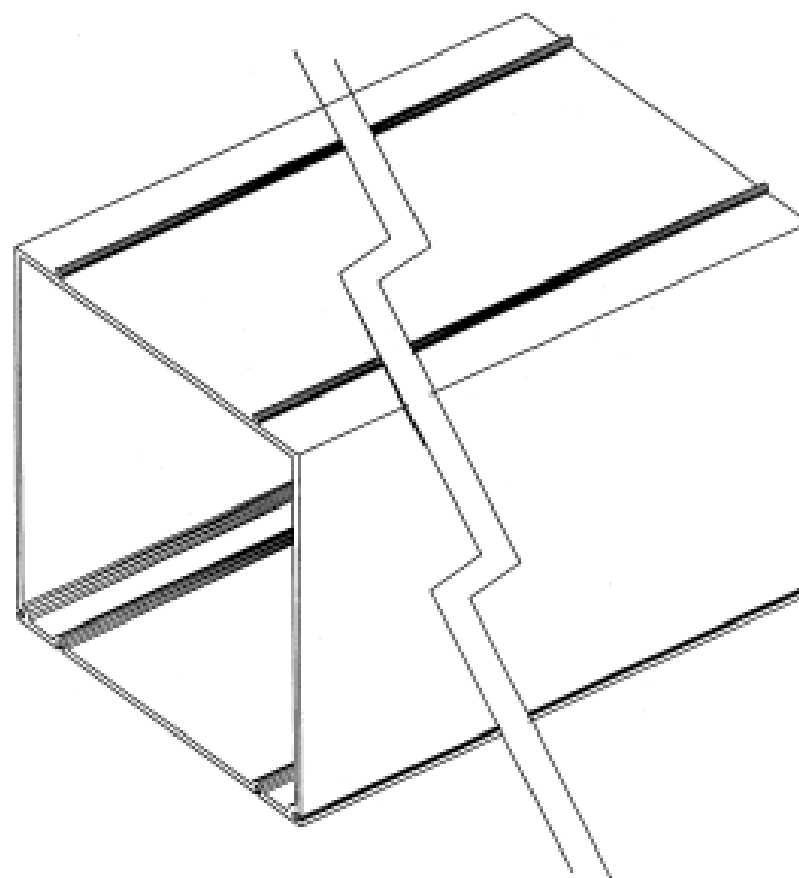
- (21) Design Number: **15490/2005**
(22) Date of Filing Application: **09 December 2005**
(24) Date from which industrial property rights may have effect: **09 December 2005**
(54) Product in respect of which the design is registered: **A hoist**
(51) International Design Classification: **12-05**
(71) Name(s) and Address(s) of Applicant(s):
Kito Corporation
2000 Tsuijirai Showa-cho Nakakoma-gun Yamanashi Japan
(72) Name(s) of Designer(s): **Shinji Hagihara and Fujito Yudate**
(45) Registration Date: **22 June 2006**
(30) Convention priority data:
(31) Number (32) Date (33) Country
2005-016767 09 Jun 2005 JAPAN
(56) Related Art Documents: **Not Applicable**
(57) Statement of Newness and Distinctiveness: **Newness and distinctiveness is claimed in the shape and/or configuration of the hoist as shown in the representations or alternatively in the shape and/or configuration of the circular vent projecting from the rectangular motor fan cover at the end of the hoist.**



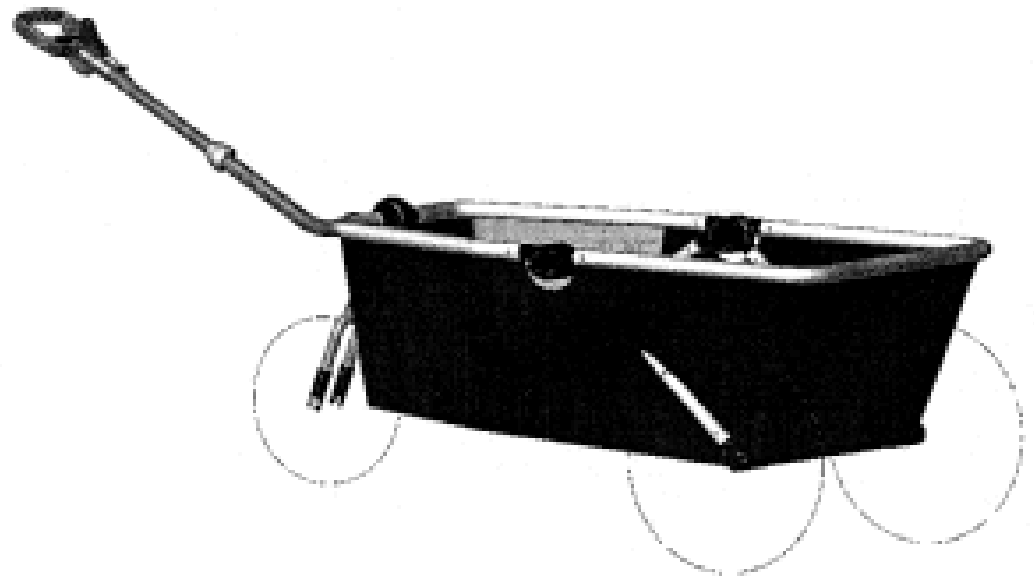
- (21) Design Number: **15842/2005**
(22) Date of Filing Application: **03 January 2006**
(24) Date from which industrial property rights may have effect: **03 January 2006**
(54) Product in respect of which the design is registered: **Bracket for storage of flexible tubes and cables**
(51) International Design Classification: **08-08G, 08-08NES**
(71) Name(s) and Address(s) of Applicant(s):
Kenneth Albert Pierce
34 Beenong Street Wanneroo Western Australia 6065 Australia
(72) Name(s) of Designer(s): **Kenneth Albert Pierce**
(45) Registration Date: **22 June 2006**
(56) Related Art Documents: **Not Applicable**
(57) Statement of Newness and Distinctiveness: **The storage bracket negates the problem of a flexible tube or cable twisting coiling or kinking when unwound for use.**



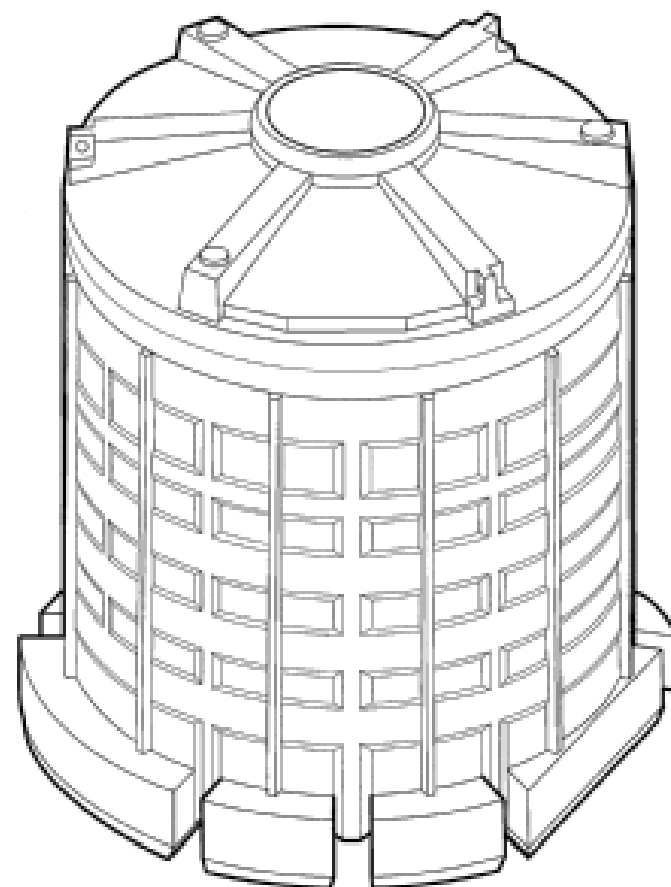
- (21) Design Number: **12788/2005**
(22) Date of Filing Application: **01 July 2005**
(24) Date from which industrial property rights may have effect: **01 July 2005**
(54) Product in respect of which the design is registered: **Open box extrusion**
(51) International Design Classification: **25-01K**
(71) Name(s) and Address(s) of Applicant(s):
Colin Edward Rogers
103 Bateman Road Mount Pleasant Western Australia 6153 Australia
Judith Ann Rogers
103 Bateman Road Mount Pleasant Western Australia 6153 Australia
(72) Name(s) of Designer(s): **Colin Edward Rogers and Judith Ann Rogers**
(45) Registration Date: **21 June 2006**
(56) Related Art Documents: **Not Applicable**
(57) Statement of Newness and Distinctiveness: **The particular visual features of the design which are new and distinctive are the shape of the extrusion of indefinite length as shown in the accompanying representations.**



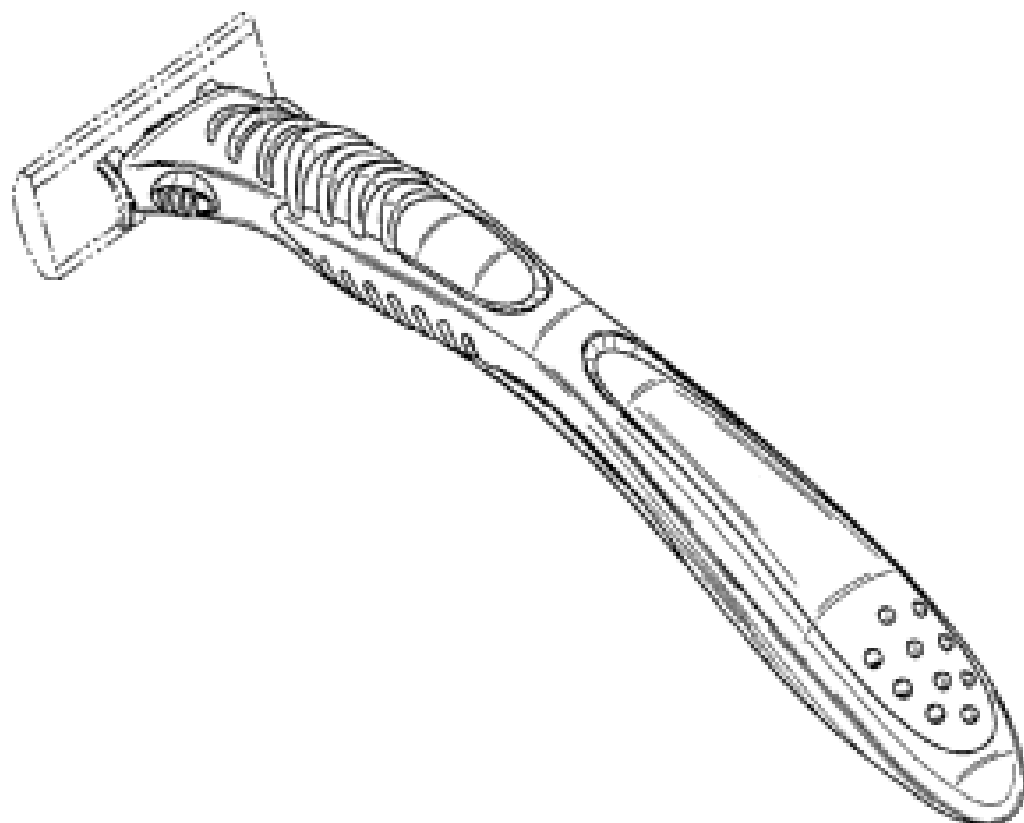
- (21) Design Number: **14439/2005**
(22) Date of Filing Application: **10 October 2005**
(24) Date from which industrial property rights may have effect: **10 October 2005**
(54) Product in respect of which the design is registered: **A cart**
(51) International Design Classification: **12-02**
(71) Name(s) and Address(s) of Applicant(s):
Celter B.V.
Lepelaar 82 Groningen 9728 XG The Netherlands
(72) Name(s) of Designer(s): **Lucas Poppinga**
(45) Registration Date: **21 June 2006**
(56) Related Art Documents: **Not Applicable**
(57) Statement of Newness and Distinctiveness: **The newness and distinctiveness of the design resides in the shape and configuration of the cart. The wheels shown in broken lines do not form part of the design.**



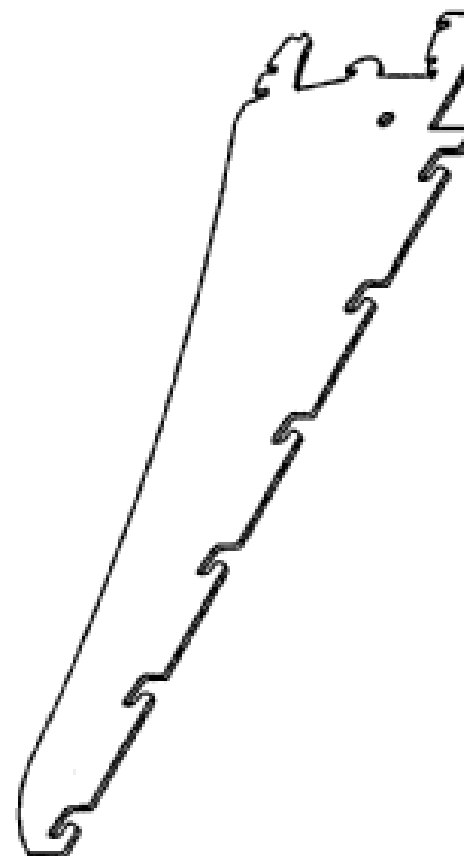
- (21) Design Number: **15125/2005**
(22) Date of Filing Application: **22 November 2005**
(24) Date from which industrial property rights may have effect: **22 November 2005**
(54) Product in respect of which the design is registered: **Storage tank**
(51) International Design Classification: **23-01F**
(71) Name(s) and Address(s) of Applicant(s):
Biomax Pty Ltd
PO Box 462 Midland DC Western Australia 6936 Australia
(72) Name(s) of Designer(s): **Campbell Nichol Durrant**
(45) Registration Date: **21 June 2006**
(56) Related Art Documents: **Not Applicable**
(57) Statement of Newness and Distinctiveness: **Newness and distinctiveness is claimed in the shape and/or configuration of a storage tank as illustrated in the accompanying representations.**



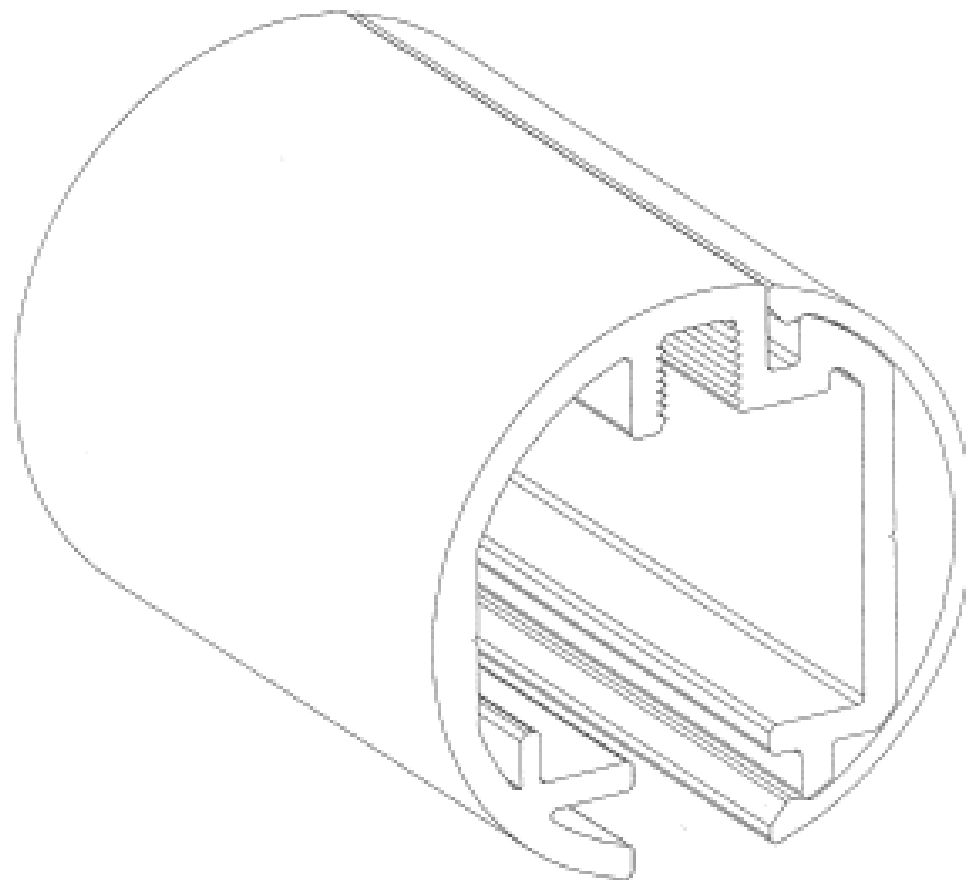
- (21) Design Number: **15173/2005**
(22) Date of Filing Application: **24 November 2005**
(24) Date from which industrial property rights may have effect: **24 November 2005**
(54) Product in respect of which the design is registered: **Razor handle**
(51) International Design Classification: **28-03A**
(71) Name(s) and Address(s) of Applicant(s):
SOCIETE BIC
14 rue Jeanne d'Asnieres 92 110 Clichy France
(72) Name(s) of Designer(s): **Yiannis Marios Psimadas and Andreas Vasiliadis and Spiros Greatsias**
(45) Registration Date: **21 June 2006**
(30) Convention priority data:
(31) Number (32) Date (33) Country
000351549-0001 30 May 2005 EUROPEAN COMMUNITY
(56) Related Art Documents: **Not Applicable**
(57) Statement of Newness and Distinctiveness: **Those features of the razor handle depicted in the representations that are new and distinctive are the shape and/or configuration. The features shown in broken line are not part of the design and are to be disregarded when considering the overall impression of the design.**



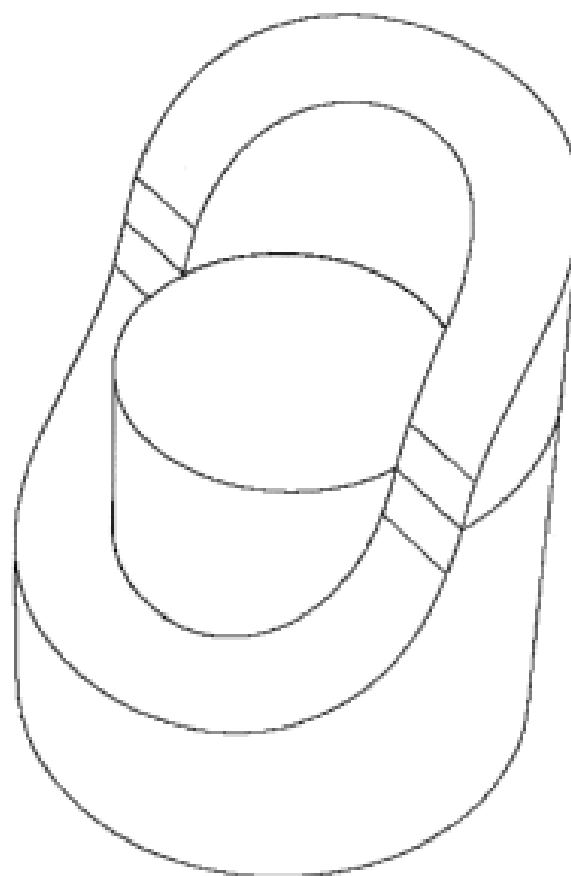
- (21) Design Number: **15174/2005**
(22) Date of Filing Application: **24 November 2005**
(24) Date from which industrial property rights may have effect: **24 November 2005**
(54) Product in respect of which the design is registered: **Bracket**
(51) International Design Classification: **08-08M, 08-08N**
(71) Name(s) and Address(s) of Applicant(s):
BP National Design Pty Ltd
24-32 Forge Street Blacktown Business Centre Blacktown New South Wales 2148 Australia
(72) Name(s) of Designer(s): **Roderick Perry**
(45) Registration Date: **21 June 2006**
(56) Related Art Documents: **Not Applicable**
(57) Statement of Newness and Distinctiveness: **In considering the newness and distinctiveness of the design, regard is to be given to the overall shape and/or configuration of the design.**



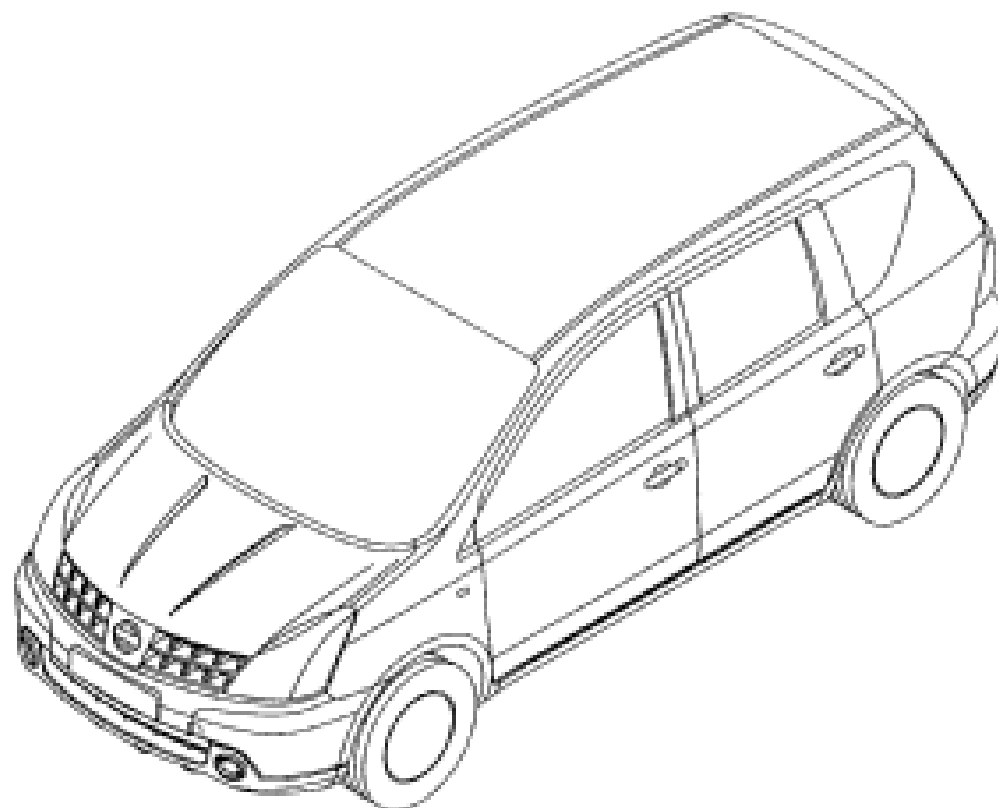
- (21) Design Number: **15179/2005**
(22) Date of Filing Application: **28 November 2005**
(24) Date from which industrial property rights may have effect: **28 November 2005**
(54) Product in respect of which the design is registered: **Sliding screen track**
(51) International Design Classification: **25-02H**
(71) Name(s) and Address(s) of Applicant(s):
Hydroscreen Pty Ltd
Unit 2 261 Pacific Highway North Sydney New South Wales 2060
Australia
(72) Name(s) of Designer(s): **Marc Hanley**
(45) Registration Date: **21 June 2006**
(56) Related Art Documents: **Not Applicable**
(57) Statement of Newness and Distinctiveness: **Newness and distinctiveness is claimed in the visual features shown in solid lines in the representations. The longitudinal dimension of the design (diagonally across the page) is intended to be shown as being of indefinite length.**



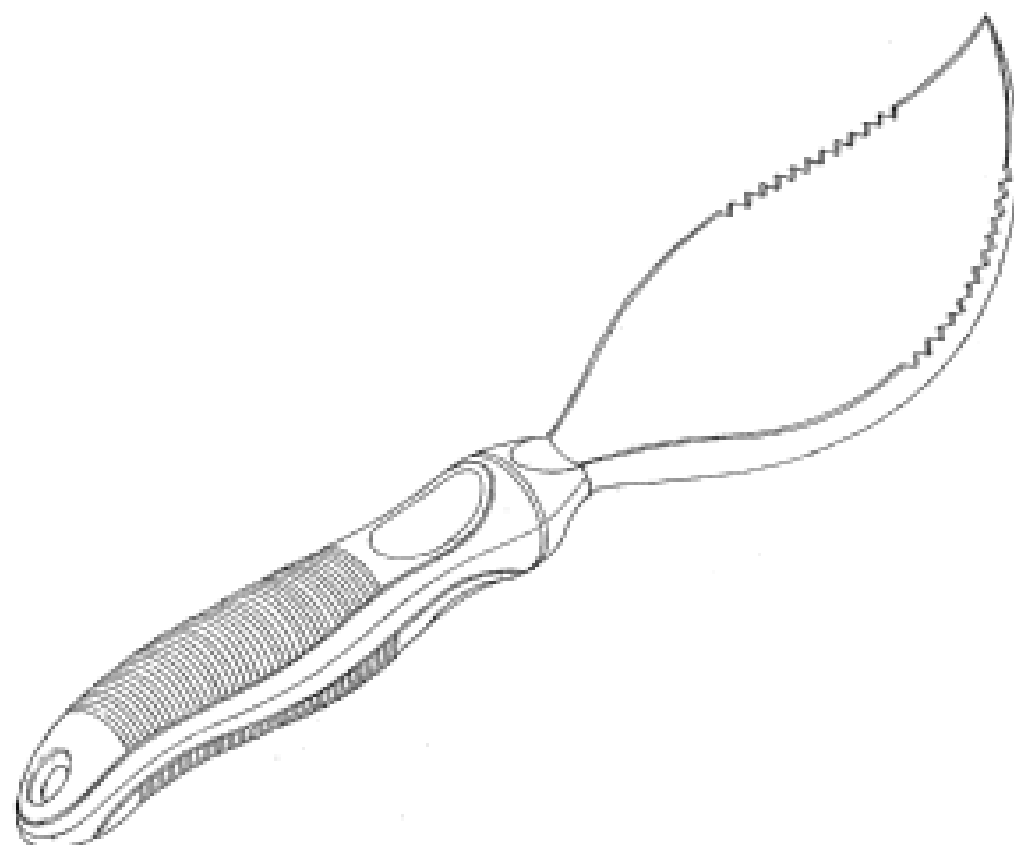
- (21) Design Number: **15247/2005**
(22) Date of Filing Application: **29 November 2005**
(24) Date from which industrial property rights may have effect: **29 November 2005**
(54) Product in respect of which the design is registered: **Lounge chair**
(51) International Design Classification: **06-01L**
(71) Name(s) and Address(s) of Applicant(s):
N.S.R. Peas Pty Ltd
9 Hume Road Caulfield North Victoria 3161 Australia
(72) Name(s) of Designer(s): **Nir Pizmony**
(45) Registration Date: **21 June 2006**
(56) Related Art Documents: **Not Applicable**
(57) Statement of Newness and Distinctiveness: **Nil**



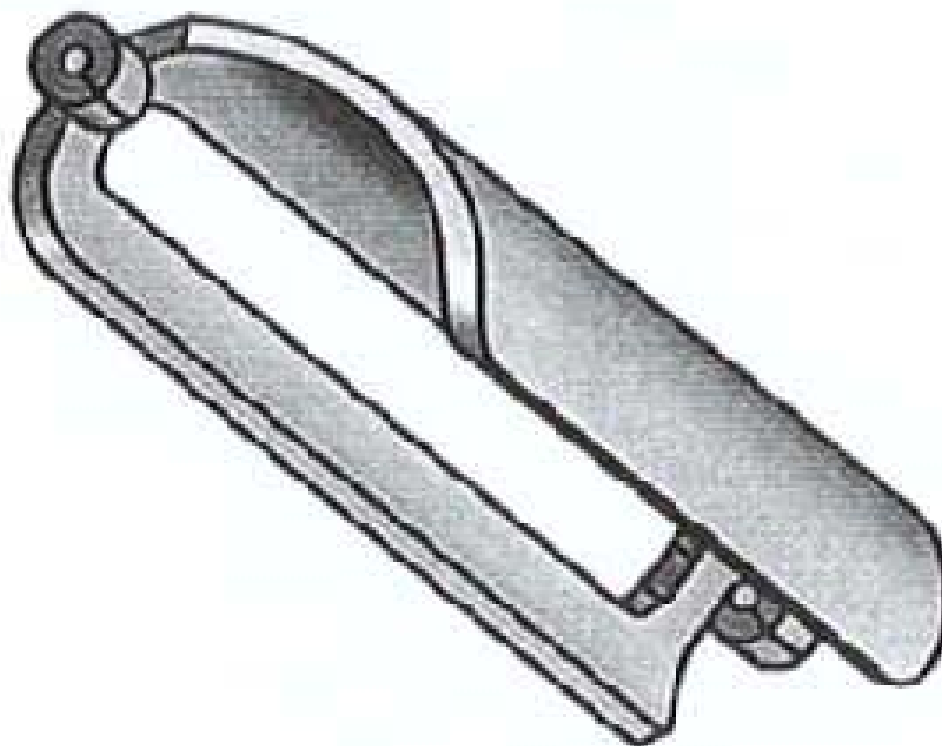
(21) Design Number: **15248/2005**
(22) Date of Filing Application: **29 November 2005**
(24) Date from which industrial property rights may have effect: **29 November 2005**
(54) Product in respect of which the design is registered: **Automobile**
(51) International Design Classification: **12-08**
(71) Name(s) and Address(s) of Applicant(s):
Nissan Jidosha Kabushiki Kaisha also trading as Nissan Motor Co., Ltd.
No.2 Takaracho Kanagawa-ku Yokohama-shi Kanagawa-Ken Japan
(72) Name(s) of Designer(s): **Seiji Watanabe**
(45) Registration Date: **21 June 2006**
(30) Convention priority data:
(31) Number (32) Date (33) Country
2005-015732 31 May 2005 JAPAN
(56) Related Art Documents: **Not Applicable**
(57) Statement of Newness and Distinctiveness: **Nil**



(21) Design Number: **15249/2005**
(22) Date of Filing Application: **29 November 2005**
(24) Date from which industrial property rights may have effect: **29 November 2005**
(54) Product in respect of which the design is registered: **Garden trowel**
(51) International Design Classification: **08-01**
(71) Name(s) and Address(s) of Applicant(s):
Dalsonware Pty Ltd
2/53 Rushdale Street Knoxfield Victoria 3180 Australia
(72) Name(s) of Designer(s): **Rod Anthony Wiebenga and Jason Yap Yaai Ming**
(45) Registration Date: **21 June 2006**
(56) Related Art Documents: **Not Applicable**
(57) Statement of Newness and Distinctiveness: **Nil**



- (21) Design Number: **15307/2005**
(22) Date of Filing Application: **25 November 2005**
(24) Date from which industrial property rights may have effect: **25 November 2005**
(54) Product in respect of which the design is registered: **Peeler blade**
(51) International Design Classification: **07-04**
(71) Name(s) and Address(s) of Applicant(s):
Iwan Rasa
Zollhausstrasse 16 CH-8505 PFYN TG Switzerland
(72) Name(s) of Designer(s): **Iwan Rasa**
(45) Registration Date: **21 June 2006**
(56) Related Art Documents: **Not Applicable**
(57) Statement of Newness and Distinctiveness: **The most significant feature of the design is essentially the rough curvature of the peeler blade.**



- (21) Design Number: **15364/2005**
(22) Date of Filing Application: **02 December 2005**
(24) Date from which industrial property rights may have effect: **02 December 2005**
(54) Product in respect of which the design is registered: **A cap for a bottle**
(51) International Design Classification: **09-07A**
(71) Name(s) and Address(s) of Applicant(s):
Smoocha Pty Ltd
Level 12 33 Berry Street North Sydney New South Wales 2060
Australia
(72) Name(s) of Designer(s): **David Francis**
(45) Registration Date: **21 June 2006**
(56) Related Art Documents: **Not Applicable**
(57) Statement of Newness and Distinctiveness: **Newness and distinctiveness is claimed in the features of shape and configuration of a cap as illustrated in solid lines in the accompanying representations, and having particular regard to the cut out portions found adjacent the top of the cap. When considering newness and distinctiveness, the features of the bottle, to which the cap is fitted, as shown in phantom are to be disregarded.**



(21) Design Number: **15365/2005**

(22) Date of Filing Application: **02 December 2005**

(24) Date from which industrial property rights may have effect: **02 December 2005**

(54) Product in respect of which the design is registered: **A bottle**

(51) International Design Classification: **09-01NES**

(71) Name(s) and Address(s) of Applicant(s):

Smoocha Pty Ltd
Level 12 33 Berry Street North Sydney New South Wales 2060
Australia

(72) Name(s) of Designer(s): **David Francis**

(45) Registration Date: **21 June 2006**

(56) Related Art Documents: **Not Applicable**

(57) Statement of Newness and Distinctiveness: **Newness and distinctiveness is claimed in the features of shape and configuration of a bottle as illustrated in the accompanying representations. When considering newness and distinctiveness, the features of the top of the bottle, as shown in phantom, are to be disregarded.**



(21) Design Number: **15366/2005**

(22) Date of Filing Application: **02 December 2005**

(24) Date from which industrial property rights may have effect: **02 December 2005**

(54) Product in respect of which the design is registered: **A jar**

(51) International Design Classification: **09-01C**

(71) Name(s) and Address(s) of Applicant(s):

Cerebos (Australia) Limited
2 Costello Place Seven Hills New South Wales 2147 Australia

(72) Name(s) of Designer(s): **David Francis**

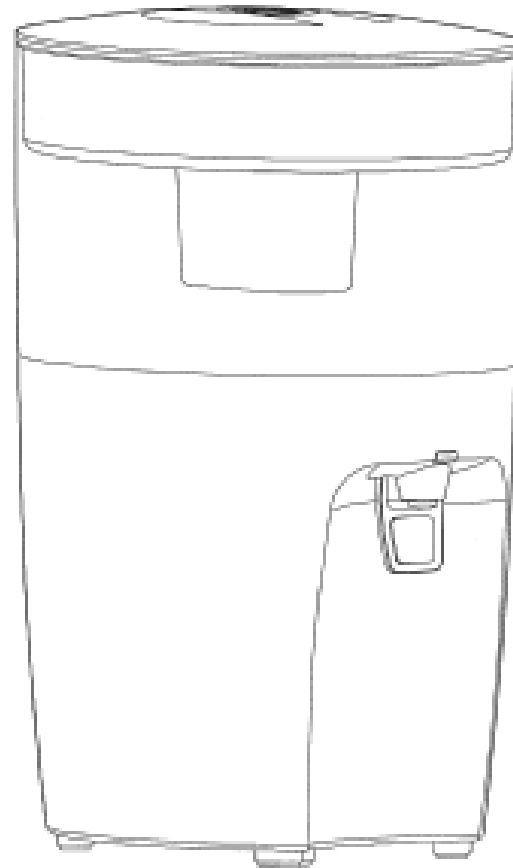
(45) Registration Date: **21 June 2006**

(56) Related Art Documents: **Not Applicable**

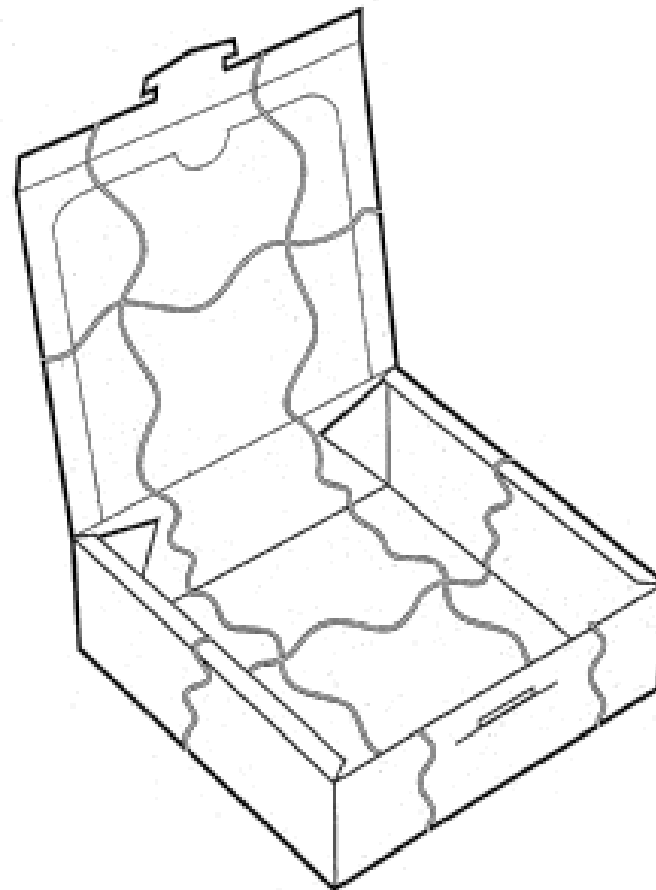
(57) Statement of Newness and Distinctiveness: **Newness and distinctiveness is claimed in the shape and/or configuration of "A Jar" as illustrated in the representations.**



- (21) Design Number: **15367/2005**
(22) Date of Filing Application: **02 December 2005**
(24) Date from which industrial property rights may have effect: **02 December 2005**
(54) Product in respect of which the design is registered: **Chilled gravity water filter**
(51) International Design Classification: **23-01G**
(71) Name(s) and Address(s) of Applicant(s):
Sunbeam Corporation Limited
Unit 5 & 6 13 Lord Street Botany New South Wales 2019 Australia
(72) Name(s) of Designer(s): **Ian Allan**
(45) Registration Date: **21 June 2006**
(56) Related Art Documents: **Not Applicable**
(57) Statement of Newness and Distinctiveness: **Newness and distinctiveness in the design as applied to a water filter resides in the shape and/or configuration thereof as is illustrated in the accompanying representations.**



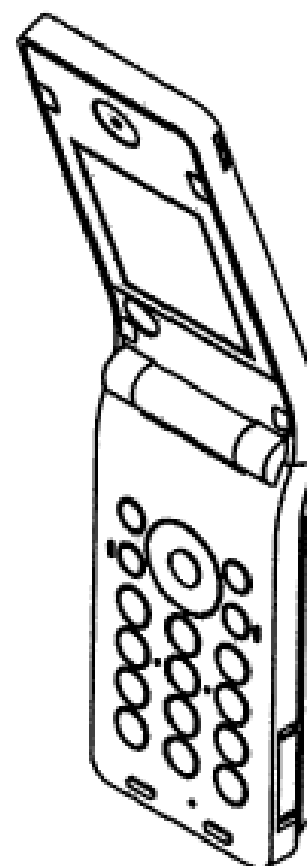
- (21) Design Number: **15368/2005**
(22) Date of Filing Application: **02 December 2005**
(24) Date from which industrial property rights may have effect: **02 December 2005**
(54) Product in respect of which the design is registered: **Carton blank of indefinite width and length which is capable of being folded to form a carton**
(51) International Design Classification: **09-03M**
(71) Name(s) and Address(s) of Applicant(s):
Dyson's Packaging Pty Ltd
5-7 Abrams Street Balcatta Western Australia 6021 Australia
(72) Name(s) of Designer(s): **David G. Kilpatrick**
(45) Registration Date: **21 June 2006**
(56) Related Art Documents: **Not Applicable**
(57) Statement of Newness and Distinctiveness: **Each feature of the carton blank in a folded or partially folded or fully folded condition considered separately or in combination with any other feature or features of the carton blank.**



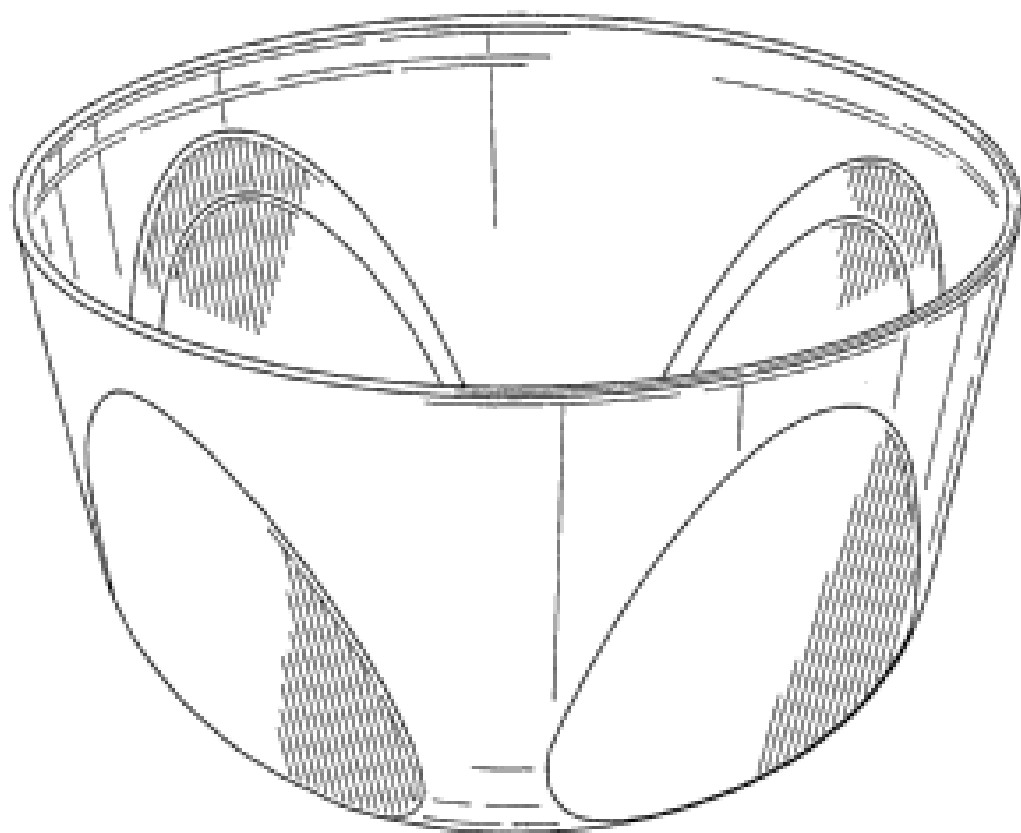
- (21) Design Number: **15455/2005**
(22) Date of Filing Application: **07 December 2005**
(24) Date from which industrial property rights may have effect: **07 December 2005**
(54) Product in respect of which the design is registered: **Bottle**
(51) International Design Classification: **09-01NES**
(71) Name(s) and Address(s) of Applicant(s):
Unilever PLC
Unilever House Blackfriars London EC4P 4BQ United Kingdom
(72) Name(s) of Designer(s): **Alan Flude**
(45) Registration Date: **21 June 2006**
(30) Convention priority data:
(31) Number (32) Date (33) Country
000357710-0001 13 Jun 2005 EUROPEAN COMMUNITY
(56) Related Art Documents: **Not Applicable**
(57) Statement of Newness and Distinctiveness: **Newness and distinctiveness is claimed in the visual features shown in solid lines in the representations.**



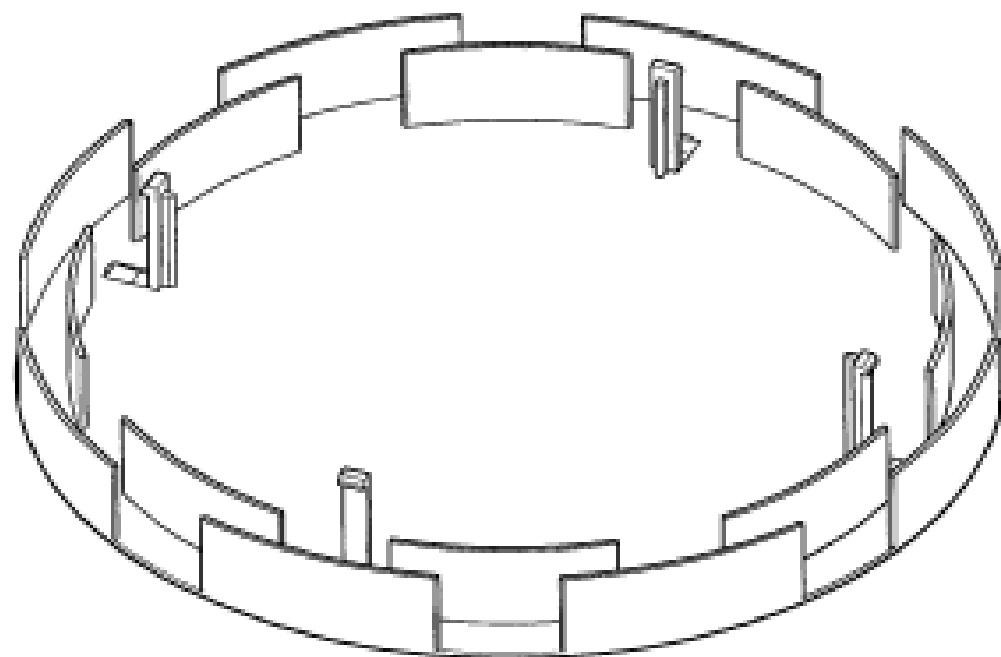
- (21) Design Number: **15457/2005**
(22) Date of Filing Application: **07 December 2005**
(24) Date from which industrial property rights may have effect: **07 December 2005**
(54) Product in respect of which the design is registered: **Portable wireless telephone**
(51) International Design Classification: **14-03E**
(71) Name(s) and Address(s) of Applicant(s):
NEC Corporation
7-1 Shiba 5-Chome Minato-ku Tokyo Japan
(72) Name(s) of Designer(s): **Takahiro Shimamura and Kazuya Mastumoto and Kouji Yamada**
(45) Registration Date: **21 June 2006**
(30) Convention priority data:
(31) Number (32) Date (33) Country
2005-024915 29 Aug 2005 JAPAN
(56) Related Art Documents: **Not Applicable**
(57) Statement of Newness and Distinctiveness: **Nil**



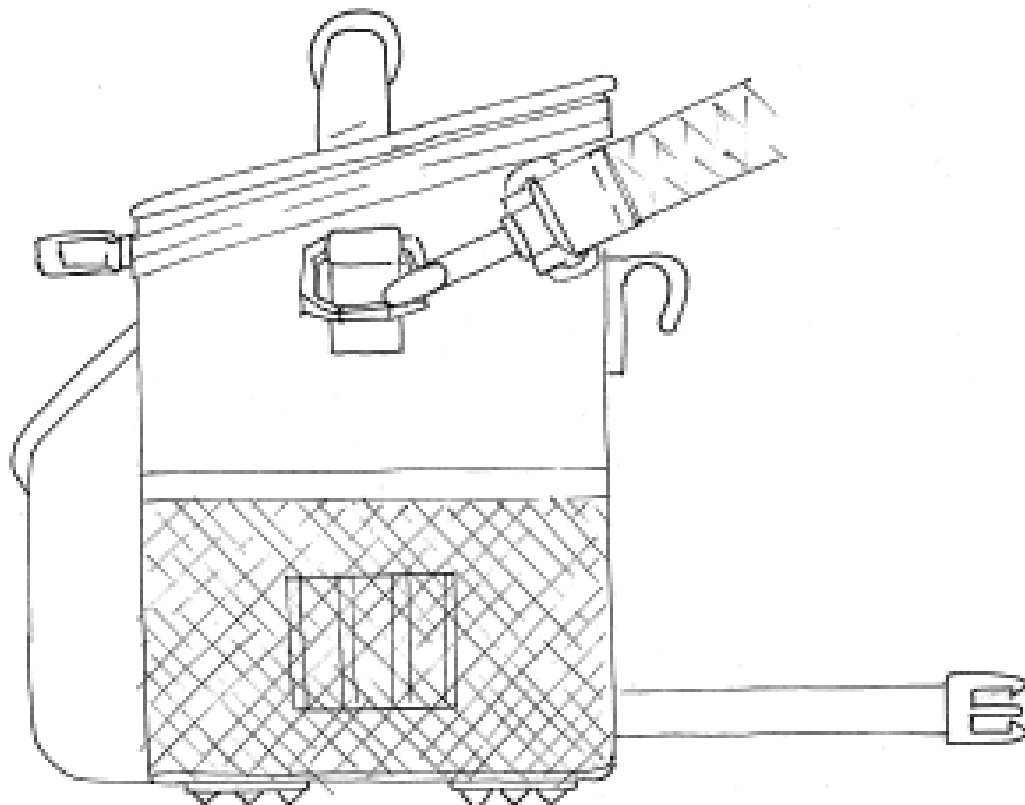
- (21) Design Number: **15492/2005**
(22) Date of Filing Application: **09 December 2005**
(24) Date from which industrial property rights may have effect: **25 July 2005**
(54) Product in respect of which the design is registered: **Container**
(51) International Design Classification: **07-01B, 07-01NES**
(71) Name(s) and Address(s) of Applicant(s):
Dart Industries Inc
14901 S. Orange Blossom Trail Orlando Florida 32837 United States of America
(72) Name(s) of Designer(s): **Douglas M. Laib and Anita Suk Ping Liu**
(45) Registration Date: **21 June 2006**
(62) Divisional of: **305544**
(56) Related Art Documents: **Not Applicable**
(57) Statement of Newness and Distinctiveness: **Those features of the container depicted in the representations that are new and distinctive are the shape and/or configuration.**



- (21) Design Number: **15498/2005**
(22) Date of Filing Application: **13 December 2005**
(24) Date from which industrial property rights may have effect: **13 December 2005**
(54) Product in respect of which the design is registered: **A water tank light barrier fitting**
(51) International Design Classification: **23-01F**
(71) Name(s) and Address(s) of Applicant(s):
MBP Australia Pty Ltd
19-27 Oborn Road Mount Barker South Australia 5251 Australia
(72) Name(s) of Designer(s): **Craig Schilg**
(45) Registration Date: **21 June 2006**
(56) Related Art Documents: **Not Applicable**
(57) Statement of Newness and Distinctiveness: **Newness and distinctiveness resides in the features of shape and configuration of a water tank light barrier fitting as shown in the accompanying representations.**

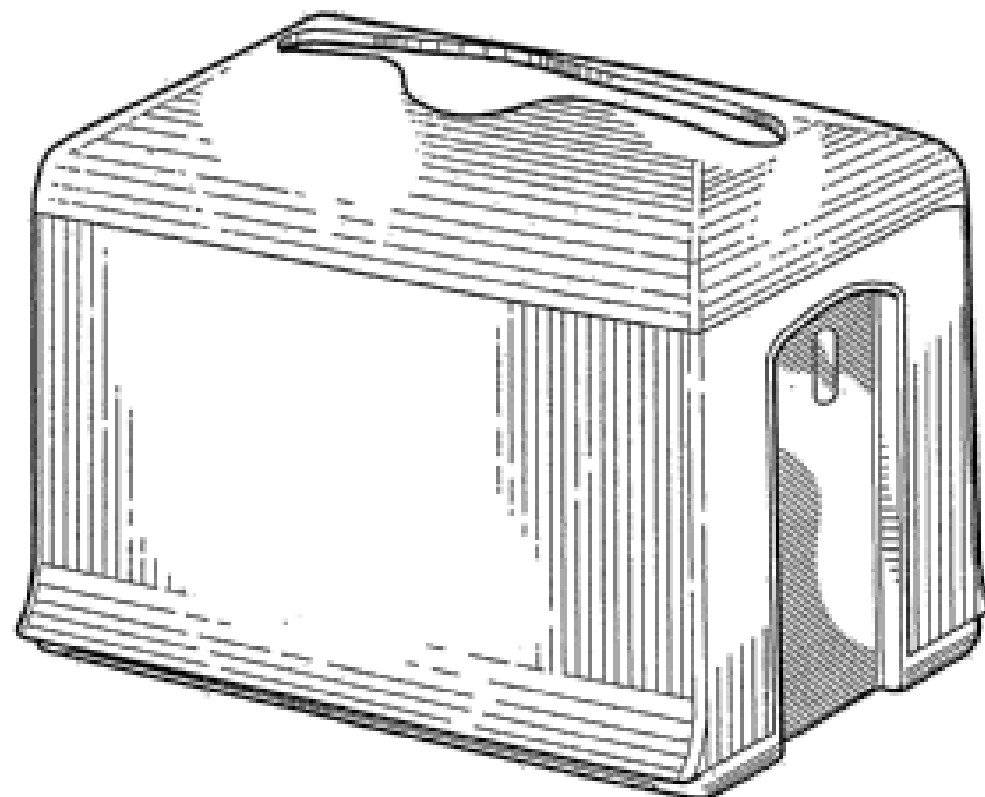


- (21) Design Number: **15508/2005**
- (22) Date of Filing Application: **08 December 2005**
- (24) Date from which industrial property rights may have effect: **08 December 2005**
- (54) Product in respect of which the design is registered: **Cooler bag**
- (51) International Design Classification: **07-07A**
- (71) Name(s) and Address(s) of Applicant(s):
Darren P. Cozens
PO Box 1107 Flagstaff Hill South Australia 5159 Australia
- (72) Name(s) of Designer(s): **Darren Cozens**
- (45) Registration Date: **21 June 2006**
- (56) Related Art Documents: **Not Applicable**
- (57) Statement of Newness and Distinctiveness: **This cooler bag incorporates rear plastic hooks, enabling it to be attached to the frame of a variety of golf buggies.**

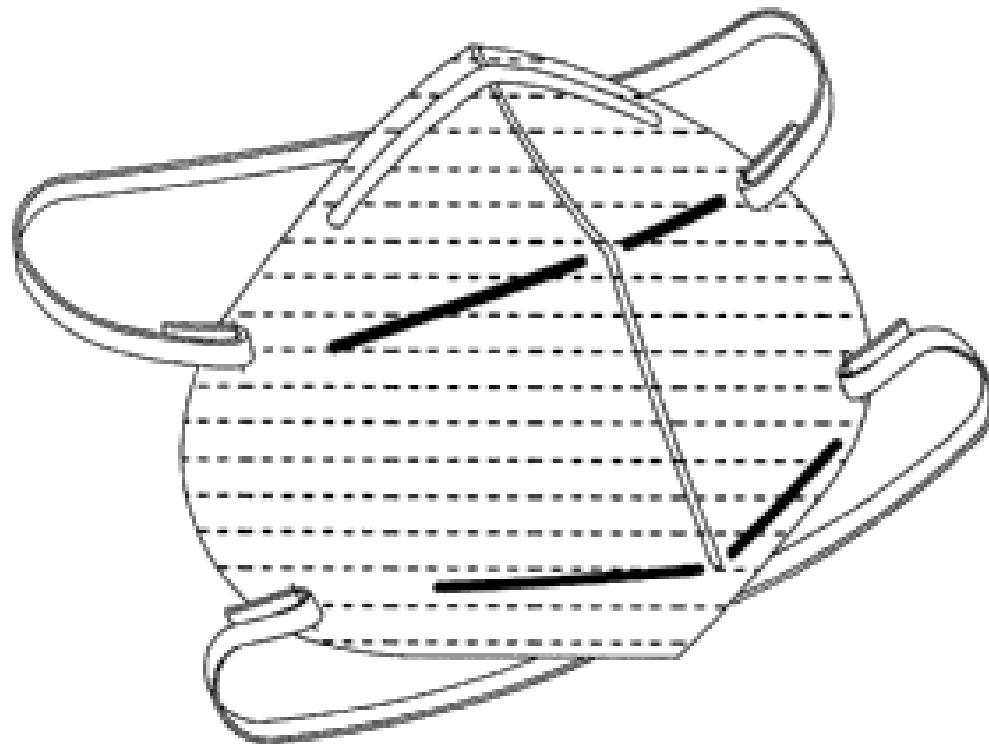


- (21) Design Number: **15318/2005**
- (22) Date of Filing Application: **30 November 2005**
- (24) Date from which industrial property rights may have effect: **30 November 2005**
- (54) Product in respect of which the design is registered: **Paper dispenser**
- (51) International Design Classification: **23-02A**
- (71) Name(s) and Address(s) of Applicant(s):
SCA Hygiene Products AB
S-405 03 Goteborg Sweden
- (72) Name(s) of Designer(s): **Wolfgang Ott and Russel Wieser**
- (45) Registration Date: **21 June 2006**
- (30) Convention priority data:

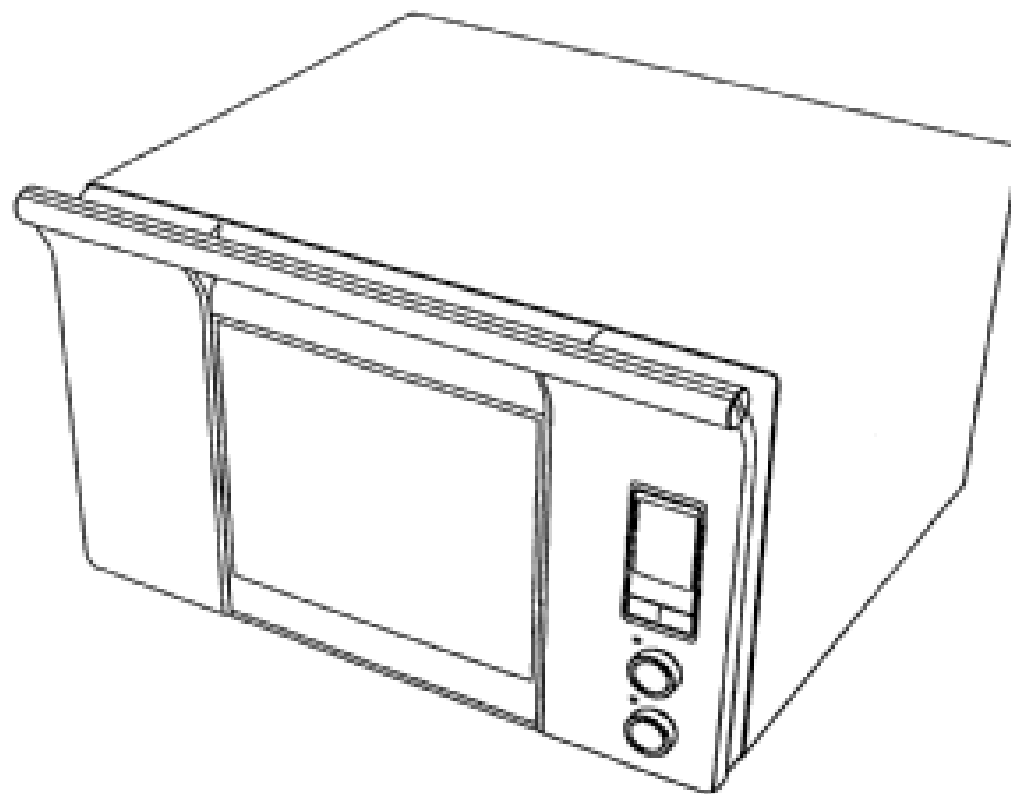
(31) Number	(32) Date	(33) Country
29/231,313	03 Jun 2005	UNITED STATES OF AMERICA
- (56) Related Art Documents: **Not Applicable**
- (57) Statement of Newness and Distinctiveness: **Nil**



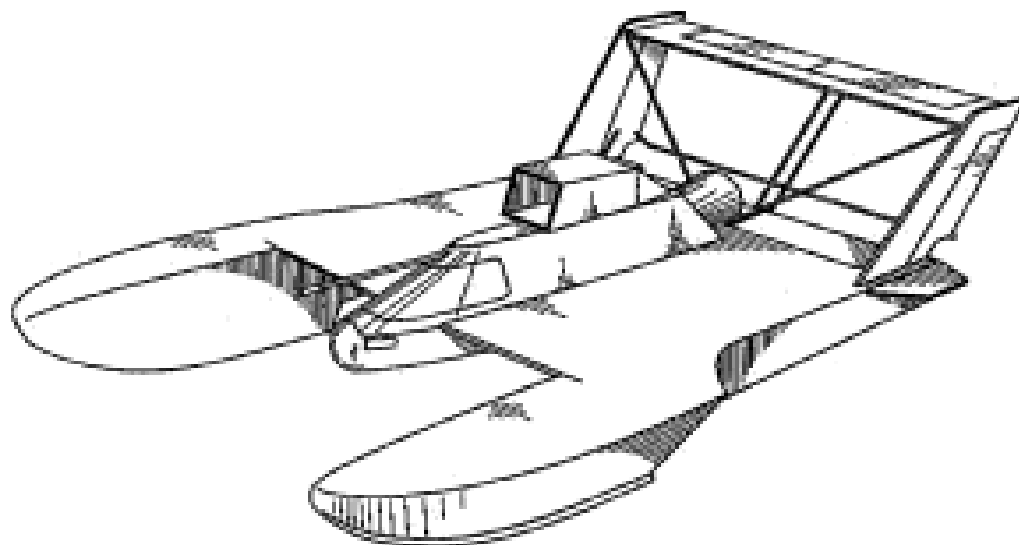
- (21) Design Number: **15392/2005**
(22) Date of Filing Application: **06 December 2005**
(24) Date from which industrial property rights may have effect: **06 December 2005**
(54) Product in respect of which the design is registered: **A grey respiratory mask having black lines of demarcation**
(51) International Design Classification: **29-02**
(71) Name(s) and Address(s) of Applicant(s):
3M Innovative Properties Company
3M Center Saint Paul Minnesota 55133-3427 United States of America
(72) Name(s) of Designer(s): **Yonas Gebrewold and Dean M. Remer**
(45) Registration Date: **21 June 2006**
(30) Convention priority data:
(31) Number (32) Date (33) Country
29/233063 27 Jun 2005 UNITED STATES OF AMERICA
(56) Related Art Documents: **Not Applicable**
(57) Statement of Newness and Distinctiveness: **The broken line showing forms no part of the claimed design. The horizontal dashed lines indicate the color grey. The solid black areas indicate the color black. Any shading that is provided is done so only to illustrate contour and is not an indication of texture, gloss, etc.**



- (21) Design Number: **15393/2005**
(22) Date of Filing Application: **06 December 2005**
(24) Date from which industrial property rights may have effect: **06 December 2005**
(54) Product in respect of which the design is registered: **Oven**
(51) International Design Classification: **07-02B**
(71) Name(s) and Address(s) of Applicant(s):
Sharp Kabushiki Kaisha
22-22 Nagaïke-cho Abeno-ku Osaka 545-8522 Japan
(72) Name(s) of Designer(s): **Osamu Kawata and Hiroshi Mizuno**
(45) Registration Date: **21 June 2006**
(30) Convention priority data:
(31) Number (32) Date (33) Country
2005-022685 04 Aug 2005 JAPAN
(56) Related Art Documents: **Not Applicable**
(57) Statement of Newness and Distinctiveness: **Nil**



(21) Design Number: **15406/2005**
(22) Date of Filing Application: **06 December 2005**
(24) Date from which industrial property rights may have effect: **06 December 2005**
(54) Product in respect of which the design is registered: **Model aircraft**
(51) International Design Classification: **21-01C**
(71) Name(s) and Address(s) of Applicant(s):
Ernest Butler
1701 SE 6th Avenue Mineral Wells Texas United States of America
Michael Connally
1206 Lynn Street Weatherford 76086 Texas United States of America
(72) Name(s) of Designer(s): **Ernest Butler and Michael Connally**
(45) Registration Date: **21 June 2006**
(30) Convention priority data:
(31) Number (32) Date (33) Country
29/233624 07 Jul 2005 UNITED STATES OF AMERICA
(56) Related Art Documents: **Not Applicable**
(57) Statement of Newness and Distinctiveness: **Nil**



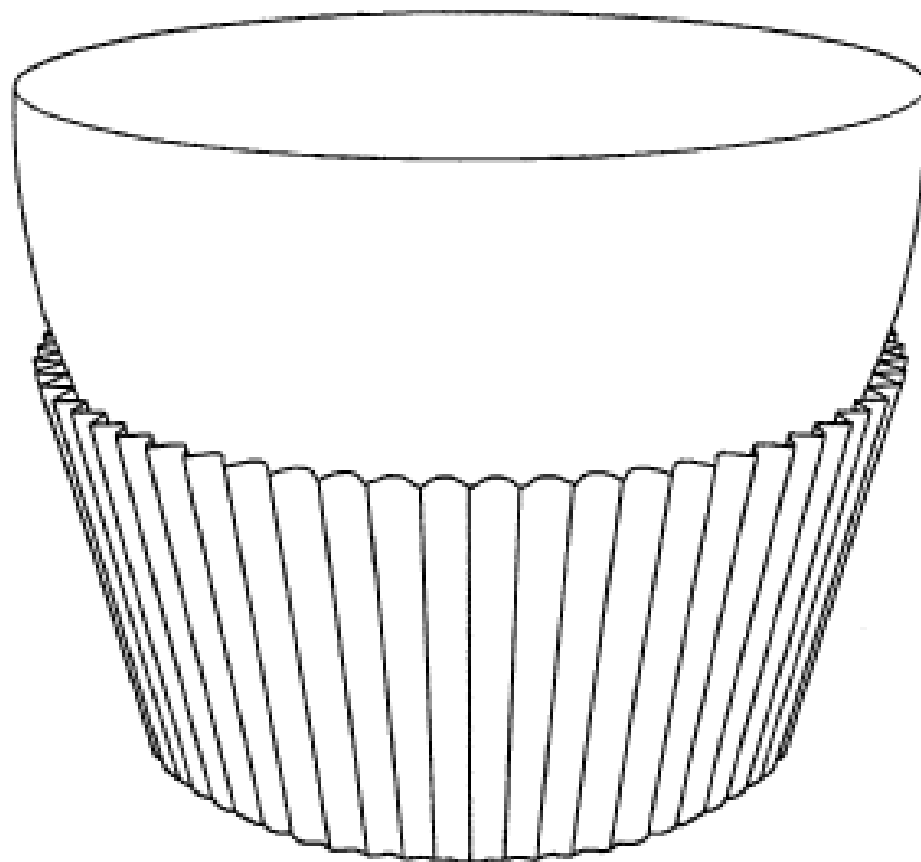
(21) Design Number: **15424/2005**
(22) Date of Filing Application: **06 December 2005**
(24) Date from which industrial property rights may have effect: **06 December 2005**
(54) Product in respect of which the design is registered: **Bottle**
(51) International Design Classification: **09-01H**
(71) Name(s) and Address(s) of Applicant(s):
Heineken Brouwerijen B.V.
2e Weteringplantsoen 21 1017 ZD Amsterdam The Netherlands
(72) Name(s) of Designer(s): **Richard Grosmann**
(45) Registration Date: **21 June 2006**
(56) Related Art Documents: **Not Applicable**
(57) Statement of Newness and Distinctiveness: **Nil**



- (21) Design Number: **15425/2005**
(22) Date of Filing Application: **06 December 2005**
(24) Date from which industrial property rights may have effect: **16 May 2005**
(54) Product in respect of which the design is registered: **Container**
(51) International Design Classification: **09-03L, 09-03C**
(71) Name(s) and Address(s) of Applicant(s):

Soremartec S.A.
Dreve de l'Arc-en-ciel 102 B-6700 Schoppach Arlon Belgium

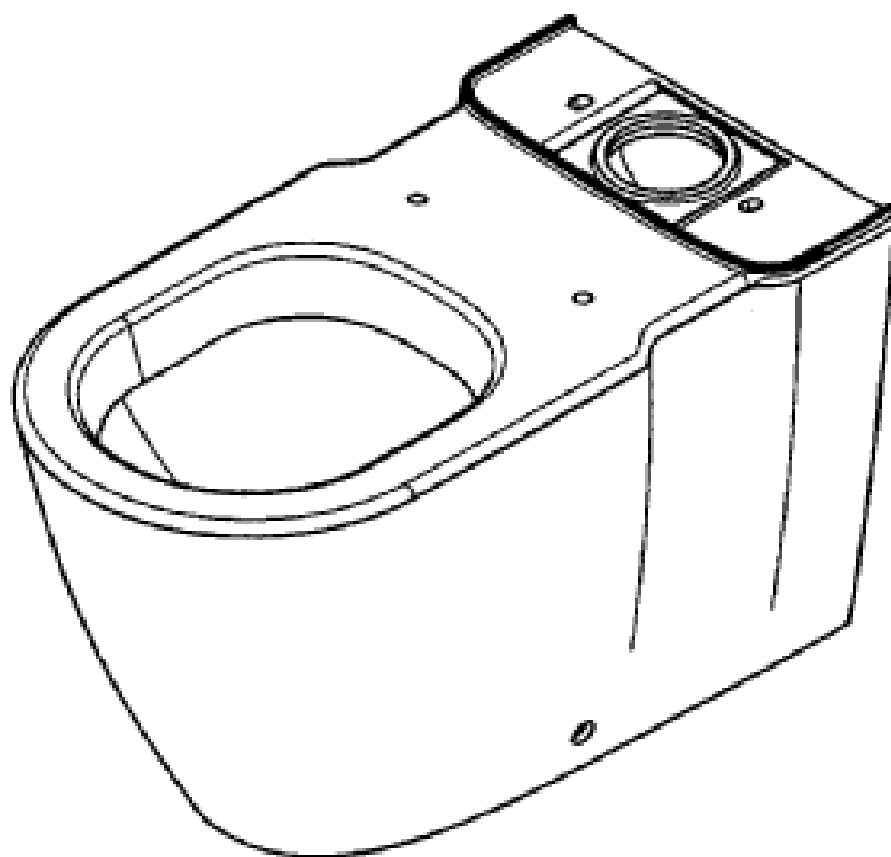
- (72) Name(s) of Designer(s): **Sergio Mansuino**
(45) Registration Date: **21 June 2006**
(62) Divisional of: **306211**
(56) Related Art Documents: **Not Applicable**
(57) Statement of Newness and Distinctiveness: **Those features of the container depicted in the representations that are new and distinctive are the shape and/or configuration. The features shown in the bottom view are not part of the design and are to be disregarded when considering the overall impression of the design.**



- (21) Design Number: **15427/2005**
(22) Date of Filing Application: **06 December 2005**
(24) Date from which industrial property rights may have effect: **06 December 2005**
(54) Product in respect of which the design is registered: **A toilet pan**
(51) International Design Classification: **23-02C**
(71) Name(s) and Address(s) of Applicant(s):

Caroma Industries Limited
Level 3 159 Coronation Drive Milton Queensland 4064 Australia

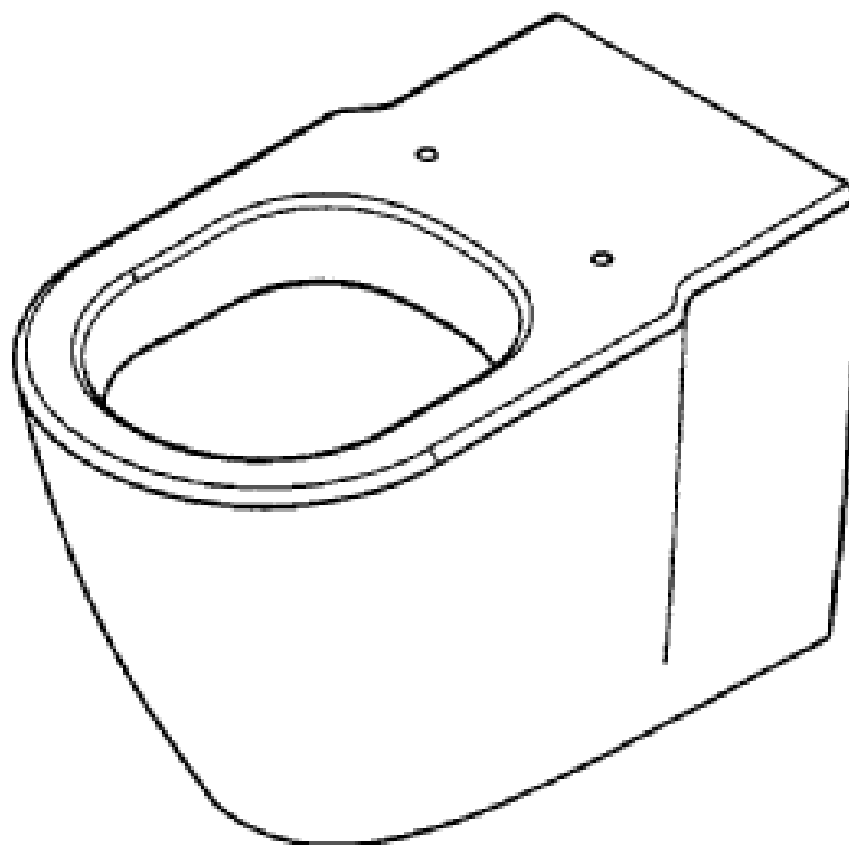
- (72) Name(s) of Designer(s): **Stephen John Cummings and Vincent Kai Hong Ho**
(45) Registration Date: **21 June 2006**
(56) Related Art Documents: **Not Applicable**
(57) Statement of Newness and Distinctiveness: **Newness and distinctiveness is claimed in the features of shape and/or configuration of a toilet pan as illustrated in the accompanying representations.**



- (21) Design Number: **15428/2005**
(22) Date of Filing Application: **06 December 2005**
(24) Date from which industrial property rights may have effect: **06 December 2005**
(54) Product in respect of which the design is registered: **A cistern**
(51) International Design Classification: **23-02C**
(71) Name(s) and Address(s) of Applicant(s):
Caroma Industries Limited
Level 3 159 Coronation Drive Milton Queensland 4064 Australia
(72) Name(s) of Designer(s): **Stephen John Cummings and Vincent Kai Hong Ho**
(45) Registration Date: **21 June 2006**
(56) Related Art Documents: **Not Applicable**
(57) Statement of Newness and Distinctiveness: **Newness and distinctiveness is claimed in the features of shape and/or configuration of a cistern as illustrated in the accompanying representations.**



- (21) Design Number: **15429/2005**
(22) Date of Filing Application: **06 December 2005**
(24) Date from which industrial property rights may have effect: **06 December 2005**
(54) Product in respect of which the design is registered: **A toilet pan**
(51) International Design Classification: **23-02C**
(71) Name(s) and Address(s) of Applicant(s):
Caroma Industries Limited
Level 3 159 Coronation Drive Milton Queensland 4064 Australia
(72) Name(s) of Designer(s): **Stephen John Cummings and Vincent Kai Hong Ho**
(45) Registration Date: **21 June 2006**
(56) Related Art Documents: **Not Applicable**
(57) Statement of Newness and Distinctiveness: **Newness and distinctiveness is claimed in the features of shape and/or configuration of a toilet pan as illustrated in the accompanying representations.**



(21) Design Number: **15430/2005**
(22) Date of Filing Application: **07 December 2005**
(24) Date from which industrial property rights may have effect: **07 December 2005**
(54) Product in respect of which the design is registered: **Drinking glasses**
(51) International Design Classification: **07-01C**
(71) Name(s) and Address(s) of Applicant(s):
Pi-Design AG
Kantonsstrasse 100 Postfach 463 CH-6234 Triengen Switzerland
(72) Name(s) of Designer(s): **Jorgen Bodum**
(45) Registration Date: **21 June 2006**
(30) Convention priority data:
(31) Number (32) Date (33) Country
DA 2005 07 Jun 2005 DENMARK
00166
(56) Related Art Documents: **Not Applicable**
(57) Statement of Newness and Distinctiveness: **Nil**



(21) Design Number: **15431/2005**
(22) Date of Filing Application: **07 December 2005**
(24) Date from which industrial property rights may have effect: **07 December 2005**
(54) Product in respect of which the design is registered: **Drinking glasses**
(51) International Design Classification: **07-01C**
(71) Name(s) and Address(s) of Applicant(s):
Pi-Design AG
Kantonsstrasse 100 Postfach 463 CH-6234 Triengen Switzerland
(72) Name(s) of Designer(s): **Jorgen Bodum**
(45) Registration Date: **21 June 2006**
(30) Convention priority data:
(31) Number (32) Date (33) Country
DA 2005 07 Jun 2005 DENMARK
00166
(56) Related Art Documents: **Not Applicable**
(57) Statement of Newness and Distinctiveness: **Nil**



(21) Design Number: **15432/2005**

(22) Date of Filing Application: **07 December 2005**

(24) Date from which industrial property rights may have effect: **07 December 2005**

(54) Product in respect of which the design is registered: **Drinking glasses**

(51) International Design Classification: **07-01C**

(71) Name(s) and Address(s) of Applicant(s):

Pi-Design AG

Kantonsstrasse 100 Postfach 463 CH-6234 Triengen Switzerland

(72) Name(s) of Designer(s): **Jorgen Bodum**

(45) Registration Date: **21 June 2006**

(30) Convention priority data:

(31) Number

(32) Date

(33) Country

DA 2005

07 Jun 2005

DENMARK

00166

(56) Related Art Documents: **Not Applicable**

(57) Statement of Newness and Distinctiveness: **Nil**



(21) Design Number: **15433/2005**

(22) Date of Filing Application: **06 December 2005**

(24) Date from which industrial property rights may have effect: **06 December 2005**

(54) Product in respect of which the design is registered: **Race car seat**

(51) International Design Classification: **06-01D**

(71) Name(s) and Address(s) of Applicant(s):

Te-Fu Chen

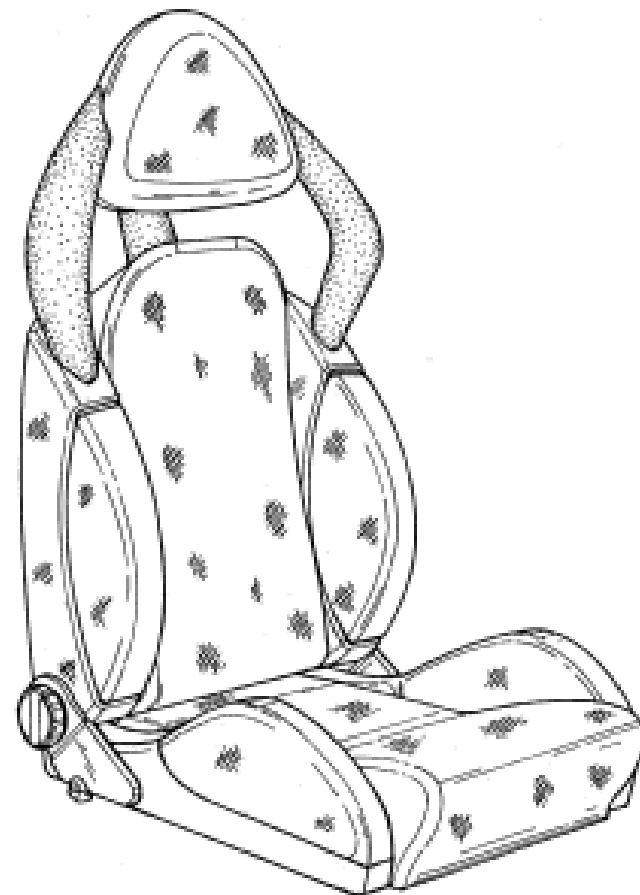
No.4 Lane 33 Rihsin St. Tucheng City Taipei Country 236 Taiwan

(72) Name(s) of Designer(s): **Te-Fu Chen**

(45) Registration Date: **21 June 2006**

(56) Related Art Documents: **Not Applicable**

(57) Statement of Newness and Distinctiveness: **The newness and distinctiveness of the design resides in the shape and configuration of a race car seat as illustrated in the accompanying representations.**



- (21) Design Number: **15434/2005**
(22) Date of Filing Application: **06 December 2005**
(24) Date from which industrial property rights may have effect: **06 December 2005**
(54) Product in respect of which the design is registered: **Packaging box**
(51) International Design Classification: **09-03M**
(71) Name(s) and Address(s) of Applicant(s):
Aisin Seiki Kabushiki Kaisha
1 Asahi-machi 2-chome Kariya-shi Aichi-Ken 448-8650 Japan
(72) Name(s) of Designer(s): **Masahiro Shiiya and Takao Takaki and Hiroyuki Kita and Keizo Suenaga**
(45) Registration Date: **21 June 2006**
(30) Convention priority data:
(31) Number (32) Date (33) Country
2005-017219 14 Jun 2005 JAPAN
(56) Related Art Documents: **Not Applicable**
(57) Statement of Newness and Distinctiveness: **The statement of newness and distinctiveness of the design resides in the pattern and ornamentation, including the colour, but excluding the words and "AISIN" logo, as illustrated in the accompanying representations.**



- (21) Design Number: **15435/2005**
(22) Date of Filing Application: **06 December 2005**
(24) Date from which industrial property rights may have effect: **06 December 2005**
(54) Product in respect of which the design is registered: **Packaging box**
(51) International Design Classification: **09-03M**
(71) Name(s) and Address(s) of Applicant(s):
Aisin Seiki Kabushiki Kaisha
1 Asahi-machi 2-chome Kariya-shi Aichi-Ken 448-8650 Japan
(72) Name(s) of Designer(s): **Masahiro Shiiya and Takao Takaki and Hiroyuki Kita and Keizo Suenaga**
(45) Registration Date: **21 June 2006**
(30) Convention priority data:
(31) Number (32) Date (33) Country
2005-017220 14 Jun 2005 JAPAN
(56) Related Art Documents: **Not Applicable**
(57) Statement of Newness and Distinctiveness: **The statement of newness and distinctiveness of the design resides in the pattern and ornamentation, including the colour, but excluding the words and "AISIN" logo, as illustrated in the accompanying representations.**



- (21) Design Number: **15436/2005**
(22) Date of Filing Application: **06 December 2005**
(24) Date from which industrial property rights may have effect: **06 December 2005**
(54) Product in respect of which the design is registered: **Packaging box**
(51) International Design Classification: **09-03M**
(71) Name(s) and Address(s) of Applicant(s):
Aisin Seiki Kabushiki Kaisha
1 Asahi-machi 2-chome Kariya-shi Aichi-Ken 448-8650 Japan
(72) Name(s) of Designer(s): **Masahiro Shiiya and Takao Takaki and Hiroyuki Kita and Keizo Suenaga**
(45) Registration Date: **21 June 2006**
(30) Convention priority data:
(31) Number (32) Date (33) Country
2005-017221 14 Jun 2005 JAPAN
(56) Related Art Documents: **Not Applicable**
(57) Statement of Newness and Distinctiveness: **The statement of newness and distinctiveness of the design resides in the pattern and ornamentation, including the colour, but excluding the words and "AISIN" logo, as illustrated in the accompanying representations.**



- (21) Design Number: **15437/2005**
(22) Date of Filing Application: **06 December 2005**
(24) Date from which industrial property rights may have effect: **06 December 2005**
(54) Product in respect of which the design is registered: **Packaging box**
(51) International Design Classification: **09-03M**
(71) Name(s) and Address(s) of Applicant(s):
Aisin Seiki Kabushiki Kaisha
1 Asahi-machi 2-chome Kariya-shi Aichi-Ken 448-8650 Japan
(72) Name(s) of Designer(s): **Masahiro Shiiya and Takao Takaki and Hiroyuki Kita and Keizo Suenaga**
(45) Registration Date: **21 June 2006**
(30) Convention priority data:
(31) Number (32) Date (33) Country
2005-017222 14 Jun 2005 JAPAN
(56) Related Art Documents: **Not Applicable**
(57) Statement of Newness and Distinctiveness: **The statement of newness and distinctiveness of the design resides in the pattern and ornamentation, including the colour, but excluding the words and "AISIN" logo, as illustrated in the accompanying representations.**



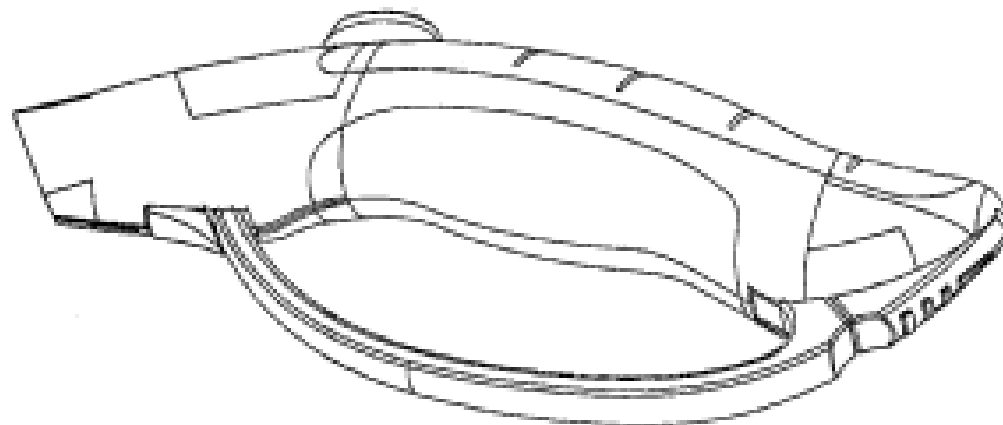
- (21) Design Number: **15438/2005**
(22) Date of Filing Application: **06 December 2005**
(24) Date from which industrial property rights may have effect: **06 December 2005**
(54) Product in respect of which the design is registered: **Packaging box**
(51) International Design Classification: **09-03M**
(71) Name(s) and Address(s) of Applicant(s):
Aisin Seiki Kabushiki Kaisha
1 Asahi-machi 2-chome Kariya-shi Aichi-Ken 448-8650 Japan
(72) Name(s) of Designer(s): **Masahiro Shiiya and Takao Takaki and Hiroyuki Kita and Keizo Suenaga**
(45) Registration Date: **21 June 2006**
(30) Convention priority data:
(31) Number (32) Date (33) Country
2005-017223 14 Jun 2005 JAPAN
(56) Related Art Documents: **Not Applicable**
(57) Statement of Newness and Distinctiveness: **The statement of newness and distinctiveness of the design resides in the pattern and ornamentation, including the colour, but excluding the words and "AISIN" logo, as illustrated in the accompanying representations.**



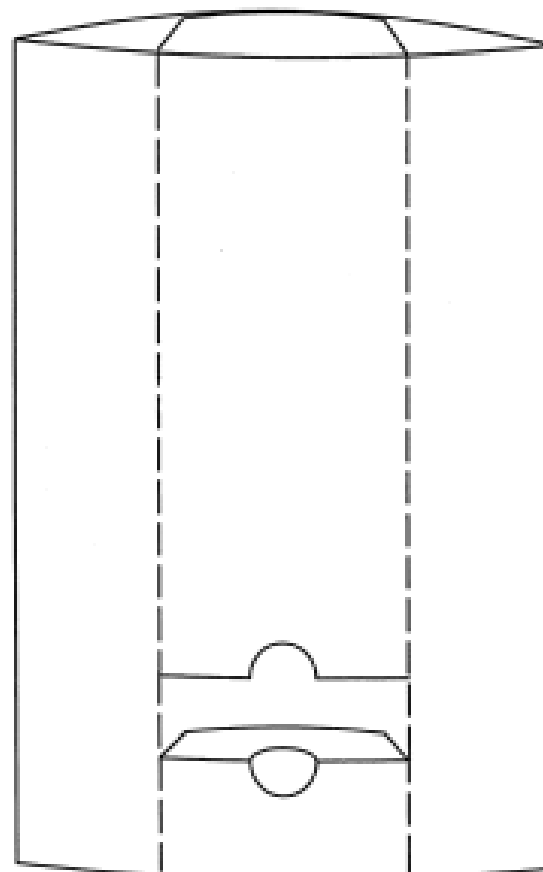
- (21) Design Number: **15439/2005**
(22) Date of Filing Application: **06 December 2005**
(24) Date from which industrial property rights may have effect: **06 December 2005**
(54) Product in respect of which the design is registered: **Packaging box**
(51) International Design Classification: **09-03M**
(71) Name(s) and Address(s) of Applicant(s):
Aisin Seiki Kabushiki Kaisha
1 Asahi-machi 2-chome Kariya-shi Aichi-Ken 448-8650 Japan
(72) Name(s) of Designer(s): **Masahiro Shiiya and Takao Takaki and Hiroyuki Kita and Keizo Suenaga**
(45) Registration Date: **21 June 2006**
(30) Convention priority data:
(31) Number (32) Date (33) Country
2005-017224 14 Jun 2005 JAPAN
(56) Related Art Documents: **Not Applicable**
(57) Statement of Newness and Distinctiveness: **The statement of newness and distinctiveness of the design resides in the pattern and ornamentation, including the colour, but excluding the words and "AISIN" logo, as illustrated in the accompanying representations.**



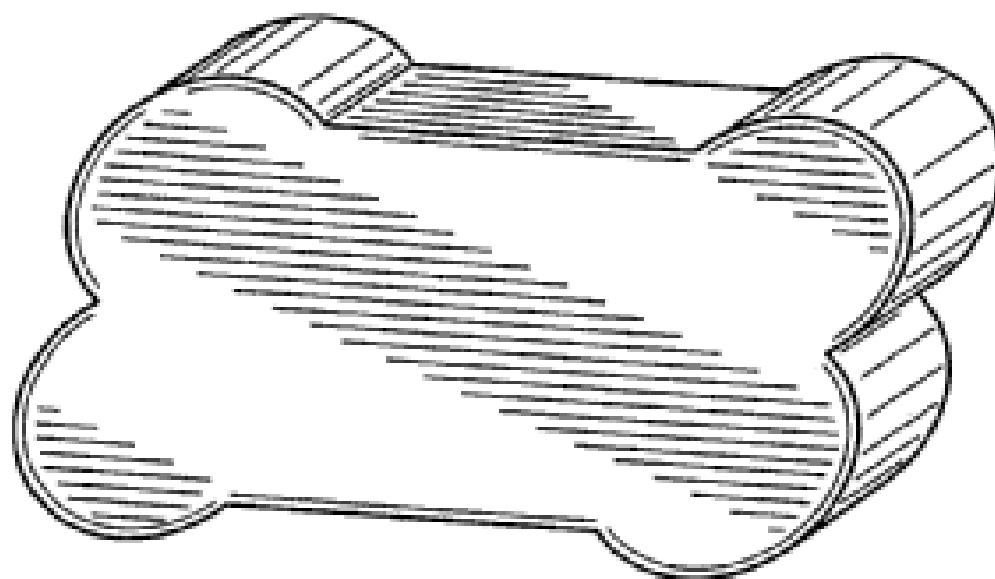
(21) Design Number: **15448/2005**
(22) Date of Filing Application: **07 December 2005**
(24) Date from which industrial property rights may have effect: **07 December 2005**
(54) Product in respect of which the design is registered: **A knife**
(51) International Design Classification: **08-03**
(71) Name(s) and Address(s) of Applicant(s):
ITW Australia Pty Ltd
600 South Road Moorabbin Victoria 3189 Australia
(72) Name(s) of Designer(s): **Zhang Yujun**
(45) Registration Date: **21 June 2006**
(30) Convention priority data:
(31) Number (32) Date (33) Country
200530042890.4 30 Aug 2005 CHINA
(56) Related Art Documents: **Not Applicable**
(57) Statement of Newness and Distinctiveness: **Nil**



(21) Design Number: **15458/2005**
(22) Date of Filing Application: **05 December 2005**
(24) Date from which industrial property rights may have effect: **05 December 2005**
(54) Product in respect of which the design is registered: **Poster holder**
(51) International Design Classification: **20-03NES**
(71) Name(s) and Address(s) of Applicant(s):
McKinnon Advertising & Associates Pty Ltd
5 Burbank Place Norwest Business Park Baulkham Hills 2153 New South Wales Australia
(72) Name(s) of Designer(s): **Andrew Ross McKinnon**
(45) Registration Date: **21 June 2006**
(56) Related Art Documents: **Not Applicable**
(57) Statement of Newness and Distinctiveness: **Newness and distinctiveness is claimed in the shape and/or configuration of a poster holder as illustrated by the unbroken lines in the accompanying representations/s.**



(21) Design Number: **10861/2006**
(22) Date of Filing Application: **06 March 2006**
(24) Date from which industrial property rights may have effect: **06 March 2006**
(54) Product in respect of which the design is registered: **Bag dispenser**
(51) International Design Classification: **09-09**
(71) Name(s) and Address(s) of Applicant(s):
Timothy Edwards
601 Hoska Drive Del Mar CA 92014 United States of America
(72) Name(s) of Designer(s): **Timothy Edwards**
(45) Registration Date: **22 June 2006**
(30) Convention priority data:
(31) Number (32) Date (33) Country
29/253947 14 Feb 2006 UNITED STATES OF AMERICA
(56) Related Art Documents: **Not Applicable**
(57) Statement of Newness and Distinctiveness: **Nil**



(21) Design Number: **14716/2005**
(22) Date of Filing Application: **25 October 2005**
(24) Date from which industrial property rights may have effect: **25 October 2005**
(54) Product in respect of which the design is registered: **Shoe**
(51) International Design Classification: **02-04NES**
(71) Name(s) and Address(s) of Applicant(s):
Lacoste
8 rue de Castiglione 75001 Paris France
(72) Name(s) of Designer(s): **Emily Hulbert**
(45) Registration Date: **22 June 2006**
(30) Convention priority data:
(31) Number (32) Date (33) Country
200530019042.1 22 Jun 2005 CHINA
(56) Related Art Documents: **Not Applicable**
(57) Statement of Newness and Distinctiveness: **Nil**



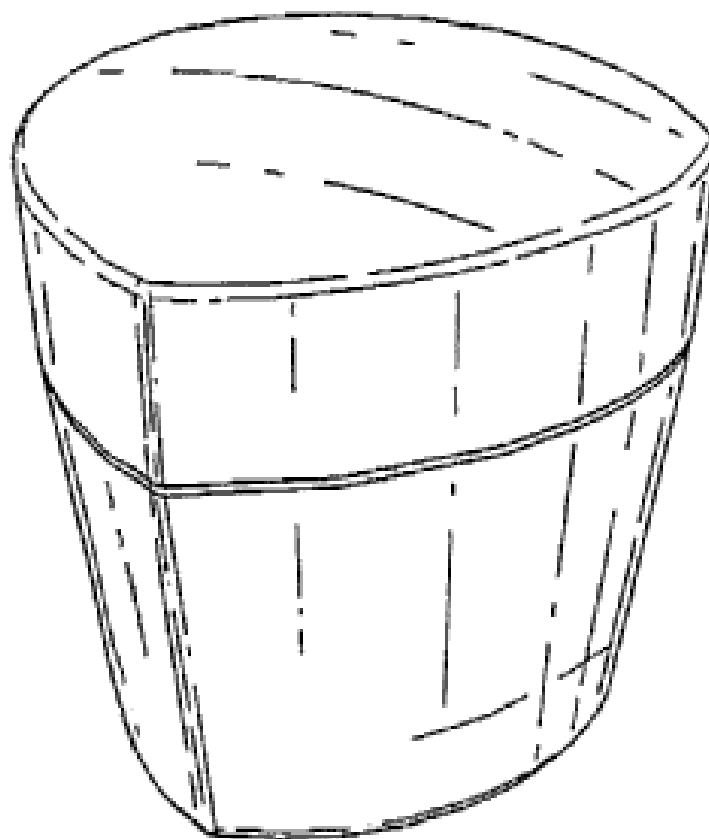
- (21) Design Number: **14718/2005**
(22) Date of Filing Application: **25 October 2005**
(24) Date from which industrial property rights may have effect: **25 October 2005**
(54) Product in respect of which the design is registered: **Shoe**
(51) International Design Classification: **02-04NES**
(71) Name(s) and Address(s) of Applicant(s):
Lacoste
8 rue de Castiglione 75001 Paris France
(72) Name(s) of Designer(s): **Emily Hulbert**
(45) Registration Date: **22 June 2006**
(30) Convention priority data:
(31) Number (32) Date (33) Country
200530019068.6 22 Jun 2005 CHINA
(56) Related Art Documents: **Not Applicable**
(57) Statement of Newness and Distinctiveness: **The representations show a shoe having certain trade marks applied, namely a crocodile logo and words on the inner sole; this trade mark material forms no part of the design for which registration is sought.**



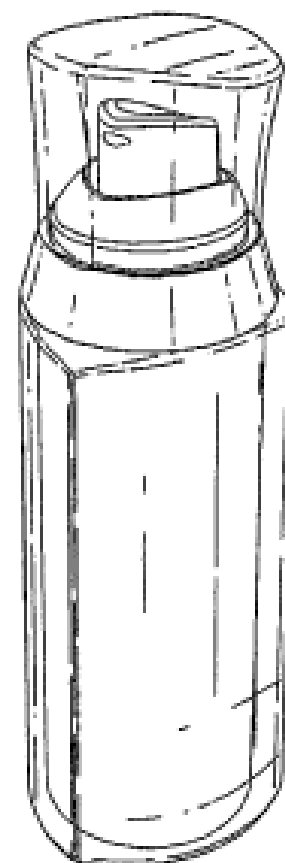
- (21) Design Number: **15338/2005**
(22) Date of Filing Application: **02 December 2005**
(24) Date from which industrial property rights may have effect: **02 December 2005**
(54) Product in respect of which the design is registered: **BA falcon XR6/8 rear bumper upper section**
(51) International Design Classification: **12-16C**
(71) Name(s) and Address(s) of Applicant(s):
Grant Cowell Trading as Bayside Bumpers
33 Barbara Street Moorabbin Victoria 3189 Australia
(72) Name(s) of Designer(s): **Grant Cowell**
(45) Registration Date: **22 June 2006**
(56) Related Art Documents: **Not Applicable**
(57) Statement of Newness and Distinctiveness: *** A large opening has been installed in the centre of the bumper bar so that steel mesh can be attached to the inside of the opening. Thus giving the bumper bar a much better look.**



- (21) Design Number: **15385/2005**
(22) Date of Filing Application: **02 December 2005**
(24) Date from which industrial property rights may have effect: **28 April 2005**
(54) Product in respect of which the design is registered: **Container**
(51) International Design Classification: **09-03NES**
(71) Name(s) and Address(s) of Applicant(s):
The Procter & Gamble Company
One Procter & Gamble Plaza Cincinnati Ohio 45202 United States of America
(72) Name(s) of Designer(s): **Tanya Nicole Blasko and Stacy Alycia Thomas and Erica Heidi Hollmann**
(45) Registration Date: **22 June 2006**
(62) Divisional of: **306162**
(56) Related Art Documents: **Not Applicable**
(57) Statement of Newness and Distinctiveness: **Those visual features of the container depicted in the representations that are new and distinctive are the shape and/or configuration.**



- (21) Design Number: **15386/2005**
(22) Date of Filing Application: **02 December 2005**
(24) Date from which industrial property rights may have effect: **28 April 2005**
(54) Product in respect of which the design is registered: **Container**
(51) International Design Classification: **09-01A**
(71) Name(s) and Address(s) of Applicant(s):
The Procter & Gamble Company
One Procter & Gamble Plaza Cincinnati Ohio 45202 United States of America
(72) Name(s) of Designer(s): **Tanya Nicole Blasko and Stacy Alycia Thomas and Erica Heidi Hollmann**
(45) Registration Date: **22 June 2006**
(62) Divisional of: **306135**
(56) Related Art Documents: **Not Applicable**
(57) Statement of Newness and Distinctiveness: **Those visual features of the container depicted in the representations that are new and distinctive are the shape and/or configuration.**



(21) Design Number: **15387/2005**

(22) Date of Filing Application: **02 December 2005**

(24) Date from which industrial property rights may have effect: **28 April 2005**

(54) Product in respect of which the design is registered: **Container**

(51) International Design Classification: **09-01A, 09-07A**

(71) Name(s) and Address(s) of Applicant(s):

The Procter & Gamble Company
One Procter & Gamble Plaza Cincinnati Ohio 45202 United States of America

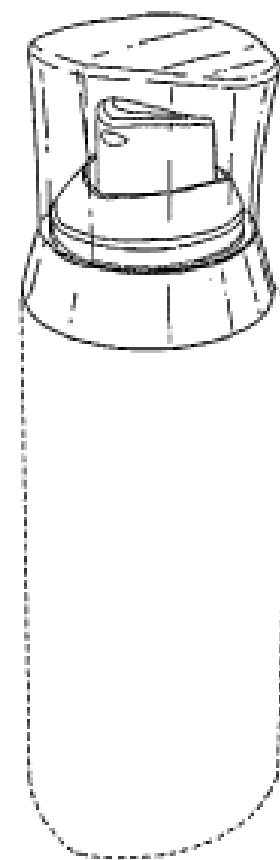
(72) Name(s) of Designer(s): **Tanya Nicole Blasko and Stacy Alycia Thomas and Erica Heidi Hollmann**

(45) Registration Date: **22 June 2006**

(62) Divisional of: **306135**

(56) Related Art Documents: **Not Applicable**

(57) Statement of Newness and Distinctiveness: **Those visual features of the container depicted in continuous lines in the representations that are new and distinctive are the shape and/or configuration. The features shown in broken line are not part of the design and are to be disregarded when considering the overall impression of the design.**



(21) Design Number: **15511/2005**

(22) Date of Filing Application: **13 December 2005**

(24) Date from which industrial property rights may have effect: **13 December 2005**

(54) Product in respect of which the design is registered: **Crate with two open sides**

(51) International Design Classification: **09-04**

(71) Name(s) and Address(s) of Applicant(s):

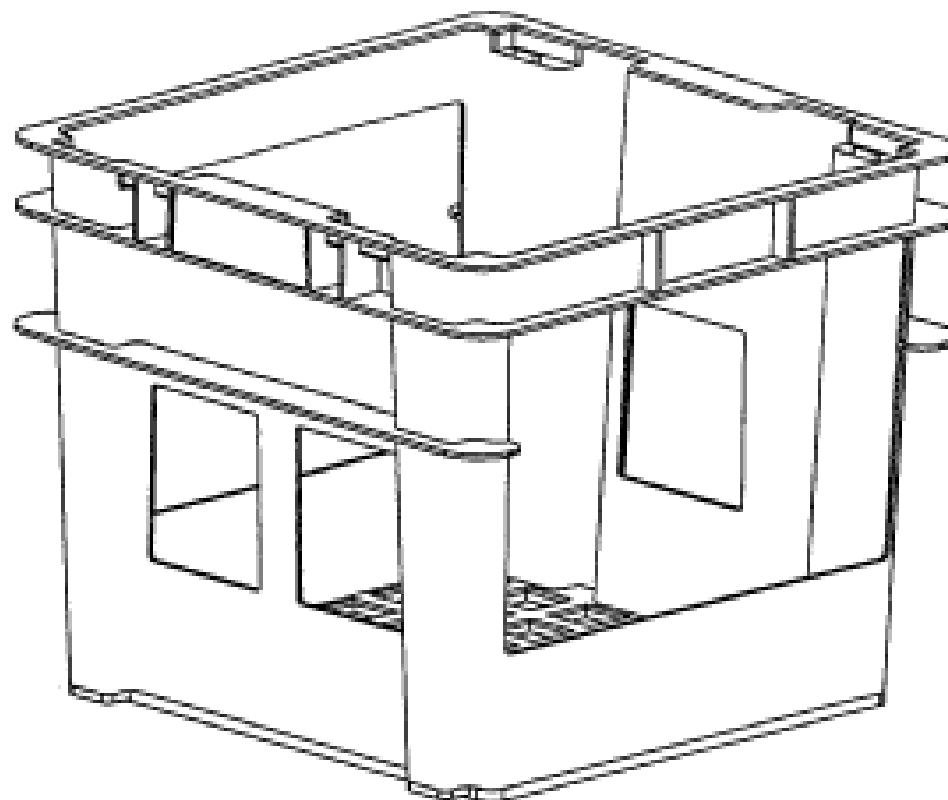
Checkmate International Pty Ltd
9-11 Railway Avenue Huntingdale Victoria 3166 Australia

(72) Name(s) of Designer(s): **John Leahy**

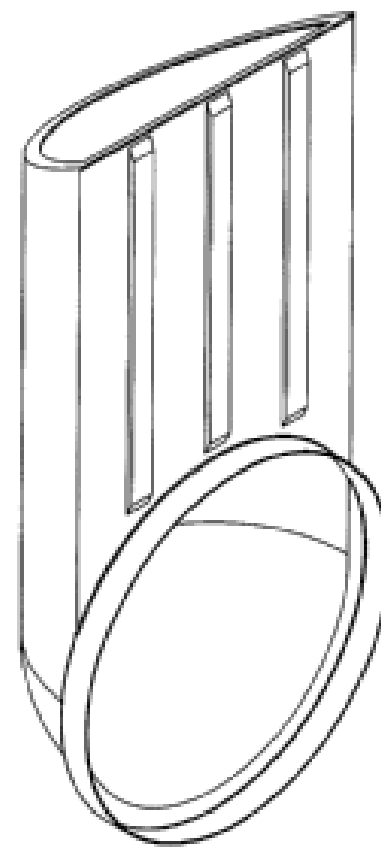
(45) Registration Date: **22 June 2006**

(56) Related Art Documents: **Not Applicable**

(57) Statement of Newness and Distinctiveness: **Crate with two open sides.**

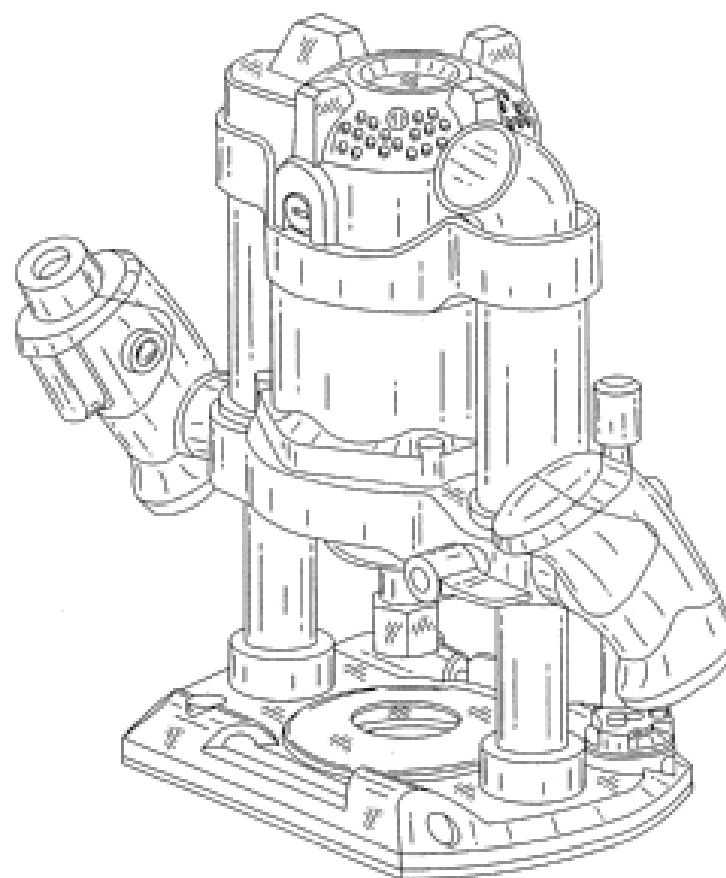


- (21) Design Number: **15516/2005**
- (22) Date of Filing Application: **14 December 2005**
- (24) Date from which industrial property rights may have effect: **14 December 2005**
- (54) Product in respect of which the design is registered: **Agricultural sprayer intake**
- (51) International Design Classification: **15-03NES**
- (71) Name(s) and Address(s) of Applicant(s):
Silvan Australia Pty Ltd
89 Lewis Road Wantirna South Victoria 3152 Australia
- (72) Name(s) of Designer(s): **Leighton J. O'Rielly**
- (45) Registration Date: **22 June 2006**
- (56) Related Art Documents: **Not Applicable**
- (57) Statement of Newness and Distinctiveness: **Agricultural Sprayer Intake**



- (21) Design Number: **15517/2005**
- (22) Date of Filing Application: **13 December 2005**
- (24) Date from which industrial property rights may have effect: **13 December 2005**
- (54) Product in respect of which the design is registered: **Router**
- (51) International Design Classification: **08-01**
- (71) Name(s) and Address(s) of Applicant(s):
Black & Decker Inc.
1207 Drummond Plaza Newark Delaware 19711 United States of America
- (72) Name(s) of Designer(s): **Nigel Robson**
- (45) Registration Date: **22 June 2006**
- (30) Convention priority data:

(31) Number	(32) Date	(33) Country
000372743-0001	18 Jul 2005	EUROPEAN COMMUNITY
- (56) Related Art Documents: **Not Applicable**
- (57) Statement of Newness and Distinctiveness: **Nil**



(21) Design Number: **15518/2005**
(22) Date of Filing Application: **13 December 2005**
(24) Date from which industrial property rights may have effect: **13 December 2005**
(54) Product in respect of which the design is registered: **A cooker**
(51) International Design Classification: **07-02A**
(71) Name(s) and Address(s) of Applicant(s):
Electrolux Home Products Corporation N.V.
Zaventem B-1930 Belgium
(72) Name(s) of Designer(s): **Per-Ake Ostlund and David A. Kynoch and Lynn Turnbull and Axel Murmann and Michael Thoenissen**
(45) Registration Date: **22 June 2006**
(30) Convention priority data:
(31) Number (32) Date (33) Country
000356332 16 Jun 2005 EUROPEAN COMMUNITY
(56) Related Art Documents: **Not Applicable**
(57) Statement of Newness and Distinctiveness: **Nil**



(21) Design Number: **15519/2005**
(22) Date of Filing Application: **13 December 2005**
(24) Date from which industrial property rights may have effect: **13 December 2005**
(54) Product in respect of which the design is registered: **A cooker**
(51) International Design Classification: **07-02A**
(71) Name(s) and Address(s) of Applicant(s):
Electrolux Home Products Corporation N.V.
Zaventem B-1930 Belgium
(72) Name(s) of Designer(s): **Per-Ake Ostlund and David A. Kynoch and Lynn Turnbull and Axel Murmann and Michael Thoenissen**
(45) Registration Date: **22 June 2006**
(30) Convention priority data:
(31) Number (32) Date (33) Country
000356332 16 Jun 2005 EUROPEAN COMMUNITY
(56) Related Art Documents: **Not Applicable**
(57) Statement of Newness and Distinctiveness: **Nil**



(21) Design Number: **15520/2005**

(22) Date of Filing Application: **13 December 2005**

(24) Date from which industrial property rights may have effect: **13 December 2005**

(54) Product in respect of which the design is registered: **A cooker**

(51) International Design Classification: **07-02A**

(71) Name(s) and Address(s) of Applicant(s):

**Electrolux Home Products Corporation N.V.
Zaventem B-1930 Belgium**

(72) Name(s) of Designer(s): **Per-Ake Ostlund and David A. Kynoch and Lynn Turnbull and Axel Murmann and Michael Thoenissen**

(45) Registration Date: **22 June 2006**

(30) Convention priority data:

(31) Number	(32) Date	(33) Country
000356332	16 Jun 2005	EUROPEAN COMMUNITY

(56) Related Art Documents: **Not Applicable**

(57) Statement of Newness and Distinctiveness: **Nil**



(21) Design Number: **12251/2005**

(22) Date of Filing Application: **23 May 2005**

(24) Date from which industrial property rights may have effect: **23 May 2005**

(54) Product in respect of which the design is registered: **Swing tag**

(51) International Design Classification: **19-08**

(71) Name(s) and Address(s) of Applicant(s):

**Sportsgirl Pty Ltd
24-40 Rosslyn Street West Melbourne Victoria 3003 Australia**

(72) Name(s) of Designer(s): **Erin Fletcher**

(45) Registration Date: **22 June 2006**

(56) Related Art Documents: **Not Applicable**

(57) Statement of Newness and Distinctiveness: **Nil**



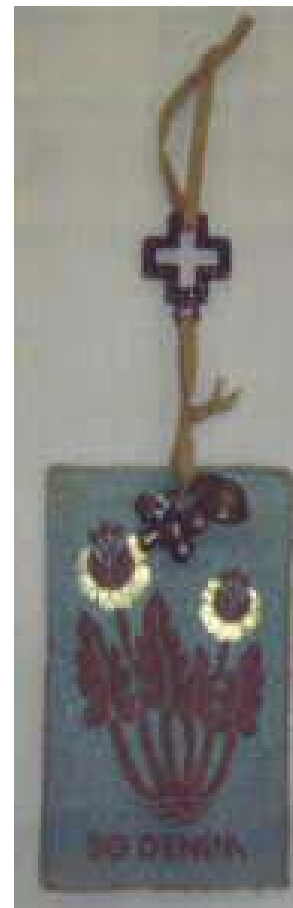
- (21) Design Number: **15229/2005**
(22) Date of Filing Application: **23 May 2005**
(24) Date from which industrial property rights may have effect: **23 May 2005**
(54) Product in respect of which the design is registered: **Swing tag**
(51) International Design Classification: **19-08, 02-07NES**
(71) Name(s) and Address(s) of Applicant(s):
Sportsgirl Pty Ltd
24-40 Rosslyn Street West Melbourne Victoria 3003 Australia
(72) Name(s) of Designer(s): **Erin Fletcher**
(45) Registration Date: **22 June 2006**
(56) Related Art Documents: **Not Applicable**
(57) Statement of Newness and Distinctiveness: **Nil**



- (21) Design Number: **15230/2005**
(22) Date of Filing Application: **23 May 2005**
(24) Date from which industrial property rights may have effect: **23 May 2005**
(54) Product in respect of which the design is registered: **Swing tag**
(51) International Design Classification: **19-08, 02-07NES**
(71) Name(s) and Address(s) of Applicant(s):
Sportsgirl Pty Ltd
24-40 Rosslyn Street West Melbourne Victoria 3003 Australia
(72) Name(s) of Designer(s): **Erin Fletcher**
(45) Registration Date: **22 June 2006**
(56) Related Art Documents: **Not Applicable**
(57) Statement of Newness and Distinctiveness: **Nil**



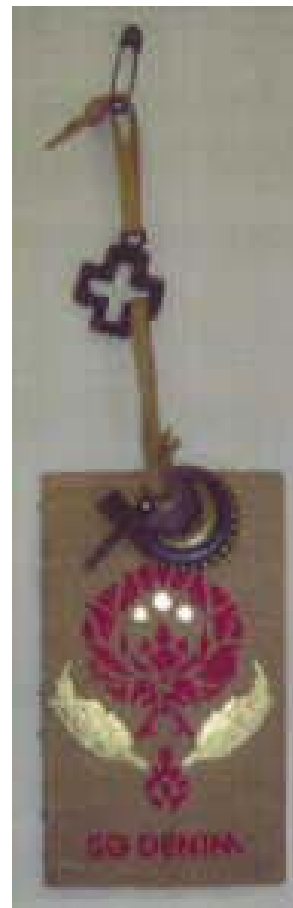
- (21) Design Number: **15231/2005**
(22) Date of Filing Application: **23 May 2005**
(24) Date from which industrial property rights may have effect: **23 May 2005**
(54) Product in respect of which the design is registered: **Swing tag**
(51) International Design Classification: **19-08, 02-07NES**
(71) Name(s) and Address(s) of Applicant(s):
Sportsgirl Pty Ltd
24-40 Rosslyn Street West Melbourne Victoria 3003 Australia
(72) Name(s) of Designer(s): **Erin Fletcher**
(45) Registration Date: **22 June 2006**
(56) Related Art Documents: **Not Applicable**
(57) Statement of Newness and Distinctiveness: **Nil**



- (21) Design Number: **15232/2005**
(22) Date of Filing Application: **23 May 2005**
(24) Date from which industrial property rights may have effect: **23 May 2005**
(54) Product in respect of which the design is registered: **Swing tag**
(51) International Design Classification: **19-08, 02-07NES**
(71) Name(s) and Address(s) of Applicant(s):
Sportsgirl Pty Ltd
24-40 Rosslyn Street West Melbourne Victoria 3003 Australia
(72) Name(s) of Designer(s): **Erin Fletcher**
(45) Registration Date: **22 June 2006**
(56) Related Art Documents: **Not Applicable**
(57) Statement of Newness and Distinctiveness: **Nil**



(21) Design Number: **15233/2005**
(22) Date of Filing Application: **23 May 2005**
(24) Date from which industrial property rights may have effect: **23 May 2005**
(54) Product in respect of which the design is registered: **Swing tag**
(51) International Design Classification: **19-08, 02-07NES**
(71) Name(s) and Address(s) of Applicant(s):
Sportsgirl Pty Ltd
24-40 Rosslyn Street West Melbourne Victoria 3003 Australia
(72) Name(s) of Designer(s): **Erin Fletcher**
(45) Registration Date: **22 June 2006**
(56) Related Art Documents: **Not Applicable**
(57) Statement of Newness and Distinctiveness: **Nil**



(21) Design Number: **15234/2005**
(22) Date of Filing Application: **23 May 2005**
(24) Date from which industrial property rights may have effect: **23 May 2005**
(54) Product in respect of which the design is registered: **Swing tag**
(51) International Design Classification: **19-08, 02-07NES**
(71) Name(s) and Address(s) of Applicant(s):
Sportsgirl Pty Ltd
24-40 Rosslyn Street West Melbourne Victoria 3003 Australia
(72) Name(s) of Designer(s): **Erin Fletcher**
(45) Registration Date: **22 June 2006**
(56) Related Art Documents: **Not Applicable**
(57) Statement of Newness and Distinctiveness: **Nil**



- (21) Design Number: **10791/2005**
(22) Date of Filing Application: **28 February 2005**
(24) Date from which industrial property rights may have effect: **03 February 2005**
(54) Product in respect of which the design is registered: **Lanyard assembly**
(51) International Design Classification: **11-01E, 02-05**
(71) Name(s) and Address(s) of Applicant(s):
LA Loop, LLC
203A 33 Little West 12th St New York NY 10014 United States of America
(72) Name(s) of Designer(s): **Deborah Zoullas and Elizabeth Faraut**
(45) Registration Date: **22 June 2006**
(62) Divisional of: **302915**
(56) Related Art Documents: **Not Applicable**
(57) Statement of Newness and Distinctiveness: **Nil**



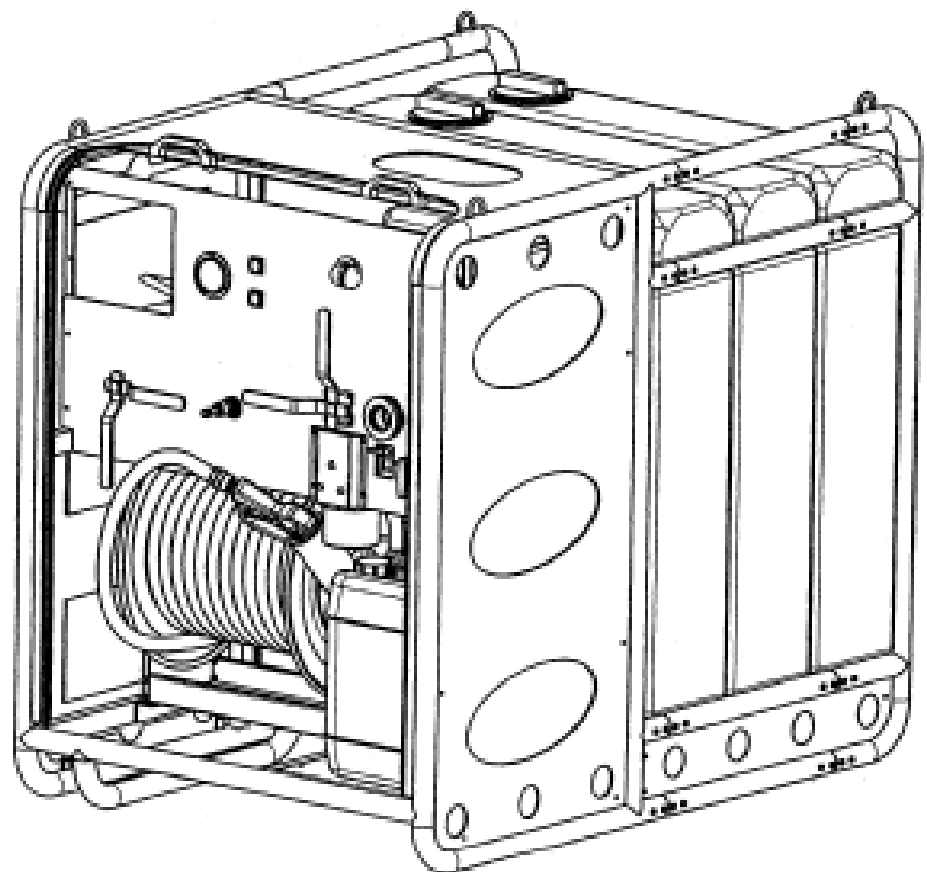
- (21) Design Number: **14306/2005**
(22) Date of Filing Application: **22 September 2005**
(24) Date from which industrial property rights may have effect: **22 September 2005**
(54) Product in respect of which the design is registered: **Double Sided Picture Frame and Notice Board**
(51) International Design Classification: **06-07**
(71) Name(s) and Address(s) of Applicant(s):
Dennis Whelan
19 Clapham Street Balwyn Victoria 3103 Australia
(72) Name(s) of Designer(s): **Dennis Whelan**
(45) Registration Date: **22 June 2006**
(56) Related Art Documents: **Not Applicable**
(57) Statement of Newness and Distinctiveness: **I believe this is a unique new method of holding pictures in a simple frame with photo's able to be easily changed. The unit being free standing and also doubling as a notice or reminder board.**



- (21) Design Number: **15164/2005**
(22) Date of Filing Application: **23 November 2005**
(24) Date from which industrial property rights may have effect: **23 November 2005**
(54) Product in respect of which the design is registered: **Support stand for a gaming machine**
(51) International Design Classification: **21-03**
(71) Name(s) and Address(s) of Applicant(s):
Aristocrat Technologies Australia Pty Ltd
71 Longueville Road Lane Cove New South Wales 2066 Australia
(72) Name(s) of Designer(s): **Ian Johson**
(45) Registration Date: **22 June 2006**
(56) Related Art Documents: **Not Applicable**
(57) Statement of Newness and Distinctiveness: **Newness and distinctiveness in the design as applied to a support stand reside in the shape and configuration thereof as illustrated in the accompanying representations.**



- (21) Design Number: **15350/2005**
(22) Date of Filing Application: **02 December 2005**
(24) Date from which industrial property rights may have effect: **02 December 2005**
(54) Product in respect of which the design is registered: **Fire-fighting apparatus**
(51) International Design Classification: **29-01**
(71) Name(s) and Address(s) of Applicant(s):
Oсна Technologies GmbH
Brusseler Strasse 2 Georgsmarienhutte 49124 Germany
(72) Name(s) of Designer(s): **Ingo Durchholz and Stefan Gallien**
(45) Registration Date: **22 June 2006**
(30) Convention priority data:
(31) Number (32) Date (33) Country
000 350 079 06 Jun 2005 EUROPEAN COMMUNITY
(56) Related Art Documents: **Not Applicable**
(57) Statement of Newness and Distinctiveness: **Nil**



(21) Design Number: **15447/2005**

(22) Date of Filing Application: **07 December 2005**

(24) Date from which industrial property rights may have effect: **07 December 2005**

(54) Product in respect of which the design is registered: **Pen**

(51) International Design Classification: **19-06**

(71) Name(s) and Address(s) of Applicant(s):

Frost Promotions Pty Ltd
16-18 Ceylon Street Nunawading Victoria 3131 Australia

(72) Name(s) of Designer(s): **Lin Wei-Kung**

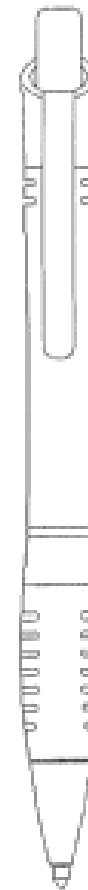
(45) Registration Date: **22 June 2006**

(30) Convention priority data:

(31) Number	(32) Date	(33) Country
406299	09 Jun 2005	NEW ZEALAND

(56) Related Art Documents: **Not Applicable**

(57) Statement of Newness and Distinctiveness: **Nil**



(21) Design Number: **15515/2005**

(22) Date of Filing Application: **14 December 2005**

(24) Date from which industrial property rights may have effect: **14 December 2005**

(54) Product in respect of which the design is registered: **Needle Aid**

(51) International Design Classification: **02-07D**

(71) Name(s) and Address(s) of Applicant(s):

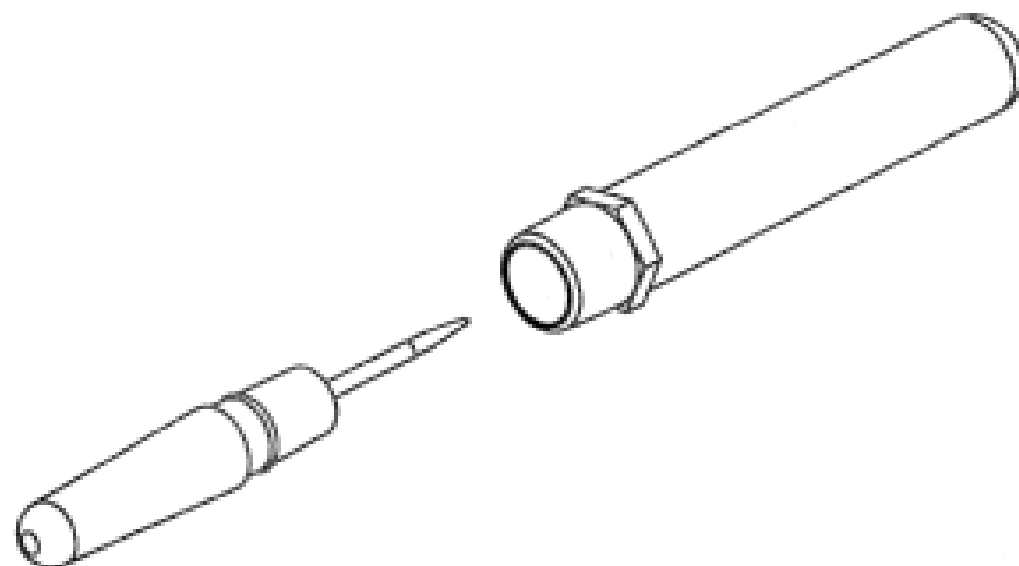
Maree Louise White
18A Brickwood Street Brighton Victoria 3186 Australia

(72) Name(s) of Designer(s): **Maree Louise White**

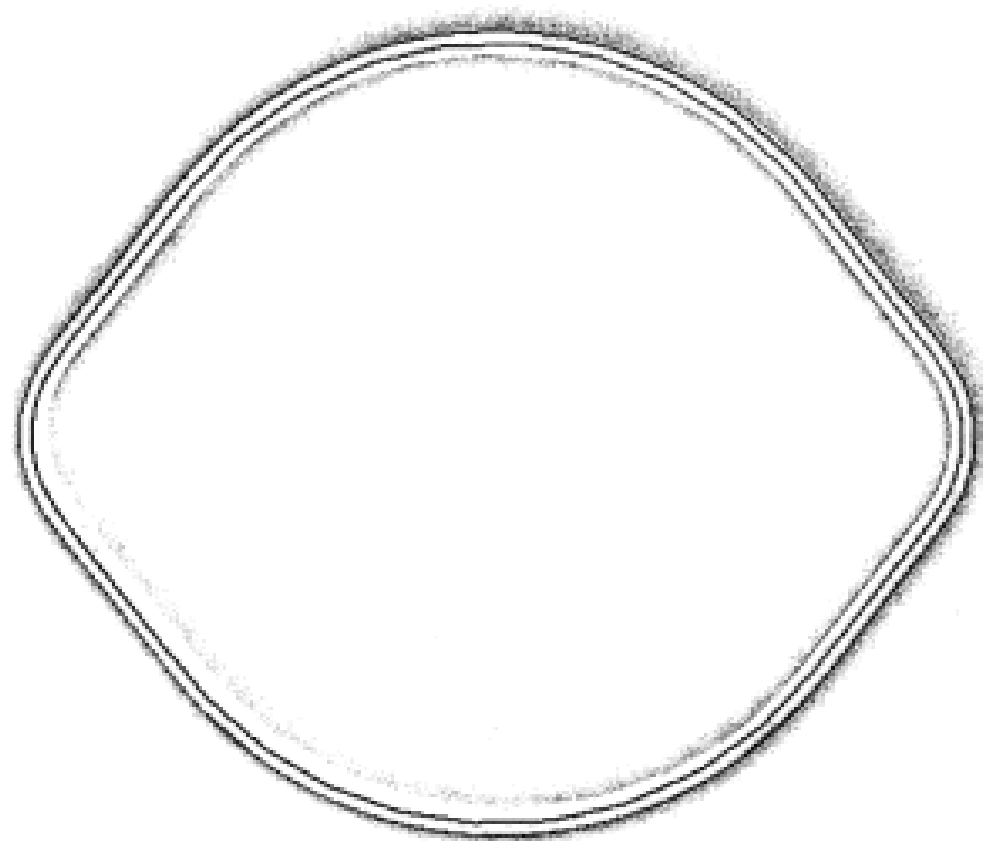
(45) Registration Date: **22 June 2006**

(56) Related Art Documents: **Not Applicable**

(57) Statement of Newness and Distinctiveness: **Nil**

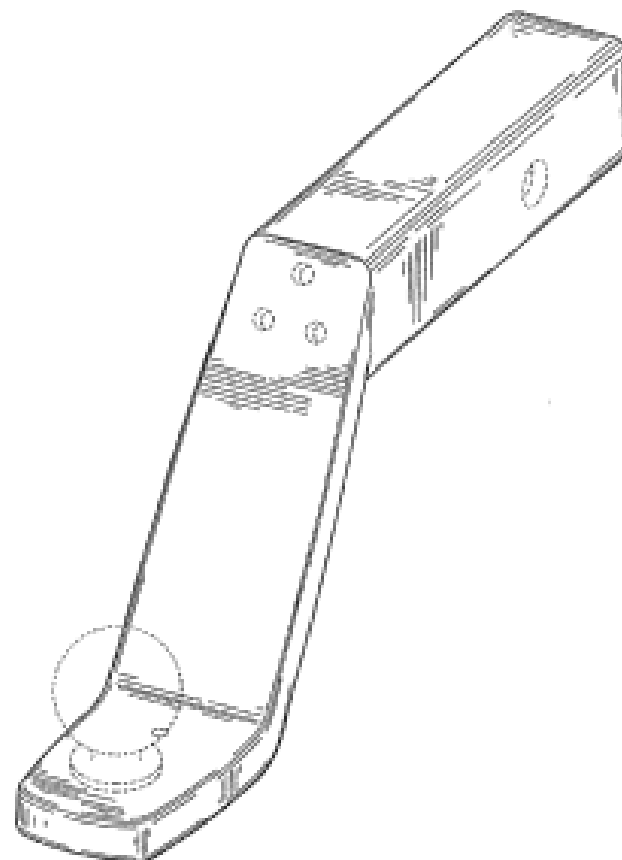


- (21) Design Number: **15534/2005**
- (22) Date of Filing Application: **14 December 2005**
- (24) Date from which industrial property rights may have effect: **14 December 2005**
- (54) Product in respect of which the design is registered: **Key for a keyboard**
- (51) International Design Classification: **14-02**
- (71) Name(s) and Address(s) of Applicant(s):
Thumtronics Ltd
Level 1 105 Queen Street Busselton Western Australia 6280 Australia
- (72) Name(s) of Designer(s): **Michael Dixon**
- (45) Registration Date: **22 June 2006**
- (56) Related Art Documents: **Not Applicable**
- (57) Statement of Newness and Distinctiveness: **Nil**



- (21) Design Number: **15538/2005**
- (22) Date of Filing Application: **14 December 2005**
- (24) Date from which industrial property rights may have effect: **14 December 2005**
- (54) Product in respect of which the design is registered: **Ball mount**
- (51) International Design Classification: **12-16L**
- (71) Name(s) and Address(s) of Applicant(s):
Master Lock Company LLC
Corporation Service Company 2711 Centerville Rd Suite 400
Wilmington Delaware United States of America
- (72) Name(s) of Designer(s): **Craig Kottke and Scott Kalous**
- (45) Registration Date: **22 June 2006**
- (30) Convention priority data:

(31) Number	(32) Date	(33) Country
29/232,231	16 Jun 2005	UNITED STATES OF AMERICA
- (56) Related Art Documents: **Not Applicable**
- (57) Statement of Newness and Distinctiveness: **Newness and distinctiveness are provided by the shape and/or configuration of the design shown in the representations. The features shown in broken lines in the representations are for illustrative purposes only and should not be considered when construing visual features of the design.**

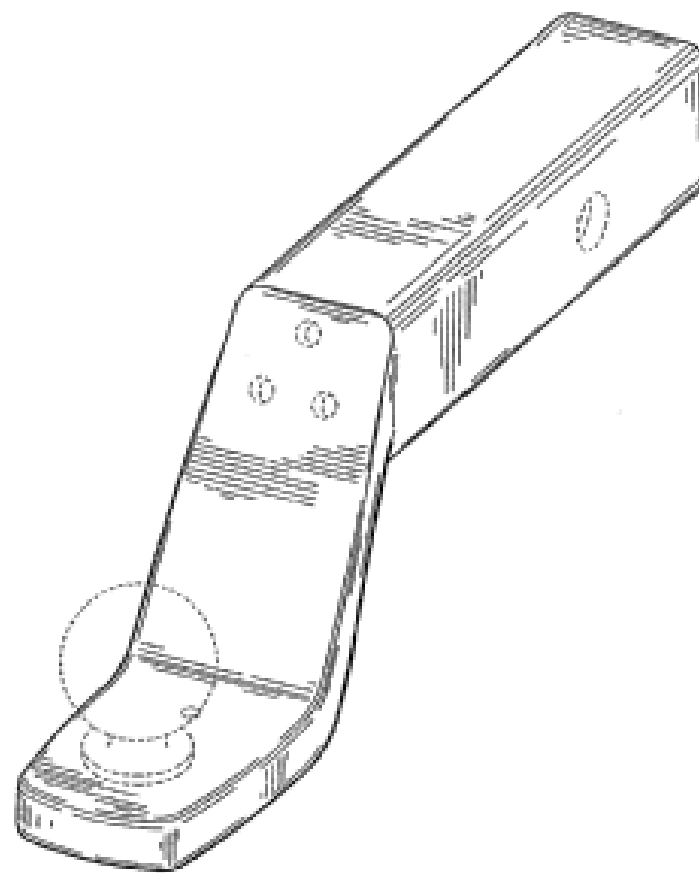


- (21) Design Number: **15539/2005**
- (22) Date of Filing Application: **14 December 2005**
- (24) Date from which industrial property rights may have effect: **14 December 2005**
- (54) Product in respect of which the design is registered: **Ball mount**
- (51) International Design Classification: **12-16L**
- (71) Name(s) and Address(s) of Applicant(s):

Master Lock Company LLC
Corporation Service Company 2711 Centerville Rd Suite 400
Wilmington Delaware United States of America

- (72) Name(s) of Designer(s): **Craig Kottke and Scott Kalous**
 - (45) Registration Date: **22 June 2006**
 - (30) Convention priority data:
- | | | |
|-------------------|--------------------|---------------------------------|
| (31) Number | (32) Date | (33) Country |
| 29/232,231 | 16 Jun 2005 | UNITED STATES OF AMERICA |
- (56) Related Art Documents: **Not Applicable**

(57) Statement of Newness and Distinctiveness: **Newness and distinctiveness are provided by the shape and/or configuration of the design shown in the representations. The features shown in broken lines in the representations are for illustrative purposes only and should not be considered when construing visual features of the design.**

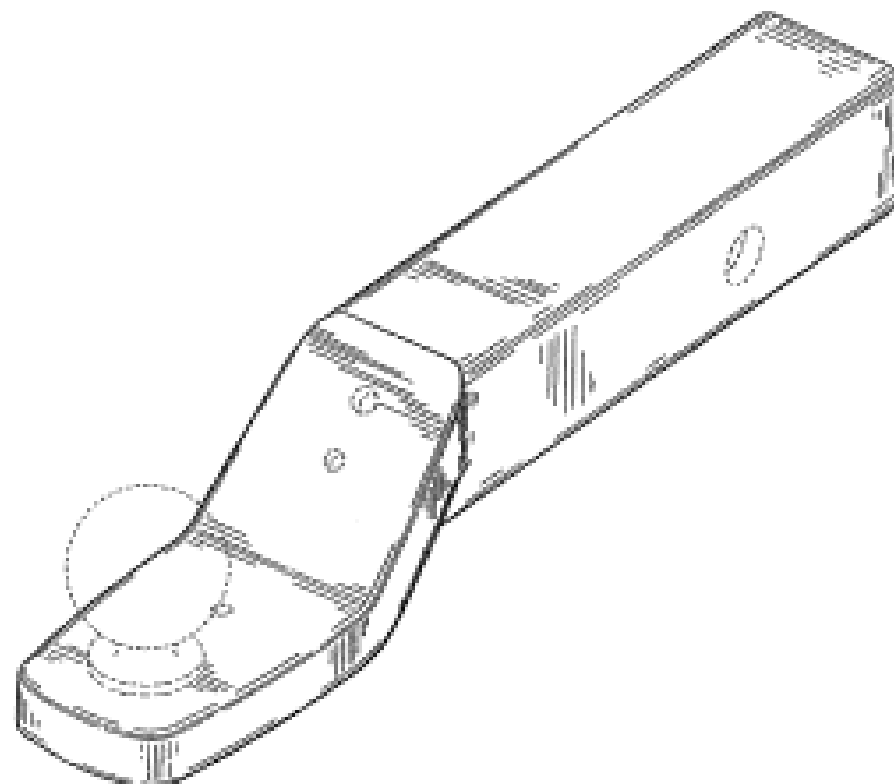


- (21) Design Number: **15540/2005**
- (22) Date of Filing Application: **14 December 2005**
- (24) Date from which industrial property rights may have effect: **14 December 2005**
- (54) Product in respect of which the design is registered: **Ball mount**
- (51) International Design Classification: **12-16L**
- (71) Name(s) and Address(s) of Applicant(s):

Master Lock Company LLC
Corporation Service Company 2711 Centerville Rd Suite 400
Wilmington Delaware United States of America

- (72) Name(s) of Designer(s): **Craig Kottke and Scott Kalous**
 - (45) Registration Date: **22 June 2006**
 - (30) Convention priority data:
- | | | |
|-------------------|--------------------|---------------------------------|
| (31) Number | (32) Date | (33) Country |
| 29/232,231 | 16 Jun 2005 | UNITED STATES OF AMERICA |
- (56) Related Art Documents: **Not Applicable**

(57) Statement of Newness and Distinctiveness: **Newness and distinctiveness are provided by the shape and/or configuration of the design shown in the representations. The features shown in broken lines in the representations are for illustrative purposes only and should not be considered when construing visual features of the design.**



(21) Design Number: **14712/2005**
(22) Date of Filing Application: **25 October 2005**
(24) Date from which industrial property rights may have effect: **25 October 2005**
(54) Product in respect of which the design is registered: **Shoe**
(51) International Design Classification: **02-04NES**
(71) Name(s) and Address(s) of Applicant(s):
Lacoste
8 rue de Castiglione 75001 Paris France
(72) Name(s) of Designer(s): **Emily Hulbert**
(45) Registration Date: **26 June 2006**
(30) Convention priority data:
(31) Number (32) Date (33) Country
200530019038.5 22 Jun 2005 CHINA
(56) Related Art Documents: **Not Applicable**
(57) Statement of Newness and Distinctiveness: **Nil**



(21) Design Number: **14713/2005**
(22) Date of Filing Application: **25 October 2005**
(24) Date from which industrial property rights may have effect: **25 October 2005**
(54) Product in respect of which the design is registered: **Shoe**
(51) International Design Classification: **02-04NES**
(71) Name(s) and Address(s) of Applicant(s):
Lacoste
8 rue de Castiglione 75001 Paris France
(72) Name(s) of Designer(s): **Emily Hulbert**
(45) Registration Date: **26 June 2006**
(30) Convention priority data:
(31) Number (32) Date (33) Country
200530019039.X 22 Jun 2005 CHINA
(56) Related Art Documents: **Not Applicable**
(57) Statement of Newness and Distinctiveness: **Nil**



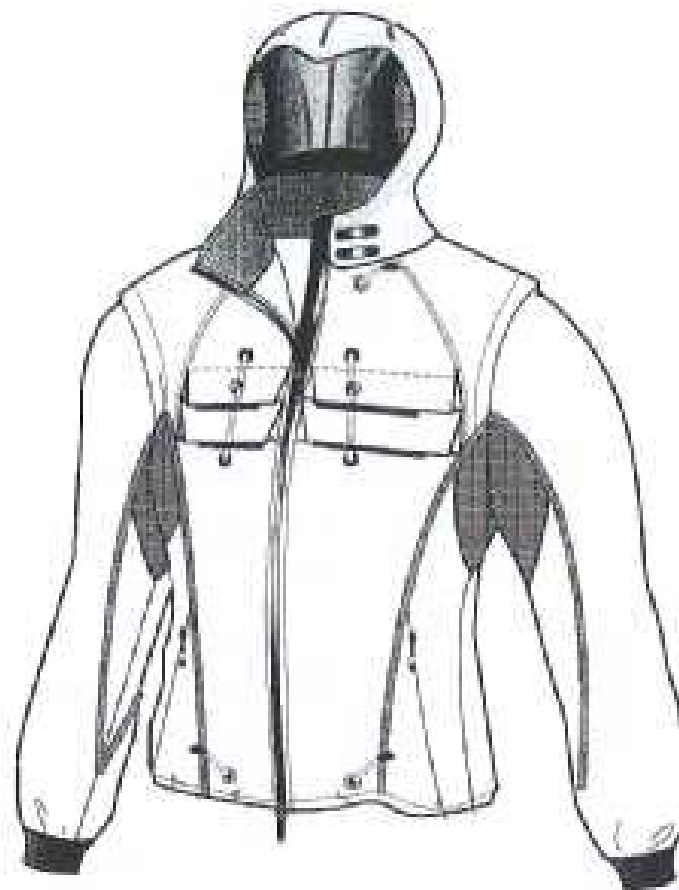
(21) Design Number: **14714/2005**
(22) Date of Filing Application: **25 October 2005**
(24) Date from which industrial property rights may have effect: **25 October 2005**
(54) Product in respect of which the design is registered: **Shoe**
(51) International Design Classification: **02-04NES**
(71) Name(s) and Address(s) of Applicant(s):
Lacoste
8 rue de Castiglione 75001 Paris France
(72) Name(s) of Designer(s): **Emily Hulbert**
(45) Registration Date: **26 June 2006**
(30) Convention priority data:
(31) Number (32) Date (33) Country
200530019040.2 22 Jun 2005 CHINA
(56) Related Art Documents: **Not Applicable**
(57) Statement of Newness and Distinctiveness: **Nil**



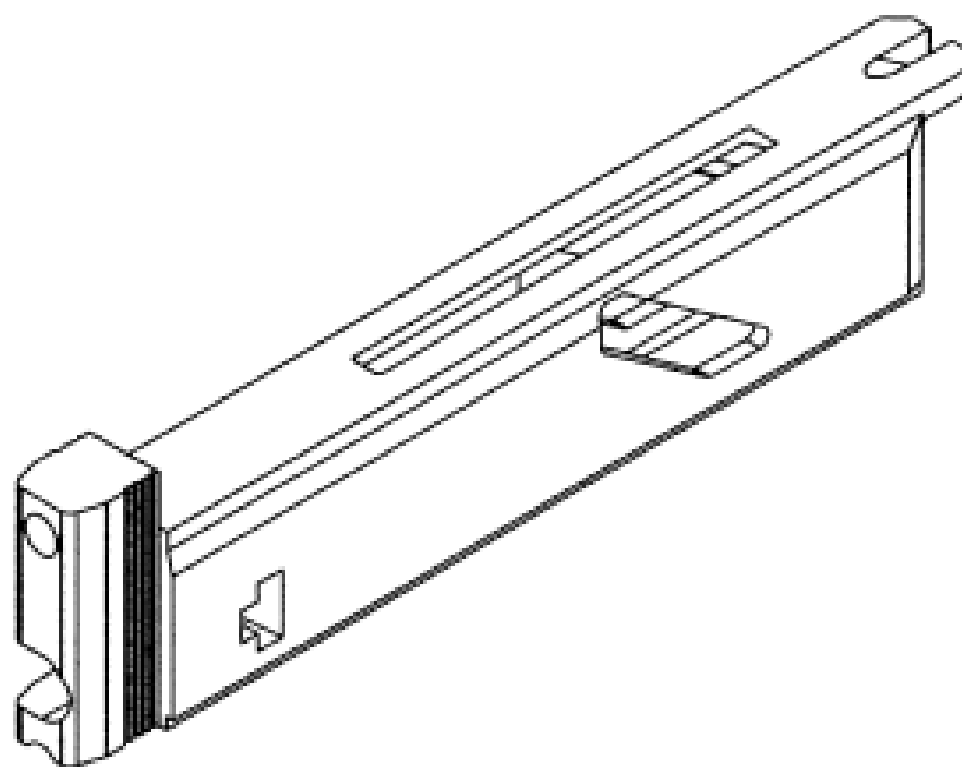
(21) Design Number: **14715/2005**
(22) Date of Filing Application: **25 October 2005**
(24) Date from which industrial property rights may have effect: **25 October 2005**
(54) Product in respect of which the design is registered: **Shoe**
(51) International Design Classification: **02-04NES**
(71) Name(s) and Address(s) of Applicant(s):
Lacoste
8 rue de Castiglione 75001 Paris France
(72) Name(s) of Designer(s): **Emily Hulbert**
(45) Registration Date: **26 June 2006**
(30) Convention priority data:
(31) Number (32) Date (33) Country
200530019041.7 22 Jun 2005 CHINA
(56) Related Art Documents: **Not Applicable**
(57) Statement of Newness and Distinctiveness: **Nil**



- (21) Design Number: **15104/2005**
(22) Date of Filing Application: **18 November 2005**
(24) Date from which industrial property rights may have effect: **18 November 2005**
(54) Product in respect of which the design is registered: **Garments**
(51) International Design Classification: **02-02NES**
(71) Name(s) and Address(s) of Applicant(s):
X-Technology Swiss GmbH
Kantonstrasse 146 8807 Freienbach Switzerland
(72) Name(s) of Designer(s): **Bodo W. Lambertz**
(45) Registration Date: **26 June 2006**
(30) Convention priority data:
(31) Number (32) Date (33) Country
343769 20 May 2005 EUROPEAN COMMUNITY
(56) Related Art Documents: **Not Applicable**
(57) Statement of Newness and Distinctiveness: **Nil**



- (21) Design Number: **15316/2005**
(22) Date of Filing Application: **30 November 2005**
(24) Date from which industrial property rights may have effect: **30 November 2005**
(54) Product in respect of which the design is registered: **Roller Carriage**
(51) International Design Classification: **08-09**
(71) Name(s) and Address(s) of Applicant(s):
Aluminium Specialties Group Pty Ltd
3 Alspec Place Eastern Creek New South Wales 2766 Australia
(72) Name(s) of Designer(s): **David W. Evans**
(45) Registration Date: **26 June 2006**
(56) Related Art Documents: **Not Applicable**
(57) Statement of Newness and Distinctiveness: **Newness and distinctiveness in the design as applied to an extruded section reside in the shape and configuration thereof as illustrated in the accompanying representations.**



- (21) Design Number: **15446/2005**
- (22) Date of Filing Application: **07 December 2005**
- (24) Date from which industrial property rights may have effect: **07 December 2005**
- (54) Product in respect of which the design is registered: **Drill**
- (51) International Design Classification: **08-01**
- (71) Name(s) and Address(s) of Applicant(s):

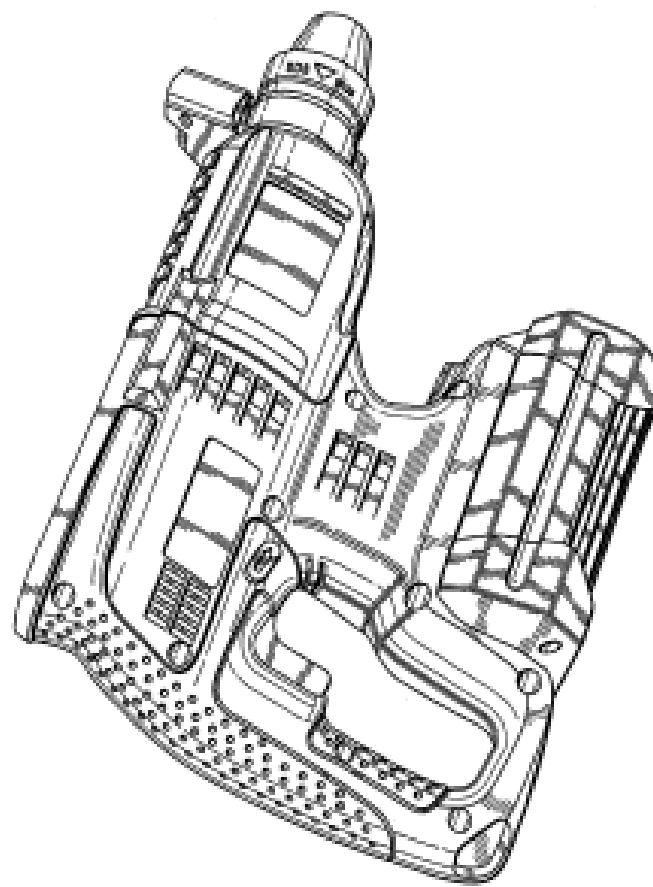
Robert Bosch GmbH
Postfach 30 02 20 D-70442 Stuttgart Germany

- (72) Name(s) of Designer(s): **Hans-Peter Aglassinger**
- (45) Registration Date: **26 June 2006**

(30) Convention priority data:

(31) Number	(32) Date	(33) Country
405 04 538.7	29 Aug 2005	GERMANY

- (56) Related Art Documents: **Not Applicable**
- (57) Statement of Newness and Distinctiveness: **Nil**



- (21) Design Number: **15551/2005**
- (22) Date of Filing Application: **15 December 2005**
- (24) Date from which industrial property rights may have effect: **15 December 2005**
- (54) Product in respect of which the design is registered: **A powered rotary tool**
- (51) International Design Classification: **08-01**
- (71) Name(s) and Address(s) of Applicant(s):

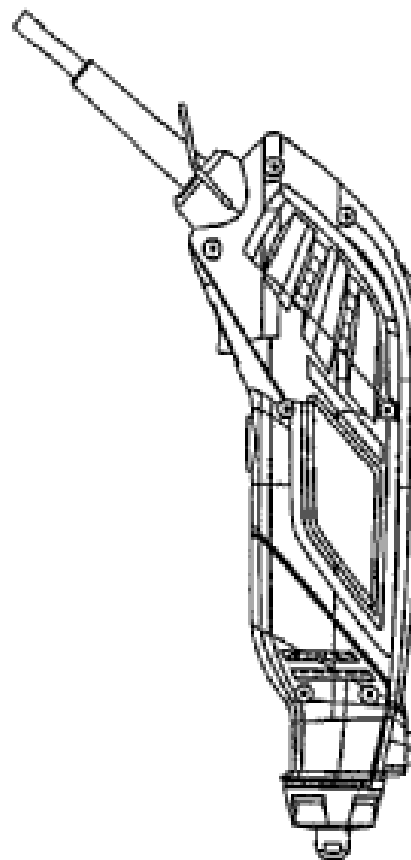
GMCA Pty Ltd
45-55 South Centre Road Melbourne Airport Victoria 3045 Australia

- (72) Name(s) of Designer(s): **Nigel Roberts**
- (45) Registration Date: **26 June 2006**

(30) Convention priority data:

(31) Number	(32) Date	(33) Country
000435474	18 Nov 2005	EUROPEAN COMMUNITY

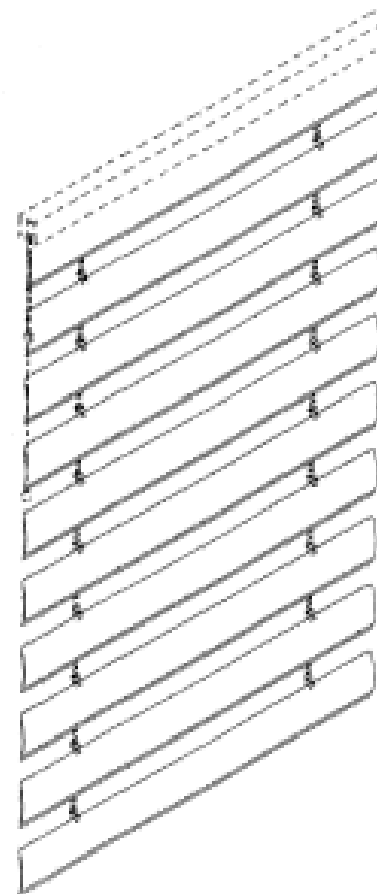
- (56) Related Art Documents: **Not Applicable**
- (57) Statement of Newness and Distinctiveness: **Newness and distinctiveness reside in the features of shape and configuration of a powered rotary tool as shown in the accompanying representations.**



(19) AU

- (21) Design Number: **15552/2005**
- (22) Date of Filing Application: **15 December 2005**
- (24) Date from which industrial property rights may have effect: **15 December 2005**
- (54) Product in respect of which the design is registered: **Window covering with shade panels having free lower edges**
- (51) International Design Classification: **06-10**
- (71) Name(s) and Address(s) of Applicant(s):
Teh Yor Co., Ltd
129 2nd FL. Chung Shan N. Rd Sec 1 Taipei 10418 Taiwan
- (72) Name(s) of Designer(s): **Fu-Lai Yu and Chin-Tien Huang and Shun-Chi Yu**
- (45) Registration Date: **26 June 2006**
- (30) Convention priority data:

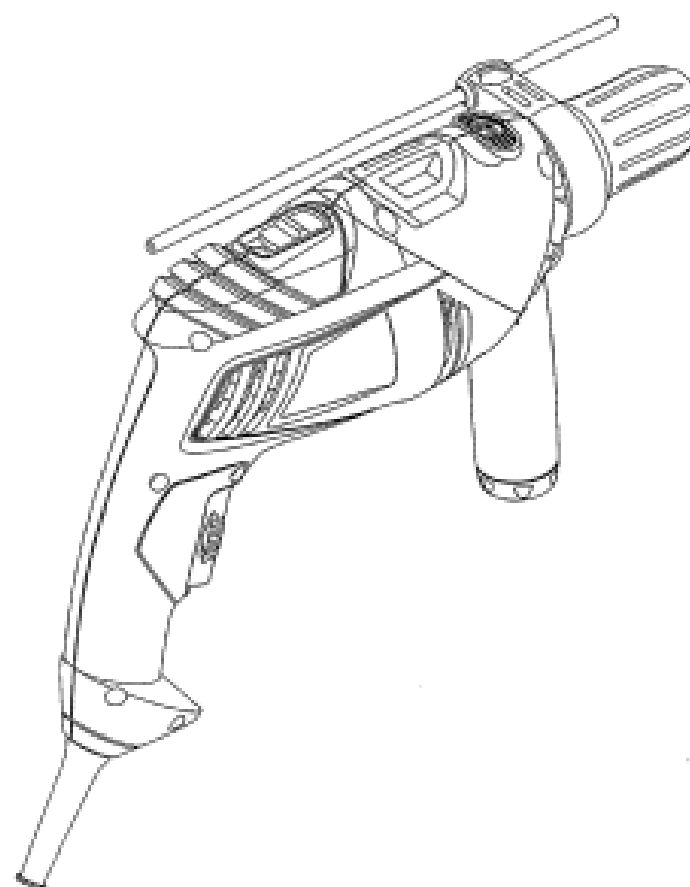
(31) Number	(32) Date	(33) Country
29/232273	16 Jun 2005	UNITED STATES OF AMERICA
- (56) Related Art Documents: **Not Applicable**
- (57) Statement of Newness and Distinctiveness: **Newness and distinctiveness resides in the features of shape and configuration of a window covering with shade panels having free lower edges. The features shown in broken lines in the representations are for illustrative purposes only and should not be considered when construing visual features of the design.**



(19) AU

- (21) Design Number: **15553/2005**
- (22) Date of Filing Application: **16 December 2005**
- (24) Date from which industrial property rights may have effect: **16 December 2005**
- (54) Product in respect of which the design is registered: **Power tool drill**
- (51) International Design Classification: **08-01**
- (71) Name(s) and Address(s) of Applicant(s):
GMCA Pty Ltd
45-55 South Centre Road Melbourne Airport Victoria 3045 Australia
- (72) Name(s) of Designer(s): **Nigel Roberts**
- (45) Registration Date: **26 June 2006**
- (30) Convention priority data:

(31) Number	(32) Date	(33) Country
000427331	03 Nov 2005	EUROPEAN COMMUNITY
- (56) Related Art Documents: **Not Applicable**
- (57) Statement of Newness and Distinctiveness: **Newness and distinctiveness resides in the features of shape and configuration of a power tool drill as shown in the accompanying representations.**



- (21) Design Number: **15546/2005**
- (22) Date of Filing Application: **15 December 2005**
- (24) Date from which industrial property rights may have effect: **15 December 2005**
- (54) Product in respect of which the design is registered: **A powered jigsaw**
- (51) International Design Classification: **08-03**
- (71) Name(s) and Address(s) of Applicant(s):

GMCA Pty Ltd
45-55 South Centre Road Melbourne Airport Victoria 3045 Australia

(72) Name(s) of Designer(s): **Nigel Roberts**

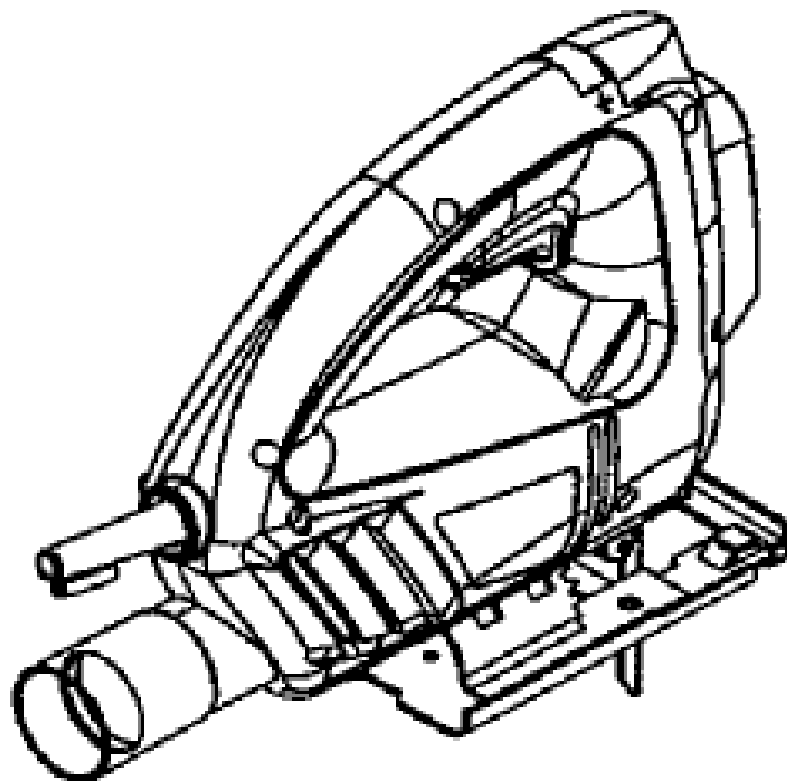
(45) Registration Date: **26 June 2006**

(30) Convention priority data:

(31) Number	(32) Date	(33) Country
000435482	18 Nov 2005	EUROPEAN COMMUNITY

(56) Related Art Documents: **Not Applicable**

(57) Statement of Newness and Distinctiveness: **Newness and distinctiveness reside in the features of shape and configuration of a powered jigsaw as shown in the accompanying representations.**



- (21) Design Number: **15547/2005**
- (22) Date of Filing Application: **15 December 2005**
- (24) Date from which industrial property rights may have effect: **15 December 2005**
- (54) Product in respect of which the design is registered: **A powered sander tool**
- (51) International Design Classification: **08-05N**
- (71) Name(s) and Address(s) of Applicant(s):

GMCA Pty Ltd
45-55 South Centre Road Melbourne Airport Victoria 3045 Australia

(72) Name(s) of Designer(s): **Nigel Roberts**

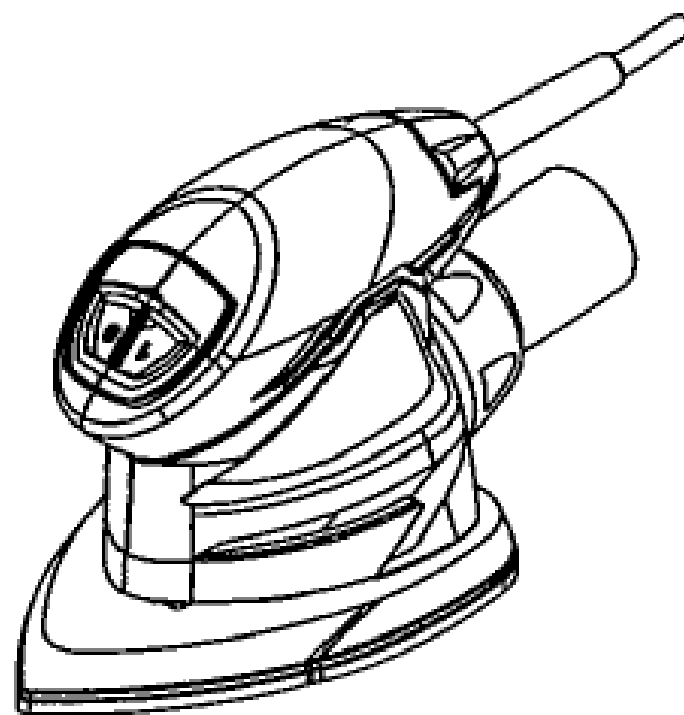
(45) Registration Date: **26 June 2006**

(30) Convention priority data:

(31) Number	(32) Date	(33) Country
000435466	18 Nov 2005	EUROPEAN COMMUNITY

(56) Related Art Documents: **Not Applicable**

(57) Statement of Newness and Distinctiveness: **Newness and distinctiveness reside in the features of shape and configuration of a powered sander tool as shown in the accompanying representations.**



(21) Design Number: **15548/2005**

(22) Date of Filing Application: **15 December 2005**

(24) Date from which industrial property rights may have effect: **15 December 2005**

(54) Product in respect of which the design is registered: **A powered sander tool**

(51) International Design Classification: **08-05N**

(71) Name(s) and Address(s) of Applicant(s):

GMCA Pty Ltd
45-55 South Centre Road Melbourne Airport Victoria 3045 Australia

(72) Name(s) of Designer(s): **Nigel Roberts**

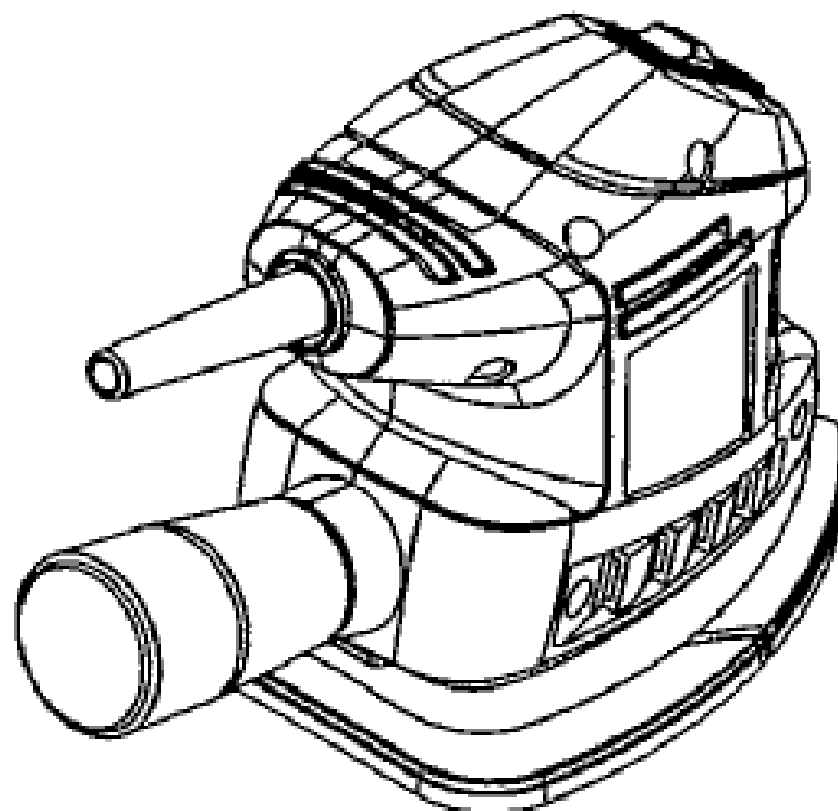
(45) Registration Date: **26 June 2006**

(30) Convention priority data:

(31) Number	(32) Date	(33) Country
000435466	18 Nov 2005	EUROPEAN COMMUNITY

(56) Related Art Documents: **Not Applicable**

(57) Statement of Newness and Distinctiveness: **Newness and distinctiveness reside in the features of shape and configuration of a powered sander tool as shown in the accompanying representations.**



(21) Design Number: **15549/2005**

(22) Date of Filing Application: **15 December 2005**

(24) Date from which industrial property rights may have effect: **15 December 2005**

(54) Product in respect of which the design is registered: **A powered jigsaw**

(51) International Design Classification: **08-03**

(71) Name(s) and Address(s) of Applicant(s):

GMCA Pty Ltd
45-55 South Centre Road Melbourne Airport Victoria 3045 Australia

(72) Name(s) of Designer(s): **Nigel Roberts**

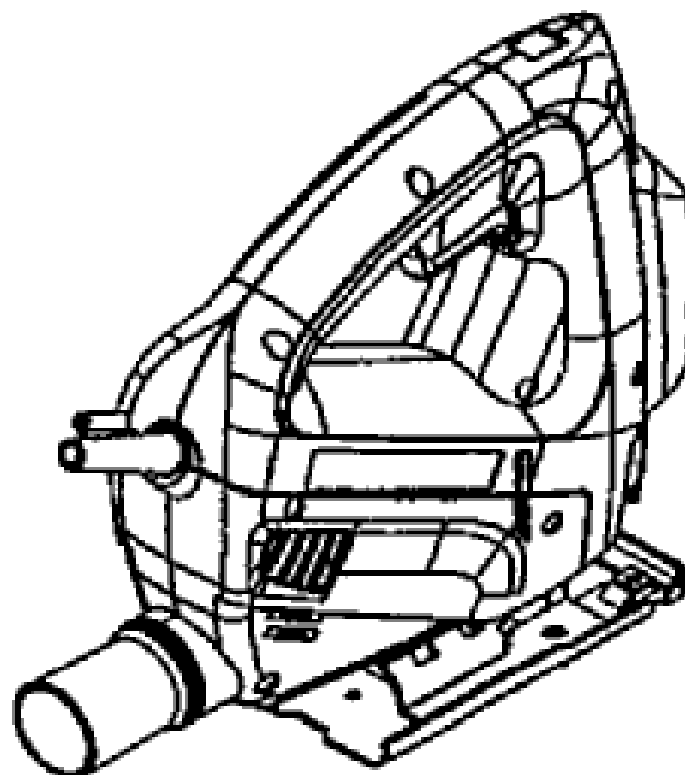
(45) Registration Date: **26 June 2006**

(30) Convention priority data:

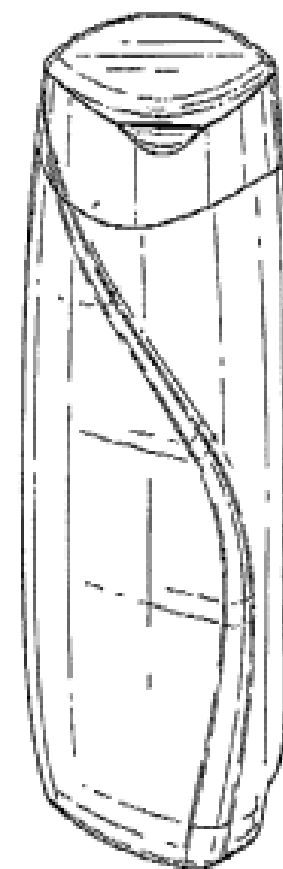
(31) Number	(32) Date	(33) Country
000435482	18 Nov 2005	EUROPEAN COMMUNITY

(56) Related Art Documents: **Not Applicable**

(57) Statement of Newness and Distinctiveness: **Newness and distinctiveness reside in the features of shape and configuration of a powered jigsaw as shown in the accompanying representations.**



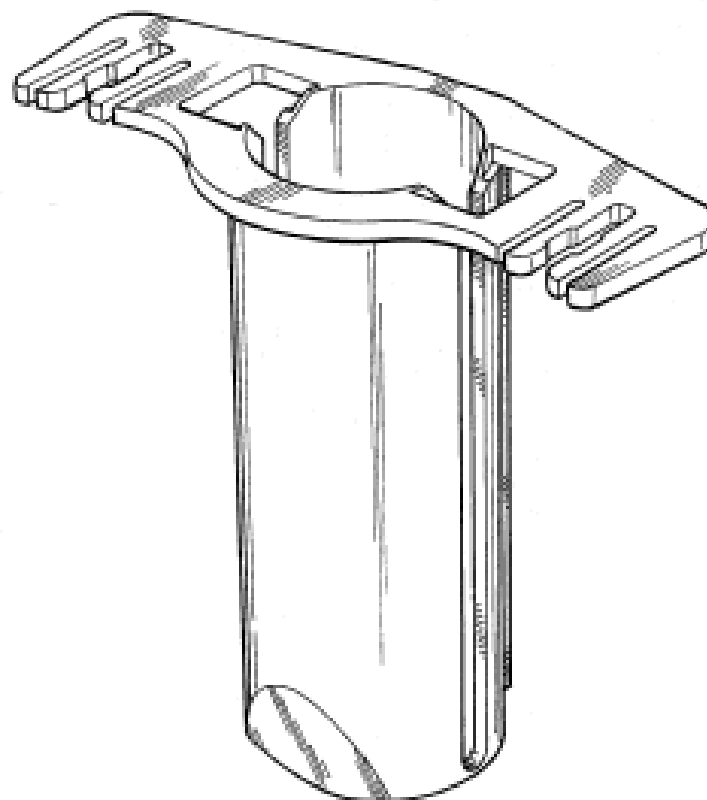
- (21) Design Number: **15564/2005**
(22) Date of Filing Application: **15 December 2005**
(24) Date from which industrial property rights may have effect: **15 December 2005**
(54) Product in respect of which the design is registered: **Container with cap**
(51) International Design Classification: **09-01G**
(71) Name(s) and Address(s) of Applicant(s):
The Procter & Gamble Company
One Procter & Gamble Plaza Cincinnati Ohio 45202 United States of America
(72) Name(s) of Designer(s): **Murphy Greene Mongeon and David S. Nicosia and Ian Carnduff and Ian Swanson and Akina Kurihara and Scott Beckerman**
(45) Registration Date: **26 June 2006**
(30) Convention priority data:
(31) Number (32) Date (33) Country
29/232,157 15 Jun 2005 UNITED STATES OF AMERICA
(56) Related Art Documents: **Not Applicable**
(57) Statement of Newness and Distinctiveness: **Those features of the container with cap depicted in the representations that are new and distinctive are the shape and/or configuration.**



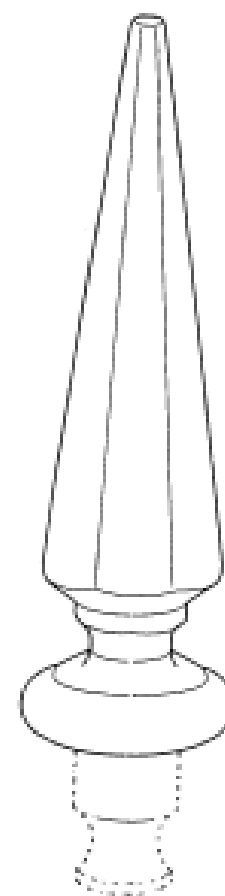
- (21) Design Number: **15565/2005**
(22) Date of Filing Application: **15 December 2005**
(24) Date from which industrial property rights may have effect: **15 December 2005**
(54) Product in respect of which the design is registered: **Bottle**
(51) International Design Classification: **09-01NES**
(71) Name(s) and Address(s) of Applicant(s):
The Coca-Cola Company
One Coca-Cola Plaza NW Atlanta Georgia 30313 United States of America
(72) Name(s) of Designer(s): **Tsuguharu Akiyama and Kenshi Matsuoka**
(45) Registration Date: **26 June 2006**
(30) Convention priority data:
(31) Number (32) Date (33) Country
2005-18358 24 Jun 2005 JAPAN
(56) Related Art Documents: **Not Applicable**
(57) Statement of Newness and Distinctiveness: **Those features of the bottle depicted in the representations that are new and distinctive are the shape and/or configuration.**



- (21) Design Number: **15566/2005**
- (22) Date of Filing Application: **15 December 2005**
- (24) Date from which industrial property rights may have effect: **15 December 2005**
- (54) Product in respect of which the design is registered: **Toothpaste holder**
- (51) International Design Classification: **28-03NES**
- (71) Name(s) and Address(s) of Applicant(s):
Gary John Walker
18 Jull Parade North Ringwood Victoria 3134 Australia
- (72) Name(s) of Designer(s): **Gary John Walker**
- (45) Registration Date: **26 June 2006**
- (56) Related Art Documents: **Not Applicable**
- (57) Statement of Newness and Distinctiveness: **Nil**



- (21) Design Number: **15568/2005**
- (22) Date of Filing Application: **15 December 2005**
- (24) Date from which industrial property rights may have effect: **15 December 2005**
- (54) Product in respect of which the design is registered: **Decorative fence spear**
- (51) International Design Classification: **25-02C, 25-02D**
- (71) Name(s) and Address(s) of Applicant(s):
RMD Press Co. Pty. Ltd.
6-10 Market Road Sunshine Victoria 3020 Australia
- (72) Name(s) of Designer(s): **Allan Roy Masters**
- (45) Registration Date: **26 June 2006**
- (56) Related Art Documents: **Not Applicable**
- (57) Statement of Newness and Distinctiveness: **In considering the newness and distinctiveness of the design, regard is to be given to the overall shape and/or configuration of the design.**



- (21) Design Number: **15581/2005**
(22) Date of Filing Application: **15 December 2005**
(24) Date from which industrial property rights may have effect: **15 December 2005**
(54) Product in respect of which the design is registered: **Front bumper for an automobile**
(51) International Design Classification: **12-16C**
(71) Name(s) and Address(s) of Applicant(s):
Honda Motor Co., Ltd
1-1 Minami-Aoyama 2-chome Minato-ku Tokyo 107-8556 Japan
(72) Name(s) of Designer(s): **Kunihiko Tachibana**
(45) Registration Date: **26 June 2006**
(30) Convention priority data:
(31) Number (32) Date (33) Country
2005-017501 16 Jun 2005 JAPAN
(56) Related Art Documents: **Not Applicable**
(57) Statement of Newness and Distinctiveness: **Newness and distinctiveness is claimed in the features of shape and/or configuration of a front bumper for an automobile as illustrated in the accompanying representations.**



- (21) Design Number: **15582/2005**
(22) Date of Filing Application: **15 December 2005**
(24) Date from which industrial property rights may have effect: **15 December 2005**
(54) Product in respect of which the design is registered: **Rear bumper for an automobile**
(51) International Design Classification: **12-16C**
(71) Name(s) and Address(s) of Applicant(s):
Honda Motor Co., Ltd
1-1 Minami-Aoyama 2-chome Minato-ku Tokyo 107-8556 Japan
(72) Name(s) of Designer(s): **Kunihiko Tachibana**
(45) Registration Date: **26 June 2006**
(30) Convention priority data:
(31) Number (32) Date (33) Country
2005-017503 16 Jun 2005 JAPAN
(56) Related Art Documents: **Not Applicable**
(57) Statement of Newness and Distinctiveness: **Newness and distinctiveness is claimed in the features of shape and/or configuration of a rear bumper for an automobile as illustrated in the accompanying representations.**



(21) Design Number: **10060/2006**

(22) Date of Filing Application: **10 January 2006**

(24) Date from which industrial property rights may have effect: **10 January 2006**

(54) Product in respect of which the design is registered: **Eyeglasses**

(51) International Design Classification: **16-06**

(71) Name(s) and Address(s) of Applicant(s):

**Dioptics Medical Products, Inc.
125 Venture Drive San Luis Obispo California United States of
America**

(72) Name(s) of Designer(s): **Henry Welling Lane**

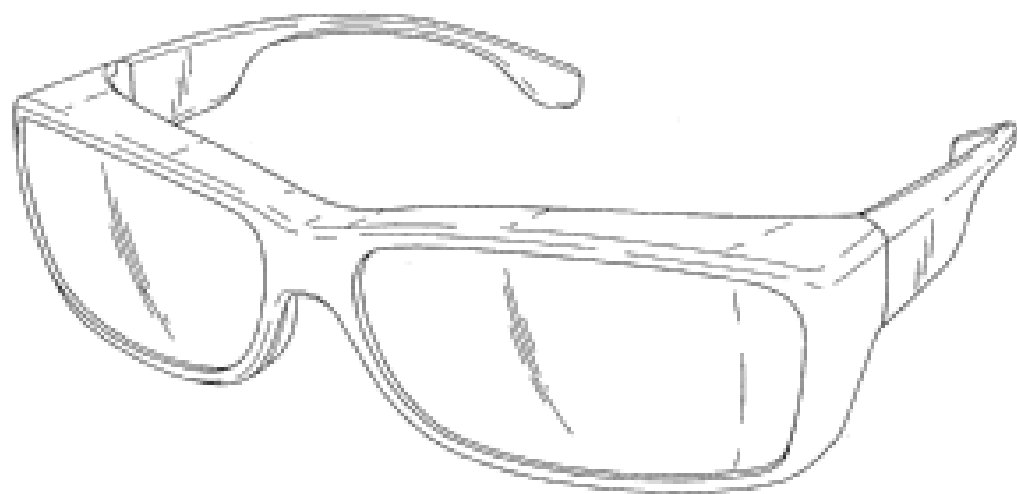
(45) Registration Date: **26 June 2006**

(30) Convention priority data:

(31) Number	(32) Date	(33) Country
29234700	21 Jul 2005	UNITED STATES OF AMERICA

(56) Related Art Documents: **Not Applicable**

(57) Statement of Newness and Distinctiveness: **Nil**



(21) Design Number: **10865/2006**

(22) Date of Filing Application: **07 March 2006**

(24) Date from which industrial property rights may have effect: **07 March 2006**

(54) Product in respect of which the design is registered: **Loudspeaker**

(51) International Design Classification: **14-01**

(71) Name(s) and Address(s) of Applicant(s):

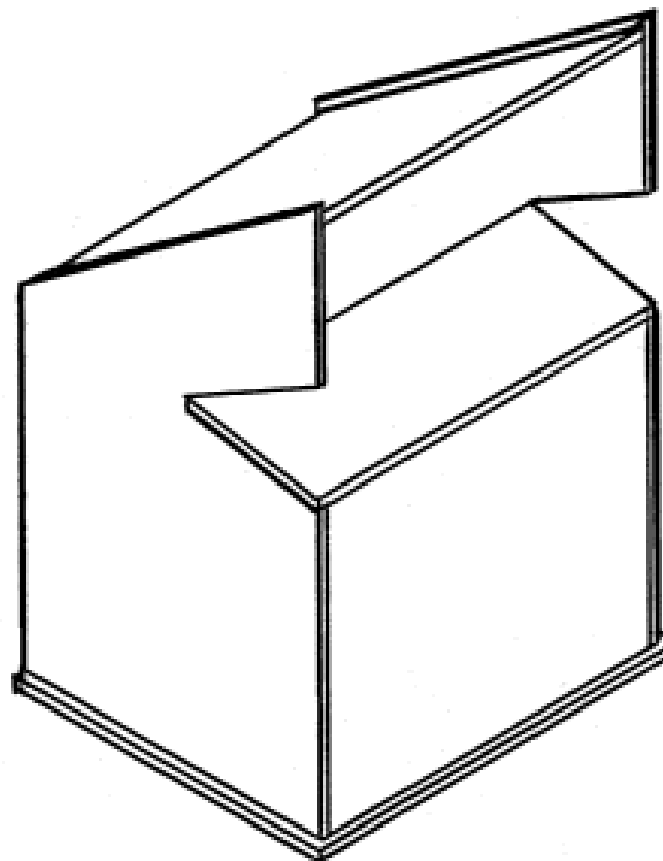
**David John Tasker
PO Box 491 Burleigh Heads Queensland 4220 Australia**

(72) Name(s) of Designer(s): **David John Tasker**

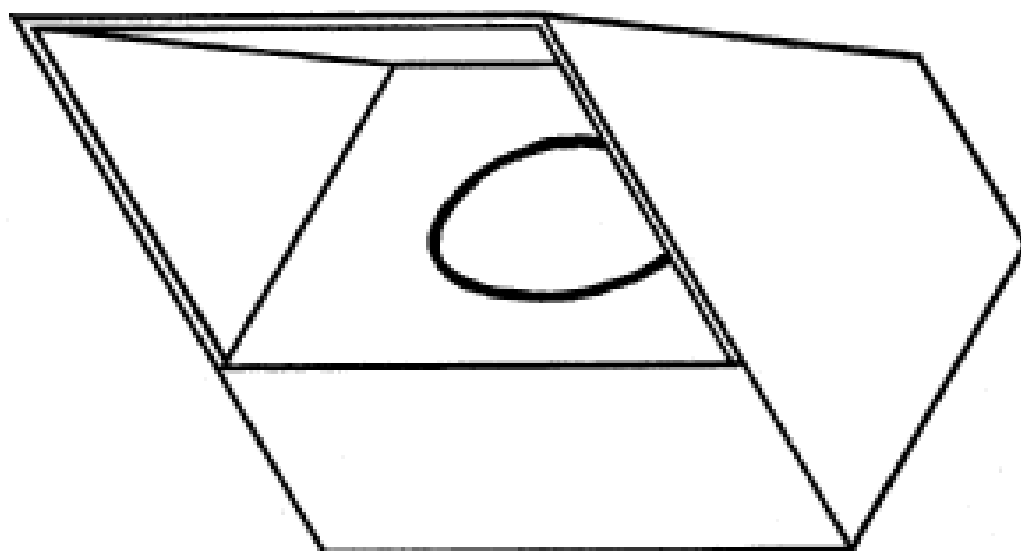
(45) Registration Date: **26 June 2006**

(56) Related Art Documents: **Not Applicable**

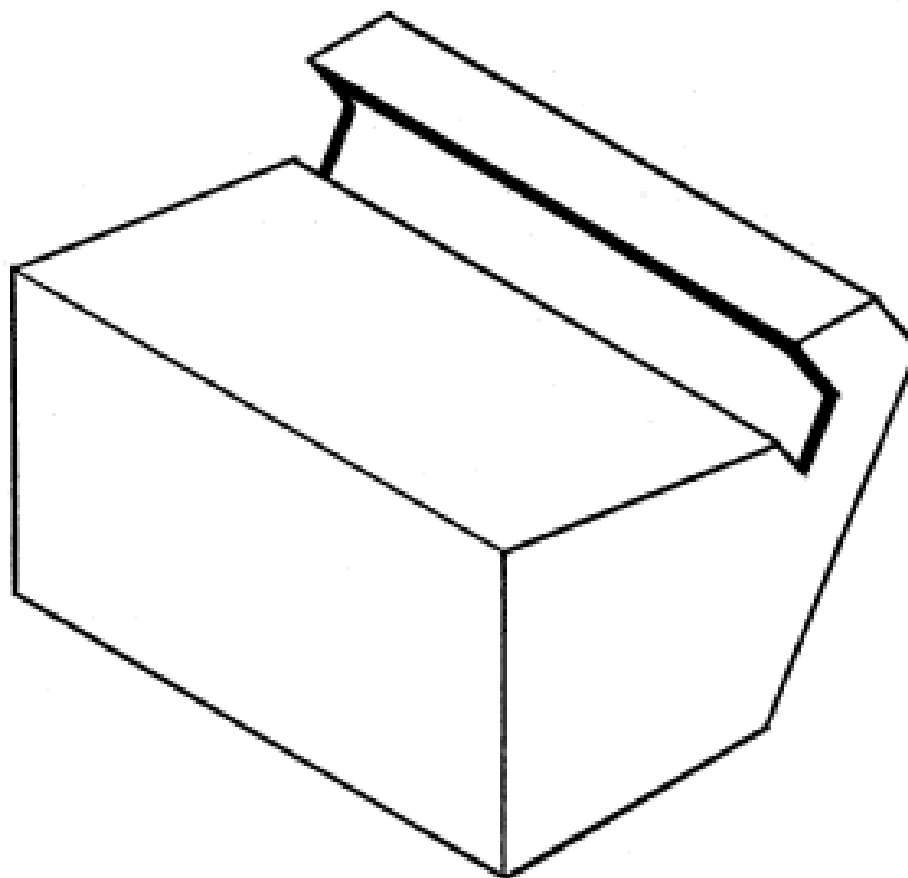
(57) Statement of Newness and Distinctiveness: **Nil**



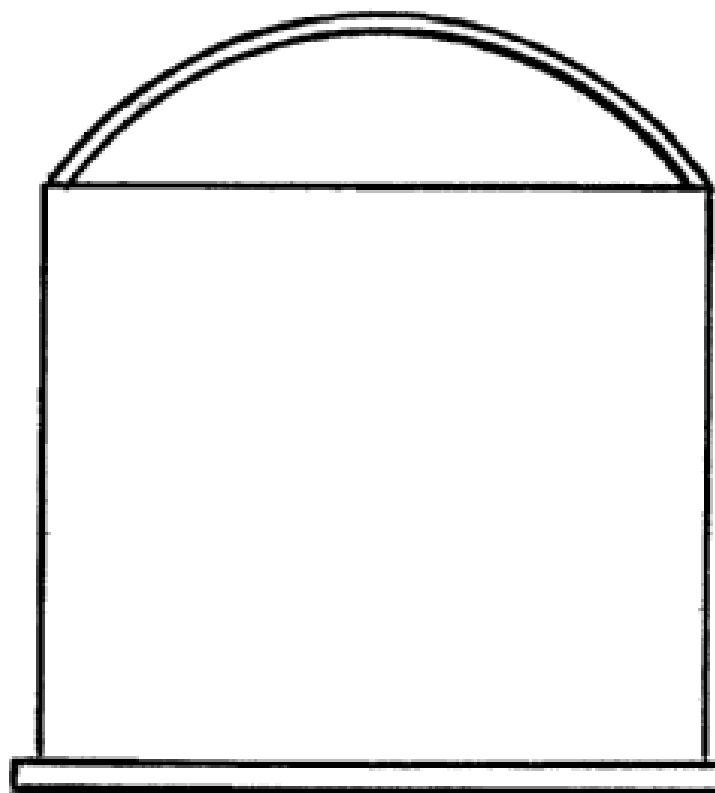
- (21) Design Number: **10866/2006**
(22) Date of Filing Application: **07 March 2006**
(24) Date from which industrial property rights may have effect: **07 March 2006**
(54) Product in respect of which the design is registered: **Loudspeaker**
(51) International Design Classification: **14-01**
(71) Name(s) and Address(s) of Applicant(s):
David John Tasker
PO Box 491 Burleigh Heads Queensland 4220 Australia
(72) Name(s) of Designer(s): **David John Tasker**
(45) Registration Date: **26 June 2006**
(56) Related Art Documents: **Not Applicable**
(57) Statement of Newness and Distinctiveness: **Nil**



- (21) Design Number: **10867/2006**
(22) Date of Filing Application: **07 March 2006**
(24) Date from which industrial property rights may have effect: **07 March 2006**
(54) Product in respect of which the design is registered: **Loudspeaker**
(51) International Design Classification: **14-01**
(71) Name(s) and Address(s) of Applicant(s):
David John Tasker
PO Box 491 Burleigh Heads Queensland 4220 Australia
(72) Name(s) of Designer(s): **David John Tasker**
(45) Registration Date: **26 June 2006**
(56) Related Art Documents: **Not Applicable**
(57) Statement of Newness and Distinctiveness: **Nil**



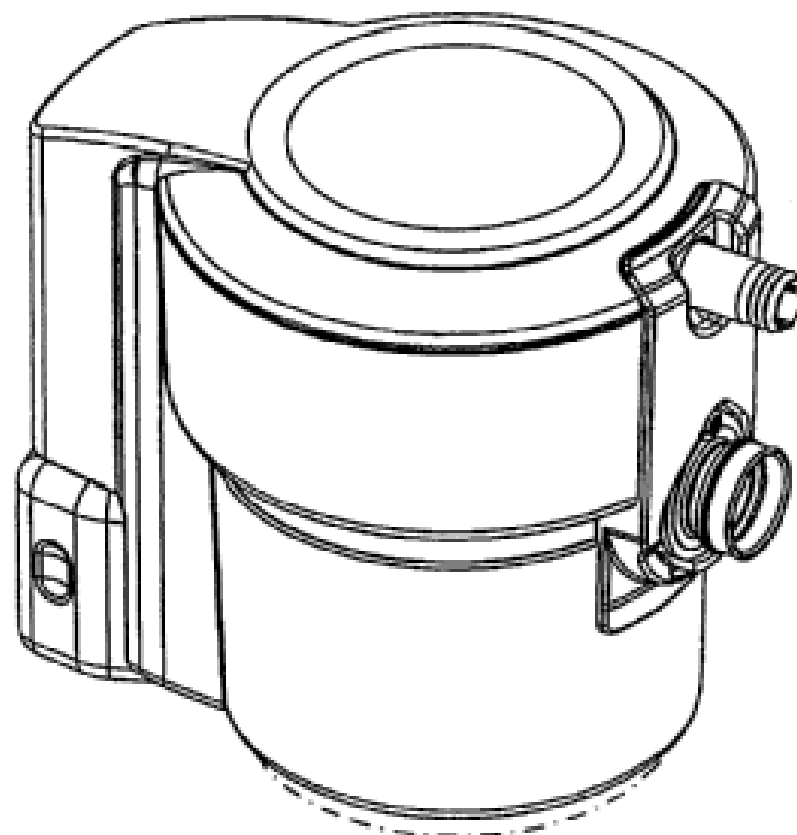
(21) Design Number: **10868/2006**
 (22) Date of Filing Application: **07 March 2006**
 (24) Date from which industrial property rights may have effect: **07 March 2006**
 (54) Product in respect of which the design is registered: **Loudspeaker**
 (51) International Design Classification: **14-01**
 (71) Name(s) and Address(s) of Applicant(s):
David John Tasker
PO Box 491 Burleigh Heads Queensland 4220 Australia
 (72) Name(s) of Designer(s): **David John Tasker**
 (45) Registration Date: **26 June 2006**
 (56) Related Art Documents: **Not Applicable**
 (57) Statement of Newness and Distinctiveness: **Nil**



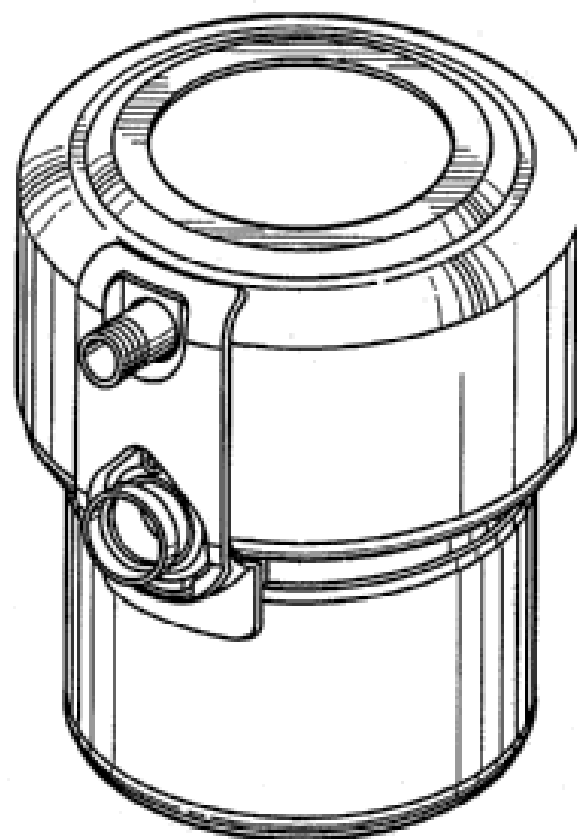
(21) Design Number: **11950/2006**
 (22) Date of Filing Application: **04 May 2006**
 (24) Date from which industrial property rights may have effect: **04 May 2006**
 (54) Product in respect of which the design is registered: **Food waste disposer**
 (51) International Design Classification: **09-09**
 (71) Name(s) and Address(s) of Applicant(s):
Emerson Electric Co
8000 West Florissant Avenue St Louis Missouri 63136 United States of America
 (72) Name(s) of Designer(s): **James Robert Patterson and Thomas M. Garza Sr. and Scott W. Anderson and David MacNair and Joshua P. Malik and Eric Joseph Schultz and James Douglas Wilson and Kevin Robert Young and Jo Frances Wollschlaeger**
 (45) Registration Date: **26 June 2006**
 (30) Convention priority data:

(31) Number	(32) Date	(33) Country
29/245759	27 Dec 2005	UNITED STATES OF AMERICA

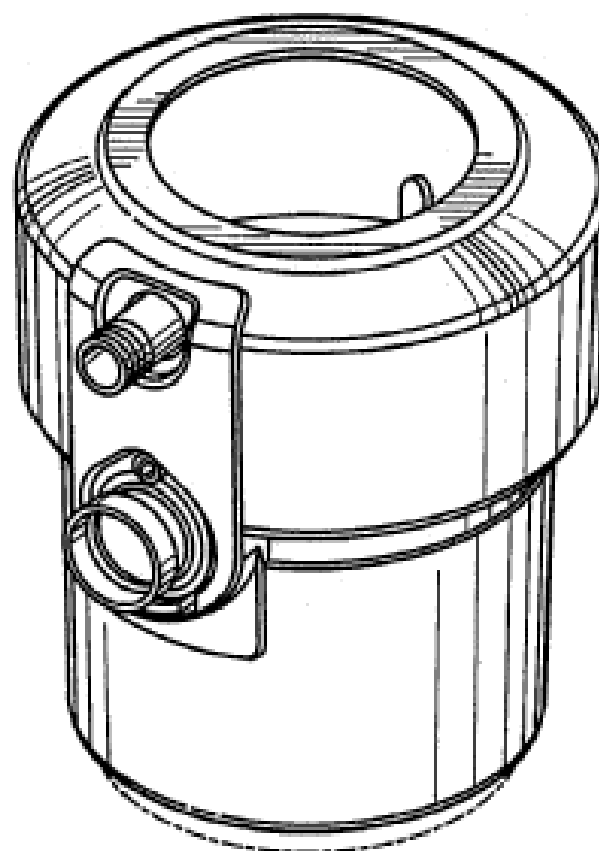
 (56) Related Art Documents: **Not Applicable**
 (57) Statement of Newness and Distinctiveness: **Newness and distinctiveness reside in the features of the design shown in solid lines in the representations excluding those features shown in broken lines.**



(21) Design Number: **11951/2006**
 (22) Date of Filing Application: **04 May 2006**
 (24) Date from which industrial property rights may have effect: **04 May 2006**
 (54) Product in respect of which the design is registered: **Food waste disposer**
 (51) International Design Classification: **09-09**
 (71) Name(s) and Address(s) of Applicant(s):
Emerson Electric Co
8000 West Florissant Avenue St Louis Missouri 63136 United States of America
 (72) Name(s) of Designer(s): **James Robert Patterson and Thomas M. Garza Sr. and Scott W. Anderson and David MacNair and Joshua P. Malik and Eric Joseph Schultz and James Douglas Wilson and Kevin Robert Young and Jo Frances Wollschlaeger**
 (45) Registration Date: **26 June 2006**
 (30) Convention priority data:
 (31) Number (32) Date (33) Country
29/245755 27 Dec 2005 UNITED STATES OF AMERICA
 (56) Related Art Documents: **Not Applicable**
 (57) Statement of Newness and Distinctiveness: **Newness and distinctiveness reside in the features of the design as shown in the representations.**



(21) Design Number: **11952/2006**
 (22) Date of Filing Application: **04 May 2006**
 (24) Date from which industrial property rights may have effect: **04 May 2006**
 (54) Product in respect of which the design is registered: **Food waste disposer**
 (51) International Design Classification: **09-09**
 (71) Name(s) and Address(s) of Applicant(s):
Emerson Electric Co
8000 West Florissant Avenue St Louis Missouri 63136 United States of America
 (72) Name(s) of Designer(s): **James Robert Patterson and Thomas M. Garza Sr. and Scott W. Anderson and David MacNair and Joshua P. Malik and Eric Joseph Schultz and James Douglas Wilson and Kevin Robert Young and Jo Frances Wollschlaeger**
 (45) Registration Date: **26 June 2006**
 (30) Convention priority data:
 (31) Number (32) Date (33) Country
29/245750 27 Dec 2005 UNITED STATES OF AMERICA
 (56) Related Art Documents: **Not Applicable**
 (57) Statement of Newness and Distinctiveness: **Newness and distinctiveness reside in the features of the design shown in solid lines in the representations excluding those features shown in broken lines.**



(21) Design Number: **11953/2006**

(22) Date of Filing Application: **04 May 2006**

(24) Date from which industrial property rights may have effect: **04 May 2006**

(54) Product in respect of which the design is registered: **Food waste disposer**

(51) International Design Classification: **09-09**

(71) Name(s) and Address(s) of Applicant(s):

Emerson Electric Co
8000 West Florissant Avenue St Louis Missouri 63136 United States of America

(72) Name(s) of Designer(s): **James Robert Patterson and Thomas M. Garza Sr. and Scott W. Anderson and David MacNair and Joshua P. Malik and Eric Joseph Schultz and James Douglas Wilson and Kevin Robert Young and Jo Frances Wollschlaeger**

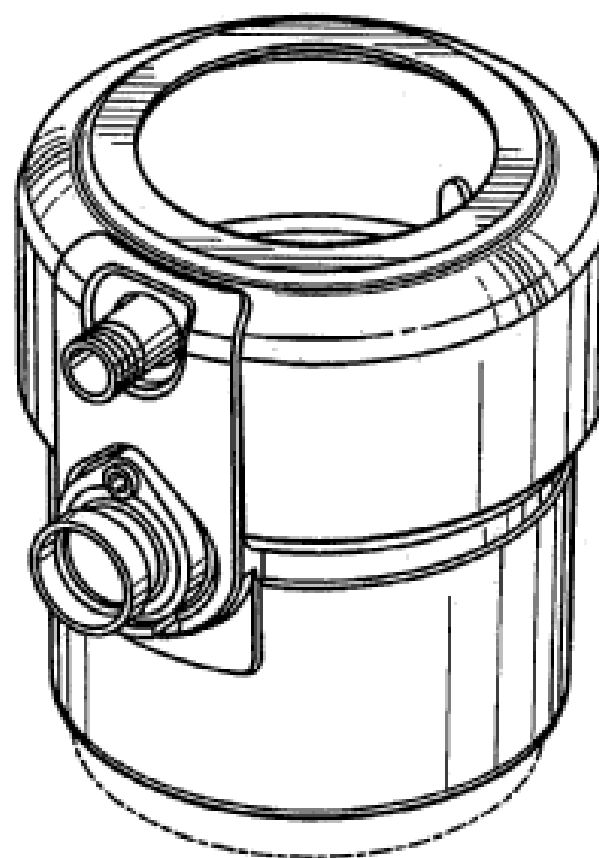
(45) Registration Date: **26 June 2006**

(30) Convention priority data:

(31) Number	(32) Date	(33) Country
29/245756	27 Dec 2005	UNITED STATES OF AMERICA

(56) Related Art Documents: **Not Applicable**

(57) Statement of Newness and Distinctiveness: **Newness and distinctiveness reside in the features of the design shown in solid lines in the representations excluding those features shown in broken lines.**



(21) Design Number: **12001/2006**

(22) Date of Filing Application: **08 May 2006**

(24) Date from which industrial property rights may have effect: **08 May 2006**

(54) Product in respect of which the design is registered: **2-head dry shaver**

(51) International Design Classification: **28-03A**

(71) Name(s) and Address(s) of Applicant(s):

Koninklijke Philips Electronics N.V.
Groenewoudseweg 1 5621 BA Eindhoven The Netherlands

(72) Name(s) of Designer(s): **Ian Che Chun Lee**

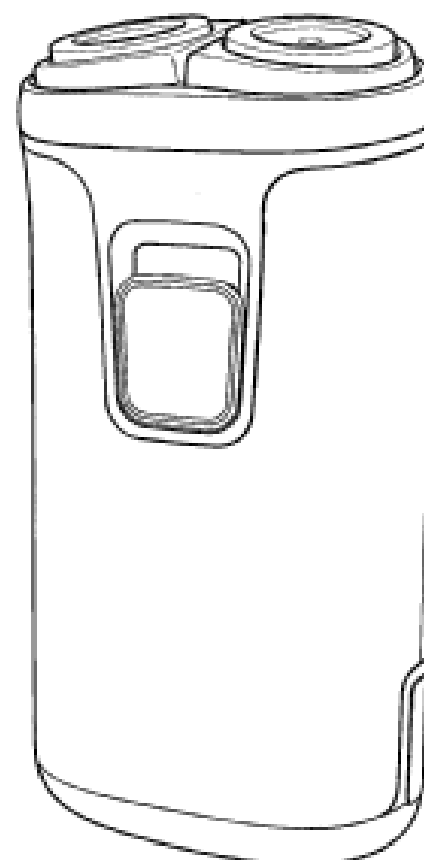
(45) Registration Date: **26 June 2006**

(30) Convention priority data:

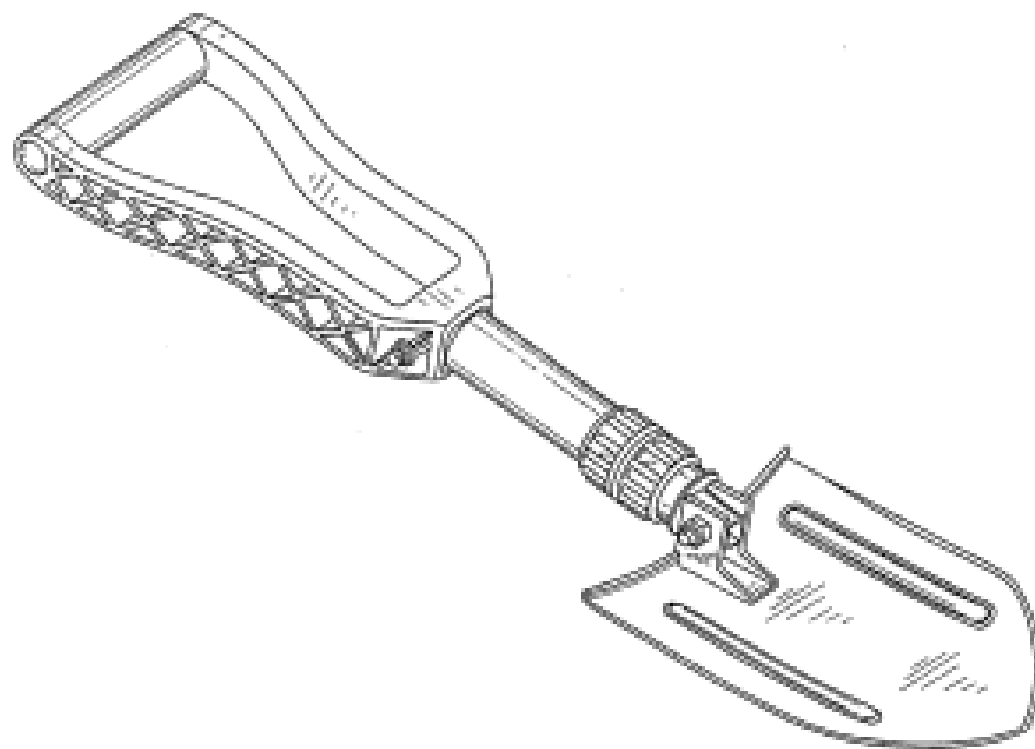
(31) Number	(32) Date	(33) Country
000437157	25 Nov 2005	EUROPEAN COMMUNITY

(56) Related Art Documents: **Not Applicable**

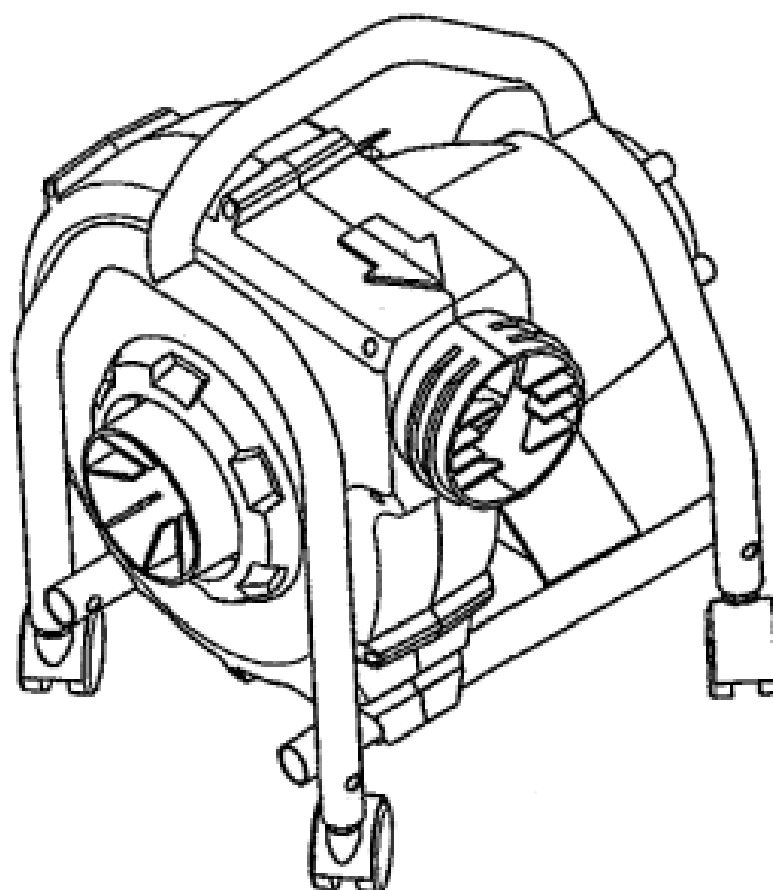
(57) Statement of Newness and Distinctiveness: **Newness and distinctiveness reside in the features of the design as shown in the representations.**



(21) Design Number: **12027/2006**
(22) Date of Filing Application: **10 May 2006**
(24) Date from which industrial property rights may have effect: **10 May 2006**
(54) Product in respect of which the design is registered: **Folding shovel**
(51) International Design Classification: **08-01**
(71) Name(s) and Address(s) of Applicant(s):
Ames True Temper, Inc.
465 Railroad Avenue Camp Hill PA 17011 United States of America
(72) Name(s) of Designer(s): **Jeffrey M. Norton and Joshua O. Mullen**
(45) Registration Date: **26 June 2006**
(30) Convention priority data:
(31) Number (32) Date (33) Country
29/243,209 21 Nov 2005 UNITED STATES OF AMERICA
(56) Related Art Documents: **Not Applicable**
(57) Statement of Newness and Distinctiveness: **Nil**



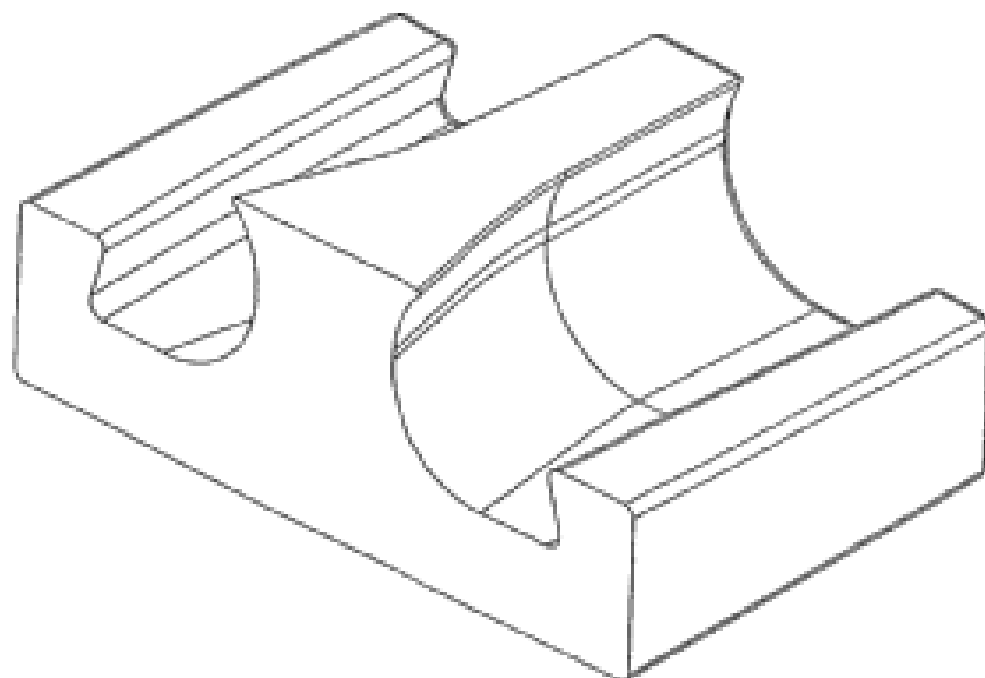
(21) Design Number: **15554/2005**
(22) Date of Filing Application: **16 December 2005**
(24) Date from which industrial property rights may have effect: **16 December 2005**
(54) Product in respect of which the design is registered: **Portable dust collector**
(51) International Design Classification: **15-05**
(71) Name(s) and Address(s) of Applicant(s):
GMCA Pty Ltd
45-55 South Centre Road Melbourne Airport Victoria 3045 Australia
(72) Name(s) of Designer(s): **James Hastie**
(45) Registration Date: **26 June 2006**
(30) Convention priority data:
(31) Number (32) Date (33) Country
3023031 08 Nov 2005 UNITED KINGDOM
(56) Related Art Documents: **Not Applicable**
(57) Statement of Newness and Distinctiveness: **Newness and distinctiveness resides in the features of shape and configuration of a portable dust collector as shown in the accompanying representations.**



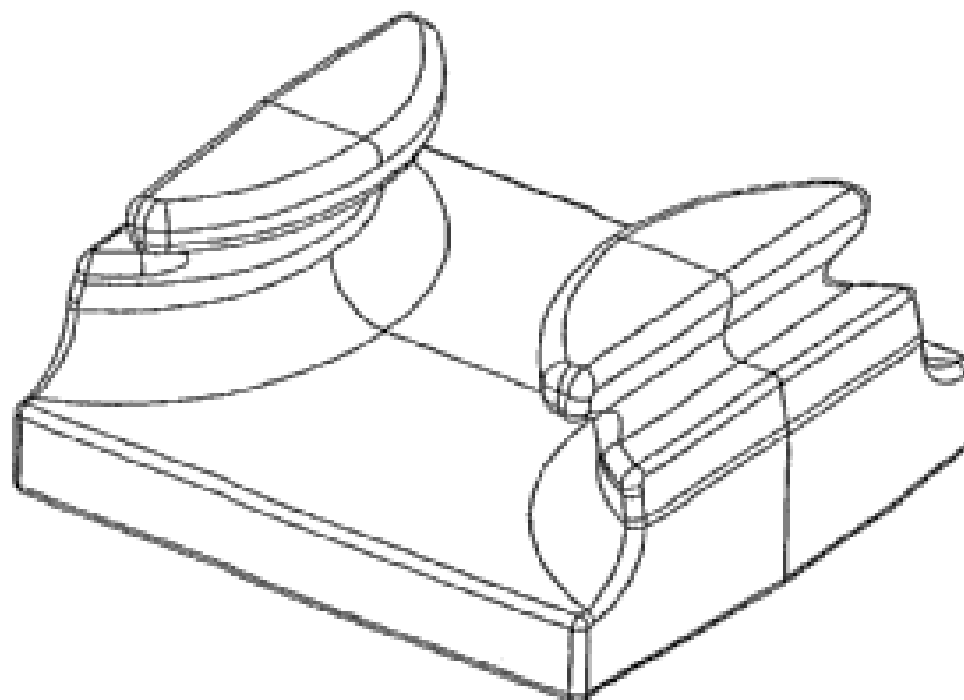
- (21) Design Number: **15567/2005**
- (22) Date of Filing Application: **16 December 2005**
- (24) Date from which industrial property rights may have effect: **16 December 2005**
- (54) Product in respect of which the design is registered: **Golf tee**
- (51) International Design Classification: **21-02C**
- (71) Name(s) and Address(s) of Applicant(s):
Onsite International Pty. Ltd.
18 Avlona Street Mordialloc Victoria 3195 Australia
- (72) Name(s) of Designer(s): **Ray Jamieson and Brendon Holmes**
- (45) Registration Date: **26 June 2006**
- (56) Related Art Documents: **Not Applicable**
- (57) Statement of Newness and Distinctiveness: **The tee as shown, as a whole, is new and distinctive. "XYZ" axes visible in some views are not part of the design.**



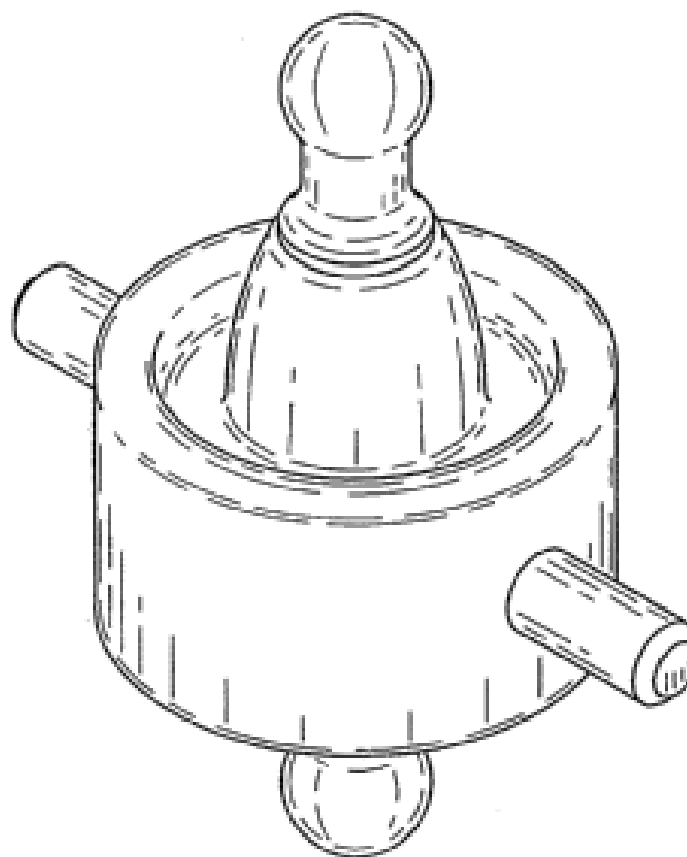
- (21) Design Number: **15583/2005**
- (22) Date of Filing Application: **16 December 2005**
- (24) Date from which industrial property rights may have effect: **16 December 2005**
- (54) Product in respect of which the design is registered: **Bar connector cap**
- (51) International Design Classification: **25-01B**
- (71) Name(s) and Address(s) of Applicant(s):
Daniel Charles Underwood
20 Bunowang Street Balmoral Queensland 4171 Australia
- (72) Name(s) of Designer(s): **Daniel Charles Underwood**
- (45) Registration Date: **26 June 2006**
- (56) Related Art Documents: **Not Applicable**
- (57) Statement of Newness and Distinctiveness: **Nil**



(21) Design Number: **15584/2005**
(22) Date of Filing Application: **16 December 2005**
(24) Date from which industrial property rights may have effect: **16 December 2005**
(54) Product in respect of which the design is registered: **Bar connector base**
(51) International Design Classification: **25-01B**
(71) Name(s) and Address(s) of Applicant(s):
Daniel Charles Underwood
20 Bunowang Street Balmoral Queensland 4171 Australia
(72) Name(s) of Designer(s): **Daniel Charles Underwood**
(45) Registration Date: **26 June 2006**
(56) Related Art Documents: **Not Applicable**
(57) Statement of Newness and Distinctiveness: **Nil**



(21) Design Number: **15620/2005**
(22) Date of Filing Application: **19 December 2005**
(24) Date from which industrial property rights may have effect: **19 December 2005**
(54) Product in respect of which the design is registered: **Hydraulic seal with a pivoting arm**
(51) International Design Classification: **23-01A**
(71) Name(s) and Address(s) of Applicant(s):
Nordson Corporation
28601 Clemens Road Westlake Ohio 44145-1119 United States of America
(72) Name(s) of Designer(s): **John M. Riney**
(45) Registration Date: **26 June 2006**
(30) Convention priority data:
(31) Number (32) Date (33) Country
29/233175 29 Jun 2005 UNITED STATES OF AMERICA
(56) Related Art Documents: **Not Applicable**
(57) Statement of Newness and Distinctiveness: **Newness and distinctiveness is claimed in the features of shape and/or configuration of a hydraulic seal with a pivoting arm as illustrated in the accompanying representations.**



- (21) Design Number: **15621/2005**
- (22) Date of Filing Application: **19 December 2005**
- (24) Date from which industrial property rights may have effect: **19 December 2005**
- (54) Product in respect of which the design is registered: **Dispensing Valve**
- (51) International Design Classification: **23-01K**
- (71) Name(s) and Address(s) of Applicant(s):

Nordson Corporation
28601 Clemens Road Westlake Ohio 44145-1119 United States of America

- (72) Name(s) of Designer(s): **Christopher R. Chastine and Matthew R. Tinaglia and Richard Pallante**

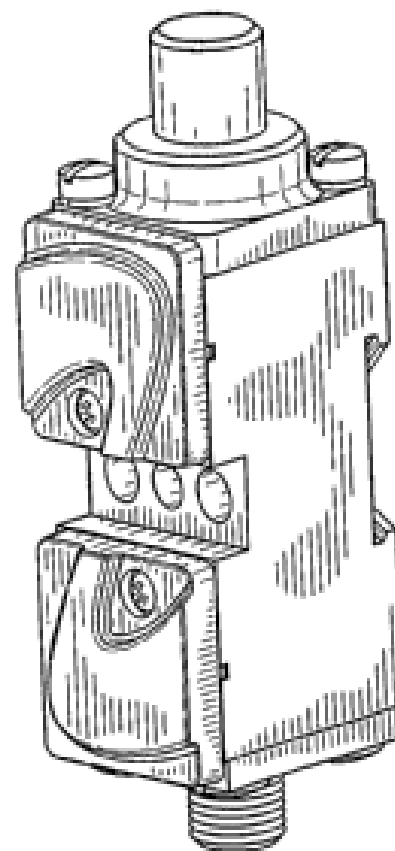
- (45) Registration Date: **26 June 2006**

- (30) Convention priority data:

(31) Number	(32) Date	(33) Country
29/233176	29 Jun 2005	UNITED STATES OF AMERICA

- (56) Related Art Documents: **Not Applicable**

- (57) Statement of Newness and Distinctiveness: **Newness and distinctiveness is claimed in the features of shape and/or configuration of a dispensing valve as illustrated in the accompanying representations, apart from the fasteners.**



- (21) Design Number: **15623/2005**
- (22) Date of Filing Application: **19 December 2005**
- (24) Date from which industrial property rights may have effect: **19 December 2005**
- (54) Product in respect of which the design is registered: **A section**
- (51) International Design Classification: **25-01K**
- (71) Name(s) and Address(s) of Applicant(s):

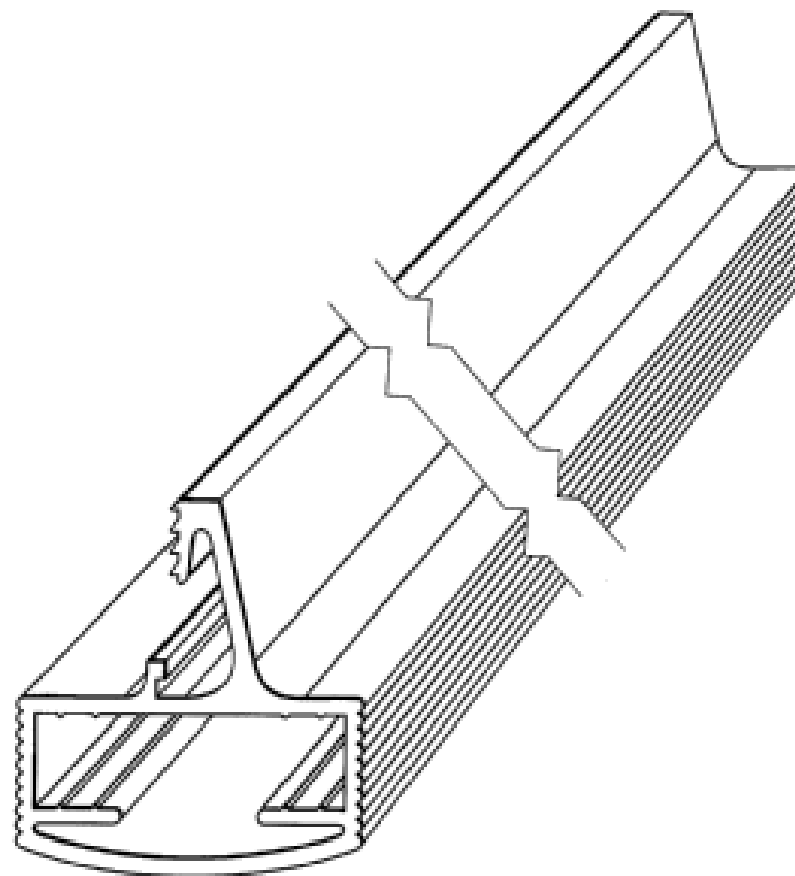
Crimsafe Security Systems Pty Ltd
No 1 Blanck Street Ormeau Queensland 4208 Australia

- (72) Name(s) of Designer(s): **Peter Bouma and Steve Brabeck**

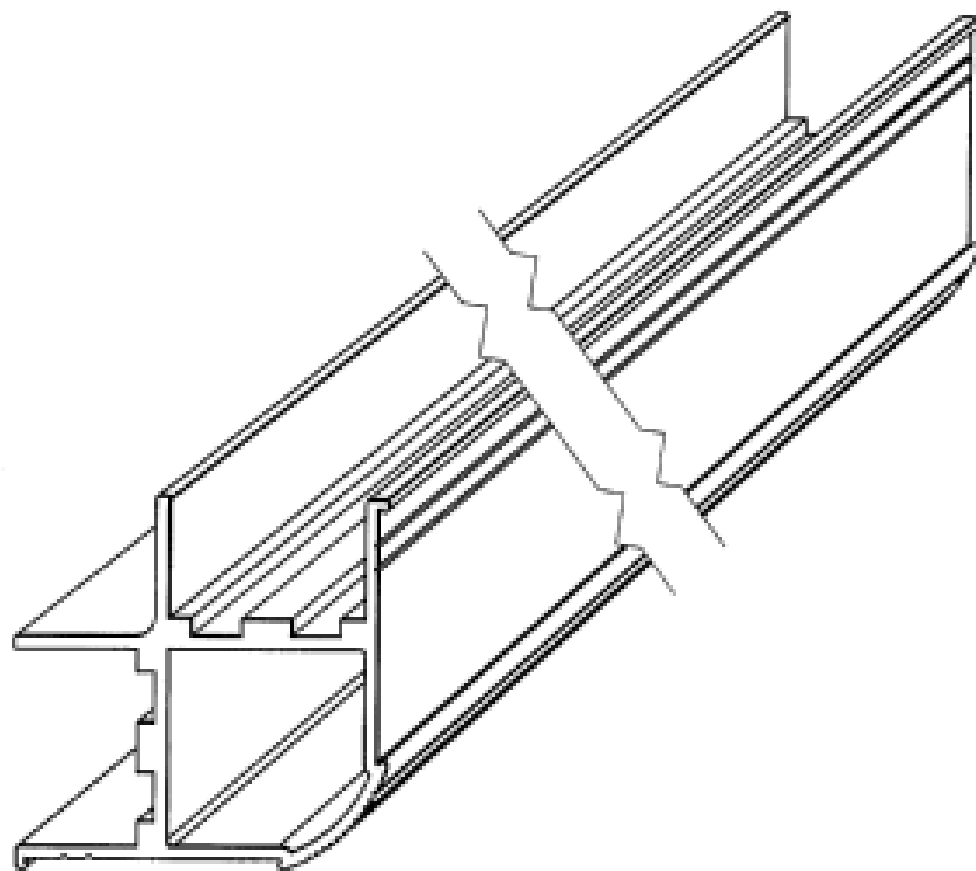
- (45) Registration Date: **26 June 2006**

- (56) Related Art Documents: **Not Applicable**

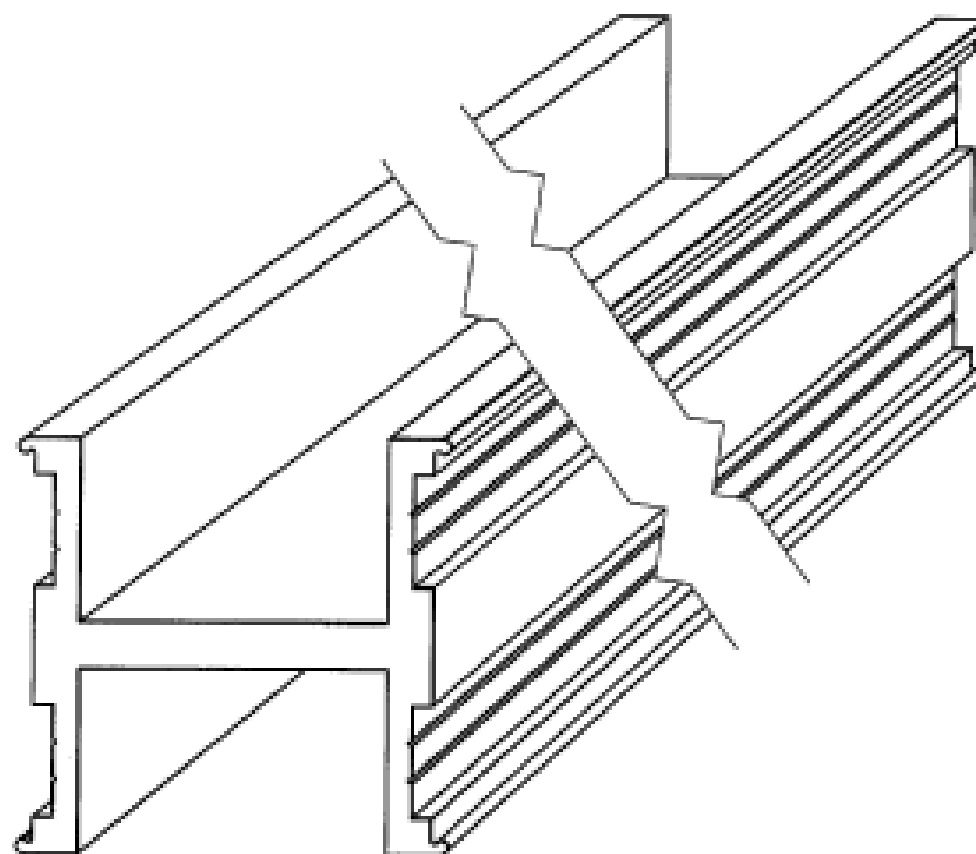
- (57) Statement of Newness and Distinctiveness: **Newness and Distinctiveness of the designs resides in the shape and configuration of the sections of indefinite length as shown in the accompanying representations.**



- (21) Design Number: **15624/2005**
(22) Date of Filing Application: **19 December 2005**
(24) Date from which industrial property rights may have effect: **19 December 2005**
(54) Product in respect of which the design is registered: **A section**
(51) International Design Classification: **25-01K**
(71) Name(s) and Address(s) of Applicant(s):
Crimsafe Security Systems Pty Ltd
No 1 Blanck Street Ormeau Queensland 4208 Australia
(72) Name(s) of Designer(s): **Peter Bouma and Steve Brabeck**
(45) Registration Date: **26 June 2006**
(56) Related Art Documents: **Not Applicable**
(57) Statement of Newness and Distinctiveness: **Newness and Distinctiveness of the designs resides in the shape and configuration of the sections of indefinite length as shown in the accompanying representations.**



- (21) Design Number: **15625/2005**
(22) Date of Filing Application: **19 December 2005**
(24) Date from which industrial property rights may have effect: **19 December 2005**
(54) Product in respect of which the design is registered: **A section**
(51) International Design Classification: **25-01K**
(71) Name(s) and Address(s) of Applicant(s):
Crimsafe Security Systems Pty Ltd
No 1 Blanck Street Ormeau Queensland 4208 Australia
(72) Name(s) of Designer(s): **Peter Bouma and Steve Brabeck**
(45) Registration Date: **26 June 2006**
(56) Related Art Documents: **Not Applicable**
(57) Statement of Newness and Distinctiveness: **Newness and Distinctiveness of the designs resides in the shape and configuration of the sections of indefinite length as shown in the accompanying representations.**



(19) AU

(21) Design Number: **15626/2005**

(22) Date of Filing Application: **19 December 2005**

(24) Date from which industrial property rights may have effect: **19 December 2005**

(54) Product in respect of which the design is registered: **A pair of motorcycle handguard**

(51) International Design Classification: **12-11**

(71) Name(s) and Address(s) of Applicant(s):

Matthew Phillipott

**Unit 8 6-8 Ralph Black Dr North Wollongong New South Wales 2500
Australia**

(72) Name(s) of Designer(s): **Matthew Phillipott**

(45) Registration Date: **26 June 2006**

(56) Related Art Documents: **Not Applicable**

(57) Statement of Newness and Distinctiveness: **Newness and distinctiveness is claimed in the shape and configuration of a pair of motorcycle handguards as shown in the accompanying representations.**

