



**Australian Government**

---

**IP Australia**

**AUSTRALIAN OFFICIAL JOURNAL**

**OF**

**DESIGNS**

Did you know a searchable version of this journal is now available online?

It's FREE and EASY to SEARCH.

Find it at

<http://pericles.ipaustralia.gov.au/ols/epublish/content/olsEpublications.jsp>  
or using the "Online Journals" link on the IP Australia home page.

This Page Left Intentionally Blank

## Contents

### General Information & Notices

#### Proceedings Under the Designs Act 1906 preserved as a result of the provisions of Chapter 12 Part 2 of the Designs Act 2003

Application for Extension of Period of Registration .....	5484
Applications Lapsed .....	5483
Extension of Period of Registration of Designs .....	5484
Extensions of Time Granted .....	5484
Names Registered - Alterations and Amendments .....	5485
Registration Proceedings	
Registration Number Range 158575 to 158575 .....	5486
Registrations Ceased .....	5484
Subsequent Owners Registered .....	5485

#### Proceedings Under the Designs Act 2003

Applications Lapsed .....	5498
Applications Lodged .....	5491
Applications Withdrawn .....	5498
Certificate of Examination .....	5501
Corrigenda .....	5500
Extension of Time Granted Under Section 137 .....	5499
Publication and Registration Proceedings	
Designs Registered 307866 to 308094 .....	5502
Registrations Ceased .....	5499
Revocation of Design Registrations .....	5499
Subsequent Owners Registered .....	5499

This Page Left Intentionally Blank

## General Information

### EDITORIAL ENQUIRIES

All enquiries about official notices and general information in the Journal should be directed to IP Australia, (ABN No 38 113 072 755), PO Box 200 Woden ACT 2606

Or

Telephone 1300 651 010  
(International Callers +61 2 6283 2999 )  
Fax 02 6283 7999  
E-mail [assist@ipaustralia.gov.au](mailto:assist@ipaustralia.gov.au)

### CONTACT INFORMATION

Customer Service Network  
Telephone 1300 651 010 , Fax: 02 6283 7999  
E-mail: [assist@ipaustralia.gov.au](mailto:assist@ipaustralia.gov.au)

Customers can contact the Customer Service Network by telephone or by e-mail. Telephones are staffed between 9am and 5pm each working day.

Customers should contact the Customer Service Network for information about:

- All Patent Matters including PCT and Innovation Patents.
- All Trade Mark Matters.
- All Design Matters.

### Professional Standards Board for Patent and Trade Mark Attorneys.

Ph: 02 6283 2345 Fax: 02 6283 1048

### ORDERING PATENT DOCUMENTS

When ordering copies of Australian patent specifications, or abstracts and abridgments notified as open to public inspection on or after 26 October 1978, or as accepted on or after 16 November 1978, the documents should be referred to by application numbers only, preceded by letters AU-A or AU-B respectively.

### REQUESTS FOR INFORMATION UNDER SECTION 194 ( C )

A request for information under Section 194 ( C ) of the Patents Act 1990 should be made in the approved form and be accompanied by the prescribed fee. The request should be as detailed as possible.

### INFORMATION FROM REGISTERS

All requests for information from Register of Patents, Trade Marks or Designs, should be made in writing and accompanied by the prescribed fee. The Registers are located in Canberra and may be examined free of charge.

### COUNTRY CODES

For a listing of country codes used by IP Australia please refer to the Official Journals dated 7 November 1996.

### ABBREVIATIONS IN JOURNAL

Standard abbreviations are used in the name of companies and firms. Enquiries concerning the precise name should be directed to the Customer Service Network.

## FREEDOM OF INFORMATION ACT

What does it do?

- Gives you right to obtain information held by Commonwealth Ministers, Departments and most statutory bodies (these bodies are called agencies under the Act).
- Requires Commonwealth Government agencies to make available to members of the public:
  - Information about agencies, their functions and operations.
  - Information about rules and practices which are used in making decisions which affect you.
- Gives you a legal right to:
  - See non exempt documents held by agencies, and
  - appeal against a decision not to grant access to a document.

What documents can you see?

- The Act gives you a right to see documents lodged on or after 1 December 1977, or earlier if you need them to understand another document you have already.
- Documents include files, reports, computer printouts, maps, plans, photographs, tape recordings, films or videotapes.
- Documents which are available for purchase under the Patents Act 1990, the Trade Marks Act 1995 or Designs Act 2003 or Plant Breeder's Rights Act 1994 are not available under the Freedom of Information Act (Section 12 refers).

How do you apply?

Requests for access to documents must

- Be in writing
- Provide sufficient information so as to enable identification of the documents requested
- Specify an address in Australia where notices can be sent and
- Be accompanied by the application fee (currently \$30.00).

Requests for documents should be addressed to IP Australia, PO Box 200 Woden, ACT 2606, or Faxed to 02 6283 7999

## DECISIONS OF THE COMMISSIONER OF PATENTS AND REGISTRAR OF TRADE MARKS AND DESIGNS

- All decisions of the Commissioner and Registrars are available free of charge from AUSTLII's website

[www.austlii.edu.au](http://www.austlii.edu.au)

Copies of all written Patent and Design decisions are available (except if they would not be available under the provisions of the Freedom of Information legislation, e.g. if they would effectively disclose matter from documents that are not open to public inspection) on request for a cost of \$AU 25. They are also available for inspection in indexed volume series, dating from 1 January 1987, in the Office library, Canberra.

Copies of Trade Mark decisions may be accessed via IP Australia's website [www.ipaustralia.gov.au](http://www.ipaustralia.gov.au)

- Copies of the taped record of Patent and Design hearings are available (with the same exception as above) on request.
- When a written decision is issued the fact of the decision plus a brief head note will be published in the Official Notices section of the next available Patents, Trade Marks or Designs Journal.

## HEARINGS BEFORE THE COMMISSIONER OF PATENTS

Hearings before the Commissioner of Patents will usually be conducted at the Patent Office in Canberra and interstate hearing sessions are not provided. However, the Commissioner will conduct hearings outside of Canberra at a convenient time to all parties provided that the parties bear the travel costs of the hearing officer.

The various options for hearings are set out in the document "Options for Hearings" available on IP Australia's website at: [www.ipaustralia.gov.au/pdfs/patents/optionsforhearings.PDF](http://www.ipaustralia.gov.au/pdfs/patents/optionsforhearings.PDF)

## HEARINGS BEFORE THE REGISTRARS OF TRADE MARKS AND DESIGNS

Hearings before the Registrars of Trade Marks and Designs will be set down in Melbourne, Sydney, Adelaide, Perth and Brisbane during the periods indicated below.

### Designs and Trade Marks Hearings Sessions 2006

Melbourne	13 – 17 February 5 – 9 June 11 – 15 September
Sydney	13 – 17 March 17 – 21 July 16 – 20 October
Adelaide	14 – 15 August
Perth	17 – 18 August
Brisbane	24 – 25 August

Persons who desire matters to be set down for hearing in Melbourne, Sydney, Adelaide, Perth or Brisbane must give at least one month's notice of their intention to be heard. If such notice is not given, it may be that there would be insufficient time to allow for the execution of official procedures associated with the listing of hearings, and as a result, the matter involved might not be listed.

Subject to the convenience of this Office, hearings will be set down in Canberra at any time suitable to the parties.

## LIST OF STATE OFFICES

IP Australia State Offices are located in the Australian Capitals at the addresses given below. Requests for information may be obtained by calling at, phoning or writing to these offices or IP Australia, Canberra.

### Australian Capital Territory

Ground Floor  
Discovery House  
PHILLIP ACT 2606  
(PO Box 200, WODEN ACT 2606)  
Ph: 1300 651 010  
Fax: (02) 6283 7999

### New South Wales

Level 1  
45 Clarence Street  
SYDNEY NSW 2000  
Ph: 1300 651 010  
Fax: (02) 9249 5807

### Victoria

Level 6  
OCBC House  
565 Bourke Street  
MELBOURNE VIC 3000  
Ph: 1300 651 010  
Fax (03) 9612 9807

### Western Australia

2nd Floor  
East Point Plaza  
233 Adelaide Terrace  
PERTH WA 6000  
Ph: 1300 651 010  
Fax: (08) 9220 8907

### Queensland

Level 1  
Grant Thornton House  
102 Adelaide Street  
BRISBANE QLD 4000  
Ph: 1300 651 010  
Fax: (07) 3007 1107

### South Australia

Level 10  
Origin Energy House  
1 King William Street  
ADELAIDE SA 5000  
Ph: 1300 651 010  
Fax: (08) 8239 4507

### Tasmania

4th Floor  
AMP Building  
27 Elizabeth Street  
HOBART TAS 7000  
Ph: 1300 651 010  
Fax: (03) 6235 6307

# “INID” NUMBERS in use on Australian Design Documents

“INID” is an acronym for “Internationally agreed Numbers for the Identification of Data”.

## **(10) Data concerning the registration/renewal**

- (11) Serial number of the registration and/or number of the design document
- (12) Plain language designation of the kind of published document
- (19) Identification, using the two-letter code according to WIPO Standard ST.3, of the authority publishing or registering the industrial design

## **(20) Data concerning the application**

- (21) Serial number of the application
- (22) Date of filing of the application
- (24) Date from which the industrial design right has effect

## **(30) Data relating to priority under the Paris Convention**

- (31) Serial number assigned to the priority application
- (32) Date of filing of the priority application
- (33) Two-letter code, according to WIPO Standard ST.3, identifying the authority with which the priority application was made

## **(40) Date(s) of making information available to the public**

- (45) Date of publication of the registered industrial design by printing or similar process, or making it available to the public by any other means

## **(50) Miscellaneous Information**

- (51) International Classification for Industrial Designs (class and subclass of the Locarno Classification)
- (54) Designation of article(s) or product(s) covered by the industrial design or title of the industrial design
- (55) Reproduction of the industrial design (e.g., drawing, photograph) and explanations relating to the reproduction
- (56) List of prior art documents, if separate from descriptive text
- (57) Description of characteristic features of the industrial design including indication of colours

## **(60) References to other legally related application(s) and registration(s)**

- (62) Serial number(s) and, if available, filing date(s) of application(s), registration(s) or document(s) related by division
- (66) Serial number(s) of the application, or the registration, of the design(s) which is (are) a variant(s) of the present one

## **(70) Identification of parties concerned with the application or registration**

- (71) Name(s) and address(es) of the applicant(s)
- (72) Name(s) of the creator(s) if known to be such
- (74) Name(s) and address(es) of the representative(s)

This Page Left Intentionally Blank



Official Notice**Designs Act 2003  
Amendments to Registered Designs at Examination**

The following amendments have been made to details previously published in the Australian Official Journal of Designs during the Examination process:

<b>Registration Number</b>	<b>Amendment type</b>	<b>New details</b>
304059	Classification	04-02, 28-99
307320	Classification	31-00, 07-01F

**Contact:** IP Australia  
**Phone:** 1300 651 010  
**Fax:** +61 2 6283 7999  
**E-Mail:** [assist@ipaustralia.gov.au](mailto:assist@ipaustralia.gov.au)  
**Web:** [www.ipaustralia.gov.au](http://www.ipaustralia.gov.au)

This Page Left Intentionally Blank

**Proceedings under the Designs Act 1906 preserved as a  
result of the provisions of Chapter 12 Part 2 of the Designs  
Act 2003.**

This Page Left Intentionally Blank

**Applications Lapsed**

02178 / 2004 (07-07A)

**Application for Extension of Period of Registration**

Applications under Section 27A(2) for extension of registration of the following designs have been lodged. In the event that a design is shown to be not new or original, the Registrar may refuse to extend the period of registration. Sub-section 27A(4) allows any person to lodge at the Designs Office material relevant to the question whether the design is not new or original. That material must be lodged within 11 months of the date when the registration of the design was made. Further details of the conditions and procedures for the lodgement of material are contained in Form 8 provided under the Designs Regulation 24.

126168	126225	126247
126251	126253	126254
126255	126256	126289
126385	126405	126522
126793	126830	126880
126881	126885	126932
126970	127067	127305
127723	127923	127924
129466	129653	132974
132975	132976	135332

Registration Number	Registered Owner	Registration Date
154350	RIC INVESTMENTS INC.	27/01/2004
158196	ELOPAK SYSTEMS A.G.	01/08/2005
158216	QANTAS AIRWAYS LIMITED	01/08/2005
158240	PEPSICO INC.	03/08/2005
158440	PEAK INNOVATIONS INC.	28/11/2005

**Registrations Ceased**

Note: Some of the following Registrations may have been previously advertised as ceased. In this instance, the previous advertisement still prevails.

108785	110155	110156
110157	110158	110159
110160	110196	110288
110290	110297	110304
110326	110327	110334
110437	110438	110484
110494	110553	110690
110700	114151	114191
114635	115061	115062
115063	115140	115181
115336	115337	124422
124424	124445	124446
124471	124544	124754
125041	125087	125185
125316	125334	125392
125393	125394	125395
125705	125947	127788
128957	139873	139914
140910	141114	141118
141119	141121	141158
141159	141160	141161
141175	141217	141220
141377	141390	141456
141490	141600	141699
141700	141701	141836
141877	142282	143123
143460	143563	143564
143565	143566	143567
144442	144622	144623
145719	158132	

**Extension of Period of Registration of Designs**

**1st Period (Section 27A(8))**

154350	158143	158144
158145	158146	158147
158148	158149	158150
158151	158152	158153
158154	158155	158156
158157	158158	158159
158162	158163	158164
158165	158168	158170
158186	158214	

**2nd Period (Section 27A(12))**

141732	141872	142561
142602	143128	143160
143193	143232	143257
143264	143265	143297
143397	143486	143530
143807	143808	143852
143853	143969	143970
144007	144009	144014
144112	144316	144366
144411	144568	145119
146055	146949	147011
147081	147082	147518
147551	147552	147611
147612	147613	147614
147615	147616	147617
147631	148388	148507
148981	149076	149214
149590		

**3rd Period (Section 27A(13))**

124591	126050	126084
--------	--------	--------

**Extensions of time granted**

Applications lodged for extension of time have been granted.

154350 **RIC Investments Inc.** An Extension of time to extend a registration has been granted to 31/05/2005

02125/2004 **Eyup Sabri Murad** An Extension of time to register an application has been granted to 28/09/2006

**Subsequent Owners Registered**

(The name in parentheses is that of the subsequent owner)

153629 ( **Quanics, Inc.** ) Harry L. Nurse Jr  
 146055 ( **Basil Flynn** ) David John Lean

**Names Registered - Alterations and Amendments**

(The name in parentheses is the new name of the proprietor)

134286 ( **Alto Holdings Limited** ) Alto Plastics Limited  
 134415 ( **Alto Holdings Limited** ) Alto Plastics Limited  
 133362 ( **Alto Holdings Limited** ) Alto Plastics Limited  
 136769 ( **Alto Holdings Limited** ) Alto Plastics Limited  
 127648 ( **Alto Holdings Limited** ) Alto Plastics Limited  
 125789 ( **Alto Holdings Limited** ) Alto Plastics Limited  
 120369 ( **Alto Holdings Limited** ) Alto Plastics Limited  
 120129 ( **Alto Holdings Limited** ) Alto Plastics Limited  
 119161 ( **Alto Holdings Limited** ) Alto Plastics Limited  
 114747 ( **Alto Holdings Limited** ) Alto Plastics Limited  
 112777 ( **Alto Holdings Limited** ) Alto Plastics Limited  
 133355 ( **Alto Holdings Limited** ) Alto Plastics Limited  
 155576 ( **Alto Holdings Limited** ) Alto Plastics Limited  
 154943 ( **Alto Holdings Limited** ) Alto Plastics Limited  
 154349 ( **Alto Holdings Limited** ) Alto Plastics Limited  
 151766 ( **Alto Holdings Limited** ) Alto Plastics Limited  
 152789 ( **Alto Holdings Limited** ) Alto Plastics Limited  
 153652 ( **Alto Holdings Limited** ) Alto Plastics Limited  
 155117 ( **Alto Holdings Limited** ) Alto Plastics Limited  
 136588 ( **Alto Holdings Limited** ) Alto Plastics Limited  
 112152 ( **Alto Holdings Limited** ) Alto Plastics Limited  
 133007 ( **Alto Holdings Limited** ) Alto Plastics Limited  
 130053 ( **Alto Holdings Limited** ) Alto Plastics Limited  
 128534 ( **Alto Holdings Limited** ) Alto Plastics Limited  
 129063 ( **Alto Holdings Limited** ) Alto Plastics Limited  
 134416 ( **Alto Holdings Limited** ) Alto Plastics Limited  
 134417 ( **Alto Holdings Limited** ) Alto Plastics Limited  
 135318 ( **Alto Holdings Limited** ) Alto Plastics Limited  
 135436 ( **Alto Holdings Limited** ) Alto Plastics Limited  
 135886 ( **Alto Holdings Limited** ) Alto Plastics Limited

**Registration Proceedings****Designs Registered**

This section provides a concordance between application number and registration number of Designs covered in this journal. It also shows the main class and registration date.

This section covers Registration numbers 158575 to 158575.

The registration number shown below should be used in all future correspondence.

<b>Application Number</b>	<b>Registration Number</b>	<b>International Classification Code (IDC)</b>	<b>Registration Date</b>
01641/2004	158575	06-06F	18/07/2006



**Registration Proceedings****Class Listing of Designs Registered**

The following section shows an International Classification Code listing of the Registered Designs covered in this supplement.

<b>Classification</b>	<b>Registration Number</b>	<b>Application Number</b>
06-06 F	158575	01641/2004

(21) Application Number: **1641/2004**

(22) Date of Filing Application: **30 April 2004**

(24) Date from which industrial property rights may have effect: **30 April 2004**

(54) Article in respect of which the design is registered: **Bed support side cleat**

(51) International Design Classification: **06-06F**

(74) Name(s) of Attorney(s): **Mills Oakley Patent Attorneys**

(71) Name(s) and Address(s) of Applicant(s):

**David Fealy**

**21 Macquarie Drive Thomastown Victoria 3084 Australia**

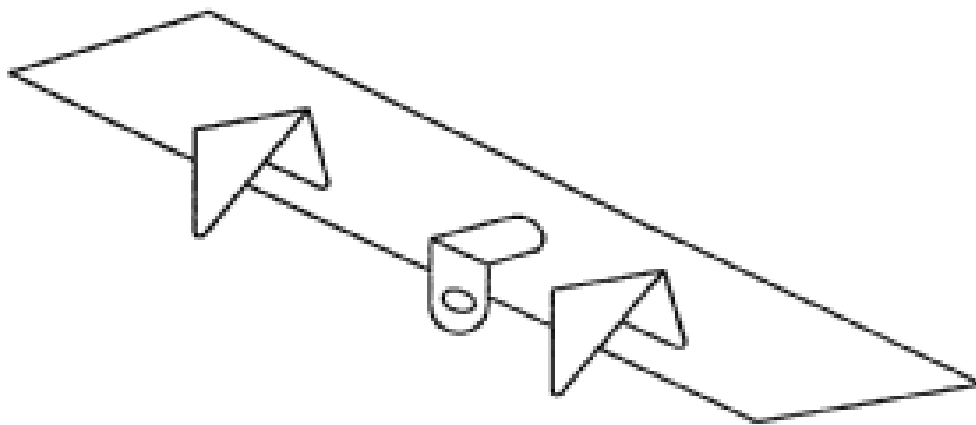
(72) Name(s) of Author(s): **David Fealy**

(45) Registration Date: **18 July 2006**

(56) Related Art Documents: **Not Applicable**

(57) Statement of Monopoly: **Monopoly is claimed in the features of shape and configuration of a bed support side cleat of indeterminate length as illustrated in the accompanying representations.**

Statement of Novelty: **Nil**



**SECTION OF FORMED CLEAT**

**Proceedings under the Designs Act 2003.**

This Page Left Intentionally Blank

**Applications Lodged**

Lodgement information is in the following order: **Applicant's Name**; International Classification, Name of Product, Lodgement Date and **Design Number**. If the applicant claims an earlier priority date under an International Convention, the Convention Country and the associated filing date are shown in parentheses before the Lodgement Date. Divisional information will also appear in parentheses before the Lodgement Date.

<b>pluscreate Pty Ltd;</b> 25-03, A building, 03 Jul 2006	<b>12827/2006</b>	<b>Bristol-Myers Squibb Company;</b> 24-04, Medical compress, (EM, 24 Jan 2006) 14 Jul 2006	<b>13002/2006</b>
<b>Access Business Group International LLC;</b> 09-03NES, 23-02A, A dispensing container, (US, 28 Dec 2005) 27 Jun 2006	<b>12759/2006</b>	<b>Burley, Neil;</b> 06-01G, Chair, 12 Jul 2006	<b>12937/2006</b>
<b>Annabanno Design;</b> 03-01B, Paper Bag 1: Single strap metallic bonded cotton paper bag with leather trim, 04 Jul 2006	<b>12818/2006</b>	<b>Burley, Neil;</b> 06-01G, 3 seater sofa, 12 Jul 2006	<b>12939/2006</b>
<b>Annabanno Design;</b> 03-01B, Paper Bag 2: Single strap metallic bonded cotton paper bag back pack with leather trim, 04 Jul 2006	<b>12819/2006</b>	<b>Burley, Neil;</b> 06-01G, 2 seater sofa, 12 Jul 2006	<b>12938/2006</b>
<b>Annabanno Design;</b> 03-01B, Paper Bag 3: Small plain paper bag with leather trim, 04 Jul 2006	<b>12820/2006</b>	<b>BOC Group plc, The;</b> 25-03, Cabin for gas cylinders, (EM, 18 Jan 2006) 13 Jul 2006	<b>12985/2006</b>
<b>Annabanno Design;</b> 03-01B, Paper Bag 4: Medium plain paper bag with leather trim, 04 Jul 2006	<b>12821/2006</b>	<b>Cartier Creation Studio SA;</b> 10-02, A wristwatch, (EM, 12 Jan 2006) 12 Jul 2006	<b>12959/2006</b>
<b>Anton, Con;</b> 25-01K, Flexible guide extrusion, 03 Jul 2006	<b>12838/2006</b>	<b>Chef'n Corporation;</b> 07-04, A shrimp deveiner, (US, 10 Jan 2006) 03 Jul 2006	<b>12828/2006</b>
<b>Aqua Max Pty Ltd;</b> 23-01B, Piping arrangement for water heater, 13 Jul 2006	<b>12998/2006</b>	<b>Choice Homes (QLD) Pty Ltd;</b> 25-01C, 25-02NES, 25-99, Residential and commercial construction, 26 Jun 2006	<b>12755/2006</b>
<b>Arton Giftware Pty Ltd;</b> 06-07, Picture frame, 19 Jul 2006	<b>13048/2006</b>	<b>Choice Homes (QLD) Pty Ltd;</b> 25-01C, 25-02NES, 25-99, Residential and commercial construction, 26 Jun 2006	<b>12756/2006</b>
<b>Arton Giftware Pty Ltd;</b> 03-01D, 09-03M, Box, 19 Jul 2006	<b>13049/2006</b>	<b>Comfortex Corporation;</b> 25-01K, Headrail, (US, 06 Feb 2006) 10 Jul 2006	<b>12925/2006</b>
<b>Arton Giftware Pty Ltd;</b> 06-05, 06-07, Mirror and drawer stand, 19 Jul 2006	<b>13050/2006</b>	<b>Common, David;</b> 14-02, Computer, 06 Jul 2006	<b>12878/2006</b>
<b>ASSA ABLOY Australia Pty Limited;</b> 08-06, Pull handle, 27 Jun 2006	<b>12760/2006</b>	<b>CSAV, Inc;</b> 08-08M, 08-08NES, Table mount for flat panel electronic display, (US, 04 Jan 2006) 04 Jul 2006	<b>12849/2006</b>
<b>ATC Pty Ltd;</b> 02-01NES, Mens underwear including boxer shorts and traditional briefs, 17 Jul 2006	<b>13020/2006</b>	<b>CSAV, Inc;</b> 08-08M, 08-08NES, Support arm for plat panel electronic display, (US, 04 Jan 2006) 04 Jul 2006	<b>12850/2006</b>
<b>Bang &amp; Olufsen A/S;</b> 14-03B, A television, (DK, 31 Jan 2006) 04 Jul 2006	<b>12846/2006</b>	<b>CSAV, Inc;</b> 08-08M, 08-08NES, Ceiling mount for flat panel electronic display, (US, 04 Jan 2006) 04 Jul 2006	<b>12851/2006</b>
<b>Bang &amp; Olufsen A/S;</b> 14-03B, A television, (DK, 05 Jan 2006) 04 Jul 2006	<b>12847/2006</b>	<b>CSAV, Inc;</b> 08-08M, 08-08NES, Table mount for flat panel electronic display, (US, 04 Jan 2006) 04 Jul 2006	<b>12852/2006</b>
<b>Bocchetta Plush Toys Pty Ltd;</b> 21-01A, Realistic Kangaroo Plush Toy, 03 Jul 2006	<b>12837/2006</b>	<b>D &amp; K Home Security Pty Ltd;</b> 08-07, 08-09, Metal door jamb, 05 Jul 2006	<b>12895/2006</b>
<b>Brandname Properties Pty Ltd;</b> 09-07B, Container cover for fish boxes, 04 Jul 2006	<b>12853/2006</b>	<b>D &amp; K Home Security Pty Ltd;</b> 08-07, 08-09, Metal door jamb, 05 Jul 2006	<b>12896/2006</b>
<b>Briggs &amp; Stratton Corporation;</b> 15-01, Engine cover, (US, 23 Feb 2006) 11 Jul 2006	<b>12932/2006</b>		



<b>Giorgio, David;</b> 26-05NES, Lighting unit, 09 Jul 2006	<b>12911/2006</b>	<b>Kastrappi, Nick;</b> 06-04E, Cupboard frame kit, 10 Jul 2006	<b>12927/2006</b>
<b>Gram Engineering Pty Limited;</b> 25-01NES, A building material being a profiled section of indefinite length, 07 Jul 2006	<b>12903/2006</b>	<b>Koninklijke Philips Electronics N.V.;</b> 28-03A, Shaver cartridge, (EM, 06 Jan 2006) 05 Jul 2006	<b>12874/2006</b>
<b>Great Ideas In Nutrition Pty Ltd;</b> 07-01A, Porcelain dinner plate, 03 Jul 2006	<b>12834/2006</b>	<b>Koninklijke Philips Electronics N.V.;</b> 28-03A, Shaving head unit, (EM, 11 Jan 2006) 05 Jul 2006	<b>12875/2006</b>
<b>Great Ideas In Nutrition Pty Ltd;</b> 07-01A, Porcelain dinner plate, 03 Jul 2006	<b>12835/2006</b>	<b>Koninklijke Philips Electronics N.V.;</b> 28-03A, Three head shaver, (EM, 06 Jan 2006) 05 Jul 2006	<b>12876/2006</b>
<b>Grey, Stephen John;</b> 23-02C, A cistern, 12 Jul 2006	<b>12936/2006</b>	<b>Koninklijke Philips Electronics N.V.;</b> 28-03A, Three head shaver without cartridge, (EM, 06 Jan 2006) 05 Jul 2006	<b>12877/2006</b>
<b>Griffiths, Robert Phillip;</b> 25-02A, Post, 09 May 2006	<b>12997/2006</b>	<b>La Montre Hermes S.A.;</b> 10-07, A watch dial, (WO, 20 Mar 2006) 12 Jul 2006	<b>12956/2006</b>
<b>GMCA Pty Ltd;</b> 08-03, A bandsaw, (GB, 27 May 2006) 12 Jul 2006	<b>12935/2006</b>	<b>La Montre Hermes S.A.;</b> 10-07, 10-02, A watch case, (WO, 11 Apr 2006) 12 Jul 2006	<b>12957/2006</b>
<b>H.G.V. Haus Und Garten-Marketing Und Vertriebsgesellschaft mbH;</b> 06-03C, Workbench, (DE, 10 Feb 2006) 14 Jul 2006	<b>13003/2006</b>	<b>La Montre Hermes S.A.;</b> 10-07, A watch dial, (WO, 20 Mar 2006) 12 Jul 2006	<b>12958/2006</b>
<b>Hadaway, Robert John;</b> 23-01L, Building, 17 Jul 2006	<b>13004/2006</b>	<b>Lee, Allan James;</b> 07-06A, A drink holder and stand, 10 Jul 2006	<b>12900/2006</b>
<b>Harriden, Shane;</b> 08-08D, X4 Clamp (fixed) - X5 Clamp (adjustable), 05 Jul 2006	<b>12856/2006</b>	<b>LG Electronics Inc.;</b> 15-05, Drum washing machine, (KR, 17 Jan 2006) 06 Jul 2006	<b>12886/2006</b>
<b>Hart, Stephen James;</b> 02-03, Spark protector for welders, 03 Jul 2006	<b>12823/2006</b>	<b>LG Electronics Inc.;</b> 15-05, Drum washing machine, (KR, 17 Jan 2006) 06 Jul 2006	<b>12887/2006</b>
<b>Henkel Kommanditgesellschaft auf Aktien;</b> 09-01D, Container, (EM, 11 Jan 2006) 28 Jun 2006	<b>12777/2006</b>	<b>M.D.I. International Pty Ltd;</b> 21-01B, A doll, 06 Jul 2006	<b>12893/2006</b>
<b>Hi-Flow Systems Pty Ltd;</b> 23-01F, 23-02NES, Collection well, 13 Jul 2006	<b>12966/2006</b>	<b>Mag Instrument Inc.;</b> 13-02, Flashlight recharger, (US, 06 Jan 2006) 06 Jul 2006	<b>12884/2006</b>
<b>Hofesh Enterprises;</b> 07-01NES, , 12 Jul 2006	<b>12988/2006</b>	<b>Mag Instrument Inc.;</b> 26-02, LED module, (US, 10 Jan 2006) 06 Jul 2006	<b>12885/2006</b>
<b>Howard Silvers &amp; Sons Pty Ltd;</b> 07-01F, 07-01NES, Jigger, 11 Jul 2006	<b>12940/2006</b>	<b>Maliform Pty Ltd;</b> 08-08NES, Magnetic catch assembly as per attached drawings, 14 Jul 2006	<b>12999/2006</b>
<b>Howard Silvers &amp; Sons Pty Ltd;</b> 07-01F, 07-01NES, Female double jigger, 11 Jul 2006	<b>12941/2006</b>	<b>Mangles, Sharon;</b> 30-06, Frame for pet bed for dogs and cats, 12 Jul 2006	<b>12934/2006</b>
<b>Howard Silvers &amp; Sons Pty Ltd;</b> 07-01F, 07-01NES, Male double jigger, 11 Jul 2006	<b>12942/2006</b>	<b>Martor KG;</b> 08-03, Knife, 28 Jun 2006	<b>12772/2006</b>
<b>Italricambi Spa;</b> 15-04, Tooth for a bucket, (EM, 30 May 2005) 29 Nov 2005	<b>15876/2005</b>	<b>Martor KG;</b> 08-03, Knife, 28 Jun 2006	<b>12773/2006</b>
<b>Italricambi Spa;</b> 15-04, Tooth for a bucket, (EM, 30 May 2005) 29 Nov 2005	<b>15875/2005</b>	<b>Martor KG;</b> 08-03, Knife, (EM, 18 Apr 2006) 28 Jun 2006	<b>12774/2006</b>
<b>Jackal Industries Australia;</b> 07-06A, Wine bottle and soft drink can holder in the marine and leasure industries, 10 Jul 2006	<b>12913/2006</b>	<b>Martor KG;</b> 08-03, Knife, 28 Jun 2006	<b>12775/2006</b>
<b>Jackal Industries Australia;</b> 07-06A, Wine bottle and soft drink can holder in the marine and leasure industries, 10 Jul 2006	<b>12914/2006</b>	<b>Martor KG;</b> 08-03, Knife, (EM, 18 Apr 2006) 28 Jun 2006	<b>12776/2006</b>
<b>Jackson Industries Pty Limited;</b> 13-03D, A power board, 14 Jul 2006	<b>13013/2006</b>	<b>Master Lock Company LLC;</b> 08-07, Lock, (US, 10 Feb 2006) 18 Jul 2006	<b>13051/2006</b>

<b>Mawby, Barrie William;</b> 22-05, Fishing rod, 17 Jul 2006	<b>13019/2006</b>	<b>OMB S.r.l.;</b> 08-08L, 08-08NES, A support for example for television apparatus, (EM, 27 Dec 2005) 27 Jun 2006	<b>12758/2006</b>
<b>MeadWestvaco Corporation;</b> 03-01C, Disc package, (US, 12 Jan 2006) 12 Jul 2006	<b>12989/2006</b>	<b>Pacific Brands Clothing Pty Ltd;</b> 02-01A, Sports brassiere, 05 Jul 2006	<b>12880/2006</b>
<b>MeadWestvaco Corporation;</b> 03-01C, Disc package, (US, 12 Jan 2006) 12 Jul 2006	<b>12990/2006</b>	<b>Pacific Market International, LLC;</b> 07-01C, Audrey tumbler, (US, 04 Jan 2006) 04 Jul 2006	<b>12857/2006</b>
<b>MeadWestvaco Corporation;</b> 03-01C, Disc package, (US, 12 Jan 2006) 12 Jul 2006	<b>12991/2006</b>	<b>Parfums Christian Dior;</b> 20-02C, 20-02E, Display unit, 23 Jun 2006	<b>12754/2006</b>
<b>MeadWestvaco Corporation;</b> 03-01C, Disc package, (US, 12 Jan 2006) 12 Jul 2006	<b>12992/2006</b>	<b>Pearl Coast Marine Products Pty Ltd;</b> 09-08, 09-02A, 09-03K, Poly insulated produce interstack and nesting bin, 17 Jul 2006	<b>13021/2006</b>
<b>MeadWestvaco Corporation;</b> 03-01C, Disc package, (US, 12 Jan 2006) 12 Jul 2006	<b>12993/2006</b>	<b>Pearl Coast Marine Products Pty Ltd;</b> 09-08, Poly insulated dry or hygiene pallet, 17 Jul 2006	<b>13022/2006</b>
<b>MeadWestvaco Corporation;</b> 03-01C, Disc package, (US, 12 Jan 2006) 12 Jul 2006	<b>12994/2006</b>	<b>Pearl Coast Marine Products Pty Ltd;</b> 09-08, 09-02A, 09-03K, 07-07A, Poly insulated chill transport bin, 17 Jul 2006	<b>13023/2006</b>
<b>MeadWestvaco Corporation;</b> 03-01C, Disc package, (US, 12 Jan 2006) 12 Jul 2006	<b>12995/2006</b>	<b>Pearl Coast Marine Products Pty Ltd;</b> 09-08, 09-02A, 09-03K, Poly collapsible produce bin, 17 Jul 2006	<b>13024/2006</b>
<b>Meir, Chen; Meir, Orit;</b> 02-04NES, Footwear, 13 Jul 2006	<b>12953/2006</b>	<b>Pearl Coast Marine Products Pty Ltd;</b> 09-03K, 07-07A, Poly insulated interstack profile chill bin, 17 Jul 2006	<b>13025/2006</b>
<b>Meir, Orit; Meir, Chen;</b> 02-04NES, Footwear, 13 Jul 2006	<b>12953/2006</b>	<b>Pearl Coast Marine Products Pty Ltd;</b> 09-08, 06-04NES, Modular P.V.C continuous pallet rack, 17 Jul 2006	<b>13026/2006</b>
<b>Microsoft Corporation;</b> 14-02, Portion of a monitor, (US, 04 Jan 2006) 04 Jul 2006	<b>12841/2006</b>	<b>Perusahaan Otomobil Nasional SDN. BHD.;</b> 12-16A, 12-16NES, Front door trim, (MY, 19 Jan 2006) 18 Jul 2006	<b>13057/2006</b>
<b>Microsoft Corporation;</b> 14-02, Monitor, (US, 04 Jan 2006) 04 Jul 2006	<b>12842/2006</b>	<b>Perusahaan Otomobil Nasional SDN. BHD.;</b> 12-08, A vehicle, (MY, 19 Jan 2006) 18 Jul 2006	<b>13058/2006</b>
<b>Microsoft Corporation;</b> 14-02, Keyboard, (US, 04 Jan 2006) 04 Jul 2006	<b>12843/2006</b>	<b>Perusahaan Otomobil Nasional SDN. BHD.;</b> 12-16A, 12-16NES, Rear door trim, (MY, 19 Jan 2006) 18 Jul 2006	<b>13059/2006</b>
<b>Microsoft Corporation;</b> 14-02, Portion of a keyboard, (US, 04 Jan 2006) 04 Jul 2006	<b>12844/2006</b>	<b>Perusahaan Otomobil Nasional SDN. BHD.;</b> 12-16A, Steering wheel, (MY, 19 Jan 2006) 18 Jul 2006	<b>13060/2006</b>
<b>Microsoft Corporation;</b> 14-02, Keyboard, (US, 04 Jan 2006) 04 Jul 2006	<b>12845/2006</b>	<b>Perusahaan Otomobil Nasional SDN. BHD.;</b> 12-16B, 12-16NES, Dashboard, (MY, 19 Jan 2006) 18 Jul 2006	<b>13061/2006</b>
<b>Mitsubishi Pencil Co., Ltd;</b> 19-06, Pen, (JP, 13 Jan 2006) 11 Jul 2006	<b>12931/2006</b>	<b>Perusahaan Otomobil Nasional SDN. BHD.;</b> 12-16D, 12-16NES, Gear knob, (MY, 19 Jan 2006) 18 Jul 2006	<b>13062/2006</b>
<b>MiMCo Pty Ltd;</b> 03-01B, Premier curve, 14 Jul 2006	<b>12983/2006</b>	<b>Perusahaan Otomobil Nasional SDN. BHD.;</b> 12-16NES, Center console, (MY, 19 Jan 2006) 18 Jul 2006	<b>13063/2006</b>
<b>MiMCo Pty Ltd;</b> 03-01B, Cocoon, 14 Jul 2006	<b>12982/2006</b>	<b>Perusahaan Otomobil Nasional SDN. BHD.;</b> 06-01D, Center seat, (MY, 19 Jan 2006) 18 Jul 2006	<b>13064/2006</b>
<b>Nap Enterprise Co., Ltd.;</b> 24-04, Ear piece, (JP, 11 Jan 2006) 07 Jul 2006	<b>12909/2006</b>	<b>Perusahaan Otomobil Nasional SDN. BHD.;</b> 06-01D, Rear seat, (MY, 19 Jan 2006) 18 Jul 2006	<b>13065/2006</b>
<b>Neals Yard Pty Ltd, Trading as Display Me;</b> 07-06NES, 20-03NES, Menu and dispenser swivel stand, 07 Jul 2006	<b>12912/2006</b>	<b>Perusahaan Otomobil Nasional SDN. BHD.;</b> 06-01D, Front seat, (MY, 19 Jan 2006) 18 Jul 2006	<b>13066/2006</b>
<b>Nique Enterprises Pty Limited;</b> 06-01H, A lounge, 07 Jul 2006	<b>12901/2006</b>		
<b>Nique Enterprises Pty Limited;</b> 06-03A, A table, 07 Jul 2006	<b>12902/2006</b>		



<b>Perusahaan Otomobil Nasional SDN. BHD.;</b> 15-01, Engine, (MY, 08 Mar 2006) 18 Jul 2006	<b>13067/2006</b>	<b>ResMed LTD;</b> 29-02, 24-01, Mask cushion, 28 Oct 2005	<b>15877/2005</b>
<b>Philippsohn, Joanne;</b> 26-05B, Floorlamp, 03 Jul 2006	<b>12826/2006</b>	<b>ResMed LTD;</b> 29-02, 24-01, Mask cushion, 28 Oct 2005	<b>15878/2005</b>
<b>Pi-Design AG;</b> 07-01C, Glass, (DK, 15 Jan 2006) 03 Jul 2006	<b>12825/2006</b>	<b>ResMed LTD;</b> 29-02, 24-01, Mask cushion, 28 Oct 2005	<b>15879/2005</b>
<b>Pi-Design AG;</b> 23-03E, 23-04, 25-02F, Rim, (DK, 20 Jan 2006) 18 Jul 2006	<b>13053/2006</b>	<b>ResMed LTD;</b> 29-02, 24-01, Mask frame, (Divisional of 01399/2004) 28 Oct 2005	<b>15880/2005</b>
<b>Pi-Design AG;</b> 23-03E, 23-04, 25-02F, Filter including rim, (DK, 20 Jan 2006) 18 Jul 2006	<b>13054/2006</b>	<b>ResMed LTD;</b> 24-01, Headgear strap, 28 Oct 2005	<b>15881/2005</b>
<b>Pi-Design AG;</b> 23-03E, 23-04, 25-02F, Rim, (DK, 20 Jan 2006) 18 Jul 2006	<b>13055/2006</b>	<b>ResMed LTD;</b> 24-01, Headgear clip, (Divisional of 01399/2004) 28 Oct 2005	<b>15882/2005</b>
<b>Pi-Design AG;</b> 07-02L, Coffee maker (BISTRO NEO), (DK, 16 Jan 2006) 12 Jul 2006	<b>12954/2006</b>	<b>ResMed LTD;</b> 24-01, Mask elbow with vent cover, (Divisional of 01399/2004) 28 Oct 2005	<b>15883/2005</b>
<b>Pirelli Pneumatici S.p.A.;</b> 12-15NES, A rear tyre for motorcycles, (EM, 20 Jan 2006) 18 Jul 2006	<b>13045/2006</b>	<b>ResMed LTD;</b> 24-01, Mask vent cover, (Divisional of 01399/2004) 28 Oct 2005	<b>15884/2005</b>
<b>Pirelli Tyre S.p.A.;</b> 12-15NES, A front tyre for motorcycles, (EM, 20 Jan 2006) 18 Jul 2006	<b>13044/2006</b>	<b>Rotoquip (Proprietary) Limited;</b> 23-01F, Tank lid, 13 Jul 2006	<b>12977/2006</b>
<b>Pirelli Tyre S.p.A.;</b> 12-15NES, A front tyre for motorcycles, (EM, 20 Jan 2006) 18 Jul 2006	<b>13046/2006</b>	<b>Rotoquip (Proprietary) Limited;</b> 23-01F, Tank fitting, 13 Jul 2006	<b>12978/2006</b>
<b>Pirelli Tyre S.p.A.;</b> 12-15NES, A front tyre for motorcycles, (EM, 20 Jan 2006) 18 Jul 2006	<b>13047/2006</b>	<b>Rotoquip (Proprietary) Limited;</b> 23-01F, Tank fitting, 13 Jul 2006	<b>12979/2006</b>
<b>Pirelli Tyre S.p.A.;</b> 12-15NES, A rear tyre for motorcycles, (EM, 20 Jan 2006) 18 Jul 2006	<b>13047/2006</b>	<b>Russo, John Paul;</b> 07-05C, 08-08NES, Clothes peg General purpose clip, 19 Jul 2006	<b>13043/2006</b>
<b>Pirelli Tyre S.p.A.;</b> 12-15D, A rear tyre for motorcycles, (EM, 13 Jan 2006) 12 Jul 2006	<b>12960/2006</b>	<b>Rust Global Enterprises Pty Ltd;</b> 06-01H, Chair, 07 Jul 2006	<b>12897/2006</b>
<b>Pirelli Tyre S.p.A.;</b> 12-15NES, A front tyre for motorcycles, (EM, 13 Jan 2006) 12 Jul 2006	<b>12961/2006</b>	<b>S.C. Johnson &amp; Son Inc.;</b> 26-01, 26-04, Decorative candle holder, (US, 10 Nov 2005) 18 Jul 2006	<b>13056/2006</b>
<b>Pirelli Tyre S.p.A.;</b> 12-15NES, A front tyre for motorcycles, (EM, 13 Jan 2006) 12 Jul 2006	<b>12962/2006</b>	<b>Saltwater Sunglasses Pty Ltd;</b> 02-03, 16-06, Baseball cap with lens attached by single hinge clip, 11 Jul 2006	<b>12916/2006</b>
<b>Pirelli Tyre S.P.A.;</b> 12-15A, 12-15B, Pneumatic tyre, (EM, 31 Jan 2006) 06 Jul 2006	<b>12892/2006</b>	<b>Sasf Consulting Pty Ltd;</b> 20-02E, Display, 17 Jul 2006	<b>13017/2006</b>
<b>Pirelli Tyre S.P.A.;</b> 12-15A, 12-15B, Tread Band, (EM, 31 Jan 2006) 06 Jul 2006	<b>12915/2006</b>	<b>Scanlan &amp; Theodore Pty Ltd;</b> 02-02NES, A lady's garment, 25 Jan 2006	<b>13088/2006</b>
<b>Polyworld;</b> 23-04, Outflow vent with removable sliding filter, 12 Jul 2006	<b>12986/2006</b>	<b>Scanlan &amp; Theodore Pty Ltd;</b> 02-02NES, A lady's garment, 27 Mar 2006	<b>13077/2006</b>
<b>Polyworld;</b> 23-04, Safety vent with removable sliding filter, 12 Jul 2006	<b>12987/2006</b>	<b>Scanlan &amp; Theodore Pty Ltd;</b> 02-02NES, A lady's garment, 27 Mar 2006	<b>13087/2006</b>
<b>Prodrome Designs Pty Ltd;</b> 25-01K, Metal frame member, 14 Jul 2006	<b>12981/2006</b>	<b>Scanlan &amp; Theodore Pty Ltd;</b> 02-02NES, A lady's garment, 27 Mar 2006	<b>13078/2006</b>
<b>PWM Finance Pty Ltd;</b> 20-03NES, 19-08, A blank configurable as a manually operable fan or display, 12 Jul 2006	<b>12996/2006</b>	<b>Scanlan &amp; Theodore Pty Ltd;</b> 02-02NES, A lady's garment, 27 Mar 2006	<b>13079/2006</b>
<b>Rehau AG + Co.;</b> 08-05P, Tools, (EP, 19 Jan 2006) 04 Jul 2006	<b>12840/2006</b>	<b>Scanlan &amp; Theodore Pty Ltd;</b> 02-02C, A lady's garment, 27 Mar 2006	<b>13080/2006</b>
		<b>Scanlan &amp; Theodore Pty Ltd;</b> 02-02C, A lady's garment, 27 Mar 2006	<b>13081/2006</b>
		<b>Scanlan &amp; Theodore Pty Ltd;</b> 02-02C, A lady's garment, 27 Mar 2006	<b>13082/2006</b>

<b>Scanlan &amp; Theodore Pty Ltd;</b> 02-02C, A lady's garment, 27 Mar 2006	<b>13083/2006</b>	<b>Shambrook, Scott;</b> 09-03F, Takeaway pizza cartons, 10 Jul 2006	<b>12894/2006</b>
<b>Scanlan &amp; Theodore Pty Ltd;</b> 02-02C, A lady's garment, 27 Mar 2006	<b>13084/2006</b>	<b>Sharp Kabushiki Kaisha;</b> 14-03E, Portable telephone, (JP, 02 Feb 2006) 11 Jul 2006	<b>12944/2006</b>
<b>Scanlan &amp; Theodore Pty Ltd;</b> 02-02NES, A lady's garment, 27 Mar 2006	<b>13085/2006</b>	<b>Sharp Kabushiki Kaisha;</b> 15-07, Refrigerator, (JP, 02 Jun 2006) 11 Jul 2006	<b>12945/2006</b>
<b>Scanlan &amp; Theodore Pty Ltd;</b> 02-02C, A lady's garment, 27 Mar 2006	<b>13086/2006</b>	<b>Shinko Electric Co., Ltd.;</b> 13-01, 15-01, 15-02, Hydraulic generator, (JP, 11 Jan 2006) 11 Jul 2006	<b>12947/2006</b>
<b>Scanlan &amp; Theodore Pty Ltd;</b> 02-02NES, A lady's garment, 25 Jan 2006	<b>13089/2006</b>	<b>Shinko Electric Co., Ltd.;</b> 13-01, 15-01, 15-02, Hydraulic generator, (JP, 11 Jan 2006) 11 Jul 2006	<b>12948/2006</b>
<b>Scanlan &amp; Theodore Pty Ltd;</b> 02-02NES, A lady's garment, 25 Jan 2006	<b>13090/2006</b>	<b>Shop Vac Corporation;</b> 15-05, Vacuum, (US, 30 May 2006) 14 Jul 2006	<b>13014/2006</b>
<b>Scanlan &amp; Theodore Pty Ltd;</b> 02-02C, A lady's garment, 25 Jan 2006	<b>13091/2006</b>	<b>Shop Vac Corporation;</b> 15-05, Vacuum, (US, 30 May 2006) 14 Jul 2006	<b>13015/2006</b>
<b>Scanlan &amp; Theodore Pty Ltd;</b> 02-02C, A lady's garment, 25 Jan 2006	<b>13092/2006</b>	<b>Shuttleworth, Kym;</b> 06-02, Cot bumper, 10 Jul 2006	<b>12899/2006</b>
<b>Scanlan &amp; Theodore Pty Ltd;</b> 02-02C, A lady's garment, 25 Jan 2006	<b>13093/2006</b>	<b>Shuttleworth, Kym;</b> 06-13B, Cot sheet set, 10 Jul 2006	<b>12898/2006</b>
<b>Scanlan &amp; Theodore Pty Ltd;</b> 02-02C, A lady's garment, 25 Jan 2006	<b>13094/2006</b>	<b>Smith, Philip;</b> 19-99, Hands free book holder, 04 Jul 2006	<b>12832/2006</b>
<b>Scanlan &amp; Theodore Pty Ltd;</b> 02-02C, A lady's garment, 25 Jan 2006	<b>13095/2006</b>	<b>Societe Autonome de Verreries;</b> 09-01H, Bottle, 07 Jul 2006	<b>12904/2006</b>
<b>Scanlan &amp; Theodore Pty Ltd;</b> 02-02C, A lady's garment, 25 Jan 2006	<b>13096/2006</b>	<b>Solutions Sourcing Pty Ltd;</b> 11-02B, Tomato and herb planter, 06 Jul 2006	<b>12882/2006</b>
<b>Scanlan &amp; Theodore Pty Ltd;</b> 02-02C, A lady's garment, 25 Jan 2006	<b>13097/2006</b>	<b>Solutions Sourcing Pty Ltd;</b> 11-02B, Tomato and herb planter, 06 Jul 2006	<b>12881/2006</b>
<b>Scanlan &amp; Theodore Pty Ltd;</b> 02-02C, A lady's garment, 25 Jan 2006	<b>13098/2006</b>	<b>Sony Computer Entertainment Inc.;</b> 14-02, Object for interfacing with a computer program, (US, 04 Jan 2006) 04 Jul 2006	<b>12854/2006</b>
<b>Scanlan &amp; Theodore Pty Ltd;</b> 02-02NES, A lady's garment, 25 Jan 2006	<b>13099/2006</b>	<b>Space Saver Oar Brackets;</b> 08-08N, Wing RIGGER STORAGE BRACKET, 03 Jul 2006	<b>12833/2006</b>
<b>Scanlan &amp; Theodore Pty Ltd;</b> 02-02NES, A lady's garment, 25 Jan 2006	<b>13100/2006</b>	<b>Specialised Wholesale and plastics PTY LTD;</b> 20-03NES, 19-08, Plant identification tag, 27 Jun 2006	<b>12771/2006</b>
<b>Scanlan &amp; Theodore Pty Ltd;</b> 02-02C, A lady's garment, 25 Jan 2006	<b>13101/2006</b>	<b>Sportsgirl Pty Ltd;</b> 02-02NES, Tops, 13 Jul 2006	<b>12984/2006</b>
<b>Scanlan &amp; Theodore Pty Ltd;</b> 02-02C, A lady's garment, 25 Jan 2006	<b>13102/2006</b>	<b>Spriggs, James Gordon;</b> 25-02A, 25-01E, Construction element, 10 Jul 2006	<b>12918/2006</b>
<b>Scanlan &amp; Theodore Pty Ltd;</b> 02-04NES, Footwear, 25 Jan 2006	<b>13103/2006</b>	<b>Stanley Fastening Systems L.P.;</b> 15-99, A fastening tool, (US, 11 Jan 2006) 11 Jul 2006	<b>12930/2006</b>
<b>Scanlan &amp; Theodore Pty Ltd;</b> 02-04NES, Footwear, 25 Jan 2006	<b>13104/2006</b>	<b>Sumitomo Rubber Industries, Ltd.;</b> 12-15B, Tire, (JP, 11 Apr 2006) 11 Jul 2006	<b>12929/2006</b>
<b>Scanlan &amp; Theodore Pty Ltd;</b> 02-04NES, Footwear, 25 Jan 2006	<b>13105/2006</b>	<b>Sunbeam Corporation Limited;</b> 07-02K, Kettle, 11 Jul 2006	<b>12946/2006</b>
<b>Schmitz-Werke GmbH + Co. KG;</b> 25-02H, Awning, (EM, 27 Jan 2006) 11 Jul 2006	<b>12928/2006</b>	<b>T &amp; A Winter Enterprises Pty Ltd;</b> 06-05, A set of bedroom furniture pieces, 14 Jul 2006	<b>13000/2006</b>
<b>Scolmore International Limited;</b> 26-05C, Ceiling light fittings, (EM, 21 Apr 2006) 03 Jul 2006	<b>12829/2006</b>		
<b>Scolmore International Limited;</b> 26-05C, Ceiling light fittings, (EM, 21 Apr 2006) 03 Jul 2006	<b>12830/2006</b>		
<b>Scolmore International Limited;</b> 26-05C, Ceiling light fittings, (EM, 21 Apr 2006) 03 Jul 2006	<b>12831/2006</b>		

<b>T &amp; A Winter Enterprises Pty Ltd;</b> 06-05, A set of bedroom furniture pieces including a mirror, 14 Jul 2006	<b>13001/2006</b>	<b>Warner-Lambert Company LLC;</b> 09-01G, 28-03NES, Bottle, (US, 09 Jan 2006) 10 Jul 2006	<b>12919/2006</b>
<b>Taylor, Jean;</b> 02-02B, Visual merchandising:-Posters, T-shirts, Bags, Photoprints, Party/Costume wear, Doll, Advertising/Promotion, (Divisional of 14755/2005) 17 Jul 2006	<b>13033/2006</b>	<b>Warner-Lambert Company LLC;</b> 09-01G, 28-03NES, Bottle, (US, 09 Jan 2006) 10 Jul 2006	<b>12920/2006</b>
<b>Tebco Pty Ltd;</b> 10-05, 08-08NES, Stud, 23 May 2006	<b>12265/2006</b>	<b>Watkins Manufacturing Corporation;</b> 23-02B, Spa, (US, 18 Jan 2006) 10 Jul 2006	<b>12921/2006</b>
<b>Tebco Pty Ltd;</b> 10-05, Tag, 23 May 2006	<b>12266/2006</b>	<b>Watkins Manufacturing Corporation;</b> 23-02B, Spa, (US, 18 Jan 2006) 10 Jul 2006	<b>12922/2006</b>
<b>Techtronic Industries Co., Ltd;</b> 08-03, 15-03B, String trimmer, 06 Jul 2006	<b>12889/2006</b>	<b>Watkins Manufacturing Corporation;</b> 23-02B, Spa, (US, 18 Jan 2006) 10 Jul 2006	<b>12923/2006</b>
<b>Techtronics Industries Co., Ltd;</b> 08-03, 15-03B, String trimmer, 06 Jul 2006	<b>12890/2006</b>	<b>Watkins Manufacturing Corporation;</b> 23-02B, Spa, (US, 18 Jan 2006) 10 Jul 2006	<b>12924/2006</b>
<b>Techtronics Industries Co., Ltd;</b> 08-03, 15-03B, String trimmer, 06 Jul 2006	<b>12891/2006</b>	<b>Watkins Manufacturing Corporation;</b> 14-01, Video display, (US, 12 Jan 2006) 07 Jul 2006	<b>12905/2006</b>
<b>Techtronics Industries Co., Ltd;</b> 08-03, 15-03B, String trimmer, 06 Jul 2006	<b>12888/2006</b>	<b>Watkins Manufacturing Corporation;</b> 14-01, Video display, (US, 12 Jan 2006) 07 Jul 2006	<b>12906/2006</b>
<b>Teh Yor Co., Ltd;</b> 25-01NES, A head rail, 28 Jun 2006	<b>12757/2006</b>	<b>Watkins Manufacturing Corporation;</b> 14-01, Video display, (US, 12 Jan 2006) 07 Jul 2006	<b>12907/2006</b>
<b>Thomas, Trish;</b> 21-01B, Dolls, books, T/shirts, toys, computer games, games, clothing, linen, posters, bags, school accessories, 28 Apr 2006	<b>11798/2006</b>	<b>Watkins Manufacturing Corporation;</b> 14-01, Video display, (US, 12 Jan 2006) 07 Jul 2006	<b>12908/2006</b>
<b>Thomas, Trish;</b> 21-01B, Dolls, books, T/shirts, toys, computer games, games, clothing, linen, posters, bags, school accessories, 28 Apr 2006	<b>11799/2006</b>	<b>Weskin, Wayne Robert; Weskin, Bernadene Mary;</b> 11-02E, 21-01A, Surfing koala, 13 Jul 2006	<b>12963/2006</b>
<b>Thomas, Trish;</b> 21-01B, Dolls, books, T/shirts, toys, computer games, games, clothing, linen, posters, bags, school accessories, 28 Apr 2006	<b>11800/2006</b>	<b>Weskin, Bernadene Mary; Weskin, Wayne Robert;</b> 11-02E, 21-01A, Surfing koala, 13 Jul 2006	<b>12963/2006</b>
<b>Thomas, Trish;</b> 21-01B, Dolls, books, T/shirts, toys, computer games, games, clothing, linen, posters, bags, school accessories, 28 Apr 2006	<b>11801/2006</b>	<b>Weskin, Wayne Robert; Weskin, Bernadene Mary;</b> 11-02E, 21-01A, BBQ Dad koala, 13 Jul 2006	<b>12964/2006</b>
<b>Thomas, Trish;</b> 21-01B, Dolls, books, T/shirts, toys, computer games, games, clothing, linen, posters, bags, school accessories, 28 Apr 2006	<b>11802/2006</b>	<b>Weskin, Bernadene Mary; Weskin, Wayne Robert;</b> 11-02E, 21-01A, BBQ Dad koala, 13 Jul 2006	<b>12964/2006</b>
<b>Thomas, Trish;</b> 21-01B, Dolls, books, T/shirts, toys, computer games, games, clothing, linen, posters, bags, school accessories, 28 Apr 2006	<b>11803/2006</b>	<b>Weskin, Wayne Robert; Weskin, Bernadene Mary;</b> 11-02E, 21-01A, Koala bell, 13 Jul 2006	<b>12965/2006</b>
<b>Thomas, Trish;</b> 21-01B, Dolls, books, T/shirts, toys, computer games, games, clothing, linen, posters, bags, school accessories, 28 Apr 2006	<b>11804/2006</b>	<b>Weskin, Bernadene Mary; Weskin, Wayne Robert;</b> 11-02E, 21-01A, Koala bell, 13 Jul 2006	<b>12965/2006</b>
<b>Tombow Pencil Co., Ltd.;</b> 19-02, Coating transfer device, (Divisional of 15055/2005) 12 Jul 2006	<b>12955/2006</b>	<b>Worksmart Design Pty Ltd;</b> 06-06G, Chairs, 03 Jul 2006	<b>12836/2006</b>
<b>Trade Guys International Pty Ltd;</b> 20-02NES, Modular shelving, 13 Jul 2006	<b>12980/2006</b>	<b>Wright, Walter Peter;</b> 12-05, A boat hook head, 12 Jul 2006	<b>12933/2006</b>
<b>Wallace, Stuart Maxwell;</b> 12-16B, Cycle mudguard, 11 Jul 2006	<b>12951/2006</b>	<b>XY, Inc.;</b> 07-06NES, 24-01, 24-02, Plug assembly of an artificial insemination straw, (US, 20 Jan 2006) 18 Jul 2006	<b>13052/2006</b>
<b>Wallace, Stuart Maxwell;</b> 12-16B, Cycle mudguard, 11 Jul 2006	<b>12952/2006</b>	<b>Yeomans, Allan James;</b> 12-16L, Ball joint, 05 Jul 2006	<b>12839/2006</b>

---

**Applications Withdrawn**

11969 / 2006 (06-04NES)

12832 / 2006 (19-99)

---

**Applications Lapsed**

14663 / 2005 (28-03A)

14674 / 2005 (25-02E)

14675 / 2005 (25-02E)

14676 / 2005 (25-02E)

14677 / 2005 (25-02E)

14776 / 2005 (09-03F)

14777 / 2005 (09-03F)

14788 / 2005 (22-05)

14801 / 2005 (25-01E)

14818 / 2005 (26-05D)

14819 / 2005 (26-05D)

14820 / 2005 (26-05D)

14821 / 2005 (26-01)

10071 / 2006 (06-13B)

11966 / 2006 (13-03D)

12125 / 2006 (26-99)

12126 / 2006 (20-03NES)

12145 / 2006 (22-05)

**Revocation of Design Registrations**

The following Design Registration(s) have been revoked and are taken never to have been registered:

157988 12-05

**Registrations Ceased**

302828                      302851

**Extensions of time granted under Section 137**

Applications lodged under section 137 for extension of time have been granted.

301327 **Klaas Nierop**

301924 **Robert Vogler**

303563 **Powers Fasteners Australasia Pty Ltd**

10005/2006 **Wessel Johannes Van Niekerk**

**Subsequent Owners Registered**

(The name in parentheses is that of the subsequent owner)

301953                      ( **AberGas Limited** ) Outline Products Limited

301077                      ( **Dellapond Pty Ltd** ) Aalmetal Local fencing Pty Ltd

**Corrigenda**

Number 306000

In Vol 20 , No 7 , page 4347 under the heading **Australian Registered Design;** (57) Statement of Newness and Distinctiveness should read: Those features of the cap depicted in the representations that are new and distinctive are the shape and/or configuration. The features shown in broken line are not part of the design and are to be disregarded when considering the overall impression of the design. The bottom view (Fig. 8) should also be disregarded when considering the overall impression of the design.

Number 306001

In Vol 20 , No 7 , page 4347 under the heading **Australian Registered Design;** (57) Statement of Newness and Distinctiveness should read: Those features of the cup depicted in the representations that are new and distinctive are the shape and/or configuration. The bottom view (Fig. 8) should be disregarded when considering the overall impression of the design.

**Certificate(s) of Examination**

Examination of the following Design Registration(s) has been completed. Infringement proceedings may now be commenced.

300327	28-02	26/07/2006
303745	06-03B	20/07/2006
303750	06-03A	26/07/2006
303757	06-01NES	20/07/2006
303758	06-01NES	20/07/2006
303763	06-01H	20/07/2006
303770	06-01H	20/07/2006
303775	06-03B	17/07/2006
304289	19-06	18/07/2006
304428	02-03	24/07/2006
304429	02-03	24/07/2006
304430	14-01	27/07/2006
304516	28-99	13/07/2006
304523	06-03C	13/07/2006
304570	28-03A	26/07/2006
304576	07-05A	25/07/2006
304795	28-03NES	13/07/2006
304878	23-01H	26/07/2006
305203	06-01H	20/07/2006
305204	06-01G	20/07/2006
305598	28-03NES	13/07/2006
305610	07-07A	26/07/2006
305612	19-06	13/07/2006
305613	19-06	13/07/2006
305614	19-06	13/07/2006
305615	03-01NES	26/07/2006
305616	03-01NES	26/07/2006
305617	03-01NES	26/07/2006
307320	07-01F	21/07/2006

**Publication and Registration Proceedings**

**Designs Registered**

This section provides a concordance between design number and registration number of Designs covered in this journal. It also shows the main class and registration date.

This section covers Registration numbers 307866 to 308094 .

The registration number shown below should be used in all future correspondence.

Design Number	Registration Number	International Classification Code (IDC)	Registration Date	Design Number	Registration Number	International Classification Code (IDC)	Registration Date
11658/2005	308058	06-04NES	25/07/2006	15718/2005	307925	23-01A	17/07/2006
12267/2005	307895	13-03E	14/07/2006	15736/2005	307947	12-08	18/07/2006
12493/2005	308059	13-03D	25/07/2006	15759/2005	308073	07-01G	25/07/2006
13229/2005	308060	06-02	25/07/2006	15835/2005	307926	10-07	17/07/2006
13563/2005	308061	06-03D	25/07/2006	15836/2005	307927	10-07	17/07/2006
13595/2005	308010	26-03	19/07/2006	15837/2005	307899	10-06	14/07/2006
13749/2005	308091	02-02C	25/07/2006	10017/2006	307948	21-01NES	18/07/2006
13759/2005	308092	07-05E	25/07/2006	10025/2006	307890	03-99	14/07/2006
13966/2005	308062	02-04NES	25/07/2006	10035/2006	307907	14-01	17/07/2006
14142/2005	308011	06-08	19/07/2006	10036/2006	308034	09-01G	21/07/2006
14143/2005	308012	06-08	19/07/2006	10037/2006	307972	08-08H	20/07/2006
14661/2005	308063	08-08NES	25/07/2006	10047/2006	308014	04-01	20/07/2006
14683/2005	307987	25-04	20/07/2006	10059/2006	307950	10-04	18/07/2006
14725/2005	308067	06-03B	25/07/2006	10080/2006	307949	11-01C	18/07/2006
14726/2005	308066	06-03B	25/07/2006	10088/2006	307908	21-02C	17/07/2006
14727/2005	308065	06-03B	25/07/2006	10091/2006	307886	07-01NES	14/07/2006
14728/2005	308064	06-03B	25/07/2006	10092/2006	307887	07-01NES	14/07/2006
14755/2005	307946	02-02B	18/07/2006	10094/2006	308055	25-01A	25/07/2006
14903/2005	307960	23-01H	18/07/2006	10097/2006	308056	03-01A	25/07/2006
14904/2005	307961	23-01H	18/07/2006	10098/2006	308035	25-01F	21/07/2006
14905/2005	307962	23-01H	18/07/2006	10120/2006	307915	07-01NES	17/07/2006
14906/2005	307963	23-01H	18/07/2006	10121/2006	307916	07-01C	17/07/2006
14907/2005	307964	23-01H	18/07/2006	10124/2006	308036	06-13B	21/07/2006
14908/2005	307965	23-01H	18/07/2006	10125/2006	308037	06-13B	21/07/2006
14909/2005	307966	23-01H	18/07/2006	10126/2006	308038	06-13B	21/07/2006
14910/2005	307967	23-01H	18/07/2006	10137/2006	307917	23-01D	17/07/2006
14911/2005	307968	23-01H	18/07/2006	10172/2006	307866	16-06	14/07/2006
14912/2005	307969	23-01H	18/07/2006	10173/2006	307867	16-06	14/07/2006
14914/2005	307896	06-01E	14/07/2006	10174/2006	307868	16-06	14/07/2006
14940/2005	307970	22-05	18/07/2006	10175/2006	307918	21-02C	17/07/2006
14941/2005	307971	22-05	18/07/2006	10176/2006	307921	21-02C	17/07/2006
15060/2005	308070	07-05NES	25/07/2006	10177/2006	307919	21-02C	17/07/2006
15061/2005	308069	07-05NES	25/07/2006	10178/2006	307920	21-02C	17/07/2006
15062/2005	308068	07-05NES	25/07/2006	10179/2006	307869	24-04	14/07/2006
15085/2005	308013	14-04	19/07/2006	10180/2006	307870	24-04	14/07/2006
15110/2005	307897	12-08	14/07/2006	10181/2006	307871	24-04	14/07/2006
15169/2005	308029	24-02	20/07/2006	10182/2006	307872	19-06	14/07/2006
15170/2005	308030	24-02	20/07/2006	10183/2006	307873	19-02	14/07/2006
15171/2005	308031	24-02	20/07/2006	10184/2006	307874	19-02	14/07/2006
15200/2005	308093	23-02B	25/07/2006	10188/2006	307875	09-01K	14/07/2006
15391/2005	308094	22-05	25/07/2006	10189/2006	307922	09-01K	17/07/2006
15550/2005	308071	08-04	25/07/2006	10199/2006	307923	09-01NES	17/07/2006
15592/2005	308072	08-03	25/07/2006	10210/2006	307951	08-05N	18/07/2006
15664/2005	307988	09-01NES	20/07/2006	10216/2006	307952	14-03C	18/07/2006
15665/2005	307989	09-01NES	20/07/2006	10227/2006	308075	21-02NES	25/07/2006
15666/2005	307990	09-01NES	20/07/2006	10228/2006	307993	21-02NES	19/07/2006
15682/2005	308032	19-06	20/07/2006	10230/2006	307953	12-15C	18/07/2006
15685/2005	307991	02-04NES	20/07/2006	10231/2006	307973	06-01H	20/07/2006
15686/2005	308033	25-02H	20/07/2006	10232/2006	307974	14-02	20/07/2006
15689/2005	307992	02-04NES	20/07/2006	10233/2006	307975	09-01NES	20/07/2006
15710/2005	307898	19-06	14/07/2006	10236/2006	307976	15-01	20/07/2006
15711/2005	308054	19-06	21/07/2006	10238/2006	308015	07-01D	20/07/2006
15715/2005	307924	23-01D	17/07/2006	10241/2006	308039	09-01C	21/07/2006



Publication and Registration Proceedings - Designs Registered cont'd

Design Number	Registration Number	International Classification Code (IDC)	Registration Date	Design Number	Registration Number	International Classification Code (IDC)	Registration Date
10242/2006	308040	09-01C	21/07/2006	10517/2006	308050	25-03	21/07/2006
10246/2006	308041	10-02	21/07/2006	10518/2006	308051	25-03	21/07/2006
10247/2006	308042	12-15B	21/07/2006	10523/2006	308052	12-13	21/07/2006
10249/2006	308016	12-15B	20/07/2006	10529/2006	307931	28-03B	18/07/2006
10269/2006	307954	13-03D	18/07/2006	10534/2006	307932	23-04	18/07/2006
10271/2006	307955	13-03D	18/07/2006	10535/2006	307933	23-04	18/07/2006
10272/2006	307957	26-03	18/07/2006	10536/2006	307934	23-04	18/07/2006
10274/2006	307956	26-03	18/07/2006	10537/2006	307935	23-04	18/07/2006
10275/2006	307958	15-05	18/07/2006	10538/2006	307936	09-01NES	18/07/2006
10276/2006	307977	15-05	20/07/2006	10539/2006	308017	08-05M	20/07/2006
10278/2006	307978	09-03K	20/07/2006	10540/2006	307937	13-02	18/07/2006
10279/2006	307979	12-16B	20/07/2006	10541/2006	307938	13-02	18/07/2006
10281/2006	307980	14-03NES	20/07/2006	10542/2006	307939	19-06	18/07/2006
10290/2006	307994	25-03	19/07/2006	10543/2006	307940	08-05M	18/07/2006
10291/2006	308043	23-04	21/07/2006	10544/2006	307941	15-05	18/07/2006
10297/2006	308044	24-04	21/07/2006	10545/2006	307942	08-04	18/07/2006
10298/2006	308045	24-04	21/07/2006	10546/2006	307943	07-01NES	18/07/2006
10299/2006	308046	24-02	21/07/2006	10547/2006	307944	07-01NES	18/07/2006
10308/2006	308057	26-02	25/07/2006	10548/2006	307945	09-03NES	18/07/2006
10318/2006	307981	09-07B	20/07/2006	10561/2006	307997	06-01L	19/07/2006
10321/2006	307888	02-01NES	14/07/2006	10562/2006	307998	06-01L	19/07/2006
10322/2006	307889	30-04	14/07/2006	10563/2006	307999	06-03B	19/07/2006
10327/2006	307928	15-03B	18/07/2006	10571/2006	308000	12-16NES	19/07/2006
10332/2006	307900	18-01	14/07/2006	10583/2006	308001	23-01A	19/07/2006
10333/2006	307929	18-01	18/07/2006	10586/2006	308002	23-02C	19/07/2006
10338/2006	307901	21-02NES	14/07/2006	10587/2006	308018	06-01E	20/07/2006
10339/2006	307902	21-02NES	14/07/2006	10593/2006	308003	25-04	19/07/2006
10340/2006	307891	13-03E	14/07/2006	10595/2006	308004	18-01	19/07/2006
10349/2006	307903	09-09	14/07/2006	10596/2006	308005	18-01	19/07/2006
10350/2006	307904	09-09	14/07/2006	10597/2006	308006	18-01	19/07/2006
10352/2006	307905	09-09	14/07/2006	10598/2006	308007	08-07	19/07/2006
10357/2006	307906	07-01C	14/07/2006	10599/2006	308008	08-07	19/07/2006
10365/2006	308047	13-02	21/07/2006	10602/2006	308076	06-06C	25/07/2006
10405/2006	307995	08-99	19/07/2006	10638/2006	308053	02-04NES	21/07/2006
10406/2006	307996	08-09	19/07/2006	10643/2006	308022	06-06G	20/07/2006
10408/2006	307876	31-00	14/07/2006	10651/2006	308019	08-01	20/07/2006
10410/2006	307877	08-09	14/07/2006	10652/2006	308020	08-01	20/07/2006
10411/2006	307878	08-07	14/07/2006	10657/2006	308021	09-08	20/07/2006
10413/2006	307879	07-06NES	14/07/2006	10667/2006	308023	23-01C	20/07/2006
10437/2006	307880	09-01NES	14/07/2006	10668/2006	308024	23-01C	20/07/2006
10438/2006	307881	09-01NES	14/07/2006	10669/2006	308025	23-01C	20/07/2006
10439/2006	307882	07-02P	14/07/2006	10670/2006	308026	23-01C	20/07/2006
10440/2006	307883	14-01	14/07/2006	10671/2006	308027	23-01C	20/07/2006
10441/2006	307884	06-08	14/07/2006	10672/2006	308028	23-01C	20/07/2006
10442/2006	307885	23-02A	14/07/2006	10681/2006	308077	26-03	25/07/2006
10443/2006	307892	07-05D	14/07/2006	10695/2006	308078	21-01NES	25/07/2006
10444/2006	307893	07-05D	14/07/2006	10708/2006	308074	07-01NES	25/07/2006
10446/2006	307894	09-01D	14/07/2006	10722/2006	308079	25-02C	25/07/2006
10458/2006	307959	07-02NES	18/07/2006	10752/2006	308080	23-01A	25/07/2006
10459/2006	307930	23-01F	18/07/2006	10791/2006	308081	06-09	25/07/2006
10482/2006	307909	06-08	17/07/2006	10792/2006	308082	19-06	25/07/2006
10483/2006	307910	06-08	17/07/2006	10793/2006	308083	19-06	25/07/2006
10484/2006	307911	06-08	17/07/2006	10794/2006	308084	08-03	25/07/2006
10501/2006	308048	13-03E	21/07/2006	10795/2006	308085	24-99	25/07/2006
10503/2006	308049	13-03E	21/07/2006	10803/2006	308086	13-03E	25/07/2006
10507/2006	307912	20-02E	17/07/2006	10805/2006	308087	31-00	25/07/2006
10515/2006	307913	21-01H	17/07/2006	10807/2006	308088	06-01H	25/07/2006
10516/2006	307914	15-99	17/07/2006	10811/2006	308089	23-04	25/07/2006

**Publication and Registration Proceedings - Designs Registered cont'd**

<b>Design Number</b>	<b>Registration Number</b>	<b>International Classification Code (IDC)</b>	<b>Registration Date</b>	<b>Design Number</b>	<b>Registration Number</b>	<b>International Classification Code (IDC)</b>	<b>Registration Date</b>
10814/2006	308090	12-14	25/07/2006	11426/2006	307985	28-99	20/07/2006
11180/2006	307982	28-99	20/07/2006	11427/2006	307986	28-99	20/07/2006
11409/2006	307983	23-02F	20/07/2006	12067/2006	308009	19-07	19/07/2006
11425/2006	307984	28-99	20/07/2006				

**Publication and Registration Proceedings**  
**Class Listing of Designs Published or Registered**

The following section shows an International Classification Code listing of the Registered or Published Designs covered in this supplement.

<b>Classification</b>	<b>Registration Number</b>	<b>Design Number</b>	<b>Classification</b>	<b>Registration Number</b>	<b>Design Number</b>
02-01 NES	307888	10321/2006	07-02 N	307959	10458/2006
02-02 B	307946	14755/2005	07-02 NES	307959	10458/2006
02-02 C	308091	13749/2005	07-02 P	307882	10439/2006
02-03	307946	14755/2005	07-03	307981	10318/2006
02-04 B	307901	10338/2006	07-05 D	307892	10443/2006
02-04 B	307902	10339/2006	07-05 D	307893	10444/2006
02-04 NES	307991	15685/2005	07-05 E	308092	13759/2005
02-04 NES	307992	15689/2005	07-05 NES	308068	15062/2005
02-04 NES	308053	10638/2006	07-05 NES	308069	15061/2005
02-04 NES	308062	13966/2005	07-05 NES	308070	15060/2005
03-01 A	308056	10097/2006	07-06 NES	307879	10413/2006
03-99	307890	10025/2006	07-07 A	307886	10091/2006
04-01	308014	10047/2006	08-01	308019	10651/2006
05-06 NES	307870	10180/2006	08-01	308020	10652/2006
06-01 E	307896	14914/2005	08-03	307894	10446/2006
06-01 E	308018	10587/2006	08-03	308072	15592/2005
06-01 H	307973	10231/2006	08-03	308084	10794/2006
06-01 H	308088	10807/2006	08-04	307942	10545/2006
06-01 L	307997	10561/2006	08-04	308071	15550/2005
06-01 L	307998	10562/2006	08-05 M	307940	10543/2006
06-02	308060	13229/2005	08-05 M	308017	10539/2006
06-03 B	307999	10563/2006	08-05 N	307951	10210/2006
06-03 B	308064	14728/2005	08-07	307878	10411/2006
06-03 B	308065	14727/2005	08-07	308007	10598/2006
06-03 B	308066	14726/2005	08-07	308008	10599/2006
06-03 B	308067	14725/2005	08-08 H	307972	10037/2006
06-03 D	308061	13563/2005	08-08 NES	308063	14661/2005
06-04 NES	308058	11658/2005	08-09	307877	10410/2006
06-06 C	308076	10602/2006	08-09	307996	10406/2006
06-06 G	308022	10643/2006	08-99	307995	10405/2006
06-08	307884	10441/2006	09-01 C	308039	10241/2006
06-08	307909	10482/2006	09-01 C	308040	10242/2006
06-08	307910	10483/2006	09-01 D	307894	10446/2006
06-08	307911	10484/2006	09-01 G	307875	10188/2006
06-08	308011	14142/2005	09-01 G	307922	10189/2006
06-08	308012	14143/2005	09-01 G	308034	10036/2006
06-09	308036	10124/2006	09-01 K	307875	10188/2006
06-09	308038	10126/2006	09-01 K	307922	10189/2006
06-09	308081	10791/2006	09-01 NES	307880	10437/2006
06-10	307972	10037/2006	09-01 NES	307881	10438/2006
06-13 B	308036	10124/2006	09-01 NES	307923	10199/2006
06-13 B	308037	10125/2006	09-01 NES	307936	10538/2006
06-13 B	308038	10126/2006	09-01 NES	307975	10233/2006
06-13 NES	308037	10125/2006	09-01 NES	307988	15664/2005
06-13 NES	308038	10126/2006	09-01 NES	307989	15665/2005
07-01 C	307906	10357/2006	09-01 NES	307990	15666/2005
07-01 C	307916	10121/2006	09-03 K	307978	10278/2006
07-01 D	308015	10238/2006	09-03 NES	307945	10548/2006
07-01 G	308073	15759/2005	09-05	307944	10547/2006
07-01 NES	307886	10091/2006	09-07 B	307981	10318/2006
07-01 NES	307887	10092/2006	09-08	308021	10657/2006
07-01 NES	307915	10120/2006	09-09	307903	10349/2006
07-01 NES	307943	10546/2006	09-09	307904	10350/2006
07-01 NES	307944	10547/2006	09-09	307905	10352/2006
07-01 NES	308074	10708/2006	10-02	308041	10246/2006
07-02 L	307876	10408/2006	10-04	307950	10059/2006

Registration Proceedings - Class Listing of Designs Published or Registered cont'd

Classification	Registration Number	Design Number	Classification	Registration Number	Design Number
10-05	308000	10571/2006	19-06	308054	15711/2005
10-06	307899	15837/2005	19-06	308082	10792/2006
10-07	307926	15835/2005	19-06	308083	10793/2006
10-07	307927	15836/2005	19-07	308009	12067/2006
11-01 C	307949	10080/2006	19-08	308009	12067/2006
12-08	307897	15110/2005	20-02 E	307912	10507/2006
12-08	307947	15736/2005	21-01 H	307913	10515/2006
12-11	308052	10523/2006	21-01 NES	307948	10017/2006
12-12	308090	10814/2006	21-01 NES	308078	10695/2006
12-13	308052	10523/2006	21-02 C	307908	10088/2006
12-14	308090	10814/2006	21-02 C	307918	10175/2006
12-15 B	308016	10249/2006	21-02 C	307919	10177/2006
12-15 B	308042	10247/2006	21-02 C	307920	10178/2006
12-15 C	307953	10230/2006	21-02 C	307921	10176/2006
12-16 B	307979	10279/2006	21-02 NES	307901	10338/2006
12-16 NES	308000	10571/2006	21-02 NES	307902	10339/2006
13-02	307891	10340/2006	21-02 NES	307993	10228/2006
13-02	307937	10540/2006	21-02 NES	308075	10227/2006
13-02	307938	10541/2006	22-05	307970	14940/2005
13-02	308047	10365/2006	22-05	307971	14941/2005
13-02	308057	10308/2006	22-05	308094	15391/2005
13-03 D	307954	10269/2006	23-01 A	307925	15718/2005
13-03 D	307955	10271/2006	23-01 A	308001	10583/2006
13-03 D	308059	12493/2005	23-01 A	308080	10752/2006
13-03 E	307891	10340/2006	23-01 C	308023	10667/2006
13-03 E	307895	12267/2005	23-01 C	308024	10668/2006
13-03 E	307954	10269/2006	23-01 C	308025	10669/2006
13-03 E	308048	10501/2006	23-01 C	308026	10670/2006
13-03 E	308049	10503/2006	23-01 C	308027	10671/2006
13-03 E	308086	10803/2006	23-01 C	308028	10672/2006
14-01	307883	10440/2006	23-01 D	307917	10137/2006
14-01	307907	10035/2006	23-01 D	307924	15715/2005
14-01	307974	10232/2006	23-01 F	307930	10459/2006
14-02	307974	10232/2006	23-01 H	307960	14903/2005
14-03 C	307952	10216/2006	23-01 H	307961	14904/2005
14-03 NES	307980	10281/2006	23-01 H	307962	14905/2005
14-04	308013	15085/2005	23-01 H	307963	14906/2005
15-01	307976	10236/2006	23-01 H	307964	14907/2005
15-03 B	307928	10327/2006	23-01 H	307965	14908/2005
15-05	307941	10544/2006	23-01 H	307966	14909/2005
15-05	307958	10275/2006	23-01 H	307967	14910/2005
15-05	307977	10276/2006	23-01 H	307968	14911/2005
15-99	307914	10516/2006	23-01 H	307969	14912/2005
15-99	307970	14940/2005	23-02 A	307885	10442/2006
15-99	307971	14941/2005	23-02 B	308093	15200/2005
16-06	307866	10172/2006	23-02 C	308002	10586/2006
16-06	307867	10173/2006	23-02 F	307983	11409/2006
16-06	307868	10174/2006	23-04	307932	10534/2006
18-01	307900	10332/2006	23-04	307933	10535/2006
18-01	307929	10333/2006	23-04	307934	10536/2006
18-01	308004	10595/2006	23-04	307935	10537/2006
18-01	308005	10596/2006	23-04	308043	10291/2006
18-01	308006	10597/2006	23-04	308089	10811/2006
19-02	307873	10183/2006	24-02	308029	15169/2005
19-02	307874	10184/2006	24-02	308030	15170/2005
19-06	307872	10182/2006	24-02	308031	15171/2005
19-06	307898	15710/2005	24-02	308044	10297/2006
19-06	307939	10542/2006	24-02	308045	10298/2006
19-06	308032	15682/2005	24-02	308046	10299/2006

Registration Proceedings - Class Listing of Designs Published or Registered cont'd

Classification	Registration Number	Design Number	Classification	Registration Number	Design Number
24-04	307869	10179/2006	25-99	307877	10410/2006
24-04	307870	10180/2006	26-02	308057	10308/2006
24-04	307871	10181/2006	26-03	307956	10274/2006
24-04	308044	10297/2006	26-03	307957	10272/2006
24-04	308045	10298/2006	26-03	308010	13595/2005
24-99	308085	10795/2006	26-03	308077	10681/2006
25-01 A	308055	10094/2006	28-03 B	307931	10529/2006
25-01 D	308035	10098/2006	28-99	307982	11180/2006
25-01 F	308035	10098/2006	28-99	307984	11425/2006
25-01 G	308035	10098/2006	28-99	307985	11426/2006
25-02 C	308079	10722/2006	28-99	307986	11427/2006
25-02 H	308033	15686/2005	30-04	307889	10322/2006
25-03	307994	10290/2006	30-99	307978	10278/2006
25-03	308050	10517/2006	31-00	307876	10408/2006
25-03	308051	10518/2006	31-00	308087	10805/2006
25-04	307987	14683/2005			
25-04	308003	10593/2006			

- (21) Design Number: **10172/2006**  
(22) Date of Filing Application: **19 January 2006**  
(24) Date from which industrial property rights may have effect: **19 January 2006**  
(54) Product in respect of which the design is registered: **Sports glasses**  
(51) International Design Classification: **16-06**  
(71) Name(s) and Address(s) of Applicant(s):  
**Silhouette International Schmied AG**  
**Eilbognerstrasse 24 A-4020 Linz Austria**  
(72) Name(s) of Designer(s): **Gerhard Fuchs**  
(45) Registration Date: **14 July 2006**  
(56) Related Art Documents: **Not Applicable**  
(57) Statement of Newness and Distinctiveness: **Nil**



- (21) Design Number: **10173/2006**  
(22) Date of Filing Application: **19 January 2006**  
(24) Date from which industrial property rights may have effect: **19 January 2006**  
(54) Product in respect of which the design is registered: **Sports glasses**  
(51) International Design Classification: **16-06**  
(71) Name(s) and Address(s) of Applicant(s):  
**Silhouette International Schmied AG**  
**Eilbognerstrasse 24 A-4020 Linz Austria**  
(72) Name(s) of Designer(s): **Gerhard Fuchs**  
(45) Registration Date: **14 July 2006**  
(56) Related Art Documents: **Not Applicable**  
(57) Statement of Newness and Distinctiveness: **Nil**



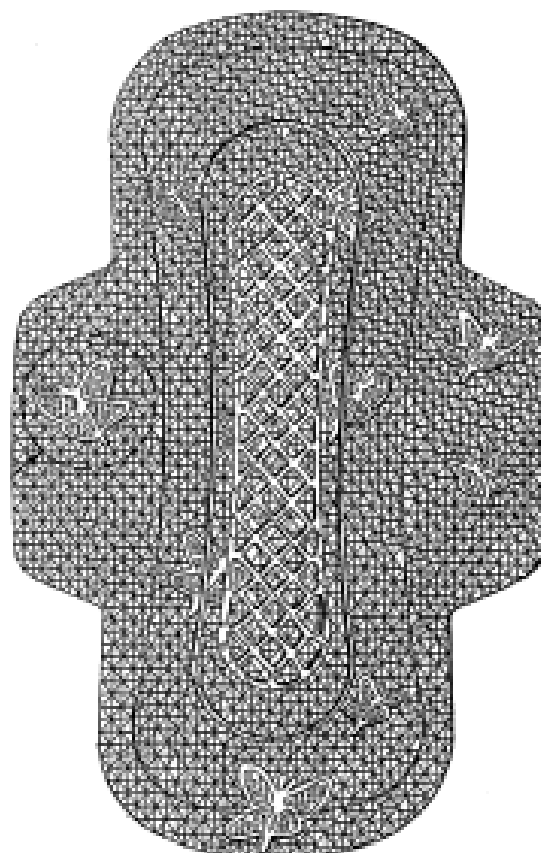
(21) Design Number: **10174/2006**  
(22) Date of Filing Application: **19 January 2006**  
(24) Date from which industrial property rights may have effect: **19 January 2006**  
(54) Product in respect of which the design is registered: **Sports glasses**  
(51) International Design Classification: **16-06**  
(71) Name(s) and Address(s) of Applicant(s):  
**Silhouette International Schmied AG**  
**Eilbognerstrasse 24 A-4020 Linz Austria**  
(72) Name(s) of Designer(s): **Gerhard Fuchs**  
(45) Registration Date: **14 July 2006**  
(56) Related Art Documents: **Not Applicable**  
(57) Statement of Newness and Distinctiveness: **Nil**



(21) Design Number: **10179/2006**  
(22) Date of Filing Application: **19 January 2006**  
(24) Date from which industrial property rights may have effect: **19 January 2006**  
(54) Product in respect of which the design is registered: **Sanitary napkin**  
(51) International Design Classification: **24-04**  
(71) Name(s) and Address(s) of Applicant(s):  
**McNeil-PPC Inc.**  
**Grandview Road Skillman New Jersey 08858 United States of America**  
(72) Name(s) of Designer(s): **William G.F. Kelly**  
(45) Registration Date: **14 July 2006**  
(30) Convention priority data:  

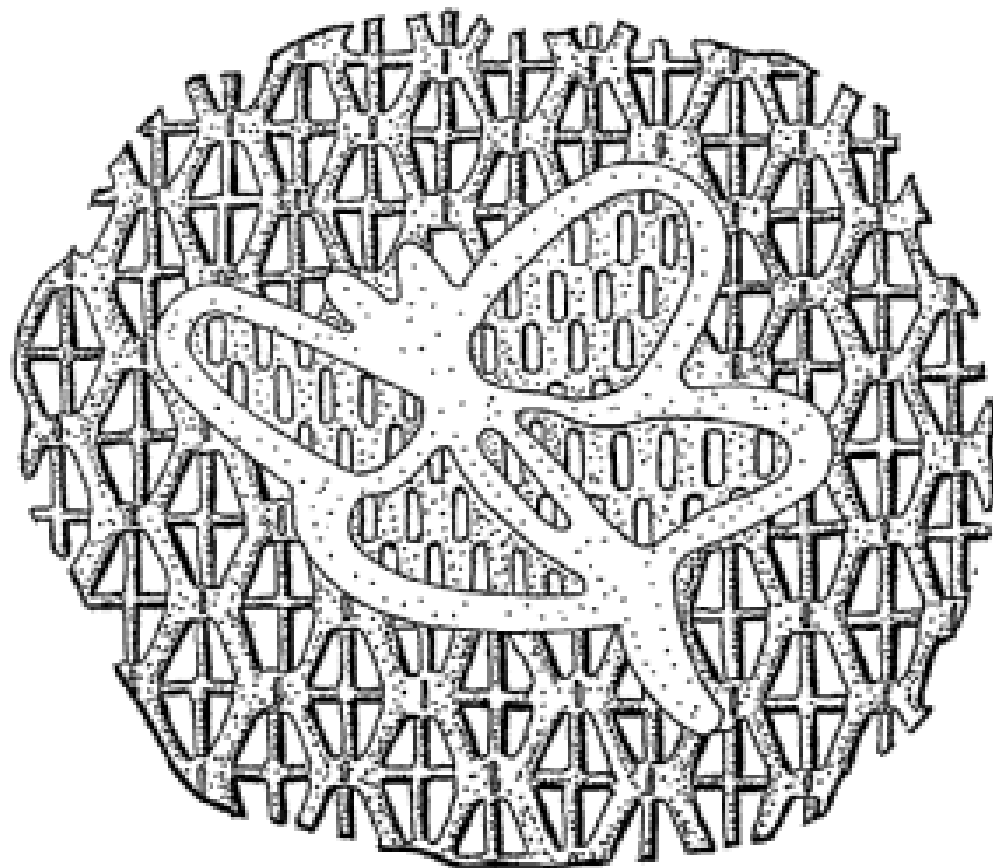
(31) Number	(32) Date	(33) Country
<b>29/234497</b>	<b>19 Jul 2005</b>	<b>UNITED STATES OF AMERICA</b>

  
(56) Related Art Documents: **Not Applicable**  
(57) Statement of Newness and Distinctiveness: **Nil**



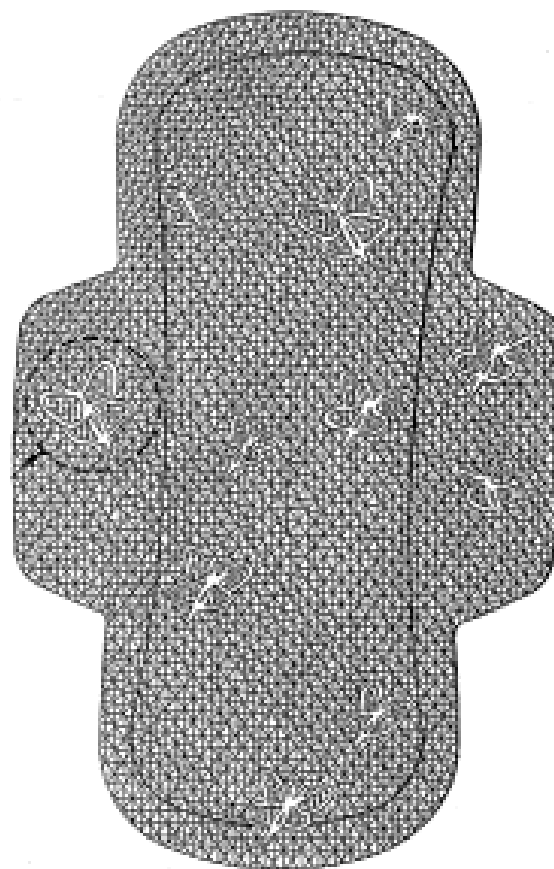
(19) AU

- (21) Design Number: **10180/2006**  
(22) Date of Filing Application: **19 January 2006**  
(24) Date from which industrial property rights may have effect: **19 January 2006**  
(54) Product in respect of which the design is registered: **Apertured film material for an absorbent article**  
(51) International Design Classification: **24-04, 05-06NES**  
(71) Name(s) and Address(s) of Applicant(s):  
**McNeil-PPC Inc.**  
**Grandview Road Skillman New Jersey 08558 United States of America**  
(72) Name(s) of Designer(s): **William G.F. Kelly**  
(45) Registration Date: **14 July 2006**  
(30) Convention priority data:  
(31) Number (32) Date (33) Country  
**29/234496 19 Jul 2005 UNITED STATES OF AMERICA**  
(56) Related Art Documents: **Not Applicable**  
(57) Statement of Newness and Distinctiveness: **Nil**



(19) AU

- (21) Design Number: **10181/2006**  
(22) Date of Filing Application: **19 January 2006**  
(24) Date from which industrial property rights may have effect: **19 January 2006**  
(54) Product in respect of which the design is registered: **Sanitary napkin**  
(51) International Design Classification: **24-04**  
(71) Name(s) and Address(s) of Applicant(s):  
**McNeil-PPC Inc.**  
**Grandview Road Skillman New Jersey 08558 United States of America**  
(72) Name(s) of Designer(s): **William G.F. Kelly**  
(45) Registration Date: **14 July 2006**  
(30) Convention priority data:  
(31) Number (32) Date (33) Country  
**29/234497 19 Jul 2005 UNITED STATES OF AMERICA**  
(56) Related Art Documents: **Not Applicable**  
(57) Statement of Newness and Distinctiveness: **Nil**

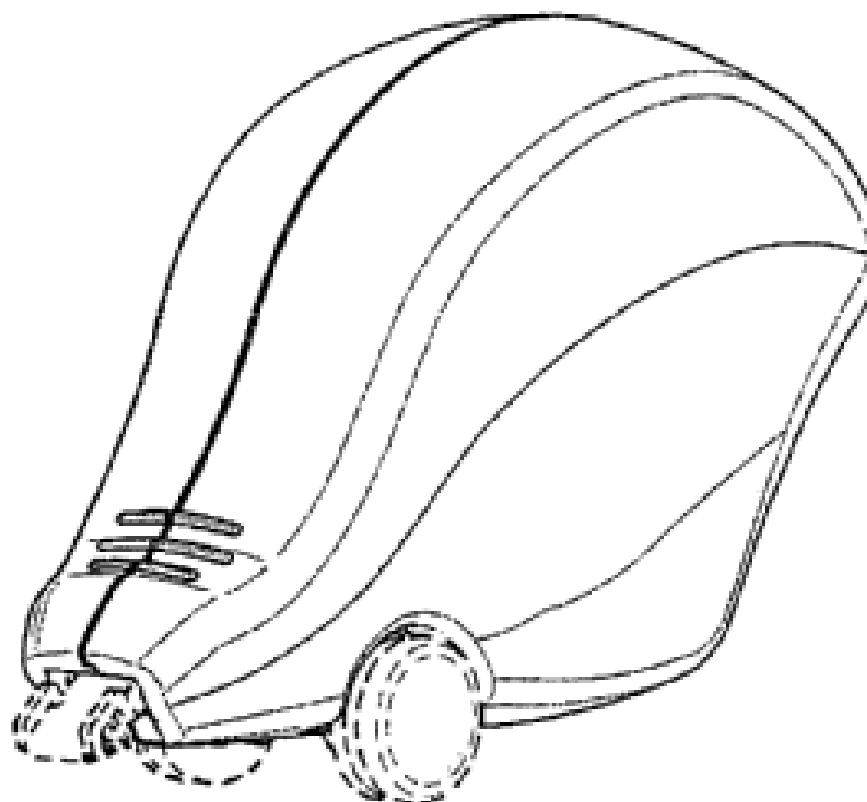




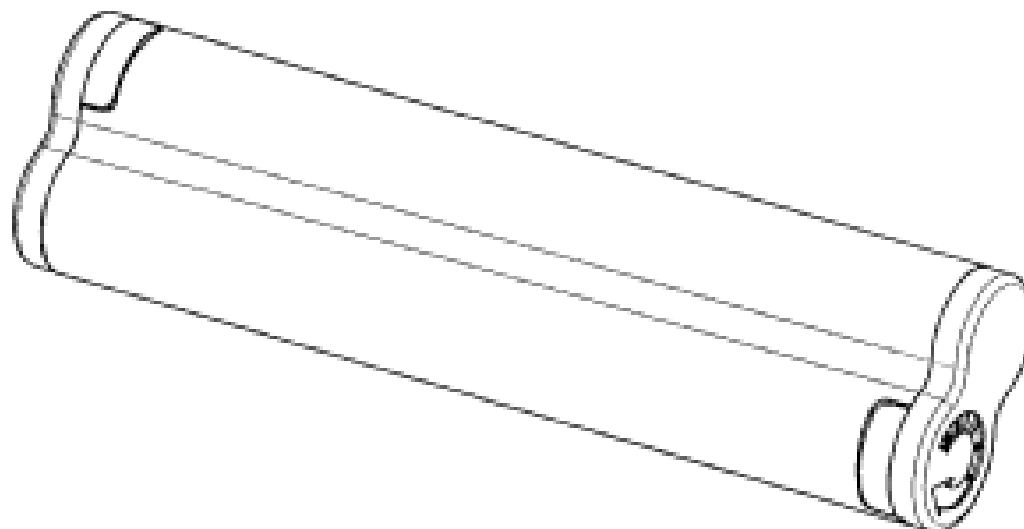
- (21) Design Number: **10182/2006**  
(22) Date of Filing Application: **19 January 2006**  
(24) Date from which industrial property rights may have effect: **19 January 2006**  
(54) Product in respect of which the design is registered: **Writing instrument**  
(51) International Design Classification: **19-06**  
(71) Name(s) and Address(s) of Applicant(s):  
**Frost Merchandising Pty. Ltd**  
**16-18 Ceylon Street Nunawading Victoria 3131 Australia**  
(72) Name(s) of Designer(s): **Lin Wei-Kung**  
(45) Registration Date: **14 July 2006**  
(56) Related Art Documents: **Not Applicable**  
(57) Statement of Newness and Distinctiveness: **Those features of the writing instrument depicted in the representations that are new and distinctive are the shape and/or configuration.**



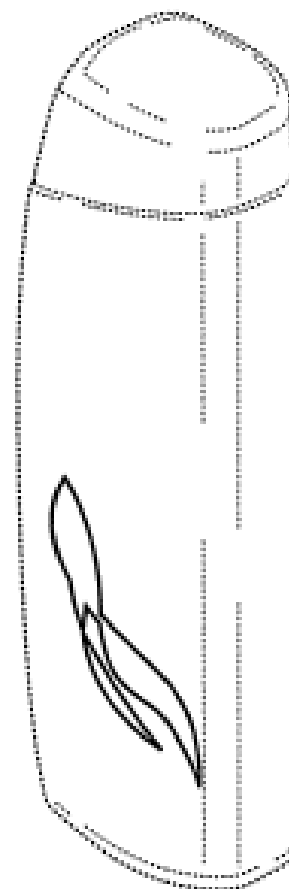
- (21) Design Number: **10183/2006**  
(22) Date of Filing Application: **19 January 2006**  
(24) Date from which industrial property rights may have effect: **19 January 2006**  
(54) Product in respect of which the design is registered: **Correction device**  
(51) International Design Classification: **19-02**  
(71) Name(s) and Address(s) of Applicant(s):  
**SOCIETE BIC**  
**14 rue Jeanne d'Asnieres 92 110 Clichy France**  
(72) Name(s) of Designer(s): **Franck Rolion and Serge Vigouroux and Franck Vadenne**  
(45) Registration Date: **14 July 2006**  
(30) Convention priority data:  
(31) Number      (32) Date      (33) Country  
**000376991-0001    25 Jul 2005      EUROPEAN COMMUNITY**  
(56) Related Art Documents: **Not Applicable**  
(57) Statement of Newness and Distinctiveness: **Those features of the correction device depicted in the representations that are new and distinctive are the shape and/or configuration. The features shown in broken lines are not part of the design and are to be disregarded when considering the overall impression of the design.**



- (21) Design Number: **10184/2006**  
(22) Date of Filing Application: **19 January 2006**  
(24) Date from which industrial property rights may have effect: **19 January 2006**  
(54) Product in respect of which the design is registered: **Multipurpose stationery tool**  
(51) International Design Classification: **19-02**  
(71) Name(s) and Address(s) of Applicant(s):  
**SOCIETE BIC**  
**14 rue Jeanne d'Asnieres 92 110 Clichy France**  
(72) Name(s) of Designer(s): **Franck Rolion and Denis Cellerier and Juliette Bonnamour**  
(45) Registration Date: **14 July 2006**  
(30) Convention priority data:  
(31) Number (32) Date (33) Country  
**000377007-0001 25 Jul 2005 EUROPEAN COMMUNITY**  
(56) Related Art Documents: **Not Applicable**  
(57) Statement of Newness and Distinctiveness: **Those features of the multipurpose stationery tool depicted in the representations that are new and distinctive are the shape and/or configuration.**



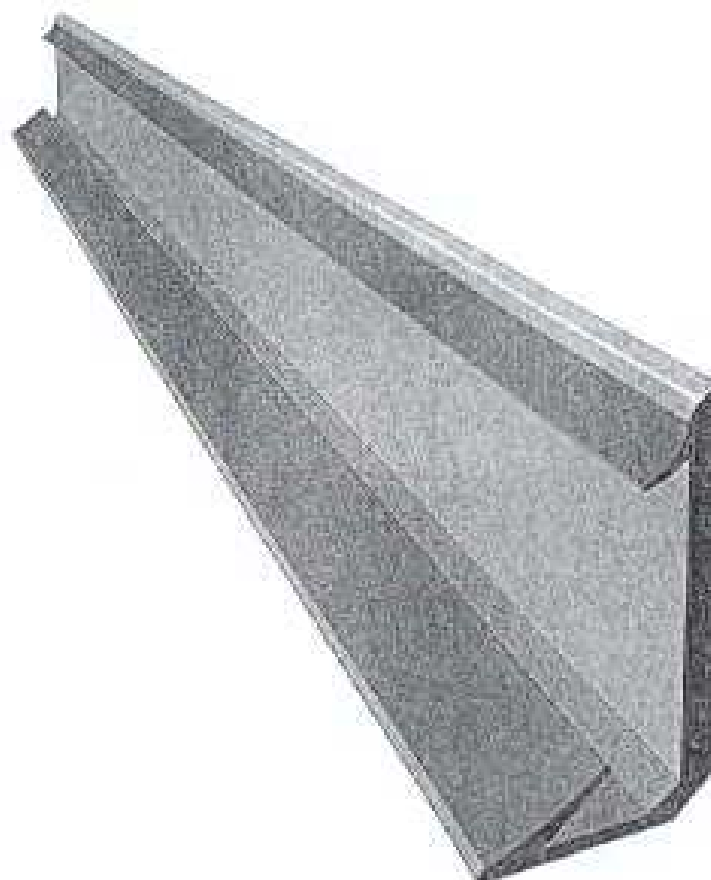
- (21) Design Number: **10188/2006**  
(22) Date of Filing Application: **20 January 2006**  
(24) Date from which industrial property rights may have effect: **20 January 2006**  
(54) Product in respect of which the design is registered: **Container**  
(51) International Design Classification: **09-01K, 09-01G**  
(71) Name(s) and Address(s) of Applicant(s):  
**The Procter & Gamble Company**  
**One Procter & Gamble Plaza Cincinnati Ohio 45202 United States of America**  
(72) Name(s) of Designer(s): **Murphy Greene Mongeon and Amy Bridgman and Donald Wilfred Robert Williams and Daphne Grace Hine and Justine Anne Rankine**  
(45) Registration Date: **14 July 2006**  
(30) Convention priority data:  
(31) Number (32) Date (33) Country  
**378658 21 Jul 2005 EUROPEAN COMMUNITY**  
(56) Related Art Documents: **Not Applicable**  
(57) Statement of Newness and Distinctiveness: **Those features of the container depicted in the representations that are new and distinctive are the pattern and/or ornamentation. The features shown in broken lines are not part of the design and are to be disregarded when considering the overall impression of the design.**



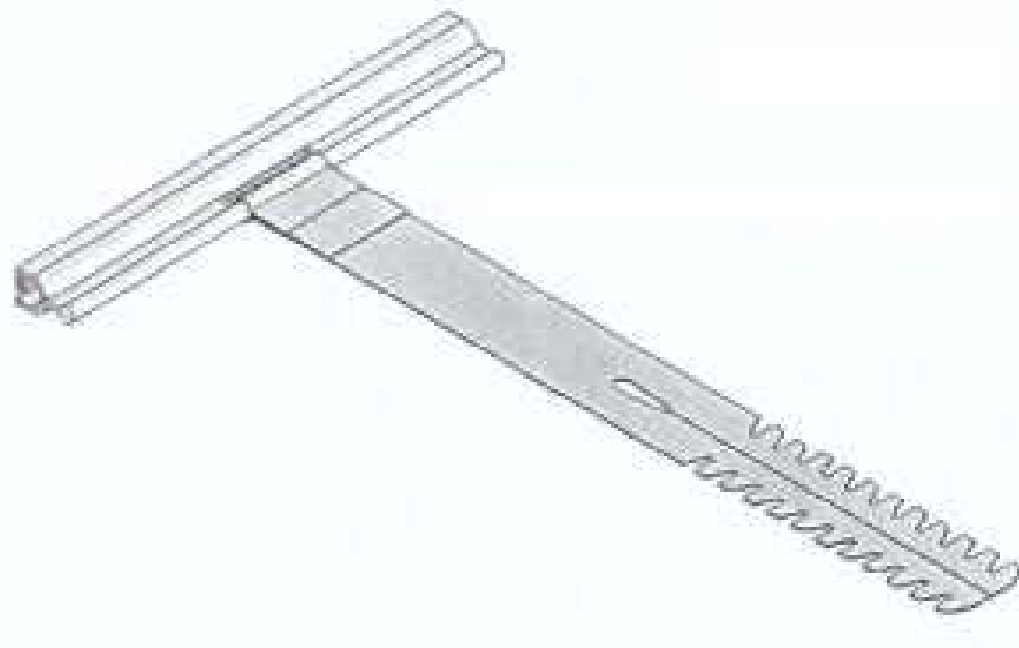
(21) Design Number: **10408/2006**  
(22) Date of Filing Application: **06 February 2006**  
(24) Date from which industrial property rights may have effect: **06 February 2006**  
(54) Product in respect of which the design is registered: **Coffee machine**  
(51) International Design Classification: **31-00, 07-02L**  
(71) Name(s) and Address(s) of Applicant(s):  
**Societe Des Produits Nestle S.A.**  
**1800 Vevey Switzerland**  
(72) Name(s) of Designer(s): **Antoine Cahen**  
(45) Registration Date: **14 July 2006**  
(30) Convention priority data:  
(31) Number (32) Date (33) Country  
**132081 24 Aug 2005 SWITZERLAND**  
(56) Related Art Documents: **Not Applicable**  
(57) Statement of Newness and Distinctiveness: **Nil**



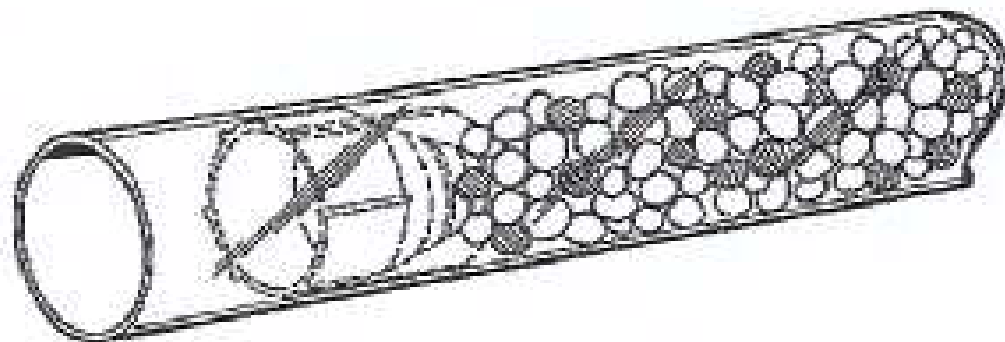
(21) Design Number: **10410/2006**  
(22) Date of Filing Application: **06 February 2006**  
(24) Date from which industrial property rights may have effect: **06 February 2006**  
(54) Product in respect of which the design is registered: **Smoke seal for doors or windows**  
(51) International Design Classification: **08-09, 25-99**  
(71) Name(s) and Address(s) of Applicant(s):  
**Lorient Polyproducts Limited**  
**Fairfax Road Heathfield Industrial Estate Newton Abbot Devon TQ12**  
**6UD United Kingdom**  
(72) Name(s) of Designer(s): **Robert McGowan Mann**  
(45) Registration Date: **14 July 2006**  
(30) Convention priority data:  
(31) Number (32) Date (33) Country  
**459391-0001 30 Dec 2005 EUROPEAN COMMUNITY**  
(56) Related Art Documents: **Not Applicable**  
(57) Statement of Newness and Distinctiveness: **Nil**



- (21) Design Number: **10411/2006**  
(22) Date of Filing Application: **06 February 2006**  
(24) Date from which industrial property rights may have effect: **06 February 2006**  
(54) Product in respect of which the design is registered: **An adjustable split security spring**  
(51) International Design Classification: **08-07**  
(71) Name(s) and Address(s) of Applicant(s):  
**Roller Shutters Wholesalers Pty Ltd**  
**137 Abbott Road Hallam Victoria 3803 Australia**  
(72) Name(s) of Designer(s): **Ivan Kirpichnikov**  
(45) Registration Date: **14 July 2006**  
(56) Related Art Documents: **Not Applicable**  
(57) Statement of Newness and Distinctiveness: **The particular visual features of the design which the applicant hereby identifies as new and distinctiveness are as follows: An adjustable split security spring as illustrated in the accompanying drawings.**

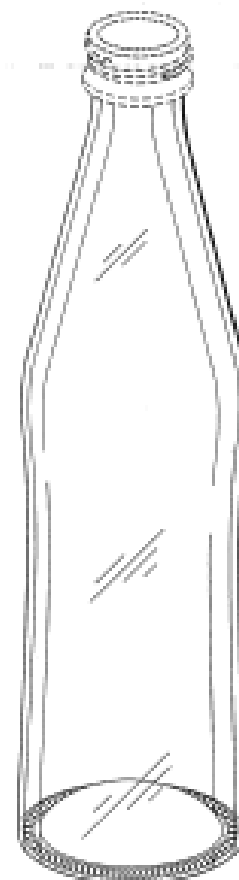


- (21) Design Number: **10413/2006**  
(22) Date of Filing Application: **06 February 2006**  
(24) Date from which industrial property rights may have effect: **06 February 2006**  
(54) Product in respect of which the design is registered: **A drinking straw containing multi-coloured soluble pellets**  
(51) International Design Classification: **07-06NES**  
(71) Name(s) and Address(s) of Applicant(s):  
**Unistraw Asset Holdings Pty Limited**  
**Level 13 50 Carrington Street Sydney New South Wales 2000 Australia**  
(72) Name(s) of Designer(s): **Peter Baron**  
(45) Registration Date: **14 July 2006**  
(56) Related Art Documents: **Not Applicable**  
(57) Statement of Newness and Distinctiveness: **Newness and distinctiveness reside in the shape, configuration, pattern and ornamentation of a drinking straw containing multi-coloured soluble pellets as illustrated in the accompanying representations. The different shading of the pellets represents different colours, textures and/or shades. The features shown in broken outline are illustrative only and do not form part of the design.**



- (21) Design Number: **10437/2006**
- (22) Date of Filing Application: **07 February 2006**
- (24) Date from which industrial property rights may have effect: **07 February 2006**
- (54) Product in respect of which the design is registered: **Bottle**
- (51) International Design Classification: **09-01NES**
- (71) Name(s) and Address(s) of Applicant(s):  
**PepsiCo, Inc.**  
**700 Anderson Hill Road Purchase New York 10577 United States of America**
- (72) Name(s) of Designer(s): **Haley Rubin and Mary Sue Snyder and William G. Wyman and Samuel R. Wilson and James E. Burnett**
- (45) Registration Date: **14 July 2006**
- (30) Convention priority data:  

(31) Number	(32) Date	(33) Country
<b>29/235946</b>	<b>09 Aug 2005</b>	<b>UNITED STATES OF AMERICA</b>
- (56) Related Art Documents: **Not Applicable**
- (57) Statement of Newness and Distinctiveness: **Newness and distinctiveness is claimed in those features of shape and/or configuration of a bottle illustrated in continuous lines in the accompanying representations.**

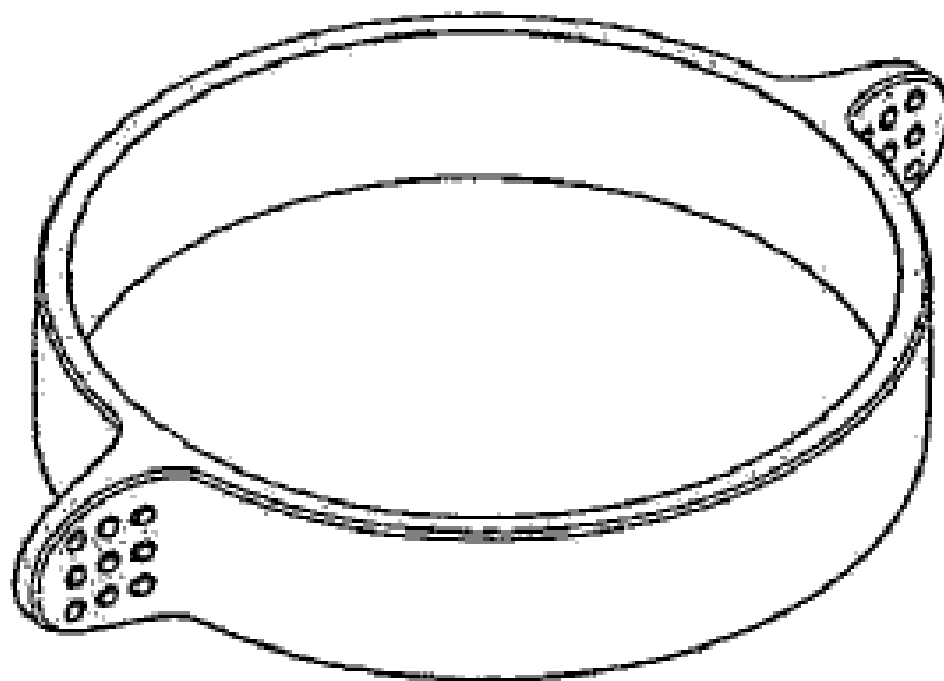


- (21) Design Number: **10438/2006**
- (22) Date of Filing Application: **07 February 2006**
- (24) Date from which industrial property rights may have effect: **07 February 2006**
- (54) Product in respect of which the design is registered: **Bottle**
- (51) International Design Classification: **09-01NES**
- (71) Name(s) and Address(s) of Applicant(s):  
**PepsiCo, Inc.**  
**700 Anderson Hill Road Purchase New York 10577 United States of America**
- (72) Name(s) of Designer(s): **Haley Rubin and Mary Sue Snyder and William G. Wyman and Samuel R. Wilson and James E. Burnett**
- (45) Registration Date: **14 July 2006**
- (30) Convention priority data:  

(31) Number	(32) Date	(33) Country
<b>29/235946</b>	<b>09 Aug 2005</b>	<b>UNITED STATES OF AMERICA</b>
- (56) Related Art Documents: **Not Applicable**
- (57) Statement of Newness and Distinctiveness: **Newness and distinctiveness is claimed in the features of shape and/or configuration of a bottle as illustrated in the accompanying representations.**



- (21) Design Number: **10439/2006**  
(22) Date of Filing Application: **07 February 2006**  
(24) Date from which industrial property rights may have effect: **07 February 2006**  
(54) Product in respect of which the design is registered: **Food cooking ring**  
(51) International Design Classification: **07-02P**  
(71) Name(s) and Address(s) of Applicant(s):  
**Dalsonware Pty Ltd**  
**2/53 Rushdale Street Knoxfield Victoria 3180 Australia**  
(72) Name(s) of Designer(s): **Mark Simon Bayly and Joanne Marie Fleming**  
(45) Registration Date: **14 July 2006**  
(56) Related Art Documents: **Not Applicable**  
(57) Statement of Newness and Distinctiveness: **Nil**



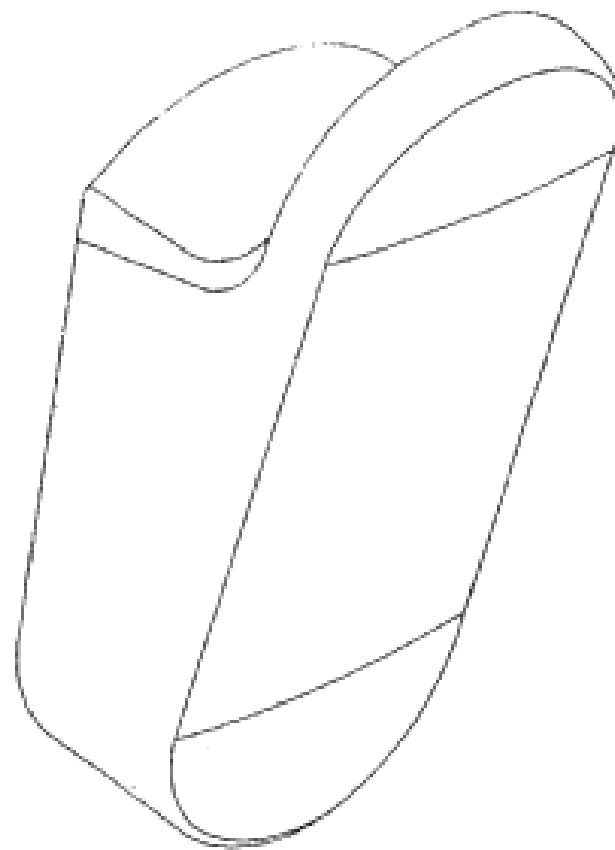
- (21) Design Number: **10440/2006**  
(22) Date of Filing Application: **07 February 2006**  
(24) Date from which industrial property rights may have effect: **07 February 2006**  
(54) Product in respect of which the design is registered: **Stereo headset**  
(51) International Design Classification: **14-01**  
(71) Name(s) and Address(s) of Applicant(s):  
**Sony Ericsson Mobile Communications AB**  
**Nya Vattentorget SE 221 88 Lund Sweden**  
(72) Name(s) of Designer(s): **Kim Sangboem**  
(45) Registration Date: **14 July 2006**  
(30) Convention priority data:  

(31) Number	(32) Date	(33) Country
<b>29/239,109</b>	<b>26 Sep 2005</b>	<b>UNITED STATES OF AMERICA</b>

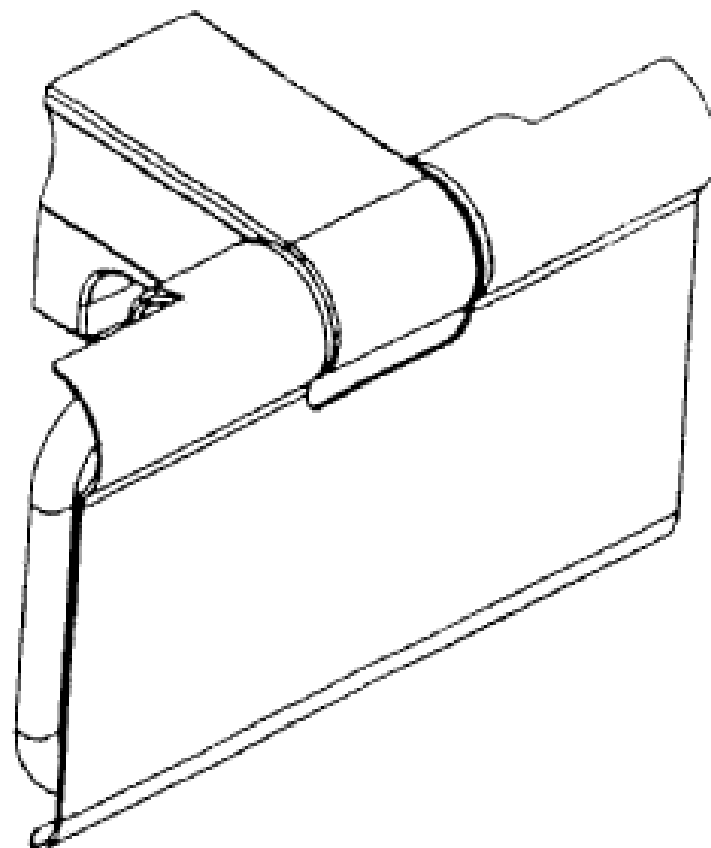
  
(56) Related Art Documents: **Not Applicable**  
(57) Statement of Newness and Distinctiveness: **Newness and distinctiveness resides in the features of the shape and configuration of a stereo headset as shown in the representations. When considering the newness and distinctiveness, the features shown in broken lines in the representations are to be disregarded.**



- (21) Design Number: **10441/2006**  
(22) Date of Filing Application: **07 February 2006**  
(24) Date from which industrial property rights may have effect: **07 February 2006**  
(54) Product in respect of which the design is registered: **A clothes hook**  
(51) International Design Classification: **06-08**  
(71) Name(s) and Address(s) of Applicant(s):  
**Sonia, S.A.**  
**Ctra. de Barcelona 35 Bonrepos (Valencia) 46131 Spain**  
(72) Name(s) of Designer(s): **Jose Maria Ferrer Beltran**  
(45) Registration Date: **14 July 2006**  
(56) Related Art Documents: **Not Applicable**  
(57) Statement of Newness and Distinctiveness: **Nil**



- (21) Design Number: **10442/2006**  
(22) Date of Filing Application: **07 February 2006**  
(24) Date from which industrial property rights may have effect: **07 February 2006**  
(54) Product in respect of which the design is registered: **A toilet roll holder**  
(51) International Design Classification: **23-02A**  
(71) Name(s) and Address(s) of Applicant(s):  
**Sonia, S.A.**  
**Ctra. de Barcelona 35 Bonrepos (Valencia) 46131 Spain**  
(72) Name(s) of Designer(s): **Jose Maria Ferrer Beltran**  
(45) Registration Date: **14 July 2006**  
(56) Related Art Documents: **Not Applicable**  
(57) Statement of Newness and Distinctiveness: **Nil**



(21) Design Number: **10091/2006**

(22) Date of Filing Application: **12 January 2006**

(24) Date from which industrial property rights may have effect: **12 January 2006**

(54) Product in respect of which the design is registered: **Ice bucket**

(51) International Design Classification: **07-01NES, 07-07A**

(71) Name(s) and Address(s) of Applicant(s):

**Pi-Design AG**

**Kantonsstrasse 100 Postfach 463 CH-6234 Triengen Switzerland**

(72) Name(s) of Designer(s): **Jorgen Bodum**

(45) Registration Date: **14 July 2006**

(30) Convention priority data:

(31) Number

(32) Date

(33) Country

**DA 2005**

**14 Jul 2005**

**DENMARK**

**00204**

(56) Related Art Documents: **Not Applicable**

(57) Statement of Newness and Distinctiveness: **Nil**



(21) Design Number: **10092/2006**

(22) Date of Filing Application: **12 January 2006**

(24) Date from which industrial property rights may have effect: **12 January 2006**

(54) Product in respect of which the design is registered: **Storage jar**

(51) International Design Classification: **07-01NES**

(71) Name(s) and Address(s) of Applicant(s):

**Pi-Design AG**

**Kantonsstrasse 100 Postfach 463 CH-6234 Triengen Switzerland**

(72) Name(s) of Designer(s): **Jorgen Bodum**

(45) Registration Date: **14 July 2006**

(30) Convention priority data:

(31) Number

(32) Date

(33) Country

**DA 2005**

**14 Jul 2005**

**DENMARK**

**00206**

(56) Related Art Documents: **Not Applicable**

(57) Statement of Newness and Distinctiveness: **Nil**





- (21) Design Number: **10321/2006**  
(22) Date of Filing Application: **02 February 2006**  
(24) Date from which industrial property rights may have effect: **02 February 2006**  
(54) Product in respect of which the design is registered: **Pocket belt-strap underwear**  
(51) International Design Classification: **02-01NES**  
(71) Name(s) and Address(s) of Applicant(s):  
**buyDirect Pty Ltd**  
**84/1-29 Bunn Street Pyrmont New South Wales 2009 Australia**  
(72) Name(s) of Designer(s): **Xuan Gao**  
(45) Registration Date: **14 July 2006**  
(56) Related Art Documents: **Not Applicable**  
(57) Statement of Newness and Distinctiveness: **Newness and distinctiveness of this design includes the underwear pocket and also belt-straps on waistband.**



- (21) Design Number: **10322/2006**  
(22) Date of Filing Application: **02 February 2006**  
(24) Date from which industrial property rights may have effect: **02 February 2006**  
(54) Product in respect of which the design is registered: **Halter (also called a headstall or headcollar)**  
(51) International Design Classification: **30-04**  
(71) Name(s) and Address(s) of Applicant(s):  
**Benjimen Peter Moon**  
**2 Queensway Blacktown New South Wales 2148 Australia**  
(72) Name(s) of Designer(s): **Benjimen Peter Moon**  
(45) Registration Date: **14 July 2006**  
(56) Related Art Documents: **Not Applicable**  
(57) Statement of Newness and Distinctiveness: **The superior halter utilizes four(4) different width straps, two(2) different size rings, two halter 'D'rings [Reg.Des.No 152221] and a hidden integrated strapping loop to attain its configuration as shown in the accompanying photographs.**



(21) Design Number: **10025/2006**

(22) Date of Filing Application: **05 January 2006**

(24) Date from which industrial property rights may have effect: **05 January 2006**

(54) Product in respect of which the design is registered: **Baby carrier**

(51) International Design Classification: **03-99**

(71) Name(s) and Address(s) of Applicant(s):

**Baby Bjorn AB**

**PO Box 595 SE-182 15 Danderyd Sweden**

(72) Name(s) of Designer(s): **Lisen Elmberg and Anders Nyberg**

(45) Registration Date: **14 July 2006**

(30) Convention priority data:

(31) Number

(32) Date

(33) Country

**000366976-0001 06 Jul 2005**

**EUROPEAN COMMUNITY**

(56) Related Art Documents: **Not Applicable**

(57) Statement of Newness and Distinctiveness: **Newness and distinctiveness is claimed in the features of shape and/or configuration of a baby carrier as illustrated in the accompanying representations.**



(21) Design Number: **10340/2006**

(22) Date of Filing Application: **02 February 2006**

(24) Date from which industrial property rights may have effect: **02 February 2006**

(54) Product in respect of which the design is registered: **Portable residual current device**

(51) International Design Classification: **13-03E, 13-02**

(71) Name(s) and Address(s) of Applicant(s):

**Arlec Australia Limited**

**Maroondah Highway Mooroolbark Victoria 3138 Australia**

(72) Name(s) of Designer(s): **Kar Lun Tam**

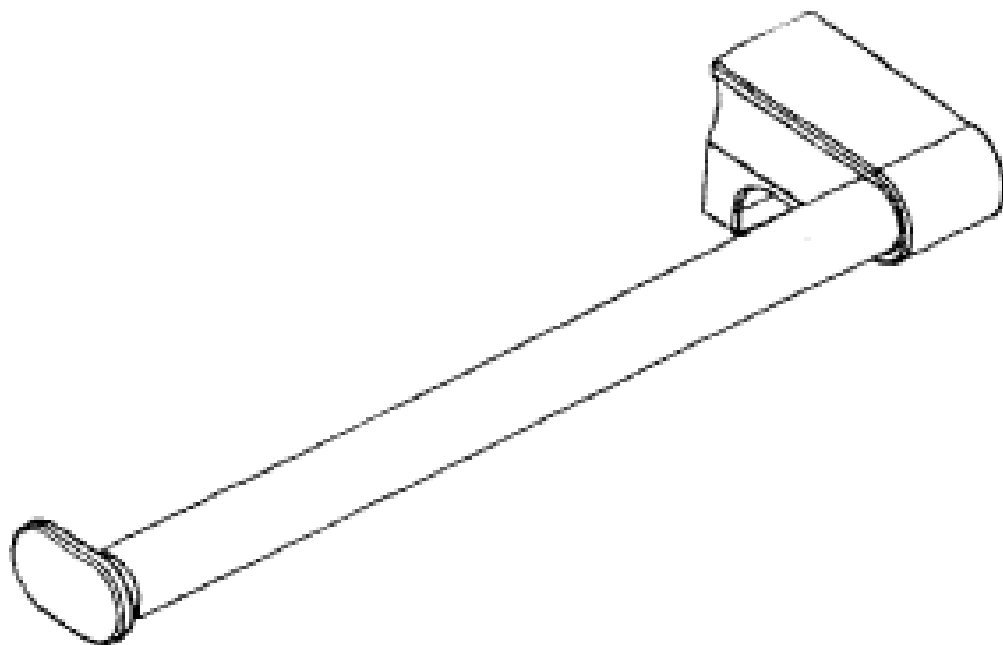
(45) Registration Date: **14 July 2006**

(56) Related Art Documents: **Not Applicable**

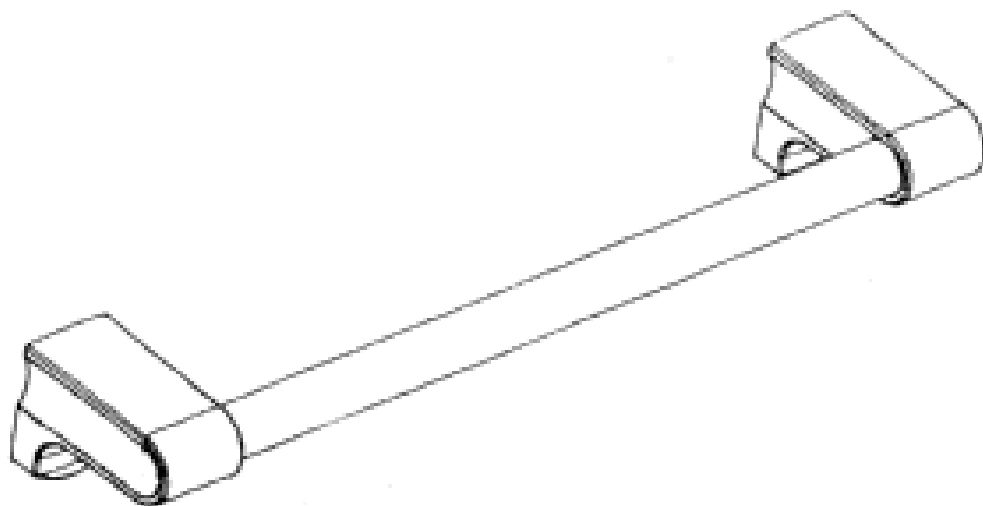
(57) Statement of Newness and Distinctiveness: **Newness and distinctiveness resides in the shape and/or configuration of the product shown in the representations but not including the details shown behind the transparent cover marked "A" in the representations.**



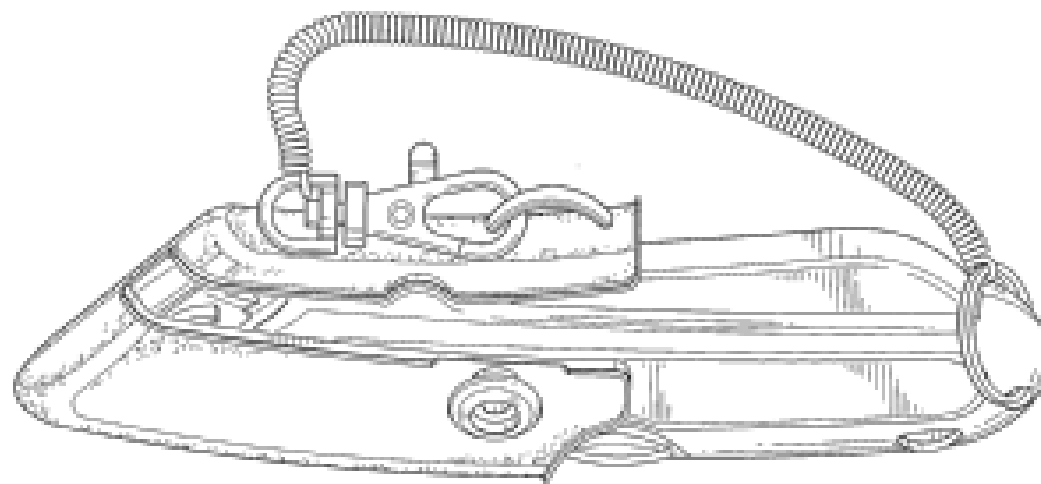
(21) Design Number: **10443/2006**  
(22) Date of Filing Application: **07 February 2006**  
(24) Date from which industrial property rights may have effect: **07 February 2006**  
(54) Product in respect of which the design is registered: **A towel rail**  
(51) International Design Classification: **07-05D**  
(71) Name(s) and Address(s) of Applicant(s):  
**Sonia, S.A.**  
**Ctra. de Barcelona 35 Bonrepos (Valencia) 46131 Spain**  
(72) Name(s) of Designer(s): **Jose Maria Ferrer Beltran**  
(45) Registration Date: **14 July 2006**  
(56) Related Art Documents: **Not Applicable**  
(57) Statement of Newness and Distinctiveness: **Nil**



(21) Design Number: **10444/2006**  
(22) Date of Filing Application: **07 February 2006**  
(24) Date from which industrial property rights may have effect: **07 February 2006**  
(54) Product in respect of which the design is registered: **A towel rail**  
(51) International Design Classification: **07-05D**  
(71) Name(s) and Address(s) of Applicant(s):  
**Sonia, S.A.**  
**Ctra. de Barcelona 35 Bonrepos (Valencia) 46131 Spain**  
(72) Name(s) of Designer(s): **Jose Maria Ferrer Beltran**  
(45) Registration Date: **14 July 2006**  
(56) Related Art Documents: **Not Applicable**  
(57) Statement of Newness and Distinctiveness: **Nil**



- (21) Design Number: **10446/2006**  
(22) Date of Filing Application: **07 February 2006**  
(24) Date from which industrial property rights may have effect: **07 February 2006**  
(54) Product in respect of which the design is registered: **Holster with knife**  
(51) International Design Classification: **09-01D, 08-03**  
(71) Name(s) and Address(s) of Applicant(s):  
**Dallco Marketing Services, Inc.**  
**11333 Pagemill Road Dallas Texas 75243 United States of America**  
(72) Name(s) of Designer(s): **Raymond E. Davis**  
(45) Registration Date: **14 July 2006**  
(30) Convention priority data:  
(31) Number (32) Date (33) Country  
**29/238,573 16 Sep 2005 UNITED STATES OF AMERICA**  
(56) Related Art Documents: **Not Applicable**  
(57) Statement of Newness and Distinctiveness: **Those features of the holster with knife depicted in the representations that are new and distinctive are the shape and/or configuration.**



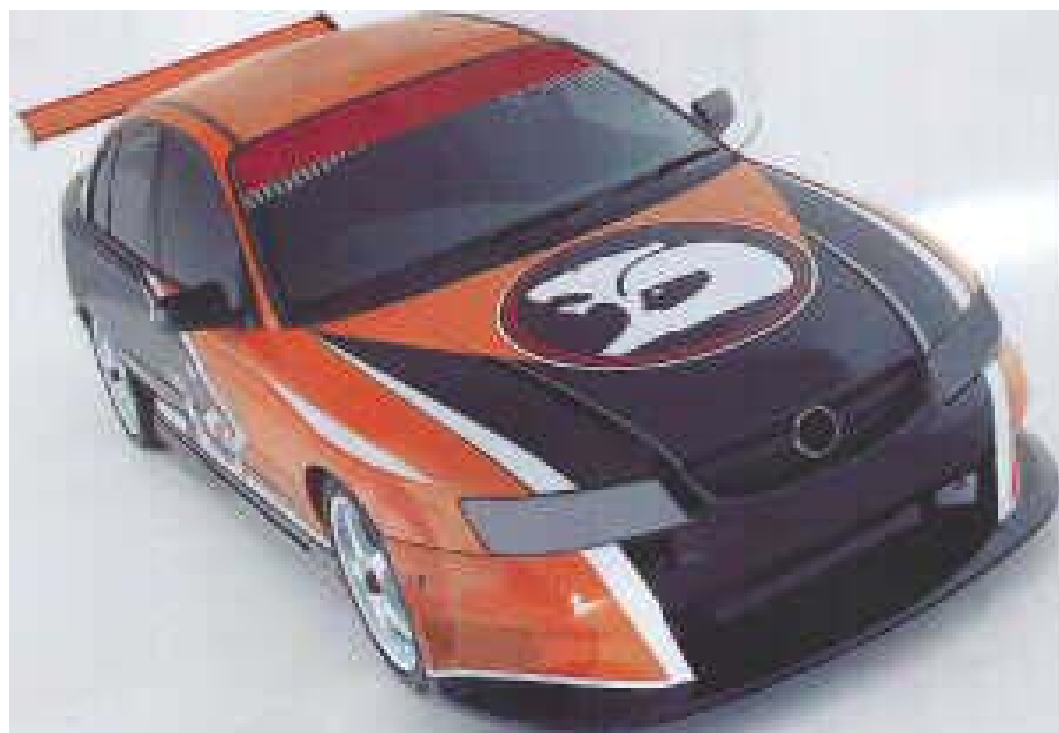
- (21) Design Number: **12267/2005**  
(22) Date of Filing Application: **24 May 2005**  
(24) Date from which industrial property rights may have effect: **24 May 2005**  
(54) Product in respect of which the design is registered: **A waterproof switch**  
(51) International Design Classification: **13-03E**  
(71) Name(s) and Address(s) of Applicant(s):  
**Schneider Electric (NZ) Limited**  
**14 Charann Place Avondale Auckland New Zealand**  
(72) Name(s) of Designer(s): **David George Kelly**  
(45) Registration Date: **14 July 2006**  
(56) Related Art Documents: **Not Applicable**  
(57) Statement of Newness and Distinctiveness: **The particular visual features of the design which are new and distinctive are the shape or configuration of the membrane, referenced as 'A', in the representations.**



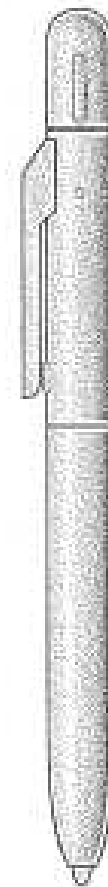
- (21) Design Number: **14914/2005**  
(22) Date of Filing Application: **08 November 2005**  
(24) Date from which industrial property rights may have effect: **08 November 2005**  
(54) Product in respect of which the design is registered: **A stool**  
(51) International Design Classification: **06-01E**  
(71) Name(s) and Address(s) of Applicant(s):  
**David Tang**  
**128 Paterson Street Princes Hill Victoria 3054 Australia**  
(72) Name(s) of Designer(s): **David Tang**  
(45) Registration Date: **14 July 2006**  
(56) Related Art Documents: **Not Applicable**  
(57) Statement of Newness and Distinctiveness: **Nil**



- (21) Design Number: **15110/2005**  
(22) Date of Filing Application: **21 November 2005**  
(24) Date from which industrial property rights may have effect: **21 November 2005**  
(54) Product in respect of which the design is registered: **A motor vehicle**  
(51) International Design Classification: **12-08**  
(71) Name(s) and Address(s) of Applicant(s):  
**GM Holden Ltd**  
**241 Salmon Street Port Melbourne Victoria 3207 Australia**  
(72) Name(s) of Designer(s): **Peter Hughes**  
(45) Registration Date: **14 July 2006**  
(56) Related Art Documents: **Not Applicable**  
(57) Statement of Newness and Distinctiveness: **Those visual features of the motor vehicle depicted in the representations that are new and distinctive are the ornamentation and pattern.**



- (21) Design Number: **15710/2005**  
(22) Date of Filing Application: **29 December 2005**  
(24) Date from which industrial property rights may have effect: **29 December 2005**  
(54) Product in respect of which the design is registered: **Writing instrument (DS-4 without clip cover)**  
(51) International Design Classification: **19-06**  
(71) Name(s) and Address(s) of Applicant(s):  
**Prodir S.A.**  
**Zona Industriale 1/2 PO Box 580 6802 Riviera Switzerland**  
(72) Name(s) of Designer(s): **Christoph Schnug**  
(45) Registration Date: **14 July 2006**  
(30) Convention priority data:  
(31) Number (32) Date (33) Country  
**132219 24 Oct 2005 SWITZERLAND**  
(56) Related Art Documents: **Not Applicable**  
(57) Statement of Newness and Distinctiveness: **Monopoly is claimed in the shape and configuration of the features of the article as depicted in the accompanying representations.**



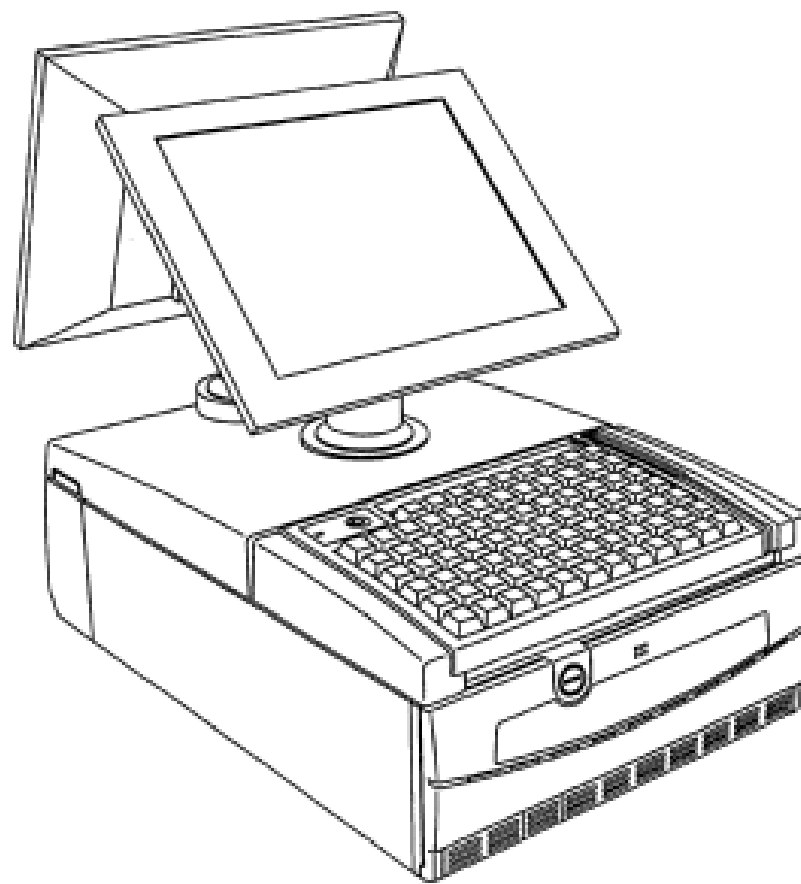
- (21) Design Number: **15837/2005**  
(22) Date of Filing Application: **30 December 2005**  
(24) Date from which industrial property rights may have effect: **30 December 2005**  
(54) Product in respect of which the design is registered: **A push button**  
(51) International Design Classification: **10-06**  
(71) Name(s) and Address(s) of Applicant(s):  
**Dewhurst Plc**  
**Inverness Road Hounslow TW3 3LT United Kingdom**  
(72) Name(s) of Designer(s): **David Dewhurst**  
(45) Registration Date: **14 July 2006**  
(30) Convention priority data:  
(31) Number (32) Date (33) Country  
**3021710 30 Jun 2005 UNITED KINGDOM**  
(56) Related Art Documents: **Not Applicable**  
(57) Statement of Newness and Distinctiveness: **The new and distinctive visual features of the design include illumination of the braille. No claim is made to the exclusive use of the numerals appearing in the design.**



(21) Design Number: **10332/2006**  
 (22) Date of Filing Application: **02 February 2006**  
 (24) Date from which industrial property rights may have effect: **02 February 2006**  
 (54) Product in respect of which the design is registered: **Cash register for a point of sales terminal**  
 (51) International Design Classification: **18-01**  
 (71) Name(s) and Address(s) of Applicant(s):  
**Toshiba Tec Kabushiki Kaisha**  
**2-17-2 Higashigotanda Shinagawa-ku Tokyo 141-8664 Japan**  
 (72) Name(s) of Designer(s): **Yoshiro Yamamoto and Yasuhiro Ono**  
 (45) Registration Date: **14 July 2006**  
 (30) Convention priority data:  

(31) Number	(32) Date	(33) Country
<b>2005-023511</b>	<b>11 Aug 2005</b>	<b>JAPAN</b>

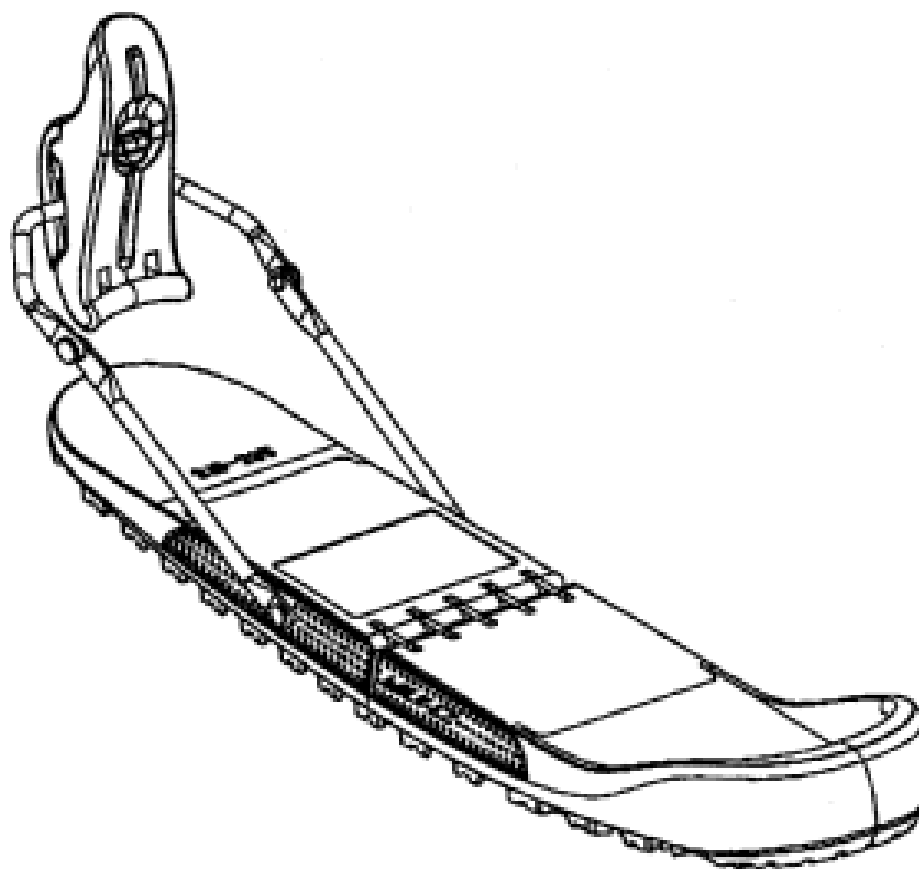
 (56) Related Art Documents: **Not Applicable**  
 (57) Statement of Newness and Distinctiveness: **Nil**



(21) Design Number: **10338/2006**  
 (22) Date of Filing Application: **02 February 2006**  
 (24) Date from which industrial property rights may have effect: **02 February 2006**  
 (54) Product in respect of which the design is registered: **Detachable sole for an ankle and foot covering**  
 (51) International Design Classification: **21-02NES, 02-04B**  
 (71) Name(s) and Address(s) of Applicant(s):  
**David R. Sellers**  
**3305 County Road 96 Ward Colorado 80481 United States of America**  
 (72) Name(s) of Designer(s): **David R. Sellers**  
 (45) Registration Date: **14 July 2006**  
 (30) Convention priority data:  

(31) Number	(32) Date	(33) Country
<b>29235556</b>	<b>02 Aug 2005</b>	<b>UNITED STATES OF AMERICA</b>

 (56) Related Art Documents: **Not Applicable**  
 (57) Statement of Newness and Distinctiveness: **Newness and distinctiveness is claimed in the visual features shown in solid lines in the representations.**



(21) Design Number: **10339/2006**

(22) Date of Filing Application: **02 February 2006**

(24) Date from which industrial property rights may have effect: **02 February 2006**

(54) Product in respect of which the design is registered: **Detachable sole for an ankle and foot covering**

(51) International Design Classification: **21-02NES, 02-04B**

(71) Name(s) and Address(s) of Applicant(s):

**David R. Sellers**

**3305 County Road 96 Ward Colorado 80481 United States of America**

(72) Name(s) of Designer(s): **David R. Sellers**

(45) Registration Date: **14 July 2006**

(30) Convention priority data:

(31) Number

(32) Date

(33) Country

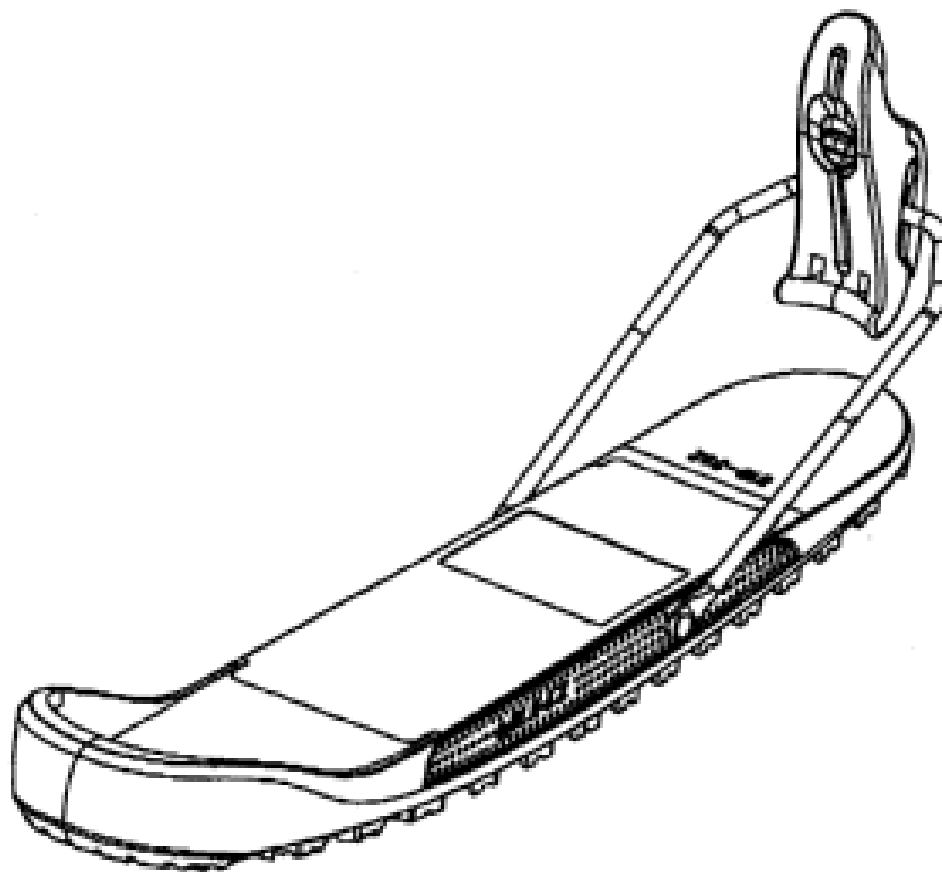
**29235556**

**02 Aug 2005**

**UNITED STATES OF AMERICA**

(56) Related Art Documents: **Not Applicable**

(57) Statement of Newness and Distinctiveness: **Nil**



(21) Design Number: **10349/2006**

(22) Date of Filing Application: **02 February 2006**

(24) Date from which industrial property rights may have effect: **02 February 2006**

(54) Product in respect of which the design is registered: **A container**

(51) International Design Classification: **09-09**

(71) Name(s) and Address(s) of Applicant(s):

**IMD Group Limited**

**Gateway Business Park Suite 306 Level 3 63-79 Parramatta Road  
Silverwater New South Wales 2128 Australia**

(72) Name(s) of Designer(s): **Giovanni Ciampa and Anthony Honeyfield**

(45) Registration Date: **14 July 2006**

(56) Related Art Documents: **Not Applicable**

(57) Statement of Newness and Distinctiveness: **Newness and distinctiveness is claimed in the features of shape and/or configuration of the handle area and rotating barrel being visually integrated with the lid of a container as illustrated in the accompanying representations.**





(21) Design Number: **10350/2006**

(22) Date of Filing Application: **02 February 2006**

(24) Date from which industrial property rights may have effect: **02 February 2006**

(54) Product in respect of which the design is registered: **A container**

(51) International Design Classification: **09-09**

(71) Name(s) and Address(s) of Applicant(s):

**IMD Group Limited**

**Gateway Business Park Suite 306 Level 3 63-79 Parramatta Road  
Silverwater New South Wales 2128 Australia**

(72) Name(s) of Designer(s): **Giovanni Ciampa and Anthony Honeyfield**

(45) Registration Date: **14 July 2006**

(56) Related Art Documents: **Not Applicable**

(57) Statement of Newness and Distinctiveness: **Newness and distinctiveness is claimed in the features of shape and/or configuration of the handle area being visually integrated with the lid and the raised shoulders either side of the screw cap of a container as illustrated in the accompanying representations.**



(21) Design Number: **10352/2006**

(22) Date of Filing Application: **02 February 2006**

(24) Date from which industrial property rights may have effect: **02 February 2006**

(54) Product in respect of which the design is registered: **A container**

(51) International Design Classification: **09-09**

(71) Name(s) and Address(s) of Applicant(s):

**IMD Group Limited**

**Gateway Business Park Suite 306 Level 3 63-79 Parramatta Road  
Silverwater New South Wales 2128 Australia**

(72) Name(s) of Designer(s): **Giovanni Ciampa and Anthony Honeyfield**

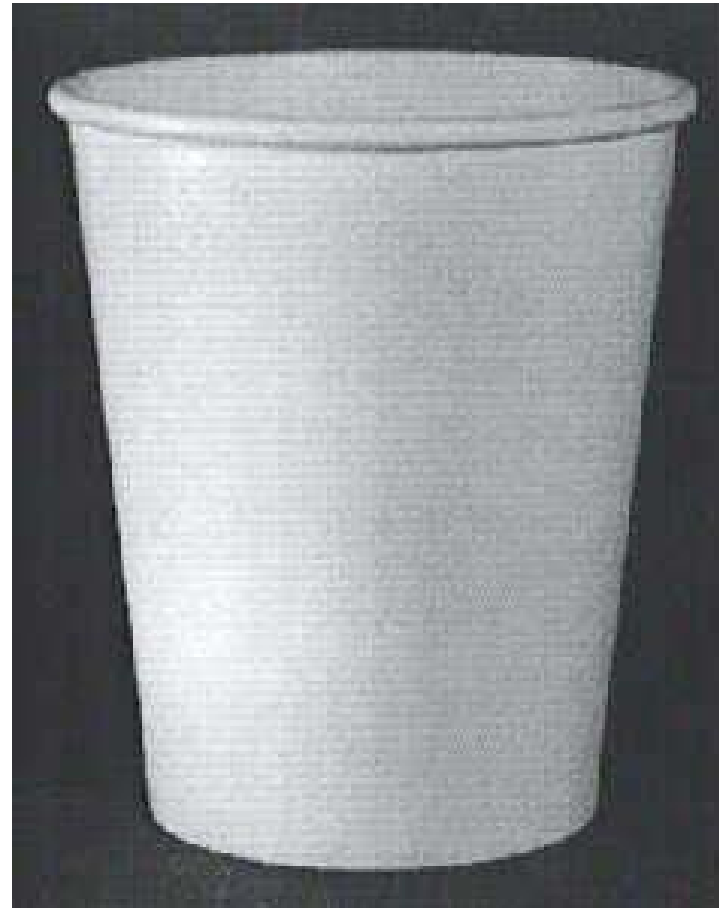
(45) Registration Date: **14 July 2006**

(56) Related Art Documents: **Not Applicable**

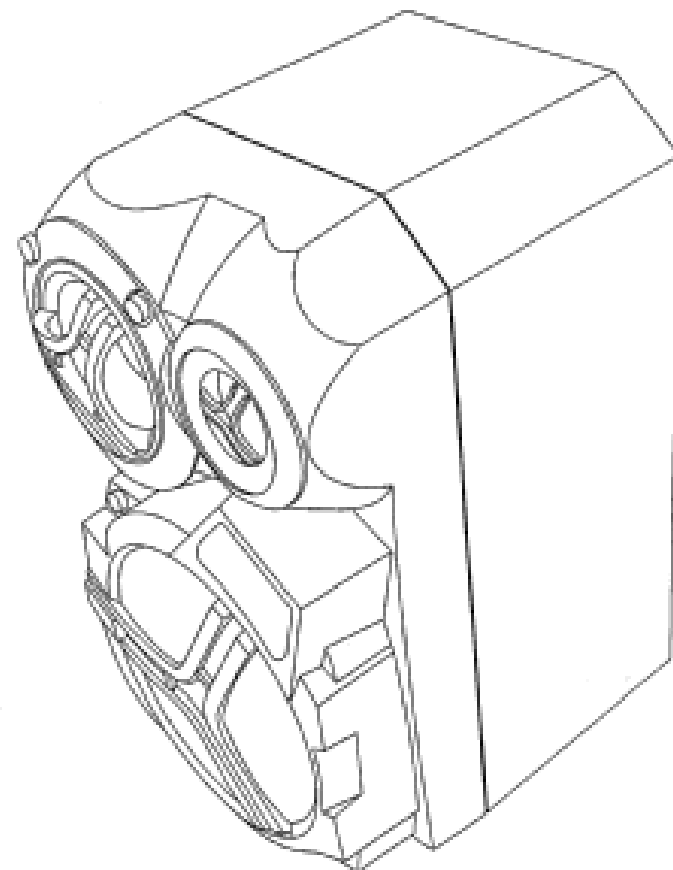
(57) Statement of Newness and Distinctiveness: **Newness and distinctiveness is claimed in the features of shape and/or configuration of the handle area being visually integrated with the lid and the raised shoulders either side of the screw cap of a container as illustrated in the accompanying representations.**



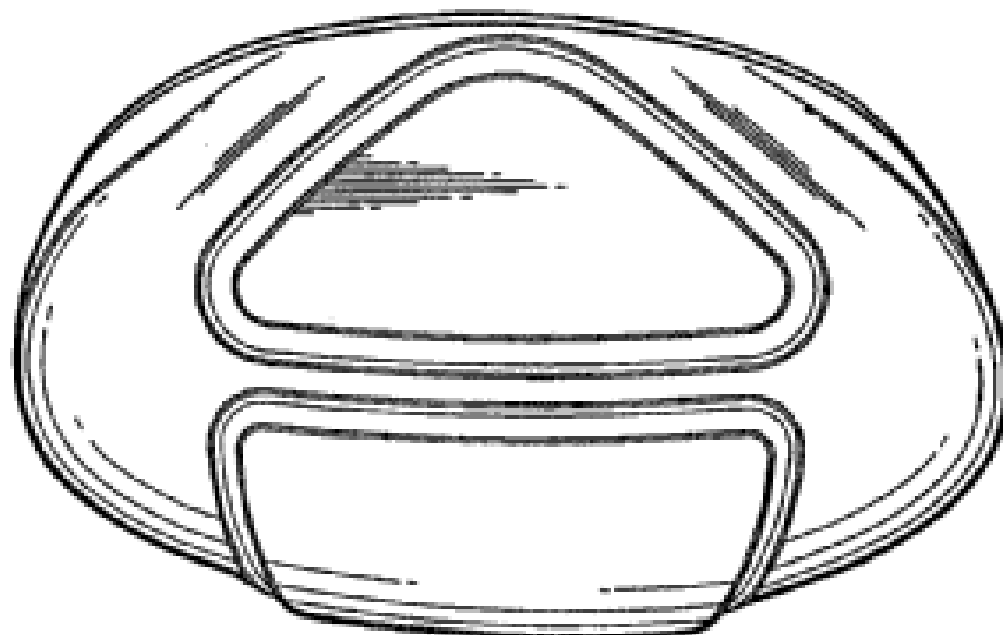
- (21) Design Number: **10357/2006**  
(22) Date of Filing Application: **03 February 2006**  
(24) Date from which industrial property rights may have effect: **03 February 2006**  
(54) Product in respect of which the design is registered: **Ceramic cup**  
(51) International Design Classification: **07-01C**  
(71) Name(s) and Address(s) of Applicant(s):  
**George Maniatis**  
**65 Pittwater Road Gladesville New South Wales 2111 Australia**  
(72) Name(s) of Designer(s): **George Maniatis**  
(45) Registration Date: **14 July 2006**  
(56) Related Art Documents: **Not Applicable**  
(57) Statement of Newness and Distinctiveness: **Monopoly is claimed in the shape and/or configuration of a ceramic cup as illustrated in the accompanying representations.**



- (21) Design Number: **10035/2006**  
(22) Date of Filing Application: **09 January 2006**  
(24) Date from which industrial property rights may have effect: **09 January 2006**  
(54) Product in respect of which the design is registered: **Speaker**  
(51) International Design Classification: **14-01**  
(71) Name(s) and Address(s) of Applicant(s):  
**Wen Yan**  
**Room E-F Floor 17 Xiangxi Mansion Nanji Road Luohu District**  
**Shenzhen City China**  
(72) Name(s) of Designer(s): **Wen Yan**  
(45) Registration Date: **17 July 2006**  
(56) Related Art Documents: **Not Applicable**  
(57) Statement of Newness and Distinctiveness: **Nil**



(21) Design Number: **10088/2006**  
(22) Date of Filing Application: **12 January 2006**  
(24) Date from which industrial property rights may have effect: **12 January 2006**  
(54) Product in respect of which the design is registered: **Golf club head**  
(51) International Design Classification: **21-02C**  
(71) Name(s) and Address(s) of Applicant(s):  
**Callaway Golf Company**  
**2180 Rutherford Road Carlsbad California 92008 United States of America**  
(72) Name(s) of Designer(s): **Philip C. Foster and Luke R. Williams**  
(45) Registration Date: **17 July 2006**  
(30) Convention priority data:  
(31) Number (32) Date (33) Country  
**29/233925 12 Jul 2005 UNITED STATES OF AMERICA**  
(56) Related Art Documents: **Not Applicable**  
(57) Statement of Newness and Distinctiveness: **Newness and distinctiveness is claimed in the features of shape and/or configuration of a golf club head as illustrated in the accompanying representations.**



(21) Design Number: **10482/2006**  
(22) Date of Filing Application: **10 February 2006**  
(24) Date from which industrial property rights may have effect: **10 February 2006**  
(54) Product in respect of which the design is registered: **Coat hanger**  
(51) International Design Classification: **06-08**  
(71) Name(s) and Address(s) of Applicant(s):  
**Peter Henderson**  
**49 Meadow Street Tarrawanna New South Wales 2518 Australia**  
(72) Name(s) of Designer(s): **Peter Henderson**  
(45) Registration Date: **17 July 2006**  
(56) Related Art Documents: **Not Applicable**  
(57) Statement of Newness and Distinctiveness: **Fold down hook secured with leather and rivet, supporting a kangaroo shaped hanger.**



(21) Design Number: **10483/2006**

(22) Date of Filing Application: **10 February 2006**

(24) Date from which industrial property rights may have effect: **10 February 2006**

(54) Product in respect of which the design is registered: **Coat hanger**

(51) International Design Classification: **06-08**

(71) Name(s) and Address(s) of Applicant(s):

**Peter Henderson**

**49 Meadow Street Tarrawanna New South Wales 2518 Australia**

(72) Name(s) of Designer(s): **Peter Henderson**

(45) Registration Date: **17 July 2006**

(56) Related Art Documents: **Not Applicable**

(57) Statement of Newness and Distinctiveness: **Fold down hook secured with leather and rivet, supporting a boomerang and koala shaped hanger.**



(21) Design Number: **10484/2006**

(22) Date of Filing Application: **10 February 2006**

(24) Date from which industrial property rights may have effect: **10 February 2006**

(54) Product in respect of which the design is registered: **Coat hanger**

(51) International Design Classification: **06-08**

(71) Name(s) and Address(s) of Applicant(s):

**Peter Henderson**

**49 Meadow Street Tarrawanna New South Wales 2518 Australia**

(72) Name(s) of Designer(s): **Peter Henderson**

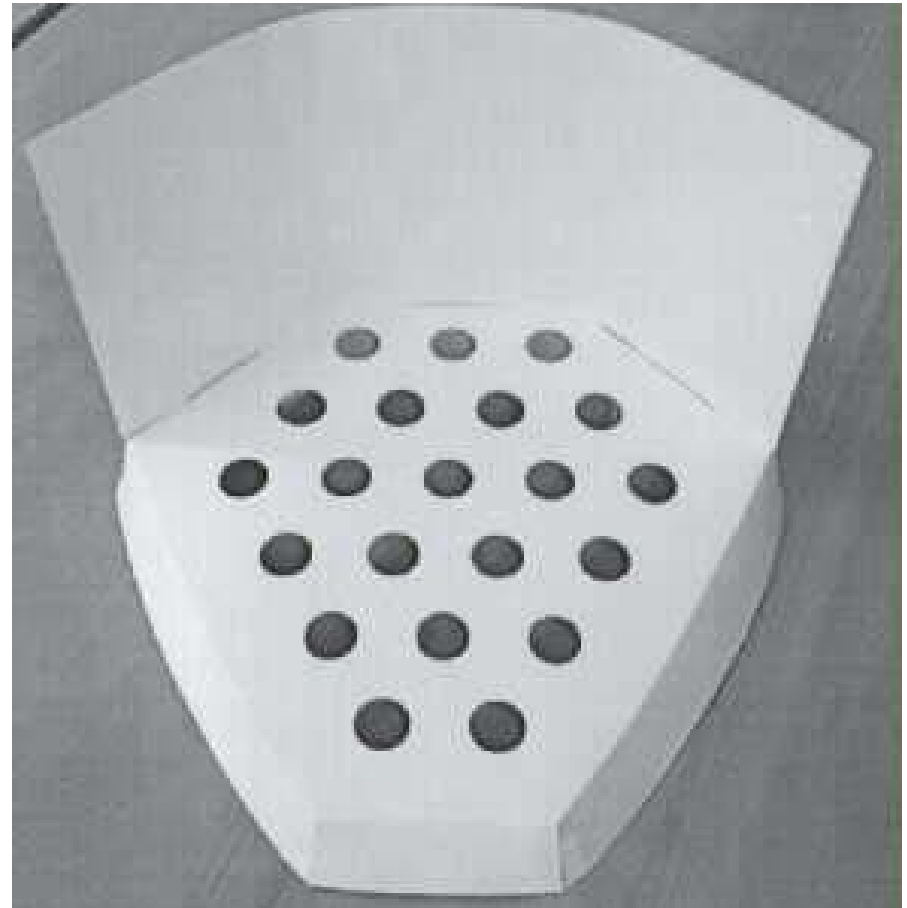
(45) Registration Date: **17 July 2006**

(56) Related Art Documents: **Not Applicable**

(57) Statement of Newness and Distinctiveness: **Fold down hook secured with leather and rivet, supporting a boomerang shaped hanger.**



- (21) Design Number: **10507/2006**  
(22) Date of Filing Application: **10 February 2006**  
(24) Date from which industrial property rights may have effect: **10 February 2006**  
(54) Product in respect of which the design is registered: **Display and blank thereof**  
(51) International Design Classification: **20-02E**  
(71) Name(s) and Address(s) of Applicant(s):  
**Fusion Print Media Group Pty Ltd**  
**24 Baker Street Richmond Victoria 3121 Australia**  
(72) Name(s) of Designer(s): **Mark Stevens**  
(45) Registration Date: **17 July 2006**  
(56) Related Art Documents: **Not Applicable**  
(57) Statement of Newness and Distinctiveness: **Nil**



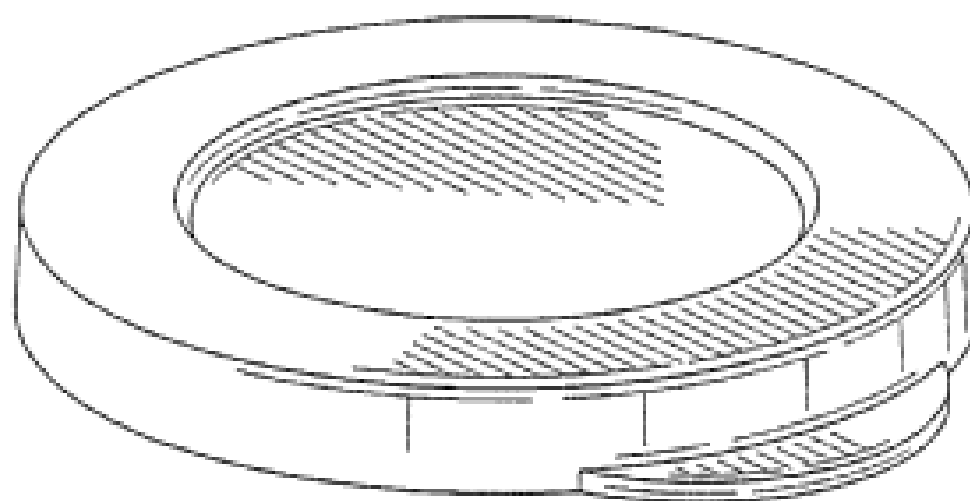
- (21) Design Number: **10515/2006**  
(22) Date of Filing Application: **13 February 2006**  
(24) Date from which industrial property rights may have effect: **13 February 2006**  
(54) Product in respect of which the design is registered: **Dart board cabinet**  
(51) International Design Classification: **21-01H**  
(71) Name(s) and Address(s) of Applicant(s):  
**Eastcoast Australia Pty Ltd**  
**6/163 Prospect Highway Seven Hills New South Wales 2147 Australia**  
(72) Name(s) of Designer(s): **Johannes Jacobus Broerse**  
(45) Registration Date: **17 July 2006**  
(56) Related Art Documents: **Not Applicable**  
(57) Statement of Newness and Distinctiveness: **Dartboard cabinet made of timber with door cover in the form of a snooker table, with the figure of a man lying on the top of the table and playing snooker. The product is suitable as an ornamental piece of furniture and as well as a barware product.**



(21) Design Number: **10516/2006**  
(22) Date of Filing Application: **10 February 2006**  
(24) Date from which industrial property rights may have effect: **10 February 2006**  
(54) Product in respect of which the design is registered: **Glass tempering machine**  
(51) International Design Classification: **15-99**  
(71) Name(s) and Address(s) of Applicant(s):  
**Tamglass Ltd. Oy**  
**Vehmaistenkatu 5 FI-33730 Tampere Finland**  
(72) Name(s) of Designer(s): **Eero Jalkanen and Heikki Nurmi and Ari-Pekka Toivanen and Jaakko Saari**  
(45) Registration Date: **17 July 2006**  
(30) Convention priority data:  
(31) Number (32) Date (33) Country  
**000474929-0001 07 Feb 2006 EUROPEAN COMMUNITY**  
(56) Related Art Documents: **Not Applicable**  
(57) Statement of Newness and Distinctiveness: **Those features of the glass tempering machine depicted in the representations that are new and distinctive are the shape, configuration, and colour combination. The screen image does not form part of the design and is to be disregarded when considering the overall impression of the design.**



(21) Design Number: **10120/2006**  
(22) Date of Filing Application: **13 January 2006**  
(24) Date from which industrial property rights may have effect: **13 January 2006**  
(54) Product in respect of which the design is registered: **Cover**  
(51) International Design Classification: **07-01NES**  
(71) Name(s) and Address(s) of Applicant(s):  
**Dart Industries Inc.**  
**14901 S. Orange Blossom Trail Orlando Florida 32837 United States of America**  
(72) Name(s) of Designer(s): **Douglas M. Laib**  
(45) Registration Date: **17 July 2006**  
(30) Convention priority data:  
(31) Number (32) Date (33) Country  
**29/235,533 03 Aug 2005 UNITED STATES OF AMERICA**  
(56) Related Art Documents: **Not Applicable**  
(57) Statement of Newness and Distinctiveness: **Those features of the cover depicted in the representations that are new and distinctive are the shape and/or configuration.**



(21) Design Number: **10121/2006**

(22) Date of Filing Application: **13 January 2006**

(24) Date from which industrial property rights may have effect: **13 January 2006**

(54) Product in respect of which the design is registered: **Cup**

(51) International Design Classification: **07-01C**

(71) Name(s) and Address(s) of Applicant(s):

**Dart Industries Inc.**

**14901 S. Orange Blossom Trail Orlando Florida 32837 United States of America**

(72) Name(s) of Designer(s): **Douglas M. Laib and Anita Suk Ping Liu**

(45) Registration Date: **17 July 2006**

(30) Convention priority data:

(31) Number

(32) Date

(33) Country

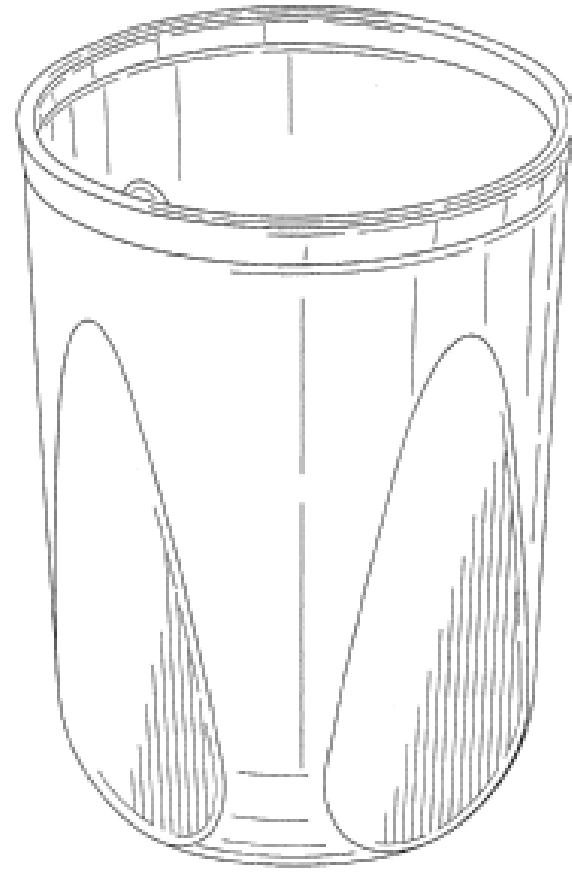
**29/235,532**

**03 Aug 2005**

**UNITED STATES OF AMERICA**

(56) Related Art Documents: **Not Applicable**

(57) Statement of Newness and Distinctiveness: **Those features of the cup depicted in the representations that are new and distinctive are the shape and/or configuration.**



(21) Design Number: **10137/2006**

(22) Date of Filing Application: **09 January 2006**

(24) Date from which industrial property rights may have effect: **09 January 2006**

(54) Product in respect of which the design is registered: **Watering nozzle**

(51) International Design Classification: **23-01D**

(71) Name(s) and Address(s) of Applicant(s):

**King-Yuan Wang**

**No. 1 Lane 288 Sec. 1 Luhe Rd Lugang Township Changhua County 505 Taiwan**

(72) Name(s) of Designer(s): **King-Yuan Wang and Shun-Nan Lo**

(45) Registration Date: **17 July 2006**

(30) Convention priority data:

(31) Number

(32) Date

(33) Country

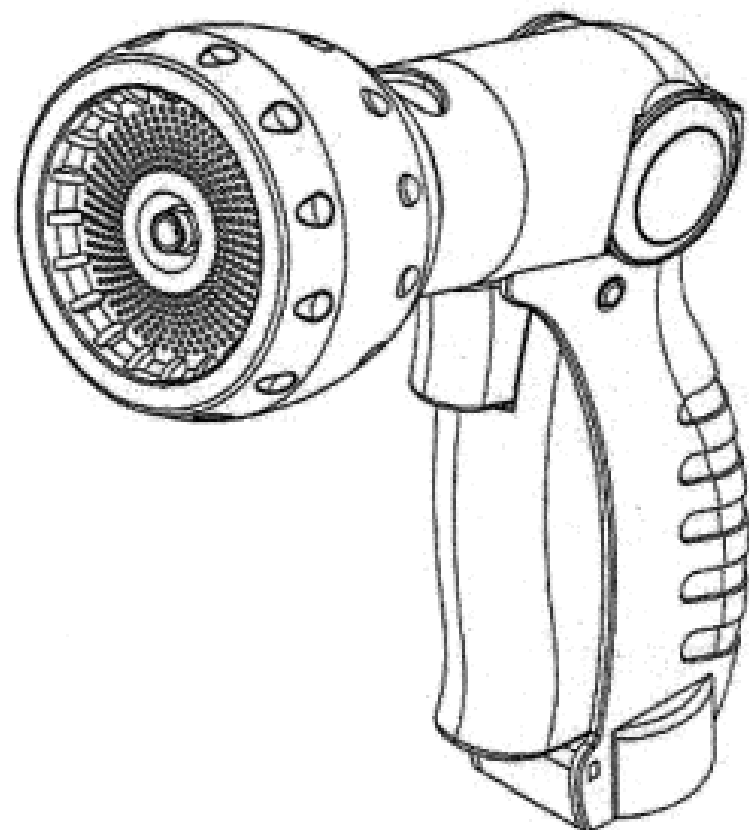
**094307749**

**19 Dec 2005**

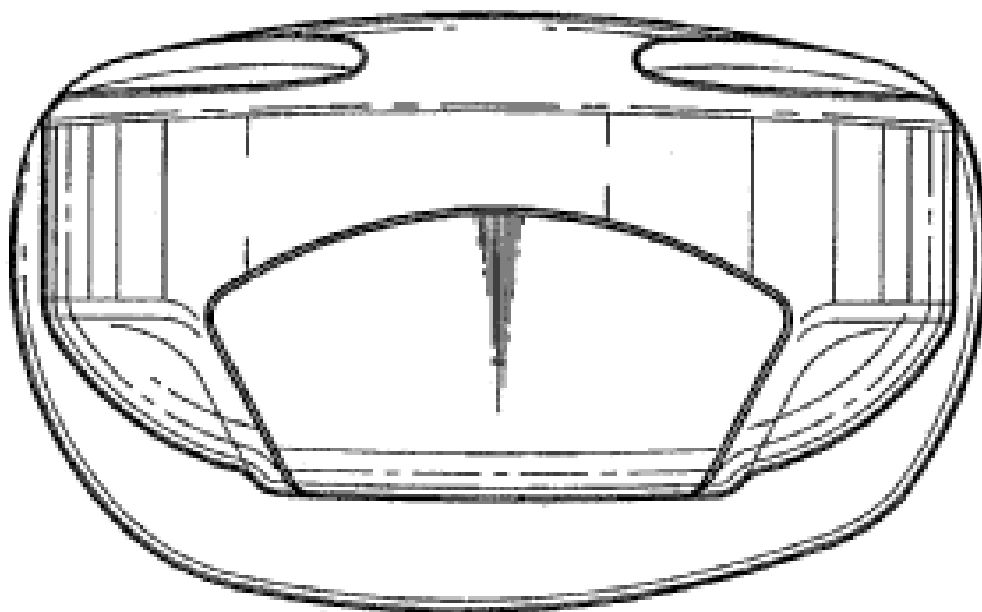
**TAIWAN**

(56) Related Art Documents: **Not Applicable**

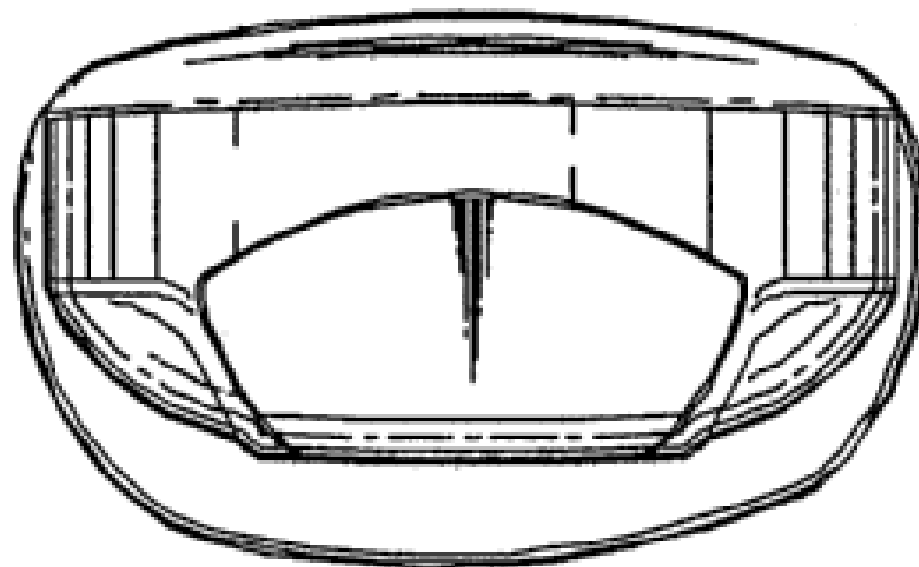
(57) Statement of Newness and Distinctiveness: **Nil**



- (21) Design Number: **10175/2006**  
(22) Date of Filing Application: **19 January 2006**  
(24) Date from which industrial property rights may have effect: **19 January 2006**  
(54) Product in respect of which the design is registered: **Golf club head**  
(51) International Design Classification: **21-02C**  
(71) Name(s) and Address(s) of Applicant(s):  
**Callaway Golf Company**  
**2180 Rutherford Road Carlsbad California 92008 United States of America**  
(72) Name(s) of Designer(s): **Philip G. Foster and Ronald K. Hettinger and Luke R. Williams**  
(45) Registration Date: **17 July 2006**  
(30) Convention priority data:  
(31) Number (32) Date (33) Country  
**29/234639 19 Jul 2005 UNITED STATES OF AMERICA**  
(56) Related Art Documents: **Not Applicable**  
(57) Statement of Newness and Distinctiveness: **Newness and distinctiveness is claimed in the features of shape and/or configuration of a golf club head as illustrated in the accompanying representations.**



- (21) Design Number: **10177/2006**  
(22) Date of Filing Application: **19 January 2006**  
(24) Date from which industrial property rights may have effect: **19 January 2006**  
(54) Product in respect of which the design is registered: **Golf club head**  
(51) International Design Classification: **21-02C**  
(71) Name(s) and Address(s) of Applicant(s):  
**Callaway Golf Company**  
**2180 Rutherford Road Carlsbad California 92008 United States of America**  
(72) Name(s) of Designer(s): **Philip G. Foster and Ronald K. Hettinger and Luke R. Williams**  
(45) Registration Date: **17 July 2006**  
(30) Convention priority data:  
(31) Number (32) Date (33) Country  
**29/234641 19 Jul 2005 UNITED STATES OF AMERICA**  
(56) Related Art Documents: **Not Applicable**  
(57) Statement of Newness and Distinctiveness: **Newness and distinctiveness is claimed in the features of shape and/or configuration of a golf club head as illustrated in the accompanying representations.**



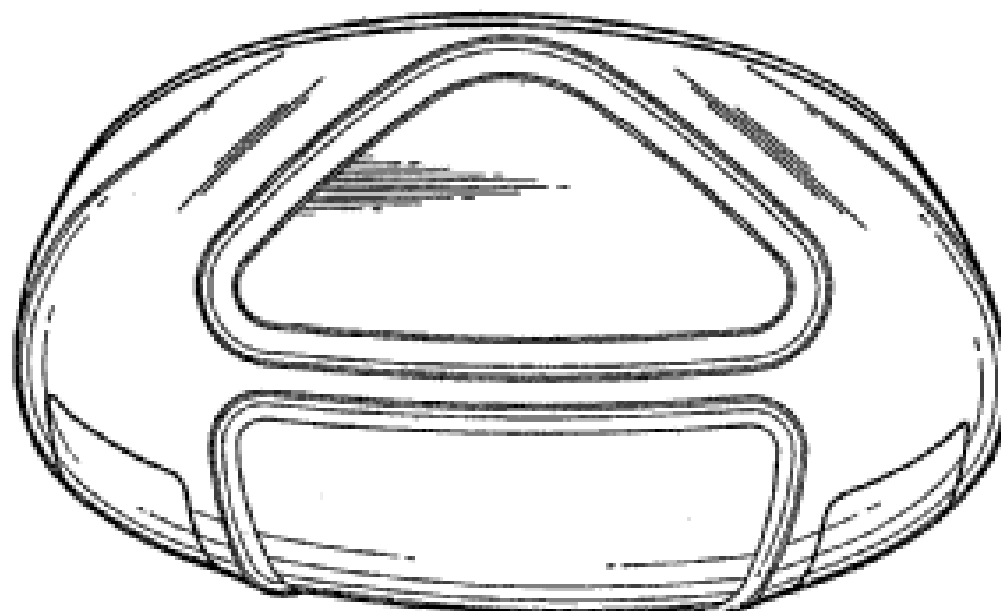


(19) AU

(21) Design Number: **10178/2006**  
 (22) Date of Filing Application: **19 January 2006**  
 (24) Date from which industrial property rights may have effect: **19 January 2006**  
 (54) Product in respect of which the design is registered: **Golf club head**  
 (51) International Design Classification: **21-02C**  
 (71) Name(s) and Address(s) of Applicant(s):  
**Callaway Golf Company**  
**2180 Rutherford Road Carlsbad California 92008 United States of America**  
 (72) Name(s) of Designer(s): **Philip G. Foster and Luke R. Williams**  
 (45) Registration Date: **17 July 2006**  
 (30) Convention priority data:  

(31) Number	(32) Date	(33) Country
<b>29/234639</b>	<b>19 Jul 2005</b>	<b>UNITED STATES OF AMERICA</b>

 (56) Related Art Documents: **Not Applicable**  
 (57) Statement of Newness and Distinctiveness: **Newness and distinctiveness is claimed in the features of shape and/or configuration of a golf club head as illustrated in the accompanying representations.**

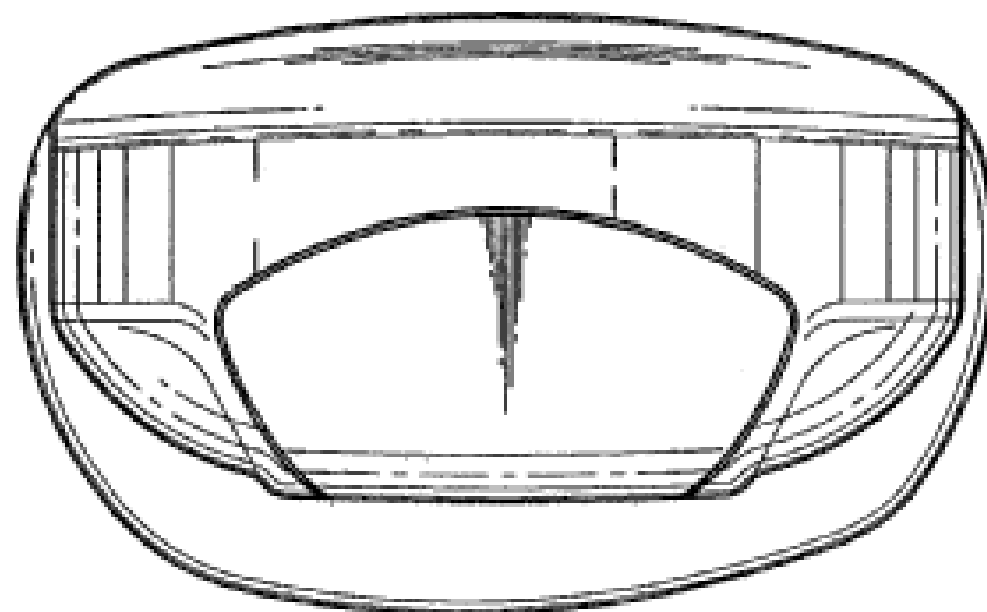


(19) AU

(21) Design Number: **10176/2006**  
 (22) Date of Filing Application: **19 January 2006**  
 (24) Date from which industrial property rights may have effect: **19 January 2006**  
 (54) Product in respect of which the design is registered: **Golf club head**  
 (51) International Design Classification: **21-02C**  
 (71) Name(s) and Address(s) of Applicant(s):  
**Callaway Golf Company**  
**2180 Rutherford Road Carlsbad California 92008 United States of America**  
 (72) Name(s) of Designer(s): **Philip G. Foster and Ronald K. Hettinger and Luke R. Williams**  
 (45) Registration Date: **17 July 2006**  
 (30) Convention priority data:  

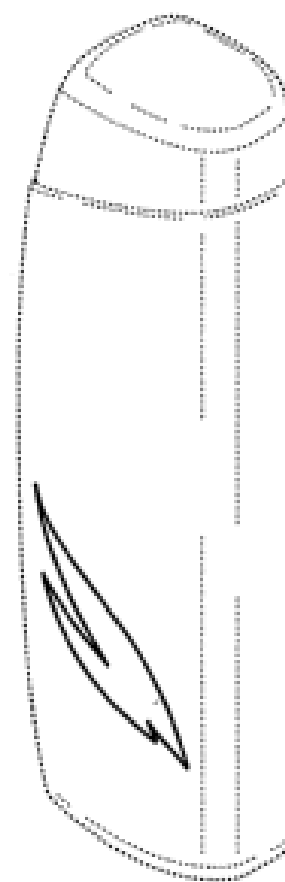
(31) Number	(32) Date	(33) Country
<b>29/234637</b>	<b>19 Jul 2005</b>	<b>UNITED STATES OF AMERICA</b>

 (56) Related Art Documents: **Not Applicable**  
 (57) Statement of Newness and Distinctiveness: **Newness and distinctiveness is claimed in the features of shape and/or configuration of a golf club head as illustrated in the accompanying representations.**



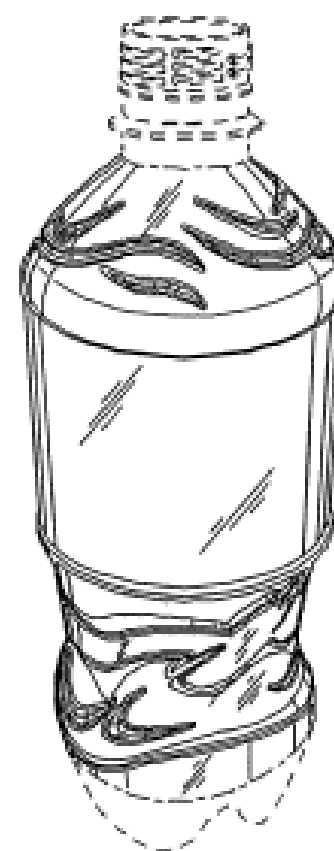
- (21) Design Number: **10189/2006**
- (22) Date of Filing Application: **20 January 2006**
- (24) Date from which industrial property rights may have effect: **20 January 2006**
- (54) Product in respect of which the design is registered: **Container**
- (51) International Design Classification: **09-01K, 09-01G**
- (71) Name(s) and Address(s) of Applicant(s):  
**The Procter & Gamble Company**  
**One Procter & Gamble Plaza Cincinnati Ohio 45202 United States of America**
- (72) Name(s) of Designer(s): **Murphy Greene Mongeon and Amy Bridgman and Donald Wilfred Robert Williams and Daphne Grace Hine and Justine Anne Rankine**
- (45) Registration Date: **17 July 2006**
- (30) Convention priority data:  

(31) Number	(32) Date	(33) Country
<b>378658</b>	<b>21 Jul 2005</b>	<b>EUROPEAN COMMUNITY</b>
- (56) Related Art Documents: **Not Applicable**
- (57) Statement of Newness and Distinctiveness: **Those features of the container depicted in the representations that are new and distinctive are the pattern and/or ornamentation. The features shown in broken lines are not part of the design and are to be disregarded when considering the overall impression of the design.**



- (21) Design Number: **10199/2006**
- (22) Date of Filing Application: **20 January 2006**
- (24) Date from which industrial property rights may have effect: **20 January 2006**
- (54) Product in respect of which the design is registered: **Bottle**
- (51) International Design Classification: **09-01NES**
- (71) Name(s) and Address(s) of Applicant(s):  
**PepsiCo, Inc.**  
**700 Anderson Hill Road Purchase New York 10577 United States of America**
- (72) Name(s) of Designer(s): **Shriram Venkataraman and Stuart M. Leslie and Roy Oommen and Sungeun Kim and Taek Kim**
- (45) Registration Date: **17 July 2006**
- (30) Convention priority data:  

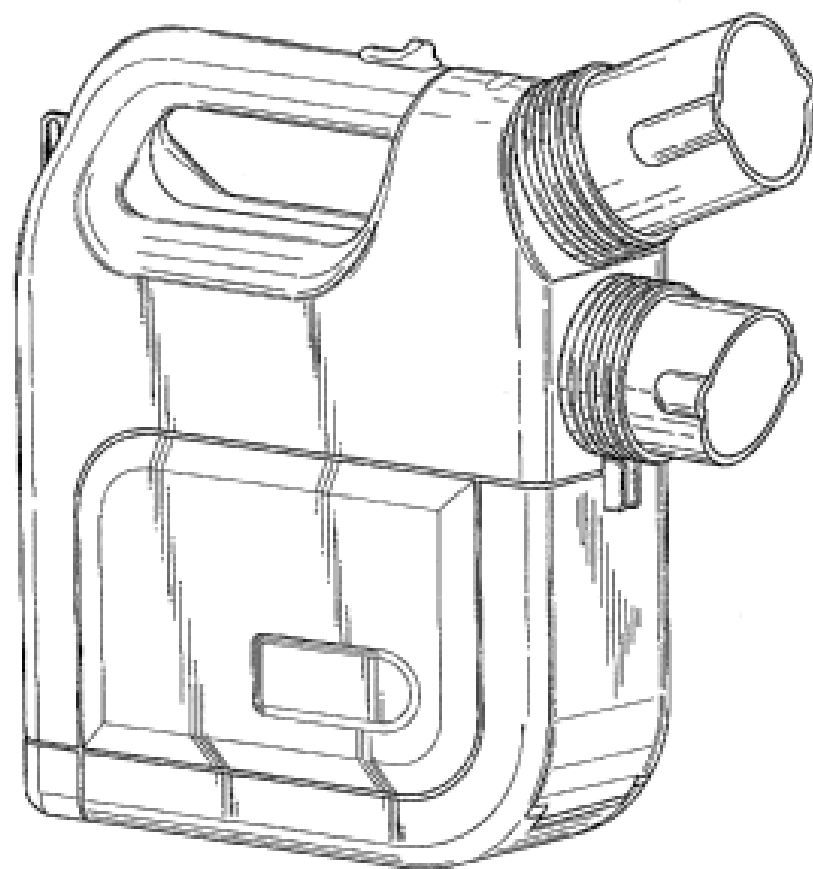
(31) Number	(32) Date	(33) Country
<b>29/235177</b>	<b>28 Jul 2005</b>	<b>UNITED STATES OF AMERICA</b>
- (56) Related Art Documents: **Not Applicable**
- (57) Statement of Newness and Distinctiveness: **Newness and distinctiveness is claimed in those features of shape and/or configuration of a bottle illustrated in continuous lines in the accompanying representations.**



(21) Design Number: **15715/2005**  
 (22) Date of Filing Application: **29 December 2005**  
 (24) Date from which industrial property rights may have effect: **29 December 2005**  
 (54) Product in respect of which the design is registered: **Portable sprayer**  
 (51) International Design Classification: **23-01D**  
 (71) Name(s) and Address(s) of Applicant(s):  
**Clarke Consumer Products, Inc.**  
**159 North Garden Avenue Roselle Illinois 60172 United States of America**  
 (72) Name(s) of Designer(s): **Daniel K. Childs and Gregory J. Holderfield**  
 (45) Registration Date: **17 July 2006**  
 (30) Convention priority data:  

(31) Number	(32) Date	(33) Country
<b>29/233181</b>	<b>29 Jun 2005</b>	<b>UNITED STATES OF AMERICA</b>

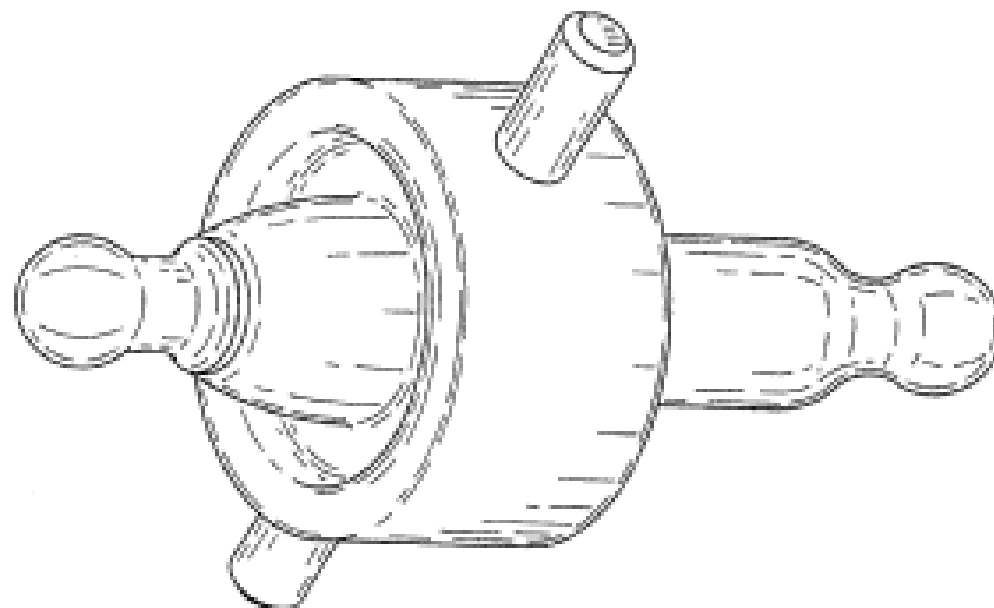
 (56) Related Art Documents: **Not Applicable**  
 (57) Statement of Newness and Distinctiveness: **Newness and distinctiveness is claimed in the features of shape and/or configuration of a portable sprayer as illustrated in the accompanying representations.**



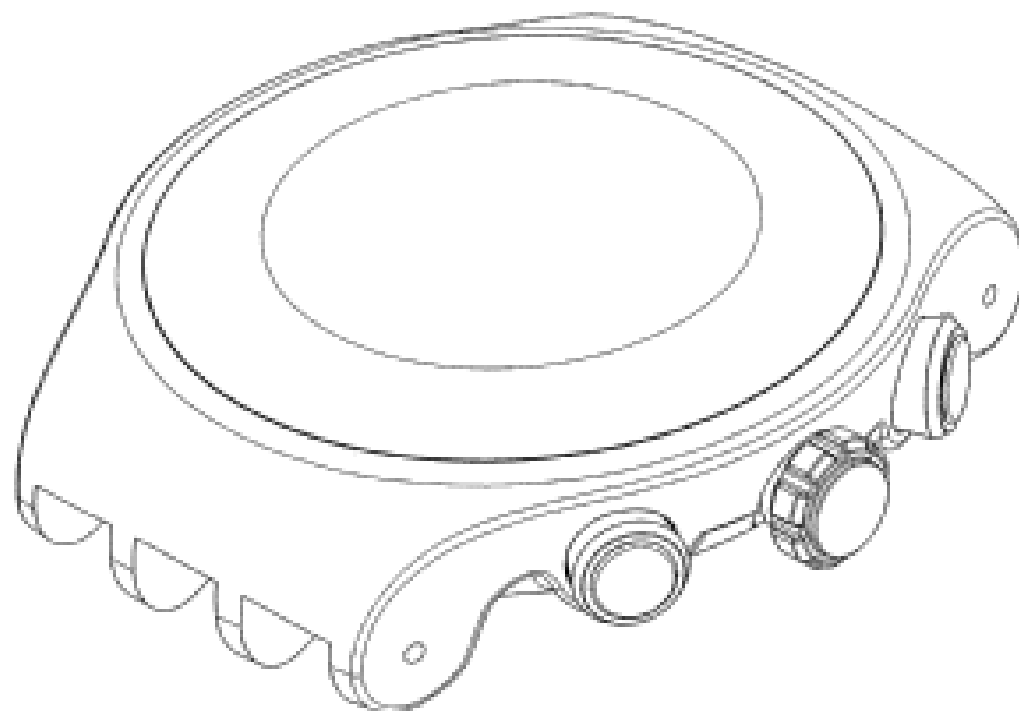
(21) Design Number: **15718/2005**  
 (22) Date of Filing Application: **29 December 2005**  
 (24) Date from which industrial property rights may have effect: **29 December 2005**  
 (54) Product in respect of which the design is registered: **Hydraulic seal with a pivoting arm**  
 (51) International Design Classification: **23-01A**  
 (71) Name(s) and Address(s) of Applicant(s):  
**Nordson Corporation**  
**28601 Clemens Road Westlake Ohio 44145 United States of America**  
 (72) Name(s) of Designer(s): **John M. Riney and Paul S. Frates**  
 (45) Registration Date: **17 July 2006**  
 (30) Convention priority data:  

(31) Number	(32) Date	(33) Country
<b>29/243336</b>	<b>22 Nov 2005</b>	<b>UNITED STATES OF AMERICA</b>

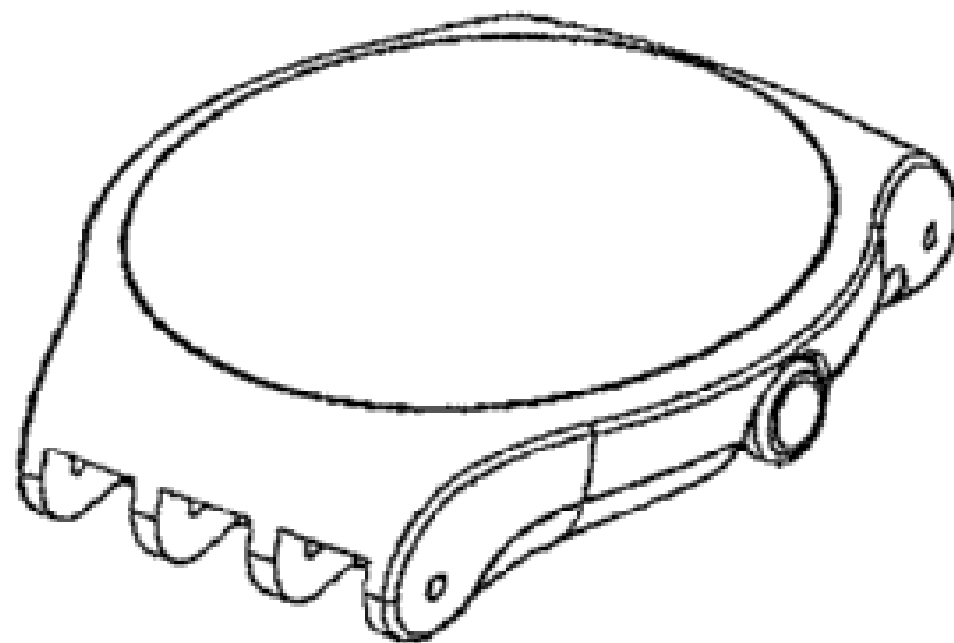
 (56) Related Art Documents: **Not Applicable**  
 (57) Statement of Newness and Distinctiveness: **Newness and distinctiveness is claimed in the features of shape and/or configuration of a hydraulic seal with a pivoting arm as illustrated in the accompanying representations.**



(21) Design Number: **15835/2005**  
(22) Date of Filing Application: **30 December 2005**  
(24) Date from which industrial property rights may have effect: **30 December 2005**  
(54) Product in respect of which the design is registered: **Watch case**  
(51) International Design Classification: **10-07**  
(71) Name(s) and Address(s) of Applicant(s):  
**Swatch A.G. (Swatch S.A.) (Swatch Ltd)**  
**94 rue Jakob Stampfli Bienne Switzerland**  
(72) Name(s) of Designer(s): **Alexandra Figueiredo**  
(45) Registration Date: **17 July 2006**  
(30) Convention priority data:  
(31) Number (32) Date (33) Country  
**DM/066810 01 Jul 2005 WORLD INTELLECTUAL**  
**PROPERTY ORGANIZATION**  
**(WIPO)**  
(56) Related Art Documents: **Not Applicable**  
(57) Statement of Newness and Distinctiveness: **Nil**



(21) Design Number: **15836/2005**  
(22) Date of Filing Application: **30 December 2005**  
(24) Date from which industrial property rights may have effect: **30 December 2005**  
(54) Product in respect of which the design is registered: **Watch case**  
(51) International Design Classification: **10-07**  
(71) Name(s) and Address(s) of Applicant(s):  
**Swatch A.G. (Swatch S.A.) (Swatch Ltd)**  
**94 rue Jakob Stampfli Bienne Switzerland**  
(72) Name(s) of Designer(s): **Alexandra Figueiredo**  
(45) Registration Date: **17 July 2006**  
(30) Convention priority data:  
(31) Number (32) Date (33) Country  
**DM/066805 01 Jul 2005 WORLD INTELLECTUAL**  
**PROPERTY ORGANIZATION**  
**(WIPO)**  
(56) Related Art Documents: **Not Applicable**  
(57) Statement of Newness and Distinctiveness: **Nil**



(21) Design Number: **10327/2006**

(22) Date of Filing Application: **02 February 2006**

(24) Date from which industrial property rights may have effect: **02 February 2006**

(54) Product in respect of which the design is registered: **Cutting head for rotors**

(51) International Design Classification: **15-03B**

(71) Name(s) and Address(s) of Applicant(s):

**AHWI Maschinenbau GmbH  
Im Branden 15 D-88634 Herdwangen Germany**

(72) Name(s) of Designer(s): **Artur Willibald**

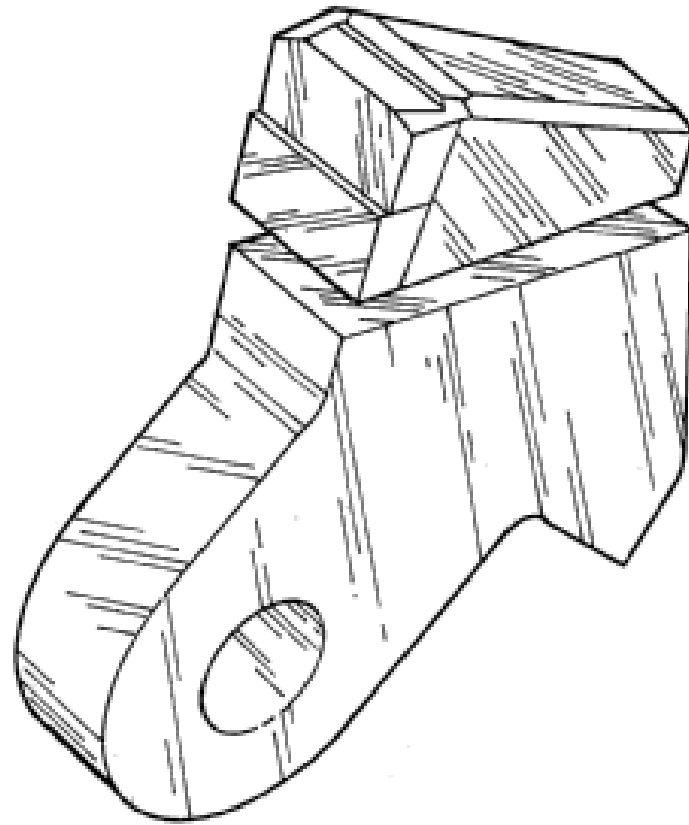
(45) Registration Date: **18 July 2006**

(30) Convention priority data:

(31) Number	(32) Date	(33) Country
<b>000383435</b>	<b>05 Aug 2005</b>	<b>EUROPEAN COMMUNITY</b>

(56) Related Art Documents: **Not Applicable**

(57) Statement of Newness and Distinctiveness: **The particular visual features of the design which are new and distinctive are shape OR configuration.**



(21) Design Number: **10333/2006**

(22) Date of Filing Application: **02 February 2006**

(24) Date from which industrial property rights may have effect: **02 February 2006**

(54) Product in respect of which the design is registered: **Cash register for a point of sales terminal**

(51) International Design Classification: **18-01**

(71) Name(s) and Address(s) of Applicant(s):

**Toshiba Tec Kabushiki Kaisha  
2-17-2 Higashigotanda Shinagawa-ku Tokyo 141-8664 Japan**

(72) Name(s) of Designer(s): **Yoshiro Yamamoto and Yasuhiro Ono**

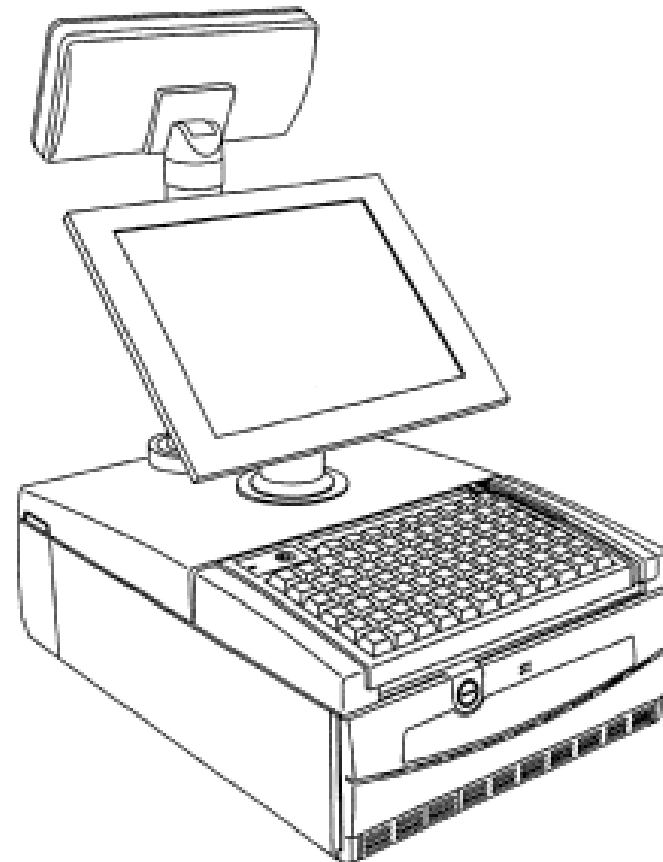
(45) Registration Date: **18 July 2006**

(30) Convention priority data:

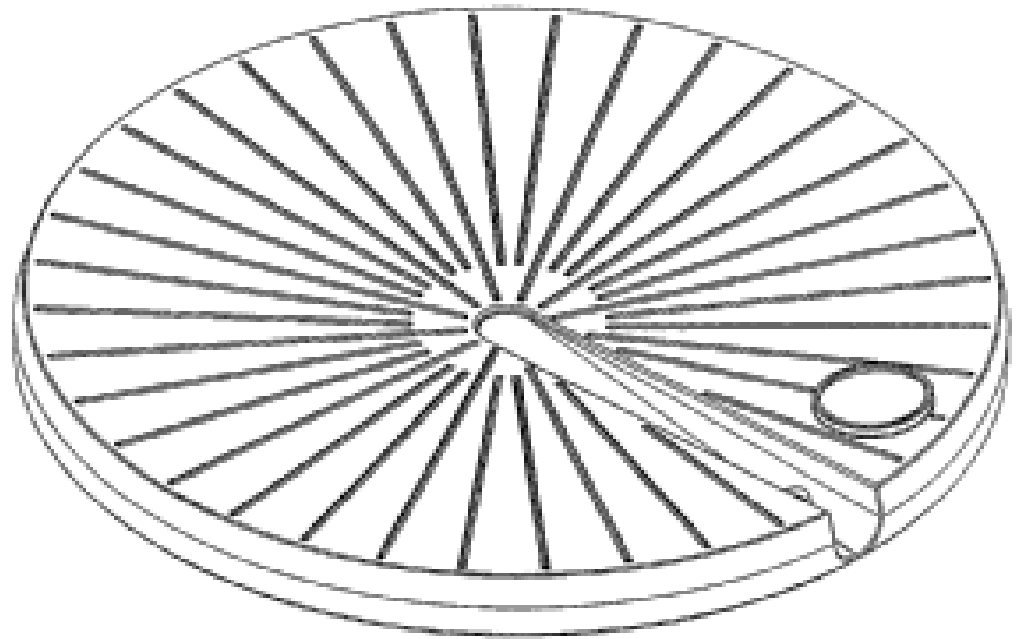
(31) Number	(32) Date	(33) Country
<b>2005-023514</b>	<b>11 Aug 2005</b>	<b>JAPAN</b>

(56) Related Art Documents: **Not Applicable**

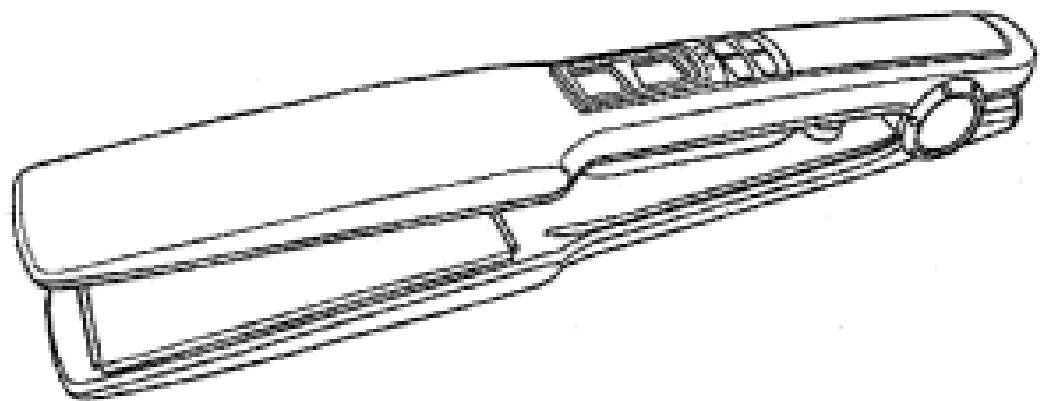
(57) Statement of Newness and Distinctiveness: **Nil**



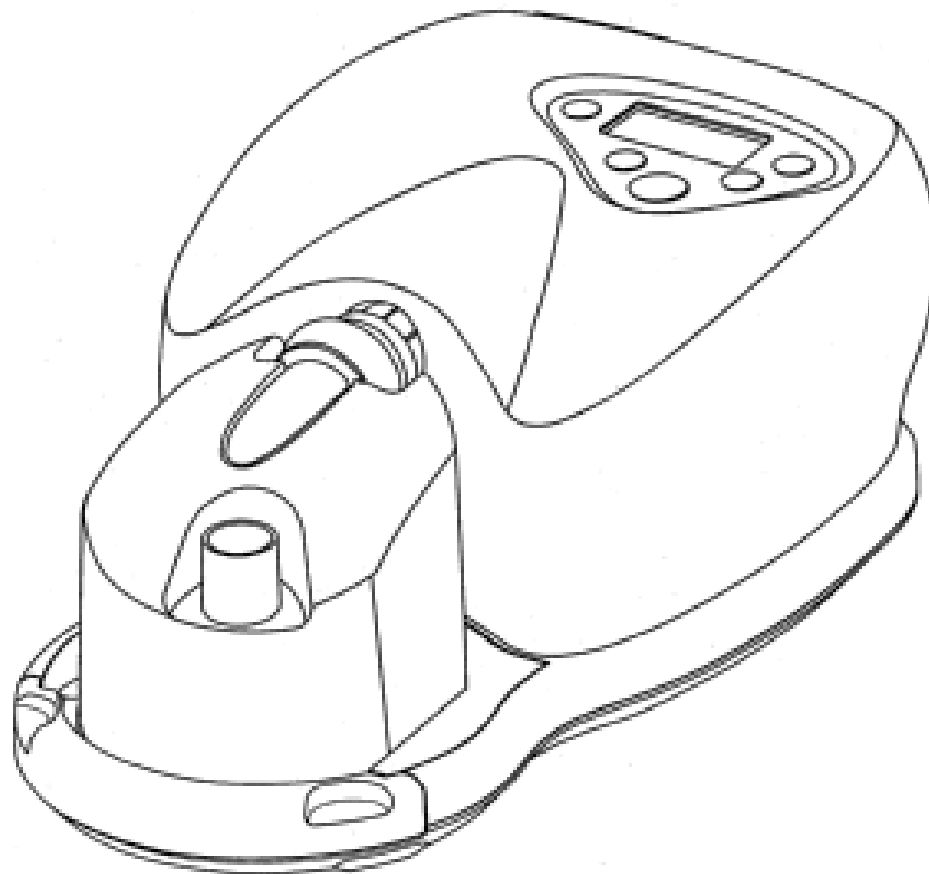
(21) Design Number: **10459/2006**  
(22) Date of Filing Application: **09 February 2006**  
(24) Date from which industrial property rights may have effect: **09 February 2006**  
(54) Product in respect of which the design is registered: **Tank lid**  
(51) International Design Classification: **23-01F**  
(71) Name(s) and Address(s) of Applicant(s):  
**Team Poly Pty Ltd**  
**36 Waddikee Road Lonsdale South Australia 5160 Australia**  
(72) Name(s) of Designer(s): **Timothy John Hemer**  
(45) Registration Date: **18 July 2006**  
(56) Related Art Documents: **Not Applicable**  
(57) Statement of Newness and Distinctiveness: **Nil**



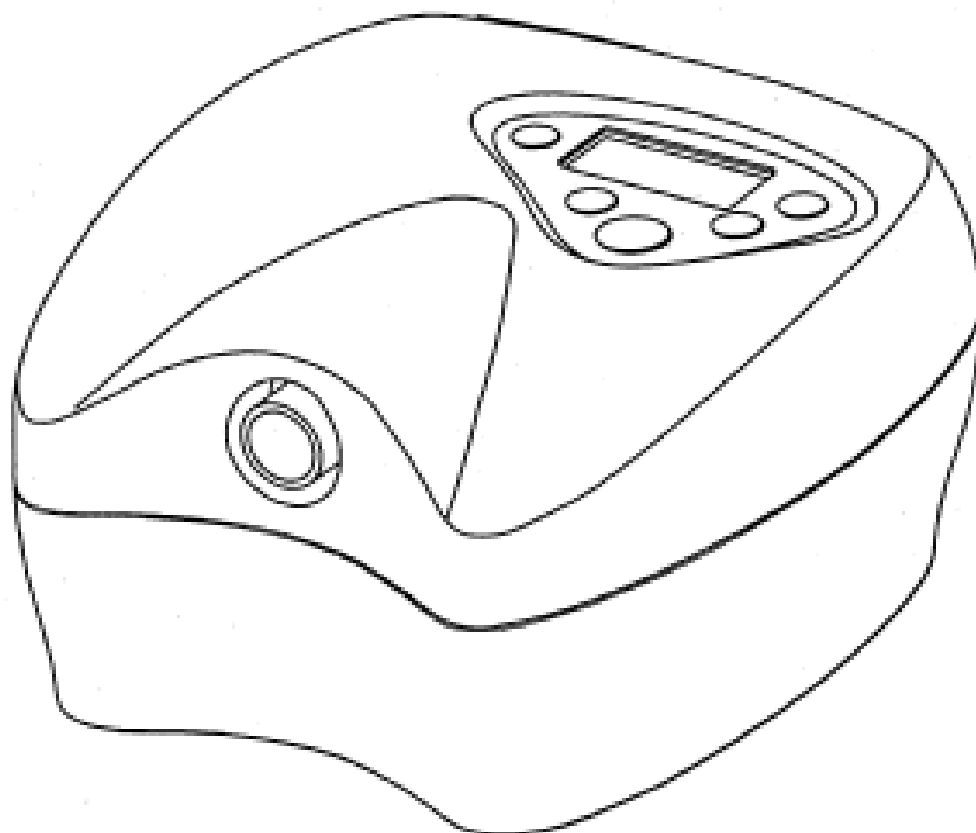
(21) Design Number: **10529/2006**  
(22) Date of Filing Application: **14 February 2006**  
(24) Date from which industrial property rights may have effect: **14 February 2006**  
(54) Product in respect of which the design is registered: **Electric hair curling tongs**  
(51) International Design Classification: **28-03B**  
(71) Name(s) and Address(s) of Applicant(s):  
**Kil Seung Shin**  
**1060-5 Wolmun-1li Wabu-eup Namyangju-si Gyeonggi-Do South Korea**  
(72) Name(s) of Designer(s): **Kil Seung Shin**  
(45) Registration Date: **18 July 2006**  
(30) Convention priority data:  
(31) Number (32) Date (33) Country  
**30-2005-0027754 19 Aug 2005 REPUBLIC OF KOREA**  
(56) Related Art Documents: **Not Applicable**  
(57) Statement of Newness and Distinctiveness: **Nil**



- (21) Design Number: **10534/2006**  
(22) Date of Filing Application: **15 February 2006**  
(24) Date from which industrial property rights may have effect: **15 February 2006**  
(54) Product in respect of which the design is registered: **Flow generator with humidifier**  
(51) International Design Classification: **23-04**  
(71) Name(s) and Address(s) of Applicant(s):  
**ResMed Ltd**  
**1 Elizabeth Macarthur Drive Bella Vista New South Wales 2153**  
**Australia**  
(72) Name(s) of Designer(s): **John Michael Snow and Dan Kao and Perry David Lithgow and Ian Malcolm Smith and William Bonilla**  
(45) Registration Date: **18 July 2006**  
(30) Convention priority data:  
(31) Number (32) Date (33) Country  
**29/236,349 15 Aug 2005 UNITED STATES OF AMERICA**  
(56) Related Art Documents: **Not Applicable**  
(57) Statement of Newness and Distinctiveness: **Nil**



- (21) Design Number: **10535/2006**  
(22) Date of Filing Application: **15 February 2006**  
(24) Date from which industrial property rights may have effect: **15 February 2006**  
(54) Product in respect of which the design is registered: **Flow generator**  
(51) International Design Classification: **23-04**  
(71) Name(s) and Address(s) of Applicant(s):  
**ResMed Ltd**  
**1 Elizabeth Macarthur Drive Bella Vista New South Wales 2153**  
**Australia**  
(72) Name(s) of Designer(s): **Perry David Lithgow and Ian Malcolm Smith**  
(45) Registration Date: **18 July 2006**  
(30) Convention priority data:  
(31) Number (32) Date (33) Country  
**29/236,349 15 Aug 2005 UNITED STATES OF AMERICA**  
(56) Related Art Documents: **Not Applicable**  
(57) Statement of Newness and Distinctiveness: **Nil**



(21) Design Number: **10536/2006**

(22) Date of Filing Application: **15 February 2006**

(24) Date from which industrial property rights may have effect: **15 February 2006**

(54) Product in respect of which the design is registered: **Humidifier tub**

(51) International Design Classification: **23-04**

(71) Name(s) and Address(s) of Applicant(s):

**ResMed Ltd**  
**1 Elizabeth Macarthur Drive Bella Vista New South Wales 2153**  
**Australia**

(72) Name(s) of Designer(s): **John Michael Snow and Perry David Lithgow and Ian Malcolm Smith and William Bonilla**

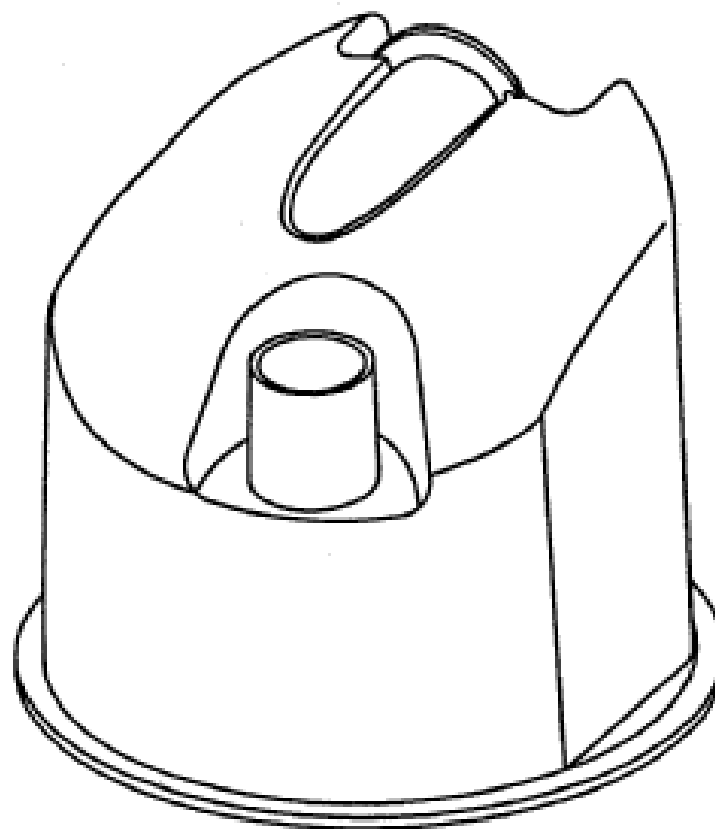
(45) Registration Date: **18 July 2006**

(30) Convention priority data:

(31) Number	(32) Date	(33) Country
<b>29/236,349</b>	<b>15 Aug 2005</b>	<b>UNITED STATES OF AMERICA</b>

(56) Related Art Documents: **Not Applicable**

(57) Statement of Newness and Distinctiveness: **Nil**



(21) Design Number: **10537/2006**

(22) Date of Filing Application: **15 February 2006**

(24) Date from which industrial property rights may have effect: **15 February 2006**

(54) Product in respect of which the design is registered: **Flow generator cradle**

(51) International Design Classification: **23-04**

(71) Name(s) and Address(s) of Applicant(s):

**ResMed Ltd**  
**1 Elizabeth Macarthur Drive Bella Vista New South Wales 2153**  
**Australia**

(72) Name(s) of Designer(s): **John Michael Snow and Dan Kao and Perry David Lithgow and Ian Malcolm Smith**

(45) Registration Date: **18 July 2006**

(30) Convention priority data:

(31) Number	(32) Date	(33) Country
<b>29/236,349</b>	<b>15 Aug 2005</b>	<b>UNITED STATES OF AMERICA</b>

(56) Related Art Documents: **Not Applicable**

(57) Statement of Newness and Distinctiveness: **Nil**





(21) Design Number: **10538/2006**  
(22) Date of Filing Application: **14 February 2006**  
(24) Date from which industrial property rights may have effect: **14 February 2006**  
(54) Product in respect of which the design is registered: **Bottle**  
(51) International Design Classification: **09-01NES**  
(71) Name(s) and Address(s) of Applicant(s):

**Sara Lee/DE N.V.**  
**Vleutensevaart 100 3532 AD Utrecht The Netherlands**

(72) Name(s) of Designer(s): **Robert Kroon**

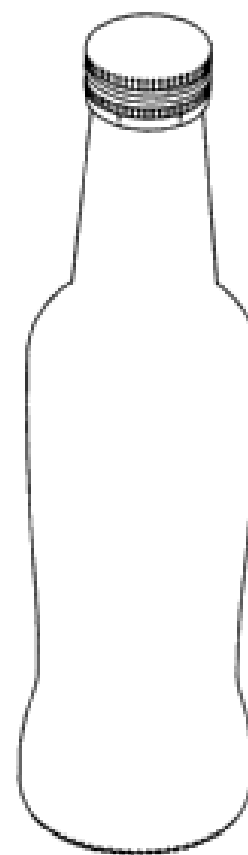
(45) Registration Date: **18 July 2006**

(30) Convention priority data:

(31) Number	(32) Date	(33) Country
<b>000418215-0002</b>	<b>19 Oct 2005</b>	<b>EUROPEAN COMMUNITY</b>

(56) Related Art Documents: **Not Applicable**

(57) Statement of Newness and Distinctiveness: **Newness and distinctiveness is claimed in the features of shape and/or configuration of a bottle, apart from the screw cap, as illustrated in the accompanying representations.**



(21) Design Number: **10540/2006**  
(22) Date of Filing Application: **15 February 2006**  
(24) Date from which industrial property rights may have effect: **15 February 2006**  
(54) Product in respect of which the design is registered: **Battery charging unit**  
(51) International Design Classification: **13-02**  
(71) Name(s) and Address(s) of Applicant(s):

**GMCA Pty Ltd**  
**45-55 South Centre Road Melbourne Airport Victoria 3045 Australia**

(72) Name(s) of Designer(s): **Michael Waldron**

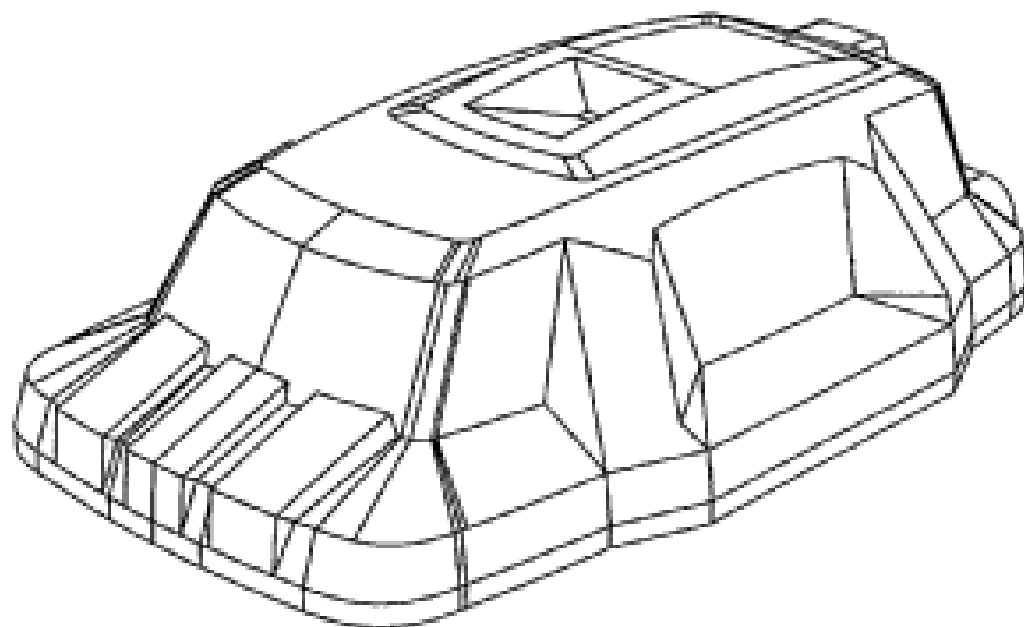
(45) Registration Date: **18 July 2006**

(30) Convention priority data:

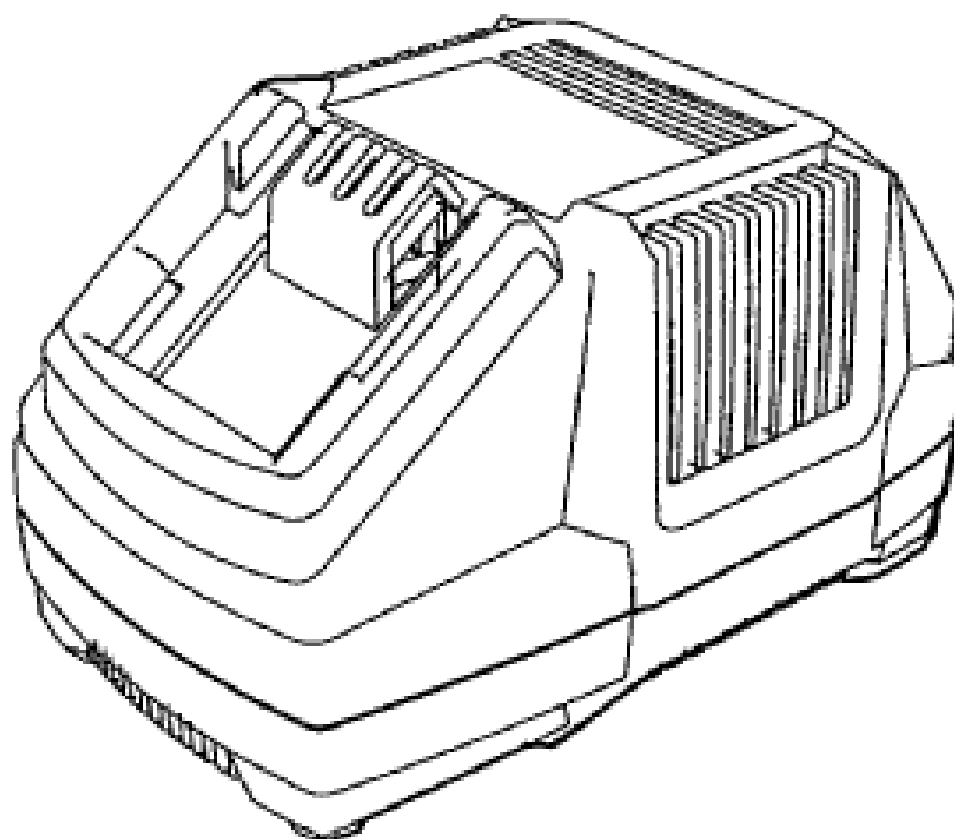
(31) Number	(32) Date	(33) Country
<b>000431127</b>	<b>10 Nov 2005</b>	<b>EUROPEAN COMMUNITY</b>

(56) Related Art Documents: **Not Applicable**

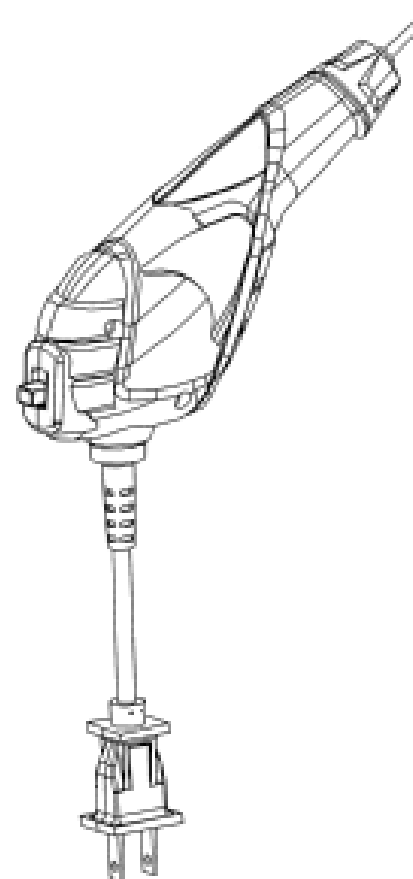
(57) Statement of Newness and Distinctiveness: **Newness and distinctiveness resides in the features of shape and configuration of a battery charging unit as shown in the accompanying representations.**



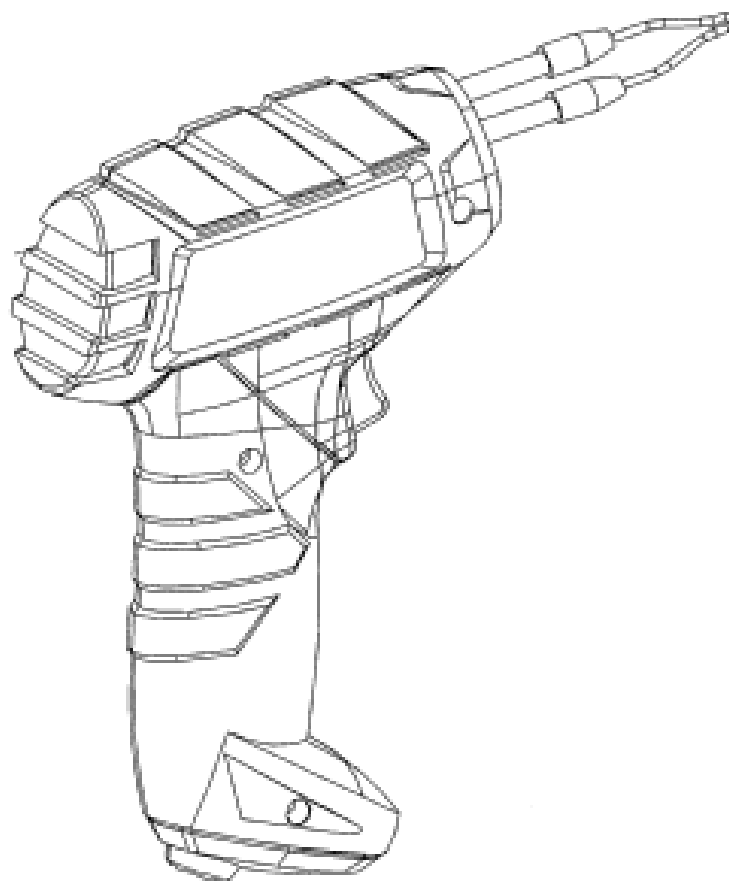
(21) Design Number: **10541/2006**  
(22) Date of Filing Application: **15 February 2006**  
(24) Date from which industrial property rights may have effect: **15 February 2006**  
(54) Product in respect of which the design is registered: **Battery charging unit**  
(51) International Design Classification: **13-02**  
(71) Name(s) and Address(s) of Applicant(s):  
**GMCA Pty Ltd**  
**45-55 South Centre Road Melbourne Airport Victoria 3045 Australia**  
(72) Name(s) of Designer(s): **Michael Waldron**  
(45) Registration Date: **18 July 2006**  
(30) Convention priority data:  
(31) Number (32) Date (33) Country  
**000431127 10 Nov 2005 EUROPEAN COMMUNITY**  
(56) Related Art Documents: **Not Applicable**  
(57) Statement of Newness and Distinctiveness: **Newness and distinctiveness resides in the features of shape and configuration of a battery charging unit as shown in the accompanying representations.**



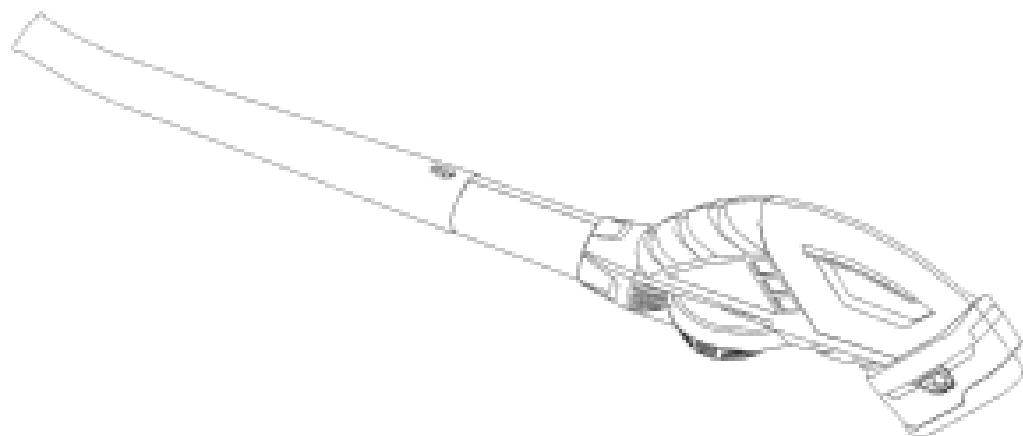
(21) Design Number: **10542/2006**  
(22) Date of Filing Application: **15 February 2006**  
(24) Date from which industrial property rights may have effect: **15 February 2006**  
(54) Product in respect of which the design is registered: **Engraver power tool**  
(51) International Design Classification: **19-06**  
(71) Name(s) and Address(s) of Applicant(s):  
**GMCA Pty Ltd**  
**45-55 South Centre Road Melbourne Airport Victoria 3045 Australia**  
(72) Name(s) of Designer(s): **Michael Waldron**  
(45) Registration Date: **18 July 2006**  
(30) Convention priority data:  
(31) Number (32) Date (33) Country  
**000431200 10 Nov 2005 EUROPEAN COMMUNITY**  
(56) Related Art Documents: **Not Applicable**  
(57) Statement of Newness and Distinctiveness: **Newness and distinctiveness resides in the features of shape and configuration of an engraver power tool as shown in the accompanying representations.**



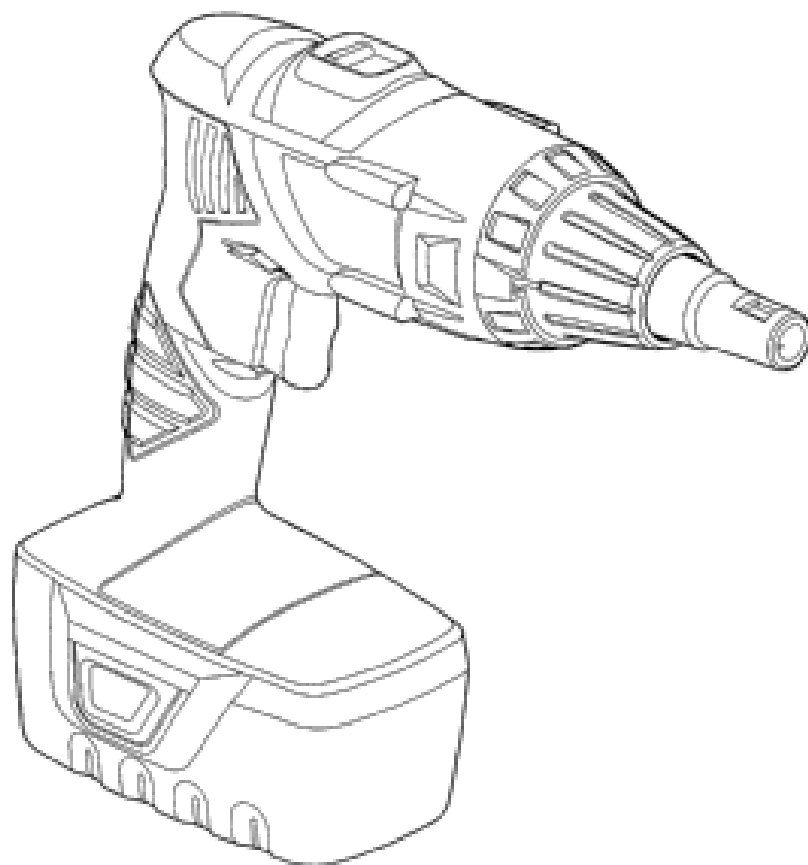
(21) Design Number: **10543/2006**  
(22) Date of Filing Application: **15 February 2006**  
(24) Date from which industrial property rights may have effect: **15 February 2006**  
(54) Product in respect of which the design is registered: **A solder gun**  
(51) International Design Classification: **08-05M**  
(71) Name(s) and Address(s) of Applicant(s):  
**GMCA Pty Ltd**  
**45-55 South Centre Road Melbourne Airport Victoria 3045 Australia**  
(72) Name(s) of Designer(s): **Nigel Roberts**  
(45) Registration Date: **18 July 2006**  
(30) Convention priority data:  
(31) Number (32) Date (33) Country  
**000431259 10 Nov 2005 EUROPEAN COMMUNITY**  
(56) Related Art Documents: **Not Applicable**  
(57) Statement of Newness and Distinctiveness: **Newness and distinctiveness resides in the features of shape and configuration of a solder gun as shown in the accompanying representations.**



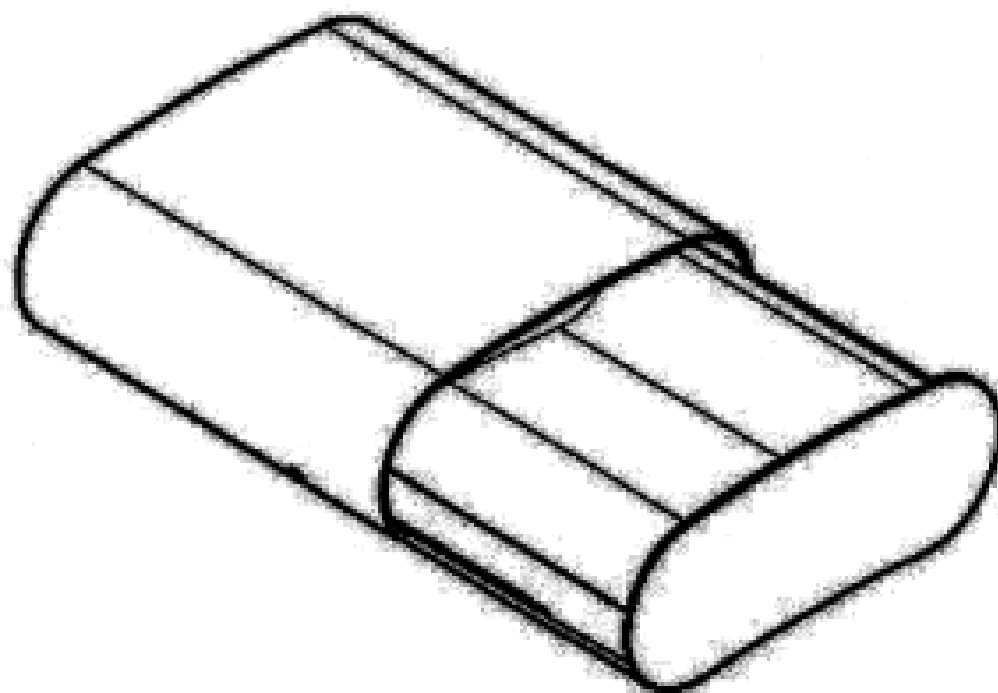
(21) Design Number: **10544/2006**  
(22) Date of Filing Application: **15 February 2006**  
(24) Date from which industrial property rights may have effect: **15 February 2006**  
(54) Product in respect of which the design is registered: **A powered blower**  
(51) International Design Classification: **15-05**  
(71) Name(s) and Address(s) of Applicant(s):  
**GMCA Pty Ltd**  
**45-55 South Centre Road Melbourne Airport Victoria 3045 Australia**  
(72) Name(s) of Designer(s): **Colin Snowball**  
(45) Registration Date: **18 July 2006**  
(30) Convention priority data:  
(31) Number (32) Date (33) Country  
**000431283 10 Nov 2005 EUROPEAN COMMUNITY**  
(56) Related Art Documents: **Not Applicable**  
(57) Statement of Newness and Distinctiveness: **Newness and distinctiveness resides in the features of shape and configuration of a powered blower as shown in the accompanying representations.**



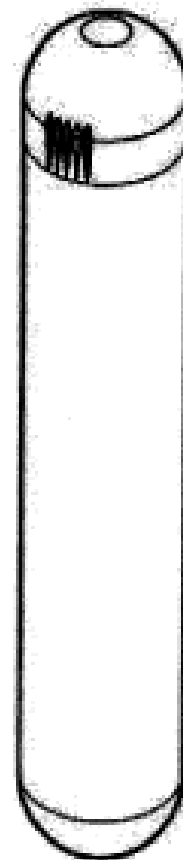
- (21) Design Number: **10545/2006**  
(22) Date of Filing Application: **15 February 2006**  
(24) Date from which industrial property rights may have effect: **15 February 2006**  
(54) Product in respect of which the design is registered: **A powered screwdriver with a depth adjustment device**  
(51) International Design Classification: **08-04**  
(71) Name(s) and Address(s) of Applicant(s):  
**GMCA Pty Ltd**  
**45-55 South Centre Road Melbourne Airport Victoria 3045 Australia**  
(72) Name(s) of Designer(s): **Jason Jones**  
(45) Registration Date: **18 July 2006**  
(30) Convention priority data:  
(31) Number (32) Date (33) Country  
**000431119 10 Nov 2005 EUROPEAN COMMUNITY**  
(56) Related Art Documents: **Not Applicable**  
(57) Statement of Newness and Distinctiveness: **Newness and distinctiveness resides in the features of shape and configuration of a powered screwdriver with a depth adjustment device as shown in the accompanying representations.**



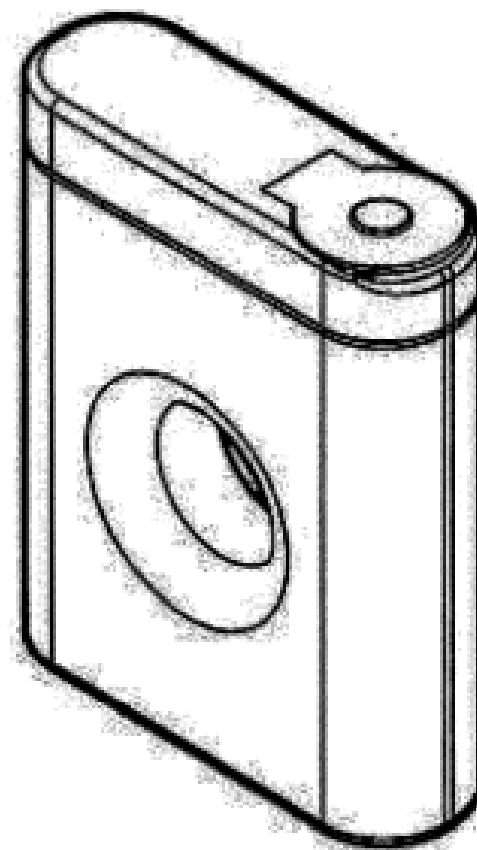
- (21) Design Number: **10546/2006**  
(22) Date of Filing Application: **14 February 2006**  
(24) Date from which industrial property rights may have effect: **14 February 2006**  
(54) Product in respect of which the design is registered: **Container packaging for foodstuffs**  
(51) International Design Classification: **07-01NES**  
(71) Name(s) and Address(s) of Applicant(s):  
**Societe Des Produits Nestle S.A.**  
**1800 Vevey Switzerland**  
(72) Name(s) of Designer(s): **Loic Faulon and Mikael Rota and Rachid Gamal**  
(45) Registration Date: **18 July 2006**  
(30) Convention priority data:  
(31) Number (32) Date (33) Country  
**000406673-0001 27 Sep 2005 EUROPEAN COMMUNITY**  
(56) Related Art Documents: **Not Applicable**  
(57) Statement of Newness and Distinctiveness: **Newness and distinctiveness resides in the shape and configuration of the Container Packaging for Foodstuffs as shown in the drawings.**



- (21) Design Number: **10547/2006**  
(22) Date of Filing Application: **14 February 2006**  
(24) Date from which industrial property rights may have effect: **14 February 2006**  
(54) Product in respect of which the design is registered: **Tube packaging for foodstuffs**  
(51) International Design Classification: **07-01NES, 09-05**  
(71) Name(s) and Address(s) of Applicant(s):  
**Societe Des Produits Nestle S.A.**  
**1800 Vevey Switzerland**  
(72) Name(s) of Designer(s): **Loic Faulon and Mikael Rota and Chris Rattray**  
(45) Registration Date: **18 July 2006**  
(30) Convention priority data:  
(31) Number (32) Date (33) Country  
**000407838-0001 28 Sep 2005 EUROPEAN COMMUNITY**  
(56) Related Art Documents: **Not Applicable**  
(57) Statement of Newness and Distinctiveness: **Newness and distinctiveness resides in the shape and configuration of the Tube Packaging for Foodstuffs as shown in the drawings.**



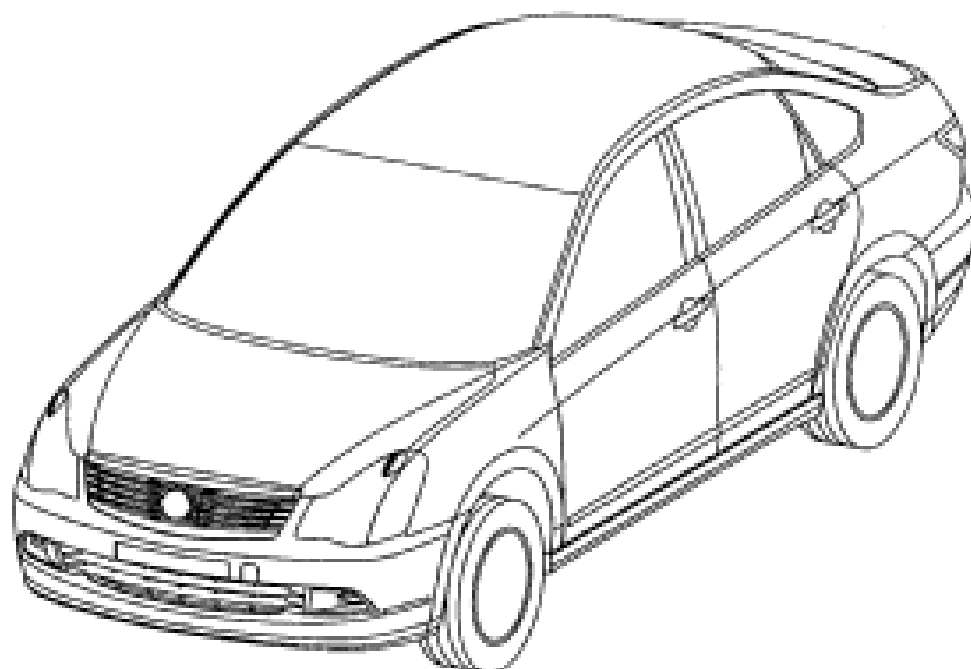
- (21) Design Number: **10548/2006**  
(22) Date of Filing Application: **14 February 2006**  
(24) Date from which industrial property rights may have effect: **14 February 2006**  
(54) Product in respect of which the design is registered: **Dispenser packaging for foodstuffs**  
(51) International Design Classification: **09-03NES**  
(71) Name(s) and Address(s) of Applicant(s):  
**Societe Des Produits Nestle S.A.**  
**1800 Vevey Switzerland**  
(72) Name(s) of Designer(s): **Loic Faulon and Mikael Rota**  
(45) Registration Date: **18 July 2006**  
(30) Convention priority data:  
(31) Number (32) Date (33) Country  
**000407556-0001 28 Sep 2005 EUROPEAN COMMUNITY**  
(56) Related Art Documents: **Not Applicable**  
(57) Statement of Newness and Distinctiveness: **Newness and distinctiveness resides in the shape and configuration of the Dispenser Packaging for Foodstuffs as shown in the drawings.**



(21) Design Number: **14755/2005**  
(22) Date of Filing Application: **28 October 2005**  
(24) Date from which industrial property rights may have effect: **28 October 2005**  
(54) Product in respect of which the design is registered: **Helmet for a costume**  
(51) International Design Classification: **02-02B, 02-03**  
(71) Name(s) and Address(s) of Applicant(s):  
**Jean Taylor**  
**126 Chelmsford Street Newtown New South Wales 2042 Australia**  
(72) Name(s) of Designer(s): **Jean Taylor**  
(45) Registration Date: **18 July 2006**  
(56) Related Art Documents: **Not Applicable**



(21) Design Number: **15736/2005**  
(22) Date of Filing Application: **29 December 2005**  
(24) Date from which industrial property rights may have effect: **29 December 2005**  
(54) Product in respect of which the design is registered: **Automobile**  
(51) International Design Classification: **12-08**  
(71) Name(s) and Address(s) of Applicant(s):  
**Nissan Jidosha Kabushiki Kaisha**  
**No. 2 Takaracho Kanagawa-ku Yokohama-shi Kanagawa-Ken Japan**  
(72) Name(s) of Designer(s): **Akihiro Sugita and Kinya Jodo**  
(45) Registration Date: **18 July 2006**  
(30) Convention priority data:  
(31) Number      (32) Date      (33) Country  
**2005-019497      05 Jul 2005      JAPAN**  
(56) Related Art Documents: **Not Applicable**  
(57) Statement of Newness and Distinctiveness: **Nil.**



(21) Design Number: **10017/2006**

(22) Date of Filing Application: **04 January 2006**

(24) Date from which industrial property rights may have effect: **04 January 2006**

(54) Product in respect of which the design is registered: **A toy**

(51) International Design Classification: **21-01NES**

(71) Name(s) and Address(s) of Applicant(s):

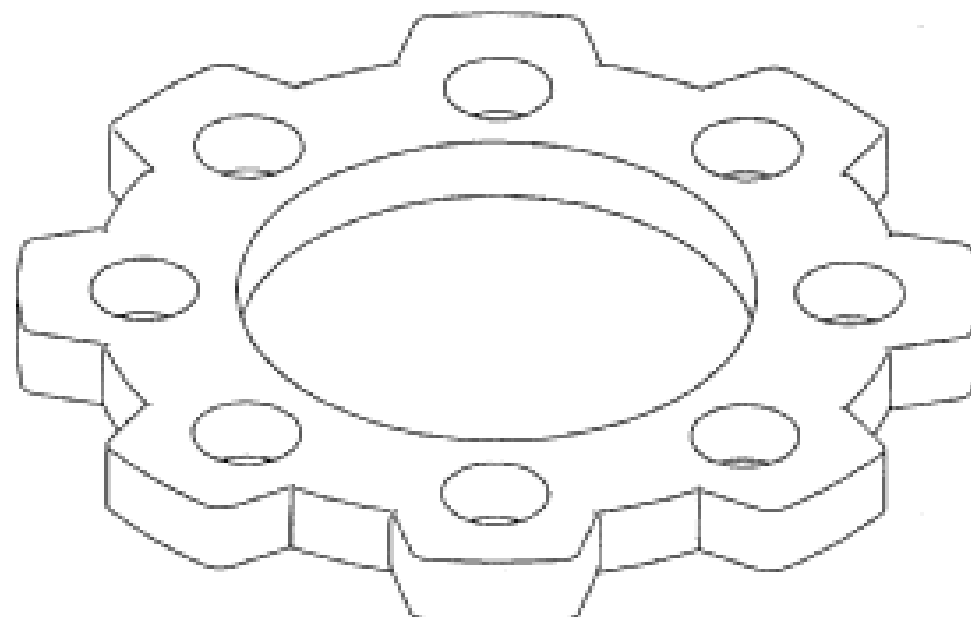
**Sanki Kogyo Kabushiki Kaisha**  
**399 Ichinotsubo Nakahara-ku Kawasaki-shi Kanagawa Japan**

(72) Name(s) of Designer(s): **Yoshitsugu Kawanami**

(45) Registration Date: **18 July 2006**

(56) Related Art Documents: **Not Applicable**

(57) Statement of Newness and Distinctiveness: **Nil**



(21) Design Number: **10080/2006**

(22) Date of Filing Application: **11 January 2006**

(24) Date from which industrial property rights may have effect: **11 January 2006**

(54) Product in respect of which the design is registered: **An event monitoring bracelet**

(51) International Design Classification: **11-01C**

(71) Name(s) and Address(s) of Applicant(s):

**Catherine J. Del Valle**  
**2665 Club Mesa Place Costa Mesa California 92627 United States of America**

(72) Name(s) of Designer(s): **Catherine J. Del Valle**

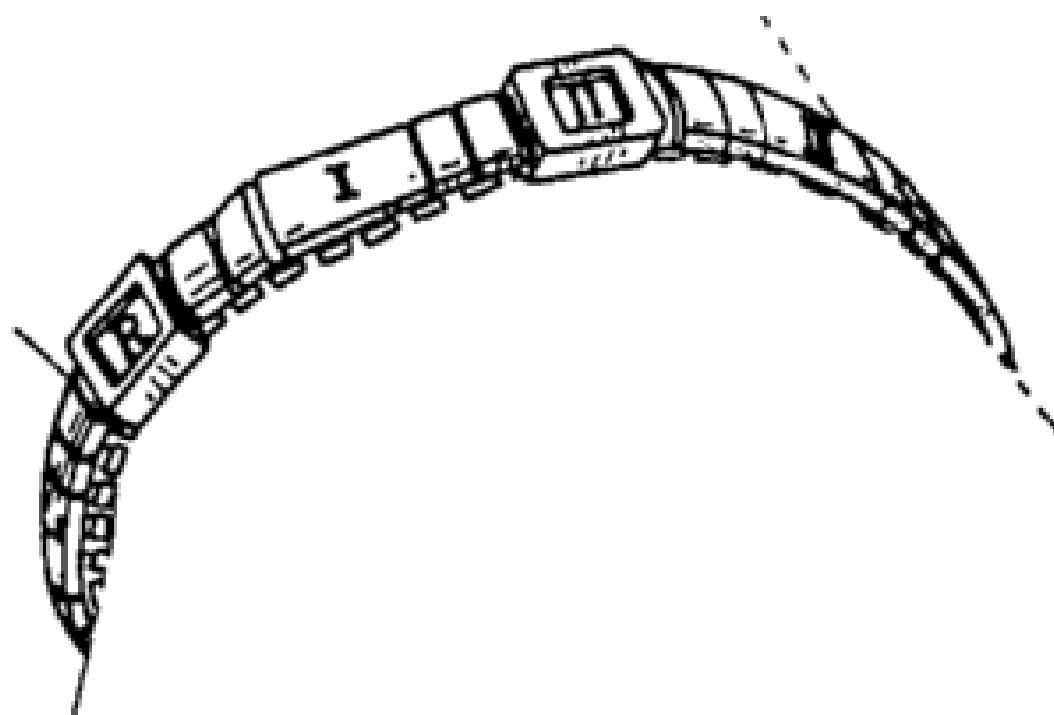
(45) Registration Date: **18 July 2006**

(30) Convention priority data:

(31) Number	(32) Date	(33) Country
<b>29242011</b>	<b>03 Nov 2005</b>	<b>UNITED STATES OF AMERICA</b>

(56) Related Art Documents: **Not Applicable**

(57) Statement of Newness and Distinctiveness: **Newness and distinctiveness is claimed in the visual features shown in solid lines in the representations.**



(21) Design Number: **10059/2006**

(22) Date of Filing Application: **10 January 2006**

(24) Date from which industrial property rights may have effect: **10 January 2006**

(54) Product in respect of which the design is registered: **A breathalyser**

(51) International Design Classification: **10-04**

(71) Name(s) and Address(s) of Applicant(s):

**KHN Solutions LLC**  
**1136 Montgomery Street San Francisco California 94133 United States of America**

(72) Name(s) of Designer(s): **David Shaw and Keith Nothacker**

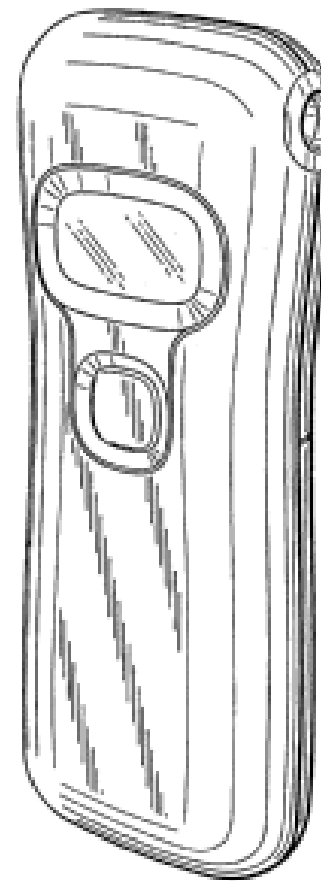
(45) Registration Date: **18 July 2006**

(30) Convention priority data:

(31) Number	(32) Date	(33) Country
<b>29234296</b>	<b>15 Jul 2005</b>	<b>UNITED STATES OF AMERICA</b>

(56) Related Art Documents: **Not Applicable**

(57) Statement of Newness and Distinctiveness: **Nil**



(21) Design Number: **10210/2006**

(22) Date of Filing Application: **24 January 2006**

(24) Date from which industrial property rights may have effect: **24 January 2006**

(54) Product in respect of which the design is registered: **Sand/shot blasting and surface preparation system**

(51) International Design Classification: **08-05N**

(71) Name(s) and Address(s) of Applicant(s):

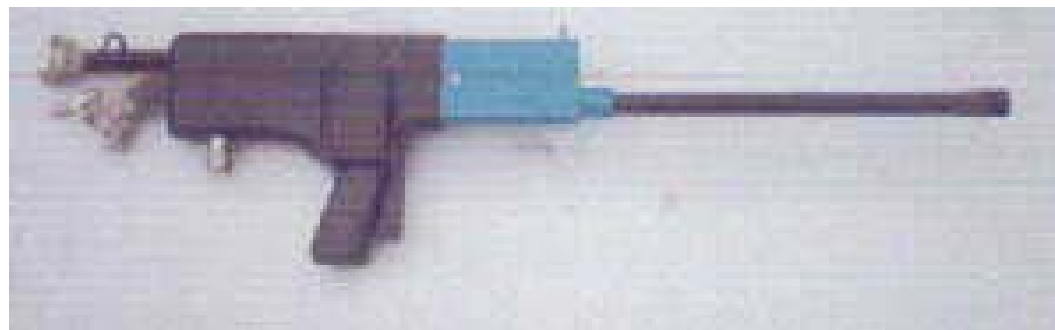
**Raymond Robert Britner**  
**44 Beresford Street Nelson Lancashire BB9 0JB England**

(72) Name(s) of Designer(s): **Raymond Robert Britner**

(45) Registration Date: **18 July 2006**

(56) Related Art Documents: **Not Applicable**

(57) Statement of Newness and Distinctiveness: **The design presented in this application is a totally new concept in which some of the functional equipment makes up part of the products appearance, A water injection system mounted to the left hand side of the main body and an auxiliary equipment connection behind the main handle that are also unique features to this design. Colour does not form part of this design.**





- (21) Design Number: **10216/2006**  
(22) Date of Filing Application: **24 January 2006**  
(24) Date from which industrial property rights may have effect: **24 January 2006**  
(54) Product in respect of which the design is registered: **HIFI system**  
(51) International Design Classification: **14-03C**  
(71) Name(s) and Address(s) of Applicant(s):

**Wen Yan**  
**Room E-F Floor 17 Xiangxi Mansion Nanji Road Luohu District**  
**Shenzhen City China**

- (72) Name(s) of Designer(s): **Wen Yan**  
(45) Registration Date: **18 July 2006**  
(56) Related Art Documents: **Not Applicable**  
(57) Statement of Newness and Distinctiveness: **Nil**



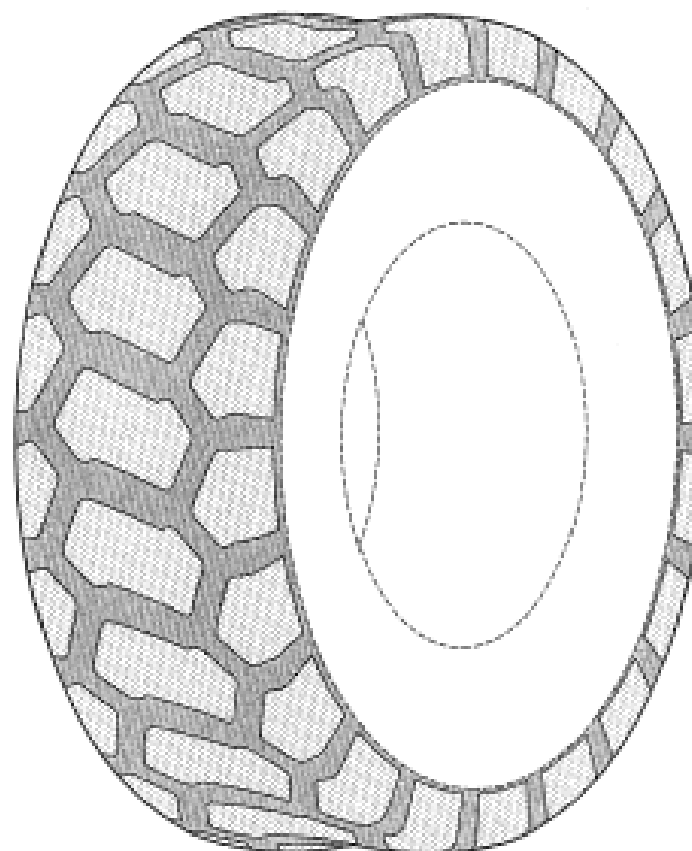
- (21) Design Number: **10230/2006**  
(22) Date of Filing Application: **24 January 2006**  
(24) Date from which industrial property rights may have effect: **24 January 2006**  
(54) Product in respect of which the design is registered: **Tire**  
(51) International Design Classification: **12-15C**  
(71) Name(s) and Address(s) of Applicant(s):

**Bridgestone/Firestone North American Tire, LLC**  
**535 Marriott Drive Nashville TN 37214 United States of America**

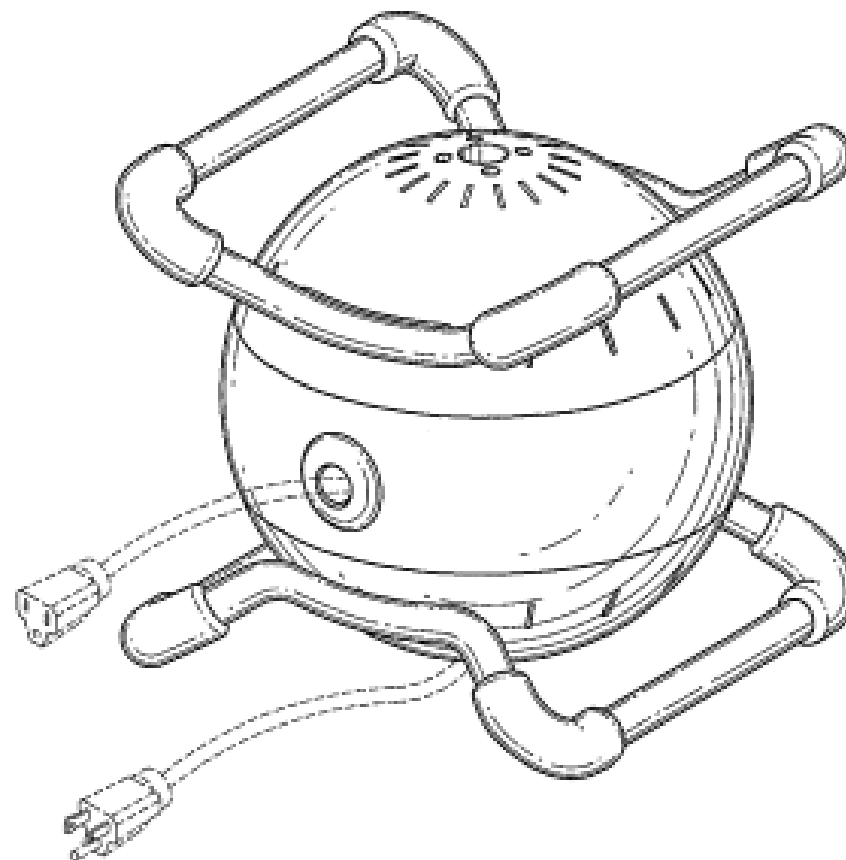
- (72) Name(s) of Designer(s): **John J. Regallis and Nobuo Shimizu and Jeffrey D. Parker**  
(45) Registration Date: **18 July 2006**  
(30) Convention priority data:

(31) Number	(32) Date	(33) Country
<b>29/236,428</b>	<b>16 Aug 2005</b>	<b>UNITED STATES OF AMERICA</b>

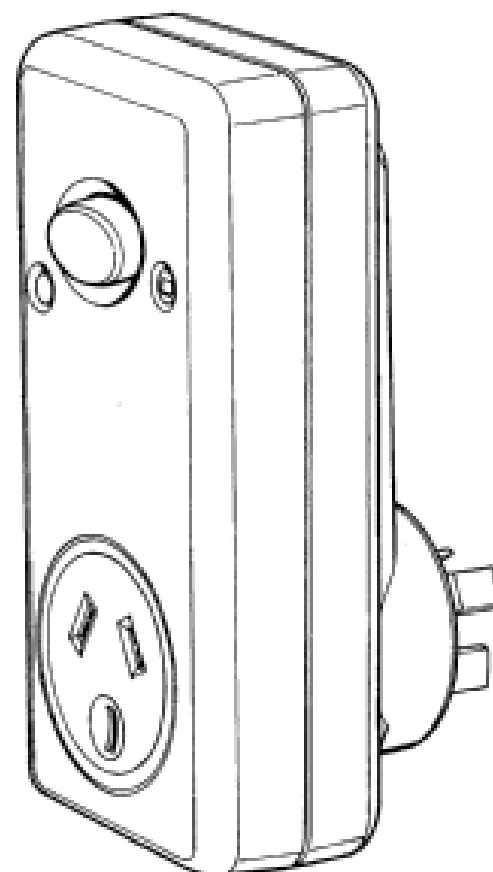
- (56) Related Art Documents: **Not Applicable**  
(57) Statement of Newness and Distinctiveness: **Those features of the tire depicted in the representations that are new and distinctive are the repeating shape and/or configuration of the tread pattern. The features shown in broken lines are not part of the design and are to be disregarded when considering the overall impression of the design.**



(21) Design Number: **10269/2006**  
(22) Date of Filing Application: **27 January 2006**  
(24) Date from which industrial property rights may have effect: **27 January 2006**  
(54) Product in respect of which the design is registered: **Cord reel**  
(51) International Design Classification: **13-03D, 13-03E**  
(71) Name(s) and Address(s) of Applicant(s):  
**Great Stuff, Inc.**  
**PO Box 341839 Austin Texas 78734 United States of America**  
(72) Name(s) of Designer(s): **Kit Morris and Bryan Hunter**  
(45) Registration Date: **18 July 2006**  
(30) Convention priority data:  
(31) Number (32) Date (33) Country  
**29/235155 27 Jul 2005 UNITED STATES OF AMERICA**  
(56) Related Art Documents: **Not Applicable**  
(57) Statement of Newness and Distinctiveness: **Newness and distinctiveness reside in the shape and configuration of a cord reel as illustrated in the accompanying representations. No design right is claimed in the electrical leads shown in broken line.**



(21) Design Number: **10271/2006**  
(22) Date of Filing Application: **27 January 2006**  
(24) Date from which industrial property rights may have effect: **27 January 2006**  
(54) Product in respect of which the design is registered: **A power adaptor**  
(51) International Design Classification: **13-03D**  
(71) Name(s) and Address(s) of Applicant(s):  
**Jackson Industries Pty Limited**  
**Building C 2 Hudson Avenue Castle Hill New South Wales 2153**  
**Australia**  
(72) Name(s) of Designer(s): **Ross A. Jackson**  
(45) Registration Date: **18 July 2006**  
(56) Related Art Documents: **Not Applicable**  
(57) Statement of Newness and Distinctiveness: **Newness and distinctiveness is claimed in the features of shape and/or configuration of the radiussed edges of a power adaptor as illustrated in the accompanying representations.**



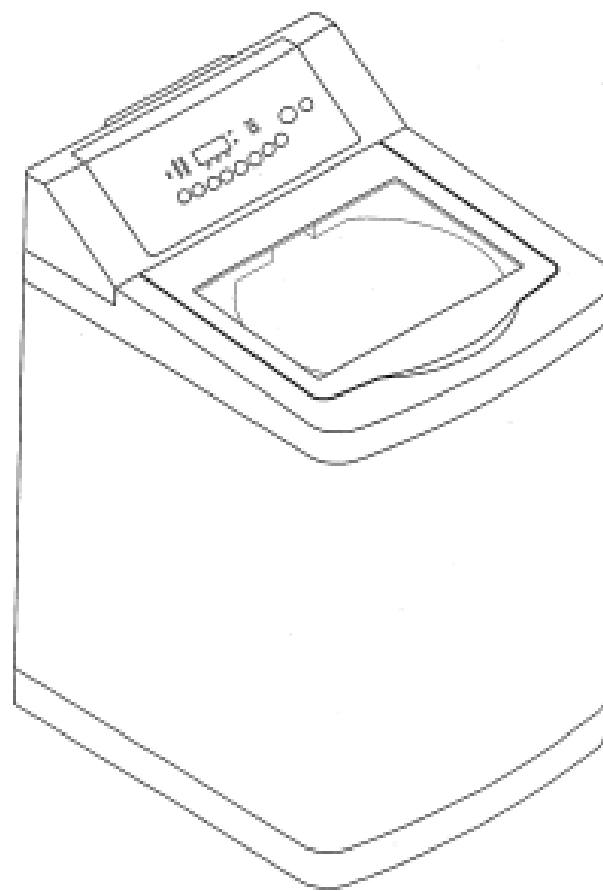
- (21) Design Number: **10274/2006**  
(22) Date of Filing Application: **27 January 2006**  
(24) Date from which industrial property rights may have effect: **27 January 2006**  
(54) Product in respect of which the design is registered: **Flood light**  
(51) International Design Classification: **26-03**  
(71) Name(s) and Address(s) of Applicant(s):  
**Arnold & Richter Cine Technik GmbH & Co Betriebs KG**  
**Turkenstrasse 89 Munchen 80799 Germany**  
(72) Name(s) of Designer(s): **Kerstin Schlegel and Thomas Dorner and Erwin Melzner**  
(45) Registration Date: **18 July 2006**  
(30) Convention priority data:  
(31) Number      (32) Date      (33) Country  
**405 04 037.7      29 Jul 2005      GERMANY**  
(56) Related Art Documents: **Not Applicable**  
(57) Statement of Newness and Distinctiveness: **Newness and distinctiveness is claimed in the features of shape and/or configuration of a flood light as illustrated in the accompanying representations and when considering newness and distinctiveness, particular regard is to be had to: H-shape construction, consisting of a cast front part, a number of connecting extrusions in the middle and a cast rear, the dominant reflector housing (front part) which determines the overall width and height of the fixture and emphasises the optical system with its large moveable reflector, the distinctive rear with its continuous vertical cooling slots, following the internal construction, the mainly plain bottom and top of the housing between the front and the rear, the big integrated ventilation chimney on the top of the housing, the butterfly-shaped handles on each side.**



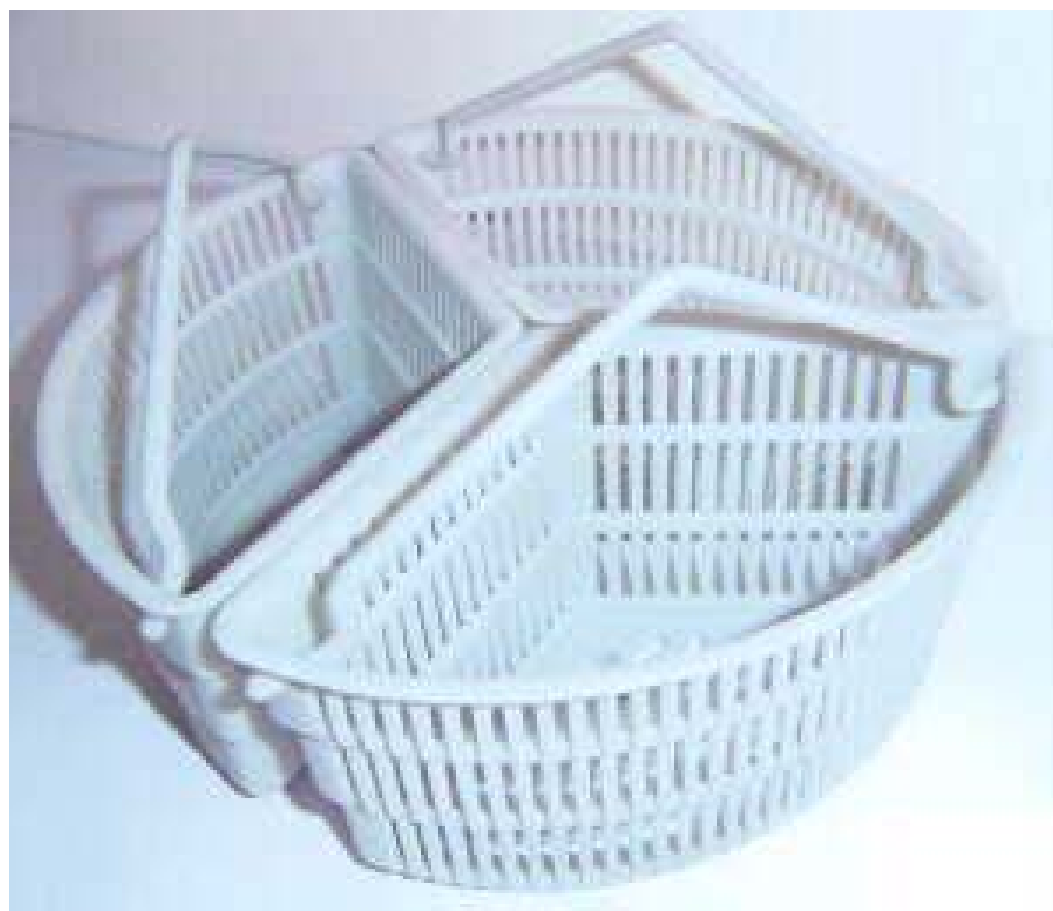
- (21) Design Number: **10272/2006**  
(22) Date of Filing Application: **27 January 2006**  
(24) Date from which industrial property rights may have effect: **27 January 2006**  
(54) Product in respect of which the design is registered: **Flood light**  
(51) International Design Classification: **26-03**  
(71) Name(s) and Address(s) of Applicant(s):  
**Arnold & Richter Cine Technik GmbH & Co Betriebs KG**  
**Turkenstrasse 89 Munchen 80799 Germany**  
(72) Name(s) of Designer(s): **Kerstin Schlegel and Thomas Dorner and Erwin Melzner**  
(45) Registration Date: **18 July 2006**  
(30) Convention priority data:  
(31) Number      (32) Date      (33) Country  
**405 04 037.7      29 Jul 2005      GERMANY**  
(56) Related Art Documents: **Not Applicable**  
(57) Statement of Newness and Distinctiveness: **Newness and distinctiveness is claimed in the features of shape and/or configuration and pattern and/or ornamentation of a flood light as illustrated in the accompanying representations and when considering the extent of protection the two-dimensional text applied to the surface is to be disregarded.**



(21) Design Number: **10275/2006**  
(22) Date of Filing Application: **27 January 2006**  
(24) Date from which industrial property rights may have effect: **27 January 2006**  
(54) Product in respect of which the design is registered: **Washing machine**  
(51) International Design Classification: **15-05**  
(71) Name(s) and Address(s) of Applicant(s):  
**Samsung Electronics Co., Ltd**  
**416 Maetan 3-dong Paldal-gu Suwon-City Kyunggi-Do South Korea**  
(72) Name(s) of Designer(s): **Jeong-June Jun**  
(45) Registration Date: **18 July 2006**  
(56) Related Art Documents: **Not Applicable**  
(57) Statement of Newness and Distinctiveness: **Nil**



(21) Design Number: **10458/2006**  
(22) Date of Filing Application: **09 February 2006**  
(24) Date from which industrial property rights may have effect: **09 February 2006**  
(54) Product in respect of which the design is registered: **Cooking basket**  
(51) International Design Classification: **07-02NES, 07-02N**  
(71) Name(s) and Address(s) of Applicant(s):  
**Garon Plastics Pty Ltd**  
**16 Byre Avenue Somerton Park South Australia 5044 Australia**  
(72) Name(s) of Designer(s): **Simon Zappia**  
(45) Registration Date: **18 July 2006**  
(56) Related Art Documents: **Not Applicable**  
(57) Statement of Newness and Distinctiveness: **Nil**



(21) Design Number: **14903/2005**

(22) Date of Filing Application: **07 November 2005**

(24) Date from which industrial property rights may have effect: **07 November 2005**

(54) Product in respect of which the design is registered: **Tap assembly**

(51) International Design Classification: **23-01H**

(71) Name(s) and Address(s) of Applicant(s):

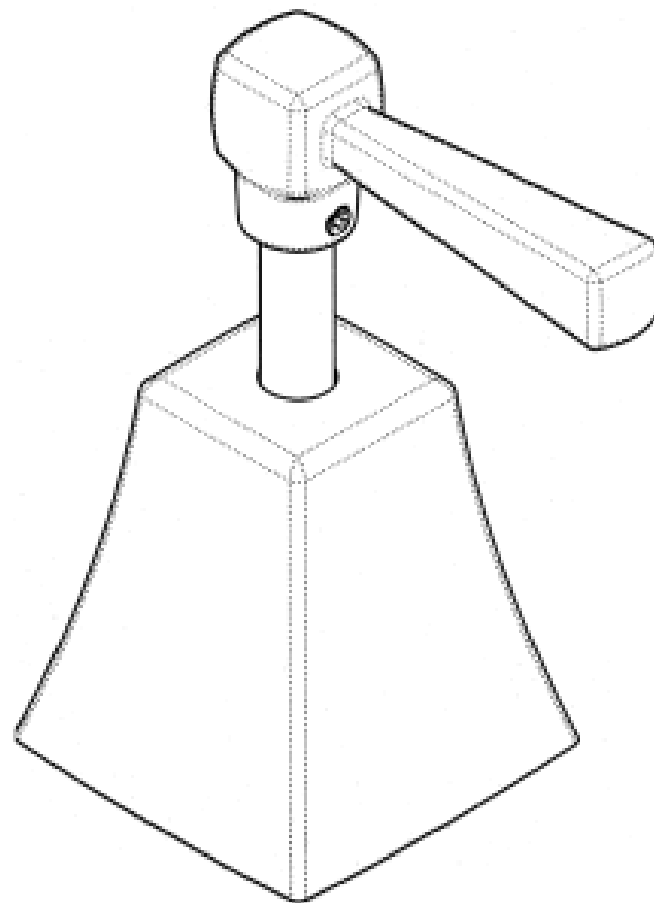
**Belwar Industries Pty Ltd**  
**557 Burwood Highway Knoxfield Victoria 3180 Australia**

(72) Name(s) of Designer(s): **Benone Micut and George Kotsiopoulos**

(45) Registration Date: **18 July 2006**

(56) Related Art Documents: **Not Applicable**

(57) Statement of Newness and Distinctiveness: **Nil**



(21) Design Number: **14904/2005**

(22) Date of Filing Application: **07 November 2005**

(24) Date from which industrial property rights may have effect: **07 November 2005**

(54) Product in respect of which the design is registered: **Tap handle**

(51) International Design Classification: **23-01H**

(71) Name(s) and Address(s) of Applicant(s):

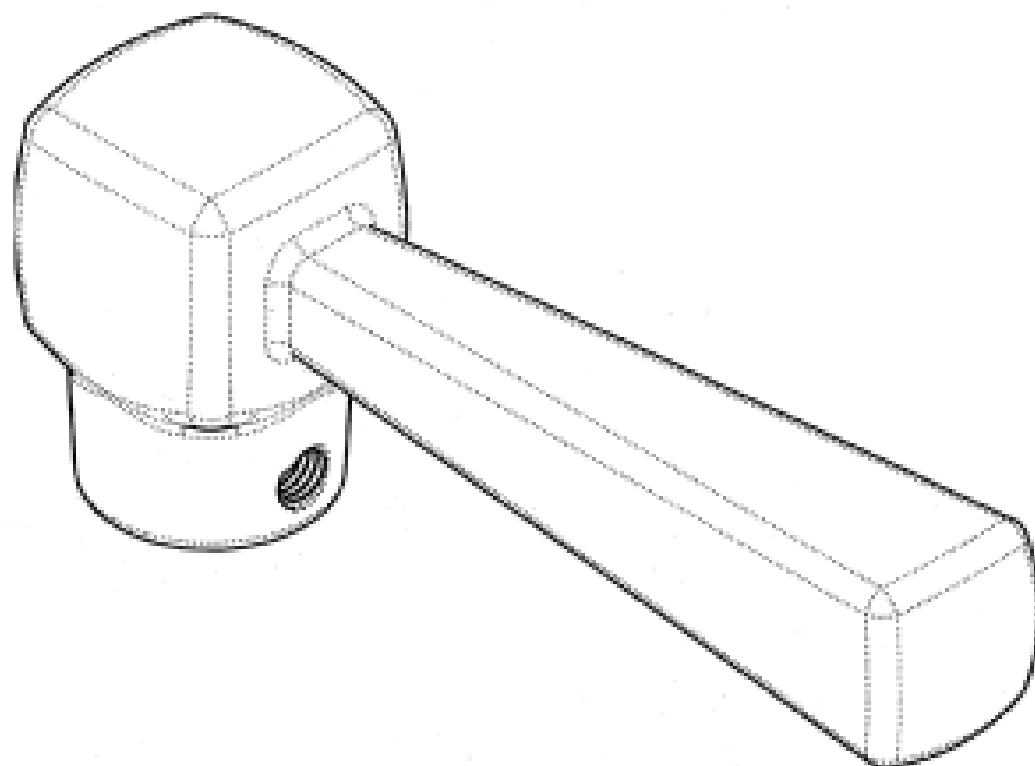
**Belwar Industries Pty Ltd**  
**557 Burwood Highway Knoxfield Victoria 3180 Australia**

(72) Name(s) of Designer(s): **Benone Micut and George Kotsiopoulos**

(45) Registration Date: **18 July 2006**

(56) Related Art Documents: **Not Applicable**

(57) Statement of Newness and Distinctiveness: **Nil**



(21) Design Number: **14905/2005**

(22) Date of Filing Application: **07 November 2005**

(24) Date from which industrial property rights may have effect: **07 November 2005**

(54) Product in respect of which the design is registered: **Tap flange**

(51) International Design Classification: **23-01H**

(71) Name(s) and Address(s) of Applicant(s):

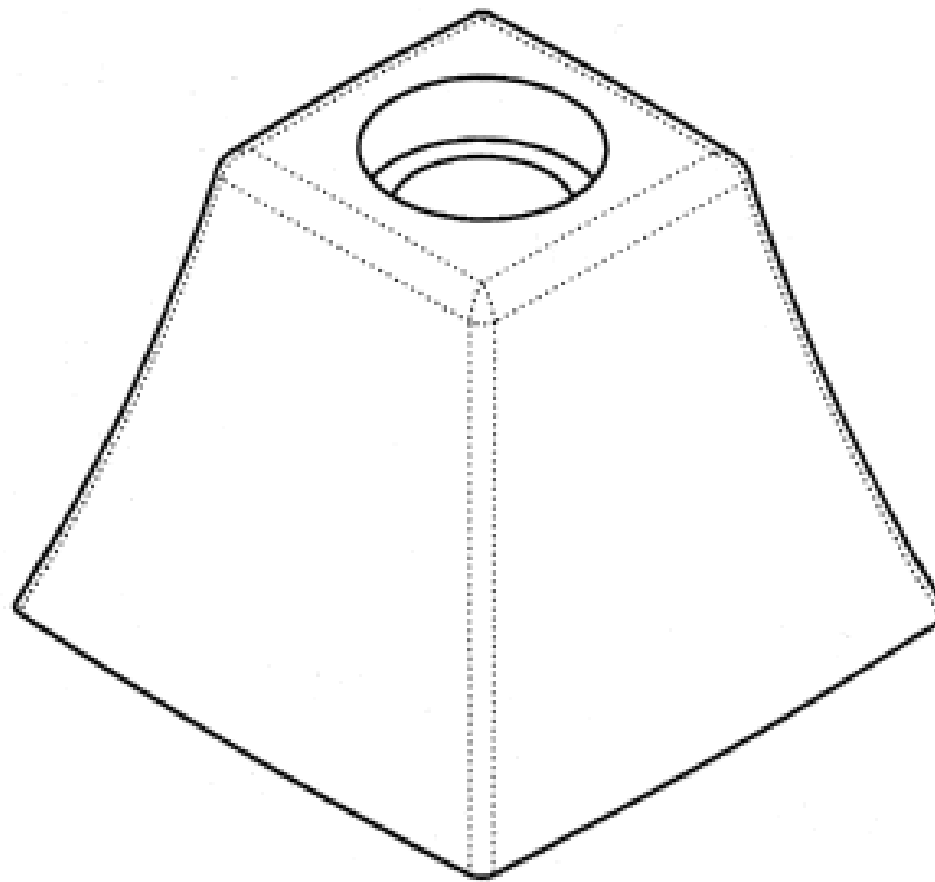
**Belwar Industries Pty Ltd**  
**557 Burwood Highway Knoxfield Victoria 3180 Australia**

(72) Name(s) of Designer(s): **Benone Micut and George Kotsiopoulos**

(45) Registration Date: **18 July 2006**

(56) Related Art Documents: **Not Applicable**

(57) Statement of Newness and Distinctiveness: **Nil**



(21) Design Number: **14906/2005**

(22) Date of Filing Application: **07 November 2005**

(24) Date from which industrial property rights may have effect: **07 November 2005**

(54) Product in respect of which the design is registered: **Tap assembly**

(51) International Design Classification: **23-01H**

(71) Name(s) and Address(s) of Applicant(s):

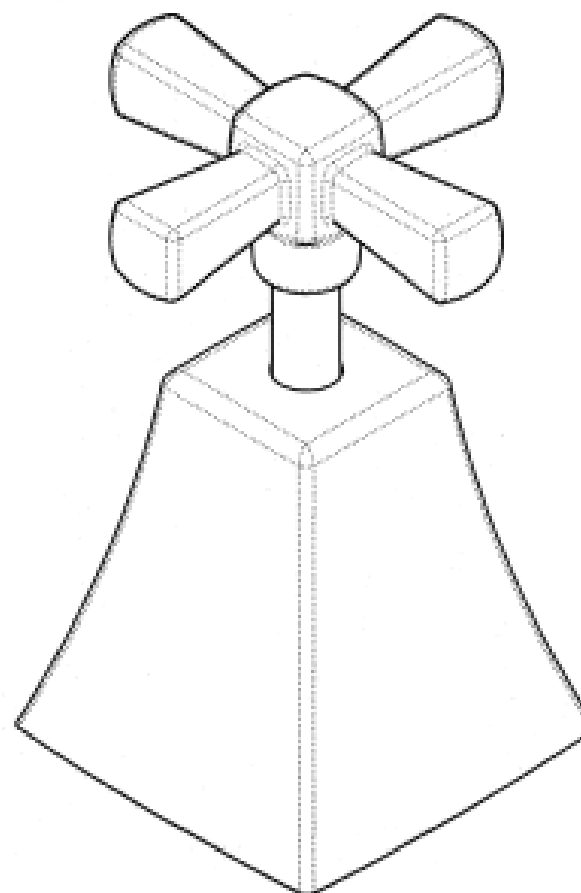
**Belwar Industries Pty Ltd**  
**557 Burwood Highway Knoxfield Victoria 3180 Australia**

(72) Name(s) of Designer(s): **Benone Micut and George Kotsiopoulos**

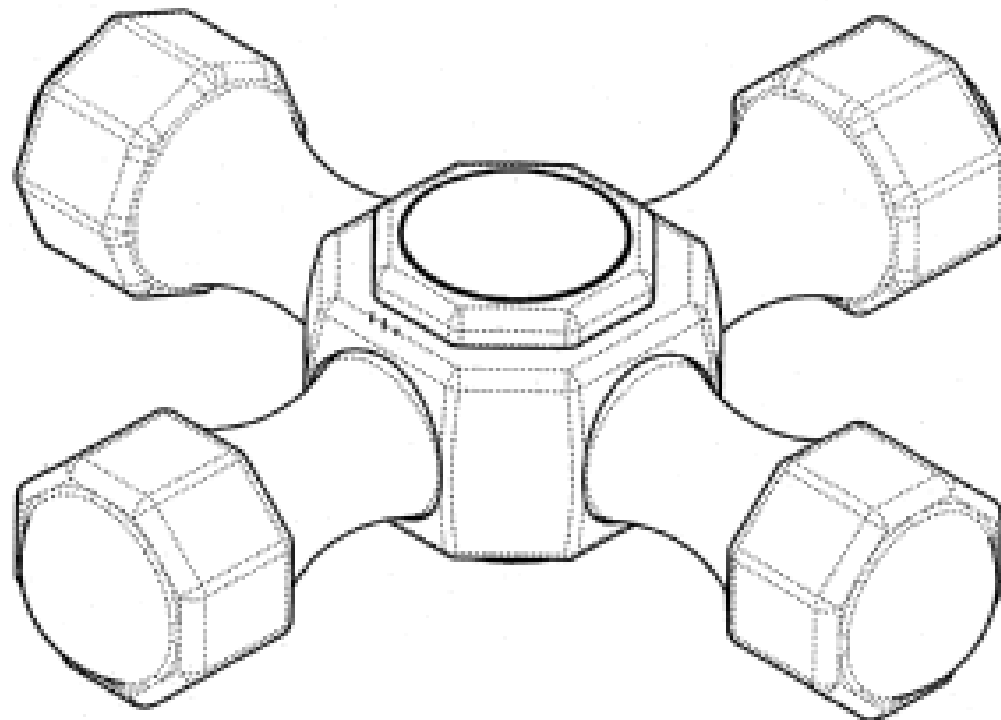
(45) Registration Date: **18 July 2006**

(56) Related Art Documents: **Not Applicable**

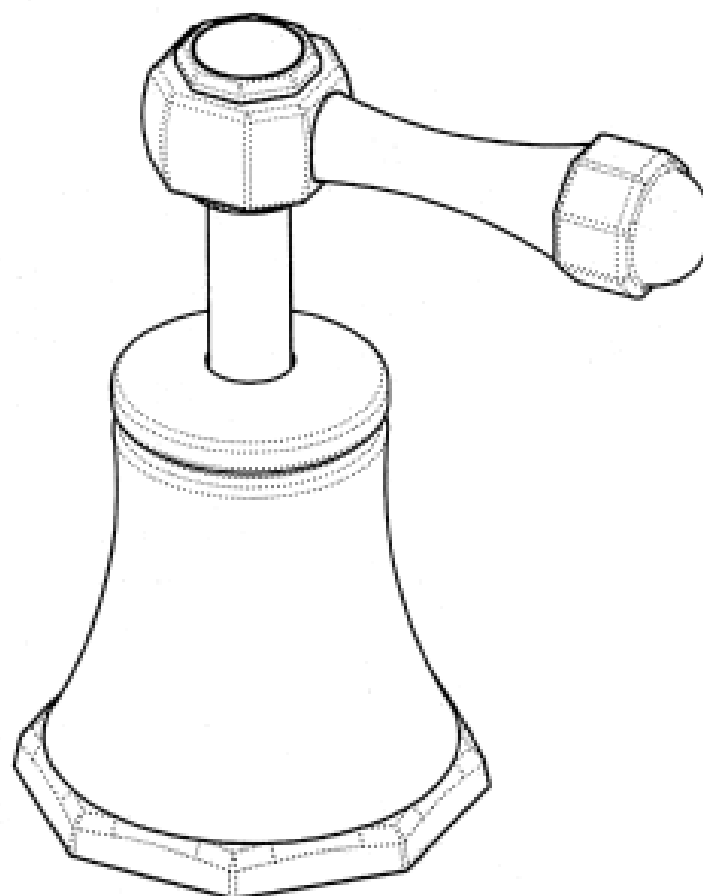
(57) Statement of Newness and Distinctiveness: **Nil**



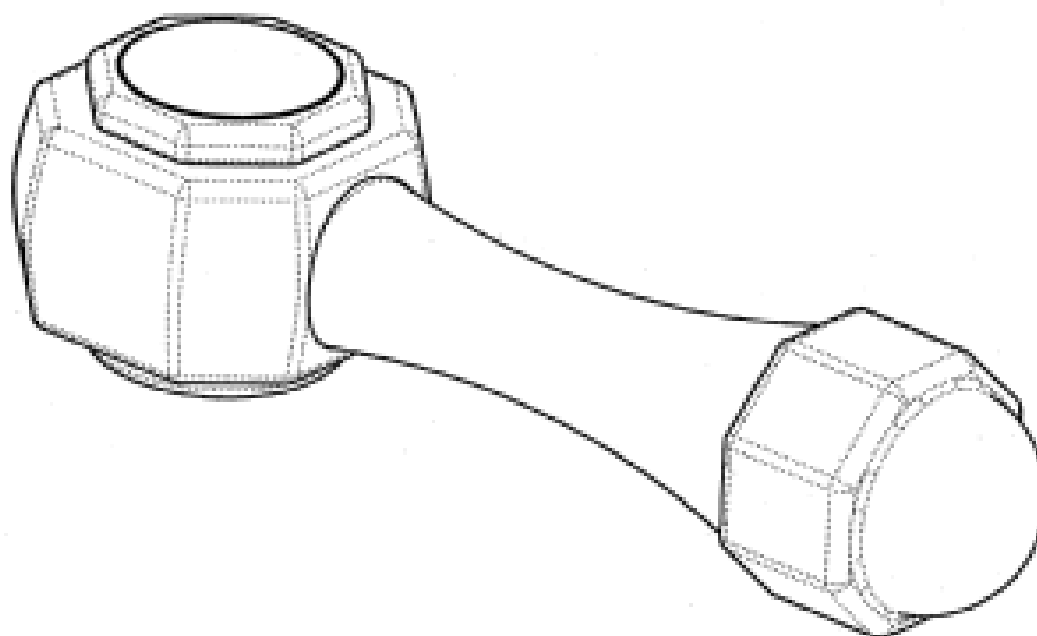
- (21) Design Number: **14907/2005**  
(22) Date of Filing Application: **07 November 2005**  
(24) Date from which industrial property rights may have effect: **07 November 2005**  
(54) Product in respect of which the design is registered: **Tap handle**  
(51) International Design Classification: **23-01H**  
(71) Name(s) and Address(s) of Applicant(s):  
**Belwar Industries Pty Ltd**  
**557 Burwood Highway Knoxfield Victoria 3180 Australia**  
(72) Name(s) of Designer(s): **Benone Micut and George Kotsiopoulos**  
(45) Registration Date: **18 July 2006**  
(56) Related Art Documents: **Not Applicable**  
(57) Statement of Newness and Distinctiveness: **Nil**



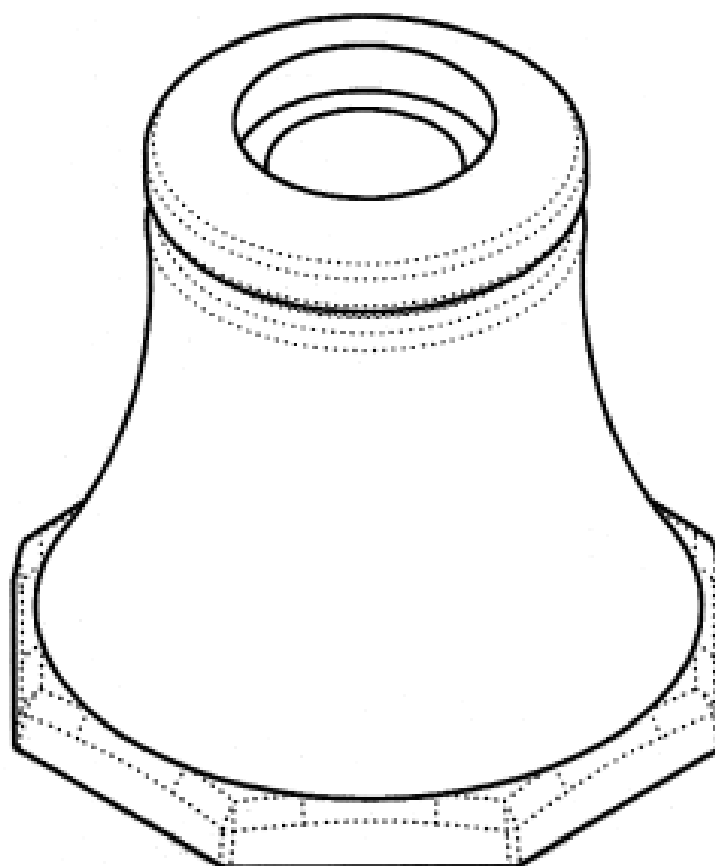
- (21) Design Number: **14908/2005**  
(22) Date of Filing Application: **07 November 2005**  
(24) Date from which industrial property rights may have effect: **07 November 2005**  
(54) Product in respect of which the design is registered: **Tap Assembly**  
(51) International Design Classification: **23-01H**  
(71) Name(s) and Address(s) of Applicant(s):  
**Belwar Industries Pty Ltd**  
**557 Burwood Highway Knoxfield Victoria 3180 Australia**  
(72) Name(s) of Designer(s): **Benone Micut and George Kotsiopoulos**  
(45) Registration Date: **18 July 2006**  
(56) Related Art Documents: **Not Applicable**  
(57) Statement of Newness and Distinctiveness: **Nil**



- (21) Design Number: **14909/2005**  
(22) Date of Filing Application: **07 November 2005**  
(24) Date from which industrial property rights may have effect: **07 November 2005**  
(54) Product in respect of which the design is registered: **Tap handle**  
(51) International Design Classification: **23-01H**  
(71) Name(s) and Address(s) of Applicant(s):  
**Belwar Industries Pty Ltd**  
**557 Burwood Highway Knoxfield Victoria 3180 Australia**  
(72) Name(s) of Designer(s): **Benone Micut and George Kotsiopoulos**  
(45) Registration Date: **18 July 2006**  
(56) Related Art Documents: **Not Applicable**  
(57) Statement of Newness and Distinctiveness: **Nil**

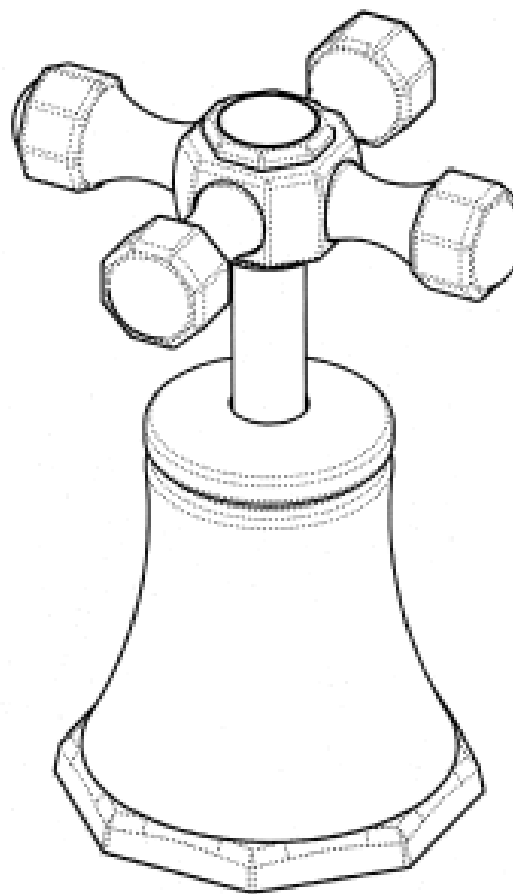


- (21) Design Number: **14910/2005**  
(22) Date of Filing Application: **07 November 2005**  
(24) Date from which industrial property rights may have effect: **07 November 2005**  
(54) Product in respect of which the design is registered: **Tap flange**  
(51) International Design Classification: **23-01H**  
(71) Name(s) and Address(s) of Applicant(s):  
**Belwar Industries Pty Ltd**  
**557 Burwood Highway Knoxfield Victoria 3180 Australia**  
(72) Name(s) of Designer(s): **Benone Micut and George Kotsiopoulos**  
(45) Registration Date: **18 July 2006**  
(56) Related Art Documents: **Not Applicable**  
(57) Statement of Newness and Distinctiveness: **Nil**

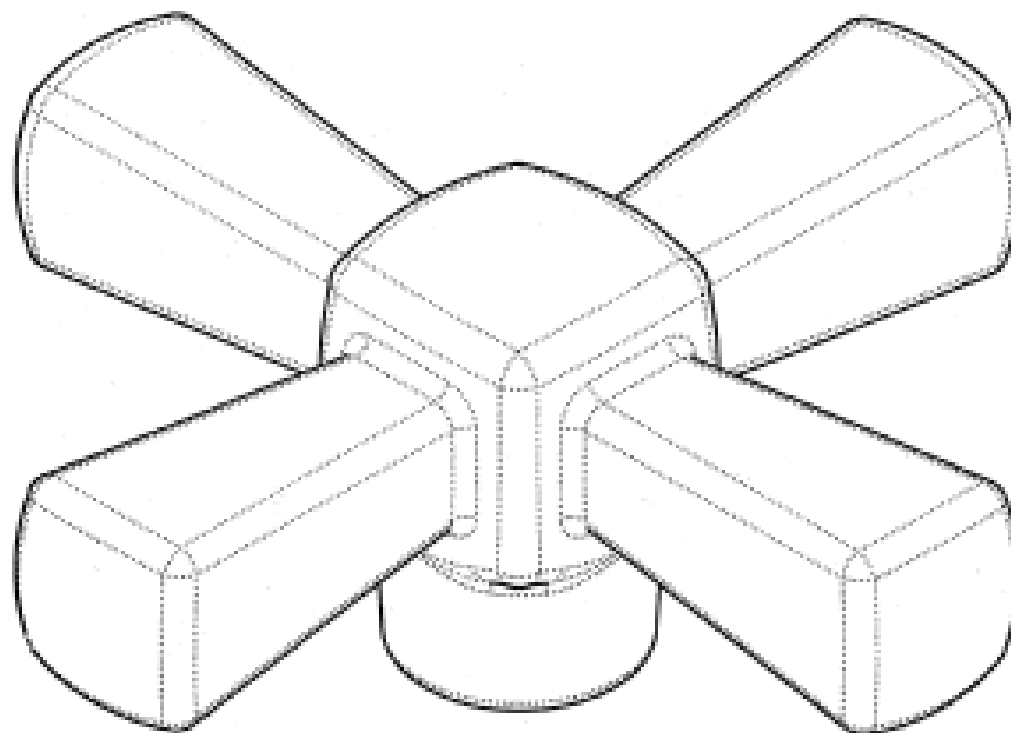




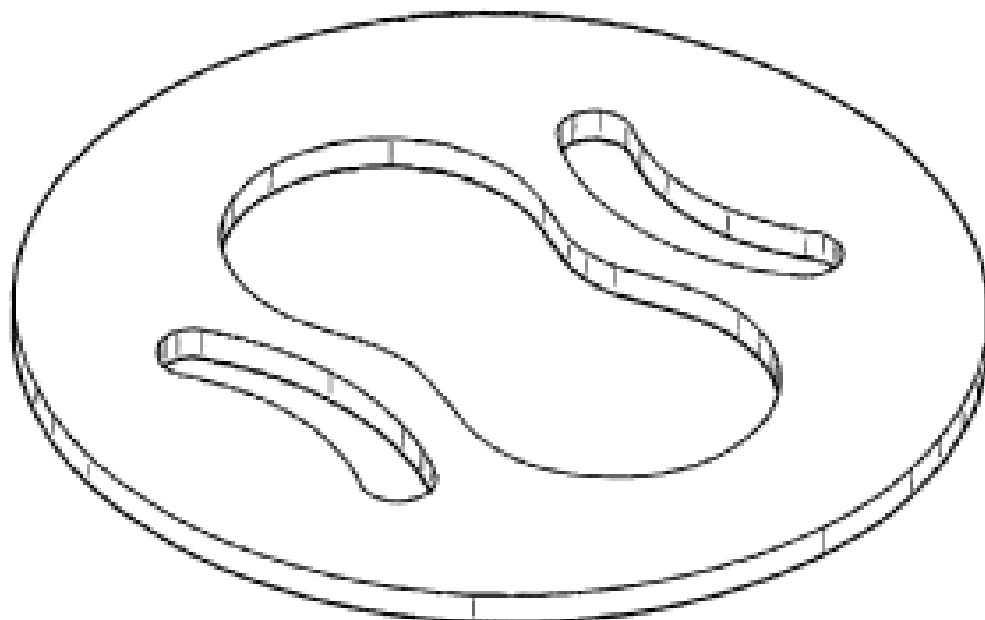
- (21) Design Number: **14911/2005**
- (22) Date of Filing Application: **07 November 2005**
- (24) Date from which industrial property rights may have effect: **07 November 2005**
- (54) Product in respect of which the design is registered: **Tap assembly**
- (51) International Design Classification: **23-01H**
- (71) Name(s) and Address(s) of Applicant(s):  
**Belwar Industries Pty Ltd**  
**557 Burwood Highway Knoxfield Victoria 3180 Australia**
- (72) Name(s) of Designer(s): **Benone Micut and George Kotsiopoulos**
- (45) Registration Date: **18 July 2006**
- (56) Related Art Documents: **Not Applicable**
- (57) Statement of Newness and Distinctiveness: **Nil**



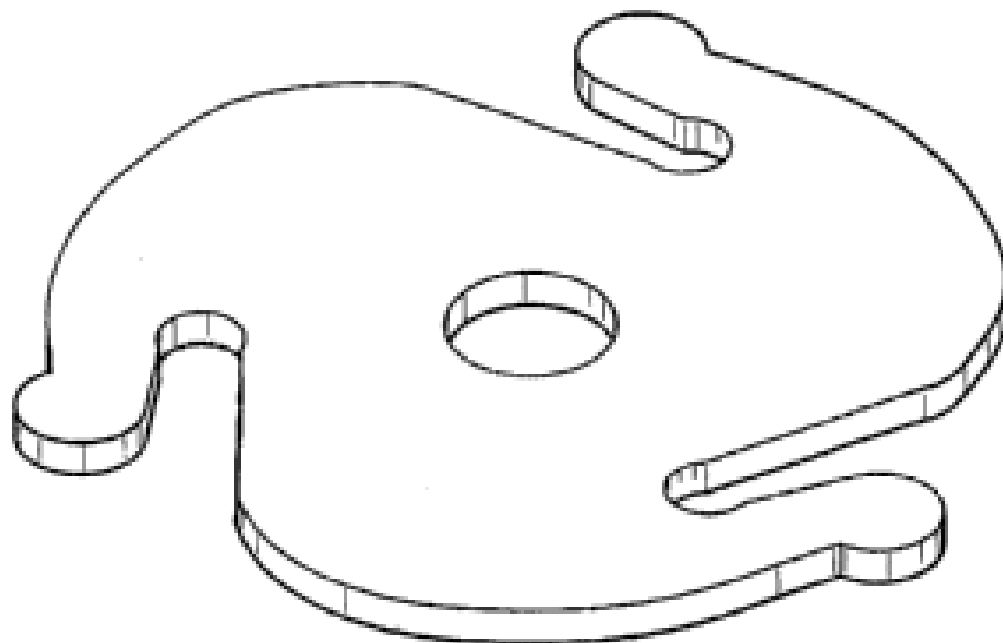
- (21) Design Number: **14912/2005**
- (22) Date of Filing Application: **07 November 2005**
- (24) Date from which industrial property rights may have effect: **07 November 2005**
- (54) Product in respect of which the design is registered: **Tap handle**
- (51) International Design Classification: **23-01H**
- (71) Name(s) and Address(s) of Applicant(s):  
**Belwar Industries Pty Ltd**  
**557 Burwood Highway Knoxfield Victoria 3180 Australia**
- (72) Name(s) of Designer(s): **Benone Micut and George Kotsiopoulos**
- (45) Registration Date: **18 July 2006**
- (56) Related Art Documents: **Not Applicable**
- (57) Statement of Newness and Distinctiveness: **Nil**



- (21) Design Number: **14940/2005**  
(22) Date of Filing Application: **07 November 2005**  
(24) Date from which industrial property rights may have effect: **07 November 2005**  
(54) Product in respect of which the design is registered: **Load reactive device**  
(51) International Design Classification: **22-05, 15-99**  
(71) Name(s) and Address(s) of Applicant(s):  
**Aimbridge Pty Ltd**  
**9th Floor 161 Collins Street Melbourne Victoria 3000 Australia**  
(72) Name(s) of Designer(s): **Mark Armstrong and Peter Major and Hans G. Rosenkranz and Martin Robson and Dmitri Shmatkov**  
(45) Registration Date: **18 July 2006**  
(56) Related Art Documents: **Not Applicable**  
(57) Statement of Newness and Distinctiveness: **Nil**



- (21) Design Number: **14941/2005**  
(22) Date of Filing Application: **07 November 2005**  
(24) Date from which industrial property rights may have effect: **07 November 2005**  
(54) Product in respect of which the design is registered: **Load reactive device**  
(51) International Design Classification: **22-05, 15-99**  
(71) Name(s) and Address(s) of Applicant(s):  
**Aimbridge Pty Ltd**  
**9th Floor 161 Collins Street Melbourne Victoria 3000 Australia**  
(72) Name(s) of Designer(s): **Mark Armstrong and Peter Major and Hans G. Rosenkranz and Martin Robson and Dmitri Shmatkov**  
(45) Registration Date: **18 July 2006**  
(56) Related Art Documents: **Not Applicable**  
(57) Statement of Newness and Distinctiveness: **Nil**



(21) Design Number: **10037/2006**  
(22) Date of Filing Application: **06 January 2006**  
(24) Date from which industrial property rights may have effect: **06 January 2006**  
(54) Product in respect of which the design is registered: **Plug**  
(51) International Design Classification: **08-08H, 06-10**  
(71) Name(s) and Address(s) of Applicant(s):

**Louver-Lite Limited**  
**Ashton Road Hyde Cheshire SK14 4BG United Kingdom**

(72) Name(s) of Designer(s): **Reginald Charles Allsopp**

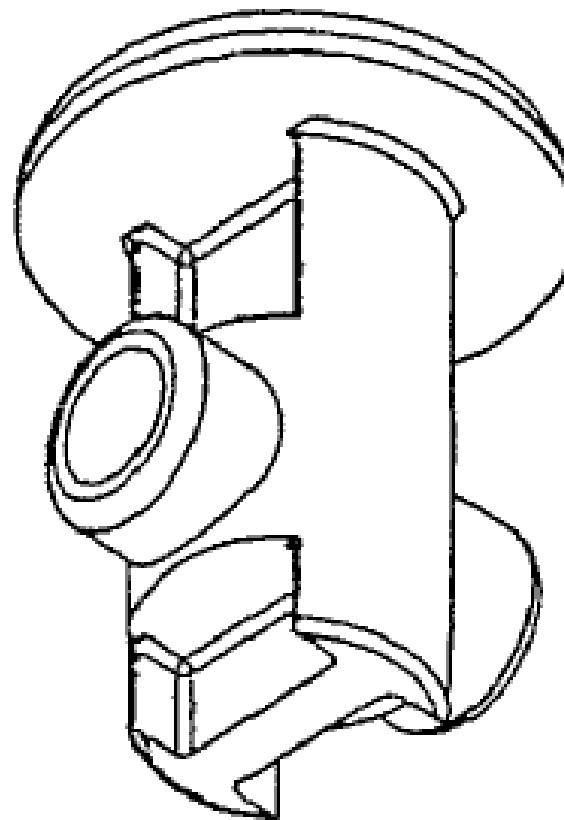
(45) Registration Date: **20 July 2006**

(30) Convention priority data:

(31) Number	(32) Date	(33) Country
<b>373089-0001</b>	<b>08 Jul 2005</b>	<b>EUROPEAN COMMUNITY</b>

(56) Related Art Documents: **Not Applicable**

(57) Statement of Newness and Distinctiveness: **Nil**



(21) Design Number: **10231/2006**  
(22) Date of Filing Application: **24 January 2006**  
(24) Date from which industrial property rights may have effect: **24 January 2006**  
(54) Product in respect of which the design is registered: **Combination chair with folding table**  
(51) International Design Classification: **06-01H**  
(71) Name(s) and Address(s) of Applicant(s):

**Crazy Creek Products, Inc**  
**1401 South Broadway Red Lodge Montana 59068 United States of America**

(72) Name(s) of Designer(s): **Robert D. Hart**

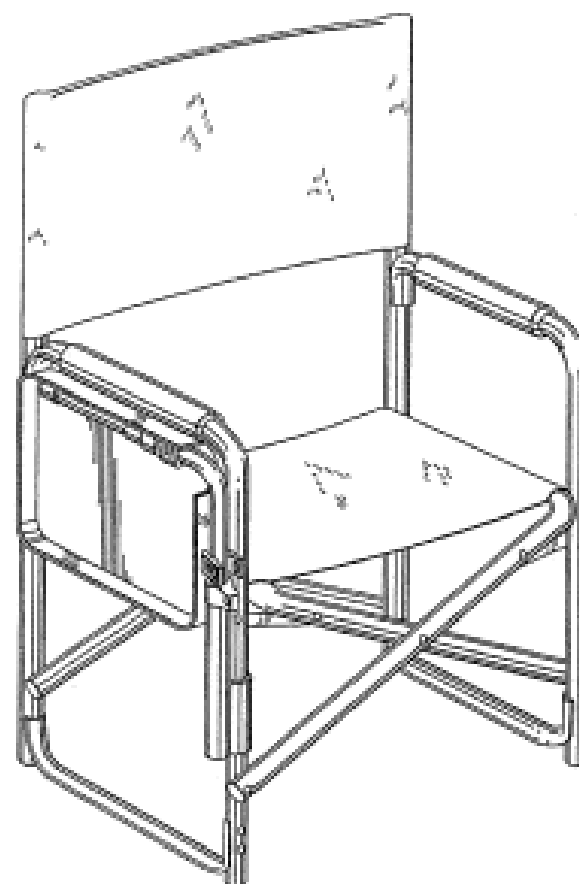
(45) Registration Date: **20 July 2006**

(30) Convention priority data:

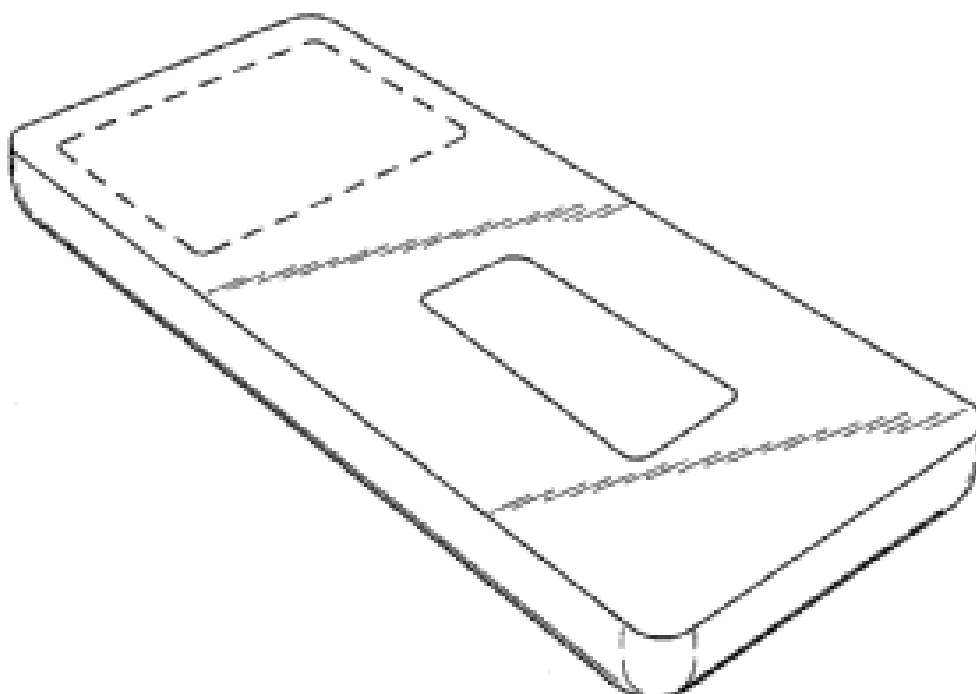
(31) Number	(32) Date	(33) Country
<b>29/234,793</b>	<b>22 Jul 2005</b>	<b>UNITED STATES OF AMERICA</b>

(56) Related Art Documents: **Not Applicable**

(57) Statement of Newness and Distinctiveness: **Those features of the combination chair with folding table depicted in the representations that are new and distinctive are the shape and/or configurations.**



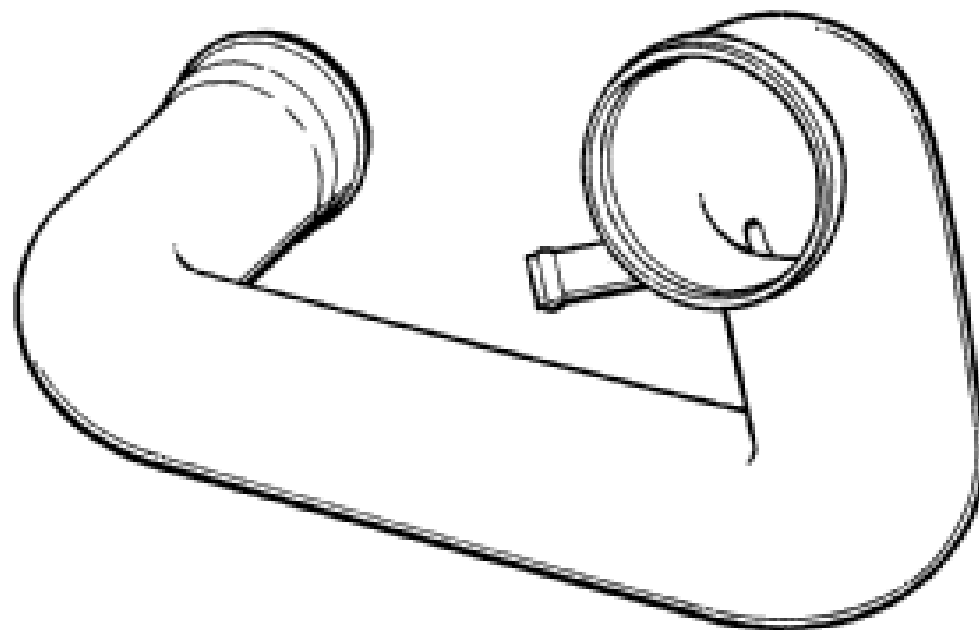
- (21) Design Number: **10232/2006**  
(22) Date of Filing Application: **24 January 2006**  
(24) Date from which industrial property rights may have effect: **24 January 2006**  
(54) Product in respect of which the design is registered: **Media device**  
(51) International Design Classification: **14-02, 14-01**  
(71) Name(s) and Address(s) of Applicant(s):  
**Apple Computer, Inc.**  
**1 Infinite Loop Cupertino California 95014-2084 United States of America**  
(72) Name(s) of Designer(s): **Bartley K. Andre and Daniel J. Coster and Daniele De Iuliis and Richard P. Howarth and Jonathan P. Ive and Steve Jobs and Duncan Robert Kerr and Shin Nishibori and Matthew Dean Rohrbach and Douglas B. Satzger and Calvin Q. Seid and Christopher J. Stringer and Eugene Antony Whang and Rico Zorkendorfer**  
(45) Registration Date: **20 July 2006**  
(30) Convention priority data:  
(31) Number (32) Date (33) Country  
**29237232 24 Aug 2005 UNITED STATES OF AMERICA**  
(56) Related Art Documents: **Not Applicable**  
(57) Statement of Newness and Distinctiveness: **Newness and distinctiveness is claimed in the visual features shown in solid lines in the representations.**



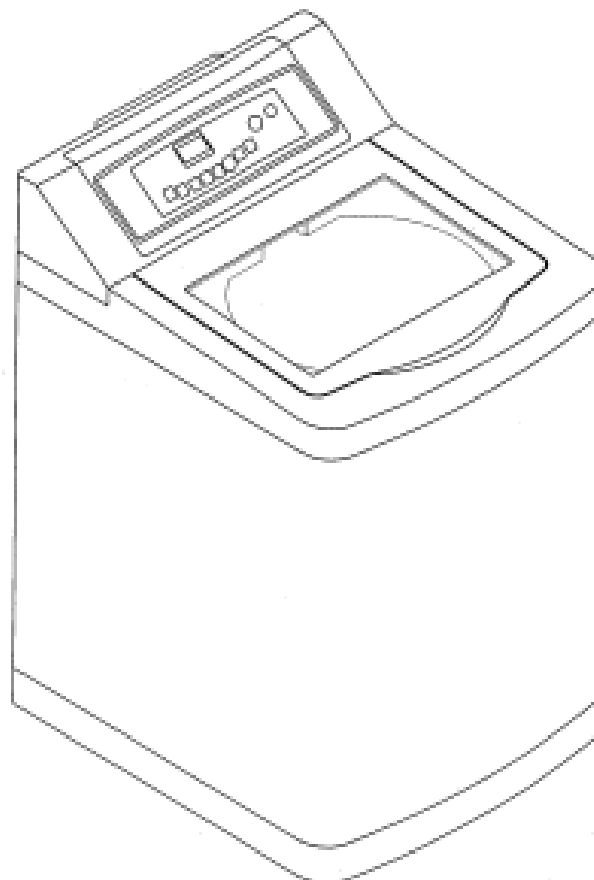
- (21) Design Number: **10233/2006**  
(22) Date of Filing Application: **24 January 2006**  
(24) Date from which industrial property rights may have effect: **24 January 2006**  
(54) Product in respect of which the design is registered: **Bottle**  
(51) International Design Classification: **09-01NES**  
(71) Name(s) and Address(s) of Applicant(s):  
**Mildon Pty Ltd**  
**4 Wandarri Court Cheltenham Victoria 3192 Australia**  
(72) Name(s) of Designer(s): **Michael Chen**  
(45) Registration Date: **20 July 2006**  
(56) Related Art Documents: **Not Applicable**  
(57) Statement of Newness and Distinctiveness: **Nil**



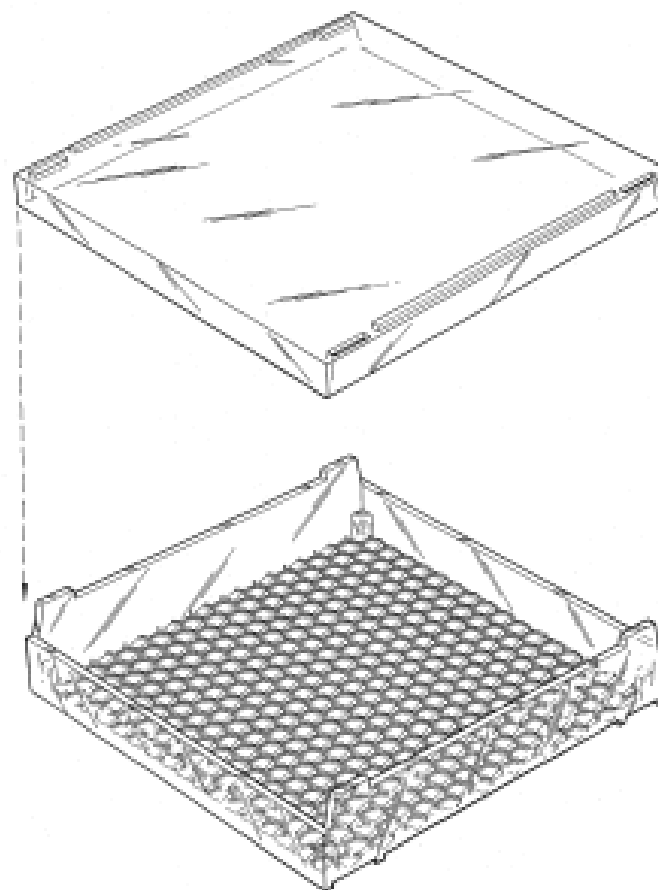
- (21) Design Number: **10236/2006**  
(22) Date of Filing Application: **24 January 2006**  
(24) Date from which industrial property rights may have effect: **24 January 2006**  
(54) Product in respect of which the design is registered: **Intercooler pipe**  
(51) International Design Classification: **15-01**  
(71) Name(s) and Address(s) of Applicant(s):  
**Wai Chan**  
**3/8 Moorlands Road Ingleburn New South Wales 2565 Australia**  
(72) Name(s) of Designer(s): **Wai Chan**  
(45) Registration Date: **20 July 2006**  
(56) Related Art Documents: **Not Applicable**  
(57) Statement of Newness and Distinctiveness: **Each feature of the design considered separately or in combination with any other feature or features.**



- (21) Design Number: **10276/2006**  
(22) Date of Filing Application: **27 January 2006**  
(24) Date from which industrial property rights may have effect: **27 January 2006**  
(54) Product in respect of which the design is registered: **Washing machine**  
(51) International Design Classification: **15-05**  
(71) Name(s) and Address(s) of Applicant(s):  
**Samsung Electronics Co., Ltd**  
**416 Maetan 3-dong Paldal-gu Suwon-City Kyunggi-Do South Korea**  
(72) Name(s) of Designer(s): **Jeong-June Jun**  
(45) Registration Date: **20 July 2006**  
(56) Related Art Documents: **Not Applicable**  
(57) Statement of Newness and Distinctiveness: **Nil**



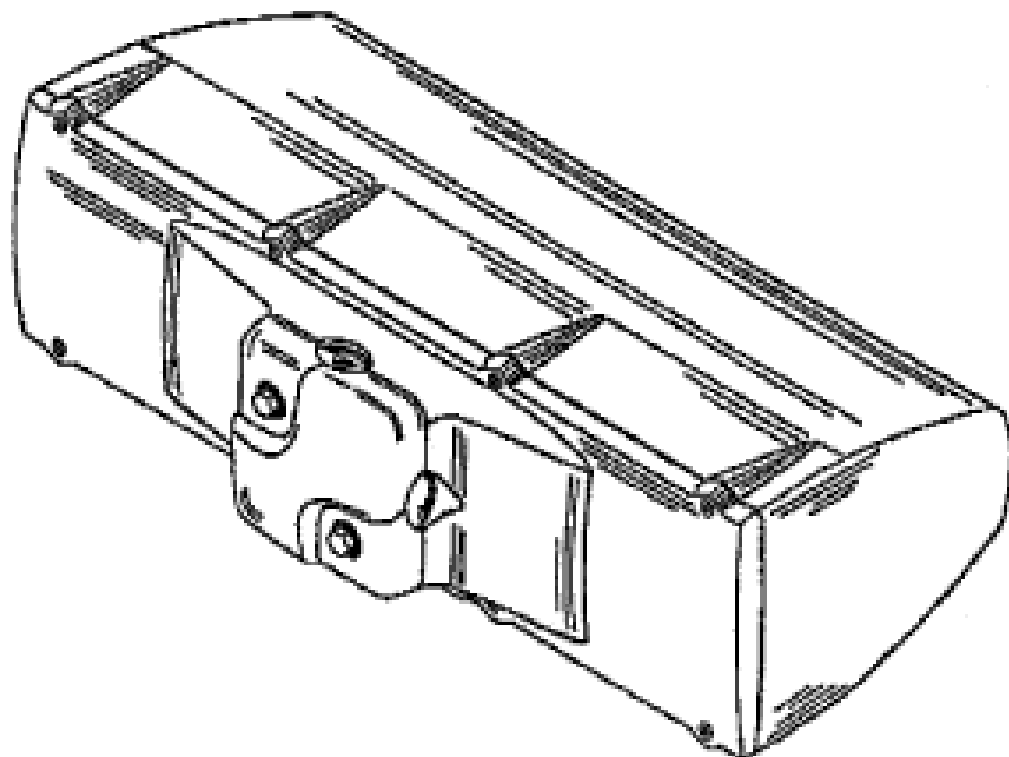
- (21) Design Number: **10278/2006**  
(22) Date of Filing Application: **27 January 2006**  
(24) Date from which industrial property rights may have effect: **27 January 2006**  
(54) Product in respect of which the design is registered: **Cassette for honey comb**  
(51) International Design Classification: **09-03K, 30-99**  
(71) Name(s) and Address(s) of Applicant(s):  
**The Honey Shack Pty Ltd**  
**12 Boronia Drive Hillside Victoria 3037 Australia**  
(72) Name(s) of Designer(s): **Eric William Smith**  
(45) Registration Date: **20 July 2006**  
(56) Related Art Documents: **Not Applicable**  
(57) Statement of Newness and Distinctiveness: **Nil**



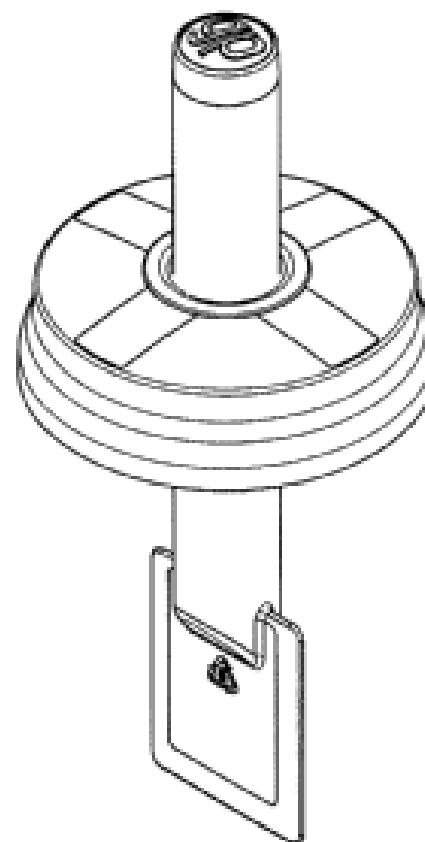
- (21) Design Number: **10279/2006**  
(22) Date of Filing Application: **27 January 2006**  
(24) Date from which industrial property rights may have effect: **27 January 2006**  
(54) Product in respect of which the design is registered: **Tortuga ute lid**  
(51) International Design Classification: **12-16B**  
(71) Name(s) and Address(s) of Applicant(s):  
**Carl Cerra**  
**204 Nell Street Greensborough Victoria 3088 Australia**  
(72) Name(s) of Designer(s): **Carl Cerra**  
(45) Registration Date: **20 July 2006**  
(56) Related Art Documents: **Not Applicable**  
(57) Statement of Newness and Distinctiveness: **A distinct innovative feature on the tonneau (ute lid) is the first composite tonneau to have a built in dust and water resistant storage unit in the middle of the primary lid (fig 1.1 & 1.2). The secondary storage compartment is also lockable. The compartment is dividable with inserts to seperate goods from each other (optional). This compartment is used to store fragile items such as workplace tools, notebook computer, change of clothes the groceries etc. The benefit of having this extra storage capacity is to protect any fragile goods from dust, weather or any larger items you may be carrying in the main tub of the ute. This unit may be fitted to the following brands of car: All Holden Commodore model utilities, All Ford Falcon utilities, All Toyota Hilux utilities, All Nissan Navara utilities.**



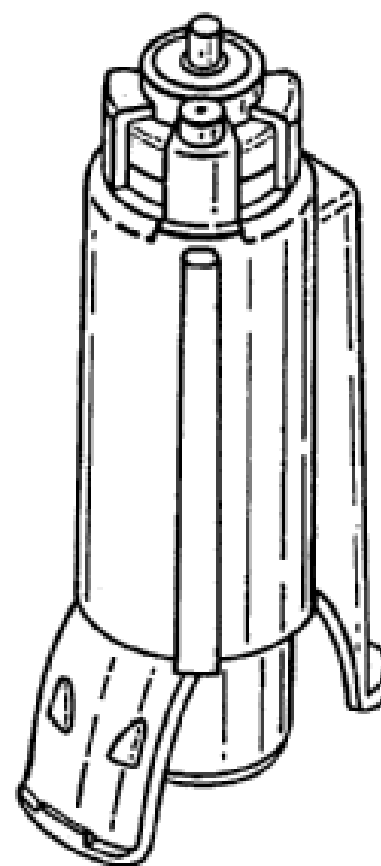
(21) Design Number: **10281/2006**  
(22) Date of Filing Application: **27 January 2006**  
(24) Date from which industrial property rights may have effect: **27 January 2006**  
(54) Product in respect of which the design is registered: **Antenna**  
(51) International Design Classification: **14-03NES**  
(71) Name(s) and Address(s) of Applicant(s):  
**DX Antenna Company, Limited**  
**2-15 Hamasaki-dori Hyogo-ku Kobe City Hyogo pref Japan**  
(72) Name(s) of Designer(s): **Shigemi Inoue**  
(45) Registration Date: **20 July 2006**  
(56) Related Art Documents: **Not Applicable**  
(57) Statement of Newness and Distinctiveness: **Nil**



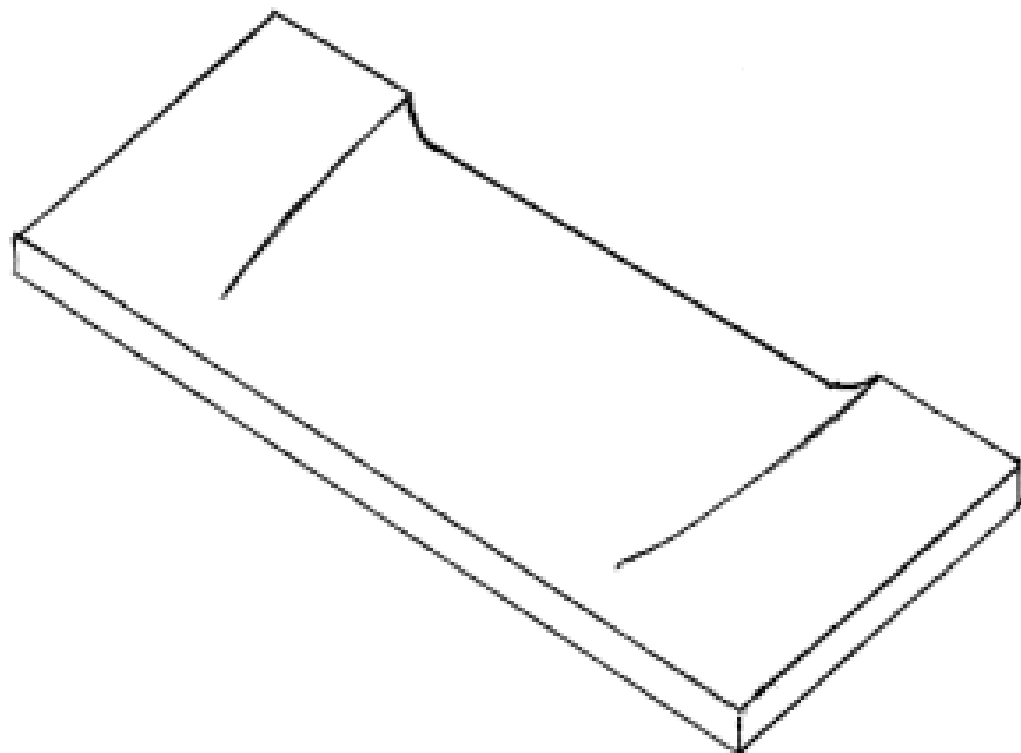
(21) Design Number: **10318/2006**  
(22) Date of Filing Application: **31 January 2006**  
(24) Date from which industrial property rights may have effect: **31 January 2006**  
(54) Product in respect of which the design is registered: **Lid with spoon**  
(51) International Design Classification: **09-07B, 07-03**  
(71) Name(s) and Address(s) of Applicant(s):  
**Oliver Clemens Robert Kratzer**  
**117 A Palmer Street East Sydney New South Wales 2010 Australia**  
**Grant Edward Stevens**  
**5/15-27 Hutchinson Street Surry Hills New South Wales 2010 Australia**  
(72) Name(s) of Designer(s): **Oliver Kratzer**  
(45) Registration Date: **20 July 2006**  
(56) Related Art Documents: **Not Applicable**  
(57) Statement of Newness and Distinctiveness: **Nil**



- (21) Design Number: **11180/2006**  
(22) Date of Filing Application: **21 March 2006**  
(24) Date from which industrial property rights may have effect: **21 March 2006**  
(54) Product in respect of which the design is registered: **Air freshener device**  
(51) International Design Classification: **28-99**  
(71) Name(s) and Address(s) of Applicant(s):  
**Reckitt Benckiser (UK) Limited**  
**103-105 Bath Road Slough Berkshire SL1 3UH United Kingdom**  
(72) Name(s) of Designer(s): **James Anderson and Martin Butler and Jingu Kim and Paul Newton and Simon Woolley and Andrew Barraclough and Alina Loscher**  
(45) Registration Date: **20 July 2006**  
(30) Convention priority data:  
(31) Number (32) Date (33) Country  
**000405238 22 Sep 2005 EUROPEAN COMMUNITY**  
(56) Related Art Documents: **Not Applicable**  
(57) Statement of Newness and Distinctiveness: **Newness and distinctiveness reside in the features of the design as shown in the representations.**

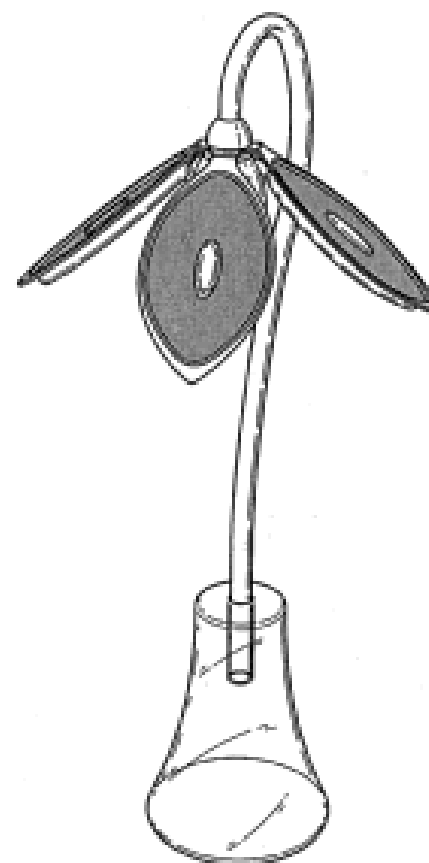


- (21) Design Number: **11409/2006**  
(22) Date of Filing Application: **31 March 2006**  
(24) Date from which industrial property rights may have effect: **31 March 2006**  
(54) Product in respect of which the design is registered: **Bathroom vanity benchtops**  
(51) International Design Classification: **23-02F**  
(71) Name(s) and Address(s) of Applicant(s):  
**Michael Cole**  
**123 Diamond Head Drive SANDY BEACH NSW AUSTRALIA 2456**  
(72) Name(s) of Designer(s): **Michael Cole**  
(45) Registration Date: **20 July 2006**  
(56) Related Art Documents: **Not Applicable**  
(57) Statement of Newness and Distinctiveness: **The shape has scalloped edges on the side of the chamfered central section.**

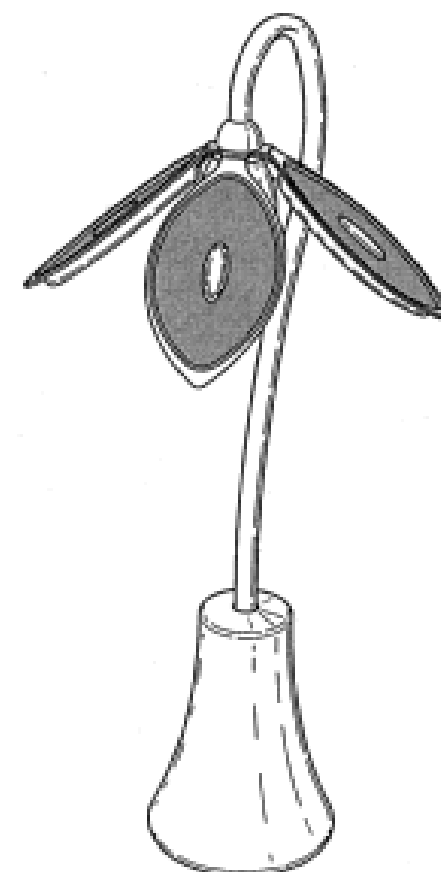




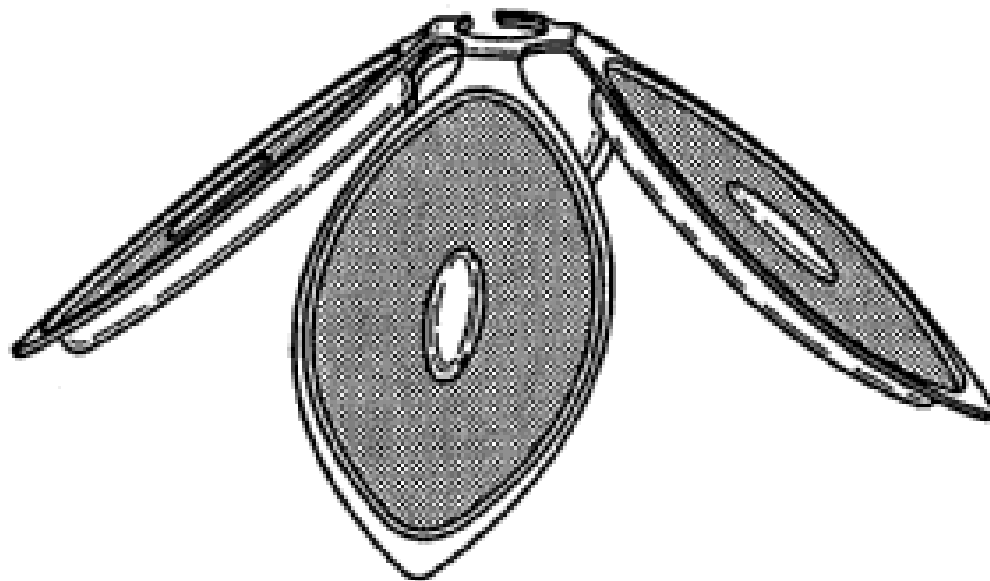
(21) Design Number: **11425/2006**  
(22) Date of Filing Application: **06 April 2006**  
(24) Date from which industrial property rights may have effect: **06 April 2006**  
(54) Product in respect of which the design is registered: **Air freshener device**  
(51) International Design Classification: **28-99**  
(71) Name(s) and Address(s) of Applicant(s):  
**Reckitt Benckiser (UK) Limited**  
**103-105 Bath Road Slough Berkshire SL1 3UH United Kingdom**  
(72) Name(s) of Designer(s): **Martin Butler and Carlos Daireaux and Simon Woolley and Richard Harbutt**  
(45) Registration Date: **20 July 2006**  
(30) Convention priority data:  
(31) Number      (32) Date      (33) Country  
**000415310      13 Oct 2005      EUROPEAN COMMUNITY**  
(56) Related Art Documents: **Not Applicable**  
(57) Statement of Newness and Distinctiveness: **Newness and distinctiveness reside in the features of the design as shown in the representations.**



(21) Design Number: **11426/2006**  
(22) Date of Filing Application: **06 April 2006**  
(24) Date from which industrial property rights may have effect: **06 April 2006**  
(54) Product in respect of which the design is registered: **Air freshener device**  
(51) International Design Classification: **28-99**  
(71) Name(s) and Address(s) of Applicant(s):  
**Reckitt Benckiser (UK) Limited**  
**103-105 Bath Road Slough Berkshire SL1 3UH United Kingdom**  
(72) Name(s) of Designer(s): **Martin Butler and Carlos Daireaux and Simon Woolley and Richard Harbutt**  
(45) Registration Date: **20 July 2006**  
(30) Convention priority data:  
(31) Number      (32) Date      (33) Country  
**000415310      13 Oct 2005      EUROPEAN COMMUNITY**  
(56) Related Art Documents: **Not Applicable**  
(57) Statement of Newness and Distinctiveness: **Newness and distinctiveness reside in the features of the design as shown in the representations.**



- (21) Design Number: **11427/2006**  
(22) Date of Filing Application: **06 April 2006**  
(24) Date from which industrial property rights may have effect: **06 April 2006**  
(54) Product in respect of which the design is registered: **Refill for air freshener device**  
(51) International Design Classification: **28-99**  
(71) Name(s) and Address(s) of Applicant(s):  
**Reckitt Benckiser (UK) Limited**  
**103-105 Bath Road Slough Berkshire SL1 3UH United Kingdom**  
(72) Name(s) of Designer(s): **Martin Butler and Carlos Daireaux and Simon Woolley and Richard Harbutt**  
(45) Registration Date: **20 July 2006**  
(30) Convention priority data:  
(31) Number (32) Date (33) Country  
**000415310 13 Oct 2005 EUROPEAN COMMUNITY**  
(56) Related Art Documents: **Not Applicable**  
(57) Statement of Newness and Distinctiveness: **Newness and distinctiveness reside in the features of the design as shown in the representations.**



- (21) Design Number: **14683/2005**  
(22) Date of Filing Application: **21 October 2005**  
(24) Date from which industrial property rights may have effect: **21 October 2005**  
(54) Product in respect of which the design is registered: **Adjustable staircase spine**  
(51) International Design Classification: **25-04**  
(71) Name(s) and Address(s) of Applicant(s):  
**Stephen Phillip Rorke**  
**147 Agincourt Road Marsfield New South Wales 2122 Australia**  
(72) Name(s) of Designer(s): **Stephen Rorke**  
(45) Registration Date: **20 July 2006**  
(56) Related Art Documents: **Not Applicable**  
(57) Statement of Newness and Distinctiveness: **Multi-directional staircase supports - adjustable in height as well as direction.**



- (21) Design Number: **15664/2005**
- (22) Date of Filing Application: **22 December 2005**
- (24) Date from which industrial property rights may have effect: **22 December 2005**
- (54) Product in respect of which the design is registered: **Bottle**
- (51) International Design Classification: **09-01NES**
- (71) Name(s) and Address(s) of Applicant(s):

**PepsiCo, Inc.**  
**700 Anderson Hill Road Purchase New York 10577 United States of America**

- (72) Name(s) of Designer(s): **Shriram Venkataraman and Laura A. Dellevigne and Dennis C. Connor and Shebriniah M. Moore**

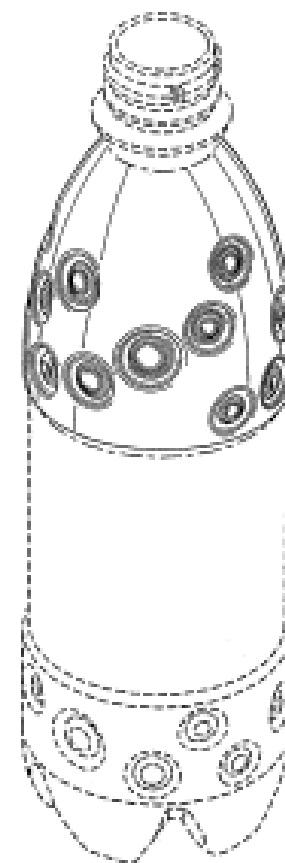
- (45) Registration Date: **20 July 2006**

- (30) Convention priority data:

(31) Number	(32) Date	(33) Country
<b>29/233274</b>	<b>30 Jun 2005</b>	<b>UNITED STATES OF AMERICA</b>

- (56) Related Art Documents: **Not Applicable**

- (57) Statement of Newness and Distinctiveness: **Newness and distinctiveness is claimed in those features of shape and/or configuration of a bottle illustrated in continuous lines in the accompanying representations.**



- (21) Design Number: **15665/2005**
- (22) Date of Filing Application: **22 December 2005**
- (24) Date from which industrial property rights may have effect: **22 December 2005**
- (54) Product in respect of which the design is registered: **Bottle**
- (51) International Design Classification: **09-01NES**
- (71) Name(s) and Address(s) of Applicant(s):

**PepsiCo, Inc.**  
**700 Anderson Hill Road Purchase New York 10577 United States of America**

- (72) Name(s) of Designer(s): **Shriram Venkataraman and Laura A. Dellevigne and Dennis C. Connor and Shebriniah M. Moore**

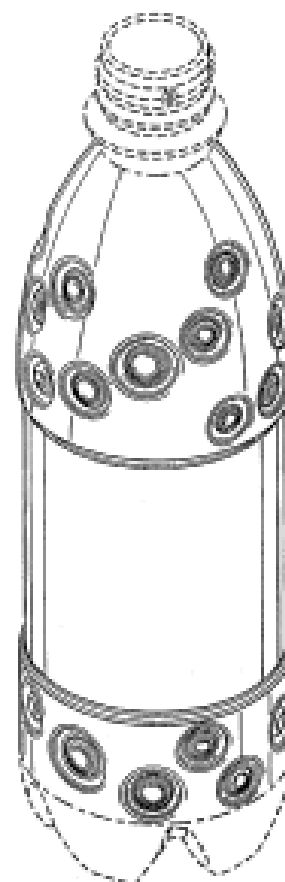
- (45) Registration Date: **20 July 2006**

- (30) Convention priority data:

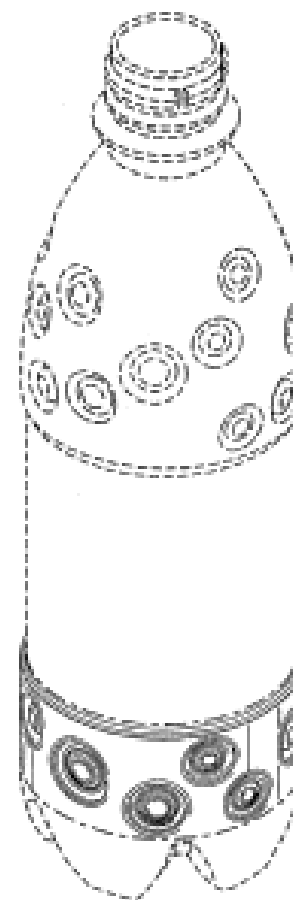
(31) Number	(32) Date	(33) Country
<b>29/233274</b>	<b>30 Jun 2005</b>	<b>UNITED STATES OF AMERICA</b>

- (56) Related Art Documents: **Not Applicable**

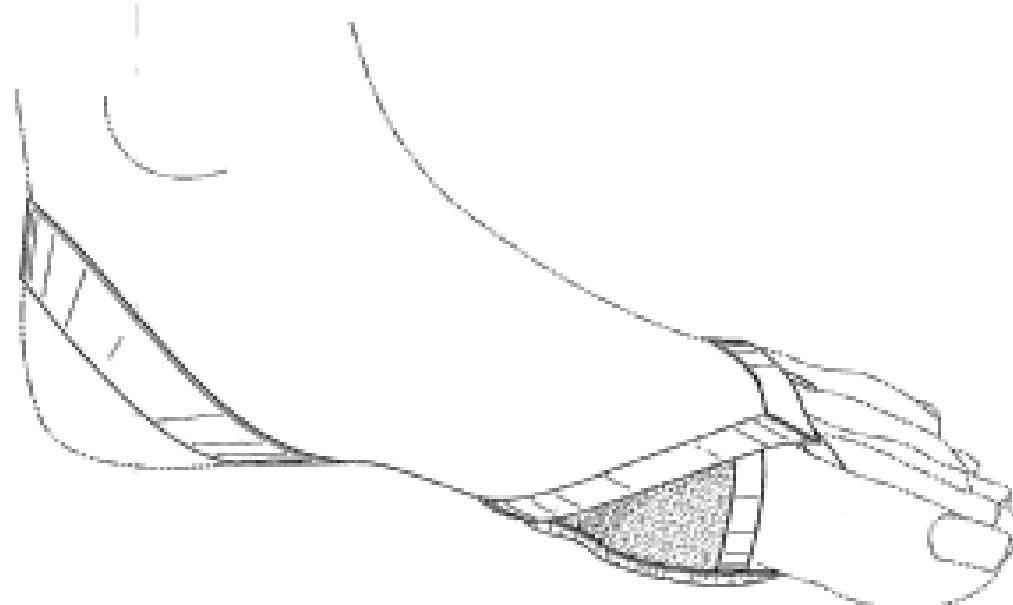
- (57) Statement of Newness and Distinctiveness: **Newness and distinctiveness is claimed in those features of shape and/or configuration of a bottle illustrated in continuous lines in the accompanying representations.**



(21) Design Number: **15666/2005**  
(22) Date of Filing Application: **22 December 2005**  
(24) Date from which industrial property rights may have effect: **22 December 2005**  
(54) Product in respect of which the design is registered: **Bottle**  
(51) International Design Classification: **09-01NES**  
(71) Name(s) and Address(s) of Applicant(s):  
**PepsiCo, Inc.**  
**700 Anderson Hill Road Purchase New York 10577 United States of America**  
(72) Name(s) of Designer(s): **Shriram Venkataraman and Laura A. Dellevigne and Dennis C. Connor**  
(45) Registration Date: **20 July 2006**  
(30) Convention priority data:  
(31) Number (32) Date (33) Country  
**29/233274 30 Jun 2005 UNITED STATES OF AMERICA**  
(56) Related Art Documents: **Not Applicable**  
(57) Statement of Newness and Distinctiveness: **Newness and distinctiveness is claimed in those features of shape and/or configuration of a bottle illustrated in continuous lines in the accompanying representations.**

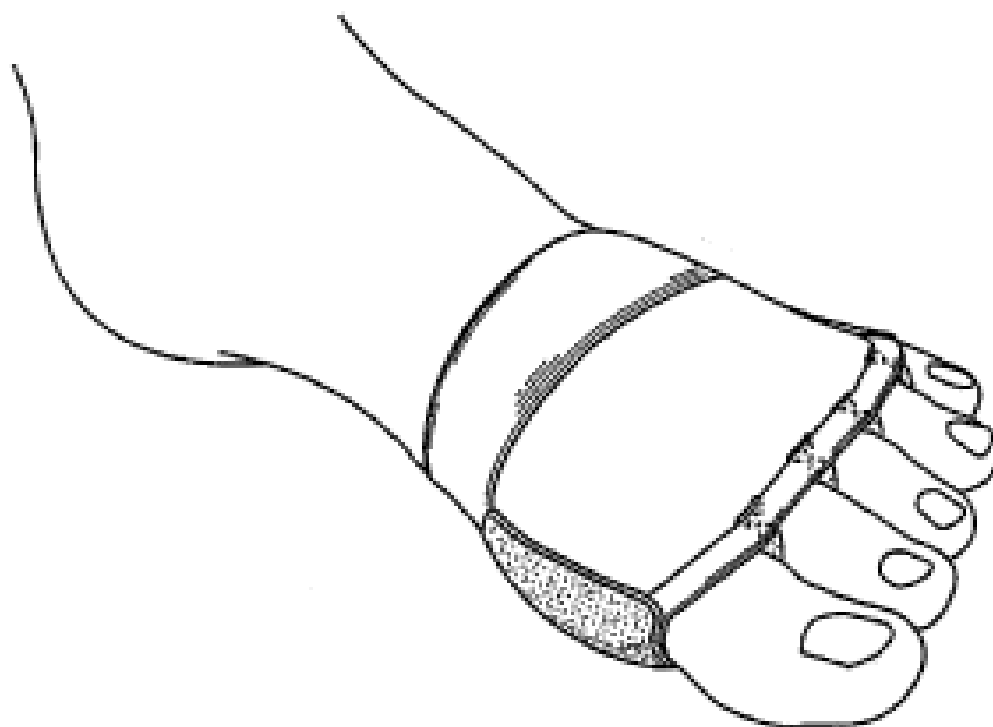


(21) Design Number: **15685/2005**  
(22) Date of Filing Application: **22 December 2005**  
(24) Date from which industrial property rights may have effect: **22 December 2005**  
(54) Product in respect of which the design is registered: **A dance shoe**  
(51) International Design Classification: **02-04NES**  
(71) Name(s) and Address(s) of Applicant(s):  
**J. Bloch Pty Ltd**  
**8/18 William Street Beaconsfield New South Wales 2015 Australia**  
(72) Name(s) of Designer(s): **David Wilkenfeld and Feliciano Leoncelli**  
(45) Registration Date: **20 July 2006**  
(30) Convention priority data:  
(31) Number (32) Date (33) Country  
**29/241182 24 Oct 2005 UNITED STATES OF AMERICA**  
(56) Related Art Documents: **Not Applicable**  
(57) Statement of Newness and Distinctiveness: **Nil**



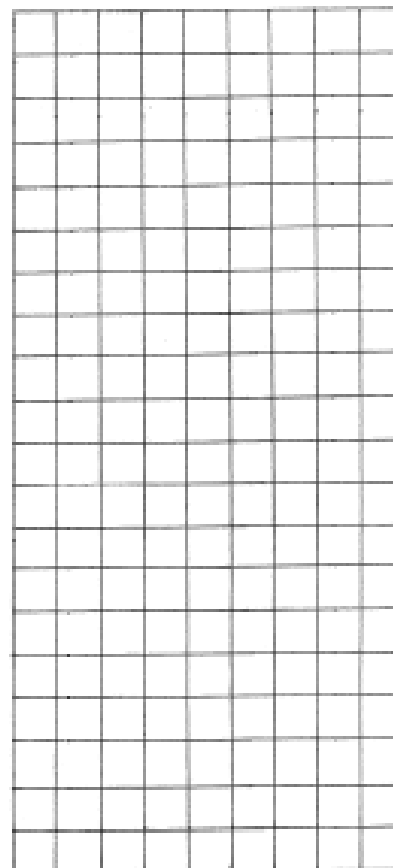
(19) AU

(21) Design Number: **15689/2005**  
 (22) Date of Filing Application: **22 December 2005**  
 (24) Date from which industrial property rights may have effect: **22 December 2005**  
 (54) Product in respect of which the design is registered: **A dance shoe**  
 (51) International Design Classification: **02-04NES**  
 (71) Name(s) and Address(s) of Applicant(s):  
**J Bloch Pty Ltd**  
**8-18 William Street Beaconsfield New South Wales 2015 Australia**  
 (72) Name(s) of Designer(s): **David Wilkenfeld and Felicia Leoncelli**  
 (45) Registration Date: **20 July 2006**  
 (30) Convention priority data:  
 (31) Number      (32) Date      (33) Country  
**29/233219      28 Jun 2005      UNITED STATES OF AMERICA**  
 (56) Related Art Documents: **Not Applicable**  
 (57) Statement of Newness and Distinctiveness: **Nil**



(19) AU

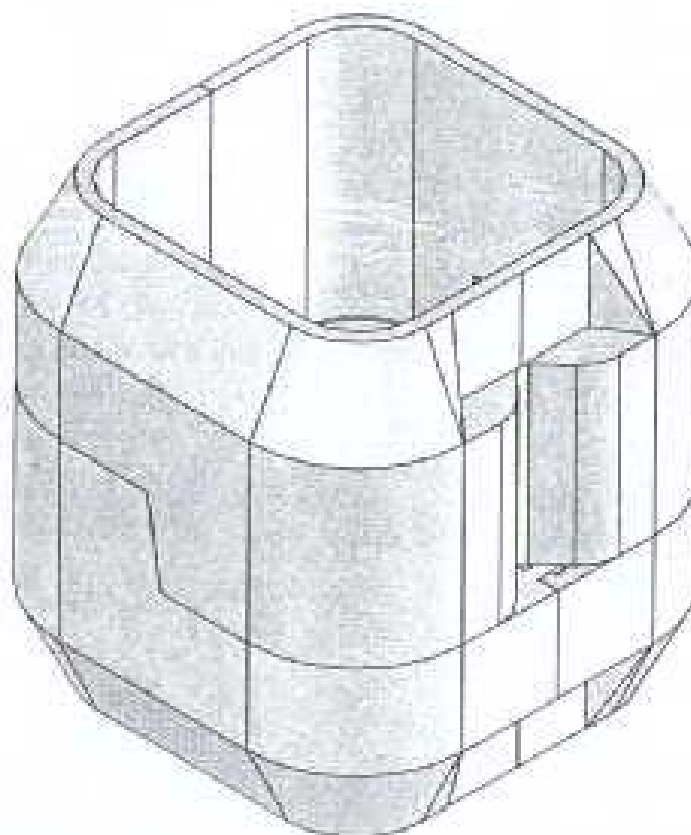
(21) Design Number: **10228/2006**  
 (22) Date of Filing Application: **23 January 2006**  
 (24) Date from which industrial property rights may have effect: **23 January 2006**  
 (54) Product in respect of which the design is registered: **Work-out (exercise) mat**  
 (51) International Design Classification: **21-02NES**  
 (71) Name(s) and Address(s) of Applicant(s):  
**Peter L. Kis**  
**PO Box 942 Bondi Junction New South Wales 2022 Australia**  
 (72) Name(s) of Designer(s): **Peter L. Kis**  
 (45) Registration Date: **19 July 2006**  
 (56) Related Art Documents: **Not Applicable**  
 (57) Statement of Newness and Distinctiveness: **Nil**



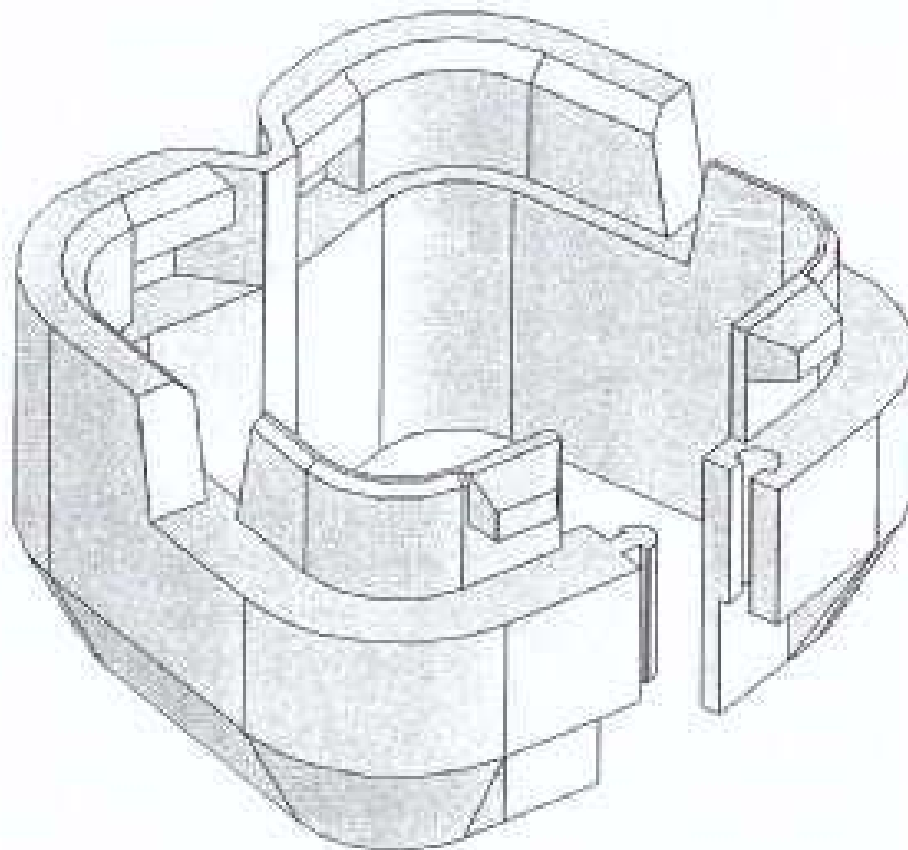
- (21) Design Number: **10290/2006**  
(22) Date of Filing Application: **31 January 2006**  
(24) Date from which industrial property rights may have effect: **31 January 2006**  
(54) Product in respect of which the design is registered: **Mail box**  
(51) International Design Classification: **25-03**  
(71) Name(s) and Address(s) of Applicant(s):  
**Letterbox Man Enterprises Pty Ltd**  
**218 Lutwyche Road Windsor Queensland 4030 Australia**  
(72) Name(s) of Designer(s): **E. John Handley**  
(45) Registration Date: **19 July 2006**  
(56) Related Art Documents: **Not Applicable**  
(57) Statement of Newness and Distinctiveness: **Monopoly is claimed in the shape and configuration of a mailbox as shown in the representations, including the weather flap and manner of attachment over the mail slot.**



- (21) Design Number: **10405/2006**  
(22) Date of Filing Application: **03 February 2006**  
(24) Date from which industrial property rights may have effect: **03 February 2006**  
(54) Product in respect of which the design is registered: **Buffer for a rollcontainer**  
(51) International Design Classification: **08-99**  
(71) Name(s) and Address(s) of Applicant(s):  
**K. Hartwall Oy Ab**  
**FIN-01150 Soderkulla Finland**  
(72) Name(s) of Designer(s): **Paul Sandstrom**  
(45) Registration Date: **19 July 2006**  
(30) Convention priority data:  
(31) Number (32) Date (33) Country  
**000392279 24 Aug 2005 EUROPEAN COMMUNITY**  
(56) Related Art Documents: **Not Applicable**  
(57) Statement of Newness and Distinctiveness: **Nil**



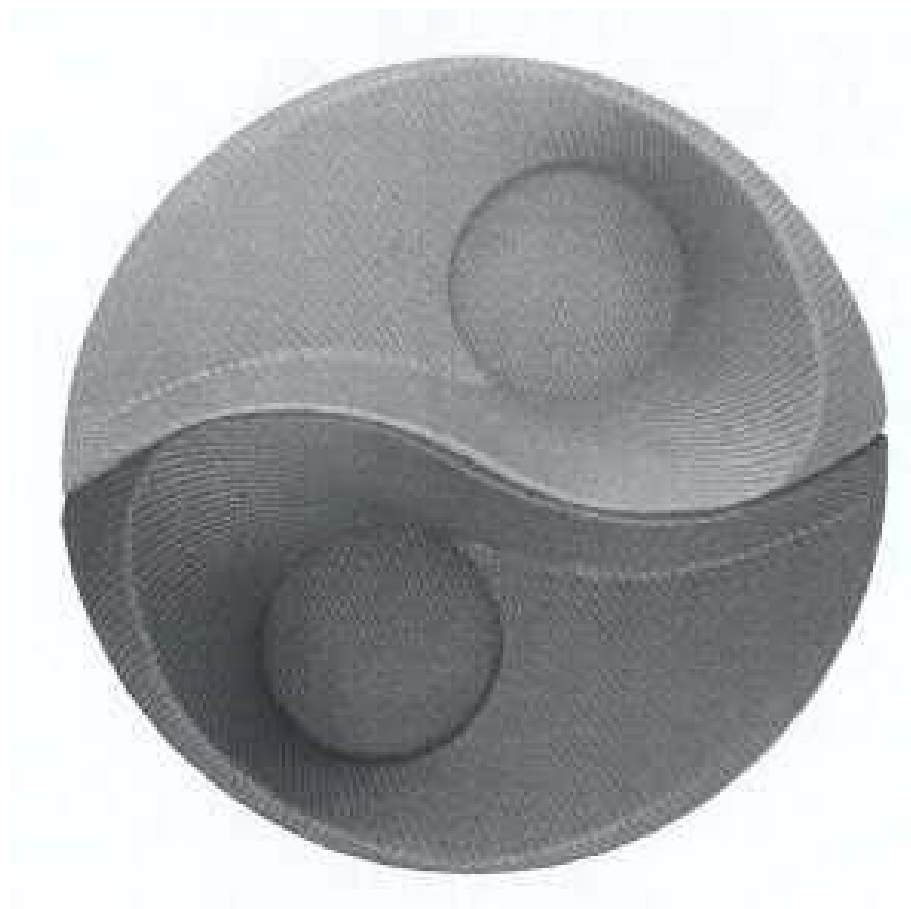
(21) Design Number: **10406/2006**  
(22) Date of Filing Application: **03 February 2006**  
(24) Date from which industrial property rights may have effect: **03 February 2006**  
(54) Product in respect of which the design is registered: **Part for a buffer for a rollcontainer**  
(51) International Design Classification: **08-09**  
(71) Name(s) and Address(s) of Applicant(s):  
**K. Hartwall Oy Ab**  
**FIN-01150 Soderkulla Finland**  
(72) Name(s) of Designer(s): **Paul Sandstrom**  
(45) Registration Date: **19 July 2006**  
(30) Convention priority data:  
(31) Number      (32) Date      (33) Country  
**000392279      24 Aug 2005      EUROPEAN COMMUNITY**  
(56) Related Art Documents: **Not Applicable**  
(57) Statement of Newness and Distinctiveness: **Nil**



(21) Design Number: **10561/2006**  
(22) Date of Filing Application: **15 February 2006**  
(24) Date from which industrial property rights may have effect: **15 February 2006**  
(54) Product in respect of which the design is registered: **Lounge chair 1**  
(51) International Design Classification: **06-01L**  
(71) Name(s) and Address(s) of Applicant(s):  
**DEDON GmbH**  
**Marie-Curie-Strasse 1 21337 Luneburg Germany**  
(72) Name(s) of Designer(s): **Nicolas Thomkins**  
(45) Registration Date: **19 July 2006**  
(56) Related Art Documents: **Not Applicable**  
(57) Statement of Newness and Distinctiveness: **Nil**



(21) Design Number: **10562/2006**  
(22) Date of Filing Application: **15 February 2006**  
(24) Date from which industrial property rights may have effect: **15 February 2006**  
(54) Product in respect of which the design is registered: **Lounge 2**  
(51) International Design Classification: **06-01L**  
(71) Name(s) and Address(s) of Applicant(s):  
**DEDON GmbH**  
**Marie-Curie-Strasse 1 21337 Luneburg Germany**  
(72) Name(s) of Designer(s): **Nicolas Thomkins**  
(45) Registration Date: **19 July 2006**  
(56) Related Art Documents: **Not Applicable**  
(57) Statement of Newness and Distinctiveness: **Nil**

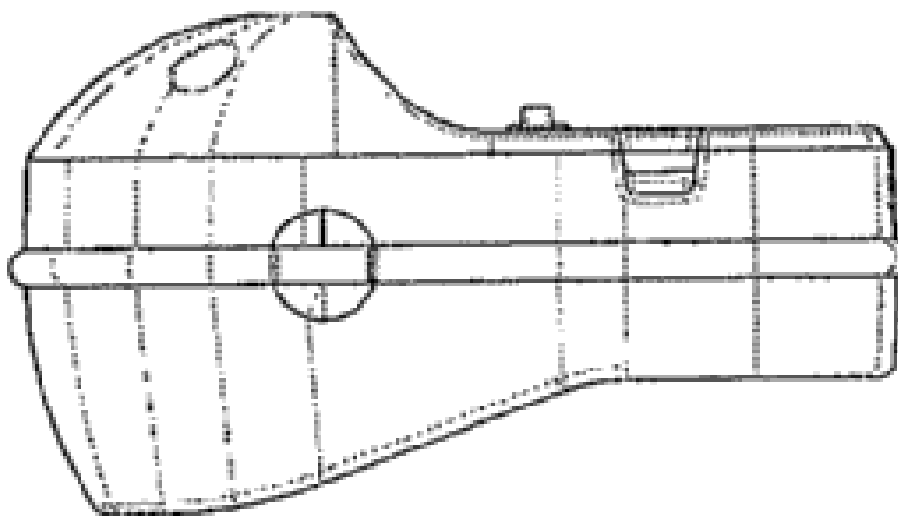


(21) Design Number: **10563/2006**  
(22) Date of Filing Application: **15 February 2006**  
(24) Date from which industrial property rights may have effect: **15 February 2006**  
(54) Product in respect of which the design is registered: **Table**  
(51) International Design Classification: **06-03B**  
(71) Name(s) and Address(s) of Applicant(s):  
**DEDON GmbH**  
**Marie-Curie-Strasse 1 21337 Luneburg Germany**  
(72) Name(s) of Designer(s): **Nicolas Thomkins**  
(45) Registration Date: **19 July 2006**  
(56) Related Art Documents: **Not Applicable**  
(57) Statement of Newness and Distinctiveness: **Nil**





- (21) Design Number: **10571/2006**  
(22) Date of Filing Application: **16 February 2006**  
(24) Date from which industrial property rights may have effect: **16 February 2006**  
(54) Product in respect of which the design is registered: **Navigation system**  
(51) International Design Classification: **12-16NES, 10-05**  
(71) Name(s) and Address(s) of Applicant(s):  
**Tom Tom International B.V.**  
**Rembrandtplein 35 1017 Amsterdam CT The Netherlands**  
(72) Name(s) of Designer(s): **Patrick Hunt**  
(45) Registration Date: **19 July 2006**  
(30) Convention priority data:  
(31) Number (32) Date (33) Country  
**CM000389424 22 Aug 2005 EUROPEAN COMMUNITY**  
(56) Related Art Documents: **Not Applicable**  
(57) Statement of Newness and Distinctiveness: **The shape and configuration of the navigation system is new and distinctive.**



- (21) Design Number: **10583/2006**  
(22) Date of Filing Application: **17 February 2006**  
(24) Date from which industrial property rights may have effect: **17 February 2006**  
(54) Product in respect of which the design is registered: **Pan connector component**  
(51) International Design Classification: **23-01A**  
(71) Name(s) and Address(s) of Applicant(s):  
**Art Plastics Pty Ltd**  
**14 White Street Bayswater Western Australia 6053 Australia**  
(72) Name(s) of Designer(s): **Tim Lucas**  
(45) Registration Date: **19 July 2006**  
(56) Related Art Documents: **Not Applicable**  
(57) Statement of Newness and Distinctiveness: **Nil**



(21) Design Number: **10586/2006**

(22) Date of Filing Application: **17 February 2006**

(24) Date from which industrial property rights may have effect: **17 February 2006**

(54) Product in respect of which the design is registered: **Toilet pan**

(51) International Design Classification: **23-02C**

(71) Name(s) and Address(s) of Applicant(s):

**Bio Waste Systems Pty. Ltd.**

**32 River Park Place Fig Tree Pocket Queensland 4069 Australia**

(72) Name(s) of Designer(s): **Paul Maddern and Rey Nicerio**

(45) Registration Date: **19 July 2006**

(56) Related Art Documents: **Not Applicable**

(57) Statement of Newness and Distinctiveness: **Newness and distinctiveness is claimed in the features of shape and/or configuration of a toilet pan that meets dimensional requirements of AS/NZS1546.2:2001 and is as illustrated in the accompanying representations.**



(21) Design Number: **10593/2006**

(22) Date of Filing Application: **17 February 2006**

(24) Date from which industrial property rights may have effect: **17 February 2006**

(54) Product in respect of which the design is registered: **Universal mounting collar for scaffolding**

(51) International Design Classification: **25-04**

(71) Name(s) and Address(s) of Applicant(s):

**Alustar AS**

**P.O. Box 95 N-4097 Sola Norway**

(72) Name(s) of Designer(s): **Martin Husebo**

(45) Registration Date: **19 July 2006**

(30) Convention priority data:

(31) Number

(32) Date

(33) Country

**20050447**

**22 Aug 2005**

**NORWAY**

(56) Related Art Documents: **Not Applicable**

(57) Statement of Newness and Distinctiveness: **Nil**



- (21) Design Number: **10595/2006**
- (22) Date of Filing Application: **17 February 2006**
- (24) Date from which industrial property rights may have effect: **17 February 2006**
- (54) Product in respect of which the design is registered: **Cash register**
- (51) International Design Classification: **18-01**
- (71) Name(s) and Address(s) of Applicant(s):

**Fujitsu Limited**  
**1-1 Kamikodanaka 4-chome Nakahara-ku Kawasaki-shi Kanagawa**  
**211-8588 Japan**

**Fujitsu Frontech Limited**  
**1776 Yanokuchi Inagi-shi Tokyo 206-8555 Japan**

- (72) Name(s) of Designer(s): **Taku Ando and Toshiyuki Ichikawa and Youhei Shimura**

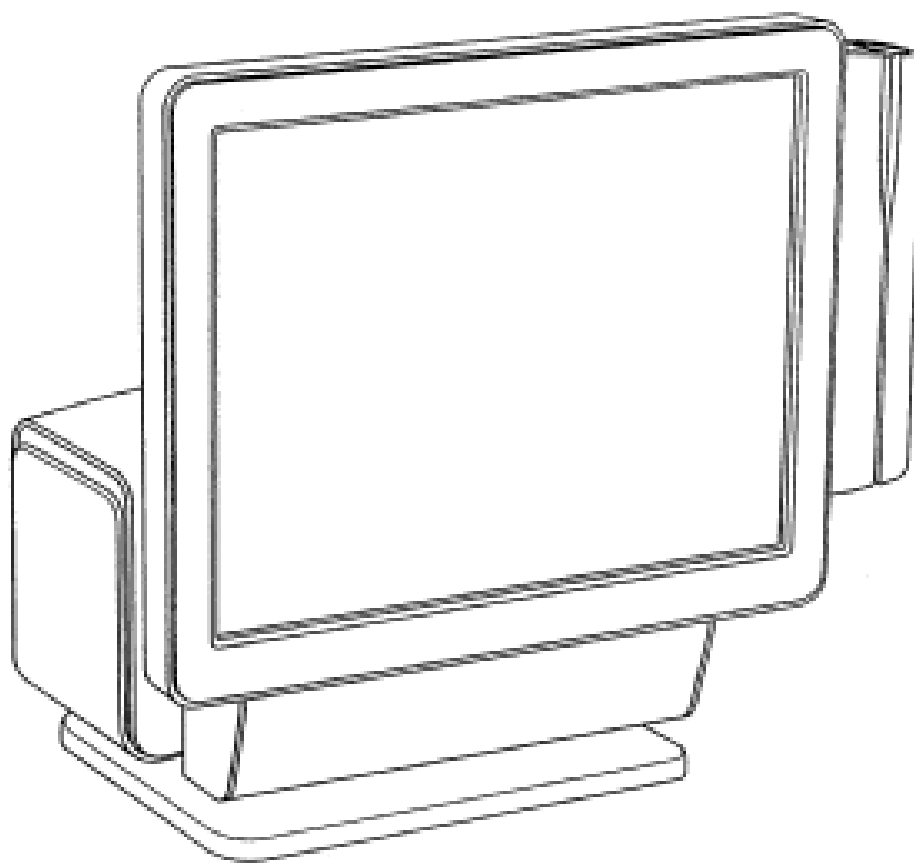
- (45) Registration Date: **19 July 2006**

- (30) Convention priority data:

(31) Number	(32) Date	(33) Country
<b>2005-024013</b>	<b>19 Aug 2005</b>	<b>JAPAN</b>

- (56) Related Art Documents: **Not Applicable**

- (57) Statement of Newness and Distinctiveness: **Newness and distinctiveness is claimed in the features of shape and/or configuration of a cash register as illustrated in the accompanying representations, and when considering newness and distinctiveness, particular regard should be had to: (1) A lower height of the body part relative to the display part permitting hinged integration thereof and adjustment of the display angle from particular to horizontal; (2) rounded corners of the main body and display; (3) the slit/louver shaped exhausts; (4) the right side of the display portion formed so that a magnetic card reader or keyboard can be attached; and (5) a cover over the power button.**



- (21) Design Number: **10596/2006**
- (22) Date of Filing Application: **17 February 2006**
- (24) Date from which industrial property rights may have effect: **17 February 2006**
- (54) Product in respect of which the design is registered: **Cash register**
- (51) International Design Classification: **18-01**
- (71) Name(s) and Address(s) of Applicant(s):

**Fujitsu Limited**  
**1-1 Kamikodanaka 4-chome Nakahara-ku Kawasaki-shi Kanagawa**  
**211-8588 Japan**

**Fujitsu Frontech Limited**  
**1776 Yanokuchi Inagi-shi Tokyo 206-8555 Japan**

- (72) Name(s) of Designer(s): **Taku Ando and Toshiyuki Ichikawa and Youhei Shimura**

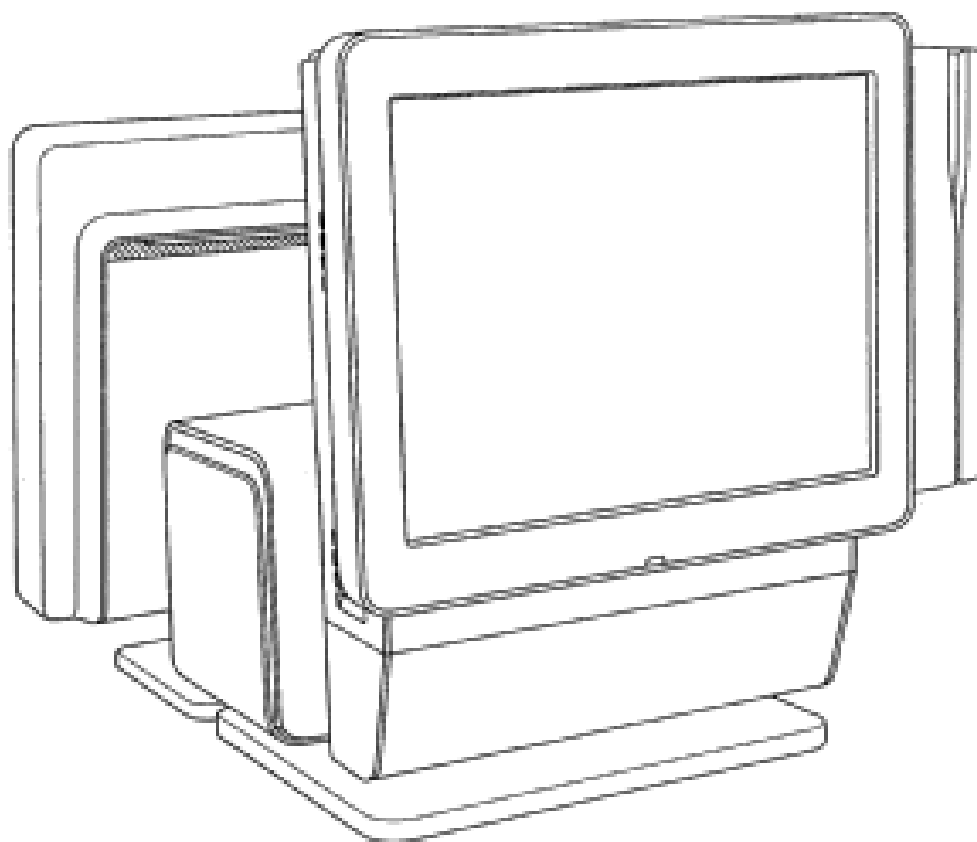
- (45) Registration Date: **19 July 2006**

- (30) Convention priority data:

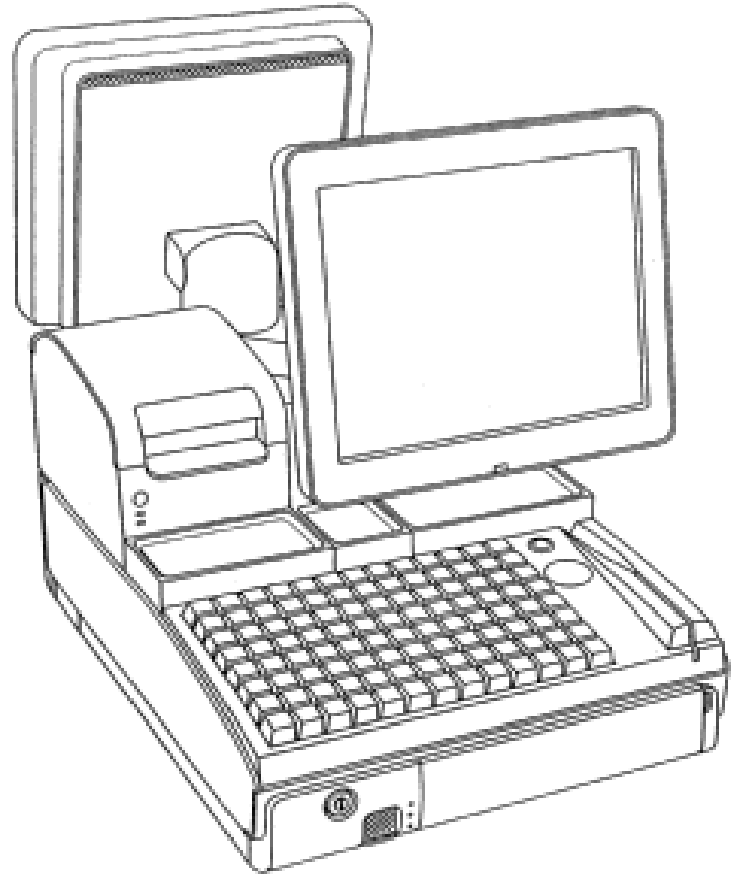
(31) Number	(32) Date	(33) Country
<b>2006-001910</b>	<b>30 Jan 2006</b>	<b>JAPAN</b>

- (56) Related Art Documents: **Not Applicable**

- (57) Statement of Newness and Distinctiveness: **Newness and distinctiveness is claimed in the features of shape and/or configuration of a cash register as illustrated in the accompanying representations, and when considering newness and distinctiveness, particular regard should be had to: (1) a lower height of the body part relative to a main display permitting hinged integration thereof and adjustment of the display angle from perpendicular to horizontal; (2) the rounded edges of the main body and displays; (3) the slit/louver shaped exhausts; (4) the right side of the main display formed so that a magnetic card reader or keyboard can be attached; (5) a cover over the power button; and (6) a detachable rear display being able to tilt or to swivel.**



- (21) Design Number: **10597/2006**  
(22) Date of Filing Application: **17 February 2006**  
(24) Date from which industrial property rights may have effect: **17 February 2006**  
(54) Product in respect of which the design is registered: **Cash register**  
(51) International Design Classification: **18-01**  
(71) Name(s) and Address(s) of Applicant(s):  
    **Fujitsu Limited**  
    **1-1 Kamikodanaka 4-chome Nakahara-ku Kawasaki-shi Kanagawa**  
    **211-8588 Japan**  
    **Fujitsu Frontech Limited**  
    **1776 Yanokuchi Inagi-shi Tokyo 206-8555 Japan**  
(72) Name(s) of Designer(s): **Taku Ando and Toshiyuki Ichikawa and Youhei Shimura**  
(45) Registration Date: **19 July 2006**  
(30) Convention priority data:  
    (31) Number      (32) Date      (33) Country  
    **2006-001909      30 Jan 2006      JAPAN**  
(56) Related Art Documents: **Not Applicable**  
(57) Statement of Newness and Distinctiveness: **Newness and distinctiveness is claimed in the features of shape and/or configuration of a cash register as illustrated in the accompanying representations, and when considering newness and distinctiveness, particular regard should be had to: (1) the lower near side of the keyboard; (2) a narrow gap between the keyboard and an operator display adjacent thereto; (3) the rounded edges of the main body, displays and printer; (4) the slit shaped exhausts; (5) the tray shaped space under the operator display adjacent the keyboard and near a side of the printer; (6) a cover over the power button; and (7) the customer display being attached to the main body via a horizontal display arm allowing rotation of the display arm about said body, and the rotation of the customer display at the end said display arm.**



- (21) Design Number: **10598/2006**  
(22) Date of Filing Application: **17 February 2006**  
(24) Date from which industrial property rights may have effect: **17 February 2006**  
(54) Product in respect of which the design is registered: **Lock fascia**  
(51) International Design Classification: **08-07**  
(71) Name(s) and Address(s) of Applicant(s):  
    **B&D Australia Pty Ltd**  
    **17 Oasis Court Clontarf Queensland 4019 Australia**  
(72) Name(s) of Designer(s): **George Kourtesis**  
(45) Registration Date: **19 July 2006**  
(56) Related Art Documents: **Not Applicable**  
(57) Statement of Newness and Distinctiveness: **Nil**



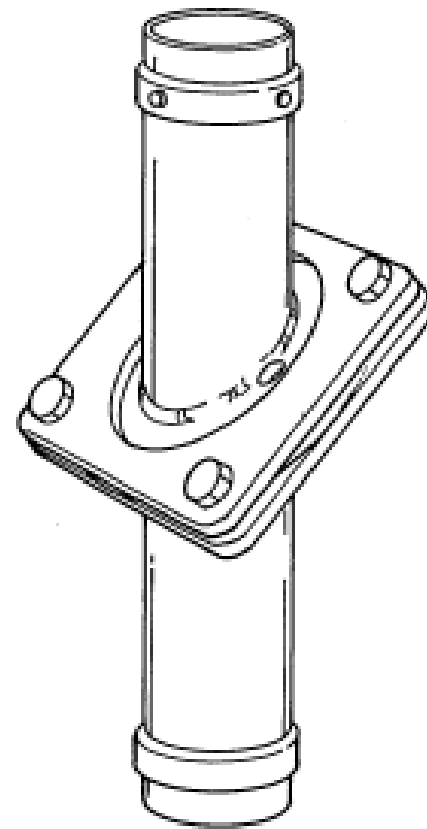
(21) Design Number: **10599/2006**  
(22) Date of Filing Application: **17 February 2006**  
(24) Date from which industrial property rights may have effect: **17 February 2006**  
(54) Product in respect of which the design is registered: **Lock fascia**  
(51) International Design Classification: **08-07**  
(71) Name(s) and Address(s) of Applicant(s):  
**B&D Australia Pty Ltd**  
**17 Oasis Court Clontarf Queensland 4019 Australia**  
(72) Name(s) of Designer(s): **George Kourtesis**  
(45) Registration Date: **19 July 2006**  
(56) Related Art Documents: **Not Applicable**  
(57) Statement of Newness and Distinctiveness: **Nil**



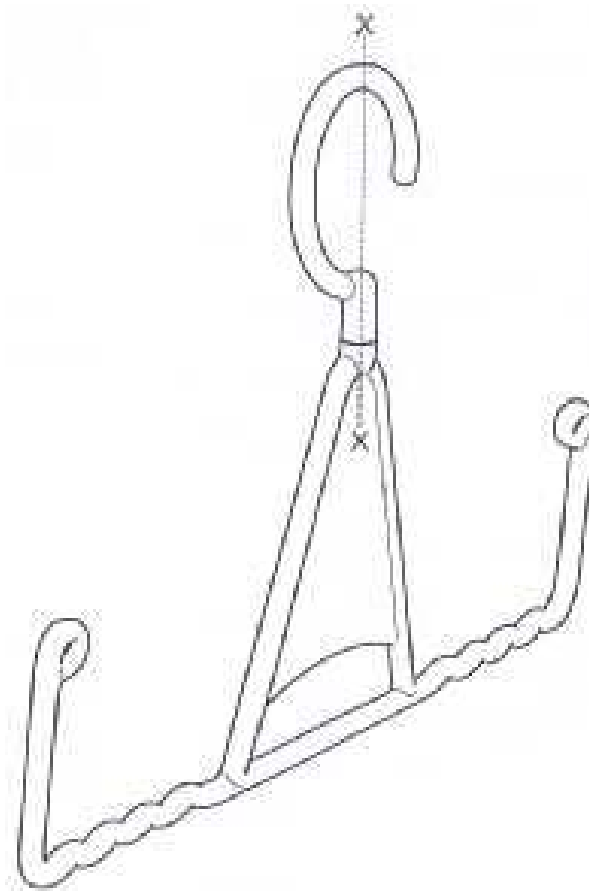
(21) Design Number: **12067/2006**  
(22) Date of Filing Application: **12 May 2006**  
(24) Date from which industrial property rights may have effect: **12 May 2006**  
(54) Product in respect of which the design is registered: **Behaviour Management Chart**  
(51) International Design Classification: **19-07, 19-08**  
(71) Name(s) and Address(s) of Applicant(s):  
**Teresa Golin**  
**481 Military Road Largs Bay South Australia 5016 Australia**  
**Josephine Kelsh**  
**481 Military Road Largs Bay South Australia 5016 Australia**  
(72) Name(s) of Designer(s): **Michelle North**  
(45) Registration Date: **19 July 2006**  
(56) Related Art Documents: **Not Applicable**  
(57) Statement of Newness and Distinctiveness: **Using the concept of a hand as the basis for a star chart or behaviour management chart.**



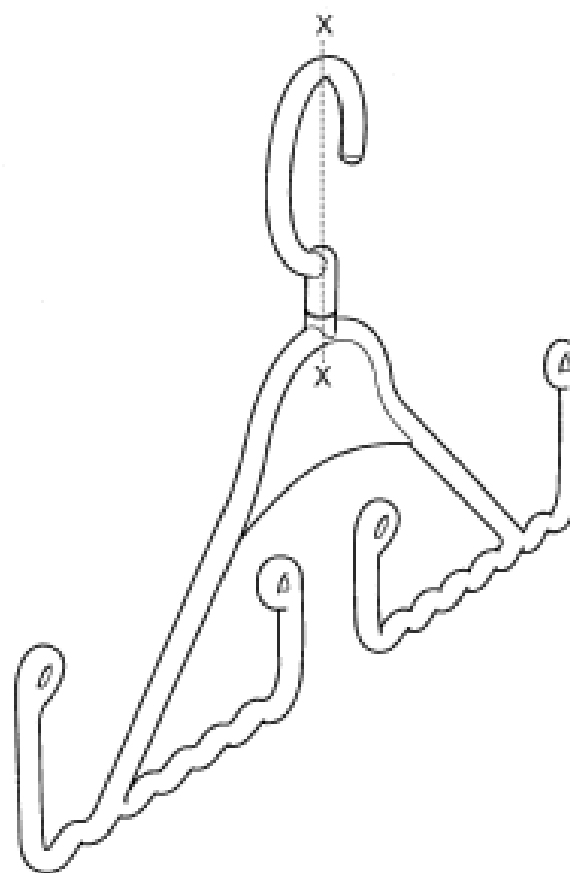
- (21) Design Number: **13595/2005**  
(22) Date of Filing Application: **23 August 2005**  
(24) Date from which industrial property rights may have effect: **23 August 2005**  
(54) Product in respect of which the design is registered: **Pole attachment**  
(51) International Design Classification: **26-03**  
(71) Name(s) and Address(s) of Applicant(s):  
**Safe Swivel Patent Co. Pty Ltd**  
**Unit 4/57 Gordon Road Mandurah Western Australia 6210 Australia**  
(72) Name(s) of Designer(s): **Robert John Pannekoek**  
(45) Registration Date: **19 July 2006**  
(56) Related Art Documents: **Not Applicable**  
(57) Statement of Newness and Distinctiveness: **Nil**



- (21) Design Number: **14142/2005**  
(22) Date of Filing Application: **23 September 2005**  
(24) Date from which industrial property rights may have effect: **23 September 2005**  
(54) Product in respect of which the design is registered: **Garment hanger**  
(51) International Design Classification: **06-08**  
(71) Name(s) and Address(s) of Applicant(s):  
**Donatella Condo**  
**98 Welshpool Road Lesmurdie Western Australia 6076 Australia**  
(72) Name(s) of Designer(s): **Donatella Condo**  
(45) Registration Date: **19 July 2006**  
(56) Related Art Documents: **Not Applicable**  
(57) Statement of Newness and Distinctiveness: **Each feature of the design, other than the hook portion A of the hanger, considered separately or in combination with any other feature or features. The hook portion A of the garment hanger is capable of swivelling about the axis X.**

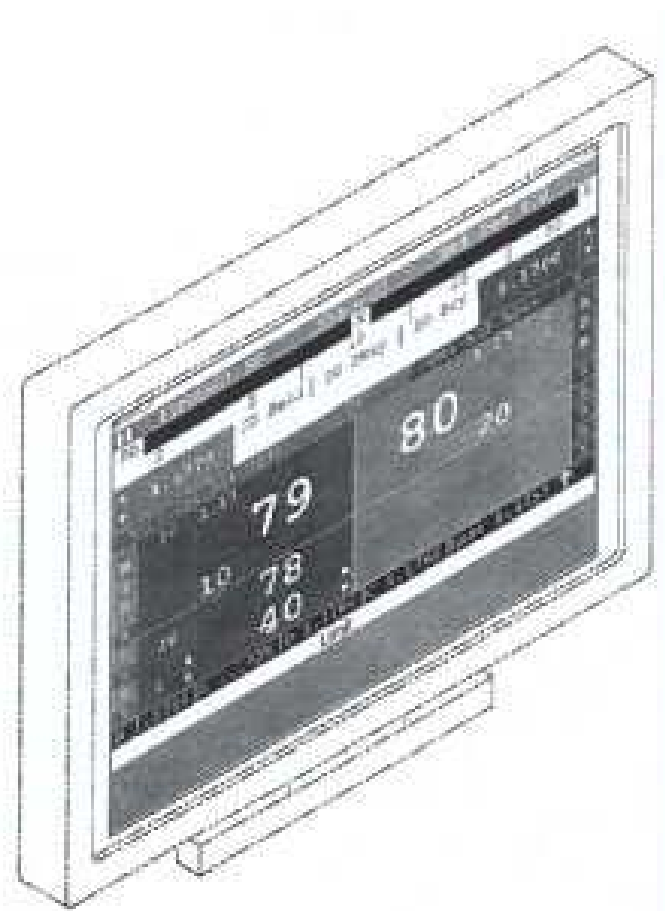


- (21) Design Number: **14143/2005**
- (22) Date of Filing Application: **23 September 2005**
- (24) Date from which industrial property rights may have effect: **23 September 2005**
- (54) Product in respect of which the design is registered: **Garment hanger**
- (51) International Design Classification: **06-08**
- (71) Name(s) and Address(s) of Applicant(s):  
**Donatella Condo**  
**98 Welshpool Road Lesmurdie Western Australia 6076 Australia**
- (72) Name(s) of Designer(s): **Donatella Condo**
- (45) Registration Date: **19 July 2006**
- (56) Related Art Documents: **Not Applicable**
- (57) Statement of Newness and Distinctiveness: **Each feature of the design, other than the hook portion A of the hanger, considered separately or in combination with any other feature or features. The hook portion A of the garment hanger is capable of swivelling about the axis X.**



- (21) Design Number: **15085/2005**
- (22) Date of Filing Application: **21 May 2004**
- (24) Date from which industrial property rights may have effect: **21 May 2004**
- (54) Product in respect of which the design is registered: **Foreign Currency Exchange Display**
- (51) International Design Classification: **14-04**
- (71) Name(s) and Address(s) of Applicant(s):  
**eSpeed Inc.**  
**135 E. 57th Street New York NY 10022 United States of America**
- (72) Name(s) of Designer(s): **Lee M. Amaitis and James C. Johnson and Joseph C. Noviello and Nigel J. Renton and Michael Sweeting**
- (45) Registration Date: **19 July 2006**
- (30) Convention priority data:  

(31) Number	(32) Date	(33) Country
<b>29/194,355</b>	<b>21 Nov 2003</b>	<b>UNITED STATES OF AMERICA</b>
- (56) Related Art Documents: **Not Applicable**



(21) Design Number: **10047/2006**

(22) Date of Filing Application: **10 January 2006**

(24) Date from which industrial property rights may have effect: **10 January 2006**

(54) Product in respect of which the design is registered: **Cleaning element for brooms or brushes**

(51) International Design Classification: **04-01**

(71) Name(s) and Address(s) of Applicant(s):

**FHP di R. Freudenberg S.a.s.  
Viale Monza 38 20127 Milano Italy**

(72) Name(s) of Designer(s): **Giancarlo Pieri**

(45) Registration Date: **20 July 2006**

(30) Convention priority data:

(31) Number	(32) Date	(33) Country
<b>000372362</b>	<b>12 Jul 2005</b>	<b>EUROPEAN COMMUNITY</b>

(56) Related Art Documents: **Not Applicable**

(57) Statement of Newness and Distinctiveness: **Newness and distinctiveness is claimed in the features of shape and/or configuration of a cleaning element for brooms or brushes as illustrated in the accompanying representations.**



(21) Design Number: **10238/2006**

(22) Date of Filing Application: **25 January 2006**

(24) Date from which industrial property rights may have effect: **25 January 2006**

(54) Product in respect of which the design is registered: **Drinking cup**

(51) International Design Classification: **07-01D**

(71) Name(s) and Address(s) of Applicant(s):

**Pi-Design AG  
Kantonsstrasse 100 Postfach 463 CH-6234 Triengen Switzerland**

(72) Name(s) of Designer(s): **Jorgen Bodum**

(45) Registration Date: **20 July 2006**

(30) Convention priority data:

(31) Number	(32) Date	(33) Country
<b>DA 2005 00238</b>	<b>18 Aug 2005</b>	<b>DENMARK</b>

(56) Related Art Documents: **Not Applicable**

(57) Statement of Newness and Distinctiveness: **Nil**

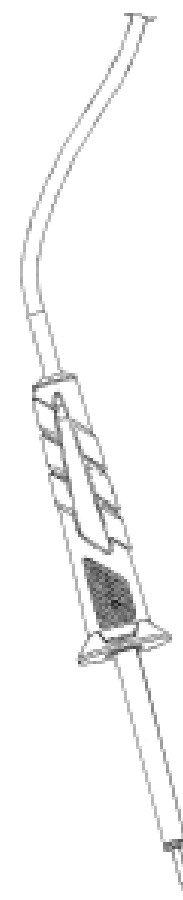




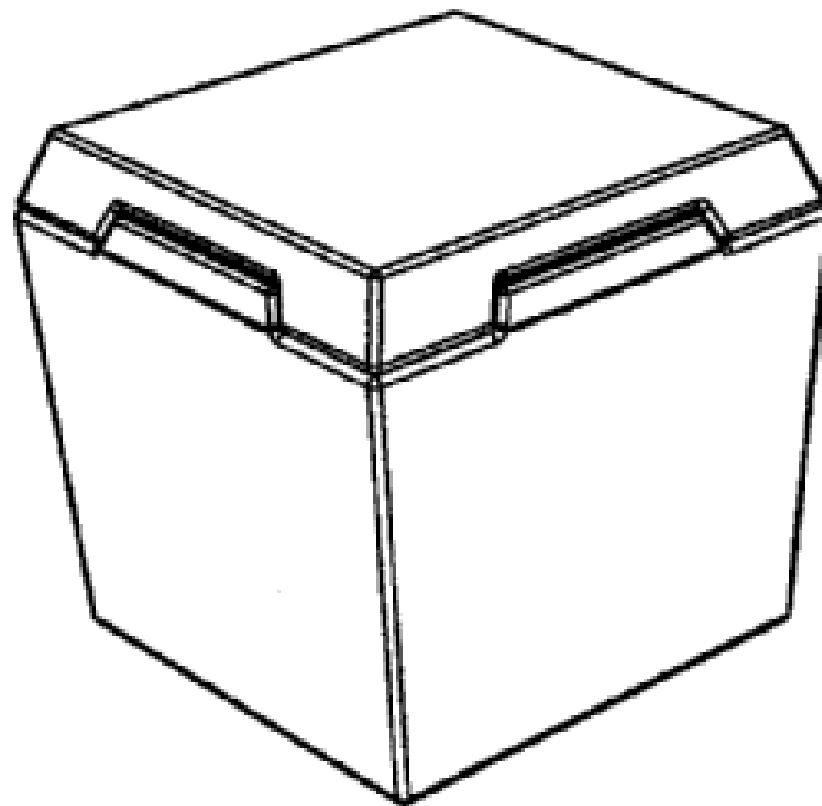
- (21) Design Number: **10249/2006**  
(22) Date of Filing Application: **25 January 2006**  
(24) Date from which industrial property rights may have effect: **25 January 2006**  
(54) Product in respect of which the design is registered: **A pneumatic tyre**  
(51) International Design Classification: **12-15B**  
(71) Name(s) and Address(s) of Applicant(s):  
**Societe De Technologie Michelin**  
**23 rue Breschet F-63000 Clermont-Ferrand Cedex France**  
**Michelin Recherche et Technique S.A.**  
**Route Louis Braille 10 et 12 CH-1763 Granges-Paccot Switzerland**  
(72) Name(s) of Designer(s): **Philippe Thiebaud**  
(45) Registration Date: **20 July 2006**  
(30) Convention priority data:  
(31) Number      (32) Date      (33) Country  
**05/3789      25 Jul 2005      FRANCE**  
(56) Related Art Documents: **Not Applicable**  
(57) Statement of Newness and Distinctiveness: **Novelty resides in the shape or configuration applied to the tread region of the pneumatic tyre.**



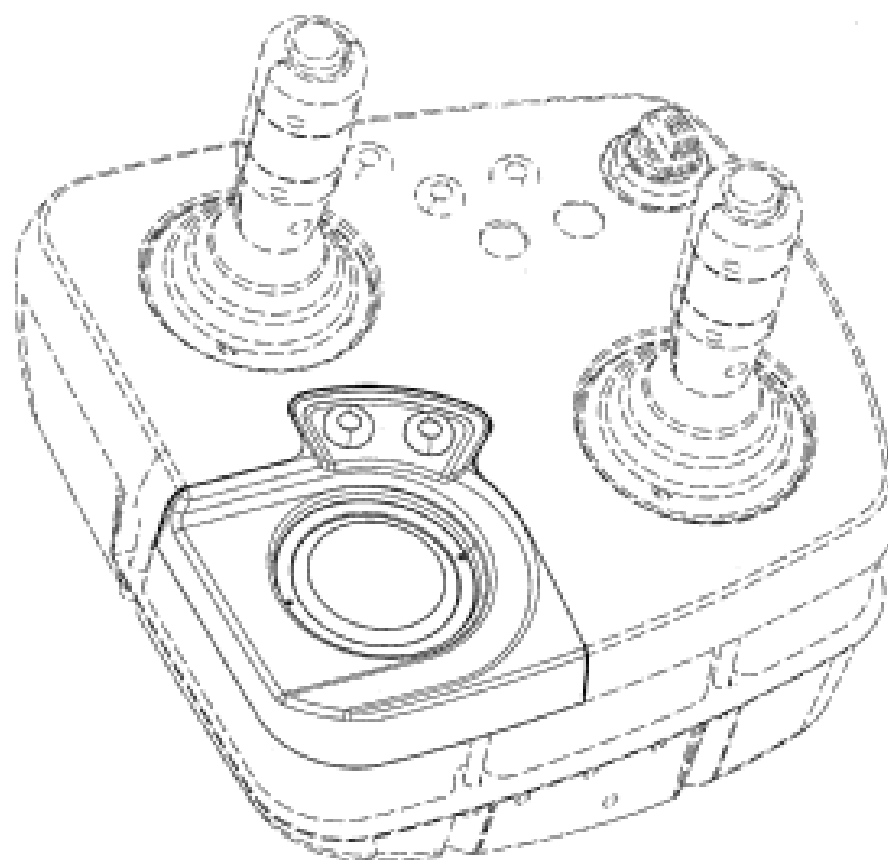
- (21) Design Number: **10539/2006**  
(22) Date of Filing Application: **15 February 2006**  
(24) Date from which industrial property rights may have effect: **15 February 2006**  
(54) Product in respect of which the design is registered: **A soldering iron**  
(51) International Design Classification: **08-05M**  
(71) Name(s) and Address(s) of Applicant(s):  
**GMCA Pty Ltd**  
**45-55 South Centre Road Melbourne Airport Victoria 3045 Australia**  
(72) Name(s) of Designer(s): **Michael Waldron**  
(45) Registration Date: **20 July 2006**  
(30) Convention priority data:  
(31) Number      (32) Date      (33) Country  
**000431275      10 Nov 2005      EUROPEAN COMMUNITY**  
(56) Related Art Documents: **Not Applicable**  
(57) Statement of Newness and Distinctiveness: **Newness and distinctiveness resides in the features of shape and configuration of a soldering iron as shown in the accompanying representations. The portion of cable shown in the drawings is to be disregarded.**



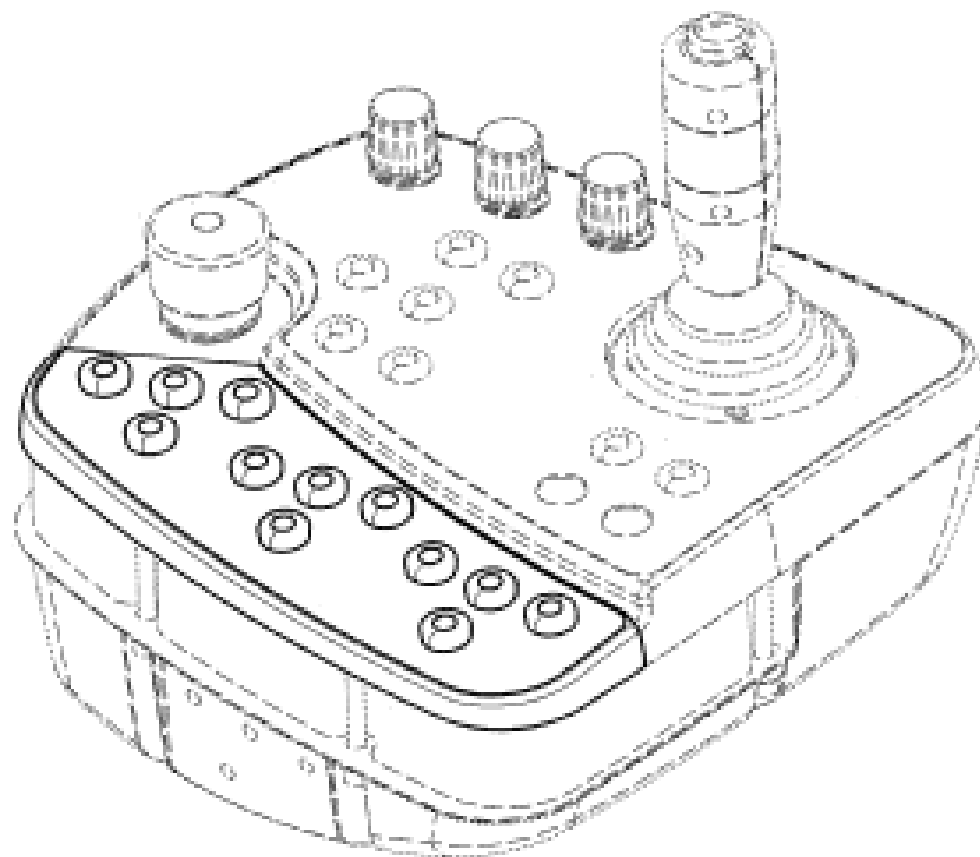
- (21) Design Number: **10587/2006**  
(22) Date of Filing Application: **17 February 2006**  
(24) Date from which industrial property rights may have effect: **17 February 2006**  
(54) Product in respect of which the design is registered: **Stool**  
(51) International Design Classification: **06-01E**  
(71) Name(s) and Address(s) of Applicant(s):  
**Joel Raymond Noble**  
**40 Warwick Road Ipswich Queensland 4305 Australia**  
(72) Name(s) of Designer(s): **Joel Raymond Noble**  
(45) Registration Date: **20 July 2006**  
(56) Related Art Documents: **Not Applicable**  
(57) Statement of Newness and Distinctiveness: **Nil**



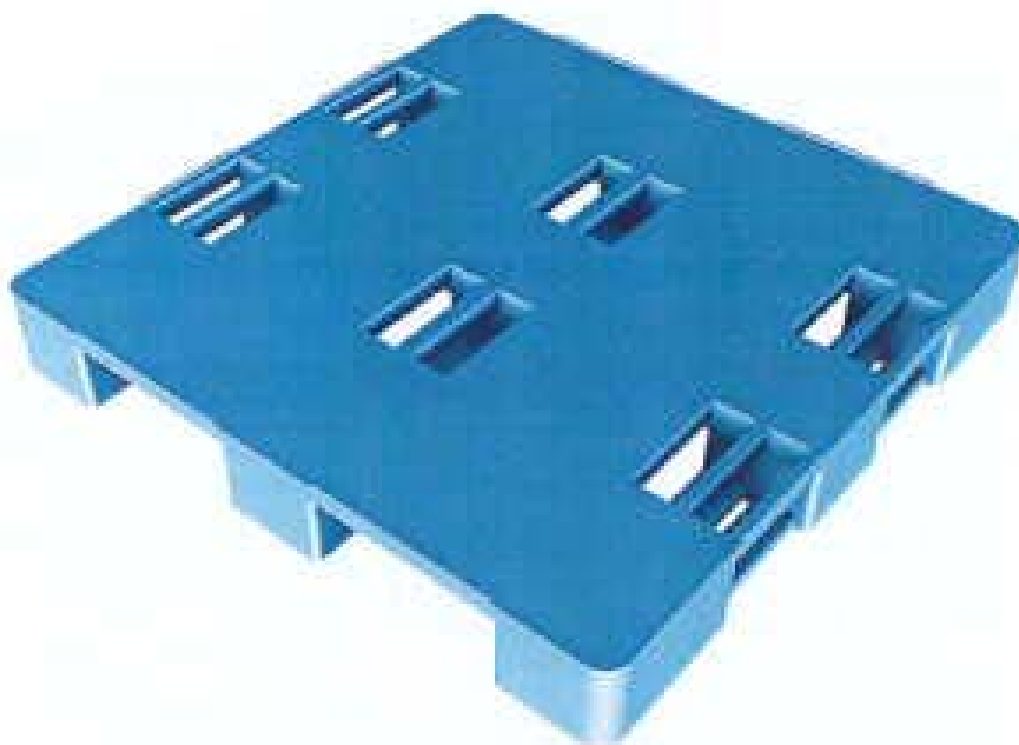
- (21) Design Number: **10651/2006**  
(22) Date of Filing Application: **21 February 2006**  
(24) Date from which industrial property rights may have effect: **21 February 2006**  
(54) Product in respect of which the design is registered: **A user control for use in a drilling machine**  
(51) International Design Classification: **08-01**  
(71) Name(s) and Address(s) of Applicant(s):  
**Sandvik Tamrock Oy**  
**Pihtisulunkatu 9 FIN-33330 Tampere Finland**  
(72) Name(s) of Designer(s): **Isto Virtanen and Toni Karvonen and Jukka Osara and Eero Kumanto**  
(45) Registration Date: **20 July 2006**  
(30) Convention priority data:  
(31) Number      (32) Date      (33) Country  
**000395439-0002    30 Aug 2005      EUROPEAN COMMUNITY**  
(56) Related Art Documents: **Not Applicable**  
(57) Statement of Newness and Distinctiveness: **Newness and distinctiveness is claimed in the visual features shown in solid lines in the representations.**



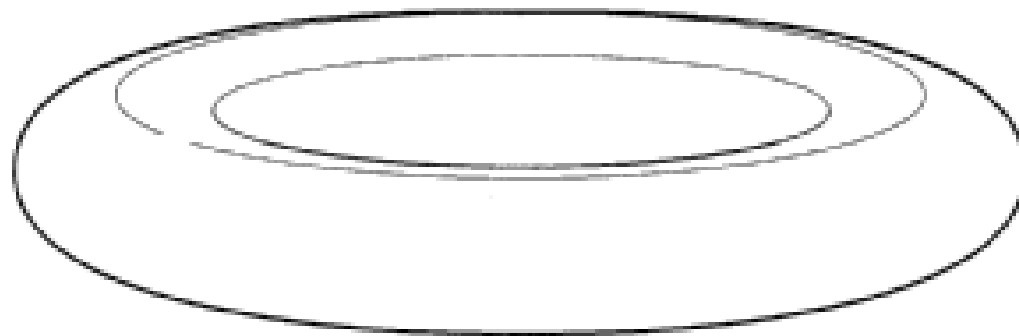
- (21) Design Number: **10652/2006**  
(22) Date of Filing Application: **21 February 2006**  
(24) Date from which industrial property rights may have effect: **21 February 2006**  
(54) Product in respect of which the design is registered: **A user control for use in a drilling machine**  
(51) International Design Classification: **08-01**  
(71) Name(s) and Address(s) of Applicant(s):  
**Sandvik Tamrock Oy**  
**Pihtisulunkatu 9 FIN-33330 Tampere Finland**  
(72) Name(s) of Designer(s): **Isto Virtanen and Toni Karvonen and Jukka Osara and Eero Kumanto**  
(45) Registration Date: **20 July 2006**  
(30) Convention priority data:  
(31) Number (32) Date (33) Country  
**000395439-0003 30 Aug 2005 EUROPEAN COMMUNITY**  
(56) Related Art Documents: **Not Applicable**  
(57) Statement of Newness and Distinctiveness: **Newness and distinctiveness is claimed in the visual features shown in solid lines in the representations.**



- (21) Design Number: **10657/2006**  
(22) Date of Filing Application: **22 February 2006**  
(24) Date from which industrial property rights may have effect: **22 February 2006**  
(54) Product in respect of which the design is registered: **A pallet**  
(51) International Design Classification: **09-08**  
(71) Name(s) and Address(s) of Applicant(s):  
**Becker sp. z.o.o.**  
**Droginia 247, 32-400 Myslenice Poland**  
(72) Name(s) of Designer(s): **Andrzej Becker**  
(45) Registration Date: **20 July 2006**  
(56) Related Art Documents: **Not Applicable**  
(57) Statement of Newness and Distinctiveness: **Nil**



(21) Design Number: **10643/2006**  
(22) Date of Filing Application: **22 February 2006**  
(24) Date from which industrial property rights may have effect: **22 February 2006**  
(54) Product in respect of which the design is registered: **A seat**  
(51) International Design Classification: **06-06G**  
(71) Name(s) and Address(s) of Applicant(s):  
**Bilardo Spencer Pty Ltd**  
**Level 1 67 Lipson Street Port Adelaide South Australia 5015 Australia**  
(72) Name(s) of Designer(s): **Jacqueline Anne Spencer and Susanna Bilardo**  
(45) Registration Date: **20 July 2006**  
(56) Related Art Documents: **Not Applicable**  
(57) Statement of Newness and Distinctiveness: **Nil**



(21) Design Number: **10667/2006**  
(22) Date of Filing Application: **22 February 2006**  
(24) Date from which industrial property rights may have effect: **22 February 2006**  
(54) Product in respect of which the design is registered: **Hose fitting**  
(51) International Design Classification: **23-01C**  
(71) Name(s) and Address(s) of Applicant(s):  
**Diepower Pty Ltd**  
**5 Saywell Street Chatswood New South Wales 2067 Australia**  
(72) Name(s) of Designer(s): **William Robert Corbett**  
(45) Registration Date: **20 July 2006**  
(56) Related Art Documents: **Not Applicable**  
(57) Statement of Newness and Distinctiveness: **Nil**



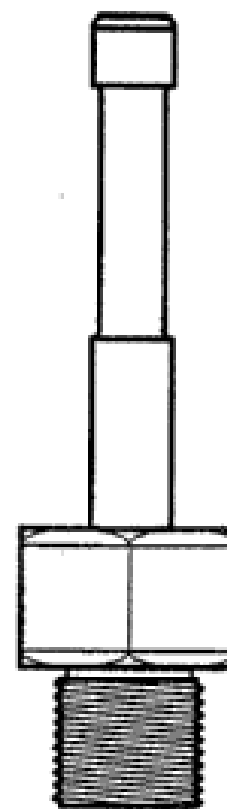
(21) Design Number: **10668/2006**  
(22) Date of Filing Application: **22 February 2006**  
(24) Date from which industrial property rights may have effect: **22 February 2006**  
(54) Product in respect of which the design is registered: **Hose fitting**  
(51) International Design Classification: **23-01C**  
(71) Name(s) and Address(s) of Applicant(s):  
**Diepower Pty Ltd**  
**5 Saywell Street Chatswood New South Wales 2067 Australia**  
(72) Name(s) of Designer(s): **William Robert Corbett**  
(45) Registration Date: **20 July 2006**  
(56) Related Art Documents: **Not Applicable**  
(57) Statement of Newness and Distinctiveness: **Nil**



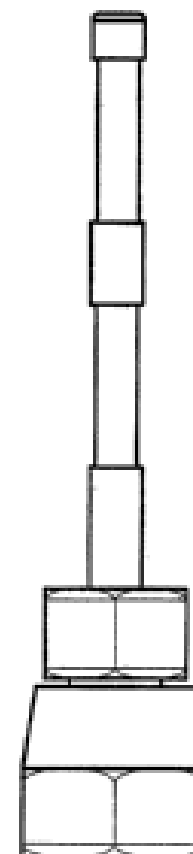
(21) Design Number: **10669/2006**  
(22) Date of Filing Application: **22 February 2006**  
(24) Date from which industrial property rights may have effect: **22 February 2006**  
(54) Product in respect of which the design is registered: **Hose fitting**  
(51) International Design Classification: **23-01C**  
(71) Name(s) and Address(s) of Applicant(s):  
**Diepower Pty Ltd**  
**5 Saywell Street Chatswood New South Wales 2067 Australia**  
(72) Name(s) of Designer(s): **William Robert Corbett**  
(45) Registration Date: **20 July 2006**  
(56) Related Art Documents: **Not Applicable**  
(57) Statement of Newness and Distinctiveness: **Nil**



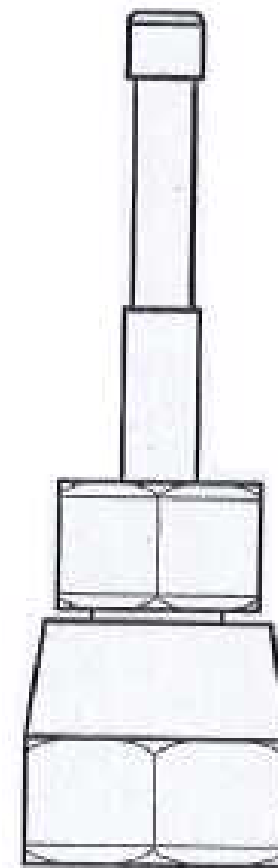
(21) Design Number: **10670/2006**  
(22) Date of Filing Application: **22 February 2006**  
(24) Date from which industrial property rights may have effect: **22 February 2006**  
(54) Product in respect of which the design is registered: **Hose fitting**  
(51) International Design Classification: **23-01C**  
(71) Name(s) and Address(s) of Applicant(s):  
    **Diepower Pty Ltd**  
    **5 Saywell Street Chatswood New South Wales 2067 Australia**  
(72) Name(s) of Designer(s): **William Robert Corbett**  
(45) Registration Date: **20 July 2006**  
(56) Related Art Documents: **Not Applicable**  
(57) Statement of Newness and Distinctiveness: **Nil**



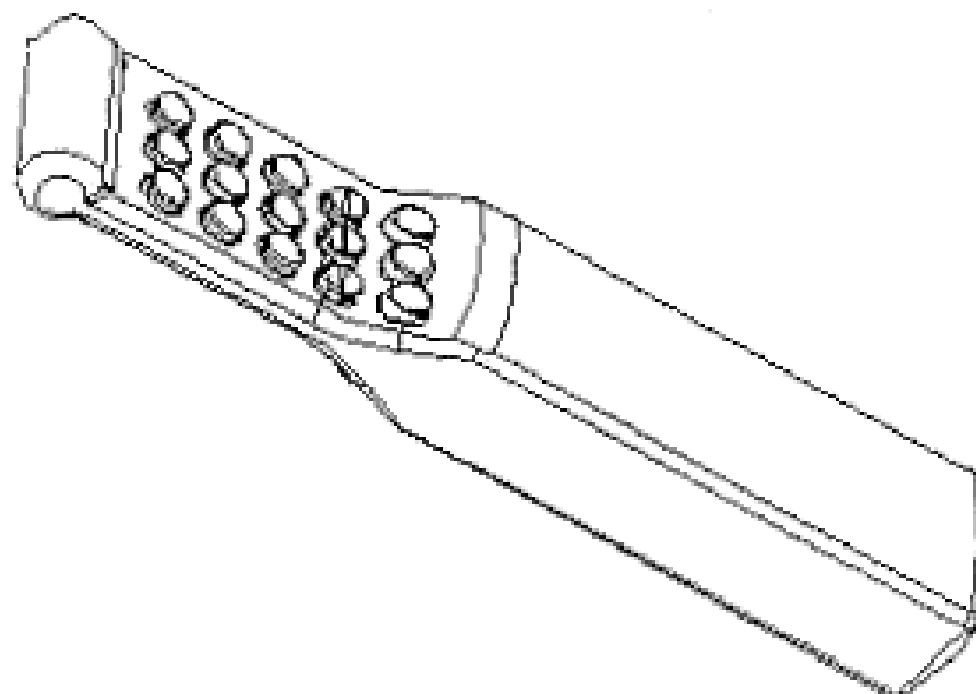
(21) Design Number: **10671/2006**  
(22) Date of Filing Application: **22 February 2006**  
(24) Date from which industrial property rights may have effect: **22 February 2006**  
(54) Product in respect of which the design is registered: **Hose fitting**  
(51) International Design Classification: **23-01C**  
(71) Name(s) and Address(s) of Applicant(s):  
    **Diepower Pty Ltd**  
    **5 Saywell Street Chatswood New South Wales 2067 Australia**  
(72) Name(s) of Designer(s): **William Robert Corbett**  
(45) Registration Date: **20 July 2006**  
(56) Related Art Documents: **Not Applicable**  
(57) Statement of Newness and Distinctiveness: **Nil**



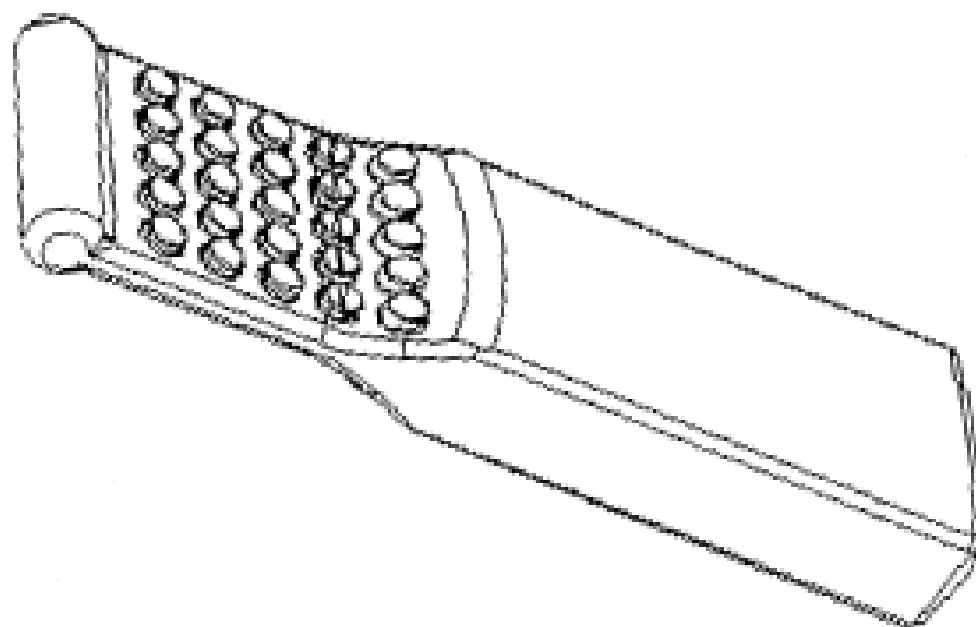
(21) Design Number: **10672/2006**  
(22) Date of Filing Application: **22 February 2006**  
(24) Date from which industrial property rights may have effect: **22 February 2006**  
(54) Product in respect of which the design is registered: **Hose fitting**  
(51) International Design Classification: **23-01C**  
(71) Name(s) and Address(s) of Applicant(s):  
**Diepower Pty Ltd**  
**5 Saywell Street Chatswood New South Wales 2067 Australia**  
(72) Name(s) of Designer(s): **William Robert Corbett**  
(45) Registration Date: **20 July 2006**  
(56) Related Art Documents: **Not Applicable**  
(57) Statement of Newness and Distinctiveness: **Nil**



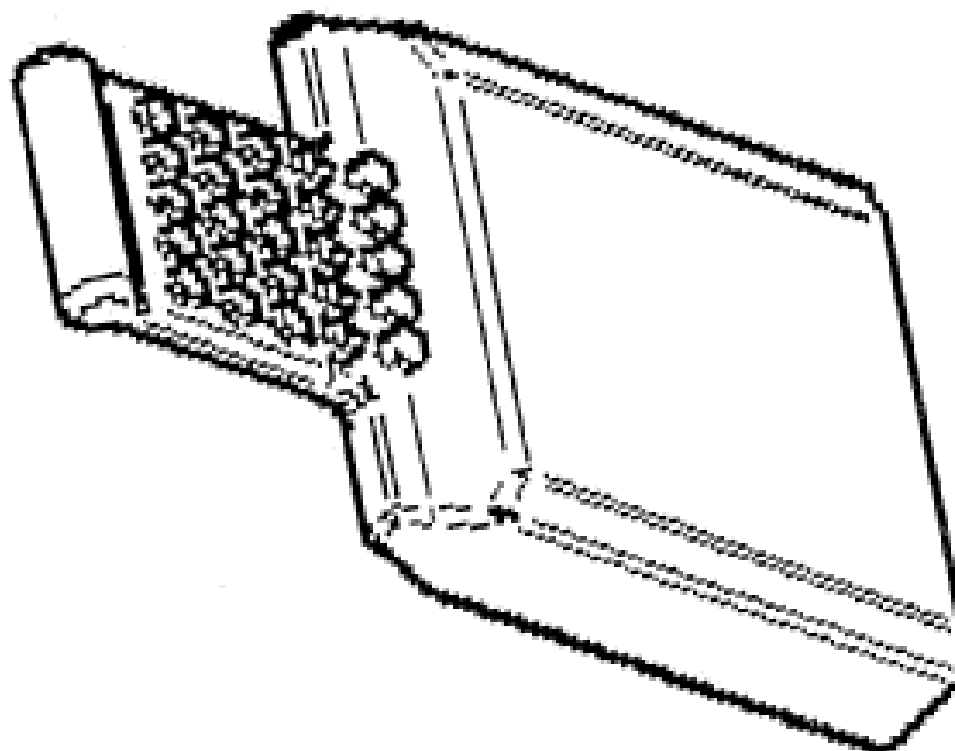
(21) Design Number: **15169/2005**  
(22) Date of Filing Application: **24 November 2005**  
(24) Date from which industrial property rights may have effect: **24 November 2005**  
(54) Product in respect of which the design is registered: **Medical Instrument Guard**  
(51) International Design Classification: **24-02**  
(71) Name(s) and Address(s) of Applicant(s):  
**Multigate Medical Products Pty Limited**  
**11-17 Nelson Road Yennora New South Wales 2161 Australia**  
(72) Name(s) of Designer(s): **Jean Payette**  
(45) Registration Date: **20 July 2006**  
(56) Related Art Documents: **Not Applicable**  
(57) Statement of Newness and Distinctiveness: **Nil**



- (21) Design Number: **15170/2005**  
(22) Date of Filing Application: **24 November 2005**  
(24) Date from which industrial property rights may have effect: **24 November 2005**  
(54) Product in respect of which the design is registered: **Medical Instrument Guard**  
(51) International Design Classification: **24-02**  
(71) Name(s) and Address(s) of Applicant(s):  
**Multigate Medical Products Pty Limited**  
**11-17 Nelson Road Yennora New South Wales 2161 Australia**  
(72) Name(s) of Designer(s): **Jean Payette**  
(45) Registration Date: **20 July 2006**  
(56) Related Art Documents: **Not Applicable**  
(57) Statement of Newness and Distinctiveness: **Nil**



- (21) Design Number: **15171/2005**  
(22) Date of Filing Application: **24 November 2005**  
(24) Date from which industrial property rights may have effect: **24 November 2005**  
(54) Product in respect of which the design is registered: **Medical Instrument Guard**  
(51) International Design Classification: **24-02**  
(71) Name(s) and Address(s) of Applicant(s):  
**Multigate Medical Products Pty Limited**  
**11-17 Nelson Road Yennora New South Wales 2161 Australia**  
(72) Name(s) of Designer(s): **Jean Payette**  
(45) Registration Date: **20 July 2006**  
(56) Related Art Documents: **Not Applicable**  
(57) Statement of Newness and Distinctiveness: **Nil**





(21) Design Number: **15682/2005**

(22) Date of Filing Application: **21 December 2005**

(24) Date from which industrial property rights may have effect: **21 December 2005**

(54) Product in respect of which the design is registered: **Button and shaft ring of writing instrument**

(51) International Design Classification: **19-06**

(71) Name(s) and Address(s) of Applicant(s):

**Merz & Krell GmbH & Co. KGaA  
Bahnhofstrasse 76 64401 Gross-Biebrau Germany**

(72) Name(s) of Designer(s): **Aleksander Tatic**

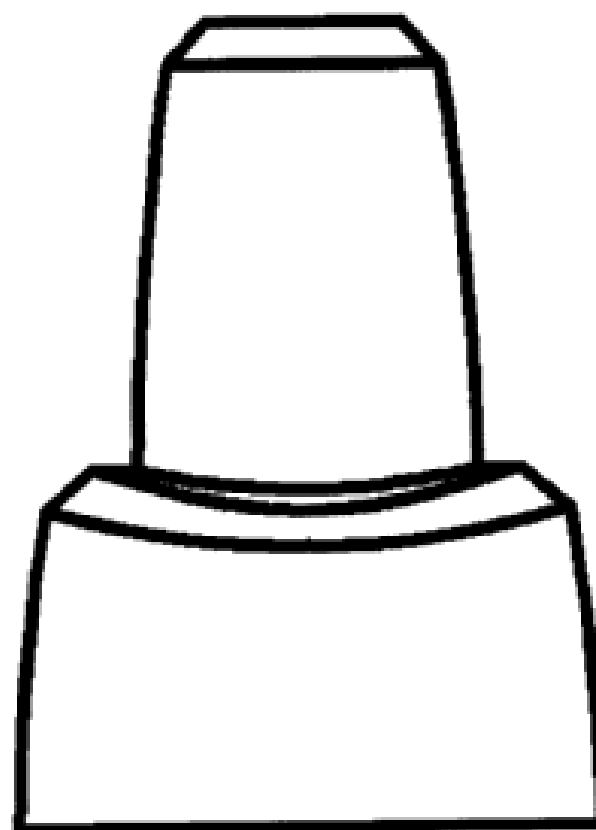
(45) Registration Date: **20 July 2006**

(30) Convention priority data:

(31) Number	(32) Date	(33) Country
<b>40503786.4</b>	<b>15 Jul 2005</b>	<b>GERMANY</b>

(56) Related Art Documents: **Not Applicable**

(57) Statement of Newness and Distinctiveness: **Newness and distinctiveness reside in the features of the design as shown in the representations.**



(21) Design Number: **15686/2005**

(22) Date of Filing Application: **21 December 2005**

(24) Date from which industrial property rights may have effect: **21 December 2005**

(54) Product in respect of which the design is registered: **Window sash**

(51) International Design Classification: **25-02H**

(71) Name(s) and Address(s) of Applicant(s):

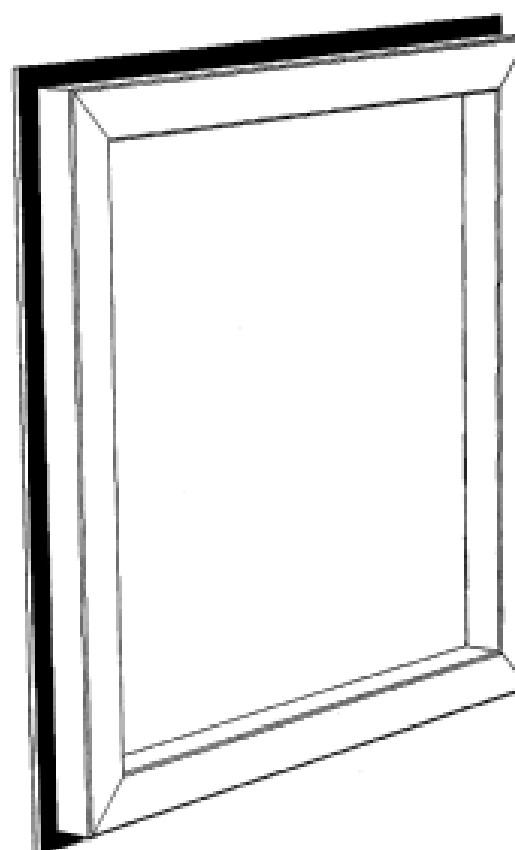
**Stegbar Pty Limited  
Rydalme Metro Centre 38-45 South Street Rydalme New South  
Wales 2116 Australia**

(72) Name(s) of Designer(s): **David Hills and Shannon Boshell**

(45) Registration Date: **20 July 2006**

(56) Related Art Documents: **Not Applicable**

(57) Statement of Newness and Distinctiveness: **Newness and distinctiveness is claimed in the overlapping configuration of the glass pane with respect to the sash frame of a window sash as illustrated in the accompanying representations.**



(21) Design Number: **10036/2006**

(22) Date of Filing Application: **06 January 2006**

(24) Date from which industrial property rights may have effect: **24 May 2005**

(54) Product in respect of which the design is registered: **Bottle**

(51) International Design Classification: **09-01G**

(71) Name(s) and Address(s) of Applicant(s):

**Michael Kors LLC**

**767 Fifth Avenue New York New York 10153 United States of America**

(72) Name(s) of Designer(s): **Richard Lavigne**

(45) Registration Date: **21 July 2006**

(62) Divisional of: **306212**

(56) Related Art Documents: **Not Applicable**

(57) Statement of Newness and Distinctiveness: **Those features of the bottle depicted in the representations that are new and distinctive are the shape and/or configuration, including the rippled surfaces of the bottom and cap.**



(21) Design Number: **10098/2006**

(22) Date of Filing Application: **16 January 2006**

(24) Date from which industrial property rights may have effect: **16 January 2006**

(54) Product in respect of which the design is registered: **Wall panels, tiles, water features**

(51) International Design Classification: **25-01F, 25-01G, 25-01D**

(71) Name(s) and Address(s) of Applicant(s):

**Valissa Butterworth**

**2/20 Howard Avenue Mount Waverley Victoria 3149 Australia**

(72) Name(s) of Designer(s): **Valissa Butterworth**

(45) Registration Date: **21 July 2006**

(56) Related Art Documents: **Not Applicable**

(57) Statement of Newness and Distinctiveness: **The panel is modular, all sides align to enable a continuous (seamless) pattern.**



- (21) Design Number: **10124/2006**  
(22) Date of Filing Application: **16 January 2006**  
(24) Date from which industrial property rights may have effect: **16 January 2006**  
(54) Product in respect of which the design is registered: **Shopping trolley seat or capsule (shopping trolley)**  
(51) International Design Classification: **06-13B, 06-09**  
(71) Name(s) and Address(s) of Applicant(s):  
**Rebecca Kathleen Timmis**  
**19 Begonia Place Woongarra New South Wales 2259 Australia**  
(72) Name(s) of Designer(s): **Rebecca Kathleen Timmis**  
(45) Registration Date: **21 July 2006**  
(56) Related Art Documents: **Not Applicable**  
(57) Statement of Newness and Distinctiveness: **Nil**



- (21) Design Number: **10125/2006**  
(22) Date of Filing Application: **16 January 2006**  
(24) Date from which industrial property rights may have effect: **16 January 2006**  
(54) Product in respect of which the design is registered: **Childs car seat, booster seat**  
(51) International Design Classification: **06-13B, 06-13NES**  
(71) Name(s) and Address(s) of Applicant(s):  
**Rebecca Kathleen Timmis**  
**19 Begonia Place Woongarra New South Wales 2259 Australia**  
(72) Name(s) of Designer(s): **Rebecca Kathleen Timmis**  
(45) Registration Date: **21 July 2006**  
(56) Related Art Documents: **Not Applicable**  
(57) Statement of Newness and Distinctiveness: **Nil**



- (21) Design Number: **10126/2006**  
(22) Date of Filing Application: **16 January 2006**  
(24) Date from which industrial property rights may have effect: **16 January 2006**  
(54) Product in respect of which the design is registered: **Child's car seat, booster seat**  
(51) International Design Classification: **06-13B, 06-13NES, 06-09**  
(71) Name(s) and Address(s) of Applicant(s):  
**Rebecca Kathleen Timmis**  
**19 Begonia Place Woongarra New South Wales 2259 Australia**  
(72) Name(s) of Designer(s): **Rebecca Kathleen Timmis**  
(45) Registration Date: **21 July 2006**  
(56) Related Art Documents: **Not Applicable**  
(57) Statement of Newness and Distinctiveness: **No claim is made for design on material (cat design).**



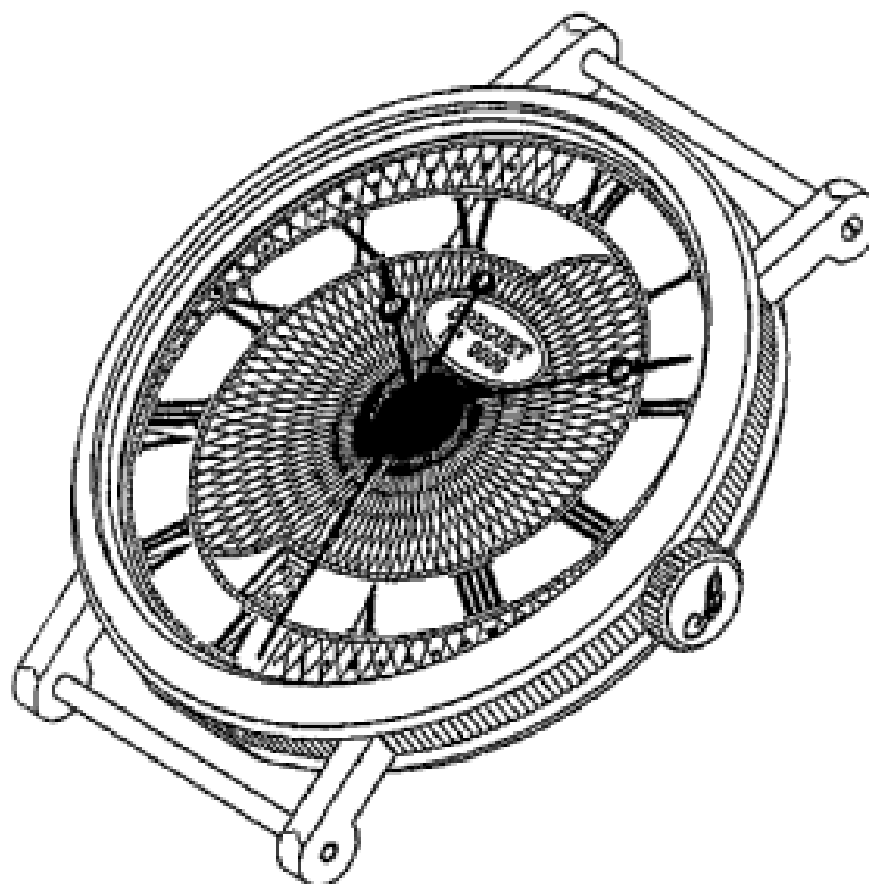
- (21) Design Number: **10241/2006**  
(22) Date of Filing Application: **24 January 2006**  
(24) Date from which industrial property rights may have effect: **24 January 2006**  
(54) Product in respect of which the design is registered: **Jar**  
(51) International Design Classification: **09-01C**  
(71) Name(s) and Address(s) of Applicant(s):  
**Henkel Kommanditgesellschaft auf Aktien**  
**Henkelstrasse 67 40589 Dusseldorf Germany**  
(72) Name(s) of Designer(s): **Christian Dorfmueller**  
(45) Registration Date: **21 July 2006**  
(30) Convention priority data:  
(31) Number      (32) Date      (33) Country  
**000387089      16 Aug 2005      EUROPEAN COMMUNITY**  
(56) Related Art Documents: **Not Applicable**  
(57) Statement of Newness and Distinctiveness: **Newness and distinctiveness is claimed in the features of shape and/or configuration of a jar as illustrated in the accompanying representations.**



(21) Design Number: **10242/2006**  
(22) Date of Filing Application: **24 January 2006**  
(24) Date from which industrial property rights may have effect: **24 January 2006**  
(54) Product in respect of which the design is registered: **Jar**  
(51) International Design Classification: **09-01C**  
(71) Name(s) and Address(s) of Applicant(s):  
**Henkel Kommanditgesellschaft auf Aktien**  
**Henkelstrasse 67 40589 Dusseldorf Germany**  
(72) Name(s) of Designer(s): **Christian Dorfmueller**  
(45) Registration Date: **21 July 2006**  
(30) Convention priority data:  
(31) Number (32) Date (33) Country  
**000387089 16 Aug 2005 EUROPEAN COMMUNITY**  
(56) Related Art Documents: **Not Applicable**  
(57) Statement of Newness and Distinctiveness: **Newness and distinctiveness is claimed in the features of shape and/or configuration of a jar as illustrated in the accompanying representations.**



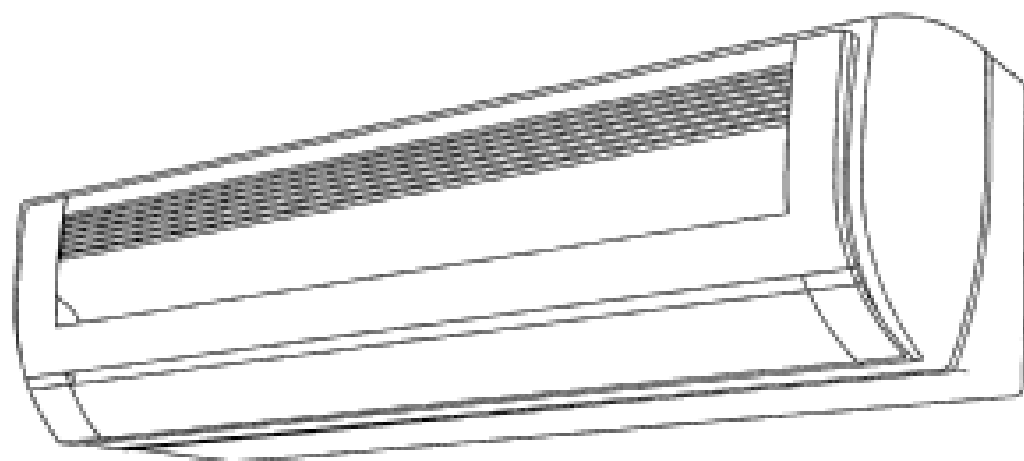
(21) Design Number: **10246/2006**  
(22) Date of Filing Application: **25 January 2006**  
(24) Date from which industrial property rights may have effect: **25 January 2006**  
(54) Product in respect of which the design is registered: **Watch**  
(51) International Design Classification: **10-02**  
(71) Name(s) and Address(s) of Applicant(s):  
**Montres Breguet S.A.**  
**1344 L'Abbaye Switzerland**  
(72) Name(s) of Designer(s): **Vincent Laucella**  
(45) Registration Date: **21 July 2006**  
(30) Convention priority data:  
(31) Number (32) Date (33) Country  
**DM/066874 26 Jul 2005 WORLD INTELLECTUAL PROPERTY ORGANIZATION (WIPO)**  
(56) Related Art Documents: **Not Applicable**  
(57) Statement of Newness and Distinctiveness: **Nil**



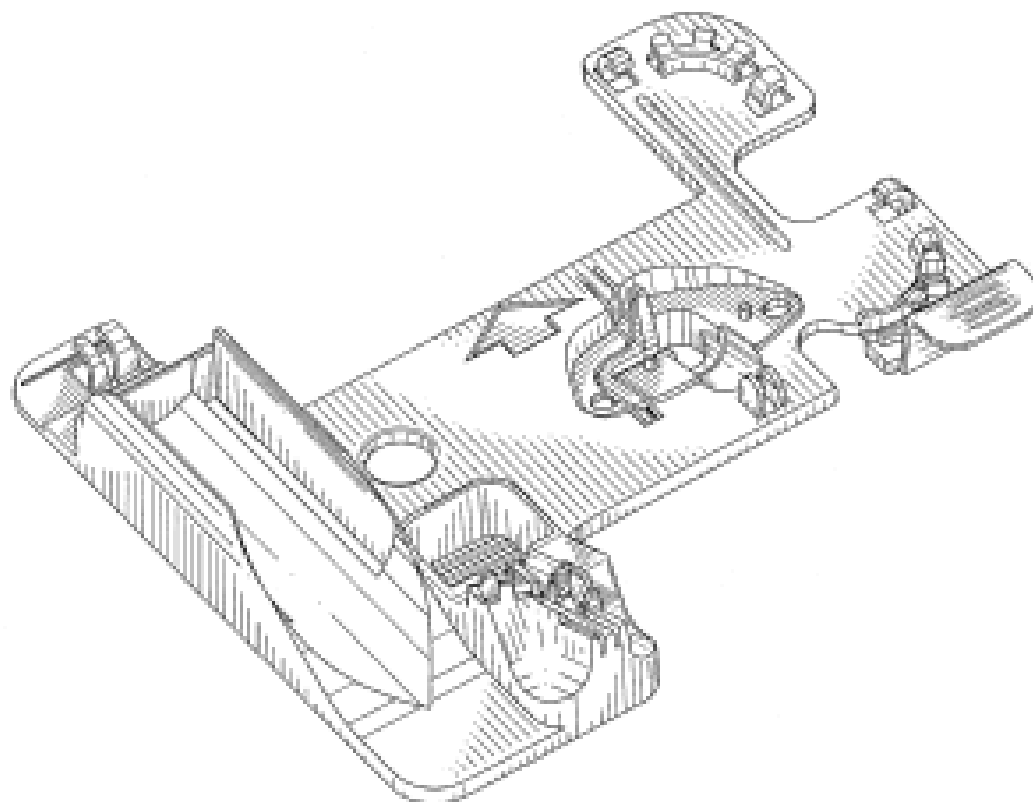
- (21) Design Number: **10247/2006**  
(22) Date of Filing Application: **25 January 2006**  
(24) Date from which industrial property rights may have effect: **25 January 2006**  
(54) Product in respect of which the design is registered: **A pneumatic tyre**  
(51) International Design Classification: **12-15B**  
(71) Name(s) and Address(s) of Applicant(s):  
**Societe De Technologie Michelin**  
**23 rue Breschet F-63000 Clermont-Ferrand Cedex France**  
**Michelin Recherche et Technique S.A.**  
**Route Louis Braille 10 et 12 CH-1763 Granges-Paccot Switzerland**  
(72) Name(s) of Designer(s): **Arnaud Larregain and Pascal Pirotte**  
(45) Registration Date: **21 July 2006**  
(30) Convention priority data:  
(31) Number (32) Date (33) Country  
**000379821-0001 28 Jul 2005 EUROPEAN COMMUNITY**  
(56) Related Art Documents: **Not Applicable**  
(57) Statement of Newness and Distinctiveness: **Novelty resides in the shape or configuration applied to the tread region of the pneumatic tyre.**



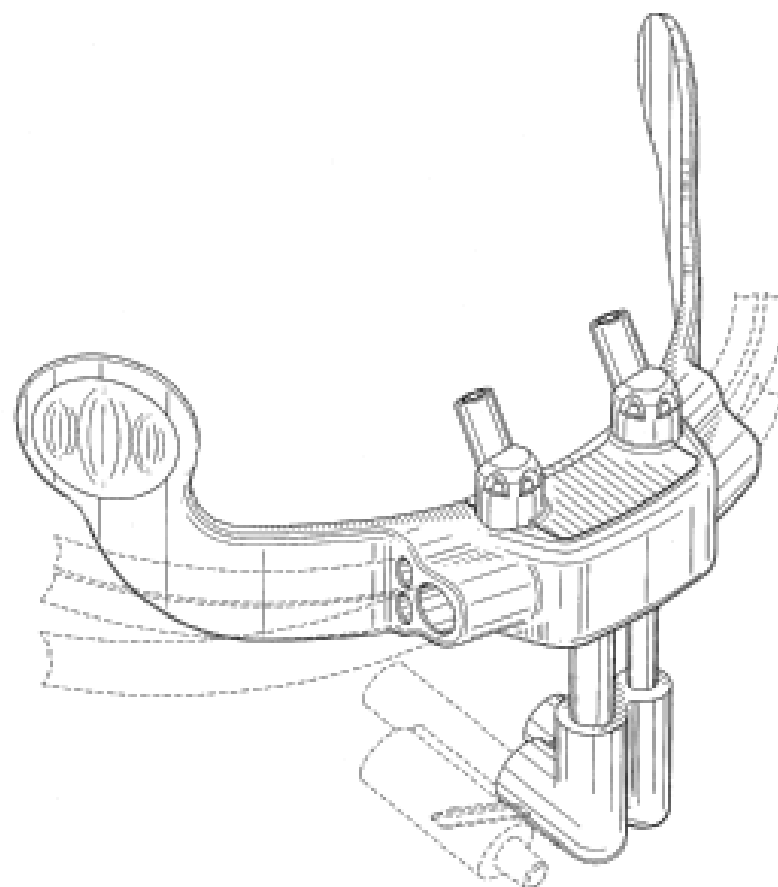
- (21) Design Number: **10291/2006**  
(22) Date of Filing Application: **30 January 2006**  
(24) Date from which industrial property rights may have effect: **30 January 2006**  
(54) Product in respect of which the design is registered: **Air-conditioner**  
(51) International Design Classification: **23-04**  
(71) Name(s) and Address(s) of Applicant(s):  
**Matsushita Electric Industrial Co. Ltd**  
**1006 Oaza Kadoma Kadoma-shi Osaka 571-8501 Japan**  
(72) Name(s) of Designer(s): **Takehiko Kihara**  
(45) Registration Date: **21 July 2006**  
(56) Related Art Documents: **Not Applicable**  
(57) Statement of Newness and Distinctiveness: **Newness and distinctiveness is claimed in the features of shape and/or configuration of the front panel of air-conditioner labelled "B" as illustrated in the accompanying representations, apart from the internal components shown in the section view.**



(21) Design Number: **10297/2006**  
 (22) Date of Filing Application: **30 January 2006**  
 (24) Date from which industrial property rights may have effect: **30 January 2006**  
 (54) Product in respect of which the design is registered: **Drug cassette**  
 (51) International Design Classification: **24-04, 24-02**  
 (71) Name(s) and Address(s) of Applicant(s):  
**Ethicon Endo-Surgery, Inc.**  
**4545 Creek Road Cincinnati Ohio 45242-2839 United States of America**  
 (72) Name(s) of Designer(s): **Anil K. Nalagatla and Tommy C. Cushing and Louis Sabo and Lee K. Kulle and Richard W. Flaker and Gregory D. Bishop and Michael John Miller**  
 (45) Registration Date: **21 July 2006**  
 (30) Convention priority data:  
 (31) Number (32) Date (33) Country  
**29/235,432 02 Aug 2005 UNITED STATES OF AMERICA**  
 (56) Related Art Documents: **Not Applicable**  
 (57) Statement of Newness and Distinctiveness: **The newness and distinctiveness of the design resides in the shape and configuration of the drug cassette as shown in solid lines. In deciding whether the design is substantially similar in overall impression to another design, no regard is to be given to the portions shown in phantom.**



(21) Design Number: **10298/2006**  
 (22) Date of Filing Application: **30 January 2006**  
 (24) Date from which industrial property rights may have effect: **30 January 2006**  
 (54) Product in respect of which the design is registered: **Oral/nasal cannula**  
 (51) International Design Classification: **24-04, 24-02**  
 (71) Name(s) and Address(s) of Applicant(s):  
**Ethicon Endo-Surgery, Inc.**  
**4545 Creek Road Cincinnati Ohio 45242-2839 United States of America**  
 (72) Name(s) of Designer(s): **Anil K. Nalagatla and Tommy C. Cushing and Louis Sabo and Lee K. Kulle and Donald L. Reynolds, II and Richard W. Flaker**  
 (45) Registration Date: **21 July 2006**  
 (30) Convention priority data:  
 (31) Number (32) Date (33) Country  
**29/235,434 02 Aug 2005 UNITED STATES OF AMERICA**  
 (56) Related Art Documents: **Not Applicable**  
 (57) Statement of Newness and Distinctiveness: **The newness and distinctiveness of the design resides in the shape and configuration of the oral/nasal cannula as shown in solid lines. In deciding whether the design is substantially similar in overall impression to another design, no regard is to be given to the portions shown in phantom.**



(19) AU

(21) Design Number: **10299/2006**

(22) Date of Filing Application: **30 January 2006**

(24) Date from which industrial property rights may have effect: **30 January 2006**

(54) Product in respect of which the design is registered: **Fluid connector**

(51) International Design Classification: **24-02**

(71) Name(s) and Address(s) of Applicant(s):

**Ethicon Endo-Surgery, Inc.**  
**4545 Creek Road Cincinnati Ohio 45242-2839 United States of America**

(72) Name(s) of Designer(s): **Anil K. Nalagatla and Tommy C. Cushing and Louis Sabo and Lee K. Kulle and Donald L. Reynolds, II and Richard W. Flaker**

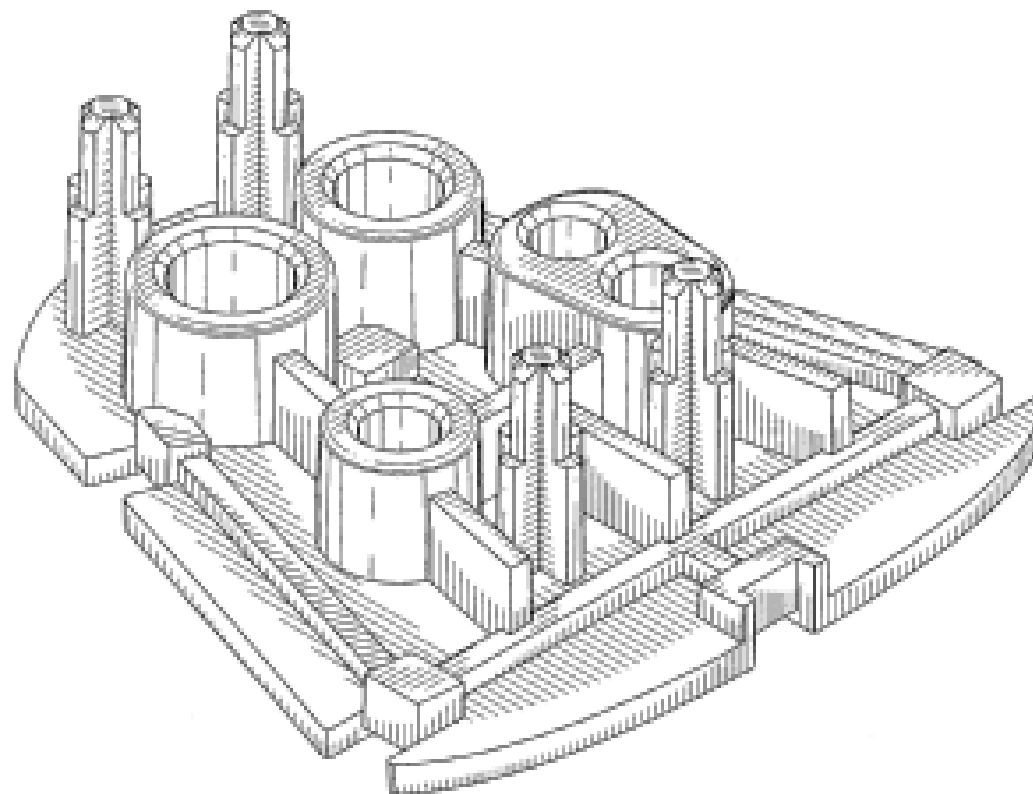
(45) Registration Date: **21 July 2006**

(30) Convention priority data:

(31) Number	(32) Date	(33) Country
<b>29/235,431</b>	<b>02 Aug 2005</b>	<b>UNITED STATES OF AMERICA</b>

(56) Related Art Documents: **Not Applicable**

(57) Statement of Newness and Distinctiveness: **The newness and distinctiveness of the design resides in the shape and configuration of the fluid connector as shown in solid lines. In deciding whether the design is substantially similar in overall impression to another design, no regard is to be given to the portions shown in phantom.**



(19) AU

(21) Design Number: **10365/2006**

(22) Date of Filing Application: **30 January 2006**

(24) Date from which industrial property rights may have effect: **30 January 2006**

(54) Product in respect of which the design is registered: **Top shell of battery pack for power tool**

(51) International Design Classification: **13-02**

(71) Name(s) and Address(s) of Applicant(s):

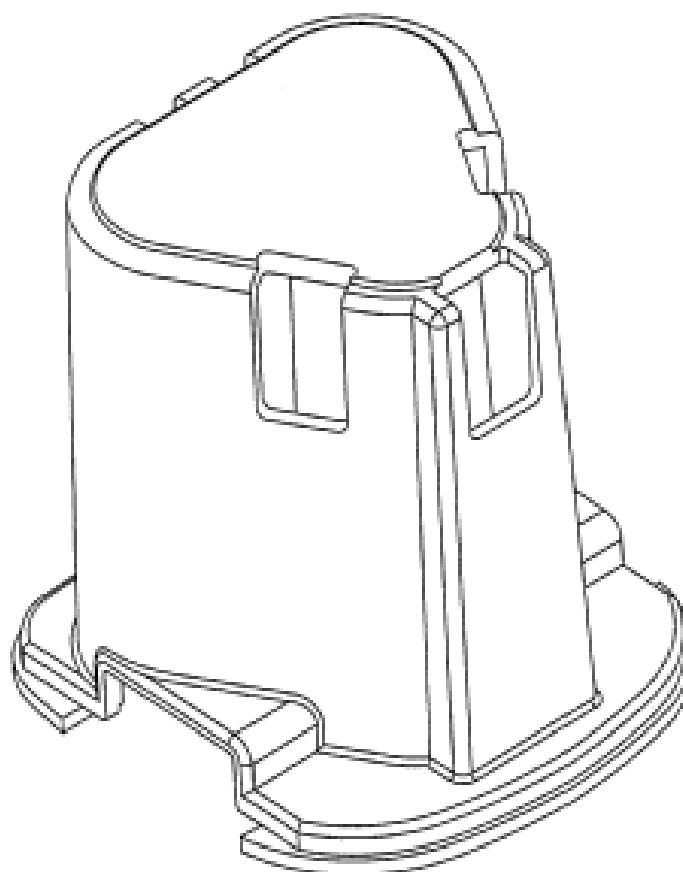
**Mobiletron Electronics Co., Ltd.**  
**39 Sec 3 Chung-Ching Road Ta-Ya Taichung Hsien Taiwan 428**

(72) Name(s) of Designer(s): **Kim Y.C. Tsai and Cheng-I Teng and Chien-Jen Li**

(45) Registration Date: **21 July 2006**

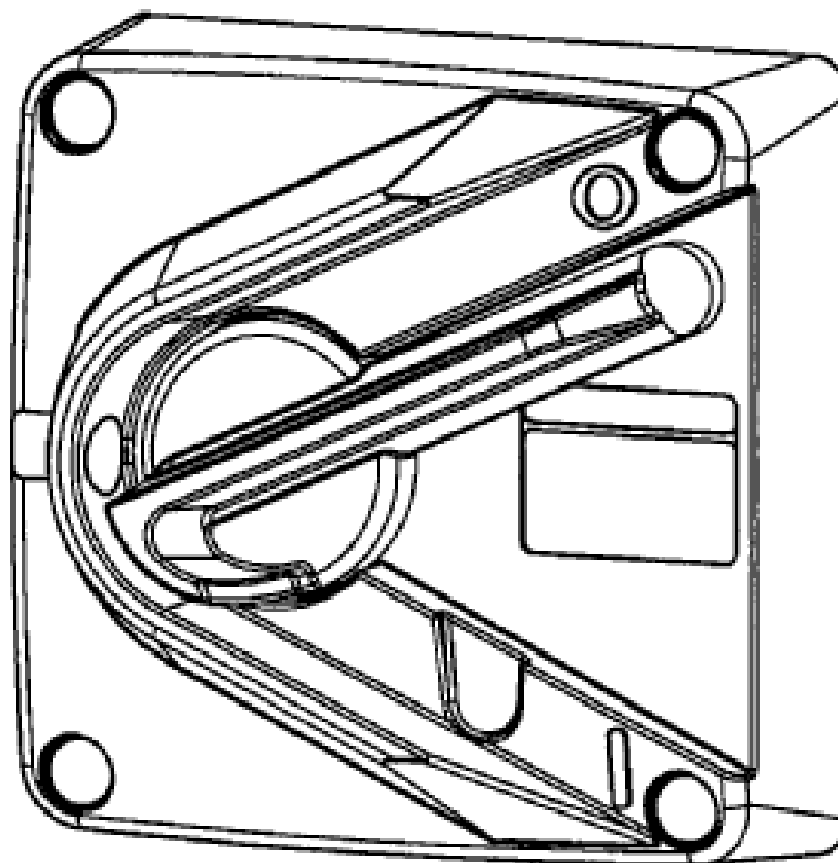
(56) Related Art Documents: **Not Applicable**

(57) Statement of Newness and Distinctiveness: **Nil**

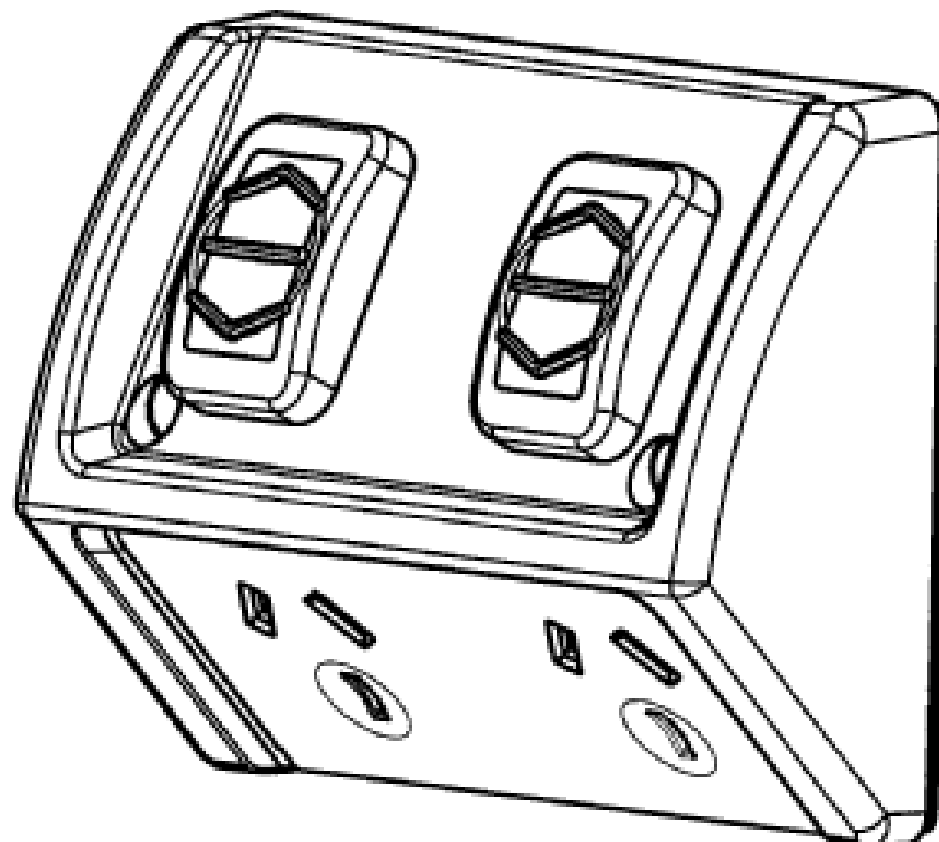




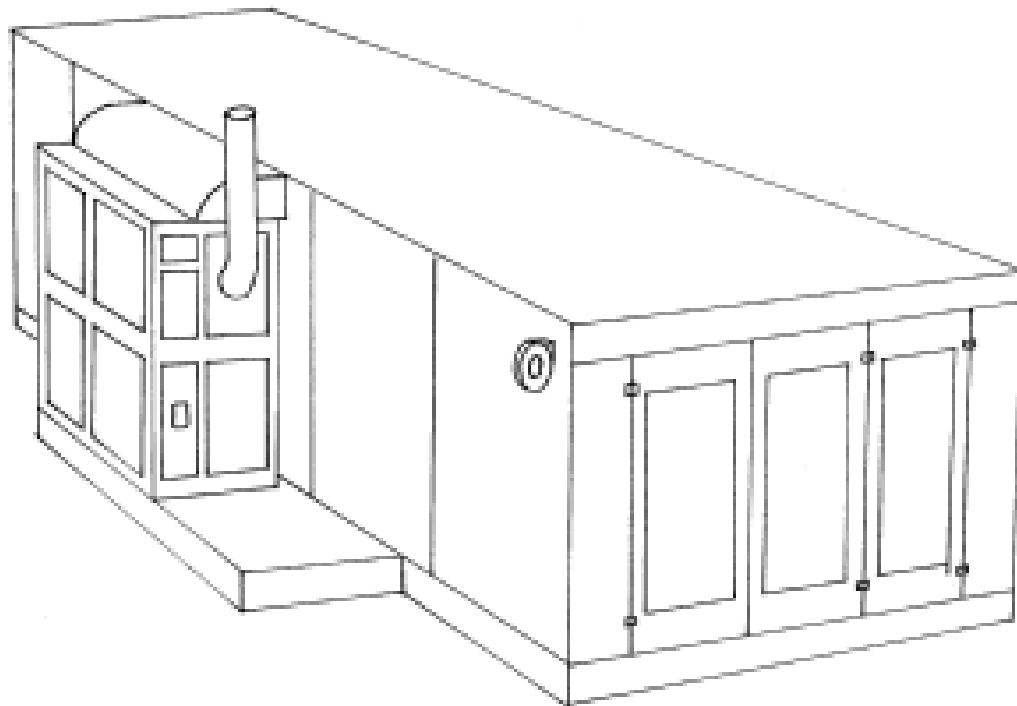
- (21) Design Number: **10501/2006**  
(22) Date of Filing Application: **13 February 2006**  
(24) Date from which industrial property rights may have effect: **13 February 2006**  
(54) Product in respect of which the design is registered: **A single switch**  
(51) International Design Classification: **13-03E**  
(71) Name(s) and Address(s) of Applicant(s):  
**Clipsal Australia Pty Ltd**  
**12 Park Terrace Bowden South Australia 5007 Australia**  
(72) Name(s) of Designer(s): **Elizabeth Tunde Juhasz**  
(45) Registration Date: **21 July 2006**  
(56) Related Art Documents: **Not Applicable**  
(57) Statement of Newness and Distinctiveness: **Newness and distinctiveness resides in the features of shape and configuration of a single switch as shown in the accompanying representations.**



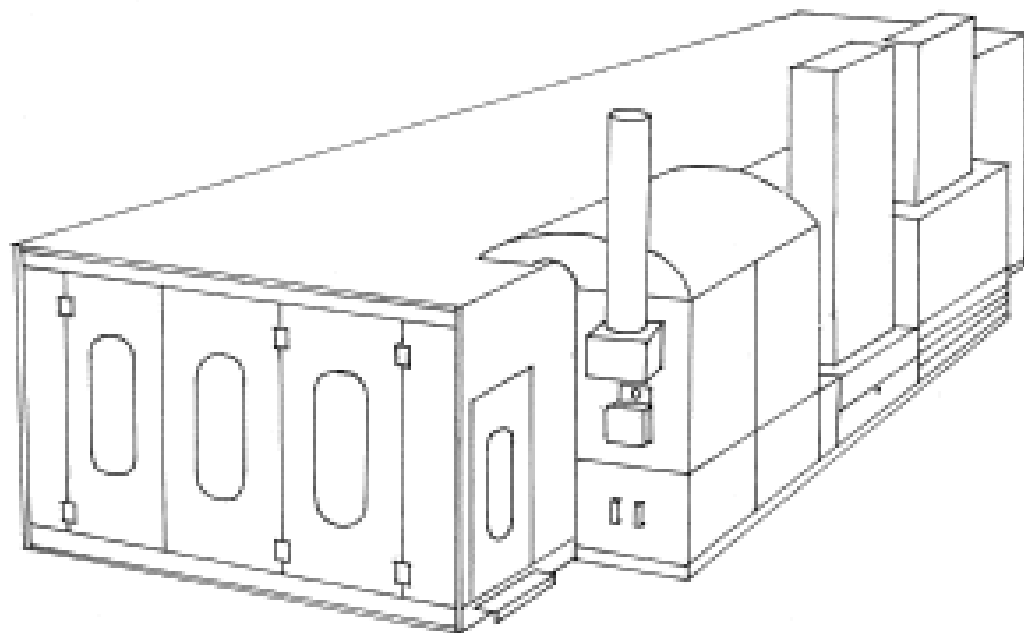
- (21) Design Number: **10503/2006**  
(22) Date of Filing Application: **13 February 2006**  
(24) Date from which industrial property rights may have effect: **13 February 2006**  
(54) Product in respect of which the design is registered: **Double switched socket**  
(51) International Design Classification: **13-03E**  
(71) Name(s) and Address(s) of Applicant(s):  
**Clipsal Australia Pty Ltd**  
**12 Park Terrace Bowden South Australia 5007 Australia**  
(72) Name(s) of Designer(s): **Elizabeth Tunde Juhasz**  
(45) Registration Date: **21 July 2006**  
(56) Related Art Documents: **Not Applicable**  
(57) Statement of Newness and Distinctiveness: **Newness and distinctiveness resides in the features of shape and configuration of a double switched socket as shown in the accompanying representations.**



(21) Design Number: **10517/2006**  
(22) Date of Filing Application: **14 February 2006**  
(24) Date from which industrial property rights may have effect: **14 February 2006**  
(54) Product in respect of which the design is registered: **Spray booth**  
(51) International Design Classification: **25-03**  
(71) Name(s) and Address(s) of Applicant(s):  
**Monarch Industries (Aust.) Pty. Ltd.**  
**132 Mooringe Avenue North Plympton South Australia 5037 Australia**  
(72) Name(s) of Designer(s): **John C. Milton**  
(45) Registration Date: **21 July 2006**  
(56) Related Art Documents: **Not Applicable**  
(57) Statement of Newness and Distinctiveness: **Nil**



(21) Design Number: **10518/2006**  
(22) Date of Filing Application: **14 February 2006**  
(24) Date from which industrial property rights may have effect: **14 February 2006**  
(54) Product in respect of which the design is registered: **Spray booth**  
(51) International Design Classification: **25-03**  
(71) Name(s) and Address(s) of Applicant(s):  
**Monarch Industries (Aust.) Pty. Ltd.**  
**132 Mooringe Avenue North Plympton South Australia 5037 Australia**  
(72) Name(s) of Designer(s): **John C. Milton**  
(45) Registration Date: **21 July 2006**  
(56) Related Art Documents: **Not Applicable**  
(57) Statement of Newness and Distinctiveness: **Nil**



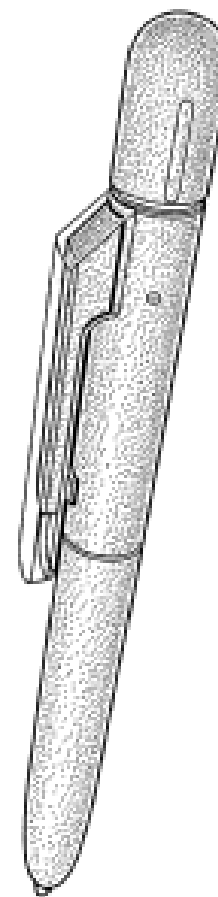
- (21) Design Number: **10523/2006**  
(22) Date of Filing Application: **13 February 2006**  
(24) Date from which industrial property rights may have effect: **13 February 2006**  
(54) Product in respect of which the design is registered: **Recreation vehicle**  
(51) International Design Classification: **12-13, 12-11**  
(71) Name(s) and Address(s) of Applicant(s):  
**Zhenguang Yan**  
**No. 20 Jin Shan East Road Hardware Technological Ind. Park**  
**Youngkang 321301 Zhe Jiang Province China**  
(72) Name(s) of Designer(s): **Zhenguang Yan**  
(45) Registration Date: **21 July 2006**  
(30) Convention priority data:  
(31) Number      (32) Date      (33) Country  
**200530107500.7   30 Aug 2005      CHINA**  
(56) Related Art Documents: **Not Applicable**  
(57) Statement of Newness and Distinctiveness: **Nil**



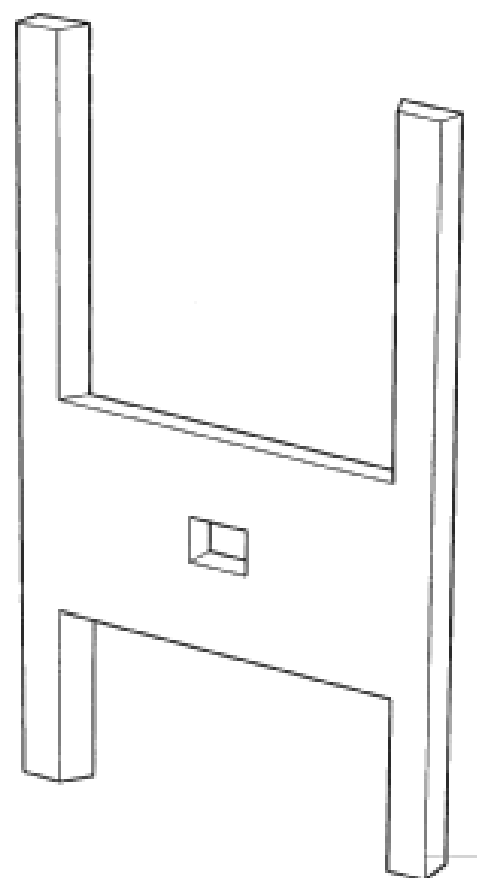
- (21) Design Number: **10638/2006**  
(22) Date of Filing Application: **21 February 2006**  
(24) Date from which industrial property rights may have effect: **21 February 2006**  
(54) Product in respect of which the design is registered: **Shoe**  
(51) International Design Classification: **02-04NES**  
(71) Name(s) and Address(s) of Applicant(s):  
**Lacoste**  
**8 rue de Castiglione 75001 Paris France**  
(72) Name(s) of Designer(s): **Georgina James**  
(45) Registration Date: **21 July 2006**  
(30) Convention priority data:  
(31) Number      (32) Date      (33) Country  
**000473319      02 Feb 2006      EUROPEAN COMMUNITY**  
(56) Related Art Documents: **Not Applicable**  
(57) Statement of Newness and Distinctiveness: **Nil**



- (21) Design Number: **15711/2005**  
(22) Date of Filing Application: **29 December 2005**  
(24) Date from which industrial property rights may have effect: **29 December 2005**  
(54) Product in respect of which the design is registered: **Writing instrument (DS4 with clip cover)**  
(51) International Design Classification: **19-06**  
(71) Name(s) and Address(s) of Applicant(s):  
**Prodir S.A.**  
**Zona Industriale 1/2 PO Box 580 6802 Riviera Switzerland**  
(72) Name(s) of Designer(s): **Christoph Schnug**  
(45) Registration Date: **21 July 2006**  
(30) Convention priority data:  
(31) Number      (32) Date      (33) Country  
**132219      24 Oct 2005      SWITZERLAND**  
(56) Related Art Documents: **Not Applicable**  
(57) Statement of Newness and Distinctiveness: **Monopoly is claimed in the shape and configuration of the features of the article as depicted in the accompanying representations.**



- (21) Design Number: **10094/2006**  
(22) Date of Filing Application: **13 January 2006**  
(24) Date from which industrial property rights may have effect: **13 January 2006**  
(54) Product in respect of which the design is registered: **Building clip for locating building blocks**  
(51) International Design Classification: **25-01A**  
(71) Name(s) and Address(s) of Applicant(s):  
**Brian Measey**  
**64 Stuart Highway Darwin Northern Territory 0810 Australia**  
(72) Name(s) of Designer(s): **Brian Measey**  
(45) Registration Date: **25 July 2006**  
(56) Related Art Documents: **Not Applicable**  
(57) Statement of Newness and Distinctiveness: **Nil**



(21) Design Number: **10097/2006**

(22) Date of Filing Application: **12 January 2006**

(24) Date from which industrial property rights may have effect: **12 January 2006**

(54) Product in respect of which the design is registered: **Upright luggage case**

(51) International Design Classification: **03-01A**

(71) Name(s) and Address(s) of Applicant(s):

**Samsonite Corporation**  
**11200 East 45th Avenue Denver Colorado 80239 United States of America**

(72) Name(s) of Designer(s): **Richard Miles and Timothy Duncan Wooller**

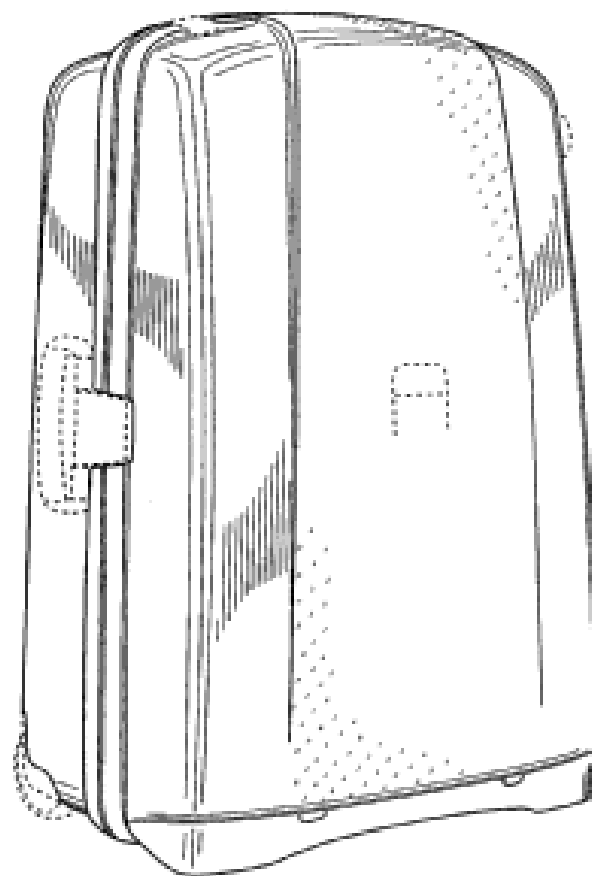
(45) Registration Date: **25 July 2006**

(30) Convention priority data:

(31) Number	(32) Date	(33) Country
<b>29/235,779</b>	<b>05 Aug 2005</b>	<b>UNITED STATES OF AMERICA</b>

(56) Related Art Documents: **Not Applicable**

(57) Statement of Newness and Distinctiveness: **The shape, configuration, pattern and ornamentation of those parts of the design shown other than by means of broken lines in the representations are new and distinctive.**



(21) Design Number: **10308/2006**

(22) Date of Filing Application: **25 January 2006**

(24) Date from which industrial property rights may have effect: **25 January 2006**

(54) Product in respect of which the design is registered: **Cellular phone charger with flashlight**

(51) International Design Classification: **26-02, 13-02**

(71) Name(s) and Address(s) of Applicant(s):

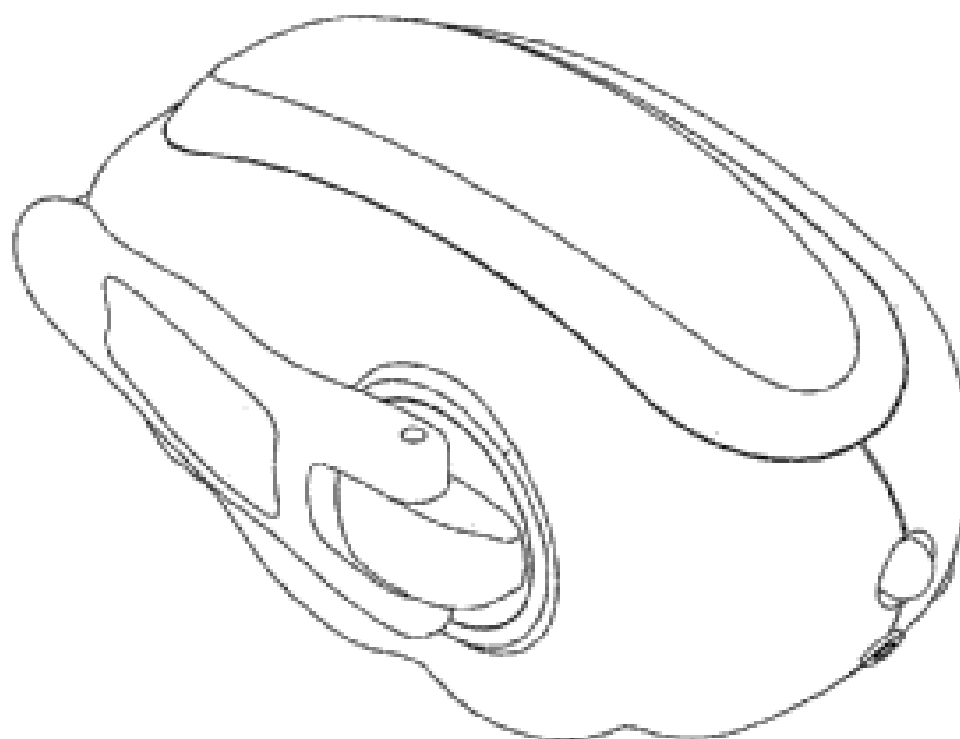
**Se Kit Yuen**  
**6th Floor Yau Lee Centre 45 Hoi Yuen Road Kwun Tong Kowloon Hong Kong**

(72) Name(s) of Designer(s): **Se Kit Yuen**

(45) Registration Date: **25 July 2006**

(56) Related Art Documents: **Not Applicable**

(57) Statement of Newness and Distinctiveness: **Nil**



(21) Design Number: **11658/2005**

(22) Date of Filing Application: **22 April 2005**

(24) Date from which industrial property rights may have effect: **22 April 2005**

(54) Product in respect of which the design is registered: **Stand**

(51) International Design Classification: **06-04NES**

(71) Name(s) and Address(s) of Applicant(s):

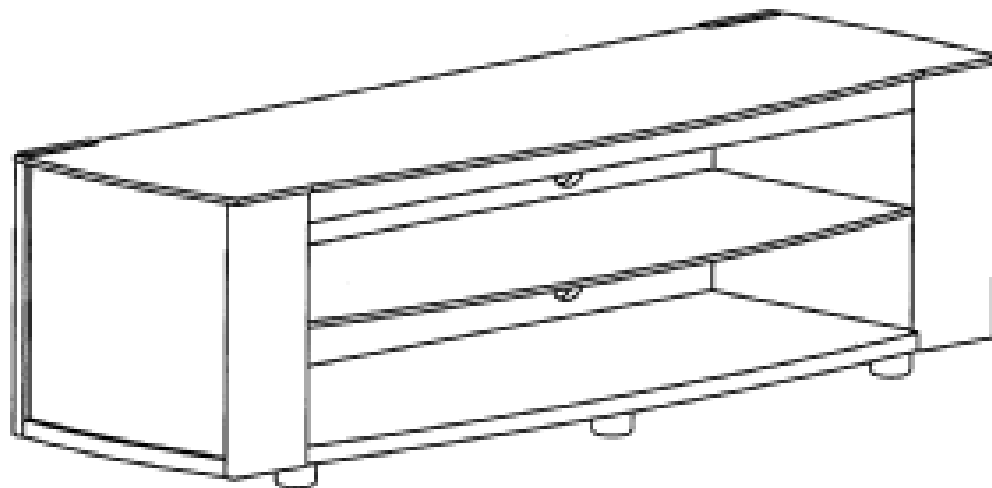
**Criterion Manufacturing Limited**  
**18 Parkwood Place East Tamakai Auckland New Zealand**

(72) Name(s) of Designer(s): **Peter Barry Moyle and Peke C.P.E. Hallenheim**

(45) Registration Date: **25 July 2006**

(56) Related Art Documents: **Not Applicable**

(57) Statement of Newness and Distinctiveness: **Those visual features of the stand depicted in the representations that are new and distinctive are the shape and/or configuration. The holes located on the back of the stand, the brackets and the stand supports may or may not form part of the design.**



(21) Design Number: **12493/2005**

(22) Date of Filing Application: **10 June 2005**

(24) Date from which industrial property rights may have effect: **10 June 2005**

(54) Product in respect of which the design is registered: **Multi-point power outlet device**

(51) International Design Classification: **13-03D**

(71) Name(s) and Address(s) of Applicant(s):

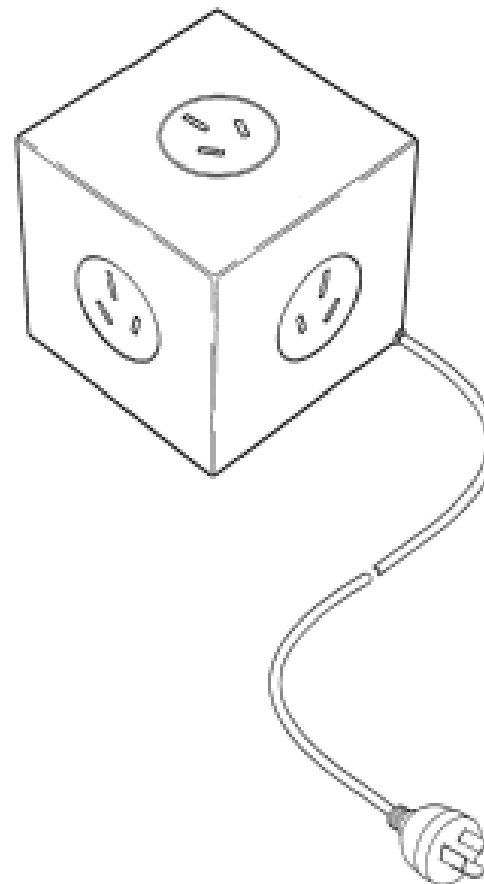
**Peter Alan Portmann**  
**18 Asheville Parade Landsdale Western Australia 6065 Australia**

(72) Name(s) of Designer(s): **Peter Alan Portmann**

(45) Registration Date: **25 July 2006**

(56) Related Art Documents: **Not Applicable**

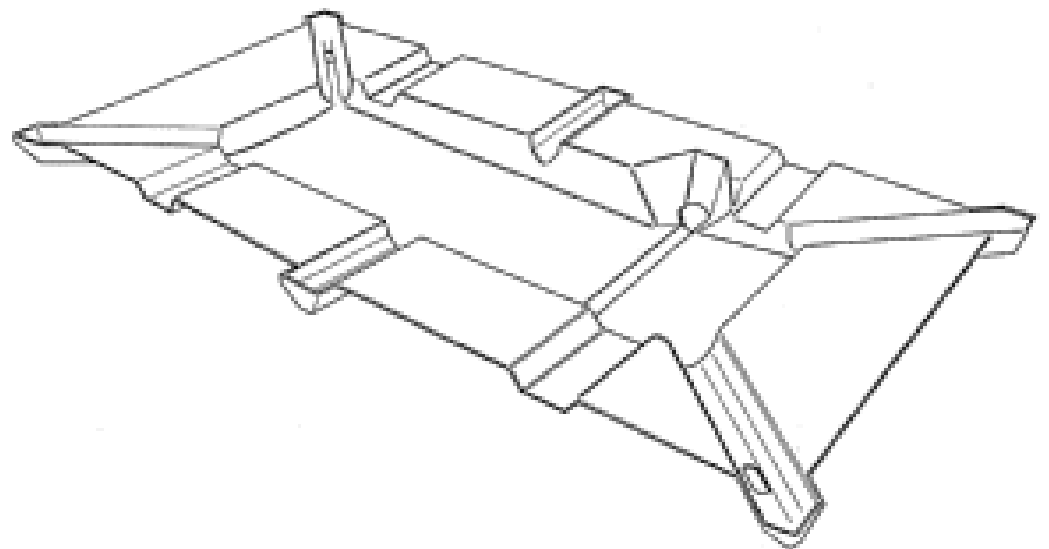
(57) Statement of Newness and Distinctiveness: **Newness and distinctiveness is claimed in the shape and/or configuration of a multi-point power outlet device as illustrated in the accompanying representations. In considering the scope of the monopoly, the power cord marked A is to be disregarded.**



- (21) Design Number: **13229/2005**  
(22) Date of Filing Application: **28 July 2005**  
(24) Date from which industrial property rights may have effect: **28 July 2005**  
(54) Product in respect of which the design is registered: **Bed**  
(51) International Design Classification: **06-02**  
(71) Name(s) and Address(s) of Applicant(s):  
**Uinta Beds Pty Ltd**  
**43-47 Newtown Road Wetherill Park New South Wales 2164 Australia**  
(72) Name(s) of Designer(s): **Kenneth Robert Moras**  
(45) Registration Date: **25 July 2006**  
(56) Related Art Documents: **Not Applicable**  
(57) Statement of Newness and Distinctiveness: **Nil**



- (21) Design Number: **13563/2005**  
(22) Date of Filing Application: **19 August 2005**  
(24) Date from which industrial property rights may have effect: **19 August 2005**  
(54) Product in respect of which the design is registered: **Ball delivery panel for a cue sports table**  
(51) International Design Classification: **06-03D**  
(71) Name(s) and Address(s) of Applicant(s):  
**Robert David Alexander Forrest**  
**13B Tuam Street East Victoria Park Western Australia 6101 Australia**  
(72) Name(s) of Designer(s): **Robert David Alexander Forrest**  
(45) Registration Date: **25 July 2006**  
(56) Related Art Documents: **Not Applicable**  
(57) Statement of Newness and Distinctiveness: **Each feature of the design considered separately or in combination with any other feature or features.**



- (21) Design Number: **13966/2005**
- (22) Date of Filing Application: **12 September 2005**
- (24) Date from which industrial property rights may have effect: **12 September 2005**
- (54) Product in respect of which the design is registered: **Footwear**
- (51) International Design Classification: **02-04NES**
- (71) Name(s) and Address(s) of Applicant(s):

**Crocs, Inc.**  
**6273 Monarch Park Place Niwot Colorado 80503 United States of America**

(72) Name(s) of Designer(s): **Scott Seamans**

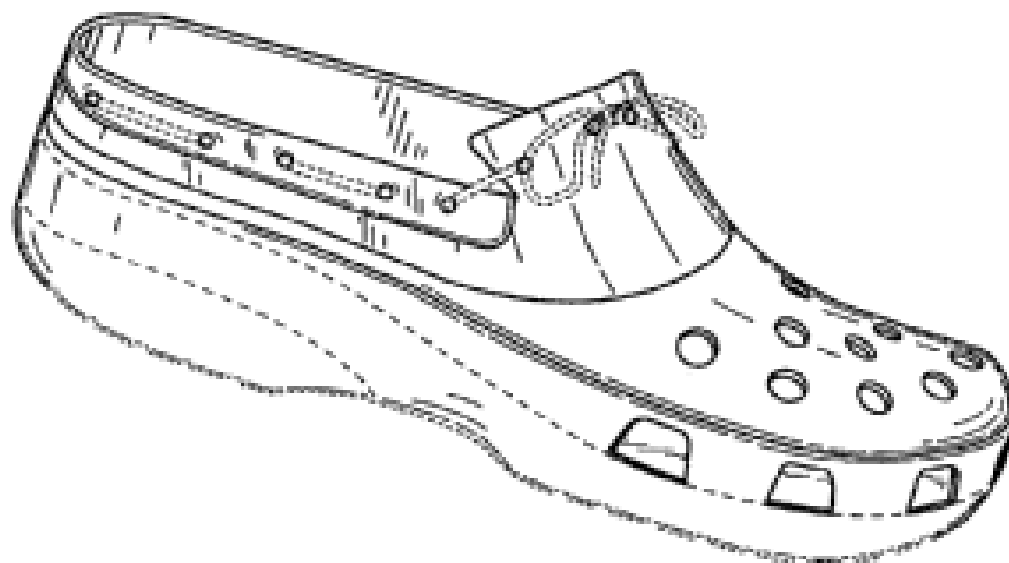
(45) Registration Date: **25 July 2006**

(30) Convention priority data:

(31) Number	(32) Date	(33) Country
<b>000308903-0003</b>	<b>11 Mar 2005</b>	<b>EUROPEAN COMMUNITY</b>

(56) Related Art Documents: **Not Applicable**

(57) Statement of Newness and Distinctiveness: **Newness and distinctiveness of the design resides in the features of shape and configuration of the footwear upper as shown in solid lines in the representations. When considering whether the design is substantially similar in overall impression to another design, no regard is to be given to those features of the design shown in phantom in the representations.**



- (21) Design Number: **14661/2005**
- (22) Date of Filing Application: **24 October 2005**
- (24) Date from which industrial property rights may have effect: **24 October 2005**
- (54) Product in respect of which the design is registered: **Coupling**
- (51) International Design Classification: **08-08NES**
- (71) Name(s) and Address(s) of Applicant(s):

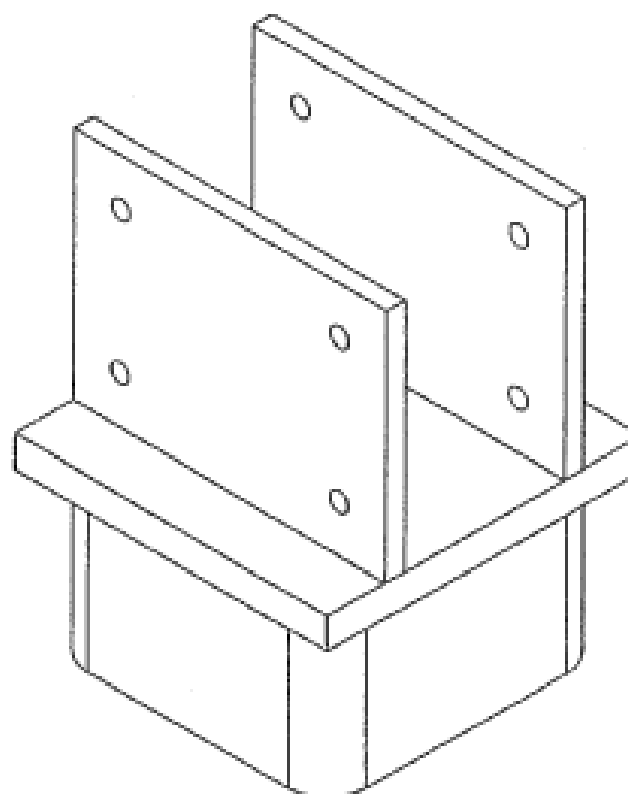
**Onesteel Trading Pty Limited**  
**Level 23 1 York Street Sydney New South Wales 2000 Australia**

(72) Name(s) of Designer(s): **Richard William Skinner**

(45) Registration Date: **25 July 2006**

(56) Related Art Documents: **Not Applicable**

(57) Statement of Newness and Distinctiveness: **Nil**





(21) Design Number: **14728/2005**  
(22) Date of Filing Application: **25 October 2005**  
(24) Date from which industrial property rights may have effect: **25 October 2005**  
(54) Product in respect of which the design is registered: **Table**  
(51) International Design Classification: **06-03B**  
(71) Name(s) and Address(s) of Applicant(s):  
**ARPER S.P.A.**  
**via Lombardia 16 31050 Monastier Di Treviso (Prov.of Treviso) Italy**  
(72) Name(s) of Designer(s): **Alberto Lievore**  
(45) Registration Date: **25 July 2006**  
(30) Convention priority data:  
(31) Number (32) Date (33) Country  
**338645 06 May 2005 EUROPEAN COMMUNITY**  
(56) Related Art Documents: **Not Applicable**  
(57) Statement of Newness and Distinctiveness: **Nil**



(21) Design Number: **14727/2005**  
(22) Date of Filing Application: **25 October 2005**  
(24) Date from which industrial property rights may have effect: **25 October 2005**  
(54) Product in respect of which the design is registered: **Table**  
(51) International Design Classification: **06-03B**  
(71) Name(s) and Address(s) of Applicant(s):  
**ARPER S.P.A.**  
**via Lombardia 16 31050 Monastier Di Treviso (Prov.of Treviso) Italy**  
(72) Name(s) of Designer(s): **Alberto Lievore**  
(45) Registration Date: **25 July 2006**  
(30) Convention priority data:  
(31) Number (32) Date (33) Country  
**338645 06 May 2005 EUROPEAN COMMUNITY**  
(56) Related Art Documents: **Not Applicable**  
(57) Statement of Newness and Distinctiveness: **Nil**



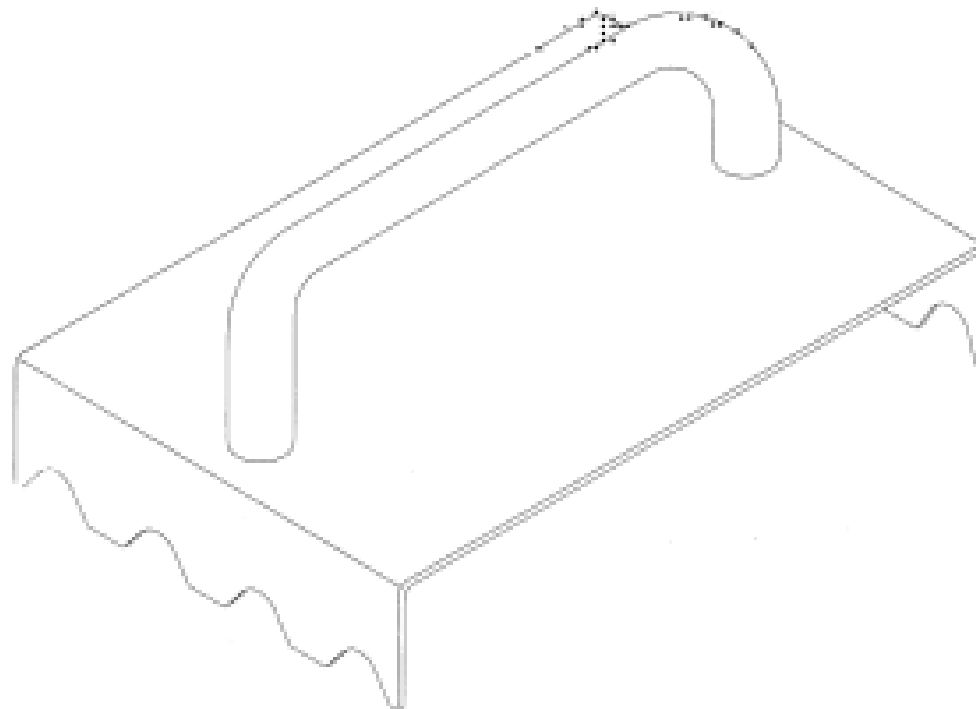
(21) Design Number: **14726/2005**  
(22) Date of Filing Application: **25 October 2005**  
(24) Date from which industrial property rights may have effect: **25 October 2005**  
(54) Product in respect of which the design is registered: **Table**  
(51) International Design Classification: **06-03B**  
(71) Name(s) and Address(s) of Applicant(s):  
**ARPER S.P.A.**  
**via Lombardia 16 31050 Monastier Di Treviso (Prov.of Treviso) Italy**  
(72) Name(s) of Designer(s): **Alberto Lievore**  
(45) Registration Date: **25 July 2006**  
(30) Convention priority data:  
(31) Number (32) Date (33) Country  
**338645 06 May 2005 EUROPEAN COMMUNITY**  
(56) Related Art Documents: **Not Applicable**  
(57) Statement of Newness and Distinctiveness: **Nil**



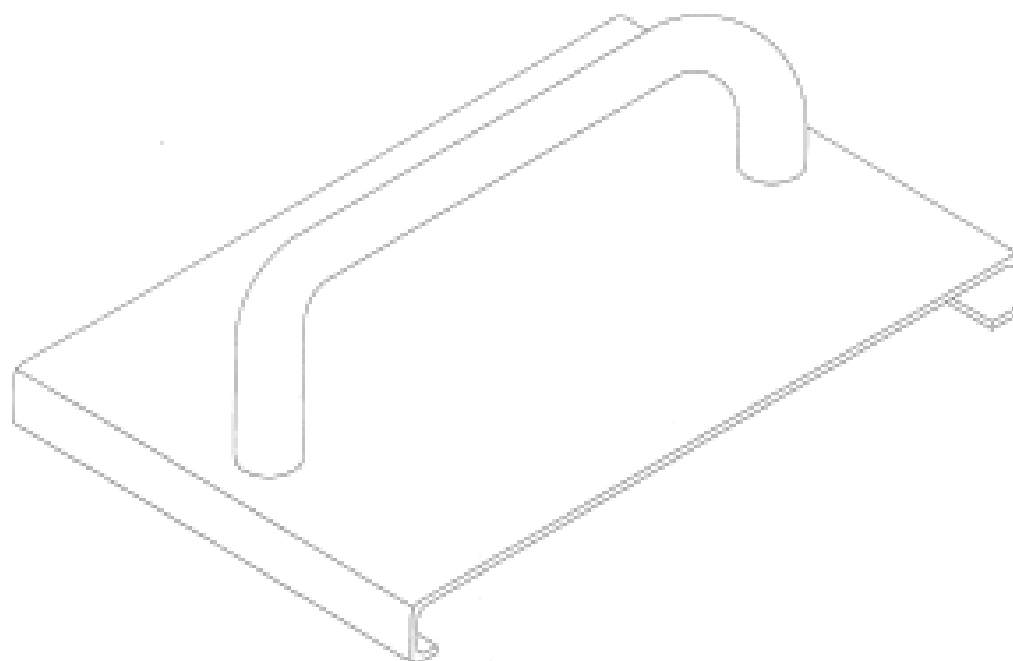
(21) Design Number: **14725/2005**  
(22) Date of Filing Application: **25 October 2005**  
(24) Date from which industrial property rights may have effect: **25 October 2005**  
(54) Product in respect of which the design is registered: **Table**  
(51) International Design Classification: **06-03B**  
(71) Name(s) and Address(s) of Applicant(s):  
**ARPER S.P.A.**  
**via Lombardia 16 31050 Monastier Di Treviso (Prov.of Treviso) Italy**  
(72) Name(s) of Designer(s): **Alberto Lievore**  
(45) Registration Date: **25 July 2006**  
(30) Convention priority data:  
(31) Number (32) Date (33) Country  
**338645 06 May 2005 EUROPEAN COMMUNITY**  
(56) Related Art Documents: **Not Applicable**  
(57) Statement of Newness and Distinctiveness: **Nil**



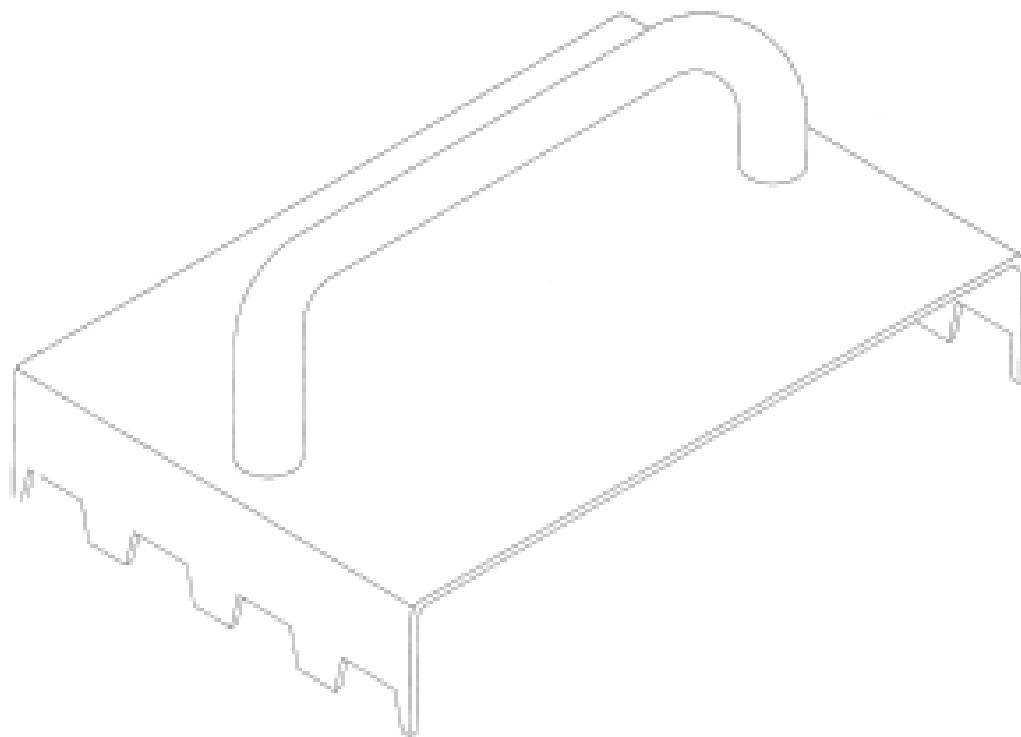
- (21) Design Number: **15062/2005**  
(22) Date of Filing Application: **16 November 2005**  
(24) Date from which industrial property rights may have effect: **16 November 2005**  
(54) Product in respect of which the design is registered: **Scotch brite pad holder**  
(51) International Design Classification: **07-05NES**  
(71) Name(s) and Address(s) of Applicant(s):  
**Equipment Tech Pty Ltd**  
**79 Percival Road Smithfield New South Wales 2164 Australia**  
(72) Name(s) of Designer(s): **Bruce Harding**  
(45) Registration Date: **25 July 2006**  
(56) Related Art Documents: **Not Applicable**  
(57) Statement of Newness and Distinctiveness: **These units are designed to hold scotch brite pads and have various unique contours to fit multiple designs of grills and plates.**



- (21) Design Number: **15061/2005**  
(22) Date of Filing Application: **16 November 2005**  
(24) Date from which industrial property rights may have effect: **16 November 2005**  
(54) Product in respect of which the design is registered: **Scotch brite pad holder**  
(51) International Design Classification: **07-05NES**  
(71) Name(s) and Address(s) of Applicant(s):  
**Equipment Tech Pty Ltd**  
**79 Percival Road Smithfield New South Wales 2164 Australia**  
(72) Name(s) of Designer(s): **Bruce Harding**  
(45) Registration Date: **25 July 2006**  
(56) Related Art Documents: **Not Applicable**  
(57) Statement of Newness and Distinctiveness: **These units are designed to hold scotch brite pads and have various unique contours to fit multiple designs of grills and plates.**

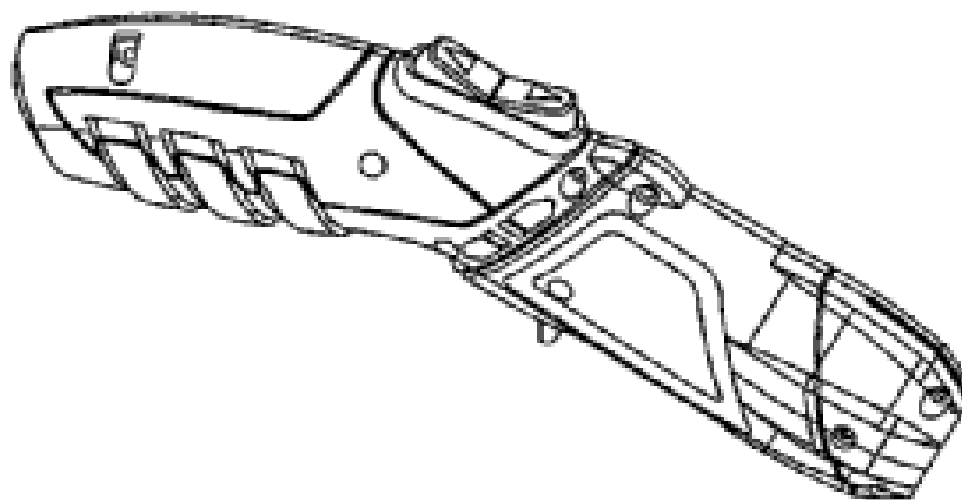


- (21) Design Number: **15060/2005**
- (22) Date of Filing Application: **16 November 2005**
- (24) Date from which industrial property rights may have effect: **16 November 2005**
- (54) Product in respect of which the design is registered: **Scotch brite pad holder**
- (51) International Design Classification: **07-05NES**
- (71) Name(s) and Address(s) of Applicant(s):  
**Equipment Tech Pty Ltd**  
**79 Percival Road Smithfield New South Wales 2164 Australia**
- (72) Name(s) of Designer(s): **Bruce Harding**
- (45) Registration Date: **25 July 2006**
- (56) Related Art Documents: **Not Applicable**
- (57) Statement of Newness and Distinctiveness: **These units are designed to hold scotch brite pads and have various unique contours to fit multiple designs of grills and plates.**



- (21) Design Number: **15550/2005**
- (22) Date of Filing Application: **15 December 2005**
- (24) Date from which industrial property rights may have effect: **15 December 2005**
- (54) Product in respect of which the design is registered: **A powered screwdriver**
- (51) International Design Classification: **08-04**
- (71) Name(s) and Address(s) of Applicant(s):  
**GMCA Pty Ltd**  
**45-55 South Centre Road Melbourne Airport Victoria 3045 Australia**
- (72) Name(s) of Designer(s): **Nigel Roberts**
- (45) Registration Date: **25 July 2006**
- (30) Convention priority data:
 

(31) Number	(32) Date	(33) Country
<b>000435474</b>	<b>18 Nov 2005</b>	<b>EUROPEAN COMMUNITY</b>
- (56) Related Art Documents: **Not Applicable**
- (57) Statement of Newness and Distinctiveness: **Newness and distinctiveness reside in the features of shape and configuration of a powered screwdriver as shown in the accompanying representations.**



- (21) Design Number: **15592/2005**  
(22) Date of Filing Application: **19 December 2005**  
(24) Date from which industrial property rights may have effect: **19 December 2005**  
(54) Product in respect of which the design is registered: **Scroll saw**  
(51) International Design Classification: **08-03**  
(71) Name(s) and Address(s) of Applicant(s):

**GMCA Pty Ltd**  
**45-55 South Centre Road Melbourne Airport Victoria 3045 Australia**

(72) Name(s) of Designer(s): **James Hastie**

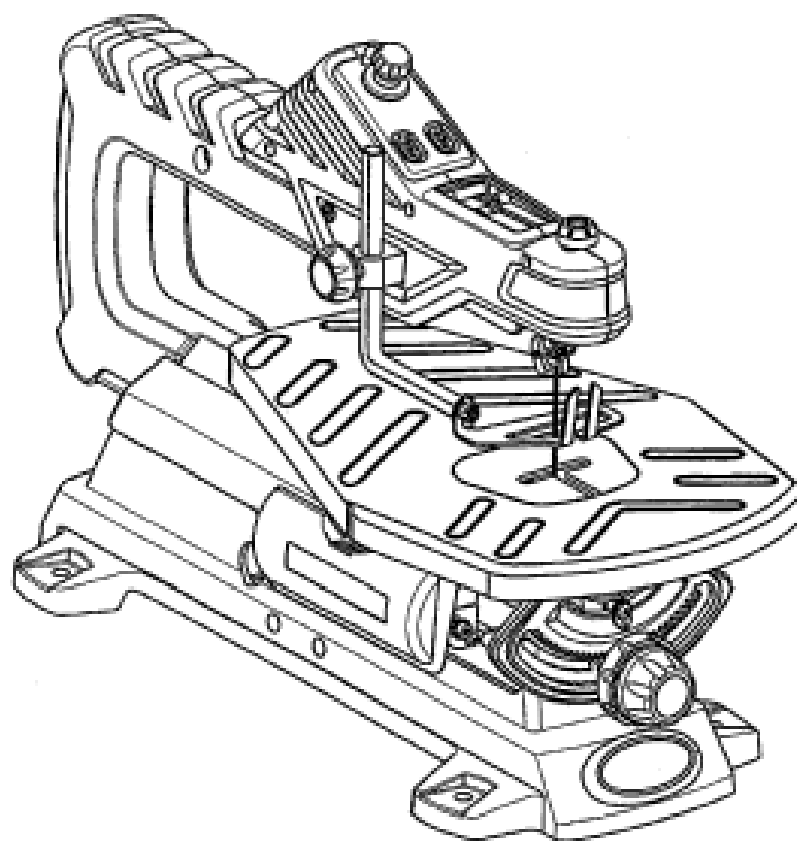
(45) Registration Date: **25 July 2006**

(30) Convention priority data:

(31) Number	(32) Date	(33) Country
<b>3023033</b>	<b>08 Nov 2005</b>	<b>UNITED KINGDOM</b>

(56) Related Art Documents: **Not Applicable**

(57) Statement of Newness and Distinctiveness: **Newness and distinctiveness resides in the features of shape and configuration of a scroll saw as shown in the accompanying representations.**



- (21) Design Number: **15759/2005**  
(22) Date of Filing Application: **23 December 2005**  
(24) Date from which industrial property rights may have effect: **23 December 2005**  
(54) Product in respect of which the design is registered: **Teapot**  
(51) International Design Classification: **07-01G**  
(71) Name(s) and Address(s) of Applicant(s):

**Pi-Design AG**  
**Kantonsstrasse 100 Postfach 463 CH-6234 Triengen Switzerland**

(72) Name(s) of Designer(s): **Jorgen Bodum**

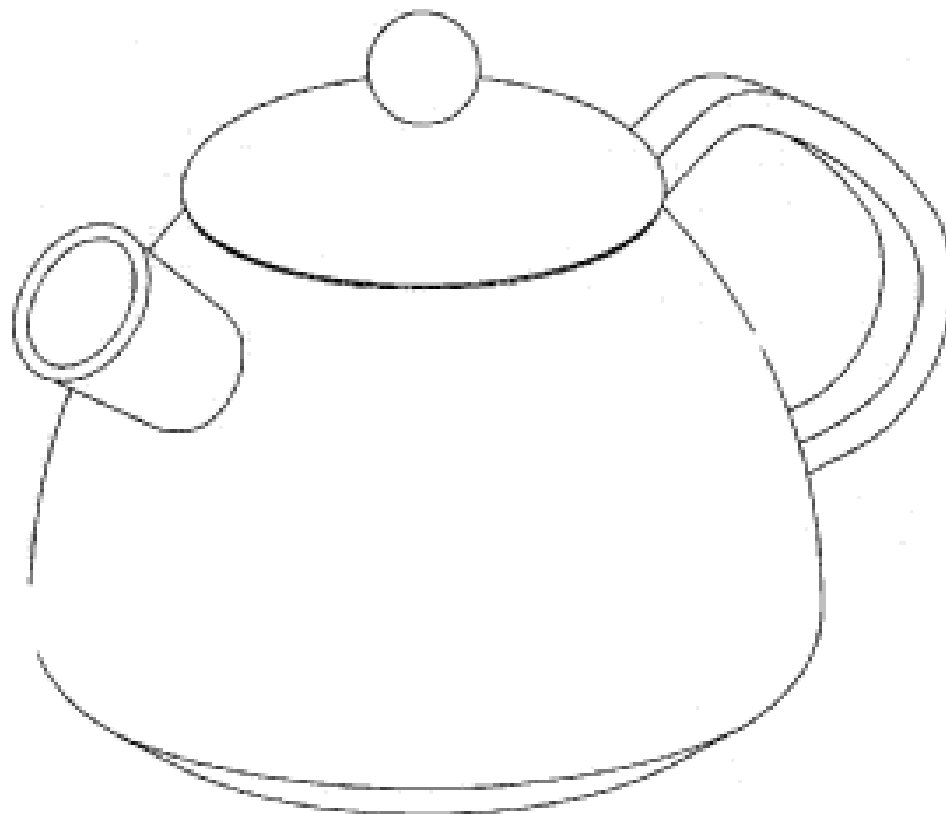
(45) Registration Date: **25 July 2006**

(30) Convention priority data:

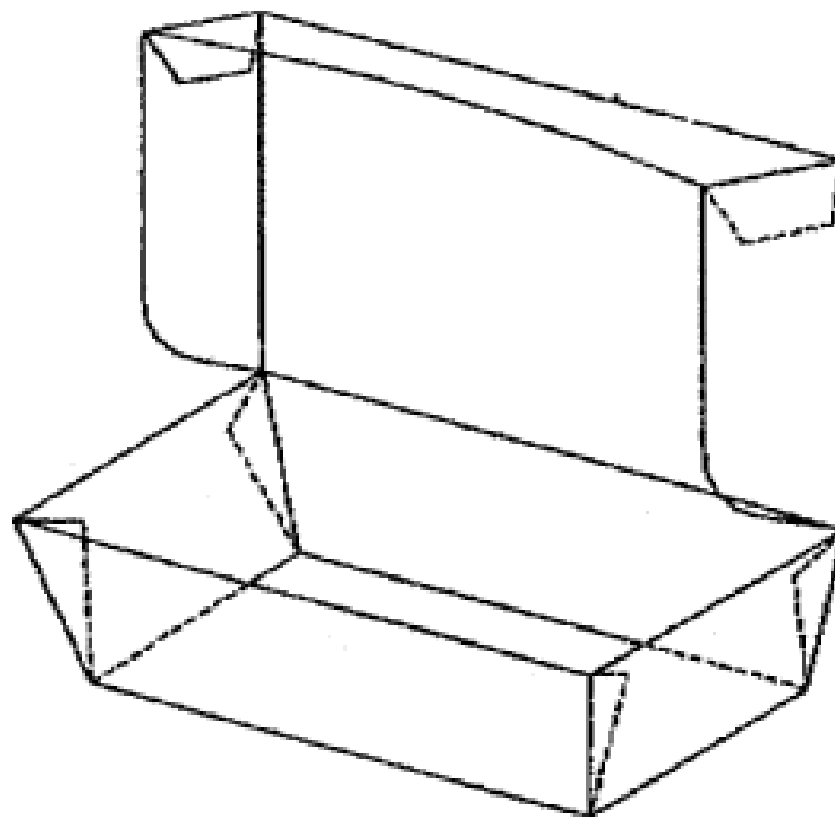
(31) Number	(32) Date	(33) Country
<b>DA 2005</b> <b>00215</b>	<b>22 Jul 2005</b>	<b>DENMARK</b>

(56) Related Art Documents: **Not Applicable**

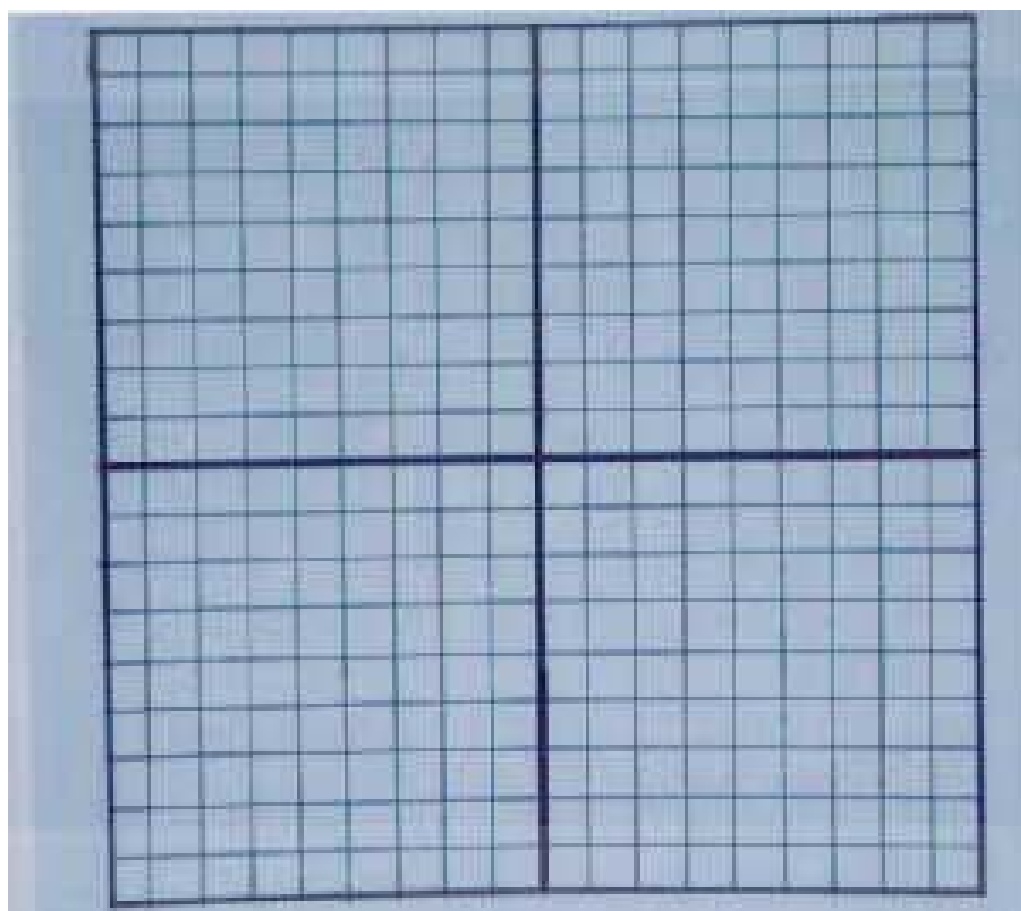
(57) Statement of Newness and Distinctiveness: **Nil.**



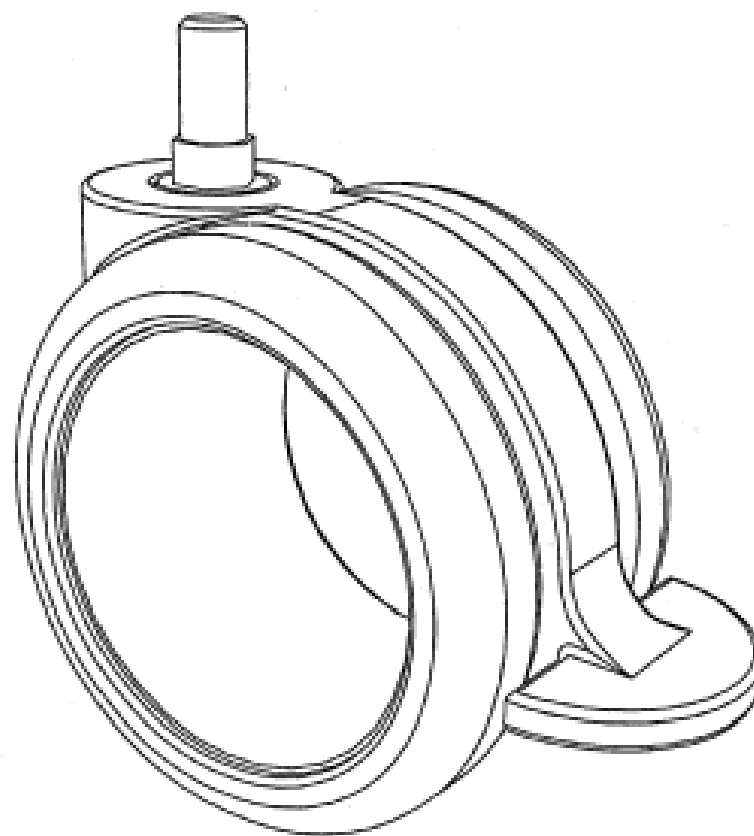
- (21) Design Number: **10708/2006**  
(22) Date of Filing Application: **24 February 2006**  
(24) Date from which industrial property rights may have effect: **24 February 2006**  
(54) Product in respect of which the design is registered: **Lunch box**  
(51) International Design Classification: **07-01NES**  
(71) Name(s) and Address(s) of Applicant(s):  
**PT. Converpak Indonesia**  
**Komplek Pergudangan Kosambi Permai Blok D-24 Desa Jati Mulya**  
**Kec. Kosambi Tangerang Banten Indonesia**  
(72) Name(s) of Designer(s): **Siman Tanoto**  
(45) Registration Date: **25 July 2006**  
(56) Related Art Documents: **Not Applicable**  
(57) Statement of Newness and Distinctiveness: **Newness and distinctiveness of the design resides in the features of shape and/or configuration of the lunch box as shown in the accompanying illustrations.**



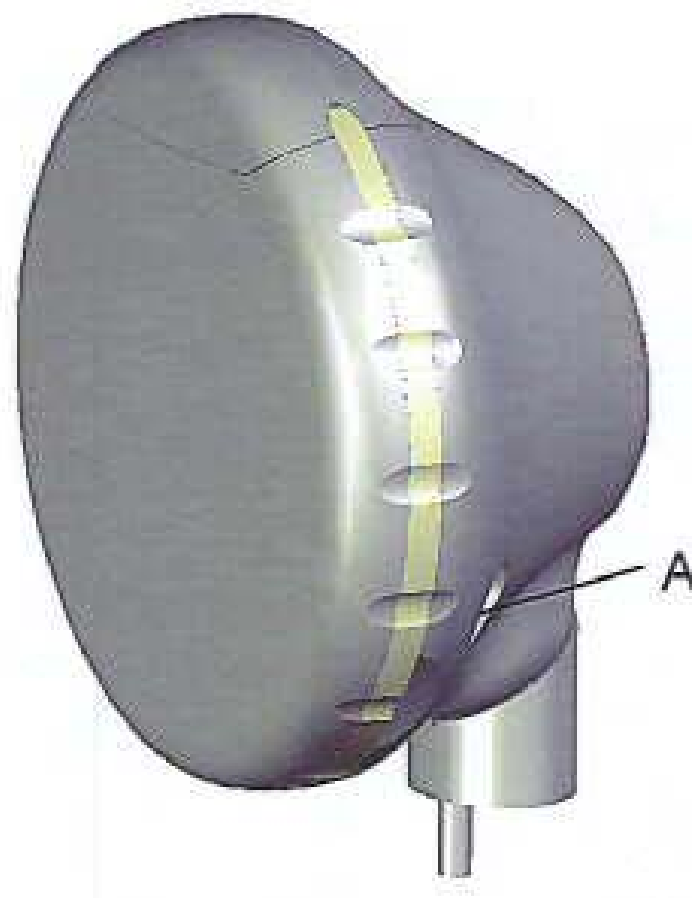
- (21) Design Number: **10227/2006**  
(22) Date of Filing Application: **23 January 2006**  
(24) Date from which industrial property rights may have effect: **23 January 2006**  
(54) Product in respect of which the design is registered: **Work-out (exercise) mat**  
(51) International Design Classification: **21-02NES**  
(71) Name(s) and Address(s) of Applicant(s):  
**Peter L. Kis**  
**PO Box 942 Bondi Junction New South Wales 2022 Australia**  
(72) Name(s) of Designer(s): **Peter L. Kis**  
(45) Registration Date: **25 July 2006**  
(56) Related Art Documents: **Not Applicable**  
(57) Statement of Newness and Distinctiveness: **Nil**



- (21) Design Number: **10602/2006**
- (22) Date of Filing Application: **20 February 2006**
- (24) Date from which industrial property rights may have effect: **20 February 2006**
- (54) Product in respect of which the design is registered: **Castor**
- (51) International Design Classification: **06-06C**
- (71) Name(s) and Address(s) of Applicant(s):  
**Simon Duff**  
**PO Box 216 Berowra New South Wales 2081 Australia**
- (72) Name(s) of Designer(s): **Simon Duff**
- (45) Registration Date: **25 July 2006**
- (56) Related Art Documents: **Not Applicable**
- (57) Statement of Newness and Distinctiveness: **The castor is hollow. It has no axle.**



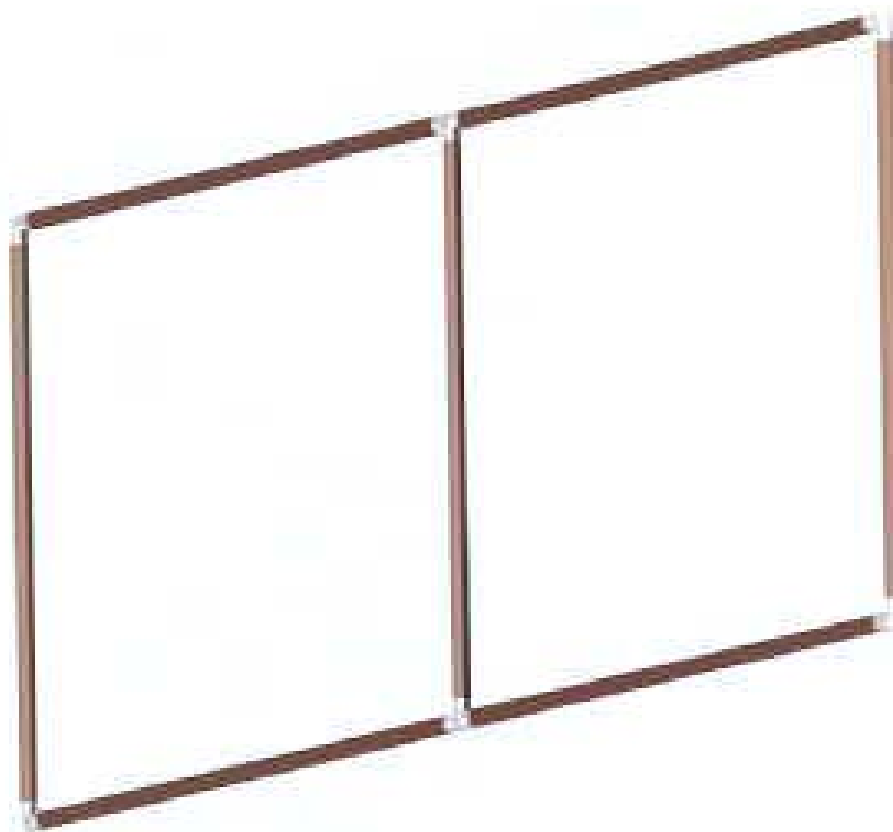
- (21) Design Number: **10681/2006**
- (22) Date of Filing Application: **23 February 2006**
- (24) Date from which industrial property rights may have effect: **23 February 2006**
- (54) Product in respect of which the design is registered: **Light fitting**
- (51) International Design Classification: **26-03**
- (71) Name(s) and Address(s) of Applicant(s):  
**Brown & Watson International Pty Ltd**  
**3 Millennium Court Knoxfield Victoria 3180 Australia**
- (72) Name(s) of Designer(s): **Timothy Miller and Anders Wiquvist and Jerry You**
- (45) Registration Date: **25 July 2006**
- (56) Related Art Documents: **Not Applicable**
- (57) Statement of Newness and Distinctiveness: **Those features of the light fitting depicted in the representations that are new and distinctive are the shape and/or configuration. The grommet hole marked "A" is not part of the design and is to be disregarded when considering the overall impression of the design.**



- (21) Design Number: **10695/2006**  
(22) Date of Filing Application: **23 February 2006**  
(24) Date from which industrial property rights may have effect: **23 February 2006**  
(54) Product in respect of which the design is registered: **Baby rattle/baby pacifier/neck pendant**  
(51) International Design Classification: **21-01NES**  
(71) Name(s) and Address(s) of Applicant(s):  
**Sikki Pty Ltd**  
**21-25 Downie Street Maryville New South Wales 2293 Australia**  
(72) Name(s) of Designer(s): **Christo Kubler and Alice Lees**  
(45) Registration Date: **25 July 2006**  
(56) Related Art Documents: **Not Applicable**  
(57) Statement of Newness and Distinctiveness: **Nil**

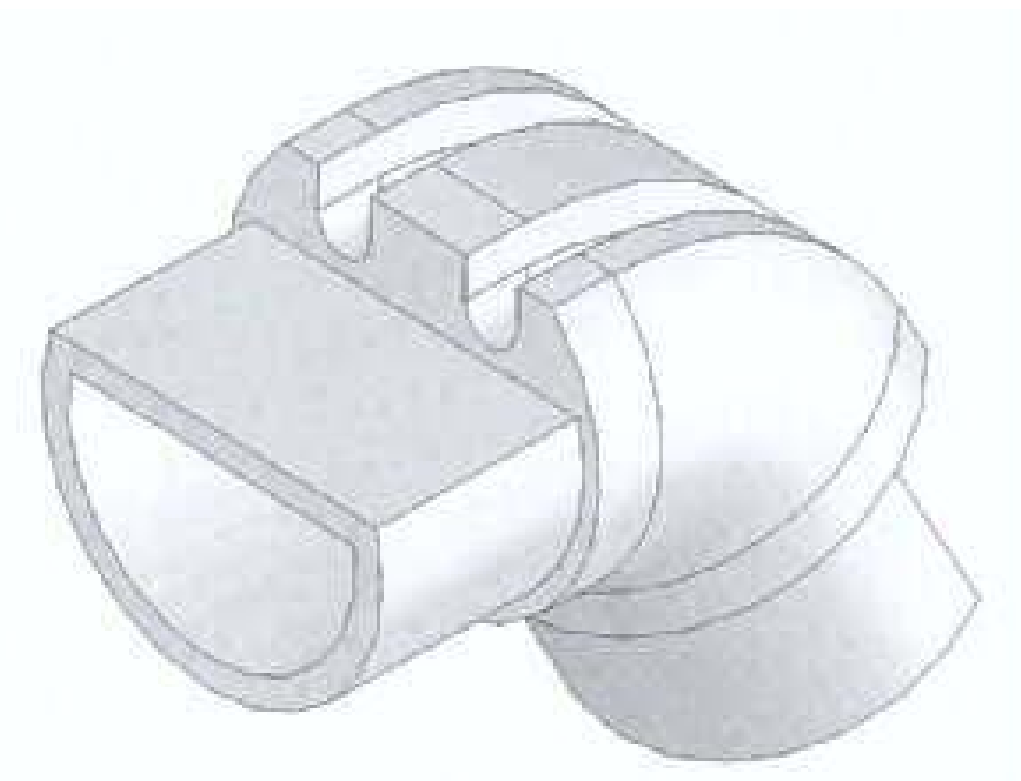


- (21) Design Number: **10722/2006**  
(22) Date of Filing Application: **28 February 2006**  
(24) Date from which industrial property rights may have effect: **28 February 2006**  
(54) Product in respect of which the design is registered: **Fencing panel**  
(51) International Design Classification: **25-02C**  
(71) Name(s) and Address(s) of Applicant(s):  
**Aliquantum Pty Ltd**  
**PO Box 248 Wembley Western Australia 6913 Australia**  
(72) Name(s) of Designer(s): **Russell Collier**  
(45) Registration Date: **25 July 2006**  
(56) Related Art Documents: **Not Applicable**  
(57) Statement of Newness and Distinctiveness: **Monopoly is claimed in the features of shape or configuration of a fencing panel frame as illustrated in the accompanying representations.**





- (21) Design Number: **10752/2006**  
(22) Date of Filing Application: **28 February 2006**  
(24) Date from which industrial property rights may have effect: **28 February 2006**  
(54) Product in respect of which the design is registered: **Joiner for extruded pipes or tubes**  
(51) International Design Classification: **23-01A**  
(71) Name(s) and Address(s) of Applicant(s):  
**Allen Hardware Products Pty Ltd**  
**6 Garden Street Maroubra New South Wales 2035 Australia**  
(72) Name(s) of Designer(s): **Alan George Harper and Dylan Daniel Retif**  
(45) Registration Date: **25 July 2006**  
(56) Related Art Documents: **Not Applicable**  
(57) Statement of Newness and Distinctiveness: **Nil**



- (21) Design Number: **10791/2006**  
(22) Date of Filing Application: **28 February 2006**  
(24) Date from which industrial property rights may have effect: **28 February 2006**  
(54) Product in respect of which the design is registered: **Baby mat**  
(51) International Design Classification: **06-09**  
(71) Name(s) and Address(s) of Applicant(s):  
**Tiny Love Ltd**  
**22 A Raoul Wallenberg Street Beit Zamir Tel Aviv 69719 Israel**  
(72) Name(s) of Designer(s): **Shoshan Oren and Elisha-Avraham Tal and Eitan-Shalom Sharif and Eyal Vogel**  
(45) Registration Date: **25 July 2006**  
(30) Convention priority data:  
(31) Number (32) Date (33) Country  
**392683 30 Aug 2005 EUROPEAN COMMUNITY**  
(56) Related Art Documents: **Not Applicable**  
(57) Statement of Newness and Distinctiveness: **The shape and configuration of the baby mat is new and distinctive. The pictures and printed ornamentation shown in figure 3 are to be disregarded.**



- (21) Design Number: **10792/2006**
- (22) Date of Filing Application: **28 February 2006**
- (24) Date from which industrial property rights may have effect: **28 February 2006**
- (54) Product in respect of which the design is registered: **Wax crayon**
- (51) International Design Classification: **19-06**
- (71) Name(s) and Address(s) of Applicant(s):  
**Morocolor Italia S.p.A.**  
**Via Bassa I 224 35011 Campodarsego Italy**
- (72) Name(s) of Designer(s): **Moro Camillo**
- (45) Registration Date: **25 July 2006**
- (56) Related Art Documents: **Not Applicable**
- (57) Statement of Newness and Distinctiveness: **Nil**



- (21) Design Number: **10793/2006**
- (22) Date of Filing Application: **28 February 2006**
- (24) Date from which industrial property rights may have effect: **28 February 2006**
- (54) Product in respect of which the design is registered: **Wax crayon**
- (51) International Design Classification: **19-06**
- (71) Name(s) and Address(s) of Applicant(s):  
**Morocolor Italia S.p.A.**  
**Via Bassa I 224 35011 Campodarsego Italy**
- (72) Name(s) of Designer(s): **Moro Camillo**
- (45) Registration Date: **25 July 2006**
- (56) Related Art Documents: **Not Applicable**
- (57) Statement of Newness and Distinctiveness: **Nil**



(21) Design Number: **10794/2006**

(22) Date of Filing Application: **01 March 2006**

(24) Date from which industrial property rights may have effect: **01 March 2006**

(54) Product in respect of which the design is registered: **Reciprocating saw**

(51) International Design Classification: **08-03**

(71) Name(s) and Address(s) of Applicant(s):

**Robert Bosch GmbH  
Postfach 30 02 20 D-70442 Stuttgart Germany**

(72) Name(s) of Designer(s): **Hans-Peter Aglassinger**

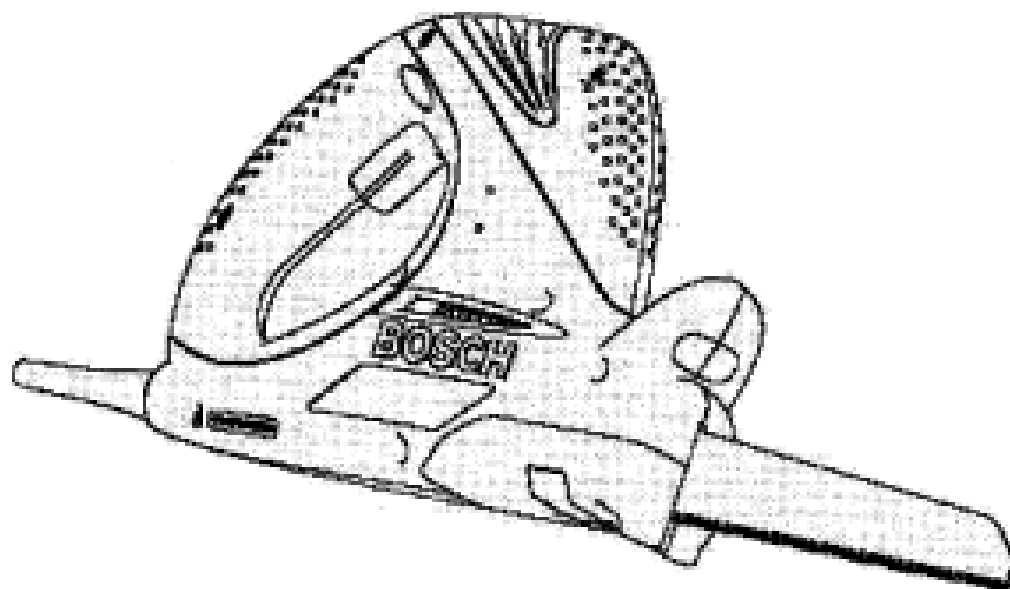
(45) Registration Date: **25 July 2006**

(30) Convention priority data:

(31) Number	(32) Date	(33) Country
<b>000448139</b>	<b>12 Dec 2005</b>	<b>EUROPEAN COMMUNITY</b>

(56) Related Art Documents: **Not Applicable**

(57) Statement of Newness and Distinctiveness: **Newness and distinctiveness are provided by the shape and/or configuration of the design shown in the representations. In considering the scope of the newness protection any indicia on the reciprocating saw is to be disregarded.**



(21) Design Number: **10795/2006**

(22) Date of Filing Application: **02 March 2006**

(24) Date from which industrial property rights may have effect: **02 March 2006**

(54) Product in respect of which the design is registered: **Personal listening device**

(51) International Design Classification: **24-99**

(71) Name(s) and Address(s) of Applicant(s):

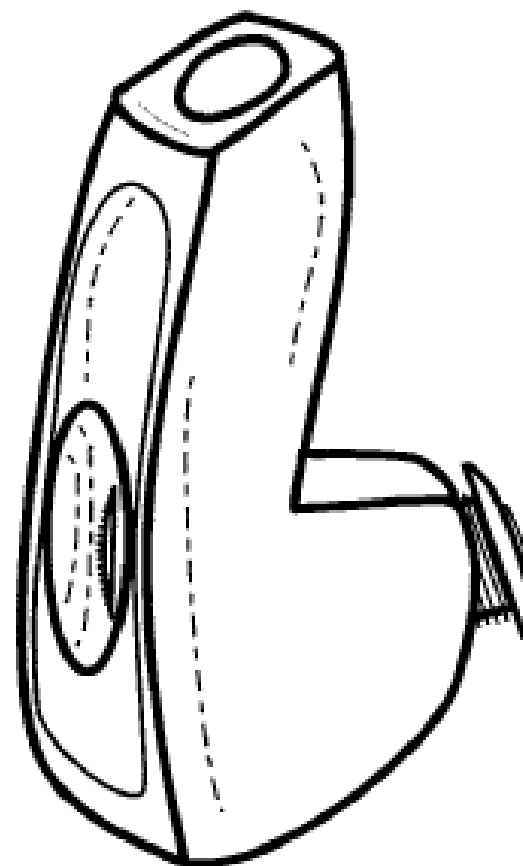
**Shirley Hall  
106/361 Glenferrie Road Malvern Victoria 3144 Australia**

(72) Name(s) of Designer(s): **Shirley Hall**

(45) Registration Date: **25 July 2006**

(56) Related Art Documents: **Not Applicable**

(57) Statement of Newness and Distinctiveness: **The design is worn in-the-ear and is visible front-of-ear. The top opening allows fitting of an over the ear hook. A decorative cover plate may be clipped on to back.**



(21) Design Number: **10803/2006**

(22) Date of Filing Application: **01 March 2006**

(24) Date from which industrial property rights may have effect: **01 March 2006**

(54) Product in respect of which the design is registered: **A set of electrical fittings**

(51) International Design Classification: **13-03E**

(71) Name(s) and Address(s) of Applicant(s):

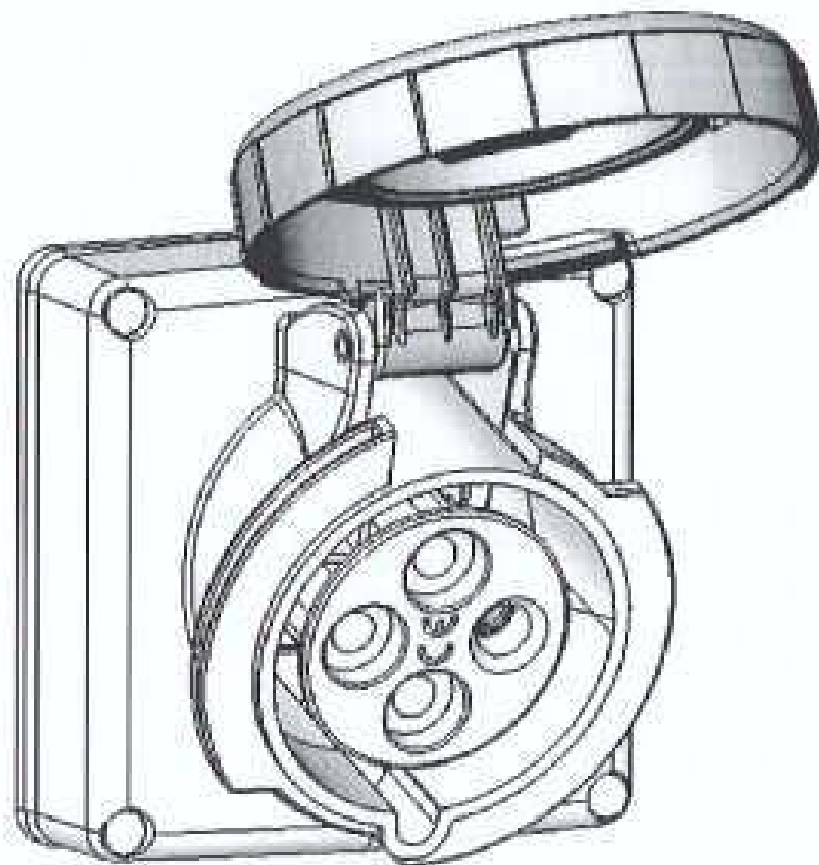
**Schneider Electric (New Zealand) Holdings Limited  
14 Hazeldean Road Addington Christchurch New Zealand**

(72) Name(s) of Designer(s): **Stewart John Macdonald**

(45) Registration Date: **25 July 2006**

(56) Related Art Documents: **Not Applicable**

(57) Statement of Newness and Distinctiveness: **The novelty claimed for the design resides in the features of shape and/or configuration all as shown in the representations excluding the shape and configuration of the rear of the electrical socket, apparent in the rear and side views.**



(21) Design Number: **10805/2006**

(22) Date of Filing Application: **01 March 2006**

(24) Date from which industrial property rights may have effect: **01 March 2006**

(54) Product in respect of which the design is registered: **Food processor**

(51) International Design Classification: **31-00**

(71) Name(s) and Address(s) of Applicant(s):

**Magimix  
5 rue Felix Faure 94000 Vincennes France**

(72) Name(s) of Designer(s): **Gilbert Verdun**

(45) Registration Date: **25 July 2006**

(30) Convention priority data:

(31) Number	(32) Date	(33) Country
<b>000396015-0002</b>	<b>06 Sep 2005</b>	<b>EUROPEAN COMMUNITY</b>

(56) Related Art Documents: **Not Applicable**

(57) Statement of Newness and Distinctiveness: **Newness and distinctiveness reside in the features of the design as shown in the representations.**



(19) AU

(21) Design Number: **10807/2006**

(22) Date of Filing Application: **01 March 2006**

(24) Date from which industrial property rights may have effect: **01 March 2006**

(54) Product in respect of which the design is registered: **Sun lounger**

(51) International Design Classification: **06-01H**

(71) Name(s) and Address(s) of Applicant(s):

**Seladis Limited**  
**44 Conygree Close Lower Earley Reading Berkshire RG6 4XE United Kingdom**

(72) Name(s) of Designer(s): **John Ellacott**

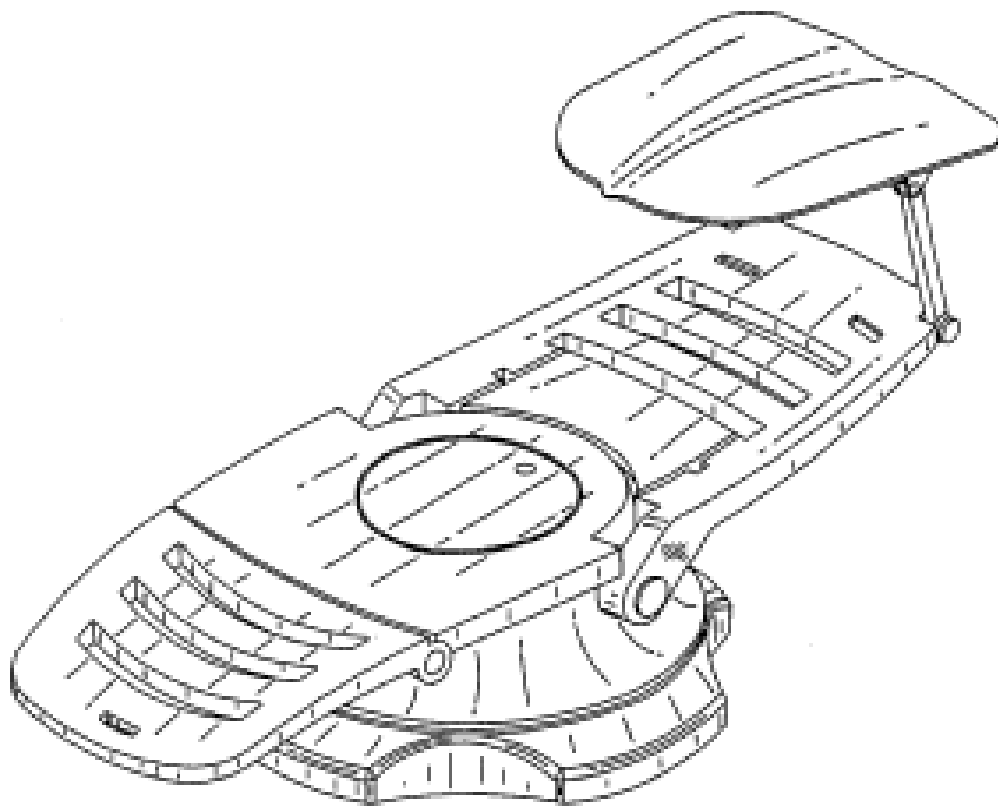
(45) Registration Date: **25 July 2006**

(30) Convention priority data:

(31) Number	(32) Date	(33) Country
<b>000458468</b>	<b>28 Dec 2005</b>	<b>EUROPEAN COMMUNITY</b>

(56) Related Art Documents: **Not Applicable**

(57) Statement of Newness and Distinctiveness: **Newness and distinctiveness reside in the features of the design as shown in the representations.**



(19) AU

(21) Design Number: **10811/2006**

(22) Date of Filing Application: **01 March 2006**

(24) Date from which industrial property rights may have effect: **01 March 2006**

(54) Product in respect of which the design is registered: **A vent**

(51) International Design Classification: **23-04**

(71) Name(s) and Address(s) of Applicant(s):

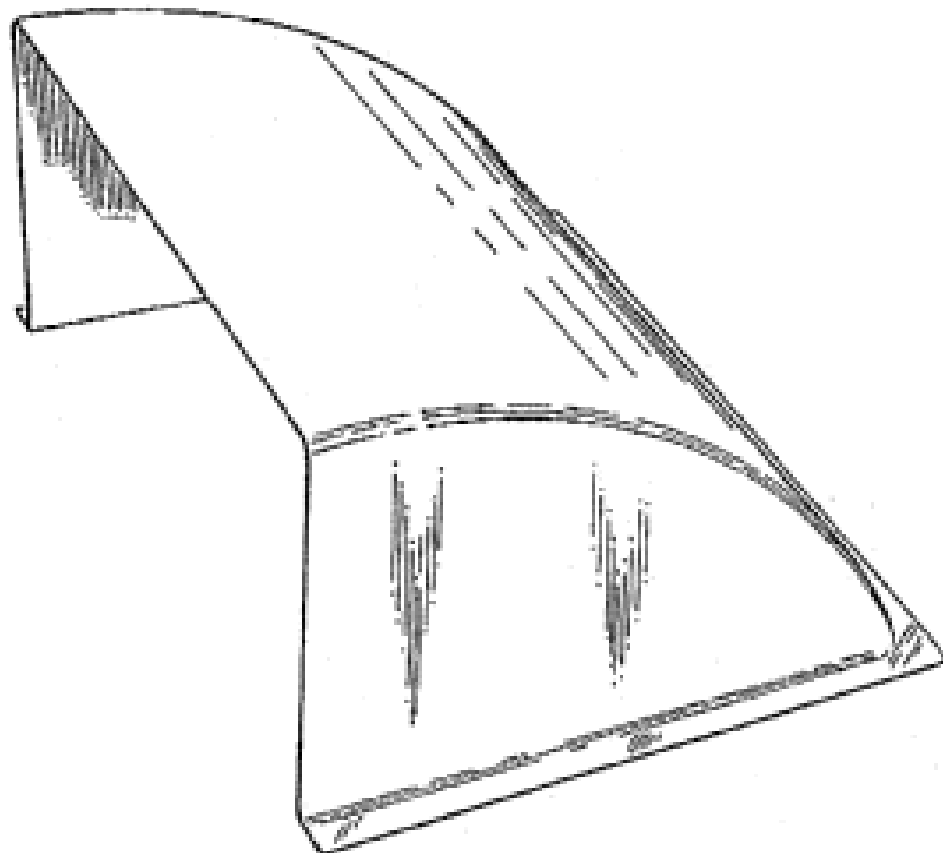
**Glenn Michael Irving**  
**9 Galaxy Court Capalaba Queensland 4107 Australia**

(72) Name(s) of Designer(s): **Glenn Michael Irving**

(45) Registration Date: **25 July 2006**

(56) Related Art Documents: **Not Applicable**

(57) Statement of Newness and Distinctiveness: **Monopoly is claimed in the shape and configuration of a vent as shown in the accompanying representations.**



- (21) Design Number: **10814/2006**  
(22) Date of Filing Application: **02 March 2006**  
(24) Date from which industrial property rights may have effect: **02 March 2006**  
(54) Product in respect of which the design is registered: **An electrically-powered wheelchair**  
(51) International Design Classification: **12-14, 12-12**  
(71) Name(s) and Address(s) of Applicant(s):  
**Honda Motor Co., Ltd**  
**1-1 Minami-Aoyama 2-Chome Minato-ku Tokyo Japan**  
(72) Name(s) of Designer(s): **Masahiko Yamagishi**  
(45) Registration Date: **25 July 2006**  
(30) Convention priority data:  
(31) Number      (32) Date      (33) Country  
**2005-026228      09 Sep 2005      JAPAN**  
(56) Related Art Documents: **Not Applicable**  
(57) Statement of Newness and Distinctiveness: **Newness and distinctiveness is claimed in the features of shape and/or configuration of an electrically-powered wheelchair as illustrated in the accompanying representations.**



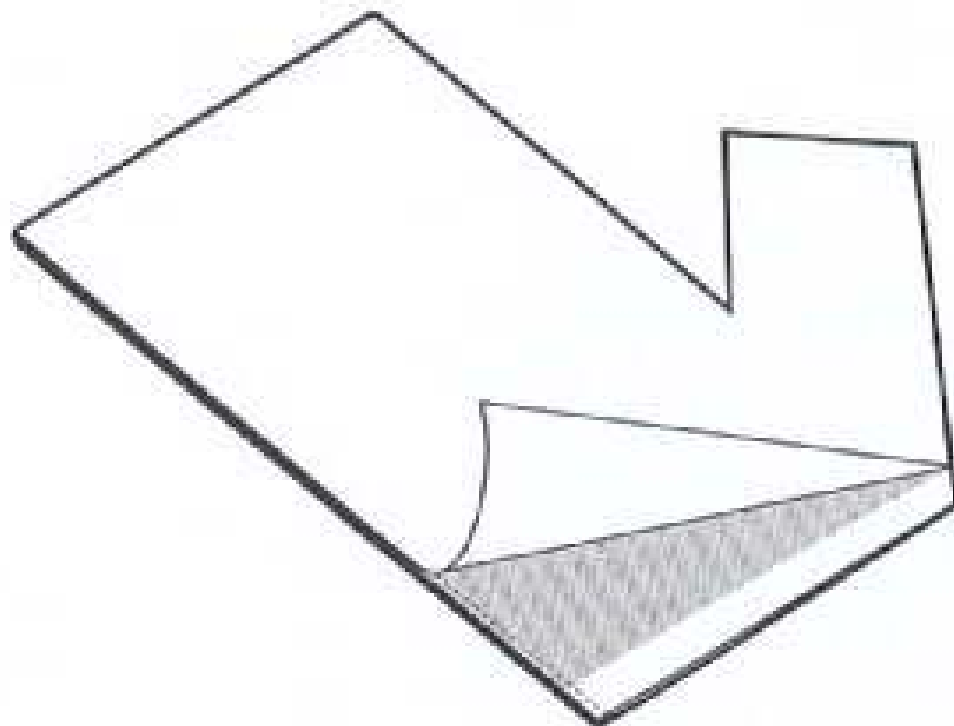
- (21) Design Number: **13749/2005**  
(22) Date of Filing Application: **31 August 2005**  
(24) Date from which industrial property rights may have effect: **31 August 2005**  
(54) Product in respect of which the design is registered: **Ladies garment**  
(51) International Design Classification: **02-02C**  
(71) Name(s) and Address(s) of Applicant(s):  
**Review Australia Pty Ltd**  
**25-31 Rokeby Street Collingwood Victoria 3066 Australia**  
(72) Name(s) of Designer(s): **Jayne Ellis**  
(45) Registration Date: **25 July 2006**  
(56) Related Art Documents: **Not Applicable**  
(57) Statement of Newness and Distinctiveness: **Nil**



- (21) Design Number: **13759/2005**
- (22) Date of Filing Application: **01 September 2005**
- (24) Date from which industrial property rights may have effect: **01 September 2005**
- (54) Product in respect of which the design is registered: **Clothes cleaning glove**
- (51) International Design Classification: **07-05E**
- (71) Name(s) and Address(s) of Applicant(s):

**Alley Michelle**  
**Unit 3 156 Hensman Street Kensington Western Australia 6151**  
**Australia**

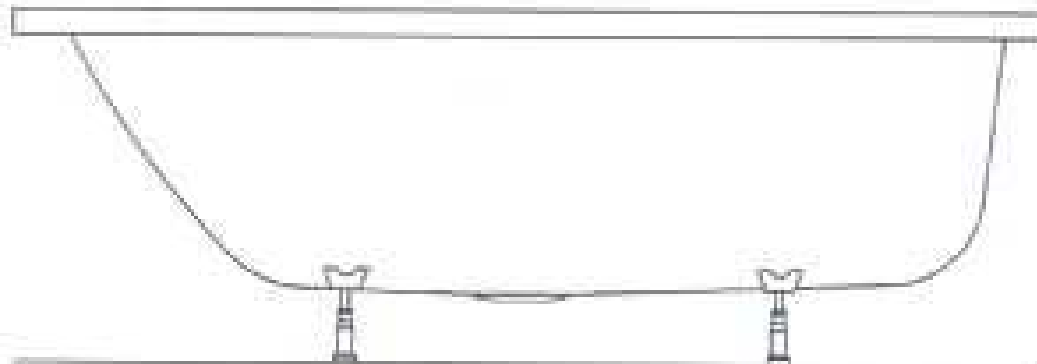
- (72) Name(s) of Designer(s): **Alley Michelle**
- (45) Registration Date: **25 July 2006**
- (56) Related Art Documents: **Not Applicable**
- (57) Statement of Newness and Distinctiveness: **Newness and distinctiveness is claimed in the features of shape and/or configuration of the clothes cleaning glove as shown in the attached representations.**



- (21) Design Number: **15200/2005**
- (22) Date of Filing Application: **28 November 2005**
- (24) Date from which industrial property rights may have effect: **28 November 2005**
- (54) Product in respect of which the design is registered: **bath and fiberglass body**
- (51) International Design Classification: **23-02B**
- (71) Name(s) and Address(s) of Applicant(s):

**Rogers Seller & Myhill Pty. Ltd.**  
**587-593 Church Street Richmond Victoria 3121 Australia**

- (72) Name(s) of Designer(s): **Rob Watson**
- (45) Registration Date: **25 July 2006**
- (56) Related Art Documents: **Not Applicable**
- (57) Statement of Newness and Distinctiveness: **Bod bath surround adopts complex curves to define its unique shape.**



(21) Design Number: **15391/2005**

(22) Date of Filing Application: **06 December 2005**

(24) Date from which industrial property rights may have effect: **06 December 2005**

(54) Product in respect of which the design is registered: **SLR rod holder (self locking rod holder)**

(51) International Design Classification: **22-05**

(71) Name(s) and Address(s) of Applicant(s):

**Paul John Collins**  
**12/91-93 Landsborough Parade Golden Beach Queensland 4551**  
**Australia**

(72) Name(s) of Designer(s): **Paul John Collins**

(45) Registration Date: **25 July 2006**

(56) Related Art Documents: **Not Applicable**

(57) Statement of Newness and Distinctiveness: **Moulding block for stopping stainless steel locking bar travel/moulding block for stopping over horizontal adjustment/rail mount base heavy leather look tectured finish.**

