



**Australian Government**

---

**IP Australia**

**AUSTRALIAN OFFICIAL JOURNAL**

**OF**

**DESIGNS**

Did you know a searchable version of this journal is now available online?

It's FREE and EASY to SEARCH.

Find it at

<http://pericles.ipaustralia.gov.au/ols/epublish/content/olsEpublications.jsp>  
or using the "Online Journals" link on the IP Australia home page.

This Page Left Intentionally Blank

## Contents

### General Information & Notices

#### Proceedings Under the Designs Act 1906 preserved as a result of the provisions of Chapter 12 Part 2 of the Designs Act 2003

Application for Extension of Period of Registration .....	6218
Applications for Extension of Time .....	6219
Extension of Period of Registration of Designs .....	6218
Extensions of Time Granted .....	6219
Names Registered - Alterations and Amendments .....	6219
Registrations Ceased .....	6219
Subsequent Owners Registered .....	6219

#### Proceedings Under the Designs Act 2003

Applications Lapsed .....	6228
Applications Lodged .....	6223
Applications Withdrawn .....	6228
Certificate of Examination .....	6230
Names Registered - Alterations and Amendments .....	6229
Publication and Registration Proceedings	
Designs Registered 309165 to 309546.....	6231
Registrations Ceased .....	6229
Subsequent Owners Registered .....	6229

This Page Left Intentionally Blank

## General Information

### EDITORIAL ENQUIRIES

All enquiries about official notices and general information in the Journal should be directed to IP Australia, (ABN No 38 113 072 755), PO Box 200 Woden ACT 2606

Or

Telephone 1300 651 010  
(International Callers +61 2 6283 2999 )  
Fax 02 6283 7999  
E-mail [assist@ipaustralia.gov.au](mailto:assist@ipaustralia.gov.au)

### CONTACT INFORMATION

Customer Service Network  
Telephone 1300 651 010 , Fax: 02 6283 7999  
E-mail: [assist@ipaustralia.gov.au](mailto:assist@ipaustralia.gov.au)

Customers can contact the Customer Service Network by telephone or by e-mail. Telephones are staffed between 9am and 5pm each working day.

Customers should contact the Customer Service Network for information about:

- All Patent Matters including PCT and Innovation Patents.
- All Trade Mark Matters.
- All Design Matters.

### Professional Standards Board for Patent and Trade Mark Attorneys.

Ph: 02 6283 2345 Fax: 02 6283 1048

### ORDERING PATENT DOCUMENTS

When ordering copies of Australian patent specifications, or abstracts and abridgments notified as open to public inspection on or after 26 October 1978, or as accepted on or after 16 November 1978, the documents should be referred to by application numbers only, preceded by letters AU-A or AU-B respectively.

### REQUESTS FOR INFORMATION UNDER SECTION 194 ( C )

A request for information under Section 194 ( C ) of the Patents Act 1990 should be made in the approved form and be accompanied by the prescribed fee. The request should be as detailed as possible.

### INFORMATION FROM REGISTERS

All requests for information from Register of Patents, Trade Marks or Designs, should be made in writing and accompanied by the prescribed fee. The Registers are located in Canberra and may be examined free of charge.

### COUNTRY CODES

For a listing of country codes used by IP Australia please refer to the Official Journals dated 7 November 1996.

### ABBREVIATIONS IN JOURNAL

Standard abbreviations are used in the name of companies and firms. Enquiries concerning the precise name should be directed to the Customer Service Network.

## FREEDOM OF INFORMATION ACT

What does it do?

- Gives you right to obtain information held by Commonwealth Ministers, Departments and most statutory bodies (these bodies are called agencies under the Act).
- Requires Commonwealth Government agencies to make available to members of the public:
  - Information about agencies, their functions and operations.
  - Information about rules and practices which are used in making decisions which affect you.
- Gives you a legal right to:
  - See non exempt documents held by agencies, and
  - appeal against a decision not to grant access to a document.

What documents can you see?

- The Act gives you a right to see documents lodged on or after 1 December 1977, or earlier if you need them to understand another document you have already.
- Documents include files, reports, computer printouts, maps, plans, photographs, tape recordings, films or videotapes.
- Documents which are available for purchase under the Patents Act 1990, the Trade Marks Act 1995 or Designs Act 2003 or Plant Breeder's Rights Act 1994 are not available under the Freedom of Information Act (Section 12 refers).

How do you apply?

Requests for access to documents must

- Be in writing
- Provide sufficient information so as to enable identification of the documents requested
- Specify an address in Australia where notices can be sent and
- Be accompanied by the application fee (currently \$30.00).

Requests for documents should be addressed to IP Australia, PO Box 200 Woden, ACT 2606, or Faxed to 02 6283 7999

## DECISIONS OF THE COMMISSIONER OF PATENTS AND REGISTRAR OF TRADE MARKS AND DESIGNS

- All decisions of the Commissioner and Registrars are available free of charge from AUSTLII's website

[www.austlii.edu.au](http://www.austlii.edu.au)

Copies of all written Patent and Design decisions are available (except if they would not be available under the provisions of the Freedom of Information legislation, e.g. if they would effectively disclose matter from documents that are not open to public inspection) on request for a cost of \$AU 25. They are also available for inspection in indexed volume series, dating from 1 January 1987, in the Office library, Canberra.

Copies of Trade Mark decisions may be accessed via IP Australia's website [www.ipaustralia.gov.au](http://www.ipaustralia.gov.au)

- Copies of the taped record of Patent and Design hearings are available (with the same exception as above) on request.
- When a written decision is issued the fact of the decision plus a brief head note will be published in the Official Notices section of the next available Patents, Trade Marks or Designs Journal.

## HEARINGS BEFORE THE COMMISSIONER OF PATENTS

Hearings before the Commissioner of Patents will usually be conducted at the Patent Office in Canberra and interstate hearing sessions are not provided. However, the Commissioner will conduct hearings outside of Canberra at a convenient time to all parties provided that the parties bear the travel costs of the hearing officer.

The various options for hearings are set out in the document "Options for Hearings" available on IP Australia's website at: [www.ipaustralia.gov.au/pdfs/patents/optionsforhearings.PDF](http://www.ipaustralia.gov.au/pdfs/patents/optionsforhearings.PDF)

## HEARINGS BEFORE THE REGISTRARS OF TRADE MARKS AND DESIGNS

Hearings before the Registrars of Trade Marks and Designs will be set down in Melbourne, Sydney, Adelaide, Perth and Brisbane during the periods indicated below.

### Designs and Trade Marks Hearings Sessions 2006

Melbourne	13 – 17 February 5 – 9 June 11 – 15 September
Sydney	13 – 17 March 17 – 21 July 16 – 20 October
Adelaide	14 – 15 August
Perth	17 – 18 August
Brisbane	24 – 25 August

Persons who desire matters to be set down for hearing in Melbourne, Sydney, Adelaide, Perth or Brisbane must give at least one month's notice of their intention to be heard. If such notice is not given, it may be that there would be insufficient time to allow for the execution of official procedures associated with the listing of hearings, and as a result, the matter involved might not be listed.

Subject to the convenience of this Office, hearings will be set down in Canberra at any time suitable to the parties.

## LIST OF STATE OFFICES

IP Australia State Offices are located in the Australian Capitals at the addresses given below. Requests for information may be obtained by calling at, phoning or writing to these offices or IP Australia, Canberra.

### Australian Capital Territory

Ground Floor  
Discovery House  
PHILLIP ACT 2606  
(PO Box 200, WODEN ACT 2606)  
Ph: 1300 651 010  
Fax: (02) 6283 7999

### New South Wales

Level 1  
45 Clarence Street  
SYDNEY NSW 2000  
Ph: 1300 651 010  
Fax: (02) 9249 5807

### Victoria

Level 6  
OCBC House  
565 Bourke Street  
MELBOURNE VIC 3000  
Ph: 1300 651 010  
Fax (03) 9612 9807

### Western Australia

2nd Floor  
East Point Plaza  
233 Adelaide Terrace  
PERTH WA 6000  
Ph: 1300 651 010  
Fax: (08) 9220 8907

### Queensland

Level 1  
Grant Thornton House  
102 Adelaide Street  
BRISBANE QLD 4000  
Ph: 1300 651 010  
Fax: (07) 3007 1107

### South Australia

Level 10  
Origin Energy House  
1 King William Street  
ADELAIDE SA 5000  
Ph: 1300 651 010  
Fax: (08) 8239 4507

### Tasmania

4th Floor  
AMP Building  
27 Elizabeth Street  
HOBART TAS 7000  
Ph: 1300 651 010  
Fax: (03) 6235 6307

# “INID” NUMBERS in use on Australian Design Documents

“INID” is an acronym for “Internationally agreed Numbers for the Identification of Data”.

## **(10) Data concerning the registration/renewal**

- (11) Serial number of the registration and/or number of the design document
- (12) Plain language designation of the kind of published document
- (19) Identification, using the two-letter code according to WIPO Standard ST.3, of the authority publishing or registering the industrial design

## **(20) Data concerning the application**

- (21) Serial number of the application
- (22) Date of filing of the application
- (24) Date from which the industrial design right has effect

## **(30) Data relating to priority under the Paris Convention**

- (31) Serial number assigned to the priority application
- (32) Date of filing of the priority application
- (33) Two-letter code, according to WIPO Standard ST.3, identifying the authority with which the priority application was made

## **(40) Date(s) of making information available to the public**

- (45) Date of publication of the registered industrial design by printing or similar process, or making it available to the public by any other means

## **(50) Miscellaneous Information**

- (51) International Classification for Industrial Designs (class and subclass of the Locarno Classification)
- (54) Designation of article(s) or product(s) covered by the industrial design or title of the industrial design
- (55) Reproduction of the industrial design (e.g., drawing, photograph) and explanations relating to the reproduction
- (56) List of prior art documents, if separate from descriptive text
- (57) Description of characteristic features of the industrial design including indication of colours

## **(60) References to other legally related application(s) and registration(s)**

- (62) Serial number(s) and, if available, filing date(s) of application(s), registration(s) or document(s) related by division
- (66) Serial number(s) of the application, or the registration, of the design(s) which is (are) a variant(s) of the present one

## **(70) Identification of parties concerned with the application or registration**

- (71) Name(s) and address(es) of the applicant(s)
- (72) Name(s) of the creator(s) if known to be such
- (74) Name(s) and address(es) of the representative(s)

This Page Left Intentionally Blank



Official Notice**Designs Act 2003  
Amendments to Registered Designs at Examination**

The following amendments have been made to details previously published in the Australian Official Journal of Designs during the Examination process:

<b>Registration Number</b>	<b>Amendment type</b>	<b>New details</b>
305903	Classification	14-04
305904	Classification	14-04

**Contact:** IP Australia  
**Phone:** 1300 651 010  
**Fax:** +61 2 6283 7999  
**E-Mail:** [assist@ipaaustralia.gov.au](mailto:assist@ipaaustralia.gov.au)  
**Web:** [www.ipaustralia.gov.au](http://www.ipaustralia.gov.au)

This Page Left Intentionally Blank

**Proceedings under the Designs Act 1906 preserved as a result of the provisions of Chapter 12 Part 2 of the Designs Act 2003.**

This Page Left Intentionally Blank

**Applications Lapsed**

There were no Applications Lapsed under this section

**Application for Extension of Period of Registration**

Applications under Section 27A(2) for extension of registration of the following designs have been lodged. In the event that a design is shown to be not new or original, the Registrar may refuse to extend the period of registration. Sub-section 27A(4) allows any person to lodge at the Designs Office material relevant to the question whether the design is not new or original. That material must be lodged within 11 months of the date when the registration of the design was made. Further details of the conditions and procedures for the lodgement of material are contained in Form 8 provided under the Designs Regulation 24.

Registration Number	Registered Owner	Registration Date
143163	PITNEY BOWES INC.	28/02/2001
143206	PITNEY BOWES INC.	07/03/2001
153014	GREGORY CHARLES MCINNES	03/09/2003
158264	DONALD FREDERICK GEATER MCCULLOUGH and LORRAINE RITA MCCULLOUGH	26/08/2005
158266	MICHAEL JAGGER	26/08/2005
158275	SKACEJ COLLS PTY LTD	05/09/2005
158276	SKACEJ COLLS PTY LTD	05/09/2005
158277	SKACEJ COLLS PTY LTD	05/09/2005
158278	SKACEJ COLLS PTY LTD	05/09/2005
158279	SKACEJ COLLS PTY LTD	05/09/2005
158280	SKACEJ COLLS PTY LTD	05/09/2005
158285	JILLIAN GAY DYBALL	08/09/2005
158312	MATHEW NORTON	27/09/2005
158323	FILIGREE TEXTILES PTY LTD	30/09/2005
158324	WA RANGERS ASSOCIATION INC.	30/09/2005
158325	WA RANGERS ASSOCIATION INC.	30/09/2005
158326	WA RANGERS ASSOCIATION INC.	30/09/2005
158327	WA RANGERS ASSOCIATION INC.	30/09/2005
158365	SURF HARDWARE INTERNATIONAL PTY LIMITED	01/11/2005
158401	PERUSAHAAN OTOMOBIL NASIONAL SDN. BHD.	24/11/2005
158402	PERUSAHAAN OTOMOBIL NASIONAL SDN. BHD.	24/11/2005
158407	PERUSAHAAN OTOMOBIL NASIONAL SDN. BHD.	24/11/2005
158408	PERUSAHAAN OTOMOBIL NASIONAL SDN. BHD.	24/11/2005
158425	PERUSAHAAN OTOMOBIL NASIONAL SDN. BHD.	28/11/2005
158432	KINGSLEY ENTERPRISES PTY LIMITED	28/11/2005

**Extension of Period of Registration of Designs**

**1st Period (Section 27A(8))**

143163	143206	153014
158264	158265	158266
158267	158269	158270
158271	158272	158273
158275	158276	158277
158278	158279	158280
158281	158282	158283
158284		

**2nd Period (Section 27A(12))**

140486	141527	142243
142370	142728	142859
142965	143163	143206
143253	143254	143255
143399	143417	143418
143419	143519	143523
143524	143525	143526
143535	143591	143622
143683	143716	143717
143787	143809	143861
143867	143900	143945
144015	144101	144165
144166	144252	144321
144329	144435	144436
144474	144481	144529
144556	144557	144756
144759	144760	144823
144854	144969	144971
144973	144974	144975
145026	145072	145122
145131	145555	145654
146120	146391	146951
147012	147085	147235
147416	147433	147653
147797	147798	147799
147800	148008	148025
149120	149121	149237
153886		

**3rd Period (Section 27A(13))**

125142	126482	126485
126486	126532	126533
126557	126563	126584
126585	126588	126603
126634	126653	126697
126698	126709	126744
126767	126799	126800
126801	126836	126839
126841	127231	127232
127233	127316	127432
127471	127752	128043
128386	128425	128550
129490	129549	129550
130000	130787	130870

130969                      130989                      142370

Objections must be lodged within 1 month from the date of this journal.

**Registrations Ceased**

Note: Some of the following Registrations may have been previously advertised as ceased. In this instance, the previous advertisement still prevails.

109629	110508	110516
110565	110640	110644
110645	110646	110775
110899	111060	111105
111300	111308	111441
111581	112933	114568
114771	120260	120950
123084	123191	123840
124807	124813	124819
124820	124842	124945
125162	125400	125401
125604	125684	125832
126344	126852	126853
126854	126909	126910
126911	126929	127039
127267	127828	128248
129138	129676	140060
140078	140102	140161
140162	140258	140260
140261	140262	140326
140870	141097	141363
141364	141408	141409
141410	141411	141433
141434	141436	141467
141472	141493	141494
141524	141528	141529
141611	141619	141620
141621	141622	141657
141675	141705	141706
141707	141798	141896
142039	142059	142160
142161	142162	142163
142442	142477	142503
142504	142686	142687
142688	142736	142866
143112	143461	143568
143570	143571	143572
144091	144148	144149
144444	144445	144515
144733	144749	144802
145115	145223	145368
145369	145707	145708
145922	145923	145924
145927	151523	151524
151525	158249	158256
158268		

157889 **Southern Cross Ceramics Pty Ltd** Extension of time to extend a registration. Address for Service: Davies Collison Cave Level 15 1 Nicholson Street MELBOURNE VIC 3000

157912 **David John Crewther** Extension of time to extend a registration. Address for Service: Davies Collison Cave Level 15 1 Nicholson Street MELBOURNE VIC 3000

157959 **H.J. Heinz Company** Extension of time to extend a registration. Address for Service: Davies Collison Cave Level 15 1 Nicholson Street MELBOURNE VIC 3000

**Extensions of time granted**

Applications lodged for extension of time have been granted.

142243 **Peter Elliott Pty Limited** An Extension of time to extend a registration has been granted to 29/06/2006

142728 **Holden Ltd** An Extension of time to extend a registration has been granted to 14/08/2006

143163 **Pitney Bowes Inc.** An Extension of time to extend a registration has been granted to 08/06/2006

143206 **Pitney Bowes Inc.** An Extension of time to extend a registration has been granted to 08/06/2006

153014 **Gregory Charles McInnes** An Extension of time to extend a registration has been granted to 27/04/2006

**Subsequent Owners Registered**

(The name in parentheses is that of the subsequent owner)

129550	( <b>Redgum Dropper Supplies (Australia) Pty Ltd</b> ) Charles Thomas Dowler;Janelle Christine Dowler
129490	( <b>Redgum Dropper Supplies (Australia) Pty Ltd</b> ) Charles Thomas Dowler;Janelle Christine Dowler
129549	( <b>Redgum Dropper Supplies (Australia) Pty Ltd</b> ) Charles Thomas Dowler;Janelle Christine Dowler
133702	( <b>NEC Infrontia Corporation</b> ) NEC Corporation
141697	( <b>NEC Infrontia Corporation</b> ) NEC Corporation

**Names Registered - Alterations and Amendments**

(The name in parentheses is the new name of the proprietor)

152892	( <b>Rosalea Marsic</b> ) Rosalia Theresa Marsic
152688	( <b>Rosalea Marsic</b> ) Rosalia Theresa Marsic
152009	( <b>Rosalea Marsic</b> ) Rosalia Theresa Marsic
153206	( <b>Rosalea Marsic</b> ) Rosalia Theresa Marsic
154414	( <b>Rosalea Marsic</b> ) Rosalia Theresa Marsic
153937	( <b>Rosalea Marsic</b> ) Rosalia Theresa Marsic
152008	( <b>Rosalea Marsic</b> ) Rosalia Theresa Marsic
153207	( <b>Rosalea Marsic</b> ) Rosalia Theresa Marsic
152891	( <b>Rosalea Marsic</b> ) Rosalia Theresa Marsic

**Applications for Extension of time**

Applications for extension of time have been lodged.

This Page Left Intentionally Blank



**Proceedings under the Designs Act 2003.**

This Page Left Intentionally Blank

**Applications Lodged**

Lodgement information is in the following order: **Applicant's Name**; International Classification, Name of Product, Lodgement Date and **Design Number**. If the applicant claims an earlier priority date under an International Convention, the Convention Country and the associated filing date are shown in parentheses before the Lodgement Date. Divisional information will also appear in parentheses before the Lodgement Date.

<b>Adar International Limited;</b> 28-03NES, Illuminating tweezers, (EM, 04 Jan 2006) (Divisional of 10981/2006) 10 Mar 2006	<b>13823/2006</b>	<b>Aluminium Specialties Group Pty Ltd;</b> 25-01K, An extrusion, 23 Aug 2006	<b>13772/2006</b>
<b>Aderans Co., Ltd.;</b> 28-04, 28-03NES, Clip for a wig, (JP, 27 Feb 2006) 28 Aug 2006	<b>13853/2006</b>	<b>Aluminium Specialties Group Pty Ltd;</b> 25-01K, An extrusion, 23 Aug 2006	<b>13773/2006</b>
<b>Aderans Co., Ltd.;</b> 28-04, 28-03C, Clip for a wig, (JP, 17 Mar 2006) 28 Aug 2006	<b>13854/2006</b>	<b>Antelco Pty Ltd;</b> 23-01E, A sprayer, 17 Aug 2006	<b>13633/2006</b>
<b>Aluminium Specialties Group Pty Ltd;</b> 25-01K, An extrusion, 23 Aug 2006	<b>13763/2006</b>	<b>Asian Pacific Technologies Pty Ltd;</b> 28-03NES, A toothpick, 29 Aug 2006	<b>13892/2006</b>
<b>Aluminium Specialties Group Pty Ltd;</b> 25-01K, An extrusion, 23 Aug 2006	<b>13774/2006</b>	<b>Assa Abloy Identification Technology Group AB;</b> 14-03NES, RFID reader housing, (US, 16 Sep 2005) 21 Aug 2006	<b>13709/2006</b>
<b>Aluminium Specialties Group Pty Ltd;</b> 25-01K, An extrusion, 23 Aug 2006	<b>13775/2006</b>	<b>Australia United Pty Ltd;</b> 11-02E, 21-01A, 21-01F, Inflatable kangaroo (boxing), 29 Aug 2006	<b>13897/2006</b>
<b>Aluminium Specialties Group Pty Ltd;</b> 25-01K, An extrusion, 23 Aug 2006	<b>13776/2006</b>	<b>Balzen Promotions Pty Ltd;</b> 20-03NES, Advertising signage and coupons fits over sunvisor in motor vehicles, (Divisional of 12066/2006) 12 May 2006	<b>13814/2006</b>
<b>Aluminium Specialties Group Pty Ltd;</b> 25-01K, An extrusion, 23 Aug 2006	<b>13777/2006</b>	<b>Biomet Spain Orthopaedics, S.L.;</b> 24-02, Handles for surgical instruments, 17 Aug 2006	<b>13642/2006</b>
<b>Aluminium Specialties Group Pty Ltd;</b> 25-01K, An extrusion, 23 Aug 2006	<b>13778/2006</b>	<b>Biomet Spain Orthopaedics, S.L.;</b> 24-02, Handles for surgical instruments, 17 Aug 2006	<b>13643/2006</b>
<b>Aluminium Specialties Group Pty Ltd;</b> 25-01K, An extrusion, 23 Aug 2006	<b>13779/2006</b>	<b>Biomet Spain Orthopaedics, S.L.;</b> 24-02, Handles for surgical instruments, 17 Aug 2006	<b>13644/2006</b>
<b>Aluminium Specialties Group Pty Ltd;</b> 25-01K, An extrusion, 23 Aug 2006	<b>13780/2006</b>	<b>Biomet Spain Orthopaedics, S.L.;</b> 24-02, Handles for surgical instruments, 17 Aug 2006	<b>13645/2006</b>
<b>Aluminium Specialties Group Pty Ltd;</b> 25-01K, An extrusion, 23 Aug 2006	<b>13781/2006</b>	<b>Biomet Spain Orthopaedics, S.L.;</b> 24-02, Handles for surgical instruments, 17 Aug 2006	<b>13646/2006</b>
<b>Aluminium Specialties Group Pty Ltd;</b> 25-01K, An extrusion, 23 Aug 2006	<b>13782/2006</b>	<b>Biomet Spain Orthopaedics, S.L.;</b> 24-02, Handles for surgical instruments, 17 Aug 2006	<b>13647/2006</b>
<b>Aluminium Specialties Group Pty Ltd;</b> 08-08L, Connecting bracket, 23 Aug 2006	<b>13783/2006</b>	<b>Bissell Homecare, Inc.;</b> 15-05, Vacuum cleaner base portion, (US, 10 Mar 2006) 14 Aug 2006	<b>13585/2006</b>
<b>Aluminium Specialties Group Pty Ltd;</b> 08-08L, Connecting bracket, 23 Aug 2006	<b>13784/2006</b>	<b>Bissell Homecare, Inc.;</b> 15-05, Floor cleaner base portion, (US, 10 Mar 2006) 14 Aug 2006	<b>13586/2006</b>
<b>Aluminium Specialties Group Pty Ltd;</b> 25-01K, An extrusion, 23 Aug 2006	<b>13764/2006</b>	<b>Bissell Homecare, Inc.;</b> 15-05, Floor cleaner handle portion, (US, 10 Mar 2006) 14 Aug 2006	<b>13587/2006</b>
<b>Aluminium Specialties Group Pty Ltd;</b> 25-01K, An extrusion, 23 Aug 2006	<b>13765/2006</b>	<b>Bissell Homecare, Inc.;</b> 07-05E, Spot cleaner, (US, 07 Mar 2006) 14 Aug 2006	<b>13588/2006</b>
<b>Aluminium Specialties Group Pty Ltd;</b> 25-01K, An extrusion, 23 Aug 2006	<b>13766/2006</b>	<b>Braun GmbH;</b> 28-03NES, Electric toothbrush, (DE, 01 Mar 2006) 29 Aug 2006	<b>13894/2006</b>
<b>Aluminium Specialties Group Pty Ltd;</b> 25-01K, An extrusion, 23 Aug 2006	<b>13767/2006</b>		
<b>Aluminium Specialties Group Pty Ltd;</b> 25-01K, An extrusion, 23 Aug 2006	<b>13768/2006</b>		
<b>Aluminium Specialties Group Pty Ltd;</b> 25-01K, An extrusion, 23 Aug 2006	<b>13769/2006</b>		
<b>Aluminium Specialties Group Pty Ltd;</b> 25-01K, An extrusion, 23 Aug 2006	<b>13770/2006</b>		
<b>Aluminium Specialties Group Pty Ltd;</b> 25-01K, An extrusion, 23 Aug 2006	<b>13771/2006</b>		

<b>Bulgari Time (Switzerland) SA;</b> 10-02, Wrist watch, (CH, 02 Mar 2006) 25 Aug 2006	<b>13826/2006</b>	<b>Clorox Company, The;</b> 07-01NES, Container for food, (US, 15 Feb 2006) 15 Aug 2006	<b>13635/2006</b>
<b>BISSELL Homecare, Inc.;</b> 15-05, Vacuum cleaner cyclone separation module, (US, 08 Mar 2006) 17 Aug 2006	<b>13651/2006</b>	<b>Colgate-Palmolive Company;</b> 09-01NES, Container, (US, 16 Feb 2006) 15 Aug 2006	<b>13613/2006</b>
<b>BISSELL Homecare, Inc.;</b> 15-05, Vacuum cleaner handle portion, (US, 10 Mar 2006) 17 Aug 2006	<b>13652/2006</b>	<b>Colgate-Palmolive Company;</b> 09-07B, Closure, (US, 27 Feb 2006) 16 Aug 2006	<b>13700/2006</b>
<b>BISSELL Homecare, Inc.;</b> 15-05, Vacuum cleaner base, (US, 08 Mar 2006) 17 Aug 2006	<b>13653/2006</b>	<b>Colgate-Palmolive Company;</b> 09-01B, Container, (US, 27 Feb 2006) 16 Aug 2006	<b>13701/2006</b>
<b>BISSELL Homecare, Inc.;</b> 15-05, Cyclone separation module, (US, 10 Mar 2006) 17 Aug 2006	<b>13654/2006</b>	<b>Combisafe International AB;</b> 25-02NES, A holder for part of an edge protection system, (EM, 03 Feb 2006) 03 Aug 2006	<b>13473/2006</b>
<b>BISSELL Homecare, Inc.;</b> 15-05, Cyclone separation module, (US, 10 Mar 2006) 17 Aug 2006	<b>13655/2006</b>	<b>Combisafe International AB;</b> 25-02NES, A holder for part of an edge protection system, (EM, 03 Feb 2006) 03 Aug 2006	<b>13474/2006</b>
<b>BISSELL Homecare, Inc.;</b> 15-05, Vacuum cleaner handle portion, (US, 10 Mar 2006) 17 Aug 2006	<b>13656/2006</b>	<b>Combisafe International AB;</b> 25-02NES, A holder for part of an edge protection system, (EM, 03 Feb 2006) 03 Aug 2006	<b>13475/2006</b>
<b>Caroma Industries Limited;</b> 23-02C, A toilet pan, 18 Aug 2006	<b>13685/2006</b>	<b>Combisafe International AB;</b> 25-02NES, A holder for part of an edge protection system, (EM, 03 Feb 2006) 03 Aug 2006	<b>13472/2006</b>
<b>Caroma Industries Limited;</b> 23-02C, A toilet pan, 18 Aug 2006	<b>13686/2006</b>	<b>Constructions Industrielles De La Mediterranee - CNIM;</b> 12-05, Escalator, (FR, 16 Feb 2006) 15 Aug 2006	<b>13609/2006</b>
<b>Caroma Industries Limited;</b> 23-02F, A basin, 18 Aug 2006	<b>13687/2006</b>	<b>Constructions Industrielles De La Mediterranee - CNIM;</b> 12-05, Escalator, (FR, 16 Feb 2006) 15 Aug 2006	<b>13610/2006</b>
<b>Caroma Industries Limited;</b> 23-02F, A basin, 18 Aug 2006	<b>13688/2006</b>	<b>Constructions Industrielles De La Mediterranee - CNIM;</b> 12-05, Escalator, (FR, 16 Feb 2006) 15 Aug 2006	<b>13611/2006</b>
<b>Caroma Industries Limited;</b> 23-02C, A toilet cistern, 18 Aug 2006	<b>13689/2006</b>	<b>Constructions Industrielles De La Mediterranee - CNIM;</b> 12-05, Escalator, (FR, 16 Feb 2006) 15 Aug 2006	<b>13612/2006</b>
<b>Caroma Industries Limited;</b> 23-02C, A toilet cistern, 18 Aug 2006	<b>13690/2006</b>	<b>Coombe, Peter;</b> 05-01, 11-02F, "French knitting" technique - made into abstract spiral art piece, 17 Aug 2006	<b>13632/2006</b>
<b>Caroma Industries Limited;</b> 23-02C, A toilet pan, 18 Aug 2006	<b>13691/2006</b>	<b>Creative Products Enterprises Pty Limited;</b> 07-06A, 07-07A, Bottle holder with jumper theme, 30 Aug 2006	<b>13895/2006</b>
<b>Caroma Industries Limited;</b> 23-02C, A toilet pan, 18 Aug 2006	<b>13684/2006</b>	<b>Creative Products Enterprises Pty Limited;</b> 07-06A, 07-07A, Bottle holder with ball, 30 Aug 2006	<b>13896/2006</b>
<b>Chan, Wai;</b> 15-01, An intercooler pipe, 24 Aug 2006	<b>13877/2006</b>	<b>Daikin Industries Ltd.;</b> 23-04, Air purifier, (JP, 05 Jul 2006) 14 Aug 2006	<b>13583/2006</b>
<b>Clorox Company, The;</b> 07-01NES, Container for food, (US, 15 Feb 2006) 15 Aug 2006	<b>13636/2006</b>	<b>Daikin Industries Ltd.;</b> 23-04, Air purifier, (JP, 05 Jul 2006) 14 Aug 2006	<b>13582/2006</b>
<b>Clorox Company, The;</b> 07-01NES, Container for food, (US, 15 Feb 2006) 15 Aug 2006	<b>13637/2006</b>		
<b>Clorox Company, The;</b> 07-01NES, Container for food, (US, 15 Feb 2006) 15 Aug 2006	<b>13638/2006</b>		
<b>Clorox Company, The;</b> 07-01NES, Container for food, (US, 15 Feb 2006) 15 Aug 2006	<b>13639/2006</b>		
<b>Clorox Company, The;</b> 07-01NES, Container for food, (US, 15 Feb 2006) 15 Aug 2006	<b>13640/2006</b>		
<b>Clorox Company, The;</b> 07-01NES, Container for food, (US, 15 Feb 2006) 15 Aug 2006	<b>13641/2006</b>		

<b>Daikin Industries Ltd.;</b> 23-04, , 04 Aug 2006	<b>13435/2006</b>	<b>Gravolin, Dennis Ronald; Gravolin, Laetone Malcome;</b> 13-03NES, Tell tale monitor for monitoring trailer lighting and circuits. Complies with ADR1300 6.5.8. Pictures 1 to 13, included, 25 Aug 2006	<b>13838/2006</b>
<b>Dart Industries Inc.;</b> 07-01NES, Container, (US, 24 Mar 2006) 29 Aug 2006	<b>13881/2006</b>		
<b>Dart Industries Inc.;</b> 07-01NES, Container with lid, (US, 24 Mar 2006) 29 Aug 2006	<b>13882/2006</b>	<b>Gravolin, Laetone Malcome; Gravolin, Dennis Ronald;</b> 13-03NES, Tell tale monitor for monitoring trailer lighting and circuits. Complies with ADR1300 6.5.8. Pictures 1 to 13, included, 25 Aug 2006	<b>13838/2006</b>
<b>Dart Industries Inc.;</b> 07-01NES, Cover/lid, (US, 24 Mar 2006) 29 Aug 2006	<b>13883/2006</b>		
<b>Dioptics Medical Products, Inc.;</b> 16-06, Eyeglasses, (US, 03 Jun 2005) (Divisional of 15356/2005) 02 Dec 2005	<b>13675/2006</b>	<b>GM Global Technology Operations, Inc.;</b> 12-16B, Vehicle fascia, 30 Aug 2006	<b>13904/2006</b>
<b>Dioptics Medical Products, Inc.;</b> 16-06, Eyeglasses, (US, 03 Jun 2005) (Divisional of 15353/2005) 02 Dec 2005	<b>13674/2006</b>	<b>GM Global Technology Operations, Inc.;</b> 12-16B, Vehicle fascia skirt, 30 Aug 2006	<b>13905/2006</b>
<b>Dunn, Marty;</b> 21-03, Entertainment complex, 23 Aug 2006	<b>13762/2006</b>	<b>GM Global Technology Operations, Inc.;</b> 12-16B, Vehicle spoiler, 30 Aug 2006	<b>13906/2006</b>
<b>Egan, Peter Francis;</b> 12-02, Golf buggy, 18 Aug 2006	<b>13699/2006</b>	<b>GM Global Technology Operations, Inc.;</b> 12-16D, Vehicle decor strip, 30 Aug 2006	<b>13907/2006</b>
<b>Etheridge, Glenn Noel;</b> 03-01C, 12-02, Golf club cover, 29 Aug 2006	<b>13889/2006</b>	<b>GM Global Technology Operations, Inc.;</b> 12-16B, Vehicle grille, 30 Aug 2006	<b>13903/2006</b>
<b>Feeder Leader Company Limited, The.;</b> 12-16NES, A grapple, (NZ, 05 Jul 2006) 22 Aug 2006	<b>13789/2006</b>	<b>Haigh Australia Pty Ltd.;</b> 08-05E, Axle stand with locking bolt, 14 Aug 2006	<b>13590/2006</b>
<b>Fisher &amp; Paykel Appliances Limited.;</b> 15-05, An appliance console, 28 Aug 2006	<b>13841/2006</b>	<b>Henry, Emile.;</b> 07-01B, 07-02N, Tagine, 29 Aug 2006	<b>13878/2006</b>
<b>Flame Opals (Australia) Pty Ltd.;</b> 11-01E, An article of jewellery, 23 Aug 2006	<b>13760/2006</b>	<b>Hildebrandt, John F.; Lavell, David A.;</b> 07-06A, Decanting device for winecasks and casks containg liquids, 31 Aug 2006	<b>13902/2006</b>
<b>Flame Opals (Australia) Pty Ltd.;</b> 11-01E, An article of jewellery, 23 Aug 2006	<b>13761/2006</b>	<b>Holmes, Keith Gordon Arkle.;</b> 25-02C, Hinged milking bail gate, (NZ, 28 Feb 2006) 28 Aug 2006	<b>13833/2006</b>
<b>Ford Motor Company of Australia Limited.;</b> 12-16B, Grille for a vehicle, 28 Aug 2006	<b>13856/2006</b>	<b>Honda Motor Co., Ltd.;</b> 12-11, Motorcycle, (JP, 21 Feb 2006) 17 Aug 2006	<b>13665/2006</b>
<b>Ford Motor Company of Australia Limited.;</b> 12-16B, Hood for a vehicle, 28 Aug 2006	<b>13857/2006</b>	<b>Huhtamaki Australia Pty Limited.;</b> 07-01NES, A lid, 22 Aug 2006	<b>13785/2006</b>
<b>Ford Motor Company of Australia Limited.;</b> 12-16B, Grille for a vehicle, 28 Aug 2006	<b>13858/2006</b>	<b>Huhtamaki Australia Pty Limited.;</b> 07-01NES, A container, 22 Aug 2006	<b>13786/2006</b>
<b>Ford Motor Company of Australia Limited.;</b> 26-06, Lamp for a vehicle, 28 Aug 2006	<b>13859/2006</b>	<b>Huhtamaki Australia Pty Limited.;</b> 07-01NES, A lid, 22 Aug 2006	<b>13787/2006</b>
<b>Ford Motor Company of Australia Limited.;</b> 12-16C, Bumper bar for a vehicle, 28 Aug 2006	<b>13860/2006</b>	<b>Huhtamaki Australia Pty Limited.;</b> 07-01NES, A container, 22 Aug 2006	<b>13788/2006</b>
<b>Ford Motor Company of Australia Limited.;</b> 26-06, Lamp for a vehicle, 28 Aug 2006	<b>13861/2006</b>	<b>Icon Plastics Pty Ltd.;</b> 13-03NES, 15-99, Electrode edge strip of indefinite length, 23 Aug 2006	<b>13759/2006</b>
<b>Ford Motor Company of Australia Limited.;</b> 12-16A, Wheel for a vehicle, 28 Aug 2006	<b>13862/2006</b>	<b>Illinois Tool Works Inc.;</b> 08-08M, 08-08NES, A wall mountable holder, (US, 14 Jun 2006) (Divisional of 15543/2005) 29 Aug 2006	<b>13890/2006</b>
<b>Ford Motor Company of Australia Limited.;</b> 12-16C, Bumper bar for a vehicle, 28 Aug 2006	<b>13863/2006</b>	<b>Incisive Innovations Pty Ltd.;</b> 25-02B, Stop end jamb, 17 Aug 2006	<b>13658/2006</b>
<b>Ford Motor Company of Australia Limited.;</b> 26-06, Lamp for a vehicle, 28 Aug 2006	<b>13864/2006</b>	<b>Industrious Design Pty Ltd.;</b> 21-02D, Start platform for swimming, 16 Aug 2006	<b>13629/2006</b>
<b>Ford Motor Company of Australia Limited.;</b> 12-16B, Grille for a vehicle, 28 Aug 2006	<b>13865/2006</b>		
<b>Ford Motor Company of Australia Limited.;</b> 26-06, Lamp for a vehicle, 28 Aug 2006	<b>13866/2006</b>	<b>Inyakart Pty Ltd.;</b> 12-02, Collapsible hand cart, 17 Aug 2006	<b>13698/2006</b>
<b>Glaxo Group Limited.;</b> 24-04, Inhaler, (GB, 16 Feb 2006) 14 Aug 2006	<b>13589/2006</b>		

<b>ITW Australia Pty Ltd;</b> 25-01NES, 08-08L, A truss boot, 25 Aug 2006	<b>13834/2006</b>	<b>Mali (Australia) Pty Ltd;</b> 06-01A, 06-02, A cot, 30 Aug 2006	<b>13899/2006</b>
<b>ITW Australia Pty Ltd;</b> 25-01NES, 08-08L, A connector for use in building construction, 25 Aug 2006	<b>13830/2006</b>	<b>Mali (Australia) Pty Ltd;</b> 06-04F, A tallboy, 30 Aug 2006	<b>13900/2006</b>
<b>JohnsonDiversey, Inc.;</b> 07-05E, Mop head sprayer assembly, (US, 17 Feb 2006) 17 Aug 2006	<b>13666/2006</b>	<b>Mali (Australia) Pty Ltd;</b> 06-04D, 06-04NES, A changer, 30 Aug 2006	<b>13901/2006</b>
<b>JohnsonDiversey, Inc.;</b> 07-05E, Mop head sprayer assembly, (US, 17 Feb 2006) 17 Aug 2006	<b>13667/2006</b>	<b>Mason, Emma Lauren;</b> 06-04NES, Collapsible storage module, 25 Aug 2006	<b>13825/2006</b>
<b>JohnsonDiversey, Inc.;</b> 07-05E, Mop head sprayer assembly, (US, 17 Feb 2006) 17 Aug 2006	<b>13668/2006</b>	<b>Militaire Nominees Pty Ltd;</b> 23-02F, A trough, 29 Aug 2006	<b>13855/2006</b>
<b>JohnsonDiversey, Inc.;</b> 07-05E, Mop head sprayer assembly, (US, 17 Feb 2006) 17 Aug 2006	<b>13669/2006</b>	<b>Mitsubishi Electric Corporation;</b> 23-04, Power conditioner, (JP, 11 Apr 2006) 15 Aug 2006	<b>13623/2006</b>
<b>Joyce, John Munro;</b> 06-02, Cot, 14 Aug 2006	<b>13581/2006</b>	<b>Modulek Pty Ltd;</b> 13-03B, Electrical connector, 29 Aug 2006	<b>13875/2006</b>
<b>K.J. Ross Security Locks Pty. Ltd.;</b> 08-07, Cylinder cam for a lock, 28 Aug 2006	<b>13870/2006</b>	<b>Modulek Pty Ltd;</b> 13-03B, Electrical connector, 29 Aug 2006	<b>13876/2006</b>
<b>Kanfer, Joseph;</b> 23-02A, Dispenser, (US, 28 Feb 2006) 17 Aug 2006	<b>13634/2006</b>	<b>Montage Group Pty Ltd;</b> 25-02K, Louvre blade, 16 Aug 2006	<b>13626/2006</b>
<b>Kard Kaddy Pty Ltd;</b> 03-01B, 20-02NES, A card holder, 29 Aug 2006	<b>13891/2006</b>	<b>Neolab Limited;</b> 24-04, Inhaler, (Divisional of 10755/2006) 28 Aug 2006	<b>13872/2006</b>
<b>Keating, Geoffrey Francis;</b> 06-04NES, Shelf, 16 Aug 2006	<b>13628/2006</b>	<b>Neolab Limited;</b> 24-04, Inhaler, (Divisional of 10755/2006) 28 Aug 2006	<b>13873/2006</b>
<b>Keating, Geoffrey Francis;</b> 06-04NES, Shelf, 16 Aug 2006	<b>13627/2006</b>	<b>Neolab Limited;</b> 24-04, Inhaler, (Divisional of 10755/2006) 28 Aug 2006	<b>13874/2006</b>
<b>Khamis, Corinne;</b> 02-02NES, 29-02, Identification and safety vest for children, 28 Aug 2006	<b>13839/2006</b>	<b>Newfrey LLC;</b> 08-06, A handle, (US, 27 Feb 2006) 28 Aug 2006	<b>13879/2006</b>
<b>Koninklijke Philips Electronics N.V.;</b> 14-03A, Telephone handset, (EM, 27 Feb 2006) 17 Aug 2006	<b>13660/2006</b>	<b>Newfrey LLC;</b> 23-01H, A tap, (US, 27 Feb 2006) 28 Aug 2006	<b>13880/2006</b>
<b>Koninklijke Philips Electronics N.V.;</b> 14-03A, 14-03E, Telephone handset on base, (EM, 27 Feb 2006) 17 Aug 2006	<b>13661/2006</b>	<b>Nice SPA;</b> 13-03NES, Actuation device for doors, gates and the like, (IT, 27 Feb 2006) 16 Aug 2006	<b>13702/2006</b>
<b>Koninklijke Philips Electronics N.V.;</b> 26-05B, Desklamp luminaire, (EM, 27 Feb 2006) 17 Aug 2006	<b>13662/2006</b>	<b>Nick Sharp Designs;</b> 06-01L, Chair, 30 Aug 2006	<b>13893/2006</b>
<b>Lavell, David A.; Hildebrandt, John F.;</b> 07-06A, Decanting device for winecasks and casks containing liquids, 31 Aug 2006	<b>13902/2006</b>	<b>Nokia Corporation;</b> 13-02, Battery charger, (FI, 27 Feb 2006) 25 Aug 2006	<b>13835/2006</b>
<b>Lee, Damian K.;</b> 25-02C, Temporary fence panel, 28 Aug 2006	<b>13832/2006</b>	<b>O &amp; S Holdings (Vic) Pty Ltd;</b> 02-04NES, Shoe upper, 29 Aug 2006	<b>13884/2006</b>
<b>Lerpinriere, Barbara Louise;</b> 24-01, 29-02, 29-99, Oral protection device, 30 Aug 2006	<b>13908/2006</b>	<b>O &amp; S Holdings (Vic) Pty Ltd;</b> 02-04NES, Shoe upper, 29 Aug 2006	<b>13885/2006</b>
<b>Lerpinriere, Barbara Louise;</b> 24-01, 29-02, 29-99, Oral protection device, 30 Aug 2006	<b>13909/2006</b>	<b>O &amp; S Holdings (Vic) Pty Ltd;</b> 02-04B, Footwear sole, 29 Aug 2006	<b>13886/2006</b>
<b>Macsim Fastenings Pty Limited;</b> 08-08B, An anchor bolt, 09 Aug 2006	<b>13596/2006</b>	<b>OMX, Inc.;</b> 19-06, Clip for pen, (US, 15 Feb 2006) 15 Aug 2006	<b>13614/2006</b>
<b>Mali (Australia) Pty Ltd;</b> 06-04F, A tallboy, 30 Aug 2006	<b>13898/2006</b>	<b>OMX, Inc.;</b> 19-02, Holder for markers and eraser, (US, 15 Feb 2006) 15 Aug 2006	<b>13615/2006</b>
		<b>OMX, Inc.;</b> 19-06, Marker with cap, (US, 15 Feb 2006) 15 Aug 2006	<b>13616/2006</b>

<b>OMX, Inc.;</b> 19-06, Eraser, (US, 15 Feb 2006) 15 Aug 2006	<b>13617/2006</b>	<b>Robert Welch Designs Limited;</b> 07-03, A knife, (EM, 10 Mar 2006) 25 Aug 2006	<b>13845/2006</b>
<b>OMX, Inc.;</b> 19-06, Pen, (US, 15 Feb 2006) 15 Aug 2006	<b>13618/2006</b>	<b>Robert Welch Designs Limited;</b> 07-03, A fork, (EM, 10 Mar 2006) 25 Aug 2006	<b>13846/2006</b>
<b>OMX, Inc.;</b> 19-06, Pen with cap, (US, 15 Feb 2006) 15 Aug 2006	<b>13619/2006</b>	<b>Robert Welch Designs Limited;</b> 07-03, A spoon, (EM, 10 Mar 2006) 25 Aug 2006	<b>13847/2006</b>
<b>OMX, Inc.;</b> 19-06, Pen with cap, (US, 15 Feb 2006) 15 Aug 2006	<b>13620/2006</b>	<b>Robert Welch Designs Limited;</b> 07-03, A spork, 25 Aug 2006	<b>13848/2006</b>
<b>OMX, Inc.;</b> 19-06, Pen, (US, 15 Feb 2006) 15 Aug 2006	<b>13621/2006</b>	<b>Rosemin Pty Ltd;</b> 02-02C, Pink lips dress, 29 Aug 2006	<b>13867/2006</b>
<b>OMX, Inc.;</b> 19-06, Clip for pen, (US, 15 Feb 2006) 15 Aug 2006	<b>13622/2006</b>	<b>Rosemin Pty Ltd;</b> 02-02NES, Fairy floss top, 29 Aug 2006	<b>13868/2006</b>
<b>Pacific Market International, LLC;</b> 07-01NES, 09-03L, Food container, (US, 01 Mar 2006) 29 Aug 2006	<b>13887/2006</b>	<b>Rosemin Pty Ltd;</b> 02-02C, Catch the buckle dress, 29 Aug 2006	<b>13869/2006</b>
<b>Physicians Formula Cosmetics, Inc.;</b> 28-03NES, Cosmetic container, (US, 15 Feb 2006) 16 Aug 2006	<b>13728/2006</b>	<b>RoyleBind Pty. Ltd.;</b> 19-04, Cover and blank therefor, 25 Aug 2006	<b>13840/2006</b>
<b>Phythian, Bruce;</b> 07-07NES, 06-04NES, Cutlery drawer insert, (NZ, 17 Feb 2006) 17 Aug 2006	<b>13659/2006</b>	<b>S.C. Johnson &amp; Son, Inc.;</b> 28-03NES, Applicator refill, (US, 28 Feb 2006) 28 Aug 2006	<b>13851/2006</b>
<b>Pi-Design AG;</b> 07-01F, 07-01C, Double wall glass jug, (DK, 04 Aug 2006) 17 Aug 2006	<b>13692/2006</b>	<b>S.C. Johnson &amp; Son, Inc.;</b> 28-03NES, Applicator, (US, 28 Feb 2006) 28 Aug 2006	<b>13852/2006</b>
<b>Pi-Design AG;</b> 07-06C, Manual salt/pepper grinder, (DK, 28 Feb 2006) 28 Aug 2006	<b>13829/2006</b>	<b>Samsonite Corporation;</b> 03-01A, Hand luggage, (US, 06 Sep 2005) 10 Feb 2006	<b>13831/2006</b>
<b>Pi-Design AG;</b> 07-01F, 07-01C, Double wall glass jug, (DK, 04 Aug 2006) 17 Aug 2006	<b>13693/2006</b>	<b>Samar LLC;</b> 28-99, Refill bottles for air deodorising apparatus, (EM, 12 Jun 2006) 23 Aug 2006	<b>13758/2006</b>
<b>Pi-Design AG;</b> 07-01F, 07-01C, Double wall glass jug, (DK, 04 Aug 2006) 17 Aug 2006	<b>13694/2006</b>	<b>Schlegel, Robert;</b> 12-16K, Motor vehicle towbar attached cargo carrier, 28 Aug 2006	<b>13836/2006</b>
<b>Pi-Design AG;</b> 07-01F, 07-01C, Double wall glass jug, (DK, 04 Aug 2006) 17 Aug 2006	<b>13695/2006</b>	<b>Silhouette International Schmied AG;</b> 16-06, Eyeglasses, (EM, 10 Jul 2006) 17 Aug 2006	<b>13671/2006</b>
<b>Pi-Design AG;</b> 07-01F, 07-01C, Double wall glass jug, (DK, 04 Aug 2006) 17 Aug 2006	<b>13696/2006</b>	<b>Silhouette International Schmied AG;</b> 16-06, Eyeglasses, (EM, 10 Jul 2006) 17 Aug 2006	<b>13670/2006</b>
<b>Pulis, Joan;</b> 28-03NES, Disposable underarm sweat pads with adhesive tabs, 25 Aug 2006	<b>13837/2006</b>	<b>Smith, Joyce Alwin;</b> 28-03NES, Foot care device, 28 Aug 2006	<b>13850/2006</b>
<b>PEZ International AG;</b> 09-03M, Dispenser, (JP, 15 Feb 2006) 14 Aug 2006	<b>13591/2006</b>	<b>Sony Ericsson Mobile Communications AB;</b> 14-01, Headset, (EM, 23 Feb 2006) 17 Aug 2006	<b>13649/2006</b>
<b>Review Australia Pty Ltd;</b> 02-02C, 02-02NES, Ladies garment, 30 Aug 2006	<b>13910/2006</b>	<b>Sony Ericsson Mobile Communications AB;</b> 14-03A, Car handsfree, (EM, 23 Feb 2006) 17 Aug 2006	<b>13650/2006</b>
<b>Robert Welch Designs Limited;</b> 07-03, A knife, (EM, 10 Mar 2006) 25 Aug 2006	<b>13842/2006</b>	<b>Steel With Appeal Pty Ltd;</b> 25-02C, Lattice border assembly, 21 Aug 2006	<b>13697/2006</b>
<b>Robert Welch Designs Limited;</b> 07-03, A fork, (EM, 10 Mar 2006) 25 Aug 2006	<b>13843/2006</b>	<b>Stramit Corporation Pty Limited;</b> 08-08L, A bracket, 28 Aug 2006	<b>13871/2006</b>
<b>Robert Welch Designs Limited;</b> 07-03, A spoon, (EM, 10 Mar 2006) 25 Aug 2006	<b>13844/2006</b>	<b>Sunbeam Corporation Limited;</b> 07-02C, Flame tamer, 17 Aug 2006	<b>13663/2006</b>
		<b>Sunbeam Corporation Limited;</b> 07-02C, Burner, 17 Aug 2006	<b>13664/2006</b>
		<b>Swansgrove Pty Ltd;</b> 21-02C, Golf tees, 17 Aug 2006	<b>13648/2006</b>

<b>Tang, David; Tjahjono, Natalia Mona;</b> 23-01H, Tap handle, 18 Aug 2006	<b>13672/2006</b>	<b>Westaflex (Australia) Pty. Ltd.;</b> 23-04, Bracket for a diffuser, 11 Aug 2006	<b>13595/2006</b>
<b>Textile House Pty Ltd;</b> 02-02NES, Jackets, 30 Aug 2006	<b>13911/2006</b>	<b>White, Joseph Trading as Stainform Industries; White, Chloe Trading as Stainform Industries;</b> 08-08L, Mitre wall rail brackets, 17 Aug 2006	<b>13630/2006</b>
<b>Textile House Pty Ltd;</b> 02-02NES, Jackets, 30 Aug 2006	<b>13912/2006</b>	<b>White, Chloe Trading as Stainform Industries; White, Joseph Trading as Stainform Industries;</b> 08-08L, Mitre wall rail brackets, 17 Aug 2006	<b>13630/2006</b>
<b>Tjahjono, Natalia Mona; Tang, David;</b> 23-01H, Tap handle, 18 Aug 2006	<b>13672/2006</b>	<b>White, Joseph Trading as Stainform Industries; White, Chloe Trading as Stainform Industries;</b> 08-08L, Flat bar wall rail bracket, 17 Aug 2006	<b>13631/2006</b>
<b>Van Laarhoven, Paul;</b> 13-01, For electricity, 25 Aug 2006	<b>13827/2006</b>	<b>White, Joseph Trading as Stainform Industries; White, Chloe Trading as Stainform Industries;</b> 08-08L, Flat bar wall rail bracket, 17 Aug 2006	<b>13631/2006</b>
<b>Van Laarhoven, Paul;</b> 13-01, For electricity, 25 Aug 2006	<b>13828/2006</b>	<b>Zumtobel Lighting GmbH &amp; Co. KG;</b> 26-05C, Wall light, (EM, 16 Feb 2006) 15 Aug 2006	<b>13624/2006</b>
<b>Visy Industrial Packaging Holdings Pty Ltd;</b> 07-01NES, 09-03M, Container with lid, 29 Aug 2006	<b>13888/2006</b>	<b>Zumtobel Lighting GmbH &amp; Co. KG;</b> 26-05C, Wall light, (EM, 16 Feb 2006) 15 Aug 2006	<b>13625/2006</b>
<b>Wagner Spray Tech Corporation;</b> 08-05N, Powered paint removal tool, (US, 17 Feb 2006) 14 Aug 2006	<b>13592/2006</b>		
<b>Wanzl Metallwarenfabrik GmbH;</b> 25-01C, Prefabricated or pre-assembled building part, (EM, 16 Mar 2006) 14 Aug 2006	<b>13584/2006</b>		
<b>Westaflex (Australia) Pty. Ltd.;</b> 23-04, A duct adaptor, 11 Aug 2006	<b>13593/2006</b>		
<b>Westaflex (Australia) Pty. Ltd.;</b> 23-04, Diffuser baffle, 11 Aug 2006	<b>13594/2006</b>		

**Applications Withdrawn**

12694 / 2006 (08-07)	12695 / 2006 (08-07)
12701 / 2006 (08-07)	12702 / 2006 (08-07)
12704 / 2006 (08-07)	12705 / 2006 (08-07)
12707 / 2006 (08-07)	12708 / 2006 (08-07)

**Applications Lapsed**

15237 / 2005 (26-05NES)	15330 / 2005 (07-05D)
15370 / 2005 (12-06NES)	15371 / 2005 (12-06NES)
10574 / 2006 (02-02C)	10575 / 2006 (02-02C)
10659 / 2006 (20-02B)	12531 / 2006 (08-08G)
12532 / 2006 (08-08G)	



**Registrations Ceased**

303310                      303340

**Subsequent Owners Registered**

(The name in parentheses is that of the subsequent owner)

302066            ( **Sands Innovations Pty Ltd** ) Bradley Donald Teys  
 302065            ( **Sands Innovations Pty Ltd** ) Bradley Donald Teys

**Names Registered - Alterations and Amendments**

(The name in parentheses is that of the subsequent applicant)

306791            ( **Laminex Group Pty Limited** ) Laminex Group Limited  
 306792            ( **Laminex Group Pty Limited** ) Laminex Group Limited  
 306793            ( **Laminex Group Pty Limited** ) Laminex Group Limited  
 307126            ( **Laminex Group Pty Limited** ) Laminex Group Limited  
 307127            ( **Laminex Group Pty Limited** ) Laminex Group Limited  
 307128            ( **Laminex Group Pty Limited** ) Laminex Group Limited  
 307771            ( **Scope Seven, Inc.** ) Comchoice Corp;William B. Pittard  
 307772            ( **Scope Seven, Inc.** ) William B. Pittard;Comchoice Corp.

**Certificate(s) of Examination**

Examination of the following Design Registration(s) has been completed. Infringement proceedings may now be commenced.

302082	03-01A	06/09/2006
302614	13-03NES	29/08/2006
302615	13-03NES	29/08/2006
302616	13-03NES	29/08/2006
302617	13-03NES	29/08/2006
304645	21-01A	29/08/2006
304972	24-02	01/09/2006
305125	24-02	01/09/2006
305126	24-02	01/09/2006
305127	09-01G	31/08/2006
305356	10-04	30/08/2006
305375	09-01NES	25/08/2006
305390	08-02	05/09/2006
305456	15-05	30/08/2006
305589	09-01NES	25/08/2006
305599	03-01A	31/08/2006
305634	02-04NES	29/08/2006
305635	02-04NES	29/08/2006
305636	02-04NES	29/08/2006
305790	15-01	25/08/2006
305813	28-99	28/08/2006
305827	12-05	28/08/2006
305903	14-04	29/08/2006
305904	14-04	29/08/2006
305905	14-03NES	01/09/2006
306021	07-02A	29/08/2006
306022	25-02C	29/08/2006
306114	28-03A	31/08/2006
306134	19-06	29/08/2006
306222	07-02E	29/08/2006
306223	02-04NES	30/08/2006
306224	02-04NES	30/08/2006
306535	23-04	30/08/2006
306550	02-04NES	30/08/2006
306551	02-04NES	30/08/2006

**Publication and Registration Proceedings**

**Designs Registered**

This section provides a concordance between design number and registration number of Designs covered in this journal. It also shows the main class and registration date.

This section covers Registration numbers 309165 to 309546 .

The registration number shown below should be used in all future correspondence.

Design Number	Registration Number	International Classification Code (IDC)	Registration Date	Design Number	Registration Number	International Classification Code (IDC)	Registration Date
11071/2005	309427	10-01	01/09/2006	10666/2006	309371	19-01	31/08/2006
12971/2005	309527	09-03NES	05/09/2006	10692/2006	309165	06-04NES	25/08/2006
13182/2005	309467	12-05	04/09/2006	10702/2006	309166	12-05	25/08/2006
13655/2005	309468	02-01B	04/09/2006	10712/2006	309510	02-01A	04/09/2006
14311/2005	309507	07-04	04/09/2006	10894/2006	309372	09-01NES	31/08/2006
14388/2005	309508	28-03NES	04/09/2006	10912/2006	309167	06-04NES	25/08/2006
15183/2005	309365	15-03B	31/08/2006	10913/2006	309168	06-04NES	25/08/2006
15238/2005	309366	03-01D	31/08/2006	10914/2006	309169	06-04NES	25/08/2006
15280/2005	309305	02-04B	31/08/2006	10915/2006	309170	06-04NES	25/08/2006
15407/2005	309367	15-09	31/08/2006	10916/2006	309171	06-04NES	25/08/2006
15408/2005	309368	08-01	31/08/2006	10917/2006	309172	06-04NES	25/08/2006
15417/2005	309245	07-05E	28/08/2006	10918/2006	309173	06-04NES	25/08/2006
15419/2005	309246	07-05E	28/08/2006	10926/2006	309511	09-05	04/09/2006
15420/2005	309247	07-05E	28/08/2006	10928/2006	309512	09-05	04/09/2006
15421/2005	309248	07-05E	28/08/2006	10968/2006	309469	09-07A	04/09/2006
15422/2005	309249	07-05E	28/08/2006	10981/2006	309385	28-03NES	01/09/2006
15426/2005	309424	12-12	01/09/2006	11170/2006	309325	09-08	31/08/2006
15543/2005	309340	08-08M	31/08/2006	11197/2006	309513	06-05	04/09/2006
15562/2005	309345	28-03NES	31/08/2006	11249/2006	309386	06-01F	01/09/2006
15586/2005	309341	09-01NES	31/08/2006	11252/2006	309387	14-03E	01/09/2006
15642/2005	309342	09-03NES	31/08/2006	11290/2006	309529	02-02B	05/09/2006
15712/2005	309343	09-01NES	31/08/2006	11504/2006	309307	28-99	31/08/2006
15713/2005	309344	09-01NES	31/08/2006	11531/2006	309225	23-04	25/08/2006
15846/2005	309204	06-01F	25/08/2006	11612/2006	309174	19-08	25/08/2006
15860/2005	309428	10-01	01/09/2006	11613/2006	309514	06-13C	04/09/2006
15861/2005	309429	10-01	01/09/2006	11614/2006	309515	06-13C	04/09/2006
10081/2006	309406	06-06G	01/09/2006	11615/2006	309516	06-13C	04/09/2006
10083/2006	309407	06-06G	01/09/2006	11623/2006	309175	09-03K	25/08/2006
10084/2006	309408	12-12	01/09/2006	11625/2006	309176	01-01	25/08/2006
10104/2006	309250	12-08	28/08/2006	11760/2006	309517	08-08NES	04/09/2006
10105/2006	309251	12-16B	28/08/2006	11815/2006	309388	03-01D	01/09/2006
10106/2006	309252	12-16B	28/08/2006	11816/2006	309405	11-02A	01/09/2006
10107/2006	309253	12-16B	28/08/2006	11825/2006	309177	07-01NES	25/08/2006
10108/2006	309254	12-16C	28/08/2006	11827/2006	309178	13-03NES	25/08/2006
10109/2006	309255	12-16C	28/08/2006	11830/2006	309179	07-01NES	25/08/2006
10110/2006	309256	26-06	28/08/2006	11834/2006	309180	07-01NES	25/08/2006
10111/2006	309257	26-06	28/08/2006	11947/2006	309326	11-01E	31/08/2006
10112/2006	309258	12-16B	28/08/2006	11954/2006	309414	25-02C	01/09/2006
10113/2006	309259	12-16B	28/08/2006	11988/2006	309181	23-01F	25/08/2006
10114/2006	309260	12-16C	28/08/2006	12021/2006	309182	16-02	25/08/2006
10192/2006	309409	09-01K	01/09/2006	12022/2006	309183	23-01F	25/08/2006
10193/2006	309410	09-01K	01/09/2006	12025/2006	309308	28-03NES	31/08/2006
10223/2006	309369	23-02E	31/08/2006	12026/2006	309309	28-03NES	31/08/2006
10265/2006	309411	01-01	01/09/2006	12054/2006	309285	26-01	30/08/2006
10266/2006	309528	99-00	05/09/2006	12084/2006	309226	08-05N	25/08/2006
10317/2006	309346	02-02C	31/08/2006	12085/2006	309227	02-04NES	25/08/2006
10326/2006	309488	22-05	05/09/2006	12087/2006	309228	09-03L	25/08/2006
10353/2006	309306	08-08L	31/08/2006	12114/2006	309415	02-04NES	01/09/2006
10385/2006	309412	15-03B	01/09/2006	12118/2006	309416	02-04B	01/09/2006
10395/2006	309509	08-05M	04/09/2006	12120/2006	309417	02-04B	01/09/2006
10416/2006	309413	12-16A	01/09/2006	12121/2006	309418	02-04B	01/09/2006
10480/2006	309347	12-15C	31/08/2006	12122/2006	309419	02-04B	01/09/2006
10588/2006	309370	21-01A	31/08/2006	12123/2006	309420	02-04B	01/09/2006

Publication and Registration Proceedings - Designs Registered cont'd

Design Number	Registration Number	International Classification Code (IDC)	Registration Date	Design Number	Registration Number	International Classification Code (IDC)	Registration Date
12131/2006	309261	12-06A	28/08/2006	12463/2006	309525	08-05P	04/09/2006
12149/2006	309262	08-02	28/08/2006	12464/2006	309526	12-10	04/09/2006
12150/2006	309263	08-02	28/08/2006	12468/2006	309375	10-06	31/08/2006
12151/2006	309264	08-02	28/08/2006	12469/2006	309478	06-11	04/09/2006
12162/2006	309470	05-06NES	04/09/2006	12470/2006	309479	03-01D	04/09/2006
12163/2006	309471	05-06NES	04/09/2006	12471/2006	309480	03-01D	04/09/2006
12164/2006	309472	05-06NES	04/09/2006	12472/2006	309481	28-01	04/09/2006
12165/2006	309473	05-06NES	04/09/2006	12474/2006	309482	06-13NES	04/09/2006
12170/2006	309518	08-08L	04/09/2006	12479/2006	309349	12-15B	31/08/2006
12173/2006	309519	26-06	04/09/2006	12481/2006	309350	15-02	31/08/2006
12187/2006	309310	09-05	31/08/2006	12482/2006	309536	12-12	05/09/2006
12188/2006	309530	09-05	05/09/2006	12483/2006	309327	09-03C	31/08/2006
12189/2006	309531	09-07B	05/09/2006	12484/2006	309328	09-03C	31/08/2006
12195/2006	309532	09-07B	05/09/2006	12487/2006	309351	08-03	31/08/2006
12196/2006	309533	09-07B	05/09/2006	12492/2006	309329	06-04NES	31/08/2006
12201/2006	309520	12-16B	04/09/2006	12511/2006	309352	07-05A	31/08/2006
12202/2006	309521	12-11	04/09/2006	12512/2006	309353	09-01K	31/08/2006
12203/2006	309522	12-16B	04/09/2006	12516/2006	309490	12-02	05/09/2006
12204/2006	309523	12-16B	04/09/2006	12517/2006	309299	03-01C	30/08/2006
12221/2006	309229	07-01C	25/08/2006	12518/2006	309489	08-05NES	05/09/2006
12222/2006	309230	07-01C	25/08/2006	12519/2006	309491	28-99	05/09/2006
12240/2006	309184	08-01	25/08/2006	12520/2006	309430	23-04	01/09/2006
12267/2006	309534	26-05B	05/09/2006	12521/2006	309431	14-02	01/09/2006
12309/2006	309289	11-02D	30/08/2006	12522/2006	309432	09-03L	01/09/2006
12310/2006	309290	11-02D	30/08/2006	12523/2006	309433	09-03NES	01/09/2006
12311/2006	309292	09-01G	30/08/2006	12529/2006	309492	23-04	05/09/2006
12333/2006	309348	25-02A	31/08/2006	12530/2006	309493	14-02	05/09/2006
12371/2006	309286	08-08NES	30/08/2006	12536/2006	309494	23-01F	05/09/2006
12394/2006	309205	15-05	25/08/2006	12541/2006	309330	09-08	31/08/2006
12395/2006	309206	06-01H	25/08/2006	12542/2006	309331	09-03K	31/08/2006
12396/2006	309207	23-01K	25/08/2006	12549/2006	309537	21-02F	05/09/2006
12397/2006	309208	23-01K	25/08/2006	12575/2006	309265	25-02C	28/08/2006
12398/2006	309209	23-01K	25/08/2006	12576/2006	309266	25-01NES	28/08/2006
12399/2006	309210	23-01K	25/08/2006	12577/2006	309267	25-01NES	28/08/2006
12400/2006	309211	23-01K	25/08/2006	12578/2006	309268	25-02NES	28/08/2006
12401/2006	309212	23-01K	25/08/2006	12579/2006	309269	25-01NES	28/08/2006
12402/2006	309213	23-01K	25/08/2006	12580/2006	309270	11-05	28/08/2006
12403/2006	309214	23-01K	25/08/2006	12581/2006	309271	13-03NES	28/08/2006
12404/2006	309185	23-01K	25/08/2006	12584/2006	309496	07-01B	05/09/2006
12405/2006	309186	23-01K	25/08/2006	12588/2006	309497	02-03	05/09/2006
12406/2006	309187	23-01K	25/08/2006	12589/2006	309498	02-03	05/09/2006
12408/2006	309287	07-02NES	30/08/2006	12591/2006	309188	07-01D	25/08/2006
12409/2006	309288	09-03L	30/08/2006	12592/2006	309189	07-01B	25/08/2006
12410/2006	309291	09-03L	30/08/2006	12593/2006	309190	07-01A	25/08/2006
12411/2006	309293	12-11	30/08/2006	12594/2006	309191	07-01D	25/08/2006
12412/2006	309294	09-03L	30/08/2006	12595/2006	309192	07-01A	25/08/2006
12413/2006	309295	07-05C	30/08/2006	12596/2006	309193	07-01A	25/08/2006
12425/2006	309296	15-03A	30/08/2006	12597/2006	309194	07-01D	25/08/2006
12426/2006	309297	14-03E	30/08/2006	12598/2006	309195	07-01B	25/08/2006
12428/2006	309298	31-00	30/08/2006	12599/2006	309196	07-01B	25/08/2006
12430/2006	309535	15-99	05/09/2006	12600/2006	309197	07-01B	25/08/2006
12440/2006	309373	08-03	31/08/2006	12601/2006	309198	07-01B	25/08/2006
12447/2006	309374	13-03D	31/08/2006	12608/2006	309215	25-02NES	25/08/2006
12450/2006	309474	08-05N	04/09/2006	12615/2006	309272	08-01	28/08/2006
12451/2006	309475	08-05N	04/09/2006	12622/2006	309538	13-01	05/09/2006
12452/2006	309476	14-03NES	04/09/2006	12624/2006	309539	07-01F	05/09/2006
12455/2006	309477	08-06	04/09/2006	12626/2006	309540	25-01D	05/09/2006
12462/2006	309524	07-02R	04/09/2006	12647/2006	309199	06-06D	25/08/2006

Publication and Registration Proceedings - Designs Registered cont'd

Design Number	Registration Number	International Classification Code (IDC)	Registration Date	Design Number	Registration Number	International Classification Code (IDC)	Registration Date
12649/2006	309354	07-01F	31/08/2006	12906/2006	309278	14-01	28/08/2006
12668/2006	309495	24-01	05/09/2006	12907/2006	309200	14-01	25/08/2006
12672/2006	309355	10-06	31/08/2006	12908/2006	309201	14-01	25/08/2006
12673/2006	309356	06-01NES	31/08/2006	12909/2006	309202	24-04	25/08/2006
12677/2006	309376	14-01	31/08/2006	12910/2006	309232	10-01	25/08/2006
12678/2006	309357	15-05	31/08/2006	12911/2006	309233	26-05NES	25/08/2006
12681/2006	309434	23-02C	01/09/2006	12915/2006	309439	12-15A	01/09/2006
12683/2006	309377	07-01G	31/08/2006	12925/2006	309425	25-01K	01/09/2006
12684/2006	309378	07-01G	31/08/2006	12927/2006	309426	06-04E	01/09/2006
12685/2006	309379	07-01G	31/08/2006	12929/2006	309544	12-15B	05/09/2006
12686/2006	309380	07-01G	31/08/2006	12930/2006	309503	15-99	05/09/2006
12687/2006	309381	07-01G	31/08/2006	12931/2006	309504	19-06	05/09/2006
12688/2006	309382	07-01G	31/08/2006	12932/2006	309505	15-01	05/09/2006
12689/2006	309358	06-04NES	31/08/2006	12933/2006	309234	12-05	25/08/2006
12696/2006	309499	14-02	05/09/2006	12935/2006	309235	08-03	25/08/2006
12697/2006	309500	11-02E	05/09/2006	12936/2006	309236	23-02C	25/08/2006
12698/2006	309501	11-01K	05/09/2006	12937/2006	309237	06-01G	25/08/2006
12699/2006	309502	11-01K	05/09/2006	12938/2006	309238	06-01G	25/08/2006
12739/2006	309300	07-02R	30/08/2006	12939/2006	309239	06-01G	25/08/2006
12747/2006	309301	13-02	30/08/2006	12940/2006	309506	07-01F	05/09/2006
12749/2006	309302	09-09	30/08/2006	12947/2006	309359	13-01	31/08/2006
12750/2006	309216	08-05N	25/08/2006	12948/2006	309360	13-01	31/08/2006
12751/2006	309311	23-01E	31/08/2006	12949/2006	309361	28-03A	31/08/2006
12752/2006	309312	23-01E	31/08/2006	12950/2006	309362	28-03A	31/08/2006
12758/2006	309389	08-08L	01/09/2006	12953/2006	309279	02-04NES	28/08/2006
12759/2006	309390	09-03NES	01/09/2006	12954/2006	309545	07-02L	05/09/2006
12760/2006	309383	08-06	31/08/2006	12955/2006	309240	19-02	25/08/2006
12761/2006	309404	08-06	01/09/2006	12956/2006	309546	10-07	05/09/2006
12762/2006	309391	08-06	01/09/2006	12959/2006	309241	10-02	25/08/2006
12763/2006	309392	12-16NES	01/09/2006	12960/2006	309242	12-15D	25/08/2006
12764/2006	309393	13-02	01/09/2006	12961/2006	309243	12-15NES	25/08/2006
12766/2006	309394	14-03NES	01/09/2006	12962/2006	309244	12-15NES	25/08/2006
12767/2006	309395	16-01	01/09/2006	12966/2006	309280	23-01F	28/08/2006
12768/2006	309396	14-03NES	01/09/2006	12967/2006	309281	07-06A	28/08/2006
12777/2006	309483	09-01D	04/09/2006	12968/2006	309282	07-06A	28/08/2006
12778/2006	309484	23-02B	04/09/2006	12969/2006	309332	07-06A	31/08/2006
12787/2006	309485	13-03D	04/09/2006	12970/2006	309333	07-01C	31/08/2006
12790/2006	309541	09-03M	05/09/2006	12971/2006	309334	07-01C	31/08/2006
12791/2006	309542	09-03M	05/09/2006	12972/2006	309335	07-01C	31/08/2006
12792/2006	309543	09-03M	05/09/2006	12973/2006	309336	07-01C	31/08/2006
12794/2006	309435	02-02B	01/09/2006	12974/2006	309313	07-01C	31/08/2006
12795/2006	309436	02-02B	01/09/2006	12975/2006	309314	07-01C	31/08/2006
12801/2006	309437	14-03E	01/09/2006	12976/2006	309315	07-01C	31/08/2006
12876/2006	309217	28-03A	25/08/2006	12977/2006	309316	23-01F	31/08/2006
12877/2006	309218	28-03A	25/08/2006	12986/2006	309421	23-04	01/09/2006
12884/2006	309219	13-02	25/08/2006	12987/2006	309384	23-04	31/08/2006
12885/2006	309220	26-02	25/08/2006	12996/2006	309283	20-03NES	28/08/2006
12886/2006	309221	15-05	25/08/2006	13016/2006	309203	06-03A	25/08/2006
12887/2006	309222	15-05	25/08/2006	13017/2006	309440	20-02E	01/09/2006
12888/2006	309223	08-03	25/08/2006	13019/2006	309441	22-05	01/09/2006
12889/2006	309224	08-03	25/08/2006	13020/2006	309442	02-01NES	01/09/2006
12892/2006	309438	12-15A	01/09/2006	13027/2006	309317	15-05	31/08/2006
12900/2006	309231	07-06A	25/08/2006	13036/2006	309318	07-02M	31/08/2006
12901/2006	309273	06-01H	28/08/2006	13037/2006	309319	07-01NES	31/08/2006
12902/2006	309274	06-03A	28/08/2006	13038/2006	309320	07-01NES	31/08/2006
12903/2006	309275	25-01NES	28/08/2006	13039/2006	309321	24-99	31/08/2006
12904/2006	309276	09-01H	28/08/2006	13040/2006	309322	24-99	31/08/2006
12905/2006	309277	14-01	28/08/2006	13043/2006	309323	07-05C	31/08/2006

Publication and Registration Proceedings - Designs Registered cont'd

Design Number	Registration Number	International Classification Code (IDC)	Registration Date	Design Number	Registration Number	International Classification Code (IDC)	Registration Date
13124/2006	309303	13-02	30/08/2006	13340/2006	309450	08-08L	04/09/2006
13125/2006	309304	08-01	30/08/2006	13341/2006	309451	08-08L	04/09/2006
13135/2006	309486	23-01E	04/09/2006	13342/2006	309452	21-02D	04/09/2006
13136/2006	309487	23-01E	04/09/2006	13351/2006	309445	06-03A	01/09/2006
13181/2006	309284	19-02	28/08/2006	13352/2006	309446	06-03A	01/09/2006
13200/2006	309397	09-01K	01/09/2006	13384/2006	309464	07-01NES	04/09/2006
13203/2006	309398	31-00	01/09/2006	13385/2006	309465	15-01	04/09/2006
13207/2006	309399	26-05C	01/09/2006	13386/2006	309466	10-07	04/09/2006
13208/2006	309400	25-02C	01/09/2006	13391/2006	309363	02-02C	31/08/2006
13210/2006	309401	26-03	01/09/2006	13396/2006	309364	12-15C	31/08/2006
13211/2006	309402	26-04	01/09/2006	13401/2006	309453	16-06	04/09/2006
13235/2006	309443	12-02	01/09/2006	13402/2006	309454	16-06	04/09/2006
13236/2006	309324	03-01B	31/08/2006	13403/2006	309455	14-03E	04/09/2006
13237/2006	309444	10-05	01/09/2006	13404/2006	309456	08-07	04/09/2006
13238/2006	309422	10-05	01/09/2006	13407/2006	309457	23-01H	04/09/2006
13239/2006	309423	10-05	01/09/2006	13408/2006	309458	16-06	04/09/2006
13247/2006	309337	13-03D	31/08/2006	13409/2006	309459	15-05	04/09/2006
13248/2006	309338	13-03D	31/08/2006	13410/2006	309460	15-05	04/09/2006
13249/2006	309339	13-03D	31/08/2006	13411/2006	309461	15-05	04/09/2006
13337/2006	309447	08-08L	04/09/2006	13412/2006	309462	15-05	04/09/2006
13338/2006	309448	08-08L	04/09/2006	13413/2006	309463	10-04	04/09/2006
13339/2006	309449	08-08L	04/09/2006	13823/2006	309403	28-03NES	01/09/2006

**Publication and Registration Proceedings**  
**Class Listing of Designs Published or Registered**

The following section shows an International Classification Code listing of the Registered or Published Designs covered in this supplement.

<b>Classification</b>	<b>Registration Number</b>	<b>Design Number</b>	<b>Classification</b>	<b>Registration Number</b>	<b>Design Number</b>
01-01	309176	11625/2006	06-04 NES	309172	10917/2006
01-01	309411	10265/2006	06-04 NES	309173	10918/2006
02-01 A	309510	10712/2006	06-04 NES	309329	12492/2006
02-01 B	309468	13655/2005	06-04 NES	309358	12689/2006
02-01 NES	309442	13020/2006	06-05	309513	11197/2006
02-02 B	309435	12794/2006	06-06 D	309199	12647/2006
02-02 B	309436	12795/2006	06-06 G	309406	10081/2006
02-02 B	309529	11290/2006	06-06 G	309407	10083/2006
02-02 C	309346	10317/2006	06-11	309478	12469/2006
02-02 C	309363	13391/2006	06-13 B	309482	12474/2006
02-02 NES	309510	10712/2006	06-13 C	309514	11613/2006
02-03	309497	12588/2006	06-13 C	309515	11614/2006
02-03	309498	12589/2006	06-13 C	309516	11615/2006
02-04 B	309305	15280/2005	06-13 NES	309482	12474/2006
02-04 B	309416	12118/2006	07-01 A	309190	12593/2006
02-04 B	309417	12120/2006	07-01 A	309192	12595/2006
02-04 B	309418	12121/2006	07-01 A	309193	12596/2006
02-04 B	309419	12122/2006	07-01 B	309189	12592/2006
02-04 B	309420	12123/2006	07-01 B	309190	12593/2006
02-04 NES	309227	12085/2006	07-01 B	309192	12595/2006
02-04 NES	309279	12953/2006	07-01 B	309193	12596/2006
02-04 NES	309415	12114/2006	07-01 B	309195	12598/2006
03-01 B	309324	13236/2006	07-01 B	309196	12599/2006
03-01 C	309299	12517/2006	07-01 B	309197	12600/2006
03-01 D	309342	15642/2005	07-01 B	309198	12601/2006
03-01 D	309366	15238/2005	07-01 B	309496	12584/2006
03-01 D	309388	11815/2006	07-01 C	309229	12221/2006
03-01 D	309479	12470/2006	07-01 C	309230	12222/2006
03-01 D	309480	12471/2006	07-01 C	309313	12974/2006
05-06 NES	309470	12162/2006	07-01 C	309314	12975/2006
05-06 NES	309471	12163/2006	07-01 C	309315	12976/2006
05-06 NES	309472	12164/2006	07-01 C	309333	12970/2006
05-06 NES	309473	12165/2006	07-01 C	309334	12971/2006
06-01 F	309204	15846/2005	07-01 C	309335	12972/2006
06-01 F	309386	11249/2006	07-01 C	309336	12973/2006
06-01 G	309237	12937/2006	07-01 D	309188	12591/2006
06-01 G	309238	12938/2006	07-01 D	309191	12594/2006
06-01 G	309239	12939/2006	07-01 D	309194	12597/2006
06-01 H	309204	15846/2005	07-01 F	309354	12649/2006
06-01 H	309206	12395/2006	07-01 F	309506	12940/2006
06-01 H	309273	12901/2006	07-01 F	309539	12624/2006
06-01 L	309204	15846/2005	07-01 G	309377	12683/2006
06-01 NES	309356	12673/2006	07-01 G	309378	12684/2006
06-03 A	309203	13016/2006	07-01 G	309379	12685/2006
06-03 A	309274	12902/2006	07-01 G	309380	12686/2006
06-03 A	309445	13351/2006	07-01 G	309381	12687/2006
06-03 A	309446	13352/2006	07-01 G	309382	12688/2006
06-03 C	309445	13351/2006	07-01 NES	309177	11825/2006
06-03 C	309446	13352/2006	07-01 NES	309179	11830/2006
06-04 E	309426	12927/2006	07-01 NES	309180	11834/2006
06-04 NES	309165	10692/2006	07-01 NES	309189	12592/2006
06-04 NES	309167	10912/2006	07-01 NES	309195	12598/2006
06-04 NES	309168	10913/2006	07-01 NES	309319	13037/2006
06-04 NES	309169	10914/2006	07-01 NES	309320	13038/2006
06-04 NES	309170	10915/2006	07-01 NES	309379	12685/2006
06-04 NES	309171	10916/2006	07-01 NES	309382	12688/2006

Registration Proceedings - Class Listing of Designs Published or Registered cont'd

Classification	Registration Number	Design Number	Classification	Registration Number	Design Number
07-01 NES	309464	13384/2006	08-08 NES	309306	10353/2006
07-01 NES	309496	12584/2006	08-08 NES	309323	13043/2006
07-01 NES	309506	12940/2006	08-08 NES	309340	15543/2005
07-02 L	309545	12954/2006	08-08 NES	309389	12758/2006
07-02 M	309318	13036/2006	08-08 NES	309447	13337/2006
07-02 N	309287	12408/2006	08-08 NES	309448	13338/2006
07-02 N	309318	13036/2006	08-08 NES	309449	13339/2006
07-02 NES	309287	12408/2006	08-08 NES	309450	13340/2006
07-02 R	309300	12739/2006	08-08 NES	309451	13341/2006
07-02 R	309524	12462/2006	08-08 NES	309517	11760/2006
07-04	309507	14311/2005	08-09	309268	12578/2006
07-05 A	309352	12511/2006	08-09	309518	12170/2006
07-05 C	309295	12413/2006	08-99	309414	11954/2006
07-05 C	309323	13043/2006	09-01 D	309483	12777/2006
07-05 E	309245	15417/2005	09-01 G	309292	12311/2006
07-05 E	309246	15419/2005	09-01 G	309409	10192/2006
07-05 E	309247	15420/2005	09-01 G	309410	10193/2006
07-05 E	309248	15421/2005	09-01 H	309276	12904/2006
07-05 E	309249	15422/2005	09-01 K	309320	13038/2006
07-06 A	309231	12900/2006	09-01 K	309353	12512/2006
07-06 A	309281	12967/2006	09-01 K	309397	13200/2006
07-06 A	309282	12968/2006	09-01 K	309409	10192/2006
07-06 A	309332	12969/2006	09-01 K	309410	10193/2006
08-01	309184	12240/2006	09-01 NES	309341	15586/2005
08-01	309272	12615/2006	09-01 NES	309343	15712/2005
08-01	309304	13125/2006	09-01 NES	309344	15713/2005
08-01	309368	15408/2005	09-01 NES	309353	12512/2006
08-02	309262	12149/2006	09-01 NES	309372	10894/2006
08-02	309263	12150/2006	09-03 C	309327	12483/2006
08-02	309264	12151/2006	09-03 C	309328	12484/2006
08-03	309223	12888/2006	09-03 F	309175	11623/2006
08-03	309224	12889/2006	09-03 K	309175	11623/2006
08-03	309235	12935/2006	09-03 K	309331	12542/2006
08-03	309351	12487/2006	09-03 L	309228	12087/2006
08-03	309373	12440/2006	09-03 L	309288	12409/2006
08-05 G	309489	12518/2006	09-03 L	309291	12410/2006
08-05 M	309509	10395/2006	09-03 L	309294	12412/2006
08-05 N	309216	12750/2006	09-03 L	309319	13037/2006
08-05 N	309226	12084/2006	09-03 L	309432	12522/2006
08-05 N	309474	12450/2006	09-03 M	309464	13384/2006
08-05 N	309475	12451/2006	09-03 M	309541	12790/2006
08-05 NES	309489	12518/2006	09-03 M	309542	12791/2006
08-05 NES	309525	12463/2006	09-03 M	309543	12792/2006
08-05 P	309525	12463/2006	09-03 NES	309288	12409/2006
08-06	309383	12760/2006	09-03 NES	309291	12410/2006
08-06	309391	12762/2006	09-03 NES	309294	12412/2006
08-06	309404	12761/2006	09-03 NES	309327	12483/2006
08-06	309477	12455/2006	09-03 NES	309328	12484/2006
08-07	309456	13404/2006	09-03 NES	309342	15642/2005
08-08 L	309306	10353/2006	09-03 NES	309390	12759/2006
08-08 L	309389	12758/2006	09-03 NES	309433	12523/2006
08-08 L	309447	13337/2006	09-03 NES	309527	12971/2005
08-08 L	309448	13338/2006	09-05	309310	12187/2006
08-08 L	309449	13339/2006	09-05	309432	12522/2006
08-08 L	309450	13340/2006	09-05	309433	12523/2006
08-08 L	309451	13341/2006	09-05	309511	10926/2006
08-08 L	309518	12170/2006	09-05	309512	10928/2006
08-08 M	309340	15543/2005	09-05	309530	12188/2006
08-08 NES	309286	12371/2006	09-07 A	309469	10968/2006



Registration Proceedings - Class Listing of Designs Published or Registered cont'd

Classification	Registration Number	Design Number	Classification	Registration Number	Design Number
09-07 B	309531	12189/2006	12-16 B	309253	10107/2006
09-07 B	309532	12195/2006	12-16 B	309258	10112/2006
09-07 B	309533	12196/2006	12-16 B	309259	10113/2006
09-08	309325	11170/2006	12-16 B	309520	12201/2006
09-08	309330	12541/2006	12-16 B	309522	12203/2006
09-09	309302	12749/2006	12-16 B	309523	12204/2006
10-01	309232	12910/2006	12-16 C	309254	10108/2006
10-01	309427	11071/2005	12-16 C	309255	10109/2006
10-01	309428	15860/2005	12-16 C	309260	10114/2006
10-01	309429	15861/2005	12-16 E	309466	13386/2006
10-02	309241	12959/2006	12-16 NES	309392	12763/2006
10-04	309463	13413/2006	13-01	309359	12947/2006
10-05	309422	13238/2006	13-01	309360	12948/2006
10-05	309423	13239/2006	13-01	309538	12622/2006
10-05	309444	13237/2006	13-02	309219	12884/2006
10-06	309355	12672/2006	13-02	309301	12747/2006
10-06	309375	12468/2006	13-02	309303	13124/2006
10-07	309466	13386/2006	13-02	309393	12764/2006
10-07	309546	12956/2006	13-03 D	309337	13247/2006
11-01 C	309355	12672/2006	13-03 D	309338	13248/2006
11-01 E	309326	11947/2006	13-03 D	309339	13249/2006
11-01 K	309501	12698/2006	13-03 D	309374	12447/2006
11-01 K	309502	12699/2006	13-03 D	309485	12787/2006
11-02 A	309405	11816/2006	13-03 NES	309178	11827/2006
11-02 D	309289	12309/2006	13-03 NES	309271	12581/2006
11-02 D	309290	12310/2006	14-01	309200	12907/2006
11-02 E	309500	12697/2006	14-01	309201	12908/2006
11-02 E	309501	12698/2006	14-01	309277	12905/2006
11-02 E	309502	12699/2006	14-01	309278	12906/2006
11-02 NES	309500	12697/2006	14-01	309376	12677/2006
11-05	309270	12580/2006	14-02	309431	12521/2006
11-99	309500	12697/2006	14-02	309493	12530/2006
12-02	309443	13235/2006	14-02	309499	12696/2006
12-02	309490	12516/2006	14-03 E	309297	12426/2006
12-05	309166	10702/2006	14-03 E	309376	12677/2006
12-05	309234	12933/2006	14-03 E	309387	11252/2006
12-05	309467	13182/2005	14-03 E	309437	12801/2006
12-06 A	309261	12131/2006	14-03 E	309455	13403/2006
12-08	309250	10104/2006	14-03 NES	309394	12766/2006
12-10	309526	12464/2006	14-03 NES	309396	12768/2006
12-11	309293	12411/2006	14-03 NES	309450	13340/2006
12-11	309521	12202/2006	14-03 NES	309476	12452/2006
12-12	309408	10084/2006	14-99	309499	12696/2006
12-12	309424	15426/2005	15-01	309359	12947/2006
12-12	309536	12482/2006	15-01	309360	12948/2006
12-15 A	309438	12892/2006	15-01	309465	13385/2006
12-15 A	309439	12915/2006	15-01	309505	12932/2006
12-15 B	309349	12479/2006	15-02	309350	12481/2006
12-15 B	309438	12892/2006	15-02	309359	12947/2006
12-15 B	309439	12915/2006	15-02	309360	12948/2006
12-15 B	309544	12929/2006	15-03 A	309296	12425/2006
12-15 C	309347	10480/2006	15-03 B	309223	12888/2006
12-15 C	309364	13396/2006	15-03 B	309224	12889/2006
12-15 D	309242	12960/2006	15-03 B	309365	15183/2005
12-15 NES	309243	12961/2006	15-03 B	309412	10385/2006
12-15 NES	309244	12962/2006	15-05	309205	12394/2006
12-16 A	309413	10416/2006	15-05	309221	12886/2006
12-16 B	309251	10105/2006	15-05	309222	12887/2006
12-16 B	309252	10106/2006	15-05	309317	13027/2006

Registration Proceedings - Class Listing of Designs Published or Registered cont'd

Classification	Registration Number	Design Number	Classification	Registration Number	Design Number
15-05	309357	12678/2006	23-03 NES	309535	12430/2006
15-05	309459	13409/2006	23-04	309225	11531/2006
15-05	309460	13410/2006	23-04	309384	12987/2006
15-05	309461	13411/2006	23-04	309421	12986/2006
15-05	309462	13412/2006	23-04	309430	12520/2006
15-09	309271	12581/2006	23-04	309465	13385/2006
15-09	309367	15407/2005	23-04	309492	12529/2006
15-99	309503	12930/2006	24-01	309388	11815/2006
15-99	309535	12430/2006	24-01	309495	12668/2006
16-01	309395	12767/2006	24-04	309202	12909/2006
16-02	309182	12021/2006	24-04	309458	13408/2006
16-06	309453	13401/2006	24-04	309495	12668/2006
16-06	309454	13402/2006	24-99	309321	13039/2006
16-06	309458	13408/2006	24-99	309322	13040/2006
19-01	309371	10666/2006	25-01 D	309540	12626/2006
19-02	309240	12955/2006	25-01 G	309540	12626/2006
19-02	309284	13181/2006	25-01 K	309425	12925/2006
19-06	309504	12931/2006	25-01 NES	309265	12575/2006
19-07	309427	11071/2005	25-01 NES	309266	12576/2006
19-07	309428	15860/2005	25-01 NES	309267	12577/2006
19-07	309429	15861/2005	25-01 NES	309269	12579/2006
19-08	309174	11612/2006	25-01 NES	309275	12903/2006
19-08	309283	12996/2006	25-02 A	309348	12333/2006
20-02 E	309440	13017/2006	25-02 C	309265	12575/2006
20-03 NES	309283	12996/2006	25-02 C	309268	12578/2006
21-01 A	309370	10588/2006	25-02 C	309348	12333/2006
21-02 D	309452	13342/2006	25-02 C	309400	13208/2006
21-02 F	309537	12549/2006	25-02 C	309414	11954/2006
22-05	309441	13019/2006	25-02 NES	309215	12608/2006
22-05	309488	10326/2006	25-02 NES	309268	12578/2006
23-01 E	309311	12751/2006	25-03	309484	12778/2006
23-01 E	309312	12752/2006	25-04	309517	11760/2006
23-01 E	309486	13135/2006	26-01	309285	12054/2006
23-01 E	309487	13136/2006	26-02	309220	12885/2006
23-01 F	309181	11988/2006	26-03	309401	13210/2006
23-01 F	309183	12022/2006	26-04	309402	13211/2006
23-01 F	309280	12966/2006	26-05 B	309534	12267/2006
23-01 F	309316	12977/2006	26-05 C	309399	13207/2006
23-01 F	309494	12536/2006	26-05 NES	309233	12911/2006
23-01 H	309457	13407/2006	26-06	309256	10110/2006
23-01 K	309185	12404/2006	26-06	309257	10111/2006
23-01 K	309186	12405/2006	26-06	309519	12173/2006
23-01 K	309187	12406/2006	28-01	309481	12472/2006
23-01 K	309207	12396/2006	28-03 A	309217	12876/2006
23-01 K	309208	12397/2006	28-03 A	309218	12877/2006
23-01 K	309209	12398/2006	28-03 A	309361	12949/2006
23-01 K	309210	12399/2006	28-03 A	309362	12950/2006
23-01 K	309211	12400/2006	28-03 NES	309308	12025/2006
23-01 K	309212	12401/2006	28-03 NES	309309	12026/2006
23-01 K	309213	12402/2006	28-03 NES	309321	13039/2006
23-01 K	309214	12403/2006	28-03 NES	309322	13040/2006
23-01 K	309311	12751/2006	28-03 NES	309345	15562/2005
23-01 K	309312	12752/2006	28-03 NES	309356	12673/2006
23-02 A	309390	12759/2006	28-03 NES	309385	10981/2006
23-02 B	309484	12778/2006	28-03 NES	309403	13823/2006
23-02 C	309236	12936/2006	28-03 NES	309508	14388/2005
23-02 C	309434	12681/2006	28-99	309307	11504/2006
23-02 E	309369	10223/2006	28-99	309308	12025/2006
23-02 NES	309280	12966/2006	28-99	309309	12026/2006

## Registration Proceedings - Class Listing of Designs Published or Registered cont'd

Classification	Registration Number	Design Number	Classification	Registration Number	Design Number
28-99	309491	12519/2006	31-00	309398	13203/2006
29-02	309452	13342/2006	99-00	309528	10266/2006
29-99	309495	12668/2006			
31-00	309298	12428/2006			

(21) Design Number: **10692/2006**

(22) Date of Filing Application: **24 February 2006**

(24) Date from which industrial property rights may have effect: **24 February 2006**

(54) Product in respect of which the design is registered: **Shelf**

(51) International Design Classification: **06-04NES**

(71) Name(s) and Address(s) of Applicant(s):

**Geoffrey Francis Keating**

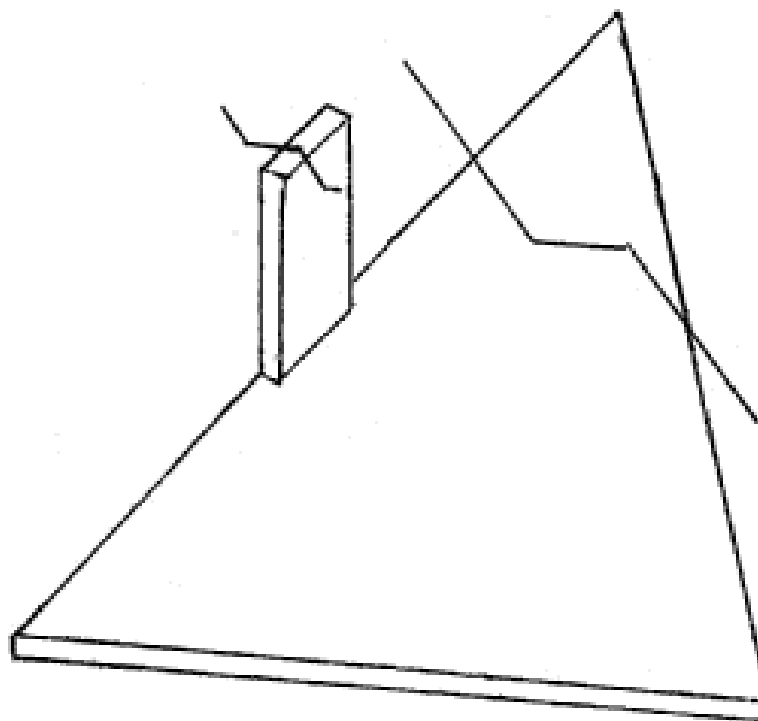
**44 Jacana Parade Ballajura Western Australia 6066 Australia**

(72) Name(s) of Designer(s): **Geoffrey Francis Keating**

(45) Registration Date: **25 August 2006**

(56) Related Art Documents: **Not Applicable**

(57) Statement of Newness and Distinctiveness: **Newness and distinctiveness is claimed in the features of shape and/or configuration of a shelf as illustrated in the accompanying representations. The supporting arm is of indefinite width and the length of the sides may vary as illustrated.**



(21) Design Number: **10702/2006**

(22) Date of Filing Application: **24 February 2006**

(24) Date from which industrial property rights may have effect: **24 February 2006**

(54) Product in respect of which the design is registered: **Guard for pulley housing**

(51) International Design Classification: **12-05**

(71) Name(s) and Address(s) of Applicant(s):

**CBC Australia Pty Ltd**

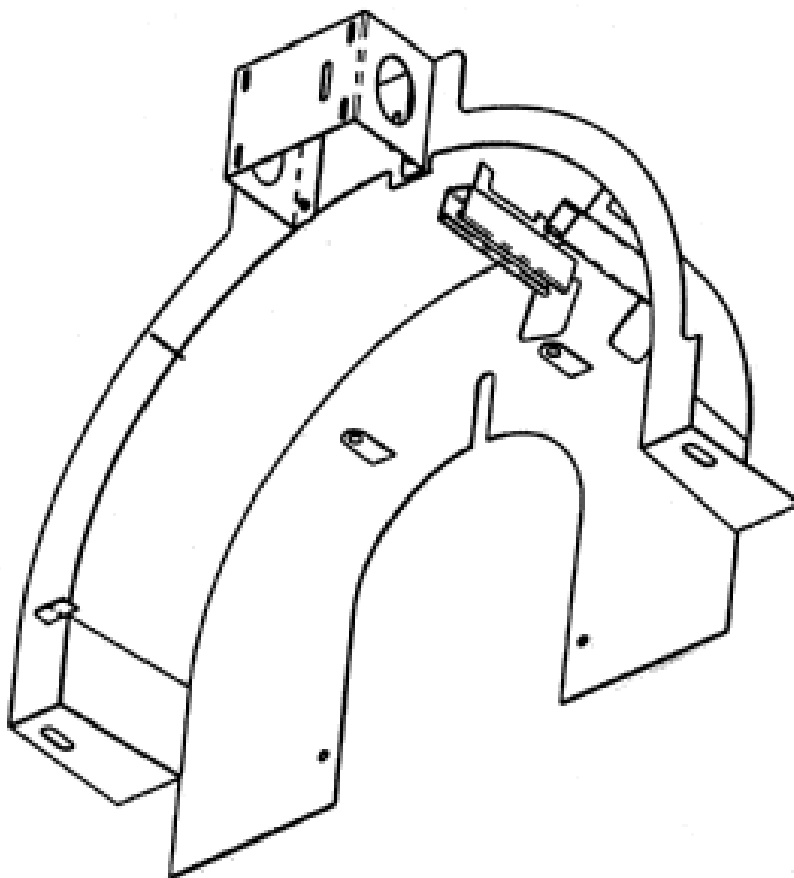
**3 The Crescent Kingsgrove New South Wales 2208 Australia**

(72) Name(s) of Designer(s): **Gary Payne**

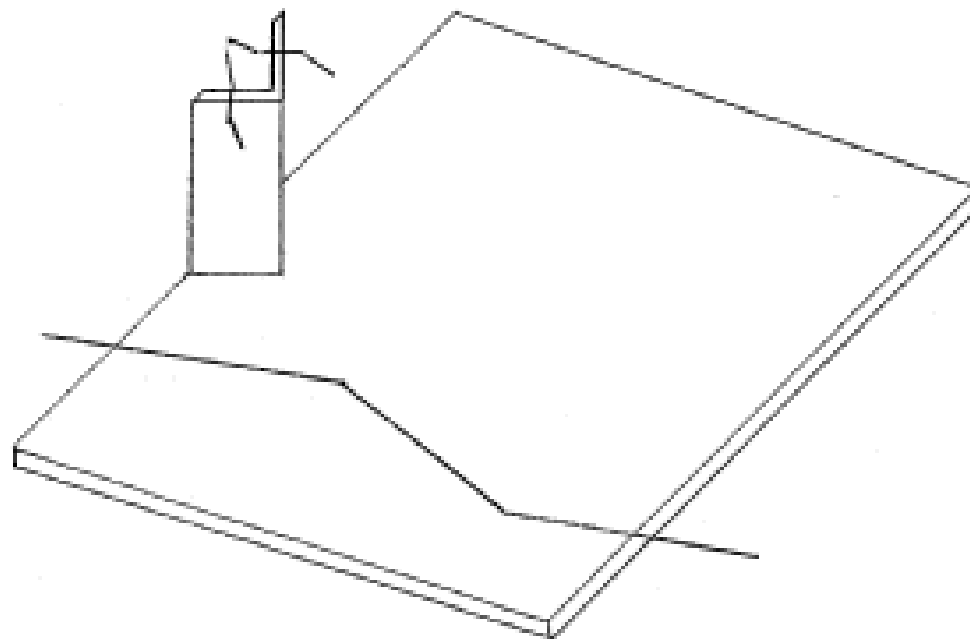
(45) Registration Date: **25 August 2006**

(56) Related Art Documents: **Not Applicable**

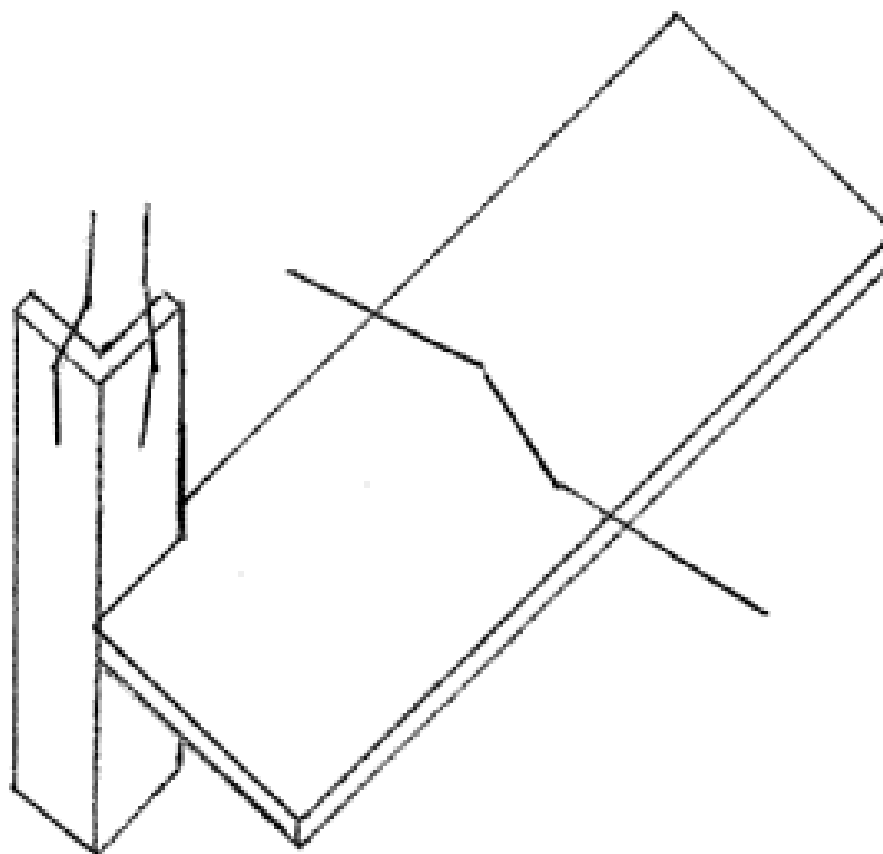
(57) Statement of Newness and Distinctiveness: **Newness and distinctiveness reside in the features of the design as shown in the representations.**



- (21) Design Number: **10912/2006**  
(22) Date of Filing Application: **02 March 2006**  
(24) Date from which industrial property rights may have effect: **02 March 2006**  
(54) Product in respect of which the design is registered: **Shelf**  
(51) International Design Classification: **06-04NES**  
(71) Name(s) and Address(s) of Applicant(s):  
**Geoffrey Francis Keating**  
**44 Jacana Parade Ballajura Western Australia 6066 Australia**  
(72) Name(s) of Designer(s): **Geoffrey Francis Keating**  
(45) Registration Date: **25 August 2006**  
(56) Related Art Documents: **Not Applicable**  
(57) Statement of Newness and Distinctiveness: **Newness and distinctiveness is claimed in the features of shape and/or configuration of a shelf as illustrated in the accompanying representations. The length of the sides of the angled track and the length of the shelf are of indefinite dimensions as illustrated.**



- (21) Design Number: **10913/2006**  
(22) Date of Filing Application: **02 March 2006**  
(24) Date from which industrial property rights may have effect: **02 March 2006**  
(54) Product in respect of which the design is registered: **Shelf**  
(51) International Design Classification: **06-04NES**  
(71) Name(s) and Address(s) of Applicant(s):  
**Geoffrey Francis Keating**  
**44 Jacana Parade Ballajura Western Australia 6066 Australia**  
(72) Name(s) of Designer(s): **Geoffrey Francis Keating**  
(45) Registration Date: **25 August 2006**  
(56) Related Art Documents: **Not Applicable**  
(57) Statement of Newness and Distinctiveness: **Newness and distinctiveness is claimed in the features of shape and/or configuration of a shelf as illustrated in the accompanying representations. The arms of the supporting track and the tray of the shelf are of indefinite dimensions as illustrated.**



(21) Design Number: **10914/2006**

(22) Date of Filing Application: **02 March 2006**

(24) Date from which industrial property rights may have effect: **02 March 2006**

(54) Product in respect of which the design is registered: **Shelf**

(51) International Design Classification: **06-04NES**

(71) Name(s) and Address(s) of Applicant(s):

**Geoffrey Francis Keating**

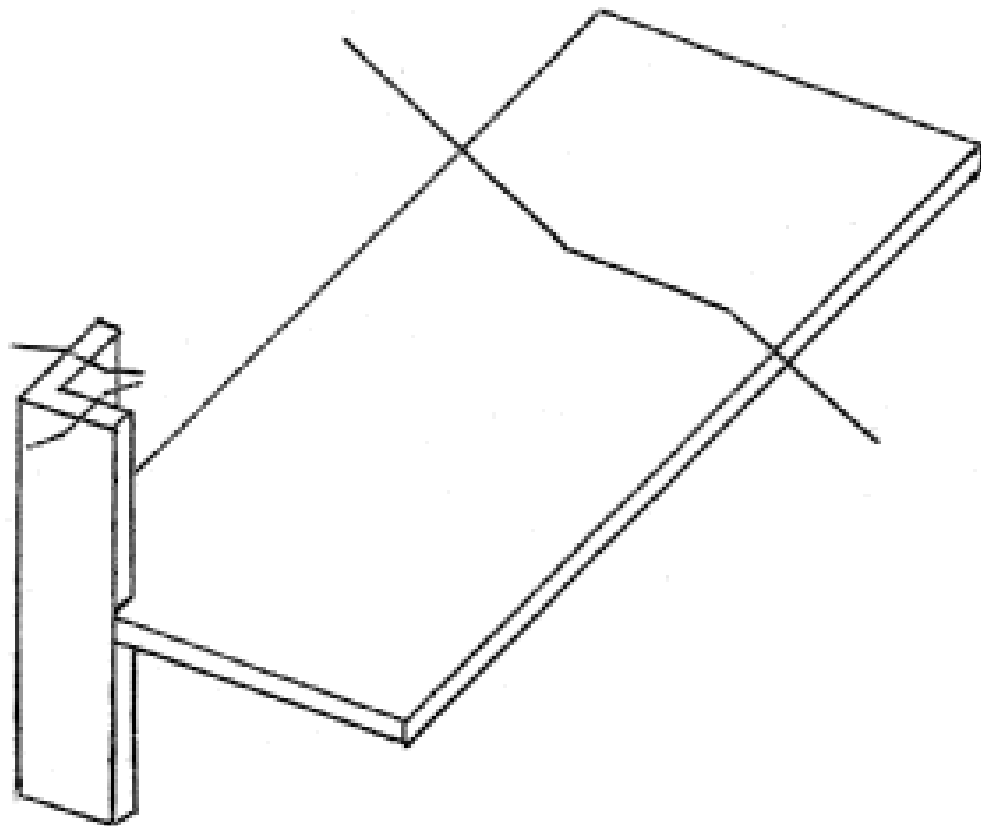
**44 Jacana Parade Ballajura Western Australia 6066 Australia**

(72) Name(s) of Designer(s): **Geoffrey Francis Keating**

(45) Registration Date: **25 August 2006**

(56) Related Art Documents: **Not Applicable**

(57) Statement of Newness and Distinctiveness: **Newness and distinctiveness is claimed in the features of shape and/or configuration of a shelf as illustrated in the accompanying representations. The arms of the supporting track and the tray of the shelf are of indefinite dimensions as illustrated.**



(21) Design Number: **10915/2006**

(22) Date of Filing Application: **02 March 2006**

(24) Date from which industrial property rights may have effect: **02 March 2006**

(54) Product in respect of which the design is registered: **Shelf**

(51) International Design Classification: **06-04NES**

(71) Name(s) and Address(s) of Applicant(s):

**Geoffrey Francis Keating**

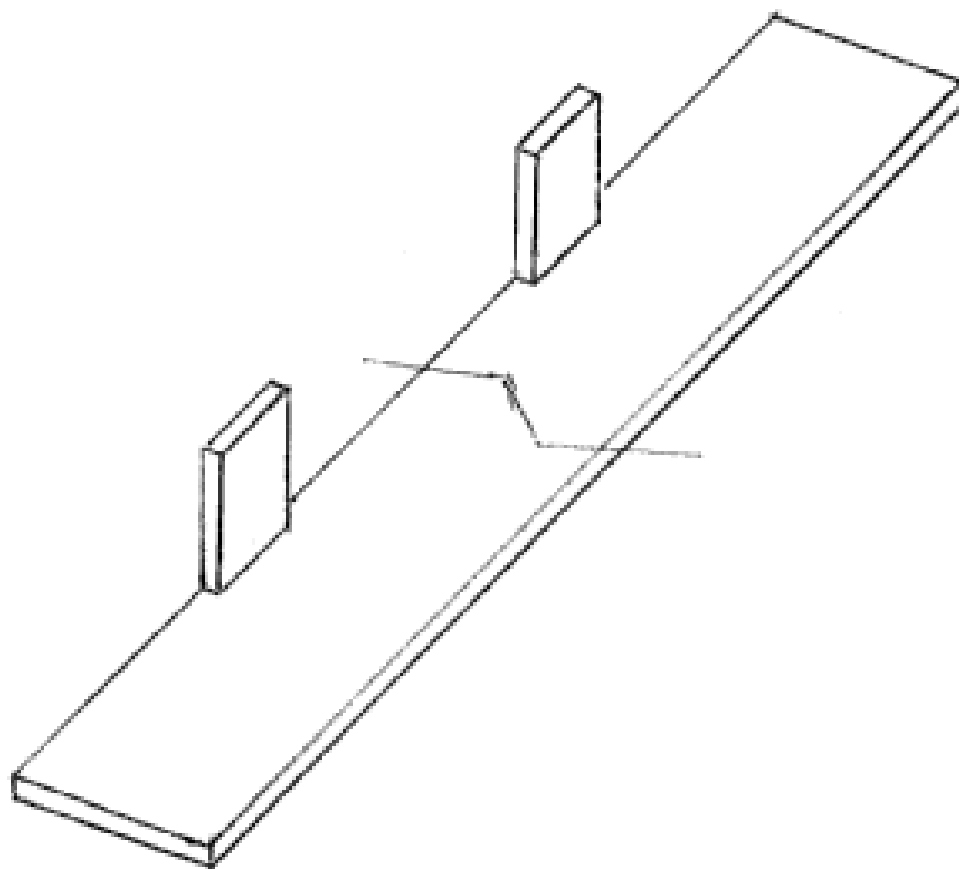
**44 Jacana Parade Ballajura Western Australia 6066 Australia**

(72) Name(s) of Designer(s): **Geoffrey Francis Keating**

(45) Registration Date: **25 August 2006**

(56) Related Art Documents: **Not Applicable**

(57) Statement of Newness and Distinctiveness: **Newness and distinctiveness is claimed in the features of shape and/or configuration of a shelf as illustrated in the accompanying representations. The length of the shelf is of indefinite dimension as illustrated.**



(21) Design Number: **10916/2006**

(22) Date of Filing Application: **02 March 2006**

(24) Date from which industrial property rights may have effect: **02 March 2006**

(54) Product in respect of which the design is registered: **Hook on shelf**

(51) International Design Classification: **06-04NES**

(71) Name(s) and Address(s) of Applicant(s):

**Geoffrey Francis Keating**

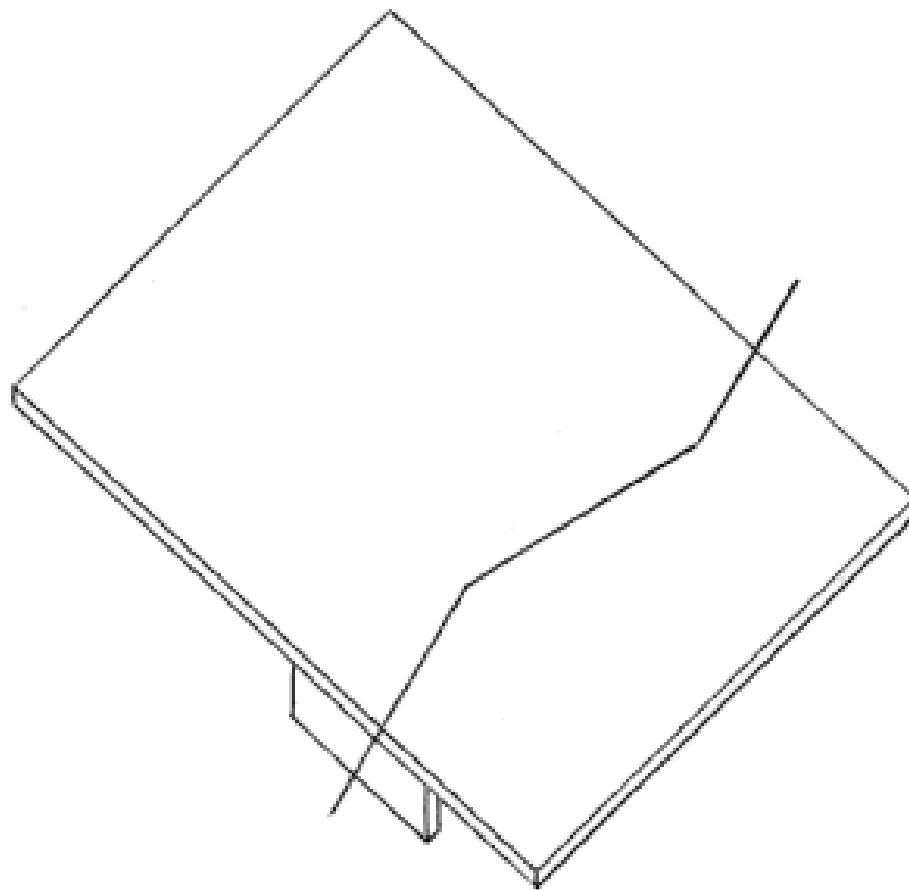
**44 Jacana Parade Ballajura Western Australia 6066 Australia**

(72) Name(s) of Designer(s): **Geoffrey Francis Keating**

(45) Registration Date: **25 August 2006**

(56) Related Art Documents: **Not Applicable**

(57) Statement of Newness and Distinctiveness: **Newness and distinctiveness is claimed in the features of shape and/or configuration of a 'hook on shelf' as illustrated in the accompanying representations. The length of the shelf and the support arm are of indefinite dimension as illustrated.**



(21) Design Number: **10917/2006**

(22) Date of Filing Application: **02 March 2006**

(24) Date from which industrial property rights may have effect: **02 March 2006**

(54) Product in respect of which the design is registered: **Shelf**

(51) International Design Classification: **06-04NES**

(71) Name(s) and Address(s) of Applicant(s):

**Geoffrey Francis Keating**

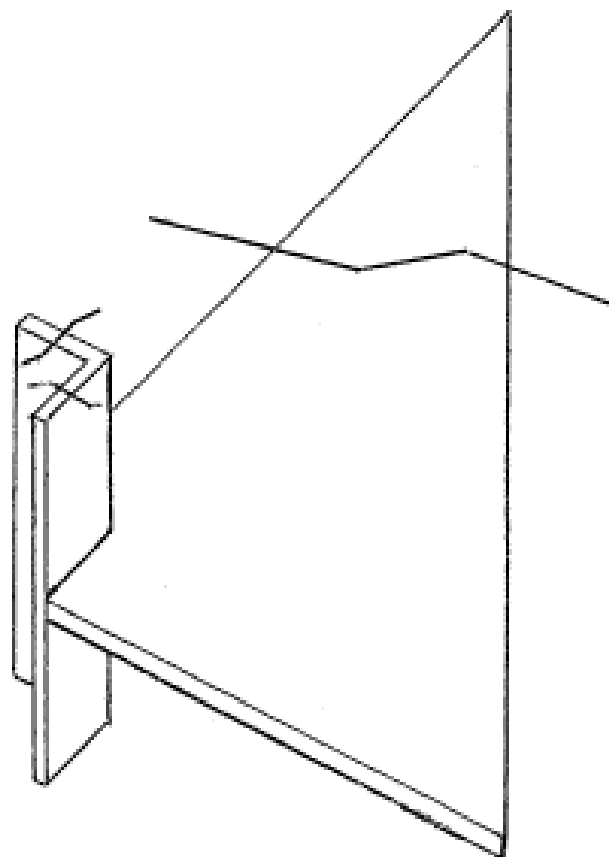
**44 Jacana Parade Ballajura Western Australia 6066 Australia**

(72) Name(s) of Designer(s): **Geoffrey Francis Keating**

(45) Registration Date: **25 August 2006**

(56) Related Art Documents: **Not Applicable**

(57) Statement of Newness and Distinctiveness: **Newness and distinctiveness is claimed in the features of shape and/or configuration of a shelf as illustrated in the accompanying representations. The arms of the angle supports and two of the sides of the triangular shelf are of indefinite dimension as illustrated.**



(21) Design Number: **10918/2006**

(22) Date of Filing Application: **02 March 2006**

(24) Date from which industrial property rights may have effect: **02 March 2006**

(54) Product in respect of which the design is registered: **Shelf**

(51) International Design Classification: **06-04NES**

(71) Name(s) and Address(s) of Applicant(s):

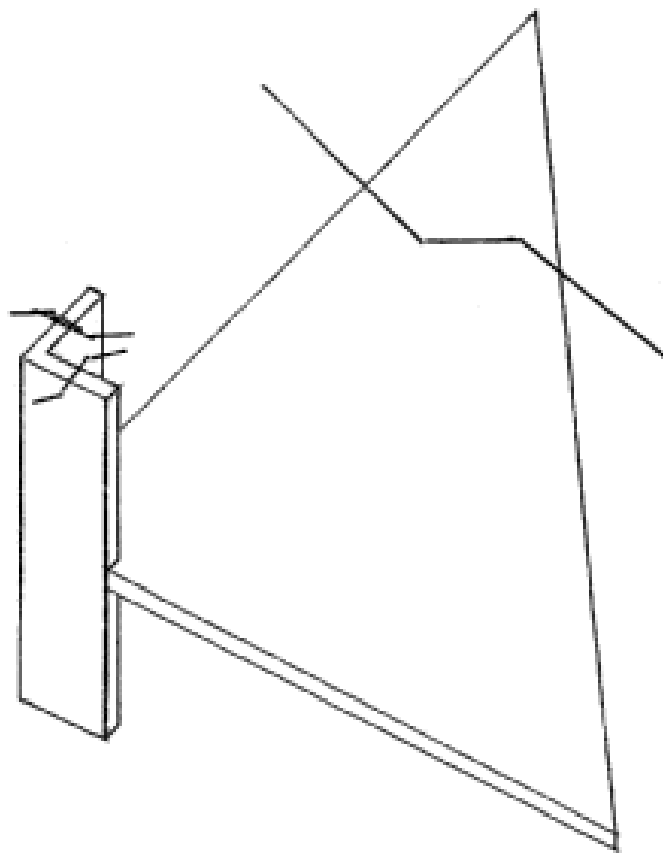
**Geoffrey Francis Keating**  
**44 Jacana Parade Ballajura Western Australia 6066 Australia**

(72) Name(s) of Designer(s): **Geoffrey Francis Keating**

(45) Registration Date: **25 August 2006**

(56) Related Art Documents: **Not Applicable**

(57) Statement of Newness and Distinctiveness: **Newness and distinctiveness is claimed in the features of shape and/or configuration of a shelf as illustrated in the accompanying representations. The arms of the angle supports and two of the sides of the triangular shelf are of indefinite dimension as illustrated.**



(21) Design Number: **11612/2006**

(22) Date of Filing Application: **20 April 2006**

(24) Date from which industrial property rights may have effect: **20 April 2006**

(54) Product in respect of which the design is registered: **Bottle gift card**

(51) International Design Classification: **19-08**

(71) Name(s) and Address(s) of Applicant(s):

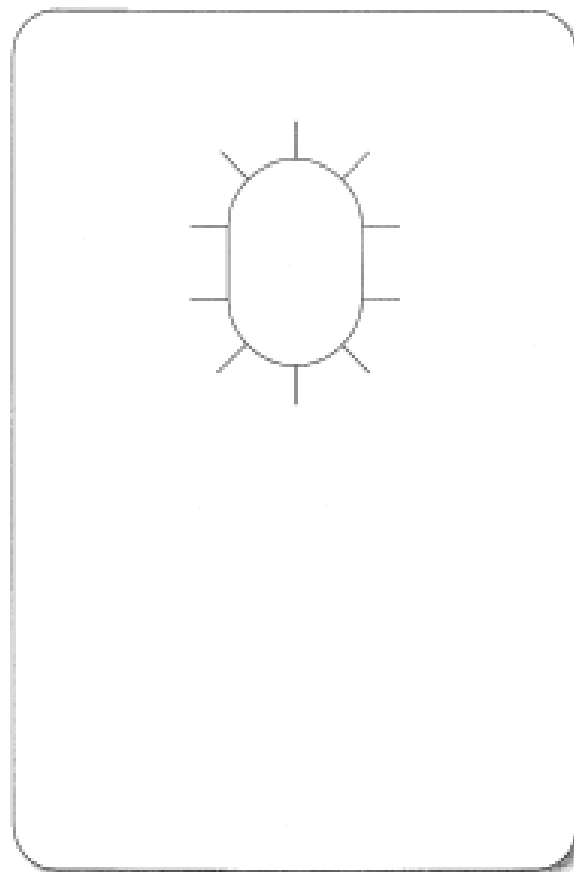
**Intervision Design Pty Ltd**  
**PO Box 385 Avalon New South Wales 2107 Australia**

(72) Name(s) of Designer(s): **Jason Marty**

(45) Registration Date: **25 August 2006**

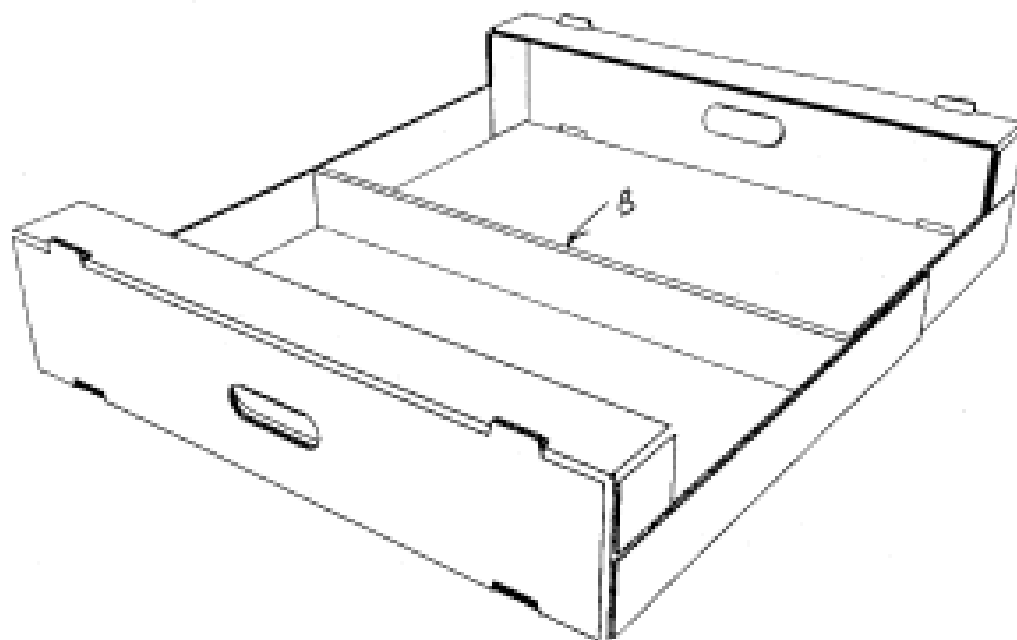
(56) Related Art Documents: **Not Applicable**

(57) Statement of Newness and Distinctiveness: **Bottle gift cards with an expanding neck hole suitable for most types of liquor bottle (wine, champagne, spirits, beer). The bottle greeting card contained in the submission is new and distinct for the following reasons: 1. Currently there are no such greeting cards in bottle shops 2. The die cut hole in the card allows the card to be attached without another mechanism to most bottle types containing wine, champagne, spirits or beer 3. The die cut holes elliptical shape allows the card to sit at an angle to the horizontal when placed on a bottle neck as described in point 2.**



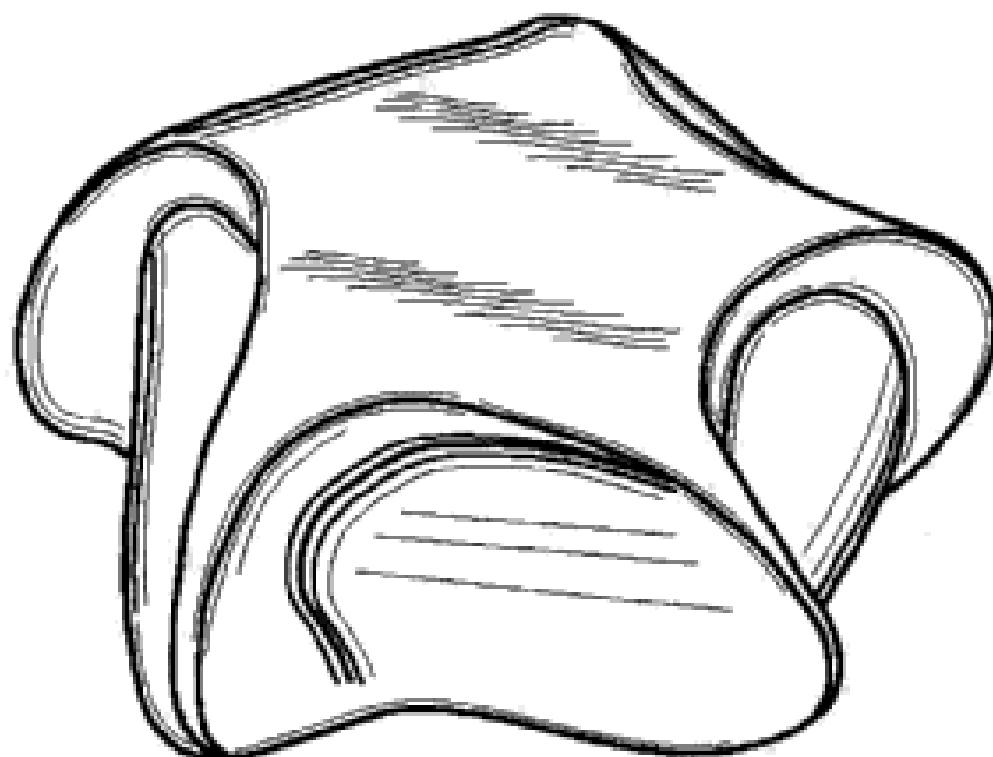


- (21) Design Number: **11623/2006**
- (22) Date of Filing Application: **20 April 2006**
- (24) Date from which industrial property rights may have effect: **20 April 2006**
- (54) Product in respect of which the design is registered: **Tray with reduced base sag**
- (51) International Design Classification: **09-03K, 09-03F**
- (71) Name(s) and Address(s) of Applicant(s):  
**Visy R & D Pty Ltd**  
**Level 2 533 Little Lonsdale St Melbourne Victoria 3000 Australia**
- (72) Name(s) of Designer(s): **Gregory Johnson**
- (45) Registration Date: **25 August 2006**
- (56) Related Art Documents: **Not Applicable**
- (57) Statement of Newness and Distinctiveness: **Newness and distinctiveness is claimed in the shape or configuration of the reinforcing beam B in the base of the tray as illustrated in the accompanying representations.**



- (21) Design Number: **11625/2006**
- (22) Date of Filing Application: **20 April 2006**
- (24) Date from which industrial property rights may have effect: **20 April 2006**
- (54) Product in respect of which the design is registered: **Food product**
- (51) International Design Classification: **01-01**
- (71) Name(s) and Address(s) of Applicant(s):  
**General Mills, Inc.**  
**1 General Mills Boulevard Minneapolis Minnesota 55426 United States of America**
- (72) Name(s) of Designer(s): **Michael S. Damron and Jennifer M. Maack and Xia Liu and Roger Fuentes and Earl Weisbrich and Tom Luehrs**
- (45) Registration Date: **25 August 2006**
- (30) Convention priority data:

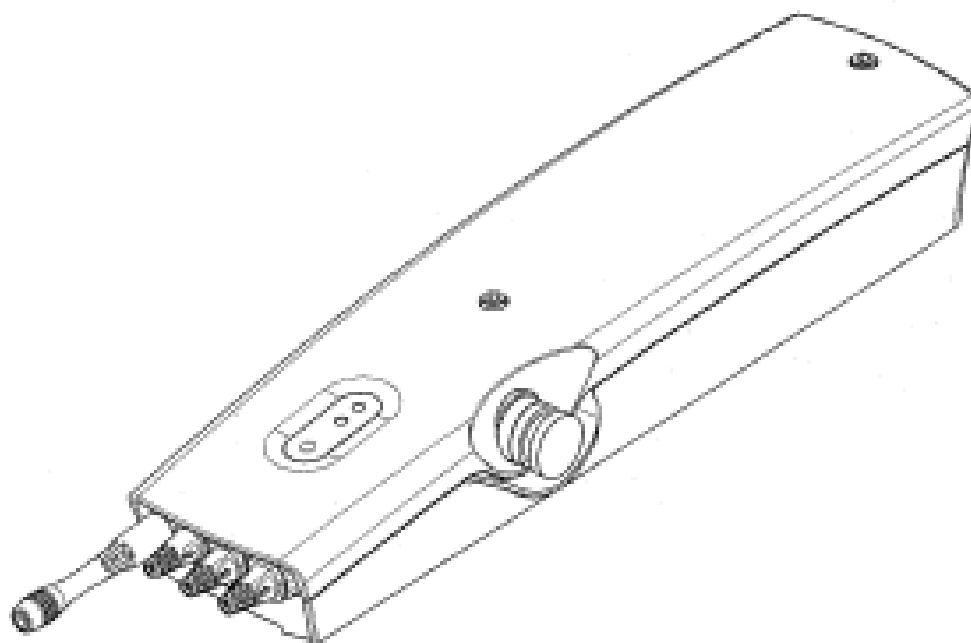
(31) Number	(32) Date	(33) Country
<b>29/245,211</b>	<b>20 Dec 2005</b>	<b>UNITED STATES OF AMERICA</b>
- (56) Related Art Documents: **Not Applicable**
- (57) Statement of Newness and Distinctiveness: **Nil**



- (21) Design Number: **11825/2006**  
(22) Date of Filing Application: **02 May 2006**  
(24) Date from which industrial property rights may have effect: **02 May 2006**  
(54) Product in respect of which the design is registered: **Container**  
(51) International Design Classification: **07-01NES**  
(71) Name(s) and Address(s) of Applicant(s):  
**The Quaker Oats Company**  
**555 West Monroe St Suite 11-12 Chicago Illinois 60661-3716 United States of America**  
(72) Name(s) of Designer(s): **Jeffrey W. George and James Maki and Peter Clarke and John K. Clay**  
(45) Registration Date: **25 August 2006**  
(30) Convention priority data:  
(31) Number (32) Date (33) Country  
**29/242045 03 Nov 2005 UNITED STATES OF AMERICA**  
(56) Related Art Documents: **Not Applicable**  
(57) Statement of Newness and Distinctiveness: **Newness and distinctiveness is claimed in the features of shape and/or configuration of a container as illustrated in the accompanying representations.**



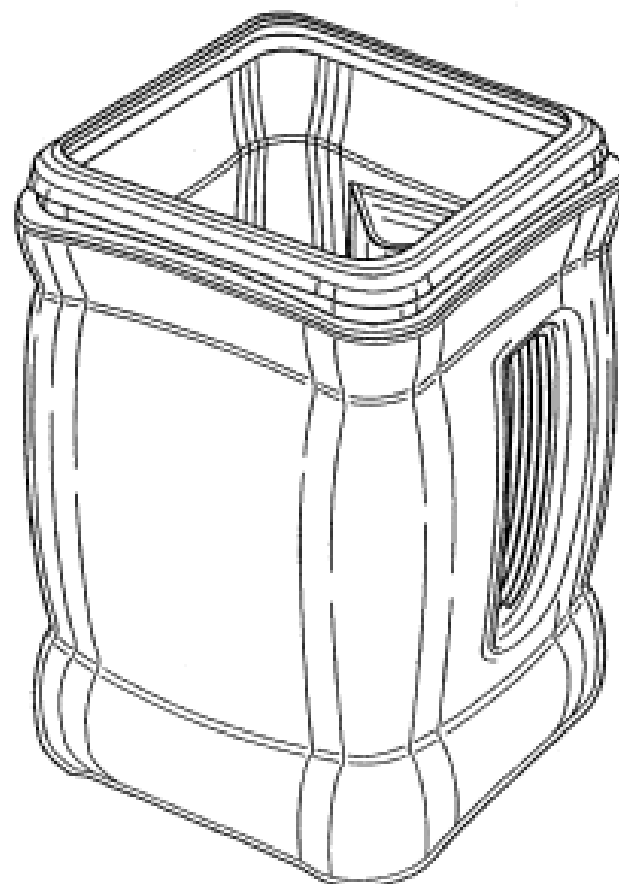
- (21) Design Number: **11827/2006**  
(22) Date of Filing Application: **02 May 2006**  
(24) Date from which industrial property rights may have effect: **02 May 2006**  
(54) Product in respect of which the design is registered: **An enclosure for electrical equipment**  
(51) International Design Classification: **13-03NES**  
(71) Name(s) and Address(s) of Applicant(s):  
**Linak A/S**  
**Smedevaenget 8 Guderup DK-6430 Nordborg Denmark**  
(72) Name(s) of Designer(s): **Peter Boldsen Lund and John Landerholm**  
(45) Registration Date: **25 August 2006**  
(30) Convention priority data:  
(31) Number (32) Date (33) Country  
**DA 2005 09 Nov 2005 DENMARK 00321**  
(56) Related Art Documents: **Not Applicable**  
(57) Statement of Newness and Distinctiveness: **Newness and distinctiveness is claimed in the features of shape and/or configuration of all parts of an enclosure for electrical equipment illustrated in the accompanying representations, apart from the three shorter plugs at the lower end of the enclosure.**



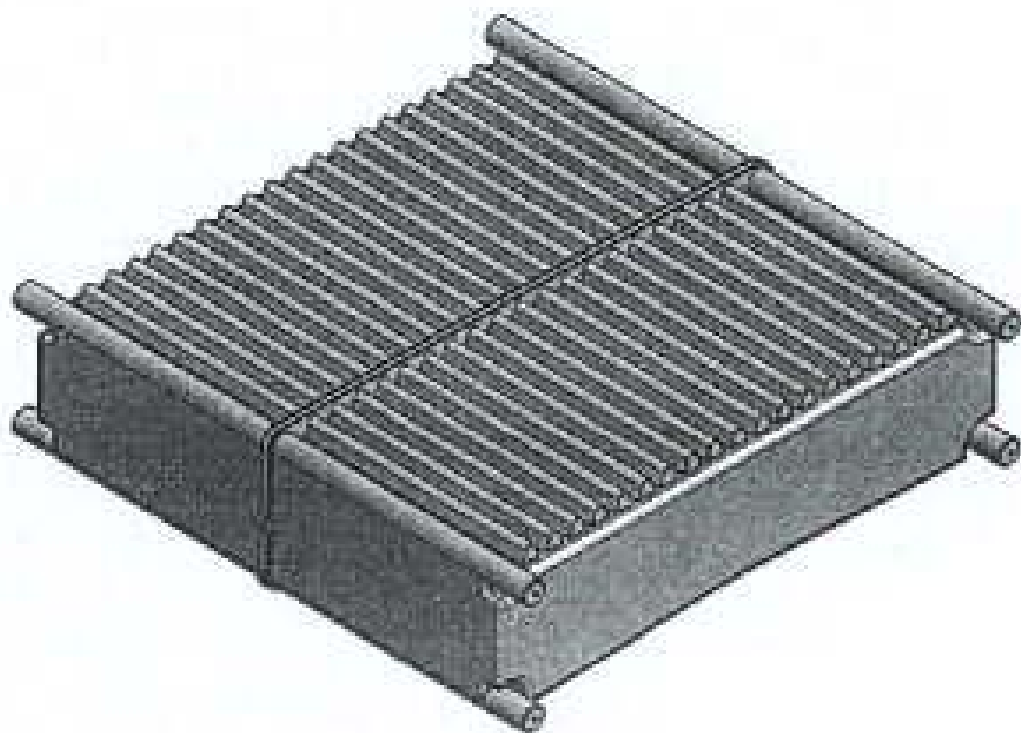
- (21) Design Number: **11830/2006**  
(22) Date of Filing Application: **02 May 2006**  
(24) Date from which industrial property rights may have effect: **02 May 2006**  
(54) Product in respect of which the design is registered: **Container**  
(51) International Design Classification: **07-01NES**  
(71) Name(s) and Address(s) of Applicant(s):  
**The Quaker Oats Company**  
**555 West Monroe St Suite 11-12 Chicago Illinois 60661-3716 United States of America**  
(72) Name(s) of Designer(s): **Jeffrey W. George and James Maki and Peter Clarke and John K. Clay**  
(45) Registration Date: **25 August 2006**  
(30) Convention priority data:  
(31) Number (32) Date (33) Country  
**29/242151 03 Nov 2005 UNITED STATES OF AMERICA**  
(56) Related Art Documents: **Not Applicable**  
(57) Statement of Newness and Distinctiveness: **Newness and distinctiveness is claimed in the features of shape and/or configuration of a container as illustrated in the accompanying representations.**



- (21) Design Number: **11834/2006**  
(22) Date of Filing Application: **02 May 2006**  
(24) Date from which industrial property rights may have effect: **02 May 2006**  
(54) Product in respect of which the design is registered: **Container**  
(51) International Design Classification: **07-01NES**  
(71) Name(s) and Address(s) of Applicant(s):  
**The Quaker Oats Company**  
**555 West Monroe St Suite 11-12 Chicago Illinois 60661-3716 United States of America**  
(72) Name(s) of Designer(s): **Jeffrey W. George and James Maki and Peter Clarke and John K. Clay**  
(45) Registration Date: **25 August 2006**  
(30) Convention priority data:  
(31) Number (32) Date (33) Country  
**29/242102 03 Nov 2005 UNITED STATES OF AMERICA**  
(56) Related Art Documents: **Not Applicable**  
(57) Statement of Newness and Distinctiveness: **Newness and distinctiveness is claimed in the features of shape and/or configuration of a container as illustrated in the accompanying representations.**

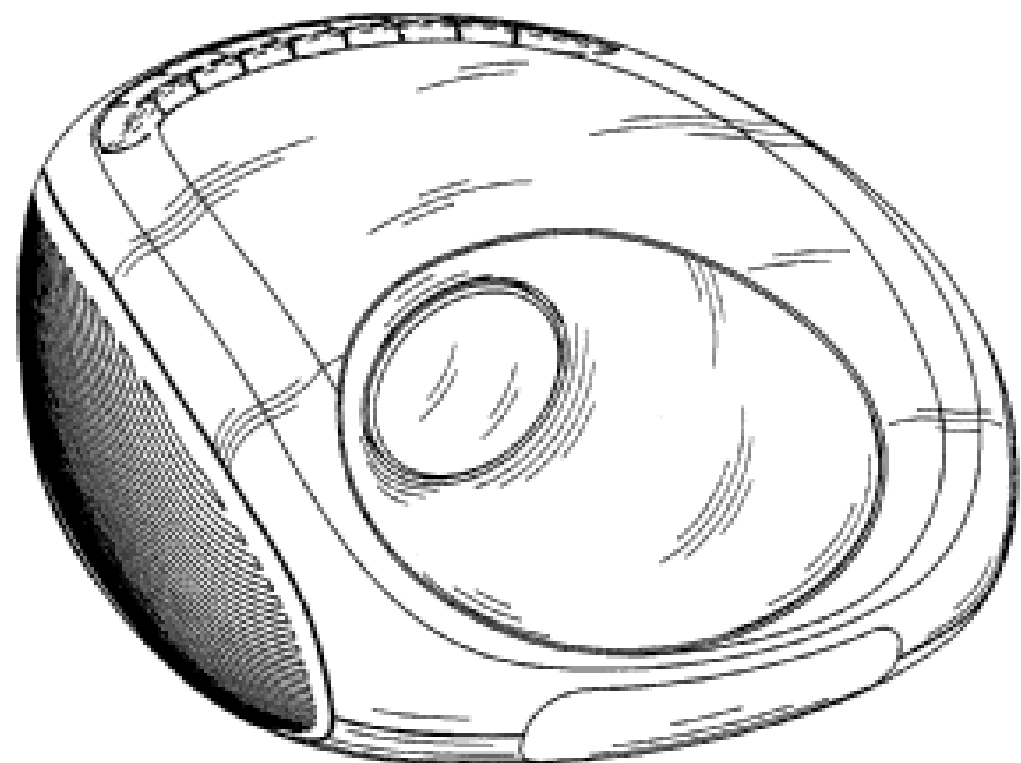


- (21) Design Number: **11988/2006**
- (22) Date of Filing Application: **05 May 2006**
- (24) Date from which industrial property rights may have effect: **05 May 2006**
- (54) Product in respect of which the design is registered: **Water storage tank**
- (51) International Design Classification: **23-01F**
- (71) Name(s) and Address(s) of Applicant(s):  
**Water Pod Australia Pty Ltd**  
**PO Box 688 Camden New South Wales 2570 Australia**
- (72) Name(s) of Designer(s): **Robert Currey and Dirk Neugebauer**
- (45) Registration Date: **25 August 2006**
- (56) Related Art Documents: **Not Applicable**
- (57) Statement of Newness and Distinctiveness: **Newness and distinctiveness reside in the features of the design as shown in the representations.**

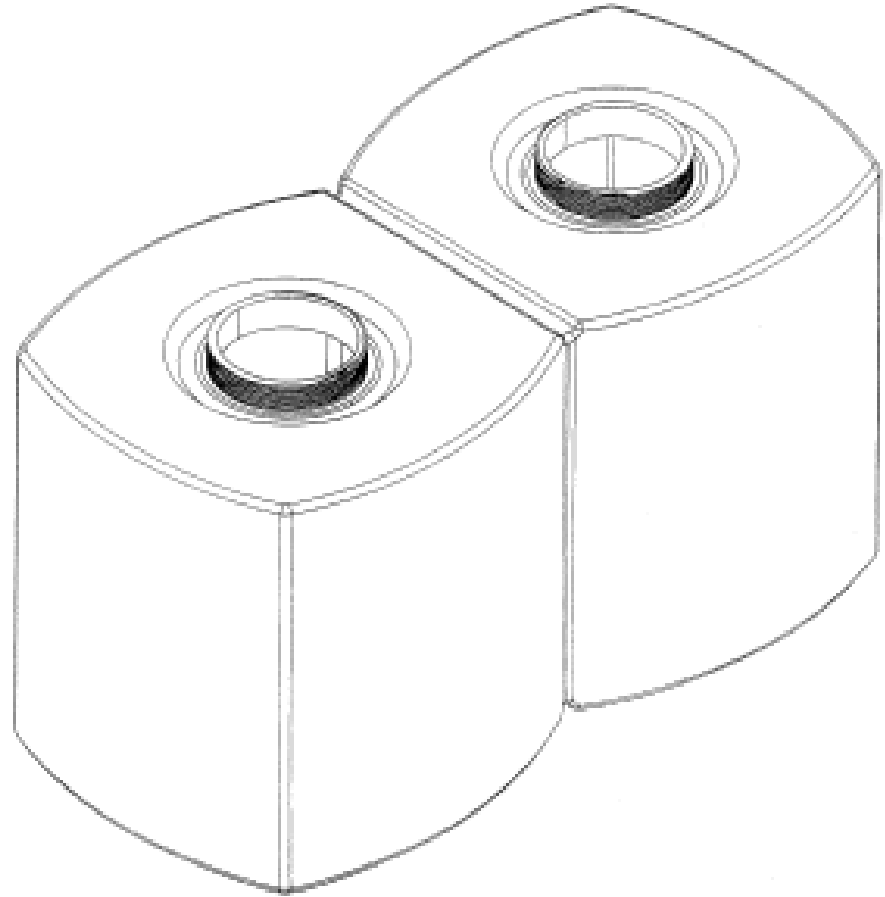


- (21) Design Number: **12021/2006**
- (22) Date of Filing Application: **09 May 2006**
- (24) Date from which industrial property rights may have effect: **09 May 2006**
- (54) Product in respect of which the design is registered: **Projector**
- (51) International Design Classification: **16-02**
- (71) Name(s) and Address(s) of Applicant(s):  
**3M Innovative Properties Company**  
**3M Center Saint Paul Minnesota 55133-3427 United States of America**
- (72) Name(s) of Designer(s): **Ernesto M. Rodriguez Jr. and Andrea Daelli and Peter J. Newbould**
- (45) Registration Date: **25 August 2006**
- (30) Convention priority data:

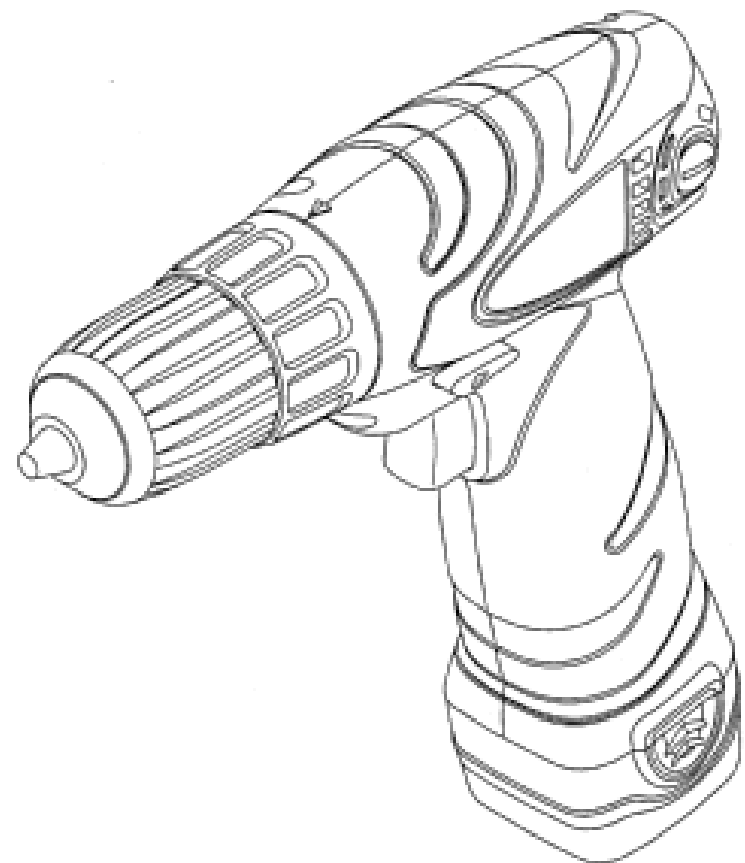
(31) Number	(32) Date	(33) Country
<b>29/243627</b>	<b>29 Nov 2005</b>	<b>UNITED STATES OF AMERICA</b>
- (56) Related Art Documents: **Not Applicable**
- (57) Statement of Newness and Distinctiveness: **Nil**



- (21) Design Number: **12022/2006**  
(22) Date of Filing Application: **09 May 2006**  
(24) Date from which industrial property rights may have effect: **17 March 2005**  
(54) Product in respect of which the design is registered: **Container for use as part of a modular water storage system**  
(51) International Design Classification: **23-01F**  
(71) Name(s) and Address(s) of Applicant(s):  
**Andrew Salouros**  
**82 Trevenar Street Ashfield New South Wales 2131 Australia**  
(72) Name(s) of Designer(s): **Andrew Salouros**  
(45) Registration Date: **25 August 2006**  
(62) Divisional of: **307137**  
(56) Related Art Documents: **Not Applicable**  
(57) Statement of Newness and Distinctiveness: **Newness and distinctiveness is claimed in the features of shape and/or configuration of a container for use as part of a modular water storage system as illustrated in the accompanying representations.**



- (21) Design Number: **12240/2006**  
(22) Date of Filing Application: **16 May 2006**  
(24) Date from which industrial property rights may have effect: **16 May 2006**  
(54) Product in respect of which the design is registered: **Electric handtool**  
(51) International Design Classification: **08-01**  
(71) Name(s) and Address(s) of Applicant(s):  
**Mobiletron Electronics Co., Ltd.**  
**39 Sec 3 Chung-Ching Road Ta-Ya Taichung Hsien Taiwan 428**  
(72) Name(s) of Designer(s): **Kim Y.C. Tsai and Ju-Chien Chen and Fu-Tasi Wu and Tung-Chin Kuo and Hsiang-Po Huang**  
(45) Registration Date: **25 August 2006**  
(56) Related Art Documents: **Not Applicable**  
(57) Statement of Newness and Distinctiveness: **Nil.**



(21) Design Number: **12404/2006**

(22) Date of Filing Application: **31 May 2006**

(24) Date from which industrial property rights may have effect: **31 May 2006**

(54) Product in respect of which the design is registered: **Switching valve**

(51) International Design Classification: **23-01K**

(71) Name(s) and Address(s) of Applicant(s):

**Burkert Werke GmbH & Co. KG**  
**Christian-Burkert-Strasse 13-17, 74653, Ingelfingen Germany**

(72) Name(s) of Designer(s): **Frank Th. Gaertner**

(45) Registration Date: **25 August 2006**

(30) Convention priority data:

(31) Number	(32) Date	(33) Country
<b>40506321.0</b>	<b>09 Dec 2005</b>	<b>GERMANY</b>

(56) Related Art Documents: **Not Applicable**

(57) Statement of Newness and Distinctiveness: **Newness and distinctiveness reside in the features of the design as shown in the representations.**



(21) Design Number: **12405/2006**

(22) Date of Filing Application: **31 May 2006**

(24) Date from which industrial property rights may have effect: **31 May 2006**

(54) Product in respect of which the design is registered: **Switching valve**

(51) International Design Classification: **23-01K**

(71) Name(s) and Address(s) of Applicant(s):

**Burkert Werke GmbH & Co. KG**  
**Christian-Burkert-Strasse 13-17, 74653, Ingelfingen Germany**

(72) Name(s) of Designer(s): **Frank Th. Gaertner**

(45) Registration Date: **25 August 2006**

(30) Convention priority data:

(31) Number	(32) Date	(33) Country
<b>40506321.0</b>	<b>09 Dec 2005</b>	<b>GERMANY</b>

(56) Related Art Documents: **Not Applicable**

(57) Statement of Newness and Distinctiveness: **Newness and distinctiveness reside in the features of the design as shown in the representations.**



(21) Design Number: **12406/2006**

(22) Date of Filing Application: **31 May 2006**

(24) Date from which industrial property rights may have effect: **31 May 2006**

(54) Product in respect of which the design is registered: **Switching valve**

(51) International Design Classification: **23-01K**

(71) Name(s) and Address(s) of Applicant(s):

**Burkert Werke GmbH & Co. KG**  
**Christian-Burkert-Strasse 13-17, 74653, Ingelfingen Germany**

(72) Name(s) of Designer(s): **Frank Th. Gaertner**

(45) Registration Date: **25 August 2006**

(30) Convention priority data:

(31) Number	(32) Date	(33) Country
<b>40506321.0</b>	<b>09 Dec 2005</b>	<b>GERMANY</b>

(56) Related Art Documents: **Not Applicable**

(57) Statement of Newness and Distinctiveness: **Newness and distinctiveness reside in the features of the design as shown in the representations.**



(21) Design Number: **12591/2006**

(22) Date of Filing Application: **16 June 2006**

(24) Date from which industrial property rights may have effect: **16 June 2006**

(54) Product in respect of which the design is registered: **Cup**

(51) International Design Classification: **07-01D**

(71) Name(s) and Address(s) of Applicant(s):

**Villeroy & Boch AG.**  
**Saaruferstrasse 14-18 D-66693 Mettlach Germany**

(72) Name(s) of Designer(s): **Helmut Frank**

(45) Registration Date: **25 August 2006**

(30) Convention priority data:

(31) Number	(32) Date	(33) Country
<b>000451992</b>	<b>19 Dec 2005</b>	<b>EUROPEAN COMMUNITY</b>

(56) Related Art Documents: **Not Applicable**

(57) Statement of Newness and Distinctiveness: **The shape and configuration of the product is new and distinctive. The text and logo shown on the base of the product is to be disregarded.**



(21) Design Number: **12592/2006**

(22) Date of Filing Application: **16 June 2006**

(24) Date from which industrial property rights may have effect: **16 June 2006**

(54) Product in respect of which the design is registered: **Bowl**

(51) International Design Classification: **07-01B, 07-01NES**

(71) Name(s) and Address(s) of Applicant(s):

**Villeroy & Boch AG.**

**Saaruferstrasse 14-18 D-66693 Mettlach Germany**

(72) Name(s) of Designer(s): **Helmut Frank**

(45) Registration Date: **25 August 2006**

(30) Convention priority data:

(31) Number

(32) Date

(33) Country

**000451992**

**19 Dec 2005**

**EUROPEAN COMMUNITY**

(56) Related Art Documents: **Not Applicable**

(57) Statement of Newness and Distinctiveness: **The shape and configuration of the product is new and distinctive. The text and logo shown on the base of the product is to be disregarded.**



(21) Design Number: **12593/2006**

(22) Date of Filing Application: **16 June 2006**

(24) Date from which industrial property rights may have effect: **16 June 2006**

(54) Product in respect of which the design is registered: **Plate**

(51) International Design Classification: **07-01A, 07-01B**

(71) Name(s) and Address(s) of Applicant(s):

**Villeroy & Boch AG.**

**Saaruferstrasse 14-18 D-66693 Mettlach Germany**

(72) Name(s) of Designer(s): **Mei-Shiu Winde-Liu**

(45) Registration Date: **25 August 2006**

(30) Convention priority data:

(31) Number

(32) Date

(33) Country

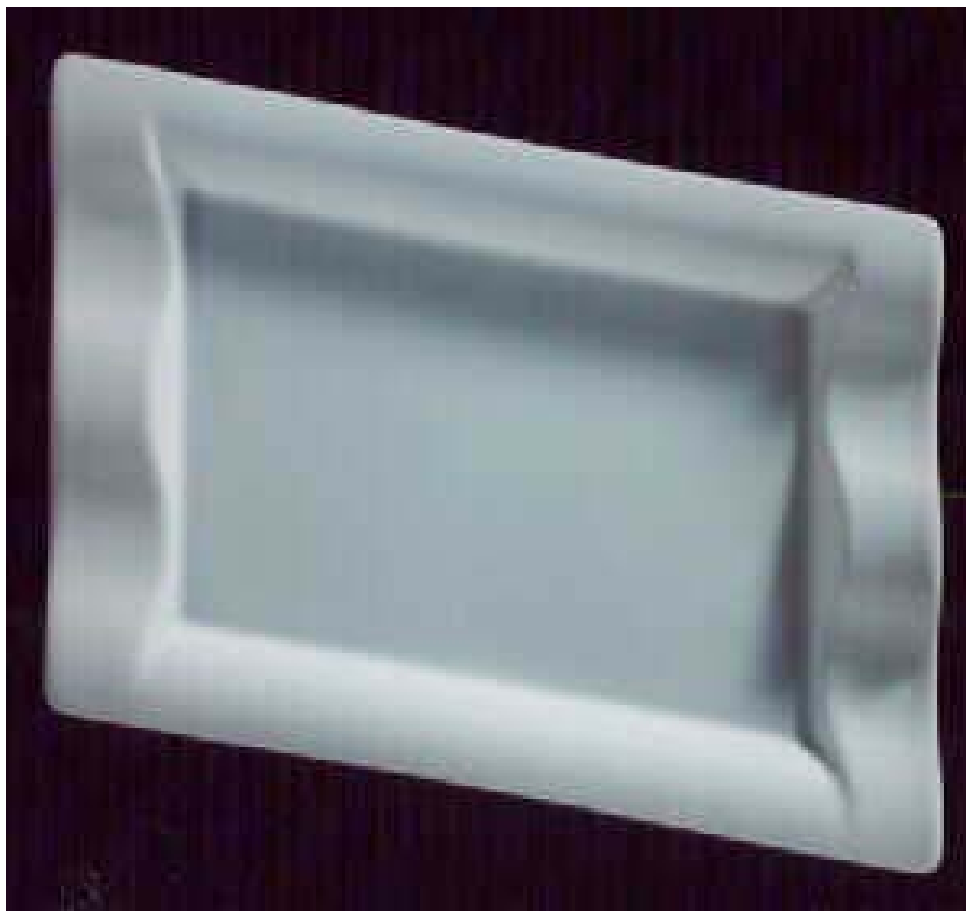
**000451992**

**19 Dec 2005**

**EUROPEAN COMMUNITY**

(56) Related Art Documents: **Not Applicable**

(57) Statement of Newness and Distinctiveness: **The shape and configuration of the product is new and distinctive. The text and logo shown on the base of the product is to be disregarded.**





- (21) Design Number: **12594/2006**  
(22) Date of Filing Application: **16 June 2006**  
(24) Date from which industrial property rights may have effect: **16 June 2006**  
(54) Product in respect of which the design is registered: **Cup**  
(51) International Design Classification: **07-01D**  
(71) Name(s) and Address(s) of Applicant(s):  
**Villeroy & Boch AG.**  
**Saaruferstrasse 14-18 D-66693 Mettlach Germany**  
(72) Name(s) of Designer(s): **Mei-Shiu Winde-Liu**  
(45) Registration Date: **25 August 2006**  
(30) Convention priority data:  
(31) Number      (32) Date      (33) Country  
**000451992      19 Dec 2005      EUROPEAN COMMUNITY**  
(56) Related Art Documents: **Not Applicable**  
(57) Statement of Newness and Distinctiveness: **The shape and configuration of the product is new and distinctive. The text and logo shown on the base of the product is to be disregarded.**



- (21) Design Number: **12595/2006**  
(22) Date of Filing Application: **16 June 2006**  
(24) Date from which industrial property rights may have effect: **16 June 2006**  
(54) Product in respect of which the design is registered: **Plate**  
(51) International Design Classification: **07-01A, 07-01B**  
(71) Name(s) and Address(s) of Applicant(s):  
**Villeroy & Boch AG.**  
**Saaruferstrasse 14-18 D-66693 Mettlach Germany**  
(72) Name(s) of Designer(s): **Helmut Frank**  
(45) Registration Date: **25 August 2006**  
(30) Convention priority data:  
(31) Number      (32) Date      (33) Country  
**000451992      19 Dec 2005      EUROPEAN COMMUNITY**  
(56) Related Art Documents: **Not Applicable**  
(57) Statement of Newness and Distinctiveness: **The shape and configuration of the product is new and distinctive. The text and logo shown on the base of the product is to be disregarded.**



(21) Design Number: **12596/2006**  
(22) Date of Filing Application: **16 June 2006**  
(24) Date from which industrial property rights may have effect: **16 June 2006**  
(54) Product in respect of which the design is registered: **Plate**  
(51) International Design Classification: **07-01A, 07-01B**  
(71) Name(s) and Address(s) of Applicant(s):  
**Villeroy & Boch AG.**  
**Saaruferstrasse 14-18 D-66693 Mettlach Germany**  
(72) Name(s) of Designer(s): **Helmut Frank**  
(45) Registration Date: **25 August 2006**  
(30) Convention priority data:  
(31) Number      (32) Date      (33) Country  
**000451992      19 Dec 2005      EUROPEAN COMMUNITY**  
(56) Related Art Documents: **Not Applicable**  
(57) Statement of Newness and Distinctiveness: **The shape and configuration of the product is new and distinctive. The text and logo shown on the base of the product is to be disregarded.**



(21) Design Number: **12597/2006**  
(22) Date of Filing Application: **16 June 2006**  
(24) Date from which industrial property rights may have effect: **16 June 2006**  
(54) Product in respect of which the design is registered: **Saucer**  
(51) International Design Classification: **07-01D**  
(71) Name(s) and Address(s) of Applicant(s):  
**Villeroy & Boch AG.**  
**Saaruferstrasse 14-18 D-66693 Mettlach Germany**  
(72) Name(s) of Designer(s): **Helmut Frank**  
(45) Registration Date: **25 August 2006**  
(30) Convention priority data:  
(31) Number      (32) Date      (33) Country  
**000451992      19 Dec 2005      EUROPEAN COMMUNITY**  
(56) Related Art Documents: **Not Applicable**  
(57) Statement of Newness and Distinctiveness: **The shape and configuration of the product is new and distinctive. The text and logo shown on the base of the product is to be disregarded.**



(21) Design Number: **12598/2006**

(22) Date of Filing Application: **16 June 2006**

(24) Date from which industrial property rights may have effect: **16 June 2006**

(54) Product in respect of which the design is registered: **Bowl**

(51) International Design Classification: **07-01B, 07-01NES**

(71) Name(s) and Address(s) of Applicant(s):

**Villeroy & Boch AG.**

**Saaruferstrasse 14-18 D-66693 Mettlach Germany**

(72) Name(s) of Designer(s): **Mei-Shiu Winde-Liu**

(45) Registration Date: **25 August 2006**

(30) Convention priority data:

(31) Number  
**000451992**

(32) Date  
**19 Dec 2005**

(33) Country  
**EUROPEAN COMMUNITY**

(56) Related Art Documents: **Not Applicable**

(57) Statement of Newness and Distinctiveness: **The shape and configuration of the product is new and distinctive. The text and logo shown on the base of the product is to be disregarded.**



(21) Design Number: **12599/2006**

(22) Date of Filing Application: **16 June 2006**

(24) Date from which industrial property rights may have effect: **16 June 2006**

(54) Product in respect of which the design is registered: **Plate**

(51) International Design Classification: **07-01B**

(71) Name(s) and Address(s) of Applicant(s):

**Villeroy & Boch AG.**

**Saaruferstrasse 14-18 D-66693 Mettlach Germany**

(72) Name(s) of Designer(s): **Mei-Shiu Winde-Liu**

(45) Registration Date: **25 August 2006**

(30) Convention priority data:

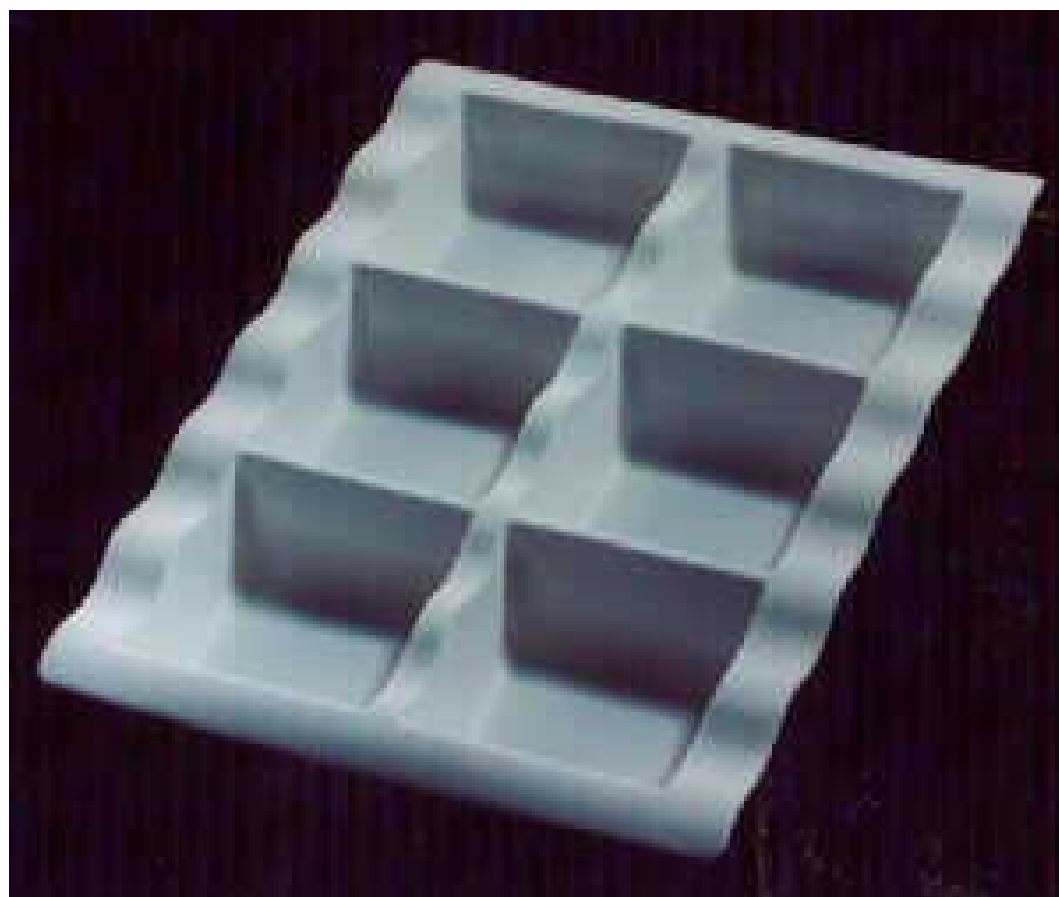
(31) Number  
**000451992**

(32) Date  
**19 Dec 2005**

(33) Country  
**EUROPEAN COMMUNITY**

(56) Related Art Documents: **Not Applicable**

(57) Statement of Newness and Distinctiveness: **The shape and configuration of the product is new and distinctive. The text and logo shown on the base of the product is to be disregarded.**



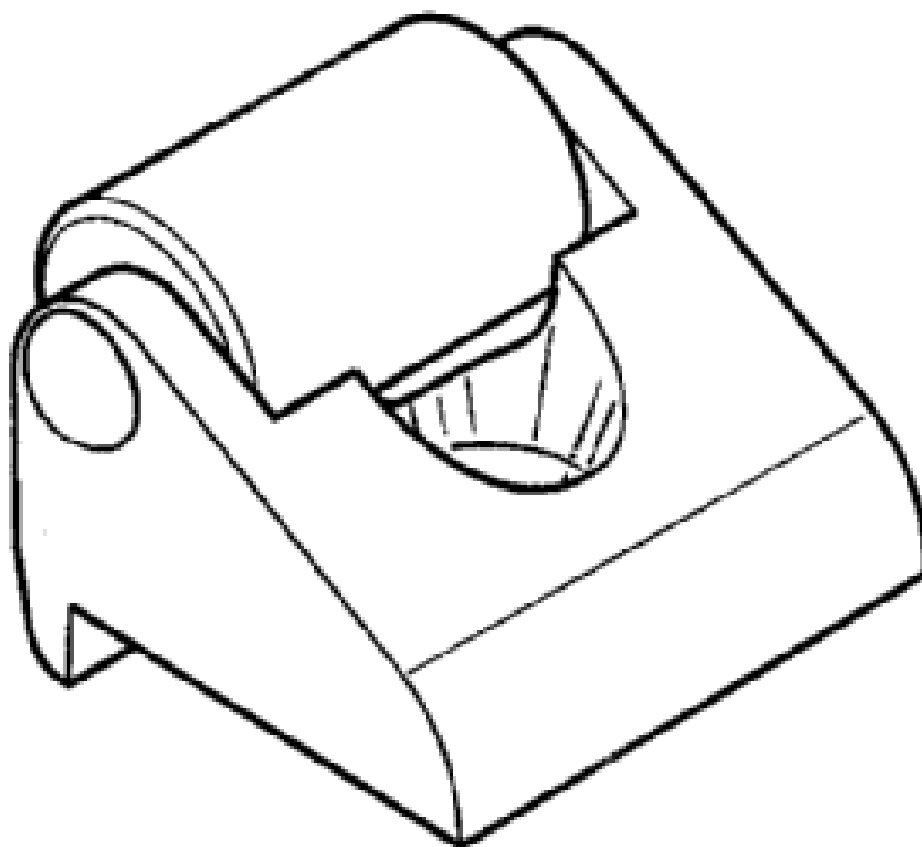
- (21) Design Number: **12600/2006**  
(22) Date of Filing Application: **16 June 2006**  
(24) Date from which industrial property rights may have effect: **16 June 2006**  
(54) Product in respect of which the design is registered: **Plate**  
(51) International Design Classification: **07-01B**  
(71) Name(s) and Address(s) of Applicant(s):  
**Villeroy & Boch AG.**  
**Saaruferstrasse 14-18 D-66693 Mettlach Germany**  
(72) Name(s) of Designer(s): **Mei-Shiu Winde-Liu**  
(45) Registration Date: **25 August 2006**  
(30) Convention priority data:  
(31) Number      (32) Date      (33) Country  
**000451992      19 Dec 2005      EUROPEAN COMMUNITY**  
(56) Related Art Documents: **Not Applicable**  
(57) Statement of Newness and Distinctiveness: **The shape and configuration of the product is new and distinctive. The text and logo shown on the base of the product is to be disregarded.**



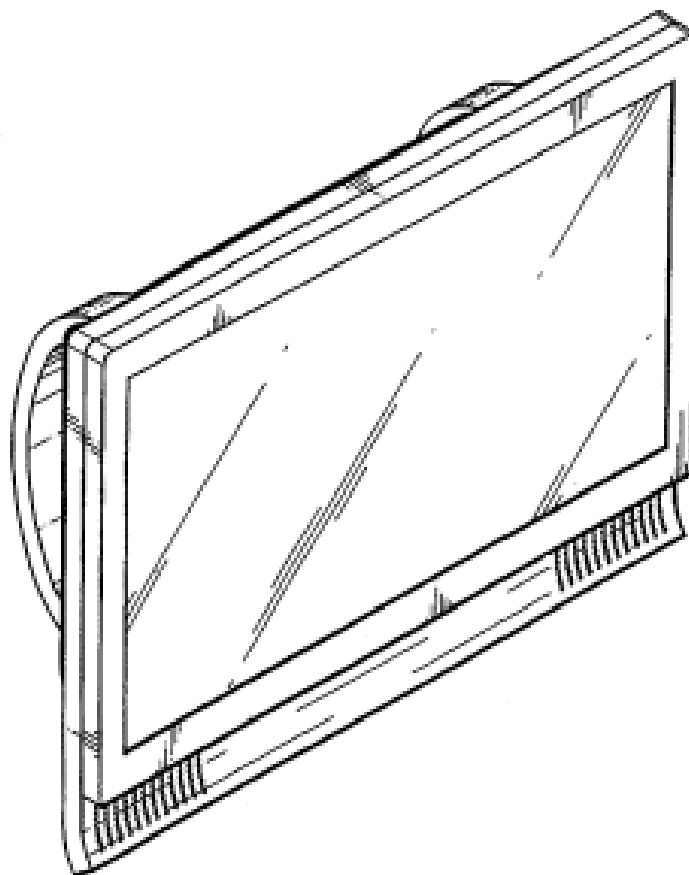
- (21) Design Number: **12601/2006**  
(22) Date of Filing Application: **16 June 2006**  
(24) Date from which industrial property rights may have effect: **16 June 2006**  
(54) Product in respect of which the design is registered: **Bowl**  
(51) International Design Classification: **07-01B**  
(71) Name(s) and Address(s) of Applicant(s):  
**Villeroy & Boch AG.**  
**Saaruferstrasse 14-18 D-66693 Mettlach Germany**  
(72) Name(s) of Designer(s): **Mei-Shiu Winde-Liu**  
(45) Registration Date: **25 August 2006**  
(30) Convention priority data:  
(31) Number      (32) Date      (33) Country  
**000451992      19 Dec 2005      EUROPEAN COMMUNITY**  
(56) Related Art Documents: **Not Applicable**  
(57) Statement of Newness and Distinctiveness: **The shape and configuration of the product is new and distinctive. The text and logo shown on the base of the product is to be disregarded.**



- (21) Design Number: **12647/2006**  
(22) Date of Filing Application: **21 June 2006**  
(24) Date from which industrial property rights may have effect: **21 June 2006**  
(54) Product in respect of which the design is registered: **A drawer bumper**  
(51) International Design Classification: **06-06D**  
(71) Name(s) and Address(s) of Applicant(s):  
**Ross Manton Hutchens**  
**Gundaigai Street Goolwa South Australia 5214 Australia**  
(72) Name(s) of Designer(s): **Ross Manton Hutchens**  
(45) Registration Date: **25 August 2006**  
(56) Related Art Documents: **Not Applicable**  
(57) Statement of Newness and Distinctiveness: **Newness and distinctiveness reside in the features of shape and configuration of a drawer bumper as shown in the accompanying representations.**

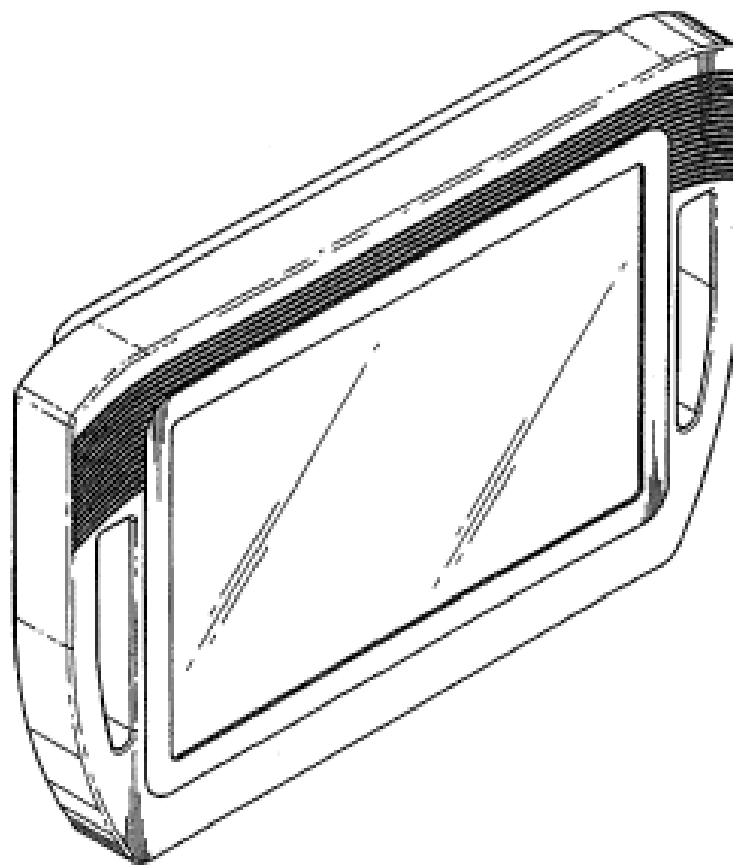


- (21) Design Number: **12907/2006**  
(22) Date of Filing Application: **07 July 2006**  
(24) Date from which industrial property rights may have effect: **07 July 2006**  
(54) Product in respect of which the design is registered: **Video display**  
(51) International Design Classification: **14-01**  
(71) Name(s) and Address(s) of Applicant(s):  
**Watkins Manufacturing Corporation**  
**1280 Park Center Drive Vista California 92083 United States of America**  
(72) Name(s) of Designer(s): **Stephen S. Macey and Christopher Larsen**  
(45) Registration Date: **25 August 2006**  
(30) Convention priority data:  
(31) Number      (32) Date      (33) Country  
**29/251745      12 Jan 2006      UNITED STATES OF AMERICA**  
(56) Related Art Documents: **Not Applicable**  
(57) Statement of Newness and Distinctiveness: **Newness and distinctiveness reside in the features of the design as shown in the representations.**



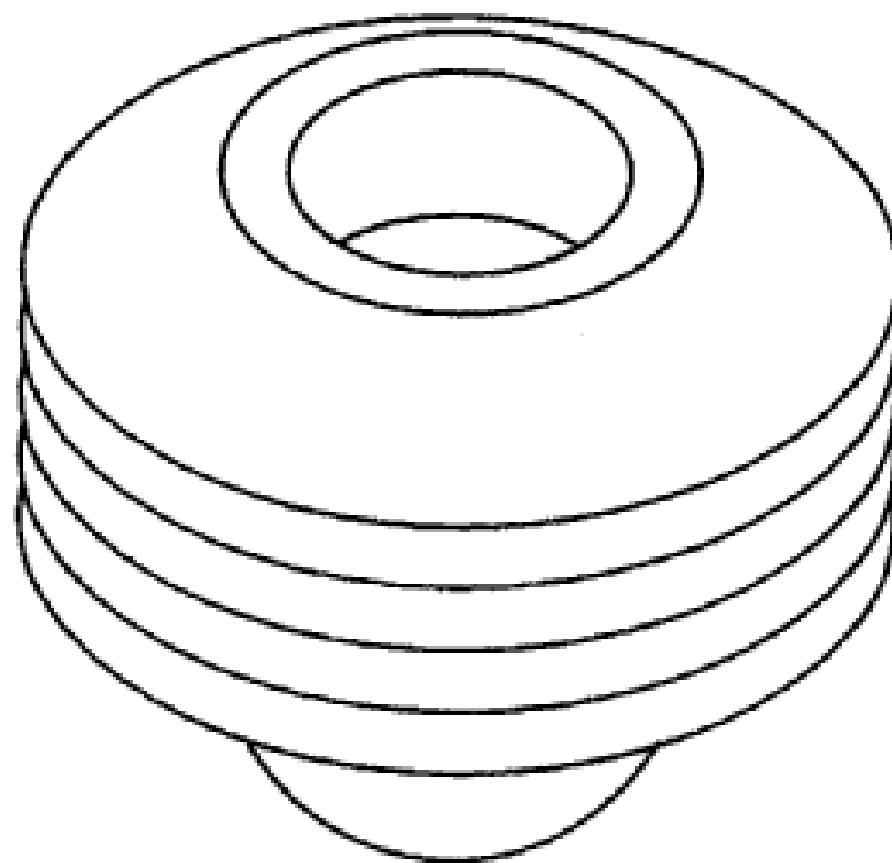
(19) AU

- (21) Design Number: **12908/2006**  
(22) Date of Filing Application: **07 July 2006**  
(24) Date from which industrial property rights may have effect: **07 July 2006**  
(54) Product in respect of which the design is registered: **Video display**  
(51) International Design Classification: **14-01**  
(71) Name(s) and Address(s) of Applicant(s):  
**Watkins Manufacturing Corporation**  
**1280 Park Center Drive Vista California 92083 United States of America**  
(72) Name(s) of Designer(s): **Stephen S. Macey and Christopher Larsen**  
(45) Registration Date: **25 August 2006**  
(30) Convention priority data:  
(31) Number (32) Date (33) Country  
**29/251737 12 Jan 2006 UNITED STATES OF AMERICA**  
(56) Related Art Documents: **Not Applicable**  
(57) Statement of Newness and Distinctiveness: **Newness and distinctiveness reside in the features of the design as shown in the representations.**



(19) AU

- (21) Design Number: **12909/2006**  
(22) Date of Filing Application: **07 July 2006**  
(24) Date from which industrial property rights may have effect: **07 July 2006**  
(54) Product in respect of which the design is registered: **Ear piece**  
(51) International Design Classification: **24-04**  
(71) Name(s) and Address(s) of Applicant(s):  
**Nap Enterprise Co., Ltd.**  
**1-10-7 Tanotsu Higashi-ku Fukuoka-shi Fukuoka Japan**  
(72) Name(s) of Designer(s): **Shinji Seto**  
(45) Registration Date: **25 August 2006**  
(30) Convention priority data:  
(31) Number (32) Date (33) Country  
**2006-000276 11 Jan 2006 JAPAN**  
(56) Related Art Documents: **Not Applicable**  
(57) Statement of Newness and Distinctiveness: **Newness and distinctiveness is claimed in the features of shape and/or configuration of an ear piece as illustrated in the accompanying representations.**



(21) Design Number: **13016/2006**

(22) Date of Filing Application: **17 July 2006**

(24) Date from which industrial property rights may have effect: **17 July 2006**

(54) Product in respect of which the design is registered: **Table**

(51) International Design Classification: **06-03A**

(71) Name(s) and Address(s) of Applicant(s):

**Roman Denoux**

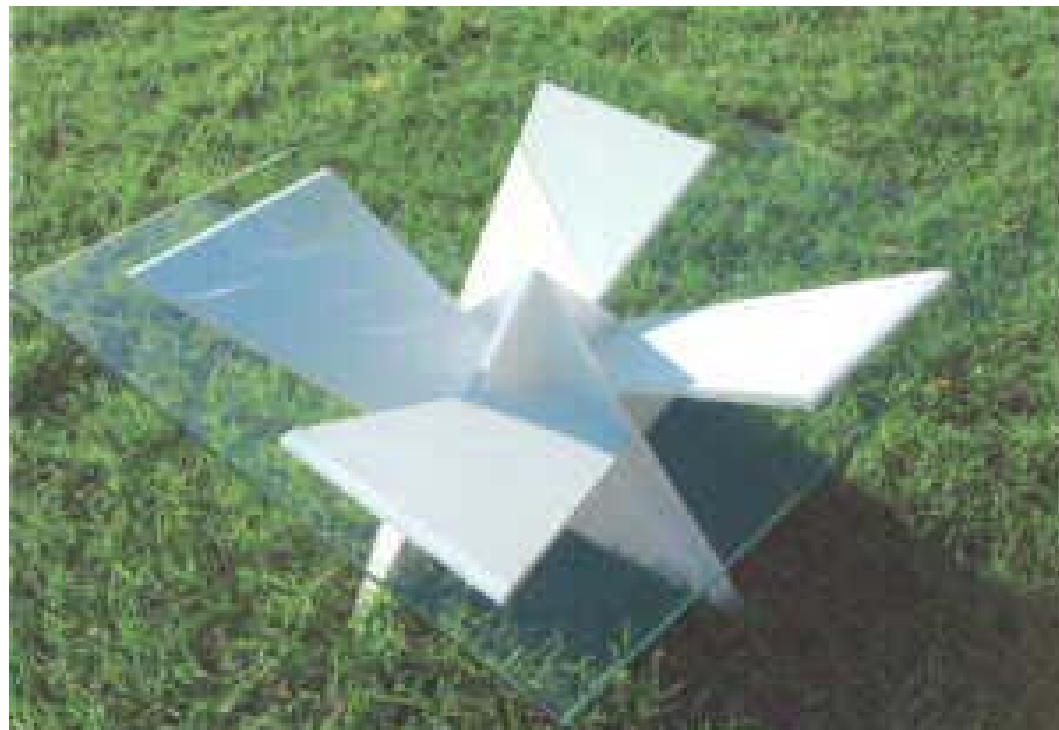
**10/2 New South Head Road Rushcutters Bay New South Wales 2011  
Australia**

(72) Name(s) of Designer(s): **Roman Denoux**

(45) Registration Date: **25 August 2006**

(56) Related Art Documents: **Not Applicable**

(57) Statement of Newness and Distinctiveness: **The posts of a conventional table are at a non-ninety degree angle in this design.**



(21) Design Number: **15846/2005**

(22) Date of Filing Application: **20 December 2005**

(24) Date from which industrial property rights may have effect: **20 December 2005**

(54) Product in respect of which the design is registered: **Lipstick chair - stackable plastic/polypropylene chair**

(51) International Design Classification: **06-01F, 06-01L, 06-01H**

(71) Name(s) and Address(s) of Applicant(s):

**Kathy Arnold**

**c/- Arnoldlane Design Level 4 105 Kippax Street Surry Hills NSW 2010  
Australia**

(72) Name(s) of Designer(s): **Kathy Arnold and Christopher Lane**

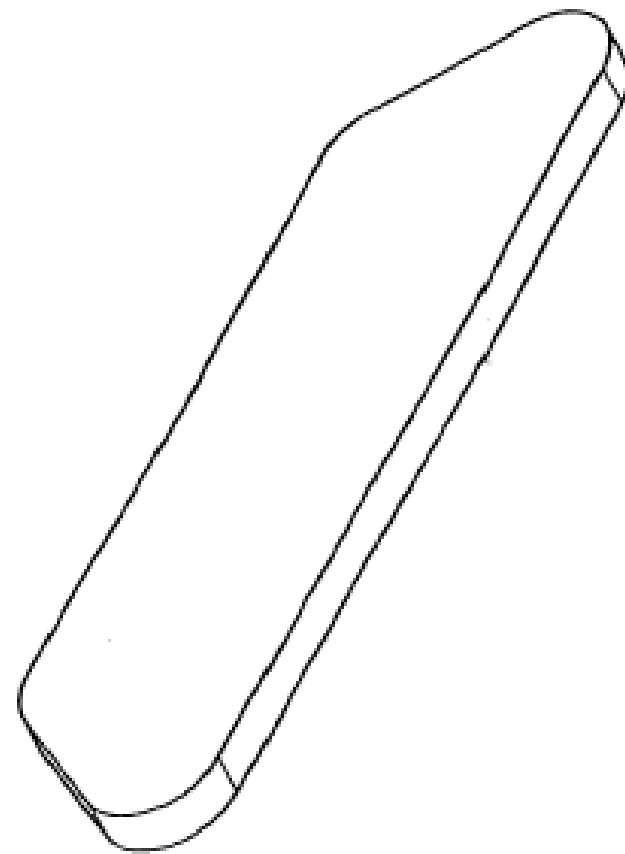
(45) Registration Date: **25 August 2006**

(56) Related Art Documents: **Not Applicable**

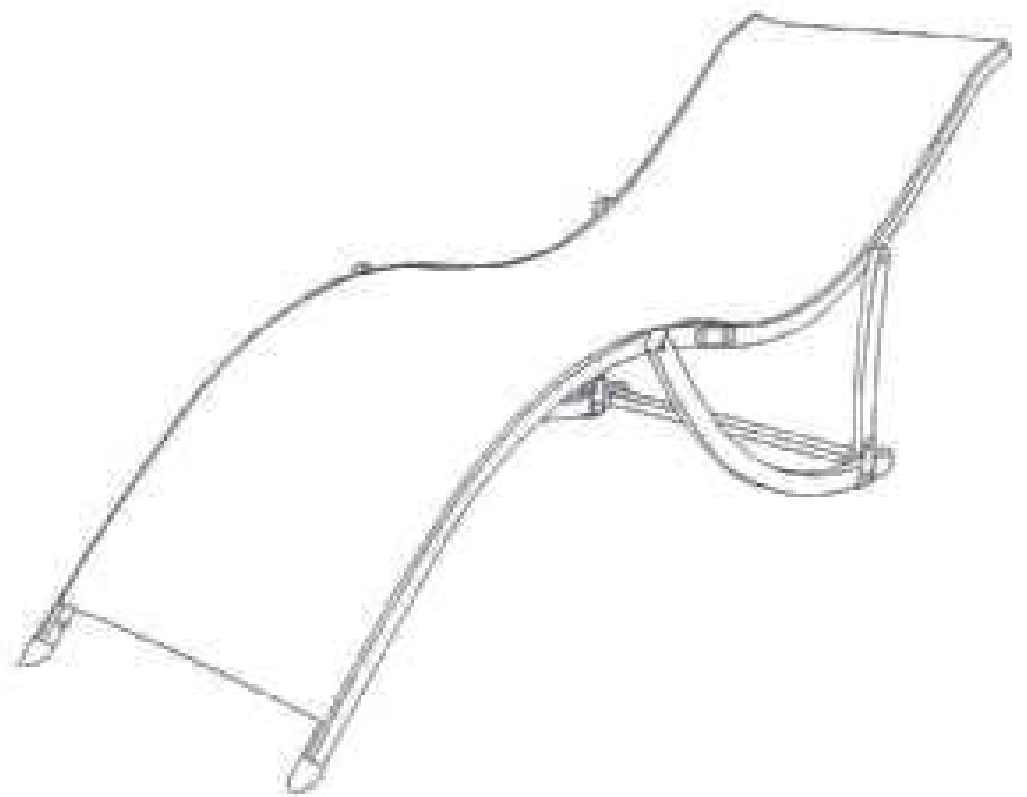
(57) Statement of Newness and Distinctiveness: **Cantilevered base, cut-out in arms, contrast interal colour, wedged shape back support.**



- (21) Design Number: **12394/2006**  
(22) Date of Filing Application: **31 May 2006**  
(24) Date from which industrial property rights may have effect: **31 May 2006**  
(54) Product in respect of which the design is registered: **Floor scrubbing pad adapted for use on a floor scrubbing machine**  
(51) International Design Classification: **15-05**  
(71) Name(s) and Address(s) of Applicant(s):  
**JohnsonDiversey, Inc.**  
**8310 16th Street M/S 509 Sturtevant Wisconsin 53177 United States of America**  
(72) Name(s) of Designer(s): **Walter Hindler and Heinrich-Tito Mayer and Daniel Meier**  
(45) Registration Date: **25 August 2006**  
(30) Convention priority data:  
(31) Number (32) Date (33) Country  
**29/244705 13 Dec 2005 UNITED STATES OF AMERICA**  
(56) Related Art Documents: **Not Applicable**  
(57) Statement of Newness and Distinctiveness: **Newness and distinctiveness is claimed in the features of shape and/or configuration of a floor scrubbing pad adapted for use on a floor scrubbing machine as illustrated in continuous lines in the accompanying representations.**



- (21) Design Number: **12395/2006**  
(22) Date of Filing Application: **31 May 2006**  
(24) Date from which industrial property rights may have effect: **31 May 2006**  
(54) Product in respect of which the design is registered: **Lounge**  
(51) International Design Classification: **06-01H**  
(71) Name(s) and Address(s) of Applicant(s):  
**OS International Group Pty Ltd**  
**Unit 13 Slough Business Park Cnr Holker St & Silverwater Rd**  
**Silverwater New South Wales 2128 Australia**  
(72) Name(s) of Designer(s): **Junqiao Li**  
(45) Registration Date: **25 August 2006**  
(56) Related Art Documents: **Not Applicable**  
(57) Statement of Newness and Distinctiveness: **Newness and distinctiveness reside in the features of the design as shown in the representations.**





(21) Design Number: **12396/2006**  
(22) Date of Filing Application: **31 May 2006**  
(24) Date from which industrial property rights may have effect: **31 May 2006**  
(54) Product in respect of which the design is registered: **Switching valve**  
(51) International Design Classification: **23-01K**  
(71) Name(s) and Address(s) of Applicant(s):  
**Burkert Werke GmbH & Co. KG**  
**Christian-Burkert-Strasse 13-17 Ingelfingen Germany**  
(72) Name(s) of Designer(s): **Frank Th. Gaertner**  
(45) Registration Date: **25 August 2006**  
(30) Convention priority data:  
(31) Number (32) Date (33) Country  
**40506320.2 09 Dec 2005 GERMANY**  
(56) Related Art Documents: **Not Applicable**  
(57) Statement of Newness and Distinctiveness: **Newness and distinctiveness reside in the features of the design as shown in the representations.**



(21) Design Number: **12397/2006**  
(22) Date of Filing Application: **31 May 2006**  
(24) Date from which industrial property rights may have effect: **31 May 2006**  
(54) Product in respect of which the design is registered: **Switching valve**  
(51) International Design Classification: **23-01K**  
(71) Name(s) and Address(s) of Applicant(s):  
**Burkert Werke GmbH & Co. KG**  
**Christian-Burkert-Strasse 13-17, 74653, Ingelfingen Germany**  
(72) Name(s) of Designer(s): **Frank Th. Gaertner**  
(45) Registration Date: **25 August 2006**  
(30) Convention priority data:  
(31) Number (32) Date (33) Country  
**40506320.2 09 Dec 2005 GERMANY**  
(56) Related Art Documents: **Not Applicable**  
(57) Statement of Newness and Distinctiveness: **Newness and distinctiveness reside in the features of the design as shown in the representations.**



(21) Design Number: **12398/2006**  
(22) Date of Filing Application: **31 May 2006**  
(24) Date from which industrial property rights may have effect: **31 May 2006**  
(54) Product in respect of which the design is registered: **Switching valve**  
(51) International Design Classification: **23-01K**  
(71) Name(s) and Address(s) of Applicant(s):  
**Burkert Werke GmbH & Co. KG**  
**Christian-Burkert-Strasse 13-17, 74653, Ingelfingen Germany**  
(72) Name(s) of Designer(s): **Frank Th. Gaertner**  
(45) Registration Date: **25 August 2006**  
(30) Convention priority data:  
(31) Number (32) Date (33) Country  
**40506320.2 09 Dec 2005 GERMANY**  
(56) Related Art Documents: **Not Applicable**  
(57) Statement of Newness and Distinctiveness: **Newness and distinctiveness reside in the features of the design as shown in the representations.**



(21) Design Number: **12399/2006**  
(22) Date of Filing Application: **31 May 2006**  
(24) Date from which industrial property rights may have effect: **31 May 2006**  
(54) Product in respect of which the design is registered: **Switching valve**  
(51) International Design Classification: **23-01K**  
(71) Name(s) and Address(s) of Applicant(s):  
**Burkert Werke GmbH & Co. KG**  
**Christian-Burkert-Strasse 13-17, 74653, Ingelfingen Germany**  
(72) Name(s) of Designer(s): **Frank Th. Gaertner**  
(45) Registration Date: **25 August 2006**  
(30) Convention priority data:  
(31) Number (32) Date (33) Country  
**40506320.2 09 Dec 2005 GERMANY**  
(56) Related Art Documents: **Not Applicable**  
(57) Statement of Newness and Distinctiveness: **Newness and distinctiveness reside in the features of the design as shown in the representations.**



(21) Design Number: **12400/2006**  
(22) Date of Filing Application: **31 May 2006**  
(24) Date from which industrial property rights may have effect: **31 May 2006**  
(54) Product in respect of which the design is registered: **Switching valve**  
(51) International Design Classification: **23-01K**  
(71) Name(s) and Address(s) of Applicant(s):  
**Burkert Werke GmbH & Co. KG**  
**Christian-Burkert-Strasse 13-17, 74653, Ingelfingen Germany**  
(72) Name(s) of Designer(s): **Frank Th. Gaertner**  
(45) Registration Date: **25 August 2006**  
(30) Convention priority data:  
(31) Number (32) Date (33) Country  
**40506321.0 09 Dec 2005 GERMANY**  
(56) Related Art Documents: **Not Applicable**  
(57) Statement of Newness and Distinctiveness: **Newness and distinctiveness reside in the features of the design as shown in the representations.**



(21) Design Number: **12401/2006**  
(22) Date of Filing Application: **31 May 2006**  
(24) Date from which industrial property rights may have effect: **31 May 2006**  
(54) Product in respect of which the design is registered: **Switching valve**  
(51) International Design Classification: **23-01K**  
(71) Name(s) and Address(s) of Applicant(s):  
**Burkert Werke GmbH & Co. KG**  
**Christian-Burkert-Strasse 13-17, 74653, Ingelfingen Germany**  
(72) Name(s) of Designer(s): **Frank Th. Gaertner**  
(45) Registration Date: **25 August 2006**  
(30) Convention priority data:  
(31) Number (32) Date (33) Country  
**40506321.0 09 Dec 2005 GERMANY**  
(56) Related Art Documents: **Not Applicable**  
(57) Statement of Newness and Distinctiveness: **Newness and distinctiveness reside in the features of the design as shown in the representations.**



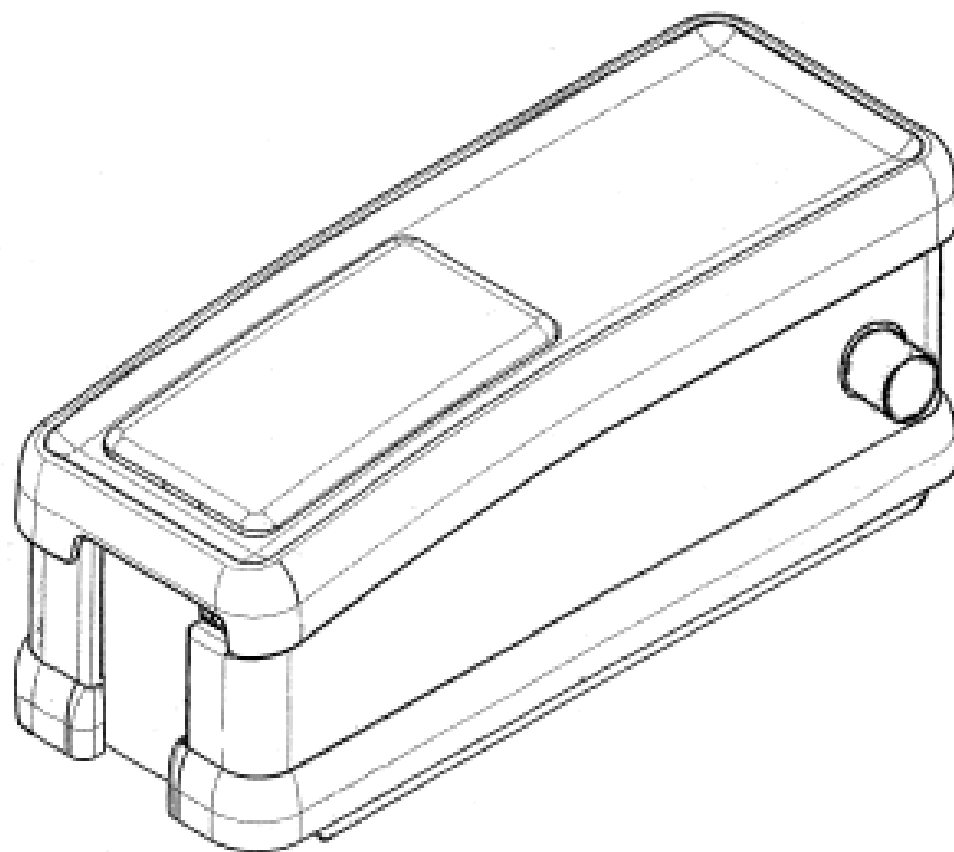
(21) Design Number: **12402/2006**  
(22) Date of Filing Application: **31 May 2006**  
(24) Date from which industrial property rights may have effect: **31 May 2006**  
(54) Product in respect of which the design is registered: **Switching valve**  
(51) International Design Classification: **23-01K**  
(71) Name(s) and Address(s) of Applicant(s):  
**Burkert Werke GmbH & Co. KG**  
**Christian-Burkert-Strasse 13-17, 74653, Ingelfingen Germany**  
(72) Name(s) of Designer(s): **Frank Th. Gaertner**  
(45) Registration Date: **25 August 2006**  
(30) Convention priority data:  
(31) Number (32) Date (33) Country  
**40506321.0 09 Dec 2005 GERMANY**  
(56) Related Art Documents: **Not Applicable**  
(57) Statement of Newness and Distinctiveness: **Newness and distinctiveness reside in the features of the design as shown in the representations.**



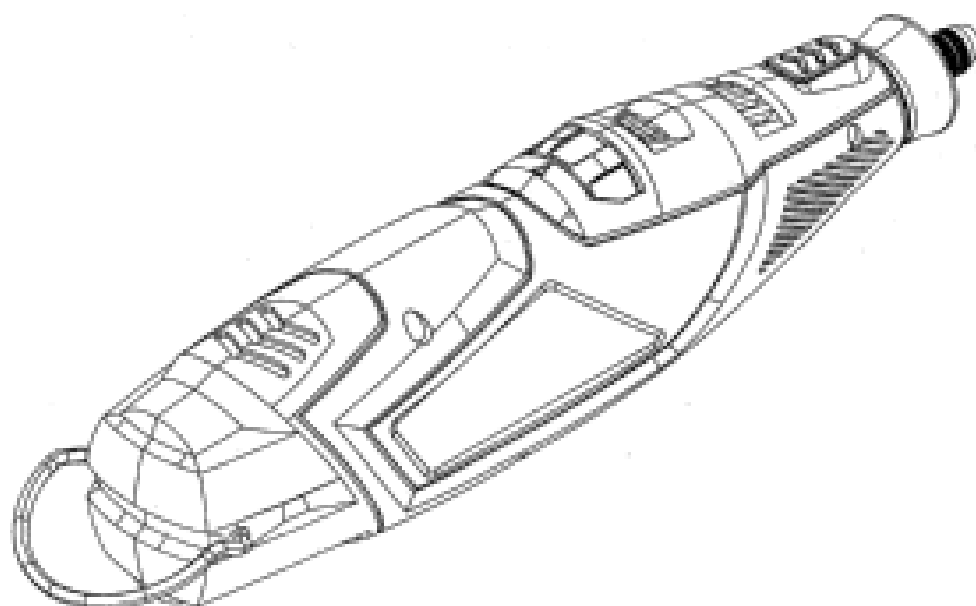
(21) Design Number: **12403/2006**  
(22) Date of Filing Application: **31 May 2006**  
(24) Date from which industrial property rights may have effect: **31 May 2006**  
(54) Product in respect of which the design is registered: **Switching valve**  
(51) International Design Classification: **23-01K**  
(71) Name(s) and Address(s) of Applicant(s):  
**Burkert Werke GmbH & Co. KG**  
**Christian-Burkert-Strasse 13-17, 74653, Ingelfingen Germany**  
(72) Name(s) of Designer(s): **Frank Th. Gaertner**  
(45) Registration Date: **25 August 2006**  
(30) Convention priority data:  
(31) Number (32) Date (33) Country  
**40506321.0 09 Dec 2005 GERMANY**  
(56) Related Art Documents: **Not Applicable**  
(57) Statement of Newness and Distinctiveness: **Newness and distinctiveness reside in the features of the design as shown in the representations.**



- (21) Design Number: **12608/2006**  
(22) Date of Filing Application: **16 June 2006**  
(24) Date from which industrial property rights may have effect: **16 June 2006**  
(54) Product in respect of which the design is registered: **Barrier movement operator housing**  
(51) International Design Classification: **25-02NES**  
(71) Name(s) and Address(s) of Applicant(s):  
**The Chamberlain Group, Inc.**  
**845 Larch Avenue Elmhurst Illinois 60126 United States of America**  
(72) Name(s) of Designer(s): **Matthew Randazzo and Clifford Krapfl and Robert Carl Coon and Tim J. Morton and Tad Harden**  
(45) Registration Date: **25 August 2006**  
(56) Related Art Documents: **Not Applicable**  
(57) Statement of Newness and Distinctiveness: **Newness and distinctiveness is claimed in the features of shape and/or configuration of a barrier movement operator housing as illustrated in the accompanying representations.**



- (21) Design Number: **12750/2006**  
(22) Date of Filing Application: **27 June 2006**  
(24) Date from which industrial property rights may have effect: **27 June 2006**  
(54) Product in respect of which the design is registered: **Rotary power tool**  
(51) International Design Classification: **08-05N**  
(71) Name(s) and Address(s) of Applicant(s):  
**GMCA Pty Ltd**  
**45-55 South Centre Road Melbourne Airport Victoria 3045 Australia**  
(72) Name(s) of Designer(s): **Colin Snowball**  
(45) Registration Date: **25 August 2006**  
(30) Convention priority data:  
(31) Number      (32) Date      (33) Country  
**000462098      10 Jan 2006      EUROPEAN COMMUNITY**  
(56) Related Art Documents: **Not Applicable**  
(57) Statement of Newness and Distinctiveness: **Newness and distinctiveness resides in the features of shape and configuration of a rotary power tool as shown in the accompanying representations.**



(21) Design Number: **12876/2006**

(22) Date of Filing Application: **05 July 2006**

(24) Date from which industrial property rights may have effect: **05 July 2006**

(54) Product in respect of which the design is registered: **Three head shaver**

(51) International Design Classification: **28-03A**

(71) Name(s) and Address(s) of Applicant(s):

**Koninklijke Philips Electronics N.V.  
Groenewoudseweg 1 5621 BA Eindhoven The Netherlands**

(72) Name(s) of Designer(s): **Saskia Henrica Petronella Maria Dingelstad**

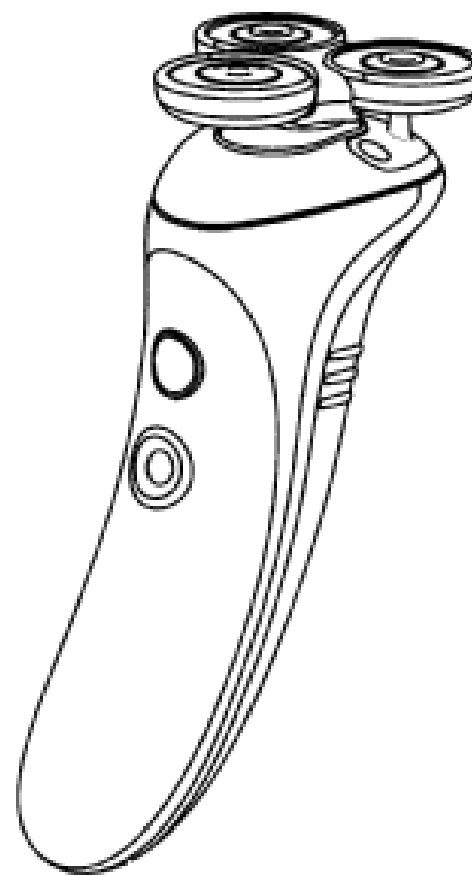
(45) Registration Date: **25 August 2006**

(30) Convention priority data:

(31) Number	(32) Date	(33) Country
<b>000456868-0001</b>	<b>06 Jan 2006</b>	<b>EUROPEAN COMMUNITY</b>

(56) Related Art Documents: **Not Applicable**

(57) Statement of Newness and Distinctiveness: **Newness and distinctiveness reside in the features of the design as shown in the representations.**



(21) Design Number: **12877/2006**

(22) Date of Filing Application: **05 July 2006**

(24) Date from which industrial property rights may have effect: **05 July 2006**

(54) Product in respect of which the design is registered: **Three head shaver without cartridge**

(51) International Design Classification: **28-03A**

(71) Name(s) and Address(s) of Applicant(s):

**Koninklijke Philips Electronics N.V.  
Groenewoudseweg 1 5621 BA Eindhoven The Netherlands**

(72) Name(s) of Designer(s): **Saskia Henrica Petronella Maria Dingelstad**

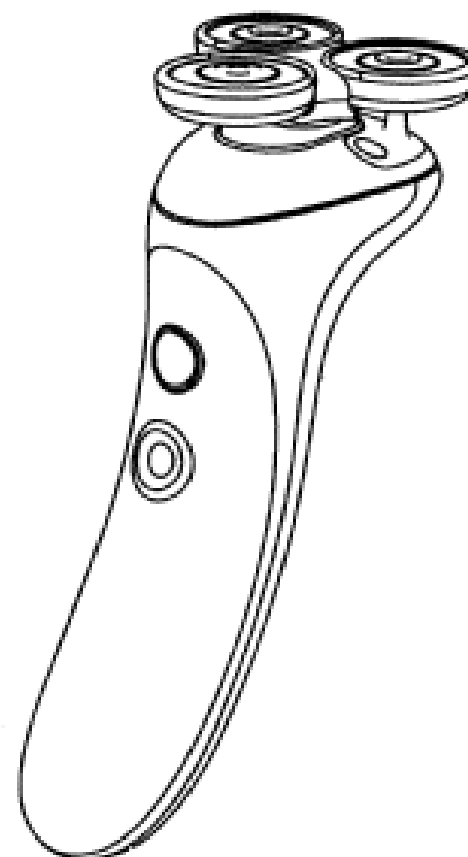
(45) Registration Date: **25 August 2006**

(30) Convention priority data:

(31) Number	(32) Date	(33) Country
<b>0004568680002</b>	<b>06 Jan 2006</b>	<b>EUROPEAN COMMUNITY</b>

(56) Related Art Documents: **Not Applicable**

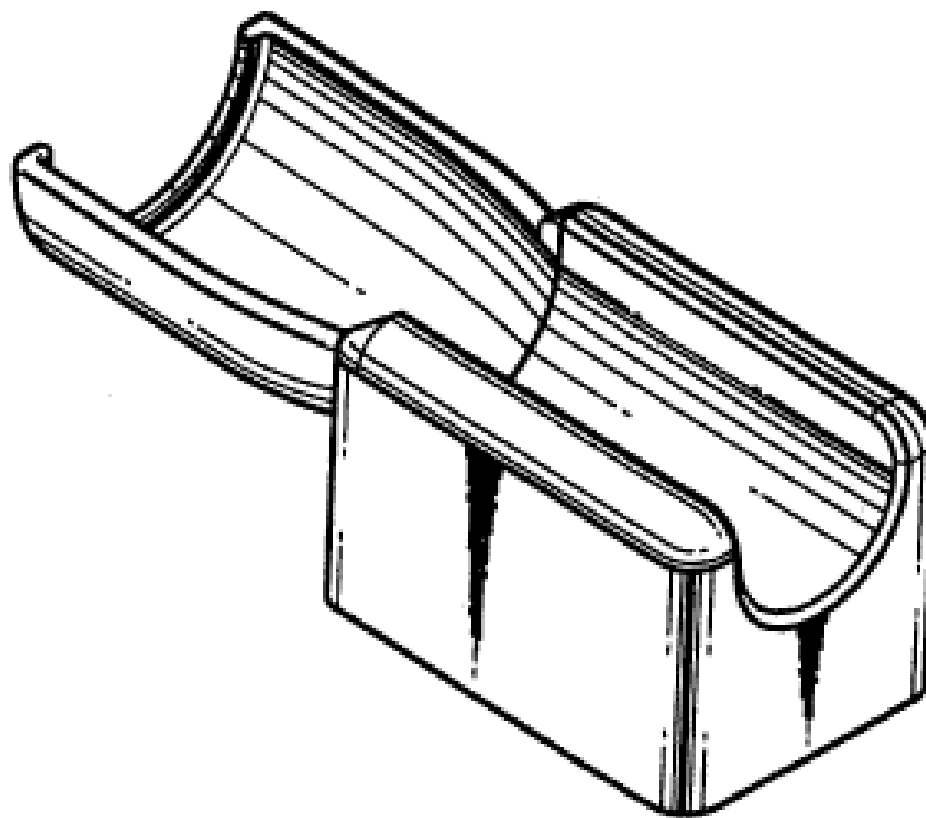
(57) Statement of Newness and Distinctiveness: **Newness and distinctiveness reside in the features of the design as shown in the representations.**



- (21) Design Number: **12884/2006**
- (22) Date of Filing Application: **06 July 2006**
- (24) Date from which industrial property rights may have effect: **06 July 2006**
- (54) Product in respect of which the design is registered: **Flashlight recharger**
- (51) International Design Classification: **13-02**
- (71) Name(s) and Address(s) of Applicant(s):

**Mag Instrument, Inc.**  
**1635 S. Sacramento Avenue Ontario California 91761 United States of America**

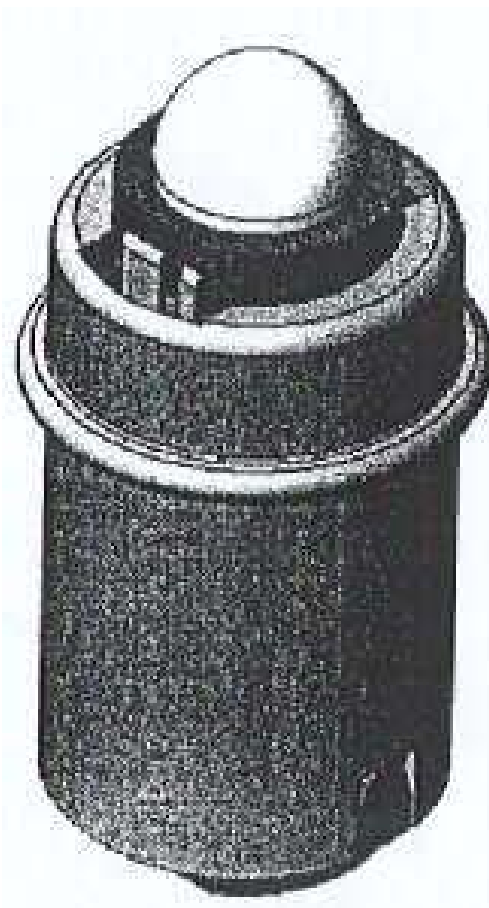
- (72) Name(s) of Designer(s): **Anthony Maglica**
  - (45) Registration Date: **25 August 2006**
  - (30) Convention priority data:
- |                  |                    |                                 |
|------------------|--------------------|---------------------------------|
| (31) Number      | (32) Date          | (33) Country                    |
| <b>29/251355</b> | <b>06 Jan 2006</b> | <b>UNITED STATES OF AMERICA</b> |
- (56) Related Art Documents: **Not Applicable**
  - (57) Statement of Newness and Distinctiveness: **Newness and distinctiveness is claimed in the features of shape and/or configuration of a flashlight recharger as illustrated in the accompanying representations.**



- (21) Design Number: **12885/2006**
- (22) Date of Filing Application: **06 July 2006**
- (24) Date from which industrial property rights may have effect: **06 July 2006**
- (54) Product in respect of which the design is registered: **LED module**
- (51) International Design Classification: **26-02**
- (71) Name(s) and Address(s) of Applicant(s):

**Mag Instrument, Inc.**  
**1635 S. Sacramento Avenue Ontario California 91761 United States of America**

- (72) Name(s) of Designer(s): **Anthony Maglica**
  - (45) Registration Date: **25 August 2006**
  - (30) Convention priority data:
- |                  |                    |                                 |
|------------------|--------------------|---------------------------------|
| (31) Number      | (32) Date          | (33) Country                    |
| <b>29/251674</b> | <b>10 Jan 2006</b> | <b>UNITED STATES OF AMERICA</b> |
- (56) Related Art Documents: **Not Applicable**
  - (57) Statement of Newness and Distinctiveness: **Newness and distinctiveness is claimed in the features of shape and/or configuration of a LED module as illustrated in continuous lines in the accompanying representations.**



(21) Design Number: **12886/2006**  
 (22) Date of Filing Application: **06 July 2006**  
 (24) Date from which industrial property rights may have effect: **06 July 2006**  
 (54) Product in respect of which the design is registered: **Drum washing machine**  
 (51) International Design Classification: **15-05**  
 (71) Name(s) and Address(s) of Applicant(s):

**LG Electronics Inc.**  
**20 Yoido-dong Youngdungpo-gu Seoul 150-721 Republic of Korea**

(72) Name(s) of Designer(s): **Ho Il Jeon and Young Soo Ha and Jong Hee Han**

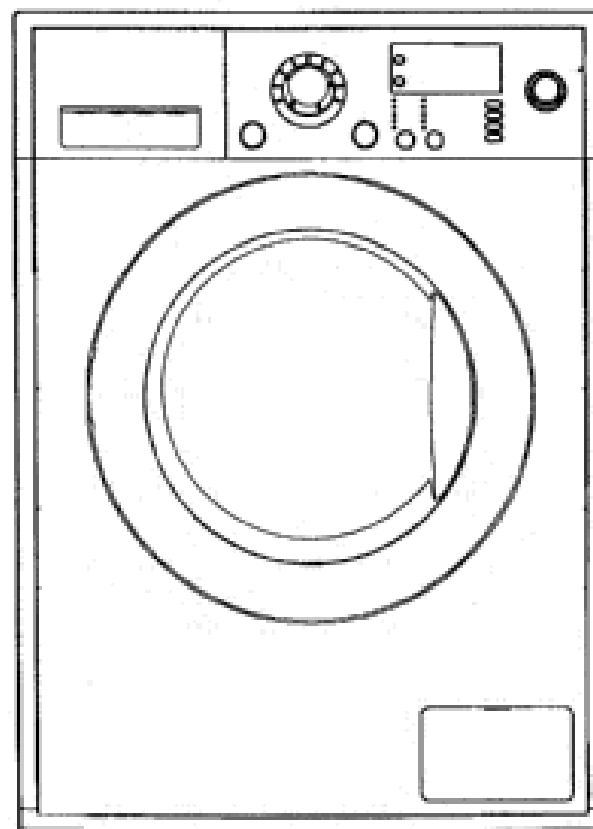
(45) Registration Date: **25 August 2006**

(30) Convention priority data:

(31) Number	(32) Date	(33) Country
<b>30-2006-0001958</b>	<b>17 Jan 2006</b>	<b>REPUBLIC OF KOREA</b>

(56) Related Art Documents: **Not Applicable**

(57) Statement of Newness and Distinctiveness: **Newness and distinctiveness in the design as applied to a washing machine resides in the shape and/or configuration of the front panel thereof as is illustrated in the accompanying representations. In considering the shape and/or configuration of the front panel of the washing machine the shape and configuration of the controls on the control panel marked 'A' should be disregarded.**



(21) Design Number: **12887/2006**  
 (22) Date of Filing Application: **06 July 2006**  
 (24) Date from which industrial property rights may have effect: **06 July 2006**  
 (54) Product in respect of which the design is registered: **Drum washing machine**  
 (51) International Design Classification: **15-05**  
 (71) Name(s) and Address(s) of Applicant(s):

**LG Electronics Inc.**  
**20 Yoido-dong Youngdungpo-gu Seoul 150-721 Republic of Korea**

(72) Name(s) of Designer(s): **Ho Il Jeon and Young Soo Ha and Soon Uk Kwon**

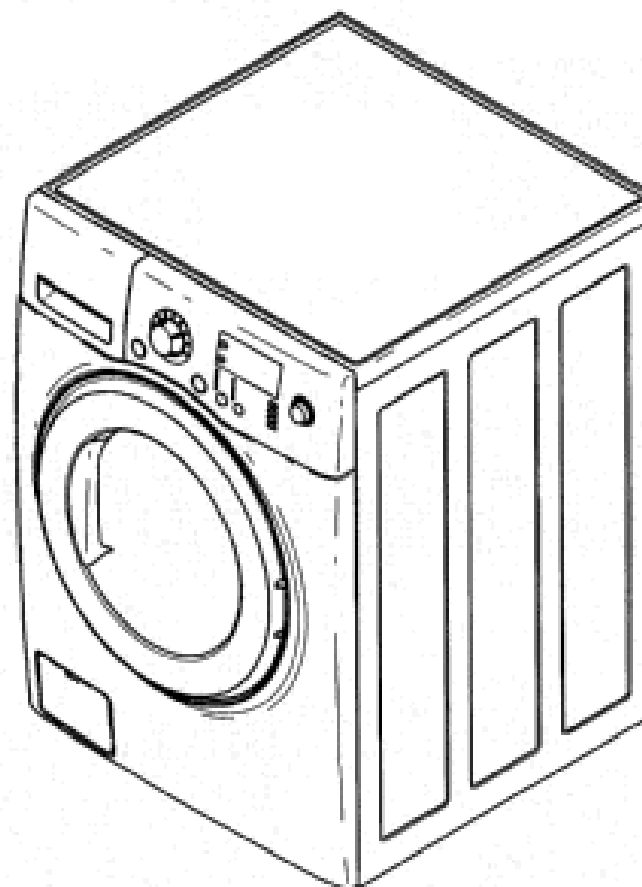
(45) Registration Date: **25 August 2006**

(30) Convention priority data:

(31) Number	(32) Date	(33) Country
<b>30-2006-0001959</b>	<b>17 Jan 2006</b>	<b>REPUBLIC OF KOREA</b>

(56) Related Art Documents: **Not Applicable**

(57) Statement of Newness and Distinctiveness: **Newness and distinctiveness in the design as applied to a washing machine resides in the shape and/or configuration of the front panel thereof as is illustrated in the accompanying representations. In considering the shape and/or configuration of the front panel of the washing machine the shape and configuration of the controls on the control panel marked 'A' should be disregarded.**





(21) Design Number: **12888/2006**

(22) Date of Filing Application: **06 July 2006**

(24) Date from which industrial property rights may have effect: **06 July 2006**

(54) Product in respect of which the design is registered: **String trimmer**

(51) International Design Classification: **08-03, 15-03B**

(71) Name(s) and Address(s) of Applicant(s):

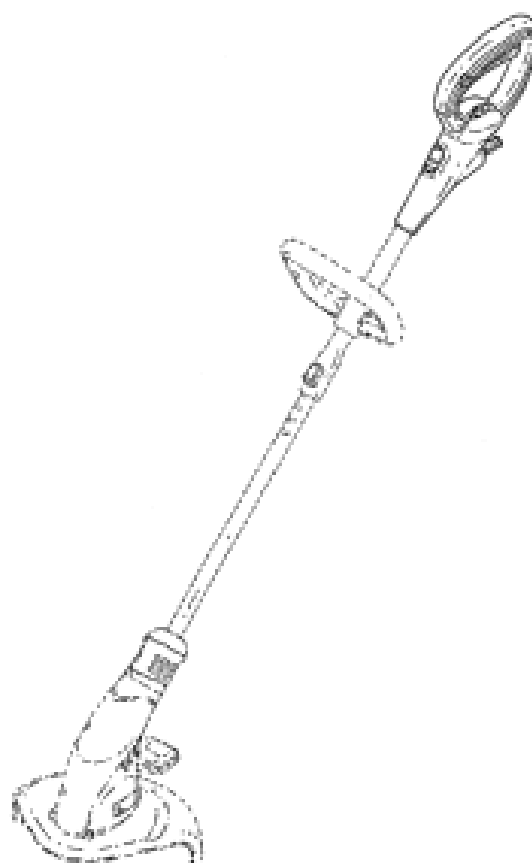
**Techtronic Industries Company Limited**  
**24/F CDW Building 388 Castle Peak Road Tsuen Wan New Territories**  
**Hong Kong**

(72) Name(s) of Designer(s): **Benson Chun Kit Cheung**

(45) Registration Date: **25 August 2006**

(56) Related Art Documents: **Not Applicable**

(57) Statement of Newness and Distinctiveness: **The design shown in the representations accompanying this application is new and distinctive. In assessing the newness and distinctiveness of the design regard may be had to the features of shape and configuration of a string trimmer as shown in the representations accompanying this application. The features of the design shown in outline in the form of dotted lines may be disregarded when assessing the newness and distinctiveness of the design.**



(21) Design Number: **12889/2006**

(22) Date of Filing Application: **06 July 2006**

(24) Date from which industrial property rights may have effect: **06 July 2006**

(54) Product in respect of which the design is registered: **String trimmer**

(51) International Design Classification: **08-03, 15-03B**

(71) Name(s) and Address(s) of Applicant(s):

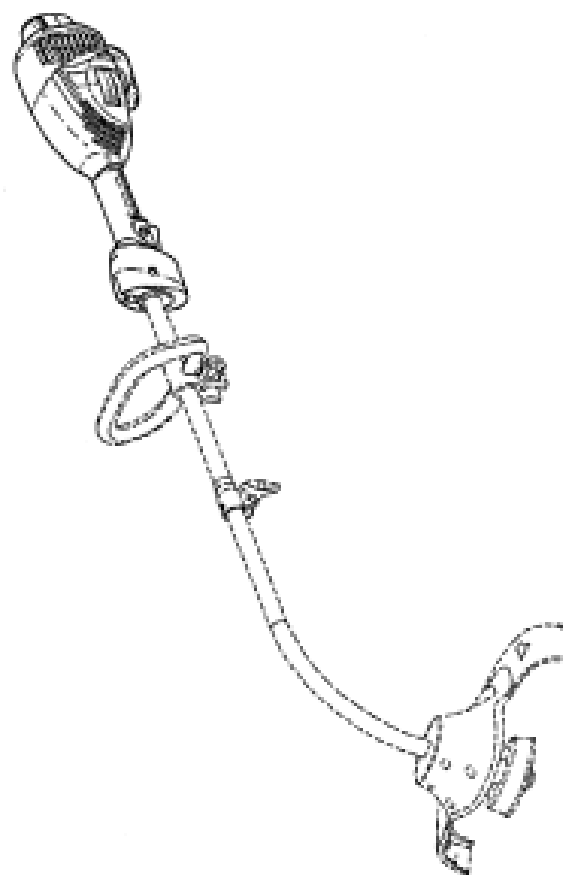
**Techtronic Industries Company Limited**  
**24/F CDW Building 388 Castle Peak Road Tsuen Wan New Territories**  
**Hong Kong**

(72) Name(s) of Designer(s): **Ka Chun Lau**

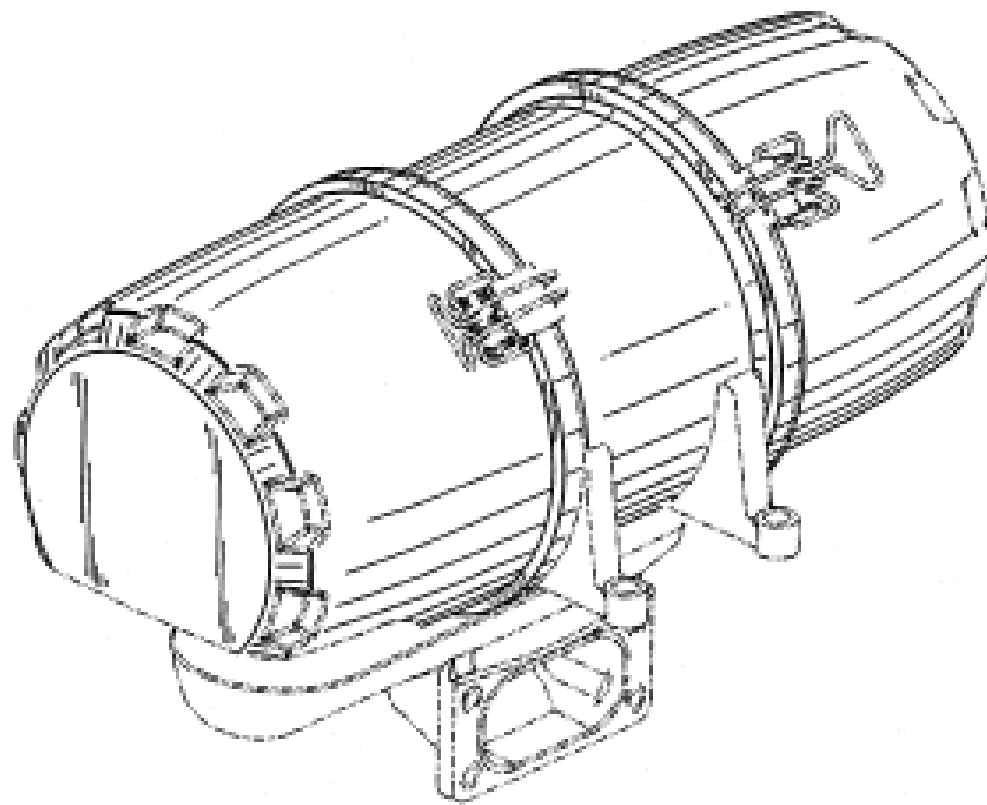
(45) Registration Date: **25 August 2006**

(56) Related Art Documents: **Not Applicable**

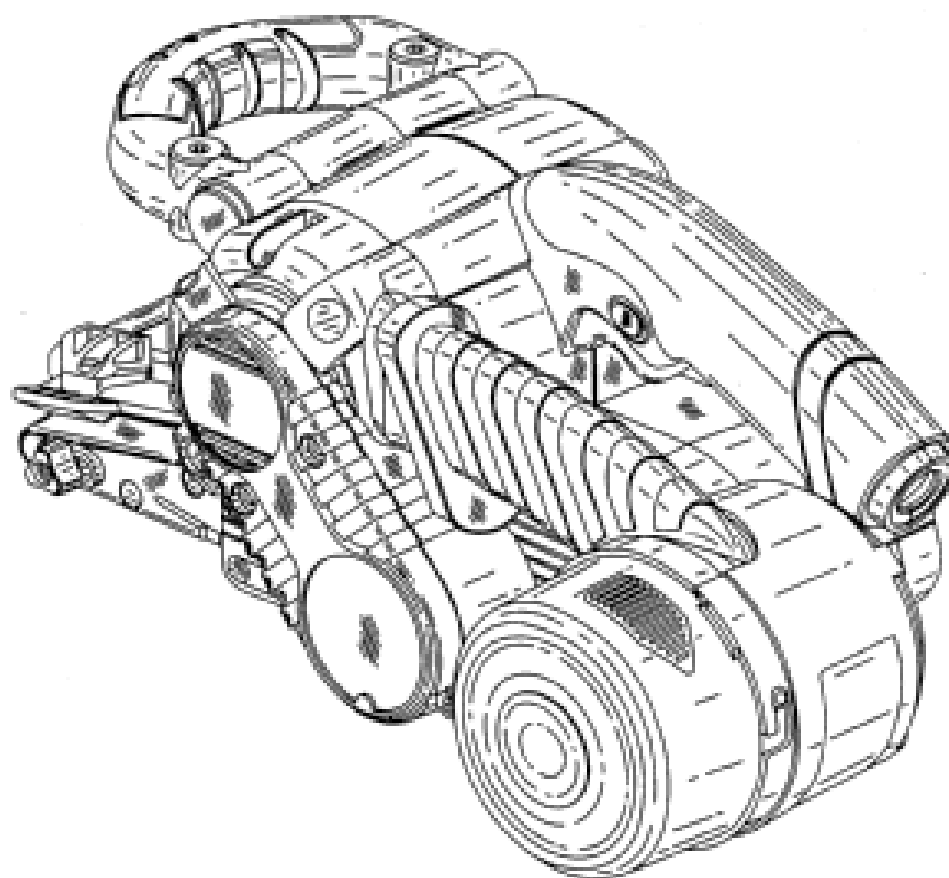
(57) Statement of Newness and Distinctiveness: **The design shown in the representations accompanying this application is new and distinctive. In assessing the newness and distinctiveness of the design regard may be had to the features of shape and configuration of a string trimmer as shown in the representations accompanying this application. The features of the design shown in outline in the form of dotted lines may be disregarded when assessing the newness and distinctiveness of the design.**



- (21) Design Number: **11531/2006**  
(22) Date of Filing Application: **12 April 2006**  
(24) Date from which industrial property rights may have effect: **12 April 2006**  
(54) Product in respect of which the design is registered: **Air cleaner**  
(51) International Design Classification: **23-04**  
(71) Name(s) and Address(s) of Applicant(s):  
**Kohler Co.**  
**444 Highland Drive Kohler WI 53044 United States of America**  
(72) Name(s) of Designer(s): **Kevin G. Bonde and Jeremy J. Gilles and William D. Koenigs and Terrence M. Rotter**  
(45) Registration Date: **25 August 2006**  
(30) Convention priority data:  
(31) Number (32) Date (33) Country  
**29/240448 14 Oct 2005 UNITED STATES OF AMERICA**  
(56) Related Art Documents: **Not Applicable**  
(57) Statement of Newness and Distinctiveness: **When determining whether the design 1 is substantially similar in overall impression to another registered design, no regard is to be had to those features shown in dotted outline in the accompanying drawings.**



- (21) Design Number: **12084/2006**  
(22) Date of Filing Application: **12 May 2006**  
(24) Date from which industrial property rights may have effect: **12 May 2006**  
(54) Product in respect of which the design is registered: **A sander**  
(51) International Design Classification: **08-05N**  
(71) Name(s) and Address(s) of Applicant(s):  
**Black & Decker, Inc.**  
**1207 Drummond Plaza Newark Delaware 19711 United States of America**  
(72) Name(s) of Designer(s): **Mark Stratford and Derek Muir**  
(45) Registration Date: **25 August 2006**  
(30) Convention priority data:  
(31) Number (32) Date (33) Country  
**000477732 10 Feb 2006 EUROPEAN COMMUNITY**  
(56) Related Art Documents: **Not Applicable**  
(57) Statement of Newness and Distinctiveness: **Nil.**



(19) AU

- (21) Design Number: **12085/2006**  
(22) Date of Filing Application: **12 May 2006**  
(24) Date from which industrial property rights may have effect: **12 May 2006**  
(54) Product in respect of which the design is registered: **A slipper**  
(51) International Design Classification: **02-04NES**  
(71) Name(s) and Address(s) of Applicant(s):  
**Adrianus Johannes Meijer**  
**Anjerhof 9 Aalsmeer 1431 RC The Netherlands**  
(72) Name(s) of Designer(s): **Adrianus Johannes Meijer**  
(45) Registration Date: **25 August 2006**  
(30) Convention priority data:  
(31) Number (32) Date (33) Country  
**000474127-0006 03 Feb 2006 EUROPEAN COMMUNITY**  
(56) Related Art Documents: **Not Applicable**  
(57) Statement of Newness and Distinctiveness: **Nil.**



(19) AU

- (21) Design Number: **12087/2006**  
(22) Date of Filing Application: **12 May 2006**  
(24) Date from which industrial property rights may have effect: **12 May 2006**  
(54) Product in respect of which the design is registered: **Container with lid**  
(51) International Design Classification: **09-03L**  
(71) Name(s) and Address(s) of Applicant(s):  
**Dart Industries Inc.**  
**14901 S. Orange Blossom Trail Orlando Florida 32837 United States of America**  
(72) Name(s) of Designer(s): **Jan-Hendrik de Groot**  
(45) Registration Date: **25 August 2006**  
(30) Convention priority data:  
(31) Number (32) Date (33) Country  
**29/245,174 20 Dec 2005 UNITED STATES OF AMERICA**  
(56) Related Art Documents: **Not Applicable**  
(57) Statement of Newness and Distinctiveness: **Those features of the container with lid depicted in the representations that are new and distinctive are the shape and/or configuration.**



- (21) Design Number: **12221/2006**  
(22) Date of Filing Application: **19 May 2006**  
(24) Date from which industrial property rights may have effect: **19 May 2006**  
(54) Product in respect of which the design is registered: **Cup**  
(51) International Design Classification: **07-01C**  
(71) Name(s) and Address(s) of Applicant(s):

**Seda S.P.A**  
**Corso Salvatore D'Amato 84 Arzano I-80022 Italy**

(72) Name(s) of Designer(s): **Gianfranco D'Amato**

(45) Registration Date: **25 August 2006**

(30) Convention priority data:

(31) Number	(32) Date	(33) Country
<b>000447958</b>	<b>14 Dec 2005</b>	<b>EUROPEAN PATENT OFFICE (EP)</b>

(56) Related Art Documents: **Not Applicable**

(57) Statement of Newness and Distinctiveness: **Newness and distinctiveness in the design as applied to a cup reside in the shape and configuration thereof as illustrated in the accompanying representations.**



- (21) Design Number: **12222/2006**  
(22) Date of Filing Application: **19 May 2006**  
(24) Date from which industrial property rights may have effect: **19 May 2006**  
(54) Product in respect of which the design is registered: **Cup**  
(51) International Design Classification: **07-01C**  
(71) Name(s) and Address(s) of Applicant(s):

**Seda S.P.A**  
**Corso Salvatore D'Amato 84 Arzano I-80022 Italy**

(72) Name(s) of Designer(s): **Gianfranco D'Amato**

(45) Registration Date: **25 August 2006**

(30) Convention priority data:

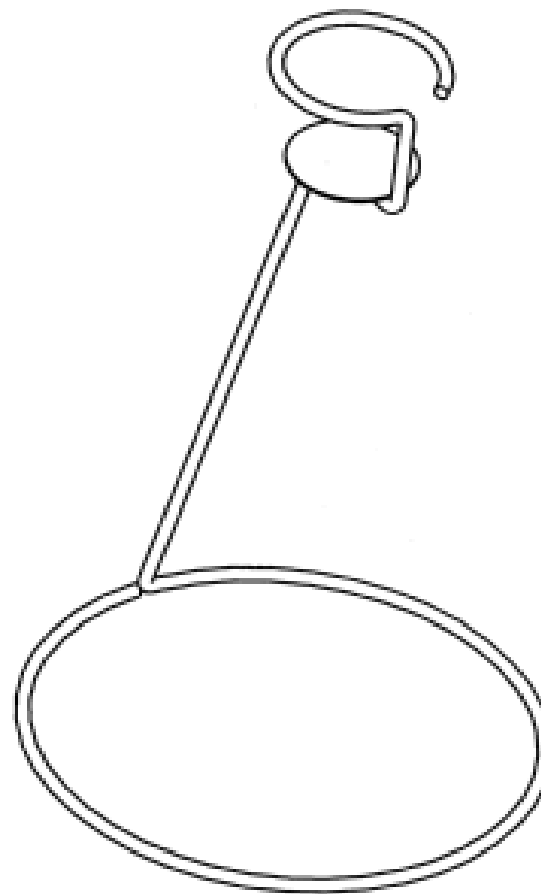
(31) Number	(32) Date	(33) Country
<b>000447958</b>	<b>14 Dec 2005</b>	<b>EUROPEAN PATENT OFFICE (EP)</b>

(56) Related Art Documents: **Not Applicable**

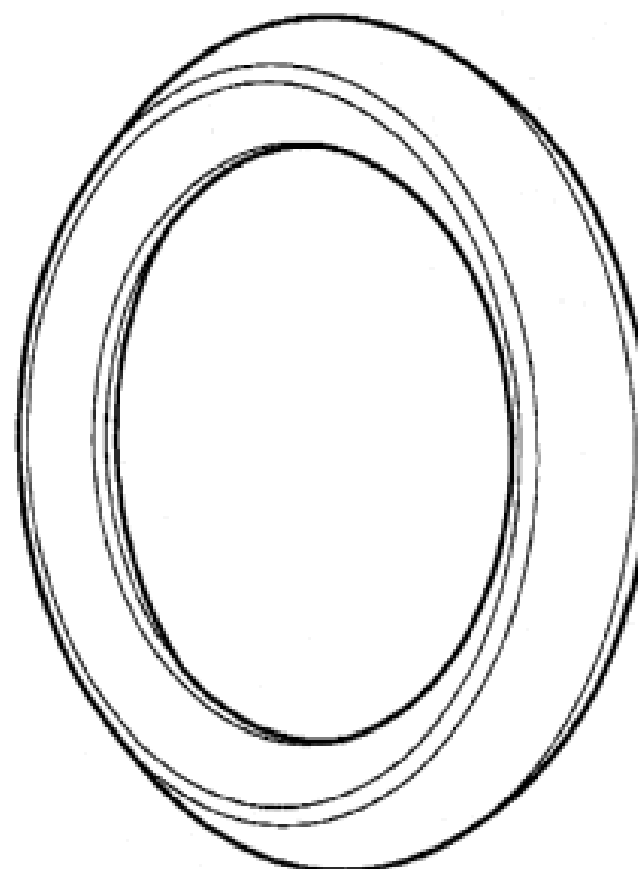
(57) Statement of Newness and Distinctiveness: **Newness and distinctiveness in the design as applied to a cup reside in the shape and configuration thereof as illustrated in the accompanying representations.**



- (21) Design Number: **12900/2006**  
(22) Date of Filing Application: **10 July 2006**  
(24) Date from which industrial property rights may have effect: **10 July 2006**  
(54) Product in respect of which the design is registered: **A drink holder and stand**  
(51) International Design Classification: **07-06A**  
(71) Name(s) and Address(s) of Applicant(s):  
**Allan James Lee**  
**9 Tandee Road Dernancourt South Australia 5075 Australia**  
(72) Name(s) of Designer(s): **Allan James Lee**  
(45) Registration Date: **25 August 2006**  
(56) Related Art Documents: **Not Applicable**  
(57) Statement of Newness and Distinctiveness: **Nil**



- (21) Design Number: **12910/2006**  
(22) Date of Filing Application: **09 July 2006**  
(24) Date from which industrial property rights may have effect: **09 July 2006**  
(54) Product in respect of which the design is registered: **Wall mounted/table mounted clock**  
(51) International Design Classification: **10-01**  
(71) Name(s) and Address(s) of Applicant(s):  
**David Giorgio**  
**30 Murralong Avenue Five Dock New South Wales 2046 Australia**  
(72) Name(s) of Designer(s): **David Giorgio**  
(45) Registration Date: **25 August 2006**  
(56) Related Art Documents: **Not Applicable**  
(57) Statement of Newness and Distinctiveness: **The newness and distinctiveness of this resides in the design of the clock where by there is no traditional clock face. The main clock shape is ring like and hallow in the centre and whereby time is read through illuminated segments in the main ring shape.**



(21) Design Number: **12911/2006**

(22) Date of Filing Application: **09 July 2006**

(24) Date from which industrial property rights may have effect: **09 July 2006**

(54) Product in respect of which the design is registered: **Lighting unit**

(51) International Design Classification: **26-05NES**

(71) Name(s) and Address(s) of Applicant(s):

**David Giorgio**

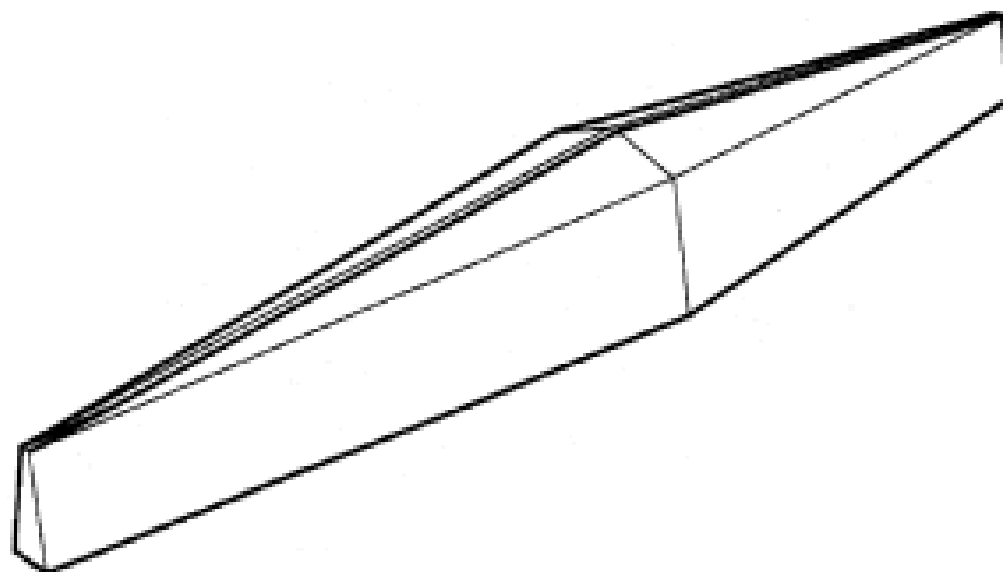
**30 Murralong Avenue Five Dock New South Wales 2046 Australia**

(72) Name(s) of Designer(s): **David Giorgio**

(45) Registration Date: **25 August 2006**

(56) Related Art Documents: **Not Applicable**

(57) Statement of Newness and Distinctiveness: **The long and low design both hard wire powered and cordless, has a channel both above and below which allows the light source inside the unit to illuminate areas both above and below the product.**



(21) Design Number: **12933/2006**

(22) Date of Filing Application: **12 July 2006**

(24) Date from which industrial property rights may have effect: **12 July 2006**

(54) Product in respect of which the design is registered: **A boat hook head**

(51) International Design Classification: **12-05**

(71) Name(s) and Address(s) of Applicant(s):

**Walter Peter Wright**

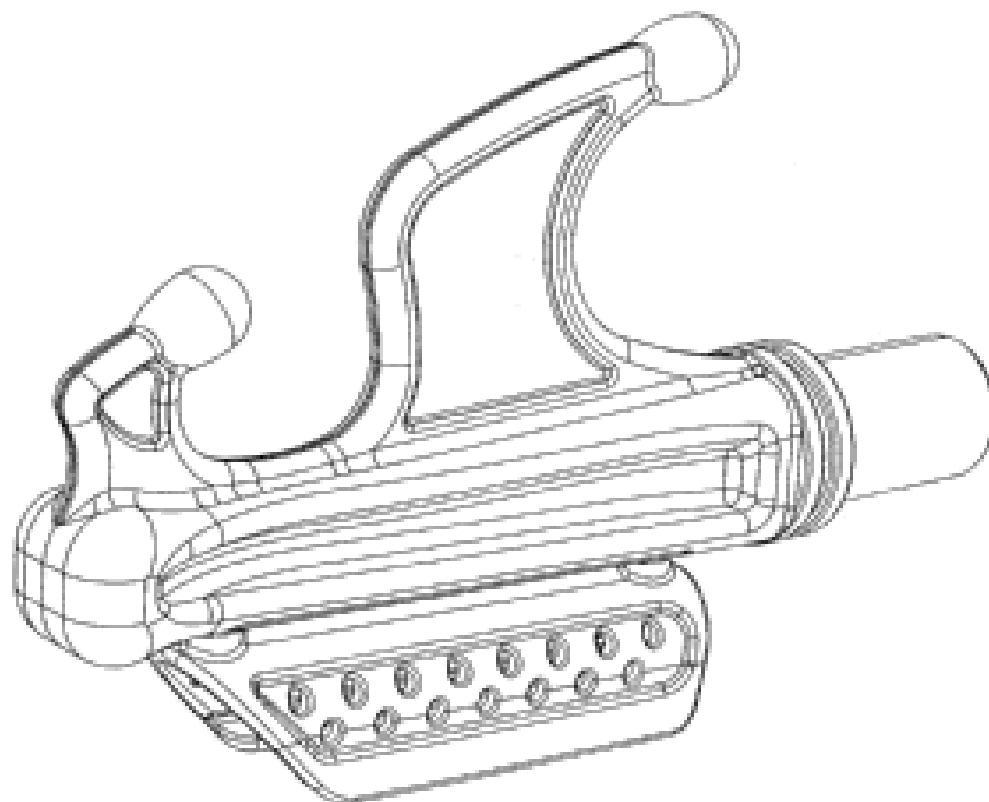
**103 Gibraltar Drive Isle of Capri Queensland 4217 Australia**

(72) Name(s) of Designer(s): **Walter Peter Wright**

(45) Registration Date: **25 August 2006**

(56) Related Art Documents: **Not Applicable**

(57) Statement of Newness and Distinctiveness: **Nil**



(21) Design Number: **12935/2006**

(22) Date of Filing Application: **12 July 2006**

(24) Date from which industrial property rights may have effect: **12 July 2006**

(54) Product in respect of which the design is registered: **A bandsaw**

(51) International Design Classification: **08-03**

(71) Name(s) and Address(s) of Applicant(s):

**GMCA Pty Ltd**  
**45-55 South Centre Road Melbourne Airport Victoria 3045 Australia**

(72) Name(s) of Designer(s): **James Hastie**

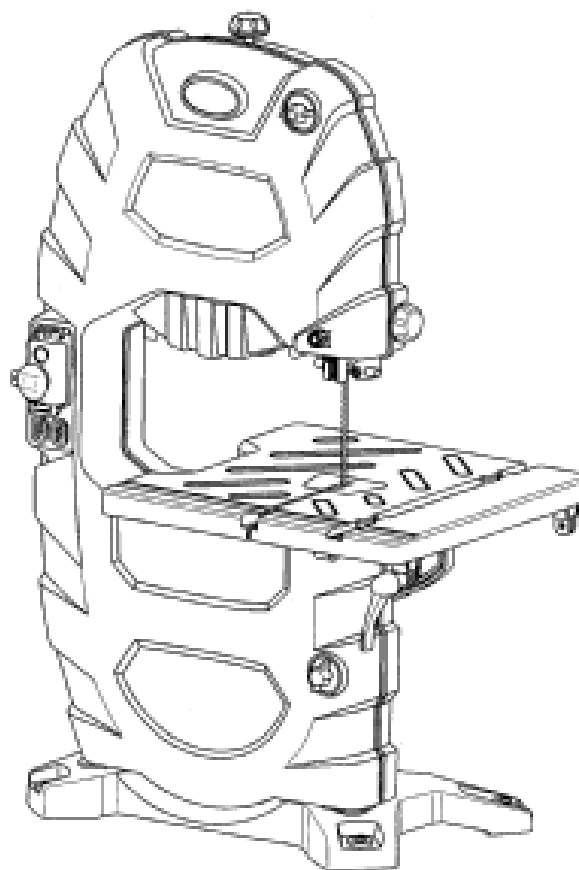
(45) Registration Date: **25 August 2006**

(30) Convention priority data:

(31) Number	(32) Date	(33) Country
<b>3024956</b>	<b>27 May 2006</b>	<b>UNITED KINGDOM</b>

(56) Related Art Documents: **Not Applicable**

(57) Statement of Newness and Distinctiveness: **Newness and distinctiveness resides in the features of shape and configuration of a bandsaw as shown in the accompanying representations.**



(21) Design Number: **12936/2006**

(22) Date of Filing Application: **12 July 2006**

(24) Date from which industrial property rights may have effect: **12 July 2006**

(54) Product in respect of which the design is registered: **A cistern**

(51) International Design Classification: **23-02C**

(71) Name(s) and Address(s) of Applicant(s):

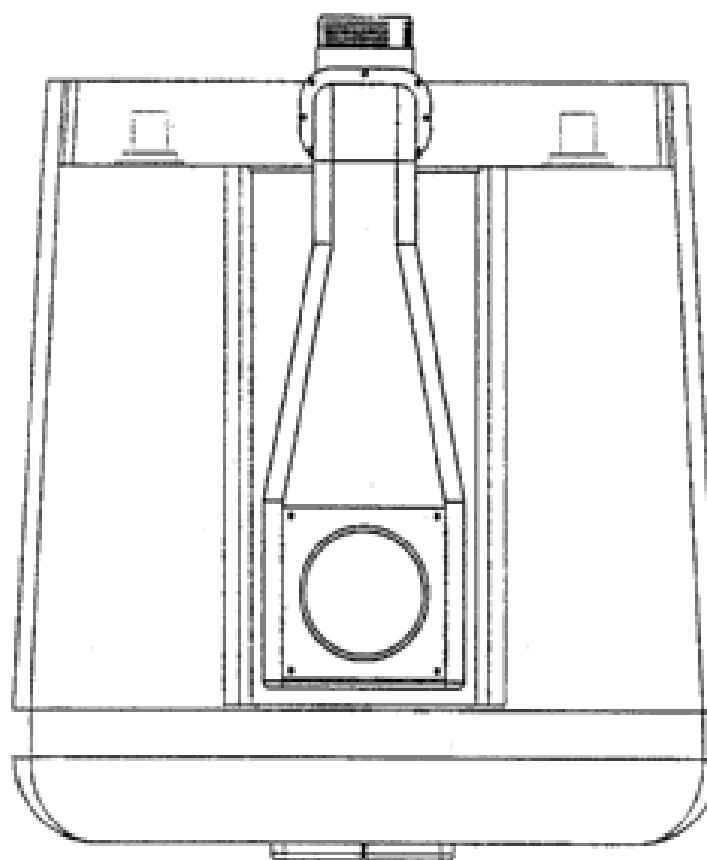
**Stephen John Grey**  
**34 Railway Parade Midland Western Australia 6056 Australia**

(72) Name(s) of Designer(s): **Stephen John Grey**

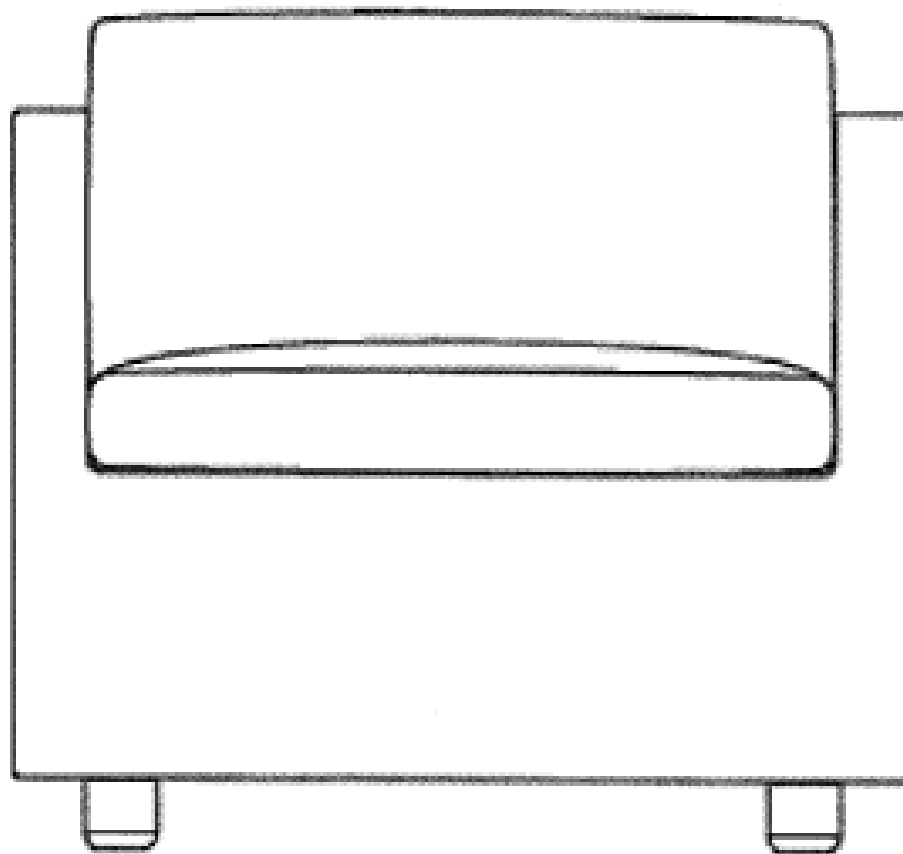
(45) Registration Date: **25 August 2006**

(56) Related Art Documents: **Not Applicable**

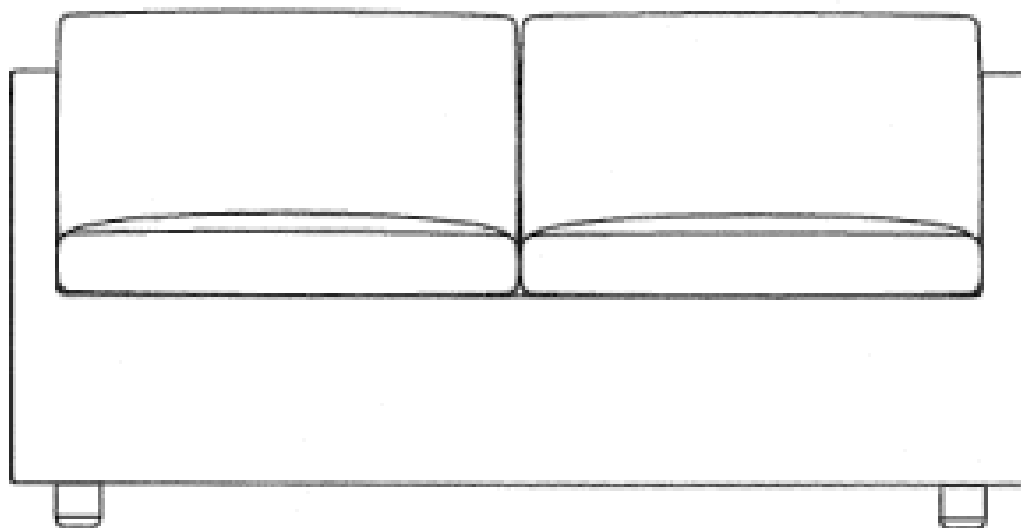
(57) Statement of Newness and Distinctiveness: **Statement of Newness and Distinctiveness is claimed in the shape and configuration of the rear portion of a cistern only, as shown. No Statement of Newness or Distinctiveness is claimed in the shape and configuration of the front portion of a cistern.**



- (21) Design Number: **12937/2006**
- (22) Date of Filing Application: **12 July 2006**
- (24) Date from which industrial property rights may have effect: **12 July 2006**
- (54) Product in respect of which the design is registered: **Chair**
- (51) International Design Classification: **06-01G**
- (71) Name(s) and Address(s) of Applicant(s):  
**Neil Burley**  
**726 Bourke Street Redfern New South Wales 2016 Australia**
- (72) Name(s) of Designer(s): **Neil Burley**
- (45) Registration Date: **25 August 2006**
- (56) Related Art Documents: **Not Applicable**
- (57) Statement of Newness and Distinctiveness: **Nil**

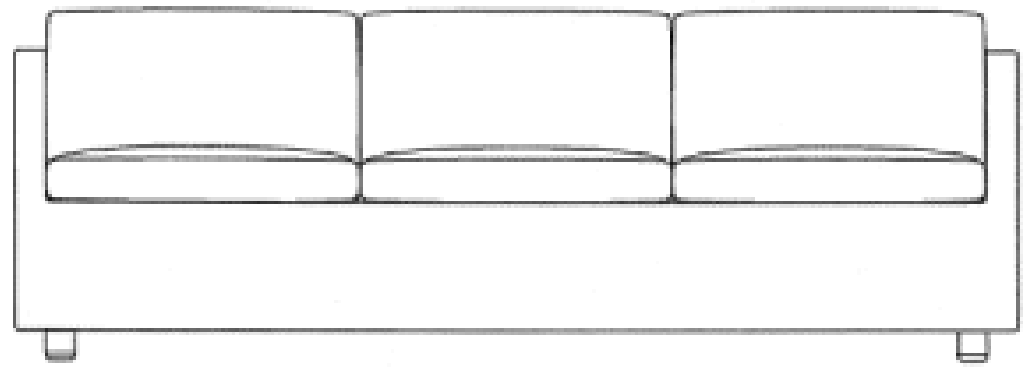


- (21) Design Number: **12938/2006**
- (22) Date of Filing Application: **12 July 2006**
- (24) Date from which industrial property rights may have effect: **12 July 2006**
- (54) Product in respect of which the design is registered: **2 seater sofa**
- (51) International Design Classification: **06-01G**
- (71) Name(s) and Address(s) of Applicant(s):  
**Neil Burley**  
**726 Bourke Street Redfern New South Wales 2016 Australia**
- (72) Name(s) of Designer(s): **Neil Burley**
- (45) Registration Date: **25 August 2006**
- (56) Related Art Documents: **Not Applicable**
- (57) Statement of Newness and Distinctiveness: **Nil**

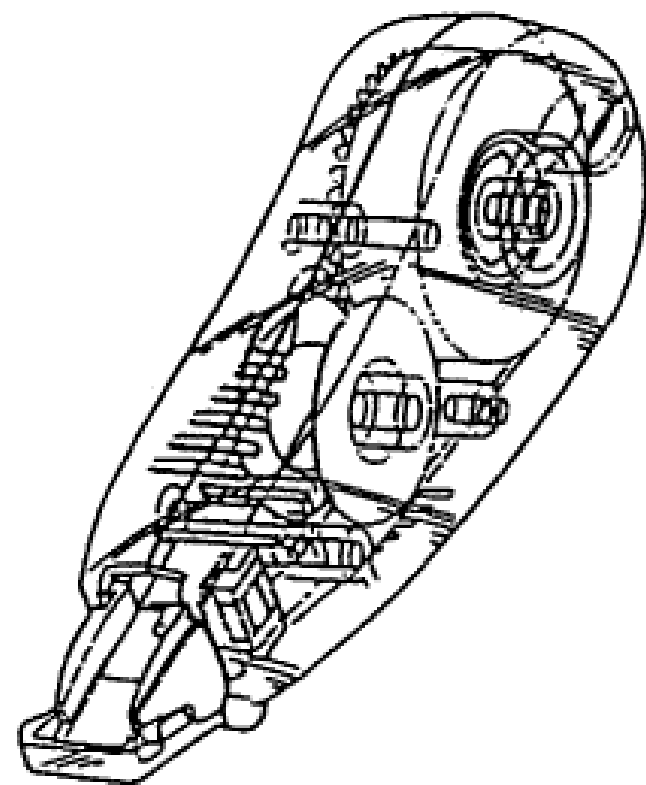




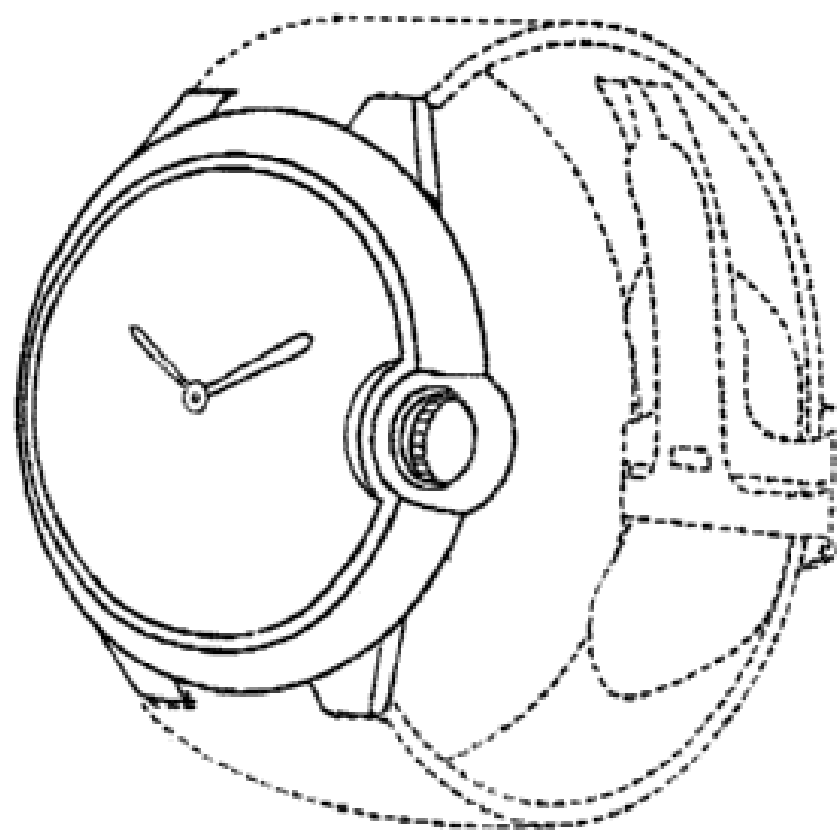
- (21) Design Number: **12939/2006**  
(22) Date of Filing Application: **12 July 2006**  
(24) Date from which industrial property rights may have effect: **12 July 2006**  
(54) Product in respect of which the design is registered: **3 seater sofa**  
(51) International Design Classification: **06-01G**  
(71) Name(s) and Address(s) of Applicant(s):  
**Neil Burley**  
**726 Bourke Street Redfern New South Wales 2016 Australia**  
(72) Name(s) of Designer(s): **Neil Burley**  
(45) Registration Date: **25 August 2006**  
(56) Related Art Documents: **Not Applicable**  
(57) Statement of Newness and Distinctiveness: **Nil**



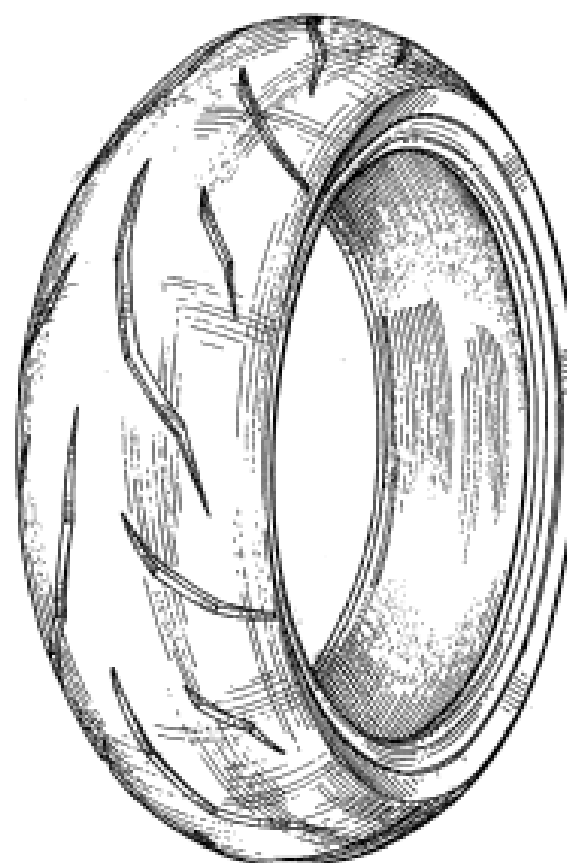
- (21) Design Number: **12955/2006**  
(22) Date of Filing Application: **12 July 2006**  
(24) Date from which industrial property rights may have effect: **15 November 2005**  
(54) Product in respect of which the design is registered: **Coating transfer device**  
(51) International Design Classification: **19-02**  
(71) Name(s) and Address(s) of Applicant(s):  
**Tombow Pencil Co., Ltd.**  
**6-10-12 Toshima Kita-ku Tokyo 114-8583 Japan**  
(72) Name(s) of Designer(s): **Kazuhiko Suzuki**  
(45) Registration Date: **25 August 2006**  
(62) Divisional of: **308273**  
(56) Related Art Documents: **Not Applicable**  
(57) Statement of Newness and Distinctiveness: **Those features of the coating transfer device depicted in the representations that are new and distinctive are the shape and/or configuration, wherein Figs. 8 and 9 show the coating transfer device with the tip part exposed and the cap held in a non-protective position.**



- (21) Design Number: **12959/2006**  
(22) Date of Filing Application: **12 July 2006**  
(24) Date from which industrial property rights may have effect: **12 July 2006**  
(54) Product in respect of which the design is registered: **A wristwatch**  
(51) International Design Classification: **10-02**  
(71) Name(s) and Address(s) of Applicant(s):  
**Cartier Creation Studio SA**  
**8 Boulevard James Fazy Geneve CH-1201 Switzerland**  
(72) Name(s) of Designer(s): **Serge Rabassa**  
(45) Registration Date: **25 August 2006**  
(30) Convention priority data:  
(31) Number (32) Date (33) Country  
**000462775-0001 12 Jan 2006 EUROPEAN COMMUNITY**  
(56) Related Art Documents: **Not Applicable**  
(57) Statement of Newness and Distinctiveness: **Newness and distinctiveness is claimed in the visual features shown in solid lines in the representations.**



- (21) Design Number: **12960/2006**  
(22) Date of Filing Application: **12 July 2006**  
(24) Date from which industrial property rights may have effect: **12 July 2006**  
(54) Product in respect of which the design is registered: **A rear tyre for motorcycles**  
(51) International Design Classification: **12-15D**  
(71) Name(s) and Address(s) of Applicant(s):  
**Pirelli Tyre S.p.A.**  
**Viale Sarca I-20126 Milano Italy**  
(72) Name(s) of Designer(s): **Gunter Steinbach**  
(45) Registration Date: **25 August 2006**  
(30) Convention priority data:  
(31) Number (32) Date (33) Country  
**000461587 13 Jan 2006 EUROPEAN COMMUNITY**  
(56) Related Art Documents: **Not Applicable**  
(57) Statement of Newness and Distinctiveness: **The shape and configuration of a rear tyre for motorcycles is new and distinctive.**



(21) Design Number: **12961/2006**

(22) Date of Filing Application: **12 July 2006**

(24) Date from which industrial property rights may have effect: **12 July 2006**

(54) Product in respect of which the design is registered: **A front tyre for motorcycles**

(51) International Design Classification: **12-15NES**

(71) Name(s) and Address(s) of Applicant(s):

**Pirelli Tyre S.p.A.  
Viale Sarca I-20126 Milano Italy**

(72) Name(s) of Designer(s): **Gunter Steinbach**

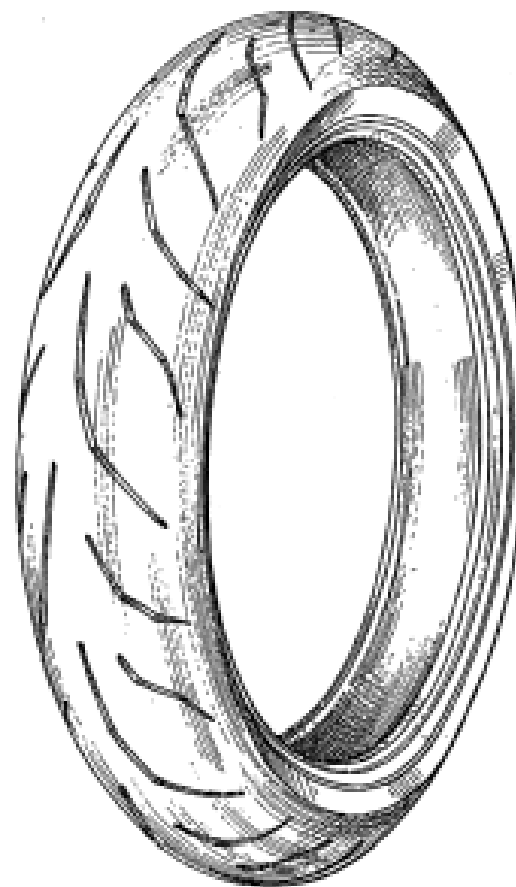
(45) Registration Date: **25 August 2006**

(30) Convention priority data:

(31) Number	(32) Date	(33) Country
<b>000461587</b>	<b>13 Jan 2006</b>	<b>EUROPEAN COMMUNITY</b>

(56) Related Art Documents: **Not Applicable**

(57) Statement of Newness and Distinctiveness: **The shape and configuration of a front tyre for motorcycles is new and distinctive.**



(21) Design Number: **12962/2006**

(22) Date of Filing Application: **12 July 2006**

(24) Date from which industrial property rights may have effect: **12 July 2006**

(54) Product in respect of which the design is registered: **A front tyre for motorcycles**

(51) International Design Classification: **12-15NES**

(71) Name(s) and Address(s) of Applicant(s):

**Pirelli Tyre S.p.A.  
Viale Sarca I-20126 Milano Italy**

(72) Name(s) of Designer(s): **Gunter Steinbach**

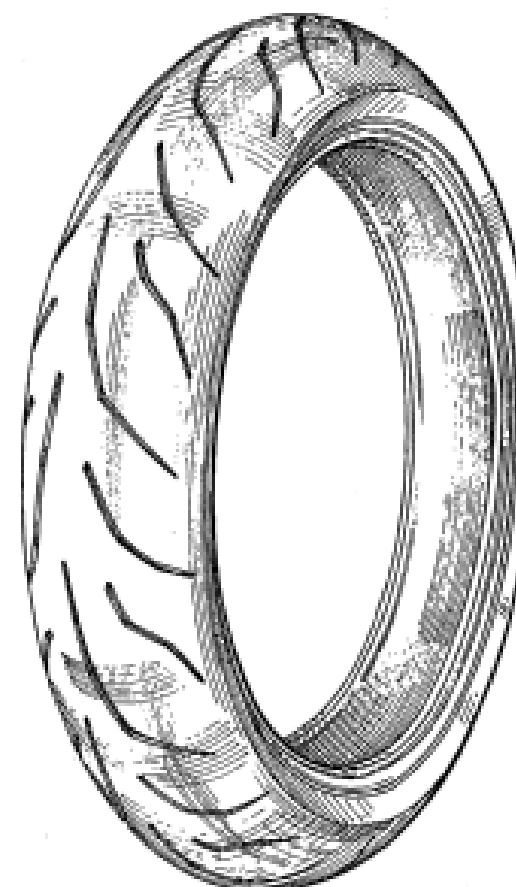
(45) Registration Date: **25 August 2006**

(30) Convention priority data:

(31) Number	(32) Date	(33) Country
<b>000461587</b>	<b>13 Jan 2006</b>	<b>EUROPEAN COMMUNITY</b>

(56) Related Art Documents: **Not Applicable**

(57) Statement of Newness and Distinctiveness: **The shape and configuration of a front tyre for motorcycles is new and distinctive.**



- (21) Design Number: **15417/2005**  
(22) Date of Filing Application: **02 December 2005**  
(24) Date from which industrial property rights may have effect: **02 December 2005**  
(54) Product in respect of which the design is registered: **S-shaped sponge**  
(51) International Design Classification: **07-05E**  
(71) Name(s) and Address(s) of Applicant(s):  
**Intellectual Property Development Corporation Pty Ltd**  
**Level 9 51 Queen Street Melbourne Victoria 3000 Australia**  
(72) Name(s) of Designer(s): **Phillip Withers**  
(45) Registration Date: **28 August 2006**  
(56) Related Art Documents: **Not Applicable**  
(57) Statement of Newness and Distinctiveness: **Newness and distinctiveness are claimed in the features of shape and/or configuration of a sponge, as illustrated in the accompanying representations.**



- (21) Design Number: **15419/2005**  
(22) Date of Filing Application: **02 December 2005**  
(24) Date from which industrial property rights may have effect: **02 December 2005**  
(54) Product in respect of which the design is registered: **S-shaped sponge**  
(51) International Design Classification: **07-05E**  
(71) Name(s) and Address(s) of Applicant(s):  
**Intellectual Property Development Corporation Pty Ltd**  
**Level 9 51 Queen Street Melbourne Victoria 3000 Australia**  
(72) Name(s) of Designer(s): **Philip Withers**  
(45) Registration Date: **28 August 2006**  
(56) Related Art Documents: **Not Applicable**  
(57) Statement of Newness and Distinctiveness: **Newness and distinctiveness are claimed in the features of shape and/or configuration of a sponge with scourer, as illustrated in the accompanying representations.**



(21) Design Number: **15420/2005**

(22) Date of Filing Application: **02 December 2005**

(24) Date from which industrial property rights may have effect: **02 December 2005**

(54) Product in respect of which the design is registered: **S-shaped sponge**

(51) International Design Classification: **07-05E**

(71) Name(s) and Address(s) of Applicant(s):

**Intellectual Property Development Corporation Pty Ltd  
Level 9 51 Queen Street Melbourne Victoria 3000 Australia**

(72) Name(s) of Designer(s): **Philip Withers**

(45) Registration Date: **28 August 2006**

(56) Related Art Documents: **Not Applicable**

(57) Statement of Newness and Distinctiveness: **Newness and distinctiveness are claimed in the features of shape and/or configuration of a scourer sponge, as illustrated in the accompanying representations.**



(21) Design Number: **15421/2005**

(22) Date of Filing Application: **02 December 2005**

(24) Date from which industrial property rights may have effect: **02 December 2005**

(54) Product in respect of which the design is registered: **S-shaped sponge**

(51) International Design Classification: **07-05E**

(71) Name(s) and Address(s) of Applicant(s):

**Intellectual Property Development Corporation Pty Ltd  
Level 9 51 Queen Street Melbourne Victoria 3000 Australia**

(72) Name(s) of Designer(s): **Philip Withers**

(45) Registration Date: **28 August 2006**

(56) Related Art Documents: **Not Applicable**

(57) Statement of Newness and Distinctiveness: **Newness and distinctiveness are claimed in the features of shape and/or configuration of a sponge, as illustrated in the accompanying representations.**



- (21) Design Number: **15422/2005**  
(22) Date of Filing Application: **02 December 2005**  
(24) Date from which industrial property rights may have effect: **02 December 2005**  
(54) Product in respect of which the design is registered: **S-shaped sponge**  
(51) International Design Classification: **07-05E**  
(71) Name(s) and Address(s) of Applicant(s):  
**Intellectual Property Development Corporation Pty Ltd**  
**Level 9 51 Queen Street Melbourne Victoria 3000 Australia**  
(72) Name(s) of Designer(s): **Philip Withers**  
(45) Registration Date: **28 August 2006**  
(56) Related Art Documents: **Not Applicable**  
(57) Statement of Newness and Distinctiveness: **Newness and distinctiveness are claimed in the features of shape and/or configuration of a sandwiched sponge with scourers, as illustrated in the accompanying representations.**



- (21) Design Number: **10104/2006**  
(22) Date of Filing Application: **13 January 2006**  
(24) Date from which industrial property rights may have effect: **13 January 2006**  
(54) Product in respect of which the design is registered: **An automobile**  
(51) International Design Classification: **12-08**  
(71) Name(s) and Address(s) of Applicant(s):  
**Honda Motor Co., Ltd**  
**1-1 Minami-Aoyama 2-Chome Minato-ku Tokyo Japan**  
(72) Name(s) of Designer(s): **Daisuke Sawai and Naoya Ishikura and Deane James**  
(45) Registration Date: **28 August 2006**  
(30) Convention priority data:  

(31) Number	(32) Date	(33) Country
<b>2005-21277</b>	<b>22 Jul 2005</b>	<b>JAPAN</b>

  
(56) Related Art Documents: **Not Applicable**  
(57) Statement of Newness and Distinctiveness: **Newness and distinctiveness is claimed in the features of shape and/or configuration of an automobile as illustrated in the accompanying representations.**



- (21) Design Number: **10105/2006**  
(22) Date of Filing Application: **13 January 2006**  
(24) Date from which industrial property rights may have effect: **13 January 2006**  
(54) Product in respect of which the design is registered: **A rear gate for an automobile**  
(51) International Design Classification: **12-16B**  
(71) Name(s) and Address(s) of Applicant(s):  
**Honda Motor Co., Ltd**  
**1-1 Minami-Aoyama 2-Chome Minato-ku Tokyo Japan**  
(72) Name(s) of Designer(s): **Shoji Fujimaki**  
(45) Registration Date: **28 August 2006**  
(30) Convention priority data:  
(31) Number (32) Date (33) Country  
**2005-20435 13 Jul 2005 JAPAN**  
(56) Related Art Documents: **Not Applicable**  
(57) Statement of Newness and Distinctiveness: **Newness and distinctiveness is claimed in the features of shape and/or configuration of a rear gate for an automobile as illustrated in the accompanying representations.**



- (21) Design Number: **10106/2006**  
(22) Date of Filing Application: **13 January 2006**  
(24) Date from which industrial property rights may have effect: **13 January 2006**  
(54) Product in respect of which the design is registered: **A bonnet for an automobile**  
(51) International Design Classification: **12-16B**  
(71) Name(s) and Address(s) of Applicant(s):  
**Honda Motor Co., Ltd**  
**1-1 Minami-Aoyama 2-Chome Minato-ku Tokyo Japan**  
(72) Name(s) of Designer(s): **Shoji Fujimaki**  
(45) Registration Date: **28 August 2006**  
(30) Convention priority data:  
(31) Number (32) Date (33) Country  
**2005-20866 19 Jul 2005 JAPAN**  
(56) Related Art Documents: **Not Applicable**  
(57) Statement of Newness and Distinctiveness: **Newness and distinctiveness is claimed in the features of shape and/or configuration of a bonnet for an automobile as illustrated in the accompanying representations.**



- (21) Design Number: **10107/2006**  
(22) Date of Filing Application: **13 January 2006**  
(24) Date from which industrial property rights may have effect: **13 January 2006**  
(54) Product in respect of which the design is registered: **A fender for an automobile**  
(51) International Design Classification: **12-16B**  
(71) Name(s) and Address(s) of Applicant(s):  
**Honda Motor Co., Ltd**  
**1-1 Minami-Aoyama 2-Chome Minato-ku Tokyo Japan**  
(72) Name(s) of Designer(s): **Shoji Fujimaki**  
(45) Registration Date: **28 August 2006**  
(30) Convention priority data:  
(31) Number (32) Date (33) Country  
**2005-20867 19 Jul 2005 JAPAN**  
(56) Related Art Documents: **Not Applicable**  
(57) Statement of Newness and Distinctiveness: **Newness and distinctiveness is claimed in the features of shape and/or configuration of a fender for an automobile as illustrated in the accompanying representations.**



- (21) Design Number: **10108/2006**  
(22) Date of Filing Application: **13 January 2006**  
(24) Date from which industrial property rights may have effect: **13 January 2006**  
(54) Product in respect of which the design is registered: **A rear bumper for an automobile**  
(51) International Design Classification: **12-16C**  
(71) Name(s) and Address(s) of Applicant(s):  
**Honda Motor Co., Ltd**  
**1-1 Minami-Aoyama 2-Chome Minato-ku Tokyo Japan**  
(72) Name(s) of Designer(s): **Shoji Fujimaki**  
(45) Registration Date: **28 August 2006**  
(30) Convention priority data:  
(31) Number (32) Date (33) Country  
**2005-20865 19 Jul 2005 JAPAN**  
(56) Related Art Documents: **Not Applicable**  
(57) Statement of Newness and Distinctiveness: **Newness and distinctiveness is claimed in the features of shape and/or configuration of a rear bumper for an automobile as illustrated in the accompanying representations.**





(19) AU

- (21) Design Number: **10109/2006**  
(22) Date of Filing Application: **13 January 2006**  
(24) Date from which industrial property rights may have effect: **13 January 2006**  
(54) Product in respect of which the design is registered: **A front bumper for an automobile**  
(51) International Design Classification: **12-16C**  
(71) Name(s) and Address(s) of Applicant(s):  
**Honda Motor Co., Ltd**  
**1-1 Minami-Aoyama 2-Chome Minato-ku Tokyo Japan**  
(72) Name(s) of Designer(s): **Shoji Fujimaki**  
(45) Registration Date: **28 August 2006**  
(30) Convention priority data:  
(31) Number      (32) Date      (33) Country  
**2005/20862      19 Jul 2005      JAPAN**  
(56) Related Art Documents: **Not Applicable**  
(57) Statement of Newness and Distinctiveness: **Newness and distinctiveness is claimed in the features of shape and/or configuration of a front bumper for an automobile as illustrated in the accompanying representations.**

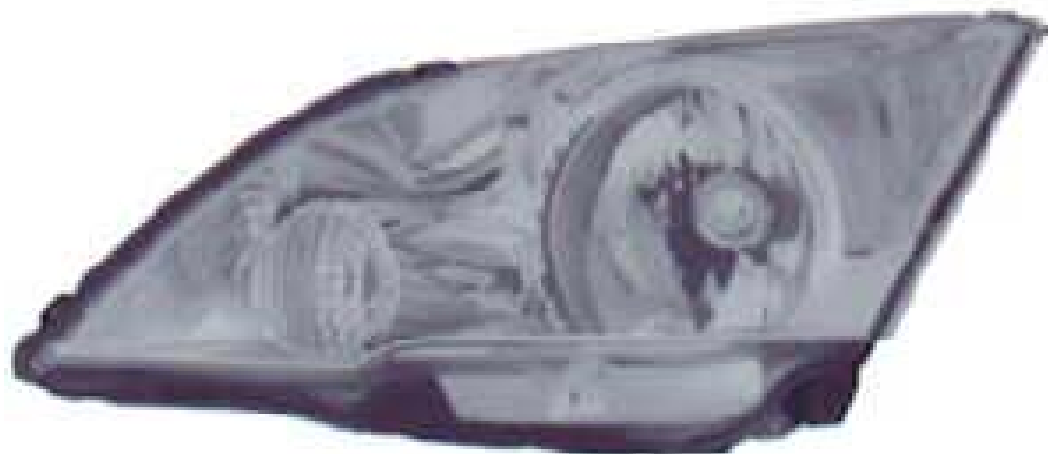


(19) AU

- (21) Design Number: **10110/2006**  
(22) Date of Filing Application: **13 January 2006**  
(24) Date from which industrial property rights may have effect: **13 January 2006**  
(54) Product in respect of which the design is registered: **A rear combination lamp for an automobile**  
(51) International Design Classification: **26-06**  
(71) Name(s) and Address(s) of Applicant(s):  
**Honda Motor Co., Ltd**  
**1-1 Minami-Aoyama 2-Chome Minato-ku Tokyo Japan**  
(72) Name(s) of Designer(s): **Deane James**  
(45) Registration Date: **28 August 2006**  
(30) Convention priority data:  
(31) Number      (32) Date      (33) Country  
**2005-20432      13 Jul 2005      JAPAN**  
(56) Related Art Documents: **Not Applicable**  
(57) Statement of Newness and Distinctiveness: **Newness and distinctiveness is claimed in the features of shape and/or configuration of a rear combination lamp for an automobile as illustrated in the accompanying representations.**



- (21) Design Number: **10111/2006**  
(22) Date of Filing Application: **13 January 2006**  
(24) Date from which industrial property rights may have effect: **13 January 2006**  
(54) Product in respect of which the design is registered: **A front combination lamp for an automobile**  
(51) International Design Classification: **26-06**  
(71) Name(s) and Address(s) of Applicant(s):  
**Honda Motor Co., Ltd**  
**1-1 Minami-Aoyama 2-Chome Minato-ku Tokyo Japan**  
(72) Name(s) of Designer(s): **Naoya Ishikura**  
(45) Registration Date: **28 August 2006**  
(30) Convention priority data:  
(31) Number      (32) Date      (33) Country  
**2005-20431      13 Jul 2005      JAPAN**  
(56) Related Art Documents: **Not Applicable**  
(57) Statement of Newness and Distinctiveness: **Newness and distinctiveness is claimed in the features of shape and/or configuration of a front combination lamp for an automobile as illustrated in the accompanying representations.**



- (21) Design Number: **10112/2006**  
(22) Date of Filing Application: **13 January 2006**  
(24) Date from which industrial property rights may have effect: **13 January 2006**  
(54) Product in respect of which the design is registered: **A grill for an automobile**  
(51) International Design Classification: **12-16B**  
(71) Name(s) and Address(s) of Applicant(s):  
**Honda Motor Co., Ltd**  
**1-1 Minami-Aoyama 2-Chome Minato-ku Tokyo Japan**  
(72) Name(s) of Designer(s): **Shoji Fujimaki**  
(45) Registration Date: **28 August 2006**  
(30) Convention priority data:  
(31) Number      (32) Date      (33) Country  
**2005-20433      13 Jul 2005      JAPAN**  
(56) Related Art Documents: **Not Applicable**  
(57) Statement of Newness and Distinctiveness: **Newness and distinctiveness is claimed in the features of shape and/or configuration of a grill for an automobile as illustrated in the accompanying representations.**



(21) Design Number: **10113/2006**  
(22) Date of Filing Application: **13 January 2006**  
(24) Date from which industrial property rights may have effect: **13 January 2006**  
(54) Product in respect of which the design is registered: **A grill for an automobile**  
(51) International Design Classification: **12-16B**  
(71) Name(s) and Address(s) of Applicant(s):  
**Honda Motor Co., Ltd**  
**1-1 Minami-Aoyama 2-Chome Minato-ku Tokyo Japan**  
(72) Name(s) of Designer(s): **Shoji Fujimaki**  
(45) Registration Date: **28 August 2006**  
(30) Convention priority data:  
(31) Number (32) Date (33) Country  
**2005-20434 13 Jul 2005 JAPAN**  
(56) Related Art Documents: **Not Applicable**  
(57) Statement of Newness and Distinctiveness: **Newness and distinctiveness is claimed in the features of shape and/or configuration of a grill for an automobile as illustrated in the accompanying representations.**



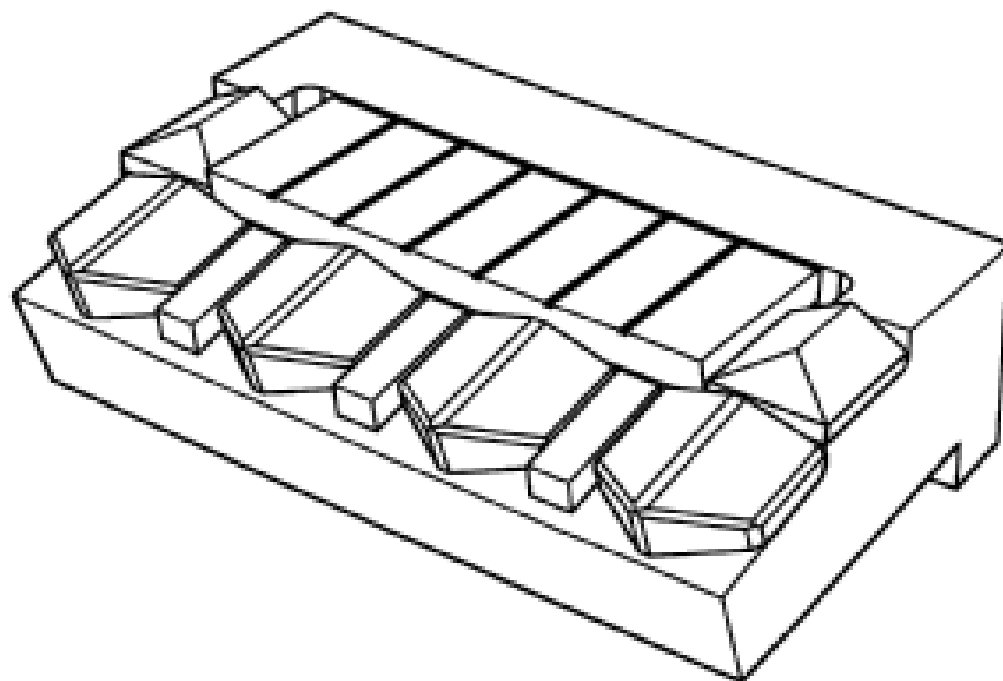
(21) Design Number: **10114/2006**  
(22) Date of Filing Application: **13 January 2006**  
(24) Date from which industrial property rights may have effect: **13 January 2006**  
(54) Product in respect of which the design is registered: **A front bumper for an automobile**  
(51) International Design Classification: **12-16C**  
(71) Name(s) and Address(s) of Applicant(s):  
**Honda Motor Co., Ltd**  
**1-1 Minami-Aoyama 2-Chome Minato-ku Tokyo Japan**  
(72) Name(s) of Designer(s): **Shoji Fujimaki**  
(45) Registration Date: **28 August 2006**  
(30) Convention priority data:  
(31) Number (32) Date (33) Country  
**2005-20863 19 Jul 2005 JAPAN**  
(56) Related Art Documents: **Not Applicable**  
(57) Statement of Newness and Distinctiveness: **Newness and distinctiveness is claimed in the features of shape and/or configuration of a front bumper for an automobile as illustrated in the accompanying representations.**



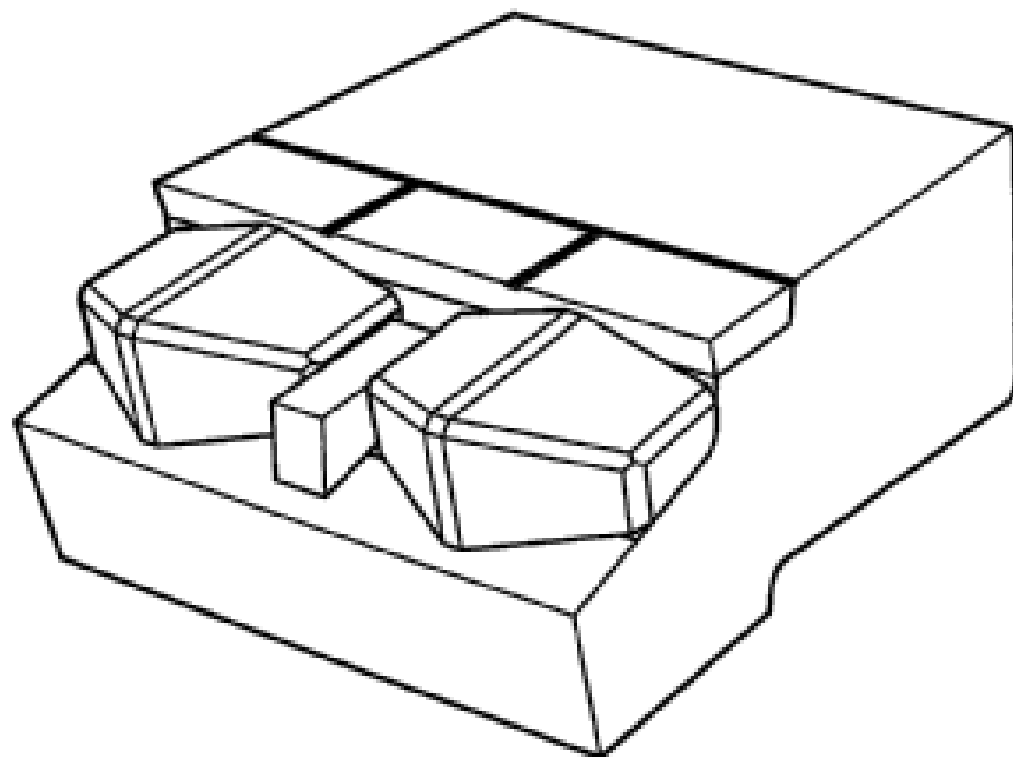
- (21) Design Number: **12131/2006**  
(22) Date of Filing Application: **15 May 2006**  
(24) Date from which industrial property rights may have effect: **15 May 2006**  
(54) Product in respect of which the design is registered: **5.3m polycraft boat.**  
**Model name - Warrior**  
(51) International Design Classification: **12-06A**  
(71) Name(s) and Address(s) of Applicant(s):  
**National Poly Industries Pty Ltd**  
**89 Childers Road Bundaberg Queensland 4670 Australia**  
(72) Name(s) of Designer(s): **Adrian Ward**  
(45) Registration Date: **28 August 2006**  
(56) Related Art Documents: **Not Applicable**  
(57) Statement of Newness and Distinctiveness: **The boat is manufactured from polyethylene using rotomoulding technology. The design incorporates the interlocking of an outer and inner hull resulting in a one piece seamless construction. The dual skin hull results in a soft and quiet ride when compared to traditional boat building methodologies and materials. Dominant reverse chines and stern pods are incorporated into the design to give the boat greater stability.**



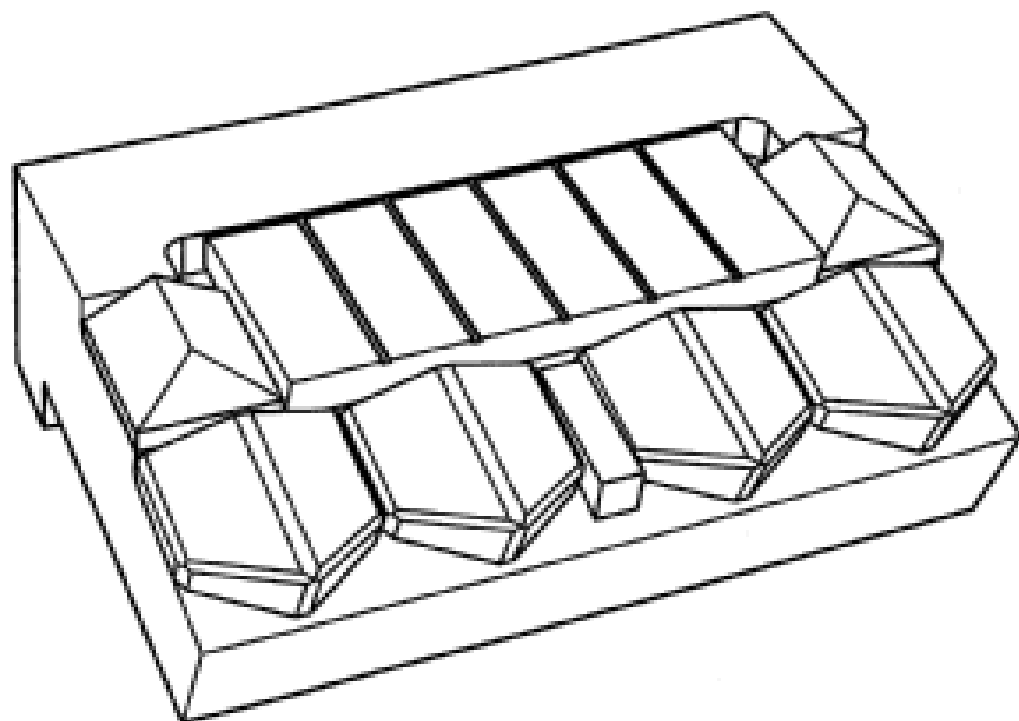
- (21) Design Number: **12149/2006**  
(22) Date of Filing Application: **17 May 2006**  
(24) Date from which industrial property rights may have effect: **17 May 2006**  
(54) Product in respect of which the design is registered: **Carbide protected WX hammer for stone crusher**  
(51) International Design Classification: **08-02**  
(71) Name(s) and Address(s) of Applicant(s):  
**Broons Hire (S.A.) Proprietary Limited**  
**827 Port Road Woodville South Australia 5011 Australia**  
(72) Name(s) of Designer(s): **Stuart Bowes**  
(45) Registration Date: **28 August 2006**  
(56) Related Art Documents: **Not Applicable**  
(57) Statement of Newness and Distinctiveness: **Nil.**



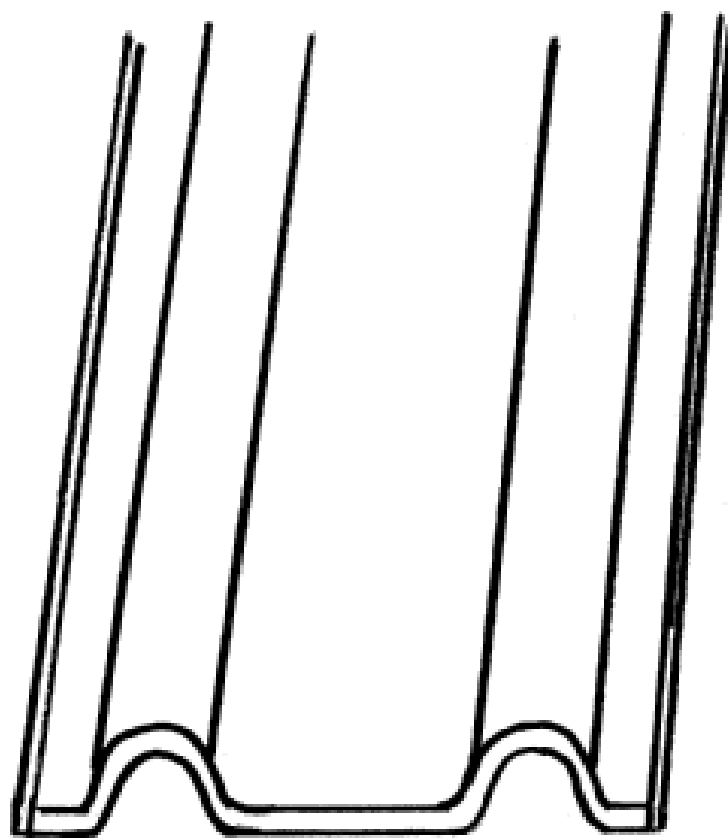
- (21) Design Number: **12150/2006**
- (22) Date of Filing Application: **17 May 2006**
- (24) Date from which industrial property rights may have effect: **17 May 2006**
- (54) Product in respect of which the design is registered: **Carbide protected BPS hammer for stone crusher**
- (51) International Design Classification: **08-02**
- (71) Name(s) and Address(s) of Applicant(s):  
**Broons Hire (S.A.) Proprietary Limited**  
**827 Port Road Woodville South Australia 5011 Australia**
- (72) Name(s) of Designer(s): **Stuart Bowes**
- (45) Registration Date: **28 August 2006**
- (56) Related Art Documents: **Not Applicable**
- (57) Statement of Newness and Distinctiveness: **Nil.**



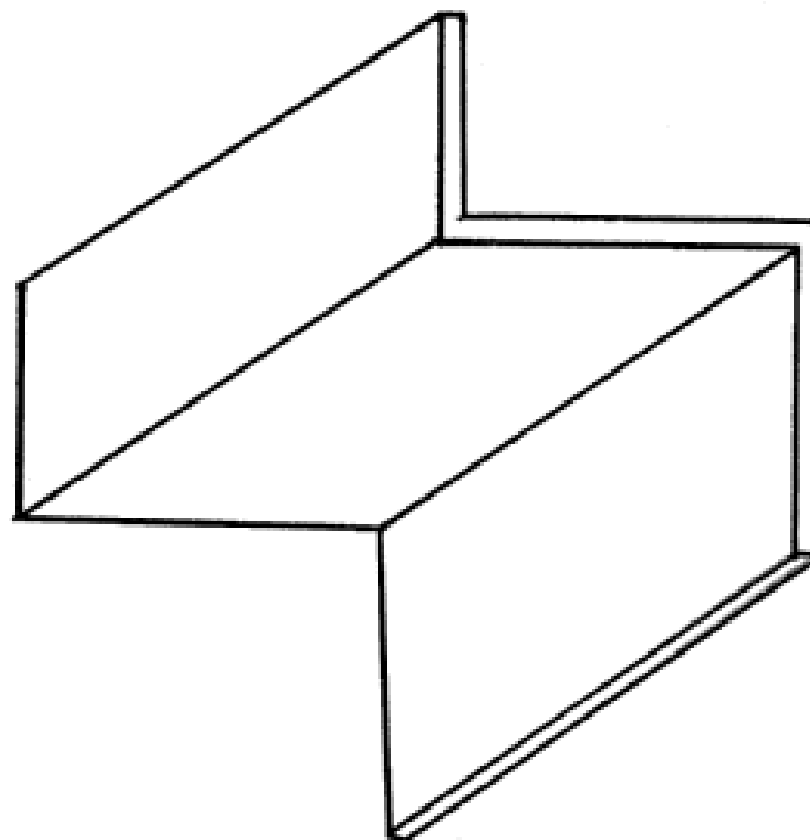
- (21) Design Number: **12151/2006**
- (22) Date of Filing Application: **17 May 2006**
- (24) Date from which industrial property rights may have effect: **17 May 2006**
- (54) Product in respect of which the design is registered: **Carbide protected BPB hammer for stone crusher**
- (51) International Design Classification: **08-02**
- (71) Name(s) and Address(s) of Applicant(s):  
**Broons Hire (S.A.) Proprietary Limited**  
**827 Port Road Woodville South Australia 5011 Australia**
- (72) Name(s) of Designer(s): **Stuart Bowes**
- (45) Registration Date: **28 August 2006**
- (56) Related Art Documents: **Not Applicable**
- (57) Statement of Newness and Distinctiveness: **Nil.**



- (21) Design Number: **12575/2006**  
(22) Date of Filing Application: **19 June 2006**  
(24) Date from which industrial property rights may have effect: **19 June 2006**  
(54) Product in respect of which the design is registered: **A double sliding gate track**  
(51) International Design Classification: **25-02C, 25-01NES**  
(71) Name(s) and Address(s) of Applicant(s):  
    **Farah Mattar Trading as Jala Wrought Iron**  
    **15 Arab Road Padstow New South Wales 2211 Australia**  
    **Marlin Mattar Trading as Jala Wrought Iron**  
    **15 Arab Road Padstow New South Wales 2211 Australia**  
(72) Name(s) of Designer(s): **Farah Mattar and Marlin Mattar**  
(45) Registration Date: **28 August 2006**  
(56) Related Art Documents: **Not Applicable**  
(57) Statement of Newness and Distinctiveness: **The features of the design are in the shape and configuration of a double sliding gate track section of indefinite length as illustrated in the accompanying representations.**



- (21) Design Number: **12576/2006**  
(22) Date of Filing Application: **19 June 2006**  
(24) Date from which industrial property rights may have effect: **19 June 2006**  
(54) Product in respect of which the design is registered: **A roll formed metal section**  
(51) International Design Classification: **25-01NES**  
(71) Name(s) and Address(s) of Applicant(s):  
    **Farah Mattar Trading as Jala Wrought Iron**  
    **15 Arab Road Padstow New South Wales 2211 Australia**  
    **Marlin Mattar Trading as Jala Wrought Iron**  
    **15 Arab Road Padstow New South Wales 2211 Australia**  
(72) Name(s) of Designer(s): **Farah Mattar and Marlin Mattar**  
(45) Registration Date: **28 August 2006**  
(56) Related Art Documents: **Not Applicable**  
(57) Statement of Newness and Distinctiveness: **The features of the design are in the shape and configuration of a roll formed metal section of indefinite length as illustrated in the accompanying representations.**



(21) Design Number: **12577/2006**

(22) Date of Filing Application: **19 June 2006**

(24) Date from which industrial property rights may have effect: **19 June 2006**

(54) Product in respect of which the design is registered: **A roll formed metal section**

(51) International Design Classification: **25-01NES**

(71) Name(s) and Address(s) of Applicant(s):

**Farah Mattar Trading as Jala Wrought Iron  
15 Arab Road Padstow New South Wales 2211 Australia**

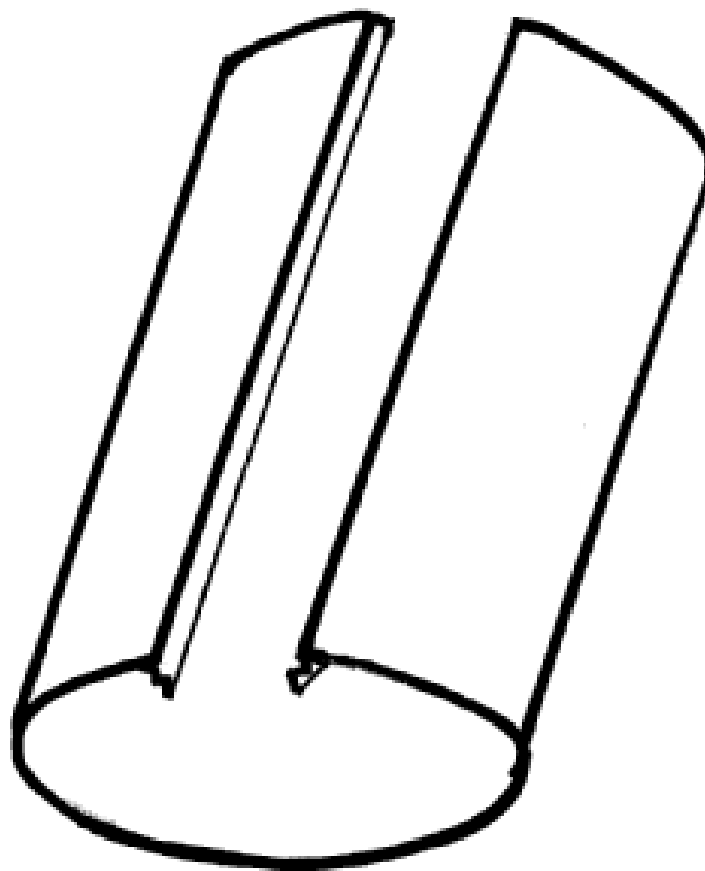
**Marlin Mattar Trading as Jala Wrought Iron  
15 Arab Road Padstow New South Wales 2211 Australia**

(72) Name(s) of Designer(s): **Farah Mattar and Marlin Mattar**

(45) Registration Date: **28 August 2006**

(56) Related Art Documents: **Not Applicable**

(57) Statement of Newness and Distinctiveness: **The features of the design are in the shape and configuration of a roll formed metal section of indefinite length as illustrated in the accompanying representations.**



(21) Design Number: **12578/2006**

(22) Date of Filing Application: **19 June 2006**

(24) Date from which industrial property rights may have effect: **19 June 2006**

(54) Product in respect of which the design is registered: **Double wheel**

(51) International Design Classification: **25-02NES, 25-02C, 08-09**

(71) Name(s) and Address(s) of Applicant(s):

**Farah Mattar Trading as Jala Wrought Iron  
15 Arab Road Padstow New South Wales 2211 Australia**

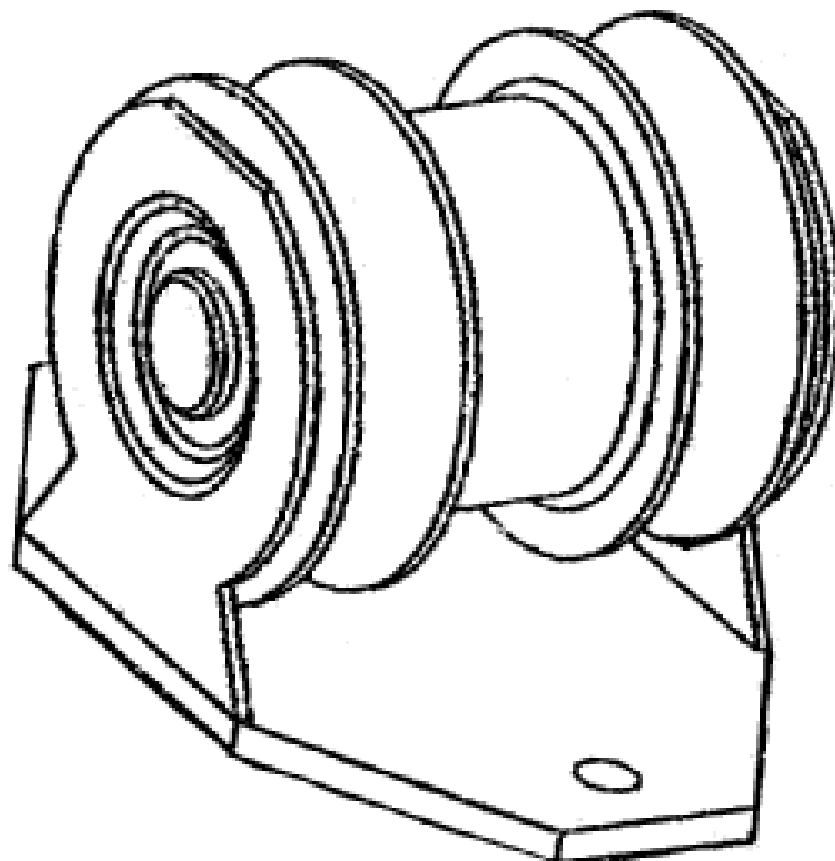
**Marlin Mattar Trading as Jala Wrought Iron  
15 Arab Road Padstow New South Wales 2211 Australia**

(72) Name(s) of Designer(s): **Farah Mattar and Marlin Mattar**

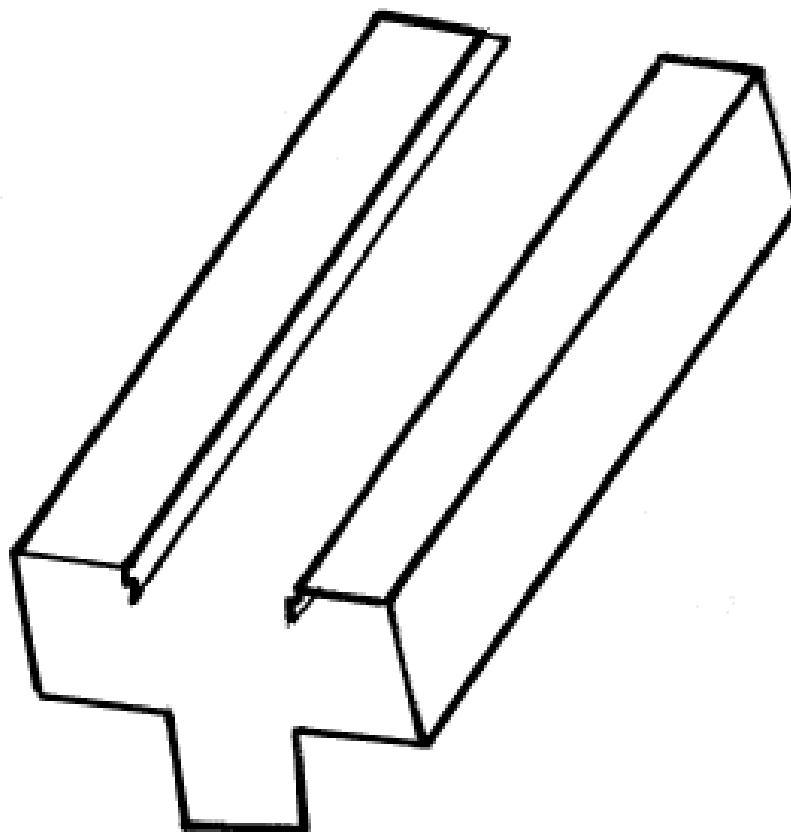
(45) Registration Date: **28 August 2006**

(56) Related Art Documents: **Not Applicable**

(57) Statement of Newness and Distinctiveness: **The features of the design are in the shape and configuration of a double wheel as illustrated in the accompanying representations.**



- (21) Design Number: **12579/2006**  
(22) Date of Filing Application: **19 June 2006**  
(24) Date from which industrial property rights may have effect: **19 June 2006**  
(54) Product in respect of which the design is registered: **A roll formed metal section**  
(51) International Design Classification: **25-01NES**  
(71) Name(s) and Address(s) of Applicant(s):  
**Farah Mattar Trading as Jala Wrought Iron**  
**15 Arab Road Padstow New South Wales 2211 Australia**  
**Marlin Mattar Trading as Jala Wrought Iron**  
**15 Arab Road Padstow New South Wales 2211 Australia**  
(72) Name(s) of Designer(s): **Farah Mattar and Marlin Mattar**  
(45) Registration Date: **28 August 2006**  
(56) Related Art Documents: **Not Applicable**  
(57) Statement of Newness and Distinctiveness: **The features of the design are in the shape and configuration of a roll formed metal section of indefinite length as illustrated in the accompanying representations.**



- (21) Design Number: **12580/2006**  
(22) Date of Filing Application: **19 June 2006**  
(24) Date from which industrial property rights may have effect: **19 June 2006**  
(54) Product in respect of which the design is registered: **Sculptural xmas tree tier**  
(51) International Design Classification: **11-05**  
(71) Name(s) and Address(s) of Applicant(s):  
**Sandra Okalyi**  
**8 Prosperity Street Point Lookout Queensland 4183 Australia**  
(72) Name(s) of Designer(s): **Sandra Okalyi**  
(45) Registration Date: **28 August 2006**  
(56) Related Art Documents: **Not Applicable**  
(57) Statement of Newness and Distinctiveness: **Ability to stack on top of smaller and larger tiers, stabilized by a central pole running through top opening on tier, to form a sculptural christmas tree.**





- (21) Design Number: **12581/2006**
- (22) Date of Filing Application: **19 June 2006**
- (24) Date from which industrial property rights may have effect: **19 June 2006**
- (54) Product in respect of which the design is registered: **ARC welding apparatus**
- (51) International Design Classification: **13-03NES, 15-09**
- (71) Name(s) and Address(s) of Applicant(s):

**Token Tools Pty. Ltd.**  
**PO Box 263 Wentworth Falls New South Wales 2782 Australia**

- (72) Name(s) of Designer(s): **Peter Chijoff**
- (45) Registration Date: **28 August 2006**
- (56) Related Art Documents: **Not Applicable**
- (57) Statement of Newness and Distinctiveness: **Nil.**



- (21) Design Number: **12615/2006**
- (22) Date of Filing Application: **16 June 2006**
- (24) Date from which industrial property rights may have effect: **16 June 2006**
- (54) Product in respect of which the design is registered: **Router tool bit**
- (51) International Design Classification: **08-01**
- (71) Name(s) and Address(s) of Applicant(s):

**Trevor Lindsay Limited**  
**31 Hannigan Drive St Johns Auckland New Zealand**

- (72) Name(s) of Designer(s): **Trevor Lindsay**
- (45) Registration Date: **28 August 2006**
- (30) Convention priority data:

(31) Number	(32) Date	(33) Country
<b>407609</b>	<b>25 May 2006</b>	<b>NEW ZEALAND</b>
- (56) Related Art Documents: **Not Applicable**
- (57) Statement of Newness and Distinctiveness: **Newness and distinctiveness is claimed in the shape and/or configuration of a router tool bit as depicted in the attached representations.**



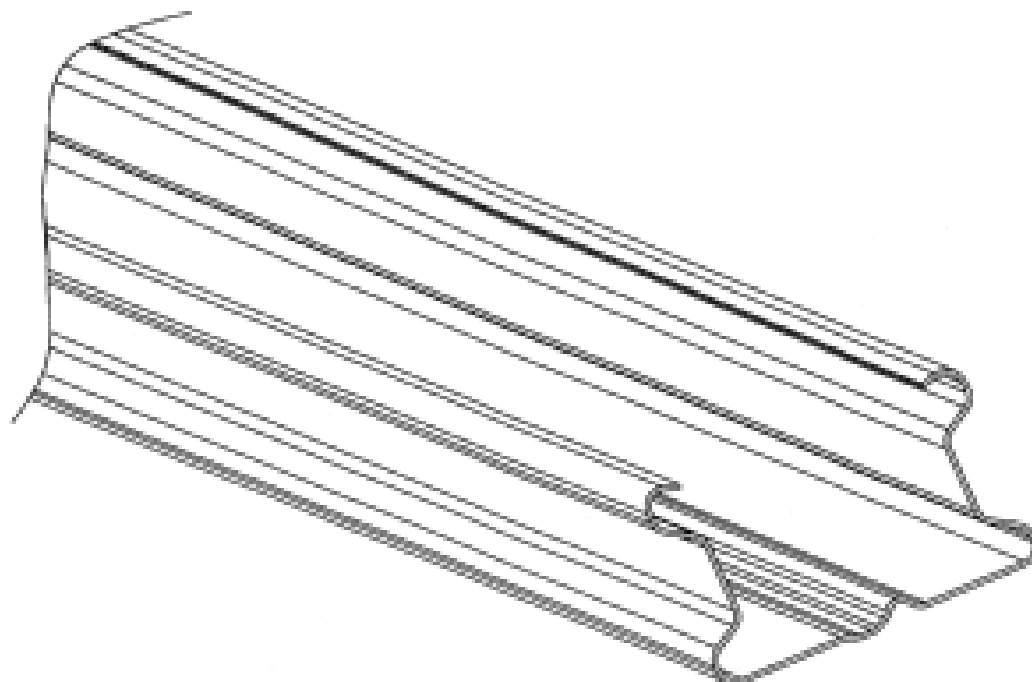
- (21) Design Number: **12901/2006**  
(22) Date of Filing Application: **07 July 2006**  
(24) Date from which industrial property rights may have effect: **07 July 2006**  
(54) Product in respect of which the design is registered: **A lounger**  
(51) International Design Classification: **06-01H**  
(71) Name(s) and Address(s) of Applicant(s):  
**Nique Enterprises Pty Limited**  
**2 Ainsley Close Sommersby New South Wales 2250 Australia**  
(72) Name(s) of Designer(s): **Tom Bihari**  
(45) Registration Date: **28 August 2006**  
(56) Related Art Documents: **Not Applicable**  
(57) Statement of Newness and Distinctiveness: **Newness and distinctiveness is claimed in respect of the shape and configuration of the lounger as illustrated in the accompanying representations.**



- (21) Design Number: **12902/2006**  
(22) Date of Filing Application: **07 July 2006**  
(24) Date from which industrial property rights may have effect: **07 July 2006**  
(54) Product in respect of which the design is registered: **A table**  
(51) International Design Classification: **06-03A**  
(71) Name(s) and Address(s) of Applicant(s):  
**Nique Enterprises Pty Limited**  
**2 Ainsley Close Sommersby New South Wales 2250 Australia**  
(72) Name(s) of Designer(s): **Tom Bihari**  
(45) Registration Date: **28 August 2006**  
(56) Related Art Documents: **Not Applicable**  
(57) Statement of Newness and Distinctiveness: **Newness and distinctiveness is claimed in respect of the shape and configuration of the table as illustrated in the accompanying representations.**



- (21) Design Number: **12903/2006**  
(22) Date of Filing Application: **07 July 2006**  
(24) Date from which industrial property rights may have effect: **07 July 2006**  
(54) Product in respect of which the design is registered: **A building material being a profiled section of indefinite length**  
(51) International Design Classification: **25-01NES**  
(71) Name(s) and Address(s) of Applicant(s):  
**Gram Engineering Pty Limited**  
**16-22 Cullen Place Smithfield New South Wales 2164 Australia**  
(72) Name(s) of Designer(s): **Ronald Mann**  
(45) Registration Date: **28 August 2006**  
(56) Related Art Documents: **Not Applicable**  
(57) Statement of Newness and Distinctiveness: **Nil**



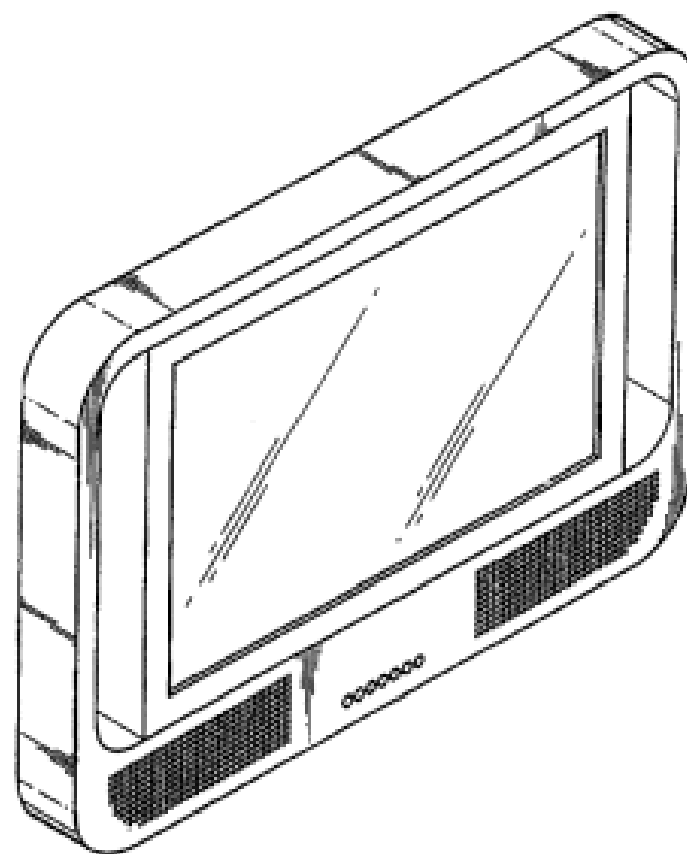
- (21) Design Number: **12904/2006**  
(22) Date of Filing Application: **07 July 2006**  
(24) Date from which industrial property rights may have effect: **07 July 2006**  
(54) Product in respect of which the design is registered: **Bottle**  
(51) International Design Classification: **09-01H**  
(71) Name(s) and Address(s) of Applicant(s):  
**Societe Autonome de Verreries**  
**Place de la Gare 60960 Feuquieres France**  
(72) Name(s) of Designer(s): **Didier Rica**  
(45) Registration Date: **28 August 2006**  
(56) Related Art Documents: **Not Applicable**  
(57) Statement of Newness and Distinctiveness: **The distinctive features of the bottle include a massive and shapely silhouette in which the shoulder is set relatively low with respect to the body of the bottle which has very rounded profile tapering at the base, and the punt carried on the bottom of the bottle.**



(21) Design Number: **12905/2006**  
 (22) Date of Filing Application: **07 July 2006**  
 (24) Date from which industrial property rights may have effect: **07 July 2006**  
 (54) Product in respect of which the design is registered: **Video display**  
 (51) International Design Classification: **14-01**  
 (71) Name(s) and Address(s) of Applicant(s):  
**Watkins Manufacturing Corporation**  
**1280 Park Center Drive Vista California 92083 United States of America**  
 (72) Name(s) of Designer(s): **Stephen S. Macey and Christopher Larsen**  
 (45) Registration Date: **28 August 2006**  
 (30) Convention priority data:  

(31) Number	(32) Date	(33) Country
<b>29/251760</b>	<b>12 Jan 2006</b>	<b>UNITED STATES OF AMERICA</b>

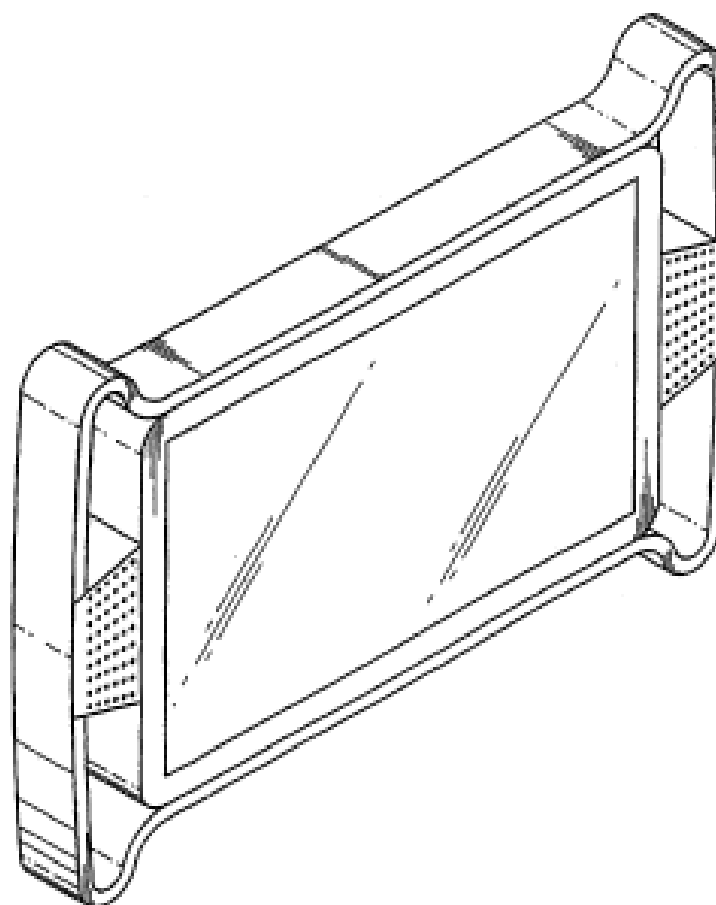
 (56) Related Art Documents: **Not Applicable**  
 (57) Statement of Newness and Distinctiveness: **Newness and distinctiveness reside in the features of the design as shown in the representations.**



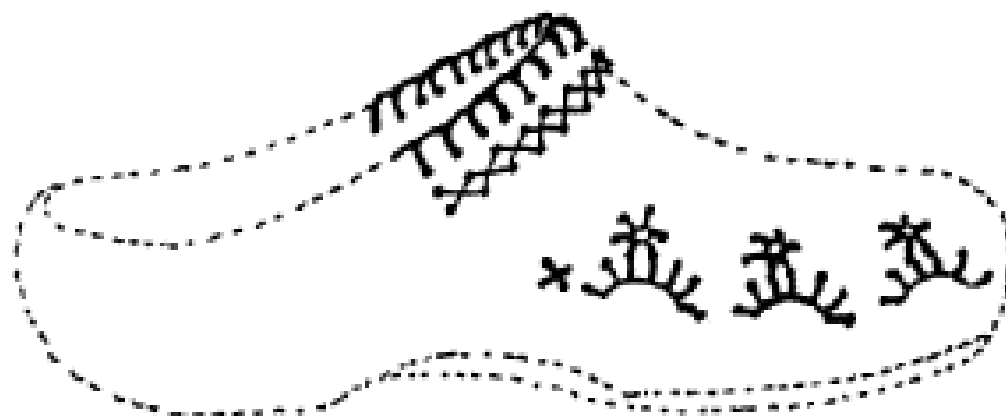
(21) Design Number: **12906/2006**  
 (22) Date of Filing Application: **07 July 2006**  
 (24) Date from which industrial property rights may have effect: **07 July 2006**  
 (54) Product in respect of which the design is registered: **Video display**  
 (51) International Design Classification: **14-01**  
 (71) Name(s) and Address(s) of Applicant(s):  
**Watkins Manufacturing Corporation**  
**1280 Park Center Drive Vista California 92083 United States of America**  
 (72) Name(s) of Designer(s): **Stephen S. Macey and Christopher Larsen**  
 (45) Registration Date: **28 August 2006**  
 (30) Convention priority data:  

(31) Number	(32) Date	(33) Country
<b>29/251733</b>	<b>12 Jan 2006</b>	<b>UNITED STATES OF AMERICA</b>

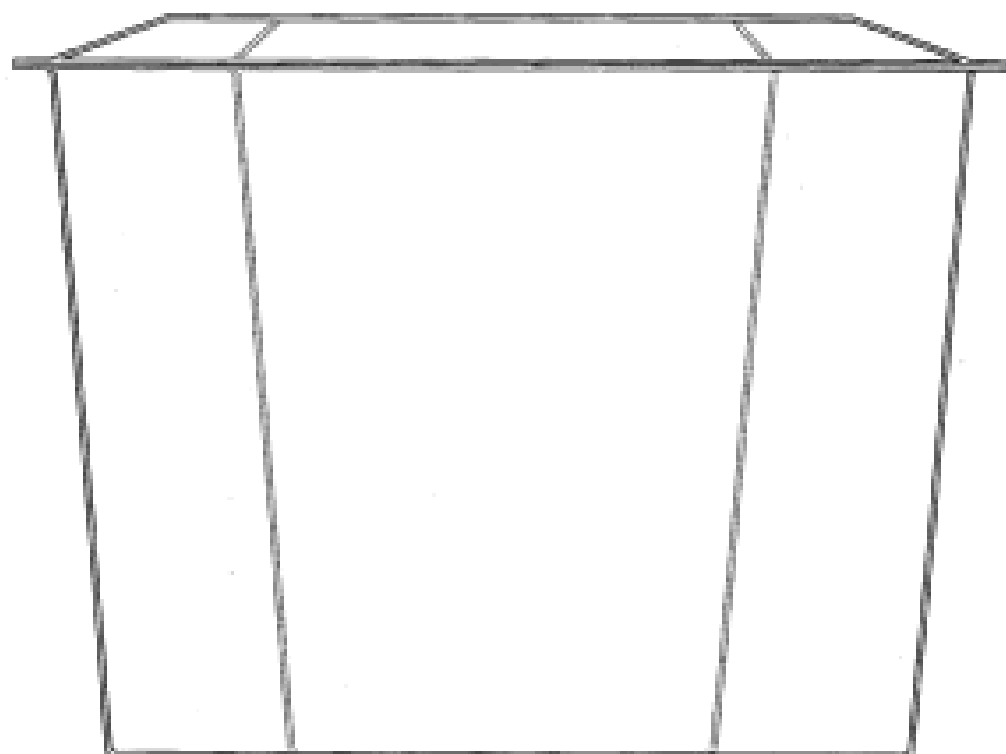
 (56) Related Art Documents: **Not Applicable**  
 (57) Statement of Newness and Distinctiveness: **Newness and distinctiveness reside in the features of the design as shown in the representations.**



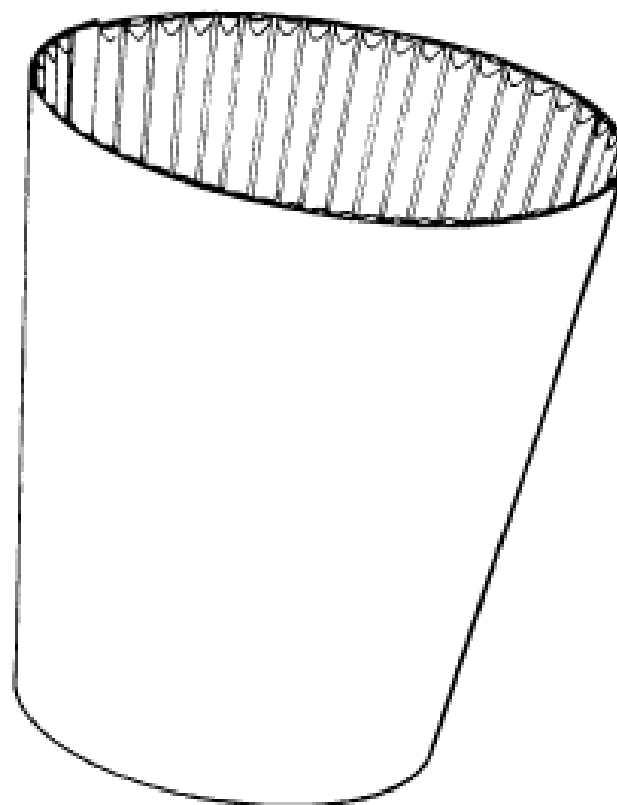
- (21) Design Number: **12953/2006**  
(22) Date of Filing Application: **13 July 2006**  
(24) Date from which industrial property rights may have effect: **13 July 2006**  
(54) Product in respect of which the design is registered: **Footwear**  
(51) International Design Classification: **02-04NES**  
(71) Name(s) and Address(s) of Applicant(s):  
**Chen Meir**  
**48th Bari Street Rehovot 76351 Israel**  
**Orit Meir**  
**48th Bari Street Rehovot 76351 Israel**  
(72) Name(s) of Designer(s): **Chen Meir and Orit Meir**  
(45) Registration Date: **28 August 2006**  
(56) Related Art Documents: **Not Applicable**  
(57) Statement of Newness and Distinctiveness: **Nil**



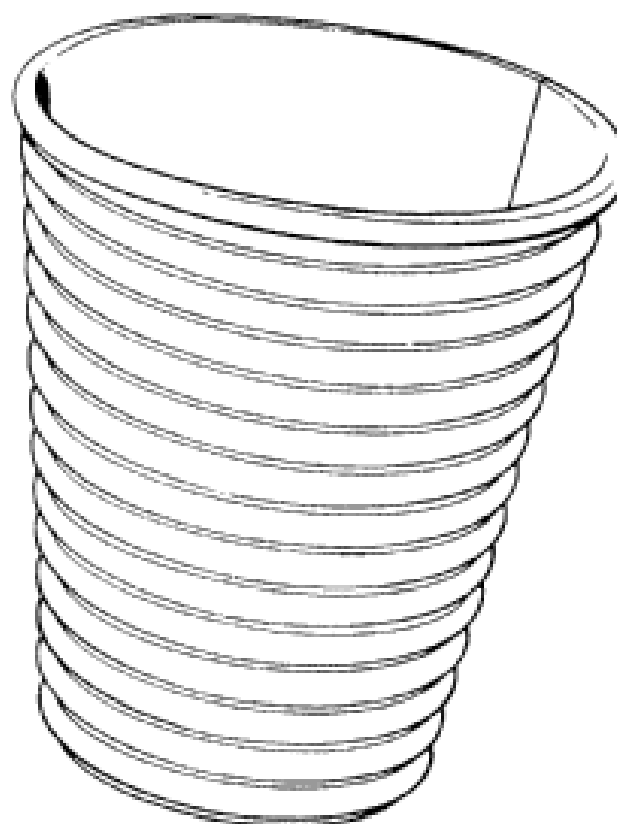
- (21) Design Number: **12966/2006**  
(22) Date of Filing Application: **13 July 2006**  
(24) Date from which industrial property rights may have effect: **13 July 2006**  
(54) Product in respect of which the design is registered: **Collection well**  
(51) International Design Classification: **23-01F, 23-02NES**  
(71) Name(s) and Address(s) of Applicant(s):  
**Hi-Flow Systems Pty Ltd**  
**83 Wheatley Street Gosnells Western Australia 6110 Australia**  
(72) Name(s) of Designer(s): **Simon James Wallis**  
(45) Registration Date: **28 August 2006**  
(56) Related Art Documents: **Not Applicable**  
(57) Statement of Newness and Distinctiveness: **Newness and distinctiveness is claimed in the features of shape and/or configuration of a collection well as shown in the attached representations, excluding any portion represented in broken lines.**



(21) Design Number: **12967/2006**  
(22) Date of Filing Application: **13 July 2006**  
(24) Date from which industrial property rights may have effect: **13 July 2006**  
(54) Product in respect of which the design is registered: **Beverage cup sleeve**  
(51) International Design Classification: **07-06A**  
(71) Name(s) and Address(s) of Applicant(s):  
**Food Pack Pty Ltd**  
**PO Box 106 Blaxcel New South Wales 2142 Australia**  
(72) Name(s) of Designer(s): **Carl Karam**  
(45) Registration Date: **28 August 2006**  
(56) Related Art Documents: **Not Applicable**  
(57) Statement of Newness and Distinctiveness: **Nil.**



(21) Design Number: **12968/2006**  
(22) Date of Filing Application: **13 July 2006**  
(24) Date from which industrial property rights may have effect: **13 July 2006**  
(54) Product in respect of which the design is registered: **Beverage container**  
(51) International Design Classification: **07-06A**  
(71) Name(s) and Address(s) of Applicant(s):  
**Food Pack Pty Ltd**  
**PO Box 106 Blaxcel New South Wales 2142 Australia**  
(72) Name(s) of Designer(s): **Carl Karam**  
(45) Registration Date: **28 August 2006**  
(56) Related Art Documents: **Not Applicable**  
(57) Statement of Newness and Distinctiveness: **Nil.**



(21) Design Number: **12996/2006**

(22) Date of Filing Application: **12 July 2006**

(24) Date from which industrial property rights may have effect: **12 July 2006**

(54) Product in respect of which the design is registered: **A blank configurable as a manually operable fan or display**

(51) International Design Classification: **20-03NES, 19-08**

(71) Name(s) and Address(s) of Applicant(s):

**PWM Finance Pty Ltd**

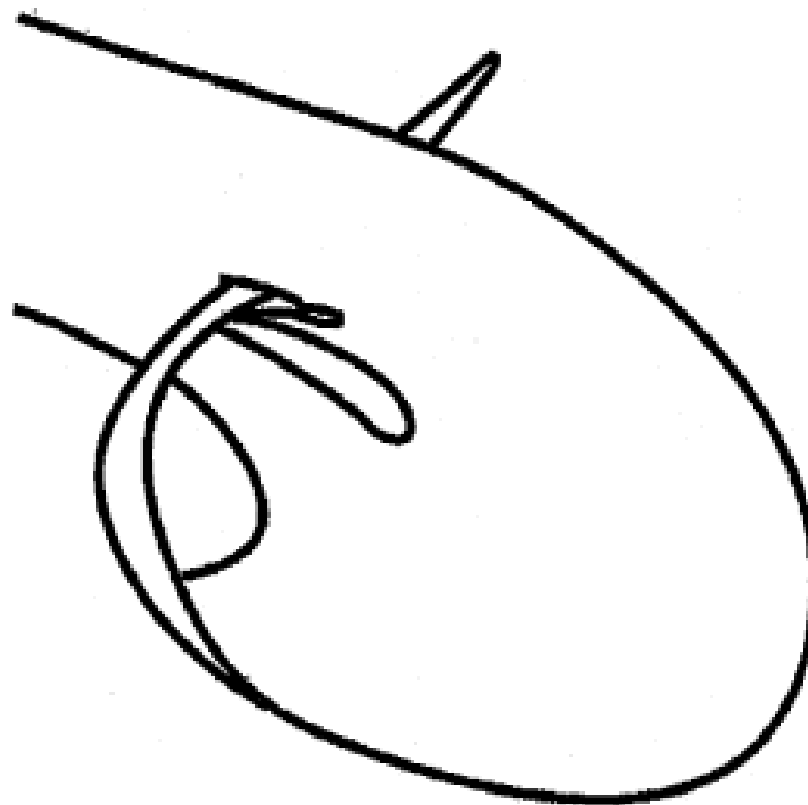
**16 Belmore Street Surry Hills New South Wales 2010 Australia**

(72) Name(s) of Designer(s): **Peter William Henry Meyerratken**

(45) Registration Date: **28 August 2006**

(56) Related Art Documents: **Not Applicable**

(57) Statement of Newness and Distinctiveness: **Newness and distinctiveness is claimed in the features of shape and/or configuration of a blank configurable as a manually operable fan or display as illustrated in the accompanying representations, and when considering newness and distinctiveness, the length of the blank as indicated by dotted lines is to be disregarded and particular regard is to be had to the shape and/or configuration at "A" that permits configuration as a fan or display.**



(21) Design Number: **13181/2006**

(22) Date of Filing Application: **12 July 2006**

(24) Date from which industrial property rights may have effect: **15 November 2005**

(54) Product in respect of which the design is registered: **Coating transfer device**

(51) International Design Classification: **19-02**

(71) Name(s) and Address(s) of Applicant(s):

**Tombow Pencil Co., Ltd.**

**6-10-12 Toshima Kita-ku Tokyo 114-8583 Japan**

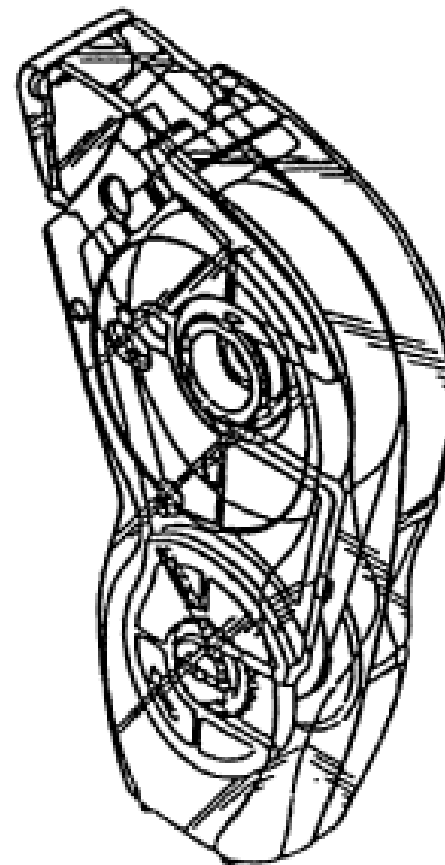
(72) Name(s) of Designer(s): **Kazuhiko Suzuki**

(45) Registration Date: **28 August 2006**

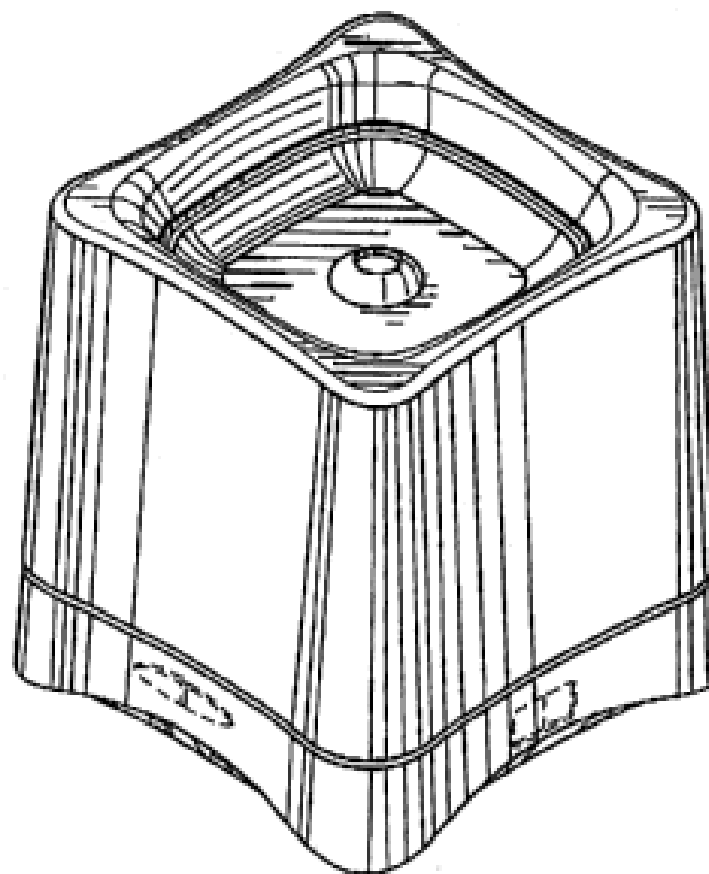
(62) Divisional of: **308272**

(56) Related Art Documents: **Not Applicable**

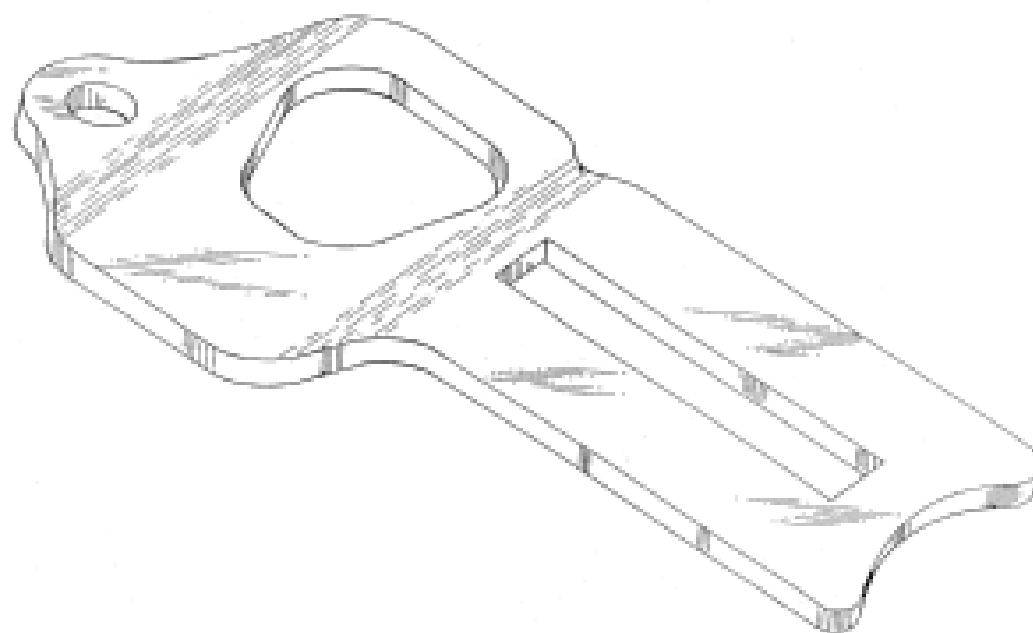
(57) Statement of Newness and Distinctiveness: **Those features of the coating transfer device depicted in the representations that are new and distinctive are the shape and/or configuration, wherein Figs. 8 shows the coating transfer device with the tip part exposed and the cap held in a non-protective position.**



- (21) Design Number: **12054/2006**  
(22) Date of Filing Application: **10 May 2006**  
(24) Date from which industrial property rights may have effect: **10 May 2006**  
(54) Product in respect of which the design is registered: **Decorative candle holder**  
(51) International Design Classification: **26-01**  
(71) Name(s) and Address(s) of Applicant(s):  
**S.C. Johnson & Son, Inc.**  
**1525 Howe Street Racine Wisconsin 53403-2236 United States of America**  
(72) Name(s) of Designer(s): **Chris A. Kubicek and Nathan R. Westphal and Paul E. Furner and Mary Beth Adams and Romuald Marie**  
(45) Registration Date: **30 August 2006**  
(30) Convention priority data:  
(31) Number (32) Date (33) Country  
**29/242572 10 Nov 2005 UNITED STATES OF AMERICA**  
(56) Related Art Documents: **Not Applicable**  
(57) Statement of Newness and Distinctiveness: **Newness and distinctiveness is claimed in the features of shape and/or configuration of a decorative candle holder as illustrated in continuous lines in the accompanying representations.**



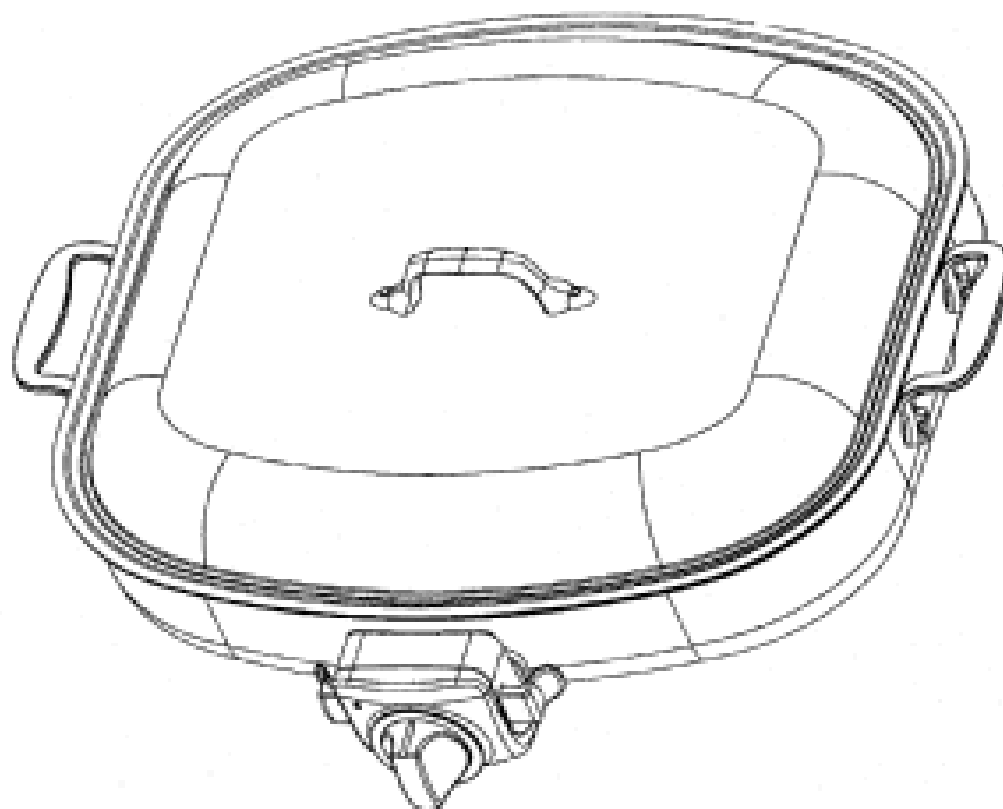
- (21) Design Number: **12371/2006**  
(22) Date of Filing Application: **30 May 2006**  
(24) Date from which industrial property rights may have effect: **30 May 2006**  
(54) Product in respect of which the design is registered: **Lock linkage**  
(51) International Design Classification: **08-08NES**  
(71) Name(s) and Address(s) of Applicant(s):  
**Robert Paul Frankham**  
**24 Coorabin Court Tallebudgera Queensland 4228 Australia**  
**Gary John Grevis**  
**Unit 52/8 Ben Lomond Court Nerang Queensland 4211 Australia**  
(72) Name(s) of Designer(s): **Robert Paul Frankham and Gary John Grevis**  
(45) Registration Date: **30 August 2006**  
(56) Related Art Documents: **Not Applicable**  
(57) Statement of Newness and Distinctiveness: **Nil**





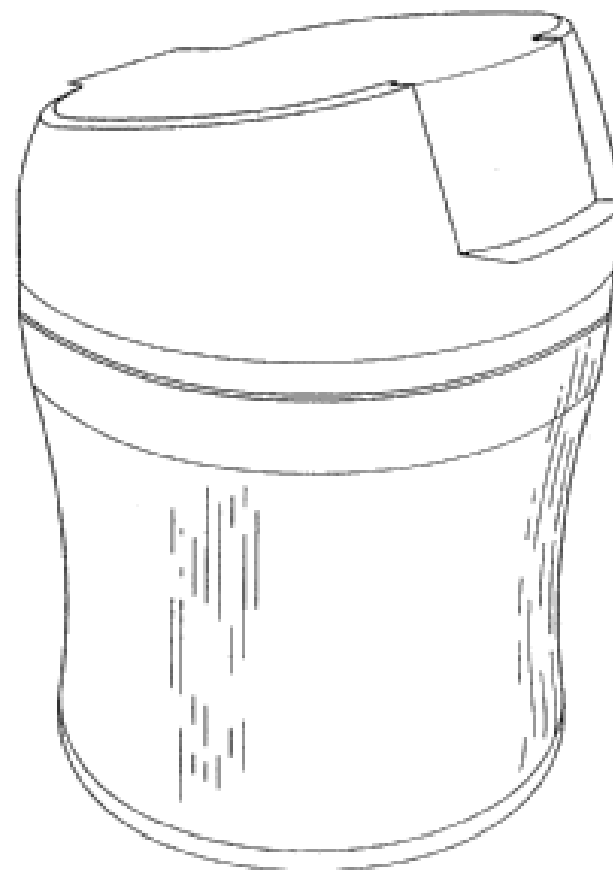
- (21) Design Number: **12408/2006**
- (22) Date of Filing Application: **01 June 2006**
- (24) Date from which industrial property rights may have effect: **01 June 2006**
- (54) Product in respect of which the design is registered: **A skillet**
- (51) International Design Classification: **07-02NES, 07-02N**
- (71) Name(s) and Address(s) of Applicant(s):  
**Tefal**  
**Z.I. des Granges 74150 Rumilly France**
- (72) Name(s) of Designer(s): **Jean-Pierre Lubowicki**
- (45) Registration Date: **30 August 2006**
- (30) Convention priority data:  

(31) Number	(32) Date	(33) Country
<b>05 5815</b>	<b>02 Dec 2005</b>	<b>FRANCE</b>
- (56) Related Art Documents: **Not Applicable**
- (57) Statement of Newness and Distinctiveness: **In considering the newness or distinctiveness of the design, regard is to be given to the overall shape and/or configuration of a skillet as shown in the representations.**



- (21) Design Number: **12409/2006**
- (22) Date of Filing Application: **01 June 2006**
- (24) Date from which industrial property rights may have effect: **01 June 2006**
- (54) Product in respect of which the design is registered: **Product dispenser**
- (51) International Design Classification: **09-03L, 09-03NES**
- (71) Name(s) and Address(s) of Applicant(s):  
**Wm. Wrigley Jr. Company**  
**1132 W. Blackhawk Street Chicago Illinois 60622 United States of America**
- (72) Name(s) of Designer(s): **Jonathan E. Rathbone and Katie J. Hernandez and James T. Simpson and Elaine S. Madansky**
- (45) Registration Date: **30 August 2006**
- (30) Convention priority data:  

(31) Number	(32) Date	(33) Country
<b>29/243980</b>	<b>02 Dec 2005</b>	<b>UNITED STATES OF AMERICA</b>
- (56) Related Art Documents: **Not Applicable**
- (57) Statement of Newness and Distinctiveness: **Newness and distinctiveness is claimed in the features of shape and/or configuration of a product dispenser as illustrated in the accompanying representations.**



(21) Design Number: **12309/2006**

(22) Date of Filing Application: **25 May 2006**

(24) Date from which industrial property rights may have effect: **25 May 2006**

(54) Product in respect of which the design is registered: **Ornamental object**

(51) International Design Classification: **11-02D**

(71) Name(s) and Address(s) of Applicant(s):

**Swarovski Aktiengesellschaft  
Droschistrasse 15 FL-9495 Triesen Liechtenstein**

(72) Name(s) of Designer(s): **Gabriele Stamey**

(45) Registration Date: **30 August 2006**

(30) Convention priority data:

(31) Number (32) Date  
**000445671-0001 12 Dec 2005**

(33) Country  
**EUROPEAN PATENT OFFICE  
(EP)**

(56) Related Art Documents: **Not Applicable**

(57) Statement of Newness and Distinctiveness: **Nil.**



(21) Design Number: **12310/2006**

(22) Date of Filing Application: **25 May 2006**

(24) Date from which industrial property rights may have effect: **25 May 2006**

(54) Product in respect of which the design is registered: **Ornamental object**

(51) International Design Classification: **11-02D**

(71) Name(s) and Address(s) of Applicant(s):

**Swarovski Aktiengesellschaft  
Droschistrasse 15 FL-9495 Triesen Liechtenstein**

(72) Name(s) of Designer(s): **Gabriele Stamey**

(45) Registration Date: **30 August 2006**

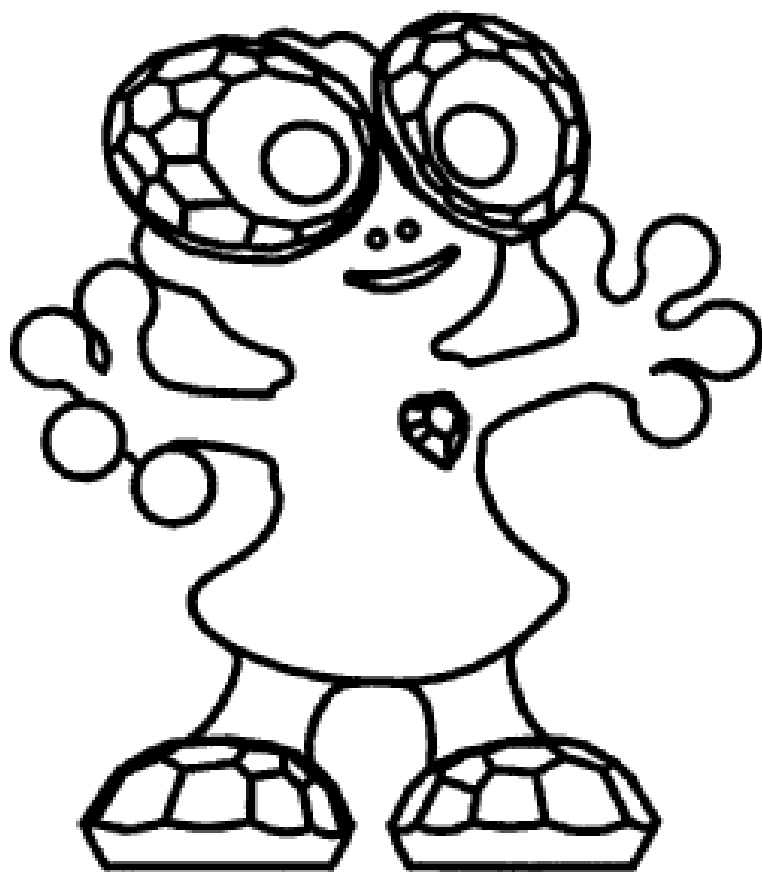
(30) Convention priority data:

(31) Number (32) Date  
**000445671-0002 12 Dec 2005**

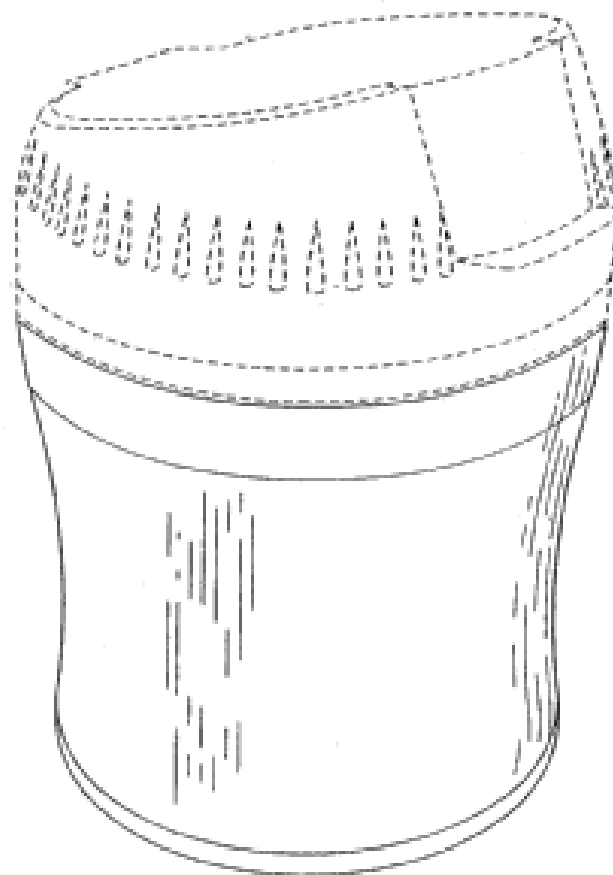
(33) Country  
**EUROPEAN PATENT OFFICE  
(EP)**

(56) Related Art Documents: **Not Applicable**

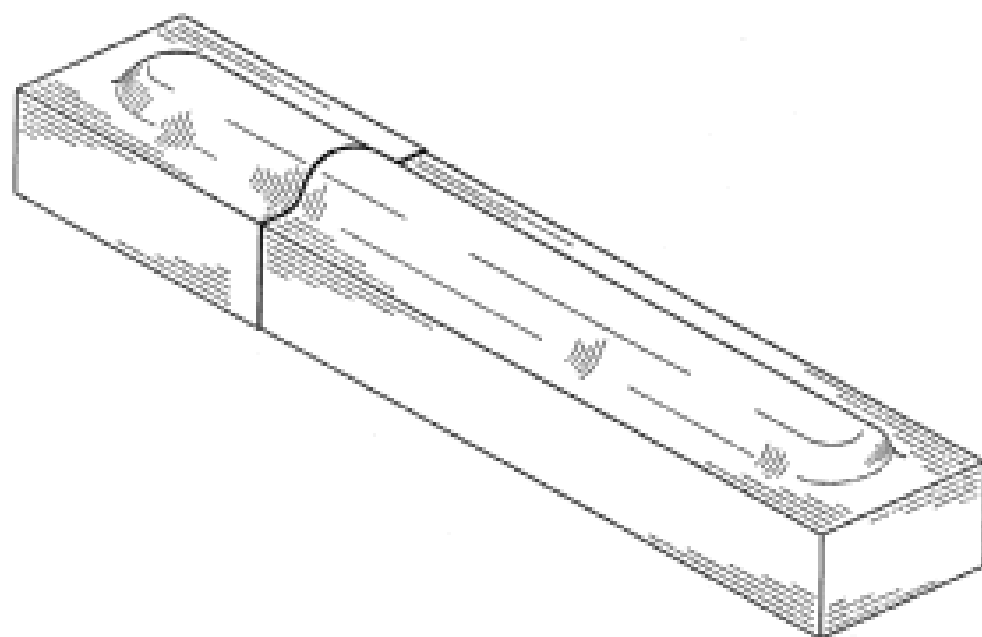
(57) Statement of Newness and Distinctiveness: **Nil.**



(21) Design Number: **12410/2006**  
(22) Date of Filing Application: **01 June 2006**  
(24) Date from which industrial property rights may have effect: **01 June 2006**  
(54) Product in respect of which the design is registered: **Product dispenser**  
(51) International Design Classification: **09-03L, 09-03NES**  
(71) Name(s) and Address(s) of Applicant(s):  
**Wm. Wrigley Jr. Company**  
**1132 W. Blackhawk Street Chicago Illinois 60622 United States of America**  
(72) Name(s) of Designer(s): **Jonathan E. Rathbone and Katie J. Hernandez and James T. Simpson and Elaine S. Madansky**  
(45) Registration Date: **30 August 2006**  
(30) Convention priority data:  
(31) Number (32) Date (33) Country  
**29/243980 02 Dec 2005 UNITED STATES OF AMERICA**  
(56) Related Art Documents: **Not Applicable**  
(57) Statement of Newness and Distinctiveness: **Newness and distinctiveness is claimed in those features of shape and/or configuration of a product dispenser as illustrated in continuous lines in the accompanying representations.**

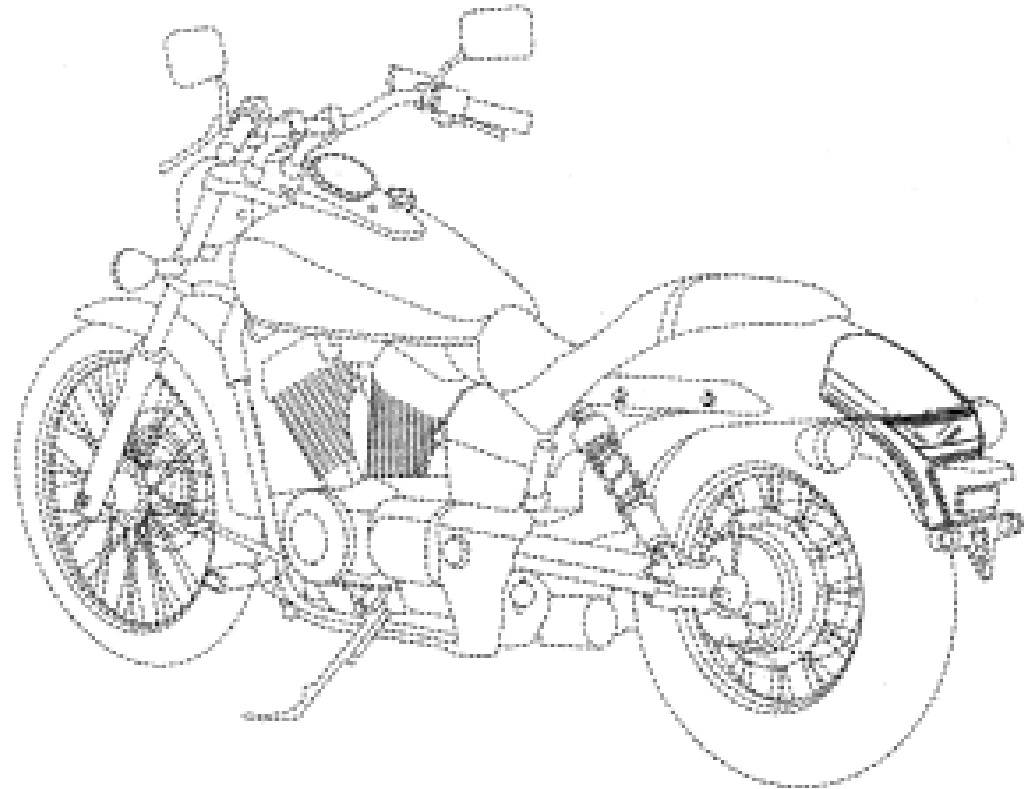


(21) Design Number: **12311/2006**  
(22) Date of Filing Application: **25 May 2006**  
(24) Date from which industrial property rights may have effect: **25 May 2006**  
(54) Product in respect of which the design is registered: **Cosmetic container**  
(51) International Design Classification: **09-01G**  
(71) Name(s) and Address(s) of Applicant(s):  
**Physicians Formula Cosmetics, Inc.**  
**1055 West Eighth Street Azusa California 91702 United States of America**  
(72) Name(s) of Designer(s): **Ingrid Jackel-Marken**  
(45) Registration Date: **30 August 2006**  
(30) Convention priority data:  
(31) Number (32) Date (33) Country  
**29/254087 15 Feb 2006 UNITED STATES OF AMERICA**  
(56) Related Art Documents: **Not Applicable**  
(57) Statement of Newness and Distinctiveness: **Newness and distinctiveness of the design resides in the shape and configuration of the cosmetic container as shown in the accompanying representations.**



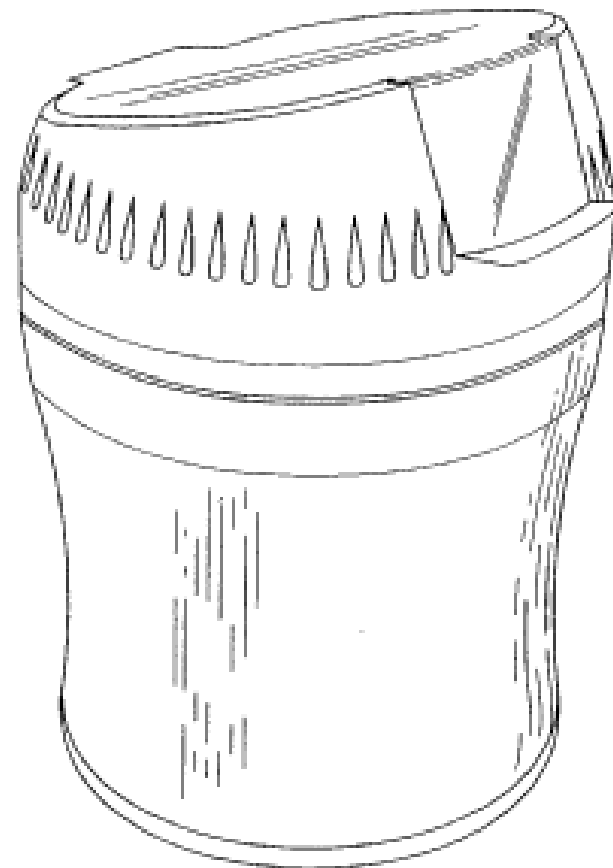
(19) AU

- (21) Design Number: **12411/2006**  
(22) Date of Filing Application: **01 June 2006**  
(24) Date from which industrial property rights may have effect: **01 June 2006**  
(54) Product in respect of which the design is registered: **A motorcycle**  
(51) International Design Classification: **12-11**  
(71) Name(s) and Address(s) of Applicant(s):  
**Honda Motor Co., Ltd.**  
**1-1 Minami-Aoyama 2-Chome Minato-Ku Tokyo Japan**  
(72) Name(s) of Designer(s): **Koji Komiya and Hiroyuki Miyazaki**  
(45) Registration Date: **30 August 2006**  
(30) Convention priority data:  
(31) Number           (32) Date           (33) Country  
**2005-35663       02 Dec 2005       JAPAN**  
(56) Related Art Documents: **Not Applicable**  
(57) Statement of Newness and Distinctiveness: **Newness and distinctiveness is claimed in those features of shape and/or configuration of a rear portion of a motorcycle as illustrated in continuous lines and surrounded by one point chain line.**

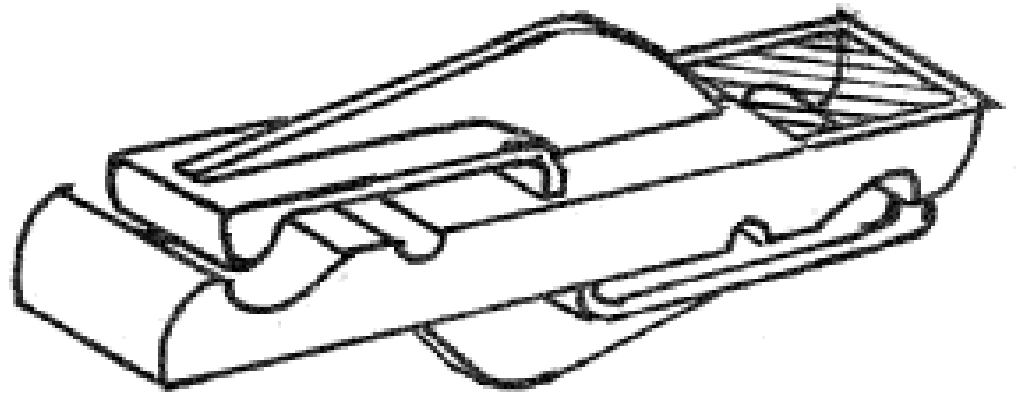


(19) AU

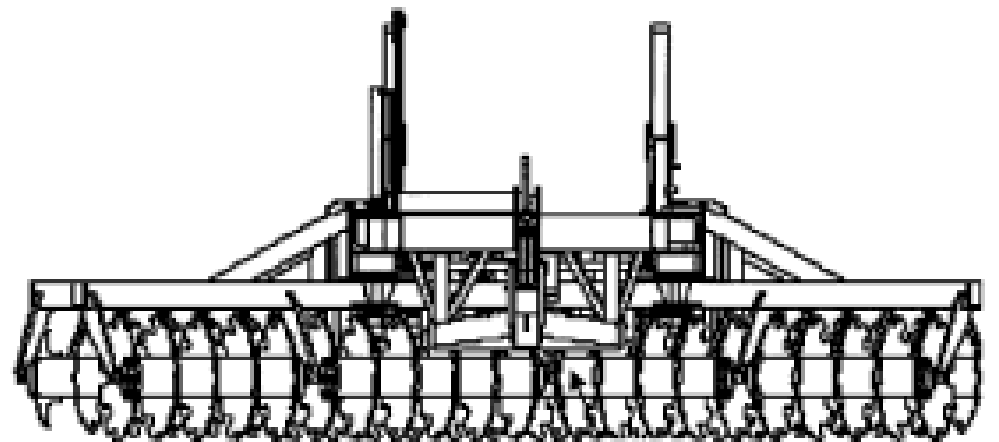
- (21) Design Number: **12412/2006**  
(22) Date of Filing Application: **01 June 2006**  
(24) Date from which industrial property rights may have effect: **01 June 2006**  
(54) Product in respect of which the design is registered: **Product dispenser**  
(51) International Design Classification: **09-03L, 09-03NES**  
(71) Name(s) and Address(s) of Applicant(s):  
**Wm. Wrigley Jr. Company**  
**1132 W. Blackhawk Street Chicago Illinois 60622 United States of America**  
(72) Name(s) of Designer(s): **Jonathan E. Rathbone and Katie J. Hernandez and James T. Simpson and Elaine S. Madansky**  
(45) Registration Date: **30 August 2006**  
(30) Convention priority data:  
(31) Number           (32) Date           (33) Country  
**29/243980       02 Dec 2005       UNITED STATES OF AMERICA**  
(56) Related Art Documents: **Not Applicable**  
(57) Statement of Newness and Distinctiveness: **Newness and distinctiveness is claimed in the features of shape and/or configuration of a product dispenser as illustrated in the accompanying representations.**



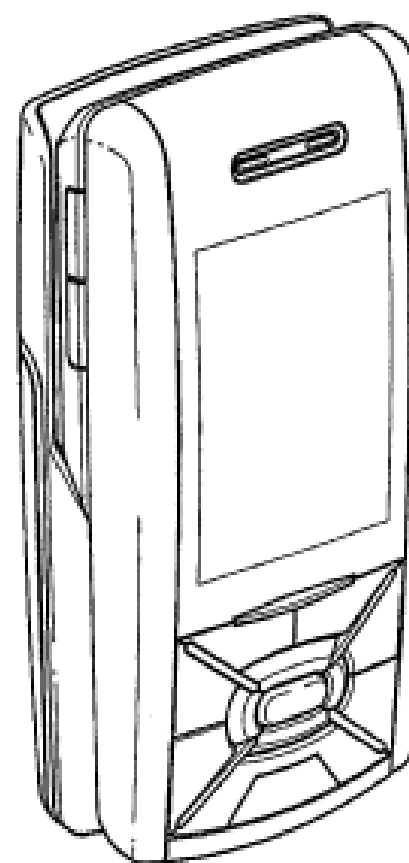
- (21) Design Number: **12413/2006**  
(22) Date of Filing Application: **02 June 2006**  
(24) Date from which industrial property rights may have effect: **02 June 2006**  
(54) Product in respect of which the design is registered: **Clothes peg**  
(51) International Design Classification: **07-05C**  
(71) Name(s) and Address(s) of Applicant(s):  
**John G. Gauci**  
**16 Christie Street Prairiewood New South Wales 2176 Australia**  
(72) Name(s) of Designer(s): **John Gauci**  
(45) Registration Date: **30 August 2006**  
(56) Related Art Documents: **Not Applicable**  
(57) Statement of Newness and Distinctiveness: **The new features of the design are the shape and clamping arrangement of the dual clamping system.**



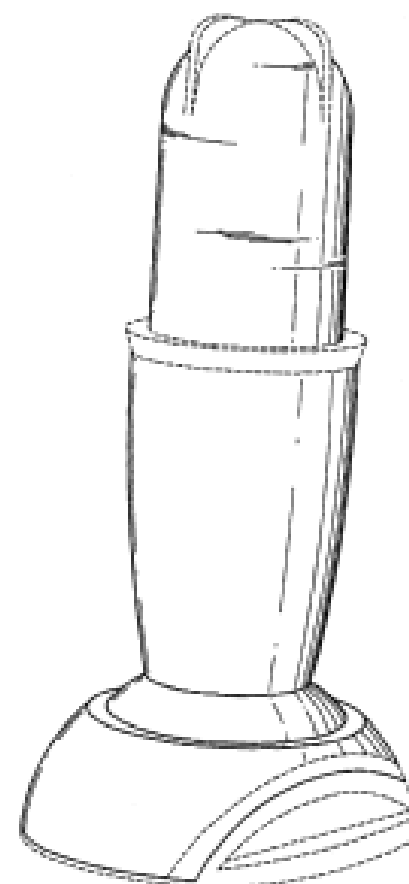
- (21) Design Number: **12425/2006**  
(22) Date of Filing Application: **02 June 2006**  
(24) Date from which industrial property rights may have effect: **02 June 2006**  
(54) Product in respect of which the design is registered: **A plough**  
(51) International Design Classification: **15-03A**  
(71) Name(s) and Address(s) of Applicant(s):  
**Oregon House Pty Ltd**  
**PO Box 831 Swan Hill Victoria 3585 Australia**  
(72) Name(s) of Designer(s): **Gavan Monk**  
(45) Registration Date: **30 August 2006**  
(56) Related Art Documents: **Not Applicable**  
(57) Statement of Newness and Distinctiveness: **The shape and configuration of the plough, excluding a draw bar assembly indicated by arrow A, shown in the representations is new and distinctive.**



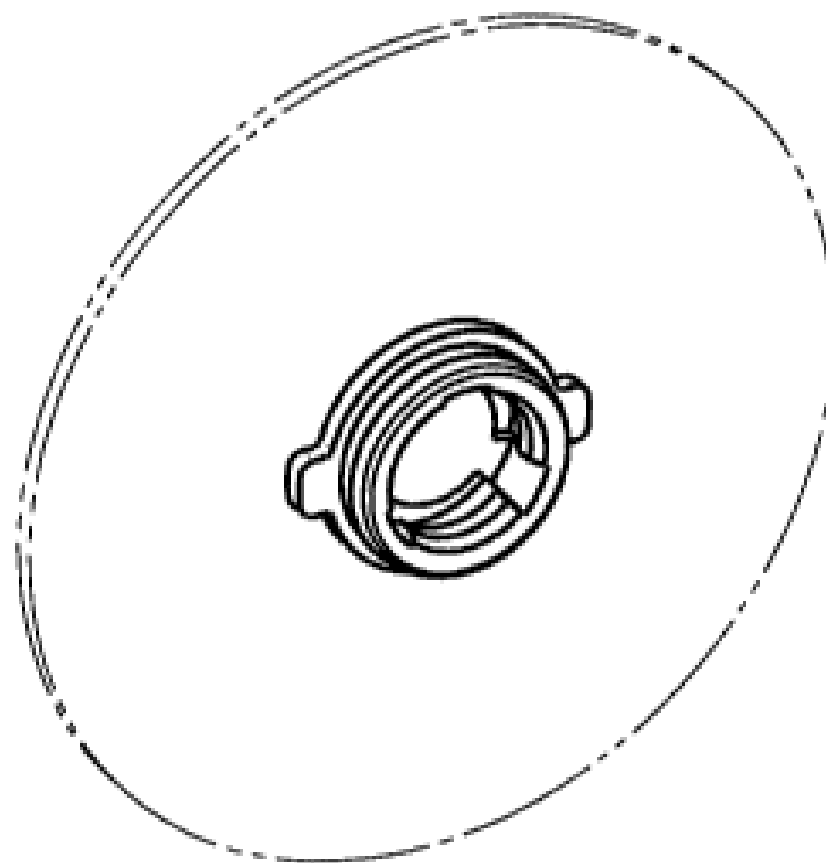
- (21) Design Number: **12426/2006**  
(22) Date of Filing Application: **02 June 2006**  
(24) Date from which industrial property rights may have effect: **02 June 2006**  
(54) Product in respect of which the design is registered: **Mobile phone**  
(51) International Design Classification: **14-03E**  
(71) Name(s) and Address(s) of Applicant(s):  
**LG Electronics Inc.**  
**20 Yoido-dong Youngdungpo-ku Seoul Republic of Korea**  
(72) Name(s) of Designer(s): **Davis Mursalie and Min Sung Bae**  
(45) Registration Date: **30 August 2006**  
(30) Convention priority data:  
(31) Number (32) Date (33) Country  
**30-2005-0041006 06 Dec 2005 REPUBLIC OF KOREA**  
(56) Related Art Documents: **Not Applicable**  
(57) Statement of Newness and Distinctiveness: **Nil.**



- (21) Design Number: **12428/2006**  
(22) Date of Filing Application: **02 June 2006**  
(24) Date from which industrial property rights may have effect: **02 June 2006**  
(54) Product in respect of which the design is registered: **Portable blender**  
(51) International Design Classification: **31-00**  
(71) Name(s) and Address(s) of Applicant(s):  
**Homeland Housewares, LLC**  
**11755 Wilshire Boulevard Suite 1150 Los Angeles California 90025**  
**United States of America**  
(72) Name(s) of Designer(s): **Lenny Sands**  
(45) Registration Date: **30 August 2006**  
(30) Convention priority data:  
(31) Number (32) Date (33) Country  
**29/253,225 02 Feb 2006 UNITED STATES OF AMERICA**  
(56) Related Art Documents: **Not Applicable**  
(57) Statement of Newness and Distinctiveness: **Newness and distinctiveness are claimed in the features of shape and/or configuration of a portable blender, as illustrated in the accompanying representations. In considering the overall impression of the design, the features shown in broken lines are for illustrations environmental structures only and are to be disregarded.**



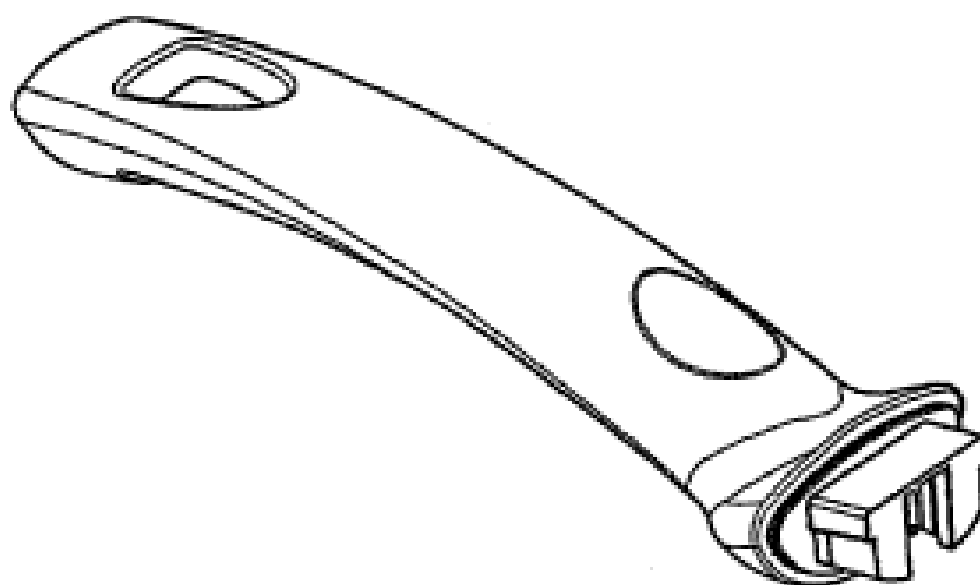
- (21) Design Number: **12517/2006**  
(22) Date of Filing Application: **09 June 2006**  
(24) Date from which industrial property rights may have effect: **09 June 2006**  
(54) Product in respect of which the design is registered: **A hub for a digital media storage case**  
(51) International Design Classification: **03-01C**  
(71) Name(s) and Address(s) of Applicant(s):  
**Trade Guys International Pty Ltd**  
**12/8 Fortitude Crescent Burleigh Heads Queensland 4220 Australia**  
(72) Name(s) of Designer(s): **Raymond Scicluna and Peter Scicluna**  
(45) Registration Date: **30 August 2006**  
(56) Related Art Documents: **Not Applicable**  
(57) Statement of Newness and Distinctiveness: **Newness and distinctiveness resides in the features of shape and configuration of a hub for a digital media storage case as shown in the representations.**



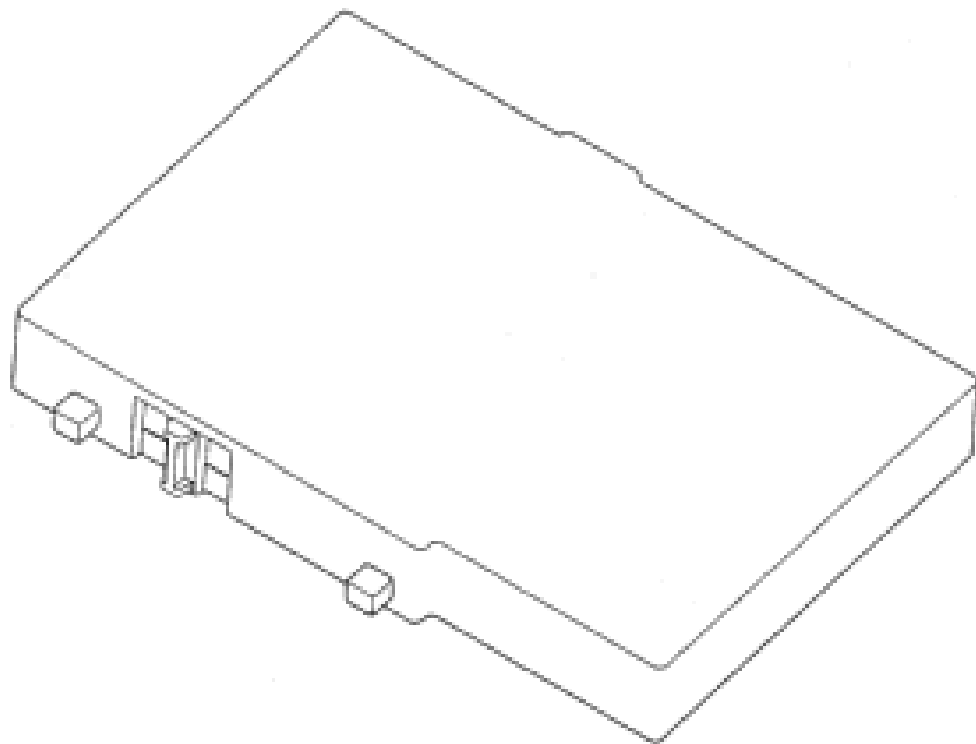
- (21) Design Number: **12739/2006**  
(22) Date of Filing Application: **23 June 2006**  
(24) Date from which industrial property rights may have effect: **23 June 2006**  
(54) Product in respect of which the design is registered: **Saucepan handle**  
(51) International Design Classification: **07-02R**  
(71) Name(s) and Address(s) of Applicant(s):  
**La Termoplastico F.B.M. - S.r.l**  
**Via del Tornago, Z.I. Arsago Seprio 21010 Italy**  
(72) Name(s) of Designer(s): **Marco Munari**  
(45) Registration Date: **30 August 2006**  
(30) Convention priority data:  

(31) Number	(32) Date	(33) Country
<b>000456777</b>	<b>29 Dec 2005</b>	<b>EUROPEAN COMMUNITY</b>

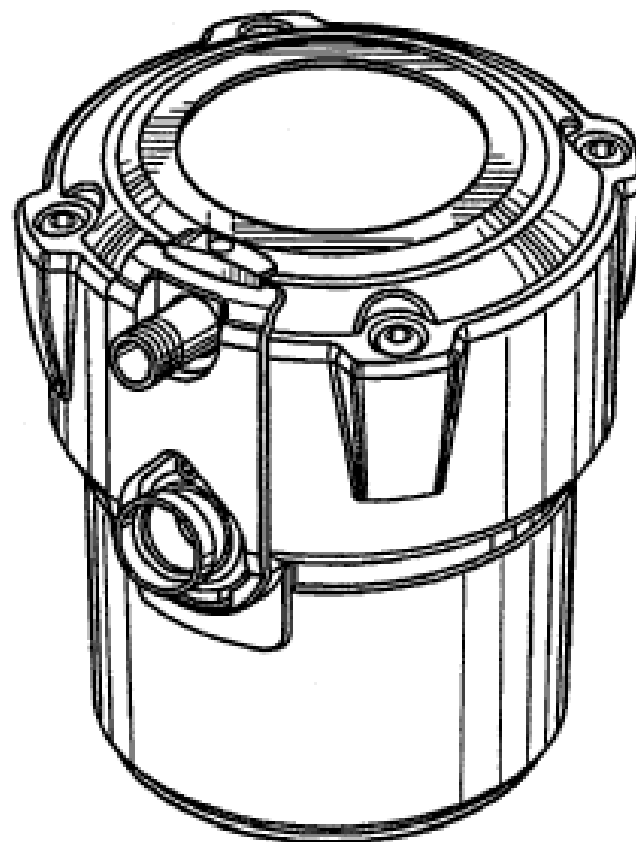
  
(56) Related Art Documents: **Not Applicable**  
(57) Statement of Newness and Distinctiveness: **Nil.**



- (21) Design Number: **12747/2006**  
(22) Date of Filing Application: **26 June 2006**  
(24) Date from which industrial property rights may have effect: **26 June 2006**  
(54) Product in respect of which the design is registered: **A storage battery for electronic equipment**  
(51) International Design Classification: **13-02**  
(71) Name(s) and Address(s) of Applicant(s):  
**Nintendo Co., Ltd.**  
**11-1 Hokotate-cho Kamitoba Minami-ku Kyoto-shi Kyoto Japan**  
(72) Name(s) of Designer(s): **Tomoki Yamamoto and Takeshi Nabesaka**  
(45) Registration Date: **30 August 2006**  
(30) Convention priority data:  
(31) Number      (32) Date      (33) Country  
**2005-038045      26 Dec 2005      JAPAN**  
(56) Related Art Documents: **Not Applicable**  
(57) Statement of Newness and Distinctiveness: **Nil**



- (21) Design Number: **12749/2006**  
(22) Date of Filing Application: **26 June 2006**  
(24) Date from which industrial property rights may have effect: **26 June 2006**  
(54) Product in respect of which the design is registered: **Food waste disposer trim shell**  
(51) International Design Classification: **09-09**  
(71) Name(s) and Address(s) of Applicant(s):  
**Emerson Electric Co**  
**8000 West Florissant Avenue St Louis Missouri 63136 United States of America**  
(72) Name(s) of Designer(s): **James Robert Patterson and Scott W. Anderson and David MacNair and Joshua Malik and Eric Joseph Schultz and James Douglas Wilson and Kevin Robert Young and Jo Frances Wollschlaeger and Thomas M. Garza Sr.**  
(45) Registration Date: **30 August 2006**  
(30) Convention priority data:  
(31) Number      (32) Date      (33) Country  
**29/245751      27 Dec 2005      UNITED STATES OF AMERICA**  
(56) Related Art Documents: **Not Applicable**  
(57) Statement of Newness and Distinctiveness: **Newness and distinctiveness reside in the features of the design as shown in the representations.**

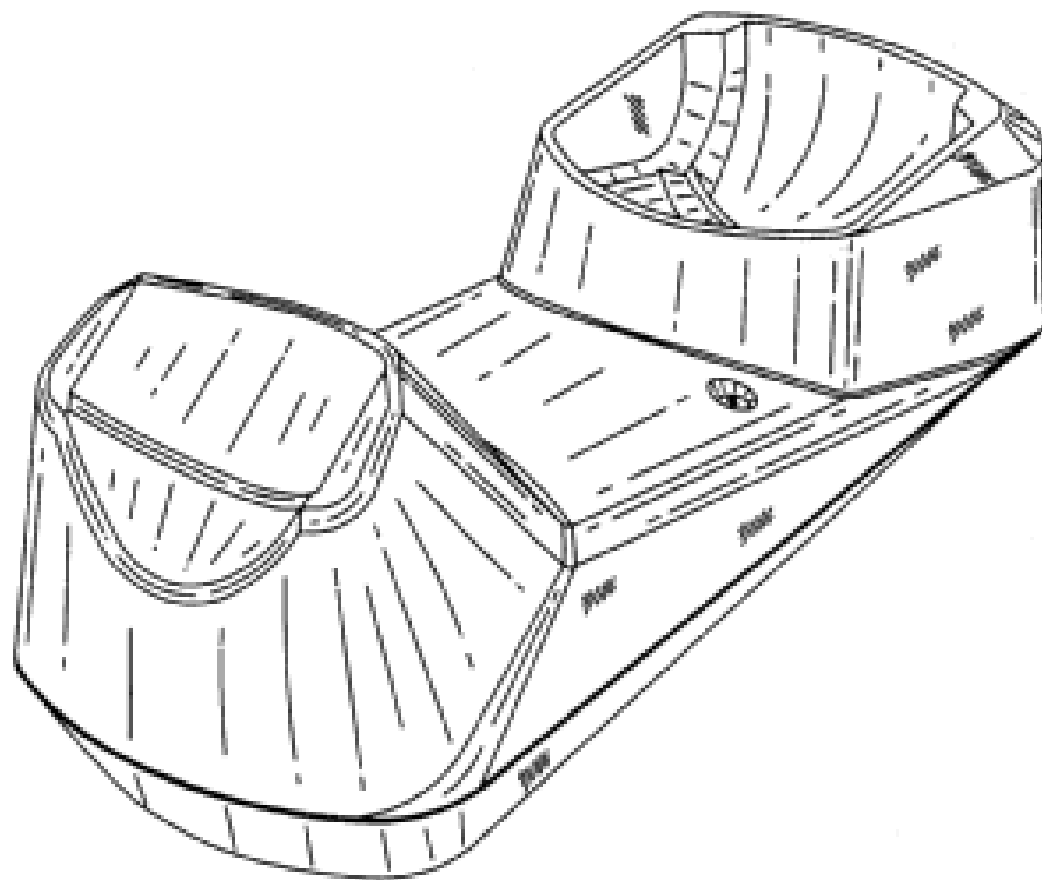




(19) AU

- (21) Design Number: **13124/2006**
- (22) Date of Filing Application: **20 July 2006**
- (24) Date from which industrial property rights may have effect: **20 July 2006**
- (54) Product in respect of which the design is registered: **A charger base for a cordless drill/driver**
- (51) International Design Classification: **13-02**
- (71) Name(s) and Address(s) of Applicant(s):  
**Black & Decker Inc.**  
**1207 Drummond Plaza Newark Delaware 19711 United States of America**
- (72) Name(s) of Designer(s): **Mark Baxter**
- (45) Registration Date: **30 August 2006**
- (30) Convention priority data:  

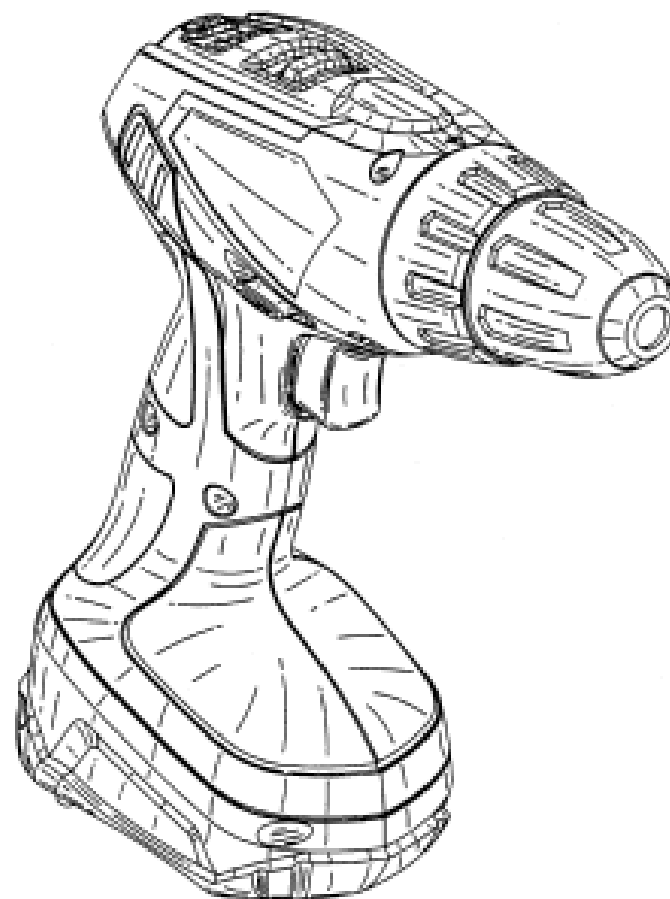
(31) Number	(32) Date	(33) Country
<b>000466891</b>	<b>20 Jan 2006</b>	<b>EUROPEAN COMMUNITY</b>
- (56) Related Art Documents: **Not Applicable**
- (57) Statement of Newness and Distinctiveness: **Nil**



(19) AU

- (21) Design Number: **13125/2006**
- (22) Date of Filing Application: **20 July 2006**
- (24) Date from which industrial property rights may have effect: **20 July 2006**
- (54) Product in respect of which the design is registered: **A cordless drill**
- (51) International Design Classification: **08-01**
- (71) Name(s) and Address(s) of Applicant(s):  
**Black & Decker Inc.**  
**1207 Drummond Plaza Newark Delaware 19711 United States of America**
- (72) Name(s) of Designer(s): **Mark Stratford**
- (45) Registration Date: **30 August 2006**
- (30) Convention priority data:  

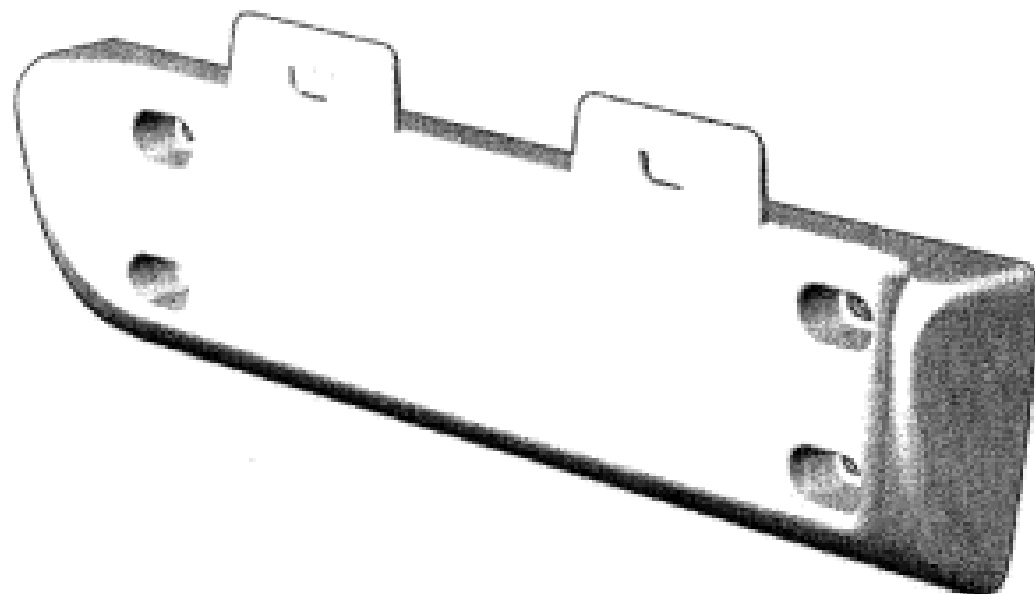
(31) Number	(32) Date	(33) Country
<b>000467055</b>	<b>20 Jan 2006</b>	<b>EUROPEAN COMMUNITY</b>
- (56) Related Art Documents: **Not Applicable**
- (57) Statement of Newness and Distinctiveness: **Nil**



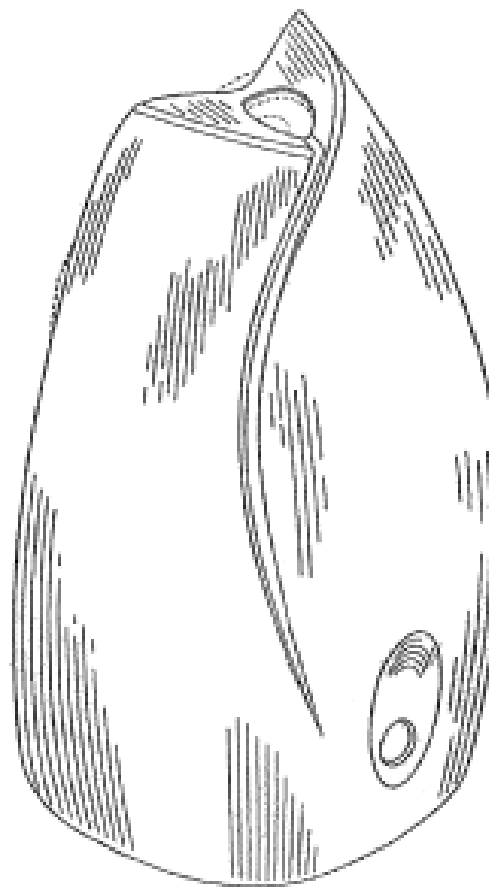
- (21) Design Number: **15280/2005**  
(22) Date of Filing Application: **29 November 2005**  
(24) Date from which industrial property rights may have effect: **29 November 2005**  
(54) Product in respect of which the design is registered: **A footwear sole**  
(51) International Design Classification: **02-04B**  
(71) Name(s) and Address(s) of Applicant(s):  
**Wolverine World Wide, Inc.**  
**9341 Courtland Drive NE Rockford Michigan 49351 United States of America**  
(72) Name(s) of Designer(s): **Clark A. Matis and Trond Sonnergren**  
(45) Registration Date: **31 August 2006**  
(30) Convention priority data:  
(31) Number (32) Date (33) Country  
**29231166 02 Jun 2005 UNITED STATES OF AMERICA**  
(56) Related Art Documents: **Not Applicable**  
(57) Statement of Newness and Distinctiveness: **Newness and distinctiveness is claimed in the visual features shown in the representations except for those shown in phantom lines.**



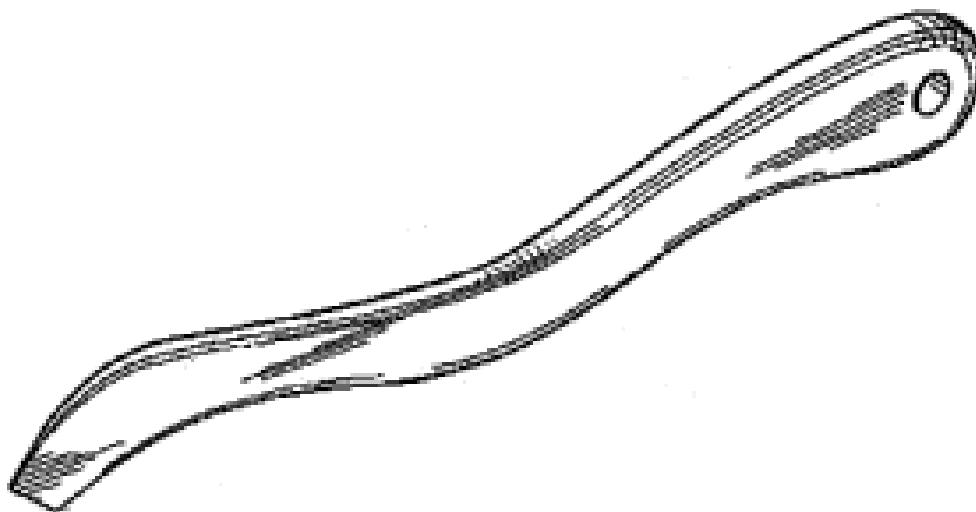
- (21) Design Number: **10353/2006**  
(22) Date of Filing Application: **02 February 2006**  
(24) Date from which industrial property rights may have effect: **02 February 2006**  
(54) Product in respect of which the design is registered: **A bracket**  
(51) International Design Classification: **08-08L, 08-08NES**  
(71) Name(s) and Address(s) of Applicant(s):  
**IMD Group Limited**  
**Gateway Business Park Suite 306 Level 3 63-79 Parramatta Road**  
**Silverwater New South Wales 2128 Australia**  
(72) Name(s) of Designer(s): **Giovanni Ciampa and Anthony Honeyfield**  
(45) Registration Date: **31 August 2006**  
(56) Related Art Documents: **Not Applicable**  
(57) Statement of Newness and Distinctiveness: **Newness and distinctiveness is claimed in the features of shape and/or configuration of the wrap around side guards and vertically slim dimension of a bracket as illustrated in the accompanying representations.**



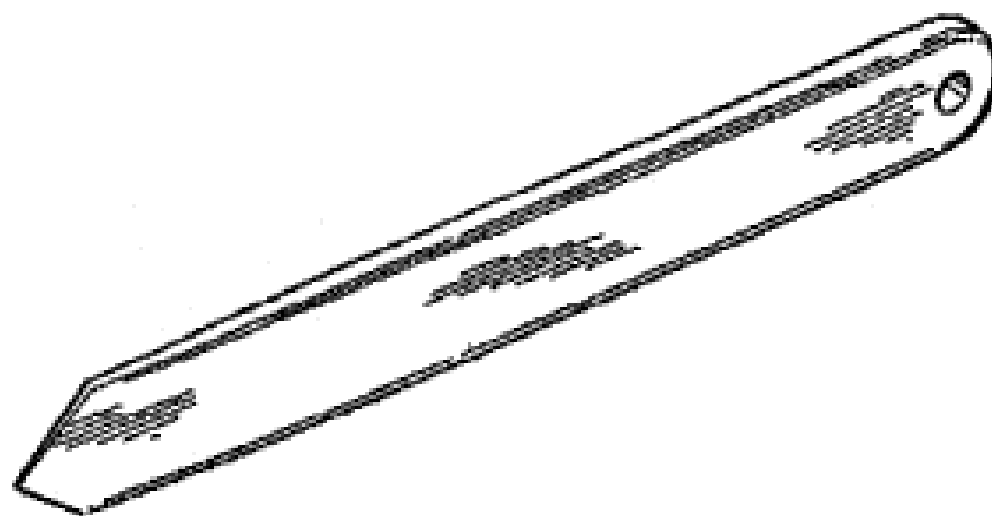
- (21) Design Number: **11504/2006**  
(22) Date of Filing Application: **11 April 2006**  
(24) Date from which industrial property rights may have effect: **11 April 2006**  
(54) Product in respect of which the design is registered: **Cover plate for a fragrance dispenser**  
(51) International Design Classification: **28-99**  
(71) Name(s) and Address(s) of Applicant(s):  
**S.C. Johnson & Son, Inc.**  
**1525 Howe Street Racine Wisconsin 53403-2236 United States of America**  
(72) Name(s) of Designer(s): **Paul E. Furner and Christian J. Kulujian**  
(45) Registration Date: **31 August 2006**  
(30) Convention priority data:  
(31) Number (32) Date (33) Country  
**29/240314 11 Oct 2005 UNITED STATES OF AMERICA**  
(56) Related Art Documents: **Not Applicable**  
(57) Statement of Newness and Distinctiveness: **Newness and distinctiveness is claimed in the features of shape and/or configuration of a cover plate for a fragrance dispenser as illustrated in continuous lines in the accompanying representations.**



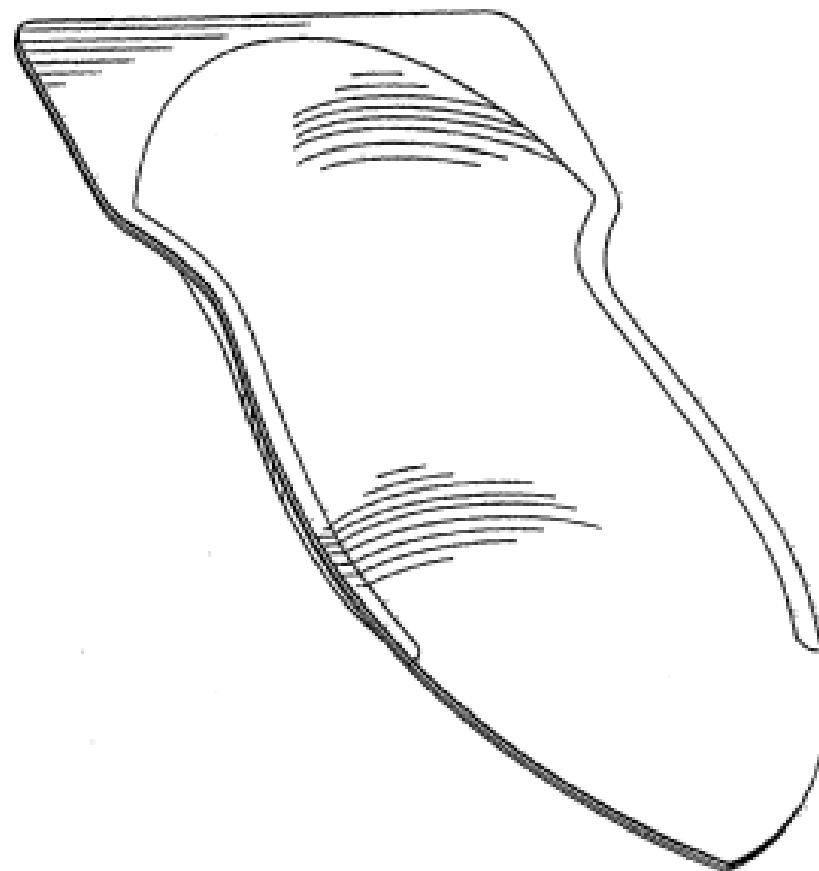
- (21) Design Number: **12025/2006**  
(22) Date of Filing Application: **10 May 2006**  
(24) Date from which industrial property rights may have effect: **10 May 2006**  
(54) Product in respect of which the design is registered: **Scratching Tool**  
(51) International Design Classification: **28-03NES, 28-99**  
(71) Name(s) and Address(s) of Applicant(s):  
**Michael Steels**  
**14 Whichello Street Toowoomba Queensland 4350 Australia**  
(72) Name(s) of Designer(s): **Michael Steels**  
(45) Registration Date: **31 August 2006**  
(56) Related Art Documents: **Not Applicable**  
(57) Statement of Newness and Distinctiveness: **Newness and distinctiveness is claimed in the features of shape and/or configuration of a scratch mate as illustrated in the accompanying representations.**



- (21) Design Number: **12026/2006**  
(22) Date of Filing Application: **10 May 2006**  
(24) Date from which industrial property rights may have effect: **10 May 2006**  
(54) Product in respect of which the design is registered: **Scratching Tool**  
(51) International Design Classification: **28-03NES, 28-99**  
(71) Name(s) and Address(s) of Applicant(s):  
**Michael Steels**  
**14 Whichello Street Toowoomba Queensland 4350 Australia**  
(72) Name(s) of Designer(s): **Michael Steels**  
(45) Registration Date: **31 August 2006**  
(56) Related Art Documents: **Not Applicable**  
(57) Statement of Newness and Distinctiveness: **Newness and distinctiveness is claimed in the features of shape and/or configuration of a scratch mate as illustrated in the accompanying representations.**



- (21) Design Number: **12187/2006**  
(22) Date of Filing Application: **18 May 2006**  
(24) Date from which industrial property rights may have effect: **18 May 2006**  
(54) Product in respect of which the design is registered: **Sachet for a food product**  
(51) International Design Classification: **09-05**  
(71) Name(s) and Address(s) of Applicant(s):  
**PepsiCo, Inc.**  
**700 Anderson Hill Road Purchase New York 10577 United States of America**  
(72) Name(s) of Designer(s): **Mario Narita**  
(45) Registration Date: **31 August 2006**  
(30) Convention priority data:  
(31) Number      (32) Date      (33) Country  
**29/243200      21 Nov 2005      UNITED STATES OF AMERICA**  
(56) Related Art Documents: **Not Applicable**  
(57) Statement of Newness and Distinctiveness: **Newness and distinctiveness is claimed in the features of shape and/or configuration of a sachet for a food product as illustrated in the accompanying representations.**



(21) Design Number: **12751/2006**

(22) Date of Filing Application: **26 June 2006**

(24) Date from which industrial property rights may have effect: **26 June 2006**

(54) Product in respect of which the design is registered: **Hydrant valve**

(51) International Design Classification: **23-01E, 23-01K**

(71) Name(s) and Address(s) of Applicant(s):

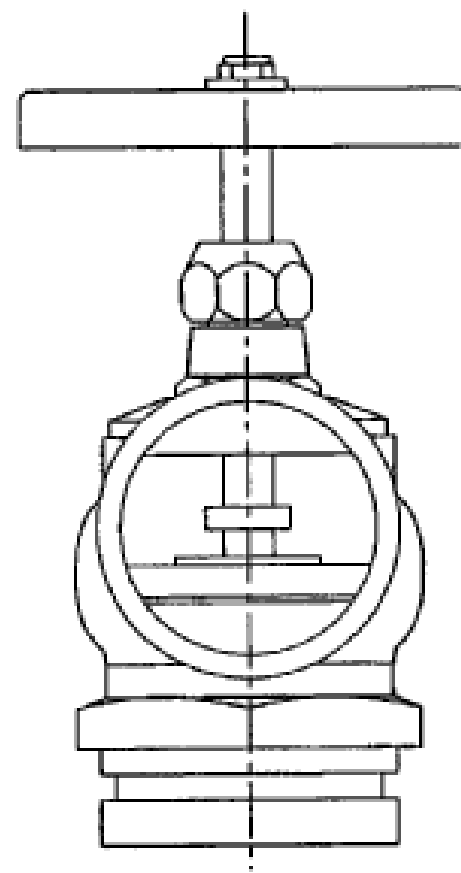
**Associated Enterprises (S) Pte Ltd  
Block 28 #01-171/173 Sin Ming Drive Singapore 575702**

(72) Name(s) of Designer(s): **Heng Kwong Wong**

(45) Registration Date: **31 August 2006**

(56) Related Art Documents: **Not Applicable**

(57) Statement of Newness and Distinctiveness: **The newness and distinctiveness of the design resides in the features of shape and/or configuration of the hydrant valve shown in unbroken lines in the accompanying representations. The alpha-numeric characters shown on the valves in certain views form no part of the design.**



(21) Design Number: **12752/2006**

(22) Date of Filing Application: **26 June 2006**

(24) Date from which industrial property rights may have effect: **26 June 2006**

(54) Product in respect of which the design is registered: **Hydrant valve**

(51) International Design Classification: **23-01E, 23-01K**

(71) Name(s) and Address(s) of Applicant(s):

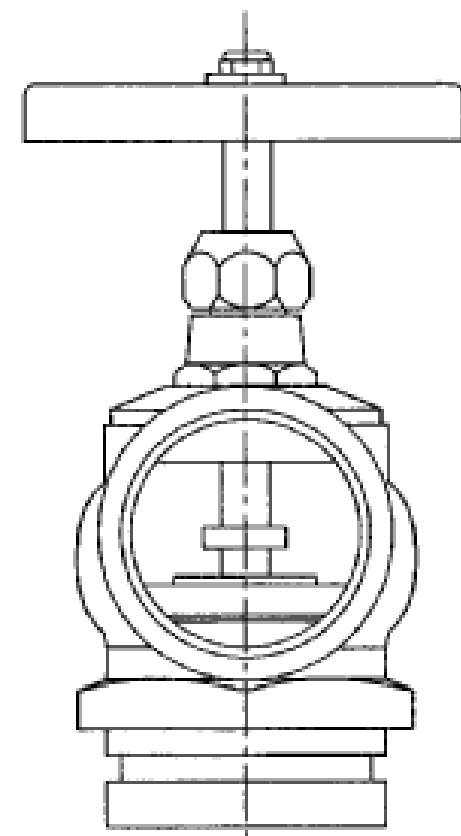
**Associated Enterprises (S) Pte Ltd  
Block 28 #01-171/173 Sin Ming Drive Singapore 575702**

(72) Name(s) of Designer(s): **Heng Kwong Wong**

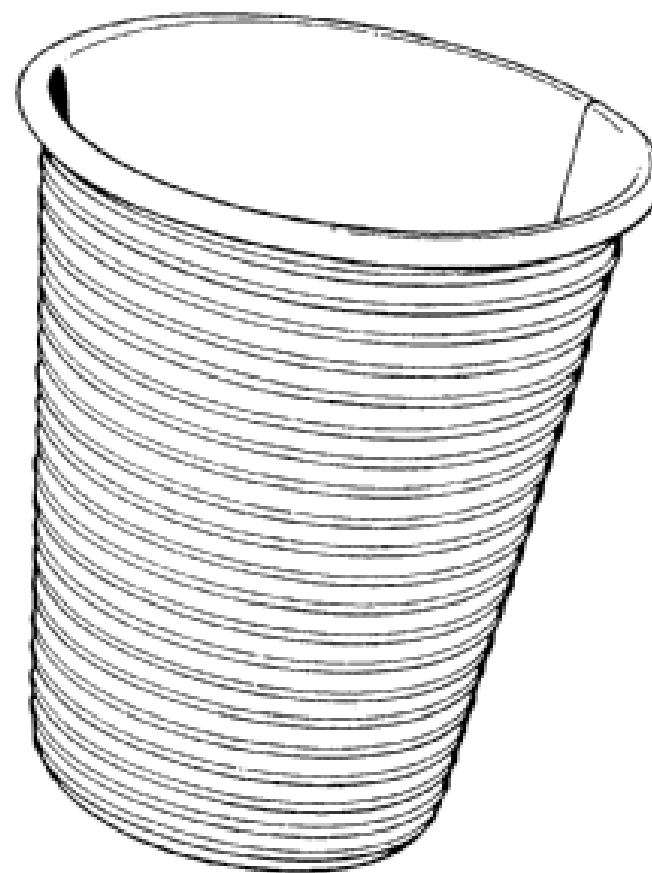
(45) Registration Date: **31 August 2006**

(56) Related Art Documents: **Not Applicable**

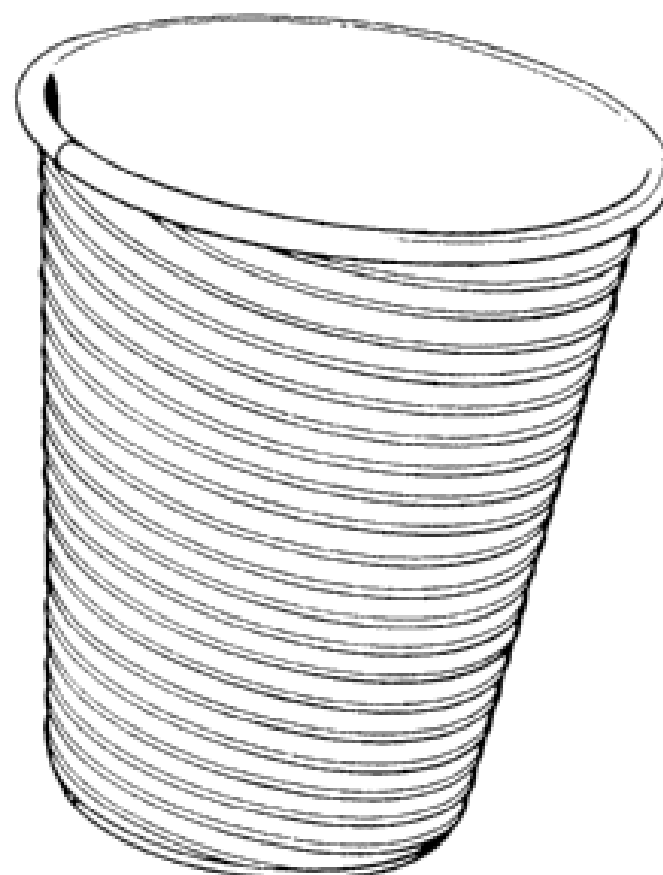
(57) Statement of Newness and Distinctiveness: **The newness and distinctiveness of the design resides in the features of shape and/or configuration of the hydrant valve shown in unbroken lines in the accompanying representations. The alpha-numeric characters shown on the valve in certain views form no part of the design.**



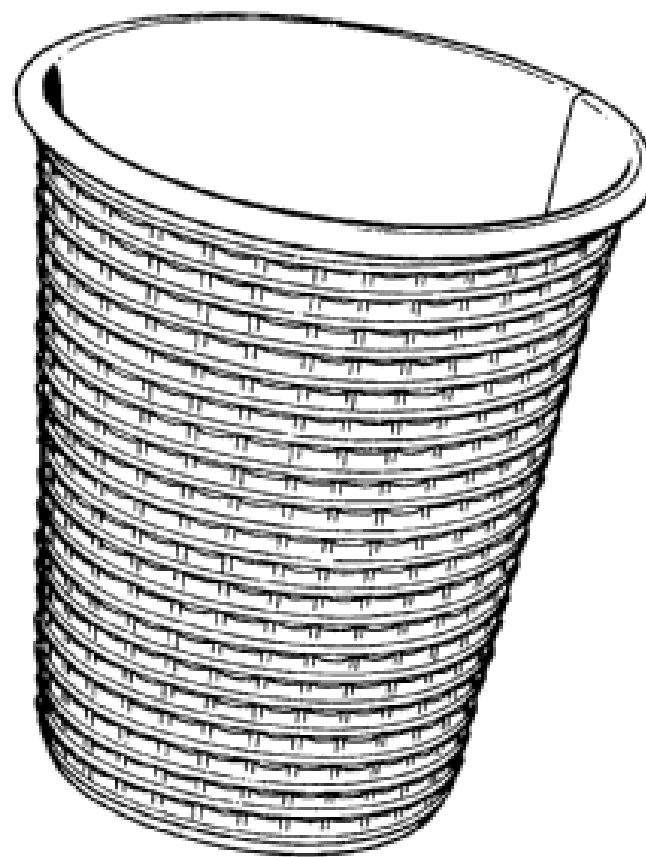
(21) Design Number: **12974/2006**  
(22) Date of Filing Application: **13 July 2006**  
(24) Date from which industrial property rights may have effect: **13 July 2006**  
(54) Product in respect of which the design is registered: **Beverage container**  
(51) International Design Classification: **07-01C**  
(71) Name(s) and Address(s) of Applicant(s):  
**Food Pack Pty Ltd**  
**PO Box 106 Blaxcel New South Wales 2142 Australia**  
(72) Name(s) of Designer(s): **Carl Karam**  
(45) Registration Date: **31 August 2006**  
(56) Related Art Documents: **Not Applicable**  
(57) Statement of Newness and Distinctiveness: **Nil.**



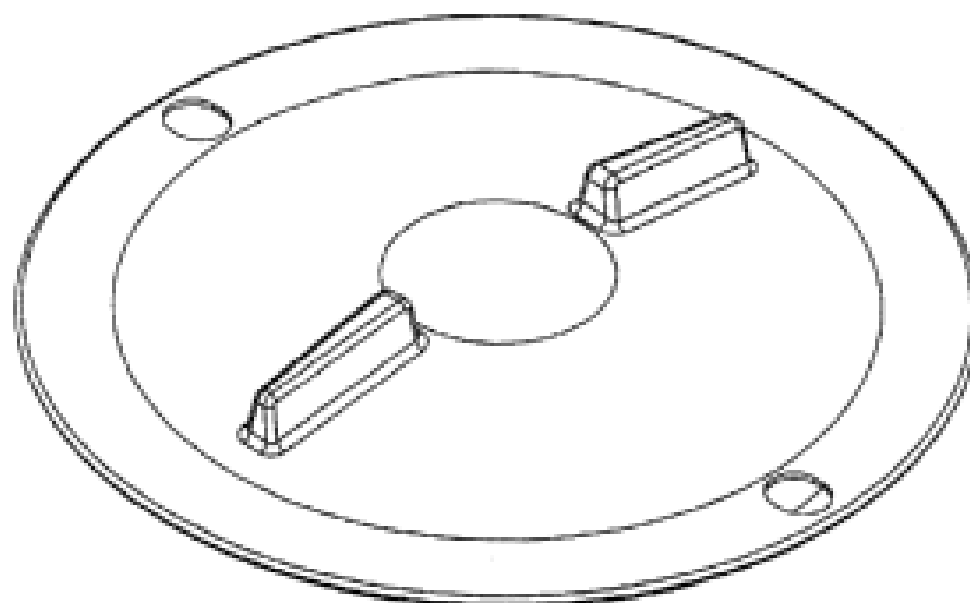
(21) Design Number: **12975/2006**  
(22) Date of Filing Application: **13 July 2006**  
(24) Date from which industrial property rights may have effect: **13 July 2006**  
(54) Product in respect of which the design is registered: **Beverage container**  
(51) International Design Classification: **07-01C**  
(71) Name(s) and Address(s) of Applicant(s):  
**Food Pack Pty Ltd**  
**PO Box 106 Blaxcel New South Wales 2142 Australia**  
(72) Name(s) of Designer(s): **Carl Karam**  
(45) Registration Date: **31 August 2006**  
(56) Related Art Documents: **Not Applicable**  
(57) Statement of Newness and Distinctiveness: **Nil.**



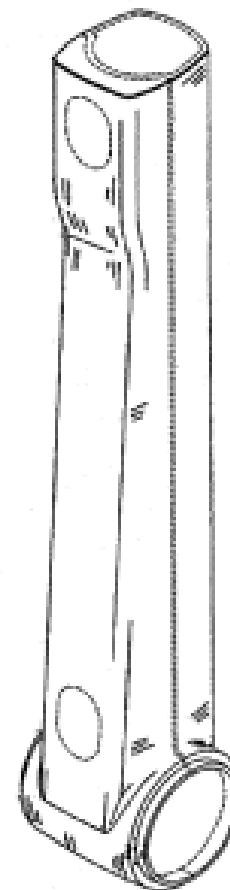
(21) Design Number: **12976/2006**  
(22) Date of Filing Application: **13 July 2006**  
(24) Date from which industrial property rights may have effect: **13 July 2006**  
(54) Product in respect of which the design is registered: **Beverage container**  
(51) International Design Classification: **07-01C**  
(71) Name(s) and Address(s) of Applicant(s):  
**Food Pack Pty Ltd**  
**PO Box 106 Blaxcel New South Wales 2142 Australia**  
(72) Name(s) of Designer(s): **Carl Karam**  
(45) Registration Date: **31 August 2006**  
(56) Related Art Documents: **Not Applicable**  
(57) Statement of Newness and Distinctiveness: **Nil.**



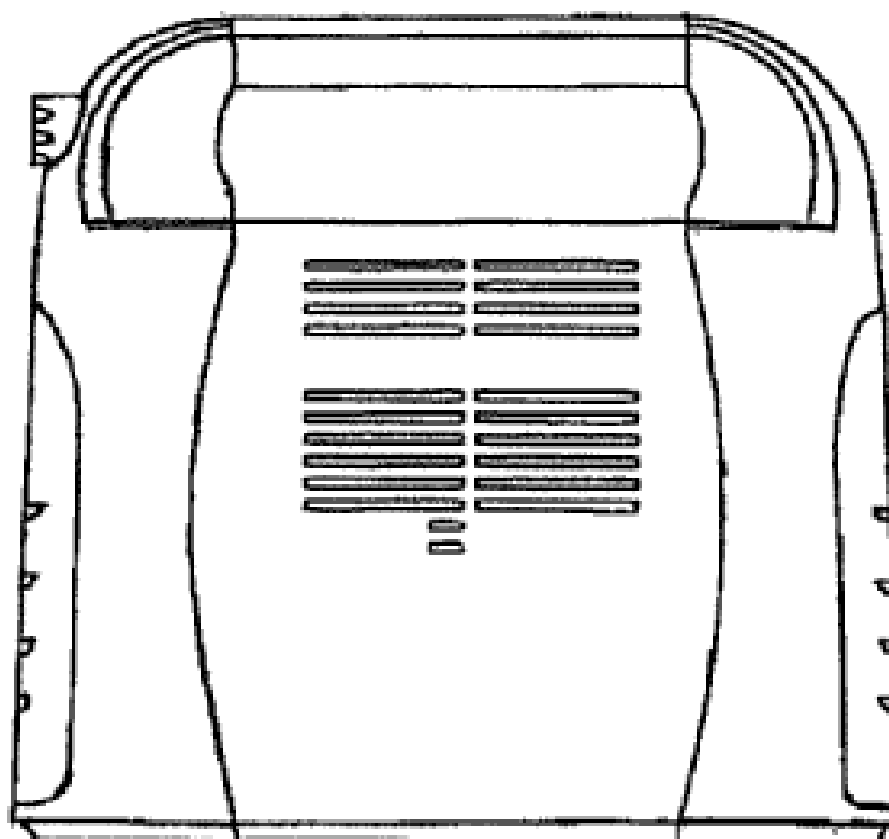
(21) Design Number: **12977/2006**  
(22) Date of Filing Application: **13 July 2006**  
(24) Date from which industrial property rights may have effect: **13 July 2006**  
(54) Product in respect of which the design is registered: **Tank lid**  
(51) International Design Classification: **23-01F**  
(71) Name(s) and Address(s) of Applicant(s):  
**Rotoquip (Proprietary) Limited**  
**4 Plantina Crescent New Era Springs Gauteng 1559 Republic of South Africa**  
(72) Name(s) of Designer(s): **Paul Christopher Burchell**  
(45) Registration Date: **31 August 2006**  
(56) Related Art Documents: **Not Applicable**  
(57) Statement of Newness and Distinctiveness: **Newness and distinctiveness is claimed in the features of shape and/or configuration of a tank lid as illustrated in the accompanying representations.**



- (21) Design Number: **13027/2006**  
(22) Date of Filing Application: **17 July 2006**  
(24) Date from which industrial property rights may have effect: **17 July 2006**  
(54) Product in respect of which the design is registered: **Vacuum cleaner handle**  
(51) International Design Classification: **15-05**  
(71) Name(s) and Address(s) of Applicant(s):  
**Electrolux Home Care Products North America**  
**807 North Main Street Bloomington Illinois 61701 United States of America**  
(72) Name(s) of Designer(s): **Greg Luebbering and Len Hampton and Vince Bobrosky and Arnie Sepke and Jeff Smith**  
(45) Registration Date: **31 August 2006**  
(30) Convention priority data:  
(31) Number (32) Date (33) Country  
**29/251,986 18 Jan 2006 UNITED STATES OF AMERICA**  
(56) Related Art Documents: **Not Applicable**  
(57) Statement of Newness and Distinctiveness: **Newness and distinctiveness reside in the features of shape and/or configuration of the vacuum cleaner handle as shown in the representations. Newness and distinctiveness is not claimed in relation to the features shown in broken lines in the representations.**



- (21) Design Number: **13036/2006**  
(22) Date of Filing Application: **18 July 2006**  
(24) Date from which industrial property rights may have effect: **18 July 2006**  
(54) Product in respect of which the design is registered: **Camping water heater**  
(51) International Design Classification: **07-02M, 07-02N**  
(71) Name(s) and Address(s) of Applicant(s):  
**Turner Leisure Products Pty Ltd**  
**33-35 Lionel Road Mt Waverley Victoria 3149 Australia**  
(72) Name(s) of Designer(s): **Philip Simpfendorfer**  
(45) Registration Date: **31 August 2006**  
(56) Related Art Documents: **Not Applicable**  
(57) Statement of Newness and Distinctiveness: **Nil.**





(21) Design Number: 13037/2006

(22) Date of Filing Application: 17 July 2006

(24) Date from which industrial property rights may have effect: 17 July 2006

(54) Product in respect of which the design is registered: Container for food

(51) International Design Classification: 07-01NES, 09-03L

(71) Name(s) and Address(s) of Applicant(s):

**Pacific Market International, LLC**  
2140 Elliott Avenue Fourth Floor Seattle Washington 98121 United States of America

(72) Name(s) of Designer(s): Andrew Wahl

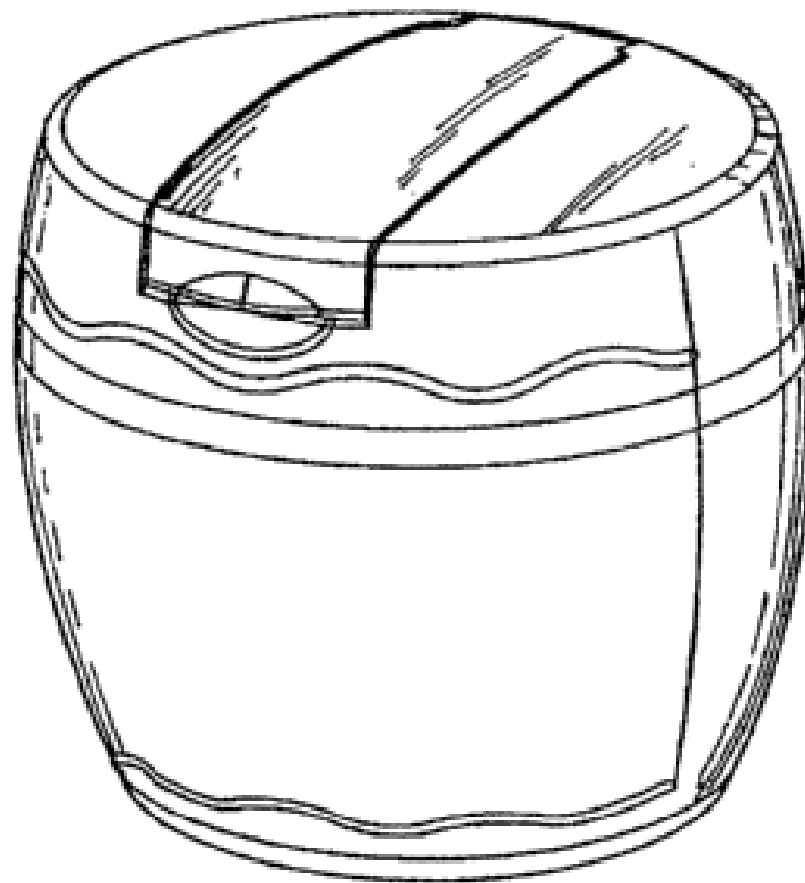
(45) Registration Date: 31 August 2006

(30) Convention priority data:

(31) Number	(32) Date	(33) Country
29/252150	18 Jan 2006	UNITED STATES OF AMERICA

(56) Related Art Documents: Not Applicable

(57) Statement of Newness and Distinctiveness: Nil.



(21) Design Number: 13038/2006

(22) Date of Filing Application: 17 July 2006

(24) Date from which industrial property rights may have effect: 17 July 2006

(54) Product in respect of which the design is registered: Food container

(51) International Design Classification: 07-01NES, 09-01K

(71) Name(s) and Address(s) of Applicant(s):

**Pacific Market International, LLC**  
2140 Elliott Avenue Fourth Floor Seattle Washington 98121 United States of America

(72) Name(s) of Designer(s): Gregory Janky

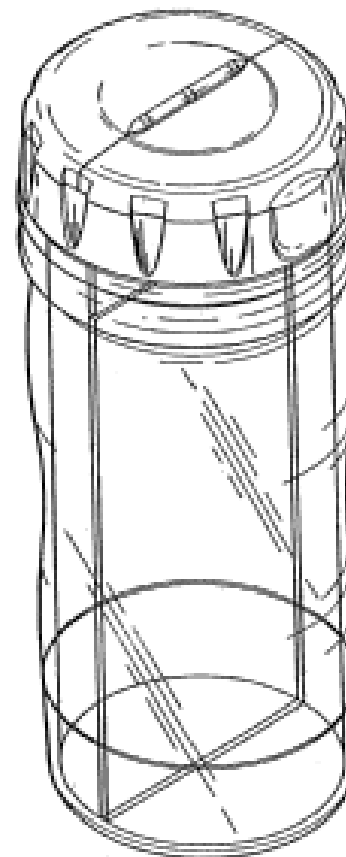
(45) Registration Date: 31 August 2006

(30) Convention priority data:

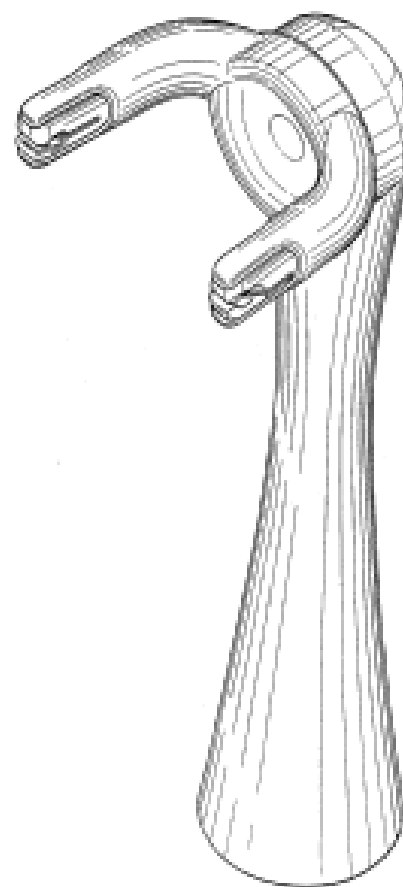
(31) Number	(32) Date	(33) Country
29/252670	25 Jan 2006	UNITED STATES OF AMERICA

(56) Related Art Documents: Not Applicable

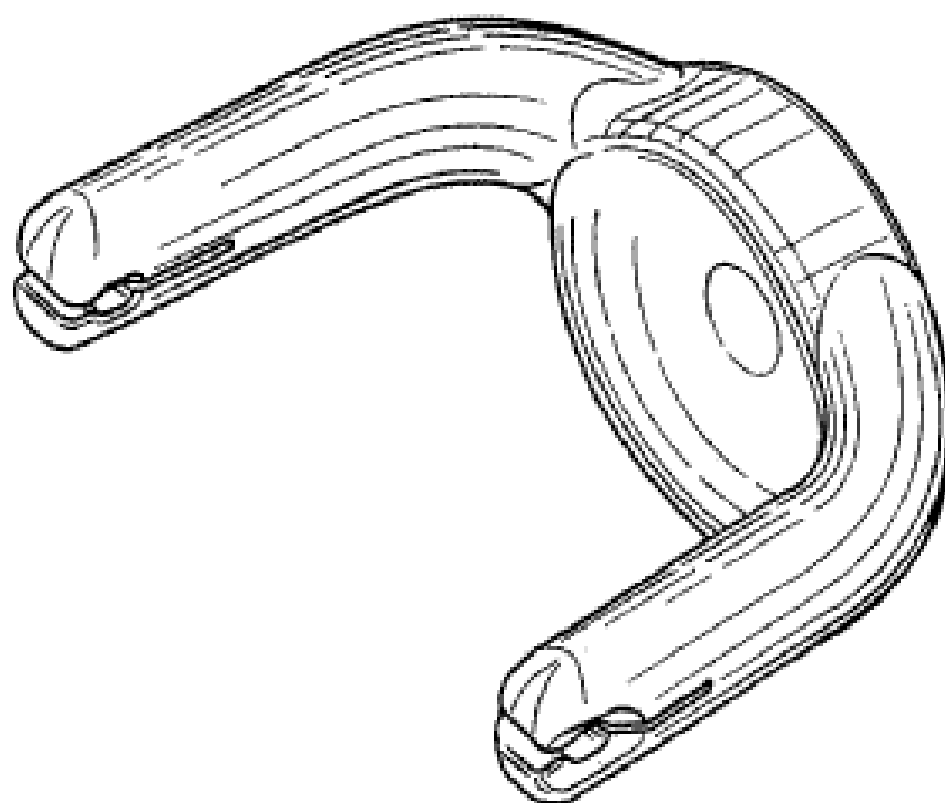
(57) Statement of Newness and Distinctiveness: Nil.



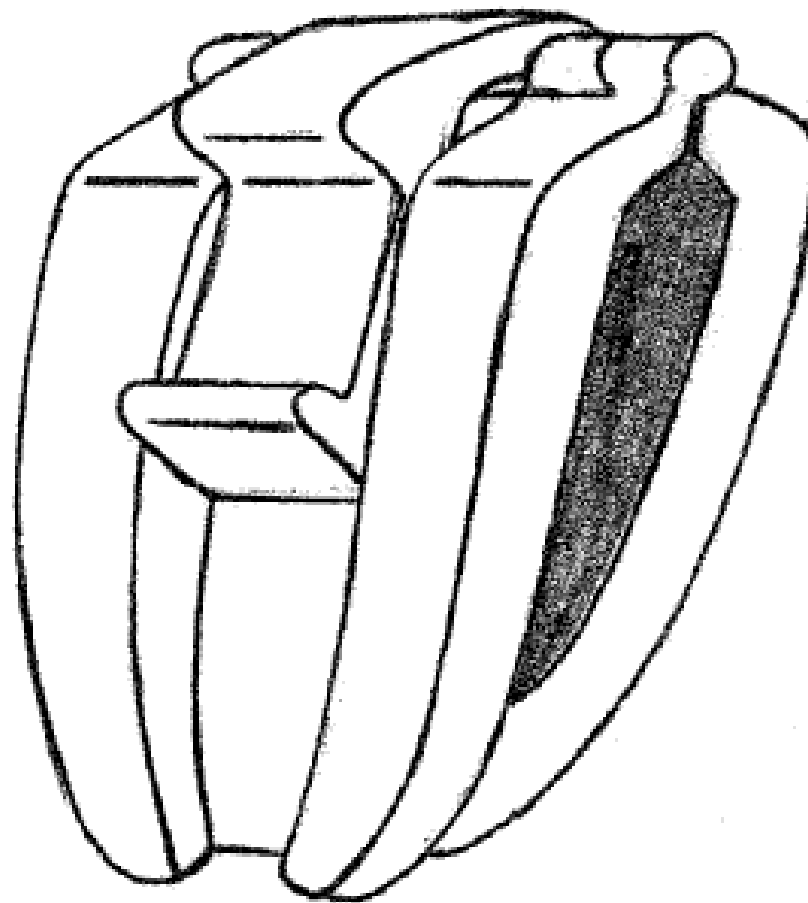
- (21) Design Number: **13039/2006**  
(22) Date of Filing Application: **17 July 2006**  
(24) Date from which industrial property rights may have effect: **17 July 2006**  
(54) Product in respect of which the design is registered: **Head and neck of motorised flosser**  
(51) International Design Classification: **24-99, 28-03NES**  
(71) Name(s) and Address(s) of Applicant(s):  
**The William Getgey Company, Inc.**  
**421 Torrence Court Cincinnati Ohio 45202-1838 United States of America**  
(72) Name(s) of Designer(s): **William F. Getgey and Gregory R. Furnish and Carl R. Andry**  
(45) Registration Date: **31 August 2006**  
(30) Convention priority data:  
(31) Number (32) Date (33) Country  
**29/246080 27 Jan 2006 UNITED STATES OF AMERICA**  
(56) Related Art Documents: **Not Applicable**  
(57) Statement of Newness and Distinctiveness: **Newness and distinctiveness is claimed in the features of shape and/or configuration of a head and neck of motorised flosser as illustrated in the accompanying representations.**



- (21) Design Number: **13040/2006**  
(22) Date of Filing Application: **17 July 2006**  
(24) Date from which industrial property rights may have effect: **17 July 2006**  
(54) Product in respect of which the design is registered: **Flossing head of motorised flosser**  
(51) International Design Classification: **24-99, 28-03NES**  
(71) Name(s) and Address(s) of Applicant(s):  
**The William Getgey Company, Inc.**  
**421 Torrence Court Cincinnati Ohio 45202-1838 United States of America**  
(72) Name(s) of Designer(s): **William F. Getgey and Gregory R. Furnish and Carl R. Andry**  
(45) Registration Date: **31 August 2006**  
(30) Convention priority data:  
(31) Number (32) Date (33) Country  
**29/246072 20 Jan 2006 UNITED STATES OF AMERICA**  
(56) Related Art Documents: **Not Applicable**  
(57) Statement of Newness and Distinctiveness: **Newness and distinctiveness is claimed in the features of shape and/or configuration of a flossing head of motorised flosser as illustrated in the accompanying representations.**



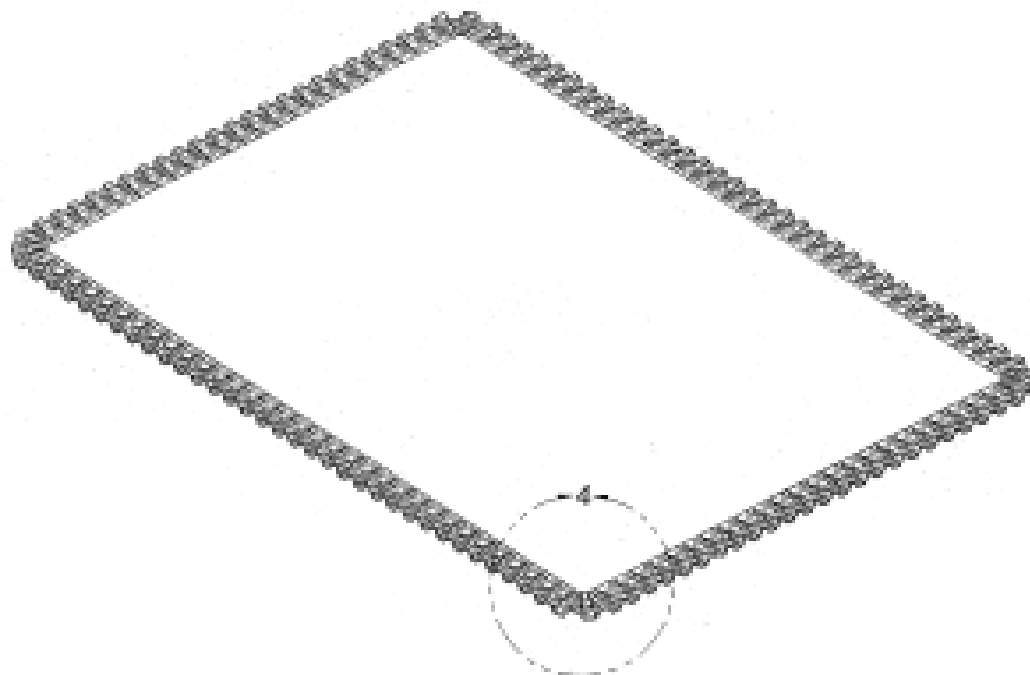
- (21) Design Number: **13043/2006**  
(22) Date of Filing Application: **19 July 2006**  
(24) Date from which industrial property rights may have effect: **19 July 2006**  
(54) Product in respect of which the design is registered: **Clothes peg General purpose clip**  
(51) International Design Classification: **07-05C, 08-08NES**  
(71) Name(s) and Address(s) of Applicant(s):  
**John Paul Russo**  
**179 Lawley Street Yokine Western Australia 6060 Australia**  
(72) Name(s) of Designer(s): **John Paul Russo**  
(45) Registration Date: **31 August 2006**  
(56) Related Art Documents: **Not Applicable**  
(57) Statement of Newness and Distinctiveness: **The new features of the design are the shape, configuration and recessed central locking/unlocking.**



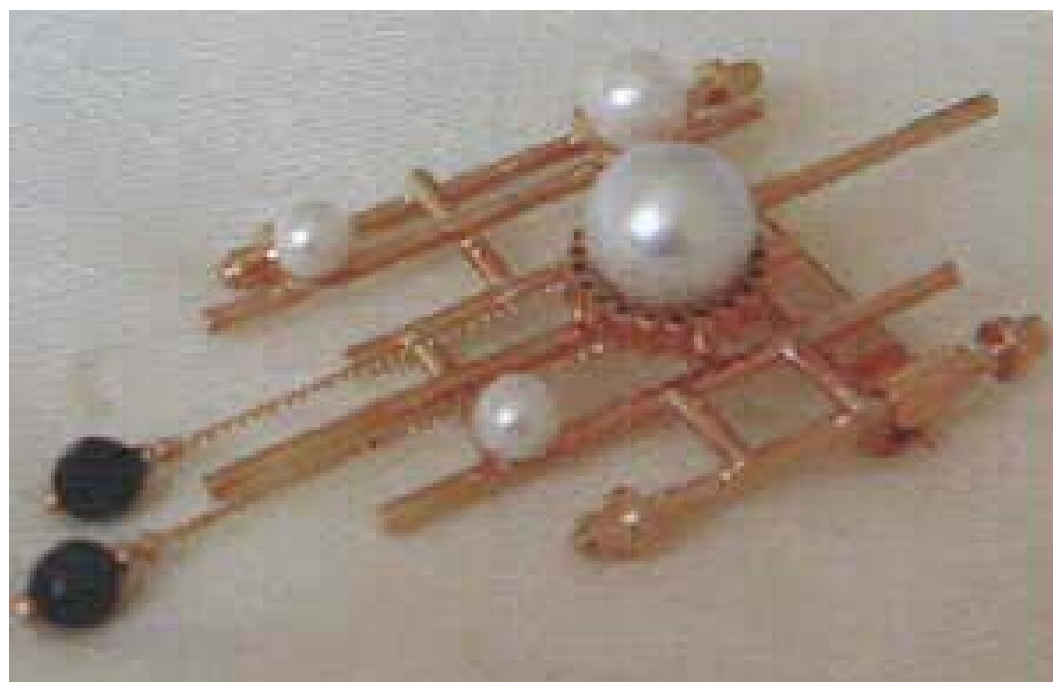
- (21) Design Number: **13236/2006**  
(22) Date of Filing Application: **26 July 2006**  
(24) Date from which industrial property rights may have effect: **26 July 2006**  
(54) Product in respect of which the design is registered: **Linings for bags**  
(51) International Design Classification: **03-01B**  
(71) Name(s) and Address(s) of Applicant(s):  
**Tintamar**  
**40 rue Montreal F-17000 La Rochelle France**  
(72) Name(s) of Designer(s): **Laurence Alessandri**  
(45) Registration Date: **31 August 2006**  
(30) Convention priority data:  
(31) Number      (32) Date      (33) Country  
**000470026-0001    26 Jan 2006      EUROPEAN COMMUNITY**  
(56) Related Art Documents: **Not Applicable**  
(57) Statement of Newness and Distinctiveness: **Nil**



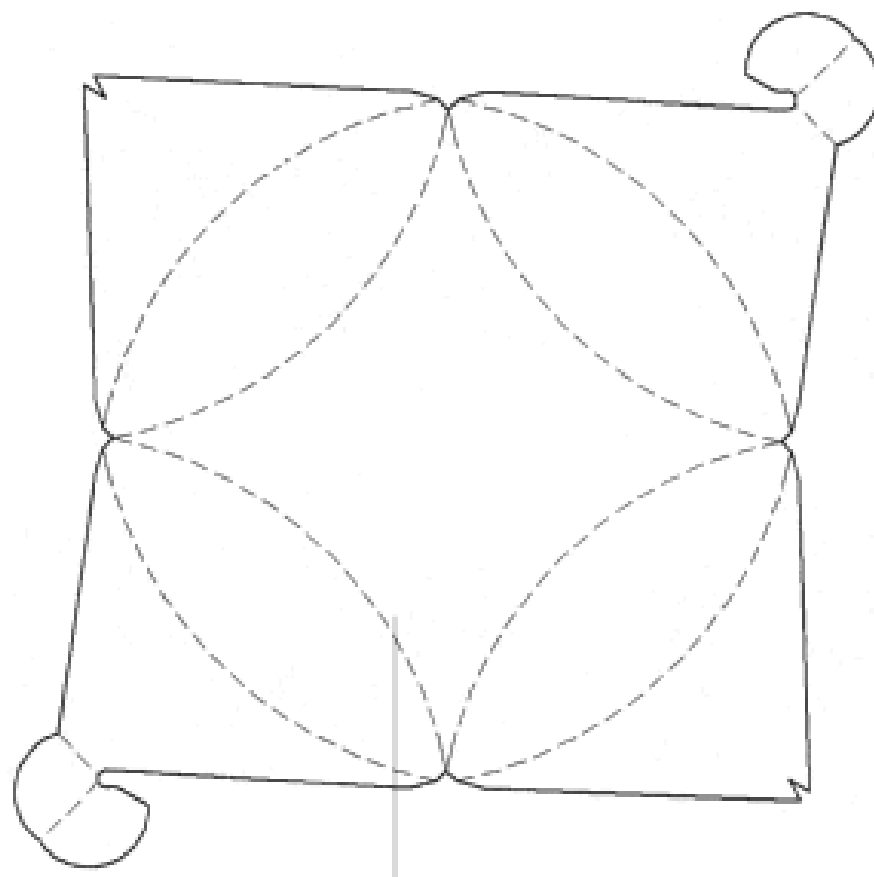
(21) Design Number: **11170/2006**  
(22) Date of Filing Application: **21 March 2006**  
(24) Date from which industrial property rights may have effect: **21 March 2006**  
(54) Product in respect of which the design is registered: **Pad for separating layers of items**  
(51) International Design Classification: **09-08**  
(71) Name(s) and Address(s) of Applicant(s):  
**Loadhog Limited**  
**The Old West Gun Works Savile Street East Sheffield S4 7UQ United Kingdom**  
(72) Name(s) of Designer(s): **John Makin**  
(45) Registration Date: **31 August 2006**  
(30) Convention priority data:  
(31) Number (32) Date (33) Country  
**CDR 417357 17 Oct 2005 EUROPEAN COMMUNITY**  
(56) Related Art Documents: **Not Applicable**  
(57) Statement of Newness and Distinctiveness: **The new and distinctive features are the features of shape and configuration of the corrugated margins of the pad.**



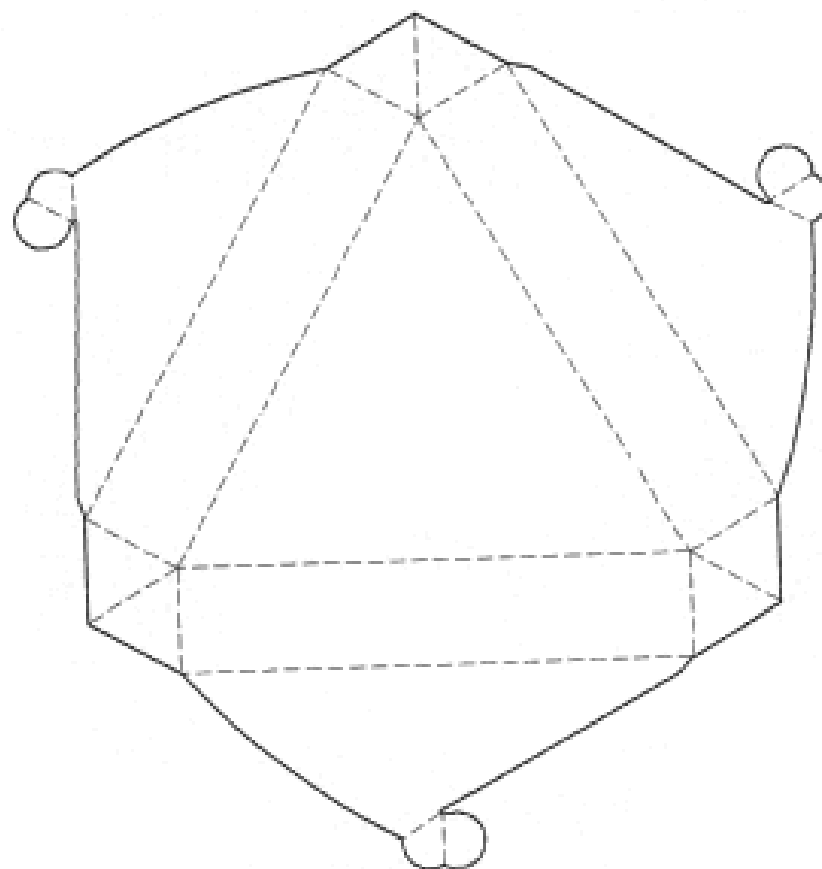
(21) Design Number: **11947/2006**  
(22) Date of Filing Application: **05 May 2006**  
(24) Date from which industrial property rights may have effect: **05 May 2006**  
(54) Product in respect of which the design is registered: **Necklace/Brooch**  
(51) International Design Classification: **11-01E**  
(71) Name(s) and Address(s) of Applicant(s):  
**Yuk Yu Kwok**  
**113B Tallawalla Street Beverly Hills New South Wales 2209 Australia**  
(72) Name(s) of Designer(s): **Yuk Yu Kwok**  
(45) Registration Date: **31 August 2006**  
(56) Related Art Documents: **Not Applicable**  
(57) Statement of Newness and Distinctiveness: **Nil.**



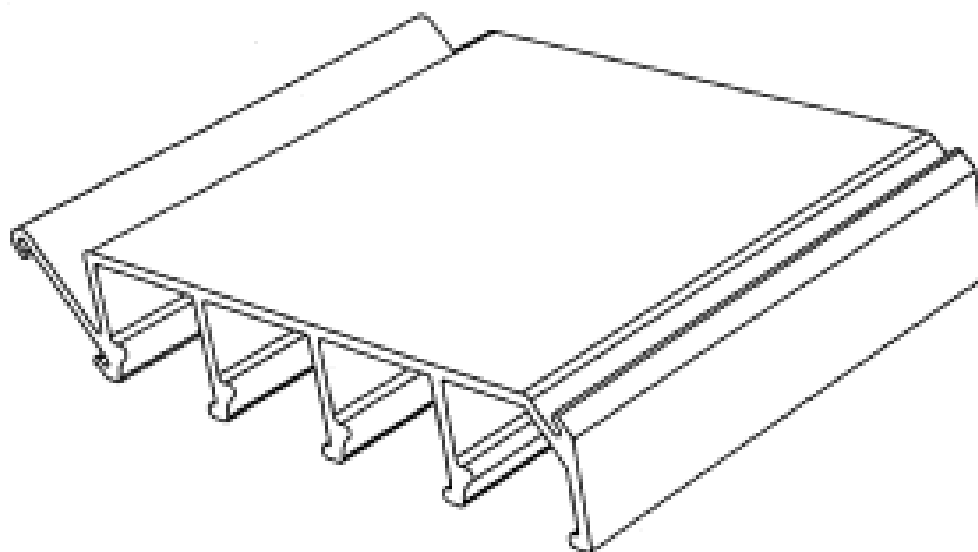
- (21) Design Number: **12483/2006**
- (22) Date of Filing Application: **08 June 2006**
- (24) Date from which industrial property rights may have effect: **08 June 2006**
- (54) Product in respect of which the design is registered: **Package**
- (51) International Design Classification: **09-03C, 09-03NES**
- (71) Name(s) and Address(s) of Applicant(s):  
**Julian Tudor**  
**9/69 Pitt Street Redfern New South Wales 2016 Australia**
- (72) Name(s) of Designer(s): **Julian Tudor**
- (45) Registration Date: **31 August 2006**
- (56) Related Art Documents: **Not Applicable**
- (57) Statement of Newness and Distinctiveness: **Monopoly is claimed in the shape of a blank for a package as shown in the representation accompanying the application.**



- (21) Design Number: **12484/2006**
- (22) Date of Filing Application: **08 June 2006**
- (24) Date from which industrial property rights may have effect: **08 June 2006**
- (54) Product in respect of which the design is registered: **Package**
- (51) International Design Classification: **09-03C, 09-03NES**
- (71) Name(s) and Address(s) of Applicant(s):  
**Julian Tudor**  
**9/69 Pitt Street Redfern New South Wales 2016 Australia**
- (72) Name(s) of Designer(s): **Julian Tudor**
- (45) Registration Date: **31 August 2006**
- (56) Related Art Documents: **Not Applicable**
- (57) Statement of Newness and Distinctiveness: **Monopoly is claimed in the shape of a blank for a package as shown in the representation accompanying the application.**



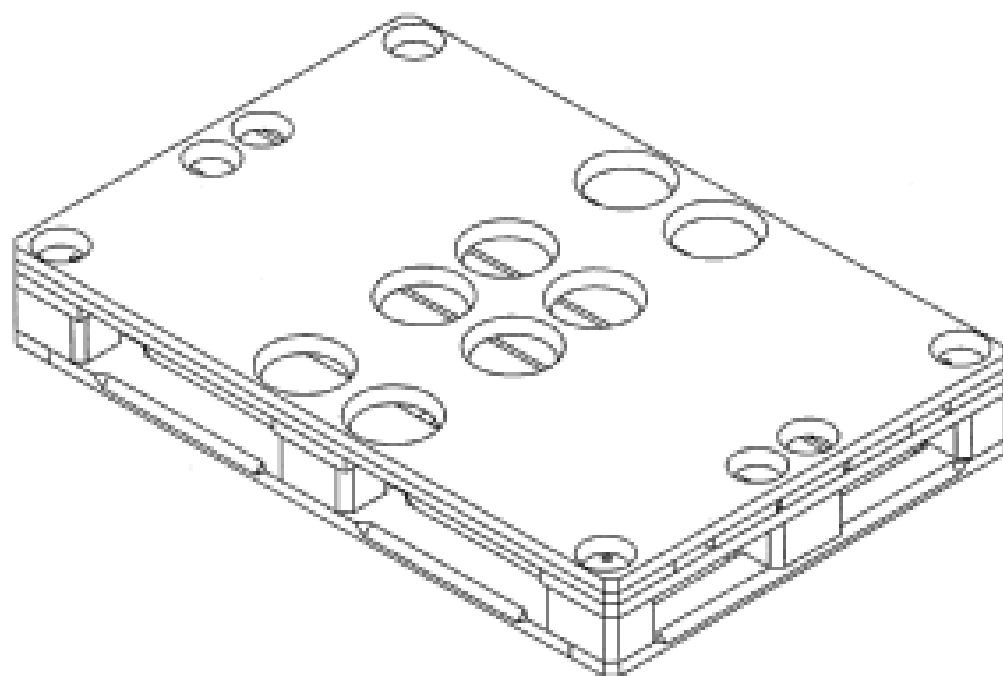
- (21) Design Number: **12492/2006**  
(22) Date of Filing Application: **08 June 2006**  
(24) Date from which industrial property rights may have effect: **08 June 2006**  
(54) Product in respect of which the design is registered: **Modular shelving**  
(51) International Design Classification: **06-04NES**  
(71) Name(s) and Address(s) of Applicant(s):  
**Trade Guys International Pty Ltd**  
**12/8 Fortitude Crescent Burleigh Heads Queensland 4220 Australia**  
(72) Name(s) of Designer(s): **Raymond Scicluna and Peter Scicluna**  
(45) Registration Date: **31 August 2006**  
(56) Related Art Documents: **Not Applicable**  
(57) Statement of Newness and Distinctiveness: **Newness and distinctiveness resides in the features of shape and configuration of a modular shelving unit as shown in the representations.**



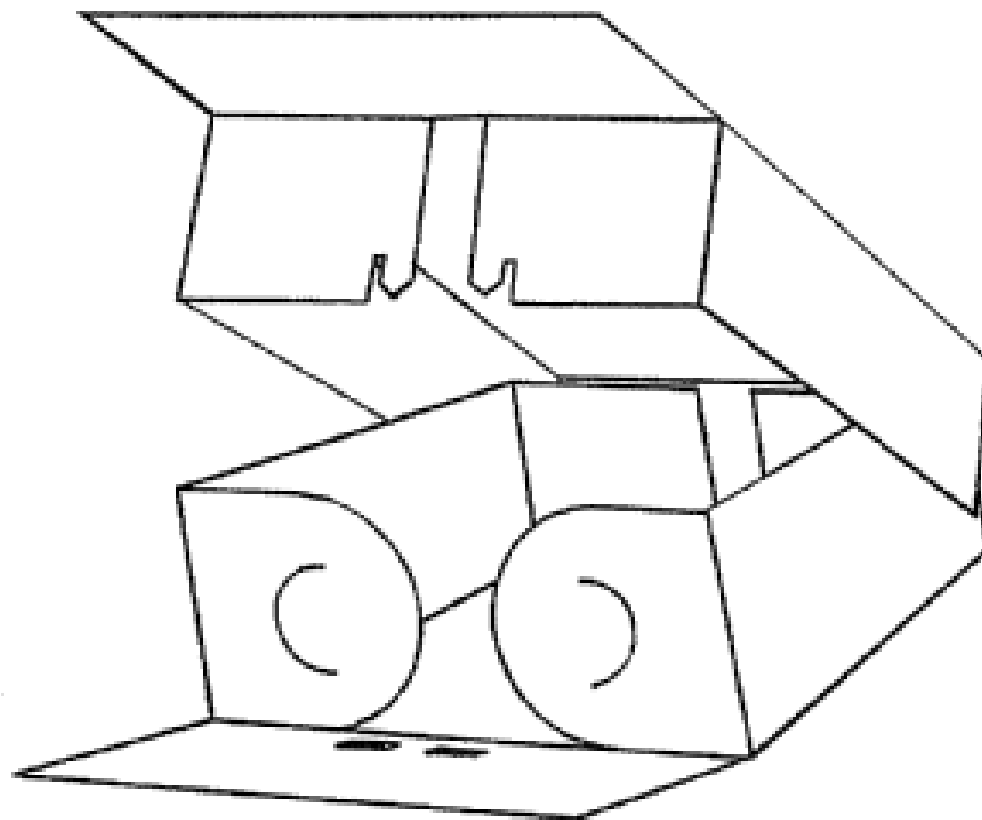
- (21) Design Number: **12541/2006**  
(22) Date of Filing Application: **14 June 2006**  
(24) Date from which industrial property rights may have effect: **14 June 2006**  
(54) Product in respect of which the design is registered: **Loading pallet**  
(51) International Design Classification: **09-08**  
(71) Name(s) and Address(s) of Applicant(s):  
**K. Hartwall Oy Ab**  
**FIN-01150 Soderkulla Finland**  
(72) Name(s) of Designer(s): **Markus Perret**  
(45) Registration Date: **31 August 2006**  
(30) Convention priority data:  

(31) Number	(32) Date	(33) Country
<b>000461090</b>	<b>29 Dec 2005</b>	<b>EUROPEAN COMMUNITY</b>

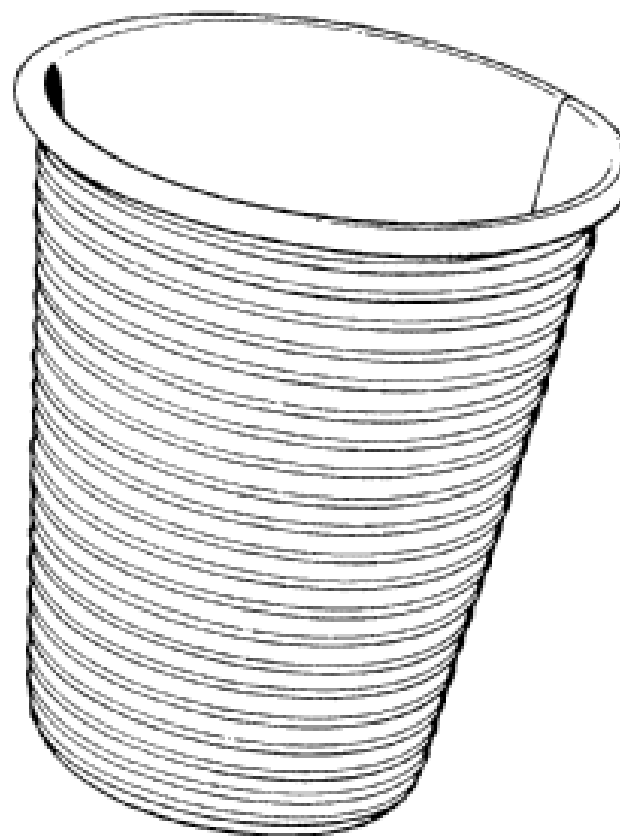
  
(56) Related Art Documents: **Not Applicable**  
(57) Statement of Newness and Distinctiveness: **Newness and distinctiveness is claimed in the shape and/or configuration of a loading pallet as depicted in the attached representations.**



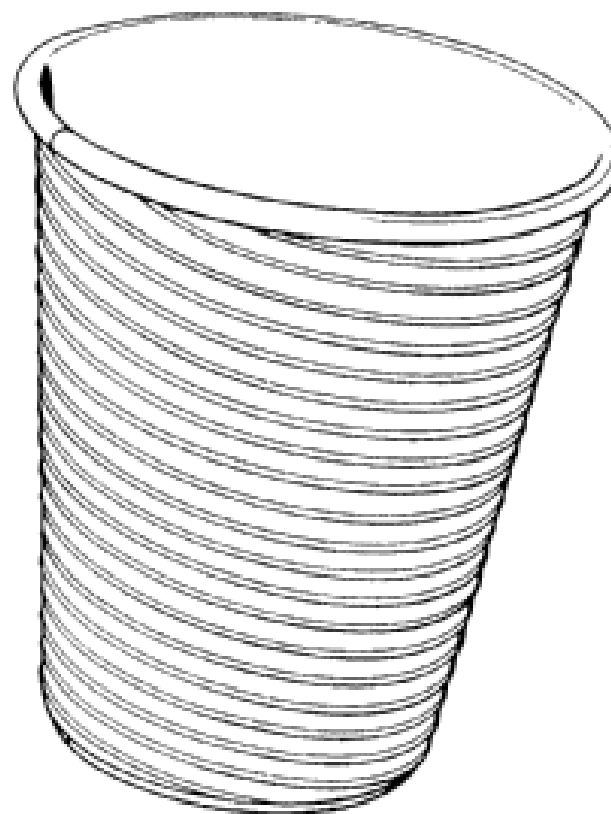
- (21) Design Number: **12542/2006**  
(22) Date of Filing Application: **14 June 2006**  
(24) Date from which industrial property rights may have effect: **14 June 2006**  
(54) Product in respect of which the design is registered: **Packaging carton**  
(51) International Design Classification: **09-03K**  
(71) Name(s) and Address(s) of Applicant(s):  
**Stuart North**  
**31 Hannigan Drive St Johns Auckland New Zealand**  
(72) Name(s) of Designer(s): **Stuart North**  
(45) Registration Date: **31 August 2006**  
(30) Convention priority data:  
(31) Number **406982** (32) Date **23 Dec 2005** (33) Country **NEW ZEALAND**  
(56) Related Art Documents: **Not Applicable**  
(57) Statement of Newness and Distinctiveness: **Newness and distinctiveness is claimed in the shape and/or configuration of a packing carton as depicted in the attached representations.**



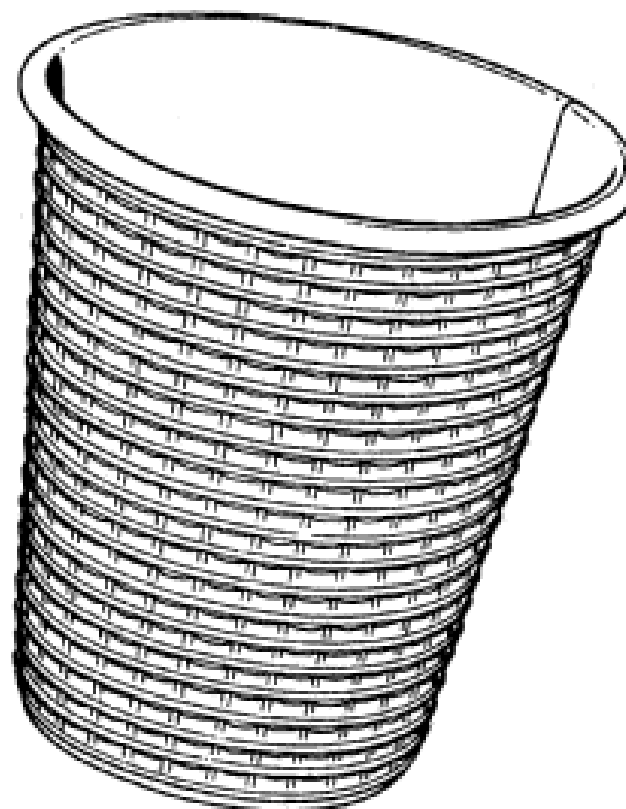
- (21) Design Number: **12969/2006**  
(22) Date of Filing Application: **13 July 2006**  
(24) Date from which industrial property rights may have effect: **13 July 2006**  
(54) Product in respect of which the design is registered: **Beverage container**  
(51) International Design Classification: **07-06A**  
(71) Name(s) and Address(s) of Applicant(s):  
**Food Pack Pty Ltd**  
**PO Box 106 Blaxcel New South Wales 2142 Australia**  
(72) Name(s) of Designer(s): **Carl Karam**  
(45) Registration Date: **31 August 2006**  
(56) Related Art Documents: **Not Applicable**  
(57) Statement of Newness and Distinctiveness: **Nil.**



- (21) Design Number: **12970/2006**
- (22) Date of Filing Application: **13 July 2006**
- (24) Date from which industrial property rights may have effect: **13 July 2006**
- (54) Product in respect of which the design is registered: **Beverage container**
- (51) International Design Classification: **07-01C**
- (71) Name(s) and Address(s) of Applicant(s):  
**Food Pack Pty Ltd**  
**PO Box 106 Blaxcel New South Wales 2142 Australia**
- (72) Name(s) of Designer(s): **Carl Karam**
- (45) Registration Date: **31 August 2006**
- (56) Related Art Documents: **Not Applicable**
- (57) Statement of Newness and Distinctiveness: **Nil.**

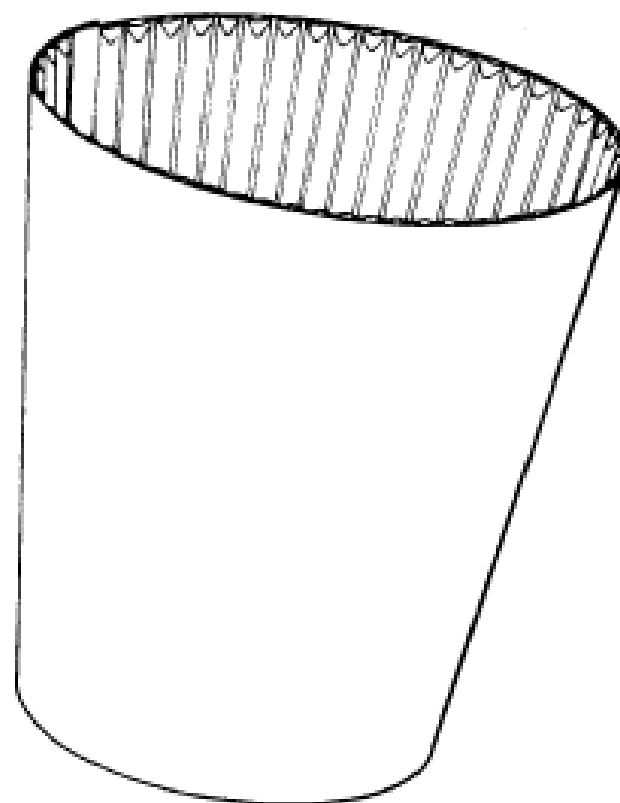


- (21) Design Number: **12971/2006**
- (22) Date of Filing Application: **13 July 2006**
- (24) Date from which industrial property rights may have effect: **13 July 2006**
- (54) Product in respect of which the design is registered: **Beverage container**
- (51) International Design Classification: **07-01C**
- (71) Name(s) and Address(s) of Applicant(s):  
**Food Pack Pty Ltd**  
**PO Box 106 Blaxcel New South Wales 2142 Australia**
- (72) Name(s) of Designer(s): **Carl Karam**
- (45) Registration Date: **31 August 2006**
- (56) Related Art Documents: **Not Applicable**
- (57) Statement of Newness and Distinctiveness: **Nil.**

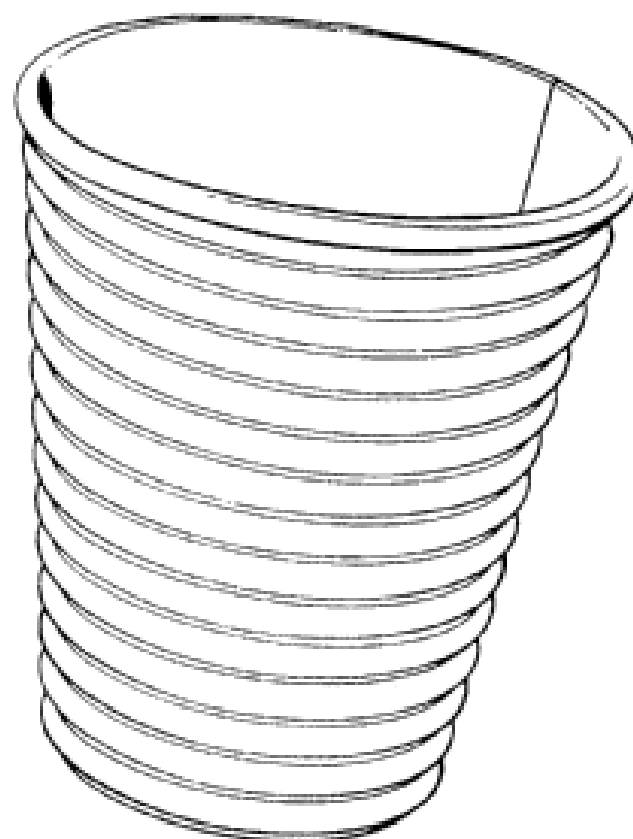




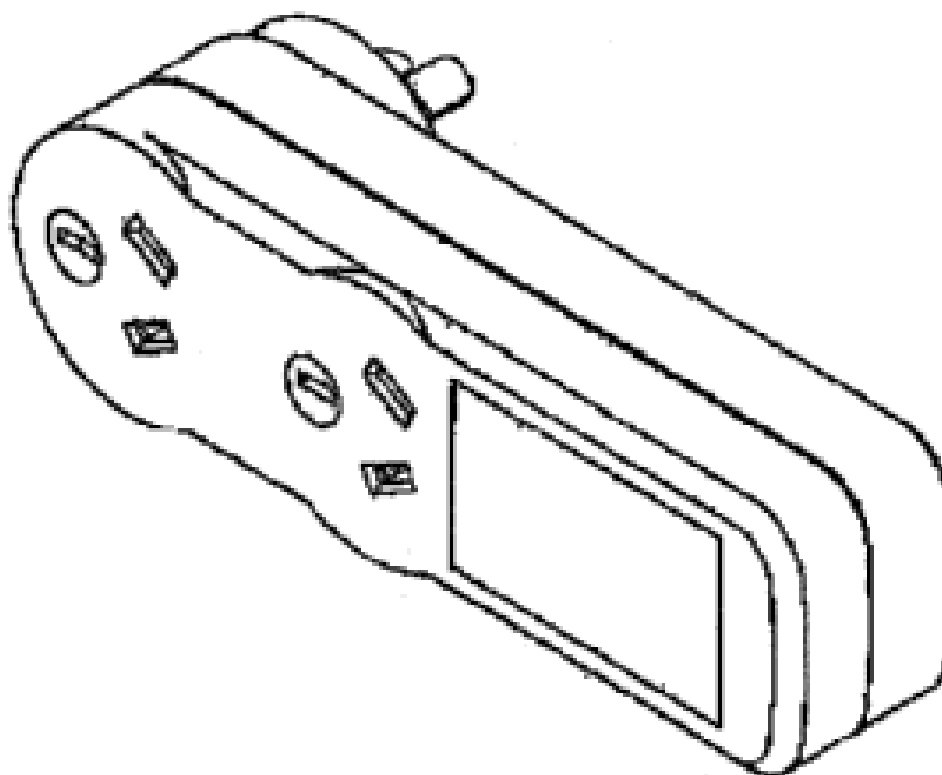
(21) Design Number: **12972/2006**  
(22) Date of Filing Application: **13 July 2006**  
(24) Date from which industrial property rights may have effect: **13 July 2006**  
(54) Product in respect of which the design is registered: **Beverage cup sleeve**  
(51) International Design Classification: **07-01C**  
(71) Name(s) and Address(s) of Applicant(s):  
**Food Pack Pty Ltd**  
**PO Box 106 Blaxcel New South Wales 2142 Australia**  
(72) Name(s) of Designer(s): **Carl Karam**  
(45) Registration Date: **31 August 2006**  
(56) Related Art Documents: **Not Applicable**  
(57) Statement of Newness and Distinctiveness: **Nil.**



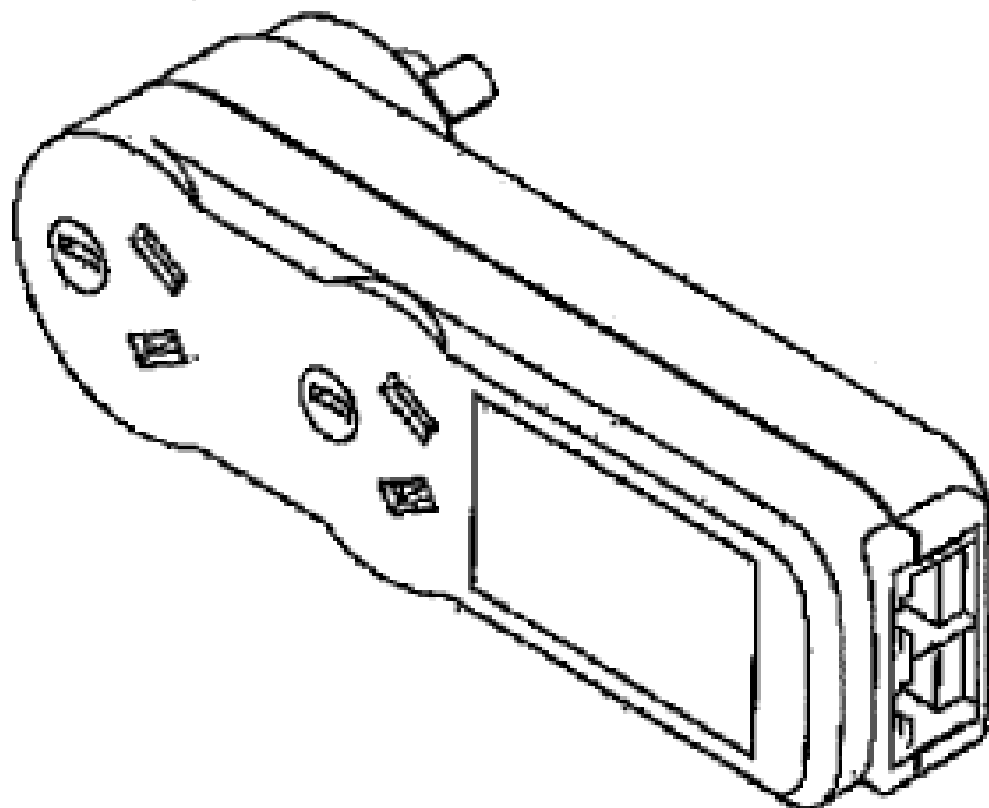
(21) Design Number: **12973/2006**  
(22) Date of Filing Application: **13 July 2006**  
(24) Date from which industrial property rights may have effect: **13 July 2006**  
(54) Product in respect of which the design is registered: **Beverage container**  
(51) International Design Classification: **07-01C**  
(71) Name(s) and Address(s) of Applicant(s):  
**Food Pack Pty Ltd**  
**PO Box 106 Blaxcel New South Wales 2142 Australia**  
(72) Name(s) of Designer(s): **Carl Karam**  
(45) Registration Date: **31 August 2006**  
(56) Related Art Documents: **Not Applicable**  
(57) Statement of Newness and Distinctiveness: **Nil.**



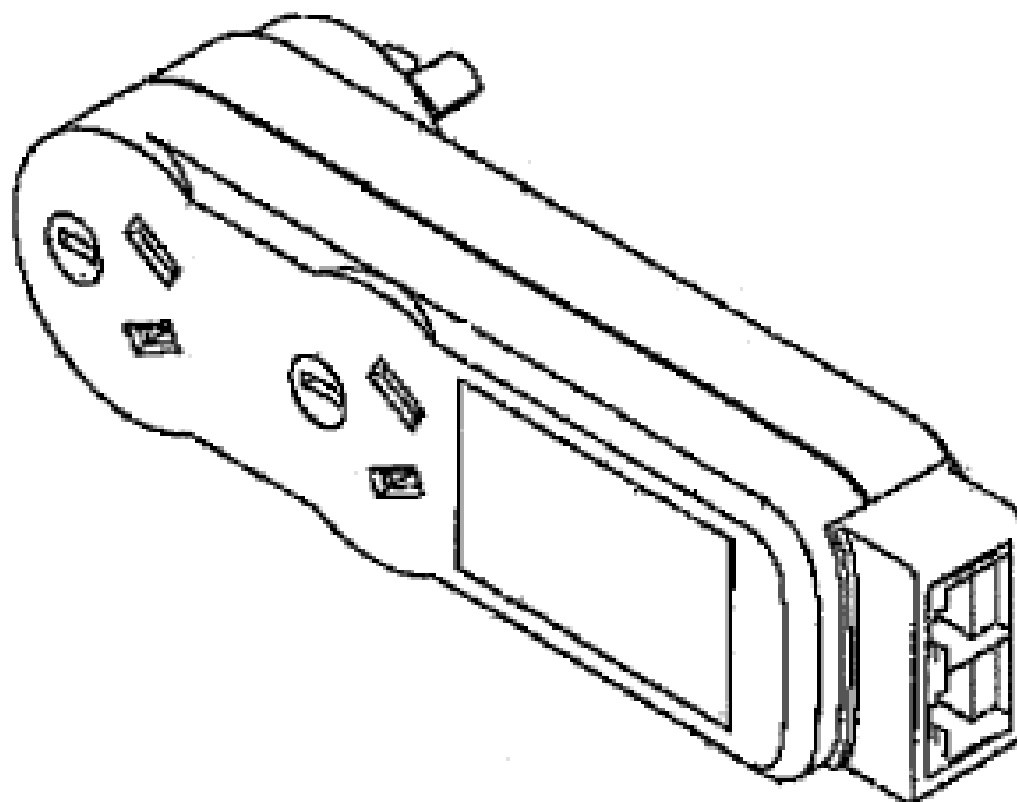
- (21) Design Number: **13247/2006**  
(22) Date of Filing Application: **27 July 2006**  
(24) Date from which industrial property rights may have effect: **27 July 2006**  
(54) Product in respect of which the design is registered: **Double adaptor power filter**  
(51) International Design Classification: **13-03D**  
(71) Name(s) and Address(s) of Applicant(s):  
**Service Smart Pty Ltd**  
**Unit 6 82-86 Pacific Highway St Leonards New South Wales 2067**  
**Australia**  
(72) Name(s) of Designer(s): **Robert Sheldon Burns**  
(45) Registration Date: **31 August 2006**  
(56) Related Art Documents: **Not Applicable**  
(57) Statement of Newness and Distinctiveness: **Newness and distinctiveness resides in the features of shape and configuration of a double adaptor power as depicted in the accompanying representations. The features of shape and configuration of the sockets on the front of the double adaptor power filter and pins on the back of the double adaptor power filter are for attachment to complementary electrical pins and sockets, respectively, and may vary according to regulatory requirements.**



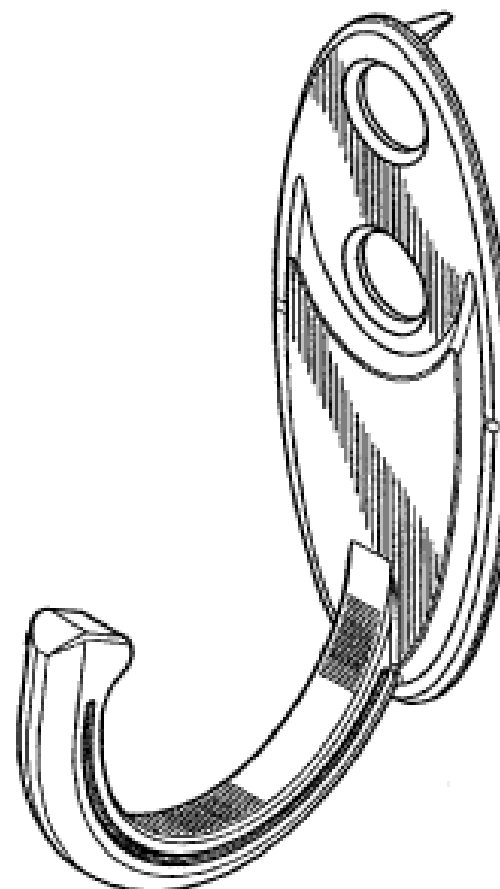
- (21) Design Number: **13248/2006**  
(22) Date of Filing Application: **27 July 2006**  
(24) Date from which industrial property rights may have effect: **27 July 2006**  
(54) Product in respect of which the design is registered: **Double adaptor power filter**  
(51) International Design Classification: **13-03D**  
(71) Name(s) and Address(s) of Applicant(s):  
**Service Smart Pty Ltd**  
**Unit 6 82-86 Pacific Highway St Leonards New South Wales 2067**  
**Australia**  
(72) Name(s) of Designer(s): **Robert Sheldon Burns**  
(45) Registration Date: **31 August 2006**  
(56) Related Art Documents: **Not Applicable**  
(57) Statement of Newness and Distinctiveness: **Newness and distinctiveness resides in the features of shape and configuration of a double adaptor power filter as depicted in the accompanying representations. The features of shape and configuration of the sockets on the front of the double adaptor power filter and pins on the back of the double adaptor power filter are for attachment to complementary electrical pins and sockets, respectively, and may vary according to regulatory requirements.**



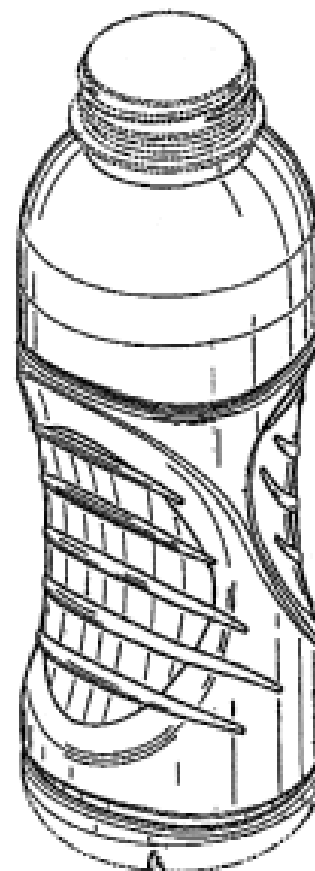
(21) Design Number: **13249/2006**  
 (22) Date of Filing Application: **27 July 2006**  
 (24) Date from which industrial property rights may have effect: **27 July 2006**  
 (54) Product in respect of which the design is registered: **Double adaptor power filter**  
 (51) International Design Classification: **13-03D**  
 (71) Name(s) and Address(s) of Applicant(s):  
**Service Smart Pty Ltd**  
**Unit 6 82-86 Pacific Highway St Leonards New South Wales 2067**  
**Australia**  
 (72) Name(s) of Designer(s): **Robert Sheldon Burns**  
 (45) Registration Date: **31 August 2006**  
 (56) Related Art Documents: **Not Applicable**  
 (57) Statement of Newness and Distinctiveness: **Newness and distinctiveness resides in the features of shape and configuration of a double adaptor power filter as depicted in the accompanying representations. The features of shape and configuration of the sockets on the front of the double adaptor power filter and pins on the back of the double adaptor power filter are for attachment to complementary electrical pins and sockets, respectively, and may vary according to regulatory requirements.**



(21) Design Number: **15543/2005**  
 (22) Date of Filing Application: **14 December 2005**  
 (24) Date from which industrial property rights may have effect: **14 December 2005**  
 (54) Product in respect of which the design is registered: **A wall mountable holder**  
 (51) International Design Classification: **08-08M, 08-08NES**  
 (71) Name(s) and Address(s) of Applicant(s):  
**Illinois Tool Works Inc.**  
**3600 West Lake Avenue Glenview Illinois 60026 United States of**  
**America**  
 (72) Name(s) of Designer(s): **Richard J. Ernst and John F. Horvath and John P. Grimm**  
 (45) Registration Date: **31 August 2006**  
 (30) Convention priority data:  
 (31) Number      (32) Date      (33) Country  
**29232048      14 Jun 2005      UNITED STATES OF AMERICA**  
 (56) Related Art Documents: **Not Applicable**  
 (57) Statement of Newness and Distinctiveness: **Nil**



- (21) Design Number: **15586/2005**  
(22) Date of Filing Application: **16 December 2005**  
(24) Date from which industrial property rights may have effect: **16 December 2005**  
(54) Product in respect of which the design is registered: **Bottle**  
(51) International Design Classification: **09-01NES**  
(71) Name(s) and Address(s) of Applicant(s):  
**The Coca-Cola Company**  
**One Coca-Cola Plaza NW Atlanta Georgia 30313 United States of America**  
(72) Name(s) of Designer(s): **Kevin Hyde and Chris Forecast and Graig Glass and Matt Cotterell**  
(45) Registration Date: **31 August 2006**  
(30) Convention priority data:  
(31) Number (32) Date (33) Country  
**000372883-0001 11 Jul 2005 EUROPEAN COMMUNITY**  
(56) Related Art Documents: **Not Applicable**  
(57) Statement of Newness and Distinctiveness: **Those features of the bottle depicted in the representations that are new and distinctive are the shape and/or configuration. The features shown in broken line are not part of the design and are to be disregarded when considering the overall impression of the design.**



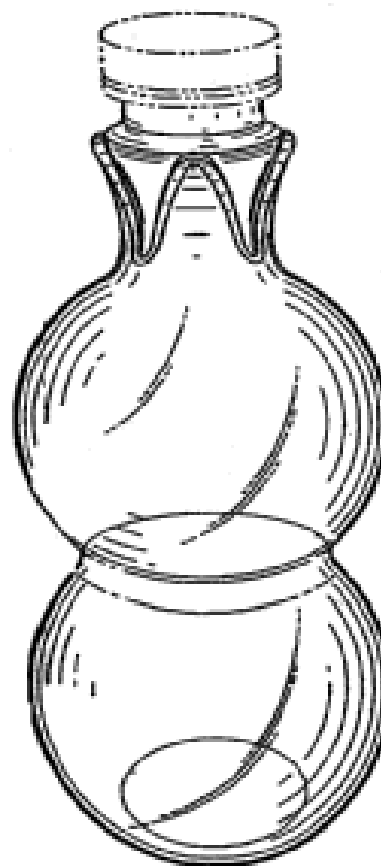
- (21) Design Number: **15642/2005**  
(22) Date of Filing Application: **20 December 2005**  
(24) Date from which industrial property rights may have effect: **20 December 2005**  
(54) Product in respect of which the design is registered: **Pharmaceutical dispensing device**  
(51) International Design Classification: **09-03NES, 03-01D**  
(71) Name(s) and Address(s) of Applicant(s):  
**Arakis Ltd**  
**Chesterford Research Park Little Chesterford Saffron Walden Essex CB10 1XL United Kingdom**  
(72) Name(s) of Designer(s): **Terry William Gander and Dimitriou Scoutas**  
(45) Registration Date: **31 August 2006**  
(30) Convention priority data:  
(31) Number (32) Date (33) Country  
**00367305-0001 21 Jun 2005 EUROPEAN COMMUNITY**  
(56) Related Art Documents: **Not Applicable**  
(57) Statement of Newness and Distinctiveness: **Newness and distinctiveness reside in the features of the design as shown in the representations.**



- (21) Design Number: **15712/2005**
- (22) Date of Filing Application: **23 December 2005**
- (24) Date from which industrial property rights may have effect: **23 December 2005**
- (54) Product in respect of which the design is registered: **Bottle**
- (51) International Design Classification: **09-01NES**
- (71) Name(s) and Address(s) of Applicant(s):

**PomWonderful LLC**  
**11444 West Olympic Blvd 10th Floor Los Angeles CA 90064 United States of America**

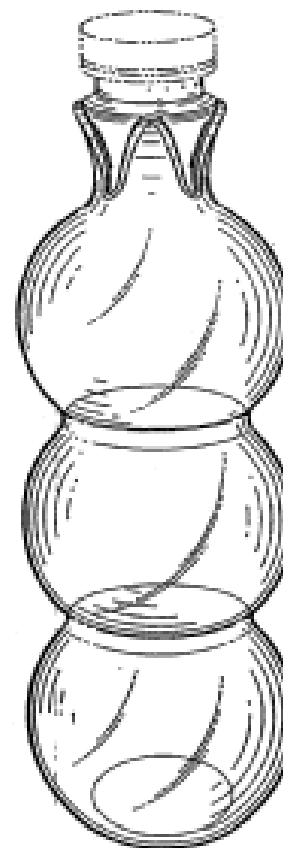
- (72) Name(s) of Designer(s): **Bryan Honkawa**
- (45) Registration Date: **31 August 2006**
- (56) Related Art Documents: **Not Applicable**
- (57) Statement of Newness and Distinctiveness: **When deciding whether the design is substantially similar in overall impression to another design, no regard should be had to those features shown in dotted outline.**



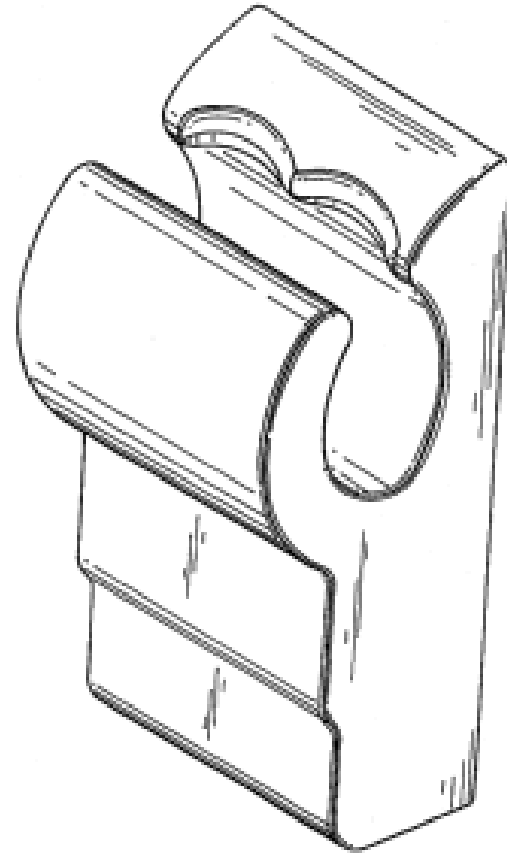
- (21) Design Number: **15713/2005**
- (22) Date of Filing Application: **23 December 2005**
- (24) Date from which industrial property rights may have effect: **23 December 2005**
- (54) Product in respect of which the design is registered: **Bottle**
- (51) International Design Classification: **09-01NES**
- (71) Name(s) and Address(s) of Applicant(s):

**PomWonderful LLC**  
**11444 West Olympic Blvd 10th Floor Los Angeles CA 90064 United States of America**

- (72) Name(s) of Designer(s): **Bryan Honkawa**
- (45) Registration Date: **31 August 2006**
- (56) Related Art Documents: **Not Applicable**
- (57) Statement of Newness and Distinctiveness: **When deciding whether the design is substantially similar in overall impression to another design, no regard should be had to those features shown in dotted outline.**



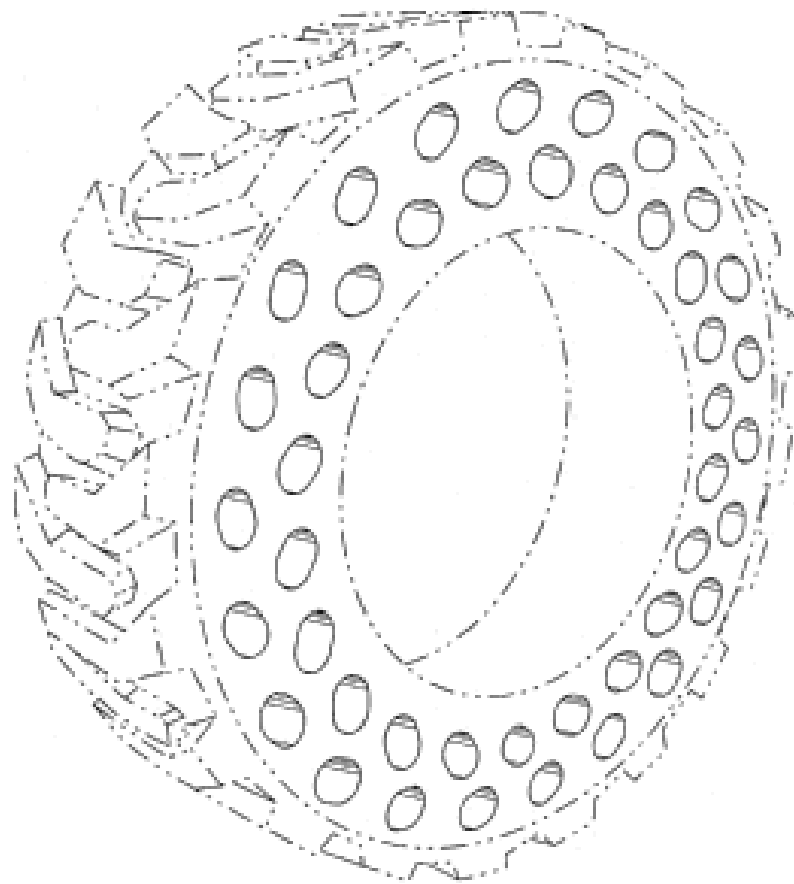
- (21) Design Number: **15562/2005**  
(22) Date of Filing Application: **15 December 2005**  
(24) Date from which industrial property rights may have effect: **15 December 2005**  
(54) Product in respect of which the design is registered: **Hand drying apparatus**  
(51) International Design Classification: **28-03NES**  
(71) Name(s) and Address(s) of Applicant(s):  
**Dyson Limited**  
**Tetbury Hill Malmesbury Wiltshire SN16 0RP United Kingdom**  
(72) Name(s) of Designer(s): **John Churchill and James Dyson and Peter David Gammack**  
(45) Registration Date: **31 August 2006**  
(56) Related Art Documents: **Not Applicable**  
(57) Statement of Newness and Distinctiveness: **Nil**



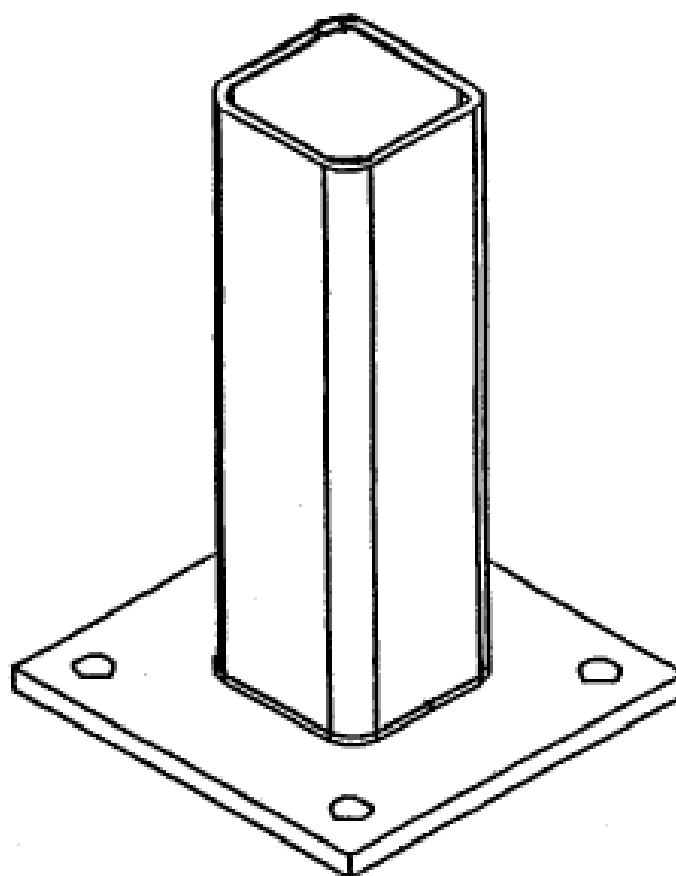
- (21) Design Number: **10317/2006**  
(22) Date of Filing Application: **01 February 2006**  
(24) Date from which industrial property rights may have effect: **01 February 2006**  
(54) Product in respect of which the design is registered: **Ladies garments**  
(51) International Design Classification: **02-02C**  
(71) Name(s) and Address(s) of Applicant(s):  
**Review Australia Pty Ltd**  
**25-31 Rokeby Street Collingwood Victoria 3066 Australia**  
(72) Name(s) of Designer(s): **Jayne Ellis**  
(45) Registration Date: **31 August 2006**  
(56) Related Art Documents: **Not Applicable**  
(57) Statement of Newness and Distinctiveness: **Nil**



- (21) Design Number: **10480/2006**  
(22) Date of Filing Application: **09 February 2006**  
(24) Date from which industrial property rights may have effect: **09 February 2006**  
(54) Product in respect of which the design is registered: **Tire**  
(51) International Design Classification: **12-15C**  
(71) Name(s) and Address(s) of Applicant(s):  
**Caterpillar Inc.**  
**100 N.E. Adams Street Peoria Illinois 61629 United States of America**  
(72) Name(s) of Designer(s): **Dan J. Becker and Sunil I. Mathew and Dave McKeever and Brook Plavec and Ross P. Wietharn**  
(45) Registration Date: **31 August 2006**  
(30) Convention priority data:  
(31) Number (32) Date (33) Country  
**29/238,609 16 Sep 2005 UNITED STATES OF AMERICA**  
(56) Related Art Documents: **Not Applicable**  
(57) Statement of Newness and Distinctiveness: **Newness and distinctiveness resides in the visual features of the sidewall of the tire. When considering whether the design is substantially similar in overall impression to another design the features shown in phantom are to be disregarded.**



- (21) Design Number: **12333/2006**  
(22) Date of Filing Application: **26 May 2006**  
(24) Date from which industrial property rights may have effect: **26 May 2006**  
(54) Product in respect of which the design is registered: **Construction mount**  
(51) International Design Classification: **25-02A, 25-02C**  
(71) Name(s) and Address(s) of Applicant(s):  
**Onesteel Trading Pty Limited**  
**Level 40 259 George Street Sydney New South Wales 2000 Australia**  
(72) Name(s) of Designer(s): **Hayden Dagg**  
(45) Registration Date: **31 August 2006**  
(56) Related Art Documents: **Not Applicable**  
(57) Statement of Newness and Distinctiveness: **Nil.**



(21) Design Number: **12479/2006**

(22) Date of Filing Application: **07 June 2006**

(24) Date from which industrial property rights may have effect: **07 June 2006**

(54) Product in respect of which the design is registered: **A tyre**

(51) International Design Classification: **12-15B**

(71) Name(s) and Address(s) of Applicant(s):

**The Goodyear Tire & Rubber Company  
1144 East Market Street Akron Ohio 44316-0001 United States of  
America**

(72) Name(s) of Designer(s): **Maurice Graas and Sebastien Morin**

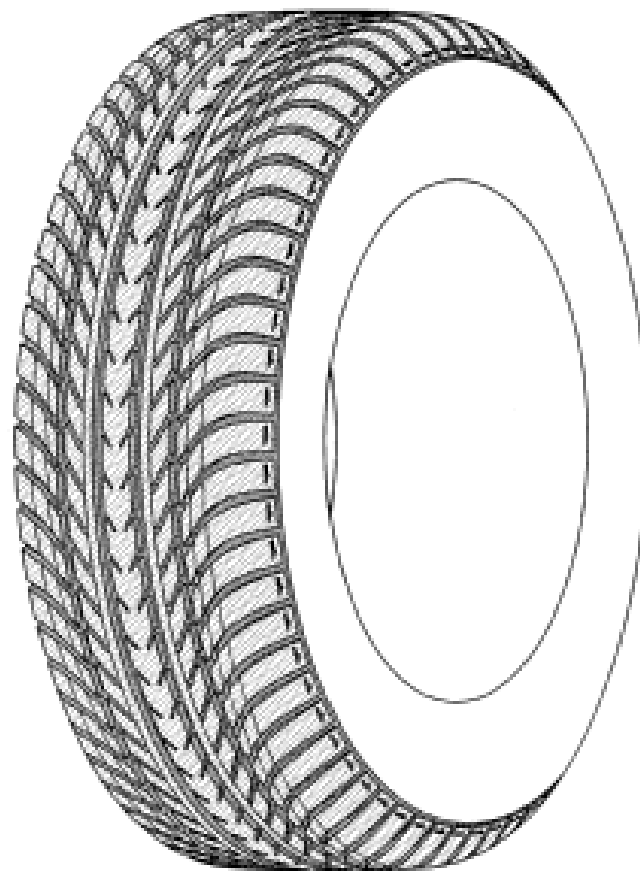
(45) Registration Date: **31 August 2006**

(30) Convention priority data:

(31) Number	(32) Date	(33) Country
<b>29/245217</b>	<b>20 Dec 2005</b>	<b>UNITED STATES OF AMERICA</b>

(56) Related Art Documents: **Not Applicable**

(57) Statement of Newness and Distinctiveness: **Newness and distinctiveness is claimed in the features of shape and/or configuration of the tread of a tyre as illustrated in the accompanying representations, wherein the shape and/or configuration of the tread is repeated throughout the circumference of the tyre.**



(21) Design Number: **12481/2006**

(22) Date of Filing Application: **07 June 2006**

(24) Date from which industrial property rights may have effect: **07 June 2006**

(54) Product in respect of which the design is registered: **Pump**

(51) International Design Classification: **15-02**

(71) Name(s) and Address(s) of Applicant(s):

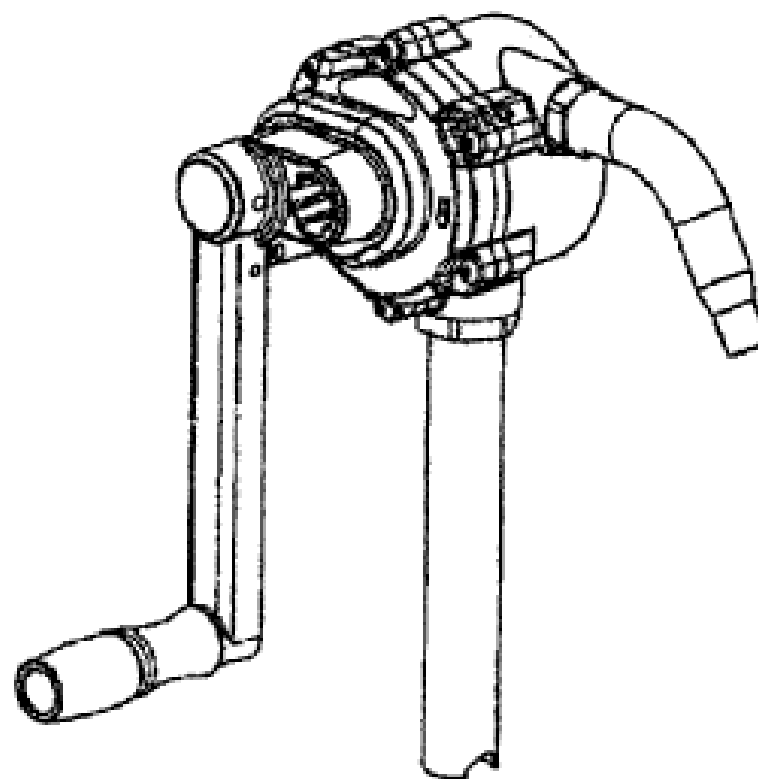
**Mcnaught Pty Limited  
47-49 Henderson Street Turella New South Wales 2205 Australia**

(72) Name(s) of Designer(s): **Warren John Preston**

(45) Registration Date: **31 August 2006**

(56) Related Art Documents: **Not Applicable**

(57) Statement of Newness and Distinctiveness: **Nil.**





(21) Design Number: **12487/2006**

(22) Date of Filing Application: **08 June 2006**

(24) Date from which industrial property rights may have effect: **08 June 2006**

(54) Product in respect of which the design is registered: **Powered planer**

(51) International Design Classification: **08-03**

(71) Name(s) and Address(s) of Applicant(s):

**GMCA Pty Ltd**  
**45-55 South Centre Road Melbourne Airport Victoria 3045 Australia**

(72) Name(s) of Designer(s): **Michael Waldron**

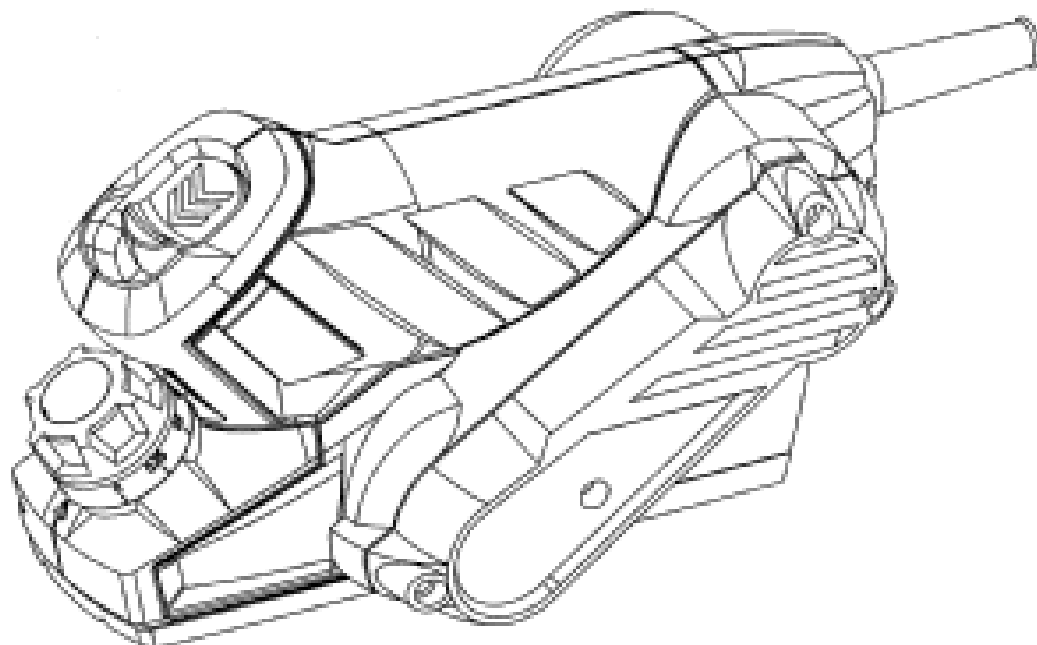
(45) Registration Date: **31 August 2006**

(30) Convention priority data:

(31) Number	(32) Date	(33) Country
<b>000472527</b>	<b>27 Jan 2006</b>	<b>EUROPEAN COMMUNITY</b>

(56) Related Art Documents: **Not Applicable**

(57) Statement of Newness and Distinctiveness: **Newness and distinctiveness resides in the features of shape and configuration of a powered planer as shown in the accompanying representations.**



(21) Design Number: **12511/2006**

(22) Date of Filing Application: **09 June 2006**

(24) Date from which industrial property rights may have effect: **09 June 2006**

(54) Product in respect of which the design is registered: **Ironing board**

(51) International Design Classification: **07-05A**

(71) Name(s) and Address(s) of Applicant(s):

**Koninklijke Philips Electronics N.V.**  
**Groenewoudseweg 1 5621 BA Eindhoven The Netherlands**

(72) Name(s) of Designer(s): **Francis Wa Chu**

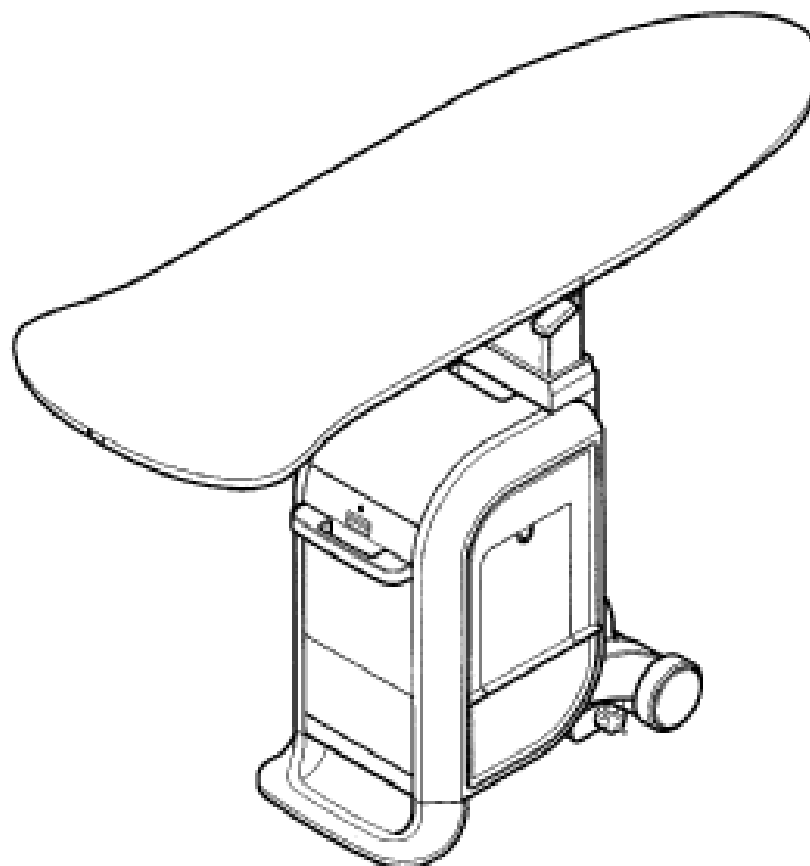
(45) Registration Date: **31 August 2006**

(30) Convention priority data:

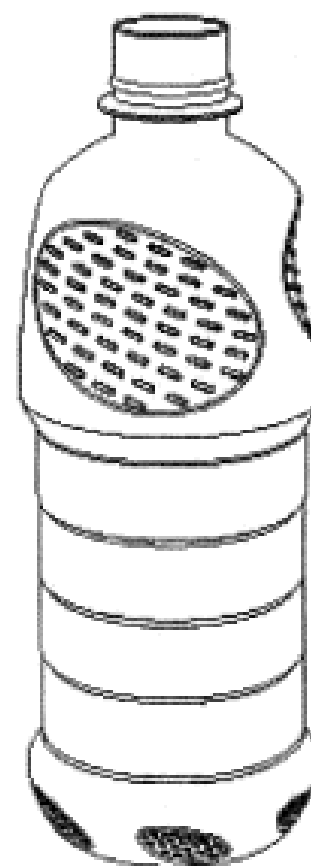
(31) Number	(32) Date	(33) Country
<b>000447263-0002</b>	<b>14 Dec 2005</b>	<b>EUROPEAN COMMUNITY</b>

(56) Related Art Documents: **Not Applicable**

(57) Statement of Newness and Distinctiveness: **Newness and distinctiveness reside in the features of the design as shown in the representations.**



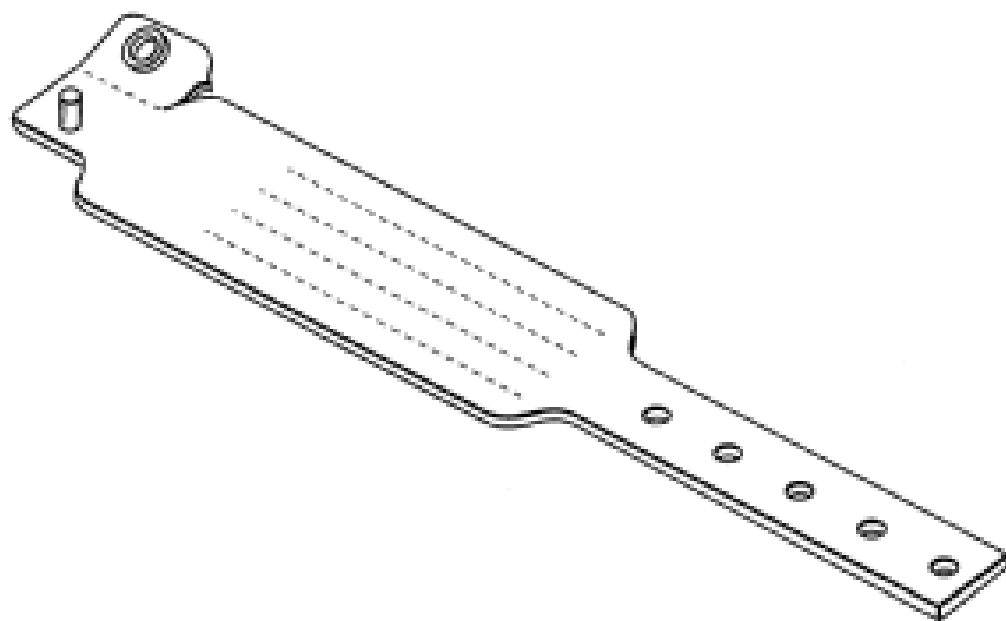
(21) Design Number: **12512/2006**  
(22) Date of Filing Application: **09 June 2006**  
(24) Date from which industrial property rights may have effect: **09 June 2006**  
(54) Product in respect of which the design is registered: **Bottle**  
(51) International Design Classification: **09-01K, 09-01NES**  
(71) Name(s) and Address(s) of Applicant(s):  
**Societe Des Produits Nestle S.A.**  
**PO Box 353 1800 Vevey Switzerland**  
(72) Name(s) of Designer(s): **Gerd Schwarz**  
(45) Registration Date: **31 August 2006**  
(30) Convention priority data:  
(31) Number (32) Date (33) Country  
**132606 17 Mar 2006 SWITZERLAND**  
(56) Related Art Documents: **Not Applicable**  
(57) Statement of Newness and Distinctiveness: **Nil.**



(21) Design Number: **12649/2006**  
(22) Date of Filing Application: **21 June 2006**  
(24) Date from which industrial property rights may have effect: **21 June 2006**  
(54) Product in respect of which the design is registered: **Carafe with lid - CANTEEN**  
(51) International Design Classification: **07-01F**  
(71) Name(s) and Address(s) of Applicant(s):  
**Pi-Design AG**  
**Kantonsstrasse 100 Postfach 463 CH-6234 Triengen Switzerland**  
(72) Name(s) of Designer(s): **Jorgen Bodum**  
(45) Registration Date: **31 August 2006**  
(30) Convention priority data:  
(31) Number (32) Date (33) Country  
**DA 2005 21 Dec 2005 DENMARK**  
**00371**  
(56) Related Art Documents: **Not Applicable**  
(57) Statement of Newness and Distinctiveness: **Nil.**



- (21) Design Number: **12672/2006**  
(22) Date of Filing Application: **21 June 2006**  
(24) Date from which industrial property rights may have effect: **21 June 2006**  
(54) Product in respect of which the design is registered: **Smoking cessation device**  
(51) International Design Classification: **10-06, 11-01C**  
(71) Name(s) and Address(s) of Applicant(s):  
**Geoffrey William Sceney**  
**41-43 Main Street Hervey Bay Queensland 4655 Australia**  
(72) Name(s) of Designer(s): **Geoffrey William Sceney**  
(45) Registration Date: **31 August 2006**  
(56) Related Art Documents: **Not Applicable**  
(57) Statement of Newness and Distinctiveness: **Newness and distinctiveness of the design resides in the shape and configuration of the article shown in the accompanying representations.**



- (21) Design Number: **12673/2006**  
(22) Date of Filing Application: **21 June 2006**  
(24) Date from which industrial property rights may have effect: **21 June 2006**  
(54) Product in respect of which the design is registered: **Body and foot massager**  
(51) International Design Classification: **06-01NES, 28-03NES**  
(71) Name(s) and Address(s) of Applicant(s):  
**Healthy World Lifestyle SDN BHD**  
**No.22 Jalan Anggerik Mokara 31/47 Kota Kemuning 40460 Shah Alam**  
**Selangor Darul Ehsan Malaysia**  
(72) Name(s) of Designer(s): **Wong Lee Keong**  
(45) Registration Date: **31 August 2006**  
(30) Convention priority data:  
(31) Number (32) Date (33) Country  
**06-00302 25 Apr 2006 MALAYSIA**  
(56) Related Art Documents: **Not Applicable**  
(57) Statement of Newness and Distinctiveness: **The newness and distinctiveness of the design resides in the shape and configuration of a body and foot massager as illustrated in the accompanying representations.**



(21) Design Number: **12678/2006**

(22) Date of Filing Application: **21 June 2006**

(24) Date from which industrial property rights may have effect: **21 June 2006**

(54) Product in respect of which the design is registered: **A vacuum cleaner**

(51) International Design Classification: **15-05**

(71) Name(s) and Address(s) of Applicant(s):

**Aktiebolaget Electrolux  
SE-105 45 Stockholm Sweden**

(72) Name(s) of Designer(s): **Esbjorn Svantesson**

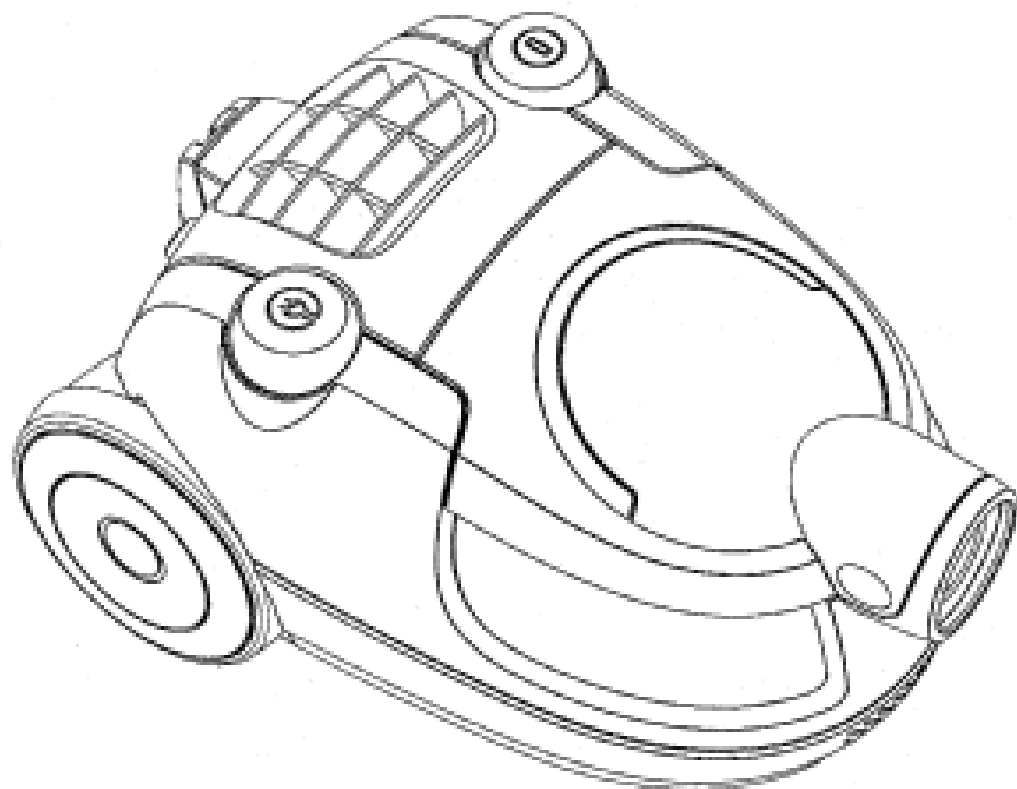
(45) Registration Date: **31 August 2006**

(30) Convention priority data:

(31) Number	(32) Date	(33) Country
<b>000452065</b>	<b>21 Dec 2005</b>	<b>EUROPEAN COMMUNITY</b>

(56) Related Art Documents: **Not Applicable**

(57) Statement of Newness and Distinctiveness: **Nil**



(21) Design Number: **12689/2006**

(22) Date of Filing Application: **21 June 2006**

(24) Date from which industrial property rights may have effect: **21 June 2006**

(54) Product in respect of which the design is registered: **Magazine rack**

(51) International Design Classification: **06-04NES**

(71) Name(s) and Address(s) of Applicant(s):

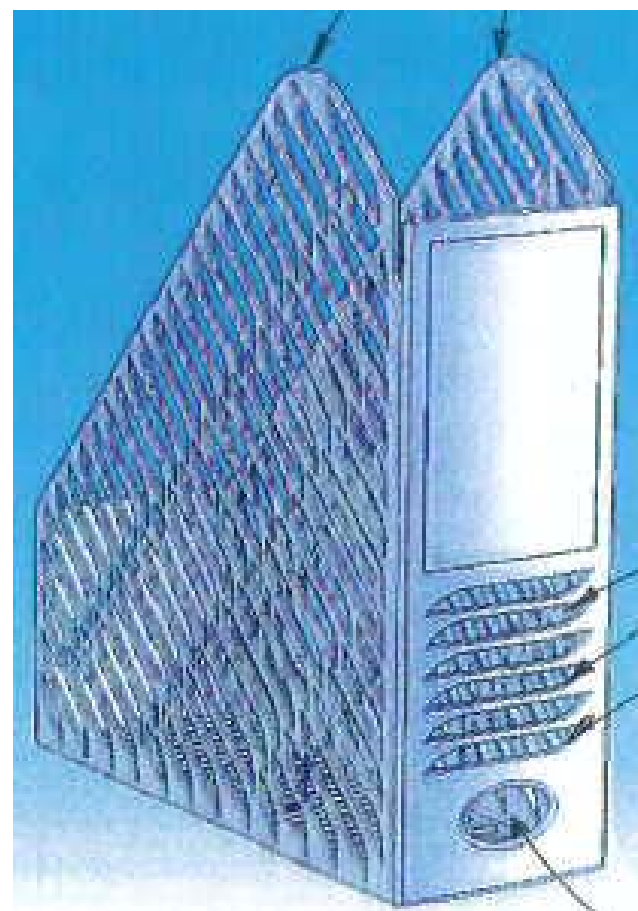
**Acco Australia Pty Ltd  
The Lakes Business Park Level 2 8 Lord Street Botany New South  
Wales 2019 Australia**

(72) Name(s) of Designer(s): **Adam Laws**

(45) Registration Date: **31 August 2006**

(56) Related Art Documents: **Not Applicable**

(57) Statement of Newness and Distinctiveness: **When deciding whether design 1 is substantially similar in overall impression to another design, particular regard should be had to one or each of the upper side wall region A, the lower front wall cut-outs B and the lower front wall cut-out C, as shown in Figure 5.**



(21) Design Number: **12947/2006**

(22) Date of Filing Application: **11 July 2006**

(24) Date from which industrial property rights may have effect: **11 July 2006**

(54) Product in respect of which the design is registered: **Hydraulic generator**

(51) International Design Classification: **13-01, 15-01, 15-02**

(71) Name(s) and Address(s) of Applicant(s):

**Shinko Electric Co., Ltd.**  
**Shiba NBF Tower 1-30 Shibadaimon 1-chome Minato-ku Tokyo**  
**105-8564 Japan**

(72) Name(s) of Designer(s): **Takashi Nozaki and Yoshinori Takahashi and Nobuhiro Saito and Hideki Sakurai and Akira Ishikura and Tsuyoshi Muraoka**

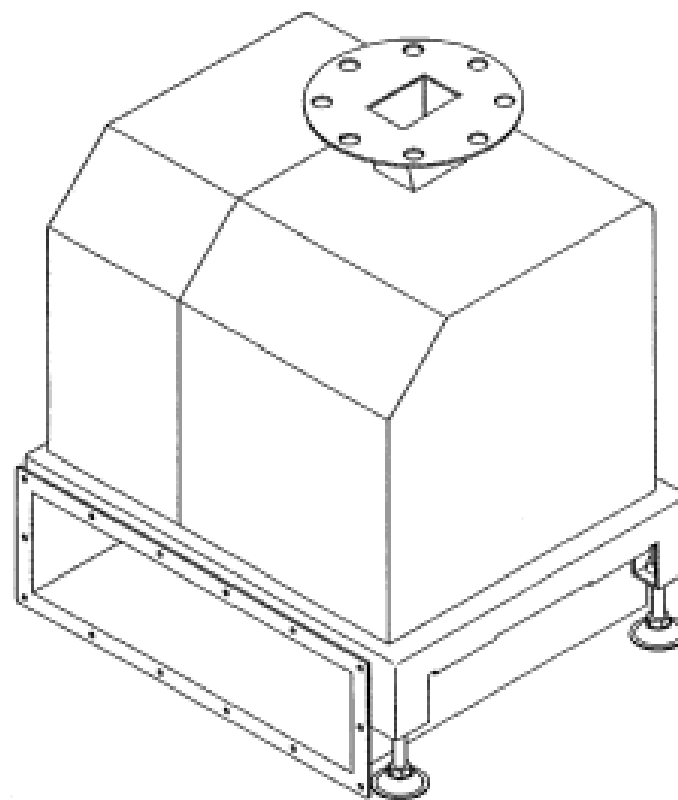
(45) Registration Date: **31 August 2006**

(30) Convention priority data:

(31) Number	(32) Date	(33) Country
<b>2006-305</b>	<b>11 Jan 2006</b>	<b>JAPAN</b>

(56) Related Art Documents: **Not Applicable**

(57) Statement of Newness and Distinctiveness: **Newness and distinctiveness reside in the features of the design as shown in the representations.**



(21) Design Number: **12948/2006**

(22) Date of Filing Application: **11 July 2006**

(24) Date from which industrial property rights may have effect: **11 July 2006**

(54) Product in respect of which the design is registered: **Hydraulic generator**

(51) International Design Classification: **13-01, 15-01, 15-02**

(71) Name(s) and Address(s) of Applicant(s):

**Shinko Electric Co., Ltd.**  
**Shiba NBF Tower 1-30 Shibadaimon 1-chome Minato-ku Tokyo**  
**105-8564 Japan**

(72) Name(s) of Designer(s): **Takashi Nozaki and Yoshinori Takahashi and Nobuhiro Saito and Hideki Sakurai and Akira Ishikura and Tsuyoshi Muraoka**

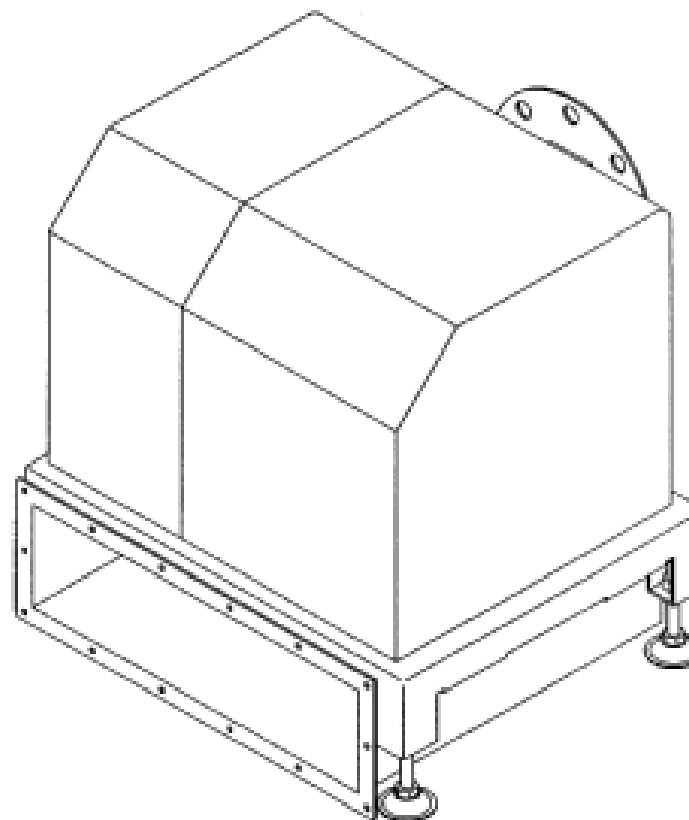
(45) Registration Date: **31 August 2006**

(30) Convention priority data:

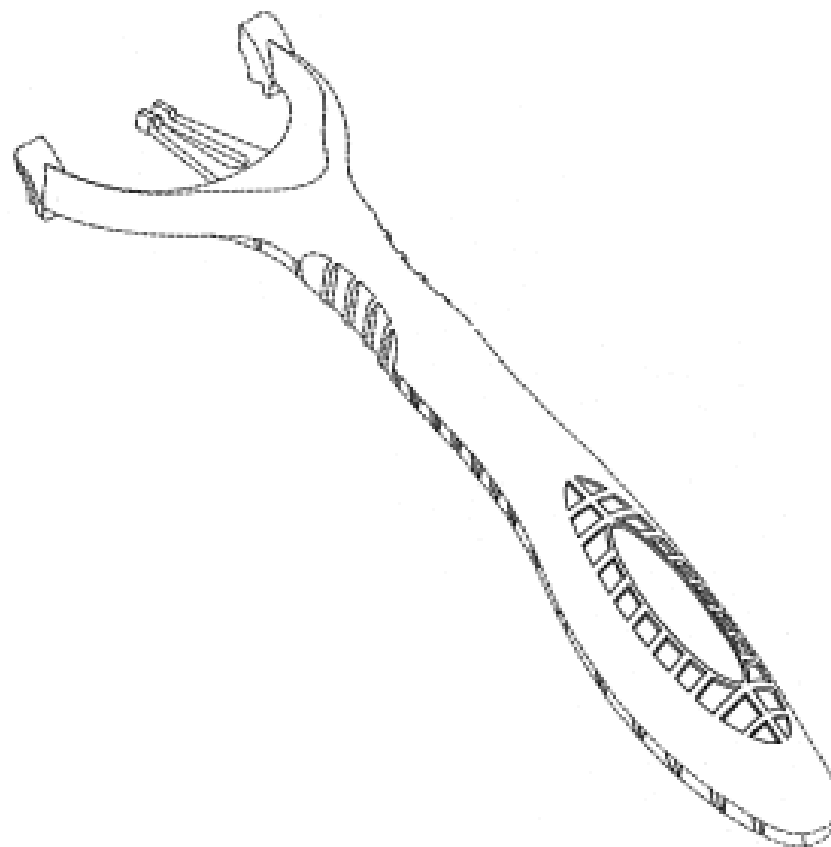
(31) Number	(32) Date	(33) Country
<b>2006-306</b>	<b>11 Jan 2006</b>	<b>JAPAN</b>

(56) Related Art Documents: **Not Applicable**

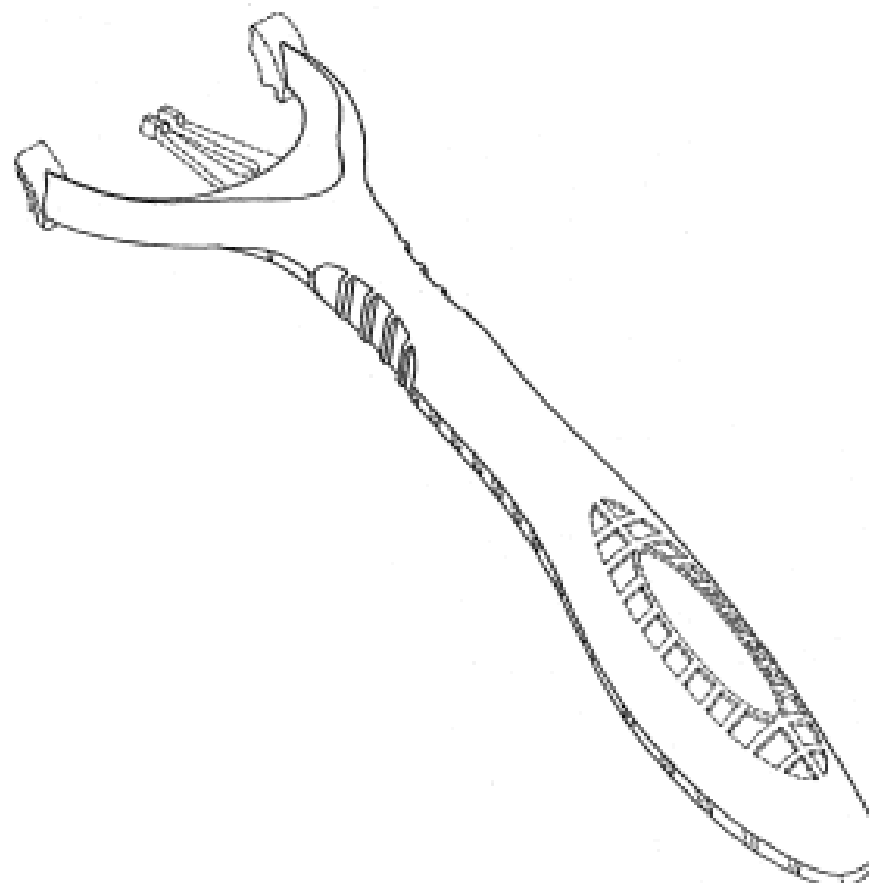
(57) Statement of Newness and Distinctiveness: **Newness and distinctiveness reside in the features of the design as shown in the representations.**



(21) Design Number: **12949/2006**  
(22) Date of Filing Application: **11 July 2006**  
(24) Date from which industrial property rights may have effect: **11 July 2006**  
(54) Product in respect of which the design is registered: **One-piece razor handle**  
(51) International Design Classification: **28-03A**  
(71) Name(s) and Address(s) of Applicant(s):  
**Eveready Battery Company, Inc.**  
**533 Maryville University Drive St Louis Missouri 63141 United States of America**  
(72) Name(s) of Designer(s): **Jay Bunnell and Sean Lukan and Donald Roche and Paul Skibo**  
(45) Registration Date: **31 August 2006**  
(30) Convention priority data:  
(31) Number (32) Date (33) Country  
**29/252693 25 Jan 2006 UNITED STATES OF AMERICA**  
(56) Related Art Documents: **Not Applicable**  
(57) Statement of Newness and Distinctiveness: **Nil**



(21) Design Number: **12950/2006**  
(22) Date of Filing Application: **11 July 2006**  
(24) Date from which industrial property rights may have effect: **11 July 2006**  
(54) Product in respect of which the design is registered: **One-piece razor handle**  
(51) International Design Classification: **28-03A**  
(71) Name(s) and Address(s) of Applicant(s):  
**Eveready Battery Company, Inc.**  
**533 Maryville University Drive St Louis Missouri 63141 United States of America**  
(72) Name(s) of Designer(s): **Jay Bunnell and Sean Lukan and Donald Roche and Paul Skibo**  
(45) Registration Date: **31 August 2006**  
(30) Convention priority data:  
(31) Number (32) Date (33) Country  
**29/252695 25 Jan 2006 UNITED STATES OF AMERICA**  
(56) Related Art Documents: **Not Applicable**  
(57) Statement of Newness and Distinctiveness: **Nil**

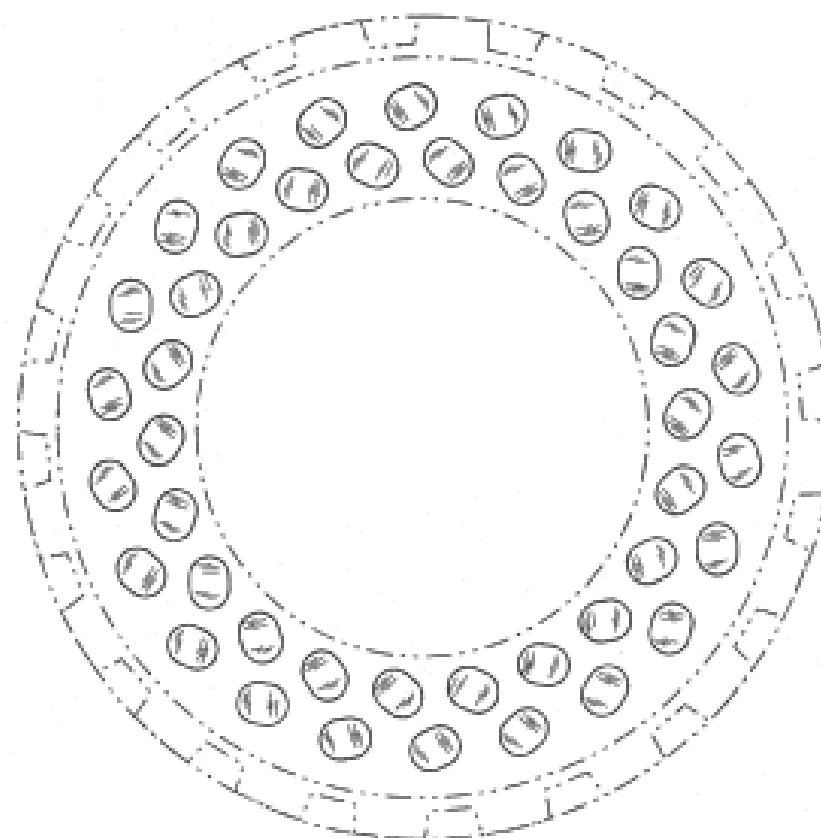


- (21) Design Number: **13391/2006**
- (22) Date of Filing Application: **01 February 2006**
- (24) Date from which industrial property rights may have effect: **01 February 2006**
- (54) Product in respect of which the design is registered: **Ladies garments**
- (51) International Design Classification: **02-02C**
- (71) Name(s) and Address(s) of Applicant(s):  
**Review Australia Pty Ltd**  
**25-31 Rokeby Street Collingwood Victoria 3066 Australia**
- (72) Name(s) of Designer(s): **Jayne Ellis**
- (45) Registration Date: **31 August 2006**
- (56) Related Art Documents: **Not Applicable**
- (57) Statement of Newness and Distinctiveness: **Nil**

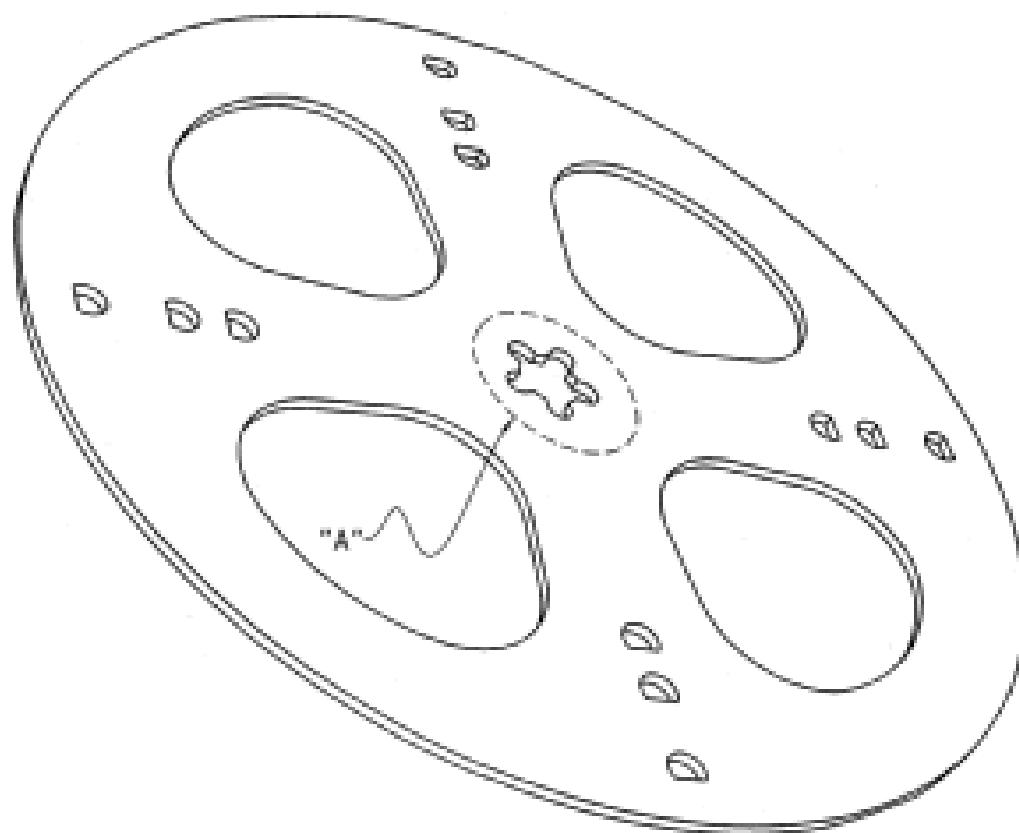


- (21) Design Number: **13396/2006**
- (22) Date of Filing Application: **09 February 2006**
- (24) Date from which industrial property rights may have effect: **07 February 2005**
- (54) Product in respect of which the design is registered: **Tire**
- (51) International Design Classification: **12-15C**
- (71) Name(s) and Address(s) of Applicant(s):  
**Caterpillar Inc.**  
**100 N.E. Adams Street Peoria Illinois 61629 United States of America**
- (72) Name(s) of Designer(s): **Dan J. Becker and Sunil I. Mathew and Dave McKeever and Brook Plavec and Ross P. Wietharn**
- (45) Registration Date: **31 August 2006**
- (30) Convention priority data:

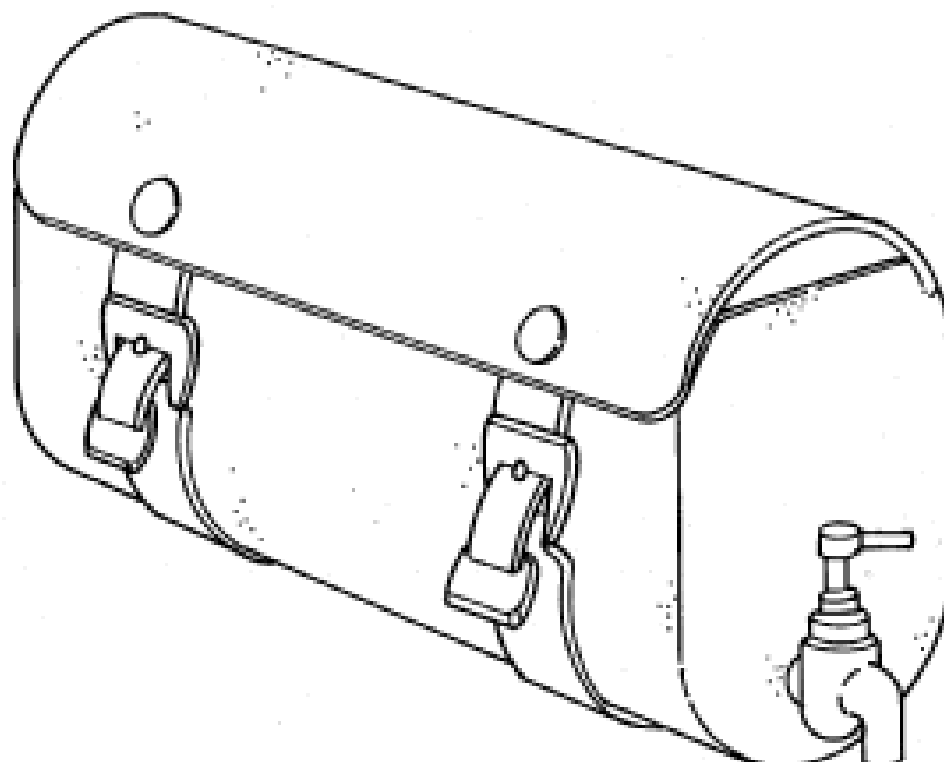
(31) Number	(32) Date	(33) Country
<b>29/238,609</b>	<b>16 Sep 2005</b>	<b>UNITED STATES OF AMERICA</b>
- (62) Divisional of: **304983**
- (56) Related Art Documents: **Not Applicable**
- (57) Statement of Newness and Distinctiveness: **Newness and distinctiveness resides in the visual features of the sidewall of the tire. When considering whether the design is substantially similar in overall impression to another design the features shown in phantom are to be disregarded.**



- (21) Design Number: **15183/2005**  
(22) Date of Filing Application: **25 November 2005**  
(24) Date from which industrial property rights may have effect: **25 November 2005**  
(54) Product in respect of which the design is registered: **Blade carrier for a mower**  
(51) International Design Classification: **15-03B**  
(71) Name(s) and Address(s) of Applicant(s):  
**Raymond Eric Abernethy**  
**PO Box 948 Toowong Queensland 4066 Australia**  
(72) Name(s) of Designer(s): **Raymond Eric Abernethy**  
(45) Registration Date: **31 August 2006**  
(56) Related Art Documents: **Not Applicable**  
(57) Statement of Newness and Distinctiveness: **Newness and distinctiveness resides in the shape and configuration of the blade carrier shown in the accompanying representations, and in considering the extent of the monopoly protection, the central aperture in the area labelled "A" is to be disregarded as is the mower blade shown in one of the representations.**



- (21) Design Number: **15238/2005**  
(22) Date of Filing Application: **30 November 2005**  
(24) Date from which industrial property rights may have effect: **30 November 2005**  
(54) Product in respect of which the design is registered: **Motorcycle tool bag**  
(51) International Design Classification: **03-01D**  
(71) Name(s) and Address(s) of Applicant(s):  
**Maria Emily Greenfield**  
**11 Burham Road Kenwick Western Australia 6107 Australia**  
(72) Name(s) of Designer(s): **Maria Emily Greenfield**  
(45) Registration Date: **31 August 2006**  
(56) Related Art Documents: **Not Applicable**  
(57) Statement of Newness and Distinctiveness: **The particular visual features of the design which are new and distinctive are the provision of a tap extending from one end of a motorcycle tool bag.**





- (21) Design Number: **15407/2005**  
(22) Date of Filing Application: **06 December 2005**  
(24) Date from which industrial property rights may have effect: **06 December 2005**  
(54) Product in respect of which the design is registered: **A bench grinder**  
(51) International Design Classification: **15-09**  
(71) Name(s) and Address(s) of Applicant(s):

**GMCA Pty Ltd**  
**45-55 South Centre Road Melbourne Airport Victoria 3045 Australia**

(72) Name(s) of Designer(s): **James Hastie**

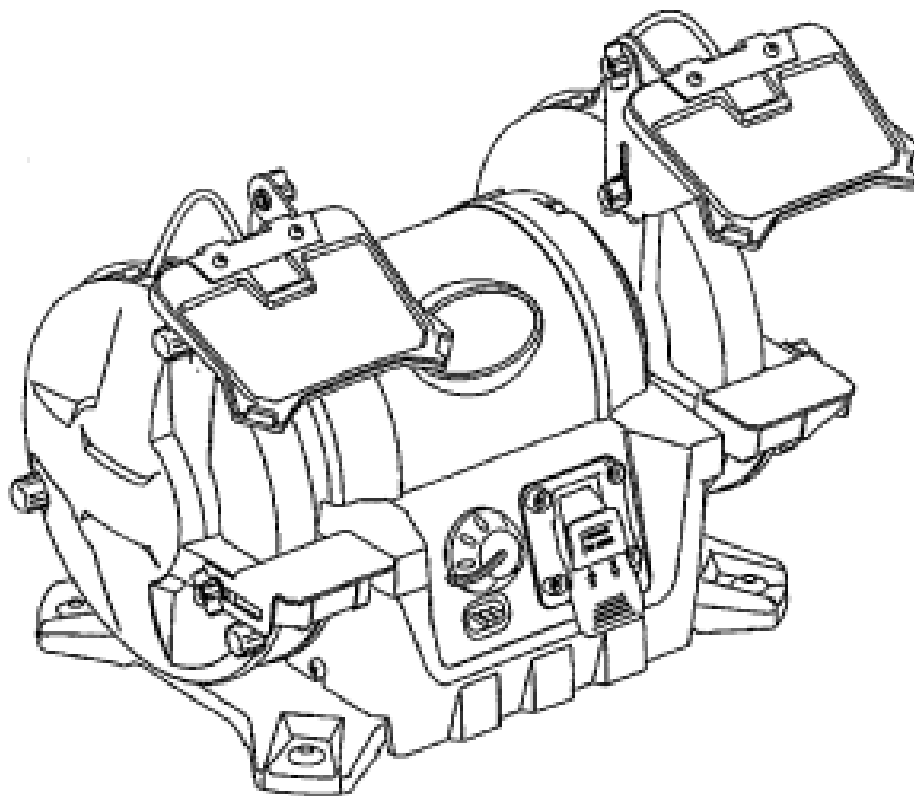
(45) Registration Date: **31 August 2006**

(30) Convention priority data:

(31) Number	(32) Date	(33) Country
<b>3023032</b>	<b>08 Nov 2005</b>	<b>UNITED KINGDOM</b>

(56) Related Art Documents: **Not Applicable**

(57) Statement of Newness and Distinctiveness: **Newness and distinctiveness resides in the features of shape and configuration of a bench grinder as shown in the accompanying representations.**



- (21) Design Number: **15408/2005**  
(22) Date of Filing Application: **06 December 2005**  
(24) Date from which industrial property rights may have effect: **06 December 2005**  
(54) Product in respect of which the design is registered: **A drill press**  
(51) International Design Classification: **08-01**  
(71) Name(s) and Address(s) of Applicant(s):

**GMCA Pty Ltd**  
**45-55 South Centre Road Melbourne Airport Victoria 3045 Australia**

(72) Name(s) of Designer(s): **James Hastie**

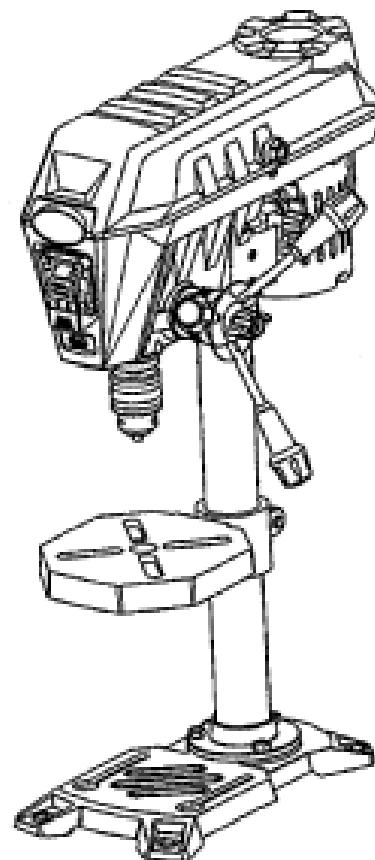
(45) Registration Date: **31 August 2006**

(30) Convention priority data:

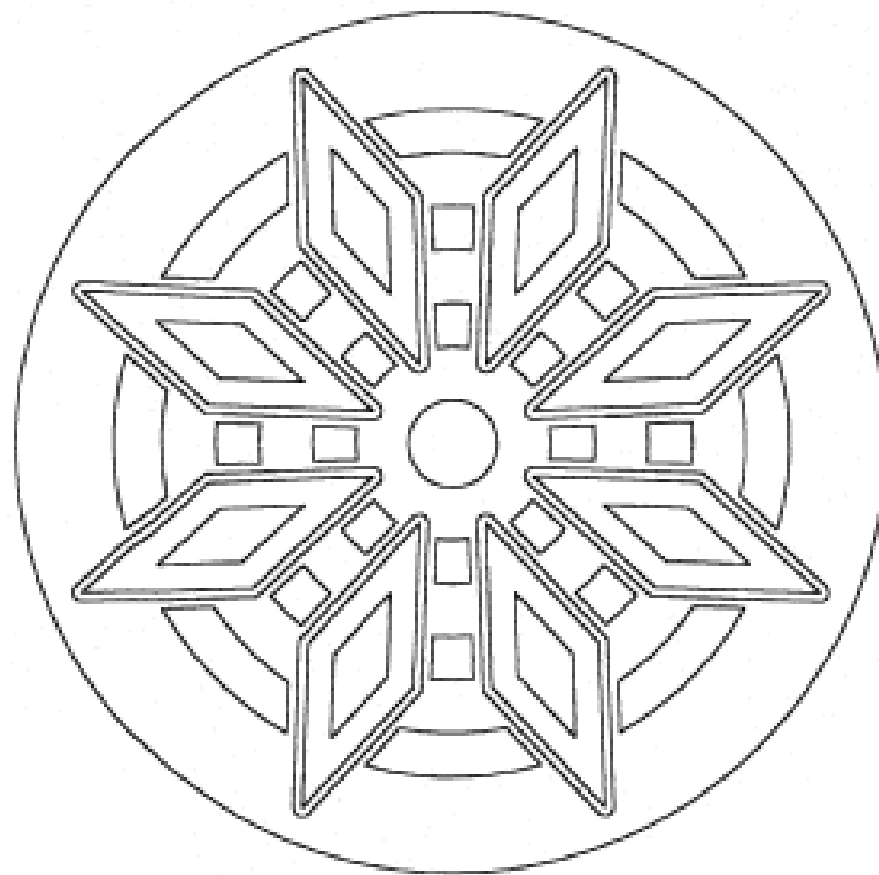
(31) Number	(32) Date	(33) Country
<b>3023030</b>	<b>08 Nov 2005</b>	<b>UNITED KINGDOM</b>

(56) Related Art Documents: **Not Applicable**

(57) Statement of Newness and Distinctiveness: **Newness and distinctiveness resides in the features of shape and configuration of a drill press as shown in the accompanying representations.**



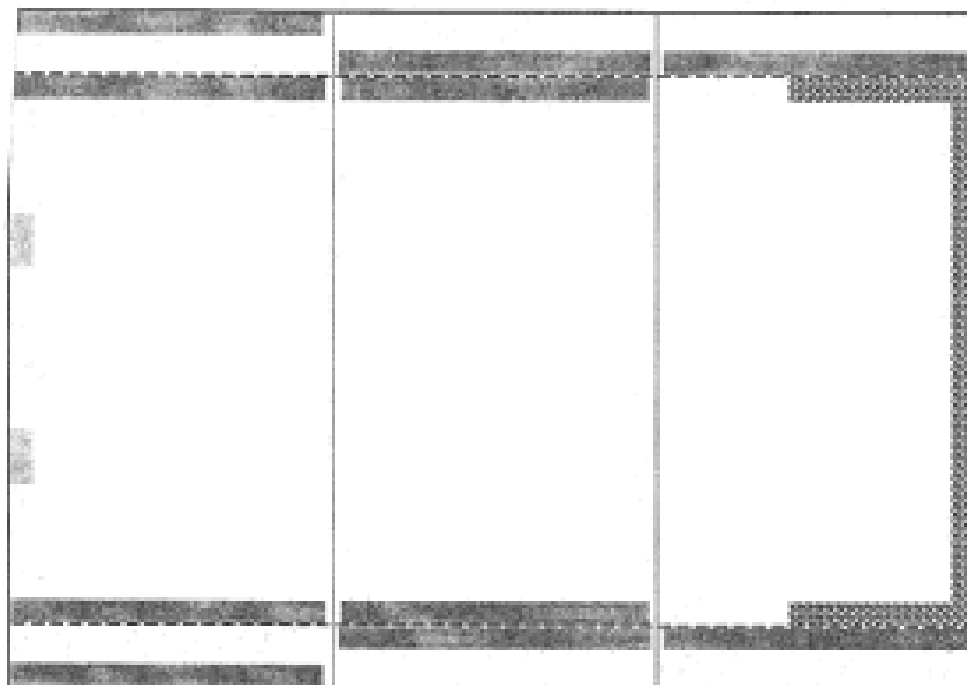
- (21) Design Number: **10223/2006**  
(22) Date of Filing Application: **23 January 2006**  
(24) Date from which industrial property rights may have effect: **23 January 2006**  
(54) Product in respect of which the design is registered: **Floor waste drain**  
(51) International Design Classification: **23-02E**  
(71) Name(s) and Address(s) of Applicant(s):  
**Darren Robert Steen**  
**15 Walton Crescent Abbotsford New South Wales 2046 Australia**  
(72) Name(s) of Designer(s): **Darren Robert Steen**  
(45) Registration Date: **31 August 2006**  
(56) Related Art Documents: **Not Applicable**  
(57) Statement of Newness and Distinctiveness: **New drain design.**



- (21) Design Number: **10588/2006**  
(22) Date of Filing Application: **17 February 2006**  
(24) Date from which industrial property rights may have effect: **17 February 2006**  
(54) Product in respect of which the design is registered: **Teddy Bear**  
(51) International Design Classification: **21-01A**  
(71) Name(s) and Address(s) of Applicant(s):  
**Carolyn Joyce**  
**PO Box 271 Nunawading Victoria 3131 Australia**  
(72) Name(s) of Designer(s): **Carolyn Joyce**  
(45) Registration Date: **31 August 2006**  
(56) Related Art Documents: **Not Applicable**  
(57) Statement of Newness and Distinctiveness: **Claimed in shape, configuration and decoration of a plush toy/bear as shown in representations, inclusive of clothing and all associated wording and colours.**



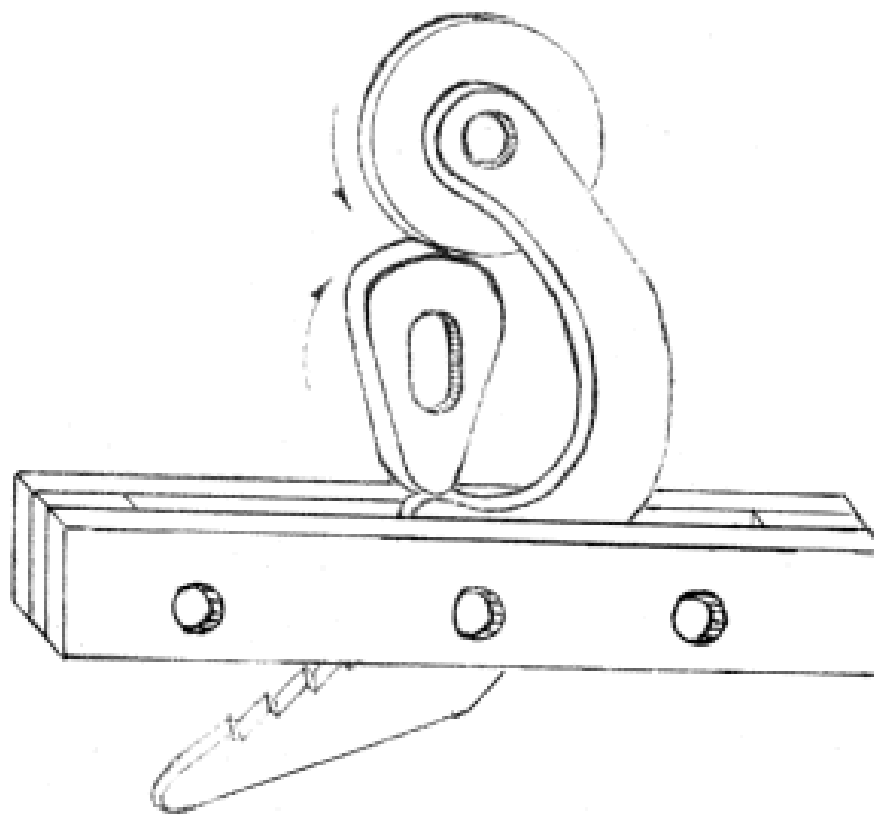
- (21) Design Number: **10666/2006**  
(22) Date of Filing Application: **23 February 2006**  
(24) Date from which industrial property rights may have effect: **23 February 2006**  
(54) Product in respect of which the design is registered: **Self-seal two way self mailer**  
(51) International Design Classification: **19-01**  
(71) Name(s) and Address(s) of Applicant(s):  
**Bernard Joseph Omodei**  
**5/50 Harvey Street East Woodville Park South Australia 5011 Australia**  
(72) Name(s) of Designer(s): **Bernard Joseph Omodei**  
(45) Registration Date: **31 August 2006**  
(56) Related Art Documents: **Not Applicable**  
(57) Statement of Newness and Distinctiveness: **A stationery form with two or more strips of contact adhesive applied whereby the form folded in a first manner has no exposed adhesive and no part of the form sticks to any other part of the form, and whereby the form folded in a second manner is transformed into an envelope.**



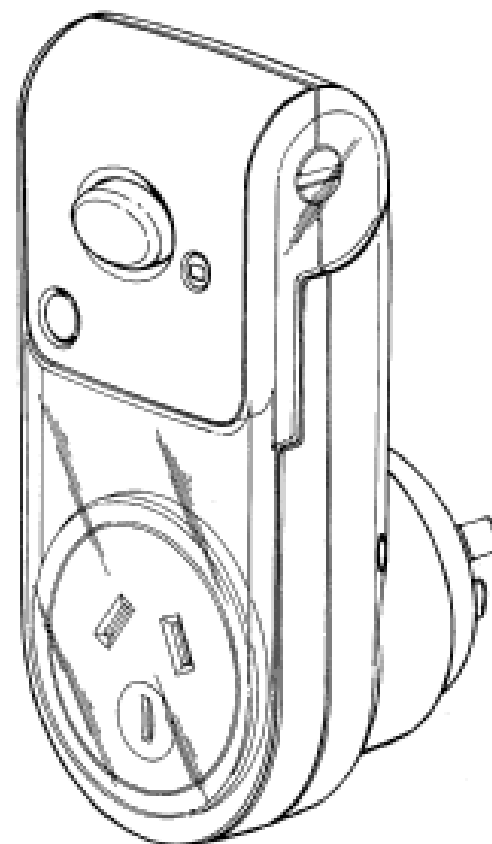
- (21) Design Number: **10894/2006**  
(22) Date of Filing Application: **08 March 2006**  
(24) Date from which industrial property rights may have effect: **08 March 2006**  
(54) Product in respect of which the design is registered: **Collapsible bottles or flagons (jugs) made of plastic**  
(51) International Design Classification: **09-01NES**  
(71) Name(s) and Address(s) of Applicant(s):  
**Concordia Development S.r.l.**  
**Via Valvassori Peroni Carlo Milano 55-20133 Italy**  
(72) Name(s) of Designer(s): **Gianfilippo Pagliacci**  
(45) Registration Date: **31 August 2006**  
(30) Convention priority data:  
(31) Number (32) Date (33) Country  
**000398698-0001 09 Sep 2005 EUROPEAN COMMUNITY**  
(56) Related Art Documents: **Not Applicable**  
(57) Statement of Newness and Distinctiveness: **Newness and distinctiveness of the design resides in the shape and/or configuration of the design as shown in the accompanying representations.**



- (21) Design Number: **12440/2006**
- (22) Date of Filing Application: **05 June 2006**
- (24) Date from which industrial property rights may have effect: **05 June 2006**
- (54) Product in respect of which the design is registered: **A board cutter, installed on electrical saw to cut boards**
- (51) International Design Classification: **08-03**
- (71) Name(s) and Address(s) of Applicant(s):  
**Yan Hua Liu**  
**1 Collins Street Thomastown Victoria 3074 Australia**
- (72) Name(s) of Designer(s): **Yan Hua Liu**
- (45) Registration Date: **31 August 2006**
- (56) Related Art Documents: **Not Applicable**
- (57) Statement of Newness and Distinctiveness: **This new cutting system can increase cutting efficiency with the teeth on the blade. It will do both sawing and cutting at the same time. Without dusting, easy to use, much safer to the user/s.**



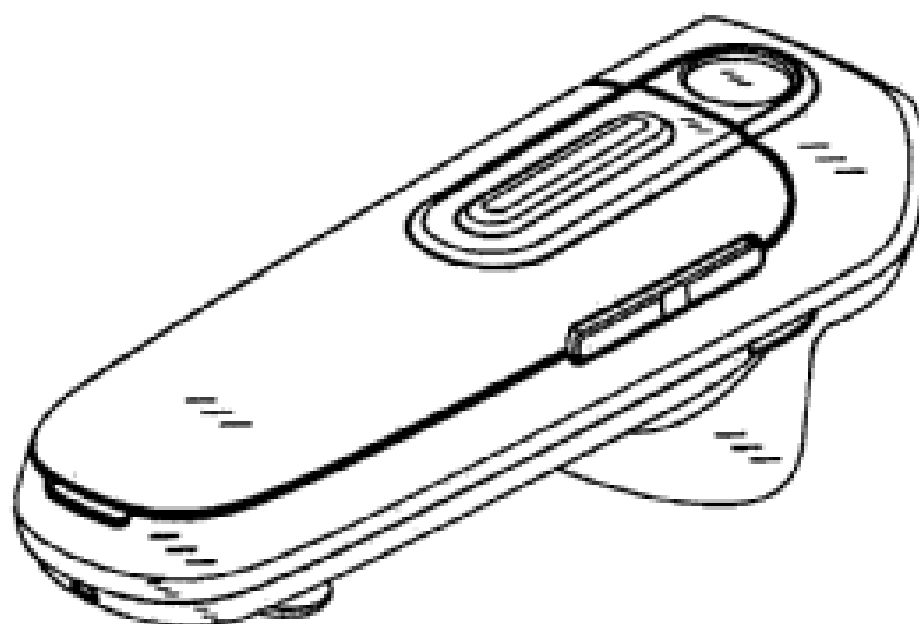
- (21) Design Number: **12447/2006**
- (22) Date of Filing Application: **05 June 2006**
- (24) Date from which industrial property rights may have effect: **05 June 2006**
- (54) Product in respect of which the design is registered: **A plug**
- (51) International Design Classification: **13-03D**
- (71) Name(s) and Address(s) of Applicant(s):  
**Jackson Industries Pty Limited**  
**Building C 2 Hudson Avenue Castle Hill New South Wales 2153 Australia**
- (72) Name(s) of Designer(s): **Ross A. Jackson**
- (45) Registration Date: **31 August 2006**
- (56) Related Art Documents: **Not Applicable**
- (57) Statement of Newness and Distinctiveness: **Newness and distinctiveness is claimed in the features of shape and/or configuration of the oval safety switch and the movable cover of a plug as illustrated in the accompanying representations.**



(21) Design Number: **12468/2006**  
(22) Date of Filing Application: **06 June 2006**  
(24) Date from which industrial property rights may have effect: **06 June 2006**  
(54) Product in respect of which the design is registered: **Rugby ball-shaped mini horn**  
(51) International Design Classification: **10-06**  
(71) Name(s) and Address(s) of Applicant(s):  
**Wayne Cohen**  
**Flat 5 7/F Leader Industrial Centre 57-59 Au Pui Wan Street Fo Tan**  
**N.T. Hong Kong**  
(72) Name(s) of Designer(s): **Wayne Cohen**  
(45) Registration Date: **31 August 2006**  
(30) Convention priority data:  
(31) Number      (32) Date      (33) Country  
**0601029.8M002    24 Apr 2006      HONG KONG**  
(56) Related Art Documents: **Not Applicable**  
(57) Statement of Newness and Distinctiveness: **Nil**



(21) Design Number: **12677/2006**  
(22) Date of Filing Application: **21 June 2006**  
(24) Date from which industrial property rights may have effect: **21 June 2006**  
(54) Product in respect of which the design is registered: **Headset**  
(51) International Design Classification: **14-01, 14-03E**  
(71) Name(s) and Address(s) of Applicant(s):  
**Sony Ericsson Mobile Communications AB**  
**Nya Vattentorget SE 221 88 Lund Sweden**  
(72) Name(s) of Designer(s): **Therese Eklund**  
(45) Registration Date: **31 August 2006**  
(30) Convention priority data:  
(31) Number      (32) Date      (33) Country  
**000469788-0001    26 Jan 2006      EUROPEAN COMMUNITY**  
(56) Related Art Documents: **Not Applicable**  
(57) Statement of Newness and Distinctiveness: **Nil**



(21) Design Number: **12683/2006**

(22) Date of Filing Application: **21 June 2006**

(24) Date from which industrial property rights may have effect: **21 June 2006**

(54) Product in respect of which the design is registered: **Coffee pot with funnel**

(51) International Design Classification: **07-01G**

(71) Name(s) and Address(s) of Applicant(s):

**Pi-Design AG**

**Kantonsstrasse 100 Postfach 463 CH-6234 Triengen Switzerland**

(72) Name(s) of Designer(s): **Jorgen Bodum**

(45) Registration Date: **31 August 2006**

(30) Convention priority data:

(31) Number

(32) Date

(33) Country

**DA 2005**

**21 Dec 2005**

**DENMARK**

**00372**

(56) Related Art Documents: **Not Applicable**

(57) Statement of Newness and Distinctiveness: **Nil**



(21) Design Number: **12684/2006**

(22) Date of Filing Application: **21 June 2006**

(24) Date from which industrial property rights may have effect: **21 June 2006**

(54) Product in respect of which the design is registered: **Coffee pot with lid**

(51) International Design Classification: **07-01G**

(71) Name(s) and Address(s) of Applicant(s):

**Pi-Design AG**

**Kantonsstrasse 100 Postfach 463 CH-6234 Triengen Switzerland**

(72) Name(s) of Designer(s): **Jorgen Bodum**

(45) Registration Date: **31 August 2006**

(30) Convention priority data:

(31) Number

(32) Date

(33) Country

**DA 2005**

**21 Dec 2005**

**DENMARK**

**00372**

(56) Related Art Documents: **Not Applicable**

(57) Statement of Newness and Distinctiveness: **Nil**



(21) Design Number: **12685/2006**

(22) Date of Filing Application: **21 June 2006**

(24) Date from which industrial property rights may have effect: **21 June 2006**

(54) Product in respect of which the design is registered: **Lid**

(51) International Design Classification: **07-01G, 07-01NES**

(71) Name(s) and Address(s) of Applicant(s):

**Pi-Design AG**

**Kantonsstrasse 100 Postfach 463 CH-6234 Triengen Switzerland**

(72) Name(s) of Designer(s): **Jorgen Bodum**

(45) Registration Date: **31 August 2006**

(30) Convention priority data:

(31) Number

(32) Date

(33) Country

**DA 2005**

**21 Dec 2005**

**DENMARK**

**00372**

(56) Related Art Documents: **Not Applicable**

(57) Statement of Newness and Distinctiveness: **Nil**



(21) Design Number: **12686/2006**

(22) Date of Filing Application: **21 June 2006**

(24) Date from which industrial property rights may have effect: **21 June 2006**

(54) Product in respect of which the design is registered: **Coffee pot with funnel**

(51) International Design Classification: **07-01G**

(71) Name(s) and Address(s) of Applicant(s):

**Pi-Design AG**

**Kantonsstrasse 100 Postfach 463 CH-6234 Triengen Switzerland**

(72) Name(s) of Designer(s): **Jorgen Bodum**

(45) Registration Date: **31 August 2006**

(30) Convention priority data:

(31) Number

(32) Date

(33) Country

**DA 2005**

**21 Dec 2005**

**DENMARK**

**00372**

(56) Related Art Documents: **Not Applicable**

(57) Statement of Newness and Distinctiveness: **Nil**



(21) Design Number: **12687/2006**

(22) Date of Filing Application: **21 June 2006**

(24) Date from which industrial property rights may have effect: **21 June 2006**

(54) Product in respect of which the design is registered: **Coffee pot with lid**

(51) International Design Classification: **07-01G**

(71) Name(s) and Address(s) of Applicant(s):

**Pi-Design AG**

**Kantonsstrasse 100 Postfach 463 CH-6234 Triengen Switzerland**

(72) Name(s) of Designer(s): **Jorgen Bodum**

(45) Registration Date: **31 August 2006**

(30) Convention priority data:

(31) Number

(32) Date

(33) Country

**DA 2005**

**21 Dec 2005**

**DENMARK**

**00372**

(56) Related Art Documents: **Not Applicable**

(57) Statement of Newness and Distinctiveness: **Nil**



(21) Design Number: **12688/2006**

(22) Date of Filing Application: **21 June 2006**

(24) Date from which industrial property rights may have effect: **21 June 2006**

(54) Product in respect of which the design is registered: **Lid**

(51) International Design Classification: **07-01G, 07-01NES**

(71) Name(s) and Address(s) of Applicant(s):

**Pi-Design AG**

**Kantonsstrasse 100 Postfach 463 CH-6234 Triengen Switzerland**

(72) Name(s) of Designer(s): **Jorgen Bodum**

(45) Registration Date: **31 August 2006**

(30) Convention priority data:

(31) Number

(32) Date

(33) Country

**DA 2005**

**21 Dec 2005**

**DENMARK**

**00372**

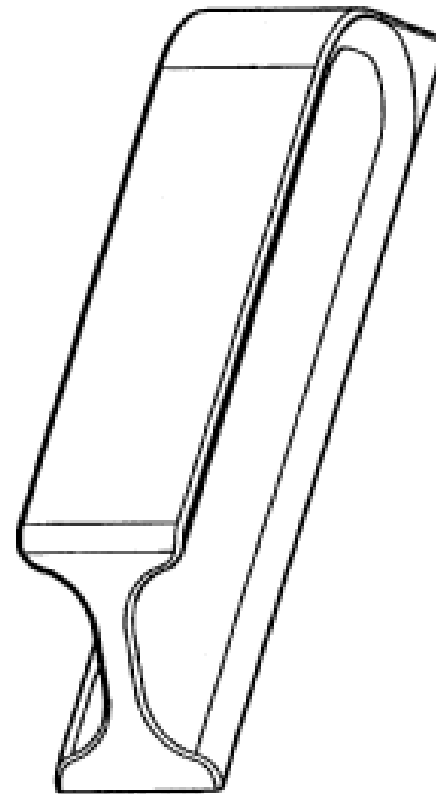
(56) Related Art Documents: **Not Applicable**

(57) Statement of Newness and Distinctiveness: **Nil**

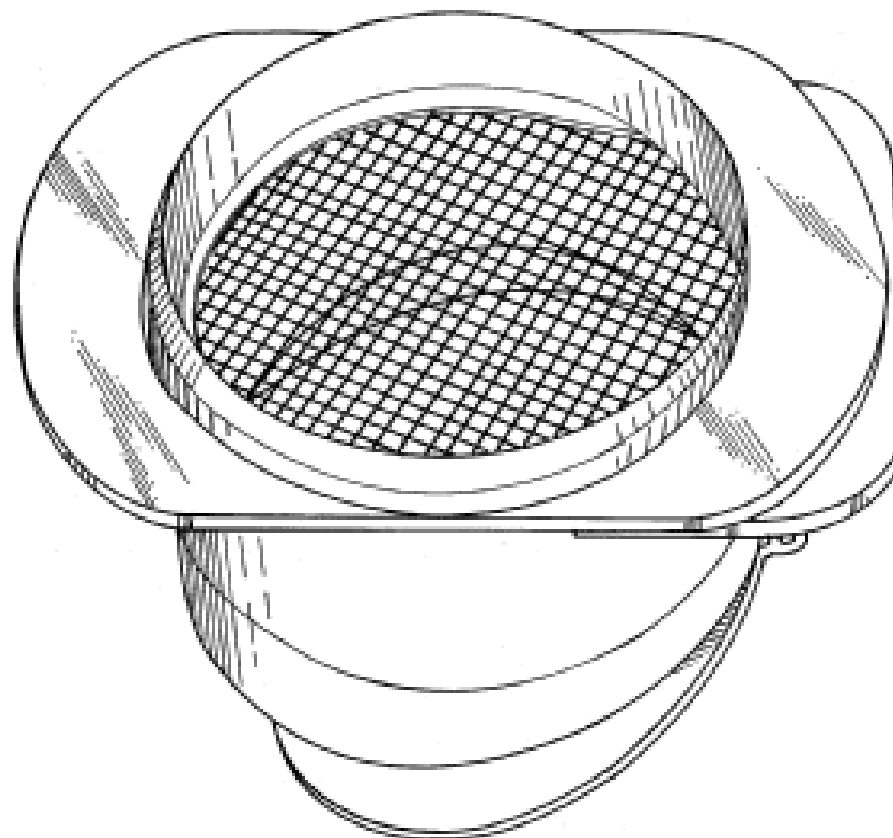




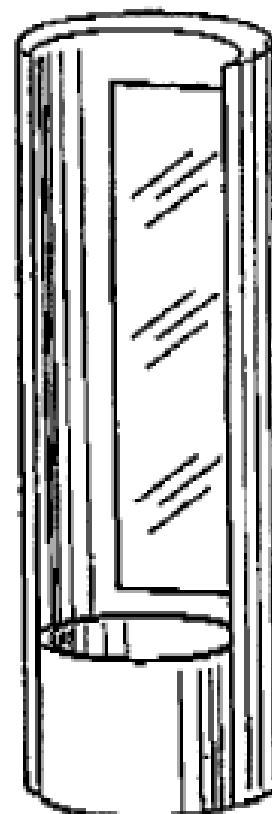
- (21) Design Number: **12760/2006**  
(22) Date of Filing Application: **27 June 2006**  
(24) Date from which industrial property rights may have effect: **27 June 2006**  
(54) Product in respect of which the design is registered: **Pull handle**  
(51) International Design Classification: **08-06**  
(71) Name(s) and Address(s) of Applicant(s):  
**ASSA ABLOY Australia Pty Limited**  
**50 Edward Street Oakleigh Victoria 3166 Australia**  
(72) Name(s) of Designer(s): **Donald John Newman**  
(45) Registration Date: **31 August 2006**  
(56) Related Art Documents: **Not Applicable**  
(57) Statement of Newness and Distinctiveness: **Those features of the pull handle depicted in the representations that are new and distinctive are the shape and/or configuration.**



- (21) Design Number: **12987/2006**  
(22) Date of Filing Application: **12 July 2006**  
(24) Date from which industrial property rights may have effect: **12 July 2006**  
(54) Product in respect of which the design is registered: **Safety vent with removable sliding filter**  
(51) International Design Classification: **23-04**  
(71) Name(s) and Address(s) of Applicant(s):  
**PRESTEX PTY LTD**  
**Lot 5 Robson Street Clontarf Queensland 4019 Australia**  
(72) Name(s) of Designer(s): **Daniel Wos**  
(45) Registration Date: **31 August 2006**  
(56) Related Art Documents: **Not Applicable**  
(57) Statement of Newness and Distinctiveness: **Nil.**



(21) Design Number: **10981/2006**  
(22) Date of Filing Application: **10 March 2006**  
(24) Date from which industrial property rights may have effect: **10 March 2006**  
(54) Product in respect of which the design is registered: **Illuminating tweezers' case**  
(51) International Design Classification: **28-03NES**  
(71) Name(s) and Address(s) of Applicant(s):  
**Adar International Limited**  
**Room 1002, 10/F Honest Motors Building, 9-11 Lwighton Road,**  
**Causeway Bay Hong Kong China**  
(72) Name(s) of Designer(s): **Eran Israel**  
(45) Registration Date: **01 September 2006**  
(30) Convention priority data:  
(31) Number (32) Date (33) Country  
**000456660 04 Jan 2006 EUROPEAN COMMUNITY**  
(56) Related Art Documents: **Not Applicable**  
(57) Statement of Newness and Distinctiveness: **Nil**



(21) Design Number: **11249/2006**  
(22) Date of Filing Application: **24 March 2006**  
(24) Date from which industrial property rights may have effect: **24 March 2006**  
(54) Product in respect of which the design is registered: **A chair**  
(51) International Design Classification: **06-01F**  
(71) Name(s) and Address(s) of Applicant(s):  
**Bilardo Spencer Pty Ltd**  
**Level 1 67 Lipson Street Port Adelaide South Australia 5015 Australia**  
(72) Name(s) of Designer(s): **Jacqueline Anne Spencer and Susanna Bilardo**  
(45) Registration Date: **01 September 2006**  
(56) Related Art Documents: **Not Applicable**  
(57) Statement of Newness and Distinctiveness: **Nil**



(21) Design Number: **11252/2006**  
(22) Date of Filing Application: **24 March 2006**  
(24) Date from which industrial property rights may have effect: **24 March 2006**  
(54) Product in respect of which the design is registered: **A handset**  
(51) International Design Classification: **14-03E**  
(71) Name(s) and Address(s) of Applicant(s):

**Nokia Corporation**  
**Keilalahdentie 4 FIN-02150 Espoo Finland**

(72) Name(s) of Designer(s): **Ingve Holmung and Anthony Dalby**

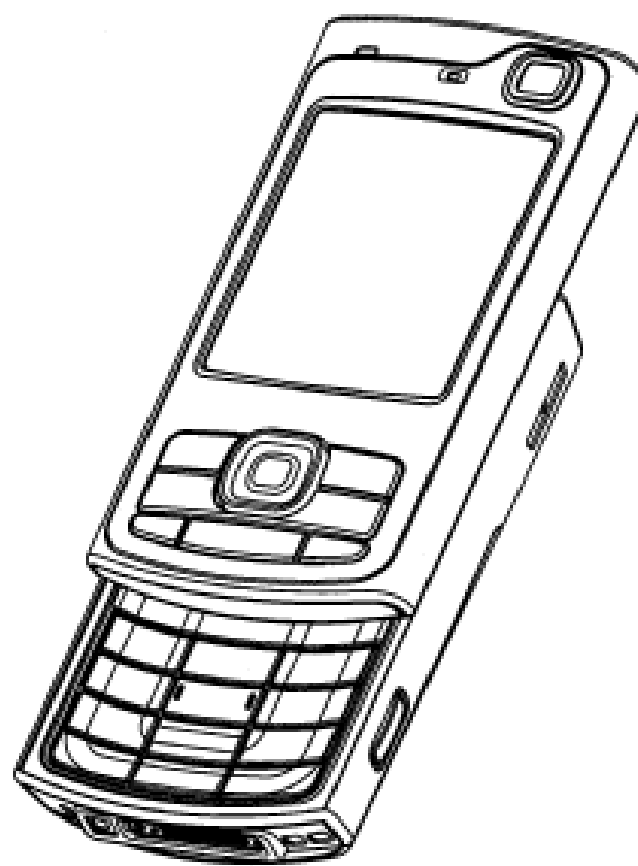
(45) Registration Date: **01 September 2006**

(30) Convention priority data:

(31) Number	(32) Date	(33) Country
<b>M20050168</b>	<b>28 Oct 2005</b>	<b>FINLAND</b>

(56) Related Art Documents: **Not Applicable**

(57) Statement of Newness and Distinctiveness: **Nil**



(21) Design Number: **11815/2006**  
(22) Date of Filing Application: **03 May 2006**  
(24) Date from which industrial property rights may have effect: **03 May 2006**  
(54) Product in respect of which the design is registered: **Secure medical cabinet**  
(51) International Design Classification: **03-01D, 24-01**  
(71) Name(s) and Address(s) of Applicant(s):

**REM Systems Limited**  
**69 Elizabeth Knox Place Glen Innes Auckland New Zealand**

(72) Name(s) of Designer(s): **Tony Maxwell Edwards**

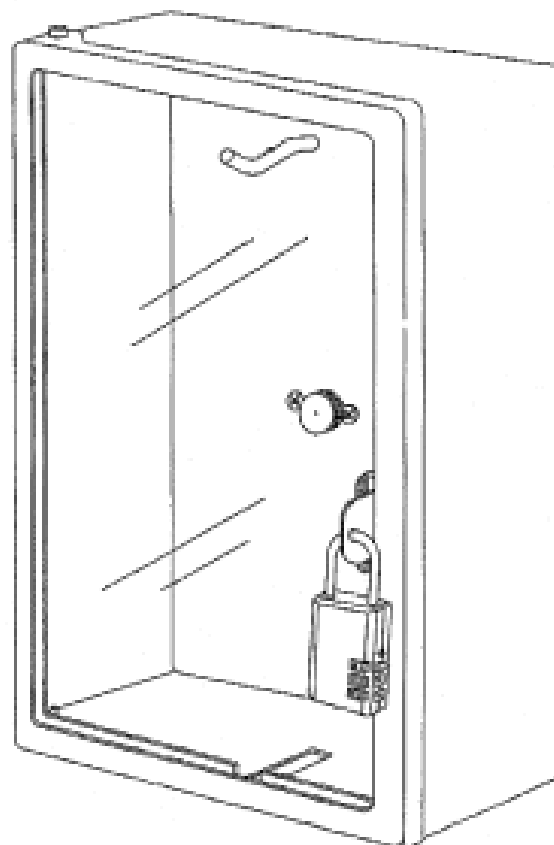
(45) Registration Date: **01 September 2006**

(30) Convention priority data:

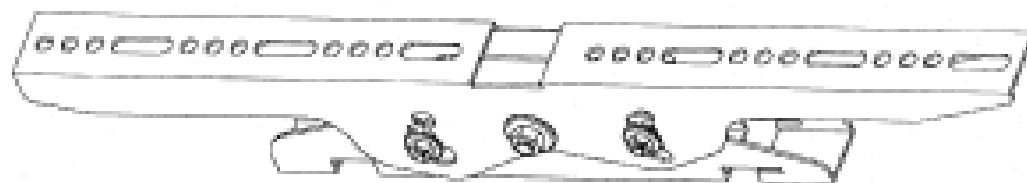
(31) Number	(32) Date	(33) Country
<b>406760</b>	<b>03 Nov 2005</b>	<b>NEW ZEALAND</b>

(56) Related Art Documents: **Not Applicable**

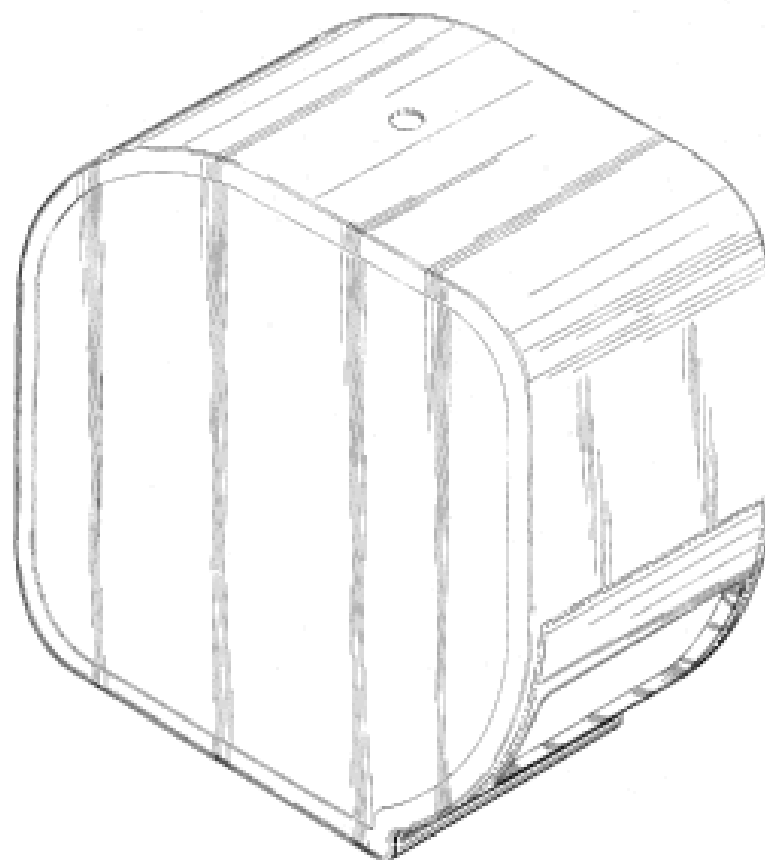
(57) Statement of Newness and Distinctiveness: **Nil.**



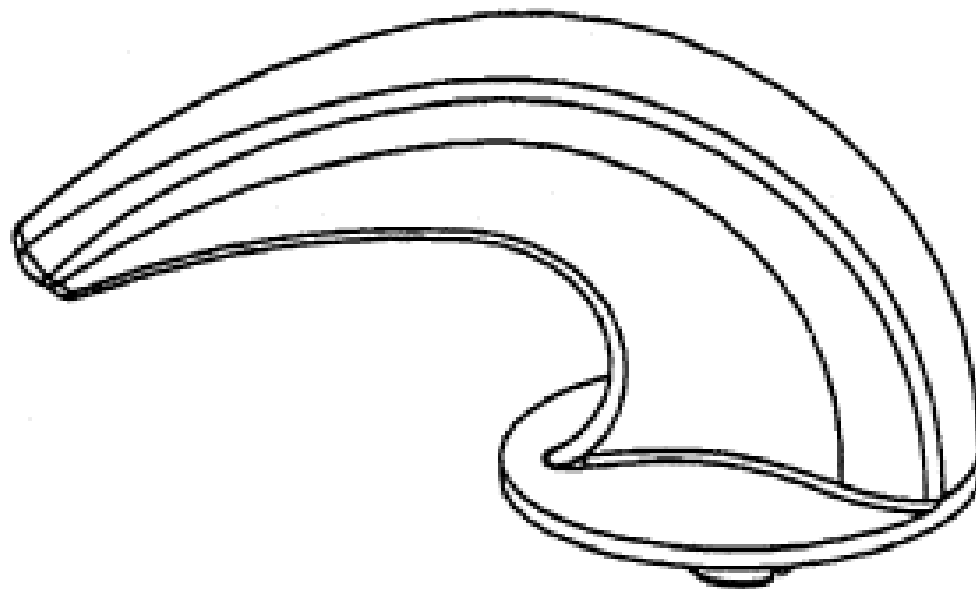
(21) Design Number: **12758/2006**  
(22) Date of Filing Application: **27 June 2006**  
(24) Date from which industrial property rights may have effect: **27 June 2006**  
(54) Product in respect of which the design is registered: **A support for example for television apparatus**  
(51) International Design Classification: **08-08L, 08-08NES**  
(71) Name(s) and Address(s) of Applicant(s):  
**OMB S.r.l.**  
**Via Risorgimento, 25 Stenico (Trento) I-38070 Italy**  
(72) Name(s) of Designer(s): **Carlo Bailo**  
(45) Registration Date: **01 September 2006**  
(30) Convention priority data:  
(31) Number (32) Date (33) Country  
**000464243 27 Dec 2005 EUROPEAN COMMUNITY**  
(56) Related Art Documents: **Not Applicable**  
(57) Statement of Newness and Distinctiveness: **Nil.**



(21) Design Number: **12759/2006**  
(22) Date of Filing Application: **27 June 2006**  
(24) Date from which industrial property rights may have effect: **27 June 2006**  
(54) Product in respect of which the design is registered: **A dispensing container**  
(51) International Design Classification: **09-03NES, 23-02A**  
(71) Name(s) and Address(s) of Applicant(s):  
**Access Business Group International LLC**  
**7575 Fulton Street East Ada Michigan 49355 United States of America**  
(72) Name(s) of Designer(s): **Kevin L. Hager and Paul L. Jackman**  
(45) Registration Date: **01 September 2006**  
(30) Convention priority data:  
(31) Number (32) Date (33) Country  
**29245675 28 Dec 2005 UNITED STATES OF AMERICA**  
(56) Related Art Documents: **Not Applicable**  
(57) Statement of Newness and Distinctiveness: **Newness and distinctiveness is claimed in the visual features shown in solid lines in the representations and the features shown in phantom lines are to be disregarded when considering newness and distinctiveness.**



- (21) Design Number: **12762/2006**
- (22) Date of Filing Application: **27 June 2006**
- (24) Date from which industrial property rights may have effect: **27 June 2006**
- (54) Product in respect of which the design is registered: **Handle**
- (51) International Design Classification: **08-06**
- (71) Name(s) and Address(s) of Applicant(s):  
**ASSA ABLOY Australia Pty Limited**  
**50 Edward Street Oakleigh Victoria 3166 Australia**
- (72) Name(s) of Designer(s): **Donald John Newman**
- (45) Registration Date: **01 September 2006**
- (56) Related Art Documents: **Not Applicable**
- (57) Statement of Newness and Distinctiveness: **Those features of the handle depicted in the representations that are new and distinctive are the shape and/or configuration.**



- (21) Design Number: **12763/2006**
- (22) Date of Filing Application: **27 June 2006**
- (24) Date from which industrial property rights may have effect: **27 June 2006**
- (54) Product in respect of which the design is registered: **Dashboard for a motor vehicle**
- (51) International Design Classification: **12-16NES**
- (71) Name(s) and Address(s) of Applicant(s):  
**Salstrip International Pty Ltd**  
**91 Lane Cove Road Ingleside New South Wales 2101 Australia**
- (72) Name(s) of Designer(s): **Willie Roach**
- (45) Registration Date: **01 September 2006**
- (56) Related Art Documents: **Not Applicable**
- (57) Statement of Newness and Distinctiveness: **Nil**



(21) Design Number: **12764/2006**

(22) Date of Filing Application: **27 June 2006**

(24) Date from which industrial property rights may have effect: **27 June 2006**

(54) Product in respect of which the design is registered: **Battery charger**

(51) International Design Classification: **13-02**

(71) Name(s) and Address(s) of Applicant(s):

**Eveready Battery Company, Inc.**  
**533 Maryville University Drive St Louis Missouri 63164 United States of America**

(72) Name(s) of Designer(s): **Donwoong Kang and Scott W. Osiecki and Robert S. Englert and Garth R. Gibby**

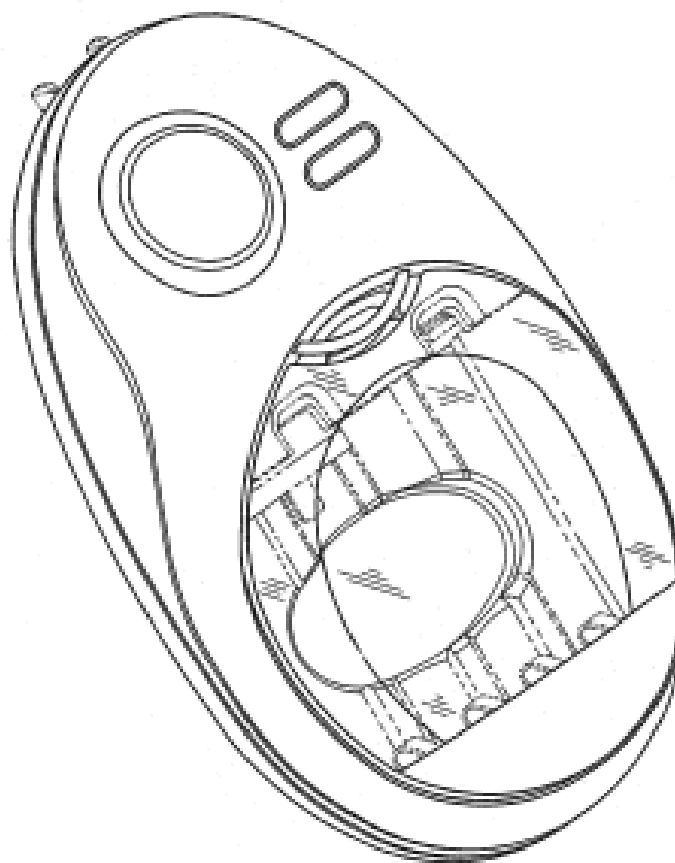
(45) Registration Date: **01 September 2006**

(30) Convention priority data:

(31) Number	(32) Date	(33) Country
<b>29/251577</b>	<b>10 Jan 2006</b>	<b>UNITED STATES OF AMERICA</b>

(56) Related Art Documents: **Not Applicable**

(57) Statement of Newness and Distinctiveness: **Nil**



(21) Design Number: **12766/2006**

(22) Date of Filing Application: **27 June 2006**

(24) Date from which industrial property rights may have effect: **27 June 2006**

(54) Product in respect of which the design is registered: **GPS receiver**

(51) International Design Classification: **14-03NES**

(71) Name(s) and Address(s) of Applicant(s):

**Sony Computer Entertainment Inc.**  
**2-6-21 Minami-Aoyama Minato-ku Tokyo 107-0062 Japan**

(72) Name(s) of Designer(s): **Takatoshi Nakamura**

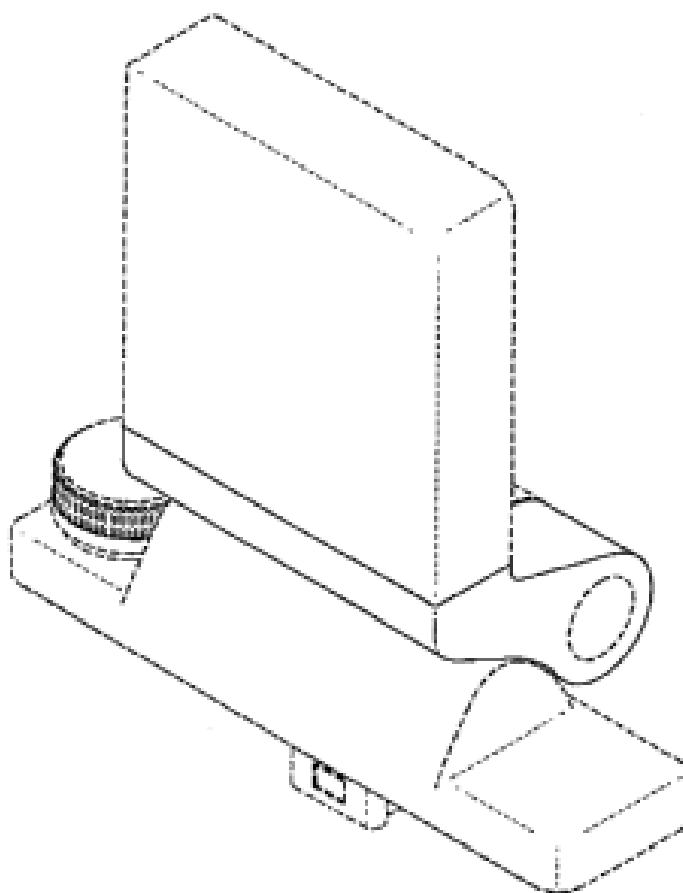
(45) Registration Date: **01 September 2006**

(30) Convention priority data:

(31) Number	(32) Date	(33) Country
<b>2006-006399</b>	<b>14 Mar 2006</b>	<b>JAPAN</b>

(56) Related Art Documents: **Not Applicable**

(57) Statement of Newness and Distinctiveness: **Newness and distinctiveness reside in the shape and configuration of a GPS receiver as illustrated in the accompanying representations. The features shown in broken outline are illustrative only and do not form part of the design.**



(21) Design Number: **12767/2006**  
 (22) Date of Filing Application: **27 June 2006**  
 (24) Date from which industrial property rights may have effect: **27 June 2006**  
 (54) Product in respect of which the design is registered: **Camera**  
 (51) International Design Classification: **16-01**  
 (71) Name(s) and Address(s) of Applicant(s):

**Sony Computer Entertainment Inc.**  
**2-6-21 Minami-Aoyama Minato-ku Tokyo 107-0062 Japan**

(72) Name(s) of Designer(s): **Takatoshi Nakamura**

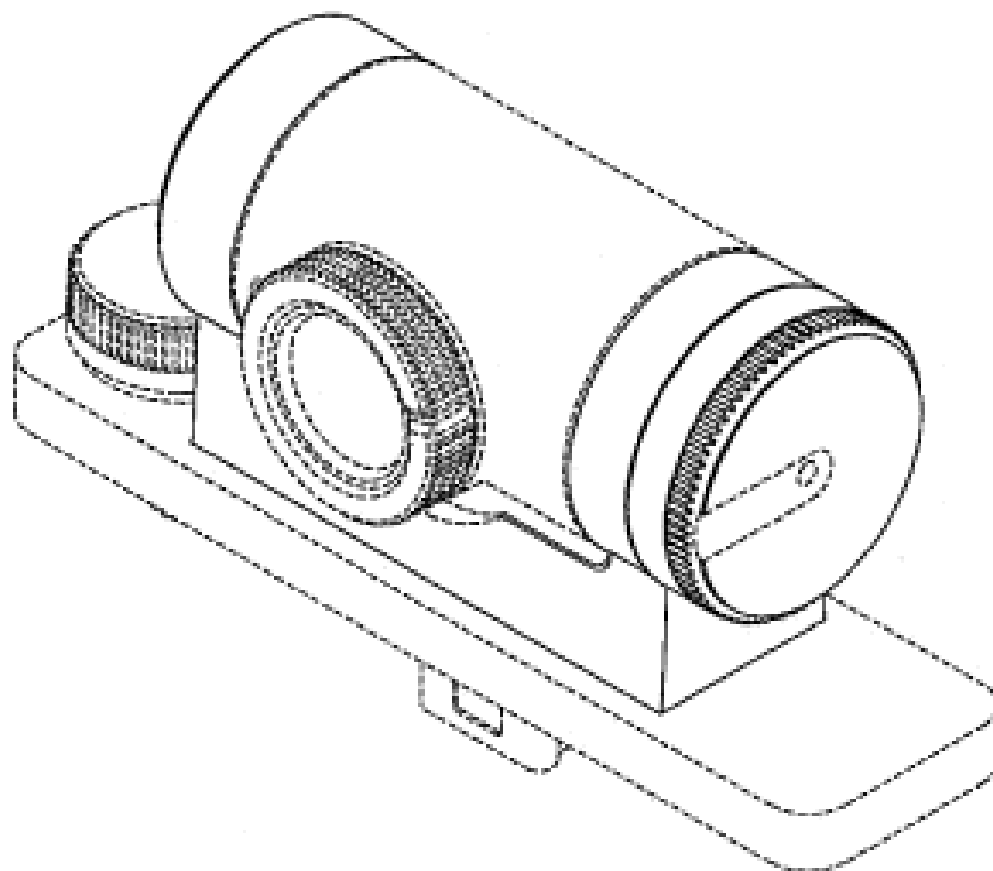
(45) Registration Date: **01 September 2006**

(30) Convention priority data:

(31) Number	(32) Date	(33) Country
<b>2006-002052</b>	<b>31 Jan 2006</b>	<b>JAPAN</b>

(56) Related Art Documents: **Not Applicable**

(57) Statement of Newness and Distinctiveness: **Newness and distinctiveness reside in the shape and configuration of a camera as illustrated in the accompanying representations. The features shown in broken outline are illustrative only and do not form part of the design.**



(21) Design Number: **12768/2006**  
 (22) Date of Filing Application: **27 June 2006**  
 (24) Date from which industrial property rights may have effect: **27 June 2006**  
 (54) Product in respect of which the design is registered: **GPS receiver**  
 (51) International Design Classification: **14-03NES**  
 (71) Name(s) and Address(s) of Applicant(s):

**Sony Computer Entertainment Inc.**  
**2-6-21 Minami-Aoyama Minato-ku Tokyo 107-0062 Japan**

(72) Name(s) of Designer(s): **Takatoshi Nakamura**

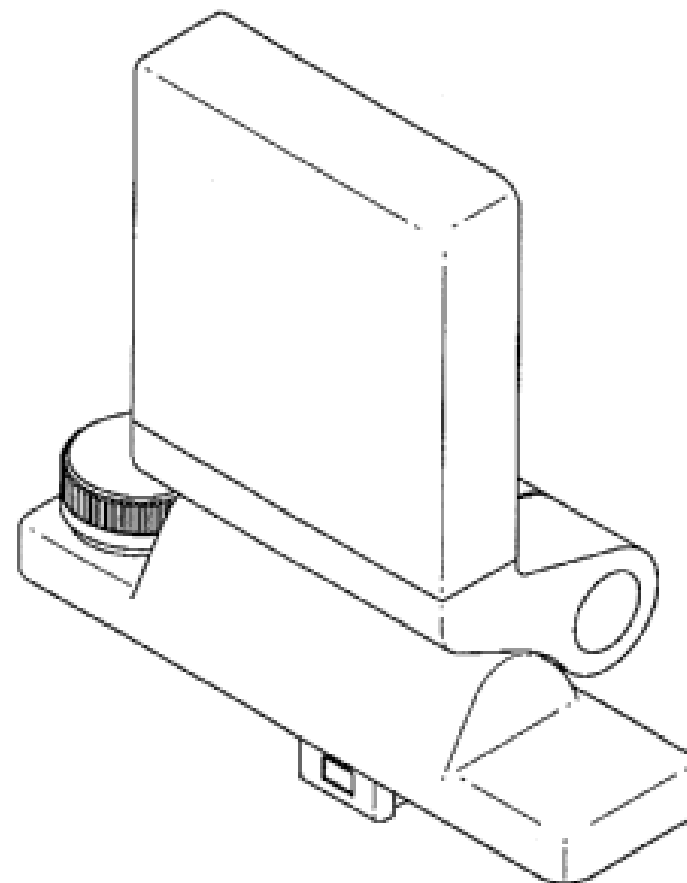
(45) Registration Date: **01 September 2006**

(30) Convention priority data:

(31) Number	(32) Date	(33) Country
<b>2006-006398</b>	<b>14 Mar 2006</b>	<b>JAPAN</b>

(56) Related Art Documents: **Not Applicable**

(57) Statement of Newness and Distinctiveness: **Newness and distinctiveness reside in the shape and configuration of a GPS receiver as illustrated in the accompanying representations. The features shown in broken outline are illustrative only and do not form part of the design.**



(21) Design Number: **13200/2006**

(22) Date of Filing Application: **25 July 2006**

(24) Date from which industrial property rights may have effect: **25 July 2006**

(54) Product in respect of which the design is registered: **A bottle**

(51) International Design Classification: **09-01K**

(71) Name(s) and Address(s) of Applicant(s):

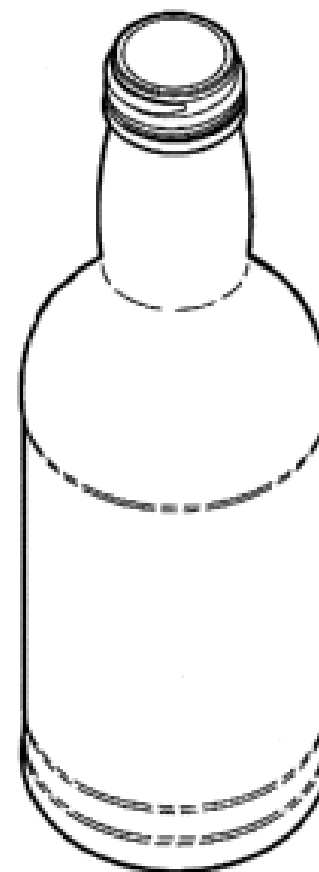
**Bickford's Australia Pty Ltd**  
**162 Cross Keys Road Salisbury South South Australia 5106 Australia**

(72) Name(s) of Designer(s): **Employees of O-I Australia**

(45) Registration Date: **01 September 2006**

(56) Related Art Documents: **Not Applicable**

(57) Statement of Newness and Distinctiveness: **Nil.**



(21) Design Number: **13203/2006**

(22) Date of Filing Application: **24 July 2006**

(24) Date from which industrial property rights may have effect: **24 July 2006**

(54) Product in respect of which the design is registered: **A vegetable cutting blade**

(51) International Design Classification: **31-00**

(71) Name(s) and Address(s) of Applicant(s):

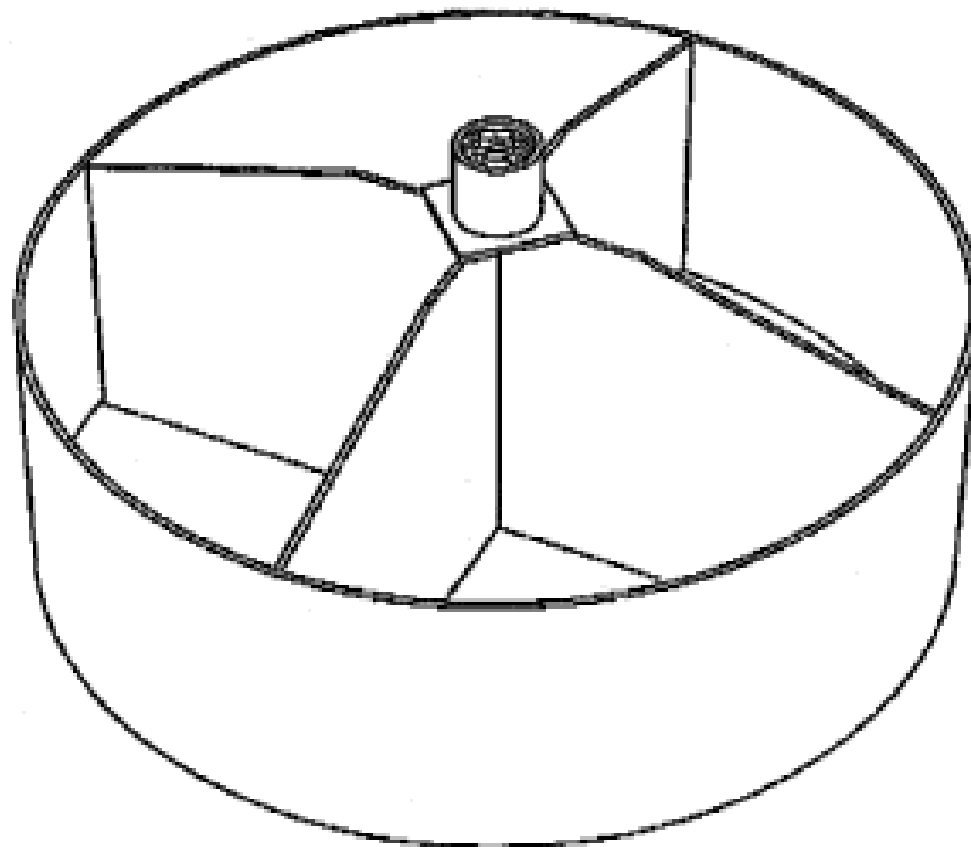
**Bruno Romeo**  
**11 Glen Stuart Road Woodforde South Australia 5072 Australia**

(72) Name(s) of Designer(s): **Bruno Romeo**

(45) Registration Date: **01 September 2006**

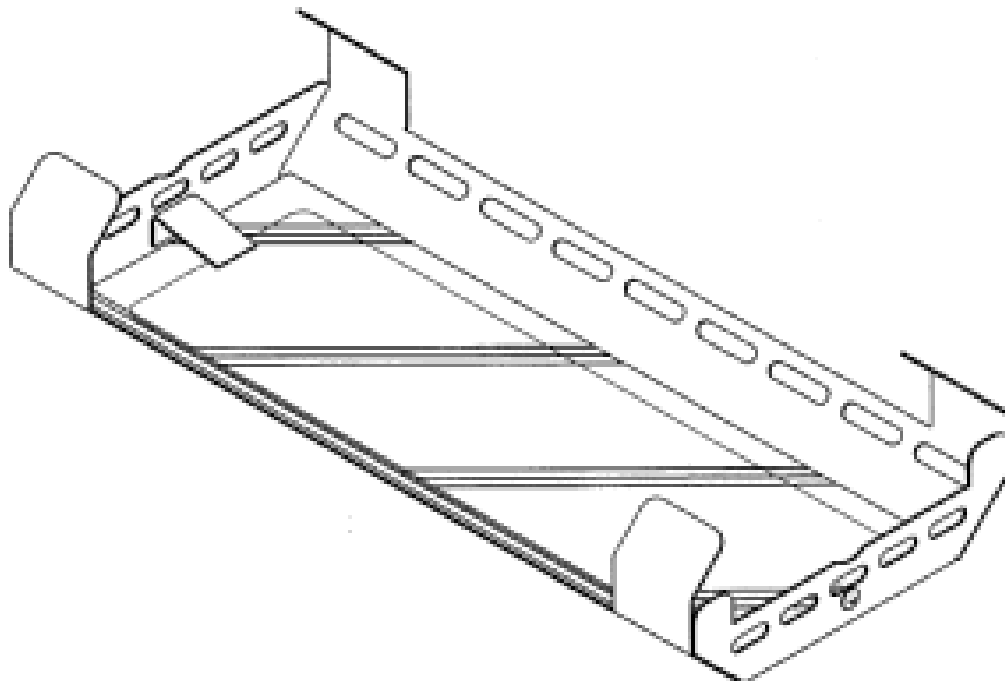
(56) Related Art Documents: **Not Applicable**

(57) Statement of Newness and Distinctiveness: **Newness and distinctiveness is claimed in the vegetable cutting blade as illustrated in the accompanying representations. In considering the scope of newness and distinctiveness no consideration is to be given to the attachment means.**

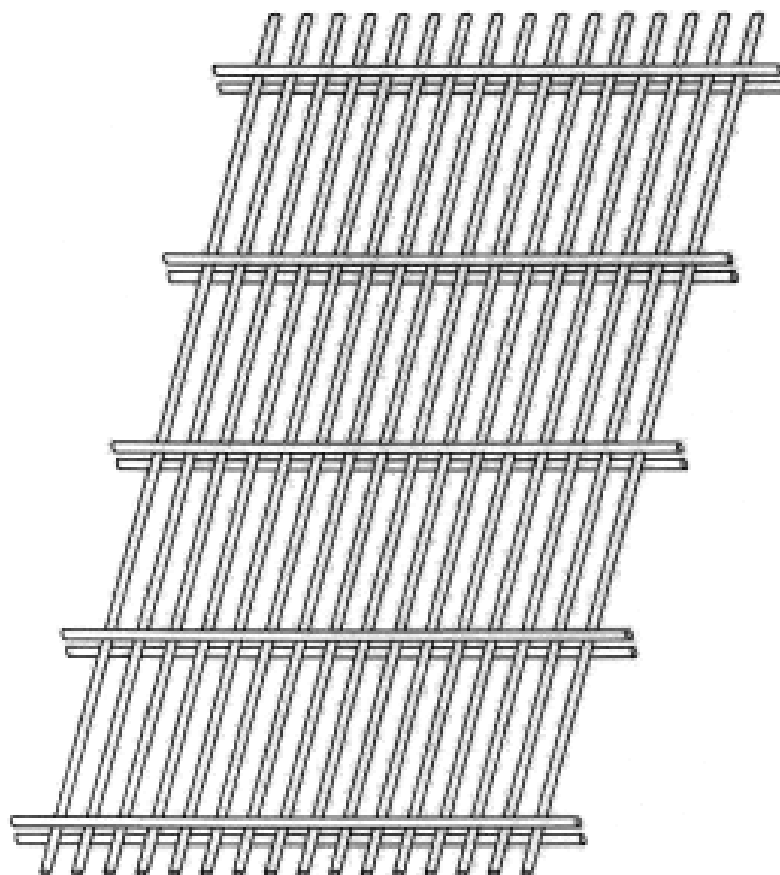




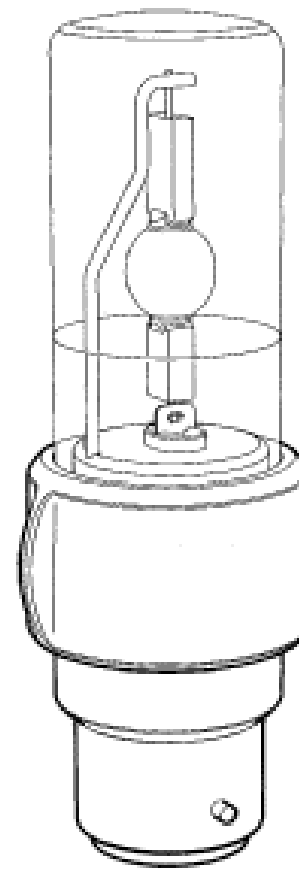
- (21) Design Number: **13207/2006**  
(22) Date of Filing Application: **25 July 2006**  
(24) Date from which industrial property rights may have effect: **25 July 2006**  
(54) Product in respect of which the design is registered: **A lamp cover**  
(51) International Design Classification: **26-05C**  
(71) Name(s) and Address(s) of Applicant(s):  
**ROBAND Australia Pty Ltd**  
**24 Middleton Road Dee Why New South Wales 2099 Australia**  
(72) Name(s) of Designer(s): **Gordon James Thorpe and Stuart Norris and Paul LeVavassuere and Chen Li and William Kee Wuk Lum**  
(45) Registration Date: **01 September 2006**  
(56) Related Art Documents: **Not Applicable**  
(57) Statement of Newness and Distinctiveness: **Newness and distinctiveness is claimed in the features of shape and/or configuration of the cross-sectional profile of a lamp cover as particularly illustrated in the view labelled 'Section A-A' in the accompanying representations.**



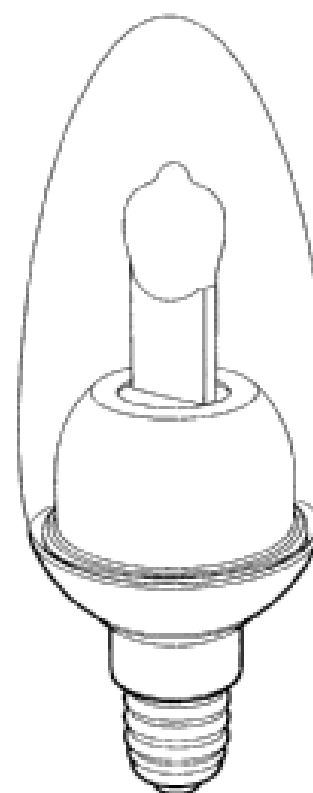
- (21) Design Number: **13208/2006**  
(22) Date of Filing Application: **25 July 2006**  
(24) Date from which industrial property rights may have effect: **25 July 2006**  
(54) Product in respect of which the design is registered: **A fence element**  
(51) International Design Classification: **25-02C**  
(71) Name(s) and Address(s) of Applicant(s):  
**Betafence Holding NV**  
**Deerlijkstraat 58A B-8550 Zwevegem Belgium**  
(72) Name(s) of Designer(s): **Michael M. Rodenburg**  
(45) Registration Date: **01 September 2006**  
(30) Convention priority data:  
(31) Number      (32) Date      (33) Country  
**000468616-0002    25 Jan 2006      EUROPEAN COMMUNITY**  
(56) Related Art Documents: **Not Applicable**  
(57) Statement of Newness and Distinctiveness: **Newness and distinctiveness is claimed in the features of shape and/or configuration of a fence element as illustrated in the accompanying representations.**



- (21) Design Number: **13210/2006**  
(22) Date of Filing Application: **25 July 2006**  
(24) Date from which industrial property rights may have effect: **25 July 2006**  
(54) Product in respect of which the design is registered: **Master traffic lamp**  
(51) International Design Classification: **26-03**  
(71) Name(s) and Address(s) of Applicant(s):  
**Koninklijke Philips Electronics N.V.**  
**Groenewoudseweg 1 5621 BA Eindhoven The Netherlands**  
(72) Name(s) of Designer(s): **Mat Bembridge**  
(45) Registration Date: **01 September 2006**  
(30) Convention priority data:  
(31) Number (32) Date (33) Country  
**000476114-0004 08 Feb 2006 EUROPEAN COMMUNITY**  
(56) Related Art Documents: **Not Applicable**  
(57) Statement of Newness and Distinctiveness: **Newness and distinctiveness reside in the features of the design as shown in the representations.**



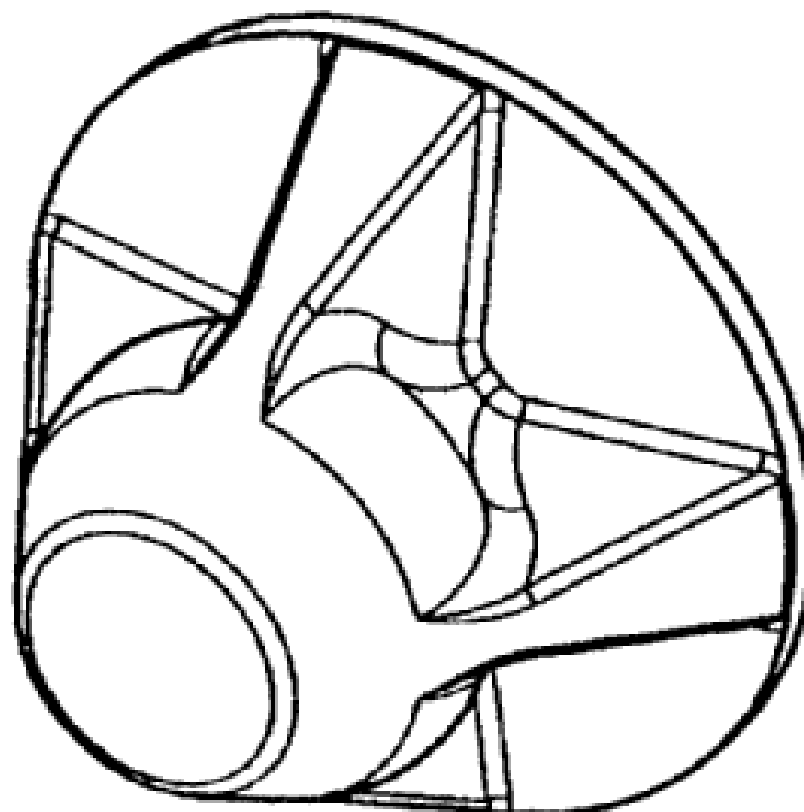
- (21) Design Number: **13211/2006**  
(22) Date of Filing Application: **25 July 2006**  
(24) Date from which industrial property rights may have effect: **25 July 2006**  
(54) Product in respect of which the design is registered: **Energy saving filament lamp**  
(51) International Design Classification: **26-04**  
(71) Name(s) and Address(s) of Applicant(s):  
**Koninklijke Philips Electronics N.V.**  
**Groenewoudseweg 1 5621 BA Eindhoven The Netherlands**  
(72) Name(s) of Designer(s): **Mat Bembridge**  
(45) Registration Date: **01 September 2006**  
(30) Convention priority data:  
(31) Number (32) Date (33) Country  
**000476114-0003 08 Feb 2006 EUROPEAN COMMUNITY**  
(56) Related Art Documents: **Not Applicable**  
(57) Statement of Newness and Distinctiveness: **Newness and distinctiveness reside in the features of the design as shown in the representations.**



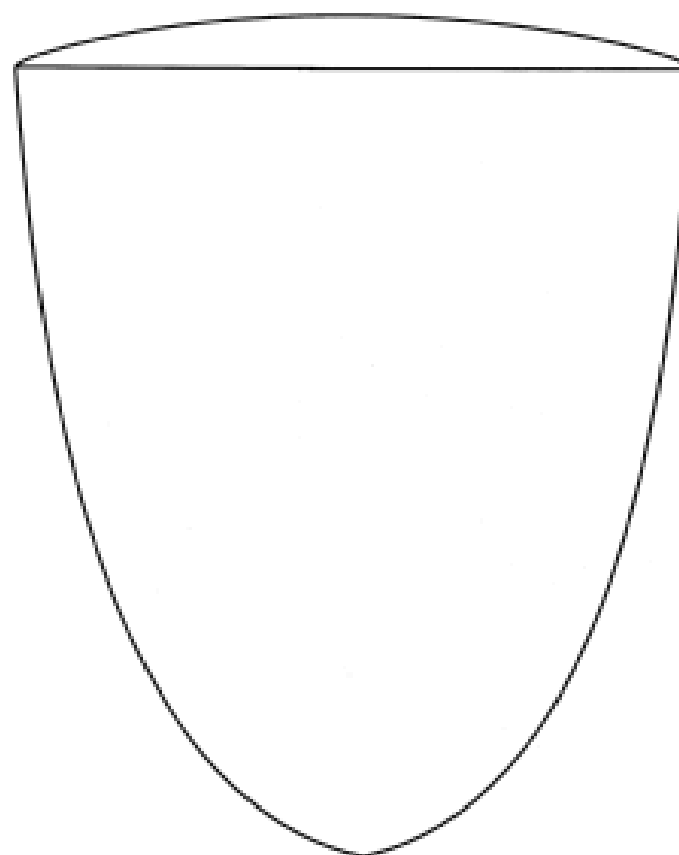
- (21) Design Number: **13823/2006**  
(22) Date of Filing Application: **10 March 2006**  
(24) Date from which industrial property rights may have effect: **10 March 2006**  
(54) Product in respect of which the design is registered: **Illuminating tweezers**  
(51) International Design Classification: **28-03NES**  
(71) Name(s) and Address(s) of Applicant(s):  
**Adar International Limited**  
**Room 1002, 10/F Honest Motors Building, 9-11 Lwighton Road,**  
**Causeway Bay Hong Kong China**  
(72) Name(s) of Designer(s): **ADAR International**  
(45) Registration Date: **01 September 2006**  
(30) Convention priority data:  
(31) Number (32) Date (33) Country  
**000456660 04 Jan 2006 EUROPEAN COMMUNITY**  
(62) Divisional of: **309385**  
(56) Related Art Documents: **Not Applicable**  
(57) Statement of Newness and Distinctiveness: **Nil**



- (21) Design Number: **12761/2006**  
(22) Date of Filing Application: **27 June 2006**  
(24) Date from which industrial property rights may have effect: **27 June 2006**  
(54) Product in respect of which the design is registered: **Door knob**  
(51) International Design Classification: **08-06**  
(71) Name(s) and Address(s) of Applicant(s):  
**ASSA ABLOY Australia Pty Limited**  
**50 Edward Street Oakleigh Victoria 3166 Australia**  
(72) Name(s) of Designer(s): **Donald John Newman**  
(45) Registration Date: **01 September 2006**  
(56) Related Art Documents: **Not Applicable**  
(57) Statement of Newness and Distinctiveness: **Those features of the door knob depicted in the representations that are new and distinctive are the shape and/or configuration.**



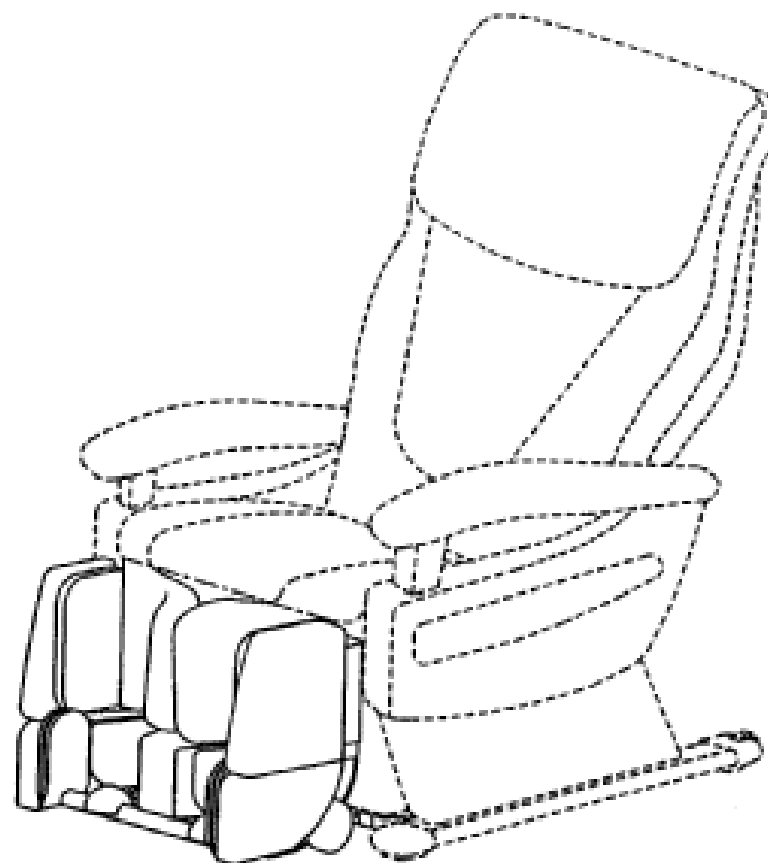
- (21) Design Number: **11816/2006**  
(22) Date of Filing Application: **03 May 2006**  
(24) Date from which industrial property rights may have effect: **03 May 2006**  
(54) Product in respect of which the design is registered: **Memorial vase**  
(51) International Design Classification: **11-02A**  
(71) Name(s) and Address(s) of Applicant(s):  
**Stacey Louise Adams**  
**41 Halsey Road Fulham South Australia 5024 Australia**  
(72) Name(s) of Designer(s): **Stacey Louise Adams**  
(45) Registration Date: **01 September 2006**  
(56) Related Art Documents: **Not Applicable**  
(57) Statement of Newness and Distinctiveness: **Nil.**



- (21) Design Number: **10081/2006**  
(22) Date of Filing Application: **12 January 2006**  
(24) Date from which industrial property rights may have effect: **12 January 2006**  
(54) Product in respect of which the design is registered: **Footrest for a chair**  
(51) International Design Classification: **06-06G**  
(71) Name(s) and Address(s) of Applicant(s):  
**Family Co., Ltd**  
**1-17-26 Higashinakajima Higashiyodogawa-ku Osaka-shi Osaka**  
**533-0033 Japan**  
(72) Name(s) of Designer(s): **Noritsugu Kawamura**  
(45) Registration Date: **01 September 2006**  
(30) Convention priority data:  

(31) Number	(32) Date	(33) Country
<b>2005-020853</b>	<b>15 Jul 2005</b>	<b>JAPAN</b>

  
(56) Related Art Documents: **Not Applicable**  
(57) Statement of Newness and Distinctiveness: **Newness and distinctiveness resides in the shape and configuration of a footrest portion of a chair as shown in the accompanying representations, and in considering the extent of the monopoly protection, all features shown in phantom are to be disregarded.**



- (21) Design Number: **10083/2006**  
(22) Date of Filing Application: **12 January 2006**  
(24) Date from which industrial property rights may have effect: **12 January 2006**  
(54) Product in respect of which the design is registered: **Controller for a chair**  
(51) International Design Classification: **06-06G**  
(71) Name(s) and Address(s) of Applicant(s):

**Family Co., Ltd**  
**1-17-26 Higashinakajima Higashiyodogawa-ku Osaka-shi Osaka**  
**533-0033 Japan**

(72) Name(s) of Designer(s): **Hideyuki Yamada**

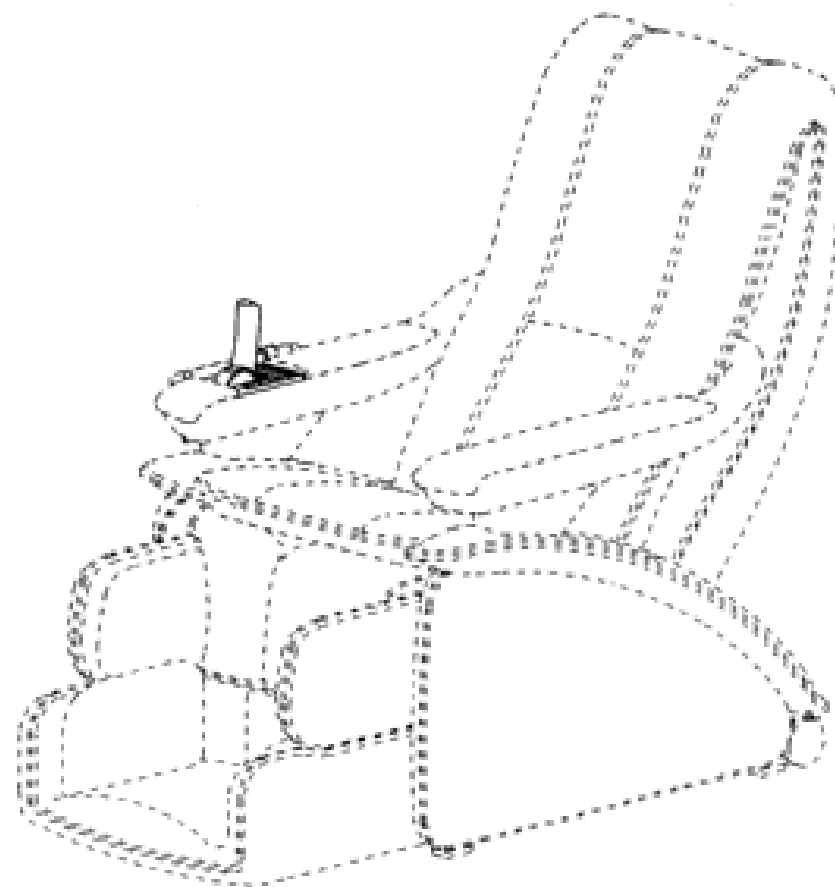
(45) Registration Date: **01 September 2006**

(30) Convention priority data:

(31) Number	(32) Date	(33) Country
<b>2005-021584</b>	<b>25 Jul 2005</b>	<b>JAPAN</b>

(56) Related Art Documents: **Not Applicable**

(57) Statement of Newness and Distinctiveness: **Newness and distinctiveness resides in the shape and configuration of a controller for a chair as shown in the accompanying representations, and in considering the extent of the monopoly protection, all features shown in phantom are to be disregarded.**



- (21) Design Number: **10084/2006**  
(22) Date of Filing Application: **12 January 2006**  
(24) Date from which industrial property rights may have effect: **12 January 2006**  
(54) Product in respect of which the design is registered: **Wheel chair for disabled persons**  
(51) International Design Classification: **12-12**  
(71) Name(s) and Address(s) of Applicant(s):

**Otto Bock HealthCare IP GmbH & Co. KG**  
**Max-Naeder-Strasse 15 D-37115 Duderstadt Germany**

(72) Name(s) of Designer(s): **Oliver Kretschmer**

(45) Registration Date: **01 September 2006**

(30) Convention priority data:

(31) Number	(32) Date	(33) Country
<b>40504118.7</b>	<b>08 Aug 2005</b>	<b>GERMANY</b>

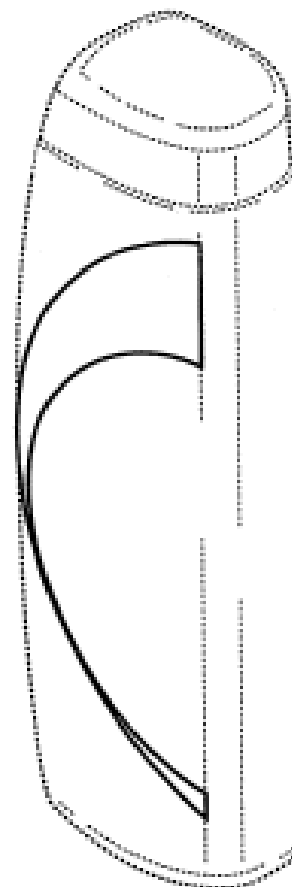
(56) Related Art Documents: **Not Applicable**

(57) Statement of Newness and Distinctiveness: **The newness and distinctiveness of the design resides in the shape and configuration of a wheel chair as shown in the representations and in considering the extent of the monopoly protection, the pattern and/or ornamentation shown are to be disregarded.**



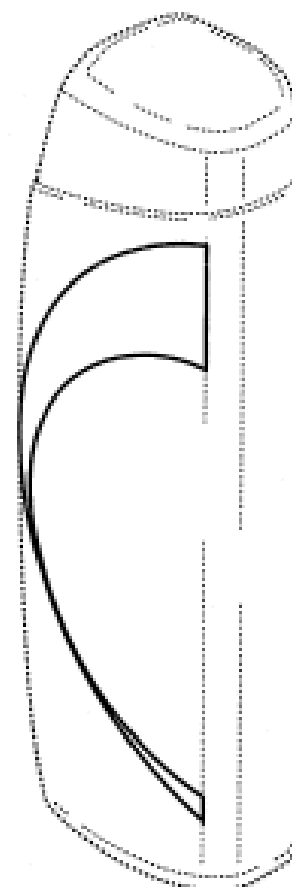
- (21) Design Number: **10192/2006**
- (22) Date of Filing Application: **20 January 2006**
- (24) Date from which industrial property rights may have effect: **20 January 2006**
- (54) Product in respect of which the design is registered: **Container**
- (51) International Design Classification: **09-01K, 09-01G**
- (71) Name(s) and Address(s) of Applicant(s):  
**The Procter & Gamble Company**  
**One Procter & Gamble Plaza Cincinnati Ohio 45202 United States of America**
- (72) Name(s) of Designer(s): **Murphy Greene Mongeon and Amy Bridgman and Donald Wilfred Robert Williams and Daphne Grace Hine and Justine Anne Rankine**
- (45) Registration Date: **01 September 2006**
- (30) Convention priority data:  

(31) Number	(32) Date	(33) Country
<b>378641</b>	<b>21 Jul 2005</b>	<b>EUROPEAN COMMUNITY</b>
- (56) Related Art Documents: **Not Applicable**
- (57) Statement of Newness and Distinctiveness: **Those features of the container depicted in the representations that are new and distinctive are the pattern and/or ornamentation. The features shown in broken lines are not part of the design and are to be disregarded when considering the overall impression of the design.**

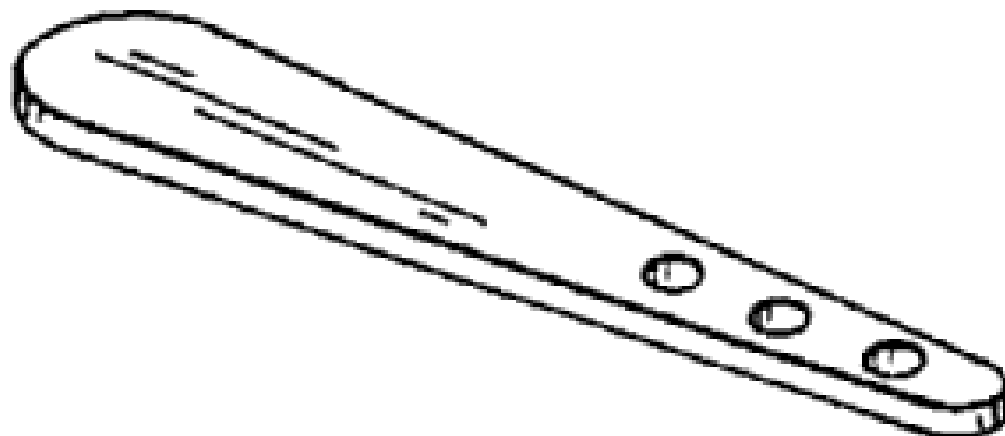


- (21) Design Number: **10193/2006**
- (22) Date of Filing Application: **20 January 2006**
- (24) Date from which industrial property rights may have effect: **20 January 2006**
- (54) Product in respect of which the design is registered: **Container**
- (51) International Design Classification: **09-01K, 09-01G**
- (71) Name(s) and Address(s) of Applicant(s):  
**The Procter & Gamble Company**  
**One Procter & Gamble Plaza Cincinnati Ohio 45202 United States of America**
- (72) Name(s) of Designer(s): **Murphy Greene Mongeon and Amy Bridgman and Donald Wilfred Robert Williams and Daphne Grace Hine and Justine Anne Rankine**
- (45) Registration Date: **01 September 2006**
- (30) Convention priority data:  

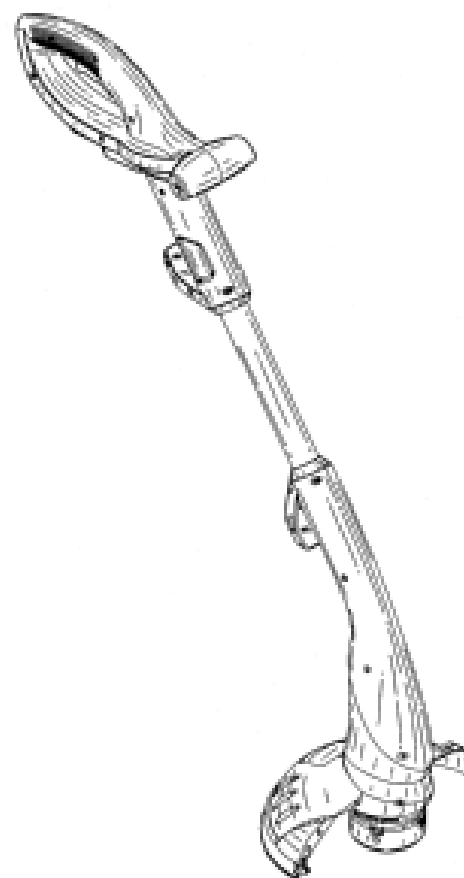
(31) Number	(32) Date	(33) Country
<b>378641</b>	<b>21 Jul 2005</b>	<b>EUROPEAN COMMUNITY</b>
- (56) Related Art Documents: **Not Applicable**
- (57) Statement of Newness and Distinctiveness: **Those features of the container depicted in the representations that are new and distinctive are the pattern and/or ornamentation. The features shown in broken lines are not part of the design and are to be disregarded when considering the overall impression of the design.**



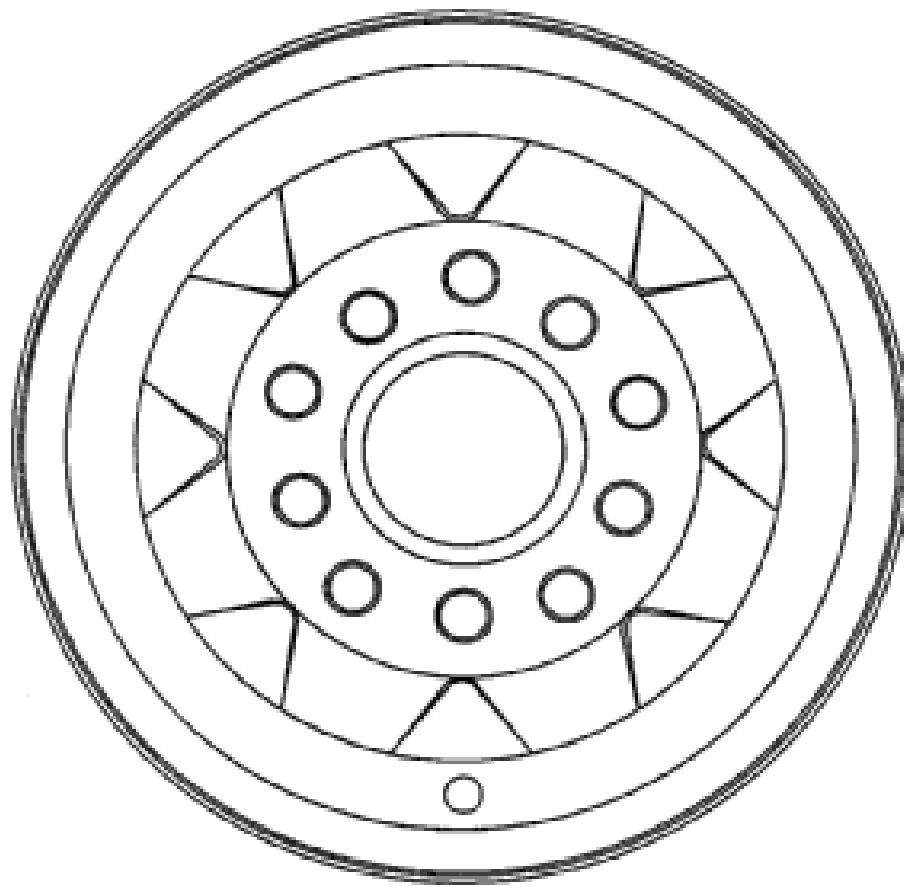
(21) Design Number: **10265/2006**  
(22) Date of Filing Application: **27 January 2006**  
(24) Date from which industrial property rights may have effect: **27 January 2006**  
(54) Product in respect of which the design is registered: **Stick for confection**  
(51) International Design Classification: **01-01**  
(71) Name(s) and Address(s) of Applicant(s):  
**Kinnerton (Confectionery) Company Limited**  
**Acre House 11/15 William Road London NW1 3ER United Kingdom**  
(72) Name(s) of Designer(s): **Clive Beecham**  
(45) Registration Date: **01 September 2006**  
(30) Convention priority data:  
(31) Number (32) Date (33) Country  
**0385208 06 Aug 2005 EUROPEAN COMMUNITY**  
(56) Related Art Documents: **Not Applicable**  
(57) Statement of Newness and Distinctiveness: **Those features of the stick for confection depicted in the representations that are new and distinctive are the shape and/or configuration.**



(21) Design Number: **10385/2006**  
(22) Date of Filing Application: **03 February 2006**  
(24) Date from which industrial property rights may have effect: **03 February 2006**  
(54) Product in respect of which the design is registered: **String trimmer**  
(51) International Design Classification: **15-03B**  
(71) Name(s) and Address(s) of Applicant(s):  
**Black & Decker, Inc.**  
**1207 Drummond Plaza Newark Delaware 19711 United States of America**  
(72) Name(s) of Designer(s): **Mark Stratford**  
(45) Registration Date: **01 September 2006**  
(30) Convention priority data:  
(31) Number (32) Date (33) Country  
**000388756 19 Aug 2005 EUROPEAN COMMUNITY**  
(56) Related Art Documents: **Not Applicable**  
(57) Statement of Newness and Distinctiveness: **Nil**



- (21) Design Number: **10416/2006**  
(22) Date of Filing Application: **06 February 2006**  
(24) Date from which industrial property rights may have effect: **06 February 2006**  
(54) Product in respect of which the design is registered: **A wheel**  
(51) International Design Classification: **12-16A**  
(71) Name(s) and Address(s) of Applicant(s):  
**Edward Karl Felk**  
**126 Skye Point Road Coal Point New South Wales 2283 Australia**  
(72) Name(s) of Designer(s): **Edward Karl Felk**  
(45) Registration Date: **01 September 2006**  
(56) Related Art Documents: **Not Applicable**  
(57) Statement of Newness and Distinctiveness: **Monopoly is claimed in the features of the disc in the wheel, its relation to the rim of the wheel and the formation of the triangular holes when the disc and the rim are combined to make the wheel.**



- (21) Design Number: **11954/2006**  
(22) Date of Filing Application: **05 May 2006**  
(24) Date from which industrial property rights may have effect: **05 May 2006**  
(54) Product in respect of which the design is registered: **Easy clip multi purpose plastic mesh**  
(51) International Design Classification: **25-02C, 08-99**  
(71) Name(s) and Address(s) of Applicant(s):  
**G.H. Wragg**  
**17 Lyndhurst Avenue Emu Park Queensland 4710 Australia**  
**P.A. Wragg**  
**17 Lyndhurst Avenue Emu Park Queensland 4710 Australia**  
(72) Name(s) of Designer(s): **Geoffrey Wragg and Patricia Wragg**  
(45) Registration Date: **01 September 2006**  
(56) Related Art Documents: **Not Applicable**  
(57) Statement of Newness and Distinctiveness: **Nil.**





(21) Design Number: **12114/2006**  
 (22) Date of Filing Application: **12 May 2006**  
 (24) Date from which industrial property rights may have effect: **12 May 2006**  
 (54) Product in respect of which the design is registered: **A footwear upper**  
 (51) International Design Classification: **02-04NES**  
 (71) Name(s) and Address(s) of Applicant(s):  
**Wolverine World Wide, Inc.**  
**9341 Courtland Drive NE Rockford Michigan 49351 United States of America**  
 (72) Name(s) of Designer(s): **Manon Belley and Martin W.F. Dean**  
 (45) Registration Date: **01 September 2006**  
 (30) Convention priority data:  

(31) Number	(32) Date	(33) Country
<b>29242685</b>	<b>14 Nov 2005</b>	<b>UNITED STATES OF AMERICA</b>

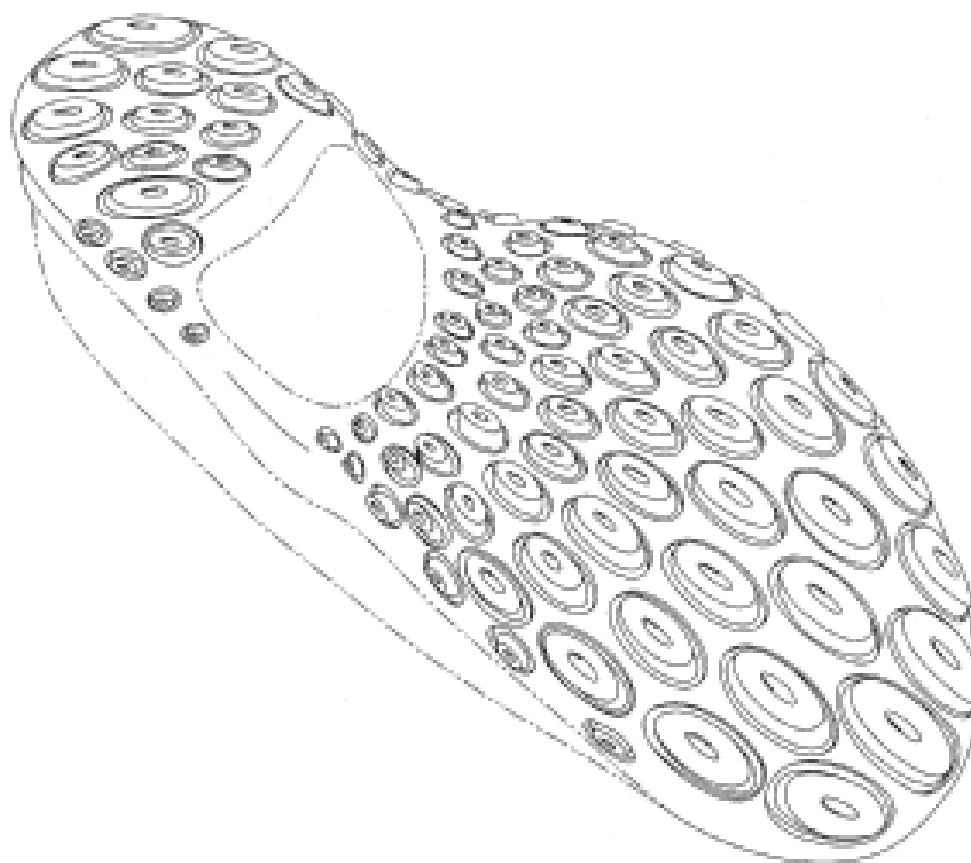
 (56) Related Art Documents: **Not Applicable**  
 (57) Statement of Newness and Distinctiveness: **Newness and distinctiveness is claimed in the visual features shown in the representations except for those shown in phantom lines.**



(21) Design Number: **12118/2006**  
 (22) Date of Filing Application: **12 May 2006**  
 (24) Date from which industrial property rights may have effect: **12 May 2006**  
 (54) Product in respect of which the design is registered: **A footwear sole**  
 (51) International Design Classification: **02-04B**  
 (71) Name(s) and Address(s) of Applicant(s):  
**Wolverine World Wide, Inc.**  
**9341 Courtland Drive NE Rockford Michigan 49351 United States of America**  
 (72) Name(s) of Designer(s): **Manon Belley and Grant A. Urie**  
 (45) Registration Date: **01 September 2006**  
 (30) Convention priority data:  

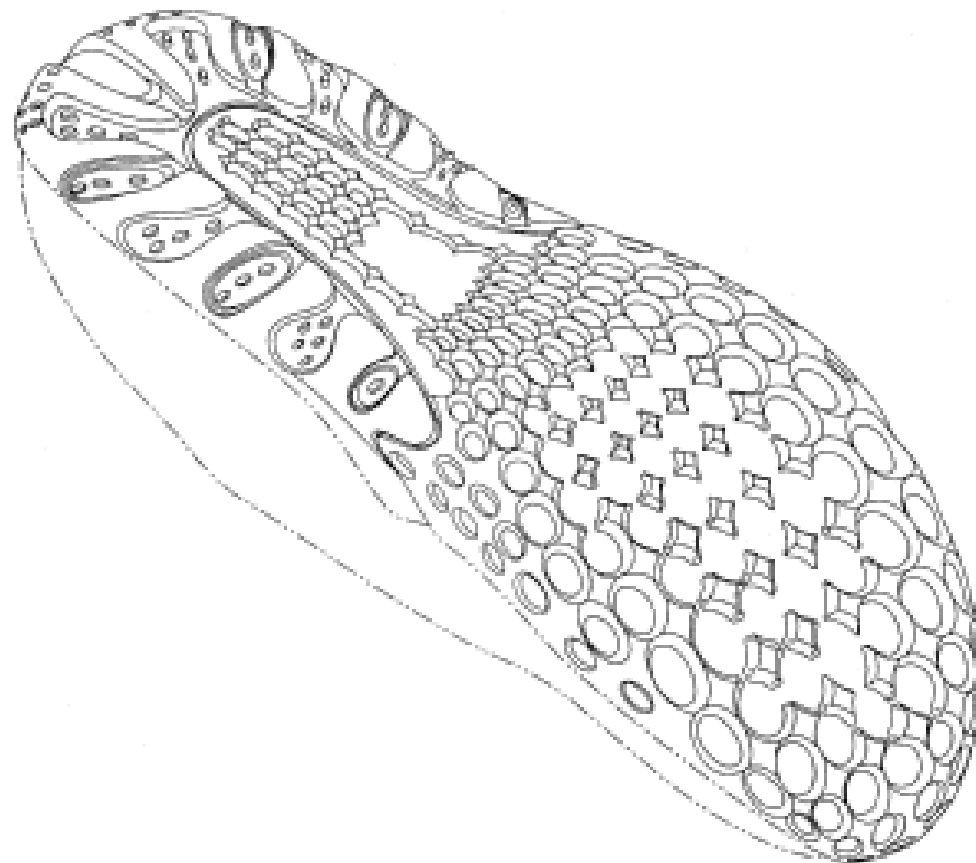
(31) Number	(32) Date	(33) Country
<b>29242749</b>	<b>14 Nov 2005</b>	<b>UNITED STATES OF AMERICA</b>

 (56) Related Art Documents: **Not Applicable**  
 (57) Statement of Newness and Distinctiveness: **Newness and distinctiveness is claimed in the visual features shown in the representations except for those shown in phantom lines.**



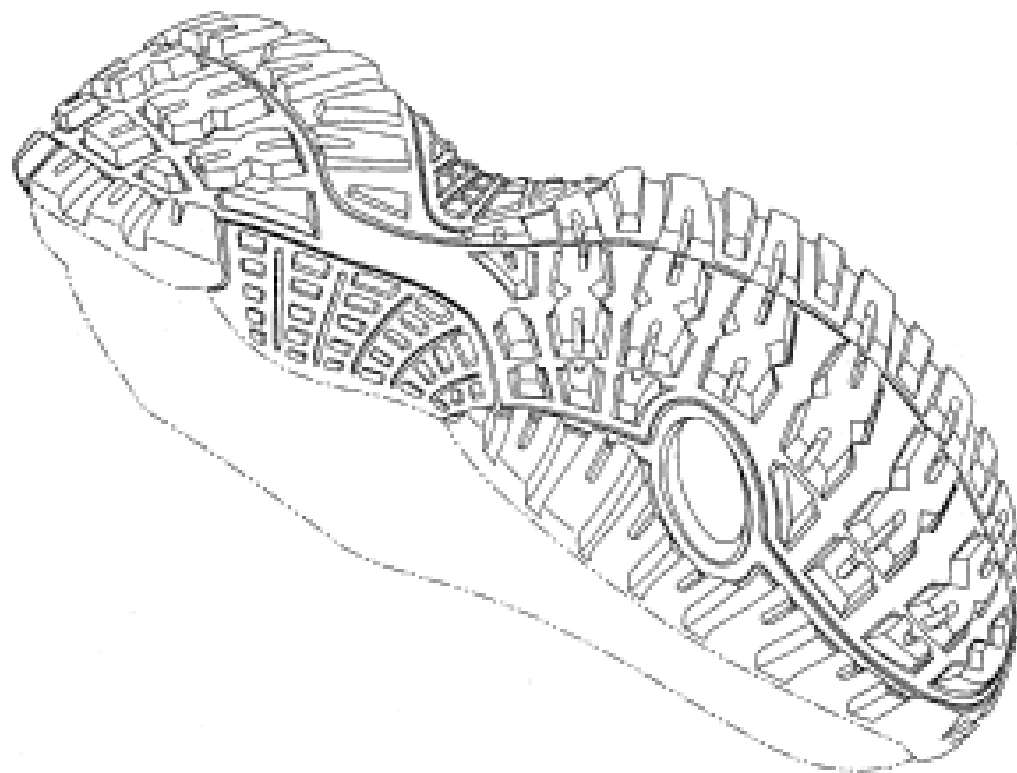
- (21) Design Number: **12120/2006**
- (22) Date of Filing Application: **12 May 2006**
- (24) Date from which industrial property rights may have effect: **12 May 2006**
- (54) Product in respect of which the design is registered: **A footwear sole**
- (51) International Design Classification: **02-04B**
- (71) Name(s) and Address(s) of Applicant(s):  
**Wolverine World Wide, Inc.**  
**9341 Courtland Drive NE Rockford Michigan 49351 United States of America**
- (72) Name(s) of Designer(s): **Clark A. Matis and Trond Sonnergren**
- (45) Registration Date: **01 September 2006**
- (30) Convention priority data:  

(31) Number	(32) Date	(33) Country
<b>29242692</b>	<b>14 Nov 2005</b>	<b>UNITED STATES OF AMERICA</b>
- (56) Related Art Documents: **Not Applicable**
- (57) Statement of Newness and Distinctiveness: **Newness and distinctiveness is claimed in the visual features shown in the representations except for those shown in phantom lines.**



- (21) Design Number: **12121/2006**
- (22) Date of Filing Application: **12 May 2006**
- (24) Date from which industrial property rights may have effect: **12 May 2006**
- (54) Product in respect of which the design is registered: **A footwear sole**
- (51) International Design Classification: **02-04B**
- (71) Name(s) and Address(s) of Applicant(s):  
**Wolverine World Wide, Inc.**  
**9341 Courtland Drive NE Rockford Michigan 49351 United States of America**
- (72) Name(s) of Designer(s): **Manon Belley and Tuan N. Le and Grant A. Urie**
- (45) Registration Date: **01 September 2006**
- (30) Convention priority data:  

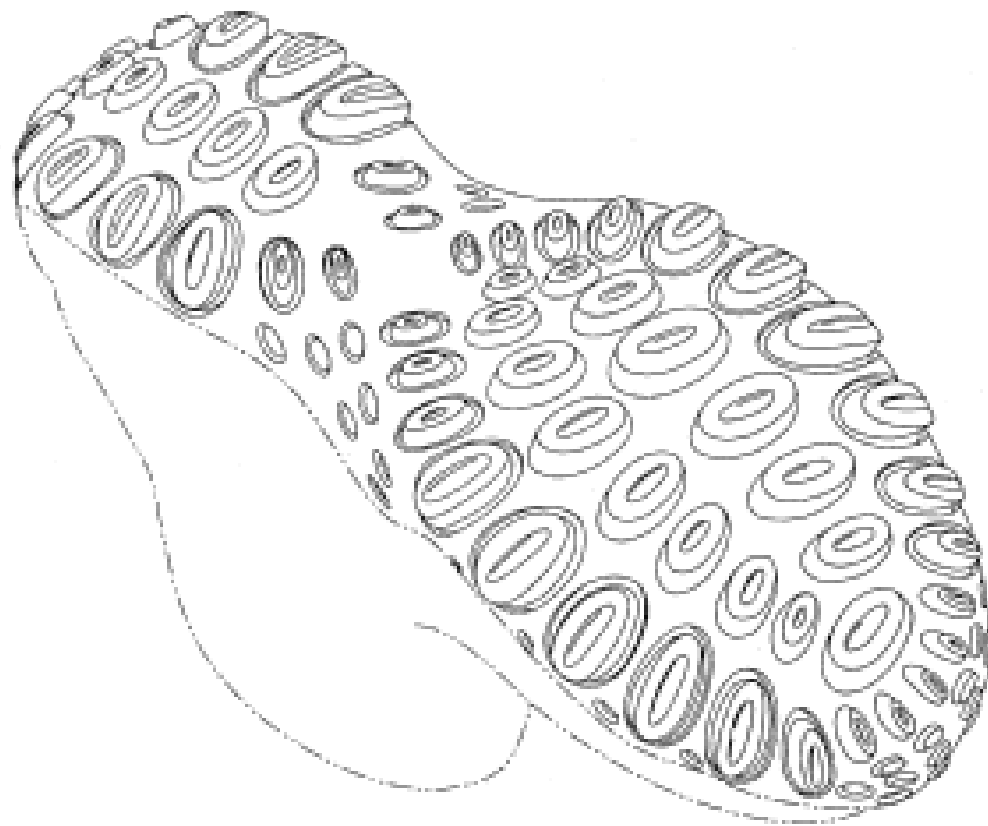
(31) Number	(32) Date	(33) Country
<b>29242732</b>	<b>14 Nov 2005</b>	<b>UNITED STATES OF AMERICA</b>
- (56) Related Art Documents: **Not Applicable**
- (57) Statement of Newness and Distinctiveness: **Newness and distinctiveness is claimed in the visual features shown in the representations except for those shown in phantom lines.**



(19) AU

- (21) Design Number: **12122/2006**
- (22) Date of Filing Application: **12 May 2006**
- (24) Date from which industrial property rights may have effect: **12 May 2006**
- (54) Product in respect of which the design is registered: **A footwear sole**
- (51) International Design Classification: **02-04B**
- (71) Name(s) and Address(s) of Applicant(s):  
**Wolverine World Wide, Inc.**  
**9341 Courtland Drive NE Rockford Michigan 49351 United States of America**
- (72) Name(s) of Designer(s): **Mary L. Schoenborn and Grant A. Urie**
- (45) Registration Date: **01 September 2006**
- (30) Convention priority data:  

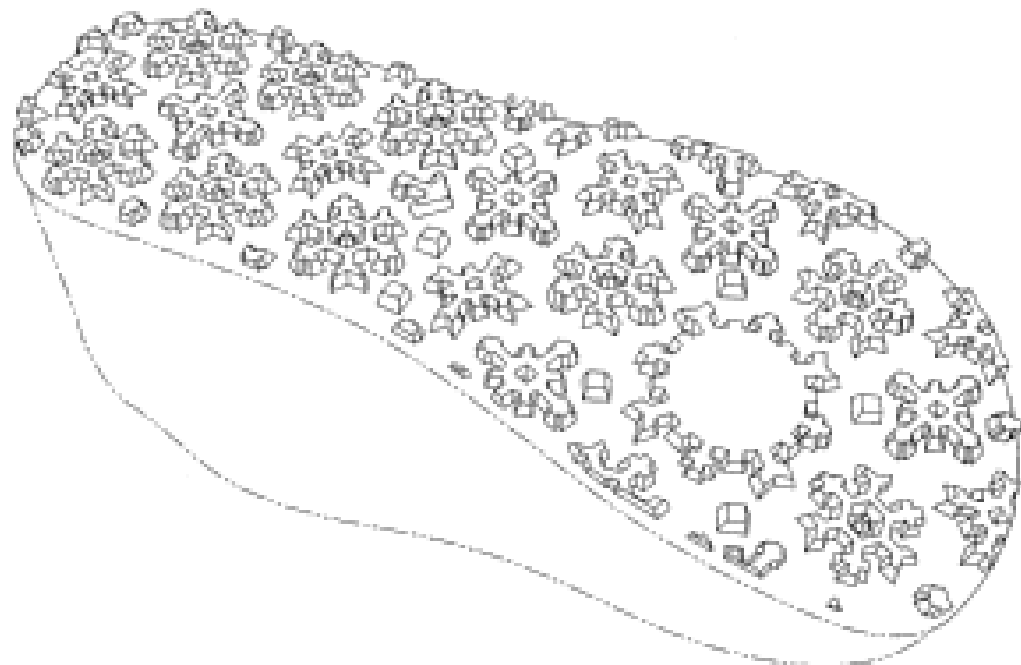
(31) Number	(32) Date	(33) Country
<b>29242684</b>	<b>14 Nov 2005</b>	<b>UNITED STATES OF AMERICA</b>
- (56) Related Art Documents: **Not Applicable**
- (57) Statement of Newness and Distinctiveness: **Newness and distinctiveness is claimed in the visual features shown in the representations except for those shown in phantom lines.**



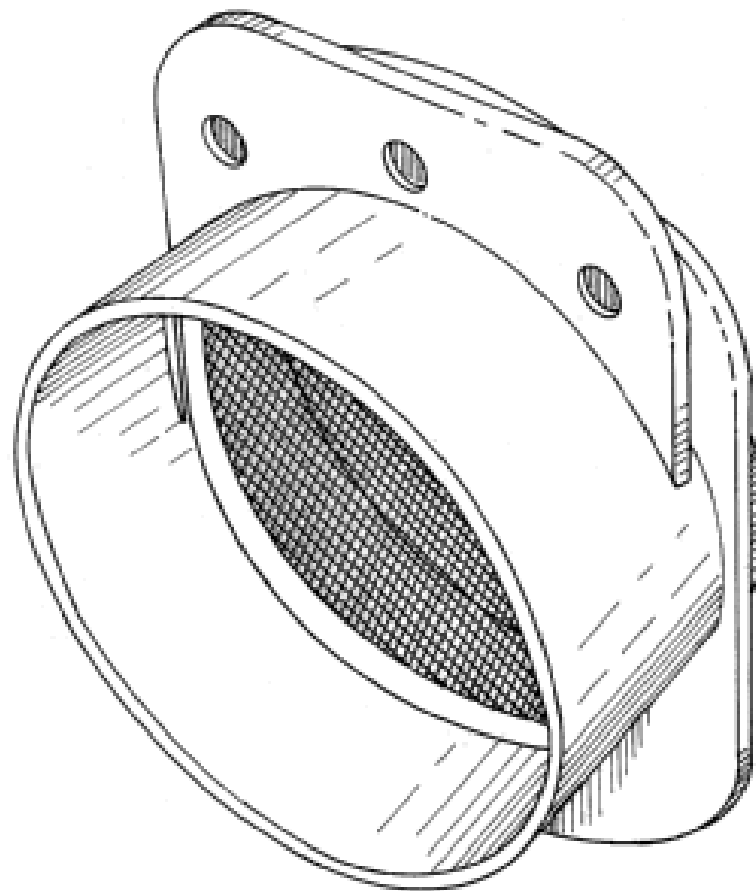
(19) AU

- (21) Design Number: **12123/2006**
- (22) Date of Filing Application: **12 May 2006**
- (24) Date from which industrial property rights may have effect: **12 May 2006**
- (54) Product in respect of which the design is registered: **A footwear sole**
- (51) International Design Classification: **02-04B**
- (71) Name(s) and Address(s) of Applicant(s):  
**Wolverine World Wide, Inc.**  
**9341 Courtland Drive NE Rockford Michigan 49351 United States of America**
- (72) Name(s) of Designer(s): **Manon Belley and Grant A. Urie**
- (45) Registration Date: **01 September 2006**
- (30) Convention priority data:  

(31) Number	(32) Date	(33) Country
<b>29242680</b>	<b>14 Nov 2005</b>	<b>UNITED STATES OF AMERICA</b>
- (56) Related Art Documents: **Not Applicable**
- (57) Statement of Newness and Distinctiveness: **Newness and distinctiveness is claimed in the visual features shown in the representations except for those shown in phantom lines.**

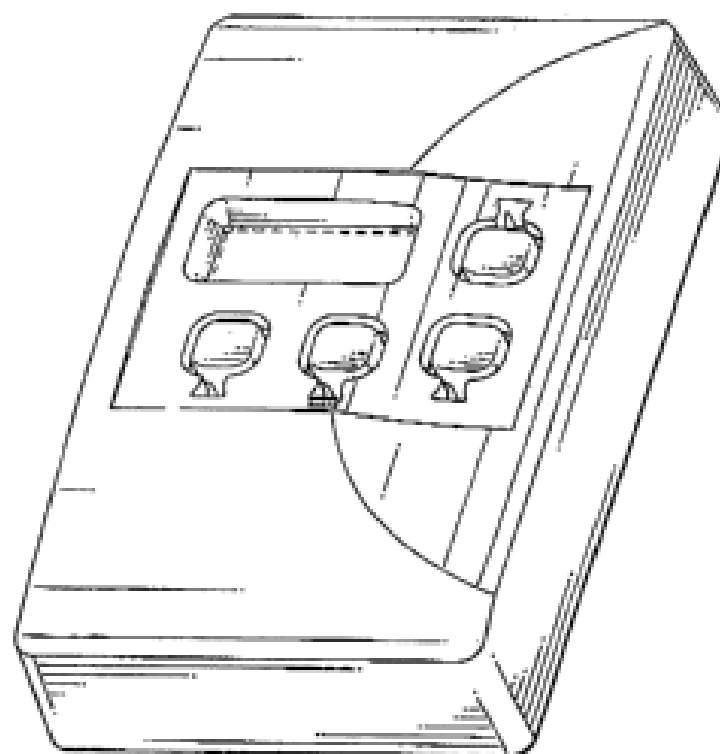


- (21) Design Number: **12986/2006**
- (22) Date of Filing Application: **12 July 2006**
- (24) Date from which industrial property rights may have effect: **12 July 2006**
- (54) Product in respect of which the design is registered: **Outflow vent with removable sliding filter**
- (51) International Design Classification: **23-04**
- (71) Name(s) and Address(s) of Applicant(s):  
**PRESTEX PTY LTD**
- (72) Name(s) of Designer(s): **Daniel Wos**
- (45) Registration Date: **01 September 2006**
- (56) Related Art Documents: **Not Applicable**
- (57) Statement of Newness and Distinctiveness: **Nil.**



- (21) Design Number: **13238/2006**
- (22) Date of Filing Application: **26 July 2006**
- (24) Date from which industrial property rights may have effect: **26 July 2006**
- (54) Product in respect of which the design is registered: **Room sensor housing**
- (51) International Design Classification: **10-05**
- (71) Name(s) and Address(s) of Applicant(s):  
**Siemens Building Technologies, Inc.**  
**1000 Deerfield Parkway Buffalo Grove Illinois 60089 United States of America**
- (72) Name(s) of Designer(s): **Wesley Disselkoen and Jim Wille**
- (45) Registration Date: **01 September 2006**
- (30) Convention priority data:

(31) Number	(32) Date	(33) Country
<b>29/252893</b>	<b>30 Jan 2006</b>	<b>UNITED STATES OF AMERICA</b>
- (56) Related Art Documents: **Not Applicable**
- (57) Statement of Newness and Distinctiveness: **Newness and distinctiveness is claimed in those features of shape and/or configuration of a room sensor housing illustrated in continuous lines in the accompanying representations.**



(21) Design Number: **13239/2006**

(22) Date of Filing Application: **26 July 2006**

(24) Date from which industrial property rights may have effect: **26 July 2006**

(54) Product in respect of which the design is registered: **Room sensor housing**

(51) International Design Classification: **10-05**

(71) Name(s) and Address(s) of Applicant(s):

**Siemens Building Technologies, Inc.  
1000 Deerfield Parkway Buffalo Grove Illinois 60089 United States of America**

(72) Name(s) of Designer(s): **Wesley Disselkoen and Jim Wille**

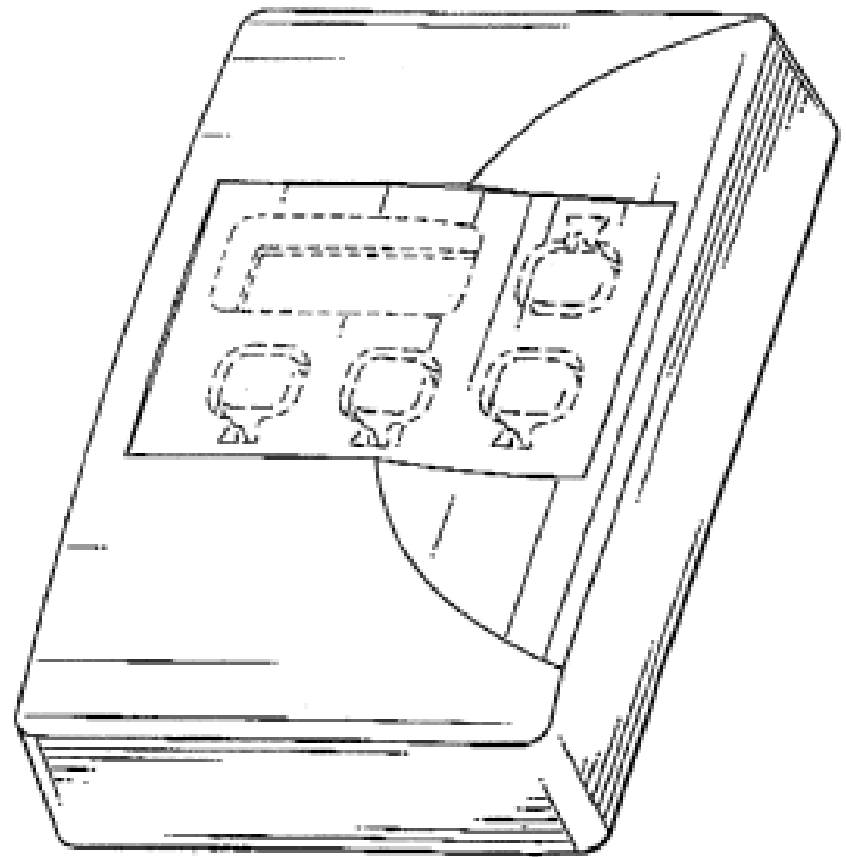
(45) Registration Date: **01 September 2006**

(30) Convention priority data:

(31) Number	(32) Date	(33) Country
<b>29/252893</b>	<b>30 Jan 2006</b>	<b>UNITED STATES OF AMERICA</b>

(56) Related Art Documents: **Not Applicable**

(57) Statement of Newness and Distinctiveness: **Newness and distinctiveness is claimed in those features of shape and/or configuration of a room sensor housing illustrated in continuous lines in the accompanying representations.**



(21) Design Number: **15426/2005**

(22) Date of Filing Application: **07 December 2005**

(24) Date from which industrial property rights may have effect: **07 December 2005**

(54) Product in respect of which the design is registered: **A baby stroller**

(51) International Design Classification: **12-12**

(71) Name(s) and Address(s) of Applicant(s):

**Link Treasure Limited  
The Creque Building PO Box 116 Road Town Tortola BVI Taiwan**

(72) Name(s) of Designer(s): **Youn-Fu You and Wei-Yeh Lee and Tse-Chien Wu**

(45) Registration Date: **01 September 2006**

(30) Convention priority data:

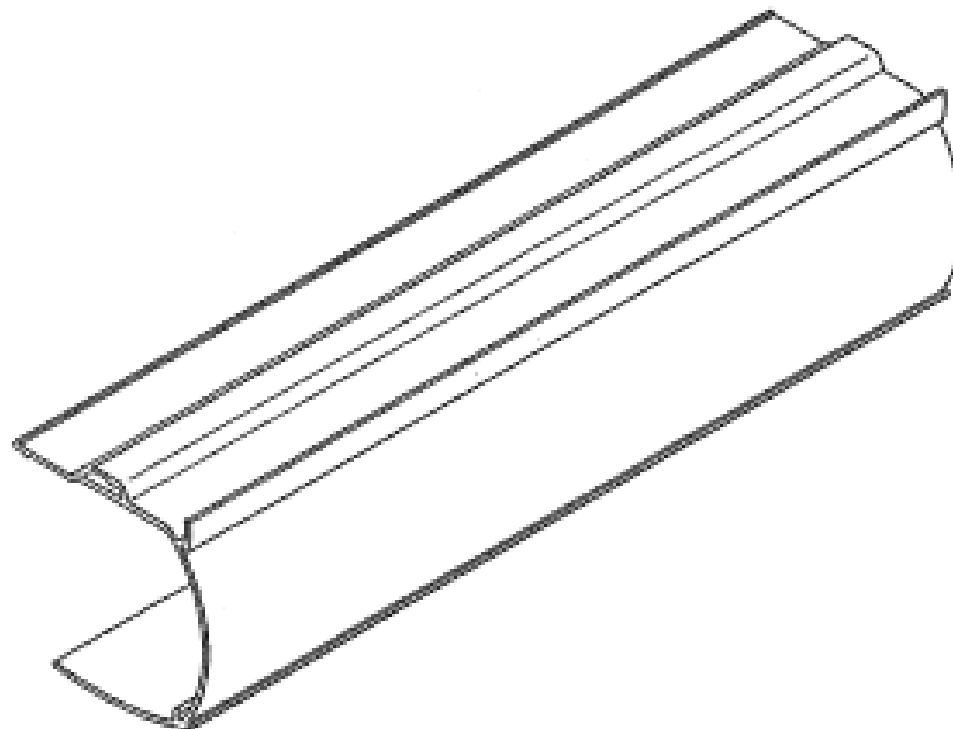
(31) Number	(32) Date	(33) Country
<b>094303420</b>	<b>09 Jun 2005</b>	<b>TAIWAN</b>

(56) Related Art Documents: **Not Applicable**

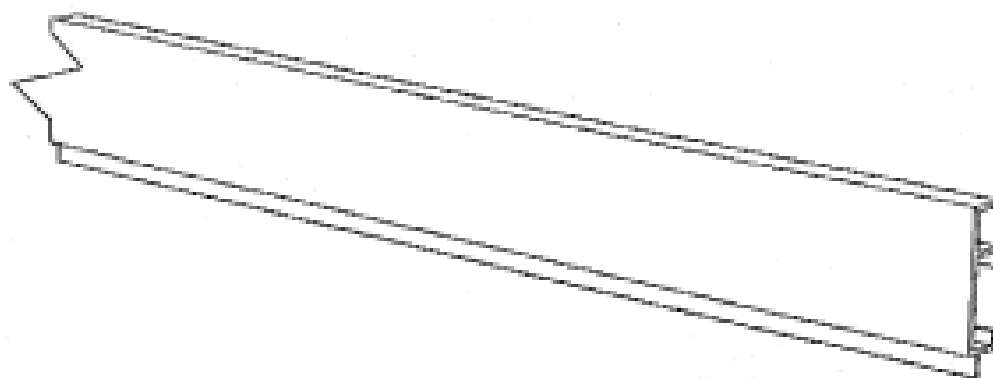
(57) Statement of Newness and Distinctiveness: **Newness and distinctiveness resides in the features of shape and configuration of a baby stroller as shown in the accompanying representations.**



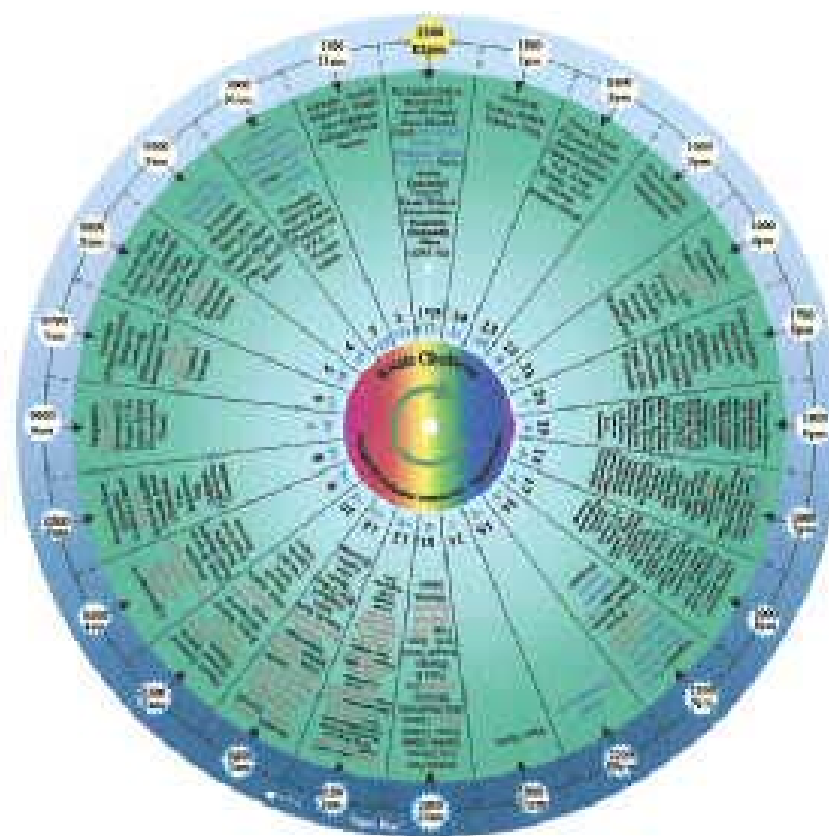
(21) Design Number: **12925/2006**  
(22) Date of Filing Application: **10 July 2006**  
(24) Date from which industrial property rights may have effect: **10 July 2006**  
(54) Product in respect of which the design is registered: **Headrail**  
(51) International Design Classification: **25-01K**  
(71) Name(s) and Address(s) of Applicant(s):  
**Comfortex Corporation**  
**21 Elm Street Watervliet New York 12189 United States of America**  
(72) Name(s) of Designer(s): **Richard D. Watkins and Don Nicoll**  
(45) Registration Date: **01 September 2006**  
(30) Convention priority data:  
(31) Number (32) Date (33) Country  
**29/253384 06 Feb 2006 UNITED STATES OF AMERICA**  
(56) Related Art Documents: **Not Applicable**  
(57) Statement of Newness and Distinctiveness: **Nil**



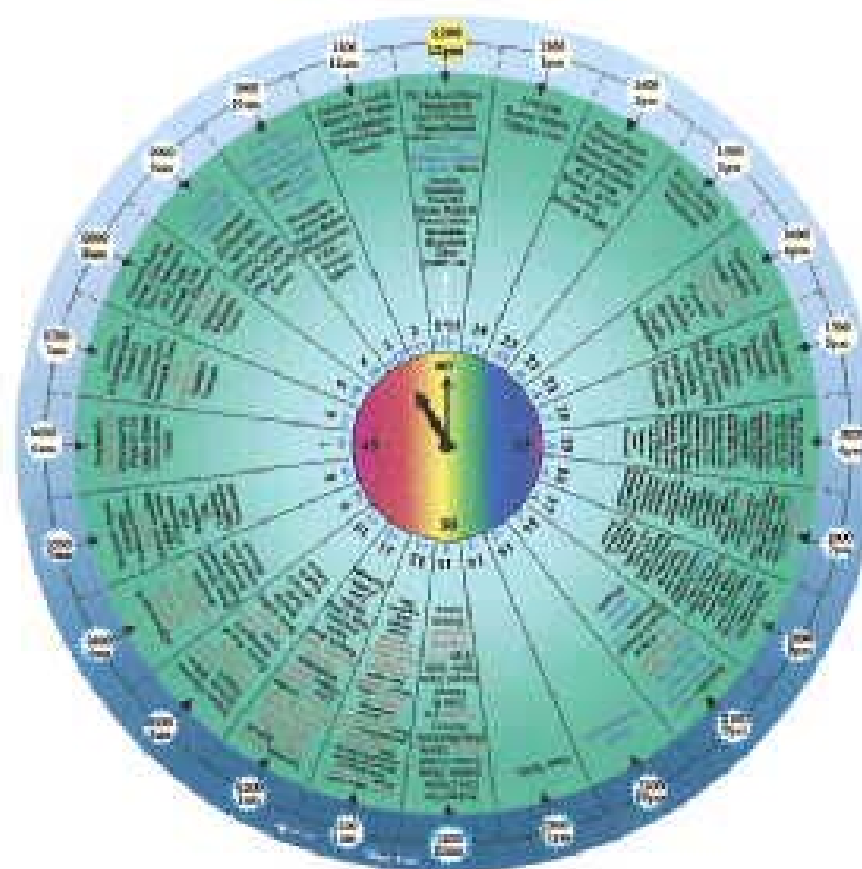
(21) Design Number: **12927/2006**  
(22) Date of Filing Application: **10 July 2006**  
(24) Date from which industrial property rights may have effect: **10 July 2006**  
(54) Product in respect of which the design is registered: **Cupboard frame kit**  
(51) International Design Classification: **06-04E**  
(71) Name(s) and Address(s) of Applicant(s):  
**Nick Kastrappi**  
**15 Cheringar Boulevard Dernancourt South Australia 5075 Australia**  
(72) Name(s) of Designer(s): **Nick Kastrappi**  
(45) Registration Date: **01 September 2006**  
(56) Related Art Documents: **Not Applicable**  
(57) Statement of Newness and Distinctiveness: **Newness and distinctiveness is claimed in the shape and/or configuration of the cupboard frame kit as illustrated in the accompanying representations. In considering the scope of newness and distinctiveness no consideration is to be given to the length of the individual elements of the cupboard frame kit.**



- (21) Design Number: **11071/2005**
- (22) Date of Filing Application: **18 March 2005**
- (24) Date from which industrial property rights may have effect: **18 March 2005**
- (54) Product in respect of which the design is registered: **Clock:(A 24-hour analogue world standard time clock time reckoner)**
- (51) International Design Classification: **10-01, 19-07**
- (71) Name(s) and Address(s) of Applicant(s):  
**Victoria (Vicky) Totikidis**  
**8 Stewart Close Kealba Victoria 3021 Australia**
- (72) Name(s) of Designer(s): **Victoria (Vicky) Totikidis**
- (45) Registration Date: **01 September 2006**
- (56) Related Art Documents: **Not Applicable**
- (57) Statement of Newness and Distinctiveness: **A highly detailed/educational device which teaches the user about standard time, GMT, time zone order and in version 1 & 2 shows almost all the countries in the world. Clock can be automatic or manual to allow manipulation by the user. Manual version (can be rotated manually). Frontal view (shown smaller than actual size) of the clock/standard time reckoner showing the two main components: 1. Larger outer circle (blue) showing 24 hour time. 2. The inner rotating circle (green) marked with time zones, GMT, time zone order and country names.**



- (21) Design Number: **15860/2005**
- (22) Date of Filing Application: **18 March 2005**
- (24) Date from which industrial property rights may have effect: **18 March 2005**
- (54) Product in respect of which the design is registered: **Clock: (A 24-hour analogue world standard time clock/timer reckoner)**
- (51) International Design Classification: **10-01, 19-07**
- (71) Name(s) and Address(s) of Applicant(s):  
**Victoria (Vicky) Totikidis**  
**8 Stewart Close Kealba Victoria 3021 Australia**
- (72) Name(s) of Designer(s): **Victoria (Vicky) Totikidis**
- (45) Registration Date: **01 September 2006**
- (56) Related Art Documents: **Not Applicable**
- (57) Statement of Newness and Distinctiveness: **A highly detailed/educational device which teaches the user about standard time, GMT, time zone order and in version 1 & 2 shows almost all of the countries in the world. Clock can be automatic or manual to allow manipulation by the user. Automatic version (same as manual version but without hour and minute hands added and a 24 hour battery operated clock movement attached to the rear.) Frontal view (shown smaller than actual size) of the clock/time reckoner showing the two main components: 1. Larger outer circle (blue) showing 24 hour time. 2. The inner rotating circle (green) marked with the time zones, GMT, time zone order and country names.**



- (21) Design Number: **15861/2005**
- (22) Date of Filing Application: **18 March 2005**
- (24) Date from which industrial property rights may have effect: **18 March 2005**
- (54) Product in respect of which the design is registered: **Clock: (A 24-hour analogue world standard time clock/time reckoner)**
- (51) International Design Classification: **10-01, 19-07**
- (71) Name(s) and Address(s) of Applicant(s):

**Victoria (Vicky) Totikidis**  
**8 Stewart Close Kealba Victoria 3021 Australia**

- (72) Name(s) of Designer(s): **Victoria (Vicky) Totikidis**
- (45) Registration Date: **01 September 2006**
- (56) Related Art Documents: **Not Applicable**
- (57) Statement of Newness and Distinctiveness: **A highly detailed/educational device which teaches the user about standard time, GMT, time zone order and in version 1 & 2 shows almost all the countries in the world. Clock can be automatic or manual to allow manipulation by the user. Simplified version of the clock/standard time reckoner. Frontal view. The simplified version still consists of two main components: 1. Larger outer circle showing 24 hour time. 2. The inner rotating circle. However, to be made to a very small size the simplified version is marked with time zones, GMT and time zone order only. Country names are not shown. The simplified version can be made as a manual or an automatic (hands and 24 hour battery operated clock movement).**

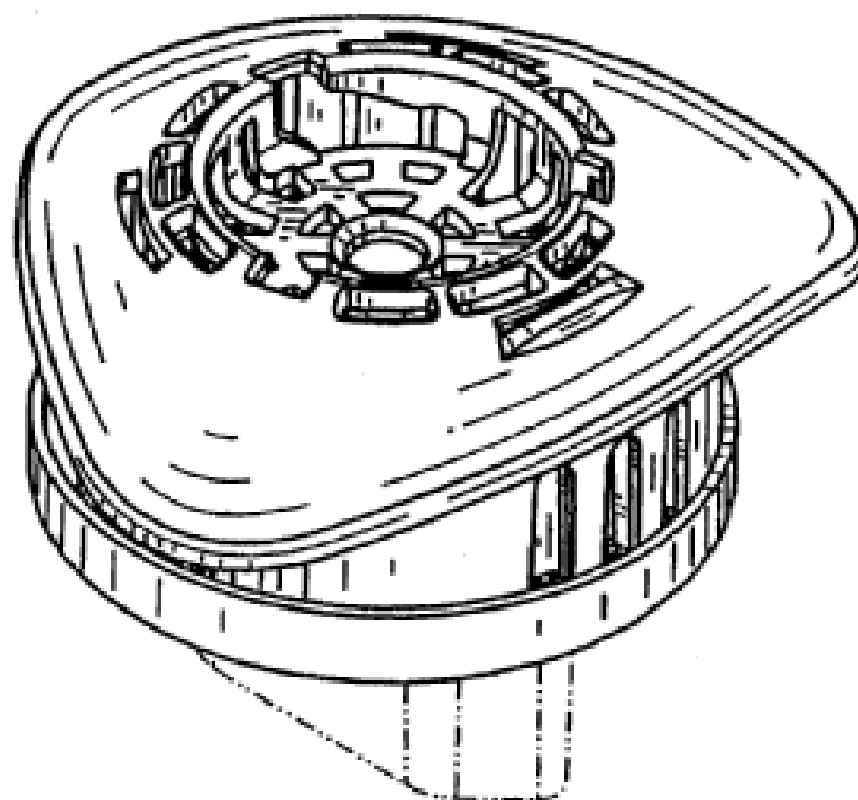


- (21) Design Number: **12520/2006**
- (22) Date of Filing Application: **13 June 2006**
- (24) Date from which industrial property rights may have effect: **13 June 2006**
- (54) Product in respect of which the design is registered: **Volatile dispenser housing**
- (51) International Design Classification: **23-04**
- (71) Name(s) and Address(s) of Applicant(s):

**S.C. Johnson & Son, Inc.**  
**1525 Howe Street Racine Wisconsin 53403-2236 United States of America**

- (72) Name(s) of Designer(s): **Brian T. Davis and Saleh A. Saleh and Joel E. Adair and David P. Mather and Dan Mattano**
  - (45) Registration Date: **01 September 2006**
  - (30) Convention priority data:
- |                  |                    |                                 |
|------------------|--------------------|---------------------------------|
| (31) Number      | (32) Date          | (33) Country                    |
| <b>29/244869</b> | <b>15 Dec 2005</b> | <b>UNITED STATES OF AMERICA</b> |

- (56) Related Art Documents: **Not Applicable**
- (57) Statement of Newness and Distinctiveness: **Newness and distinctiveness is claimed in the features of shape and/or configuration of a volatile dispenser housing as illustrated in continuous lines in the accompanying representations.**





- (21) Design Number: **12521/2006**  
(22) Date of Filing Application: **13 June 2006**  
(24) Date from which industrial property rights may have effect: **13 June 2006**  
(54) Product in respect of which the design is registered: **Portable game device**  
(51) International Design Classification: **14-02**  
(71) Name(s) and Address(s) of Applicant(s):

**Sega Corporation**  
**2-12 Haneda 1-chome Ohta-ku Tokyo 144-0043 Japan**

(72) Name(s) of Designer(s): **Masahiro Sakurai**

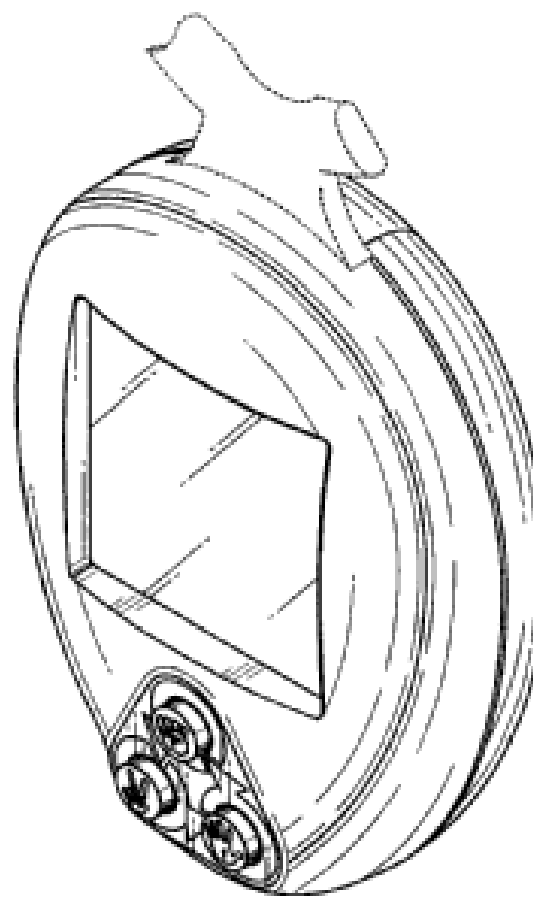
(45) Registration Date: **01 September 2006**

(30) Convention priority data:

(31) Number	(32) Date	(33) Country
<b>2006-3060</b>	<b>13 Feb 2006</b>	<b>JAPAN</b>

(56) Related Art Documents: **Not Applicable**

(57) Statement of Newness and Distinctiveness: **Newness and distinctiveness is claimed in the features of shape and/or configuration of a portable game device as illustrated in the accompanying representations.**



- (21) Design Number: **12522/2006**  
(22) Date of Filing Application: **13 June 2006**  
(24) Date from which industrial property rights may have effect: **13 June 2006**  
(54) Product in respect of which the design is registered: **Product dispenser**  
(51) International Design Classification: **09-03L, 09-05**  
(71) Name(s) and Address(s) of Applicant(s):

**Wm. Wrigley Jr. Company**  
**1132 West Blackhawk Street Chicago Illinois 60622-2404 United States of America**

(72) Name(s) of Designer(s): **Matthew Robert James Jackson**

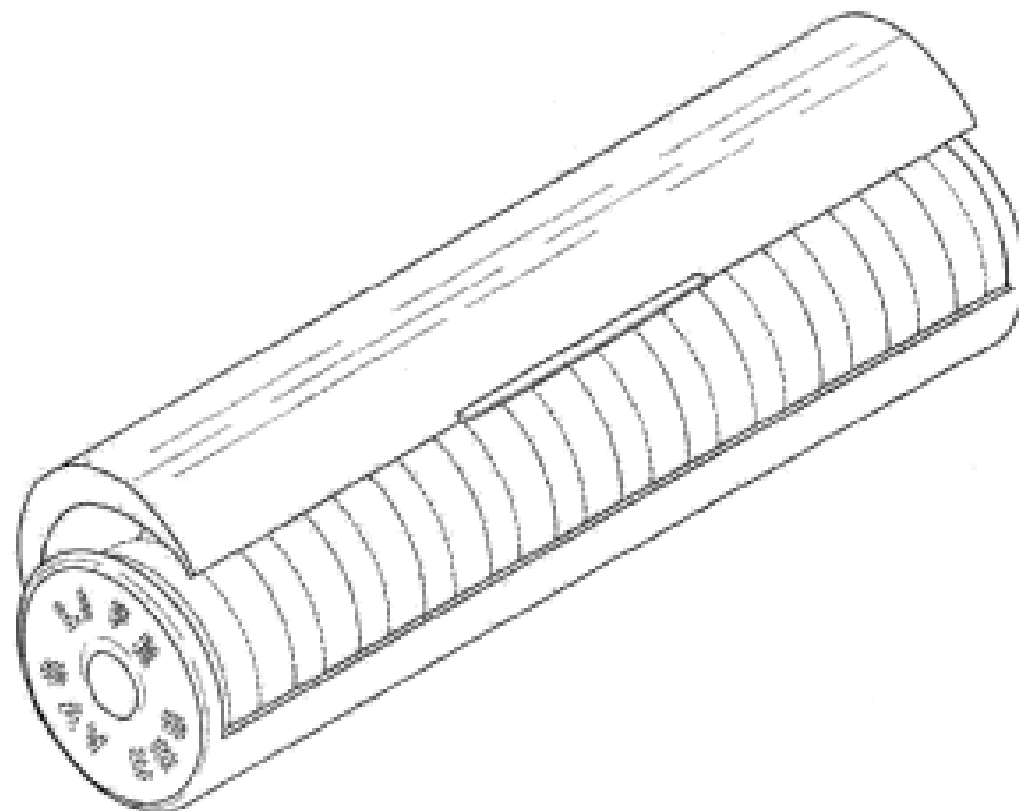
(45) Registration Date: **01 September 2006**

(30) Convention priority data:

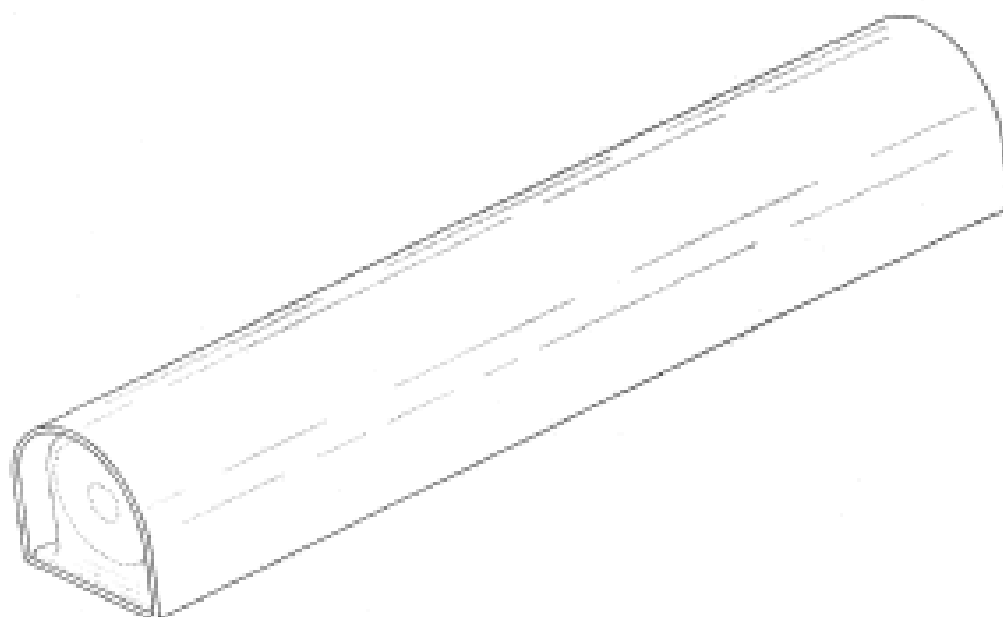
(31) Number	(32) Date	(33) Country
<b>29/244594</b>	<b>12 Dec 2005</b>	<b>UNITED STATES OF AMERICA</b>

(56) Related Art Documents: **Not Applicable**

(57) Statement of Newness and Distinctiveness: **Newness and distinctiveness is claimed in those features of shape and/or configuration of a product dispenser illustrated in continuous lines in the accompanying representations.**



(21) Design Number: **12523/2006**  
(22) Date of Filing Application: **13 June 2006**  
(24) Date from which industrial property rights may have effect: **13 June 2006**  
(54) Product in respect of which the design is registered: **Product dispenser**  
(51) International Design Classification: **09-03NES, 09-05**  
(71) Name(s) and Address(s) of Applicant(s):  
**Wm. Wrigley Jr. Company**  
**1132 West Blackhawk Street Chicago Illinois 60622-2404 United States of America**  
(72) Name(s) of Designer(s): **Matthew Robert James Jackson**  
(45) Registration Date: **01 September 2006**  
(30) Convention priority data:  
(31) Number (32) Date (33) Country  
**29/244626 12 Dec 2005 UNITED STATES OF AMERICA**  
(56) Related Art Documents: **Not Applicable**  
(57) Statement of Newness and Distinctiveness: **Newness and distinctiveness is claimed in those features of shape and/or configuration of a product dispenser illustrated in continuous lines in the accompanying representations.**



(21) Design Number: **12681/2006**  
(22) Date of Filing Application: **22 June 2006**  
(24) Date from which industrial property rights may have effect: **22 June 2006**  
(54) Product in respect of which the design is registered: **Toilet**  
(51) International Design Classification: **23-02C**  
(71) Name(s) and Address(s) of Applicant(s):  
**Diamond Bathroom and Kitchen Pty Ltd**  
**81-83 Licola Crescent Dandenong South Victoria 3175 Australia**  
(72) Name(s) of Designer(s): **Troy Vugs**  
(45) Registration Date: **01 September 2006**  
(56) Related Art Documents: **Not Applicable**  
(57) Statement of Newness and Distinctiveness: **Nil**



(21) Design Number: 12794/2006

(22) Date of Filing Application: 30 June 2006

(24) Date from which industrial property rights may have effect: 30 June 2006

(54) Product in respect of which the design is registered: Rescue uniform

(51) International Design Classification: 02-02B

(71) Name(s) and Address(s) of Applicant(s):

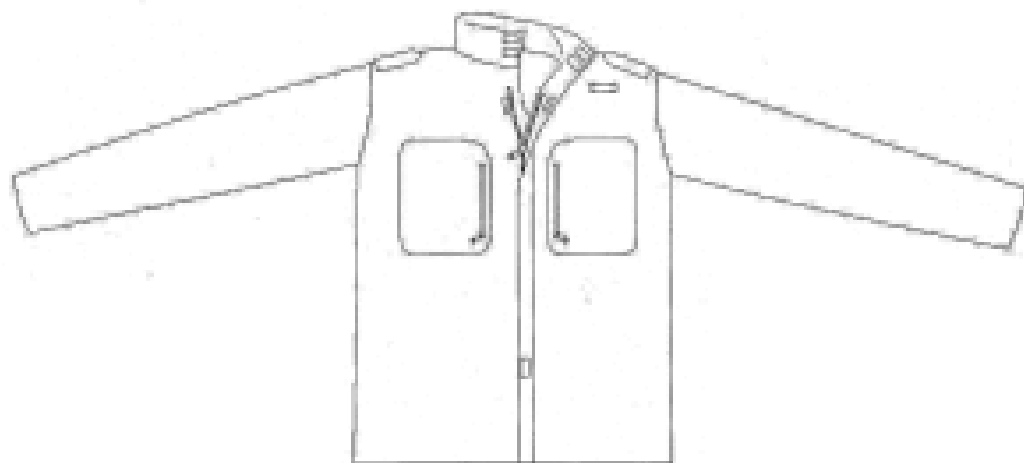
Warren Frey  
25 Bicheno Street Clifton Beach Tasmania 7020 Australia

(72) Name(s) of Designer(s): Warren Frey

(45) Registration Date: 01 September 2006

(56) Related Art Documents: Not Applicable

(57) Statement of Newness and Distinctiveness: **Design 1 Shirt:** This shirt is designed to be worn as the top half of a station wear/rescue uniform for emergency service workers. The combination and visual appearance of the different features make this design new and distinctive. A station uniform traditionally consists of a basic buttoned shirt and trousers which are worn under other protective clothing when responding to an emergency. For example, underneath a firefighters heavy turnout coat and pants. Another example would be a station uniform worn under overalls in the case of police and ambulance workers. A rescue uniform consists of either a shirt and trouser combination, or overalls. The style is traditionally a buttoned shirt with a collar, and pants, with cargo pockets. Overalls are similar but one piece. The following features make this shirt new and distinctive; The collar can be worn traditionally folded down, or up where it is fastened closed with velcro tabs. The velcro tabs are positioned so that the 'hook' face sits underneath the collar when it is folded down to prevent collection of lint. The shirt front zips closed. The vertical front flap is held closed at the top and bottom by two velcro tabs, instead of buttons. The cuffs of the sleeves are also closed with velcro tabs. These are positioned at the back side of the cuffs so that they are partially hidden when viewed from the front. The bottom of the shirt is long enough and cut straight so that it appears neat when worn out. A microphone tab is positioned high ..... vertical zips for sideways access.



(21) Design Number: 12795/2006

(22) Date of Filing Application: 30 June 2006

(24) Date from which industrial property rights may have effect: 30 June 2006

(54) Product in respect of which the design is registered: Rescue uniform

(51) International Design Classification: 02-02B

(71) Name(s) and Address(s) of Applicant(s):

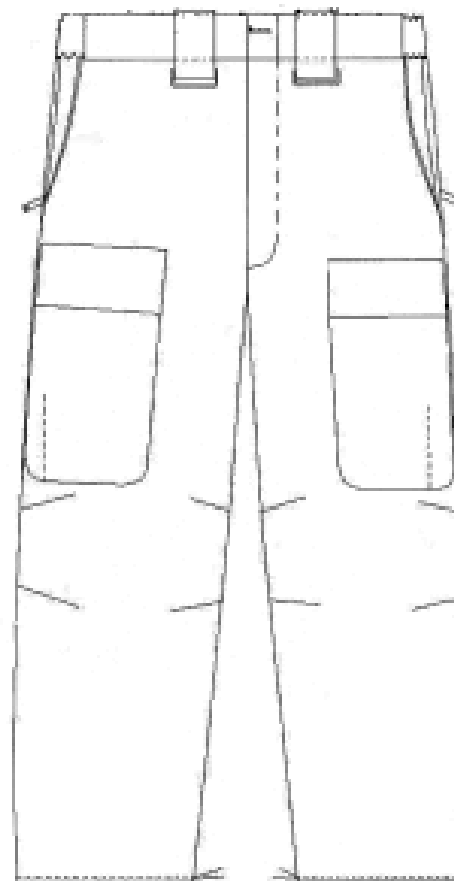
Warren Frey  
25 Bicheno Street Clifton Beach Tasmania 7020 Australia

(72) Name(s) of Designer(s): Warren Frey

(45) Registration Date: 01 September 2006

(56) Related Art Documents: Not Applicable

(57) Statement of Newness and Distinctiveness: **Design 2 Pants:** These pants are designed to be worn as the bottom half of a station wear/rescue uniform for emergency service workers. The combination and visual appearance of the different features make this design new and distinctive. A station uniform traditionally consists of a basic buttoned shirt and trousers which are worn under other protective clothing when responding to an emergency. Eg under a firefighters heavy turnout coat and pants. Another example would be a station uniform worn under overalls in the case of police and ambulance workers. A rescue uniform consists of either a shirt and trouser combination, or overalls. The style is traditionally a buttoned shirt with a collar, and pants with cargo pockets. Overalls are similar but one piece. The following features make these pants new and distinctive; The waist has elastic on the sides. The knees are pre-bent. The belt loops have 'D' rings for hanging equipment. The rear pocket is internal and the zip is covered by a narrow flap. The external appearance has rounded bottom edges and square top edges. Front hand pockets are internal. The bottom hems of the pants have a closure system using a draw-cord which is accessed from inside the hem where it is hidden. Cargo pockets are rounded in appearance at the bottom and square edges at the top. Inside the cargo pockets there is an internal sleeve which ends half way up the side of the pocket. There is a ventilation opening on each side which is closed by a zip. The ventilation ..... hand pockets merge on the side seam.



(21) Design Number: **12801/2006**  
(22) Date of Filing Application: **30 June 2006**  
(24) Date from which industrial property rights may have effect: **30 June 2006**  
(54) Product in respect of which the design is registered: **A handset**  
(51) International Design Classification: **14-03E**  
(71) Name(s) and Address(s) of Applicant(s):

**Nokia Corporation**  
**Keilalahdentie 4 FIN-02150 Espoo Finland**

(72) Name(s) of Designer(s): **Niilo Alfthan**  
(45) Registration Date: **01 September 2006**

(30) Convention priority data:

(31) Number	(32) Date	(33) Country
<b>M20060005</b>	<b>05 Jan 2006</b>	<b>FINLAND</b>

(56) Related Art Documents: **Not Applicable**

(57) Statement of Newness and Distinctiveness: **Nil.**



(21) Design Number: **12892/2006**  
(22) Date of Filing Application: **06 July 2006**  
(24) Date from which industrial property rights may have effect: **06 July 2006**  
(54) Product in respect of which the design is registered: **Pneumatic tyre**  
(51) International Design Classification: **12-15A, 12-15B**  
(71) Name(s) and Address(s) of Applicant(s):

**Pirelli Tyre S.P.A.**  
**Viale Sarca 222 20126 Milano Italy**

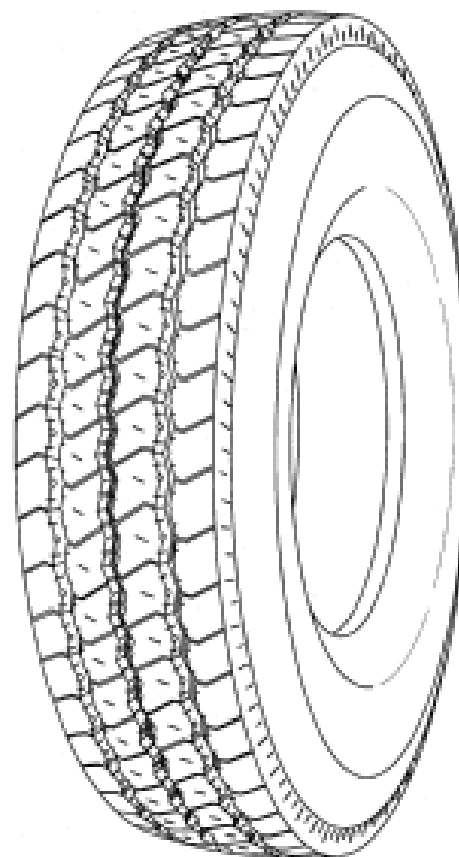
(72) Name(s) of Designer(s): **Luigi Campana**  
(45) Registration Date: **01 September 2006**

(30) Convention priority data:

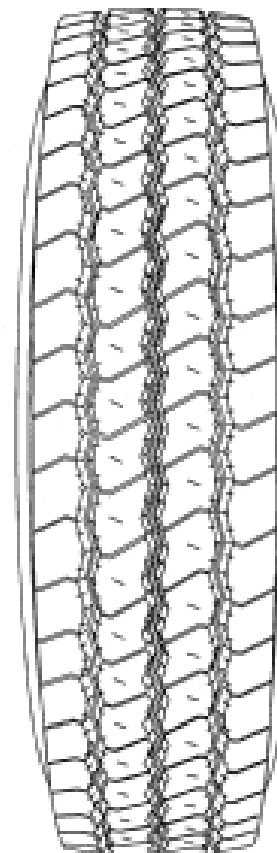
(31) Number	(32) Date	(33) Country
<b>000471362-0001</b>	<b>31 Jan 2006</b>	<b>EUROPEAN COMMUNITY</b>

(56) Related Art Documents: **Not Applicable**

(57) Statement of Newness and Distinctiveness: **The shape and configuration of the pneumatic tyre is new and distinctive.**



- (21) Design Number: **12915/2006**  
(22) Date of Filing Application: **06 July 2006**  
(24) Date from which industrial property rights may have effect: **06 July 2006**  
(54) Product in respect of which the design is registered: **Tread Band**  
(51) International Design Classification: **12-15A, 12-15B**  
(71) Name(s) and Address(s) of Applicant(s):  
**Pirelli Tyre S.P.A.**  
**Viale Sarca 222 20126 Milano Italy**  
(72) Name(s) of Designer(s): **Luigi Campana**  
(45) Registration Date: **01 September 2006**  
(30) Convention priority data:  
(31) Number (32) Date (33) Country  
**000471362-0001 31 Jan 2006 EUROPEAN COMMUNITY**  
(56) Related Art Documents: **Not Applicable**  
(57) Statement of Newness and Distinctiveness: **The shape and configuration of the tread band is new and distinctive.**



- (21) Design Number: **13017/2006**  
(22) Date of Filing Application: **17 July 2006**  
(24) Date from which industrial property rights may have effect: **17 July 2006**  
(54) Product in respect of which the design is registered: **Display**  
(51) International Design Classification: **20-02E**  
(71) Name(s) and Address(s) of Applicant(s):  
**Sasf Consulting Pty Ltd**  
**PO Box 158 Wilston Queensland 4051 Australia**  
(72) Name(s) of Designer(s): **Susan Frances Matthews**  
(45) Registration Date: **01 September 2006**  
(56) Related Art Documents: **Not Applicable**  
(57) Statement of Newness and Distinctiveness: **The new and distinct features are the features of shape and configuration of the display as shown in the representations. The shape of the hooks and the arrangement of the hooks are not new or distinctive features of the design.**



- (21) Design Number: **13019/2006**  
(22) Date of Filing Application: **17 July 2006**  
(24) Date from which industrial property rights may have effect: **17 July 2006**  
(54) Product in respect of which the design is registered: **Fishing rod**  
(51) International Design Classification: **22-05**  
(71) Name(s) and Address(s) of Applicant(s):

**Barrie William Mawby**  
**PO Box 54 Loxton South Australia 5333 Australia**

- (72) Name(s) of Designer(s): **Barrie William Mawby**  
(45) Registration Date: **01 September 2006**  
(56) Related Art Documents: **Not Applicable**  
(57) Statement of Newness and Distinctiveness: **The application of this design is to conveniently secure a fishing line to a rod - previously lines were wrapped around the handle of the rod with doubtful efficiency. The device is secured to the rod by using a suitable cable tie preferably one with an inline head.**



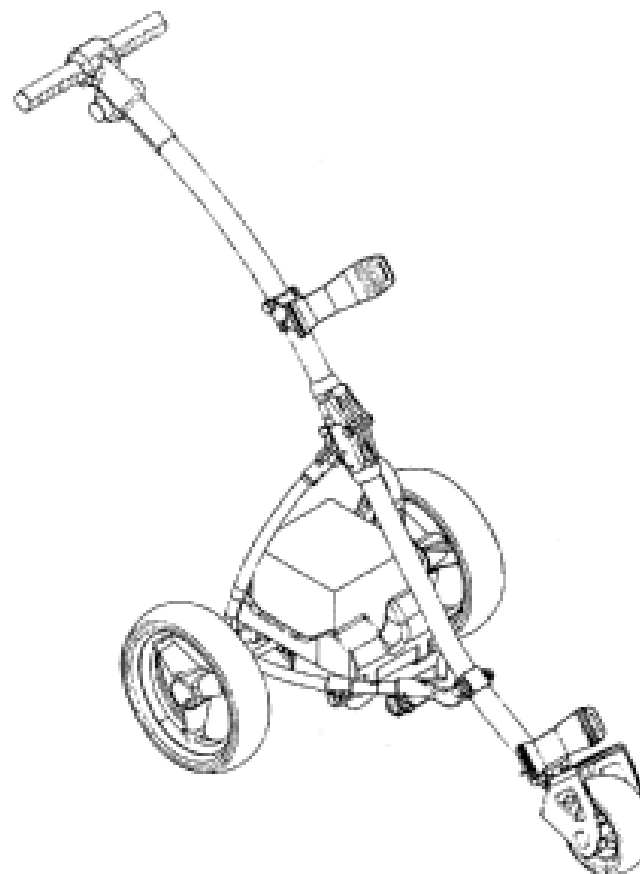
- (21) Design Number: **13020/2006**  
(22) Date of Filing Application: **17 July 2006**  
(24) Date from which industrial property rights may have effect: **17 July 2006**  
(54) Product in respect of which the design is registered: **Mens underwear including boxer shorts and traditional briefs**  
(51) International Design Classification: **02-01NES**  
(71) Name(s) and Address(s) of Applicant(s):

**ATC Pty Ltd**  
**72 Cumberland Drive Alexandra Hills Queensland 4161 Australia**

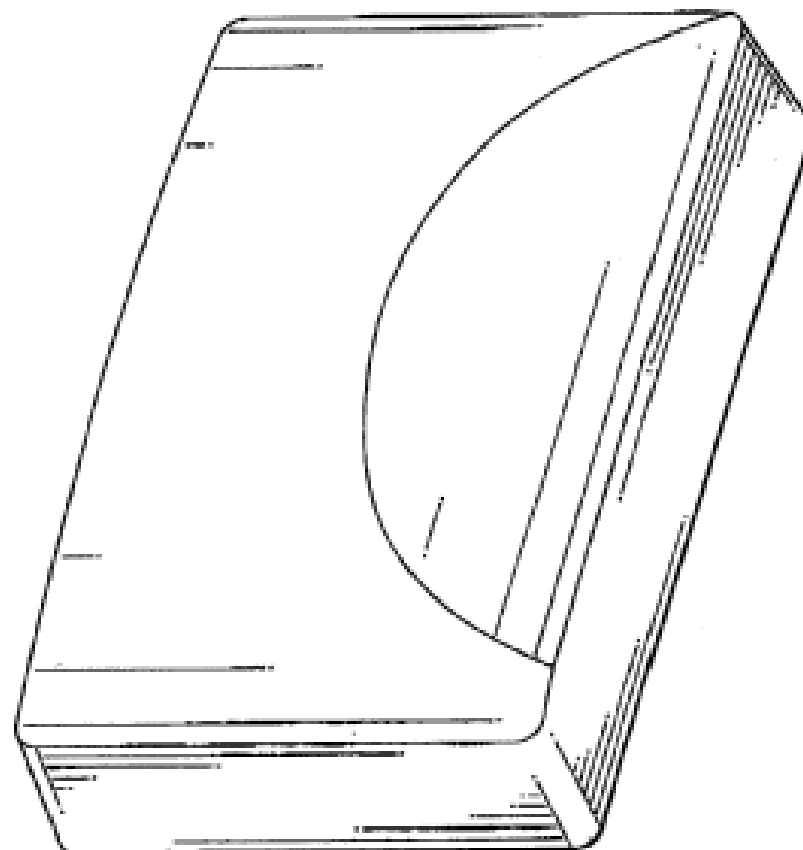
- (72) Name(s) of Designer(s): **Robert Miljkovic and Daniel Miljkovic**  
(45) Registration Date: **01 September 2006**  
(56) Related Art Documents: **Not Applicable**  
(57) Statement of Newness and Distinctiveness: **The underwear is specifically designed to allow the penis and testicles to remain in their natural hanging position, and alleviate the skin on skin contact between the testicles and the thigh. This is achieved by creating a separate pouch of fabric within which the penis and testicles reside. The underwear will come in two forms; a fitted boxer short with pouch, and a bikini brief with pouch. The pouch for both products will be of the same design and are shown in the attached photos. The pouch begins immediately behind where the testicles join to the body. This allows the entire testicles to be separated from any contact with the inner thighs, thus alleviating the discomfort. The shape of the pouch will allow the testicles to hang in their free and natural position without any restrictions. The pouch will be shaped such to accommodate the penis also hanging in its natural position. The base design for the underwear will use the structural elements of traditional underwear in design, shape and construction however the distinguishing feature will be the compartmentised pouch which will separate the male genitalia from the body. In addition to traditional variations in waist size for underwear product range will also be developed in a number of pouch sizes to accommodate for various genitalia size, within each waist band size range.**



(21) Design Number: **13235/2006**  
(22) Date of Filing Application: **26 July 2006**  
(24) Date from which industrial property rights may have effect: **26 July 2006**  
(54) Product in respect of which the design is registered: **Golf trolley**  
(51) International Design Classification: **12-02**  
(71) Name(s) and Address(s) of Applicant(s):  
**Motocaddy Limited**  
**Units 16 and 17 Stanstead Distribution Centre Start Hill Great**  
**Hallingbury Herts CM22 7DG United Kingdom**  
(72) Name(s) of Designer(s): **Rod Brown**  
(45) Registration Date: **01 September 2006**  
(30) Convention priority data:  
(31) Number (32) Date (33) Country  
**473087 01 Feb 2006 EUROPEAN COMMUNITY**  
(56) Related Art Documents: **Not Applicable**  
(57) Statement of Newness and Distinctiveness: **Nil**



(21) Design Number: **13237/2006**  
(22) Date of Filing Application: **26 July 2006**  
(24) Date from which industrial property rights may have effect: **26 July 2006**  
(54) Product in respect of which the design is registered: **Room sensor housing**  
(51) International Design Classification: **10-05**  
(71) Name(s) and Address(s) of Applicant(s):  
**Siemens Building Technologies, Inc.**  
**1000 Deerfield Parkway Buffalo Grove Illinois 60089 United States of**  
**America**  
(72) Name(s) of Designer(s): **Wesley Disselkoen and Jim Wille**  
(45) Registration Date: **01 September 2006**  
(30) Convention priority data:  
(31) Number (32) Date (33) Country  
**29/252893 30 Jan 2006 UNITED STATES OF AMERICA**  
(56) Related Art Documents: **Not Applicable**  
(57) Statement of Newness and Distinctiveness: **Newness and distinctiveness is**  
**claimed in those features of shape and/or configuration of a room sensor**  
**housing illustrated in continuous lines in the accompanying**  
**representations.**



- (21) Design Number: **13351/2006**  
(22) Date of Filing Application: **31 July 2006**  
(24) Date from which industrial property rights may have effect: **31 July 2006**  
(54) Product in respect of which the design is registered: **Tables**  
(51) International Design Classification: **06-03A, 06-03C**  
(71) Name(s) and Address(s) of Applicant(s):  
**Sedus Stoll AG**  
**Bruckenstr. 15 D-79761 Waldshut Germany**  
(72) Name(s) of Designer(s): **Mathias Seiler**  
(45) Registration Date: **01 September 2006**  
(30) Convention priority data:  
(31) Number (32) Date (33) Country  
**000472824-0001 31 Jan 2006 EUROPEAN COMMUNITY**  
(56) Related Art Documents: **Not Applicable**  
(57) Statement of Newness and Distinctiveness: **Newness and distinctiveness reside in the features of the design as shown in the representations.**

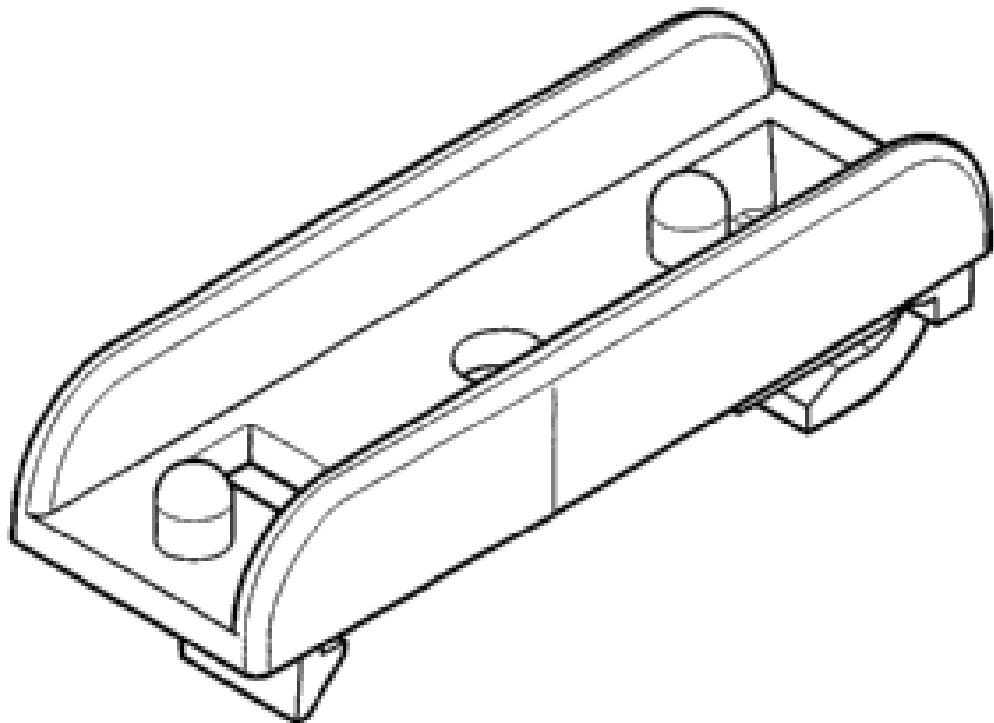


- (21) Design Number: **13352/2006**  
(22) Date of Filing Application: **31 July 2006**  
(24) Date from which industrial property rights may have effect: **31 July 2006**  
(54) Product in respect of which the design is registered: **Tables**  
(51) International Design Classification: **06-03A, 06-03C**  
(71) Name(s) and Address(s) of Applicant(s):  
**Sedus Stoll AG**  
**Bruckenstr. 15 D-79761 Waldshut Germany**  
(72) Name(s) of Designer(s): **Mathias Seiler**  
(45) Registration Date: **01 September 2006**  
(30) Convention priority data:  
(31) Number (32) Date (33) Country  
**000472824-0001 31 Jan 2006 EUROPEAN COMMUNITY**  
(56) Related Art Documents: **Not Applicable**  
(57) Statement of Newness and Distinctiveness: **Newness and distinctiveness reside in the features of the design as shown in the representations.**

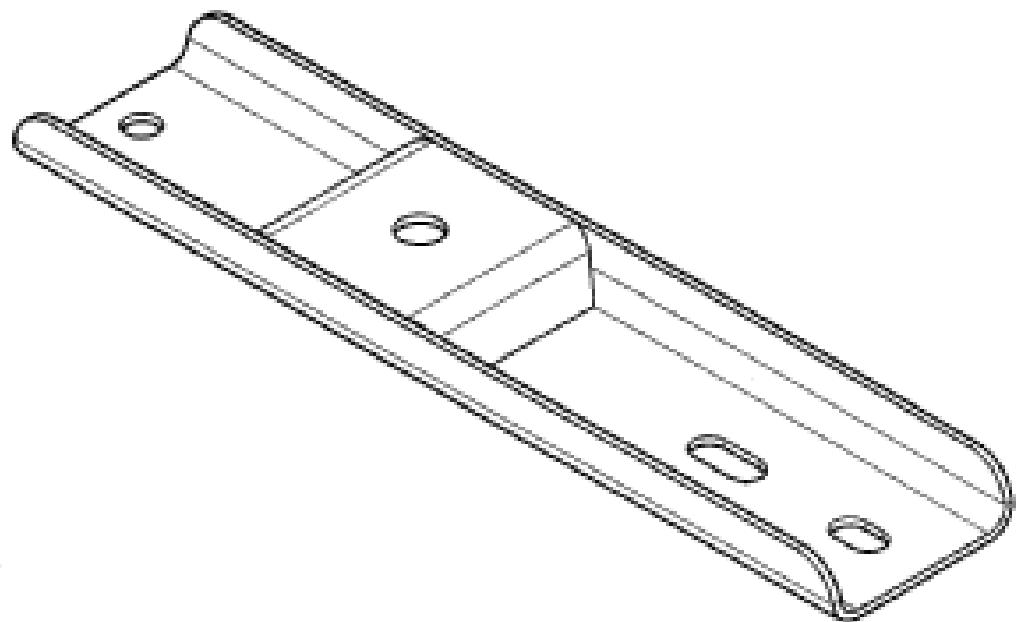




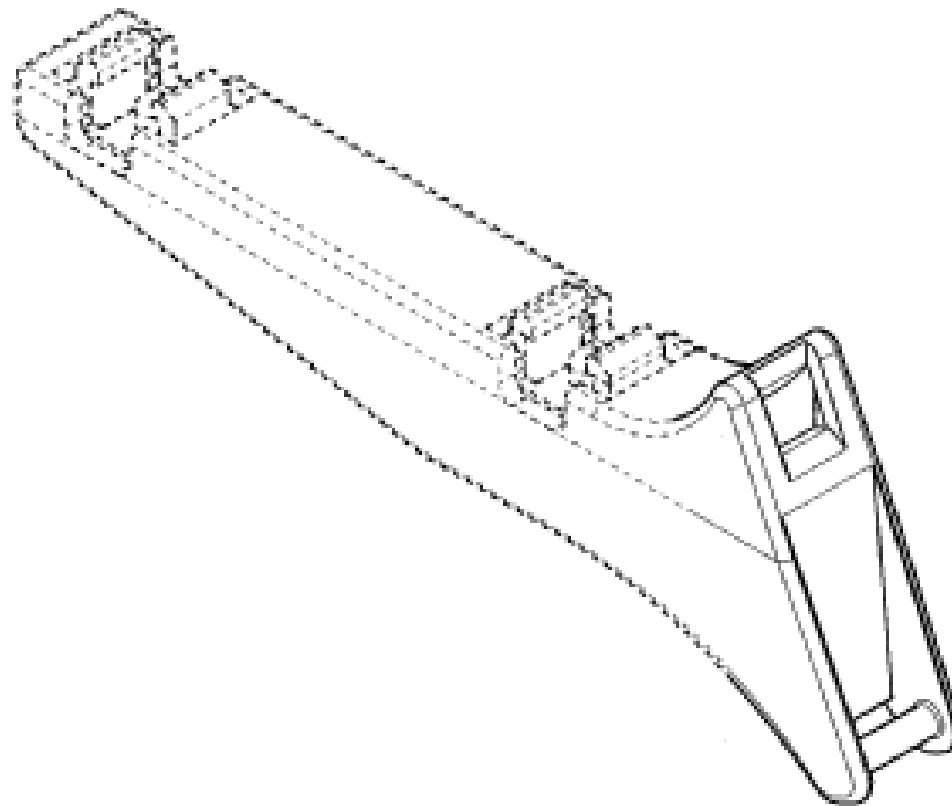
- (21) Design Number: **13337/2006**  
(22) Date of Filing Application: **01 August 2006**  
(24) Date from which industrial property rights may have effect: **01 August 2006**  
(54) Product in respect of which the design is registered: **Antenna reflector bracket connector**  
(51) International Design Classification: **08-08L, 08-08NES**  
(71) Name(s) and Address(s) of Applicant(s):  
**Hills Industries Limited**  
**944-956 South Road Edwardstown South Australia 5039 Australia**  
(72) Name(s) of Designer(s): **Andrew Richard John Thomas**  
(45) Registration Date: **04 September 2006**  
(56) Related Art Documents: **Not Applicable**  
(57) Statement of Newness and Distinctiveness: **Newness and distinctiveness resides in the shape and configuration of an antenna reflector bracket connector as shown in the accompanying representations.**



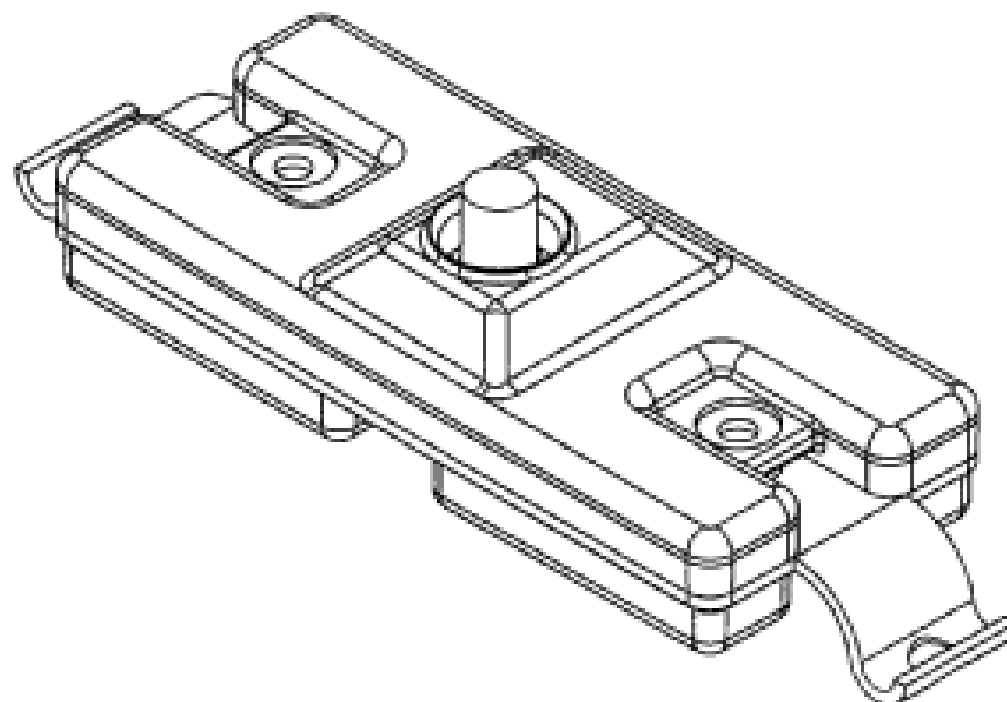
- (21) Design Number: **13338/2006**  
(22) Date of Filing Application: **01 August 2006**  
(24) Date from which industrial property rights may have effect: **01 August 2006**  
(54) Product in respect of which the design is registered: **Antenna brace anchor**  
(51) International Design Classification: **08-08L, 08-08NES**  
(71) Name(s) and Address(s) of Applicant(s):  
**Hills Industries Limited**  
**944-956 South Road Edwardstown South Australia 5039 Australia**  
(72) Name(s) of Designer(s): **Barry Seymour Griggs**  
(45) Registration Date: **04 September 2006**  
(56) Related Art Documents: **Not Applicable**  
(57) Statement of Newness and Distinctiveness: **Newness and distinctiveness resides in the shape and configuration of an antenna brace anchor as shown in the accompanying representations.**



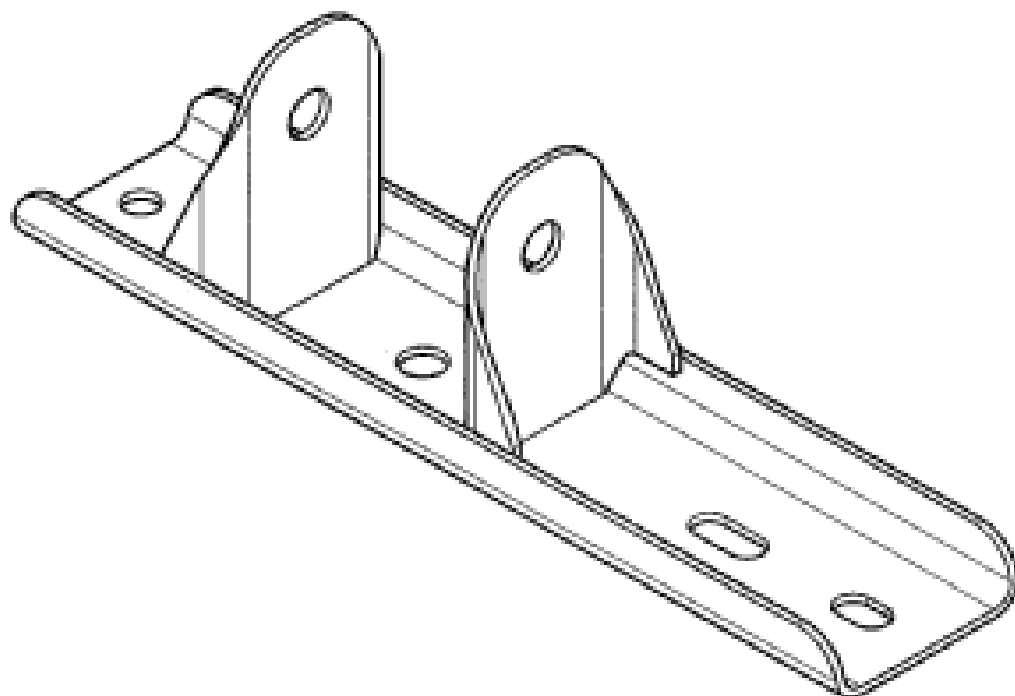
- (21) Design Number: **13339/2006**  
(22) Date of Filing Application: **01 August 2006**  
(24) Date from which industrial property rights may have effect: **01 August 2006**  
(54) Product in respect of which the design is registered: **Antenna reflector bracket**  
(51) International Design Classification: **08-08L, 08-08NES**  
(71) Name(s) and Address(s) of Applicant(s):  
**Hills Industries Limited**  
**944-956 South Road Edwardstown South Australia 5039 Australia**  
(72) Name(s) of Designer(s): **Andrew Richard John Thomas**  
(45) Registration Date: **04 September 2006**  
(56) Related Art Documents: **Not Applicable**  
(57) Statement of Newness and Distinctiveness: **Monopoly is claimed in the shape and configuration of an antenna reflector bracket as shown in the accompanying drawings. In considering the scope of monopoly, no regard shall be had to the portions shown in dotted lines.**



- (21) Design Number: **13340/2006**  
(22) Date of Filing Application: **01 August 2006**  
(24) Date from which industrial property rights may have effect: **01 August 2006**  
(54) Product in respect of which the design is registered: **Antenna component housing**  
(51) International Design Classification: **08-08L, 08-08NES, 14-03NES**  
(71) Name(s) and Address(s) of Applicant(s):  
**Hills Industries Limited**  
**944-956 South Road Edwardstown South Australia 5039 Australia**  
(72) Name(s) of Designer(s): **Andrew Richard John Thomas**  
(45) Registration Date: **04 September 2006**  
(56) Related Art Documents: **Not Applicable**  
(57) Statement of Newness and Distinctiveness: **Newness and distinctiveness resides in the shape and configuration of an antenna component housing as shown in the accompanying representations.**



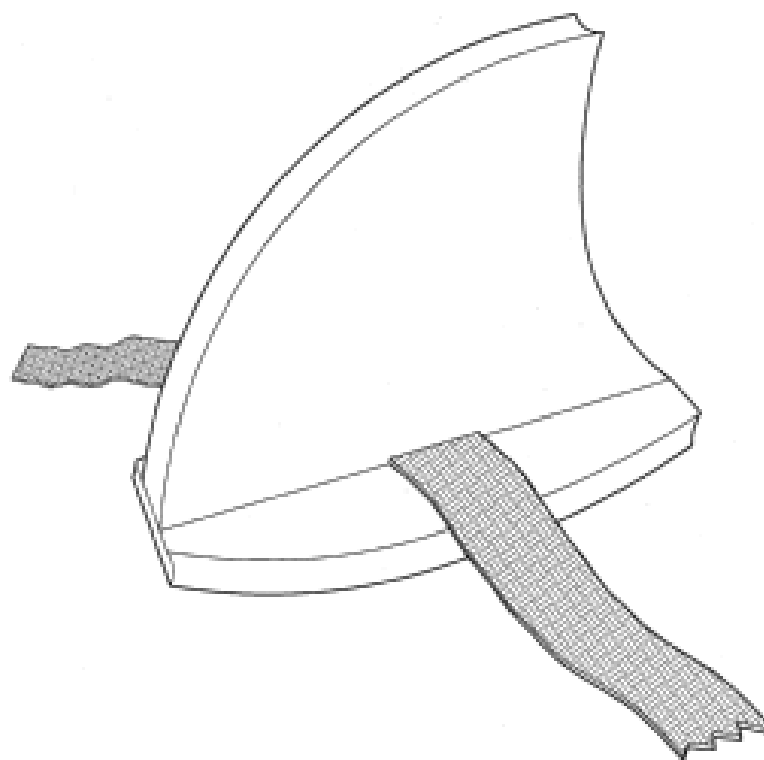
(21) Design Number: **13341/2006**  
 (22) Date of Filing Application: **01 August 2006**  
 (24) Date from which industrial property rights may have effect: **01 August 2006**  
 (54) Product in respect of which the design is registered: **Antenna mast anchor**  
 (51) International Design Classification: **08-08L, 08-08NES**  
 (71) Name(s) and Address(s) of Applicant(s):  
**Hills Industries Limited**  
**944-956 South Road Edwardstown South Australia 5039 Australia**  
 (72) Name(s) of Designer(s): **Barry Seymour Griggs**  
 (45) Registration Date: **04 September 2006**  
 (56) Related Art Documents: **Not Applicable**  
 (57) Statement of Newness and Distinctiveness: **Newness and distinctiveness resides in the shape and configuration of an antenna mast anchor as shown in the accompanying representations.**



(21) Design Number: **13342/2006**  
 (22) Date of Filing Application: **01 August 2006**  
 (24) Date from which industrial property rights may have effect: **01 August 2006**  
 (54) Product in respect of which the design is registered: **Flotation device/swimming aid**  
 (51) International Design Classification: **21-02D, 29-02**  
 (71) Name(s) and Address(s) of Applicant(s):  
**Kevin Moseley**  
**4 Crabtree Close Burscough Lancashire L40 7UN United Kingdom**  
 (72) Name(s) of Designer(s): **Kevin Moseley**  
 (45) Registration Date: **04 September 2006**  
 (30) Convention priority data:  

(31) Number	(32) Date	(33) Country
<b>000523725</b>	<b>05 May 2006</b>	<b>EUROPEAN COMMUNITY</b>

 (56) Related Art Documents: **Not Applicable**  
 (57) Statement of Newness and Distinctiveness: **The particular visual features of the design which are new and distinctive are shape or configuration.**



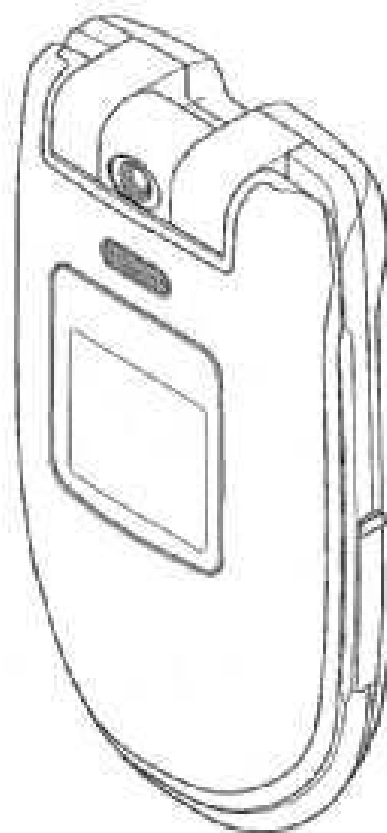
(21) Design Number: **13401/2006**  
(22) Date of Filing Application: **03 August 2006**  
(24) Date from which industrial property rights may have effect: **03 August 2006**  
(54) Product in respect of which the design is registered: **Sunglasses**  
(51) International Design Classification: **16-06**  
(71) Name(s) and Address(s) of Applicant(s):  
**Andrew Holdsworth**  
**6 Short Street Dandenong Victoria 3175 Australia**  
(72) Name(s) of Designer(s): **Andrew Holdsworth**  
(45) Registration Date: **04 September 2006**  
(56) Related Art Documents: **Not Applicable**  
(57) Statement of Newness and Distinctiveness: **Nil**



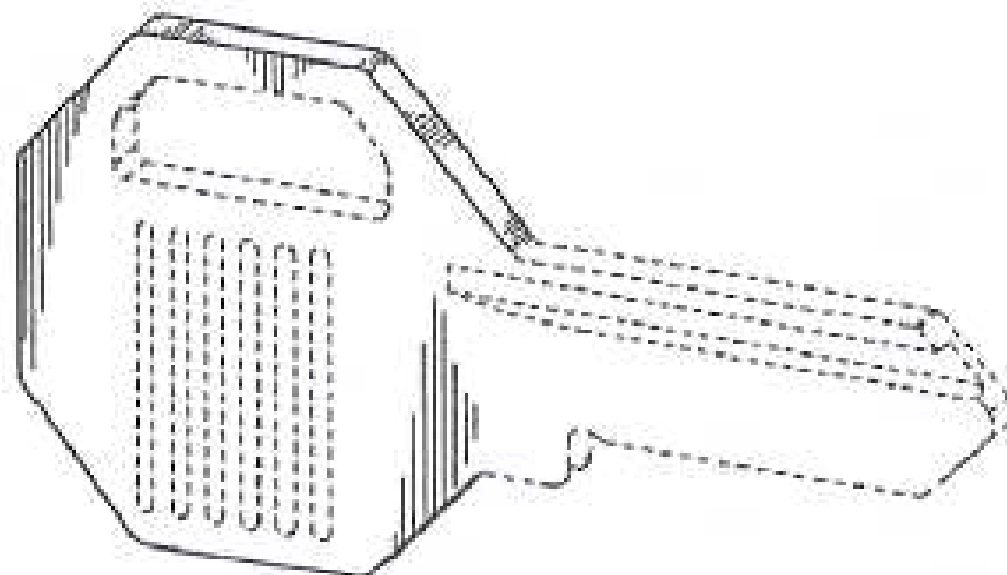
(21) Design Number: **13402/2006**  
(22) Date of Filing Application: **03 August 2006**  
(24) Date from which industrial property rights may have effect: **03 August 2006**  
(54) Product in respect of which the design is registered: **Sunglasses**  
(51) International Design Classification: **16-06**  
(71) Name(s) and Address(s) of Applicant(s):  
**Andrew Holdsworth**  
**6 Short Street Dandenong Victoria 3175 Australia**  
(72) Name(s) of Designer(s): **Andrew Holdsworth**  
(45) Registration Date: **04 September 2006**  
(56) Related Art Documents: **Not Applicable**  
(57) Statement of Newness and Distinctiveness: **Nil**



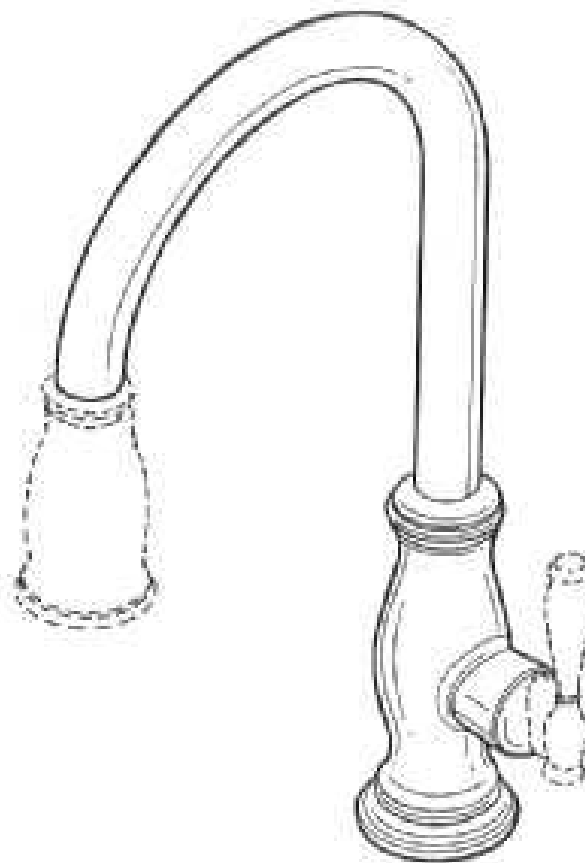
(21) Design Number: **13403/2006**  
(22) Date of Filing Application: **02 August 2006**  
(24) Date from which industrial property rights may have effect: **02 August 2006**  
(54) Product in respect of which the design is registered: **Mobile phone**  
(51) International Design Classification: **14-03E**  
(71) Name(s) and Address(s) of Applicant(s):  
**LG Electronics Inc.**  
**20 Yoido-dong Youngdungpo-ku Seoul Republic of Korea**  
(72) Name(s) of Designer(s): **Da Na Jung**  
(45) Registration Date: **04 September 2006**  
(30) Convention priority data:  
(31) Number (32) Date (33) Country  
**30-2006-0003896 02 Feb 2006 REPUBLIC OF KOREA**  
(56) Related Art Documents: **Not Applicable**  
(57) Statement of Newness and Distinctiveness: **Nil**



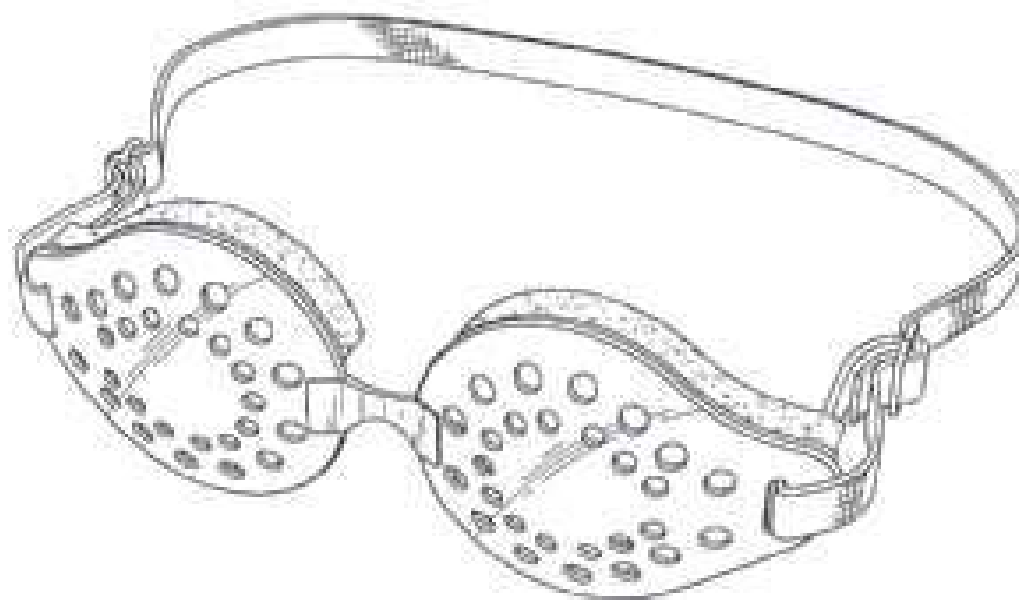
(21) Design Number: **13404/2006**  
(22) Date of Filing Application: **02 August 2006**  
(24) Date from which industrial property rights may have effect: **02 August 2006**  
(54) Product in respect of which the design is registered: **Key**  
(51) International Design Classification: **08-07**  
(71) Name(s) and Address(s) of Applicant(s):  
**Master Lock Company LLC**  
**137 W. Forest Hill Avenue PO Box 927 Oak Creek Wisconsin 53154**  
**United States of America**  
(72) Name(s) of Designer(s): **John Blomstrom**  
(45) Registration Date: **04 September 2006**  
(30) Convention priority data:  
(31) Number (32) Date (33) Country  
**29/253,201 02 Feb 2006 UNITED STATES OF AMERICA**  
(56) Related Art Documents: **Not Applicable**  
(57) Statement of Newness and Distinctiveness: **Newness and distinctiveness are provided by the shape and/or configuration of the design shown in the representations. The features shown in broken lines in the representations are for illustrative purposes only and should not be considered when construing visual features of the design.**



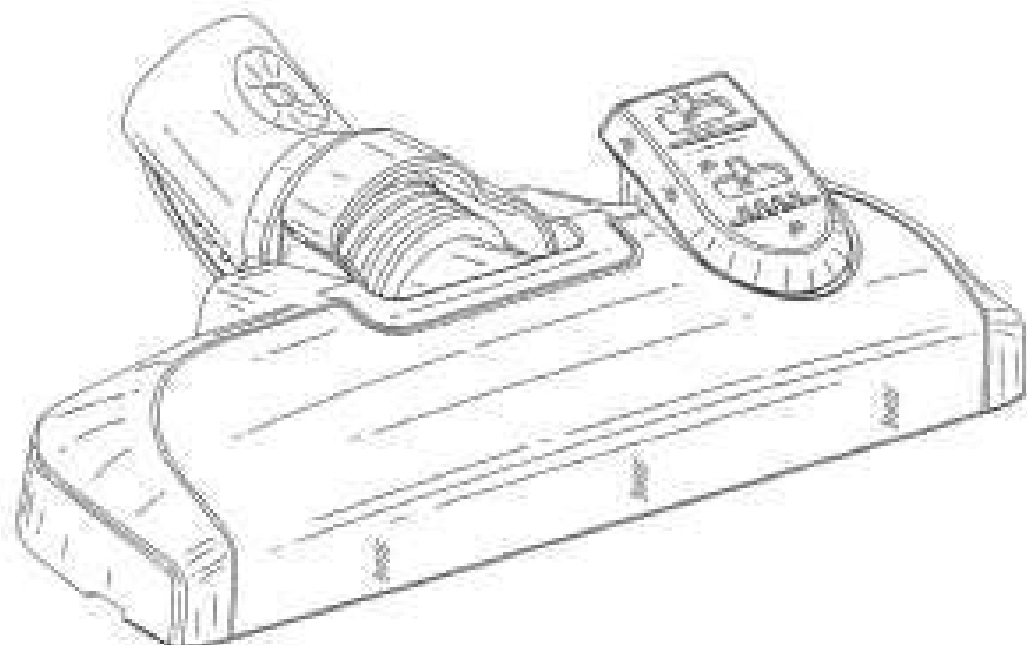
(21) Design Number: **13407/2006**  
(22) Date of Filing Application: **02 August 2006**  
(24) Date from which industrial property rights may have effect: **02 August 2006**  
(54) Product in respect of which the design is registered: **A tap**  
(51) International Design Classification: **23-01H**  
(71) Name(s) and Address(s) of Applicant(s):  
**Newfrey LLC**  
**1207 Drummond Plaza Newark Delaware 19711 United States of America**  
(72) Name(s) of Designer(s): **Aaron Hanna**  
(45) Registration Date: **04 September 2006**  
(30) Convention priority data:  
(31) Number (32) Date (33) Country  
**29253200 02 Feb 2006 UNITED STATES OF AMERICA**  
(56) Related Art Documents: **Not Applicable**  
(57) Statement of Newness and Distinctiveness: **Newness and distinctiveness is claimed in the visual features shown in solid lines in the representations.**



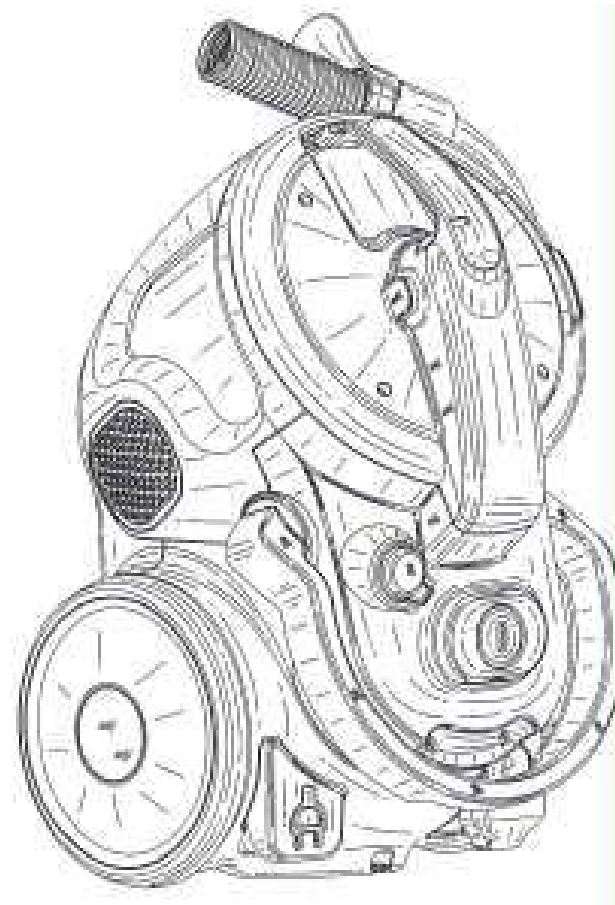
(21) Design Number: **13408/2006**  
(22) Date of Filing Application: **02 August 2006**  
(24) Date from which industrial property rights may have effect: **02 August 2006**  
(54) Product in respect of which the design is registered: **An eyeshield**  
(51) International Design Classification: **16-06, 24-04**  
(71) Name(s) and Address(s) of Applicant(s):  
**Dioptics Medical Products, Inc.**  
**125 Venture Drive San Luis Obispo California 93401 United States of America**  
(72) Name(s) of Designer(s): **Henry Welling Lane and Eric Rhea**  
(45) Registration Date: **04 September 2006**  
(30) Convention priority data:  
(31) Number (32) Date (33) Country  
**29253301 02 Feb 2006 UNITED STATES OF AMERICA**  
(56) Related Art Documents: **Not Applicable**  
(57) Statement of Newness and Distinctiveness: **Nil**



(21) Design Number: **13409/2006**  
(22) Date of Filing Application: **02 August 2006**  
(24) Date from which industrial property rights may have effect: **02 August 2006**  
(54) Product in respect of which the design is registered: **Floorhead for a vacuum cleaner**  
(51) International Design Classification: **15-05**  
(71) Name(s) and Address(s) of Applicant(s):  
**Black & Decker, Inc.**  
**1207 Drummond Plaza Newark Delaware 19711 United States of America**  
(72) Name(s) of Designer(s): **Stephen Houghton**  
(45) Registration Date: **04 September 2006**  
(30) Convention priority data:  
(31) Number (32) Date (33) Country  
**000474697 06 Feb 2006 EUROPEAN COMMUNITY**  
(56) Related Art Documents: **Not Applicable**  
(57) Statement of Newness and Distinctiveness: **Nil**



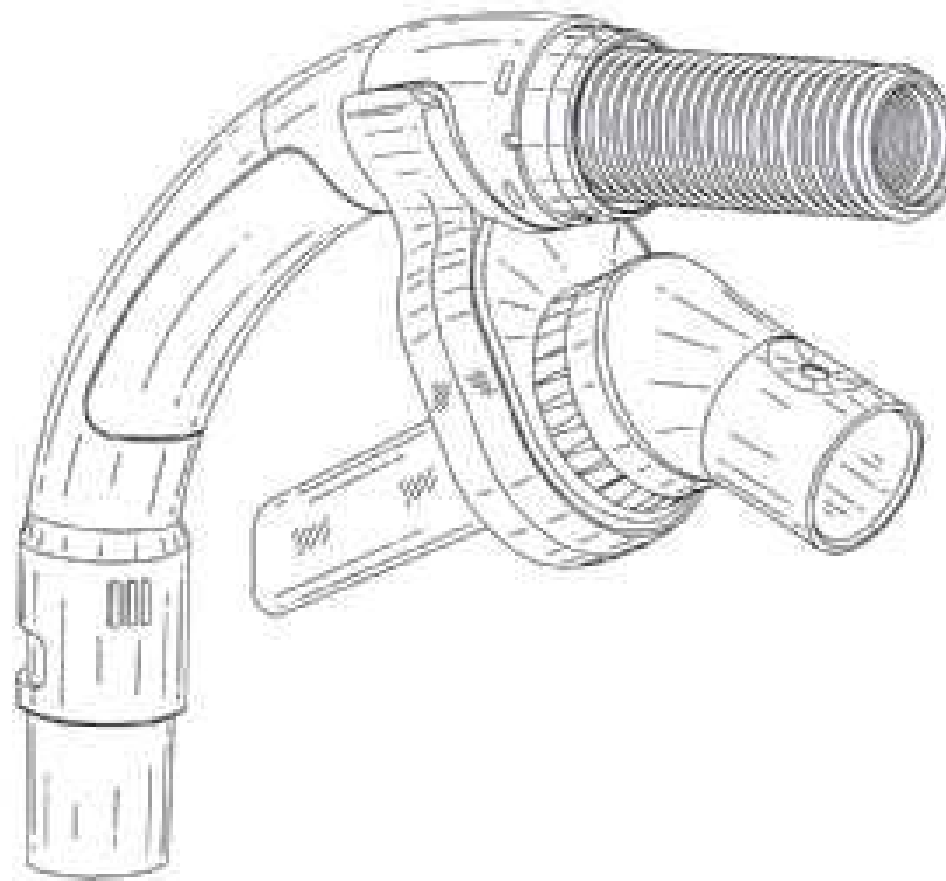
(21) Design Number: **13410/2006**  
(22) Date of Filing Application: **02 August 2006**  
(24) Date from which industrial property rights may have effect: **02 August 2006**  
(54) Product in respect of which the design is registered: **Vacuum cleaner body**  
(51) International Design Classification: **15-05**  
(71) Name(s) and Address(s) of Applicant(s):  
**Black & Decker, Inc.**  
**1207 Drummond Plaza Newark Delaware 19711 United States of America**  
(72) Name(s) of Designer(s): **Stephen Houghton**  
(45) Registration Date: **04 September 2006**  
(30) Convention priority data:  
(31) Number (32) Date (33) Country  
**000474820 06 Feb 2006 EUROPEAN COMMUNITY**  
(56) Related Art Documents: **Not Applicable**  
(57) Statement of Newness and Distinctiveness: **Nil**



(21) Design Number: **13411/2006**  
 (22) Date of Filing Application: **02 August 2006**  
 (24) Date from which industrial property rights may have effect: **02 August 2006**  
 (54) Product in respect of which the design is registered: **A handle for a vacuum cleaner wand with accessory tool holder**  
 (51) International Design Classification: **15-05**  
 (71) Name(s) and Address(s) of Applicant(s):  
**Black & Decker, Inc.**  
**1207 Drummond Plaza Newark Delaware 19711 United States of America**  
 (72) Name(s) of Designer(s): **Stephen Houghton**  
 (45) Registration Date: **04 September 2006**  
 (30) Convention priority data:  

(31) Number	(32) Date	(33) Country
<b>000474689</b>	<b>06 Feb 2006</b>	<b>EUROPEAN COMMUNITY</b>

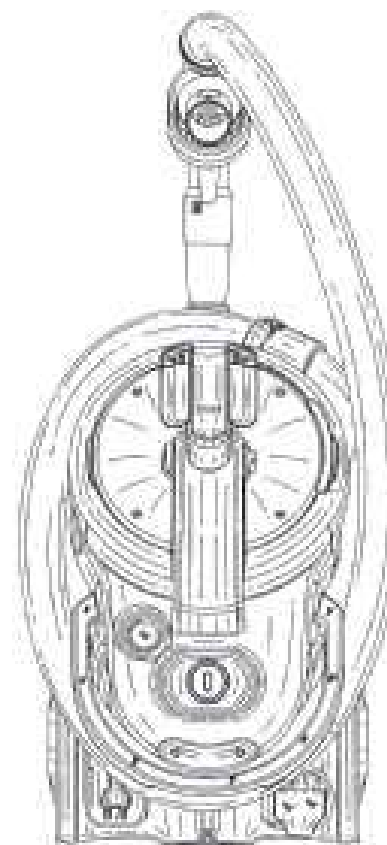
 (56) Related Art Documents: **Not Applicable**  
 (57) Statement of Newness and Distinctiveness: **Nil**



(21) Design Number: **13412/2006**  
 (22) Date of Filing Application: **02 August 2006**  
 (24) Date from which industrial property rights may have effect: **02 August 2006**  
 (54) Product in respect of which the design is registered: **Vacuum cleaner**  
 (51) International Design Classification: **15-05**  
 (71) Name(s) and Address(s) of Applicant(s):  
**Black & Decker, Inc.**  
**1207 Drummond Plaza Newark Delaware 19711 United States of America**  
 (72) Name(s) of Designer(s): **Stephen Houghton**  
 (45) Registration Date: **04 September 2006**  
 (30) Convention priority data:  

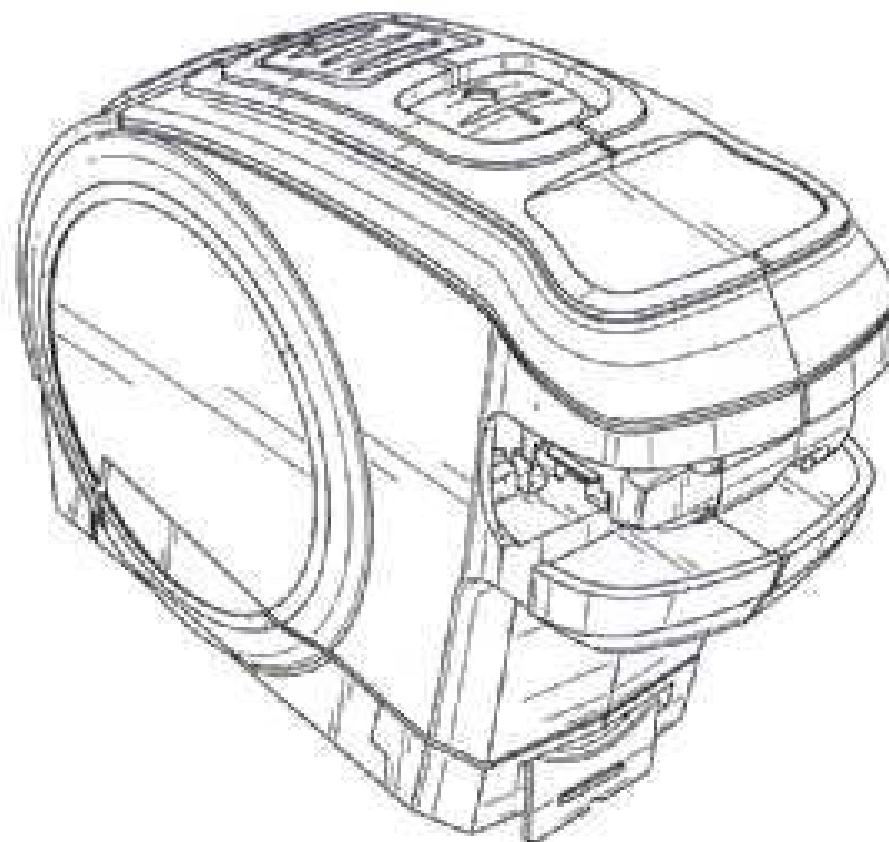
(31) Number	(32) Date	(33) Country
<b>000474705</b>	<b>06 Feb 2006</b>	<b>EUROPEAN COMMUNITY</b>

 (56) Related Art Documents: **Not Applicable**  
 (57) Statement of Newness and Distinctiveness: **Nil**

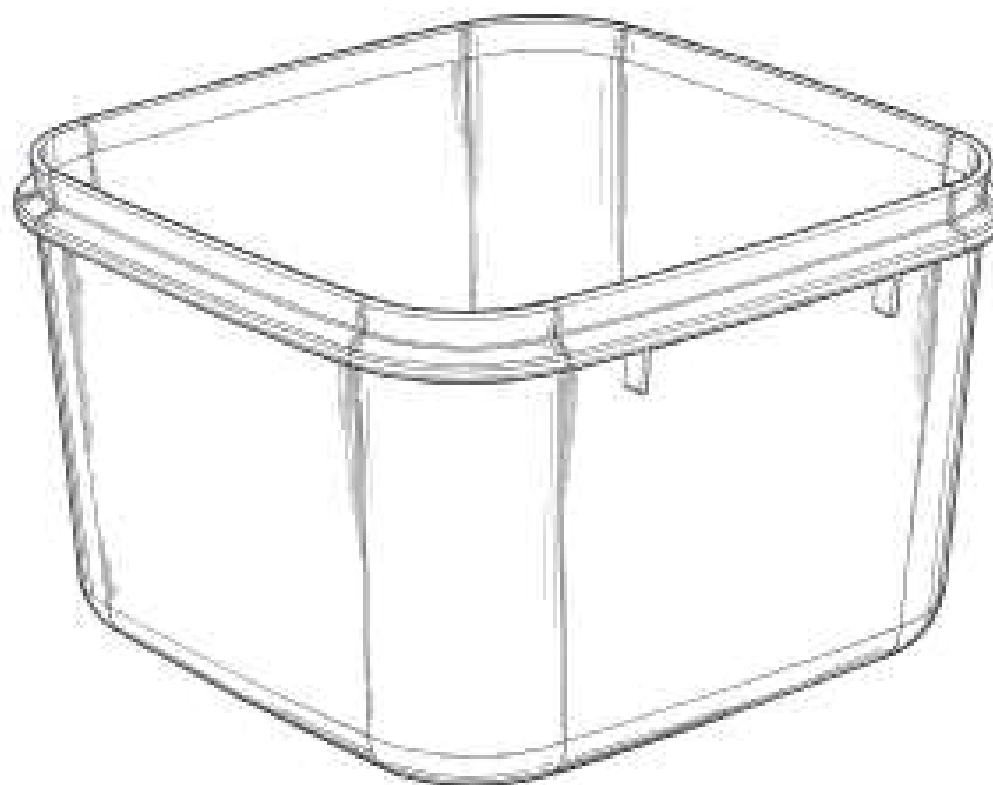




(21) Design Number: **13413/2006**  
(22) Date of Filing Application: **02 August 2006**  
(24) Date from which industrial property rights may have effect: **02 August 2006**  
(54) Product in respect of which the design is registered: **Tape measure with laser module**  
(51) International Design Classification: **10-04**  
(71) Name(s) and Address(s) of Applicant(s):  
**Black & Decker, Inc.**  
**1207 Drummond Plaza Newark Delaware 19711 United States of America**  
(72) Name(s) of Designer(s): **Gregory S. Snider and Michael E. Milligan**  
(45) Registration Date: **04 September 2006**  
(30) Convention priority data:  
(31) Number (32) Date (33) Country  
**29/253719 10 Feb 2006 UNITED STATES OF AMERICA**  
(56) Related Art Documents: **Not Applicable**  
(57) Statement of Newness and Distinctiveness: **Nil**



(21) Design Number: **13384/2006**  
(22) Date of Filing Application: **01 August 2006**  
(24) Date from which industrial property rights may have effect: **01 August 2006**  
(54) Product in respect of which the design is registered: **Square container**  
(51) International Design Classification: **07-01NES, 09-03M**  
(71) Name(s) and Address(s) of Applicant(s):  
**The Decor Corporation Pty Ltd**  
**1314 Ferntree Gully Road Scoresby Victoria 3179 Australia**  
(72) Name(s) of Designer(s): **Arthur Richard Carlson**  
(45) Registration Date: **04 September 2006**  
(56) Related Art Documents: **Not Applicable**  
(57) Statement of Newness and Distinctiveness: **Nil**

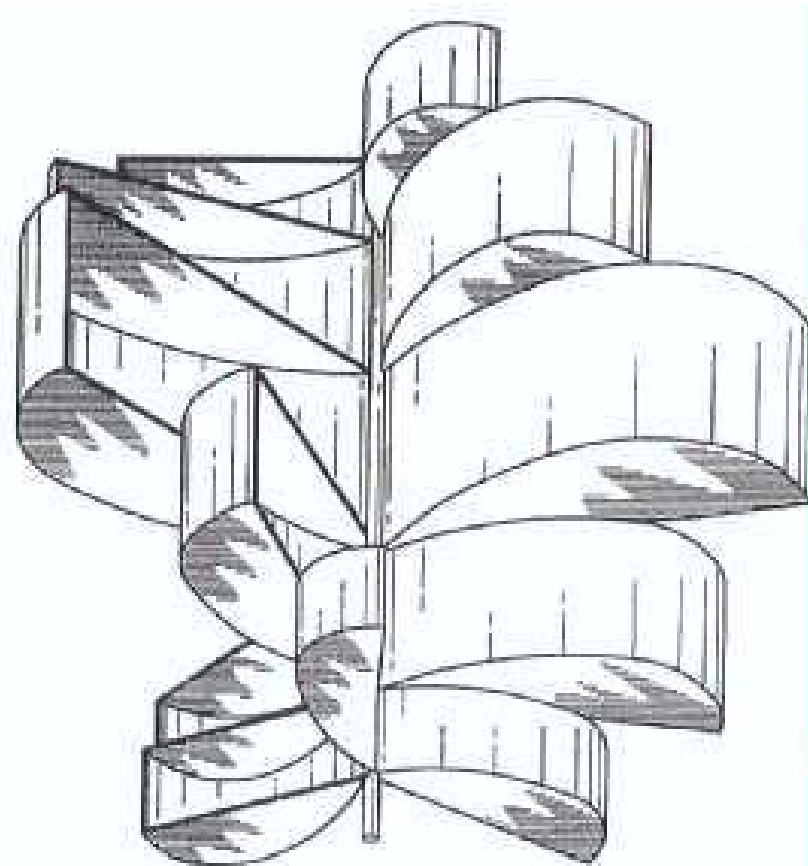


- (21) Design Number: **13385/2006**
- (22) Date of Filing Application: **01 August 2006**
- (24) Date from which industrial property rights may have effect: **01 August 2006**
- (54) Product in respect of which the design is registered: **Aeroturbine**
- (51) International Design Classification: **15-01, 23-04**
- (71) Name(s) and Address(s) of Applicant(s):

**Mark R. Tomion**  
**2938 Ferguson Corners Road Geneva New York 14456 United States of America**

- (72) Name(s) of Designer(s): **Mark R. Tomion**
  - (45) Registration Date: **04 September 2006**
  - (30) Convention priority data:
- |                  |                    |                                 |
|------------------|--------------------|---------------------------------|
| (31) Number      | (32) Date          | (33) Country                    |
| <b>29/257591</b> | <b>06 Apr 2006</b> | <b>UNITED STATES OF AMERICA</b> |
- (56) Related Art Documents: **Not Applicable**

(57) Statement of Newness and Distinctiveness: **Newness and distinctiveness is claimed in the features of shape and/or configuration of the following parts of an aeroturbine as illustrated in the accompanying representations: the plurality of modular impeller subassemblies having similar designs and different diameters and being mounted on a common shaft; the spiral arrangement of the impellers such that the aeroturbine assembly as a whole resembles an abstract geometric sculpture, and the top and bottom plan views of the aeroturbine resemble a flower.**

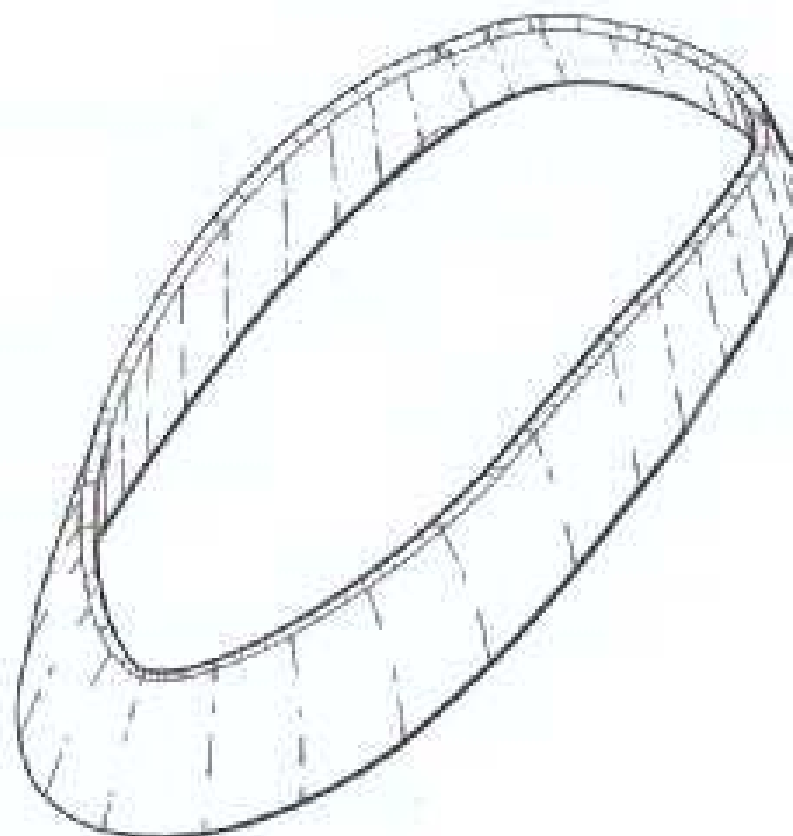


- (21) Design Number: **13386/2006**
- (22) Date of Filing Application: **01 August 2006**
- (24) Date from which industrial property rights may have effect: **01 August 2006**
- (54) Product in respect of which the design is registered: **Turn signal bezel**
- (51) International Design Classification: **10-07, 12-16E**
- (71) Name(s) and Address(s) of Applicant(s):

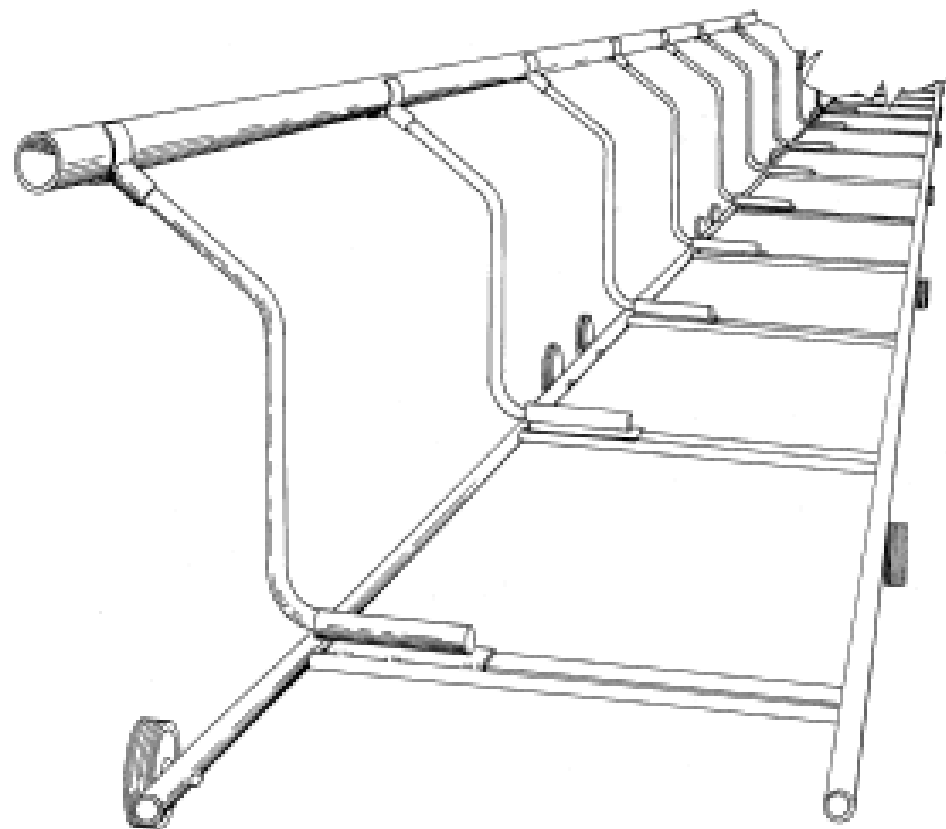
**Grote Industries, Inc.**  
**2600 Lanier Drive Madison Indiana 47250 United States of America**

- (72) Name(s) of Designer(s): **Robert E. Fisher Jr.**
  - (45) Registration Date: **04 September 2006**
  - (30) Convention priority data:
- |                  |                    |                                 |
|------------------|--------------------|---------------------------------|
| (31) Number      | (32) Date          | (33) Country                    |
| <b>29/253856</b> | <b>13 Feb 2006</b> | <b>UNITED STATES OF AMERICA</b> |
- (56) Related Art Documents: **Not Applicable**

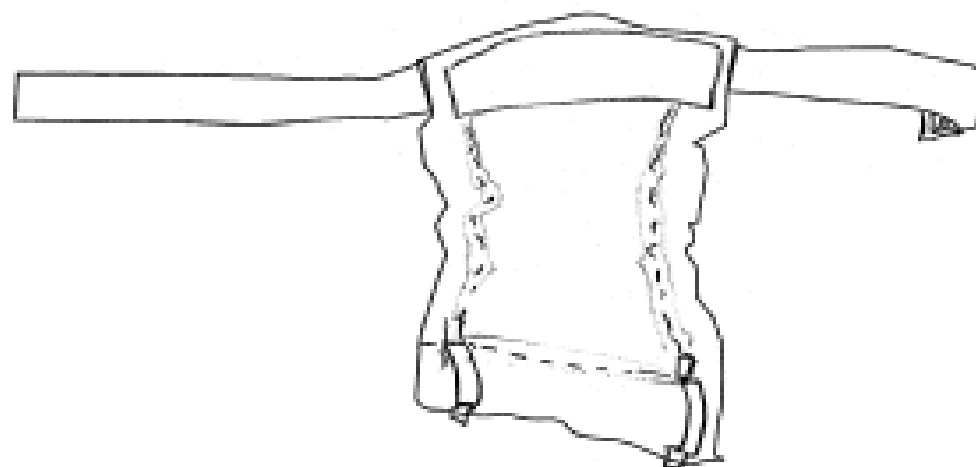
(57) Statement of Newness and Distinctiveness: **Newness and distinctiveness is claimed in the features of shape and/or configuration of a turn signal bezel as illustrated in the accompanying representations.**



- (21) Design Number: **13182/2005**  
(22) Date of Filing Application: **27 July 2005**  
(24) Date from which industrial property rights may have effect: **27 July 2005**  
(54) Product in respect of which the design is registered: **A running rail**  
(51) International Design Classification: **12-05**  
(71) Name(s) and Address(s) of Applicant(s):  
**Leslie Valentine Pellow**  
**19 Glynton Road Jimboomba Queensland 4280 Australia**  
(72) Name(s) of Designer(s): **Leslie Valentine Pellow**  
(45) Registration Date: **04 September 2006**  
(56) Related Art Documents: **Not Applicable**  
(57) Statement of Newness and Distinctiveness: **Nil**

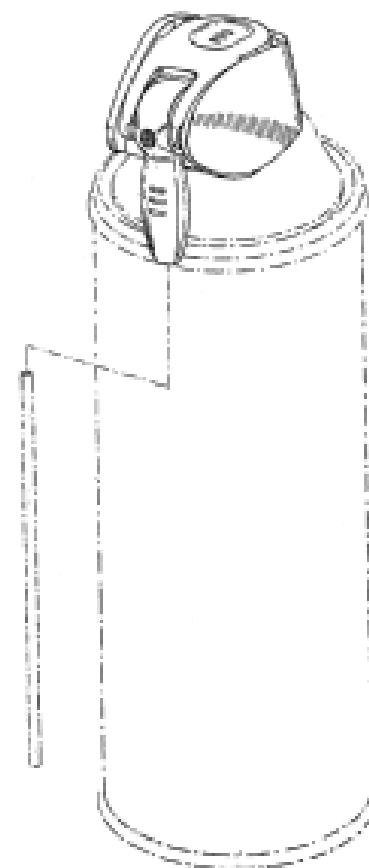


- (21) Design Number: **13655/2005**  
(22) Date of Filing Application: **24 August 2005**  
(24) Date from which industrial property rights may have effect: **24 August 2005**  
(54) Product in respect of which the design is registered: **A nappy for premature infants**  
(51) International Design Classification: **02-01B**  
(71) Name(s) and Address(s) of Applicant(s):  
**Seona Emanuelli**  
**63 Jenkins Street Northcote Victoria 3070 Australia**  
**Todd Emanuelli**  
**63 Jenkins Street Northcote Victoria 3070 Australia**  
(72) Name(s) of Designer(s): **Seona Emanuelli and Todd Emanuelli**  
(45) Registration Date: **04 September 2006**  
(56) Related Art Documents: **Not Applicable**  
(57) Statement of Newness and Distinctiveness: **Nil**



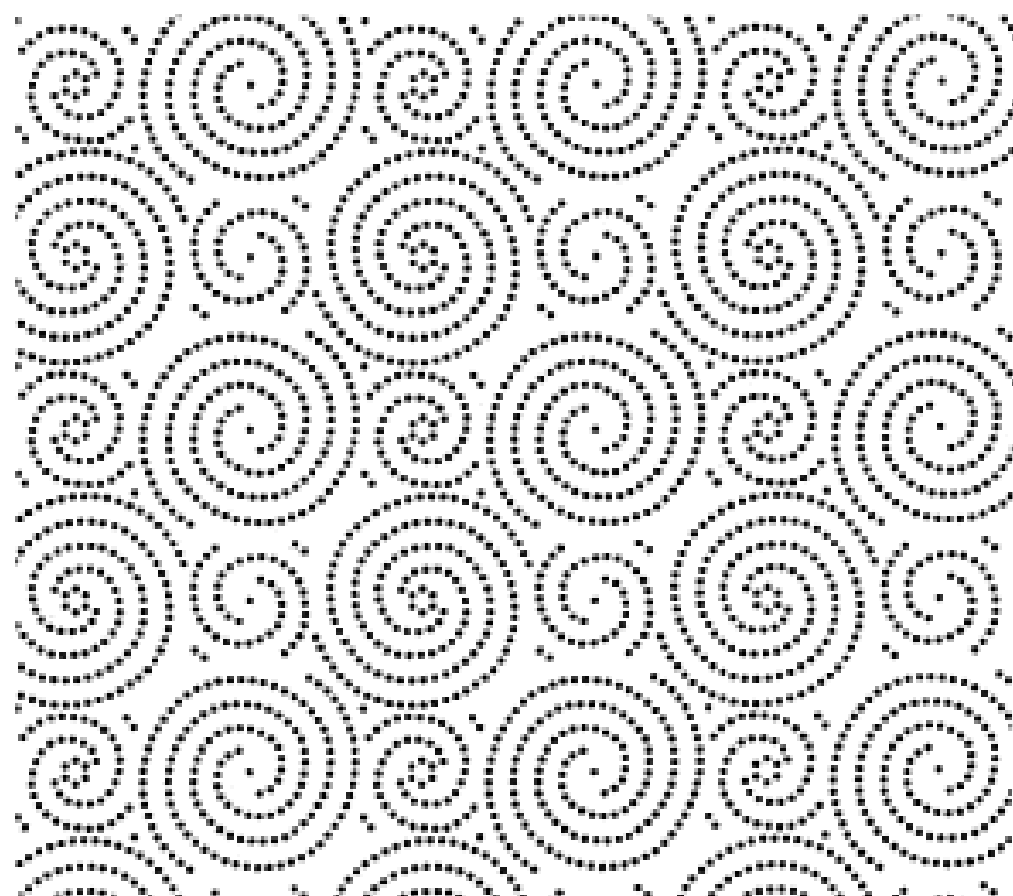
(19) AU

- (21) Design Number: **10968/2006**  
(22) Date of Filing Application: **13 March 2006**  
(24) Date from which industrial property rights may have effect: **13 March 2006**  
(54) Product in respect of which the design is registered: **Dual spray actuator for aerosol product**  
(51) International Design Classification: **09-07A**  
(71) Name(s) and Address(s) of Applicant(s):  
**WD-40 Company**  
**1061 Cudahay Place San Diego California 92110 United States of America**  
(72) Name(s) of Designer(s): **Gad Shaanan and Douglas John Todd and Francois Duval and Ivan Brousseau and Predrag Pudar**  
(45) Registration Date: **04 September 2006**  
(30) Convention priority data:  
(31) Number (32) Date (33) Country  
**29/240,024 07 Oct 2005 UNITED STATES OF AMERICA**  
(56) Related Art Documents: **Not Applicable**  
(57) Statement of Newness and Distinctiveness: **The newness and distinctiveness of the design resides in the shape and configuration of a dual spray actuator for aerosol product as illustrated in the accompanying representations.**

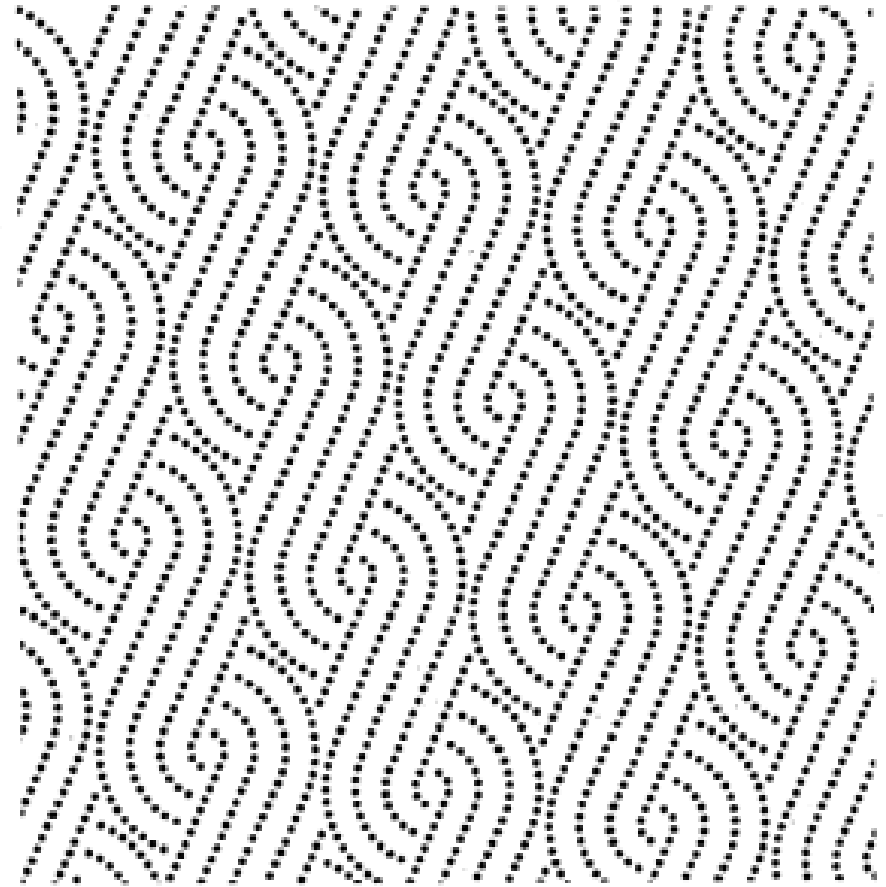


(19) AU

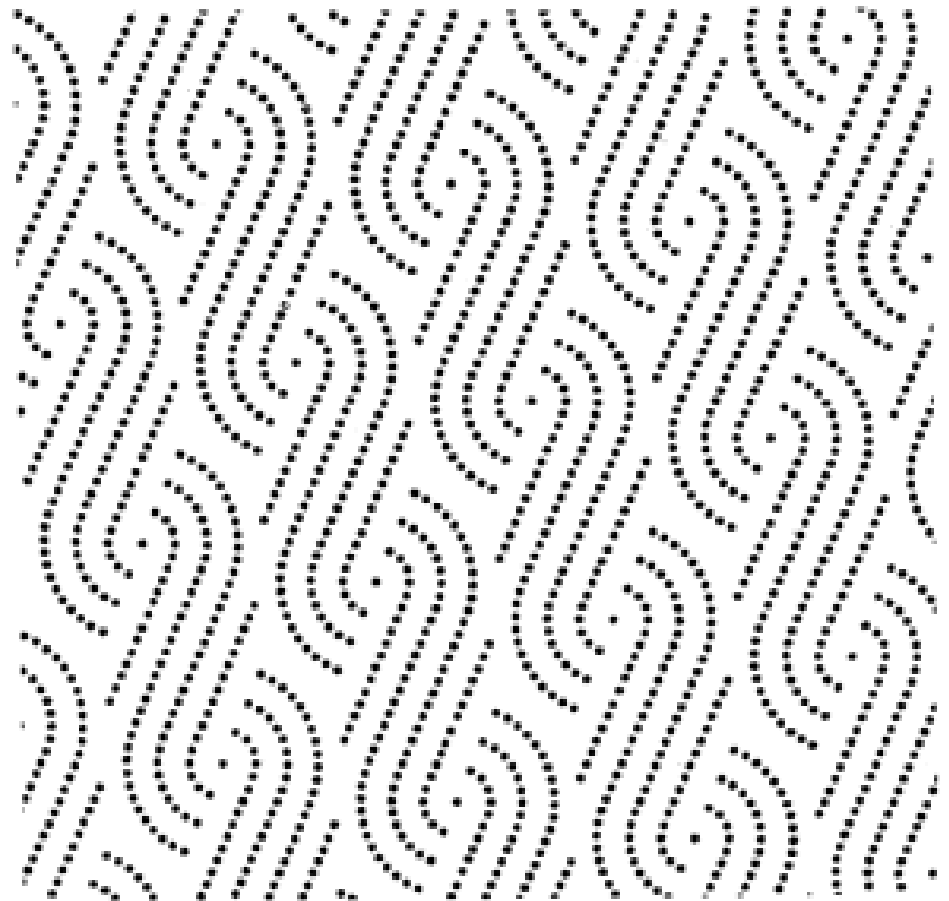
- (21) Design Number: **12162/2006**  
(22) Date of Filing Application: **16 May 2006**  
(24) Date from which industrial property rights may have effect: **16 May 2006**  
(54) Product in respect of which the design is registered: **Sheet material**  
(51) International Design Classification: **05-06NES**  
(71) Name(s) and Address(s) of Applicant(s):  
**SCA Hygiene Products AB**  
**S-405 03 Goteborg Sweden**  
(72) Name(s) of Designer(s): **Gary Wood and Tammi Boerschinger**  
(45) Registration Date: **04 September 2006**  
(56) Related Art Documents: **Not Applicable**  
(57) Statement of Newness and Distinctiveness: **Newness and distinctiveness resides in the visual features of a sheet material as shown in the accompanying representations, wherein the sheet material is of indefinite length and width.**



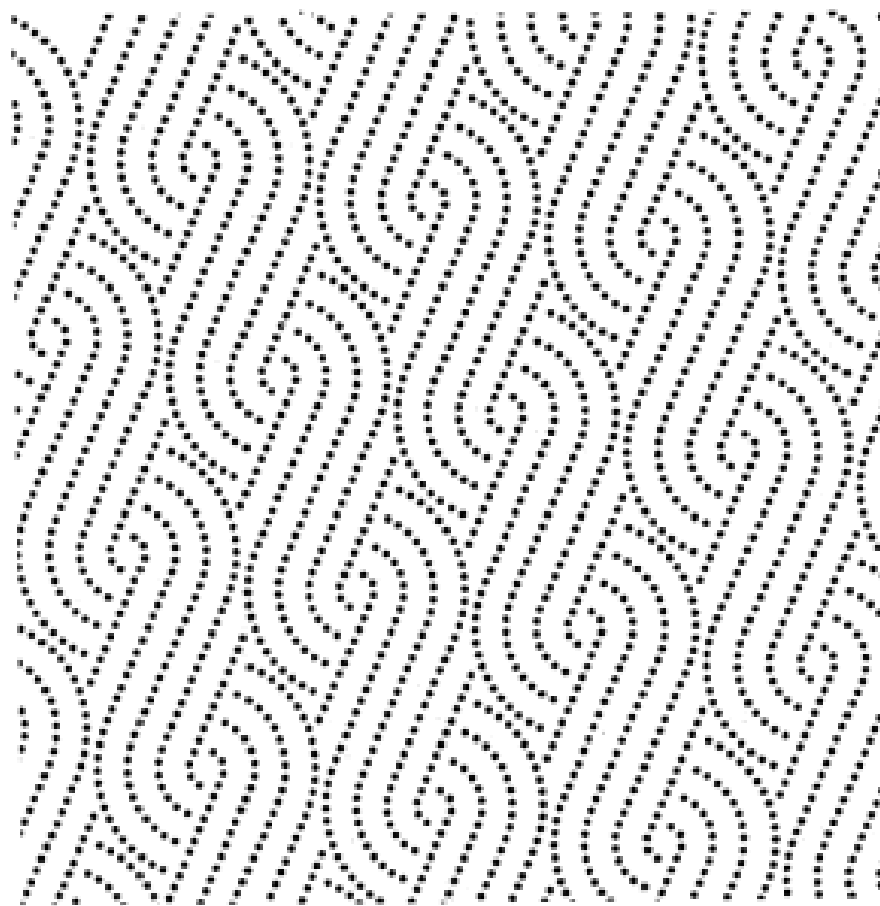
- (21) Design Number: **12163/2006**  
(22) Date of Filing Application: **16 May 2006**  
(24) Date from which industrial property rights may have effect: **16 May 2006**  
(54) Product in respect of which the design is registered: **Sheet material**  
(51) International Design Classification: **05-06NES**  
(71) Name(s) and Address(s) of Applicant(s):  
**SCA Hygiene Products AB**  
**S-405 03 Goteborg Sweden**  
(72) Name(s) of Designer(s): **Gary Wood and Tammi Boerschinger**  
(45) Registration Date: **04 September 2006**  
(56) Related Art Documents: **Not Applicable**  
(57) Statement of Newness and Distinctiveness: **Newness and distinctiveness resides in the visual features of a sheet material as shown in the accompanying representations, wherein the sheet material is of indefinite length and width.**



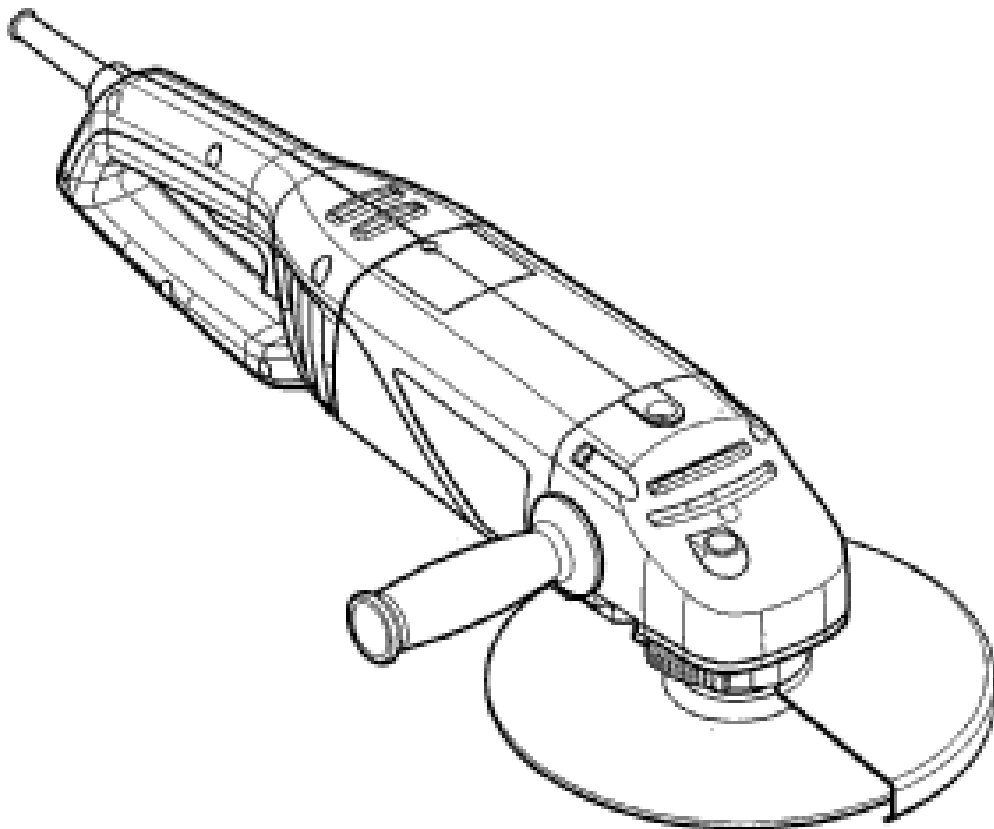
- (21) Design Number: **12164/2006**  
(22) Date of Filing Application: **16 May 2006**  
(24) Date from which industrial property rights may have effect: **16 May 2006**  
(54) Product in respect of which the design is registered: **Sheet material**  
(51) International Design Classification: **05-06NES**  
(71) Name(s) and Address(s) of Applicant(s):  
**SCA Hygiene Products AB**  
**S-405 03 Goteborg Sweden**  
(72) Name(s) of Designer(s): **Gary Wood and Tammi Boerschinger**  
(45) Registration Date: **04 September 2006**  
(56) Related Art Documents: **Not Applicable**  
(57) Statement of Newness and Distinctiveness: **Newness and distinctiveness resides in the visual features of a sheet material as shown in the accompanying representations, wherein the sheet material is of indefinite length and width.**



- (21) Design Number: **12165/2006**  
(22) Date of Filing Application: **16 May 2006**  
(24) Date from which industrial property rights may have effect: **16 May 2006**  
(54) Product in respect of which the design is registered: **Sheet material**  
(51) International Design Classification: **05-06NES**  
(71) Name(s) and Address(s) of Applicant(s):  
**SCA Hygiene Products AB**  
**S-405 03 Goteborg Sweden**  
(72) Name(s) of Designer(s): **Gary Wood and Tammi Boerschinger**  
(45) Registration Date: **04 September 2006**  
(56) Related Art Documents: **Not Applicable**  
(57) Statement of Newness and Distinctiveness: **Newness and distinctiveness resides in the visual features of a sheet material as shown in the accompanying representations, wherein the sheet material is of indefinite length and width.**



- (21) Design Number: **12450/2006**  
(22) Date of Filing Application: **06 June 2006**  
(24) Date from which industrial property rights may have effect: **06 June 2006**  
(54) Product in respect of which the design is registered: **Powered angle grinder**  
(51) International Design Classification: **08-05N**  
(71) Name(s) and Address(s) of Applicant(s):  
**GMCA Pty Ltd**  
**45-55 South Centre Road Melbourne Airport Victoria 3045 Australia**  
(72) Name(s) of Designer(s): **Michael Waldron**  
(45) Registration Date: **04 September 2006**  
(30) Convention priority data:  
(31) Number      (32) Date      (33) Country  
**000449228      07 Dec 2005      EUROPEAN COMMUNITY**  
(56) Related Art Documents: **Not Applicable**  
(57) Statement of Newness and Distinctiveness: **Newness and distinctiveness resides in the shape and configuration of a powered angle grinder as shown in the accompanying representations.**



(21) Design Number: **12451/2006**

(22) Date of Filing Application: **06 June 2006**

(24) Date from which industrial property rights may have effect: **06 June 2006**

(54) Product in respect of which the design is registered: **Powered angle grinder**

(51) International Design Classification: **08-05N**

(71) Name(s) and Address(s) of Applicant(s):

**GMCA Pty Ltd**  
**45-55 South Centre Road Melbourne Airport Victoria 3045 Australia**

(72) Name(s) of Designer(s): **James Hastie**

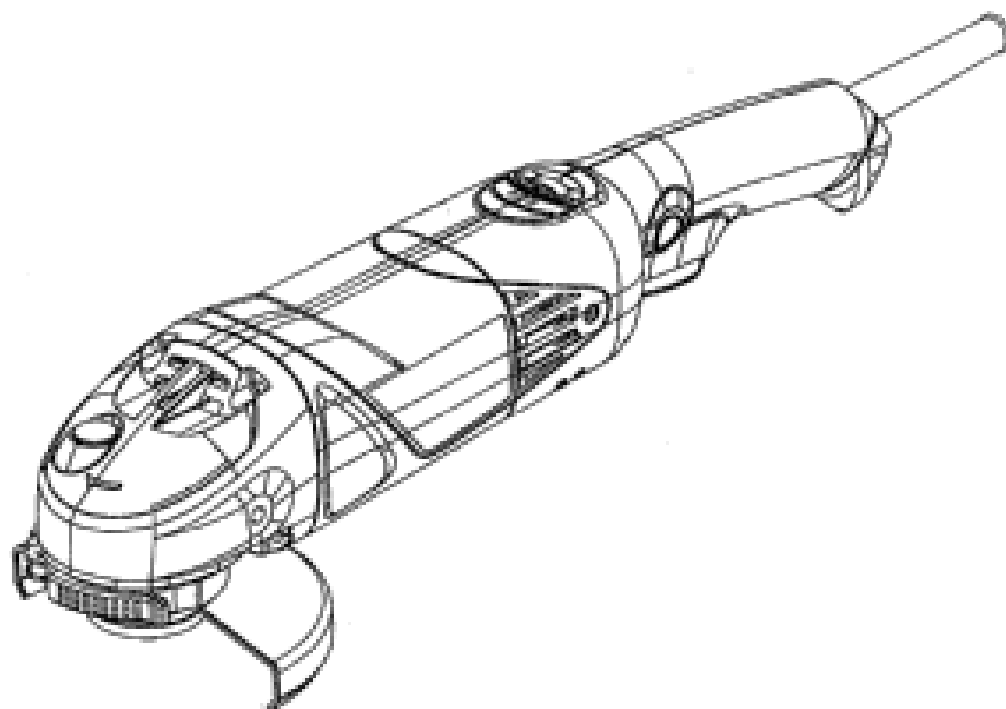
(45) Registration Date: **04 September 2006**

(30) Convention priority data:

(31) Number	(32) Date	(33) Country
<b>000449244</b>	<b>07 Dec 2005</b>	<b>EUROPEAN COMMUNITY</b>

(56) Related Art Documents: **Not Applicable**

(57) Statement of Newness and Distinctiveness: **Newness and distinctiveness resides in the features of shape and configuration of a powered angle grinder as shown in the accompanying representations.**



(21) Design Number: **12452/2006**

(22) Date of Filing Application: **06 June 2006**

(24) Date from which industrial property rights may have effect: **06 June 2006**

(54) Product in respect of which the design is registered: **Broadcast data receiver/set top box**

(51) International Design Classification: **14-03NES**

(71) Name(s) and Address(s) of Applicant(s):

**Pace Micro Technology Plc**  
**Victoria Road Saltire Shipley BD18 3LF United Kingdom**

(72) Name(s) of Designer(s): **Darren Corner**

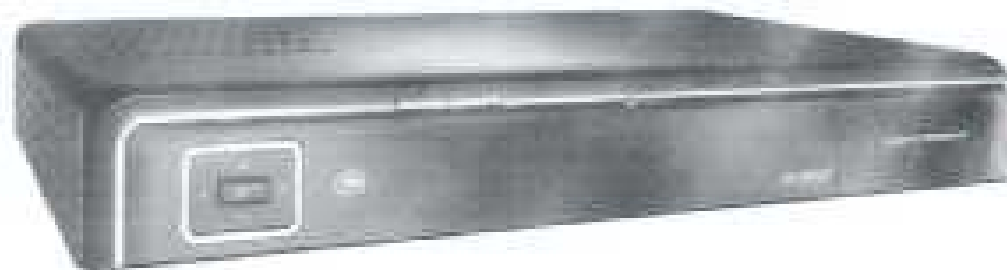
(45) Registration Date: **04 September 2006**

(30) Convention priority data:

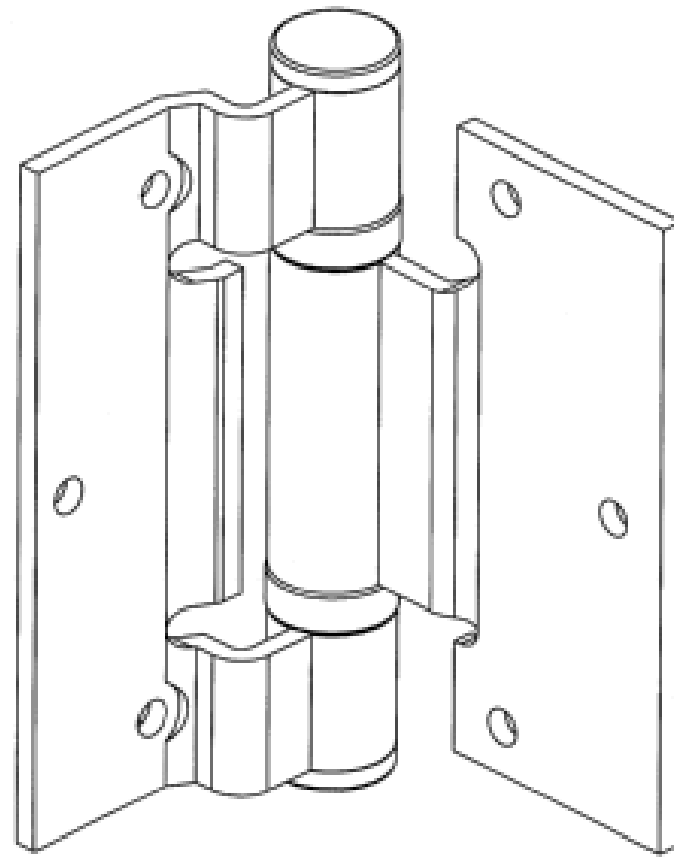
(31) Number	(32) Date	(33) Country
<b>000480496</b>	<b>10 Feb 2006</b>	<b>EUROPEAN COMMUNITY</b>

(56) Related Art Documents: **Not Applicable**

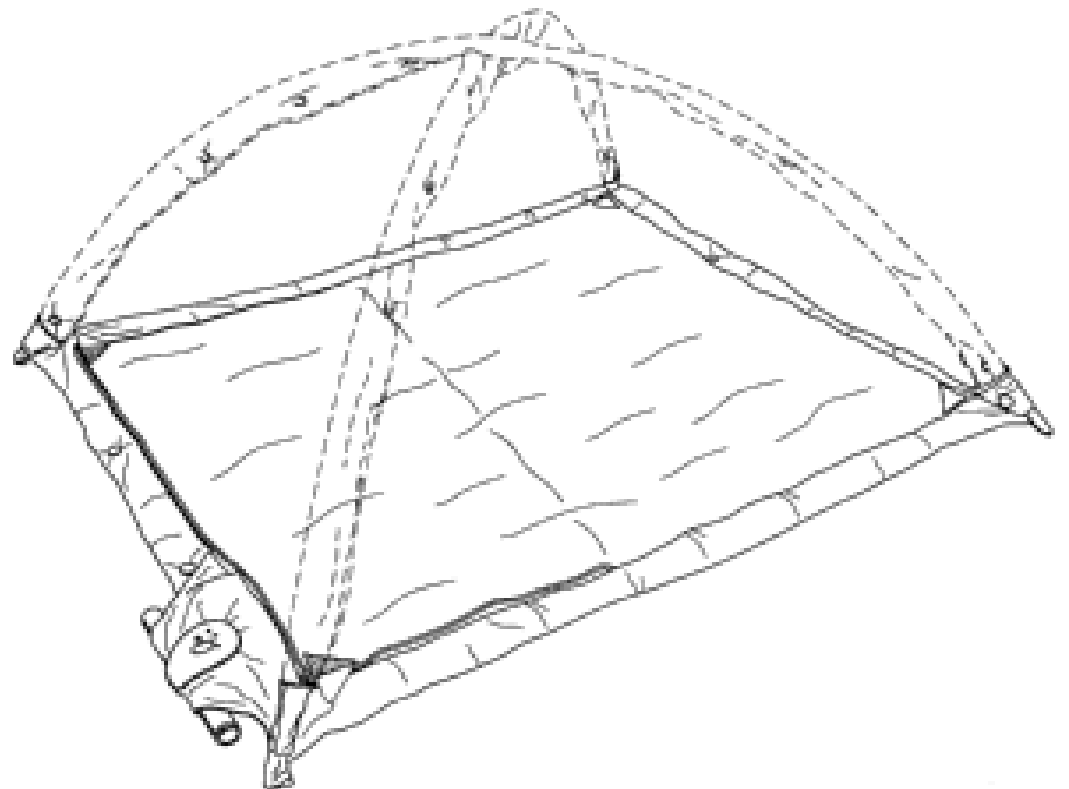
(57) Statement of Newness and Distinctiveness: **Newness and distinctiveness resides in the features of shape and configuration of a broadcast data receiver/set top box as shown in the accompanying representations.**



- (21) Design Number: **12455/2006**  
(22) Date of Filing Application: **06 June 2006**  
(24) Date from which industrial property rights may have effect: **06 June 2006**  
(54) Product in respect of which the design is registered: **A hinge**  
(51) International Design Classification: **08-06**  
(71) Name(s) and Address(s) of Applicant(s):  
**Asa Abloy New Zealand Limited**  
**6 Armstrong Road North Harbour Industrial Estate Albany Auckland**  
**New Zealand**  
(72) Name(s) of Designer(s): **Christopher Nathan Hancox**  
(45) Registration Date: **04 September 2006**  
(30) Convention priority data:  
(31) Number (32) Date (33) Country  
**407102 14 Feb 2006 NEW ZEALAND**  
(56) Related Art Documents: **Not Applicable**  
(57) Statement of Newness and Distinctiveness: **Newness and distinctiveness is claimed in the feature of shape and configuration of a hinge as illustrated in the representation accompanying the application.**

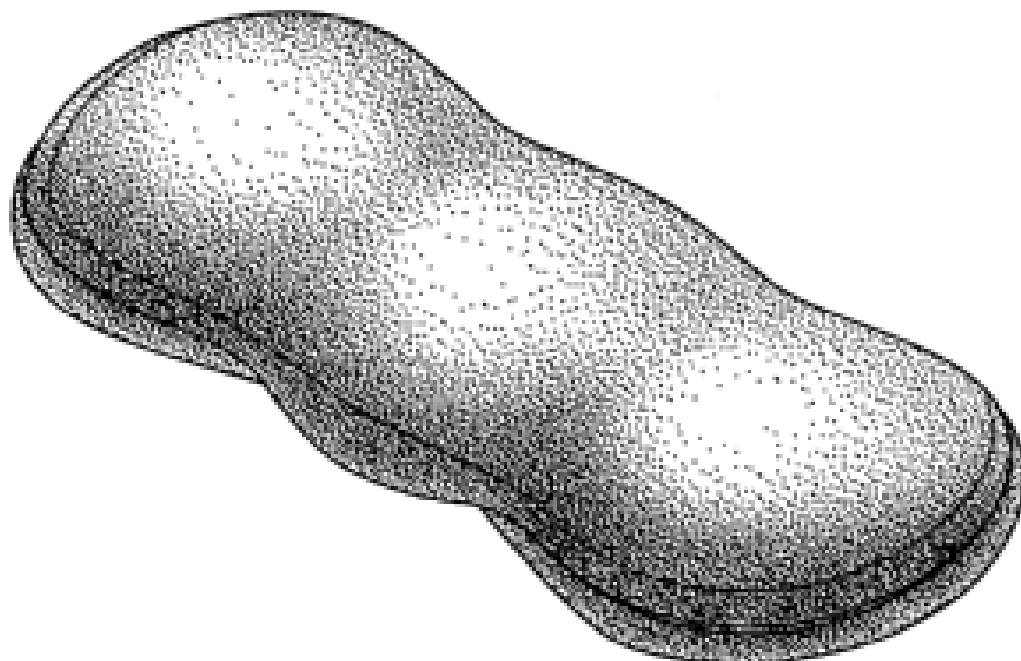


- (21) Design Number: **12469/2006**  
(22) Date of Filing Application: **06 June 2006**  
(24) Date from which industrial property rights may have effect: **06 June 2006**  
(54) Product in respect of which the design is registered: **Activity mat**  
(51) International Design Classification: **06-11**  
(71) Name(s) and Address(s) of Applicant(s):  
**Tiny Love Ltd**  
**22A Raoul Wallenberg Street Beit Zamir Tel Aviv 69719 Israel**  
(72) Name(s) of Designer(s): **Shoshana Oren and Asaf Eshet and Oded Davidovich**  
(45) Registration Date: **04 September 2006**  
(30) Convention priority data:  
(31) Number (32) Date (33) Country  
**41704 07 Dec 2005 ISRAEL**  
(56) Related Art Documents: **Not Applicable**  
(57) Statement of Newness and Distinctiveness: **We wish to submit a statement of newness and distinctiveness in respect of particular visual features of the design, but without prejudice to the newness and distinctiveness of other visual features of the design, as follows: The shape, configuration, pattern and ornamentation of those parts of the design shown by means of solid lines in the representations are new and distinctive.**

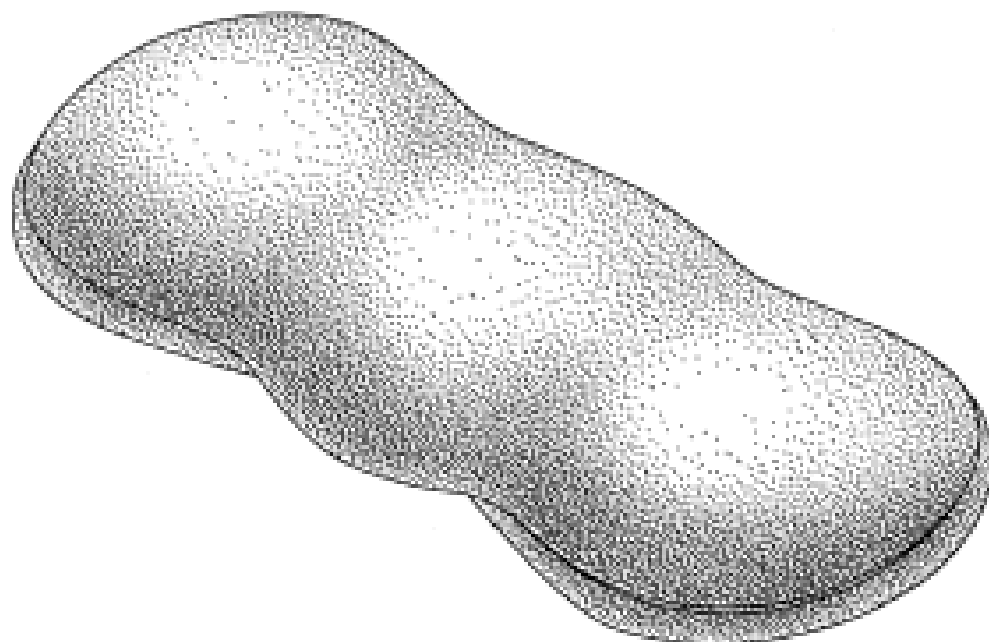




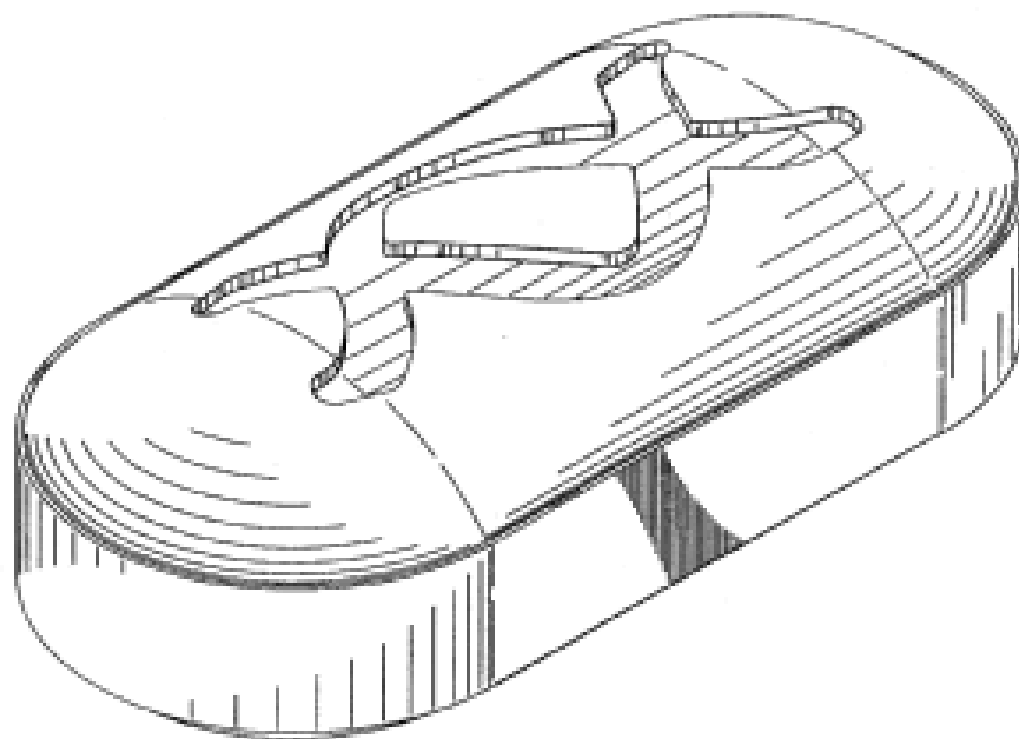
(21) Design Number: **12470/2006**  
(22) Date of Filing Application: **06 June 2006**  
(24) Date from which industrial property rights may have effect: **06 June 2006**  
(54) Product in respect of which the design is registered: **A pill case**  
(51) International Design Classification: **03-01D**  
(71) Name(s) and Address(s) of Applicant(s):  
**SmithKline Beecham Corporation**  
**One Franklin Plaza PO Box 7929 Philadelphia Pennsylvania 19101**  
**United States of America**  
(72) Name(s) of Designer(s): **William Stewart and Jason Robinson**  
(45) Registration Date: **04 September 2006**  
(30) Convention priority data:  
(31) Number      (32) Date      (33) Country  
**29244344      08 Dec 2005      UNITED STATES OF AMERICA**  
(56) Related Art Documents: **Not Applicable**  
(57) Statement of Newness and Distinctiveness: **Nil**



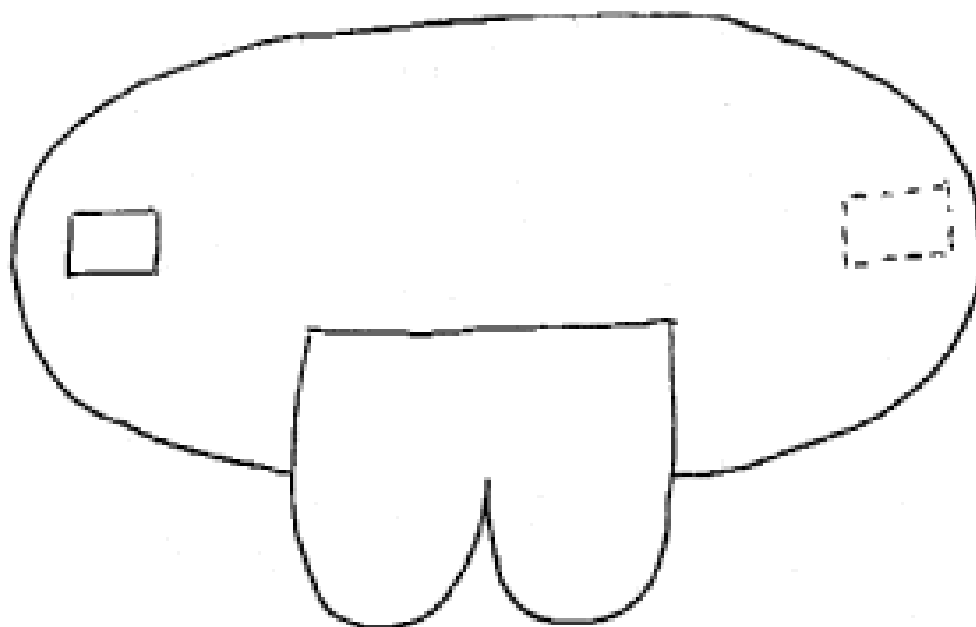
(21) Design Number: **12471/2006**  
(22) Date of Filing Application: **06 June 2006**  
(24) Date from which industrial property rights may have effect: **06 June 2006**  
(54) Product in respect of which the design is registered: **A pill case**  
(51) International Design Classification: **03-01D**  
(71) Name(s) and Address(s) of Applicant(s):  
**SmithKline Beecham Corporation**  
**One Franklin Plaza PO Box 7929 Philadelphia Pennsylvania 19101**  
**United States of America**  
(72) Name(s) of Designer(s): **William Stewart and Jason Robinson**  
(45) Registration Date: **04 September 2006**  
(30) Convention priority data:  
(31) Number      (32) Date      (33) Country  
**29244344      08 Dec 2005      UNITED STATES OF AMERICA**  
(56) Related Art Documents: **Not Applicable**  
(57) Statement of Newness and Distinctiveness: **Newness and distinctiveness is claimed in the visual features shown in solid lines in the representations.**



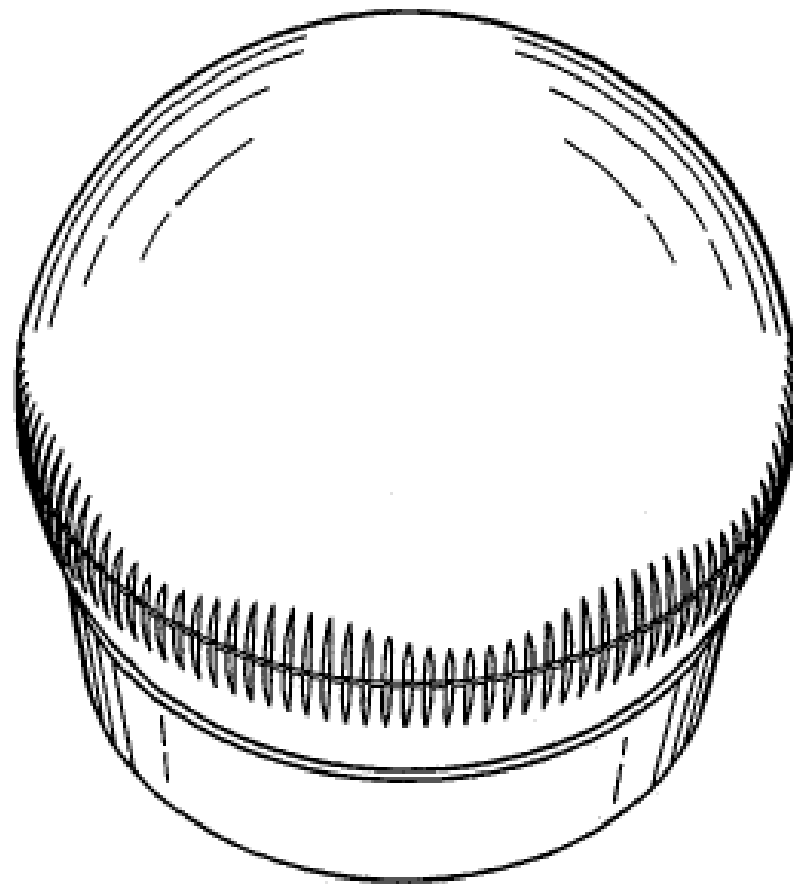
(21) Design Number: **12472/2006**  
 (22) Date of Filing Application: **06 June 2006**  
 (24) Date from which industrial property rights may have effect: **06 June 2006**  
 (54) Product in respect of which the design is registered: **A tablet**  
 (51) International Design Classification: **28-01**  
 (71) Name(s) and Address(s) of Applicant(s):  
**Access Business Group International LLC**  
**7575 Fulton Street East Ada Michigan 49355 United States of America**  
 (72) Name(s) of Designer(s): **David S. Chang and Russell K. Randolph and Mary A. Murray**  
 (45) Registration Date: **04 September 2006**  
 (30) Convention priority data:  
 (31) Number (32) Date (33) Country  
**29251330 06 Jan 2006 UNITED STATES OF AMERICA**  
 (56) Related Art Documents: **Not Applicable**  
 (57) Statement of Newness and Distinctiveness: **Nil**



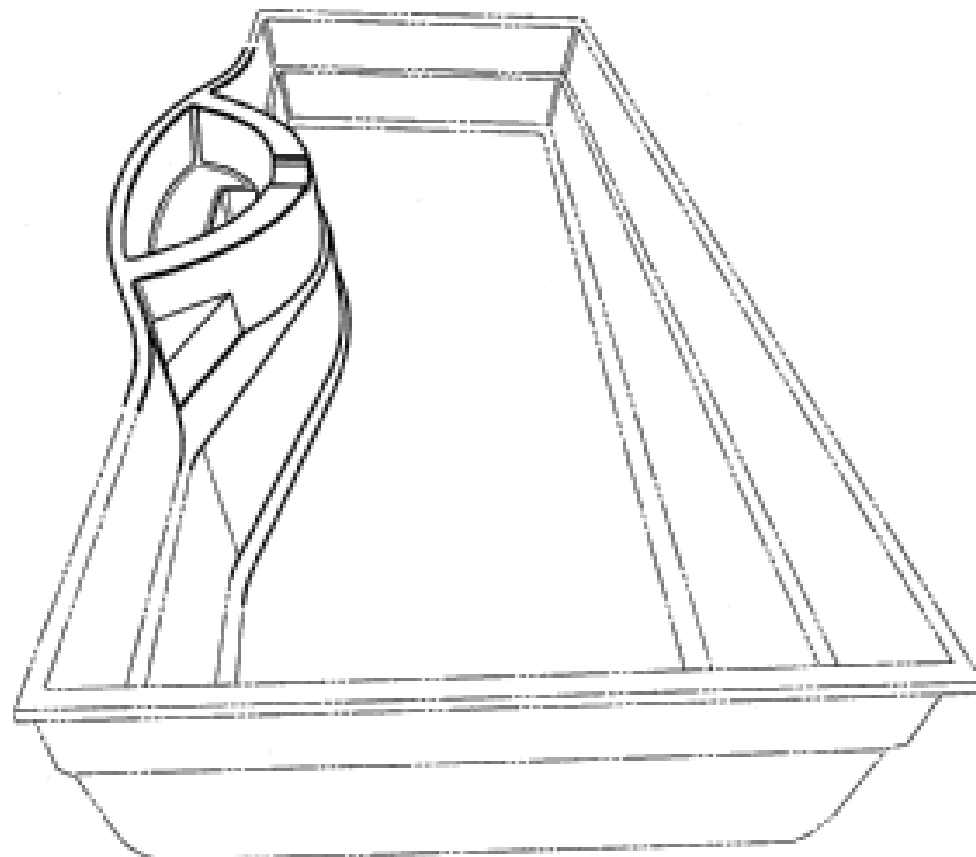
(21) Design Number: **12474/2006**  
 (22) Date of Filing Application: **06 June 2006**  
 (24) Date from which industrial property rights may have effect: **06 June 2006**  
 (54) Product in respect of which the design is registered: **Multipurpose sleep wrap**  
 (51) International Design Classification: **06-13NES, 06-13B**  
 (71) Name(s) and Address(s) of Applicant(s):  
**Crabclaw Holdings Pty Ltd**  
**9 Harvey View Drive Herron Mandurah Western Australia 6210 Australia**  
 (72) Name(s) of Designer(s): **Corinna Herbert**  
 (45) Registration Date: **04 September 2006**  
 (56) Related Art Documents: **Not Applicable**  
 (57) Statement of Newness and Distinctiveness: **Swaddling wrap that has a pocket for feet.**



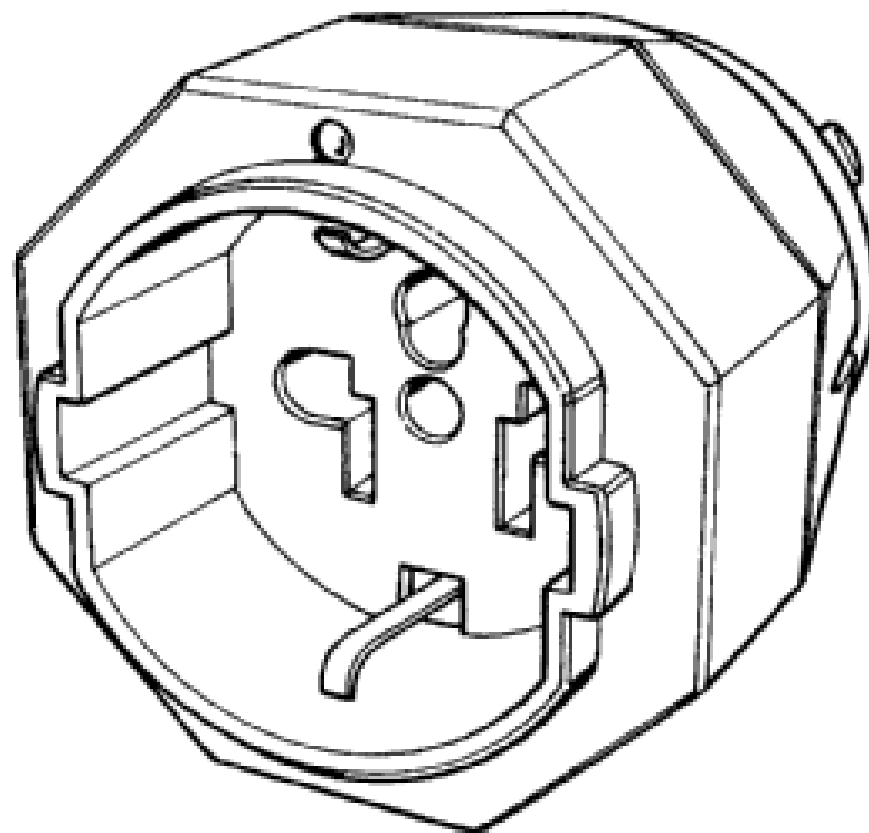
- (21) Design Number: **12777/2006**  
(22) Date of Filing Application: **28 June 2006**  
(24) Date from which industrial property rights may have effect: **28 June 2006**  
(54) Product in respect of which the design is registered: **Container**  
(51) International Design Classification: **09-01D**  
(71) Name(s) and Address(s) of Applicant(s):  
**Henkel Kommanditgesellschaft auf Aktien**  
**Henkelstrasse 67 40589 Dusseldorf Germany**  
(72) Name(s) of Designer(s): **Nicola Delli Venneri and Ulrike Danne**  
(45) Registration Date: **04 September 2006**  
(30) Convention priority data:  
(31) Number      (32) Date      (33) Country  
**000461769      11 Jan 2006      EUROPEAN COMMUNITY**  
(56) Related Art Documents: **Not Applicable**  
(57) Statement of Newness and Distinctiveness: **Newness and distinctiveness is claimed in the features of shape and/or configuration of a container as illustrated in the accompanying representations.**



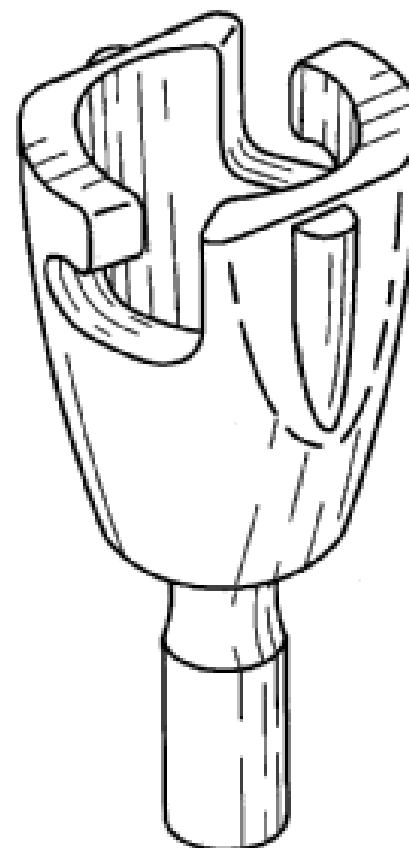
- (21) Design Number: **12778/2006**  
(22) Date of Filing Application: **28 June 2006**  
(24) Date from which industrial property rights may have effect: **28 June 2006**  
(54) Product in respect of which the design is registered: **A pool spa**  
(51) International Design Classification: **23-02B, 25-03**  
(71) Name(s) and Address(s) of Applicant(s):  
**Leisure Pools and Spas Manufacturing Pty Ltd**  
**6 Computer Road Yatala Queensland 4207 Australia**  
(72) Name(s) of Designer(s): **Kerry Pain**  
(45) Registration Date: **04 September 2006**  
(56) Related Art Documents: **Not Applicable**  
(57) Statement of Newness and Distinctiveness: **Monopoly is claimed in the shape and configuration of "a pool spa" as illustrated in the representations and in considering the extent of the monopoly protection, the shape and configuration of the pool as shown in dotted lines is to be disregarded.**



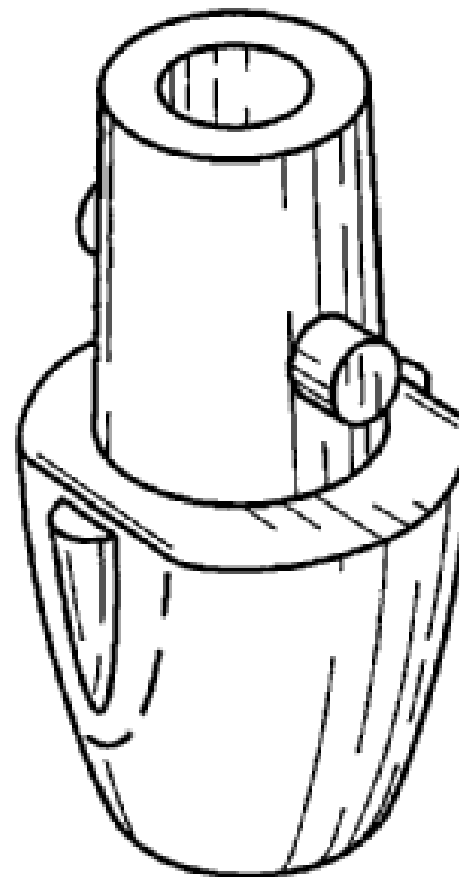
- (21) Design Number: **12787/2006**  
(22) Date of Filing Application: **29 June 2006**  
(24) Date from which industrial property rights may have effect: **29 June 2006**  
(54) Product in respect of which the design is registered: **Electrical plug travel adaptor**  
(51) International Design Classification: **13-03D**  
(71) Name(s) and Address(s) of Applicant(s):  
**Jackson Industries Pty Limited**  
**Building C 2 Hudson Avenue Castle Hill New South Wales 2153**  
**Australia**  
(72) Name(s) of Designer(s): **Ross Alec Jackson**  
(45) Registration Date: **04 September 2006**  
(56) Related Art Documents: **Not Applicable**  
(57) Statement of Newness and Distinctiveness: **Newness and distinctiveness is claimed in the features of shape and/or configuration of the generally octagonal shape of the electrical plug travel adaptor illustrated in the accompanying representations.**



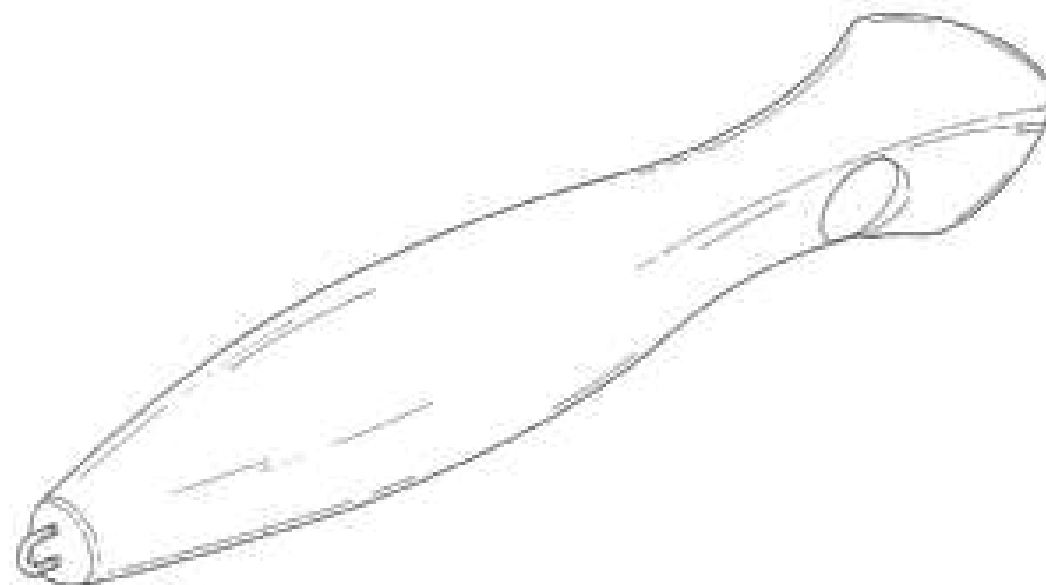
- (21) Design Number: **13135/2006**  
(22) Date of Filing Application: **19 July 2006**  
(24) Date from which industrial property rights may have effect: **19 July 2006**  
(54) Product in respect of which the design is registered: **Female irrigation tubing connector**  
(51) International Design Classification: **23-01E**  
(71) Name(s) and Address(s) of Applicant(s):  
**Carl Joseph Santora Jr.**  
**9727 Rosemont Way Helotes TX78023 United States of America**  
**David Boyd**  
**1580 County Road 770 Natalia TX 78059 United States of America**  
(72) Name(s) of Designer(s): **Carl Joseph Santora Jr. and David Boyd**  
(45) Registration Date: **04 September 2006**  
(30) Convention priority data:  
(31) Number      (32) Date      (33) Country  
**29/254,626      13 Mar 2006      UNITED STATES OF AMERICA**  
(56) Related Art Documents: **Not Applicable**  
(57) Statement of Newness and Distinctiveness: **Nil**



(21) Design Number: **13136/2006**  
(22) Date of Filing Application: **19 July 2006**  
(24) Date from which industrial property rights may have effect: **19 July 2006**  
(54) Product in respect of which the design is registered: **Male irrigation tubing connector**  
(51) International Design Classification: **23-01E**  
(71) Name(s) and Address(s) of Applicant(s):  
**Carl Joseph Santora Jr.**  
**9727 Rosemont Way Helotes TX78023 United States of America**  
**David Boyd**  
**1580 County Road 770 Natalia TX 78059 United States of America**  
(72) Name(s) of Designer(s): **Carl Joseph Santora Jr. and David Boyd**  
(45) Registration Date: **04 September 2006**  
(30) Convention priority data:  
(31) Number (32) Date (33) Country  
**29/254,625 13 Mar 2006 UNITED STATES OF AMERICA**  
(56) Related Art Documents: **Not Applicable**  
(57) Statement of Newness and Distinctiveness: **Nil**



(21) Design Number: **10326/2006**  
(22) Date of Filing Application: **02 February 2006**  
(24) Date from which industrial property rights may have effect: **02 February 2006**  
(54) Product in respect of which the design is registered: **Fishing lure**  
(51) International Design Classification: **22-05**  
(71) Name(s) and Address(s) of Applicant(s):  
**Halco Pty Ltd**  
**8 Pakenham Street Fremantle Western Australia 6160 Australia**  
(72) Name(s) of Designer(s): **Benjamin Neil Patrick**  
(45) Registration Date: **05 September 2006**  
(56) Related Art Documents: **Not Applicable**  
(57) Statement of Newness and Distinctiveness: **Nil**



(21) Design Number: **12518/2006**

(22) Date of Filing Application: **13 June 2006**

(24) Date from which industrial property rights may have effect: **13 June 2006**

(54) Product in respect of which the design is registered: **Mastic gun**

(51) International Design Classification: **08-05NES, 08-05G**

(71) Name(s) and Address(s) of Applicant(s):

**Kel Development B.V.**

**Albert Einsteinweg 10 5151 DL Drunen The Netherlands**

(72) Name(s) of Designer(s): **R.E. van Swieten and de Man E.H.**

(45) Registration Date: **05 September 2006**

(30) Convention priority data:

(31) Number

(32) Date

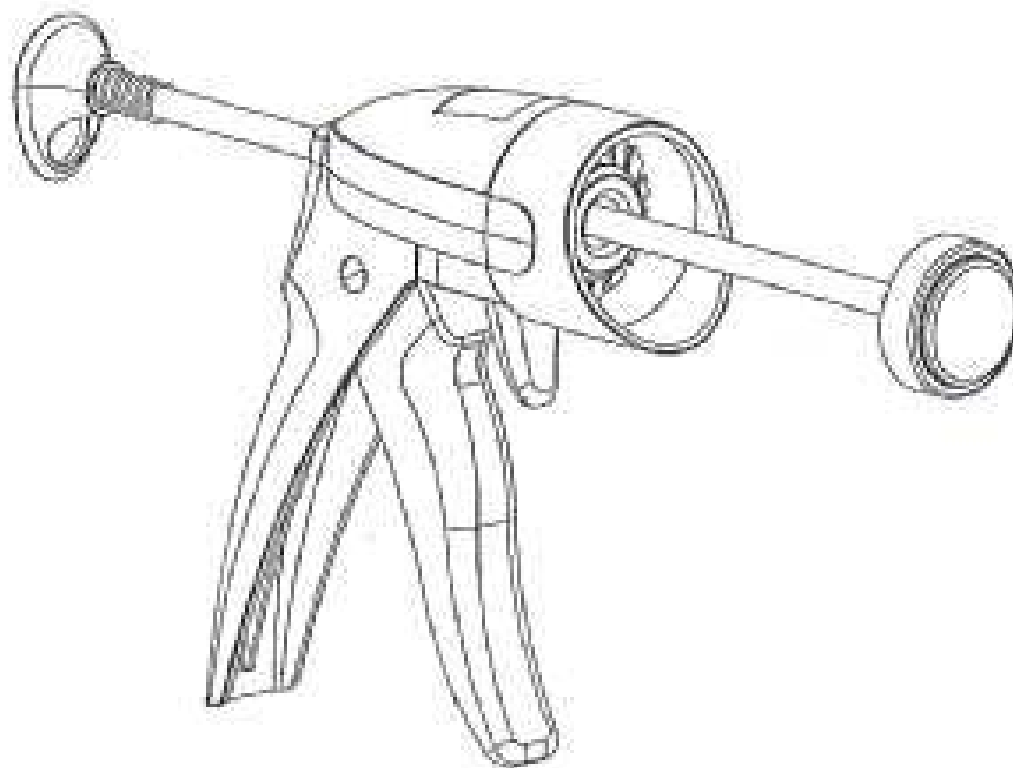
(33) Country

**000447412-0001 13 Dec 2005**

**EUROPEAN COMMUNITY**

(56) Related Art Documents: **Not Applicable**

(57) Statement of Newness and Distinctiveness: **Nil.**



(21) Design Number: **12516/2006**

(22) Date of Filing Application: **13 June 2006**

(24) Date from which industrial property rights may have effect: **13 June 2006**

(54) Product in respect of which the design is registered: **A wheeled support for panel-like items**

(51) International Design Classification: **12-02**

(71) Name(s) and Address(s) of Applicant(s):

**KBT Engineering Pty Ltd**

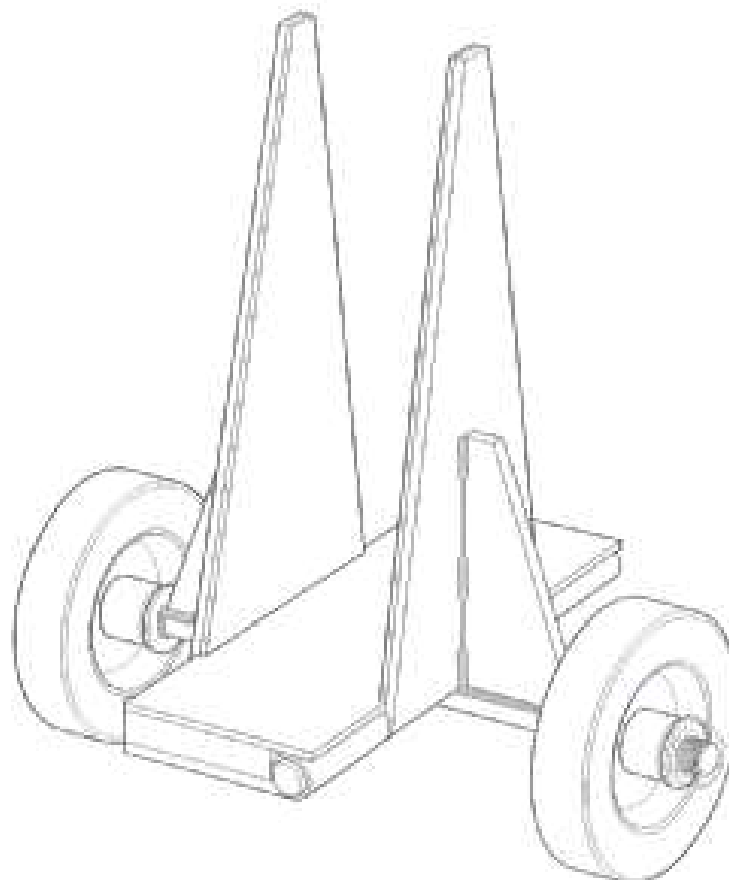
**31 Petrova Avenue Windsor Gardens South Australia 5087 Australia**

(72) Name(s) of Designer(s): **Bernie Fritsch and David Lawrence**

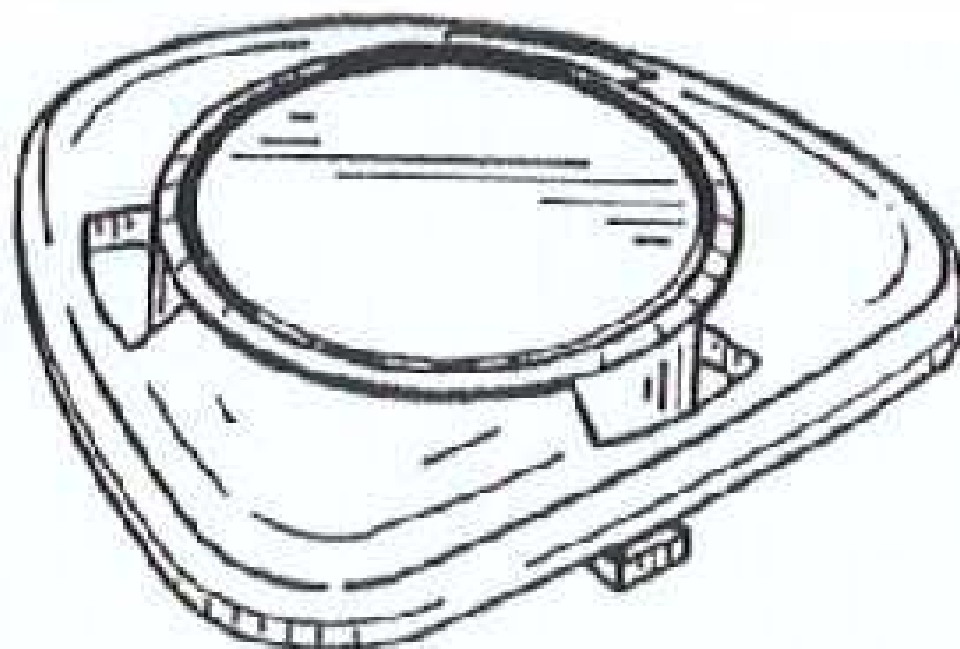
(45) Registration Date: **05 September 2006**

(56) Related Art Documents: **Not Applicable**

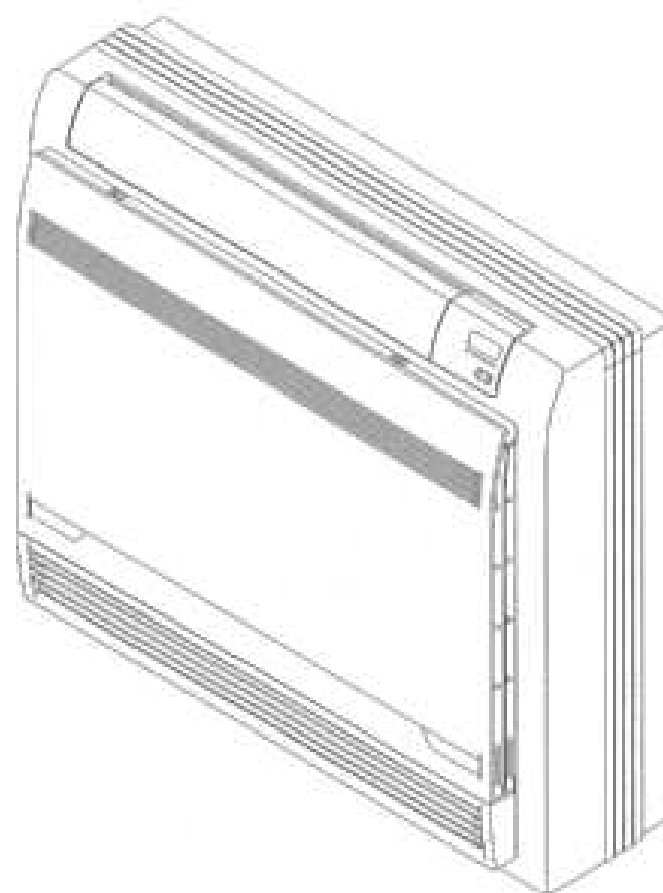
(57) Statement of Newness and Distinctiveness: **Newness and distinctiveness resides in the shape and configuration of a wheeled support for panel-like items as shown in the accompanying representations.**



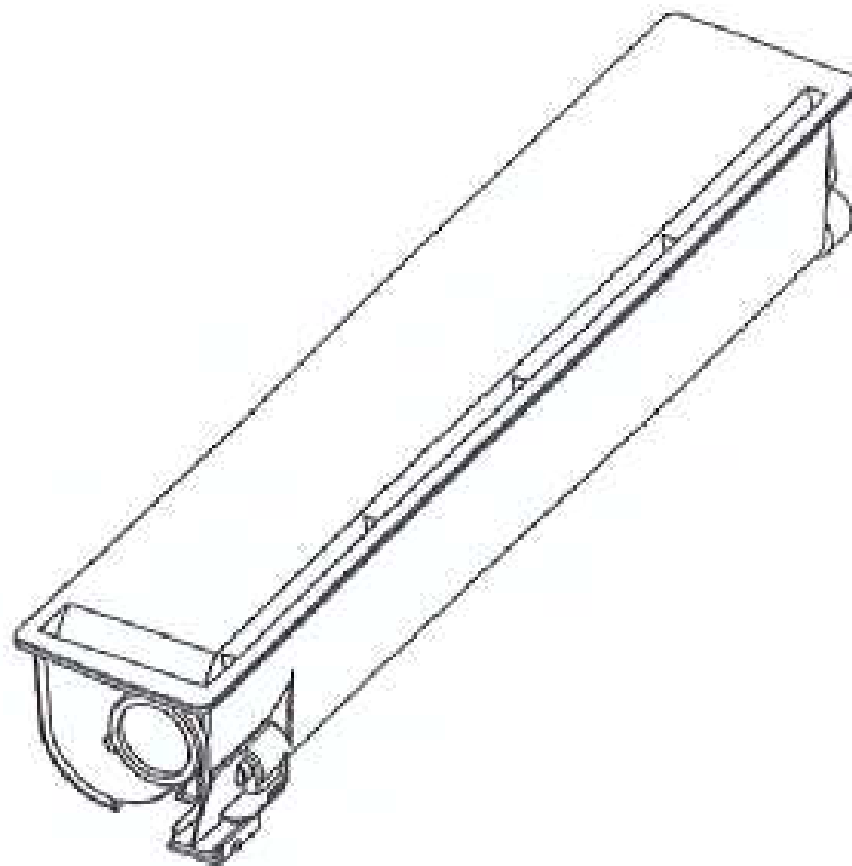
- (21) Design Number: **12519/2006**  
(22) Date of Filing Application: **13 June 2006**  
(24) Date from which industrial property rights may have effect: **13 June 2006**  
(54) Product in respect of which the design is registered: **Refill cartridge for a volatile dispenser**  
(51) International Design Classification: **28-99**  
(71) Name(s) and Address(s) of Applicant(s):  
**S.C. Johnson & Son, Inc.**  
**1525 Howe Street Racine Wisconsin 53403-2236 United States of America**  
(72) Name(s) of Designer(s): **Brian T. Davis and Saleh A. Saleh and Joel E. Adair and David P. Mather and Dan Mattano**  
(45) Registration Date: **05 September 2006**  
(30) Convention priority data:  
(31) Number (32) Date (33) Country  
**29/244869 15 Dec 2005 UNITED STATES OF AMERICA**  
(56) Related Art Documents: **Not Applicable**  
(57) Statement of Newness and Distinctiveness: **Newness and distinctiveness is claimed in the features of shape and/or configuration of a refill cartridge for a volatile dispenser as illustrated in the accompanying representations.**



- (21) Design Number: **12529/2006**  
(22) Date of Filing Application: **13 June 2006**  
(24) Date from which industrial property rights may have effect: **13 June 2006**  
(54) Product in respect of which the design is registered: **Air conditioner**  
(51) International Design Classification: **23-04**  
(71) Name(s) and Address(s) of Applicant(s):  
**Daikin Industries Ltd.**  
**Umeda Center Building 4-12 Nakazaki-Nishi 2-chome Kita-Ku**  
**Osaka-shi Osaka-fu Japan**  
(72) Name(s) of Designer(s): **Hisashi Shimizu**  
(45) Registration Date: **05 September 2006**  
(56) Related Art Documents: **Not Applicable**  
(57) Statement of Newness and Distinctiveness: **Newness and distinctiveness of the design reside in the shape and configuration of the front panel.**



(21) Design Number: **12530/2006**  
(22) Date of Filing Application: **13 June 2006**  
(24) Date from which industrial property rights may have effect: **13 June 2006**  
(54) Product in respect of which the design is registered: **Toner cartridge**  
(51) International Design Classification: **14-02**  
(71) Name(s) and Address(s) of Applicant(s):  
**Toshiba Tec Kabushiki Kaisha**  
**2-17-2 Higashigotanda Shinagawa-ku Tokyo 141-8664 Japan**  
(72) Name(s) of Designer(s): **Tsutomu Sato**  
(45) Registration Date: **05 September 2006**  
(30) Convention priority data:  
(31) Number      (32) Date      (33) Country  
**2005-037054      16 Dec 2005      JAPAN**  
(56) Related Art Documents: **Not Applicable**  
(57) Statement of Newness and Distinctiveness: **Nil.**



(21) Design Number: **12536/2006**  
(22) Date of Filing Application: **13 June 2006**  
(24) Date from which industrial property rights may have effect: **13 June 2006**  
(54) Product in respect of which the design is registered: **Modular water tank**  
(51) International Design Classification: **23-01F**  
(71) Name(s) and Address(s) of Applicant(s):  
**Manfred Edward Franken**  
**24 Waller Road Browns Plains Queensland 4118 Australia**  
(72) Name(s) of Designer(s): **Manfred Edward Franken**  
(45) Registration Date: **05 September 2006**  
(56) Related Art Documents: **Not Applicable**  
(57) Statement of Newness and Distinctiveness: **The features of the design are in the modular design of the construction, shape and configuration of the modular water tank illustrated in the accompanying representations.**

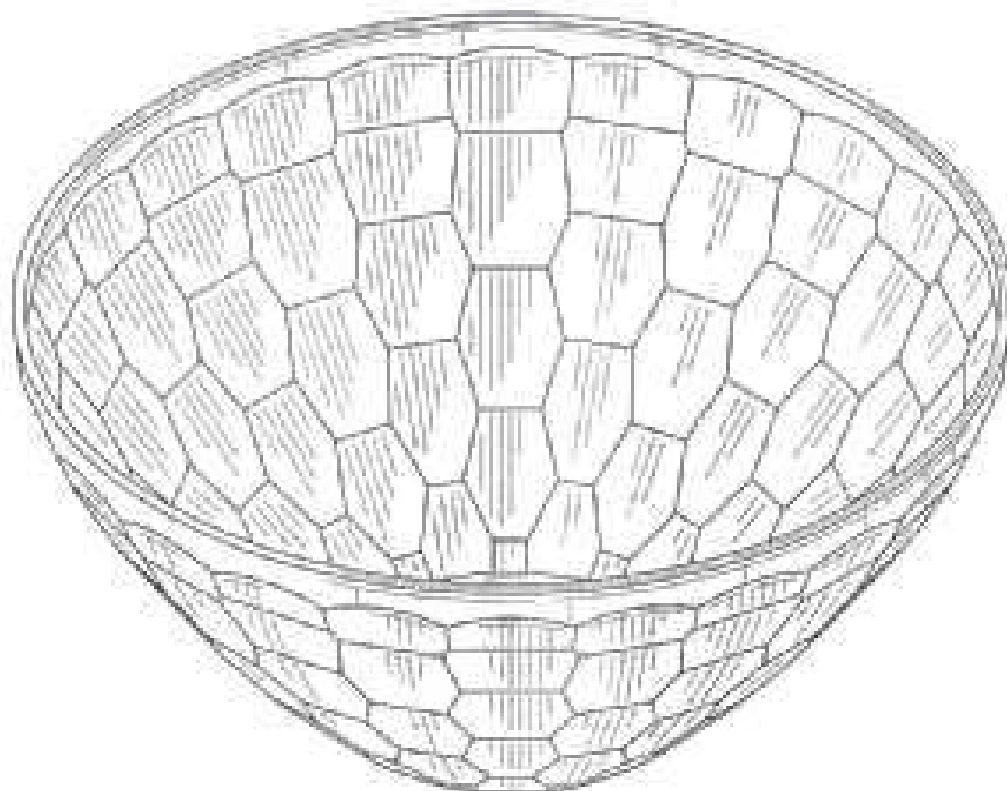




(21) Design Number: **12668/2006**  
(22) Date of Filing Application: **22 June 2006**  
(24) Date from which industrial property rights may have effect: **22 June 2006**  
(54) Product in respect of which the design is registered: **Cushion clip for respiratory mask**  
(51) International Design Classification: **24-01, 24-04, 29-99**  
(71) Name(s) and Address(s) of Applicant(s):  
**ResMed Ltd**  
**1 Elizabeth Macarthur Drive Bella Vista New South Wales 2153**  
**Australia**  
(72) Name(s) of Designer(s): **Errol Savio Alex D'Souza and Matthew Eves**  
(45) Registration Date: **05 September 2006**  
(30) Convention priority data:  
(31) Number (32) Date (33) Country  
**29/251,710 12 Jan 2006 UNITED STATES OF AMERICA**  
(56) Related Art Documents: **Not Applicable**  
(57) Statement of Newness and Distinctiveness: **Nil**



(21) Design Number: **12584/2006**  
(22) Date of Filing Application: **16 June 2006**  
(24) Date from which industrial property rights may have effect: **16 June 2006**  
(54) Product in respect of which the design is registered: **Container**  
(51) International Design Classification: **07-01B, 07-01NES**  
(71) Name(s) and Address(s) of Applicant(s):  
**Dart Industries Inc**  
**14901 S. Orange Blossom Trail Orlando Florida 32837 United States of**  
**America**  
(72) Name(s) of Designer(s): **Jonathan A. Dien**  
(45) Registration Date: **05 September 2006**  
(30) Convention priority data:  
(31) Number (32) Date (33) Country  
**29/252,385 20 Jan 2006 UNITED STATES OF AMERICA**  
(56) Related Art Documents: **Not Applicable**  
(57) Statement of Newness and Distinctiveness: **Those features of the container depicted in the representations that are new and distinctive are the shape and/or configuration.**



(21) Design Number: **12588/2006**

(22) Date of Filing Application: **16 June 2006**

(24) Date from which industrial property rights may have effect: **16 June 2006**

(54) Product in respect of which the design is registered: **Slouch hat**

(51) International Design Classification: **02-03**

(71) Name(s) and Address(s) of Applicant(s):

**PSW Pty Ltd**

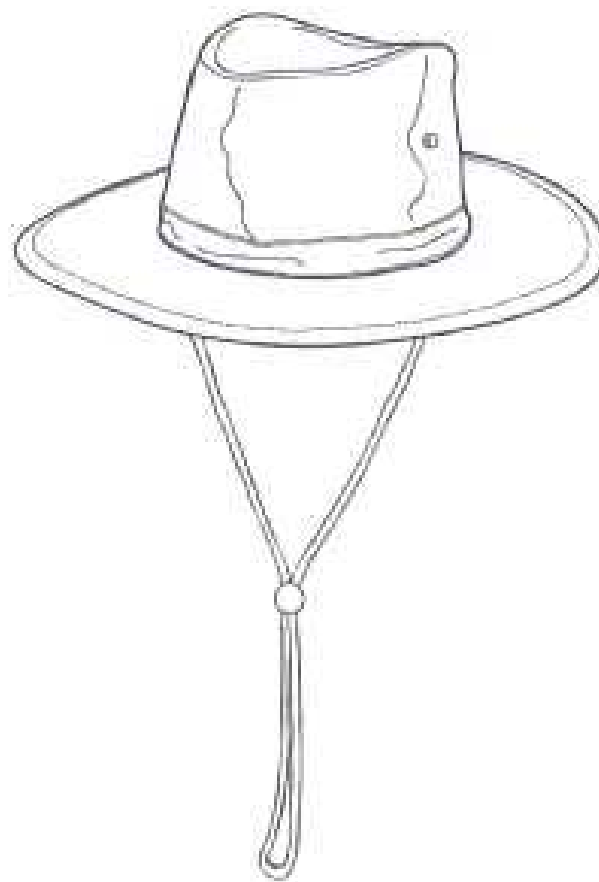
**347 Warrigal Road Cheltenham Victoria 3192 Australia**

(72) Name(s) of Designer(s): **Anthony Sterpin and Cameron Osborne**

(45) Registration Date: **05 September 2006**

(56) Related Art Documents: **Not Applicable**

(57) Statement of Newness and Distinctiveness: **Nil.**



(21) Design Number: **12589/2006**

(22) Date of Filing Application: **16 June 2006**

(24) Date from which industrial property rights may have effect: **16 June 2006**

(54) Product in respect of which the design is registered: **Slouch hat**

(51) International Design Classification: **02-03**

(71) Name(s) and Address(s) of Applicant(s):

**PSW Pty Ltd**

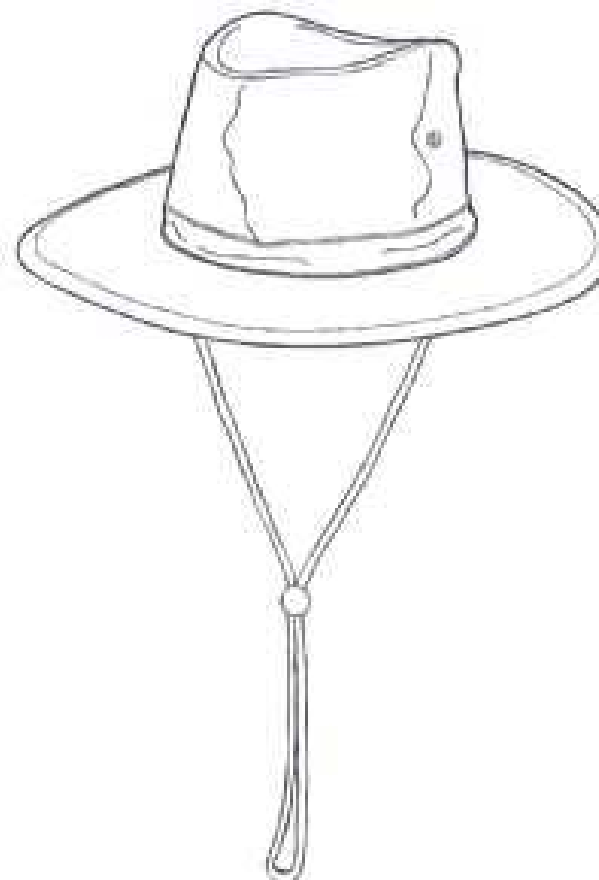
**347 Warrigal Road Cheltenham Victoria 3192 Australia**

(72) Name(s) of Designer(s): **Anthony Sterpin and Cameron Osborne**

(45) Registration Date: **05 September 2006**

(56) Related Art Documents: **Not Applicable**

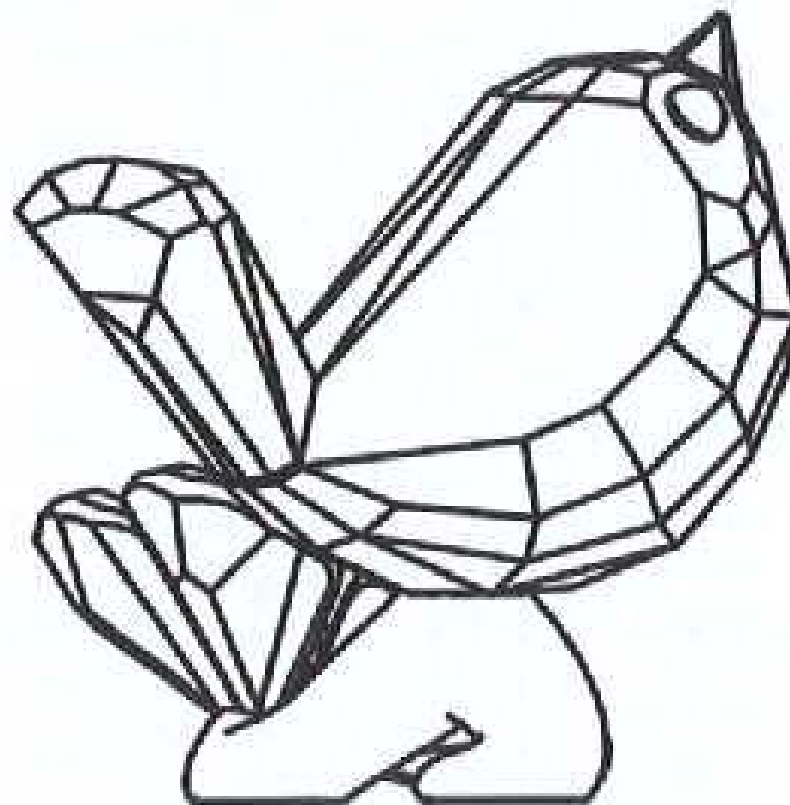
(57) Statement of Newness and Distinctiveness: **Nil.**



- (21) Design Number: **12696/2006**  
(22) Date of Filing Application: **21 June 2006**  
(24) Date from which industrial property rights may have effect: **21 June 2006**  
(54) Product in respect of which the design is registered: **Multi-function protective assembly for portable digital media storage and playback device**  
(51) International Design Classification: **14-02, 14-99**  
(71) Name(s) and Address(s) of Applicant(s):  
**Netalog, Inc.**  
**145 King Street Suite 306 Charleston South Carolina 29401 United States of America**  
(72) Name(s) of Designer(s): **Wayne A. Calco and Garey De Angelis and Jeff Grady and Andrew Green**  
(45) Registration Date: **05 September 2006**  
(30) Convention priority data:  
(31) Number           (32) Date                           (33) Country  
**29/252488           24 Jan 2006                           EUROPEAN PATENT OFFICE (EP)**  
(56) Related Art Documents: **Not Applicable**  
(57) Statement of Newness and Distinctiveness: **Newness and distinctiveness are provided by the shape and/or configuration of the design shown in the representations. The features shown in broken lines in the representations are for illustrative purposes only and should not be considered when construing visual features of the design.**



- (21) Design Number: **12697/2006**  
(22) Date of Filing Application: **21 June 2006**  
(24) Date from which industrial property rights may have effect: **21 June 2006**  
(54) Product in respect of which the design is registered: **Ornamental object**  
(51) International Design Classification: **11-02E, 11-02NES, 11-99**  
(71) Name(s) and Address(s) of Applicant(s):  
**Swarovski Aktiengesellschaft**  
**Droschistrasse 15 FL-9495 Triesen Liechtenstein**  
(72) Name(s) of Designer(s): **Edith Mair**  
(45) Registration Date: **05 September 2006**  
(30) Convention priority data:  
(31) Number           (32) Date                           (33) Country  
**000458377-0002   29 Dec 2005                           EUROPEAN PATENT OFFICE (EP)**  
(56) Related Art Documents: **Not Applicable**  
(57) Statement of Newness and Distinctiveness: **Nil**



(21) Design Number: **12698/2006**

(22) Date of Filing Application: **21 June 2006**

(24) Date from which industrial property rights may have effect: **21 June 2006**

(54) Product in respect of which the design is registered: **Ornamental object**

(51) International Design Classification: **11-01K, 11-02E**

(71) Name(s) and Address(s) of Applicant(s):

**Swarovski Aktiengesellschaft  
Droschistrasse 15 FL-9495 Triesen Liechtenstein**

(72) Name(s) of Designer(s): **Elke Kumar**

(45) Registration Date: **05 September 2006**

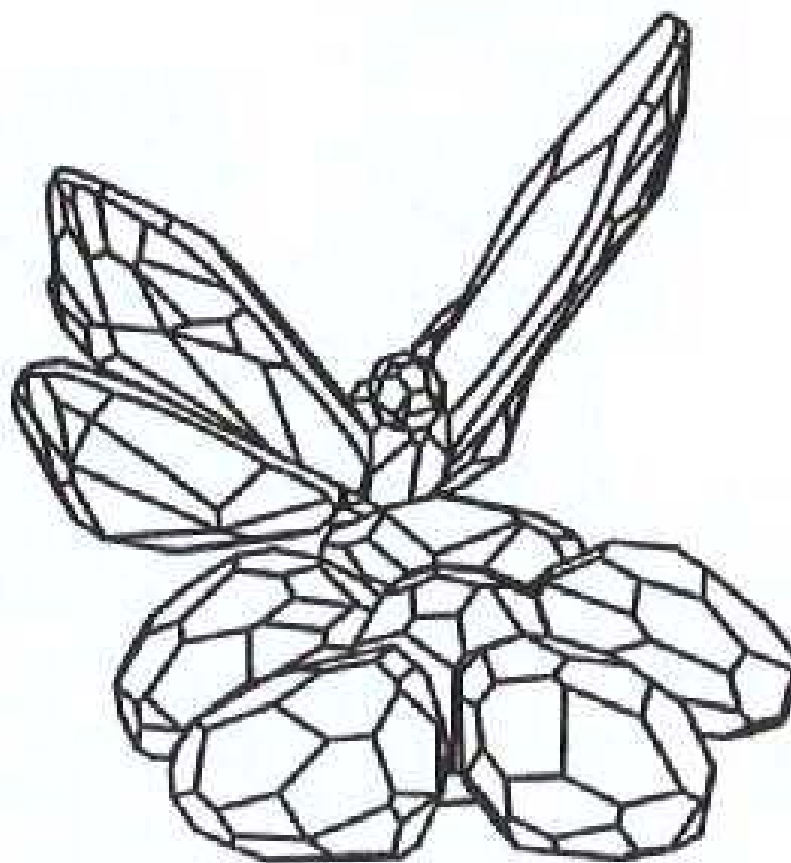
(30) Convention priority data:

(31) Number (32) Date  
**000458377-0001 29 Dec 2005**

(33) Country  
**EUROPEAN PATENT OFFICE  
(EP)**

(56) Related Art Documents: **Not Applicable**

(57) Statement of Newness and Distinctiveness: **Nil.**



(21) Design Number: **12699/2006**

(22) Date of Filing Application: **21 June 2006**

(24) Date from which industrial property rights may have effect: **21 June 2006**

(54) Product in respect of which the design is registered: **Ornamental object**

(51) International Design Classification: **11-01K, 11-02E**

(71) Name(s) and Address(s) of Applicant(s):

**Swarovski Aktiengesellschaft  
Droschistrasse 15 FL-9495 Triesen Liechtenstein**

(72) Name(s) of Designer(s): **Elke Kumar**

(45) Registration Date: **05 September 2006**

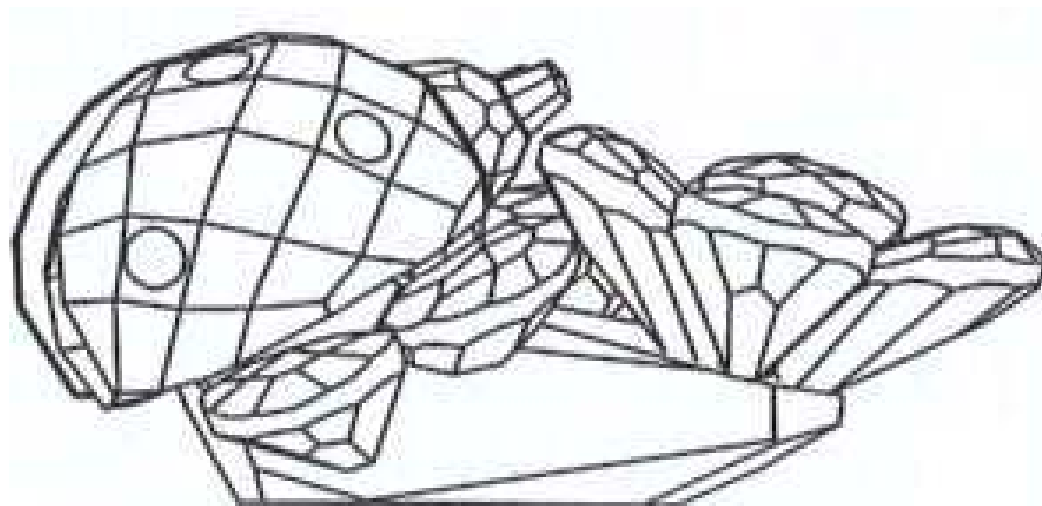
(30) Convention priority data:

(31) Number (32) Date  
**000458377-0003 29 Dec 2005**

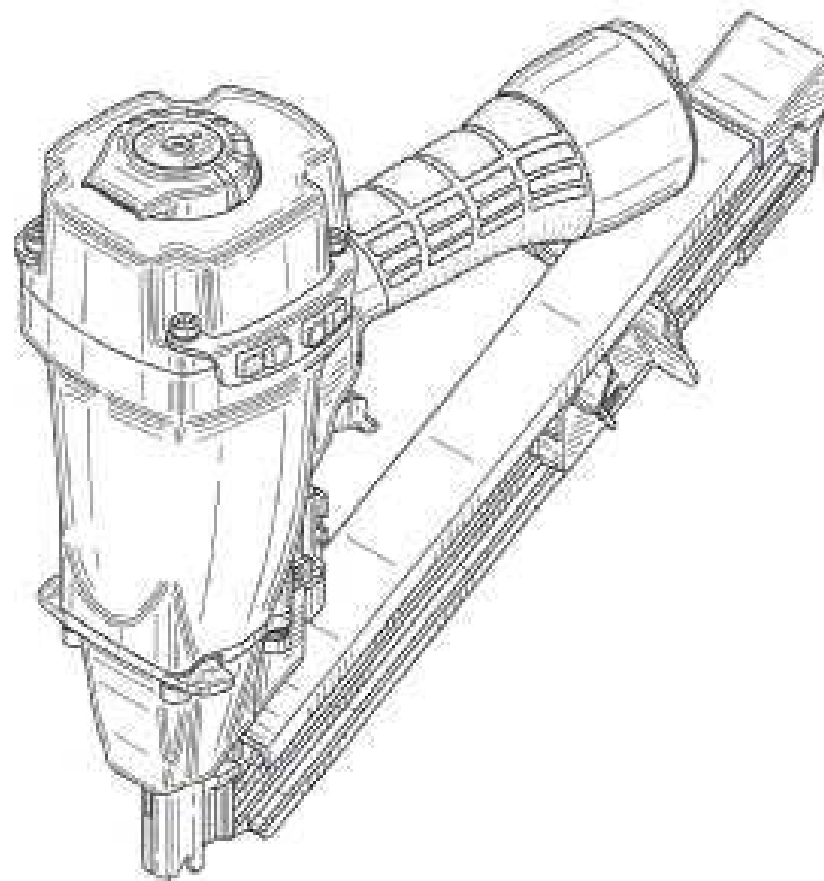
(33) Country  
**EUROPEAN PATENT OFFICE  
(EP)**

(56) Related Art Documents: **Not Applicable**

(57) Statement of Newness and Distinctiveness: **Nil.**



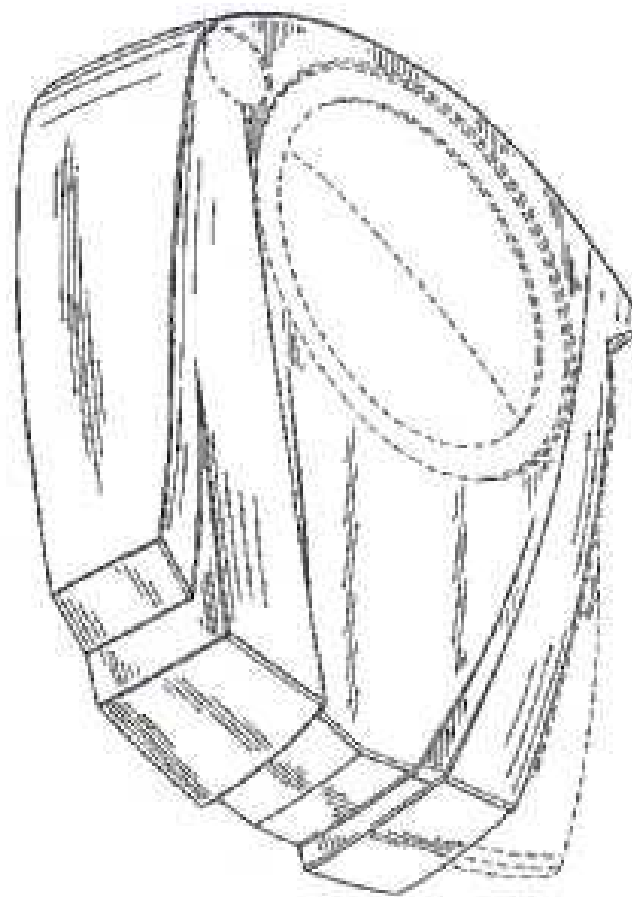
(21) Design Number: **12930/2006**  
 (22) Date of Filing Application: **11 July 2006**  
 (24) Date from which industrial property rights may have effect: **11 July 2006**  
 (54) Product in respect of which the design is registered: **A fastening tool**  
 (51) International Design Classification: **15-99**  
 (71) Name(s) and Address(s) of Applicant(s):  
**Stanley Fastening Systems L.P.**  
**Briggs Drive East Greenwich Rhode Island 02818 United States of America**  
 (72) Name(s) of Designer(s): **Juan Ignacio Aguirre and Adam Tillinghast and Prudencio S. Canlas Jr. and Joseph R. Martone**  
 (45) Registration Date: **05 September 2006**  
 (30) Convention priority data:  
 (31) Number      (32) Date      (33) Country  
**29251612      11 Jan 2006      UNITED STATES OF AMERICA**  
 (56) Related Art Documents: **Not Applicable**  
 (57) Statement of Newness and Distinctiveness: **Newness and distinctiveness is claimed in the visual features shown in solid lines in the representations.**



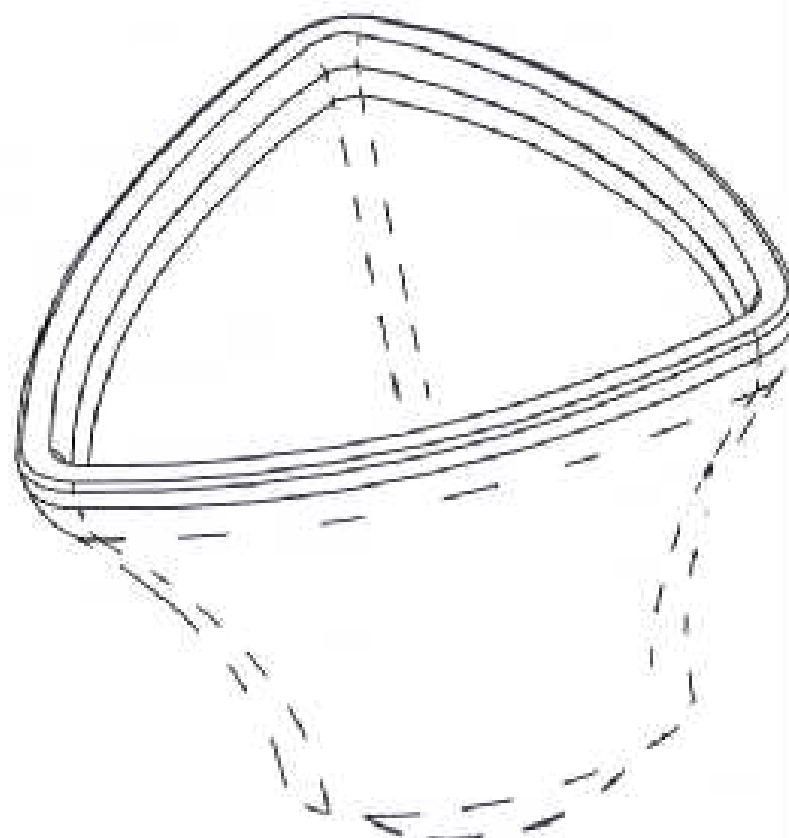
(21) Design Number: **12931/2006**  
 (22) Date of Filing Application: **11 July 2006**  
 (24) Date from which industrial property rights may have effect: **11 July 2006**  
 (54) Product in respect of which the design is registered: **Pen**  
 (51) International Design Classification: **19-06**  
 (71) Name(s) and Address(s) of Applicant(s):  
**Mitsubishi Pencil Co., Ltd**  
**23-37 5 Chome Higashi-Ohi Shinagawa-Ku Tokyo Japan**  
 (72) Name(s) of Designer(s): **Kazuhiko Takanashi**  
 (45) Registration Date: **05 September 2006**  
 (30) Convention priority data:  
 (31) Number      (32) Date      (33) Country  
**2006/000412      13 Jan 2006      JAPAN**  
 (56) Related Art Documents: **Not Applicable**  
 (57) Statement of Newness and Distinctiveness: **The shape and configuration of the product is new and distinctive.**



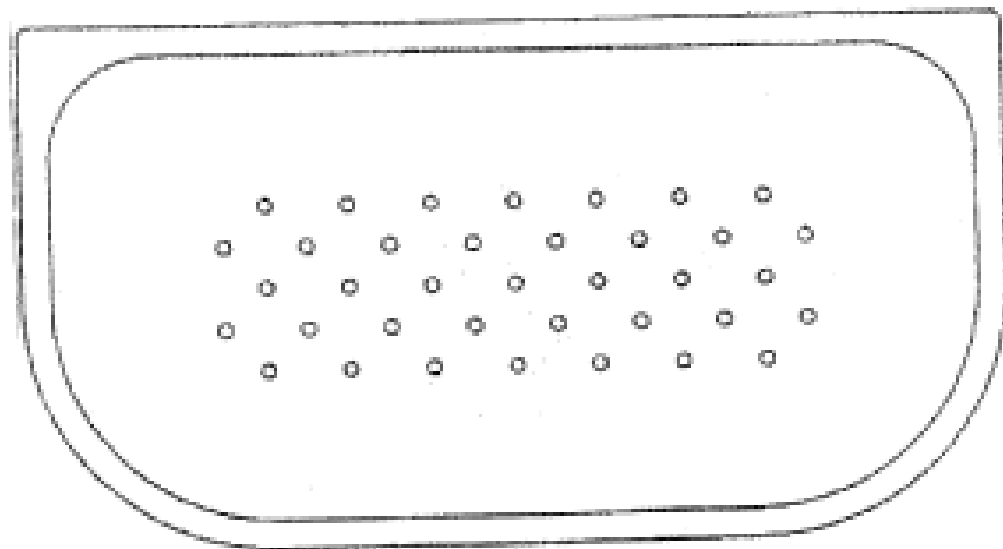
- (21) Design Number: **12932/2006**  
(22) Date of Filing Application: **11 July 2006**  
(24) Date from which industrial property rights may have effect: **11 July 2006**  
(54) Product in respect of which the design is registered: **Engine cover**  
(51) International Design Classification: **15-01**  
(71) Name(s) and Address(s) of Applicant(s):  
**Briggs & Stratton Corporation**  
**12301 W.Wirth Street Wauwatosa WI 53222 United States of America**  
(72) Name(s) of Designer(s): **Brian D. Neely and Robert W. Holliday and Scott A. Sparapani**  
(45) Registration Date: **05 September 2006**  
(30) Convention priority data:  
(31) Number (32) Date (33) Country  
**29/254,412 23 Feb 2006 UNITED STATES OF AMERICA**  
(56) Related Art Documents: **Not Applicable**  
(57) Statement of Newness and Distinctiveness: **Newness and distinctiveness are provided by the shape and/or configuration of the design shown in the representations. The features shown in broken lines in the representations are for illustrative purposes only and should not be considered when construing visual features of the design.**



- (21) Design Number: **12940/2006**  
(22) Date of Filing Application: **11 July 2006**  
(24) Date from which industrial property rights may have effect: **11 July 2006**  
(54) Product in respect of which the design is registered: **Jigger**  
(51) International Design Classification: **07-01F, 07-01NES**  
(71) Name(s) and Address(s) of Applicant(s):  
**Howard Silvers & Sons Pty Ltd**  
**12U/175 Gibbes Street Chatswood New South Wales 2067 Australia**  
(72) Name(s) of Designer(s): **Michael Silvers**  
(45) Registration Date: **05 September 2006**  
(56) Related Art Documents: **Not Applicable**  
(57) Statement of Newness and Distinctiveness: **When determining whether the design 1 is substantially similar in overall impression to another design, no regard is to be had to those features shown in dotted outline in the drawings.**



- (21) Design Number: **14311/2005**  
(22) Date of Filing Application: **04 October 2005**  
(24) Date from which industrial property rights may have effect: **04 October 2005**  
(54) Product in respect of which the design is registered: **Colander**  
(51) International Design Classification: **07-04**  
(71) Name(s) and Address(s) of Applicant(s):  
**Colorado Products Pty Ltd**  
**26-27/287 Victoria Road Rydalmere New South Wales 2116 Australia**  
(72) Name(s) of Designer(s): **Clare S.R. Huang**  
(45) Registration Date: **04 September 2006**  
(56) Related Art Documents: **Not Applicable**  
(57) Statement of Newness and Distinctiveness: **Our statement of monopoly is claimed in the shapes and configuration of the design as shown in the representation.**



- (21) Design Number: **14388/2005**  
(22) Date of Filing Application: **06 October 2005**  
(24) Date from which industrial property rights may have effect: **06 October 2005**  
(54) Product in respect of which the design is registered: **Electric toothbrush holder**  
(51) International Design Classification: **28-03NES**  
(71) Name(s) and Address(s) of Applicant(s):  
**Craig Hills**  
**38a Morcambe Crescent Keilor Downs Victoria 3038 Australia**  
(72) Name(s) of Designer(s): **Craig Hills and Adam Matruglio**  
(45) Registration Date: **04 September 2006**  
(56) Related Art Documents: **Not Applicable**  
(57) Statement of Newness and Distinctiveness: **Visual features of the design which are new and distinctive are the features of shape and configuration of an electric toothbrush holder as illustrated in the representations. The shape and configuration of the toothbrush marked "A" in the representations and of the stem marked "B" in the representations do not form part of the design and are to be disregarded. The decorative lines on the holder are not part of the design and are to be disregarded.**



- (21) Design Number: **10395/2006**  
(22) Date of Filing Application: **06 February 2006**  
(24) Date from which industrial property rights may have effect: **06 February 2006**  
(54) Product in respect of which the design is registered: **Welding torch**  
(51) International Design Classification: **08-05M**  
(71) Name(s) and Address(s) of Applicant(s):  
**Alexander Binzel Schweisstechnik GmbH & Co. KG**  
**Kiesacker 7-9 D-35418 Buseck Germany**  
(72) Name(s) of Designer(s): **Mark Owens**  
(45) Registration Date: **04 September 2006**  
(30) Convention priority data:  
(31) Number (32) Date (33) Country  
**000393384-0001 31 Aug 2005 EUROPEAN COMMUNITY**  
(56) Related Art Documents: **Not Applicable**  
(57) Statement of Newness and Distinctiveness: **Nil**

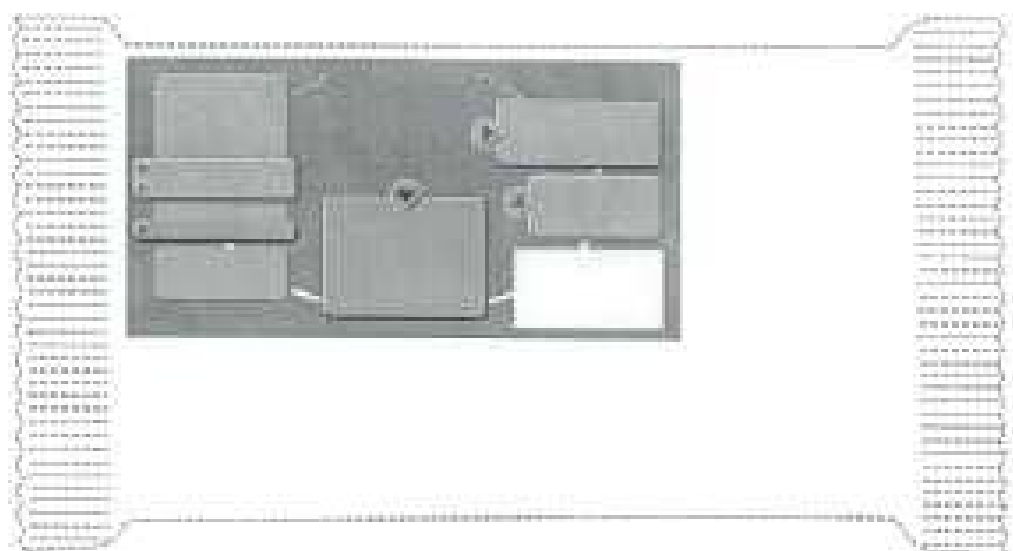


- (21) Design Number: **10712/2006**  
(22) Date of Filing Application: **27 February 2006**  
(24) Date from which industrial property rights may have effect: **27 February 2006**  
(54) Product in respect of which the design is registered: **Nursing Singlet**  
(51) International Design Classification: **02-01A, 02-02NES**  
(71) Name(s) and Address(s) of Applicant(s):  
**Nichelle Audette Scholz**  
**583 South Crossman Road Boddington Western Australia 6390**  
**Australia**  
(72) Name(s) of Designer(s): **Nichelle Audette Scholz**  
(45) Registration Date: **04 September 2006**  
(56) Related Art Documents: **Not Applicable**  
(57) Statement of Newness and Distinctiveness: **Newness and distinctiveness resides in the shape and configuration of a nursing singlet which exposes the breast of the wearer when worn, as set out in the accompanying representations. The mannequin shown in the representations forms no part of the design.**

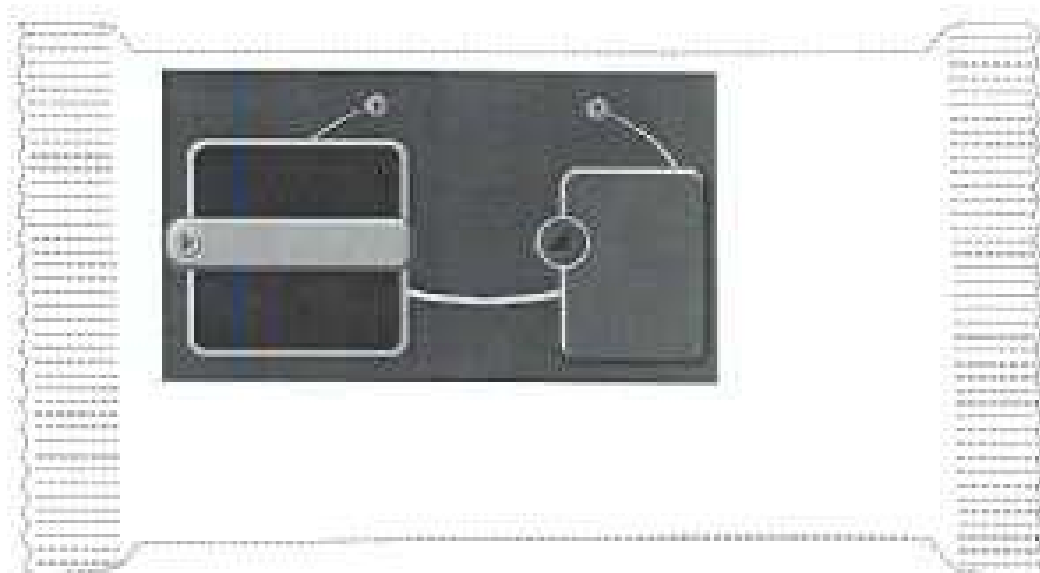




- (21) Design Number: **10926/2006**  
(22) Date of Filing Application: **09 March 2006**  
(24) Date from which industrial property rights may have effect: **09 March 2006**  
(54) Product in respect of which the design is registered: **Package incorporating an information panel**  
(51) International Design Classification: **09-05**  
(71) Name(s) and Address(s) of Applicant(s):  
**Societe Des Produits Nestle S.A.**  
**1800 Vevey Switzerland**  
(72) Name(s) of Designer(s): **Philippe Delmotte and Marc Bourges**  
(45) Registration Date: **04 September 2006**  
(30) Convention priority data:  
(31) Number (32) Date (33) Country  
**000398763-0005 12 Sep 2005 EUROPEAN COMMUNITY**  
(56) Related Art Documents: **Not Applicable**  
(57) Statement of Newness and Distinctiveness: **Newness and distinctiveness reside in the pattern and ornamentation of a package incorporating an information panel as illustrated in the accompanying representations. The shape and configuration of the package shown in broken outline and the position and relative size of the panel in relation to the package are illustrative only and do not form part of the design.**



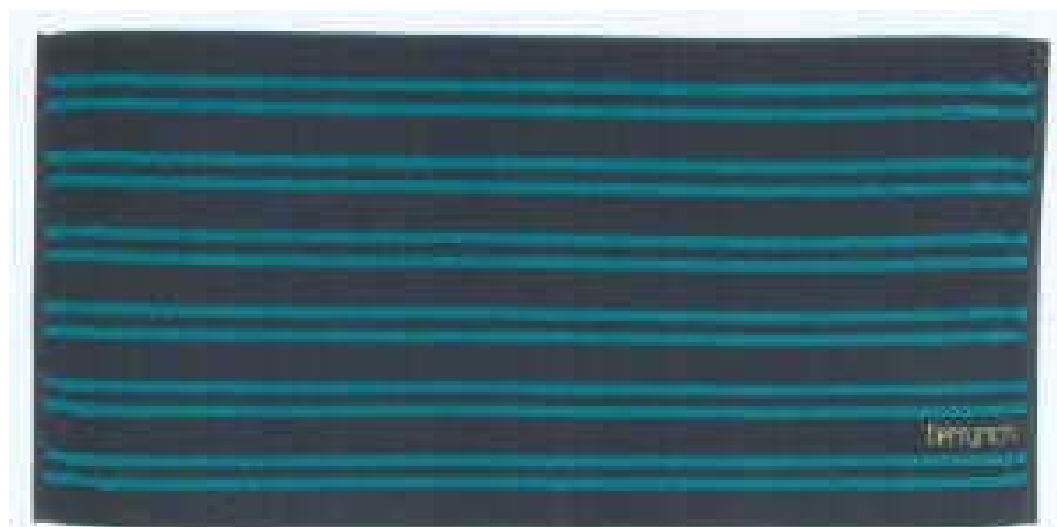
- (21) Design Number: **10928/2006**  
(22) Date of Filing Application: **09 March 2006**  
(24) Date from which industrial property rights may have effect: **09 March 2006**  
(54) Product in respect of which the design is registered: **Package incorporating an information panel**  
(51) International Design Classification: **09-05**  
(71) Name(s) and Address(s) of Applicant(s):  
**Societe Des Produits Nestle S.A.**  
**1800 Vevey Switzerland**  
(72) Name(s) of Designer(s): **Philippe Delmotte and Marc Bourges**  
(45) Registration Date: **04 September 2006**  
(30) Convention priority data:  
(31) Number (32) Date (33) Country  
**000398763-0007 12 Sep 2005 EUROPEAN COMMUNITY**  
(56) Related Art Documents: **Not Applicable**  
(57) Statement of Newness and Distinctiveness: **Newness and distinctiveness reside in the pattern and ornamentation of a package incorporating an information panel as illustrated in the accompanying representations. The shape and configuration of the package shown in broken outline and the position and relative size of the panel in relation to the package are illustrative only and do not form part of the design.**



- (21) Design Number: **11197/2006**  
(22) Date of Filing Application: **21 March 2006**  
(24) Date from which industrial property rights may have effect: **21 March 2006**  
(54) Product in respect of which the design is registered: **Combined table and seat unit (Hexagonal)**  
(51) International Design Classification: **06-05**  
(71) Name(s) and Address(s) of Applicant(s):  
**Leck Design Ltd**  
**The Studio Heaton House Leck Carnforth Lancashire LA6 2HZ United Kingdom**  
(72) Name(s) of Designer(s): **Julia Lunn**  
(45) Registration Date: **04 September 2006**  
(30) Convention priority data:  
(31) Number (32) Date (33) Country  
**3022619 29 Sep 2005 UNITED KINGDOM**  
(56) Related Art Documents: **Not Applicable**  
(57) Statement of Newness and Distinctiveness: **Newness and distinctiveness are claimed in the shape and configuration of the combined hexagonal table and seat unit as shown in the representations.**



- (21) Design Number: **11613/2006**  
(22) Date of Filing Application: **20 April 2006**  
(24) Date from which industrial property rights may have effect: **20 April 2006**  
(54) Product in respect of which the design is registered: **Beach towels**  
(51) International Design Classification: **06-13C**  
(71) Name(s) and Address(s) of Applicant(s):  
**David Goudie**  
**Suite 62 20 - 28 Maddox St Alexandria NSW 2015**  
**Susannah Goudie**  
**Suite 62 20 - 28 Maddox St Alexandria NSW 2015**  
(72) Name(s) of Designer(s): **David Goudie and Susannah Goudie**  
(45) Registration Date: **04 September 2006**  
(56) Related Art Documents: **Not Applicable**  
(57) Statement of Newness and Distinctiveness: **The design of Terry Rich beach towels is new and distinctive due to the combination of colours and patterns and towel construction. All Terry Rich beach towel designs apply a consistent use of multiple parallel lines. These lines are distinctive not only through their shape and colours but also because when woven in to the towel they are either higher or lower than the body of the towel pile. This variation in loop height both enhances the visual pattern of the towel design as well as delivering a tactile effect. In combination these elements make the design of Terry Rich beach towels both new and distinctive versus other towel designs.**



- (21) Design Number: **11614/2006**
- (22) Date of Filing Application: **20 April 2006**
- (24) Date from which industrial property rights may have effect: **20 April 2006**
- (54) Product in respect of which the design is registered: **Beach towels**
- (51) International Design Classification: **06-13C**
- (71) Name(s) and Address(s) of Applicant(s):

**David Goudie**  
**Suite 62 20 - 28 Maddox St Alexandria NSW 2015**

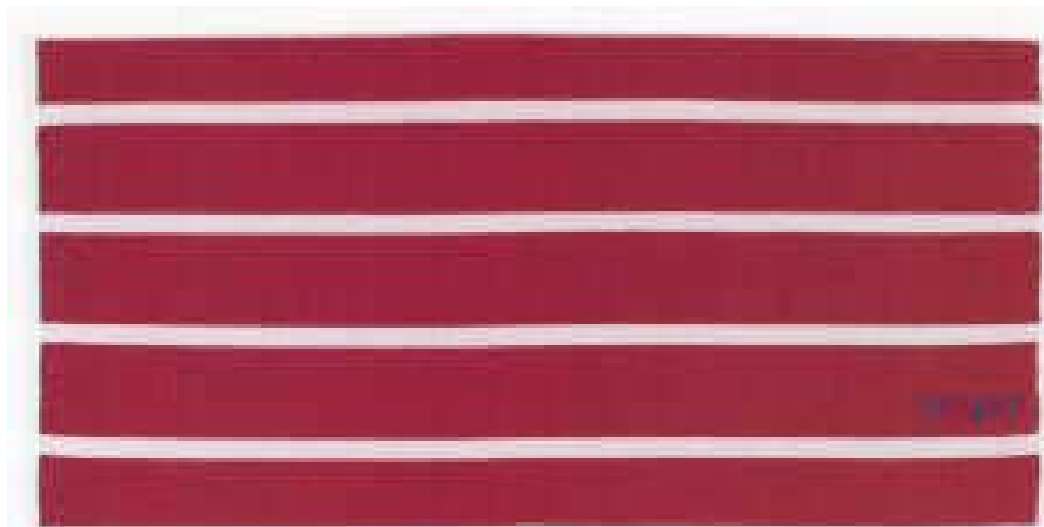
**Susannah Goudie**  
**Suite 62 20 - 28 Maddox St Alexandria NSW 2015**

(72) Name(s) of Designer(s): **David Goudie and Susannah Goudie**

(45) Registration Date: **04 September 2006**

(56) Related Art Documents: **Not Applicable**

(57) Statement of Newness and Distinctiveness: **The design of Terry Rich beach towels is new and distinctive due to the combination of colours and patterns and towel construction. All Terry Rich beach towel designs apply a consistent use of multiple parallel lines. These lines are distinctive not only through their shape and colours but also because when woven in to the towel they are either higher or lower than the body of the towel pile. This variation in loop height both enhances the visual pattern of the towel design as well as delivering a tactile effect. In combination these elements make the design of Terry Rich beach towels both new and distinctive versus other towel designs.**



- (21) Design Number: **11615/2006**
- (22) Date of Filing Application: **20 April 2006**
- (24) Date from which industrial property rights may have effect: **20 April 2006**
- (54) Product in respect of which the design is registered: **Beach towels**
- (51) International Design Classification: **06-13C**
- (71) Name(s) and Address(s) of Applicant(s):

**Susannah Goudie**  
**Suite 62 20 - 28 Maddox St Alexandria NSW 2015**

**David Goudie**  
**Suite 62 20 - 28 Maddox St Alexandria NSW 2015**

(72) Name(s) of Designer(s): **David Goudie and Susannah Goudie**

(45) Registration Date: **04 September 2006**

(56) Related Art Documents: **Not Applicable**

(57) Statement of Newness and Distinctiveness: **The design of Terry Rich beach towels is new and distinctive due to the combination of colours and patterns and towel construction. All Terry Rich beach towel designs apply a consistent use of multiple parallel lines. These lines are distinctive not only through their shape and colours but also because when woven in to the towel they are either higher or lower than the body of the towel pile. This variation in loop height both enhances the visual pattern of the towel design as well as delivering a tactile effect. In combination these elements make the design of Terry Rich beach towels both new and distinctive versus other towel designs.**



(21) Design Number: **11760/2006**

(22) Date of Filing Application: **28 April 2006**

(24) Date from which industrial property rights may have effect: **28 April 2006**

(54) Product in respect of which the design is registered: **Outdoor industry, spreader rails, roof rails, annex rails, aluminium and galvanised tube**

(51) International Design Classification: **08-08NES, 25-04**

(71) Name(s) and Address(s) of Applicant(s):

**David Cook**

**14 Binary Street Yatala Queensland 4207 Australia**

(72) Name(s) of Designer(s): **David Cook**

(45) Registration Date: **04 September 2006**

(56) Related Art Documents: **Not Applicable**

(57) Statement of Newness and Distinctiveness: **The distinctiveness of the design is that the opening of the c-clip is at the side instead of being at the top. This design will prevent the c-clip from falling off any tube it is attached too.**



(21) Design Number: **12170/2006**

(22) Date of Filing Application: **17 May 2006**

(24) Date from which industrial property rights may have effect: **17 May 2006**

(54) Product in respect of which the design is registered: **Plastic rack headpiece**

(51) International Design Classification: **08-08L, 08-09**

(71) Name(s) and Address(s) of Applicant(s):

**U.S. Filter Wastewater Group, Inc.**

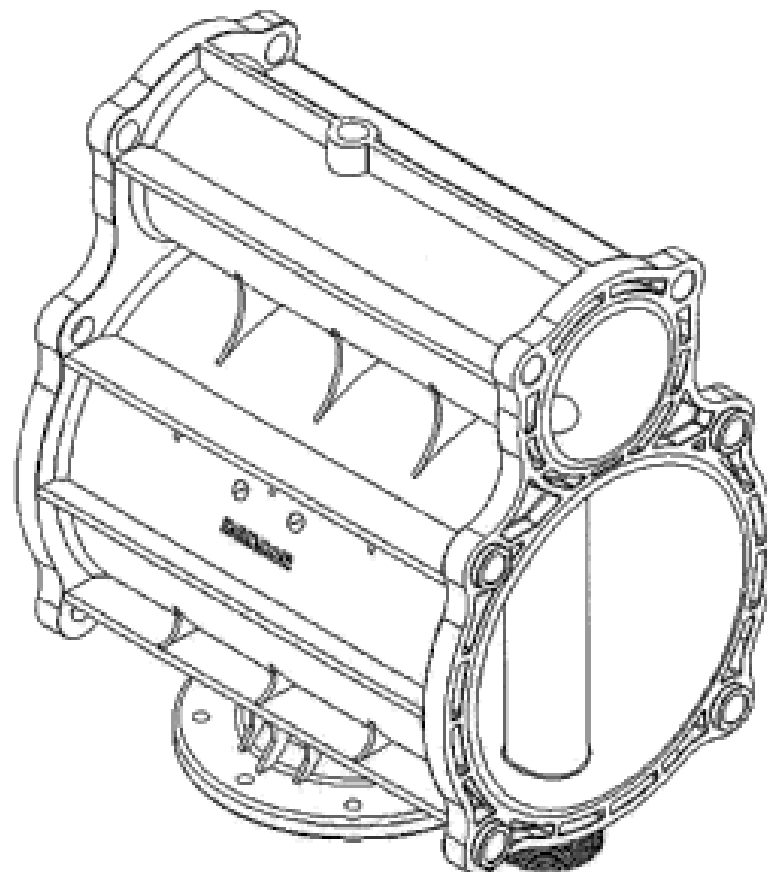
**181 Thorn Hill Road Warrendale Pennsylvania 15086 United States of America**

(72) Name(s) of Designer(s): **Warren Thomas Johnson and Bruce Gregory Biltoft and Peter Clark Stuart**

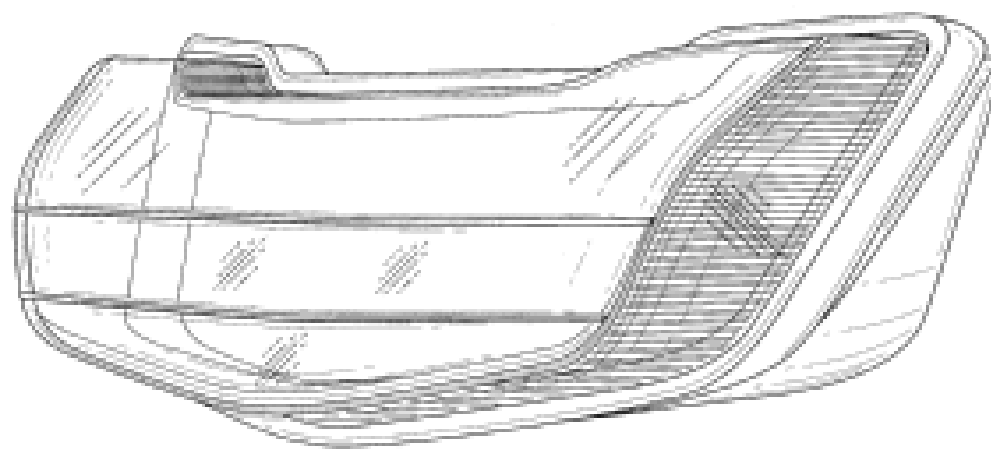
(45) Registration Date: **04 September 2006**

(56) Related Art Documents: **Not Applicable**

(57) Statement of Newness and Distinctiveness: **Nil.**



- (21) Design Number: **12173/2006**  
(22) Date of Filing Application: **17 May 2006**  
(24) Date from which industrial property rights may have effect: **17 May 2006**  
(54) Product in respect of which the design is registered: **A tail lamp of a four wheel vehicle**  
(51) International Design Classification: **26-06**  
(71) Name(s) and Address(s) of Applicant(s):  
**Honda Motor Co., Ltd.**  
**1-1 Minami-Aoyama 2-Chome Minato-Ku Tokyo Japan**  
(72) Name(s) of Designer(s): **Takao Mikami and Asao Itaya**  
(45) Registration Date: **04 September 2006**  
(30) Convention priority data:  
(31) Number (32) Date (33) Country  
**29/242964 17 Nov 2005 UNITED STATES OF AMERICA**  
(56) Related Art Documents: **Not Applicable**  
(57) Statement of Newness and Distinctiveness: **Newness and distinctiveness is claimed in the features of shape and/or configuration of a tail lamp of a four wheel vehicle as illustrated in the accompanying representations.**



- (21) Design Number: **12201/2006**  
(22) Date of Filing Application: **19 May 2006**  
(24) Date from which industrial property rights may have effect: **19 May 2006**  
(54) Product in respect of which the design is registered: **Grille guard for four wheel vehicle**  
(51) International Design Classification: **12-16B**  
(71) Name(s) and Address(s) of Applicant(s):  
**Honda Motor Co., Ltd.**  
**1-1 Minamiaoyama 2-chome Minato-ku Tokyo Japan**  
(72) Name(s) of Designer(s): **Koji Miwa and Takao Mikami**  
(45) Registration Date: **04 September 2006**  
(30) Convention priority data:  
(31) Number (32) Date (33) Country  
**2005-34277 22 Nov 2005 JAPAN**  
(56) Related Art Documents: **Not Applicable**  
(57) Statement of Newness and Distinctiveness: **Newness and distinctiveness is claimed in the features of shape and/or configuration of a grille guard for four wheel vehicle as illustrated in the accompanying representations.**



(19) AU

- (21) Design Number: **12202/2006**  
(22) Date of Filing Application: **19 May 2006**  
(24) Date from which industrial property rights may have effect: **19 May 2006**  
(54) Product in respect of which the design is registered: **Four wheel vehicle**  
(51) International Design Classification: **12-11**  
(71) Name(s) and Address(s) of Applicant(s):  
**Honda Motor Co., Ltd.**  
**1-1 Minamiaoyama 2-chome Minato-ku Tokyo Japan**  
(72) Name(s) of Designer(s): **Koji Miwa and Takao Mikami and Manabu Ichikawa**  
(45) Registration Date: **04 September 2006**  
(30) Convention priority data:  
(31) Number (32) Date (33) Country  
**2005-34276 22 Nov 2005 JAPAN**  
(56) Related Art Documents: **Not Applicable**  
(57) Statement of Newness and Distinctiveness: **Newness and distinctiveness is claimed in the features of shape and/or configuration of a four wheel vehicle as illustrated in the accompanying representations.**



(19) AU

- (21) Design Number: **12203/2006**  
(22) Date of Filing Application: **19 May 2006**  
(24) Date from which industrial property rights may have effect: **19 May 2006**  
(54) Product in respect of which the design is registered: **Side cover for four wheel vehicle**  
(51) International Design Classification: **12-16B**  
(71) Name(s) and Address(s) of Applicant(s):  
**Honda Motor Co., Ltd.**  
**1-1 Minamiaoyama 2-chome Minato-ku Tokyo Japan**  
(72) Name(s) of Designer(s): **Manabu Ichikawa and Takao Mikami**  
(45) Registration Date: **04 September 2006**  
(30) Convention priority data:  
(31) Number (32) Date (33) Country  
**2005-34279 22 Nov 2005 JAPAN**  
(56) Related Art Documents: **Not Applicable**  
(57) Statement of Newness and Distinctiveness: **Newness and distinctiveness is claimed in the features of shape and/or configuration of a side cover for four wheel vehicle as illustrated in the accompanying representations.**



- (21) Design Number: **12204/2006**  
(22) Date of Filing Application: **19 May 2006**  
(24) Date from which industrial property rights may have effect: **19 May 2006**  
(54) Product in respect of which the design is registered: **Front cover for four wheel vehicle**  
(51) International Design Classification: **12-16B**  
(71) Name(s) and Address(s) of Applicant(s):  
**Honda Motor Co., Ltd.**  
**1-1 Minamiaoyama 2-chome Minato-ku Tokyo Japan**  
(72) Name(s) of Designer(s): **Koji Miwa and Takao Mikami**  
(45) Registration Date: **04 September 2006**  
(30) Convention priority data:  
(31) Number      (32) Date      (33) Country  
**2005-34278      22 Nov 2005      JAPAN**  
(56) Related Art Documents: **Not Applicable**  
(57) Statement of Newness and Distinctiveness: **Newness and distinctiveness is claimed in the features of shape and/or configuration of a front cover for four wheel vehicle as illustrated in the accompanying representations.**



- (21) Design Number: **12462/2006**  
(22) Date of Filing Application: **07 June 2006**  
(24) Date from which industrial property rights may have effect: **07 June 2006**  
(54) Product in respect of which the design is registered: **Gadget handle**  
(51) International Design Classification: **07-02R**  
(71) Name(s) and Address(s) of Applicant(s):  
**Pi-Design AG**  
**Kantonsstrasse 100 Postfach 463 CH-6234 Triengen Switzerland**  
(72) Name(s) of Designer(s): **Jorgen Bodum**  
(45) Registration Date: **04 September 2006**  
(30) Convention priority data:  
(31) Number      (32) Date      (33) Country  
**DA 2005      16 Dec 2005      DENMARK**  
**00366**  
(56) Related Art Documents: **Not Applicable**  
(57) Statement of Newness and Distinctiveness: **Nil**



- (21) Design Number: **12463/2006**  
(22) Date of Filing Application: **07 June 2006**  
(24) Date from which industrial property rights may have effect: **07 June 2006**  
(54) Product in respect of which the design is registered: **Ratchet, hand tensioner tools**  
(51) International Design Classification: **08-05P, 08-05NES**  
(71) Name(s) and Address(s) of Applicant(s):  
**Timothy Joyce**  
**Railway Square YHA 8a Lee Street Sydney New South Wales 2000**  
**Australia**  
(72) Name(s) of Designer(s): **Timothy Joyce**  
(45) Registration Date: **04 September 2006**  
(56) Related Art Documents: **Not Applicable**  
(57) Statement of Newness and Distinctiveness: **The nature of the design and the design itself is new, in the way that the apparatus mechanism holds and tensions a ratchet.**



- (21) Design Number: **12464/2006**  
(22) Date of Filing Application: **07 June 2006**  
(24) Date from which industrial property rights may have effect: **07 June 2006**  
(54) Product in respect of which the design is registered: **Trailer**  
(51) International Design Classification: **12-10**  
(71) Name(s) and Address(s) of Applicant(s):  
**Jeffrey Kenneth Laird**  
**100 Maud Street Waratah New South Wales 2298 Australia**  
(72) Name(s) of Designer(s): **Jeffrey Kenneth Laird**  
(45) Registration Date: **04 September 2006**  
(56) Related Art Documents: **Not Applicable**  
(57) Statement of Newness and Distinctiveness: **Novelty and distinctiveness is claimed for the shape and configuration of the trailer as illustrated in the accompanying illustrations. In considering the scope of newness, the hitch, the particular wheels, the type of trailer suspension, the lid support mechanism, and the tail lights on the trailer, should be disregarded.**





(21) Design Number: **12971/2005**

(22) Date of Filing Application: **11 July 2005**

(24) Date from which industrial property rights may have effect: **11 July 2005**

(54) Product in respect of which the design is registered: **Tissue box**

(51) International Design Classification: **09-03NES**

(71) Name(s) and Address(s) of Applicant(s):

**Hoa To Diep**

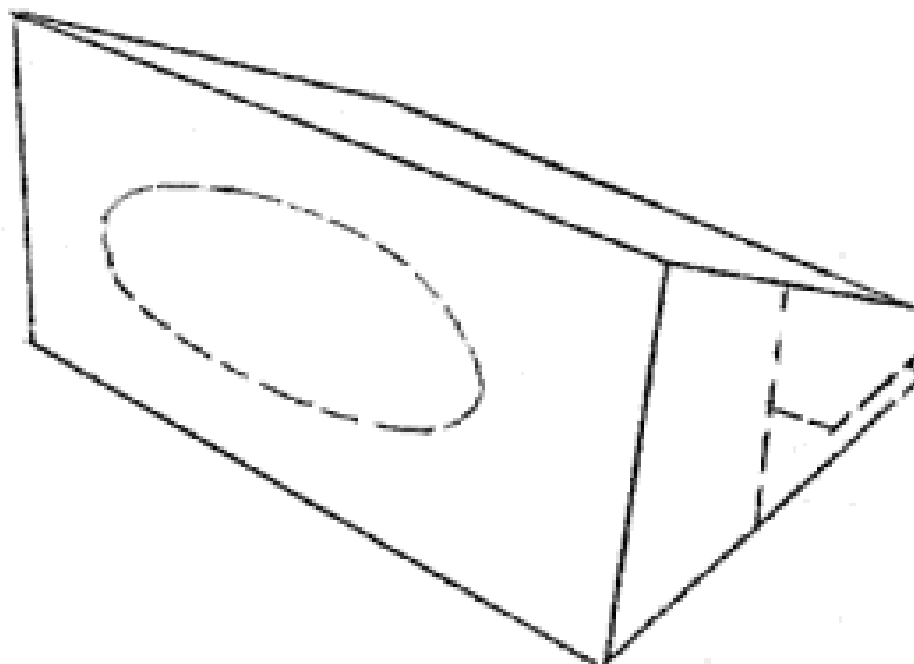
**60 Butterworth Avenue Koondoola Western Australia 6064 Australia**

(72) Name(s) of Designer(s): **Hoa To Diep**

(45) Registration Date: **05 September 2006**

(56) Related Art Documents: **Not Applicable**

(57) Statement of Newness and Distinctiveness: **Nil**



(21) Design Number: **10266/2006**

(22) Date of Filing Application: **27 January 2006**

(24) Date from which industrial property rights may have effect: **27 January 2006**

(54) Product in respect of which the design is registered: **Coffin**

(51) International Design Classification: **99-00**

(71) Name(s) and Address(s) of Applicant(s):

**Onniette Pty Ltd**

**43 Unley Road Parkside South Australia 5063 Australia**

(72) Name(s) of Designer(s): **Antoinette Cohen and Connie Rhitas**

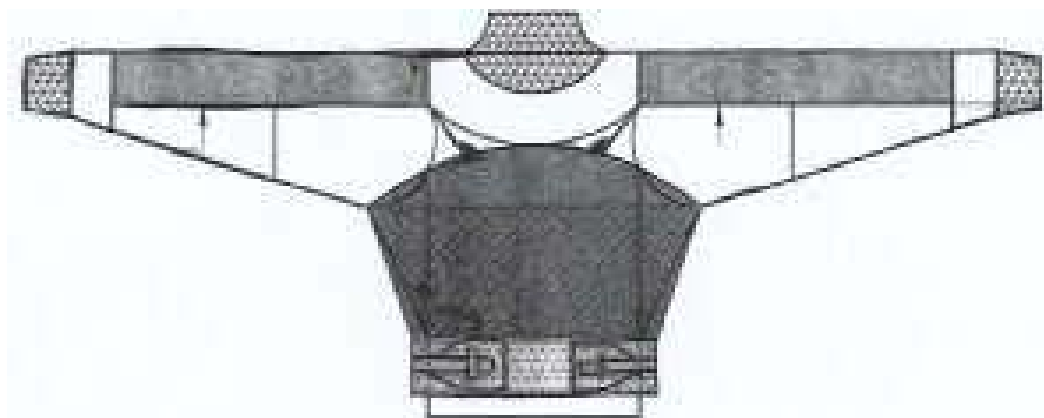
(45) Registration Date: **05 September 2006**

(56) Related Art Documents: **Not Applicable**

(57) Statement of Newness and Distinctiveness: **Nil**

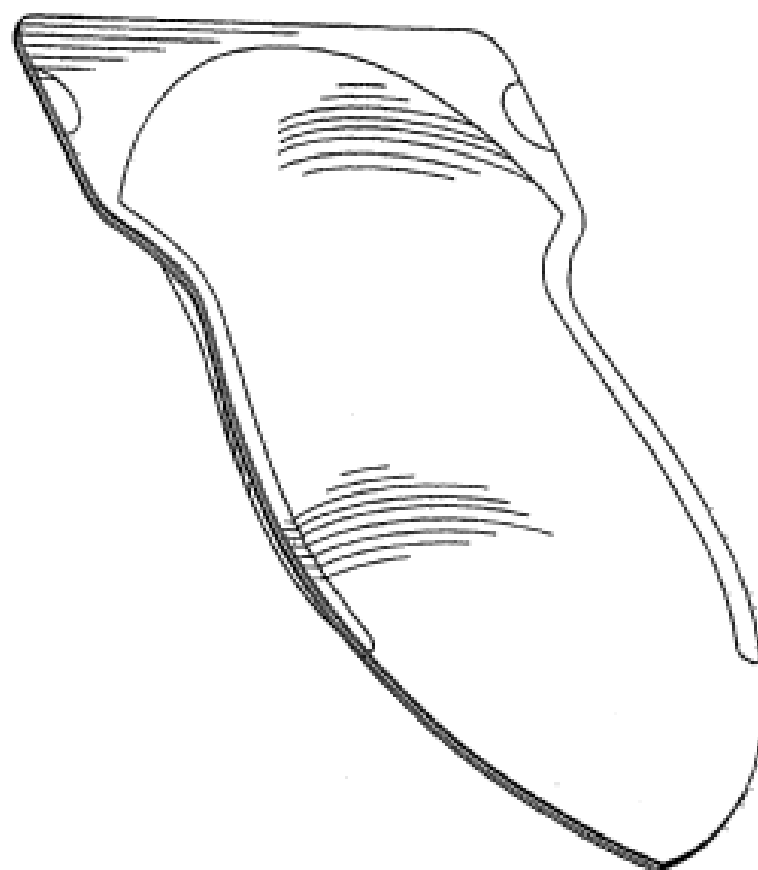


- (21) Design Number: **11290/2006**
- (22) Date of Filing Application: **29 March 2006**
- (24) Date from which industrial property rights may have effect: **29 March 2006**
- (54) Product in respect of which the design is registered: **Paddling jackets/dry tops/dry suits/water sports clothing**
- (51) International Design Classification: **02-02B**
- (71) Name(s) and Address(s) of Applicant(s):  
**Wavemonkey Pty Ltd**  
**29/17 Taranto Road Marsfield New South Wales 2122 Australia**
- (72) Name(s) of Designer(s): **Benjamin Wright**
- (45) Registration Date: **05 September 2006**
- (56) Related Art Documents: **Not Applicable**
- (57) Statement of Newness and Distinctiveness: **The provided design has a unique and distinctive pattern (front + back) the panel shapes and layout are novel. The garment contains no velcro (hook + loop) components which is distinctive in the field.**



- (21) Design Number: **12188/2006**
- (22) Date of Filing Application: **18 May 2006**
- (24) Date from which industrial property rights may have effect: **18 May 2006**
- (54) Product in respect of which the design is registered: **Sachet for a food product**
- (51) International Design Classification: **09-05**
- (71) Name(s) and Address(s) of Applicant(s):  
**PepsiCo, Inc.**  
**700 Anderson Hill Road Purchase New York 10577 United States of America**
- (72) Name(s) of Designer(s): **Mario Narita**
- (45) Registration Date: **05 September 2006**
- (30) Convention priority data:  

(31) Number	(32) Date	(33) Country
<b>29/243200</b>	<b>21 Nov 2005</b>	<b>UNITED STATES OF AMERICA</b>
- (56) Related Art Documents: **Not Applicable**
- (57) Statement of Newness and Distinctiveness: **Newness and distinctiveness is claimed in the features of shape and/or configuration of a sachet for a food product as illustrated in the accompanying representations.**



(21) Design Number: **12189/2006**  
(22) Date of Filing Application: **18 May 2006**  
(24) Date from which industrial property rights may have effect: **18 May 2006**  
(54) Product in respect of which the design is registered: **Cup lid**  
(51) International Design Classification: **09-07B**  
(71) Name(s) and Address(s) of Applicant(s):

**Seda S.P.A**  
**Corso Salvatore D'Amato 84 Arzano I-80022 Italy**

(72) Name(s) of Designer(s): **Gianfranco D'Amato**

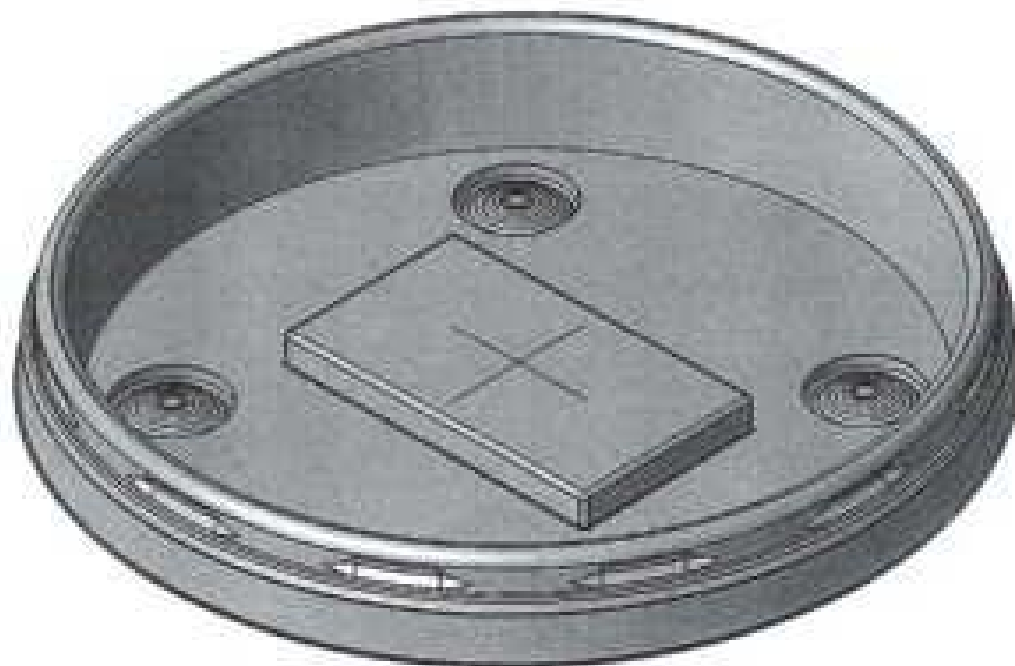
(45) Registration Date: **05 September 2006**

(30) Convention priority data:

(31) Number	(32) Date	(33) Country
<b>000 433 784</b>	<b>18 Nov 2005</b>	<b>EUROPEAN PATENT OFFICE (EP)</b>

(56) Related Art Documents: **Not Applicable**

(57) Statement of Newness and Distinctiveness: **Newness and distinctiveness in the design as applied to a cup lid reside in the shape and configuration thereof as illustrated in the accompanying representations.**



(21) Design Number: **12195/2006**  
(22) Date of Filing Application: **18 May 2006**  
(24) Date from which industrial property rights may have effect: **18 May 2006**  
(54) Product in respect of which the design is registered: **Cup lid**  
(51) International Design Classification: **09-07B**  
(71) Name(s) and Address(s) of Applicant(s):

**Seda S.P.A**  
**Corso Salvatore D'Amato 84 Arzano I-80022 Italy**

(72) Name(s) of Designer(s): **Gianfranco D'Amato**

(45) Registration Date: **05 September 2006**

(30) Convention priority data:

(31) Number	(32) Date	(33) Country
<b>000 433 784</b>	<b>18 Nov 2005</b>	<b>EUROPEAN PATENT OFFICE (EP)</b>

(56) Related Art Documents: **Not Applicable**

(57) Statement of Newness and Distinctiveness: **Newness and distinctiveness in the design as applied to a cup lid reside in the shape and configuration thereof as illustrated in the accompanying representations.**



(21) Design Number: **12196/2006**

(22) Date of Filing Application: **18 May 2006**

(24) Date from which industrial property rights may have effect: **18 May 2006**

(54) Product in respect of which the design is registered: **Cup lid**

(51) International Design Classification: **09-07B**

(71) Name(s) and Address(s) of Applicant(s):

**Seda S.P.A**

**Corso Salvatore D'Amato 84 Arzano I-80022 Italy**

(72) Name(s) of Designer(s): **Gianfranco D'Amato**

(45) Registration Date: **05 September 2006**

(30) Convention priority data:

(31) Number  
**000 433 784**

(32) Date  
**18 Nov 2005**

(33) Country  
**EUROPEAN PATENT OFFICE  
(EP)**

(56) Related Art Documents: **Not Applicable**

(57) Statement of Newness and Distinctiveness: **Newness and distinctiveness in the design as applied to a cup lid reside in the shape and configuration thereof as illustrated in the accompanying representations.**



(21) Design Number: **12267/2006**

(22) Date of Filing Application: **23 May 2006**

(24) Date from which industrial property rights may have effect: **23 May 2006**

(54) Product in respect of which the design is registered: **Work lamp**

(51) International Design Classification: **26-05B**

(71) Name(s) and Address(s) of Applicant(s):

**Hella Asia Pacific Pty Ltd**

**Southern Road Mentone Victoria 3194 Australia**

(72) Name(s) of Designer(s): **Urbain du Plessis**

(45) Registration Date: **05 September 2006**

(56) Related Art Documents: **Not Applicable**

(57) Statement of Newness and Distinctiveness: **The shape and configuration of the lamp as shown in the representations.**



(21) Design Number: **12430/2006**

(22) Date of Filing Application: **10 February 2006**

(24) Date from which industrial property rights may have effect: **10 February 2006**

(54) Product in respect of which the design is registered: **Glass tempering machine**

(51) International Design Classification: **15-99, 23-03NES**

(71) Name(s) and Address(s) of Applicant(s):

**Tamglass Ltd. Oy**

**Vehmaistenkatu 5 FI-33730 Tampere Finland**

(72) Name(s) of Designer(s): **Eero Jalkanen and Heikki Nurmi and Ari-Pekka Toivanen and Jaakko Saari**

(45) Registration Date: **05 September 2006**

(30) Convention priority data:

(31) Number

(32) Date

(33) Country

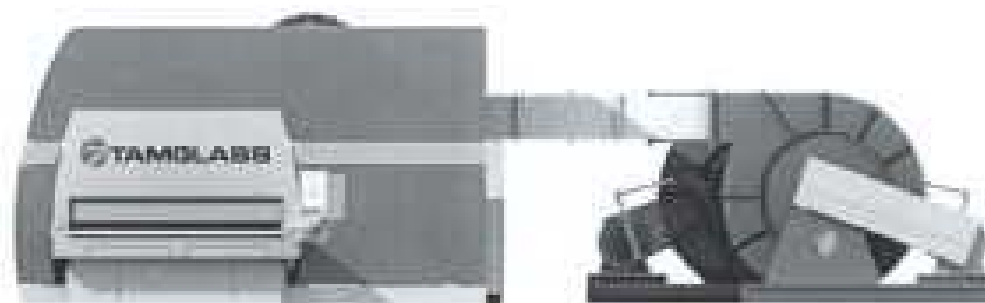
**000474929-0002 07 Feb 2006**

**EUROPEAN COMMUNITY**

(62) Divisional of: **307914**

(56) Related Art Documents: **Not Applicable**

(57) Statement of Newness and Distinctiveness: **Those features of the glass tempering machine depicted in the representations that are new and distinctive are the shape and/or configuration. The screen image and trade mark matter are not part of the design and are to be disregarded when considering the overall impression of the design.**



(21) Design Number: **12482/2006**

(22) Date of Filing Application: **08 June 2006**

(24) Date from which industrial property rights may have effect: **08 June 2006**

(54) Product in respect of which the design is registered: **Adiva sport jogger**

(51) International Design Classification: **12-12**

(71) Name(s) and Address(s) of Applicant(s):

**Love N Care Pty Ltd**

**297 Canterbury Road Revesby New South Wales 2212 Australia**

(72) Name(s) of Designer(s): **Talal Elcheikh**

(45) Registration Date: **05 September 2006**

(56) Related Art Documents: **Not Applicable**

(57) Statement of Newness and Distinctiveness: **The seat converts from a bassinet style to a stroller seat all in one with just a single clip. As per images**



- (21) Design Number: **12549/2006**  
(22) Date of Filing Application: **14 June 2006**  
(24) Date from which industrial property rights may have effect: **14 June 2006**  
(54) Product in respect of which the design is registered: **Exercise equipment**  
(51) International Design Classification: **21-02F**  
(71) Name(s) and Address(s) of Applicant(s):  
**Daniel Hackett**  
**11 High Street Epping New South Wales 2121 Australia**  
**Travis Donovan**  
**11 High Street Epping New South Wales 2121 Australia**  
(72) Name(s) of Designer(s): **Daniel Hackett and Travis Donovan**  
(45) Registration Date: **05 September 2006**  
(56) Related Art Documents: **Not Applicable**  
(57) Statement of Newness and Distinctiveness: **Nil**



- (21) Design Number: **12622/2006**  
(22) Date of Filing Application: **19 June 2006**  
(24) Date from which industrial property rights may have effect: **19 June 2006**  
(54) Product in respect of which the design is registered: **An engine operated generator**  
(51) International Design Classification: **13-01**  
(71) Name(s) and Address(s) of Applicant(s):  
**Honda Motor Co., Ltd.**  
**1-1 Minami-Aoyama 2-Chome Minato-Ku Tokyo Japan**  
(72) Name(s) of Designer(s): **Yuya Kato**  
(45) Registration Date: **05 September 2006**  
(30) Convention priority data:  

(31) Number	(32) Date	(33) Country
<b>2005-37910</b>	<b>26 Dec 2005</b>	<b>JAPAN</b>

  
(56) Related Art Documents: **Not Applicable**  
(57) Statement of Newness and Distinctiveness: **Newness and distinctiveness is claimed in the features of shape and/or configuration of the following parts of an engine operated generator as illustrated in the accompanying representations: 1. the control panel is located on one of the short sides; 2. the top cover has a line of slits comprising five groups of slits; 3. the fuel tank has a cap and ribs on its surface; 4. on the opposite side to the control panel are a fuel tank having a top portion and a trapezoidal bottom portion on its right side, and a round air cleaner on the lower side; 5. a frame having vertical parts with a bend in the front and rear elevation views, wherein the control panel is supported in the bends, showing a triangular side surface of the control panel; 6. the frame is sectioned into two parts by a central short pipe, and a mesh section is provided on the right side of the front elevation view.**



(21) Design Number: **12624/2006**

(22) Date of Filing Application: **20 June 2006**

(24) Date from which industrial property rights may have effect: **20 June 2006**

(54) Product in respect of which the design is registered: **Ice tea jug**

(51) International Design Classification: **07-01F**

(71) Name(s) and Address(s) of Applicant(s):

**Pi-Design AG**

**Kantonsstrasse 100 Postfach 463 CH-6234 Triengen Switzerland**

(72) Name(s) of Designer(s): **Jorgen Bodum**

(45) Registration Date: **05 September 2006**

(30) Convention priority data:

(31) Number

(32) Date

(33) Country

**DA 2006**

**09 Jan 2006**

**DENMARK**

**00006**

(56) Related Art Documents: **Not Applicable**

(57) Statement of Newness and Distinctiveness: **Nil.**



(21) Design Number: **12626/2006**

(22) Date of Filing Application: **19 June 2006**

(24) Date from which industrial property rights may have effect: **19 June 2006**

(54) Product in respect of which the design is registered: **Acoustic cladding**

(51) International Design Classification: **25-01D, 25-01G**

(71) Name(s) and Address(s) of Applicant(s):

**Decortech Limited**

**27 Bowden Road Mt Wellington Auckland New Zealand**

(72) Name(s) of Designer(s): **Willem Jacob Van Der Linden**

(45) Registration Date: **05 September 2006**

(30) Convention priority data:

(31) Number

(32) Date

(33) Country

**407156**

**27 Feb 2006**

**NEW ZEALAND**

(56) Related Art Documents: **Not Applicable**

(57) Statement of Newness and Distinctiveness: **Monopoly resides in the features of shape and configuration of the "Acoustic Cladding" as shown in the accompanying representations.**



(21) Design Number: **12790/2006**  
(22) Date of Filing Application: **29 June 2006**  
(24) Date from which industrial property rights may have effect: **29 June 2006**  
(54) Product in respect of which the design is registered: **Tray of chocolates with box**  
(51) International Design Classification: **09-03M**  
(71) Name(s) and Address(s) of Applicant(s):  
**Societe Des Produits Nestle S.A.**  
**1800 Vevey Switzerland**  
(72) Name(s) of Designer(s): **Jean Nouvel**  
(45) Registration Date: **05 September 2006**  
(30) Convention priority data:  
(31) Number      (32) Date      (33) Country  
**132516      09 Feb 2006      SWITZERLAND**  
(56) Related Art Documents: **Not Applicable**  
(57) Statement of Newness and Distinctiveness: **Nil**



(21) Design Number: **12791/2006**  
(22) Date of Filing Application: **29 June 2006**  
(24) Date from which industrial property rights may have effect: **29 June 2006**  
(54) Product in respect of which the design is registered: **Tray with chocolates**  
(51) International Design Classification: **09-03M**  
(71) Name(s) and Address(s) of Applicant(s):  
**Societe Des Produits Nestle S.A.**  
**PO Box 353 1800 Vevey Switzerland**  
(72) Name(s) of Designer(s): **Jean Nouvel**  
(45) Registration Date: **05 September 2006**  
(30) Convention priority data:  
(31) Number      (32) Date      (33) Country  
**132516      09 Feb 2006      SWITZERLAND**  
(56) Related Art Documents: **Not Applicable**  
(57) Statement of Newness and Distinctiveness: **Nil**





(21) Design Number: **12792/2006**  
(22) Date of Filing Application: **29 June 2006**  
(24) Date from which industrial property rights may have effect: **29 June 2006**  
(54) Product in respect of which the design is registered: **Tray**  
(51) International Design Classification: **09-03M**  
(71) Name(s) and Address(s) of Applicant(s):  
**Societe Des Produits Nestle S.A.**  
**PO Box 353 1800 Vevey Switzerland**  
(72) Name(s) of Designer(s): **Jean Nouvel**  
(45) Registration Date: **05 September 2006**  
(30) Convention priority data:  
(31) Number (32) Date (33) Country  
**132516 09 Feb 2006 SWITZERLAND**  
(56) Related Art Documents: **Not Applicable**  
(57) Statement of Newness and Distinctiveness: **Nil**



(21) Design Number: **12929/2006**  
(22) Date of Filing Application: **11 July 2006**  
(24) Date from which industrial property rights may have effect: **11 July 2006**  
(54) Product in respect of which the design is registered: **Tire**  
(51) International Design Classification: **12-15B**  
(71) Name(s) and Address(s) of Applicant(s):  
**Sumitomo Rubber Industries, Ltd.**  
**6-9 Wakinohama-cho 3-chome Chuo-ku Kobe-shi Hyogo Japan**  
(72) Name(s) of Designer(s): **Tomoyuki Mukai**  
(45) Registration Date: **05 September 2006**  
(30) Convention priority data:  
(31) Number (32) Date (33) Country  
**2006-009357 11 Apr 2006 JAPAN**  
(56) Related Art Documents: **Not Applicable**  
(57) Statement of Newness and Distinctiveness: **Those features of the tire depicted in the representations that are new and distinctive are the shape, configuration and pattern of the tread.**



(21) Design Number: **12954/2006**

(22) Date of Filing Application: **12 July 2006**

(24) Date from which industrial property rights may have effect: **12 July 2006**

(54) Product in respect of which the design is registered: **Coffee maker (BISTRO NEO)**

(51) International Design Classification: **07-02L**

(71) Name(s) and Address(s) of Applicant(s):

**Pi-Design AG**

**Kantonsstrasse 100 Postfach 463 CH-6234 Triengen Switzerland**

(72) Name(s) of Designer(s): **Jorgen Bodum**

(45) Registration Date: **05 September 2006**

(30) Convention priority data:

(31) Number

(32) Date

(33) Country

**DA 2006**

**16 Jan 2006**

**DENMARK**

**00015**

(56) Related Art Documents: **Not Applicable**

(57) Statement of Newness and Distinctiveness: **The following visual features of the design are new and distinctive: the shape of the handle incorporating three raised, rounded shapes along the inner surface of the vertical length of the handle; and the shape of the knob on the lid of the plunger.**



(21) Design Number: **12956/2006**

(22) Date of Filing Application: **12 July 2006**

(24) Date from which industrial property rights may have effect: **12 July 2006**

(54) Product in respect of which the design is registered: **A watch dial**

(51) International Design Classification: **10-07**

(71) Name(s) and Address(s) of Applicant(s):

**La Montre Hermes S.A.**

**Erlenstrasse 31A 2555 Brugg Switzerland**

(72) Name(s) of Designer(s): **Henri d'Origny**

(45) Registration Date: **05 September 2006**

(30) Convention priority data:

(31) Number

(32) Date

(33) Country

**DM/067675**

**20 Mar 2006**

**WORLD INTELLECTUAL  
PROPERTY ORGANIZATION  
(WIPO)**

(56) Related Art Documents: **Not Applicable**

(57) Statement of Newness and Distinctiveness: **Nil**

