



**Australian Government**

---

**IP Australia**

**AUSTRALIAN OFFICIAL JOURNAL**

**OF**

**DESIGNS**

Did you know a searchable version of this journal is now available online?  
It's FREE and EASY to SEARCH.

Find it at

<http://pericles.ipaustralia.gov.au/ols/epublish/content/olsEpublications.jsp>  
or using the "Online Journals" link on the IP Australia home page.

This Page Left Intentionally Blank

## Contents

### General Information & Notices

#### Proceedings Under the Designs Act 1906 preserved as a result of the provisions of Chapter 12 Part 2 of the Designs Act 2003

Application for Extension of Period of Registration .....	6760
Applications for Extension of Time .....	6761
Corrigenda .....	6762
Extension of Period of Registration of Designs .....	6760
Names Registered - Alterations and Amendments .....	6761
Registrations Ceased .....	6760
Subsequent Owners Registered .....	6761

#### Proceedings Under the Designs Act 2003

Applications Assigned .....	6772
Applications Lapsed .....	6771
Applications Lodged .....	6767
Applications Withdrawn .....	6771
Certificate of Examination .....	6774
Extension of Time Granted Under Section 137 .....	6772
Names Registered - Alterations and Amendments .....	6772
Publication and Registration Proceedings	
Designs Registered 310145 to 310439.....	6775
Registrations Ceased .....	6772
Subsequent Owners Registered .....	6772

This Page Left Intentionally Blank

## General Information

### EDITORIAL ENQUIRIES

All enquiries about official notices and general information in the Journal should be directed to IP Australia, (ABN No 38 113 072 755), PO Box 200 Woden ACT 2606

Or

Telephone 1300 651 010  
(International Callers +61 2 6283 2999 )  
Fax 02 6283 7999  
E-mail [assist@ipaustralia.gov.au](mailto:assist@ipaustralia.gov.au)

### CONTACT INFORMATION

Customer Service Network  
Telephone 1300 651 010 , Fax: 02 6283 7999  
E-mail: [assist@ipaustralia.gov.au](mailto:assist@ipaustralia.gov.au)

Customers can contact the Customer Service Network by telephone or by e-mail. Telephones are staffed between 9am and 5pm each working day.

Customers should contact the Customer Service Network for information about:

- All Patent Matters including PCT and Innovation Patents.
- All Trade Mark Matters.
- All Design Matters.

### Professional Standards Board for Patent and Trade Mark Attorneys.

Ph: 02 6283 2345 Fax: 02 6283 1048

### ORDERING PATENT DOCUMENTS

When ordering copies of Australian patent specifications, or abstracts and abridgments notified as open to public inspection on or after 26 October 1978, or as accepted on or after 16 November 1978, the documents should be referred to by application numbers only, preceded by letters AU-A or AU-B respectively.

### REQUESTS FOR INFORMATION UNDER SECTION 194 ( C )

A request for information under Section 194 ( C ) of the Patents Act 1990 should be made in the approved form and be accompanied by the prescribed fee. The request should be as detailed as possible.

### INFORMATION FROM REGISTERS

All requests for information from Register of Patents, Trade Marks or Designs, should be made in writing and accompanied by the prescribed fee. The Registers are located in Canberra and may be examined free of charge.

### COUNTRY CODES

For a listing of country codes used by IP Australia please refer to the Official Journals dated 7 November 1996.

### ABBREVIATIONS IN JOURNAL

Standard abbreviations are used in the name of companies and firms. Enquiries concerning the precise name should be directed to the Customer Service Network.

## FREEDOM OF INFORMATION ACT

What does it do?

- Gives you right to obtain information held by Commonwealth Ministers, Departments and most statutory bodies (these bodies are called agencies under the Act).
- Requires Commonwealth Government agencies to make available to members of the public:
  - Information about agencies, their functions and operations.
  - Information about rules and practices which are used in making decisions which affect you.
- Gives you a legal right to:
  - See non exempt documents held by agencies, and
  - appeal against a decision not to grant access to a document.

What documents can you see?

- The Act gives you a right to see documents lodged on or after 1 December 1977, or earlier if you need them to understand another document you have already.
- Documents include files, reports, computer printouts, maps, plans, photographs, tape recordings, films or videotapes.
- Documents which are available for purchase under the Patents Act 1990, the Trade Marks Act 1995 or Designs Act 2003 or Plant Breeder's Rights Act 1994 are not available under the Freedom of Information Act (Section 12 refers).

How do you apply?

Requests for access to documents must

- Be in writing
- Provide sufficient information so as to enable identification of the documents requested
- Specify an address in Australia where notices can be sent and
- Be accompanied by the application fee (currently \$30.00).

Requests for documents should be addressed to IP Australia, PO Box 200 Woden, ACT 2606, or Faxed to 02 6283 7999

## DECISIONS OF THE COMMISSIONER OF PATENTS AND REGISTRAR OF TRADE MARKS AND DESIGNS

- All decisions of the Commissioner and Registrars are available free of charge from AUSTLII's website

[www.austlii.edu.au](http://www.austlii.edu.au)

Copies of all written Patent and Design decisions are available (except if they would not be available under the provisions of the Freedom of Information legislation, e.g. if they would effectively disclose matter from documents that are not open to public inspection) on request for a cost of \$AU 25. They are also available for inspection in indexed volume series, dating from 1 January 1987, in the Office library, Canberra.

Copies of Trade Mark decisions may be accessed via IP Australia's website [www.ipaustralia.gov.au](http://www.ipaustralia.gov.au)

- Copies of the taped record of Patent and Design hearings are available (with the same exception as above) on request.
- When a written decision is issued the fact of the decision plus a brief head note will be published in the Official Notices section of the next available Patents, Trade Marks or Designs Journal.

## HEARINGS BEFORE THE COMMISSIONER OF PATENTS

Hearings before the Commissioner of Patents will usually be conducted at the Patent Office in Canberra and interstate hearing sessions are not provided. However, the Commissioner will conduct hearings outside of Canberra at a convenient time to all parties provided that the parties bear the travel costs of the hearing officer.

The various options for hearings are set out in the document "Options for Hearings" available on IP Australia's website at: [www.ipaustralia.gov.au/pdfs/patents/optionsforhearings.PDF](http://www.ipaustralia.gov.au/pdfs/patents/optionsforhearings.PDF)

## HEARINGS BEFORE THE REGISTRARS OF TRADE MARKS AND DESIGNS

Hearings before the Registrars of Trade Marks and Designs will be set down in Melbourne, Sydney, Adelaide, Perth and Brisbane during the periods indicated below.

### Designs and Trade Marks Hearings Sessions 2006

Melbourne	13 – 17 February 5 – 9 June 11 – 15 September
Sydney	13 – 17 March 17 – 21 July 16 – 20 October
Adelaide	14 – 15 August
Perth	17 – 18 August
Brisbane	24 – 25 August

Persons who desire matters to be set down for hearing in Melbourne, Sydney, Adelaide, Perth or Brisbane must give at least one month's notice of their intention to be heard. If such notice is not given, it may be that there would be insufficient time to allow for the execution of official procedures associated with the listing of hearings, and as a result, the matter involved might not be listed.

Subject to the convenience of this Office, hearings will be set down in Canberra at any time suitable to the parties.

## LIST OF STATE OFFICES

IP Australia State Offices are located in the Australian Capitals at the addresses given below. Requests for information may be obtained by calling at, phoning or writing to these offices or IP Australia, Canberra.

### Australian Capital Territory

Ground Floor  
Discovery House  
PHILLIP ACT 2606  
(PO Box 200, WODEN ACT 2606)  
Ph: 1300 651 010  
Fax: (02) 6283 7999

### New South Wales

Level 1  
45 Clarence Street  
SYDNEY NSW 2000  
Ph: 1300 651 010  
Fax: (02) 9249 5807

### Victoria

Level 6  
OCBC House  
565 Bourke Street  
MELBOURNE VIC 3000  
Ph: 1300 651 010  
Fax (03) 9612 9807

### Western Australia

2nd Floor  
East Point Plaza  
233 Adelaide Terrace  
PERTH WA 6000  
Ph: 1300 651 010  
Fax: (08) 9220 8907

### Queensland

Level 1  
Grant Thornton House  
102 Adelaide Street  
BRISBANE QLD 4000  
Ph: 1300 651 010  
Fax: (07) 3007 1107

### South Australia

Level 10  
Origin Energy House  
1 King William Street  
ADELAIDE SA 5000  
Ph: 1300 651 010  
Fax: (08) 8239 4507

### Tasmania

4th Floor  
AMP Building  
27 Elizabeth Street  
HOBART TAS 7000  
Ph: 1300 651 010  
Fax: (03) 6235 6307

# “INID” NUMBERS in use on Australian Design Documents

“INID” is an acronym for “Internationally agreed Numbers for the Identification of Data”.

## **(10) Data concerning the registration/renewal**

- (11) Serial number of the registration and/or number of the design document
- (12) Plain language designation of the kind of published document
- (19) Identification, using the two-letter code according to WIPO Standard ST.3, of the authority publishing or registering the industrial design

## **(20) Data concerning the application**

- (21) Serial number of the application
- (22) Date of filing of the application
- (24) Date from which the industrial design right has effect

## **(30) Data relating to priority under the Paris Convention**

- (31) Serial number assigned to the priority application
- (32) Date of filing of the priority application
- (33) Two-letter code, according to WIPO Standard ST.3, identifying the authority with which the priority application was made

## **(40) Date(s) of making information available to the public**

- (45) Date of publication of the registered industrial design by printing or similar process, or making it available to the public by any other means

## **(50) Miscellaneous Information**

- (51) International Classification for Industrial Designs (class and subclass of the Locarno Classification)
- (54) Designation of article(s) or product(s) covered by the industrial design or title of the industrial design
- (55) Reproduction of the industrial design (e.g., drawing, photograph) and explanations relating to the reproduction
- (56) List of prior art documents, if separate from descriptive text
- (57) Description of characteristic features of the industrial design including indication of colours

## **(60) References to other legally related application(s) and registration(s)**

- (62) Serial number(s) and, if available, filing date(s) of application(s), registration(s) or document(s) related by division
- (66) Serial number(s) of the application, or the registration, of the design(s) which is (are) a variant(s) of the present one

## **(70) Identification of parties concerned with the application or registration**

- (71) Name(s) and address(es) of the applicant(s)
- (72) Name(s) of the creator(s) if known to be such
- (74) Name(s) and address(es) of the representative(s)

This Page Left Intentionally Blank

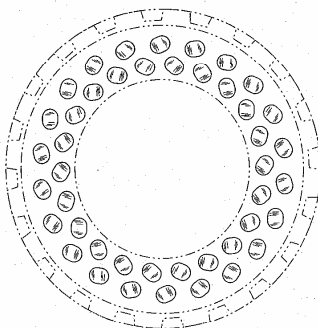


Official Notice

**Designs Act 2003**  
**Correction of Register**

The following corrections under Regulation 9.05 (1) have been made to details previously published in the Australian Official Journal of Designs:

<b>Registration Number</b>	<b>Amendment type</b>	<b>New details</b>
309364	Representations	Representations as below



Right side elevational view

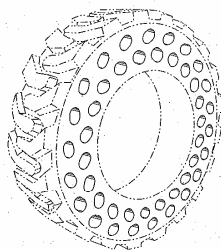
**Contact:** IP Australia  
**Phone:** 1300 651 010  
**Fax:** +61 2 6283 7999  
**E-Mail:** [assist@ipaustralia.gov.au](mailto:assist@ipaustralia.gov.au)  
**Web:** [www.ipaustralia.gov.au](http://www.ipaustralia.gov.au)

Official Notice

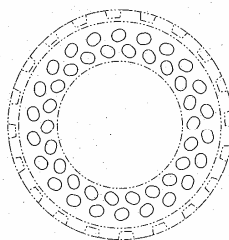
**Designs Act 2003**  
**Correction of Register**

The following corrections under Regulation 9.05 (1) have been made to details previously published in the Australian Official Journal of Designs:

<b>Registration Number</b>	<b>Amendment type</b>	<b>New details</b>
309347	Representations	Representations as below



Perspective view



Right side elevational view

**Contact:** IP Australia  
**Phone:** 1300 651 010  
**Fax:** +61 2 6283 7999  
**E-Mail:** [assist@ipaustralia.gov.au](mailto:assist@ipaustralia.gov.au)  
**Web:** [www.ipaustralia.gov.au](http://www.ipaustralia.gov.au)

**Proceedings under the Designs Act 1906 preserved as a  
result of the provisions of Chapter 12 Part 2 of the Designs  
Act 2003.**

This Page Left Intentionally Blank

**Applications Lapsed**

There were no Applications Lapsed under this section

**Application for Extension of Period of Registration**

Applications under Section 27A(2) for extension of registration of the following designs have been lodged. In the event that a design is shown to be not new or original, the Registrar may refuse to extend the period of registration. Sub-section 27A(4) allows any person to lodge at the Designs Office material relevant to the question whether the design is not new or original. That material must be lodged within 11 months of the date when the registration of the design was made. Further details of the conditions and procedures for the lodgement of material are contained in Form 8 provided under the Designs Regulation 24.

144781	145029	145074
145075	145245	145312
145313	145314	145405
145545	145777	146123
146179	146281	146572
147271	147279	147391
147801	148427	148487
148775	148810	148940
148941	148942	148980
149517	154373	

Registration Number	Registered Owner	Registration Date
158298	MASOUD ZARGHAMI	12/09/2005
158314	DORF CLARK INDUSTRIES LIMITED	27/09/2005
158334	MORODAY PRODUCTS PTY LTD	10/10/2005
158339	INTRALUX AUSTRALIA PTY LTD	11/10/2005
158363	ONE WORLD TECHNOLOGIES LIMITED	24/10/2005
158364	MORODAY PRODUCTS PTY LTD	24/10/2005
158444	SPECIALISED SALES & MARKETING LTD	06/12/2005
158474	MASS TECHNOLOGY (H.K.) LIMITED	18/01/2006
158525	ONE WORLD TECHNOLOGIES LIMITED	21/03/2006
158561	JEREMY NAPIER	11/04/2006

**3rd Period (Section 27A(13))**

125556	126623	126624
126729	126812	126813
126845	126860	126945
126965	127019	127020
127218	127333	127889
128040	128294	128430
128497	128571	128979
129056	129148	129610
129826	129837	130001
130002	131343	131344
131345	131346	131838
133535	145545	

**Registrations Ceased**

Note: Some of the following Registrations may have been previously advertised as ceased. In this instance, the previous advertisement still prevails.

109852	110653	110654
110655	110656	110657
110717	110718	110765
110781	110807	110837
110839	110840	110949
110950	110951	110952
110953	110954	110979
110980	111386	111387
111917	112025	112161
123253	124946	124947
125048	125064	125074
125090	125193	125194
125195	125210	125430
125504	125622	125869
126048	126106	126955
126983	127078	127227
127228	127274	127746
129007	129141	132544
136618	140302	140304
140305	140306	140507
140684	141643	141680
141737	141738	141739
141756	141757	141758
141813	141929	141930
142062	142087	142131
142217	142337	142705
142719	142808	143305

**Extension of Period of Registration of Designs**

**1st Period (Section 27A(8))**

158298	158301	158303
158304	158305	158306
158307	158308	158309
158310	158311	158312
158314	158322	158323
158324	158325	158326
158327		

**2nd Period (Section 27A(12))**

141729	142368	142630
142647	142650	142796
142797	142813	142814
142815	142817	142818
142819	143638	143664
143828	143863	143952
143987	143988	144070
144103	144104	144105
144167	144168	144333
144334	144338	144344
144376	144380	144413
144429	144660	144668
144670	144677	144763

143340	143706	144194		& Co. KGaA
144195	144737	144738	148604	( Rosalea Marsic ) Rosalia Theresa Marsic
144739	144740	144741	147636	( Rosalea Marsic ) Rosalia Theresa Marsic
144911	144912	144913	147635	( Rosalea Marsic ) Rosalia Theresa Marsic
144914	144962	144963		
145117	145166	145282		
145283	145474	145647		
146486	147006	158295		

**Applications for Extension of time**

Applications for extension of time have been lodged.  
Objections must be lodged within 1 month from the date of this journal.

157948 **Showa Co.** Extension of time to extend a registration.  
Address for Service: Davies Collison Cave Level 15 1 Nicholson Street MELBOURNE VIC 3000

157774 **Pratley Investments (Proprietary) Limited** Extension of time to extend a registration. Address for Service: Davies Collison Cave Level 15 1 Nicholson Street MELBOURNE VIC 3000

**Subsequent Owners Registered**

(The name in parentheses is that of the subsequent owner)

128168	( <b>Aperio Group (New Zealand) Limited</b> ) Borden (NZ) Limited
128740	( <b>Aperio Group (New Zealand) Limited</b> ) Borden (NZ) Limited
133888	( <b>Aperio Group (New Zealand) Limited</b> ) AEP Industries (NZ) Limited
155351	( <b>Mohamed Ismail Cajee</b> ) John Thomas Raymond Blinco

**Names Registered - Alterations and Amendments**

(The name in parentheses is the new name of the proprietor)

151003	( <b>Advanced Surgical Design &amp; Manufacture Limited</b> ) Australian Surgical Design & Manufacture Pty Ltd
158273	( <b>Senator GmbH &amp; Co. KGaA</b> ) Merz & Krell GmbH & Co. KGaA
156332	( <b>Merz &amp; Krell GmbH &amp; Co. KGaA</b> ) Merz & Krell GmbH & Co. KGaA
158303	( <b>Senator GmbH &amp; Co. KGaA</b> ) Merz & Krell GmbH & Co. KGaA
153180	( <b>Senator GmbH &amp; Co. KGaA</b> ) Merz & Krell GmbH & Co. KGaA
157791	( <b>Senator GmbH &amp; Co. KGaA</b> ) Merz & Krell GmbH & Co. KGaA
156734	( <b>Senator GmbH &amp; Co. KGaA</b> ) Merz & Krell GmbH & Co. KGaA
157910	( <b>Senator GmbH &amp; Co. KGaA</b> ) Merz & Krell GmbH & Co. KGaA
157930	( <b>Senator GmbH &amp; Co. KGaA</b> ) Merz & Krell GmbH & Co. KGaA
156409	( <b>Senator GmbH &amp; Co. KGaA</b> ) Merz & Krell GmbH & Co. KGaA
153749	( <b>Merz &amp; Krell GmbH &amp; Co. KGaA</b> ) Merz & Krell GmbH

**Corrigenda**

Number

In Vol 20 , No 20 , page 6432 under the heading **Application for Extension of Period of Design** No. 147297 should be deleted.



This Page Left Intentionally Blank



**Proceedings under the Designs Act 2003.**

This Page Left Intentionally Blank

**Applications Lodged**

Lodgement information is in the following order: **Applicant's Name**; International Classification, Name of Product, Lodgement Date and **Design Number**. If the applicant claims an earlier priority date under an International Convention, the Convention Country and the associated filing date are shown in parentheses before the Lodgement Date. Divisional information will also appear in parentheses before the Lodgement Date.

<b>Acco Australia Pty Ltd;</b> 19-04, Folder with cover holder, 20 Sep 2006	<b>14201/2006</b>	<b>Buitendach, Johan Nicolaas;</b> 23-02C, Bumbo toilet trainer, (ZA, 17 Jul 2006) 20 Sep 2006	<b>14227/2006</b>
<b>Acco Australia Pty Ltd;</b> 19-04, A convention or business card holder, 18 Sep 2006	<b>14178/2006</b>	<b>Cablestik Pty Ltd;</b> 08-08NES, Stand, 22 Sep 2006	<b>14244/2006</b>
<b>Agro Air-Volution;</b> 12-16NES, Manifold, 19 Sep 2006	<b>14177/2006</b>	<b>Cablestik Pty Ltd;</b> 08-08NES, Support for reel, 22 Sep 2006	<b>14245/2006</b>
<b>Aluminium Specialities Group Pty Ltd;</b> 25-01K, An extrusion, 22 Sep 2006	<b>14249/2006</b>	<b>Cablestik Pty Ltd;</b> 12-16L, Attachment housing for tow ball, 22 Sep 2006	<b>14246/2006</b>
<b>Aluminium Specialities Group Pty Ltd;</b> 25-01K, 25-02H, Captive glazing pocket, 25 Sep 2006	<b>14292/2006</b>	<b>Coca-Cola Company, The;</b> 09-01NES, Bottle, 24 Apr 2006	<b>14141/2006</b>
<b>Amcor Limited;</b> 09-03K, Stackable tray and blank therefor, 25 Sep 2006	<b>14297/2006</b>	<b>Collymore, Mark Nicholas;</b> 23-01F, Rain water tanks, 21 Sep 2006	<b>14224/2006</b>
<b>Amcor Limited;</b> 09-03M, Packaging sleeve, (Divisional of 10510/2006) 27 Sep 2006	<b>14342/2006</b>	<b>Crown Equipment Corporation;</b> 12-05, Stand-up counterbalance lift truck, (US, 11 Apr 2006) 28 Sep 2006	<b>14381/2006</b>
<b>Ascent Building Solutions Pty Ltd; Hinkley, Wayne;</b> 23-01F, A Tank, 15 Sep 2006	<b>14147/2006</b>	<b>Cyberscan Technology, Inc.;</b> 21-03, Gaming machine, (US, 29 Mar 2006) 21 Sep 2006	<b>14231/2006</b>
<b>Australian Grocery Solutions Pty Ltd;</b> 07-06C, Stackable spice container with flip top screw on cap, 20 Sep 2006	<b>14222/2006</b>	<b>Daikin Industries Ltd.;</b> 23-04, Air conditioner, (JP, 08 Aug 2006) 29 Sep 2006	<b>14387/2006</b>
<b>Avon Products Inc.;</b> 09-01NES, Containers, (US, 11 May 2006) 25 Sep 2006	<b>14299/2006</b>	<b>Davis, Karen;</b> 07-01NES, Food storage caddy, 27 Sep 2006	<b>14312/2006</b>
<b>B &amp; S Plastics Inc.;</b> 25-03, 23-02B, Spa/pool fixture, (US, 25 May 2006) 25 Sep 2006	<b>14294/2006</b>	<b>Davis, Karen;</b> 07-01NES, Food storage caddy, 27 Sep 2006	<b>14313/2006</b>
<b>B &amp; S Plastics Inc.;</b> 23-02B, 25-03, Spa/pool fixture, (US, 25 May 2006) 25 Sep 2006	<b>14295/2006</b>	<b>Dianti Nominees Pty Ltd;</b> 02-02C, Work shirts, overalls,, 21 Sep 2006	<b>14223/2006</b>
<b>B &amp; S Plastics Inc.;</b> 23-02B, 25-03, Spa/pool fixture, (US, 25 May 2006) 25 Sep 2006	<b>14296/2006</b>	<b>Dioptics Medical Products, Inc.;</b> 16-06, Eyewear, (US, 24 Mar 2006) 22 Sep 2006	<b>14260/2006</b>
<b>Black &amp; Decker Inc.;</b> 08-05N, A Scrubber, (US, 22 Mar 2006) 19 Sep 2006	<b>14140/2006</b>	<b>Dioptics Medical Products, Inc.;</b> 16-06, Eyewear, (US, 24 Mar 2006) 22 Sep 2006	<b>14261/2006</b>
<b>Black &amp; Decker Inc.;</b> 15-05, A brush and roller cleaner, (US, 22 Mar 2006) 19 Sep 2006	<b>14191/2006</b>	<b>Dioptics Medical Products, Inc.;</b> 16-06, Eyewear, (US, 24 Mar 2006) 22 Sep 2006	<b>14262/2006</b>
<b>Braun GmbH;</b> 28-03A, Cleaning device for an electric shaver, (DE, 29 Mar 2006) 22 Sep 2006	<b>14240/2006</b>	<b>Dioptics Medical Products, Inc.;</b> 16-06, Eyewear, (US, 24 Mar 2006) 22 Sep 2006	<b>14263/2006</b>
<b>Braun GmbH;</b> 28-03A, Electric shaver, (DE, 29 Mar 2006) 22 Sep 2006	<b>14241/2006</b>	<b>Director of Public Transport;</b> 20-02E, 21-02NES, Information display unit, 17 Feb 2006	<b>14190/2006</b>
<b>Buitendach, Johan Nicolaas;</b> 06-03NES, Bumbo tray, (ZA, 17 Jul 2006) 20 Sep 2006	<b>14226/2006</b>	<b>Director of Public Transport;</b> 20-02E, 21-02NES, Information display unit, 17 Feb 2006	<b>14233/2006</b>
		<b>DMC International Pty Limited;</b> 21-02D, Surf craft, 27 Sep 2006	<b>14343/2006</b>
		<b>Electrolux Home Products Pty Limited;</b> 07-02B, 07-02C, A cooking appliance, 21 Sep 2006	<b>14232/2006</b>

<b>Epicentre Trading Pty Ltd;</b> 02-03, Whisper cap decoration only, 25 Sep 2006	<b>14284/2006</b>	<b>Honda Motor Co., Ltd;</b> 12-11, Motorcycle, (JP, 23 Mar 2006) 22 Sep 2006	<b>14248/2006</b>
<b>Epicentre Trading Pty Ltd;</b> 02-03, Slipstream cap decoration only, 28 Sep 2006	<b>14345/2006</b>	<b>Housewares International Limited;</b> 07-04, Spoon, 25 Sep 2006	<b>14258/2006</b>
<b>Filleul, Maurice Lyndon;</b> 02-03, Helmet, (NZ, 12 Jul 2006) 22 Sep 2006	<b>14269/2006</b>	<b>Housewares International Limited;</b> 07-04, Spatula, 25 Sep 2006	<b>14251/2006</b>
<b>Freelance Corporate Promotions;</b> 07-01C, Insulating beverage container, 18 Sep 2006	<b>14179/2006</b>	<b>Housewares International Limited;</b> 07-04, Whisk, 25 Sep 2006	<b>14252/2006</b>
<b>Giannarelli Holdings Pty Ltd;</b> 25-02B, "Window or door frame extrusion", 26 Sep 2006	<b>14317/2006</b>	<b>Housewares International Limited;</b> 07-04, Tongs, 25 Sep 2006	<b>14253/2006</b>
<b>Giannarelli Holdings Pty Ltd;</b> 25-02H, "Weather shield for a window or door frame", 26 Sep 2006	<b>14319/2006</b>	<b>Housewares International Limited;</b> 07-04, Straining ladle, 25 Sep 2006	<b>14254/2006</b>
<b>Giannarelli Holdings Pty Ltd;</b> 25-02B, "Window or door frame extrusion", 26 Sep 2006	<b>14320/2006</b>	<b>Housewares International Limited;</b> 07-04, Ladle, 25 Sep 2006	<b>14255/2006</b>
<b>Giannarelli Holdings Pty Ltd;</b> 25-02B, "Window or door frame extrusion", 26 Sep 2006	<b>14318/2006</b>	<b>Housewares International Limited;</b> 07-04, Spaghetti server, 25 Sep 2006	<b>14256/2006</b>
<b>Gillette Company, The;</b> 28-03NES, Cosmetic container, (US, 22 Mar 2006) 20 Sep 2006	<b>14199/2006</b>	<b>Housewares International Limited;</b> 07-04, Spoon with drainer, 25 Sep 2006	<b>14257/2006</b>
<b>Gillette Company, The;</b> 04-02, Toothbrush head, (DE, 08 Jul 2005) (Divisional of 10026/2006) 05 Jan 2006	<b>14229/2006</b>	<b>Housewares International Limited;</b> 07-04, Masher, 25 Sep 2006	<b>14250/2006</b>
<b>Global Rotomoulding;</b> 30-03, Stock trough - small, 22 Sep 2006	<b>14271/2006</b>	<b>Housewares International Ltd;</b> 07-02K, Kettle, 14 Sep 2006	<b>14109/2006</b>
<b>Global Rotomoulding;</b> 30-03, Stock trough - large, 22 Sep 2006	<b>14273/2006</b>	<b>Island Block &amp; Paving Pty Ltd;</b> 25-01A, Wall block, 19 Sep 2006	<b>14192/2006</b>
<b>Global Rotomoulding;</b> 30-03, Stock trough - medium, 22 Sep 2006	<b>14272/2006</b>	<b>Isuzu Motors Limited;</b> 26-06, Projector head lamp for a truck, 25 Sep 2006	<b>14293/2006</b>
<b>Global Rotomoulding;</b> 23-01F, 1000lt water tank, 22 Sep 2006	<b>14274/2006</b>	<b>Iveco S.p.A.;</b> 12-08, External style of industrial or commercial vehicle, (EM, 18 Apr 2006) 29 Sep 2006	<b>14385/2006</b>
<b>Global Rotomoulding;</b> 23-01F, 2000lt water tank, 22 Sep 2006	<b>14275/2006</b>	<b>Jackson Industries Pty Limited;</b> 26-05NES, A light, 19 Sep 2006	<b>14198/2006</b>
<b>Global Rotomoulding;</b> 23-01F, 3000lt water tank, 22 Sep 2006	<b>14276/2006</b>	<b>Japana Co, Ltd;</b> 02-07B, Golf shoe spike, (JP, 31 Mar 2006) 29 Sep 2006	<b>14384/2006</b>
<b>Gorbel, Inc.;</b> 12-05, Actuator for a lifting device, (US, 24 Mar 2006) 22 Sep 2006	<b>14238/2006</b>	<b>Jets Swimwear Pty Ltd;</b> 02-02A, Swimwear and outerwear, 11 Apr 2006	<b>14278/2006</b>
<b>Gorbel, Inc.;</b> 12-05, Handle for a lifting device, (US, 24 Mar 2006) 22 Sep 2006	<b>14239/2006</b>	<b>Kabushiki Kaisha Toshiba;</b> 14-02, Recording medium, (JP, 27 Jun 2006) 29 Sep 2006	<b>14388/2006</b>
<b>GM Global Technology Operations, Inc;</b> 12-16B, A left-side and right-side vehicle rear quarter panel end cap, 20 Sep 2006	<b>14225/2006</b>	<b>Kabushiki Kaisha Toyota Jidoshokki;</b> 12-05, Forklift truck, (JP, 31 Mar 2006) 29 Sep 2006	<b>14389/2006</b>
<b>GM Global Technology Operations, Inc;</b> 12-16E, A left-side and a right-side vehicle lamp assembly, 20 Sep 2006	<b>14221/2006</b>	<b>Kabushiki Kaisha Toyota Jidoshokki;</b> 12-05, Forklift truck, (JP, 31 Mar 2006) 29 Sep 2006	<b>14390/2006</b>
<b>Hinkley, Wayne; Ascent Building Solutions Pty Ltd;</b> 23-01F, A Tank, 15 Sep 2006	<b>14147/2006</b>	<b>Kabushiki Kaisha Toyota Jidoshokki;</b> 12-16C, Head guard for working vehicles, (JP, 31 Mar 2006) 29 Sep 2006	<b>14391/2006</b>
		<b>Kabushiki Kaisha Toyota Jidoshokki;</b> 12-05, Forklift truck, (JP, 31 Mar 2006) 29 Sep 2006	<b>14392/2006</b>
		<b>Kabushiki Kaisha Toyota Jidoshokki;</b> 12-16C, Head guard for working vehicles, (JP, 31 Mar 2006) 29 Sep 2006	<b>14393/2006</b>

<b>Kabushiki Kaisha Toyota Jidoshokki;</b> 12-16NES, Instrument panel for working vehicles, (JP, 31 Mar 2006) 29 Sep 2006	<b>14394/2006</b>	<b>Nogueira, Luis Rafael Marane;</b> 02-04NES, Australian Sandals - Jeans layout, 13 Sep 2006	<b>14108/2006</b>
<b>Kabushiki Kaisha Toyota Jidoshokki;</b> 12-05, Forklift truck, (JP, 31 Mar 2006) 29 Sep 2006	<b>14395/2006</b>	<b>Nokia Corporation;</b> 03-01NES, Front cover for a handset, (FI, 30 Mar 2006) 27 Sep 2006	<b>14340/2006</b>
<b>Karsten Manufacturing Corporation;</b> 21-02C, Golf iron head, (US, 30 Mar 2006) 19 Sep 2006	<b>14196/2006</b>	<b>Nokia Corporation;</b> 14-03E, A handset, (FI, 03 Apr 2006) 28 Sep 2006	<b>14382/2006</b>
<b>Karsten Manufacturing Corporation;</b> 21-02C, Golf iron head, (US, 30 Mar 2006) 19 Sep 2006	<b>14197/2006</b>	<b>Nokia Corporation;</b> 14-03E, A handset, (FI, 03 Apr 2006) 28 Sep 2006	<b>14383/2006</b>
<b>Karsten Manufacturing Corporation;</b> 21-02C, Golf driver head, (US, 17 Mar 2006) 13 Sep 2006	<b>14111/2006</b>	<b>Nokia Corporation;</b> 13-02, A charger, (FI, 03 Apr 2006) 29 Sep 2006	<b>14386/2006</b>
<b>Kohler Co.;</b> 23-01H, Faucet, (US, 30 Mar 2006) 26 Sep 2006	<b>14304/2006</b>	<b>Nokia Corporation;</b> 03-01NES, A handset, (FI, 30 Mar 2006) 27 Sep 2006	<b>14341/2006</b>
<b>Kohler Co.;</b> 23-01H, Faucet, (US, 30 Mar 2006) 26 Sep 2006	<b>14305/2006</b>	<b>Oakley, Inc.;</b> 16-06, Eyewear frame arms, 22 Sep 2006	<b>14264/2006</b>
<b>Kyocera Mita Corporation;</b> 14-02, Toner cartridge, (JP, 27 Mar 2006) 20 Sep 2006	<b>14218/2006</b>	<b>Oakley, Inc.;</b> 16-06, Eyewear, 22 Sep 2006	<b>14265/2006</b>
<b>La Montre Hermes S.A.;</b> 10-02, A watch, (WO, 20 Mar 2006) 14 Sep 2006	<b>14130/2006</b>	<b>Oakley, Inc.;</b> 16-06, Eyewear frame, 22 Sep 2006	<b>14266/2006</b>
<b>La Montre Hermes S.A.;</b> 10-07, A watch dial, (WO, 20 Mar 2006) 14 Sep 2006	<b>14131/2006</b>	<b>Otsuka Pharmaceutical Factory, Inc.;</b> 09-05, Infusion solution bag, (JP, 31 Mar 2006) 29 Sep 2006	<b>14396/2006</b>
<b>Louver-Lite Limited;</b> 08-08H, Window blind headrail, 22 Sep 2006	<b>14268/2006</b>	<b>Pancer, Karel;</b> 15-03A, Universal herbicide weed applicator, 22 Sep 2006	<b>14237/2006</b>
<b>Lucas, Brad; Tretiach, Natasha;</b> 26-05D, Fantasma del barocco acrylic chandelier (uno), 18 Sep 2006	<b>14183/2006</b>	<b>Parfums Christian Dior;</b> 28-02, Lipstick case, (EM, 10 Apr 2006) 25 Sep 2006	<b>14298/2006</b>
<b>Lucas, Brad; Tretiach, Natasha;</b> 26-05D, Fantasma del barocco acrylic chandelier (due), 18 Sep 2006	<b>14184/2006</b>	<b>Pe'eri, Gil;</b> 23-01NES, Cover set for drainage openings, 20 Sep 2006	<b>14202/2006</b>
<b>Mass Technology (H.K.) Ltd;</b> 26-05A, Fluorescent lamp, (CN, 24 Mar 2006) 22 Sep 2006	<b>14247/2006</b>	<b>Pentel Kabushiki Kaisha;</b> 19-06, Marking pen, (JP, 18 Apr 2006) 21 Sep 2006	<b>14236/2006</b>
<b>Maxtor Corporation;</b> 14-02, External storage device, (US, 14 Oct 2005) 22 Sep 2006	<b>14267/2006</b>	<b>Pi-Design AG;</b> 07-01G, Teapot(2) - jesper, (DK, 20 Mar 2006) 19 Sep 2006	<b>14180/2006</b>
<b>Metalicus Australia;</b> 02-02C, Wool, cottonbods and bodyhigh, 25 Aug 2006	<b>13819/2006</b>	<b>Pi-Design AG;</b> 07-01G, Teapot(2) - Bean, (DK, 20 Mar 2006) 19 Sep 2006	<b>14181/2006</b>
<b>Mihalic, Marijan Stephen;</b> 13-03NES, Electricity supply monitoring and switching device, 29 Sep 2006	<b>14397/2006</b>	<b>Prime Global Brands Ltd.;</b> 25-01K, "Sash window extrusion with upstand", 29 Sep 2006	<b>14350/2006</b>
<b>Mink Pink Fashion Group Pty Ltd;</b> 02-02C, Clothing, 27 Sep 2006	<b>14314/2006</b>	<b>Prime Global Brands Ltd.;</b> 25-01K, "Sash window extrusion with lip", 29 Sep 2006	<b>14351/2006</b>
<b>Mirae Industrial Systems Co., Ltd.;</b> 10-03, An automatic parking ticket dispenser and calculator, (KR, 21 Mar 2006) 20 Sep 2006	<b>14219/2006</b>	<b>Prime Global Brands Ltd.;</b> 25-01K, "Sliding window extrusion with insulating bridges", 29 Sep 2006	<b>14352/2006</b>
<b>Mould Haulage Pty Ltd;</b> 12-10, Trailer Protector, 25 Sep 2006	<b>14259/2006</b>	<b>Prime Global Brands Ltd.;</b> 25-01K, "Flywire screen extrusion", 29 Sep 2006	<b>14353/2006</b>

<b>Prime Global Brands Ltd.;</b> 25-01K, "Flywire screen sill extrusion", 29 Sep 2006	<b>14354/2006</b>	<b>Rhodes, Keith Andrew; Roberts, Kevin;</b> 12-02, Barrow, 25 Sep 2006	<b>14301/2006</b>
<b>Prime Global Brands Ltd.;</b> 25-01K, "Sash window extrusion with front flange", 29 Sep 2006	<b>14355/2006</b>	<b>Riviera Marine (Int) Pty Ltd;</b> 12-06NES, A boat accessory, 20 Sep 2006	<b>14213/2006</b>
<b>Prime Global Brands Ltd.;</b> 25-01K, "sash window extrusion with hook projection", 29 Sep 2006	<b>14356/2006</b>	<b>Riviera Marine (Int) Pty Ltd;</b> 12-06NES, A boat accessory, 20 Sep 2006	<b>14214/2006</b>
<b>Prime Global Brands Ltd.;</b> 25-01K, "Sliding window extrusion with stepped flange", 29 Sep 2006	<b>14357/2006</b>	<b>Robert Bosch GmbH;</b> 13-02, Battery charger, (EM, 22 May 2006) 27 Sep 2006	<b>14333/2006</b>
<b>Prime Global Brands Ltd.;</b> 25-01K, "Sliding window extrusion with groove", 29 Sep 2006	<b>14358/2006</b>	<b>Robert Bosch GmbH;</b> 08-01, Cordless drill, (EM, 25 May 2006) 27 Sep 2006	<b>14334/2006</b>
<b>Prime Global Brands Ltd.;</b> 25-01K, "Extrusion with twin ribs and insulating bridges", 29 Sep 2006	<b>14359/2006</b>	<b>Robert Bosch GmbH;</b> 08-01, Cordless drill, (EM, 25 May 2006) 27 Sep 2006	<b>14335/2006</b>
<b>Prime Global Brands Ltd.;</b> 25-01K, "Window extrusion with single bridging insulator", 29 Sep 2006	<b>14360/2006</b>	<b>Robert Bosch GmbH;</b> 13-02, Battery charger, (EM, 22 May 2006) 27 Sep 2006	<b>14336/2006</b>
<b>Prime Global Brands Ltd.;</b> 25-01K, "Extrusion with twin box core", 29 Sep 2006	<b>14361/2006</b>	<b>Robert Bosch GmbH;</b> 08-01, Cordless-drill, (EM, 22 May 2006) 27 Sep 2006	<b>14337/2006</b>
<b>Prime Global Brands Ltd.;</b> 25-01K, "Window extrusion with twin grooves", 29 Sep 2006	<b>14362/2006</b>	<b>Robert Bosch GmbH;</b> 08-03, Cutting disk, (EM, 25 May 2006) 27 Sep 2006	<b>14338/2006</b>
<b>Pyner, Nicolas;</b> 23-01B, 23-01NES, Grey water heat exchanger for showers, 28 Sep 2006	<b>14407/2006</b>	<b>Robert Bosch GmbH;</b> 08-03, Cutting disk, (EM, 25 May 2006) 27 Sep 2006	<b>14339/2006</b>
<b>Quick, Leonie;</b> 02-04C, Leggings (also called 'gaiters' or chapetts') used for equestrian activities, 28 Sep 2006	<b>14344/2006</b>	<b>Roberts, Kevin; Rhodes, Keith Andrew;</b> 12-02, Barrow, 25 Sep 2006	<b>14301/2006</b>
<b>Rambor Pty Limited;</b> 25-02NES, A cable bolting rig, 14 Sep 2006	<b>14124/2006</b>	<b>Roberts, Kevin; Rhodes, Keith Andrew;</b> 12-02, Barrow, 25 Sep 2006	<b>14302/2006</b>
<b>Rapala VMC Oyj;</b> 22-05, Fishing Tackle, (EM, 10 Jul 2006) 26 Sep 2006	<b>14307/2006</b>	<b>Rowe, Jonathon Richard;</b> 06-01C, 06-03A, Outdoor furniture, 19 Sep 2006	<b>14182/2006</b>
<b>Rapala VMC Oyj;</b> 22-05, Fishing Tackle, (EM, 10 Jul 2006) 26 Sep 2006	<b>14308/2006</b>	<b>Sands Innovations Pty Ltd;</b> 07-03, Utensil, 21 Sep 2006	<b>14234/2006</b>
<b>Rapala VMC Oyj;</b> 22-05, Fishing Tackle, (EM, 10 Jul 2006) 26 Sep 2006	<b>14309/2006</b>	<b>Sands Innovations Pty Ltd;</b> 07-03, Utensil, 21 Sep 2006	<b>14235/2006</b>
<b>Rapala VMC Oyj;</b> 22-05, Fishing Tackle, (EM, 10 Jul 2006) 26 Sep 2006	<b>14310/2006</b>	<b>Scanlan &amp; Theodore Pty Ltd;</b> 02-02C, 02-02NES, A lady's garment, 22 Sep 2006	<b>14270/2006</b>
<b>Rapala VMC Oyj;</b> 22-05, Fishing Tackle, (EM, 10 Jul 2006) 26 Sep 2006	<b>14311/2006</b>	<b>Sharpe, Brendan;</b> 06-07, Magnetic photo frame with clip-on magnetic stand, 29 Sep 2006	<b>14400/2006</b>
<b>Reckitt Benckiser Inc.;</b> 24-01, Cageless lavatory dispensing device, (US, 22 Mar 2006) 15 Sep 2006	<b>14170/2006</b>	<b>Smartech Italia S.p.A.;</b> 07-02E, Cooking appliance, 19 Sep 2006	<b>14193/2006</b>
<b>Reuven Oziel Nominees Pty Ltd;</b> 06-01H, Outdoor furniture, 21 Sep 2006	<b>14230/2006</b>	<b>Sony Computer Entertainment Inc.;</b> 14-02, Controller for an arithmetic and control unit, (JP, 08 May 2006) 28 Sep 2006	<b>14363/2006</b>
<b>Rhodes, Keith Andrew; Roberts, Kevin;</b> 12-02, Barrow, 25 Sep 2006	<b>14302/2006</b>	<b>Sony Computer Entertainment Inc.;</b> 14-02, Arithmetic and control unit, (JP, 08 May 2006) 28 Sep 2006	<b>14364/2006</b>
		<b>Sony Computer Entertainment Inc.;</b> 09-03L, Case for an electronic device, (JP, 08 May 2006) 28 Sep 2006	<b>14365/2006</b>
		<b>Sony Computer Entertainment Inc.;</b> 09-03L, Case for an electronic device, (JP, 08 May 2006) 28 Sep 2006	<b>14366/2006</b>



<b>Sony Computer Entertainment Inc.;</b> 09-03L, Case for an electronic device, (JP, 08 May 2006) 28 Sep 2006	<b>14367/2006</b>	<b>Viking Corporation, The;</b> 23-01D, Flow shaper for a sprinkler body, (US, 30 Mar 2006) 28 Sep 2006	<b>14370/2006</b>
<b>Sony Computer Entertainment Inc.;</b> 03-01C, Case for a storage medium, (JP, 08 May 2006) 28 Sep 2006	<b>14368/2006</b>	<b>Viking Corporation, The;</b> 23-01D, Sprinkler body, (US, 30 Mar 2006) 28 Sep 2006	<b>14371/2006</b>
<b>Stoddart, Ronald Norman;</b> 25-01E, Star picket anchor, 15 Sep 2006	<b>14128/2006</b>	<b>Viking Corporation, The;</b> 23-01D, Sprinkler body, (US, 30 Mar 2006) 28 Sep 2006	<b>14372/2006</b>
<b>SHOO STICKS Pty Limited;</b> 03-01NES, Shoe accessory container, 14 Sep 2006	<b>14125/2006</b>	<b>Vita-Mix Corporation;</b> 03-01A, A carrying case, (US, 30 Mar 2006) 20 Sep 2006	<b>14220/2006</b>
<b>SHOO STICKS Pty Limited;</b> 02-07NES, Shoe accessory strip, 14 Sep 2006	<b>14126/2006</b>	<b>Weber-Stephen Products Co.;</b> 07-02E, Shroud for a barbecue grill, (US, 27 Mar 2006) 27 Sep 2006	<b>14346/2006</b>
<b>SHOO STICKS Pty Limited;</b> 20-02D, Point of sale dispenser, 14 Sep 2006	<b>14127/2006</b>	<b>Weber-Stephen Products Co.;</b> 07-02E, Grill, (US, 27 Mar 2006) 27 Sep 2006	<b>14347/2006</b>
<b>SLATBOX PTY LTD;</b> 20-02NES, An open topped container, 19 Sep 2006	<b>14194/2006</b>	<b>Weber-Stephen Products Co.;</b> 07-02E, Shroud for a barbecue grill, (US, 27 Mar 2006) 27 Sep 2006	<b>14348/2006</b>
<b>SLATBOX PTY LTD;</b> 20-02NES, A connector, 19 Sep 2006	<b>14195/2006</b>	<b>Weber-Stephen Products Co.;</b> 07-02E, Grill, (US, 27 Mar 2006) 27 Sep 2006	<b>14349/2006</b>
<b>Tilt Slab (S.A.) Pty Ltd;</b> 25-01K, A side form, 20 Sep 2006	<b>14200/2006</b>	<b>Williams, Alvin L.;</b> 02-01NES, Stain preventor for underwear, 19 Sep 2006	<b>14176/2006</b>
<b>Treland Enterprises Pty Ltd;</b> 01-06, Pet treats Vet treatment applications, 03 Oct 2006	<b>14410/2006</b>	<b>Wm. Wrigley Jr. Company;</b> 03-01NES, Product dispenser, (US, 21 Mar 2006) 13 Sep 2006	<b>14110/2006</b>
<b>Tretiach, Natasha; Lucas, Brad;</b> 26-05D, Fantasma del barocco acrylic chandelier (due), 18 Sep 2006	<b>14184/2006</b>	<b>X-Technology Swiss GmbH;</b> 02-03, Headband (headwear), (EP, 16 Mar 2006) 14 Sep 2006	<b>14129/2006</b>
<b>Tretiach, Natasha; Lucas, Brad;</b> 26-05D, Fantasma del barocco acrylic chandelier (uno), 18 Sep 2006	<b>14183/2006</b>		
<b>Viking Corporation, The;</b> 23-01D, Sprinkler assembly compression yoke, (US, 30 Mar 2006) 28 Sep 2006	<b>14369/2006</b>		

### Applications Withdrawn

11063 / 2006 (12-16B)

### Applications Lapsed

13804 / 2005 (07-04)	13805 / 2005 (07-04)
13806 / 2005 (07-04)	14773 / 2005 (23-02NES)
15594 / 2005 (06-04NES)	10678 / 2006 (07-04)
11051 / 2006 (02-02C)	12881 / 2006 (11-02B)
12882 / 2006 (11-02B)	

**Registrations Ceased**

303788

**Extensions of time granted under Section 137**

Applications lodged under section 137 for extension of time have been granted.

304159 **Honda Motor Company Ltd**

304160 **Honda Motor Company Ltd**

**Applications Assigned**

(The name in parentheses is that of the subsequent applicant)

13423/2006 ( **Mink Pink Fashion Group Pty Ltd** ) N.C.C. Fashions Wholesale Pty Ltd

11465/2006 ( **Smart Door and Window Solutions Pty. Limited** ) David John Ashard

**Subsequent Owners Registered**

(The name in parentheses is that of the subsequent owner)

310073 ( **Smart Door and Window Solutions Pty. Limited** ) David John Ashard

300641 ( **SAF Food Investments Pty Limited** ) Candy Brokers Pty Ltd

**Names Registered - Alterations and Amendments**

(The name in parentheses is that of the subsequent applicant)

307772 ( **Scope Seven, Inc.;William B. Pittard** ) Scope Seven, Inc.

305709 ( **Aurilis Group** ) Flauraud S.A.

300387 ( **Advanced Surgical Design & Manufacture Limited** ) Australian Surgical Design & Manufacture Pty Ltd

300386 ( **Advanced Surgical Design & Manufacture Limited** ) Australian Surgical Design & Manufacture Pty Ltd

305613 ( **Senator GmbH & Co. KGaA** ) Merz & Krell GmbH & Co. KGaA

308485 ( **Senator GmbH & Co. KGaA** ) Merz & Krell GmbH & Co. KGaA

308105 ( **Senator GmbH & Co. KGaA** ) Merz & Krell GmbH & Co. KGaA

308486 ( **Senator GmbH & Co. KGaA** ) Merz & Krell GmbH & Co. KGaA

308487 ( **Senator GmbH & Co. KGaA** ) Merz & Krell GmbH & Co. KGaA

301995 ( **Senator GmbH & Co. KGaA** ) Merz & Krell GmbH & Co. KGaA

301996 ( **Senator GmbH & Co. KGaA** ) Merz & Krell GmbH & Co. KGaA

301997 ( **Senator GmbH & Co. KGaA** ) Merz & Krell GmbH & Co. KGaA

305612 ( **Senator GmbH & Co. KGaA** ) Merz & Krell GmbH & Co. KGaA

307217	( Senator GmbH & Co. KGaA ) Merz & Krell GmbH & Co. KGaA		
307230	( Senator GmbH & Co. KGaA ) Merz & Krell GmbH & Co. KGaA	307331	( Senator GmbH & Co. KGaA ) Merz & Krell GmbH & Co. KGaA
301987	( Senator GmbH & Co. KGaA ) Merz & Krell GmbH & Co. KGaA	307216	( Senator GmbH & Co. KGaA ) Merz & Krell GmbH & Co. KGaA
301999	( Senator GmbH & Co. KGaA ) Merz & Krell GmbH & Co. KGaA	307229	( Senator GmbH & Co. KGaA ) Merz & Krell GmbH & Co. KGaA
301998	( Senator GmbH & Co. KGaA ) Merz & Krell GmbH & Co. KGaA	301993	( Senator GmbH & Co. KGaA ) Merz & Krell GmbH & Co. KGaA
307194	( Senator GmbH & Co. KGaA ) Merz & Krell GmbH & Co. KGaA	306470	( Senator GmbH & Co. KGaA ) Merz & Krell GmbH & Co. KGaA
308032	( Senator GmbH & Co. KGaA ) Merz & Krell GmbH & Co. KGaA		
301991	( Senator GmbH & Co. KGaA ) Merz & Krell GmbH & Co. KGaA		
308829	( Senator GmbH & Co. KGaA ) Merz & Krell GmbH & Co. KGaA		
305614	( Senator GmbH & Co. KGaA ) Merz & Krell GmbH & Co. KGaA		
305631	( Senator GmbH & Co. KGaA ) Merz & Krell GmbH & Co. KGaA		
305719	( Senator GmbH & Co. KGaA ) Merz & Krell GmbH & Co. KGaA		
306900	( Senator GmbH & Co. KGaA ) Merz & Krell GmbH & Co. KGaA		
305471	( Senator GmbH & Co. KGaA ) Merz & Krell GmbH & Co. KGaA		
305094	( Senator GmbH & Co. KGaA ) Merz & Krell GmbH & Co. KGaA		
301986	( Senator GmbH & Co. KGaA ) Merz & Krell GmbH & Co. KGaA		
308826	( Senator GmbH & Co. KGaA ) Merz & Krell GmbH & Co. KGaA		
304289	( Senator GmbH & Co. KGaA ) Merz & Krell GmbH & Co. KGaA		
301988	( Senator GmbH & Co. KGaA ) Merz & Krell GmbH & Co. KGaA		
301989	( Senator GmbH & Co. KGaA ) Merz & Krell GmbH & Co. KGaA		
301990	( Senator GmbH & Co. KGaA ) Merz & Krell GmbH & Co. KGaA		
301992	( Senator GmbH & Co. KGaA ) Merz & Krell GmbH & Co. KGaA		
301994	( Senator GmbH & Co. KGaA ) Merz & Krell GmbH & Co. KGaA		
301457	( Senator GmbH & Co. KGaA ) Merz & Krell GmbH & Co. KGaA		
301458	( Senator GmbH & Co. KGaA ) Merz & Krell GmbH & Co. KGaA		
301461	( Senator GmbH & Co. KGaA ) Merz & Krell GmbH & Co. KGaA		
301460	( Senator GmbH & Co. KGaA ) Merz & Krell GmbH & Co. KGaA		
301459	( Senator GmbH & Co. KGaA ) Merz & Krell GmbH & Co. KGaA		
308827	( Senator GmbH & Co. KGaA ) Merz & Krell GmbH & Co. KGaA		
308828	( Senator GmbH & Co. KGaA ) Merz & Krell GmbH &		

**Certificate(s) of Examination**

Examination of the following Design Registration(s) has been completed. Infringement proceedings may now be commenced.

303484	09-01NES	28/09/2006
303563	08-08B	04/10/2006
304767	28-03NES	29/09/2006
304954	12-15C	04/10/2006
305181	07-02NES	26/09/2006
305243	26-05NES	04/10/2006
305336	26-05B	04/10/2006
305337	26-05B	04/10/2006
305647	26-05B	26/09/2006
305648	26-05B	26/09/2006
305652	07-02B	28/09/2006
305752	23-02B	26/09/2006
305787	06-04NES	26/09/2006
305791	09-04	28/09/2006
306007	03-01A	28/09/2006
306008	03-01A	28/09/2006
306015	03-01D	26/09/2006
306035	07-05A	29/09/2006
306042	12-05	26/09/2006
306063	15-05	28/09/2006
306064	28-03A	26/09/2006
306065	15-05	26/09/2006
306067	15-01	26/09/2006
306068	15-01	26/09/2006
306136	21-03	28/09/2006
306137	21-03	28/09/2006
306178	16-06	29/09/2006
306193	23-01F	26/09/2006
306194	23-01F	26/09/2006
306219	08-05P	29/09/2006
306263	09-03NES	28/09/2006
306302	06-04NES	26/09/2006
306303	06-04NES	26/09/2006
306304	06-04NES	26/09/2006
306452	14-03NES	26/09/2006
306506	28-03NES	28/09/2006
306508	23-04	28/09/2006
306516	23-04	28/09/2006
306522	11-02B	29/09/2006
306525	14-02	28/09/2006
306527	15-01	26/09/2006
306528	15-01	26/09/2006
306529	26-02	26/09/2006
306530	22-06	26/09/2006
306544	08-01	28/09/2006
306545	28-99	26/09/2006
306546	28-99	26/09/2006
306547	28-99	26/09/2006
306548	28-99	26/09/2006
306553	02-02C	05/10/2006
306555	21-01NES	26/09/2006
306600	12-06B	05/10/2006

**Publication and Registration Proceedings**

**Designs Registered**

This section provides a concordance between design number and registration number of Designs covered in this journal. It also shows the main class and registration date.

This section covers Registration numbers 310145 to 310439 .

The registration number shown below should be used in all future correspondence.

Design Number	Registration Number	International Classification Code (IDC)	Registration Date	Design Number	Registration Number	International Classification Code (IDC)	Registration Date
11902/2005	310283	22-02	28/09/2006	12083/2006	310286	14-03NES	28/09/2006
15390/2005	310160	06-01D	25/09/2006	12088/2006	310363	09-03L	03/10/2006
15530/2005	310417	12-16K	03/10/2006	12089/2006	310364	09-07B	03/10/2006
15651/2005	310241	21-02D	27/09/2006	12130/2006	310344	10-04	04/10/2006
15714/2005	310419	23-01D	03/10/2006	12154/2006	310287	21-02C	28/09/2006
15716/2005	310420	23-01D	03/10/2006	12160/2006	310230	22-05	27/09/2006
15756/2005	310161	23-01G	25/09/2006	12280/2006	310231	08-07	27/09/2006
10005/2006	310185	20-02NES	26/09/2006	12296/2006	310365	21-02B	03/10/2006
10009/2006	310399	19-06	03/10/2006	12299/2006	310345	21-02B	04/10/2006
10010/2006	310400	19-06	03/10/2006	12307/2006	310346	11-02E	04/10/2006
10012/2006	310401	19-06	03/10/2006	12308/2006	310347	11-02E	04/10/2006
10013/2006	310402	19-06	03/10/2006	12459/2006	310172	07-01C	26/09/2006
10194/2006	310323	28-03NES	29/09/2006	12460/2006	310173	07-01C	26/09/2006
10463/2006	310225	23-01H	27/09/2006	12461/2006	310174	07-01C	26/09/2006
10530/2006	310165	23-04	26/09/2006	12476/2006	310246	25-04	27/09/2006
10646/2006	310166	09-08	26/09/2006	12524/2006	310307	14-03NES	29/09/2006
10647/2006	310167	09-08	26/09/2006	12525/2006	310308	14-03NES	29/09/2006
10655/2006	310421	25-01E	03/10/2006	12526/2006	310309	14-03NES	29/09/2006
10718/2006	310226	15-05	27/09/2006	12531/2006	310325	08-08G	29/09/2006
10723/2006	310227	06-09	27/09/2006	12532/2006	310326	08-08G	29/09/2006
10817/2006	310359	06-02	03/10/2006	12553/2006	310232	08-08L	27/09/2006
10900/2006	310324	26-05NES	29/09/2006	12554/2006	310233	09-01NES	27/09/2006
10940/2006	310360	06-02	03/10/2006	12555/2006	310267	25-01D	27/09/2006
10941/2006	310361	06-02	03/10/2006	12557/2006	310268	23-04	27/09/2006
10942/2006	310228	11-05	27/09/2006	12558/2006	310269	15-04	27/09/2006
10945/2006	310362	25-03	03/10/2006	12561/2006	310175	15-04	26/09/2006
11024/2006	310145	15-02	25/09/2006	12574/2006	310234	14-02	27/09/2006
11287/2006	310169	11-01D	26/09/2006	12623/2006	310176	21-01D	26/09/2006
11288/2006	310168	11-01NES	26/09/2006	12661/2006	310242	24-01	27/09/2006
11446/2006	310146	20-02NES	25/09/2006	12675/2006	310379	14-02	03/10/2006
11447/2006	310147	20-02NES	25/09/2006	12676/2006	310380	14-02	03/10/2006
11514/2006	310243	07-04	27/09/2006	12680/2006	310288	23-02C	28/09/2006
11538/2006	310205	08-08NES	27/09/2006	12693/2006	310148	08-07	25/09/2006
11730/2006	310403	09-03M	03/10/2006	12700/2006	310149	08-07	25/09/2006
11913/2006	310170	12-16B	26/09/2006	12712/2006	310289	23-02F	28/09/2006
11915/2006	310303	12-16A	29/09/2006	12720/2006	310290	09-01NES	28/09/2006
11916/2006	310284	12-16D	28/09/2006	12721/2006	310208	07-01NES	27/09/2006
11917/2006	310244	12-16D	27/09/2006	12722/2006	310209	07-01NES	27/09/2006
11921/2006	310304	12-16A	29/09/2006	12723/2006	310210	09-07B	27/09/2006
11922/2006	310305	12-16A	29/09/2006	12724/2006	310211	07-01NES	27/09/2006
11926/2006	310245	12-16B	27/09/2006	12793/2006	310291	09-01NES	28/09/2006
11934/2006	310171	12-16B	26/09/2006	12798/2006	310292	14-03E	28/09/2006
11937/2006	310263	12-16B	27/09/2006	12809/2006	310327	30-08	29/09/2006
11938/2006	310264	12-16B	27/09/2006	12810/2006	310328	30-08	29/09/2006
11939/2006	310265	12-16B	27/09/2006	12817/2006	310310	07-06NES	29/09/2006
11940/2006	310306	12-16E	29/09/2006	12837/2006	310311	21-01A	29/09/2006
11941/2006	310266	12-16E	27/09/2006	12843/2006	310235	14-02	27/09/2006
12002/2006	310285	04-02	28/09/2006	12846/2006	310366	14-03B	03/10/2006
12058/2006	310341	26-02	04/10/2006	12893/2006	310312	21-01B	29/09/2006
12059/2006	310229	08-01	27/09/2006	12895/2006	310270	08-07	27/09/2006
12066/2006	310206	20-03NES	27/09/2006	12896/2006	310271	08-07	27/09/2006
12077/2006	310342	07-02G	04/10/2006	12944/2006	310329	14-03E	29/09/2006
12081/2006	310343	07-04	04/10/2006	12945/2006	310330	15-07	29/09/2006

Publication and Registration Proceedings - Designs Registered cont'd

Design Number	Registration Number	International Classification Code (IDC)	Registration Date	Design Number	Registration Number	International Classification Code (IDC)	Registration Date
12978/2006	310247	23-01F	27/09/2006	13253/2006	310196	21-01N	26/09/2006
12979/2006	310177	23-01F	26/09/2006	13254/2006	310248	21-01N	27/09/2006
12980/2006	310178	20-02NES	26/09/2006	13255/2006	310197	06-01F	26/09/2006
12981/2006	310179	25-01K	26/09/2006	13256/2006	310198	06-01F	26/09/2006
12982/2006	310293	03-01B	28/09/2006	13257/2006	310204	15-01	26/09/2006
12983/2006	310294	03-01B	28/09/2006	13258/2006	310199	14-03E	26/09/2006
12985/2006	310180	25-03	26/09/2006	13259/2006	310200	14-03A	26/09/2006
13002/2006	310186	24-04	26/09/2006	13286/2006	310163	21-01N	25/09/2006
13003/2006	310181	06-03C	26/09/2006	13288/2006	310162	26-05D	25/09/2006
13006/2006	310164	06-01F	25/09/2006	13289/2006	310217	26-05D	27/09/2006
13007/2006	310253	06-01F	27/09/2006	13290/2006	310369	23-01A	03/10/2006
13008/2006	310295	06-06G	28/09/2006	13292/2006	310218	26-05C	27/09/2006
13009/2006	310296	06-06G	28/09/2006	13293/2006	310201	14-02	26/09/2006
13010/2006	310297	06-06G	28/09/2006	13294/2006	310202	14-02	26/09/2006
13011/2006	310313	06-06G	29/09/2006	13295/2006	310182	14-02	26/09/2006
13012/2006	310212	06-09	27/09/2006	13296/2006	310249	02-07B	27/09/2006
13013/2006	310150	13-03D	25/09/2006	13300/2006	310250	03-01B	27/09/2006
13014/2006	310314	15-05	29/09/2006	13301/2006	310251	03-01B	27/09/2006
13015/2006	310315	15-05	29/09/2006	13302/2006	310252	13-03E	27/09/2006
13029/2006	310213	25-04	27/09/2006	13303/2006	310276	02-02NES	27/09/2006
13041/2006	310190	08-05N	26/09/2006	13304/2006	310277	02-02NES	27/09/2006
13044/2006	310187	12-15NES	26/09/2006	13316/2006	310184	07-06A	26/09/2006
13045/2006	310188	12-15NES	26/09/2006	13317/2006	310183	07-06A	26/09/2006
13046/2006	310214	12-15NES	27/09/2006	13325/2006	310219	15-02	27/09/2006
13047/2006	310215	12-15NES	27/09/2006	13332/2006	310220	08-03	27/09/2006
13052/2006	310189	07-06NES	26/09/2006	13333/2006	310221	09-01G	27/09/2006
13053/2006	310191	23-03E	26/09/2006	13334/2006	310222	09-01C	27/09/2006
13054/2006	310192	23-03E	26/09/2006	13343/2006	310223	25-01NES	27/09/2006
13055/2006	310193	23-03E	26/09/2006	13346/2006	310224	15-09	27/09/2006
13056/2006	310216	26-01	27/09/2006	13347/2006	310370	15-09	03/10/2006
13068/2006	310203	08-08L	26/09/2006	13348/2006	310317	15-09	29/09/2006
13116/2006	310236	31-00	27/09/2006	13354/2006	310371	07-02L	03/10/2006
13117/2006	310298	25-01NES	28/09/2006	13355/2006	310318	07-02L	29/09/2006
13119/2006	310272	09-07A	27/09/2006	13356/2006	310319	07-02L	29/09/2006
13120/2006	310237	04-01	27/09/2006	13358/2006	310372	04-01	03/10/2006
13132/2006	310151	14-03NES	25/09/2006	13359/2006	310336	07-05A	29/09/2006
13134/2006	310348	12-16NES	04/10/2006	13360/2006	310349	10-02	04/10/2006
13157/2006	310404	08-08N	03/10/2006	13361/2006	310350	10-02	04/10/2006
13158/2006	310405	08-08N	03/10/2006	13362/2006	310373	04-01	03/10/2006
13167/2006	310316	11-02NES	29/09/2006	13363/2006	310337	07-05A	29/09/2006
13174/2006	310238	25-01K	27/09/2006	13364/2006	310338	08-08L	29/09/2006
13175/2006	310239	25-01K	27/09/2006	13365/2006	310339	25-01NES	29/09/2006
13182/2006	310331	08-03	29/09/2006	13366/2006	310340	08-08L	29/09/2006
13183/2006	310332	08-03	29/09/2006	13367/2006	310374	08-08L	03/10/2006
13184/2006	310333	08-03	29/09/2006	13387/2006	310300	26-04	28/09/2006
13185/2006	310367	07-01D	03/10/2006	13388/2006	310301	26-04	28/09/2006
13186/2006	310368	07-02N	03/10/2006	13389/2006	310302	26-04	28/09/2006
13187/2006	310299	07-02N	28/09/2006	13399/2006	310382	15-05	03/10/2006
13193/2006	310152	07-01D	25/09/2006	13414/2006	310406	09-02NES	03/10/2006
13194/2006	310334	08-03	29/09/2006	13415/2006	310407	09-02NES	03/10/2006
13195/2006	310273	12-13	27/09/2006	13417/2006	310351	26-06	04/10/2006
13196/2006	310274	12-13	27/09/2006	13418/2006	310153	12-08	25/09/2006
13197/2006	310275	08-01	27/09/2006	13419/2006	310352	12-08	04/10/2006
13220/2006	310335	08-08NES	29/09/2006	13420/2006	310320	26-06	29/09/2006
13224/2006	310240	25-04	27/09/2006	13426/2006	310422	28-03NES	03/10/2006
13246/2006	310381	08-09	03/10/2006	13427/2006	310423	22-05	03/10/2006
13251/2006	310194	21-01N	26/09/2006	13429/2006	310424	26-03	03/10/2006
13252/2006	310195	21-01N	26/09/2006	13430/2006	310425	26-03	03/10/2006

Publication and Registration Proceedings - Designs Registered cont'd

Design Number	Registration Number	International Classification Code (IDC)	Registration Date	Design Number	Registration Number	International Classification Code (IDC)	Registration Date
13431/2006	310426	26-03	03/10/2006	13607/2006	310278	12-05	27/09/2006
13432/2006	310427	23-04	03/10/2006	13608/2006	310279	12-05	27/09/2006
13433/2006	310428	23-04	03/10/2006	13609/2006	310262	12-05	27/09/2006
13434/2006	310429	23-04	03/10/2006	13610/2006	310281	12-05	27/09/2006
13435/2006	310430	23-04	03/10/2006	13611/2006	310258	12-05	27/09/2006
13438/2006	310353	07-01D	04/10/2006	13623/2006	310155	23-04	25/09/2006
13439/2006	310322	07-01B	29/09/2006	13629/2006	310259	21-02D	27/09/2006
13440/2006	310354	07-01B	04/10/2006	13632/2006	310260	05-01	27/09/2006
13444/2006	310355	07-01D	04/10/2006	13633/2006	310261	23-01E	27/09/2006
13447/2006	310383	26-05D	03/10/2006	13640/2006	310436	07-01NES	03/10/2006
13448/2006	310375	11-02B	03/10/2006	13641/2006	310437	07-01NES	03/10/2006
13449/2006	310408	11-02B	03/10/2006	13647/2006	310418	24-02	03/10/2006
13450/2006	310409	11-02B	03/10/2006	13649/2006	310438	14-01	03/10/2006
13451/2006	310398	11-02B	03/10/2006	13661/2006	310156	14-03A	25/09/2006
13452/2006	310384	11-02B	03/10/2006	13662/2006	310157	26-05B	25/09/2006
13453/2006	310410	11-02B	03/10/2006	13665/2006	310356	12-11	04/10/2006
13454/2006	310411	25-01G	03/10/2006	13666/2006	310158	07-05E	25/09/2006
13455/2006	310412	25-01G	03/10/2006	13698/2006	310357	12-02	04/10/2006
13463/2006	310385	12-06C	03/10/2006	13721/2006	310413	23-01H	03/10/2006
13479/2006	310386	08-08G	03/10/2006	13722/2006	310414	23-01H	03/10/2006
13480/2006	310431	08-08G	03/10/2006	13723/2006	310415	23-01H	03/10/2006
13491/2006	310376	14-02	03/10/2006	13727/2006	310391	25-01B	03/10/2006
13492/2006	310377	07-01NES	03/10/2006	13733/2006	310392	27-06	03/10/2006
13493/2006	310378	23-01A	03/10/2006	13734/2006	310393	27-99	03/10/2006
13494/2006	310254	07-01NES	27/09/2006	13745/2006	310394	25-01NES	03/10/2006
13499/2006	310154	08-01	25/09/2006	13752/2006	310416	30-04	03/10/2006
13505/2006	310432	03-01C	03/10/2006	13814/2006	310207	20-03NES	27/09/2006
13506/2006	310387	04-01	03/10/2006	13863/2006	310358	12-16C	04/10/2006
13508/2006	310388	04-01	03/10/2006	13875/2006	310321	13-03B	29/09/2006
13509/2006	310255	04-01	27/09/2006	13972/2006	310159	06-01NES	25/09/2006
13510/2006	310256	04-01	27/09/2006	13975/2006	310439	11-05	03/10/2006
13511/2006	310257	04-01	27/09/2006	13983/2006	310395	02-04NES	03/10/2006
13514/2006	310389	09-08	03/10/2006	14018/2006	310396	09-01NES	03/10/2006
13520/2006	310433	20-03C	03/10/2006	14024/2006	310397	08-03	03/10/2006
13521/2006	310434	26-05A	03/10/2006	14170/2006	310282	24-01	27/09/2006
13522/2006	310435	26-05A	03/10/2006				
13596/2006	310390	08-08B	03/10/2006				
13606/2006	310280	12-05	27/09/2006				

**Publication and Registration Proceedings**  
**Class Listing of Designs Published or Registered**

The following section shows an International Classification Code listing of the Registered or Published Designs covered in this supplement.

<b>Classification</b>	<b>Registration Number</b>	<b>Design Number</b>	<b>Classification</b>	<b>Registration Number</b>	<b>Design Number</b>
02-02 NES	310276	13303/2006	07-01 NES	310436	13640/2006
02-02 NES	310277	13304/2006	07-01 NES	310437	13641/2006
02-04 NES	310395	13983/2006	07-02 G	310342	12077/2006
02-07 B	310249	13296/2006	07-02 H	310342	12077/2006
02-07 NES	310250	13300/2006	07-02 L	310318	13355/2006
02-07 NES	310251	13301/2006	07-02 L	310319	13356/2006
03-01 B	310250	13300/2006	07-02 L	310371	13354/2006
03-01 B	310251	13301/2006	07-02 N	310299	13187/2006
03-01 B	310293	12982/2006	07-02 N	310368	13186/2006
03-01 B	310294	12983/2006	07-04	310243	11514/2006
03-01 C	310432	13505/2006	07-04	310343	12081/2006
03-01 D	310432	13505/2006	07-05 A	310336	13359/2006
03-01 NES	310432	13505/2006	07-05 A	310337	13363/2006
04-01	310237	13120/2006	07-05 E	310158	13666/2006
04-01	310255	13509/2006	07-05 E	310237	13120/2006
04-01	310256	13510/2006	07-06 A	310183	13317/2006
04-01	310257	13511/2006	07-06 A	310184	13316/2006
04-01	310372	13358/2006	07-06 NES	310189	13052/2006
04-01	310373	13362/2006	07-06 NES	310310	12817/2006
04-01	310387	13506/2006	08-01	310154	13499/2006
04-01	310388	13508/2006	08-01	310229	12059/2006
04-02	310285	12002/2006	08-01	310275	13197/2006
05-01	310260	13632/2006	08-03	310220	13332/2006
06-01 D	310160	15390/2005	08-03	310331	13182/2006
06-01 F	310164	13006/2006	08-03	310332	13183/2006
06-01 F	310197	13255/2006	08-03	310333	13184/2006
06-01 F	310198	13256/2006	08-03	310334	13194/2006
06-01 F	310253	13007/2006	08-03	310397	14024/2006
06-01 NES	310159	13972/2006	08-05 N	310190	13041/2006
06-02	310359	10817/2006	08-05 N	310220	13332/2006
06-02	310360	10940/2006	08-06	310154	13499/2006
06-02	310361	10941/2006	08-07	310148	12693/2006
06-03 C	310181	13003/2006	08-07	310149	12700/2006
06-04 NES	310404	13157/2006	08-07	310231	12280/2006
06-04 NES	310405	13158/2006	08-07	310270	12895/2006
06-06 G	310295	13008/2006	08-07	310271	12896/2006
06-06 G	310296	13009/2006	08-08 B	310390	13596/2006
06-06 G	310297	13010/2006	08-08 C	310231	12280/2006
06-06 G	310313	13011/2006	08-08 G	310250	13300/2006
06-09	310212	13012/2006	08-08 G	310251	13301/2006
06-09	310227	10723/2006	08-08 G	310325	12531/2006
07-01 B	310322	13439/2006	08-08 G	310326	12532/2006
07-01 B	310354	13440/2006	08-08 G	310386	13479/2006
07-01 C	310172	12459/2006	08-08 G	310431	13480/2006
07-01 C	310173	12460/2006	08-08 L	310203	13068/2006
07-01 C	310174	12461/2006	08-08 L	310232	12553/2006
07-01 D	310152	13193/2006	08-08 L	310338	13364/2006
07-01 D	310353	13438/2006	08-08 L	310340	13366/2006
07-01 D	310355	13444/2006	08-08 L	310374	13367/2006
07-01 D	310367	13185/2006	08-08 M	310203	13068/2006
07-01 NES	310208	12721/2006	08-08 M	310338	13364/2006
07-01 NES	310209	12722/2006	08-08 M	310340	13366/2006
07-01 NES	310210	12723/2006	08-08 M	310374	13367/2006
07-01 NES	310211	12724/2006	08-08 N	310338	13364/2006
07-01 NES	310254	13494/2006	08-08 N	310340	13366/2006
07-01 NES	310377	13492/2006	08-08 N	310374	13367/2006



Registration Proceedings - Class Listing of Designs Published or Registered cont'd

Classification	Registration Number	Design Number	Classification	Registration Number	Design Number
08-08 N	310404	13157/2006	12-05	310279	13608/2006
08-08 N	310405	13158/2006	12-05	310280	13606/2006
08-08 NES	310205	11538/2006	12-05	310281	13610/2006
08-08 NES	310335	13220/2006	12-06 C	310385	13463/2006
08-08 NES	310338	13364/2006	12-08	310153	13418/2006
08-08 NES	310340	13366/2006	12-08	310352	13419/2006
08-08 NES	310374	13367/2006	12-11	310356	13665/2006
08-09	310270	12895/2006	12-13	310273	13195/2006
08-09	310271	12896/2006	12-13	310274	13196/2006
08-09	310381	13246/2006	12-14	310273	13195/2006
09-01 C	310222	13334/2006	12-14	310274	13196/2006
09-01 C	310254	13494/2006	12-15 NES	310187	13044/2006
09-01 G	310221	13333/2006	12-15 NES	310188	13045/2006
09-01 G	310222	13334/2006	12-15 NES	310214	13046/2006
09-01 K	310221	13333/2006	12-15 NES	310215	13047/2006
09-01 NES	310222	13334/2006	12-16 A	310303	11915/2006
09-01 NES	310233	12554/2006	12-16 A	310304	11921/2006
09-01 NES	310290	12720/2006	12-16 A	310305	11922/2006
09-01 NES	310291	12793/2006	12-16 B	310170	11913/2006
09-01 NES	310363	12088/2006	12-16 B	310171	11934/2006
09-01 NES	310396	14018/2006	12-16 B	310245	11926/2006
09-02 NES	310406	13414/2006	12-16 B	310263	11937/2006
09-02 NES	310407	13415/2006	12-16 B	310264	11938/2006
09-03 L	310208	12721/2006	12-16 B	310265	11939/2006
09-03 L	310211	12724/2006	12-16 C	310358	13863/2006
09-03 L	310363	12088/2006	12-16 D	310244	11917/2006
09-03 M	310403	11730/2006	12-16 D	310284	11916/2006
09-03 NES	310363	12088/2006	12-16 E	310266	11941/2006
09-03 NES	310406	13414/2006	12-16 E	310306	11940/2006
09-03 NES	310407	13415/2006	12-16 K	310417	15530/2005
09-07 A	310272	13119/2006	12-16 NES	310348	13134/2006
09-07 B	310209	12722/2006	12-16 NES	310417	15530/2005
09-07 B	310210	12723/2006	13-03 B	310321	13875/2006
09-07 B	310364	12089/2006	13-03 D	310150	13013/2006
09-07 B	310377	13492/2006	13-03 E	310252	13302/2006
09-08	310166	10646/2006	14-01	310438	13649/2006
09-08	310167	10647/2006	14-02	310182	13295/2006
09-08	310389	13514/2006	14-02	310195	13252/2006
10-02	310349	13360/2006	14-02	310201	13293/2006
10-02	310350	13361/2006	14-02	310202	13294/2006
10-04	310344	12130/2006	14-02	310234	12574/2006
11-01 D	310169	11287/2006	14-02	310235	12843/2006
11-01 NES	310168	11288/2006	14-02	310376	13491/2006
11-02 B	310375	13448/2006	14-02	310379	12675/2006
11-02 B	310384	13452/2006	14-02	310380	12676/2006
11-02 B	310398	13451/2006	14-03 A	310156	13661/2006
11-02 B	310408	13449/2006	14-03 A	310200	13259/2006
11-02 B	310409	13450/2006	14-03 B	310366	12846/2006
11-02 B	310410	13453/2006	14-03 E	310156	13661/2006
11-02 E	310346	12307/2006	14-03 E	310199	13258/2006
11-02 E	310347	12308/2006	14-03 E	310292	12798/2006
11-02 F	310260	13632/2006	14-03 E	310329	12944/2006
11-02 NES	310316	13167/2006	14-03 NES	310151	13132/2006
11-05	310228	10942/2006	14-03 NES	310286	12083/2006
11-05	310439	13975/2006	14-03 NES	310307	12524/2006
12-02	310357	13698/2006	14-03 NES	310308	12525/2006
12-05	310258	13611/2006	14-03 NES	310309	12526/2006
12-05	310262	13609/2006	14-04	310234	12574/2006
12-05	310278	13607/2006	15-01	310204	13257/2006

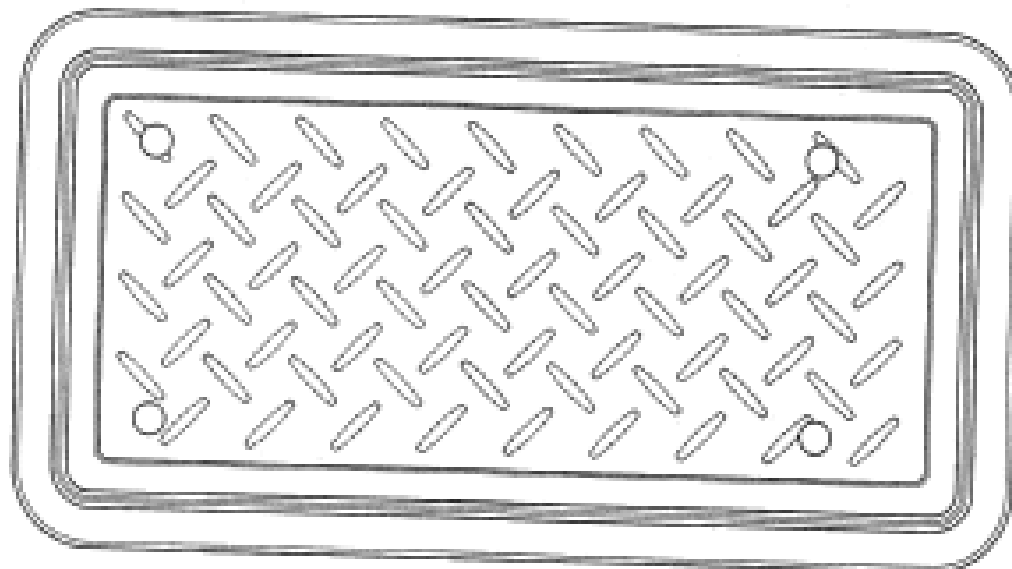
Registration Proceedings - Class Listing of Designs Published or Registered cont'd

Classification	Registration Number	Design Number	Classification	Registration Number	Design Number
15-02	310145	11024/2006	23-01 H	310415	13723/2006
15-02	310219	13325/2006	23-02 C	310288	12680/2006
15-04	310175	12561/2006	23-02 F	310289	12712/2006
15-04	310269	12558/2006	23-03 E	310191	13053/2006
15-05	310226	10718/2006	23-03 E	310192	13054/2006
15-05	310314	13014/2006	23-03 E	310193	13055/2006
15-05	310315	13015/2006	23-04	310155	13623/2006
15-05	310336	13359/2006	23-04	310165	10530/2006
15-05	310382	13399/2006	23-04	310191	13053/2006
15-07	310330	12945/2006	23-04	310192	13054/2006
15-09	310205	11538/2006	23-04	310193	13055/2006
15-09	310220	13332/2006	23-04	310268	12557/2006
15-09	310224	13346/2006	23-04	310383	13447/2006
15-09	310317	13348/2006	23-04	310427	13432/2006
15-09	310370	13347/2006	23-04	310428	13433/2006
16-03	310376	13491/2006	23-04	310429	13434/2006
19-06	310195	13252/2006	23-04	310430	13435/2006
19-06	310399	10009/2006	24-01	310189	13052/2006
19-06	310400	10010/2006	24-01	310242	12661/2006
19-06	310401	10012/2006	24-01	310282	14170/2006
19-06	310402	10013/2006	24-02	310189	13052/2006
20-02 NES	310146	11446/2006	24-02	310418	13647/2006
20-02 NES	310147	11447/2006	24-04	310186	13002/2006
20-02 NES	310178	12980/2006	24-04	310242	12661/2006
20-02 NES	310185	10005/2006	25-01 B	310391	13727/2006
20-03 C	310433	13520/2006	25-01 D	310267	12555/2006
20-03 NES	310206	12066/2006	25-01 E	310421	10655/2006
20-03 NES	310207	13814/2006	25-01 G	310411	13454/2006
20-03 NES	310433	13520/2006	25-01 G	310412	13455/2006
21-01 A	310311	12837/2006	25-01 K	310146	11446/2006
21-01 B	310312	12893/2006	25-01 K	310147	11447/2006
21-01 D	310176	12623/2006	25-01 K	310179	12981/2006
21-01 F	310273	13195/2006	25-01 K	310238	13174/2006
21-01 F	310274	13196/2006	25-01 K	310239	13175/2006
21-01 N	310163	13286/2006	25-01 NES	310223	13343/2006
21-01 N	310194	13251/2006	25-01 NES	310298	13117/2006
21-01 N	310195	13252/2006	25-01 NES	310339	13365/2006
21-01 N	310196	13253/2006	25-01 NES	310394	13745/2006
21-01 N	310248	13254/2006	25-01 NES	310412	13455/2006
21-01 NES	310176	12623/2006	25-02 F	310191	13053/2006
21-02 B	310345	12299/2006	25-02 F	310192	13054/2006
21-02 B	310365	12296/2006	25-02 F	310193	13055/2006
21-02 C	310287	12154/2006	25-03	310180	12985/2006
21-02 D	310241	15651/2005	25-03	310219	13325/2006
21-02 D	310259	13629/2006	25-03	310362	10945/2006
22-02	310283	11902/2005	25-04	310213	13029/2006
22-05	310230	12160/2006	25-04	310240	13224/2006
22-05	310423	13427/2006	25-04	310246	12476/2006
23-01 A	310369	13290/2006	25-04	310335	13220/2006
23-01 A	310378	13493/2006	26-01	310216	13056/2006
23-01 D	310419	15714/2005	26-02	310341	12058/2006
23-01 D	310420	15716/2005	26-03	310217	13289/2006
23-01 E	310261	13633/2006	26-03	310324	10900/2006
23-01 F	310177	12979/2006	26-03	310424	13429/2006
23-01 F	310247	12978/2006	26-03	310425	13430/2006
23-01 G	310161	15756/2005	26-03	310426	13431/2006
23-01 H	310225	10463/2006	26-04	310216	13056/2006
23-01 H	310413	13721/2006	26-04	310300	13387/2006
23-01 H	310414	13722/2006	26-04	310301	13388/2006

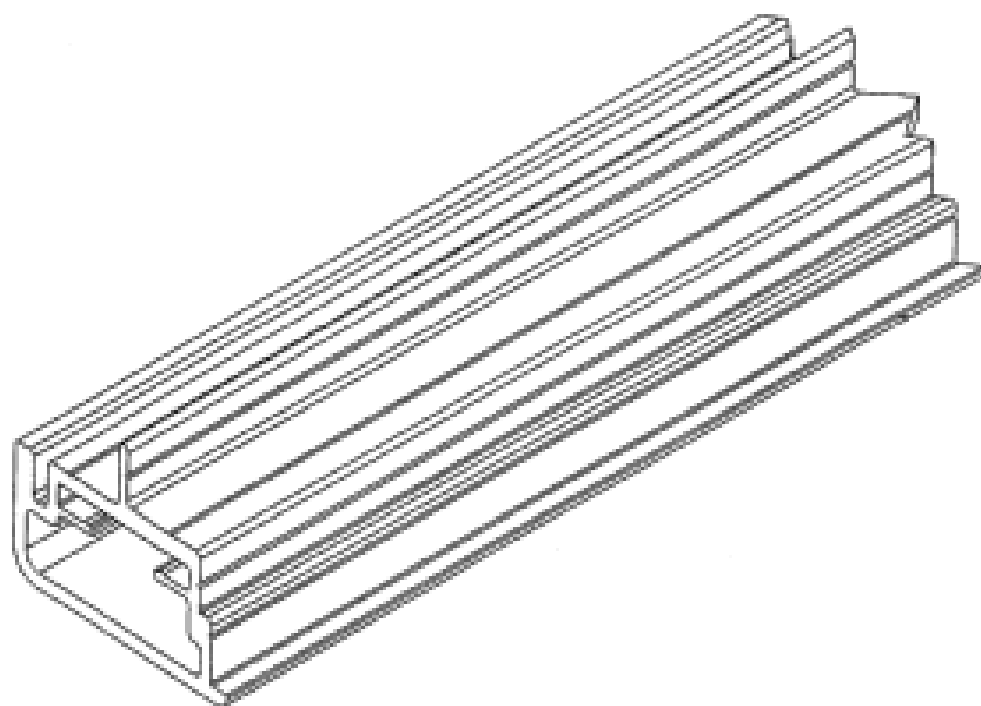
Registration Proceedings - Class Listing of Designs Published or Registered cont'd

Classification	Registration Number	Design Number	Classification	Registration Number	Design Number
26-04	310302	13389/2006	27-06	310392	13733/2006
26-05 A	310434	13521/2006	27-99	310393	13734/2006
26-05 A	310435	13522/2006	28-03 NES	310323	10194/2006
26-05 B	310157	13662/2006	28-03 NES	310422	13426/2006
26-05 C	310218	13292/2006	29-02	310335	13220/2006
26-05 D	310162	13288/2006	29-99	310242	12661/2006
26-05 D	310217	13289/2006	30-04	310416	13752/2006
26-05 D	310300	13387/2006	30-08	310327	12809/2006
26-05 D	310301	13388/2006	30-08	310328	12810/2006
26-05 D	310302	13389/2006	31-00	310236	13116/2006
26-05 D	310383	13447/2006	31-00	310318	13355/2006
26-05 NES	310324	10900/2006	31-00	310319	13356/2006
26-06	310320	13420/2006	31-00	310371	13354/2006
26-06	310351	13417/2006			

- (21) Design Number: **11024/2006**  
(22) Date of Filing Application: **15 March 2006**  
(24) Date from which industrial property rights may have effect: **15 March 2006**  
(54) Product in respect of which the design is registered: **A Base Plate for a Compressor**  
(51) International Design Classification: **15-02**  
(71) Name(s) and Address(s) of Applicant(s):  
**Kingsley Enterprises Pty Limited**  
**123 Eldridge Road Bankstown New South Wales 2200 Australia**  
(72) Name(s) of Designer(s): **Vince Williamson**  
(45) Registration Date: **25 September 2006**  
(56) Related Art Documents: **Not Applicable**  
(57) Statement of Newness and Distinctiveness: **Newness and distinctiveness is claimed in the shape and/or configuration of "a base plate for a compressor" as shown in the representations.**



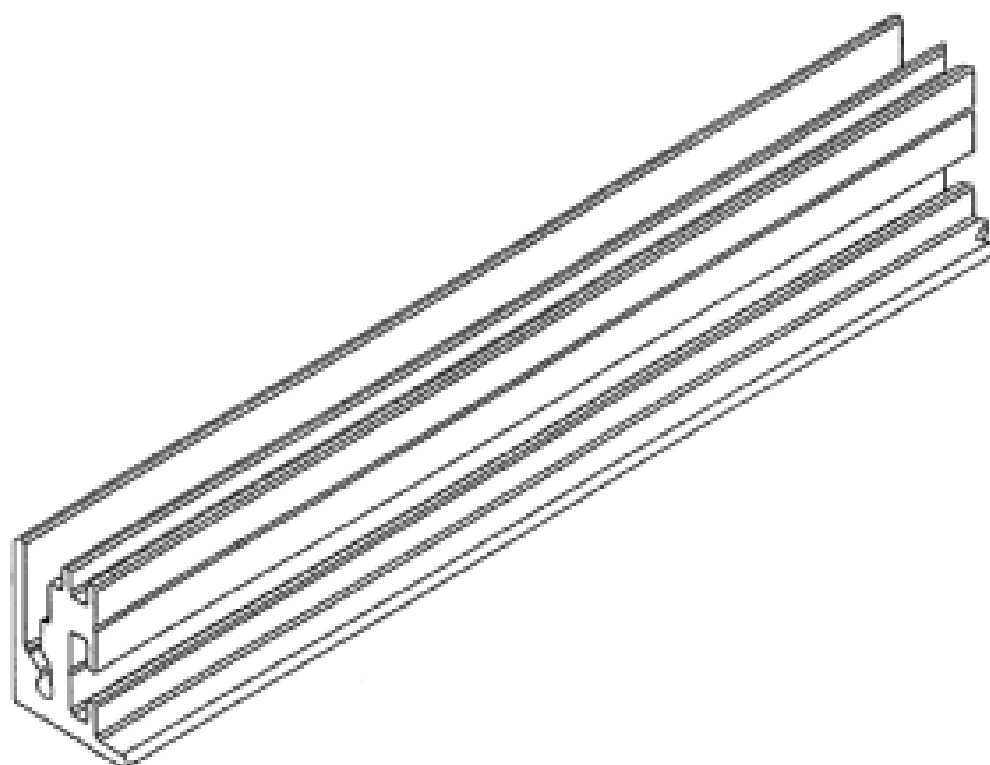
- (21) Design Number: **11446/2006**  
(22) Date of Filing Application: **11 April 2006**  
(24) Date from which industrial property rights may have effect: **11 April 2006**  
(54) Product in respect of which the design is registered: **Extrusion**  
(51) International Design Classification: **20-02NES, 25-01K**  
(71) Name(s) and Address(s) of Applicant(s):  
**Agwill Pty Ltd**  
**8-10 Giffard Street Silverwater New South Wales 2128 Australia**  
(72) Name(s) of Designer(s): **Martyn S Wilson**  
(45) Registration Date: **25 September 2006**  
(56) Related Art Documents: **Not Applicable**  
(57) Statement of Newness and Distinctiveness: **Nil**



- (21) Design Number: **11447/2006**  
(22) Date of Filing Application: **11 April 2006**  
(24) Date from which industrial property rights may have effect: **11 April 2006**  
(54) Product in respect of which the design is registered: **Extrusion**  
(51) International Design Classification: **20-02NES, 25-01K**  
(71) Name(s) and Address(s) of Applicant(s):

**Agwill Pty Ltd**  
**8-10 Giffard Street Silverwater New South Wales 2128 Australia**

- (72) Name(s) of Designer(s): **Martyn Wilson**  
(45) Registration Date: **25 September 2006**  
(56) Related Art Documents: **Not Applicable**  
(57) Statement of Newness and Distinctiveness: **Nil**

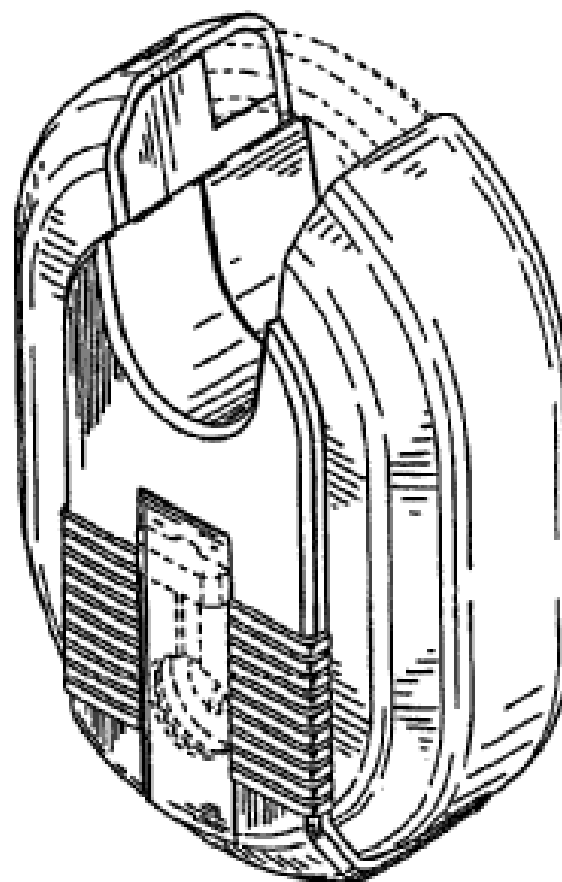


- (21) Design Number: **12693/2006**  
(22) Date of Filing Application: **21 June 2006**  
(24) Date from which industrial property rights may have effect: **21 June 2006**  
(54) Product in respect of which the design is registered: **Lock**  
(51) International Design Classification: **08-07**  
(71) Name(s) and Address(s) of Applicant(s):

**Master Lock Company LLC**  
**137 W. Forest Hill Avenue PO Box 927 Oak Creek Wisconsin 53154**  
**United States of America**

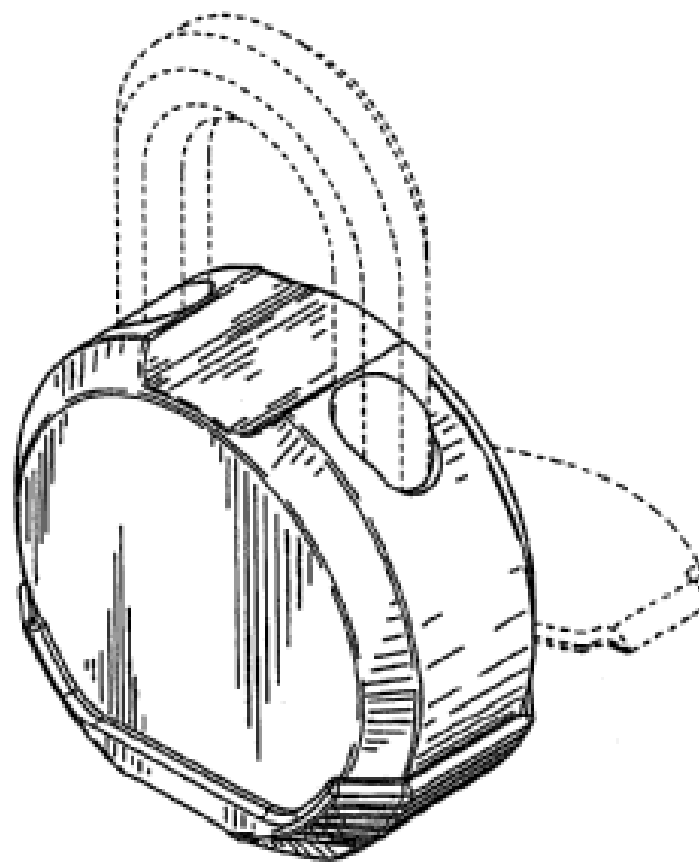
- (72) Name(s) of Designer(s): **John Blomstrom and John Heppner and Christopher Rohde**  
(45) Registration Date: **25 September 2006**  
(30) Convention priority data:
- |                   |                    |                                 |
|-------------------|--------------------|---------------------------------|
| (31) Number       | (32) Date          | (33) Country                    |
| <b>29/245,250</b> | <b>21 Dec 2005</b> | <b>UNITED STATES OF AMERICA</b> |

- (56) Related Art Documents: **Not Applicable**  
(57) Statement of Newness and Distinctiveness: **The newness and distinctiveness are provided by the shape and/or configuration of the design shown in the representations. The features shown in broken lines in the representations are for illustrative purposes only and should not be considered when construing visual features of the design.**

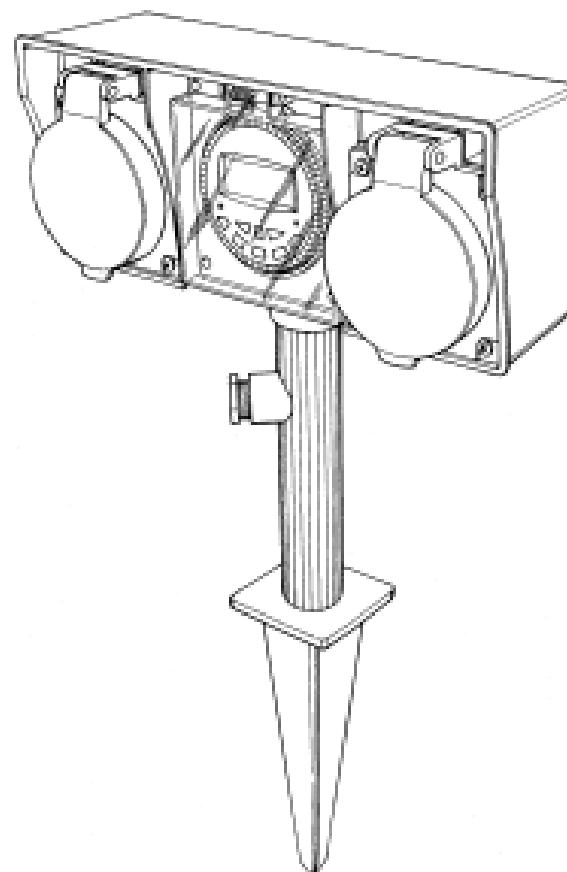


- (21) Design Number: **12700/2006**
- (22) Date of Filing Application: **21 June 2006**
- (24) Date from which industrial property rights may have effect: **21 June 2006**
- (54) Product in respect of which the design is registered: **Lock**
- (51) International Design Classification: **08-07**
- (71) Name(s) and Address(s) of Applicant(s):  
**Master Lock Company LLC**  
**137 W. Forest Hill Avenue PO Box 927 Oak Creek Wisconsin 53154**  
**United States of America**
- (72) Name(s) of Designer(s): **John Blomstrom and John Heppner and Christopher Rohde**
- (45) Registration Date: **25 September 2006**
- (30) Convention priority data:  

(31) Number	(32) Date	(33) Country
<b>29/245,249</b>	<b>21 Dec 2005</b>	<b>UNITED STATES OF AMERICA</b>
- (56) Related Art Documents: **Not Applicable**
- (57) Statement of Newness and Distinctiveness: **The newness and distinctiveness are provided by the shape and/or configuration of the design shown in the representations. The features shown in broken lines in the representations are for illustrative purposes only and should not be considered when construing visual features of the design.**

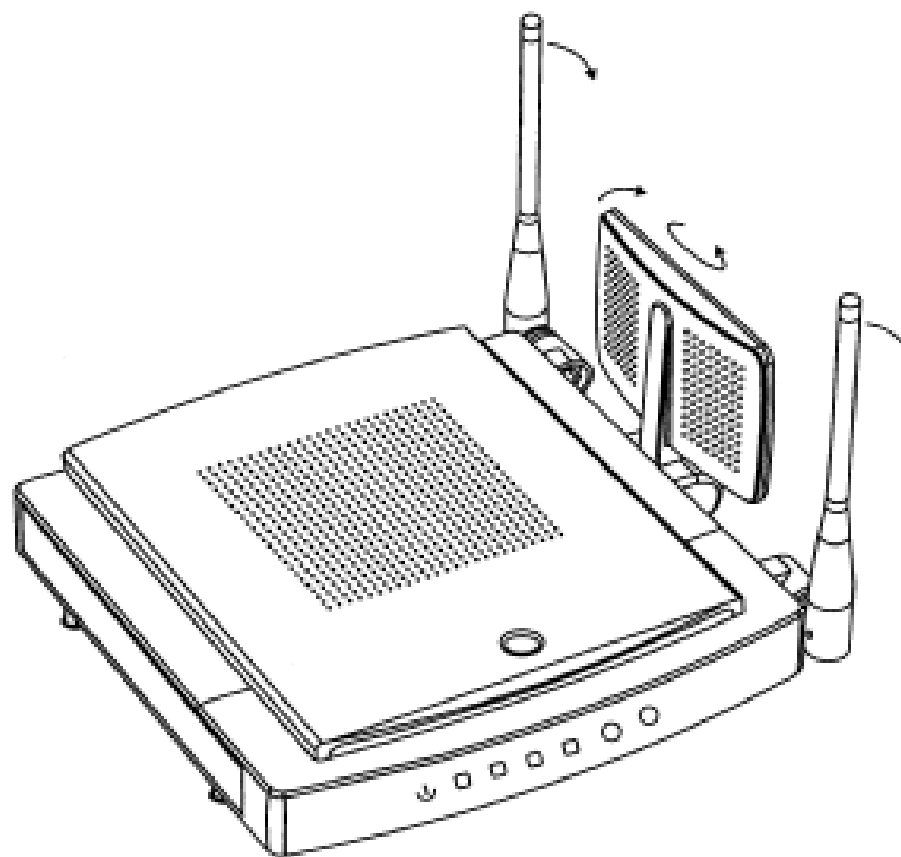


- (21) Design Number: **13013/2006**
- (22) Date of Filing Application: **14 July 2006**
- (24) Date from which industrial property rights may have effect: **14 July 2006**
- (54) Product in respect of which the design is registered: **A power board**
- (51) International Design Classification: **13-03D**
- (71) Name(s) and Address(s) of Applicant(s):  
**Jackson Industries Pty Limited**  
**Building C 2 Hudson Avenue Castle Hill New South Wales 2153**  
**Australia**
- (72) Name(s) of Designer(s): **Ross Alec Jackson**
- (45) Registration Date: **25 September 2006**
- (56) Related Art Documents: **Not Applicable**
- (57) Statement of Newness and Distinctiveness: **Newness and distinctiveness is claimed in the features of shape and/or configuration of: the dual power sockets and timer; and the mounting stake of a power board as illustrated in the accompanying representations.**

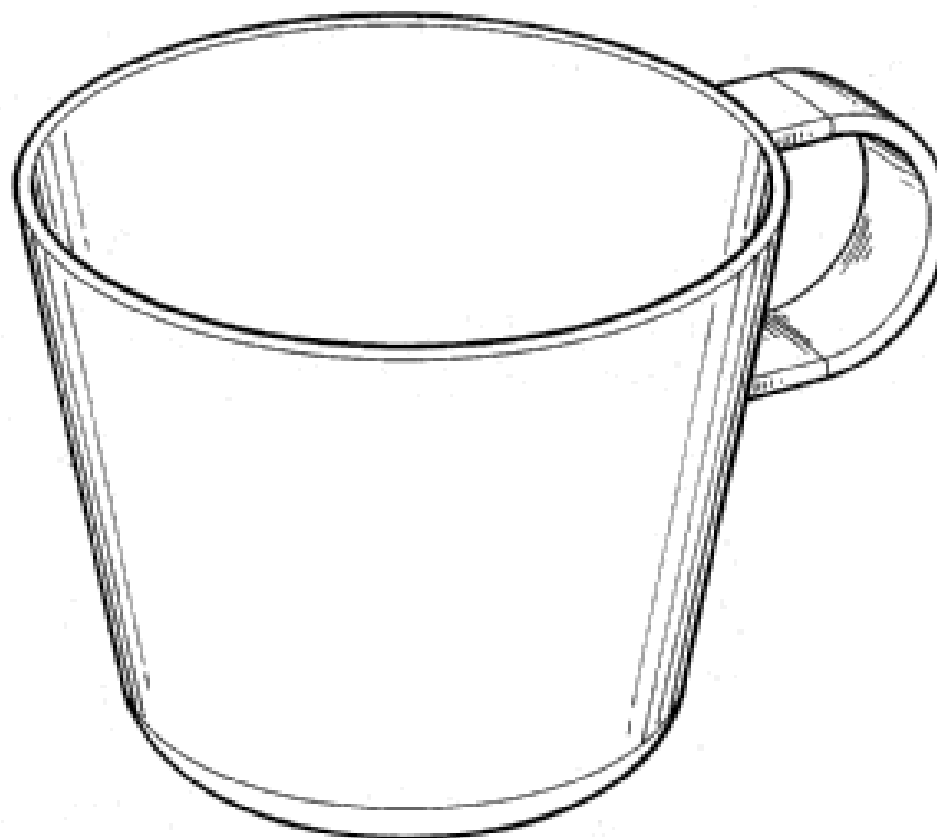


- (21) Design Number: **13132/2006**
- (22) Date of Filing Application: **20 July 2006**
- (24) Date from which industrial property rights may have effect: **20 July 2006**
- (54) Product in respect of which the design is registered: **Wireless router**
- (51) International Design Classification: **14-03NES**
- (71) Name(s) and Address(s) of Applicant(s):  
**Cisco Technology, Inc.**  
**170 W. Tasman Drive San Jose California 95134 United States of America**
- (72) Name(s) of Designer(s): **Calvin Y. Liu and Hung-Bing Chen**
- (45) Registration Date: **25 September 2006**
- (30) Convention priority data:

(31) Number	(32) Date	(33) Country
<b>29/252924</b>	<b>30 Jan 2006</b>	<b>UNITED STATES OF AMERICA</b>
- (56) Related Art Documents: **Not Applicable**
- (57) Statement of Newness and Distinctiveness: **Newness and distinctiveness reside in the features of the design as shown in the representations.**



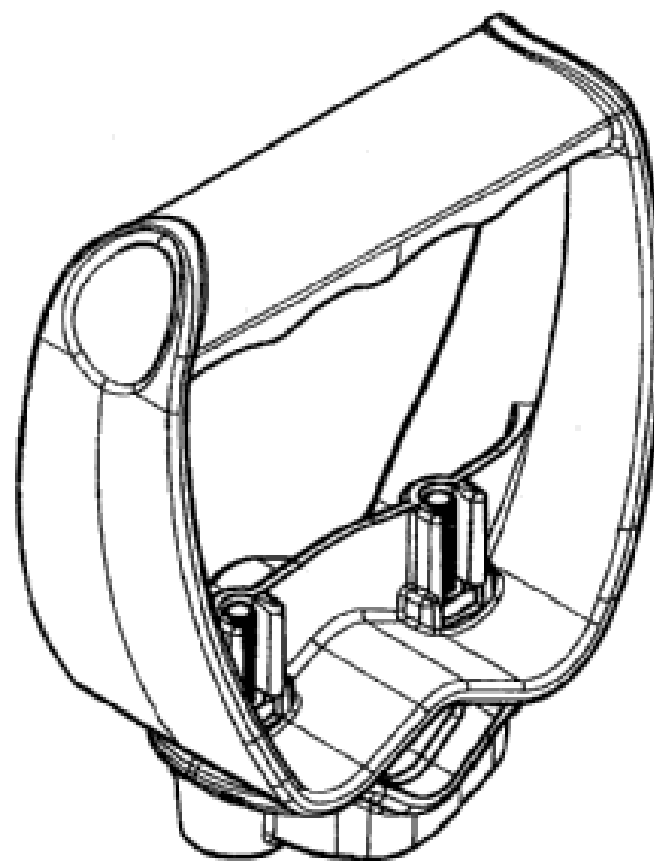
- (21) Design Number: **13193/2006**
- (22) Date of Filing Application: **24 July 2006**
- (24) Date from which industrial property rights may have effect: **24 July 2006**
- (54) Product in respect of which the design is registered: **Cup**
- (51) International Design Classification: **07-01D**
- (71) Name(s) and Address(s) of Applicant(s):  
**The Decor Corporation Pty Ltd**  
**1314 Ferntree Gully Road Scoresby Victoria 3179 Australia**
- (72) Name(s) of Designer(s): **Arthur Richard Carlson**
- (45) Registration Date: **25 September 2006**
- (56) Related Art Documents: **Not Applicable**
- (57) Statement of Newness and Distinctiveness: **Nil.**



(21) Design Number: **13418/2006**  
(22) Date of Filing Application: **03 August 2006**  
(24) Date from which industrial property rights may have effect: **03 August 2006**  
(54) Product in respect of which the design is registered: **An automobile**  
(51) International Design Classification: **12-08**  
(71) Name(s) and Address(s) of Applicant(s):  
**Honda Motor Co., Ltd.**  
**1-1 Minami-Aoyama 2-Chome Minato-Ku Tokyo Japan**  
(72) Name(s) of Designer(s): **Toshiyuki Okumoto and Hiroshi Yoshida**  
(45) Registration Date: **25 September 2006**  
(30) Convention priority data:  
(31) Number (32) Date (33) Country  
**2006-3795 20 Feb 2006 JAPAN**  
(56) Related Art Documents: **Not Applicable**  
(57) Statement of Newness and Distinctiveness: **Newness and distinctiveness is claimed in the features of shape and/or configuration of an automobile as illustrated in the accompanying representations.**

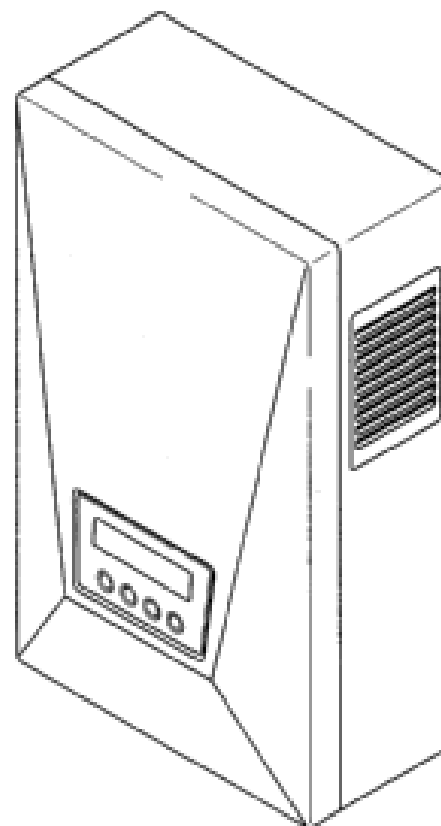


(21) Design Number: **13499/2006**  
(22) Date of Filing Application: **09 August 2006**  
(24) Date from which industrial property rights may have effect: **09 August 2006**  
(54) Product in respect of which the design is registered: **Handle**  
(51) International Design Classification: **08-01, 08-06**  
(71) Name(s) and Address(s) of Applicant(s):  
**Graeme Reid Jenkins**  
**218 Flatbush School Road Papatoetoe Auckland New Zealand**  
(72) Name(s) of Designer(s): **Graeme Reid Jenkins**  
(45) Registration Date: **25 September 2006**  
(30) Convention priority data:  
(31) Number (32) Date (33) Country  
**407333 28 Mar 2006 NEW ZEALAND**  
(56) Related Art Documents: **Not Applicable**  
(57) Statement of Newness and Distinctiveness: **Nil**

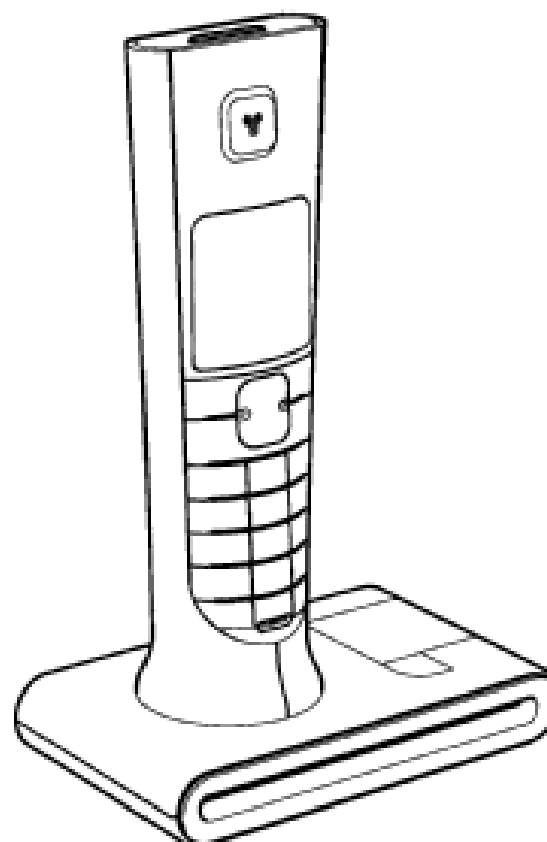




(21) Design Number: **13623/2006**  
(22) Date of Filing Application: **15 August 2006**  
(24) Date from which industrial property rights may have effect: **15 August 2006**  
(54) Product in respect of which the design is registered: **Power conditioner**  
(51) International Design Classification: **23-04**  
(71) Name(s) and Address(s) of Applicant(s):  
**Mitsubishi Electric Corporation**  
**7-3 Marunouchi 2-chome Chiyoda-ku Tokyo 100-8310 Japan**  
(72) Name(s) of Designer(s): **Wong Karl Karwai and Hiroshi Shigehara**  
(45) Registration Date: **25 September 2006**  
(30) Convention priority data:  
(31) Number      (32) Date      (33) Country  
**2006-009360      11 Apr 2006      JAPAN**  
(56) Related Art Documents: **Not Applicable**  
(57) Statement of Newness and Distinctiveness: **Nil**



(21) Design Number: **13661/2006**  
(22) Date of Filing Application: **17 August 2006**  
(24) Date from which industrial property rights may have effect: **17 August 2006**  
(54) Product in respect of which the design is registered: **Telephone handset on base**  
(51) International Design Classification: **14-03A, 14-03E**  
(71) Name(s) and Address(s) of Applicant(s):  
**Koninklijke Philips Electronics N.V.**  
**Groenewoudseweg 1 NL-5621 BA Eindhoven The Netherlands**  
(72) Name(s) of Designer(s): **Jean-Marie Paul Surtouc**  
(45) Registration Date: **25 September 2006**  
(30) Convention priority data:  
(31) Number      (32) Date      (33) Country  
**000485172-0001      27 Feb 2006      EUROPEAN COMMUNITY**  
(56) Related Art Documents: **Not Applicable**  
(57) Statement of Newness and Distinctiveness: **Newness and distinctiveness reside in the features of the design as shown in the representations.**



(21) Design Number: **13662/2006**

(22) Date of Filing Application: **17 August 2006**

(24) Date from which industrial property rights may have effect: **17 August 2006**

(54) Product in respect of which the design is registered: **Desklamp luminaire**

(51) International Design Classification: **26-05B**

(71) Name(s) and Address(s) of Applicant(s):

**Koninklijke Philips Electronics N.V.  
Groenewoudseweg 1 NL-5621 BA Eindhoven The Netherlands**

(72) Name(s) of Designer(s): **Helen Qi**

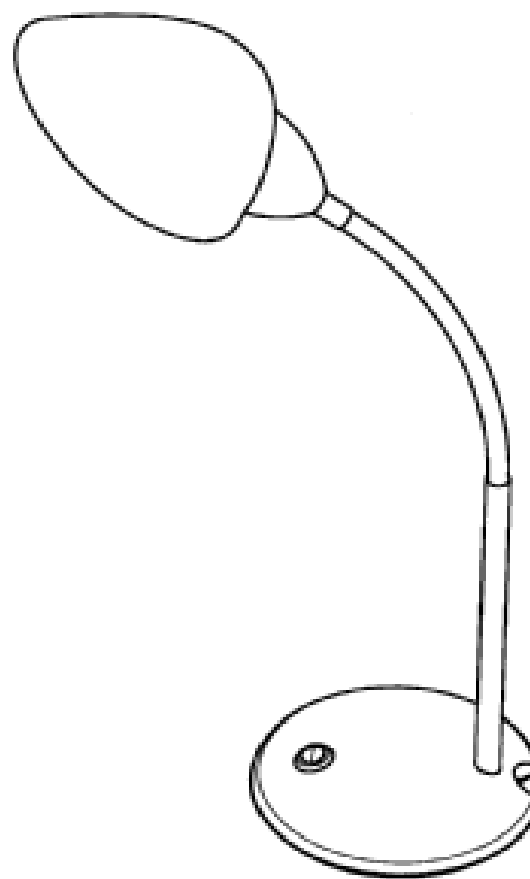
(45) Registration Date: **25 September 2006**

(30) Convention priority data:

(31) Number	(32) Date	(33) Country
<b>000485180</b>	<b>27 Feb 2006</b>	<b>EUROPEAN COMMUNITY</b>

(56) Related Art Documents: **Not Applicable**

(57) Statement of Newness and Distinctiveness: **Newness and distinctiveness reside in the features of the design as shown in the representations.**



(21) Design Number: **13666/2006**

(22) Date of Filing Application: **17 August 2006**

(24) Date from which industrial property rights may have effect: **17 August 2006**

(54) Product in respect of which the design is registered: **Mop head sprayer assembly**

(51) International Design Classification: **07-05E**

(71) Name(s) and Address(s) of Applicant(s):

**JohnsonDiversey, Inc.  
8310 16th Street M/S 509 Sturtevant Wisconsin 53177 United States of America**

(72) Name(s) of Designer(s): **Kevin J. Markey and Haim Bar-Noy and Mark T. MacLean-Blevins**

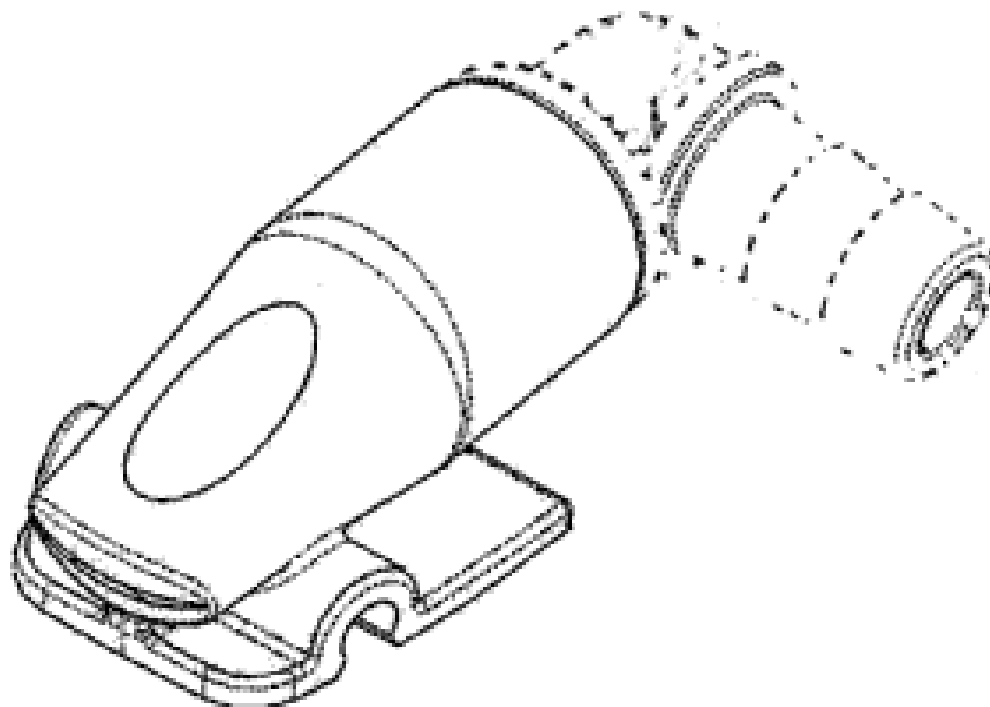
(45) Registration Date: **25 September 2006**

(30) Convention priority data:

(31) Number	(32) Date	(33) Country
<b>29/254127</b>	<b>17 Feb 2006</b>	<b>UNITED STATES OF AMERICA</b>

(56) Related Art Documents: **Not Applicable**

(57) Statement of Newness and Distinctiveness: **Newness and distinctiveness is claimed in the features of shape and/or configuration of a mop head sprayer assembly as illustrated in continuous lines in the accompanying representations.**



- (21) Design Number: **13972/2006**  
(22) Date of Filing Application: **01 September 2006**  
(24) Date from which industrial property rights may have effect: **01 September 2006**  
(54) Product in respect of which the design is registered: **Chaise longue**  
(51) International Design Classification: **06-01NES**  
(71) Name(s) and Address(s) of Applicant(s):

**Artmode Pty Ltd**  
**PO Box 306 Dee Why New South Wales 2099 Australia**

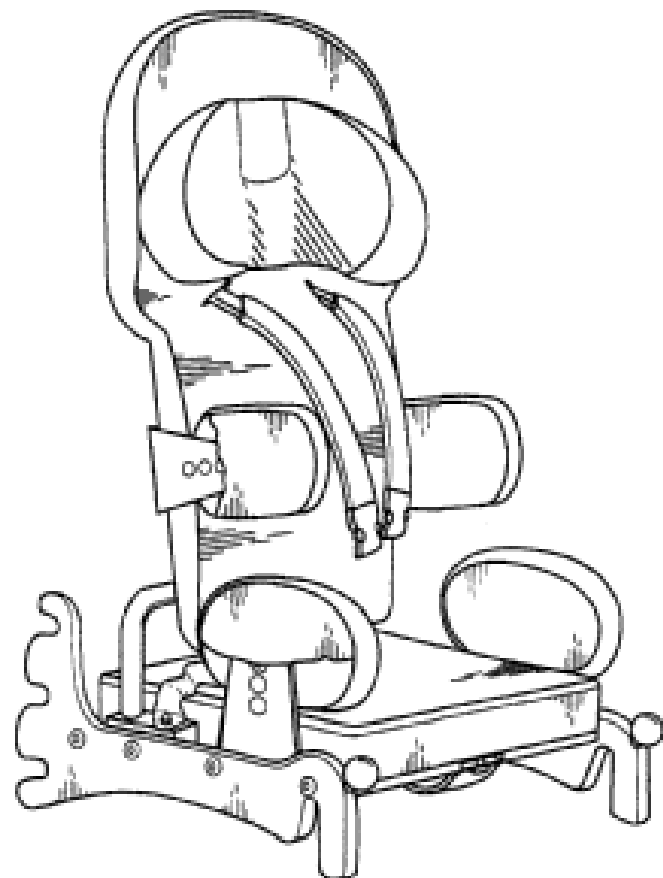
- (72) Name(s) of Designer(s): **Annette Sammut and Tom Peel**  
(45) Registration Date: **25 September 2006**  
(56) Related Art Documents: **Not Applicable**  
(57) Statement of Newness and Distinctiveness: **Monopoly is claimed in respect of the shape and configuration of the chaise longue as shown in the attached representations. When considering the extent of the monopoly, the number of slats is to be disregarded as it does not form part of the design.**



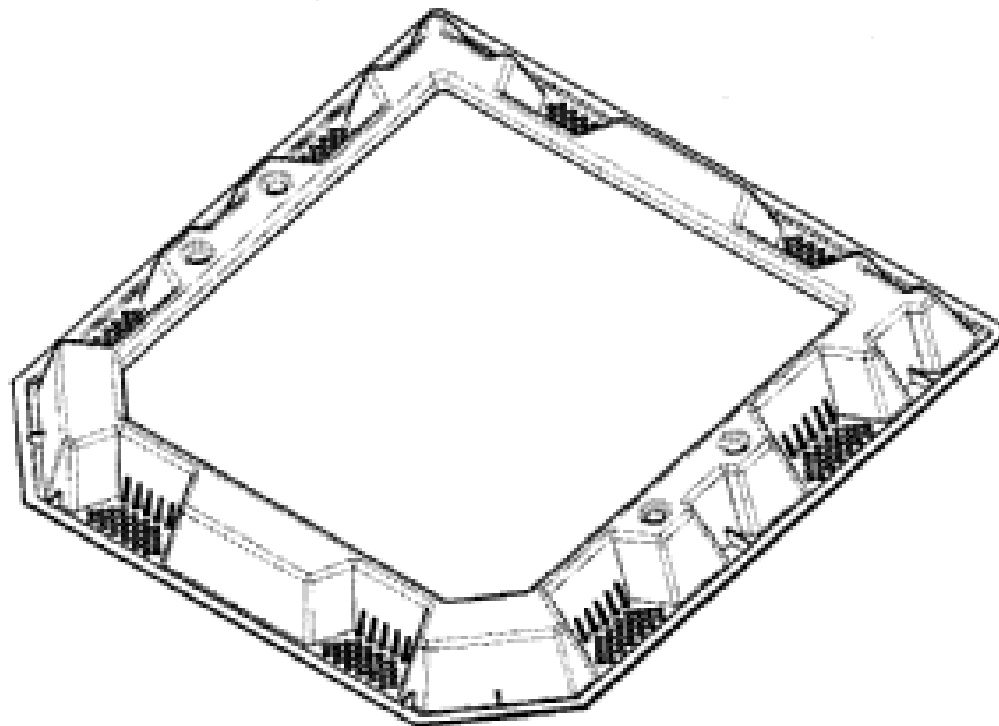
- (21) Design Number: **15390/2005**  
(22) Date of Filing Application: **05 December 2005**  
(24) Date from which industrial property rights may have effect: **05 December 2005**  
(54) Product in respect of which the design is registered: **A seat**  
(51) International Design Classification: **06-01D**  
(71) Name(s) and Address(s) of Applicant(s):

**Roger Thomas Mascull**  
**7 Allens Road Ashburton New Zealand 8300**

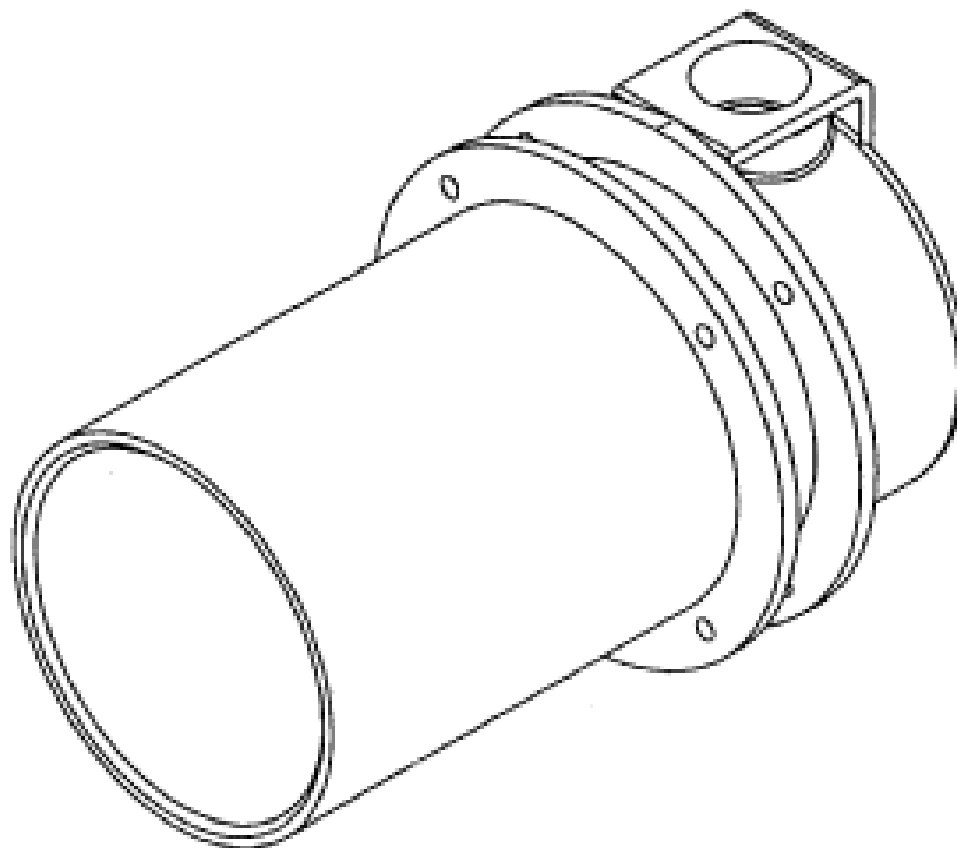
- (72) Name(s) of Designer(s): **Graham John Mascull**  
(45) Registration Date: **25 September 2006**  
(30) Convention priority data:  
(31) Number      (32) Date      (33) Country  
**406301      08 Jun 2005      NEW ZEALAND**  
(56) Related Art Documents: **Not Applicable**  
(57) Statement of Newness and Distinctiveness: **Novelty resides in the features of shape and configuration of the base part (ie as opposed to the chair part of which is on the base part) as shown in the accompanying representations.**



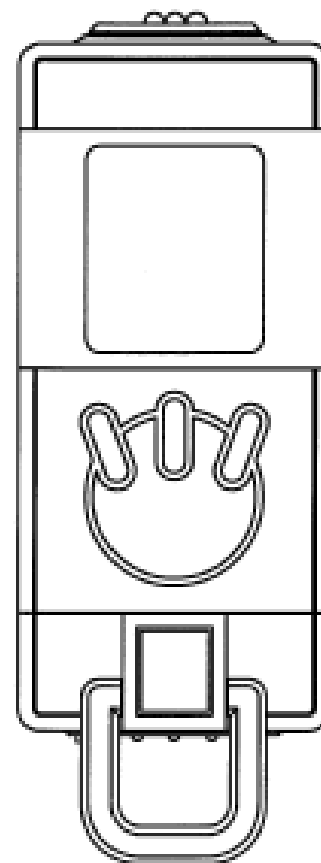
- (21) Design Number: **15756/2005**  
(22) Date of Filing Application: **22 December 2005**  
(24) Date from which industrial property rights may have effect: **22 December 2005**  
(54) Product in respect of which the design is registered: **Spacer for a water treatment chamber**  
(51) International Design Classification: **23-01G**  
(71) Name(s) and Address(s) of Applicant(s):  
**Black & Grey Holdings Pty Ltd**  
**Level 1 1 McLaren Street North Sydney New South Wales 2060**  
**Australia**  
(72) Name(s) of Designer(s): **Peter Worthington Hill**  
(45) Registration Date: **25 September 2006**  
(56) Related Art Documents: **Not Applicable**  
(57) Statement of Newness and Distinctiveness: **Nil.**



- (21) Design Number: **13288/2006**  
(22) Date of Filing Application: **28 July 2006**  
(24) Date from which industrial property rights may have effect: **28 July 2006**  
(54) Product in respect of which the design is registered: **Housing for lighting apparatus**  
(51) International Design Classification: **26-05D**  
(71) Name(s) and Address(s) of Applicant(s):  
**H & F Manufacturing Pty Ltd**  
**PO Box 7179 Gold Coast Mail Centre Queensland 4217 Australia**  
(72) Name(s) of Designer(s): **David Melvin Faulkner**  
(45) Registration Date: **25 September 2006**  
(56) Related Art Documents: **Not Applicable**  
(57) Statement of Newness and Distinctiveness: **The new and distinctive features of the design comprise the shape and configuration of the housing for lighting apparatus.**



(21) Design Number: **13286/2006**  
(22) Date of Filing Application: **28 July 2006**  
(24) Date from which industrial property rights may have effect: **28 July 2006**  
(54) Product in respect of which the design is registered: **Portable game device with LCD**  
(51) International Design Classification: **21-01N**  
(71) Name(s) and Address(s) of Applicant(s):  
**Kabushiki Kaisha Bandai**  
**4-8 Komagata 1-chome Taito-ku Tokyo Japan**  
**WiZ Co Ltd**  
**42-3 Nihonbashi Hamacho 3-chome Chuo-ku Tokyo Japan**  
(72) Name(s) of Designer(s): **Kiyoto Nishizawa and Akihiro Yokoi**  
(45) Registration Date: **25 September 2006**  
(30) Convention priority data:  
(31) Number      (32) Date      (33) Country  
**2006-002113      01 Feb 2006      JAPAN**  
(56) Related Art Documents: **Not Applicable**  
(57) Statement of Newness and Distinctiveness: **Nil**



(21) Design Number: **13006/2006**  
(22) Date of Filing Application: **14 July 2006**  
(24) Date from which industrial property rights may have effect: **14 July 2006**  
(54) Product in respect of which the design is registered: **Chair**  
(51) International Design Classification: **06-01F**  
(71) Name(s) and Address(s) of Applicant(s):  
**Ergonomiprodukter I Bodafors AB**  
**Box 294 S-571 23 Nassjo Sweden**  
(72) Name(s) of Designer(s): **Marten Rittfeldt and Oskar Ponnert**  
(45) Registration Date: **25 September 2006**  
(30) Convention priority data:  
(31) Number      (32) Date      (33) Country  
**000468046      25 Jan 2006      EUROPEAN COMMUNITY**  
(56) Related Art Documents: **Not Applicable**  
(57) Statement of Newness and Distinctiveness: **Newness and distinctiveness is claimed in the features of shape and/or configuration of the following parts of a chair as illustrated in the accompanying representations: the sharp, flattened edge contour of the seat, back, arm rest and head rest; the rectangular hole in the back; the small round holes at the edge of the back and seat; the contour of the back with chamfered corners; and the contour of the seat with a recess at the front.**



(21) Design Number: **10530/2006**

(22) Date of Filing Application: **15 February 2006**

(24) Date from which industrial property rights may have effect: **15 February 2006**

(54) Product in respect of which the design is registered: **Humidifier tub**

(51) International Design Classification: **23-04**

(71) Name(s) and Address(s) of Applicant(s):

**ResMed Ltd**  
**1 Elizabeth Macarthur Drive Bella Vista New South Wales 2153**  
**Australia**

(72) Name(s) of Designer(s): **John Michael Snow and Perry David Lithgow and Ian Malcolm Smith and William Bonilla and Dan Kao**

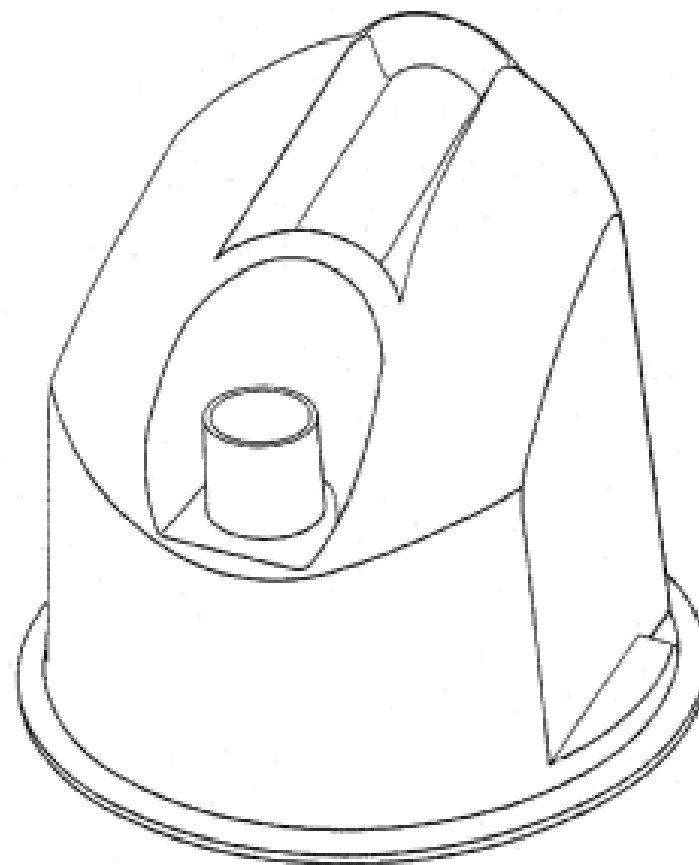
(45) Registration Date: **26 September 2006**

(30) Convention priority data:

(31) Number	(32) Date	(33) Country
<b>29/251,427</b>	<b>09 Jan 2006</b>	<b>UNITED STATES OF AMERICA</b>

(56) Related Art Documents: **Not Applicable**

(57) Statement of Newness and Distinctiveness: **Nil**



(21) Design Number: **10646/2006**

(22) Date of Filing Application: **21 February 2006**

(24) Date from which industrial property rights may have effect: **21 February 2006**

(54) Product in respect of which the design is registered: **Pallet**

(51) International Design Classification: **09-08**

(71) Name(s) and Address(s) of Applicant(s):

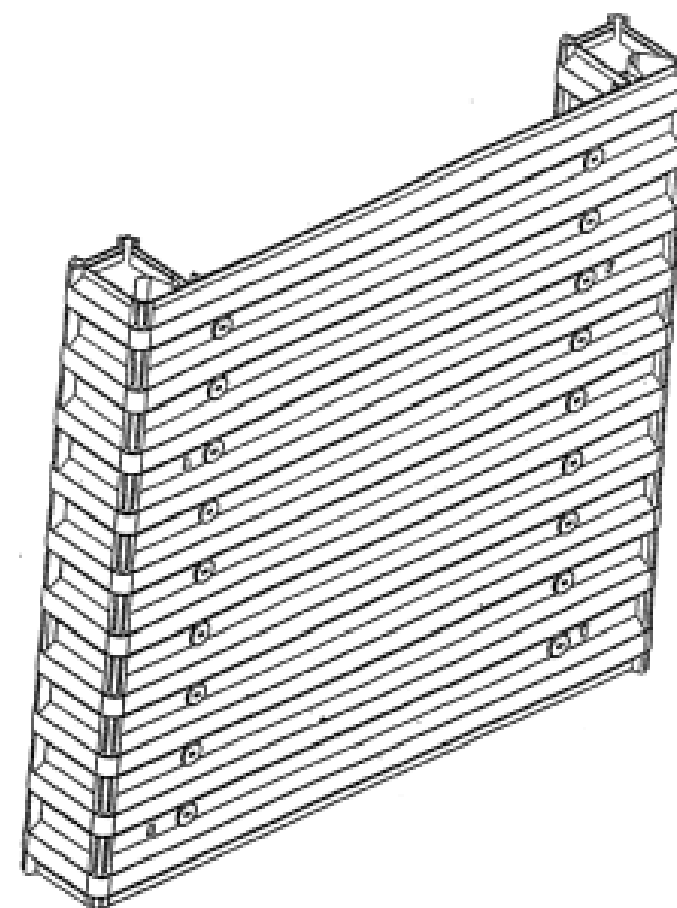
**Boonpetch Steel Galvanized Pallet Co., Ltd**  
**104/16 Moo 17 Bangsaotong Bangsaotong Sub-District Samutprakarn**  
**Thailand**

(72) Name(s) of Designer(s): **Jaruwanee Saenglohaphand**

(45) Registration Date: **26 September 2006**

(56) Related Art Documents: **Not Applicable**

(57) Statement of Newness and Distinctiveness: **Nil**



(21) Design Number: **10647/2006**

(22) Date of Filing Application: **21 February 2006**

(24) Date from which industrial property rights may have effect: **21 February 2006**

(54) Product in respect of which the design is registered: **Pallet**

(51) International Design Classification: **09-08**

(71) Name(s) and Address(s) of Applicant(s):

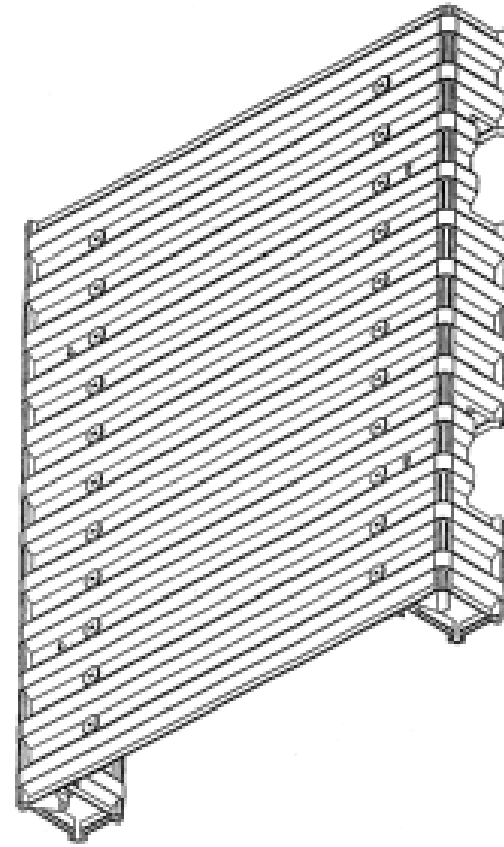
**Boonpetch Steel Galvanized Pallet Co., Ltd**  
**104/16 Moo 17 Bangsaotong Bangsaotong Sub-District Samutprakarn**  
**Thailand**

(72) Name(s) of Designer(s): **Jaruwanee Saenglophand**

(45) Registration Date: **26 September 2006**

(56) Related Art Documents: **Not Applicable**

(57) Statement of Newness and Distinctiveness: **Nil**



(21) Design Number: **11288/2006**

(22) Date of Filing Application: **28 March 2006**

(24) Date from which industrial property rights may have effect: **28 March 2006**

(54) Product in respect of which the design is registered: **Jewellery**

(51) International Design Classification: **11-01NES**

(71) Name(s) and Address(s) of Applicant(s):

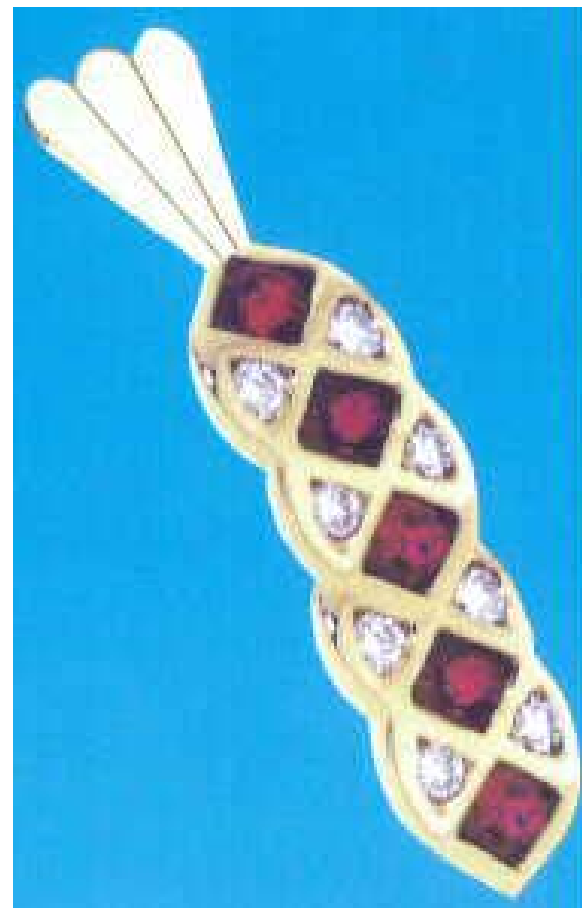
**Robert L. Hocking**  
**97A President Avenue Caringbah New South Wales 2229 Australia**

(72) Name(s) of Designer(s): **Robert L. Hocking**

(45) Registration Date: **26 September 2006**

(56) Related Art Documents: **Not Applicable**

(57) Statement of Newness and Distinctiveness: **The distinctive arrangement of gems is claimed in the shape and configuration of this pendant as shown in the presentation.**



(21) Design Number: **11287/2006**

(22) Date of Filing Application: **28 March 2006**

(24) Date from which industrial property rights may have effect: **28 March 2006**

(54) Product in respect of which the design is registered: **Jewellery**

(51) International Design Classification: **11-01D**

(71) Name(s) and Address(s) of Applicant(s):

**Robert L. Hocking**

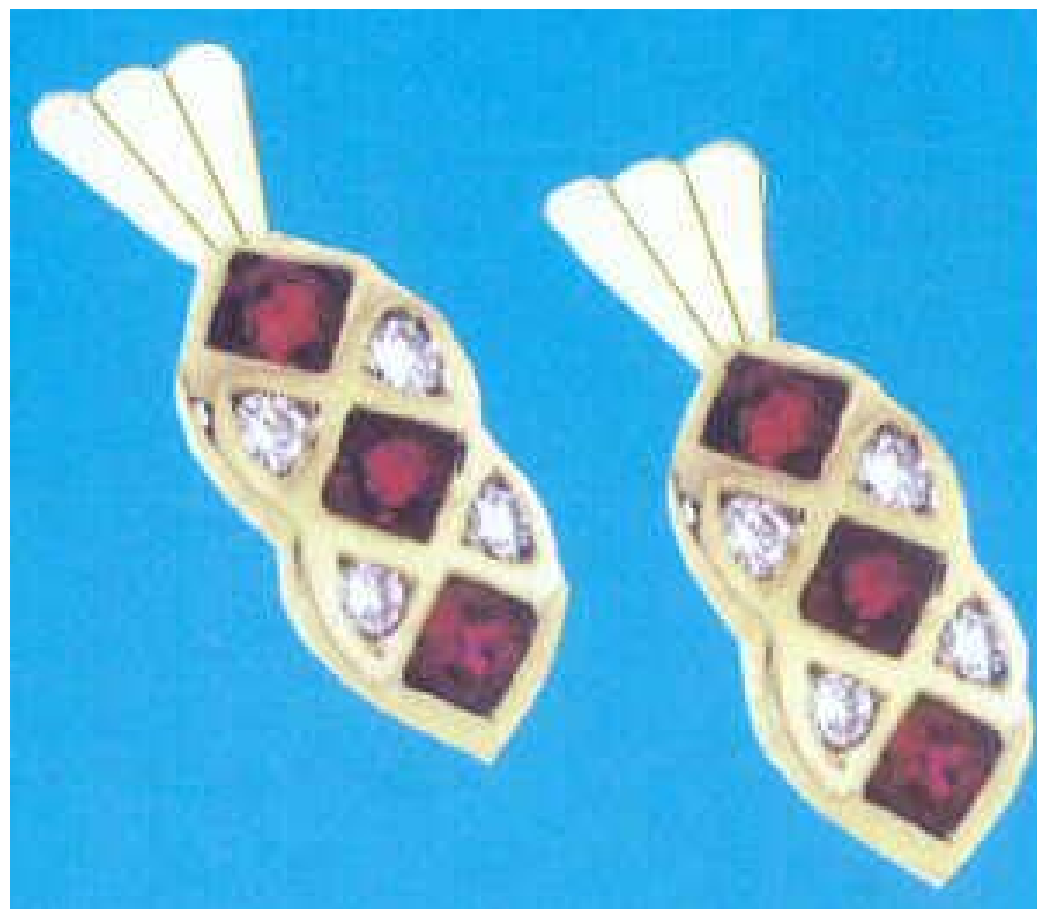
**97A President Avenue Caringbah New South Wales 2229 Australia**

(72) Name(s) of Designer(s): **Robert L. Hocking**

(45) Registration Date: **26 September 2006**

(56) Related Art Documents: **Not Applicable**

(57) Statement of Newness and Distinctiveness: **The distinctive arrangement of gems is claimed in the shape and configuration of this earring as shown in the presentation.**



(21) Design Number: **11913/2006**

(22) Date of Filing Application: **04 May 2006**

(24) Date from which industrial property rights may have effect: **04 May 2006**

(54) Product in respect of which the design is registered: **Left-and right-side vehicle sill panels**

(51) International Design Classification: **12-16B**

(71) Name(s) and Address(s) of Applicant(s):

**GM Holden Ltd**

**241 Salmon Street Port Melbourne Victoria 3207 Australia**

(72) Name(s) of Designer(s): **Martin Richard Love**

(45) Registration Date: **26 September 2006**

(56) Related Art Documents: **Not Applicable**

(57) Statement of Newness and Distinctiveness: **Newness and distinctiveness is claimed in the shape and/or configuration of a left-and right-side vehicle sill panels as shown in the representations.**





- (21) Design Number: **11934/2006**  
(22) Date of Filing Application: **04 May 2006**  
(24) Date from which industrial property rights may have effect: **04 May 2006**  
(54) Product in respect of which the design is registered: **Left-and right-side vehicle sill panels**  
(51) International Design Classification: **12-16B**  
(71) Name(s) and Address(s) of Applicant(s):  
**GM Holden Ltd**  
**241 Salmon Street Port Melbourne Victoria 3207 Australia**  
(72) Name(s) of Designer(s): **Martin Richard Love**  
(45) Registration Date: **26 September 2006**  
(56) Related Art Documents: **Not Applicable**  
(57) Statement of Newness and Distinctiveness: **Newness and distinctiveness is claimed in the shape and/or configuration of a left-and right-side vehicle sill panels as shown in the representations.**



- (21) Design Number: **12459/2006**  
(22) Date of Filing Application: **07 June 2006**  
(24) Date from which industrial property rights may have effect: **07 June 2006**  
(54) Product in respect of which the design is registered: **Glasses**  
(51) International Design Classification: **07-01C**  
(71) Name(s) and Address(s) of Applicant(s):  
**Pi-Design AG**  
(72) Name(s) of Designer(s): **Jorgen Bodum**  
(45) Registration Date: **26 September 2006**  
(30) Convention priority data:  

(31) Number	(32) Date	(33) Country
<b>DA 2005</b>	<b>20 Dec 2005</b>	<b>DENMARK</b>
<b>00370</b>		

  
(56) Related Art Documents: **Not Applicable**  
(57) Statement of Newness and Distinctiveness: **Nil**



(21) Design Number: **12460/2006**

(22) Date of Filing Application: **07 June 2006**

(24) Date from which industrial property rights may have effect: **07 June 2006**

(54) Product in respect of which the design is registered: **Glasses**

(51) International Design Classification: **07-01C**

(71) Name(s) and Address(s) of Applicant(s):

**Pi-Design AG**

(72) Name(s) of Designer(s): **Jorgen Bodum**

(45) Registration Date: **26 September 2006**

(30) Convention priority data:

(31) Number	(32) Date	(33) Country
<b>DA 2005</b>	<b>20 Dec 2005</b>	<b>DENMARK</b>
<b>00370</b>		

(56) Related Art Documents: **Not Applicable**

(57) Statement of Newness and Distinctiveness: **Nil**



(21) Design Number: **12461/2006**

(22) Date of Filing Application: **07 June 2006**

(24) Date from which industrial property rights may have effect: **07 June 2006**

(54) Product in respect of which the design is registered: **Glasses**

(51) International Design Classification: **07-01C**

(71) Name(s) and Address(s) of Applicant(s):

**Pi-Design AG**

(72) Name(s) of Designer(s): **Jorgen Bodum**

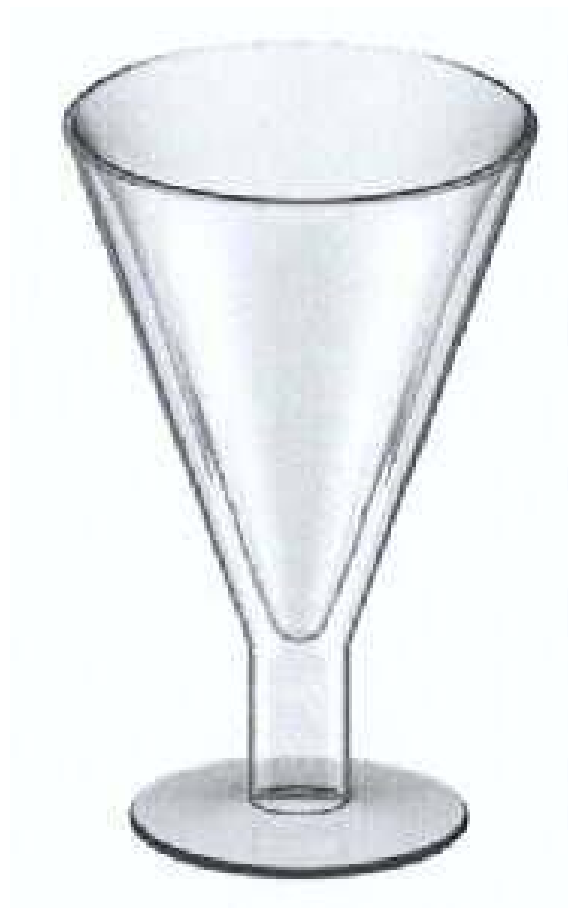
(45) Registration Date: **26 September 2006**

(30) Convention priority data:

(31) Number	(32) Date	(33) Country
<b>DA 2005</b>	<b>20 Dec 2005</b>	<b>DENMARK</b>
<b>00370</b>		

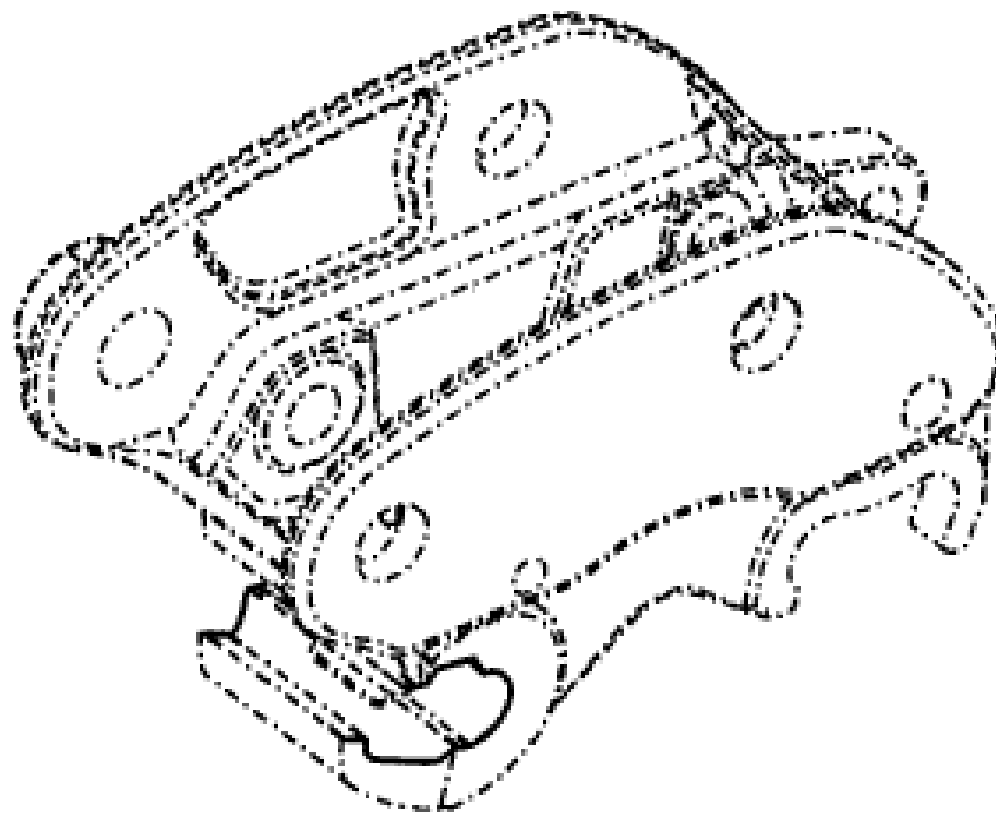
(56) Related Art Documents: **Not Applicable**

(57) Statement of Newness and Distinctiveness: **Nil**



(19) AU

- (21) Design Number: **12561/2006**  
(22) Date of Filing Application: **15 June 2006**  
(24) Date from which industrial property rights may have effect: **15 June 2006**  
(54) Product in respect of which the design is registered: **Coupler for attaching an accessory to the arm of an excavator**  
(51) International Design Classification: **15-04**  
(71) Name(s) and Address(s) of Applicant(s):  
**Miller UK Limited**  
**Bassington Industrial Estate Bassington Lane Cramlington**  
**Northumberland NE23 8AD United Kingdom**  
(72) Name(s) of Designer(s): **Gary Miller and Gary Pendleton**  
(45) Registration Date: **26 September 2006**  
(30) Convention priority data:  
(31) Number      (32) Date      (33) Country  
**452271      16 Dec 2005      EUROPEAN COMMUNITY**  
(56) Related Art Documents: **Not Applicable**  
(57) Statement of Newness and Distinctiveness: **Newness and distinctiveness is claimed in the features of shape and/or configuration of the front jaw of a coupler as illustrated in continuous lines in the accompanying representations.**



(19) AU

- (21) Design Number: **12623/2006**  
(22) Date of Filing Application: **20 June 2006**  
(24) Date from which industrial property rights may have effect: **20 June 2006**  
(54) Product in respect of which the design is registered: **Soft toys**  
(51) International Design Classification: **21-01D, 21-01NES**  
(71) Name(s) and Address(s) of Applicant(s):  
**Norbert Ingrisch**  
**1538 Kangaroo Valley Road Kangaroo Valley New South Wales 2577**  
**Australia**  
(72) Name(s) of Designer(s): **Norbert (Karl) Ingrisch**  
(45) Registration Date: **26 September 2006**  
(56) Related Art Documents: **Not Applicable**  
(57) Statement of Newness and Distinctiveness: **This design is a cartoon character of the Sydney Opera House. Consists of 2 hands, a button nose, 2 eyes and a big smiley mouth.**



(21) Design Number: **12979/2006**

(22) Date of Filing Application: **13 July 2006**

(24) Date from which industrial property rights may have effect: **13 July 2006**

(54) Product in respect of which the design is registered: **Tank fitting**

(51) International Design Classification: **23-01F**

(71) Name(s) and Address(s) of Applicant(s):

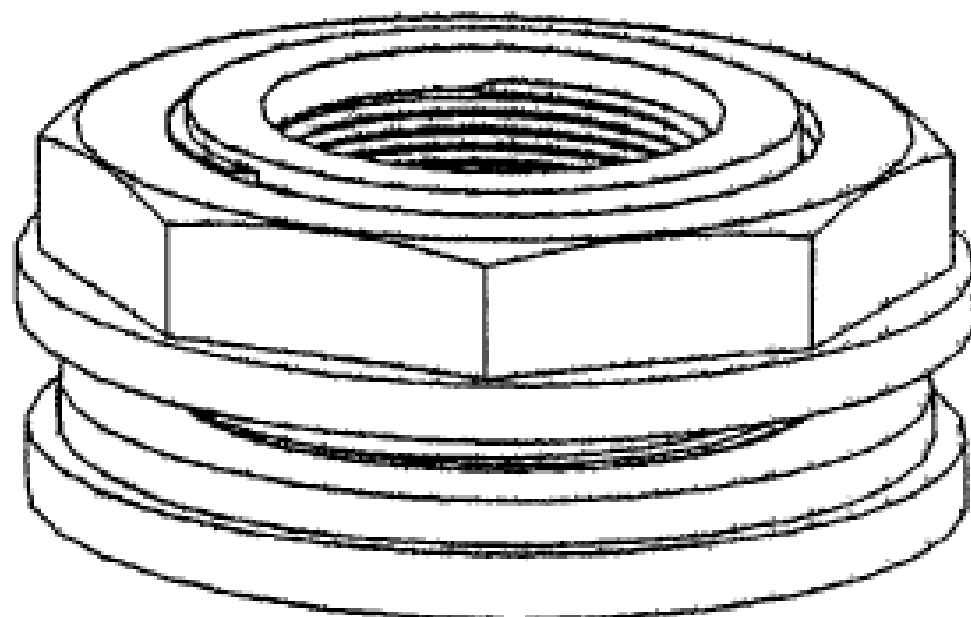
**Rotoquip (Proprietary) Limited**  
**4 Plantina Crescent New Era Springs Gauteng 1559 Republic of South Africa**

(72) Name(s) of Designer(s): **Paul Christopher Burchell**

(45) Registration Date: **26 September 2006**

(56) Related Art Documents: **Not Applicable**

(57) Statement of Newness and Distinctiveness: **Newness and distinctiveness is claimed in the features of shape and/or configuration of a tank fitting as illustrated in the accompanying representations.**



(21) Design Number: **12980/2006**

(22) Date of Filing Application: **13 July 2006**

(24) Date from which industrial property rights may have effect: **13 July 2006**

(54) Product in respect of which the design is registered: **Modular shelving**

(51) International Design Classification: **20-02NES**

(71) Name(s) and Address(s) of Applicant(s):

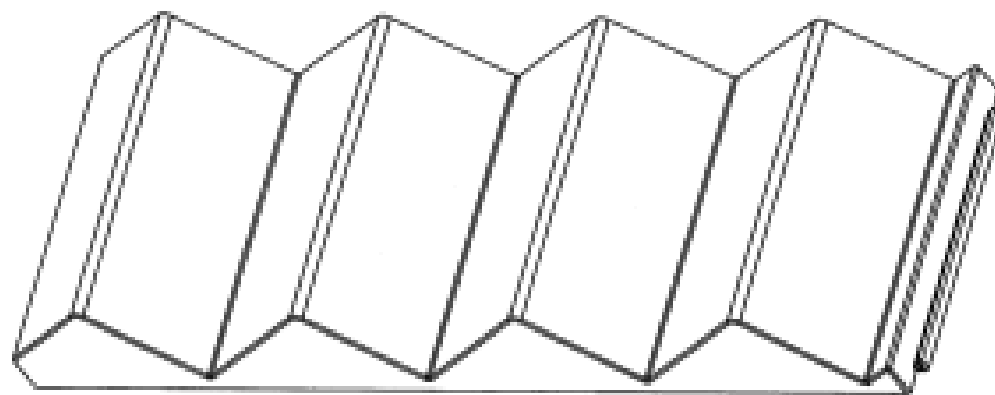
**Trade Guys International Pty Ltd**  
**12/8 Fortitude Crescent Burleigh Heads Queensland 4220 Australia**

(72) Name(s) of Designer(s): **Raymond Scicluna and Peter Scicluna**

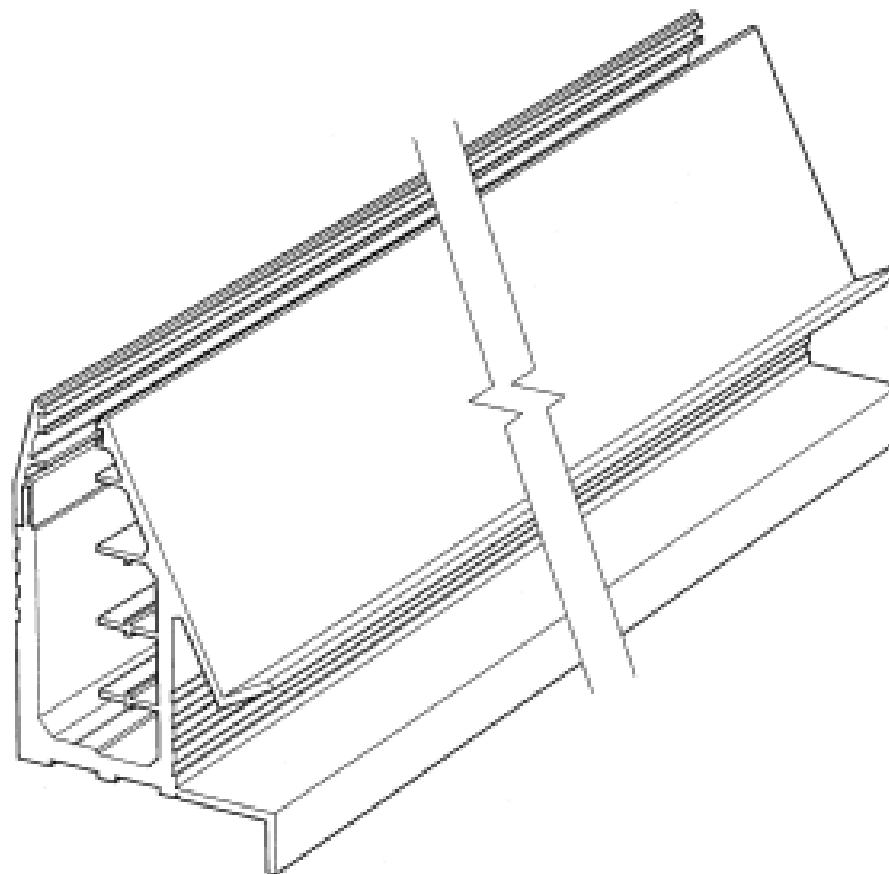
(45) Registration Date: **26 September 2006**

(56) Related Art Documents: **Not Applicable**

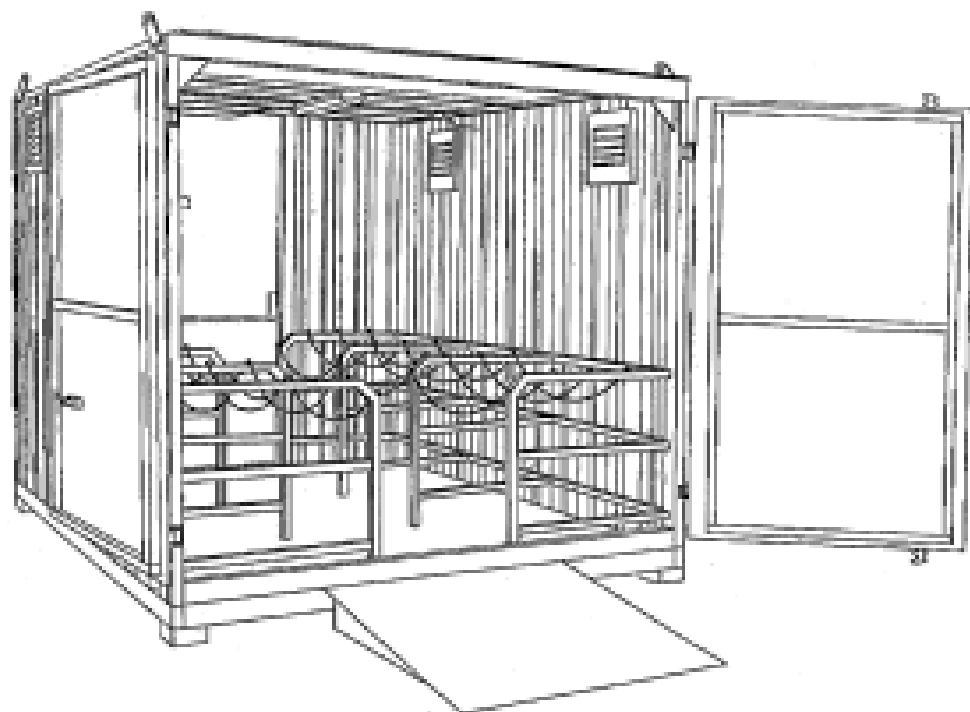
(57) Statement of Newness and Distinctiveness: **Newness and distinctiveness resides in the features of shape and configuration of a modular shelving unit as shown in the representations.**



- (21) Design Number: **12981/2006**  
(22) Date of Filing Application: **14 July 2006**  
(24) Date from which industrial property rights may have effect: **14 July 2006**  
(54) Product in respect of which the design is registered: **Metal frame member**  
(51) International Design Classification: **25-01K**  
(71) Name(s) and Address(s) of Applicant(s):  
**Prodrome Designs Pty Ltd**  
**468 Stuart Highway Winnellie Northern Territory 0820 Australia**  
(72) Name(s) of Designer(s): **John Koukouvas**  
(45) Registration Date: **26 September 2006**  
(56) Related Art Documents: **Not Applicable**  
(57) Statement of Newness and Distinctiveness: **Statement of newness and distinctiveness resides in the features of shape and configuration of a metal frame member of indefinite length as shown in the accompanying representations.**



- (21) Design Number: **12985/2006**  
(22) Date of Filing Application: **13 July 2006**  
(24) Date from which industrial property rights may have effect: **13 July 2006**  
(54) Product in respect of which the design is registered: **Cabin for gas cylinders**  
(51) International Design Classification: **25-03**  
(71) Name(s) and Address(s) of Applicant(s):  
**The BOC Group plc**  
**Chertsey Road Windlesham Surrey GU20 6HJ United Kingdom**  
(72) Name(s) of Designer(s): **Justin Holland and Darren Richard Gurney**  
(45) Registration Date: **26 September 2006**  
(30) Convention priority data:  
(31) Number (32) Date (33) Country  
**000467261-0001 18 Jan 2006 EUROPEAN COMMUNITY**  
(56) Related Art Documents: **Not Applicable**  
(57) Statement of Newness and Distinctiveness: **Nil.**



(21) Design Number: **13003/2006**

(22) Date of Filing Application: **14 July 2006**

(24) Date from which industrial property rights may have effect: **14 July 2006**

(54) Product in respect of which the design is registered: **Workbench**

(51) International Design Classification: **06-03C**

(71) Name(s) and Address(s) of Applicant(s):

**H.G.V. Haus Und Garten-Marketing Und Vertriebsgesellschaft mbH  
Muhlenstrasse 36 66450 Bexbach Germany**

(72) Name(s) of Designer(s): **Jorg Wenskowski**

(45) Registration Date: **26 September 2006**

(30) Convention priority data:

(31) Number	(32) Date	(33) Country
<b>406 00 788.8</b>	<b>10 Feb 2006</b>	<b>GERMANY</b>

(56) Related Art Documents: **Not Applicable**

(57) Statement of Newness and Distinctiveness: **Those features of the workbench depicted in the representations that are new and distinctive are the shape and/or configuration. The word 'zoom', measurement lines and the textual matter are to be disregarded when considering the overall impression of the design.**



(21) Design Number: **13295/2006**

(22) Date of Filing Application: **27 July 2006**

(24) Date from which industrial property rights may have effect: **27 July 2006**

(54) Product in respect of which the design is registered: **Portable computer with bar code reader**

(51) International Design Classification: **14-02**

(71) Name(s) and Address(s) of Applicant(s):

**DATALOGIC S.p.A.  
Via Candini 2 I-40012 Lippo di Calderara di Reno (Bologna) Italy**

(72) Name(s) of Designer(s): **Corrado Tasselli and Monica Alegiani and Massimo Lotti**

(45) Registration Date: **26 September 2006**

(30) Convention priority data:

(31) Number	(32) Date	(33) Country
<b>000469143-0001</b>	<b>27 Jan 2006</b>	<b>EUROPEAN COMMUNITY</b>

(56) Related Art Documents: **Not Applicable**

(57) Statement of Newness and Distinctiveness: **Nil.**



(21) Design Number: **13317/2006**

(22) Date of Filing Application: **31 July 2006**

(24) Date from which industrial property rights may have effect: **31 July 2006**

(54) Product in respect of which the design is registered: **Handle for a drinking vessel**

(51) International Design Classification: **07-06A**

(71) Name(s) and Address(s) of Applicant(s):

**Luke Kim Mylonas**

**30 Braemer Place Carindale Queensland 4152 Australia**

**Clyde Rossouw**

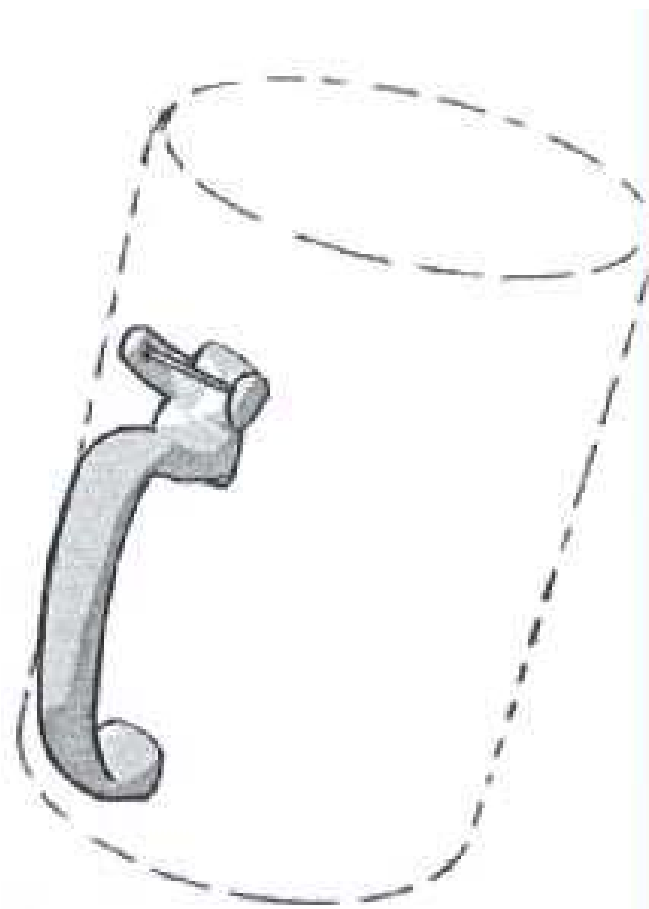
**61 Chatsworth Court Capalaba Queensland 4157 Australia**

(72) Name(s) of Designer(s): **Luke Kim Mylonas and Clyde Rossouw**

(45) Registration Date: **26 September 2006**

(56) Related Art Documents: **Not Applicable**

(57) Statement of Newness and Distinctiveness: **The new and distinctive features of the design comprise the shape and configuration of the handle for a drinking vessel. In considering the new and distinctive features of the design, the features of the drinking vessel shown in dotted outline are to be disregarded.**



(21) Design Number: **13316/2006**

(22) Date of Filing Application: **31 July 2006**

(24) Date from which industrial property rights may have effect: **31 July 2006**

(54) Product in respect of which the design is registered: **Handle for a drinking vessel**

(51) International Design Classification: **07-06A**

(71) Name(s) and Address(s) of Applicant(s):

**Luke Kim Mylonas**

**30 Braemer Place Carindale Queensland 4152 Australia**

**Clyde Rossouw**

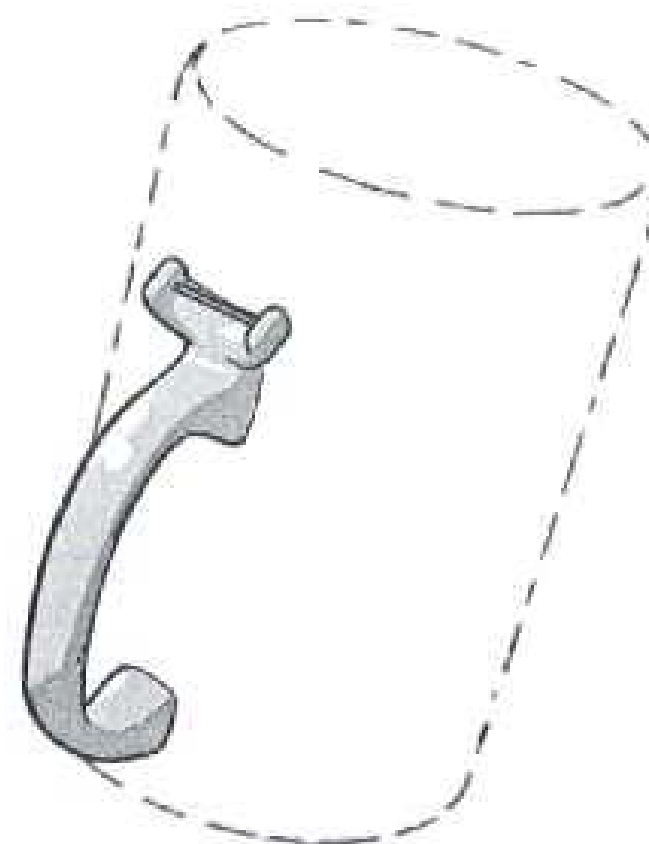
**61 Chatsworth Court Capalaba Queensland 4157 Australia**

(72) Name(s) of Designer(s): **Luke Kim Mylonas and Clyde Rossouw**

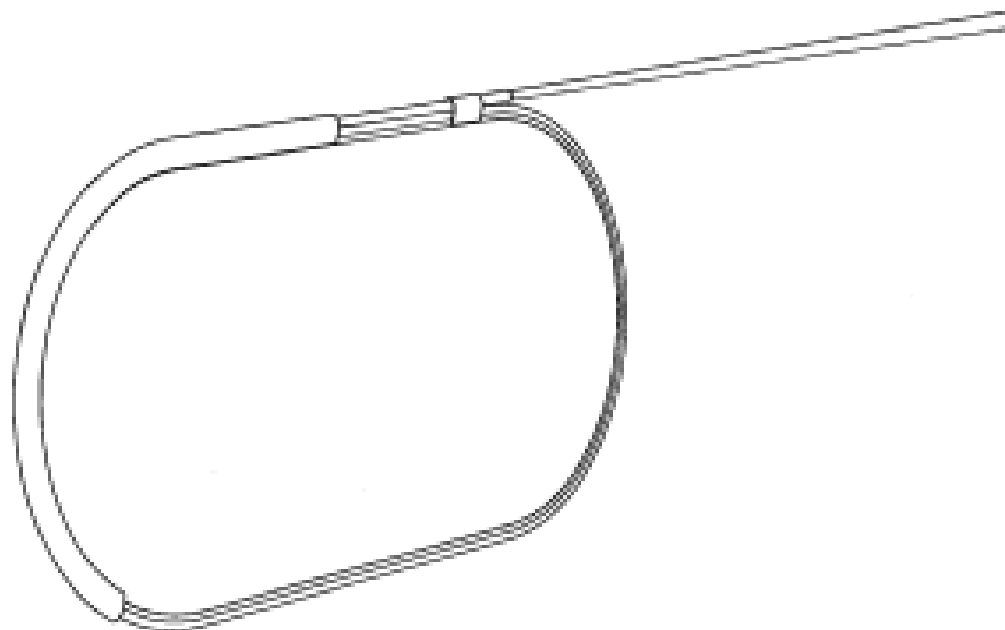
(45) Registration Date: **26 September 2006**

(56) Related Art Documents: **Not Applicable**

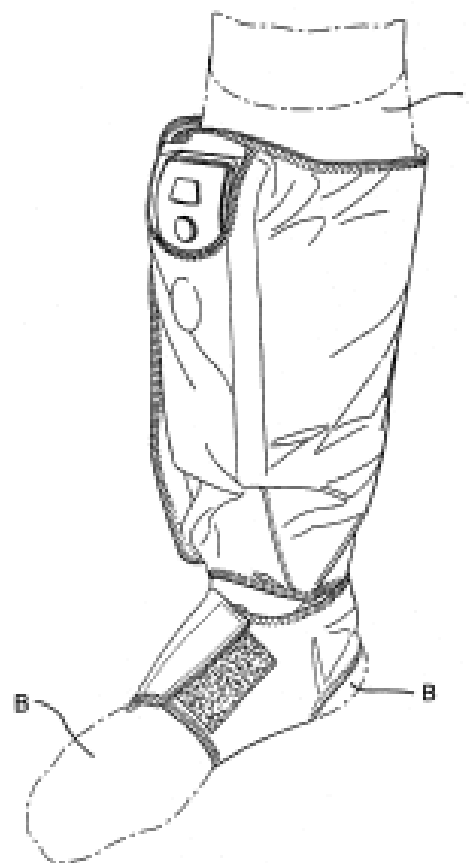
(57) Statement of Newness and Distinctiveness: **The new and distinctive features of the design comprise the shape and configuration of the handle for a drinking vessel. In considering the new and distinctive features of the design, the features of the drinking vessel shown in dotted outline are to be disregarded.**



- (21) Design Number: **10005/2006**
- (22) Date of Filing Application: **04 January 2006**
- (24) Date from which industrial property rights may have effect: **04 January 2006**
- (54) Product in respect of which the design is registered: **A foldable display**
- (51) International Design Classification: **20-02NES**
- (71) Name(s) and Address(s) of Applicant(s):  
**Wessel Johannes Van Niekerk**  
**20 Bentley Avenue Fulham Gardens South Australia 5024 Australia**
- (72) Name(s) of Designer(s): **Wessel Johannes Van Niekerk**
- (45) Registration Date: **26 September 2006**
- (56) Related Art Documents: **Not Applicable**
- (57) Statement of Newness and Distinctiveness: **Nil**

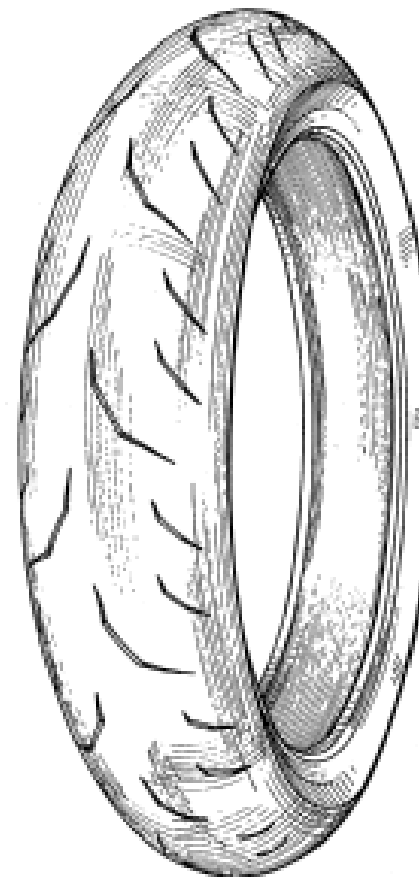


- (21) Design Number: **13002/2006**
- (22) Date of Filing Application: **14 July 2006**
- (24) Date from which industrial property rights may have effect: **14 July 2006**
- (54) Product in respect of which the design is registered: **Medical compress**
- (51) International Design Classification: **24-04**
- (71) Name(s) and Address(s) of Applicant(s):  
**Bristol-Myers Squibb Company**  
**345 Park Avenue New York NY 10154 United States of America**
- (72) Name(s) of Designer(s): **Ian Stewart Tabron and Patrick Gerard Linnane and Wayne Lee Bonnefin and Jochen Ratjen and Anders Bostrom and Stefan Loof and Roland Larsson and Mats Christiansson and Johan Svard and Mattias Seversson**
- (45) Registration Date: **26 September 2006**
- (30) Convention priority data:
  - (31) Number      (32) Date                      (33) Country
  - 000470257-0001    24 Jan 2006                      EUROPEAN COMMUNITY**
- (56) Related Art Documents: **Not Applicable**
- (57) Statement of Newness and Distinctiveness: **Those features of the medical compress depicted in the representations that are new and distinctive are the shape and/or configuration. The leg portion marked "A" and the foot portions marked "B" may or may not form part of the design.**

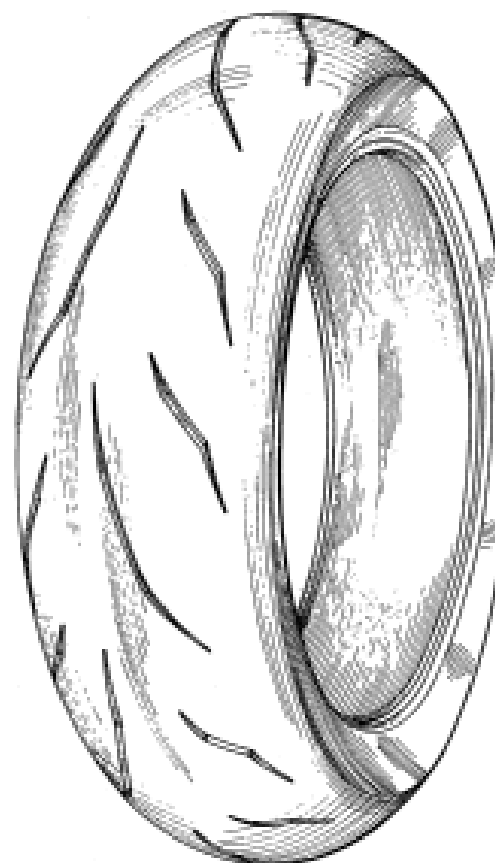




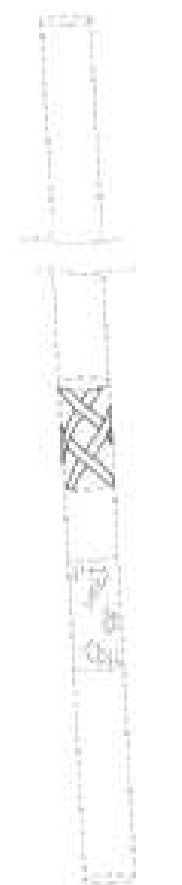
- (21) Design Number: **13044/2006**  
(22) Date of Filing Application: **18 July 2006**  
(24) Date from which industrial property rights may have effect: **18 July 2006**  
(54) Product in respect of which the design is registered: **A front tyre for motorcycles**  
(51) International Design Classification: **12-15NES**  
(71) Name(s) and Address(s) of Applicant(s):  
**Pirelli Tyre S.p.A.**  
**Viale Sarca I-20126 Milano Italy**  
(72) Name(s) of Designer(s): **Sandro Gallo and Gunter Steinbach**  
(45) Registration Date: **26 September 2006**  
(30) Convention priority data:  
(31) Number (32) Date (33) Country  
**000466214 20 Jan 2006 EUROPEAN COMMUNITY**  
(56) Related Art Documents: **Not Applicable**  
(57) Statement of Newness and Distinctiveness: **The shape and configuration of a front tyre for motorcycles is new and distinctive.**



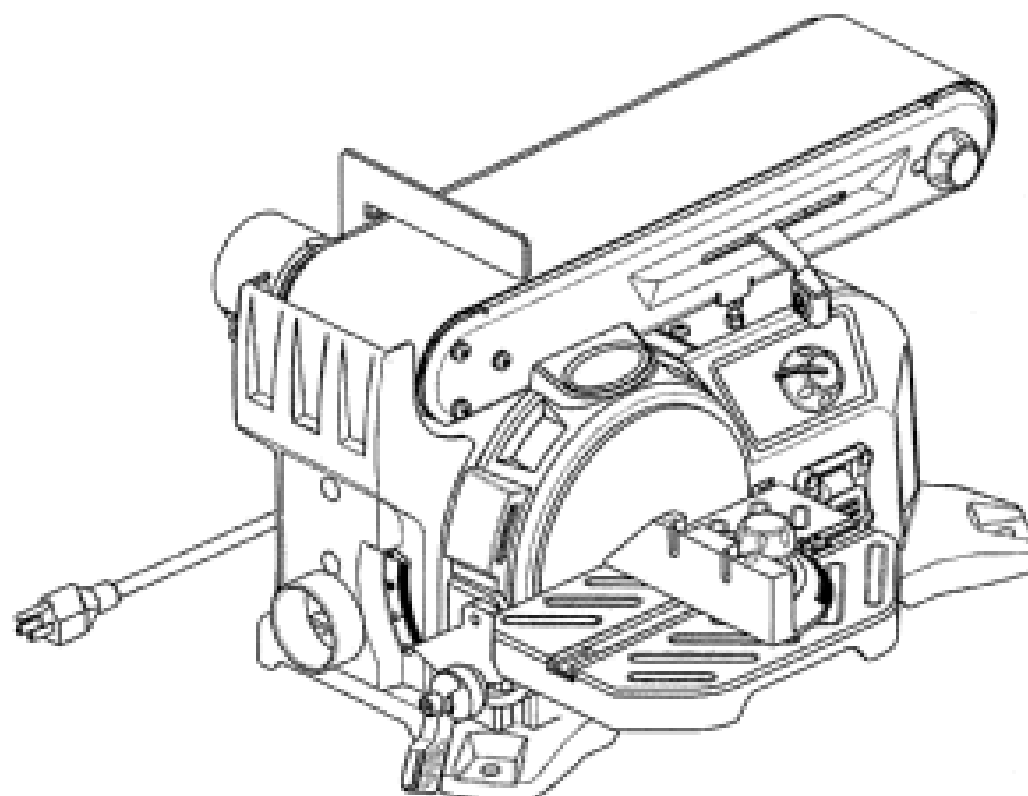
- (21) Design Number: **13045/2006**  
(22) Date of Filing Application: **18 July 2006**  
(24) Date from which industrial property rights may have effect: **18 July 2006**  
(54) Product in respect of which the design is registered: **A rear tyre for motorcycles**  
(51) International Design Classification: **12-15NES**  
(71) Name(s) and Address(s) of Applicant(s):  
**Pirelli Tyre S.p.A.**  
**Viale Sarca I-20126 Milano Italy**  
(72) Name(s) of Designer(s): **Sandro Gallo and Gunter Steinbach**  
(45) Registration Date: **26 September 2006**  
(30) Convention priority data:  
(31) Number (32) Date (33) Country  
**000466214 20 Jan 2006 EUROPEAN COMMUNITY**  
(56) Related Art Documents: **Not Applicable**  
(57) Statement of Newness and Distinctiveness: **The shape and configuration of a rear tyre for motorcycles is new and distinctive.**



- (21) Design Number: **13052/2006**  
(22) Date of Filing Application: **18 July 2006**  
(24) Date from which industrial property rights may have effect: **18 July 2006**  
(54) Product in respect of which the design is registered: **Plug assembly of an artificial insemination straw**  
(51) International Design Classification: **07-06NES, 24-01, 24-02**  
(71) Name(s) and Address(s) of Applicant(s):  
**XY, Inc.**  
**1108 North Lemay Avenue Fort Collins Colorado 80524 United States of America**  
(72) Name(s) of Designer(s): **Thomas Boyd Gilligan**  
(45) Registration Date: **26 September 2006**  
(30) Convention priority data:  
(31) Number (32) Date (33) Country  
**29/252263 20 Jan 2006 UNITED STATES OF AMERICA**  
(56) Related Art Documents: **Not Applicable**  
(57) Statement of Newness and Distinctiveness: **The newness and distinctiveness of the design resides in the arrangement of the threads and the colour of the lower and upper plugs of the artificial insemination straw.**



- (21) Design Number: **13041/2006**  
(22) Date of Filing Application: **18 July 2006**  
(24) Date from which industrial property rights may have effect: **18 July 2006**  
(54) Product in respect of which the design is registered: **Bench sander**  
(51) International Design Classification: **08-05N**  
(71) Name(s) and Address(s) of Applicant(s):  
**GMCA Pty Ltd**  
**45-55 South Centre Road Melbourne Airport Victoria 3045 Australia**  
(72) Name(s) of Designer(s): **James Hastie**  
(45) Registration Date: **26 September 2006**  
(30) Convention priority data:  
(31) Number (32) Date (33) Country  
**3025035 09 Jun 2006 UNITED KINGDOM**  
(56) Related Art Documents: **Not Applicable**  
(57) Statement of Newness and Distinctiveness: **Newness and distinctiveness resides in the features of shape and configuration of a bench sander as shown in the accompanying representations.**



(21) Design Number: **13053/2006**

(22) Date of Filing Application: **18 July 2006**

(24) Date from which industrial property rights may have effect: **18 July 2006**

(54) Product in respect of which the design is registered: **Rim**

(51) International Design Classification: **23-03E, 23-04, 25-02F**

(71) Name(s) and Address(s) of Applicant(s):

**Pi-Design AG**

(72) Name(s) of Designer(s): **Jorgen Bodum**

(45) Registration Date: **26 September 2006**

(30) Convention priority data:

(31) Number

(32) Date

(33) Country

**DA 2006**

**20 Jan 2006**

**DENMARK**

**00023**

(56) Related Art Documents: **Not Applicable**

(57) Statement of Newness and Distinctiveness: **Nil**



(21) Design Number: **13054/2006**

(22) Date of Filing Application: **18 July 2006**

(24) Date from which industrial property rights may have effect: **18 July 2006**

(54) Product in respect of which the design is registered: **Filter including rim**

(51) International Design Classification: **23-03E, 23-04, 25-02F**

(71) Name(s) and Address(s) of Applicant(s):

**Pi-Design AG**

(72) Name(s) of Designer(s): **Jorgen Bodum**

(45) Registration Date: **26 September 2006**

(30) Convention priority data:

(31) Number

(32) Date

(33) Country

**DA 2006**

**20 Jan 2006**

**DENMARK**

**00023**

(56) Related Art Documents: **Not Applicable**

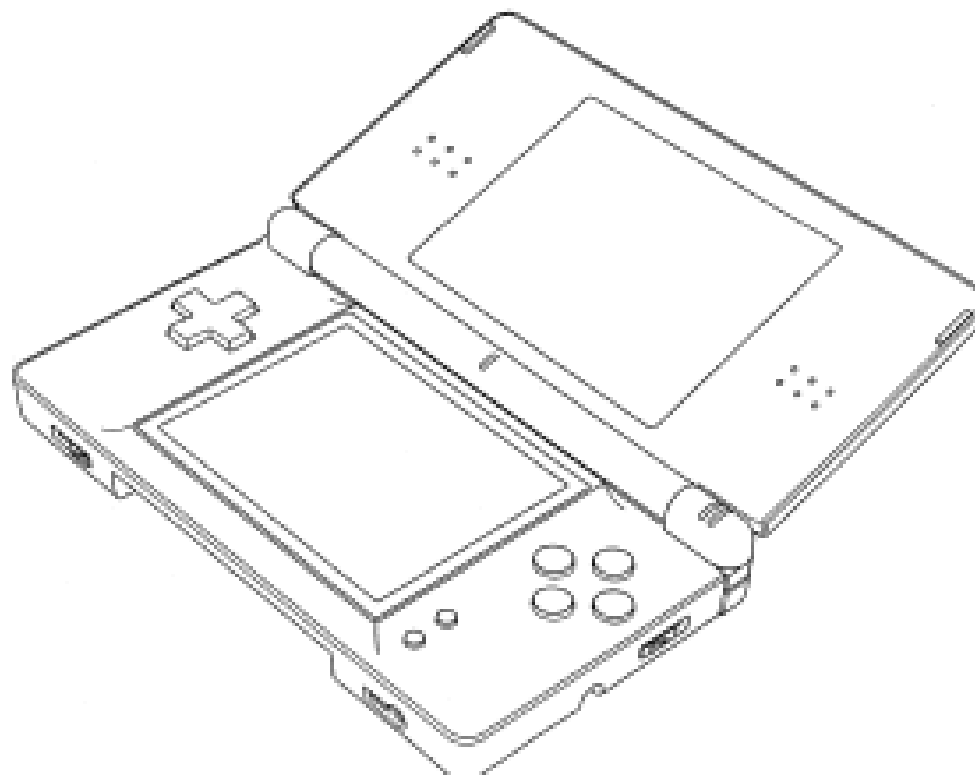
(57) Statement of Newness and Distinctiveness: **Nil**



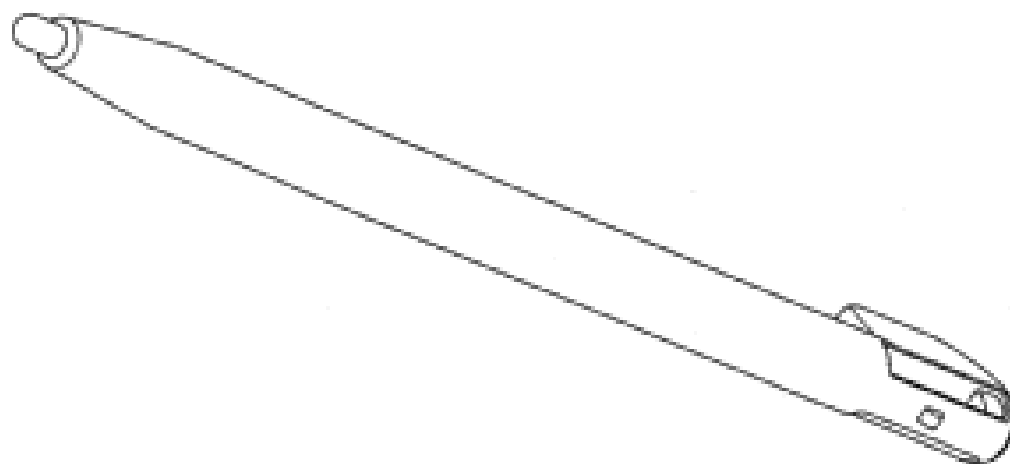
(21) Design Number: **13055/2006**  
(22) Date of Filing Application: **18 July 2006**  
(24) Date from which industrial property rights may have effect: **18 July 2006**  
(54) Product in respect of which the design is registered: **Rim**  
(51) International Design Classification: **23-03E, 23-04, 25-02F**  
(71) Name(s) and Address(s) of Applicant(s):  
**Pi-Design AG**  
(72) Name(s) of Designer(s): **Jorgen Bodum**  
(45) Registration Date: **26 September 2006**  
(30) Convention priority data:  
(31) Number (32) Date (33) Country  
**DA 2006 20 Jan 2006 DENMARK**  
**00023**  
(56) Related Art Documents: **Not Applicable**  
(57) Statement of Newness and Distinctiveness: **Nil**



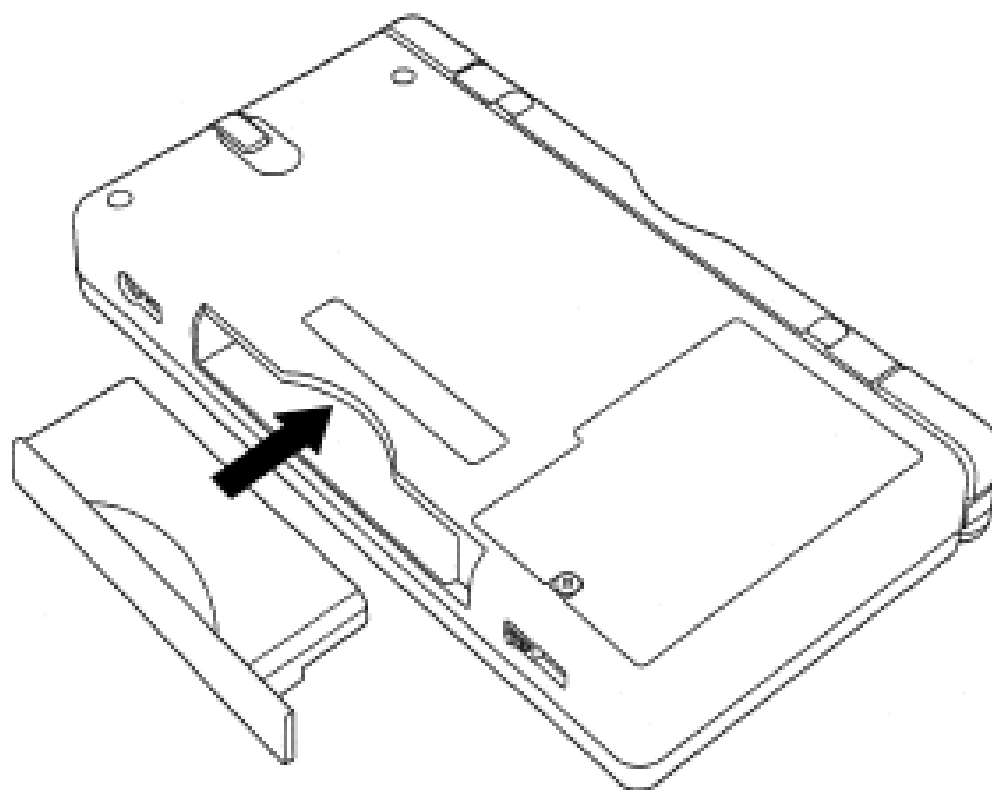
(21) Design Number: **13251/2006**  
(22) Date of Filing Application: **26 July 2006**  
(24) Date from which industrial property rights may have effect: **26 July 2006**  
(54) Product in respect of which the design is registered: **An electronic game machine**  
(51) International Design Classification: **21-01N**  
(71) Name(s) and Address(s) of Applicant(s):  
**Nintendo Co., Ltd.**  
**11-1 Hokotate-cho Kamitoba Minami-ku Kyoto-shi Kyoto Japan**  
(72) Name(s) of Designer(s): **Yui Ehara and Tomoki Yamamoto**  
(45) Registration Date: **26 September 2006**  
(30) Convention priority data:  
(31) Number (32) Date (33) Country  
**2006-1637 26 Jan 2006 JAPAN**  
(56) Related Art Documents: **Not Applicable**  
(57) Statement of Newness and Distinctiveness: **Nil**



- (21) Design Number: **13252/2006**  
(22) Date of Filing Application: **26 July 2006**  
(24) Date from which industrial property rights may have effect: **26 July 2006**  
(54) Product in respect of which the design is registered: **A stylus pen for an electronic game machine**  
(51) International Design Classification: **21-01N, 19-06, 14-02**  
(71) Name(s) and Address(s) of Applicant(s):  
**Nintendo Co., Ltd.**  
**11-1 Hokotate-cho Kamitoba Minami-ku Kyoto-shi Kyoto Japan**  
(72) Name(s) of Designer(s): **Yui Ehara and Hiroki Goto**  
(45) Registration Date: **26 September 2006**  
(30) Convention priority data:  
(31) Number      (32) Date      (33) Country  
**2006-1638      26 Jan 2006      JAPAN**  
(56) Related Art Documents: **Not Applicable**  
(57) Statement of Newness and Distinctiveness: **Nil**



- (21) Design Number: **13253/2006**  
(22) Date of Filing Application: **26 July 2006**  
(24) Date from which industrial property rights may have effect: **26 July 2006**  
(54) Product in respect of which the design is registered: **A cartridge for an electronic game machine**  
(51) International Design Classification: **21-01N**  
(71) Name(s) and Address(s) of Applicant(s):  
**Nintendo Co., Ltd.**  
**11-1 Hokotate-cho Kamitoba Minami-ku Kyoto-shi Kyoto Japan**  
(72) Name(s) of Designer(s): **Yui Ehara and Tomoki Yamamoto and Hiroki Goto**  
(45) Registration Date: **26 September 2006**  
(30) Convention priority data:  
(31) Number      (32) Date      (33) Country  
**2006-001639      26 Jan 2006      JAPAN**  
(56) Related Art Documents: **Not Applicable**  
(57) Statement of Newness and Distinctiveness: **Nil**



(21) Design Number: **13255/2006**

(22) Date of Filing Application: **26 July 2006**

(24) Date from which industrial property rights may have effect: **26 July 2006**

(54) Product in respect of which the design is registered: **A chair**

(51) International Design Classification: **06-01F**

(71) Name(s) and Address(s) of Applicant(s):

**BRADO S.P.A.**

**Via Cal di Mezzo 3 31030 Valdobbiadene Italy**

(72) Name(s) of Designer(s): **Fabio Guizzo**

(45) Registration Date: **26 September 2006**

(56) Related Art Documents: **Not Applicable**

(57) Statement of Newness and Distinctiveness: **Nil**



(21) Design Number: **13256/2006**

(22) Date of Filing Application: **26 July 2006**

(24) Date from which industrial property rights may have effect: **26 July 2006**

(54) Product in respect of which the design is registered: **Chair**

(51) International Design Classification: **06-01F**

(71) Name(s) and Address(s) of Applicant(s):

**BRADO S.P.A.**

**Via Cal di Mezzo 3 31030 Valdobbiadene Italy**

(72) Name(s) of Designer(s): **Fabio Guizzo**

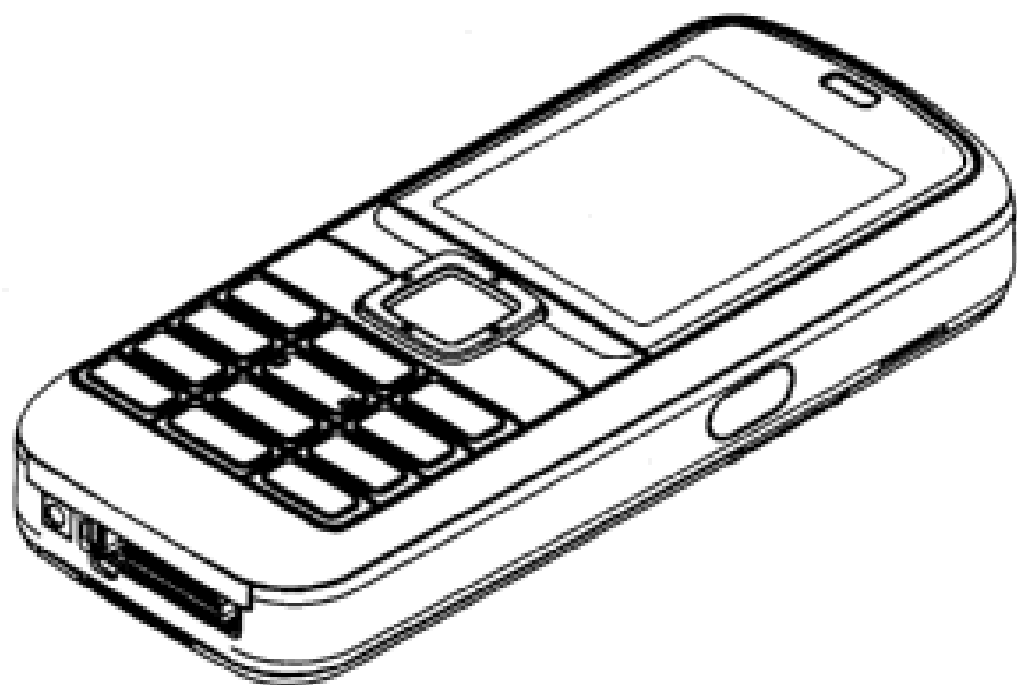
(45) Registration Date: **26 September 2006**

(56) Related Art Documents: **Not Applicable**

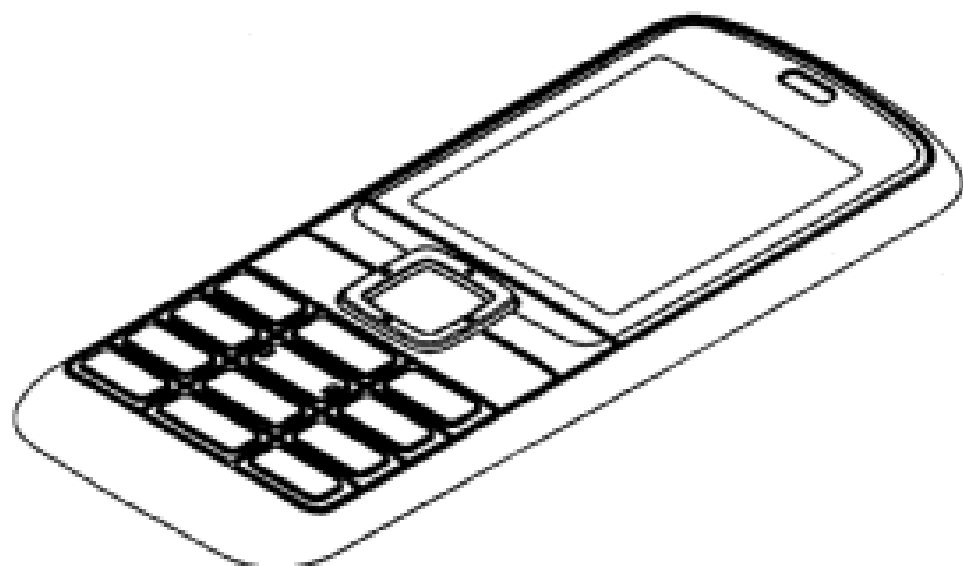
(57) Statement of Newness and Distinctiveness: **Nil**



(21) Design Number: **13258/2006**  
(22) Date of Filing Application: **26 July 2006**  
(24) Date from which industrial property rights may have effect: **26 July 2006**  
(54) Product in respect of which the design is registered: **A handset**  
(51) International Design Classification: **14-03E**  
(71) Name(s) and Address(s) of Applicant(s):  
**Nokia Corporation**  
**Keilalahdentie 4 FIN-02150 Espoo Finland**  
(72) Name(s) of Designer(s): **Jamie Cobb and John-Rhys Newman**  
(45) Registration Date: **26 September 2006**  
(30) Convention priority data:  
(31) Number      (32) Date      (33) Country  
**29253653      10 Feb 2006      UNITED STATES OF AMERICA**  
(56) Related Art Documents: **Not Applicable**  
(57) Statement of Newness and Distinctiveness: **Nil**



(21) Design Number: **13259/2006**  
(22) Date of Filing Application: **26 July 2006**  
(24) Date from which industrial property rights may have effect: **26 July 2006**  
(54) Product in respect of which the design is registered: **A front cover for a handset**  
(51) International Design Classification: **14-03A**  
(71) Name(s) and Address(s) of Applicant(s):  
**Nokia Corporation**  
**Keilalahdentie 4 FIN-02150 Espoo Finland**  
(72) Name(s) of Designer(s): **Jamie Cobb and John-Rhys Newman**  
(45) Registration Date: **26 September 2006**  
(30) Convention priority data:  
(31) Number      (32) Date      (33) Country  
**29253653      10 Feb 2006      UNITED STATES OF AMERICA**  
(56) Related Art Documents: **Not Applicable**  
(57) Statement of Newness and Distinctiveness: **Nil**



(21) Design Number: **13293/2006**  
(22) Date of Filing Application: **27 July 2006**  
(24) Date from which industrial property rights may have effect: **27 July 2006**  
(54) Product in respect of which the design is registered: **Coded information reader**  
(51) International Design Classification: **14-02**  
(71) Name(s) and Address(s) of Applicant(s):  
**DATALOGIC S.p.A.**  
**Via Candini 2 I-40012 Lippo di Calderara di Reno (Bologna) Italy**  
(72) Name(s) of Designer(s): **Claudio Mazzone and Stefano Vassura and Corrado Tasselli and Monica Alegiani and Massimo Lotti**  
(45) Registration Date: **26 September 2006**  
(30) Convention priority data:  
(31) Number (32) Date (33) Country  
**06425049.1 01 Feb 2006 EUROPEAN PATENT OFFICE (EP)**  
(56) Related Art Documents: **Not Applicable**  
(57) Statement of Newness and Distinctiveness: **Nil.**



(21) Design Number: **13294/2006**  
(22) Date of Filing Application: **27 July 2006**  
(24) Date from which industrial property rights may have effect: **27 July 2006**  
(54) Product in respect of which the design is registered: **Coded information reader**  
(51) International Design Classification: **14-02**  
(71) Name(s) and Address(s) of Applicant(s):  
**DATALOGIC S.p.A.**  
**Via Candini 2 I-40012 Lippo di Calderara di Reno (Bologna) Italy**  
(72) Name(s) of Designer(s): **Claudio Mazzone and Stefano Vassura and Corrado Tasselli and Monica Alegiani and Massimo Lotti**  
(45) Registration Date: **26 September 2006**  
(30) Convention priority data:  
(31) Number (32) Date (33) Country  
**06425049.1 01 Feb 2006 EUROPEAN PATENT OFFICE (EP)**  
(56) Related Art Documents: **Not Applicable**  
(57) Statement of Newness and Distinctiveness: **Nil.**

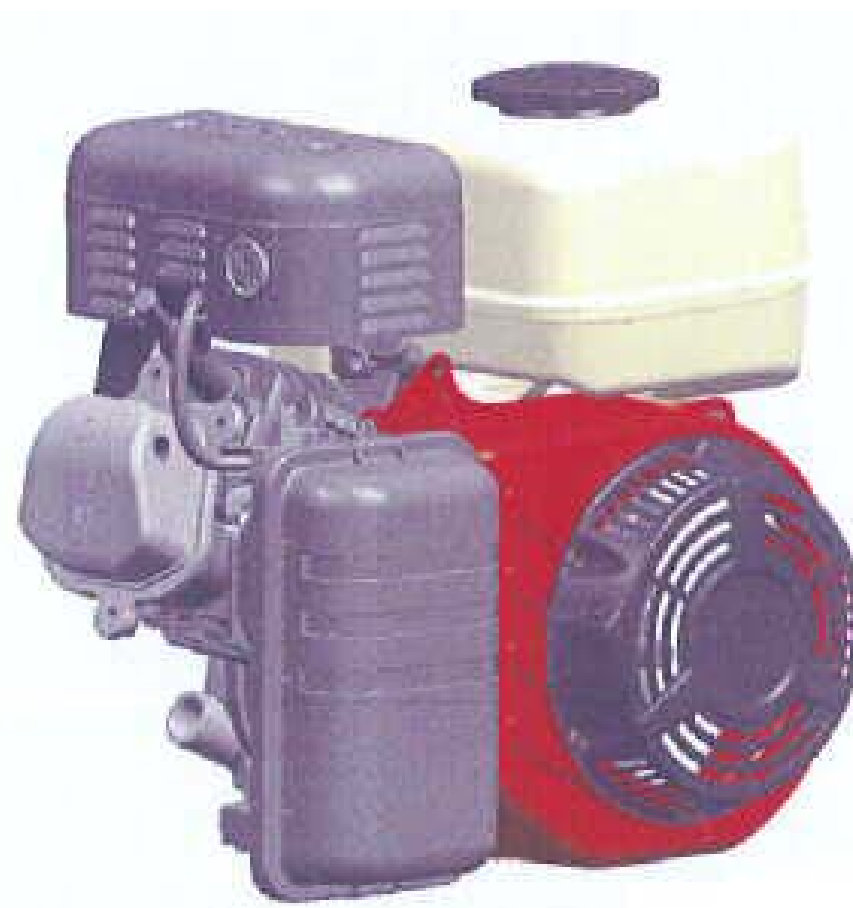




- (21) Design Number: **13068/2006**  
(22) Date of Filing Application: **18 July 2006**  
(24) Date from which industrial property rights may have effect: **18 July 2006**  
(54) Product in respect of which the design is registered: **Supporting arm for flat screens**  
(51) International Design Classification: **08-08L, 08-08M**  
(71) Name(s) and Address(s) of Applicant(s):  
**Ionic B.V.**  
**Gelderlandhave 2t 3433 PG Nieuwegein The Netherlands**  
(72) Name(s) of Designer(s): **Dirk Rutten**  
(45) Registration Date: **26 September 2006**  
(56) Related Art Documents: **Not Applicable**  
(57) Statement of Newness and Distinctiveness: **Nil**



- (21) Design Number: **13257/2006**  
(22) Date of Filing Application: **26 July 2006**  
(24) Date from which industrial property rights may have effect: **26 July 2006**  
(54) Product in respect of which the design is registered: **Gasoline engine**  
(51) International Design Classification: **15-01**  
(71) Name(s) and Address(s) of Applicant(s):  
**Lifan Industry (Group) Co., Ltd.**  
**No.60 Zhangjiawan Shangqiao Shapingba District Chongqing 400037**  
**China**  
(72) Name(s) of Designer(s): **Mingshan Yin and Jie Tang and Xian'guo Yang**  
(45) Registration Date: **26 September 2006**  
(30) Convention priority data:  
(31) Number      (32) Date      (33) Country  
**200630010957.0   26 Jan 2006      CHINA**  
(56) Related Art Documents: **Not Applicable**  
(57) Statement of Newness and Distinctiveness: **The newness and distinctiveness of the design resides in the shape and configuration of the gasoline engine; no consideration should be given to any lettering or the "don't touch" symbol embossed on the design when considering the design as a whole.**



(21) Design Number: **11538/2006**

(22) Date of Filing Application: **12 April 2006**

(24) Date from which industrial property rights may have effect: **12 April 2006**

(54) Product in respect of which the design is registered: **Square mandrel**

(51) International Design Classification: **08-08NES, 15-09**

(71) Name(s) and Address(s) of Applicant(s):

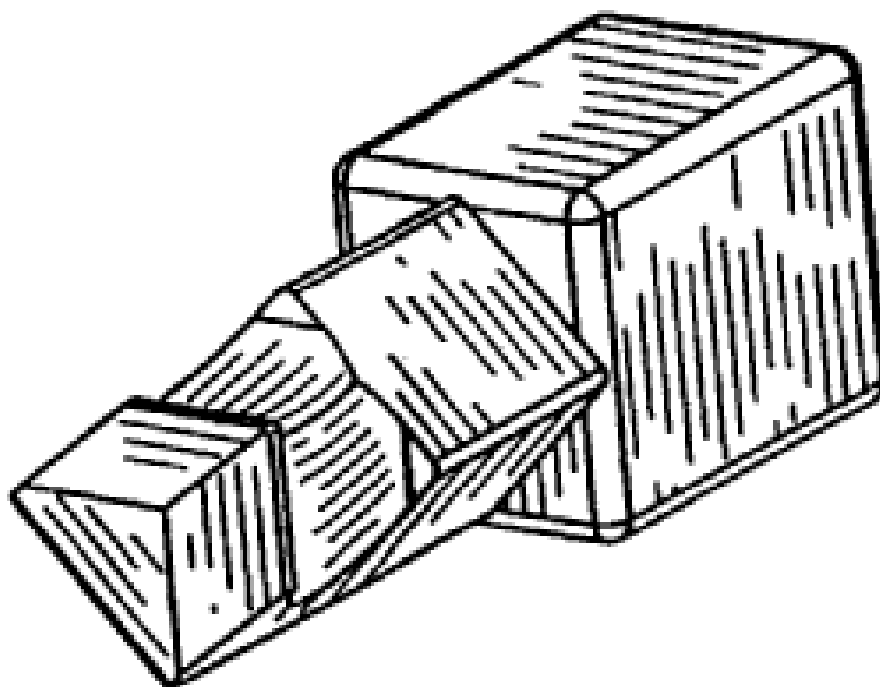
**D4D Technologies, L.P.**  
**1161 Executive Drive W Richardson TX 75018 United States of America**

(72) Name(s) of Designer(s): **Rod Duncan**

(45) Registration Date: **27 September 2006**

(56) Related Art Documents: **Not Applicable**

(57) Statement of Newness and Distinctiveness: **We wish to submit a statement of newness and distinctiveness in respect of particular visual features of the square mandrel shown in Figures 1 to 7 but without prejudice to the newness or distinctiveness of other visual features of the design, as follows: The shape and configuration of those parts of the design shown other than by means of dashed lines in the representations are new and distinctive.**



(21) Design Number: **12066/2006**

(22) Date of Filing Application: **12 May 2006**

(24) Date from which industrial property rights may have effect: **12 May 2006**

(54) Product in respect of which the design is registered: **Advertising signage and coupons fits over sun visor in motor vehicles**

(51) International Design Classification: **20-03NES**

(71) Name(s) and Address(s) of Applicant(s):

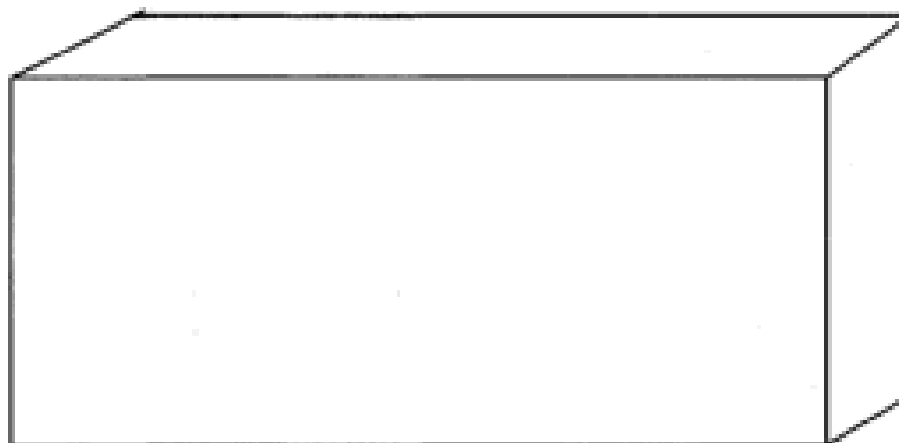
**Balzen Promotions Pty Ltd**  
**PO Box 232 West Pennant Hills New South Wales 2125 Australia**

(72) Name(s) of Designer(s): **James Balzen**

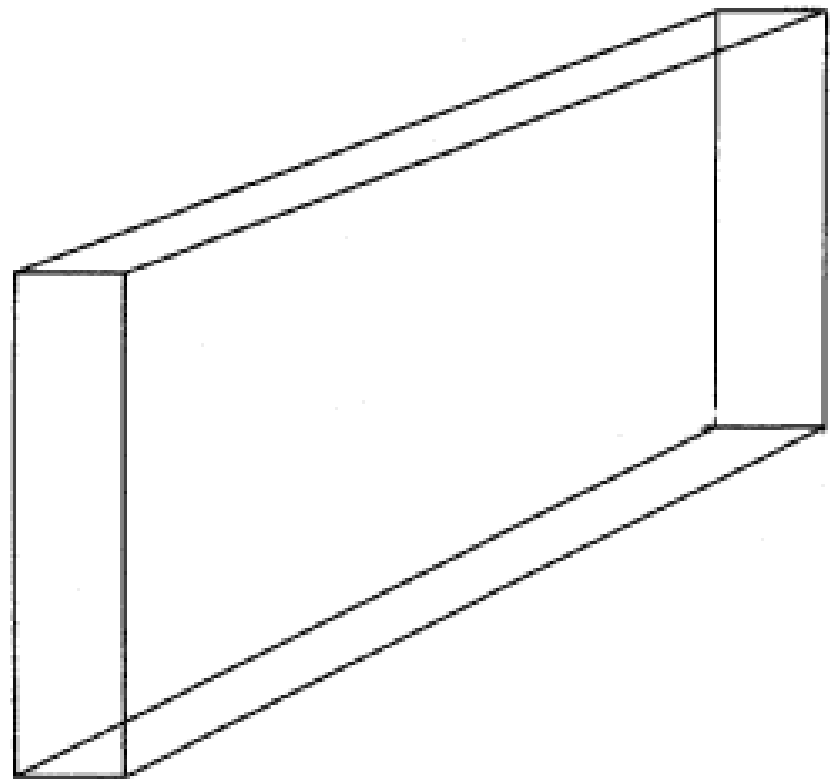
(45) Registration Date: **27 September 2006**

(56) Related Art Documents: **Not Applicable**

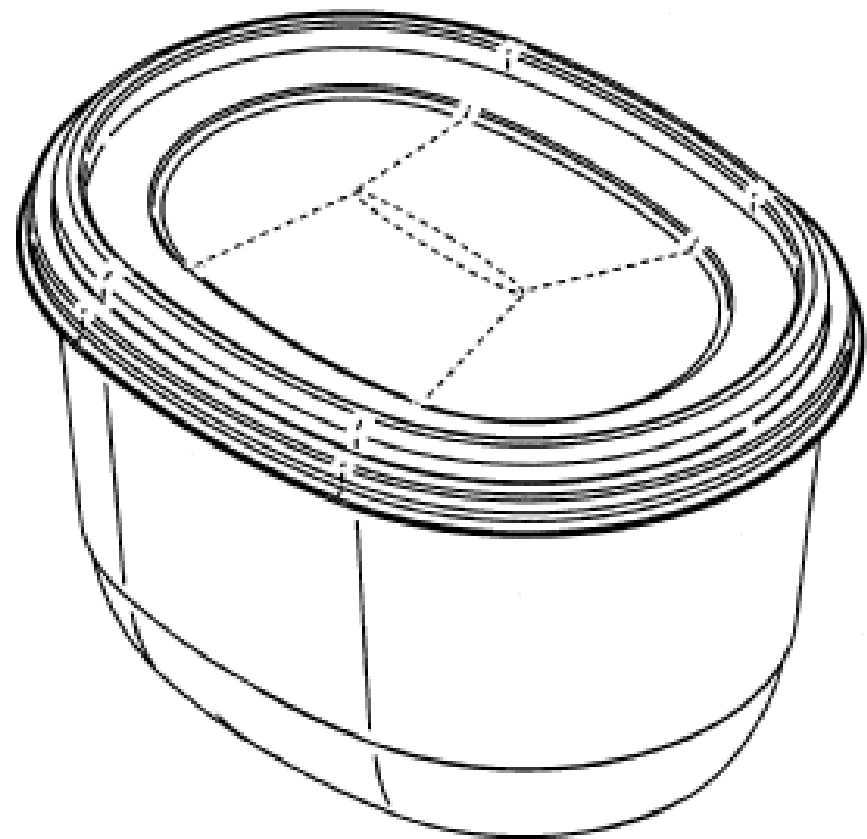
(57) Statement of Newness and Distinctiveness: **The features of this design ref. Balpro1D offering the following: Open ended sleeve with advertising sales message and/or coupons. The sleeve is fitted over the sun visor of all motor vehicles. The sleeve is made of cardboard, perforated for coupons for selected clients, with sales message on both sides. The 'newness' is in the fact that it is able to be fitted over the sun visor as it is open ended and can be used to sell an advertising message. The 'distinctiveness' is in the fact that it can be perforated and used as not only as an advertising tool via a sales message on both sides of the sleeve, but as a 'sales coupon' that will travel with you!**



- (21) Design Number: **13814/2006**  
(22) Date of Filing Application: **12 May 2006**  
(24) Date from which industrial property rights may have effect: **12 May 2006**  
(54) Product in respect of which the design is registered: **Advertising signage and coupons fits over sun visor in motor vehicles**  
(51) International Design Classification: **20-03NES**  
(71) Name(s) and Address(s) of Applicant(s):  
**Balzen Promotions Pty Ltd**  
**PO Box 232 West Pennant Hills New South Wales 2125 Australia**  
(72) Name(s) of Designer(s): **James Balzen**  
(45) Registration Date: **27 September 2006**  
(62) Divisional of: **310206**  
(56) Related Art Documents: **Not Applicable**  
(57) Statement of Newness and Distinctiveness: **The features of this design ref. Balpro1D offering the following: Open ended sleeve with advertising sales message and/or coupons. The sleeve is fitted over the sun visor of all motor vehicles. The sleeve is made of cardboard, perforated for coupons for selected clients, with sales message on both sides. The 'Newness' is in the fact that it is able to be fitted over the sun visor as it is open ended and can be used to sell an advertising message. The 'Distinctiveness' is in the fact that it can be perforated and used as not only as an advertising tool via a sales message on both sides of the sleeve, but as a 'sales coupon' that will travel with you!**



- (21) Design Number: **12721/2006**  
(22) Date of Filing Application: **21 June 2006**  
(24) Date from which industrial property rights may have effect: **21 June 2006**  
(54) Product in respect of which the design is registered: **A container with lid**  
(51) International Design Classification: **07-01NES, 09-03L**  
(71) Name(s) and Address(s) of Applicant(s):  
**Huhtamaki Australia Pty Limited**  
**225 Wellington Road Mulgrave Victoria 3170 Australia**  
(72) Name(s) of Designer(s): **Colin Gilbert**  
(45) Registration Date: **27 September 2006**  
(56) Related Art Documents: **Not Applicable**  
(57) Statement of Newness and Distinctiveness: **In considering the newness or distinctiveness of the design, regard is to be given to the overall shape and/or configuration of a container with lid as shown in the representations.**



(21) Design Number: **12722/2006**

(22) Date of Filing Application: **21 June 2006**

(24) Date from which industrial property rights may have effect: **21 June 2006**

(54) Product in respect of which the design is registered: **A lid**

(51) International Design Classification: **07-01NES, 09-07B**

(71) Name(s) and Address(s) of Applicant(s):

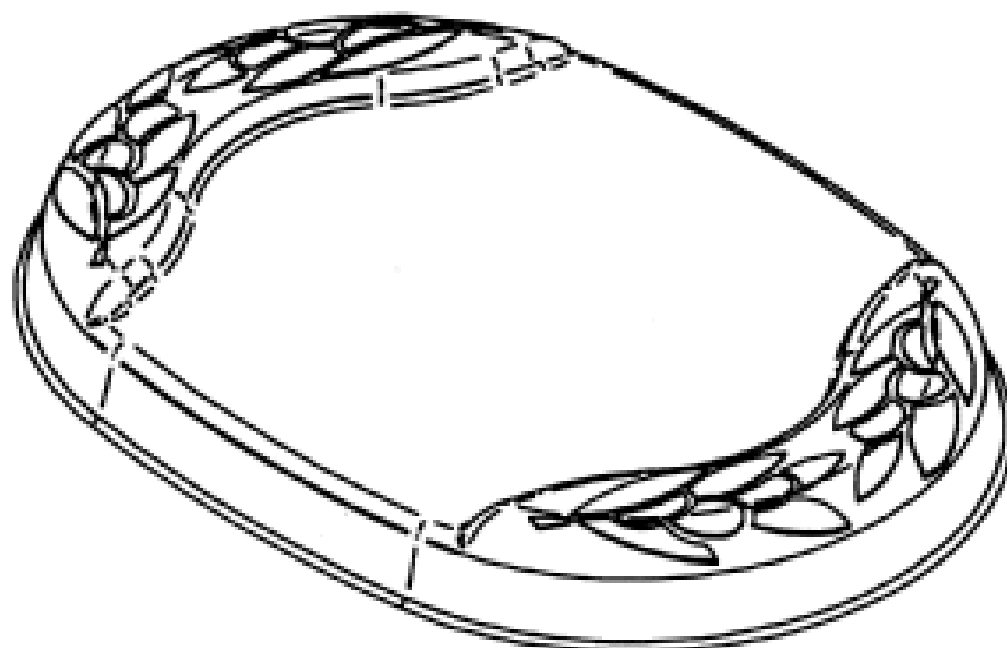
**Huhtamaki Australia Pty Limited  
225 Wellington Road Mulgrave Victoria 3170 Australia**

(72) Name(s) of Designer(s): **Colin Gilbert**

(45) Registration Date: **27 September 2006**

(56) Related Art Documents: **Not Applicable**

(57) Statement of Newness and Distinctiveness: **In considering the newness or distinctiveness of the design, regard is to be given to the overall shape and/or configuration of a lid as shown in the representations.**



(21) Design Number: **12723/2006**

(22) Date of Filing Application: **21 June 2006**

(24) Date from which industrial property rights may have effect: **21 June 2006**

(54) Product in respect of which the design is registered: **A lid**

(51) International Design Classification: **09-07B, 07-01NES**

(71) Name(s) and Address(s) of Applicant(s):

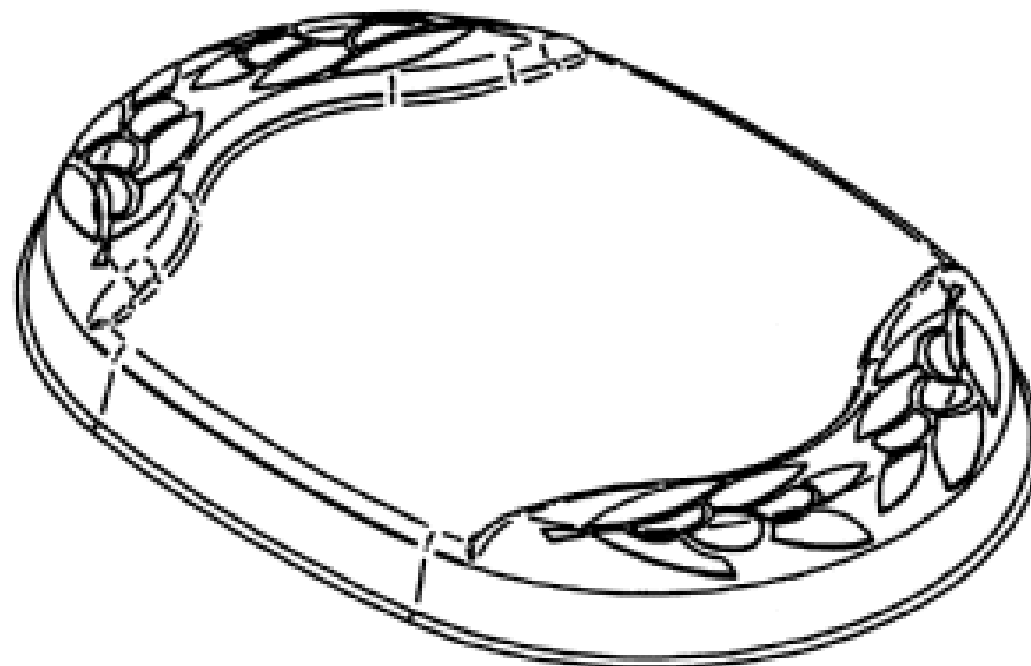
**Huhtamaki Australia Pty Limited  
225 Wellington Road Mulgrave Victoria 3170 Australia**

(72) Name(s) of Designer(s): **Colin Gilbert**

(45) Registration Date: **27 September 2006**

(56) Related Art Documents: **Not Applicable**

(57) Statement of Newness and Distinctiveness: **In considering the newness or distinctiveness of the design, regard is to be given to the overall shape and/or configuration of a lid as shown in the representations, without regard being given to the leaf components of the design on either side of the lid.**



(21) Design Number: **12724/2006**

(22) Date of Filing Application: **21 June 2006**

(24) Date from which industrial property rights may have effect: **21 June 2006**

(54) Product in respect of which the design is registered: **A container**

(51) International Design Classification: **07-01NES, 09-03L**

(71) Name(s) and Address(s) of Applicant(s):

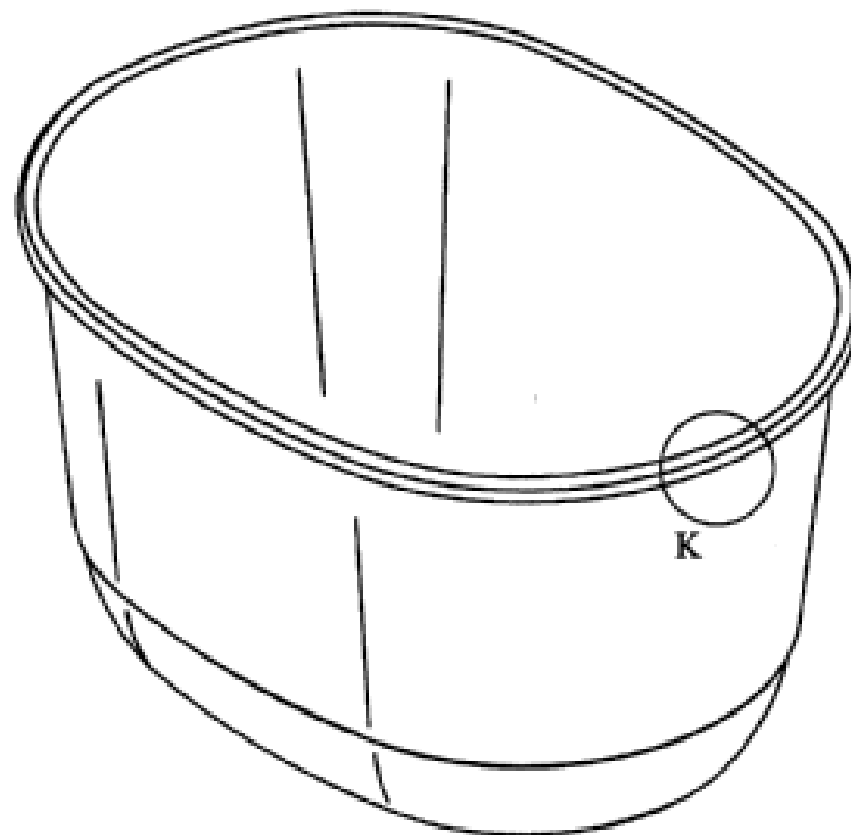
**Huhtamaki Australia Pty Limited**  
**225 Wellington Road Mulgrave Victoria 3170 Australia**

(72) Name(s) of Designer(s): **Colin Gilbert**

(45) Registration Date: **27 September 2006**

(56) Related Art Documents: **Not Applicable**

(57) Statement of Newness and Distinctiveness: **In considering the newness or distinctiveness of the design, regard is to be given to the overall shape and/or configuration of a container as shown in the representations.**



(21) Design Number: **13012/2006**

(22) Date of Filing Application: **14 July 2006**

(24) Date from which industrial property rights may have effect: **14 July 2006**

(54) Product in respect of which the design is registered: **Pillow**

(51) International Design Classification: **06-09**

(71) Name(s) and Address(s) of Applicant(s):

**Christy Drangula**  
**93 Glen Rock Road Cedar Grove New Jersey 07009 United States of America**

(72) Name(s) of Designer(s): **Christy Drangula**

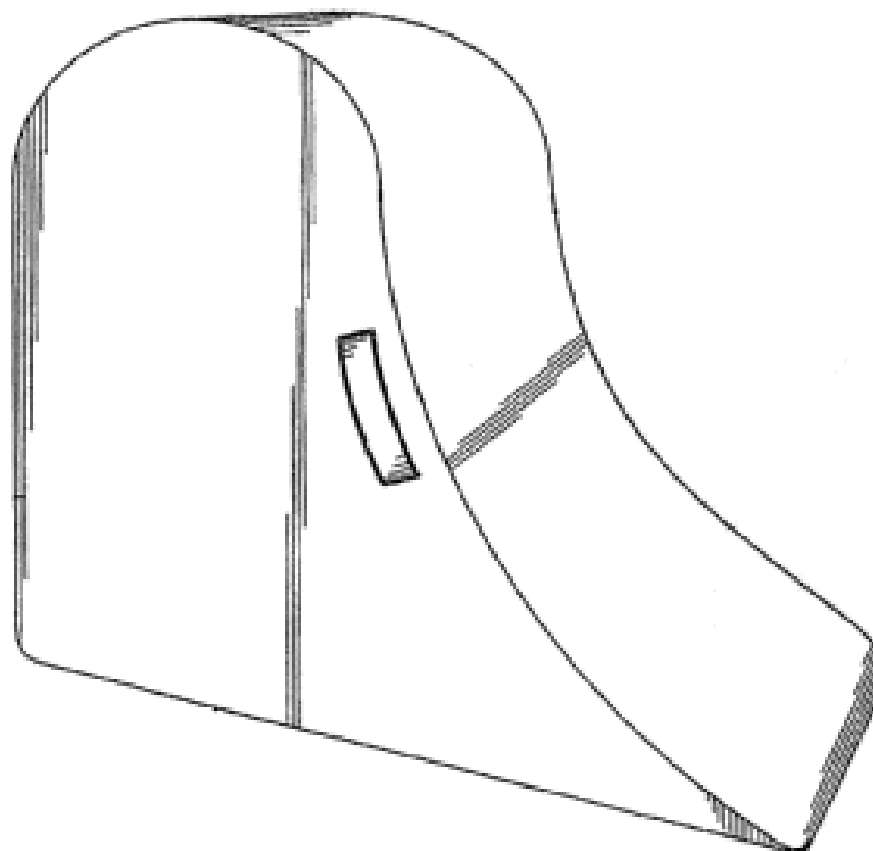
(45) Registration Date: **27 September 2006**

(30) Convention priority data:

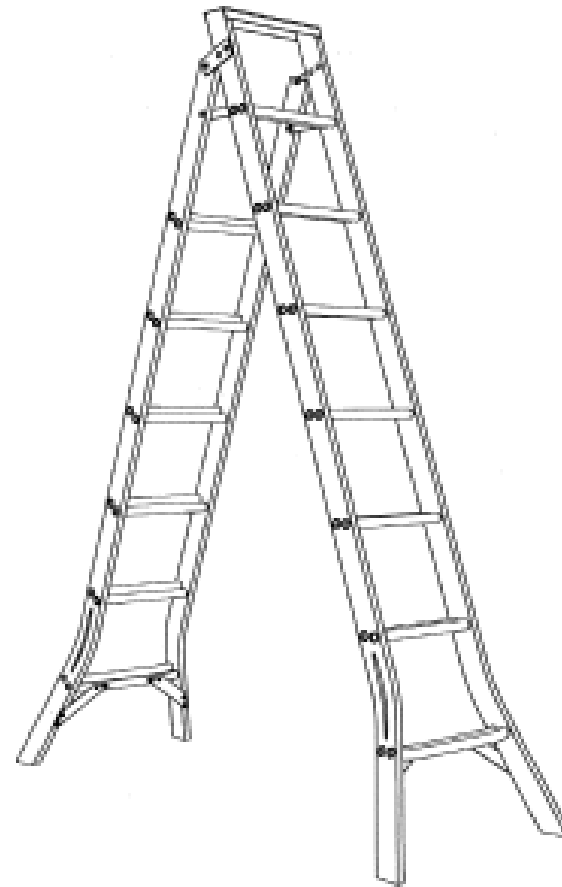
(31) Number	(32) Date	(33) Country
<b>000470448-0001</b>	<b>24 Jan 2006</b>	<b>EUROPEAN COMMUNITY</b>

(56) Related Art Documents: **Not Applicable**

(57) Statement of Newness and Distinctiveness: **Newness and distinctiveness is claimed in the features of shape and/or configuration of a pillow as illustrated in the accompanying representations.**

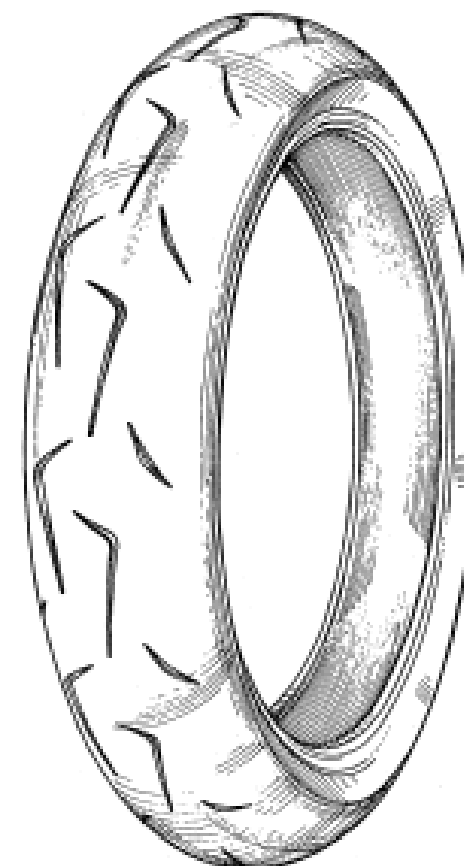


- (21) Design Number: **13029/2006**
- (22) Date of Filing Application: **13 July 2006**
- (24) Date from which industrial property rights may have effect: **13 July 2006**
- (54) Product in respect of which the design is registered: **A ladder**
- (51) International Design Classification: **25-04**
- (71) Name(s) and Address(s) of Applicant(s):  
**Easy Access Company**  
**PO Box 62 Maungaturoto New Zealand**
- (72) Name(s) of Designer(s): **Shane Wearmouth and Jeffrey Wearmouth**
- (45) Registration Date: **27 September 2006**
- (56) Related Art Documents: **Not Applicable**
- (57) Statement of Newness and Distinctiveness: **The distinctiveness of the design resides in the features of the double tubular rung and the indented bend on the splayed foot.**

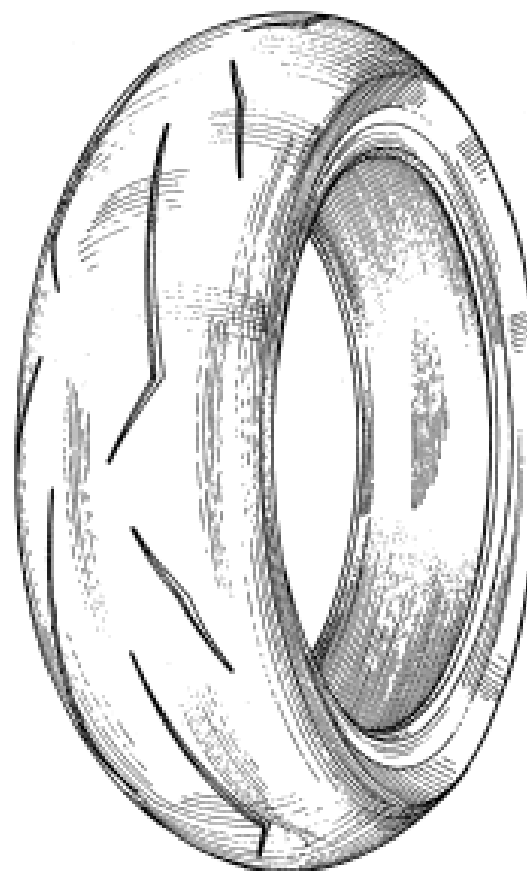


- (21) Design Number: **13046/2006**
- (22) Date of Filing Application: **18 July 2006**
- (24) Date from which industrial property rights may have effect: **18 July 2006**
- (54) Product in respect of which the design is registered: **A front tyre for motorcycles**
- (51) International Design Classification: **12-15NES**
- (71) Name(s) and Address(s) of Applicant(s):  
**Pirelli Tyre S.p.A.**  
**Viale Sarca I-20126 Milano Italy**
- (72) Name(s) of Designer(s): **Sandro Gallo and Gunter Steinbach**
- (45) Registration Date: **27 September 2006**
- (30) Convention priority data:

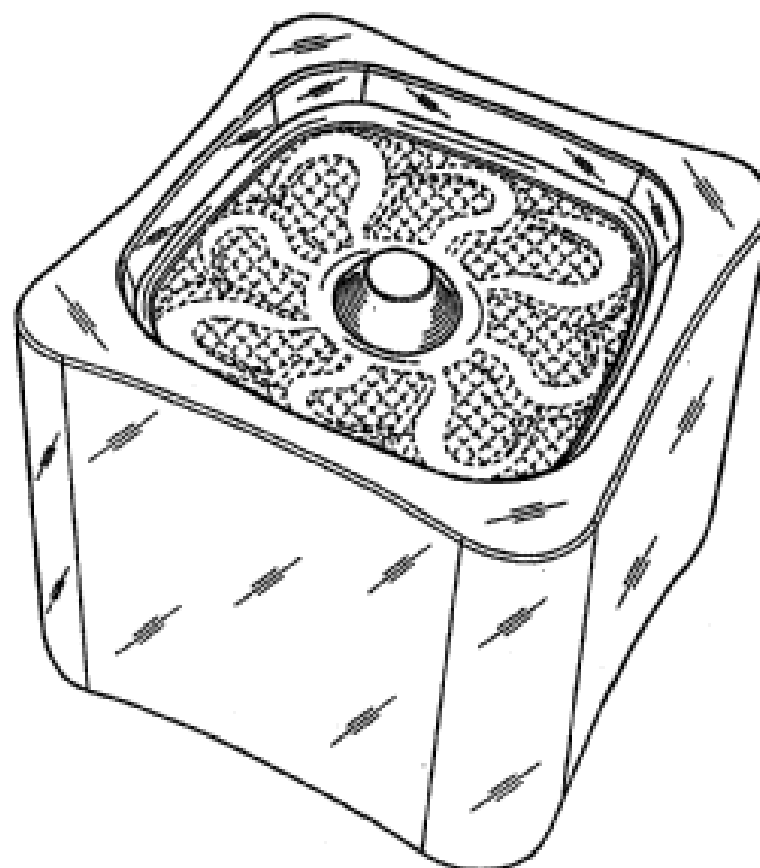
(31) Number	(32) Date	(33) Country
<b>000466214</b>	<b>20 Jan 2006</b>	<b>EUROPEAN COMMUNITY</b>
- (56) Related Art Documents: **Not Applicable**
- (57) Statement of Newness and Distinctiveness: **The shape and configuration of a front tyre for motorcycles is new and distinctive.**



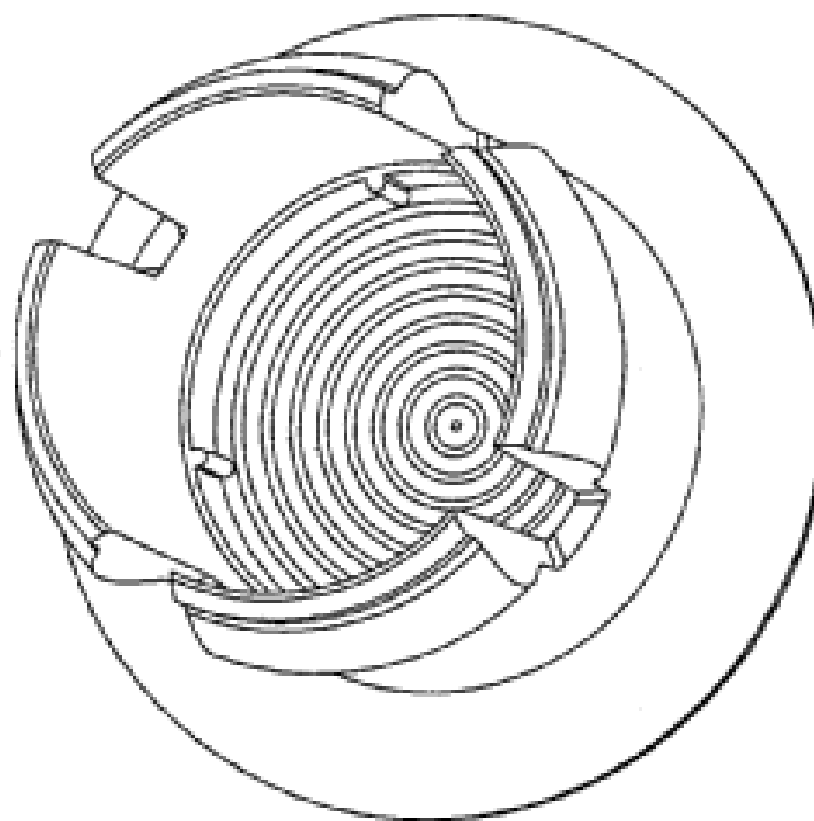
- (21) Design Number: **13047/2006**  
(22) Date of Filing Application: **18 July 2006**  
(24) Date from which industrial property rights may have effect: **18 July 2006**  
(54) Product in respect of which the design is registered: **A rear tyre for motorcycles**  
(51) International Design Classification: **12-15NES**  
(71) Name(s) and Address(s) of Applicant(s):  
**Pirelli Tyre S.p.A.**  
**Viale Sarca I-20126 Milano Italy**  
(72) Name(s) of Designer(s): **Sandro Gallo and Gunter Steinbach**  
(45) Registration Date: **27 September 2006**  
(30) Convention priority data:  
(31) Number (32) Date (33) Country  
**000466214 20 Jan 2006 EUROPEAN COMMUNITY**  
(56) Related Art Documents: **Not Applicable**  
(57) Statement of Newness and Distinctiveness: **The shape and configuration of a rear tyre for motorcycles is new and distinctive.**



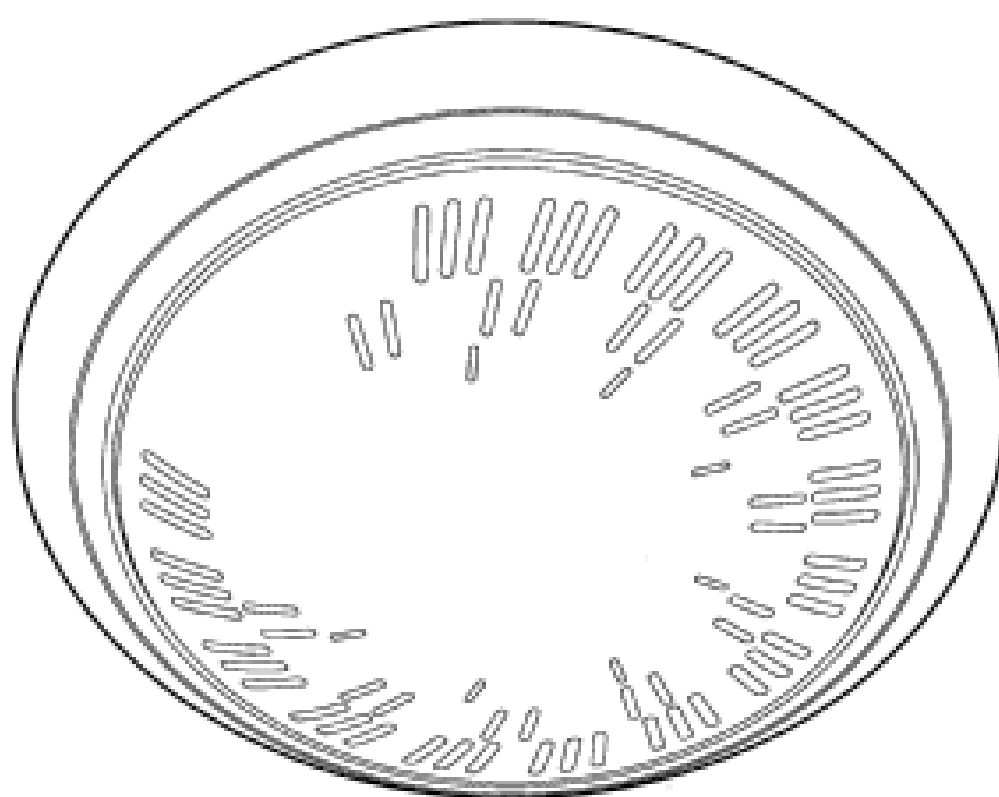
- (21) Design Number: **13056/2006**  
(22) Date of Filing Application: **18 July 2006**  
(24) Date from which industrial property rights may have effect: **18 July 2006**  
(54) Product in respect of which the design is registered: **Decorative candle holder**  
(51) International Design Classification: **26-01, 26-04**  
(71) Name(s) and Address(s) of Applicant(s):  
**S.C. Johnson & Son Inc.**  
**1525 Howe Street Racine Wisconsin 53403-2236 United States of America**  
(72) Name(s) of Designer(s): **Chris A. Kubicek and Nathan R. Westphal and Paul E. Furner and Mary Beth Adams and Romuald Marie**  
(45) Registration Date: **27 September 2006**  
(30) Convention priority data:  
(31) Number (32) Date (33) Country  
**29/242572 10 Nov 2005 UNITED STATES OF AMERICA**  
(56) Related Art Documents: **Not Applicable**  
(57) Statement of Newness and Distinctiveness: **Newness and distinctiveness is claimed in the features of shape and/or configuration of a decorative candle holder as illustrated in continuous lines in the accompanying representations apart from Figure 4 which is provided for context only.**



- (21) Design Number: **13289/2006**  
(22) Date of Filing Application: **28 July 2006**  
(24) Date from which industrial property rights may have effect: **28 July 2006**  
(54) Product in respect of which the design is registered: **Lens for lighting apparatus**  
(51) International Design Classification: **26-05D, 26-03**  
(71) Name(s) and Address(s) of Applicant(s):  
**H & F Manufacturing Pty Ltd**  
**PO Box 7179 Gold Coast Mail Centre Queensland 4217 Australia**  
(72) Name(s) of Designer(s): **David Melvin Faulkner**  
(45) Registration Date: **27 September 2006**  
(56) Related Art Documents: **Not Applicable**  
(57) Statement of Newness and Distinctiveness: **The new and distinctive features of the design comprise the shape and configuration of the lens for lighting apparatus.**



- (21) Design Number: **13292/2006**  
(22) Date of Filing Application: **27 July 2006**  
(24) Date from which industrial property rights may have effect: **27 July 2006**  
(54) Product in respect of which the design is registered: **Ceiling luminaire**  
(51) International Design Classification: **26-05C**  
(71) Name(s) and Address(s) of Applicant(s):  
**Koninklijke Philips Electronics N.V.**  
**Groenewoudseweg 1 5621 BA Eindhoven The Netherlands**  
(72) Name(s) of Designer(s): **Helen Qi**  
(45) Registration Date: **27 September 2006**  
(30) Convention priority data:  
(31) Number      (32) Date      (33) Country  
**000476569      08 Feb 2006      EUROPEAN COMMUNITY**  
(56) Related Art Documents: **Not Applicable**  
(57) Statement of Newness and Distinctiveness: **Newness and distinctiveness reside in the features of the design as shown in the representations.**





(21) Design Number: **13325/2006**

(22) Date of Filing Application: **31 July 2006**

(24) Date from which industrial property rights may have effect: **31 July 2006**

(54) Product in respect of which the design is registered: **Rainwater tank pump cover**

(51) International Design Classification: **15-02, 25-03**

(71) Name(s) and Address(s) of Applicant(s):

**William Frederick Brown**

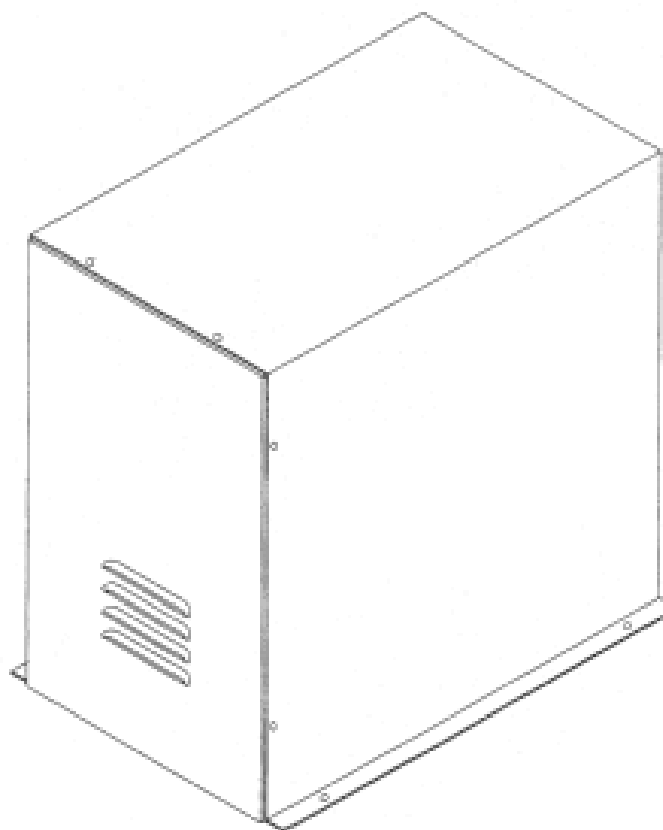
**7 San Antonio Court Wynn Vale South Australia 5127 Australia**

(72) Name(s) of Designer(s): **William Brown**

(45) Registration Date: **27 September 2006**

(56) Related Art Documents: **Not Applicable**

(57) Statement of Newness and Distinctiveness: **Vents at rear of cover.**



(21) Design Number: **13332/2006**

(22) Date of Filing Application: **28 July 2006**

(24) Date from which industrial property rights may have effect: **28 July 2006**

(54) Product in respect of which the design is registered: **Scraper base**

(51) International Design Classification: **08-03, 08-05N, 15-09**

(71) Name(s) and Address(s) of Applicant(s):

**Murray Gordon Watkins**

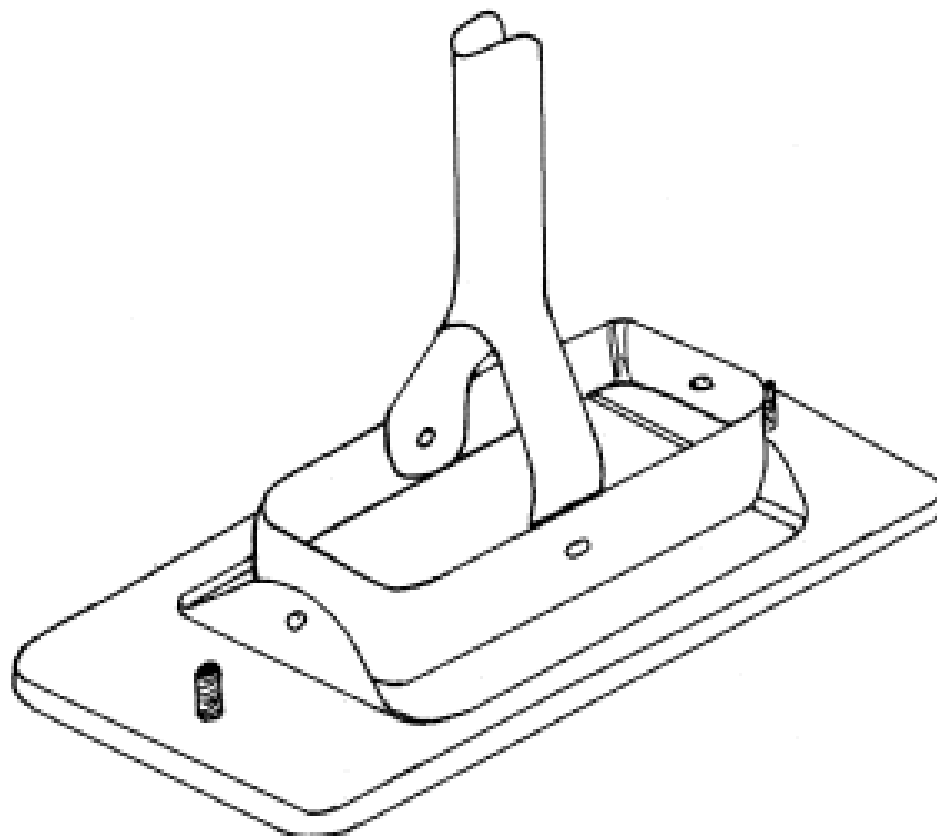
**2/29a Montgomery Crescent Upper Hutt 6007 New Zealand**

(72) Name(s) of Designer(s): **Murray Gordon Watkins**

(45) Registration Date: **27 September 2006**

(56) Related Art Documents: **Not Applicable**

(57) Statement of Newness and Distinctiveness: **The design relates to a scraper base and novelty resides in the features of shape and configuration as shown in the accompanying representations. The upper pole like handle is of indefinite length.**



(21) Design Number: 13333/2006

(22) Date of Filing Application: 31 July 2006

(24) Date from which industrial property rights may have effect: 31 July 2006

(54) Product in respect of which the design is registered: **A bottle which can be used to fill-up cosmetic and pharmaceutical products**

(51) International Design Classification: 09-01G, 09-01K

(71) Name(s) and Address(s) of Applicant(s):

**Clare O'Jier Research & Innovation Pty Ltd  
18 Valley Road Highbury South Australia 5089 Australia**

(72) Name(s) of Designer(s): **Manoj Kumar Jain**

(45) Registration Date: 27 September 2006

(56) Related Art Documents: **Not Applicable**

(57) Statement of Newness and Distinctiveness: **A unique bottle with distinctive curves at the shoulder and bottom. It also has a unique cap with a slightly dome shaped top, which has two ridges. The cap has a unique pattern printed on it.**



(21) Design Number: 13334/2006

(22) Date of Filing Application: 31 July 2006

(24) Date from which industrial property rights may have effect: 31 July 2006

(54) Product in respect of which the design is registered: **A jar which can be used to fill-up cosmetic, pharmaceutical and food products**

(51) International Design Classification: 09-01C, 09-01G, 09-01NES

(71) Name(s) and Address(s) of Applicant(s):

**Clare O'Jier Research & Innovation Pty Ltd  
18 Valley Road Highbury South Australia 5089 Australia**

(72) Name(s) of Designer(s): **Manoj Kumar Jain**

(45) Registration Date: 27 September 2006

(56) Related Art Documents: **Not Applicable**

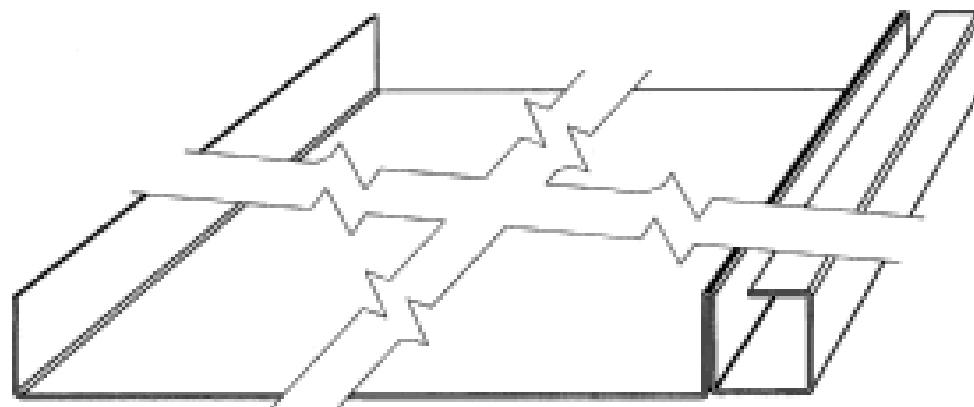
(57) Statement of Newness and Distinctiveness: **A unique jar with distinctive curves at the shoulder and bottom. It also has a unique cap with a slightly dome shaped top, which has two ridges. The cap has a unique pattern printed on it.**



- (21) Design Number: **13343/2006**
- (22) Date of Filing Application: **31 July 2006**
- (24) Date from which industrial property rights may have effect: **31 July 2006**
- (54) Product in respect of which the design is registered: **Metal section**
- (51) International Design Classification: **25-01NES**
- (71) Name(s) and Address(s) of Applicant(s):

**Panel D (NZ) Limited**  
**15 Quayline Close Pelican Waters Queensland 4551 Australia**

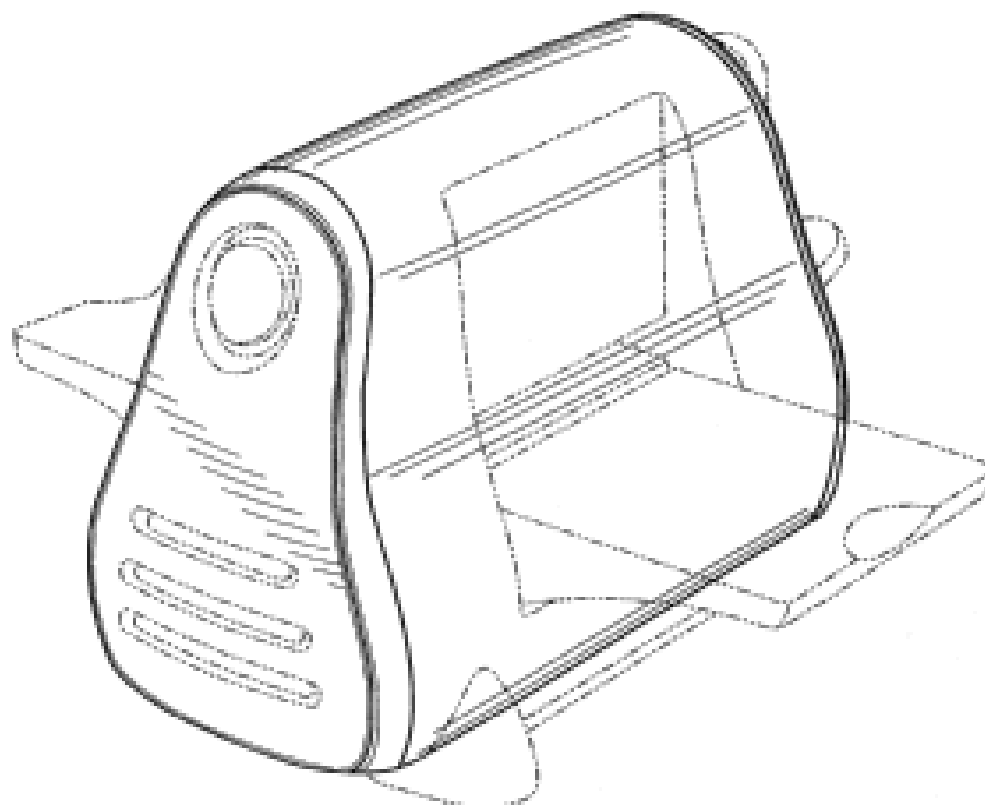
- (72) Name(s) of Designer(s): **Stuart Daniels**
- (45) Registration Date: **27 September 2006**
- (56) Related Art Documents: **Not Applicable**
- (57) Statement of Newness and Distinctiveness: **The newness and distinctiveness of the design resides in the shape and configuration of a metal section, of indefinite length and indefinite width, as shown in the accompanying representations.**



- (21) Design Number: **13346/2006**
- (22) Date of Filing Application: **31 July 2006**
- (24) Date from which industrial property rights may have effect: **31 July 2006**
- (54) Product in respect of which the design is registered: **Roller die press**
- (51) International Design Classification: **15-09**
- (71) Name(s) and Address(s) of Applicant(s):

**Provo Craft and Novelty, Inc.**  
**151 East 3450 North Spanish Fork Utah 84660 United States of America**

- (72) Name(s) of Designer(s): **Gerardo D. Ayala and Michael Horito and Tyler Allan**
  - (45) Registration Date: **27 September 2006**
  - (30) Convention priority data:
- |                  |                    |                                 |
|------------------|--------------------|---------------------------------|
| (31) Number      | (32) Date          | (33) Country                    |
| <b>29/252910</b> | <b>30 Jan 2006</b> | <b>UNITED STATES OF AMERICA</b> |
- (56) Related Art Documents: **Not Applicable**
  - (57) Statement of Newness and Distinctiveness: **Newness and distinctiveness reside in the features of the design shown in solid lines in the representations excluding those features shown in broken lines.**



(21) Design Number: **10463/2006**

(22) Date of Filing Application: **08 February 2006**

(24) Date from which industrial property rights may have effect: **08 February 2006**

(54) Product in respect of which the design is registered: **Faucet**

(51) International Design Classification: **23-01H**

(71) Name(s) and Address(s) of Applicant(s):

**Kohler Co.**

**444 Highland Drive Kohler WI 53044 United States of America**

(72) Name(s) of Designer(s): **Suzanne M. Berberet**

(45) Registration Date: **27 September 2006**

(30) Convention priority data:

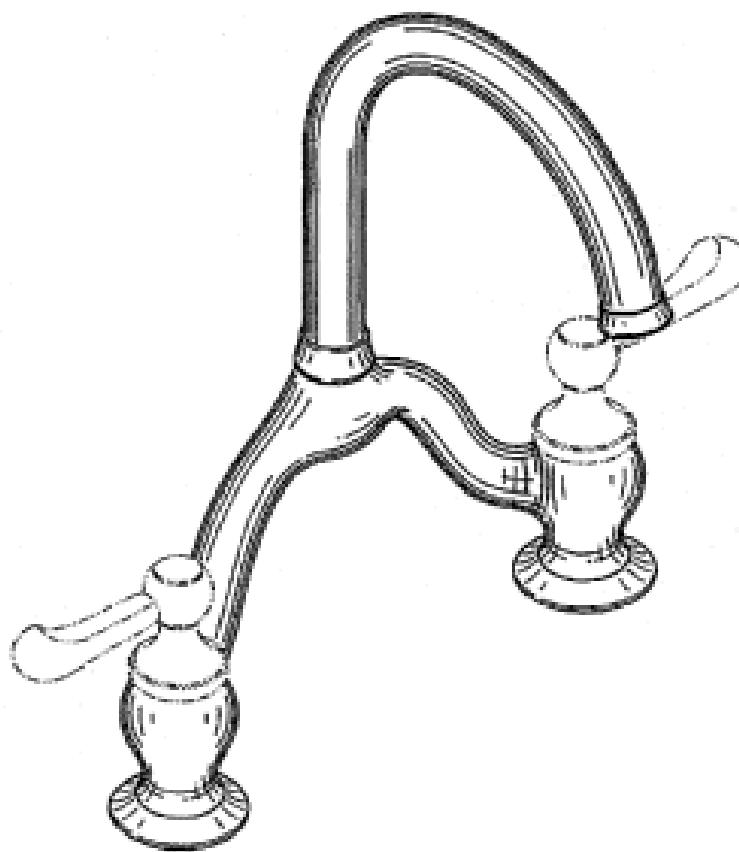
(31) Number  
**29/235956**

(32) Date  
**09 Aug 2005**

(33) Country  
**UNITED STATES OF AMERICA**

(56) Related Art Documents: **Not Applicable**

(57) Statement of Newness and Distinctiveness: **When deciding whether the design 1 is substantially similar in overall impression to another design, no regard should be had to the broken line representations of the handles in the figures or of the openings in Figures 2 and 4**



(21) Design Number: **10718/2006**

(22) Date of Filing Application: **27 February 2006**

(24) Date from which industrial property rights may have effect: **27 February 2006**

(54) Product in respect of which the design is registered: **Handle for a canister vacuum cleaner**

(51) International Design Classification: **15-05**

(71) Name(s) and Address(s) of Applicant(s):

**Shop Vac Corporation**

**2323 Reach Road Williamsport PA 17701 United States of America**

(72) Name(s) of Designer(s): **Robert Lent Crevling Jr. and John Griffin**

(45) Registration Date: **27 September 2006**

(30) Convention priority data:

(31) Number  
**29/237168**

(32) Date  
**25 Aug 2005**

(33) Country  
**UNITED STATES OF AMERICA**

(56) Related Art Documents: **Not Applicable**

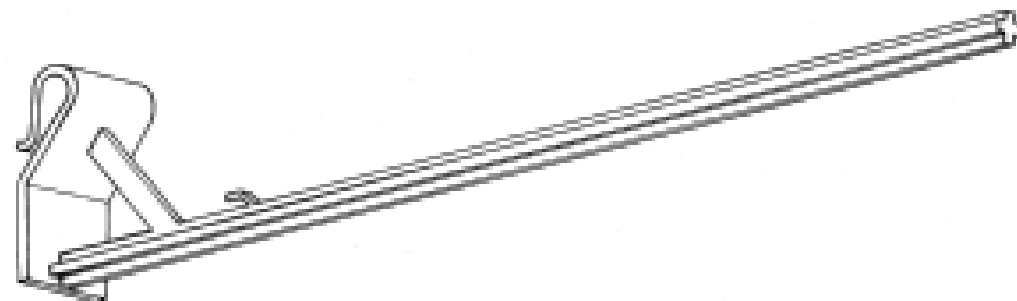
(57) Statement of Newness and Distinctiveness: **When determining whether the design 1 is substantially similar in overall impression to another design, no regard should be had to the tube stems shown as round cylinders extending from the handle in figures 1-7.**



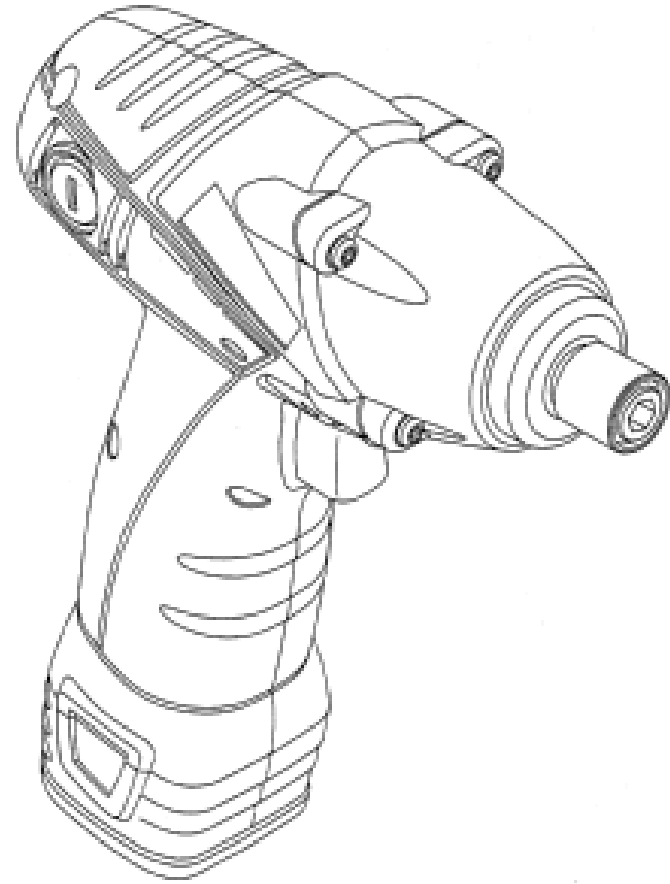
(21) Design Number: **10723/2006**  
(22) Date of Filing Application: **27 February 2006**  
(24) Date from which industrial property rights may have effect: **27 February 2006**  
(54) Product in respect of which the design is registered: **Baby support mattress**  
(51) International Design Classification: **06-09**  
(71) Name(s) and Address(s) of Applicant(s):  
**Tiny Love Ltd**  
**22 A Raoul Wallenberg Street Beit Zamir Tel Aviv 69719 Israel**  
(72) Name(s) of Designer(s): **Elisha-Avraham Tal and Eitan-Shalom Sharif and Eyal Vogel and Shoshan Oren**  
(45) Registration Date: **27 September 2006**  
(30) Convention priority data:  
(31) Number (32) Date (33) Country  
**392683 30 Aug 2005 EUROPEAN COMMUNITY**  
(56) Related Art Documents: **Not Applicable**  
(57) Statement of Newness and Distinctiveness: **Nil**



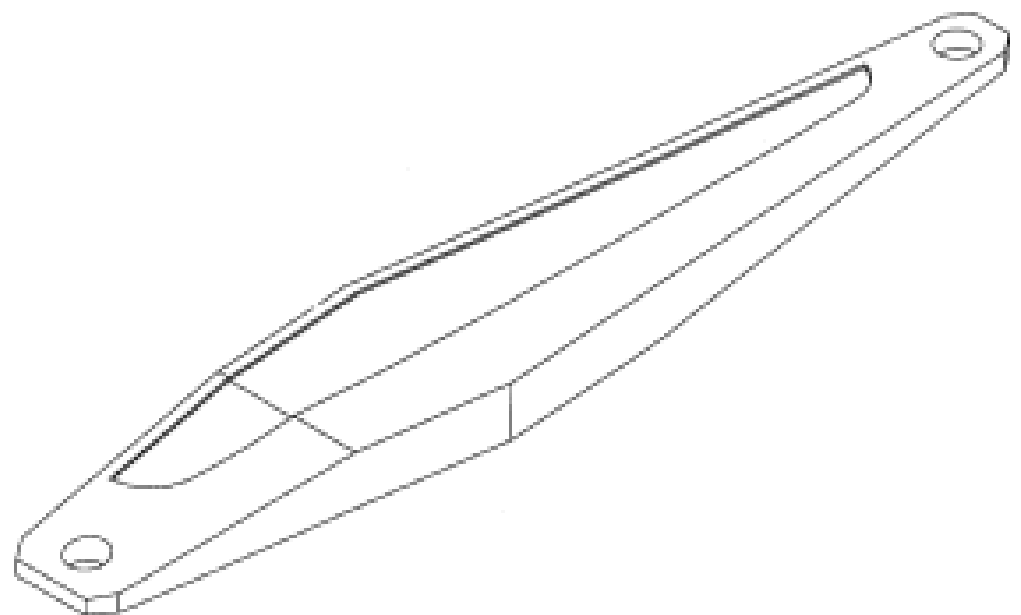
(21) Design Number: **10942/2006**  
(22) Date of Filing Application: **10 March 2006**  
(24) Date from which industrial property rights may have effect: **10 March 2006**  
(54) Product in respect of which the design is registered: **Flagpole with clip**  
(51) International Design Classification: **11-05**  
(71) Name(s) and Address(s) of Applicant(s):  
**David Walter Goodman**  
**20 Lanark Street Balcultha Southern Otago New Zealand**  
**Rosina Mereana Goodman**  
**20 Lanark Street Balcultha Southern Otago New Zealand**  
(72) Name(s) of Designer(s): **David Walter Goodman and Rosina Mereana Goodman**  
(45) Registration Date: **27 September 2006**  
(30) Convention priority data:  
(31) Number (32) Date (33) Country  
**406395 19 Sep 2005 NEW ZEALAND**  
(56) Related Art Documents: **Not Applicable**  
(57) Statement of Newness and Distinctiveness: **Nil**



- (21) Design Number: **12059/2006**
- (22) Date of Filing Application: **05 May 2006**
- (24) Date from which industrial property rights may have effect: **05 May 2006**
- (54) Product in respect of which the design is registered: **Electric handtool**
- (51) International Design Classification: **08-01**
- (71) Name(s) and Address(s) of Applicant(s):  
**Mobiletron Electronics Co., Ltd.**  
**39 Sec 3 Chung-Ching Road Ta-Ya Taichung Hsien Taiwan 428**
- (72) Name(s) of Designer(s): **Kim Y.C. Tsai and Tung-Chin Kuo and Hsiang-Po Huang and Fu-Tasi Wu and Ju-Chien Chen**
- (45) Registration Date: **27 September 2006**
- (56) Related Art Documents: **Not Applicable**
- (57) Statement of Newness and Distinctiveness: **Nil**



- (21) Design Number: **12160/2006**
- (22) Date of Filing Application: **16 May 2006**
- (24) Date from which industrial property rights may have effect: **16 May 2006**
- (54) Product in respect of which the design is registered: **A fishing lure**
- (51) International Design Classification: **22-05**
- (71) Name(s) and Address(s) of Applicant(s):  
**Spanyid Limited**  
**PO Box 746 Kenmore Queensland 4069 Australia**
- (72) Name(s) of Designer(s): **Perry See Hoe**
- (45) Registration Date: **27 September 2006**
- (56) Related Art Documents: **Not Applicable**
- (57) Statement of Newness and Distinctiveness: **The particular visual feature of the fishing lure that is to be regarded as new and distinctive is: the recessed portion formed into the topside of the fishing lure.**



(21) Design Number: **12280/2006**

(22) Date of Filing Application: **24 May 2006**

(24) Date from which industrial property rights may have effect: **24 May 2006**

(54) Product in respect of which the design is registered: **A locking pin**

(51) International Design Classification: **08-07, 08-08C**

(71) Name(s) and Address(s) of Applicant(s):

**Dematic Pty Ltd**

**24 Narabang Way Belrose New South Wales 2085 Australia**

(72) Name(s) of Designer(s): **Paul Berry and Murray Clarke and Stephen Celati**

(45) Registration Date: **27 September 2006**

(56) Related Art Documents: **Not Applicable**

(57) Statement of Newness and Distinctiveness: **Nil.**



(21) Design Number: **12553/2006**

(22) Date of Filing Application: **15 June 2006**

(24) Date from which industrial property rights may have effect: **15 June 2006**

(54) Product in respect of which the design is registered: **Impact bracket**

(51) International Design Classification: **08-08L**

(71) Name(s) and Address(s) of Applicant(s):

**ARB Corporation Limited**

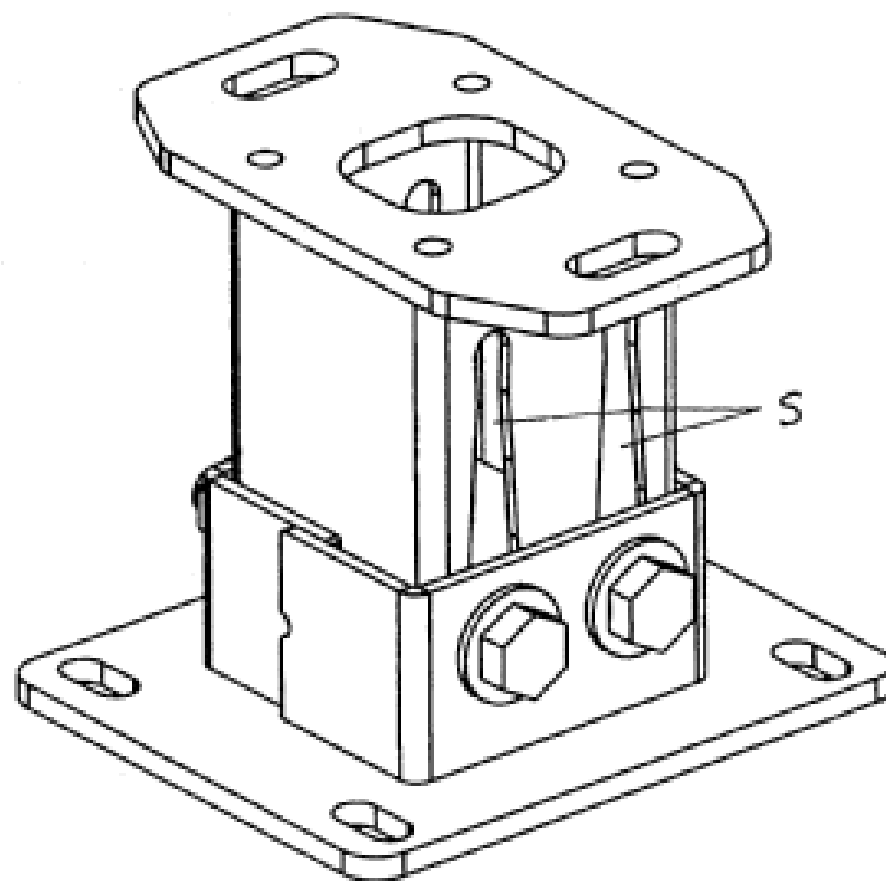
**42/44 Garden Street Kilsyth Victoria 3137 Australia**

(72) Name(s) of Designer(s): **Michael Smith and Robert Barnes**

(45) Registration Date: **27 September 2006**

(56) Related Art Documents: **Not Applicable**

(57) Statement of Newness and Distinctiveness: **The new and distinctive feature of the design resides in the shape or configuration of the slots S in the impact bracket as illustrated in the accompanying representations.**



(21) Design Number: **12554/2006**

(22) Date of Filing Application: **15 June 2006**

(24) Date from which industrial property rights may have effect: **15 June 2006**

(54) Product in respect of which the design is registered: **Bottle**

(51) International Design Classification: **09-01NES**

(71) Name(s) and Address(s) of Applicant(s):

**The Coca-Cola Company**  
**One Coca-Cola Plaza NW Atlanta Georgia 30313 United States of America**

(72) Name(s) of Designer(s): **Lam Pong Yuen and Chen Haidong**

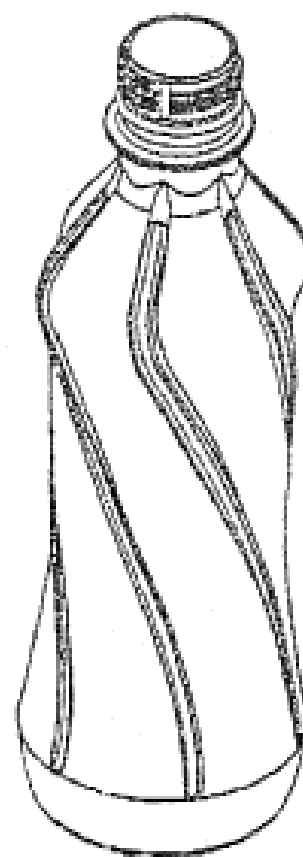
(45) Registration Date: **27 September 2006**

(30) Convention priority data:

(31) Number	(32) Date	(33) Country
<b>200530170164.0</b>	<b>30 Dec 2005</b>	<b>CHINA</b>

(56) Related Art Documents: **Not Applicable**

(57) Statement of Newness and Distinctiveness: **Those features of the bottle depicted in the representations that are new and distinctive are the shape and/or configuration. The bottom view (Fig 4) may or may not form part of the design.**



(21) Design Number: **12574/2006**

(22) Date of Filing Application: **16 June 2006**

(24) Date from which industrial property rights may have effect: **16 June 2006**

(54) Product in respect of which the design is registered: **Information terminal device**

(51) International Design Classification: **14-02, 14-04**

(71) Name(s) and Address(s) of Applicant(s):

**WEM Technology Limited**  
**Room 1401 14/F Block 4 Tai Ping Industrial Centre 51A Ting Kok Road TaiPo NT Hong Kong**

(72) Name(s) of Designer(s): **Myk W. Lum and Adam C. Wade and Robert L. Fletcher**

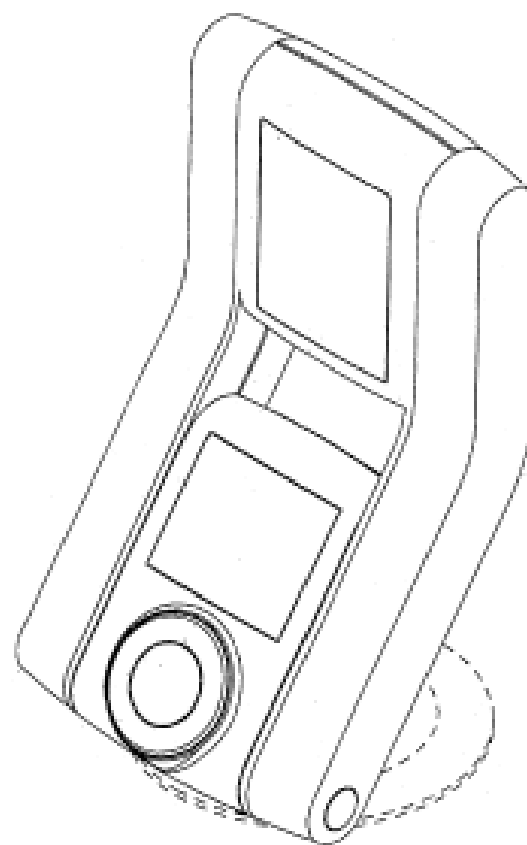
(45) Registration Date: **27 September 2006**

(30) Convention priority data:

(31) Number	(32) Date	(33) Country
<b>29/245,000</b>	<b>16 Dec 2005</b>	<b>UNITED STATES OF AMERICA</b>

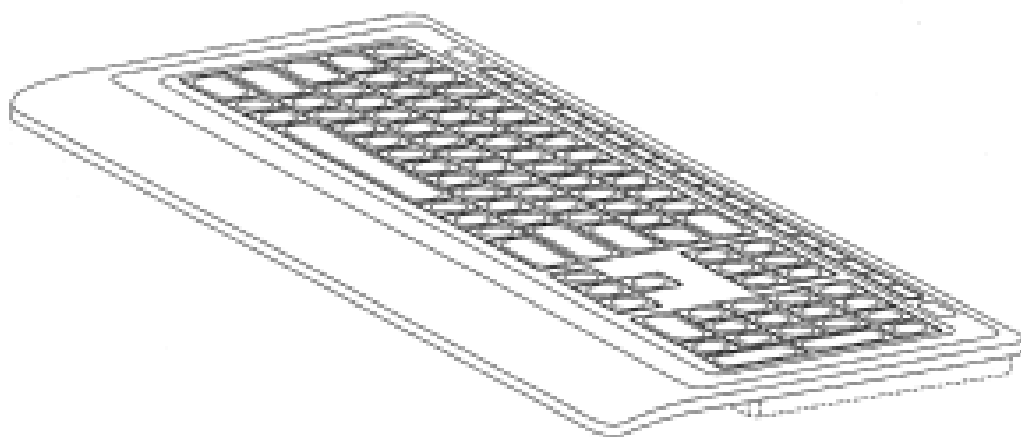
(56) Related Art Documents: **Not Applicable**

(57) Statement of Newness and Distinctiveness: **Visual features of the design which are new and distinctive are the features of shape and configuration of the information terminal device as illustrated in the representations. The stand shown in broken lines does not form part of the design and is to be disregarded.**





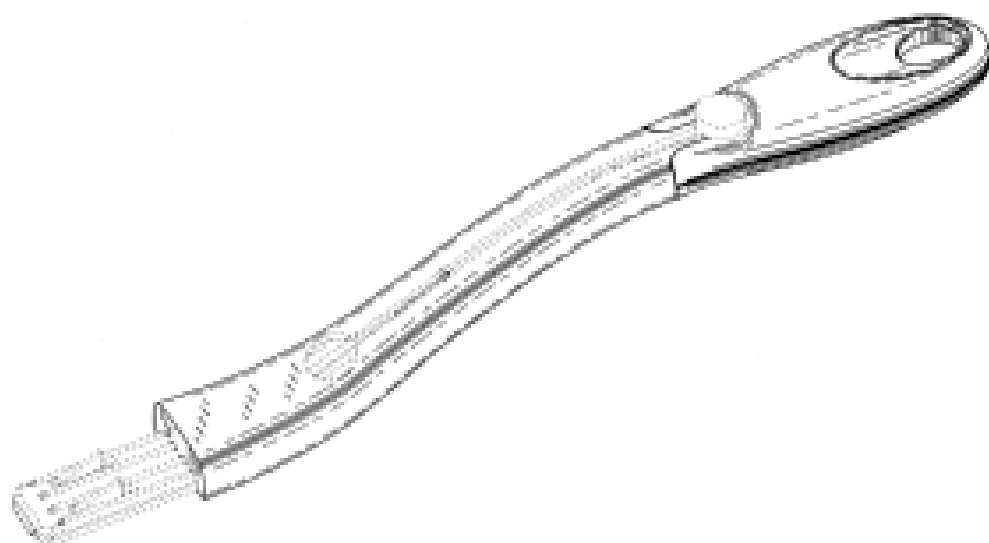
- (21) Design Number: **12843/2006**  
(22) Date of Filing Application: **04 July 2006**  
(24) Date from which industrial property rights may have effect: **04 July 2006**  
(54) Product in respect of which the design is registered: **Keyboard**  
(51) International Design Classification: **14-02**  
(71) Name(s) and Address(s) of Applicant(s):  
**Microsoft Corporation**  
**One Microsoft Way Redmond Washington 98052 United States of America**  
(72) Name(s) of Designer(s): **Pasquale DeMaio and Steven T. Kaneko and Fernd van Engelen and Isabelo V. de los Reyes and Carl J. Ledbetter and Oliver Grabes**  
(45) Registration Date: **27 September 2006**  
(30) Convention priority data:  
(31) Number (32) Date (33) Country  
**29/246037 04 Jan 2006 UNITED STATES OF AMERICA**  
(56) Related Art Documents: **Not Applicable**  
(57) Statement of Newness and Distinctiveness: **Newness and distinctiveness reside in the shape and configuration of a keyboard as illustrated in the accompanying representations. The features shown in broken outline are illustrative only and do not form part of the design.**



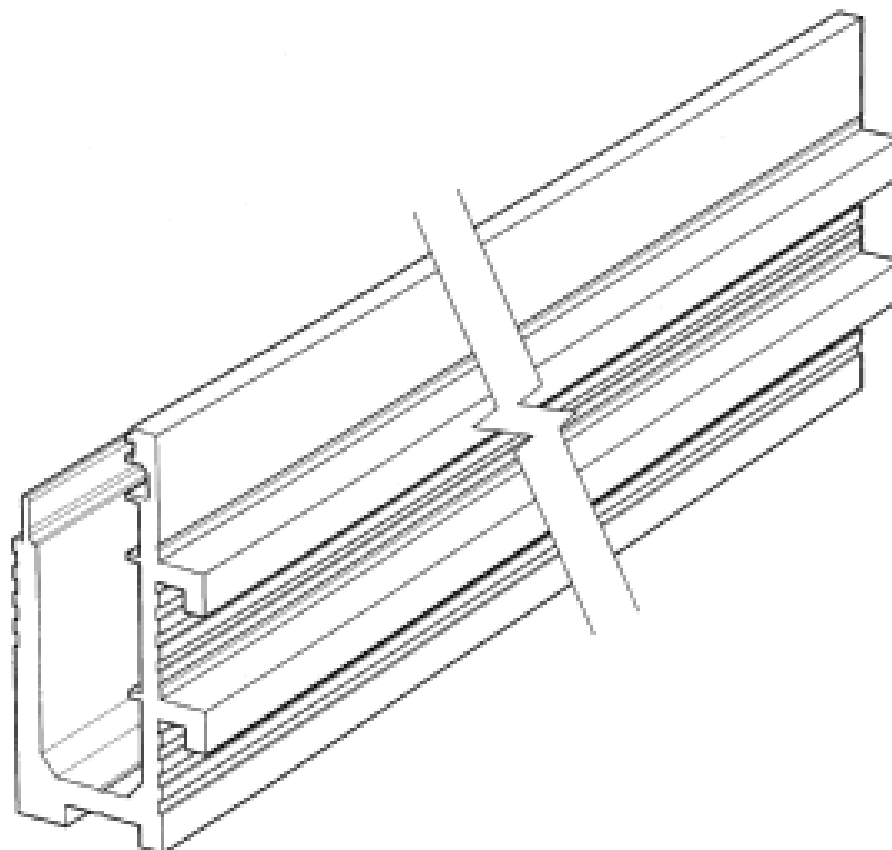
- (21) Design Number: **13116/2006**  
(22) Date of Filing Application: **19 July 2006**  
(24) Date from which industrial property rights may have effect: **19 July 2006**  
(54) Product in respect of which the design is registered: **Blender base**  
(51) International Design Classification: **31-00**  
(71) Name(s) and Address(s) of Applicant(s):  
**Sammic Australia Pty Ltd**  
**Unit 23 91 Tulip Street Cheltenham Victoria 3192 Australia**  
(72) Name(s) of Designer(s): **Romy Hockley**  
(45) Registration Date: **27 September 2006**  
(56) Related Art Documents: **Not Applicable**  
(57) Statement of Newness and Distinctiveness: **Newness and distinctiveness reside in the features of the design as shown in the representations.**



- (21) Design Number: **13120/2006**  
(22) Date of Filing Application: **19 July 2006**  
(24) Date from which industrial property rights may have effect: **19 July 2006**  
(54) Product in respect of which the design is registered: **Handle assembly for a cleaning tool**  
(51) International Design Classification: **04-01, 07-05E**  
(71) Name(s) and Address(s) of Applicant(s):  
**3M Innovative Properties Company**  
**3M Center Saint Paul Minnesota 55133-3427 United States of America**  
(72) Name(s) of Designer(s): **Perry Steven Dotterman and Arthur Vincent Lang and Christopher John Miller and Sigurdur Thorsteinsson and Mauro Porcini**  
(45) Registration Date: **27 September 2006**  
(30) Convention priority data:  
(31) Number (32) Date (33) Country  
**29/252270 20 Jan 2006 UNITED STATES OF AMERICA**  
(56) Related Art Documents: **Not Applicable**  
(57) Statement of Newness and Distinctiveness: **Newness and distinctiveness is claimed in the visual features shown in solid lines in the representations.**



- (21) Design Number: **13174/2006**  
(22) Date of Filing Application: **24 July 2006**  
(24) Date from which industrial property rights may have effect: **24 July 2006**  
(54) Product in respect of which the design is registered: **A metal extrusion**  
(51) International Design Classification: **25-01K**  
(71) Name(s) and Address(s) of Applicant(s):  
**Prodrome Designs Pty Ltd**  
**468 Stuart Highway Winnellie Northern Territory 0820 Australia**  
(72) Name(s) of Designer(s): **John Koukouvas**  
(45) Registration Date: **27 September 2006**  
(56) Related Art Documents: **Not Applicable**  
(57) Statement of Newness and Distinctiveness: **Newness and distinctiveness resides in the features of shape and configuration of a metal extrusion of indefinite length as shown in the accompanying representations.**



(21) Design Number: **13175/2006**

(22) Date of Filing Application: **24 July 2006**

(24) Date from which industrial property rights may have effect: **24 July 2006**

(54) Product in respect of which the design is registered: **A metal extrusion**

(51) International Design Classification: **25-01K**

(71) Name(s) and Address(s) of Applicant(s):

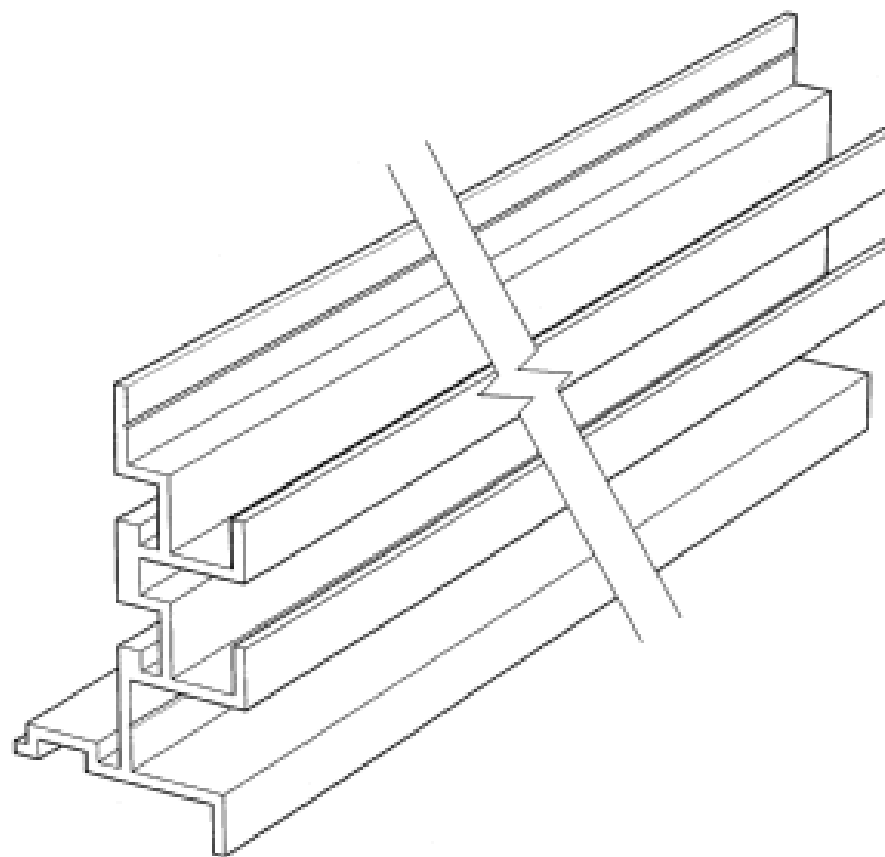
**Prodrome Designs Pty Ltd**  
**468 Stuart Highway Winnellie Northern Territory 0820 Australia**

(72) Name(s) of Designer(s): **John Koukouvas**

(45) Registration Date: **27 September 2006**

(56) Related Art Documents: **Not Applicable**

(57) Statement of Newness and Distinctiveness: **Newness and distinctiveness resides in the features of shape and configuration of a metal extrusion of indefinite length as shown in the accompanying representations.**



(21) Design Number: **13224/2006**

(22) Date of Filing Application: **25 July 2006**

(24) Date from which industrial property rights may have effect: **25 July 2006**

(54) Product in respect of which the design is registered: **Modular ladder assembly**

(51) International Design Classification: **25-04**

(71) Name(s) and Address(s) of Applicant(s):

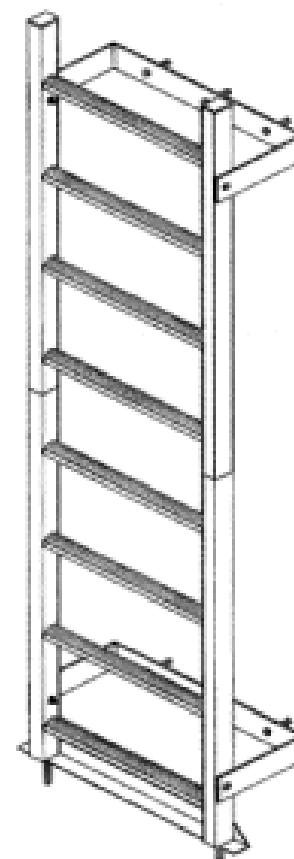
**Roland Stephen Voss**  
**40 Kalman Drive Boronia Victoria 3155 Australia**

(72) Name(s) of Designer(s): **Roland Stephen Voss**

(45) Registration Date: **27 September 2006**

(56) Related Art Documents: **Not Applicable**

(57) Statement of Newness and Distinctiveness: **Newness and distinctiveness is claimed in the features of shape and/or configuration of a modular ladder assembly, as shown in the accompanying representations.**



(21) Design Number: **15651/2005**  
 (22) Date of Filing Application: **16 December 2005**  
 (24) Date from which industrial property rights may have effect: **16 December 2005**  
 (54) Product in respect of which the design is registered: **Skimboard surfboard**  
 (51) International Design Classification: **21-02D**  
 (71) Name(s) and Address(s) of Applicant(s):

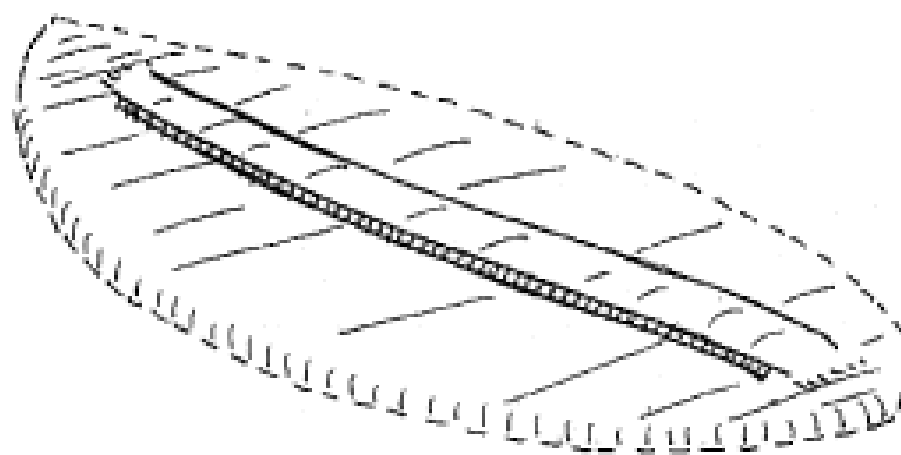
**Norval Ross Watson**  
**10 Ruskin Street Byron Bay New South Wales 2481 Australia**

(72) Name(s) of Designer(s): **Norval Ross Watson**

(45) Registration Date: **27 September 2006**

(56) Related Art Documents: **Not Applicable**

(57) Statement of Newness and Distinctiveness: **Monopoly is claimed in the features of shape and configuration of the continuous raised bar protruding above the upper surface or deck of the skimboard or surfboard, said bar being of such a length not less than 60% of the total length of the skimboard or surfboard, and said bar being of such a width and thickness respectively that when viewed with the user's foot in normal standing position the arch of the foot shall appear to contact the upper surface of the bar and at the same time allowing the forward and rearward portions of the user's foot to appear to make contact with the upper surface or deck of the skimboard or surfboard on opposing sides of the bar. No monopoly is claimed in the remainder of the skimboard or surfboard or in the configuration of the forward and ends of the bar where said ends are joined with the deck of the skimboard or surfboard.**



(21) Design Number: **12661/2006**  
 (22) Date of Filing Application: **22 June 2006**  
 (24) Date from which industrial property rights may have effect: **22 June 2006**  
 (54) Product in respect of which the design is registered: **Frame for respiratory mask**  
 (51) International Design Classification: **24-01, 24-04, 29-99**  
 (71) Name(s) and Address(s) of Applicant(s):

**ResMed Ltd**  
**1 Elizabeth Macarthur Drive Bella Vista New South Wales 2153 Australia**

(72) Name(s) of Designer(s): **Philip Thomas Stallard and Scott Alexander Howard and Vincent Chu and Susan Robyn Lynch and Errol Savio Alex D'Souza and Lee James Veliss and Eva Ng**

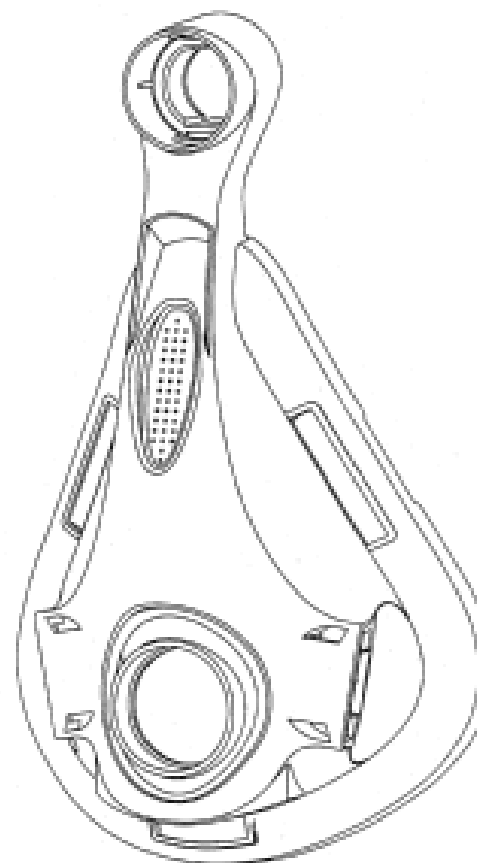
(45) Registration Date: **27 September 2006**

(30) Convention priority data:

(31) Number	(32) Date	(33) Country
<b>29/251,703</b>	<b>12 Jan 2006</b>	<b>UNITED STATES OF AMERICA</b>

(56) Related Art Documents: **Not Applicable**

(57) Statement of Newness and Distinctiveness: **Nil**



(21) Design Number: **11514/2006**

(22) Date of Filing Application: **11 April 2006**

(24) Date from which industrial property rights may have effect: **11 April 2006**

(54) Product in respect of which the design is registered: **A juicer**

(51) International Design Classification: **07-04**

(71) Name(s) and Address(s) of Applicant(s):

**Chef'n Corporation**  
**1520 4th Avenue 3rd Floor Seattle Washington 98101 United States of America**

(72) Name(s) of Designer(s): **Adam A. Jossem and John R. Prins**

(45) Registration Date: **27 September 2006**

(30) Convention priority data:

(31) Number	(32) Date	(33) Country
<b>29240653</b>	<b>17 Oct 2005</b>	<b>UNITED STATES OF AMERICA</b>

(56) Related Art Documents: **Not Applicable**

(57) Statement of Newness and Distinctiveness: **Newness and distinctiveness is claimed in the visual features shown in solid lines in the representations.**



(21) Design Number: **11917/2006**

(22) Date of Filing Application: **04 May 2006**

(24) Date from which industrial property rights may have effect: **04 May 2006**

(54) Product in respect of which the design is registered: **Vehicle decor strip**

(51) International Design Classification: **12-16D**

(71) Name(s) and Address(s) of Applicant(s):

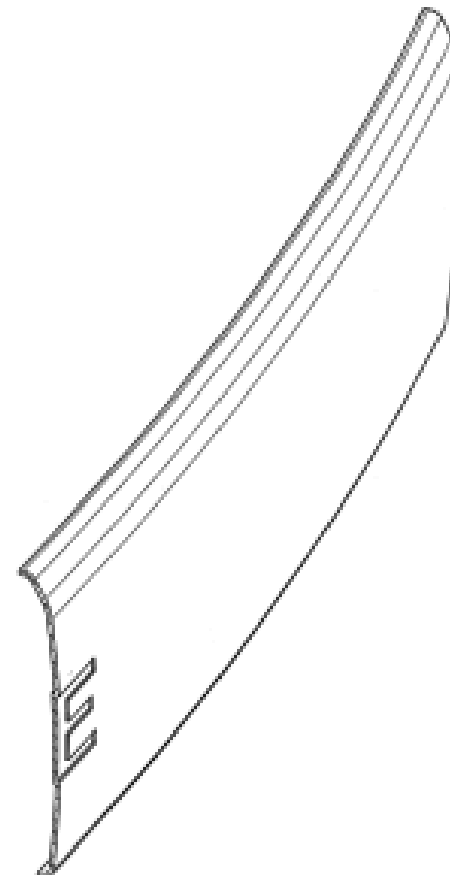
**GM Holden Ltd**  
**241 Salmon Street Port Melbourne Victoria 3207 Australia**

(72) Name(s) of Designer(s): **Martin Richard Love**

(45) Registration Date: **27 September 2006**

(56) Related Art Documents: **Not Applicable**

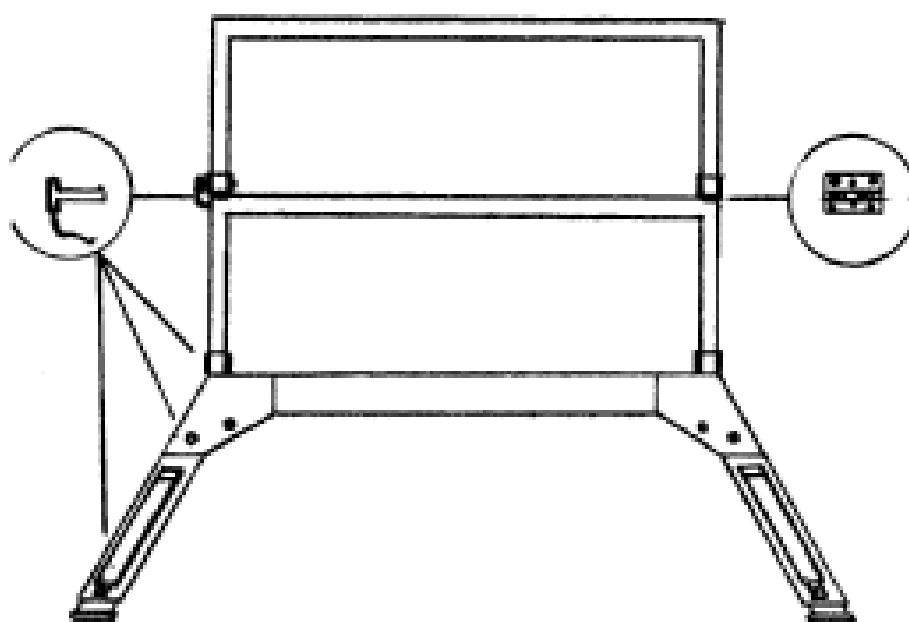
(57) Statement of Newness and Distinctiveness: **Newness and distinctiveness is claimed in the shape and/or configuration of the front face of a vehicle decor strip as shown in the representations.**



- (21) Design Number: **11926/2006**  
(22) Date of Filing Application: **04 May 2006**  
(24) Date from which industrial property rights may have effect: **04 May 2006**  
(54) Product in respect of which the design is registered: **Vehicle grille**  
(51) International Design Classification: **12-16B**  
(71) Name(s) and Address(s) of Applicant(s):  
**GM Holden Ltd**  
**241 Salmon Street Port Melbourne Victoria 3207 Australia**  
(72) Name(s) of Designer(s): **Martin Richard Love**  
(45) Registration Date: **27 September 2006**  
(56) Related Art Documents: **Not Applicable**  
(57) Statement of Newness and Distinctiveness: **Newness and distinctiveness is claimed in the shape and/or configuration of a vehicle grille as shown in the representations.**



- (21) Design Number: **12476/2006**  
(22) Date of Filing Application: **07 June 2006**  
(24) Date from which industrial property rights may have effect: **07 June 2006**  
(54) Product in respect of which the design is registered: **Link n Loc platform**  
(51) International Design Classification: **25-04**  
(71) Name(s) and Address(s) of Applicant(s):  
**Jared Coghlan**  
**54 Macquarie Drive Mudgee New South Wales 2850 Australia**  
(72) Name(s) of Designer(s): **Rodney Golden and John Condon and Jared Coghlan**  
(45) Registration Date: **27 September 2006**  
(56) Related Art Documents: **Not Applicable**  
(57) Statement of Newness and Distinctiveness: **Nil**



(21) Design Number: **12978/2006**

(22) Date of Filing Application: **13 July 2006**

(24) Date from which industrial property rights may have effect: **13 July 2006**

(54) Product in respect of which the design is registered: **Tank fitting**

(51) International Design Classification: **23-01F**

(71) Name(s) and Address(s) of Applicant(s):

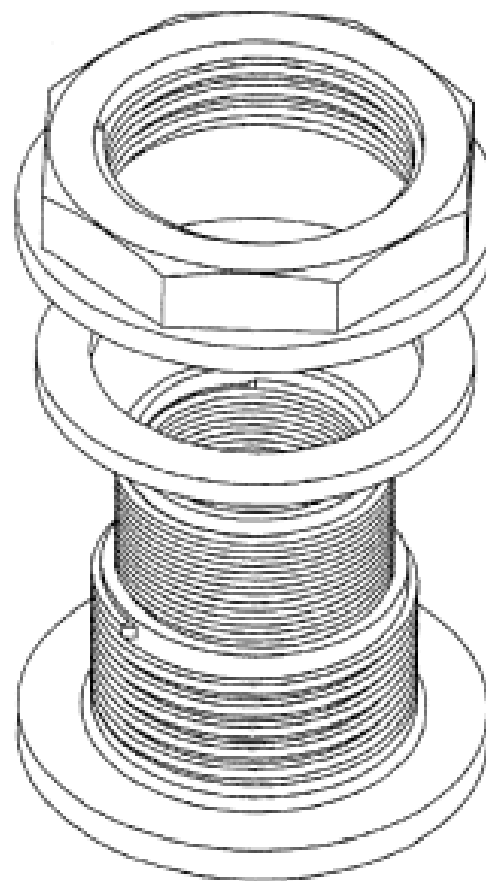
**Rotoquip (Proprietary) Limited**  
**4 Plantina Crescent New Era Springs Gauteng 1559 Republic of South Africa**

(72) Name(s) of Designer(s): **Paul Christopher Burchell**

(45) Registration Date: **27 September 2006**

(56) Related Art Documents: **Not Applicable**

(57) Statement of Newness and Distinctiveness: **Newness and distinctiveness is claimed in the features of shape and/or configuration of a tank fitting as illustrated in the accompanying representations.**



(21) Design Number: **13254/2006**

(22) Date of Filing Application: **26 July 2006**

(24) Date from which industrial property rights may have effect: **26 July 2006**

(54) Product in respect of which the design is registered: **A connector cover for an electronic game machine**

(51) International Design Classification: **21-01N**

(71) Name(s) and Address(s) of Applicant(s):

**Nintendo Co., Ltd.**  
**11-1 Hokotate-cho Kamitoba Minami-ku Kyoto-shi Kyoto Japan**

(72) Name(s) of Designer(s): **Yui Ehara and Tomoki Yamamoto and Hiroki Goto**

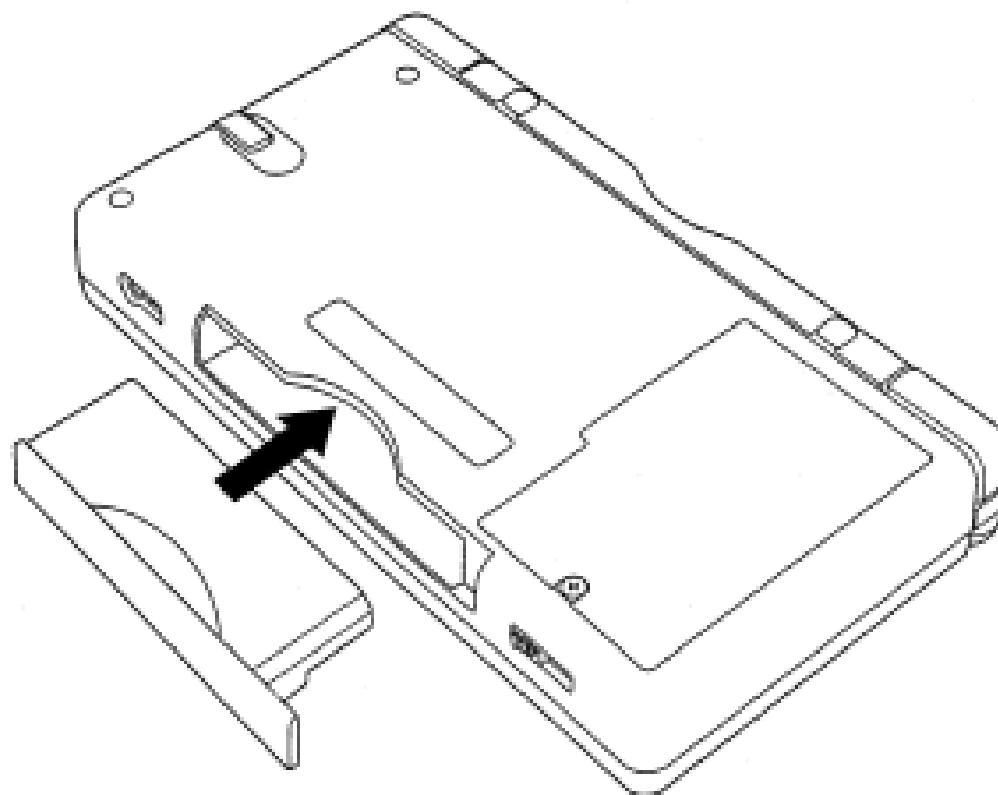
(45) Registration Date: **27 September 2006**

(30) Convention priority data:

(31) Number	(32) Date	(33) Country
<b>2006-001639</b>	<b>26 Jan 2006</b>	<b>JAPAN</b>

(56) Related Art Documents: **Not Applicable**

(57) Statement of Newness and Distinctiveness: **Nil**



(21) Design Number: **13296/2006**

(22) Date of Filing Application: **27 July 2006**

(24) Date from which industrial property rights may have effect: **27 July 2006**

(54) Product in respect of which the design is registered: **Bootlace retainer**

(51) International Design Classification: **02-07B**

(71) Name(s) and Address(s) of Applicant(s):

**Lisa Annette Loudon**

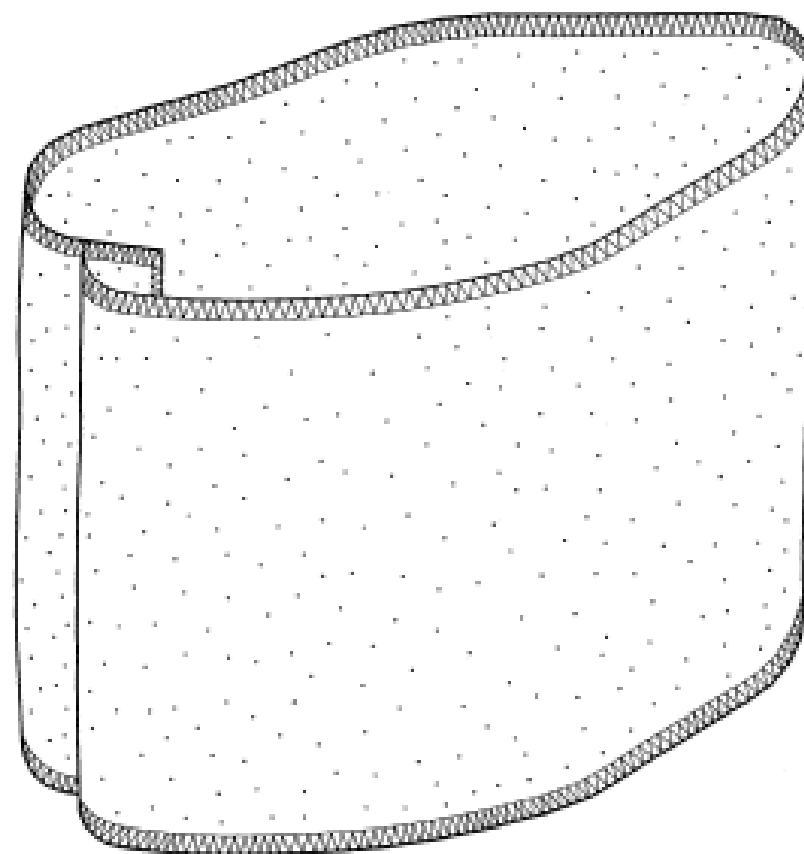
**52 Memorial Avenue Blackwall New South Wales 2257 Australia**

(72) Name(s) of Designer(s): **Lisa Annette Loudon**

(45) Registration Date: **27 September 2006**

(56) Related Art Documents: **Not Applicable**

(57) Statement of Newness and Distinctiveness: **Monopoly is claimed in the features of shape and configuration of the bootlace retainer shown in the attached drawings. The dotted pattern on the side walls is for clarity only and forms no part of the monopoly claimed.**



(21) Design Number: **13300/2006**

(22) Date of Filing Application: **28 July 2006**

(24) Date from which industrial property rights may have effect: **28 July 2006**

(54) Product in respect of which the design is registered: **Bag hooks**

(51) International Design Classification: **03-01B, 08-08G, 02-07NES**

(71) Name(s) and Address(s) of Applicant(s):

**Jennifer Nicoll**

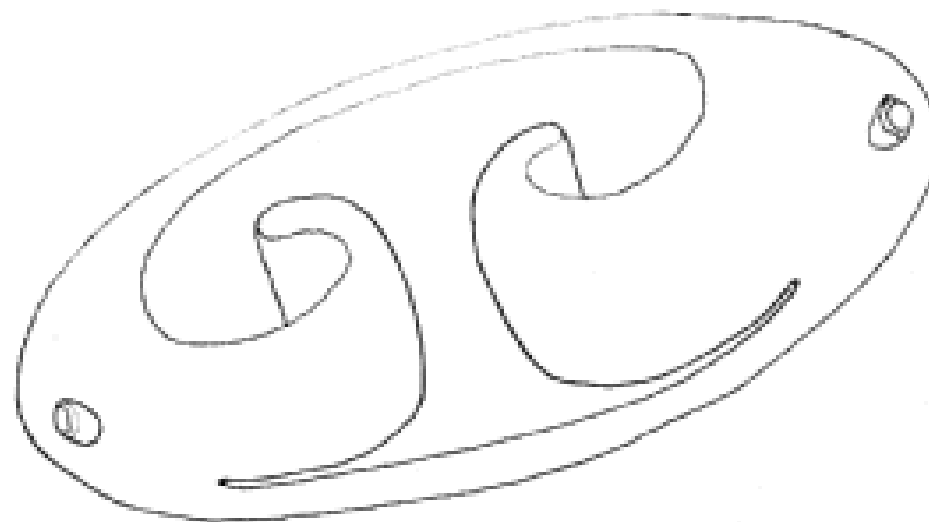
**15 Danyenah Street Loganholme Queensland 4129 Australia**

(72) Name(s) of Designer(s): **Jennifer Nicoll**

(45) Registration Date: **27 September 2006**

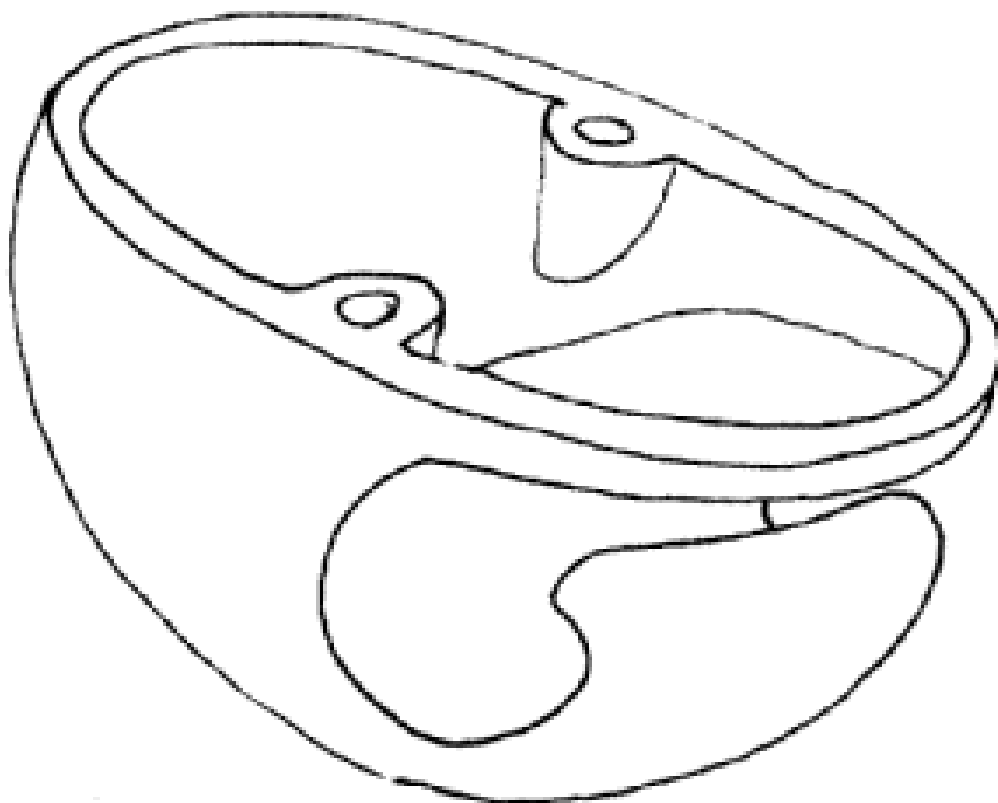
(56) Related Art Documents: **Not Applicable**

(57) Statement of Newness and Distinctiveness: **Nil.**

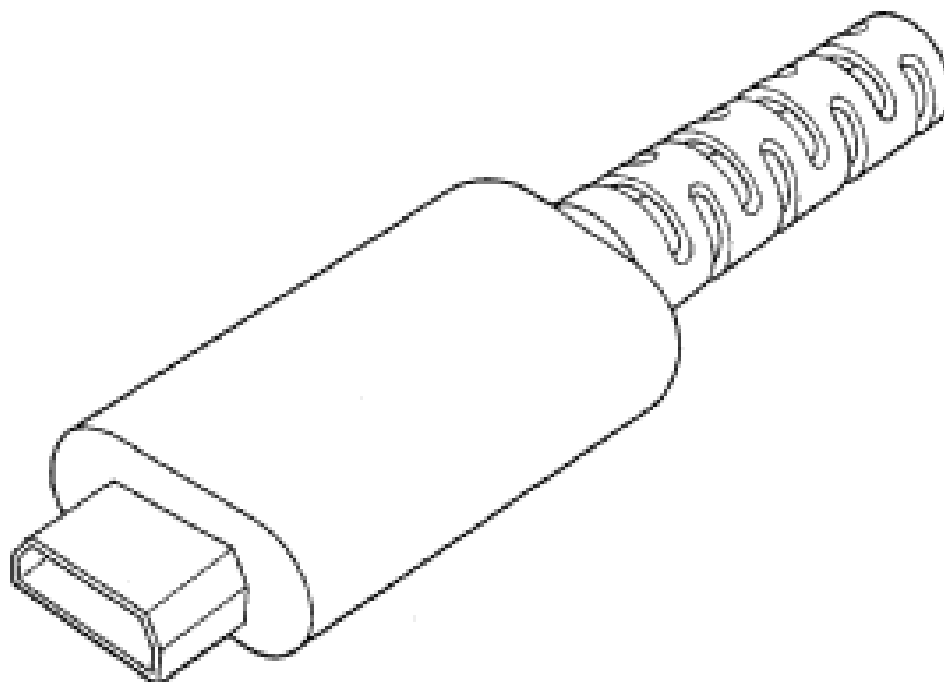




(21) Design Number: **13301/2006**  
(22) Date of Filing Application: **28 July 2006**  
(24) Date from which industrial property rights may have effect: **28 July 2006**  
(54) Product in respect of which the design is registered: **Bag hook**  
(51) International Design Classification: **03-01B, 08-08G, 02-07NES**  
(71) Name(s) and Address(s) of Applicant(s):  
**Jennifer Nicoll**  
**15 Danyenah Street Loganholme Queensland 4129 Australia**  
(72) Name(s) of Designer(s): **Jennifer Nicoll**  
(45) Registration Date: **27 September 2006**  
(56) Related Art Documents: **Not Applicable**  
(57) Statement of Newness and Distinctiveness: **Nil.**



(21) Design Number: **13302/2006**  
(22) Date of Filing Application: **27 July 2006**  
(24) Date from which industrial property rights may have effect: **27 July 2006**  
(54) Product in respect of which the design is registered: **A connector plug for an electronic game machine**  
(51) International Design Classification: **13-03E**  
(71) Name(s) and Address(s) of Applicant(s):  
**Nintendo Co., Ltd.**  
**11-1 Hokotate-cho Kamitoba Minami-ku Kyoto-shi Kyoto Japan**  
(72) Name(s) of Designer(s): **Takaki Fujino**  
(45) Registration Date: **27 September 2006**  
(30) Convention priority data:  
(31) Number      (32) Date      (33) Country  
**2006-2513      06 Feb 2006      JAPAN**  
(56) Related Art Documents: **Not Applicable**  
(57) Statement of Newness and Distinctiveness: **Nil.**



(21) Design Number: **13007/2006**

(22) Date of Filing Application: **14 July 2006**

(24) Date from which industrial property rights may have effect: **14 July 2006**

(54) Product in respect of which the design is registered: **Chair**

(51) International Design Classification: **06-01F**

(71) Name(s) and Address(s) of Applicant(s):

**Ergonomiprodukter I Bodafors AB  
Box 294 S-571 23 Nassjo Sweden**

(72) Name(s) of Designer(s): **Marten Rittfeldt and Oskar Ponnert**

(45) Registration Date: **27 September 2006**

(30) Convention priority data:

(31) Number	(32) Date	(33) Country
<b>000468046</b>	<b>25 Jan 2006</b>	<b>EUROPEAN COMMUNITY</b>

(56) Related Art Documents: **Not Applicable**

(57) Statement of Newness and Distinctiveness: **Newness and distinctiveness is claimed in the features of shape and/or configuration of the following parts of a chair as illustrated in the accompanying representations: the sharp, flattened edge contour of the seat, back and arm rest; the rectangular hole in the back; the small round holes at the edge of the back and seat; and the contour of the seat with a recess at the front.**



(21) Design Number: **13494/2006**

(22) Date of Filing Application: **09 August 2006**

(24) Date from which industrial property rights may have effect: **09 August 2006**

(54) Product in respect of which the design is registered: **Instant Rockstar jar, cap and insert**

(51) International Design Classification: **07-01NES, 09-01C**

(71) Name(s) and Address(s) of Applicant(s):

**IRS Aust Pty Ltd  
22 Rocklea Drive Port Melbourne Victoria 3207 Australia**

(72) Name(s) of Designer(s): **Craig Delmo**

(45) Registration Date: **27 September 2006**

(56) Related Art Documents: **Not Applicable**

(57) Statement of Newness and Distinctiveness: **Nil**



(21) Design Number: **13509/2006**

(22) Date of Filing Application: **10 August 2006**

(24) Date from which industrial property rights may have effect: **10 August 2006**

(54) Product in respect of which the design is registered: **Broom head**

(51) International Design Classification: **04-01**

(71) Name(s) and Address(s) of Applicant(s):

**E.D. Oates Pty Ltd**

**76-82 Newlands Road Reservoir Victoria 3073 Australia**

(72) Name(s) of Designer(s): **Jon Lawson and Paul Charlwood and Andrew Howley**

(45) Registration Date: **27 September 2006**

(56) Related Art Documents: **Not Applicable**

(57) Statement of Newness and Distinctiveness: **Newness and distinctiveness resides in the visual features of shape and/or configuration of a broom head as illustrated in the accompanying representations. The words 'Oates Clean' do not form part of the design and are to be disregarded when considering the newness and distinctiveness of the design.**



(21) Design Number: **13510/2006**

(22) Date of Filing Application: **10 August 2006**

(24) Date from which industrial property rights may have effect: **10 August 2006**

(54) Product in respect of which the design is registered: **Broom head**

(51) International Design Classification: **04-01**

(71) Name(s) and Address(s) of Applicant(s):

**E.D. Oates Pty Ltd**

**76-82 Newlands Road Reservoir Victoria 3073 Australia**

(72) Name(s) of Designer(s): **Jon Lawson and Paul Charlwood and Andrew Howley**

(45) Registration Date: **27 September 2006**

(56) Related Art Documents: **Not Applicable**

(57) Statement of Newness and Distinctiveness: **Newness and distinctiveness resides in the visual features of shape and/or configuration of a broom head as illustrated in the accompanying representations. The words 'Oates Clean' do not form part of the design and are to be disregarded when considering the newness and distinctiveness of the design.**



- (21) Design Number: **13511/2006**  
(22) Date of Filing Application: **10 August 2006**  
(24) Date from which industrial property rights may have effect: **10 August 2006**  
(54) Product in respect of which the design is registered: **Broom head**  
(51) International Design Classification: **04-01**  
(71) Name(s) and Address(s) of Applicant(s):  
**E.D. Oates Pty Ltd**  
**76-82 Newlands Road Reservoir Victoria 3073 Australia**  
(72) Name(s) of Designer(s): **Jon Lawson and Paul Charlwood and Andrew Howley**  
(45) Registration Date: **27 September 2006**  
(56) Related Art Documents: **Not Applicable**  
(57) Statement of Newness and Distinctiveness: **Newness and distinctiveness resides in the visual features of shape and/or configuration of a broom head as illustrated in the accompanying representations. The words 'Oates Clean' do not form part of the design and are to be disregarded when considering the newness and distinctiveness of the design.**



- (21) Design Number: **13611/2006**  
(22) Date of Filing Application: **15 August 2006**  
(24) Date from which industrial property rights may have effect: **15 August 2006**  
(54) Product in respect of which the design is registered: **Escalator**  
(51) International Design Classification: **12-05**  
(71) Name(s) and Address(s) of Applicant(s):  
**Constructions Industrielles De La Mediterranee - CNIM**  
**35 Rue de Bassano 75008 Paris France**  
(72) Name(s) of Designer(s): **Bernard Jacques Dabezies**  
(45) Registration Date: **27 September 2006**  
(30) Convention priority data:  
(31) Number (32) Date (33) Country  
**060777 16 Feb 2006 FRANCE**  
(56) Related Art Documents: **Not Applicable**  
(57) Statement of Newness and Distinctiveness: **Newness and distinctiveness reside in particular in the asymmetric configurations of the handrails having different lengths, in the particular cut of the entrance plate, and by the presence of a dashboard mounted to one single side of the escalator.**



(21) Design Number: **13629/2006**  
(22) Date of Filing Application: **16 August 2006**  
(24) Date from which industrial property rights may have effect: **16 August 2006**  
(54) Product in respect of which the design is registered: **Start platform for swimming**  
(51) International Design Classification: **21-02D**  
(71) Name(s) and Address(s) of Applicant(s):  
**Industrious Design Pty Ltd**  
**4 Wybalena Grove Cook ACT 2614 Australia**  
(72) Name(s) of Designer(s): **Peter McKay**  
(45) Registration Date: **27 September 2006**  
(56) Related Art Documents: **Not Applicable**  
(57) Statement of Newness and Distinctiveness: **Tapered shape of body matching oversize platform.**



(21) Design Number: **13632/2006**  
(22) Date of Filing Application: **17 August 2006**  
(24) Date from which industrial property rights may have effect: **17 August 2006**  
(54) Product in respect of which the design is registered: **"French knitting" technique - made into abstract spiral art piece**  
(51) International Design Classification: **05-01, 11-02F**  
(71) Name(s) and Address(s) of Applicant(s):  
**Peter Coombe**  
**5/51 Victoria Street Victor Harbor South Australia 5211 Australia**  
(72) Name(s) of Designer(s): **Peter Coombe**  
(45) Registration Date: **27 September 2006**  
(56) Related Art Documents: **Not Applicable**  
(57) Statement of Newness and Distinctiveness: **Nil**



(21) Design Number: **13633/2006**

(22) Date of Filing Application: **17 August 2006**

(24) Date from which industrial property rights may have effect: **17 August 2006**

(54) Product in respect of which the design is registered: **A sprayer**

(51) International Design Classification: **23-01E**

(71) Name(s) and Address(s) of Applicant(s):

**Antelco Pty Ltd**  
**Pallamana Airfield Palmer Road Murray Bridge South Australia 5253**  
**Australia**

(72) Name(s) of Designer(s): **Lyall Causby and Robert Sigston and David Bevan Creed**

(45) Registration Date: **27 September 2006**

(56) Related Art Documents: **Not Applicable**

(57) Statement of Newness and Distinctiveness: **Newness and distinctiveness resides in the features of shape and configuration of a sprayer as shown in the accompanying representations. The lettering which is moulded into the product forms no part of the design.**



(21) Design Number: **13609/2006**

(22) Date of Filing Application: **15 August 2006**

(24) Date from which industrial property rights may have effect: **15 August 2006**

(54) Product in respect of which the design is registered: **Escalator**

(51) International Design Classification: **12-05**

(71) Name(s) and Address(s) of Applicant(s):

**Constructions Industrielles De La Mediterranee - CNIM**  
**35 Rue de Bassano 75008 Paris France**

(72) Name(s) of Designer(s): **Bernard Jacques Dabezies**

(45) Registration Date: **27 September 2006**

(30) Convention priority data:

(31) Number	(32) Date	(33) Country
<b>060777</b>	<b>16 Feb 2006</b>	<b>FRANCE</b>

(56) Related Art Documents: **Not Applicable**

(57) Statement of Newness and Distinctiveness: **Newness and distinctiveness reside in the presence of a totem defining an overhead gantry portion on one side.**



(21) Design Number: **11937/2006**

(22) Date of Filing Application: **04 May 2006**

(24) Date from which industrial property rights may have effect: **04 May 2006**

(54) Product in respect of which the design is registered: **Vehicle decor panel**

(51) International Design Classification: **12-16B**

(71) Name(s) and Address(s) of Applicant(s):

**GM Holden Ltd**

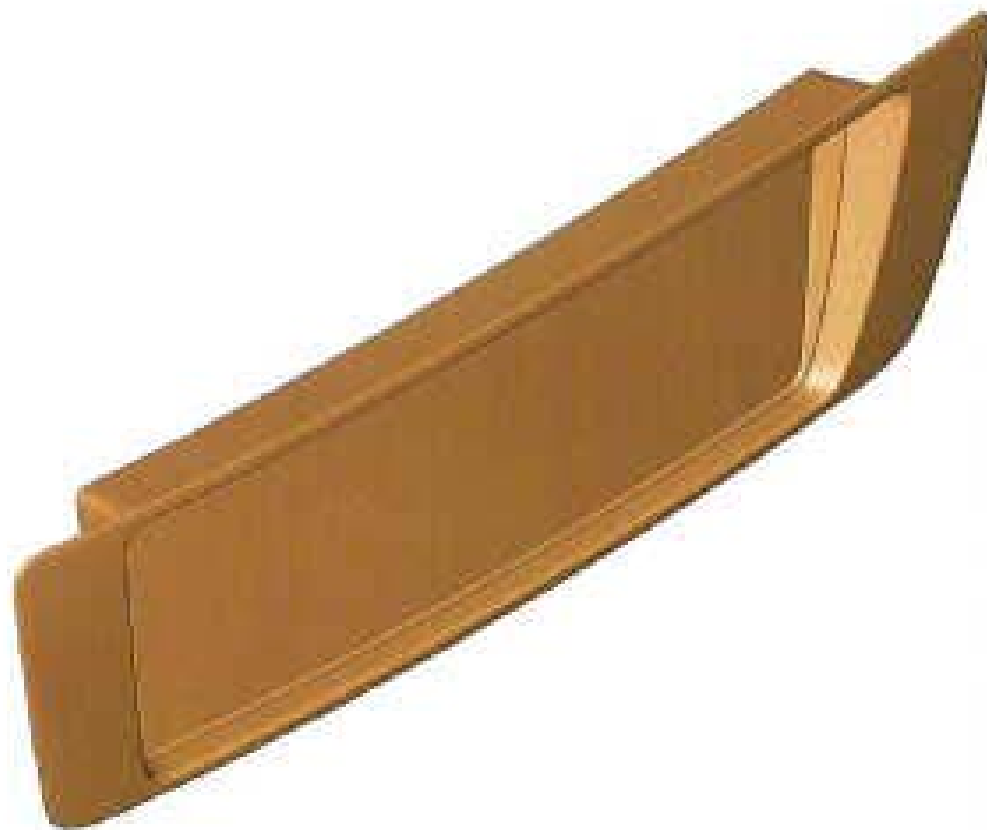
**241 Salmon Street Port Melbourne Victoria 3207 Australia**

(72) Name(s) of Designer(s): **Martin Richard Love**

(45) Registration Date: **27 September 2006**

(56) Related Art Documents: **Not Applicable**

(57) Statement of Newness and Distinctiveness: **Newness and distinctiveness is claimed in the shape and/or configuration of a vehicle decor panel as shown in the representations.**



(21) Design Number: **11938/2006**

(22) Date of Filing Application: **04 May 2006**

(24) Date from which industrial property rights may have effect: **04 May 2006**

(54) Product in respect of which the design is registered: **Vehicle fascia**

(51) International Design Classification: **12-16B**

(71) Name(s) and Address(s) of Applicant(s):

**GM Holden Ltd**

**241 Salmon Street Port Melbourne Victoria 3207 Australia**

(72) Name(s) of Designer(s): **Martin Richard Love**

(45) Registration Date: **27 September 2006**

(56) Related Art Documents: **Not Applicable**

(57) Statement of Newness and Distinctiveness: **Newness and distinctiveness is claimed in the shape and/or configuration of a vehicle fascia as shown in the representations.**



- (21) Design Number: **11939/2006**  
(22) Date of Filing Application: **04 May 2006**  
(24) Date from which industrial property rights may have effect: **04 May 2006**  
(54) Product in respect of which the design is registered: **Left-and right-side vehicle fascia inserts**  
(51) International Design Classification: **12-16B**  
(71) Name(s) and Address(s) of Applicant(s):  
**GM Holden Ltd**  
**241 Salmon Street Port Melbourne Victoria 3207 Australia**  
(72) Name(s) of Designer(s): **Martin Richard Love**  
(45) Registration Date: **27 September 2006**  
(56) Related Art Documents: **Not Applicable**  
(57) Statement of Newness and Distinctiveness: **Newness and distinctiveness is claimed in the shape and/or configuration of a left-and right-side vehicle fascia inserts as shown in the representations.**

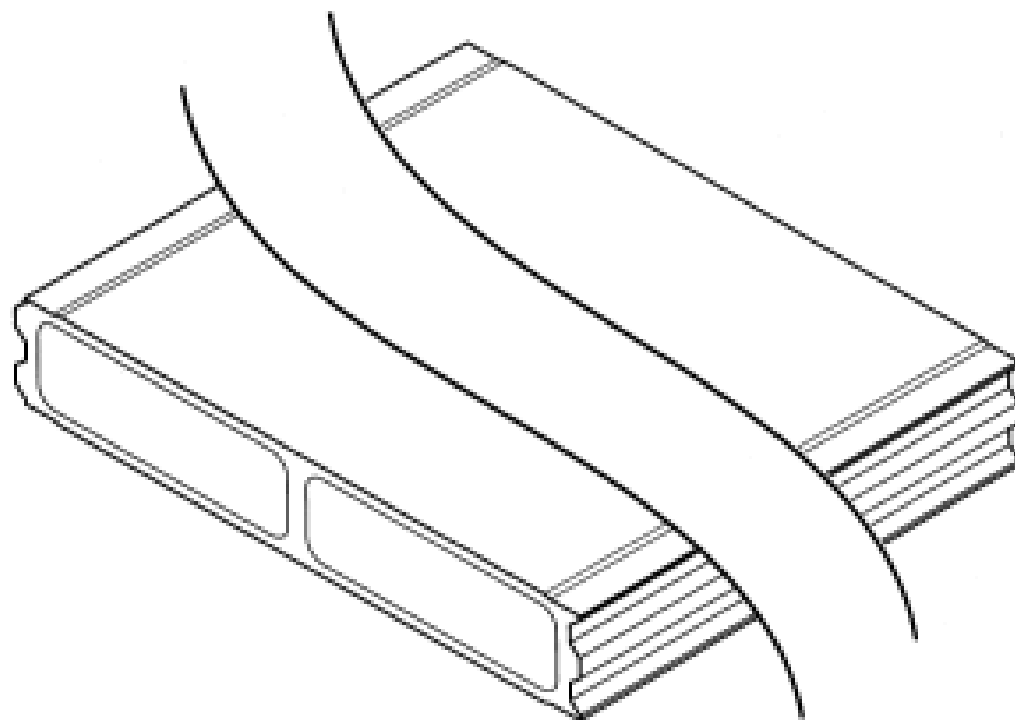


- (21) Design Number: **11941/2006**  
(22) Date of Filing Application: **04 May 2006**  
(24) Date from which industrial property rights may have effect: **04 May 2006**  
(54) Product in respect of which the design is registered: **Left-and right-side vehicle lamp bezels**  
(51) International Design Classification: **12-16E**  
(71) Name(s) and Address(s) of Applicant(s):  
**GM Holden Ltd**  
**241 Salmon Street Port Melbourne Victoria 3207 Australia**  
(72) Name(s) of Designer(s): **Martin Richard Love**  
(45) Registration Date: **27 September 2006**  
(56) Related Art Documents: **Not Applicable**  
(57) Statement of Newness and Distinctiveness: **Newness and distinctiveness is claimed in the shape and/or configuration of a left-and right-side vehicle lamp bezels as shown in the representations.**

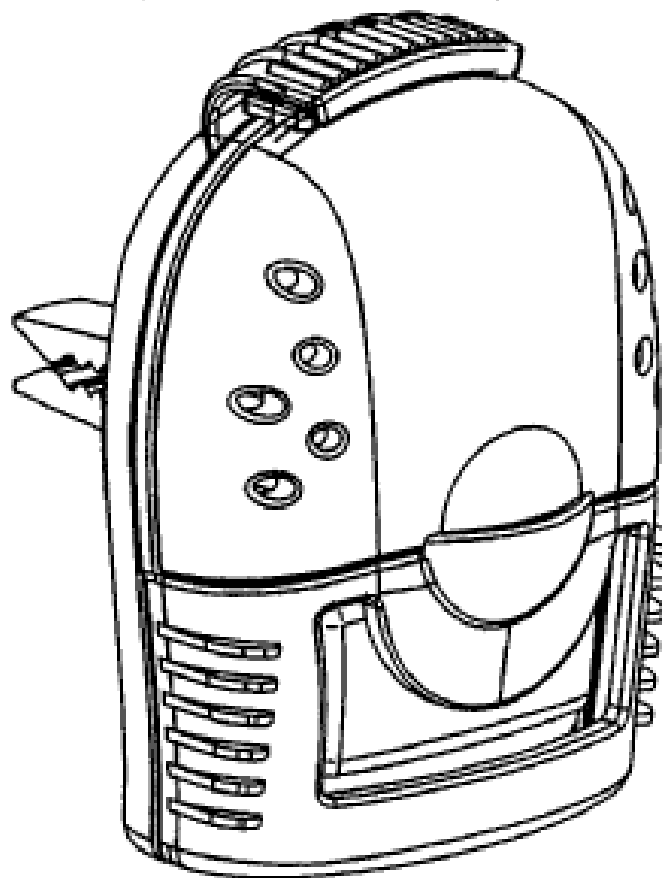




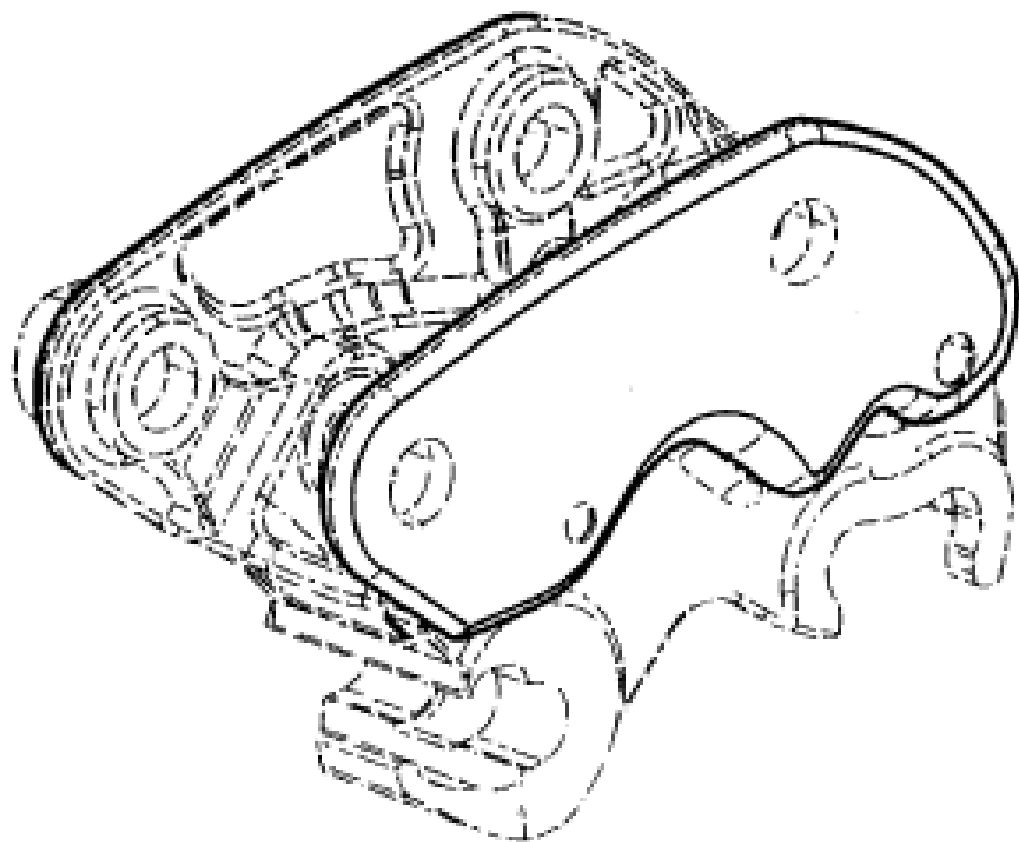
- (21) Design Number: **12555/2006**  
(22) Date of Filing Application: **16 June 2006**  
(24) Date from which industrial property rights may have effect: **16 June 2006**  
(54) Product in respect of which the design is registered: **Hollow plaster panel**  
(51) International Design Classification: **25-01D**  
(71) Name(s) and Address(s) of Applicant(s):  
**AMDEC (Aust) Pty Ltd**  
**Unit 3 9 Cardiff Court Cavan South Australia 5094 Australia**  
(72) Name(s) of Designer(s): **Craig William Fisher**  
(45) Registration Date: **27 September 2006**  
(56) Related Art Documents: **Not Applicable**  
(57) Statement of Newness and Distinctiveness: **Nil.**



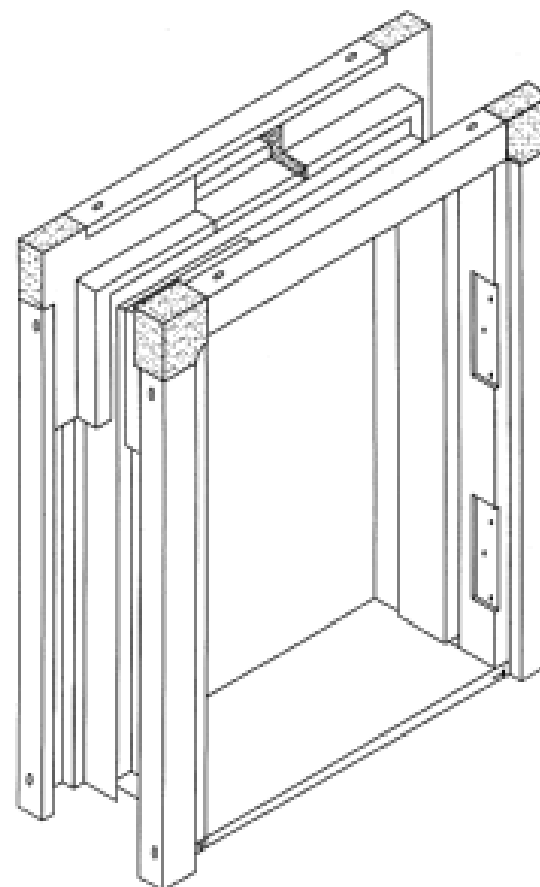
- (21) Design Number: **12557/2006**  
(22) Date of Filing Application: **15 June 2006**  
(24) Date from which industrial property rights may have effect: **15 June 2006**  
(54) Product in respect of which the design is registered: **Diffusing evaporator of active substances suitable to be used in motor vehicles**  
(51) International Design Classification: **23-04**  
(71) Name(s) and Address(s) of Applicant(s):  
**Zobeles Holding S.p.A.**  
**Via Fersina 4 38100 Trento Italy**  
(72) Name(s) of Designer(s): **Franco Zobeles**  
(45) Registration Date: **27 September 2006**  
(30) Convention priority data:  
(31) Number      (32) Date      (33) Country  
**000452214      20 Dec 2005      EUROPEAN COMMUNITY**  
(56) Related Art Documents: **Not Applicable**  
(57) Statement of Newness and Distinctiveness: **Newness and distinctiveness is claimed in the features of shape and/or configuration of a diffusing evaporator of active substances suitable to be used in motor vehicles as illustrated in the accompanying representations.**



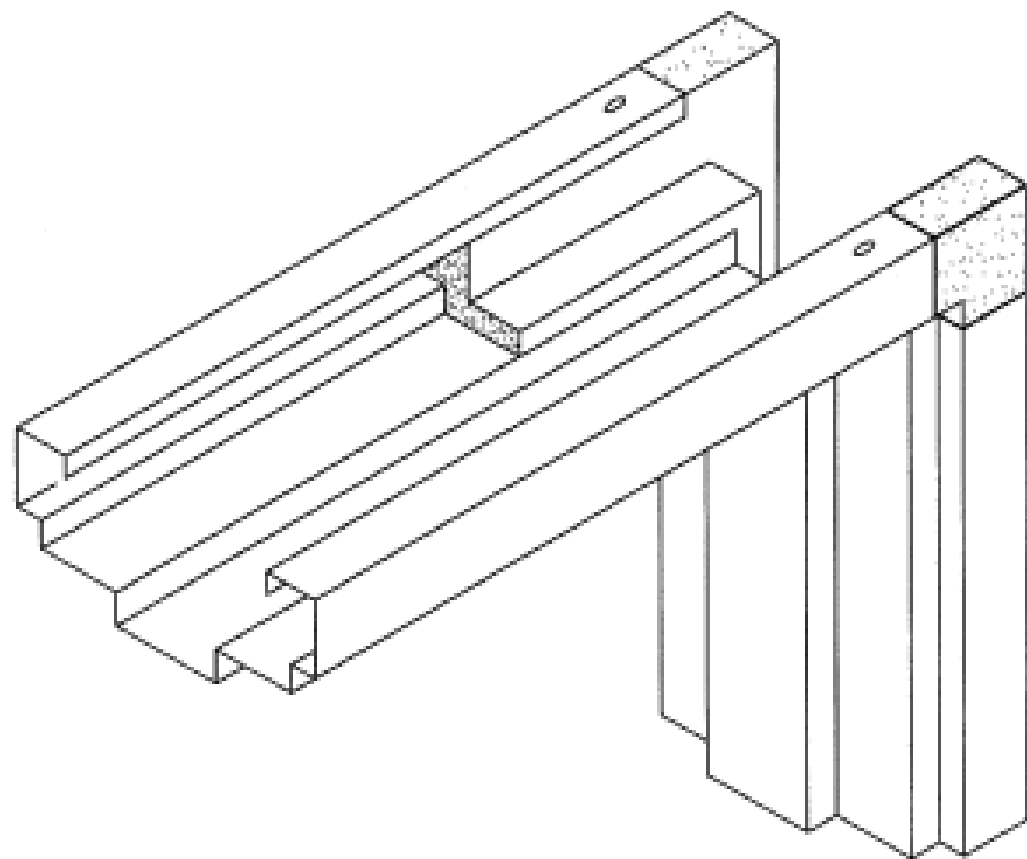
- (21) Design Number: **12558/2006**  
(22) Date of Filing Application: **15 June 2006**  
(24) Date from which industrial property rights may have effect: **15 June 2006**  
(54) Product in respect of which the design is registered: **Coupler for attaching an accessory to the arm of an excavator**  
(51) International Design Classification: **15-04**  
(71) Name(s) and Address(s) of Applicant(s):  
**Miller UK Limited**  
**Bassington Industrial Estate Bassington Lane Cramlington**  
**Northumberland NE23 8AD United Kingdom**  
(72) Name(s) of Designer(s): **Gary Miller and Gary Pendleton**  
(45) Registration Date: **27 September 2006**  
(30) Convention priority data:  
(31) Number (32) Date (33) Country  
**452271 16 Dec 2005 EUROPEAN COMMUNITY**  
(56) Related Art Documents: **Not Applicable**  
(57) Statement of Newness and Distinctiveness: **Newness and distinctiveness is claimed in the features of shape and/or configuration of the side plates of a coupler as illustrated in continuous lines in the accompanying representations.**



- (21) Design Number: **12895/2006**  
(22) Date of Filing Application: **05 July 2006**  
(24) Date from which industrial property rights may have effect: **05 July 2006**  
(54) Product in respect of which the design is registered: **Metal door jamb**  
(51) International Design Classification: **08-07, 08-09**  
(71) Name(s) and Address(s) of Applicant(s):  
**D & K Home Security Pty Ltd**  
**Fact 4 8 Jesmond Road Croyden Victoria 3136 Australia**  
(72) Name(s) of Designer(s): **David Mackintosh**  
(45) Registration Date: **27 September 2006**  
(56) Related Art Documents: **Not Applicable**  
(57) Statement of Newness and Distinctiveness: **Monopoly is claimed for the universal door jamb kit in the features, shape and configuration, the special features on the ends of the vertical jamb members allow a door to be hinged on the right or left of the door jamb.**



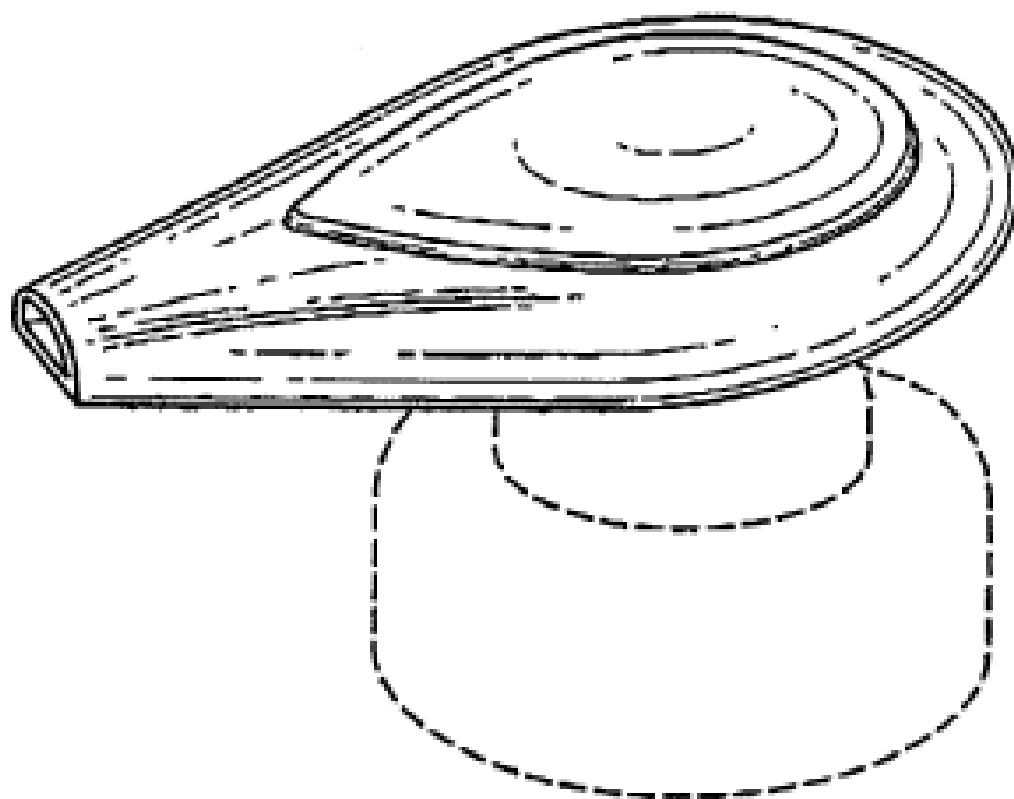
(21) Design Number: **12896/2006**  
 (22) Date of Filing Application: **05 July 2006**  
 (24) Date from which industrial property rights may have effect: **05 July 2006**  
 (54) Product in respect of which the design is registered: **Metal door jamb**  
 (51) International Design Classification: **08-07, 08-09**  
 (71) Name(s) and Address(s) of Applicant(s):  
**D & K Home Security Pty Ltd**  
**Fact 4 8 Jesmond Road Croyden Victoria 3136 Australia**  
 (72) Name(s) of Designer(s): **David Mackintosh**  
 (45) Registration Date: **27 September 2006**  
 (56) Related Art Documents: **Not Applicable**  
 (57) Statement of Newness and Distinctiveness: **Monopoly is claimed in the features, shape and configuration of the corner stake as shown the attached drawings.**



(21) Design Number: **13119/2006**  
 (22) Date of Filing Application: **19 July 2006**  
 (24) Date from which industrial property rights may have effect: **19 July 2006**  
 (54) Product in respect of which the design is registered: **Dispenser spout**  
 (51) International Design Classification: **09-07A**  
 (71) Name(s) and Address(s) of Applicant(s):  
**Colgate-Palmolive Company**  
**300 Park Avenue New York New York 10022 United States of America**  
 (72) Name(s) of Designer(s): **John C. Crawford**  
 (45) Registration Date: **27 September 2006**  
 (30) Convention priority data:  

(31) Number	(32) Date	(33) Country
29/252425	23 Jan 2006	UNITED STATES OF AMERICA

 (56) Related Art Documents: **Not Applicable**  
 (57) Statement of Newness and Distinctiveness: **Newness and distinctiveness reside in the features of the design as shown in the representations.**



(21) Design Number: **13195/2006**  
(22) Date of Filing Application: **24 July 2006**  
(24) Date from which industrial property rights may have effect: **24 July 2006**  
(54) Product in respect of which the design is registered: **A wheeled vehicle**  
(51) International Design Classification: **12-13, 12-14, 21-01F**  
(71) Name(s) and Address(s) of Applicant(s):

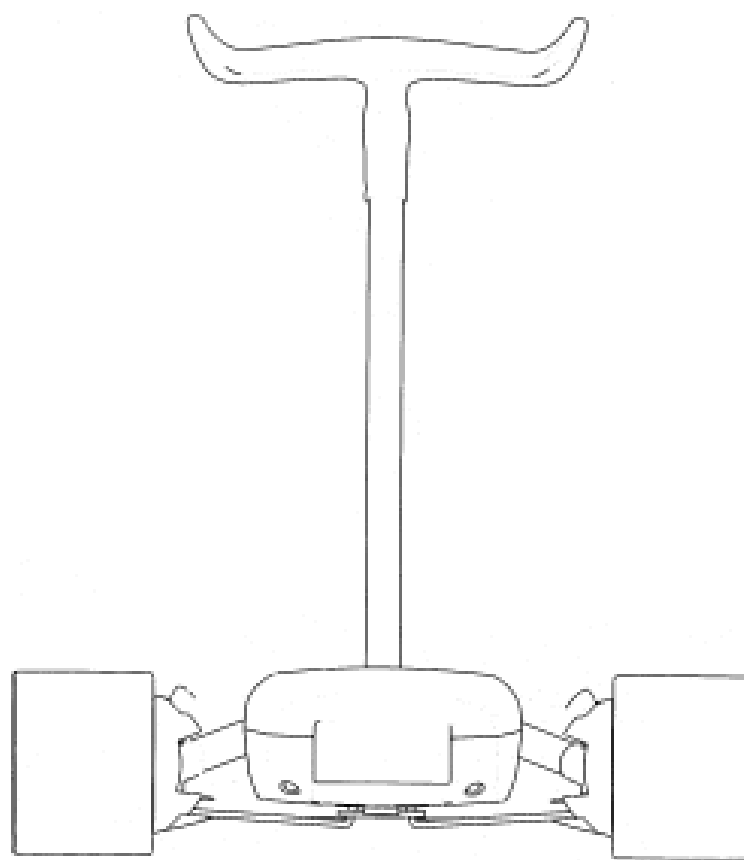
**Funtastic Limited**  
**635 Waverley Road Glen Waverley Victoria 3150 Australia**

(72) Name(s) of Designer(s): **Matthew Golias and Warwick Brown and Shannon Smith and Lorrin Windahl and Simon Andresen and Alex Brooke**

(45) Registration Date: **27 September 2006**

(56) Related Art Documents: **Not Applicable**

(57) Statement of Newness and Distinctiveness: **Nil.**



(21) Design Number: **13196/2006**  
(22) Date of Filing Application: **24 July 2006**  
(24) Date from which industrial property rights may have effect: **24 July 2006**  
(54) Product in respect of which the design is registered: **A wheeled vehicle**  
(51) International Design Classification: **12-13, 12-14, 21-01F**  
(71) Name(s) and Address(s) of Applicant(s):

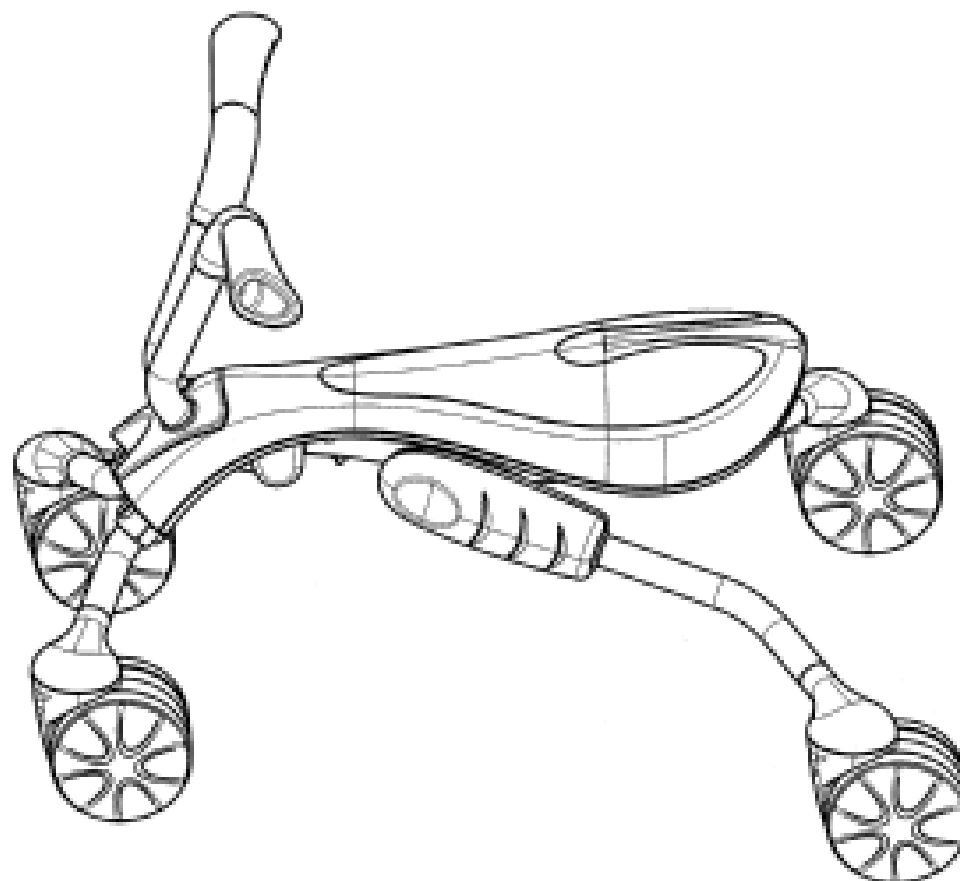
**Funtastic Limited**  
**635 Waverley Road Glen Waverley Victoria 3150 Australia**

(72) Name(s) of Designer(s): **Rod Wiebenga and Magnus Ahlstrom and Ben Talintyre and Matthew Golias**

(45) Registration Date: **27 September 2006**

(56) Related Art Documents: **Not Applicable**

(57) Statement of Newness and Distinctiveness: **Nil.**



(21) Design Number: **13197/2006**

(22) Date of Filing Application: **24 July 2006**

(24) Date from which industrial property rights may have effect: **24 July 2006**

(54) Product in respect of which the design is registered: **Electric drill**

(51) International Design Classification: **08-01**

(71) Name(s) and Address(s) of Applicant(s):

**Choon Nang Electrical Appliance Mfy.,Ltd  
11th Floor Ha Lung Industrial Building 52 Wong Chuk Hang Road  
Aberdeen Hong Kong**

(72) Name(s) of Designer(s): **Steven Sze Chun Fong and Kim Ming Ng**

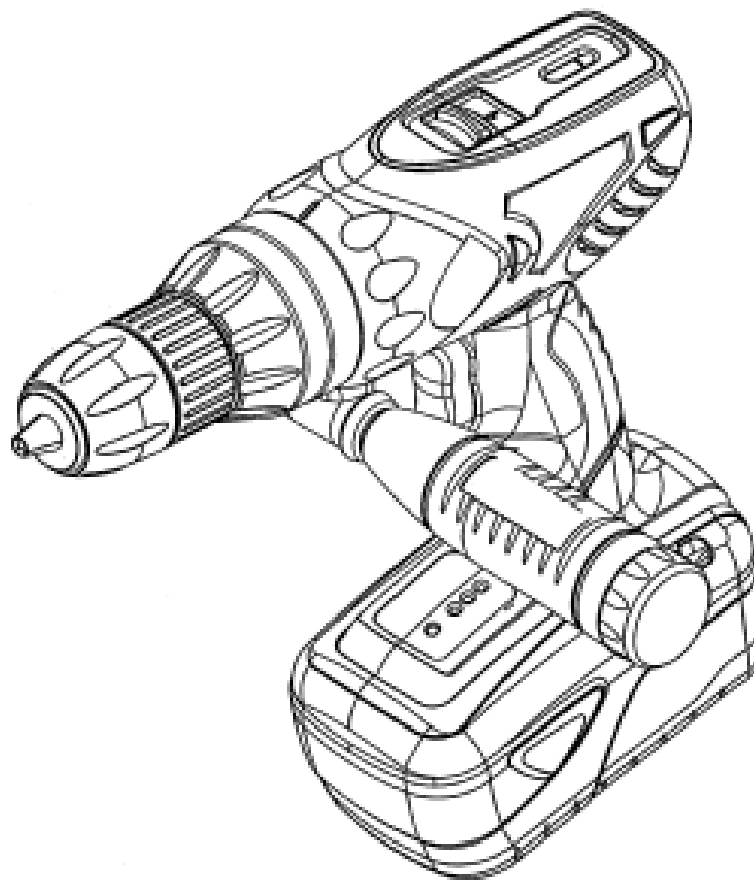
(45) Registration Date: **27 September 2006**

(30) Convention priority data:

(31) Number	(32) Date	(33) Country
<b>0600271.9</b>	<b>02 Feb 2006</b>	<b>HONG KONG</b>

(56) Related Art Documents: **Not Applicable**

(57) Statement of Newness and Distinctiveness: **Newness and distinctiveness in the design as applied to an electric drill resides in the shape and/or configuration thereof as is illustrated in the accompanying representations.**



(21) Design Number: **13303/2006**

(22) Date of Filing Application: **27 July 2006**

(24) Date from which industrial property rights may have effect: **27 July 2006**

(54) Product in respect of which the design is registered: **Cardigan**

(51) International Design Classification: **02-02NES**

(71) Name(s) and Address(s) of Applicant(s):

**Larry Frederick Jenkins  
58 Heathmont Road Heathmont Victoria 3135 Australia**

(72) Name(s) of Designer(s): **Larry Frederick Jenkins**

(45) Registration Date: **27 September 2006**

(56) Related Art Documents: **Not Applicable**

(57) Statement of Newness and Distinctiveness: **Visual features of the design which are new and distinctive are the features of shape and configuration, pattern and ornamentation of a cardigan as illustrated in the representations. The features of pattern and ornamentation of the triangular panels extending up from the false pocket flaps to the meeting points of the sleeves and collar are not part of the design and are to be disregarded. The lengths of the sleeves as illustrated are not part of the design and could for example be replaced by short sleeves and the sleeve lengths are to be disregarded. The colours and tonings of the different parts of the pattern and ornamentation are not part of the design and are to be disregarded. New and distinctive features of the design include the provision of the buttoned buckle or strap across part of the back, the false pocket flaps on the chest, and the arrangement of stripes.**



(21) Design Number: **13304/2006**

(22) Date of Filing Application: **27 July 2006**

(24) Date from which industrial property rights may have effect: **27 July 2006**

(54) Product in respect of which the design is registered: **Cardigan**

(51) International Design Classification: **02-02NES**

(71) Name(s) and Address(s) of Applicant(s):

**Larry Frederick Jenkins  
58 Heathmont Road Heathmont Victoria 3135 Australia**

(72) Name(s) of Designer(s): **Larry Frederick Jenkins**

(45) Registration Date: **27 September 2006**

(56) Related Art Documents: **Not Applicable**

(57) Statement of Newness and Distinctiveness: **Visual features of the design which are new and distinctive are the features of shape and configuration, pattern and ornamentation of a cardigan as illustrated in the representations. The features of pattern and ornamentation of the triangular panels extending up from the false pocket flaps to the meeting point of the sleeves and collar are not part of the design and are to be disregarded. The lengths of the sleeves as illustrated are not part of the design and could for example be replaced by short sleeves and the sleeve lengths are to be disregarded. The colours and tonings of the different parts of the pattern and ornamentation are not part of the design and are to be disregarded. New and distinctive features of the design include the provision of the buttoned buckle or strap across part of the back, the false pocket flaps on the chest, and the arrangement of stripes.**



(21) Design Number: **13607/2006**

(22) Date of Filing Application: **15 August 2006**

(24) Date from which industrial property rights may have effect: **15 August 2006**

(54) Product in respect of which the design is registered: **Escalator**

(51) International Design Classification: **12-05**

(71) Name(s) and Address(s) of Applicant(s):

**Constructions Industrielles De La Mediterranee - CNIM  
35 Rue de Bassano 75008 Paris France**

(72) Name(s) of Designer(s): **Bernard Jacques Dabezies**

(45) Registration Date: **27 September 2006**

(30) Convention priority data:

(31) Number	(32) Date	(33) Country
<b>060777</b>	<b>16 Feb 2006</b>	<b>FRANCE</b>

(56) Related Art Documents: **Not Applicable**

(57) Statement of Newness and Distinctiveness: **Newness and distinctiveness reside in the visual continuity created by the elongated and widened shape to the outside of the entrance plate with respect of the escalator stairs and the lateral balustrades, and in the elliptical shape of the handrail return, and in the diagonal transition of the entrance piece of the handrail with respect to the lower part of the balustrade.**



(21) Design Number: **13608/2006**

(22) Date of Filing Application: **15 August 2006**

(24) Date from which industrial property rights may have effect: **15 August 2006**

(54) Product in respect of which the design is registered: **Escalator**

(51) International Design Classification: **12-05**

(71) Name(s) and Address(s) of Applicant(s):

**Constructions Industrielles De La Mediterranee - CNIM  
35 Rue de Bassano 75008 Paris France**

(72) Name(s) of Designer(s): **Bernard Jacques Dabezies**

(45) Registration Date: **27 September 2006**

(30) Convention priority data:

(31) Number	(32) Date	(33) Country
<b>060777</b>	<b>16 Feb 2006</b>	<b>FRANCE</b>

(56) Related Art Documents: **Not Applicable**

(57) Statement of Newness and Distinctiveness: **Newness and distinctiveness reside in particular in the presence of two totems located either side of the access ramps, in that the entrance plate is in two different colours, and in a band which extends transversely between the totems.**



(21) Design Number: **13606/2006**

(22) Date of Filing Application: **15 August 2006**

(24) Date from which industrial property rights may have effect: **15 August 2006**

(54) Product in respect of which the design is registered: **Escalator**

(51) International Design Classification: **12-05**

(71) Name(s) and Address(s) of Applicant(s):

**Constructions Industrielles De La Mediterranee - CNIM  
35 Rue de Bassano 75008 Paris France**

(72) Name(s) of Designer(s): **Bernard Jacques Dabezies**

(45) Registration Date: **27 September 2006**

(30) Convention priority data:

(31) Number	(32) Date	(33) Country
<b>060777</b>	<b>16 Feb 2006</b>	<b>FRANCE</b>

(56) Related Art Documents: **Not Applicable**

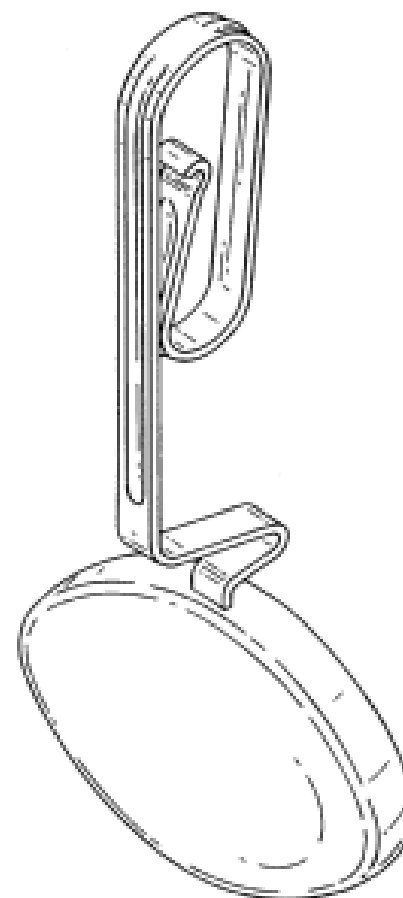
(57) Statement of Newness and Distinctiveness: **Newness and distinctiveness reside in particular in the continuity created by the shape and position of the entrance place with respect to the escalator stairs and the lateral balustrades, in the presence of luminous spots located in the entrance plates, and in the presence of pictograms integrated in the ground at the level of the entrance plate.**



(21) Design Number: **13610/2006**  
(22) Date of Filing Application: **15 August 2006**  
(24) Date from which industrial property rights may have effect: **15 August 2006**  
(54) Product in respect of which the design is registered: **Escalator**  
(51) International Design Classification: **12-05**  
(71) Name(s) and Address(s) of Applicant(s):  
**Constructions Industrielles De La Mediterranee - CNIM**  
**35 Rue de Bassano 75008 Paris France**  
(72) Name(s) of Designer(s): **Bernard Jacques Dabezies**  
(45) Registration Date: **27 September 2006**  
(30) Convention priority data:  
(31) Number (32) Date (33) Country  
**060777 16 Feb 2006 FRANCE**  
(56) Related Art Documents: **Not Applicable**  
(57) Statement of Newness and Distinctiveness: **Newness and distinctiveness reside in particular in the two display boards fixed to the glass lateral walls at the entrance of the escalator.**



(21) Design Number: **14170/2006**  
(22) Date of Filing Application: **15 September 2006**  
(24) Date from which industrial property rights may have effect: **15 September 2006**  
(54) Product in respect of which the design is registered: **Cageless lavatory dispensing device**  
(51) International Design Classification: **24-01**  
(71) Name(s) and Address(s) of Applicant(s):  
**Reckitt Benckiser Inc.**  
**Morris Corporate Center IV 399 Interpace Parkway Parsippany New Jersey 07054 United States of America**  
(72) Name(s) of Designer(s): **Nevin Arora and Dana Pheiff and Christopher Brian King**  
(45) Registration Date: **27 September 2006**  
(30) Convention priority data:  
(31) Number (32) Date (33) Country  
**29/256567 22 Mar 2006 UNITED STATES OF AMERICA**  
(56) Related Art Documents: **Not Applicable**  
(57) Statement of Newness and Distinctiveness: **Newness and distinctiveness reside in the features of the design shown in solid lines in the representations excluding those features shown in broken lines.**





- (21) Design Number: **11902/2005**
- (22) Date of Filing Application: **04 May 2005**
- (24) Date from which industrial property rights may have effect: **04 May 2005**
- (54) Product in respect of which the design is registered: **Baton**
- (51) International Design Classification: **22-02**
- (71) Name(s) and Address(s) of Applicant(s):

**Walter Denis Siteman**  
**1515-3044 Clearbrook Road Abbotsford BC V2T 4N4 Canada**

- (72) Name(s) of Designer(s): **Walter Denis Siteman**

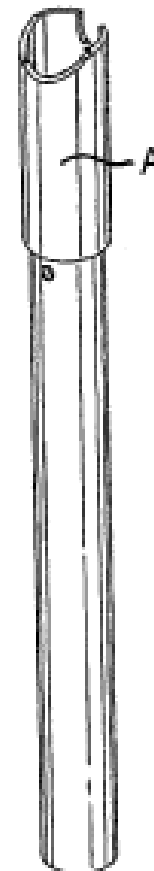
- (45) Registration Date: **28 September 2006**

- (30) Convention priority data:

(31) Number	(32) Date	(33) Country
<b>108879</b>	<b>04 Nov 2004</b>	<b>CANADA</b>

- (56) Related Art Documents: **Not Applicable**

- (57) Statement of Newness and Distinctiveness: **Those visual features of the baton depicted in the representations that are new and distinctive are the shape and/or configuration of the housing for the spray unit marked "A".**



- (21) Design Number: **11916/2006**
- (22) Date of Filing Application: **04 May 2006**
- (24) Date from which industrial property rights may have effect: **04 May 2006**
- (54) Product in respect of which the design is registered: **Vehicle decor strip**
- (51) International Design Classification: **12-16D**
- (71) Name(s) and Address(s) of Applicant(s):

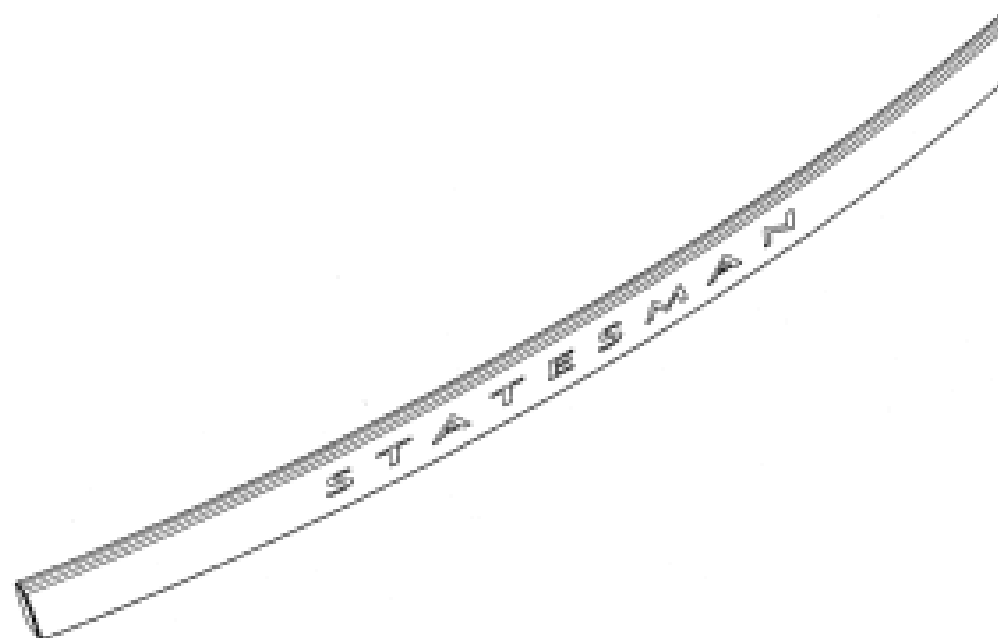
**GM Holden Ltd**  
**241 Salmon Street Port Melbourne Victoria 3207 Australia**

- (72) Name(s) of Designer(s): **Martin Richard Love**

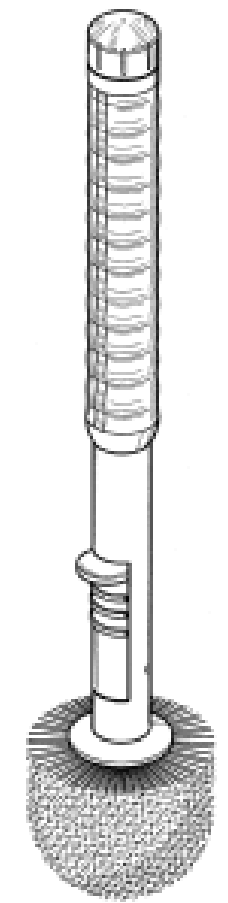
- (45) Registration Date: **28 September 2006**

- (56) Related Art Documents: **Not Applicable**

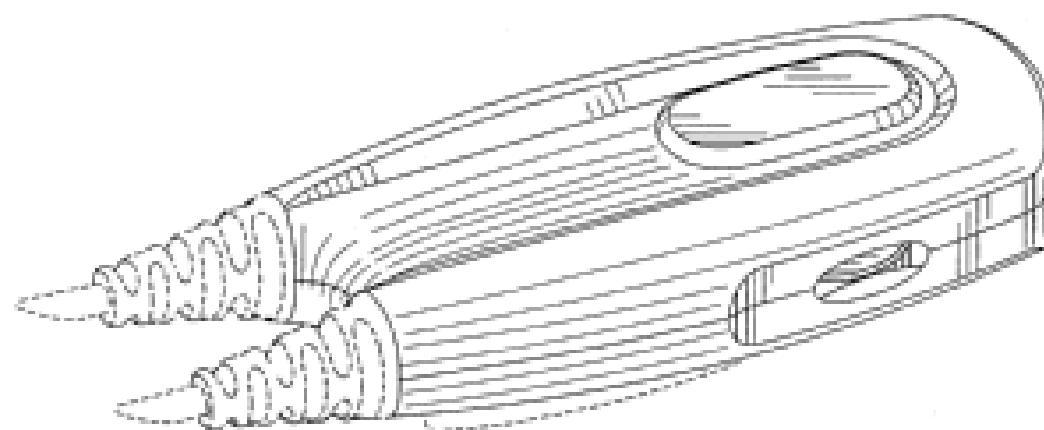
- (57) Statement of Newness and Distinctiveness: **Newness and distinctiveness is claimed in the shape and/or configuration of a vehicle decor strip as shown in the representations.**



(21) Design Number: **12002/2006**  
 (22) Date of Filing Application: **08 May 2006**  
 (24) Date from which industrial property rights may have effect: **08 May 2006**  
 (54) Product in respect of which the design is registered: **Toilet brush**  
 (51) International Design Classification: **04-02**  
 (71) Name(s) and Address(s) of Applicant(s):  
**The Decor Corporation Pty Ltd**  
**1314 Ferntree Gully Road Scoresby Victoria 3179 Australia**  
 (72) Name(s) of Designer(s): **Jim Samartgis**  
 (45) Registration Date: **28 September 2006**  
 (56) Related Art Documents: **Not Applicable**  
 (57) Statement of Newness and Distinctiveness: **Nil**



(21) Design Number: **12083/2006**  
 (22) Date of Filing Application: **12 May 2006**  
 (24) Date from which industrial property rights may have effect: **12 May 2006**  
 (54) Product in respect of which the design is registered: **A control assembly**  
 (51) International Design Classification: **14-03NES**  
 (71) Name(s) and Address(s) of Applicant(s):  
**Shure Acquisition Holdings, Inc.**  
**5800 West Touhy Avenue Niles Illinois 60714-4608 United States of America**  
 (72) Name(s) of Designer(s): **Matthew Engstrom and Scott Belliveau and Daniel Perez and Ki Bok Song and Tianzhu Wang**  
 (45) Registration Date: **28 September 2006**  
 (30) Convention priority data:  
 (31) Number      (32) Date      (33) Country  
**29243720      30 Nov 2005      UNITED STATES OF AMERICA**  
 (56) Related Art Documents: **Not Applicable**  
 (57) Statement of Newness and Distinctiveness: **Newness and distinctiveness is claimed in the visual features shown in solid lines in the representations.**



(21) Design Number: **12154/2006**

(22) Date of Filing Application: **16 May 2006**

(24) Date from which industrial property rights may have effect: **16 May 2006**

(54) Product in respect of which the design is registered: **Putter head**

(51) International Design Classification: **21-02C**

(71) Name(s) and Address(s) of Applicant(s):

**Callaway Golf Company**  
**2180 Rutherford Road Carlsbad California 92008-7328 United States of America**

(72) Name(s) of Designer(s): **Augustin W. Rollinson and Homer E. Aguinaldo**

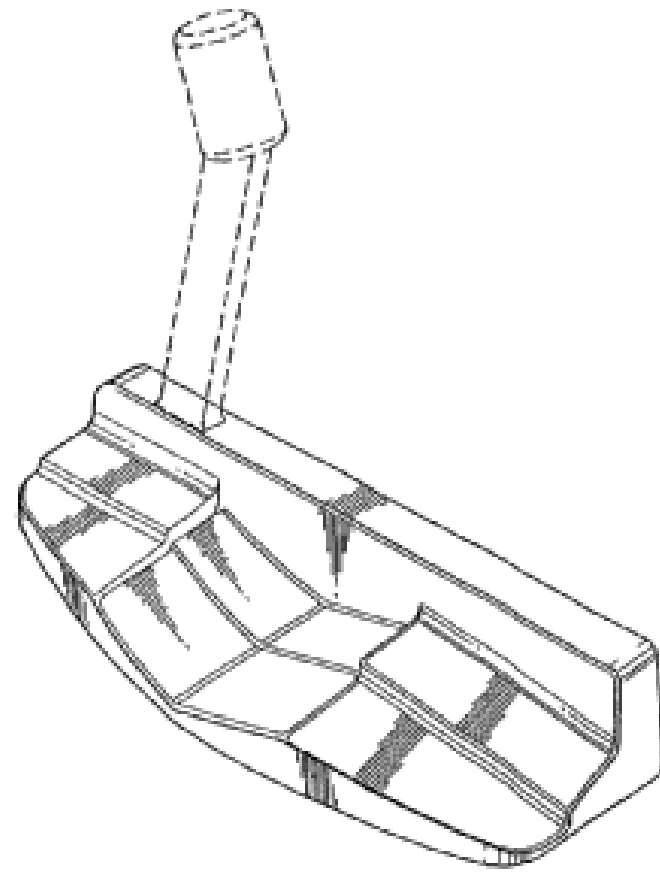
(45) Registration Date: **28 September 2006**

(30) Convention priority data:

(31) Number	(32) Date	(33) Country
<b>29/243330</b>	<b>21 Nov 2005</b>	<b>UNITED STATES OF AMERICA</b>

(56) Related Art Documents: **Not Applicable**

(57) Statement of Newness and Distinctiveness: **Newness and distinctiveness is claimed in those features of shape and/or configuration of a putter head illustrated in continuous lines in the accompanying representations.**



(21) Design Number: **12680/2006**

(22) Date of Filing Application: **22 June 2006**

(24) Date from which industrial property rights may have effect: **22 June 2006**

(54) Product in respect of which the design is registered: **Toilet**

(51) International Design Classification: **23-02C**

(71) Name(s) and Address(s) of Applicant(s):

**Diamond Bathroom and Kitchen Pty Ltd**  
**81-83 Licola Crescent Dandenong South Victoria 3175 Australia**

(72) Name(s) of Designer(s): **Troy Vugs**

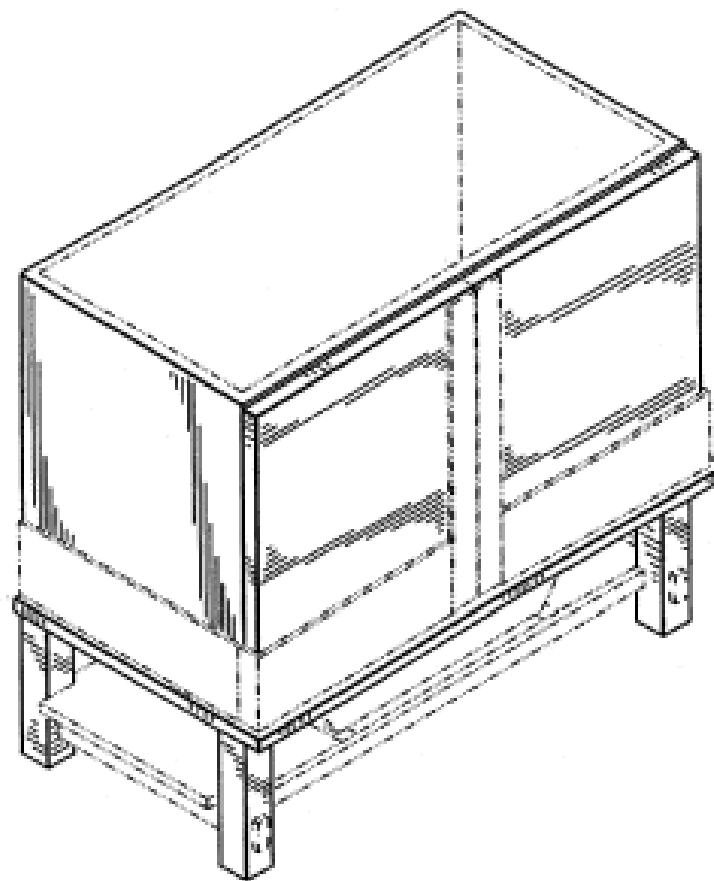
(45) Registration Date: **28 September 2006**

(56) Related Art Documents: **Not Applicable**

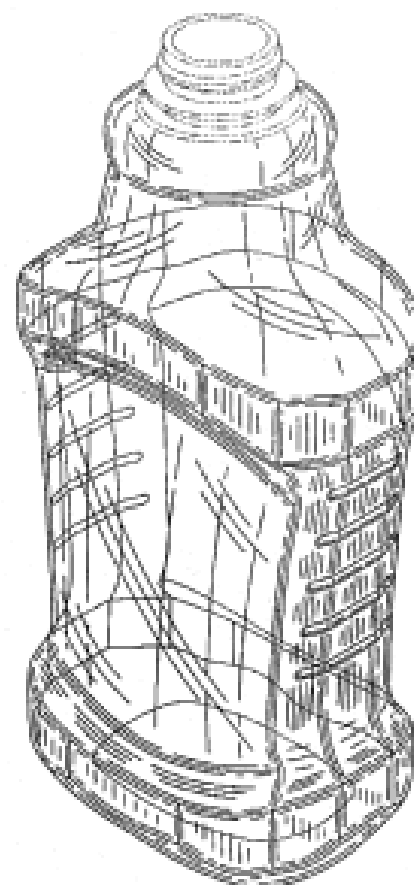
(57) Statement of Newness and Distinctiveness: **Nil**



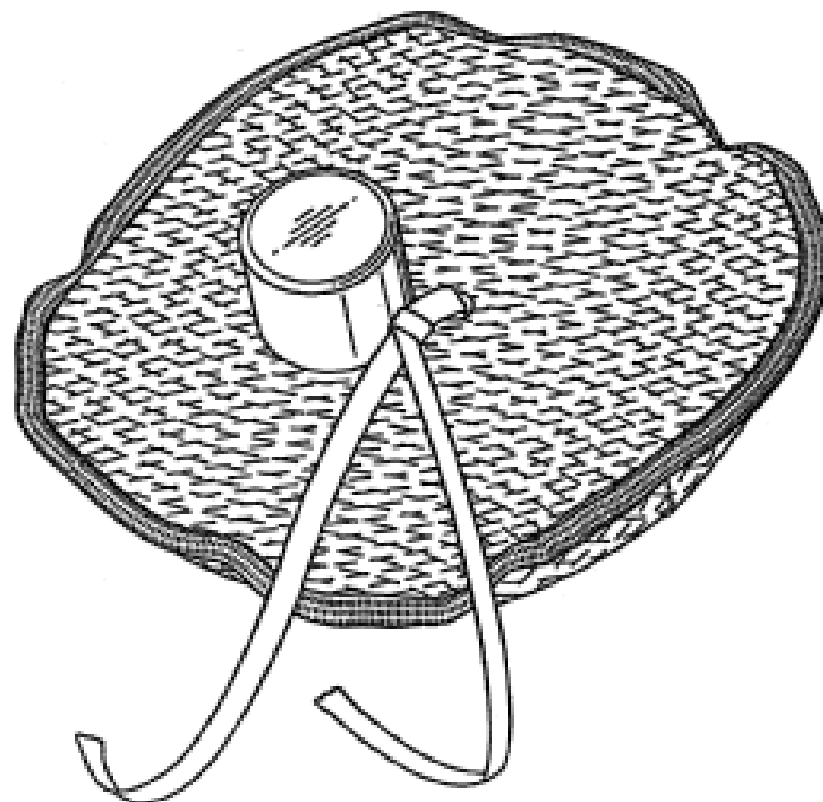
(21) Design Number: **12712/2006**  
 (22) Date of Filing Application: **22 June 2006**  
 (24) Date from which industrial property rights may have effect: **22 June 2006**  
 (54) Product in respect of which the design is registered: **Vanity**  
 (51) International Design Classification: **23-02F**  
 (71) Name(s) and Address(s) of Applicant(s):  
**Kohler Co.**  
**444 Highland Drive Kohler WI 53044 United States of America**  
 (72) Name(s) of Designer(s): **Jonell J. Baade**  
 (45) Registration Date: **28 September 2006**  
 (30) Convention priority data:  
 (31) Number (32) Date (33) Country  
**29/245361 22 Dec 2005 UNITED STATES OF AMERICA**  
 (56) Related Art Documents: **Not Applicable**  
 (57) Statement of Newness and Distinctiveness: **When determining whether the design 1 is substantially similar in overall impression to another design, no regard is to be had to those features shown in dotted outline in the accompanying drawing figures.**



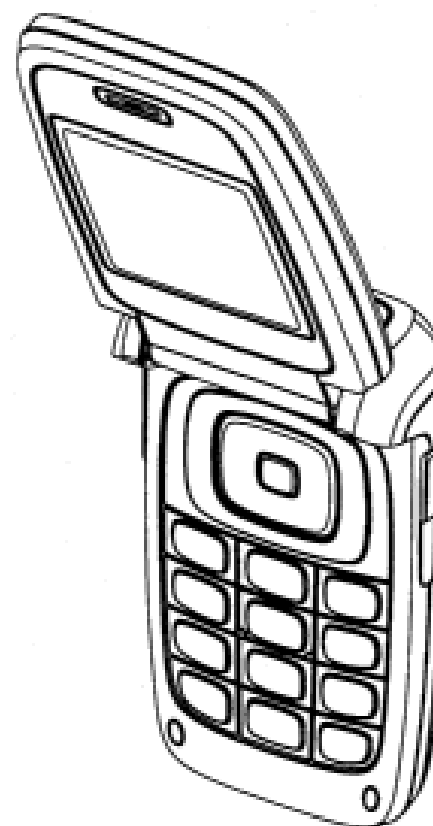
(21) Design Number: **12720/2006**  
 (22) Date of Filing Application: **22 June 2006**  
 (24) Date from which industrial property rights may have effect: **22 June 2006**  
 (54) Product in respect of which the design is registered: **A bottle**  
 (51) International Design Classification: **09-01NES**  
 (71) Name(s) and Address(s) of Applicant(s):  
**H.J. Heinz Company**  
**600 Grant Street USX Tower 60th Floor Pittsburgh Pennsylvania**  
**15219 United States of America**  
 (72) Name(s) of Designer(s): **Wayne C. Cleary and Michael D. McMahon**  
 (45) Registration Date: **28 September 2006**  
 (30) Convention priority data:  
 (31) Number (32) Date (33) Country  
**29/245,295 22 Dec 2005 UNITED STATES OF AMERICA**  
 (56) Related Art Documents: **Not Applicable**  
 (57) Statement of Newness and Distinctiveness: **Newness and distinctiveness reside in the features of shape and/or configuration of the bottle, as shown in the representations. Newness and distinctiveness is not claimed in relation to the features shown in phantom lines in the representations.**



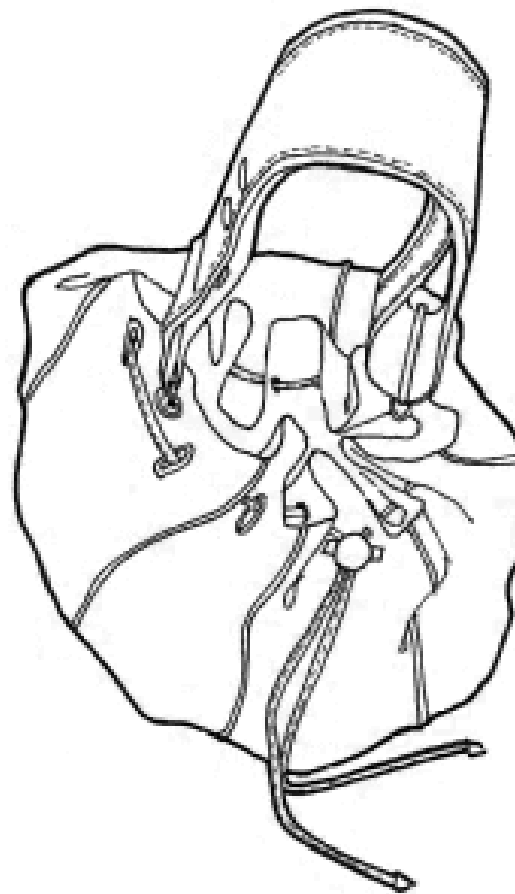
(21) Design Number: **12793/2006**  
(22) Date of Filing Application: **29 June 2006**  
(24) Date from which industrial property rights may have effect: **29 June 2006**  
(54) Product in respect of which the design is registered: **Bottle**  
(51) International Design Classification: **09-01NES**  
(71) Name(s) and Address(s) of Applicant(s):  
**Missoni S.p.A.**  
**via L. Rossi 52 21040 Sumirago Italy**  
(72) Name(s) of Designer(s): **Stephen Burks**  
(45) Registration Date: **28 September 2006**  
(30) Convention priority data:  
(31) Number (32) Date (33) Country  
**29/253,939 15 Feb 2006 UNITED STATES OF AMERICA**  
(56) Related Art Documents: **Not Applicable**  
(57) Statement of Newness and Distinctiveness: **Nil**



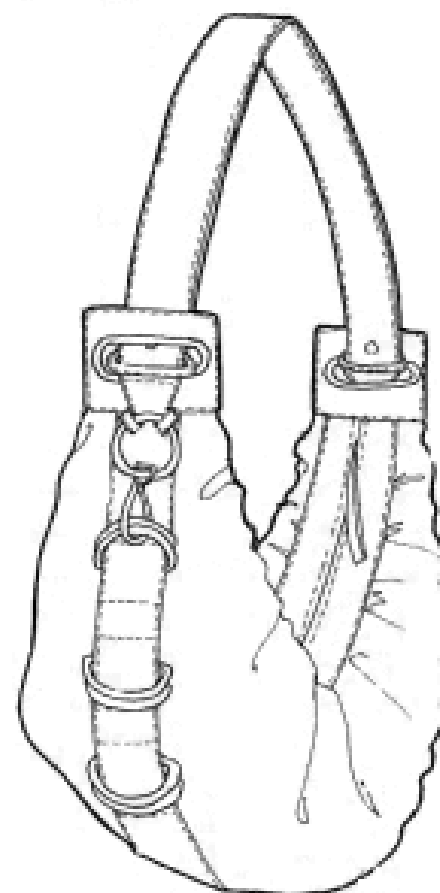
(21) Design Number: **12798/2006**  
(22) Date of Filing Application: **30 June 2006**  
(24) Date from which industrial property rights may have effect: **30 June 2006**  
(54) Product in respect of which the design is registered: **A handset**  
(51) International Design Classification: **14-03E**  
(71) Name(s) and Address(s) of Applicant(s):  
**Nokia Corporation**  
**Keilalahdentie 4 FIN-02150 Espoo Finland**  
(72) Name(s) of Designer(s): **Anton Fahlgren and Alexandra Tyrer**  
(45) Registration Date: **28 September 2006**  
(30) Convention priority data:  
(31) Number (32) Date (33) Country  
**M20060006 05 Jan 2006 FINLAND**  
(56) Related Art Documents: **Not Applicable**  
(57) Statement of Newness and Distinctiveness: **Nil.**



- (21) Design Number: **12982/2006**  
(22) Date of Filing Application: **14 July 2006**  
(24) Date from which industrial property rights may have effect: **14 July 2006**  
(54) Product in respect of which the design is registered: **Cocoon**  
(51) International Design Classification: **03-01B**  
(71) Name(s) and Address(s) of Applicant(s):  
**MiMCo Pty Ltd**  
**80-88 Greville Street Prahran Victoria 3181 Australia**  
(72) Name(s) of Designer(s): **Amanda Briskin**  
(45) Registration Date: **28 September 2006**  
(56) Related Art Documents: **Not Applicable**  
(57) Statement of Newness and Distinctiveness: **Nil.**



- (21) Design Number: **12983/2006**  
(22) Date of Filing Application: **14 July 2006**  
(24) Date from which industrial property rights may have effect: **14 July 2006**  
(54) Product in respect of which the design is registered: **Premier curve**  
(51) International Design Classification: **03-01B**  
(71) Name(s) and Address(s) of Applicant(s):  
**MiMCo Pty Ltd**  
**80-88 Greville Street Prahran Victoria 3181 Australia**  
(72) Name(s) of Designer(s): **Amanda Briskin**  
(45) Registration Date: **28 September 2006**  
(56) Related Art Documents: **Not Applicable**  
(57) Statement of Newness and Distinctiveness: **Nil.**



- (21) Design Number: **13008/2006**  
(22) Date of Filing Application: **14 July 2006**  
(24) Date from which industrial property rights may have effect: **14 July 2006**  
(54) Product in respect of which the design is registered: **Arm rest for chair**  
(51) International Design Classification: **06-06G**  
(71) Name(s) and Address(s) of Applicant(s):

**Ergonomiprodukter I Bodafors AB**  
**Box 294 S-571 23 Nassjo Sweden**

- (72) Name(s) of Designer(s): **Marten Rittfeldt and Oskar Ponnert**

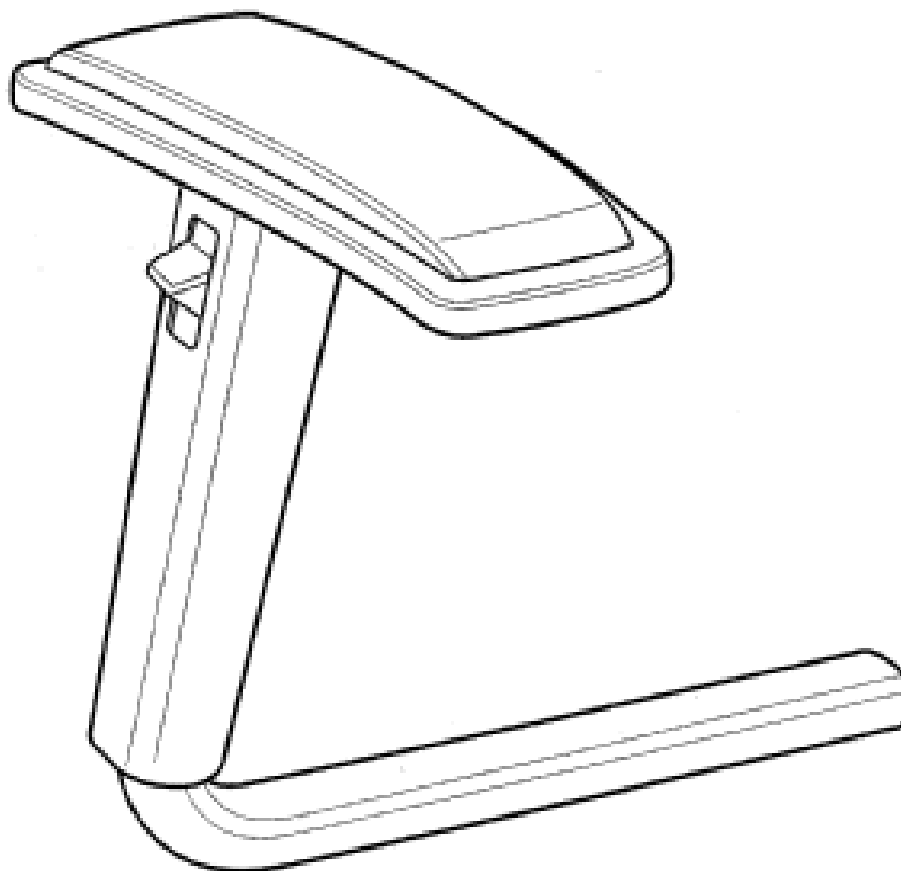
- (45) Registration Date: **28 September 2006**

- (30) Convention priority data:

(31) Number	(32) Date	(33) Country
<b>000468046</b>	<b>25 Jan 2006</b>	<b>EUROPEAN COMMUNITY</b>

- (56) Related Art Documents: **Not Applicable**

- (57) Statement of Newness and Distinctiveness: **Newness and distinctiveness is claimed in the features of shape and/or configuration of the sharp, flattened edge contour of the arm rest as illustrated in the accompanying representations.**



- (21) Design Number: **13009/2006**  
(22) Date of Filing Application: **14 July 2006**  
(24) Date from which industrial property rights may have effect: **14 July 2006**  
(54) Product in respect of which the design is registered: **Seat for a chair**  
(51) International Design Classification: **06-06G**  
(71) Name(s) and Address(s) of Applicant(s):

**Ergonomiprodukter I Bodafors AB**  
**Box 294 S-571 23 Nassjo Sweden**

- (72) Name(s) of Designer(s): **Marten Rittfeldt and Oskar Ponnert**

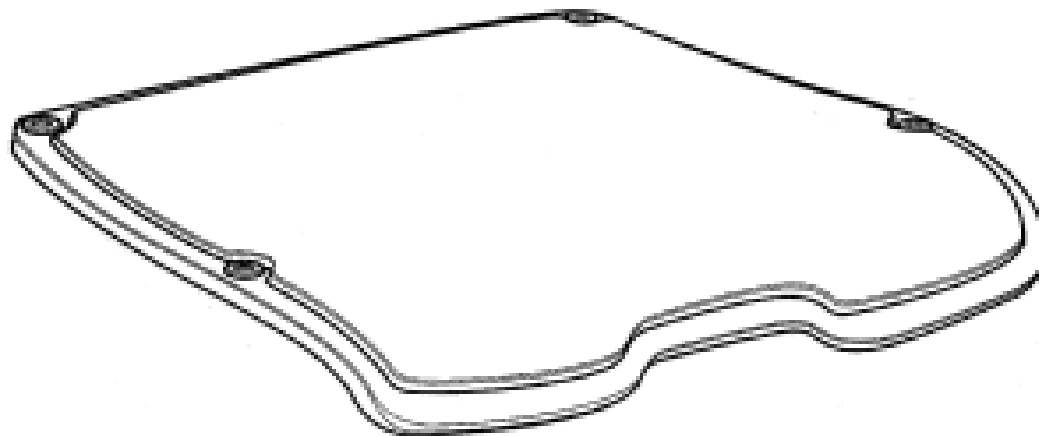
- (45) Registration Date: **28 September 2006**

- (30) Convention priority data:

(31) Number	(32) Date	(33) Country
<b>000468046</b>	<b>25 Jan 2006</b>	<b>EUROPEAN COMMUNITY</b>

- (56) Related Art Documents: **Not Applicable**

- (57) Statement of Newness and Distinctiveness: **Newness and distinctiveness is claimed in the features of shape and/or configuration of the sharp, flattened edge contour of a seat for a chair as illustrated in the accompanying representations.**



(21) Design Number: **13010/2006**

(22) Date of Filing Application: **14 July 2006**

(24) Date from which industrial property rights may have effect: **14 July 2006**

(54) Product in respect of which the design is registered: **Back of a chair**

(51) International Design Classification: **06-06G**

(71) Name(s) and Address(s) of Applicant(s):

**Ergonomiprodukter I Bodafors AB  
Box 294 S-571 23 Nassjo Sweden**

(72) Name(s) of Designer(s): **Marten Rittfeldt and Oskar Ponnert**

(45) Registration Date: **28 September 2006**

(30) Convention priority data:

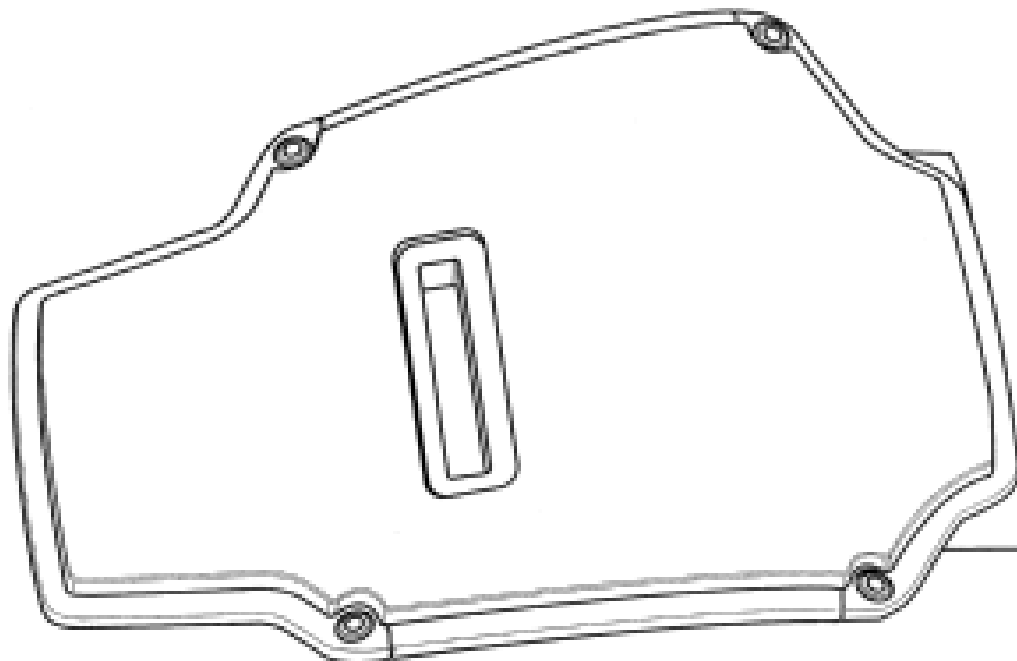
(31) Number  
**000468046**

(32) Date  
**25 Jan 2006**

(33) Country  
**EUROPEAN COMMUNITY**

(56) Related Art Documents: **Not Applicable**

(57) Statement of Newness and Distinctiveness: **Newness and distinctiveness is claimed in the features of shape and/or configuration of the sharp, flattened edge contour of a back of a chair as illustrated in the accompanying representations.**



(21) Design Number: **13117/2006**

(22) Date of Filing Application: **19 July 2006**

(24) Date from which industrial property rights may have effect: **19 July 2006**

(54) Product in respect of which the design is registered: **Stud**

(51) International Design Classification: **25-01NES**

(71) Name(s) and Address(s) of Applicant(s):

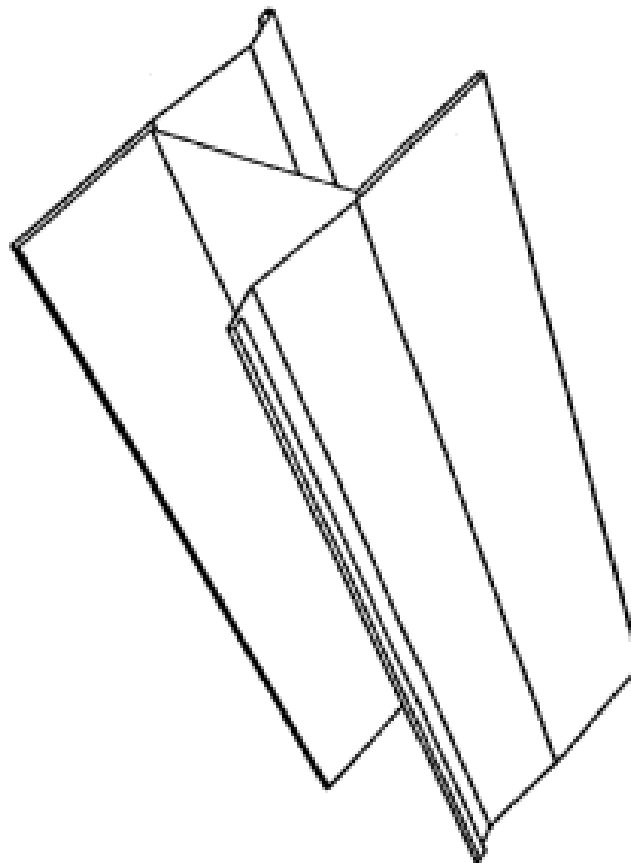
**Lafarge Plasterboard Pty Ltd  
31 Military Road Matraville New South Wales 2036 Australia**

(72) Name(s) of Designer(s): **Benjamin Wright and John Piepers**

(45) Registration Date: **28 September 2006**

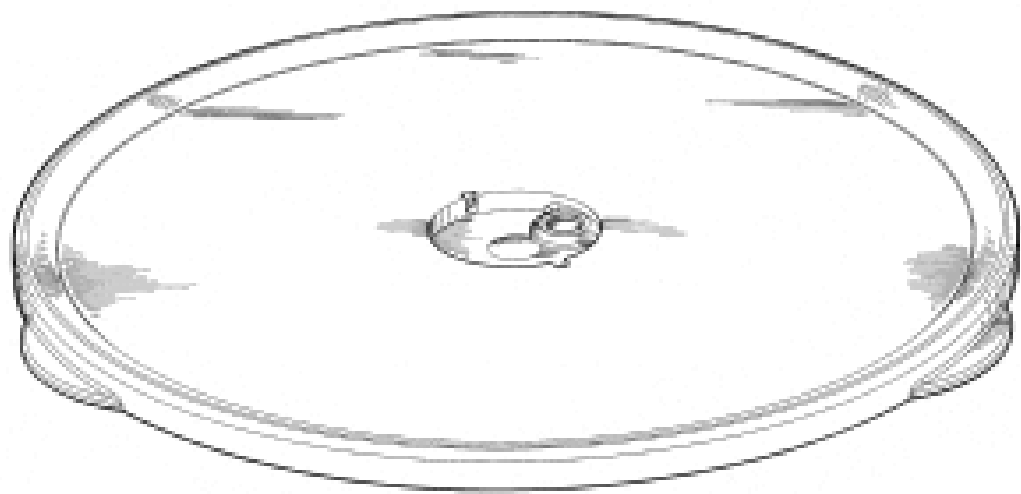
(56) Related Art Documents: **Not Applicable**

(57) Statement of Newness and Distinctiveness: **Newness and distinctiveness reside in the features of the design as shown in the representations.**





- (21) Design Number: **13187/2006**  
(22) Date of Filing Application: **24 July 2006**  
(24) Date from which industrial property rights may have effect: **24 July 2006**  
(54) Product in respect of which the design is registered: **Rice cooker lid**  
(51) International Design Classification: **07-02N**  
(71) Name(s) and Address(s) of Applicant(s):  
**The Decor Corporation Pty Ltd**  
**1314 Ferntree Gully Road Scoresby Victoria 3179 Australia**  
(72) Name(s) of Designer(s): **Arthur Richard Carlson**  
(45) Registration Date: **28 September 2006**  
(56) Related Art Documents: **Not Applicable**  
(57) Statement of Newness and Distinctiveness: **Nil.**



- (21) Design Number: **13387/2006**  
(22) Date of Filing Application: **01 August 2006**  
(24) Date from which industrial property rights may have effect: **01 August 2006**  
(54) Product in respect of which the design is registered: **Light**  
(51) International Design Classification: **26-04, 26-05D**  
(71) Name(s) and Address(s) of Applicant(s):  
**Ningbo Ledeshi Electric Equipment Co., Ltd**  
**No. 438 Younger Avenue Shigan Ningbo Zhejiang China**  
(72) Name(s) of Designer(s): **Guo Xiang ZHANG**  
(45) Registration Date: **28 September 2006**  
(56) Related Art Documents: **Not Applicable**  
(57) Statement of Newness and Distinctiveness: **When deciding whether the design 1 is substantially similar in overall impression to another design, no regard should be had to feature A as marked in Figure 3.**



- (21) Design Number: **13388/2006**  
(22) Date of Filing Application: **01 August 2006**  
(24) Date from which industrial property rights may have effect: **01 August 2006**  
(54) Product in respect of which the design is registered: **Light**  
(51) International Design Classification: **26-04, 26-05D**  
(71) Name(s) and Address(s) of Applicant(s):  
**Ningbo Ledeshi Electric Equipment Co., Ltd**  
**No. 438 Younger Avenue Shigan Ningbo Zhejiang China**  
(72) Name(s) of Designer(s): **GUO XIANG ZHANG**  
(45) Registration Date: **28 September 2006**  
(56) Related Art Documents: **Not Applicable**  
(57) Statement of Newness and Distinctiveness: **When deciding whether the design 1 is substantially similar in overall impression to another design, no regard should be had to feature A as marked in Figure 3.**



- (21) Design Number: **13389/2006**  
(22) Date of Filing Application: **01 August 2006**  
(24) Date from which industrial property rights may have effect: **01 August 2006**  
(54) Product in respect of which the design is registered: **Light**  
(51) International Design Classification: **26-04, 26-05D**  
(71) Name(s) and Address(s) of Applicant(s):  
**Ningbo Ledeshi Electric Equipment Co., Ltd**  
**No. 438 Younger Avenue Shigan Ningbo Zhejiang China**  
(72) Name(s) of Designer(s): **GUO XIANG ZHANG**  
(45) Registration Date: **28 September 2006**  
(56) Related Art Documents: **Not Applicable**  
(57) Statement of Newness and Distinctiveness: **When deciding whether the design 1 is substantially similar in overall impression to another design, no regard should be had to feature A as marked in Figure 2 and Feature B as marked in Figure 4.**



- (21) Design Number: **11915/2006**  
(22) Date of Filing Application: **04 May 2006**  
(24) Date from which industrial property rights may have effect: **04 May 2006**  
(54) Product in respect of which the design is registered: **Vehicle wheel**  
(51) International Design Classification: **12-16A**  
(71) Name(s) and Address(s) of Applicant(s):  
**GM Holden Ltd**  
**241 Salmon Street Port Melbourne Victoria 3207 Australia**  
(72) Name(s) of Designer(s): **Martin Richard Love**  
(45) Registration Date: **29 September 2006**  
(56) Related Art Documents: **Not Applicable**  
(57) Statement of Newness and Distinctiveness: **Newness and distinctiveness is claimed in the shape and/or configuration of a vehicle wheel as shown in the representations except that the rim is to be disregarded.**



- (21) Design Number: **11921/2006**  
(22) Date of Filing Application: **04 May 2006**  
(24) Date from which industrial property rights may have effect: **04 May 2006**  
(54) Product in respect of which the design is registered: **Vehicle wheel**  
(51) International Design Classification: **12-16A**  
(71) Name(s) and Address(s) of Applicant(s):  
**GM Holden Ltd**  
**241 Salmon Street Port Melbourne Victoria 3207 Australia**  
(72) Name(s) of Designer(s): **Martin Richard Love**  
(45) Registration Date: **29 September 2006**  
(56) Related Art Documents: **Not Applicable**  
(57) Statement of Newness and Distinctiveness: **Newness and distinctiveness is claimed in the shape and/or configuration of a vehicle wheel as shown in the representations except that the rim is to be disregarded.**



(21) Design Number: **11922/2006**

(22) Date of Filing Application: **04 May 2006**

(24) Date from which industrial property rights may have effect: **04 May 2006**

(54) Product in respect of which the design is registered: **Vehicle wheel**

(51) International Design Classification: **12-16A**

(71) Name(s) and Address(s) of Applicant(s):

**GM Holden Ltd**

**241 Salmon Street Port Melbourne Victoria 3207 Australia**

(72) Name(s) of Designer(s): **Martin Richard Love**

(45) Registration Date: **29 September 2006**

(56) Related Art Documents: **Not Applicable**

(57) Statement of Newness and Distinctiveness: **Newness and distinctiveness is claimed in the shape and/or configuration of a vehicle wheel as shown in the representations except that the rim is to be disregarded.**



(21) Design Number: **11940/2006**

(22) Date of Filing Application: **04 May 2006**

(24) Date from which industrial property rights may have effect: **04 May 2006**

(54) Product in respect of which the design is registered: **Left-and right-side vehicle lamp housings**

(51) International Design Classification: **12-16E**

(71) Name(s) and Address(s) of Applicant(s):

**GM Holden Ltd**

**241 Salmon Street Port Melbourne Victoria 3207 Australia**

(72) Name(s) of Designer(s): **Martin Richard Love**

(45) Registration Date: **29 September 2006**

(56) Related Art Documents: **Not Applicable**

(57) Statement of Newness and Distinctiveness: **Newness and distinctiveness is claimed in the shape and/or configuration of a left-and right-side vehicle lamp housings as shown in the representations.**



(21) Design Number: **12524/2006**

(22) Date of Filing Application: **13 June 2006**

(24) Date from which industrial property rights may have effect: **13 June 2006**

(54) Product in respect of which the design is registered: **Antenna**

(51) International Design Classification: **14-03NES**

(71) Name(s) and Address(s) of Applicant(s):

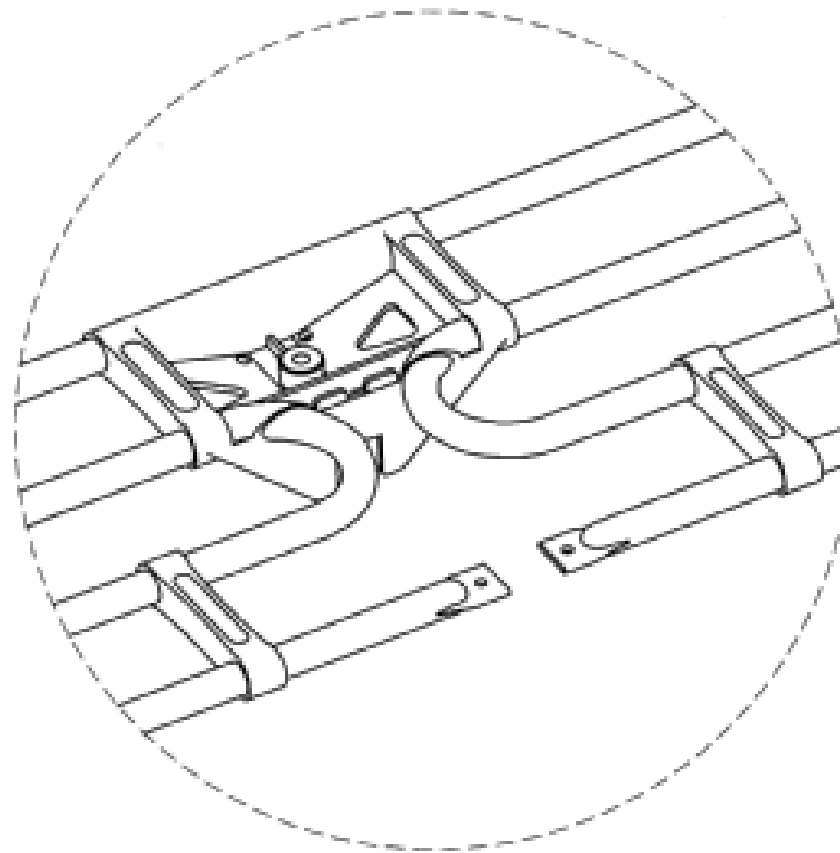
**Matchmaster Communications Pty Ltd**  
**48-50 Belmore Road Punchbowl New South Wales 2196 Australia**

(72) Name(s) of Designer(s): **David Waterford**

(45) Registration Date: **29 September 2006**

(56) Related Art Documents: **Not Applicable**

(57) Statement of Newness and Distinctiveness: **Newness and distinctiveness reside in particular in the shape and configuration of the central bracket shown in the enlarged views and in the shape and configuration of the struts.**



(21) Design Number: **12525/2006**

(22) Date of Filing Application: **13 June 2006**

(24) Date from which industrial property rights may have effect: **13 June 2006**

(54) Product in respect of which the design is registered: **Antenna**

(51) International Design Classification: **14-03NES**

(71) Name(s) and Address(s) of Applicant(s):

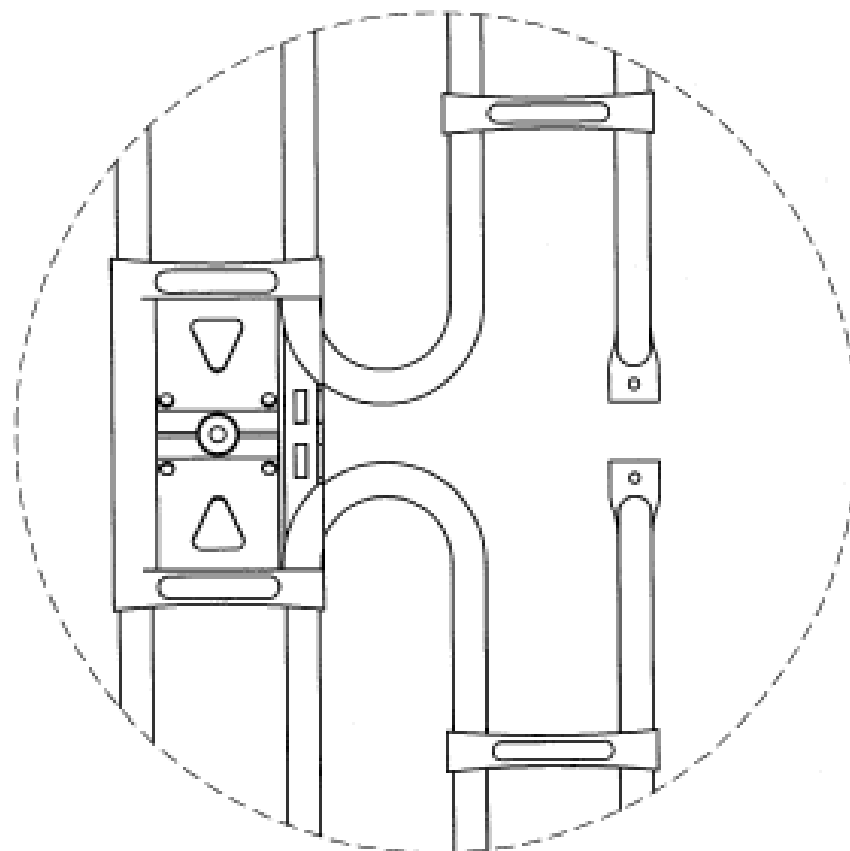
**Matchmaster Communications Pty Ltd**  
**48-50 Belmore Road Punchbowl New South Wales 2196 Australia**

(72) Name(s) of Designer(s): **David Waterford**

(45) Registration Date: **29 September 2006**

(56) Related Art Documents: **Not Applicable**

(57) Statement of Newness and Distinctiveness: **Newness and distinctiveness reside in particular in the shape and configuration of the central bracket shown in the enlarged views and in the shape and configuration of the struts.**



(21) Design Number: **12526/2006**

(22) Date of Filing Application: **13 June 2006**

(24) Date from which industrial property rights may have effect: **13 June 2006**

(54) Product in respect of which the design is registered: **Antenna**

(51) International Design Classification: **14-03NES**

(71) Name(s) and Address(s) of Applicant(s):

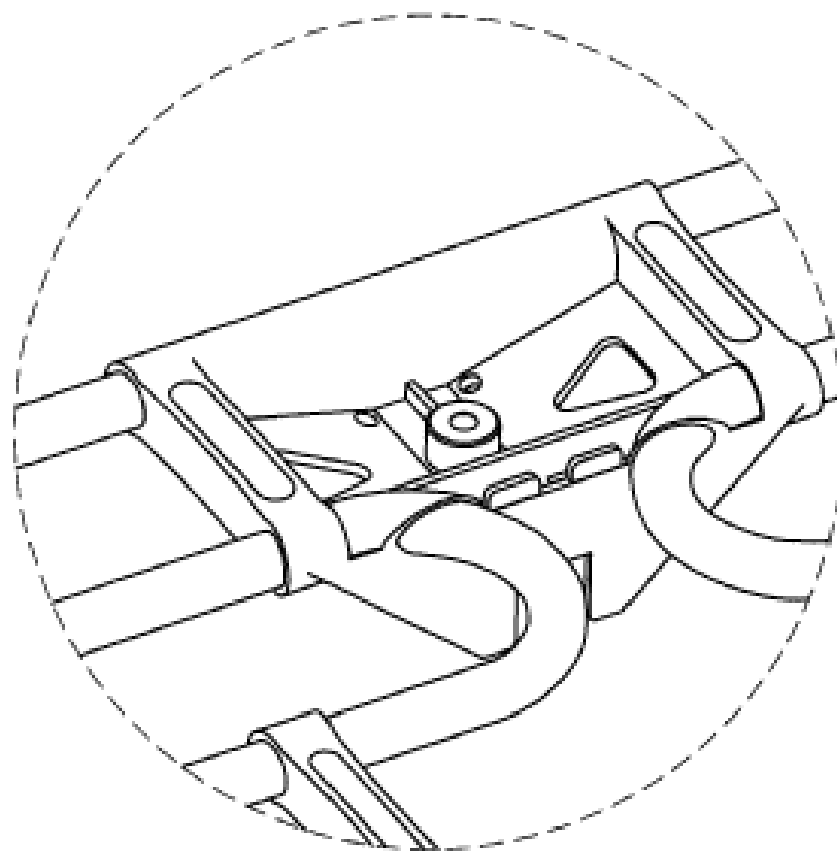
**Matchmaster Communications Pty Ltd**  
**48-50 Belmore Road Punchbowl New South Wales 2196 Australia**

(72) Name(s) of Designer(s): **David Waterford**

(45) Registration Date: **29 September 2006**

(56) Related Art Documents: **Not Applicable**

(57) Statement of Newness and Distinctiveness: **Newness and distinctiveness reside in particular in the shape and configuration of the central bracket shown in the enlarged views and in the shape and configuration of the struts.**



(21) Design Number: **12817/2006**

(22) Date of Filing Application: **03 July 2006**

(24) Date from which industrial property rights may have effect: **03 July 2006**

(54) Product in respect of which the design is registered: **Stubby holder, can cooler. Made from Neoprene or other materials/textiles.**

(51) International Design Classification: **07-06NES**

(71) Name(s) and Address(s) of Applicant(s):

**Rosecrest Asset Pty Ltd**  
**Unit 1/45 Irvine Drive Malaga Western Australia 6090 Australia**

(72) Name(s) of Designer(s): **Stig Nielsen**

(45) Registration Date: **29 September 2006**

(56) Related Art Documents: **Not Applicable**

(57) Statement of Newness and Distinctiveness: **This stubby holder is joined by using an open ended zip mechanism. This zip joins the stubby forming a cylindrical stubby sleeve. The zip is sewn onto the flat stubby panel either on the inside or outside edge (see pictures).**



- (21) Design Number: **12837/2006**  
(22) Date of Filing Application: **03 July 2006**  
(24) Date from which industrial property rights may have effect: **03 July 2006**  
(54) Product in respect of which the design is registered: **Realistic Kangaroo Plush Toy**  
(51) International Design Classification: **21-01A**  
(71) Name(s) and Address(s) of Applicant(s):  
**Bocchetta Plush Toys Pty Ltd**  
**C/- Hickey Lawyers PO Box 5559 GCMC Queensland 9726 Australia**  
(72) Name(s) of Designer(s): **Luigi Bocchetta**  
(45) Registration Date: **29 September 2006**  
(56) Related Art Documents: **Not Applicable**  
(57) Statement of Newness and Distinctiveness: **Monopoly is claimed in the features of shape and configuration of the Realistic Kangaroo Plush Toy as illustrated in the accompanying representations.**



- (21) Design Number: **12893/2006**  
(22) Date of Filing Application: **06 July 2006**  
(24) Date from which industrial property rights may have effect: **06 July 2006**  
(54) Product in respect of which the design is registered: **A doll**  
(51) International Design Classification: **21-01B**  
(71) Name(s) and Address(s) of Applicant(s):  
**M.D.I. International Pty Ltd**  
**Unit 3 1927 Ipswich Road Rocklea Queensland 4106 Australia**  
(72) Name(s) of Designer(s): **Kirsty Jennette Bourke and Tania Leanne Walker**  
(45) Registration Date: **29 September 2006**  
(56) Related Art Documents: **Not Applicable**  
(57) Statement of Newness and Distinctiveness: **Nil**



- (21) Design Number: **13011/2006**  
(22) Date of Filing Application: **14 July 2006**  
(24) Date from which industrial property rights may have effect: **14 July 2006**  
(54) Product in respect of which the design is registered: **Back of a chair**  
(51) International Design Classification: **06-06G**  
(71) Name(s) and Address(s) of Applicant(s):

**Ergonomiprodukter I Bodafors AB**  
**Box 294 S-571 23 Nassjo Sweden**

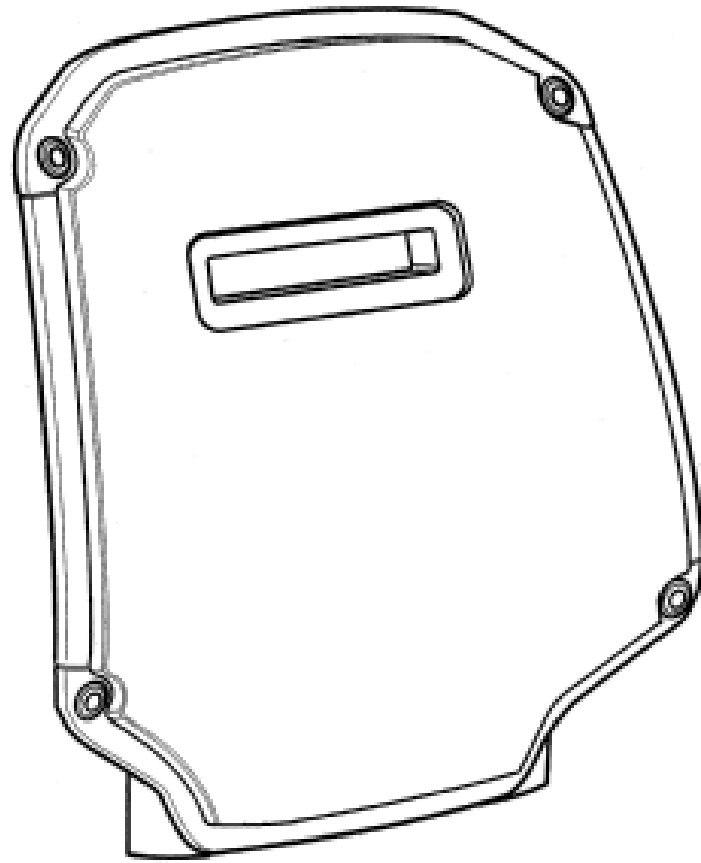
- (72) Name(s) of Designer(s): **Marten Rittfeldt and Oskar Ponnert**  
(45) Registration Date: **29 September 2006**

(30) Convention priority data:

(31) Number	(32) Date	(33) Country
<b>000468046</b>	<b>25 Jan 2006</b>	<b>EUROPEAN COMMUNITY</b>

(56) Related Art Documents: **Not Applicable**

(57) Statement of Newness and Distinctiveness: **Newness and distinctiveness is claimed in the features of shape and/or configuration of the sharp, flattened edge contour of the back of a chair as illustrated in the accompanying representations.**



- (21) Design Number: **13014/2006**  
(22) Date of Filing Application: **14 July 2006**  
(24) Date from which industrial property rights may have effect: **14 July 2006**  
(54) Product in respect of which the design is registered: **Vacuum**  
(51) International Design Classification: **15-05**  
(71) Name(s) and Address(s) of Applicant(s):

**Shop Vac Corporation**  
**2323 Reach Road Williamsport PA 17701 United States of America**

- (72) Name(s) of Designer(s): **John Griffin and Cory F. Girton and Robert Lent Crevling Jr**

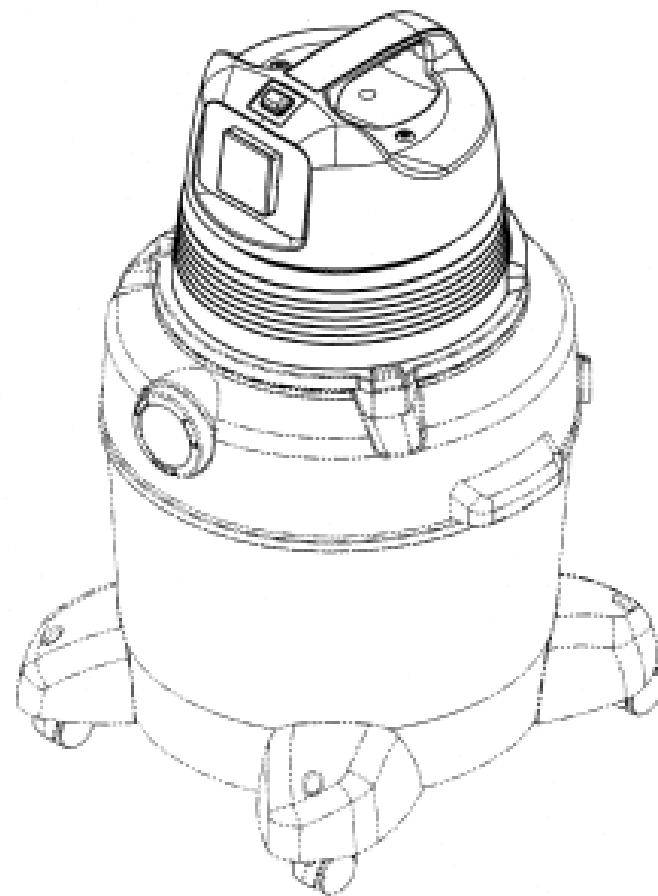
(45) Registration Date: **29 September 2006**

(30) Convention priority data:

(31) Number	(32) Date	(33) Country
<b>29/260634</b>	<b>30 May 2006</b>	<b>UNITED STATES OF AMERICA</b>

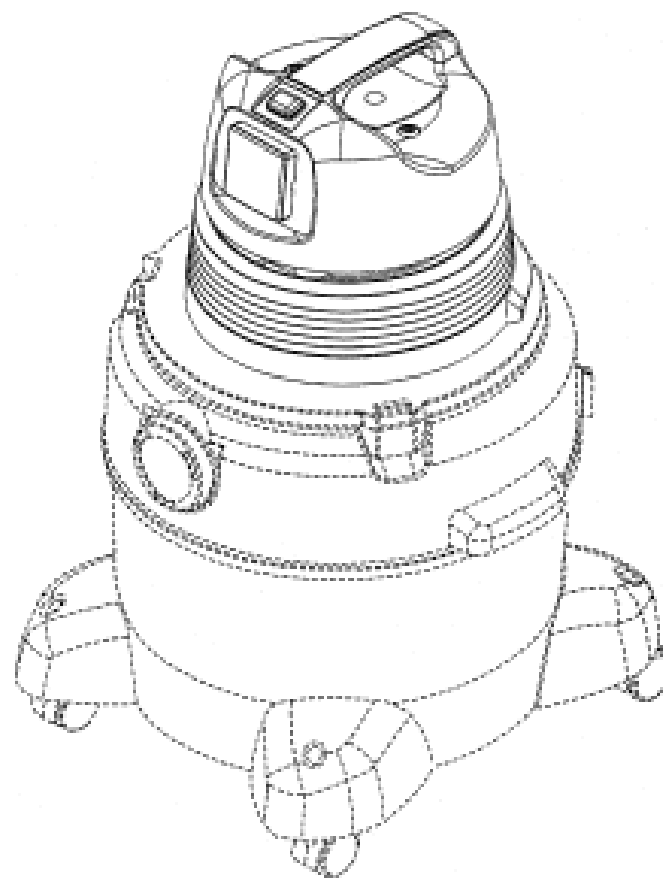
(56) Related Art Documents: **Not Applicable**

(57) Statement of Newness and Distinctiveness: **When determining whether the designs 1 or 2 are substantially similar in overall impression to another design, no regard is to be had to those features shown in dotted outline in the drawings.**

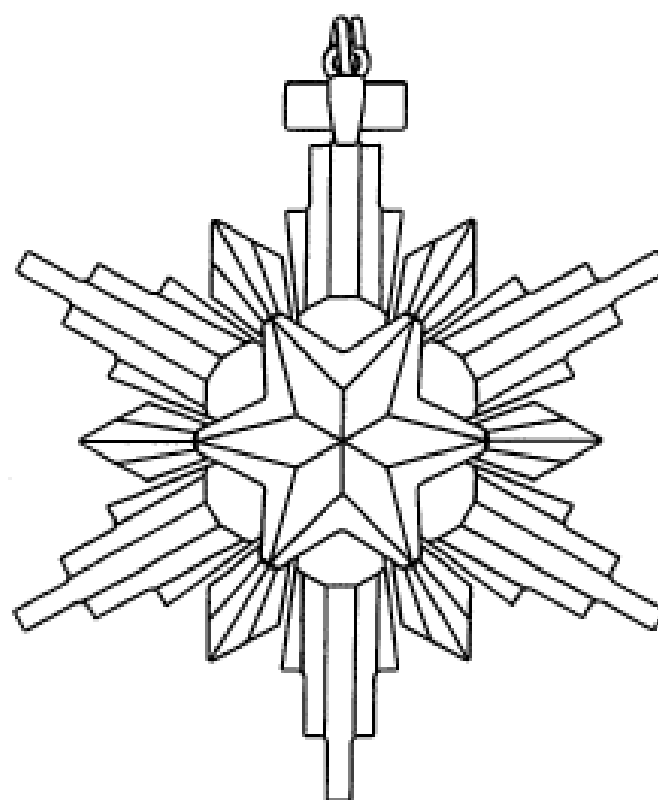




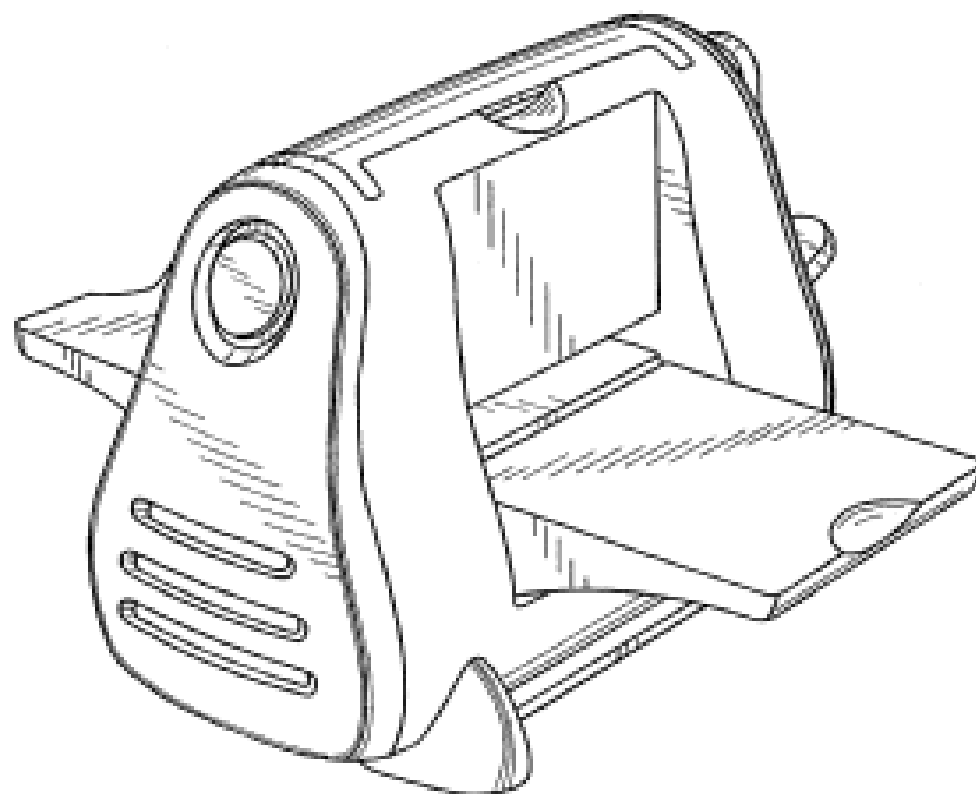
- (21) Design Number: **13015/2006**  
(22) Date of Filing Application: **14 July 2006**  
(24) Date from which industrial property rights may have effect: **14 July 2006**  
(54) Product in respect of which the design is registered: **Vacuum**  
(51) International Design Classification: **15-05**  
(71) Name(s) and Address(s) of Applicant(s):  
**Shop Vac Corporation**  
**2323 Reach Road Williamsport PA 17701 United States of America**  
(72) Name(s) of Designer(s): **John Griffin and Cory F. Girton and Robert Lent Crevling Jr**  
(45) Registration Date: **29 September 2006**  
(30) Convention priority data:  
(31) Number (32) Date (33) Country  
**29/260634 30 May 2006 UNITED STATES OF AMERICA**  
(56) Related Art Documents: **Not Applicable**  
(57) Statement of Newness and Distinctiveness: **When determining whether the designs 1 or 2 are substantially similar in overall impression to another design, no regard is to be had to those features shown in dotted outline in the drawings.**



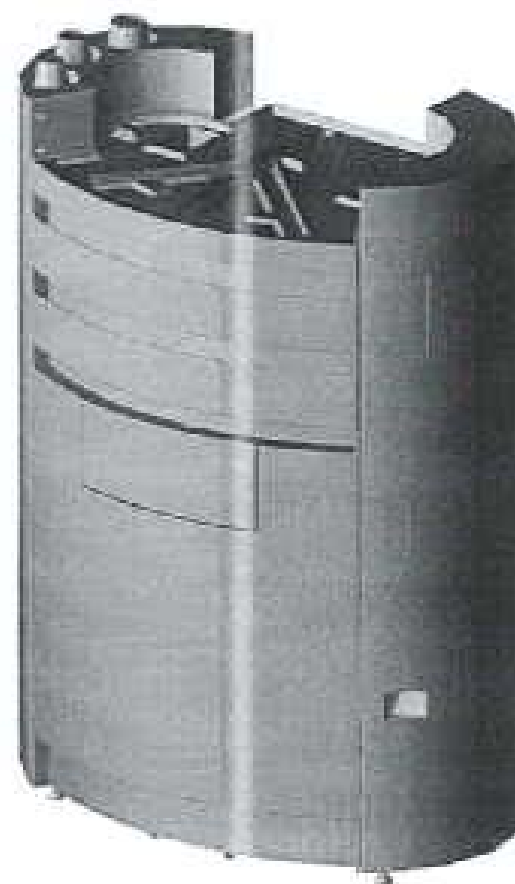
- (21) Design Number: **13167/2006**  
(22) Date of Filing Application: **21 July 2006**  
(24) Date from which industrial property rights may have effect: **21 July 2006**  
(54) Product in respect of which the design is registered: **Ornamental object**  
(51) International Design Classification: **11-02NES**  
(71) Name(s) and Address(s) of Applicant(s):  
**Swarovski Aktiengesellschaft**  
**Droschistrasse 15 FL-9495 Triesen Liechtenstein**  
(72) Name(s) of Designer(s): **Anton Hirzinger**  
(45) Registration Date: **29 September 2006**  
(30) Convention priority data:  
(31) Number (32) Date (33) Country  
**000476791-0002 06 Feb 2006 EUROPEAN COMMUNITY**  
(56) Related Art Documents: **Not Applicable**  
(57) Statement of Newness and Distinctiveness: **Nil.**



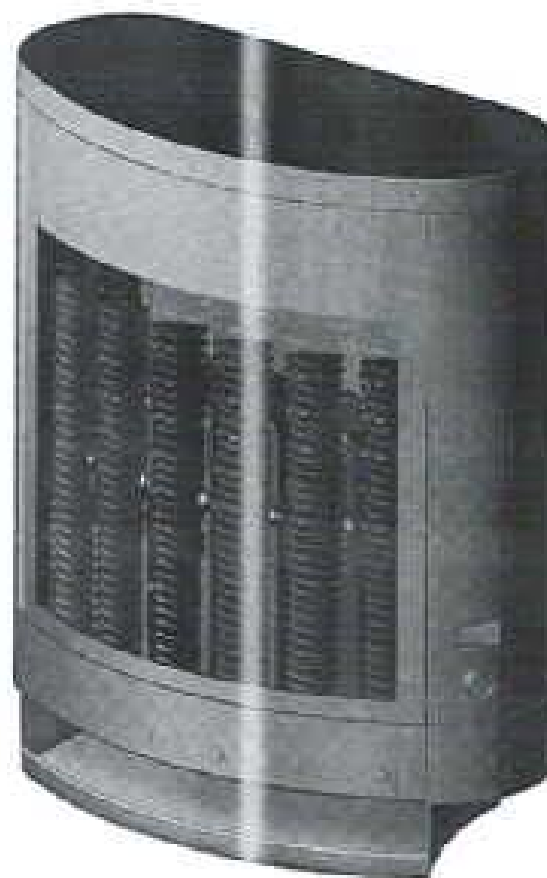
(21) Design Number: **13348/2006**  
(22) Date of Filing Application: **31 July 2006**  
(24) Date from which industrial property rights may have effect: **31 July 2006**  
(54) Product in respect of which the design is registered: **Roller die press**  
(51) International Design Classification: **15-09**  
(71) Name(s) and Address(s) of Applicant(s):  
**Provo Craft and Novelty, Inc.**  
**151 East 3450 North Spanish Fork Utah 84660 United States of America**  
(72) Name(s) of Designer(s): **Gerardo D. Ayala and Michael Horito and Tyler Allan**  
(45) Registration Date: **29 September 2006**  
(30) Convention priority data:  
(31) Number (32) Date (33) Country  
**29/252911 30 Jan 2006 UNITED STATES OF AMERICA**  
(56) Related Art Documents: **Not Applicable**  
(57) Statement of Newness and Distinctiveness: **Newness and distinctiveness reside in the features of the design shown in the representations.**



(21) Design Number: **13355/2006**  
(22) Date of Filing Application: **31 July 2006**  
(24) Date from which industrial property rights may have effect: **31 July 2006**  
(54) Product in respect of which the design is registered: **Support stand for drink machine**  
(51) International Design Classification: **07-02L, 31-00**  
(71) Name(s) and Address(s) of Applicant(s):  
**Societe Des Produits Nestle S.A.**  
**1800 Vevey Switzerland**  
(72) Name(s) of Designer(s): **Antoine Cahen**  
(45) Registration Date: **29 September 2006**  
(30) Convention priority data:  
(31) Number (32) Date (33) Country  
**132690 09 Mar 2006 SWITZERLAND**  
(56) Related Art Documents: **Not Applicable**  
(57) Statement of Newness and Distinctiveness: **Nil**



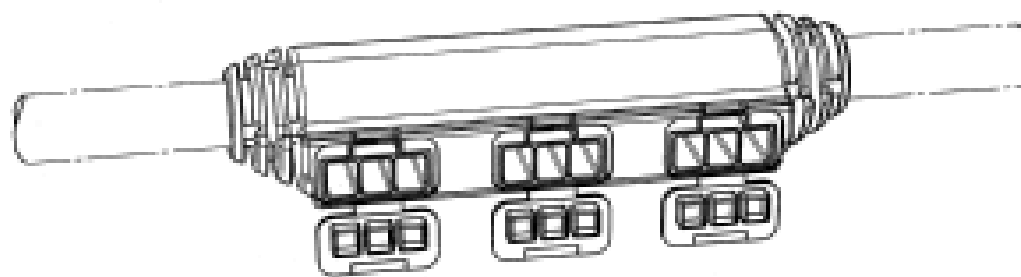
(21) Design Number: **13356/2006**  
(22) Date of Filing Application: **31 July 2006**  
(24) Date from which industrial property rights may have effect: **31 July 2006**  
(54) Product in respect of which the design is registered: **Dispenser, tower**  
(51) International Design Classification: **07-02L, 31-00**  
(71) Name(s) and Address(s) of Applicant(s):  
**Societe Des Produits Nestle S.A.**  
**1800 Vevey Switzerland**  
(72) Name(s) of Designer(s): **Antoine Cahen**  
(45) Registration Date: **29 September 2006**  
(30) Convention priority data:  
(31) Number (32) Date (33) Country  
**132691 09 Mar 2006 SWITZERLAND**  
(56) Related Art Documents: **Not Applicable**  
(57) Statement of Newness and Distinctiveness: **Nil**



(21) Design Number: **13420/2006**  
(22) Date of Filing Application: **03 August 2006**  
(24) Date from which industrial property rights may have effect: **03 August 2006**  
(54) Product in respect of which the design is registered: **A front combination lamp for an automobile**  
(51) International Design Classification: **26-06**  
(71) Name(s) and Address(s) of Applicant(s):  
**Honda Motor Co., Ltd.**  
**1-1 Minami-Aoyama 2-Chome Minato-Ku Tokyo Japan**  
(72) Name(s) of Designer(s): **Fumito Ohta**  
(45) Registration Date: **29 September 2006**  
(30) Convention priority data:  
(31) Number (32) Date (33) Country  
**2006-2527 06 Feb 2006 JAPAN**  
(56) Related Art Documents: **Not Applicable**  
(57) Statement of Newness and Distinctiveness: **Newness and distinctiveness is claimed in the features of shape and/or configuration of a front combination lamp for an automobile as illustrated in the accompanying representations.**



- (21) Design Number: **13875/2006**  
(22) Date of Filing Application: **29 August 2006**  
(24) Date from which industrial property rights may have effect: **29 August 2006**  
(54) Product in respect of which the design is registered: **Electrical connector**  
(51) International Design Classification: **13-03B**  
(71) Name(s) and Address(s) of Applicant(s):  
**Modulek Pty Ltd**  
**28 Mellor Avenue Lockleys South Australia 5032 Australia**  
(72) Name(s) of Designer(s): **Mark Fahey**  
(45) Registration Date: **29 September 2006**  
(56) Related Art Documents: **Not Applicable**  
(57) Statement of Newness and Distinctiveness: **Nil**



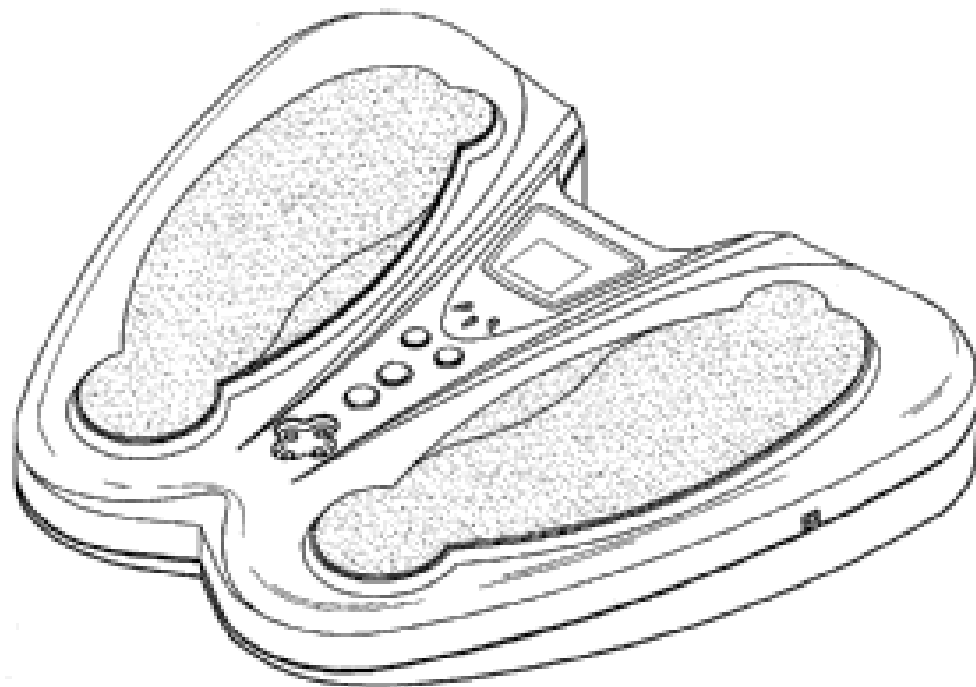
- (21) Design Number: **13439/2006**  
(22) Date of Filing Application: **04 August 2006**  
(24) Date from which industrial property rights may have effect: **04 August 2006**  
(54) Product in respect of which the design is registered: **Plate**  
(51) International Design Classification: **07-01B**  
(71) Name(s) and Address(s) of Applicant(s):  
**Villeroy & Boch AG.**  
**Saaruferstrasse 14-18 D-66693 Mettlach Germany**  
(72) Name(s) of Designer(s): **Andrea Luft**  
(45) Registration Date: **29 September 2006**  
(30) Convention priority data:  

(31) Number	(32) Date	(33) Country
<b>000 476 759</b>	<b>08 Feb 2006</b>	<b>EUROPEAN COMMUNITY</b>

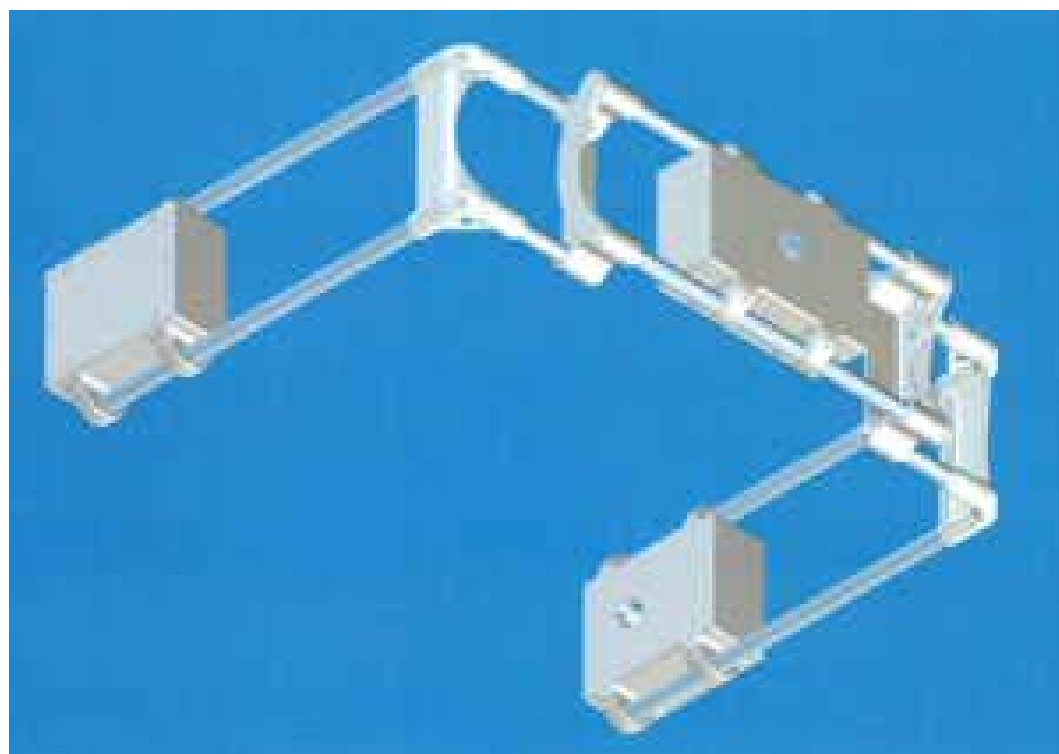
  
(56) Related Art Documents: **Not Applicable**  
(57) Statement of Newness and Distinctiveness: **The shape and configuration of the product is new and distinctive. The text and logo shown on the base of the product is to be disregarded.**



- (21) Design Number: **10194/2006**  
(22) Date of Filing Application: **20 January 2006**  
(24) Date from which industrial property rights may have effect: **20 January 2006**  
(54) Product in respect of which the design is registered: **Low frequency foot massage instrument**  
(51) International Design Classification: **28-03NES**  
(71) Name(s) and Address(s) of Applicant(s):  
**Beunix Co., Ltd.**  
**555-30 Baekseok-dong Cheonan-city Choongshungnam-do Republic of Korea**  
(72) Name(s) of Designer(s): **Jeong Hoon Park**  
(45) Registration Date: **29 September 2006**  
(56) Related Art Documents: **Not Applicable**  
(57) Statement of Newness and Distinctiveness: **Newness and distinctiveness reside in the features of the design as shown in the representations.**



- (21) Design Number: **10900/2006**  
(22) Date of Filing Application: **08 March 2006**  
(24) Date from which industrial property rights may have effect: **08 March 2006**  
(54) Product in respect of which the design is registered: **Automated stirrup**  
(51) International Design Classification: **26-05NES, 26-03**  
(71) Name(s) and Address(s) of Applicant(s):  
**Arnold & Richter Cine Technik GmbH & Co Betriebs KG**  
**Turkenstrasse 89 80799 Munchen Germany**  
(72) Name(s) of Designer(s): **Erwin Melzner and Timo Muller and Klaus Sprenger and Henning Schlorf and Wolfgang Baumgartner and Jurgen Heinlein**  
(45) Registration Date: **29 September 2006**  
(30) Convention priority data:  
(31) Number      (32) Date      (33) Country  
**405 04 770.3      08 Sep 2005      GERMANY**  
(56) Related Art Documents: **Not Applicable**  
(57) Statement of Newness and Distinctiveness: **Newness and distinctiveness is claimed in the features of shape and/or configuration of an automated stirrup as illustrated in the accompanying representations.**



(21) Design Number: 12531/2006

(22) Date of Filing Application: 13 June 2006

(24) Date from which industrial property rights may have effect: 13 June 2006

(54) Product in respect of which the design is registered: Hook

(51) International Design Classification: 08-08G

(71) Name(s) and Address(s) of Applicant(s):

**Master Lock Company LLC**  
137 W. Forest Hill Avenue PO Box 927 Oak Creek Wisconsin 53154  
United States of America

(72) Name(s) of Designer(s): Mark Van Handel

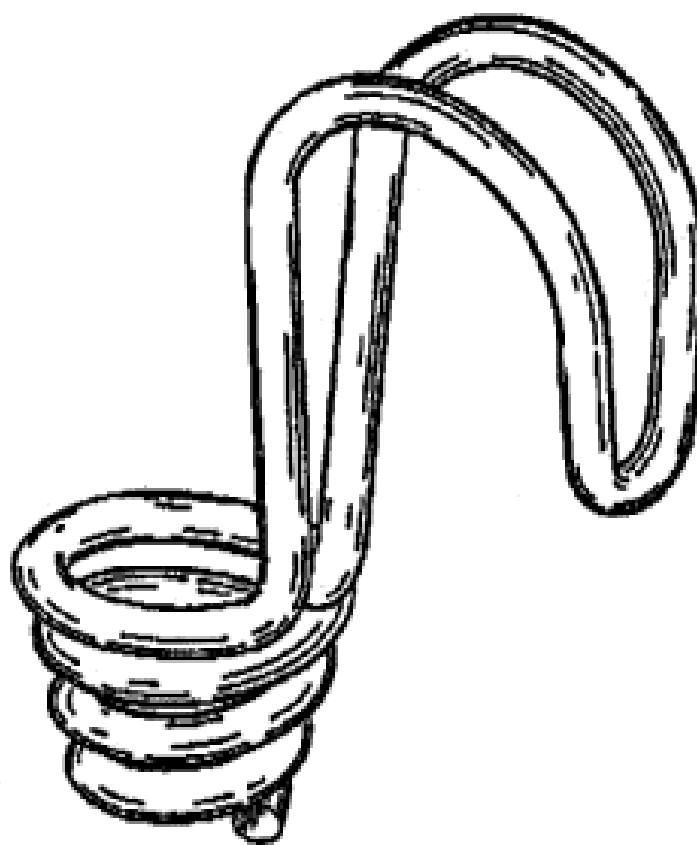
(45) Registration Date: 29 September 2006

(30) Convention priority data:

(31) Number	(32) Date	(33) Country
29/244,698	13 Dec 2005	UNITED STATES OF AMERICA

(56) Related Art Documents: Not Applicable

(57) Statement of Newness and Distinctiveness: The newness and distinctiveness are provided by the shape and/or configuration of the design shown in the representations. The features shown in broken lines in the representations are for illustrative purposes only and should not be considered when construing visual features of the design.



(21) Design Number: 12532/2006

(22) Date of Filing Application: 13 June 2006

(24) Date from which industrial property rights may have effect: 13 June 2006

(54) Product in respect of which the design is registered: Hook

(51) International Design Classification: 08-08G

(71) Name(s) and Address(s) of Applicant(s):

**Master Lock Company LLC**  
137 W. Forest Hill Avenue PO Box 927 Oak Creek Wisconsin 53154  
United States of America

(72) Name(s) of Designer(s): Mark Van Handel

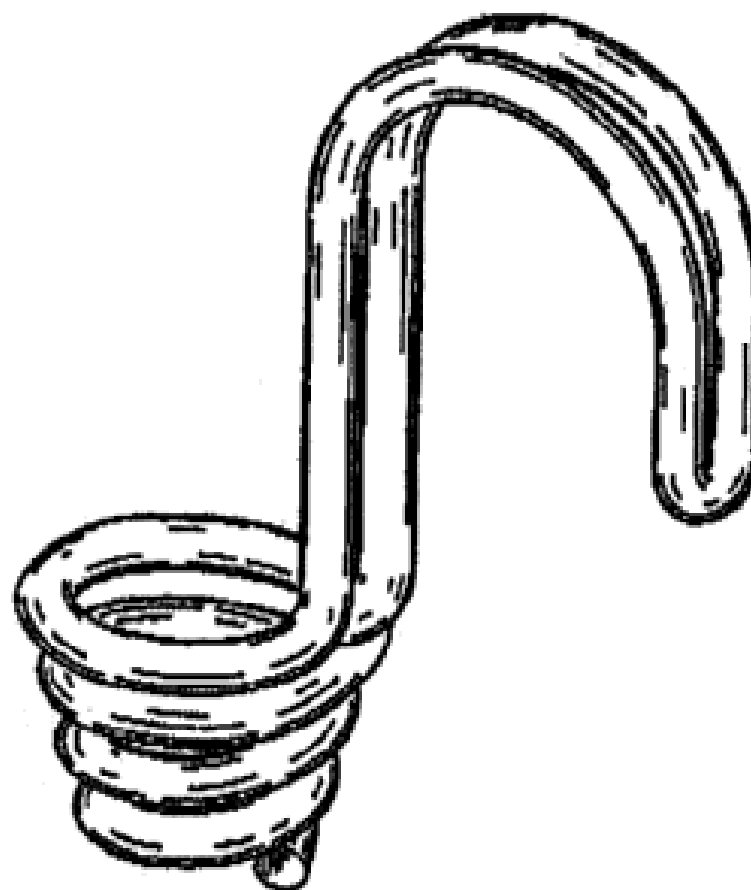
(45) Registration Date: 29 September 2006

(30) Convention priority data:

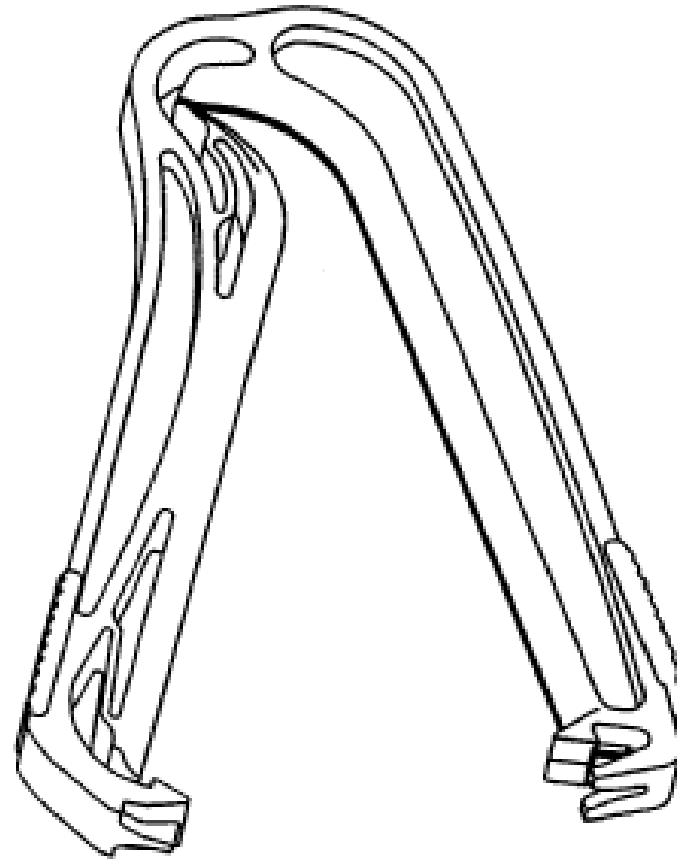
(31) Number	(32) Date	(33) Country
29/244,698	13 Dec 2005	UNITED STATES OF AMERICA

(56) Related Art Documents: Not Applicable

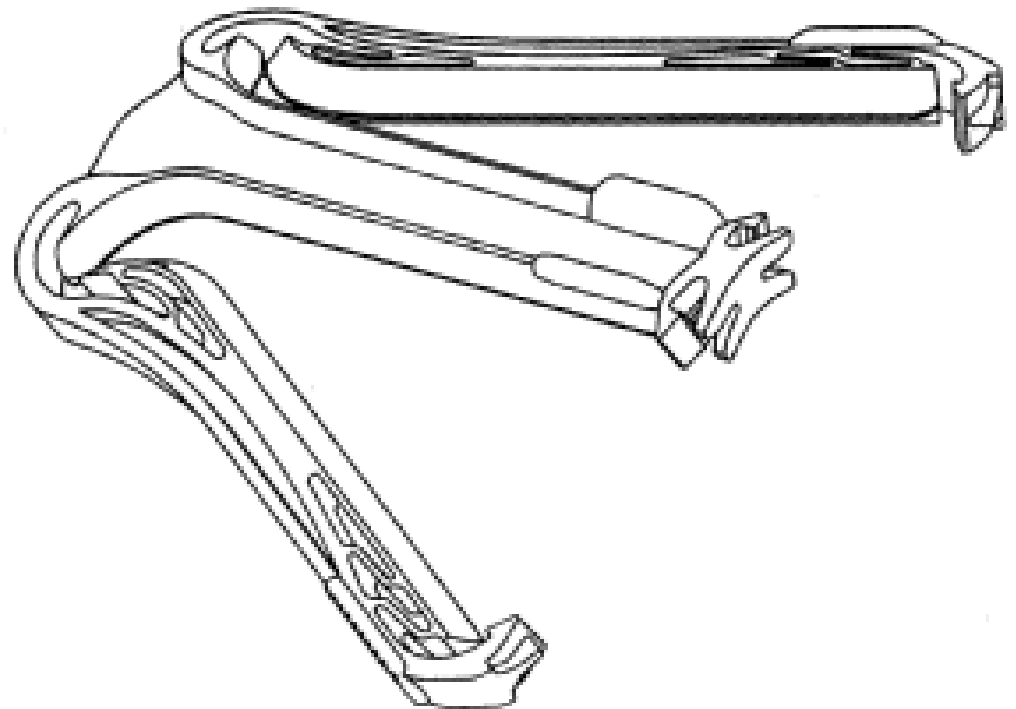
(57) Statement of Newness and Distinctiveness: The newness and distinctiveness are provided by the shape and/or configuration of the design shown in the representations. The features shown in broken lines in the representations are for illustrative purposes only and should not be considered when construing visual features of the design.



- (21) Design Number: **12809/2006**  
(22) Date of Filing Application: **30 June 2006**  
(24) Date from which industrial property rights may have effect: **30 June 2006**  
(54) Product in respect of which the design is registered: **Device for clamping a fold of sheep skin**  
(51) International Design Classification: **30-08**  
(71) Name(s) and Address(s) of Applicant(s):  
**Australian Wool Innovation Limited**  
**Level 5 16-20 Barrack Street Sydney New South Wales 2000 Australia**  
(72) Name(s) of Designer(s): **Aaron Anthony Arnold and Steven Noel Corboy and Paul van de Loo and Robert Eric Powell and Julie Anne Dorrian**  
(45) Registration Date: **29 September 2006**  
(56) Related Art Documents: **Not Applicable**  
(57) Statement of Newness and Distinctiveness: **Newness and distinctiveness is claimed in the features of shape and/or configuration of a device for clamping a fold of sheep skin as illustrated in the accompanying representations.**



- (21) Design Number: **12810/2006**  
(22) Date of Filing Application: **30 June 2006**  
(24) Date from which industrial property rights may have effect: **30 June 2006**  
(54) Product in respect of which the design is registered: **Device for clamping folds of sheep skin**  
(51) International Design Classification: **30-08**  
(71) Name(s) and Address(s) of Applicant(s):  
**Australian Wool Innovation Limited**  
**Level 5 16-20 Barrack Street Sydney New South Wales 2000 Australia**  
(72) Name(s) of Designer(s): **Aaron Anthony Arnold and Steven Noel Corboy and Paul van de Loo and Robert Eric Powell and Julie Anne Dorrian**  
(45) Registration Date: **29 September 2006**  
(56) Related Art Documents: **Not Applicable**  
(57) Statement of Newness and Distinctiveness: **Newness and distinctiveness is claimed in the features of shape and/or configuration of a device for clamping folds of sheep skin as illustrated in the accompanying representations.**



(21) Design Number: **12944/2006**

(22) Date of Filing Application: **11 July 2006**

(24) Date from which industrial property rights may have effect: **11 July 2006**

(54) Product in respect of which the design is registered: **Portable telephone**

(51) International Design Classification: **14-03E**

(71) Name(s) and Address(s) of Applicant(s):

**Sharp Kabushiki Kaisha  
22-22 Nagaïke-cho Abeno-ku Osaka Japan**

(72) Name(s) of Designer(s): **Katsuhiro Iida and Satoshi Fukutome and Hirokasu Shibata**

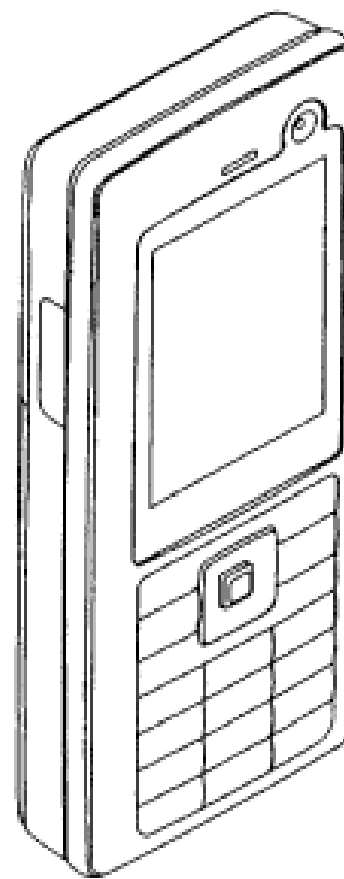
(45) Registration Date: **29 September 2006**

(30) Convention priority data:

(31) Number	(32) Date	(33) Country
<b>2006-002253</b>	<b>02 Feb 2006</b>	<b>JAPAN</b>

(56) Related Art Documents: **Not Applicable**

(57) Statement of Newness and Distinctiveness: **Nil**



(21) Design Number: **12945/2006**

(22) Date of Filing Application: **11 July 2006**

(24) Date from which industrial property rights may have effect: **11 July 2006**

(54) Product in respect of which the design is registered: **Refrigerator**

(51) International Design Classification: **15-07**

(71) Name(s) and Address(s) of Applicant(s):

**Sharp Kabushiki Kaisha  
22-22 Nagaïke-cho Abeno-ku Osaka Japan**

(72) Name(s) of Designer(s): **Tomoki Taira and Toru Makidera and Hiroshi Nishibori and Koji Nishida and Kohji Toratani and Minoru Fujino**

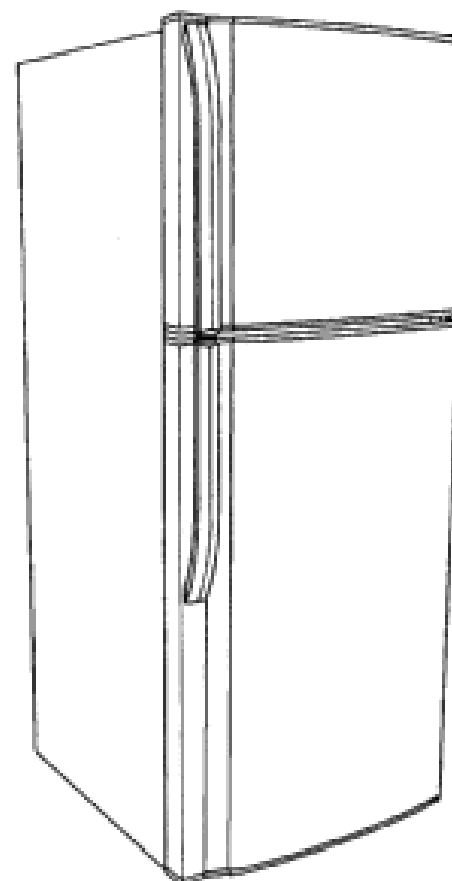
(45) Registration Date: **29 September 2006**

(30) Convention priority data:

(31) Number	(32) Date	(33) Country
<b>2006-014170</b>	<b>02 Jun 2006</b>	<b>JAPAN</b>

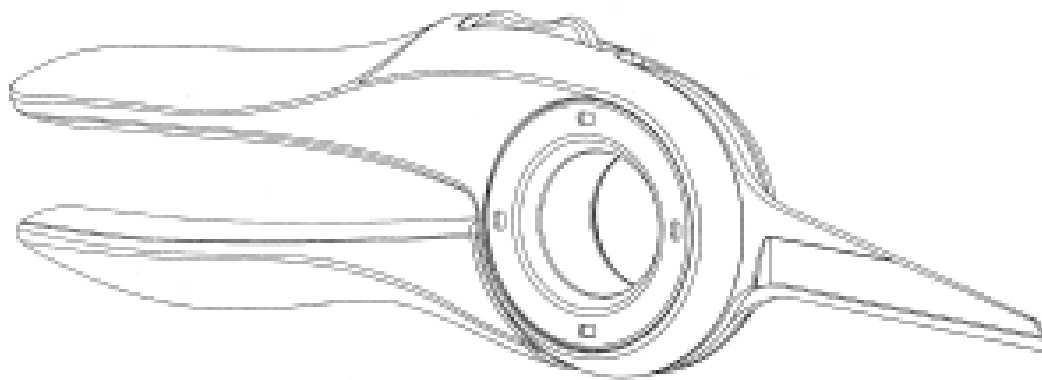
(56) Related Art Documents: **Not Applicable**

(57) Statement of Newness and Distinctiveness: **Nil**

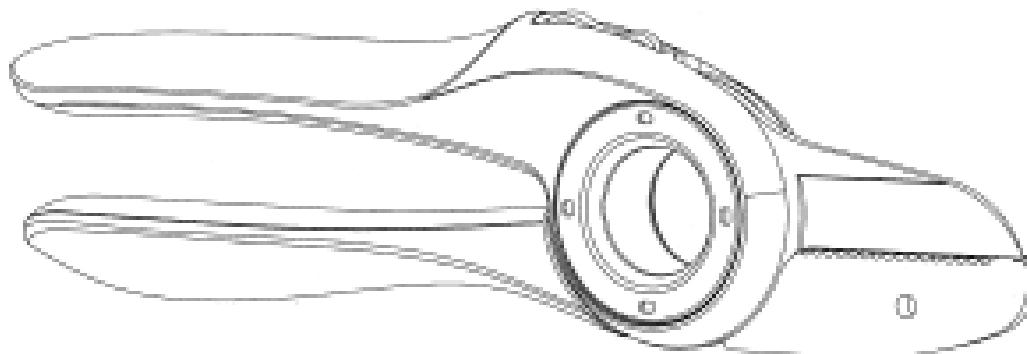




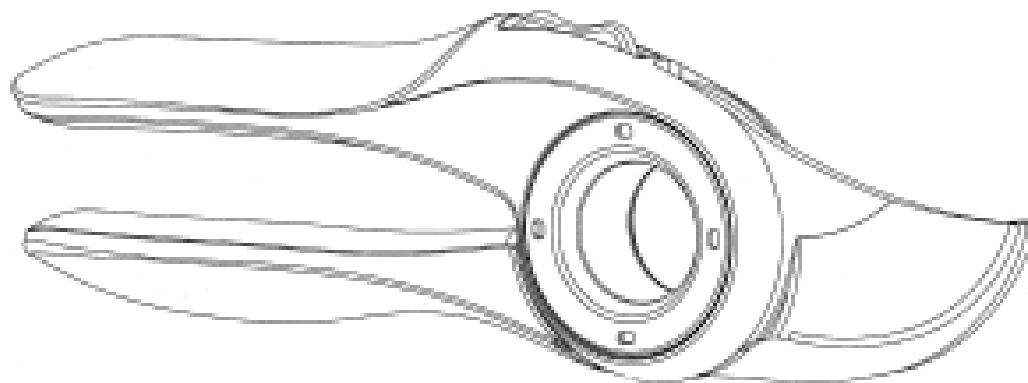
- (21) Design Number: **13182/2006**
- (22) Date of Filing Application: **24 July 2006**
- (24) Date from which industrial property rights may have effect: **24 July 2006**
- (54) Product in respect of which the design is registered: **A cutter for plant material**
- (51) International Design Classification: **08-03**
- (71) Name(s) and Address(s) of Applicant(s):  
**ITW Australia Pty Ltd**  
**3 Chester Street Oakleigh Victoria 3166 Australia**
- (72) Name(s) of Designer(s): **Nathan Pollock**
- (45) Registration Date: **29 September 2006**
- (56) Related Art Documents: **Not Applicable**
- (57) Statement of Newness and Distinctiveness: **Nil.**



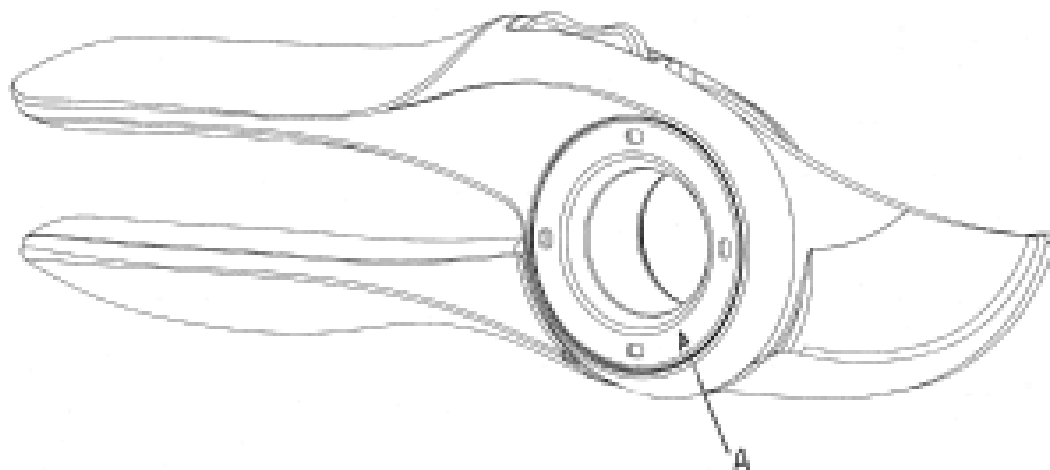
- (21) Design Number: **13183/2006**
- (22) Date of Filing Application: **24 July 2006**
- (24) Date from which industrial property rights may have effect: **24 July 2006**
- (54) Product in respect of which the design is registered: **A pruner**
- (51) International Design Classification: **08-03**
- (71) Name(s) and Address(s) of Applicant(s):  
**ITW Australia Pty Ltd**  
**3 Chester Street Oakleigh Victoria 3166 Australia**
- (72) Name(s) of Designer(s): **Nathan Pollock**
- (45) Registration Date: **29 September 2006**
- (56) Related Art Documents: **Not Applicable**
- (57) Statement of Newness and Distinctiveness: **Nil.**



- (21) Design Number: **13184/2006**  
(22) Date of Filing Application: **24 July 2006**  
(24) Date from which industrial property rights may have effect: **24 July 2006**  
(54) Product in respect of which the design is registered: **A pruner**  
(51) International Design Classification: **08-03**  
(71) Name(s) and Address(s) of Applicant(s):  
**ITW Australia Pty Ltd**  
**3 Chester Street Oakleigh Victoria 3166 Australia**  
(72) Name(s) of Designer(s): **Nathan Pollock**  
(45) Registration Date: **29 September 2006**  
(56) Related Art Documents: **Not Applicable**  
(57) Statement of Newness and Distinctiveness: **Nil.**



- (21) Design Number: **13194/2006**  
(22) Date of Filing Application: **24 July 2006**  
(24) Date from which industrial property rights may have effect: **24 July 2006**  
(54) Product in respect of which the design is registered: **A cutter for plant material**  
(51) International Design Classification: **08-03**  
(71) Name(s) and Address(s) of Applicant(s):  
**ITW Australia Pty Ltd**  
**3 Chester Street Oakleigh Victoria 3166 Australia**  
(72) Name(s) of Designer(s): **Nathan Pollock**  
(45) Registration Date: **29 September 2006**  
(56) Related Art Documents: **Not Applicable**  
(57) Statement of Newness and Distinctiveness: **Newness and distinctiveness is claimed in the shape and/or configuration of the pivot assembly of bush-like form marked "A" in the representations but not in the handles or the blades.**



(21) Design Number: **13220/2006**

(22) Date of Filing Application: **25 July 2006**

(24) Date from which industrial property rights may have effect: **25 July 2006**

(54) Product in respect of which the design is registered: **Roof anchor**

(51) International Design Classification: **08-08NES, 25-04, 29-02**

(71) Name(s) and Address(s) of Applicant(s):

**Roland Stephen Voss**

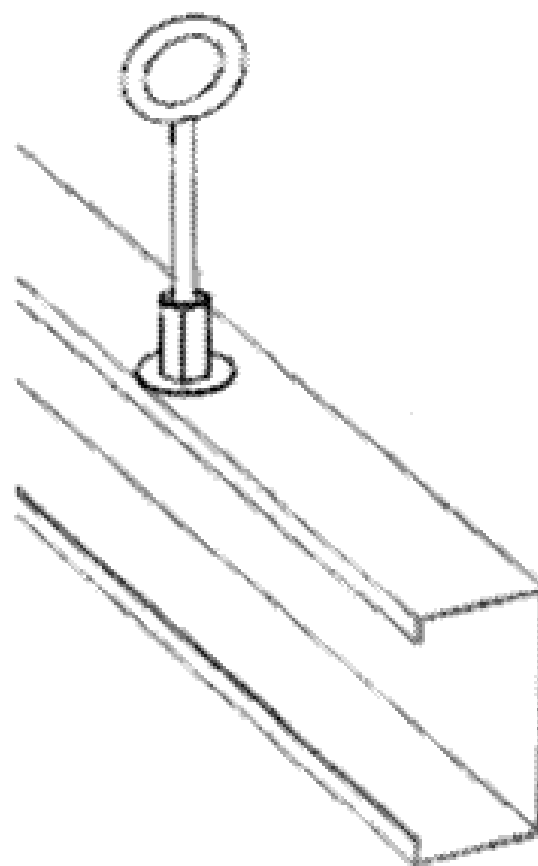
**40 Kalman Drive Boronia Victoria 3155 Australia**

(72) Name(s) of Designer(s): **Roland Stephen Voss**

(45) Registration Date: **29 September 2006**

(56) Related Art Documents: **Not Applicable**

(57) Statement of Newness and Distinctiveness: **Newness and distinctiveness is claimed in the features of shape and/or configuration of a roofing purlin, including the shape and/or configuration of a block nut and/or an installation tool therefor, as shown in the accompanying representations. No monopoly is claimed in respect of the actual roof purlin(s) shown in the representations.**



(21) Design Number: **13359/2006**

(22) Date of Filing Application: **31 July 2006**

(24) Date from which industrial property rights may have effect: **31 July 2006**

(54) Product in respect of which the design is registered: **Steam generating base for a laundry iron**

(51) International Design Classification: **07-05A, 15-05**

(71) Name(s) and Address(s) of Applicant(s):

**CALOR**

**Place Ambroise Courtois 69008 Lyon France**

(72) Name(s) of Designer(s): **Fabrice Renault**

(45) Registration Date: **29 September 2006**

(30) Convention priority data:

(31) Number

**06 0424**

(32) Date

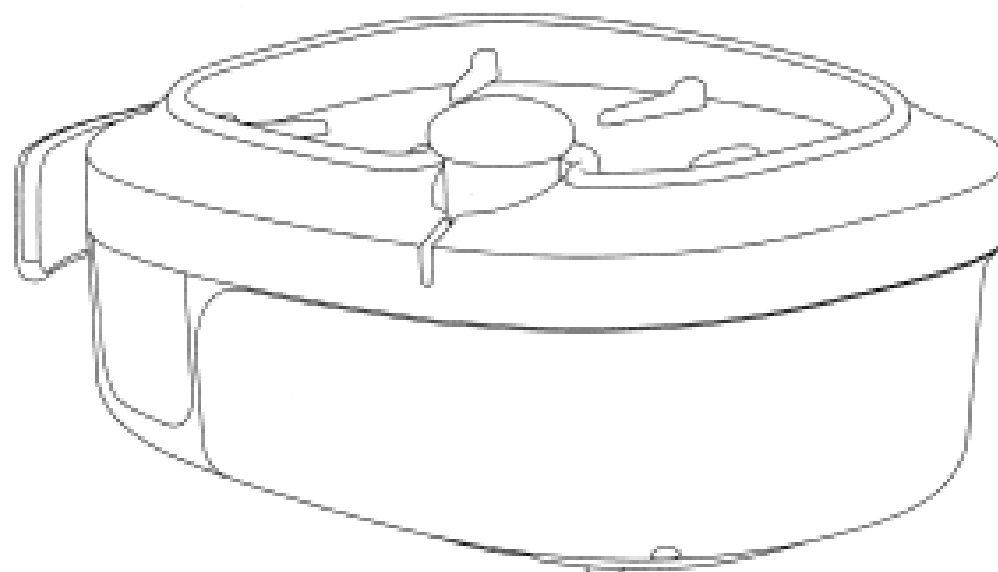
**31 Jan 2006**

(33) Country

**FRANCE**

(56) Related Art Documents: **Not Applicable**

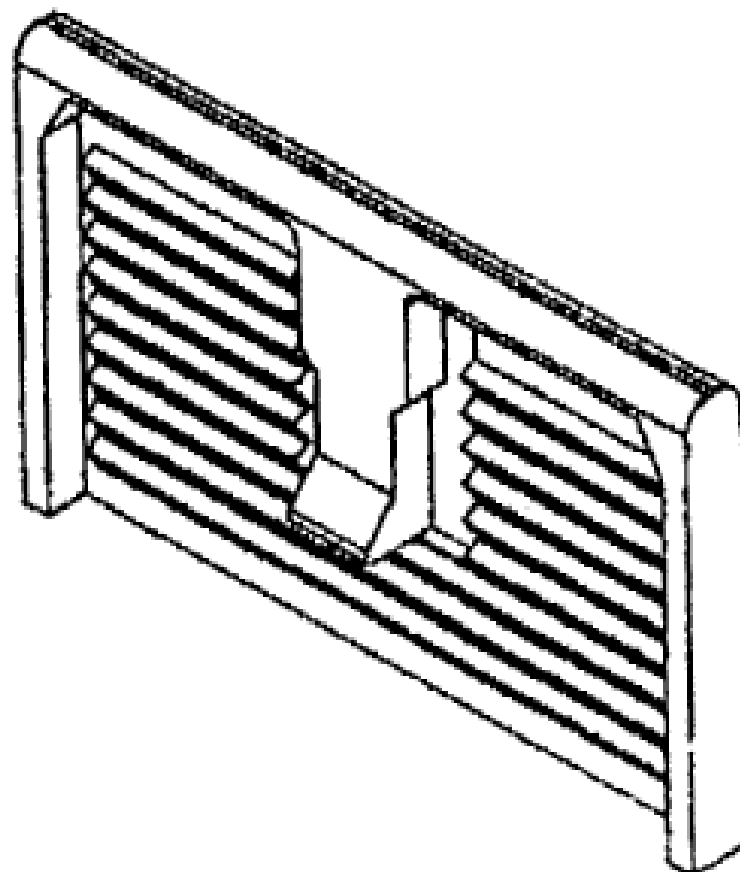
(57) Statement of Newness and Distinctiveness: **Nil**



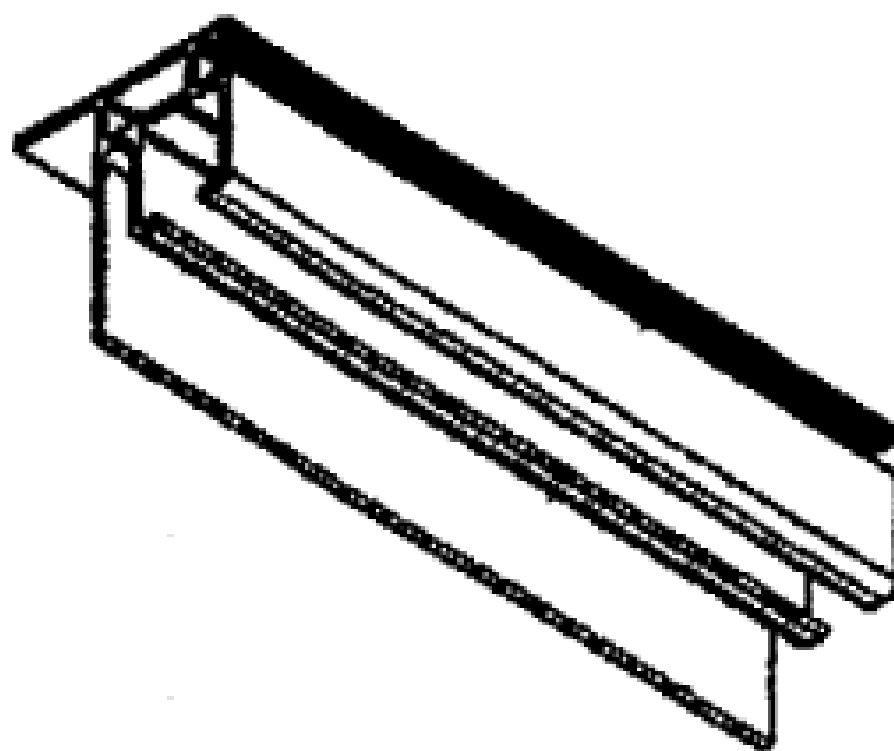
(21) Design Number: **13363/2006**  
(22) Date of Filing Application: **31 July 2006**  
(24) Date from which industrial property rights may have effect: **31 July 2006**  
(54) Product in respect of which the design is registered: **Laundry iron**  
(51) International Design Classification: **07-05A**  
(71) Name(s) and Address(s) of Applicant(s):  
**CALOR**  
**Place Ambroise Courtois 69008 Lyon France**  
(72) Name(s) of Designer(s): **Fabrice Renault**  
(45) Registration Date: **29 September 2006**  
(30) Convention priority data:  
(31) Number      (32) Date      (33) Country  
**06 0424      31 Jan 2006      FRANCE**  
(56) Related Art Documents: **Not Applicable**  
(57) Statement of Newness and Distinctiveness: **Nil**



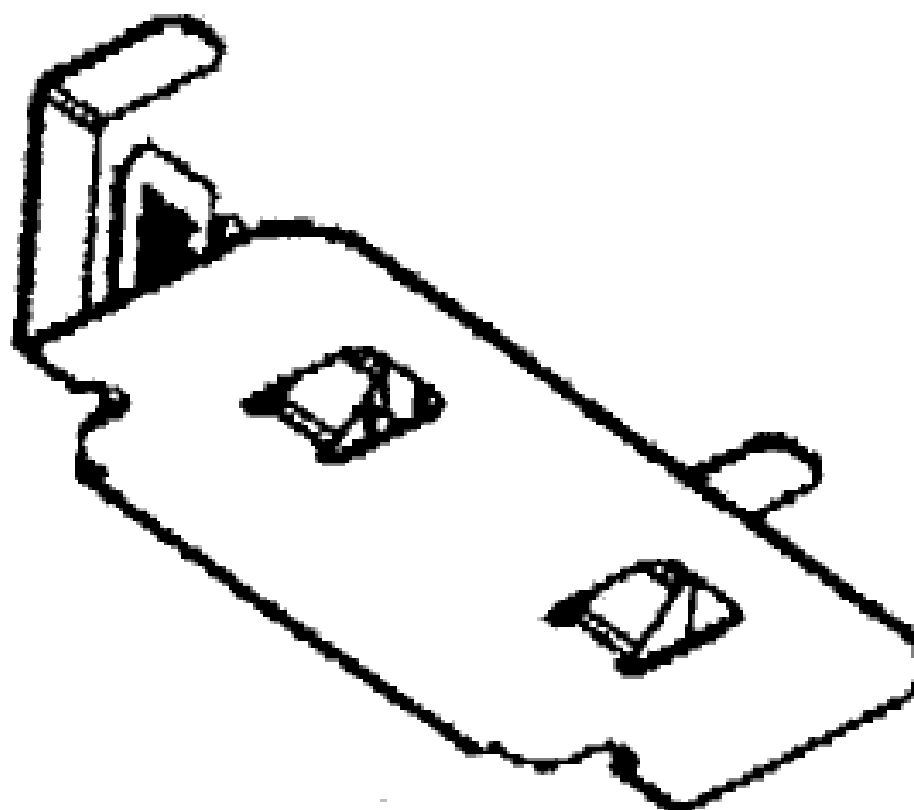
(21) Design Number: **13364/2006**  
(22) Date of Filing Application: **31 July 2006**  
(24) Date from which industrial property rights may have effect: **31 July 2006**  
(54) Product in respect of which the design is registered: **A bracket**  
(51) International Design Classification: **08-08L, 08-08M, 08-08N, 08-08NES**  
(71) Name(s) and Address(s) of Applicant(s):  
**Louver-Lite Limited**  
**Ashton Road Hyde Cheshire SK14 4BG United Kingdom**  
(72) Name(s) of Designer(s): **Reginald Charles Allsopp**  
(45) Registration Date: **29 September 2006**  
(30) Convention priority data:  
(31) Number      (32) Date      (33) Country  
**473541-0001      30 Jan 2006      EUROPEAN COMMUNITY**  
(56) Related Art Documents: **Not Applicable**  
(57) Statement of Newness and Distinctiveness: **Nil**



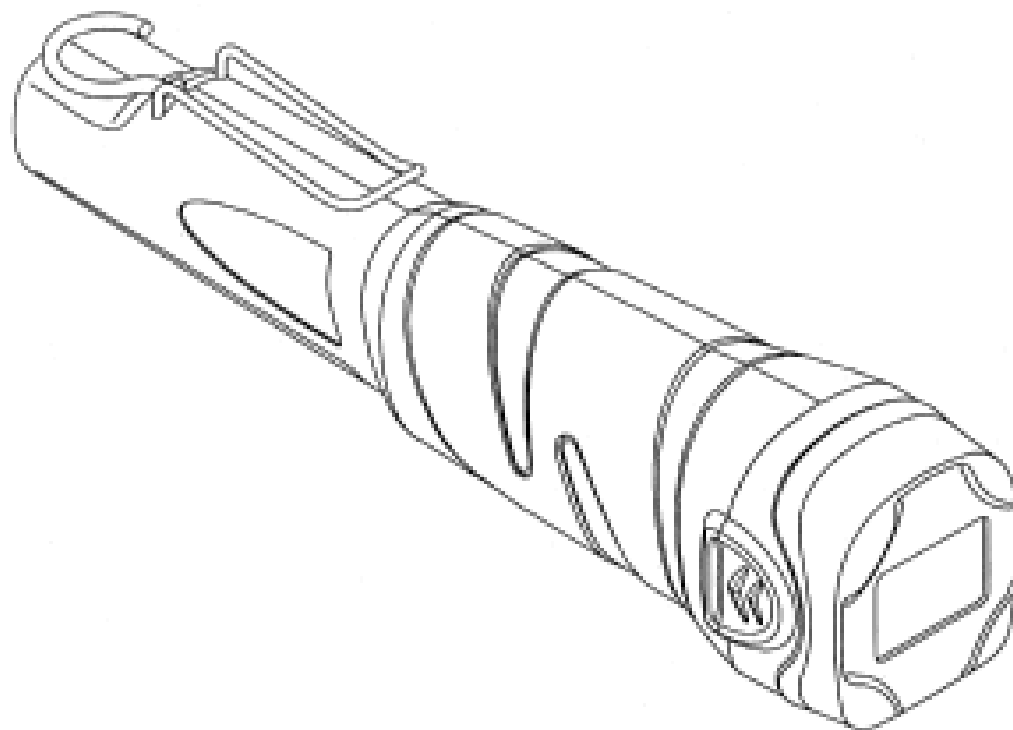
(21) Design Number: **13365/2006**  
(22) Date of Filing Application: **31 July 2006**  
(24) Date from which industrial property rights may have effect: **31 July 2006**  
(54) Product in respect of which the design is registered: **A rail of indefinite length**  
(51) International Design Classification: **25-01NES**  
(71) Name(s) and Address(s) of Applicant(s):  
**Louver-Lite Limited**  
**Ashton Road Hyde Cheshire SK14 4BG United Kingdom**  
(72) Name(s) of Designer(s): **Reginald Charles Allsopp**  
(45) Registration Date: **29 September 2006**  
(30) Convention priority data:  
(31) Number      (32) Date      (33) Country  
**473541-0002      30 Jan 2006      EUROPEAN COMMUNITY**  
(56) Related Art Documents: **Not Applicable**  
(57) Statement of Newness and Distinctiveness: **Nil**



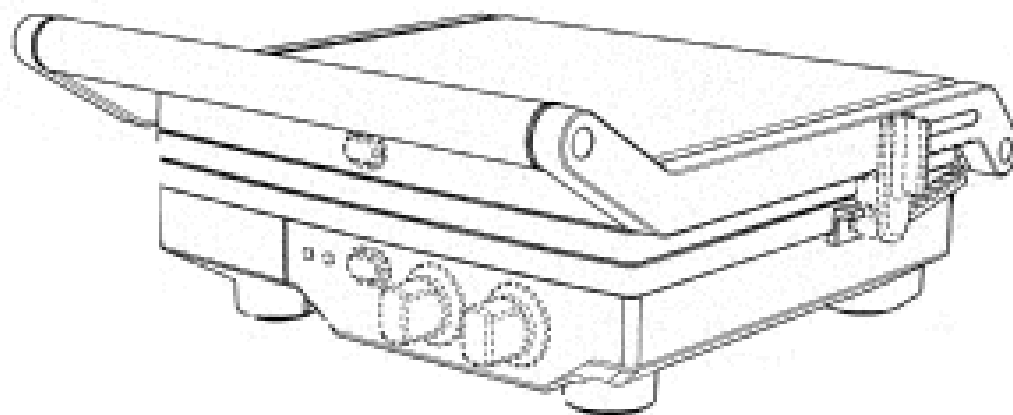
(21) Design Number: **13366/2006**  
(22) Date of Filing Application: **31 July 2006**  
(24) Date from which industrial property rights may have effect: **31 July 2006**  
(54) Product in respect of which the design is registered: **A bracket**  
(51) International Design Classification: **08-08L, 08-08M, 08-08N, 08-08NES**  
(71) Name(s) and Address(s) of Applicant(s):  
**Louver-Lite Limited**  
**Ashton Road Hyde Cheshire SK14 4BG United Kingdom**  
(72) Name(s) of Designer(s): **Reginald Charles Allsopp**  
(45) Registration Date: **29 September 2006**  
(30) Convention priority data:  
(31) Number      (32) Date      (33) Country  
**473541-0003      30 Jan 2006      EUROPEAN COMMUNITY**  
(56) Related Art Documents: **Not Applicable**  
(57) Statement of Newness and Distinctiveness: **Nil**



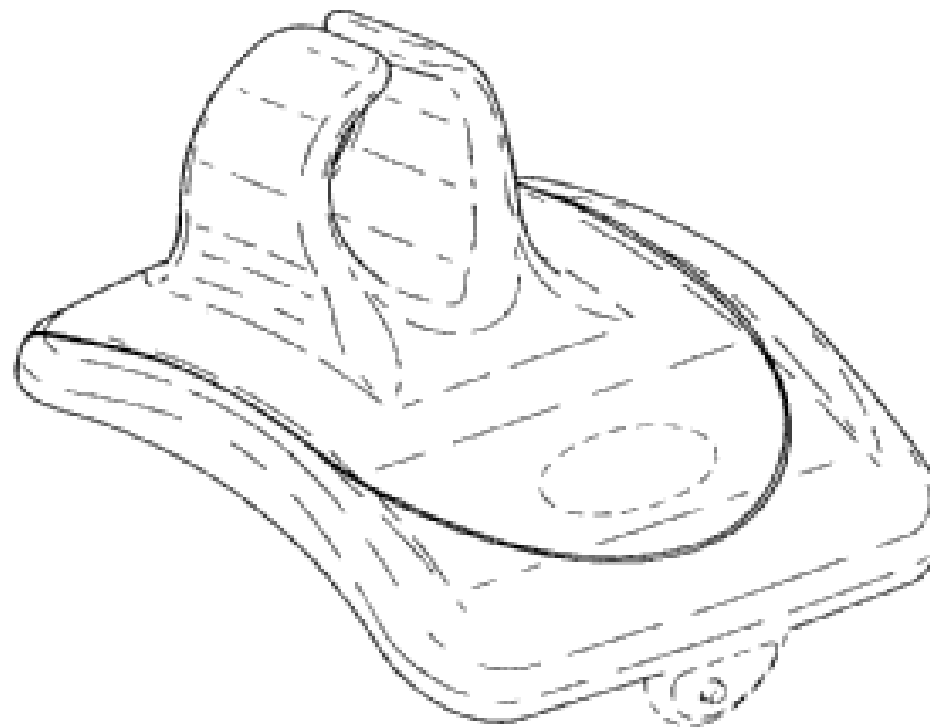
- (21) Design Number: **12058/2006**  
(22) Date of Filing Application: **05 May 2006**  
(24) Date from which industrial property rights may have effect: **05 May 2006**  
(54) Product in respect of which the design is registered: **Flashlight**  
(51) International Design Classification: **26-02**  
(71) Name(s) and Address(s) of Applicant(s):  
**Mobiletron Electronics Co., Ltd.**  
**39 Sec 3 Chung-Ching Road Ta-Ya Taichung Hsien Taiwan 428**  
(72) Name(s) of Designer(s): **Kim Y.C. Tsai and Tung-Chin Kuo and Hsiang-Po Huang and Fu-Tasi Wu and Ju-Chien Chen**  
(45) Registration Date: **04 October 2006**  
(56) Related Art Documents: **Not Applicable**  
(57) Statement of Newness and Distinctiveness: **Nil**



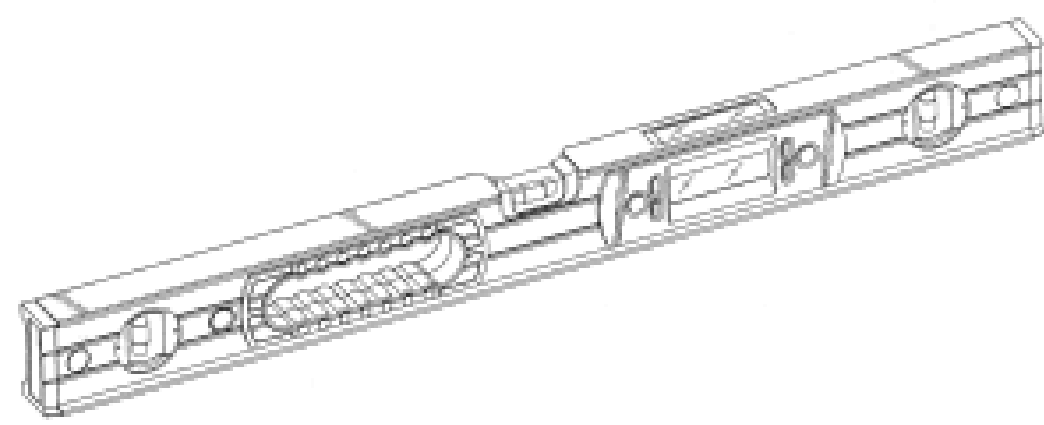
- (21) Design Number: **12077/2006**  
(22) Date of Filing Application: **12 May 2006**  
(24) Date from which industrial property rights may have effect: **12 May 2006**  
(54) Product in respect of which the design is registered: **Electric grill**  
(51) International Design Classification: **07-02G, 07-02H**  
(71) Name(s) and Address(s) of Applicant(s):  
**Breville Pty Limited**  
**Building 2 Port Air Industrial Estate 1A Hale St Botany New South Wales 2019 Australia**  
(72) Name(s) of Designer(s): **Bryan McHutchison**  
(45) Registration Date: **04 October 2006**  
(56) Related Art Documents: **Not Applicable**  
(57) Statement of Newness and Distinctiveness: **Newness is claimed in the features of shape and configuration of the electric grill as shown in the accompanying representations.**



(21) Design Number: **12081/2006**  
(22) Date of Filing Application: **12 May 2006**  
(24) Date from which industrial property rights may have effect: **12 May 2006**  
(54) Product in respect of which the design is registered: **A peeler**  
(51) International Design Classification: **07-04**  
(71) Name(s) and Address(s) of Applicant(s):  
**Chef'n Corporation**  
**1520 4th Avenue 3rd Floor Seattle Washington 98101 United States of America**  
(72) Name(s) of Designer(s): **David A. Holcomb and Jason O. Germany**  
(45) Registration Date: **04 October 2006**  
(30) Convention priority data:  
(31) Number (32) Date (33) Country  
**29242948 16 Nov 2005 UNITED STATES OF AMERICA**  
(56) Related Art Documents: **Not Applicable**  
(57) Statement of Newness and Distinctiveness: **Newness and distinctiveness is claimed in the visual features shown in solid lines in the representaions.**



(21) Design Number: **12130/2006**  
(22) Date of Filing Application: **15 May 2006**  
(24) Date from which industrial property rights may have effect: **15 May 2006**  
(54) Product in respect of which the design is registered: **Electronic spirit level**  
(51) International Design Classification: **10-04**  
(71) Name(s) and Address(s) of Applicant(s):  
**STABILA Messgerate Gustav Ullrich GmbH**  
**Landauer Str. 45 76855 Annweiler Germany**  
(72) Name(s) of Designer(s): **Wolfgang Schafer Dr and Gabriel Kallabis and Daniel Busam**  
(45) Registration Date: **04 October 2006**  
(30) Convention priority data:  
(31) Number (32) Date (33) Country  
**000434980-0001 22 Nov 2005 EUROPEAN COMMUNITY**  
(56) Related Art Documents: **Not Applicable**  
(57) Statement of Newness and Distinctiveness: **Visual features of the design which are new and distinctive are the features of shape and configuration of an electronic spirit level as illustrated in the representations.**



(19) AU

(21) Design Number: **12299/2006**

(22) Date of Filing Application: **24 May 2006**

(24) Date from which industrial property rights may have effect: **24 May 2006**

(54) Product in respect of which the design is registered: **Sports racquet**

(51) International Design Classification: **21-02B**

(71) Name(s) and Address(s) of Applicant(s):

**Prince Sports Inc.**

**One Advantage Court Bordentown NJ 08505 United States of America**

(72) Name(s) of Designer(s): **Mauro Pezzato and Michele Pozzobon**

(45) Registration Date: **04 October 2006**

(30) Convention priority data:

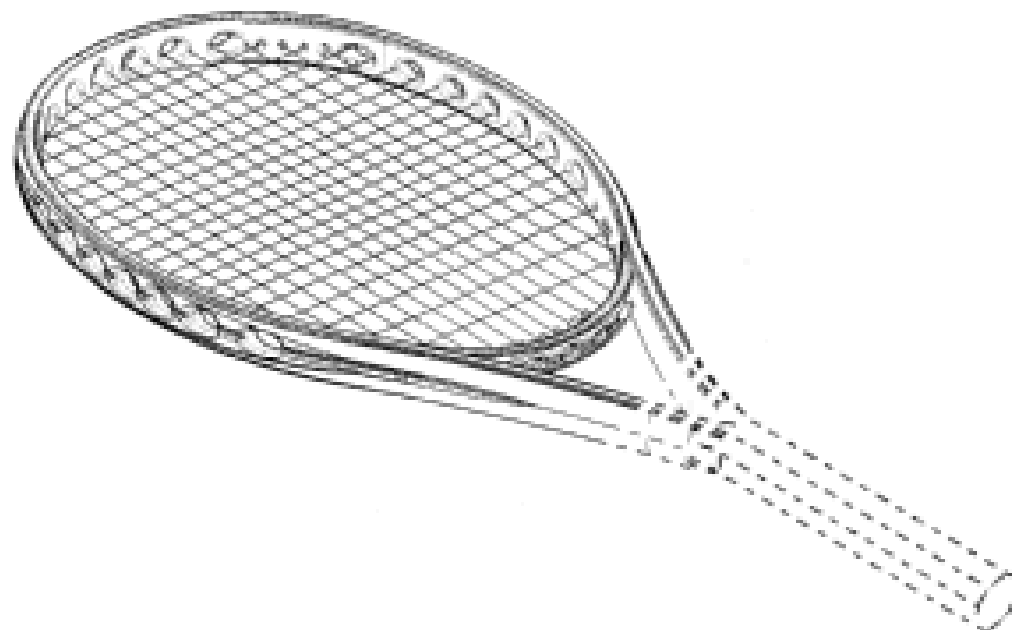
(31) Number  
**000437587**

(32) Date  
**28 Nov 2005**

(33) Country  
**EUROPEAN PATENT OFFICE  
(EP)**

(56) Related Art Documents: **Not Applicable**

(57) Statement of Newness and Distinctiveness: **We wish to submit a statement of newness and distinctiveness in respect of particular visual features of the design, but without prejudice to the newness or distinctiveness of other visual features of the design, as follows: The part of the design shown by means of solid lines in the representations is new and distinctive.**



(19) AU

(21) Design Number: **12307/2006**

(22) Date of Filing Application: **25 May 2006**

(24) Date from which industrial property rights may have effect: **25 May 2006**

(54) Product in respect of which the design is registered: **Ornamental object**

(51) International Design Classification: **11-02E**

(71) Name(s) and Address(s) of Applicant(s):

**Swarovski Aktiengesellschaft**

**Droschistrasse 15 FL-9495 Triesen Liechtenstein**

(72) Name(s) of Designer(s): **Gabriele Stamey**

(45) Registration Date: **04 October 2006**

(30) Convention priority data:

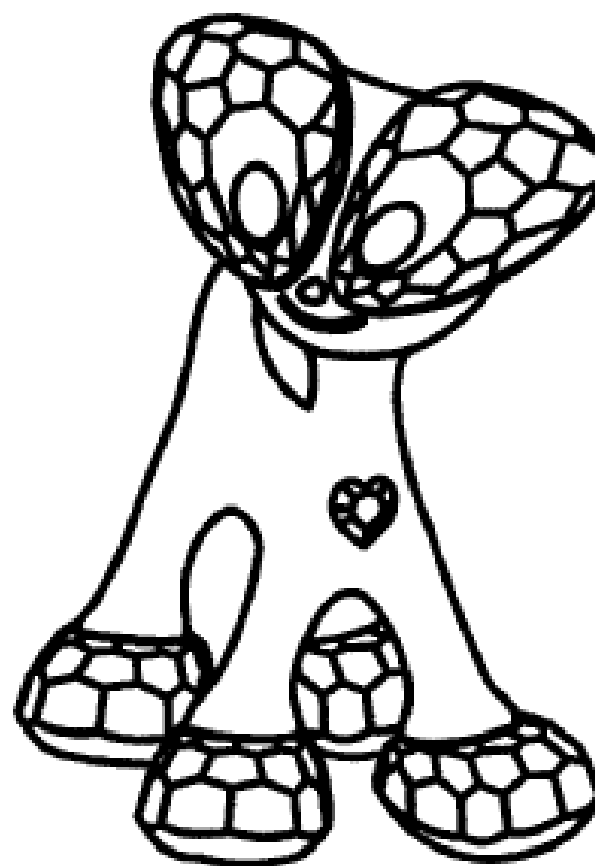
(31) Number  
**000445671-0004**

(32) Date  
**12 Dec 2005**

(33) Country  
**EUROPEAN PATENT OFFICE  
(EP)**

(56) Related Art Documents: **Not Applicable**

(57) Statement of Newness and Distinctiveness: **Nil.**





(21) Design Number: **12308/2006**

(22) Date of Filing Application: **25 May 2006**

(24) Date from which industrial property rights may have effect: **25 May 2006**

(54) Product in respect of which the design is registered: **Ornamental object**

(51) International Design Classification: **11-02E**

(71) Name(s) and Address(s) of Applicant(s):

**Swarovski Aktiengesellschaft  
Droschistrasse 15 FL-9495 Triesen Liechtenstein**

(72) Name(s) of Designer(s): **Gabriele Stamey**

(45) Registration Date: **04 October 2006**

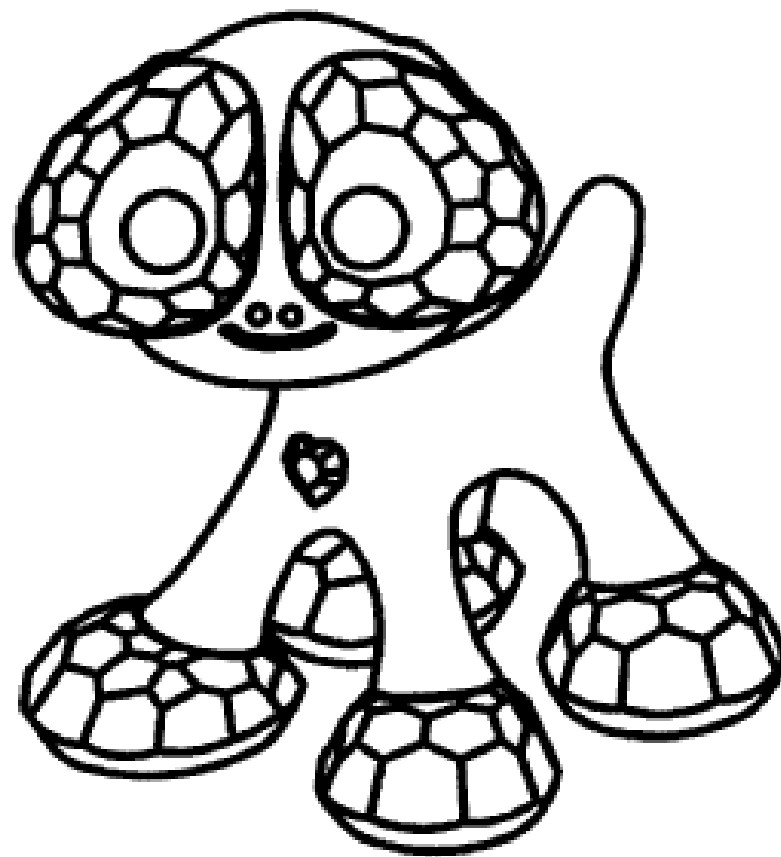
(30) Convention priority data:

(31) Number (32) Date  
**000445671-0003 12 Dec 2005**

(33) Country  
**EUROPEAN PATENT OFFICE  
(EP)**

(56) Related Art Documents: **Not Applicable**

(57) Statement of Newness and Distinctiveness: **Nil.**



(21) Design Number: **13134/2006**

(22) Date of Filing Application: **19 July 2006**

(24) Date from which industrial property rights may have effect: **19 July 2006**

(54) Product in respect of which the design is registered: **A number plate surround or protector**

(51) International Design Classification: **12-16NES**

(71) Name(s) and Address(s) of Applicant(s):

**D L D L HEALEY PTY LTD  
1 SHAW ROAD**

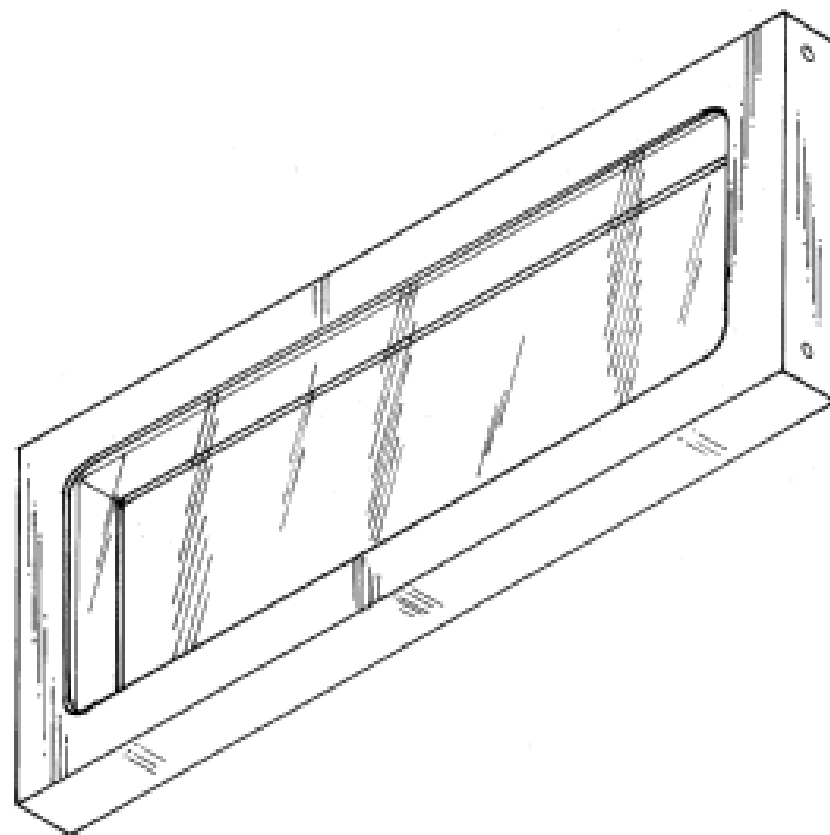
**D L D L HEALEY PTY LTD  
1 SHAW ROAD HATTONVALE QLD 4341**

(72) Name(s) of Designer(s): **Adam Healey and Tom Healey**

(45) Registration Date: **04 October 2006**

(56) Related Art Documents: **Not Applicable**

(57) Statement of Newness and Distinctiveness: **Nil**



(21) Design Number: **13360/2006**

(22) Date of Filing Application: **31 July 2006**

(24) Date from which industrial property rights may have effect: **31 July 2006**

(54) Product in respect of which the design is registered: **Watch**

(51) International Design Classification: **10-02**

(71) Name(s) and Address(s) of Applicant(s):

**Giorgio Armani S.p.A**  
**Via Borgonuovo 11 I-20121 Milano Italy**

(72) Name(s) of Designer(s): **Giorgio Armani**

(45) Registration Date: **04 October 2006**

(30) Convention priority data:

(31) Number	(32) Date	(33) Country
<b>000473285</b>	<b>01 Feb 2006</b>	<b>EUROPEAN COMMUNITY</b>

(56) Related Art Documents: **Not Applicable**

(57) Statement of Newness and Distinctiveness: **Nil**



(21) Design Number: **13361/2006**

(22) Date of Filing Application: **31 July 2006**

(24) Date from which industrial property rights may have effect: **31 July 2006**

(54) Product in respect of which the design is registered: **Watch and watch band with clasp**

(51) International Design Classification: **10-02**

(71) Name(s) and Address(s) of Applicant(s):

**Giorgio Armani S.p.A**  
**Via Borgonuovo 11 I-20121 Milano Italy**

(72) Name(s) of Designer(s): **Giorgio Armani**

(45) Registration Date: **04 October 2006**

(30) Convention priority data:

(31) Number	(32) Date	(33) Country
<b>000473285</b>	<b>01 Feb 2006</b>	<b>EUROPEAN COMMUNITY</b>

(56) Related Art Documents: **Not Applicable**

(57) Statement of Newness and Distinctiveness: **Nil**



- (21) Design Number: **13417/2006**  
(22) Date of Filing Application: **03 August 2006**  
(24) Date from which industrial property rights may have effect: **03 August 2006**  
(54) Product in respect of which the design is registered: **A rear combination lamp for an automobile**  
(51) International Design Classification: **26-06**  
(71) Name(s) and Address(s) of Applicant(s):  
**Honda Motor Co., Ltd.**  
**1-1 Minami-Aoyama 2-Chome Minato-Ku Tokyo Japan**  
(72) Name(s) of Designer(s): **Fumito Ohta**  
(45) Registration Date: **04 October 2006**  
(30) Convention priority data:  
(31) Number (32) Date (33) Country  
**2006-2528 06 Feb 2006 JAPAN**  
(56) Related Art Documents: **Not Applicable**  
(57) Statement of Newness and Distinctiveness: **Newness and distinctiveness is claimed in the features of shape and/or configuration of a rear combination lamp for an automobile as illustrated in the accompanying representations.**



- (21) Design Number: **13419/2006**  
(22) Date of Filing Application: **03 August 2006**  
(24) Date from which industrial property rights may have effect: **03 August 2006**  
(54) Product in respect of which the design is registered: **An automobile**  
(51) International Design Classification: **12-08**  
(71) Name(s) and Address(s) of Applicant(s):  
**Honda Motor Co., Ltd.**  
**1-1 Minami-Aoyama 2-Chome Minato-Ku Tokyo Japan**  
(72) Name(s) of Designer(s): **Hideaki Uchino and Daisuke Sawai**  
(45) Registration Date: **04 October 2006**  
(30) Convention priority data:  
(31) Number (32) Date (33) Country  
**2006-3800 20 Feb 2006 JAPAN**  
(56) Related Art Documents: **Not Applicable**  
(57) Statement of Newness and Distinctiveness: **Newness and distinctiveness is claimed in the features of shape and/or configuration of an automobile as illustrated in the accompanying representations.**



(21) Design Number: **13438/2006**

(22) Date of Filing Application: **04 August 2006**

(24) Date from which industrial property rights may have effect: **04 August 2006**

(54) Product in respect of which the design is registered: **Cup**

(51) International Design Classification: **07-01D**

(71) Name(s) and Address(s) of Applicant(s):

**Villeroy & Boch AG.**

**Saaruferstrasse 14-18 D-66693 Mettlach Germany**

(72) Name(s) of Designer(s): **Andrea Luft**

(45) Registration Date: **04 October 2006**

(30) Convention priority data:

(31) Number  
**000 476 759**

(32) Date  
**08 Feb 2006**

(33) Country  
**EUROPEAN COMMUNITY**

(56) Related Art Documents: **Not Applicable**

(57) Statement of Newness and Distinctiveness: **The shape and configuration of the product is new and distinctive. The text and logo shown on the base of the product is to be disregarded.**



(21) Design Number: **13440/2006**

(22) Date of Filing Application: **04 August 2006**

(24) Date from which industrial property rights may have effect: **04 August 2006**

(54) Product in respect of which the design is registered: **Plate**

(51) International Design Classification: **07-01B**

(71) Name(s) and Address(s) of Applicant(s):

**Villeroy & Boch AG.**

**Saaruferstrasse 14-18 D-66693 Mettlach Germany**

(72) Name(s) of Designer(s): **Andrea Luft**

(45) Registration Date: **04 October 2006**

(30) Convention priority data:

(31) Number  
**000 476 759**

(32) Date  
**08 Feb 2006**

(33) Country  
**EUROPEAN COMMUNITY**

(56) Related Art Documents: **Not Applicable**

(57) Statement of Newness and Distinctiveness: **The shape and configuration of the product is new and distinctive. The text and logo shown on the base of the product is to be disregarded.**



(21) Design Number: **13444/2006**  
(22) Date of Filing Application: **04 August 2006**  
(24) Date from which industrial property rights may have effect: **04 August 2006**  
(54) Product in respect of which the design is registered: **Saucer**  
(51) International Design Classification: **07-01D**  
(71) Name(s) and Address(s) of Applicant(s):  
**Villeroy & Boch AG.**  
**Saaruferstrasse 14-18 D-66693 Mettlach Germany**  
(72) Name(s) of Designer(s): **Andrea Luft**  
(45) Registration Date: **04 October 2006**  
(30) Convention priority data:  
(31) Number (32) Date (33) Country  
**000 476 759 08 Feb 2006 EUROPEAN COMMUNITY**  
(56) Related Art Documents: **Not Applicable**  
(57) Statement of Newness and Distinctiveness: **The shape and configuration of the product is new and distinctive. The text and logo shown on the base of the product is to be disregarded.**



(21) Design Number: **13665/2006**  
(22) Date of Filing Application: **17 August 2006**  
(24) Date from which industrial property rights may have effect: **17 August 2006**  
(54) Product in respect of which the design is registered: **Motorcycle**  
(51) International Design Classification: **12-11**  
(71) Name(s) and Address(s) of Applicant(s):  
**Honda Motor Co., Ltd.**  
**1-1 Minamiaoyama 2-chome Minato-ku Tokyo Japan**  
(72) Name(s) of Designer(s): **Kanya Takigawa and Paolo Cuccagna**  
(45) Registration Date: **04 October 2006**  
(30) Convention priority data:  
(31) Number (32) Date (33) Country  
**2006-3983 21 Feb 2006 JAPAN**  
(56) Related Art Documents: **Not Applicable**  
(57) Statement of Newness and Distinctiveness: **Newness and distinctiveness is claimed in the features of shape and/or configuration of a motorcycle as illustrated in the accompanying representations.**



- (21) Design Number: **13698/2006**  
(22) Date of Filing Application: **17 August 2006**  
(24) Date from which industrial property rights may have effect: **17 August 2006**  
(54) Product in respect of which the design is registered: **Collapsible hand cart**  
(51) International Design Classification: **12-02**  
(71) Name(s) and Address(s) of Applicant(s):  
**Inyakart Pty Ltd**  
**41-59 Dynon Road West Melbourne Victoria 3003 Australia**  
(72) Name(s) of Designer(s): **John Louis Maltzahn**  
(45) Registration Date: **04 October 2006**  
(56) Related Art Documents: **Not Applicable**  
(57) Statement of Newness and Distinctiveness: **Nil**



- (21) Design Number: **13863/2006**  
(22) Date of Filing Application: **28 August 2006**  
(24) Date from which industrial property rights may have effect: **28 August 2006**  
(54) Product in respect of which the design is registered: **Bumper bar for a vehicle**  
(51) International Design Classification: **12-16C**  
(71) Name(s) and Address(s) of Applicant(s):  
**Ford Motor Company of Australia Limited**  
**1735 Sydney Road Campbellfield Victoria 3061 Australia**  
(72) Name(s) of Designer(s): **Graham Wadsworth**  
(45) Registration Date: **04 October 2006**  
(56) Related Art Documents: **Not Applicable**  
(57) Statement of Newness and Distinctiveness: **Newness and distinctiveness resides in the visual features of shape and/or configuration of a bumper bar for a vehicle as illustrated in the representations.**



(21) Design Number: **10817/2006**

(22) Date of Filing Application: **02 March 2006**

(24) Date from which industrial property rights may have effect: **02 March 2006**

(54) Product in respect of which the design is registered: **Beds and bunks**

(51) International Design Classification: **06-02**

(71) Name(s) and Address(s) of Applicant(s):

**Tube Home (M) SDN BHD**

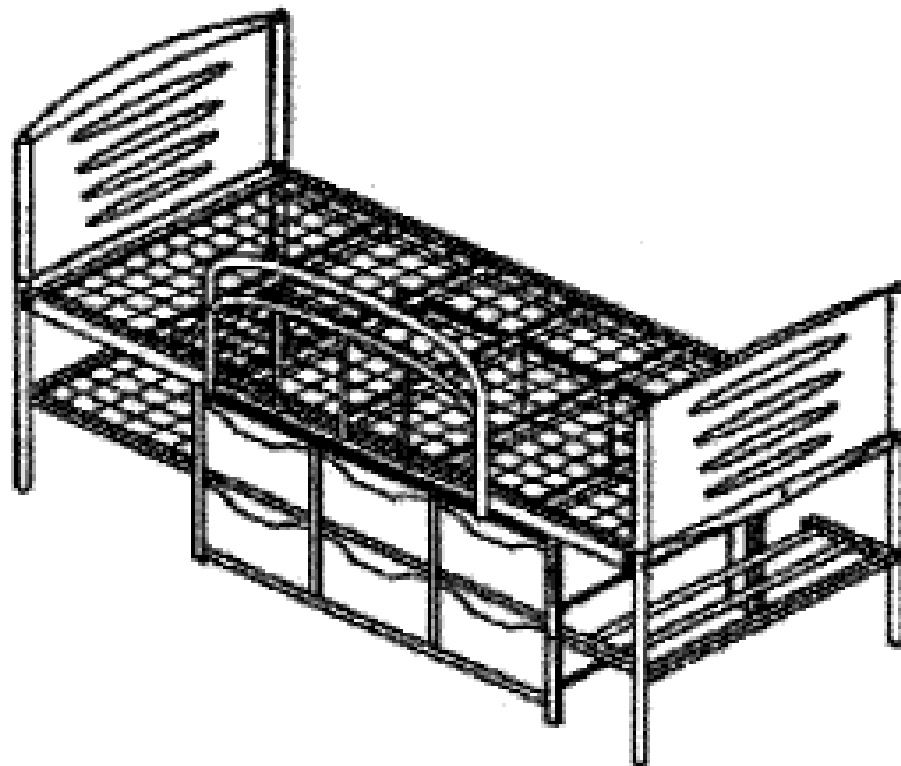
**No.6 Jln Perusahaan 2 Kawasan Perusahaan Beranang Hulu Langat  
43700 Selangor Malaysia**

(72) Name(s) of Designer(s): **Tan Yok Chin**

(45) Registration Date: **03 October 2006**

(56) Related Art Documents: **Not Applicable**

(57) Statement of Newness and Distinctiveness: **Nil**



(21) Design Number: **10940/2006**

(22) Date of Filing Application: **02 March 2006**

(24) Date from which industrial property rights may have effect: **02 March 2006**

(54) Product in respect of which the design is registered: **Beds and bunks**

(51) International Design Classification: **06-02**

(71) Name(s) and Address(s) of Applicant(s):

**Tube Home (M) SDN BHD**

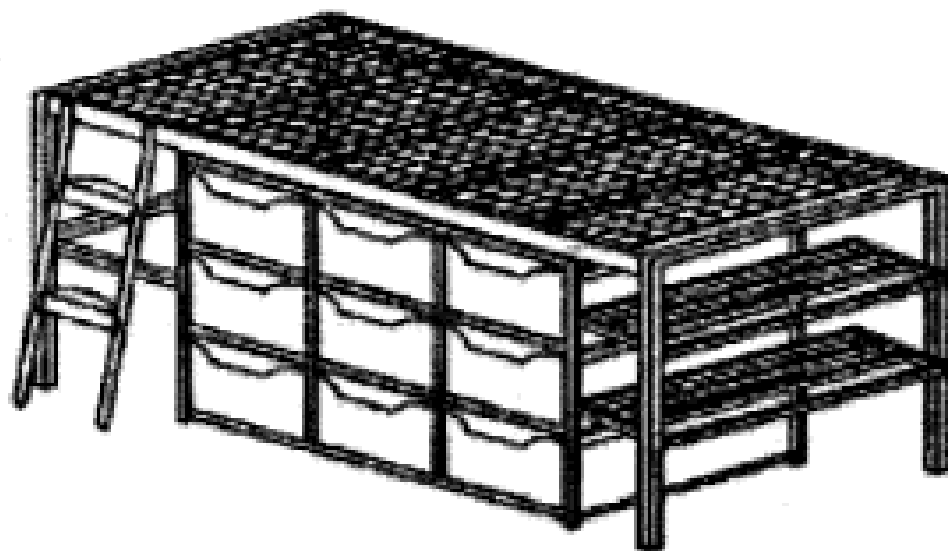
**No.6 Jln Perusahaan 2 Kawasan Perusahaan Beranang Hulu Langat  
43700 Selangor Malaysia**

(72) Name(s) of Designer(s): **Tan Yok Chin**

(45) Registration Date: **03 October 2006**

(56) Related Art Documents: **Not Applicable**

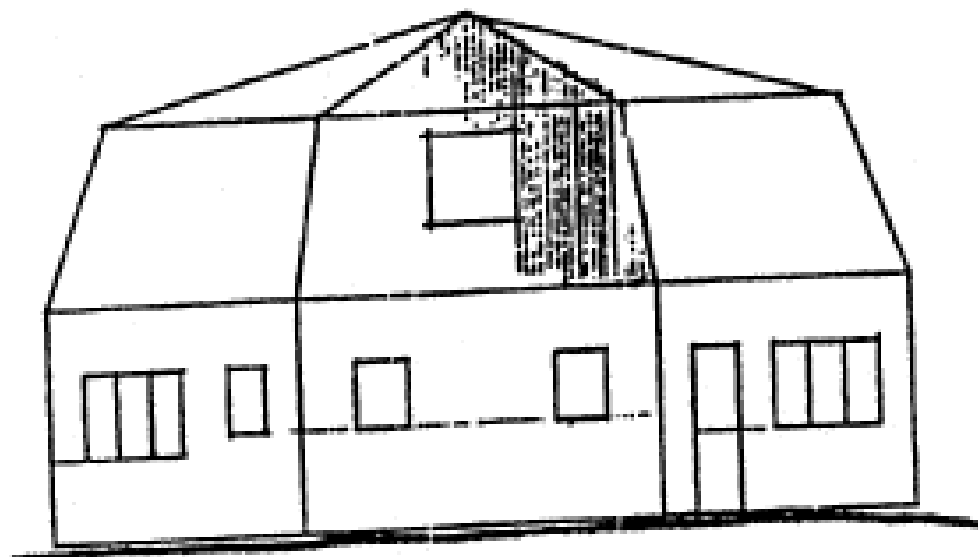
(57) Statement of Newness and Distinctiveness: **Nil**



- (21) Design Number: **10941/2006**  
(22) Date of Filing Application: **02 March 2006**  
(24) Date from which industrial property rights may have effect: **02 March 2006**  
(54) Product in respect of which the design is registered: **Beds and bunks**  
(51) International Design Classification: **06-02**  
(71) Name(s) and Address(s) of Applicant(s):  
**Tube Home (M) SDN BHD**  
**No.6 Jln Perusahaan 2 Kawasan Perusahaan Beranang Hulu Langat**  
**43700 Selangor Malaysia**  
(72) Name(s) of Designer(s): **Tan Yok Chin**  
(45) Registration Date: **03 October 2006**  
(56) Related Art Documents: **Not Applicable**  
(57) Statement of Newness and Distinctiveness: **Nil**



- (21) Design Number: **10945/2006**  
(22) Date of Filing Application: **13 March 2006**  
(24) Date from which industrial property rights may have effect: **13 March 2006**  
(54) Product in respect of which the design is registered: **House and building design**  
(51) International Design Classification: **25-03**  
(71) Name(s) and Address(s) of Applicant(s):  
**Ivan Ronald Foster**  
**Unit 11 8 Mylor Street Nerang Queensland 4211 Australia**  
(72) Name(s) of Designer(s): **Ivan Ronald Foster**  
(45) Registration Date: **03 October 2006**  
(56) Related Art Documents: **Not Applicable**  
(57) Statement of Newness and Distinctiveness: **The dome and pyramid designs are combined to create the domestic dome, an alternative house, building design giving strength and space.**





(21) Design Number: **12088/2006**  
 (22) Date of Filing Application: **12 May 2006**  
 (24) Date from which industrial property rights may have effect: **12 May 2006**  
 (54) Product in respect of which the design is registered: **Container**  
 (51) International Design Classification: **09-03L, 09-03NES, 09-01NES**  
 (71) Name(s) and Address(s) of Applicant(s):  
**Dart Industries Inc.**  
**14901 S. Orange Blossom Trail Orlando Florida 32837 United States of America**  
 (72) Name(s) of Designer(s): **Jan-Hendrik de Groot**  
 (45) Registration Date: **03 October 2006**  
 (30) Convention priority data:  

(31) Number	(32) Date	(33) Country
<b>29/245,173</b>	<b>20 Dec 2005</b>	<b>UNITED STATES OF AMERICA</b>

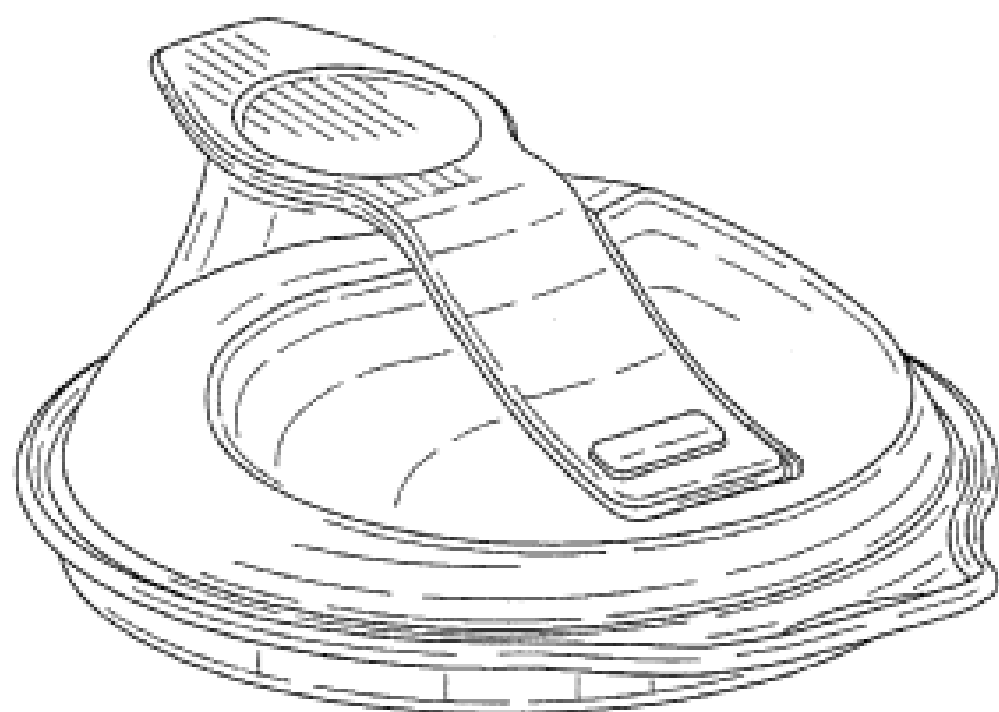
 (56) Related Art Documents: **Not Applicable**  
 (57) Statement of Newness and Distinctiveness: **Those features of the container depicted in the representations that are new and distinctive are the shape and/or configuration.**



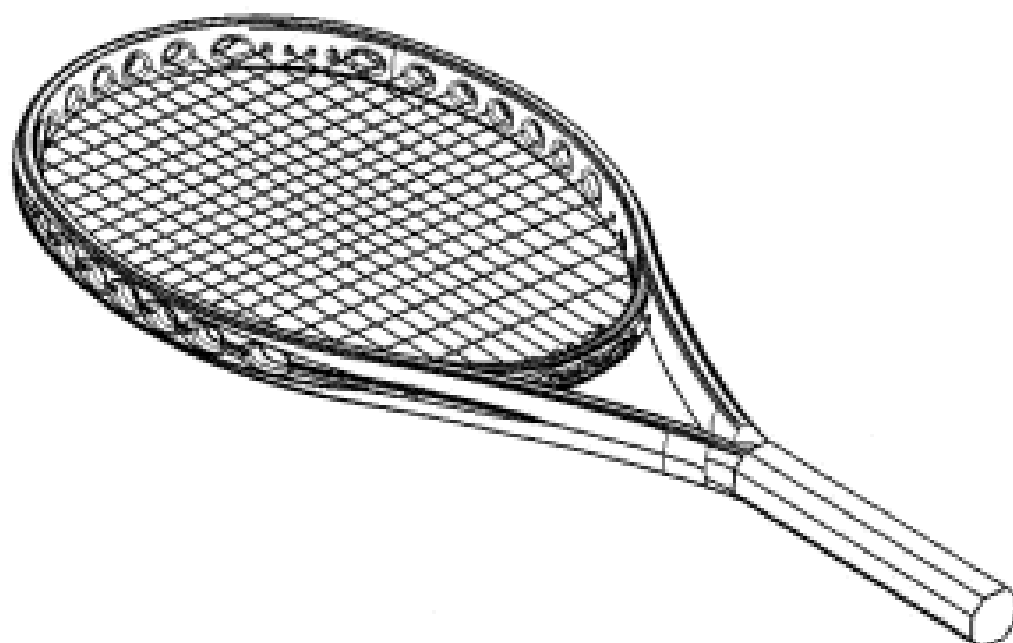
(21) Design Number: **12089/2006**  
 (22) Date of Filing Application: **12 May 2006**  
 (24) Date from which industrial property rights may have effect: **12 May 2006**  
 (54) Product in respect of which the design is registered: **Cover/lid**  
 (51) International Design Classification: **09-07B**  
 (71) Name(s) and Address(s) of Applicant(s):  
**Dart Industries Inc.**  
**14901 S. Orange Blossom Trail Orlando Florida 32837 United States of America**  
 (72) Name(s) of Designer(s): **Jan-Hendrik de Groot**  
 (45) Registration Date: **03 October 2006**  
 (30) Convention priority data:  

(31) Number	(32) Date	(33) Country
<b>29/245,172</b>	<b>20 Dec 2005</b>	<b>UNITED STATES OF AMERICA</b>

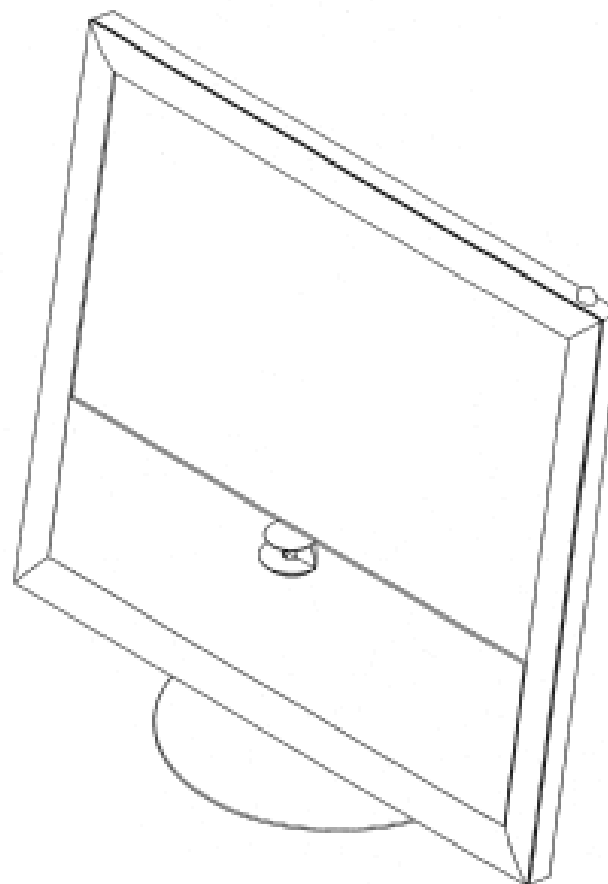
 (56) Related Art Documents: **Not Applicable**  
 (57) Statement of Newness and Distinctiveness: **Those features of the cover/lid depicted in the representations that are new and distinctive are the shape and/or configuration.**



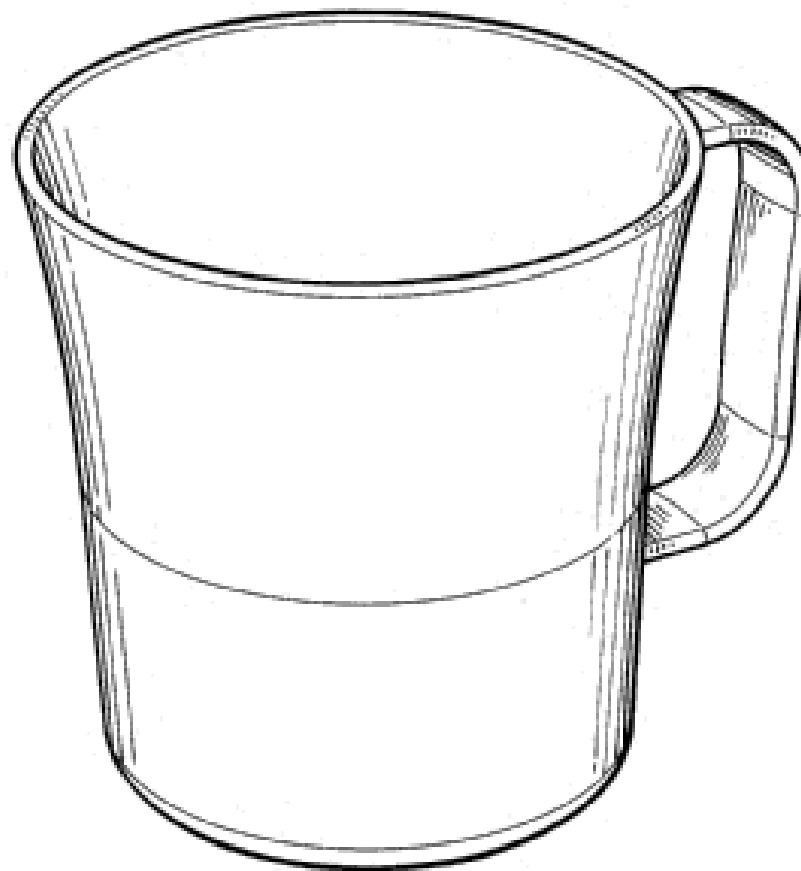
(21) Design Number: **12296/2006**  
(22) Date of Filing Application: **24 May 2006**  
(24) Date from which industrial property rights may have effect: **24 May 2006**  
(54) Product in respect of which the design is registered: **Sports racquet**  
(51) International Design Classification: **21-02B**  
(71) Name(s) and Address(s) of Applicant(s):  
**Prince Sports Inc.**  
**One Advantage Court Bordentown NJ 08505 United States of America**  
(72) Name(s) of Designer(s): **Mauro Pezzato and Michele Pozzobon**  
(45) Registration Date: **03 October 2006**  
(30) Convention priority data:  
(31) Number (32) Date (33) Country  
**000437587 28 Nov 2005 EUROPEAN PATENT OFFICE (EP)**  
(56) Related Art Documents: **Not Applicable**  
(57) Statement of Newness and Distinctiveness: **Nil.**



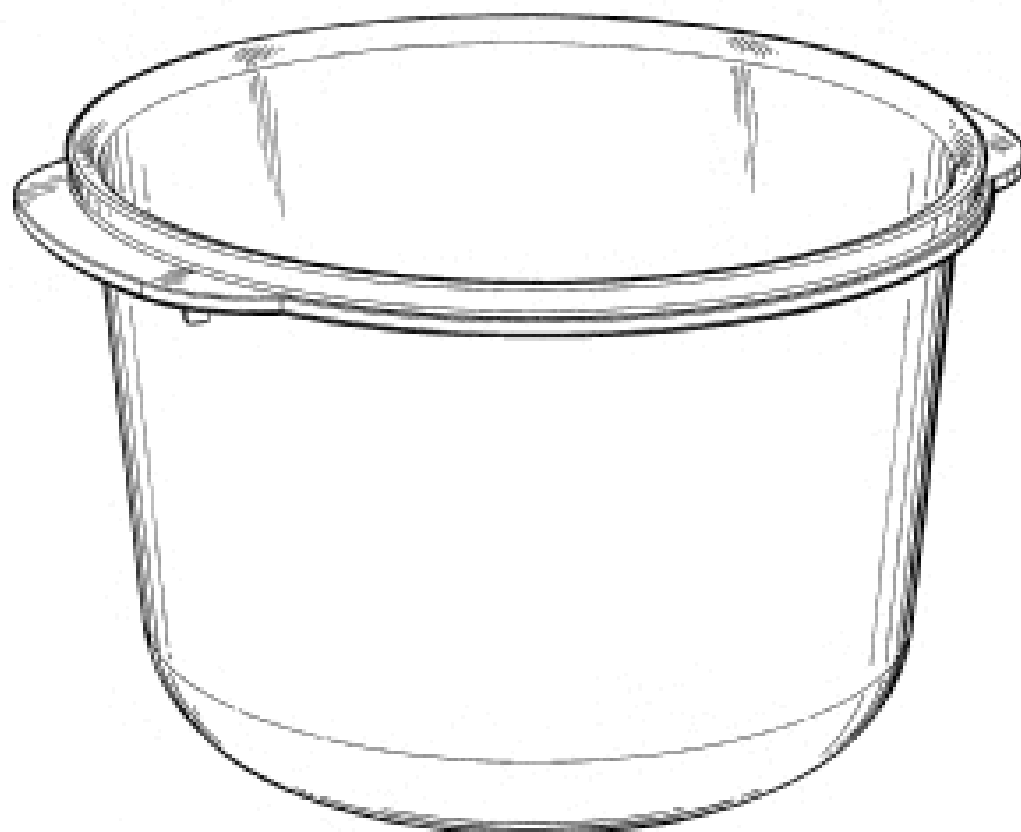
(21) Design Number: **12846/2006**  
(22) Date of Filing Application: **04 July 2006**  
(24) Date from which industrial property rights may have effect: **04 July 2006**  
(54) Product in respect of which the design is registered: **A television**  
(51) International Design Classification: **14-03B**  
(71) Name(s) and Address(s) of Applicant(s):  
**Bang & Olufsen A/S**  
**Peter Bangs Vej 15 Postboks 40 7600 Struer Denmark**  
(72) Name(s) of Designer(s): **David Lewis**  
(45) Registration Date: **03 October 2006**  
(30) Convention priority data:  
(31) Number (32) Date (33) Country  
**DA 2006 31 Jan 2006 DENMARK 00037**  
(56) Related Art Documents: **Not Applicable**  
(57) Statement of Newness and Distinctiveness: **Nil.**



- (21) Design Number: **13185/2006**
- (22) Date of Filing Application: **24 July 2006**
- (24) Date from which industrial property rights may have effect: **24 July 2006**
- (54) Product in respect of which the design is registered: **Soup mug**
- (51) International Design Classification: **07-01D**
- (71) Name(s) and Address(s) of Applicant(s):  
**The Decor Corporation Pty Ltd**  
**1314 Ferntree Gully Road Scoresby Victoria 3179 Australia**
- (72) Name(s) of Designer(s): **Arthur Richard Carlson**
- (45) Registration Date: **03 October 2006**
- (56) Related Art Documents: **Not Applicable**
- (57) Statement of Newness and Distinctiveness: **Nil.**



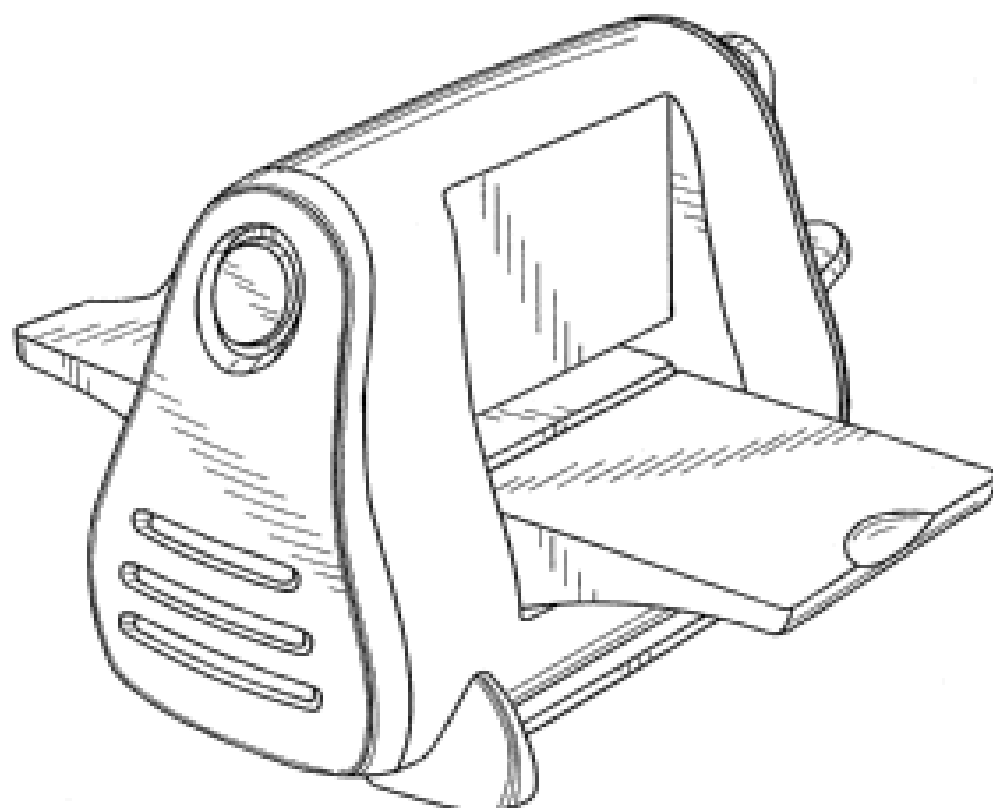
- (21) Design Number: **13186/2006**
- (22) Date of Filing Application: **24 July 2006**
- (24) Date from which industrial property rights may have effect: **24 July 2006**
- (54) Product in respect of which the design is registered: **Rice cooker**
- (51) International Design Classification: **07-02N**
- (71) Name(s) and Address(s) of Applicant(s):  
**The Decor Corporation Pty Ltd**  
**1314 Ferntree Gully Road Scoresby Victoria 3179 Australia**
- (72) Name(s) of Designer(s): **Arthur Richard Carlson**
- (45) Registration Date: **03 October 2006**
- (56) Related Art Documents: **Not Applicable**
- (57) Statement of Newness and Distinctiveness: **Nil.**



- (21) Design Number: **13290/2006**  
(22) Date of Filing Application: **27 July 2006**  
(24) Date from which industrial property rights may have effect: **27 July 2006**  
(54) Product in respect of which the design is registered: **Joints for pipes**  
(51) International Design Classification: **23-01A**  
(71) Name(s) and Address(s) of Applicant(s):  
**E. Hawle Armaturenwerke GmbH**  
**Wagrainerstrasse 13 A-4840 Vocklabruck Austria**  
(72) Name(s) of Designer(s): **Mario Zeppetzaer**  
(45) Registration Date: **03 October 2006**  
(30) Convention priority data:  
(31) Number (32) Date (33) Country  
**000470935-0001 30 Jan 2006 EUROPEAN COMMUNITY**  
(56) Related Art Documents: **Not Applicable**  
(57) Statement of Newness and Distinctiveness: **Newness and distinctiveness reside in the features of the design as shown in the representations.**



- (21) Design Number: **13347/2006**  
(22) Date of Filing Application: **31 July 2006**  
(24) Date from which industrial property rights may have effect: **31 July 2006**  
(54) Product in respect of which the design is registered: **Roller die press**  
(51) International Design Classification: **15-09**  
(71) Name(s) and Address(s) of Applicant(s):  
**Provo Craft and Novelty, Inc.**  
**151 East 3450 North Spanish Fork Utah 84660 United States of America**  
(72) Name(s) of Designer(s): **Gerardo D. Ayala and Michael Horito and Tyler Allan**  
(45) Registration Date: **03 October 2006**  
(30) Convention priority data:  
(31) Number (32) Date (33) Country  
**29/252907 30 Jan 2006 UNITED STATES OF AMERICA**  
(56) Related Art Documents: **Not Applicable**  
(57) Statement of Newness and Distinctiveness: **Newness and distinctiveness reside in the features of the design shown in the representations.**



(21) Design Number: **13354/2006**

(22) Date of Filing Application: **31 July 2006**

(24) Date from which industrial property rights may have effect: **31 July 2006**

(54) Product in respect of which the design is registered: **Beverage dispenser**

(51) International Design Classification: **07-02L, 31-00**

(71) Name(s) and Address(s) of Applicant(s):

**Societe Des Produits Nestle S.A.  
1800 Vevey Switzerland**

(72) Name(s) of Designer(s): **Kevin Hodges**

(45) Registration Date: **03 October 2006**

(30) Convention priority data:

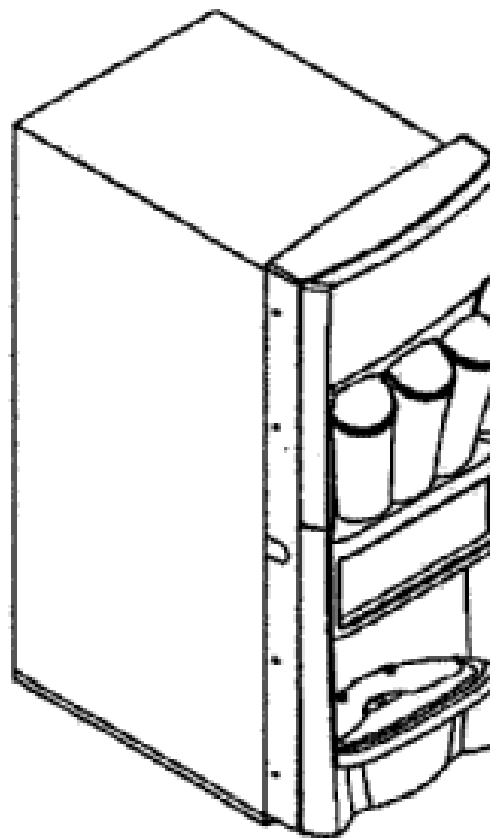
(31) Number  
**132726**

(32) Date  
**08 Mar 2006**

(33) Country  
**SWITZERLAND**

(56) Related Art Documents: **Not Applicable**

(57) Statement of Newness and Distinctiveness: **Nil**



(21) Design Number: **13358/2006**

(22) Date of Filing Application: **31 July 2006**

(24) Date from which industrial property rights may have effect: **31 July 2006**

(54) Product in respect of which the design is registered: **Head of pot scouring dish brush**

(51) International Design Classification: **04-01**

(71) Name(s) and Address(s) of Applicant(s):

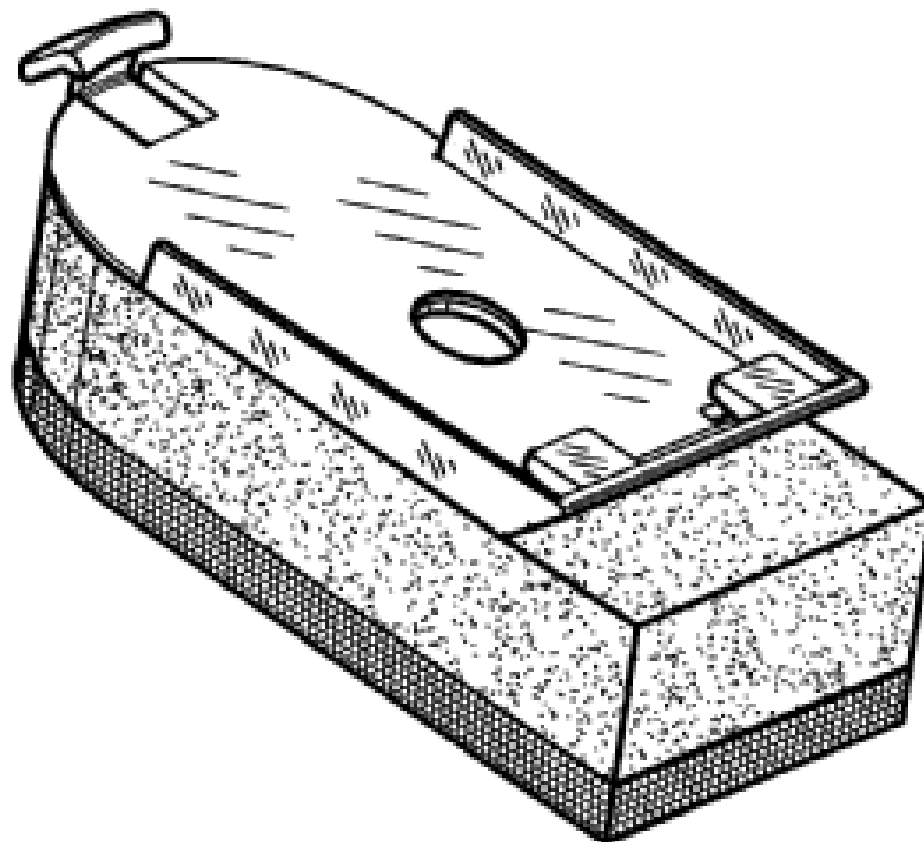
**The Decor Corporation Pty Ltd  
1314 Ferntree Gully Road Scoresby Victoria 3179 Australia**

(72) Name(s) of Designer(s): **Anthony Henry Wolfenden**

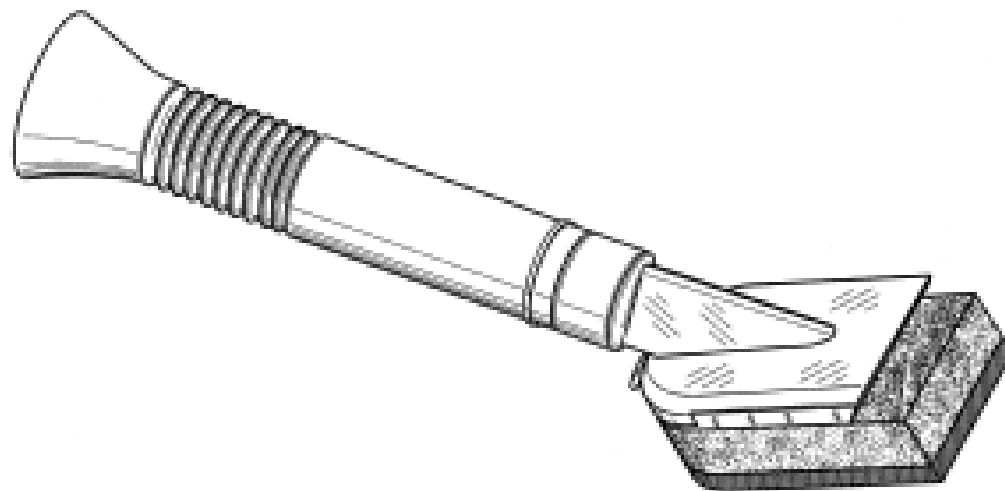
(45) Registration Date: **03 October 2006**

(56) Related Art Documents: **Not Applicable**

(57) Statement of Newness and Distinctiveness: **Nil**



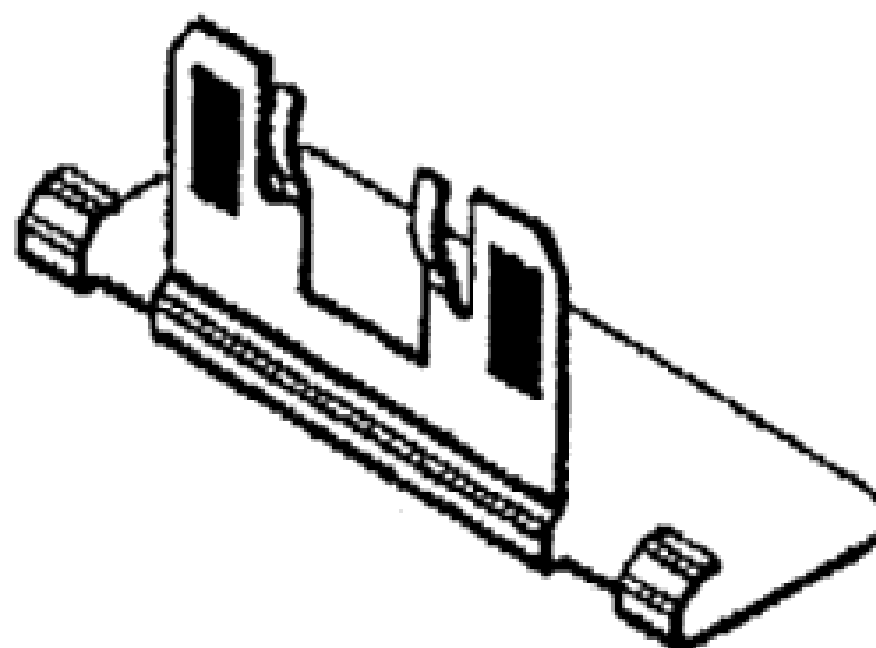
(21) Design Number: **13362/2006**  
(22) Date of Filing Application: **31 July 2006**  
(24) Date from which industrial property rights may have effect: **31 July 2006**  
(54) Product in respect of which the design is registered: **Pot scouring dish brush**  
(51) International Design Classification: **04-01**  
(71) Name(s) and Address(s) of Applicant(s):  
**The Decor Corporation Pty Ltd**  
**1314 Ferntree Gully Road Scoresby Victoria 3179 Australia**  
(72) Name(s) of Designer(s): **Anthony Henry Wolfenden**  
(45) Registration Date: **03 October 2006**  
(56) Related Art Documents: **Not Applicable**  
(57) Statement of Newness and Distinctiveness: **Nil**



(21) Design Number: **13367/2006**  
(22) Date of Filing Application: **31 July 2006**  
(24) Date from which industrial property rights may have effect: **31 July 2006**  
(54) Product in respect of which the design is registered: **A bracket**  
(51) International Design Classification: **08-08L, 08-08M, 08-08N, 08-08NES**  
(71) Name(s) and Address(s) of Applicant(s):  
**Louver-Lite Limited**  
**Ashton Road Hyde Cheshire SK14 4BG United Kingdom**  
(72) Name(s) of Designer(s): **Reginald Charles Allsopp**  
(45) Registration Date: **03 October 2006**  
(30) Convention priority data:  

(31) Number	(32) Date	(33) Country
<b>473541-0004</b>	<b>30 Jan 2006</b>	<b>EUROPEAN COMMUNITY</b>

  
(56) Related Art Documents: **Not Applicable**  
(57) Statement of Newness and Distinctiveness: **Nil**



(21) Design Number: **13448/2006**

(22) Date of Filing Application: **04 August 2006**

(24) Date from which industrial property rights may have effect: **04 August 2006**

(54) Product in respect of which the design is registered: **Pot**

(51) International Design Classification: **11-02B**

(71) Name(s) and Address(s) of Applicant(s):

**Orica International IP Holdings Inc.  
33101 East Quincy Avenue Watkins Colorado 80137 United States of  
America**

(72) Name(s) of Designer(s): **Mark Spaile**

(45) Registration Date: **03 October 2006**

(56) Related Art Documents: **Not Applicable**

(57) Statement of Newness and Distinctiveness: **Nil**



(21) Design Number: **13491/2006**

(22) Date of Filing Application: **08 August 2006**

(24) Date from which industrial property rights may have effect: **08 August 2006**

(54) Product in respect of which the design is registered: **Toner cartridge**

(51) International Design Classification: **14-02, 16-03**

(71) Name(s) and Address(s) of Applicant(s):

**Kyocera Mita Corporation  
2-28 Tamatsukuri 1-Chome Chuo-ku Osaka 540 8585 Japan**

(72) Name(s) of Designer(s): **Hiroshi Hatanaka**

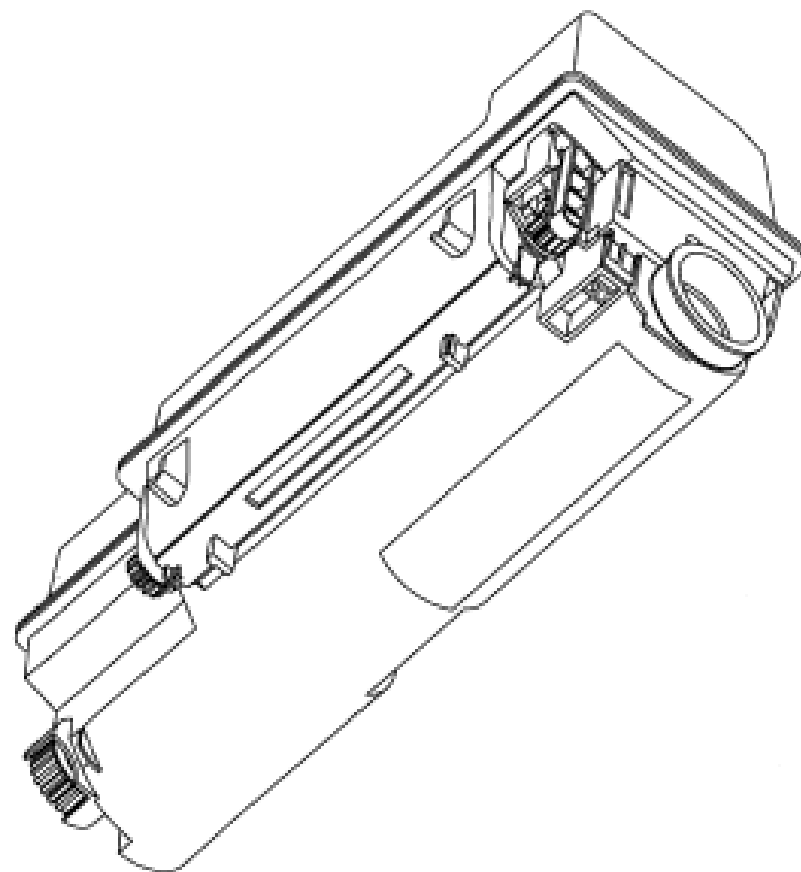
(45) Registration Date: **03 October 2006**

(30) Convention priority data:

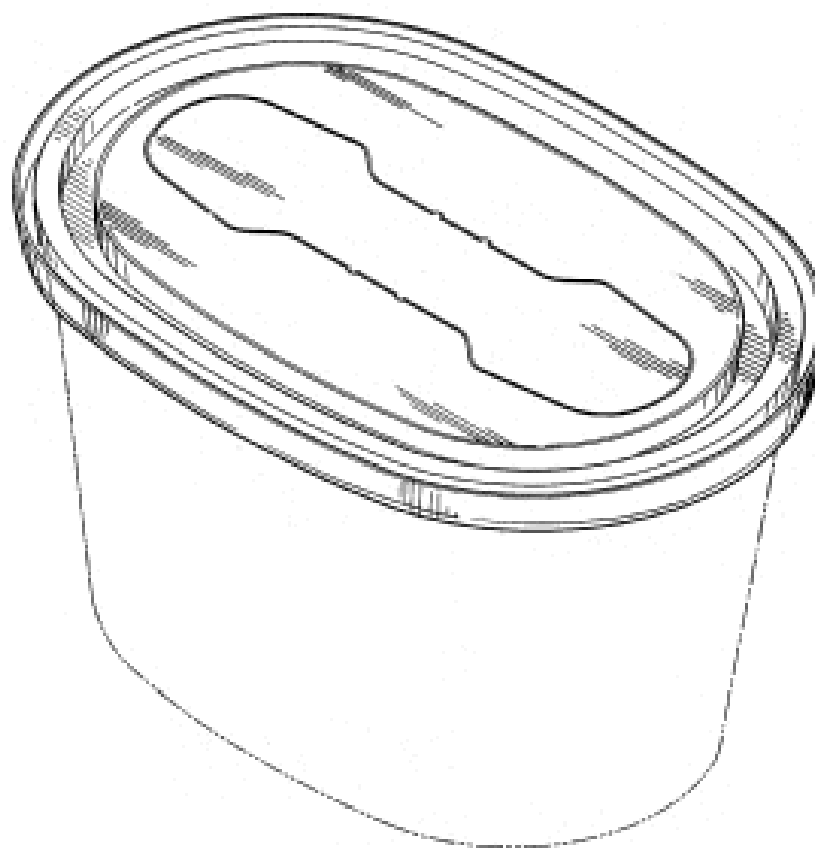
(31) Number	(32) Date	(33) Country
<b>2006-003755</b>	<b>17 Feb 2006</b>	<b>JAPAN</b>

(56) Related Art Documents: **Not Applicable**

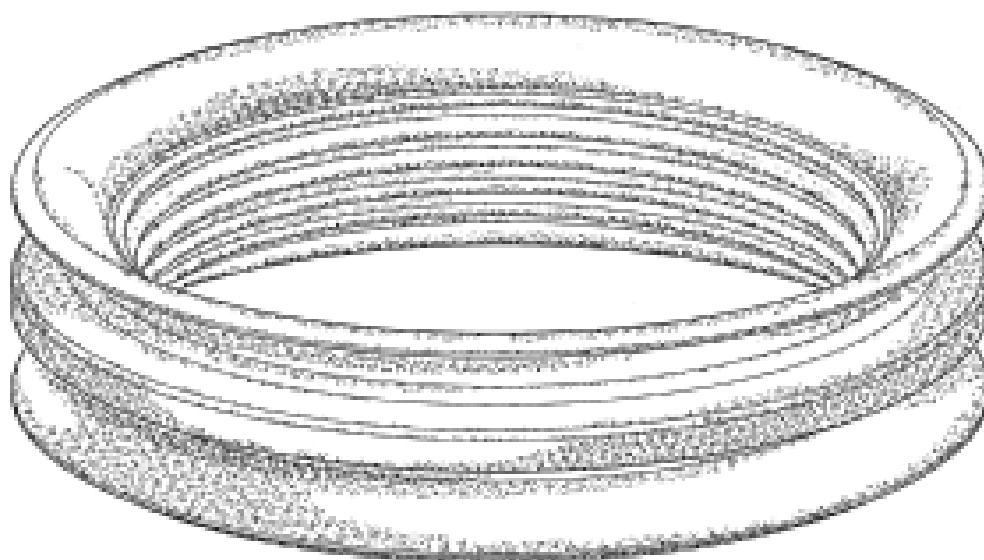
(57) Statement of Newness and Distinctiveness: **Nil**



- (21) Design Number: **13492/2006**  
(22) Date of Filing Application: **08 August 2006**  
(24) Date from which industrial property rights may have effect: **08 August 2006**  
(54) Product in respect of which the design is registered: **Container lid**  
(51) International Design Classification: **07-01NES, 09-07B**  
(71) Name(s) and Address(s) of Applicant(s):  
**NCI Packaging Pty Ltd**  
**90-92 Chifley Drive Preston Victoria 3072 Australia**  
(72) Name(s) of Designer(s): **Ron Morley**  
(45) Registration Date: **03 October 2006**  
(56) Related Art Documents: **Not Applicable**  
(57) Statement of Newness and Distinctiveness: **Newness and distinctiveness resides in the visual features of shape and/or configuration of a container lid shown in solid lines in the accompanying representations.**



- (21) Design Number: **13493/2006**  
(22) Date of Filing Application: **08 August 2006**  
(24) Date from which industrial property rights may have effect: **08 August 2006**  
(54) Product in respect of which the design is registered: **Pipe gasket**  
(51) International Design Classification: **23-01A**  
(71) Name(s) and Address(s) of Applicant(s):  
**S & B Technical products, Inc.**  
**1300 East Berry Street Fort Worth Texas 76119 United States of America**  
(72) Name(s) of Designer(s): **Guido Quesada**  
(45) Registration Date: **03 October 2006**  
(30) Convention priority data:  
(31) Number (32) Date (33) Country  
**29/253,566 08 Feb 2006 UNITED STATES OF AMERICA**  
(56) Related Art Documents: **Not Applicable**  
(57) Statement of Newness and Distinctiveness: **Newness and distinctiveness are claimed in the features of shape and/or configuration of a pipe gasket as illustrated in the accompanying representations.**





(21) Design Number: **12675/2006**

(22) Date of Filing Application: **21 June 2006**

(24) Date from which industrial property rights may have effect: **21 June 2006**

(54) Product in respect of which the design is registered: **A payment terminal**

(51) International Design Classification: **14-02**

(71) Name(s) and Address(s) of Applicant(s):

**Banksys**

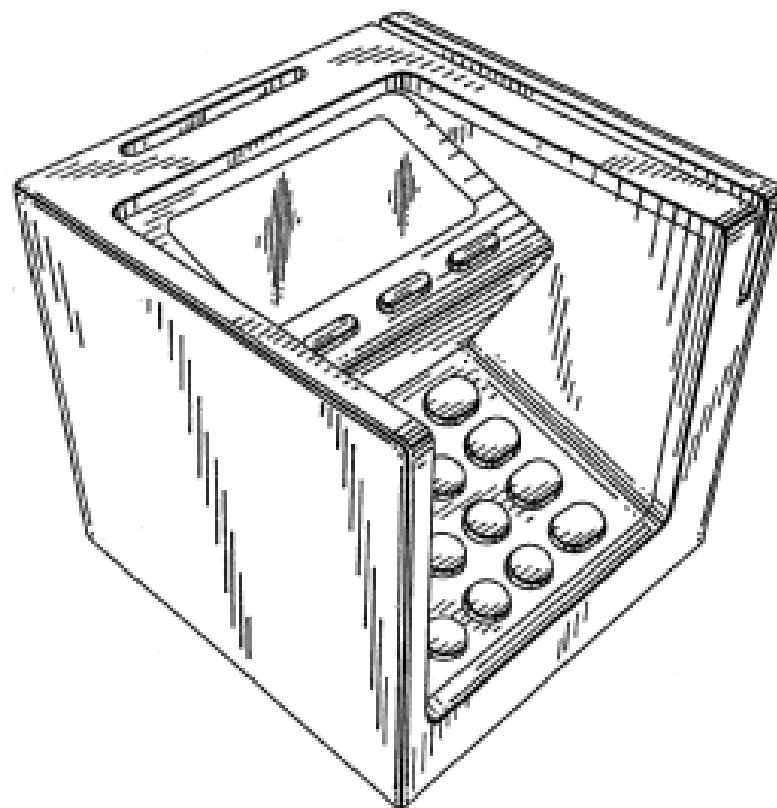
**1442 Chaussee de Haecht Brussels B-1130 Belgium**

(72) Name(s) of Designer(s): **Rene Slinckx**

(45) Registration Date: **03 October 2006**

(56) Related Art Documents: **Not Applicable**

(57) Statement of Newness and Distinctiveness: **Nil**



(21) Design Number: **12676/2006**

(22) Date of Filing Application: **21 June 2006**

(24) Date from which industrial property rights may have effect: **21 June 2006**

(54) Product in respect of which the design is registered: **A payment terminal**

(51) International Design Classification: **14-02**

(71) Name(s) and Address(s) of Applicant(s):

**Banksys**

**1442 Chaussee de Haecht Brussels B-1130 Belgium**

(72) Name(s) of Designer(s): **Rene Slinckx**

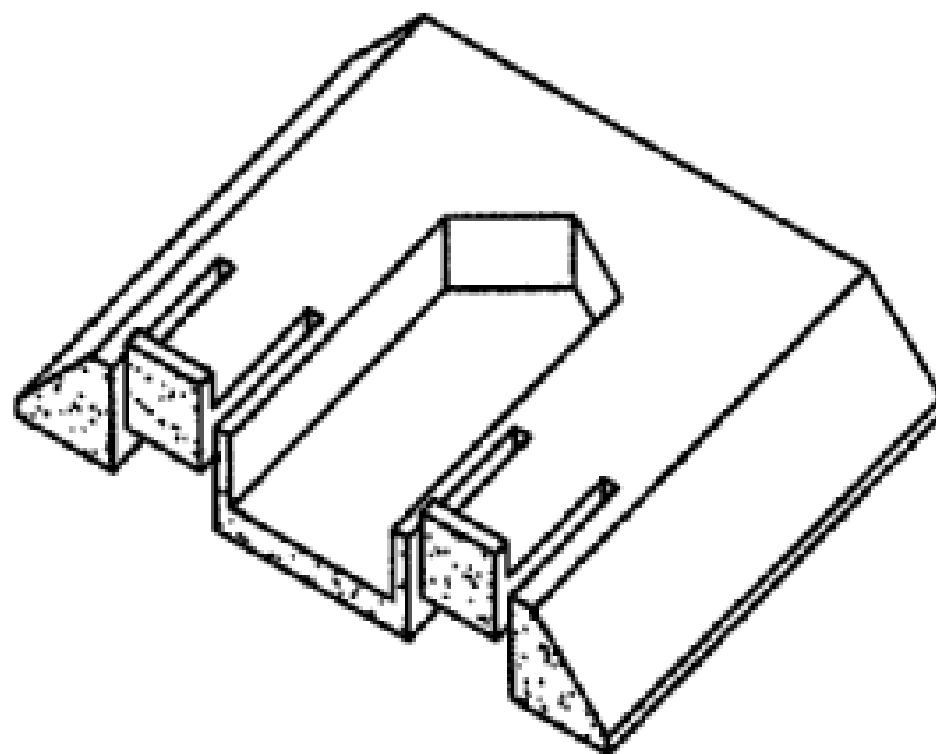
(45) Registration Date: **03 October 2006**

(56) Related Art Documents: **Not Applicable**

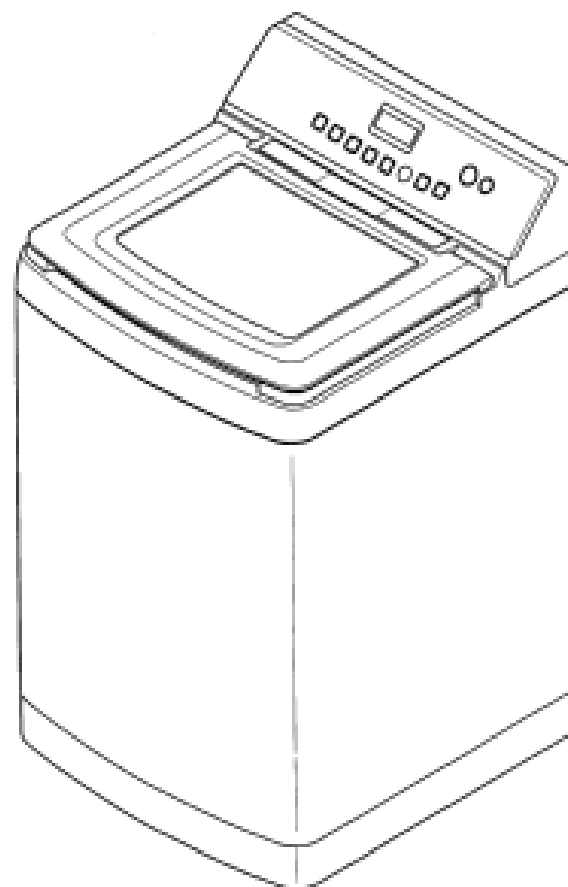
(57) Statement of Newness and Distinctiveness: **Nil**



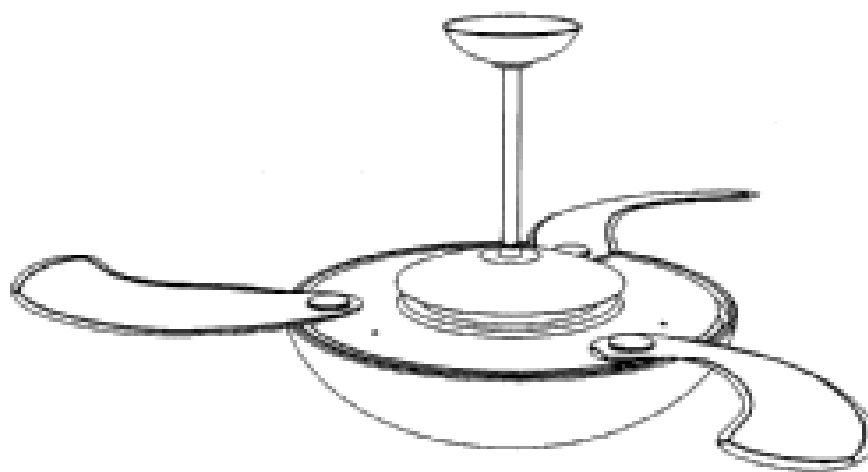
- (21) Design Number: **13246/2006**  
(22) Date of Filing Application: **27 July 2006**  
(24) Date from which industrial property rights may have effect: **27 July 2006**  
(54) Product in respect of which the design is registered: **Sliding doors**  
(51) International Design Classification: **08-09**  
(71) Name(s) and Address(s) of Applicant(s):  
**D & K Home Security P/L**  
**Fact 4 8 Jesmond Road Croyden Victoria 3136 Australia**  
(72) Name(s) of Designer(s): **David Mackintosh**  
(45) Registration Date: **03 October 2006**  
(56) Related Art Documents: **Not Applicable**  
(57) Statement of Newness and Distinctiveness: **Monopoly is claimed in the features, shape and configuration of the sliding door height adjustment lock as shown in the attached drawings.**



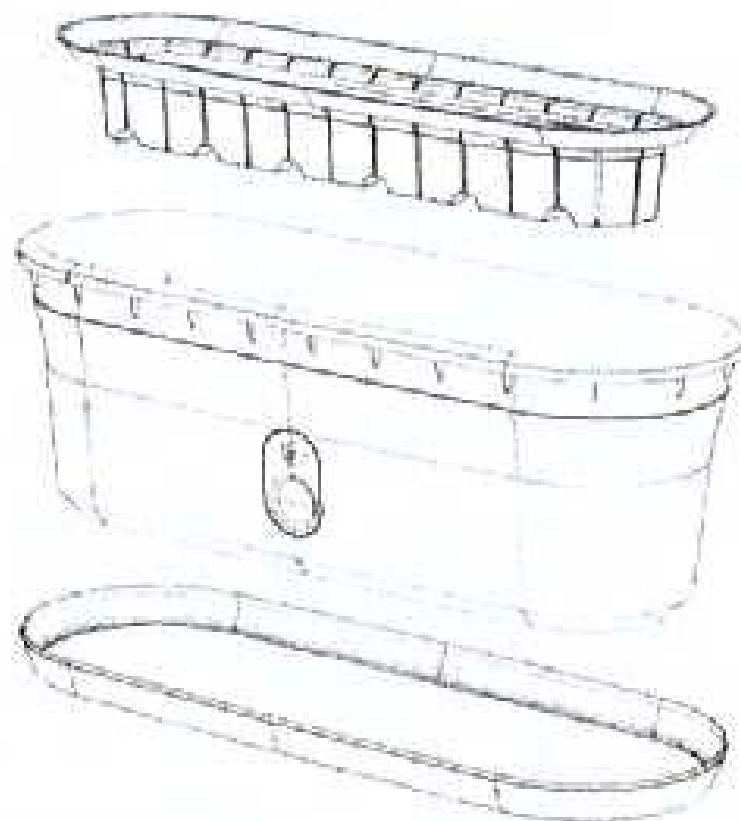
- (21) Design Number: **13399/2006**  
(22) Date of Filing Application: **02 August 2006**  
(24) Date from which industrial property rights may have effect: **02 August 2006**  
(54) Product in respect of which the design is registered: **Washing machine**  
(51) International Design Classification: **15-05**  
(71) Name(s) and Address(s) of Applicant(s):  
**Samsung Electronics Co., Ltd.**  
**416 Maetan-Dong, Yeongtong-Gu, Suwon-City, Kyungki-Do Republic of Korea**  
(72) Name(s) of Designer(s): **Kyung Tae Kim**  
(45) Registration Date: **03 October 2006**  
(56) Related Art Documents: **Not Applicable**  
(57) Statement of Newness and Distinctiveness: **The newness and distinctiveness of the design resides in the features of shape and/or configuration of the washing machine shown in the accompanying representations.**



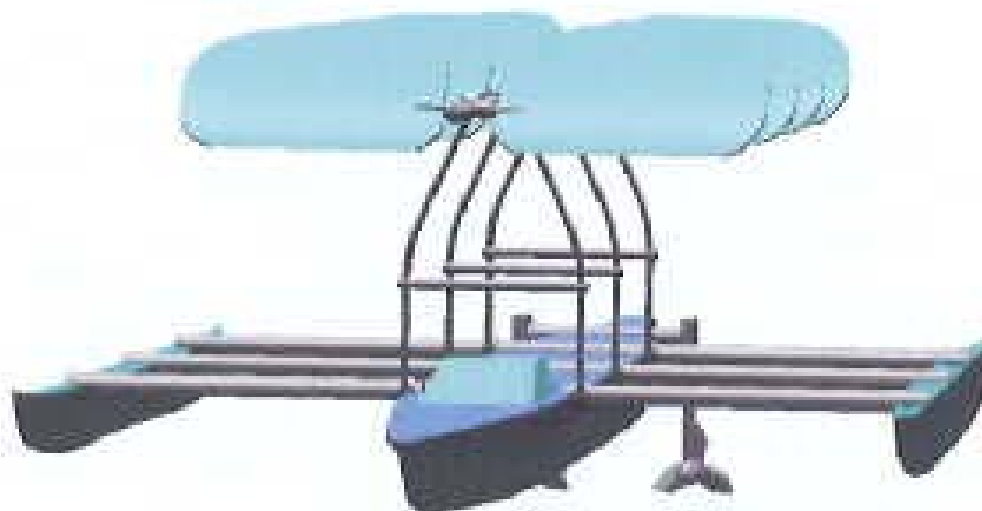
- (21) Design Number: **13447/2006**
- (22) Date of Filing Application: **04 August 2006**
- (24) Date from which industrial property rights may have effect: **04 August 2006**
- (54) Product in respect of which the design is registered: **Fanaway - Retracting blade ceiling fan with light**
- (51) International Design Classification: **26-05D, 23-04**
- (71) Name(s) and Address(s) of Applicant(s):  
**Fanaway Pty. Ltd.**  
**3 Dawes Court Mill Park Victoria 3082 Australia**
- (72) Name(s) of Designer(s): **Joe Vilella and Neil Waldbaum**
- (45) Registration Date: **03 October 2006**
- (56) Related Art Documents: **Not Applicable**
- (57) Statement of Newness and Distinctiveness: **The retracting blade ceiling fan has two appearances, when fan is not operating, the product takes on the appearance of a modern light fitting (fig. 1,3,5 & 7), when fan is operating, the blades swing out to form a ceiling fan (fig. 2,4,6 & 8). The fan blades have a distinct scimitar shape (semi-circular shape) in plan view and a curved cross section.**



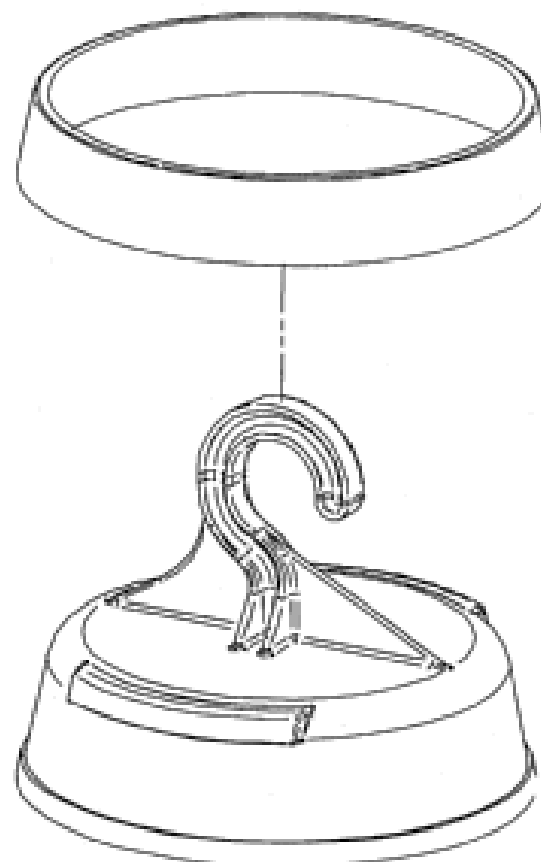
- (21) Design Number: **13452/2006**
- (22) Date of Filing Application: **04 August 2006**
- (24) Date from which industrial property rights may have effect: **04 August 2006**
- (54) Product in respect of which the design is registered: **Pot**
- (51) International Design Classification: **11-02B**
- (71) Name(s) and Address(s) of Applicant(s):  
**Orica International IP Holdings Inc.**  
**33101 East Quincy Avenue Watkins Colorado 80137 United States of America**
- (72) Name(s) of Designer(s): **Kristian Aus**
- (45) Registration Date: **03 October 2006**
- (56) Related Art Documents: **Not Applicable**
- (57) Statement of Newness and Distinctiveness: **Nil**



- (21) Design Number: **13463/2006**
- (22) Date of Filing Application: **08 August 2006**
- (24) Date from which industrial property rights may have effect: **08 August 2006**
- (54) Product in respect of which the design is registered: **Boat**
- (51) International Design Classification: **12-06C**
- (71) Name(s) and Address(s) of Applicant(s):  
**Michael B. Haber**  
**7 Boonah Street Wentworthville New South Wales 2145 Australia**
- (72) Name(s) of Designer(s): **Michael B. Haber**
- (45) Registration Date: **03 October 2006**
- (56) Related Art Documents: **Not Applicable**
- (57) Statement of Newness and Distinctiveness: **Watercraft,trimaran style, which uses solid wings with solar panels on their surface to make use of wind and solar energy. Author has patents on its unique wings tilt mechanism.**



- (21) Design Number: **13479/2006**
- (22) Date of Filing Application: **02 August 2006**
- (24) Date from which industrial property rights may have effect: **02 August 2006**
- (54) Product in respect of which the design is registered: **Bag barrier hook - Type 1**
- (51) International Design Classification: **08-08G**
- (71) Name(s) and Address(s) of Applicant(s):  
**SkillPro Services Pty Ltd**  
**PO Box 323 Acacia Ridge Queensland 4110 Australia**
- (72) Name(s) of Designer(s): **David Humphreys**
- (45) Registration Date: **03 October 2006**
- (56) Related Art Documents: **Not Applicable**
- (57) Statement of Newness and Distinctiveness: **Nil**



(21) Design Number: **13506/2006**

(22) Date of Filing Application: **10 August 2006**

(24) Date from which industrial property rights may have effect: **10 August 2006**

(54) Product in respect of which the design is registered: **Broom head**

(51) International Design Classification: **04-01**

(71) Name(s) and Address(s) of Applicant(s):

**E.D. Oates Pty Ltd**

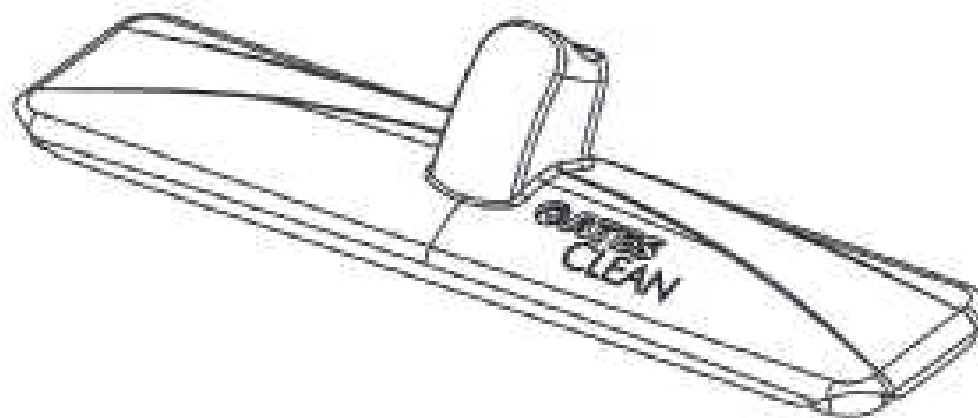
**76-82 Newlands Road Reservoir Victoria 3073 Australia**

(72) Name(s) of Designer(s): **Jon Lawson and Paul Charlwood and Andrew Howley**

(45) Registration Date: **03 October 2006**

(56) Related Art Documents: **Not Applicable**

(57) Statement of Newness and Distinctiveness: **Newness and distinctiveness resides in the visual features of shape and/or configuration of a broom head as illustrated in the accompanying representations. The words 'oats clean' do not form part of the design and are to be disregarded when considering the newness and distinctiveness of the design.**



(21) Design Number: **13508/2006**

(22) Date of Filing Application: **10 August 2006**

(24) Date from which industrial property rights may have effect: **10 August 2006**

(54) Product in respect of which the design is registered: **Broom head**

(51) International Design Classification: **04-01**

(71) Name(s) and Address(s) of Applicant(s):

**E.D. Oates Pty Ltd**

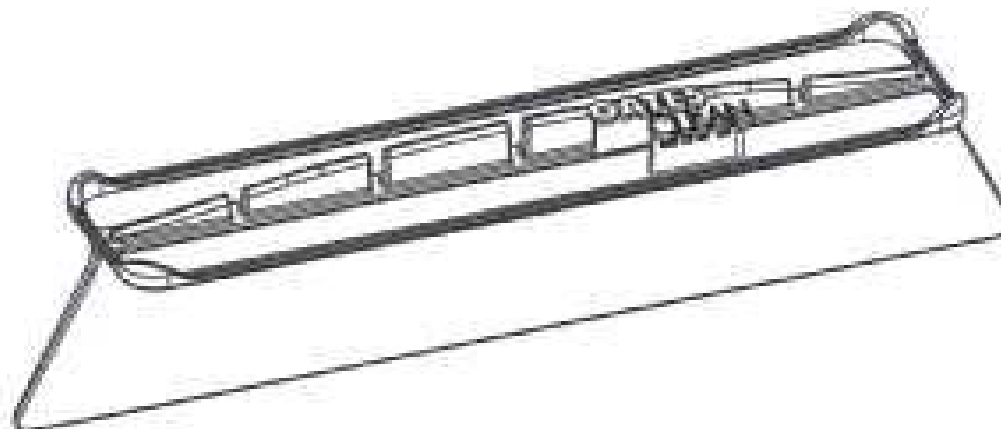
**76-82 Newlands Road Reservoir Victoria 3073 Australia**

(72) Name(s) of Designer(s): **Jon Lawson and Paul Charlwood and Andrew Howley**

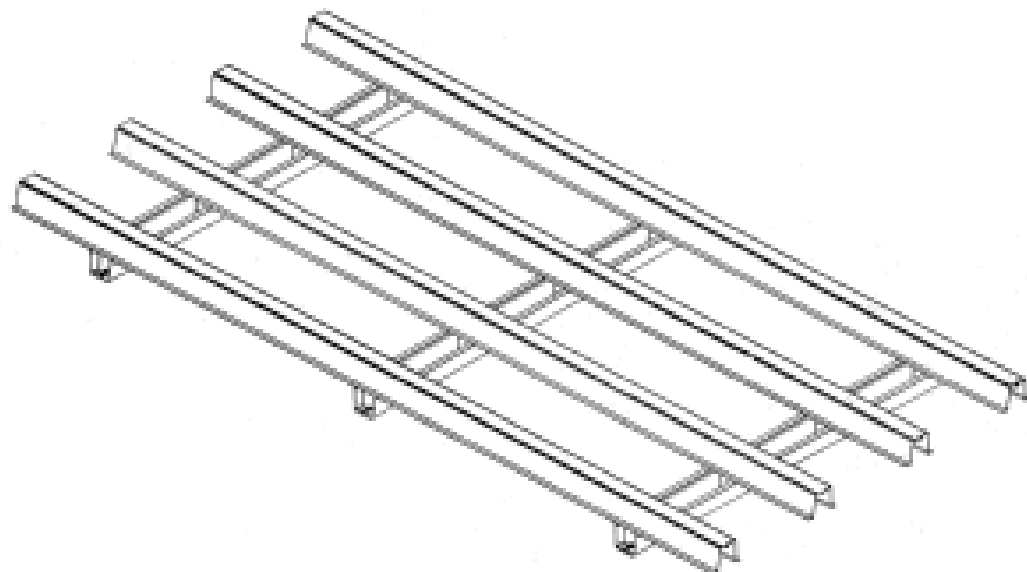
(45) Registration Date: **03 October 2006**

(56) Related Art Documents: **Not Applicable**

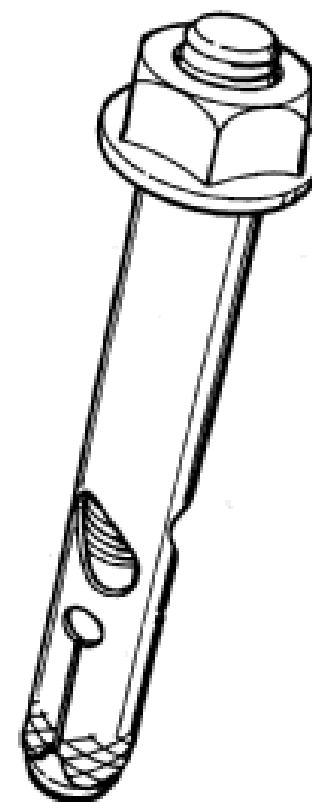
(57) Statement of Newness and Distinctiveness: **Newness and distinctiveness resides in the visual features of shape and/or configuration of a broom head as illustrated in the accompanying representations. The words 'Oates Clean' do not form part of the design and are to be disregarded when considering the newness and distinctiveness of the design.**



- (21) Design Number: **13514/2006**  
(22) Date of Filing Application: **10 August 2006**  
(24) Date from which industrial property rights may have effect: **10 August 2006**  
(54) Product in respect of which the design is registered: **Pallet**  
(51) International Design Classification: **09-08**  
(71) Name(s) and Address(s) of Applicant(s):  
**Ecosteel Pallets Pty Ltd**  
**28 Quality Drive Dandenong Victoria 3175 Australia**  
(72) Name(s) of Designer(s): **Owen Walsh and Greg Pickering and Andrew Crank and Andrew Pickering**  
(45) Registration Date: **03 October 2006**  
(56) Related Art Documents: **Not Applicable**  
(57) Statement of Newness and Distinctiveness: **Nil**



- (21) Design Number: **13596/2006**  
(22) Date of Filing Application: **09 August 2006**  
(24) Date from which industrial property rights may have effect: **09 August 2006**  
(54) Product in respect of which the design is registered: **An anchor bolt**  
(51) International Design Classification: **08-08B**  
(71) Name(s) and Address(s) of Applicant(s):  
**Macsim Fastenings Pty Limited**  
**10 Wonderland Drive Eastern Creek New South Wales 2766 Australia**  
(72) Name(s) of Designer(s): **Fraser Mackay-Sim**  
(45) Registration Date: **03 October 2006**  
(56) Related Art Documents: **Not Applicable**  
(57) Statement of Newness and Distinctiveness: **Newness and distinctiveness is claimed in the shape and/or configuration of an anchor bolt as illustrated by the unbroken lines in the accompanying representations.**



(21) Design Number: **13727/2006**

(22) Date of Filing Application: **18 August 2006**

(24) Date from which industrial property rights may have effect: **18 August 2006**

(54) Product in respect of which the design is registered: **A lifting anchor**

(51) International Design Classification: **25-01B**

(71) Name(s) and Address(s) of Applicant(s):

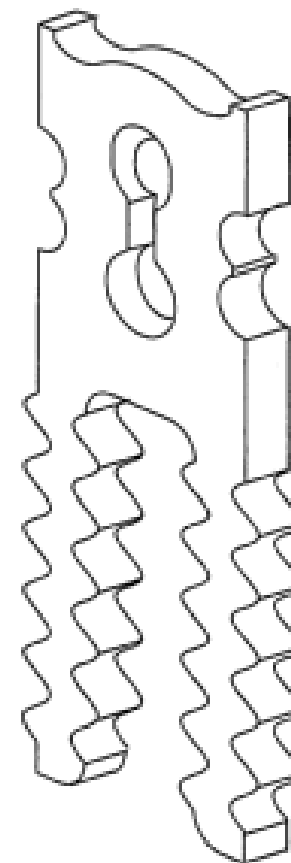
**Woodstock Percussion Pty Ltd  
14 Hillside Crescent Epping New South Wales 2121 Australia**

(72) Name(s) of Designer(s): **Rodney Mackay Sim**

(45) Registration Date: **03 October 2006**

(56) Related Art Documents: **Not Applicable**

(57) Statement of Newness and Distinctiveness: **Newness and distinctiveness is claimed in respect of the shape and/or configuration of the head of the product illustrated in the accompanying representations. In carrying out a consideration in accordance with Section 19, the shape and/or configuration of the dumbbell shaped aperture and the shape and/or configuration of the legs are not to be considered as either new or distinctive.**



(21) Design Number: **13733/2006**

(22) Date of Filing Application: **22 August 2006**

(24) Date from which industrial property rights may have effect: **22 August 2006**

(54) Product in respect of which the design is registered: **Cases for cigarette paper**

(51) International Design Classification: **27-06**

(71) Name(s) and Address(s) of Applicant(s):

**Gizeh Raucherbedarf GmbH  
Bunsenstr. 12 D-51647 Gummersbach Germany**

(72) Name(s) of Designer(s): **Rudolf Eder**

(45) Registration Date: **03 October 2006**

(30) Convention priority data:

(31) Number	(32) Date	(33) Country
<b>000 484 019</b>	<b>22 Feb 2006</b>	<b>EUROPEAN COMMUNITY</b>

(56) Related Art Documents: **Not Applicable**

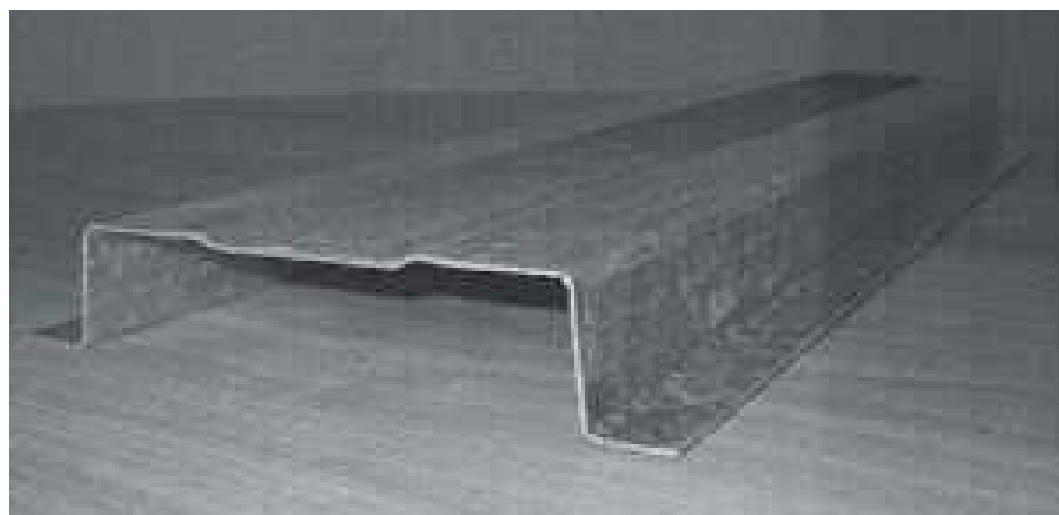
(57) Statement of Newness and Distinctiveness: **Nil**



(21) Design Number: **13734/2006**  
(22) Date of Filing Application: **22 August 2006**  
(24) Date from which industrial property rights may have effect: **22 August 2006**  
(54) Product in respect of which the design is registered: **Cigarette paper**  
(51) International Design Classification: **27-99**  
(71) Name(s) and Address(s) of Applicant(s):  
**Gizeh Raucherbedarf GmbH**  
**Breiter Weg 40 D-51702 Bergneustadt Germany**  
(72) Name(s) of Designer(s): **Rudolf Eder**  
(45) Registration Date: **03 October 2006**  
(30) Convention priority data:  
(31) Number      (32) Date      (33) Country  
**000 484 019      22 Feb 2006      EUROPEAN COMMUNITY**  
(56) Related Art Documents: **Not Applicable**  
(57) Statement of Newness and Distinctiveness: **Nil**



(21) Design Number: **13745/2006**  
(22) Date of Filing Application: **23 August 2006**  
(24) Date from which industrial property rights may have effect: **23 August 2006**  
(54) Product in respect of which the design is registered: **A section**  
(51) International Design Classification: **25-01NES**  
(71) Name(s) and Address(s) of Applicant(s):  
**Metal Building Systems Holdings Pty Ltd**  
**Cnr Quindus Street & Spanns Rd Beenleigh Queensland 4207**  
**Australia**  
(72) Name(s) of Designer(s): **Stephen Charles Bean**  
(45) Registration Date: **03 October 2006**  
(56) Related Art Documents: **Not Applicable**  
(57) Statement of Newness and Distinctiveness: **Nil**





(21) Design Number: **13983/2006**  
 (22) Date of Filing Application: **04 September 2006**  
 (24) Date from which industrial property rights may have effect: **04 September 2006**  
 (54) Product in respect of which the design is registered: **Footwear**  
 (51) International Design Classification: **02-04NES**  
 (71) Name(s) and Address(s) of Applicant(s):  
**Ariat International, Inc.**  
**3242 Whipple Road Union City California 94587 United States of America**  
 (72) Name(s) of Designer(s): **Patti Zimmerman**  
 (45) Registration Date: **03 October 2006**  
 (30) Convention priority data:  

(31) Number	(32) Date	(33) Country
<b>29/256176</b>	<b>15 Mar 2006</b>	<b>UNITED STATES OF AMERICA</b>

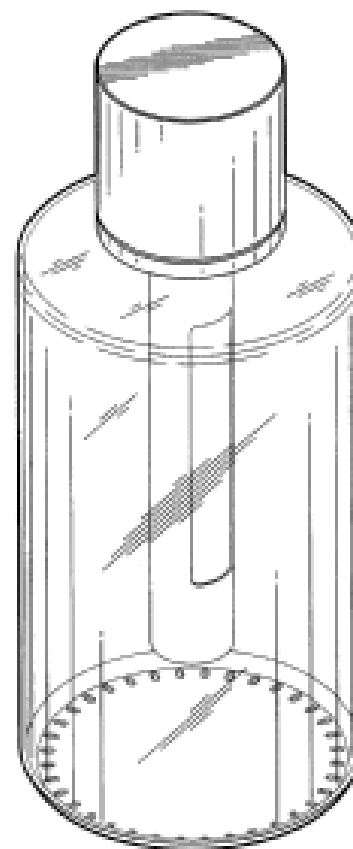
 (56) Related Art Documents: **Not Applicable**  
 (57) Statement of Newness and Distinctiveness: **Newness and distinctiveness is claimed in the visual features shown in solid lines in the representations.**



(21) Design Number: **14018/2006**  
 (22) Date of Filing Application: **07 September 2006**  
 (24) Date from which industrial property rights may have effect: **07 September 2006**  
 (54) Product in respect of which the design is registered: **Bottle with cap**  
 (51) International Design Classification: **09-01NES**  
 (71) Name(s) and Address(s) of Applicant(s):  
**Reactor Spirits Norway Ltd**  
**PO Box 138 NO 1300 Sandvika Norway**  
 (72) Name(s) of Designer(s): **Erik Overgaard**  
 (45) Registration Date: **03 October 2006**  
 (30) Convention priority data:  

(31) Number	(32) Date	(33) Country
<b>29/255728</b>	<b>09 Mar 2006</b>	<b>UNITED STATES OF AMERICA</b>

 (56) Related Art Documents: **Not Applicable**  
 (57) Statement of Newness and Distinctiveness: **Newness and distinctiveness is claimed in the features of shape and/or configuration of the bottle body and internal temperature mechanism of a bottle with cap as illustrated in the accompanying representations.**



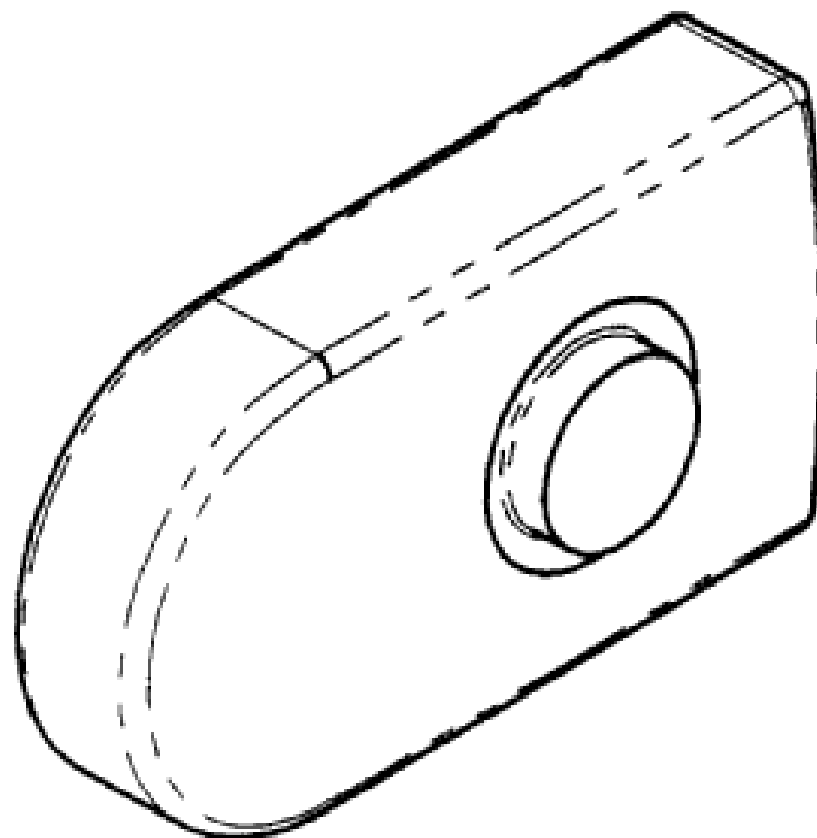
- (21) Design Number: **14024/2006**  
(22) Date of Filing Application: **07 September 2006**  
(24) Date from which industrial property rights may have effect: **07 September 2006**  
(54) Product in respect of which the design is registered: **Reciprocating saw**  
(51) International Design Classification: **08-03**  
(71) Name(s) and Address(s) of Applicant(s):  
**Black & Decker Inc.**  
**1207 Drummond Plaza Newark Delaware 19711 United States of America**  
(72) Name(s) of Designer(s): **Jason McRoberts and Terry L. Turner and Jason Busschaert and Ruth Mitchener and Vincent P. Cooper**  
(45) Registration Date: **03 October 2006**  
(30) Convention priority data:  
(31) Number (32) Date (33) Country  
**29/255294 09 Mar 2006 UNITED STATES OF AMERICA**  
(56) Related Art Documents: **Not Applicable**  
(57) Statement of Newness and Distinctiveness: **Newness and distinctiveness of the design resides in the features of pattern and ornamentation of the reciprocating saw as provided by the contrasting effect achieved by the combination of colours of different portions of the saw, as illustrated in the accompanying representations.**



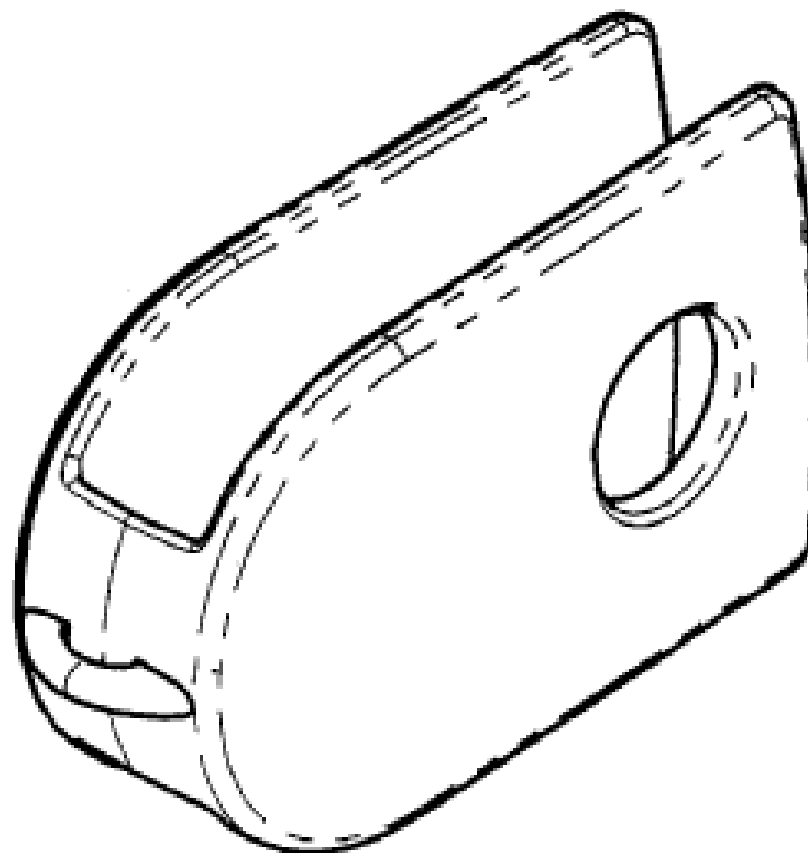
- (21) Design Number: **13451/2006**  
(22) Date of Filing Application: **04 August 2006**  
(24) Date from which industrial property rights may have effect: **04 August 2006**  
(54) Product in respect of which the design is registered: **Pot**  
(51) International Design Classification: **11-02B**  
(71) Name(s) and Address(s) of Applicant(s):  
**Orica International IP Holdings Inc.**  
**33101 East Quincy Avenue Watkins Colorado 80137 United States of America**  
(72) Name(s) of Designer(s): **Kristian Aus**  
(45) Registration Date: **03 October 2006**  
(56) Related Art Documents: **Not Applicable**  
(57) Statement of Newness and Distinctiveness: **Nil**



- (21) Design Number: **10009/2006**  
(22) Date of Filing Application: **03 January 2006**  
(24) Date from which industrial property rights may have effect: **03 January 2006**  
(54) Product in respect of which the design is registered: **Eraser**  
(51) International Design Classification: **19-06**  
(71) Name(s) and Address(s) of Applicant(s):  
**Acco Australia Pty Ltd**  
**The Lakes Business Park Level 2 8 Lord Street Botany New South**  
**Wales 2019 Australia**  
(72) Name(s) of Designer(s): **Adam Timothy Laws**  
(45) Registration Date: **03 October 2006**  
(56) Related Art Documents: **Not Applicable**  
(57) Statement of Newness and Distinctiveness: **When deciding whether the designs 1, 2 or 3 are substantially similar in overall impression to another design, no regard should be had to the word DERWENT shown on the eraser holder.**



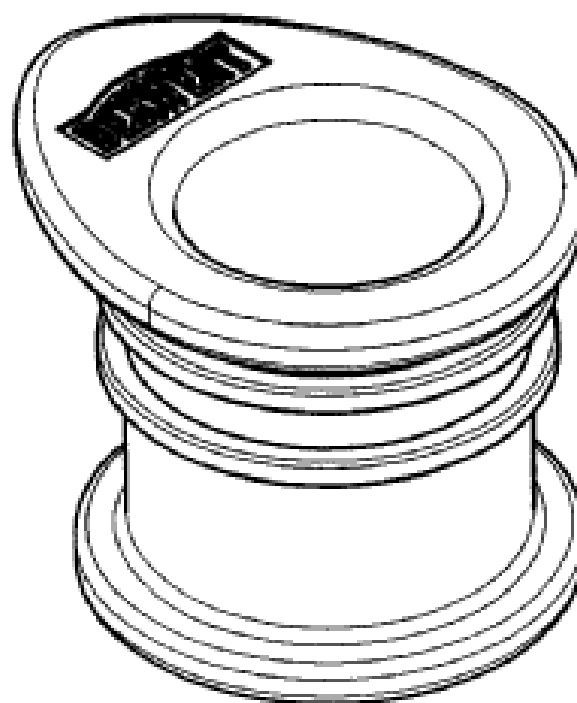
- (21) Design Number: **10010/2006**  
(22) Date of Filing Application: **03 January 2006**  
(24) Date from which industrial property rights may have effect: **03 January 2006**  
(54) Product in respect of which the design is registered: **Eraser holder**  
(51) International Design Classification: **19-06**  
(71) Name(s) and Address(s) of Applicant(s):  
**Acco Australia Pty Ltd**  
**The Lakes Business Park Level 2 8 Lord Street Botany New South**  
**Wales 2019 Australia**  
(72) Name(s) of Designer(s): **Adam Timothy Laws**  
(45) Registration Date: **03 October 2006**  
(56) Related Art Documents: **Not Applicable**  
(57) Statement of Newness and Distinctiveness: **When deciding whether the designs 1, 2 or 3 are substantially similar in overall impression to another design, no regard should be had to the word DERWENT shown on the eraser holder.**



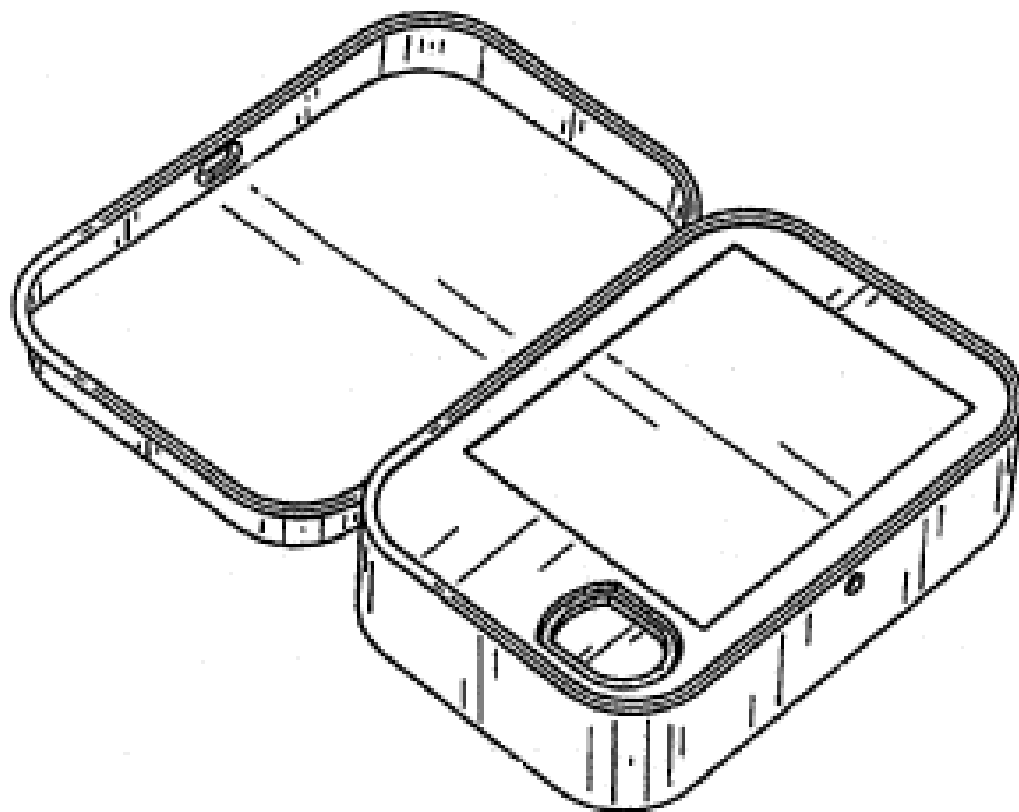
- (21) Design Number: **10012/2006**
- (22) Date of Filing Application: **03 January 2006**
- (24) Date from which industrial property rights may have effect: **03 January 2006**
- (54) Product in respect of which the design is registered: **Eraser**
- (51) International Design Classification: **19-06**
- (71) Name(s) and Address(s) of Applicant(s):  
**Acco Australia Pty Ltd**  
**The Lakes Business Park Level 2 8 Lord Street Botany New South**  
**Wales 2019 Australia**
- (72) Name(s) of Designer(s): **Adam Timothy Laws**
- (45) Registration Date: **03 October 2006**
- (56) Related Art Documents: **Not Applicable**
- (57) Statement of Newness and Distinctiveness: **When deciding whether the designs 1, or 2 are substantially similar in overall impression to another design, no regard should be had to the word DERWENT shown on the retainer for an eraser.**



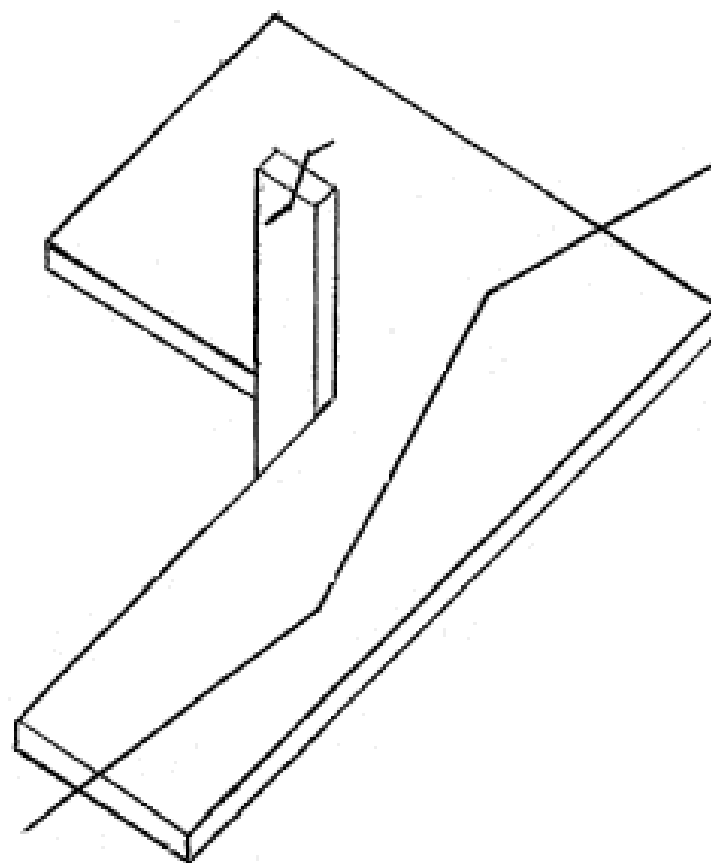
- (21) Design Number: **10013/2006**
- (22) Date of Filing Application: **03 January 2006**
- (24) Date from which industrial property rights may have effect: **03 January 2006**
- (54) Product in respect of which the design is registered: **Retainer for an eraser**
- (51) International Design Classification: **19-06**
- (71) Name(s) and Address(s) of Applicant(s):  
**Acco Australia Pty Ltd**  
**The Lakes Business Park Level 2 8 Lord Street Botany New South**  
**Wales 2019 Australia**
- (72) Name(s) of Designer(s): **Adam Timothy Laws**
- (45) Registration Date: **03 October 2006**
- (56) Related Art Documents: **Not Applicable**
- (57) Statement of Newness and Distinctiveness: **When deciding whether the designs 1, or 2 are substantially similar in overall impression to another design, no regard should be had to the word DERWENT shown on the retainer for an eraser.**



(21) Design Number: **11730/2006**  
(22) Date of Filing Application: **26 April 2006**  
(24) Date from which industrial property rights may have effect: **26 April 2006**  
(54) Product in respect of which the design is registered: **Mirrored dispenser container**  
(51) International Design Classification: **09-03M**  
(71) Name(s) and Address(s) of Applicant(s):  
**Isaac Berg**  
**288 Martin Street Blaine WA 98230 United States of America**  
(72) Name(s) of Designer(s): **Isaac Berg**  
(45) Registration Date: **03 October 2006**  
(30) Convention priority data:  
(31) Number (32) Date (33) Country  
**29/241157 25 Oct 2005 UNITED STATES OF AMERICA**  
(56) Related Art Documents: **Not Applicable**  
(57) Statement of Newness and Distinctiveness: **Nil**



(21) Design Number: **13157/2006**  
(22) Date of Filing Application: **24 February 2006**  
(24) Date from which industrial property rights may have effect: **24 February 2006**  
(54) Product in respect of which the design is registered: **Corner shelf**  
(51) International Design Classification: **08-08N, 06-04NES**  
(71) Name(s) and Address(s) of Applicant(s):  
**Geoffrey Francis Keating**  
**44 Jacana Parade Ballajura Western Australia 6066 Australia**  
(72) Name(s) of Designer(s): **Geoffrey Francis Keating**  
(45) Registration Date: **03 October 2006**  
(56) Related Art Documents: **Not Applicable**  
(57) Statement of Newness and Distinctiveness: **Newness and distinctiveness is claimed in the features of shape and/or configuration of a corner shelf as illustrated in the accompanying representations. The supporting arm is of indefinite width as are the shelves as illustrated.**



(21) Design Number: **13158/2006**

(22) Date of Filing Application: **24 February 2006**

(24) Date from which industrial property rights may have effect: **24 February 2006**

(54) Product in respect of which the design is registered: **Corner shelf**

(51) International Design Classification: **08-08N, 06-04NES**

(71) Name(s) and Address(s) of Applicant(s):

**Geoffrey Francis Keating**

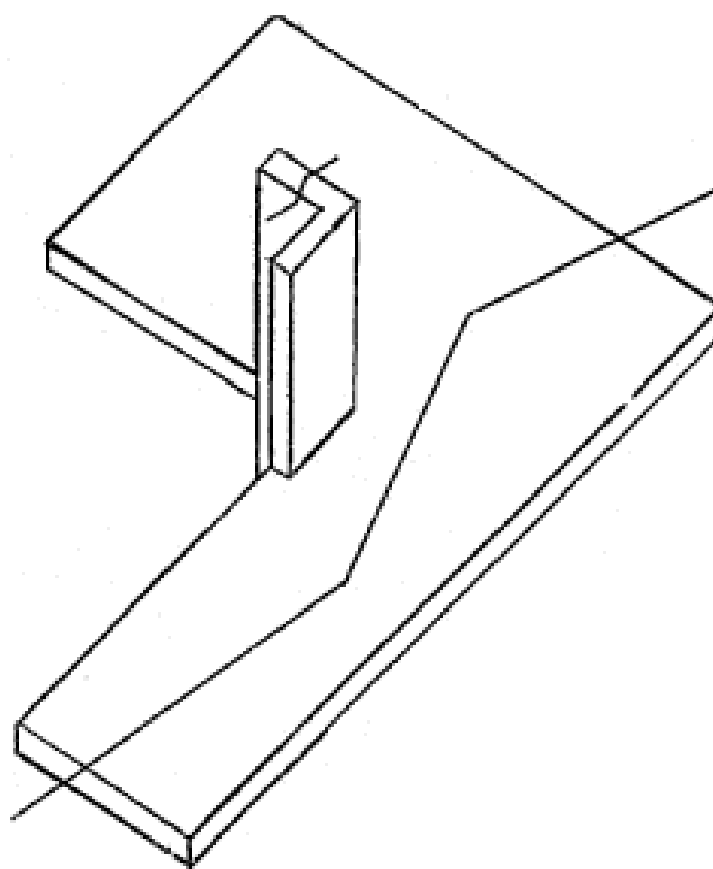
**44 Jacana Parade Ballajura Western Australia 6066 Australia**

(72) Name(s) of Designer(s): **Geoffrey Francis Keating**

(45) Registration Date: **03 October 2006**

(56) Related Art Documents: **Not Applicable**

(57) Statement of Newness and Distinctiveness: **Newness and distinctiveness is claimed in the features of shape and/or configuration of a corner shelf as illustrated in the accompanying representations. The supporting arm is of indefinite width as are the shelves as illustrated.**



(21) Design Number: **13414/2006**

(22) Date of Filing Application: **02 August 2006**

(24) Date from which industrial property rights may have effect: **02 August 2006**

(54) Product in respect of which the design is registered: **Packages and containers for the transport or handling of goods in class 09, in particular storage cans in sub-class**

(51) International Design Classification: **09-02NES, 09-03NES**

(71) Name(s) and Address(s) of Applicant(s):

**Anchor Foods Pty Ltd**

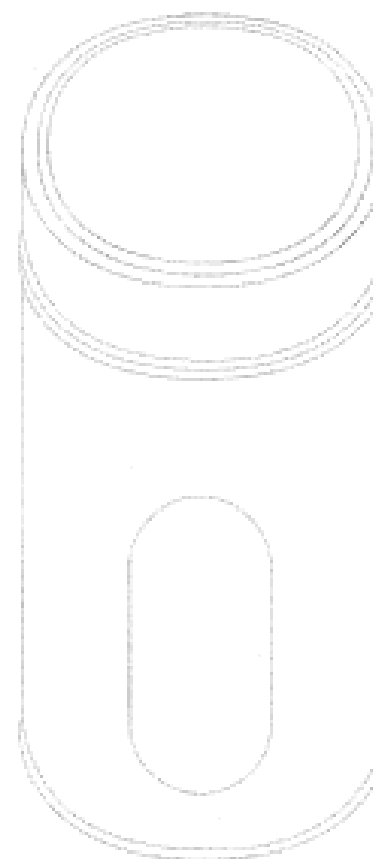
**148 Carrington Street O'Connor Western Australia 6163 Australia**

(72) Name(s) of Designer(s): **Claire McGowan**

(45) Registration Date: **03 October 2006**

(56) Related Art Documents: **Not Applicable**

(57) Statement of Newness and Distinctiveness: **Newness and distinctiveness are claimed in the visual features of shape and configuration of the tin, having a viewing aperture or window in the cylinder wall, as shown in the accompanying representations.**



(21) Design Number: **13415/2006**

(22) Date of Filing Application: **02 August 2006**

(24) Date from which industrial property rights may have effect: **02 August 2006**

(54) Product in respect of which the design is registered: **Packages and containers for the transport or handling of goods in class 09, in particular storage cans in sub-class**

(51) International Design Classification: **09-02NES, 09-03NES**

(71) Name(s) and Address(s) of Applicant(s):

**Anchor Foods Pty Ltd  
148 Carrington Street O'Connor Western Australia 6163 Australia**

(72) Name(s) of Designer(s): **Claire McGowan**

(45) Registration Date: **03 October 2006**

(56) Related Art Documents: **Not Applicable**

(57) Statement of Newness and Distinctiveness: **Newness and distinctiveness are claimed in the visual features of pattern and ornamentation of the tin, having a viewing aperture or window in the cylinder wall, as shown in the accompanying representations.**



(21) Design Number: **13449/2006**

(22) Date of Filing Application: **04 August 2006**

(24) Date from which industrial property rights may have effect: **04 August 2006**

(54) Product in respect of which the design is registered: **Pot**

(51) International Design Classification: **11-02B**

(71) Name(s) and Address(s) of Applicant(s):

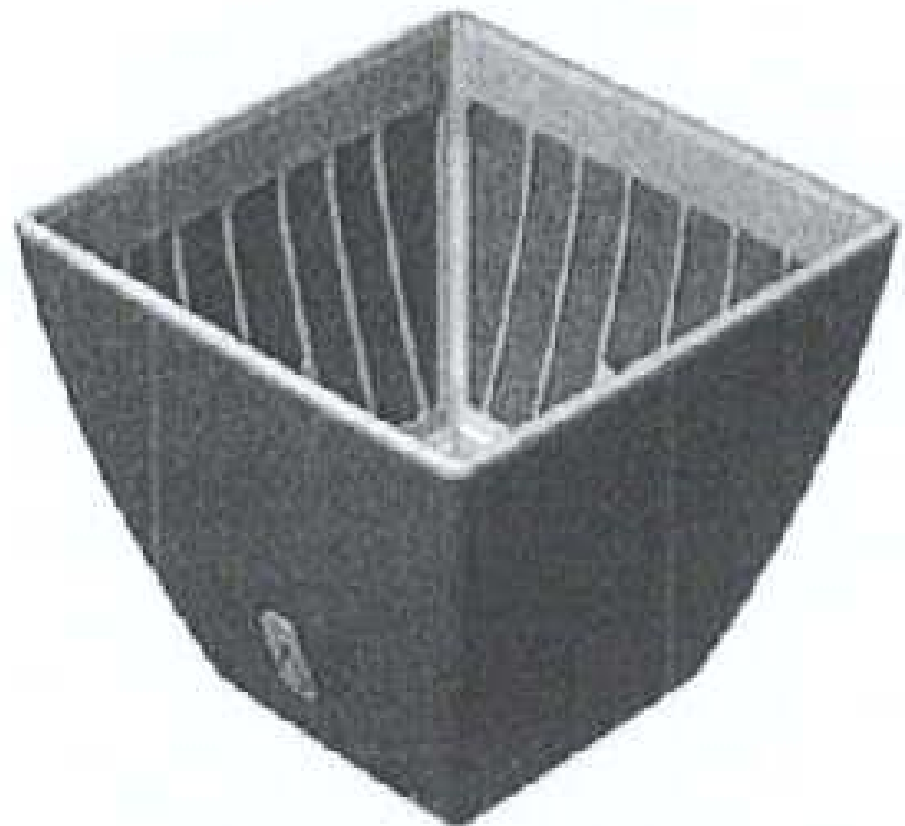
**Orica International IP Holdings Inc.  
33101 East Quincy Avenue Watkins Colorado 80137 United States of America**

(72) Name(s) of Designer(s): **Mark Spaile**

(45) Registration Date: **03 October 2006**

(56) Related Art Documents: **Not Applicable**

(57) Statement of Newness and Distinctiveness: **Nil**



(21) Design Number: **13450/2006**

(22) Date of Filing Application: **04 August 2006**

(24) Date from which industrial property rights may have effect: **04 August 2006**

(54) Product in respect of which the design is registered: **Pot**

(51) International Design Classification: **11-02B**

(71) Name(s) and Address(s) of Applicant(s):

**Orica International IP Holdings Inc.  
33101 East Quincy Avenue Watkins Colorado 80137 United States of  
America**

(72) Name(s) of Designer(s): **Mark Spaille**

(45) Registration Date: **03 October 2006**

(56) Related Art Documents: **Not Applicable**

(57) Statement of Newness and Distinctiveness: **Nil**



(21) Design Number: **13453/2006**

(22) Date of Filing Application: **04 August 2006**

(24) Date from which industrial property rights may have effect: **04 August 2006**

(54) Product in respect of which the design is registered: **Pot**

(51) International Design Classification: **11-02B**

(71) Name(s) and Address(s) of Applicant(s):

**Orica International IP Holdings Inc.  
33101 East Quincy Avenue Watkins Colorado 80137 United States of  
America**

(72) Name(s) of Designer(s): **Kristian Aus**

(45) Registration Date: **03 October 2006**

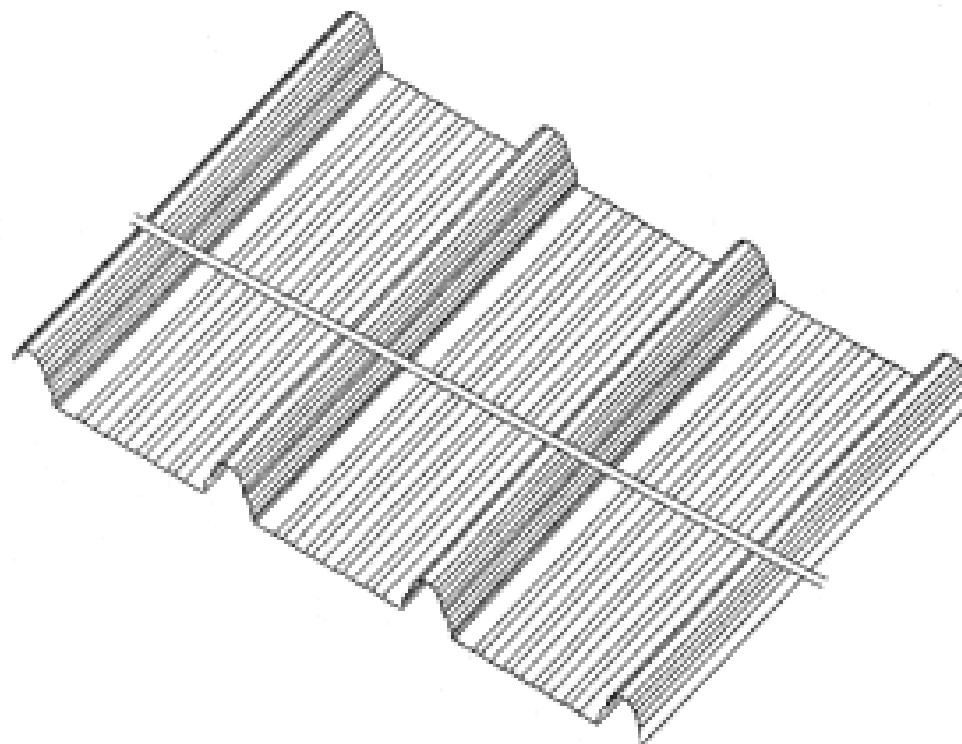
(56) Related Art Documents: **Not Applicable**

(57) Statement of Newness and Distinctiveness: **Nil**

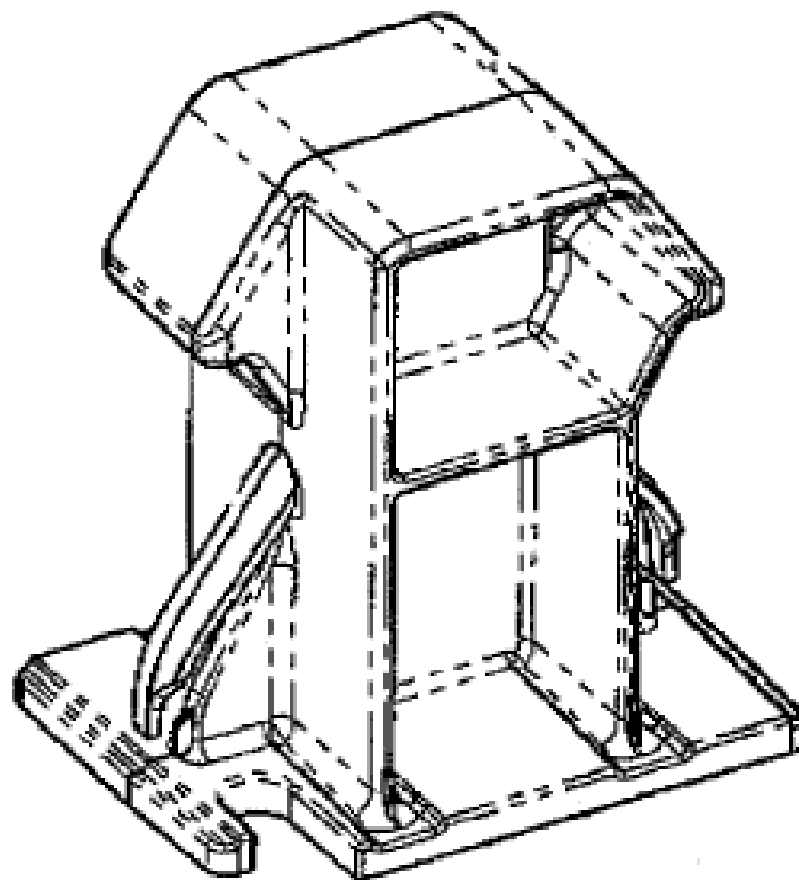




- (21) Design Number: **13454/2006**  
(22) Date of Filing Application: **07 August 2006**  
(24) Date from which industrial property rights may have effect: **07 August 2006**  
(54) Product in respect of which the design is registered: **A ridged panel (of any length)**  
(51) International Design Classification: **25-01G**  
(71) Name(s) and Address(s) of Applicant(s):  
**Fletcher Building Holdings Limited**  
**810 Great South Road Penrose New Zealand**  
(72) Name(s) of Designer(s): **Donald Gerard Campbell and Paul Bosauder and Ian Kurt McClew**  
(45) Registration Date: **03 October 2006**  
(30) Convention priority data:  
(31) Number (32) Date (33) Country  
**407175 01 Mar 2006 NEW ZEALAND**  
(56) Related Art Documents: **Not Applicable**  
(57) Statement of Newness and Distinctiveness: **The novelty claimed for the design resides in a panel of any length having at least substantially the features of the shape or configuration of the transverse cross-section of the larger ribs, not being those at the two lateral peripheries.**



- (21) Design Number: **13455/2006**  
(22) Date of Filing Application: **07 August 2006**  
(24) Date from which industrial property rights may have effect: **07 August 2006**  
(54) Product in respect of which the design is registered: **Moulded panel retention member**  
(51) International Design Classification: **25-01G, 25-01NES**  
(71) Name(s) and Address(s) of Applicant(s):  
**Fletcher Building Holdings Limited**  
**810 Great South Road Penrose Auckland New Zealand**  
(72) Name(s) of Designer(s): **Ian Kurt McClew and Anthony George Rallis and Ryk Kleynhans and Donald Gerard Campbell and Paul Fleming Buckley**  
(45) Registration Date: **03 October 2006**  
(30) Convention priority data:  
(31) Number (32) Date (33) Country  
**407176 01 Mar 2006 NEW ZEALAND**  
(56) Related Art Documents: **Not Applicable**  
(57) Statement of Newness and Distinctiveness: **Nil**



- (21) Design Number: **13721/2006**  
(22) Date of Filing Application: **18 August 2006**  
(24) Date from which industrial property rights may have effect: **18 August 2006**  
(54) Product in respect of which the design is registered: **Handle and body for a mixer**  
(51) International Design Classification: **23-01H**  
(71) Name(s) and Address(s) of Applicant(s):  
**Dorf Clark Industries Limited**  
**Level 3 Building C 4 Ray Road Epping New South Wales 2121**  
**Australia**  
(72) Name(s) of Designer(s): **Steven Cummings and David Giorgio and Leonie Brickwood**  
(45) Registration Date: **03 October 2006**  
(56) Related Art Documents: **Not Applicable**  
(57) Statement of Newness and Distinctiveness: **Nil**



- (21) Design Number: **13722/2006**  
(22) Date of Filing Application: **18 August 2006**  
(24) Date from which industrial property rights may have effect: **18 August 2006**  
(54) Product in respect of which the design is registered: **Handle and body for a mixer**  
(51) International Design Classification: **23-01H**  
(71) Name(s) and Address(s) of Applicant(s):  
**Dorf Clark Industries Limited**  
**Level 3 Building C 4 Ray Road Epping New South Wales 2121**  
**Australia**  
(72) Name(s) of Designer(s): **David Giorgio and Leonie Brickwood and Steven Cummings**  
(45) Registration Date: **03 October 2006**  
(56) Related Art Documents: **Not Applicable**  
(57) Statement of Newness and Distinctiveness: **Nil**



(21) Design Number: **13723/2006**

(22) Date of Filing Application: **18 August 2006**

(24) Date from which industrial property rights may have effect: **18 August 2006**

(54) Product in respect of which the design is registered: **Handle for a mixer**

(51) International Design Classification: **23-01H**

(71) Name(s) and Address(s) of Applicant(s):

**Dorf Clark Industries Limited  
Level 3 Building C 4 Ray Road Epping New South Wales 2121  
Australia**

(72) Name(s) of Designer(s): **Steven Cummings and David Giorgio and Leonie Brickwood**

(45) Registration Date: **03 October 2006**

(56) Related Art Documents: **Not Applicable**

(57) Statement of Newness and Distinctiveness: **The newness & distinctiveness of the design reside in the features of shape and/or configuration of the handle for a mixer as depicted in the representations. When considering the newness & distinctiveness of the design no regard is to be had to the shape and/or configuration of the surface of the portion of the handle which engages the body of the mixer.**



(21) Design Number: **13752/2006**

(22) Date of Filing Application: **23 August 2006**

(24) Date from which industrial property rights may have effect: **23 August 2006**

(54) Product in respect of which the design is registered: **A dog lead for people with and conditions such as arthritis**

(51) International Design Classification: **30-04**

(71) Name(s) and Address(s) of Applicant(s):

**Axcess Oss Pty Ltd  
5 Helen Street Northcote Victoria 3070 Australia**

(72) Name(s) of Designer(s): **Sherryl Smith**

(45) Registration Date: **03 October 2006**

(56) Related Art Documents: **Not Applicable**

(57) Statement of Newness and Distinctiveness: **Nil**



- (21) Design Number: **15530/2005**  
(22) Date of Filing Application: **14 December 2005**  
(24) Date from which industrial property rights may have effect: **14 December 2005**  
(54) Product in respect of which the design is registered: **Storage bag to attach to vehicles/caravans/camper trailers and trailers**  
(51) International Design Classification: **12-16K, 12-16NES**  
(71) Name(s) and Address(s) of Applicant(s):  
**Paul John**  
**29 Pine Avenue Lamb Island Queensland 4184 Australia**  
**Elizabeth Ann Oudeman**  
**29 Pine Avenue Lamb Island Queensland 4184 Australia**  
(72) Name(s) of Designer(s): **Paul J. Oudeman**  
(45) Registration Date: **03 October 2006**  
(56) Related Art Documents: **Not Applicable**  
(57) Statement of Newness and Distinctiveness: **The design is limited to the bag that is attached to the back of vehicle wheel or other attachment.**



- (21) Design Number: **13647/2006**  
(22) Date of Filing Application: **17 August 2006**  
(24) Date from which industrial property rights may have effect: **17 August 2006**  
(54) Product in respect of which the design is registered: **Handles for surgical instruments**  
(51) International Design Classification: **24-02**  
(71) Name(s) and Address(s) of Applicant(s):  
**Biomet Spain Orthopaedics, S.L.**  
**c/Islas Baleares 50 10 Pol. Ind. Fuente del Jarro Paterna 46988**  
**Valencia Spain**  
(72) Name(s) of Designer(s): **Alfredo Sierra Aparici and Vicente Fores Ahuir**  
(45) Registration Date: **03 October 2006**  
(56) Related Art Documents: **Not Applicable**  
(57) Statement of Newness and Distinctiveness: **Newness and distinctiveness are claimed in the features of shape and/or configuration of a handle for surgical instruments, as illustrated in the accompanying representatives.**



- (21) Design Number: **15714/2005**
- (22) Date of Filing Application: **29 December 2005**
- (24) Date from which industrial property rights may have effect: **29 December 2005**
- (54) Product in respect of which the design is registered: **Container**
- (51) International Design Classification: **23-01D**
- (71) Name(s) and Address(s) of Applicant(s):

**Clarke Consumer Products, Inc.**  
**159 North Garden Avenue Roselle Illinois 60172 United States of America**

(72) Name(s) of Designer(s): **Daniel K. Childs and Gregory J. Holderfield**

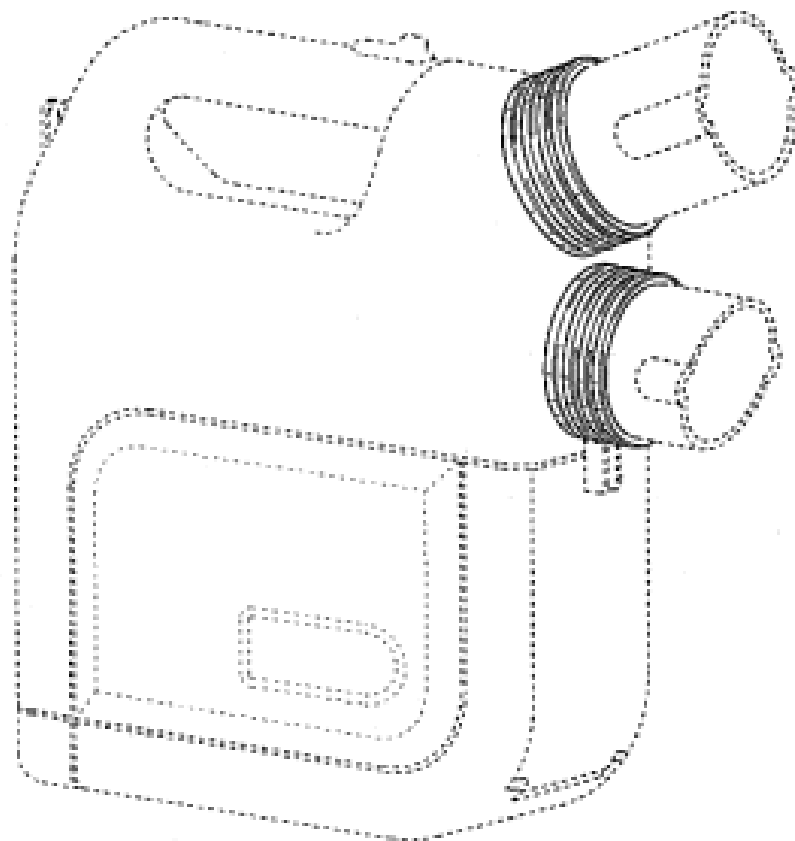
(45) Registration Date: **03 October 2006**

(30) Convention priority data:

(31) Number	(32) Date	(33) Country
<b>29/233182</b>	<b>29 Jun 2005</b>	<b>UNITED STATES OF AMERICA</b>

(56) Related Art Documents: **Not Applicable**

(57) Statement of Newness and Distinctiveness: **Newness and distinctiveness is claimed in the features of shape and/or configuration of a container where the new/distinctive parts of the container are shown in continuous lines, and the other parts of the container are shown in phantom lines, in the accompanying representations.**



- (21) Design Number: **15716/2005**
- (22) Date of Filing Application: **29 December 2005**
- (24) Date from which industrial property rights may have effect: **29 December 2005**
- (54) Product in respect of which the design is registered: **Container**
- (51) International Design Classification: **23-01D**
- (71) Name(s) and Address(s) of Applicant(s):

**Clarke Consumer Products, Inc.**  
**159 North Garden Avenue Roselle Illinois 60172 United States of America**

(72) Name(s) of Designer(s): **Daniel K. Childs and Gregory J. Holderfield**

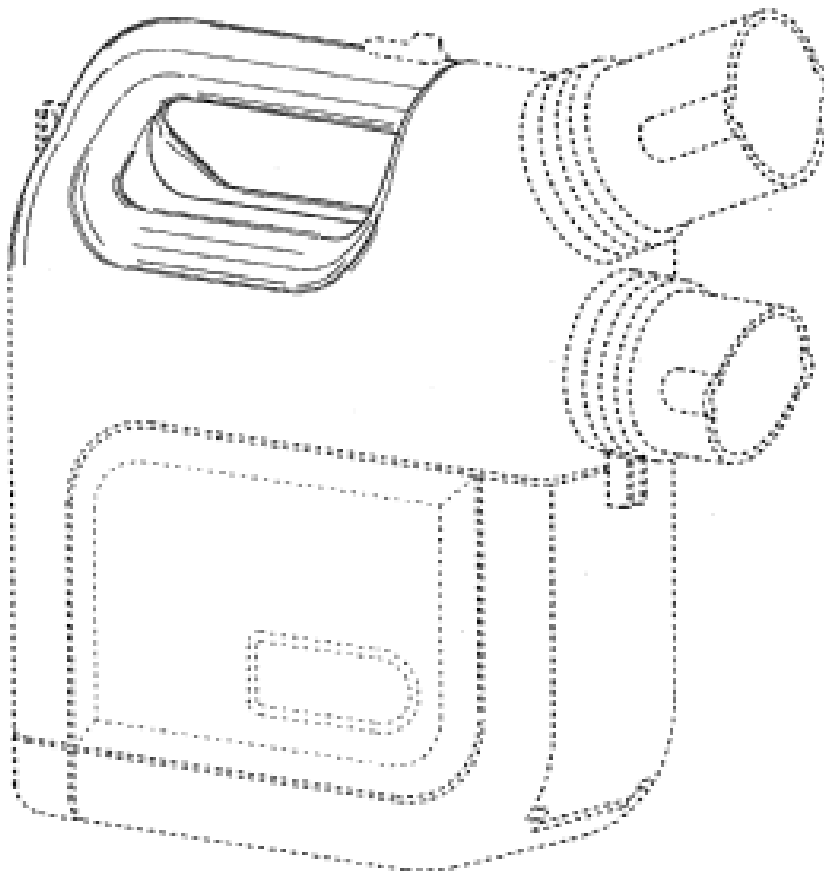
(45) Registration Date: **03 October 2006**

(30) Convention priority data:

(31) Number	(32) Date	(33) Country
<b>29/233180</b>	<b>29 Jun 2005</b>	<b>UNITED STATES OF AMERICA</b>

(56) Related Art Documents: **Not Applicable**

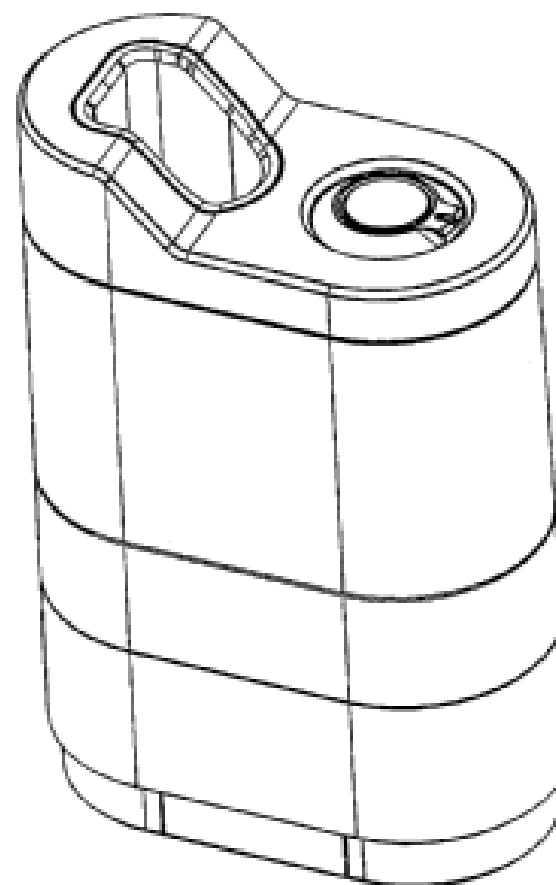
(57) Statement of Newness and Distinctiveness: **Newness and distinctiveness is claimed in the features of shape and/or configuration of a container where the new/distinctive parts of the container are shown in continuous lines, and the other parts of the container are shown in phantom lines, in the accompanying representations.**



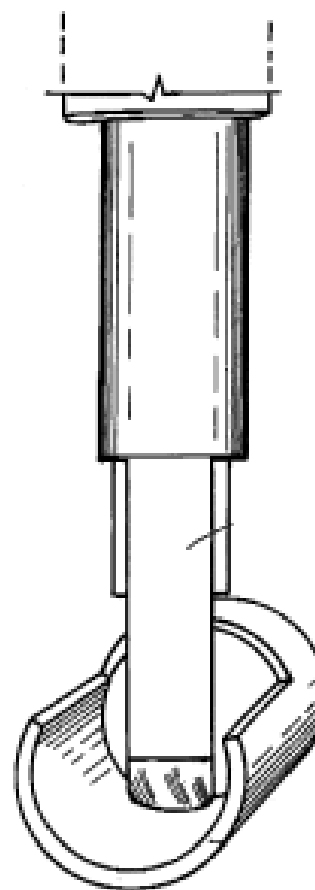
- (21) Design Number: **10655/2006**  
(22) Date of Filing Application: **23 February 2006**  
(24) Date from which industrial property rights may have effect: **23 February 2006**  
(54) Product in respect of which the design is registered: **Ground anchors**  
(51) International Design Classification: **25-01E**  
(71) Name(s) and Address(s) of Applicant(s):  
**John Leslie Flanagan**  
**7/232 Boundary Street West End Queensland 4101 Australia**  
(72) Name(s) of Designer(s): **John Flanagan**  
(45) Registration Date: **03 October 2006**  
(56) Related Art Documents: **Not Applicable**  
(57) Statement of Newness and Distinctiveness: **Monopoly is claimed in the shape of the lower flared point of the post anchor.**



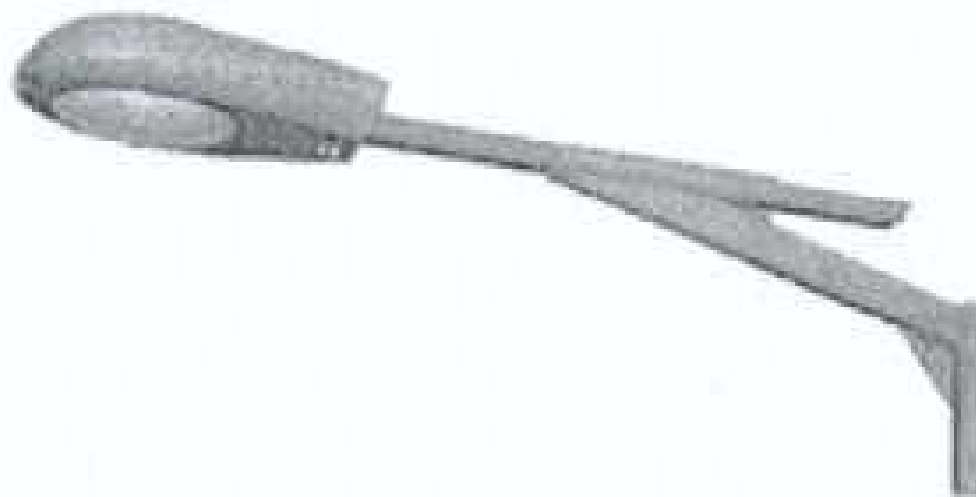
- (21) Design Number: **13426/2006**  
(22) Date of Filing Application: **03 August 2006**  
(24) Date from which industrial property rights may have effect: **03 August 2006**  
(54) Product in respect of which the design is registered: **Toothbrush sanitising apparatus**  
(51) International Design Classification: **28-03NES**  
(71) Name(s) and Address(s) of Applicant(s):  
**UV Dental Limited**  
**Unit 908 Shui Hing Centre 13 Sheung Yuet Road Kowloon Bay**  
**Kowloon Hong Kong**  
(72) Name(s) of Designer(s): **Lai Chor Yue**  
(45) Registration Date: **03 October 2006**  
(30) Convention priority data:  
(31) Number (32) Date (33) Country  
**0601500.8 13 Jun 2006 HONG KONG**  
(56) Related Art Documents: **Not Applicable**  
(57) Statement of Newness and Distinctiveness: **Newness and distinctiveness is claimed in the features of shape and/or configuration of a Toothbrush Sanitising Apparatus as shown in the accompanying representations.**



- (21) Design Number: **13427/2006**  
(22) Date of Filing Application: **04 August 2006**  
(24) Date from which industrial property rights may have effect: **04 August 2006**  
(54) Product in respect of which the design is registered: **A support device for a fishing rod**  
(51) International Design Classification: **22-05**  
(71) Name(s) and Address(s) of Applicant(s):  
**Protector Mate Pty Ltd**  
**Suite 56 29 George Street Brisbane Queensland 4000 Australia**  
**Martin Fitzroy Davidson**  
**48 Robertson Street Torbanlea Queensland 4662 Australia**  
**Paul Byrne**  
**PO Box 453 Brisbane Queensland 4022 Australia**  
(72) Name(s) of Designer(s): **Martin Davidson and Paul Byrne**  
(45) Registration Date: **03 October 2006**  
(56) Related Art Documents: **Not Applicable**  
(57) Statement of Newness and Distinctiveness: **Nil**



- (21) Design Number: **13429/2006**  
(22) Date of Filing Application: **04 August 2006**  
(24) Date from which industrial property rights may have effect: **04 August 2006**  
(54) Product in respect of which the design is registered: **Street lamp**  
(51) International Design Classification: **26-03**  
(71) Name(s) and Address(s) of Applicant(s):  
**Thorn Europhane**  
**156 Boulevard Haussmann 75008 Paris France**  
(72) Name(s) of Designer(s): **Olivier Dutheil**  
(45) Registration Date: **03 October 2006**  
(30) Convention priority data:  
(31) Number      (32) Date      (33) Country  
**000494968-0001    14 Mar 2006      EUROPEAN COMMUNITY**  
(56) Related Art Documents: **Not Applicable**  
(57) Statement of Newness and Distinctiveness: **Newness and distinctiveness is claimed in the features of shape and/or configuration of a street lamp as illustrated in the accompanying representations.**



- (21) Design Number: **13430/2006**  
(22) Date of Filing Application: **04 August 2006**  
(24) Date from which industrial property rights may have effect: **04 August 2006**  
(54) Product in respect of which the design is registered: **Street lamp**  
(51) International Design Classification: **26-03**  
(71) Name(s) and Address(s) of Applicant(s):  
**Thorn Europhane**  
**156 Boulevard Haussmann 75008 Paris France**  
(72) Name(s) of Designer(s): **Olivier Dutheil**  
(45) Registration Date: **03 October 2006**  
(30) Convention priority data:  
(31) Number (32) Date (33) Country  
**000494968-0002 14 Mar 2006 EUROPEAN COMMUNITY**  
(56) Related Art Documents: **Not Applicable**  
(57) Statement of Newness and Distinctiveness: **Newness and distinctiveness is claimed in the features of shape and/or configuration of a street lamp as illustrated in the accompanying representations.**



- (21) Design Number: **13431/2006**  
(22) Date of Filing Application: **04 August 2006**  
(24) Date from which industrial property rights may have effect: **04 August 2006**  
(54) Product in respect of which the design is registered: **Street lamp**  
(51) International Design Classification: **26-03**  
(71) Name(s) and Address(s) of Applicant(s):  
**Thorn Europhane**  
**156 Boulevard Haussmann 75008 Paris France**  
(72) Name(s) of Designer(s): **Olivier Dutheil**  
(45) Registration Date: **03 October 2006**  
(30) Convention priority data:  
(31) Number (32) Date (33) Country  
**000494968-0003 14 Mar 2006 EUROPEAN COMMUNITY**  
(56) Related Art Documents: **Not Applicable**  
(57) Statement of Newness and Distinctiveness: **Newness and distinctiveness is claimed in the features of shape and/or configuration of a street lamp as illustrated in the accompanying representations.**





(21) Design Number: **13432/2006**

(22) Date of Filing Application: **04 August 2006**

(24) Date from which industrial property rights may have effect: **04 August 2006**

(54) Product in respect of which the design is registered: **Air conditioner**

(51) International Design Classification: **23-04**

(71) Name(s) and Address(s) of Applicant(s):

**Daikin Industries Ltd.**

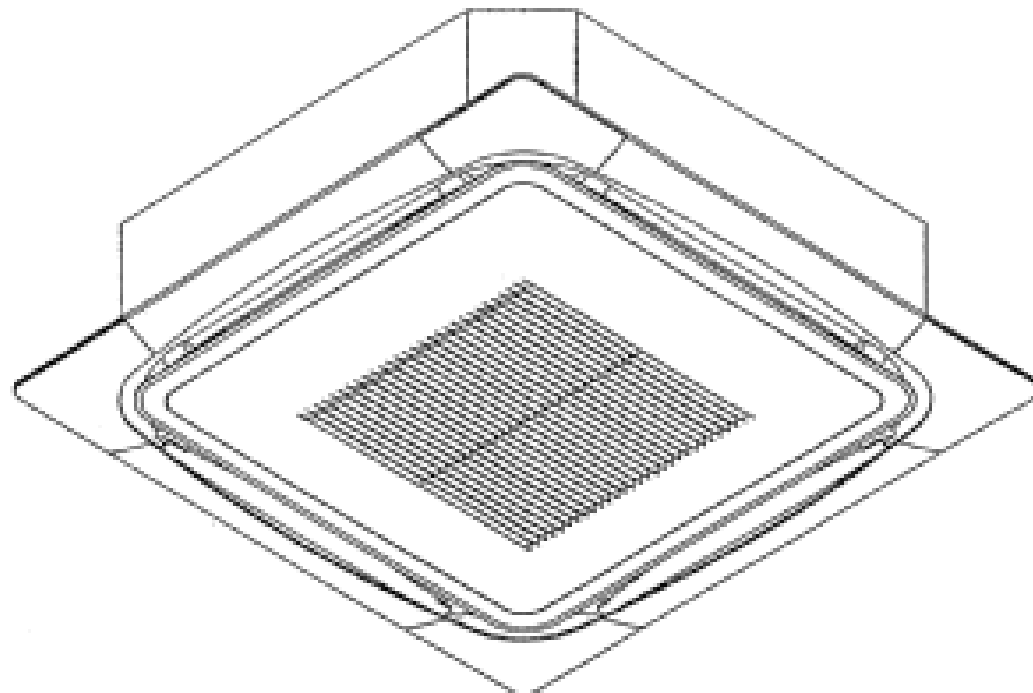
**Umeda Center Building 4-12 Nakazaki-Nishi 2-chome Kita-Ku  
Osaka-shi Osaka-fu Japan**

(72) Name(s) of Designer(s): **Manabu Kato**

(45) Registration Date: **03 October 2006**

(56) Related Art Documents: **Not Applicable**

(57) Statement of Newness and Distinctiveness: **Nil**



(21) Design Number: **13433/2006**

(22) Date of Filing Application: **04 August 2006**

(24) Date from which industrial property rights may have effect: **04 August 2006**

(54) Product in respect of which the design is registered: **Air conditioner**

(51) International Design Classification: **23-04**

(71) Name(s) and Address(s) of Applicant(s):

**Daikin Industries Ltd.**

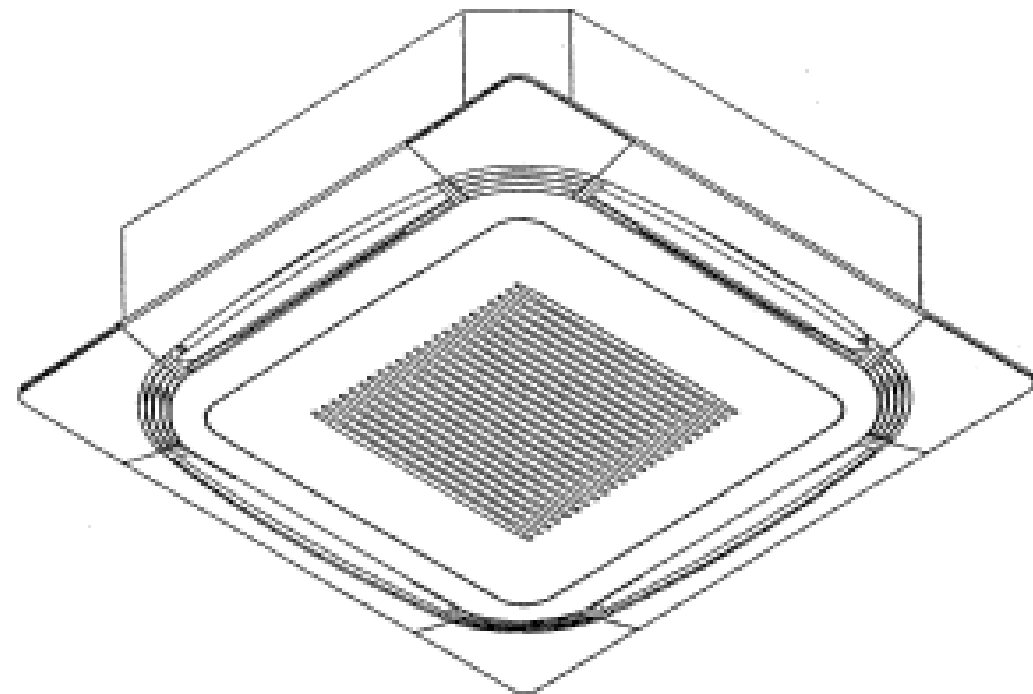
**Umeda Center Building 4-12 Nakazaki-Nishi 2-chome Kita-Ku  
Osaka-shi Osaka-fu Japan**

(72) Name(s) of Designer(s): **Manabu Kato**

(45) Registration Date: **03 October 2006**

(56) Related Art Documents: **Not Applicable**

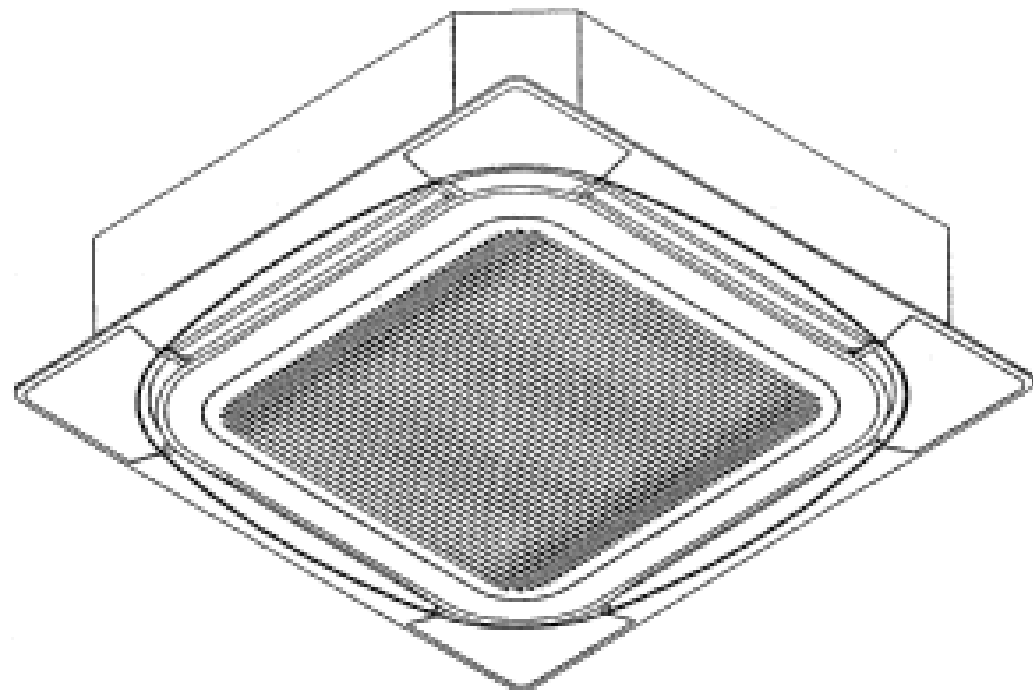
(57) Statement of Newness and Distinctiveness: **Nil**



- (21) Design Number: **13434/2006**  
(22) Date of Filing Application: **04 August 2006**  
(24) Date from which industrial property rights may have effect: **04 August 2006**  
(54) Product in respect of which the design is registered: **Air conditioner**  
(51) International Design Classification: **23-04**  
(71) Name(s) and Address(s) of Applicant(s):

**Daikin Industries Ltd.**  
**Umeda Center Building 4-12 Nakazaki-Nishi 2-chome Kita-Ku**  
**Osaka-shi Osaka-fu Japan**

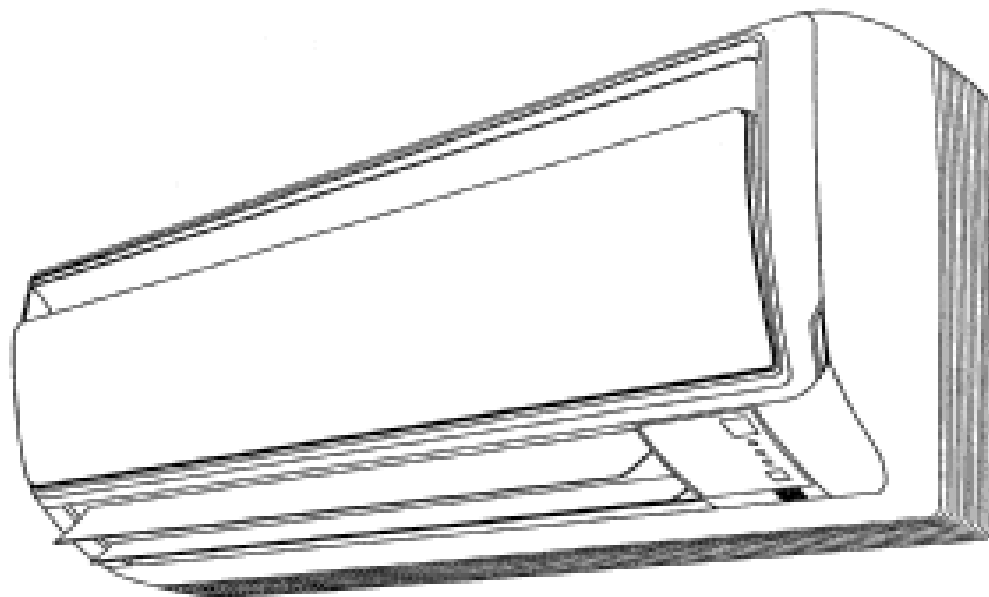
- (72) Name(s) of Designer(s): **Kaichi Tsuji**  
(45) Registration Date: **03 October 2006**  
(56) Related Art Documents: **Not Applicable**  
(57) Statement of Newness and Distinctiveness: **Nil**



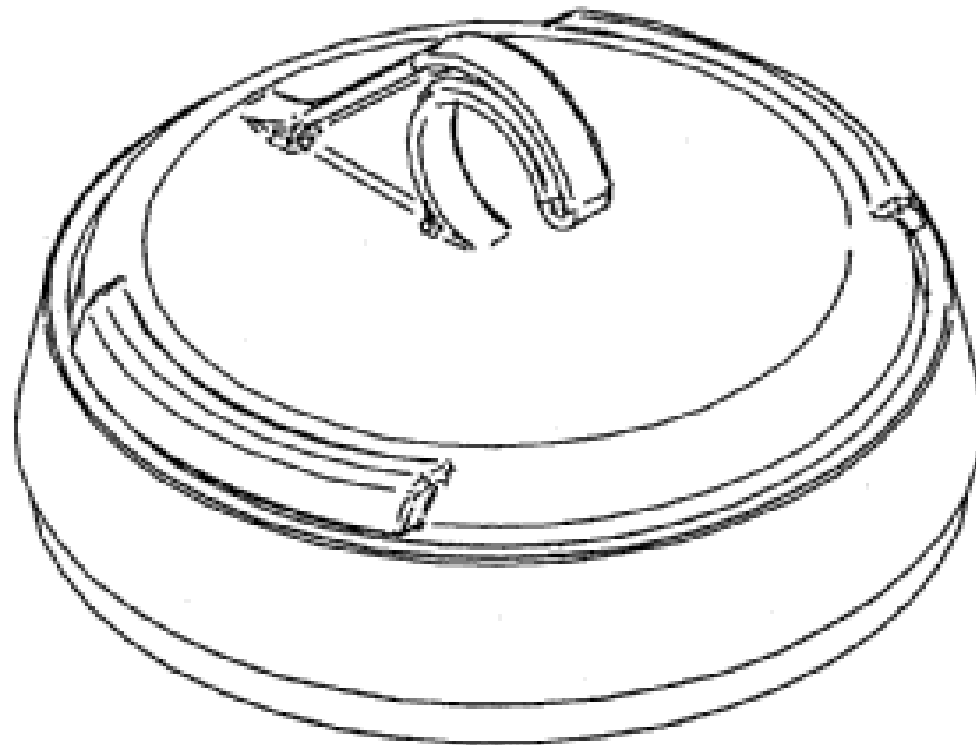
- (21) Design Number: **13435/2006**  
(22) Date of Filing Application: **04 August 2006**  
(24) Date from which industrial property rights may have effect: **04 August 2006**  
(54) Product in respect of which the design is registered: **Air conditioner**  
(51) International Design Classification: **23-04**  
(71) Name(s) and Address(s) of Applicant(s):

**Daikin Industries Ltd.**  
**Umeda Center Building 4-12 Nakazaki-Nishi 2-chome Kita-Ku**  
**Osaka-shi Osaka-fu Japan**

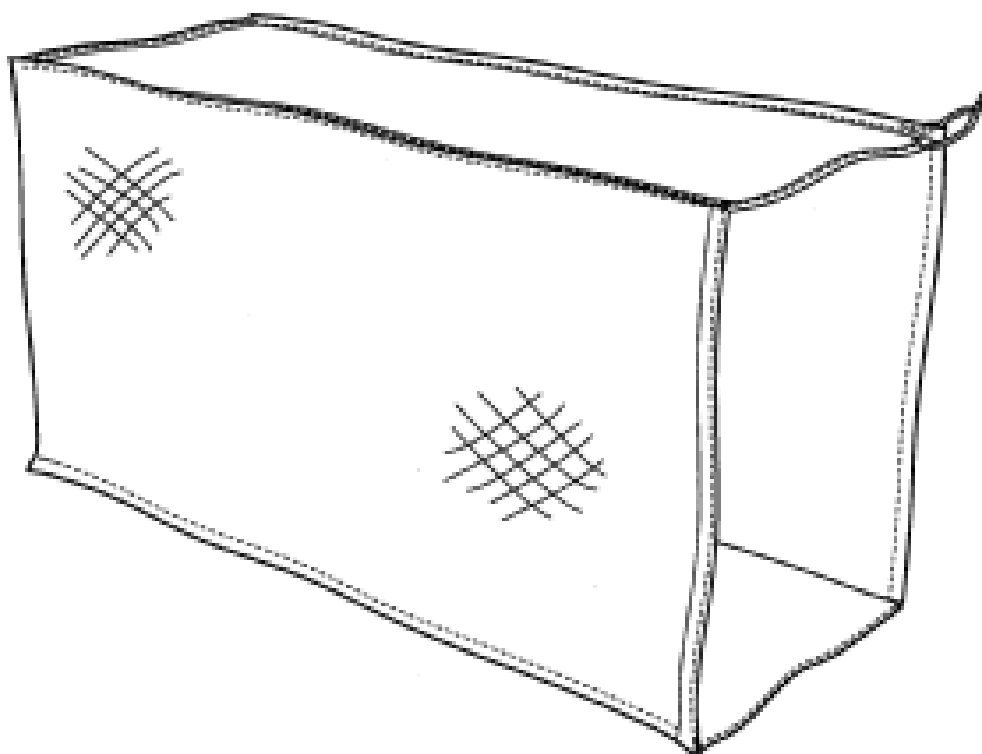
- (72) Name(s) of Designer(s): **Masahiko Chooji**  
(45) Registration Date: **03 October 2006**  
(56) Related Art Documents: **Not Applicable**  
(57) Statement of Newness and Distinctiveness: **Nil**



- (21) Design Number: **13480/2006**  
(22) Date of Filing Application: **02 August 2006**  
(24) Date from which industrial property rights may have effect: **02 August 2006**  
(54) Product in respect of which the design is registered: **Bag barrier hook - Type 2**  
(51) International Design Classification: **08-08G**  
(71) Name(s) and Address(s) of Applicant(s):  
**SkillPro Services Pty Ltd**  
**PO Box 323 Acacia Ridge Queensland 4110 Australia**  
(72) Name(s) of Designer(s): **David Humphreys**  
(45) Registration Date: **03 October 2006**  
(56) Related Art Documents: **Not Applicable**  
(57) Statement of Newness and Distinctiveness: **Nil**



- (21) Design Number: **13505/2006**  
(22) Date of Filing Application: **11 August 2006**  
(24) Date from which industrial property rights may have effect: **11 August 2006**  
(54) Product in respect of which the design is registered: **A bag**  
(51) International Design Classification: **03-01C, 03-01D, 03-01NES**  
(71) Name(s) and Address(s) of Applicant(s):  
**Acquista Investments Pty Ltd**  
**Wingfield Road (Cnr Hines Rd) Wingfield South Australia 5013**  
**Australia**  
(72) Name(s) of Designer(s): **Nicola Borrelli**  
(45) Registration Date: **03 October 2006**  
(56) Related Art Documents: **Not Applicable**  
(57) Statement of Newness and Distinctiveness: **Nil**



(21) Design Number: **13520/2006**  
(22) Date of Filing Application: **11 August 2006**  
(24) Date from which industrial property rights may have effect: **11 August 2006**  
(54) Product in respect of which the design is registered: **Foot path sign base**  
(51) International Design Classification: **20-03C, 20-03NES**  
(71) Name(s) and Address(s) of Applicant(s):

**Gary Victor Pike**  
**2/21 Sharpe Crescent Wainuiomata Wellington 5014 New Zealand**

(72) Name(s) of Designer(s): **Gary Victor Pike**

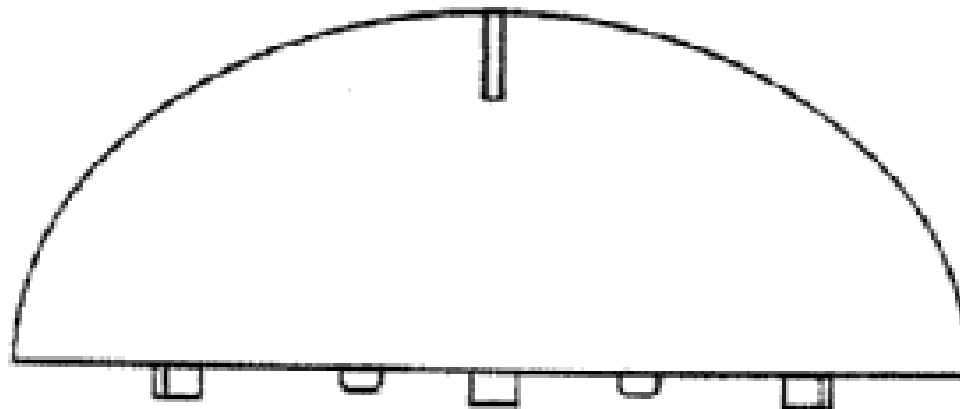
(45) Registration Date: **03 October 2006**

(30) Convention priority data:

(31) Number	(32) Date	(33) Country
<b>407105</b>	<b>15 Feb 2006</b>	<b>NEW ZEALAND</b>

(56) Related Art Documents: **Not Applicable**

(57) Statement of Newness and Distinctiveness: **Nil**



(21) Design Number: **13521/2006**  
(22) Date of Filing Application: **11 August 2006**  
(24) Date from which industrial property rights may have effect: **11 August 2006**  
(54) Product in respect of which the design is registered: **Lighting assembly**  
(51) International Design Classification: **26-05A**  
(71) Name(s) and Address(s) of Applicant(s):

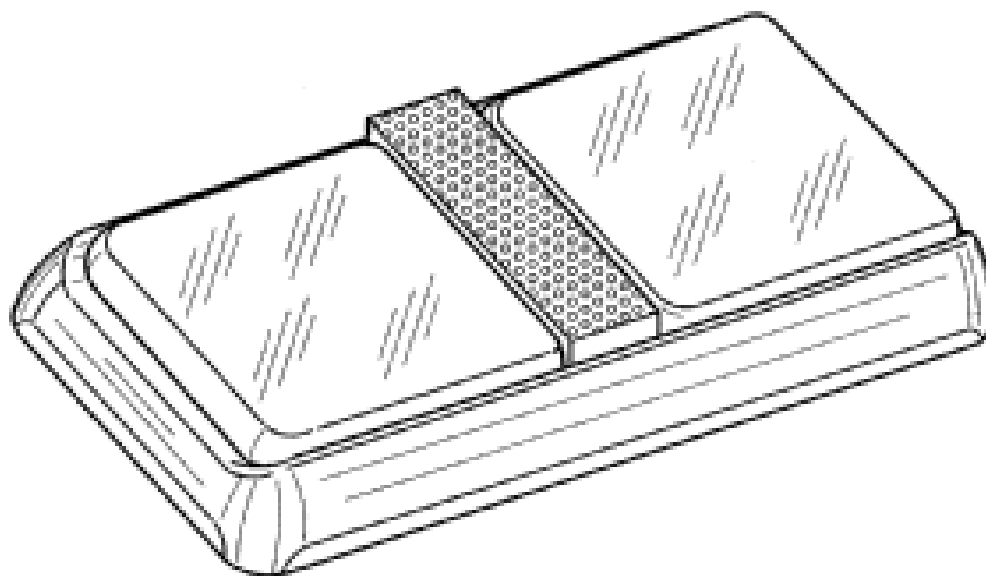
**LED Technologies Pty Ltd**  
**Factory 1 10 Brand Drive Thomastown Victoria 3074 Australia**

(72) Name(s) of Designer(s): **Tony Ottobre**

(45) Registration Date: **03 October 2006**

(56) Related Art Documents: **Not Applicable**

(57) Statement of Newness and Distinctiveness: **The features of shape and configuration of the lighting assembly as shown in the representations accompanying this application are new and distinctive. The newness and distinctiveness of the lighting assembly resides in the combination of lenses and reflector panel or panels. In determining the newness and distinctiveness of the visual features of shape and configuration and the monopoly of the design, the exact form of the pattern and ornamentation of the shading applied to the surface of the reflector panel or panels of the lighting assembly are to be disregarded since the shading is merely one example of shading used to convey that the reflector panel or panels have a different reflectance of light than do the lenses.**



- (21) Design Number: **13522/2006**  
(22) Date of Filing Application: **11 August 2006**  
(24) Date from which industrial property rights may have effect: **11 August 2006**  
(54) Product in respect of which the design is registered: **Lighting assembly**  
(51) International Design Classification: **26-05A**  
(71) Name(s) and Address(s) of Applicant(s):

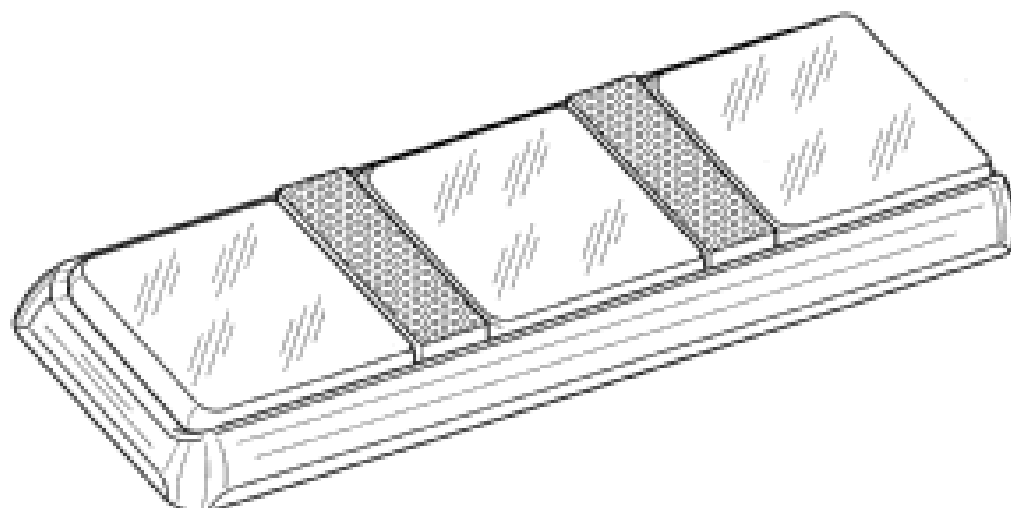
**LED Technologies Pty Ltd**  
**Factory 1 10 Brand Drive Thomastown Victoria 3074 Australia**

(72) Name(s) of Designer(s): **Tony Ottobre**

(45) Registration Date: **03 October 2006**

(56) Related Art Documents: **Not Applicable**

(57) Statement of Newness and Distinctiveness: **The features of shape and configuration of the lighting assembly as shown in the representations accompanying this application are new and distinctive. The newness and distinctiveness of the lighting assembly resides in the combination of lenses and reflector panel or panels. In determining the newness and distinctiveness of the visual features of shape and configuration and the monopoly of the design, the exact form of the pattern and ornamentation of the shading applied to the surface of the reflector panel or panels of the lighting assembly are to be disregarded since the shading is merely one example of shading used to convey that the reflector panel or panels have a different reflectance of light than do the lenses.**



- (21) Design Number: **13640/2006**  
(22) Date of Filing Application: **15 August 2006**  
(24) Date from which industrial property rights may have effect: **15 August 2006**  
(54) Product in respect of which the design is registered: **Container for food**  
(51) International Design Classification: **07-01NES**  
(71) Name(s) and Address(s) of Applicant(s):

**The Glad Products Company**  
**1221 Broadway Oakland California 94612 United States of America**

(72) Name(s) of Designer(s): **Edward B. Tucker and Anand Ramanujam and Lawrence John Racana and Gordon D. Thomas and Scott Zieker and Ares Marasligiller and Jason Phillips and Yashodhan Dhuru**

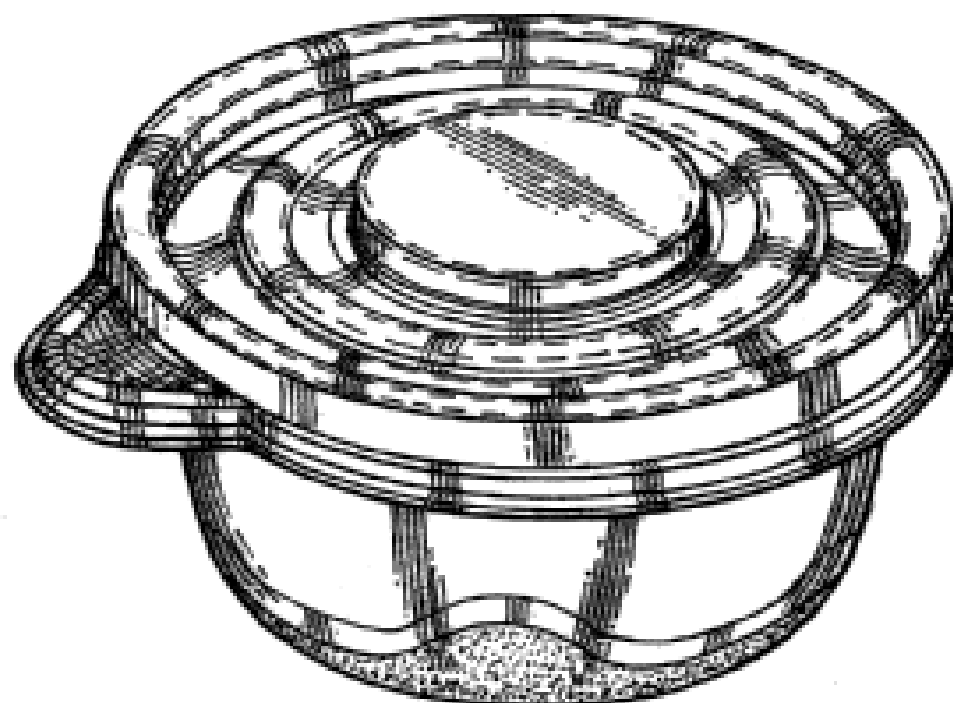
(45) Registration Date: **03 October 2006**

(30) Convention priority data:

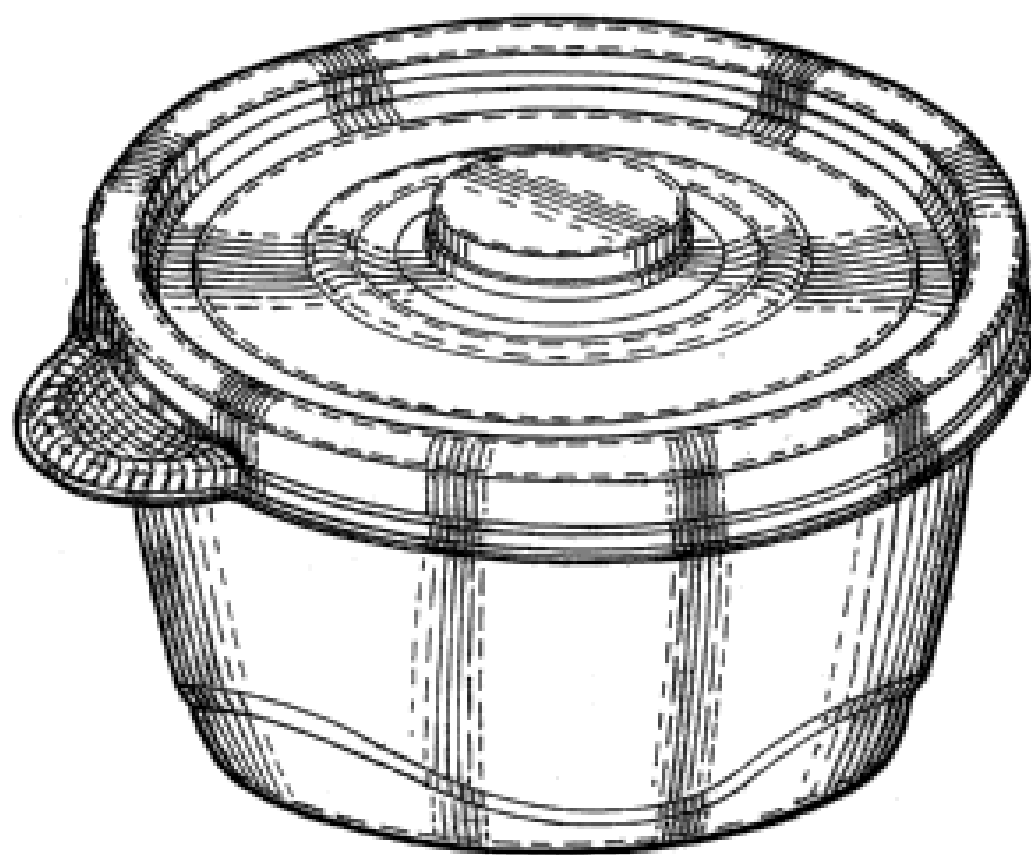
(31) Number	(32) Date	(33) Country
<b>29/254,062</b>	<b>15 Feb 2006</b>	<b>UNITED STATES OF AMERICA</b>

(56) Related Art Documents: **Not Applicable**

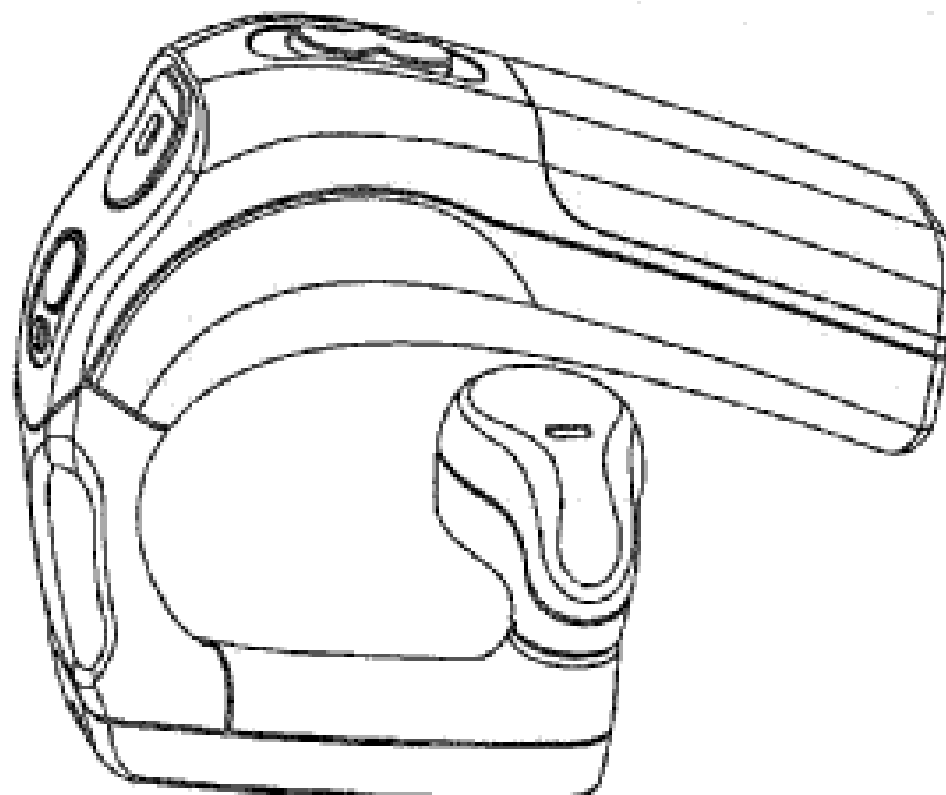
(57) Statement of Newness and Distinctiveness: **Nil**



(21) Design Number: **13641/2006**  
(22) Date of Filing Application: **15 August 2006**  
(24) Date from which industrial property rights may have effect: **15 August 2006**  
(54) Product in respect of which the design is registered: **Container for food**  
(51) International Design Classification: **07-01NES**  
(71) Name(s) and Address(s) of Applicant(s):  
**The Glad Products Company**  
**1221 Broadway Oakland California 94612 United States of America**  
(72) Name(s) of Designer(s): **Edward B. Tucker and Anand Ramanujam and Lawrence John Racana and Gordon D. Thomas and Scott Zieker and Ares Marasligiller and Jason Phillips and Yashodhan Dhuru**  
(45) Registration Date: **03 October 2006**  
(30) Convention priority data:  
(31) Number (32) Date (33) Country  
**29/254,064 15 Feb 2006 UNITED STATES OF AMERICA**  
(56) Related Art Documents: **Not Applicable**  
(57) Statement of Newness and Distinctiveness: **Nil**



(21) Design Number: **13649/2006**  
(22) Date of Filing Application: **17 August 2006**  
(24) Date from which industrial property rights may have effect: **17 August 2006**  
(54) Product in respect of which the design is registered: **Headset**  
(51) International Design Classification: **14-01**  
(71) Name(s) and Address(s) of Applicant(s):  
**Sony Ericsson Mobile Communications AB**  
**Nya Vattentorget SE 221 88 Lund Sweden**  
(72) Name(s) of Designer(s): **Eiji Shintani**  
(45) Registration Date: **03 October 2006**  
(30) Convention priority data:  
(31) Number (32) Date (33) Country  
**000484449-0003 23 Feb 2006 EUROPEAN COMMUNITY**  
(56) Related Art Documents: **Not Applicable**  
(57) Statement of Newness and Distinctiveness: **Nil**



- (21) Design Number: **13975/2006**  
(22) Date of Filing Application: **04 September 2006**  
(24) Date from which industrial property rights may have effect: **04 September 2006**  
(54) Product in respect of which the design is registered: **Flag**  
(51) International Design Classification: **11-05**  
(71) Name(s) and Address(s) of Applicant(s):  
**Jim Tait**  
**56 McPhails Road Huonbrook New South Wales 2482 Australia**  
(72) Name(s) of Designer(s): **Jim Tait**  
(45) Registration Date: **03 October 2006**  
(56) Related Art Documents: **Not Applicable**  
(57) Statement of Newness and Distinctiveness: **Incorporation of green and gold ying-yang symbol in sun of stylised aboriginal land rights flag, black, red and blue tricolour one white and four yellow stars constituting the southern cross.**

