



Australian Government

IP Australia

AUSTRALIAN OFFICIAL JOURNAL

OF

DESIGNS

Did you know a searchable version of this journal is now available online?
It's FREE and EASY to SEARCH.

Find it at

<http://pericles.ipaustralia.gov.au/ols/epublish/content/olsEpublications.jsp>
or using the "Online Journals" link on the IP Australia home page.

This Page Left Intentionally Blank

Contents

General Information & Notices

Proceedings Under the Designs Act 1906 preserved as a result of the provisions of Chapter 12 Part 2 of the Designs Act 2003

Application for Extension of Period of Registration	6932
Applications for Extension of Time	6933
Applications Assigned	6933
Extension of Period of Registration of Designs	6932
Extensions of Time Granted	6933
Names Registered - Alterations and Amendments	6934
Registrations Ceased	6932
Subsequent Owners Registered	6933

Proceedings Under the Designs Act 2003

Applications Assigned	6945
Applications Lapsed	6944
Applications Lodged	6939
Applications Withdrawn	6944
Certificate of Examination	6948
Corrigenda	6947
Extension of Period of Registration of Design	6945
Extension of Time Granted Under Section 137	6945
Names Registered - Alterations and Amendments	6945
Publication and Registration Proceedings	
Designs Registered 310440 to 310797.....	6949
Registrations Ceased	6945
Subsequent Owners Registered	6945

This Page Left Intentionally Blank

General Information

EDITORIAL ENQUIRIES

All enquiries about official notices and general information in the Journal should be directed to IP Australia, (ABN No 38 113 072 755), PO Box 200 Woden ACT 2606

Or

Telephone 1300 651 010
(International Callers +61 2 6283 2999)
Fax 02 6283 7999
E-mail assist@ipaustralia.gov.au

CONTACT INFORMATION

Customer Service Network
Telephone 1300 651 010 , Fax: 02 6283 7999
E-mail: assist@ipaustralia.gov.au

Customers can contact the Customer Service Network by telephone or by e-mail. Telephones are staffed between 9am and 5pm each working day.

Customers should contact the Customer Service Network for information about:

- All Patent Matters including PCT and Innovation Patents.
- All Trade Mark Matters.
- All Design Matters.

Professional Standards Board for Patent and Trade Mark Attorneys.

Ph: 02 6283 2345 Fax: 02 6283 1048

ORDERING PATENT DOCUMENTS

When ordering copies of Australian patent specifications, or abstracts and abridgments notified as open to public inspection on or after 26 October 1978, or as accepted on or after 16 November 1978, the documents should be referred to by application numbers only, preceded by letters AU-A or AU-B respectively.

REQUESTS FOR INFORMATION UNDER SECTION 194 (C)

A request for information under Section 194 (C) of the Patents Act 1990 should be made in the approved form and be accompanied by the prescribed fee. The request should be as detailed as possible.

INFORMATION FROM REGISTERS

All requests for information from Register of Patents, Trade Marks or Designs, should be made in writing and accompanied by the prescribed fee. The Registers are located in Canberra and may be examined free of charge.

COUNTRY CODES

For a listing of country codes used by IP Australia please refer to the Official Journals dated 7 November 1996.

ABBREVIATIONS IN JOURNAL

Standard abbreviations are used in the name of companies and firms. Enquiries concerning the precise name should be directed to the Customer Service Network.

FREEDOM OF INFORMATION ACT

What does it do?

- Gives you right to obtain information held by Commonwealth Ministers, Departments and most statutory bodies (these bodies are called agencies under the Act).
- Requires Commonwealth Government agencies to make available to members of the public:
 - Information about agencies, their functions and operations.
 - Information about rules and practices which are used in making decisions which affect you.
- Gives you a legal right to:
 - See non exempt documents held by agencies, and
 - appeal against a decision not to grant access to a document.

What documents can you see?

- The Act gives you a right to see documents lodged on or after 1 December 1977, or earlier if you need them to understand another document you have already.
- Documents include files, reports, computer printouts, maps, plans, photographs, tape recordings, films or videotapes.
- Documents which are available for purchase under the Patents Act 1990, the Trade Marks Act 1995 or Designs Act 2003 or Plant Breeder's Rights Act 1994 are not available under the Freedom of Information Act (Section 12 refers).

How do you apply?

Requests for access to documents must

- Be in writing
- Provide sufficient information so as to enable identification of the documents requested
- Specify an address in Australia where notices can be sent and
- Be accompanied by the application fee (currently \$30.00).

Requests for documents should be addressed to IP Australia, PO Box 200 Woden, ACT 2606, or Faxed to 02 6283 7999

DECISIONS OF THE COMMISSIONER OF PATENTS AND REGISTRAR OF TRADE MARKS AND DESIGNS

- All decisions of the Commissioner and Registrars are available free of charge from AUSTLII's website

www.austlii.edu.au

Copies of all written Patent and Design decisions are available (except if they would not be available under the provisions of the Freedom of Information legislation, e.g. if they would effectively disclose matter from documents that are not open to public inspection) on request for a cost of \$AU 25. They are also available for inspection in indexed volume series, dating from 1 January 1987, in the Office library, Canberra.

Copies of Trade Mark decisions may be accessed via IP Australia's website www.ipaustralia.gov.au

- Copies of the taped record of Patent and Design hearings are available (with the same exception as above) on request.
- When a written decision is issued the fact of the decision plus a brief head note will be published in the Official Notices section of the next available Patents, Trade Marks or Designs Journal.

HEARINGS BEFORE THE COMMISSIONER OF PATENTS

Hearings before the Commissioner of Patents will usually be conducted at the Patent Office in Canberra and interstate hearing sessions are not provided. However, the Commissioner will conduct hearings outside of Canberra at a convenient time to all parties provided that the parties bear the travel costs of the hearing officer.

The various options for hearings are set out in the document "Options for Hearings" available on IP Australia's website at: www.ipaustralia.gov.au/pdfs/patents/optionsforhearings.PDF

HEARINGS BEFORE THE REGISTRARS OF TRADE MARKS AND DESIGNS

Hearings before the Registrars of Trade Marks and Designs will be set down in Melbourne, Sydney, Adelaide, Perth and Brisbane during the periods indicated below.

Designs and Trade Marks Hearings Sessions 2006

Melbourne	13 – 17 February 5 – 9 June 11 – 15 September
Sydney	13 – 17 March 17 – 21 July 16 – 20 October
Adelaide	14 – 15 August
Perth	17 – 18 August
Brisbane	24 – 25 August

Persons who desire matters to be set down for hearing in Melbourne, Sydney, Adelaide, Perth or Brisbane must give at least one month's notice of their intention to be heard. If such notice is not given, it may be that there would be insufficient time to allow for the execution of official procedures associated with the listing of hearings, and as a result, the matter involved might not be listed.

Subject to the convenience of this Office, hearings will be set down in Canberra at any time suitable to the parties.

LIST OF STATE OFFICES

IP Australia State Offices are located in the Australian Capitals at the addresses given below. Requests for information may be obtained by calling at, phoning or writing to these offices or IP Australia, Canberra.

Australian Capital Territory

Ground Floor
Discovery House
PHILLIP ACT 2606
(PO Box 200, WODEN ACT 2606)
Ph: 1300 651 010
Fax: (02) 6283 7999

New South Wales

Level 1
45 Clarence Street
SYDNEY NSW 2000
Ph: 1300 651 010
Fax: (02) 9249 5807

Victoria

Level 6
OCBC House
565 Bourke Street
MELBOURNE VIC 3000
Ph: 1300 651 010
Fax (03) 9612 9807

Western Australia

2nd Floor
East Point Plaza
233 Adelaide Terrace
PERTH WA 6000
Ph: 1300 651 010
Fax: (08) 9220 8907

Queensland

Level 1
Grant Thornton House
102 Adelaide Street
BRISBANE QLD 4000
Ph: 1300 651 010
Fax: (07) 3007 1107

South Australia

Level 10
Origin Energy House
1 King William Street
ADELAIDE SA 5000
Ph: 1300 651 010
Fax: (08) 8239 4507

Tasmania

4th Floor
AMP Building
27 Elizabeth Street
HOBART TAS 7000
Ph: 1300 651 010
Fax: (03) 6235 6307

“INID” NUMBERS in use on Australian Design Documents

“INID” is an acronym for “Internationally agreed Numbers for the Identification of Data”.

(10) Data concerning the registration/renewal

- (11) Serial number of the registration and/or number of the design document
- (12) Plain language designation of the kind of published document
- (19) Identification, using the two-letter code according to WIPO Standard ST.3, of the authority publishing or registering the industrial design

(20) Data concerning the application

- (21) Serial number of the application
- (22) Date of filing of the application
- (24) Date from which the industrial design right has effect

(30) Data relating to priority under the Paris Convention

- (31) Serial number assigned to the priority application
- (32) Date of filing of the priority application
- (33) Two-letter code, according to WIPO Standard ST.3, identifying the authority with which the priority application was made

(40) Date(s) of making information available to the public

- (45) Date of publication of the registered industrial design by printing or similar process, or making it available to the public by any other means

(50) Miscellaneous Information

- (51) International Classification for Industrial Designs (class and subclass of the Locarno Classification)
- (54) Designation of article(s) or product(s) covered by the industrial design or title of the industrial design
- (55) Reproduction of the industrial design (e.g., drawing, photograph) and explanations relating to the reproduction
- (56) List of prior art documents, if separate from descriptive text
- (57) Description of characteristic features of the industrial design including indication of colours

(60) References to other legally related application(s) and registration(s)

- (62) Serial number(s) and, if available, filing date(s) of application(s), registration(s) or document(s) related by division
- (66) Serial number(s) of the application, or the registration, of the design(s) which is (are) a variant(s) of the present one

(70) Identification of parties concerned with the application or registration

- (71) Name(s) and address(es) of the applicant(s)
- (72) Name(s) of the creator(s) if known to be such
- (74) Name(s) and address(es) of the representative(s)

This Page Left Intentionally Blank

Official Notice

Enhancements to AU Designs Data Searching (ADDS)

Several changes to ADDS were introduced on 14 October 2006. While these changes do not affect the search functionality of ADDS, the following outlines the changes that are being introduced.

Table of Converted Designs

Presently, notices regarding converted designs and other matters are placed on the entry screen on ADDS. To tidy up the entry point, an additional link will take Users to the Table of Converted Designs which will reside in its own separate area.

Renewal data

The terminology of 'In Force To' on the Status screen will be changed to 'Renewed To'. This enhancement has been introduced to allow Users of the Designs system to clearly recognise when Renewal Fees are due.

Users with *Firefox* systems

Users with *Firefox* systems that are accessing the Advanced Search facility of ADDS have been presented with a range of errors given incompatibility with systems. Upgrades to ADDS has rectified this problem.

Queries : Sharon Thomas
Senior Examiner
Trade Marks and Designs
+61 2 6283 2582

Contact: IP Australia
Phone: 1300 651 010 or +61 2 6283 2999
Fax: +61 2 6283 7999
E-mail: assist@ipaustrialia.gov.au
Web: www.ipaustrialia.gov.au

This Page Left Intentionally Blank

**Proceedings under the Designs Act 1906 preserved as a
result of the provisions of Chapter 12 Part 2 of the Designs
Act 2003.**

This Page Left Intentionally Blank

Applications Lapsed

There were no Applications Lapsed under this section

Application for Extension of Period of Registration

Applications under Section 27A(2) for extension of registration of the following designs have been lodged. In the event that a design is shown to be not new or original, the Registrar may refuse to extend the period of registration. Sub-section 27A(4) allows any person to lodge at the Designs Office material relevant to the question whether the design is not new or original. That material must be lodged within 11 months of the date when the registration of the design was made. Further details of the conditions and procedures for the lodgement of material are contained in Form 8 provided under the Designs Regulation 24.

Registration Number	Registered Owner	Registration Date
158328	ANTONIO ROBERTO ROCCA	04/10/2005
158338	RYAN D'ARCY	11/10/2005
158348	BREE MANKIN	12/10/2005
158361	EASTLAND MEDICAL SYSTEMS LTD	24/10/2005
158377	MINITUBISHI HEAVY INDUSTRIES LTD	14/11/2005
158383	SONY KABUSHIKI KAISHA ALSO TRADING AS SONY CORPORATION	15/11/2005
158384	SONY KABUSHIKI KAISHA ALSO TRADING AS SONY CORPORATION	15/11/2005
158385	SONY KABUSHIKI KAISHA ALSO TRADING AS SONY CORPORATION	15/11/2005
158422	INDUSTRIAL EXPRESSION PTY LTD	28/11/2005
158429	ROLF BRAND	28/11/2005
158441	MAGU BAUSYSTEME G.M.B.H.	06/12/2005
158448	PT MIMPI DISAIN	06/12/2005

Extension of Period of Registration of Designs

1st Period (Section 27A(8))

158328	158329	158330
158331	158332	158333
158334	158335	158338
158339	158342	158345
158346	158347	158348
158351	158352	158354
158355	158356	158357
158358		

2nd Period (Section 27A(12))

141636	142141	142391
142670	143812	143813
143814	143816	143817
143819	143820	143822
143823	143824	143919
143934	143935	144058
144109	144111	144159
144187	144274	144418
144477	144492	144663

144762	144856	144857
144929	145028	145097
145180	145242	145295
145557	145653	146058
146501	147148	147657
147741	147776	147802
147823	147824	148033
148034	148035	148036
148037	148038	148058
148121	148344	148449
148450	148620	148699
148700	148701	148704
148936	149022	149325
151875		

3rd Period (Section 27A(13))

126048	126090	126814
126888	126948	126949
126963	127014	127219
127359	127517	127518
127635	127636	127637
128463	128834	129108
129256	129532	129557
129732	130237	130341
130342	130343	130344
130617	130618	131050
131362	131545	131546
132402	144187	149022
153176		

Registrations Ceased

Note: Some of the following Registrations may have been previously advertised as ceased. In this instance, the previous advertisement still prevails.

110575	110697	110808
110809	110810	110815
110887	110902	110962
110964	110965	110966
110967	110968	110969
111030	111138	111155
111189	111220	111263
111265	112259	112262
112670	112730	113419
113579	114190	114501
115878	120006	120509
120510	122166	122167
123241	123635	123689
123691	125166	125167
125379	125380	125950
126616	126617	128109
129368	129369	140668
140669	140791	141759
141760	141762	141763
141817	141818	141819
141841	141842	141843
141884	141885	141886

141950	141952	141998
142019	142168	142170
142235	142255	142264
142265	142267	142268
142316	142317	142318
142454	142569	142757
142846	142847	143287
143308	144154	144605
145100	145167	145475
146011	147603	147781
149605	158315	158316
158317	158318	158319
158320	158321	

Applications for Extension of time

Applications for extension of time have been lodged. Objections must be lodged within 1 month from the date of this journal.

158019 **David Begg** Extension of time to extend a registration. Address for Service: D. Begg No. 4 Summit Avenue HAMPTON EAST VIC 3188

158020 **David Begg** Extension of time to extend a registration. Address for Service: D. Begg No. 4 Summit Avenue HAMPTON EAST VIC 3188

158016 **David Begg** Extension of time to extend a registration. Address for Service: D. Begg No. 4 Summit Avenue HAMPTON EAST VIC 3188

Extensions of time granted

Applications lodged for extension of time have been granted.

129256 **Peter Richard Firczak** An Extension of time to extend a registration has been granted to 14/09/2006

126048 **H.G. Dieter** An Extension of time to extend a registration has been granted to 26/09/2006

141636 **Kentyn Scott Paterson** An Extension of time to extend a registration has been granted to 26/09/2006

Applications Assigned

(The name in parentheses is that of the subsequent applicant)

02125/2004 (**Raymond James Hudson**) Eyup Sabri Murad

Subsequent Owners Registered

(The name in parentheses is that of the subsequent owner)

125277	(3M Innovative Properties Company) Wahl Clipper Corporation
152854	(Frank Donald Putland) Priamus Education Co. Pty Ltd
123345	(Body Armour Technology Limited) Body Armour Limited
146083	(Body Armour Technology Limited) Body Armour (1995) Limited

Subsequent Owners Registered

156459	(Surgibit IP Holdings Pty Limited) Liam Patrick Ellis
152608	(Surgibit IP Holdings Pty Limited) Liam Patrick Ellis
136121	(Tridonic.Atco Manufacturing Pty Ltd) Atco Controls Pty Ltd
128584	(Alto Packaging Limited) Alto Holdings Limited
128986	(Alto Packaging Limited) Alto Holdings Limited
128985	(Alto Packaging Limited) Alto Holdings Limited
129067	(Alto Packaging Limited) Alto Holdings Limited
155117	(Alto Packaging Limited) Alto Holdings Limited
154943	(Alto Packaging Limited) Alto Holdings Limited
154349	(Alto Packaging Limited) Alto Holdings Limited
153652	(Alto Packaging Limited) Alto Holdings Limited
152789	(Alto Packaging Limited) Alto Holdings Limited
151766	(Alto Packaging Limited) Alto Holdings Limited
118045	(Alto Packaging Limited) Alto Holdings Limited
135318	(Alto Packaging Limited) Alto Holdings Limited
145964	(Alto Packaging Limited) Alto Holdings Limited
145965	(Alto Packaging Limited) Alto Holdings Limited
112152	(Alto Packaging Limited) Alto Holdings Limited
112777	(Alto Packaging Limited) Alto Holdings Limited
114747	(Alto Packaging Limited) Alto Holdings Limited
118044	(Alto Packaging Limited) Alto Holdings Limited
118043	(Alto Packaging Limited) Alto Holdings Limited
128984	(Alto Packaging Limited) Alto Holdings Limited
128534	(Alto Packaging Limited) Alto Holdings Limited
129063	(Alto Packaging Limited) Alto Holdings Limited
125789	(Alto Packaging Limited) Alto Holdings Limited
125643	(Alto Packaging Limited) Alto Holdings Limited
125642	(Alto Packaging Limited) Alto Holdings Limited
120369	(Alto Packaging Limited) Alto Holdings Limited
120129	(Alto Packaging Limited) Alto Holdings Limited
119161	(Alto Packaging Limited) Alto Holdings Limited
129913	(Alto Packaging Limited) Alto Holdings Limited
130053	(Alto Packaging Limited) Alto Holdings Limited
130954	(Alto Packaging Limited) Alto Holdings Limited
132038	(Alto Packaging Limited) Alto Holdings Limited
133007	(Alto Packaging Limited) Alto Holdings Limited
133355	(Alto Packaging Limited) Alto Holdings Limited
144543	(Alto Packaging Limited) Alto Holdings Limited
148980	(Alto Packaging Limited) Alto Holdings Limited
148068	(Alto Packaging Limited) Alto Holdings Limited
148815	(Alto Packaging Limited) Alto Holdings Limited
155576	(Alto Packaging Limited) Alto Holdings Limited
133362	(Alto Packaging Limited) Alto Holdings Limited
133563	(Alto Packaging Limited) Alto Holdings Limited
134286	(Alto Packaging Limited) Alto Holdings Limited
134415	(Alto Packaging Limited) Alto Holdings Limited
134416	(Alto Packaging Limited) Alto Holdings Limited
134417	(Alto Packaging Limited) Alto Holdings Limited
135436	(Alto Packaging Limited) Alto Holdings Limited

Subsequent Owners Registered

135886 (**Alto Packaging Limited**) Alto Holdings Limited
 135947 (**Alto Packaging Limited**) Alto Holdings Limited
 136588 (**Alto Packaging Limited**) Alto Holdings Limited
 136769 (**Alto Packaging Limited**) Alto Holdings Limited
 137881 (**Alto Packaging Limited**) Alto Holdings Limited
 127648 (**Alto Packaging Limited**) Alto Holdings Limited

Names Registered - Alterations and Amendments

(The name in parentheses is the new name of the proprietor)

143659 (**Clipsal Australia Pty Ltd**) Gerard Industries Pty Ltd
 143660 (**Clipsal Australia Pty Ltd**) Gerard Industries Pty Ltd
 143661 (**Clipsal Australia Pty Ltd**) Gerard Industries Pty Ltd
 143662 (**Clipsal Australia Pty Ltd**) Gerard Industries Pty Ltd
 143663 (**Clipsal Australia Pty Ltd**) Gerard Industries Pty Ltd
 144418 (**Technology Assisting Disability WA Inc.**) Technical Aid to the Disabled, West Australia Inc.

 153880 (**Abra Products Pty Ltd**) Birnmont Pty Ltd
 153881 (**Abra Products Pty Ltd**) Birnmont Pty Ltd
 138176 (**Abra Products Pty Ltd**) Birnmont Pty Ltd
 132524 (**Abra Products Pty Ltd**) Birnmont Pty Ltd
 130120 (**Abra Products Pty Ltd**) Birnmont Pty Ltd
 123328 (**Abra Products Pty Ltd**) Birnmont Pty Ltd
 123329 (**Abra Products Pty Ltd**) Birnmont Pty Ltd
 123506 (**Abra Products Pty Ltd**) Birnmont Pty Ltd
 123327 (**Abra Products Pty Ltd**) Birnmont Pty Ltd
 125092 (**Abra Products Pty Ltd**) Birnmont Pty Ltd
 138175 (**Abra Products Pty Ltd**) Birnmont Pty Ltd
 138174 (**Abra Products Pty Ltd**) Birnmont Pty Ltd
 138173 (**Abra Products Pty Ltd**) Birnmont Pty Ltd
 136007 (**Abra Products Pty Ltd**) Birnmont Pty Ltd
 136008 (**Abra Products Pty Ltd**) Birnmont Pty Ltd
 150753 (**Falk Naumann**) Falk Naumann
 158528 (**Falk Naumann**) Falk Naumann
 155864 (**Falk Naumann**) Falk Naumann
 146061 (**Heineken Supply Chain B.V.**) Heineken Technical Services B.V.
 156514 (**Heineken Supply Chain B.V.**) Heineken Technical Services B.V.
 156487 (**Heineken Supply Chain B.V.**) Heineken Technical Services B.V.
 146059 (**Heineken Supply Chain B.V.**) Heineken Technical Services B.V.
 146060 (**Heineken Supply Chain B.V.**) Heineken Technical Services B.V.
 144852 (**Sofirem (SAS)**) Mobil'Affiche International

This Page Left Intentionally Blank

Proceedings under the Designs Act 2003.

This Page Left Intentionally Blank

Applications Lodged

Lodgement information is in the following order: **Applicant's Name**; International Classification, Name of Product, Lodgement Date and **Design Number**. If the applicant claims an earlier priority date under an International Convention, the Convention Country and the associated filing date are shown in parentheses before the Lodgement Date. Divisional information will also appear in parentheses before the Lodgement Date.

Acco Australia Pty Ltd; 07-01NES, Two-compartment container, 29 Sep 2006	14432/2006	Cockayne, Robert; McArthur, Richard; 24-01, Surgical instrument holder, 05 Oct 2006	14496/2006
Adamowicz, Nathan; 19-01, Self standing gift card, 28 Sep 2006	14471/2006	Comat Pty Ltd; 01-01, Confectionary, 11 Oct 2006	14562/2006
Alto Holdings Limited; 07-99A, 09-03F, A tray, 01 Mar 2006	14008/2006	Conroy, M.J.; Conroy, S.J.; 22-05, Crab pot upright, 10 Oct 2006	14552/2006
Alto Holdings Limited; 07-99A, 09-03F, A tray, 01 Mar 2006	14009/2006	Conroy, S.J.; Conroy, M.J.; 22-05, Crab pot upright, 10 Oct 2006	14552/2006
Alto Holdings Limited; 07-99A, 09-03F, A tray, 01 Mar 2006	14010/2006	Constable, Catherine Louise; 12-16H, Vehicle mirror, 12 Oct 2006	14595/2006
Alto Holdings Limited; 07-99A, 09-03F, A tray, 01 Mar 2006	14011/2006	Crown Equipment Corporation; 12-16NES, Operator's station for a materials handling vehicle, (US, 11 Apr 2006) 28 Sep 2006	14379/2006
Ames True Temper, Inc.; 12-02, Wheelbarrow with pivoting arcuate hopper, (US, 07 Apr 2006) 04 Oct 2006	14463/2006	Crown Equipment Corporation; 12-05, Stand-up counterbalance lift truck, (US, 11 Apr 2006) 28 Sep 2006	14380/2006
Ashard, David John; 08-07, A latch assembly, 11 Apr 2006	14408/2006	Dart Industries Inc.; 09-03M, Covered container, (US, 27 Apr 2006) 05 Oct 2006	14493/2006
Ashard, David John; 08-06, A Hinge, 11 Apr 2006	14409/2006	Dart Industries Inc.; 09-03M, Container, (US, 27 Apr 2006) 05 Oct 2006	14494/2006
ABUS August Bremicker Sohne KG; 08-07, Lock for windows, 03 Oct 2006	14456/2006	Dart Industries Inc.; 09-07B, Cover, (US, 27 Apr 2006) 05 Oct 2006	14495/2006
ABUS August Bremicker Sohne KG; 08-07, Lock for windows, 03 Oct 2006	14459/2006	DiaSys; 24-02, Filtration device for biological specimens, (EM, 12 Apr 2006) 12 Oct 2006	14584/2006
ABUS August Bremicker Sohne KG; 08-07, Lock for windows, 03 Oct 2006	14457/2006	Diotti, Andrew; 23-01A, Conduit (electrical), 06 Oct 2006	14488/2006
ABUS August Bremicker Sohne KG; 08-07, Lock for windows, 03 Oct 2006	14458/2006	Drechsler, Gail; Drechsler, Diana; 02-06, Fingerless arm warmers, 28 Sep 2006	14329/2006
Baker, Raymond John; 07-07NES, Scoop, 06 Oct 2006	14515/2006	Drechsler, Diana; Drechsler, Gail; 02-06, Fingerless arm warmers, 28 Sep 2006	14329/2006
Bechara, Lorraine; Porcu, Michael; 02-04NES, Shoes, 26 Sep 2006	14287/2006	Electrolux Home Products Corporation N.V.; 23-01H, Dispensers, (IT, 05 Apr 2006) 05 Oct 2006	14497/2006
Bodysmart Health Solutions; 19-06, Writing board, document holder, reading board, slant board, 10 Oct 2006	14553/2006	Engel, Hartmut S.; 26-05D, Lamp, (EM, 13 Apr 2006) 13 Oct 2006	14638/2006
Breton, Craig Le; 08-03, Tile cutting aid and saw display board, 06 Oct 2006	14484/2006	Engel, Hartmut S.; 26-05D, Lamp, (EM, 13 Apr 2006) 13 Oct 2006	14639/2006
Brickwood Holdings Pty Ltd; 09-01K, Raindrop bottle, 09 Oct 2006	14534/2006	Engel, Hartmut S.; 26-05D, Lamp, (EM, 13 Apr 2006) 13 Oct 2006	14640/2006
Brown & Watson International Pty Ltd; 26-04, Lends for light fitting, 12 Oct 2006	14591/2006	Engel, Hartmut S.; 26-05D, Lamp, (EM, 13 Apr 2006) 13 Oct 2006	14641/2006
Brown & Watson International Pty Ltd; 26-04, Light fitting, 12 Oct 2006	14592/2006	Epicentre Trading Pty Ltd; 02-04NES, Slipstream cap decoration only, 25 Sep 2006	14285/2006
Caroma Industries Limited; 23-01F, A basin, 10 Oct 2006	14557/2006	Epicentre Trading Pty Ltd; 02-03, Champion cap decoration only, 25 Sep 2006	14286/2006
Caroma Industries Limited; 23-02C, A toilet cistern, 05 Oct 2006	14508/2006		

ESmart Group Pty Ltd; 07-08, Firescreen plasma, 24 Aug 2006	13790/2006	Green, Paul Francis; McNeilage, Bruce Martin; 22-05, Fish hook remover, (NZ, 06 Apr 2006) 06 Oct 2006	14510/2006
ESmart Group Pty Ltd; 07-08, Firescreen duo, 24 Aug 2006	13791/2006		
ESmart Group Pty Ltd; 07-08, Firescreen mono, 24 Aug 2006	13792/2006	Guhra, Peter Klaus; 25-01K, Extrusion, 03 Oct 2006	14433/2006
ESmart Group Pty Ltd; 07-08, 06-06C, Twin legs for firescreen, 24 Aug 2006	13793/2006	Heineken Supply Chain B.V.; 09-02C, Beer Keg, (EM, 23 Mar 2006) 25 Sep 2006	14279/2006
ESmart Group Pty Ltd; 06-03A, Coffee table alu, 24 Aug 2006	13794/2006	Heineken Supply Chain B.V.; 09-02NES, Beer Keg, (EM, 23 Mar 2006) 25 Sep 2006	14280/2006
ESmart Group Pty Ltd; 23-03B, Firebox 900SS, 24 Aug 2006	13795/2006	Heineken Supply Chain B.V.; 09-02C, Beer keg, (EM, 23 Mar 2006) 25 Sep 2006	14281/2006
ESmart Group Pty Ltd; 23-03B, Firebox 900DB, 24 Aug 2006	13796/2006		
Fahy, Arthur James; Obrien, Phillip; 28-03A, A razor, 04 Oct 2006	14460/2006	Higgs, Steve; King, David Russell; 06-01G, Sofa, 29 Sep 2006	14426/2006
Fink, Thomas Andrew; 24-01, Apparatus for therapeutic exercises, foam roller for therapeutic exercises, (US, 11 Apr 2006) 11 Oct 2006	14559/2006	Hollingsworth, Bronwyn; 02-02C, An item of clothing, 06 Oct 2006	14487/2006
Fiskars Brands, Inc.; 18-02, Stamp press, (US, 17 Apr 2006) 09 Oct 2006	14535/2006	Honda Motor Co., Ltd.; 15-01, Internal combustion engine, (JP, 30 Mar 2006) 29 Sep 2006	14435/2006
Foot Steps Orthotics Pty Limited; 02-04A, Heat mouldable orthotic insert, 05 Oct 2006	14506/2006	Horwitz, Adam; 20-03NES, A label holder, 29 Sep 2006	14398/2006
Foot Steps Orthotics Pty Limited; 02-04A, Heat mouldable orthotic insert, 05 Oct 2006	14507/2006	Horwitz, Adam; 20-02NES, A label display device, 29 Sep 2006	14399/2006
Ford Motor Company of Australia Limited; 12-16A, Wheel for a vehicle, 06 Oct 2006	14525/2006	Ing. Haaga Werkzeugbau GmbH & Co. KG; 15-05, Sweeping or cleaning machine, (EM, 25 Apr 2006) 12 Oct 2006	14593/2006
Ford Motor Company of Australia Limited; 12-16A, Wheel for a vehicle, 06 Oct 2006	14526/2006	Insite Vision Incorporated; 09-03L, 09-03NES, Drop dispenser, (US, 03 Apr 2006) 03 Oct 2006	14445/2006
Forlano, Penelope; 06-08, Hanging rack/coat hooks, 06 Oct 2006	14491/2006	Insite Vision Incorporated; 09-07NES, Cap, (US, 03 Apr 2006) 03 Oct 2006	14446/2006
Fusion Print Media Group Pty Ltd; 20-02E, Display and blanks therefor, 05 Oct 2006	14498/2006	International Research & Marketing Corp Pty Ltd; 23-02F, Sink, 16 Oct 2006	14642/2006
Fusion Print Media Group Pty Ltd; 20-02E, Display and blanks therefor, 05 Oct 2006	14499/2006	International Research & Marketing Corp Pty Ltd; 07-05B, 23-02F, Laundry cabinet & tub, 16 Oct 2006	14643/2006
Gibb, Graham John; 08-05NES, Cornice mitre box, 06 Oct 2006	14492/2006	International Research & Marketing Corp Pty Ltd; 23-02F, Sink, 16 Oct 2006	14644/2006
Glaxo Group Limited; 09-07C, A cap, (GB, 28 Mar 2006) 26 Sep 2006	14315/2006	Isuzu Motors Limited; 26-06, Headlight for a motor vehicle, (CN, 31 Mar 2006) 29 Sep 2006	14436/2006
Goodyear Tire & Rubber Company, The; 12-15B, A tyre, (US, 19 Apr 2006) 05 Oct 2006	14509/2006	Isuzu Motors Limited; 12-08, A truck cab, (CN, 31 Mar 2006) 29 Sep 2006	14437/2006
Gram Engineering Pty Limited; 25-01K, A profiled section of indefinite length, 12 Oct 2006	14581/2006	Isuzu Motors Limited; 12-08, A truck cab, (CN, 31 Mar 2006) 29 Sep 2006	14438/2006
Gram Engineering Pty Limited; 25-01K, A profiled section of indefinite length, 12 Oct 2006	14582/2006	Isuzu Motors Limited; 12-16B, Radiator grille for a motor vehicle, (CN, 31 Mar 2006) 29 Sep 2006	14439/2006

Isuzu Motors Limited; 12-16C, Bumper for a motor vehicle, (CN, 31 Mar 2006) 29 Sep 2006	14440/2006	Juwel Aquarium GmbH & Co. KG; 30-02, An aquarium, 09 Oct 2006	14544/2006
Isuzu Motors Limited; 26-06, Front turn lamp for a motor vehicle, (CN, 31 Mar 2006) 29 Sep 2006	14441/2006	Juwel Aquarium GmbH & Co. KG; 30-02, An aquarium, 09 Oct 2006	14545/2006
Isuzu Motors Limited; 26-06, Headlight for a motor vehicle, (CN, 31 Mar 2006) 29 Sep 2006	14442/2006	Juwel Aquarium GmbH & Co. KG; 25-01G, An aquarium cladding sheet, 09 Oct 2006	14546/2006
Isuzu Motors Limited; 26-06, Lamp for a motor vehicle, (CN, 31 Mar 2006) 29 Sep 2006	14443/2006	Juwel Aquarium GmbH & Co. KG; 25-01G, An aquarium cladding sheet, 09 Oct 2006	14547/2006
Isuzu Motors Limited; 26-06, Lamp for motor vehicle, (CN, 31 Mar 2006) 29 Sep 2006	14444/2006	Juwel Aquarium GmbH & Co. KG; 30-02, An aquarium, 09 Oct 2006	14548/2006
IPPV Pty Ltd; 14-03C, Audio speakers and amplifier enclosure, 06 Oct 2006	14489/2006	Karsten Manufacturing Corporation; 21-02C, Golf iron head, (US, 13 Apr 2006) 05 Oct 2006	14511/2006
IPPV Pty Ltd; 14-03C, Cover for audio speakers and amplifier enclosure, 06 Oct 2006	14490/2006	King, David Russell; Higgs, Steve; 06-01G, Sofa, 29 Sep 2006	14426/2006
Jemella Limited; 15-05, Iron, 04 Oct 2006	14472/2006	King Furniture (Australia) Pty Ltd; 06-01G, Chair, 29 Sep 2006	14447/2006
Jenns, Michael; 09-03L, Clear squeezable plastic containers, to be used as a tool/device for air-conditioning engineers, 04 Oct 2006	14449/2006	King Furniture (Australia) Pty Ltd; 06-01G, Sofa, 29 Sep 2006	14427/2006
JohnsonDiversey, Inc.; 09-07A, Dispensing closure, (US, 14 Apr 2006) 11 Oct 2006	14572/2006	King Furniture (Australia) Pty Ltd; 06-01G, Sofa, 29 Sep 2006	14428/2006
JohnsonDiversey, Inc.; 09-07A, Dispensing closure, (US, 14 Apr 2006) 11 Oct 2006	14573/2006	King Furniture (Australia) Pty Ltd; 06-01G, Chair, 29 Sep 2006	14429/2006
JohnsonDiversey, Inc.; 09-07A, Dispensing closure, (US, 14 Apr 2006) 11 Oct 2006	14574/2006	King Furniture (Australia) Pty Ltd; 06-01G, Chair, 29 Sep 2006	14430/2006
JohnsonDiversey, Inc.; 09-07A, Dispensing closure, (US, 14 Apr 2006) 11 Oct 2006	14575/2006	King Furniture (Australia) Pty Ltd; 06-01G, Chair, 29 Sep 2006	14431/2006
JohnsonDiversey, Inc.; 23-02A, Dispenser, (US, 14 Apr 2006) 12 Oct 2006	14588/2006	King Furniture (Australia) Pty Ltd; 06-06G, Furniture headrest, 29 Sep 2006	14420/2006
JohnsonDiversey, Inc.; 23-02A, Dispenser, (US, 14 Apr 2006) 12 Oct 2006	14589/2006	King Furniture (Australia) Pty Ltd; 06-01G, Sofa, 29 Sep 2006	14421/2006
Juwel Aquarium GmbH & Co. KG; 25-01D, An aquarium cladding element, 09 Oct 2006	14539/2006	King Furniture (Australia) Pty Ltd; 06-01G, Sofa, 29 Sep 2006	14422/2006
Juwel Aquarium GmbH & Co. KG; 25-01D, An aquarium cladding element, 09 Oct 2006	14540/2006	King Furniture (Australia) Pty Ltd; 06-01G, Sofa, 29 Sep 2006	14423/2006
Juwel Aquarium GmbH & Co. KG; 30-02, An aquarium, 09 Oct 2006	14541/2006	King Furniture (Australia) Pty Ltd; 06-01G, Sofa, 29 Sep 2006	14424/2006
Juwel Aquarium GmbH & Co. KG; 30-02, An aquarium, 09 Oct 2006	14542/2006	King Furniture (Australia) Pty Ltd; 06-01G, Sofa, 29 Sep 2006	14425/2006
Juwel Aquarium GmbH & Co. KG; 30-02, An aquarium, 09 Oct 2006	14543/2006	L G Harris & Co Limited; 04-04, Flexibrush handle, (EM, 12 May 2006) 26 Sep 2006	14323/2006
		L G Harris & Co Limited; 04-04, Contour brush handle, (EM, 12 May 2006) 26 Sep 2006	14324/2006
		L G Harris & Co Limited; 04-04, Precision brush handle, (EM, 12 May 2006) 26 Sep 2006	14325/2006
		La Montre Hermes S.A.; 10-07, Watch case, (WO, 11 Apr 2006) 04 Oct 2006	14473/2006
		La Montre Hermes S.A.; 10-07, Watch dial, (WO, 11 Apr 2006) 04 Oct 2006	14474/2006

Lawtools Pty Ltd; 08-04, A 'GFB' plastic magnet-holder to suit a nut-setter tool for power screwdrivers, 06 Oct 2006	14485/2006	OSIM International Ltd; 28-03NES, Massage oscillating belt (Mini), (SG, 29 Aug 2006) 12 Oct 2006	14586/2006
Lawtools Pty Ltd; 08-04, A 'GFB' plastic magnet-holder to suit a nut-setter tool for power screwdrivers, 06 Oct 2006	14486/2006	OSIM International Ltd; 28-03NES, Oscillating massage belt (with Buckle), (SG, 14 Jun 2006) 12 Oct 2006	14587/2006
McArthur, Richard; Cockayne, Robert; 24-01, Surgical instrument holder, 05 Oct 2006	14496/2006	Peak Innovations Inc.; 08-08O, A ground stake, (CA, 03 Apr 2006) 03 Oct 2006	14513/2006
McDonald, Andrew; McDonald, Patricia; 11-02A, Vase, 29 Sep 2006	14464/2006	Peak Innovations Inc.; 19-01, A post anchor, (CA, 03 Apr 2006) 06 Oct 2006	14524/2006
McDonald, Patricia; McDonald, Andrew; 11-02A, Vase, 29 Sep 2006	14464/2006	Pirelli Tyre S.P.A.; 12-15C, Pnuematic tyre, (EM, 30 Mar 2006) 26 Sep 2006	14321/2006
McNeilage, Bruce Martin; Green, Paul Francis; 22-05, Fish hook remover, (NZ, 06 Apr 2006) 06 Oct 2006	14510/2006	Pirelli Tyre S.P.A.; 12-15C, Tread band, (EM, 30 Mar 2006) 26 Sep 2006	14322/2006
NeuroMetrix, Inc.; 24-01, Anatomical sensor, (US, 05 Apr 2006) 05 Oct 2006	14482/2006	Polyweld; 08-08NES, 12-16NES, Freezer van door corner bracket and lock rod pivot, 26 Sep 2006	14282/2006
Nintendo Co., Ltd.; 14-02, 21-01N, A data entry device, (JP, 13 Apr 2006) 11 Oct 2006	14561/2006	Polyweld; 08-08H, 12-16NES, Truck curtain roller with bumpers without wheels similar to existing registered design 149685 - 2-8-2002, 26 Sep 2006	14283/2006
Nyholm, Ture; 08-09, Rail side frame, 28 Sep 2006	14470/2006	Porcu, Michael; Bechara, Lorraine; 02-04NES, Shoes, 26 Sep 2006	14287/2006
O'Brien, Phillip; Fahy, Arthur James; 28-03A, A razor, 04 Oct 2006	14460/2006	Prime Global Brands Ltd.; 19-01, "Tail light assembly (triple)", 09 Oct 2006	14523/2006
Ocal, Yuksel; 12-10, , 26 Sep 2006	14316/2006	Prime Global Brands Ltd.; 26-06, "Tail light assembly (Single)", 09 Oct 2006	14529/2006
Ortech Pty Ltd; 07-06A, Bottle holder for booster seat or child seat, 10 Oct 2006	14536/2006	Prime Global Brands Ltd.; 26-06, "Tail light assembly (double)", 09 Oct 2006	14530/2006
Otto Sauer Achsenfabrik GmbH; 12-16A, Wheel hubs, (DE, 05 Apr 2006) 27 Sep 2006	14332/2006	Prysmian Telecom Cables & Systems Australia Pty Ltd; 13-03C, Hauling Shroud, 26 Sep 2006	14306/2006
Otto Sauer Achsenfabrik GmbH; 12-16A, Wheel hubs, (DE, 05 Apr 2006) 27 Sep 2006	14401/2006	ResMed Ltd; 23-04, Adaptor seal for a humidifier/respiratory apparatus, (US, 05 Apr 2006) 04 Oct 2006	14461/2006
Otto Sauer Achsenfabrik GmbH; 12-16A, Wheel hubs, (DE, 05 Apr 2006) 27 Sep 2006	14402/2006	ResMed Ltd; 24-01, 24-02, Respiratory mask, (US, 14 Apr 2006) 12 Oct 2006	14563/2006
Otto Sauer Achsenfabrik GmbH; 12-16A, Wheel hubs, (DE, 05 Apr 2006) 27 Sep 2006	14403/2006	ResMed Ltd; 24-01, 24-02, Respiratory mask cushion, 12 Oct 2006	14564/2006
Otto Sauer Achsenfabrik GmbH; 12-16A, Wheel hubs, (DE, 05 Apr 2006) 27 Sep 2006	14404/2006	ResMed Ltd; 24-01, 24-02, Respiratory mask frame, (US, 14 Apr 2006) 12 Oct 2006	14565/2006
Otto Sauer Achsenfabrik GmbH; 12-16A, Wheel hubs, (DE, 05 Apr 2006) 27 Sep 2006	14405/2006	ResMed Ltd; 24-01, 24-02, Respiratory mask frame clip, (US, 14 Apr 2006) 12 Oct 2006	14566/2006
Otto Sauer Achsenfabrik GmbH; 12-16A, Wheel hubs, (DE, 05 Apr 2006) 27 Sep 2006	14406/2006	ResMed Ltd; 24-01, 24-02, Respiratory mask, (US, 14 Apr 2006) 12 Oct 2006	14567/2006
Otto Holdings (Aust) Pty Ltd; 08-08H, A slider attachment, 25 Sep 2006	14290/2006		
Otto Holdings (Aust) Pty Ltd; 08-08H, A bracket, 25 Sep 2006	14291/2006		

ResMed Ltd; 24-01, 24-02, Respiratory mask cushion, (US, 14 Apr 2006) 12 Oct 2006	14568/2006	Saeco IPR Limited; 07-02L, Coffee makers, (EM, 07 Apr 2006) 09 Oct 2006	14550/2006
ResMed Ltd; 24-01, 24-02, Respiratory mask, (US, 14 Apr 2006) 12 Oct 2006	14569/2006	Saeco IPR Limited; 07-02L, Coffee makers, (EM, 07 Apr 2006) 09 Oct 2006	14551/2006
ResMed Ltd; 24-01, 24-02, Respiratory mask cushion, (US, 14 Apr 2006) 12 Oct 2006	14570/2006	Silhouette International Schmied AG; 16-06, Eyeglasses, (EM, 04 Jul 2006) 25 Sep 2006	14288/2006
ResMed Ltd; 23-04, Humidifier tub, (US, 06 Apr 2006) 04 Oct 2006	14462/2006	Silhouette International Schmied AG; 16-06, Eyeglasses, (EM, 04 Jul 2006) 25 Sep 2006	14289/2006
ResMed Ltd; 24-01, Respiratory mask, (US, 07 Apr 2006) 05 Oct 2006	14500/2006	Societe Des Produits Nestle S.A.; 07-02N, Microwave tray, (US, 07 Jul 2006) 12 Oct 2006	14594/2006
ResMed Ltd; 24-01, Respiratory mask frame, (US, 07 Apr 2006) 05 Oct 2006	14501/2006	Super Return Pty Ltd; 19-01, Foam/rubber postcards and greeting cards, 05 Oct 2006	14522/2006
ResMed Ltd; 24-01, Respiratory mask elbow, 05 Oct 2006	14502/2006	Swarovski Aktiengesellschaft; 11-02E, Ornamental object, (EP, 11 Apr 2006) 04 Oct 2006	14475/2006
ResMed Ltd; 24-01, Respiratory mask, (US, 07 Apr 2006) 05 Oct 2006	14503/2006	SASF Consulting Pty Ltd; 19-08, Bag tag, 06 Oct 2006	14512/2006
ResMed Ltd; 24-01, Respiratory mask frame, (US, 07 Apr 2006) 05 Oct 2006	14504/2006	SMW Drilling Services Pty Ltd; 15-04, Dual pass 25000LB pull down tractor, 28 Sep 2006	14331/2006
ResMed Ltd; 24-01, Respiratory mask elbow, (US, 07 Apr 2006) 05 Oct 2006	14505/2006	Van Horen Holdings Pty Ltd; 06-04F, Tall boy, 11 Oct 2006	14576/2006
ResMed Ltd; 24-01, Elbow for mask, (US, 07 Oct 2005) 29 Sep 2006	14465/2006	Van Horen Holdings Pty Ltd; 06-02, Bed, 11 Oct 2006	14577/2006
ResMed Ltd; 24-01, Elbow with vent cover for mask, 29 Sep 2006	14466/2006	Van Horen Holdings Pty Ltd; 06-06B, Dresser and mirror assembly, 11 Oct 2006	14578/2006
Review Australia Pty Ltd; 02-02C, Ladies garment, 03 Oct 2006	14419/2006	Van Horen Holdings Pty Ltd; 06-04F, Bedside table, 11 Oct 2006	14579/2006
Riverstone, Glen; 26-05NES, Opening glass ampoules : glass ampoule opener, 09 Oct 2006	14527/2006	Viking Corporation, The; 23-01D, Sprinkler body, (US, 30 Mar 2006) 28 Sep 2006	14373/2006
Riverstone, Glen; 26-05NES, Opening glass ampoules : Glass ampoule opener, 09 Oct 2006	14528/2006	Viking Corporation, The; 23-01D, Flow shaper for a sprinkler assembly, (US, 30 Mar 2006) 28 Sep 2006	14376/2006
Roberts, Shane Michael; 09-09, Wheelie ezy bin lifter, 06 Oct 2006	14483/2006	Viking Corporation, The; 23-01D, Flow shaper for a sprinkler assembly, (US, 30 Mar 2006) 28 Sep 2006	14377/2006
RND Services Pty Limited; 08-08C, Clip, 29 Sep 2006	14434/2006	Viking Corporation, The; 23-01D, Flow shaper for a sprinkler assembly, (US, 30 Mar 2006) 28 Sep 2006	14378/2006
S.C. Johnson & Son Inc.; 23-04, Plug-in air purifier, (US, 12 Apr 2006) 09 Oct 2006	14537/2006	Viking Corporation, The; 23-01D, Flow shaper for a sprinkler assembly, (US, 30 Mar 2006) 28 Sep 2006	14374/2006
S.C. Johnson & Son Inc.; 23-04, Plug-in air purifier, (US, 12 Apr 2006) 09 Oct 2006	14538/2006	Viking Corporation, The; 23-01D, Flow shaper for a sprinkler assembly, (US, 30 Mar 2006) 28 Sep 2006	14375/2006
S.C. Johnson & Son, Inc.; 09-07A, Actuator cap, (US, 20 Apr 2006) 11 Oct 2006	14571/2006	Vinidex Pty Limited; 08-08NES, Fitting for separating perpendicular rails, pipes or tubes, 05 Oct 2006	14478/2006
		Ware, M.; 19-06, Paint pot holder, 01 Sep 2006	13935/2006

World is Round Pty Ltd, The;
25-02B, Wall panel, 04 Oct 2006

14448/2006

Applications Withdrawn

13144 / 2006 (06-03C)	13145 / 2006 (06-03C)
13146 / 2006 (06-03C)	13147 / 2006 (06-03C)
13148 / 2006 (06-03C)	13149 / 2006 (06-03C)
13150 / 2006 (06-03C)	

Applications Lapsed

13230 / 2005 (08-08M)	13509 / 2005 (09-07A)
14314 / 2005 (21-02D)	14333 / 2005 (02-02C)
15649 / 2005 (16-06)	15650 / 2005 (16-06)
15741 / 2005 (07-01NES)	15796 / 2005 (08-06)
10122 / 2006 (07-01NES)	10130 / 2006 (03-01C)
10288 / 2006 (09-07B)	10296 / 2006 (09-02NES)
10653 / 2006 (07-02E)	10725 / 2006 (15-03B)
10756 / 2006 (09-05)	10766 / 2006 (07-01C)
11152 / 2006 (12-12)	11177 / 2006 (11-01NES)
11199 / 2006 (02-03)	13177 / 2006 (06-01G)
13209 / 2006 (03-01A)	13421 / 2006 (25-02NES)
13422 / 2006 (25-02H)	

Extension of Period of Registration of Designs

310056

Registrations Ceased

302843 302844 303503
303548

Extensions of time granted under Section 137

Applications lodged under section 137 for extension of time have been granted.

11231/2006 **Aquatica NZ Limited**
12881/2006 **Solutions Sourcing Pty Ltd**
12882/2006 **Solutions Sourcing Pty Ltd**

Applications Assigned

(The name in parentheses is that of the subsequent applicant)

15013/2005 (**Alto Packaging Limited**) Alto Holdings Limited
10282/2006 (**Alto Packaging Limited**) Alto Holdings Limited

Subsequent Owners Registered

(The name in parentheses is that of the subsequent owner)

307198 (**Body Armour Technology Limited**) Body Armour (1995) Limited
308894 (**Alto Packaging Limited**) Alto Holdings Limited
305247 (**Alto Packaging Limited**) Alto Holdings Limited
302556 (**Alto Packaging Limited**) Alto Holdings Limited
302555 (**Alto Packaging Limited**) Alto Holdings Limited
302554 (**Alto Packaging Limited**) Alto Holdings Limited
302553 (**Alto Packaging Limited**) Alto Holdings Limited
302552 (**Alto Packaging Limited**) Alto Holdings Limited
302551 (**Alto Packaging Limited**) Alto Holdings Limited
310057 (**Alto Packaging Limited**) Alto Holdings Limited

Names Registered - Alterations and Amendments

(The name in parentheses is that of the subsequent applicant)

305799 (**Aurilis Group**) Flauraud S.A.
305993 (**Aurilis Group**) Flauraud S.A.
303323 (**Feltex Australia Pty Ltd**) Feltex Carpets Pty Ltd
305919 (**Feltex Australia Pty Ltd**) Feltex Carpets Pty Ltd
305745 (**Feltex Australia Pty Ltd**) Feltex Carpets Pty Ltd
305746 (**Feltex Australia Pty Ltd**) Feltex Carpets Pty Ltd
305753 (**Feltex Australia Pty Ltd**) Feltex Carpets Pty Ltd
303322 (**Feltex Australia Pty Ltd**) Feltex Carpets Pty Ltd
305918 (**Feltex Australia Pty Ltd**) Feltex Carpets Pty Ltd
305917 (**Feltex Australia Pty Ltd**) Feltex Carpets Pty Ltd
303333 (**Feltex Australia Pty Ltd**) Feltex Carpets Pty Ltd
303334 (**Feltex Australia Pty Ltd**) Feltex Carpets Pty Ltd
306540 (**Feltex Australia Pty Ltd**) Feltex Carpets Pty Ltd

306541 (**Feltex Australia Pty Ltd**) Feltex Carpets Pty Ltd
 306539 (**Feltex Australia Pty Ltd**) Feltex Carpets Pty Ltd
 303332 (**Feltex Australia Pty Ltd**) Feltex Carpets Pty Ltd
 303327 (**Feltex Australia Pty Ltd**) Feltex Carpets Pty Ltd
 303328 (**Feltex Australia Pty Ltd**) Feltex Carpets Pty Ltd
 303331 (**Feltex Australia Pty Ltd**) Feltex Carpets Pty Ltd
 303324 (**Feltex Australia Pty Ltd**) Feltex Carpets Pty Ltd
 303326 (**Feltex Australia Pty Ltd**) Feltex Carpets Pty Ltd
 303329 (**Feltex Australia Pty Ltd**) Feltex Carpets Pty Ltd
 305916 (**Feltex Australia Pty Ltd**) Feltex Carpets Pty Ltd
 305915 (**Feltex Australia Pty Ltd**) Feltex Carpets Pty Ltd
 305914 (**Feltex Australia Pty Ltd**) Feltex Carpets Pty Ltd
 306542 (**Feltex Australia Pty Ltd**) Feltex Carpets Pty Ltd
 305963 (**Feltex Australia Pty Ltd**) Feltex Carpets Pty Ltd
 305954 (**Feltex Australia Pty Ltd**) Feltex Carpets Pty Ltd
 305958 (**Feltex Australia Pty Ltd**) Feltex Carpets Pty Ltd
 305942 (**Feltex Australia Pty Ltd**) Feltex Carpets Pty Ltd
 303330 (**Feltex Australia Pty Ltd**) Feltex Carpets Pty Ltd

Corrigenda

Number 10489/2006

In Vol 20 , No 20 , page 6443 under the heading **Applications Lapsed**; Design No. 10489/06 should be deleted.

Number 309001

In Vol 20 , No 18 , page 6135 under the heading **Australian Registered Design**; (71) Name(s) and Address(s) of Applicant(s) should read: Abacus (C.I.) Limited B2377 La Motte Chambers St Helier Jersey Channel Islands JE1 1BJ United Kingdom.

Number 14091/2005

In Vol 20 , No 11 , page 4711 under the heading **Applications Lapsed**; Design No. 14091/2005 should be deleted.

Number 14092/2005

In Vol 20 , No 11 , page 4711 under the heading **Applications Lapsed**; Design No. 14092/2005 should be deleted.

Number 14773/2005

In Vol 20 , No 21 , page 6771 under the heading **Applications Lapsed**; Design No. 14773/2005 should be deleted.

Certificate(s) of Examination

Examination of the following Design Registration(s) has been completed. Infringement proceedings may now be commenced.

302830	23-01NES	06/10/2006
305219	09-05	16/10/2006
305220	09-05	12/10/2006
305222	09-05	16/10/2006
305223	09-05	16/10/2006
305224	09-05	16/10/2006
305225	09-05	16/10/2006
305488	12-16B	16/10/2006
305489	12-16B	16/10/2006
305490	12-16B	16/10/2006
305491	12-16B	16/10/2006
305843	09-03F	19/10/2006
306185	23-01NES	06/10/2006
306457	25-01K	09/10/2006
306459	25-01K	09/10/2006
306630	09-07C	06/10/2006

Publication and Registration Proceedings

Designs Registered

This section provides a concordance between design number and registration number of Designs covered in this journal. It also shows the main class and registration date.

This section covers Registration numbers 310440 to 310797 .

The registration number shown below should be used in all future correspondence.

Design Number	Registration Number	International Classification Code (IDC)	Registration Date	Design Number	Registration Number	International Classification Code (IDC)	Registration Date
14157/2005	310778	02-02C	18/10/2006	11457/2006	310788	15-05	18/10/2006
15555/2005	310608	23-02C	16/10/2006	11463/2006	310789	07-05D	18/10/2006
10011/2006	310530	19-06	12/10/2006	11527/2006	310695	12-16B	16/10/2006
10045/2006	310450	03-01NES	10/10/2006	11601/2006	310713	12-16A	17/10/2006
10123/2006	310440	07-01NES	05/10/2006	11627/2006	310590	09-01K	16/10/2006
10140/2006	310609	12-10	16/10/2006	11638/2006	310621	12-16K	16/10/2006
10154/2006	310692	07-01C	16/10/2006	11639/2006	310622	12-16K	16/10/2006
10292/2006	310610	21-01NES	16/10/2006	11649/2006	310442	02-02NES	05/10/2006
10293/2006	310611	21-01NES	16/10/2006	11715/2006	310735	09-01NES	17/10/2006
10294/2006	310612	21-01NES	16/10/2006	11751/2006	310696	11-05	16/10/2006
10310/2006	310451	08-07	10/10/2006	11752/2006	310495	21-01L	11/10/2006
10311/2006	310452	08-06	10/10/2006	11758/2006	310678	21-01L	16/10/2006
10312/2006	310453	08-07	10/10/2006	11796/2006	310623	03-03	16/10/2006
10319/2006	310472	23-01B	11/10/2006	11905/2006	310461	12-02	10/10/2006
10348/2006	310446	28-03NES	05/10/2006	11911/2006	310484	12-16B	18/10/2006
10351/2006	310454	09-09	10/10/2006	11912/2006	310485	12-16B	18/10/2006
10381/2006	310779	02-02C	18/10/2006	11914/2006	310591	12-16A	16/10/2006
10382/2006	310780	02-02C	18/10/2006	11918/2006	310592	12-16B	16/10/2006
10383/2006	310781	02-02C	18/10/2006	11919/2006	310486	12-16B	18/10/2006
10384/2006	310782	02-02NES	18/10/2006	11920/2006	310624	12-16B	16/10/2006
10468/2006	310559	19-02	12/10/2006	11923/2006	310593	12-16E	16/10/2006
10469/2006	310560	19-02	12/10/2006	11924/2006	310594	12-16E	16/10/2006
10470/2006	310561	19-02	12/10/2006	11925/2006	310625	12-16E	16/10/2006
10471/2006	310613	19-02	16/10/2006	11927/2006	310626	12-16E	16/10/2006
10472/2006	310614	19-02	16/10/2006	11928/2006	310595	12-16B	16/10/2006
10473/2006	310615	19-02	16/10/2006	11929/2006	310596	12-16B	16/10/2006
10590/2006	310783	20-02E	18/10/2006	11930/2006	310597	12-16B	16/10/2006
10591/2006	310784	20-02E	18/10/2006	11931/2006	310598	12-16B	16/10/2006
10592/2006	310785	20-02E	18/10/2006	11932/2006	310599	12-16B	16/10/2006
10604/2006	310712	14-02	17/10/2006	11933/2006	310600	12-16B	16/10/2006
10610/2006	310616	21-02F	16/10/2006	11935/2006	310601	12-16B	16/10/2006
10680/2006	310757	12-16A	18/10/2006	11936/2006	310602	12-16B	16/10/2006
10704/2006	310714	25-02A	17/10/2006	11942/2006	310627	12-16E	16/10/2006
10705/2006	310617	25-02A	16/10/2006	11943/2006	310628	12-16E	16/10/2006
10706/2006	310618	25-02A	16/10/2006	11999/2006	310473	13-03NES	11/10/2006
10755/2006	310619	24-04	16/10/2006	12032/2006	310679	12-16B	16/10/2006
10804/2006	310483	09-03F	18/10/2006	12033/2006	310758	12-16A	18/10/2006
10812/2006	310786	03-01B	18/10/2006	12062/2006	310629	02-05	16/10/2006
10862/2006	310620	31-00	16/10/2006	12168/2006	310562	20-02E	12/10/2006
10886/2006	310441	21-01L	05/10/2006	12217/2006	310462	31-00	10/10/2006
10909/2006	310455	13-03D	10/10/2006	12225/2006	310463	07-01C	10/10/2006
10910/2006	310456	13-03D	10/10/2006	12228/2006	310464	06-13NES	10/10/2006
10911/2006	310457	13-03D	10/10/2006	12232/2006	310465	12-16C	10/10/2006
11090/2006	310716	26-06	17/10/2006	12233/2006	310466	12-16C	10/10/2006
11091/2006	310717	26-06	17/10/2006	12312/2006	310474	08-09	11/10/2006
11093/2006	310718	26-06	17/10/2006	12313/2006	310475	08-09	11/10/2006
11192/2006	310458	12-08	10/10/2006	12407/2006	310697	21-01C	16/10/2006
11193/2006	310459	12-08	10/10/2006	12433/2006	310759	12-16K	18/10/2006
11285/2006	310787	29-02	18/10/2006	12502/2006	310737	19-07	17/10/2006
11286/2006	310494	11-01A	11/10/2006	12563/2006	310467	09-02A	10/10/2006
11329/2006	310460	07-02R	10/10/2006	12564/2006	310738	09-07B	17/10/2006
11352/2006	310734	02-05	17/10/2006	12566/2006	310739	09-07B	17/10/2006
11456/2006	310715	15-05	17/10/2006	12567/2006	310740	09-02A	17/10/2006

Publication and Registration Proceedings - Designs Registered cont'd

Design Number	Registration Number	International Classification Code (IDC)	Registration Date	Design Number	Registration Number	International Classification Code (IDC)	Registration Date
12568/2006	310741	09-07B	17/10/2006	13172/2006	310573	12-05	12/10/2006
12569/2006	310742	09-02A	17/10/2006	13199/2006	310540	09-01K	13/10/2006
12582/2006	310777	25-01D	18/10/2006	13201/2006	310512	25-02C	11/10/2006
12714/2006	310630	06-01F	16/10/2006	13202/2006	310492	25-02C	11/10/2006
12736/2006	310631	19-06	16/10/2006	13212/2006	310445	26-04	05/10/2006
12740/2006	310443	23-01B	05/10/2006	13213/2006	310448	26-04	05/10/2006
12745/2006	310693	09-03M	16/10/2006	13262/2006	310636	12-08	16/10/2006
12746/2006	310694	09-03M	16/10/2006	13263/2006	310637	12-16B	16/10/2006
12771/2006	310760	20-03NES	18/10/2006	13264/2006	310638	12-16C	16/10/2006
12833/2006	310632	08-08N	16/10/2006	13266/2006	310762	12-16B	18/10/2006
12890/2006	310633	08-03	16/10/2006	13267/2006	310763	12-16B	18/10/2006
12891/2006	310634	08-03	16/10/2006	13268/2006	310764	12-16B	18/10/2006
12894/2006	310482	09-03F	12/10/2006	13269/2006	310720	12-16B	17/10/2006
12899/2006	310444	06-02	05/10/2006	13270/2006	310721	12-16B	17/10/2006
12916/2006	310558	02-03	12/10/2006	13271/2006	310722	12-16A	17/10/2006
12999/2006	310719	08-08NES	17/10/2006	13272/2006	310698	12-16B	16/10/2006
13005/2006	310468	06-06G	10/10/2006	13273/2006	310699	12-16B	16/10/2006
13018/2006	310469	22-05	10/10/2006	13274/2006	310700	12-16B	16/10/2006
13058/2006	310563	12-08	12/10/2006	13275/2006	310701	12-16B	16/10/2006
13059/2006	310564	12-16A	12/10/2006	13276/2006	310702	12-16B	16/10/2006
13060/2006	310565	12-16A	12/10/2006	13277/2006	310765	12-16B	18/10/2006
13061/2006	310566	12-16B	12/10/2006	13297/2006	310513	06-04NES	11/10/2006
13062/2006	310567	12-16D	12/10/2006	13298/2006	310514	06-04NES	11/10/2006
13063/2006	310568	12-16NES	12/10/2006	13299/2006	310515	06-04NES	11/10/2006
13064/2006	310569	06-01D	12/10/2006	13324/2006	310766	07-05D	18/10/2006
13065/2006	310570	06-01D	12/10/2006	13371/2006	310639	08-03	16/10/2006
13066/2006	310571	06-01D	12/10/2006	13372/2006	310640	08-03	16/10/2006
13067/2006	310572	15-01	12/10/2006	13373/2006	310790	09-01NES	18/10/2006
13069/2006	310476	15-05	11/10/2006	13374/2006	310791	09-01K	18/10/2006
13070/2006	310477	15-05	11/10/2006	13377/2006	310641	09-07C	16/10/2006
13071/2006	310478	28-03A	11/10/2006	13400/2006	310767	07-01B	18/10/2006
13072/2006	310479	26-05NES	11/10/2006	13495/2006	310703	12-16NES	16/10/2006
13073/2006	310480	26-05NES	11/10/2006	13519/2006	310642	10-04	16/10/2006
13074/2006	310496	15-03B	11/10/2006	13523/2006	310541	26-05A	13/10/2006
13075/2006	310497	12-06NES	11/10/2006	13524/2006	310542	26-05A	13/10/2006
13106/2006	310498	08-05N	11/10/2006	13525/2006	310574	26-05A	12/10/2006
13108/2006	310499	03-01C	11/10/2006	13526/2006	310575	26-05A	12/10/2006
13109/2006	310500	28-03NES	11/10/2006	13527/2006	310576	24-04	12/10/2006
13121/2006	310501	09-03M	11/10/2006	13528/2006	310577	24-04	12/10/2006
13122/2006	310502	08-03	11/10/2006	13529/2006	310578	24-04	12/10/2006
13123/2006	310503	08-01	11/10/2006	13530/2006	310579	28-03NES	12/10/2006
13126/2006	310635	08-08NES	16/10/2006	13532/2006	310580	21-01M	12/10/2006
13127/2006	310504	12-11	11/10/2006	13571/2006	310704	08-01	16/10/2006
13128/2006	310761	07-06A	18/10/2006	13591/2006	310643	09-03M	16/10/2006
13130/2006	310505	01-01	11/10/2006	13592/2006	310644	08-05N	16/10/2006
13133/2006	310481	23-01L	11/10/2006	13593/2006	310743	23-04	17/10/2006
13153/2006	310489	12-16F	11/10/2006	13594/2006	310744	23-04	17/10/2006
13155/2006	310490	09-03F	11/10/2006	13595/2006	310745	23-04	17/10/2006
13156/2006	310491	09-03F	11/10/2006	13597/2006	310645	25-01NES	16/10/2006
13159/2006	310538	08-08N	13/10/2006	13604/2006	310487	12-02	18/10/2006
13160/2006	310539	08-08N	13/10/2006	13605/2006	310543	06-06G	13/10/2006
13164/2006	310470	14-02	10/10/2006	13613/2006	310488	09-01NES	18/10/2006
13165/2006	310506	14-01	11/10/2006	13624/2006	310544	26-05C	13/10/2006
13166/2006	310507	11-02NES	11/10/2006	13625/2006	310545	26-05C	13/10/2006
13168/2006	310508	11-02E	11/10/2006	13626/2006	310546	25-02K	13/10/2006
13169/2006	310509	11-02NES	11/10/2006	13627/2006	310547	06-04NES	13/10/2006
13170/2006	310510	11-02NES	11/10/2006	13628/2006	310581	06-04NES	12/10/2006
13171/2006	310511	11-02E	11/10/2006	13630/2006	310548	08-08L	13/10/2006

Publication and Registration Proceedings - Designs Registered cont'd

Design Number	Registration Number	International Classification Code (IDC)	Registration Date	Design Number	Registration Number	International Classification Code (IDC)	Registration Date
13631/2006	310549	08-08L	13/10/2006	13862/2006	310750	12-16A	17/10/2006
13634/2006	310550	23-02A	13/10/2006	13864/2006	310648	26-06	16/10/2006
13635/2006	310516	07-01NES	18/10/2006	13865/2006	310768	12-16B	18/10/2006
13636/2006	310517	07-01NES	18/10/2006	13866/2006	310657	26-06	16/10/2006
13637/2006	310518	07-01NES	18/10/2006	13870/2006	310583	08-07	12/10/2006
13638/2006	310519	07-01NES	18/10/2006	13871/2006	310752	08-08L	17/10/2006
13639/2006	310520	07-01NES	18/10/2006	13876/2006	310584	13-03B	12/10/2006
13648/2006	310792	21-02C	18/10/2006	13877/2006	310658	15-01	16/10/2006
13650/2006	310521	14-03A	18/10/2006	13878/2006	310585	07-01B	12/10/2006
13651/2006	310522	15-05	18/10/2006	13879/2006	310586	08-06	12/10/2006
13652/2006	310523	15-05	18/10/2006	13880/2006	310587	23-01H	12/10/2006
13653/2006	310531	15-05	12/10/2006	13893/2006	310708	06-01L	16/10/2006
13654/2006	310532	15-05	12/10/2006	13897/2006	310709	11-02E	16/10/2006
13655/2006	310533	15-05	12/10/2006	13908/2006	310588	24-01	12/10/2006
13656/2006	310534	15-05	12/10/2006	13909/2006	310589	24-01	12/10/2006
13658/2006	310551	25-02B	13/10/2006	13925/2006	310659	14-03A	16/10/2006
13659/2006	310552	07-07NES	13/10/2006	13926/2006	310660	14-03A	16/10/2006
13660/2006	310553	14-03A	13/10/2006	13927/2006	310661	14-03A	16/10/2006
13664/2006	310554	07-02C	13/10/2006	13928/2006	310662	14-03A	16/10/2006
13667/2006	310555	07-05E	13/10/2006	13931/2006	310663	23-02B	16/10/2006
13668/2006	310556	07-05E	13/10/2006	13932/2006	310664	23-02B	16/10/2006
13669/2006	310557	07-05E	13/10/2006	13933/2006	310665	23-02B	16/10/2006
13670/2006	310603	16-06	16/10/2006	13935/2006	310794	19-06	18/10/2006
13671/2006	310604	16-06	16/10/2006	13938/2006	310666	24-01	16/10/2006
13672/2006	310605	23-01H	16/10/2006	13940/2006	310667	26-05C	16/10/2006
13676/2006	310606	09-07B	16/10/2006	13941/2006	310668	26-05C	16/10/2006
13677/2006	310607	09-07B	16/10/2006	13943/2006	310669	26-05B	16/10/2006
13678/2006	310646	09-07B	16/10/2006	13944/2006	310670	26-05C	16/10/2006
13679/2006	310647	09-07B	16/10/2006	13945/2006	310671	26-05C	16/10/2006
13700/2006	310535	09-07B	12/10/2006	13946/2006	310672	09-01G	16/10/2006
13701/2006	310536	09-01B	12/10/2006	13947/2006	310673	09-01C	16/10/2006
13702/2006	310537	13-03NES	12/10/2006	13948/2006	310674	10-02	16/10/2006
13704/2006	310746	07-99D	17/10/2006	13949/2006	310675	26-05C	16/10/2006
13712/2006	310723	07-06A	17/10/2006	13950/2006	310753	26-03	17/10/2006
13713/2006	310724	07-06A	17/10/2006	13958/2006	310447	28-03NES	05/10/2006
13714/2006	310725	07-06A	17/10/2006	13970/2006	310676	12-10	16/10/2006
13715/2006	310726	07-06A	17/10/2006	13971/2006	310677	12-10	16/10/2006
13731/2006	310649	11-02B	16/10/2006	13973/2006	310710	13-03D	16/10/2006
13732/2006	310650	16-06	16/10/2006	13976/2006	310711	11-01C	16/10/2006
13735/2006	310747	13-03E	17/10/2006	13980/2006	310769	12-16B	18/10/2006
13744/2006	310727	25-01NES	17/10/2006	13982/2006	310754	07-99NES	17/10/2006
13751/2006	310728	03-01NES	17/10/2006	13989/2006	310755	23-02A	17/10/2006
13780/2006	310651	25-01K	16/10/2006	13990/2006	310756	13-02	17/10/2006
13781/2006	310652	25-01K	16/10/2006	13992/2006	310680	24-04	16/10/2006
13782/2006	310653	25-01K	16/10/2006	13997/2006	310770	10-07	18/10/2006
13783/2006	310654	08-08L	16/10/2006	14008/2006	310524	07-99A	18/10/2006
13784/2006	310655	08-08L	16/10/2006	14009/2006	310525	07-99A	18/10/2006
13785/2006	310793	07-01NES	18/10/2006	14010/2006	310526	07-99A	18/10/2006
13808/2006	310748	13-03C	17/10/2006	14011/2006	310527	07-99A	18/10/2006
13809/2006	310729	08-08NES	17/10/2006	14019/2006	310771	07-07A	18/10/2006
13810/2006	310730	08-08NES	17/10/2006	14020/2006	310681	22-05	16/10/2006
13815/2006	310749	15-05	17/10/2006	14031/2006	310731	15-02	17/10/2006
13825/2006	310705	06-04NES	16/10/2006	14033/2006	310732	12-08	17/10/2006
13829/2006	310706	07-06C	16/10/2006	14038/2006	310733	25-01K	17/10/2006
13833/2006	310582	25-02C	12/10/2006	14060/2006	310772	07-01C	18/10/2006
13836/2006	310707	12-16K	16/10/2006	14076/2006	310773	12-16A	18/10/2006
13840/2006	310656	19-04	16/10/2006	14077/2006	310774	12-16A	18/10/2006
13861/2006	310751	26-06	17/10/2006	14090/2006	310775	06-09	18/10/2006

Publication and Registration Proceedings - Designs Registered cont'd

Design Number	Registration Number	International Classification Code (IDC)	Registration Date	Design Number	Registration Number	International Classification Code (IDC)	Registration Date
14123/2006	310776	25-02C	18/10/2006	14190/2006	310796	20-02E	18/10/2006
14141/2006	310736	09-01NES	17/10/2006	14201/2006	310688	19-04	16/10/2006
14147/2006	310795	23-01F	18/10/2006	14215/2006	310689	05-05A	16/10/2006
14169/2006	310493	23-02A	11/10/2006	14216/2006	310690	05-05A	16/10/2006
14172/2006	310682	07-06NES	16/10/2006	14217/2006	310691	05-05A	16/10/2006
14176/2006	310683	02-01NES	16/10/2006	14224/2006	310528	23-01F	18/10/2006
14180/2006	310684	07-01G	16/10/2006	14226/2006	310797	06-03NES	18/10/2006
14181/2006	310685	07-01G	16/10/2006	14410/2006	310449	01-06	05/10/2006
14183/2006	310686	26-05D	16/10/2006	14463/2006	310471	12-02	10/10/2006
14184/2006	310687	26-05D	16/10/2006	14482/2006	310529	24-01	18/10/2006

Publication and Registration Proceedings
Class Listing of Designs Published or Registered

The following section shows an International Classification Code listing of the Registered or Published Designs covered in this supplement.

Classification	Registration Number	Design Number	Classification	Registration Number	Design Number
01-01	310505	13130/2006	07-01 NES	310793	13785/2006
01-06	310449	14410/2006	07-02 C	310554	13664/2006
02-01 A	310442	11649/2006	07-02 N	310585	13878/2006
02-01 NES	310683	14176/2006	07-02 R	310460	11329/2006
02-02 C	310778	14157/2005	07-04	310440	10123/2006
02-02 C	310779	10381/2006	07-05 D	310766	13324/2006
02-02 C	310780	10382/2006	07-05 D	310789	11463/2006
02-02 C	310781	10383/2006	07-05 E	310555	13667/2006
02-02 NES	310442	11649/2006	07-05 E	310556	13668/2006
02-02 NES	310782	10384/2006	07-05 E	310557	13669/2006
02-03	310558	12916/2006	07-06 A	310543	13605/2006
02-05	310629	12062/2006	07-06 A	310723	13712/2006
02-05	310734	11352/2006	07-06 A	310724	13713/2006
03-01 B	310786	10812/2006	07-06 A	310725	13714/2006
03-01 C	310499	13108/2006	07-06 A	310726	13715/2006
03-01 NES	310450	10045/2006	07-06 A	310761	13128/2006
03-01 NES	310728	13751/2006	07-06 C	310706	13829/2006
03-03	310623	11796/2006	07-06 NES	310682	14172/2006
05-05 A	310689	14215/2006	07-06 NES	310761	13128/2006
05-05 A	310690	14216/2006	07-07 A	310771	14019/2006
05-05 A	310691	14217/2006	07-07 NES	310552	13659/2006
06-01 D	310569	13064/2006	07-99 A	310483	10804/2006
06-01 D	310570	13065/2006	07-99 A	310524	14008/2006
06-01 D	310571	13066/2006	07-99 A	310525	14009/2006
06-01 F	310630	12714/2006	07-99 A	310526	14010/2006
06-01 L	310708	13893/2006	07-99 A	310527	14011/2006
06-02	310444	12899/2006	07-99 A	310767	13400/2006
06-03 NES	310797	14226/2006	07-99 D	310746	13704/2006
06-04 NES	310513	13297/2006	07-99 NES	310754	13982/2006
06-04 NES	310514	13298/2006	07-99 NES	310766	13324/2006
06-04 NES	310515	13299/2006	08-01	310503	13123/2006
06-04 NES	310538	13159/2006	08-01	310704	13571/2006
06-04 NES	310539	13160/2006	08-03	310496	13074/2006
06-04 NES	310547	13627/2006	08-03	310502	13122/2006
06-04 NES	310552	13659/2006	08-03	310633	12890/2006
06-04 NES	310581	13628/2006	08-03	310634	12891/2006
06-04 NES	310705	13825/2006	08-03	310639	13371/2006
06-06 G	310468	13005/2006	08-03	310640	13372/2006
06-06 G	310543	13605/2006	08-05 N	310498	13106/2006
06-09	310775	14090/2006	08-05 N	310644	13592/2006
06-13 NES	310464	12228/2006	08-06	310452	10311/2006
07-01 B	310585	13878/2006	08-06	310586	13879/2006
07-01 B	310767	13400/2006	08-07	310451	10310/2006
07-01 C	310463	12225/2006	08-07	310453	10312/2006
07-01 C	310692	10154/2006	08-07	310583	13870/2006
07-01 C	310772	14060/2006	08-08 G	310789	11463/2006
07-01 D	310772	14060/2006	08-08 L	310548	13630/2006
07-01 F	310771	14019/2006	08-08 L	310549	13631/2006
07-01 G	310684	14180/2006	08-08 L	310654	13783/2006
07-01 G	310685	14181/2006	08-08 L	310655	13784/2006
07-01 NES	310440	10123/2006	08-08 L	310752	13871/2006
07-01 NES	310516	13635/2006	08-08 N	310538	13159/2006
07-01 NES	310517	13636/2006	08-08 N	310539	13160/2006
07-01 NES	310518	13637/2006	08-08 N	310632	12833/2006
07-01 NES	310519	13638/2006	08-08 NES	310474	12312/2006
07-01 NES	310520	13639/2006	08-08 NES	310475	12313/2006

Registration Proceedings - Class Listing of Designs Published or Registered cont'd

Classification	Registration Number	Design Number	Classification	Registration Number	Design Number
08-08 NES	310635	13126/2006	11-01 A	310494	11286/2006
08-08 NES	310719	12999/2006	11-01 C	310711	13976/2006
08-08 NES	310729	13809/2006	11-02 B	310649	13731/2006
08-08 NES	310730	13810/2006	11-02 E	310508	13168/2006
08-08 NES	310789	11463/2006	11-02 E	310511	13171/2006
08-09	310474	12312/2006	11-02 E	310709	13897/2006
08-09	310475	12313/2006	11-02 NES	310507	13166/2006
09-01 B	310536	13701/2006	11-02 NES	310509	13169/2006
09-01 C	310590	11627/2006	11-02 NES	310510	13170/2006
09-01 C	310673	13947/2006	11-05	310696	11751/2006
09-01 G	310672	13946/2006	12-02	310461	11905/2006
09-01 G	310673	13947/2006	12-02	310471	14463/2006
09-01 K	310540	13199/2006	12-02	310487	13604/2006
09-01 K	310590	11627/2006	12-05	310573	13172/2006
09-01 K	310791	13374/2006	12-06 NES	310497	13075/2006
09-01 NES	310488	13613/2006	12-06 NES	310573	13172/2006
09-01 NES	310735	11715/2006	12-08	310458	11192/2006
09-01 NES	310736	14141/2006	12-08	310459	11193/2006
09-01 NES	310790	13373/2006	12-08	310563	13058/2006
09-02 A	310467	12563/2006	12-08	310636	13262/2006
09-02 A	310740	12567/2006	12-08	310697	12407/2006
09-02 A	310742	12569/2006	12-08	310732	14033/2006
09-02 C	310467	12563/2006	12-10	310458	11192/2006
09-02 C	310740	12567/2006	12-10	310459	11193/2006
09-02 C	310742	12569/2006	12-10	310609	10140/2006
09-03 F	310482	12894/2006	12-10	310676	13970/2006
09-03 F	310483	10804/2006	12-10	310677	13971/2006
09-03 F	310490	13155/2006	12-11	310504	13127/2006
09-03 F	310491	13156/2006	12-16 A	310564	13059/2006
09-03 F	310524	14008/2006	12-16 A	310565	13060/2006
09-03 F	310525	14009/2006	12-16 A	310591	11914/2006
09-03 F	310526	14010/2006	12-16 A	310713	11601/2006
09-03 F	310527	14011/2006	12-16 A	310722	13271/2006
09-03 K	310742	12569/2006	12-16 A	310750	13862/2006
09-03 L	310467	12563/2006	12-16 A	310757	10680/2006
09-03 L	310740	12567/2006	12-16 A	310758	12033/2006
09-03 M	310501	13121/2006	12-16 A	310773	14076/2006
09-03 M	310643	13591/2006	12-16 A	310774	14077/2006
09-03 M	310693	12745/2006	12-16 B	310484	11911/2006
09-03 M	310694	12746/2006	12-16 B	310485	11912/2006
09-07 B	310535	13700/2006	12-16 B	310486	11919/2006
09-07 B	310606	13676/2006	12-16 B	310566	13061/2006
09-07 B	310607	13677/2006	12-16 B	310592	11918/2006
09-07 B	310646	13678/2006	12-16 B	310595	11928/2006
09-07 B	310647	13679/2006	12-16 B	310596	11929/2006
09-07 B	310738	12564/2006	12-16 B	310597	11930/2006
09-07 B	310739	12566/2006	12-16 B	310598	11931/2006
09-07 B	310741	12568/2006	12-16 B	310599	11932/2006
09-07 C	310641	13377/2006	12-16 B	310600	11933/2006
09-07 NES	310641	13377/2006	12-16 B	310601	11935/2006
09-07 NES	310738	12564/2006	12-16 B	310602	11936/2006
09-07 NES	310739	12566/2006	12-16 B	310624	11920/2006
09-07 NES	310741	12568/2006	12-16 B	310637	13263/2006
09-08	310645	13597/2006	12-16 B	310679	12032/2006
09-09	310454	10351/2006	12-16 B	310695	11527/2006
10-02	310674	13948/2006	12-16 B	310698	13272/2006
10-04	310642	13519/2006	12-16 B	310699	13273/2006
10-07	310674	13948/2006	12-16 B	310700	13274/2006
10-07	310770	13997/2006	12-16 B	310701	13275/2006

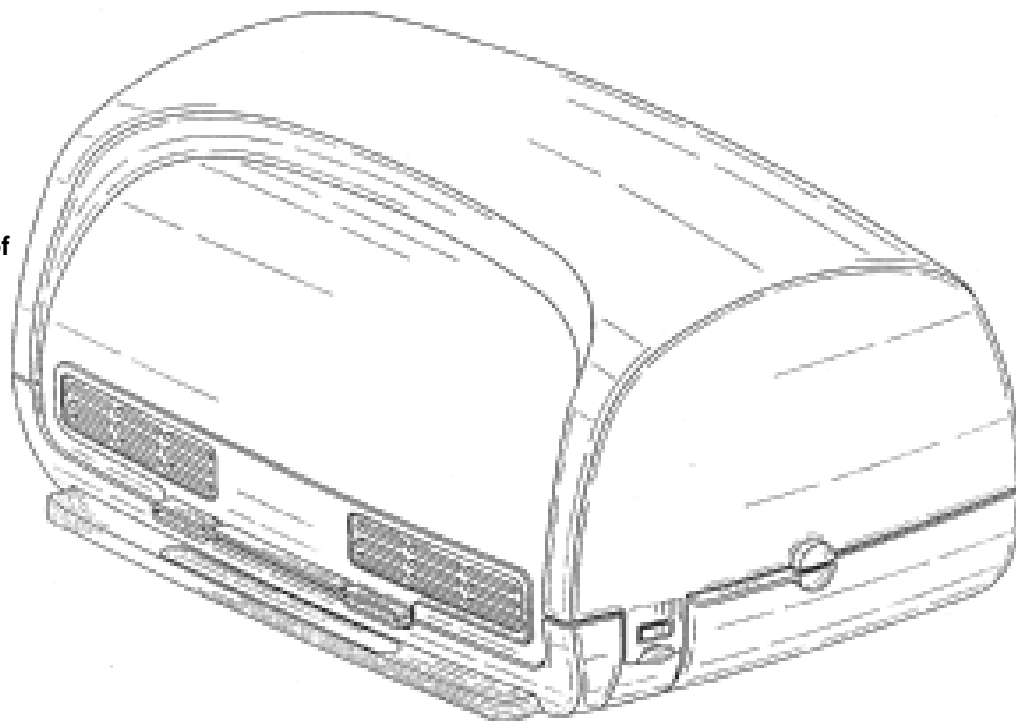
Registration Proceedings - Class Listing of Designs Published or Registered cont'd

Classification	Registration Number	Design Number	Classification	Registration Number	Design Number
12-16 B	310702	13276/2006	14-03 A	310662	13928/2006
12-16 B	310720	13269/2006	15-01	310572	13067/2006
12-16 B	310721	13270/2006	15-01	310658	13877/2006
12-16 B	310762	13266/2006	15-02	310731	14031/2006
12-16 B	310763	13267/2006	15-03 B	310496	13074/2006
12-16 B	310764	13268/2006	15-03 B	310633	12890/2006
12-16 B	310765	13277/2006	15-03 B	310634	12891/2006
12-16 B	310768	13865/2006	15-05	310476	13069/2006
12-16 B	310769	13980/2006	15-05	310477	13070/2006
12-16 C	310465	12232/2006	15-05	310522	13651/2006
12-16 C	310466	12233/2006	15-05	310523	13652/2006
12-16 C	310599	11932/2006	15-05	310531	13653/2006
12-16 C	310600	11933/2006	15-05	310532	13654/2006
12-16 C	310638	13264/2006	15-05	310533	13655/2006
12-16 D	310567	13062/2006	15-05	310534	13656/2006
12-16 E	310593	11923/2006	15-05	310715	11456/2006
12-16 E	310594	11924/2006	15-05	310749	13815/2006
12-16 E	310625	11925/2006	15-05	310788	11457/2006
12-16 E	310626	11927/2006	16-06	310558	12916/2006
12-16 E	310627	11942/2006	16-06	310603	13670/2006
12-16 E	310628	11943/2006	16-06	310604	13671/2006
12-16 F	310489	13153/2006	16-06	310650	13732/2006
12-16 K	310513	13297/2006	19-02	310559	10468/2006
12-16 K	310514	13298/2006	19-02	310560	10469/2006
12-16 K	310515	13299/2006	19-02	310561	10470/2006
12-16 K	310609	10140/2006	19-02	310613	10471/2006
12-16 K	310621	11638/2006	19-02	310614	10472/2006
12-16 K	310622	11639/2006	19-02	310615	10473/2006
12-16 K	310707	13836/2006	19-04	310656	13840/2006
12-16 K	310759	12433/2006	19-04	310688	14201/2006
12-16 NES	310489	13153/2006	19-06	310530	10011/2006
12-16 NES	310564	13059/2006	19-06	310631	12736/2006
12-16 NES	310566	13061/2006	19-06	310794	13935/2006
12-16 NES	310567	13062/2006	19-07	310737	12502/2006
12-16 NES	310568	13063/2006	19-08	310760	12771/2006
12-16 NES	310703	13495/2006	20-02 E	310562	12168/2006
13-01	310469	13018/2006	20-02 E	310783	10590/2006
13-02	310756	13990/2006	20-02 E	310784	10591/2006
13-03 B	310584	13876/2006	20-02 E	310785	10592/2006
13-03 C	310748	13808/2006	20-02 E	310796	14190/2006
13-03 D	310455	10909/2006	20-03 NES	310760	12771/2006
13-03 D	310456	10910/2006	21-01 A	310709	13897/2006
13-03 D	310457	10911/2006	21-01 C	310636	13262/2006
13-03 D	310710	13973/2006	21-01 C	310697	12407/2006
13-03 E	310747	13735/2006	21-01 F	310709	13897/2006
13-03 NES	310473	11999/2006	21-01 L	310441	10886/2006
13-03 NES	310537	13702/2006	21-01 L	310495	11752/2006
13-03 NES	310756	13990/2006	21-01 L	310678	11758/2006
14-01	310506	13165/2006	21-01 M	310580	13532/2006
14-02	310470	13164/2006	21-01 NES	310610	10292/2006
14-02	310712	10604/2006	21-01 NES	310611	10293/2006
14-02	310783	10590/2006	21-01 NES	310612	10294/2006
14-02	310784	10591/2006	21-02 C	310792	13648/2006
14-02	310785	10592/2006	21-02 F	310616	10610/2006
14-03 A	310521	13650/2006	21-02 NES	310783	10590/2006
14-03 A	310553	13660/2006	21-02 NES	310784	10591/2006
14-03 A	310659	13925/2006	21-02 NES	310785	10592/2006
14-03 A	310660	13926/2006	21-02 NES	310796	14190/2006
14-03 A	310661	13927/2006	22-05	310469	13018/2006

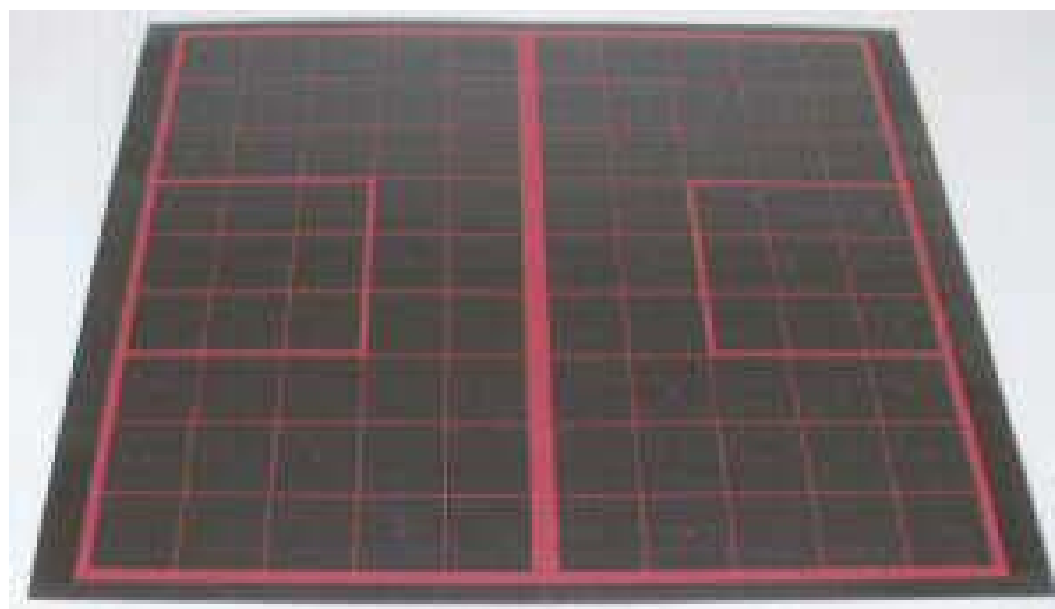
Registration Proceedings - Class Listing of Designs Published or Registered cont'd

Classification	Registration Number	Design Number	Classification	Registration Number	Design Number
22-05	310681	14020/2006	25-03	310623	11796/2006
23-01 B	310443	12740/2006	26-03	310753	13950/2006
23-01 B	310472	10319/2006	26-04	310445	13212/2006
23-01 E	310635	13126/2006	26-04	310448	13213/2006
23-01 F	310528	14224/2006	26-05 A	310541	13523/2006
23-01 F	310795	14147/2006	26-05 A	310542	13524/2006
23-01 G	310754	13982/2006	26-05 A	310574	13525/2006
23-01 H	310587	13880/2006	26-05 A	310575	13526/2006
23-01 H	310605	13672/2006	26-05 B	310669	13943/2006
23-01 L	310481	13133/2006	26-05 C	310544	13624/2006
23-02 A	310493	14169/2006	26-05 C	310545	13625/2006
23-02 A	310550	13634/2006	26-05 C	310667	13940/2006
23-02 A	310755	13989/2006	26-05 C	310668	13941/2006
23-02 A	310789	11463/2006	26-05 C	310670	13944/2006
23-02 B	310663	13931/2006	26-05 C	310671	13945/2006
23-02 B	310664	13932/2006	26-05 C	310675	13949/2006
23-02 B	310665	13933/2006	26-05 D	310686	14183/2006
23-02 C	310608	15555/2005	26-05 D	310687	14184/2006
23-02 NES	310755	13989/2006	26-05 NES	310479	13072/2006
23-04	310743	13593/2006	26-05 NES	310480	13073/2006
23-04	310744	13594/2006	26-05 NES	310667	13940/2006
23-04	310745	13595/2006	26-05 NES	310668	13941/2006
24-01	310529	14482/2006	26-05 NES	310669	13943/2006
24-01	310588	13908/2006	26-05 NES	310670	13944/2006
24-01	310589	13909/2006	26-05 NES	310671	13945/2006
24-01	310666	13938/2006	26-05 NES	310675	13949/2006
24-02	310666	13938/2006	26-06	310594	11924/2006
24-04	310576	13527/2006	26-06	310628	11943/2006
24-04	310577	13528/2006	26-06	310648	13864/2006
24-04	310578	13529/2006	26-06	310657	13866/2006
24-04	310619	10755/2006	26-06	310716	11090/2006
24-04	310680	13992/2006	26-06	310717	11091/2006
25-01 B	310617	10705/2006	26-06	310718	11093/2006
25-01 B	310618	10706/2006	26-06	310751	13861/2006
25-01 B	310714	10704/2006	28-03 A	310477	13070/2006
25-01 D	310777	12582/2006	28-03 A	310478	13071/2006
25-01 K	310651	13780/2006	28-03 B	310500	13109/2006
25-01 K	310652	13781/2006	28-03 NES	310446	10348/2006
25-01 K	310653	13782/2006	28-03 NES	310447	13958/2006
25-01 K	310733	14038/2006	28-03 NES	310500	13109/2006
25-01 NES	310645	13597/2006	28-03 NES	310579	13530/2006
25-01 NES	310727	13744/2006	29-02	310502	13122/2006
25-02 A	310617	10705/2006	29-02	310588	13908/2006
25-02 A	310618	10706/2006	29-02	310589	13909/2006
25-02 A	310714	10704/2006	29-02	310787	11285/2006
25-02 B	310551	13658/2006	29-99	310501	13121/2006
25-02 C	310492	13202/2006	29-99	310588	13908/2006
25-02 C	310512	13201/2006	29-99	310589	13909/2006
25-02 C	310582	13833/2006	30-02	310681	14020/2006
25-02 C	310776	14123/2006	30-02	310728	13751/2006
25-02 K	310546	13626/2006	31-00	310462	12217/2006
25-02 NES	310501	13121/2006	31-00	310620	10862/2006
25-02 NES	310617	10705/2006			
25-02 NES	310618	10706/2006			
25-02 NES	310714	10704/2006			

- (21) Design Number: **10123/2006**
(22) Date of Filing Application: **13 January 2006**
(24) Date from which industrial property rights may have effect: **13 January 2006**
(54) Product in respect of which the design is registered: **Container with cutting board**
(51) International Design Classification: **07-01NES, 07-04**
(71) Name(s) and Address(s) of Applicant(s):
Dart Industries Inc.
14901 S. Orange Blossom Trail Orlando Florida 32837 United States of America
(72) Name(s) of Designer(s): **Jan-Hendrik De Groot**
(45) Registration Date: **05 October 2006**
(30) Convention priority data:
(31) Number (32) Date (33) Country
29/236,762 22 Aug 2005 UNITED STATES OF AMERICA
(56) Related Art Documents: **Not Applicable**
(57) Statement of Newness and Distinctiveness: **Those features of the container with cutting board depicted in the representations that are new and distinctive are the shape and/or configuration.**



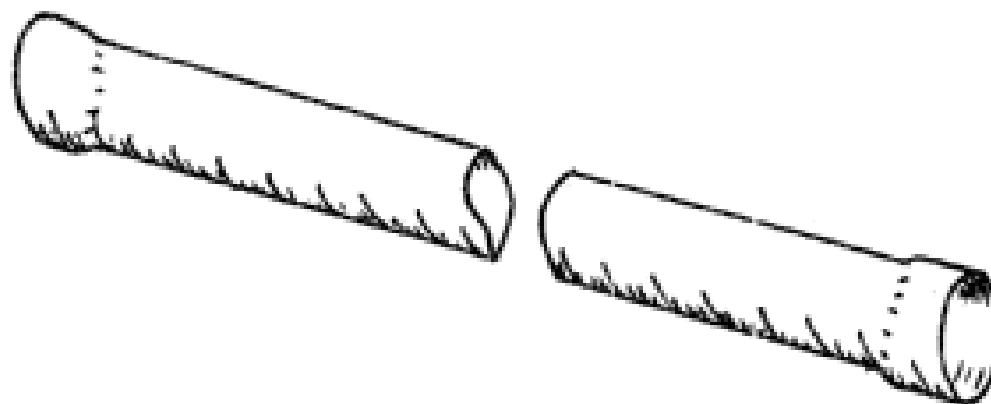
- (21) Design Number: **10886/2006**
(22) Date of Filing Application: **09 March 2006**
(24) Date from which industrial property rights may have effect: **09 March 2006**
(54) Product in respect of which the design is registered: **Gameboard**
(51) International Design Classification: **21-01L**
(71) Name(s) and Address(s) of Applicant(s):
Advanced Group Pty Ltd
1126 Toorak Road Camberwell Victoria 3124 Australia
(72) Name(s) of Designer(s): **Bob Malcolm Cumming**
(45) Registration Date: **05 October 2006**
(56) Related Art Documents: **Not Applicable**
(57) Statement of Newness and Distinctiveness: **The newness and distinctiveness of the design is in the pattern and ornamentation applied to the upper side of the game board.**



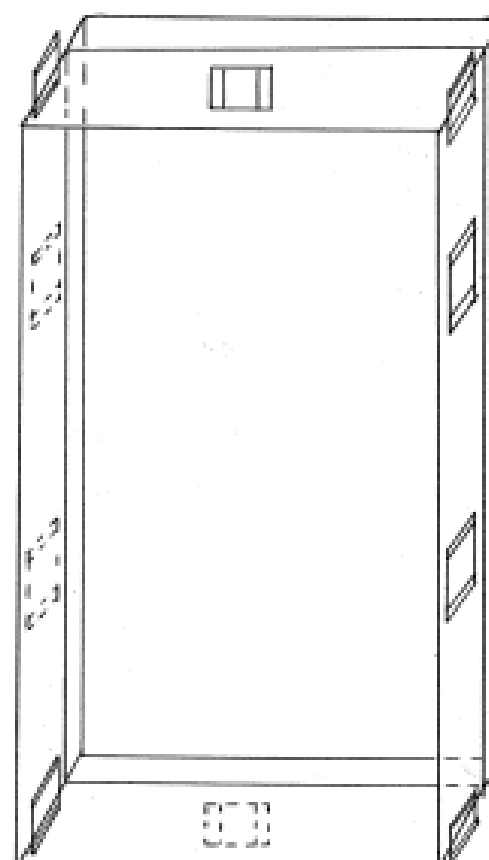
- (21) Design Number: **11649/2006**
(22) Date of Filing Application: **19 April 2006**
(24) Date from which industrial property rights may have effect: **19 April 2006**
(54) Product in respect of which the design is registered: **A top**
(51) International Design Classification: **02-02NES, 02-01A**
(71) Name(s) and Address(s) of Applicant(s):
Salco Group Pty Ltd
72-76 Elgin Street Carlton Victoria 3053 Australia
(72) Name(s) of Designer(s): **Anna Mason**
(45) Registration Date: **05 October 2006**
(56) Related Art Documents: **Not Applicable**
(57) Statement of Newness and Distinctiveness: **There is a 12cm opening on each arm which provides access to pouches positioned at the front of the garment designed to hold a prosthesis or padding. The garment is designed for use by women who have undergone a radical mastectomy and, who wish to wear a prosthesis or padding and lead an active life. The opening for the pockets are elasticised so as to prevent the padding or prosthesis from coming out during any activity.**



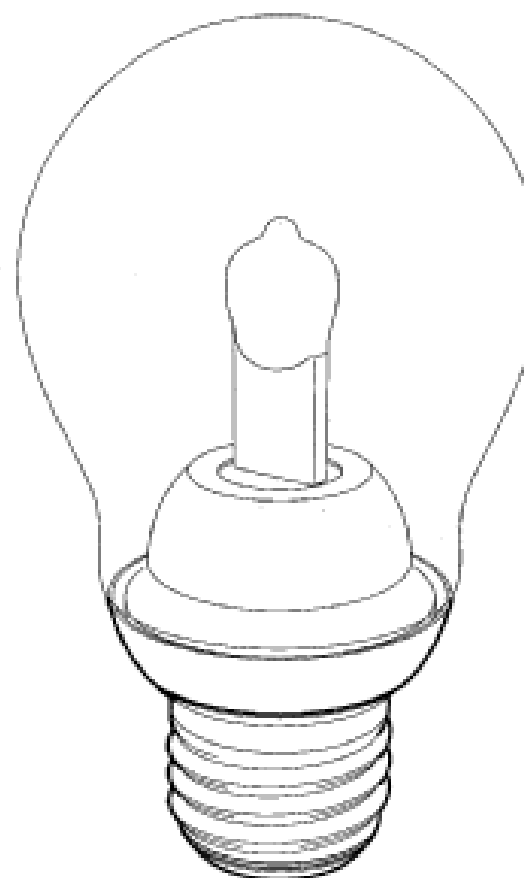
- (21) Design Number: **12740/2006**
(22) Date of Filing Application: **26 June 2006**
(24) Date from which industrial property rights may have effect: **26 June 2006**
(54) Product in respect of which the design is registered: **Council Vergepipe**
(51) International Design Classification: **23-01B**
(71) Name(s) and Address(s) of Applicant(s):
Rob Bowyer
Lot 4 Boonah Rathdowney Road Boonah Queensland 4310 Australia
(72) Name(s) of Designer(s): **Robert Anthony Bowyer**
(45) Registration Date: **05 October 2006**
(56) Related Art Documents: **Not Applicable**
(57) Statement of Newness and Distinctiveness: **Most lengths of pipe have an expanded end so that they can be joined together. This pipe has two bell housings designed specifically to allow for internal pipe connection only and not available today.**



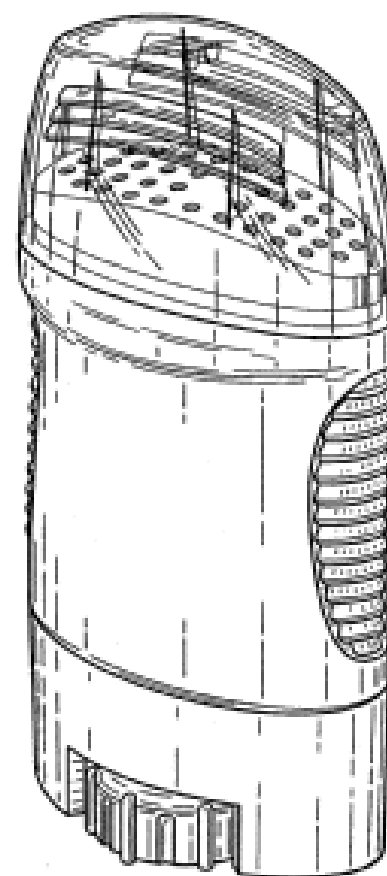
- (21) Design Number: **12899/2006**
(22) Date of Filing Application: **10 July 2006**
(24) Date from which industrial property rights may have effect: **10 July 2006**
(54) Product in respect of which the design is registered: **Cot bumper**
(51) International Design Classification: **06-02**
(71) Name(s) and Address(s) of Applicant(s):
Kym Shuttleworth
PO Box 5139 Daisy Hill Queensland 4128 Australia
(72) Name(s) of Designer(s): **Kym Shuttleworth**
(45) Registration Date: **05 October 2006**
(56) Related Art Documents: **Not Applicable**
(57) Statement of Newness and Distinctiveness: **Unlike any other bumper this encompasses the entire mattress thereby eliminating any possibility of any part of the child being caught underneath bumper. The sleeve anchoring by velcro instead of usual ribbon/tape eliminates the possibility of the child undoing the ties or being caught up in any way.**



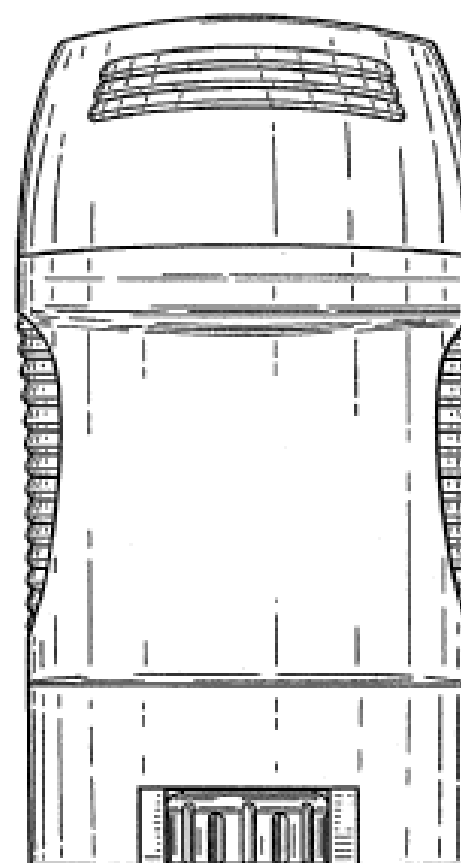
- (21) Design Number: **13212/2006**
(22) Date of Filing Application: **25 July 2006**
(24) Date from which industrial property rights may have effect: **25 July 2006**
(54) Product in respect of which the design is registered: **Energy saving filament lamp**
(51) International Design Classification: **26-04**
(71) Name(s) and Address(s) of Applicant(s):
Koninklijke Philips Electronics N.V.
Groenewoudseweg 1 5621 BA Eindhoven The Netherlands
(72) Name(s) of Designer(s): **Mat Bembridge**
(45) Registration Date: **05 October 2006**
(30) Convention priority data:
(31) Number (32) Date (33) Country
000476114-0002 08 Feb 2006 EUROPEAN COMMUNITY
(56) Related Art Documents: **Not Applicable**
(57) Statement of Newness and Distinctiveness: **Newness and distinctiveness reside in the features of the design as shown in the representations.**



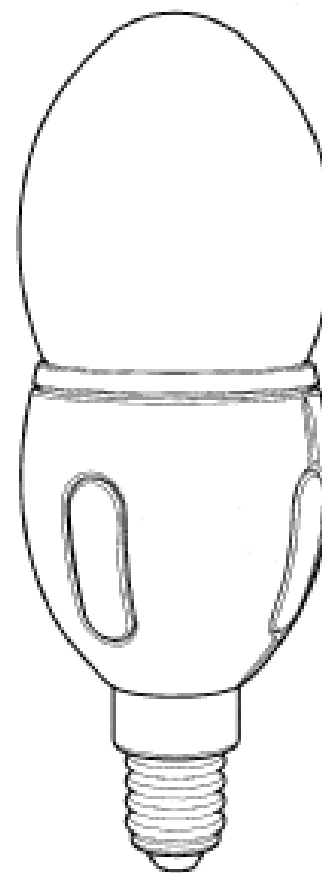
(21) Design Number: **10348/2006**
 (22) Date of Filing Application: **02 February 2006**
 (24) Date from which industrial property rights may have effect: **02 February 2006**
 (54) Product in respect of which the design is registered: **Dispenser**
 (51) International Design Classification: **28-03NES**
 (71) Name(s) and Address(s) of Applicant(s):
Colgate-Palmolive Company
300 Park Avenue New York New York 10022 United States of America
 (72) Name(s) of Designer(s): **Bruce Cummings and Nicholas Noe**
 (45) Registration Date: **05 October 2006**
 (30) Convention priority data:
 (31) Number (32) Date (33) Country
29/237545 01 Sep 2005 UNITED STATES OF AMERICA
 (56) Related Art Documents: **Not Applicable**
 (57) Statement of Newness and Distinctiveness: **Newness and distinctiveness reside in the features of the design as shown in the representations.**



(21) Design Number: **13958/2006**
 (22) Date of Filing Application: **02 February 2006**
 (24) Date from which industrial property rights may have effect: **02 February 2006**
 (54) Product in respect of which the design is registered: **Dispenser**
 (51) International Design Classification: **28-03NES**
 (71) Name(s) and Address(s) of Applicant(s):
Colgate-Palmolive Company
300 Park Avenue New York New York 10022 United States of America
 (72) Name(s) of Designer(s): **Bruce Cummings and Nicholas Noe**
 (45) Registration Date: **05 October 2006**
 (30) Convention priority data:
 (31) Number (32) Date (33) Country
29/237545 01 Sep 2005 UNITED STATES OF AMERICA
 (56) Related Art Documents: **Not Applicable**
 (57) Statement of Newness and Distinctiveness: **Newness and distinctiveness reside in the features of the design as shown in the representations.**



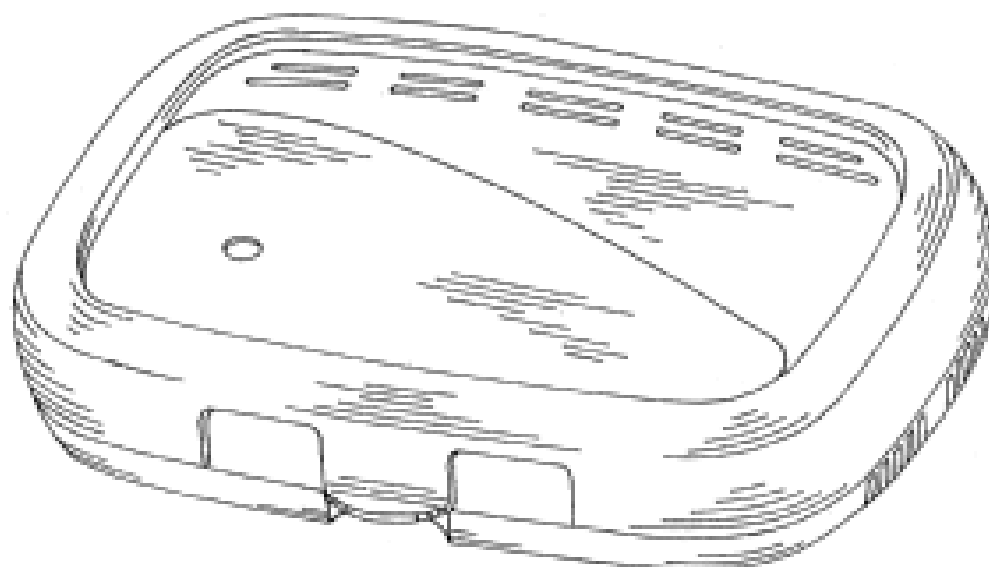
- (21) Design Number: **13213/2006**
(22) Date of Filing Application: **25 July 2006**
(24) Date from which industrial property rights may have effect: **25 July 2006**
(54) Product in respect of which the design is registered: **Dual-function night lamp**
(51) International Design Classification: **26-04**
(71) Name(s) and Address(s) of Applicant(s):
Koninklijke Philips Electronics N.V.
Groenewoudseweg 1 5621 BA Eindhoven The Netherlands
(72) Name(s) of Designer(s): **Mat Bembridge**
(45) Registration Date: **05 October 2006**
(30) Convention priority data:
(31) Number (32) Date (33) Country
000476114-0001 08 Feb 2006 EUROPEAN COMMUNITY
(56) Related Art Documents: **Not Applicable**
(57) Statement of Newness and Distinctiveness: **Newness and distinctiveness reside in the features of the design as shown in the representations.**



- (21) Design Number: **14410/2006**
(22) Date of Filing Application: **03 October 2006**
(24) Date from which industrial property rights may have effect: **03 October 2006**
(54) Product in respect of which the design is registered: **Pet treats Vet treatment applications**
(51) International Design Classification: **01-06**
(71) Name(s) and Address(s) of Applicant(s):
Treland Enterprises Pty Ltd
64 Harvey Street Collinswood South Australia 5081 Australia
(72) Name(s) of Designer(s): **Peter Treman**
(45) Registration Date: **05 October 2006**
(56) Related Art Documents: **Not Applicable**
(57) Statement of Newness and Distinctiveness: **Description - bar shape, semi moist food source in a single piece or shape with grooved indentations that can be easily separated for accurate feed. Treat serves or vet therapies/ingredients with higher palatability and acceptance by pets. Receiving medication.**



(21) Design Number: **10045/2006**
(22) Date of Filing Application: **09 January 2006**
(24) Date from which industrial property rights may have effect: **09 January 2006**
(54) Product in respect of which the design is registered: **Casing for electronic/electrical apparatus/device**
(51) International Design Classification: **03-01NES**
(71) Name(s) and Address(s) of Applicant(s):
Innotek, Inc.
1000 Fuller Drive Garrett Indiana 46738 United States of America
(72) Name(s) of Designer(s): **Kent A. Becker**
(45) Registration Date: **10 October 2006**
(30) Convention priority data:
(31) Number (32) Date (33) Country
29/235,463 02 Aug 2005 UNITED STATES OF AMERICA
(56) Related Art Documents: **Not Applicable**
(57) Statement of Newness and Distinctiveness: **Those features of the casing for electronic/electrical apparatus/device depicted in the representations that are new and distinctive are the shape and/or configuration. The bottom view (Fig.3) is not part of the design and should be disregarded when considering the overall impression of the design.**



(21) Design Number: **10310/2006**
(22) Date of Filing Application: **31 January 2006**
(24) Date from which industrial property rights may have effect: **31 January 2006**
(54) Product in respect of which the design is registered: **Pull bolt**
(51) International Design Classification: **08-07**
(71) Name(s) and Address(s) of Applicant(s):
D & D Group Pty Ltd
Unit 6 4-6 Aquatic Drive Frenchs Forest New South Wales 2086
Australia
(72) Name(s) of Designer(s): **Scott Cosby and Neil Dunne**
(45) Registration Date: **10 October 2006**
(56) Related Art Documents: **Not Applicable**
(57) Statement of Newness and Distinctiveness: **Nil**



- (21) Design Number: **10311/2006**
(22) Date of Filing Application: **31 January 2006**
(24) Date from which industrial property rights may have effect: **31 January 2006**
(54) Product in respect of which the design is registered: **Self closing hinge**
(51) International Design Classification: **08-06**
(71) Name(s) and Address(s) of Applicant(s):
D & D Group Pty Ltd
Unit 6 4-6 Aquatic Drive Frenchs Forest New South Wales 2086
Australia
(72) Name(s) of Designer(s): **Dezso Kiraly**
(45) Registration Date: **10 October 2006**
(56) Related Art Documents: **Not Applicable**
(57) Statement of Newness and Distinctiveness: **Nil**



- (21) Design Number: **10312/2006**
(22) Date of Filing Application: **31 January 2006**
(24) Date from which industrial property rights may have effect: **31 January 2006**
(54) Product in respect of which the design is registered: **Gate latch**
(51) International Design Classification: **08-07**
(71) Name(s) and Address(s) of Applicant(s):
D & D Group Pty Ltd
Unit 6 4-6 Aquatic Drive Frenchs Forest New South Wales 2086
Australia
(72) Name(s) of Designer(s): **Dezso Kiraly**
(45) Registration Date: **10 October 2006**
(56) Related Art Documents: **Not Applicable**
(57) Statement of Newness and Distinctiveness: **Nil**



- (21) Design Number: **10351/2006**
(22) Date of Filing Application: **02 February 2006**
(24) Date from which industrial property rights may have effect: **02 February 2006**
(54) Product in respect of which the design is registered: **A container**
(51) International Design Classification: **09-09**
(71) Name(s) and Address(s) of Applicant(s):
IMD Group Limited
Gateway Business Park Suite 306 Level 3 63-79 Parramatta Road
Silverwater New South Wales 2128 Australia
(72) Name(s) of Designer(s): **Giovanni Ciampa and Anthony Honeyfield**
(45) Registration Date: **10 October 2006**
(56) Related Art Documents: **Not Applicable**
(57) Statement of Newness and Distinctiveness: **Newness and distinctiveness is claimed in the features of shape and/or configuration of the handle area and rotating barrel being visually integrated with the lid of a container as illustrated in the accompanying representations.**



- (21) Design Number: **10909/2006**
(22) Date of Filing Application: **09 March 2006**
(24) Date from which industrial property rights may have effect: **09 March 2006**
(54) Product in respect of which the design is registered: **Electrical switch and socket**
(51) International Design Classification: **13-03D**
(71) Name(s) and Address(s) of Applicant(s):
Connected Group Australia Pty Limited
19/1 Bayside Terrace Cabarita New South Wales 2137 Australia
(72) Name(s) of Designer(s): **Jiankang Zhao**
(45) Registration Date: **10 October 2006**
(56) Related Art Documents: **Not Applicable**
(57) Statement of Newness and Distinctiveness: **Nil**



(21) Design Number: **10910/2006**
(22) Date of Filing Application: **09 March 2006**
(24) Date from which industrial property rights may have effect: **09 March 2006**
(54) Product in respect of which the design is registered: **Electrical switch**
(51) International Design Classification: **13-03D**
(71) Name(s) and Address(s) of Applicant(s):
Connected Group Australia Pty Limited
19/1 Bayside Terrace Cabarita New South Wales 2137 Australia
(72) Name(s) of Designer(s): **Jiankang Zhao**
(45) Registration Date: **10 October 2006**
(56) Related Art Documents: **Not Applicable**
(57) Statement of Newness and Distinctiveness: **Nil**



(21) Design Number: **10911/2006**
(22) Date of Filing Application: **09 March 2006**
(24) Date from which industrial property rights may have effect: **09 March 2006**
(54) Product in respect of which the design is registered: **Electrical switch and socket**
(51) International Design Classification: **13-03D**
(71) Name(s) and Address(s) of Applicant(s):
Connected Group Australia Pty Limited
19/1 Bayside Terrace Cabarita New South Wales 2137 Australia
(72) Name(s) of Designer(s): **Jiankang Zhao**
(45) Registration Date: **10 October 2006**
(56) Related Art Documents: **Not Applicable**
(57) Statement of Newness and Distinctiveness: **Nil**



- (21) Design Number: **11192/2006**
- (22) Date of Filing Application: **21 March 2006**
- (24) Date from which industrial property rights may have effect: **21 March 2006**
- (54) Product in respect of which the design is registered: **A trailer**
- (51) International Design Classification: **12-08, 12-10**
- (71) Name(s) and Address(s) of Applicant(s):

**Fruehauf Pacific Limited
Mahinui Street Feilding New Zealand**

- (72) Name(s) of Designer(s): **Paul Arends**

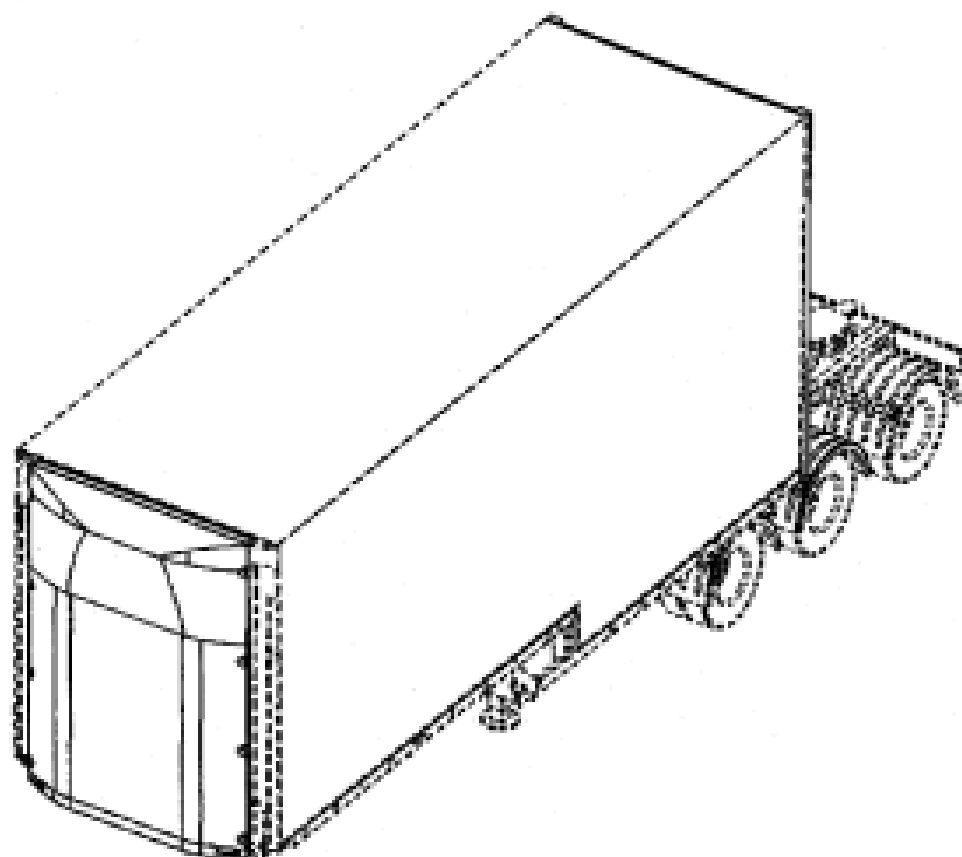
- (45) Registration Date: **10 October 2006**

- (30) Convention priority data:

(31) Number	(32) Date	(33) Country
406801	16 Nov 2005	NEW ZEALAND

- (56) Related Art Documents: **Not Applicable**

- (57) Statement of Newness and Distinctiveness: **Newness and distinctiveness reside in the features of shape and/or configuration of the trailer all as shown in the representations, excluding the shape and/or configuration of the features shown in phantom which do not form part of the design.**



- (21) Design Number: **11193/2006**
- (22) Date of Filing Application: **21 March 2006**
- (24) Date from which industrial property rights may have effect: **21 March 2006**
- (54) Product in respect of which the design is registered: **A trailer**
- (51) International Design Classification: **12-08, 12-10**
- (71) Name(s) and Address(s) of Applicant(s):

**Fruehauf Pacific Limited
Mahinui Street Feilding New Zealand**

- (72) Name(s) of Designer(s): **Paul Arends**

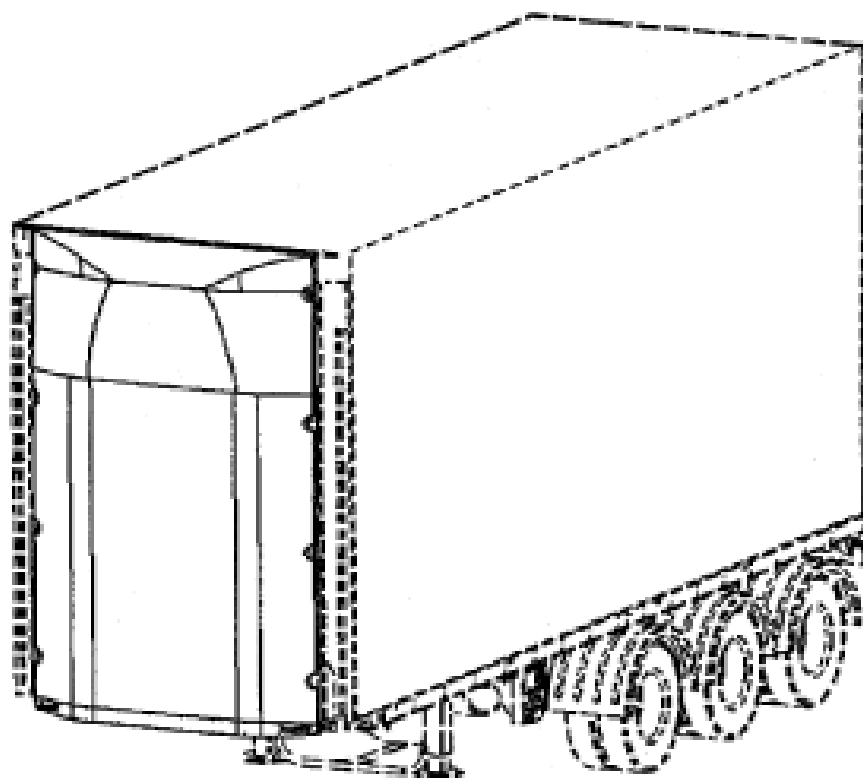
- (45) Registration Date: **10 October 2006**

- (30) Convention priority data:

(31) Number	(32) Date	(33) Country
406801	16 Nov 2005	NEW ZEALAND

- (56) Related Art Documents: **Not Applicable**

- (57) Statement of Newness and Distinctiveness: **Newness and distinctiveness reside in the features of shape and/or configuration of the trailer all as shown in the representations, excluding the shape and/or configuration of the features shown in phantom which do not form part of the design.**



(21) Design Number: **11329/2006**

(22) Date of Filing Application: **29 March 2006**

(24) Date from which industrial property rights may have effect: **29 March 2006**

(54) Product in respect of which the design is registered: **A handle**

(51) International Design Classification: **07-02R**

(71) Name(s) and Address(s) of Applicant(s):

**Sheldon and Hammond Pty Ltd
24 Salisbury Road Asquith New South Wales 2077 Australia**

(72) Name(s) of Designer(s): **Tim Rugendyke and John Brown**

(45) Registration Date: **10 October 2006**

(56) Related Art Documents: **Not Applicable**

(57) Statement of Newness and Distinctiveness: **Newness and distinctiveness is claimed in the features of shape and/or configuration of a handle as illustrated in the accompanying representations.**



(21) Design Number: **11905/2006**

(22) Date of Filing Application: **04 May 2006**

(24) Date from which industrial property rights may have effect: **24 August 2005**

(54) Product in respect of which the design is registered: **Trolley with latch**

(51) International Design Classification: **12-02**

(71) Name(s) and Address(s) of Applicant(s):

**Shairzal Pty Ltd
28 Jersey Road Bayswater Victoria 3153 Australia**

(72) Name(s) of Designer(s): **David Ian Holm and Ernest James Benson and Anthony Farrugia**

(45) Registration Date: **10 October 2006**

(62) Divisional of: **306800**

(56) Related Art Documents: **Not Applicable**

(57) Statement of Newness and Distinctiveness: **Those features of the trolley with latch depicted in the representations that are new and distinctive are the shape and/or configuration. Neither the wheels of the trolley nor the textual markings on the instrument panel (best detailed in Figure 2) are part of the design and these aspects should be disregarded when considering the overall impression of the design. The hose on the reel may be of any length. When considering the overall impression of the design, it should be noted that the left hand side view of the trolley is substantially the same as the right hand side view depicted in Figure 5.**



(21) Design Number: **12217/2006**

(22) Date of Filing Application: **19 May 2006**

(24) Date from which industrial property rights may have effect: **19 May 2006**

(54) Product in respect of which the design is registered: **Ice shaver**

(51) International Design Classification: **31-00**

(71) Name(s) and Address(s) of Applicant(s):

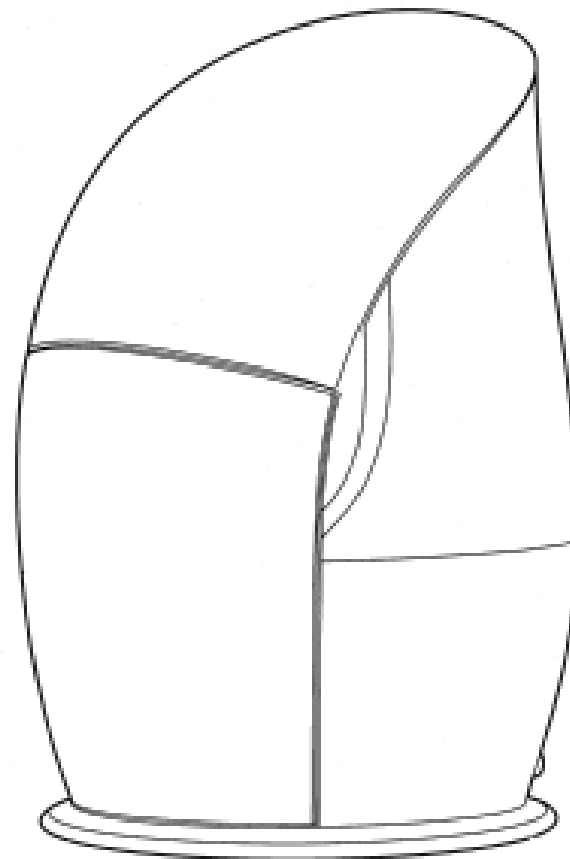
Sunbeam Corporation Ltd
Units 5-6 13 Lord Street Botany New South Wales 2019 Australia

(72) Name(s) of Designer(s): **Thomas Wilson**

(45) Registration Date: **10 October 2006**

(56) Related Art Documents: **Not Applicable**

(57) Statement of Newness and Distinctiveness: **Nil.**



(21) Design Number: **12225/2006**

(22) Date of Filing Application: **19 May 2006**

(24) Date from which industrial property rights may have effect: **19 May 2006**

(54) Product in respect of which the design is registered: **Cup**

(51) International Design Classification: **07-01C**

(71) Name(s) and Address(s) of Applicant(s):

Seda S.P.A
Corso Salvatore D'Amato 84 Arzano I-80022 Italy

(72) Name(s) of Designer(s): **Gianfranco D'Amato**

(45) Registration Date: **10 October 2006**

(30) Convention priority data:

(31) Number	(32) Date	(33) Country
000447958	14 Dec 2005	EUROPEAN PATENT OFFICE (EP)

(56) Related Art Documents: **Not Applicable**

(57) Statement of Newness and Distinctiveness: **Newness and distinctiveness in the design as applied to a cup reside in the shape and configuration thereof as illustrated in the accompanying representations.**



- (21) Design Number: **12228/2006**
- (22) Date of Filing Application: **19 May 2006**
- (24) Date from which industrial property rights may have effect: **19 May 2006**
- (54) Product in respect of which the design is registered: **Sun Lounger Cover**
- (51) International Design Classification: **06-13NES**
- (71) Name(s) and Address(s) of Applicant(s):

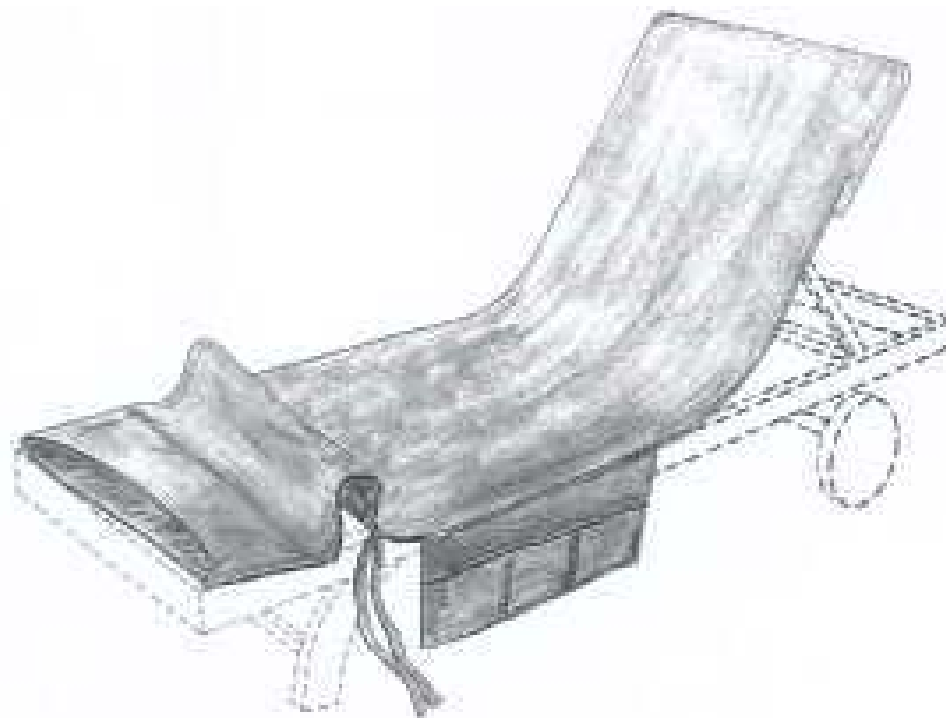
Ocean Quay Ltd.
12-14 Finch Road Douglas Isle of Man IM99 1TT British Isles

- (72) Name(s) of Designer(s): **David John Glashan and Sarah Joy Glashan**

- (45) Registration Date: **10 October 2006**

- (56) Related Art Documents: **Not Applicable**

- (57) Statement of Newness and Distinctiveness: **Newness and Distinctiveness is claimed in the shape and and/or configuration of a sun lounger cover. In consideration of the newness and distinctiveness of the aforesaid sun lounger cover, the images in broken lines should be excluded.**



- (21) Design Number: **12232/2006**
- (22) Date of Filing Application: **22 May 2006**
- (24) Date from which industrial property rights may have effect: **22 May 2006**
- (54) Product in respect of which the design is registered: **Passenger vehicle**
- (51) International Design Classification: **12-16C**
- (71) Name(s) and Address(s) of Applicant(s):

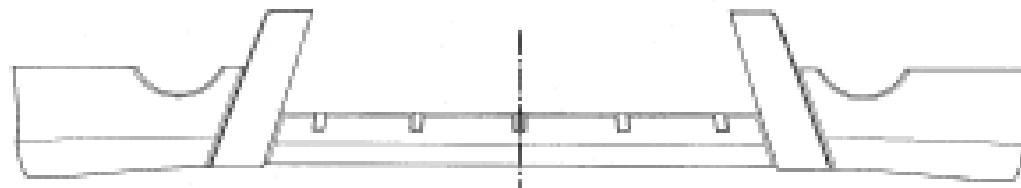
Talon Body Styling Pty Ltd
459 The Boulevard Kirrawee New South Wales 2232 Australia

- (72) Name(s) of Designer(s): **John Learson**

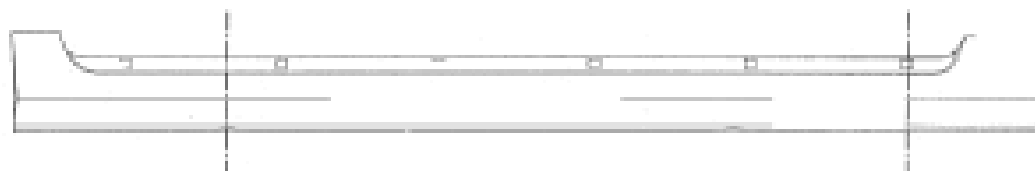
- (45) Registration Date: **10 October 2006**

- (56) Related Art Documents: **Not Applicable**

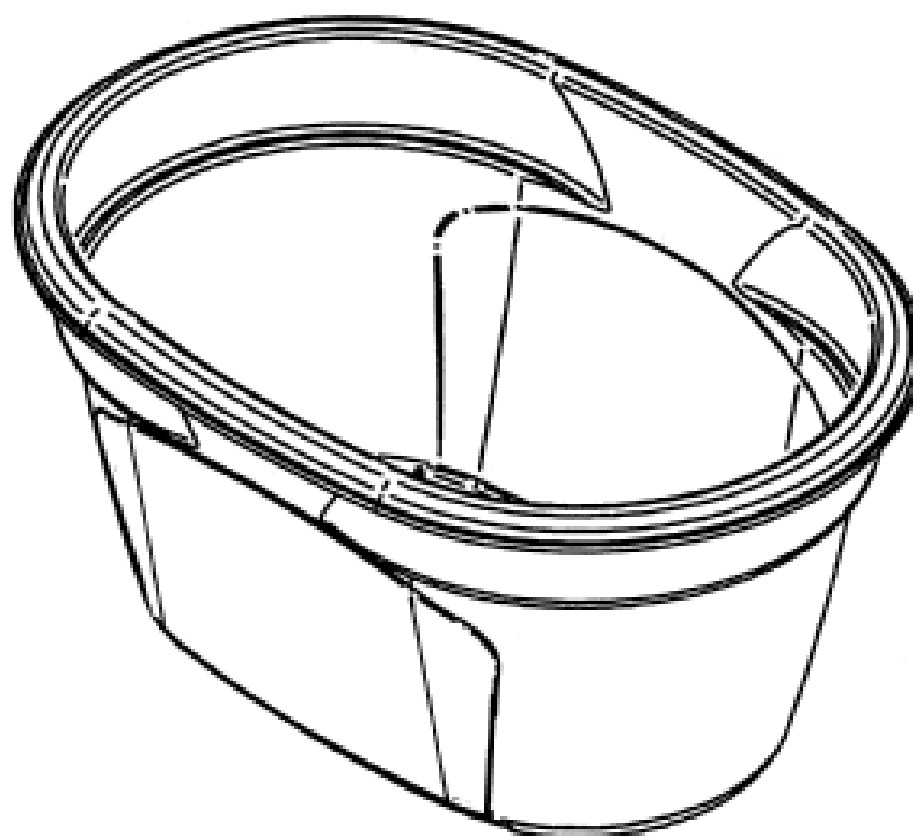
- (57) Statement of Newness and Distinctiveness: **Automotive car body enhancement to generate a different and more stylish appearance**



- (21) Design Number: **12233/2006**
(22) Date of Filing Application: **22 May 2006**
(24) Date from which industrial property rights may have effect: **22 May 2006**
(54) Product in respect of which the design is registered: **Passenger vehicle**
(51) International Design Classification: **12-16C**
(71) Name(s) and Address(s) of Applicant(s):
Talon Body Styling Pty Ltd
459 The Boulevard Kirrawee New South Wales 2232 Australia
(72) Name(s) of Designer(s): **John Learson**
(45) Registration Date: **10 October 2006**
(56) Related Art Documents: **Not Applicable**
(57) Statement of Newness and Distinctiveness: **Automotive car body enhancement to generate a different and more stylish appearance.**



- (21) Design Number: **12563/2006**
(22) Date of Filing Application: **14 June 2006**
(24) Date from which industrial property rights may have effect: **14 June 2006**
(54) Product in respect of which the design is registered: **A container**
(51) International Design Classification: **09-02A, 09-02C, 09-03L**
(71) Name(s) and Address(s) of Applicant(s):
Huhtamaki Australia Pty Limited
225 Wellington Road Mulgrave Victoria 3170 Australia
(72) Name(s) of Designer(s): **Colin Gilbert**
(45) Registration Date: **10 October 2006**
(56) Related Art Documents: **Not Applicable**
(57) Statement of Newness and Distinctiveness: **In considering the newness or distinctiveness of the design, regard is to be given to the overall shape and/or configuration of a container as shown in the representations.**



(21) Design Number: **13005/2006**

(22) Date of Filing Application: **14 July 2006**

(24) Date from which industrial property rights may have effect: **14 July 2006**

(54) Product in respect of which the design is registered: **Head rest for chair**

(51) International Design Classification: **06-06G**

(71) Name(s) and Address(s) of Applicant(s):

**Ergonomiprodukter I Bodafors AB
Box 294 S-571 23 Nassjo Sweden**

(72) Name(s) of Designer(s): **Marten Rittfeldt and Oskar Ponnert**

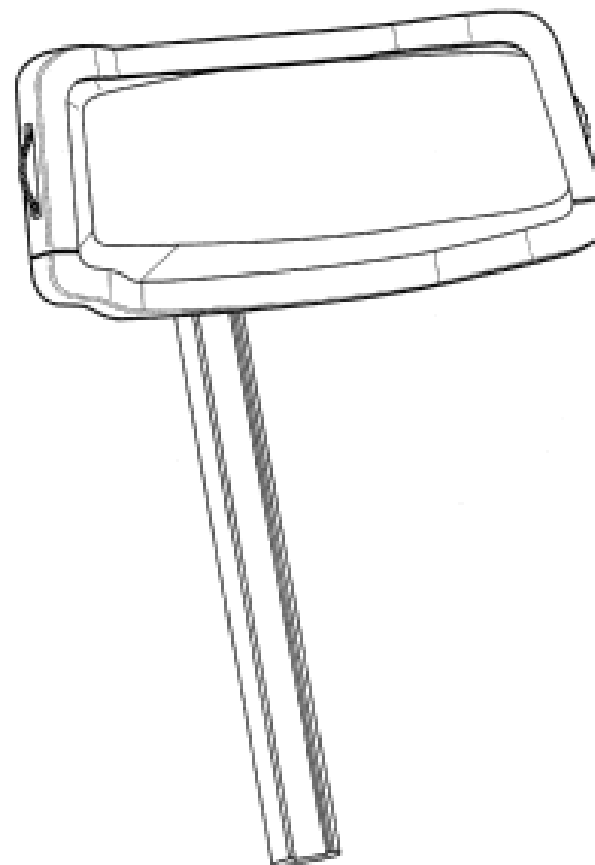
(45) Registration Date: **10 October 2006**

(30) Convention priority data:

(31) Number	(32) Date	(33) Country
000468046	25 Jan 2006	EUROPEAN COMMUNITY

(56) Related Art Documents: **Not Applicable**

(57) Statement of Newness and Distinctiveness: **Newness and distinctiveness is claimed in the features of shape and/or configuration of the sharp, flattened edge contour of the head rest for a chair as illustrated in the accompanying representations.**



(21) Design Number: **13018/2006**

(22) Date of Filing Application: **17 July 2006**

(24) Date from which industrial property rights may have effect: **17 July 2006**

(54) Product in respect of which the design is registered: **Push button controlled, Direct current powered adaptation for commercially available fishing reels for use by the**

(51) International Design Classification: **22-05, 13-01**

(71) Name(s) and Address(s) of Applicant(s):

**Colin Charles Dunkley
Scout Road Dareton New South Wales 2717 Australia**

(72) Name(s) of Designer(s): **Colin Charles Dunkley**

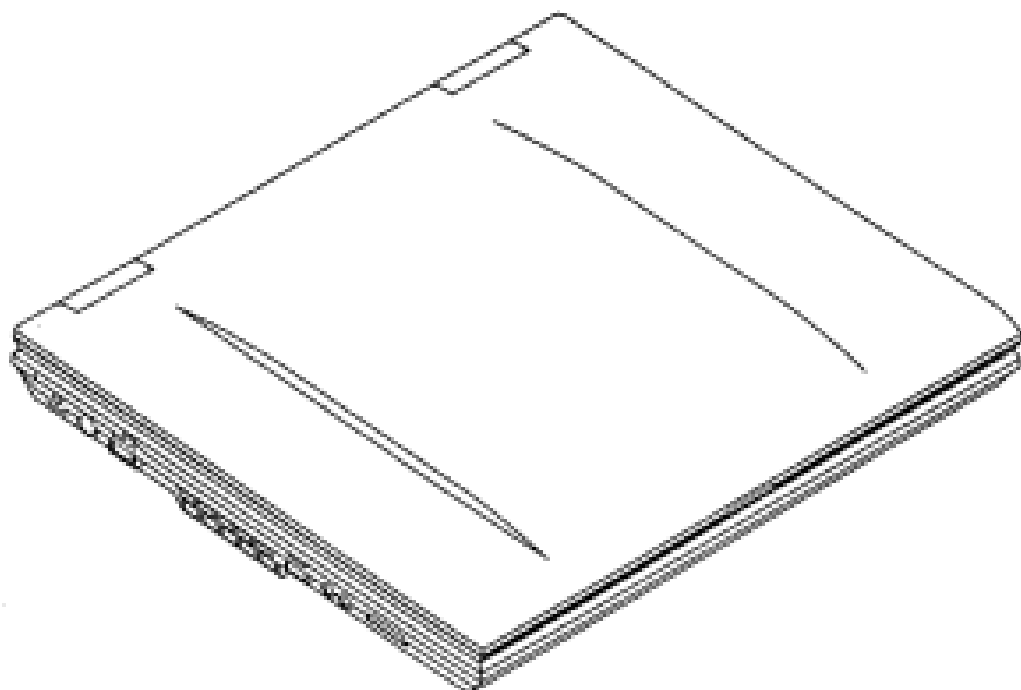
(45) Registration Date: **10 October 2006**

(56) Related Art Documents: **Not Applicable**

(57) Statement of Newness and Distinctiveness: **As I suffered a stroke and have been left with a totally useless left arm I discovered as my rehabilitation progressed that I could not buy a fishing outfit that I could use as one handed cast and retrieve action especially casting lures so with the encouragement of my physiotherapist I developed a fishing outfit that I could fish with ie; (a suitable D.C. motor with appropriate gearing to suit the type of reel and fishing method selected with the drive connected to the reel and a push button for the control of the retrieve action, also left and right hand adaptability this will be suitable for people with upper limb disability (still with one good hand) not suitable for all reels and fishing methods, eg. flyfishing and beach fishing with side cast type reels, but can be categorised into light, medium and heavy class suited to the fishing tackle jargon used today).**



- (21) Design Number: **13164/2006**
- (22) Date of Filing Application: **21 July 2006**
- (24) Date from which industrial property rights may have effect: **21 July 2006**
- (54) Product in respect of which the design is registered: **Notebook computer**
- (51) International Design Classification: **14-02**
- (71) Name(s) and Address(s) of Applicant(s):
Samsung Electronics Co., Ltd.
416, Maetan 3-dong Paldal-gu Suwon-City Kyunggi-Do South Korea
- (72) Name(s) of Designer(s): **Seung-Wook Jeong**
- (45) Registration Date: **10 October 2006**
- (56) Related Art Documents: **Not Applicable**
- (57) Statement of Newness and Distinctiveness: **Nil.**

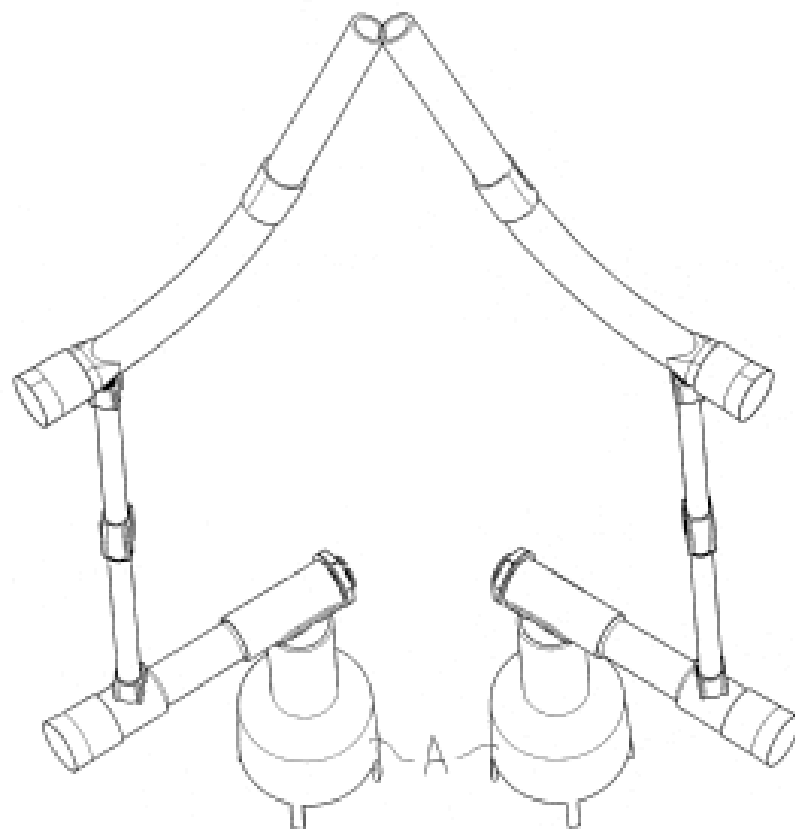


- (21) Design Number: **14463/2006**
- (22) Date of Filing Application: **04 October 2006**
- (24) Date from which industrial property rights may have effect: **04 October 2006**
- (54) Product in respect of which the design is registered: **Wheelbarrow with pivoting arcuate hopper**
- (51) International Design Classification: **12-02**
- (71) Name(s) and Address(s) of Applicant(s):
Ames True Temper, Inc.
465 Railroad Avenue Camp Hill PA 17011 United States of America
- (72) Name(s) of Designer(s): **Joshua O. Mullen and Jeffrey M. Norton**
- (45) Registration Date: **10 October 2006**
- (30) Convention priority data:

(31) Number	(32) Date	(33) Country
29/257,644	07 Apr 2006	UNITED STATES OF AMERICA
- (56) Related Art Documents: **Not Applicable**
- (57) Statement of Newness and Distinctiveness: **Nil**

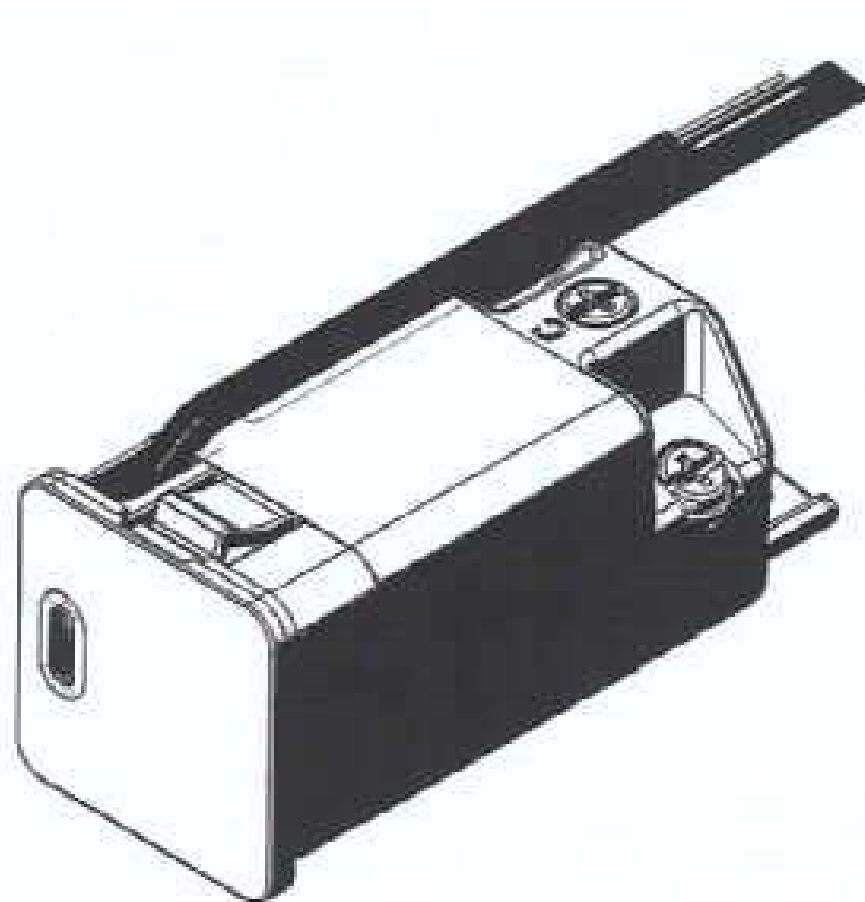


- (21) Design Number: **10319/2006**
- (22) Date of Filing Application: **31 January 2006**
- (24) Date from which industrial property rights may have effect: **31 January 2006**
- (54) Product in respect of which the design is registered: **Piping arrangement for water heater**
- (51) International Design Classification: **23-01B**
- (71) Name(s) and Address(s) of Applicant(s):
Aqua Max Pty Ltd
463-467 Warrigal Road Moorabbin Victoria 3189 Australia
- (72) Name(s) of Designer(s): **David Lowe and Richard Rees and Gavin Schaeche**
- (45) Registration Date: **11 October 2006**
- (56) Related Art Documents: **Not Applicable**
- (57) Statement of Newness and Distinctiveness: **Visual features of the design which are new and distinctive are the features of shape and configuration of piping arrangement for water heater as illustrated in the representations. The shape and configuration of the water diffusers marked "A" in the representations are not part of the design and are to be disregarded.**



- (21) Design Number: **11999/2006**
- (22) Date of Filing Application: **09 May 2006**
- (24) Date from which industrial property rights may have effect: **09 May 2006**
- (54) Product in respect of which the design is registered: **A relay module**
- (51) International Design Classification: **13-03NES**
- (71) Name(s) and Address(s) of Applicant(s):
Schneider Electric (New Zealand) Holdings Limited
14 Hazeldean Road Addington Christchurch New Zealand
- (72) Name(s) of Designer(s): **Nigel Hingston**
- (45) Registration Date: **11 October 2006**
- (30) Convention priority data:

(31) Number	(32) Date	(33) Country
406783	09 Nov 2005	NEW ZEALAND
- (56) Related Art Documents: **Not Applicable**
- (57) Statement of Newness and Distinctiveness: **Novelty is claimed for the shape and configuration of the square front face of the relay module, the front face incorporating a small indicator light as shown in the representations, and not for the shape and configuration of the relay module behind the front face of the module or for the connecting wires shown in black, which do not form part of the design.**



(21) Design Number: **12312/2006**

(22) Date of Filing Application: **25 May 2006**

(24) Date from which industrial property rights may have effect: **25 May 2006**

(54) Product in respect of which the design is registered: **Joiner ball for a fencing attachment**

(51) International Design Classification: **08-09, 08-08NES**

(71) Name(s) and Address(s) of Applicant(s):

RMD Press Co. Pty. Ltd.

6-10 Market Road Sunshine Victoria 3020 Australia

(72) Name(s) of Designer(s): **Allan Roy Masters**

(45) Registration Date: **11 October 2006**

(56) Related Art Documents: **Not Applicable**

(57) Statement of Newness and Distinctiveness: **Nil.**



(21) Design Number: **12313/2006**

(22) Date of Filing Application: **25 May 2006**

(24) Date from which industrial property rights may have effect: **25 May 2006**

(54) Product in respect of which the design is registered: **Joiner plug for a railing attachment**

(51) International Design Classification: **08-09, 08-08NES**

(71) Name(s) and Address(s) of Applicant(s):

RMD Press Co. Pty. Ltd.

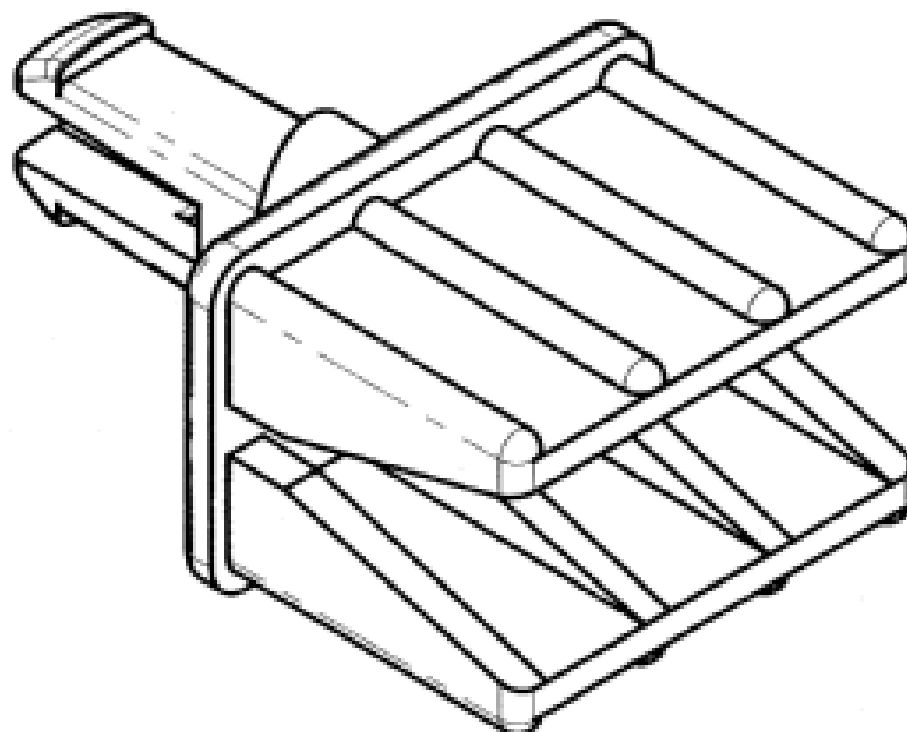
6-10 Market Road Sunshine Victoria 3020 Australia

(72) Name(s) of Designer(s): **Allan Roy Masters**

(45) Registration Date: **11 October 2006**

(56) Related Art Documents: **Not Applicable**

(57) Statement of Newness and Distinctiveness: **Nil.**



(21) Design Number: **13069/2006**

(22) Date of Filing Application: **18 July 2006**

(24) Date from which industrial property rights may have effect: **18 July 2006**

(54) Product in respect of which the design is registered: **Vacuum cleaner**

(51) International Design Classification: **15-05**

(71) Name(s) and Address(s) of Applicant(s):

**Koninklijke Philips Electronics N.V.
Groenewoudseweg 1 5621 BA Eindhoven The Netherlands**

(72) Name(s) of Designer(s): **Anders Hansen**

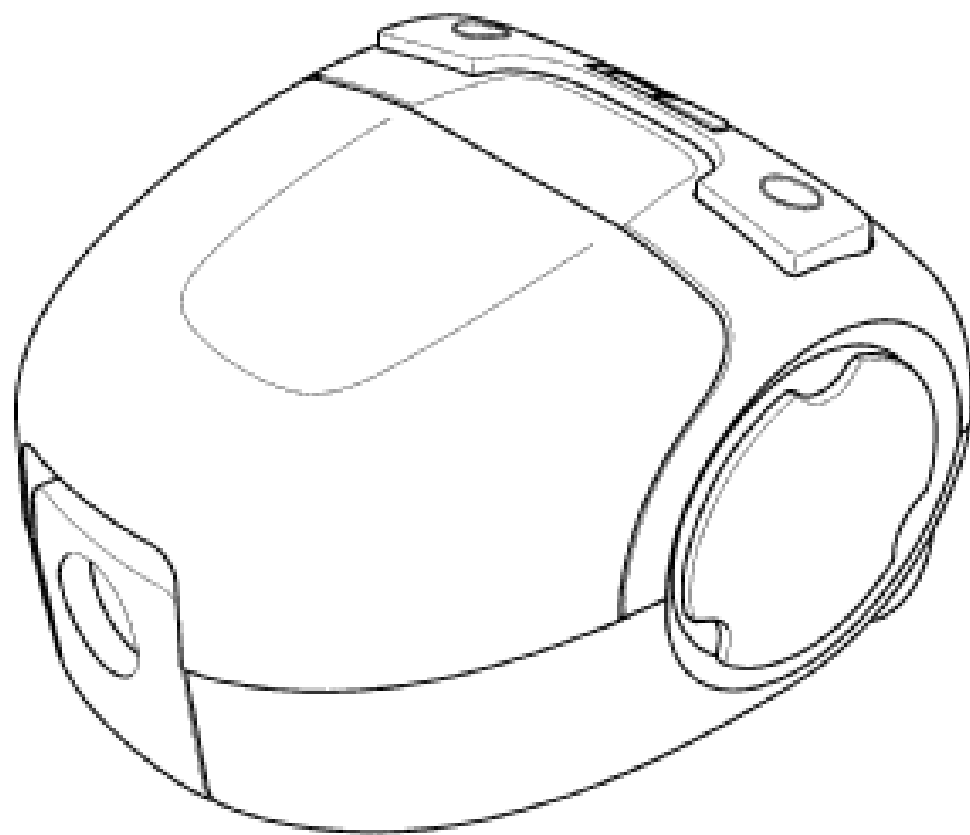
(45) Registration Date: **11 October 2006**

(30) Convention priority data:

(31) Number	(32) Date	(33) Country
000464565	19 Jan 2006	EUROPEAN COMMUNITY

(56) Related Art Documents: **Not Applicable**

(57) Statement of Newness and Distinctiveness: **Newness and distinctiveness reside in the features of the design as shown in the representations.**



(21) Design Number: **13070/2006**

(22) Date of Filing Application: **18 July 2006**

(24) Date from which industrial property rights may have effect: **18 July 2006**

(54) Product in respect of which the design is registered: **Washing machine for shavers**

(51) International Design Classification: **15-05, 28-03A**

(71) Name(s) and Address(s) of Applicant(s):

**Koninklijke Philips Electronics N.V.
Groenewoudseweg 1 5621 BA Eindhoven The Netherlands**

(72) Name(s) of Designer(s): **Anders Hansen**

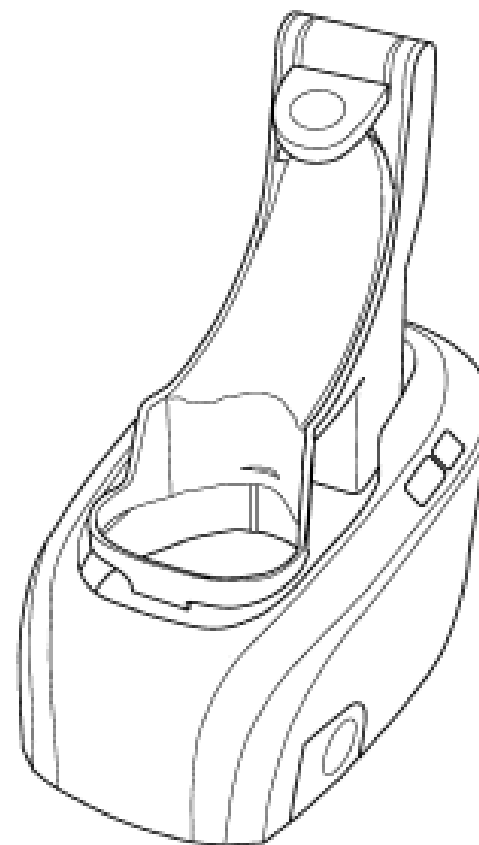
(45) Registration Date: **11 October 2006**

(30) Convention priority data:

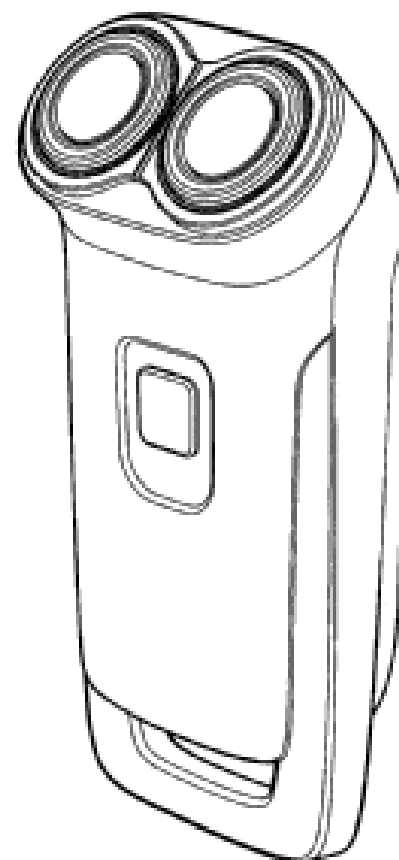
(31) Number	(32) Date	(33) Country
000464482	19 Jan 2006	EUROPEAN COMMUNITY

(56) Related Art Documents: **Not Applicable**

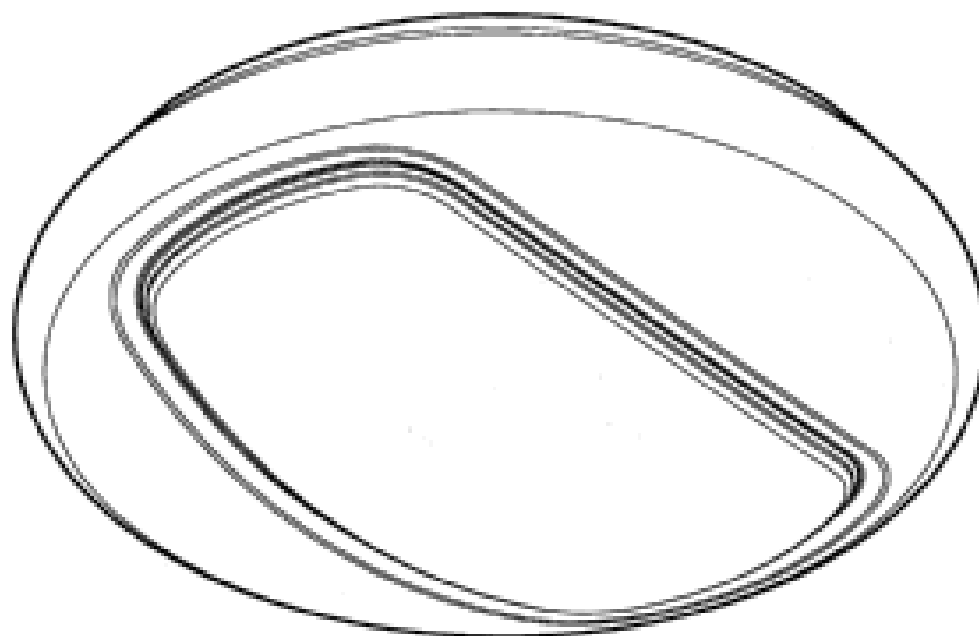
(57) Statement of Newness and Distinctiveness: **Newness and distinctiveness reside in the features of the design as shown in the representations.**



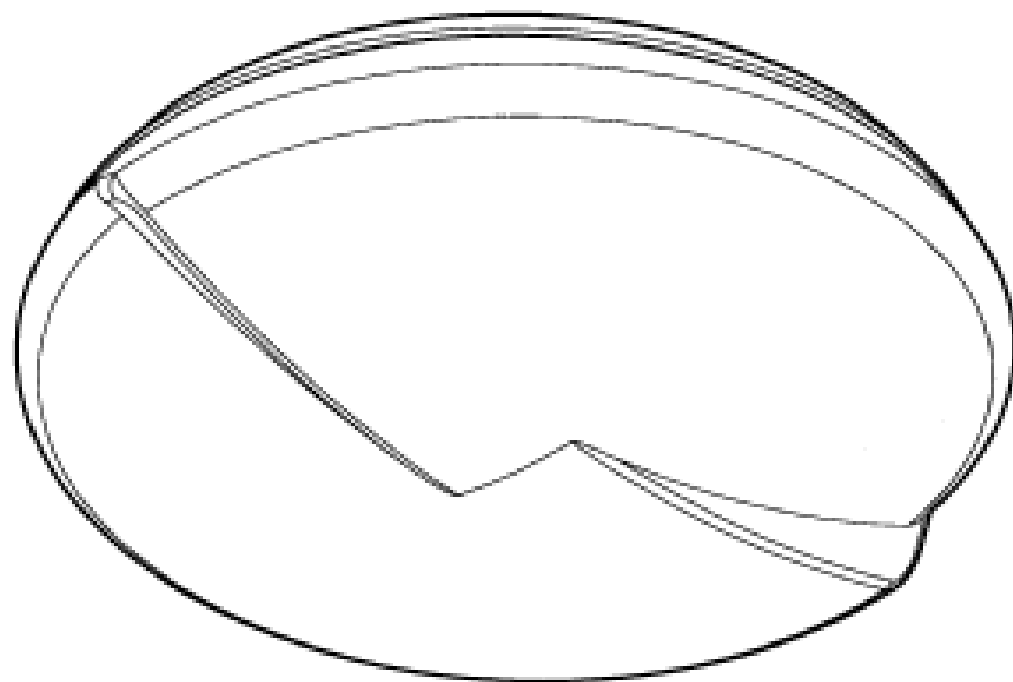
(21) Design Number: **13071/2006**
(22) Date of Filing Application: **18 July 2006**
(24) Date from which industrial property rights may have effect: **18 July 2006**
(54) Product in respect of which the design is registered: **Two head dry shaver**
(51) International Design Classification: **28-03A**
(71) Name(s) and Address(s) of Applicant(s):
Koninklijke Philips Electronics N.V.
Groenewoudseweg 1 5621 BA Eindhoven The Netherlands
(72) Name(s) of Designer(s): **Gael Prat-Pfister and Ian Che Chun Lee**
(45) Registration Date: **11 October 2006**
(30) Convention priority data:
(31) Number (32) Date (33) Country
000467683 23 Jan 2006 EUROPEAN COMMUNITY
(56) Related Art Documents: **Not Applicable**
(57) Statement of Newness and Distinctiveness: **Newness and distinctiveness reside in the features of the design as shown in the representations.**



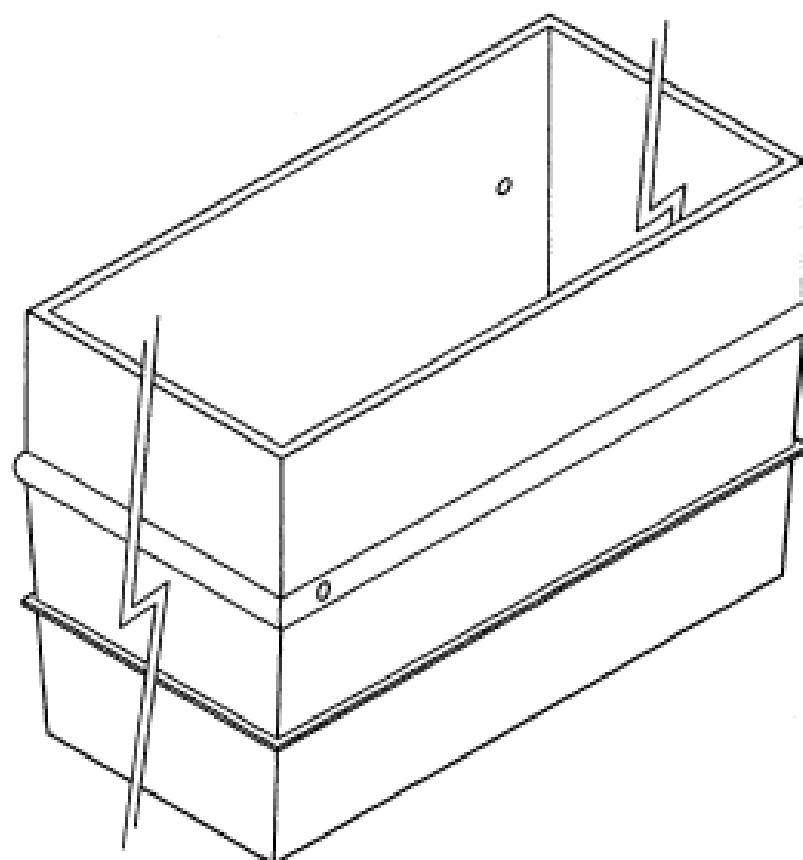
(21) Design Number: **13072/2006**
(22) Date of Filing Application: **18 July 2006**
(24) Date from which industrial property rights may have effect: **18 July 2006**
(54) Product in respect of which the design is registered: **Decorative bright lamp**
(51) International Design Classification: **26-05NES**
(71) Name(s) and Address(s) of Applicant(s):
Koninklijke Philips Electronics N.V.
Groenewoudseweg 1 5621 BA Eindhoven The Netherlands
(72) Name(s) of Designer(s): **Kin Man Ernest and Hongmei Hu and Xiaoqing Duan**
(45) Registration Date: **11 October 2006**
(30) Convention priority data:
(31) Number (32) Date (33) Country
000474788-0002 06 Feb 2006 EUROPEAN COMMUNITY
(56) Related Art Documents: **Not Applicable**
(57) Statement of Newness and Distinctiveness: **Newness and distinctiveness reside in the features of the design as shown in the representations.**



- (21) Design Number: **13073/2006**
(22) Date of Filing Application: **18 July 2006**
(24) Date from which industrial property rights may have effect: **18 July 2006**
(54) Product in respect of which the design is registered: **Decorative bright lamp**
(51) International Design Classification: **26-05NES**
(71) Name(s) and Address(s) of Applicant(s):
Koninklijke Philips Electronics N.V.
Groenewoudseweg 1 5621 BA Eindhoven The Netherlands
(72) Name(s) of Designer(s): **Kin Man Ernest and Hongmei Hu and Xiaoqing Duan**
(45) Registration Date: **11 October 2006**
(30) Convention priority data:
(31) Number (32) Date (33) Country
000474788-0003 06 Feb 2006 EUROPEAN COMMUNITY
(56) Related Art Documents: **Not Applicable**
(57) Statement of Newness and Distinctiveness: **Newness and distinctiveness reside in the features of the design as shown in the representations.**



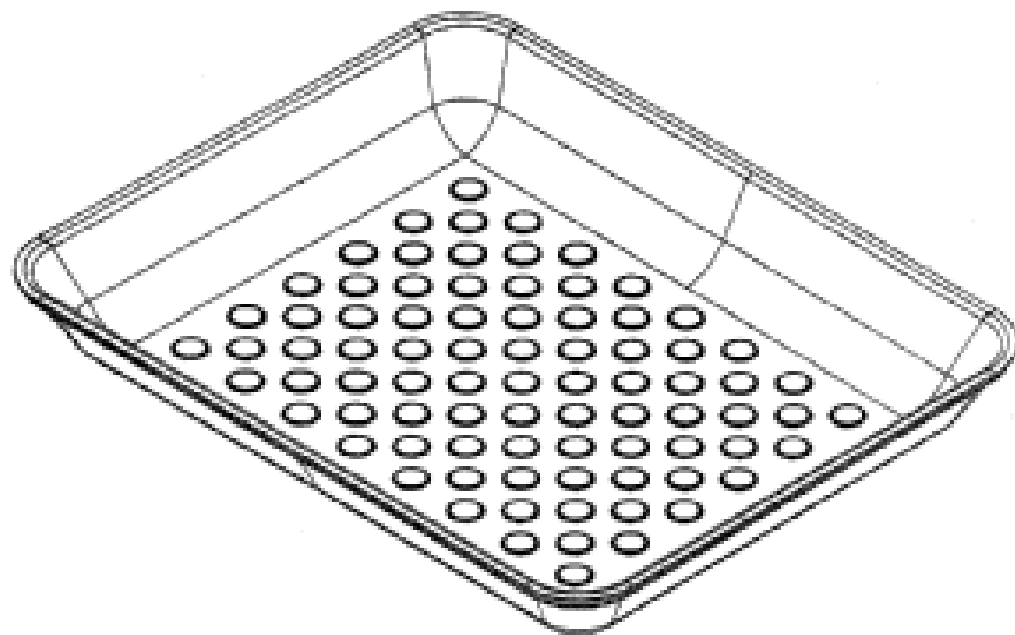
- (21) Design Number: **13133/2006**
(22) Date of Filing Application: **20 July 2006**
(24) Date from which industrial property rights may have effect: **20 July 2006**
(54) Product in respect of which the design is registered: **Gutter plug**
(51) International Design Classification: **23-01L**
(71) Name(s) and Address(s) of Applicant(s):
Douglas William Jobson
21 Boat Harbour Close Summerland Point New South Wales 2259
Australia
Beverley Maria Jobson
21 Boat Harbour Close Summerland Point New South Wales 2259
Australia
(72) Name(s) of Designer(s): **Douglas William Jobson and Beverley Maria Jobson**
(45) Registration Date: **11 October 2006**
(56) Related Art Documents: **Not Applicable**
(57) Statement of Newness and Distinctiveness: **Monopoly is claimed in the features shown in unbroken lines in the representations attached. In the representations, the end walls are intended to be shown as being of indefinite length.**



(21) Design Number: **12894/2006**
(22) Date of Filing Application: **10 July 2006**
(24) Date from which industrial property rights may have effect: **10 July 2006**
(54) Product in respect of which the design is registered: **Takeaway pizza cartons**
(51) International Design Classification: **09-03F**
(71) Name(s) and Address(s) of Applicant(s):
Scott Shambrook
4/38 Ourimbah Road Tweed Heads New South Wales 2485 Australia
(72) Name(s) of Designer(s): **Scott Shambrook**
(45) Registration Date: **12 October 2006**
(56) Related Art Documents: **Not Applicable**
(57) Statement of Newness and Distinctiveness: **An octagonal rim on the bottom of the carton.**



(21) Design Number: **10804/2006**
(22) Date of Filing Application: **01 March 2006**
(24) Date from which industrial property rights may have effect: **01 March 2006**
(54) Product in respect of which the design is registered: **A tray**
(51) International Design Classification: **09-03F, 07-99A**
(71) Name(s) and Address(s) of Applicant(s):
Alto Holdings Limited
Level 2 5-7 Kingdon Street Newmarket Auckland New Zealand
(72) Name(s) of Designer(s): **Lance John Knighton and Ronald George Starnes**
(45) Registration Date: **18 October 2006**
(56) Related Art Documents: **Not Applicable**
(57) Statement of Newness and Distinctiveness: **Monopoly resides in the features of shape and configuration of the "Tray" as shown in the accompanying representations.**



- (21) Design Number: **11911/2006**
(22) Date of Filing Application: **04 May 2006**
(24) Date from which industrial property rights may have effect: **04 May 2006**
(54) Product in respect of which the design is registered: **Left-and right-side vehicle side panels**
(51) International Design Classification: **12-16B**
(71) Name(s) and Address(s) of Applicant(s):
GM Holden Ltd
241 Salmon Street Port Melbourne Victoria 3207 Australia
(72) Name(s) of Designer(s): **Martin Richard Love and Peter Hughes**
(45) Registration Date: **18 October 2006**
(56) Related Art Documents: **Not Applicable**
(57) Statement of Newness and Distinctiveness: **Newness and distinctiveness is claimed in the shape and/or configuration of a left-and right-side vehicle side panels as shown in the representations.**



- (21) Design Number: **11912/2006**
(22) Date of Filing Application: **04 May 2006**
(24) Date from which industrial property rights may have effect: **04 May 2006**
(54) Product in respect of which the design is registered: **Vehicle roof panel**
(51) International Design Classification: **12-16B**
(71) Name(s) and Address(s) of Applicant(s):
GM Holden Ltd
241 Salmon Street Port Melbourne Victoria 3207 Australia
(72) Name(s) of Designer(s): **Martin Richard Love and Peter Hughes**
(45) Registration Date: **18 October 2006**
(56) Related Art Documents: **Not Applicable**
(57) Statement of Newness and Distinctiveness: **Newness and distinctiveness is claimed in the shape and/or configuration of a vehicle roof panel as shown in the representations.**



(21) Design Number: **11919/2006**

(22) Date of Filing Application: **04 May 2006**

(24) Date from which industrial property rights may have effect: **04 May 2006**

(54) Product in respect of which the design is registered: **Vehicle Bootlid**

(51) International Design Classification: **12-16B**

(71) Name(s) and Address(s) of Applicant(s):

GM Holden Ltd

241 Salmon Street Port Melbourne Victoria 3207 Australia

(72) Name(s) of Designer(s): **Martin Richard Love and Peter Hughes**

(45) Registration Date: **18 October 2006**

(56) Related Art Documents: **Not Applicable**

(57) Statement of Newness and Distinctiveness: **Newness and distinctiveness is claimed in the shape and/or configuration of a vehicle bootlid as shown in the representations.**



(21) Design Number: **13604/2006**

(22) Date of Filing Application: **15 August 2006**

(24) Date from which industrial property rights may have effect: **15 August 2006**

(54) Product in respect of which the design is registered: **Golf cart**

(51) International Design Classification: **12-02**

(71) Name(s) and Address(s) of Applicant(s):

Unique Product & Design Co., Ltd.

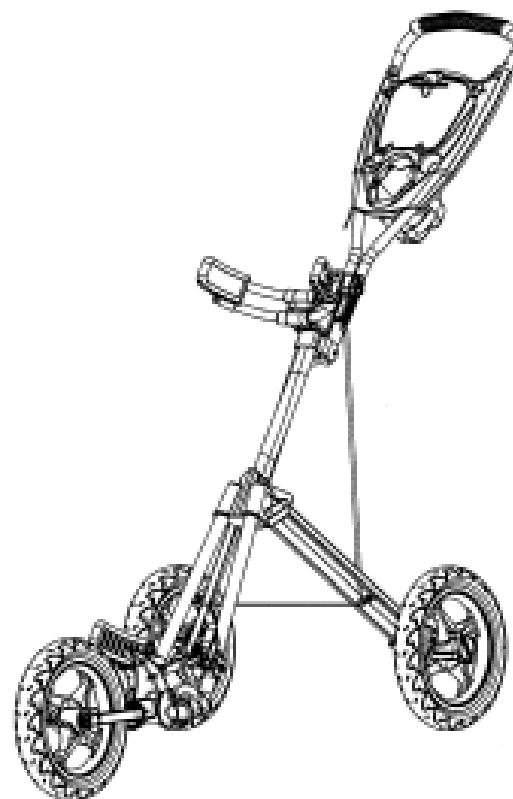
No.5, Ming Dong Road Yung Kang City Tainan Hsien Taiwan

(72) Name(s) of Designer(s): **Gordon Liao**

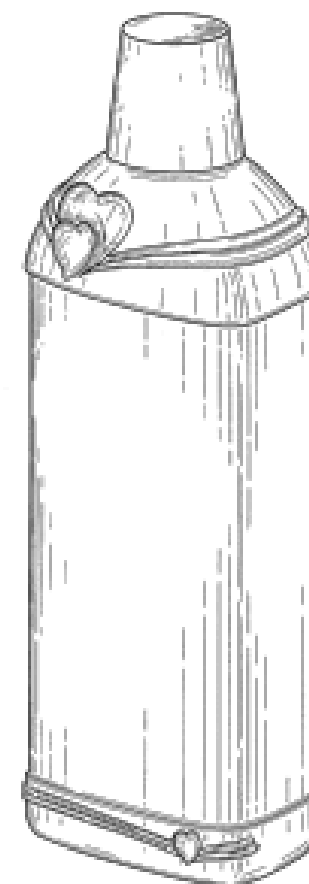
(45) Registration Date: **18 October 2006**

(56) Related Art Documents: **Not Applicable**

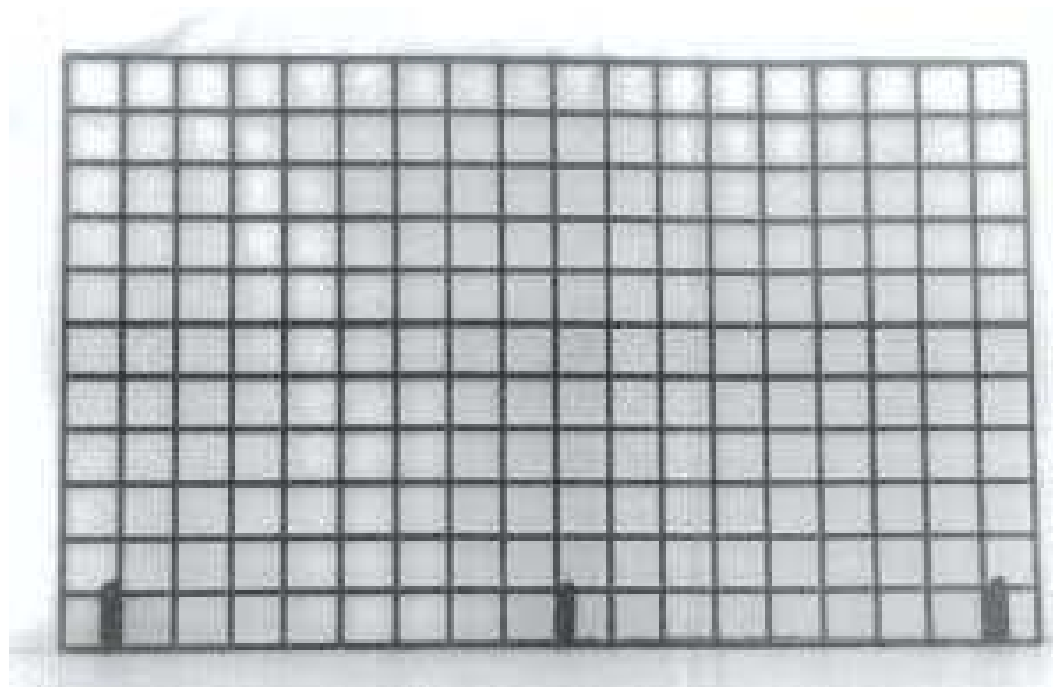
(57) Statement of Newness and Distinctiveness: **Each feature of the design considered separately or in combination with any other feature or features.**



(21) Design Number: **13613/2006**
(22) Date of Filing Application: **15 August 2006**
(24) Date from which industrial property rights may have effect: **15 August 2006**
(54) Product in respect of which the design is registered: **Container**
(51) International Design Classification: **09-01NES**
(71) Name(s) and Address(s) of Applicant(s):
Colgate-Palmolive Company
300 Park Avenue New York New York 10022 United States of America
(72) Name(s) of Designer(s): **Jeffery Mayers**
(45) Registration Date: **18 October 2006**
(30) Convention priority data:
(31) Number (32) Date (33) Country
29/254052 16 Feb 2006 UNITED STATES OF AMERICA
(56) Related Art Documents: **Not Applicable**
(57) Statement of Newness and Distinctiveness: **Newness and distinctiveness reside in the features of the design as shown in the representations.**



(21) Design Number: **13153/2006**
(22) Date of Filing Application: **24 July 2006**
(24) Date from which industrial property rights may have effect: **24 July 2006**
(54) Product in respect of which the design is registered: **Vehicle window ventilator**
(51) International Design Classification: **12-16F, 12-16NES**
(71) Name(s) and Address(s) of Applicant(s):
Carmel Corporation
1 Reef Court Mermaid Waters Queensland 4218 Australia
(72) Name(s) of Designer(s): **Charme Carmel Galvin**
(45) Registration Date: **11 October 2006**
(56) Related Art Documents: **Not Applicable**
(57) Statement of Newness and Distinctiveness: **Powder coated steel mesh with anchoring hooks for insertion into car windows.**



- (21) Design Number: **13155/2006**
(22) Date of Filing Application: **21 July 2006**
(24) Date from which industrial property rights may have effect: **21 July 2006**
(54) Product in respect of which the design is registered: **A tray**
(51) International Design Classification: **09-03F**
(71) Name(s) and Address(s) of Applicant(s):

Alto Holdings Limited
Level 2 5-7 Kingdon Street Newmarket Auckland New Zealand

(72) Name(s) of Designer(s): **James Robert George**

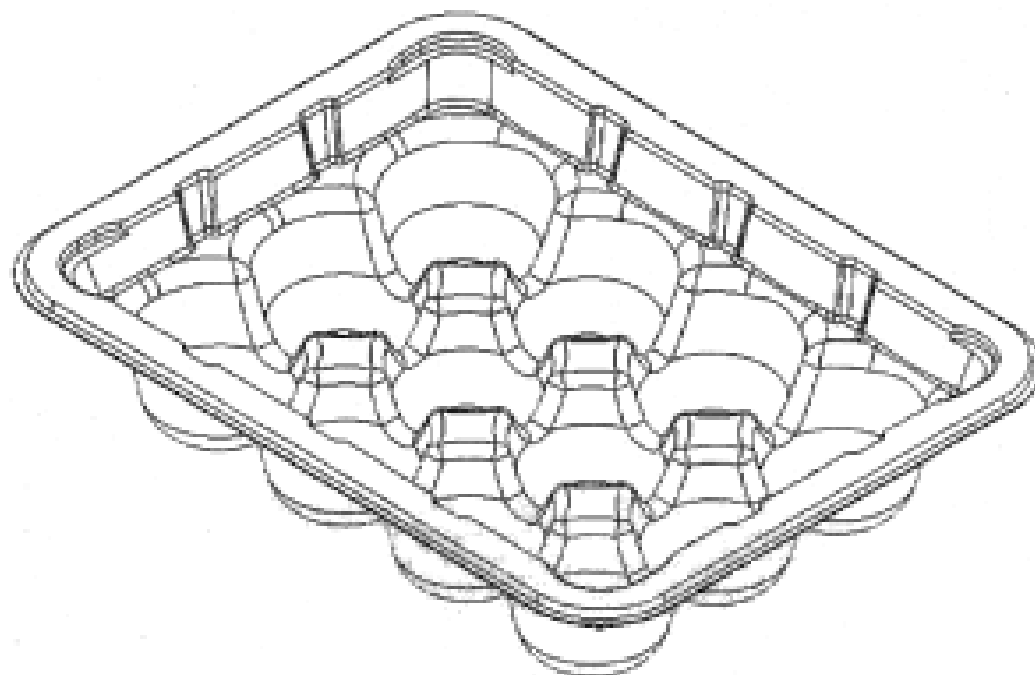
(45) Registration Date: **11 October 2006**

(30) Convention priority data:

(31) Number	(32) Date	(33) Country
407747	23 Jun 2006	NEW ZEALAND

(56) Related Art Documents: **Not Applicable**

(57) Statement of Newness and Distinctiveness: **Monopoly resides in the features of shape and configuration of the "tray" as shown in the accompanying representations.**



- (21) Design Number: **13156/2006**
(22) Date of Filing Application: **21 July 2006**
(24) Date from which industrial property rights may have effect: **21 July 2006**
(54) Product in respect of which the design is registered: **A tray**
(51) International Design Classification: **09-03F**
(71) Name(s) and Address(s) of Applicant(s):

Alto Holdings Limited
Level 2 5-7 Kingdon Street Newmarket Auckland New Zealand

(72) Name(s) of Designer(s): **James Robert George**

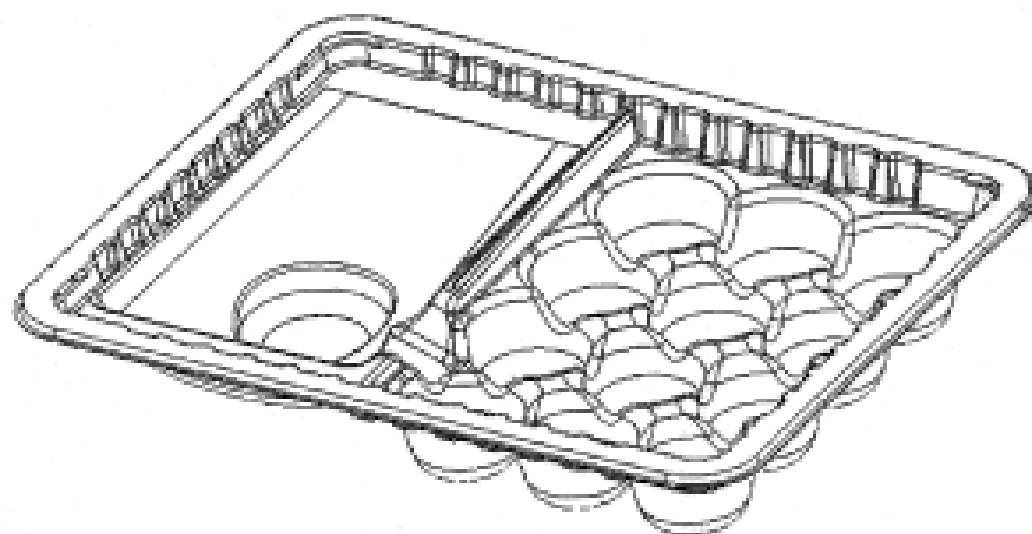
(45) Registration Date: **11 October 2006**

(30) Convention priority data:

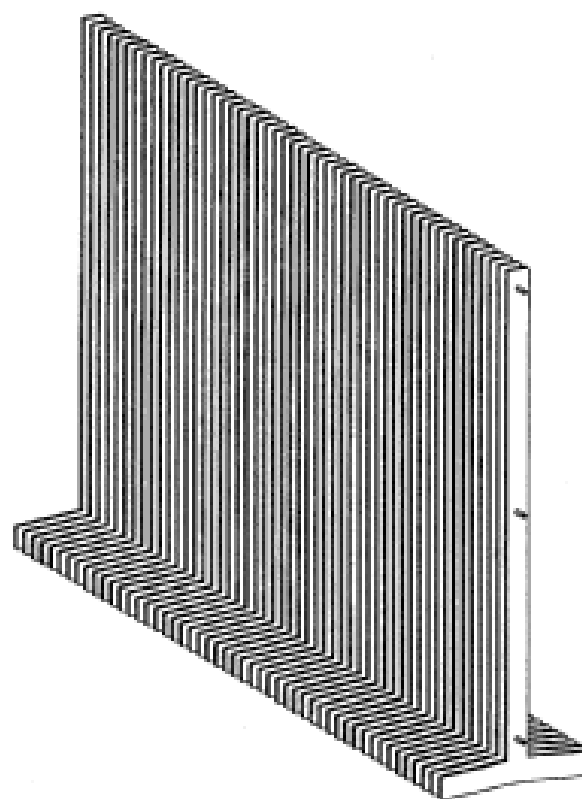
(31) Number	(32) Date	(33) Country
407748	23 Jun 2006	NEW ZEALAND

(56) Related Art Documents: **Not Applicable**

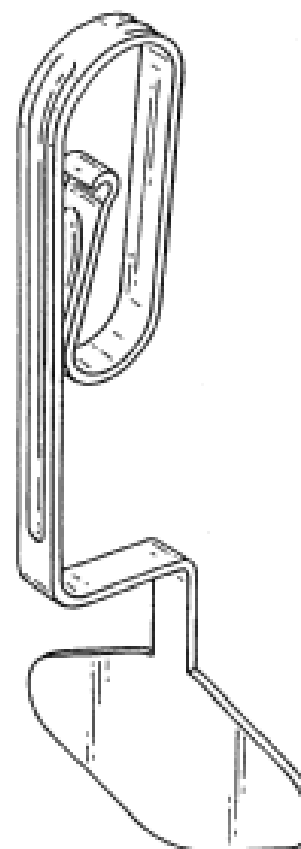
(57) Statement of Newness and Distinctiveness: **Monopoly resides in the features of shape and configuration of the "tray" as shown in the accompanying representations.**



- (21) Design Number: **13202/2006**
(22) Date of Filing Application: **21 July 2006**
(24) Date from which industrial property rights may have effect: **21 July 2006**
(54) Product in respect of which the design is registered: **Fence**
(51) International Design Classification: **25-02C**
(71) Name(s) and Address(s) of Applicant(s):
FIRMA POOL 22
Rotherstrasse 18 10245 Berlin Germany
(72) Name(s) of Designer(s): **Frank Hesselmann**
(45) Registration Date: **11 October 2006**
(30) Convention priority data:
(31) Number (32) Date (33) Country
29/252,532 24 Jan 2006 UNITED STATES OF AMERICA
(56) Related Art Documents: **Not Applicable**
(57) Statement of Newness and Distinctiveness: **Visual features of the design which are new and distinctive are the features of shape and configuration of a fence as illustrated in the representations.**



- (21) Design Number: **14169/2006**
(22) Date of Filing Application: **15 September 2006**
(24) Date from which industrial property rights may have effect: **15 September 2006**
(54) Product in respect of which the design is registered: **Hanger for a lavatory dispensing device**
(51) International Design Classification: **23-02A**
(71) Name(s) and Address(s) of Applicant(s):
Reckitt Benckiser Inc.
Morris Corporate Center IV 399 Interpace Parkway Parsippany New Jersey 07054 United States of America
(72) Name(s) of Designer(s): **Diane Joyce Burt**
(45) Registration Date: **11 October 2006**
(30) Convention priority data:
(31) Number (32) Date (33) Country
29/246838 15 May 2006 UNITED STATES OF AMERICA
(56) Related Art Documents: **Not Applicable**
(57) Statement of Newness and Distinctiveness: **Newness and distinctiveness reside in the features of the design shown in solid lines in the representations excluding those features shown in broken lines.**



(21) Design Number: **11286/2006**

(22) Date of Filing Application: **28 March 2006**

(24) Date from which industrial property rights may have effect: **28 March 2006**

(54) Product in respect of which the design is registered: **Jewellery**

(51) International Design Classification: **11-01A**

(71) Name(s) and Address(s) of Applicant(s):

Robert L. Hocking

97A President Avenue Caringbah New South Wales 2229 Australia

(72) Name(s) of Designer(s): **Robert L. Hocking**

(45) Registration Date: **11 October 2006**

(56) Related Art Documents: **Not Applicable**

(57) Statement of Newness and Distinctiveness: **The distinctive arrangement of gems is claimed in the shape and configuration of this ring as shown in the presentation.**



(21) Design Number: **11752/2006**

(22) Date of Filing Application: **28 April 2006**

(24) Date from which industrial property rights may have effect: **28 April 2006**

(54) Product in respect of which the design is registered: **Dice**

(51) International Design Classification: **21-01L**

(71) Name(s) and Address(s) of Applicant(s):

William Stanley Raymont

67 Collings Street Pearce ACT 2607 Australia

(72) Name(s) of Designer(s): **William Raymont**

(45) Registration Date: **11 October 2006**

(56) Related Art Documents: **Not Applicable**

(57) Statement of Newness and Distinctiveness: **The new features of the design are a cricket ball protruding from the dice and the shape of the words: Bouncer, W-I-D-E, flipper.**



(21) Design Number: **13074/2006**

(22) Date of Filing Application: **19 July 2006**

(24) Date from which industrial property rights may have effect: **19 July 2006**

(54) Product in respect of which the design is registered: **Lawn edger**

(51) International Design Classification: **15-03B, 08-03**

(71) Name(s) and Address(s) of Applicant(s):

GMCA Pty Ltd

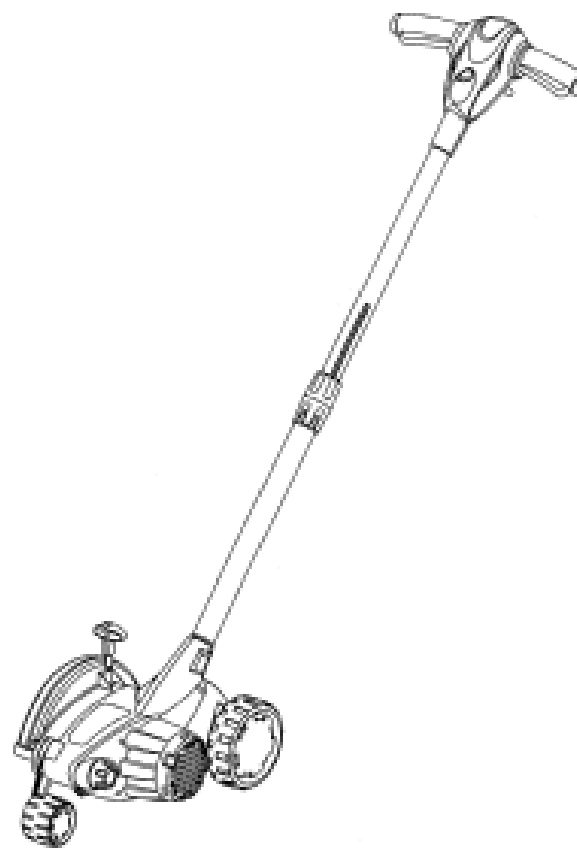
45-55 South Centre Road Melbourne Airport Victoria 3045 Australia

(72) Name(s) of Designer(s): **Colin Snowball**

(45) Registration Date: **11 October 2006**

(56) Related Art Documents: **Not Applicable**

(57) Statement of Newness and Distinctiveness: **Statement of newness and distinctiveness resides in the features of shape and configuration of a lawn edger shown in the accompanying representations.**



(21) Design Number: **13075/2006**

(22) Date of Filing Application: **19 July 2006**

(24) Date from which industrial property rights may have effect: **19 July 2006**

(54) Product in respect of which the design is registered: **Air cushion vehicle**

(51) International Design Classification: **12-06NES**

(71) Name(s) and Address(s) of Applicant(s):

Airboard Pty Ltd

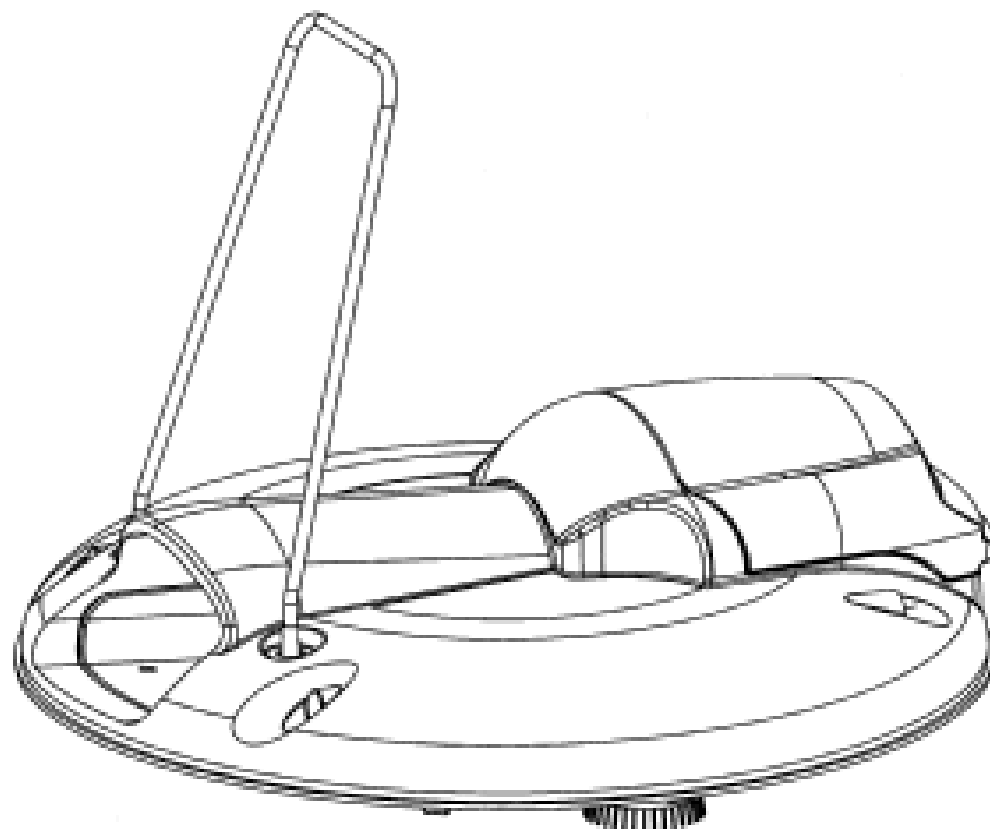
67 Westchester Road Malaga Western Australia 6090 Australia

(72) Name(s) of Designer(s): **Kevin Ross Inkster**

(45) Registration Date: **11 October 2006**

(56) Related Art Documents: **Not Applicable**

(57) Statement of Newness and Distinctiveness: **Nil**



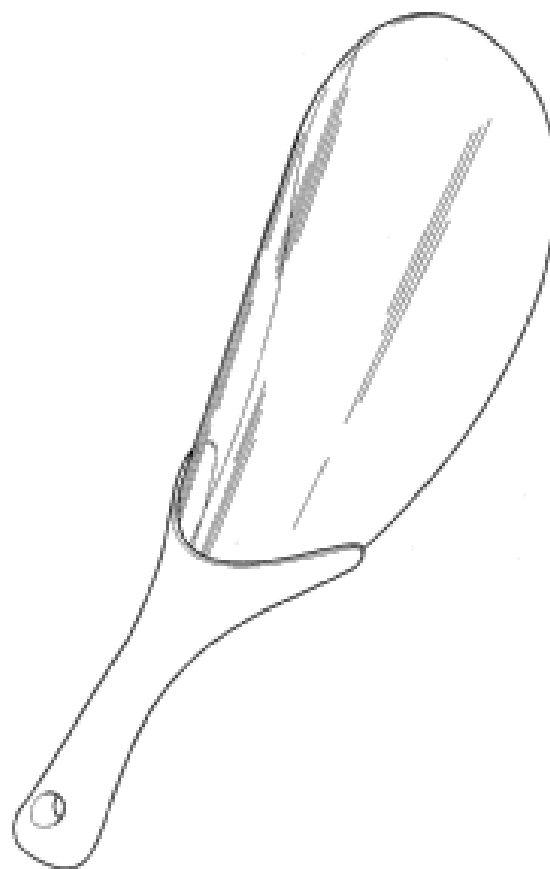
- (21) Design Number: **13106/2006**
(22) Date of Filing Application: **19 July 2006**
(24) Date from which industrial property rights may have effect: **19 July 2006**
(54) Product in respect of which the design is registered: **Polisher**
(51) International Design Classification: **08-05N**
(71) Name(s) and Address(s) of Applicant(s):
Christopher Musgrove
PO Box 307 C.P. Mildura Centre Plaza Victoria 3501 Australia
Tammy Musgrove
PO Box 307 C.P. Mildura Centre Plaza Victoria 3501 Australia
(72) Name(s) of Designer(s): **Christopher Musgrove**
(45) Registration Date: **11 October 2006**
(56) Related Art Documents: **Not Applicable**
(57) Statement of Newness and Distinctiveness: **Nil**



- (21) Design Number: **13108/2006**
(22) Date of Filing Application: **19 July 2006**
(24) Date from which industrial property rights may have effect: **19 July 2006**
(54) Product in respect of which the design is registered: **Golf bag**
(51) International Design Classification: **03-01C**
(71) Name(s) and Address(s) of Applicant(s):
Glenn Noel Etheridge
1/81 Queens Road Melbourne Victoria 3004 Australia
(72) Name(s) of Designer(s): **Glenn Noel Etheridge**
(45) Registration Date: **11 October 2006**
(56) Related Art Documents: **Not Applicable**
(57) Statement of Newness and Distinctiveness: **In considering the newness and distinctiveness of the design, regard is to be given to the shape and configuration of pockets attached to the bag for holding drink containers.**



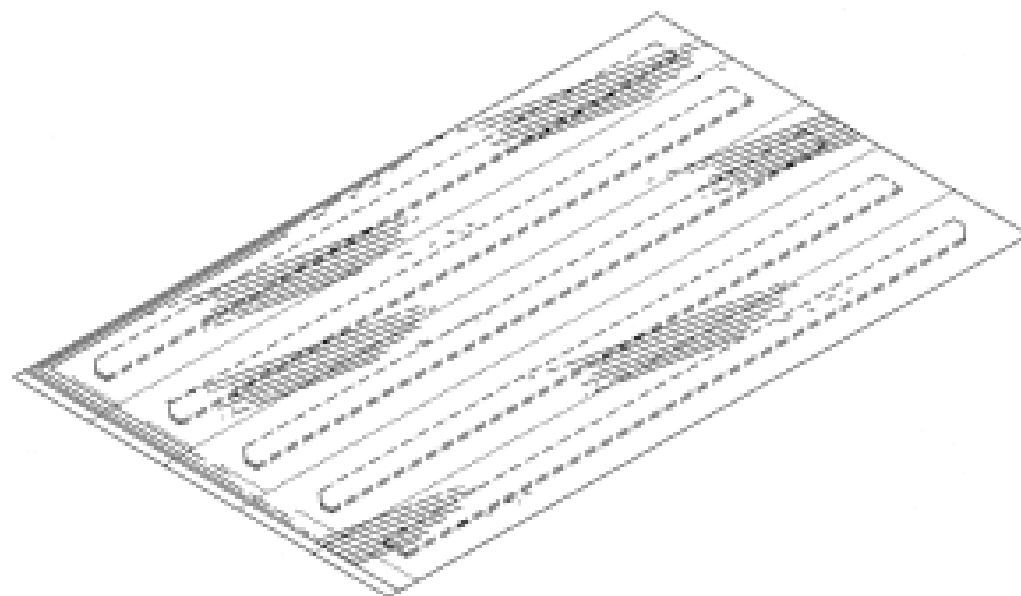
- (21) Design Number: **13109/2006**
(22) Date of Filing Application: **20 July 2006**
(24) Date from which industrial property rights may have effect: **20 July 2006**
(54) Product in respect of which the design is registered: **A face protector**
(51) International Design Classification: **28-03NES, 28-03B**
(71) Name(s) and Address(s) of Applicant(s):
Virginia Helen Karyn Miller
10 Oaklands Circuit Hewitt South Australia 5118 Australia
(72) Name(s) of Designer(s): **Virginia Helen Karyn Miller and Andrew William Whittaker**
(45) Registration Date: **11 October 2006**
(56) Related Art Documents: **Not Applicable**
(57) Statement of Newness and Distinctiveness: **Newness and distinctiveness resides in the features of shape and configuration of a face protector as shown in the accompanying representations.**



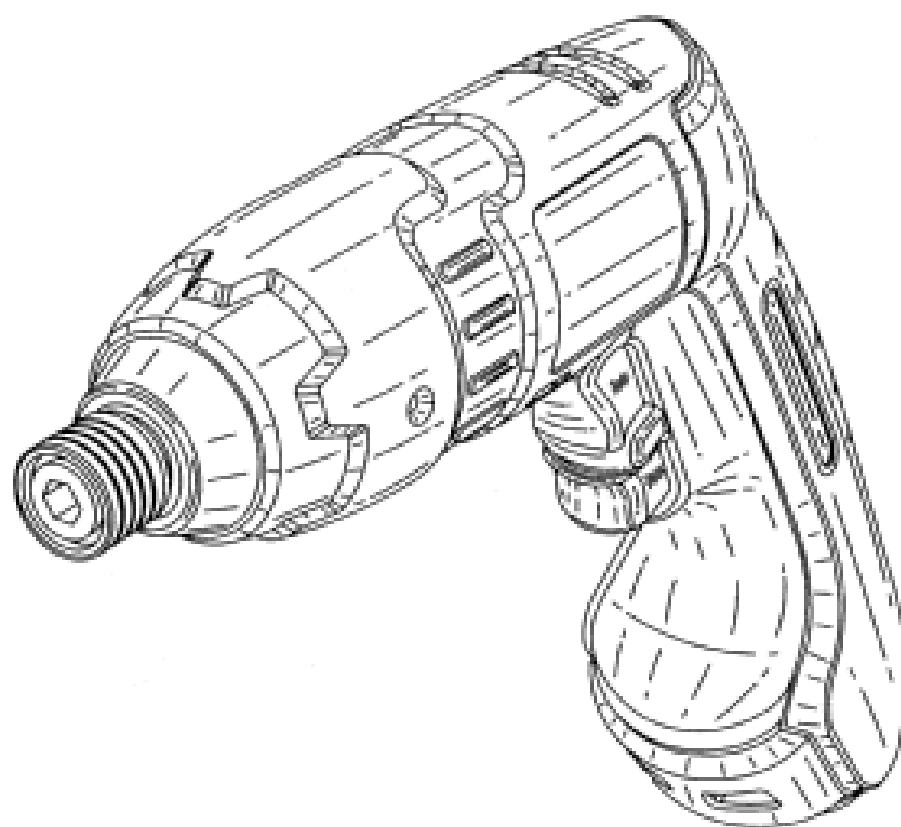
- (21) Design Number: **13121/2006**
(22) Date of Filing Application: **21 July 2006**
(24) Date from which industrial property rights may have effect: **21 July 2006**
(54) Product in respect of which the design is registered: **Condenser protection cage**
(51) International Design Classification: **09-03M, 25-02NES, 29-99**
(71) Name(s) and Address(s) of Applicant(s):
Saxon Engineering Pty Ltd
7 Starr Avenue North Plympton South Australia 5037 Australia
(72) Name(s) of Designer(s): **Richard Charles Kaesler and Matthew James Fisher**
(45) Registration Date: **11 October 2006**
(56) Related Art Documents: **Not Applicable**
(57) Statement of Newness and Distinctiveness: **Nil**



(21) Design Number: **13122/2006**
 (22) Date of Filing Application: **20 July 2006**
 (24) Date from which industrial property rights may have effect: **20 July 2006**
 (54) Product in respect of which the design is registered: **A cutting blade sleeve**
 (51) International Design Classification: **08-03, 29-02**
 (71) Name(s) and Address(s) of Applicant(s):
Stork Townsend Inc.
2425 Hubbell Avenue Des Moines Iowa 50317 United States of America
 (72) Name(s) of Designer(s): **Nathan J. Abbas and Matthew A. Bergman and William J. Wonderlich**
 (45) Registration Date: **11 October 2006**
 (30) Convention priority data:
 (31) Number (32) Date (33) Country
29252435 23 Jan 2006 UNITED STATES OF AMERICA
 (56) Related Art Documents: **Not Applicable**
 (57) Statement of Newness and Distinctiveness: **Newness and distinctiveness is claimed in the visual features shown in solid lines in the representations.**



(21) Design Number: **13123/2006**
 (22) Date of Filing Application: **20 July 2006**
 (24) Date from which industrial property rights may have effect: **20 July 2006**
 (54) Product in respect of which the design is registered: **A cordless drill/driver**
 (51) International Design Classification: **08-01**
 (71) Name(s) and Address(s) of Applicant(s):
Black & Decker Inc.
1207 Drummond Plaza Newark Delaware 19711 United States of America
 (72) Name(s) of Designer(s): **Mark Baxter**
 (45) Registration Date: **11 October 2006**
 (30) Convention priority data:
 (31) Number (32) Date (33) Country
000466875 20 Jan 2006 EUROPEAN COMMUNITY
 (56) Related Art Documents: **Not Applicable**
 (57) Statement of Newness and Distinctiveness: **Nil**



(21) Design Number: **13127/2006**

(22) Date of Filing Application: **20 July 2006**

(24) Date from which industrial property rights may have effect: **20 July 2006**

(54) Product in respect of which the design is registered: **Monocycle**

(51) International Design Classification: **12-11**

(71) Name(s) and Address(s) of Applicant(s):

Hriszto Atanaszov Dacsev
Telepes u. 64/A H-1147 Budapest Hungary

(72) Name(s) of Designer(s): **Hriszto Atanaszov Dacsev**

(45) Registration Date: **11 October 2006**

(30) Convention priority data:

(31) Number	(32) Date	(33) Country
000491576	08 Mar 2006	EUROPEAN COMMUNITY

(56) Related Art Documents: **Not Applicable**

(57) Statement of Newness and Distinctiveness: **Nil**



(21) Design Number: **13130/2006**

(22) Date of Filing Application: **20 July 2006**

(24) Date from which industrial property rights may have effect: **20 July 2006**

(54) Product in respect of which the design is registered: **Confectionary**

(51) International Design Classification: **01-01**

(71) Name(s) and Address(s) of Applicant(s):

Societe Des Produits Nestle S.A.
1800 Vevey Switzerland

(72) Name(s) of Designer(s): **Daniel Magnin and John Hales**

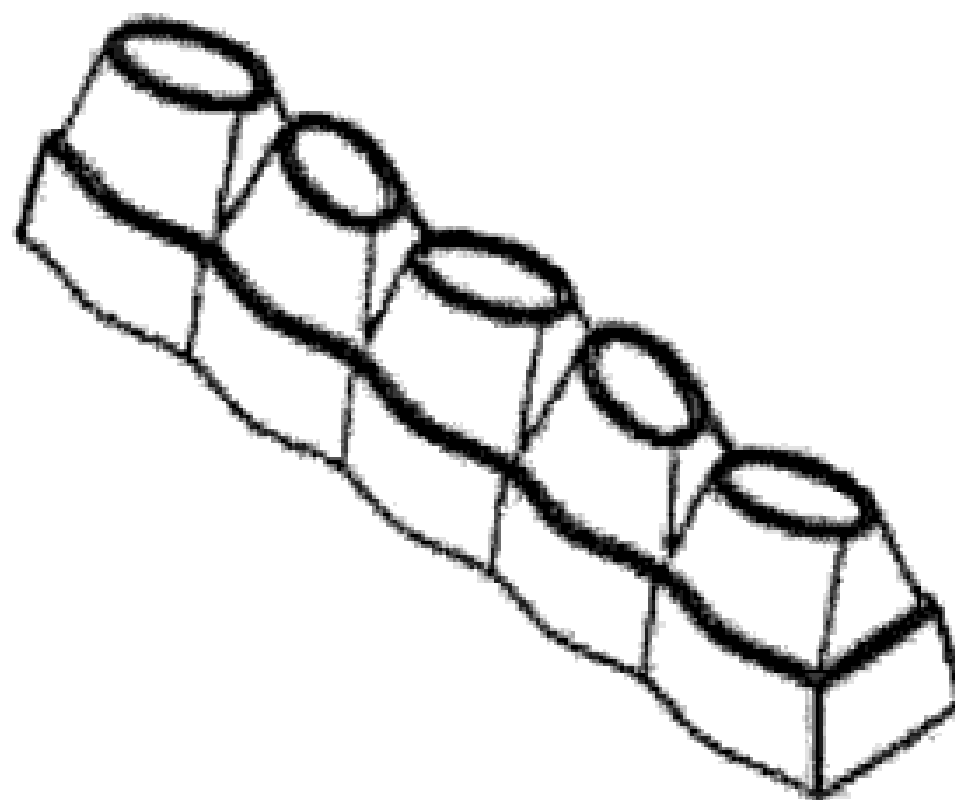
(45) Registration Date: **11 October 2006**

(30) Convention priority data:

(31) Number	(32) Date	(33) Country
132588	15 Feb 2006	SWITZERLAND

(56) Related Art Documents: **Not Applicable**

(57) Statement of Newness and Distinctiveness: **Nil**



(21) Design Number: **13165/2006**
(22) Date of Filing Application: **21 July 2006**
(24) Date from which industrial property rights may have effect: **21 July 2006**
(54) Product in respect of which the design is registered: **Audio component**
(51) International Design Classification: **14-01**
(71) Name(s) and Address(s) of Applicant(s):

LG Electronics Inc.
20 Yoido-dong Youngdungpo-ku Seoul Republic of Korea

(72) Name(s) of Designer(s): **Hyo Jin Won and Tae Ho Kim**

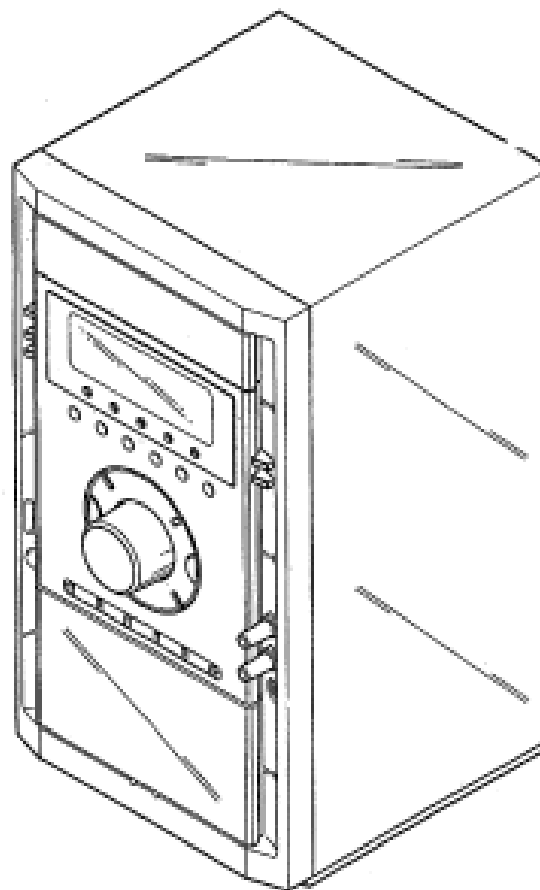
(45) Registration Date: **11 October 2006**

(30) Convention priority data:

(31) Number	(32) Date	(33) Country
30-2006-0003043	25 Jan 2006	REPUBLIC OF KOREA

(56) Related Art Documents: **Not Applicable**

(57) Statement of Newness and Distinctiveness: **Newness and distinctiveness of the design resides in the shape and configuration of the front panel of the audio component illustrated in the representations.**



(21) Design Number: **13166/2006**
(22) Date of Filing Application: **21 July 2006**
(24) Date from which industrial property rights may have effect: **21 July 2006**
(54) Product in respect of which the design is registered: **Ornamental object**
(51) International Design Classification: **11-02NES**
(71) Name(s) and Address(s) of Applicant(s):

Swarovski Aktiengesellschaft
Droschistrasse 15 FL-9495 Triesen Liechtenstein

(72) Name(s) of Designer(s): **Anton Hirzinger**

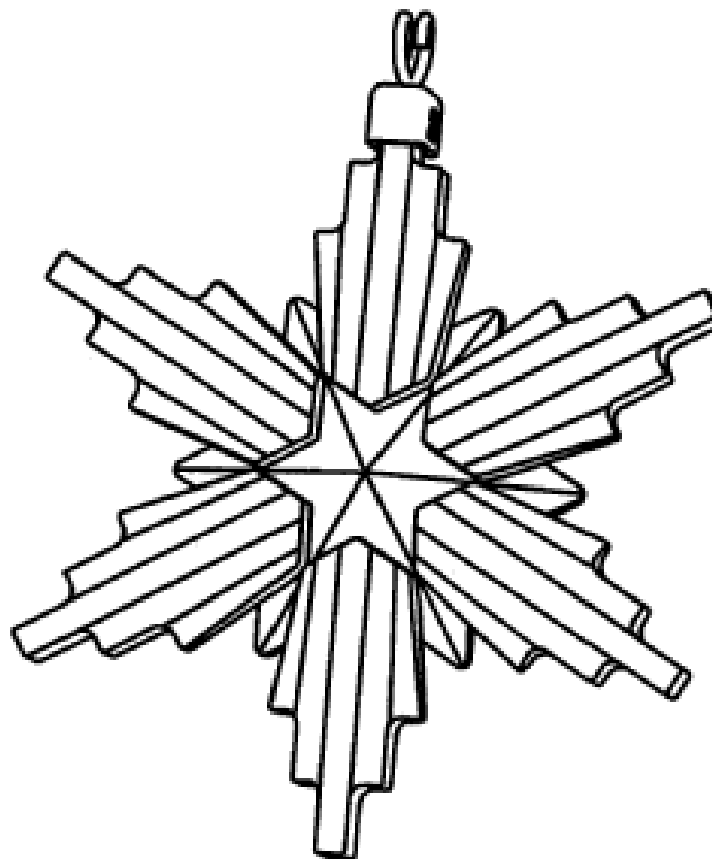
(45) Registration Date: **11 October 2006**

(30) Convention priority data:

(31) Number	(32) Date	(33) Country
000476791-0001	06 Feb 2006	EUROPEAN COMMUNITY

(56) Related Art Documents: **Not Applicable**

(57) Statement of Newness and Distinctiveness: **Nil.**



(21) Design Number: **13168/2006**

(22) Date of Filing Application: **21 July 2006**

(24) Date from which industrial property rights may have effect: **21 July 2006**

(54) Product in respect of which the design is registered: **Ornamental object**

(51) International Design Classification: **11-02E**

(71) Name(s) and Address(s) of Applicant(s):

**Swarovski Aktiengesellschaft
Droschistrasse 15 FL-9495 Triesen Liechtenstein**

(72) Name(s) of Designer(s): **Stefanie Nederegger**

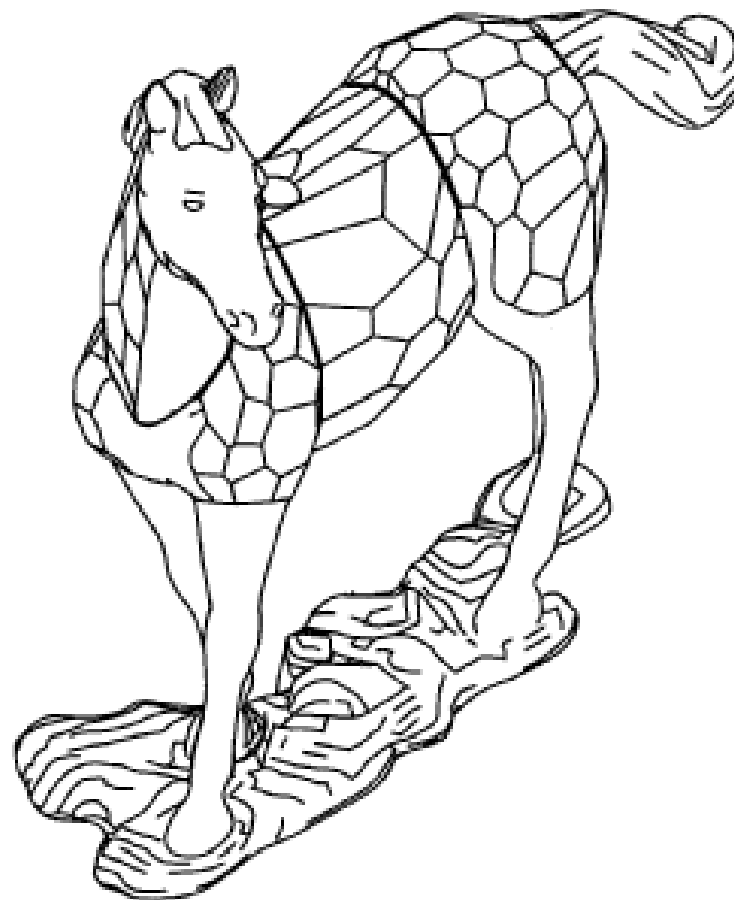
(45) Registration Date: **11 October 2006**

(30) Convention priority data:

(31) Number	(32) Date	(33) Country
000476791-0003	06 Feb 2006	EUROPEAN COMMUNITY

(56) Related Art Documents: **Not Applicable**

(57) Statement of Newness and Distinctiveness: **Nil.**



(21) Design Number: **13169/2006**

(22) Date of Filing Application: **21 July 2006**

(24) Date from which industrial property rights may have effect: **21 July 2006**

(54) Product in respect of which the design is registered: **Ornamental object**

(51) International Design Classification: **11-02NES**

(71) Name(s) and Address(s) of Applicant(s):

**Swarovski Aktiengesellschaft
Droschistrasse 15 FL-9495 Triesen Liechtenstein**

(72) Name(s) of Designer(s): **Stefanie Nederegger**

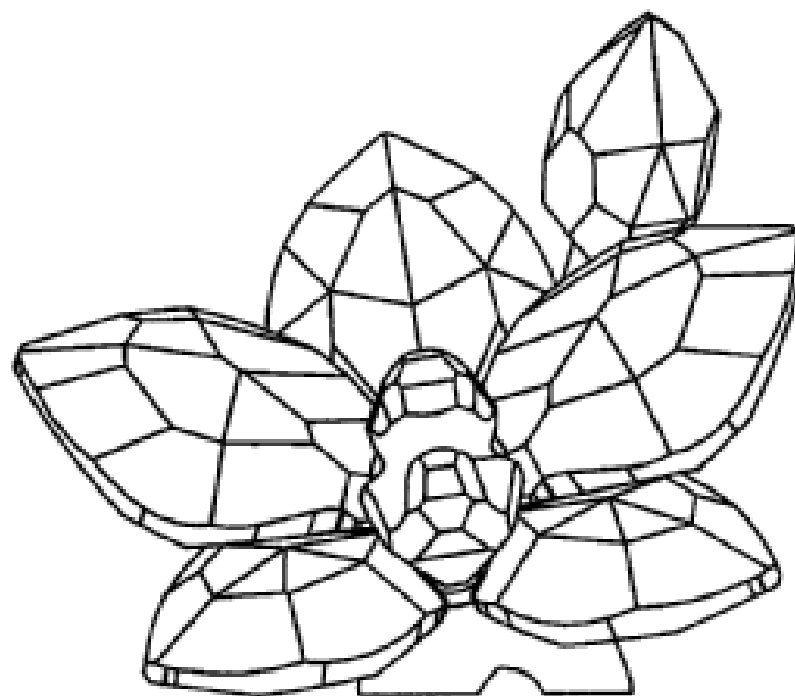
(45) Registration Date: **11 October 2006**

(30) Convention priority data:

(31) Number	(32) Date	(33) Country
000476791-0005	06 Feb 2006	EUROPEAN COMMUNITY

(56) Related Art Documents: **Not Applicable**

(57) Statement of Newness and Distinctiveness: **Nil.**



(21) Design Number: **13170/2006**

(22) Date of Filing Application: **21 July 2006**

(24) Date from which industrial property rights may have effect: **21 July 2006**

(54) Product in respect of which the design is registered: **Ornamental object**

(51) International Design Classification: **11-02NES**

(71) Name(s) and Address(s) of Applicant(s):

**Swarovski Aktiengesellschaft
Droschistrasse 15 FL-9495 Triesen Liechtenstein**

(72) Name(s) of Designer(s): **Stefanie Nederegger**

(45) Registration Date: **11 October 2006**

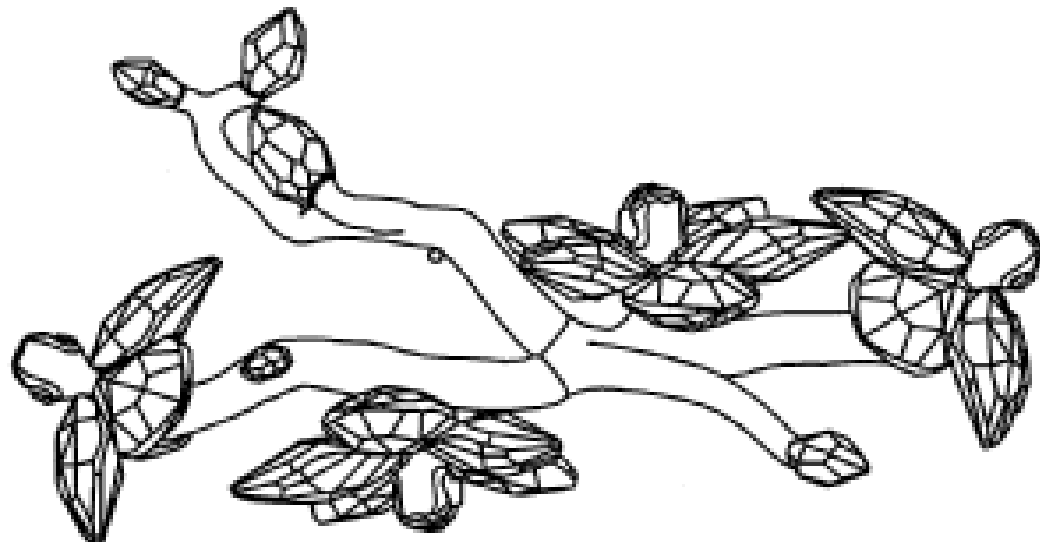
(30) Convention priority data:

(31) Number (32) Date
000476791-0004 06 Feb 2006

(33) Country
EUROPEAN COMMUNITY

(56) Related Art Documents: **Not Applicable**

(57) Statement of Newness and Distinctiveness: **Nil.**



(21) Design Number: **13171/2006**

(22) Date of Filing Application: **21 July 2006**

(24) Date from which industrial property rights may have effect: **21 July 2006**

(54) Product in respect of which the design is registered: **Ornamental object**

(51) International Design Classification: **11-02E**

(71) Name(s) and Address(s) of Applicant(s):

**Swarovski Aktiengesellschaft
Droschistrasse 15 FL-9495 Triesen Liechtenstein**

(72) Name(s) of Designer(s): **Anton Hirzinger**

(45) Registration Date: **11 October 2006**

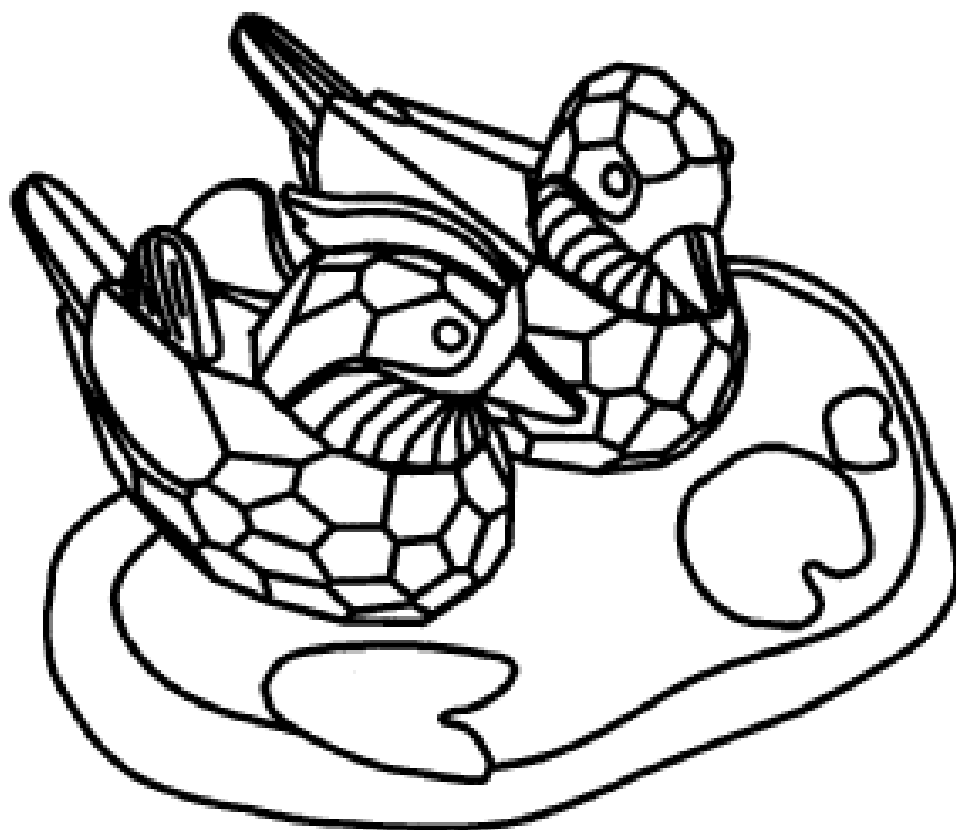
(30) Convention priority data:

(31) Number (32) Date
000476791-0006 06 Feb 2006

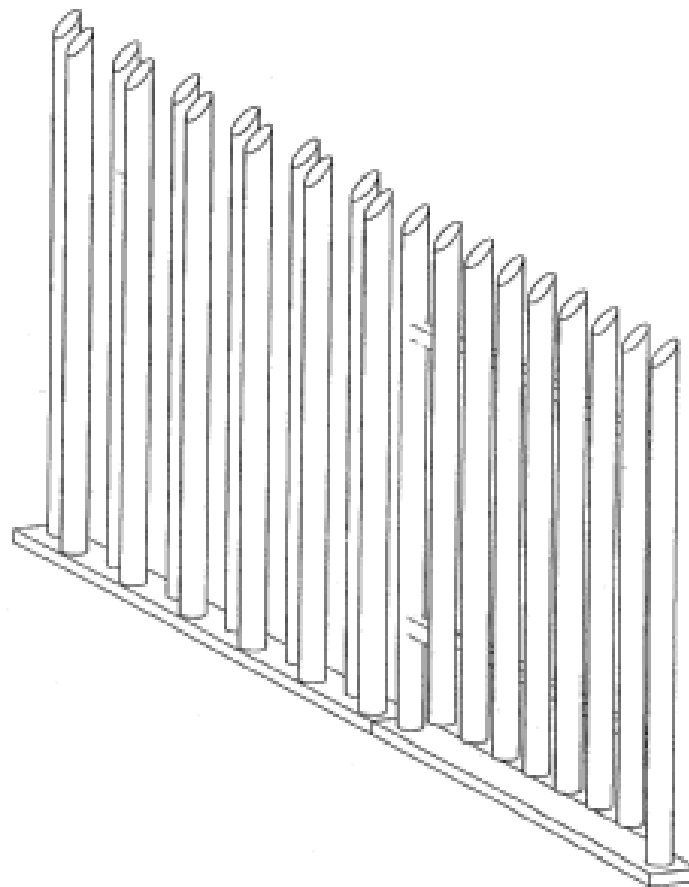
(33) Country
EUROPEAN COMMUNITY

(56) Related Art Documents: **Not Applicable**

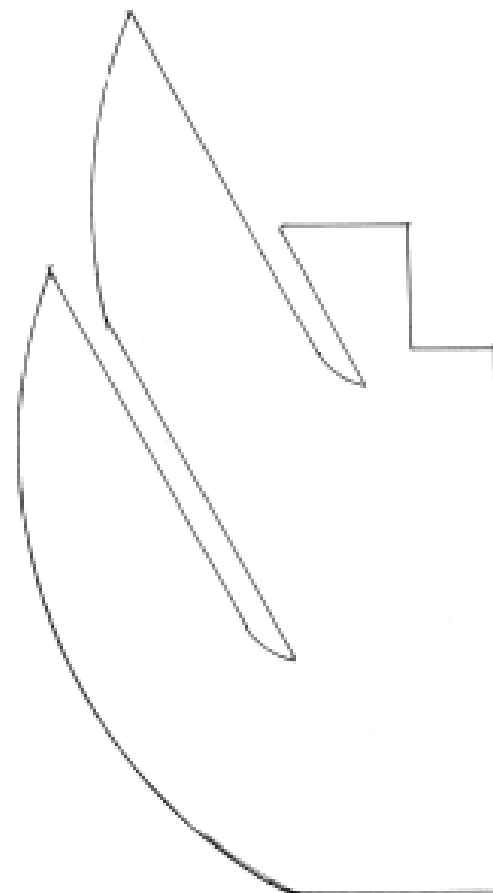
(57) Statement of Newness and Distinctiveness: **Nil.**



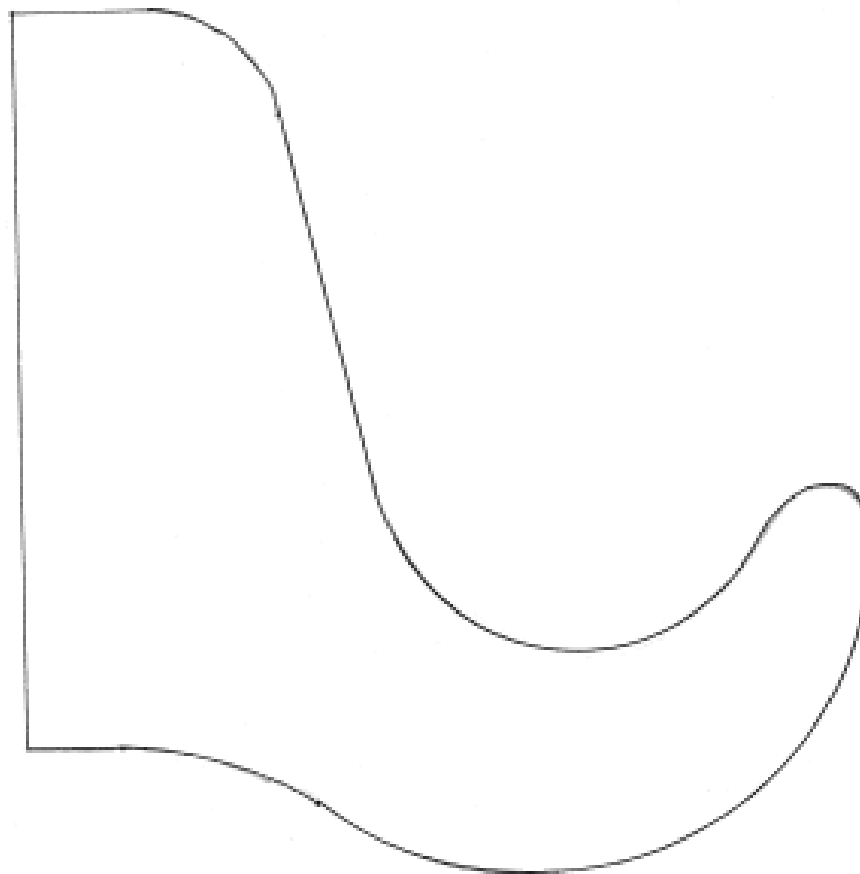
- (21) Design Number: **13201/2006**
(22) Date of Filing Application: **21 July 2006**
(24) Date from which industrial property rights may have effect: **21 July 2006**
(54) Product in respect of which the design is registered: **Fence**
(51) International Design Classification: **25-02C**
(71) Name(s) and Address(s) of Applicant(s):
Gustav Alberts GmbH & Co. KG
Gewerbegebiet Grunenthal 58849 Herscheid Germany
(72) Name(s) of Designer(s): **Heiko Mertins**
(45) Registration Date: **11 October 2006**
(30) Convention priority data:
(31) Number (32) Date (33) Country
29/252,533 24 Jan 2006 UNITED STATES OF AMERICA
(56) Related Art Documents: **Not Applicable**
(57) Statement of Newness and Distinctiveness: **Visual features of the design which are new and distinctive are the features of shape and configuration of a fence as illustrated in the representations.**



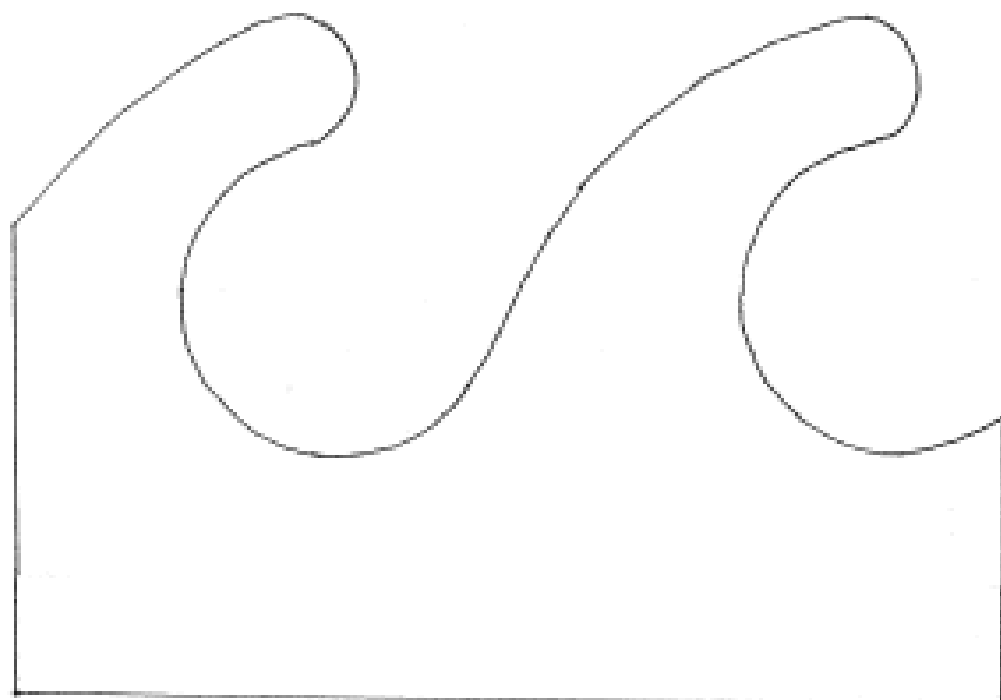
- (21) Design Number: **13297/2006**
(22) Date of Filing Application: **28 July 2006**
(24) Date from which industrial property rights may have effect: **28 July 2006**
(54) Product in respect of which the design is registered: **Finger grip removable surfboard rack**
(51) International Design Classification: **06-04NES, 12-16K**
(71) Name(s) and Address(s) of Applicant(s):
Michael Taylor
11/24 Fairlight St Fairlight NSW 2094 Australia
(72) Name(s) of Designer(s): **Michael Taylor**
(45) Registration Date: **11 October 2006**
(56) Related Art Documents: **Not Applicable**
(57) Statement of Newness and Distinctiveness: **The distinctiveness of the designs is in the shape as is related to the application for surfboard rack, snowboard rack, skateboard rack and fishing rod rack.**



- (21) Design Number: **13298/2006**
- (22) Date of Filing Application: **28 July 2006**
- (24) Date from which industrial property rights may have effect: **28 July 2006**
- (54) Product in respect of which the design is registered: **Finger grip removable surfboard rack**
- (51) International Design Classification: **06-04NES, 12-16K**
- (71) Name(s) and Address(s) of Applicant(s):
Michael Taylor
11/24 Fairlight St Fairlight NSW 2094 Australia
- (72) Name(s) of Designer(s): **Michael Taylor**
- (45) Registration Date: **11 October 2006**
- (56) Related Art Documents: **Not Applicable**
- (57) Statement of Newness and Distinctiveness: **The distinctiveness of the designs is in the shape as is related to the application for surfboard rack, snowboard rack, skateboard rack and fishing rod rack.**



- (21) Design Number: **13299/2006**
- (22) Date of Filing Application: **28 July 2006**
- (24) Date from which industrial property rights may have effect: **28 July 2006**
- (54) Product in respect of which the design is registered: **Finger grip removable surfboard rack**
- (51) International Design Classification: **06-04NES, 12-16K**
- (71) Name(s) and Address(s) of Applicant(s):
Michael Taylor
11/24 Fairlight St Fairlight NSW 2094 Australia
- (72) Name(s) of Designer(s): **Michael Taylor**
- (45) Registration Date: **11 October 2006**
- (56) Related Art Documents: **Not Applicable**
- (57) Statement of Newness and Distinctiveness: **The distinctiveness of the designs is in the shape as is related to the application for surfboard rack, snowboard rack, skateboard rack and fishing rod rack.**



(21) Design Number: **13635/2006**

(22) Date of Filing Application: **15 August 2006**

(24) Date from which industrial property rights may have effect: **15 August 2006**

(54) Product in respect of which the design is registered: **Container for food**

(51) International Design Classification: **07-01NES**

(71) Name(s) and Address(s) of Applicant(s):

**The Glad Products Company
1221 Broadway Oakland California 94612 United States of America**

(72) Name(s) of Designer(s): **Edward B. Tucker and Anand Ramanujam and Lawrence John Racana and Gordon D. Thomas and Scott Zieker and Ares Marasligiller and Jason Phillips and Yashodhan Dhuru**

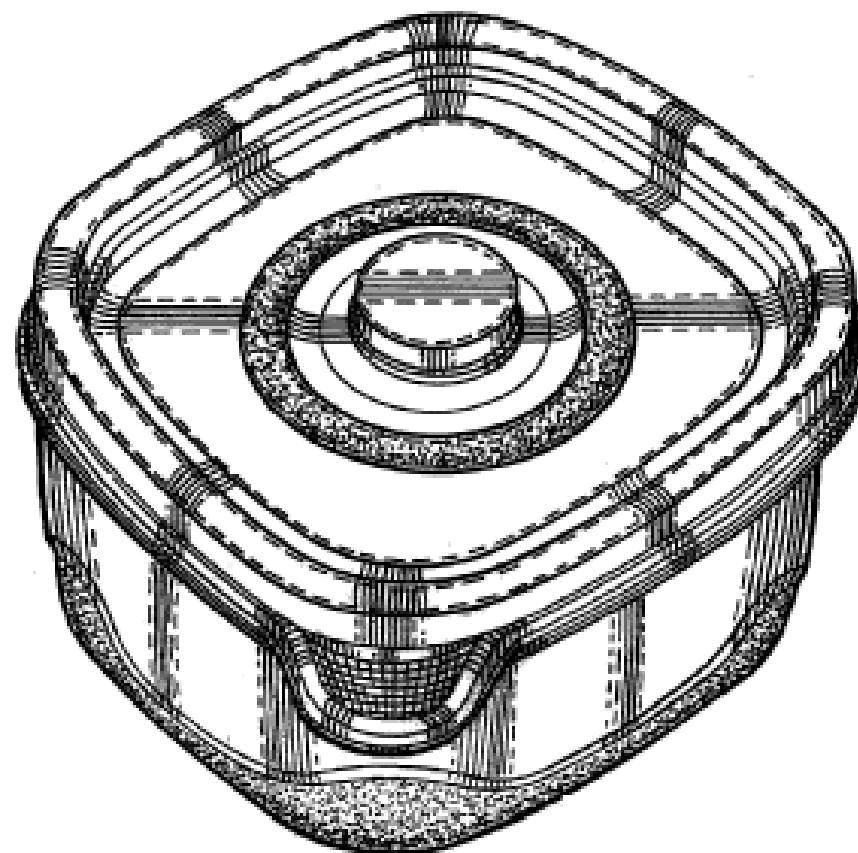
(45) Registration Date: **18 October 2006**

(30) Convention priority data:

(31) Number	(32) Date	(33) Country
29/254,065	15 Feb 2006	UNITED STATES OF AMERICA

(56) Related Art Documents: **Not Applicable**

(57) Statement of Newness and Distinctiveness: **Nil**



(21) Design Number: **13636/2006**

(22) Date of Filing Application: **15 August 2006**

(24) Date from which industrial property rights may have effect: **15 August 2006**

(54) Product in respect of which the design is registered: **Container for food**

(51) International Design Classification: **07-01NES**

(71) Name(s) and Address(s) of Applicant(s):

**The Glad Products Company
1221 Broadway Oakland California 94612 United States of America**

(72) Name(s) of Designer(s): **Edward B. Tucker and Anand Ramanujam and Lawrence John Racana and Gordon D. Thomas and Scott Zieker and Ares Marasligiller and Jason Phillips and Yashodhan Dhuru**

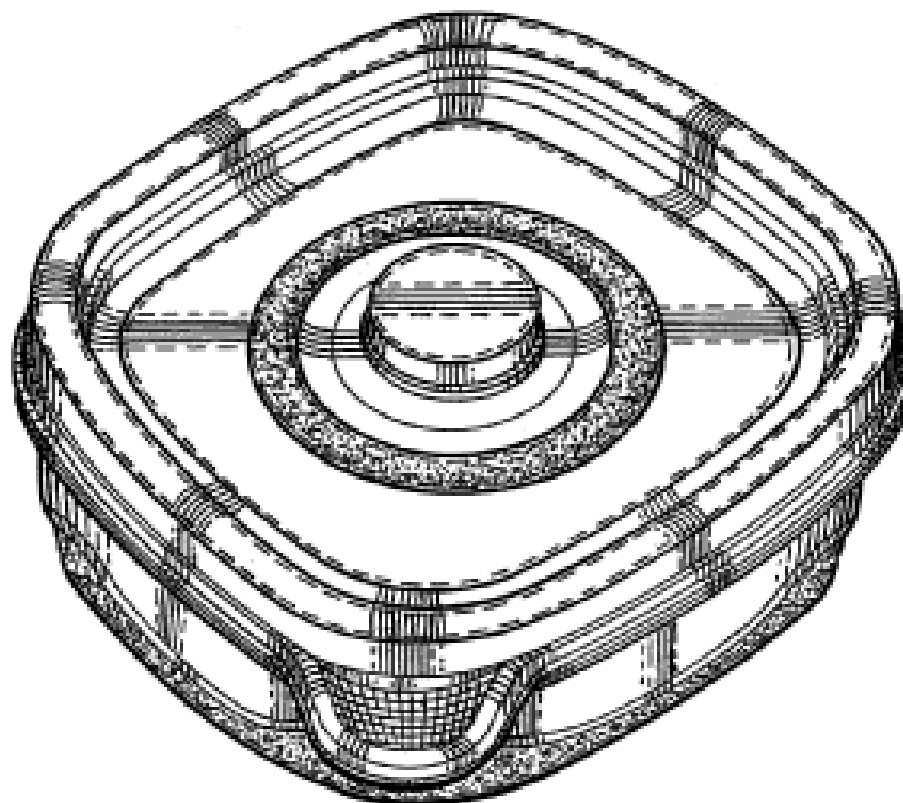
(45) Registration Date: **18 October 2006**

(30) Convention priority data:

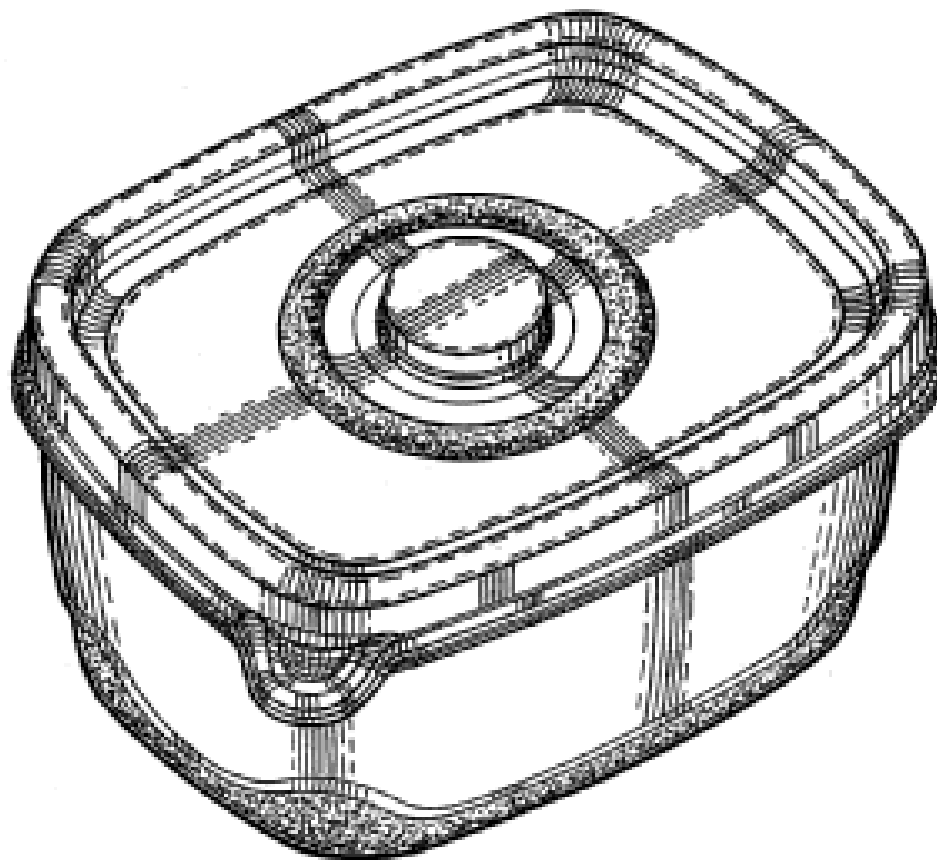
(31) Number	(32) Date	(33) Country
29/254,068	15 Feb 2006	UNITED STATES OF AMERICA

(56) Related Art Documents: **Not Applicable**

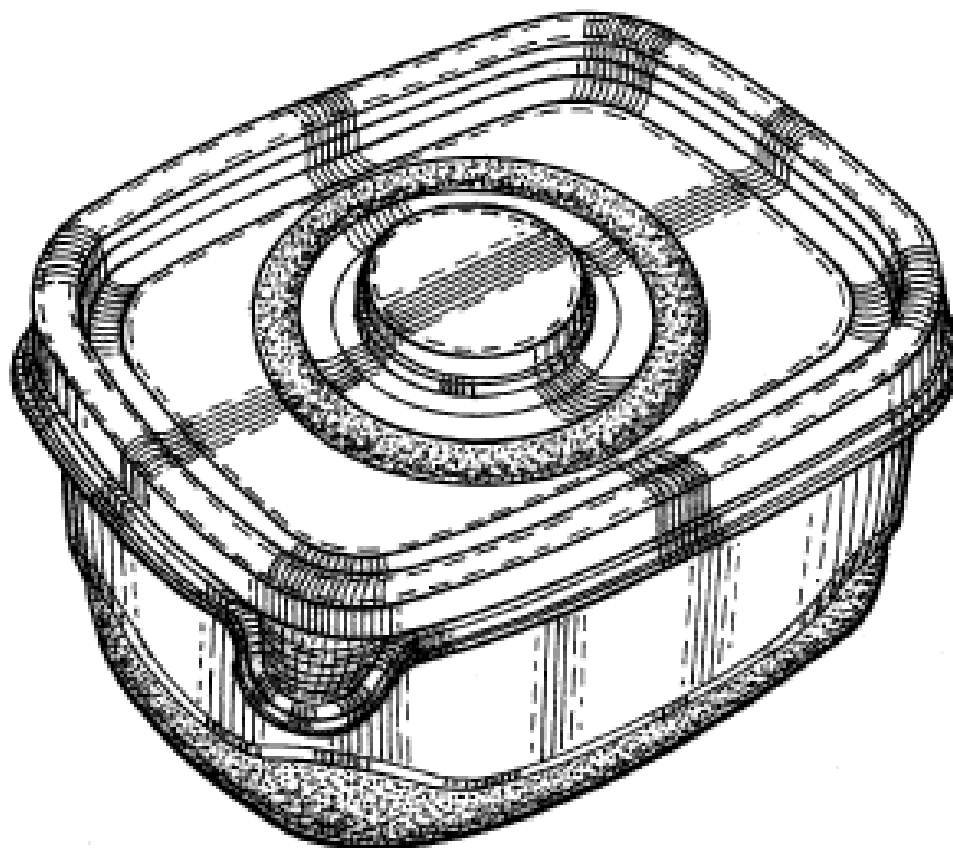
(57) Statement of Newness and Distinctiveness: **Nil**



- (21) Design Number: **13637/2006**
(22) Date of Filing Application: **15 August 2006**
(24) Date from which industrial property rights may have effect: **15 August 2006**
(54) Product in respect of which the design is registered: **Container for food**
(51) International Design Classification: **07-01NES**
(71) Name(s) and Address(s) of Applicant(s):
The Glad Products Company
1221 Broadway Oakland California 94612 United States of America
(72) Name(s) of Designer(s): **Edward B. Tucker and Anand Ramanujam and Lawrence John Racana and Gordon D. Thomas and Scott Zieker and Ares Marasligiller and Jason Phillips and Yashodhan Dhuru**
(45) Registration Date: **18 October 2006**
(30) Convention priority data:
(31) Number (32) Date (33) Country
29/254,063 15 Feb 2006 UNITED STATES OF AMERICA
(56) Related Art Documents: **Not Applicable**
(57) Statement of Newness and Distinctiveness: **Nil**



- (21) Design Number: **13638/2006**
(22) Date of Filing Application: **15 August 2006**
(24) Date from which industrial property rights may have effect: **15 August 2006**
(54) Product in respect of which the design is registered: **Container for food**
(51) International Design Classification: **07-01NES**
(71) Name(s) and Address(s) of Applicant(s):
The Glad Products Company
1221 Broadway Oakland California 94612 United States of America
(72) Name(s) of Designer(s): **Edward B. Tucker and Anand Ramanujam and Lawrence John Racana and Gordon D. Thomas and Scott Zieker and Ares Marasligiller and Jason Phillips and Yashodhan Dhuru**
(45) Registration Date: **18 October 2006**
(30) Convention priority data:
(31) Number (32) Date (33) Country
29/254,060 15 Feb 2006 UNITED STATES OF AMERICA
(56) Related Art Documents: **Not Applicable**
(57) Statement of Newness and Distinctiveness: **Nil**



(21) Design Number: **13639/2006**

(22) Date of Filing Application: **15 August 2006**

(24) Date from which industrial property rights may have effect: **15 August 2006**

(54) Product in respect of which the design is registered: **Container for food**

(51) International Design Classification: **07-01NES**

(71) Name(s) and Address(s) of Applicant(s):

**The Glad Products Company
1221 Broadway Oakland California 94612 United States of America**

(72) Name(s) of Designer(s): **Edward B. Tucker and Anand Ramanujam and Lawrence John Racana and Gordon D. Thomas and Scott Zieker and Ares Marasligiller and Jason Phillips and Yashodhan Dhuru**

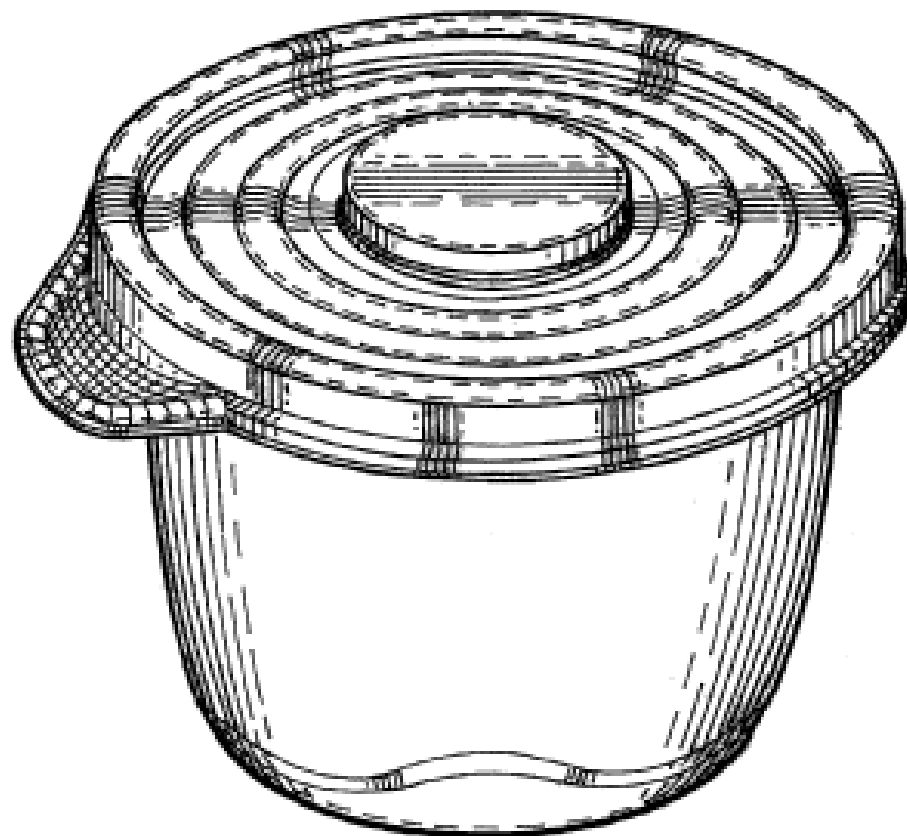
(45) Registration Date: **18 October 2006**

(30) Convention priority data:

(31) Number	(32) Date	(33) Country
29/254,037	15 Feb 2006	UNITED STATES OF AMERICA

(56) Related Art Documents: **Not Applicable**

(57) Statement of Newness and Distinctiveness: **Nil**



(21) Design Number: **13650/2006**

(22) Date of Filing Application: **17 August 2006**

(24) Date from which industrial property rights may have effect: **17 August 2006**

(54) Product in respect of which the design is registered: **Car handsfree**

(51) International Design Classification: **14-03A**

(71) Name(s) and Address(s) of Applicant(s):

**Sony Ericsson Mobile Communications AB
Nya Vattentorget SE 221 88 Lund Sweden**

(72) Name(s) of Designer(s): **Erik Ahlgren**

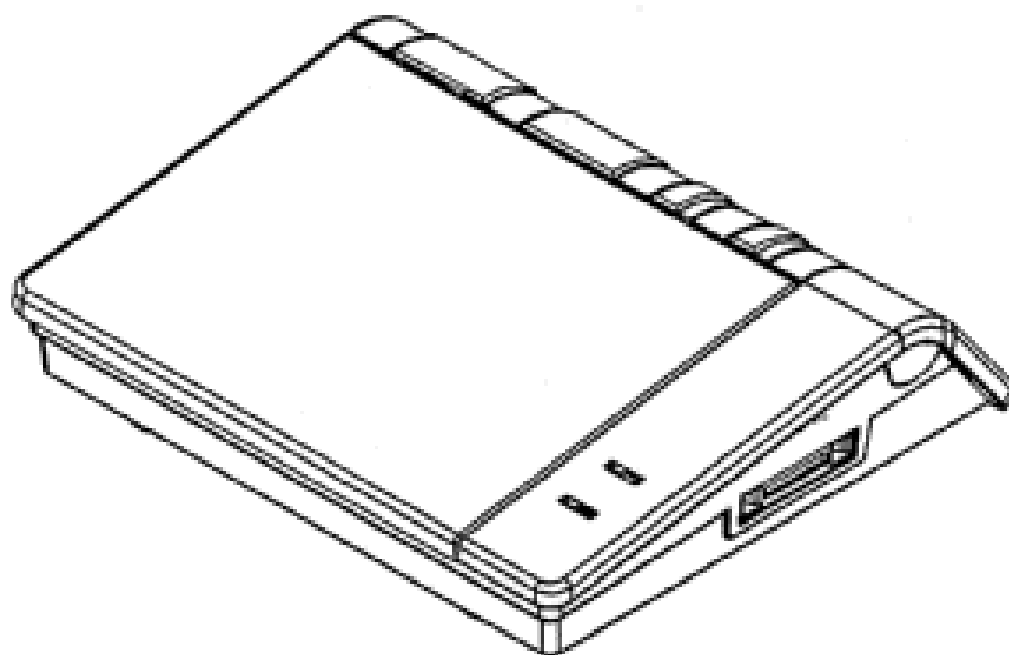
(45) Registration Date: **18 October 2006**

(30) Convention priority data:

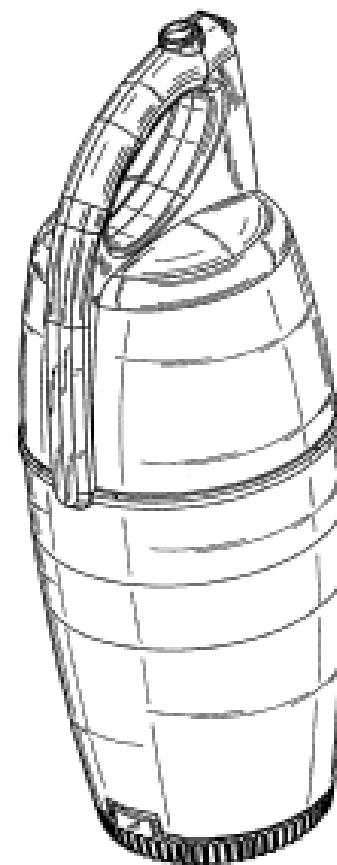
(31) Number	(32) Date	(33) Country
48449-0001-0002	23 Feb 2006	EUROPEAN COMMUNITY

(56) Related Art Documents: **Not Applicable**

(57) Statement of Newness and Distinctiveness: **Nil**



(21) Design Number: **13651/2006**
 (22) Date of Filing Application: **17 August 2006**
 (24) Date from which industrial property rights may have effect: **17 August 2006**
 (54) Product in respect of which the design is registered: **Vacuum cleaner cyclone separation module**
 (51) International Design Classification: **15-05**
 (71) Name(s) and Address(s) of Applicant(s):
BISSELL Homecare, Inc.
2345 Walker Avenue N.W. Grand Rapids Michigan 49544 United States of America
 (72) Name(s) of Designer(s): **Adam G. Carr and Mitchell E. Auerbach and Douglas J. Medema**
 (45) Registration Date: **18 October 2006**
 (30) Convention priority data:
 (31) Number (32) Date (33) Country
29/246,175 08 Mar 2006 UNITED STATES OF AMERICA
 (56) Related Art Documents: **Not Applicable**
 (57) Statement of Newness and Distinctiveness: **Nil**



(21) Design Number: **13652/2006**
 (22) Date of Filing Application: **17 August 2006**
 (24) Date from which industrial property rights may have effect: **17 August 2006**
 (54) Product in respect of which the design is registered: **Vacuum cleaner handle portion**
 (51) International Design Classification: **15-05**
 (71) Name(s) and Address(s) of Applicant(s):
BISSELL Homecare, Inc.
2345 Walker Avenue N.W. Grand Rapids Michigan 49544 United States of America
 (72) Name(s) of Designer(s): **Douglas J. Medema and Bryce G. Rutter and Marc W. Hunter and Jeffery F. Feng and David D. Kusch and Melvin Joshua Leedle**
 (45) Registration Date: **18 October 2006**
 (30) Convention priority data:
 (31) Number (32) Date (33) Country
29/246,194 10 Mar 2006 UNITED STATES OF AMERICA
 (56) Related Art Documents: **Not Applicable**
 (57) Statement of Newness and Distinctiveness: **The shape and configuration of the product is new and distinctive. The features shown in dotted lines form no part of the design and should not be taken into consideration when considering the design as a whole.**



(21) Design Number: **14008/2006**

(22) Date of Filing Application: **01 March 2006**

(24) Date from which industrial property rights may have effect: **01 March 2006**

(54) Product in respect of which the design is registered: **A tray**

(51) International Design Classification: **07-99A, 09-03F**

(71) Name(s) and Address(s) of Applicant(s):

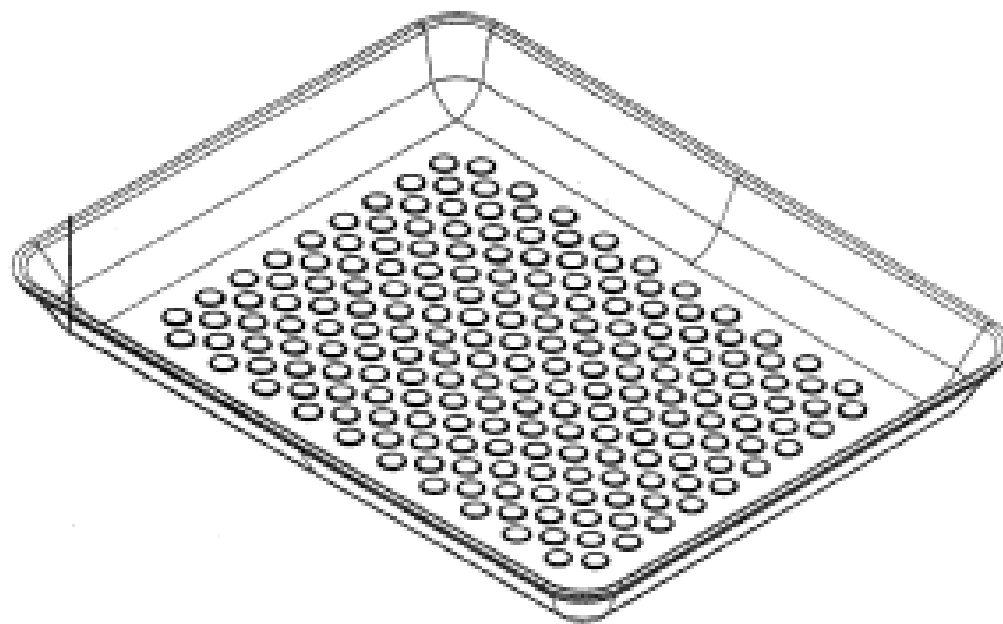
Alto Holdings Limited
Level 2 5-7 Kingdon Street Newmarket Auckland New Zealand

(72) Name(s) of Designer(s): **Lance John Knighton and Ronald George Starnes**

(45) Registration Date: **18 October 2006**

(56) Related Art Documents: **Not Applicable**

(57) Statement of Newness and Distinctiveness: **Monopoly resides in the features of shape and configuration of the "Tray" as shown in the accompanying representations.**



(21) Design Number: **14009/2006**

(22) Date of Filing Application: **01 March 2006**

(24) Date from which industrial property rights may have effect: **01 March 2006**

(54) Product in respect of which the design is registered: **A tray**

(51) International Design Classification: **07-99A, 09-03F**

(71) Name(s) and Address(s) of Applicant(s):

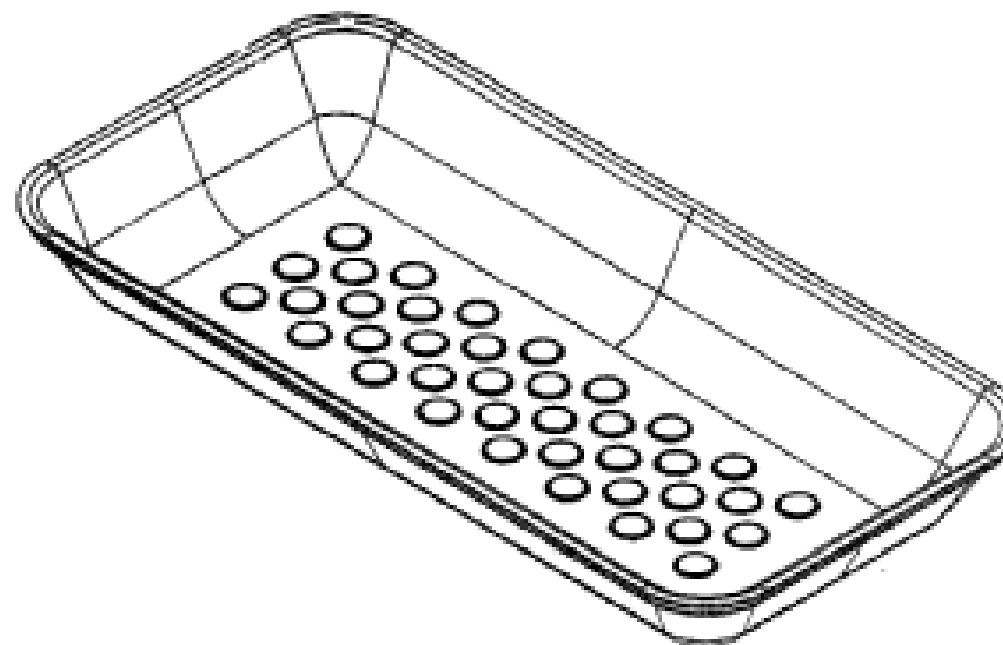
Alto Holdings Limited
Level 2 5-7 Kingdon Street Newmarket Auckland New Zealand

(72) Name(s) of Designer(s): **Lance John Knighton and Ronald George Starnes**

(45) Registration Date: **18 October 2006**

(56) Related Art Documents: **Not Applicable**

(57) Statement of Newness and Distinctiveness: **Monopoly resides in the features of shape and configuration of the "Tray" as shown in the accompanying representations.**



(21) Design Number: **14010/2006**

(22) Date of Filing Application: **01 March 2006**

(24) Date from which industrial property rights may have effect: **01 March 2006**

(54) Product in respect of which the design is registered: **A tray**

(51) International Design Classification: **07-99A, 09-03F**

(71) Name(s) and Address(s) of Applicant(s):

Alto Holdings Limited

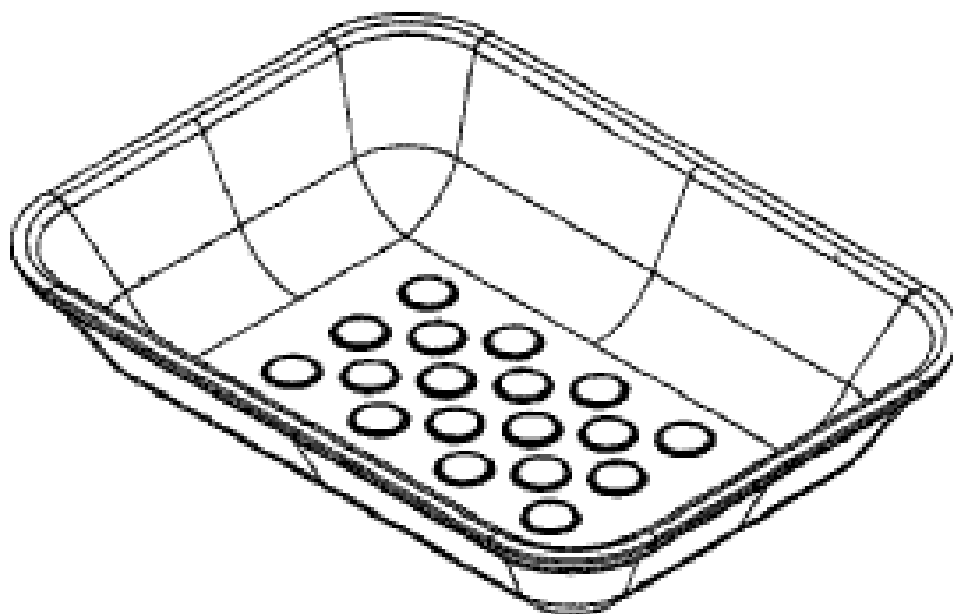
Level 2 5-7 Kingdon Street Newmarket Auckland New Zealand

(72) Name(s) of Designer(s): **Lance John Knighton and Ronald George Starnes**

(45) Registration Date: **18 October 2006**

(56) Related Art Documents: **Not Applicable**

(57) Statement of Newness and Distinctiveness: **Monopoly resides in the features of shape and configuration of the "Tray" as shown in the accompanying representations.**



(21) Design Number: **14011/2006**

(22) Date of Filing Application: **01 March 2006**

(24) Date from which industrial property rights may have effect: **01 March 2006**

(54) Product in respect of which the design is registered: **A tray**

(51) International Design Classification: **07-99A, 09-03F**

(71) Name(s) and Address(s) of Applicant(s):

Alto Holdings Limited

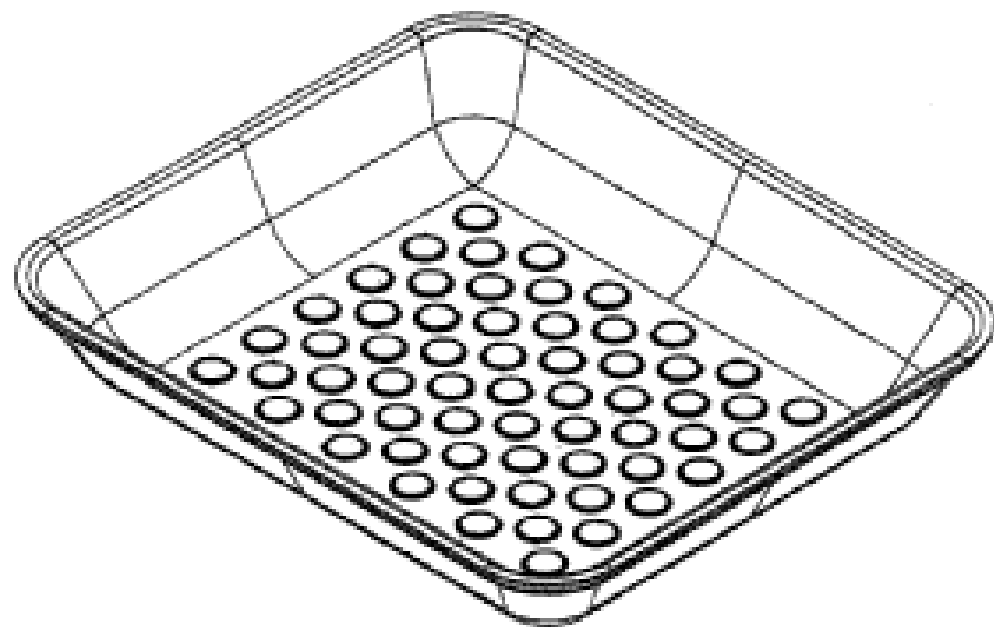
Level 2 5-7 Kingdon Street Newmarket Auckland New Zealand

(72) Name(s) of Designer(s): **Lance John Knighton and Ronald George Starnes**

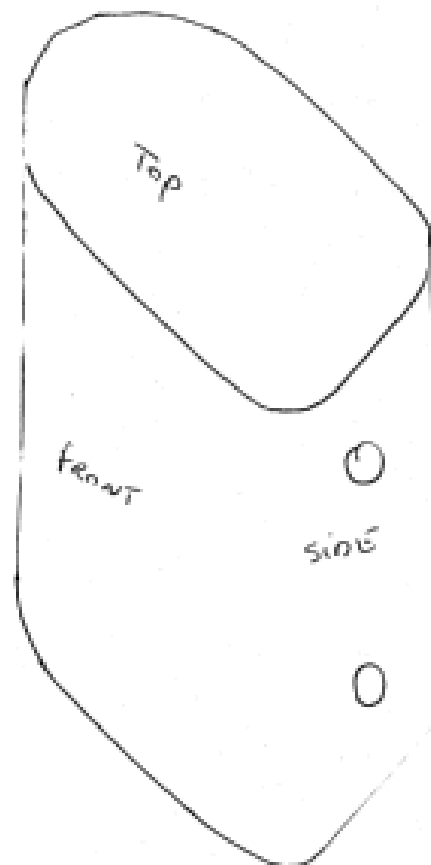
(45) Registration Date: **18 October 2006**

(56) Related Art Documents: **Not Applicable**

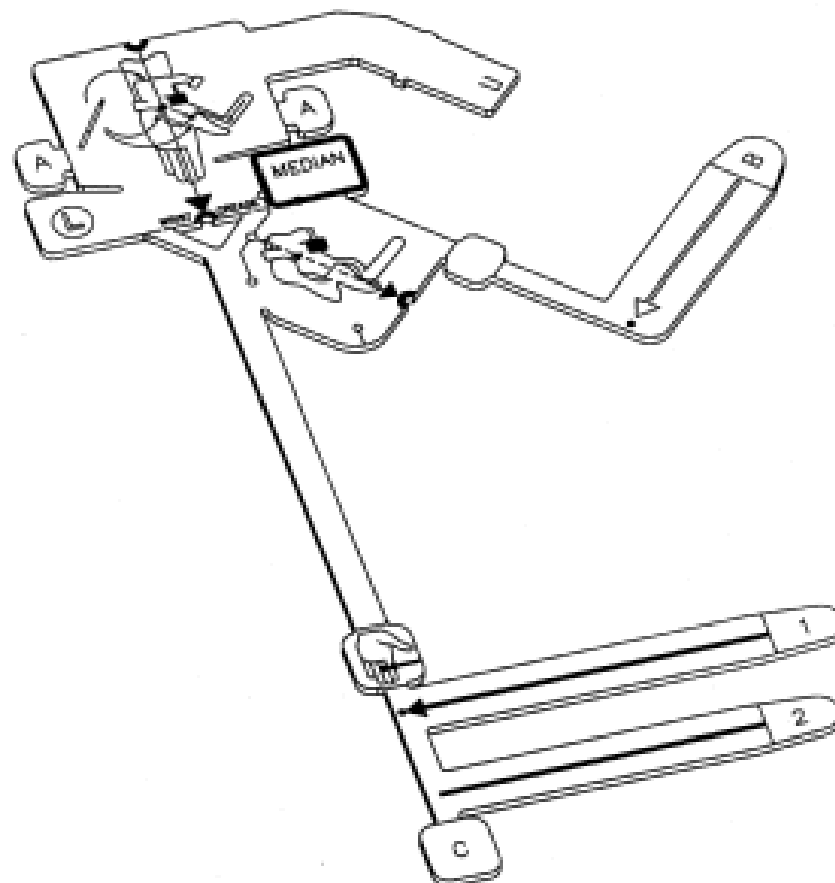
(57) Statement of Newness and Distinctiveness: **Monopoly resides in the features of shape and configuration of the "Tray" as shown in the accompanying representations.**



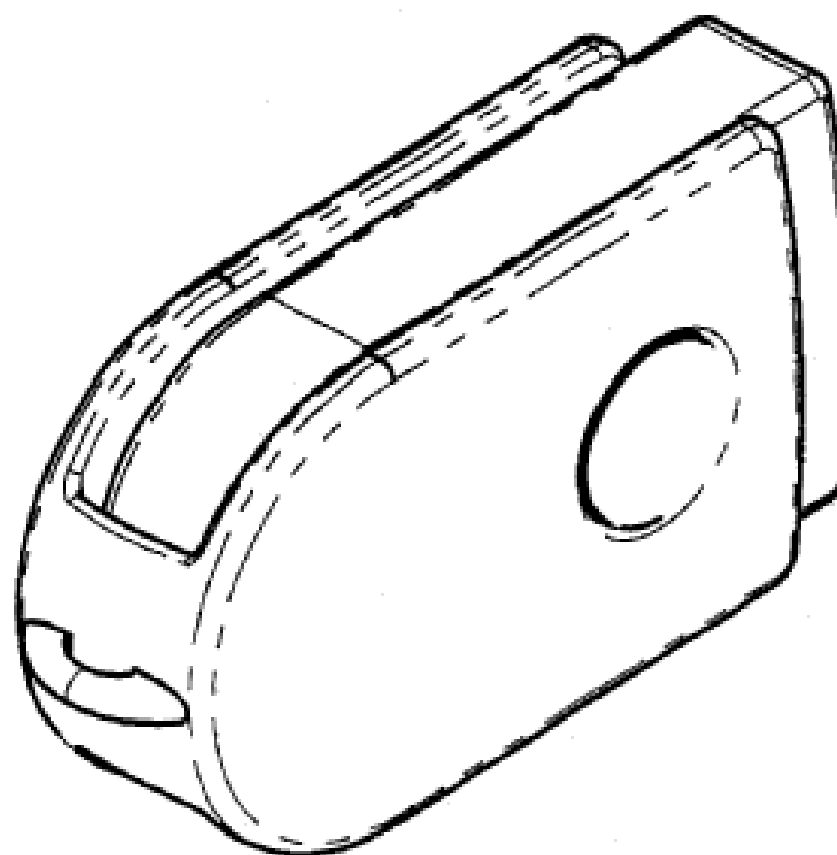
(21) Design Number: **14224/2006**
(22) Date of Filing Application: **21 September 2006**
(24) Date from which industrial property rights may have effect: **21 September 2006**
(54) Product in respect of which the design is registered: **Rain water tanks**
(51) International Design Classification: **23-01F**
(71) Name(s) and Address(s) of Applicant(s):
Mark Nicholas Collymore
32 Hicks Road Greenmount Queensland 4359 AUSTRALIA
(72) Name(s) of Designer(s): **Mark Nicholas Collymore**
(45) Registration Date: **18 October 2006**
(56) Related Art Documents: **Not Applicable**
(57) Statement of Newness and Distinctiveness: **Nil**



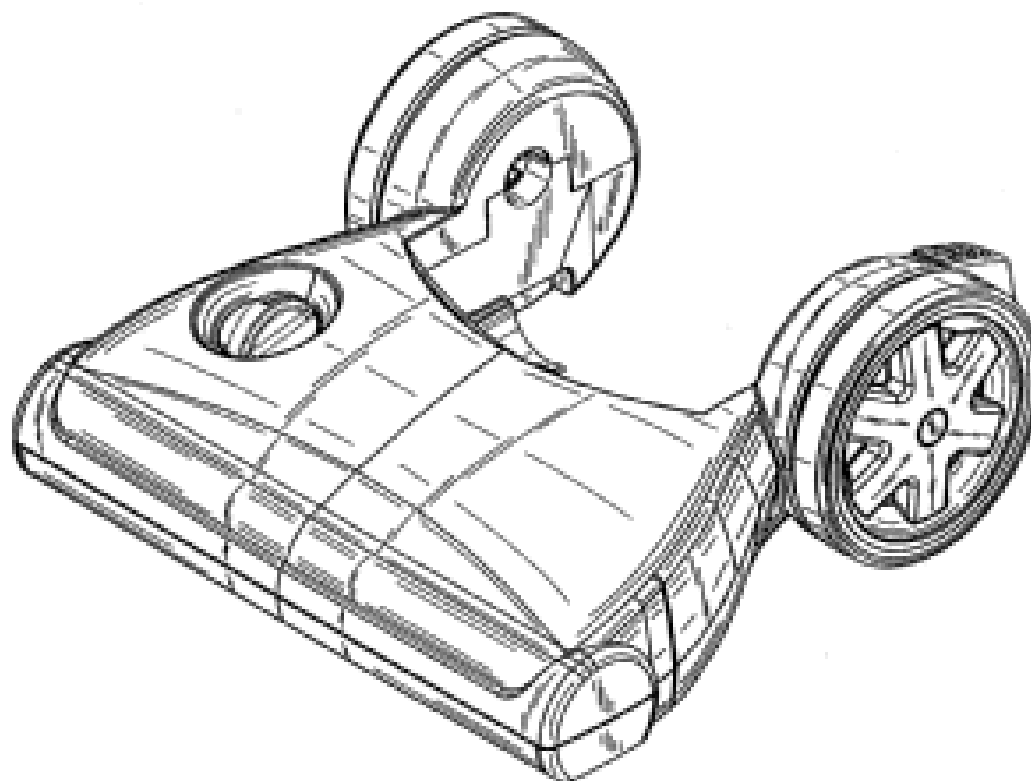
(21) Design Number: **14482/2006**
(22) Date of Filing Application: **05 October 2006**
(24) Date from which industrial property rights may have effect: **05 October 2006**
(54) Product in respect of which the design is registered: **Anatomical sensor**
(51) International Design Classification: **24-01**
(71) Name(s) and Address(s) of Applicant(s):
NeuroMetrix, Inc.
62 Fourth Avenue Waltham MA 02451 United States of America
(72) Name(s) of Designer(s): **Marie Neverov and Michael Williams and Shai Gozani**
(45) Registration Date: **18 October 2006**
(30) Convention priority data:
(31) Number (32) Date (33) Country
29/257,514 05 Apr 2006 UNITED STATES OF AMERICA
(56) Related Art Documents: **Not Applicable**
(57) Statement of Newness and Distinctiveness: **Nil**



- (21) Design Number: **10011/2006**
(22) Date of Filing Application: **03 January 2006**
(24) Date from which industrial property rights may have effect: **03 January 2006**
(54) Product in respect of which the design is registered: **Assembled eraser and holder**
(51) International Design Classification: **19-06**
(71) Name(s) and Address(s) of Applicant(s):
Acco Australia Pty Ltd
The Lakes Business Park Level 2 8 Lord Street Botany New South
Wales 2019 Australia
(72) Name(s) of Designer(s): **Adam Timothy Laws**
(45) Registration Date: **12 October 2006**
(56) Related Art Documents: **Not Applicable**
(57) Statement of Newness and Distinctiveness: **When deciding whether the designs 1, 2 or 3 are substantially similar in overall impression to another design, no regard should be had to the word DERWENT shown on the eraser holder.**

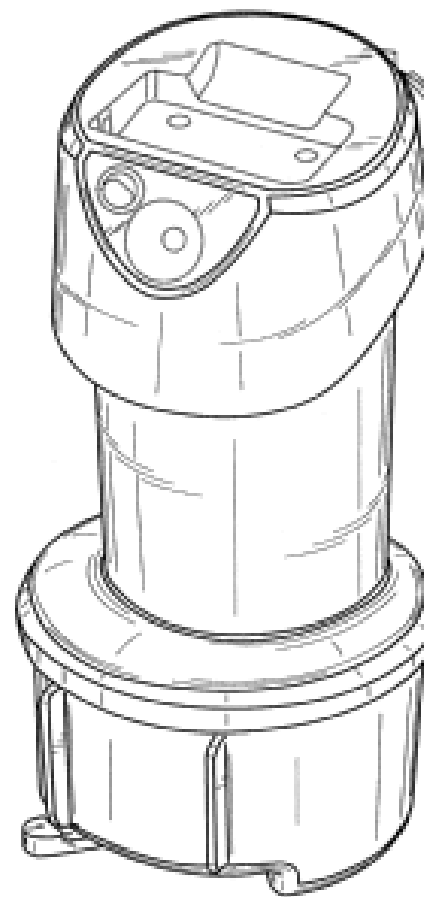


- (21) Design Number: **13653/2006**
(22) Date of Filing Application: **17 August 2006**
(24) Date from which industrial property rights may have effect: **17 August 2006**
(54) Product in respect of which the design is registered: **Vacuum cleaner base**
(51) International Design Classification: **15-05**
(71) Name(s) and Address(s) of Applicant(s):
BISSELL Homecare, Inc.
2345 Walker Avenue N.W. Grand Rapids Michigan 49544 United States
of America
(72) Name(s) of Designer(s): **Adam G. Carr and Mitchell E. Auerbach and**
Douglas J. Medema
(45) Registration Date: **12 October 2006**
(30) Convention priority data:
(31) Number (32) Date (33) Country
29/246,176 08 Mar 2006 UNITED STATES OF AMERICA
(56) Related Art Documents: **Not Applicable**
(57) Statement of Newness and Distinctiveness: **The shape and configuration of the product is new and distinctive. The features shown in dotted lines form no part of the design and should not be taken into consideration when considering the design as a whole.**



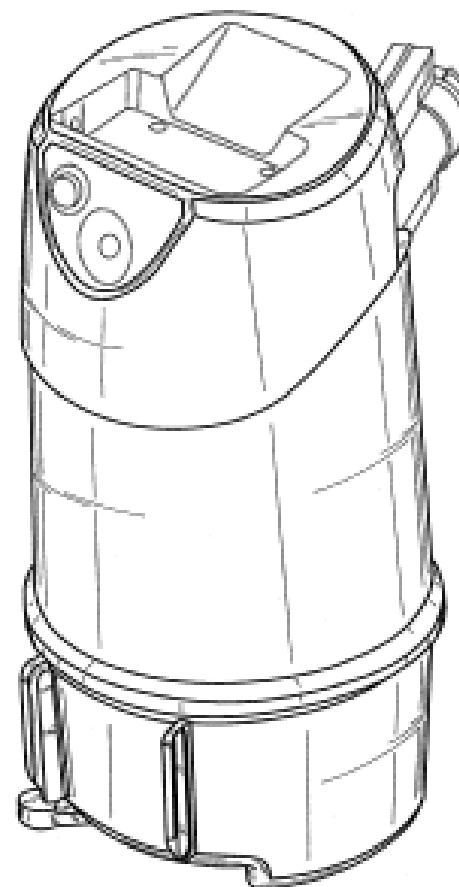
- (21) Design Number: **13654/2006**
- (22) Date of Filing Application: **17 August 2006**
- (24) Date from which industrial property rights may have effect: **17 August 2006**
- (54) Product in respect of which the design is registered: **Cyclone separation module**
- (51) International Design Classification: **15-05**
- (71) Name(s) and Address(s) of Applicant(s):
BISSELL Homecare, Inc.
2345 Walker Avenue N.W. Grand Rapids Michigan 49544 United States of America
- (72) Name(s) of Designer(s): **Douglas J. Medema and Bryce G. Rutter and Marc W. Hunter and Jeffery F. Feng and David D. Kusch and Melvin Joshua Leedle**
- (45) Registration Date: **12 October 2006**
- (30) Convention priority data:

(31) Number	(32) Date	(33) Country
29/246,191	10 Mar 2006	UNITED STATES OF AMERICA
- (56) Related Art Documents: **Not Applicable**
- (57) Statement of Newness and Distinctiveness: **The shape and configuration of the product is new and distinctive. The features shown in dotted lines form no part of the design and should not be taken into consideration when considering the design as a whole.**

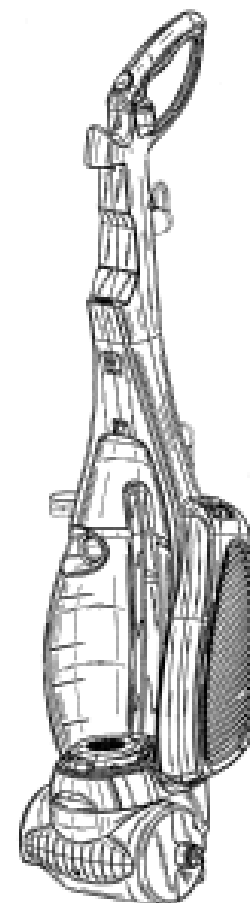


- (21) Design Number: **13655/2006**
- (22) Date of Filing Application: **17 August 2006**
- (24) Date from which industrial property rights may have effect: **17 August 2006**
- (54) Product in respect of which the design is registered: **Cyclone separation module**
- (51) International Design Classification: **15-05**
- (71) Name(s) and Address(s) of Applicant(s):
BISSELL Homecare, Inc.
2345 Walker Avenue N.W. Grand Rapids Michigan 49544 United States of America
- (72) Name(s) of Designer(s): **Douglas J. Medema and Bryce G. Rutter and Marc W. Hunter and Jeffery F. Feng and David D. Kusch and Melvin Joshua Leedle**
- (45) Registration Date: **12 October 2006**
- (30) Convention priority data:

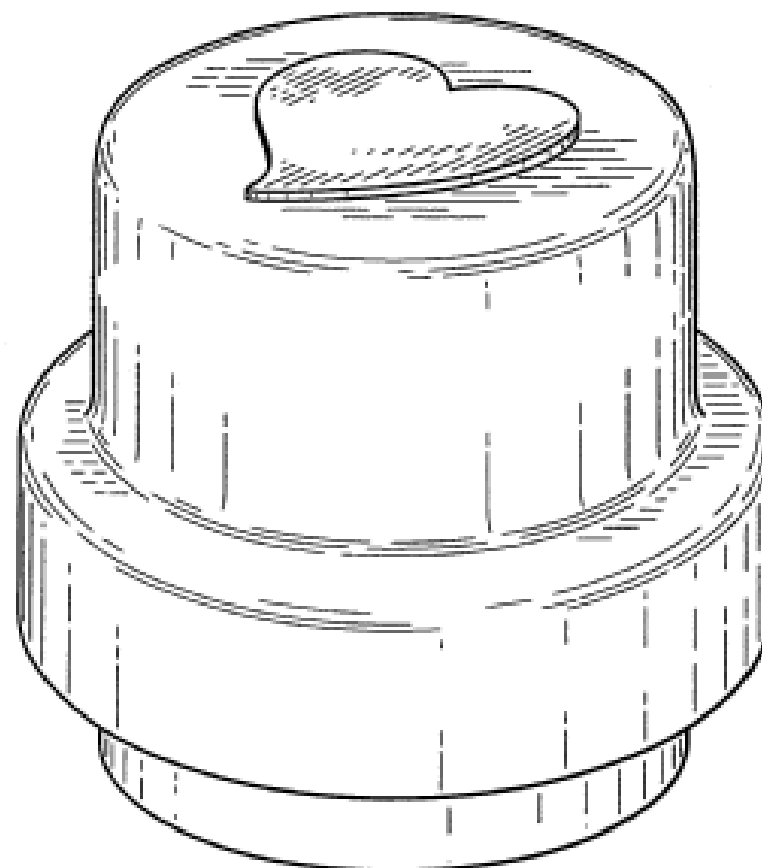
(31) Number	(32) Date	(33) Country
29/246,192	10 Mar 2006	UNITED STATES OF AMERICA
- (56) Related Art Documents: **Not Applicable**
- (57) Statement of Newness and Distinctiveness: **The shape and configuration of the product is new and distinctive. The features shown in dotted lines form no part of the design and should not be taken into consideration when considering the design as a whole.**



(21) Design Number: **13656/2006**
 (22) Date of Filing Application: **17 August 2006**
 (24) Date from which industrial property rights may have effect: **17 August 2006**
 (54) Product in respect of which the design is registered: **Vacuum cleaner handle portion**
 (51) International Design Classification: **15-05**
 (71) Name(s) and Address(s) of Applicant(s):
BISSELL Homecare, Inc.
2345 Walker Avenue N.W. Grand Rapids Michigan 49544 United States of America
 (72) Name(s) of Designer(s): **Adam G. Carr and Mitchell E. Auerbach and Douglas J. Medema**
 (45) Registration Date: **12 October 2006**
 (30) Convention priority data:
 (31) Number (32) Date (33) Country
29/246,193 10 Mar 2006 UNITED STATES OF AMERICA
 (56) Related Art Documents: **Not Applicable**
 (57) Statement of Newness and Distinctiveness: **The shape and configuration of the product is new and distinctive. The features shown in dotted lines form no part of the design and should not be taken into consideration when considering the design as a whole.**



(21) Design Number: **13700/2006**
 (22) Date of Filing Application: **16 August 2006**
 (24) Date from which industrial property rights may have effect: **16 August 2006**
 (54) Product in respect of which the design is registered: **Closure**
 (51) International Design Classification: **09-07B**
 (71) Name(s) and Address(s) of Applicant(s):
Colgate-Palmolive Company
300 Park Avenue New York New York 10022 United States of America
 (72) Name(s) of Designer(s): **Jeffery A. Mayers**
 (45) Registration Date: **12 October 2006**
 (30) Convention priority data:
 (31) Number (32) Date (33) Country
29/254726 27 Feb 2006 UNITED STATES OF AMERICA
 (56) Related Art Documents: **Not Applicable**
 (57) Statement of Newness and Distinctiveness: **Newness and distinctiveness reside in the features of the design shown in solid lines in the representations.**



(21) Design Number: **13701/2006**

(22) Date of Filing Application: **16 August 2006**

(24) Date from which industrial property rights may have effect: **16 August 2006**

(54) Product in respect of which the design is registered: **Container**

(51) International Design Classification: **09-01B**

(71) Name(s) and Address(s) of Applicant(s):

Colgate-Palmolive Company
300 Park Avenue New York New York 10022 United States of America

(72) Name(s) of Designer(s): **Jeffery A. Mayers**

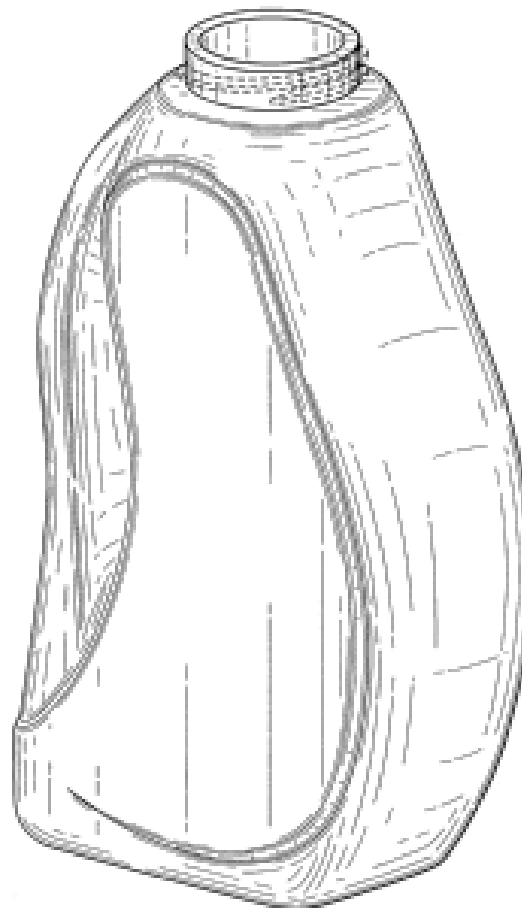
(45) Registration Date: **12 October 2006**

(30) Convention priority data:

(31) Number	(32) Date	(33) Country
29/254708	27 Feb 2006	UNITED STATES OF AMERICA

(56) Related Art Documents: **Not Applicable**

(57) Statement of Newness and Distinctiveness: **Newness and distinctiveness reside in the features of the design shown in solid lines in the representations.**



(21) Design Number: **13702/2006**

(22) Date of Filing Application: **16 August 2006**

(24) Date from which industrial property rights may have effect: **16 August 2006**

(54) Product in respect of which the design is registered: **Actuation device for doors, gates and the like**

(51) International Design Classification: **13-03NES**

(71) Name(s) and Address(s) of Applicant(s):

Nice SPA
Via Pezza Alta 13 I-31046 Oderzo (Treviso) Italy

(72) Name(s) of Designer(s): **Oscar Marchetto**

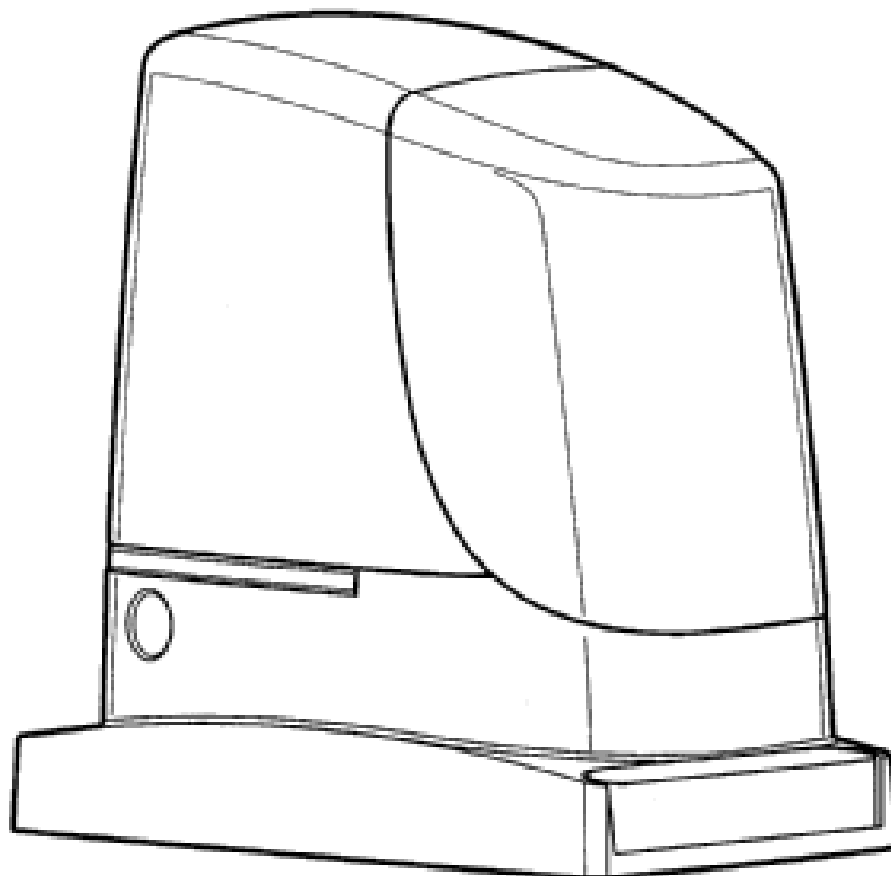
(45) Registration Date: **12 October 2006**

(30) Convention priority data:

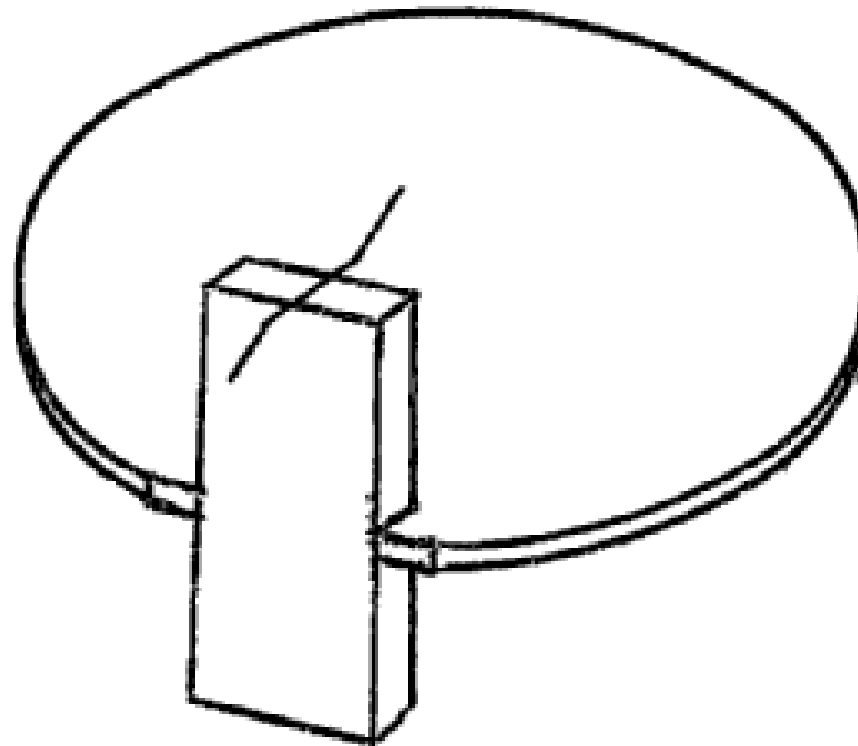
(31) Number	(32) Date	(33) Country
TV 2006O	27 Feb 2006	ITALY
00006		

(56) Related Art Documents: **Not Applicable**

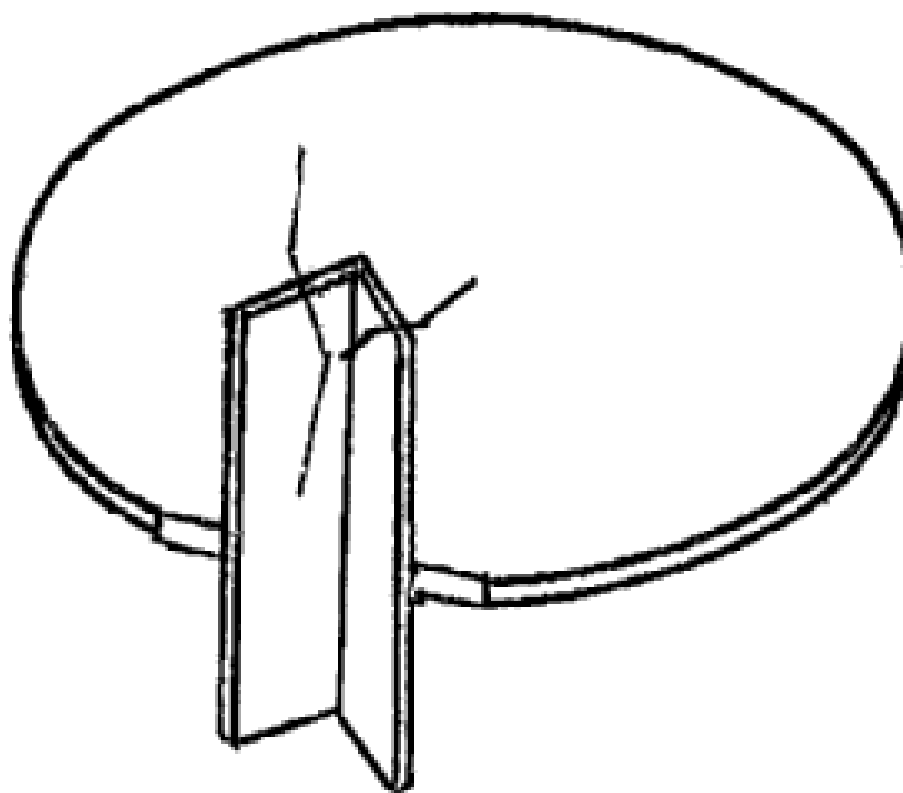
(57) Statement of Newness and Distinctiveness: **Nil**



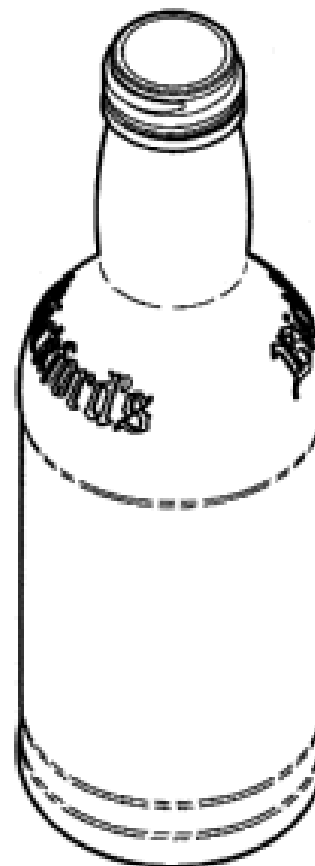
- (21) Design Number: **13159/2006**
- (22) Date of Filing Application: **24 February 2006**
- (24) Date from which industrial property rights may have effect: **24 February 2006**
- (54) Product in respect of which the design is registered: **Shelf**
- (51) International Design Classification: **08-08N, 06-04NES**
- (71) Name(s) and Address(s) of Applicant(s):
Geoffrey Francis Keating
44 Jacana Parade Ballajura Western Australia 6066 Australia
- (72) Name(s) of Designer(s): **Geoffrey Francis Keating**
- (45) Registration Date: **13 October 2006**
- (56) Related Art Documents: **Not Applicable**
- (57) Statement of Newness and Distinctiveness: **Newness and distinctiveness is claimed in the features of shape and/or configuration of a shelf as illustrated in the accompanying representations. The supporting arm is of indefinite width as shown in the representations.**



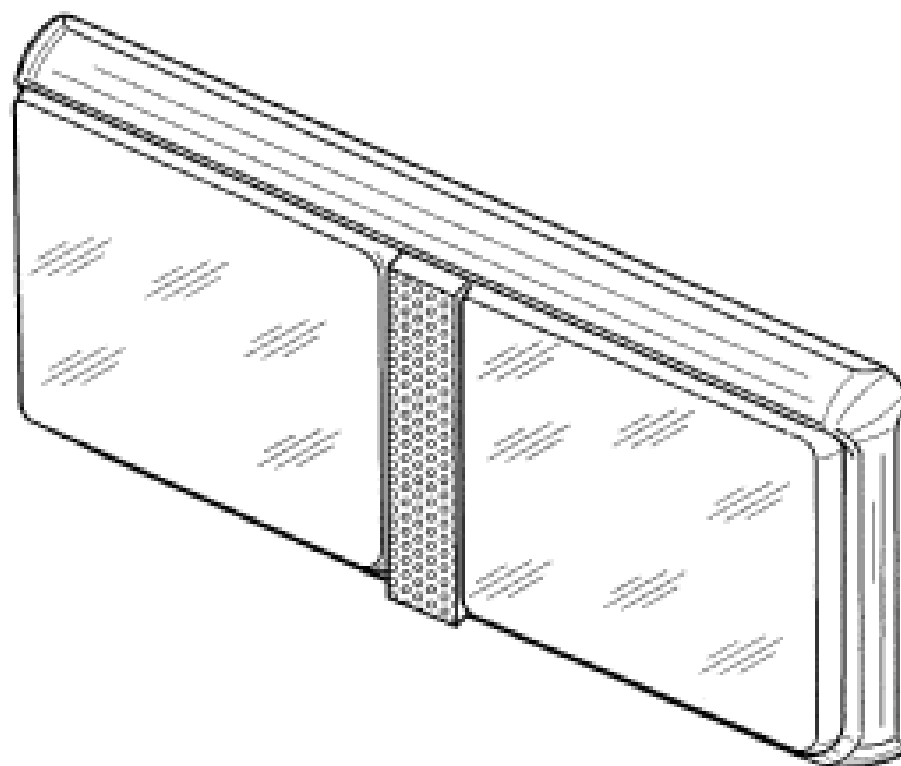
- (21) Design Number: **13160/2006**
- (22) Date of Filing Application: **24 February 2006**
- (24) Date from which industrial property rights may have effect: **24 February 2006**
- (54) Product in respect of which the design is registered: **Shelf**
- (51) International Design Classification: **08-08N, 06-04NES**
- (71) Name(s) and Address(s) of Applicant(s):
Geoffrey Francis Keating
44 Jacana Parade Ballajura Western Australia 6066 Australia
- (72) Name(s) of Designer(s): **Geoffrey Francis Keating**
- (45) Registration Date: **13 October 2006**
- (56) Related Art Documents: **Not Applicable**
- (57) Statement of Newness and Distinctiveness: **Newness and distinctiveness is claimed in the features of shape and/or configuration of a shelf as illustrated in the accompanying representations. The supporting arm is of indefinite width as shown in the representations.**



- (21) Design Number: **13199/2006**
(22) Date of Filing Application: **25 July 2006**
(24) Date from which industrial property rights may have effect: **25 July 2006**
(54) Product in respect of which the design is registered: **A bottle**
(51) International Design Classification: **09-01K**
(71) Name(s) and Address(s) of Applicant(s):
Bickford's Australia Pty Ltd
162 Cross Keys Road Salisbury South South Australia 5106 Australia
(72) Name(s) of Designer(s): **Employees of O-I Australia**
(45) Registration Date: **13 October 2006**
(56) Related Art Documents: **Not Applicable**
(57) Statement of Newness and Distinctiveness: **Nil.**



- (21) Design Number: **13523/2006**
(22) Date of Filing Application: **11 August 2006**
(24) Date from which industrial property rights may have effect: **11 August 2006**
(54) Product in respect of which the design is registered: **Lighting assembly**
(51) International Design Classification: **26-05A**
(71) Name(s) and Address(s) of Applicant(s):
LED Technologies Pty Ltd
Factory 1 10 Brand Drive Thomastown Victoria 3074 Australia
(72) Name(s) of Designer(s): **Tony Ottobre**
(45) Registration Date: **13 October 2006**
(56) Related Art Documents: **Not Applicable**
(57) Statement of Newness and Distinctiveness: **The features of shape and configuration of the lighting assembly as shown in the representations accompanying this application are new and distinctive. The newness and distinctiveness of the lighting assembly resides in the combination of lenses and reflector panel or panels. In determining the newness and distinctiveness of the visual features of shape and configuration and the monopoly of the design, the exact form of the pattern and ornamentation of the shading applied to the surface of the reflector panel or panels of the lighting assembly are to be disregarded since the shading is merely one example of shading used to convey that the reflector panel or panels have a different reflectance of light than do the lenses.**



(21) Design Number: **13524/2006**

(22) Date of Filing Application: **11 August 2006**

(24) Date from which industrial property rights may have effect: **11 August 2006**

(54) Product in respect of which the design is registered: **Lighting assembly**

(51) International Design Classification: **26-05A**

(71) Name(s) and Address(s) of Applicant(s):

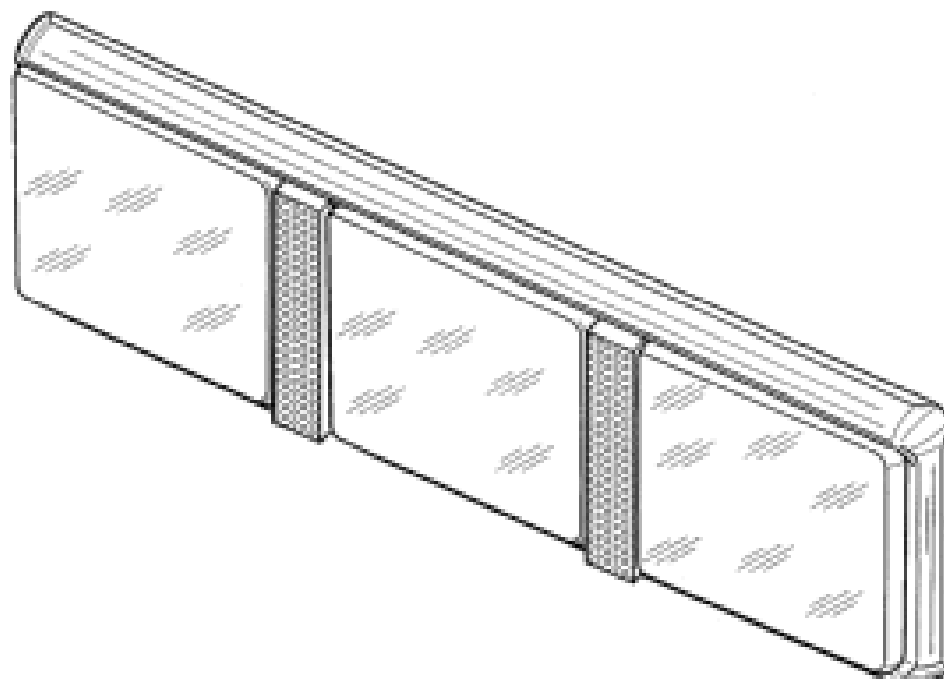
**LED Technologies Pty Ltd
Factory 1 10 Brand Drive Thomastown Victoria 3074 Australia**

(72) Name(s) of Designer(s): **Tony Ottobre**

(45) Registration Date: **13 October 2006**

(56) Related Art Documents: **Not Applicable**

(57) Statement of Newness and Distinctiveness: **The features of shape and configuration of the lighting assembly as shown in the representations accompanying this application are new and distinctive. The newness and distinctiveness of the lighting assembly resides in the combination of lenses and reflector panel or panels. In determining the newness and distinctiveness of the visual features of shape and configuration and the monopoly of the design, the exact form of the pattern and ornamentation of the shading applied to the surface of the reflector panel or panels of the lighting assembly are to be disregarded since the shading is merely one example of shading used to convey that the reflector panel or panels have a different reflectance of light than do the lenses.**



(21) Design Number: **13605/2006**

(22) Date of Filing Application: **16 August 2006**

(24) Date from which industrial property rights may have effect: **16 August 2006**

(54) Product in respect of which the design is registered: **Chair attachment device**

(51) International Design Classification: **06-06G, 07-06A**

(71) Name(s) and Address(s) of Applicant(s):

**Chris Deguara
8 Somerville Street Perth Western Australia 6000 Australia**

(72) Name(s) of Designer(s): **Chris Deguara**

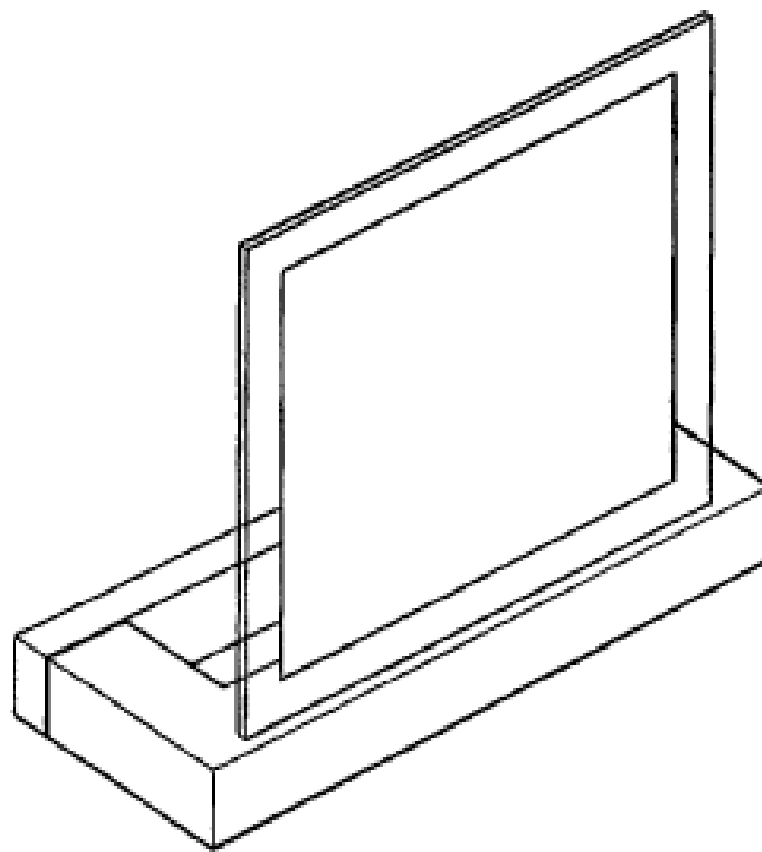
(45) Registration Date: **13 October 2006**

(56) Related Art Documents: **Not Applicable**

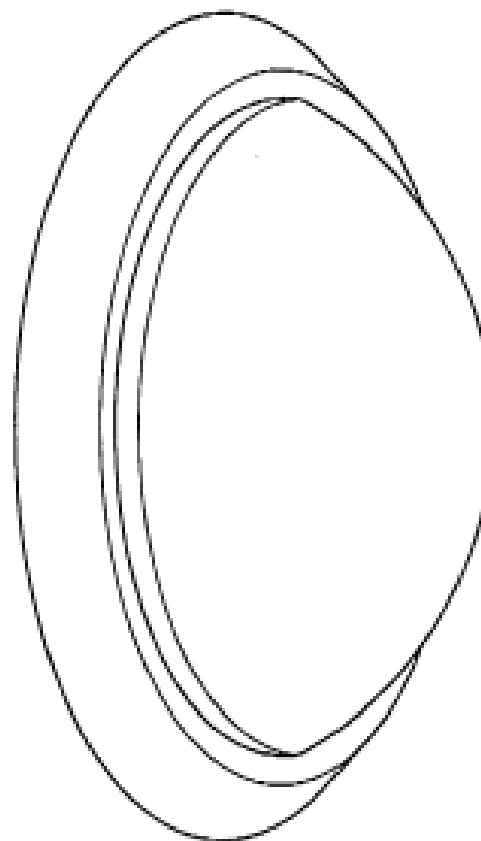
(57) Statement of Newness and Distinctiveness: **Newness and distinctiveness is claimed in the way by which the two rings of metal tube become attached to the pedestal base during the construction of a chair with a singular upright seat support, allowing for the fail-safe attachment of a lanyard cable to the base and chair.**



- (21) Design Number: **13624/2006**
(22) Date of Filing Application: **15 August 2006**
(24) Date from which industrial property rights may have effect: **15 August 2006**
(54) Product in respect of which the design is registered: **Wall light**
(51) International Design Classification: **26-05C**
(71) Name(s) and Address(s) of Applicant(s):
Zumtobel Lighting GmbH & Co. KG
Grevenmarschstr. 74-78 32657 Lemgo Germany
(72) Name(s) of Designer(s): **Katharina Goetz-Schaefer**
(45) Registration Date: **13 October 2006**
(30) Convention priority data:
(31) Number (32) Date (33) Country
000480504-0001 16 Feb 2006 EUROPEAN COMMUNITY
(56) Related Art Documents: **Not Applicable**
(57) Statement of Newness and Distinctiveness: **Newness and distinctiveness is claimed in the features of shape and/or configuration of a wall light as illustrated in the accompanying representations.**



- (21) Design Number: **13625/2006**
(22) Date of Filing Application: **15 August 2006**
(24) Date from which industrial property rights may have effect: **15 August 2006**
(54) Product in respect of which the design is registered: **Wall light**
(51) International Design Classification: **26-05C**
(71) Name(s) and Address(s) of Applicant(s):
Zumtobel Lighting GmbH & Co. KG
Grevenmarschstr. 74-78 32657 Lemgo Germany
(72) Name(s) of Designer(s): **Katharina Goetz-Schaefer**
(45) Registration Date: **13 October 2006**
(30) Convention priority data:
(31) Number (32) Date (33) Country
000480504-0001 16 Feb 2006 EUROPEAN COMMUNITY
(56) Related Art Documents: **Not Applicable**
(57) Statement of Newness and Distinctiveness: **Newness and distinctiveness is claimed in the features of shape and/or configuration of a wall light as illustrated in the accompanying representations.**



(21) Design Number: **13626/2006**

(22) Date of Filing Application: **16 August 2006**

(24) Date from which industrial property rights may have effect: **16 August 2006**

(54) Product in respect of which the design is registered: **Louvre blade**

(51) International Design Classification: **25-02K**

(71) Name(s) and Address(s) of Applicant(s):

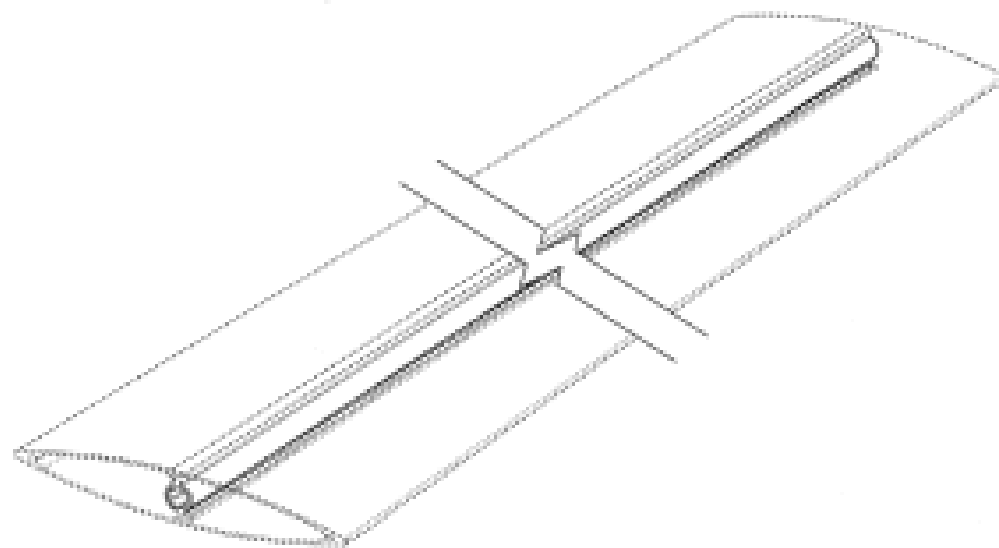
Montage Group Pty Ltd
Unit 32 20 Tucks Road Seven Hills New South Wales 2147 Australia

(72) Name(s) of Designer(s): **Michael Peter Jolly**

(45) Registration Date: **13 October 2006**

(56) Related Art Documents: **Not Applicable**

(57) Statement of Newness and Distinctiveness: **When considering the extent of newness and distinctiveness of the louvre blade depicted in the accompanying representations, no regard should be had to those features shown in dotted outline.**



(21) Design Number: **13627/2006**

(22) Date of Filing Application: **16 August 2006**

(24) Date from which industrial property rights may have effect: **16 August 2006**

(54) Product in respect of which the design is registered: **Shelf**

(51) International Design Classification: **06-04NES**

(71) Name(s) and Address(s) of Applicant(s):

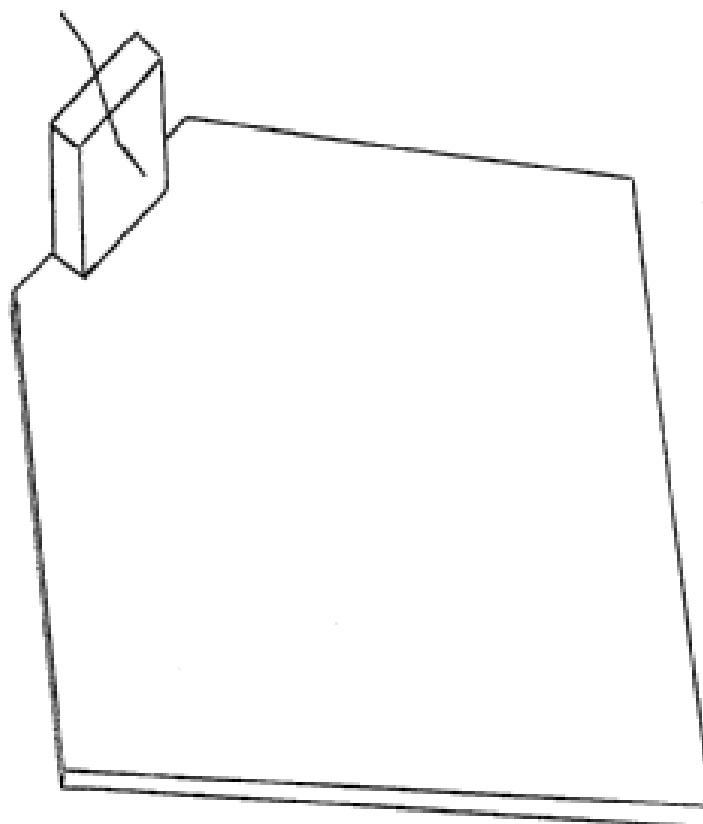
Geoffrey Francis Keating
7 Bacon Place Beechboro Western Australia 6063 Australia

(72) Name(s) of Designer(s): **Geoffrey Francis Keating**

(45) Registration Date: **13 October 2006**

(56) Related Art Documents: **Not Applicable**

(57) Statement of Newness and Distinctiveness: **Newness and distinctiveness is claimed in the features of shape and/or configuration of a "shelf" as illustrated in the accompanying representations.**



(21) Design Number: **13630/2006**

(22) Date of Filing Application: **17 August 2006**

(24) Date from which industrial property rights may have effect: **17 August 2006**

(54) Product in respect of which the design is registered: **Mitre wall rail brackets**

(51) International Design Classification: **08-08L**

(71) Name(s) and Address(s) of Applicant(s):

Joseph White Trading as Stainform Industries
10 Redbank Place Picton New South Wales 2571 Australia

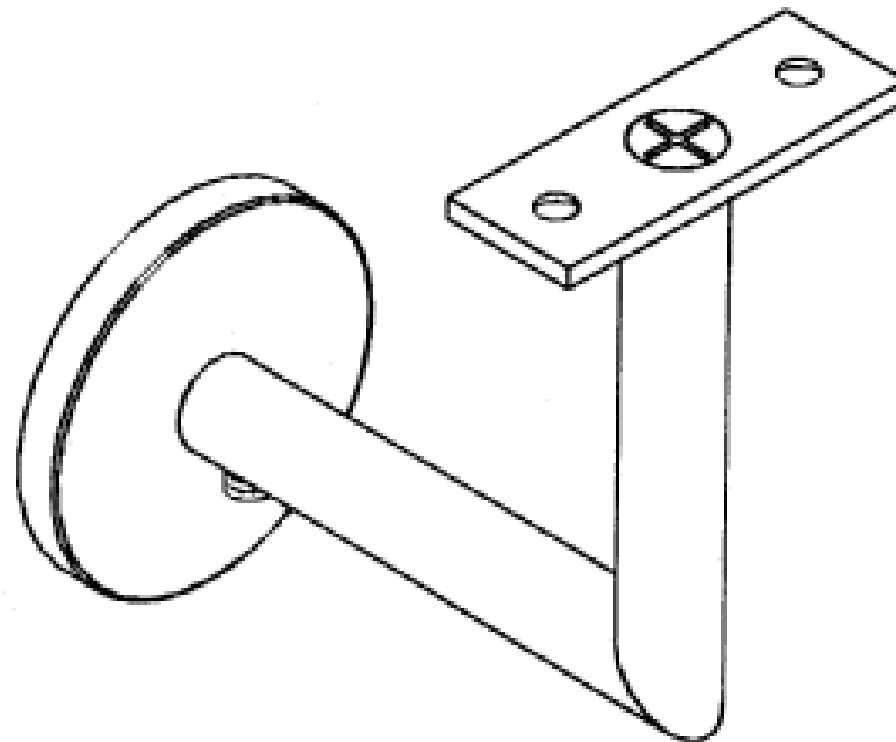
Chloe White Trading as Stainform Industries
10 Redbank Place Picton New South Wales 2571 Australia

(72) Name(s) of Designer(s): **Joseph White**

(45) Registration Date: **13 October 2006**

(56) Related Art Documents: **Not Applicable**

(57) Statement of Newness and Distinctiveness: **Nil**



(21) Design Number: **13631/2006**

(22) Date of Filing Application: **17 August 2006**

(24) Date from which industrial property rights may have effect: **17 August 2006**

(54) Product in respect of which the design is registered: **Flat bar wall rail bracket**

(51) International Design Classification: **08-08L**

(71) Name(s) and Address(s) of Applicant(s):

Joseph White Trading as Stainform Industries
10 Redbank Place Picton New South Wales 2571 Australia

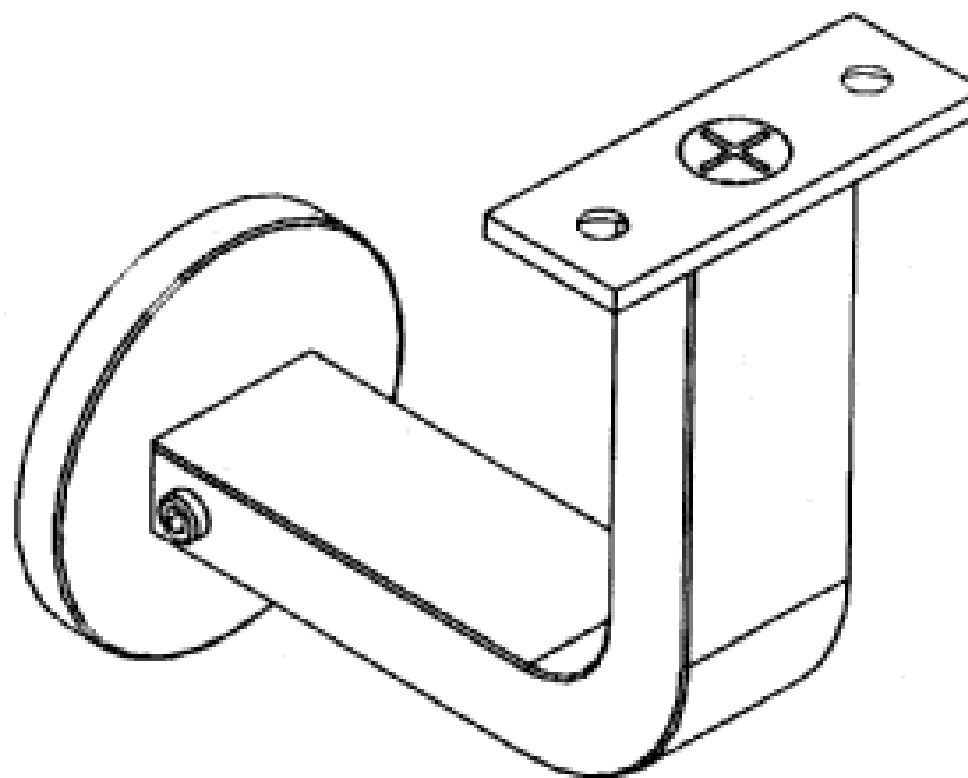
Chloe White Trading as Stainform Industries
10 Redbank Place Picton New South Wales 2571 Australia

(72) Name(s) of Designer(s): **Joseph White**

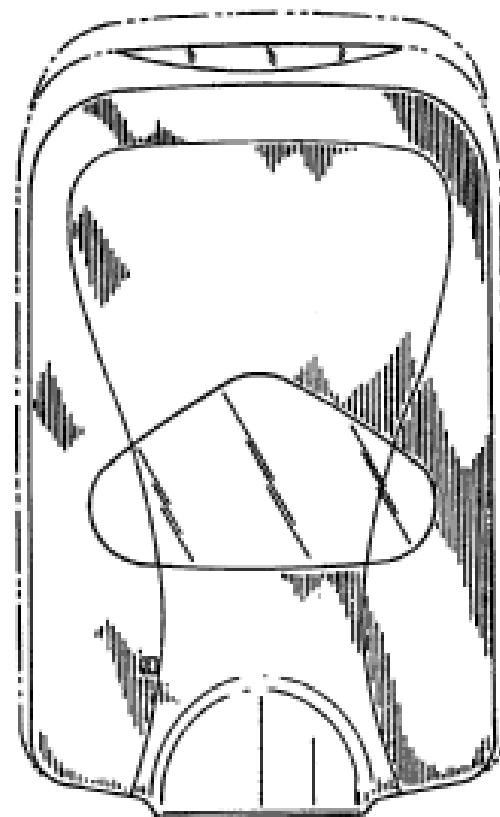
(45) Registration Date: **13 October 2006**

(56) Related Art Documents: **Not Applicable**

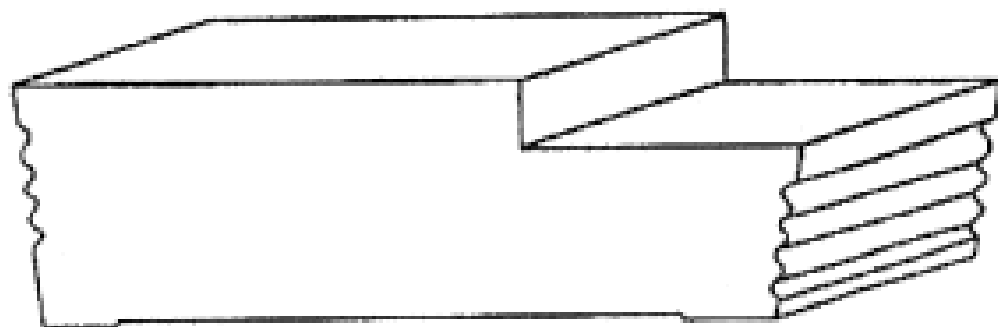
(57) Statement of Newness and Distinctiveness: **Nil**



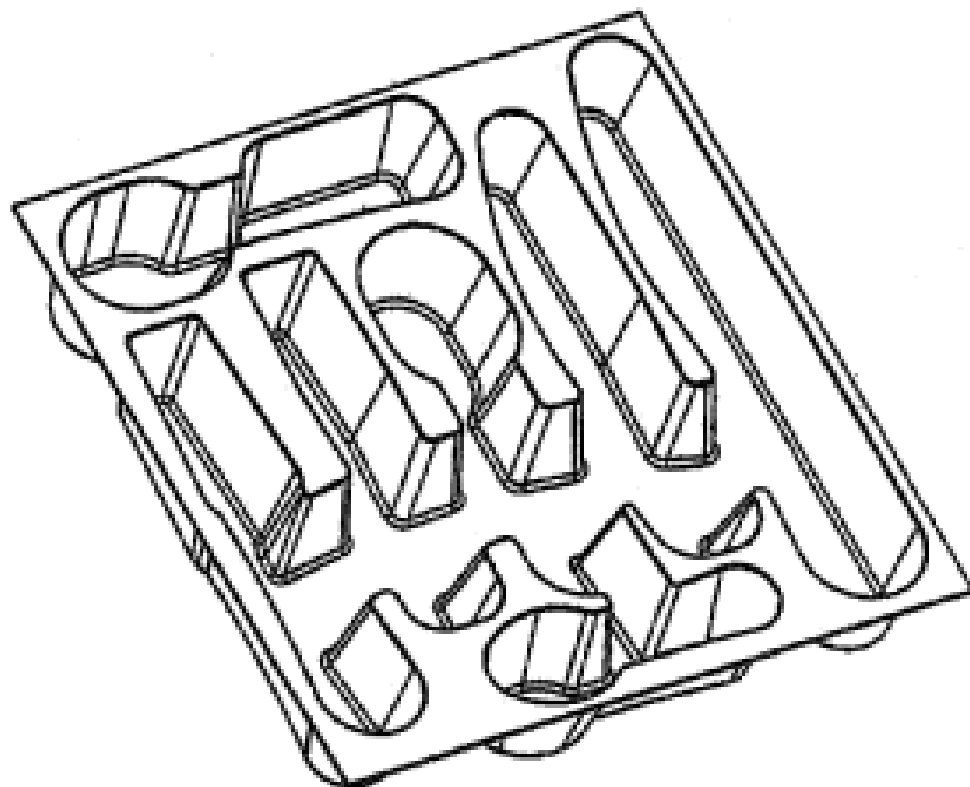
(21) Design Number: **13634/2006**
(22) Date of Filing Application: **17 August 2006**
(24) Date from which industrial property rights may have effect: **17 August 2006**
(54) Product in respect of which the design is registered: **Dispenser**
(51) International Design Classification: **23-02A**
(71) Name(s) and Address(s) of Applicant(s):
Joseph Kanfer
4445 Everett Road Richfield Ohio 44286 United States of America
(72) Name(s) of Designer(s): **Aaron R. Reynolds and Martin J. O'Toole and Richard C. Sayers and Cherry A. Bochman**
(45) Registration Date: **13 October 2006**
(30) Convention priority data:
(31) Number (32) Date (33) Country
29/254,697 28 Feb 2006 UNITED STATES OF AMERICA
(56) Related Art Documents: **Not Applicable**
(57) Statement of Newness and Distinctiveness: **Nil**



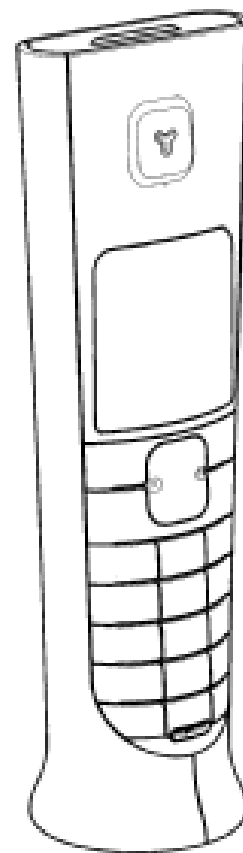
(21) Design Number: **13658/2006**
(22) Date of Filing Application: **17 August 2006**
(24) Date from which industrial property rights may have effect: **17 August 2006**
(54) Product in respect of which the design is registered: **Stop end jamb**
(51) International Design Classification: **25-02B**
(71) Name(s) and Address(s) of Applicant(s):
Incisive Innovations Pty Ltd
19 Sydney Street Marrickville New South Wales 2204 Australia
(72) Name(s) of Designer(s): **Wynta Cameron Becker**
(45) Registration Date: **13 October 2006**
(56) Related Art Documents: **Not Applicable**
(57) Statement of Newness and Distinctiveness: **Monopoly is claimed in the features of shape and configuration of a stop end jamb of indefinite length in the length dimension (into the page) shown in the attached representations.**



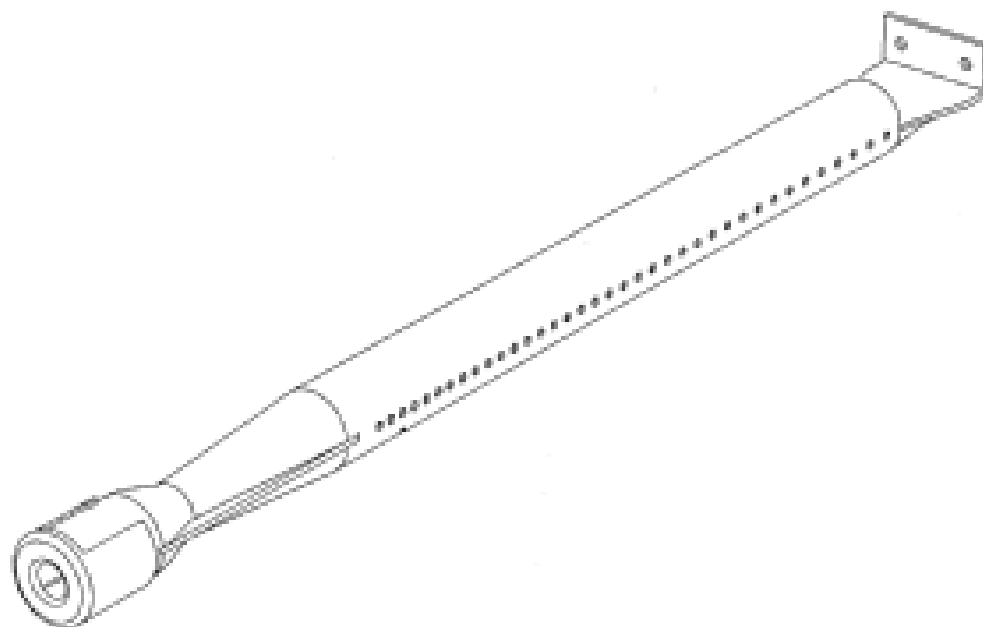
(21) Design Number: **13659/2006**
(22) Date of Filing Application: **17 August 2006**
(24) Date from which industrial property rights may have effect: **17 August 2006**
(54) Product in respect of which the design is registered: **Cutlery drawer insert**
(51) International Design Classification: **07-07NES, 06-04NES**
(71) Name(s) and Address(s) of Applicant(s):
Bruce Phythian
Apartment 507 Phoenix Gardens 135 Grafton Road Grafton Auckland
New Zealand
(72) Name(s) of Designer(s): **Bruce Phythian**
(45) Registration Date: **13 October 2006**
(30) Convention priority data:
(31) Number (32) Date (33) Country
407120 17 Feb 2006 NEW ZEALAND
(56) Related Art Documents: **Not Applicable**
(57) Statement of Newness and Distinctiveness: **Nil**



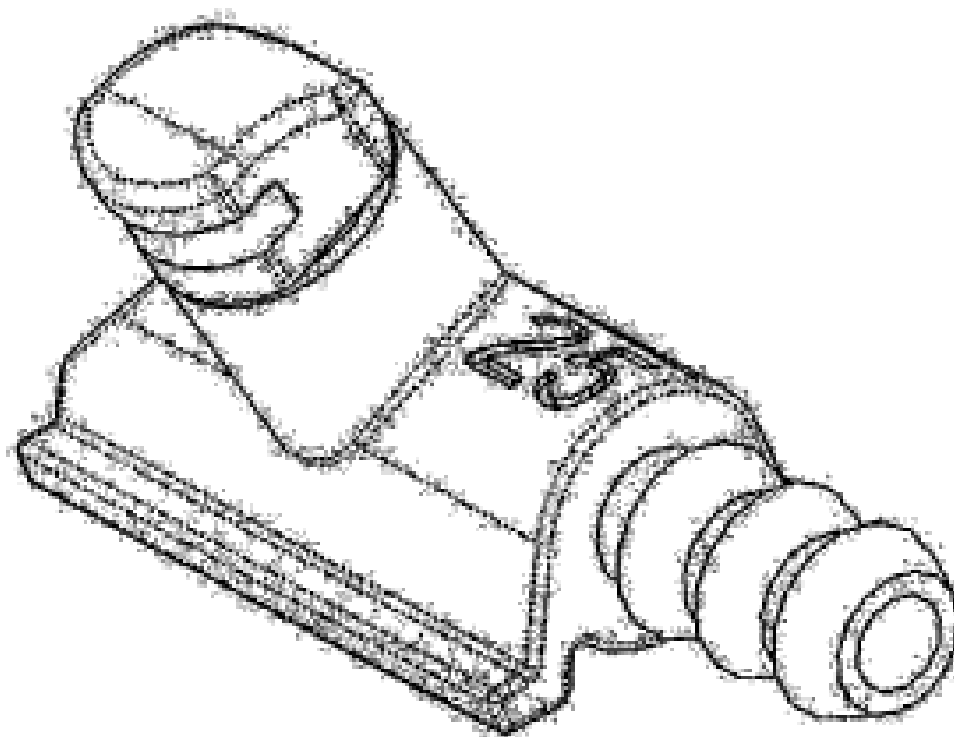
(21) Design Number: **13660/2006**
(22) Date of Filing Application: **17 August 2006**
(24) Date from which industrial property rights may have effect: **17 August 2006**
(54) Product in respect of which the design is registered: **Telephone handset**
(51) International Design Classification: **14-03A**
(71) Name(s) and Address(s) of Applicant(s):
Koninklijke Philips Electronics N.V.
Groenewoudseweg 1 NL-5621 BA Eindhoven The Netherlands
(72) Name(s) of Designer(s): **Jean-Marie Paul Surtouc**
(45) Registration Date: **13 October 2006**
(30) Convention priority data:
(31) Number (32) Date (33) Country
000485172-0002 27 Feb 2006 EUROPEAN COMMUNITY
(56) Related Art Documents: **Not Applicable**
(57) Statement of Newness and Distinctiveness: **Newness and distinctiveness reside in the features of the design as shown in the representations.**



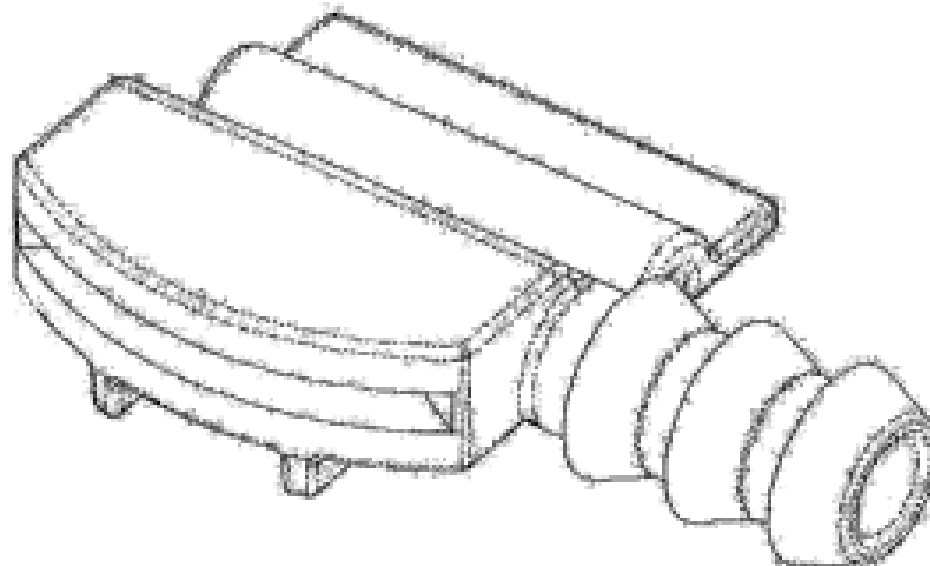
- (21) Design Number: **13664/2006**
(22) Date of Filing Application: **17 August 2006**
(24) Date from which industrial property rights may have effect: **17 August 2006**
(54) Product in respect of which the design is registered: **Burner**
(51) International Design Classification: **07-02C**
(71) Name(s) and Address(s) of Applicant(s):
Sunbeam Corporation Limited
Units 5 & 6 13 Lord Street Botany New South Wales 2019 Australia
(72) Name(s) of Designer(s): **Paul David Riley**
(45) Registration Date: **13 October 2006**
(56) Related Art Documents: **Not Applicable**
(57) Statement of Newness and Distinctiveness: **Newness and distinctiveness in the design as applied to a burner resides in the pattern of apertures along the length of the burner and illustrated in the accompanying representations.**



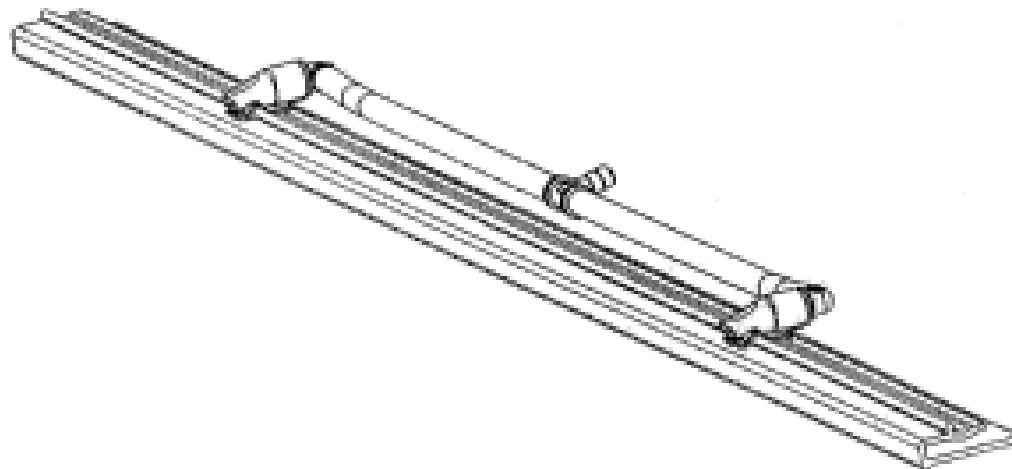
- (21) Design Number: **13667/2006**
(22) Date of Filing Application: **17 August 2006**
(24) Date from which industrial property rights may have effect: **17 August 2006**
(54) Product in respect of which the design is registered: **Mop head sprayer assembly**
(51) International Design Classification: **07-05E**
(71) Name(s) and Address(s) of Applicant(s):
JohnsonDiversey, Inc.
8310 16th Street - M/S 509 Sturtevant Wisconsin 53177 United States of America
(72) Name(s) of Designer(s): **Kevin J. Markey and Haim Bar-Noy and Mark T. MacLean-Blevins**
(45) Registration Date: **13 October 2006**
(30) Convention priority data:
(31) Number (32) Date (33) Country
29/254127 17 Feb 2006 UNITED STATES OF AMERICA
(56) Related Art Documents: **Not Applicable**
(57) Statement of Newness and Distinctiveness: **Newness and distinctiveness is claimed in the features of shape and/or configuration of a mop head sprayer assembly as illustrated in the accompanying representations.**



- (21) Design Number: **13668/2006**
(22) Date of Filing Application: **17 August 2006**
(24) Date from which industrial property rights may have effect: **17 August 2006**
(54) Product in respect of which the design is registered: **Mop head sprayer assembly**
(51) International Design Classification: **07-05E**
(71) Name(s) and Address(s) of Applicant(s):
JohnsonDiversey, Inc.
8310 16th Street - M/S 509 Sturtevant Wisconsin 53177 United States of America
(72) Name(s) of Designer(s): **Kevin J. Markey and Haim Bar-Noy and Mark T. MacLean-Blevins**
(45) Registration Date: **13 October 2006**
(30) Convention priority data:
(31) Number (32) Date (33) Country
29/254127 17 Feb 2006 UNITED STATES OF AMERICA
(56) Related Art Documents: **Not Applicable**
(57) Statement of Newness and Distinctiveness: **Newness and distinctiveness is claimed in the features of shape and/or configuration of a mop head sprayer assembly as illustrated in the accompanying representations.**



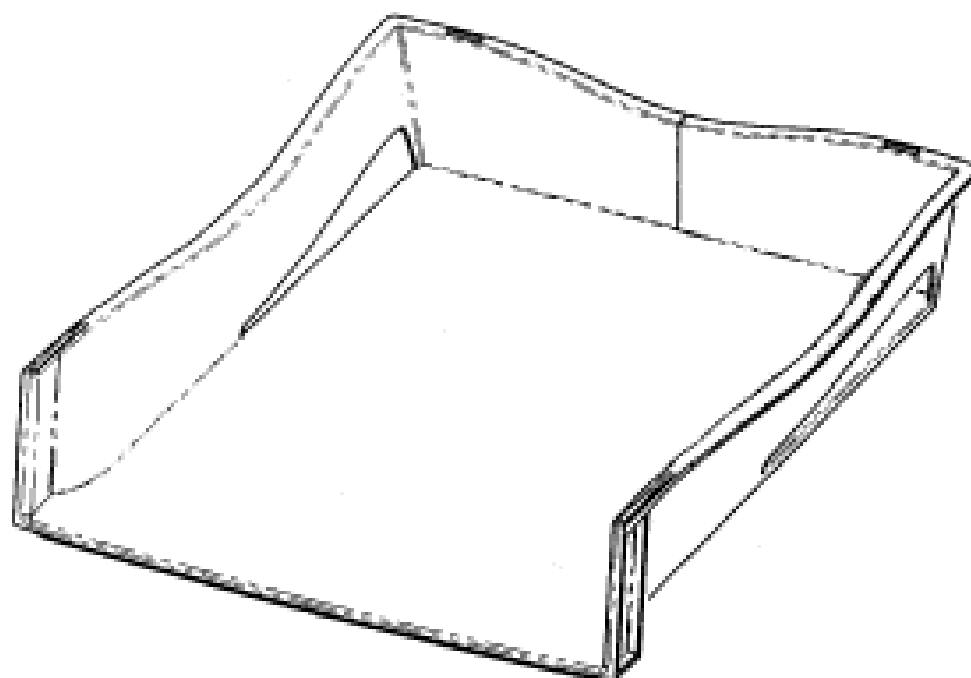
- (21) Design Number: **13669/2006**
(22) Date of Filing Application: **17 August 2006**
(24) Date from which industrial property rights may have effect: **17 August 2006**
(54) Product in respect of which the design is registered: **Mop head sprayer assembly**
(51) International Design Classification: **07-05E**
(71) Name(s) and Address(s) of Applicant(s):
JohnsonDiversey, Inc.
8310 16th Street - M/S 509 Sturtevant Wisconsin 53177 United States of America
(72) Name(s) of Designer(s): **Kevin J. Markey and Haim Bar-Noy and Mark T. MacLean-Blevins**
(45) Registration Date: **13 October 2006**
(30) Convention priority data:
(31) Number (32) Date (33) Country
29/254127 17 Feb 2006 UNITED STATES OF AMERICA
(56) Related Art Documents: **Not Applicable**
(57) Statement of Newness and Distinctiveness: **Newness and distinctiveness is claimed in the features of shape and/or configuration of a mop head sprayer assembly as illustrated in the accompanying representations.**



- (21) Design Number: **12916/2006**
(22) Date of Filing Application: **11 July 2006**
(24) Date from which industrial property rights may have effect: **11 July 2006**
(54) Product in respect of which the design is registered: **Baseball cap with lens attached by single hinge clip**
(51) International Design Classification: **02-03, 16-06**
(71) Name(s) and Address(s) of Applicant(s):
Saltwater Sunglasses Pty Ltd
1 Haldane Street Beaumaris Victoria 3193 Australia
(72) Name(s) of Designer(s): **Marc Hamilton Gribble**
(45) Registration Date: **12 October 2006**
(56) Related Art Documents: **Not Applicable**
(57) Statement of Newness and Distinctiveness: **Nil**



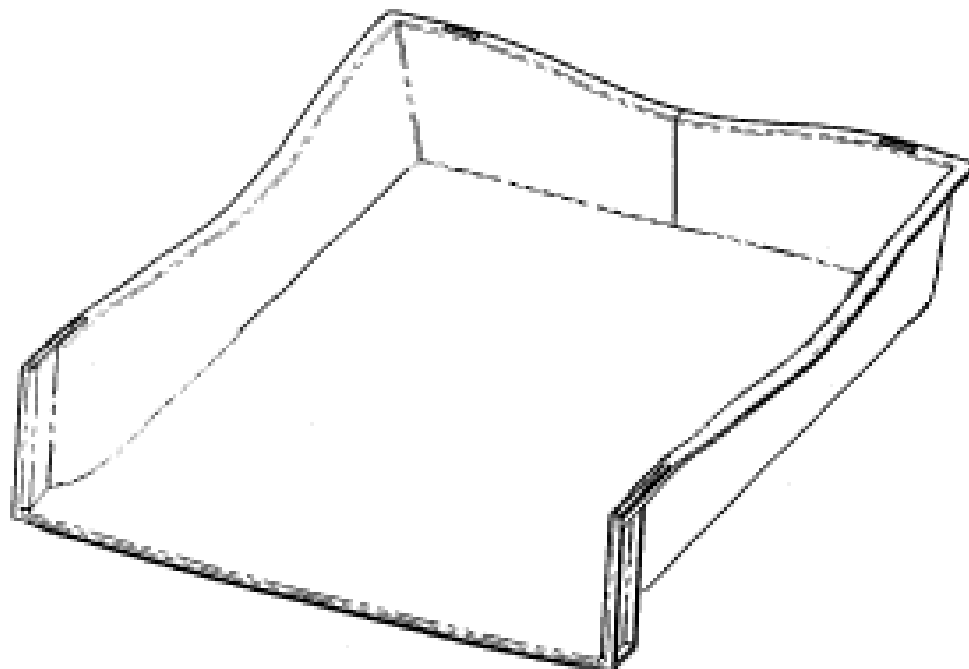
- (21) Design Number: **10468/2006**
(22) Date of Filing Application: **08 February 2006**
(24) Date from which industrial property rights may have effect: **08 February 2006**
(54) Product in respect of which the design is registered: **Desk tray**
(51) International Design Classification: **19-02**
(71) Name(s) and Address(s) of Applicant(s):
Acco Australia Pty Ltd
The Lakes Business Park Level 2 8 Lord Street Botany New South Wales 2019 Australia
(72) Name(s) of Designer(s): **Adam Timothy Laws**
(45) Registration Date: **12 October 2006**
(56) Related Art Documents: **Not Applicable**
(57) Statement of Newness and Distinctiveness: **Nil**



- (21) Design Number: **10469/2006**
(22) Date of Filing Application: **08 February 2006**
(24) Date from which industrial property rights may have effect: **08 February 2006**
(54) Product in respect of which the design is registered: **Desk tray**
(51) International Design Classification: **19-02**
(71) Name(s) and Address(s) of Applicant(s):

Acco Australia Pty Ltd
The Lakes Business Park Level 2 8 Lord Street Botany New South
Wales 2019 Australia

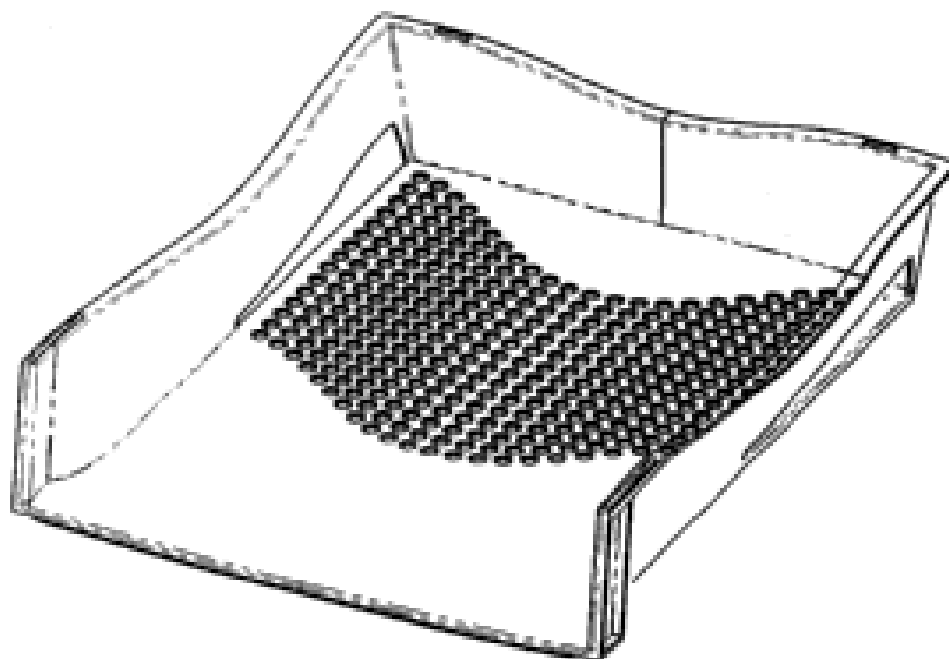
- (72) Name(s) of Designer(s): **Adam Timothy Laws**
(45) Registration Date: **12 October 2006**
(56) Related Art Documents: **Not Applicable**
(57) Statement of Newness and Distinctiveness: **Nil**



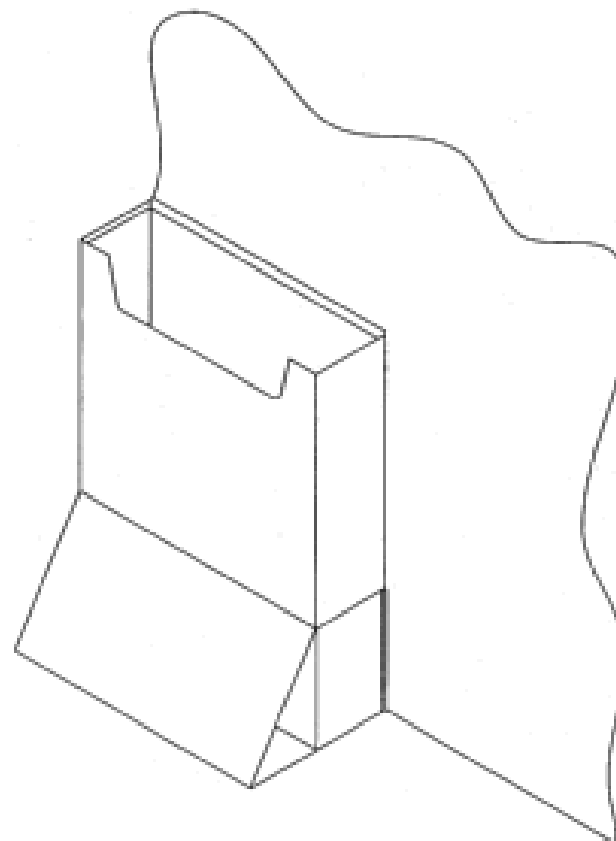
- (21) Design Number: **10470/2006**
(22) Date of Filing Application: **08 February 2006**
(24) Date from which industrial property rights may have effect: **08 February 2006**
(54) Product in respect of which the design is registered: **Desk tray**
(51) International Design Classification: **19-02**
(71) Name(s) and Address(s) of Applicant(s):

Acco Australia Pty Ltd
The Lakes Business Park Level 2 8 Lord Street Botany New South
Wales 2019 Australia

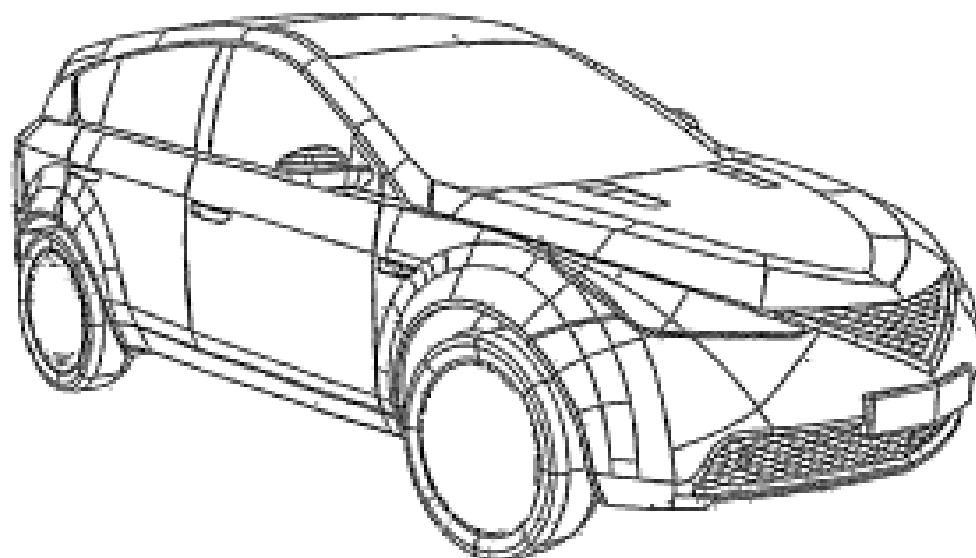
- (72) Name(s) of Designer(s): **Adam Timothy Laws**
(45) Registration Date: **12 October 2006**
(56) Related Art Documents: **Not Applicable**
(57) Statement of Newness and Distinctiveness: **When determining whether the design 1 is substantially similar in overall impression to another design, it is to be noted that the stack of three of the desk trays shown in Figures 16-19 merely shows how the tray can be stacked when not in use, and does not constitute the design to be registered.**



- (21) Design Number: **12168/2006**
(22) Date of Filing Application: **17 May 2006**
(24) Date from which industrial property rights may have effect: **17 May 2006**
(54) Product in respect of which the design is registered: **Brochure Holder with Head/Side Card**
(51) International Design Classification: **20-02E**
(71) Name(s) and Address(s) of Applicant(s):
ADZE Pty Limited
Suite 15 90 Mona Vale Road Mona Vale New South Wales 2103
Australia
(72) Name(s) of Designer(s): **Michael Charles Bucknell**
(45) Registration Date: **12 October 2006**
(56) Related Art Documents: **Not Applicable**
(57) Statement of Newness and Distinctiveness: **Monopoly is claimed in the shape and/or configuration of the brochure holder and integral header/side card as shown in the representations.**



- (21) Design Number: **13058/2006**
(22) Date of Filing Application: **18 July 2006**
(24) Date from which industrial property rights may have effect: **18 July 2006**
(54) Product in respect of which the design is registered: **A vehicle**
(51) International Design Classification: **12-08**
(71) Name(s) and Address(s) of Applicant(s):
Perusahaan Otomobil Nasional SDN. BHD.
HICOM Industrial Estate Batu 3 40000 Shah Alam Selangor Darul
Ehsan Malaysia
(72) Name(s) of Designer(s): **Anthony John Bushell**
(45) Registration Date: **12 October 2006**
(30) Convention priority data:
(31) Number (32) Date (33) Country
06-00031 19 Jan 2006 MALAYSIA
(56) Related Art Documents: **Not Applicable**
(57) Statement of Newness and Distinctiveness: **The features of shape and configuration of the article as illustrated in the representation.**



(21) Design Number: **13059/2006**

(22) Date of Filing Application: **18 July 2006**

(24) Date from which industrial property rights may have effect: **18 July 2006**

(54) Product in respect of which the design is registered: **Rear door trim**

(51) International Design Classification: **12-16A, 12-16NES**

(71) Name(s) and Address(s) of Applicant(s):

**Perusahaan Otomobil Nasional SDN. BHD.
HICOM Industrial Estate Batu 3 40000 Shah Alam Selangor Darul
Ehsan Malaysia**

(72) Name(s) of Designer(s): **Anthony John Bushell**

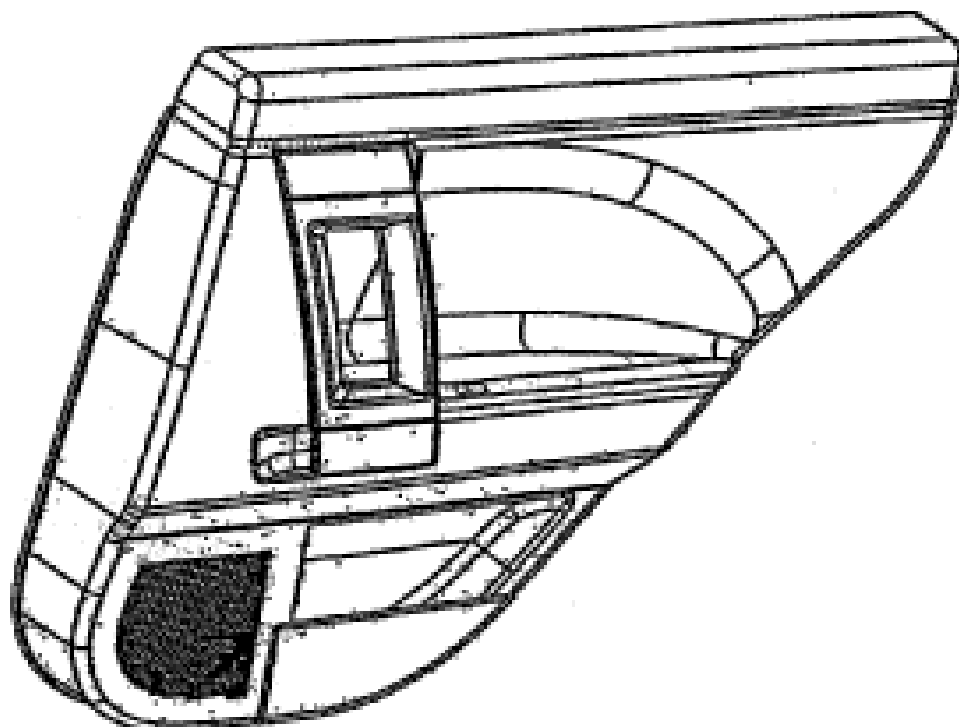
(45) Registration Date: **12 October 2006**

(30) Convention priority data:

(31) Number	(32) Date	(33) Country
06-00031	19 Jan 2006	MALAYSIA

(56) Related Art Documents: **Not Applicable**

(57) Statement of Newness and Distinctiveness: **The features of shape and configuration of the article as illustrated in the representation.**



(21) Design Number: **13060/2006**

(22) Date of Filing Application: **18 July 2006**

(24) Date from which industrial property rights may have effect: **18 July 2006**

(54) Product in respect of which the design is registered: **Steering wheel**

(51) International Design Classification: **12-16A**

(71) Name(s) and Address(s) of Applicant(s):

**Perusahaan Otomobil Nasional SDN. BHD.
HICOM Industrial Estate Batu 3 40000 Shah Alam Selangor Darul
Ehsan Malaysia**

(72) Name(s) of Designer(s): **Anthony John Bushell**

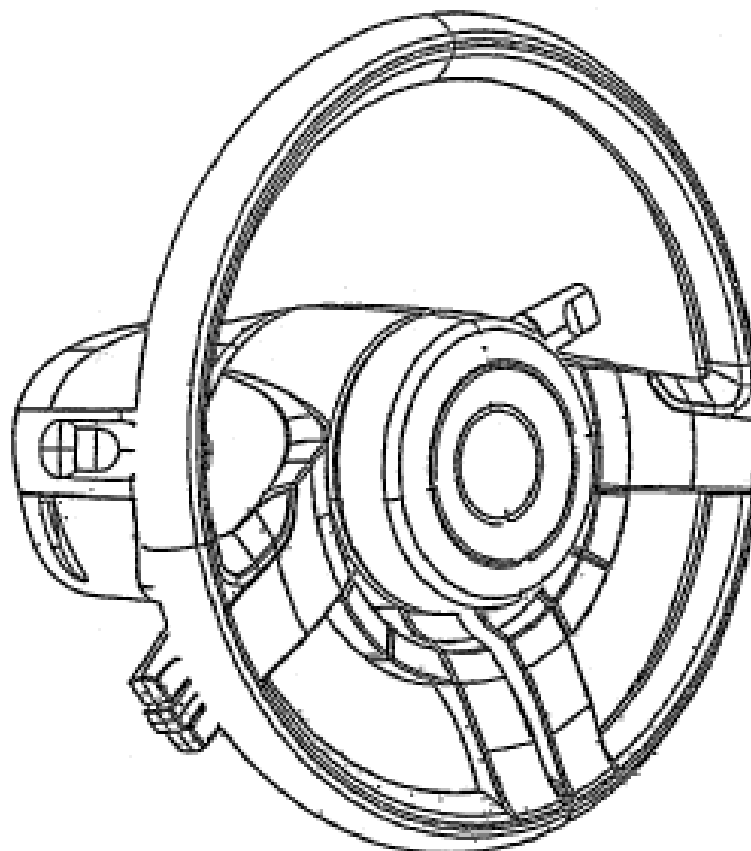
(45) Registration Date: **12 October 2006**

(30) Convention priority data:

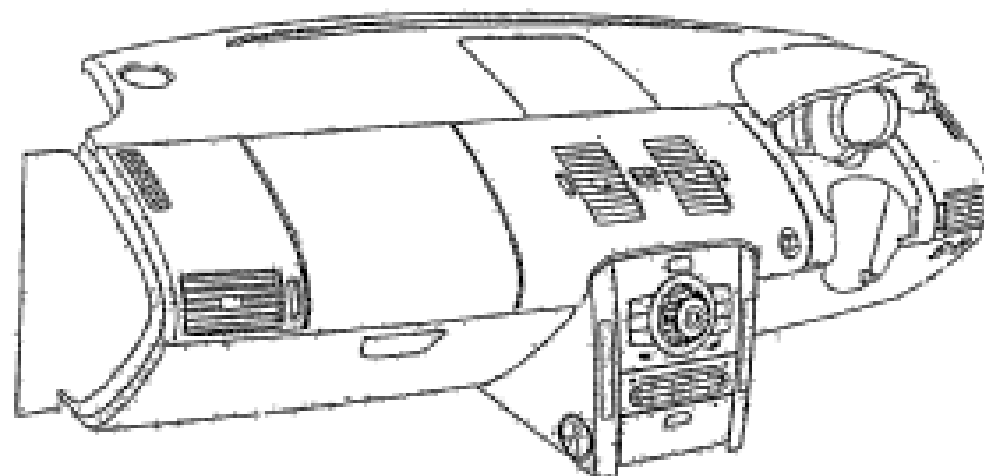
(31) Number	(32) Date	(33) Country
06-00031	19 Jan 2006	MALAYSIA

(56) Related Art Documents: **Not Applicable**

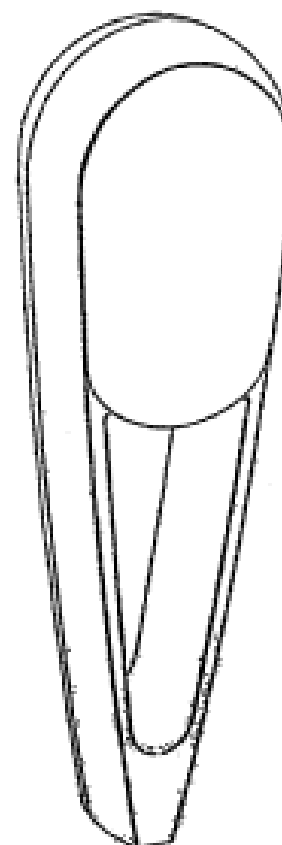
(57) Statement of Newness and Distinctiveness: **The features of shape and configuration of the article as illustrated in the representation.**



(21) Design Number: **13061/2006**
 (22) Date of Filing Application: **18 July 2006**
 (24) Date from which industrial property rights may have effect: **18 July 2006**
 (54) Product in respect of which the design is registered: **Dashboard**
 (51) International Design Classification: **12-16B, 12-16NES**
 (71) Name(s) and Address(s) of Applicant(s):
Perusahaan Otomobil Nasional SDN. BHD.
HICOM Industrial Estate Batu 3 40000 Shah Alam Selangor Darul
Ehsan Malaysia
 (72) Name(s) of Designer(s): **Anthony John Bushell**
 (45) Registration Date: **12 October 2006**
 (30) Convention priority data:
 (31) Number (32) Date (33) Country
06-00031 19 Jan 2006 MALAYSIA
 (56) Related Art Documents: **Not Applicable**
 (57) Statement of Newness and Distinctiveness: **The feature of shape and configuration of the article as illustrated in the representation.**



(21) Design Number: **13062/2006**
 (22) Date of Filing Application: **18 July 2006**
 (24) Date from which industrial property rights may have effect: **18 July 2006**
 (54) Product in respect of which the design is registered: **Gear knob**
 (51) International Design Classification: **12-16D, 12-16NES**
 (71) Name(s) and Address(s) of Applicant(s):
Perusahaan Otomobil Nasional SDN. BHD.
HICOM Industrial Estate Batu 3 40000 Shah Alam Selangor Darul
Ehsan Malaysia
 (72) Name(s) of Designer(s): **Anthony John Bushell**
 (45) Registration Date: **12 October 2006**
 (30) Convention priority data:
 (31) Number (32) Date (33) Country
06-00031 19 Jan 2006 MALAYSIA
 (56) Related Art Documents: **Not Applicable**
 (57) Statement of Newness and Distinctiveness: **The feature of shape and configuration of the article as illustrated in the representation.**



(21) Design Number: **13063/2006**

(22) Date of Filing Application: **18 July 2006**

(24) Date from which industrial property rights may have effect: **18 July 2006**

(54) Product in respect of which the design is registered: **Center console**

(51) International Design Classification: **12-16NES**

(71) Name(s) and Address(s) of Applicant(s):

**Perusahaan Otomobil Nasional SDN. BHD.
HICOM Industrial Estate Batu 3 40000 Shah Alam Selangor Darul
Ehsan Malaysia**

(72) Name(s) of Designer(s): **Anthony John Bushell**

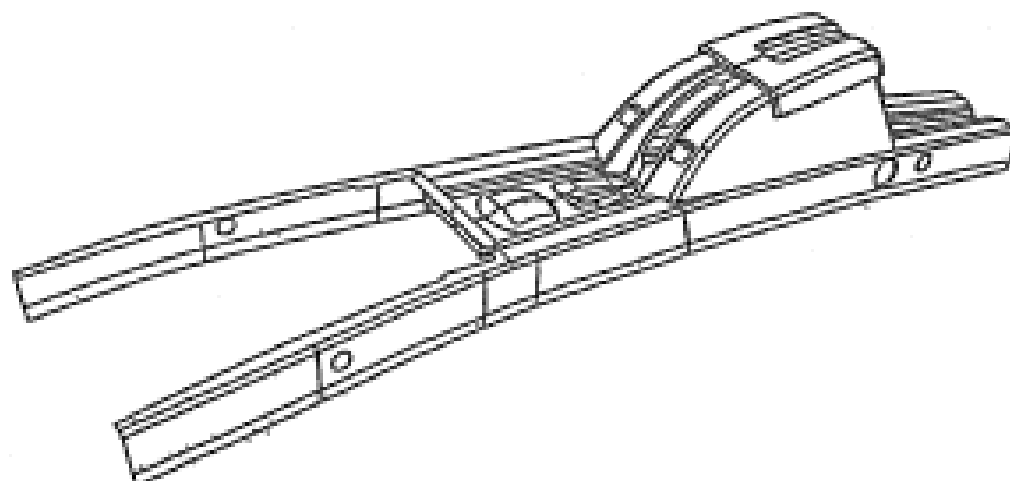
(45) Registration Date: **12 October 2006**

(30) Convention priority data:

(31) Number	(32) Date	(33) Country
06-00031	19 Jan 2006	MALAYSIA

(56) Related Art Documents: **Not Applicable**

(57) Statement of Newness and Distinctiveness: **The feature of shape and configuration of the article as illustrated in the representation.**



(21) Design Number: **13064/2006**

(22) Date of Filing Application: **18 July 2006**

(24) Date from which industrial property rights may have effect: **18 July 2006**

(54) Product in respect of which the design is registered: **Center seat**

(51) International Design Classification: **06-01D**

(71) Name(s) and Address(s) of Applicant(s):

**Perusahaan Otomobil Nasional SDN. BHD.
HICOM Industrial Estate Batu 3 40000 Shah Alam Selangor Darul
Ehsan Malaysia**

(72) Name(s) of Designer(s): **Anthony John Bushell**

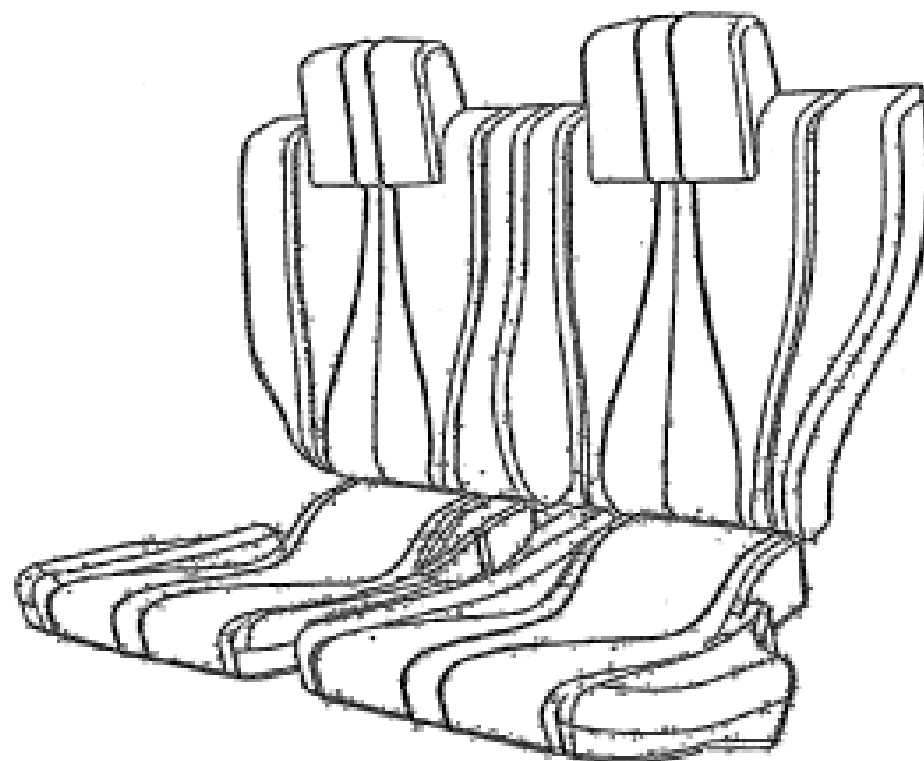
(45) Registration Date: **12 October 2006**

(30) Convention priority data:

(31) Number	(32) Date	(33) Country
06-00032	19 Jan 2006	MALAYSIA

(56) Related Art Documents: **Not Applicable**

(57) Statement of Newness and Distinctiveness: **The feature of shape and configuration of the article as illustrated in the representation.**



(21) Design Number: **13065/2006**

(22) Date of Filing Application: **18 July 2006**

(24) Date from which industrial property rights may have effect: **18 July 2006**

(54) Product in respect of which the design is registered: **Rear seat**

(51) International Design Classification: **06-01D**

(71) Name(s) and Address(s) of Applicant(s):

**Perusahaan Otomobil Nasional SDN. BHD.
HICOM Industrial Estate Batu 3 40000 Shah Alam Selangor Darul
Ehsan Malaysia**

(72) Name(s) of Designer(s): **Anthony John Bushell**

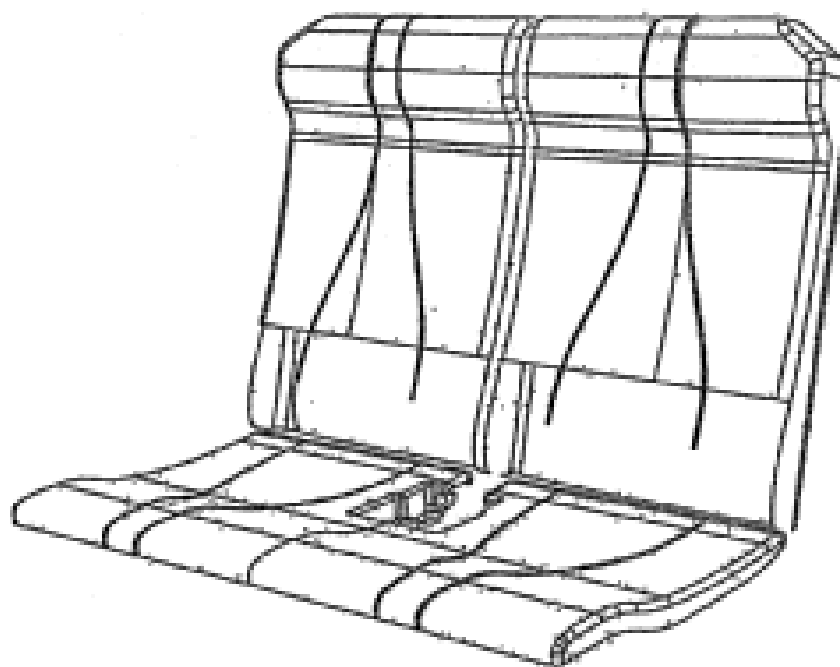
(45) Registration Date: **12 October 2006**

(30) Convention priority data:

(31) Number	(32) Date	(33) Country
06-00032	19 Jan 2006	MALAYSIA

(56) Related Art Documents: **Not Applicable**

(57) Statement of Newness and Distinctiveness: **The feature of shape and configuration of the article as illustrated in the representation.**



(21) Design Number: **13066/2006**

(22) Date of Filing Application: **18 July 2006**

(24) Date from which industrial property rights may have effect: **18 July 2006**

(54) Product in respect of which the design is registered: **Front seat**

(51) International Design Classification: **06-01D**

(71) Name(s) and Address(s) of Applicant(s):

**Perusahaan Otomobil Nasional SDN. BHD.
HICOM Industrial Estate Batu 3 40000 Shah Alam Selangor Darul
Ehsan Malaysia**

(72) Name(s) of Designer(s): **Anthony John Bushell**

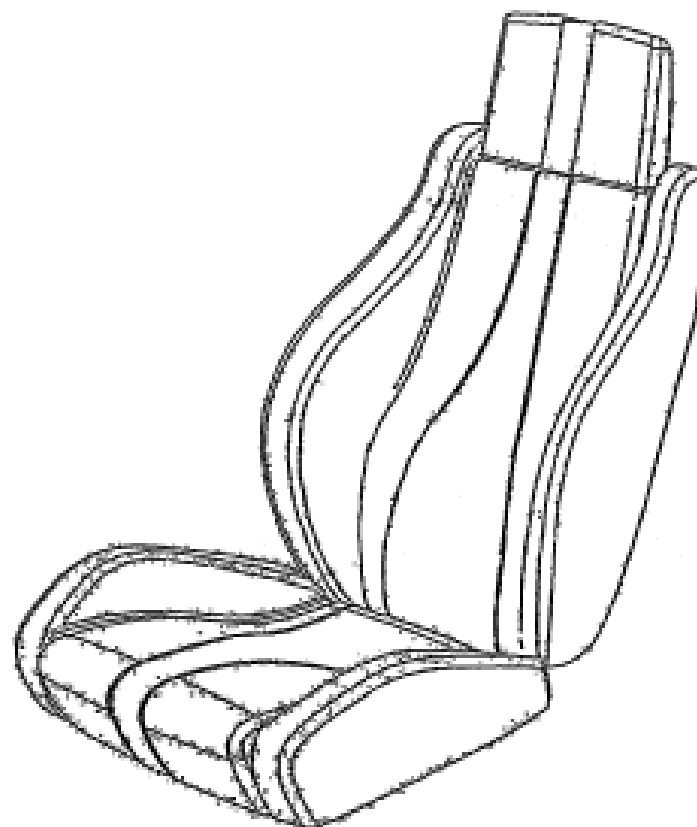
(45) Registration Date: **12 October 2006**

(30) Convention priority data:

(31) Number	(32) Date	(33) Country
06-00032	19 Jan 2006	MALAYSIA

(56) Related Art Documents: **Not Applicable**

(57) Statement of Newness and Distinctiveness: **The feature of shape and configuration of the article as illustrated in the representation.**



(21) Design Number: **13067/2006**

(22) Date of Filing Application: **18 July 2006**

(24) Date from which industrial property rights may have effect: **18 July 2006**

(54) Product in respect of which the design is registered: **Engine**

(51) International Design Classification: **15-01**

(71) Name(s) and Address(s) of Applicant(s):

**Perusahaan Otomobil Nasional SDN. BHD.
HICOM Industrial Estate Batu 3 40000 Shah Alam Selangor Darul
Ehsan Malaysia**

(72) Name(s) of Designer(s): **Anthony John Bushell**

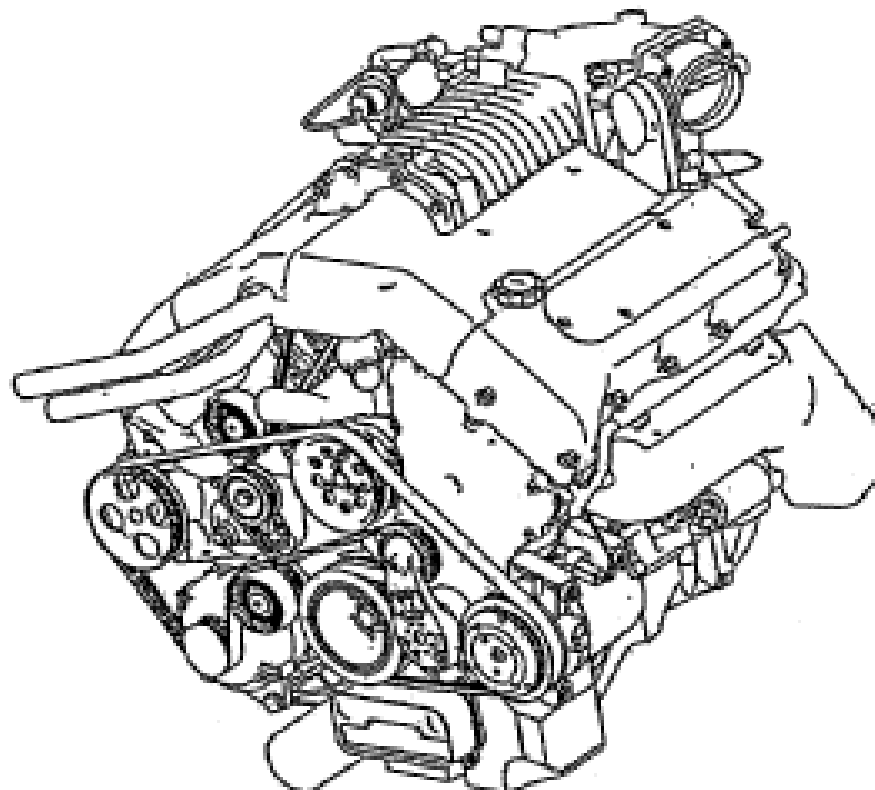
(45) Registration Date: **12 October 2006**

(30) Convention priority data:

(31) Number	(32) Date	(33) Country
06-00132	08 Mar 2006	MALAYSIA

(56) Related Art Documents: **Not Applicable**

(57) Statement of Newness and Distinctiveness: **The feature of shape and configuration of the article as illustrated in the representation.**



(21) Design Number: **13172/2006**

(22) Date of Filing Application: **24 July 2006**

(24) Date from which industrial property rights may have effect: **24 July 2006**

(54) Product in respect of which the design is registered: **A boat hook head**

(51) International Design Classification: **12-05, 12-06NES**

(71) Name(s) and Address(s) of Applicant(s):

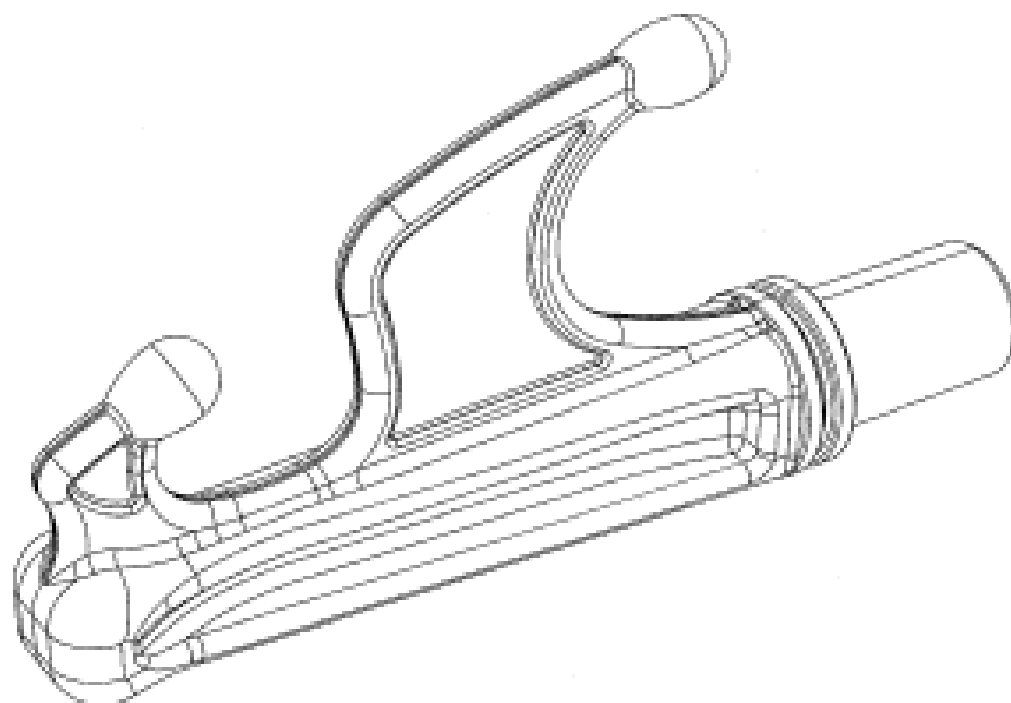
**Walter Peter Wright
103 Gibraltar Drive Isle of Capri Queensland 4217 Australia**

(72) Name(s) of Designer(s): **Walter Peter Wright**

(45) Registration Date: **12 October 2006**

(56) Related Art Documents: **Not Applicable**

(57) Statement of Newness and Distinctiveness: **Nil.**



(21) Design Number: **13525/2006**

(22) Date of Filing Application: **11 August 2006**

(24) Date from which industrial property rights may have effect: **11 August 2006**

(54) Product in respect of which the design is registered: **Lighting assembly**

(51) International Design Classification: **26-05A**

(71) Name(s) and Address(s) of Applicant(s):

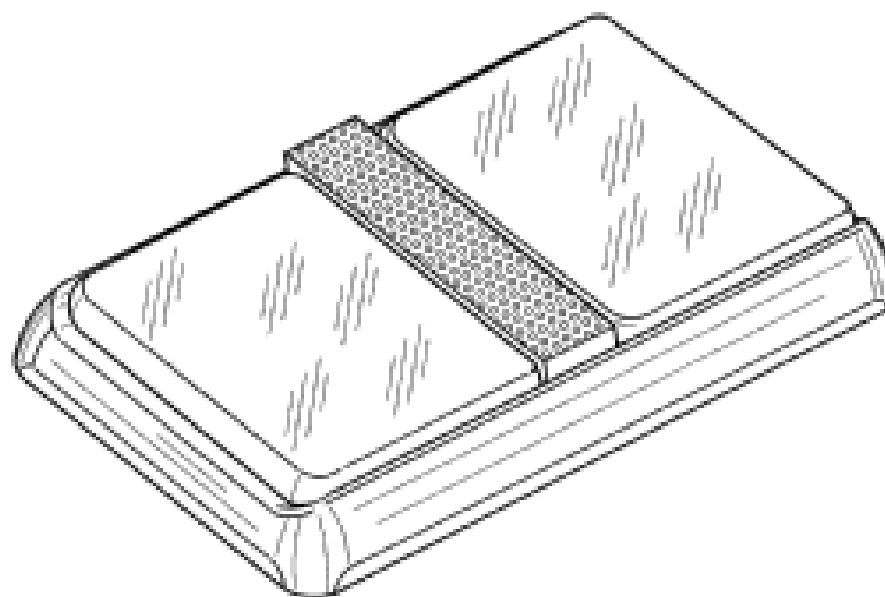
**LED Technologies Pty Ltd
Factory 1 10 Brand Drive Thomastown Victoria 3074 Australia**

(72) Name(s) of Designer(s): **Tony Ottobre**

(45) Registration Date: **12 October 2006**

(56) Related Art Documents: **Not Applicable**

(57) Statement of Newness and Distinctiveness: **The features of shape and configuration of the lighting assembly as shown in the representations accompanying this application are new and distinctive. The newness and distinctiveness of the lighting assembly resides in the combination of lenses and reflector panel or panels. In determining the newness and distinctiveness of the visual features of shape and configuration and the monopoly of the design, the exact form of the pattern and ornamentation of the shading applied to the surface of the reflector panel or panels of the lighting assembly are to be disregarded since the shading is merely one example of shading used to convey that the reflector panel or panels have a different reflectance of light than do the lenses.**



(21) Design Number: **13526/2006**

(22) Date of Filing Application: **11 August 2006**

(24) Date from which industrial property rights may have effect: **11 August 2006**

(54) Product in respect of which the design is registered: **Lighting assembly**

(51) International Design Classification: **26-05A**

(71) Name(s) and Address(s) of Applicant(s):

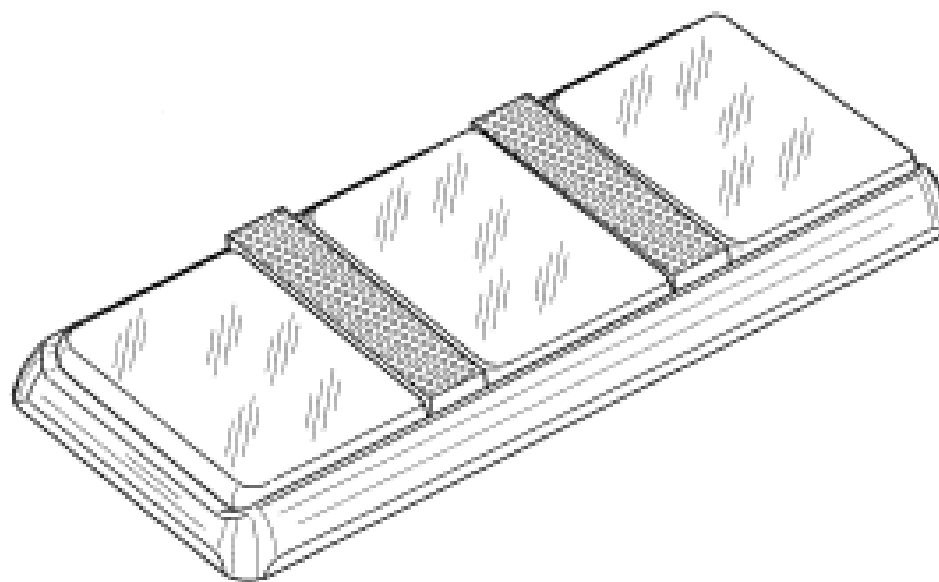
**LED Technologies Pty Ltd
Factory 1 10 Brand Drive Thomastown Victoria 3074 Australia**

(72) Name(s) of Designer(s): **Tony Ottobre**

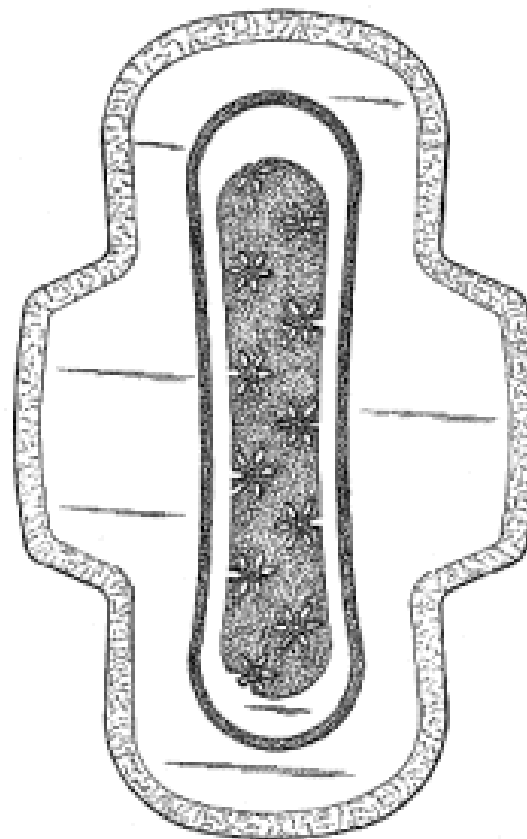
(45) Registration Date: **12 October 2006**

(56) Related Art Documents: **Not Applicable**

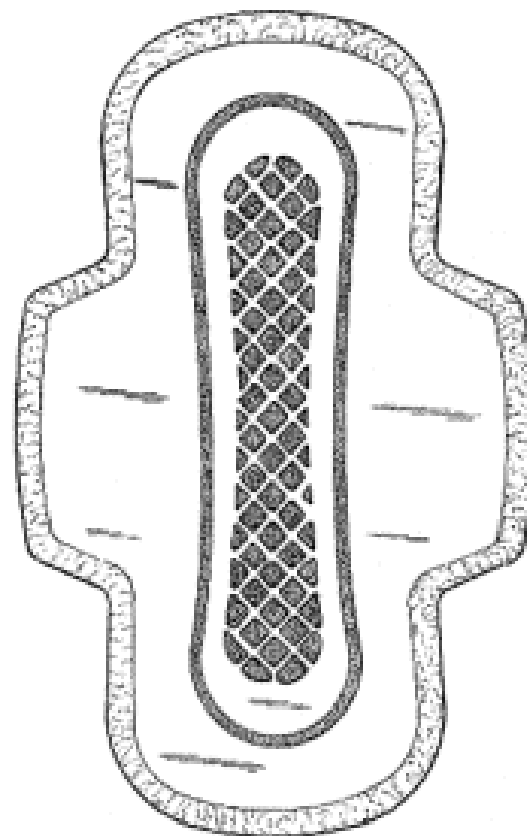
(57) Statement of Newness and Distinctiveness: **The features of shape and configuration of the lighting assembly as shown in the representations accompanying this application are new and distinctive. The newness and distinctiveness of the lighting assembly resides in the combination of lenses and reflector panel or panels. In determining the newness and distinctiveness of the visual features of shape and configuration and the monopoly of the design, the exact form of the pattern and ornamentation of the shading applied to the surface of the reflector panel or panels of the lighting assembly are to be disregarded since the shading is merely one example of shading used to convey that the reflector panel or panels have a different reflectance of light than do the lenses.**



(21) Design Number: **13527/2006**
(22) Date of Filing Application: **11 August 2006**
(24) Date from which industrial property rights may have effect: **11 August 2006**
(54) Product in respect of which the design is registered: **Sanitary napkin**
(51) International Design Classification: **24-04**
(71) Name(s) and Address(s) of Applicant(s):
McNeil-PPC, Inc.
199 Grandview Road Skillman New Jersey 08558 United States of America
(72) Name(s) of Designer(s): **David Gubernick and Peter W. Jackson**
(45) Registration Date: **12 October 2006**
(30) Convention priority data:
(31) Number (32) Date (33) Country
29/253785 13 Feb 2006 UNITED STATES OF AMERICA
(56) Related Art Documents: **Not Applicable**
(57) Statement of Newness and Distinctiveness: **Nil**



(21) Design Number: **13528/2006**
(22) Date of Filing Application: **11 August 2006**
(24) Date from which industrial property rights may have effect: **11 August 2006**
(54) Product in respect of which the design is registered: **Sanitary napkin**
(51) International Design Classification: **24-04**
(71) Name(s) and Address(s) of Applicant(s):
McNeil-PPC, Inc.
199 Grandview Road Skillman New Jersey 08558 United States of America
(72) Name(s) of Designer(s): **David Gubernick and Peter W. Jackson**
(45) Registration Date: **12 October 2006**
(30) Convention priority data:
(31) Number (32) Date (33) Country
29/253786 13 Feb 2006 UNITED STATES OF AMERICA
(56) Related Art Documents: **Not Applicable**
(57) Statement of Newness and Distinctiveness: **Nil**



(21) Design Number: **13529/2006**

(22) Date of Filing Application: **11 August 2006**

(24) Date from which industrial property rights may have effect: **11 August 2006**

(54) Product in respect of which the design is registered: **Sanitary napkin**

(51) International Design Classification: **24-04**

(71) Name(s) and Address(s) of Applicant(s):

McNeil-PPC, Inc.
199 Grandview Road Skillman New Jersey 08558 United States of America

(72) Name(s) of Designer(s): **David Gubernick and Peter W. Jackson**

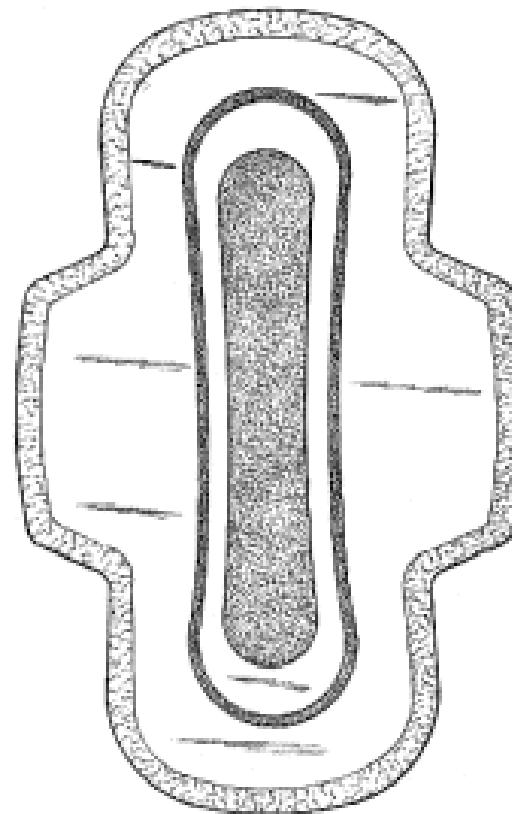
(45) Registration Date: **12 October 2006**

(30) Convention priority data:

(31) Number	(32) Date	(33) Country
29/253787	13 Feb 2006	UNITED STATES OF AMERICA

(56) Related Art Documents: **Not Applicable**

(57) Statement of Newness and Distinctiveness: **Nil**



(21) Design Number: **13530/2006**

(22) Date of Filing Application: **11 August 2006**

(24) Date from which industrial property rights may have effect: **11 August 2006**

(54) Product in respect of which the design is registered: **Tapping massager**

(51) International Design Classification: **28-03NES**

(71) Name(s) and Address(s) of Applicant(s):

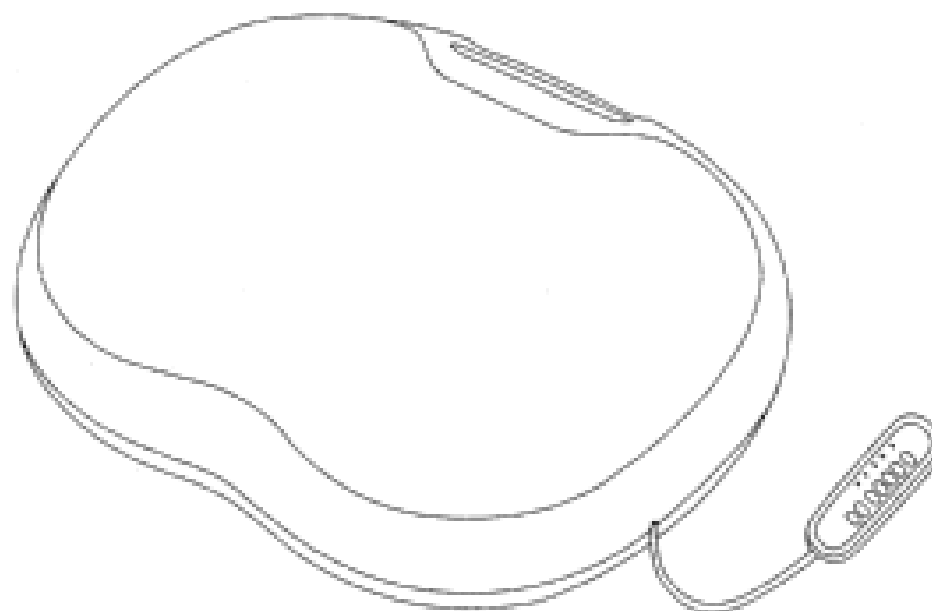
OSIM International Ltd
65 Ubi Avenue 1 OSIM Headquarters Singapore 408939

(72) Name(s) of Designer(s): **Elwyn Ng Kwang Ling**

(45) Registration Date: **12 October 2006**

(56) Related Art Documents: **Not Applicable**

(57) Statement of Newness and Distinctiveness: **Monopoly is claimed in the shape and configuration of the features of the article as depicted in the accompanying representations.**



(21) Design Number: **13532/2006**

(22) Date of Filing Application: **11 August 2006**

(24) Date from which industrial property rights may have effect: **11 August 2006**

(54) Product in respect of which the design is registered: **Bird puzzle having interlocking pieces**

(51) International Design Classification: **21-01M**

(71) Name(s) and Address(s) of Applicant(s):

Torrskog Pty Ltd
14 Inchcape Street Fairfield Queensland 4103 Australia

(72) Name(s) of Designer(s): **Joseph Patrick Finn**

(45) Registration Date: **12 October 2006**

(56) Related Art Documents: **Not Applicable**

(57) Statement of Newness and Distinctiveness: **Newness and distinctiveness resides in the shape or configuration of the bird puzzle and its individual interlocking pieces as shown in the accompanying representations. When interpreting the scope of protection, the board containing the puzzle pieces is to be disregarded.**



(21) Design Number: **13628/2006**

(22) Date of Filing Application: **16 August 2006**

(24) Date from which industrial property rights may have effect: **16 August 2006**

(54) Product in respect of which the design is registered: **Shelf**

(51) International Design Classification: **06-04NES**

(71) Name(s) and Address(s) of Applicant(s):

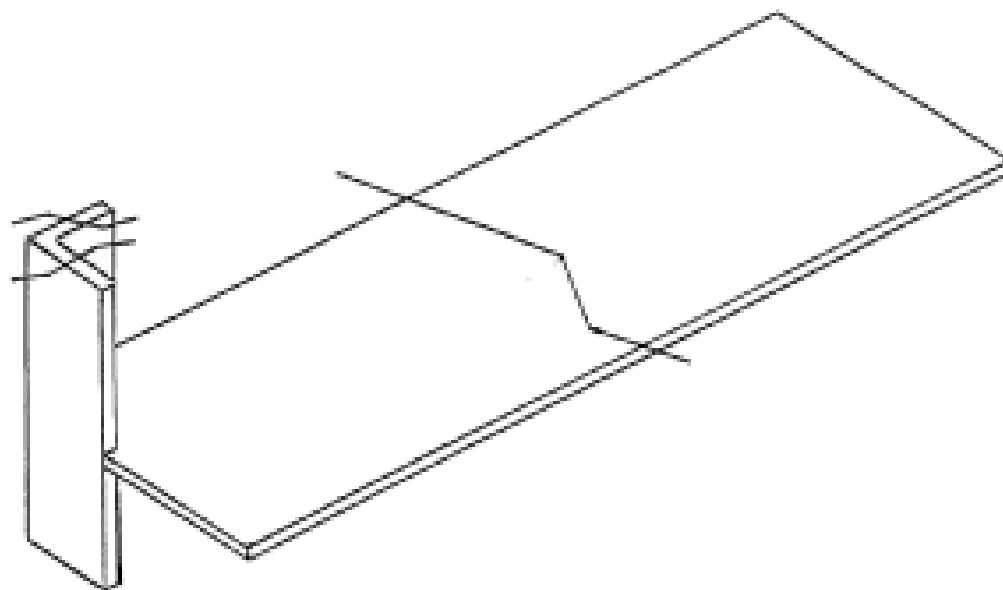
Geoffrey Francis Keating
7 Bacon Place Beechboro Western Australia 6063 Australia

(72) Name(s) of Designer(s): **Geoffrey Francis Keating**

(45) Registration Date: **12 October 2006**

(56) Related Art Documents: **Not Applicable**

(57) Statement of Newness and Distinctiveness: **Newness and distinctiveness is claimed in the features of shape and/or configuration of a "shelf" as illustrated in the accompanying representations.**



(21) Design Number: **13833/2006**

(22) Date of Filing Application: **28 August 2006**

(24) Date from which industrial property rights may have effect: **28 August 2006**

(54) Product in respect of which the design is registered: **Hinged milking bail gate**

(51) International Design Classification: **25-02C**

(71) Name(s) and Address(s) of Applicant(s):

**Keith Gordon Arkle Holmes
RD5 Morrinsville New Zealand**

(72) Name(s) of Designer(s): **Keith Gordon Arkle Holmes**

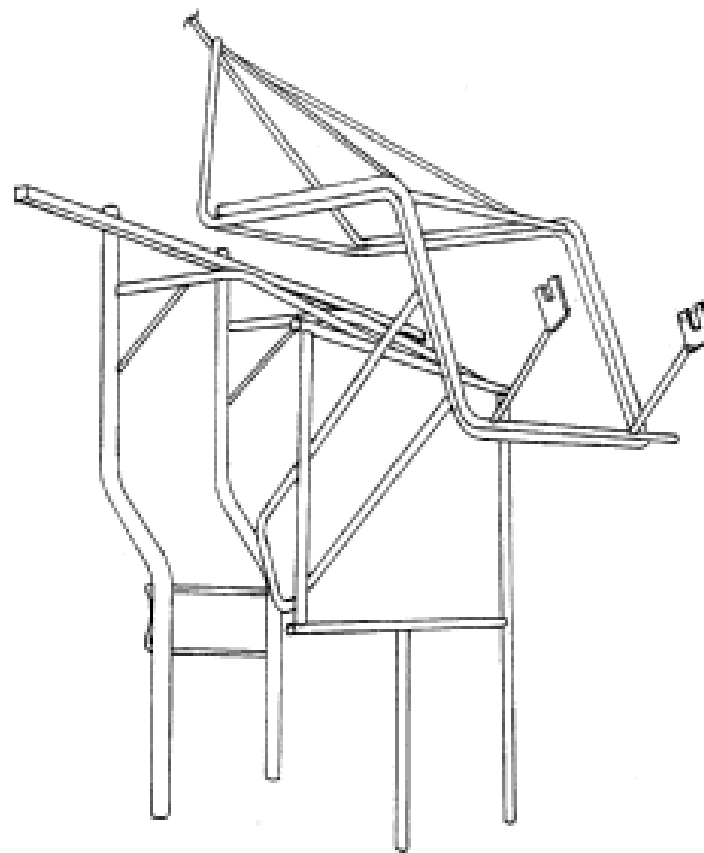
(45) Registration Date: **12 October 2006**

(30) Convention priority data:

(31) Number	(32) Date	(33) Country
407168	28 Feb 2006	NEW ZEALAND

(56) Related Art Documents: **Not Applicable**

(57) Statement of Newness and Distinctiveness: **Newness and distinctiveness are claimed in the features of shape and/or configuration of a hinged milking bail gate, as illustrated in the accompanying representations.**



(21) Design Number: **13870/2006**

(22) Date of Filing Application: **28 August 2006**

(24) Date from which industrial property rights may have effect: **28 August 2006**

(54) Product in respect of which the design is registered: **Cylinder cam for a lock**

(51) International Design Classification: **08-07**

(71) Name(s) and Address(s) of Applicant(s):

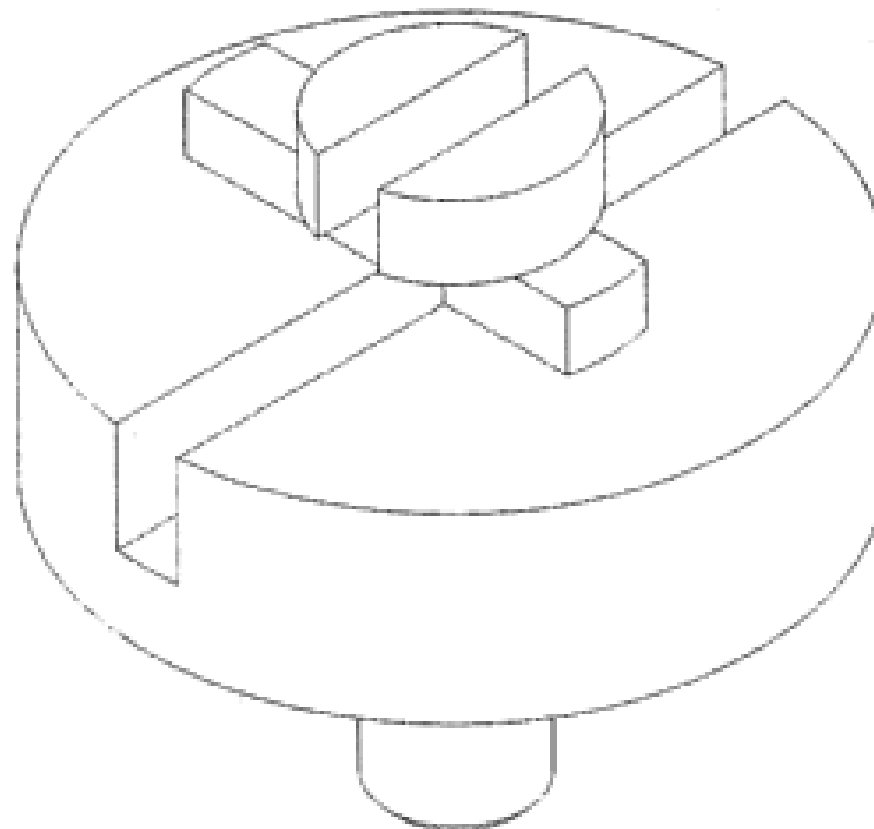
**K.J. Ross Security Locks Pty. Ltd.
29 Henderson Road Knoxfield Victoria 3180 Australia**

(72) Name(s) of Designer(s): **Geoff Ross**

(45) Registration Date: **12 October 2006**

(56) Related Art Documents: **Not Applicable**

(57) Statement of Newness and Distinctiveness: **Nil**



(21) Design Number: **13876/2006**

(22) Date of Filing Application: **29 August 2006**

(24) Date from which industrial property rights may have effect: **29 August 2006**

(54) Product in respect of which the design is registered: **Electrical connector**

(51) International Design Classification: **13-03B**

(71) Name(s) and Address(s) of Applicant(s):

Modulek Pty Ltd

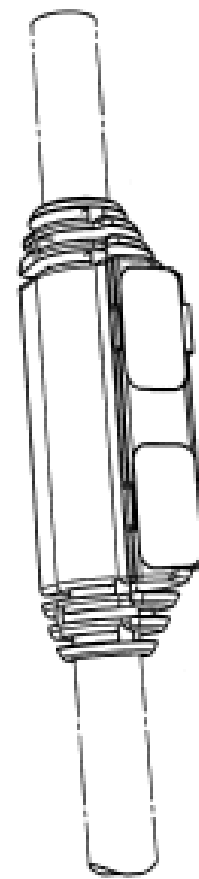
28 Mellor Avenue Lockleys South Australia 5032 Australia

(72) Name(s) of Designer(s): **Mark Fahey**

(45) Registration Date: **12 October 2006**

(56) Related Art Documents: **Not Applicable**

(57) Statement of Newness and Distinctiveness: **Nil**



(21) Design Number: **13878/2006**

(22) Date of Filing Application: **29 August 2006**

(24) Date from which industrial property rights may have effect: **29 August 2006**

(54) Product in respect of which the design is registered: **Tagine**

(51) International Design Classification: **07-01B, 07-02N**

(71) Name(s) and Address(s) of Applicant(s):

Emile Henry

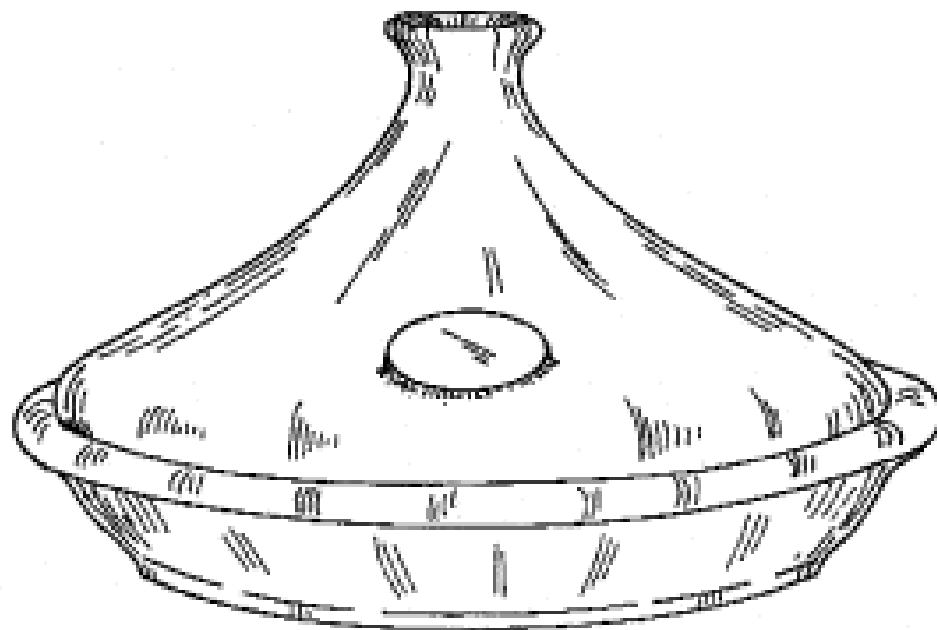
13 rue Georges de Vichy Marcigny 71110 France

(72) Name(s) of Designer(s): **Jacques Henry**

(45) Registration Date: **12 October 2006**

(56) Related Art Documents: **Not Applicable**

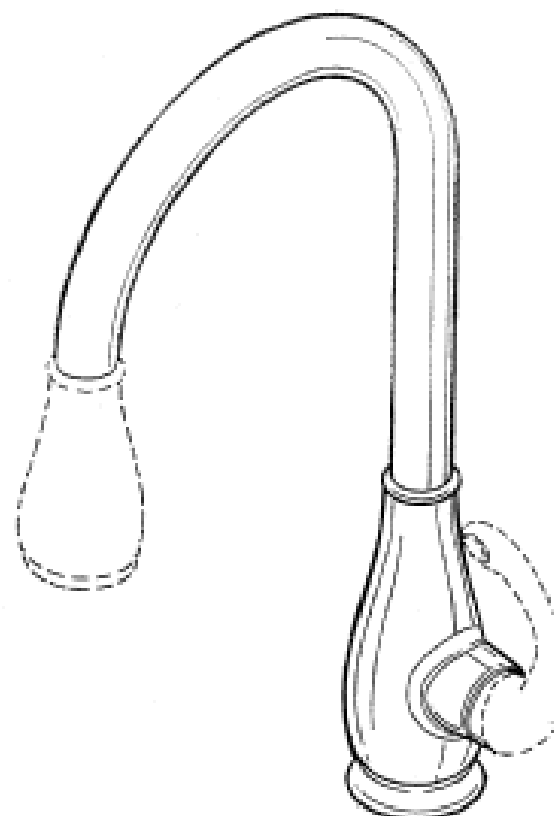
(57) Statement of Newness and Distinctiveness: **Nil**



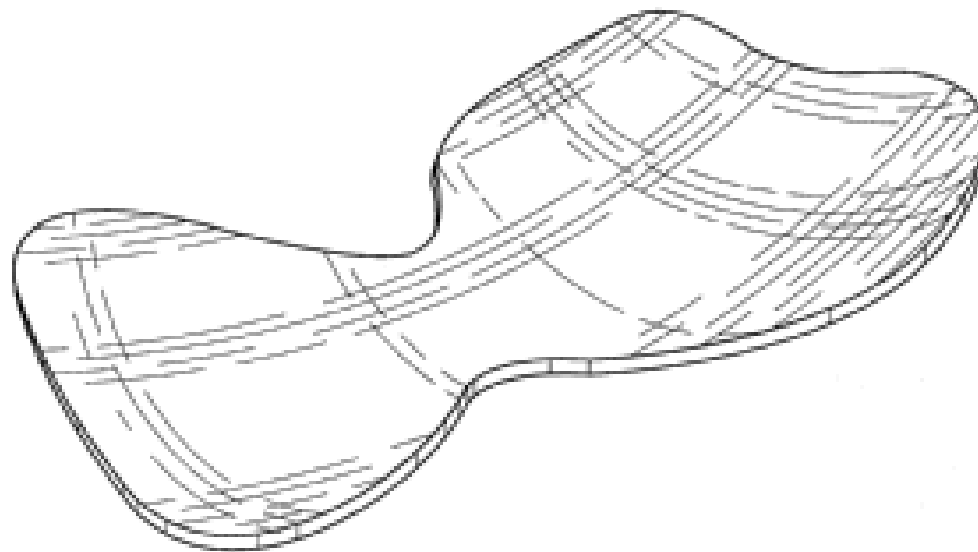
- (21) Design Number: **13879/2006**
(22) Date of Filing Application: **28 August 2006**
(24) Date from which industrial property rights may have effect: **28 August 2006**
(54) Product in respect of which the design is registered: **A handle**
(51) International Design Classification: **08-06**
(71) Name(s) and Address(s) of Applicant(s):
Newfrey LLC
1207 Drummond Plaza Newark Delaware 19711 United States of America
(72) Name(s) of Designer(s): **Bryan Soriano and Angie Kosasih and Jason D. Veltz**
(45) Registration Date: **12 October 2006**
(30) Convention priority data:
(31) Number (32) Date (33) Country
29254662 27 Feb 2006 UNITED STATES OF AMERICA
(56) Related Art Documents: **Not Applicable**
(57) Statement of Newness and Distinctiveness: **Nil**



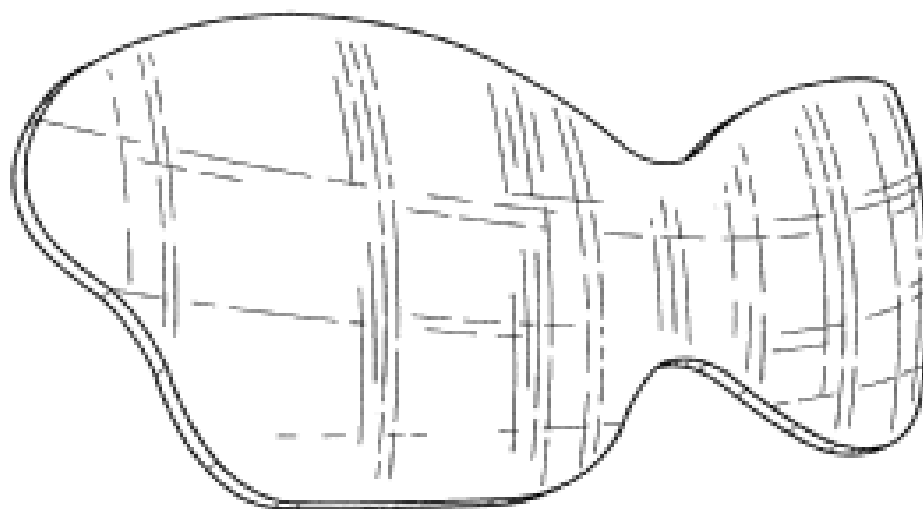
- (21) Design Number: **13880/2006**
(22) Date of Filing Application: **28 August 2006**
(24) Date from which industrial property rights may have effect: **28 August 2006**
(54) Product in respect of which the design is registered: **A tap**
(51) International Design Classification: **23-01H**
(71) Name(s) and Address(s) of Applicant(s):
Newfrey LLC
1207 Drummond Plaza Newark Delaware 19711 United States of America
(72) Name(s) of Designer(s): **Aaron Hanna**
(45) Registration Date: **12 October 2006**
(30) Convention priority data:
(31) Number (32) Date (33) Country
29254661 27 Feb 2006 UNITED STATES OF AMERICA
(56) Related Art Documents: **Not Applicable**
(57) Statement of Newness and Distinctiveness: **Newness and distinctiveness is claimed in the visual features shown in solid lines in the representations.**



- (21) Design Number: **13908/2006**
- (22) Date of Filing Application: **30 August 2006**
- (24) Date from which industrial property rights may have effect: **30 August 2006**
- (54) Product in respect of which the design is registered: **Oral protection device**
- (51) International Design Classification: **24-01, 29-02, 29-99**
- (71) Name(s) and Address(s) of Applicant(s):
Barbara Louise Lerpiniere
29 Wantirna Road Ringwood Victoria 3134 Australia
- (72) Name(s) of Designer(s): **Barbara Louise Lerpiniere**
- (45) Registration Date: **12 October 2006**
- (56) Related Art Documents: **Not Applicable**
- (57) Statement of Newness and Distinctiveness: **Nil**



- (21) Design Number: **13909/2006**
- (22) Date of Filing Application: **30 August 2006**
- (24) Date from which industrial property rights may have effect: **30 August 2006**
- (54) Product in respect of which the design is registered: **Oral protection device**
- (51) International Design Classification: **24-01, 29-02, 29-99**
- (71) Name(s) and Address(s) of Applicant(s):
Barbara Louise Lerpiniere
29 Wantirna Road Ringwood Victoria 3134 Australia
- (72) Name(s) of Designer(s): **Barbara Louise Lerpiniere**
- (45) Registration Date: **12 October 2006**
- (56) Related Art Documents: **Not Applicable**
- (57) Statement of Newness and Distinctiveness: **Nil**



(21) Design Number: **11627/2006**

(22) Date of Filing Application: **20 April 2006**

(24) Date from which industrial property rights may have effect: **20 April 2006**

(54) Product in respect of which the design is registered: **Container**

(51) International Design Classification: **09-01K, 09-01C**

(71) Name(s) and Address(s) of Applicant(s):

**Australian Honey Exports Pty Ltd
40A Beecroft Road Beecroft New South Wales 2119 Australia**

(72) Name(s) of Designer(s): **Rod Yates**

(45) Registration Date: **16 October 2006**

(56) Related Art Documents: **Not Applicable**

(57) Statement of Newness and Distinctiveness: **Newness and distinctiveness reside in the features of the design as shown in the representations.**



(21) Design Number: **11914/2006**

(22) Date of Filing Application: **04 May 2006**

(24) Date from which industrial property rights may have effect: **04 May 2006**

(54) Product in respect of which the design is registered: **Vehicle wheel cover**

(51) International Design Classification: **12-16A**

(71) Name(s) and Address(s) of Applicant(s):

**GM Holden Ltd
241 Salmon Street Port Melbourne Victoria 3207 Australia**

(72) Name(s) of Designer(s): **Martin Richard Love**

(45) Registration Date: **16 October 2006**

(56) Related Art Documents: **Not Applicable**

(57) Statement of Newness and Distinctiveness: **Newness and distinctiveness is claimed in the shape and/or configuration of a vehicle wheel cover as shown in the representations.**



- (21) Design Number: **11918/2006**
(22) Date of Filing Application: **04 May 2006**
(24) Date from which industrial property rights may have effect: **04 May 2006**
(54) Product in respect of which the design is registered: **Vehicle spoiler**
(51) International Design Classification: **12-16B**
(71) Name(s) and Address(s) of Applicant(s):
GM Holden Ltd
241 Salmon Street Port Melbourne Victoria 3207 Australia
(72) Name(s) of Designer(s): **Martin Richard Love**
(45) Registration Date: **16 October 2006**
(56) Related Art Documents: **Not Applicable**
(57) Statement of Newness and Distinctiveness: **Newness and distinctiveness is claimed in the shape and/or configuration of a vehicle spoiler as shown in the representations.**



- (21) Design Number: **11923/2006**
(22) Date of Filing Application: **04 May 2006**
(24) Date from which industrial property rights may have effect: **04 May 2006**
(54) Product in respect of which the design is registered: **Left-and right-side vehicle lamp housings**
(51) International Design Classification: **12-16E**
(71) Name(s) and Address(s) of Applicant(s):
GM Holden Ltd
241 Salmon Street Port Melbourne Victoria 3207 Australia
(72) Name(s) of Designer(s): **Justin James Thompson**
(45) Registration Date: **16 October 2006**
(56) Related Art Documents: **Not Applicable**
(57) Statement of Newness and Distinctiveness: **Newness and distinctiveness is claimed in the shape and/or configuration of a left-and right-side vehicle lamp housings as shown in the representations.**



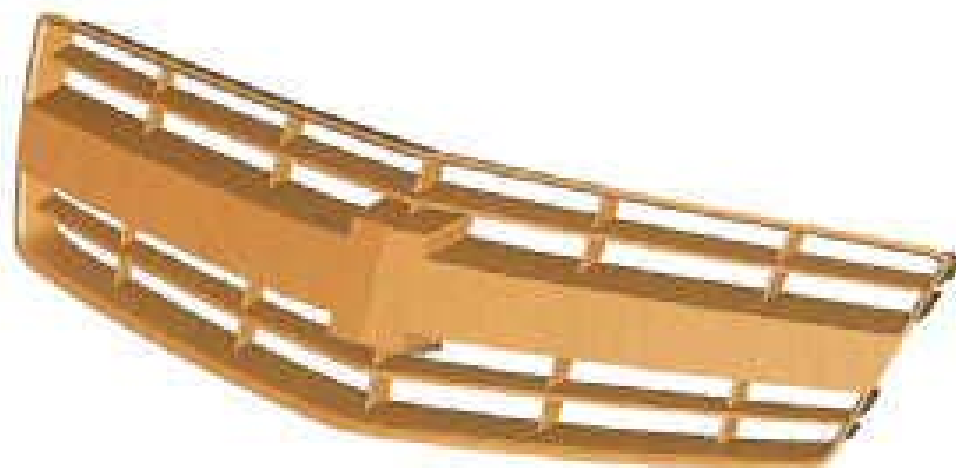
- (21) Design Number: **11924/2006**
(22) Date of Filing Application: **04 May 2006**
(24) Date from which industrial property rights may have effect: **04 May 2006**
(54) Product in respect of which the design is registered: **Left-and right-side vehicle lamp lenses**
(51) International Design Classification: **12-16E, 26-06**
(71) Name(s) and Address(s) of Applicant(s):
GM Holden Ltd
241 Salmon Street Port Melbourne Victoria 3207 Australia
(72) Name(s) of Designer(s): **Justin James Thompson**
(45) Registration Date: **16 October 2006**
(56) Related Art Documents: **Not Applicable**
(57) Statement of Newness and Distinctiveness: **Newness and distinctiveness is claimed in the shape and/or configuration of a left-and right-side vehicle lamp lenses as shown in the representations.**



- (21) Design Number: **11928/2006**
(22) Date of Filing Application: **04 May 2006**
(24) Date from which industrial property rights may have effect: **04 May 2006**
(54) Product in respect of which the design is registered: **Vehicle grille**
(51) International Design Classification: **12-16B**
(71) Name(s) and Address(s) of Applicant(s):
GM Holden Ltd
241 Salmon Street Port Melbourne Victoria 3207 Australia
(72) Name(s) of Designer(s): **Martin Richard Love**
(45) Registration Date: **16 October 2006**
(56) Related Art Documents: **Not Applicable**
(57) Statement of Newness and Distinctiveness: **Newness and distinctiveness is claimed in the shape and/or configuration of a vehicle grille as shown in the representations.**



- (21) Design Number: **11929/2006**
(22) Date of Filing Application: **04 May 2006**
(24) Date from which industrial property rights may have effect: **04 May 2006**
(54) Product in respect of which the design is registered: **Vehicle grille**
(51) International Design Classification: **12-16B**
(71) Name(s) and Address(s) of Applicant(s):
GM Holden Ltd
241 Salmon Street Port Melbourne Victoria 3207 Australia
(72) Name(s) of Designer(s): **Martin Richard Love**
(45) Registration Date: **16 October 2006**
(56) Related Art Documents: **Not Applicable**
(57) Statement of Newness and Distinctiveness: **Newness and distinctiveness is claimed in the shape and/or configuration of a vehicle grille as shown in the representations.**



- (21) Design Number: **11930/2006**
(22) Date of Filing Application: **04 May 2006**
(24) Date from which industrial property rights may have effect: **04 May 2006**
(54) Product in respect of which the design is registered: **Vehicle grille escutcheon**
(51) International Design Classification: **12-16B**
(71) Name(s) and Address(s) of Applicant(s):
GM Holden Ltd
241 Salmon Street Port Melbourne Victoria 3207 Australia
(72) Name(s) of Designer(s): **Martin Richard Love**
(45) Registration Date: **16 October 2006**
(56) Related Art Documents: **Not Applicable**
(57) Statement of Newness and Distinctiveness: **Newness and distinctiveness is claimed in the shape and/or configuration of a vehicle grille escutcheon as shown in the representations.**



(21) Design Number: **11931/2006**

(22) Date of Filing Application: **04 May 2006**

(24) Date from which industrial property rights may have effect: **04 May 2006**

(54) Product in respect of which the design is registered: **Vehicle grille escutcheon**

(51) International Design Classification: **12-16B**

(71) Name(s) and Address(s) of Applicant(s):

GM Holden Ltd

241 Salmon Street Port Melbourne Victoria 3207 Australia

(72) Name(s) of Designer(s): **Martin Richard Love**

(45) Registration Date: **16 October 2006**

(56) Related Art Documents: **Not Applicable**

(57) Statement of Newness and Distinctiveness: **Newness and distinctiveness is claimed in the shape and/or configuration of a vehicle grille escutcheon as shown in the representations.**



(21) Design Number: **11932/2006**

(22) Date of Filing Application: **04 May 2006**

(24) Date from which industrial property rights may have effect: **04 May 2006**

(54) Product in respect of which the design is registered: **Vehicle fascia**

(51) International Design Classification: **12-16B, 12-16C**

(71) Name(s) and Address(s) of Applicant(s):

GM Holden Ltd

241 Salmon Street Port Melbourne Victoria 3207 Australia

(72) Name(s) of Designer(s): **Martin Richard Love**

(45) Registration Date: **16 October 2006**

(56) Related Art Documents: **Not Applicable**

(57) Statement of Newness and Distinctiveness: **Newness and distinctiveness is claimed in the shape and/or configuration of a vehicle fascia as shown in the representations.**



- (21) Design Number: **11933/2006**
(22) Date of Filing Application: **04 May 2006**
(24) Date from which industrial property rights may have effect: **04 May 2006**
(54) Product in respect of which the design is registered: **Vehicle fascia**
(51) International Design Classification: **12-16B, 12-16C**
(71) Name(s) and Address(s) of Applicant(s):
GM Holden Ltd
241 Salmon Street Port Melbourne Victoria 3207 Australia
(72) Name(s) of Designer(s): **Martin Richard Love**
(45) Registration Date: **16 October 2006**
(56) Related Art Documents: **Not Applicable**
(57) Statement of Newness and Distinctiveness: **Newness and distinctiveness is claimed in the shape and/or configuration of a vehicle fascia as shown in the representations.**



- (21) Design Number: **11935/2006**
(22) Date of Filing Application: **04 May 2006**
(24) Date from which industrial property rights may have effect: **04 May 2006**
(54) Product in respect of which the design is registered: **Vehicle towbar cutout cover**
(51) International Design Classification: **12-16B**
(71) Name(s) and Address(s) of Applicant(s):
GM Holden Ltd
241 Salmon Street Port Melbourne Victoria 3207 Australia
(72) Name(s) of Designer(s): **Martin Richard Love**
(45) Registration Date: **16 October 2006**
(56) Related Art Documents: **Not Applicable**
(57) Statement of Newness and Distinctiveness: **Newness and distinctiveness is claimed in the shape and/or configuration of a vehicle towbar cutout cover as shown in the representations.**



- (21) Design Number: **11936/2006**
(22) Date of Filing Application: **04 May 2006**
(24) Date from which industrial property rights may have effect: **04 May 2006**
(54) Product in respect of which the design is registered: **Vehicle towbar cutout cover**
(51) International Design Classification: **12-16B**
(71) Name(s) and Address(s) of Applicant(s):
GM Holden Ltd
241 Salmon Street Port Melbourne Victoria 3207 Australia
(72) Name(s) of Designer(s): **Martin Richard Love**
(45) Registration Date: **16 October 2006**
(56) Related Art Documents: **Not Applicable**
(57) Statement of Newness and Distinctiveness: **Newness and distinctiveness is claimed in the shape and/or configuration of a vehicle towbar cutout cover as shown in the representations.**



- (21) Design Number: **13670/2006**
(22) Date of Filing Application: **17 August 2006**
(24) Date from which industrial property rights may have effect: **17 August 2006**
(54) Product in respect of which the design is registered: **Eyeglasses**
(51) International Design Classification: **16-06**
(71) Name(s) and Address(s) of Applicant(s):
Silhouette International Schmied AG
Eilbognerstrasse 24 4021 Linz Austria
(72) Name(s) of Designer(s): **Sonja Serlenga**
(45) Registration Date: **16 October 2006**
(30) Convention priority data:

(31) Number	(32) Date	(33) Country
000558275-0001	10 Jul 2006	EUROPEAN COMMUNITY

(56) Related Art Documents: **Not Applicable**
(57) Statement of Newness and Distinctiveness: **Nil**



(21) Design Number: **13671/2006**
(22) Date of Filing Application: **17 August 2006**
(24) Date from which industrial property rights may have effect: **17 August 2006**
(54) Product in respect of which the design is registered: **Eyeglasses**
(51) International Design Classification: **16-06**
(71) Name(s) and Address(s) of Applicant(s):
Silhouette International Schmied AG
Eilbognerstrasse 24 4021 Linz Austria
(72) Name(s) of Designer(s): **Sonja Serlenga**
(45) Registration Date: **16 October 2006**
(30) Convention priority data:
(31) Number (32) Date (33) Country
000558275-0002 10 Jul 2006 EUROPEAN COMMUNITY
(56) Related Art Documents: **Not Applicable**
(57) Statement of Newness and Distinctiveness: **Nil**



(21) Design Number: **13672/2006**
(22) Date of Filing Application: **18 August 2006**
(24) Date from which industrial property rights may have effect: **18 August 2006**
(54) Product in respect of which the design is registered: **Tap handle**
(51) International Design Classification: **23-01H**
(71) Name(s) and Address(s) of Applicant(s):
David Tang
8/64 Alma Road St Kilda Victoria 3182 Australia
Natalia Mona Tjahjono
8/64 Alma Road St Kilda Victoria 3182 Australia
(72) Name(s) of Designer(s): **David Tang**
(45) Registration Date: **16 October 2006**
(56) Related Art Documents: **Not Applicable**
(57) Statement of Newness and Distinctiveness: **Nil**



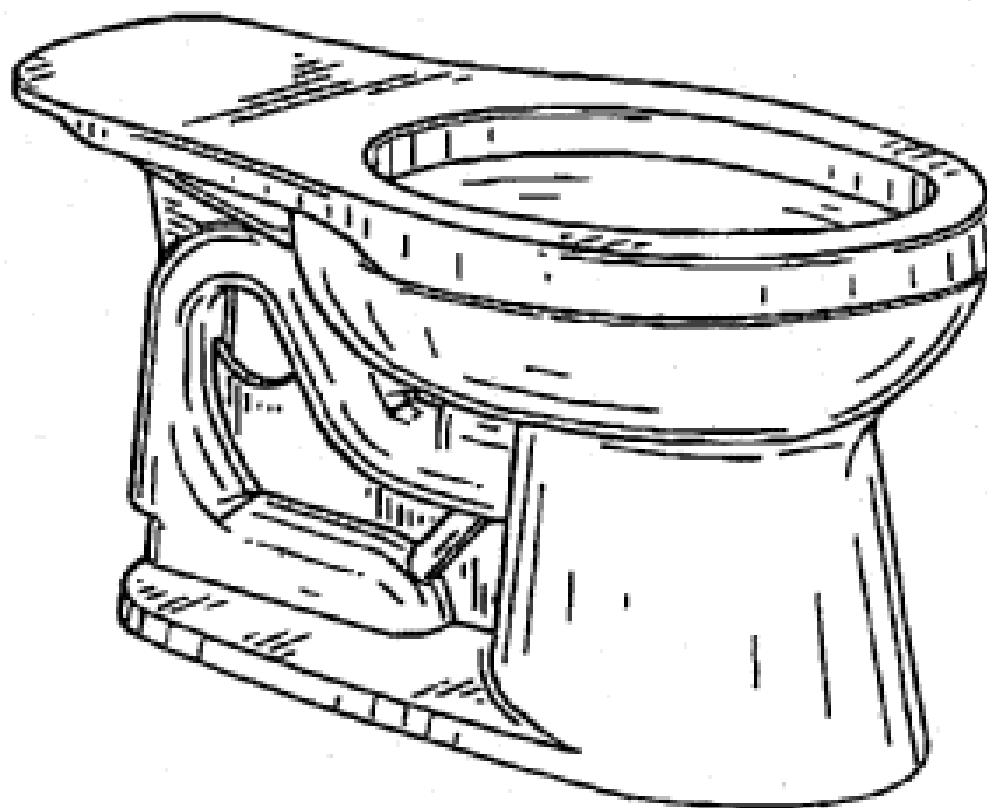
(21) Design Number: **13676/2006**
(22) Date of Filing Application: **18 August 2006**
(24) Date from which industrial property rights may have effect: **18 August 2006**
(54) Product in respect of which the design is registered: **A can end**
(51) International Design Classification: **09-07B**
(71) Name(s) and Address(s) of Applicant(s):
Crown Packaging Technology Inc
11535 S. Central Avenue Alsip Illinois 60803-2599 United States of America
(72) Name(s) of Designer(s): **Iain Charles Edward Stuart**
(45) Registration Date: **16 October 2006**
(30) Convention priority data:
(31) Number (32) Date (33) Country
000501861 24 Mar 2006 EUROPEAN COMMUNITY
(56) Related Art Documents: **Not Applicable**
(57) Statement of Newness and Distinctiveness: **Nil**



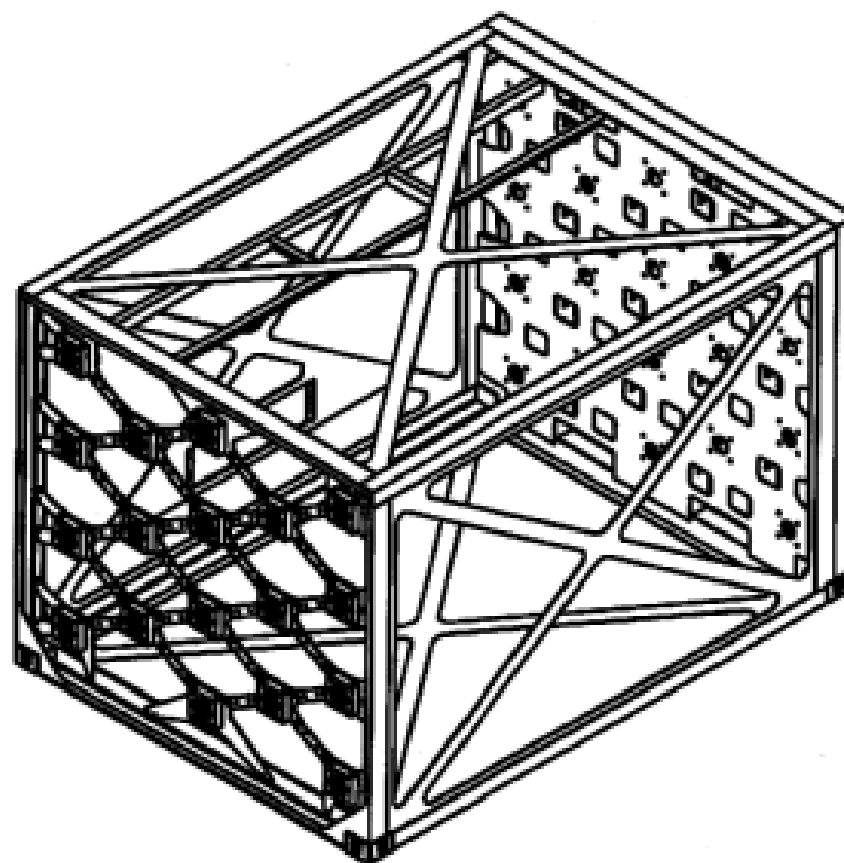
(21) Design Number: **13677/2006**
(22) Date of Filing Application: **18 August 2006**
(24) Date from which industrial property rights may have effect: **18 August 2006**
(54) Product in respect of which the design is registered: **A can end**
(51) International Design Classification: **09-07B**
(71) Name(s) and Address(s) of Applicant(s):
Crown Packaging Technology Inc
11535 S. Central Avenue Alsip Illinois 60803-2599 United States of America
(72) Name(s) of Designer(s): **Iain Charles Edward Stuart**
(45) Registration Date: **16 October 2006**
(30) Convention priority data:
(31) Number (32) Date (33) Country
000501861 24 Mar 2006 EUROPEAN COMMUNITY
(56) Related Art Documents: **Not Applicable**
(57) Statement of Newness and Distinctiveness: **Nil**



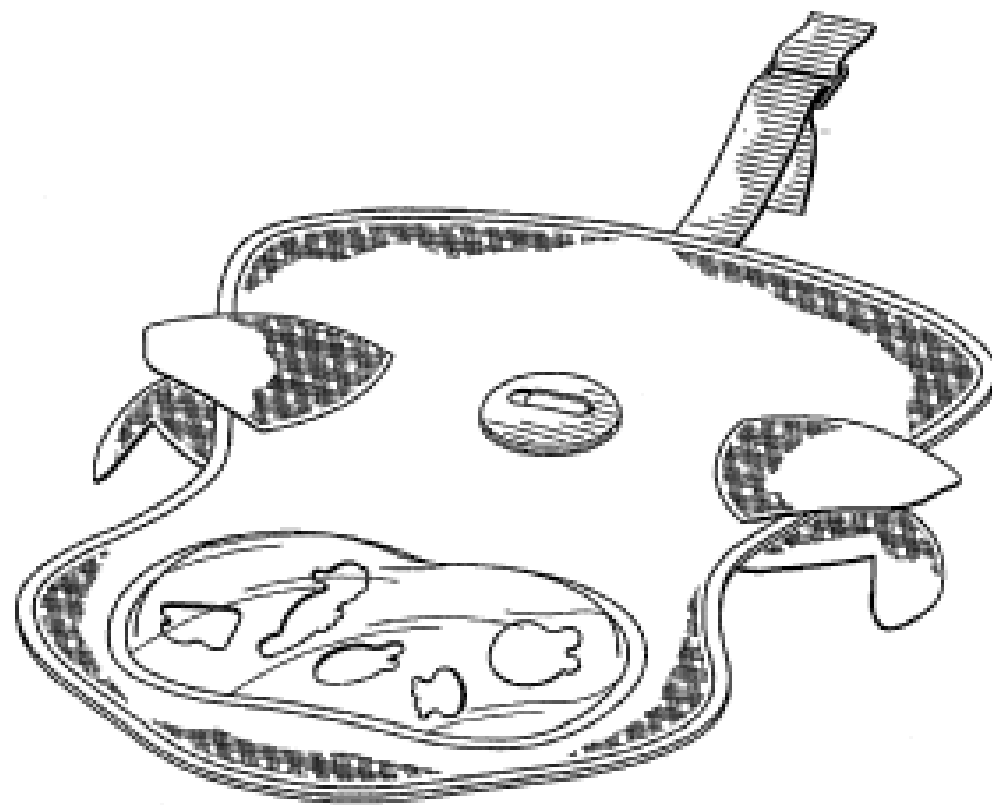
- (21) Design Number: **15555/2005**
(22) Date of Filing Application: **15 December 2005**
(24) Date from which industrial property rights may have effect: **11 June 2004**
(54) Product in respect of which the design is registered: **Base for a water closet**
(51) International Design Classification: **23-02C**
(71) Name(s) and Address(s) of Applicant(s):
Kohler Co.
444 Highland Drive Kohler WI 53044 United States of America
(72) Name(s) of Designer(s): **William F. Gordon**
(45) Registration Date: **16 October 2006**
(62) Divisional of: **158500**
(56) Related Art Documents: **Not Applicable**
(57) Statement of Newness and Distinctiveness: **Nil**



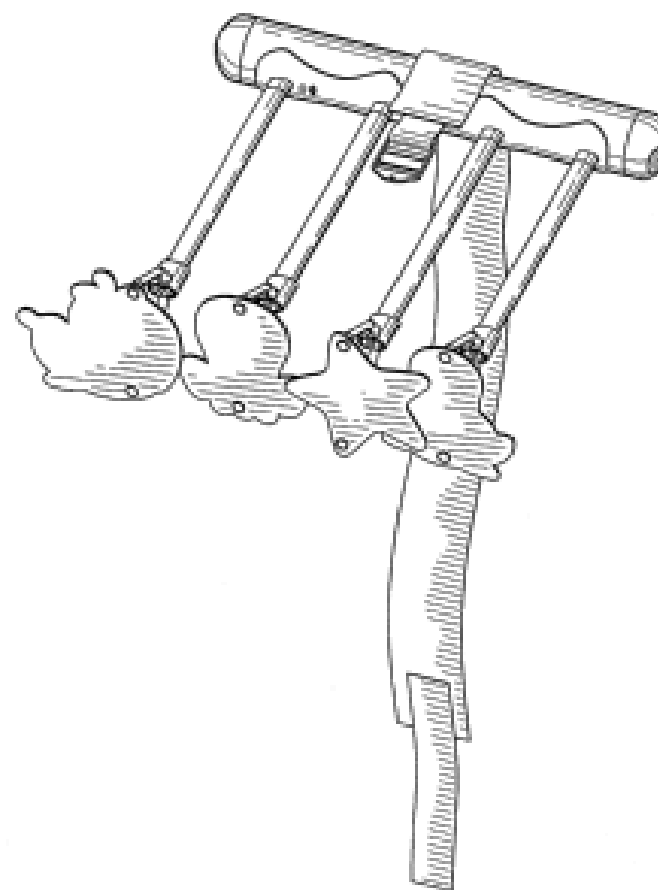
- (21) Design Number: **10140/2006**
(22) Date of Filing Application: **17 January 2006**
(24) Date from which industrial property rights may have effect: **17 January 2006**
(54) Product in respect of which the design is registered: **Transport frame**
(51) International Design Classification: **12-10, 12-16K**
(71) Name(s) and Address(s) of Applicant(s):
EDL Group Operations Pty Ltd
PO Box 4046 Eight Mile Plains Queensland 4113 Australia
(72) Name(s) of Designer(s): **Mark William Petrie**
(45) Registration Date: **16 October 2006**
(56) Related Art Documents: **Not Applicable**
(57) Statement of Newness and Distinctiveness: **Monopoly is claimed in the shape and configuration of transport frame as shown in the accompanying representations.**



(21) Design Number: **10292/2006**
(22) Date of Filing Application: **30 January 2006**
(24) Date from which industrial property rights may have effect: **30 January 2006**
(54) Product in respect of which the design is registered: **Toy**
(51) International Design Classification: **21-01NES**
(71) Name(s) and Address(s) of Applicant(s):
Tiny Love Ltd
22 A Raoul Wallenberg Street Beit Zamir Tel Aviv 69719 Israel
(72) Name(s) of Designer(s): **Shoshana Oren and Asaf Eshet and Yoav Ziv**
(45) Registration Date: **16 October 2006**
(30) Convention priority data:
(31) Number (32) Date (33) Country
000379169 01 Aug 2005 EUROPEAN COMMUNITY
(56) Related Art Documents: **Not Applicable**
(57) Statement of Newness and Distinctiveness: **Nil**



(21) Design Number: **10293/2006**
(22) Date of Filing Application: **30 January 2006**
(24) Date from which industrial property rights may have effect: **30 January 2006**
(54) Product in respect of which the design is registered: **Toy**
(51) International Design Classification: **21-01NES**
(71) Name(s) and Address(s) of Applicant(s):
Tiny Love Ltd
22 A Raoul Wallenberg Street Beit Zamir Tel Aviv 69719 Israel
(72) Name(s) of Designer(s): **Shoshana Oren and Asaf Eshet and Yoav Ziv**
(45) Registration Date: **16 October 2006**
(30) Convention priority data:
(31) Number (32) Date (33) Country
000379169 01 Aug 2005 EUROPEAN COMMUNITY
(56) Related Art Documents: **Not Applicable**
(57) Statement of Newness and Distinctiveness: **Nil**



(21) Design Number: **10294/2006**
(22) Date of Filing Application: **30 January 2006**
(24) Date from which industrial property rights may have effect: **30 January 2006**
(54) Product in respect of which the design is registered: **Toy**
(51) International Design Classification: **21-01NES**
(71) Name(s) and Address(s) of Applicant(s):

Tiny Love Ltd
22 A Raoul Wallenberg Street Beit Zamir Tel Aviv 69719 Israel

(72) Name(s) of Designer(s): **Shoshana Oren and Asaf Eshet and Yoav Ziv**

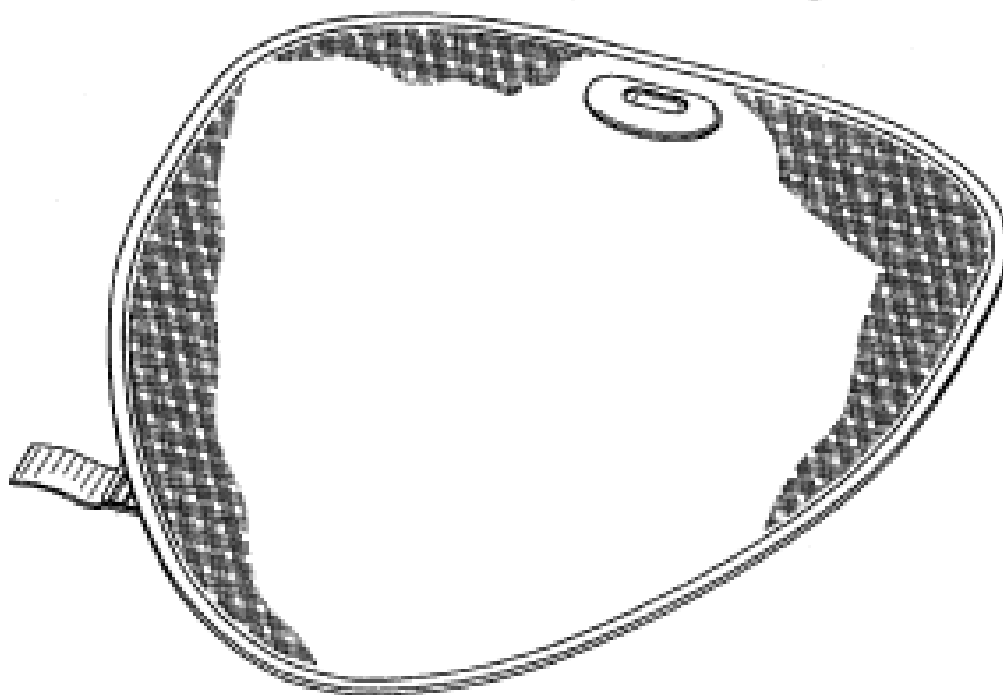
(45) Registration Date: **16 October 2006**

(30) Convention priority data:

(31) Number	(32) Date	(33) Country
000379169	01 Aug 2005	EUROPEAN COMMUNITY

(56) Related Art Documents: **Not Applicable**

(57) Statement of Newness and Distinctiveness: **Nil**



(21) Design Number: **10471/2006**
(22) Date of Filing Application: **08 February 2006**
(24) Date from which industrial property rights may have effect: **08 February 2006**
(54) Product in respect of which the design is registered: **File holder**
(51) International Design Classification: **19-02**
(71) Name(s) and Address(s) of Applicant(s):

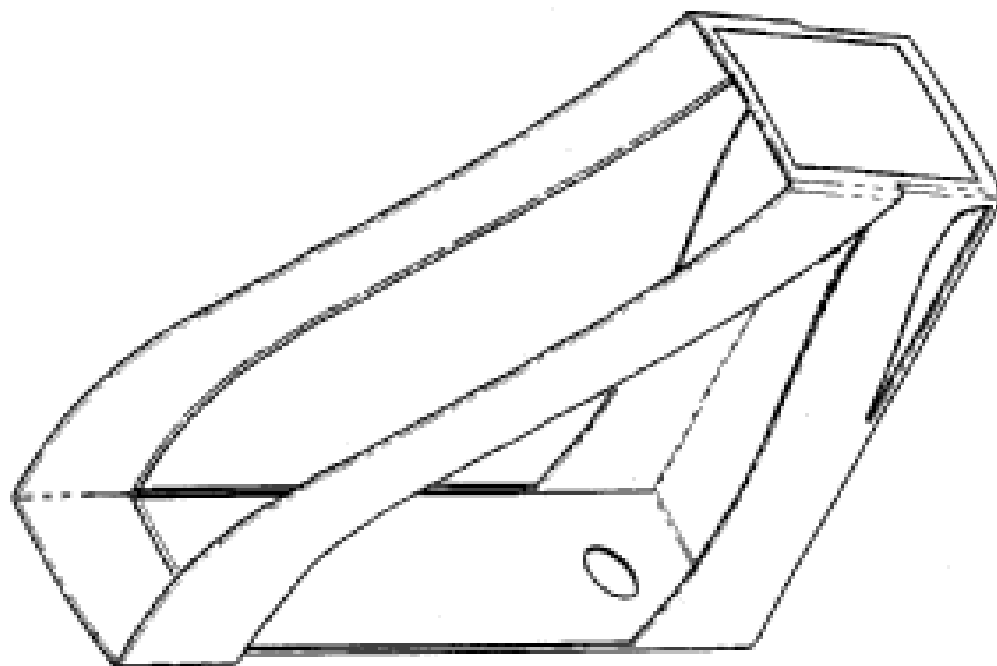
Acco Australia Pty Ltd
The Lakes Business Park Level 2 8 Lord Street Botany New South Wales 2019 Australia

(72) Name(s) of Designer(s): **Adam Timothy Laws**

(45) Registration Date: **16 October 2006**

(56) Related Art Documents: **Not Applicable**

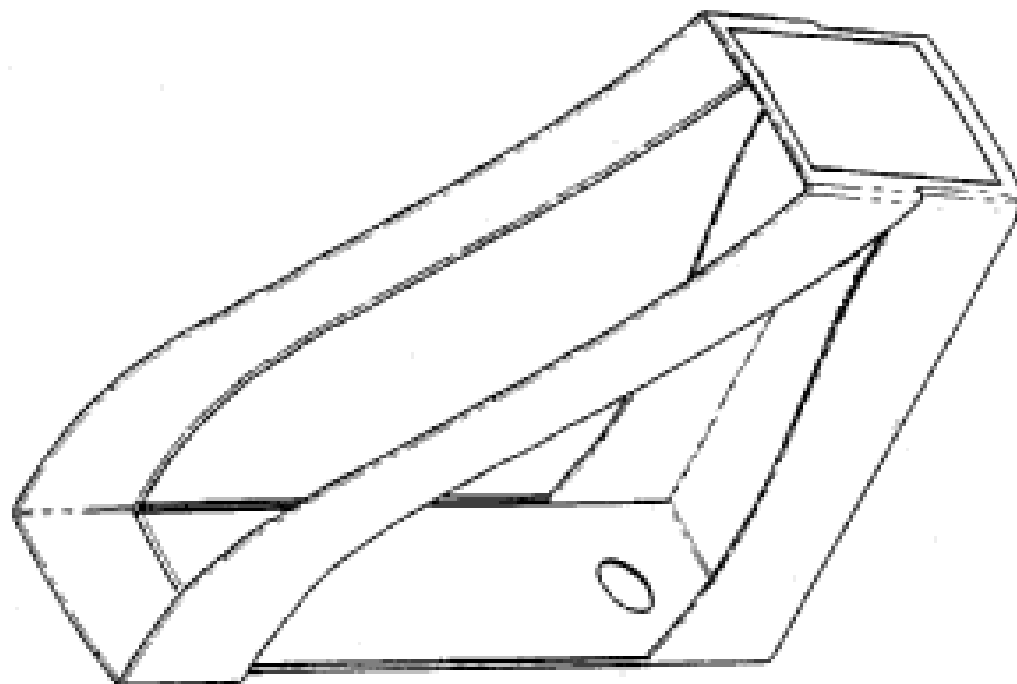
(57) Statement of Newness and Distinctiveness: **Nil**



- (21) Design Number: **10472/2006**
- (22) Date of Filing Application: **08 February 2006**
- (24) Date from which industrial property rights may have effect: **08 February 2006**
- (54) Product in respect of which the design is registered: **File holder**
- (51) International Design Classification: **19-02**
- (71) Name(s) and Address(s) of Applicant(s):

Acco Australia Pty Ltd
The Lakes Business Park Level 2 8 Lord Street Botany New South
Wales 2019 Australia

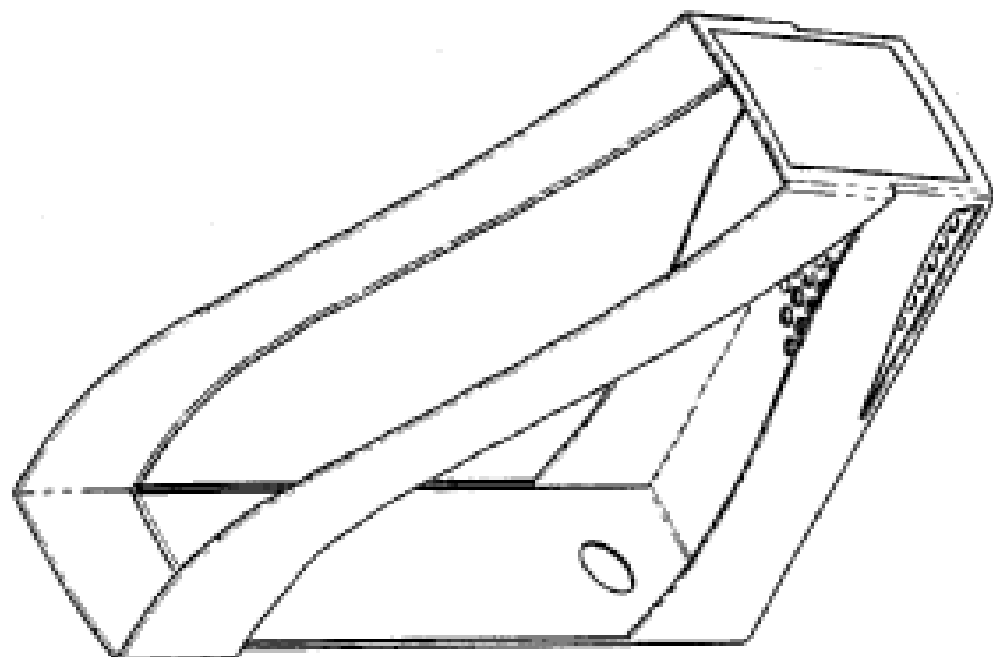
- (72) Name(s) of Designer(s): **Adam Timothy Laws**
- (45) Registration Date: **16 October 2006**
- (56) Related Art Documents: **Not Applicable**
- (57) Statement of Newness and Distinctiveness: **Nil**



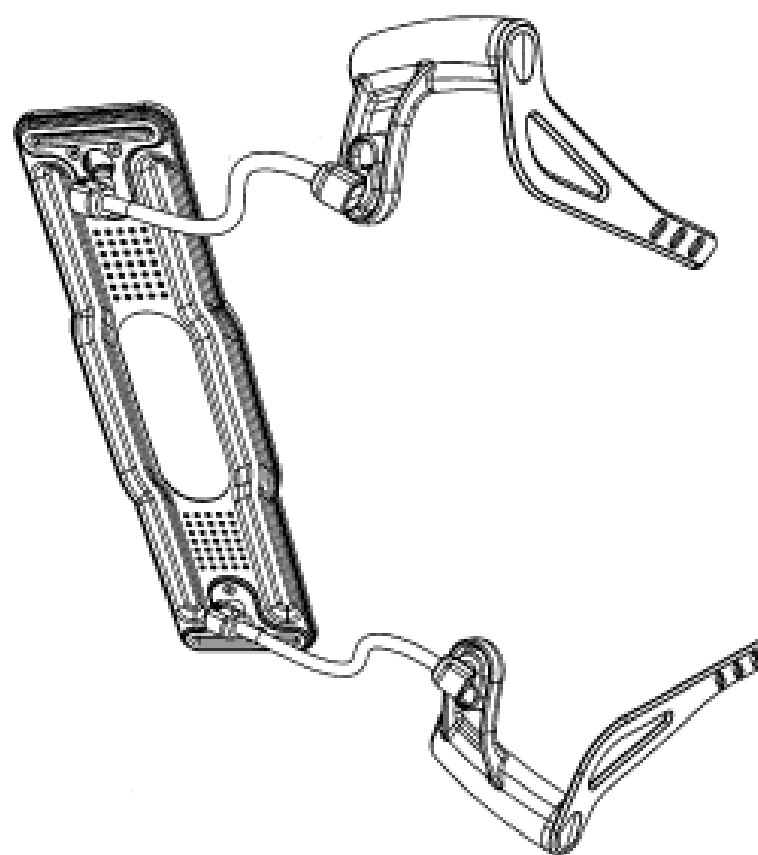
- (21) Design Number: **10473/2006**
- (22) Date of Filing Application: **08 February 2006**
- (24) Date from which industrial property rights may have effect: **08 February 2006**
- (54) Product in respect of which the design is registered: **File holder**
- (51) International Design Classification: **19-02**
- (71) Name(s) and Address(s) of Applicant(s):

Acco Australia Pty Ltd
The Lakes Business Park Level 2 8 Lord Street Botany New South
Wales 2019 Australia

- (72) Name(s) of Designer(s): **Adam Timothy Laws**
- (45) Registration Date: **16 October 2006**
- (56) Related Art Documents: **Not Applicable**
- (57) Statement of Newness and Distinctiveness: **When determining whether the design 1 is substantially similar in overall impression to another design, it is to be noted that the stack of three of the file holders shown in Figures 19-22 merely shows how the file holders can be stacked when not in use, and does not constitute the design to be registered.**

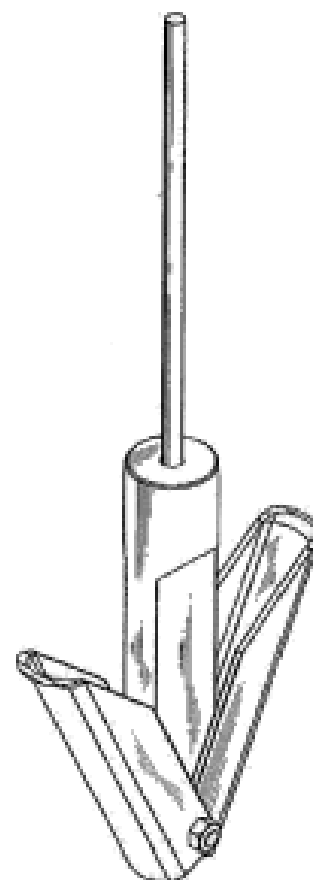


- (21) Design Number: **10610/2006**
- (22) Date of Filing Application: **17 February 2006**
- (24) Date from which industrial property rights may have effect: **17 February 2006**
- (54) Product in respect of which the design is registered: **Exercise device**
- (51) International Design Classification: **21-02F**
- (71) Name(s) and Address(s) of Applicant(s):
Shadow Boxer Group Pty Ltd
3145 Birriga Road Bellevue Hill New South Wales 2023 Australia
- (72) Name(s) of Designer(s): **Robbie Wells**
- (45) Registration Date: **16 October 2006**
- (56) Related Art Documents: **Not Applicable**
- (57) Statement of Newness and Distinctiveness: **Newness and distinctiveness is claimed in respect of the shape and/or configuration of the product illustrated in the accompanying representations. In carrying out a consideration in accordance with Section 19, the shape and/or configuration of the cords connecting the handles to the belt are not to be considered as either new or distinctive.**



- (21) Design Number: **10705/2006**
- (22) Date of Filing Application: **24 February 2006**
- (24) Date from which industrial property rights may have effect: **24 February 2006**
- (54) Product in respect of which the design is registered: **Component for an Earth Anchor**
- (51) International Design Classification: **25-02A, 25-02NES, 25-01B**
- (71) Name(s) and Address(s) of Applicant(s):
Danish Anchor System ApS
Roskildevej 48P DK-3400 Hillerod Denmark
- (72) Name(s) of Designer(s): **Carsten Agerup**
- (45) Registration Date: **16 October 2006**
- (30) Convention priority data:

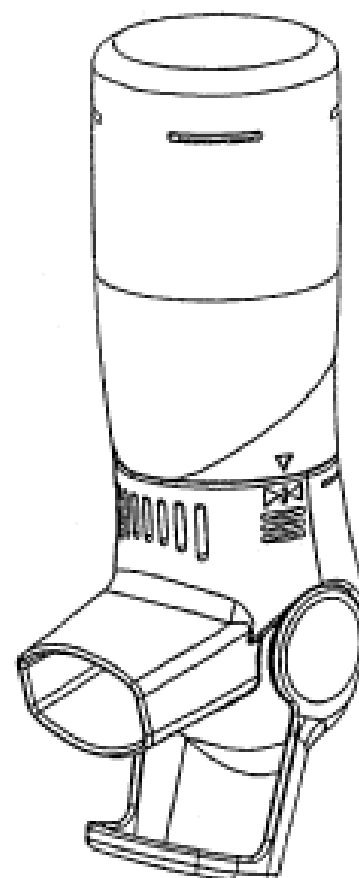
(31) Number	(32) Date	(33) Country
399670	25 Aug 2005	EUROPEAN PATENT OFFICE (EP)
- (56) Related Art Documents: **Not Applicable**
- (57) Statement of Newness and Distinctiveness: **The newness and distinctiveness resides in the shape and configuration of an anchoring component.**



(21) Design Number: **10706/2006**
(22) Date of Filing Application: **24 February 2006**
(24) Date from which industrial property rights may have effect: **24 February 2006**
(54) Product in respect of which the design is registered: **Component for an Earth Anchor**
(51) International Design Classification: **25-02A, 25-02NES, 25-01B**
(71) Name(s) and Address(s) of Applicant(s):
Danish Anchor System ApS
Roskildevej 48P DK-3400 Hillerod Denmark
(72) Name(s) of Designer(s): **Carsten Aagerup**
(45) Registration Date: **16 October 2006**
(30) Convention priority data:
(31) Number (32) Date (33) Country
399670 25 Aug 2005 EUROPEAN PATENT OFFICE (EP)
(56) Related Art Documents: **Not Applicable**
(57) Statement of Newness and Distinctiveness: **The newness and distinctiveness resides in the shape and configuration of an anchoring component.**



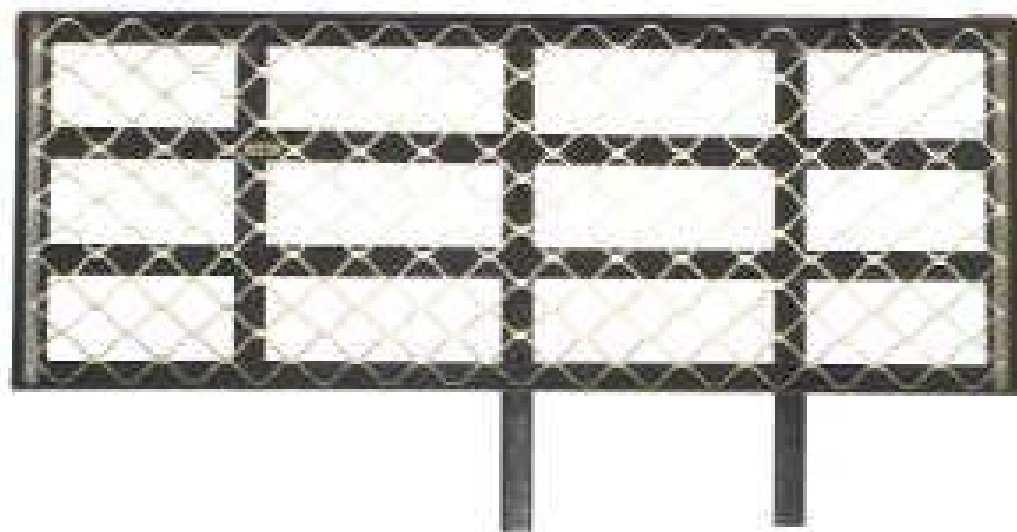
(21) Design Number: **10755/2006**
(22) Date of Filing Application: **28 February 2006**
(24) Date from which industrial property rights may have effect: **28 February 2006**
(54) Product in respect of which the design is registered: **Inhaler**
(51) International Design Classification: **24-04**
(71) Name(s) and Address(s) of Applicant(s):
Noelab Limited
57 High Steet Odiham Hants RG29 1LF Great Britain
(72) Name(s) of Designer(s): **I-Chee Lee and Glen M. Thomson and Reza Saied and Peter Edwards**
(45) Registration Date: **16 October 2006**
(56) Related Art Documents: **Not Applicable**
(57) Statement of Newness and Distinctiveness: **Those features of the inhaler depicted in the representations that are new and distinctive are the shape and/or configuration.**



(21) Design Number: **10862/2006**
(22) Date of Filing Application: **06 March 2006**
(24) Date from which industrial property rights may have effect: **06 March 2006**
(54) Product in respect of which the design is registered: **Beverage dispense valve**
(51) International Design Classification: **31-00**
(71) Name(s) and Address(s) of Applicant(s):
TRUpour Limited
Templemichael Business Park Longford Republic of Ireland
(72) Name(s) of Designer(s): **Simon Robert Miller**
(45) Registration Date: **16 October 2006**
(30) Convention priority data:
(31) Number (32) Date (33) Country
000397971 07 Sep 2005 EUROPEAN COMMUNITY
(56) Related Art Documents: **Not Applicable**
(57) Statement of Newness and Distinctiveness: **Nil**



(21) Design Number: **11638/2006**
(22) Date of Filing Application: **21 April 2006**
(24) Date from which industrial property rights may have effect: **21 April 2006**
(54) Product in respect of which the design is registered: **Motor vehicle cargo carrier**
(51) International Design Classification: **12-16K**
(71) Name(s) and Address(s) of Applicant(s):
Robert F. Schlegel
5 Booral Street Buderim Queensland 4556 Australia
(72) Name(s) of Designer(s): **Robert F. Schlegel**
(45) Registration Date: **16 October 2006**
(56) Related Art Documents: **Not Applicable**
(57) Statement of Newness and Distinctiveness: **Motor vehicle carrier designed with one additional parallel support positioned either to the right or left of the center primary insertion and retention support.**



- (21) Design Number: **11639/2006**
(22) Date of Filing Application: **21 April 2006**
(24) Date from which industrial property rights may have effect: **21 April 2006**
(54) Product in respect of which the design is registered: **Motor vehicle cargo carrier**
(51) International Design Classification: **12-16K**
(71) Name(s) and Address(s) of Applicant(s):
Robert F. Schlegel
5 Booral Street Buderim Queensland 4556 Australia
(72) Name(s) of Designer(s): **Robert F. Schlegel**
(45) Registration Date: **16 October 2006**
(56) Related Art Documents: **Not Applicable**
(57) Statement of Newness and Distinctiveness: **Motor vehicle carrier designed with one additional parallel supports positioned either to the right or left of the center primary insertion and retention support.**



- (21) Design Number: **11796/2006**
(22) Date of Filing Application: **27 April 2006**
(24) Date from which industrial property rights may have effect: **27 April 2006**
(54) Product in respect of which the design is registered: **Umbrella with removable sides**
(51) International Design Classification: **03-03, 25-03**
(71) Name(s) and Address(s) of Applicant(s):
Colin Morley
23 Brent Street Russell Lea New South Wales 2046 Australia
(72) Name(s) of Designer(s): **Colin W. Morley**
(45) Registration Date: **16 October 2006**
(56) Related Art Documents: **Not Applicable**
(57) Statement of Newness and Distinctiveness: **Stormsides are attached to umbrella either by zipper, stitched or touch tape (velcro) to create shelter from wind or rain.**



(21) Design Number: **11920/2006**

(22) Date of Filing Application: **04 May 2006**

(24) Date from which industrial property rights may have effect: **04 May 2006**

(54) Product in respect of which the design is registered: **Vehicle bonnet**

(51) International Design Classification: **12-16B**

(71) Name(s) and Address(s) of Applicant(s):

GM Holden Ltd

241 Salmon Street Port Melbourne Victoria 3207 Australia

(72) Name(s) of Designer(s): **Martin Richard Love and Peter Hughes**

(45) Registration Date: **16 October 2006**

(56) Related Art Documents: **Not Applicable**

(57) Statement of Newness and Distinctiveness: **Newness and distinctiveness is claimed in the shape and/or configuration of a vehicle bonnet as shown in the representations.**



(21) Design Number: **11925/2006**

(22) Date of Filing Application: **04 May 2006**

(24) Date from which industrial property rights may have effect: **04 May 2006**

(54) Product in respect of which the design is registered: **Left-and right-side vehicle lamp housings**

(51) International Design Classification: **12-16E**

(71) Name(s) and Address(s) of Applicant(s):

GM Holden Ltd

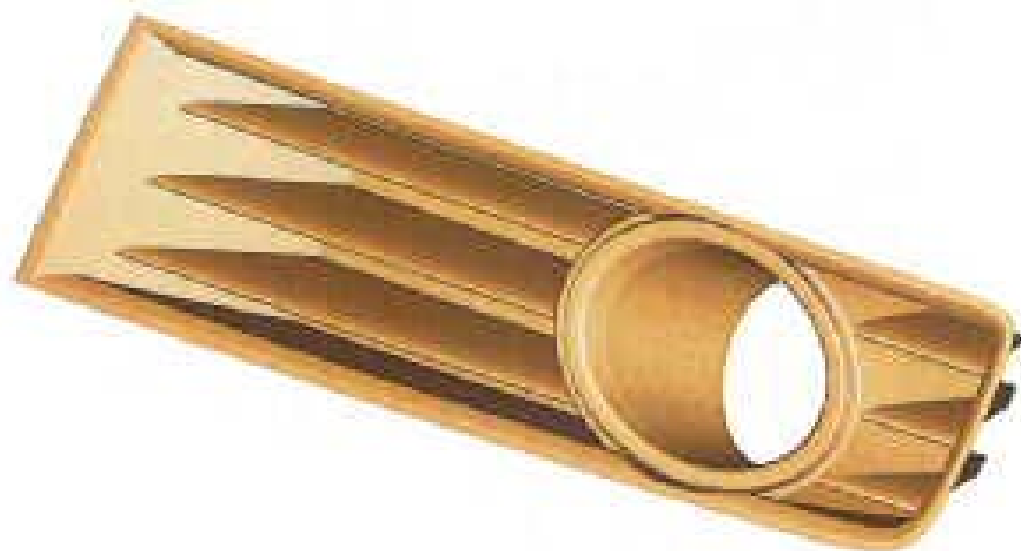
241 Salmon Street Port Melbourne Victoria 3207 Australia

(72) Name(s) of Designer(s): **Justin James Thompson**

(45) Registration Date: **16 October 2006**

(56) Related Art Documents: **Not Applicable**

(57) Statement of Newness and Distinctiveness: **Newness and distinctiveness is claimed in the shape and/or configuration of a left-and right-side vehicle lamp housings as shown in the representations.**



(21) Design Number: **11927/2006**

(22) Date of Filing Application: **04 May 2006**

(24) Date from which industrial property rights may have effect: **04 May 2006**

(54) Product in respect of which the design is registered: **Left-and right-side vehicle lamp housings**

(51) International Design Classification: **12-16E**

(71) Name(s) and Address(s) of Applicant(s):

GM Holden Ltd

241 Salmon Street Port Melbourne Victoria 3207 Australia

(72) Name(s) of Designer(s): **Justin James Thompson**

(45) Registration Date: **16 October 2006**

(56) Related Art Documents: **Not Applicable**

(57) Statement of Newness and Distinctiveness: **Newness and distinctiveness is claimed in the shape and/or configuration of a left-and right-side vehicle lamp housings as shown in the representations.**



(21) Design Number: **11942/2006**

(22) Date of Filing Application: **04 May 2006**

(24) Date from which industrial property rights may have effect: **04 May 2006**

(54) Product in respect of which the design is registered: **Left-and right-side vehicle lamp housings**

(51) International Design Classification: **12-16E**

(71) Name(s) and Address(s) of Applicant(s):

GM Holden Ltd

241 Salmon Street Port Melbourne Victoria 3207 Australia

(72) Name(s) of Designer(s): **Justin James Thompson**

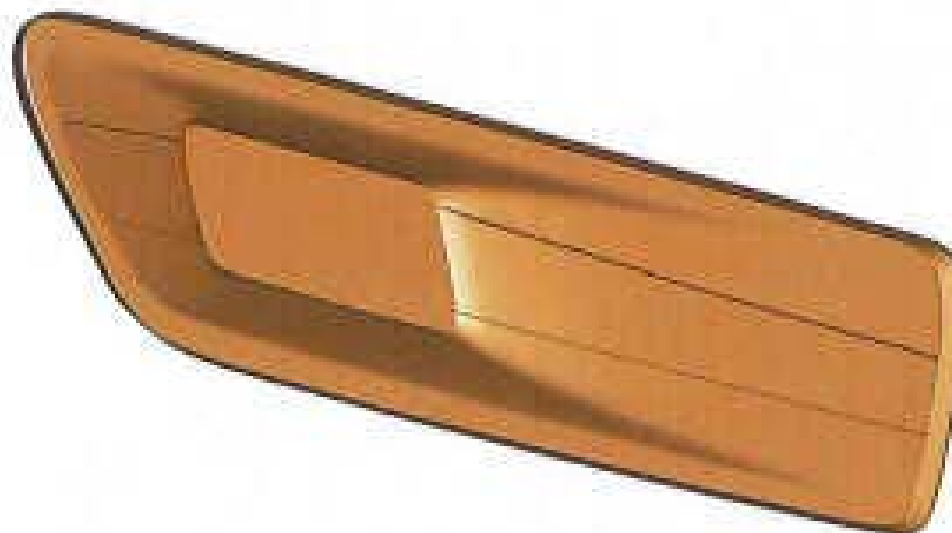
(45) Registration Date: **16 October 2006**

(56) Related Art Documents: **Not Applicable**

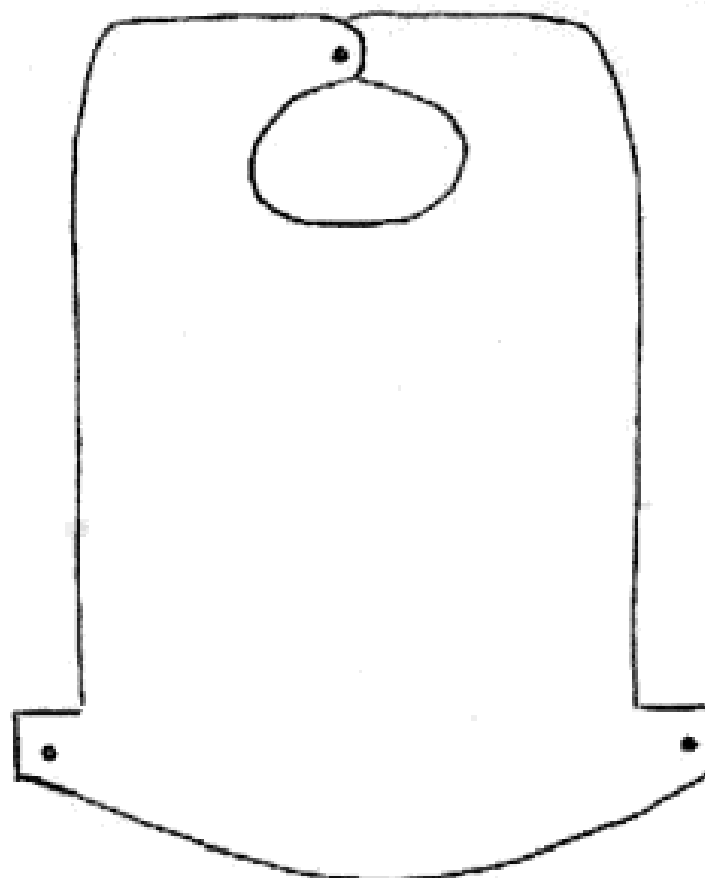
(57) Statement of Newness and Distinctiveness: **Newness and distinctiveness is claimed in the shape and/or configuration of a left-and right-side vehicle lamp housings as shown in the representations.**



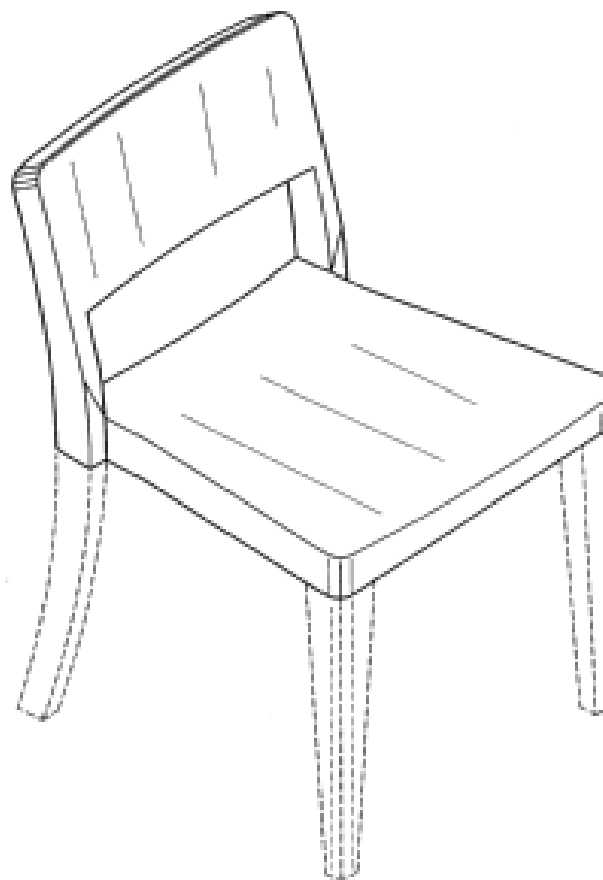
- (21) Design Number: **11943/2006**
(22) Date of Filing Application: **04 May 2006**
(24) Date from which industrial property rights may have effect: **04 May 2006**
(54) Product in respect of which the design is registered: **Left-and right-side vehicle indicator repeater lenses**
(51) International Design Classification: **12-16E, 26-06**
(71) Name(s) and Address(s) of Applicant(s):
GM Holden Ltd
241 Salmon Street Port Melbourne Victoria 3207 Australia
(72) Name(s) of Designer(s): **Justin James Thompson**
(45) Registration Date: **16 October 2006**
(56) Related Art Documents: **Not Applicable**
(57) Statement of Newness and Distinctiveness: **Newness and distinctiveness is claimed in the shape and/or configuration of a left-and right-side vehicle indicator repeater lenses as shown in the representations.**



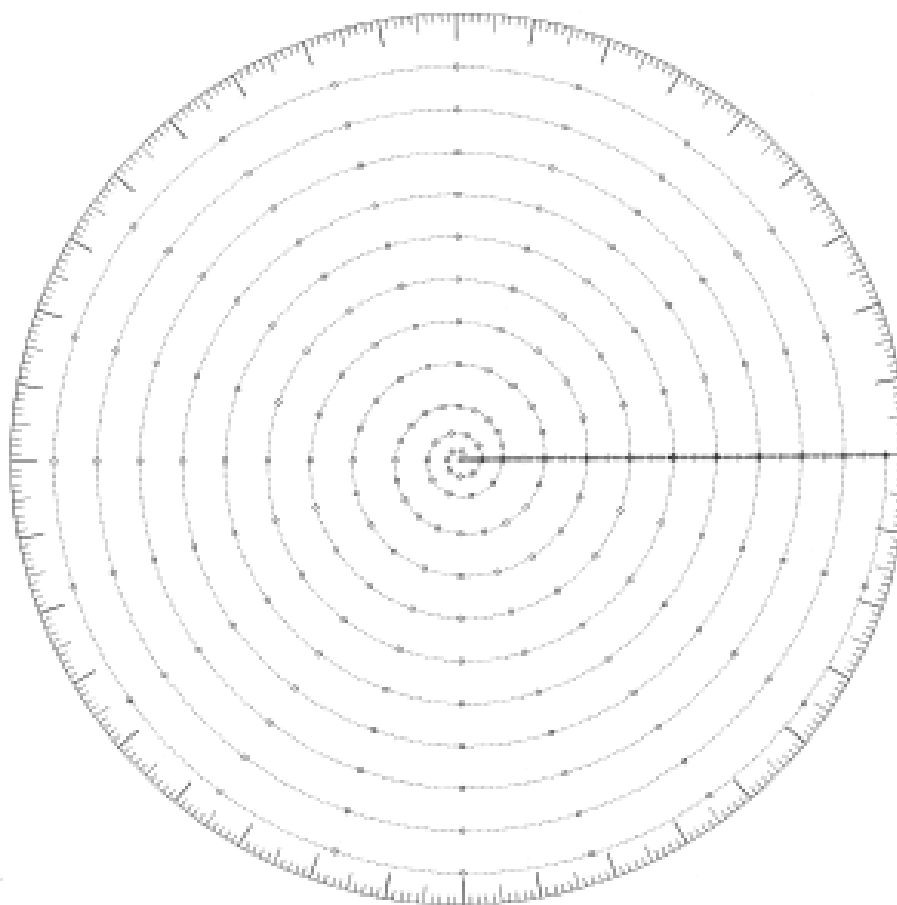
- (21) Design Number: **12062/2006**
(22) Date of Filing Application: **12 May 2006**
(24) Date from which industrial property rights may have effect: **12 May 2006**
(54) Product in respect of which the design is registered: **Baby/children's bib**
(51) International Design Classification: **02-05**
(71) Name(s) and Address(s) of Applicant(s):
Jacqueline Chu
27 Wetherill Street Leichhardt NSW 2040
Muriel Bergel
27 Wetherill Street Leichhardt NSW 2040
(72) Name(s) of Designer(s): **Muriel Bergel and Jacqueline Chu**
(45) Registration Date: **16 October 2006**
(56) Related Art Documents: **Not Applicable**
(57) Statement of Newness and Distinctiveness: **Long length bib with a fastening system that creates an in-built food catcher and opens flat for easy cleaning.**



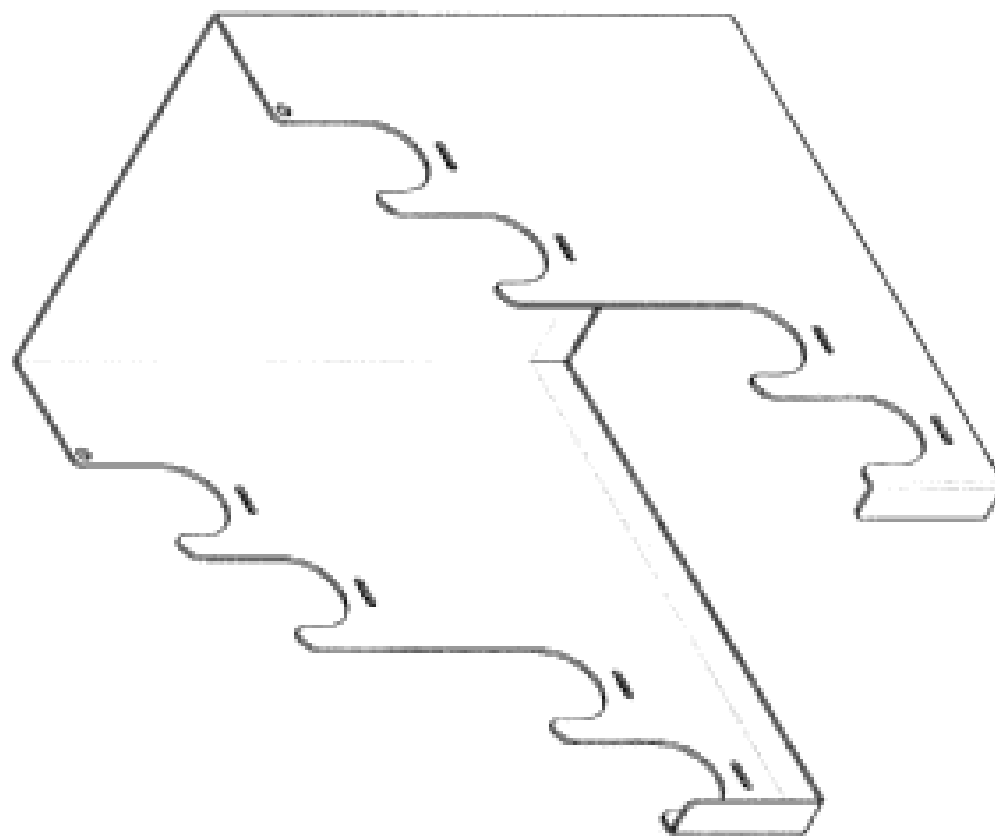
- (21) Design Number: **12714/2006**
- (22) Date of Filing Application: **22 June 2006**
- (24) Date from which industrial property rights may have effect: **22 June 2006**
- (54) Product in respect of which the design is registered: **A chair**
- (51) International Design Classification: **06-01F**
- (71) Name(s) and Address(s) of Applicant(s):
Thonet Australia Pty Ltd
237 Napier Street Fitzroy Victoria 3065 Australia
- (72) Name(s) of Designer(s): **Richard Daniell**
- (45) Registration Date: **16 October 2006**
- (56) Related Art Documents: **Not Applicable**
- (57) Statement of Newness and Distinctiveness: **The shape and configuration of those parts of the design shown in solid lines in the representations.**



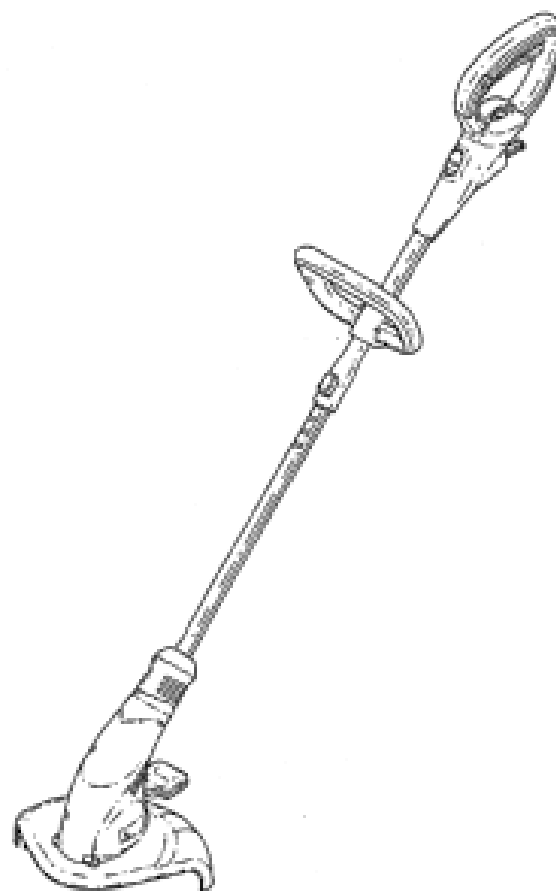
- (21) Design Number: **12736/2006**
- (22) Date of Filing Application: **22 June 2006**
- (24) Date from which industrial property rights may have effect: **22 June 2006**
- (54) Product in respect of which the design is registered: **Template(s)**
- (51) International Design Classification: **19-06**
- (71) Name(s) and Address(s) of Applicant(s):
Brett Thorneycroft
1 Emerson Close Frankston Victoria 3199 Australia
- (72) Name(s) of Designer(s): **Brett Thorneycroft**
- (45) Registration Date: **16 October 2006**
- (56) Related Art Documents: **Not Applicable**
- (57) Statement of Newness and Distinctiveness: **Nil.**



(21) Design Number: **12833/2006**
(22) Date of Filing Application: **03 July 2006**
(24) Date from which industrial property rights may have effect: **03 July 2006**
(54) Product in respect of which the design is registered: **Wing RIGGER STORAGE BRACKET**
(51) International Design Classification: **08-08N**
(71) Name(s) and Address(s) of Applicant(s):
Douglas Lumsden
20 Withnell Circuit Kambah ACT 2902 Australia
(72) Name(s) of Designer(s): **Douglas Lumsden**
(45) Registration Date: **16 October 2006**
(56) Related Art Documents: **Not Applicable**
(57) Statement of Newness and Distinctiveness: **Nil.**



(21) Design Number: **12890/2006**
(22) Date of Filing Application: **06 July 2006**
(24) Date from which industrial property rights may have effect: **06 July 2006**
(54) Product in respect of which the design is registered: **String trimmer**
(51) International Design Classification: **08-03, 15-03B**
(71) Name(s) and Address(s) of Applicant(s):
Techtronic Industries Company Limited
24/F CDW Building 388 Castle Peak Road Tsuen Wan New Territories
Hong Kong
(72) Name(s) of Designer(s): **Benson Chun Kit Cheung**
(45) Registration Date: **16 October 2006**
(30) Convention priority data:
(31) Number (32) Date (33) Country
5340600005 19 May 2006 EUROPEAN PATENT OFFICE
(EP)
(56) Related Art Documents: **Not Applicable**
(57) Statement of Newness and Distinctiveness: **Nil**



(21) Design Number: **12891/2006**

(22) Date of Filing Application: **06 July 2006**

(24) Date from which industrial property rights may have effect: **06 July 2006**

(54) Product in respect of which the design is registered: **String trimmer**

(51) International Design Classification: **08-03, 15-03B**

(71) Name(s) and Address(s) of Applicant(s):

Techtronic Industries Company Limited
24/F CDW Building 388 Castle Peak Road Tsuen Wan New Territories
Hong Kong

(72) Name(s) of Designer(s): **Ka Chun Lau**

(45) Registration Date: **16 October 2006**

(30) Convention priority data:

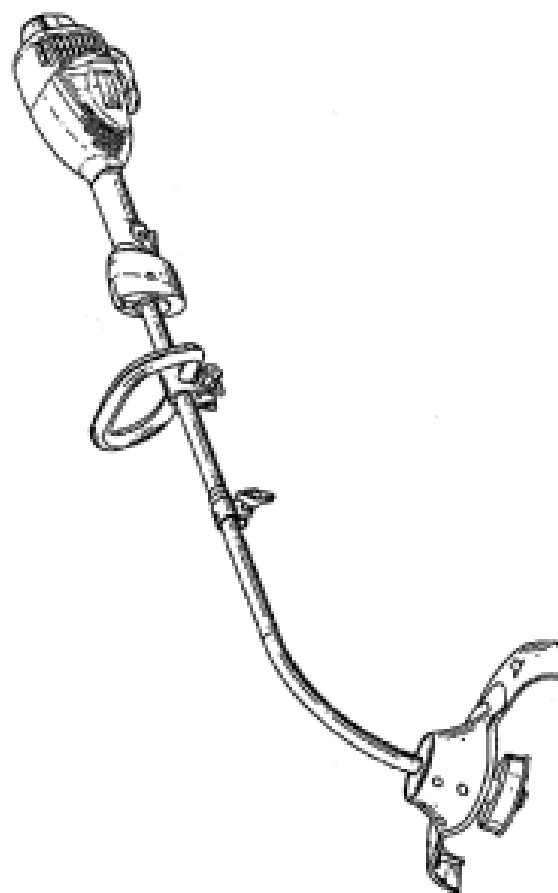
(31) Number
5340600004

(32) Date
19 May 2006

(33) Country
EUROPEAN PATENT OFFICE
(EP)

(56) Related Art Documents: **Not Applicable**

(57) Statement of Newness and Distinctiveness: **Nil**



(21) Design Number: **13126/2006**

(22) Date of Filing Application: **20 July 2006**

(24) Date from which industrial property rights may have effect: **20 July 2006**

(54) Product in respect of which the design is registered: **A mounting head for a spray system**

(51) International Design Classification: **08-08NES, 23-01E**

(71) Name(s) and Address(s) of Applicant(s):

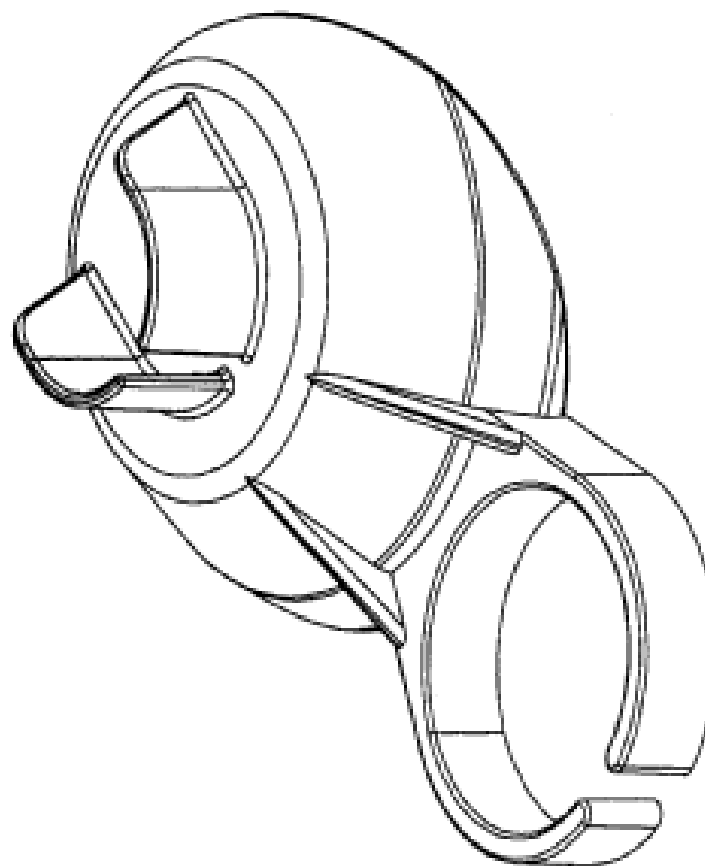
DataDot Technology Limited
Unit 9 19 Rodborough Road Frenchs Forest New South Wales 2086
Australia

(72) Name(s) of Designer(s): **Ian Allen and Geoff George**

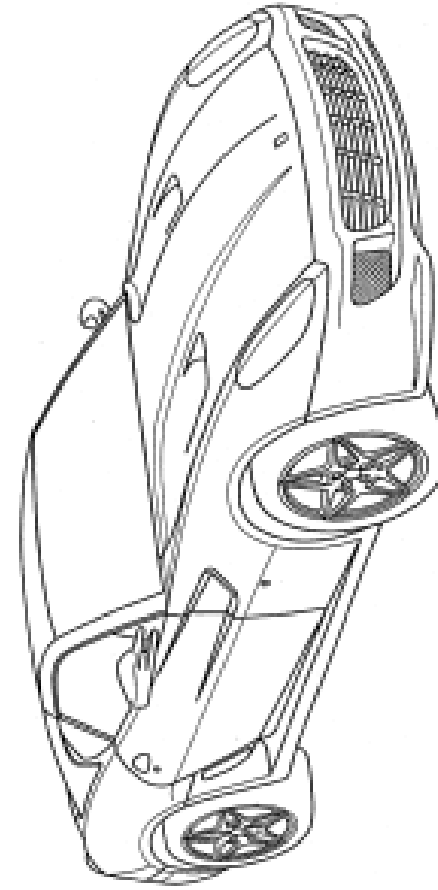
(45) Registration Date: **16 October 2006**

(56) Related Art Documents: **Not Applicable**

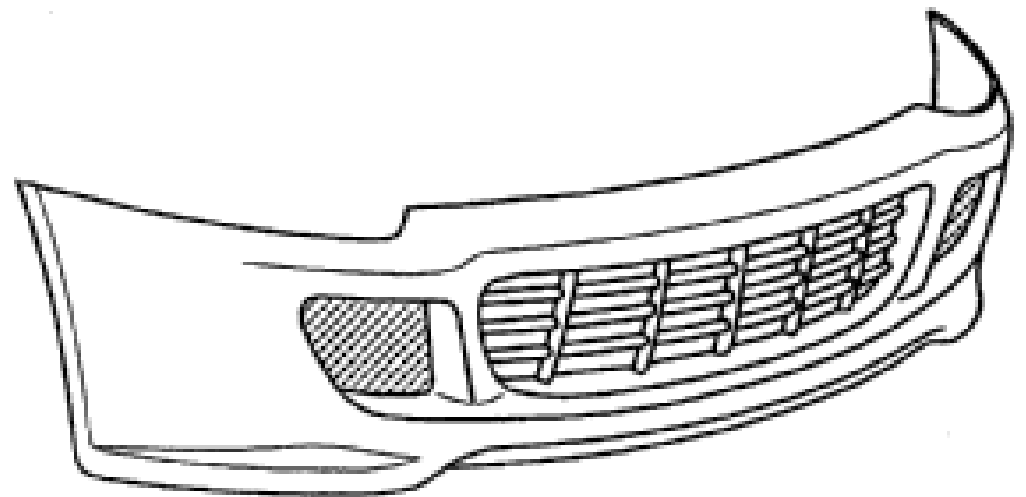
(57) Statement of Newness and Distinctiveness: **Nil**



- (21) Design Number: **13262/2006**
(22) Date of Filing Application: **27 July 2006**
(24) Date from which industrial property rights may have effect: **27 July 2006**
(54) Product in respect of which the design is registered: **Motor vehicle and toy**
(51) International Design Classification: **12-08, 21-01C**
(71) Name(s) and Address(s) of Applicant(s):
Ferrari S.p.A.
Via Emilia Est 1163 I-41100 Modena Italy
(72) Name(s) of Designer(s): **Maurizio Manfredini**
(45) Registration Date: **16 October 2006**
(30) Convention priority data:
(31) Number (32) Date (33) Country
000475132-0001 06 Feb 2006 EUROPEAN COMMUNITY
(56) Related Art Documents: **Not Applicable**
(57) Statement of Newness and Distinctiveness: **Those features of the motor vehicle and toy depicted in the representations that are new and distinctive are the shape and/or configuration.**



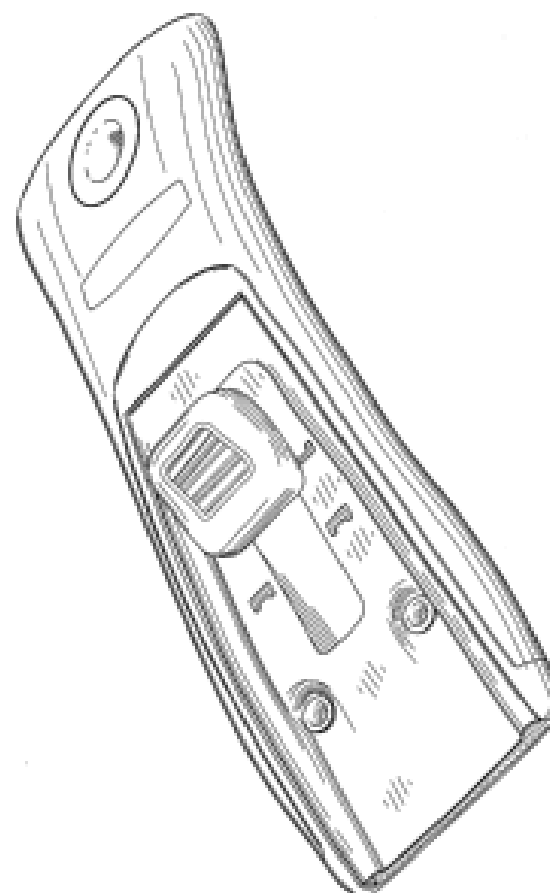
- (21) Design Number: **13263/2006**
(22) Date of Filing Application: **27 July 2006**
(24) Date from which industrial property rights may have effect: **27 July 2006**
(54) Product in respect of which the design is registered: **Grille for automobile**
(51) International Design Classification: **12-16B**
(71) Name(s) and Address(s) of Applicant(s):
Ferrari S.p.A.
Via Emilia Est 1163 I-41100 Modena Italy
(72) Name(s) of Designer(s): **Maurizio Manfredini**
(45) Registration Date: **16 October 2006**
(30) Convention priority data:
(31) Number (32) Date (33) Country
000475132-0002 06 Feb 2006 EUROPEAN COMMUNITY
(56) Related Art Documents: **Not Applicable**
(57) Statement of Newness and Distinctiveness: **Those features of the grille for automobile depicted in the representations that are new and distinctive are the shape and/or configuration.**



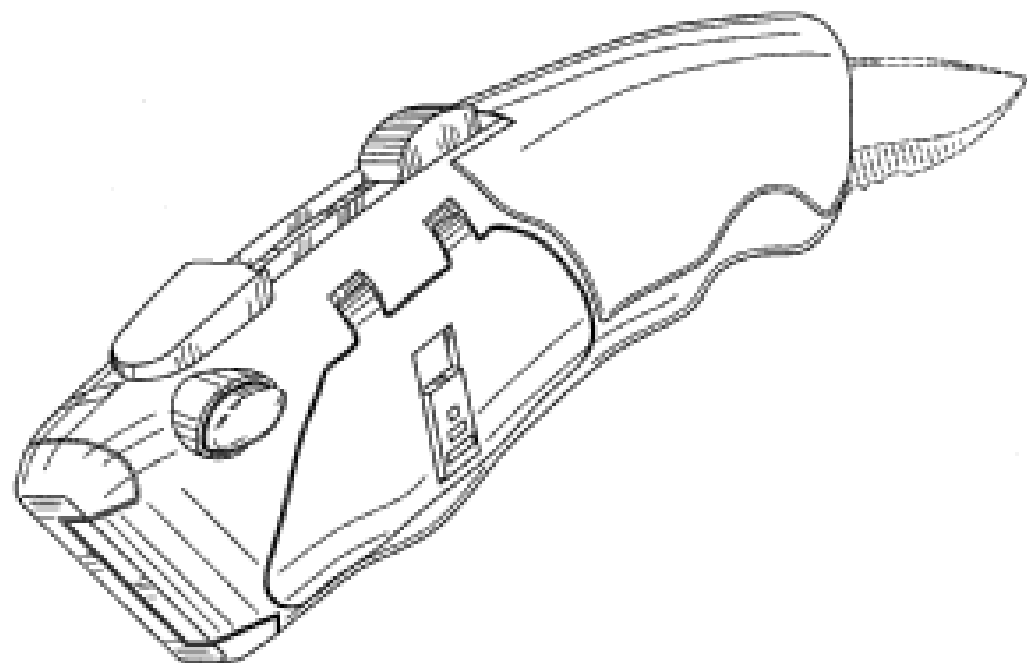
- (21) Design Number: **13264/2006**
(22) Date of Filing Application: **27 July 2006**
(24) Date from which industrial property rights may have effect: **27 July 2006**
(54) Product in respect of which the design is registered: **Bumper for automobile**
(51) International Design Classification: **12-16C**
(71) Name(s) and Address(s) of Applicant(s):
Ferrari S.p.A.
Via Emilia Est 1163 I-41100 Modena Italy
(72) Name(s) of Designer(s): **Maurizio Manfredini**
(45) Registration Date: **16 October 2006**
(30) Convention priority data:
(31) Number (32) Date (33) Country
000475132-0003 06 Feb 2006 EUROPEAN COMMUNITY
(56) Related Art Documents: **Not Applicable**
(57) Statement of Newness and Distinctiveness: **Those features of the bumper for automobile depicted in the representations that are new and distinctive are the shape and/or configuration.**



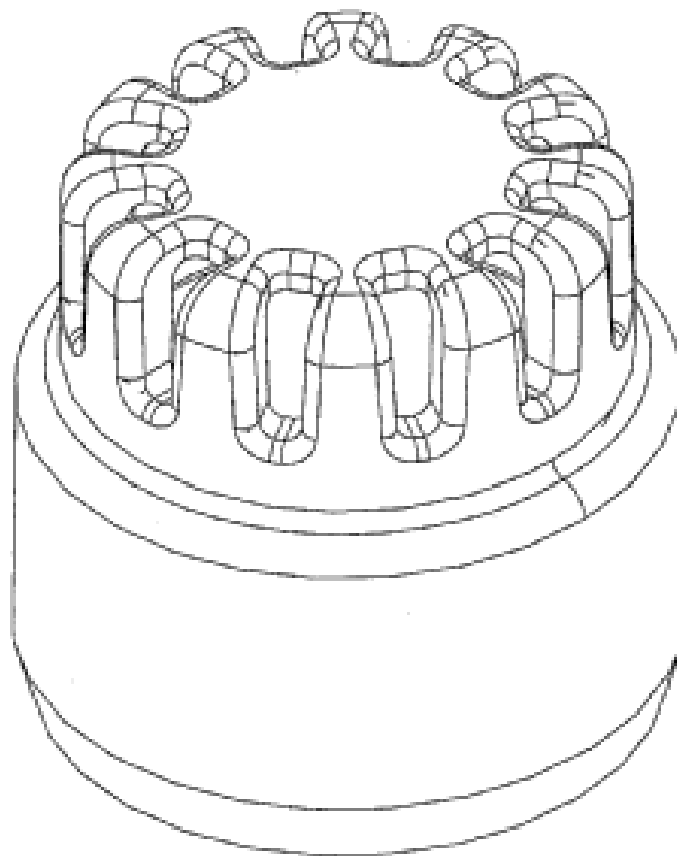
- (21) Design Number: **13371/2006**
(22) Date of Filing Application: **02 August 2006**
(24) Date from which industrial property rights may have effect: **02 August 2006**
(54) Product in respect of which the design is registered: **A utility knife**
(51) International Design Classification: **08-03**
(71) Name(s) and Address(s) of Applicant(s):
Yuewei Wu
Ningbo Xingwei Plastic Product Co., Ltd. Industrial Zone of Xidian
Ninghai 315613 People's Republic of China
(72) Name(s) of Designer(s): **Yuewei Wu**
(45) Registration Date: **16 October 2006**
(56) Related Art Documents: **Not Applicable**
(57) Statement of Newness and Distinctiveness: **Nil**



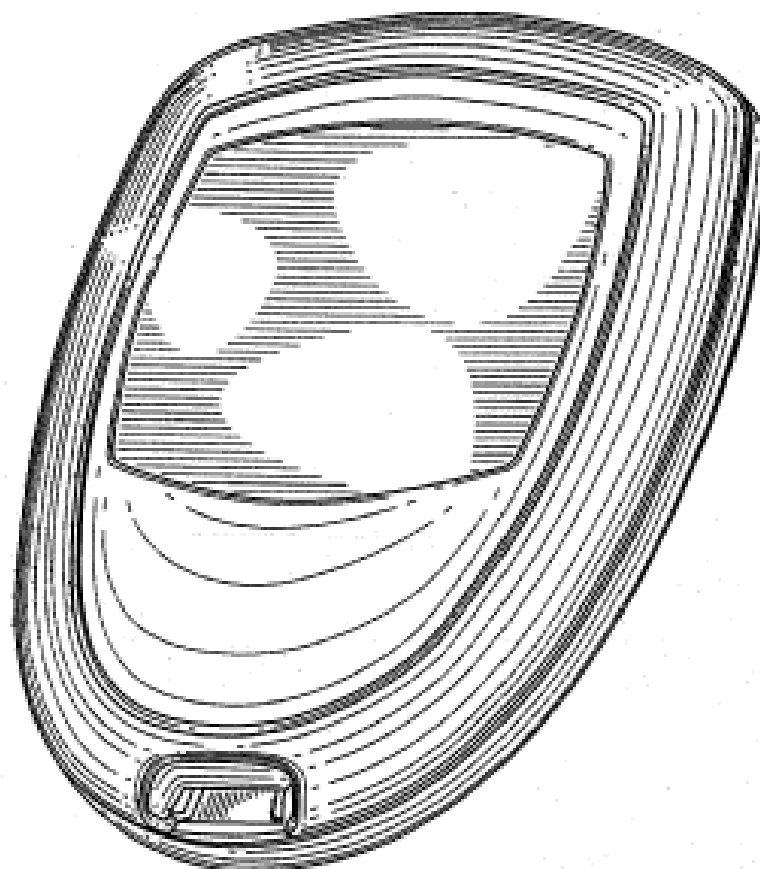
- (21) Design Number: **13372/2006**
- (22) Date of Filing Application: **02 August 2006**
- (24) Date from which industrial property rights may have effect: **02 August 2006**
- (54) Product in respect of which the design is registered: **A utility knife**
- (51) International Design Classification: **08-03**
- (71) Name(s) and Address(s) of Applicant(s):
Yuewei Wu
Ningbo Xingwei Plastic Product Co., Industrial Zone of Xidian Ninghai
315613 People's Republic of China
- (72) Name(s) of Designer(s): **Yuewei Wu**
- (45) Registration Date: **16 October 2006**
- (56) Related Art Documents: **Not Applicable**
- (57) Statement of Newness and Distinctiveness: **Nil**



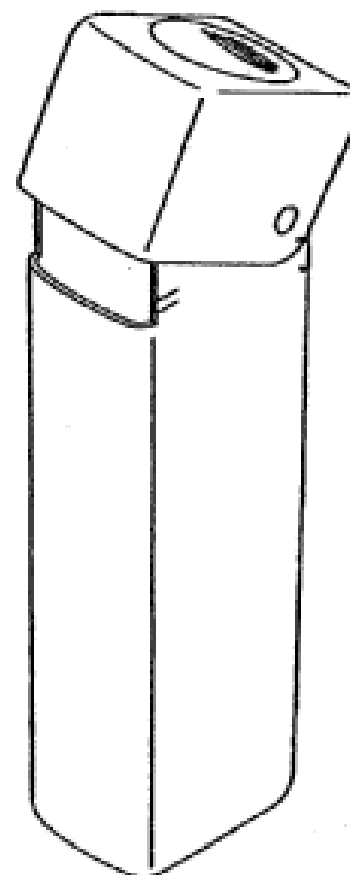
- (21) Design Number: **13377/2006**
- (22) Date of Filing Application: **02 August 2006**
- (24) Date from which industrial property rights may have effect: **02 August 2006**
- (54) Product in respect of which the design is registered: **Stopper**
- (51) International Design Classification: **09-07C, 09-07NES**
- (71) Name(s) and Address(s) of Applicant(s):
Mark William Kiehne
4 Delsia Street Rochedale South Queensland 4127 Australia
- (72) Name(s) of Designer(s): **Mark William Kiehne**
- (45) Registration Date: **16 October 2006**
- (56) Related Art Documents: **Not Applicable**
- (57) Statement of Newness and Distinctiveness: **Nil**



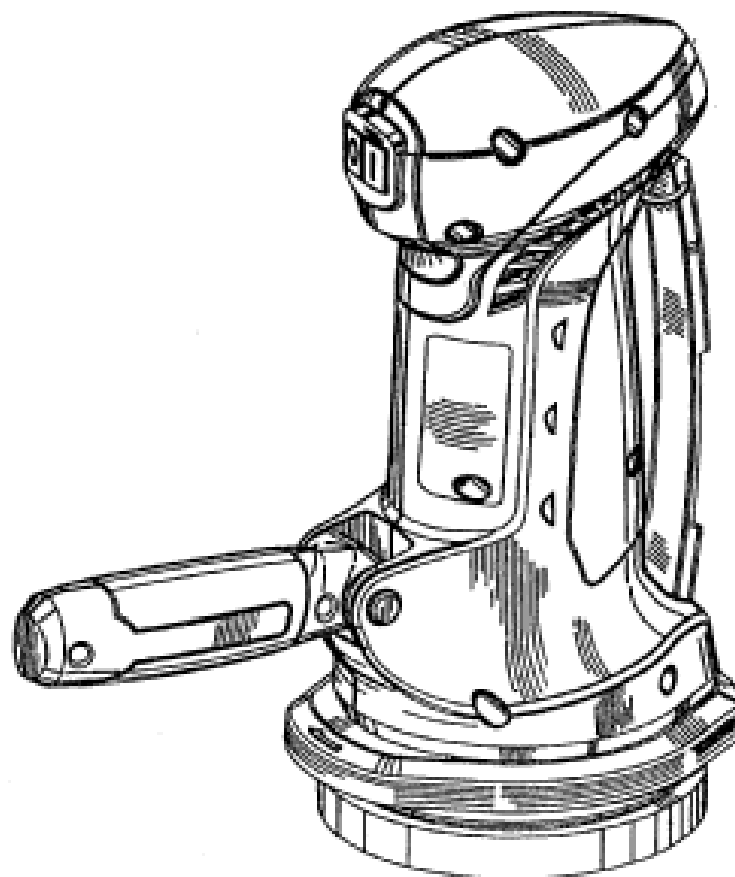
(21) Design Number: **13519/2006**
(22) Date of Filing Application: **11 August 2006**
(24) Date from which industrial property rights may have effect: **11 August 2006**
(54) Product in respect of which the design is registered: **Diagnostic meter**
(51) International Design Classification: **10-04**
(71) Name(s) and Address(s) of Applicant(s):
Home Diagnostics, Inc.
2400 N.W. 55th Court Fort Lauderdale FL 33309 United States of America
(72) Name(s) of Designer(s): **George R. Rounds and Adam Mark Will and Allan Javier Caban and Gary T. Neel**
(45) Registration Date: **16 October 2006**
(30) Convention priority data:
(31) Number (32) Date (33) Country
29/255,167 07 Mar 2006 UNITED STATES OF AMERICA
(56) Related Art Documents: **Not Applicable**
(57) Statement of Newness and Distinctiveness: **Nil**



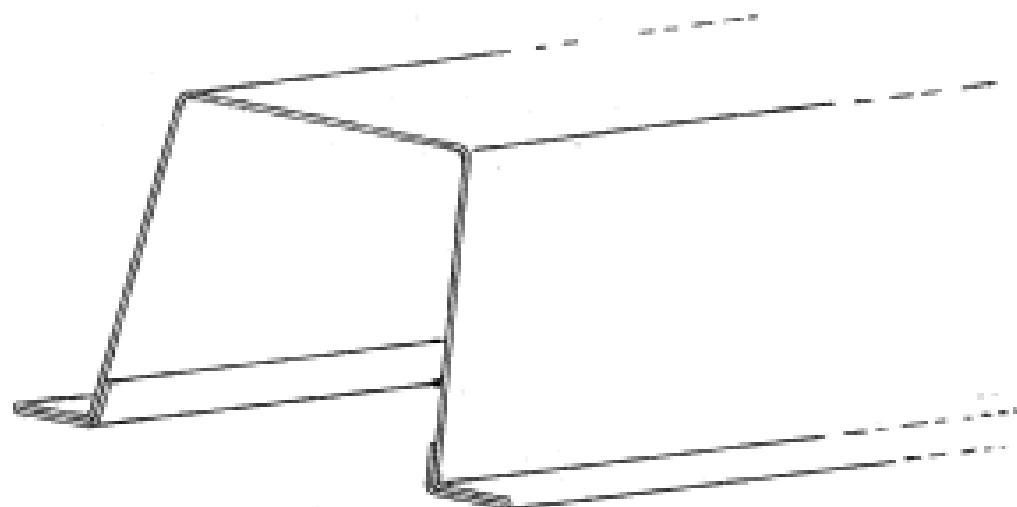
(21) Design Number: **13591/2006**
(22) Date of Filing Application: **14 August 2006**
(24) Date from which industrial property rights may have effect: **14 August 2006**
(54) Product in respect of which the design is registered: **Dispenser**
(51) International Design Classification: **09-03M**
(71) Name(s) and Address(s) of Applicant(s):
PEZ International AG
Eduard-Haas-Strasse 25 A 4050 Traun Austria
(72) Name(s) of Designer(s): **Stefan Degn**
(45) Registration Date: **16 October 2006**
(30) Convention priority data:
(31) Number (32) Date (33) Country
2006-3558 15 Feb 2006 JAPAN
(56) Related Art Documents: **Not Applicable**
(57) Statement of Newness and Distinctiveness: **Newness and distinctiveness reside in the features of the design as shown in the representations.**



- (21) Design Number: **13592/2006**
(22) Date of Filing Application: **14 August 2006**
(24) Date from which industrial property rights may have effect: **14 August 2006**
(54) Product in respect of which the design is registered: **Powered paint removal tool**
(51) International Design Classification: **08-05N**
(71) Name(s) and Address(s) of Applicant(s):
Wagner Spray Tech Corporation
1770 Fernbrook Lane Minneapolis Minnesota 55447 United States of America
(72) Name(s) of Designer(s): **Victor J. Fageroos and Paul Derek Hatch and Christopher Kent Barmore and Gregory Edward Reinecker**
(45) Registration Date: **16 October 2006**
(30) Convention priority data:
(31) Number (32) Date (33) Country
29/254134 17 Feb 2006 UNITED STATES OF AMERICA
(56) Related Art Documents: **Not Applicable**
(57) Statement of Newness and Distinctiveness: **Newness and distinctiveness is claimed in the features of shape and/or configuration of a powered paint removal tool as illustrated in the accompanying representations.**



- (21) Design Number: **13597/2006**
(22) Date of Filing Application: **15 August 2006**
(24) Date from which industrial property rights may have effect: **15 August 2006**
(54) Product in respect of which the design is registered: **Pallet stringer**
(51) International Design Classification: **25-01NES, 09-08**
(71) Name(s) and Address(s) of Applicant(s):
Ecosteel Pallets Pty Ltd
28 Quality Drive Dandenong Victoria 3175 Australia
(72) Name(s) of Designer(s): **Owen Walsh and Greg Pickering and Andrew Crank and Andrew Pickering**
(45) Registration Date: **16 October 2006**
(56) Related Art Documents: **Not Applicable**
(57) Statement of Newness and Distinctiveness: **The pallet stringer may be of any desired length but of constant cross section throughout that length.**



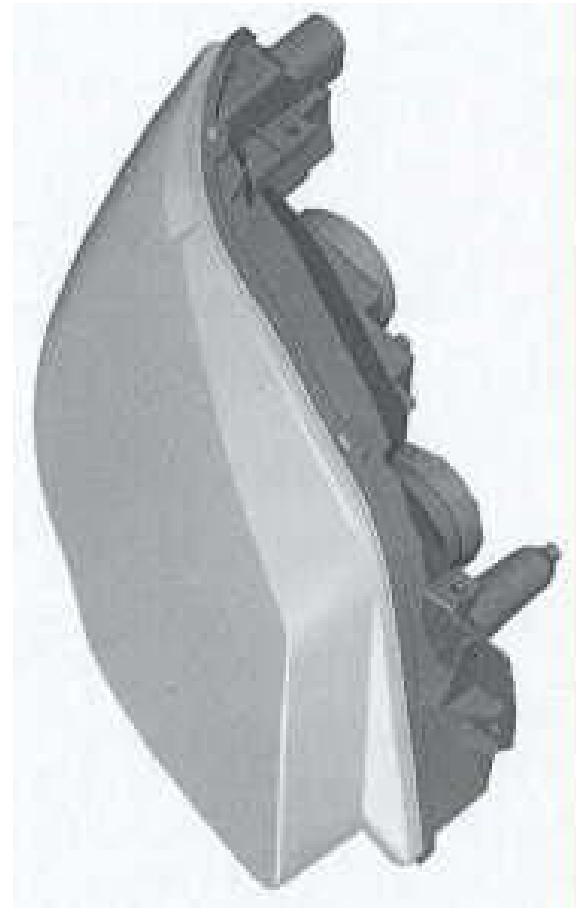
(21) Design Number: **13678/2006**
(22) Date of Filing Application: **18 August 2006**
(24) Date from which industrial property rights may have effect: **18 August 2006**
(54) Product in respect of which the design is registered: **A can end**
(51) International Design Classification: **09-07B**
(71) Name(s) and Address(s) of Applicant(s):
Crown Packagy Technology Inc
11535 S. Central Avenue Alsip Illinois 60803-2599 United States of America
(72) Name(s) of Designer(s): **Iain Charles Edward Stuart**
(45) Registration Date: **16 October 2006**
(30) Convention priority data:
(31) Number (32) Date (33) Country
000501861 24 Mar 2006 EUROPEAN COMMUNITY
(56) Related Art Documents: **Not Applicable**
(57) Statement of Newness and Distinctiveness: **Nil**



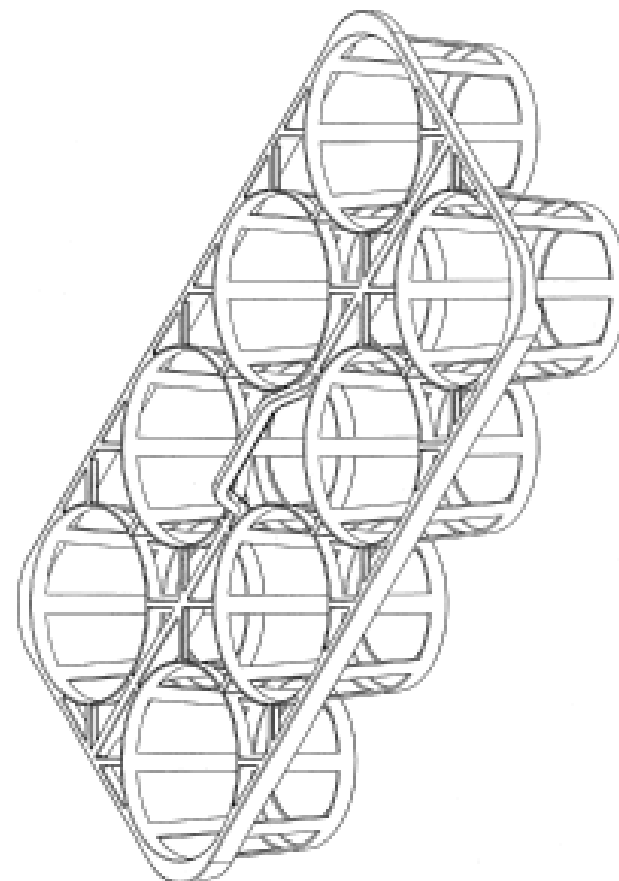
(21) Design Number: **13679/2006**
(22) Date of Filing Application: **18 August 2006**
(24) Date from which industrial property rights may have effect: **18 August 2006**
(54) Product in respect of which the design is registered: **A can end**
(51) International Design Classification: **09-07B**
(71) Name(s) and Address(s) of Applicant(s):
Crown Packagy Technology Inc
11535 S. Central Avenue Alsip Illinois 60803-2599 United States of America
(72) Name(s) of Designer(s): **Iain Charles Edward Stuart**
(45) Registration Date: **16 October 2006**
(30) Convention priority data:
(31) Number (32) Date (33) Country
000501861 24 Mar 2006 EUROPEAN COMMUNITY
(56) Related Art Documents: **Not Applicable**
(57) Statement of Newness and Distinctiveness: **Nil**



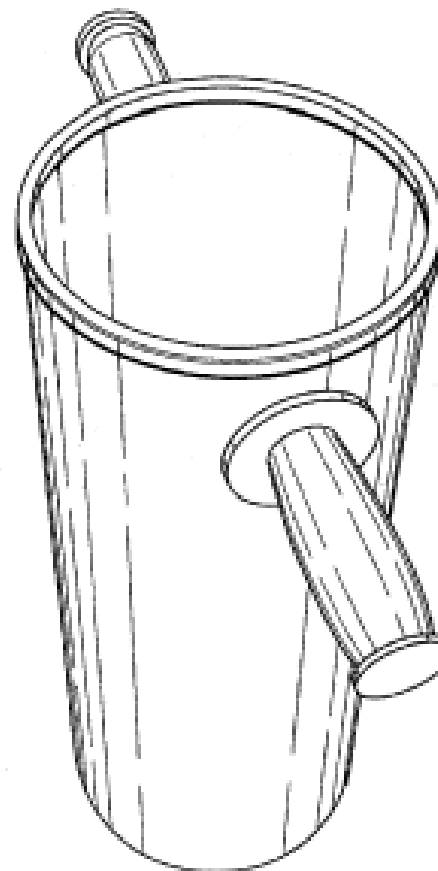
- (21) Design Number: **13864/2006**
- (22) Date of Filing Application: **28 August 2006**
- (24) Date from which industrial property rights may have effect: **28 August 2006**
- (54) Product in respect of which the design is registered: **Lamp for a vehicle**
- (51) International Design Classification: **26-06**
- (71) Name(s) and Address(s) of Applicant(s):
Ford Motor Company of Australia Limited
1735 Sydney Road Campbellfield Victoria 3061 Australia
- (72) Name(s) of Designer(s): **Graham Wadsworth**
- (45) Registration Date: **16 October 2006**
- (56) Related Art Documents: **Not Applicable**
- (57) Statement of Newness and Distinctiveness: **Newness and distinctiveness resides in the visual features of shape and/or configuration of a lamp for a vehicle as illustrated in the representations.**



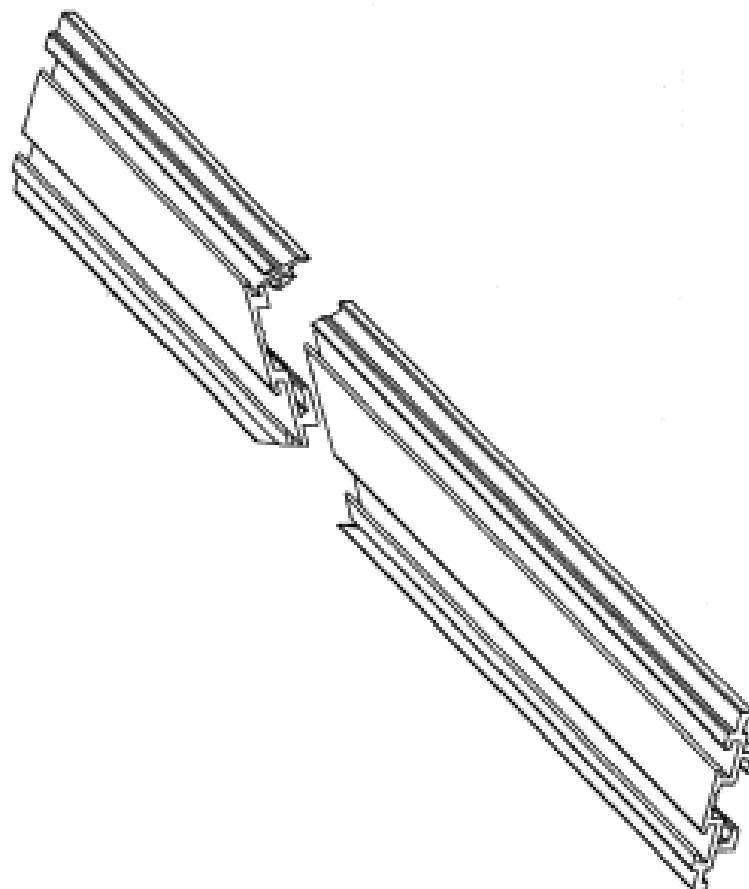
- (21) Design Number: **13731/2006**
- (22) Date of Filing Application: **22 August 2006**
- (24) Date from which industrial property rights may have effect: **22 August 2006**
- (54) Product in respect of which the design is registered: **Pot carry tray**
- (51) International Design Classification: **11-02B**
- (71) Name(s) and Address(s) of Applicant(s):
Steven Turner
Wangara Horticulture Supplies 79 Achievement Way Wangara
Western Australia 6065 Australia
- (72) Name(s) of Designer(s): **Steven Turner**
- (45) Registration Date: **16 October 2006**
- (56) Related Art Documents: **Not Applicable**
- (57) Statement of Newness and Distinctiveness: **The shape and configuration of the handle of the pot carry tray is new and distinctive.**



- (21) Design Number: **13732/2006**
(22) Date of Filing Application: **22 August 2006**
(24) Date from which industrial property rights may have effect: **22 August 2006**
(54) Product in respect of which the design is registered: **Underwater viewer**
(51) International Design Classification: **16-06**
(71) Name(s) and Address(s) of Applicant(s):
 Debra Maree Holstein
 2 Teralba Road West Walsend New South Wales 2286 Australia
 Brett Stephen Isaac
 2 Teralba Road West Walsend New South Wales 2286 Australia
(72) Name(s) of Designer(s): **Brett Stephen Isaac**
(45) Registration Date: **16 October 2006**
(56) Related Art Documents: **Not Applicable**
(57) Statement of Newness and Distinctiveness: **Nil**



- (21) Design Number: **13780/2006**
(22) Date of Filing Application: **23 August 2006**
(24) Date from which industrial property rights may have effect: **23 August 2006**
(54) Product in respect of which the design is registered: **An extrusion**
(51) International Design Classification: **25-01K**
(71) Name(s) and Address(s) of Applicant(s):
 Aluminium Specialties Group Pty Ltd
 3 Alspec Place Eastern Creek New South Wales 2766 Australia
(72) Name(s) of Designer(s): **David W. Evans**
(45) Registration Date: **16 October 2006**
(56) Related Art Documents: **Not Applicable**
(57) Statement of Newness and Distinctiveness: **Newness and distinctiveness is claimed in the shape and/or configuration of the extrusion as shown in the accompanying representation.**



(21) Design Number: **13781/2006**

(22) Date of Filing Application: **23 August 2006**

(24) Date from which industrial property rights may have effect: **23 August 2006**

(54) Product in respect of which the design is registered: **An extrusion**

(51) International Design Classification: **25-01K**

(71) Name(s) and Address(s) of Applicant(s):

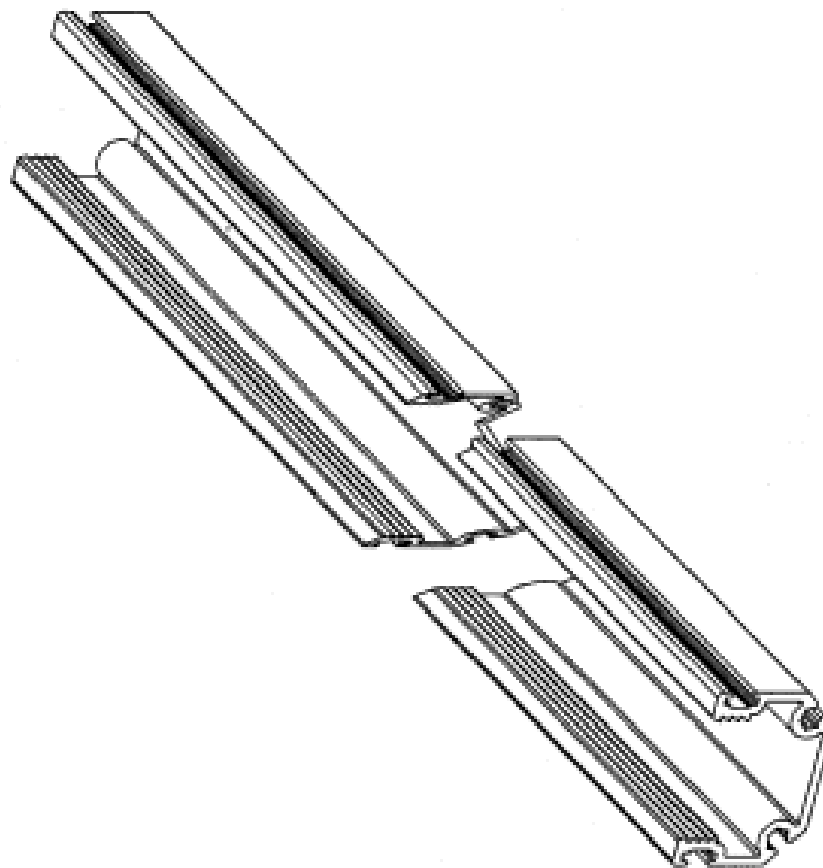
**Aluminium Specialties Group Pty Ltd
3 Alspec Place Eastern Creek New South Wales 2766 Australia**

(72) Name(s) of Designer(s): **David W. Evans**

(45) Registration Date: **16 October 2006**

(56) Related Art Documents: **Not Applicable**

(57) Statement of Newness and Distinctiveness: **Newness and distinctiveness is claimed in the shape and/or configuration of the extrusion as shown in the accompanying representation.**



(21) Design Number: **13782/2006**

(22) Date of Filing Application: **23 August 2006**

(24) Date from which industrial property rights may have effect: **23 August 2006**

(54) Product in respect of which the design is registered: **An extrusion**

(51) International Design Classification: **25-01K**

(71) Name(s) and Address(s) of Applicant(s):

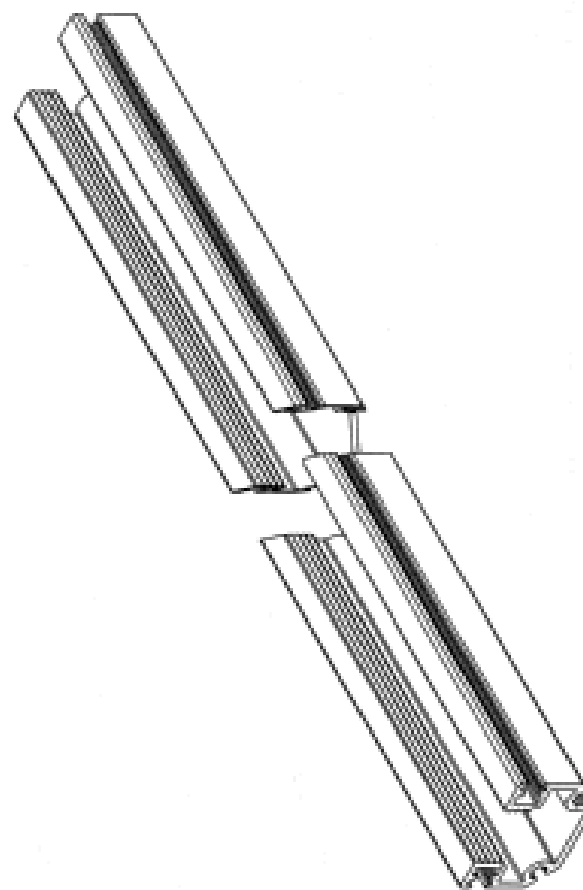
**Aluminium Specialties Group Pty Ltd
3 Alspec Place Eastern Creek New South Wales 2766 Australia**

(72) Name(s) of Designer(s): **David W. Evans**

(45) Registration Date: **16 October 2006**

(56) Related Art Documents: **Not Applicable**

(57) Statement of Newness and Distinctiveness: **Newness and distinctiveness is claimed in the shape and/or configuration of the extrusion as shown in the accompanying representation.**



(21) Design Number: **13783/2006**

(22) Date of Filing Application: **23 August 2006**

(24) Date from which industrial property rights may have effect: **23 August 2006**

(54) Product in respect of which the design is registered: **Connecting bracket**

(51) International Design Classification: **08-08L**

(71) Name(s) and Address(s) of Applicant(s):

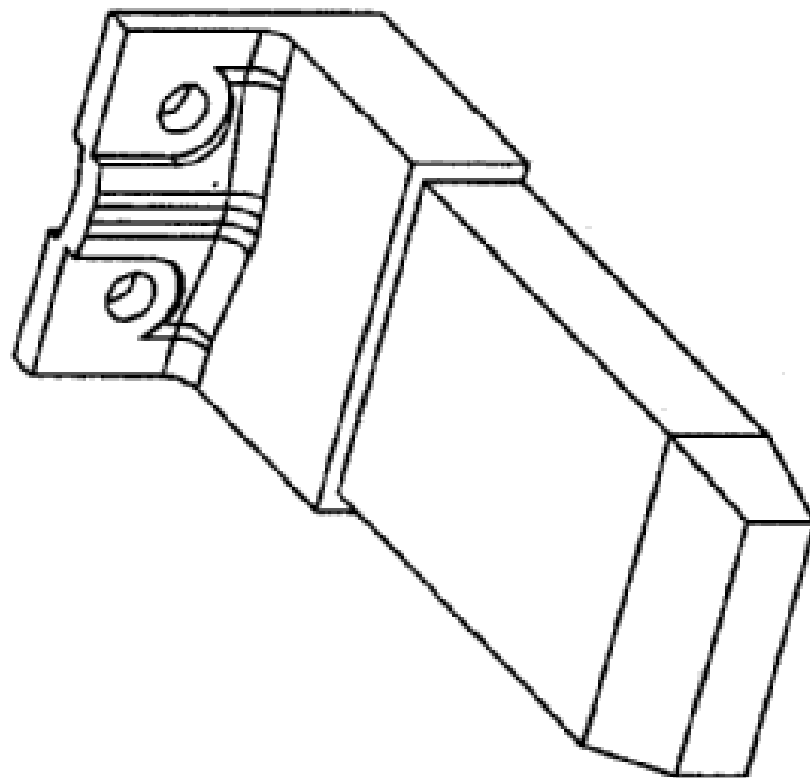
**Aluminium Specialties Group Pty Ltd
3 Alspec Place Eastern Creek New South Wales 2766 Australia**

(72) Name(s) of Designer(s): **David W. Evans**

(45) Registration Date: **16 October 2006**

(56) Related Art Documents: **Not Applicable**

(57) Statement of Newness and Distinctiveness: **Newness and distinctiveness is claimed in the shape and/or configuration of a connecting bracket as shown in the accompanying representation.**



(21) Design Number: **13784/2006**

(22) Date of Filing Application: **23 August 2006**

(24) Date from which industrial property rights may have effect: **23 August 2006**

(54) Product in respect of which the design is registered: **Connecting bracket**

(51) International Design Classification: **08-08L**

(71) Name(s) and Address(s) of Applicant(s):

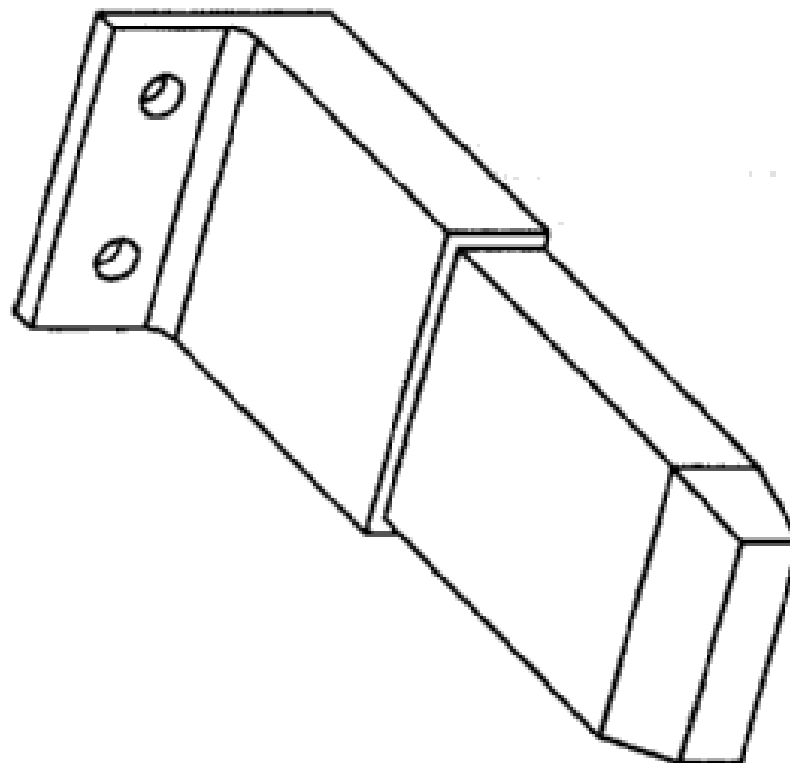
**Aluminium Specialties Group Pty Ltd
3 Alspec Place Eastern Creek New South Wales 2766 Australia**

(72) Name(s) of Designer(s): **David W. Evans**

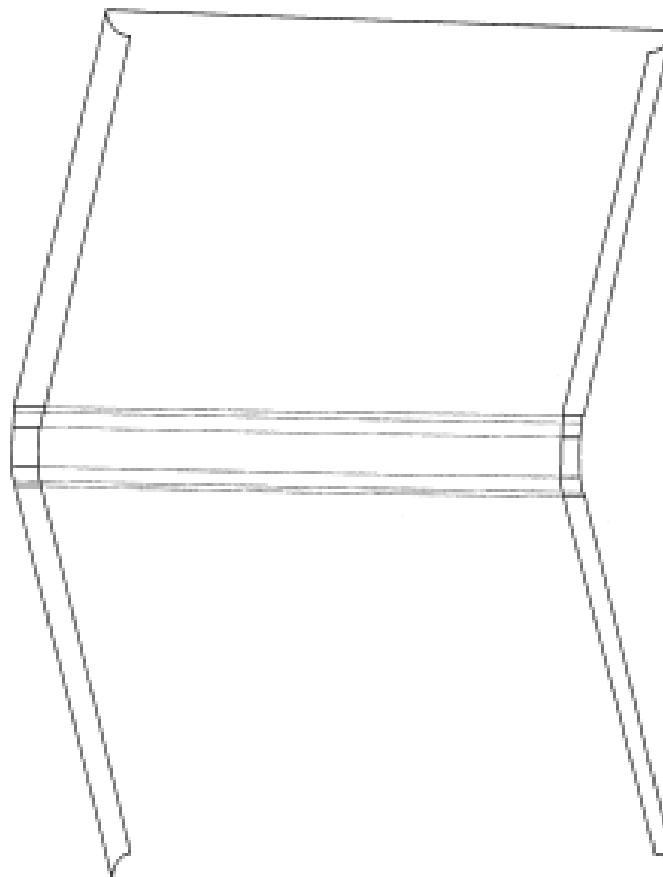
(45) Registration Date: **16 October 2006**

(56) Related Art Documents: **Not Applicable**

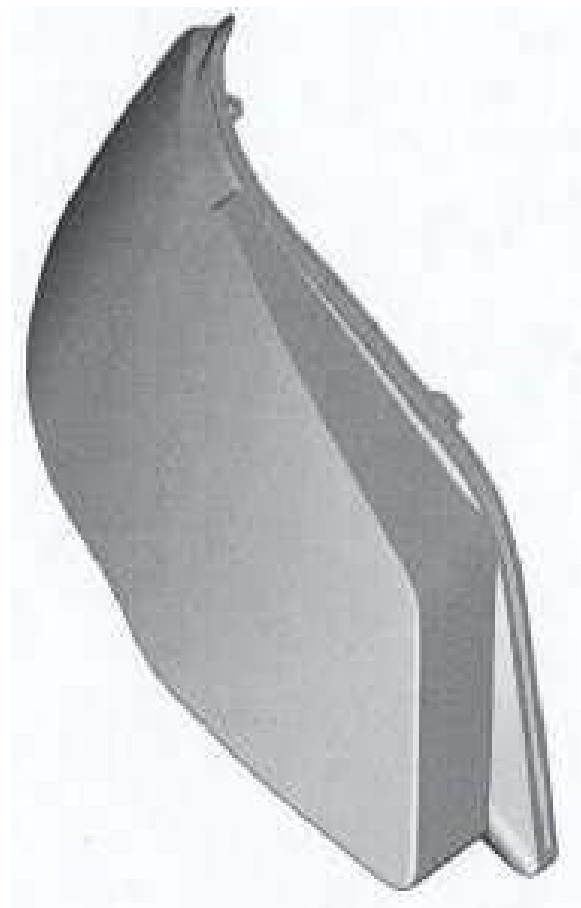
(57) Statement of Newness and Distinctiveness: **Newness and distinctiveness is claimed in the shape and/or configuration of a connecting bracket as shown in the accompanying representation.**



- (21) Design Number: **13840/2006**
(22) Date of Filing Application: **25 August 2006**
(24) Date from which industrial property rights may have effect: **25 August 2006**
(54) Product in respect of which the design is registered: **Cover and blank therefor**
(51) International Design Classification: **19-04**
(71) Name(s) and Address(s) of Applicant(s):
RoyleBind Pty. Ltd.
4b Melrich Road Bayswater Victoria 3153 Australia
(72) Name(s) of Designer(s): **Clifford Royle**
(45) Registration Date: **16 October 2006**
(56) Related Art Documents: **Not Applicable**
(57) Statement of Newness and Distinctiveness: **Newness and distinctiveness is claimed in the visual features shown in solid lines in the representations.**



- (21) Design Number: **13866/2006**
(22) Date of Filing Application: **28 August 2006**
(24) Date from which industrial property rights may have effect: **28 August 2006**
(54) Product in respect of which the design is registered: **Lamp for a vehicle**
(51) International Design Classification: **26-06**
(71) Name(s) and Address(s) of Applicant(s):
Ford Motor Company of Australia Limited
1735 Sydney Road Campbellfield Victoria 3061 Australia
(72) Name(s) of Designer(s): **Graham Wadsworth**
(45) Registration Date: **16 October 2006**
(56) Related Art Documents: **Not Applicable**
(57) Statement of Newness and Distinctiveness: **Newness and distinctiveness resides in the visual features of shape and/or configuration of a lamp for a vehicle as illustrated in the representations.**



(21) Design Number: **13877/2006**

(22) Date of Filing Application: **24 August 2006**

(24) Date from which industrial property rights may have effect: **24 August 2006**

(54) Product in respect of which the design is registered: **An intercooler pipe**

(51) International Design Classification: **15-01**

(71) Name(s) and Address(s) of Applicant(s):

Wai Chan

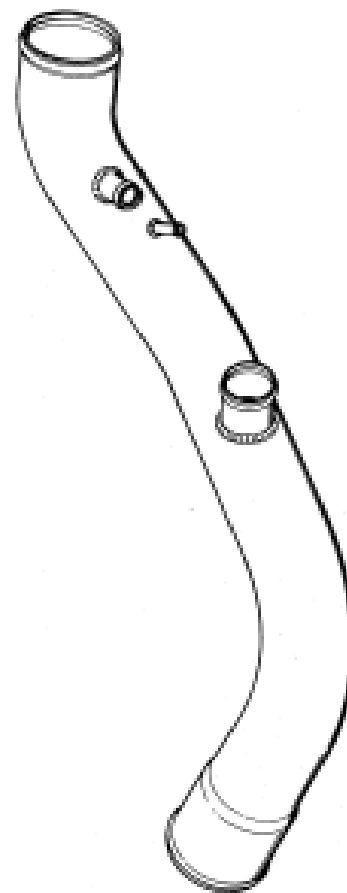
3/8 Moorlands Road Ingleburn New South Wales 2565 Australia

(72) Name(s) of Designer(s): **Wai Chan**

(45) Registration Date: **16 October 2006**

(56) Related Art Documents: **Not Applicable**

(57) Statement of Newness and Distinctiveness: **Newness and distinctiveness is claimed in the shape and/or configuration of an intercooler pipe as illustrated by the unbroken lines in the accompanying representation/s.**



(21) Design Number: **13925/2006**

(22) Date of Filing Application: **31 August 2006**

(24) Date from which industrial property rights may have effect: **31 August 2006**

(54) Product in respect of which the design is registered: **Intercommunication apparatus**

(51) International Design Classification: **14-03A**

(71) Name(s) and Address(s) of Applicant(s):

BPT S.P.A.

Via Stazione 26 Sesto Al Reghena 33079 Italy

(72) Name(s) of Designer(s): **Alessandra Rinaldi and Yoko Tanabe**

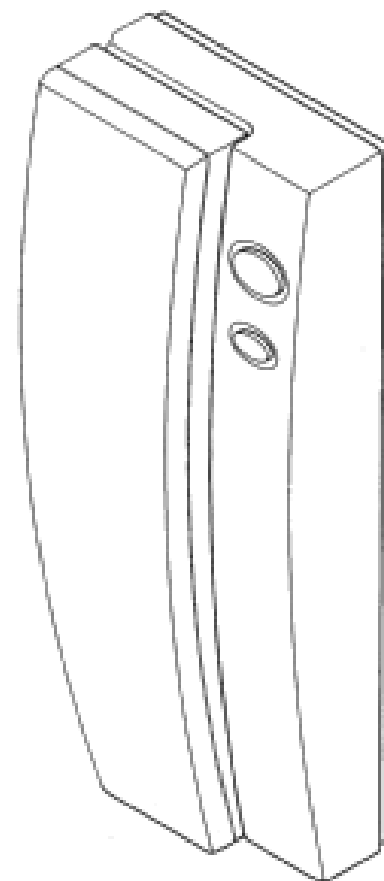
(45) Registration Date: **16 October 2006**

(30) Convention priority data:

(31) Number	(32) Date	(33) Country
TV2006O000008	14 Mar 2006	ITALY

(56) Related Art Documents: **Not Applicable**

(57) Statement of Newness and Distinctiveness: **Nil**



(21) Design Number: **13926/2006**

(22) Date of Filing Application: **31 August 2006**

(24) Date from which industrial property rights may have effect: **31 August 2006**

(54) Product in respect of which the design is registered:
Video-intercommunication apparatus

(51) International Design Classification: **14-03A**

(71) Name(s) and Address(s) of Applicant(s):

BPT S.P.A.

Via Stazione 26 Sesto Al Reghena 33079 Italy

(72) Name(s) of Designer(s): **Alessandra Rinaldi and Yoko Tanabe**

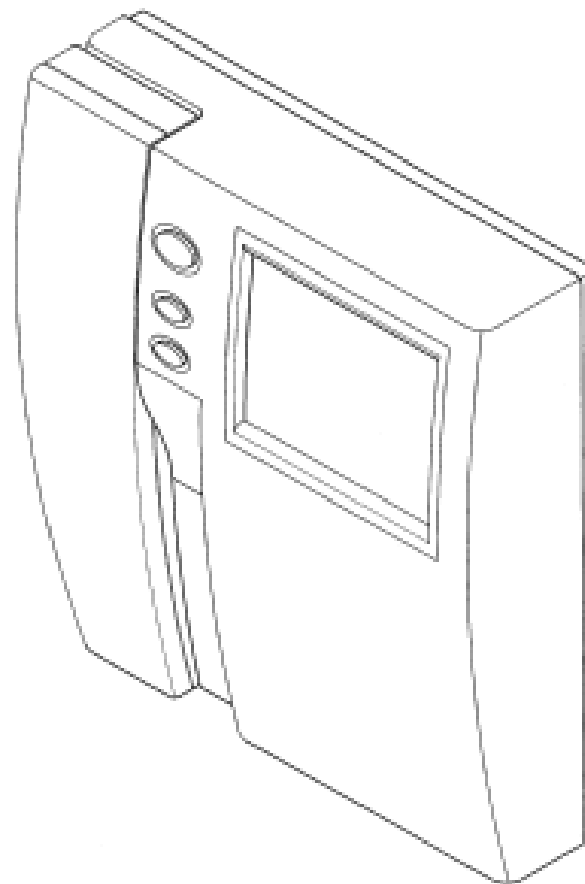
(45) Registration Date: **16 October 2006**

(30) Convention priority data:

(31) Number	(32) Date	(33) Country
TV2006O000008	14 Mar 2006	ITALY

(56) Related Art Documents: **Not Applicable**

(57) Statement of Newness and Distinctiveness: **Nil**



(21) Design Number: **13927/2006**

(22) Date of Filing Application: **31 August 2006**

(24) Date from which industrial property rights may have effect: **31 August 2006**

(54) Product in respect of which the design is registered: **Intercommunication apparatus**

(51) International Design Classification: **14-03A**

(71) Name(s) and Address(s) of Applicant(s):

BPT S.P.A.

Via Stazione 26 Sesto Al Reghena 33079 Italy

(72) Name(s) of Designer(s): **Alessandra Rinaldi and Yoko Tanabe**

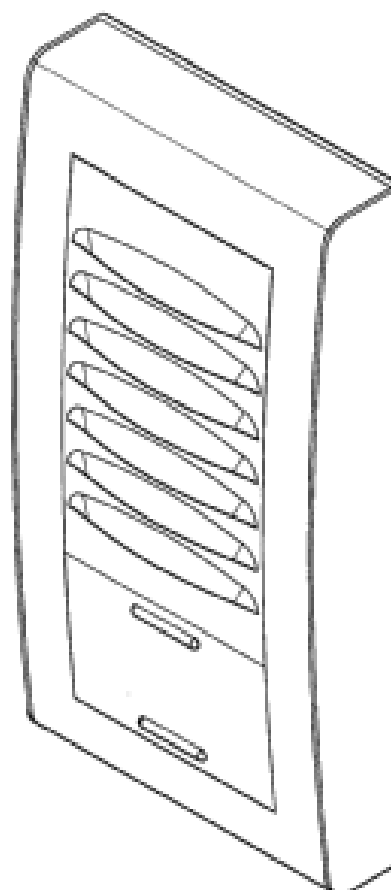
(45) Registration Date: **16 October 2006**

(30) Convention priority data:

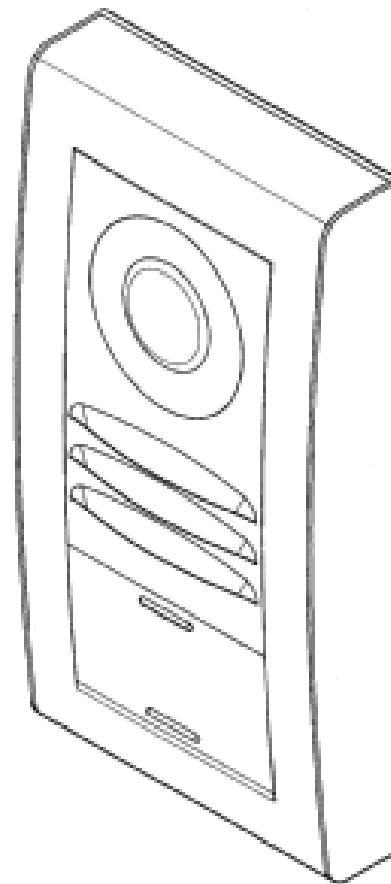
(31) Number	(32) Date	(33) Country
TV2006O000008	14 Mar 2006	ITALY

(56) Related Art Documents: **Not Applicable**

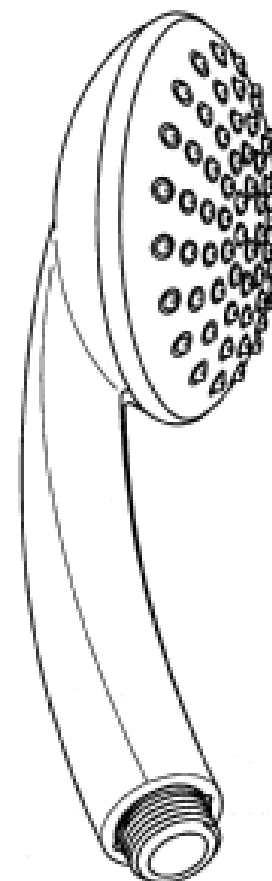
(57) Statement of Newness and Distinctiveness: **Nil**



(21) Design Number: **13928/2006**
(22) Date of Filing Application: **31 August 2006**
(24) Date from which industrial property rights may have effect: **31 August 2006**
(54) Product in respect of which the design is registered: **Intercommunication apparatus and Video-intercommunication apparatus**
(51) International Design Classification: **14-03A**
(71) Name(s) and Address(s) of Applicant(s):
BPT S.P.A.
Via Stazione 26 Sesto Al Reghena 33079 Italy
(72) Name(s) of Designer(s): **Alessandra Rinaldi and Yoko Tanabe**
(45) Registration Date: **16 October 2006**
(30) Convention priority data:
(31) Number (32) Date (33) Country
TV2006O000008 14 Mar 2006 ITALY
(56) Related Art Documents: **Not Applicable**
(57) Statement of Newness and Distinctiveness: **Nil**



(21) Design Number: **13931/2006**
(22) Date of Filing Application: **31 August 2006**
(24) Date from which industrial property rights may have effect: **31 August 2006**
(54) Product in respect of which the design is registered: **A shower head**
(51) International Design Classification: **23-02B**
(71) Name(s) and Address(s) of Applicant(s):
Hansa Metallwerke AG
Sigmaringer Str. 107 D-70567 Stuttgart Germany
(72) Name(s) of Designer(s): **Michael Lammel**
(45) Registration Date: **16 October 2006**
(30) Convention priority data:
(31) Number (32) Date (33) Country
000487137 01 Mar 2006 EUROPEAN COMMUNITY
(56) Related Art Documents: **Not Applicable**
(57) Statement of Newness and Distinctiveness: **Nil**



(21) Design Number: **13932/2006**

(22) Date of Filing Application: **31 August 2006**

(24) Date from which industrial property rights may have effect: **31 August 2006**

(54) Product in respect of which the design is registered: **A shower head**

(51) International Design Classification: **23-02B**

(71) Name(s) and Address(s) of Applicant(s):

Hansa Metallwerke AG
Sigmaringer Str. 107 D-70567 Stuttgart Germany

(72) Name(s) of Designer(s): **Michael Lammel**

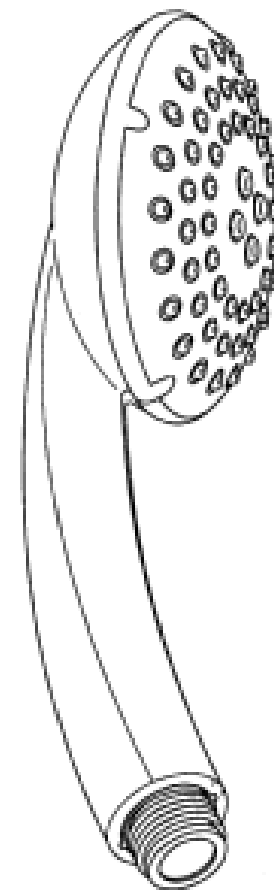
(45) Registration Date: **16 October 2006**

(30) Convention priority data:

(31) Number	(32) Date	(33) Country
000487137	01 Mar 2006	EUROPEAN COMMUNITY

(56) Related Art Documents: **Not Applicable**

(57) Statement of Newness and Distinctiveness: **Nil**



(21) Design Number: **13933/2006**

(22) Date of Filing Application: **31 August 2006**

(24) Date from which industrial property rights may have effect: **31 August 2006**

(54) Product in respect of which the design is registered: **A shower head**

(51) International Design Classification: **23-02B**

(71) Name(s) and Address(s) of Applicant(s):

Hansa Metallwerke AG
Sigmaringer Str. 107 D-70567 Stuttgart Germany

(72) Name(s) of Designer(s): **Michael Lammel**

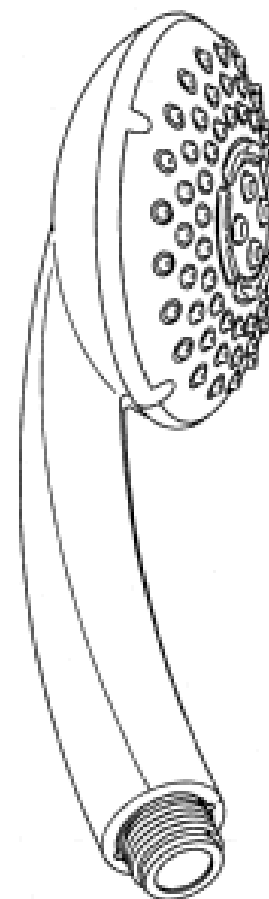
(45) Registration Date: **16 October 2006**

(30) Convention priority data:

(31) Number	(32) Date	(33) Country
000487137	01 Mar 2006	EUROPEAN COMMUNITY

(56) Related Art Documents: **Not Applicable**

(57) Statement of Newness and Distinctiveness: **Nil**



(21) Design Number: **13938/2006**

(22) Date of Filing Application: **31 August 2006**

(24) Date from which industrial property rights may have effect: **31 August 2006**

(54) Product in respect of which the design is registered: **Apparatus for measuring electrophysiological signals**

(51) International Design Classification: **24-01, 24-02**

(71) Name(s) and Address(s) of Applicant(s):

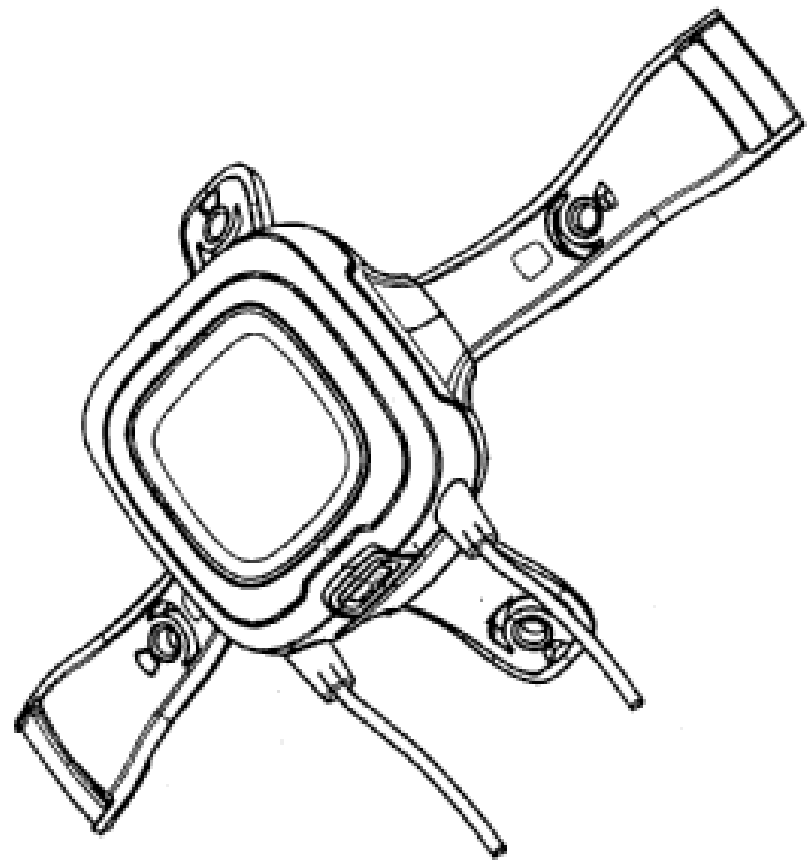
**ObjectiVision Pty Ltd
Unit 145 National Innovation Centre Australian Technology Park
Eveleigh NSW 1430 Australia**

(72) Name(s) of Designer(s): **Jonathan Mathew Dyer and Arthur Cheng and Alexander Klistorner**

(45) Registration Date: **16 October 2006**

(56) Related Art Documents: **Not Applicable**

(57) Statement of Newness and Distinctiveness: **Newness and distinctiveness is claimed in the features of shape and/or configuration of an apparatus for measuring electrophysiological signals as illustrated in the accompanying representations.**



(21) Design Number: **13940/2006**

(22) Date of Filing Application: **31 August 2006**

(24) Date from which industrial property rights may have effect: **31 August 2006**

(54) Product in respect of which the design is registered: **LED lighting fixture**

(51) International Design Classification: **26-05C, 26-05NES**

(71) Name(s) and Address(s) of Applicant(s):

**Zumtobel Lighting GmbH & Co. KG
Grevenmarschstr. 74-78 32657 Lemgo Germany**

(72) Name(s) of Designer(s): **Martin Bergmann**

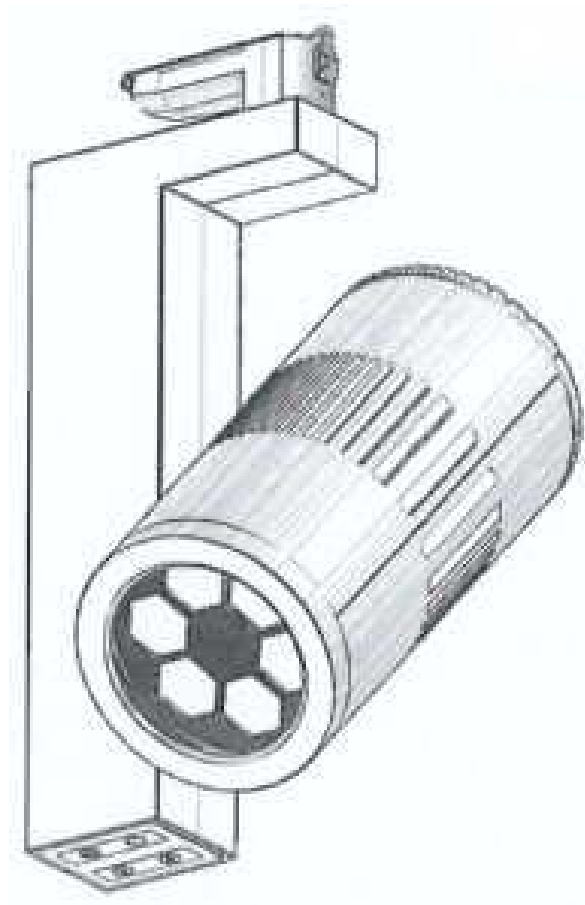
(45) Registration Date: **16 October 2006**

(30) Convention priority data:

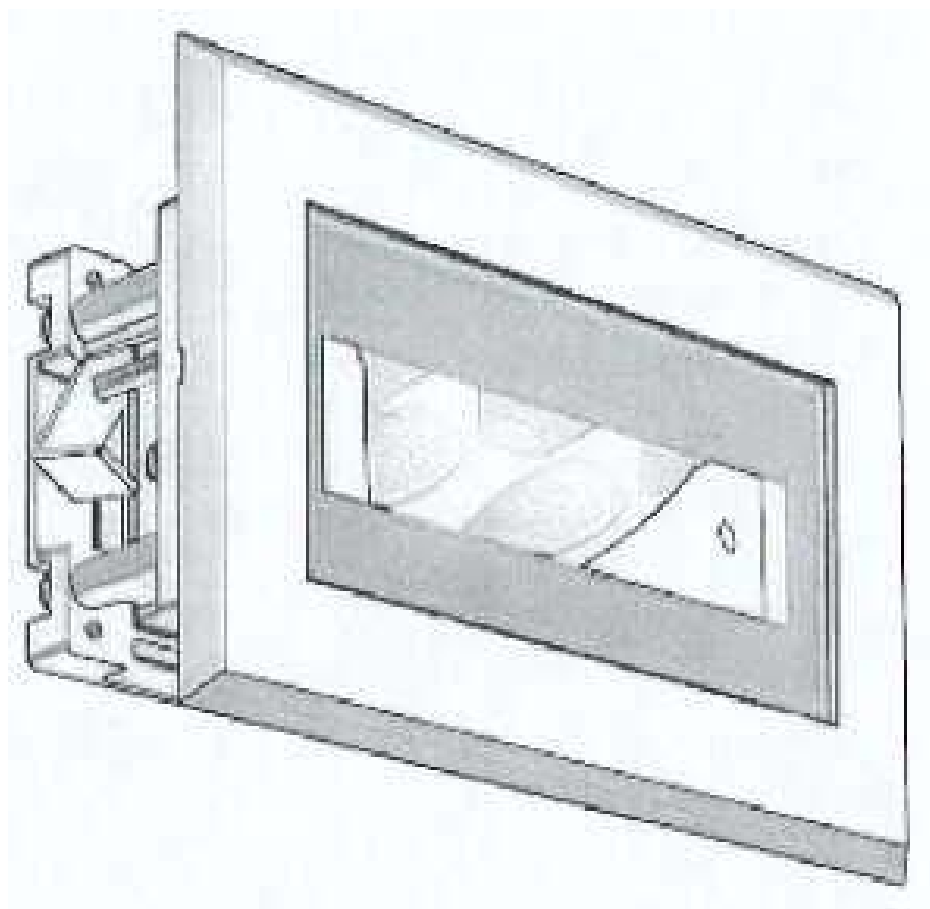
(31) Number	(32) Date	(33) Country
000492137-0001	09 Mar 2006	EUROPEAN COMMUNITY

(56) Related Art Documents: **Not Applicable**

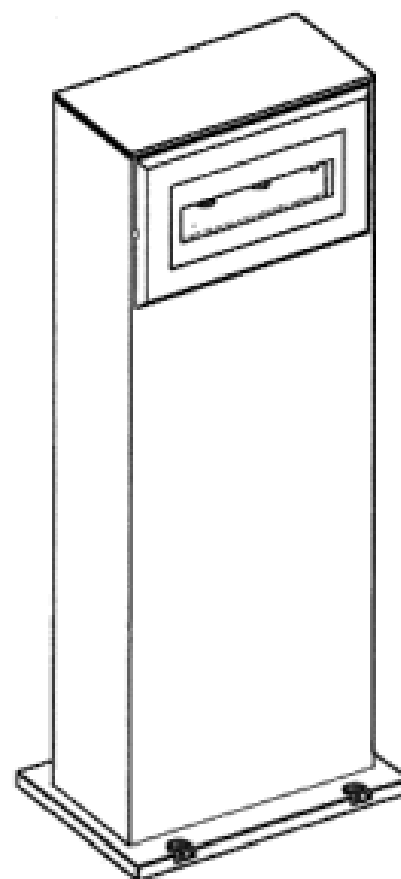
(57) Statement of Newness and Distinctiveness: **Newness and distinctiveness is claimed in the features of shape and/or configuration of an LED lighting fixture as illustrated in the accompanying representations.**



- (21) Design Number: **13941/2006**
(22) Date of Filing Application: **31 August 2006**
(24) Date from which industrial property rights may have effect: **31 August 2006**
(54) Product in respect of which the design is registered: **LED lighting fixture**
(51) International Design Classification: **26-05C, 26-05NES**
(71) Name(s) and Address(s) of Applicant(s):
Zumtobel Lighting GmbH & Co. KG
Grevenmarschstr. 74-78 32657 Lemgo Germany
(72) Name(s) of Designer(s): **Katharina Goetz-Schaefer**
(45) Registration Date: **16 October 2006**
(30) Convention priority data:
(31) Number (32) Date (33) Country
000492137-0002 09 Mar 2006 EUROPEAN COMMUNITY
(56) Related Art Documents: **Not Applicable**
(57) Statement of Newness and Distinctiveness: **Newness and distinctiveness is claimed in the features of shape and/or configuration of an LED lighting fixture as illustrated in the accompanying representations.**



- (21) Design Number: **13943/2006**
(22) Date of Filing Application: **31 August 2006**
(24) Date from which industrial property rights may have effect: **31 August 2006**
(54) Product in respect of which the design is registered: **LED lighting fixture**
(51) International Design Classification: **26-05B, 26-05NES**
(71) Name(s) and Address(s) of Applicant(s):
Zumtobel Lighting GmbH & Co. KG
Grevenmarschstr. 74-78 32657 Lemgo Germany
(72) Name(s) of Designer(s): **Katharina Goetz-Schaefer**
(45) Registration Date: **16 October 2006**
(30) Convention priority data:
(31) Number (32) Date (33) Country
000492137-0004 09 Mar 2006 EUROPEAN COMMUNITY
(56) Related Art Documents: **Not Applicable**
(57) Statement of Newness and Distinctiveness: **Newness and distinctiveness is claimed in the features of shape and/or configuration of an LED lighting fixture as illustrated in the accompanying representations.**



(21) Design Number: **13944/2006**

(22) Date of Filing Application: **31 August 2006**

(24) Date from which industrial property rights may have effect: **31 August 2006**

(54) Product in respect of which the design is registered: **LED lighting fixture**

(51) International Design Classification: **26-05C, 26-05NES**

(71) Name(s) and Address(s) of Applicant(s):

**Zumtobel Lighting GmbH & Co. KG
Grevenmarschstr. 74-78 32657 Lemgo Germany**

(72) Name(s) of Designer(s): **Herbert Kock**

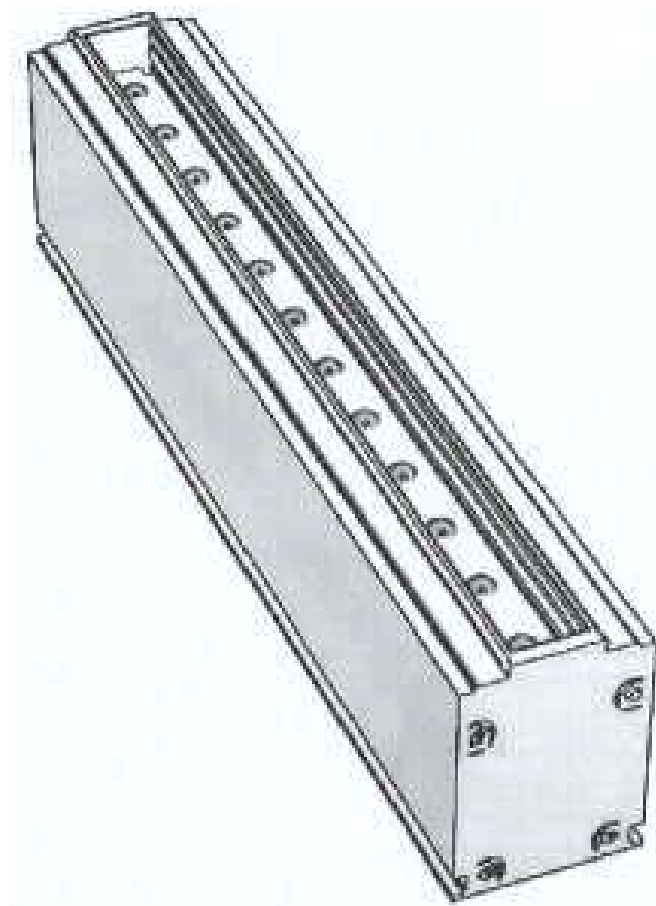
(45) Registration Date: **16 October 2006**

(30) Convention priority data:

(31) Number	(32) Date	(33) Country
000492137-0006	09 Mar 2006	EUROPEAN COMMUNITY

(56) Related Art Documents: **Not Applicable**

(57) Statement of Newness and Distinctiveness: **Newness and distinctiveness is claimed in the features of shape and/or configuration of an LED lighting fixture as illustrated in the accompanying representations.**



(21) Design Number: **13945/2006**

(22) Date of Filing Application: **31 August 2006**

(24) Date from which industrial property rights may have effect: **31 August 2006**

(54) Product in respect of which the design is registered: **LED lighting fixture**

(51) International Design Classification: **26-05C, 26-05NES**

(71) Name(s) and Address(s) of Applicant(s):

**Zumtobel Lighting GmbH & Co. KG
Grevenmarschstr. 74-78 32657 Lemgo Germany**

(72) Name(s) of Designer(s): **Herbert Kock**

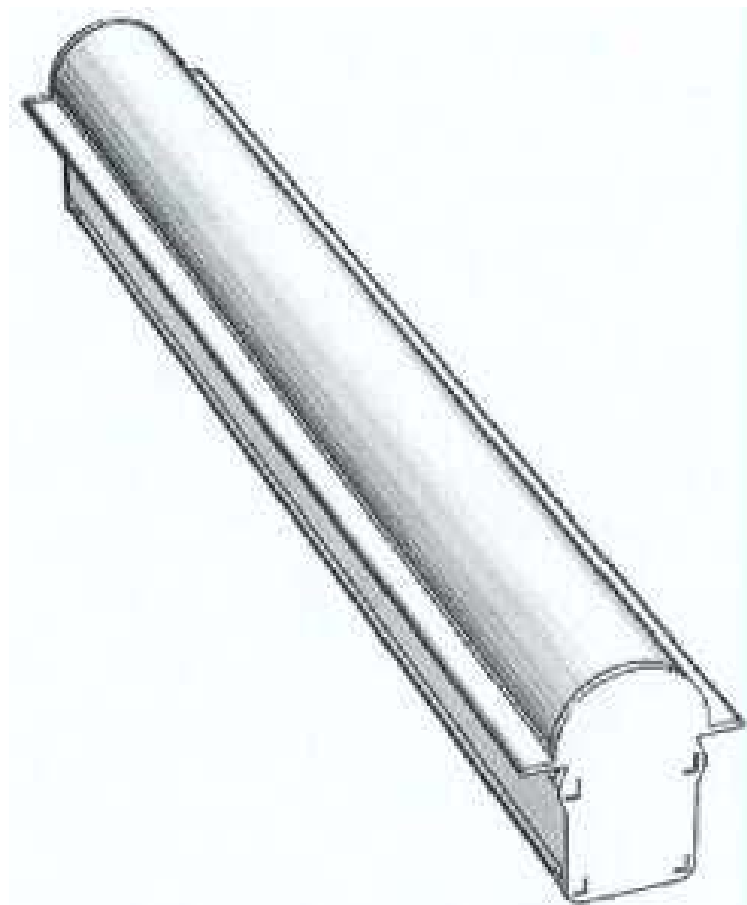
(45) Registration Date: **16 October 2006**

(30) Convention priority data:

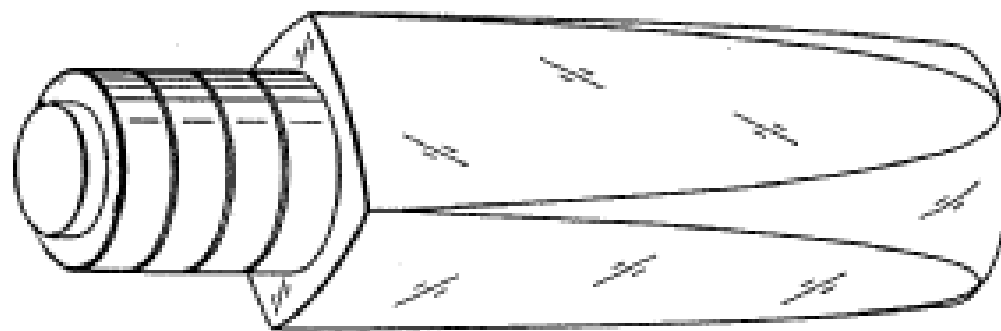
(31) Number	(32) Date	(33) Country
000492137-0007	09 Mar 2006	EUROPEAN COMMUNITY

(56) Related Art Documents: **Not Applicable**

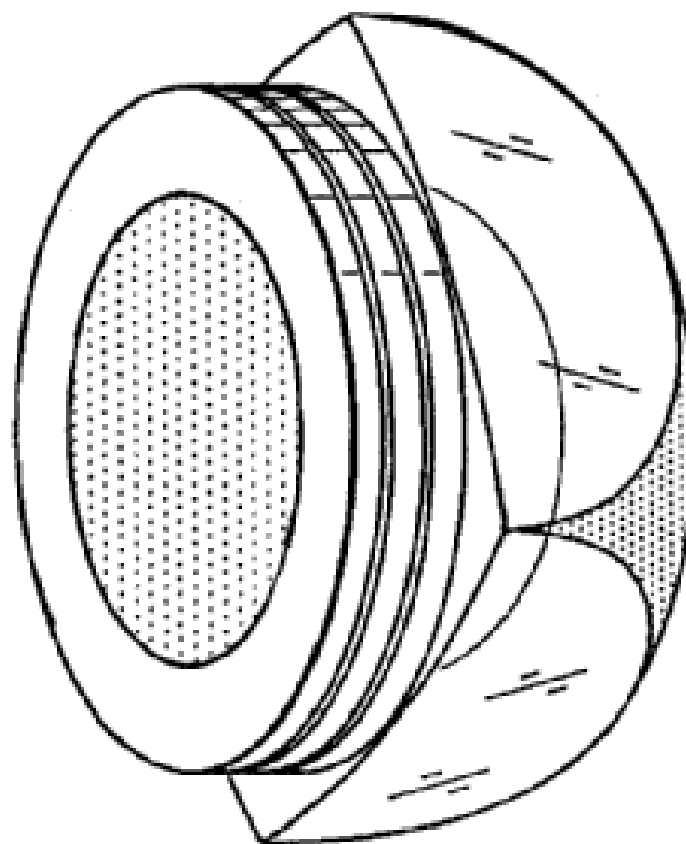
(57) Statement of Newness and Distinctiveness: **Newness and distinctiveness is claimed in the features of shape and/or configuration of an LED lighting fixture as illustrated in the accompanying representations.**



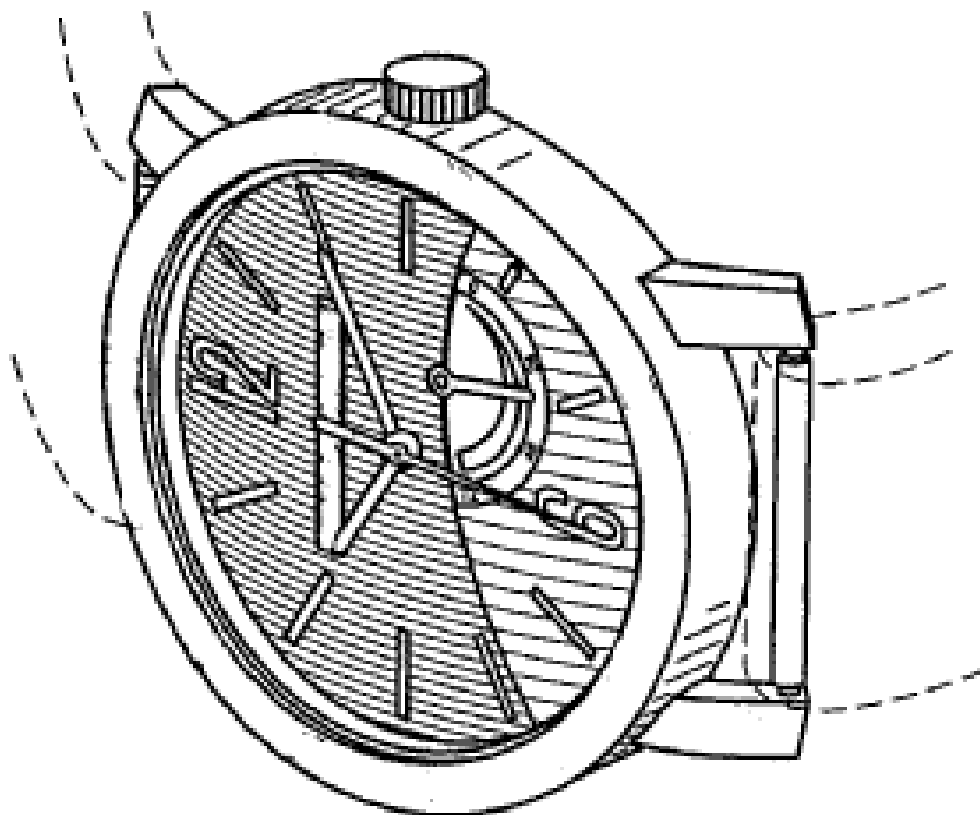
- (21) Design Number: **13946/2006**
(22) Date of Filing Application: **31 August 2006**
(24) Date from which industrial property rights may have effect: **31 August 2006**
(54) Product in respect of which the design is registered: **Dispenser for skincare fluid**
(51) International Design Classification: **09-01G**
(71) Name(s) and Address(s) of Applicant(s):
Bulgari S.p.A.
11 Lungotevere Marzio Rome Italy
(72) Name(s) of Designer(s): **Thierry De Baschmakoff**
(45) Registration Date: **16 October 2006**
(30) Convention priority data:
(31) Number (32) Date (33) Country
000488911-0003 03 Mar 2006 EUROPEAN COMMUNITY
(56) Related Art Documents: **Not Applicable**
(57) Statement of Newness and Distinctiveness: **Newness and distinctiveness is claimed in the features of shape and/or configuration of a dispenser for skincare fluid as illustrated in the accompanying representations.**



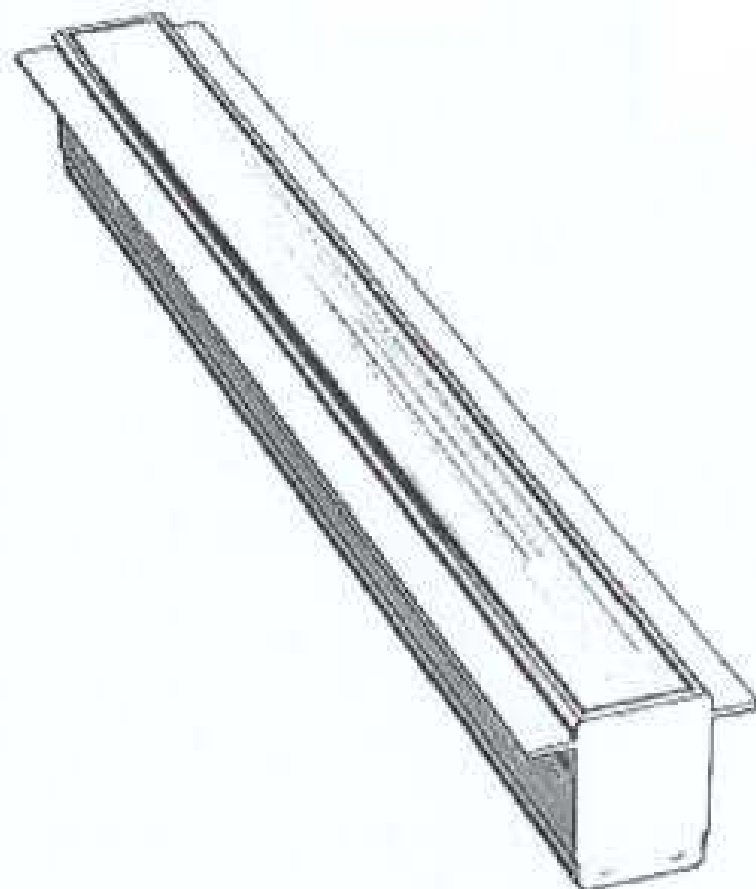
- (21) Design Number: **13947/2006**
(22) Date of Filing Application: **31 August 2006**
(24) Date from which industrial property rights may have effect: **31 August 2006**
(54) Product in respect of which the design is registered: **Cosmetics jar**
(51) International Design Classification: **09-01C, 09-01G**
(71) Name(s) and Address(s) of Applicant(s):
Bulgari S.p.A.
11 Lungotevere Marzio Rome Italy
(72) Name(s) of Designer(s): **Thierry De Baschmakoff**
(45) Registration Date: **16 October 2006**
(30) Convention priority data:
(31) Number (32) Date (33) Country
000488911-0001 03 Mar 2006 EUROPEAN COMMUNITY
(56) Related Art Documents: **Not Applicable**
(57) Statement of Newness and Distinctiveness: **Newness and distinctiveness is claimed in the features of shape and/or configuration of a cosmetics jar as illustrated in the accompanying representations.**



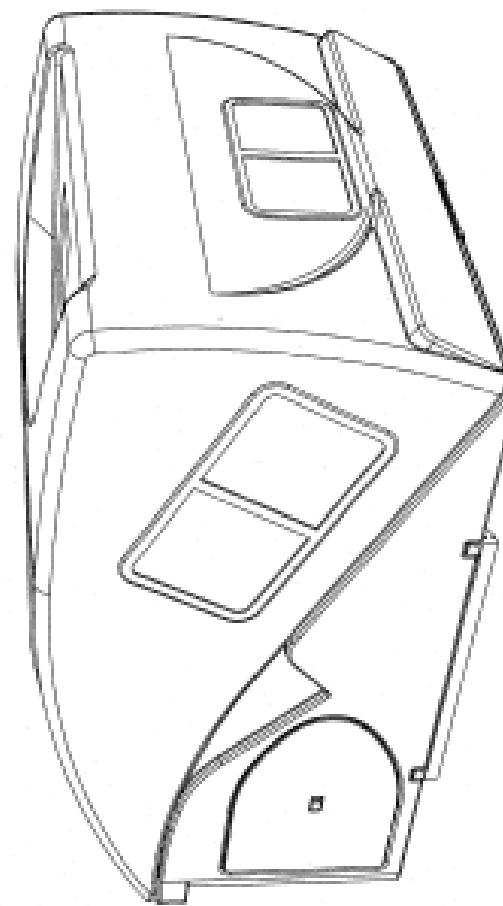
- (21) Design Number: **13948/2006**
(22) Date of Filing Application: **31 August 2006**
(24) Date from which industrial property rights may have effect: **31 August 2006**
(54) Product in respect of which the design is registered: **Watch body**
(51) International Design Classification: **10-02, 10-07**
(71) Name(s) and Address(s) of Applicant(s):
Bulgari Time (Switzerland) SA
34 Rue de Monruz Neuchatel Switzerland
(72) Name(s) of Designer(s): **Paolo Bulgari**
(45) Registration Date: **16 October 2006**
(30) Convention priority data:
(31) Number (32) Date (33) Country
DM067822 02 Mar 2006 SWITZERLAND
(56) Related Art Documents: **Not Applicable**
(57) Statement of Newness and Distinctiveness: **Newness and distinctiveness is claimed in the features of shape and/or configuration of a watch body as illustrated in continuous lines in the accompanying representations, wherein a bracelet is also shown attached to the watch body in phantom.**



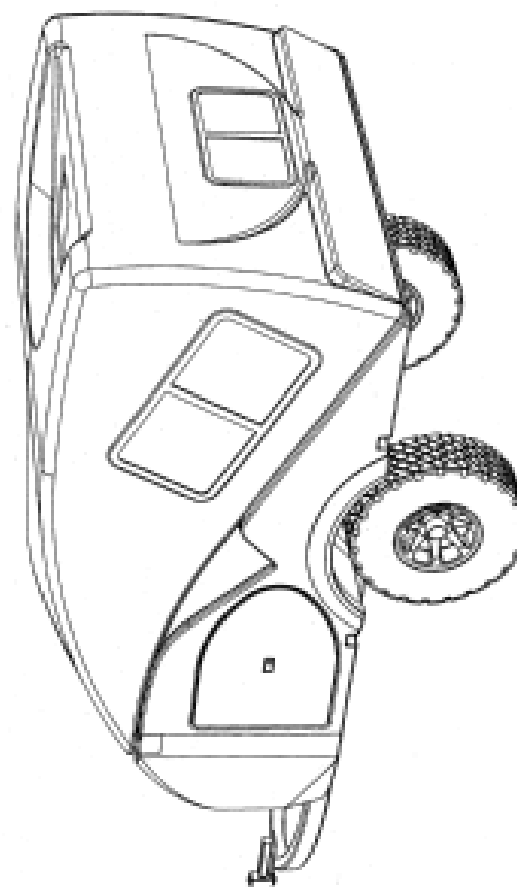
- (21) Design Number: **13949/2006**
(22) Date of Filing Application: **31 August 2006**
(24) Date from which industrial property rights may have effect: **31 August 2006**
(54) Product in respect of which the design is registered: **LED lighting fixture**
(51) International Design Classification: **26-05C, 26-05NES**
(71) Name(s) and Address(s) of Applicant(s):
Zumtobel Lighting GmbH & Co. KG
Grevenmarschstr. 74-78 32657 Lemgo Germany
(72) Name(s) of Designer(s): **Herbert Kock**
(45) Registration Date: **16 October 2006**
(30) Convention priority data:
(31) Number (32) Date (33) Country
000492137-0008 09 Mar 2006 EUROPEAN COMMUNITY
(56) Related Art Documents: **Not Applicable**
(57) Statement of Newness and Distinctiveness: **Newness and distinctiveness is claimed in the features of shape and/or configuration of an LED lighting fixture as illustrated in the accompanying representations.**



- (21) Design Number: **13970/2006**
- (22) Date of Filing Application: **01 September 2006**
- (24) Date from which industrial property rights may have effect: **01 September 2006**
- (54) Product in respect of which the design is registered: **Slide-on camper/s
Motor home/s**
- (51) International Design Classification: **12-10**
- (71) Name(s) and Address(s) of Applicant(s):
**Welby Harold Davidson
Acacia Creek Via Killarney Queensland 4373 Australia**
- (72) Name(s) of Designer(s): **Welby Harold Davidson**
- (45) Registration Date: **16 October 2006**
- (56) Related Art Documents: **Not Applicable**
- (57) Statement of Newness and Distinctiveness: **Nil**



- (21) Design Number: **13971/2006**
- (22) Date of Filing Application: **01 September 2006**
- (24) Date from which industrial property rights may have effect: **01 September 2006**
- (54) Product in respect of which the design is registered: **Camper trailer/s
Caravans**
- (51) International Design Classification: **12-10**
- (71) Name(s) and Address(s) of Applicant(s):
**Welby Harold Davidson
Acacia Creek Via Killarney Queensland 4373 Australia**
- (72) Name(s) of Designer(s): **Welby Harold Davidson**
- (45) Registration Date: **16 October 2006**
- (56) Related Art Documents: **Not Applicable**
- (57) Statement of Newness and Distinctiveness: **Nil**



(21) Design Number: **11758/2006**

(22) Date of Filing Application: **28 April 2006**

(24) Date from which industrial property rights may have effect: **28 April 2006**

(54) Product in respect of which the design is registered: **Dice**

(51) International Design Classification: **21-01L**

(71) Name(s) and Address(s) of Applicant(s):

**William Stanley Raymont
67 Collings Street Pearce ACT 2607 Australia**

(72) Name(s) of Designer(s): **William Raymont**

(45) Registration Date: **16 October 2006**

(56) Related Art Documents: **Not Applicable**

(57) Statement of Newness and Distinctiveness: **The new feature of the design is the dice is in the shape of a cricket bat.**



(21) Design Number: **12032/2006**

(22) Date of Filing Application: **10 May 2006**

(24) Date from which industrial property rights may have effect: **10 May 2006**

(54) Product in respect of which the design is registered: **Vehicle sailplane**

(51) International Design Classification: **12-16B**

(71) Name(s) and Address(s) of Applicant(s):

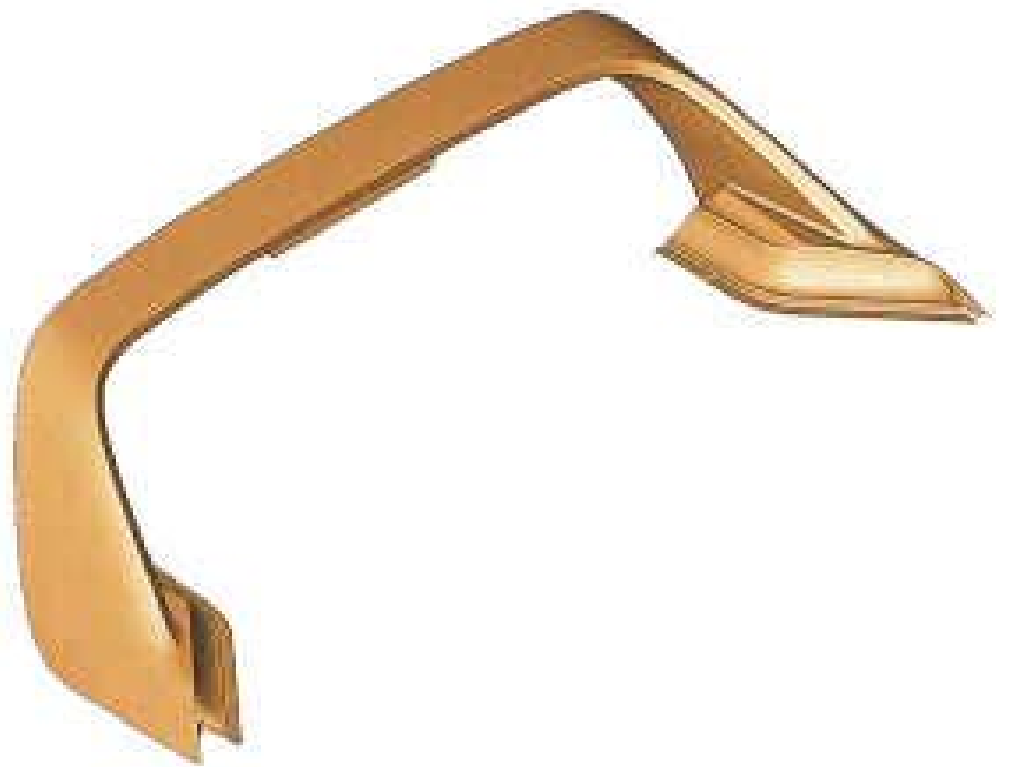
**GM Holden Ltd
241 Salmon Street Port Melbourne Victoria 3207 Australia**

(72) Name(s) of Designer(s): **Peter Hughes**

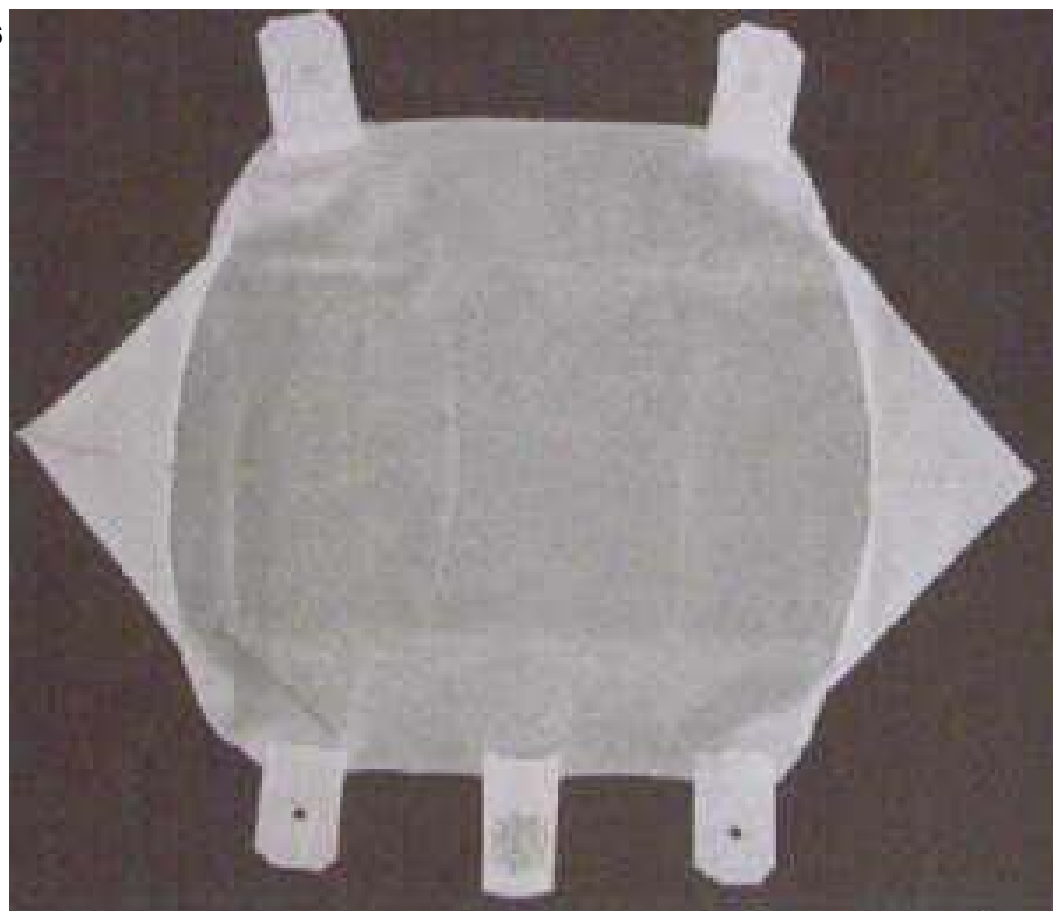
(45) Registration Date: **16 October 2006**

(56) Related Art Documents: **Not Applicable**

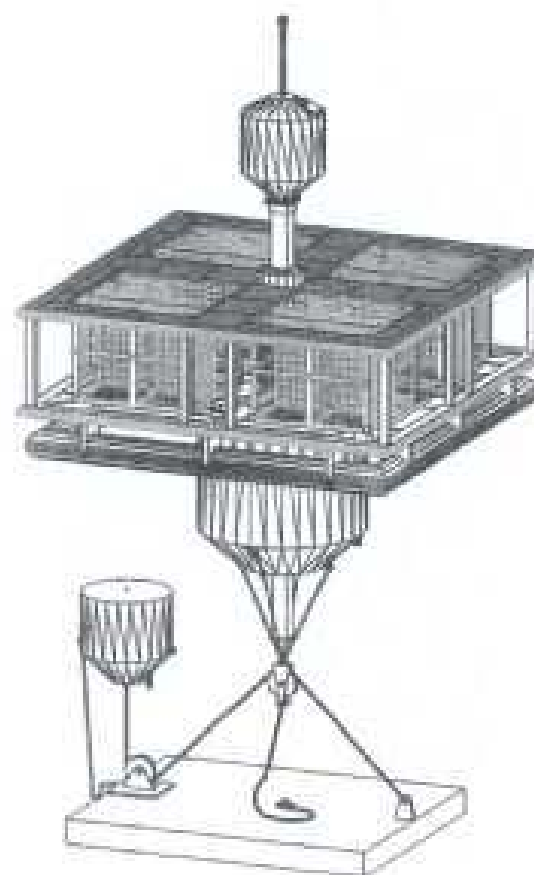
(57) Statement of Newness and Distinctiveness: **Newness and distinctiveness is claimed in the shape and/or configuration of a vehicle sailplane as shown in the representations.**



- (21) Design Number: **13992/2006**
(22) Date of Filing Application: **05 September 2006**
(24) Date from which industrial property rights may have effect: **05 September 2006**
(54) Product in respect of which the design is registered: **Waterproof pouch for absorbent pad**
(51) International Design Classification: **24-04**
(71) Name(s) and Address(s) of Applicant(s):
Susan Margaret Allison-Rogers
Unit 2 8 Binney Court Sandy Bay Tasmania 7005 Australia
(72) Name(s) of Designer(s): **Susan Margaret Allison-Rogers**
(45) Registration Date: **16 October 2006**
(56) Related Art Documents: **Not Applicable**
(57) Statement of Newness and Distinctiveness: **The new features of the design are the shape and configuration of the waterproof pouch, in consideration of the extent of the new features, the absorbent pad is to be disregarde.**



- (21) Design Number: **14020/2006**
(22) Date of Filing Application: **07 September 2006**
(24) Date from which industrial property rights may have effect: **07 September 2006**
(54) Product in respect of which the design is registered: **Submerged platform for growing octopus**
(51) International Design Classification: **22-05, 30-02**
(71) Name(s) and Address(s) of Applicant(s):
Andres Quinta Cortinas
Campana s/n Valga Pontevedra Spain
Eladio Diaz Arbones
Campana s/n Valga Pontevedra Spain
(72) Name(s) of Designer(s): **Andres Quinta Cortinas and Eladio Diaz Arbones**
(45) Registration Date: **16 October 2006**
(30) Convention priority data:
(31) Number (32) Date (33) Country
000494711-0001 14 Mar 2006 EUROPEAN COMMUNITY
(56) Related Art Documents: **Not Applicable**
(57) Statement of Newness and Distinctiveness: **Nil**



(21) Design Number: **14172/2006**
(22) Date of Filing Application: **15 September 2006**
(24) Date from which industrial property rights may have effect: **15 September 2006**
(54) Product in respect of which the design is registered: **Herb chopper**
(51) International Design Classification: **07-06NES**
(71) Name(s) and Address(s) of Applicant(s):
Pi-Design AG
Kantonsstrasse 100 CH-6234 Triengen Switzerland
(72) Name(s) of Designer(s): **Jorgen Bodum**
(45) Registration Date: **16 October 2006**
(30) Convention priority data:
(31) Number (32) Date (33) Country
DA 2006 18 Mar 2006 DENMARK
00087
(56) Related Art Documents: **Not Applicable**
(57) Statement of Newness and Distinctiveness: **Nil**



(21) Design Number: **14176/2006**
(22) Date of Filing Application: **19 September 2006**
(24) Date from which industrial property rights may have effect: **19 September 2006**
(54) Product in respect of which the design is registered: **Stain preventor for underwear**
(51) International Design Classification: **02-01NES**
(71) Name(s) and Address(s) of Applicant(s):
Alvin L. Williams
324 Esplanade Aldinga Beach SOUTH AUSTRALIA 5173
(72) Name(s) of Designer(s): **Alvin L. Williams**
(45) Registration Date: **16 October 2006**
(56) Related Art Documents: **Not Applicable**
(57) Statement of Newness and Distinctiveness: **Nil**



(21) Design Number: **14180/2006**

(22) Date of Filing Application: **19 September 2006**

(24) Date from which industrial property rights may have effect: **19 September 2006**

(54) Product in respect of which the design is registered: **Teapot(2) - jesper**

(51) International Design Classification: **07-01G**

(71) Name(s) and Address(s) of Applicant(s):

Pi-Design AG

Kantonsstrasse 100 Postfach 463 Ch-6234 Triengen Switzerland

(72) Name(s) of Designer(s): **Jorgen Bodum**

(45) Registration Date: **16 October 2006**

(30) Convention priority data:

(31) Number

(32) Date

(33) Country

DA 2006

20 Mar 2006

DENMARK

00089

(56) Related Art Documents: **Not Applicable**

(57) Statement of Newness and Distinctiveness: **Nil**



(21) Design Number: **14181/2006**

(22) Date of Filing Application: **19 September 2006**

(24) Date from which industrial property rights may have effect: **19 September 2006**

(54) Product in respect of which the design is registered: **Teapot(2) - Bean**

(51) International Design Classification: **07-01G**

(71) Name(s) and Address(s) of Applicant(s):

Pi-Design AG

Kantonsstrasse 100 Postfach 463 Ch-6234 Triengen Switzerland

(72) Name(s) of Designer(s): **Pi-Design AG**

(45) Registration Date: **16 October 2006**

(30) Convention priority data:

(31) Number

(32) Date

(33) Country

DA 2006

20 Mar 2006

DENMARK

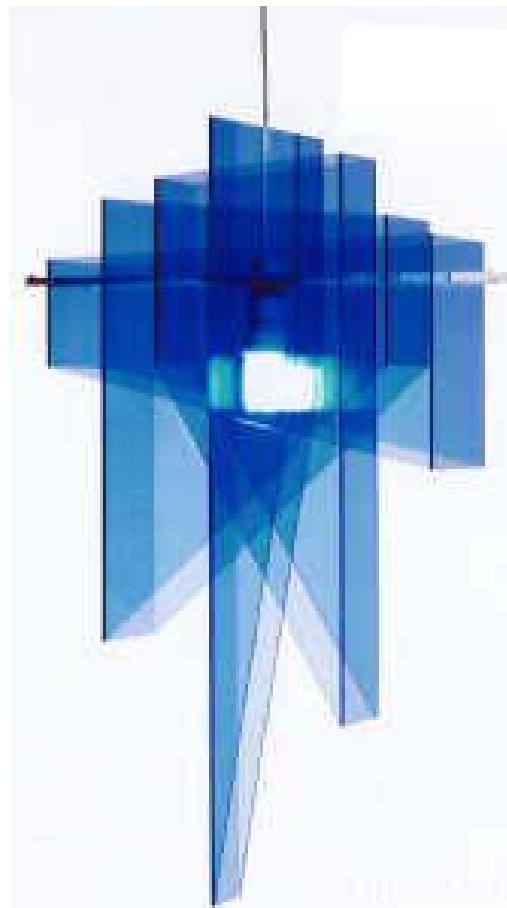
00089

(56) Related Art Documents: **Not Applicable**

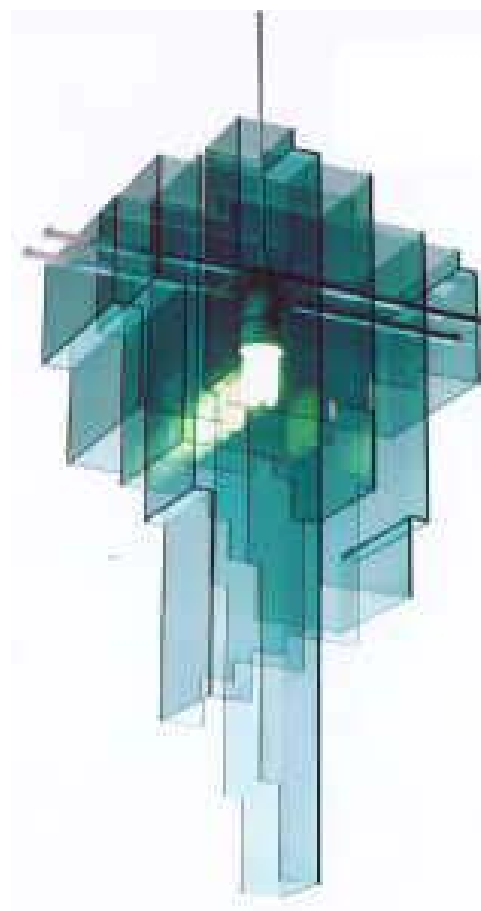
(57) Statement of Newness and Distinctiveness: **Nil**



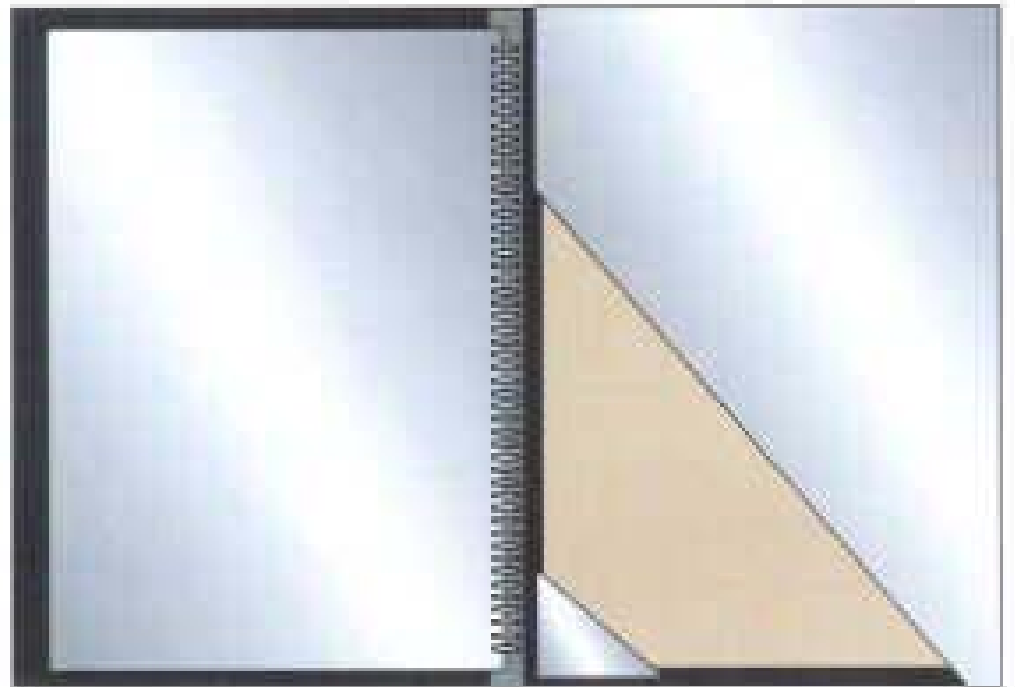
- (21) Design Number: **14183/2006**
(22) Date of Filing Application: **18 September 2006**
(24) Date from which industrial property rights may have effect: **18 September 2006**
(54) Product in respect of which the design is registered: **Fantasma del barocco acrylic chandelier (uno)**
(51) International Design Classification: **26-05D**
(71) Name(s) and Address(s) of Applicant(s):
 Brad Lucas
 18 Bishop Street Brunswick Victoria 3056 AUSTRALIA
 Natasha Tretiach
 18 Bishop Street Brunswick Victoria 3056 AUSTRALIA
(72) Name(s) of Designer(s): **Brad Lucas and Natasha Tretiach**
(45) Registration Date: **16 October 2006**
(56) Related Art Documents: **Not Applicable**
(57) Statement of Newness and Distinctiveness: **Overall appearance.**



- (21) Design Number: **14184/2006**
(22) Date of Filing Application: **18 September 2006**
(24) Date from which industrial property rights may have effect: **18 September 2006**
(54) Product in respect of which the design is registered: **Fantasma del barocco acrylic chandelier (due)**
(51) International Design Classification: **26-05D**
(71) Name(s) and Address(s) of Applicant(s):
 Brad Lucas
 18 Bishop Street Brunswick Victoria 3056 AUSTRALIA
 Natasha Tretiach
 18 Bishop Street Brunswick Victoria 3056 AUSTRALIA
(72) Name(s) of Designer(s): **Brad Lucas and Natasha Tretiach**
(45) Registration Date: **16 October 2006**
(56) Related Art Documents: **Not Applicable**
(57) Statement of Newness and Distinctiveness: **Overall appearance.**



- (21) Design Number: **14201/2006**
(22) Date of Filing Application: **20 September 2006**
(24) Date from which industrial property rights may have effect: **20 September 2006**
(54) Product in respect of which the design is registered: **Folder with cover holder**
(51) International Design Classification: **19-04**
(71) Name(s) and Address(s) of Applicant(s):
Acco Australia Pty Ltd
The Lakes Business Park Level 2 8 Lord Street Botany New South
Wales 2019 Australia
(72) Name(s) of Designer(s): **Adam Laws**
(45) Registration Date: **16 October 2006**
(56) Related Art Documents: **Not Applicable**
(57) Statement of Newness and Distinctiveness: **When deciding whether a design is substantially similar in overall impression to another design, no regard should be had to the features of the spine binder rings shown by arrow A or of the sleeve inserts shown by arrow B in the Figure.**



- (21) Design Number: **14215/2006**
(22) Date of Filing Application: **21 September 2006**
(24) Date from which industrial property rights may have effect: **21 September 2006**
(54) Product in respect of which the design is registered: **Clothing**
(51) International Design Classification: **05-05A**
(71) Name(s) and Address(s) of Applicant(s):
Georgina Koklas
117 Kentish Street Mt Gravatt East Queensland 4122 Australia
(72) Name(s) of Designer(s): **Georgina Koklas**
(45) Registration Date: **16 October 2006**
(56) Related Art Documents: **Not Applicable**
(57) Statement of Newness and Distinctiveness: **Nil**



(21) Design Number: **14216/2006**
(22) Date of Filing Application: **21 September 2006**
(24) Date from which industrial property rights may have effect: **21 September 2006**
(54) Product in respect of which the design is registered: **Clothing**
(51) International Design Classification: **05-05A**
(71) Name(s) and Address(s) of Applicant(s):
Georgina Koklas
117 Kentish Street Mt Gravatt East Queensland 4122 Australia
(72) Name(s) of Designer(s): **Georgina Koklas**
(45) Registration Date: **16 October 2006**
(56) Related Art Documents: **Not Applicable**
(57) Statement of Newness and Distinctiveness: **Nil**



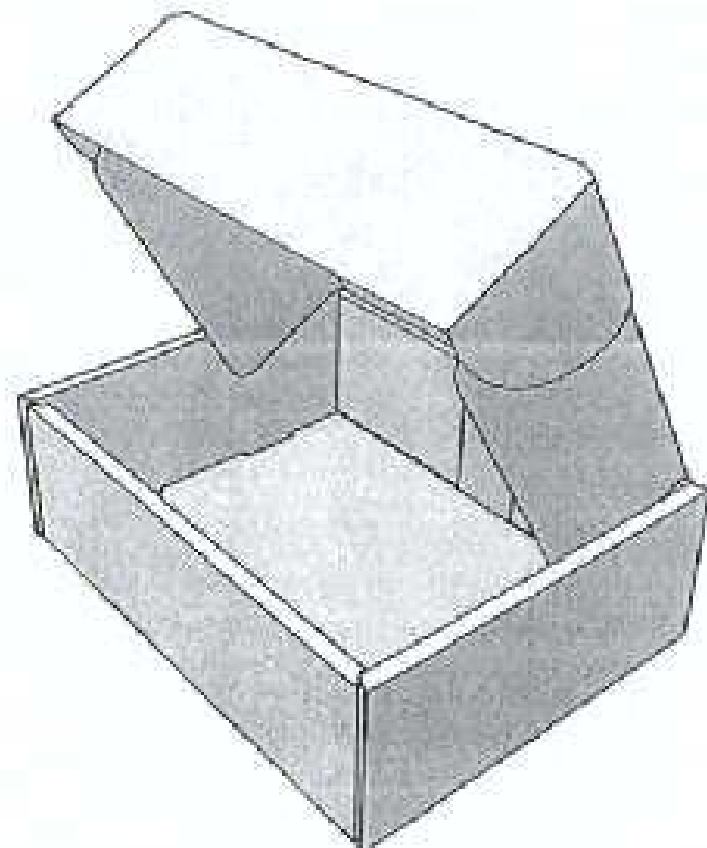
(21) Design Number: **14217/2006**
(22) Date of Filing Application: **21 September 2006**
(24) Date from which industrial property rights may have effect: **21 September 2006**
(54) Product in respect of which the design is registered: **Clothing**
(51) International Design Classification: **05-05A**
(71) Name(s) and Address(s) of Applicant(s):
Georgina Koklas
117 Kentish Street Mt Gravatt East Queensland 4122 Australia
(72) Name(s) of Designer(s): **Georgina Koklas**
(45) Registration Date: **16 October 2006**
(56) Related Art Documents: **Not Applicable**
(57) Statement of Newness and Distinctiveness: **Nil**



- (21) Design Number: **10154/2006**
(22) Date of Filing Application: **18 January 2006**
(24) Date from which industrial property rights may have effect: **20 May 2004**
(54) Product in respect of which the design is registered: **Cup**
(51) International Design Classification: **07-01C**
(71) Name(s) and Address(s) of Applicant(s):
Italesse S.r.l.
Via dei Templari 6 34015 Muggia TS Italy
(72) Name(s) of Designer(s): **Claudio Barducci**
(45) Registration Date: **16 October 2006**
(62) Divisional of: **158513**
(56) Related Art Documents: **Not Applicable**
(57) Statement of Newness and Distinctiveness: **Those features of the cup depicted in the representations that are new and distinctive are the shape and/or configuration.**



- (21) Design Number: **12745/2006**
(22) Date of Filing Application: **26 June 2006**
(24) Date from which industrial property rights may have effect: **26 June 2006**
(54) Product in respect of which the design is registered: **A carton and a blank therefor**
(51) International Design Classification: **09-03M**
(71) Name(s) and Address(s) of Applicant(s):
Ancor Limited
679 Victoria Street Abbotsford Victoria 3067 Australia
(72) Name(s) of Designer(s): **Mark Moore**
(45) Registration Date: **16 October 2006**
(56) Related Art Documents: **Not Applicable**
(57) Statement of Newness and Distinctiveness: **Nil**



(21) Design Number: **12746/2006**

(22) Date of Filing Application: **26 June 2006**

(24) Date from which industrial property rights may have effect: **26 June 2006**

(54) Product in respect of which the design is registered: **A carton and a blank therefor**

(51) International Design Classification: **09-03M**

(71) Name(s) and Address(s) of Applicant(s):

Ancor Limited

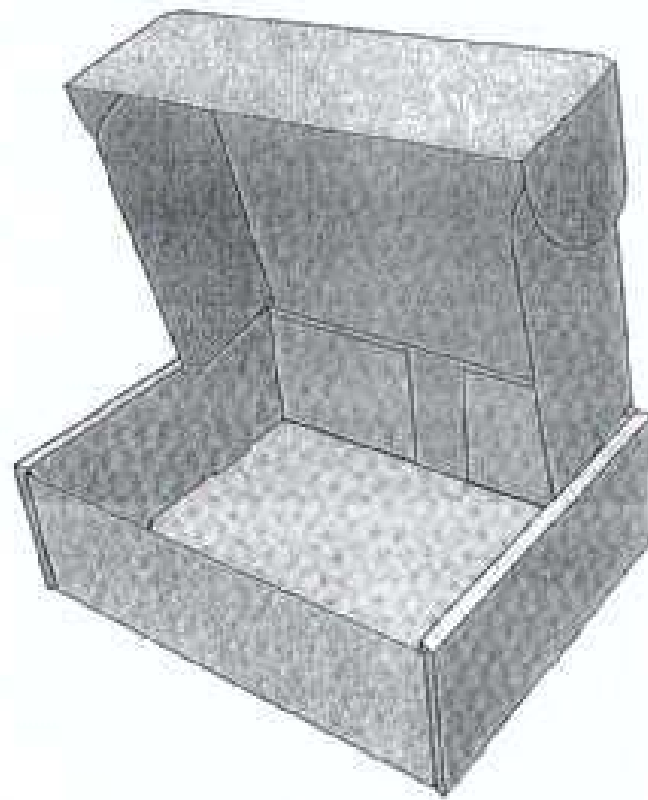
679 Victoria Street Abbotsford Victoria 3067 Australia

(72) Name(s) of Designer(s): **Mark Moore**

(45) Registration Date: **16 October 2006**

(56) Related Art Documents: **Not Applicable**

(57) Statement of Newness and Distinctiveness: **Nil**



(21) Design Number: **11527/2006**

(22) Date of Filing Application: **12 April 2006**

(24) Date from which industrial property rights may have effect: **12 April 2006**

(54) Product in respect of which the design is registered: **A Left-Side and a Right-Side Vehicle Fender**

(51) International Design Classification: **12-16B**

(71) Name(s) and Address(s) of Applicant(s):

GM Holden Ltd

241 Salmon Street Port Melbourne Victoria 3207 Australia

(72) Name(s) of Designer(s): **Peter Hughes**

(45) Registration Date: **16 October 2006**

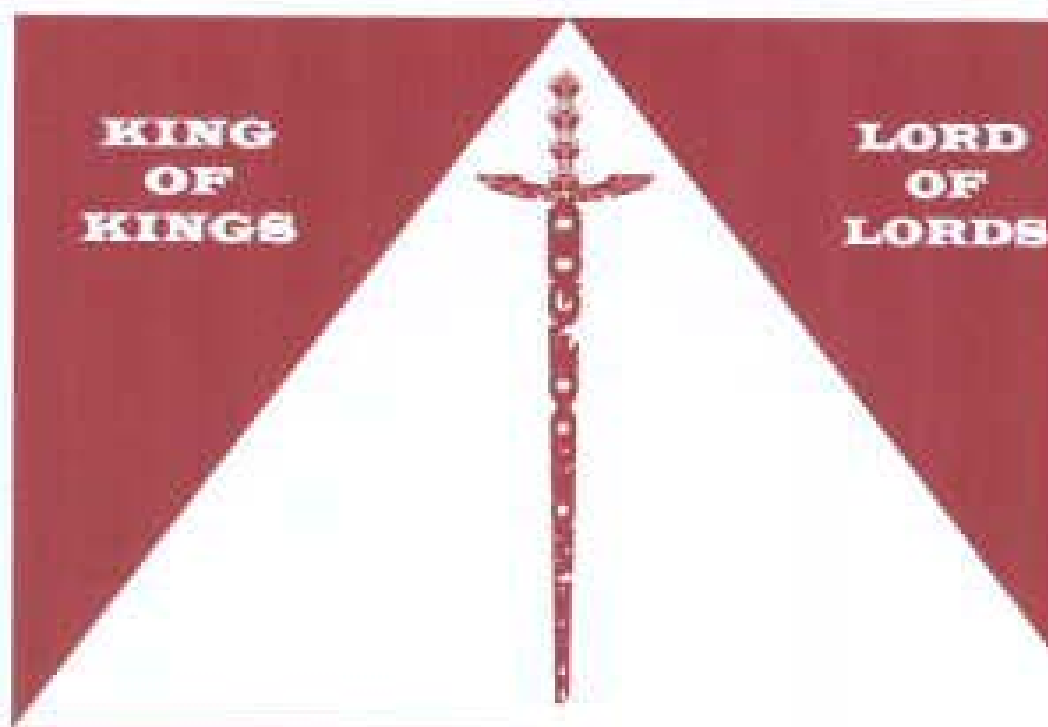
(56) Related Art Documents: **Not Applicable**

(57) Statement of Newness and Distinctiveness: **Newness and distinctiveness is claimed in the shape and/or configuration of a fender as shown in the representations.**



(19) AU

- (21) Design Number: **11751/2006**
- (22) Date of Filing Application: **28 April 2006**
- (24) Date from which industrial property rights may have effect: **28 April 2006**
- (54) Product in respect of which the design is registered: **Flag**
- (51) International Design Classification: **11-05**
- (71) Name(s) and Address(s) of Applicant(s):
Michael Frank Bentham
159 Wellington Street Ormiston Queensland 4160 Australia
Barbara Mary Bentham
159 Wellington Street Ormiston Queensland 4160 Australia
- (72) Name(s) of Designer(s): **Barbara Mary Bentham**
- (45) Registration Date: **16 October 2006**
- (56) Related Art Documents: **Not Applicable**
- (57) Statement of Newness and Distinctiveness: **White triangle on Red background with Red Sword made with the word of God. 4 Crowns as handle.**



(19) AU

- (21) Design Number: **12407/2006**
- (22) Date of Filing Application: **31 May 2006**
- (24) Date from which industrial property rights may have effect: **31 May 2006**
- (54) Product in respect of which the design is registered: **A motor vehicle and a model vehicle**
- (51) International Design Classification: **21-01C, 12-08**
- (71) Name(s) and Address(s) of Applicant(s):
GM Global Technology Operations, Inc
300 Renaissance Center Detroit MI 48265-3000 United States of America
- (72) Name(s) of Designer(s): **Peter Hughes and Justin James Thompson**
- (45) Registration Date: **16 October 2006**
- (56) Related Art Documents: **Not Applicable**
- (57) Statement of Newness and Distinctiveness: **Newness and distinctiveness is claimed in the shape and/or configuration of a motor vehicle and a model vehicle, except that the wheels and tyres are to be disregarded.**



- (21) Design Number: **13272/2006**
- (22) Date of Filing Application: **27 July 2006**
- (24) Date from which industrial property rights may have effect: **27 July 2006**
- (54) Product in respect of which the design is registered: **Vehicle spoiler**
- (51) International Design Classification: **12-16B**
- (71) Name(s) and Address(s) of Applicant(s):
GM Global Technology Operations, Inc
300 Renaissance Center Detroit MI 48265-3000 United States of America
- (72) Name(s) of Designer(s): **Julian Quincey**
- (45) Registration Date: **16 October 2006**
- (56) Related Art Documents: **Not Applicable**
- (57) Statement of Newness and Distinctiveness: **Newness and distinctiveness is claimed in the shape and/or configuration of a vehicle spoiler as shown in the representations.**



- (21) Design Number: **13273/2006**
- (22) Date of Filing Application: **27 July 2006**
- (24) Date from which industrial property rights may have effect: **27 July 2006**
- (54) Product in respect of which the design is registered: **Vehicle fascia**
- (51) International Design Classification: **12-16B**
- (71) Name(s) and Address(s) of Applicant(s):
GM Global Technology Operations, Inc
300 Renaissance Center Detroit MI 48265-3000 United States of America
- (72) Name(s) of Designer(s): **Julian Quincey**
- (45) Registration Date: **16 October 2006**
- (56) Related Art Documents: **Not Applicable**
- (57) Statement of Newness and Distinctiveness: **Newness and distinctiveness is claimed in the shape and/or configuration of a vehicle fascia as shown in the representations.**



- (21) Design Number: **13274/2006**
(22) Date of Filing Application: **27 July 2006**
(24) Date from which industrial property rights may have effect: **27 July 2006**
(54) Product in respect of which the design is registered: **Left-and right-side vehicle fender vents**
(51) International Design Classification: **12-16B**
(71) Name(s) and Address(s) of Applicant(s):
GM Global Technology Operations, Inc
300 Renaissance Center Detroit MI 48265-3000 United States of America
(72) Name(s) of Designer(s): **Julian Quincey**
(45) Registration Date: **16 October 2006**
(56) Related Art Documents: **Not Applicable**
(57) Statement of Newness and Distinctiveness: **Newness and distinctiveness is claimed in the shape and/or configuration of a left-and right-side vehicle fender vents as shown in the representations.**



- (21) Design Number: **13275/2006**
(22) Date of Filing Application: **27 July 2006**
(24) Date from which industrial property rights may have effect: **27 July 2006**
(54) Product in respect of which the design is registered: **Left-and right side vehicle fender vents**
(51) International Design Classification: **12-16B**
(71) Name(s) and Address(s) of Applicant(s):
GM Global Technology Operations, Inc
300 Renaissance Center Detroit MI 48265-3000 United States of America
(72) Name(s) of Designer(s): **Julian Quincey**
(45) Registration Date: **16 October 2006**
(56) Related Art Documents: **Not Applicable**
(57) Statement of Newness and Distinctiveness: **Newness and distinctiveness is claimed in the shape and/or configuration of a left-and right-side vehicle fender vents as shown in the representations.**



- (21) Design Number: **13276/2006**
(22) Date of Filing Application: **27 July 2006**
(24) Date from which industrial property rights may have effect: **27 July 2006**
(54) Product in respect of which the design is registered: **Left-and right-side vehicle vent bars**
(51) International Design Classification: **12-16B**
(71) Name(s) and Address(s) of Applicant(s):
GM Global Technology Operations, Inc
300 Renaissance Center Detroit MI 48265-3000 United States of America
(72) Name(s) of Designer(s): **Julian Quincey**
(45) Registration Date: **16 October 2006**
(56) Related Art Documents: **Not Applicable**
(57) Statement of Newness and Distinctiveness: **Newness and distinctiveness is claimed in the shape and/or configuration of a left-and right-side vehicle vent bars as shown in the representations.**



- (21) Design Number: **13495/2006**
(22) Date of Filing Application: **07 August 2006**
(24) Date from which industrial property rights may have effect: **07 August 2006**
(54) Product in respect of which the design is registered: **Cover frame for an all terrain vehicle (ATV)**
(51) International Design Classification: **12-16NES**
(71) Name(s) and Address(s) of Applicant(s):
Michael Ryan
59 Commercial Street Willaura Victoria 3379 Australia
(72) Name(s) of Designer(s): **Michael Ryan**
(45) Registration Date: **16 October 2006**
(56) Related Art Documents: **Not Applicable**
(57) Statement of Newness and Distinctiveness: **The design is embodied in the visual features of the shape and configuration of a cover frame for an all terrain vehicle (ATV) as shown in the representations. The cover and the ATV themselves form no part of the design and are shown for illustrative purposes only.**



(21) Design Number: **13571/2006**

(22) Date of Filing Application: **11 August 2006**

(24) Date from which industrial property rights may have effect: **11 August 2006**

(54) Product in respect of which the design is registered: **Weeder**

(51) International Design Classification: **08-01**

(71) Name(s) and Address(s) of Applicant(s):

Ronald F. Jeffery

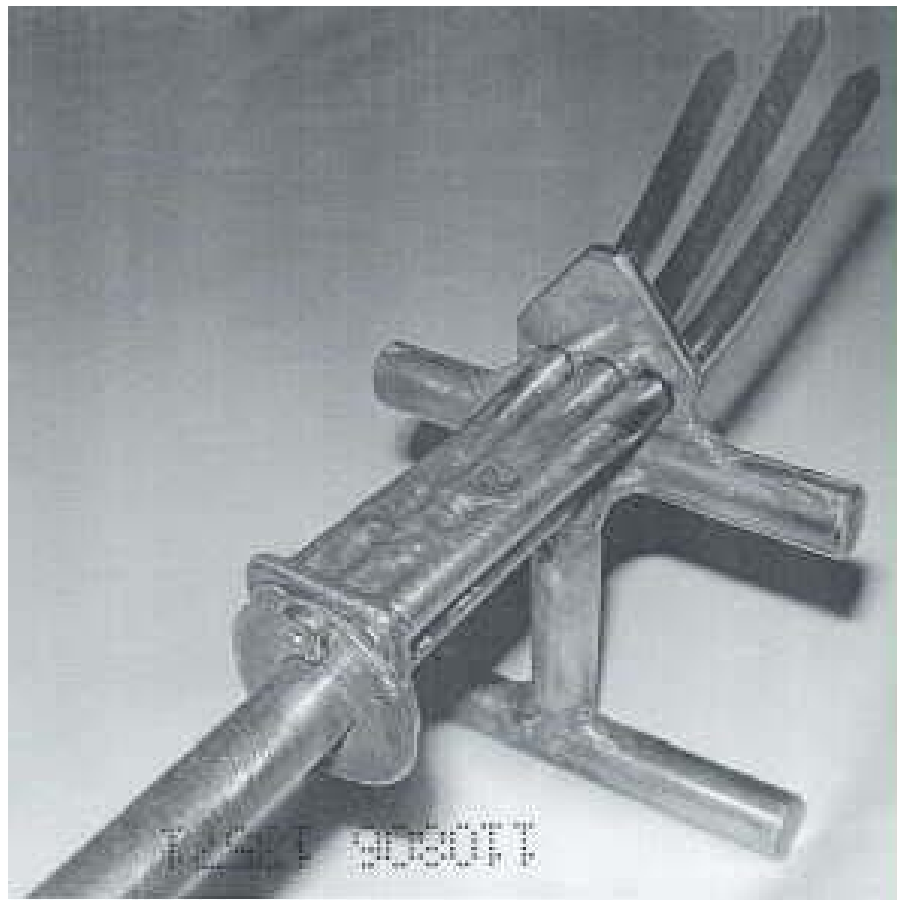
PO Box 888 Maroochydore Queensland 4558 Australia

(72) Name(s) of Designer(s): **Ronald F. Jeffery**

(45) Registration Date: **16 October 2006**

(56) Related Art Documents: **Not Applicable**

(57) Statement of Newness and Distinctiveness: **The new features of the design are the unique configuration of the head, tongs and handle of the weeder.**



(21) Design Number: **13825/2006**

(22) Date of Filing Application: **25 August 2006**

(24) Date from which industrial property rights may have effect: **25 August 2006**

(54) Product in respect of which the design is registered: **Collapsible storage module**

(51) International Design Classification: **06-04NES**

(71) Name(s) and Address(s) of Applicant(s):

Emma Lauren Mason

26 Hamilton Street Lane Cove New South Wales 2066 Australia

(72) Name(s) of Designer(s): **Emma Lauren Mason**

(45) Registration Date: **16 October 2006**

(56) Related Art Documents: **Not Applicable**

(57) Statement of Newness and Distinctiveness: **Newness and distinctiveness reside in the features of the design as shown in the representations.**



(21) Design Number: **13829/2006**

(22) Date of Filing Application: **28 August 2006**

(24) Date from which industrial property rights may have effect: **28 August 2006**

(54) Product in respect of which the design is registered: **Manual salt/pepper grinder**

(51) International Design Classification: **07-06C**

(71) Name(s) and Address(s) of Applicant(s):

Pi-Design AG

Kantonsstrasse 100 Postfach 463 CH-6234 Triengen Switzerland

(72) Name(s) of Designer(s): **Jorgen Bodum**

(45) Registration Date: **16 October 2006**

(30) Convention priority data:

(31) Number

(32) Date

(33) Country

DA 2006

28 Feb 2006

DENMARK

00072

(56) Related Art Documents: **Not Applicable**

(57) Statement of Newness and Distinctiveness: **Nil**



(21) Design Number: **13836/2006**

(22) Date of Filing Application: **28 August 2006**

(24) Date from which industrial property rights may have effect: **28 August 2006**

(54) Product in respect of which the design is registered: **Motor vehicle towbar attached cargo carrier**

(51) International Design Classification: **12-16K**

(71) Name(s) and Address(s) of Applicant(s):

Robert Schlegel

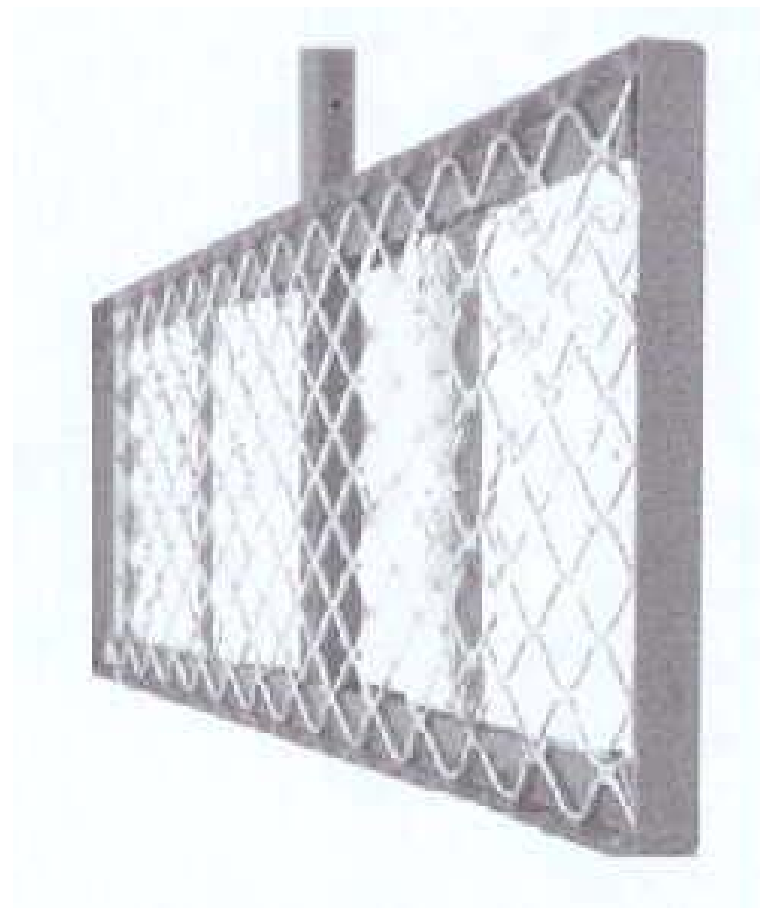
5 Booral Street Buderim Queensland 4556 Australia

(72) Name(s) of Designer(s): **Robert F. Schlegel**

(45) Registration Date: **16 October 2006**

(56) Related Art Documents: **Not Applicable**

(57) Statement of Newness and Distinctiveness: **Nil**



(21) Design Number: **13893/2006**

(22) Date of Filing Application: **30 August 2006**

(24) Date from which industrial property rights may have effect: **30 August 2006**

(54) Product in respect of which the design is registered: **Chair**

(51) International Design Classification: **06-01L**

(71) Name(s) and Address(s) of Applicant(s):

Nick Sharp Designs

**Unit 2 No 12 Byre Avenue Somerton Park South Australia 5044
Australia**

(72) Name(s) of Designer(s): **Nick Sharp**

(45) Registration Date: **16 October 2006**

(56) Related Art Documents: **Not Applicable**

(57) Statement of Newness and Distinctiveness: **The design of the chair has the visual appearance of a thick panel material bending in one flowing movement.**



(21) Design Number: **13897/2006**

(22) Date of Filing Application: **29 August 2006**

(24) Date from which industrial property rights may have effect: **29 August 2006**

(54) Product in respect of which the design is registered: **Inflatable kangaroo (boxing gloves)**

(51) International Design Classification: **11-02E, 21-01A, 21-01F**

(71) Name(s) and Address(s) of Applicant(s):

Australia United Pty Ltd

**Unit C 120 Hassall Street Wetherill Park New South Wales 2164
Australia**

(72) Name(s) of Designer(s): **Frank Mac**

(45) Registration Date: **16 October 2006**

(56) Related Art Documents: **Not Applicable**

(57) Statement of Newness and Distinctiveness: **Inflatable kangaroo (boxing gloves) 1mt in height. Colour yellow with green vest with words "Australian Champion" printed on the kangaroo has an attached joey in front pouch which is inflatable.**



- (21) Design Number: **13973/2006**
(22) Date of Filing Application: **04 September 2006**
(24) Date from which industrial property rights may have effect: **04 September 2006**
(54) Product in respect of which the design is registered: **Electrical switch (0 series with 1 switch)**
(51) International Design Classification: **13-03D**
(71) Name(s) and Address(s) of Applicant(s):
Yanwei Bao
53 Liuyue Road Liushihoujie Industrial Zone Yueqing City Zhejiang Province 325604 People's Republic of China
(72) Name(s) of Designer(s): **Yong Ye**
(45) Registration Date: **16 October 2006**
(56) Related Art Documents: **Not Applicable**
(57) Statement of Newness and Distinctiveness: **Nil**



- (21) Design Number: **13976/2006**
(22) Date of Filing Application: **04 September 2006**
(24) Date from which industrial property rights may have effect: **04 September 2006**
(54) Product in respect of which the design is registered: **"Lockable Bail", a link that joins chains and bracelets to attached items such as charms or pendants**
(51) International Design Classification: **11-01C**
(71) Name(s) and Address(s) of Applicant(s):
Bruce Hale
180 Northrocks Road Northrocks New South Wales 2151 Australia
(72) Name(s) of Designer(s): **Bruce Hale**
(45) Registration Date: **16 October 2006**
(56) Related Art Documents: **Not Applicable**
(57) Statement of Newness and Distinctiveness: **Bails that are in use now are so called "open enders" lending to the loss of the attached article. The lockable bail is closed permanently by means of crimping instead of soldering.**



(19) AU

- (21) Design Number: **10604/2006**
- (22) Date of Filing Application: **17 February 2006**
- (24) Date from which industrial property rights may have effect: **17 February 2006**
- (54) Product in respect of which the design is registered: **Keyboard**
- (51) International Design Classification: **14-02**
- (71) Name(s) and Address(s) of Applicant(s):

Microsoft Corporation
One Microsoft Way Redmond Washington 98052 United States of America

(72) Name(s) of Designer(s): **Daniel G. O'Neil and Hugh E. McLoone**

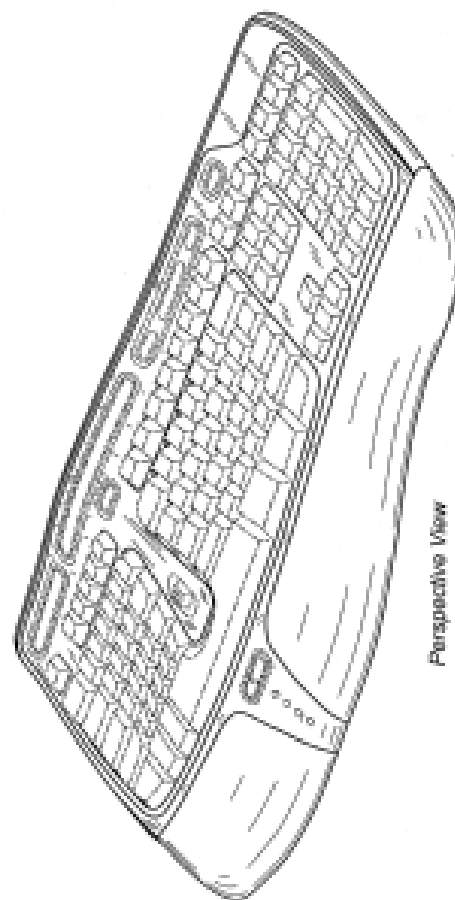
(45) Registration Date: **17 October 2006**

(30) Convention priority data:

(31) Number	(32) Date	(33) Country
29/236727	22 Aug 2005	UNITED STATES OF AMERICA

(56) Related Art Documents: **Not Applicable**

(57) Statement of Newness and Distinctiveness: **Newness and distinctiveness reside in the shape and configuration of a portion of a keyboard as illustrated in the accompanying representations. The features shown in broken outline are illustrative only and do not form part of the design.**



(19) AU

- (21) Design Number: **11601/2006**
- (22) Date of Filing Application: **18 April 2006**
- (24) Date from which industrial property rights may have effect: **18 April 2006**
- (54) Product in respect of which the design is registered: **Vehicle wheel**
- (51) International Design Classification: **12-16A**
- (71) Name(s) and Address(s) of Applicant(s):

GM Holden Ltd
241 Salmon Street Port Melbourne Victoria 3207 Australia

(72) Name(s) of Designer(s): **Peter Hughes**

(45) Registration Date: **17 October 2006**

(56) Related Art Documents: **Not Applicable**

(57) Statement of Newness and Distinctiveness: **Newness and distinctiveness is claimed in the shape and/or configuration of a vehicle wheel as shown in the representations, except that the shape and/or configuration of the rim is to be disregarded.**



ISOMETRIC VIEW

(21) Design Number: **10704/2006**

(22) Date of Filing Application: **24 February 2006**

(24) Date from which industrial property rights may have effect: **24 February 2006**

(54) Product in respect of which the design is registered: **Component for an Earth Anchor**

(51) International Design Classification: **25-02A, 25-02NES, 25-01B**

(71) Name(s) and Address(s) of Applicant(s):

**Danish Anchor System ApS
Roskildevej 48P DK-3400 Hillerod Denmark**

(72) Name(s) of Designer(s): **Carsten Aagerup**

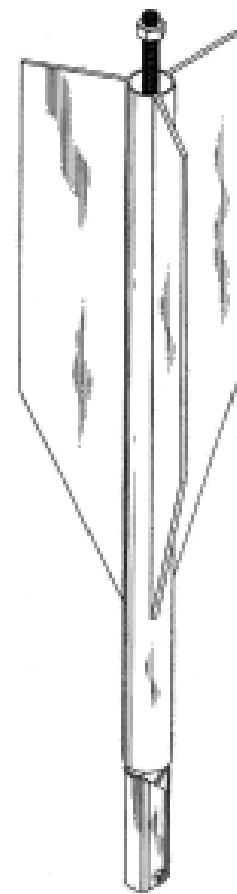
(45) Registration Date: **17 October 2006**

(30) Convention priority data:

(31) Number	(32) Date	(33) Country
399670	24 Aug 2005	EUROPEAN PATENT OFFICE (EP)

(56) Related Art Documents: **Not Applicable**

(57) Statement of Newness and Distinctiveness: **The newness and distinctiveness resides in the shape and configuration of an anchoring component.**



(21) Design Number: **11456/2006**

(22) Date of Filing Application: **10 April 2006**

(24) Date from which industrial property rights may have effect: **10 April 2006**

(54) Product in respect of which the design is registered: **Canister vacuum body**

(51) International Design Classification: **15-05**

(71) Name(s) and Address(s) of Applicant(s):

**Shop Vac Corporation
2323 Reach Road Williamsport PA 17701 United States of America**

(72) Name(s) of Designer(s): **Robert Lent Crevling and John Griffin**

(45) Registration Date: **17 October 2006**

(56) Related Art Documents: **Not Applicable**

(57) Statement of Newness and Distinctiveness: **When determining whether the design 1 is substantially similar in overall impression to another design, no regard is to be had to the wording that appears in the photographs, of the mounting recess shown in Figs. 6 to 8.**



(21) Design Number: **11090/2006**

(22) Date of Filing Application: **16 March 2006**

(24) Date from which industrial property rights may have effect: **16 March 2006**

(54) Product in respect of which the design is registered: **Vehicle lamp lens**

(51) International Design Classification: **26-06**

(71) Name(s) and Address(s) of Applicant(s):

GM Holden Ltd

241 Salmon Street Port Melbourne Victoria 3207 Australia

(72) Name(s) of Designer(s): **Justin James Thompson**

(45) Registration Date: **17 October 2006**

(56) Related Art Documents: **Not Applicable**

(57) Statement of Newness and Distinctiveness: **Newness and distinctiveness is claimed in the shape and/or configuration of a vehicle lamp lens as shown in the representations.**



(21) Design Number: **11091/2006**

(22) Date of Filing Application: **16 March 2006**

(24) Date from which industrial property rights may have effect: **16 March 2006**

(54) Product in respect of which the design is registered: **Vehicle lamp lens**

(51) International Design Classification: **26-06**

(71) Name(s) and Address(s) of Applicant(s):

GM Holden Ltd

241 Salmon Street Port Melbourne Victoria 3207 Australia

(72) Name(s) of Designer(s): **Justin James Thompson**

(45) Registration Date: **17 October 2006**

(56) Related Art Documents: **Not Applicable**

(57) Statement of Newness and Distinctiveness: **Newness and distinctiveness is claimed in the shape and/or configuration of a vehicle lamp lens as shown in the representations.**



(21) Design Number: **11093/2006**

(22) Date of Filing Application: **16 March 2006**

(24) Date from which industrial property rights may have effect: **16 March 2006**

(54) Product in respect of which the design is registered: **Vehicle lamp lens**

(51) International Design Classification: **26-06**

(71) Name(s) and Address(s) of Applicant(s):

GM Holden Ltd

241 Salmon Street Port Melbourne Victoria 3207 Australia

(72) Name(s) of Designer(s): **Justin James Thompson**

(45) Registration Date: **17 October 2006**

(56) Related Art Documents: **Not Applicable**

(57) Statement of Newness and Distinctiveness: **Newness and distinctiveness is claimed in the shape and/or configuration of a vehicle lamp housing as shown in the representations.**



(21) Design Number: **12999/2006**

(22) Date of Filing Application: **14 July 2006**

(24) Date from which industrial property rights may have effect: **14 July 2006**

(54) Product in respect of which the design is registered: **Magnetic catch assembly as per attached drawings**

(51) International Design Classification: **08-08NES**

(71) Name(s) and Address(s) of Applicant(s):

Maliform Pty Ltd

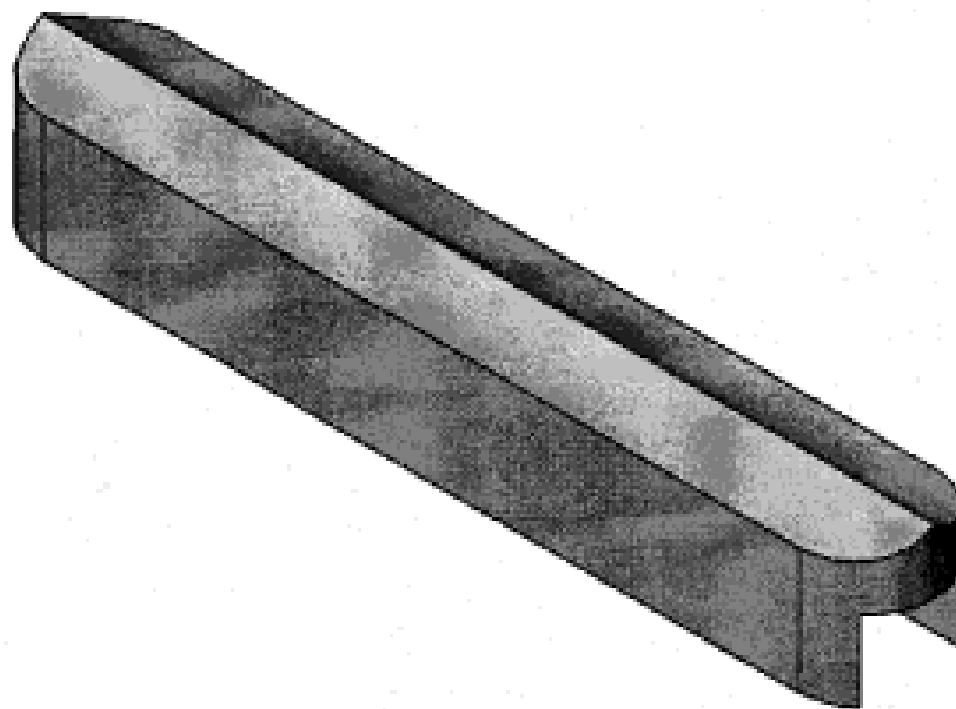
33 Industrial Drive Braeside Victoria 3195 Australia

(72) Name(s) of Designer(s): **Colin Opwald**

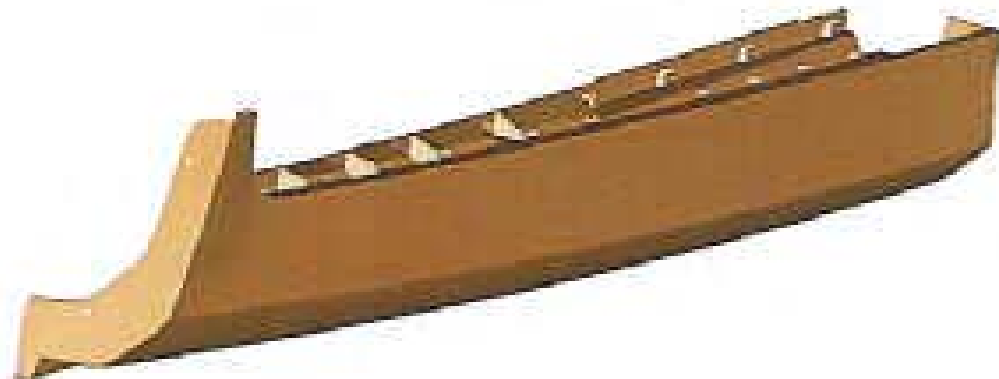
(45) Registration Date: **17 October 2006**

(56) Related Art Documents: **Not Applicable**

(57) Statement of Newness and Distinctiveness: **Nil.**



- (21) Design Number: **13269/2006**
- (22) Date of Filing Application: **27 July 2006**
- (24) Date from which industrial property rights may have effect: **27 July 2006**
- (54) Product in respect of which the design is registered: **Left-and right-side vehicle side skirts**
- (51) International Design Classification: **12-16B**
- (71) Name(s) and Address(s) of Applicant(s):
GM Global Technology Operations, Inc
300 Renaissance Center Detroit MI 48265-3000 United States of America
- (72) Name(s) of Designer(s): **Julian Quincey**
- (45) Registration Date: **17 October 2006**
- (56) Related Art Documents: **Not Applicable**
- (57) Statement of Newness and Distinctiveness: **Newness and distinctiveness is claimed in the shape and/or configuration of a left-and right-side vehicle side skirts as shown in the representations.**



- (21) Design Number: **13270/2006**
- (22) Date of Filing Application: **27 July 2006**
- (24) Date from which industrial property rights may have effect: **27 July 2006**
- (54) Product in respect of which the design is registered: **Left-and right-side vehicle fenders**
- (51) International Design Classification: **12-16B**
- (71) Name(s) and Address(s) of Applicant(s):
GM Global Technology Operations, Inc
300 Renaissance Center Detroit MI 48265-3000 United States of America
- (72) Name(s) of Designer(s): **Julian Quincey**
- (45) Registration Date: **17 October 2006**
- (56) Related Art Documents: **Not Applicable**
- (57) Statement of Newness and Distinctiveness: **Newness and distinctiveness is claimed in the shape and/or configuration of a left-and right-side vehicle fenders as shown in the representations.**



(21) Design Number: **13271/2006**

(22) Date of Filing Application: **27 July 2006**

(24) Date from which industrial property rights may have effect: **27 July 2006**

(54) Product in respect of which the design is registered: **Vehicle wheel**

(51) International Design Classification: **12-16A**

(71) Name(s) and Address(s) of Applicant(s):

**GM Global Technology Operations, Inc
300 Renaissance Center Detroit MI 48265-3000 United States of
America**

(72) Name(s) of Designer(s): **Julian Quincey**

(45) Registration Date: **17 October 2006**

(56) Related Art Documents: **Not Applicable**

(57) Statement of Newness and Distinctiveness: **Newness and distinctiveness is claimed in the shape and/or configuration of a vehicle wheel as shown in the representations except that the rim is to be disregarded.**



(21) Design Number: **13712/2006**

(22) Date of Filing Application: **21 August 2006**

(24) Date from which industrial property rights may have effect: **21 August 2006**

(54) Product in respect of which the design is registered: **Bottle carriers**

(51) International Design Classification: **07-06A**

(71) Name(s) and Address(s) of Applicant(s):

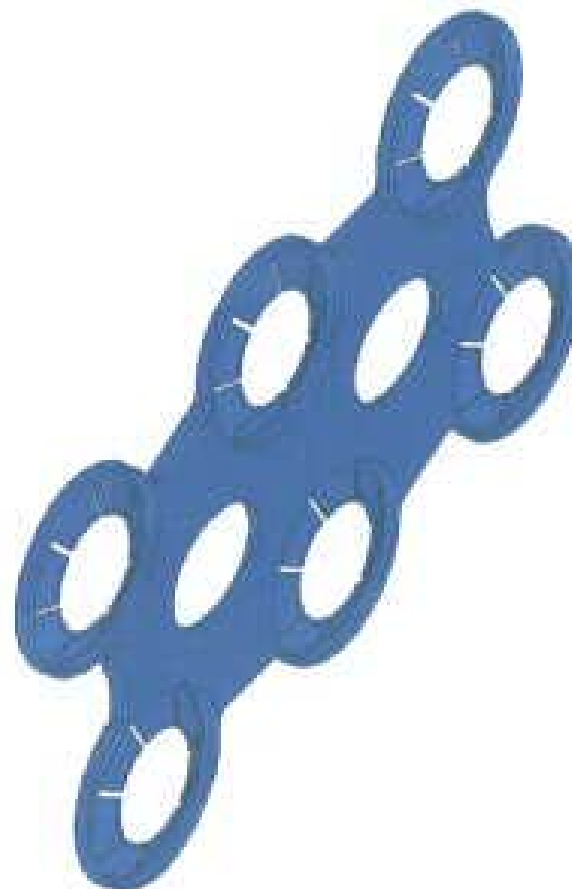
**Freshseal Limited
PO Box 15 728 New Lynn Auckland New Zealand**

(72) Name(s) of Designer(s): **David John Wyeth and Harold Victor Sherborne**

(45) Registration Date: **17 October 2006**

(56) Related Art Documents: **Not Applicable**

(57) Statement of Newness and Distinctiveness: **Nil**



(21) Design Number: **13713/2006**

(22) Date of Filing Application: **21 August 2006**

(24) Date from which industrial property rights may have effect: **21 August 2006**

(54) Product in respect of which the design is registered: **Bottle carriers**

(51) International Design Classification: **07-06A**

(71) Name(s) and Address(s) of Applicant(s):

Freshseal Limited

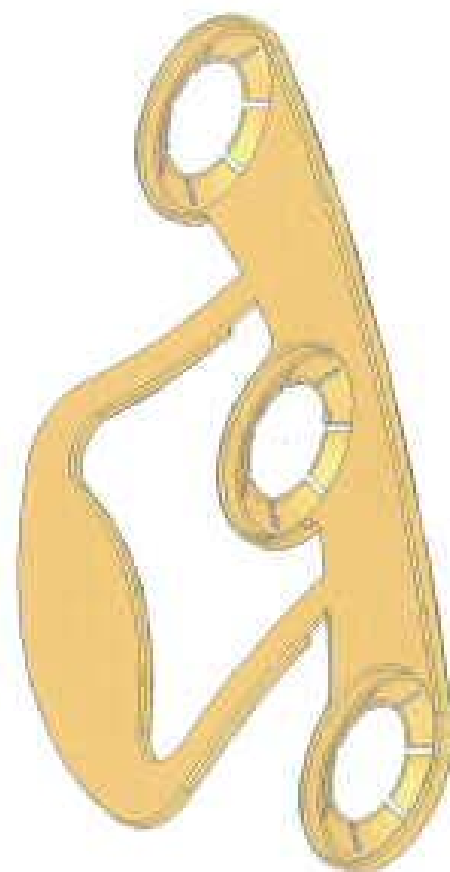
PO Box 15 728 New Lynn Auckland New Zealand

(72) Name(s) of Designer(s): **David John Wyeth and Harold Victor Sherborne**

(45) Registration Date: **17 October 2006**

(56) Related Art Documents: **Not Applicable**

(57) Statement of Newness and Distinctiveness: **Nil**



(21) Design Number: **13714/2006**

(22) Date of Filing Application: **21 August 2006**

(24) Date from which industrial property rights may have effect: **21 August 2006**

(54) Product in respect of which the design is registered: **Bottle carriers**

(51) International Design Classification: **07-06A**

(71) Name(s) and Address(s) of Applicant(s):

Freshseal Limited

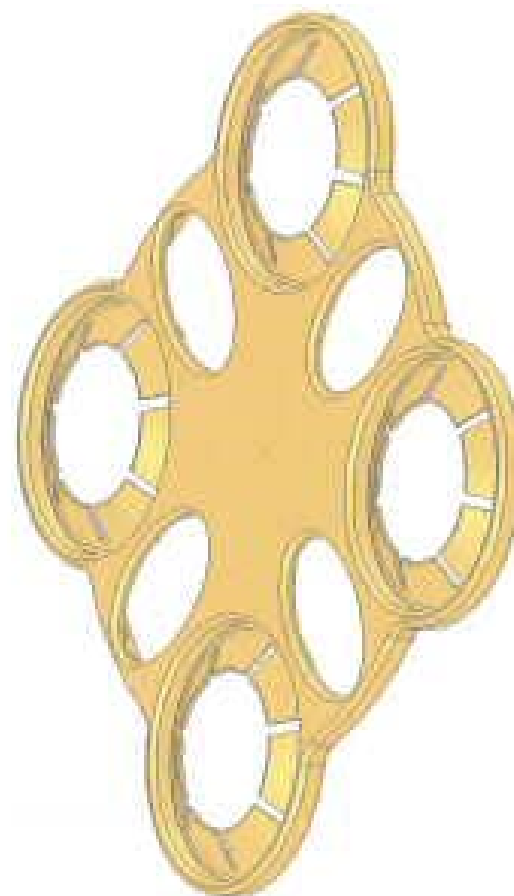
PO Box 15 728 New Lynn Auckland New Zealand

(72) Name(s) of Designer(s): **David John Wyeth and Harold Victor Sherborne**

(45) Registration Date: **17 October 2006**

(56) Related Art Documents: **Not Applicable**

(57) Statement of Newness and Distinctiveness: **Nil**



(21) Design Number: **13715/2006**

(22) Date of Filing Application: **21 August 2006**

(24) Date from which industrial property rights may have effect: **21 August 2006**

(54) Product in respect of which the design is registered: **Bottle carriers**

(51) International Design Classification: **07-06A**

(71) Name(s) and Address(s) of Applicant(s):

Freshseal Limited

PO Box 15 728 New Lynn Auckland New Zealand

(72) Name(s) of Designer(s): **David John Wyeth and Harold Victor Sherborne**

(45) Registration Date: **17 October 2006**

(56) Related Art Documents: **Not Applicable**

(57) Statement of Newness and Distinctiveness: **Nil**



(21) Design Number: **13744/2006**

(22) Date of Filing Application: **23 August 2006**

(24) Date from which industrial property rights may have effect: **23 August 2006**

(54) Product in respect of which the design is registered: **A section**

(51) International Design Classification: **25-01NES**

(71) Name(s) and Address(s) of Applicant(s):

Metal Building Systems Holdings Pty Ltd

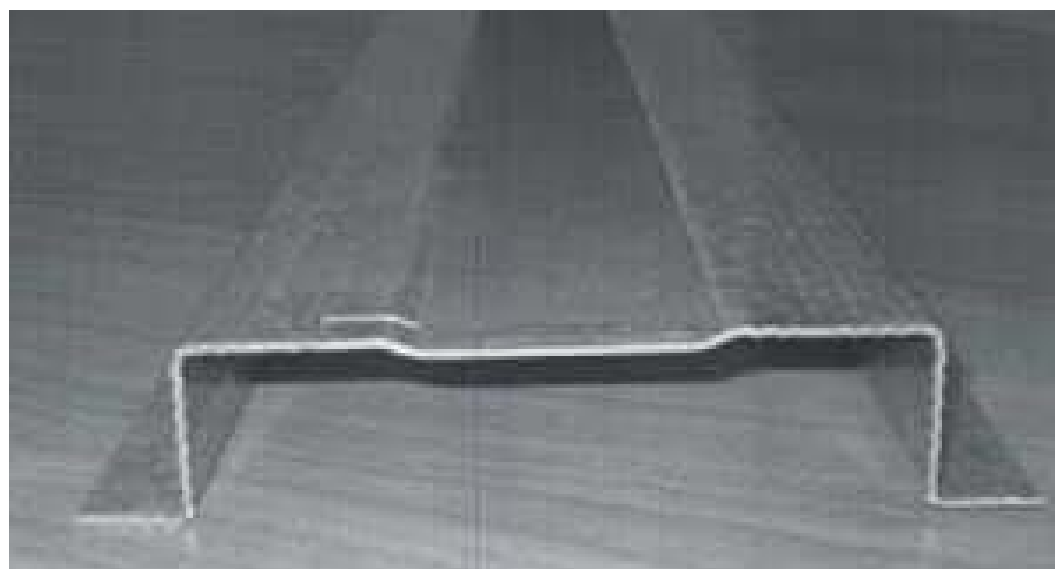
**Cnr Quindus Street & Spanns Rd Beenleigh Queensland 4207
Australia**

(72) Name(s) of Designer(s): **Stephen Charles Bean**

(45) Registration Date: **17 October 2006**

(56) Related Art Documents: **Not Applicable**

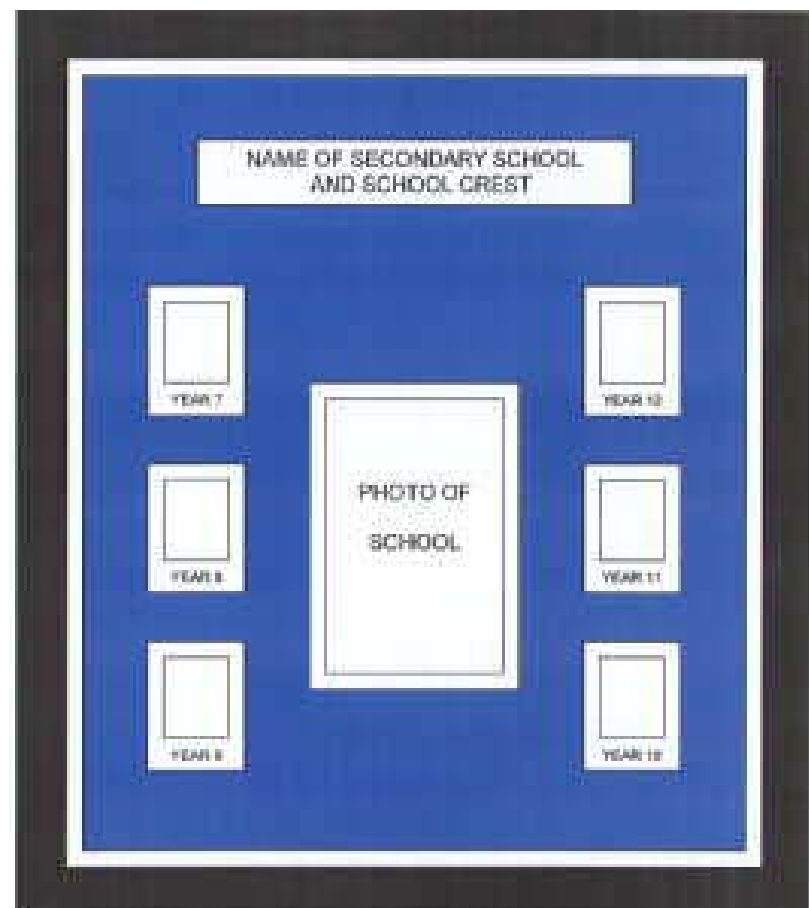
(57) Statement of Newness and Distinctiveness: **Nil**



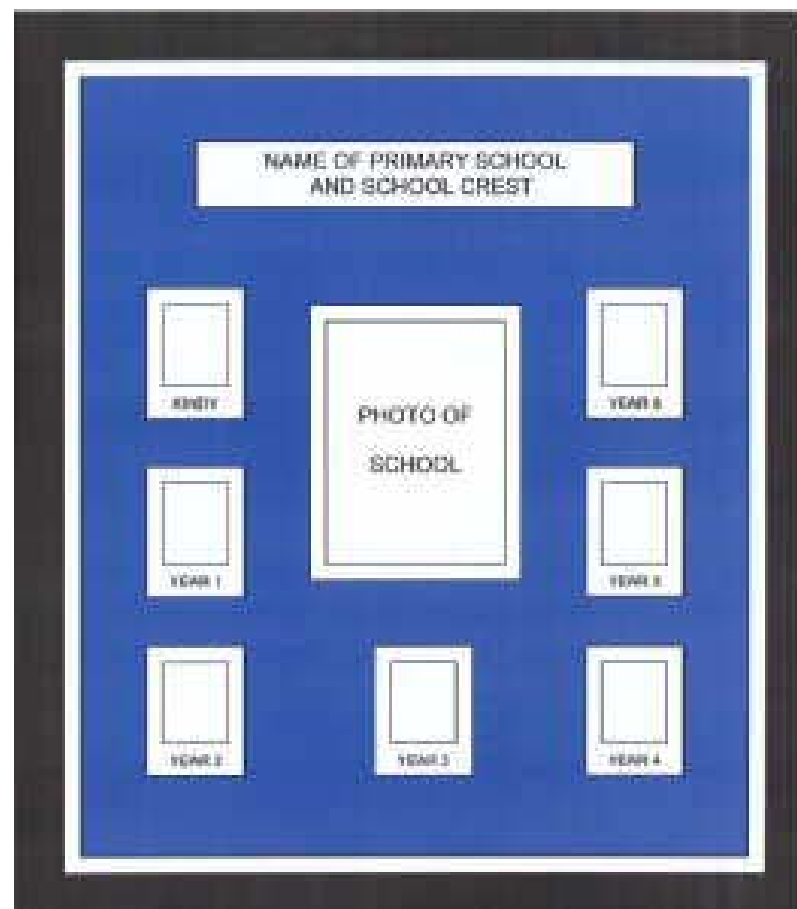
- (21) Design Number: **13751/2006**
(22) Date of Filing Application: **23 August 2006**
(24) Date from which industrial property rights may have effect: **23 August 2006**
(54) Product in respect of which the design is registered: **Kat kalma - container for holding a cat/dog for treatment or administering medication, so they won't scratch or run**
(51) International Design Classification: **03-01NES, 30-02**
(71) Name(s) and Address(s) of Applicant(s):
Access Oss Pty Ltd
5 Helen Street Northcote Victoria 3070 Australia
(72) Name(s) of Designer(s): **Sherryl Smith**
(45) Registration Date: **17 October 2006**
(56) Related Art Documents: **Not Applicable**
(57) Statement of Newness and Distinctiveness: **Nil**



- (21) Design Number: **13809/2006**
(22) Date of Filing Application: **24 August 2006**
(24) Date from which industrial property rights may have effect: **24 August 2006**
(54) Product in respect of which the design is registered: **Matboard design for picture frame for secondary school students**
(51) International Design Classification: **08-08NES**
(71) Name(s) and Address(s) of Applicant(s):
Rosemary Koenig
18 Norwood Avenue Lindfield New South Wales 2070 Australia
(72) Name(s) of Designer(s): **Rosemary Koenig**
(45) Registration Date: **17 October 2006**
(56) Related Art Documents: **Not Applicable**
(57) Statement of Newness and Distinctiveness: **The matboard design incorporates the following features-a space at the top for the school's name and crest; a large central space for a photo of the school; six smaller spaces for the students's portrait photo in each year of secondary school. The colour of the matboard will vary depending on the school's colours.**



- (21) Design Number: **13810/2006**
(22) Date of Filing Application: **24 August 2006**
(24) Date from which industrial property rights may have effect: **24 August 2006**
(54) Product in respect of which the design is registered: **Matboard design for picture frame for primary school students**
(51) International Design Classification: **08-08NES**
(71) Name(s) and Address(s) of Applicant(s):
Rosemary Koenig
18 Norwood Avenue Lindfield New South Wales 2070 Australia
(72) Name(s) of Designer(s): **Rosemary Koenig**
(45) Registration Date: **17 October 2006**
(56) Related Art Documents: **Not Applicable**
(57) Statement of Newness and Distinctiveness: **The matboard design incorporates the following features-a space at the top for the school's name and crest; a large central space for a photo of the school; seven smaller spaces for the students's portrait photo in each year of primary school. The colour of the matboard will vary depending on the school's colours.**



- (21) Design Number: **14031/2006**
(22) Date of Filing Application: **08 September 2006**
(24) Date from which industrial property rights may have effect: **08 September 2006**
(54) Product in respect of which the design is registered: **Electric pump**
(51) International Design Classification: **15-02**
(71) Name(s) and Address(s) of Applicant(s):
Pedrollo S.p.A.
Via Enrico Fermi 7 37047 San Bonifacio (Verona) Italy
(72) Name(s) of Designer(s): **Silvano Pedrollo**
(45) Registration Date: **17 October 2006**
(30) Convention priority data:
(31) Number (32) Date (33) Country
N.501846 24 Mar 2006 EUROPEAN COMMUNITY
(56) Related Art Documents: **Not Applicable**
(57) Statement of Newness and Distinctiveness: **Newness and distinctiveness is claimed in the features of shape and/or configuration of an electric pump as illustrated in the accompanying representations.**



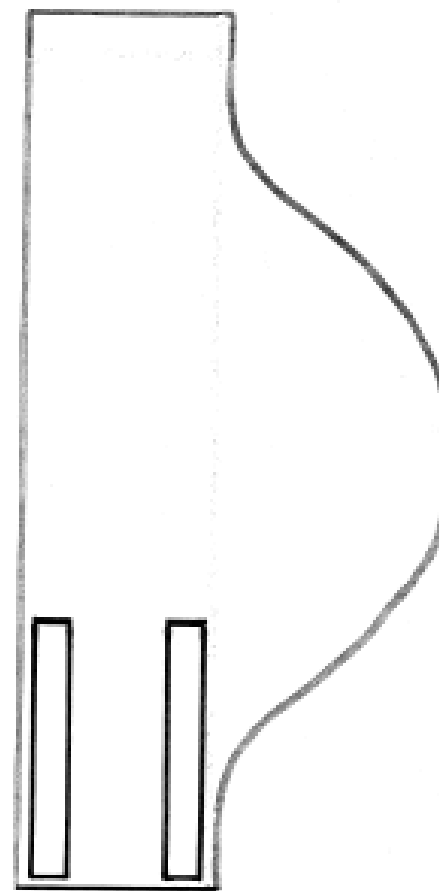
- (21) Design Number: **14033/2006**
(22) Date of Filing Application: **11 September 2006**
(24) Date from which industrial property rights may have effect: **11 September 2006**
(54) Product in respect of which the design is registered: **Compartmentalised skirt for flatbed trucks and utility vehicles**
(51) International Design Classification: **12-08**
(71) Name(s) and Address(s) of Applicant(s):
Robert Frankham
PO Box 954 Burleigh Heads Queensland 4220 Australia
(72) Name(s) of Designer(s): **Robert Frankham**
(45) Registration Date: **17 October 2006**
(56) Related Art Documents: **Not Applicable**
(57) Statement of Newness and Distinctiveness: **Nil**



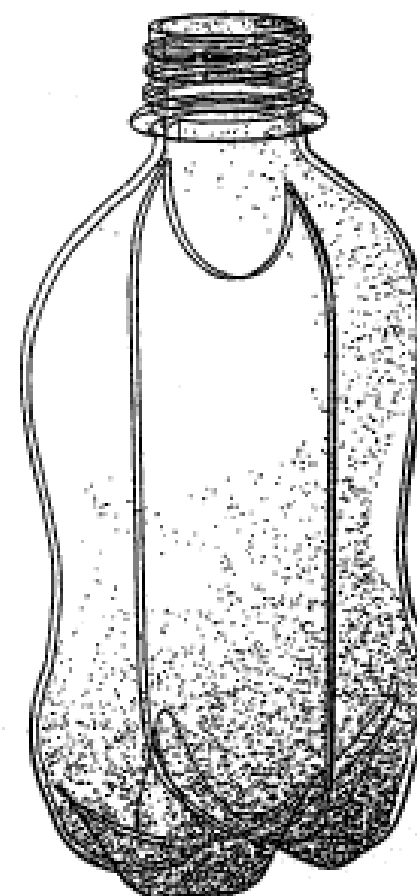
- (21) Design Number: **14038/2006**
(22) Date of Filing Application: **11 September 2006**
(24) Date from which industrial property rights may have effect: **11 September 2006**
(54) Product in respect of which the design is registered: **Extruded profile**
(51) International Design Classification: **25-01K**
(71) Name(s) and Address(s) of Applicant(s):
Industrial Evolution Designs Pty Ltd
27/159 Arthur Street Homebush West New South Wales 2140 Australia
(72) Name(s) of Designer(s): **Brett Franzi and Tim Bird**
(45) Registration Date: **17 October 2006**
(56) Related Art Documents: **Not Applicable**
(57) Statement of Newness and Distinctiveness: **Nil**



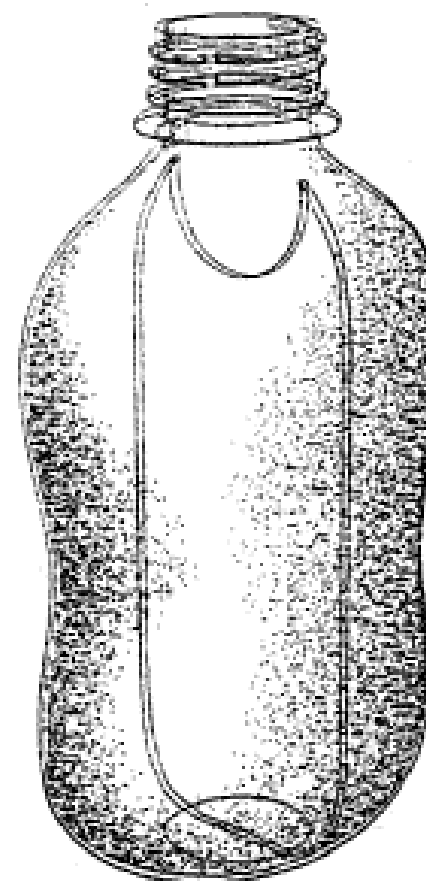
- (21) Design Number: **11352/2006**
(22) Date of Filing Application: **31 March 2006**
(24) Date from which industrial property rights may have effect: **31 March 2006**
(54) Product in respect of which the design is registered: **neck warmer**
(51) International Design Classification: **02-05**
(71) Name(s) and Address(s) of Applicant(s):
Guy Forsyth
14 Lumeah Street Narrabundah ACT 2604 Australia
(72) Name(s) of Designer(s): **Guy Forsyth**
(45) Registration Date: **17 October 2006**
(56) Related Art Documents: **Not Applicable**
(57) Statement of Newness and Distinctiveness: **Item can be opened and closed by velcro and adjusted. Item has fullcoverage of front area with curved bottom section. Detail shown in diagram and photographs attached.**



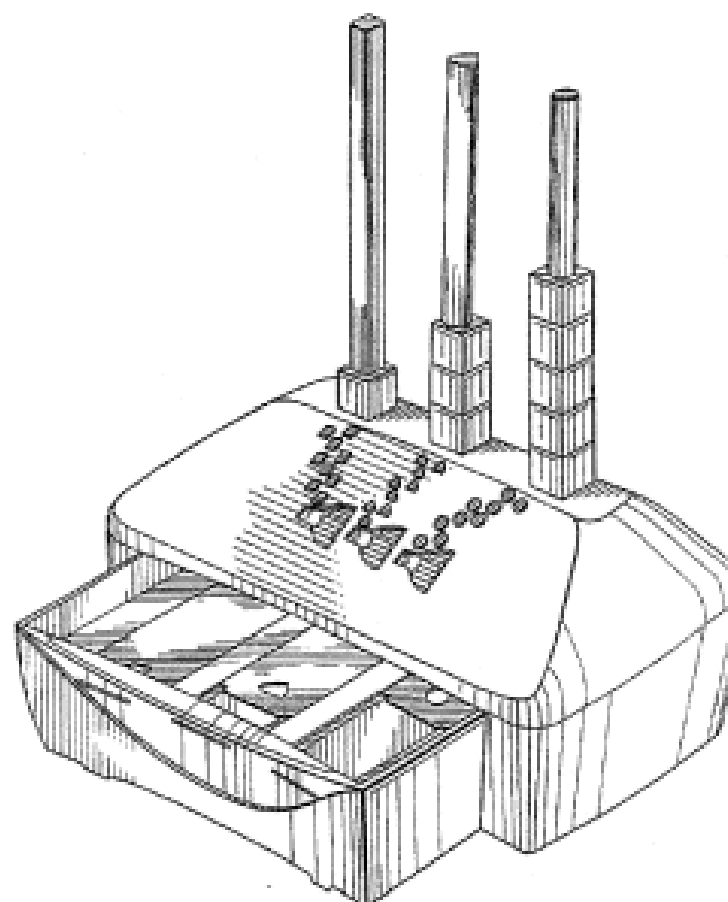
- (21) Design Number: **11715/2006**
(22) Date of Filing Application: **24 April 2006**
(24) Date from which industrial property rights may have effect: **24 April 2006**
(54) Product in respect of which the design is registered: **Bottle**
(51) International Design Classification: **09-01NES**
(71) Name(s) and Address(s) of Applicant(s):
The Coca-Cola Company
One Coca-Cola Plaza NW Atlanta Georgia 30313 United States of America
(72) Name(s) of Designer(s): **Robert P. Grant and Malcolm Kinmont and Tracy M. Momany and Barbara A. Balyeat and David M. Ryan and Martin T. Geithmann and Carie A. Davis and Yves Behar and Pichaya Puttorngul and Qin Li**
(45) Registration Date: **17 October 2006**
(30) Convention priority data:
(31) Number (32) Date (33) Country
29/242,597 10 Nov 2005 UNITED STATES OF AMERICA
(56) Related Art Documents: **Not Applicable**
(57) Statement of Newness and Distinctiveness: **Those features of the bottle depicted in the representations that are new and distinctive are the shape and/or configuration.**



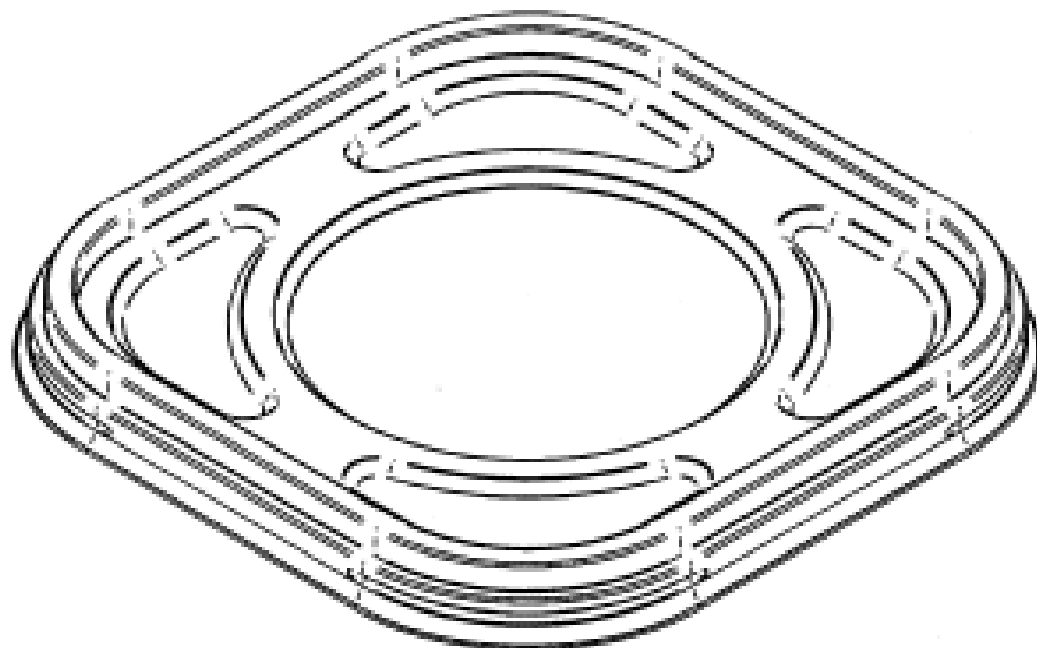
- (21) Design Number: **14141/2006**
(22) Date of Filing Application: **24 April 2006**
(24) Date from which industrial property rights may have effect: **24 April 2006**
(54) Product in respect of which the design is registered: **Bottle**
(51) International Design Classification: **09-01NES**
(71) Name(s) and Address(s) of Applicant(s):
The Coca-Cola Company
One Coca-Cola Plaza NW Atlanta Georgia 30313 United States of America
(72) Name(s) of Designer(s): **Robert P. Grant and Malcolm Kinmont and Tracy M. Momany and Barbara A. Balyeat and David M. Ryan and Martin T. Geithmann and Carie A. Davis and Yves Behar and Pichaya Puttorngul and Qin Li**
(45) Registration Date: **17 October 2006**
(56) Related Art Documents: **Not Applicable**
(57) Statement of Newness and Distinctiveness: **Those features of the bottle depicted in the representations that are new and distinctive are the shape and/or configuration.**



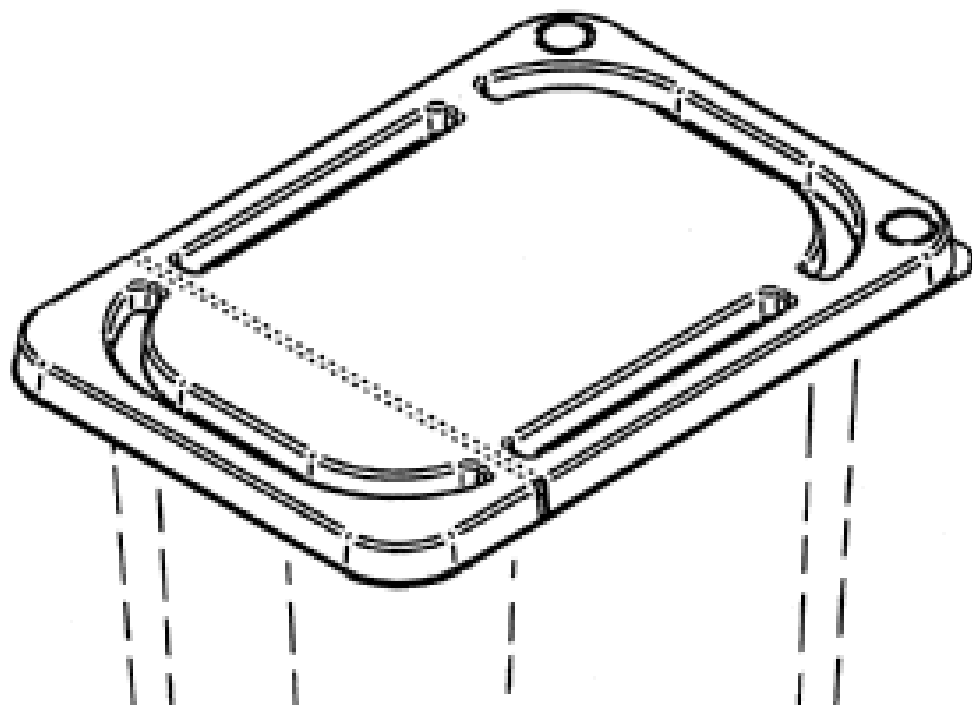
- (21) Design Number: **12502/2006**
(22) Date of Filing Application: **09 June 2006**
(24) Date from which industrial property rights may have effect: **09 June 2006**
(54) Product in respect of which the design is registered: **Teaching apparatus**
(51) International Design Classification: **19-07**
(71) Name(s) and Address(s) of Applicant(s):
Addacus Limited
Unit 16 The Sidings Station Rd Guiseley Leeds West Yorkshire LS20 8BX United Kingdom
(72) Name(s) of Designer(s): **Celia Stone**
(45) Registration Date: **17 October 2006**
(30) Convention priority data:
(31) Number (32) Date (33) Country
000492681-0001 09 Mar 2006 EUROPEAN COMMUNITY
(56) Related Art Documents: **Not Applicable**
(57) Statement of Newness and Distinctiveness: **The design is a complex product comprising a main body with three detachable square, round and triangular shaped verticle rods on the top. Around the rods may be placed removable cubes whose central holes are shaped to fit one of the three rods. The product has a sliding drawer at the lower front which is divided into three compartments with sliding roofs into which the cubes may be stored. Three rotating dials appear on the upper front face of the body of the product which are rotated to show the number of cubes placed on the verticle rods at any one time.**



- (21) Design Number: **12564/2006**
(22) Date of Filing Application: **14 June 2006**
(24) Date from which industrial property rights may have effect: **14 June 2006**
(54) Product in respect of which the design is registered: **A lid**
(51) International Design Classification: **09-07B, 09-07NES**
(71) Name(s) and Address(s) of Applicant(s):
Huhtamaki Australia Pty Limited
225 Wellington Road Mulgrave Victoria 3170 Australia
(72) Name(s) of Designer(s): **Colin Gilbert**
(45) Registration Date: **17 October 2006**
(56) Related Art Documents: **Not Applicable**
(57) Statement of Newness and Distinctiveness: **In considering the newness or distinctiveness of the design, regard is to be given to the overall shape and/or configuration of a lid as shown in the representations.**



- (21) Design Number: **12566/2006**
(22) Date of Filing Application: **14 June 2006**
(24) Date from which industrial property rights may have effect: **14 June 2006**
(54) Product in respect of which the design is registered: **A lid**
(51) International Design Classification: **09-07B, 09-07NES**
(71) Name(s) and Address(s) of Applicant(s):
Huhtamaki Australia Pty Limited
225 Wellington Road Mulgrave Victoria 3170 Australia
(72) Name(s) of Designer(s): **Colin Gilbert**
(45) Registration Date: **17 October 2006**
(56) Related Art Documents: **Not Applicable**
(57) Statement of Newness and Distinctiveness: **In considering the newness or distinctiveness of the design, regard is to be given to the overall shape and/or configuration of a lid as shown in the representations.**



(21) Design Number: **12567/2006**

(22) Date of Filing Application: **15 June 2006**

(24) Date from which industrial property rights may have effect: **15 June 2006**

(54) Product in respect of which the design is registered: **A container**

(51) International Design Classification: **09-02A, 09-02C, 09-03L**

(71) Name(s) and Address(s) of Applicant(s):

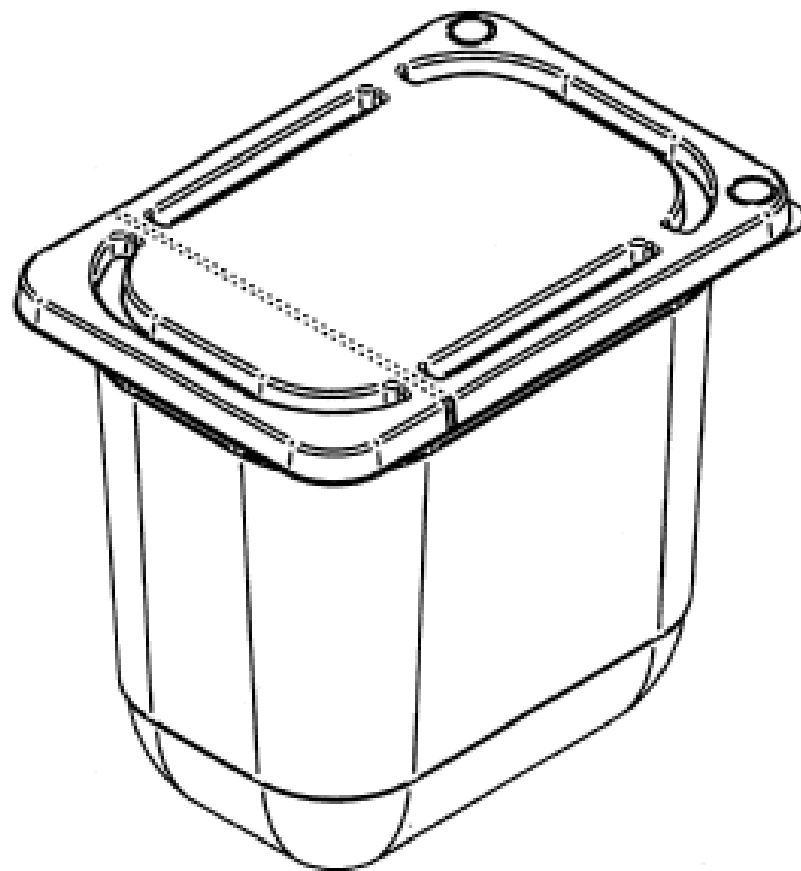
Huhtamaki Australia Pty Limited
225 Wellington Road Mulgrave Victoria 3170 Australia

(72) Name(s) of Designer(s): **Colin Gilbert**

(45) Registration Date: **17 October 2006**

(56) Related Art Documents: **Not Applicable**

(57) Statement of Newness and Distinctiveness: **In considering the newness or distinctiveness of the design, regard is to be given to the overall shape and/or configuration of a container as shown in the representations.**



(21) Design Number: **12568/2006**

(22) Date of Filing Application: **15 June 2006**

(24) Date from which industrial property rights may have effect: **15 June 2006**

(54) Product in respect of which the design is registered: **A lid**

(51) International Design Classification: **09-07B, 09-07NES**

(71) Name(s) and Address(s) of Applicant(s):

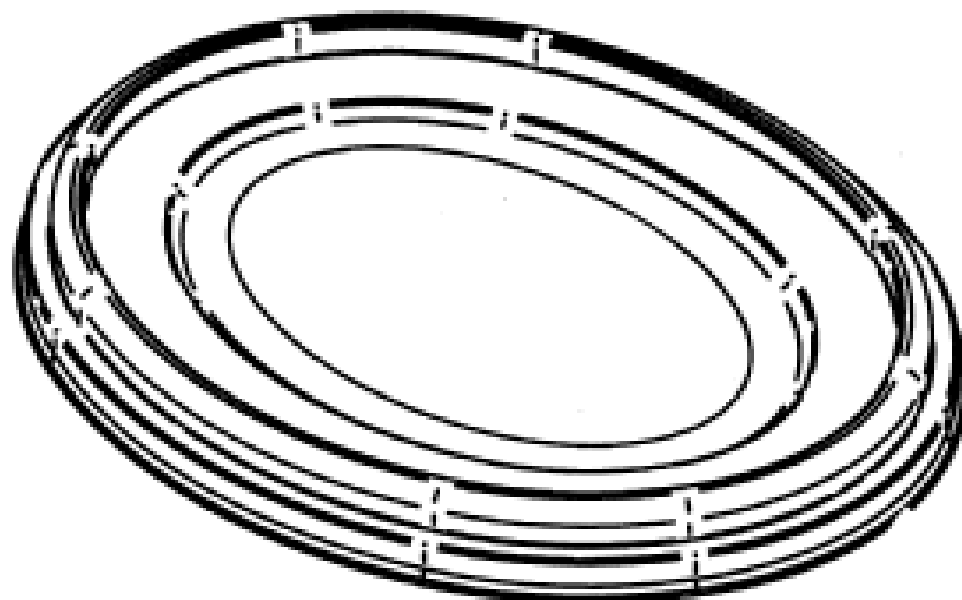
Huhtamaki Australia Pty Limited
225 Wellington Road Mulgrave Victoria 3170 Australia

(72) Name(s) of Designer(s): **Colin Gilbert**

(45) Registration Date: **17 October 2006**

(56) Related Art Documents: **Not Applicable**

(57) Statement of Newness and Distinctiveness: **In considering the newness or distinctiveness of the design, regard is to be given to the overall shape and/or configuration of a lid as shown in the representations.**



(21) Design Number: **12569/2006**

(22) Date of Filing Application: **15 June 2006**

(24) Date from which industrial property rights may have effect: **15 June 2006**

(54) Product in respect of which the design is registered: **A container with lid**

(51) International Design Classification: **09-02A, 09-02C, 09-03K**

(71) Name(s) and Address(s) of Applicant(s):

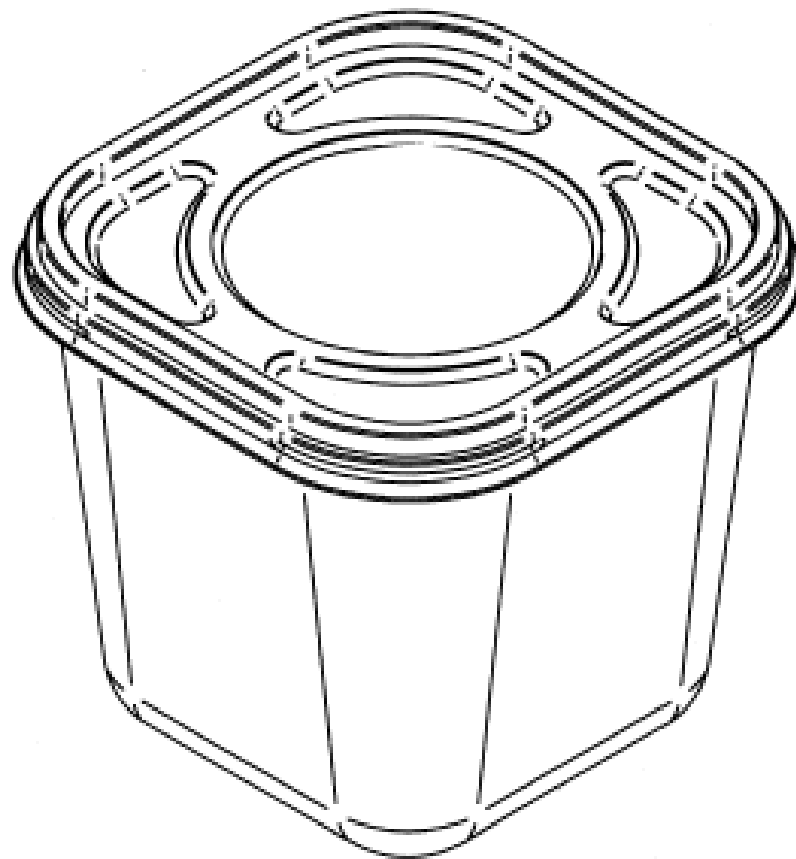
Huhtamaki Australia Pty Limited
225 Wellington Road Mulgrave Victoria 3170 Australia

(72) Name(s) of Designer(s): **Colin Gilbert**

(45) Registration Date: **17 October 2006**

(56) Related Art Documents: **Not Applicable**

(57) Statement of Newness and Distinctiveness: **In considering the newness or distinctiveness of the design, regard is to be given to the overall shape and/or configuration of a container as shown in the representations.**



(21) Design Number: **13593/2006**

(22) Date of Filing Application: **11 August 2006**

(24) Date from which industrial property rights may have effect: **11 August 2006**

(54) Product in respect of which the design is registered: **A duct adaptor**

(51) International Design Classification: **23-04**

(71) Name(s) and Address(s) of Applicant(s):

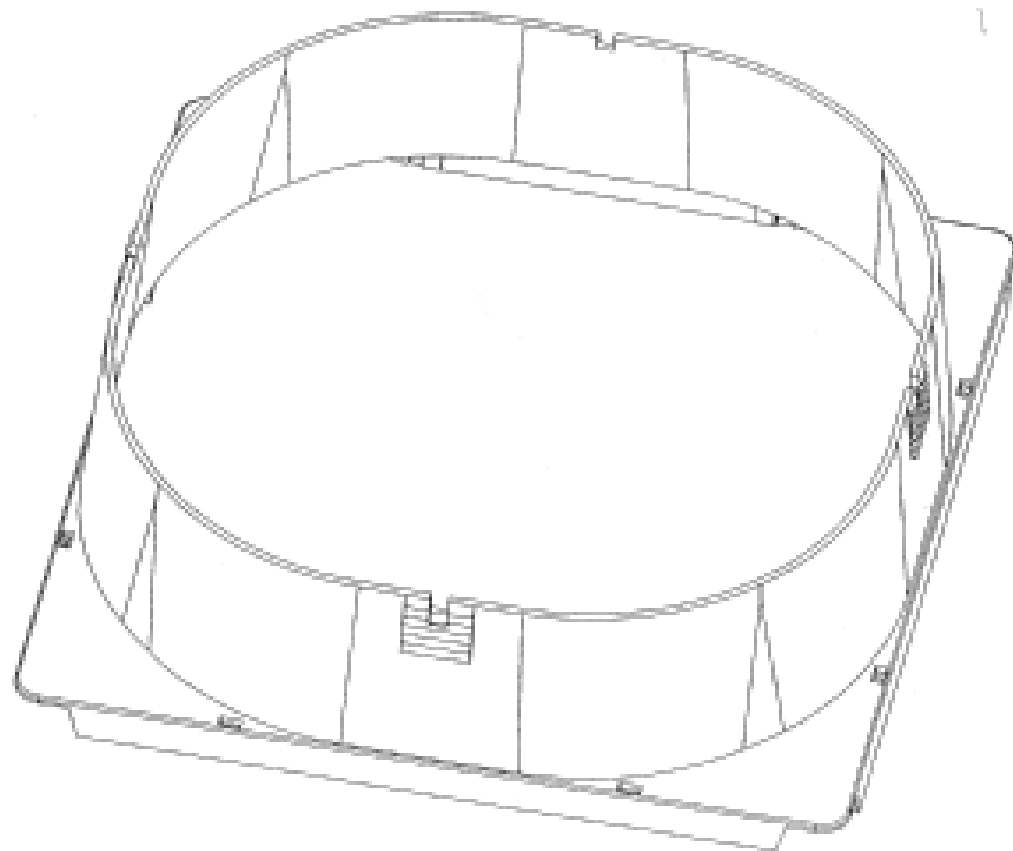
Westaflex (Australia) Pty. Ltd.
140-152 Bamfield Road Heidelberg West Victoria 3081 Australia

(72) Name(s) of Designer(s): **Michael William Sterling**

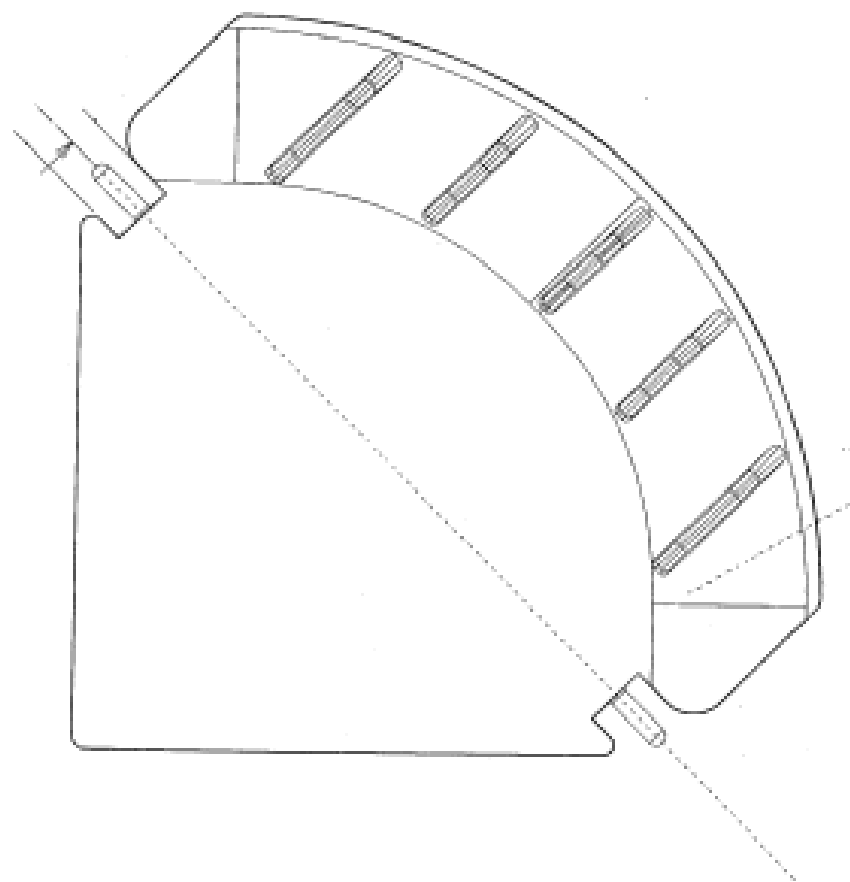
(45) Registration Date: **17 October 2006**

(56) Related Art Documents: **Not Applicable**

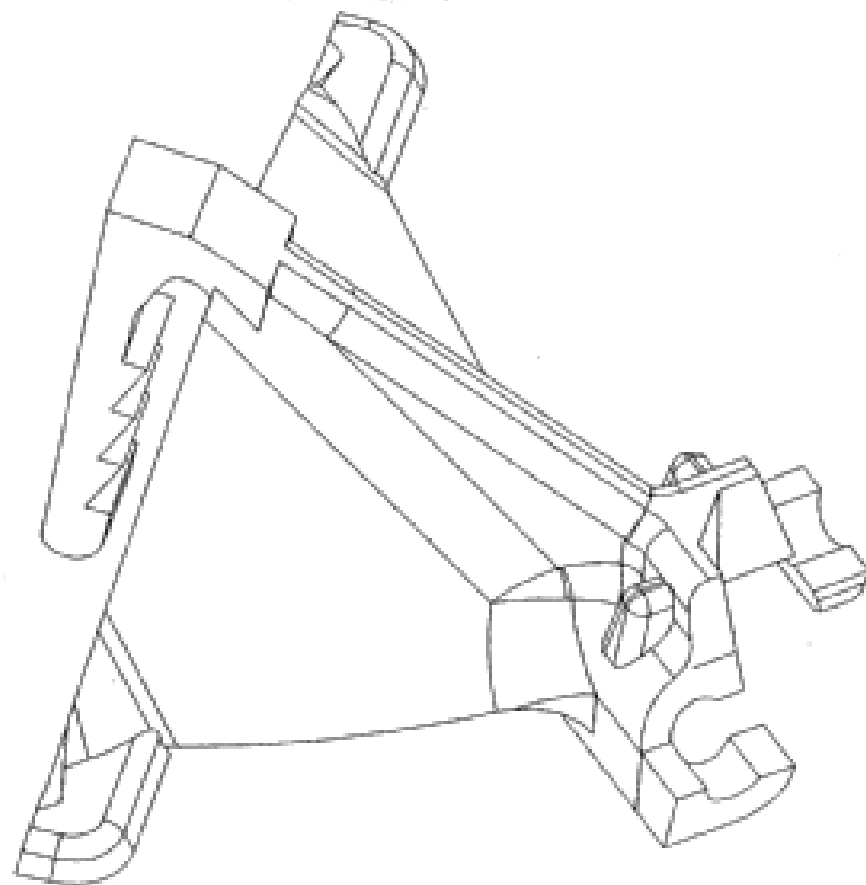
(57) Statement of Newness and Distinctiveness: **Nil**



- (21) Design Number: **13594/2006**
(22) Date of Filing Application: **11 August 2006**
(24) Date from which industrial property rights may have effect: **11 August 2006**
(54) Product in respect of which the design is registered: **Diffuser baffle**
(51) International Design Classification: **23-04**
(71) Name(s) and Address(s) of Applicant(s):
Westaflex (Australia) Pty. Ltd.
140-152 Bamfield Road Heidelberg West Victoria 3081 Australia
(72) Name(s) of Designer(s): **Michael William Sterling**
(45) Registration Date: **17 October 2006**
(56) Related Art Documents: **Not Applicable**
(57) Statement of Newness and Distinctiveness: **Nil**



- (21) Design Number: **13595/2006**
(22) Date of Filing Application: **11 August 2006**
(24) Date from which industrial property rights may have effect: **11 August 2006**
(54) Product in respect of which the design is registered: **Bracket for a diffuser**
(51) International Design Classification: **23-04**
(71) Name(s) and Address(s) of Applicant(s):
Westaflex (Australia) Pty. Ltd.
140-152 Bamfield Road Heidelberg West Victoria 3081 Australia
(72) Name(s) of Designer(s): **Michael William Sterling**
(45) Registration Date: **17 October 2006**
(56) Related Art Documents: **Not Applicable**
(57) Statement of Newness and Distinctiveness: **Nil**



- (21) Design Number: **13704/2006**
(22) Date of Filing Application: **16 August 2006**
(24) Date from which industrial property rights may have effect: **16 August 2006**
(54) Product in respect of which the design is registered: **Can opener**
(51) International Design Classification: **07-99D**
(71) Name(s) and Address(s) of Applicant(s):

Daka Research Inc.
PO Box 957 Offshore Incorporations Centre Road Town Tortola
British Virgin Islands

(72) Name(s) of Designer(s): **Mark Andrew Sanders and Pat Yin Mah**

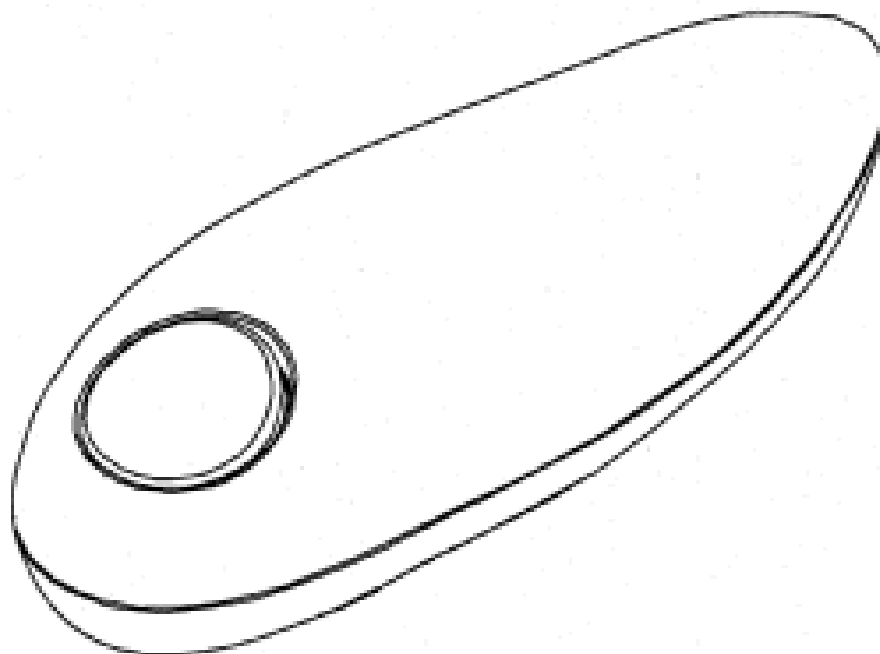
(45) Registration Date: **17 October 2006**

(30) Convention priority data:

(31) Number	(32) Date	(33) Country
0600706.4	22 Mar 2006	HONG KONG

(56) Related Art Documents: **Not Applicable**

(57) Statement of Newness and Distinctiveness: **Nil**



- (21) Design Number: **13735/2006**
(22) Date of Filing Application: **22 August 2006**
(24) Date from which industrial property rights may have effect: **22 August 2006**
(54) Product in respect of which the design is registered: **Circuit breaker cover**
(51) International Design Classification: **13-03E**
(71) Name(s) and Address(s) of Applicant(s):

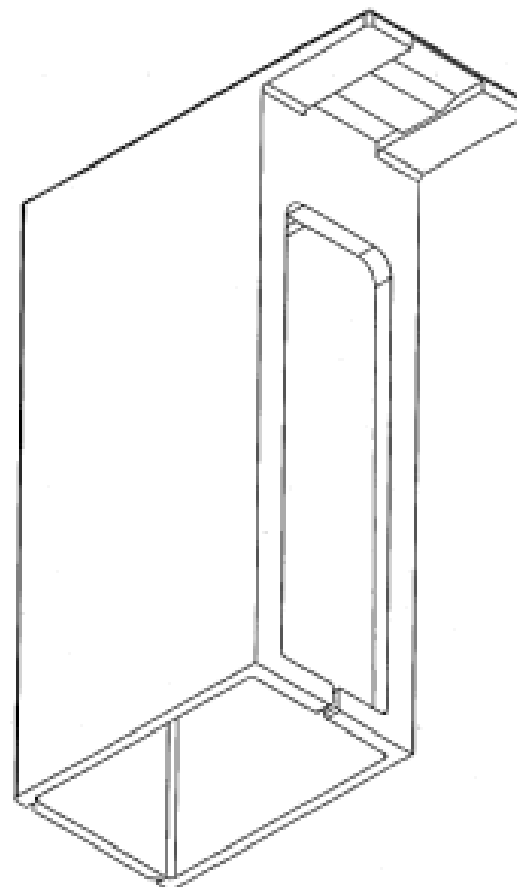
Relec Pty Limited
25 Salisbury Road Asquith New South Wales 2077 Australia

(72) Name(s) of Designer(s): **Scott Emerson and Marc Veenendaal**

(45) Registration Date: **17 October 2006**

(56) Related Art Documents: **Not Applicable**

(57) Statement of Newness and Distinctiveness: **Nil**



(21) Design Number: **13808/2006**

(22) Date of Filing Application: **24 August 2006**

(24) Date from which industrial property rights may have effect: **24 August 2006**

(54) Product in respect of which the design is registered: **Earthing electrode**

(51) International Design Classification: **13-03C**

(71) Name(s) and Address(s) of Applicant(s):

Apostolos Kousourakis
29 Dealing Drive Oakleigh South Victoria 3167 Australia

(72) Name(s) of Designer(s): **Apostolos Kousourakis**

(45) Registration Date: **17 October 2006**

(56) Related Art Documents: **Not Applicable**

(57) Statement of Newness and Distinctiveness: **Nil**



(21) Design Number: **13815/2006**

(22) Date of Filing Application: **24 August 2006**

(24) Date from which industrial property rights may have effect: **24 August 2006**

(54) Product in respect of which the design is registered: **Washing machine**

(51) International Design Classification: **15-05**

(71) Name(s) and Address(s) of Applicant(s):

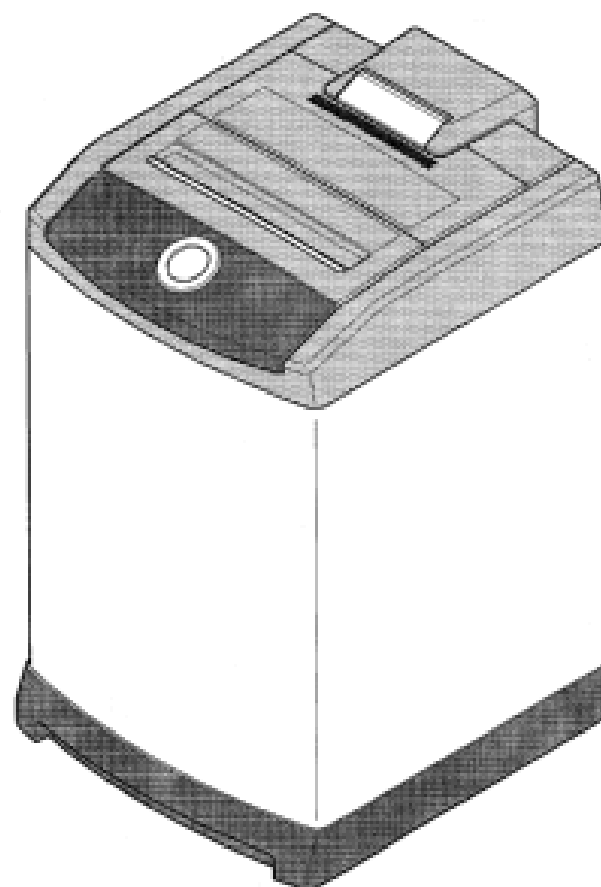
Samsung Electronics Co., Ltd.
416 Maetan-Dong Yeongtong-Gu Suwon-Si Gyeonggi-Do Republic of Korea

(72) Name(s) of Designer(s): **Kyung Tae Kim**

(45) Registration Date: **17 October 2006**

(56) Related Art Documents: **Not Applicable**

(57) Statement of Newness and Distinctiveness: **Nil**



(21) Design Number: **13862/2006**

(22) Date of Filing Application: **28 August 2006**

(24) Date from which industrial property rights may have effect: **28 August 2006**

(54) Product in respect of which the design is registered: **Wheel for a vehicle**

(51) International Design Classification: **12-16A**

(71) Name(s) and Address(s) of Applicant(s):

**Ford Motor Company of Australia Limited
1735 Sydney Road Campbellfield Victoria 3061 Australia**

(72) Name(s) of Designer(s): **Graham Wadsworth**

(45) Registration Date: **17 October 2006**

(56) Related Art Documents: **Not Applicable**

(57) Statement of Newness and Distinctiveness: **Newness and distinctiveness resides in the visual features of shape and/or configuration of a wheel for a vehicle as illustrated in the representations.**



(21) Design Number: **13861/2006**

(22) Date of Filing Application: **28 August 2006**

(24) Date from which industrial property rights may have effect: **28 August 2006**

(54) Product in respect of which the design is registered: **Lamp for a vehicle**

(51) International Design Classification: **26-06**

(71) Name(s) and Address(s) of Applicant(s):

**Ford Motor Company of Australia Limited
1735 Sydney Road Campbellfield Victoria 3061 Australia**

(72) Name(s) of Designer(s): **Graham Wadsworth**

(45) Registration Date: **17 October 2006**

(56) Related Art Documents: **Not Applicable**

(57) Statement of Newness and Distinctiveness: **Newness and distinctiveness resides in the visual features of shape and/or configuration of a lamp for a vehicle as illustrated in the representations.**



(21) Design Number: **13871/2006**

(22) Date of Filing Application: **28 August 2006**

(24) Date from which industrial property rights may have effect: **28 August 2006**

(54) Product in respect of which the design is registered: **A bracket**

(51) International Design Classification: **08-08L**

(71) Name(s) and Address(s) of Applicant(s):

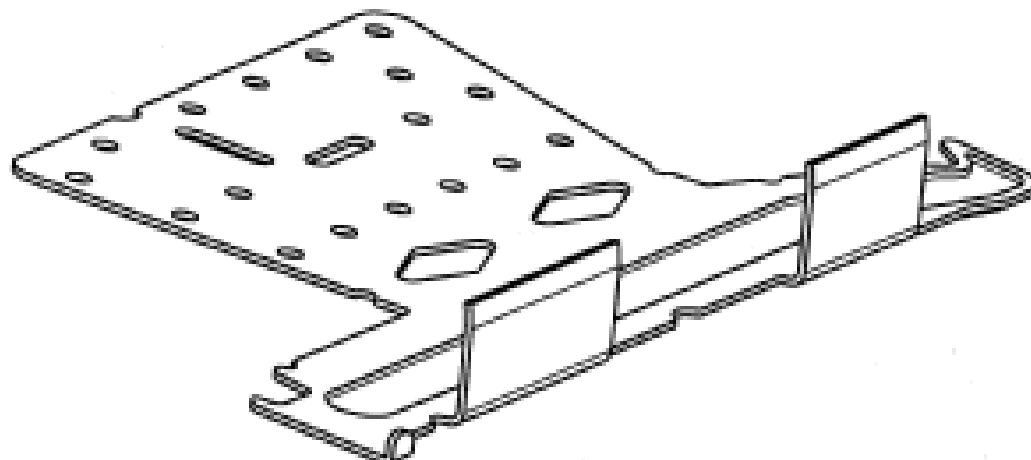
Stramit Corporation Pty Limited
6 Thomas Street Chatswood New South Wales 2067 Australia

(72) Name(s) of Designer(s): **Laurence William Inglis and Alexandra Headland and Christopher David Jackson**

(45) Registration Date: **17 October 2006**

(56) Related Art Documents: **Not Applicable**

(57) Statement of Newness and Distinctiveness: **Newness and distinctiveness is claimed in the shape and/or configuration of a bracket as shown in the representations, except that the number and relative disposition of the openings are to be disregarded.**



(21) Design Number: **13950/2006**

(22) Date of Filing Application: **31 August 2006**

(24) Date from which industrial property rights may have effect: **31 August 2006**

(54) Product in respect of which the design is registered: **LED lighting fixture**

(51) International Design Classification: **26-03**

(71) Name(s) and Address(s) of Applicant(s):

Zumtobel Lighting GmbH & Co. KG
Grevenmarschstr. 74-78 32657 Lemgo Germany

(72) Name(s) of Designer(s): **Herbert Kock**

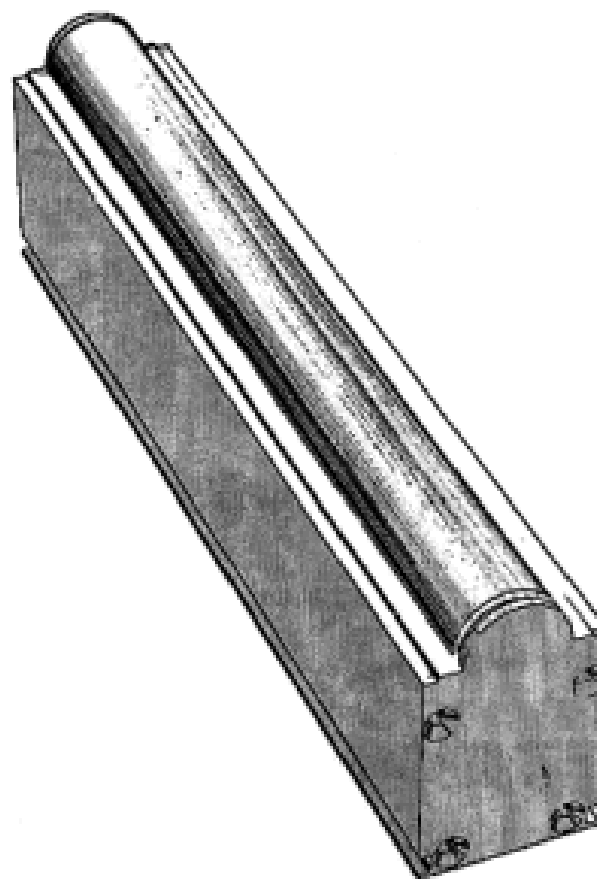
(45) Registration Date: **17 October 2006**

(30) Convention priority data:

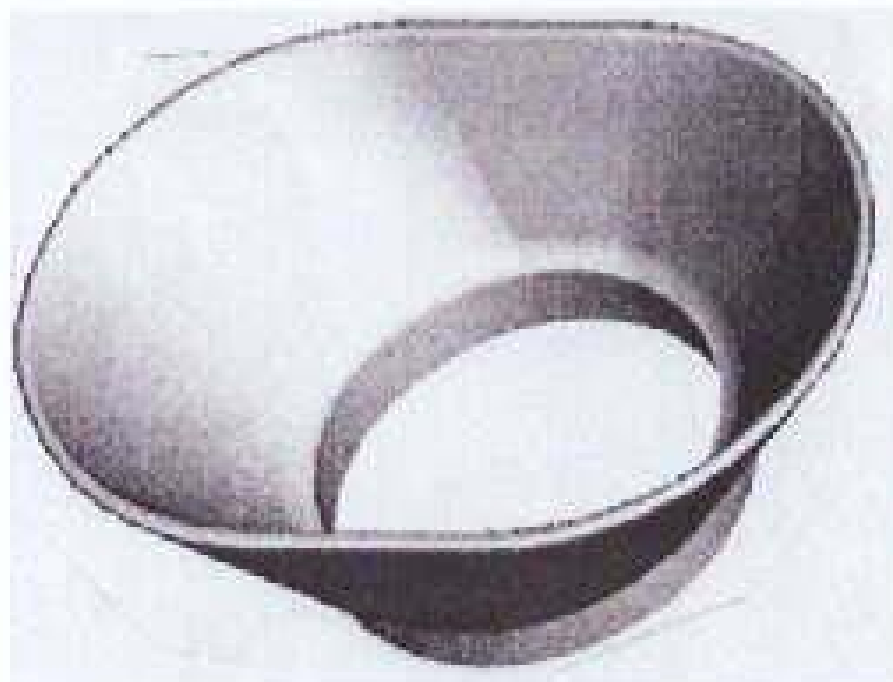
(31) Number	(32) Date	(33) Country
000492137-0005	09 Mar 2006	EUROPEAN COMMUNITY

(56) Related Art Documents: **Not Applicable**

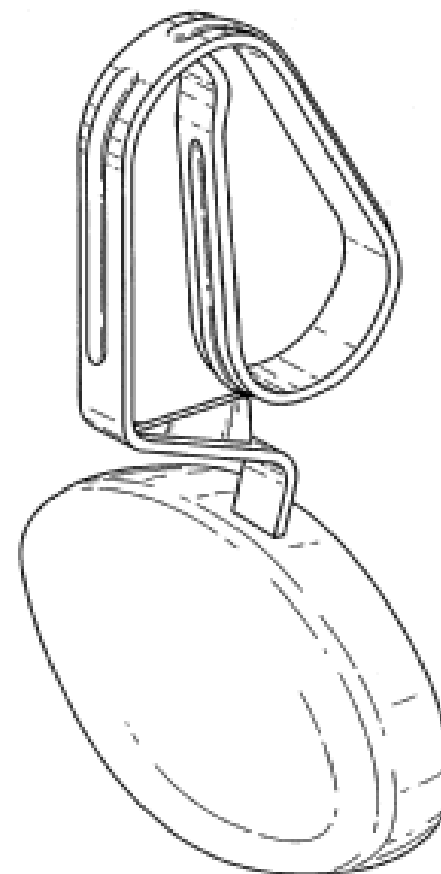
(57) Statement of Newness and Distinctiveness: **Newness and distinctiveness is claimed in the features of shape and/or configuration of an LED lighting fixture as illustrated in the accompanying representation.**



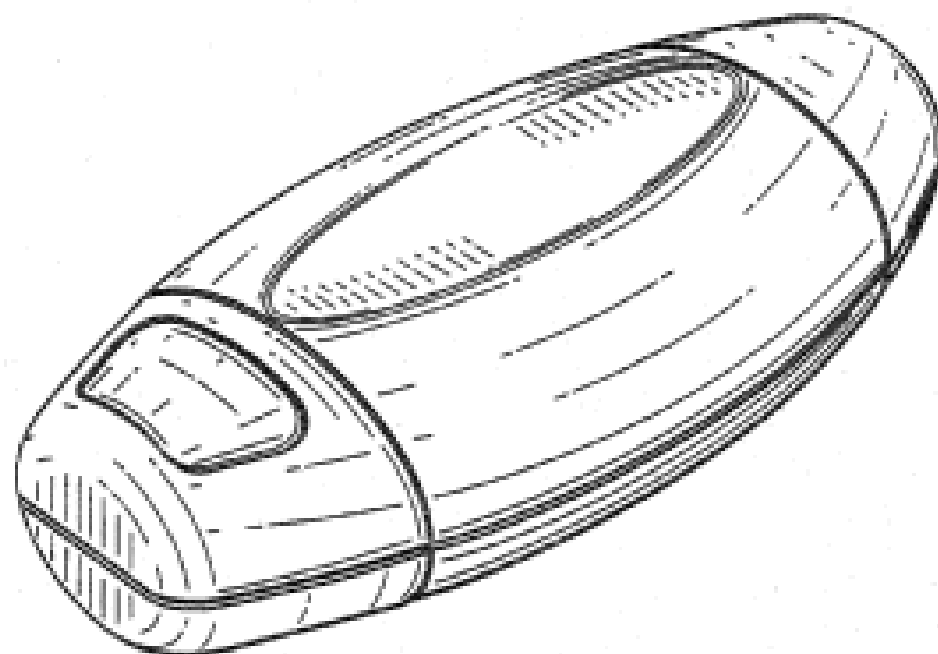
- (21) Design Number: **13982/2006**
(22) Date of Filing Application: **04 September 2006**
(24) Date from which industrial property rights may have effect: **04 September 2006**
(54) Product in respect of which the design is registered: **Funnel collar for a collection vessel**
(51) International Design Classification: **07-99NES, 23-01G**
(71) Name(s) and Address(s) of Applicant(s):
Brooke Louise Edwards
18 Sieben Close Mill Park Victoria 3082 Australia
Lindsay Norman Osborne
5 Ashdown Court Bundoora Victoria 3083 Australia
Ivan Arthur Edwards
44 Eucalyptus Place Meadow Heights Victoria 3048 Australia
(72) Name(s) of Designer(s): **Brooke Louise Edwards and Lindsay Norman Osborne and Ivan Arthur Edwards**
(45) Registration Date: **17 October 2006**
(56) Related Art Documents: **Not Applicable**
(57) Statement of Newness and Distinctiveness: **Nil**



- (21) Design Number: **13989/2006**
(22) Date of Filing Application: **05 September 2006**
(24) Date from which industrial property rights may have effect: **05 September 2006**
(54) Product in respect of which the design is registered: **Lavatory dispensing device**
(51) International Design Classification: **23-02A, 23-02NES**
(71) Name(s) and Address(s) of Applicant(s):
Reckitt Benckiser Inc.
Morris Corporate Center IV 399 Interpace Parkway Parsippany New Jersey 07054 United States of America
(72) Name(s) of Designer(s): **Nevin Arora and Christopher Brian King**
(45) Registration Date: **17 October 2006**
(30) Convention priority data:
(31) Number (32) Date (33) Country
29/256554 22 Mar 2006 UNITED STATES OF AMERICA
(56) Related Art Documents: **Not Applicable**
(57) Statement of Newness and Distinctiveness: **Newness and distinctiveness reside in the features of the design as shown in the representations.**



(21) Design Number: **13990/2006**
(22) Date of Filing Application: **05 September 2006**
(24) Date from which industrial property rights may have effect: **05 September 2006**
(54) Product in respect of which the design is registered: **Direct current power supply**
(51) International Design Classification: **13-02, 13-03NES**
(71) Name(s) and Address(s) of Applicant(s):
Eveready Battery Company, Inc.
533 Maryville University Drive St Louis Missouri 63164 United States of America
(72) Name(s) of Designer(s): **Nir Weinstein**
(45) Registration Date: **17 October 2006**
(30) Convention priority data:
(31) Number (32) Date (33) Country
29/256497 21 Mar 2006 UNITED STATES OF AMERICA
(56) Related Art Documents: **Not Applicable**
(57) Statement of Newness and Distinctiveness: **Nil**



(21) Design Number: **10680/2006**
(22) Date of Filing Application: **24 February 2006**
(24) Date from which industrial property rights may have effect: **24 February 2006**
(54) Product in respect of which the design is registered: **Wheel**
(51) International Design Classification: **12-16A**
(71) Name(s) and Address(s) of Applicant(s):
Dean Anthony
PO Box 440 Bundoora MDC Victoria 3083 Australia
(72) Name(s) of Designer(s): **Dean Anthony**
(45) Registration Date: **18 October 2006**
(56) Related Art Documents: **Not Applicable**
(57) Statement of Newness and Distinctiveness: **Nil**



- (21) Design Number: **12033/2006**
(22) Date of Filing Application: **10 May 2006**
(24) Date from which industrial property rights may have effect: **10 May 2006**
(54) Product in respect of which the design is registered: **Vehicle wheel**
(51) International Design Classification: **12-16A**
(71) Name(s) and Address(s) of Applicant(s):
GM Holden Ltd
241 Salmon Street Port Melbourne Victoria 3207 Australia
(72) Name(s) of Designer(s): **Peter Hughes**
(45) Registration Date: **18 October 2006**
(56) Related Art Documents: **Not Applicable**
(57) Statement of Newness and Distinctiveness: **Newness and distinctiveness is claimed in the shape and/or configuration of a vehicle wheel as shown in the representations except that the rim is to be disregarded.**



- (21) Design Number: **12433/2006**
(22) Date of Filing Application: **05 June 2006**
(24) Date from which industrial property rights may have effect: **05 June 2006**
(54) Product in respect of which the design is registered: **Bicycle transporting carriers**
(51) International Design Classification: **12-16K**
(71) Name(s) and Address(s) of Applicant(s):
Robert Schlegel
5 Booral Street Buderim Queensland 4556 Australia
(72) Name(s) of Designer(s): **Robert F. Schlegel**
(45) Registration Date: **18 October 2006**
(56) Related Art Documents: **Not Applicable**
(57) Statement of Newness and Distinctiveness: **Nil.**



(21) Design Number: 12771/2006

(22) Date of Filing Application: 27 June 2006

(24) Date from which industrial property rights may have effect: 27 June 2006

(54) Product in respect of which the design is registered: **Plant identification tag**

(51) International Design Classification: 20-03NES, 19-08

(71) Name(s) and Address(s) of Applicant(s):

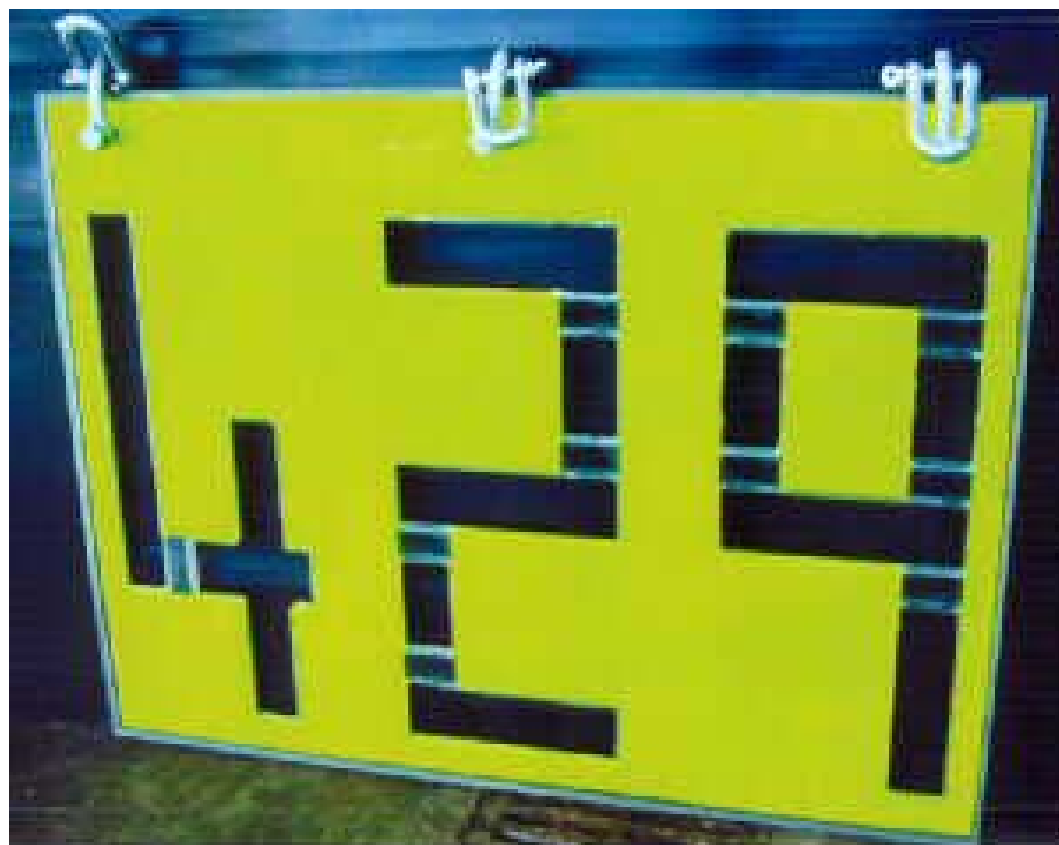
Specialised Wholesale and plastics PTY LTD
30 Verulam Road Lambton New South Wales 2299 Australia

(72) Name(s) of Designer(s): **Bruce Kerr Williams**

(45) Registration Date: 18 October 2006

(56) Related Art Documents: **Not Applicable**

(57) Statement of Newness and Distinctiveness: **The use of polycarbonate as the base material. The development of a unique "Font" for the code. A layer of reflective film for night visibility. The lamination of the film between the sheets of polycarbonate.**



(21) Design Number: 13128/2006

(22) Date of Filing Application: 21 July 2006

(24) Date from which industrial property rights may have effect: 21 July 2006

(54) Product in respect of which the design is registered: **PC holder - plastic cup holder designed to keep liquid cold in plastic cups for longer periods. Product is made of**

(51) International Design Classification: 07-06A, 07-06NES

(71) Name(s) and Address(s) of Applicant(s):

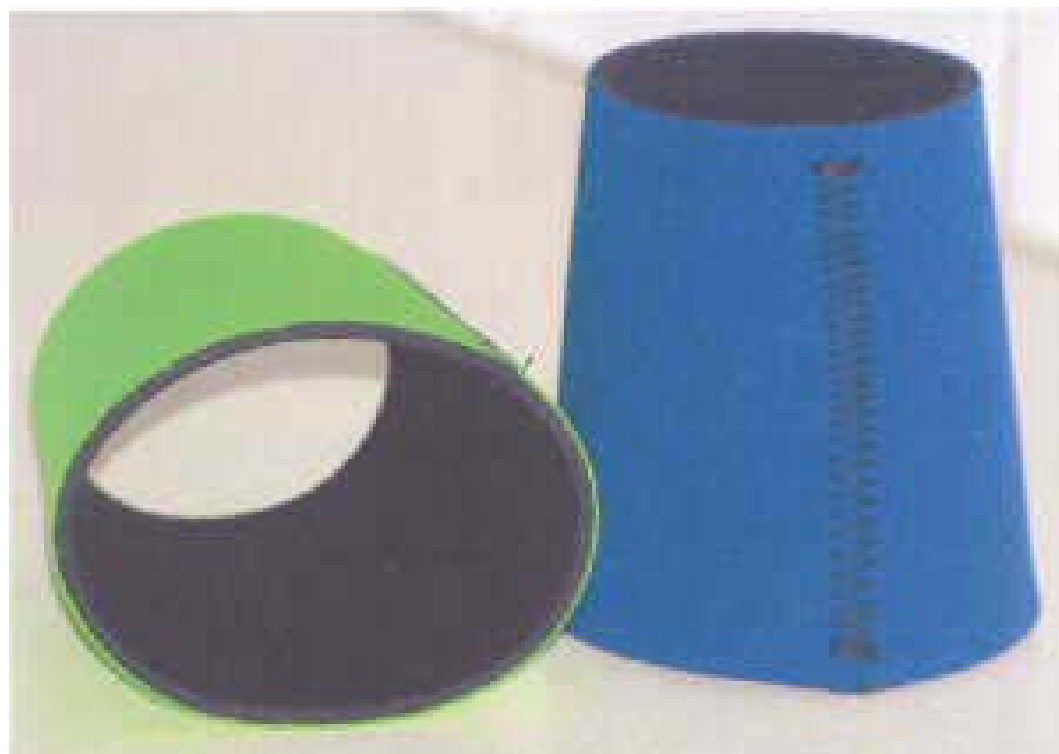
Murray Schofield
72 Mulligan Drive Greenwood Western Australia 6024 Australia

(72) Name(s) of Designer(s): **Murray Schofield**

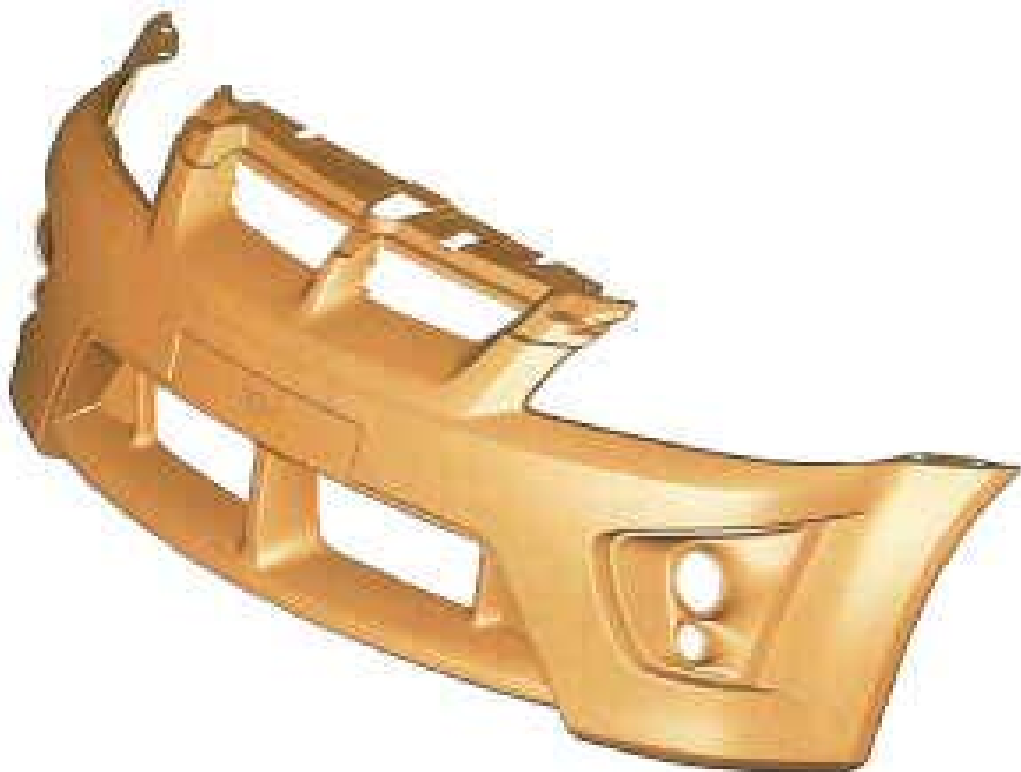
(45) Registration Date: 18 October 2006

(56) Related Art Documents: **Not Applicable**

(57) Statement of Newness and Distinctiveness: **The distinctive feature of the design is the shape. (Designed to hold a plastic cup).**



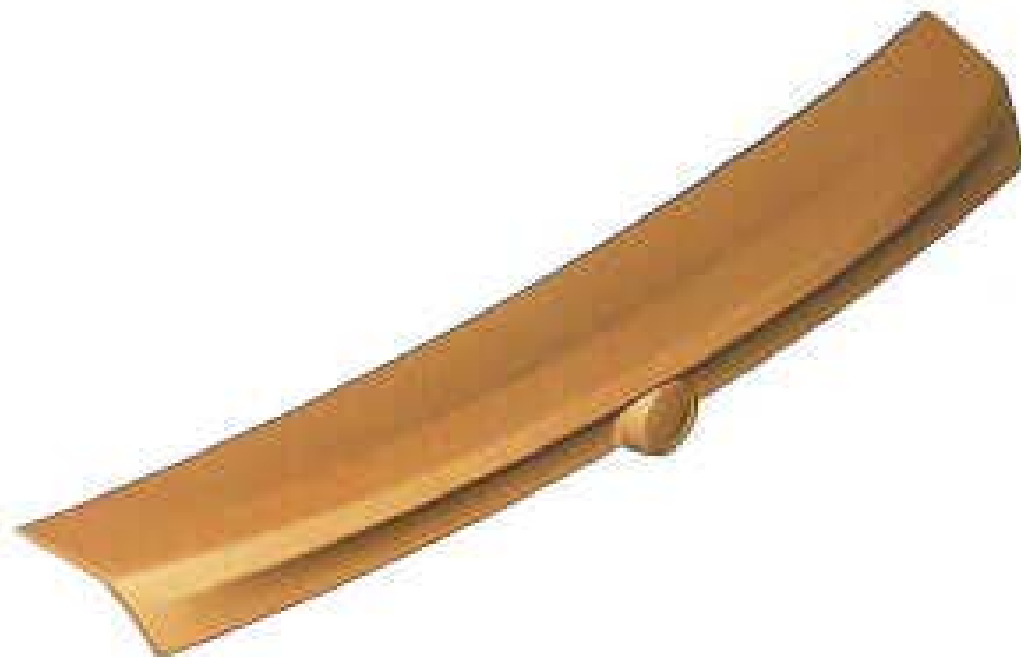
- (21) Design Number: **13266/2006**
(22) Date of Filing Application: **27 July 2006**
(24) Date from which industrial property rights may have effect: **27 July 2006**
(54) Product in respect of which the design is registered: **Vehicle fascia**
(51) International Design Classification: **12-16B**
(71) Name(s) and Address(s) of Applicant(s):
GM Global Technology Operations, Inc
300 Renaissance Center Detroit MI 48265-3000 United States of America
(72) Name(s) of Designer(s): **Julian Quincey**
(45) Registration Date: **18 October 2006**
(56) Related Art Documents: **Not Applicable**
(57) Statement of Newness and Distinctiveness: **Newness and distinctiveness is claimed in the shape and/or configuration of a vehicle fascia as shown in the representations.**



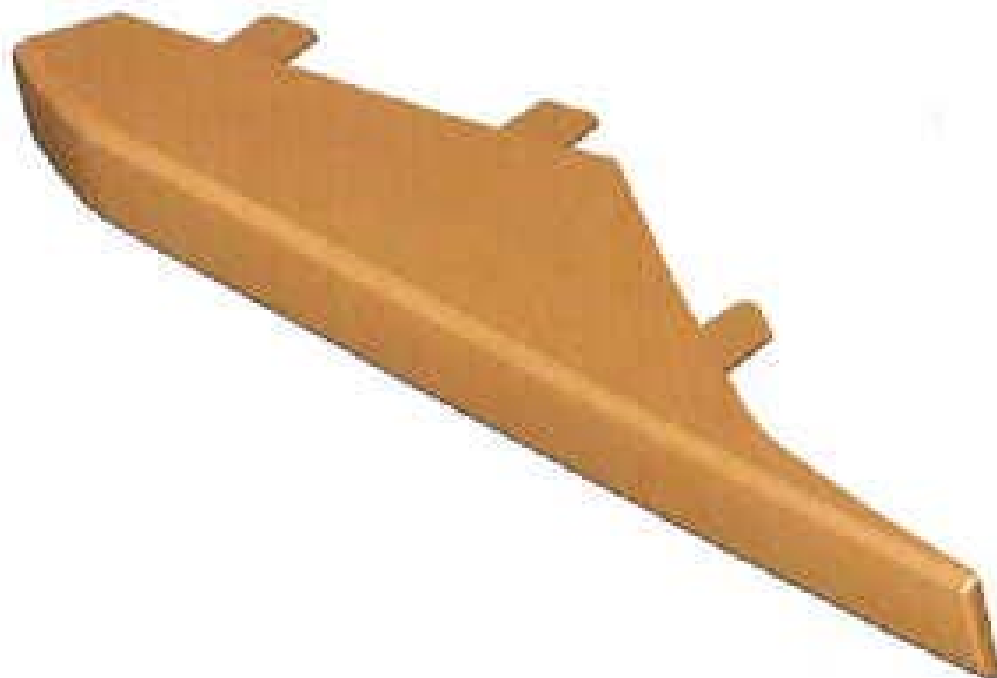
- (21) Design Number: **13267/2006**
(22) Date of Filing Application: **27 July 2006**
(24) Date from which industrial property rights may have effect: **27 July 2006**
(54) Product in respect of which the design is registered: **Vehicle fascia**
(51) International Design Classification: **12-16B**
(71) Name(s) and Address(s) of Applicant(s):
GM Global Technology Operations, Inc
300 Renaissance Center Detroit MI 48265-3000 United States of America
(72) Name(s) of Designer(s): **Julian Quincey**
(45) Registration Date: **18 October 2006**
(56) Related Art Documents: **Not Applicable**
(57) Statement of Newness and Distinctiveness: **Newness and distinctiveness is claimed in the shape and/or configuration of a vehicle fascia as shown in the representations.**



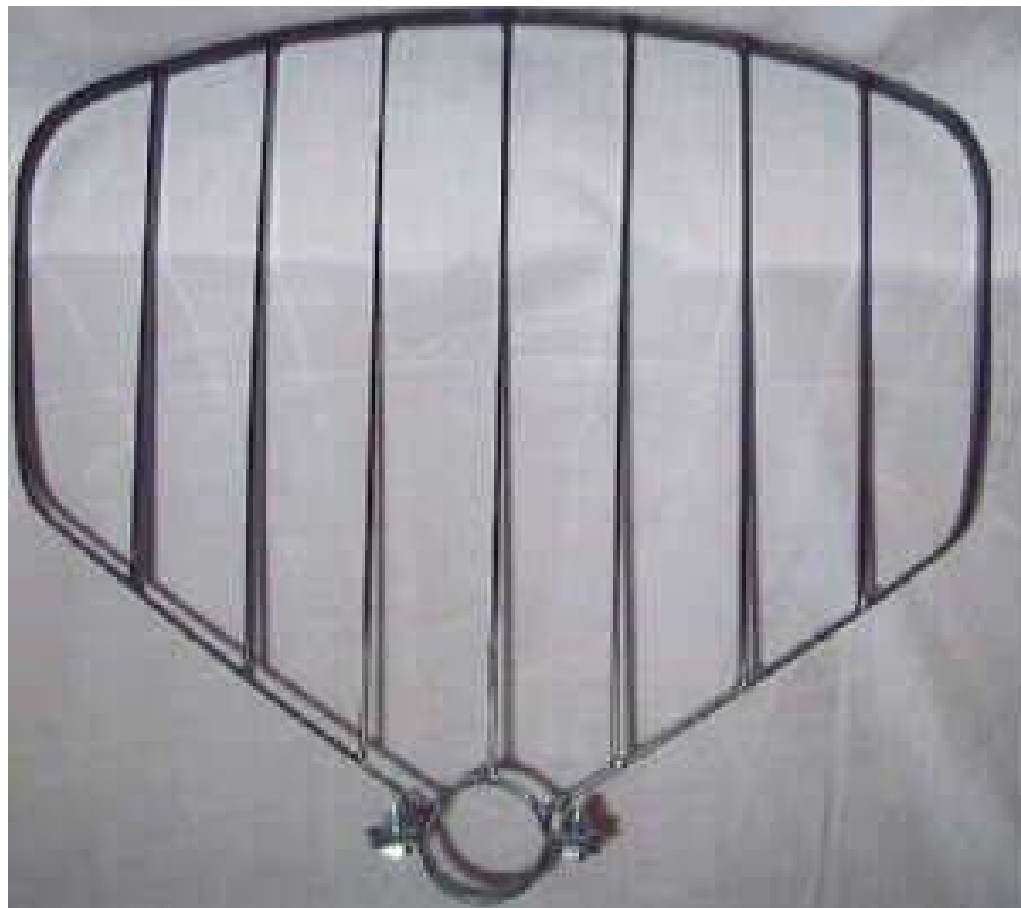
- (21) Design Number: **13268/2006**
(22) Date of Filing Application: **27 July 2006**
(24) Date from which industrial property rights may have effect: **27 July 2006**
(54) Product in respect of which the design is registered: **Vehicle spoiler**
(51) International Design Classification: **12-16B**
(71) Name(s) and Address(s) of Applicant(s):
GM Global Technology Operations, Inc
300 Renaissance Center Detroit MI 48265-3000 United States of America
(72) Name(s) of Designer(s): **Julian Quincey**
(45) Registration Date: **18 October 2006**
(56) Related Art Documents: **Not Applicable**
(57) Statement of Newness and Distinctiveness: **Newness and distinctiveness is claimed in the shape and/or configuration of a vehicle spoiler as shown in the representations.**



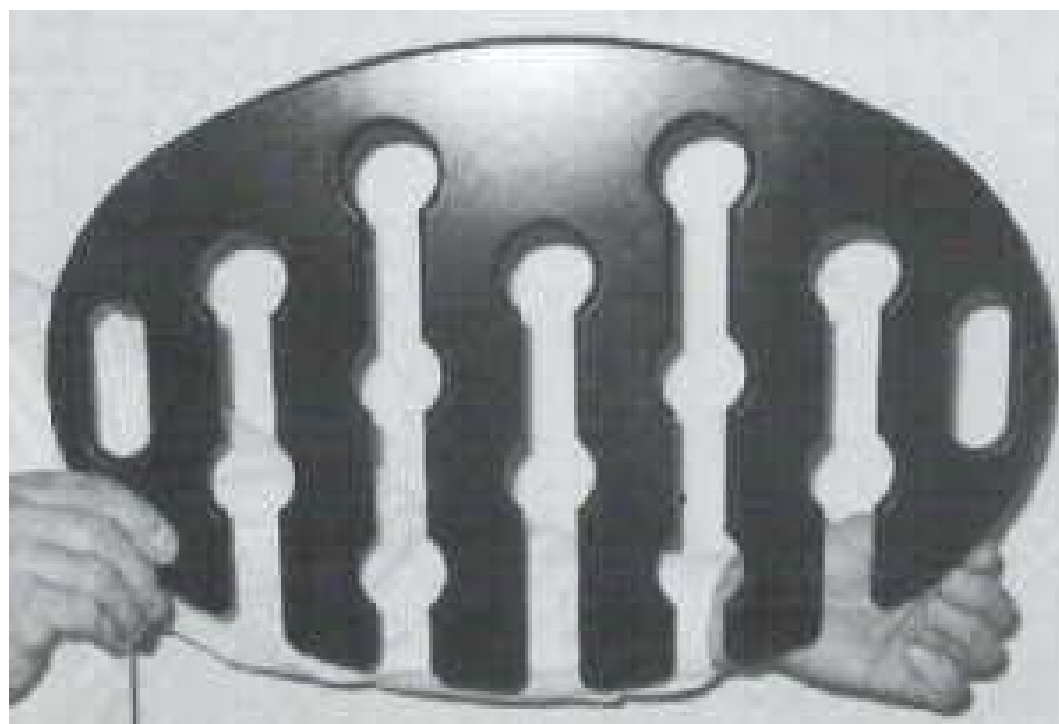
- (21) Design Number: **13277/2006**
(22) Date of Filing Application: **27 July 2006**
(24) Date from which industrial property rights may have effect: **27 July 2006**
(54) Product in respect of which the design is registered: **Left-and right-side vehicle vent bars**
(51) International Design Classification: **12-16B**
(71) Name(s) and Address(s) of Applicant(s):
GM Global Technology Operations, Inc
300 Renaissance Center Detroit MI 48265-3000 United States of America
(72) Name(s) of Designer(s): **Julian Quincey**
(45) Registration Date: **18 October 2006**
(56) Related Art Documents: **Not Applicable**
(57) Statement of Newness and Distinctiveness: **Newness and distinctiveness is claimed in the shape and/or configuration of a left-and right-side vehicle vent bars as shown in the representations.**



- (21) Design Number: **13324/2006**
(22) Date of Filing Application: **31 July 2006**
(24) Date from which industrial property rights may have effect: **31 July 2006**
(54) Product in respect of which the design is registered: **Clotheshoist basket holder**
(51) International Design Classification: **07-05D, 07-99NES**
(71) Name(s) and Address(s) of Applicant(s):
Gerard Giffney
17 Tanderra Street Colyton New South Wales 2760 Australia
(72) Name(s) of Designer(s): **Gerard Giffney**
(45) Registration Date: **18 October 2006**
(56) Related Art Documents: **Not Applicable**
(57) Statement of Newness and Distinctiveness: **Nil**



- (21) Design Number: **13400/2006**
(22) Date of Filing Application: **02 August 2006**
(24) Date from which industrial property rights may have effect: **02 August 2006**
(54) Product in respect of which the design is registered: **A tray**
(51) International Design Classification: **07-01B, 07-99A**
(71) Name(s) and Address(s) of Applicant(s):
Richard Siddle
109 Elia Street N1 8DP London United Kingdom
(72) Name(s) of Designer(s): **Richard Siddle**
(45) Registration Date: **18 October 2006**
(30) Convention priority data:
(31) Number (32) Date (33) Country
000474242-0002 03 Feb 2006 EUROPEAN COMMUNITY
(56) Related Art Documents: **Not Applicable**
(57) Statement of Newness and Distinctiveness: **The shape and configuration of a tray as depicted in the accompanying representations.**



(21) Design Number: **13865/2006**

(22) Date of Filing Application: **28 August 2006**

(24) Date from which industrial property rights may have effect: **28 August 2006**

(54) Product in respect of which the design is registered: **Grille for a vehicle**

(51) International Design Classification: **12-16B**

(71) Name(s) and Address(s) of Applicant(s):

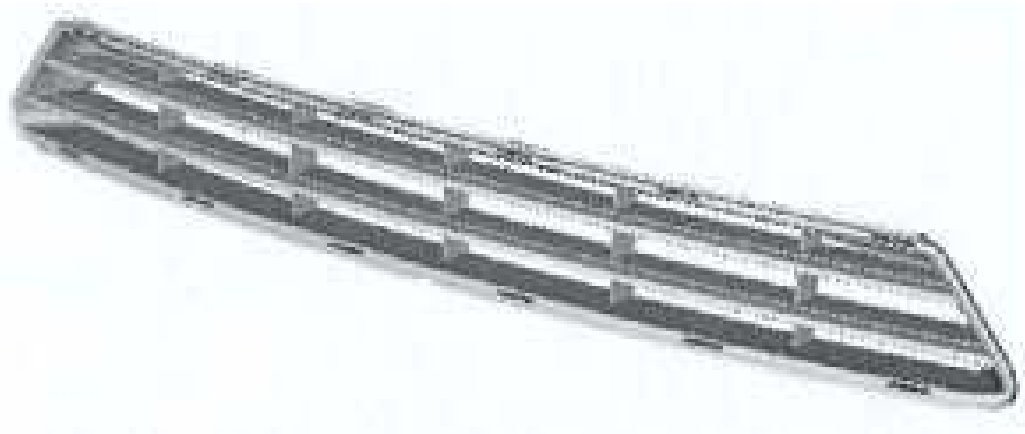
**Ford Motor Company of Australia Limited
1735 Sydney Road Campbellfield Victoria 3061 Australia**

(72) Name(s) of Designer(s): **Graham Wadsworth**

(45) Registration Date: **18 October 2006**

(56) Related Art Documents: **Not Applicable**

(57) Statement of Newness and Distinctiveness: **Newness and distinctiveness resides in the visual features of shape and/or configuration of a grille for a vehicle as illustrated in the representations.**



(21) Design Number: **13980/2006**

(22) Date of Filing Application: **04 September 2006**

(24) Date from which industrial property rights may have effect: **04 September 2006**

(54) Product in respect of which the design is registered: **Grill for an automobile**

(51) International Design Classification: **12-16B**

(71) Name(s) and Address(s) of Applicant(s):

**Toyota Jidosha Kabushiki Kaisha
1 Toyota-cho Toyota-shi Aichi-ken 471-8571 Japan**

**Hino Motors, Ltd
3-1-1 Hinodai Hino-shi Tokyo 191-8660 Japan**

(72) Name(s) of Designer(s): **Teruo Sato**

(45) Registration Date: **18 October 2006**

(56) Related Art Documents: **Not Applicable**

(57) Statement of Newness and Distinctiveness: **The newness and distinctiveness of the design resides in the shape and configuration of a grill for an automobile as illustrated in the accompanying representations.**



(21) Design Number: **13997/2006**
(22) Date of Filing Application: **06 September 2006**
(24) Date from which industrial property rights may have effect: **06 September 2006**
(54) Product in respect of which the design is registered: **Middle part of a watch case**
(51) International Design Classification: **10-07**
(71) Name(s) and Address(s) of Applicant(s):
Montres Tudor SA
3 rue Francois Dussaud Geneva Switzerland
(72) Name(s) of Designer(s): **Daniel Riedo**
(45) Registration Date: **18 October 2006**
(30) Convention priority data:
(31) Number (32) Date (33) Country
132 704 14 Mar 2006 SWITZERLAND
(56) Related Art Documents: **Not Applicable**
(57) Statement of Newness and Distinctiveness: **Nil**



(21) Design Number: **14019/2006**
(22) Date of Filing Application: **07 September 2006**
(24) Date from which industrial property rights may have effect: **07 September 2006**
(54) Product in respect of which the design is registered: **Thermo jug vacuum**
(51) International Design Classification: **07-07A, 07-01F**
(71) Name(s) and Address(s) of Applicant(s):
Pi-Design AG
(72) Name(s) of Designer(s): **Jorgen Bodum**
(45) Registration Date: **18 October 2006**
(30) Convention priority data:
(31) Number (32) Date (33) Country
DA 2006 13 Mar 2006 DENMARK
00109
(56) Related Art Documents: **Not Applicable**
(57) Statement of Newness and Distinctiveness: **Nil**



- (21) Design Number: **14060/2006**
(22) Date of Filing Application: **12 September 2006**
(24) Date from which industrial property rights may have effect: **12 September 2006**
(54) Product in respect of which the design is registered: **Cups, beverage receptacle**
(51) International Design Classification: **07-01C, 07-01D**
(71) Name(s) and Address(s) of Applicant(s):
Da Wei Zhang
4 Yates Wynd Doncaster East Victoria 3109 Australia
(72) Name(s) of Designer(s): **Da Wei Zhang**
(45) Registration Date: **18 October 2006**
(56) Related Art Documents: **Not Applicable**
(57) Statement of Newness and Distinctiveness: **Nil**



- (21) Design Number: **14076/2006**
(22) Date of Filing Application: **12 September 2006**
(24) Date from which industrial property rights may have effect: **12 September 2006**
(54) Product in respect of which the design is registered: **A motor vehicle wheel**
(51) International Design Classification: **12-16A**
(71) Name(s) and Address(s) of Applicant(s):
Arrowcrest Group Pty Ltd
34 Burleigh Avenue Woodville North South Australia 5012 Australia
(72) Name(s) of Designer(s): **Glynn Helgeson**
(45) Registration Date: **18 October 2006**
(56) Related Art Documents: **Not Applicable**
(57) Statement of Newness and Distinctiveness: **Newness and distinctiveness resides in the features of shape and configuration of the front face of a motor vehicle wheel as shown in the accompanying representations. The design of the wheel rim is to be disregarded in assessing newness and distinctiveness.**



- (21) Design Number: **14077/2006**
- (22) Date of Filing Application: **12 September 2006**
- (24) Date from which industrial property rights may have effect: **12 September 2006**
- (54) Product in respect of which the design is registered: **A motor vehicle wheel**
- (51) International Design Classification: **12-16A**
- (71) Name(s) and Address(s) of Applicant(s):
Arrowcrest Group Pty Ltd
34 Burleigh Avenue Woodville North South Australia 5012 Australia
- (72) Name(s) of Designer(s): **Glynn Helgeson**
- (45) Registration Date: **18 October 2006**
- (56) Related Art Documents: **Not Applicable**
- (57) Statement of Newness and Distinctiveness: **Newness and distinctiveness resides in the features of shape and configuration of the front face of a motor vehicle wheel as shown in the accompanying representations. The design of the wheel rim is to be disregarded in assessing newness and distinctiveness.**



- (21) Design Number: **14090/2006**
- (22) Date of Filing Application: **13 September 2006**
- (24) Date from which industrial property rights may have effect: **13 September 2006**
- (54) Product in respect of which the design is registered: **Pillow**
- (51) International Design Classification: **06-09**
- (71) Name(s) and Address(s) of Applicant(s):
Marianela Del Carmen Davies
9 Honor Ridge Jane Brook PERTH WA 6056 AUSTRALIA
- (72) Name(s) of Designer(s): **Marianela Del Carmen Davies**
- (45) Registration Date: **18 October 2006**
- (56) Related Art Documents: **Not Applicable**
- (57) Statement of Newness and Distinctiveness: **Nil**



(21) Design Number: **14123/2006**

(22) Date of Filing Application: **14 September 2006**

(24) Date from which industrial property rights may have effect: **14 September 2006**

(54) Product in respect of which the design is registered: **Cover for a hand rail**

(51) International Design Classification: **25-02C**

(71) Name(s) and Address(s) of Applicant(s):

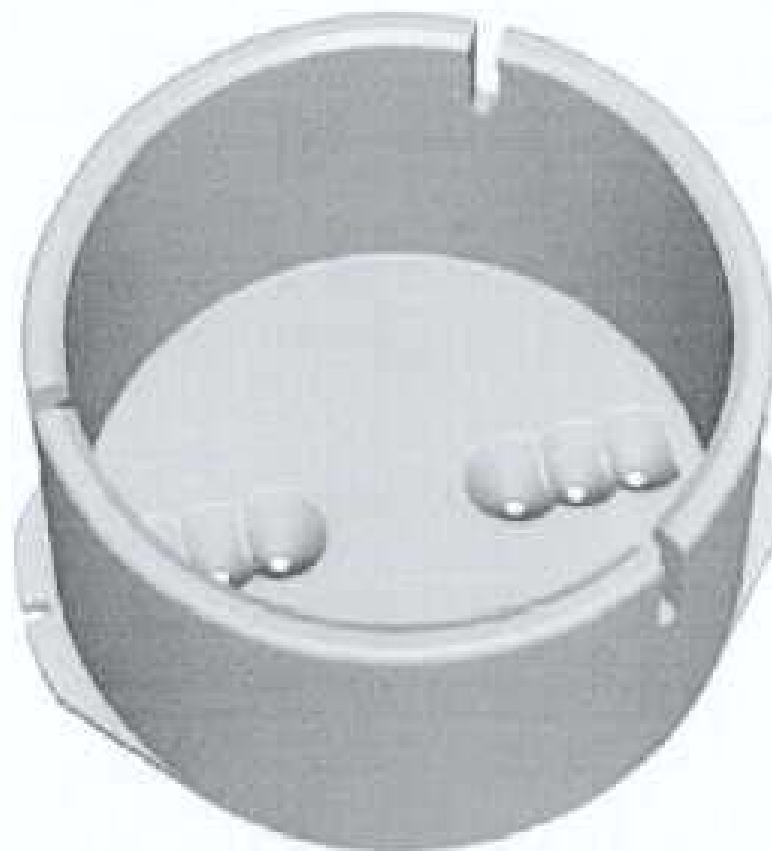
**Con-Serv Corporation Australia Pty Ltd
17 Glentanna Street Kedron Queensland 4031 Australia**

(72) Name(s) of Designer(s): **Kent Smith**

(45) Registration Date: **18 October 2006**

(56) Related Art Documents: **Not Applicable**

(57) Statement of Newness and Distinctiveness: **Newness and distinctiveness are claimed in the shape and configuration of a cover for a hand rail as depicted in the accompanying representations.**



(21) Design Number: **12582/2006**

(22) Date of Filing Application: **09 June 2006**

(24) Date from which industrial property rights may have effect: **09 June 2006**

(54) Product in respect of which the design is registered: **Interior decorative and acoustic wall lining panel system**

(51) International Design Classification: **25-01D**

(71) Name(s) and Address(s) of Applicant(s):

**Evan Newton Beattie
18 Bradwardine Road Bathurst NSW 2795**

**Heather Lynne Beattie
18 Bradwardine Road Bathurst New South Wales Australia 2795**

**Julian Wayne Beattie
18 Bradwardine Road Bathurst New South Wales Australia 2795**

**Colleen Grace Beattie
18 Bradwardine Road Bathurst New South Wales Australia 2795**

**Colin Christopher Beattie
18 Bradwardine Road Bathurst New South Wales Australia 2795**

**Roseanne Janine Beattie
18 Bradwardine Road Bathurst New South Wales Australia 2795**

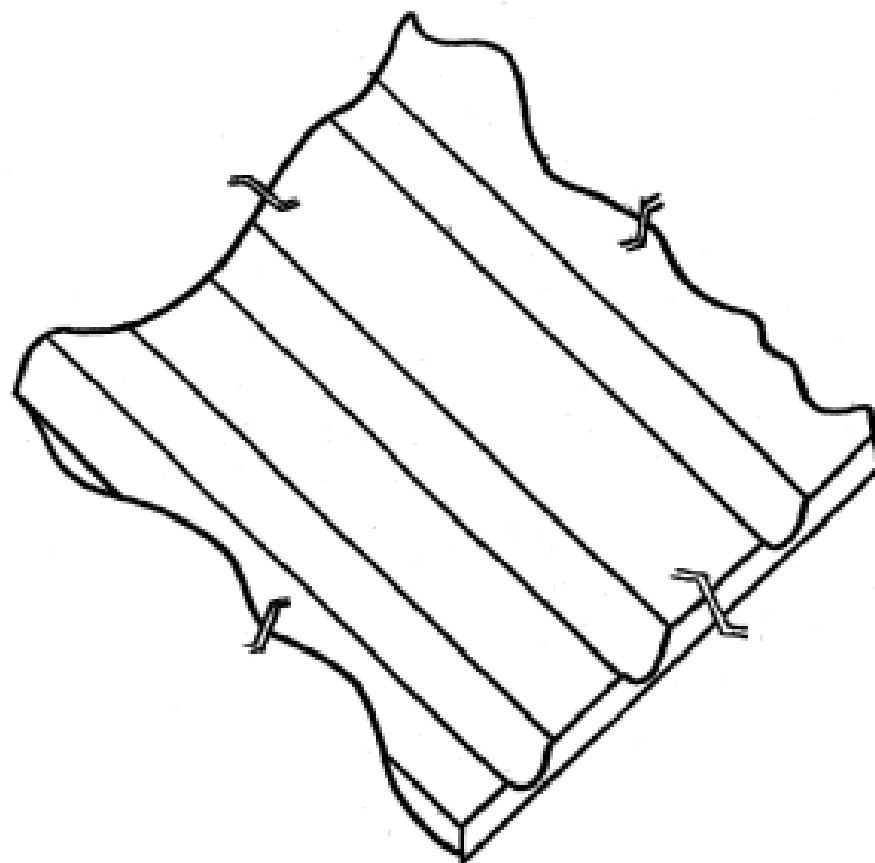
**Noteg Pty
18 Bradwardine Road Bathurst New South Wales Australia 2795**

(72) Name(s) of Designer(s): **Peter Stead**

(45) Registration Date: **18 October 2006**

(56) Related Art Documents: **Not Applicable**

(57) Statement of Newness and Distinctiveness: **Any repetition pattern of radiused channel grooving on panel face, whether even spacing between channels or not and regardless of radius dimension or panel size.**



(21) Design Number: **14157/2005**

(22) Date of Filing Application: **27 September 2005**

(24) Date from which industrial property rights may have effect: **27 September 2005**

(54) Product in respect of which the design is registered: **Dress**

(51) International Design Classification: **02-02C**

(71) Name(s) and Address(s) of Applicant(s):

Scanlan & Theodore

44 River Street South Yarra Victoria 3141 Australia

(72) Name(s) of Designer(s): **Gary Theodore and Maria Sita**

(45) Registration Date: **18 October 2006**

(56) Related Art Documents: **Not Applicable**

(57) Statement of Newness and Distinctiveness: **Nil**



(21) Design Number: **10381/2006**

(22) Date of Filing Application: **23 January 2006**

(24) Date from which industrial property rights may have effect: **23 January 2006**

(54) Product in respect of which the design is registered: **Dress**

(51) International Design Classification: **02-02C**

(71) Name(s) and Address(s) of Applicant(s):

Scanlan & Theodore

44 River Street South Yarra Victoria 3141 Australia

(72) Name(s) of Designer(s): **Gary Theodore and Maria Sita**

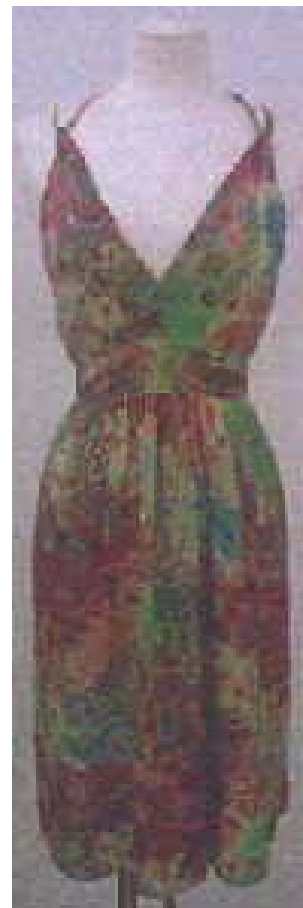
(45) Registration Date: **18 October 2006**

(56) Related Art Documents: **Not Applicable**

(57) Statement of Newness and Distinctiveness: **Nil**



- (21) Design Number: **10382/2006**
- (22) Date of Filing Application: **23 January 2006**
- (24) Date from which industrial property rights may have effect: **23 January 2006**
- (54) Product in respect of which the design is registered: **Dress**
- (51) International Design Classification: **02-02C**
- (71) Name(s) and Address(s) of Applicant(s):
Scanlan & Theodore
44 River Street South Yarra Victoria 3141 Australia
- (72) Name(s) of Designer(s): **Gary Theodore and Maria Sita**
- (45) Registration Date: **18 October 2006**
- (56) Related Art Documents: **Not Applicable**
- (57) Statement of Newness and Distinctiveness: **Nil**



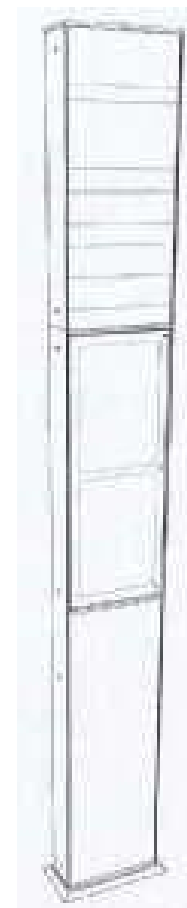
- (21) Design Number: **10383/2006**
- (22) Date of Filing Application: **23 January 2006**
- (24) Date from which industrial property rights may have effect: **23 January 2006**
- (54) Product in respect of which the design is registered: **Dress**
- (51) International Design Classification: **02-02C**
- (71) Name(s) and Address(s) of Applicant(s):
Scanlan & Theodore
44 River Street South Yarra Victoria 3141 Australia
- (72) Name(s) of Designer(s): **Gary Theodore and Maria Sita**
- (45) Registration Date: **18 October 2006**
- (56) Related Art Documents: **Not Applicable**
- (57) Statement of Newness and Distinctiveness: **Nil**



- (21) Design Number: **10384/2006**
(22) Date of Filing Application: **23 January 2006**
(24) Date from which industrial property rights may have effect: **23 January 2006**
(54) Product in respect of which the design is registered: **Dress**
(51) International Design Classification: **02-02NES**
(71) Name(s) and Address(s) of Applicant(s):
Scanlan & Theodore
44 River Street South Yarra Victoria 3141 Australia
(72) Name(s) of Designer(s): **Gary Theodore and Maria Sita**
(45) Registration Date: **18 October 2006**
(56) Related Art Documents: **Not Applicable**
(57) Statement of Newness and Distinctiveness: **Nil**



- (21) Design Number: **10590/2006**
(22) Date of Filing Application: **17 February 2006**
(24) Date from which industrial property rights may have effect: **17 February 2006**
(54) Product in respect of which the design is registered: **Information display unit**
(51) International Design Classification: **20-02E, 21-02NES, 14-02**
(71) Name(s) and Address(s) of Applicant(s):
Director of Public Transport
Level 26 Nauru House 80 Collins Street Melbourne Victoria 3000
Australia
(72) Name(s) of Designer(s): **Graeme Vellacott and Geoff Newbegin**
(45) Registration Date: **18 October 2006**
(56) Related Art Documents: **Not Applicable**
(57) Statement of Newness and Distinctiveness: **Newness and distinctiveness is claimed in the visual features of shape, configuration, pattern, and/or ornamentation as applied to an information display unit as illustrated in the representations.**



- (21) Design Number: **10591/2006**
(22) Date of Filing Application: **17 February 2006**
(24) Date from which industrial property rights may have effect: **17 February 2006**
(54) Product in respect of which the design is registered: **Information display unit**
(51) International Design Classification: **20-02E, 21-02NES, 14-02**
(71) Name(s) and Address(s) of Applicant(s):
Director of Public Transport
Level 26 Nauru House 80 Collins Street Melbourne Victoria 3000
Australia
(72) Name(s) of Designer(s): **Graeme Vellacott and Geoff Newbegin**
(45) Registration Date: **18 October 2006**
(56) Related Art Documents: **Not Applicable**
(57) Statement of Newness and Distinctiveness: **Newness and distinctiveness is claimed in the visual features of shape, configuration, pattern and/or ornamentation as applied to an information display unit as illustrated in the representations.**



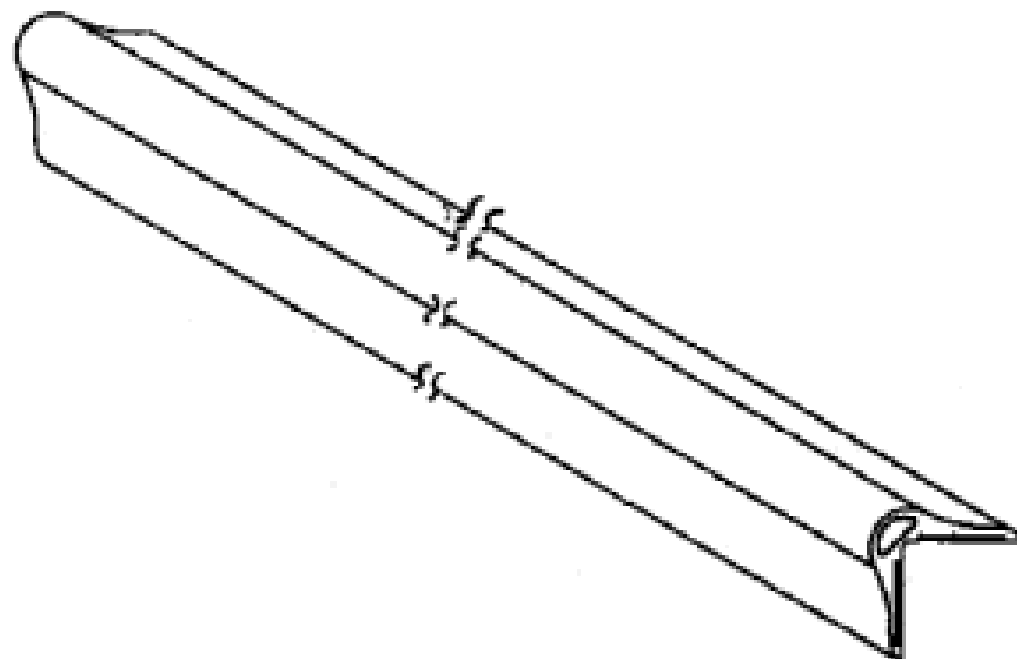
- (21) Design Number: **10592/2006**
(22) Date of Filing Application: **17 February 2006**
(24) Date from which industrial property rights may have effect: **17 February 2006**
(54) Product in respect of which the design is registered: **Information display unit**
(51) International Design Classification: **20-02E, 21-02NES, 14-02**
(71) Name(s) and Address(s) of Applicant(s):
Director of Public Transport
Level 26 Nauru House 80 Collins Street Melbourne Victoria 3000
Australia
(72) Name(s) of Designer(s): **Graeme Vellacott and Geoff Newbegin**
(45) Registration Date: **18 October 2006**
(56) Related Art Documents: **Not Applicable**
(57) Statement of Newness and Distinctiveness: **Newness and distinctiveness is claimed in the visual features of shape, configuration, pattern and/or ornamentation as applied to an information display unit as illustrated in the representations.**



- (21) Design Number: **10812/2006**
(22) Date of Filing Application: **02 March 2006**
(24) Date from which industrial property rights may have effect: **02 March 2006**
(54) Product in respect of which the design is registered: **Floating key ring device**
(51) International Design Classification: **03-01B**
(71) Name(s) and Address(s) of Applicant(s):
Presto Marine
6 Pugsley Street Walkerston Via Mackay Queensland 4751 Australia
(72) Name(s) of Designer(s): **James Fullerton**
(45) Registration Date: **18 October 2006**
(56) Related Art Documents: **Not Applicable**
(57) Statement of Newness and Distinctiveness: **This combination of form and function is believed to be new and distinctive.**



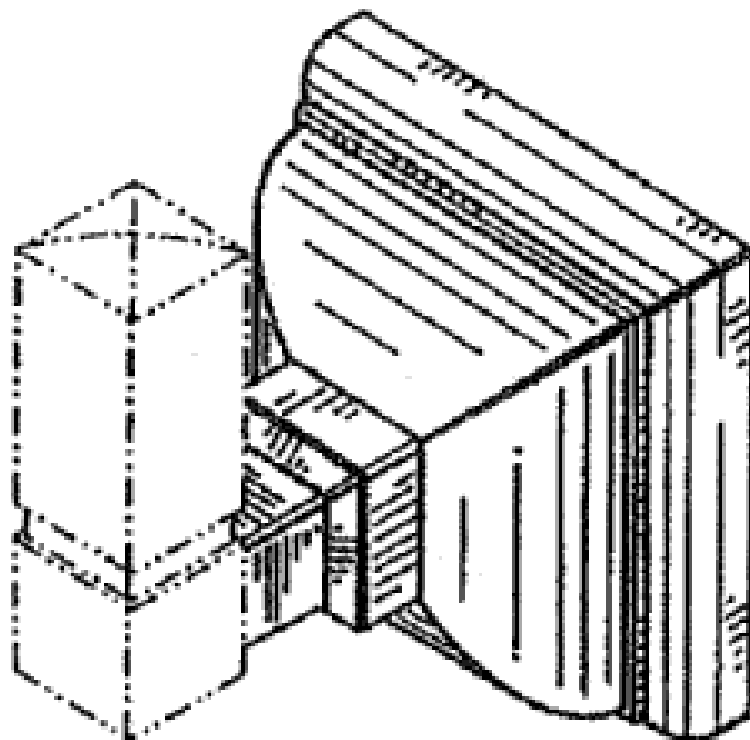
- (21) Design Number: **11285/2006**
(22) Date of Filing Application: **27 March 2006**
(24) Date from which industrial property rights may have effect: **27 March 2006**
(54) Product in respect of which the design is registered: **Edge impact protector**
(51) International Design Classification: **29-02**
(71) Name(s) and Address(s) of Applicant(s):
Mark Phillip Hawkins
20 Jerrang Street Cooma New South Wales 2630 Australia
Steven James Acason
44 Munibung Road Cardiff New South Wales 2285 Australia
(72) Name(s) of Designer(s): **Mark Phillip Hawkins and Steven James Acason**
(45) Registration Date: **18 October 2006**
(56) Related Art Documents: **Not Applicable**
(57) Statement of Newness and Distinctiveness: **Newness and distinctiveness resides in the shape and configuration of the edge impact protector of constant cross section and indefinite length as illustrated in the accompanying representations.**



- (21) Design Number: **11457/2006**
(22) Date of Filing Application: **10 April 2006**
(24) Date from which industrial property rights may have effect: **10 April 2006**
(54) Product in respect of which the design is registered: **Canister vacuum power head**
(51) International Design Classification: **15-05**
(71) Name(s) and Address(s) of Applicant(s):
Shop Vac Corporation
2323 Reach Road Williamsport PA 17701 United States of America
(72) Name(s) of Designer(s): **Robert Lent Crevling and John Griffin**
(45) Registration Date: **18 October 2006**
(56) Related Art Documents: **Not Applicable**
(57) Statement of Newness and Distinctiveness: **When determining whether the design 1 is substantially similar in overall impression to another design, no regard is to be had to the wording that appears in the photographs, of the mounting recess shown in Figs. 2 and 3.**



- (21) Design Number: **11463/2006**
(22) Date of Filing Application: **10 April 2006**
(24) Date from which industrial property rights may have effect: **10 April 2006**
(54) Product in respect of which the design is registered: **Wall mountable support**
(51) International Design Classification: **07-05D, 08-08NES, 08-08G, 23-02A**
(71) Name(s) and Address(s) of Applicant(s):
Kohler Co.
444 Highland Drive Kohler WI 53044 United States of America
(72) Name(s) of Designer(s): **Suzanne M. Berberet**
(45) Registration Date: **18 October 2006**
(56) Related Art Documents: **Not Applicable**
(57) Statement of Newness and Distinctiveness: **When determining whether the design 1 is substantially similar in overall impression to another design, no regard is to be had to those features shown in dotted outline in the accompanying drawings. The hook of Figures 1 to 5, paper roll holder of Figure 6, towel rail of Figure 7, double towel rail of Figure 8 and ring of Figure 9 are shown for illustrative purposes only and form no part of the design.**



(21) Design Number: **13373/2006**

(22) Date of Filing Application: **02 August 2006**

(24) Date from which industrial property rights may have effect: **02 August 2006**

(54) Product in respect of which the design is registered: **A Bottle**

(51) International Design Classification: **09-01NES**

(71) Name(s) and Address(s) of Applicant(s):

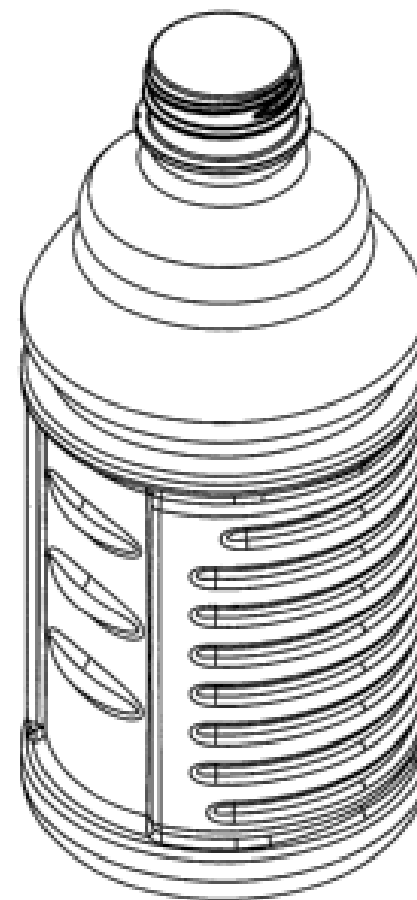
Bickford's Australia Pty Ltd
162 Cross Keys Road Salisbury South South Australia 5106 Australia

(72) Name(s) of Designer(s): **David Melrose**

(45) Registration Date: **18 October 2006**

(56) Related Art Documents: **Not Applicable**

(57) Statement of Newness and Distinctiveness: **Nil**



(21) Design Number: **13374/2006**

(22) Date of Filing Application: **02 August 2006**

(24) Date from which industrial property rights may have effect: **02 August 2006**

(54) Product in respect of which the design is registered: **A Bottle**

(51) International Design Classification: **09-01K**

(71) Name(s) and Address(s) of Applicant(s):

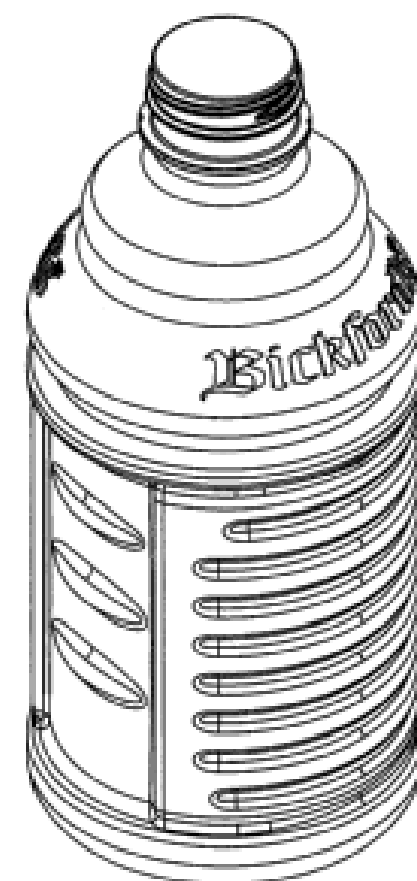
Bickford's Australia Pty Ltd
162 Cross Keys Road Salisbury South South Australia 5106 Australia

(72) Name(s) of Designer(s): **David Melrose**

(45) Registration Date: **18 October 2006**

(56) Related Art Documents: **Not Applicable**

(57) Statement of Newness and Distinctiveness: **Nil**



(21) Design Number: **13648/2006**

(22) Date of Filing Application: **17 August 2006**

(24) Date from which industrial property rights may have effect: **17 August 2006**

(54) Product in respect of which the design is registered: **Golf tees**

(51) International Design Classification: **21-02C**

(71) Name(s) and Address(s) of Applicant(s):

Swansgrove Pty Ltd

PO Box 276 Sumner Park Brisbane Queensland 4074 Australia

(72) Name(s) of Designer(s): **Robert Gillard**

(45) Registration Date: **18 October 2006**

(56) Related Art Documents: **Not Applicable**

(57) Statement of Newness and Distinctiveness: **The moulded helix on the shaft of the golf tee allows easier penetration in hardened ground conditions; improves stability in all ground conditions; and significantly reduces the likelihood of losing the tee due to the anchor-like effect of the helix in the ground.**



(21) Design Number: **13785/2006**

(22) Date of Filing Application: **22 August 2006**

(24) Date from which industrial property rights may have effect: **22 August 2006**

(54) Product in respect of which the design is registered: **A lid**

(51) International Design Classification: **07-01NES**

(71) Name(s) and Address(s) of Applicant(s):

Huhtamaki Australia Pty Limited

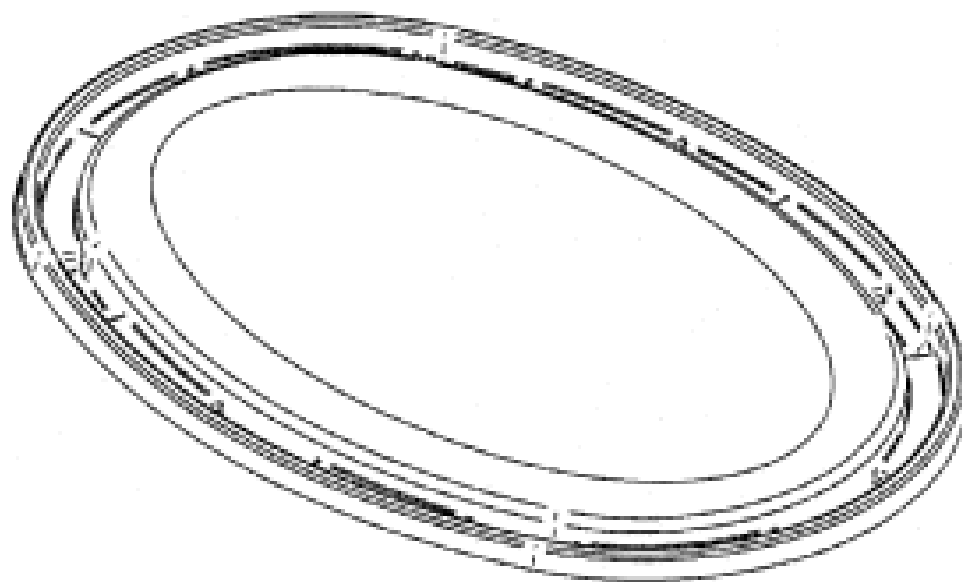
225 Wellington Road Mulgrave Victoria 3170 Australia

(72) Name(s) of Designer(s): **Paul Daffurn and Ian Janetzki**

(45) Registration Date: **18 October 2006**

(56) Related Art Documents: **Not Applicable**

(57) Statement of Newness and Distinctiveness: **Newness and distinctiveness is claimed in features of shape and/or configuration of a lid as illustrated in the accompanying representations. In considering which features are new and distinctive, particular/special regard is to be had to the central dome shaped portion of the lid.**



- (21) Design Number: **13935/2006**
(22) Date of Filing Application: **01 September 2006**
(24) Date from which industrial property rights may have effect: **01 September 2006**
(54) Product in respect of which the design is registered: **Paint pot holder**
(51) International Design Classification: **19-06**
(71) Name(s) and Address(s) of Applicant(s):

M. Ware
55 Salisbury Drive Nowra New South Wales 2541 Australia

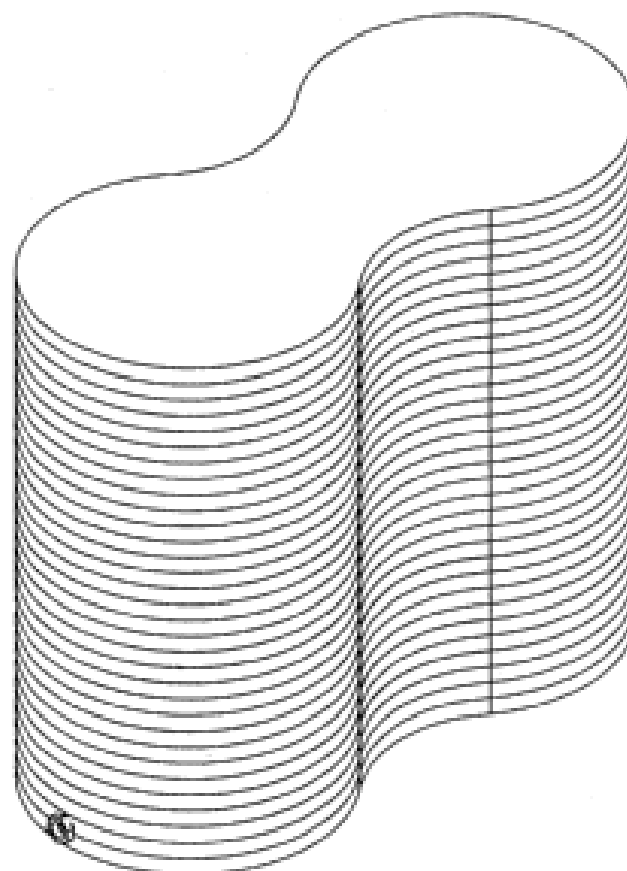
- (72) Name(s) of Designer(s): **M. Ware**
(45) Registration Date: **18 October 2006**
(56) Related Art Documents: **Not Applicable**
(57) Statement of Newness and Distinctiveness: **Design reference MWD1. Paint Pot Holder. The visual features of this paint pot holder embrace ergonomic shapes and functional configurations. The design is an elongated rectangular five sided box shape with a carry handle. The design has a bottom plate a front plate a back plate and 2 side plates. The back plate design is patterned and angled away from the front plate giving easy access for loading paint onto a brush or small roller. The front plate design is shorter and angled away from the back plate and forms a brush wipe of plate. The bottom plate design has finger grip, it is a stoped half tubular shape. The 2 side plates are angled away from each other and connect to the front and back plates. The carry handle has a ring shaped thumb grip attached, when the carry handle is passed over the back push plate it comes to rest near the bottom plate this allows the carry handle thumb grip ring and the bottom plate finger grip to be used giving the user a firm and comfortable holding position. It can be used in left or right handed. The design has a paint level indicator.**



- (21) Design Number: **14147/2006**
(22) Date of Filing Application: **15 September 2006**
(24) Date from which industrial property rights may have effect: **15 September 2006**
(54) Product in respect of which the design is registered: **A Tank**
(51) International Design Classification: **23-01F**
(71) Name(s) and Address(s) of Applicant(s):

Wayne Hinkley
11 Tranquil Place Alexandra Headlands Queensland 4572 Australia
Ascent Building Solutions Pty Ltd
c/- Pear Court Buderim Queensland 4556 Australia

- (72) Name(s) of Designer(s): **Wayne Hinkley and Terry Styles and Jared Hinkley and Wayne Schroter**
(45) Registration Date: **18 October 2006**
(56) Related Art Documents: **Not Applicable**
(57) Statement of Newness and Distinctiveness: **The new and distinctive features are the features of shape and configuration of a tank as shown in the representations. The height of the tank may vary from that shown in the representations. The corrugated profile of the side wall of the tank and the opening in the lower side wall of the tank are not new or distinctive features.**



- (21) Design Number: **14190/2006**
(22) Date of Filing Application: **17 February 2006**
(24) Date from which industrial property rights may have effect: **17 February 2006**
(54) Product in respect of which the design is registered: **Information display unit**
(51) International Design Classification: **20-02E, 21-02NES**
(71) Name(s) and Address(s) of Applicant(s):
Director of Public Transport
Level 26 Nauru House 80 Collins Street Melbourne Victoria 3000
Australia
(72) Name(s) of Designer(s): **Graeme Vellacott and Geoff Newbegin**
(45) Registration Date: **18 October 2006**
(56) Related Art Documents: **Not Applicable**
(57) Statement of Newness and Distinctiveness: **Newness and distinctiveness is claimed in the visual features of shape, configuration, pattern and/or ornamentation as applied to an information display unit as illustrated in the representations**



- (21) Design Number: **14226/2006**
(22) Date of Filing Application: **20 September 2006**
(24) Date from which industrial property rights may have effect: **20 September 2006**
(54) Product in respect of which the design is registered: **Bumbo tray**
(51) International Design Classification: **06-03NES**
(71) Name(s) and Address(s) of Applicant(s):
Johan Nicolaas Buitendach
Cnr Hardy Muller & Frans Du Toit Street Rosslyn 0200 South Africa
(72) Name(s) of Designer(s): **Johan Nicolaas Buitendach**
(45) Registration Date: **18 October 2006**
(30) Convention priority data:

(31) Number	(32) Date	(33) Country
2006/1069	17 Jul 2006	SOUTH AFRICA

(56) Related Art Documents: **Not Applicable**
(57) Statement of Newness and Distinctiveness: **Nil**

