



**Australian Government**

---

**IP Australia**

**AUSTRALIAN OFFICIAL JOURNAL**

**OF**

**DESIGNS**

Did you know a searchable version of this journal is now available online?

It's FREE and EASY to SEARCH.

Find it at

<http://pericles.ipaustralia.gov.au/ols/epublish/content/olsEpublications.jsp>  
or using the "Online Journals" link on the IP Australia home page.

This Page Left Intentionally Blank

## Contents

### General Information & Notices

#### Proceedings Under the Designs Act 1906 preserved as a result of the provisions of Chapter 12 Part 2 of the Designs Act 2003

Application for Extension of Period of Registration .....	7138
Applications for Extension of Time .....	7139
Extension of Period of Registration of Designs .....	7138
Extensions of Time Granted .....	7139
Names Registered - Alterations and Amendments .....	7139
Registrations Ceased .....	7138
Subsequent Owners Registered .....	7139

#### Proceedings Under the Designs Act 2003

Applications for Extension of Time Under Section 137 .....	7147
Applications Assigned .....	7147
Applications Lapsed .....	7146
Applications Lodged .....	7143
Applications Withdrawn .....	7146
Certificate of Examination .....	7149
Corrigenda .....	7148
Extension of Time Granted Under Section 137 .....	7147
Names Registered - Alterations and Amendments .....	7147
Publication and Registration Proceedings	
Designs Registered 310798 to 311172.....	7150
Subsequent Owners Registered .....	7147

This Page Left Intentionally Blank

## General Information

### EDITORIAL ENQUIRIES

All enquiries about official notices and general information in the Journal should be directed to IP Australia, (ABN No 38 113 072 755), PO Box 200 Woden ACT 2606

Or

Telephone 1300 651 010  
(International Callers +61 2 6283 2999 )  
Fax 02 6283 7999  
E-mail [assist@ipaustralia.gov.au](mailto:assist@ipaustralia.gov.au)

### CONTACT INFORMATION

Customer Service Network  
Telephone 1300 651 010 , Fax: 02 6283 7999  
E-mail: [assist@ipaustralia.gov.au](mailto:assist@ipaustralia.gov.au)

Customers can contact the Customer Service Network by telephone or by e-mail. Telephones are staffed between 9am and 5pm each working day.

Customers should contact the Customer Service Network for information about:

- All Patent Matters including PCT and Innovation Patents.
- All Trade Mark Matters.
- All Design Matters.

### Professional Standards Board for Patent and Trade Mark Attorneys.

Ph: 02 6283 2345 Fax: 02 6283 1048

### ORDERING PATENT DOCUMENTS

When ordering copies of Australian patent specifications, or abstracts and abridgments notified as open to public inspection on or after 26 October 1978, or as accepted on or after 16 November 1978, the documents should be referred to by application numbers only, preceded by letters AU-A or AU-B respectively.

### REQUESTS FOR INFORMATION UNDER SECTION 194 ( C )

A request for information under Section 194 ( C ) of the Patents Act 1990 should be made in the approved form and be accompanied by the prescribed fee. The request should be as detailed as possible.

### INFORMATION FROM REGISTERS

All requests for information from Register of Patents, Trade Marks or Designs, should be made in writing and accompanied by the prescribed fee. The Registers are located in Canberra and may be examined free of charge.

### COUNTRY CODES

For a listing of country codes used by IP Australia please refer to the Official Journals dated 7 November 1996.

### ABBREVIATIONS IN JOURNAL

Standard abbreviations are used in the name of companies and firms. Enquiries concerning the precise name should be directed to the Customer Service Network.

## FREEDOM OF INFORMATION ACT

What does it do?

- Gives you right to obtain information held by Commonwealth Ministers, Departments and most statutory bodies (these bodies are called agencies under the Act).
- Requires Commonwealth Government agencies to make available to members of the public:
  - Information about agencies, their functions and operations.
  - Information about rules and practices which are used in making decisions which affect you.
- Gives you a legal right to:
  - See non exempt documents held by agencies, and
  - appeal against a decision not to grant access to a document.

What documents can you see?

- The Act gives you a right to see documents lodged on or after 1 December 1977, or earlier if you need them to understand another document you have already.
- Documents include files, reports, computer printouts, maps, plans, photographs, tape recordings, films or videotapes.
- Documents which are available for purchase under the Patents Act 1990, the Trade Marks Act 1995 or Designs Act 2003 or Plant Breeder's Rights Act 1994 are not available under the Freedom of Information Act (Section 12 refers).

How do you apply?

Requests for access to documents must

- Be in writing
- Provide sufficient information so as to enable identification of the documents requested
- Specify an address in Australia where notices can be sent and
- Be accompanied by the application fee (currently \$30.00).

Requests for documents should be addressed to IP Australia, PO Box 200 Woden, ACT 2606, or Faxed to 02 6283 7999

## DECISIONS OF THE COMMISSIONER OF PATENTS AND REGISTRAR OF TRADE MARKS AND DESIGNS

- All decisions of the Commissioner and Registrars are available free of charge from AUSTLII's website

[www.austlii.edu.au](http://www.austlii.edu.au)

Copies of all written Patent and Design decisions are available (except if they would not be available under the provisions of the Freedom of Information legislation, e.g. if they would effectively disclose matter from documents that are not open to public inspection) on request for a cost of \$AU 25. They are also available for inspection in indexed volume series, dating from 1 January 1987, in the Office library, Canberra.

Copies of Trade Mark decisions may be accessed via IP Australia's website [www.ipaustralia.gov.au](http://www.ipaustralia.gov.au)

- Copies of the taped record of Patent and Design hearings are available (with the same exception as above) on request.
- When a written decision is issued the fact of the decision plus a brief head note will be published in the Official Notices section of the next available Patents, Trade Marks or Designs Journal.

## HEARINGS BEFORE THE COMMISSIONER OF PATENTS

Hearings before the Commissioner of Patents will usually be conducted at the Patent Office in Canberra and interstate hearing sessions are not provided. However, the Commissioner will conduct hearings outside of Canberra at a convenient time to all parties provided that the parties bear the travel costs of the hearing officer.

The various options for hearings are set out in the document "Options for Hearings" available on IP Australia's website at: [www.ipaustralia.gov.au/pdfs/patents/optionsforhearings.PDF](http://www.ipaustralia.gov.au/pdfs/patents/optionsforhearings.PDF)

## HEARINGS BEFORE THE REGISTRARS OF TRADE MARKS AND DESIGNS

Hearings before the Registrars of Trade Marks and Designs will be set down in Melbourne, Sydney, Adelaide, Perth and Brisbane during the periods indicated below.

### Designs and Trade Marks Hearings Sessions 2006

Melbourne	13 – 17 February 5 – 9 June 11 – 15 September
Sydney	13 – 17 March 17 – 21 July 16 – 20 October
Adelaide	14 – 15 August
Perth	17 – 18 August
Brisbane	24 – 25 August

Persons who desire matters to be set down for hearing in Melbourne, Sydney, Adelaide, Perth or Brisbane must give at least one month's notice of their intention to be heard. If such notice is not given, it may be that there would be insufficient time to allow for the execution of official procedures associated with the listing of hearings, and as a result, the matter involved might not be listed.

Subject to the convenience of this Office, hearings will be set down in Canberra at any time suitable to the parties.

## LIST OF STATE OFFICES

IP Australia State Offices are located in the Australian Capitals at the addresses given below. Requests for information may be obtained by calling at, phoning or writing to these offices or IP Australia, Canberra.

### Australian Capital Territory

Ground Floor  
Discovery House  
PHILLIP ACT 2606  
(PO Box 200, WODEN ACT 2606)  
Ph: 1300 651 010  
Fax: (02) 6283 7999

### New South Wales

Level 1  
45 Clarence Street  
SYDNEY NSW 2000  
Ph: 1300 651 010  
Fax: (02) 9249 5807

### Victoria

Level 6  
OCBC House  
565 Bourke Street  
MELBOURNE VIC 3000  
Ph: 1300 651 010  
Fax (03) 9612 9807

### Western Australia

2nd Floor  
East Point Plaza  
233 Adelaide Terrace  
PERTH WA 6000  
Ph: 1300 651 010  
Fax: (08) 9220 8907

### Queensland

Level 1  
Grant Thornton House  
102 Adelaide Street  
BRISBANE QLD 4000  
Ph: 1300 651 010  
Fax: (07) 3007 1107

### South Australia

Level 10  
Origin Energy House  
1 King William Street  
ADELAIDE SA 5000  
Ph: 1300 651 010  
Fax: (08) 8239 4507

### Tasmania

4th Floor  
AMP Building  
27 Elizabeth Street  
HOBART TAS 7000  
Ph: 1300 651 010  
Fax: (03) 6235 6307

# “INID” NUMBERS in use on Australian Design Documents

“INID” is an acronym for “Internationally agreed Numbers for the Identification of Data”.

## **(10) Data concerning the registration/renewal**

- (11) Serial number of the registration and/or number of the design document
- (12) Plain language designation of the kind of published document
- (19) Identification, using the two-letter code according to WIPO Standard ST.3, of the authority publishing or registering the industrial design

## **(20) Data concerning the application**

- (21) Serial number of the application
- (22) Date of filing of the application
- (24) Date from which the industrial design right has effect

## **(30) Data relating to priority under the Paris Convention**

- (31) Serial number assigned to the priority application
- (32) Date of filing of the priority application
- (33) Two-letter code, according to WIPO Standard ST.3, identifying the authority with which the priority application was made

## **(40) Date(s) of making information available to the public**

- (45) Date of publication of the registered industrial design by printing or similar process, or making it available to the public by any other means

## **(50) Miscellaneous Information**

- (51) International Classification for Industrial Designs (class and subclass of the Locarno Classification)
- (54) Designation of article(s) or product(s) covered by the industrial design or title of the industrial design
- (55) Reproduction of the industrial design (e.g., drawing, photograph) and explanations relating to the reproduction
- (56) List of prior art documents, if separate from descriptive text
- (57) Description of characteristic features of the industrial design including indication of colours

## **(60) References to other legally related application(s) and registration(s)**

- (62) Serial number(s) and, if available, filing date(s) of application(s), registration(s) or document(s) related by division
- (66) Serial number(s) of the application, or the registration, of the design(s) which is (are) a variant(s) of the present one

## **(70) Identification of parties concerned with the application or registration**

- (71) Name(s) and address(es) of the applicant(s)
- (72) Name(s) of the creator(s) if known to be such
- (74) Name(s) and address(es) of the representative(s)

This Page Left Intentionally Blank

Official Notice

## 2006 Christmas Holiday Close Down

IP Australia's Certified Agreement provides for a Christmas close down period between Christmas Day and New Year's Day. This means that the majority of IP Australia's staff will be on leave for the period 25 December 2006 until 2 January 2007 inclusive. However, Thursday 28 and Friday 29 December 2006 are not public holidays for the purposes of the Patents, Trade Marks, Designs or Plant Breeder's Rights Acts. This means that all deadlines that fall due on the 28 and 29 December 2006 will still need to be met by customers.

In order to provide essential services to our customers on the days of 28 and 29 December 2006, all State Offices with the exception of Hobart, will remain open on these two days to receive applications, payments and other documents and to provide searching facilities. Our Customer Service Number, 1300 651 010, will also be available to answer enquiries.

Tasmanian customers requiring essential services during the close down are asked to use the national customer service number 1300 651 010.

Customers calling from outside Australia should call +61 2 6283 2999.

**It should also be noted that no administrative or examination work will be undertaken during the close down period 25 December 2006 - 2 January 2007**

To assist us to deal with urgent matters, customers are requested to send all non-urgent work outside of the Christmas close down period.

Where critical deadlines fall due on a day during the Christmas close down (25 December 2006 to 2 January 2006 inclusive), customers are advised to undertake necessary action prior to the Christmas close down. Some examples of these critical deadlines include:

- the 21-month finalisation date for patent examination;
- making a response to place a design application in order for registration;
- urgent requirement for a certified copy;
- the end of the 6 month period in which a person may file an application for registration of a trade mark in Australia and claim a right of priority from an application they filed overseas in a convention country for the same trade mark;
- final date for acceptance of a trade mark;
- the end of the 15 month period in which a request for deferment of acceptance of a trade mark application may be made; and
- lodgement of Part 1 applications for Plant Breeder's Rights where the period for prior sale is likely to expire during the closedown period.

Official Notice

**IP Australia State Office Relocation Notice**

IP Australia is pleased to announce that the NSW and SA/NT State offices of IP Australia will be moving to new premises.

**Effective dates:**

- NSW Monday November 27, 2006
- SA/NT Monday December 4, 2006.

**Location:**

- NSW

The new office is located approximately 5km from Sydney's central business district, 8km from Sydney Airport and within 200m of Sydney's rail network.

The new address will be:

**Level 1, Bay 8  
 Locomotive Workshop  
 Australian Technology Park  
 EVELEIGH NSW 1430**



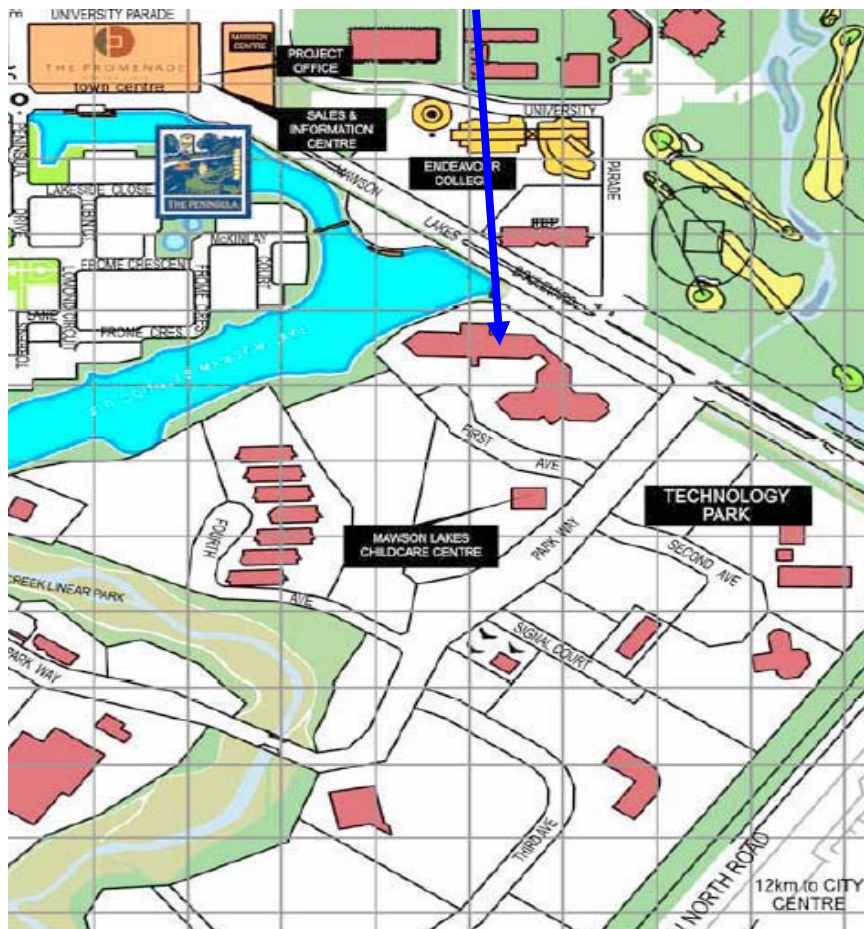
**Location:**

- SA/NT

The new office is located approximately 12 km north from Adelaide's central business district.

The new address will be:

**Innovation House East Wing  
Mawson Lakes Boulevard  
MAWSON LAKES SA 5095**



The phone number, facsimile and e-mail addresses details for both offices remain unchanged:

Phone: 1300 651 010

Fax: (02) 6283 7999

Email address: [assist@ipaaustralia.gov.au](mailto:assist@ipaaustralia.gov.au)

**Queries:** Micahel Debenham  
Customer Operations Group  
+61 2 6283 2083

**Contact:** IP Australia  
**Phone:** 1300 651 010 or +61 2 6283 2999  
**Fax:** +61 2 6283 7999  
**E-mail:** [assist@ipaaustralia.gov.au](mailto:assist@ipaaustralia.gov.au)  
**Web:** [www.ipaaustralia.gov.au](http://www.ipaaustralia.gov.au)

If you have any specific enquiries regarding the close down period please contact the Customer Service Numbers provided below for referral to a designated contact officer, depending on the nature of your enquiry.

Customers are also reminded of IP Australia's contact details, as listed below. All business correspondence during the close down period should be via these means. It is particularly important to use these contact details over the Christmas close down period, as other numbers may not be staffed.

**Queries:** Renata Rose  
Customer Services Network  
+61 2 6283 2193

**Contact:** IP Australia  
**Phone:** 1300 651 010  
**Fax:** +61 2 6283 7999  
**E-mail:** [assist@ipaustralia.gov.au](mailto:assist@ipaustralia.gov.au)  
**Web:** [www.ipaustralia.gov.au](http://www.ipaustralia.gov.au)

**Proceedings under the Designs Act 1906 preserved as a result of the provisions of Chapter 12 Part 2 of the Designs Act 2003.**

This Page Left Intentionally Blank

**Applications Lapsed**

There were no Applications Lapsed under this section

**Application for Extension of Period of Registration**

Applications under Section 27A(2) for extension of registration of the following designs have been lodged. In the event that a design is shown to be not new or original, the Registrar may refuse to extend the period of registration. Sub-section 27A(4) allows any person to lodge at the Designs Office material relevant to the question whether the design is not new or original. That material must be lodged within 11 months of the date when the registration of the design was made. Further details of the conditions and procedures for the lodgement of material are contained in Form 8 provided under the Designs Regulation 24.

Registration Number	Registered Owner	Registration Date
157889	SOUTHERN CROSS CERAMICS PTY LTD	31/03/2005
157912	DAVID JOHN CREWETHER	15/04/2005
157959	H.J. HEINZ COMPANY	22/04/2005
158367	HENRY KEVIN FOSTER	01/11/2005
158380	LG ELECTRONICS INC.	14/11/2005
158381	LG ELECTRONICS INC.	14/11/2005
158415	JARAM PRODUCTS PTY	24/11/2005
158421	TIMOTHY GEORGE LUCAS	28/11/2005
158488	FORD MOTOR COMPANY OF AUSTRALIA LIMITED	01/02/2006
158563	HEALTHCARE MANUFACTURING GROUP LIMITED	15/05/2006

**Extension of Period of Registration of Designs**

**1st Period (Section 27A(8))**

157889	157912	157959
158359	158360	158361
158362	158363	158364

**2nd Period (Section 27A(12))**

142309	142590	143358
143520	143915	143917
143954	143955	143956
143957	143985	144018
144019	144057	144059
144115	144136	144172
144173	144209	144210
144211	144214	144215
144216	144221	144250
144251	144269	144270
144371	144372	144374
144379	144390	144391
144420	144421	144422
144423	144424	144425
144479	144497	144498
144506	144507	144534
144860	144861	144972

145027	145187	145297
145298	145299	145371
145372	145373	145374
145724	145725	145932
146059	146060	146061
146063	146064	146183
146186	146229	146386
146387	146554	146555
146556	146606	146765
147087	147088	147091
147092	147150	147417
147702	147703	147704
147859	148010	148011
148148	149003	149081
151363		

**3rd Period (Section 27A(13))**

125277	125963	126886
127085	127087	127088
127089	127090	127091
127092	127192	127336
127605	127668	127757
128473	128811	130381
131322	144221	

**Registrations Ceased**

Note: Some of the following Registrations may have been previously advertised as ceased. In this instance, the previous advertisement still prevails.

110955	110961	111034
111160	111186	111223
111226	111448	111645
111664	111752	111753
111754	111779	111986
111998	113034	113494
113495	113496	113867
125197	125211	125230
125231	125236	125279
125319	125448	125449
125485	125511	128622
128632	128743	128807
130701	140704	140911
141260	141261	141497
142024	142043	142064
142065	142093	142132
142134	142221	142319
142377	142397	142537
142597	142616	142790
142946	142956	143014
143026	143074	143075
144130	144306	144624
145607	145928	146114
146115	146546	146619
146693	146856	150089
158337	158340	158343
158344	158349	158350

158353

### Applications for Extension of time

Applications for extension of time have been lodged.  
Objections must be lodged within 1 month from the date of this journal.

158132 **KYP (Holdings) PLC** Extension of time to extend a registration. Address for Service: Madderns 1st Floor Wolf Blass House 64 Hindmarsh Square ADELAIDE SA 5000

### Extensions of time granted

Applications lodged for extension of time have been granted.

157889 **Southern Cross Ceramics Pty Ltd** An Extension of time to extend a registration has been granted to 31/08/2006

157912 **David John Crewther** An Extension of time to extend a registration has been granted to 31/08/2006

157959 **H.J. Heinz Company** An Extension of time to extend a registration has been granted to 31/08/2006

### Subsequent Owners Registered

(The name in parentheses is that of the subsequent owner)

129248 ( **Reckitt Benckiser Healthcare (UK) Limited** ) Boots Healthcare International Limited  
154443 ( **Societe des Produits Nestle SA** ) The Uncle Tobys Company Pty Limited

### Names Registered - Alterations and Amendments

(The name in parentheses is the new name of the proprietor)

155549 ( **BB IPR Limited** ) Vital Innovations Limited  
155910 ( **BB IPR Limited** ) Vital Innovations Limited  
155984 ( **BB IPR Limited** ) Vital Innovations Limited  
155985 ( **BB IPR Limited** ) Vital Innovations Limited  
156163 ( **BB IPR Limited** ) Vital Innovations Limited  
156164 ( **BB IPR Limited** ) Vital Innovations Limited  
156165 ( **BB IPR Limited** ) Vital Innovations Limited  
143358 ( **Elizabeth Ellen Connolly** ) Terence Gilchrist

This Page Left Intentionally Blank

**Proceedings under the Designs Act 2003.**

This Page Left Intentionally Blank

**Applications Lodged**

Lodgement information is in the following order: **Applicant's Name**; International Classification, Name of Product, Lodgement Date and **Design Number**. If the applicant claims an earlier priority date under an International Convention, the Convention Country and the associated filing date are shown in parentheses before the Lodgement Date. Divisional information will also appear in parentheses before the Lodgement Date.

<b>Alamedine, Monique;</b> 02-02C, Bodysuit, 13 Oct 2006	<b>14597/2006</b>	<b>Belmore, Amanda; Keates, Warwick; Goss, Roger;</b> 06-01NES, The 'loop' seat, 13 Oct 2006	<b>14596/2006</b>
<b>Alamedine, Monique;</b> 02-02C, Bodysuit, 13 Oct 2006	<b>14598/2006</b>	<b>Board &amp; Batten International Inc;</b> 21-02F, A trampoline, (NZ, 11 Aug 2006) 18 Aug 2006	<b>14666/2006</b>
<b>Alamedine, Monique;</b> 02-02C, Bodysuit, 13 Oct 2006	<b>14599/2006</b>	<b>Board &amp; Batten International Inc;</b> 21-02F, A trampoline, (NZ, 11 Aug 2006) 18 Aug 2006	<b>14667/2006</b>
<b>Alamedine, Monique;</b> 02-02C, Bodysuit, 13 Oct 2006	<b>14600/2006</b>	<b>Board &amp; Batten International Inc;</b> 21-02F, A trampoline, (NZ, 11 Aug 2006) 18 Aug 2006	<b>14668/2006</b>
<b>Alamedine, Monique;</b> 02-02C, Bodysuit, 13 Oct 2006	<b>14601/2006</b>	<b>Board &amp; Batten International Inc;</b> 21-02F, A trampoline, (NZ, 11 Aug 2006) 18 Aug 2006	<b>14669/2006</b>
<b>Alamedine, Monique;</b> 02-02C, Bodysuit, 13 Oct 2006	<b>14602/2006</b>	<b>Board &amp; Batten International Inc;</b> 21-02F, A trampoline, (NZ, 11 Aug 2006) 18 Aug 2006	<b>14670/2006</b>
<b>Alamedine, Monique;</b> 02-02C, Bodysuit, 13 Oct 2006	<b>14603/2006</b>	<b>Board &amp; Batten International Inc;</b> 21-02F, A trampoline, (NZ, 11 Aug 2006) 18 Aug 2006	<b>14671/2006</b>
<b>Alamedine, Monique;</b> 02-02C, Bodysuit, 13 Oct 2006	<b>14604/2006</b>	<b>Board &amp; Batten International Inc;</b> 21-02F, A trampoline, (NZ, 11 Aug 2006) 18 Aug 2006	<b>14672/2006</b>
<b>Alamedine, Monique;</b> 02-02C, Bodysuit, 13 Oct 2006	<b>14605/2006</b>	<b>Corbin, Wayne;</b> 12-16B, A bonnet for a motor vehicle, 16 Oct 2006	<b>14623/2006</b>
<b>Alamedine, Monique;</b> 02-02C, Bodysuit, 13 Oct 2006	<b>14606/2006</b>	<b>Creative Products Enterprises Pty Limited;</b> 07-06A, Stubby holder with molded football, 16 Oct 2006	<b>14654/2006</b>
<b>Alamedine, Monique;</b> 02-02C, Bodysuit, 13 Oct 2006	<b>14607/2006</b>	<b>Dejaque Designs P/L;</b> 02-01B, 24-04, Attachable guard for containing infant's excretion when lying down & no nappy is in place., 13 Oct 2006	<b>14647/2006</b>
<b>Alamedine, Monique;</b> 02-02C, Bodysuit, 13 Oct 2006	<b>14608/2006</b>	<b>Dixon (Asia Pacific) Pty Ltd;</b> 08-08NES, Locking collar, 17 Oct 2006	<b>14656/2006</b>
<b>Alamedine, Monique;</b> 02-02C, Bodysuit, 13 Oct 2006	<b>14609/2006</b>	<b>Erland, Diana L.;</b> 02-02NES, Garment, (US, 10 Jun 2005) 12 Dec 2005	<b>14788/2006</b>
<b>Alamedine, Monique;</b> 02-02C, Bodysuit, 13 Oct 2006	<b>14610/2006</b>	<b>Erland, Diana L.;</b> 02-02NES, Garment, (US, 10 Jun 2005) 12 Dec 2005	<b>14789/2006</b>
<b>Alamedine, Monique;</b> 02-02C, Bodysuit, 13 Oct 2006	<b>14611/2006</b>	<b>Erland, Diana L.;</b> 02-02NES, Garment, (US, 10 Jun 2005) 12 Dec 2005	<b>14790/2006</b>
<b>Alamedine, Monique;</b> 02-02C, Bodysuit, 13 Oct 2006	<b>14612/2006</b>	<b>Erland, Diana L.;</b> 02-02NES, Garment, (US, 10 Jun 2005) 12 Dec 2005	<b>14791/2006</b>
<b>Alamedine, Monique;</b> 02-02C, Bodysuit, 13 Oct 2006	<b>14613/2006</b>	<b>Eveready Battery Company, Inc.;</b> 26-02, Flashlight, 12 Oct 2006	<b>14585/2006</b>
<b>Architectural Window Systems Pty Ltd;</b> 25-02K, Louvre clip, 18 Oct 2006	<b>14784/2006</b>	<b>ESmart Group Pty Ltd;</b> 07-08, Freestanding open fireplace, 24 Aug 2006	<b>13797/2006</b>
<b>Architectural Window Systems Pty Ltd;</b> 25-01K, An extrusion, 18 Oct 2006	<b>14785/2006</b>		
<b>Architectural Window Systems Pty Ltd;</b> 25-01K, An extrusion, 18 Oct 2006	<b>14786/2006</b>		
<b>Australasian CRC for Interaction Design Pty Ltd;</b> 14-02, Display device, 17 Oct 2006	<b>14692/2006</b>		
<b>Australasian CRC for Interaction Design Pty Ltd;</b> 14-02, Display device, 17 Oct 2006	<b>14693/2006</b>		
<b>Balmer, Amanda; Keates, Warwick; Goss, Roger;</b> 06-01NES, 'Loop', 12 Oct 2006	<b>14583/2006</b>		

<b>ESmart Group Pty Ltd;</b> 07-08, Freestanding open fireplace, 24 Aug 2006	<b>13798/2006</b>	<b>Iuliano, Sandro;</b> 23-02F, Vanity unit top, 20 Oct 2006	<b>14765/2006</b>
<b>ESmart Group Pty Ltd;</b> 07-08, freestanding open fireplace, 24 Aug 2006	<b>13799/2006</b>	<b>Iuliano, Sandro;</b> 23-02F, Double vanity unit top, 20 Oct 2006	<b>14766/2006</b>
<b>ESmart Group Pty Ltd;</b> 07-08, 25-02E, Freestanding open fireplace, 24 Aug 2006	<b>13800/2006</b>	<b>Iuliano, Sandro;</b> 23-02F, Corner vanity unit top, 20 Oct 2006	<b>14767/2006</b>
<b>ESmart Group Pty Ltd;</b> 07-08, 23-03E, Freestanding open fireplace, 24 Aug 2006	<b>13801/2006</b>	<b>Iuliano, Sandro;</b> 23-02F, Vanity unit, 20 Oct 2006	<b>14773/2006</b>
<b>ESmart Group Pty Ltd;</b> 07-08, Lighting rod for a fireplace, 24 Aug 2006	<b>13802/2006</b>	<b>Iuliano, Sandro;</b> 23-02F, Corner vanity unit, 20 Oct 2006	<b>14774/2006</b>
<b>ESmart Group Pty Ltd;</b> 07-08, Top tray, 24 Aug 2006	<b>13803/2006</b>	<b>Iuliano, Sandro;</b> 23-02F, Double vanity unit, 20 Oct 2006	<b>14764/2006</b>
<b>ESmart Group Pty Ltd;</b> 07-08, Fireplace Insertl, 24 Aug 2006	<b>13804/2006</b>	<b>Ivon Products, Inc.;</b> 09-01G, Container, (Divisional of 14299/2006) 20 Oct 2006	<b>14806/2006</b>
<b>ESmart Group Pty Ltd;</b> 07-08, Fireplace Insert, 24 Aug 2006	<b>13805/2006</b>	<b>JohnsonDiversey, Inc.;</b> 09-07A, Closure, (US, 14 Apr 2006) 13 Oct 2006	<b>14629/2006</b>
<b>ESmart Group Pty Ltd;</b> 07-08, 25-01A, Fireplace Insert, 24 Aug 2006	<b>13806/2006</b>	<b>JohnsonDiversey, Inc.;</b> 09-07A, Closure, (US, 14 Apr 2006) 13 Oct 2006	<b>14630/2006</b>
<b>Fujitsu Limited;</b> 14-02, Personal computer, (JP, 19 Jul 2006) 13 Oct 2006	<b>14636/2006</b>	<b>JohnsonDiversey, Inc.;</b> 09-07A, Closure, (US, 14 Apr 2006) 13 Oct 2006	<b>14631/2006</b>
<b>Fujitsu Limited;</b> 14-02, Personal computer, (JP, 22 Jun 2006) 13 Oct 2006	<b>14637/2006</b>	<b>JohnsonDiversey, Inc.;</b> 09-07A, Dispenser insert, (US, 14 Apr 2006) 13 Oct 2006	<b>14632/2006</b>
<b>Glaxo Group Limited;</b> 28-01, Inhaler, (Divisional of 13589/2006) 20 Oct 2006	<b>14807/2006</b>	<b>JohnsonDiversey, Inc.;</b> 09-07A, Closure, (US, 14 Apr 2006) 13 Oct 2006	<b>14633/2006</b>
<b>Goss, Roger; Keates, Warwick; Belmore, Amanda;</b> 06-01NES, The 'loop' seat, 13 Oct 2006	<b>14596/2006</b>	<b>Juniper Holding Corp.;</b> 02-07A, Shoe accessory, (US, 17 Apr 2006) 17 Oct 2006	<b>14689/2006</b>
<b>Goss, Roger; Keates, Warwick; Balmer, Amanda;</b> 06-01NES, 'Loop', 12 Oct 2006	<b>14583/2006</b>	<b>Juniper Holding Corp.;</b> 02-07A, Shoe accessory, (US, 17 Apr 2006) 17 Oct 2006	<b>14690/2006</b>
<b>Harrow Products LLC;</b> 08-07, Deadbolt escutcheon, (US, 21 Jul 2006) 13 Oct 2006	<b>14624/2006</b>	<b>Juniper Holding Corp.;</b> 02-07B, Shoe accessory, (US, 17 Apr 2006) 17 Oct 2006	<b>14691/2006</b>
<b>Harrow Products LLC;</b> 08-07, Deadbolt escutcheon, (US, 21 Apr 2006) 13 Oct 2006	<b>14625/2006</b>	<b>Keates, Warwick; Goss, Roger; Balmer, Amanda;</b> 06-01NES, 'Loop', 12 Oct 2006	<b>14583/2006</b>
<b>International Research &amp; Marketing Corp Pty Ltd;</b> 23-02F, , 16 Oct 2006	<b>14645/2006</b>	<b>Keates, Warwick; Belmore, Amanda; Goss, Roger;</b> 06-01NES, The 'loop' seat, 13 Oct 2006	<b>14596/2006</b>
<b>Isuzu Motors Limited;</b> 12-08, Truck cab, (CN, 05 Sep 2006) 16 Oct 2006	<b>14650/2006</b>	<b>Kohler Co.;</b> 23-02B, Tub for bathing, (US, 18 Apr 2006) 18 Oct 2006	<b>14737/2006</b>
<b>Isuzu Motors Limited;</b> 12-08, Truck cab, (CN, 05 Sep 2006) 16 Oct 2006	<b>14651/2006</b>	<b>KA Sail Australia Pty. Ltd;</b> 12-06NES, Boat Assembly, 17 Oct 2006	<b>14688/2006</b>
<b>Isuzu Motors Limited;</b> 26-06, Head lamp for a vehicle, (CN, 04 Aug 2006) 16 Oct 2006	<b>14652/2006</b>	<b>Leatherman Tool Group, Inc.;</b> 08-05NES, Folding multipurpose hand tool, (US, 25 Apr 2006) 23 Oct 2006	<b>14840/2006</b>
<b>Isuzu Motors Limited;</b> 12-16C, Bumper, (CN, 04 Aug 2006) 16 Oct 2006	<b>14653/2006</b>	<b>McDonald, Andrew; McDonald, Patricia;</b> 11-02A, Vase, 17 Oct 2006	<b>14649/2006</b>
		<b>McDonald, Patricia; McDonald, Andrew;</b> 11-02A, Vase, 17 Oct 2006	<b>14649/2006</b>

<b>Monarch Industries (Aust.) Pty. Ltd.;</b> 25-01K, Aluminium extrusion, 12 Oct 2006	<b>14580/2006</b>	<b>Schneider Electric New Zealand Holdings Limited;</b> 13-03E, Single push button switch, Single push button switch, Two push button switch, Two push button switch, Two push, button switch, Two push button switch, Two push button switch, Three push button switch, Three push button switch,, Four push button switch, Four push button switch,, (NZ, 21 Apr 2006) 19 Oct 2006	<b>14775/2006</b>
<b>MBP Australia Pty Ltd;</b> 23-01A, An annular seal, 17 Oct 2006	<b>14655/2006</b>	<b>Societe Autonome de Verreries;</b> 07-01F, Flask, 18 Oct 2006	<b>14738/2006</b>
<b>O Book Pty Ltd, The;</b> 19-04, Books and printed matter, 20 Oct 2006	<b>14753/2006</b>	<b>Sportsgirl Pty Ltd;</b> 02-02C, Garments, 10 Oct 2006	<b>14533/2006</b>
<b>Pacemaker Headers Pty Ltd;</b> 12-16N, A set of exhaust manifolds, 17 Oct 2006	<b>14674/2006</b>	<b>Stubbings, Henry; Stubbings, Harry Thomas;</b> 25-02C, Fence and gates, 16 Oct 2006	<b>14628/2006</b>
<b>Polyweld Pty Ltd;</b> 12-16NES, Truck side curtain pelmet/weather seal, 13 Oct 2006	<b>14648/2006</b>	<b>Stubbings, Harry Thomas; Stubbings, Henry;</b> 25-02C, Fence and gates, 16 Oct 2006	<b>14628/2006</b>
<b>Quality Innovative Products Pty Ltd;</b> 13-03D, Extension cord hanger, 18 Oct 2006	<b>14686/2006</b>	<b>The Decor Corporation Pty Ltd;</b> 09-03M, Storage container, 23 Oct 2006	<b>14843/2006</b>
<b>ROSEMIN;</b> 02-02C, Pola pola dress, 13 Oct 2006	<b>14620/2006</b>	<b>Unilever PLC;</b> 09-01C, Jar, (US, 01 May 2006) 17 Oct 2006	<b>14685/2006</b>
<b>ROSEMIN;</b> 02-02C, Sweetheart circle dress, 13 Oct 2006	<b>14621/2006</b>	<b>Visy Industrial Plastics Pty Ltd;</b> 09-03M, Packaging, 17 Oct 2006	<b>14695/2006</b>
<b>ROSEMIN;</b> 02-02C, Frill queen, 13 Oct 2006	<b>14622/2006</b>	<b>Visy R &amp; D Pty Ltd;</b> 09-03F, Tray and blank therefor, 17 Oct 2006	<b>14694/2006</b>
<b>ROSEMIN;</b> 02-02C, Bo-peep dress, 13 Oct 2006	<b>14614/2006</b>	<b>Walker, Gary John;</b> 23-01K, Dispensing valve, 17 Oct 2006	<b>14687/2006</b>
<b>ROSEMIN;</b> 02-02C, Beach dress, 13 Oct 2006	<b>14615/2006</b>	<b>Woolworths Limited;</b> 07-01NES, A container body, 17 Oct 2006	<b>14681/2006</b>
<b>ROSEMIN;</b> 02-02C, Belt me in dress, 13 Oct 2006	<b>14616/2006</b>	<b>Woolworths Limited;</b> 07-01A, A container body, 17 Oct 2006	<b>14676/2006</b>
<b>ROSEMIN;</b> 02-02C, Tulip pinafore dress, 13 Oct 2006	<b>14617/2006</b>	<b>Woolworths Limited;</b> 07-01NES, A container lid, 17 Oct 2006	<b>14677/2006</b>
<b>ROSEMIN;</b> 02-02C, Tinkerbelle dress, 13 Oct 2006	<b>14618/2006</b>	<b>Woolworths Limited;</b> 07-01NES, A container lid, 17 Oct 2006	<b>14678/2006</b>
<b>ROSEMIN;</b> 02-02C, Bud II dress, 13 Oct 2006	<b>14619/2006</b>	<b>Woolworths Limited;</b> 07-01A, A container body, 17 Oct 2006	<b>14679/2006</b>
<b>S.C. Johnson &amp; Son, Inc.;</b> 09-07C, Cap, (US, 20 Apr 2006) 13 Oct 2006	<b>14634/2006</b>	<b>Woolworths Limited;</b> 07-01NES, A container lid, 17 Oct 2006	<b>14680/2006</b>
<b>Sara Lee/DE N.V.;</b> 09-03M, Packaging for foodstuffs, (EM, 21 Sep 2006) 13 Oct 2006	<b>14635/2006</b>	<b>Zumtobel Lighting GmbH;</b> 26-05A, Lighting fixture, (EM, 19 Apr 2006) 18 Oct 2006	<b>14736/2006</b>

Zumtobel Lighting GmbH & Co. KG;  
26-05NES, Lighting fixture, (EM, 19 Apr 2006)  
17 Oct 2006

14682/2006

Zumtobel Lighting GmbH & Co. KG;  
26-05NES, Lighting fixture, (EM, 19 Apr 2006)  
17 Oct 2006

14683/2006

**Applications Withdrawn**

10527 / 2006 (02-01B)

12537 / 2006 (02-01B)

**Applications Lapsed**

13483 / 2005 (02-02C)  
10676 / 2006 (28-03NES)  
11002 / 2006 (26-03)  
11013 / 2006 (15-01)  
11015 / 2006 (99-00)  
11308 / 2006 (08-08NES)  
11319 / 2006 (02-04NES)  
11321 / 2006 (02-04NES)  
11323 / 2006 (02-04NES)  
11325 / 2006 (02-04NES)  
11349 / 2006 (21-03)  
11410 / 2006 (06-07)  
11810 / 2006 (06-04D)  
11812 / 2006 (06-03A)  
11814 / 2006 (06-03A)  
12234 / 2006 (09-05)  
12488 / 2006 (12-05)  
12493 / 2006 (12-05)  
13518 / 2006 (06-01F)

10164 / 2006 (19-01)  
10883 / 2006 (04-02)  
11012 / 2006 (03-01D)  
11014 / 2006 (99-00)  
11294 / 2006 (02-02NES)  
11318 / 2006 (02-04NES)  
11320 / 2006 (02-04NES)  
11322 / 2006 (02-04NES)  
11324 / 2006 (02-04NES)  
11347 / 2006 (12-06A)  
11350 / 2006 (23-01G)  
11700 / 2006 (08-09)  
11811 / 2006 (06-03A)  
11813 / 2006 (06-04NES)  
12231 / 2006 (06-13B)  
12458 / 2006 (25-03)  
12490 / 2006 (02-04NES)  
13517 / 2006 (06-01F)

**Applications for Extension of time under Section 137**

Applications under section 137 for extension of time have been lodged. Objections must be lodged within 1 month from the date of this journal.

14569/2005 **Intellectual Property Development Corporation Pty Ltd** Address for Service: MIDDLETONS LAWYERS 200 Queen Street MELBOURNE VIC 3000

**Extensions of time granted under Section 137**

Applications lodged under section 137 for extension of time have been granted.

15087/2005 **Royal Alexandra Hospital for Children**

15330/2005 **Phoenix Industries Pty Ltd**

15698/2005 **Perusahaan Otomobil Nasional SDN. BHD.**

15699/2005 **Perusahaan Otomobil Nasional SDN. BHD.**

15700/2005 **Perusahaan Otomobil Nasional SDN. BHD.**

15701/2005 **Perusahaan Otomobil Nasional SDN. BHD.**

15702/2005 **Perusahaan Otomobil Nasional SDN. BHD.**

15703/2005 **Perusahaan Otomobil Nasional SDN. BHD.**

15704/2005 **Perusahaan Otomobil Nasional SDN. BHD.**

15705/2005 **Perusahaan Otomobil Nasional SDN. BHD.**

15706/2005 **Perusahaan Otomobil Nasional SDN. BHD.**

15707/2005 **Perusahaan Otomobil Nasional SDN. BHD.**

15708/2005 **Perusahaan Otomobil Nasional SDN. BHD.**

15709/2005 **Perusahaan Otomobil Nasional SDN. BHD.**

10212/2006 **Geoffrey Francis Keating**

10213/2006 **Geoffrey Francis Keating**

10476/2006 **Mark Broadhurst**

10678/2006 **Star Maid International Pty Ltd**

11152/2006 **Pride Mobility Products Australia Pty Ltd**

11632/2006 **Mehrdad Zandipour**

**Applications Assigned**

(The name in parentheses is that of the subsequent applicant)

14071/2006 ( **The Beer Bum Corporation Pty Ltd** ) Nicholas Michael James

10244/2006 ( **Alto Packaging Limited** ) Alto Holdings Limited

**Subsequent Owners Registered**

(The name in parentheses is that of the subsequent owner)

305605 ( **Societe des Produits Nestle SA** ) The Uncle Tobys

Company Pty Limited

305606 ( **Societe des Produits Nestle SA** ) The Uncle Tobys Company Pty Limited

310524 ( **Alto Packaging Limited** ) Alto Holdings Limited

**Names Registered - Alterations and Amendments**

(The name in parentheses is that of the subsequent applicant)

307424 ( **Shiny Factory Pty. Ltd.** ) Sikki Pty Ltd

308078 ( **Shiny Factory Pty. Ltd.** ) Sikki Pty Ltd

305605 ( **The Uncle Tobys Company Pty Limited** ) The Uncle Tobys Company Limited

305606 ( **The Uncle Tobys Company Pty Limited** ) The Uncle Tobys Company Limited

308867 ( **Viater Medical Pty Limited** ) Viater Pty Ltd

**Corrigenda**

Number 10419/2006

In Vol 20 , No 20 , page 6443 under the heading **Applications Lapsed**; Design No. 10419/2006 should be deleted.

Number 10420/2006

In Vol 20 , No 20 , page 6443 under the heading **Applications Lapsed**; Design No. 10420/2006 should be deleted.

Number 10422/2006

In Vol 20 , No 20 , page 6443 under the heading **Applications Lapsed**; Design No. 10422/2006 should be deleted.

Number 310264

In Vol 20 , No 21 , page 6841 under the heading **Australian Registered Design**; (72) Name(s) of Designer(s) should read: Martin Richard Love and Peter Hughes.

Number 306573

In Vol 20 , No 11 , page 4741 under the heading **Australian Registered Design**; (57) Statement of Newness and Distinctiveness should read: Newness and distinctiveness is claimed in the shape and configuration of the portion of the article shown in lines. In considering the newness and distinctiveness, the portions of the article shown in dotted lines should be disregarded.

Number 306574

In Vol 20 , No 11 , page 4742 under the heading **Australian Registered Design**; (57) Statement of Newness and Distinctiveness should read: Newness and distinctiveness is claimed in the shape and configuration of the portion of the article shown in solid lines. in considering the newness and distinctiveness, the portions of the article shown in dotted lines should be disregarded.

Number 306575

In Vol 20 , No 11 , page 4742 under the heading **Australian Registered Design**; (57) Statement of Newness and Distinctiveness should read: Newness and distinctiveness is claimed in the shape and configuration of the portion of the article shown in solid lines. In considering the newness and distinctiveness, the portions of the article shown in dotted lines should be disregarded.

**Certificate(s) of Examination**

Examination of the following Design Registration(s) has been completed. Infringement proceedings may now be commenced.

303541	19-06	31/10/2006
304805	15-03B	31/10/2006
305159	19-06	31/10/2006
305160	19-06	31/10/2006
305161	19-06	31/10/2006
305239	07-04	25/10/2006
305542	19-06	31/10/2006
305878	10-01	31/10/2006
305896	08-08NES	25/10/2006
305897	15-02	25/10/2006
305898	12-05	25/10/2006
305979	13-02	31/10/2006
305980	28-03NES	31/10/2006
306582	02-04NES	26/10/2006
306648	08-08C	26/10/2006
306671	23-03H	25/10/2006
306797	02-02C	25/10/2006
306802	02-02C	25/10/2006
307708	02-02C	25/10/2006
307983	23-02F	23/10/2006

**Publication and Registration Proceedings**

**Designs Registered**

This section provides a concordance between design number and registration number of Designs covered in this journal. It also shows the main class and registration date.

This section covers Registration numbers 310798 to 311172 .

The registration number shown below should be used in all future correspondence.

Design Number	Registration Number	International Classification Code (IDC)	Registration Date	Design Number	Registration Number	International Classification Code (IDC)	Registration Date
13089/2004	310907	19-99	24/10/2006	11972/2006	310904	25-01NES	24/10/2006
13090/2004	310908	19-99	24/10/2006	11998/2006	310949	12-10	26/10/2006
13091/2004	310906	19-99	24/10/2006	12008/2006	311158	06-01F	31/10/2006
15025/2005	310948	25-01B	25/10/2006	12031/2006	310838	12-16B	23/10/2006
15214/2005	311091	19-99	30/10/2006	12169/2006	311133	15-99	31/10/2006
15507/2005	310852	03-01B	24/10/2006	12184/2006	311029	15-03NES	30/10/2006
15750/2005	311090	07-02D	30/10/2006	12227/2006	311003	26-06	26/10/2006
10015/2006	310799	06-01E	20/10/2006	12268/2006	311030	06-04NES	30/10/2006
10016/2006	310798	06-01E	20/10/2006	12269/2006	311031	06-04NES	30/10/2006
10258/2006	310853	23-02F	24/10/2006	12414/2006	311032	14-04	30/10/2006
10505/2006	311073	03-01NES	30/10/2006	12415/2006	311093	14-04	31/10/2006
10510/2006	311153	09-05	31/10/2006	12416/2006	311033	14-04	30/10/2006
10629/2006	311028	14-02	30/10/2006	12477/2006	310858	23-02A	24/10/2006
10872/2006	310876	28-03D	24/10/2006	12478/2006	310859	23-02A	24/10/2006
10887/2006	310968	09-05	25/10/2006	12480/2006	310919	15-05	24/10/2006
10950/2006	310988	02-02A	26/10/2006	12489/2006	310905	02-04NES	24/10/2006
10951/2006	310989	02-02A	26/10/2006	12501/2006	310881	12-08	24/10/2006
10952/2006	310990	02-02A	26/10/2006	12539/2006	310860	09-03F	24/10/2006
10953/2006	310991	02-02A	26/10/2006	12540/2006	310861	09-07B	24/10/2006
10954/2006	310992	02-02A	26/10/2006	12570/2006	310800	09-07B	20/10/2006
10955/2006	310993	02-02A	26/10/2006	12571/2006	310801	09-02A	20/10/2006
10956/2006	310994	02-02A	26/10/2006	12572/2006	310802	09-07B	20/10/2006
10957/2006	310995	02-02A	26/10/2006	12630/2006	311004	08-08C	26/10/2006
10958/2006	310996	02-02A	26/10/2006	12631/2006	311005	08-08C	26/10/2006
10959/2006	310997	02-02A	26/10/2006	12660/2006	311134	24-01	31/10/2006
11087/2006	310854	26-06	24/10/2006	12662/2006	311135	24-01	31/10/2006
11088/2006	310855	11-02E	24/10/2006	12663/2006	311132	24-01	31/10/2006
11089/2006	310856	11-02E	24/10/2006	12665/2006	311113	24-01	31/10/2006
11242/2006	310920	21-02F	24/10/2006	12666/2006	311114	24-01	31/10/2006
11243/2006	311154	23-01B	31/10/2006	12667/2006	311136	24-01	31/10/2006
11255/2006	310878	19-02	24/10/2006	12670/2006	311137	24-01	31/10/2006
11282/2006	311006	19-08	26/10/2006	12703/2006	310902	08-07	24/10/2006
11283/2006	311007	19-08	26/10/2006	12706/2006	310950	08-07	26/10/2006
11412/2006	310879	23-02A	24/10/2006	12773/2006	311159	08-03	31/10/2006
11485/2006	310857	14-99	24/10/2006	12774/2006	311162	08-03	31/10/2006
11503/2006	311008	02-02A	27/10/2006	12775/2006	311160	08-03	31/10/2006
11517/2006	311009	02-02A	27/10/2006	12776/2006	311161	08-03	31/10/2006
11518/2006	311010	02-02A	27/10/2006	12840/2006	311163	08-05P	31/10/2006
11519/2006	311011	02-02A	27/10/2006	12883/2006	310862	18-99	24/10/2006
11520/2006	311012	02-02A	27/10/2006	12963/2006	310951	11-02E	26/10/2006
11521/2006	311013	02-02A	27/10/2006	12964/2006	310952	11-02E	26/10/2006
11522/2006	311014	02-02A	27/10/2006	12965/2006	310953	11-02E	26/10/2006
11523/2006	311015	02-02A	27/10/2006	12988/2006	310882	07-01NES	24/10/2006
11524/2006	311016	02-02A	27/10/2006	13057/2006	311018	12-16A	27/10/2006
11525/2006	311017	02-02A	27/10/2006	13107/2006	310839	08-99	24/10/2006
11529/2006	311156	20-03NES	31/10/2006	13151/2006	311094	08-08M	31/10/2006
11606/2006	310818	09-01NES	23/10/2006	13162/2006	310863	25-04	24/10/2006
11707/2006	311074	08-08NES	30/10/2006	13163/2006	310864	25-04	24/10/2006
11716/2006	311157	28-03B	31/10/2006	13223/2006	310909	07-01NES	24/10/2006
11759/2006	310880	21-01L	24/10/2006	13265/2006	310914	12-16A	24/10/2006
11849/2006	311047	25-01K	30/10/2006	13416/2006	311000	09-02NES	26/10/2006
11851/2006	311075	08-07	30/10/2006	13496/2006	311151	06-01G	31/10/2006
11971/2006	310903	25-01NES	24/10/2006	13497/2006	310865	06-01G	24/10/2006

Publication and Registration Proceedings - Designs Registered cont'd

Design Number	Registration Number	International Classification Code (IDC)	Registration Date	Design Number	Registration Number	International Classification Code (IDC)	Registration Date
13645/2006	310803	24-02	20/10/2006	14005/2006	310938	11-05	25/10/2006
13646/2006	310804	24-02	20/10/2006	14016/2006	310923	24-02	25/10/2006
13703/2006	310817	09-03M	20/10/2006	14017/2006	310913	09-03M	24/10/2006
13705/2006	310819	09-03M	23/10/2006	14021/2006	310866	22-05	24/10/2006
13707/2006	310820	04-02	23/10/2006	14025/2006	310811	08-03	20/10/2006
13708/2006	310821	09-03L	23/10/2006	14026/2006	310812	08-03	20/10/2006
13718/2006	310822	09-03L	23/10/2006	14027/2006	310813	08-03	20/10/2006
13719/2006	310823	30-99	23/10/2006	14028/2006	310814	08-03	20/10/2006
13728/2006	311002	28-03NES	26/10/2006	14029/2006	310815	04-01	20/10/2006
13736/2006	310840	27-06	24/10/2006	14034/2006	310844	11-05	24/10/2006
13737/2006	310824	14-02	23/10/2006	14035/2006	310845	20-03NES	24/10/2006
13738/2006	310825	14-02	23/10/2006	14037/2006	311166	03-01NES	31/10/2006
13739/2006	310805	14-02	20/10/2006	14042/2006	310816	08-06	20/10/2006
13740/2006	310841	25-01NES	24/10/2006	14043/2006	310924	12-06B	25/10/2006
13746/2006	310826	23-04	23/10/2006	14059/2006	310915	04-01	24/10/2006
13747/2006	310827	23-04	23/10/2006	14075/2006	310867	09-01B	24/10/2006
13748/2006	310828	23-04	23/10/2006	14078/2006	310925	08-05L	25/10/2006
13749/2006	310806	23-04	20/10/2006	14079/2006	310926	08-05L	25/10/2006
13750/2006	310807	07-01NES	20/10/2006	14080/2006	310927	08-05L	25/10/2006
13755/2006	311115	15-01	31/10/2006	14081/2006	310928	08-05L	25/10/2006
13756/2006	310829	26-03	23/10/2006	14082/2006	310956	08-05L	30/10/2006
13757/2006	310830	26-03	23/10/2006	14083/2006	310916	08-05L	24/10/2006
13786/2006	310842	07-01NES	24/10/2006	14084/2006	310955	08-05L	30/10/2006
13787/2006	311078	07-01NES	30/10/2006	14085/2006	310947	07-01F	25/10/2006
13788/2006	311079	07-01NES	30/10/2006	14086/2006	310846	22-06	24/10/2006
13789/2006	310910	12-16NES	24/10/2006	14087/2006	310917	23-04	24/10/2006
13813/2006	310883	19-06	24/10/2006	14088/2006	311080	23-01H	30/10/2006
13826/2006	310911	10-02	24/10/2006	14089/2006	311081	23-01H	30/10/2006
13832/2006	311164	25-02C	31/10/2006	14098/2006	310957	01-01	30/10/2006
13837/2006	310912	28-03NES	24/10/2006	14099/2006	311001	07-01F	26/10/2006
13872/2006	311116	24-04	31/10/2006	14100/2006	310998	26-05A	26/10/2006
13873/2006	311117	24-04	31/10/2006	14101/2006	310999	26-05A	26/10/2006
13874/2006	311118	24-04	31/10/2006	14102/2006	310958	09-05	30/10/2006
13921/2006	310884	25-04	24/10/2006	14103/2006	310959	06-11	30/10/2006
13924/2006	310831	24-01	23/10/2006	14109/2006	310969	07-02K	25/10/2006
13929/2006	310835	03-01NES	23/10/2006	14110/2006	310960	03-01NES	30/10/2006
13934/2006	311165	08-05L	31/10/2006	14111/2006	310970	21-02C	25/10/2006
13952/2006	310832	19-06	23/10/2006	14112/2006	310868	21-02C	24/10/2006
13955/2006	310922	09-05	25/10/2006	14117/2006	310869	21-02A	24/10/2006
13962/2006	310833	08-07	23/10/2006	14119/2006	310847	21-02A	24/10/2006
13963/2006	310834	23-01NES	23/10/2006	14122/2006	311019	20-03NES	27/10/2006
13969/2006	311119	25-02C	31/10/2006	14124/2006	310971	25-02NES	25/10/2006
13974/2006	311152	13-03D	31/10/2006	14128/2006	310972	25-01E	25/10/2006
13978/2006	310836	01-01	23/10/2006	14129/2006	310973	02-03	25/10/2006
13979/2006	310837	15-02	23/10/2006	14130/2006	310974	10-02	25/10/2006
13988/2006	310810	23-02A	20/10/2006	14131/2006	310975	10-07	25/10/2006
13991/2006	310808	07-03	20/10/2006	14132/2006	310961	10-07	30/10/2006
13993/2006	310809	23-02A	20/10/2006	14133/2006	310870	03-01D	24/10/2006
13994/2006	310929	10-07	25/10/2006	14135/2006	311138	09-07NES	31/10/2006
13995/2006	310930	10-07	25/10/2006	14136/2006	310871	08-06	24/10/2006
13996/2006	310931	10-07	25/10/2006	14137/2006	310872	08-06	24/10/2006
13998/2006	310932	02-04B	25/10/2006	14138/2006	310873	08-06	24/10/2006
13999/2006	310933	02-04NES	25/10/2006	14139/2006	310874	08-06	24/10/2006
14000/2006	310843	07-99A	24/10/2006	14140/2006	310939	08-05N	25/10/2006
14001/2006	310934	16-05	25/10/2006	14148/2006	310848	23-01F	24/10/2006
14002/2006	310935	14-01	25/10/2006	14149/2006	310849	23-01F	24/10/2006
14003/2006	310936	14-01	25/10/2006	14150/2006	310885	08-05NES	24/10/2006
14004/2006	310937	16-01	25/10/2006	14151/2006	310886	09-01NES	24/10/2006

Publication and Registration Proceedings - Designs Registered cont'd

Design Number	Registration Number	International Classification Code (IDC)	Registration Date	Design Number	Registration Number	International Classification Code (IDC)	Registration Date
14152/2006	310887	08-07	24/10/2006	14254/2006	311100	07-04	31/10/2006
14153/2006	310888	12-16NES	24/10/2006	14255/2006	311101	07-04	31/10/2006
14154/2006	310954	06-02	26/10/2006	14256/2006	311102	07-04	31/10/2006
14155/2006	310962	06-02	30/10/2006	14257/2006	311103	07-04	31/10/2006
14156/2006	310963	06-02	30/10/2006	14258/2006	311104	07-04	31/10/2006
14157/2006	310964	06-02	30/10/2006	14260/2006	310985	16-06	25/10/2006
14158/2006	310965	06-02	30/10/2006	14261/2006	310986	16-06	25/10/2006
14159/2006	310966	06-02	30/10/2006	14262/2006	310898	16-06	24/10/2006
14167/2006	310889	23-02A	24/10/2006	14263/2006	310899	16-06	24/10/2006
14168/2006	311034	23-02A	30/10/2006	14264/2006	310900	16-06	24/10/2006
14173/2006	310850	18-99	24/10/2006	14265/2006	310901	16-06	24/10/2006
14174/2006	310851	18-99	24/10/2006	14266/2006	310987	16-06	25/10/2006
14175/2006	310877	28-03D	24/10/2006	14267/2006	310875	14-02	24/10/2006
14178/2006	310976	19-04	25/10/2006	14271/2006	310944	30-03	25/10/2006
14179/2006	310890	07-01C	24/10/2006	14272/2006	310945	30-03	25/10/2006
14182/2006	310891	06-01C	24/10/2006	14273/2006	310946	30-03	25/10/2006
14191/2006	310977	15-05	25/10/2006	14274/2006	311058	23-01F	31/10/2006
14192/2006	310978	25-01A	25/10/2006	14275/2006	311059	23-01F	31/10/2006
14196/2006	310979	21-02C	25/10/2006	14276/2006	310921	23-01F	24/10/2006
14197/2006	310980	21-02C	25/10/2006	14278/2006	311022	02-02A	27/10/2006
14198/2006	310981	26-05NES	25/10/2006	14279/2006	311082	09-02C	30/10/2006
14199/2006	310982	28-03NES	25/10/2006	14280/2006	311077	09-02NES	30/10/2006
14200/2006	310983	25-01K	25/10/2006	14281/2006	311076	09-02C	30/10/2006
14202/2006	310892	23-01NES	24/10/2006	14285/2006	311083	02-04NES	30/10/2006
14203/2006	311048	23-02A	31/10/2006	14286/2006	311084	02-03	30/10/2006
14204/2006	311049	23-02A	31/10/2006	14287/2006	311085	02-04NES	30/10/2006
14205/2006	311050	23-02A	31/10/2006	14288/2006	311086	16-06	30/10/2006
14206/2006	311051	23-02A	31/10/2006	14289/2006	311035	16-06	30/10/2006
14207/2006	311052	23-02A	31/10/2006	14292/2006	311060	25-01K	31/10/2006
14208/2006	311053	23-02A	31/10/2006	14297/2006	311036	09-03K	30/10/2006
14209/2006	311054	23-02A	31/10/2006	14298/2006	311088	28-02	30/10/2006
14210/2006	311055	23-02A	31/10/2006	14304/2006	311121	23-01H	31/10/2006
14211/2006	311056	23-02A	31/10/2006	14305/2006	311120	23-01H	31/10/2006
14212/2006	311057	23-02A	31/10/2006	14306/2006	311167	13-03C	31/10/2006
14213/2006	310893	12-06NES	24/10/2006	14307/2006	311140	22-05	31/10/2006
14214/2006	310894	12-06NES	24/10/2006	14308/2006	311141	22-05	31/10/2006
14218/2006	310895	14-02	24/10/2006	14309/2006	311142	22-05	31/10/2006
14220/2006	310896	03-01A	24/10/2006	14310/2006	311143	22-05	31/10/2006
14222/2006	311139	07-06C	31/10/2006	14311/2006	311144	22-05	31/10/2006
14227/2006	310897	23-02C	24/10/2006	14312/2006	311105	07-01NES	31/10/2006
14230/2006	310940	06-01H	25/10/2006	14313/2006	311106	07-01NES	31/10/2006
14231/2006	310941	21-03	25/10/2006	14315/2006	311122	09-07C	31/10/2006
14236/2006	310918	19-06	24/10/2006	14317/2006	311123	25-02B	31/10/2006
14237/2006	310942	15-03A	25/10/2006	14318/2006	311124	25-02B	31/10/2006
14238/2006	311020	12-05	27/10/2006	14319/2006	311125	25-02H	31/10/2006
14239/2006	311021	12-05	27/10/2006	14320/2006	311126	25-02B	31/10/2006
14240/2006	310943	28-03A	25/10/2006	14321/2006	311168	12-15C	31/10/2006
14241/2006	310984	28-03A	25/10/2006	14322/2006	311169	12-15C	31/10/2006
14244/2006	311042	08-08NES	30/10/2006	14323/2006	311170	04-04	31/10/2006
14245/2006	311043	08-08NES	30/10/2006	14324/2006	311171	04-04	31/10/2006
14246/2006	311044	12-16L	30/10/2006	14325/2006	311172	04-04	31/10/2006
14247/2006	311045	26-05A	30/10/2006	14333/2006	311107	13-02	31/10/2006
14248/2006	311092	12-11	30/10/2006	14334/2006	311108	08-01	31/10/2006
14249/2006	311095	25-01K	31/10/2006	14335/2006	311037	08-01	30/10/2006
14250/2006	311096	07-04	31/10/2006	14336/2006	311038	13-02	30/10/2006
14251/2006	311097	07-04	31/10/2006	14337/2006	311039	08-01	30/10/2006
14252/2006	311098	07-04	31/10/2006	14338/2006	311040	08-03	30/10/2006
14253/2006	311099	07-04	31/10/2006	14339/2006	311041	08-03	30/10/2006

Publication and Registration Proceedings - Designs Registered cont'd

Design Number	Registration Number	International Classification Code (IDC)	Registration Date	Design Number	Registration Number	International Classification Code (IDC)	Registration Date
14342/2006	311087	09-03M	30/10/2006	14368/2006	311127	03-01C	31/10/2006
14343/2006	310967	21-02D	30/10/2006	14381/2006	311066	12-05	31/10/2006
14344/2006	311061	02-04C	31/10/2006	14382/2006	311067	14-03E	31/10/2006
14345/2006	311062	02-03	31/10/2006	14383/2006	311111	14-03E	31/10/2006
14346/2006	311063	07-02E	31/10/2006	14385/2006	311128	12-08	31/10/2006
14347/2006	311064	07-02E	31/10/2006	14386/2006	311112	13-02	31/10/2006
14348/2006	311065	07-02E	31/10/2006	14387/2006	311129	23-04	31/10/2006
14351/2006	311046	25-01K	30/10/2006	14388/2006	311130	14-02	31/10/2006
14353/2006	311109	25-01K	31/10/2006	14390/2006	311131	12-05	31/10/2006
14354/2006	311110	25-01K	31/10/2006	14391/2006	311068	12-16C	31/10/2006
14355/2006	311023	25-01K	27/10/2006	14392/2006	311069	12-05	31/10/2006
14357/2006	311026	25-01K	27/10/2006	14393/2006	311070	12-16C	31/10/2006
14360/2006	311027	25-01K	27/10/2006	14395/2006	311071	12-05	31/10/2006
14362/2006	311089	25-01K	30/10/2006	14400/2006	311072	06-07	31/10/2006
14363/2006	311145	14-02	31/10/2006	14407/2006	311155	23-01B	31/10/2006
14364/2006	311146	14-02	31/10/2006	14433/2006	311150	25-01K	31/10/2006
14365/2006	311147	09-03L	31/10/2006	14784/2006	311024	25-02K	27/10/2006
14366/2006	311148	09-03L	31/10/2006	14785/2006	311025	25-01K	27/10/2006
14367/2006	311149	09-03L	31/10/2006				

**Publication and Registration Proceedings**  
**Class Listing of Designs Published or Registered**

The following section shows an International Classification Code listing of the Registered or Published Designs covered in this supplement.

<b>Classification</b>	<b>Registration Number</b>	<b>Design Number</b>	<b>Classification</b>	<b>Registration Number</b>	<b>Design Number</b>
01-01	310836	13978/2006	06-02	310962	14155/2006
01-01	310957	14098/2006	06-02	310963	14156/2006
01-99	310957	14098/2006	06-02	310964	14157/2006
02-02 A	310988	10950/2006	06-02	310965	14158/2006
02-02 A	310989	10951/2006	06-02	310966	14159/2006
02-02 A	310990	10952/2006	06-03 A	310891	14182/2006
02-02 A	310991	10953/2006	06-04 NES	311030	12268/2006
02-02 A	310992	10954/2006	06-04 NES	311031	12269/2006
02-02 A	310993	10955/2006	06-06 D	310954	14154/2006
02-02 A	310994	10956/2006	06-07	311072	14400/2006
02-02 A	310995	10957/2006	06-11	310959	14103/2006
02-02 A	310996	10958/2006	07-01 C	310890	14179/2006
02-02 A	310997	10959/2006	07-01 F	310947	14085/2006
02-02 A	311008	11503/2006	07-01 F	311001	14099/2006
02-02 A	311009	11517/2006	07-01 NES	310807	13750/2006
02-02 A	311010	11518/2006	07-01 NES	310842	13786/2006
02-02 A	311011	11519/2006	07-01 NES	310860	12539/2006
02-02 A	311012	11520/2006	07-01 NES	310861	12540/2006
02-02 A	311013	11521/2006	07-01 NES	310882	12988/2006
02-02 A	311014	11522/2006	07-01 NES	310909	13223/2006
02-02 A	311015	11523/2006	07-01 NES	311078	13787/2006
02-02 A	311016	11524/2006	07-01 NES	311079	13788/2006
02-02 A	311017	11525/2006	07-01 NES	311105	14312/2006
02-02 A	311022	14278/2006	07-01 NES	311106	14313/2006
02-03	310973	14129/2006	07-02 D	311090	15750/2005
02-03	311062	14345/2006	07-02 E	311063	14346/2006
02-03	311084	14286/2006	07-02 E	311064	14347/2006
02-04 B	310932	13998/2006	07-02 E	311065	14348/2006
02-04 C	311061	14344/2006	07-02 K	310969	14109/2006
02-04 NES	310905	12489/2006	07-03	310808	13991/2006
02-04 NES	310933	13999/2006	07-04	311096	14250/2006
02-04 NES	311083	14285/2006	07-04	311097	14251/2006
02-04 NES	311085	14287/2006	07-04	311098	14252/2006
03-01 A	310896	14220/2006	07-04	311099	14253/2006
03-01 B	310852	15507/2005	07-04	311100	14254/2006
03-01 C	311127	14368/2006	07-04	311101	14255/2006
03-01 D	310870	14133/2006	07-04	311102	14256/2006
03-01 NES	310835	13929/2006	07-04	311103	14257/2006
03-01 NES	310960	14110/2006	07-04	311104	14258/2006
03-01 NES	311073	10505/2006	07-05 E	310915	14059/2006
03-01 NES	311166	14037/2006	07-06 A	311074	11707/2006
04-01	310815	14029/2006	07-06 C	311139	14222/2006
04-01	310915	14059/2006	07-99 A	310843	14000/2006
04-02	310820	13707/2006	08-01	311037	14335/2006
04-04	311170	14323/2006	08-01	311039	14337/2006
04-04	311171	14324/2006	08-01	311108	14334/2006
04-04	311172	14325/2006	08-03	310811	14025/2006
06-01 C	310891	14182/2006	08-03	310812	14026/2006
06-01 E	310798	10016/2006	08-03	310813	14027/2006
06-01 E	310799	10015/2006	08-03	310814	14028/2006
06-01 F	311158	12008/2006	08-03	311040	14338/2006
06-01 G	310865	13497/2006	08-03	311041	14339/2006
06-01 G	311151	13496/2006	08-03	311159	12773/2006
06-01 H	310940	14230/2006	08-03	311160	12775/2006
06-01 L	311158	12008/2006	08-03	311161	12776/2006
06-02	310954	14154/2006	08-03	311162	12774/2006

Registration Proceedings - Class Listing of Designs Published or Registered cont'd

Classification	Registration Number	Design Number	Classification	Registration Number	Design Number
08-05 L	310916	14083/2006	09-03 M	310913	14017/2006
08-05 L	310925	14078/2006	09-03 M	311087	14342/2006
08-05 L	310926	14079/2006	09-03 NES	310867	14075/2006
08-05 L	310927	14080/2006	09-03 NES	311000	13416/2006
08-05 L	310928	14081/2006	09-05	310922	13955/2006
08-05 L	310955	14084/2006	09-05	310958	14102/2006
08-05 L	310956	14082/2006	09-05	310968	10887/2006
08-05 L	311165	13934/2006	09-05	311153	10510/2006
08-05 N	310939	14140/2006	09-07 B	310800	12570/2006
08-05 NES	310823	13719/2006	09-07 B	310802	12572/2006
08-05 NES	310885	14150/2006	09-07 B	310861	12540/2006
08-05 P	311163	12840/2006	09-07 B	310909	13223/2006
08-06	310816	14042/2006	09-07 B	310958	14102/2006
08-06	310871	14136/2006	09-07 C	311122	14315/2006
08-06	310872	14137/2006	09-07 NES	310800	12570/2006
08-06	310873	14138/2006	09-07 NES	310802	12572/2006
08-06	310874	14139/2006	09-07 NES	310958	14102/2006
08-06	311091	15214/2005	09-07 NES	311138	14135/2006
08-07	310833	13962/2006	10-02	310911	13826/2006
08-07	310887	14152/2006	10-02	310974	14130/2006
08-07	310902	12703/2006	10-07	310929	13994/2006
08-07	310950	12706/2006	10-07	310930	13995/2006
08-07	311075	11851/2006	10-07	310931	13996/2006
08-08 C	311004	12630/2006	10-07	310961	14132/2006
08-08 C	311005	12631/2006	10-07	310975	14131/2006
08-08 G	311091	15214/2005	11-02 E	310855	11088/2006
08-08 L	310863	13162/2006	11-02 E	310856	11089/2006
08-08 L	310864	13163/2006	11-02 E	310951	12963/2006
08-08 M	311004	12630/2006	11-02 E	310952	12964/2006
08-08 M	311005	12631/2006	11-02 E	310953	12965/2006
08-08 M	311094	13151/2006	11-05	310844	14034/2006
08-08 NES	311042	14244/2006	11-05	310845	14035/2006
08-08 NES	311043	14245/2006	11-05	310938	14005/2006
08-08 NES	311074	11707/2006	12-02	310926	14079/2006
08-99	310839	13107/2006	12-02	310927	14080/2006
09-01 B	310867	14075/2006	12-02	310928	14081/2006
09-01 H	311001	14099/2006	12-05	311020	14238/2006
09-01 K	310807	13750/2006	12-05	311021	14239/2006
09-01 NES	310818	11606/2006	12-05	311066	14381/2006
09-01 NES	310886	14151/2006	12-05	311069	14392/2006
09-01 NES	310947	14085/2006	12-05	311071	14395/2006
09-01 NES	311001	14099/2006	12-05	311131	14390/2006
09-02 A	310801	12571/2006	12-06 B	310924	14043/2006
09-02 C	310801	12571/2006	12-06 NES	310893	14213/2006
09-02 C	311076	14281/2006	12-06 NES	310894	14214/2006
09-02 C	311082	14279/2006	12-08	310881	12501/2006
09-02 NES	311000	13416/2006	12-08	311128	14385/2006
09-02 NES	311077	14280/2006	12-10	310949	11998/2006
09-03 F	310860	12539/2006	12-11	311092	14248/2006
09-03 K	310801	12571/2006	12-15 C	311168	14321/2006
09-03 K	311036	14297/2006	12-15 C	311169	14322/2006
09-03 L	310821	13708/2006	12-16 A	310914	13265/2006
09-03 L	310822	13718/2006	12-16 A	311018	13057/2006
09-03 L	311147	14365/2006	12-16 B	310838	12031/2006
09-03 L	311148	14366/2006	12-16 C	311068	14391/2006
09-03 L	311149	14367/2006	12-16 C	311070	14393/2006
09-03 M	310817	13703/2006	12-16 L	311044	14246/2006
09-03 M	310819	13705/2006	12-16 NES	310838	12031/2006
09-03 M	310878	11255/2006	12-16 NES	310888	14153/2006

Registration Proceedings - Class Listing of Designs Published or Registered cont'd

Classification	Registration Number	Design Number	Classification	Registration Number	Design Number
12-16 NES	310910	13789/2006	20-03 NES	311019	14122/2006
12-16 NES	311018	13057/2006	20-03 NES	311091	15214/2005
13-02	311038	14336/2006	20-03 NES	311156	11529/2006
13-02	311107	14333/2006	21-01 A	310951	12963/2006
13-02	311112	14386/2006	21-01 A	310952	12964/2006
13-03 C	311167	14306/2006	21-01 A	310953	12965/2006
13-03 D	311152	13974/2006	21-01 C	310881	12501/2006
14-01	310935	14002/2006	21-01 L	310880	11759/2006
14-01	310936	14003/2006	21-02 A	310847	14119/2006
14-02	310805	13739/2006	21-02 A	310869	14117/2006
14-02	310824	13737/2006	21-02 C	310868	14112/2006
14-02	310825	13738/2006	21-02 C	310970	14111/2006
14-02	310857	11485/2006	21-02 C	310979	14196/2006
14-02	310875	14267/2006	21-02 C	310980	14197/2006
14-02	310895	14218/2006	21-02 D	310967	14343/2006
14-02	311028	10629/2006	21-02 F	310920	11242/2006
14-02	311130	14388/2006	21-03	310941	14231/2006
14-02	311145	14363/2006	22-05	310866	14021/2006
14-02	311146	14364/2006	22-05	311140	14307/2006
14-03 E	311067	14382/2006	22-05	311141	14308/2006
14-03 E	311111	14383/2006	22-05	311142	14309/2006
14-04	311032	12414/2006	22-05	311143	14310/2006
14-04	311033	12416/2006	22-05	311144	14311/2006
14-04	311093	12415/2006	22-06	310846	14086/2006
14-99	310857	11485/2006	23-01 B	311154	11243/2006
15-01	311115	13755/2006	23-01 B	311155	14407/2006
15-02	310837	13979/2006	23-01 F	310848	14148/2006
15-03 A	310942	14237/2006	23-01 F	310849	14149/2006
15-03 NES	311029	12184/2006	23-01 F	310921	14276/2006
15-03 NES	311133	12169/2006	23-01 F	311058	14274/2006
15-05	310919	12480/2006	23-01 F	311059	14275/2006
15-05	310977	14191/2006	23-01 H	311080	14088/2006
15-99	311133	12169/2006	23-01 H	311081	14089/2006
16-01	310937	14004/2006	23-01 H	311120	14305/2006
16-05	310934	14001/2006	23-01 H	311121	14304/2006
16-06	310898	14262/2006	23-01 NES	310834	13963/2006
16-06	310899	14263/2006	23-01 NES	310892	14202/2006
16-06	310900	14264/2006	23-01 NES	311154	11243/2006
16-06	310901	14265/2006	23-01 NES	311155	14407/2006
16-06	310985	14260/2006	23-02 A	310809	13993/2006
16-06	310986	14261/2006	23-02 A	310810	13988/2006
16-06	310987	14266/2006	23-02 A	310858	12477/2006
16-06	311035	14289/2006	23-02 A	310859	12478/2006
16-06	311086	14288/2006	23-02 A	310879	11412/2006
18-99	310850	14173/2006	23-02 A	310889	14167/2006
18-99	310851	14174/2006	23-02 A	311034	14168/2006
18-99	310862	12883/2006	23-02 A	311048	14203/2006
19-02	310878	11255/2006	23-02 A	311049	14204/2006
19-04	310976	14178/2006	23-02 A	311050	14205/2006
19-06	310832	13952/2006	23-02 A	311051	14206/2006
19-06	310883	13813/2006	23-02 A	311052	14207/2006
19-06	310918	14236/2006	23-02 A	311053	14208/2006
19-08	311006	11282/2006	23-02 A	311054	14209/2006
19-08	311007	11283/2006	23-02 A	311055	14210/2006
19-99	310906	13091/2004	23-02 A	311056	14211/2006
19-99	310907	13089/2004	23-02 A	311057	14212/2006
19-99	310908	13090/2004	23-02 A	311091	15214/2005
19-99	311091	15214/2005	23-02 C	310897	14227/2006
20-03 NES	310845	14035/2006	23-02 F	310853	10258/2006

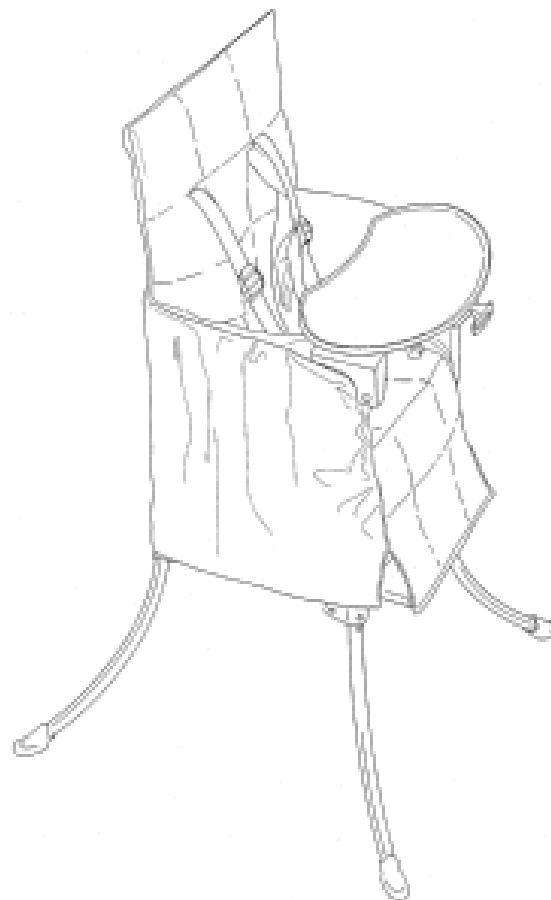
Registration Proceedings - Class Listing of Designs Published or Registered cont'd

Classification	Registration Number	Design Number	Classification	Registration Number	Design Number
23-02 NES	310809	13993/2006	25-01 NES	310904	11972/2006
23-02 NES	310810	13988/2006	25-02 B	311123	14317/2006
23-02 NES	310853	10258/2006	25-02 B	311124	14318/2006
23-04	310806	13749/2006	25-02 B	311126	14320/2006
23-04	310826	13746/2006	25-02 C	311119	13969/2006
23-04	310827	13747/2006	25-02 C	311164	13832/2006
23-04	310828	13748/2006	25-02 H	311060	14292/2006
23-04	310917	14087/2006	25-02 H	311125	14319/2006
23-04	311129	14387/2006	25-02 K	311024	14784/2006
24-01	310831	13924/2006	25-02 NES	310971	14124/2006
24-01	311113	12665/2006	25-04	310863	13162/2006
24-01	311114	12666/2006	25-04	310864	13163/2006
24-01	311132	12663/2006	25-04	310884	13921/2006
24-01	311134	12660/2006	25-04	310920	11242/2006
24-01	311135	12662/2006	26-03	310829	13756/2006
24-01	311136	12667/2006	26-03	310830	13757/2006
24-01	311137	12670/2006	26-05 A	310998	14100/2006
24-02	310803	13645/2006	26-05 A	310999	14101/2006
24-02	310804	13646/2006	26-05 A	311045	14247/2006
24-02	310923	14016/2006	26-05 NES	310981	14198/2006
24-04	311113	12665/2006	26-06	310854	11087/2006
24-04	311114	12666/2006	26-06	311003	12227/2006
24-04	311116	13872/2006	27-06	310840	13736/2006
24-04	311117	13873/2006	28-02	311088	14298/2006
24-04	311118	13874/2006	28-03 A	310943	14240/2006
24-04	311132	12663/2006	28-03 A	310984	14241/2006
24-04	311134	12660/2006	28-03 B	311157	11716/2006
24-04	311135	12662/2006	28-03 D	310876	10872/2006
24-04	311136	12667/2006	28-03 D	310877	14175/2006
24-04	311137	12670/2006	28-03 NES	310912	13837/2006
25-01 A	310978	14192/2006	28-03 NES	310982	14199/2006
25-01 B	310948	15025/2005	28-03 NES	311002	13728/2006
25-01 E	310972	14128/2006	28-99	310917	14087/2006
25-01 K	310983	14200/2006	29-99	311113	12665/2006
25-01 K	311023	14355/2006	29-99	311114	12666/2006
25-01 K	311025	14785/2006	29-99	311132	12663/2006
25-01 K	311026	14357/2006	29-99	311134	12660/2006
25-01 K	311027	14360/2006	29-99	311135	12662/2006
25-01 K	311046	14351/2006	29-99	311136	12667/2006
25-01 K	311047	11849/2006	29-99	311137	12670/2006
25-01 K	311060	14292/2006	30-03	310944	14271/2006
25-01 K	311089	14362/2006	30-03	310945	14272/2006
25-01 K	311095	14249/2006	30-03	310946	14273/2006
25-01 K	311109	14353/2006	30-99	310823	13719/2006
25-01 K	311110	14354/2006			
25-01 K	311150	14433/2006			
25-01 NES	310841	13740/2006			
25-01 NES	310903	11971/2006			

- (21) Design Number: **10016/2006**
- (22) Date of Filing Application: **05 January 2006**
- (24) Date from which industrial property rights may have effect: **05 January 2006**
- (54) Product in respect of which the design is registered: **High chair with cover**
- (51) International Design Classification: **06-01E**
- (71) Name(s) and Address(s) of Applicant(s):

**Philippe Starck**  
**18-20 rue du Faubourg du Temple 75011 Paris France**

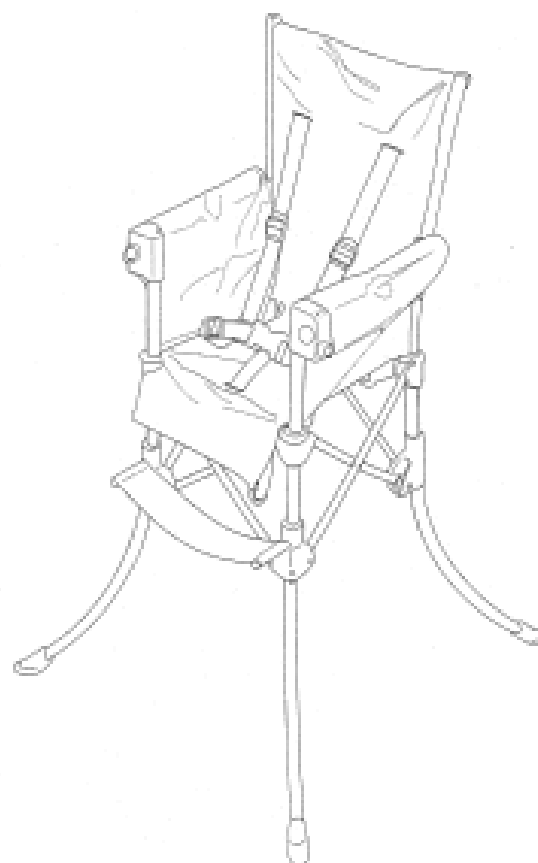
- (72) Name(s) of Designer(s): **Philippe Starck**
- (45) Registration Date: **20 October 2006**
- (56) Related Art Documents: **Not Applicable**
- (57) Statement of Newness and Distinctiveness: **Visual features of the design which are new and distinctive are the features of shape and configuration of a HIGH CHAIR WITH COVER as illustrated in the representations. The tray shown in the top plan, side front and perspective views does not form part of the design and is to be disregarded.**



- (21) Design Number: **10015/2006**
- (22) Date of Filing Application: **05 January 2006**
- (24) Date from which industrial property rights may have effect: **05 January 2006**
- (54) Product in respect of which the design is registered: **High chair**
- (51) International Design Classification: **06-01E**
- (71) Name(s) and Address(s) of Applicant(s):

**Philippe Starck**  
**18-20 rue du Faubourg du Temple 75011 Paris France**

- (72) Name(s) of Designer(s): **Philippe Starck**
- (45) Registration Date: **20 October 2006**
- (56) Related Art Documents: **Not Applicable**
- (57) Statement of Newness and Distinctiveness: **Visual features of the design which are new and distinctive are the features of shape and configuration of a HIGH CHAIR as illustrated in the representations.**



(21) Design Number: **12570/2006**

(22) Date of Filing Application: **15 June 2006**

(24) Date from which industrial property rights may have effect: **15 June 2006**

(54) Product in respect of which the design is registered: **A lid**

(51) International Design Classification: **09-07B, 09-07NES**

(71) Name(s) and Address(s) of Applicant(s):

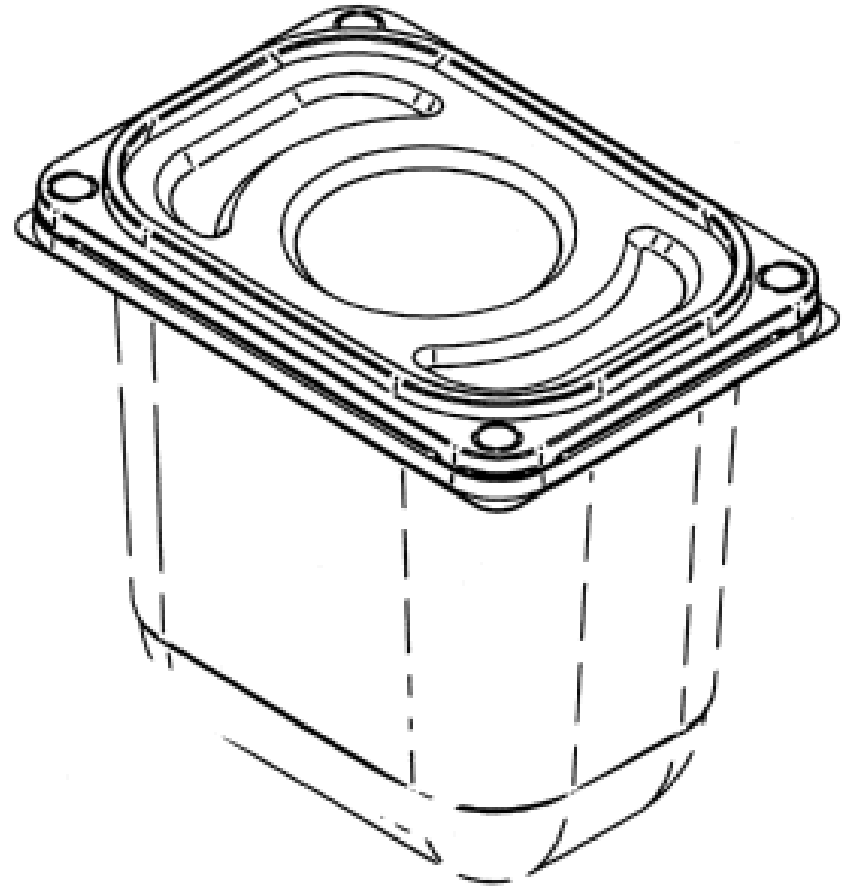
**Huhtamaki Australia Pty Limited  
225 Wellington Road Mulgrave Victoria 3170 Australia**

(72) Name(s) of Designer(s): **Colin Gilbert**

(45) Registration Date: **20 October 2006**

(56) Related Art Documents: **Not Applicable**

(57) Statement of Newness and Distinctiveness: **In considering the newness or distinctiveness of the design, regard is to be given to the overall shape and/or configuration of a lid as shown in the representations.**



(21) Design Number: **12571/2006**

(22) Date of Filing Application: **15 June 2006**

(24) Date from which industrial property rights may have effect: **15 June 2006**

(54) Product in respect of which the design is registered: **A container**

(51) International Design Classification: **09-02A, 09-02C, 09-03K**

(71) Name(s) and Address(s) of Applicant(s):

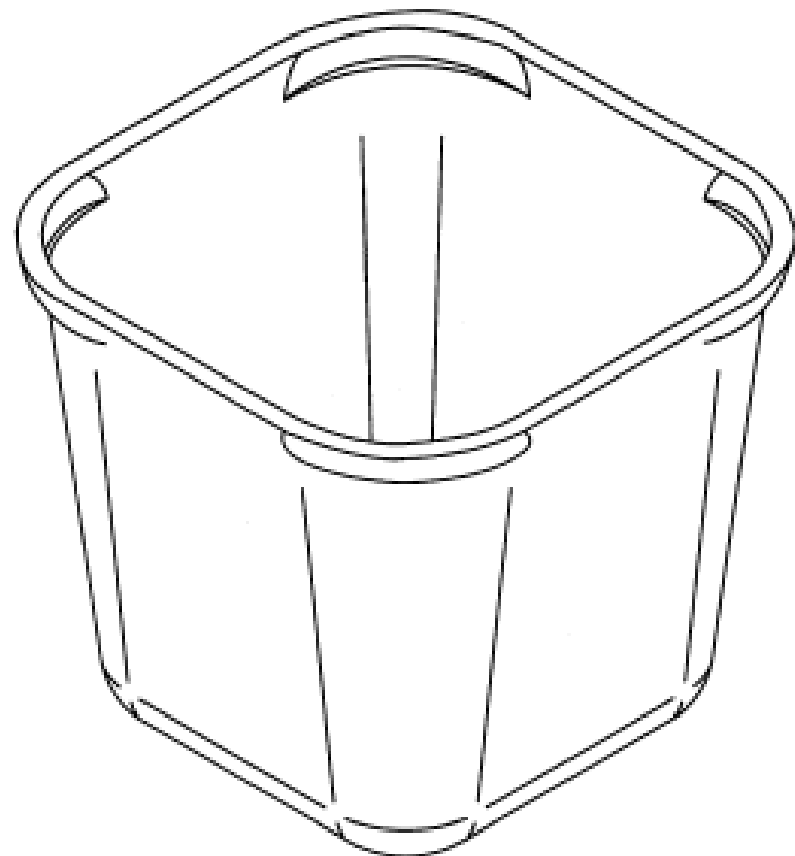
**Huhtamaki Australia Pty Limited  
225 Wellington Road Mulgrave Victoria 3170 Australia**

(72) Name(s) of Designer(s): **Colin Gilbert**

(45) Registration Date: **20 October 2006**

(56) Related Art Documents: **Not Applicable**

(57) Statement of Newness and Distinctiveness: **In considering the newness or distinctiveness of the design, regard is to be given to the overall shape and/or configuration of a container as shown in the representations.**



(21) Design Number: **12572/2006**

(22) Date of Filing Application: **15 June 2006**

(24) Date from which industrial property rights may have effect: **15 June 2006**

(54) Product in respect of which the design is registered: **A lid**

(51) International Design Classification: **09-07B, 09-07NES**

(71) Name(s) and Address(s) of Applicant(s):

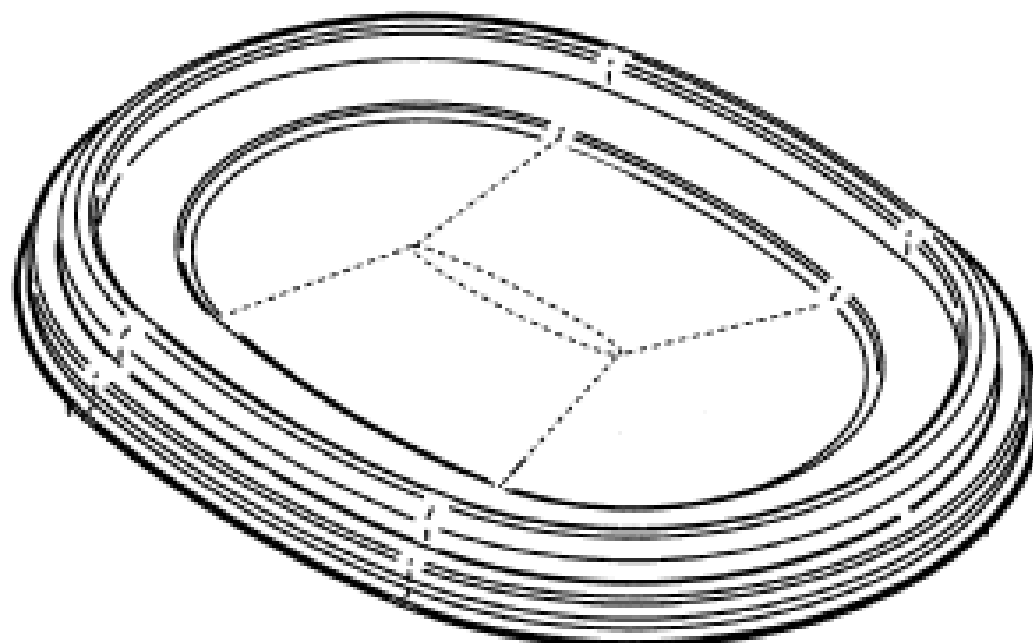
**Huhtamaki Australia Pty Limited  
225 Wellington Road Mulgrave Victoria 3170 Australia**

(72) Name(s) of Designer(s): **Colin Gilbert**

(45) Registration Date: **20 October 2006**

(56) Related Art Documents: **Not Applicable**

(57) Statement of Newness and Distinctiveness: **In considering the newness or distinctiveness of the design, regard is to be given to the overall shape and/or configuration of a lid as shown in the representations.**



(21) Design Number: **13645/2006**

(22) Date of Filing Application: **17 August 2006**

(24) Date from which industrial property rights may have effect: **17 August 2006**

(54) Product in respect of which the design is registered: **Handles for surgical instruments**

(51) International Design Classification: **24-02**

(71) Name(s) and Address(s) of Applicant(s):

**Biomet Spain Orthopaedics, S.L.  
c/Islas Baleares 50 10 Pol. Ind. Fuente del Jarro Paterna 46988  
Valencia Spain**

(72) Name(s) of Designer(s): **Alfredo Sierra Aparici and Vicente Fores Ahuir**

(45) Registration Date: **20 October 2006**

(56) Related Art Documents: **Not Applicable**

(57) Statement of Newness and Distinctiveness: **Newness and distinctiveness are claimed in the features of shape and/or configuration of a handle for surgical instruments, as illustrated in the accompanying representatives.**



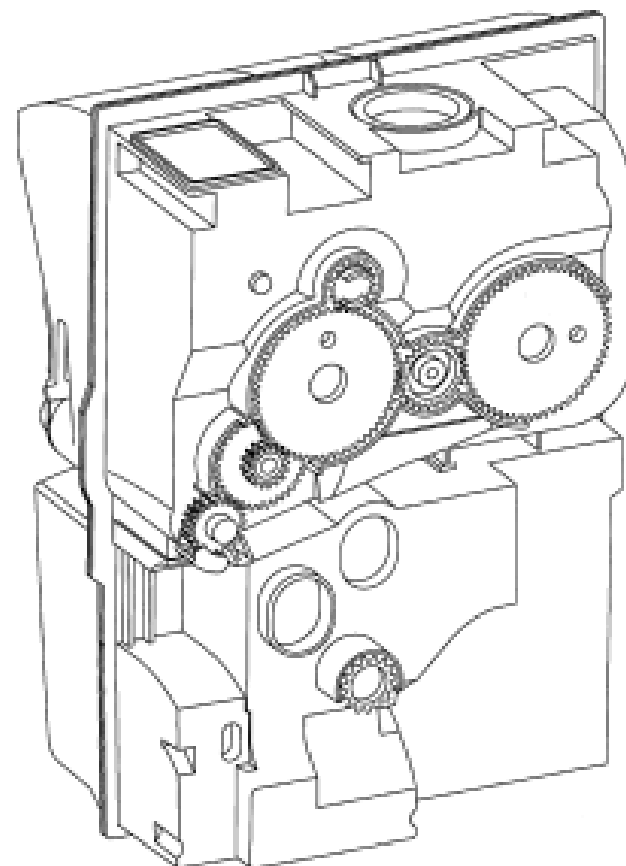
- (21) Design Number: **13646/2006**  
(22) Date of Filing Application: **17 August 2006**  
(24) Date from which industrial property rights may have effect: **17 August 2006**  
(54) Product in respect of which the design is registered: **Handles for surgical instruments**  
(51) International Design Classification: **24-02**  
(71) Name(s) and Address(s) of Applicant(s):  
**Biomet Spain Orthopaedics, S.L.**  
**c/Islas Baleares 50 10 Pol. Ind. Fuente del Jarro Paterna 46988**  
**Valencia Spain**  
(72) Name(s) of Designer(s): **Alfredo Sierra Aparici and Vicente Fores Ahuir**  
(45) Registration Date: **20 October 2006**  
(56) Related Art Documents: **Not Applicable**  
(57) Statement of Newness and Distinctiveness: **Newness and distinctiveness are claimed in the features of shape and/or configuration of a handle for surgical instruments, as illustrated in the accompanying representatives.**



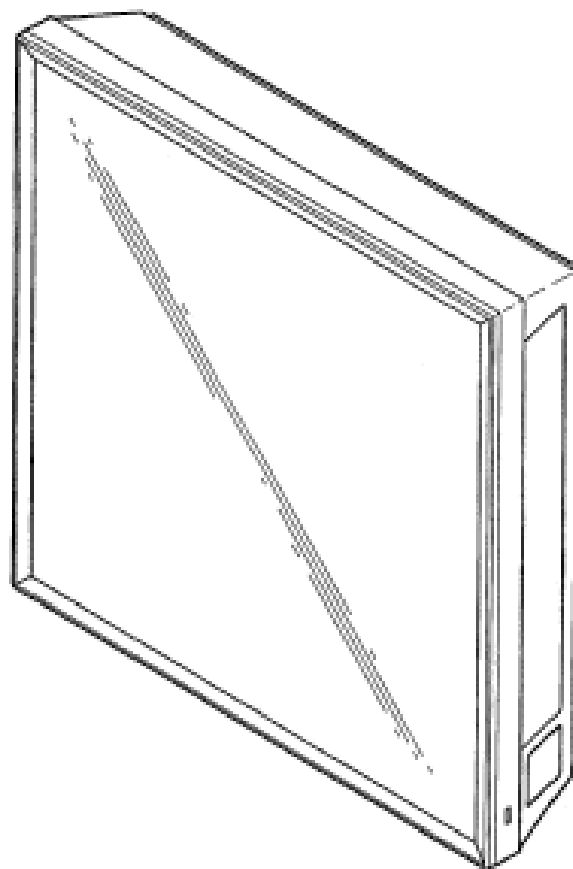
- (21) Design Number: **13739/2006**  
(22) Date of Filing Application: **22 August 2006**  
(24) Date from which industrial property rights may have effect: **22 August 2006**  
(54) Product in respect of which the design is registered: **Toner cartridge**  
(51) International Design Classification: **14-02**  
(71) Name(s) and Address(s) of Applicant(s):  
**Kyocera Mita Corporation**  
**2-28 Tamatsukuri 1-Chome Chuo-ku Osaka 540 8585 Japan**  
(72) Name(s) of Designer(s): **Masami Ikeda**  
(45) Registration Date: **20 October 2006**  
(30) Convention priority data:  

(31) Number	(32) Date	(33) Country
<b>2006-006038</b>	<b>09 Mar 2006</b>	<b>JAPAN</b>

  
(56) Related Art Documents: **Not Applicable**  
(57) Statement of Newness and Distinctiveness: **Nil**



(21) Design Number: **13749/2006**  
(22) Date of Filing Application: **23 August 2006**  
(24) Date from which industrial property rights may have effect: **23 August 2006**  
(54) Product in respect of which the design is registered: **Wall-mounted air conditioner**  
(51) International Design Classification: **23-04**  
(71) Name(s) and Address(s) of Applicant(s):  
**LG Electronics Inc.**  
**20 Yoido-dong Youngdungpo-ku Seoul Republic of Korea**  
(72) Name(s) of Designer(s): **Joong Gil Yoo and Hee Jae Kwon and Kyu Nam Lee**  
(45) Registration Date: **20 October 2006**  
(30) Convention priority data:  
(31) Number (32) Date (33) Country  
**30-2006-007062 24 Feb 2006 REPUBLIC OF KOREA**  
(56) Related Art Documents: **Not Applicable**  
(57) Statement of Newness and Distinctiveness: **Newness and distinctiveness of the design resides in the visual features of the front panel of the wall-mounted air conditioner depicted in the accompanying representations.**



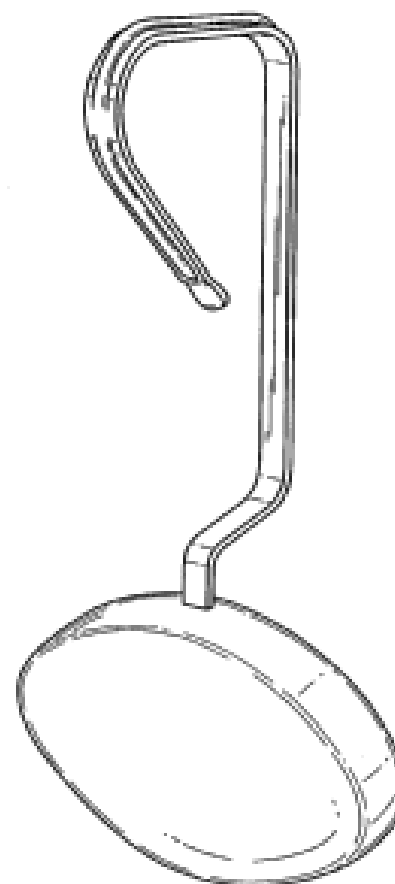
(21) Design Number: **13750/2006**  
(22) Date of Filing Application: **23 August 2006**  
(24) Date from which industrial property rights may have effect: **23 August 2006**  
(54) Product in respect of which the design is registered: **Food container**  
(51) International Design Classification: **07-01NES, 09-01K**  
(71) Name(s) and Address(s) of Applicant(s):  
**Pacific Market International, LLC**  
**2140 Elliott Avenue Fourth Floor Seattle Washington 98121 United States of America**  
(72) Name(s) of Designer(s): **Paul Gibbons and Carol Schreitmueller**  
(45) Registration Date: **20 October 2006**  
(30) Convention priority data:  
(31) Number (32) Date (33) Country  
**29/254494 24 Feb 2006 UNITED STATES OF AMERICA**  
(56) Related Art Documents: **Not Applicable**  
(57) Statement of Newness and Distinctiveness: **Nil**



(21) Design Number: **13991/2006**  
(22) Date of Filing Application: **06 September 2006**  
(24) Date from which industrial property rights may have effect: **06 September 2006**  
(54) Product in respect of which the design is registered: **Fondue fork**  
(51) International Design Classification: **07-03**  
(71) Name(s) and Address(s) of Applicant(s):  
**Pi-Design AG**  
(72) Name(s) of Designer(s): **Jorgen Bodum**  
(45) Registration Date: **20 October 2006**  
(30) Convention priority data:  
(31) Number (32) Date (33) Country  
**DA 2006 03 Apr 2006 DENMARK**  
**00105**  
(56) Related Art Documents: **Not Applicable**  
(57) Statement of Newness and Distinctiveness: **Nil**



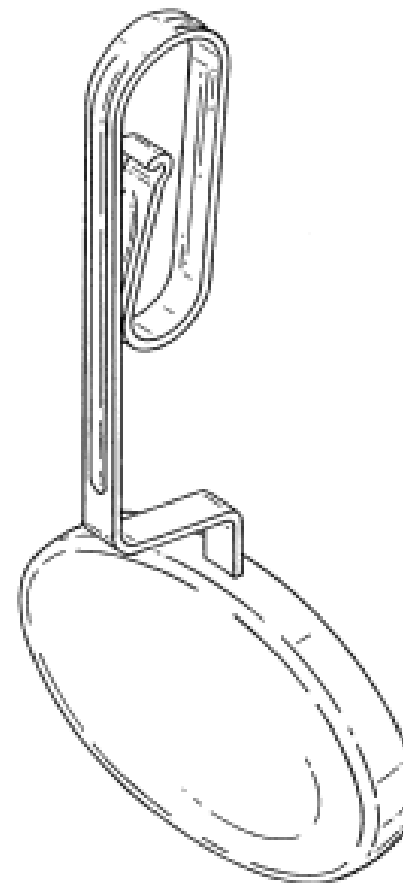
(21) Design Number: **13993/2006**  
(22) Date of Filing Application: **05 September 2006**  
(24) Date from which industrial property rights may have effect: **05 September 2006**  
(54) Product in respect of which the design is registered: **Lavatory dispensing device**  
(51) International Design Classification: **23-02A, 23-02NES**  
(71) Name(s) and Address(s) of Applicant(s):  
**Reckitt Benckiser Inc.**  
**Morris Corporate Center IV 399 Interpace Parkway Parsippany New Jersey 07054 United States of America**  
(72) Name(s) of Designer(s): **Nevin Arora and Christopher Brian King**  
(45) Registration Date: **20 October 2006**  
(30) Convention priority data:  
(31) Number (32) Date (33) Country  
**29/256577 22 Mar 2006 UNITED STATES OF AMERICA**  
(56) Related Art Documents: **Not Applicable**  
(57) Statement of Newness and Distinctiveness: **Newness and distinctiveness reside in the features of the design as shown in the representations.**



(19) AU

- (21) Design Number: **13988/2006**
- (22) Date of Filing Application: **05 September 2006**
- (24) Date from which industrial property rights may have effect: **05 September 2006**
- (54) Product in respect of which the design is registered: **Cageless lavatory dispensing device**
- (51) International Design Classification: **23-02A, 23-02NES**
- (71) Name(s) and Address(s) of Applicant(s):  
**Reckitt Benckiser Inc.**  
**Morris Corporate Center IV 399 Interpace Parkway Parsippany New Jersey 07054 United States of America**
- (72) Name(s) of Designer(s): **Nevin Arora and Diane Joyce Burt**
- (45) Registration Date: **20 October 2006**
- (30) Convention priority data:  

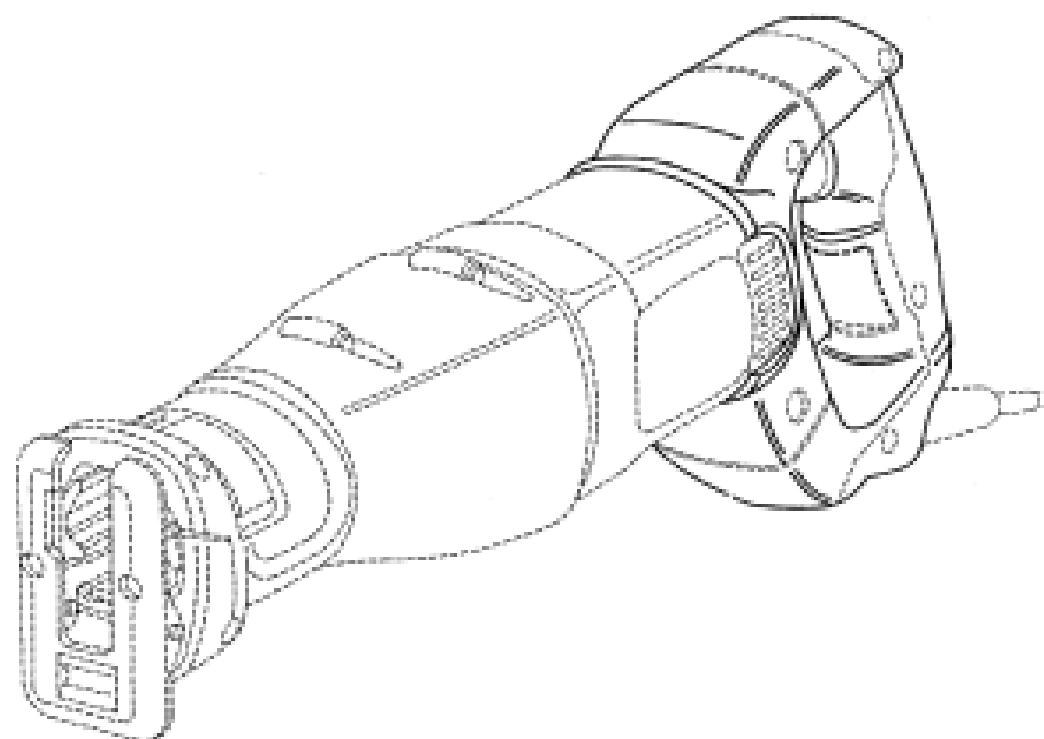
(31) Number	(32) Date	(33) Country
<b>29/246839</b>	<b>15 May 2006</b>	<b>UNITED STATES OF AMERICA</b>
- (56) Related Art Documents: **Not Applicable**
- (57) Statement of Newness and Distinctiveness: **Newness and distinctiveness reside in the features of the design as shown in the representations.**



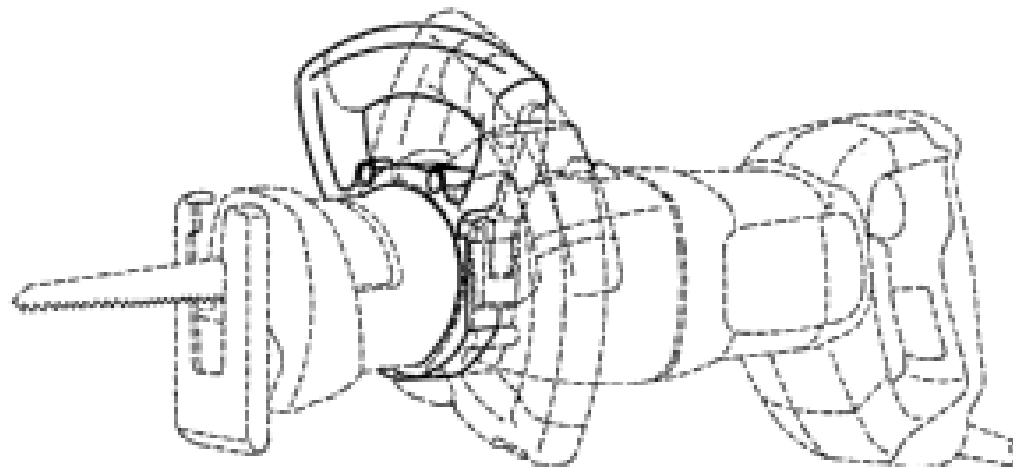
(19) AU

- (21) Design Number: **14025/2006**
- (22) Date of Filing Application: **07 September 2006**
- (24) Date from which industrial property rights may have effect: **07 September 2006**
- (54) Product in respect of which the design is registered: **Reciprocating saw handle**
- (51) International Design Classification: **08-03**
- (71) Name(s) and Address(s) of Applicant(s):  
**Black & Decker Inc.**  
**1207 Drummond Plaza Newark Delaware 19711 United States of America**
- (72) Name(s) of Designer(s): **Jason McRoberts and Terry L. Turner and Jason Busschaert and Ruth Mitchener and Vincent P. Cooper**
- (45) Registration Date: **20 October 2006**
- (30) Convention priority data:  

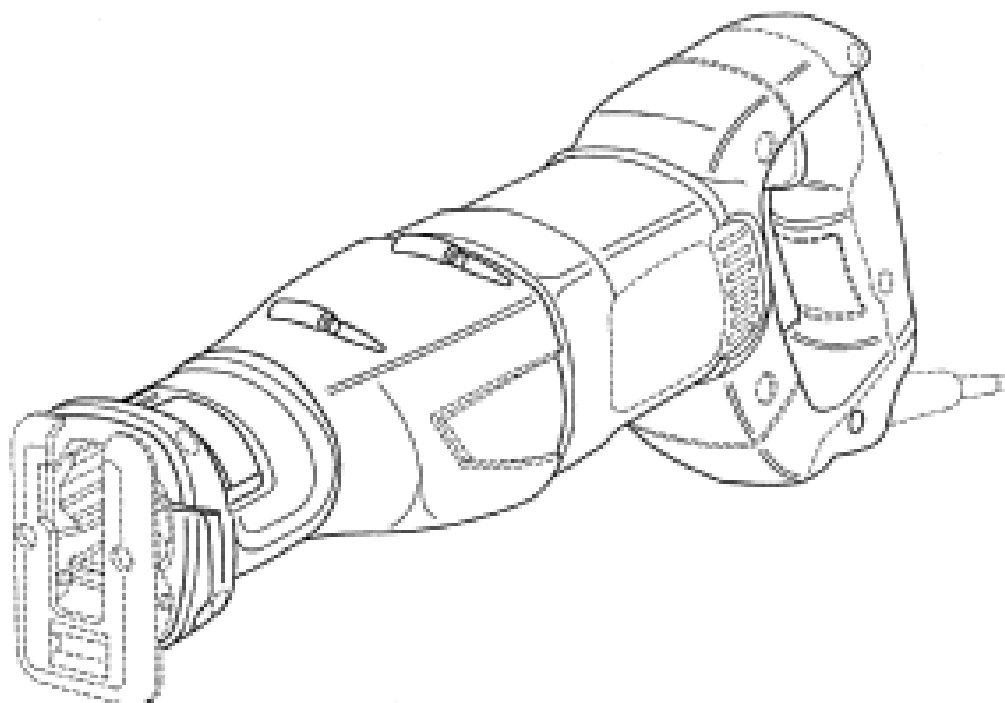
(31) Number	(32) Date	(33) Country
<b>29/255595</b>	<b>09 Mar 2006</b>	<b>UNITED STATES OF AMERICA</b>
- (56) Related Art Documents: **Not Applicable**
- (57) Statement of Newness and Distinctiveness: **Newness and distinctiveness of the design resides in the features of shape and configuration of the reciprocating saw handle shown in solid lines in the accompanying representations.**



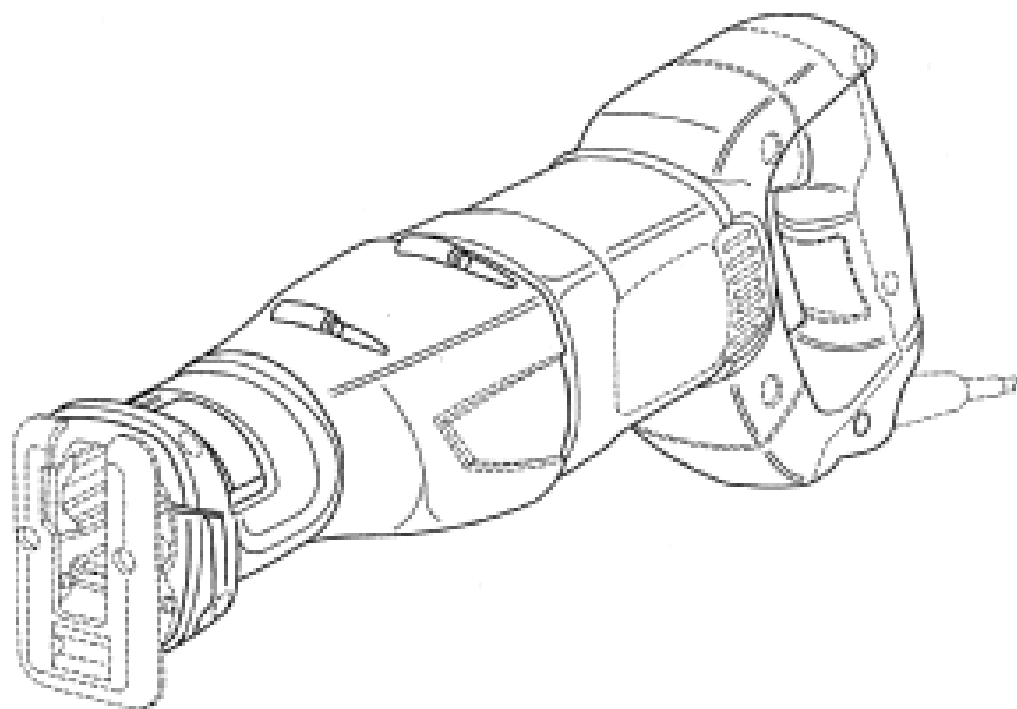
- (21) Design Number: **14026/2006**  
(22) Date of Filing Application: **07 September 2006**  
(24) Date from which industrial property rights may have effect: **07 September 2006**  
(54) Product in respect of which the design is registered: **Auxiliary handle for a reciprocating saw**  
(51) International Design Classification: **08-03**  
(71) Name(s) and Address(s) of Applicant(s):  
**Black & Decker Inc.**  
**1207 Drummond Plaza Newark Delaware 19711 United States of America**  
(72) Name(s) of Designer(s): **Jason McRoberts and Terry L. Turner and Jason Busschaert and Ruth Mitchener and Vincent P. Cooper**  
(45) Registration Date: **20 October 2006**  
(30) Convention priority data:  
(31) Number (32) Date (33) Country  
**29/255593 09 Mar 2006 UNITED STATES OF AMERICA**  
(56) Related Art Documents: **Not Applicable**  
(57) Statement of Newness and Distinctiveness: **Newness and distinctiveness of the design resides in the features of shape and configuration of the auxiliary handle for a reciprocating saw shown in solid lines in the accompanying representations.**



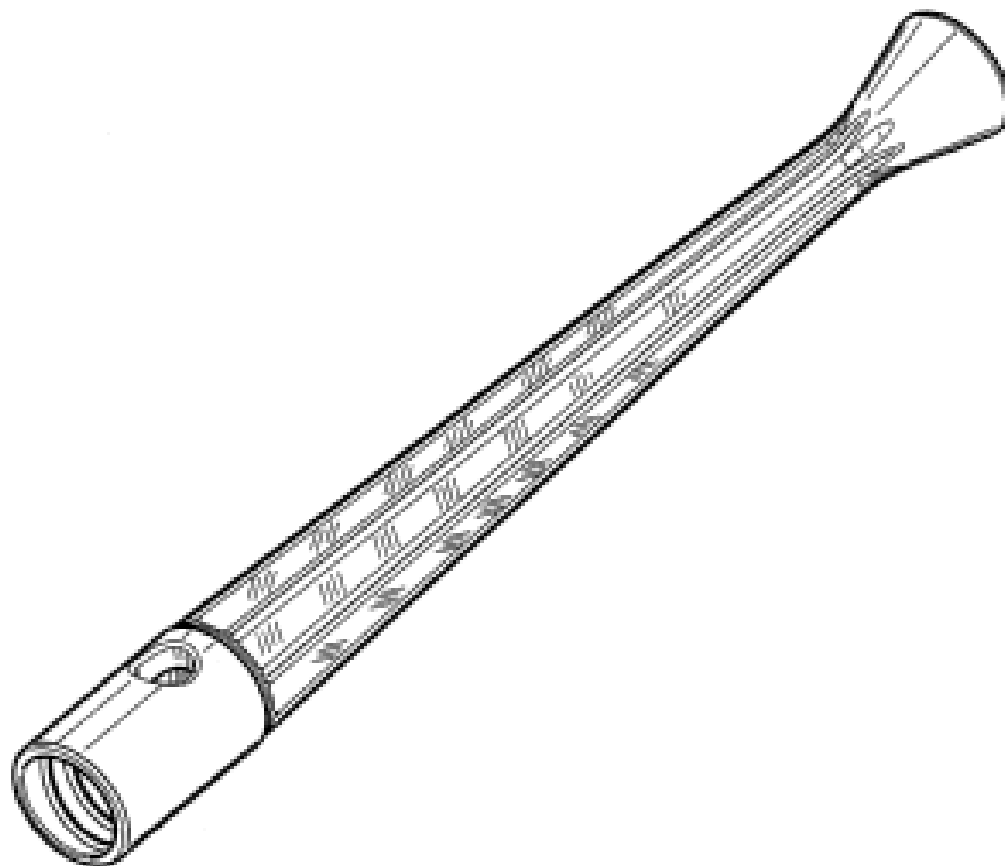
- (21) Design Number: **14027/2006**  
(22) Date of Filing Application: **07 September 2006**  
(24) Date from which industrial property rights may have effect: **07 September 2006**  
(54) Product in respect of which the design is registered: **Reciprocating saw**  
(51) International Design Classification: **08-03**  
(71) Name(s) and Address(s) of Applicant(s):  
**Black & Decker Inc.**  
**1207 Drummond Plaza Newark Delaware 19711 United States of America**  
(72) Name(s) of Designer(s): **Jason McRoberts and Terry L. Turner and Jason Busschaert and Ruth Mitchener and Vincent P. Cooper**  
(45) Registration Date: **20 October 2006**  
(30) Convention priority data:  
(31) Number (32) Date (33) Country  
**29/255590 09 Mar 2006 UNITED STATES OF AMERICA**  
(56) Related Art Documents: **Not Applicable**  
(57) Statement of Newness and Distinctiveness: **Newness and distinctiveness of the design resides in the features of shape and configuration of the reciprocating saw shown in solid lines in the accompanying representations.**



- (21) Design Number: **14028/2006**  
(22) Date of Filing Application: **07 September 2006**  
(24) Date from which industrial property rights may have effect: **07 September 2006**  
(54) Product in respect of which the design is registered: **Reciprocating saw**  
(51) International Design Classification: **08-03**  
(71) Name(s) and Address(s) of Applicant(s):  
**Black & Decker Inc.**  
**1207 Drummond Plaza Newark Delaware 19711 United States of America**  
(72) Name(s) of Designer(s): **Jason McRoberts and Terry L. Turner and Jason Busschaert and Ruth Mitchener and Vincent P. Cooper**  
(45) Registration Date: **20 October 2006**  
(30) Convention priority data:  
(31) Number (32) Date (33) Country  
**29/255590 09 Mar 2006 UNITED STATES OF AMERICA**  
(56) Related Art Documents: **Not Applicable**  
(57) Statement of Newness and Distinctiveness: **Newness and distinctiveness of the design resides in the features of shape and configuration of the handle of the reciprocating saw shown in solid lines in the accompanying representations.**



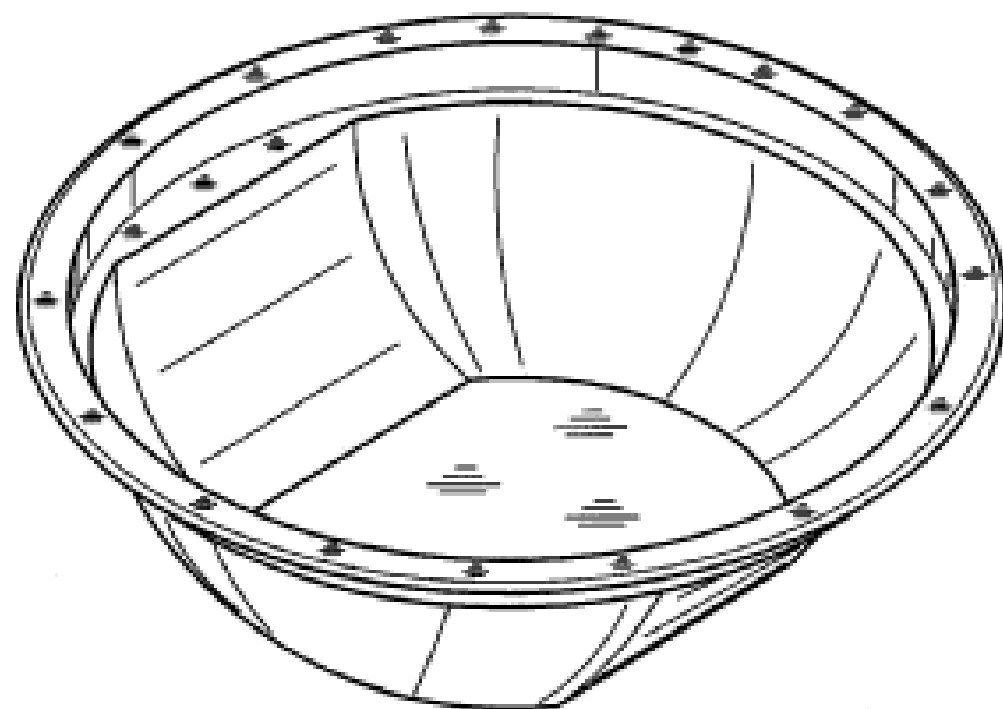
- (21) Design Number: **14029/2006**  
(22) Date of Filing Application: **07 September 2006**  
(24) Date from which industrial property rights may have effect: **07 September 2006**  
(54) Product in respect of which the design is registered: **Delicate duster handle**  
(51) International Design Classification: **04-01**  
(71) Name(s) and Address(s) of Applicant(s):  
**The Decor Corporation Pty Ltd**  
**1314 Ferntree Gully Road Scoresby Victoria 3179 Australia**  
(72) Name(s) of Designer(s): **Anthony Henry Wolfenden**  
(45) Registration Date: **20 October 2006**  
(56) Related Art Documents: **Not Applicable**  
(57) Statement of Newness and Distinctiveness: **Nil**



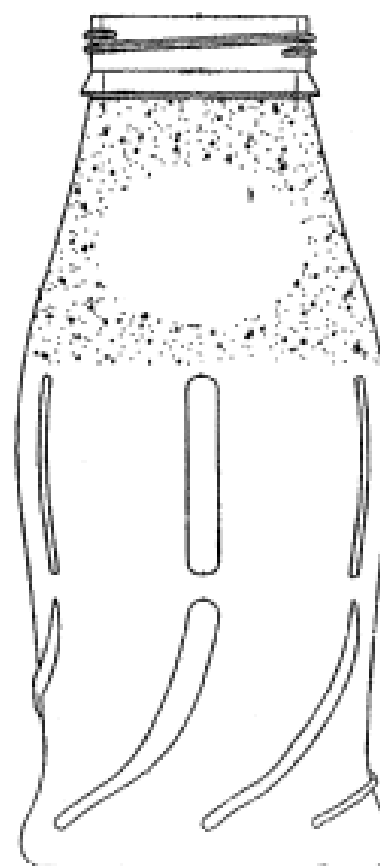
(21) Design Number: **14042/2006**  
(22) Date of Filing Application: **08 September 2006**  
(24) Date from which industrial property rights may have effect: **08 September 2006**  
(54) Product in respect of which the design is registered: **A grip for a handset**  
(51) International Design Classification: **08-06**  
(71) Name(s) and Address(s) of Applicant(s):  
**Newfrey LLC**  
**1207 Drummond Plaza Newark Delaware 19711 United States of America**  
(72) Name(s) of Designer(s): **Yos Singtoroj**  
(45) Registration Date: **20 October 2006**  
(30) Convention priority data:  
(31) Number      (32) Date      (33) Country  
**29255484      08 Mar 2006      UNITED STATES OF AMERICA**  
(56) Related Art Documents: **Not Applicable**  
(57) Statement of Newness and Distinctiveness: **Nil**



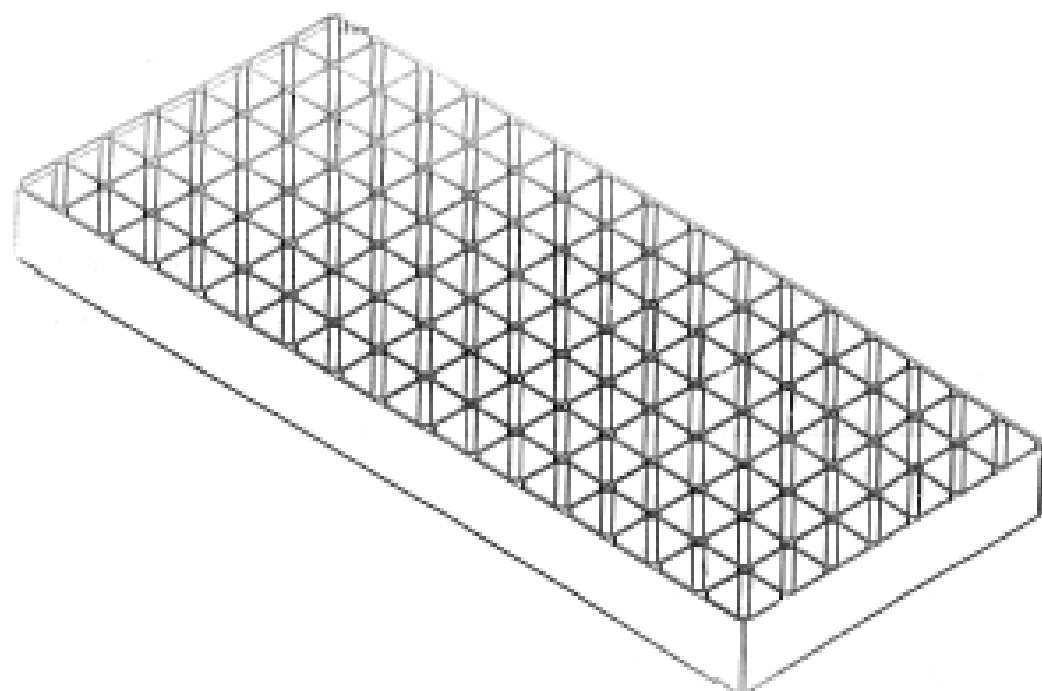
(21) Design Number: **13703/2006**  
(22) Date of Filing Application: **11 August 2006**  
(24) Date from which industrial property rights may have effect: **11 August 2006**  
(54) Product in respect of which the design is registered: **Dairy tub**  
(51) International Design Classification: **09-03M**  
(71) Name(s) and Address(s) of Applicant(s):  
**Poseidon Tarama Pty. Ltd.**  
**532-534 Clayton Road Clayton South Victoria 3169 Australia**  
(72) Name(s) of Designer(s): **Andrew Berry**  
(45) Registration Date: **20 October 2006**  
(56) Related Art Documents: **Not Applicable**  
(57) Statement of Newness and Distinctiveness: **Newness and distinctiveness reside in the dairy tub as shown in the accompanying representations.**



- (21) Design Number: **11606/2006**  
(22) Date of Filing Application: **18 April 2006**  
(24) Date from which industrial property rights may have effect: **18 April 2006**  
(54) Product in respect of which the design is registered: **FRUITREE bottle device**  
(51) International Design Classification: **09-01NES**  
(71) Name(s) and Address(s) of Applicant(s):  
**Fraser and Neave Limited**  
**#21-00 Alexandra Point 438 Alexandra Road 119958 Singapore**  
(72) Name(s) of Designer(s): **Xu Dong**  
(45) Registration Date: **23 October 2006**  
(30) Convention priority data:  
(31) Number (32) Date (33) Country  
**D2005/1886/B 27 Oct 2005 SINGAPORE**  
(56) Related Art Documents: **Not Applicable**  
(57) Statement of Newness and Distinctiveness: **Newness and distinctiveness resides in the shape, configuration and pattern of the article as shown in the attached representations.**



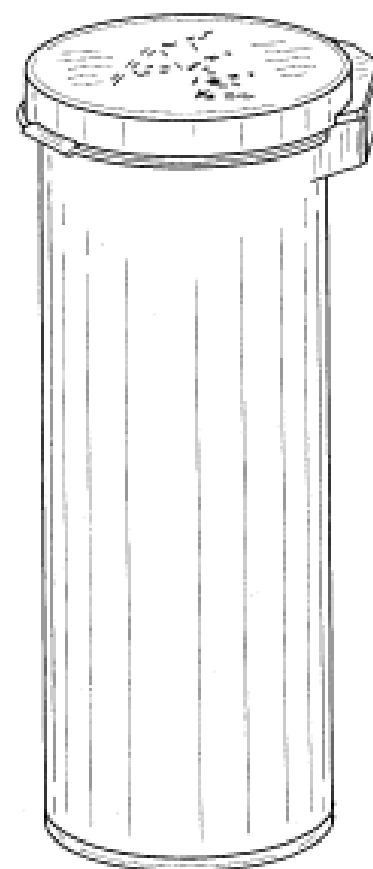
- (21) Design Number: **13705/2006**  
(22) Date of Filing Application: **22 August 2006**  
(24) Date from which industrial property rights may have effect: **22 August 2006**  
(54) Product in respect of which the design is registered: **Seedling tray**  
(51) International Design Classification: **09-03M**  
(71) Name(s) and Address(s) of Applicant(s):  
**Choice Seedlings Pty Ltd**  
**25A Terry Road Theresa Park New South Wales 2750 Australia**  
(72) Name(s) of Designer(s): **Jeffrey Borg**  
(45) Registration Date: **23 October 2006**  
(56) Related Art Documents: **Not Applicable**  
(57) Statement of Newness and Distinctiveness: **Monopoly is claimed in the shape and configuration of a seedling tray as illustrated in the accompanying representations. In considering the newness and distinctiveness of the design, regard is to be given to the number of cells, their octagonal shape and the ventilation holes between the rows of cells (as illustrated in sheet 2/3 of the representations).**



(21) Design Number: **13707/2006**  
(22) Date of Filing Application: **21 August 2006**  
(24) Date from which industrial property rights may have effect: **21 August 2006**  
(54) Product in respect of which the design is registered: **A toothbrush**  
(51) International Design Classification: **04-02**  
(71) Name(s) and Address(s) of Applicant(s):  
**GlaxoSmithKline Consumer Healthcare GmbH & Co. KG**  
**Bussmatten 1 D-77815 Buehl (Baden) Germany**  
(72) Name(s) of Designer(s): **Tamas Berde and Christoph Geiberger and Klaus Reinbold**  
(45) Registration Date: **23 October 2006**  
(30) Convention priority data:  
(31) Number (32) Date (33) Country  
**3024038 22 Feb 2006 UNITED KINGDOM**  
(56) Related Art Documents: **Not Applicable**  
(57) Statement of Newness and Distinctiveness: **Newness and distinctiveness is claimed in the visual features shown within the box marked 'A' in the representations.**



(21) Design Number: **13708/2006**  
(22) Date of Filing Application: **21 August 2006**  
(24) Date from which industrial property rights may have effect: **21 August 2006**  
(54) Product in respect of which the design is registered: **A container**  
(51) International Design Classification: **09-03L**  
(71) Name(s) and Address(s) of Applicant(s):  
**SmithKline Beecham Corporation**  
**One Franklin Plaza PO Box 7929 Philadelphia Pennsylvania 19101**  
**United States of America**  
(72) Name(s) of Designer(s): **Ronald Supranowicz**  
(45) Registration Date: **23 October 2006**  
(30) Convention priority data:  
(31) Number (32) Date (33) Country  
**29254368 22 Feb 2006 UNITED STATES OF AMERICA**  
(56) Related Art Documents: **Not Applicable**  
(57) Statement of Newness and Distinctiveness: **Nil**



(21) Design Number: 13718/2006

(22) Date of Filing Application: 21 August 2006

(24) Date from which industrial property rights may have effect: 21 August 2006

(54) Product in respect of which the design is registered: **A container for water ice blocks (contained in plastic, purchased off the supermarket shelf and later frozen at**

(51) International Design Classification: 09-03L

(71) Name(s) and Address(s) of Applicant(s):

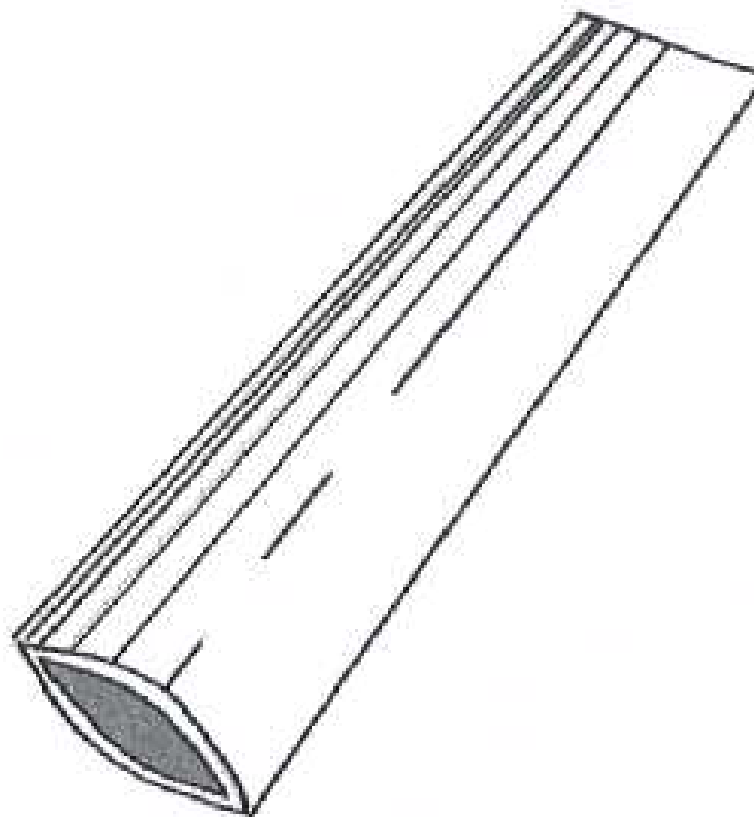
**Richard Westbury**  
**110 Oliver Street Harbord New South Wales 2096 Australia**

(72) Name(s) of Designer(s): **Richard Westbury**

(45) Registration Date: 23 October 2006

(56) Related Art Documents: **Not Applicable**

(57) Statement of Newness and Distinctiveness: **It is worth noting that I have registered a trademark name for my design on 15th of August 2006 as a "Coolie", which it shall be referred to in the following paragraph. If for some reason the trademark is refused then another name will be sought. Notwithstanding this, the design characteristics will remain the same. The Coolie is made of a pliable insulating material used for holding/containing frozen water ice blocks (which are usually purchased off supermarket shelves and kept in the home freezer). The measurements of the water ice blocks are normally between 10 and 30 cm long with a width of 2 to 5 cm. The coolie is designed to sit snugly and tightly around the ice block. It will keep the users hand free from direct contact with the cold ice block as well as insulate the ice block from the heat of the day. The Coolie would be made of rubber, plastic or similar material. The material may also be in a malleable form so when squeezed the ice block can be made to sit higher as it is being consumed.**



(21) Design Number: 13719/2006

(22) Date of Filing Application: 21 August 2006

(24) Date from which industrial property rights may have effect: 21 August 2006

(54) Product in respect of which the design is registered: **Puppy Le Poop Scoop has been designed with the purpose to pick up 'dog's poo' from footpaths, parks etc. Also has a**

(51) International Design Classification: 30-99, 08-05NES

(71) Name(s) and Address(s) of Applicant(s):

**Francois Guilloud**  
**63 Patricia Street Marsfield New South Wales 2122 Australia**

**Deborah Guilloud**  
**63 Patricia Street Marsfield New South Wales 2122 Australia**

(72) Name(s) of Designer(s): **Francois J. Guilloud**

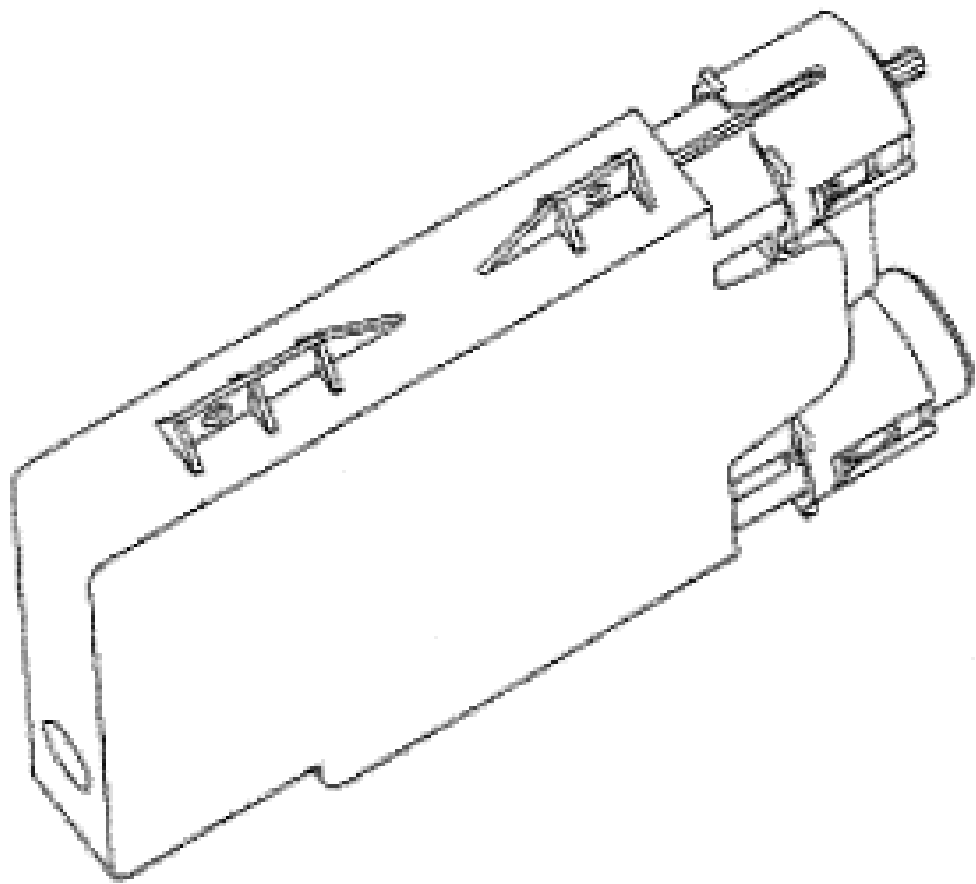
(45) Registration Date: 23 October 2006

(56) Related Art Documents: **Not Applicable**

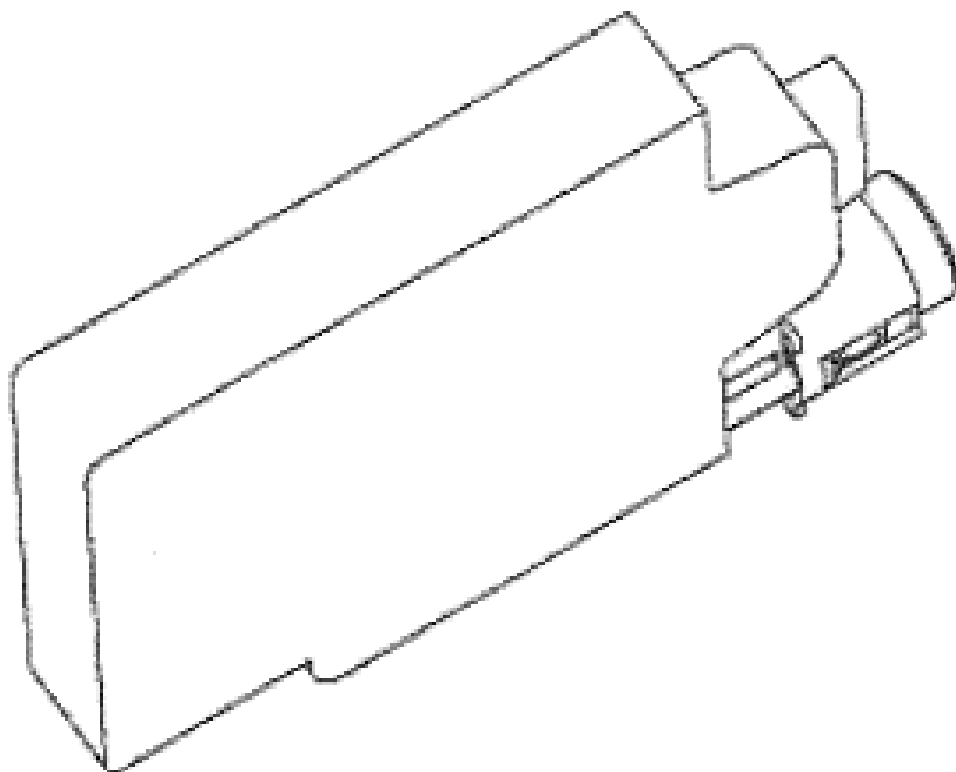
(57) Statement of Newness and Distinctiveness: **Nil**



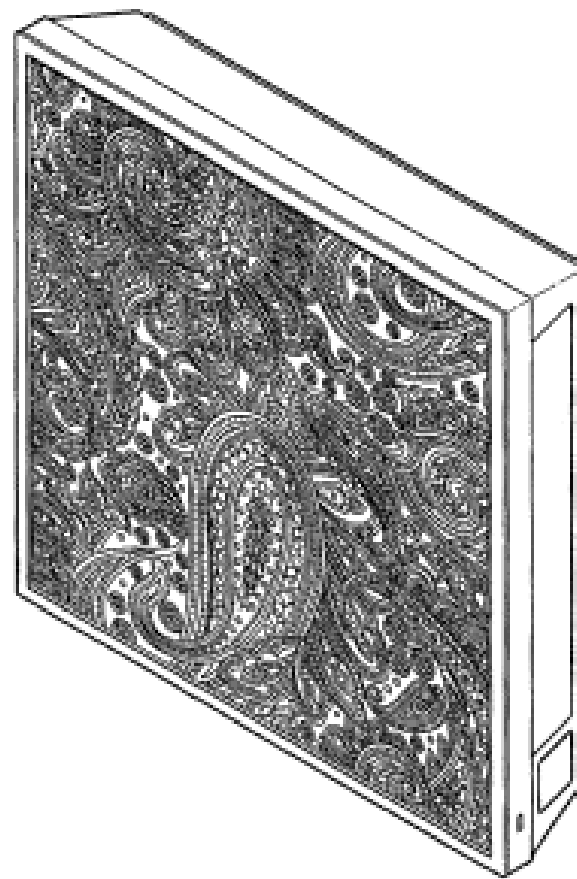
- (21) Design Number: **13737/2006**  
(22) Date of Filing Application: **22 August 2006**  
(24) Date from which industrial property rights may have effect: **22 August 2006**  
(54) Product in respect of which the design is registered: **Ink cartridge**  
(51) International Design Classification: **14-02**  
(71) Name(s) and Address(s) of Applicant(s):  
**Brother Industries, Ltd**  
**15-1 Naeshiro-cho Mizuho-hu, Nagoya-shi Aichi-Ken Japan**  
(72) Name(s) of Designer(s): **Shingo Hattori**  
(45) Registration Date: **23 October 2006**  
(30) Convention priority data:  
(31) Number      (32) Date      (33) Country  
**2006-4992      28 Feb 2006      JAPAN**  
(56) Related Art Documents: **Not Applicable**  
(57) Statement of Newness and Distinctiveness: **Monopoly is claimed in the shape and configuration of the features of the article as depicted in the accompanying representations. No monopoly is claimed in the letters and arrows depicted in Front Plan View in the accompanying representations.**



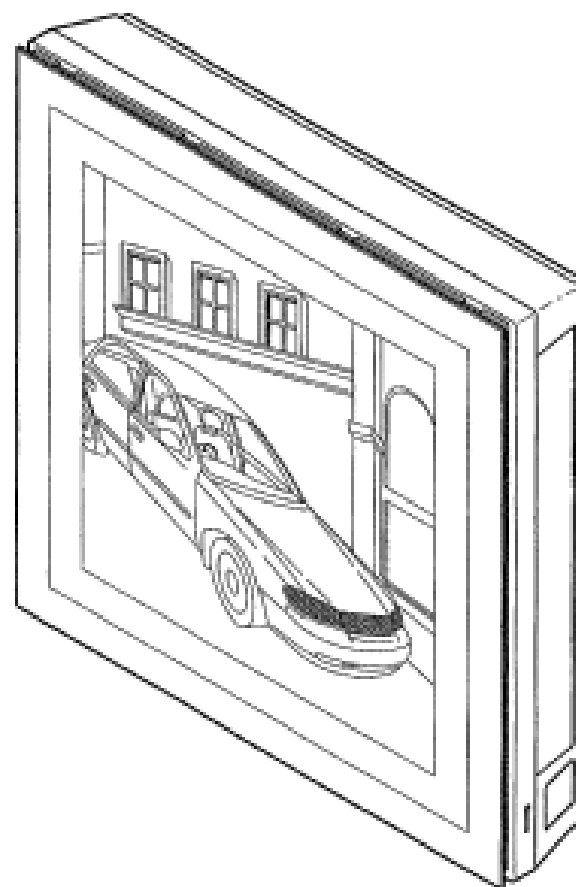
- (21) Design Number: **13738/2006**  
(22) Date of Filing Application: **22 August 2006**  
(24) Date from which industrial property rights may have effect: **22 August 2006**  
(54) Product in respect of which the design is registered: **Ink cartridge**  
(51) International Design Classification: **14-02**  
(71) Name(s) and Address(s) of Applicant(s):  
**Brother Industries, Ltd**  
**15-1 Naeshiro-cho Mizuho-hu, Nagoya-shi Aichi-Ken Japan**  
(72) Name(s) of Designer(s): **Shingo Hattori**  
(45) Registration Date: **23 October 2006**  
(30) Convention priority data:  
(31) Number      (32) Date      (33) Country  
**2006-4993      28 Feb 2006      JAPAN**  
(56) Related Art Documents: **Not Applicable**  
(57) Statement of Newness and Distinctiveness: **Monopoly is claimed in the shape and configuration of the features of the article as depicted in the accompanying representations. No monopoly is claimed in the letters and arrows depicted in Front Plan View in the accompanying representations.**



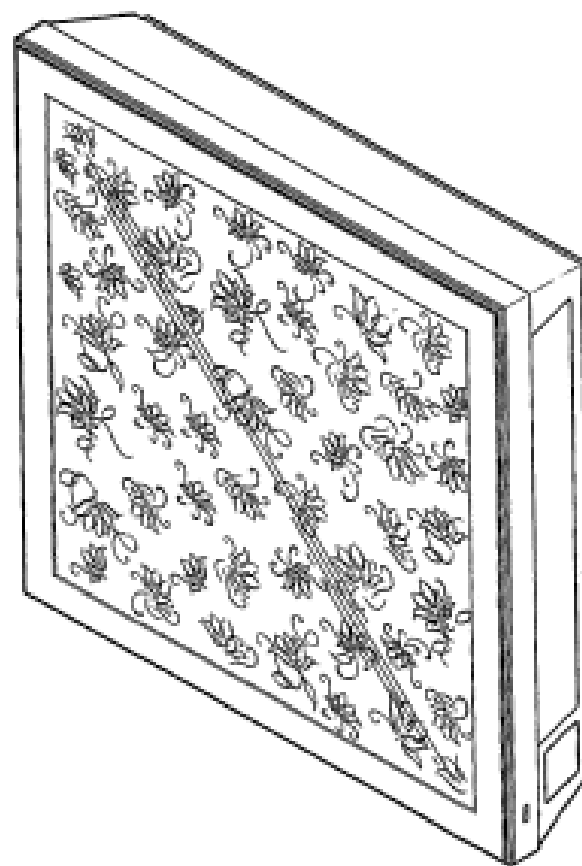
- (21) Design Number: **13746/2006**  
(22) Date of Filing Application: **23 August 2006**  
(24) Date from which industrial property rights may have effect: **23 August 2006**  
(54) Product in respect of which the design is registered: **Wall-mounted air conditioner**  
(51) International Design Classification: **23-04**  
(71) Name(s) and Address(s) of Applicant(s):  
**LG Electronics Inc.**  
**20 Yoido-dong Youngdungpo-ku Seoul Republic of Korea**  
(72) Name(s) of Designer(s): **Joong Gil Yoo and Hee Jae Kwon and Kyu Nam Lee**  
(45) Registration Date: **23 October 2006**  
(30) Convention priority data:  
(31) Number (32) Date (33) Country  
**30-2006-0007063 24 Feb 2006 REPUBLIC OF KOREA**  
(56) Related Art Documents: **Not Applicable**  
(57) Statement of Newness and Distinctiveness: **Newness and distinctiveness of the design resides in the visual features of the front panel of the wall-mounted air conditioner depicted in the accompanying representations.**



- (21) Design Number: **13747/2006**  
(22) Date of Filing Application: **23 August 2006**  
(24) Date from which industrial property rights may have effect: **23 August 2006**  
(54) Product in respect of which the design is registered: **Wall-mounted air conditioner**  
(51) International Design Classification: **23-04**  
(71) Name(s) and Address(s) of Applicant(s):  
**LG Electronics Inc.**  
**20 Yoido-dong Youngdungpo-ku Seoul Republic of Korea**  
(72) Name(s) of Designer(s): **Joong Gil Yoo and Hee Jae Kwon and Kyu Nam Lee**  
(45) Registration Date: **23 October 2006**  
(30) Convention priority data:  
(31) Number (32) Date (33) Country  
**30-2006-0007059 24 Feb 2006 REPUBLIC OF KOREA**  
(56) Related Art Documents: **Not Applicable**  
(57) Statement of Newness and Distinctiveness: **Newness and distinctiveness of the design resides in the visual features of the front panel of the wall-mounted air conditioner that includes a transparent portion, as depicted in the accompanying representations.**



- (21) Design Number: **13748/2006**  
(22) Date of Filing Application: **23 August 2006**  
(24) Date from which industrial property rights may have effect: **23 August 2006**  
(54) Product in respect of which the design is registered: **Wall-mounted air conditioner**  
(51) International Design Classification: **23-04**  
(71) Name(s) and Address(s) of Applicant(s):  
**LG Electronics Inc.**  
**20 Yoido-dong Youngdungpo-ku Seoul Republic of Korea**  
(72) Name(s) of Designer(s): **Joong Gil Yoo and Hee Jae Kwon and Kyu Nam Lee**  
(45) Registration Date: **23 October 2006**  
(30) Convention priority data:  
(31) Number (32) Date (33) Country  
**30-2006-0007060 24 Feb 2006 REPUBLIC OF KOREA**  
(56) Related Art Documents: **Not Applicable**  
(57) Statement of Newness and Distinctiveness: **Newness and distinctiveness of the design resides in the visual features of the front panel of the wall-mounted air conditioner depicted in the accompanying representations.**



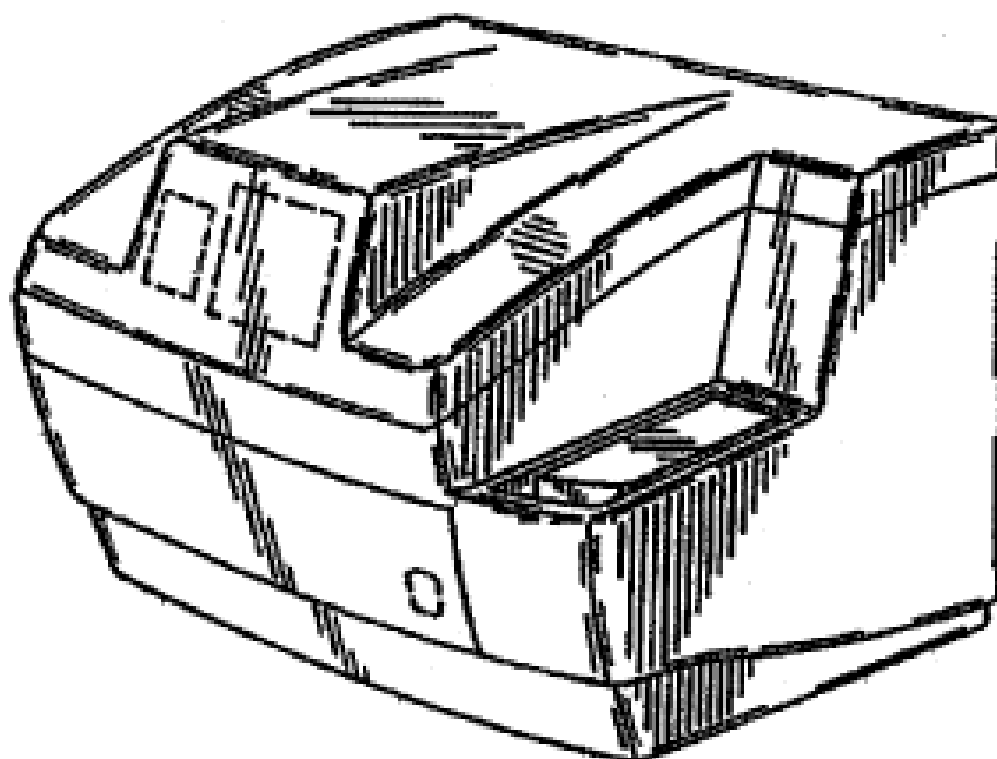
- (21) Design Number: **13756/2006**  
(22) Date of Filing Application: **23 August 2006**  
(24) Date from which industrial property rights may have effect: **23 August 2006**  
(54) Product in respect of which the design is registered: **Spot light**  
(51) International Design Classification: **26-03**  
(71) Name(s) and Address(s) of Applicant(s):  
**ERCO Leuchten GmbH**  
**Brockhauser Weg 80-82 58507 Ludenscheid Germany**  
(72) Name(s) of Designer(s): **Henk Kosche and Alois Dworschak**  
(45) Registration Date: **23 October 2006**  
(30) Convention priority data:  
(31) Number (32) Date (33) Country  
**000488929 03 Mar 2006 EUROPEAN COMMUNITY**  
(56) Related Art Documents: **Not Applicable**  
(57) Statement of Newness and Distinctiveness: **Nil**



(21) Design Number: **13757/2006**  
(22) Date of Filing Application: **23 August 2006**  
(24) Date from which industrial property rights may have effect: **23 August 2006**  
(54) Product in respect of which the design is registered: **Spot light**  
(51) International Design Classification: **26-03**  
(71) Name(s) and Address(s) of Applicant(s):  
**ERCO Leuchten GmbH**  
**Brockhauser Weg 80-82 58507 Ludenscheid Germany**  
(72) Name(s) of Designer(s): **Henk Kosche and Alois Dworschak**  
(45) Registration Date: **23 October 2006**  
(30) Convention priority data:  
(31) Number (32) Date (33) Country  
**00488929 03 Mar 2006 EUROPEAN COMMUNITY**  
(56) Related Art Documents: **Not Applicable**  
(57) Statement of Newness and Distinctiveness: **Nil**



(21) Design Number: **13924/2006**  
(22) Date of Filing Application: **30 August 2006**  
(24) Date from which industrial property rights may have effect: **30 August 2006**  
(54) Product in respect of which the design is registered: **A reprocessor**  
(51) International Design Classification: **24-01**  
(71) Name(s) and Address(s) of Applicant(s):  
**Steris Inc.**  
**43425 Business Park Drive Temecula California 92590 United States of America**  
(72) Name(s) of Designer(s): **Sona Patadia and John J. Mayer**  
(45) Registration Date: **23 October 2006**  
(30) Convention priority data:  
(31) Number (32) Date (33) Country  
**29/255,245 06 Mar 2006 UNITED STATES OF AMERICA**  
(56) Related Art Documents: **Not Applicable**  
(57) Statement of Newness and Distinctiveness: **In considering the newness or distinctiveness of the design, regard is to be given to the overall shape and/or configuration of a reprocessor as shown in the representations.**



(21) Design Number: **13952/2006**

(22) Date of Filing Application: **31 August 2006**

(24) Date from which industrial property rights may have effect: **31 August 2006**

(54) Product in respect of which the design is registered: **Writing instrument**

(51) International Design Classification: **19-06**

(71) Name(s) and Address(s) of Applicant(s):

**SOCIETE BIC**

**14 RUE Jeanne d'Ashieres 92 110 Clichy France**

(72) Name(s) of Designer(s): **Franck Vadenne and Franck Rolion**

(45) Registration Date: **23 October 2006**

(30) Convention priority data:

(31) Number

(32) Date

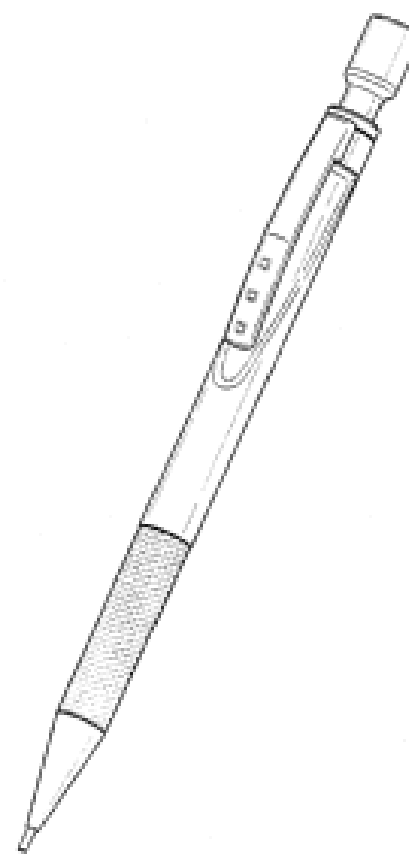
(33) Country

**000498035-0001 20 Mar 2006**

**EUROPEAN COMMUNITY**

(56) Related Art Documents: **Not Applicable**

(57) Statement of Newness and Distinctiveness: **Those features of the writing instrument depicted in the representations that are new and distinctive are the shape and/or configuration.**



(21) Design Number: **13962/2006**

(22) Date of Filing Application: **01 September 2006**

(24) Date from which industrial property rights may have effect: **01 September 2006**

(54) Product in respect of which the design is registered: **Powered door operator**

(51) International Design Classification: **08-07**

(71) Name(s) and Address(s) of Applicant(s):

**Automatic Technology Australia Pty Ltd**

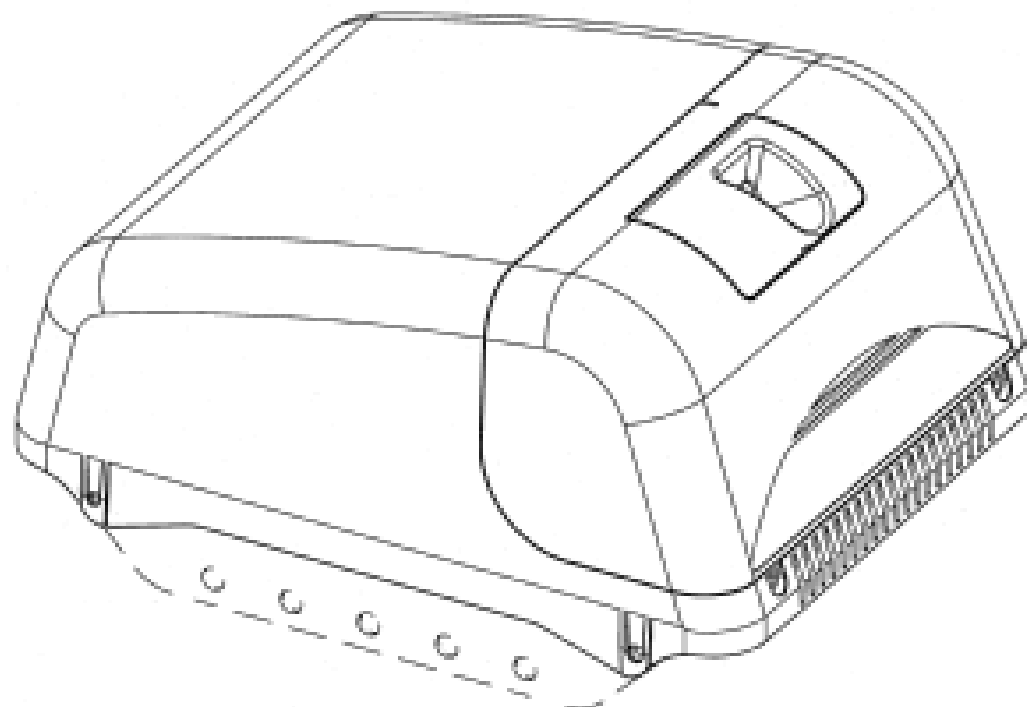
**17-19 Advantage Road Highett Victoria 3190 Australia**

(72) Name(s) of Designer(s): **Ray Russell Hawkins and Toan Quac Dang**

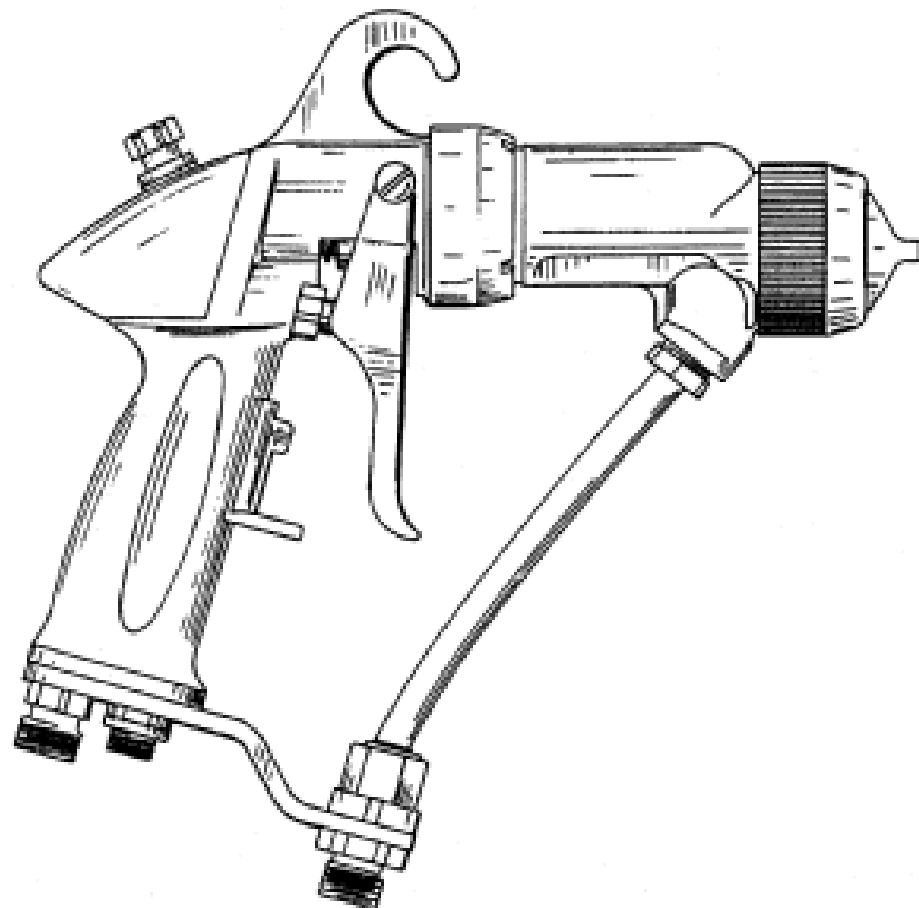
(45) Registration Date: **23 October 2006**

(56) Related Art Documents: **Not Applicable**

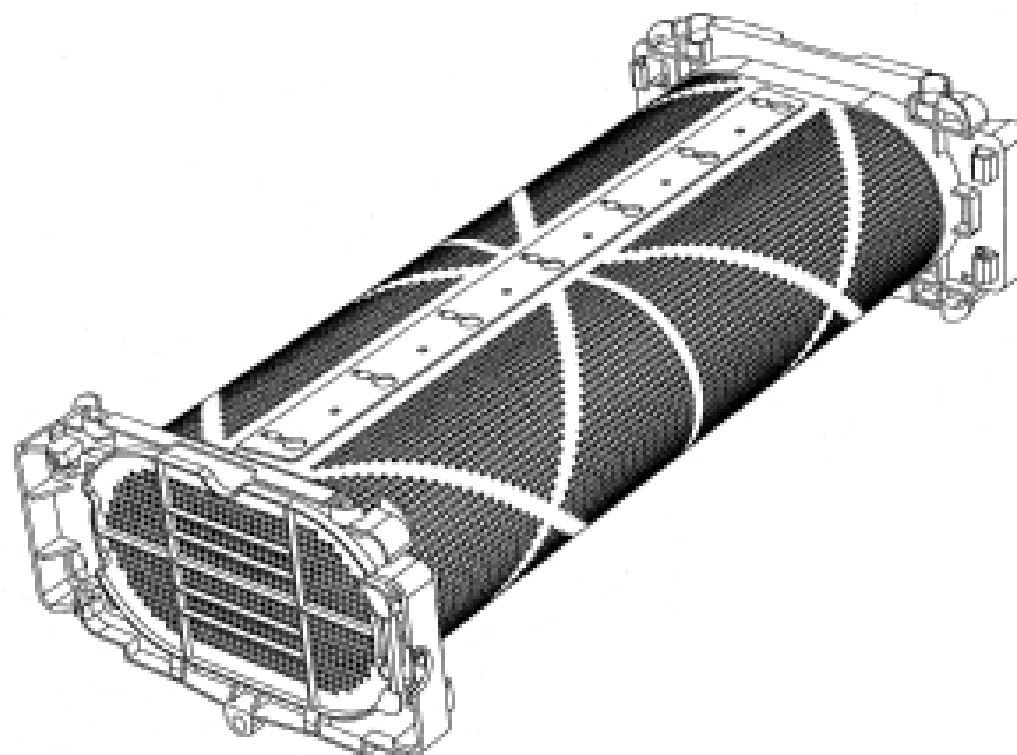
(57) Statement of Newness and Distinctiveness: **Newness and distinctiveness is claimed in the features of shape and/or configuration of the powered door operator as shown in solid lines in the representations.**



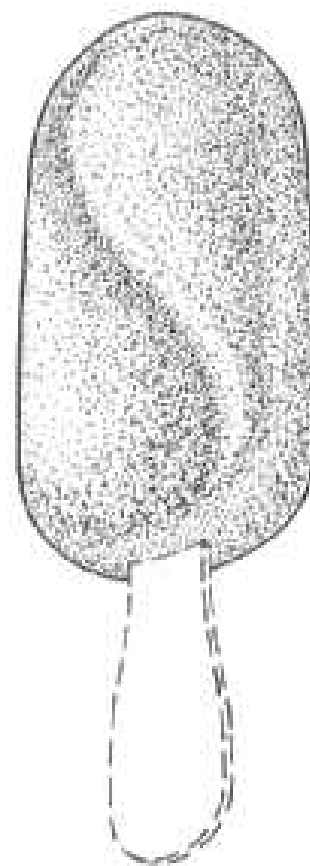
(21) Design Number: **13963/2006**  
(22) Date of Filing Application: **01 September 2006**  
(24) Date from which industrial property rights may have effect: **01 September 2006**  
(54) Product in respect of which the design is registered: **A dispensing device for coating material**  
(51) International Design Classification: **23-01NES**  
(71) Name(s) and Address(s) of Applicant(s):  
**Illinois Tool Works Inc.**  
**3650 West Lake Avenue Glenview Illinois 60025-5811 United States of America**  
(72) Name(s) of Designer(s): **Michael C. Rodgers and Gene Paul Altenburger and Brian Schull**  
(45) Registration Date: **23 October 2006**  
(30) Convention priority data:  
(31) Number (32) Date (33) Country  
**29255952 14 Mar 2006 UNITED STATES OF AMERICA**  
(56) Related Art Documents: **Not Applicable**  
(57) Statement of Newness and Distinctiveness: **Nil**



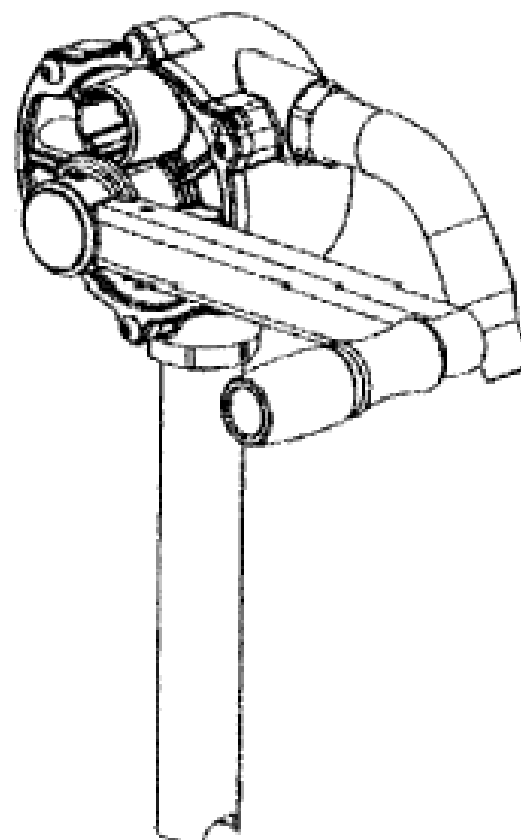
(21) Design Number: **13929/2006**  
(22) Date of Filing Application: **28 August 2006**  
(24) Date from which industrial property rights may have effect: **28 August 2006**  
(54) Product in respect of which the design is registered: **Juvenile oyster basket**  
(51) International Design Classification: **03-01NES**  
(71) Name(s) and Address(s) of Applicant(s):  
**Seapa Pty Ltd**  
**16 Byre Avenue Somerton Park South Australia 5044 Australia**  
(72) Name(s) of Designer(s): **Gary Thompson**  
(45) Registration Date: **23 October 2006**  
(56) Related Art Documents: **Not Applicable**  
(57) Statement of Newness and Distinctiveness: **Nil**



- (21) Design Number: **13978/2006**  
(22) Date of Filing Application: **04 September 2006**  
(24) Date from which industrial property rights may have effect: **04 September 2006**  
(54) Product in respect of which the design is registered: **Ice cream**  
(51) International Design Classification: **01-01**  
(71) Name(s) and Address(s) of Applicant(s):  
**Unilever PLC**  
**Unilever House Blackfriars London EC4 Great Britain**  
(72) Name(s) of Designer(s): **Claudia Trazza**  
(45) Registration Date: **23 October 2006**  
(30) Convention priority data:  
(31) Number (32) Date (33) Country  
**000492046-0001 08 Mar 2006 EUROPEAN COMMUNITY**  
(56) Related Art Documents: **Not Applicable**  
(57) Statement of Newness and Distinctiveness: **When determining whether the design 1 is substantially similar in overall impression to another design, no regard is to be had to those features shown in dotted outline in the accompanying drawings.**



- (21) Design Number: **13979/2006**  
(22) Date of Filing Application: **04 September 2006**  
(24) Date from which industrial property rights may have effect: **04 September 2006**  
(54) Product in respect of which the design is registered: **Pump**  
(51) International Design Classification: **15-02**  
(71) Name(s) and Address(s) of Applicant(s):  
**Macnaught Pty Limited**  
**47-49 Henderson Street Turrella New South Wales 2205 Australia**  
(72) Name(s) of Designer(s): **Warren John Preston**  
(45) Registration Date: **23 October 2006**  
(56) Related Art Documents: **Not Applicable**  
(57) Statement of Newness and Distinctiveness: **Nil**



- (21) Design Number: **12031/2006**  
(22) Date of Filing Application: **10 May 2006**  
(24) Date from which industrial property rights may have effect: **10 May 2006**  
(54) Product in respect of which the design is registered: **Vehicle tonneau cover**  
(51) International Design Classification: **12-16B, 12-16NES**  
(71) Name(s) and Address(s) of Applicant(s):  
**GM Holden Ltd**  
**241 Salmon Street Port Melbourne Victoria 3207 Australia**  
(72) Name(s) of Designer(s): **Peter Hughes**  
(45) Registration Date: **23 October 2006**  
(56) Related Art Documents: **Not Applicable**  
(57) Statement of Newness and Distinctiveness: **Newness and distinctiveness is claimed in the shape and/or configuration of a vehicle tonneau cover as shown in the representations.**



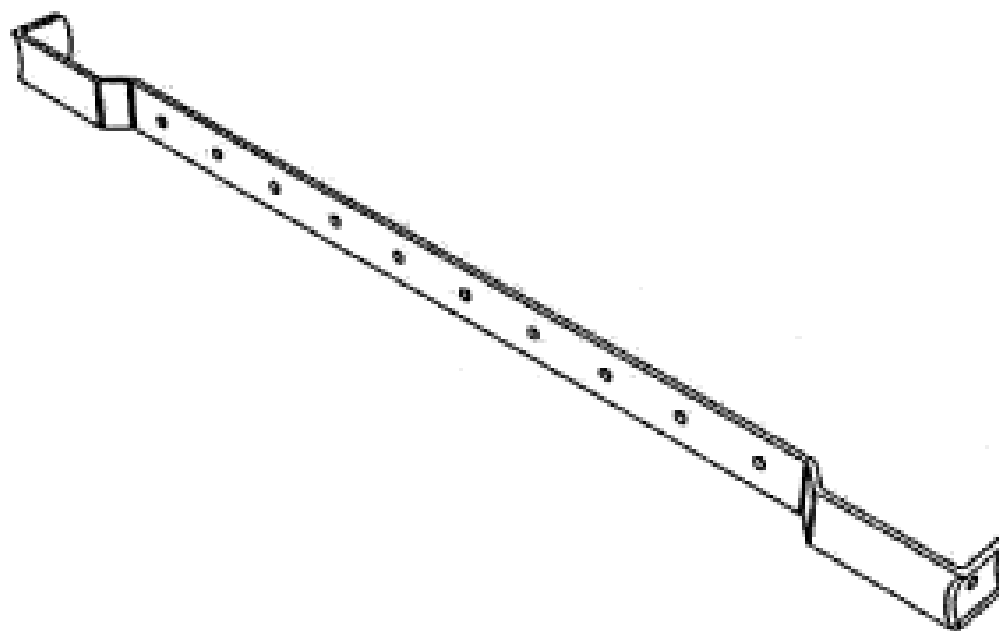
- (21) Design Number: **13107/2006**  
(22) Date of Filing Application: **19 July 2006**  
(24) Date from which industrial property rights may have effect: **19 July 2006**  
(54) Product in respect of which the design is registered: **Building industry**  
(51) International Design Classification: **08-99**  
(71) Name(s) and Address(s) of Applicant(s):  
**Garry Bretherton**  
**RMB 2962 40 Sampson Road Numurkah Victoria 3636 Australia**  
(72) Name(s) of Designer(s): **Garry Bretherton**  
(45) Registration Date: **24 October 2006**  
(56) Related Art Documents: **Not Applicable**  
(57) Statement of Newness and Distinctiveness: **Portable builders hurdle. Reusable.**



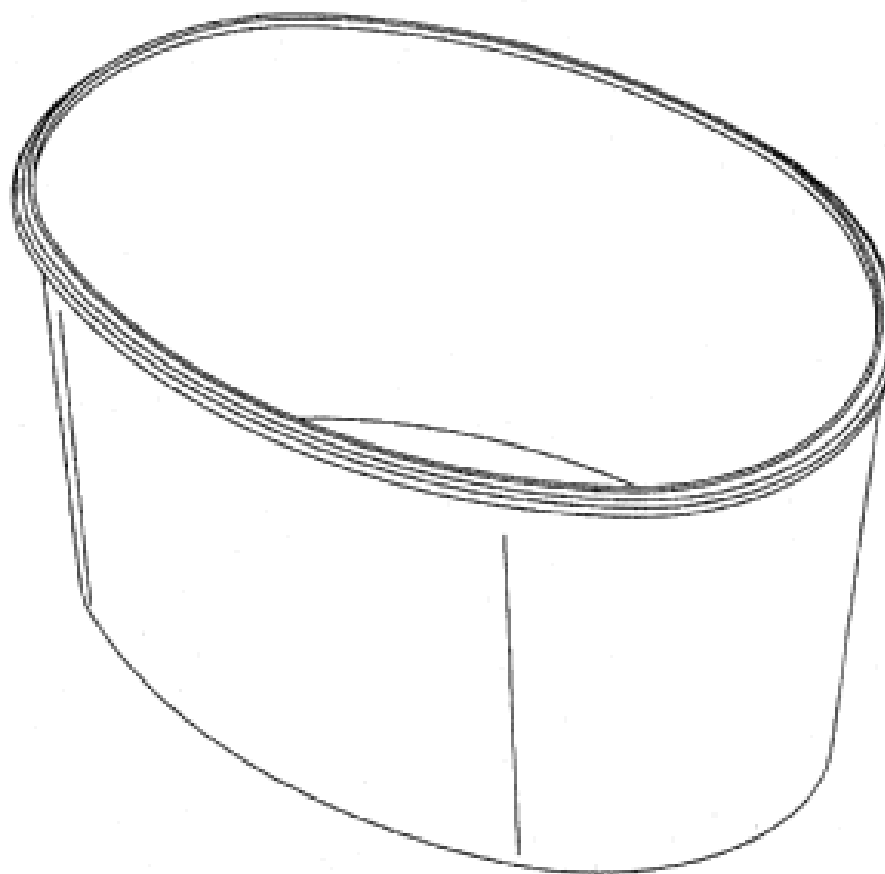
- (21) Design Number: **13736/2006**  
(22) Date of Filing Application: **22 August 2006**  
(24) Date from which industrial property rights may have effect: **22 August 2006**  
(54) Product in respect of which the design is registered: **Cases for cigarette paper**  
(51) International Design Classification: **27-06**  
(71) Name(s) and Address(s) of Applicant(s):  
**Gizeh Raucherbedarf GmbH**  
**Bunsenstr. 12 D-51647 Gummersbach Germany**  
(72) Name(s) of Designer(s): **Rudolf Eder**  
(45) Registration Date: **24 October 2006**  
(30) Convention priority data:  
(31) Number      (32) Date      (33) Country  
**000 484 019      22 Feb 2006      EUROPEAN COMMUNITY**  
(56) Related Art Documents: **Not Applicable**  
(57) Statement of Newness and Distinctiveness: **Nil**



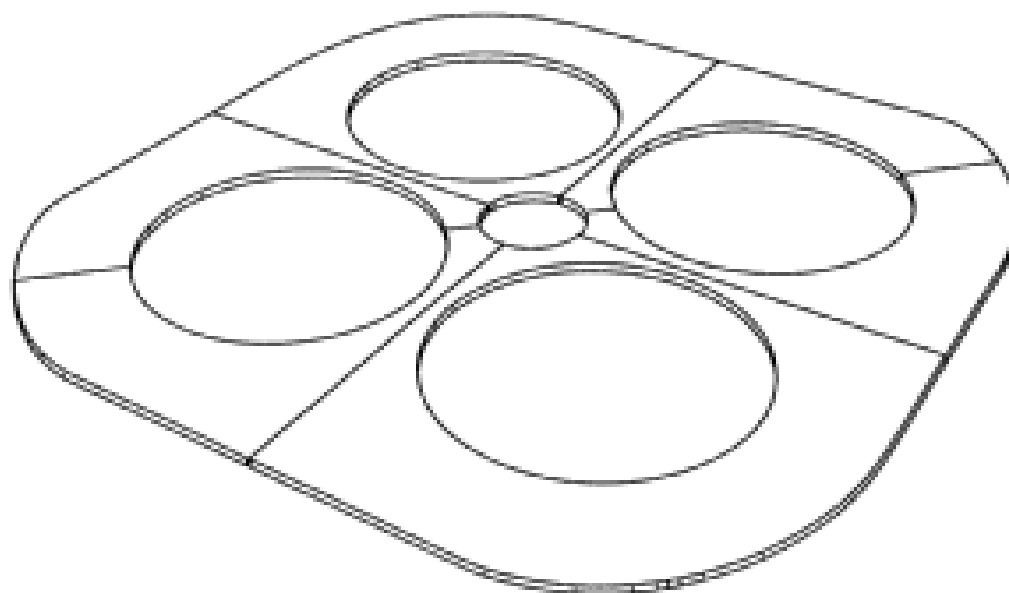
- (21) Design Number: **13740/2006**  
(22) Date of Filing Application: **23 August 2006**  
(24) Date from which industrial property rights may have effect: **23 August 2006**  
(54) Product in respect of which the design is registered: **A brace member**  
(51) International Design Classification: **25-01NES**  
(71) Name(s) and Address(s) of Applicant(s):  
**Stratco (Australia) Pty Limited**  
**125 Cavan Road Gepps Cross South Australia 5094 Australia**  
(72) Name(s) of Designer(s): **Frank Igljo and Marc Herman Stampke**  
(45) Registration Date: **24 October 2006**  
(56) Related Art Documents: **Not Applicable**  
(57) Statement of Newness and Distinctiveness: **In considering the overall impression of the design, the apertures shown in the mid portion of the brace member and the aperture in each of the end portions of the brace member are to be disregarded.**



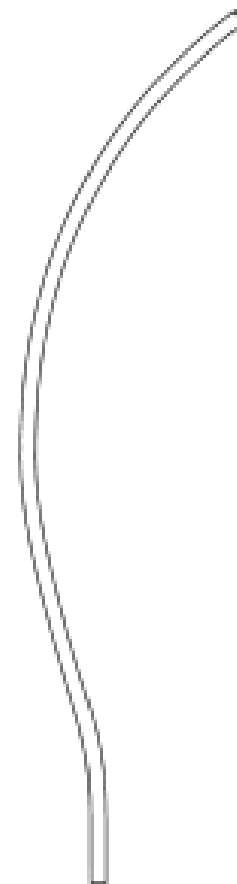
- (21) Design Number: **13786/2006**  
(22) Date of Filing Application: **22 August 2006**  
(24) Date from which industrial property rights may have effect: **22 August 2006**  
(54) Product in respect of which the design is registered: **A container**  
(51) International Design Classification: **07-01NES**  
(71) Name(s) and Address(s) of Applicant(s):  
**Huhtamaki Australia Pty Limited**  
**225 Wellington Road Mulgrave Victoria 3170 Australia**  
(72) Name(s) of Designer(s): **Paul Daffurn and Ian Janetzki**  
(45) Registration Date: **24 October 2006**  
(56) Related Art Documents: **Not Applicable**  
(57) Statement of Newness and Distinctiveness: **Newness and distinctiveness is claimed in features of shape and/or configuration of a container as illustrated in the accompanying representations. In considering which features are new and distinctive, particular/special regard is to be had to the curved base feature as shown in the section view.**



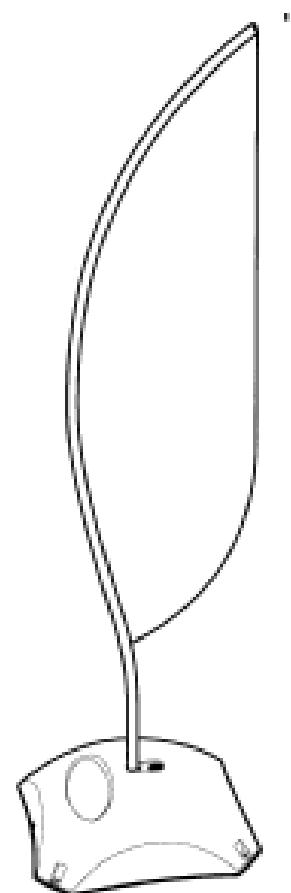
- (21) Design Number: **14000/2006**  
(22) Date of Filing Application: **06 September 2006**  
(24) Date from which industrial property rights may have effect: **06 September 2006**  
(54) Product in respect of which the design is registered: **Folding tray**  
(51) International Design Classification: **07-99A**  
(71) Name(s) and Address(s) of Applicant(s):  
**Mitchell & Cooper Limited**  
**Framfield Road Uckfield Sussex TN22 5AU United Kingdom**  
(72) Name(s) of Designer(s): **Jonathan Palmer**  
(45) Registration Date: **24 October 2006**  
(30) Convention priority data:  
(31) Number (32) Date (33) Country  
**000492459 09 Mar 2006 EUROPEAN COMMUNITY**  
(56) Related Art Documents: **Not Applicable**  
(57) Statement of Newness and Distinctiveness: **Newness and distinctiveness reside in the features of the design as shown in the representations.**



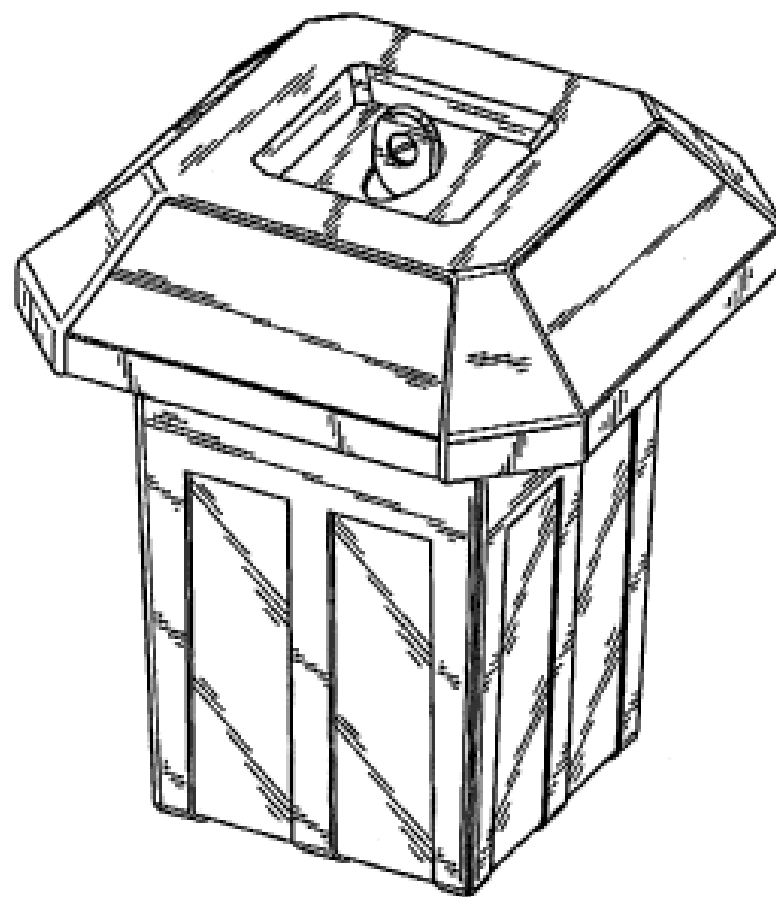
- (21) Design Number: **14034/2006**  
(22) Date of Filing Application: **11 September 2006**  
(24) Date from which industrial property rights may have effect: **11 September 2006**  
(54) Product in respect of which the design is registered: **Flag pole**  
(51) International Design Classification: **11-05**  
(71) Name(s) and Address(s) of Applicant(s):  
**Nexus Developments**  
**8 Sar Street Thorndon Wellington 6141 New Zealand**  
(72) Name(s) of Designer(s): **John Joseph Woollett**  
(45) Registration Date: **24 October 2006**  
(56) Related Art Documents: **Not Applicable**  
(57) Statement of Newness and Distinctiveness: **The curved shape of the flag pole.**



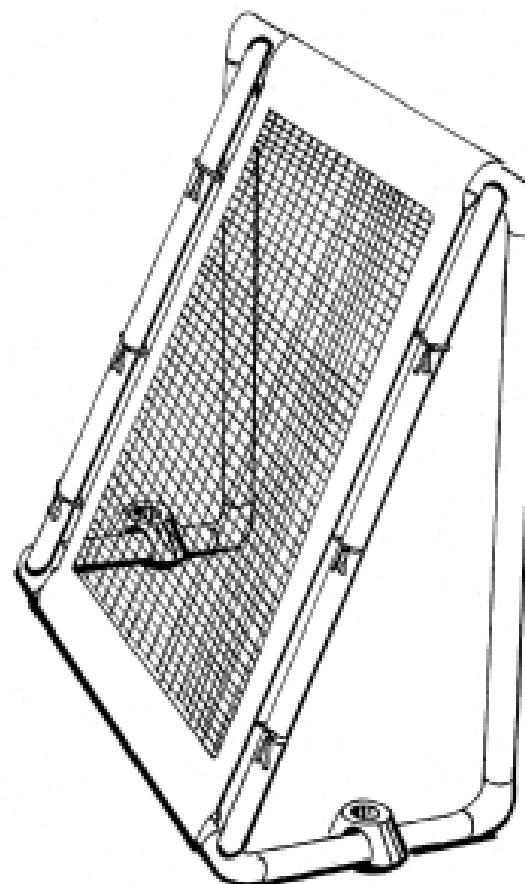
- (21) Design Number: **14035/2006**  
(22) Date of Filing Application: **11 September 2006**  
(24) Date from which industrial property rights may have effect: **11 September 2006**  
(54) Product in respect of which the design is registered: **Flag display**  
(51) International Design Classification: **20-03NES, 11-05**  
(71) Name(s) and Address(s) of Applicant(s):  
**Nexus Developments**  
**8 Sar Street Thorndon Wellington 6141 New Zealand**  
(72) Name(s) of Designer(s): **John Joseph Woollett**  
(45) Registration Date: **24 October 2006**  
(56) Related Art Documents: **Not Applicable**  
(57) Statement of Newness and Distinctiveness: **Nil**



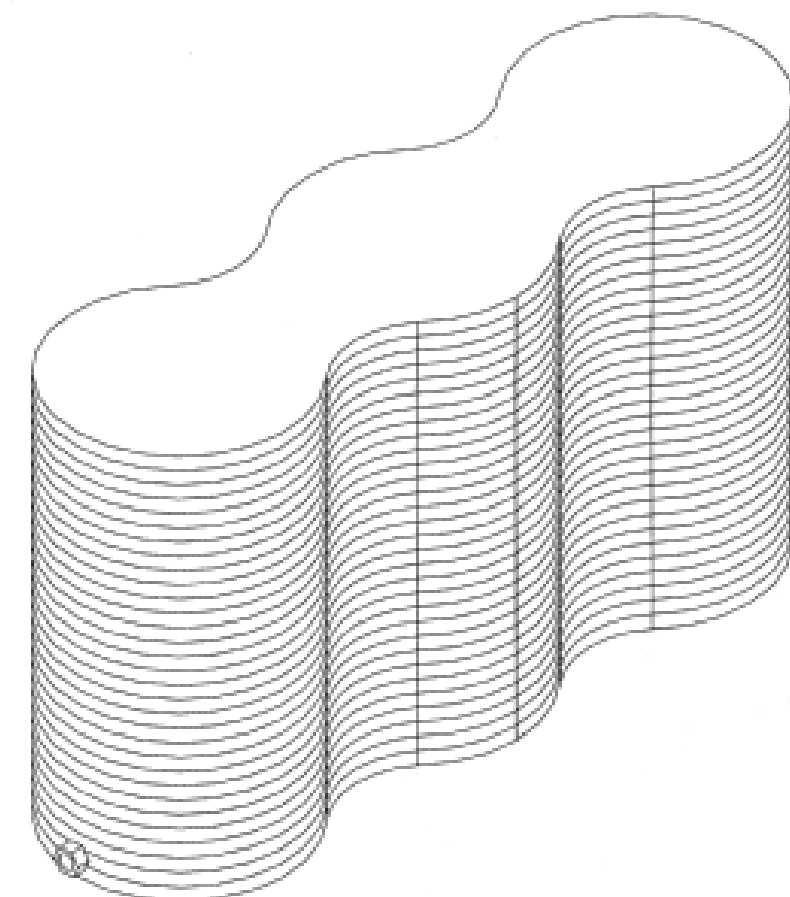
- (21) Design Number: **14086/2006**  
(22) Date of Filing Application: **12 September 2006**  
(24) Date from which industrial property rights may have effect: **12 September 2006**  
(54) Product in respect of which the design is registered: **Insect trap**  
(51) International Design Classification: **22-06**  
(71) Name(s) and Address(s) of Applicant(s):  
**S.C. Johnson & Son, Inc.**  
**1525 Howe Street Racine Wisconsin 53403-2236 United States of America**  
(72) Name(s) of Designer(s): **Tyler D. Duston and Steven B. Mineau**  
(45) Registration Date: **24 October 2006**  
(30) Convention priority data:  
(31) Number (32) Date (33) Country  
**29/255817 13 Mar 2006 UNITED STATES OF AMERICA**  
(56) Related Art Documents: **Not Applicable**  
(57) Statement of Newness and Distinctiveness: **Newness and distinctiveness is claimed in the features of shape and/or configuration of an insect trap as illustrated in the accompanying representations.**



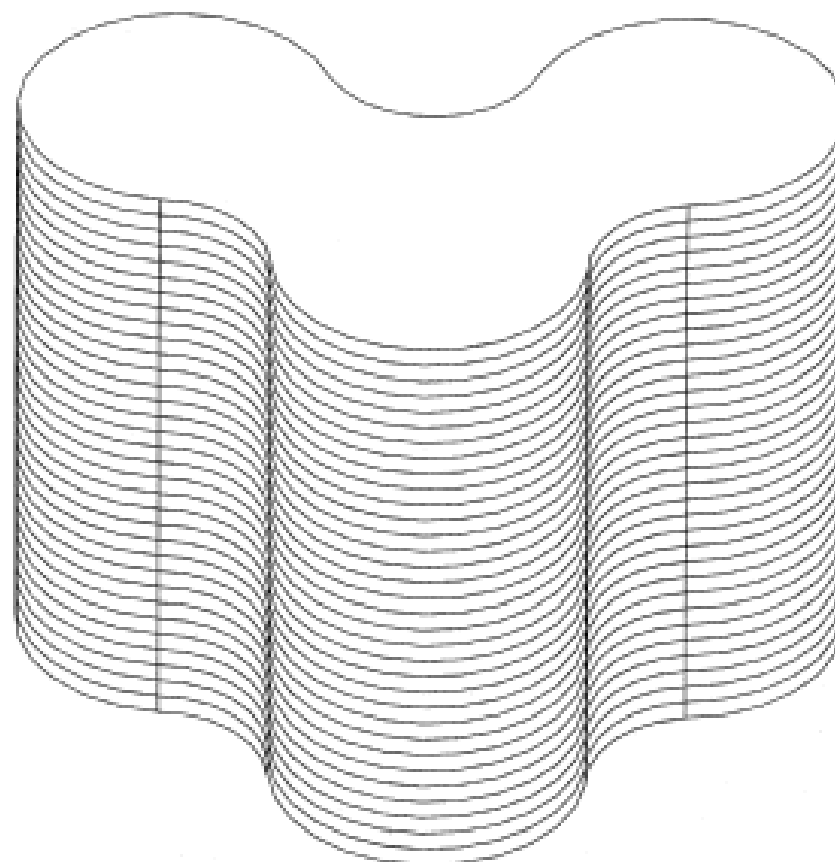
- (21) Design Number: **14119/2006**  
(22) Date of Filing Application: **13 September 2006**  
(24) Date from which industrial property rights may have effect: **13 September 2006**  
(54) Product in respect of which the design is registered: **Athletics equipment**  
(51) International Design Classification: **21-02A**  
(71) Name(s) and Address(s) of Applicant(s):  
**Amphitrite Limited**  
**20 Marlborough Place, London NW8 0PA, UNITED KINGDOM**  
(72) Name(s) of Designer(s): **Philip Richard Shade and Nigel Timothy Court and Julian Francis Ralph Swan**  
(45) Registration Date: **24 October 2006**  
(30) Convention priority data:  
(31) Number (32) Date (33) Country  
**00496252-0001 13 Mar 2006 EUROPEAN COMMUNITY**  
(56) Related Art Documents: **Not Applicable**  
(57) Statement of Newness and Distinctiveness: **In considering the newness or distinctiveness of the design, regard is to be given to the overall shape and/or configuration of the athletics equipment as shown in the representations.**



- (21) Design Number: **14148/2006**  
(22) Date of Filing Application: **15 September 2006**  
(24) Date from which industrial property rights may have effect: **15 September 2006**  
(54) Product in respect of which the design is registered: **A tank**  
(51) International Design Classification: **23-01F**  
(71) Name(s) and Address(s) of Applicant(s):  
**Wayne Hinkley**  
**11 Tranquil Place Alexandra Headlands Queensland 4572 Australia**  
**Ascent Building Solutions Pty Ltd**  
**c/- Pear Court Buderim Queensland 4556 Australia**  
(72) Name(s) of Designer(s): **Wayne Hinkley and Terry Styles and Jared Hinkley and Wayne Schroter**  
(45) Registration Date: **24 October 2006**  
(56) Related Art Documents: **Not Applicable**  
(57) Statement of Newness and Distinctiveness: **The new and distinctive features are the features of shape and configuration of a tank as shown in the representations. The height of the tank may vary from that shown in the representations. The corrugated profile of the side wall of the tank and the opening in the lower side wall of the tank are not new or distinctive features.**



- (21) Design Number: **14149/2006**  
(22) Date of Filing Application: **15 September 2006**  
(24) Date from which industrial property rights may have effect: **15 September 2006**  
(54) Product in respect of which the design is registered: **A tank**  
(51) International Design Classification: **23-01F**  
(71) Name(s) and Address(s) of Applicant(s):  
**Wayne Hinkley**  
**11 Tranquil Place Alexandra Headlands Queensland 4572 Australia**  
**Ascent Building Solutions Pty Ltd**  
**c/- Pear Court Buderim Queensland 4556 Australia**  
(72) Name(s) of Designer(s): **Wayne Hinkley and Terry Styles and Jared Hinkley and Wayne Schroter**  
(45) Registration Date: **24 October 2006**  
(56) Related Art Documents: **Not Applicable**  
(57) Statement of Newness and Distinctiveness: **The new and distinctive features are the features of shape and configuration of a tank as shown in the representations. The height of the tank may vary from that shown in the representations. The corrugated profile of the side wall of the tank and the opening in the lower side wall of the tank are not new or distinctive features.**



- (21) Design Number: **14173/2006**  
(22) Date of Filing Application: **15 September 2006**  
(24) Date from which industrial property rights may have effect: **15 September 2006**  
(54) Product in respect of which the design is registered: **A label printer**  
(51) International Design Classification: **18-99**  
(71) Name(s) and Address(s) of Applicant(s):  
**DYMO**  
**Industriepark-Noord 30 B-9100 St-Niklass Belgium**  
(72) Name(s) of Designer(s): **Christophe Pradere and Sebastien Leridon and Marie Marlard and Julien Thalers and Jean Francois Blanc and Alain Chevalet and Flavia Krusicovic and Michael J. Kaplan**  
(45) Registration Date: **24 October 2006**  
(30) Convention priority data:  
(31) Number (32) Date (33) Country  
**000498159 15 Mar 2006 EUROPEAN COMMUNITY**  
(56) Related Art Documents: **Not Applicable**  
(57) Statement of Newness and Distinctiveness: **Newness and distinctiveness in the design as applied to a label printer resides in the shape and/or configuration thereof as is illustrated in the accompanying representations.**



- (21) Design Number: **14174/2006**  
(22) Date of Filing Application: **15 September 2006**  
(24) Date from which industrial property rights may have effect: **15 September 2006**  
(54) Product in respect of which the design is registered: **A label printer**  
(51) International Design Classification: **18-99**  
(71) Name(s) and Address(s) of Applicant(s):  
**DYMO**  
**Industriepark-Noord 30 B-9100 St-Niklass Belgium**  
(72) Name(s) of Designer(s): **Christophe Pradere and Sebastien Leridon and Marie Marlard and Julien Thalers and Jean Francois Blanc and Alain Chevalet and Flavia Krusicovic and Michael J. Kaplan**  
(45) Registration Date: **24 October 2006**  
(30) Convention priority data:  
(31) Number (32) Date (33) Country  
**000498159 15 Mar 2006 EUROPEAN COMMUNITY**  
(56) Related Art Documents: **Not Applicable**  
(57) Statement of Newness and Distinctiveness: **Newness and distinctiveness in the design as applied to a label printer resides in the shape and/or configuration thereof as is illustrated in the accompanying representations.**



- (21) Design Number: **15507/2005**  
(22) Date of Filing Application: **08 December 2005**  
(24) Date from which industrial property rights may have effect: **08 December 2005**  
(54) Product in respect of which the design is registered: **Plastic Wallets**  
(51) International Design Classification: **03-01B**  
(71) Name(s) and Address(s) of Applicant(s):  
**David Gregory Watts**  
**113 Carabella St Kirribill NSW 2061 Australia**  
(72) Name(s) of Designer(s): **David Watts**  
(45) Registration Date: **24 October 2006**  
(56) Related Art Documents: **Not Applicable**  
(57) Statement of Newness and Distinctiveness: **Made from a single, cut and scored piece of plastic.**



- (21) Design Number: **10258/2006**  
(22) Date of Filing Application: **25 January 2006**  
(24) Date from which industrial property rights may have effect: **25 January 2006**  
(54) Product in respect of which the design is registered: **Drainer tray for sinks**  
(51) International Design Classification: **23-02F, 23-02NES**  
(71) Name(s) and Address(s) of Applicant(s):  
**Dorf Clark Industries Limited**  
**Building C Level 3 4 Ray Road Epping New South Wales 2121**  
**Australia**  
(72) Name(s) of Designer(s): **David Giorgio and Steven Cummings**  
(45) Registration Date: **24 October 2006**  
(56) Related Art Documents: **Not Applicable**  
(57) Statement of Newness and Distinctiveness: **Newness and distinctiveness reside in the features of shape and/or configuration of the drainer tray for sinks as depicted in the accompanying representations. In the representations that depict the drainer tray being used in conjunction with various sinks, no regard is to be had to the features of shape and/or configuration of the sinks, spouts, taps or drains.**



(21) Design Number: **11087/2006**

(22) Date of Filing Application: **16 March 2006**

(24) Date from which industrial property rights may have effect: **16 March 2006**

(54) Product in respect of which the design is registered: **Vehicle lamp lens**

(51) International Design Classification: **26-06**

(71) Name(s) and Address(s) of Applicant(s):

**GM Holden Ltd**

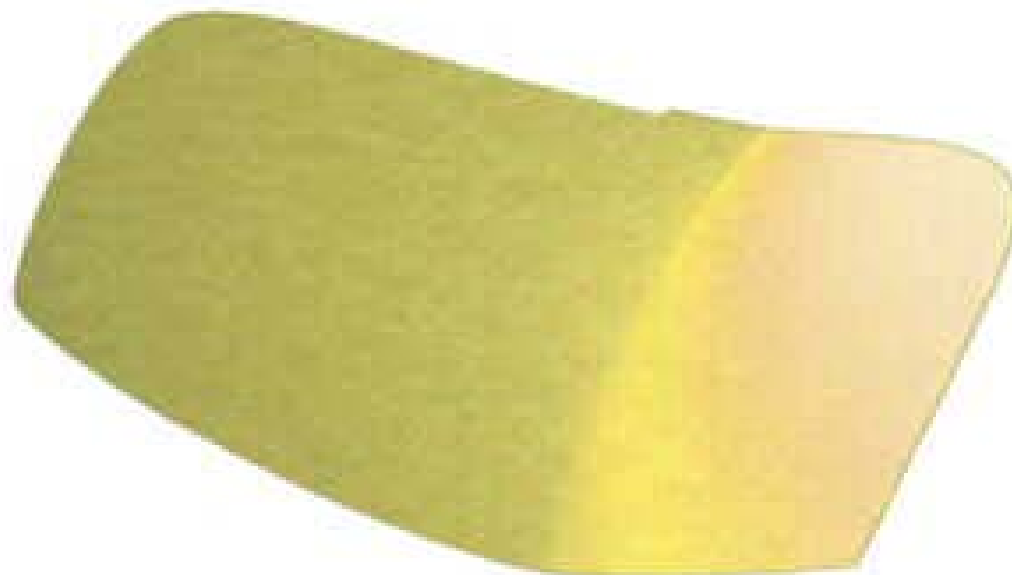
**241 Salmon Street Port Melbourne Victoria 3207 Australia**

(72) Name(s) of Designer(s): **Justin James Thompson**

(45) Registration Date: **24 October 2006**

(56) Related Art Documents: **Not Applicable**

(57) Statement of Newness and Distinctiveness: **Newness and distinctiveness is claimed in the shape and/or configuration of a vehicle lamp lens as shown in the representations.**



(21) Design Number: **11088/2006**

(22) Date of Filing Application: **16 March 2006**

(24) Date from which industrial property rights may have effect: **16 March 2006**

(54) Product in respect of which the design is registered: **Vehicle lamp housing**

(51) International Design Classification: **11-02E**

(71) Name(s) and Address(s) of Applicant(s):

**GM Holden Ltd**

**241 Salmon Street Port Melbourne Victoria 3207 Australia**

(72) Name(s) of Designer(s): **Justin James Thompson**

(45) Registration Date: **24 October 2006**

(56) Related Art Documents: **Not Applicable**

(57) Statement of Newness and Distinctiveness: **Newness and distinctiveness is claimed in the shape and/or configuration of a vehicle lamp housing as shown in the representations.**

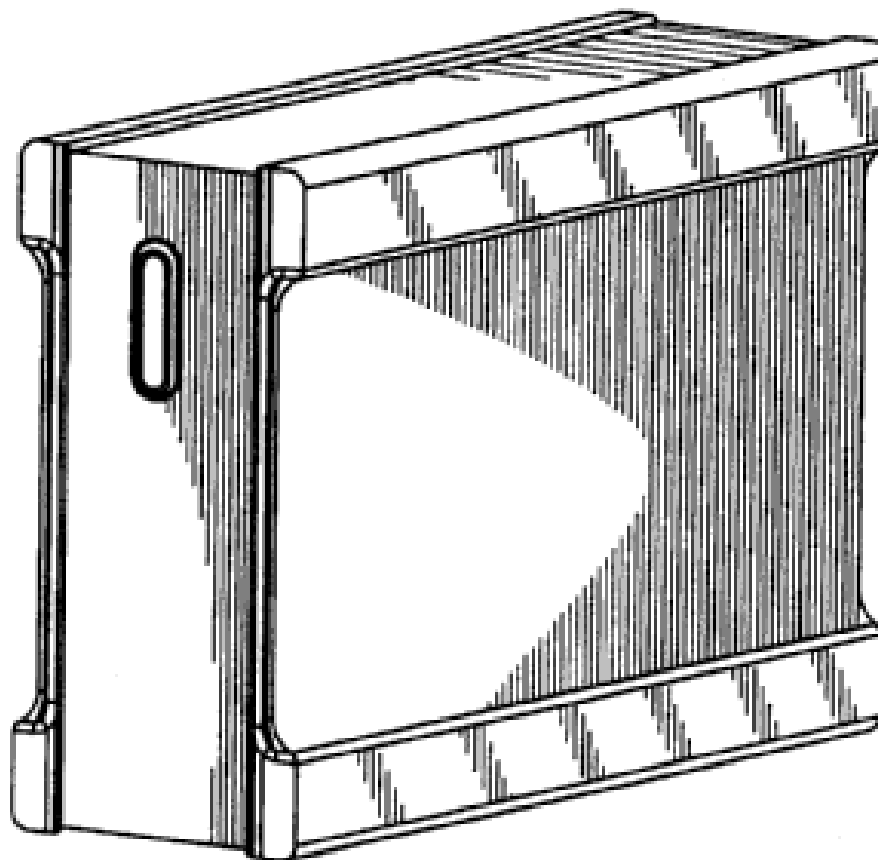


- (21) Design Number: **11089/2006**
- (22) Date of Filing Application: **16 March 2006**
- (24) Date from which industrial property rights may have effect: **16 March 2006**
- (54) Product in respect of which the design is registered: **Vehicle lamp housing**
- (51) International Design Classification: **11-02E**
- (71) Name(s) and Address(s) of Applicant(s):  
**GM Holden Ltd**  
**241 Salmon Street Port Melbourne Victoria 3207 Australia**
- (72) Name(s) of Designer(s): **Justin James Thompson**
- (45) Registration Date: **24 October 2006**
- (56) Related Art Documents: **Not Applicable**
- (57) Statement of Newness and Distinctiveness: **Newness and distinctiveness is claimed in the shape and/or configuration of a vehicle lamp housing as shown in the representations.**

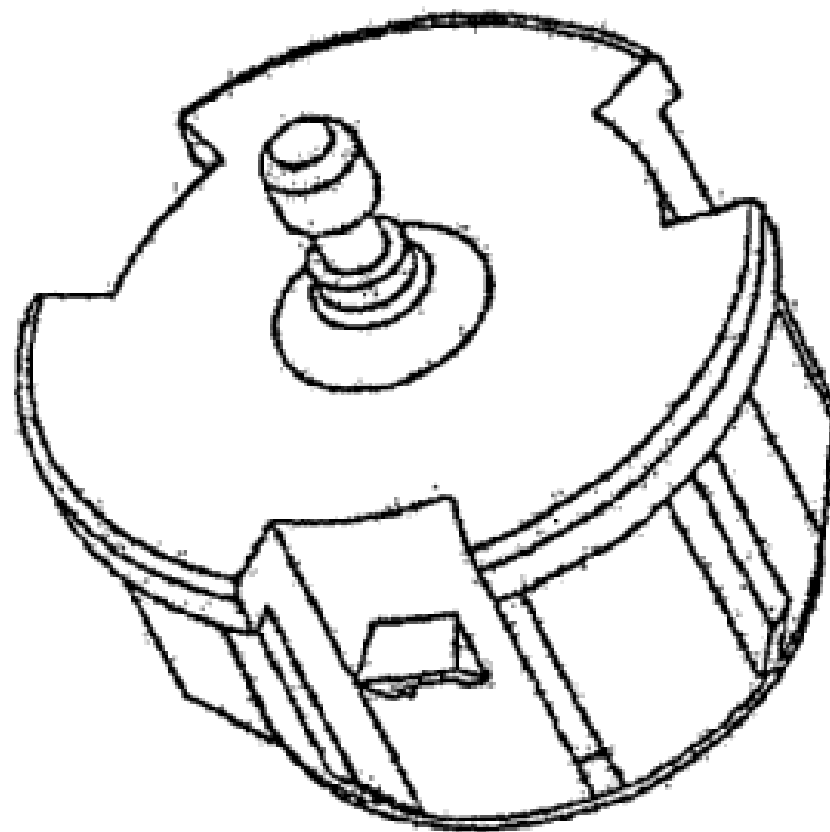


- (21) Design Number: **11485/2006**
- (22) Date of Filing Application: **10 April 2006**
- (24) Date from which industrial property rights may have effect: **10 April 2006**
- (54) Product in respect of which the design is registered: **External storage device**
- (51) International Design Classification: **14-99, 14-02**
- (71) Name(s) and Address(s) of Applicant(s):  
**Maxtor Corporation**  
**2452 Clover Basin Drive Longmont Colorado 80503 United States of America**
- (72) Name(s) of Designer(s): **Phoebe Ng and Mark Muenchinger and Chris Green**
- (45) Registration Date: **24 October 2006**
- (30) Convention priority data:

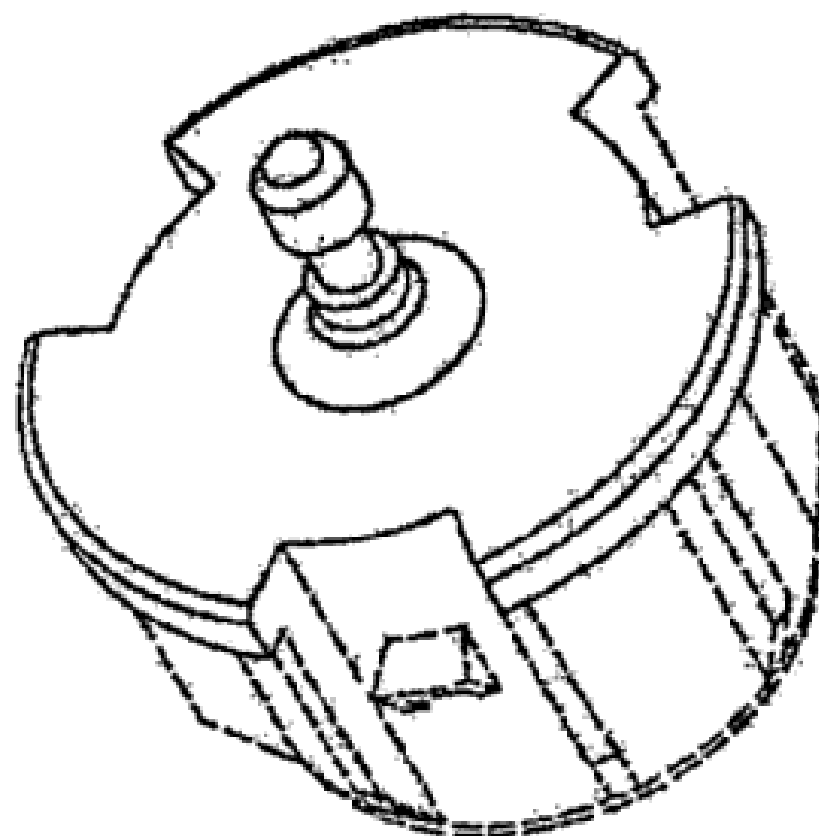
(31) Number	(32) Date	(33) Country
<b>29240639</b>	<b>14 Oct 2005</b>	<b>UNITED STATES OF AMERICA</b>
- (56) Related Art Documents: **Not Applicable**
- (57) Statement of Newness and Distinctiveness: **Nil**



- (21) Design Number: **12477/2006**  
(22) Date of Filing Application: **05 June 2006**  
(24) Date from which industrial property rights may have effect: **05 June 2006**  
(54) Product in respect of which the design is registered: **Towel dispensing device**  
(51) International Design Classification: **23-02A**  
(71) Name(s) and Address(s) of Applicant(s):  
**SCA Hygiene Products AB**  
**S-405 03 Goteborg Sweden**  
(72) Name(s) of Designer(s): **Allan Salaker**  
(45) Registration Date: **24 October 2006**  
(30) Convention priority data:  
(31) Number (32) Date (33) Country  
**000456330-0001 07 Dec 2005 EUROPEAN COMMUNITY**  
(56) Related Art Documents: **Not Applicable**  
(57) Statement of Newness and Distinctiveness: **The new and distinctive features of the design include the face plate and spindle of an end plug of a towel dispensing device.**



- (21) Design Number: **12478/2006**  
(22) Date of Filing Application: **05 June 2006**  
(24) Date from which industrial property rights may have effect: **05 June 2006**  
(54) Product in respect of which the design is registered: **Towel dispensing device**  
(51) International Design Classification: **23-02A**  
(71) Name(s) and Address(s) of Applicant(s):  
**SCA Hygiene Products AB**  
**S-405 03 Goteborg Sweden**  
(72) Name(s) of Designer(s): **Allan Salaker**  
(45) Registration Date: **24 October 2006**  
(30) Convention priority data:  
(31) Number (32) Date (33) Country  
**000456330-0001 07 Dec 2005 EUROPEAN COMMUNITY**  
(56) Related Art Documents: **Not Applicable**  
(57) Statement of Newness and Distinctiveness: **In considering the new and distinctive features of the design, no regard is to be had to the portions shown in the broken lines which are for illustrative purposes only.**



(21) Design Number: **12539/2006**

(22) Date of Filing Application: **13 June 2006**

(24) Date from which industrial property rights may have effect: **13 June 2006**

(54) Product in respect of which the design is registered: **A container**

(51) International Design Classification: **09-03F, 07-01NES**

(71) Name(s) and Address(s) of Applicant(s):

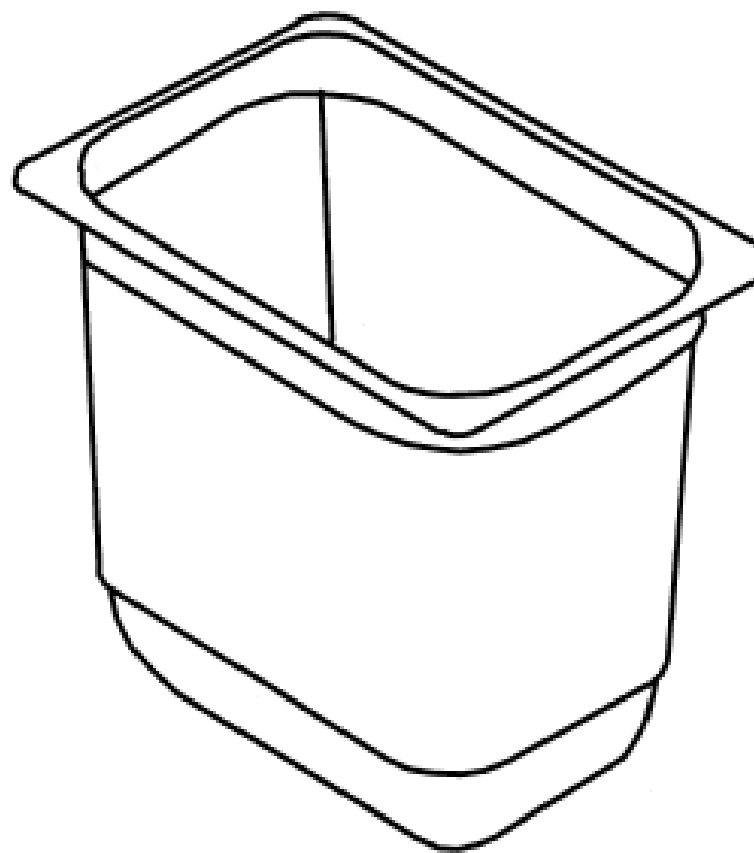
**Huhtamaki Australia Pty Limited  
225 Wellington Road Mulgrave Victoria 3170 Australia**

(72) Name(s) of Designer(s): **Colin Gilbert**

(45) Registration Date: **24 October 2006**

(56) Related Art Documents: **Not Applicable**

(57) Statement of Newness and Distinctiveness: **In considering the newness or distinctiveness of the design, regard is to be given to the overall shape and/or configuration of a container as shown in the representations.**



(21) Design Number: **12540/2006**

(22) Date of Filing Application: **13 June 2006**

(24) Date from which industrial property rights may have effect: **13 June 2006**

(54) Product in respect of which the design is registered: **A lid for a container**

(51) International Design Classification: **09-07B, 07-01NES**

(71) Name(s) and Address(s) of Applicant(s):

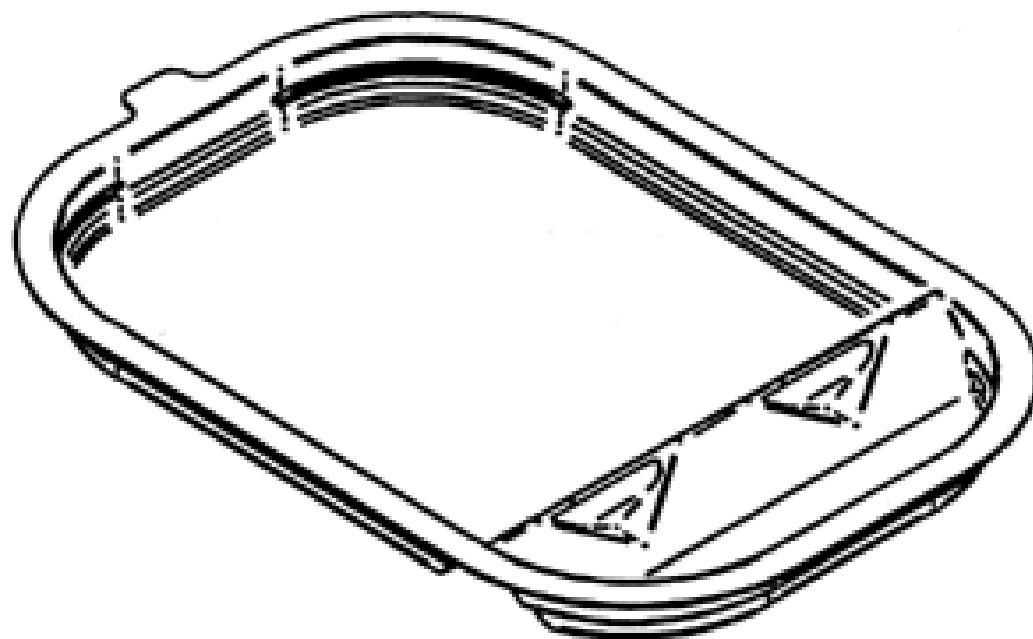
**Huhtamaki Australia Pty Limited  
225 Wellington Road Mulgrave Victoria 3170 Australia**

(72) Name(s) of Designer(s): **Colin Gilbert**

(45) Registration Date: **24 October 2006**

(56) Related Art Documents: **Not Applicable**

(57) Statement of Newness and Distinctiveness: **In considering the newness or distinctiveness of the design, regard is to be given to the overall shape and/or configuration of a lid as shown in the representations.**



(21) Design Number: **12883/2006**

(22) Date of Filing Application: **05 July 2006**

(24) Date from which industrial property rights may have effect: **05 July 2006**

(54) Product in respect of which the design is registered: **Label maker device**

(51) International Design Classification: **18-99**

(71) Name(s) and Address(s) of Applicant(s):

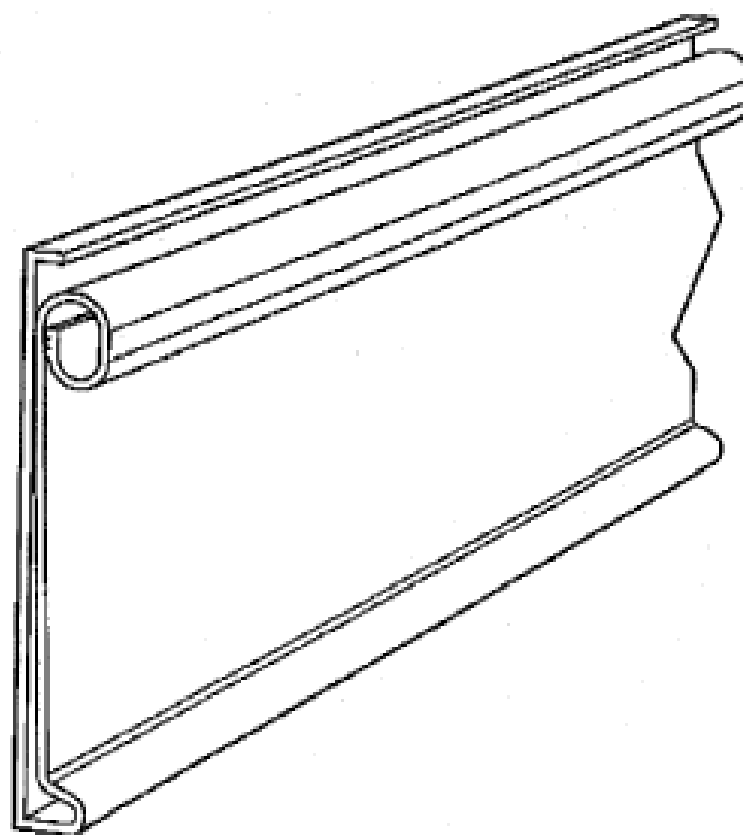
**Display Decorations Pty Ltd  
137 Richmond Road Richmond South Australia 5033 Australia**

(72) Name(s) of Designer(s): **Raymond Edward Reiffel and Christine Reiffel and Jennifer Rae Reiffel and Christopher Campain-Burns and Mark Owen Rice**

(45) Registration Date: **24 October 2006**

(56) Related Art Documents: **Not Applicable**

(57) Statement of Newness and Distinctiveness: **Newness and distinctiveness is claimed in the label holder device as illustrated in the accompanying representations. In considering the scope of newness and distinctiveness no consideration is to be given to the length of the label holder device.**



(21) Design Number: **13162/2006**

(22) Date of Filing Application: **24 July 2006**

(24) Date from which industrial property rights may have effect: **24 July 2006**

(54) Product in respect of which the design is registered: **Connector for vertical and longitudinal components of wedge lock scaffold system**

(51) International Design Classification: **25-04, 08-08L**

(71) Name(s) and Address(s) of Applicant(s):

**Lida Song Dr.  
c/o Secura Holding Pty Ltd 49a Carrington Rd Marrickville NSW 2204  
Australia**

(72) Name(s) of Designer(s): **Lida Song Dr. and Weicheng Chen Mr.**

(45) Registration Date: **24 October 2006**

(56) Related Art Documents: **Not Applicable**

(57) Statement of Newness and Distinctiveness: **A scaffold component connector fixes components perpendicularly with wedge-lock type, steel casting made, special upward stopping of wedges, special spigot for tube linkage, and can be up to 50% more strength than traditional fold-welding connectors. This connector is typically used in ledgers.**



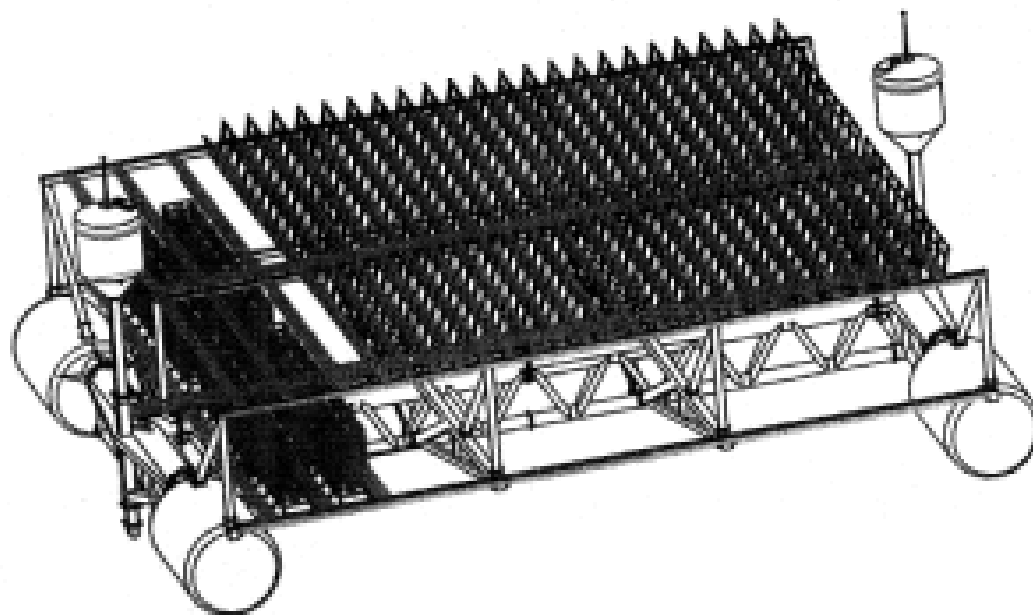
- (21) Design Number: **13163/2006**  
(22) Date of Filing Application: **24 July 2006**  
(24) Date from which industrial property rights may have effect: **24 July 2006**  
(54) Product in respect of which the design is registered: **Connector for vertical and load-bearing horizontal components of wedge lock scaffold system.**  
(51) International Design Classification: **25-04, 08-08L**  
(71) Name(s) and Address(s) of Applicant(s):  
**Lida Song Dr.**  
**c/o Secura Holding Pty Ltd 49a Carrington Rd Marrickville NSW 2204 Australia**  
(72) Name(s) of Designer(s): **Lida Song Dr. and Weicheng Chen Mr.**  
(45) Registration Date: **24 October 2006**  
(56) Related Art Documents: **Not Applicable**  
(57) Statement of Newness and Distinctiveness: **A new type of transom (scaffold component) with newly designed connector #B, fixes vertical component perpendicularly with wedge-lock type, made of steel casting special upward stopping of wedges, special designed terrain for rolled T section steel linkage. The #B connector can be up to 50% more.**



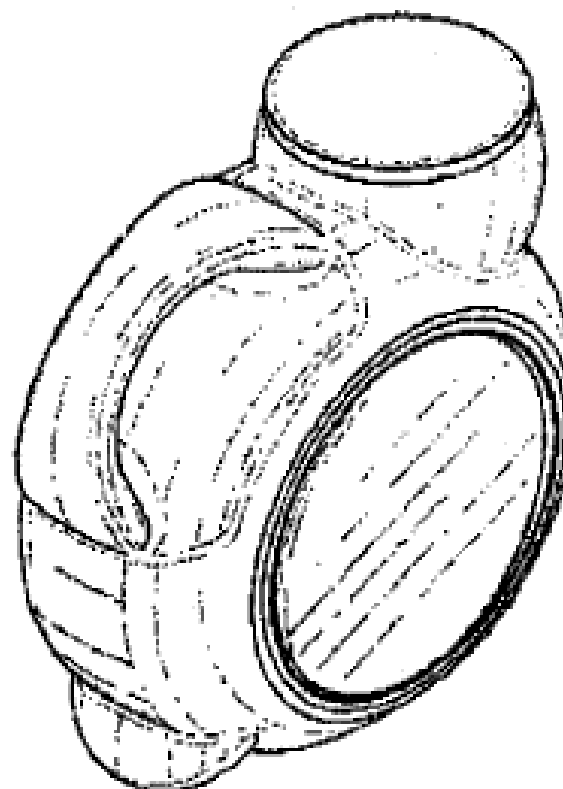
- (21) Design Number: **13497/2006**  
(22) Date of Filing Application: **08 August 2006**  
(24) Date from which industrial property rights may have effect: **08 August 2006**  
(54) Product in respect of which the design is registered: **CHAIR**  
(51) International Design Classification: **06-01G**  
(71) Name(s) and Address(s) of Applicant(s):  
**Damba Furniture Pty Ltd**  
**69 Nicholson St St Leonards NSW Australia 2065**  
(72) Name(s) of Designer(s): **Walter Tinyow**  
(45) Registration Date: **24 October 2006**  
(56) Related Art Documents: **Not Applicable**  
(57) Statement of Newness and Distinctiveness: **Particular visual features of the design we would like to identify as new and distinctive reside in the features of shape and configuration as shown in the accompanying representations.**



(21) Design Number: **14021/2006**  
(22) Date of Filing Application: **07 September 2006**  
(24) Date from which industrial property rights may have effect: **07 September 2006**  
(54) Product in respect of which the design is registered: **Submerged platform for growing oysters**  
(51) International Design Classification: **22-05**  
(71) Name(s) and Address(s) of Applicant(s):  
**Andres Quinta Cortinas**  
**Campana s/n Valga Pontevedra Spain**  
**Eladio Diaz Arbones**  
**Campana s/n Valga Pontevedra Spain**  
(72) Name(s) of Designer(s): **Andres Quinta Cortinas and Eladio Diaz Arbones**  
(45) Registration Date: **24 October 2006**  
(30) Convention priority data:  
(31) Number (32) Date (33) Country  
**000496211-0001 14 Mar 2006 EUROPEAN COMMUNITY**  
(56) Related Art Documents: **Not Applicable**  
(57) Statement of Newness and Distinctiveness: **Nil**



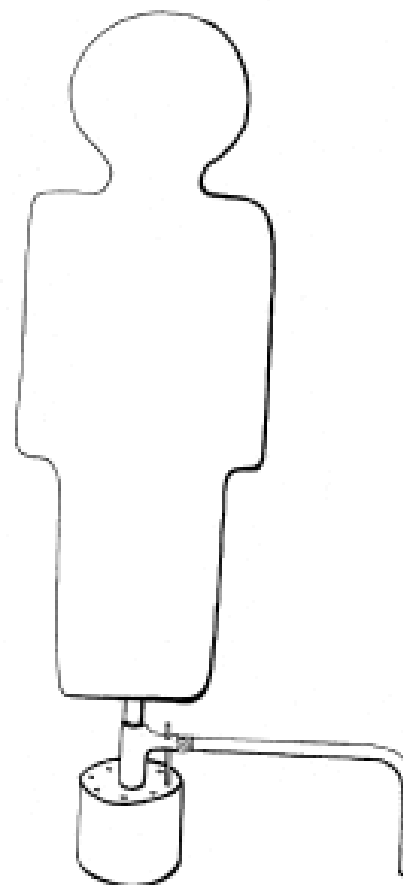
(21) Design Number: **14075/2006**  
(22) Date of Filing Application: **12 September 2006**  
(24) Date from which industrial property rights may have effect: **12 September 2006**  
(54) Product in respect of which the design is registered: **Pet product container**  
(51) International Design Classification: **09-01B, 09-03NES**  
(71) Name(s) and Address(s) of Applicant(s):  
**The IAMS Company**  
**One Procter & Gamble Plaza Cincinnati Ohio 45202 United States of America**  
(72) Name(s) of Designer(s): **Guy Baskerville Wilkins and James Edward McCay and Adam Robert George Shafer and James Christopher Dorn and Gary I. Voss**  
(45) Registration Date: **24 October 2006**  
(30) Convention priority data:  
(31) Number (32) Date (33) Country  
**29/255,889 13 Mar 2006 UNITED STATES OF AMERICA**  
(56) Related Art Documents: **Not Applicable**  
(57) Statement of Newness and Distinctiveness: **Newness and distinctiveness reside in the features of shape and/or configuration of the pet product container, as shown in the representations.**



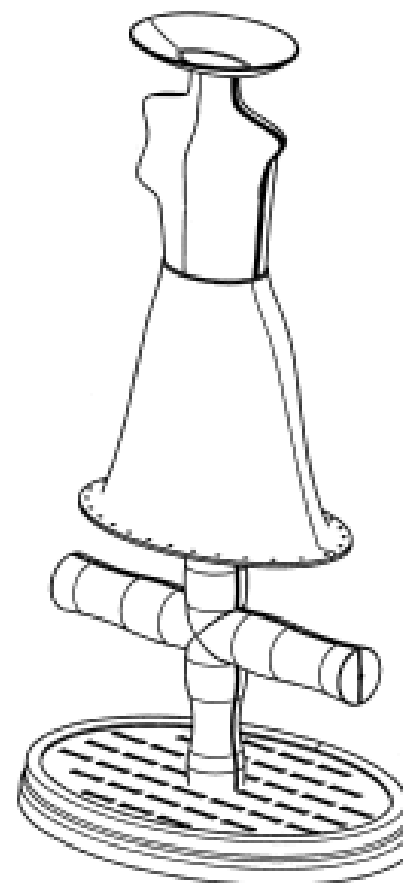
- (21) Design Number: **14112/2006**  
(22) Date of Filing Application: **13 September 2006**  
(24) Date from which industrial property rights may have effect: **13 September 2006**  
(54) Product in respect of which the design is registered: **Golf club head**  
(51) International Design Classification: **21-02C**  
(71) Name(s) and Address(s) of Applicant(s):  
**Karsten Manufacturing Corporation**  
**2201 West Desert Cove Phoenix Arizona 85029 United States of America**  
(72) Name(s) of Designer(s): **Anthony D. Serrano and Xiaojian Chen**  
(45) Registration Date: **24 October 2006**  
(30) Convention priority data:  
(31) Number (32) Date (33) Country  
**29/256196 17 Mar 2006 UNITED STATES OF AMERICA**  
(56) Related Art Documents: **Not Applicable**  
(57) Statement of Newness and Distinctiveness: **Newness and distinctiveness is claimed in the visual features shown in solid lines in the representations.**



- (21) Design Number: **14117/2006**  
(22) Date of Filing Application: **13 September 2006**  
(24) Date from which industrial property rights may have effect: **13 September 2006**  
(54) Product in respect of which the design is registered: **Athletics equipment**  
(51) International Design Classification: **21-02A**  
(71) Name(s) and Address(s) of Applicant(s):  
**Amphitrite Limited**  
**20 Marlborough Place, London NW8 0PA, UNITED KINGDOM**  
(72) Name(s) of Designer(s): **Philip Richard Shade and Nigel Timothy Court and Julian Francis Ralph Swan**  
(45) Registration Date: **24 October 2006**  
(30) Convention priority data:  
(31) Number (32) Date (33) Country  
**00496252-0003 13 Mar 2006 EUROPEAN COMMUNITY**  
(56) Related Art Documents: **Not Applicable**  
(57) Statement of Newness and Distinctiveness: **In considering the newness or distinctiveness of the design, regard is to be given to the overall shape and/or configuration of the athletics equipment as shown in the representations.**

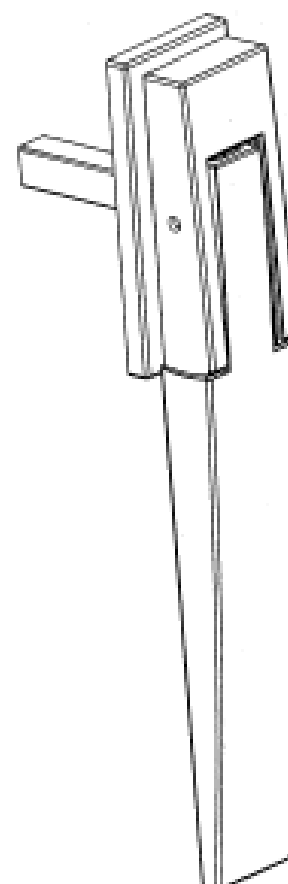


- (21) Design Number: **14133/2006**
- (22) Date of Filing Application: **15 September 2006**
- (24) Date from which industrial property rights may have effect: **15 September 2006**
- (54) Product in respect of which the design is registered: **Jewellery Doll Jewellery Stand**
- (51) International Design Classification: **03-01D**
- (71) Name(s) and Address(s) of Applicant(s):  
**Sandra Roubos**  
**5 Henry Avenue Manningham SOUTH AUSTRALIA 5086**
- (72) Name(s) of Designer(s): **Sandra Roubos**
- (45) Registration Date: **24 October 2006**
- (56) Related Art Documents: **Not Applicable**
- (57) Statement of Newness and Distinctiveness: **Features of doll is that it incorporates holding facilities for earrings, necklaces, rings and bracelets.**

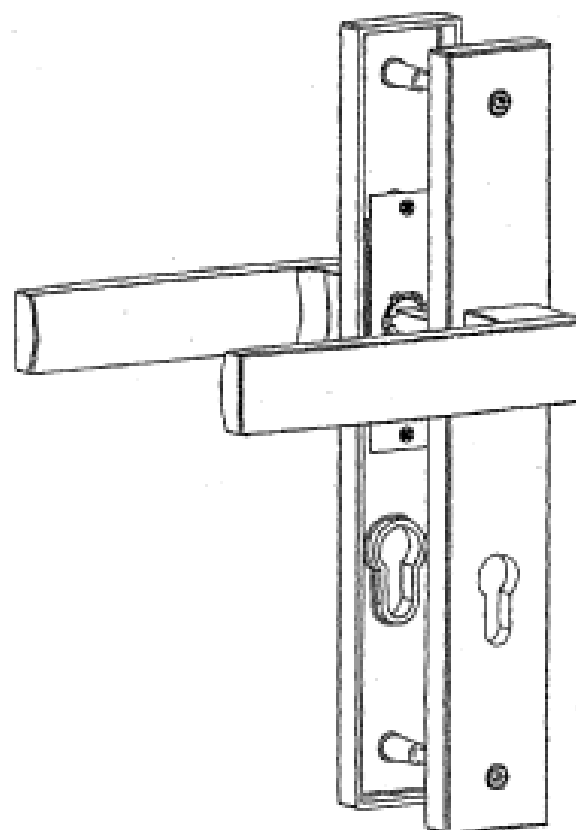


- (21) Design Number: **14136/2006**
- (22) Date of Filing Application: **14 September 2006**
- (24) Date from which industrial property rights may have effect: **14 September 2006**
- (54) Product in respect of which the design is registered: **A handle**
- (51) International Design Classification: **08-06**
- (71) Name(s) and Address(s) of Applicant(s):  
**Architectural Profiles Limited**  
**19 Northpark Drive Te Rapa Hamilton 2001 NEW ZEALAND**
- (72) Name(s) of Designer(s): **Simon Jurisich**
- (45) Registration Date: **24 October 2006**
- (30) Convention priority data:

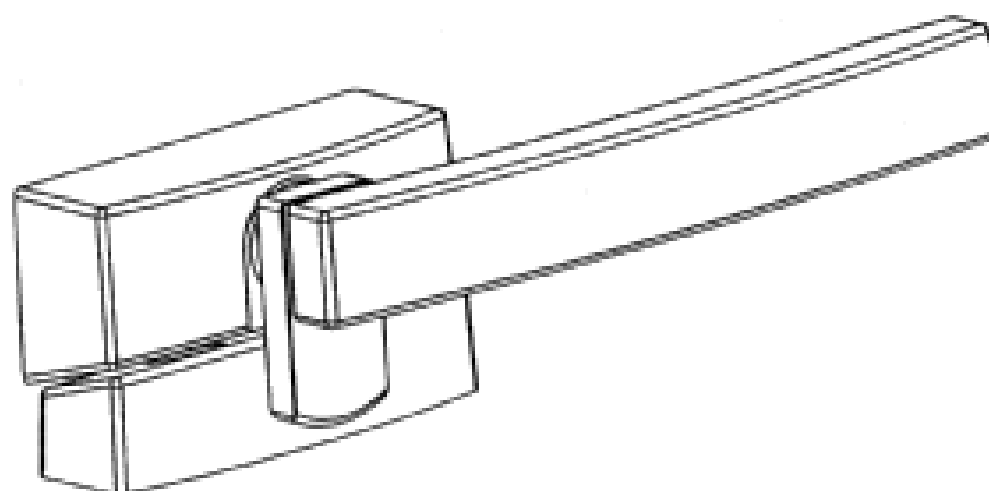
(31) Number	(32) Date	(33) Country
<b>407318</b>	<b>23 Mar 2006</b>	<b>NEW ZEALAND</b>
- (56) Related Art Documents: **Not Applicable**
- (57) Statement of Newness and Distinctiveness: **The shape and configuration of the handle is new and distinctive.**



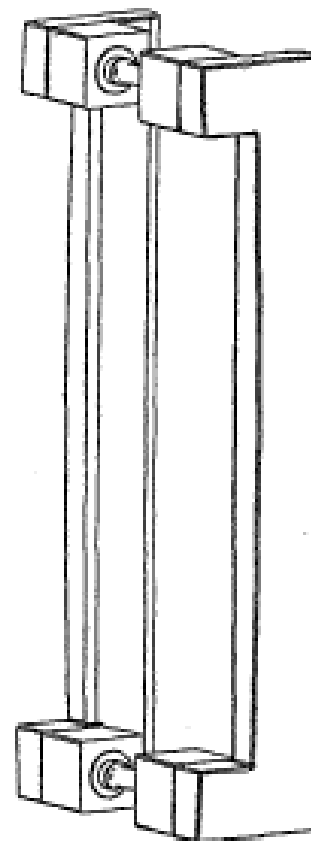
(21) Design Number: **14137/2006**  
(22) Date of Filing Application: **14 September 2006**  
(24) Date from which industrial property rights may have effect: **14 September 2006**  
(54) Product in respect of which the design is registered: **A handle**  
(51) International Design Classification: **08-06**  
(71) Name(s) and Address(s) of Applicant(s):  
**Architectural Profiles Limited**  
**19 Northpark Drive Te Rapa Hamilton 2001 NEW ZEALAND**  
(72) Name(s) of Designer(s): **Simon Jurisich**  
(45) Registration Date: **24 October 2006**  
(30) Convention priority data:  
(31) Number (32) Date (33) Country  
**407320 23 Mar 2006 NEW ZEALAND**  
(56) Related Art Documents: **Not Applicable**  
(57) Statement of Newness and Distinctiveness: **The shape and configuration of the handle is new and distinctive.**



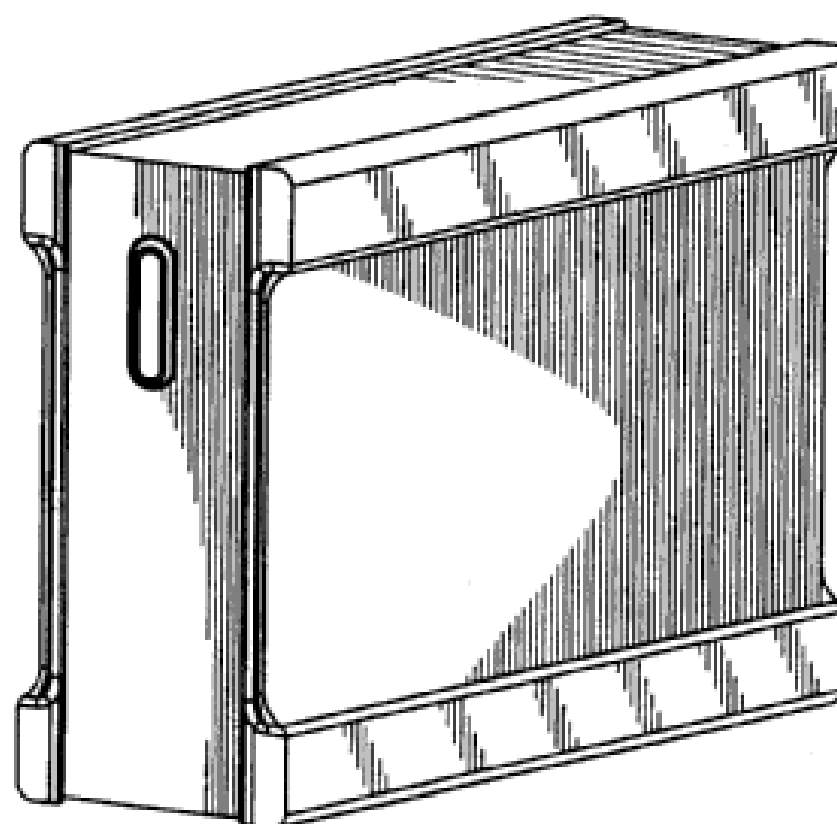
(21) Design Number: **14138/2006**  
(22) Date of Filing Application: **14 September 2006**  
(24) Date from which industrial property rights may have effect: **14 September 2006**  
(54) Product in respect of which the design is registered: **A handle**  
(51) International Design Classification: **08-06**  
(71) Name(s) and Address(s) of Applicant(s):  
**Architectural Profiles Limited**  
**19 Northpark Drive Te Rapa Hamilton 2001 NEW ZEALAND**  
(72) Name(s) of Designer(s): **Simon Jurisich**  
(45) Registration Date: **24 October 2006**  
(30) Convention priority data:  
(31) Number (32) Date (33) Country  
**407319 23 Mar 2006 NEW ZEALAND**  
(56) Related Art Documents: **Not Applicable**  
(57) Statement of Newness and Distinctiveness: **The shape and configuration of the handle is new and distinctive.**



(21) Design Number: **14139/2006**  
(22) Date of Filing Application: **14 September 2006**  
(24) Date from which industrial property rights may have effect: **14 September 2006**  
(54) Product in respect of which the design is registered: **A handle**  
(51) International Design Classification: **08-06**  
(71) Name(s) and Address(s) of Applicant(s):  
**Architectural Profiles Limited**  
**19 Northpark Drive Te Rapa Hamilton 2001 NEW ZEALAND**  
(72) Name(s) of Designer(s): **Simon Jurisich**  
(45) Registration Date: **24 October 2006**  
(30) Convention priority data:  
(31) Number (32) Date (33) Country  
**407365 29 Mar 2006 NEW ZEALAND**  
(56) Related Art Documents: **Not Applicable**  
(57) Statement of Newness and Distinctiveness: **The shape and configuration of the handle is new and distinctive.**

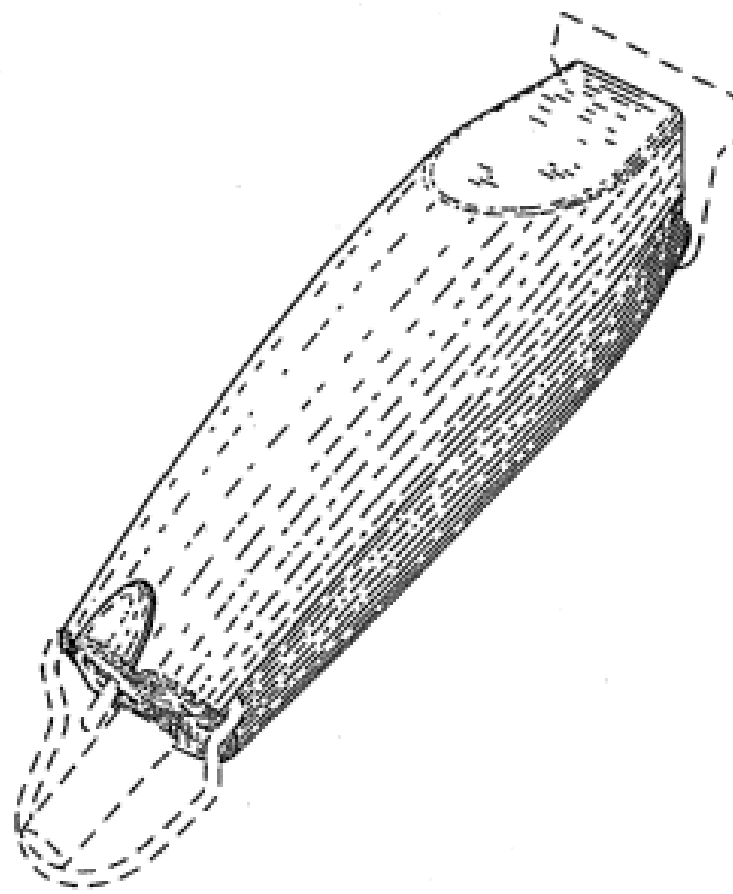


(21) Design Number: **14267/2006**  
(22) Date of Filing Application: **10 April 2006**  
(24) Date from which industrial property rights may have effect: **10 April 2006**  
(54) Product in respect of which the design is registered: **External storage device**  
(51) International Design Classification: **14-02**  
(71) Name(s) and Address(s) of Applicant(s):  
**Maxtor Corporation**  
**2452 Clover Basin Drive Longmont Colorado 80503 United States of America**  
(72) Name(s) of Designer(s): **Phoebe Ng and Mark Muenchinger and Chris Green**  
(45) Registration Date: **24 October 2006**  
(30) Convention priority data:  
(31) Number (32) Date (33) Country  
**29240639 14 Oct 2005 UNITED STATES OF AMERICA**  
(62) Divisional of: **310857**  
(56) Related Art Documents: **Not Applicable**  
(57) Statement of Newness and Distinctiveness: **Nil.**



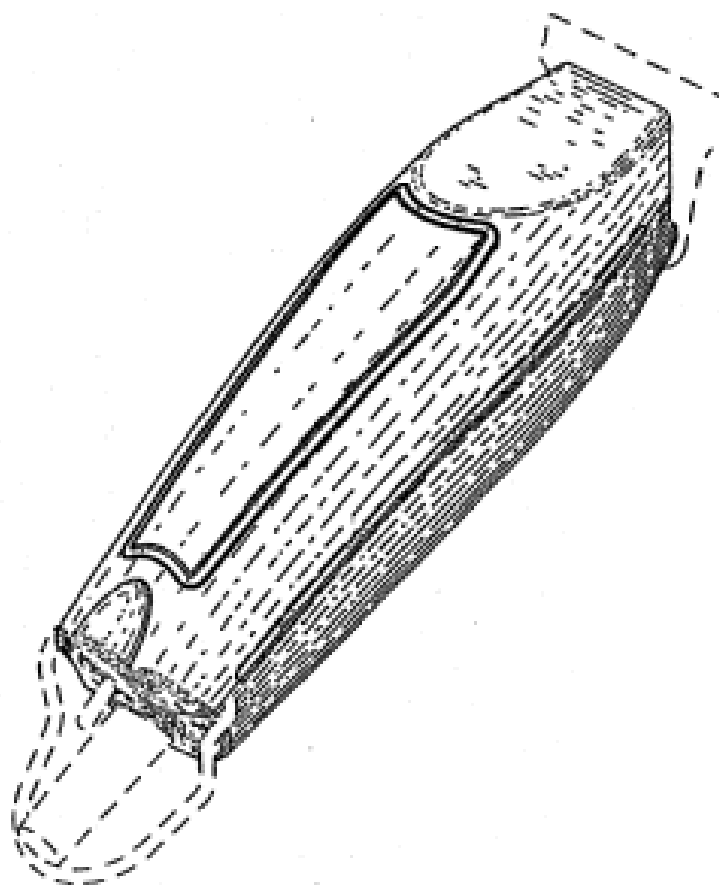
- (21) Design Number: **10872/2006**
- (22) Date of Filing Application: **07 March 2006**
- (24) Date from which industrial property rights may have effect: **07 March 2006**
- (54) Product in respect of which the design is registered: **Hair trimmer**
- (51) International Design Classification: **28-03D**
- (71) Name(s) and Address(s) of Applicant(s):  
**Wahl Clipper Corporation**  
**2900 North Locust Street Sterling Illinois 61064 United States of America**
- (72) Name(s) of Designer(s): **James E. McCambridge and Michael Eddinger and Charles Choi and Richard Lee Grant**
- (45) Registration Date: **24 October 2006**
- (30) Convention priority data:  

(31) Number	(32) Date	(33) Country
<b>29/238,040</b>	<b>09 Sep 2005</b>	<b>UNITED STATES OF AMERICA</b>
- (56) Related Art Documents: **Not Applicable**
- (57) Statement of Newness and Distinctiveness: **The new and distinct features of the design are the features of shape and configuration of a hair trimmer as shown in the attached representations. The features shown in broken lines are not considered to be new or distinctive.**

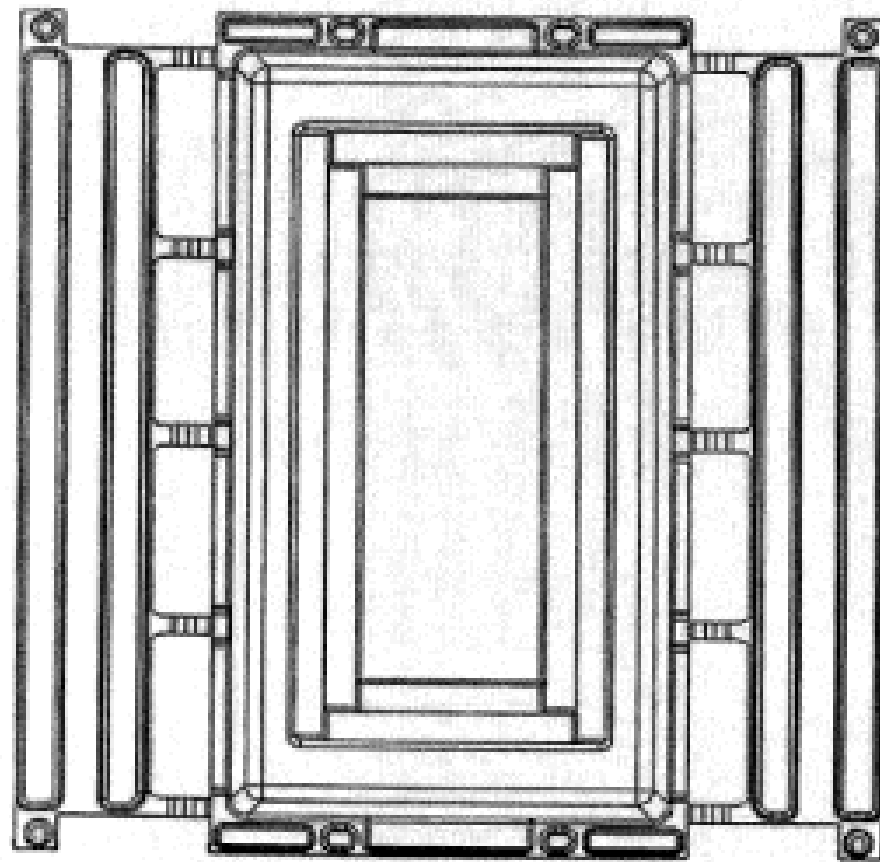


- (21) Design Number: **14175/2006**
- (22) Date of Filing Application: **07 March 2006**
- (24) Date from which industrial property rights may have effect: **07 March 2006**
- (54) Product in respect of which the design is registered: **Hair trimmer**
- (51) International Design Classification: **28-03D**
- (71) Name(s) and Address(s) of Applicant(s):  
**Wahl Clipper Corporation**  
**2900 North Locust Street Sterling Illinois 61064 United States of America**
- (72) Name(s) of Designer(s): **James E. McCambridge and Michael Eddinger and Charles Choi and Richard Lee Grant**
- (45) Registration Date: **24 October 2006**
- (30) Convention priority data:  

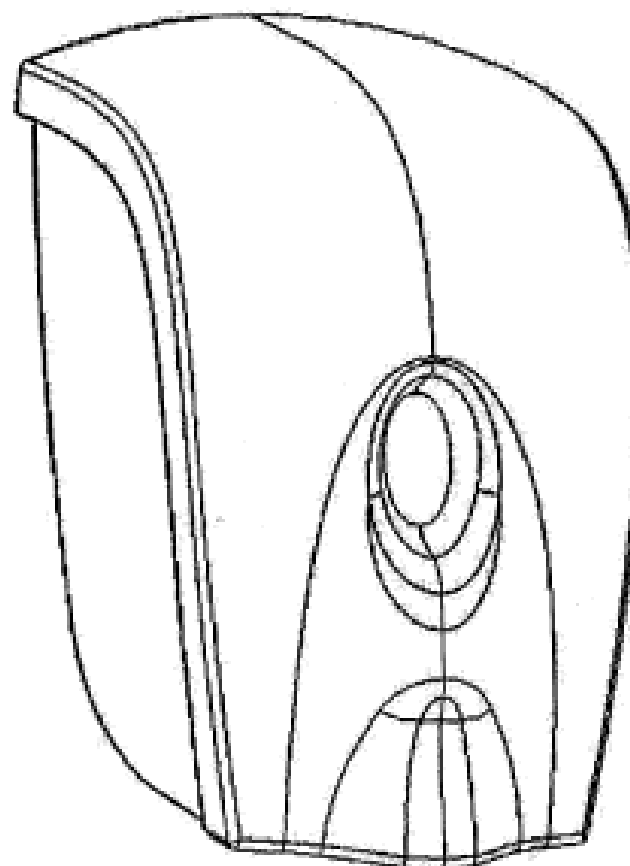
(31) Number	(32) Date	(33) Country
<b>29/238,040</b>	<b>09 Sep 2005</b>	<b>UNITED STATES OF AMERICA</b>
- (56) Related Art Documents: **Not Applicable**
- (57) Statement of Newness and Distinctiveness: **The new and distinct features of the design are the features of shape and configuration of a hair trimmer as shown in the attached representations. The features shown in broken lines are not considered to be new or distinctive.**



- (21) Design Number: **11255/2006**  
(22) Date of Filing Application: **27 March 2006**  
(24) Date from which industrial property rights may have effect: **27 March 2006**  
(54) Product in respect of which the design is registered: **Container for banknotes**  
(51) International Design Classification: **19-02, 09-03M**  
(71) Name(s) and Address(s) of Applicant(s):  
**Money Controls Limited**  
**Coin House New Coin Street Royton Oldham OL2 6JZ United Kingdom**  
(72) Name(s) of Designer(s): **Malcolm Reginald Hallas Bell and Graham Jones**  
(45) Registration Date: **24 October 2006**  
(30) Convention priority data:  
(31) Number (32) Date (33) Country  
**000409040 27 Sep 2005 EUROPEAN COMMUNITY**  
(56) Related Art Documents: **Not Applicable**  
(57) Statement of Newness and Distinctiveness: **Newness and distinctiveness resides in the features of shape and configuration of a container for banknotes as shown in the accompanying representations.**



- (21) Design Number: **11412/2006**  
(22) Date of Filing Application: **05 April 2006**  
(24) Date from which industrial property rights may have effect: **05 April 2006**  
(54) Product in respect of which the design is registered: **Dispenser housing**  
(51) International Design Classification: **23-02A**  
(71) Name(s) and Address(s) of Applicant(s):  
**JohnsonDiversey, Inc.**  
**8310 16th Street M/S 509 Sturtevant Wisconsin 53177 United States of America**  
(72) Name(s) of Designer(s): **Brian D. Haworth**  
(45) Registration Date: **24 October 2006**  
(30) Convention priority data:  
(31) Number (32) Date (33) Country  
**29/240198 11 Oct 2005 UNITED STATES OF AMERICA**  
(56) Related Art Documents: **Not Applicable**  
(57) Statement of Newness and Distinctiveness: **Newness and distinctiveness is claimed in the features of shape and/or configuration of the front portion of a dispenser housing as illustrated and labelled "X" in the accompanying representations.**



(21) Design Number: **11759/2006**

(22) Date of Filing Application: **28 April 2006**

(24) Date from which industrial property rights may have effect: **28 April 2006**

(54) Product in respect of which the design is registered: **Dice**

(51) International Design Classification: **21-01L**

(71) Name(s) and Address(s) of Applicant(s):

**William Stanley Raymont  
67 Collings Street Pearce ACT 2607 Australia**

(72) Name(s) of Designer(s): **William Raymont**

(45) Registration Date: **24 October 2006**

(56) Related Art Documents: **Not Applicable**

(57) Statement of Newness and Distinctiveness: **The new feature of the design is an umpires hat protruding from the dice.**



(21) Design Number: **12501/2006**

(22) Date of Filing Application: **09 June 2006**

(24) Date from which industrial property rights may have effect: **09 June 2006**

(54) Product in respect of which the design is registered: **A motor vehicle and a model vehicle**

(51) International Design Classification: **12-08, 21-01C**

(71) Name(s) and Address(s) of Applicant(s):

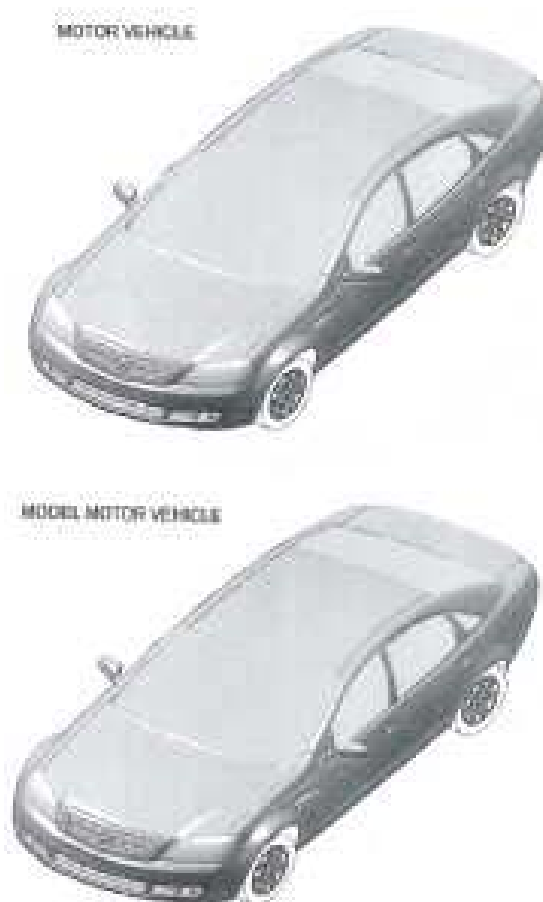
**GM Global Technology Operations, Inc  
300 Renaissance Center Detroit MI 48265-3000 United States of  
America**

(72) Name(s) of Designer(s): **Peter Hughes and Martin Richard Love and Justin James Thompson**

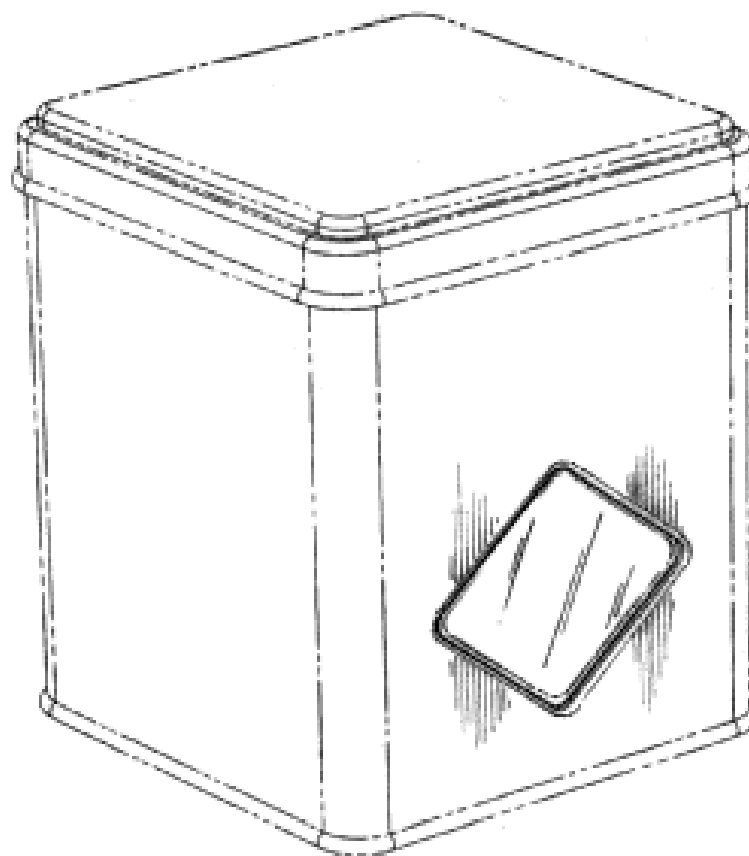
(45) Registration Date: **24 October 2006**

(56) Related Art Documents: **Not Applicable**

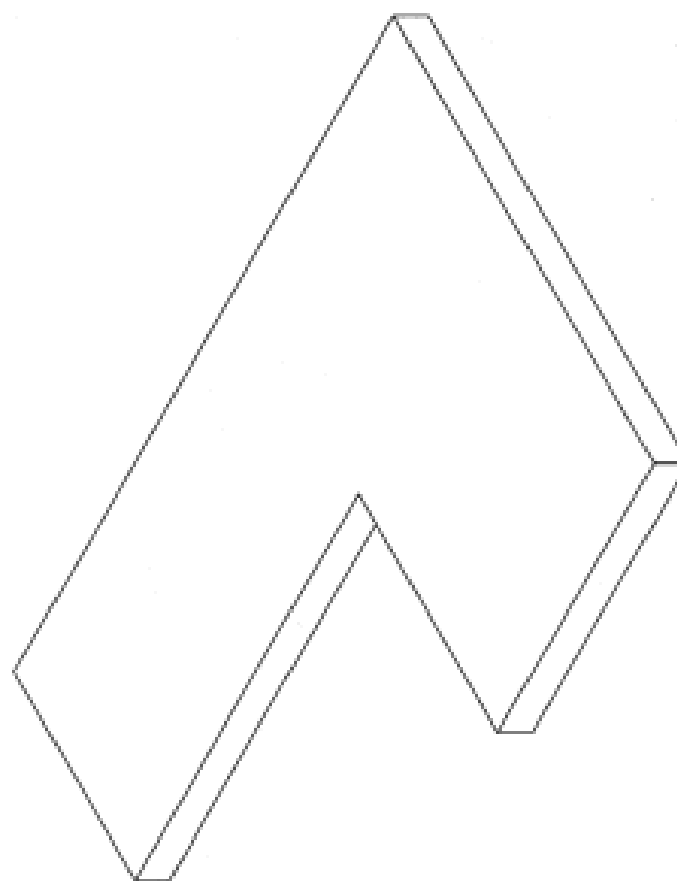
(57) Statement of Newness and Distinctiveness: **Newness and distinctiveness is claimed in the shape and/or configuration of a motor vehicle and a model vehicle, except that the wheels and tyres are to be disregarded.**



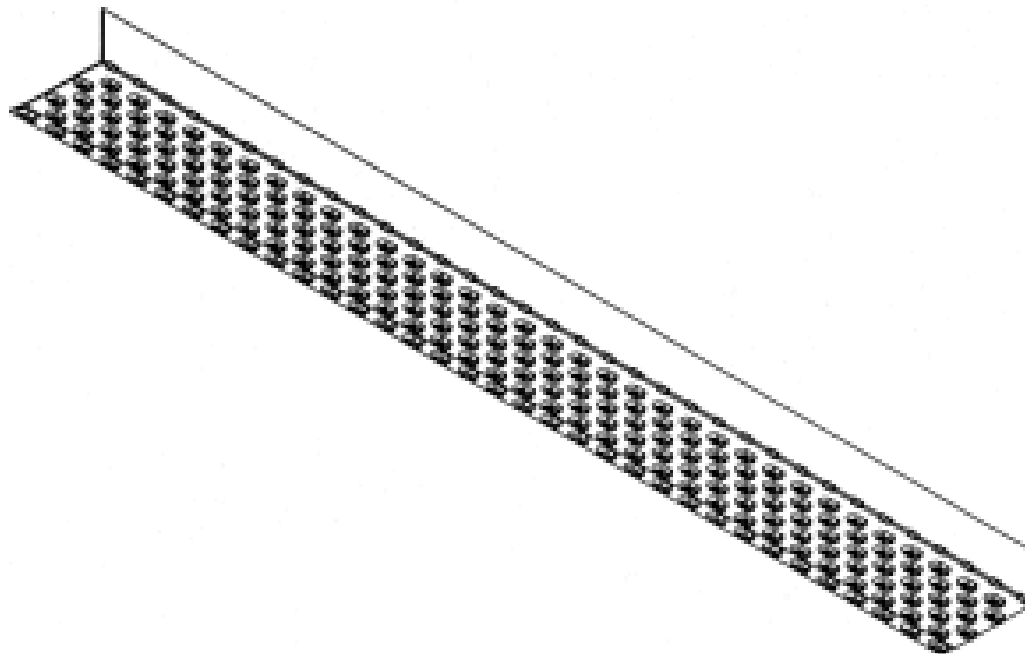
- (21) Design Number: **12988/2006**  
(22) Date of Filing Application: **12 July 2006**  
(24) Date from which industrial property rights may have effect: **12 July 2006**  
(54) Product in respect of which the design is registered: **Container with a diamond shaped window**  
(51) International Design Classification: **07-01NES**  
(71) Name(s) and Address(s) of Applicant(s):  
**Hofesh Enterprises Pty Ltd.**  
**15 Anderson Street Surrey Hills Victoria 3127 Australia**  
(72) Name(s) of Designer(s): **Kate Weiss and Tal Weiss**  
(45) Registration Date: **24 October 2006**  
(56) Related Art Documents: **Not Applicable**  
(57) Statement of Newness and Distinctiveness: **Newness and distinctiveness is claimed in the features of shape and/or configuration of a container with a diamond shaped window as illustrated in the accompanying representations.**



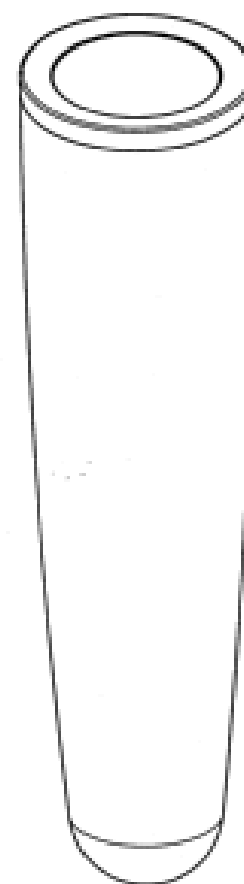
- (21) Design Number: **13813/2006**  
(22) Date of Filing Application: **21 August 2006**  
(24) Date from which industrial property rights may have effect: **21 August 2006**  
(54) Product in respect of which the design is registered: **Artist canvas**  
(51) International Design Classification: **19-06**  
(71) Name(s) and Address(s) of Applicant(s):  
**Karin Rodrigues**  
**4/34 Genoa Street Surfers Paradise Queensland 4217 Australia**  
(72) Name(s) of Designer(s): **Karin Rodrigues**  
(45) Registration Date: **24 October 2006**  
(56) Related Art Documents: **Not Applicable**  
(57) Statement of Newness and Distinctiveness: **The canvas is L-shaped. The legs of the L may be the same length and width, or any combination of lengths and widths.**



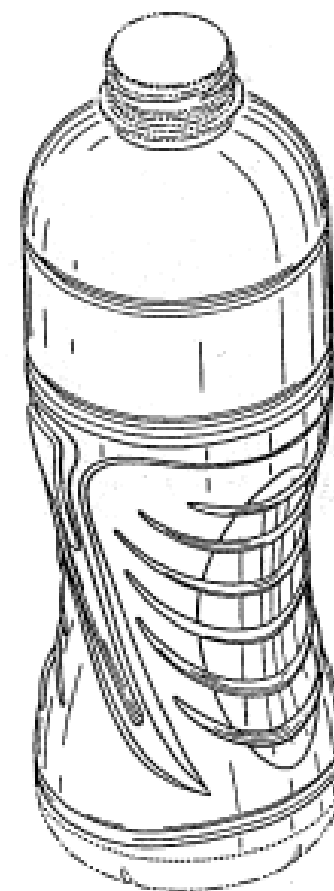
- (21) Design Number: **13921/2006**  
(22) Date of Filing Application: **31 August 2006**  
(24) Date from which industrial property rights may have effect: **31 August 2006**  
(54) Product in respect of which the design is registered: **Building and housing - access stairs**  
(51) International Design Classification: **25-04**  
(71) Name(s) and Address(s) of Applicant(s):  
**Guardian Tactile Systems Pty. Ltd.**  
**PO Box 626 Balcatta Western Australia 6914 Australia**  
(72) Name(s) of Designer(s): **John R. Penglase**  
(45) Registration Date: **24 October 2006**  
(56) Related Art Documents: **Not Applicable**  
(57) Statement of Newness and Distinctiveness: **Shape and profile of non slip surface for non slip stair nosing and edging.**



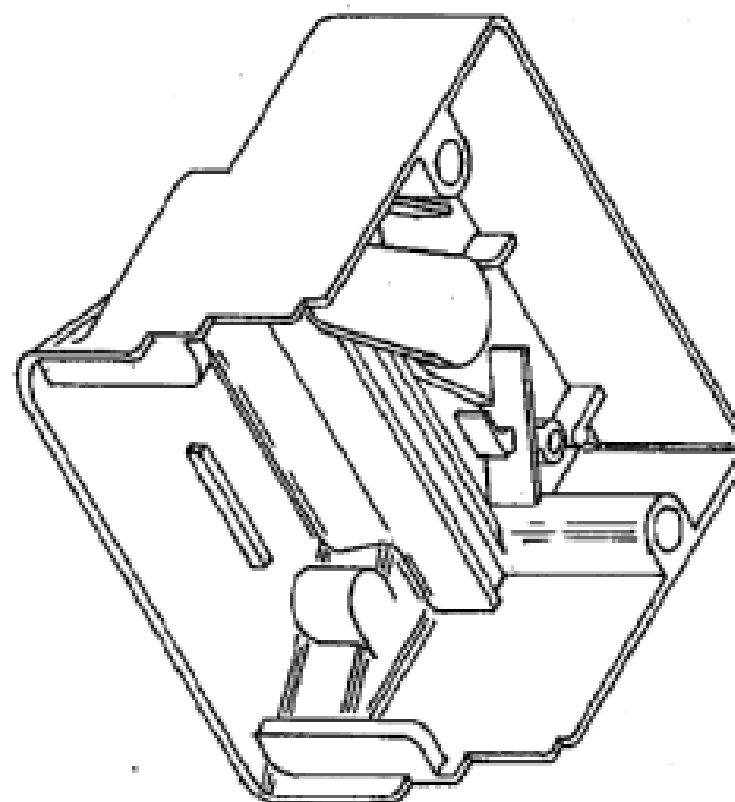
- (21) Design Number: **14150/2006**  
(22) Date of Filing Application: **15 September 2006**  
(24) Date from which industrial property rights may have effect: **15 September 2006**  
(54) Product in respect of which the design is registered: **Boot tree**  
(51) International Design Classification: **08-05NES**  
(71) Name(s) and Address(s) of Applicant(s):  
**Eastview Way Pty Ltd**  
**30 Drake Street Brighton Victoria 3166 Australia**  
(72) Name(s) of Designer(s): **John Seddon and Jennifer Fletcher**  
(45) Registration Date: **24 October 2006**  
(56) Related Art Documents: **Not Applicable**  
(57) Statement of Newness and Distinctiveness: **Those features of the boot tree depicted in the representations that are new and distinctive are the shape and/or configuration.**



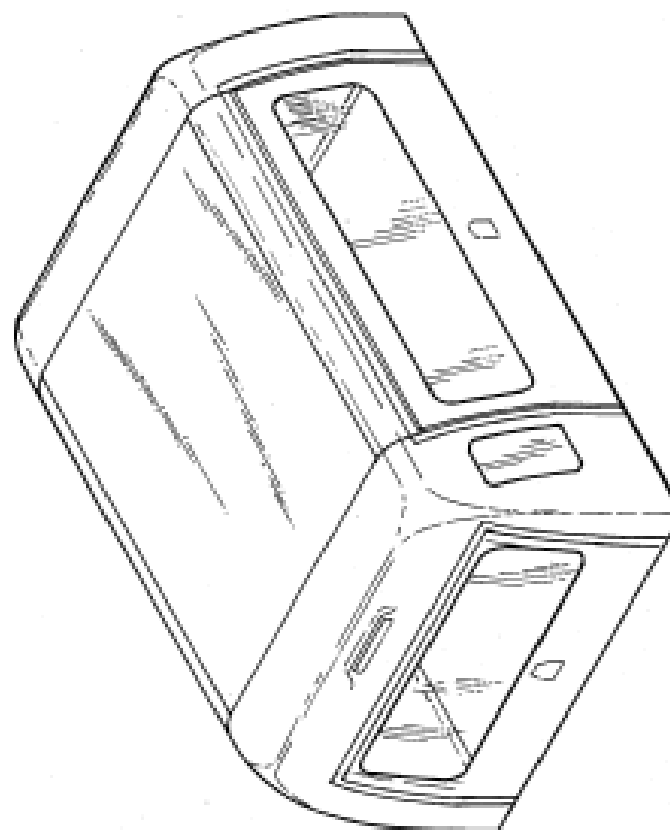
- (21) Design Number: **14151/2006**  
(22) Date of Filing Application: **15 September 2006**  
(24) Date from which industrial property rights may have effect: **15 September 2006**  
(54) Product in respect of which the design is registered: **Bottle**  
(51) International Design Classification: **09-01NES**  
(71) Name(s) and Address(s) of Applicant(s):  
**The Coca-Cola Company**  
**One Coca-Cola Plaza NW Atlanta Georgia 30313 United States of America**  
(72) Name(s) of Designer(s): **Kevin Hyde and Craig Glass and Chris Forecast and Matt Cotterill**  
(45) Registration Date: **24 October 2006**  
(30) Convention priority data:  
(31) Number (32) Date (33) Country  
**000522354-0001 25 Apr 2006 EUROPEAN COMMUNITY**  
(56) Related Art Documents: **Not Applicable**  
(57) Statement of Newness and Distinctiveness: **Those features of the bottle depicted in the representations that are new and distinctive are the shape and/or configuration. The features shown in broken lines are to be disregarded when considering the overall impression of the design.**



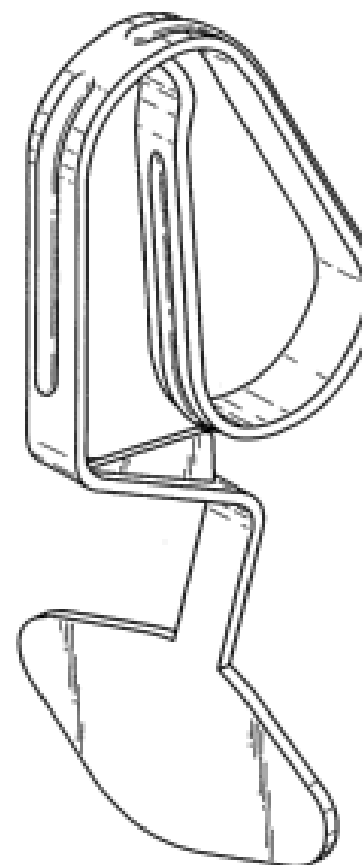
- (21) Design Number: **14152/2006**  
(22) Date of Filing Application: **15 September 2006**  
(24) Date from which industrial property rights may have effect: **15 September 2006**  
(54) Product in respect of which the design is registered: **Window catch**  
(51) International Design Classification: **08-07**  
(71) Name(s) and Address(s) of Applicant(s):  
**Pacific Enterprises (Aust) Pty Ltd**  
**6 Mosrael Place Scoresby Victoria 3179 Australia**  
(72) Name(s) of Designer(s): **Graeme Byrne and David Li**  
(45) Registration Date: **24 October 2006**  
(56) Related Art Documents: **Not Applicable**  
(57) Statement of Newness and Distinctiveness: **Newness and distinctiveness are claimed in the features of shape and/or configuration of a window catch, as illustrated in the accompanying representations.**



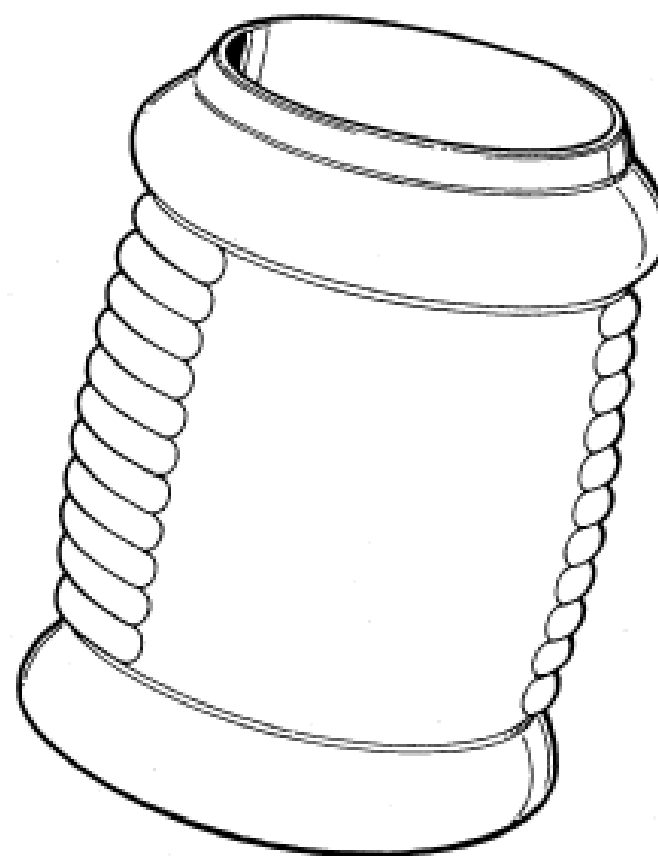
(21) Design Number: **14153/2006**  
(22) Date of Filing Application: **19 September 2006**  
(24) Date from which industrial property rights may have effect: **19 September 2006**  
(54) Product in respect of which the design is registered: **Modular conopy**  
(51) International Design Classification: **12-16NES**  
(71) Name(s) and Address(s) of Applicant(s):  
**Robert Paul Frankham**  
**PO Box 954 Burleigh Heads Queensland 4220 Australia**  
(72) Name(s) of Designer(s): **Robert Paul Frankham**  
(45) Registration Date: **24 October 2006**  
(56) Related Art Documents: **Not Applicable**  
(57) Statement of Newness and Distinctiveness: **Nil**



(21) Design Number: **14167/2006**  
(22) Date of Filing Application: **15 September 2006**  
(24) Date from which industrial property rights may have effect: **15 September 2006**  
(54) Product in respect of which the design is registered: **Hanger for a lavatory dispensing device**  
(51) International Design Classification: **23-02A**  
(71) Name(s) and Address(s) of Applicant(s):  
**Reckitt Benckiser Inc.**  
**Morris Corporate Center IV 399 Interpace Parkway Parsippany New Jersey 07054 United States of America**  
(72) Name(s) of Designer(s): **Christopher Brian King**  
(45) Registration Date: **24 October 2006**  
(30) Convention priority data:  
(31) Number      (32) Date      (33) Country  
**29/256553      22 Mar 2006      UNITED STATES OF AMERICA**  
(56) Related Art Documents: **Not Applicable**  
(57) Statement of Newness and Distinctiveness: **Newness and distinctiveness reside in the features of the design shown in solid lines in the representations excluding those features shown in broken lines.**



- (21) Design Number: **14179/2006**  
(22) Date of Filing Application: **18 September 2006**  
(24) Date from which industrial property rights may have effect: **18 September 2006**  
(54) Product in respect of which the design is registered: **Insulating beverage container**  
(51) International Design Classification: **07-01C**  
(71) Name(s) and Address(s) of Applicant(s):  
**Freelance Corporate Promotions**  
**10/288#302 Lawrence Street Alexandria New South Wales 2015**  
(72) Name(s) of Designer(s): **Ross MacDougall**  
(45) Registration Date: **24 October 2006**  
(56) Related Art Documents: **Not Applicable**  
(57) Statement of Newness and Distinctiveness: **Newness and distinctiveness is claimed in the features of shape and/or configuration of an insulating beverage container as illustrated in the accompanying representations**



- (21) Design Number: **14182/2006**  
(22) Date of Filing Application: **19 September 2006**  
(24) Date from which industrial property rights may have effect: **19 September 2006**  
(54) Product in respect of which the design is registered: **Outdoor furniture**  
(51) International Design Classification: **06-01C, 06-03A**  
(71) Name(s) and Address(s) of Applicant(s):  
**Jonathon Richard Rowe**  
**18 Tular Avenue Oakleigh South SOUTH AUSTRALIA 3167**  
(72) Name(s) of Designer(s): **Jonathon Richard Rowe**  
(45) Registration Date: **24 October 2006**  
(56) Related Art Documents: **Not Applicable**  
(57) Statement of Newness and Distinctiveness: **Nil**



(21) Design Number: **14202/2006**

(22) Date of Filing Application: **20 September 2006**

(24) Date from which industrial property rights may have effect: **20 September 2006**

(54) Product in respect of which the design is registered: **Cover set for drainage openings**

(51) International Design Classification: **23-01NES**

(71) Name(s) and Address(s) of Applicant(s):

**Gil Pe'eri**

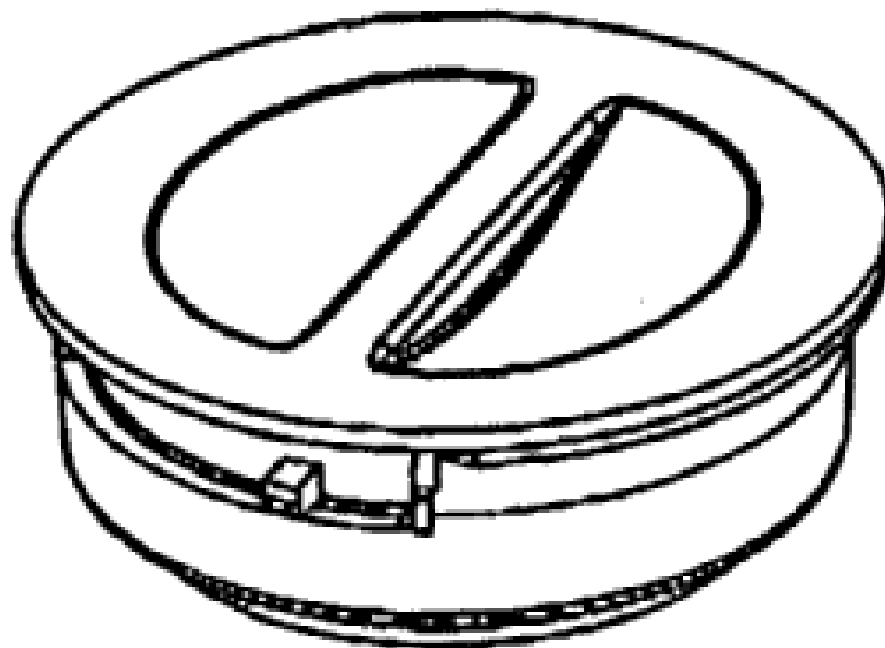
**36 Ha Tsabar Street Pardesia 42815 Israel**

(72) Name(s) of Designer(s): **Gil Pe'eri**

(45) Registration Date: **24 October 2006**

(56) Related Art Documents: **Not Applicable**

(57) Statement of Newness and Distinctiveness: **Newness and distinctiveness reside in the features of the design as shown in the representations.**



(21) Design Number: **14213/2006**

(22) Date of Filing Application: **20 September 2006**

(24) Date from which industrial property rights may have effect: **20 September 2006**

(54) Product in respect of which the design is registered: **A boat accessory**

(51) International Design Classification: **12-06NES**

(71) Name(s) and Address(s) of Applicant(s):

**Riviera Marine (Int) Pty Ltd**

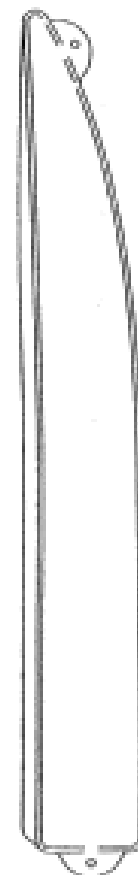
**50 Waterway Drive Coomera Queensland 4209 Australia**

(72) Name(s) of Designer(s): **Chris Gilfoyle**

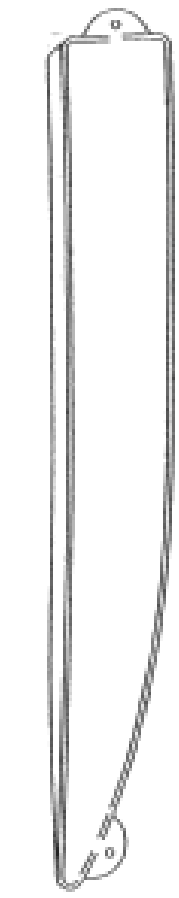
(45) Registration Date: **24 October 2006**

(56) Related Art Documents: **Not Applicable**

(57) Statement of Newness and Distinctiveness: **Newness and distinctiveness reside in the features of the design as shown in the representations.**

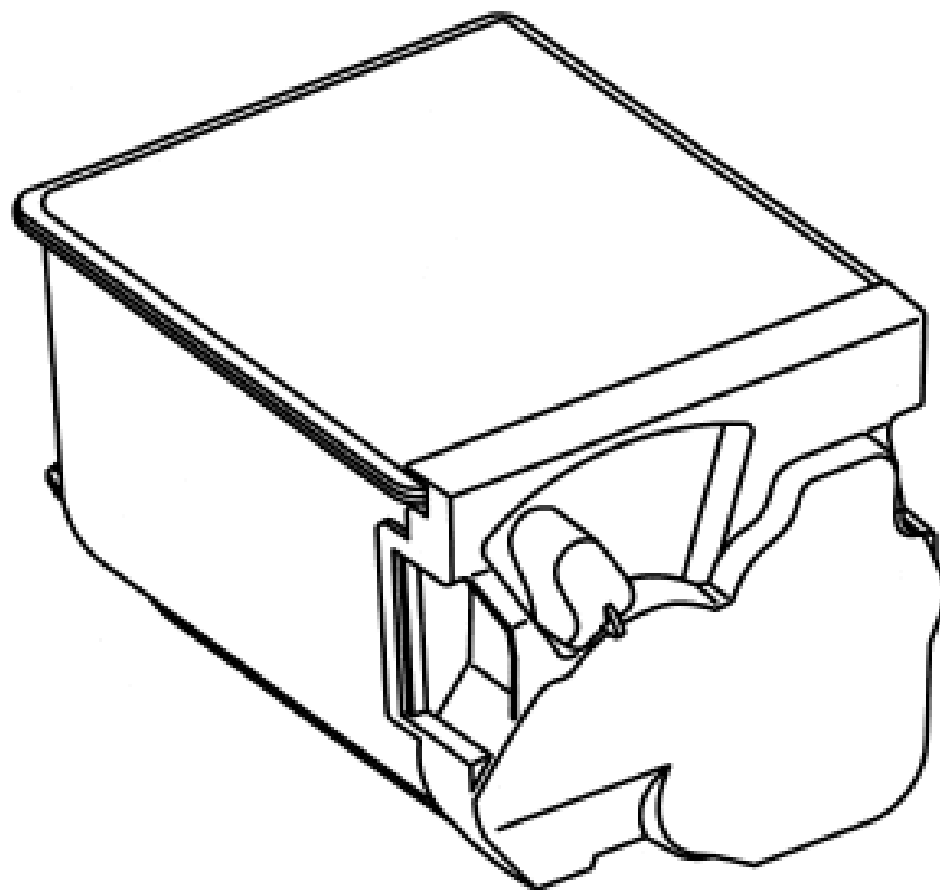


- (21) Design Number: **14214/2006**
- (22) Date of Filing Application: **20 September 2006**
- (24) Date from which industrial property rights may have effect: **20 September 2006**
- (54) Product in respect of which the design is registered: **A boat accessory**
- (51) International Design Classification: **12-06NES**
- (71) Name(s) and Address(s) of Applicant(s):  
**Riviera Marine (Int) Pty Ltd**  
**50 Waterway Drive Coomera Queensland 4209 Australia**
- (72) Name(s) of Designer(s): **Chris Gilfoyle**
- (45) Registration Date: **24 October 2006**
- (56) Related Art Documents: **Not Applicable**
- (57) Statement of Newness and Distinctiveness: **Newness and distinctiveness reside in the features of the design as shown in the representations.**

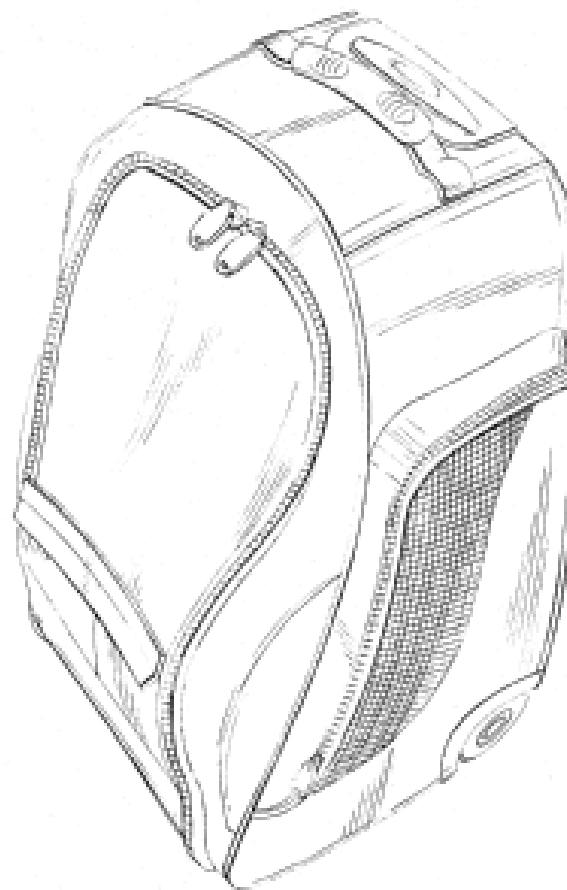


- (21) Design Number: **14218/2006**
- (22) Date of Filing Application: **20 September 2006**
- (24) Date from which industrial property rights may have effect: **20 September 2006**
- (54) Product in respect of which the design is registered: **Toner cartridge**
- (51) International Design Classification: **14-02**
- (71) Name(s) and Address(s) of Applicant(s):  
**Kyocera Mita Corporation**  
**2-28 Tamatsukuri 1-Chome Chuo-ku Osaka 540 8585 Japan**
- (72) Name(s) of Designer(s): **Takashi Tamura**
- (45) Registration Date: **24 October 2006**
- (30) Convention priority data:

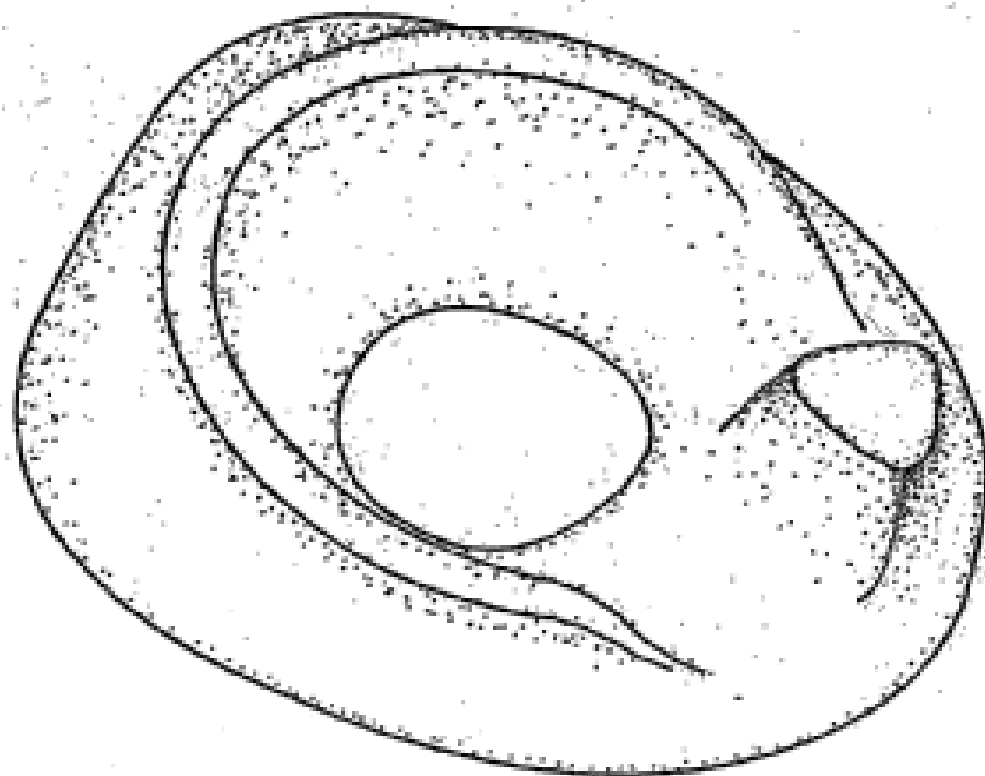
(31) Number	(32) Date	(33) Country
<b>2006-007583</b>	<b>27 Mar 2006</b>	<b>JAPAN</b>
- (56) Related Art Documents: **Not Applicable**
- (57) Statement of Newness and Distinctiveness: **Nil**



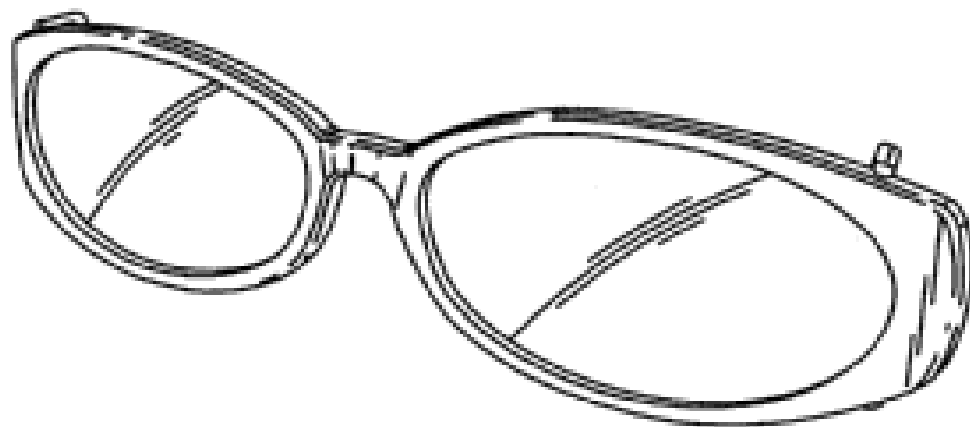
(21) Design Number: **14220/2006**  
(22) Date of Filing Application: **20 September 2006**  
(24) Date from which industrial property rights may have effect: **20 September 2006**  
(54) Product in respect of which the design is registered: **A carrying case**  
(51) International Design Classification: **03-01A**  
(71) Name(s) and Address(s) of Applicant(s):  
**Vita-Mix Corporation**  
**8615 Usher Road Cleveland Ohio 44138 United States of America**  
(72) Name(s) of Designer(s): **Jonathan M. Katz and Laura L. Manson**  
(45) Registration Date: **24 October 2006**  
(30) Convention priority data:  
(31) Number (32) Date (33) Country  
**29257052 30 Mar 2006 UNITED STATES OF AMERICA**  
(56) Related Art Documents: **Not Applicable**  
(57) Statement of Newness and Distinctiveness: **Nil**



(21) Design Number: **14227/2006**  
(22) Date of Filing Application: **20 September 2006**  
(24) Date from which industrial property rights may have effect: **20 September 2006**  
(54) Product in respect of which the design is registered: **Bumbo toilet trainer**  
(51) International Design Classification: **23-02C**  
(71) Name(s) and Address(s) of Applicant(s):  
**Johan Nicolaas Buitendach**  
**Cnr Hardy Muller & Frans Du Toit Street Rosslyn 0200 South Africa**  
(72) Name(s) of Designer(s): **Johan Nicolaas Buitendach**  
(45) Registration Date: **24 October 2006**  
(30) Convention priority data:  
(31) Number (32) Date (33) Country  
**2006/1069 17 Jul 2006 SOUTH AFRICA**  
(56) Related Art Documents: **Not Applicable**  
(57) Statement of Newness and Distinctiveness: **Nil**



(21) Design Number: **14262/2006**  
(22) Date of Filing Application: **22 September 2006**  
(24) Date from which industrial property rights may have effect: **22 September 2006**  
(54) Product in respect of which the design is registered: **Eyewear**  
(51) International Design Classification: **16-06**  
(71) Name(s) and Address(s) of Applicant(s):  
**Dioptics Medical Products, Inc.**  
**125 Venture Drive San Luis Obispo California 93401 United States of America**  
(72) Name(s) of Designer(s): **Henry Welling Lane and Eric Rhea**  
(45) Registration Date: **24 October 2006**  
(30) Convention priority data:  
(31) Number      (32) Date      (33) Country  
**29256757      24 Mar 2006      UNITED STATES OF AMERICA**  
(56) Related Art Documents: **Not Applicable**  
(57) Statement of Newness and Distinctiveness: **Nil.**



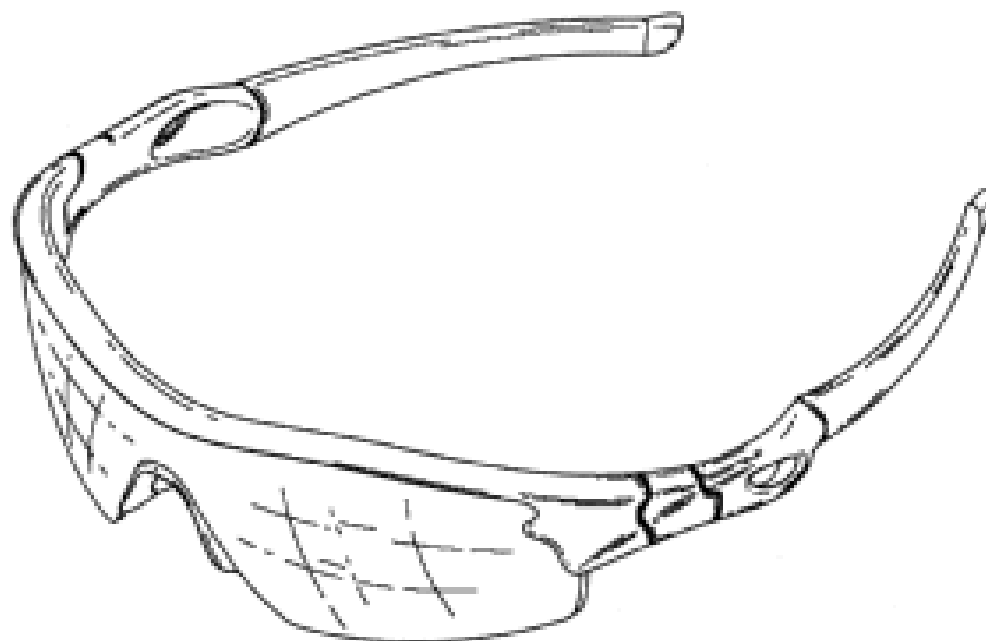
(21) Design Number: **14263/2006**  
(22) Date of Filing Application: **22 September 2006**  
(24) Date from which industrial property rights may have effect: **22 September 2006**  
(54) Product in respect of which the design is registered: **Eyewear**  
(51) International Design Classification: **16-06**  
(71) Name(s) and Address(s) of Applicant(s):  
**Dioptics Medical Products, Inc.**  
**125 Venture Drive San Luis Obispo California 93401 United States of America**  
(72) Name(s) of Designer(s): **Henry Welling Lane and Eric Rhea**  
(45) Registration Date: **24 October 2006**  
(30) Convention priority data:  
(31) Number      (32) Date      (33) Country  
**29256791      24 Mar 2006      UNITED STATES OF AMERICA**  
(56) Related Art Documents: **Not Applicable**  
(57) Statement of Newness and Distinctiveness: **Nil.**



- (21) Design Number: **14264/2006**  
(22) Date of Filing Application: **22 September 2006**  
(24) Date from which industrial property rights may have effect: **22 September 2006**  
(54) Product in respect of which the design is registered: **Eyewear frame arms**  
(51) International Design Classification: **16-06**  
(71) Name(s) and Address(s) of Applicant(s):  
**Oakley, Inc.**  
**One Icon Foothill Ranch California 92610 United States of America**  
(72) Name(s) of Designer(s): **James H. Jannard and Lek Thixton and Colin Baden and Peter Yee**  
(45) Registration Date: **24 October 2006**  
(56) Related Art Documents: **Not Applicable**  
(57) Statement of Newness and Distinctiveness: **Nil.**



- (21) Design Number: **14265/2006**  
(22) Date of Filing Application: **22 September 2006**  
(24) Date from which industrial property rights may have effect: **22 September 2006**  
(54) Product in respect of which the design is registered: **Eyewear**  
(51) International Design Classification: **16-06**  
(71) Name(s) and Address(s) of Applicant(s):  
**Oakley, Inc.**  
**One Icon Foothill Ranch California 92610 United States of America**  
(72) Name(s) of Designer(s): **James H. Jannard and Lek Thixton and Colin Baden and Peter Yee**  
(45) Registration Date: **24 October 2006**  
(56) Related Art Documents: **Not Applicable**  
(57) Statement of Newness and Distinctiveness: **Nil.**



(21) Design Number: **12703/2006**

(22) Date of Filing Application: **21 June 2006**

(24) Date from which industrial property rights may have effect: **21 June 2006**

(54) Product in respect of which the design is registered: **Lock**

(51) International Design Classification: **08-07**

(71) Name(s) and Address(s) of Applicant(s):

**Master Lock Company LLC**  
**137 W. Forest Hill Avenue PO Box 927 Oak Creek Wisconsin 53154**  
**United States of America**

(72) Name(s) of Designer(s): **John Blomstrom and Glenn P. Meekma**

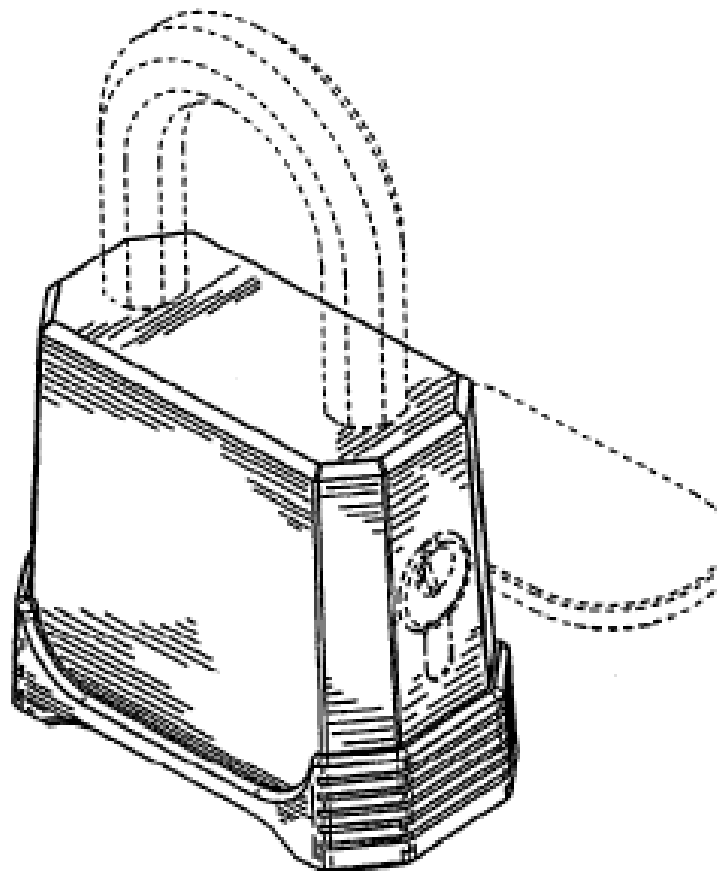
(45) Registration Date: **24 October 2006**

(30) Convention priority data:

(31) Number	(32) Date	(33) Country
<b>29/245,252</b>	<b>21 Dec 2005</b>	<b>UNITED STATES OF AMERICA</b>

(56) Related Art Documents: **Not Applicable**

(57) Statement of Newness and Distinctiveness: **The newness and distinctiveness are provided by the shape and/or configuration of the design shown in the representations. The features shown in broken lines in the representations are for illustrative purposes only and should not be considered when construing visual features of the design.**



(21) Design Number: **11971/2006**

(22) Date of Filing Application: **26 July 2006**

(24) Date from which industrial property rights may have effect: **26 July 2006**

(54) Product in respect of which the design is registered: **A metal section**

(51) International Design Classification: **25-01NES**

(71) Name(s) and Address(s) of Applicant(s):

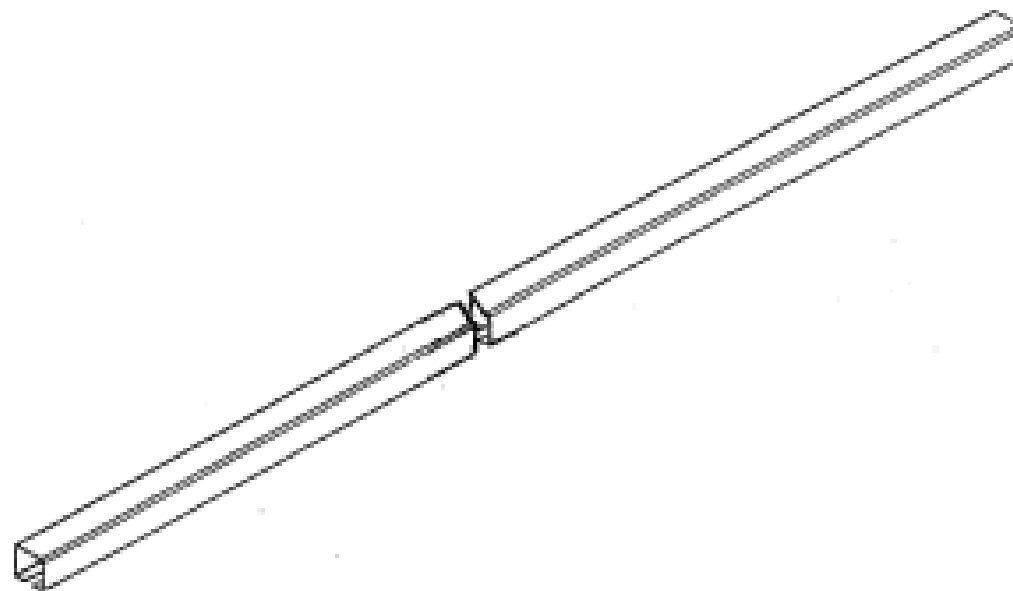
**Panel D (NZ) Limited**  
**15 Quayline Close Pelican Waters Queensland 4551 Australia**

(72) Name(s) of Designer(s): **Stuart Daniels**

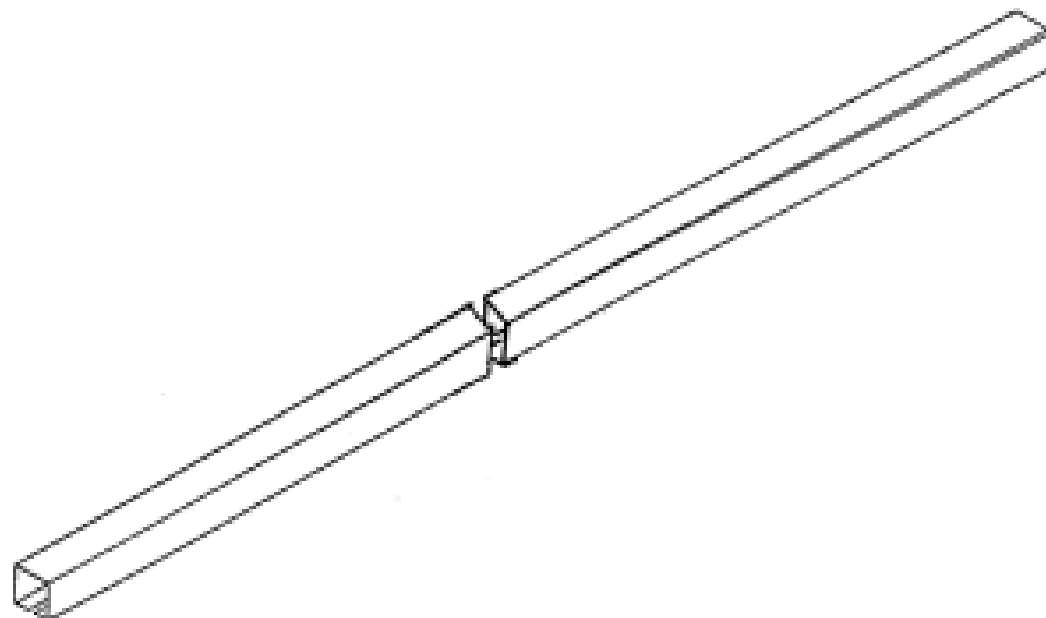
(45) Registration Date: **24 October 2006**

(56) Related Art Documents: **Not Applicable**

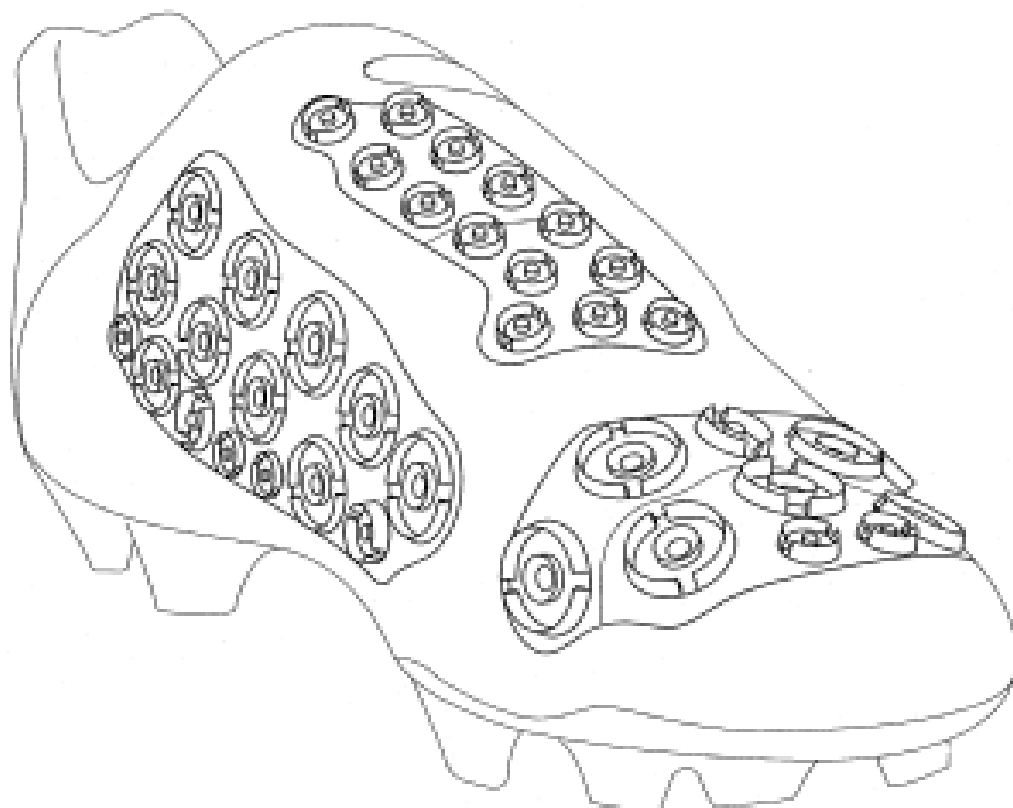
(57) Statement of Newness and Distinctiveness: **The newness and distinctiveness of the design resides in the shape and configuration of a metal section, of indefinite length and of constant cross-section throughout its length, shown in the accompanying representations.**



- (21) Design Number: **11972/2006**  
(22) Date of Filing Application: **26 July 2006**  
(24) Date from which industrial property rights may have effect: **26 July 2006**  
(54) Product in respect of which the design is registered: **A metal section**  
(51) International Design Classification: **25-01NES**  
(71) Name(s) and Address(s) of Applicant(s):  
**Panel D (NZ) Limited**  
**15 Quayline Close Pelican Waters Queensland 4551 Australia**  
(72) Name(s) of Designer(s): **Stuart Daniels**  
(45) Registration Date: **24 October 2006**  
(56) Related Art Documents: **Not Applicable**



- (21) Design Number: **12489/2006**  
(22) Date of Filing Application: **08 June 2006**  
(24) Date from which industrial property rights may have effect: **08 June 2006**  
(54) Product in respect of which the design is registered:  
(51) International Design Classification: **02-04NES**  
(71) Name(s) and Address(s) of Applicant(s):  
**Whiteheart Licensing Pty Ltd**  
**37 Wattle Grove Reservoir Victoria 3073 Australia**  
(72) Name(s) of Designer(s): **Konstantinos Hatzilias**  
(45) Registration Date: **24 October 2006**  
(56) Related Art Documents: **Not Applicable**  
(57) Statement of Newness and Distinctiveness: **Newness and distinctiveness resides in features of shape and configuration of the protrusion containing sections of the footwear upper as shown in the accompanying representations. When considering whether the design is substantially similar in overall impression to another design, no regard is to be given to those features of the design which reside outside of these protrusion containing sections.**



(21) Design Number: **13091/2004**

(22) Date of Filing Application: **30 June 2004**

(24) Date from which industrial property rights may have effect: **30 June 2004**

(54) Product in respect of which the design is registered: **A bookmark**

(51) International Design Classification: **19-99**

(71) Name(s) and Address(s) of Applicant(s):

**Rosalea Marsic**

**178/17 River Street Marden South Australia 5070 Australia**

(72) Name(s) of Designer(s): **Rosalea Marsic**

(45) Registration Date: **24 October 2006**

(56) Related Art Documents: **Not Applicable**

(57) Statement of Newness and Distinctiveness: **Monopoly is claimed in the features of the design, the shape, configuration, pattern and ornamentation of the layered bookmark, as shown in the representations.**



(21) Design Number: **13089/2004**

(22) Date of Filing Application: **30 June 2004**

(24) Date from which industrial property rights may have effect: **30 June 2004**

(54) Product in respect of which the design is registered: **A bookmark**

(51) International Design Classification: **19-99**

(71) Name(s) and Address(s) of Applicant(s):

**Rosalea Marsic**

**178/17 River Street Marden South Australia 5070 Australia**

(72) Name(s) of Designer(s): **Rosalea Marsic**

(45) Registration Date: **24 October 2006**

(56) Related Art Documents: **Not Applicable**

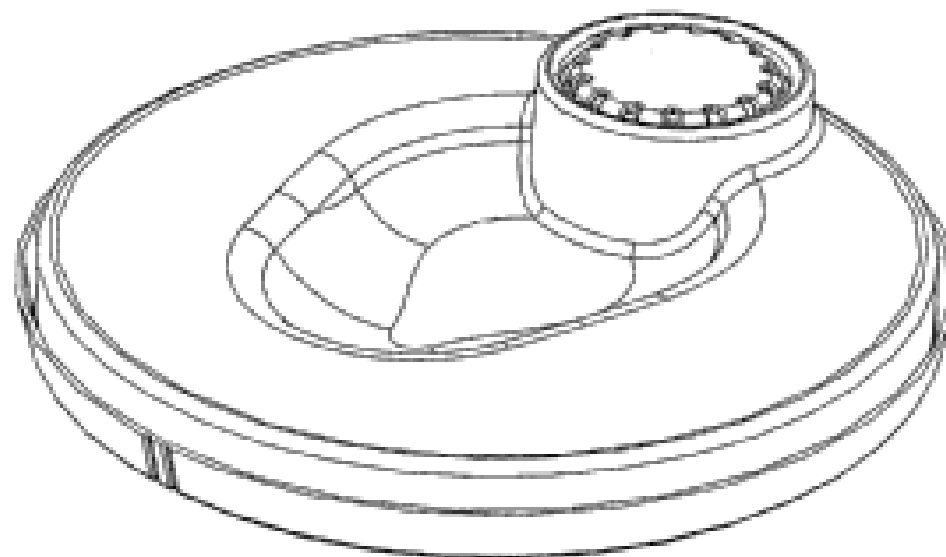
(57) Statement of Newness and Distinctiveness: **Monopoly is claimed in the features of the design, the shape, configuration, pattern and ornamentation of the layered bookmark, as shown in the representations.**



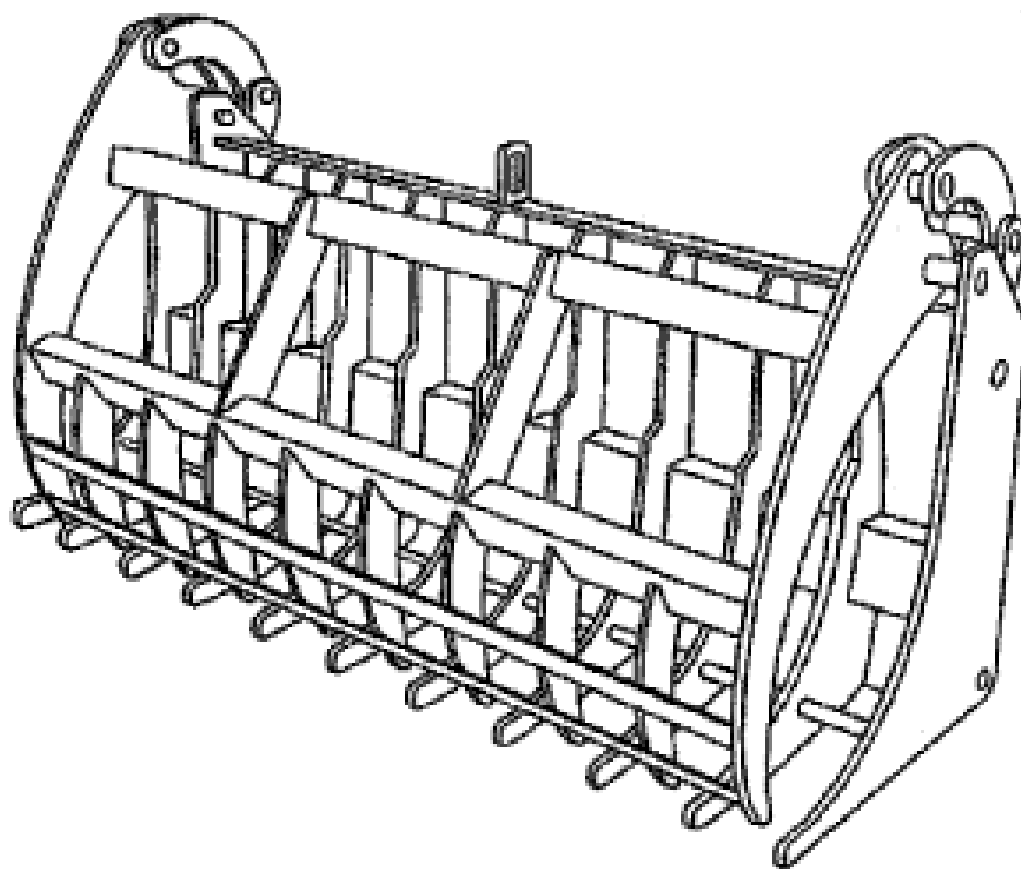
- (21) Design Number: **13090/2004**  
(22) Date of Filing Application: **30 June 2004**  
(24) Date from which industrial property rights may have effect: **30 June 2004**  
(54) Product in respect of which the design is registered: **A bookmark**  
(51) International Design Classification: **19-99**  
(71) Name(s) and Address(s) of Applicant(s):  
**Rosalea Marsic**  
**178/17 River Street Marden South Australia 5070 Australia**  
(72) Name(s) of Designer(s): **Rosalea Marsic**  
(45) Registration Date: **24 October 2006**  
(56) Related Art Documents: **Not Applicable**  
(57) Statement of Newness and Distinctiveness: **Monopoly is claimed in the features of the design, the shape, configuration, pattern and ornamentation of the layered bookmark, as shown in the representations.**



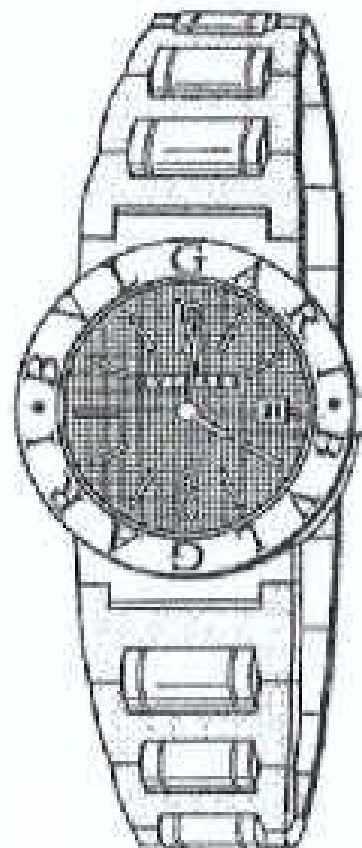
- (21) Design Number: **13223/2006**  
(22) Date of Filing Application: **25 July 2006**  
(24) Date from which industrial property rights may have effect: **25 July 2006**  
(54) Product in respect of which the design is registered: **Lid for drinking vessel**  
(51) International Design Classification: **07-01NES, 09-07B**  
(71) Name(s) and Address(s) of Applicant(s):  
**Mark William Kiehne**  
**4 Delsia Street Rochedale South Queensland 4127 Australia**  
(72) Name(s) of Designer(s): **Mark William Kiehne**  
(45) Registration Date: **24 October 2006**  
(56) Related Art Documents: **Not Applicable**  
(57) Statement of Newness and Distinctiveness: **Nil**



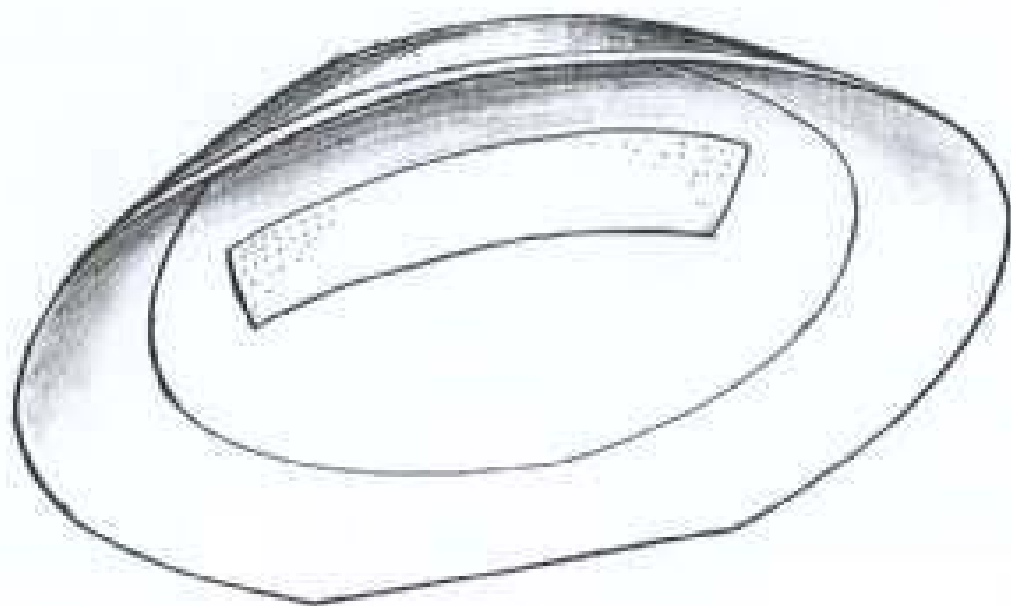
- (21) Design Number: **13789/2006**  
(22) Date of Filing Application: **22 August 2006**  
(24) Date from which industrial property rights may have effect: **22 August 2006**  
(54) Product in respect of which the design is registered: **A grapple**  
(51) International Design Classification: **12-16NES**  
(71) Name(s) and Address(s) of Applicant(s):  
**The Feeder Leader Company Limited**  
**2 Miro street Taupo New Zealand**  
(72) Name(s) of Designer(s): **Terrance William Cameron**  
(45) Registration Date: **24 October 2006**  
(30) Convention priority data:  
(31) Number      (32) Date      (33) Country  
**407821      05 Jul 2006      NEW ZEALAND**  
(56) Related Art Documents: **Not Applicable**  
(57) Statement of Newness and Distinctiveness: **Nil**



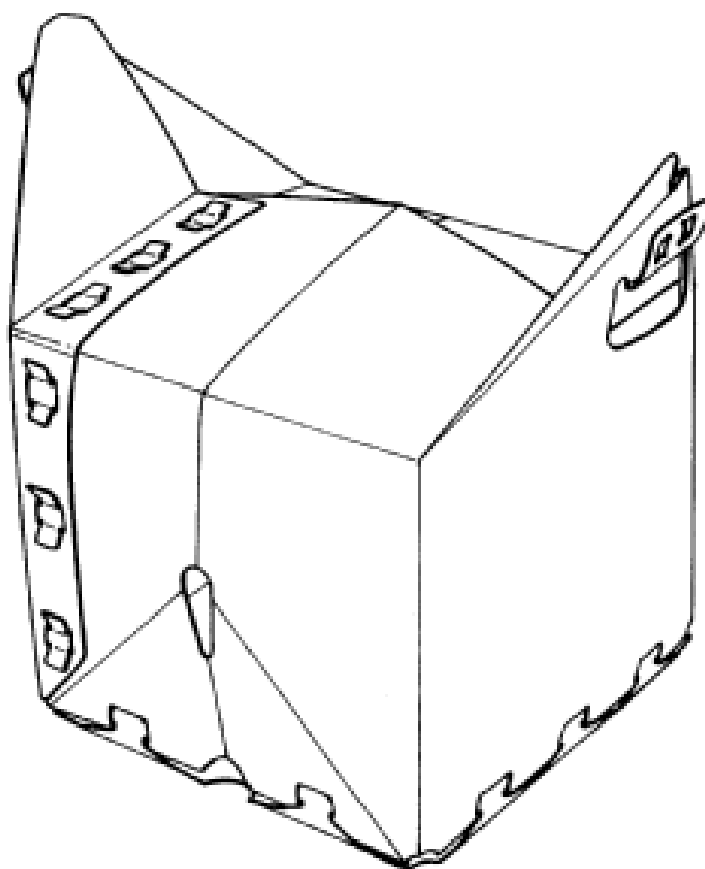
- (21) Design Number: **13826/2006**  
(22) Date of Filing Application: **25 August 2006**  
(24) Date from which industrial property rights may have effect: **25 August 2006**  
(54) Product in respect of which the design is registered: **Wrist watch**  
(51) International Design Classification: **10-02**  
(71) Name(s) and Address(s) of Applicant(s):  
**Bulgari Time (Switzerland) SA**  
**34 Rue de Monruz Neuchatel Switzerland**  
(72) Name(s) of Designer(s): **Paolo Bulgari**  
(45) Registration Date: **24 October 2006**  
(30) Convention priority data:  
(31) Number      (32) Date      (33) Country  
**DM 067822      02 Mar 2006      SWITZERLAND**  
(56) Related Art Documents: **Not Applicable**  
(57) Statement of Newness and Distinctiveness: **Newness and distinctiveness is claimed in the features of shape and/or configuration of the bracelet of a wrist watch as illustrated in the accompanying representations.**



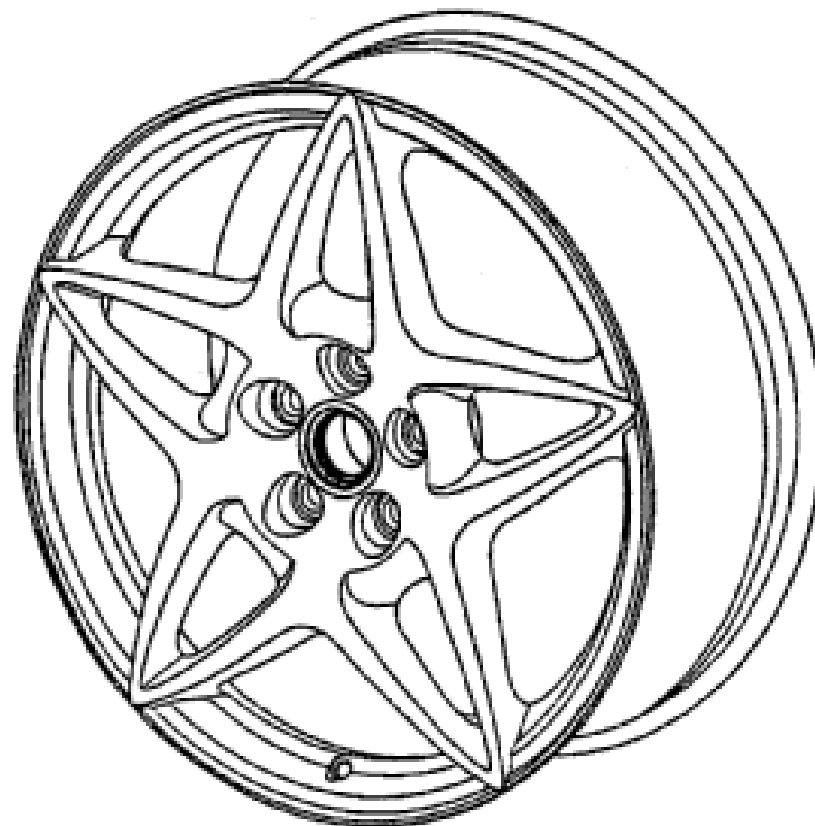
- (21) Design Number: **13837/2006**  
(22) Date of Filing Application: **25 August 2006**  
(24) Date from which industrial property rights may have effect: **25 August 2006**  
(54) Product in respect of which the design is registered: **Disposable underarm sweat pads with adhesive tabs**  
(51) International Design Classification: **28-03NES**  
(71) Name(s) and Address(s) of Applicant(s):  
**Joan Pulis**  
**5 Fawkner Street Sunbury Victoria 3429 Australia**  
(72) Name(s) of Designer(s): **Joan Pulis**  
(45) Registration Date: **24 October 2006**  
(56) Related Art Documents: **Not Applicable**  
(57) Statement of Newness and Distinctiveness: **Disposable underarm cotton paperthin pads with built in odour neutraliser and sport strength deodorant in a super absorbent anti leak embossed cotton pad. Contoured to fit underarm and secured with an underside adhesive tape and shaped to fit short sleeves.**



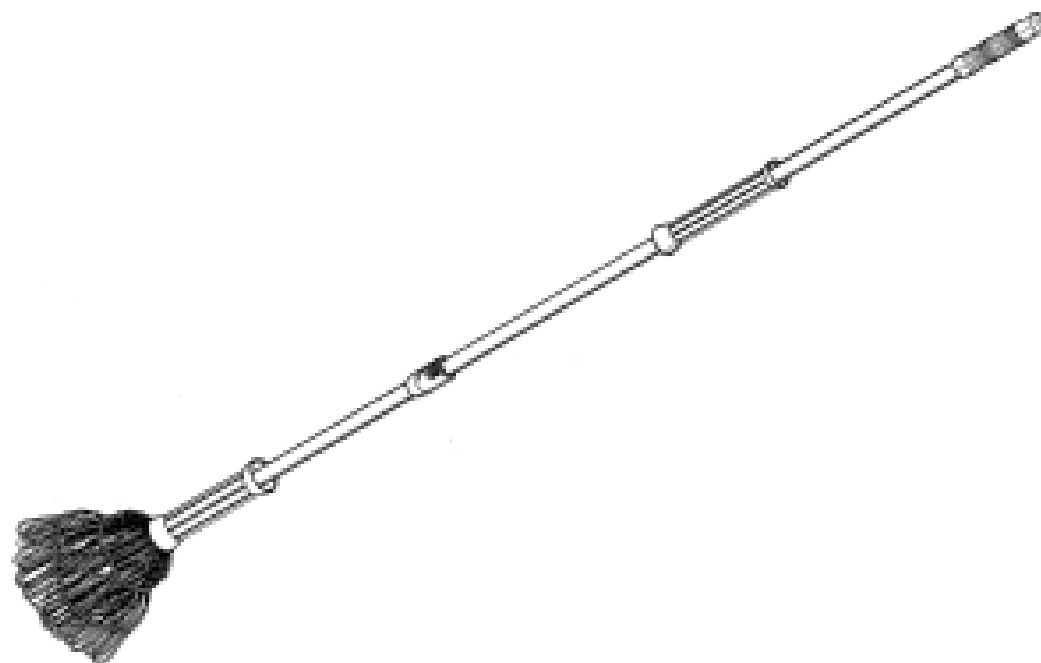
- (21) Design Number: **14017/2006**  
(22) Date of Filing Application: **07 September 2006**  
(24) Date from which industrial property rights may have effect: **07 September 2006**  
(54) Product in respect of which the design is registered: **A container**  
(51) International Design Classification: **09-03M**  
(71) Name(s) and Address(s) of Applicant(s):  
**Marphilous Products Pty Ltd Trading as The Collapsible Bin Co.**  
**31 Lang Street Croydon New South Wales 2132 Australia**  
(72) Name(s) of Designer(s): **Phillip Solomon**  
(45) Registration Date: **24 October 2006**  
(56) Related Art Documents: **Not Applicable**  
(57) Statement of Newness and Distinctiveness: **Newness and distinctiveness is claimed in the features of shape and/or configuration of a container as illustrated in the accompanying representations.**



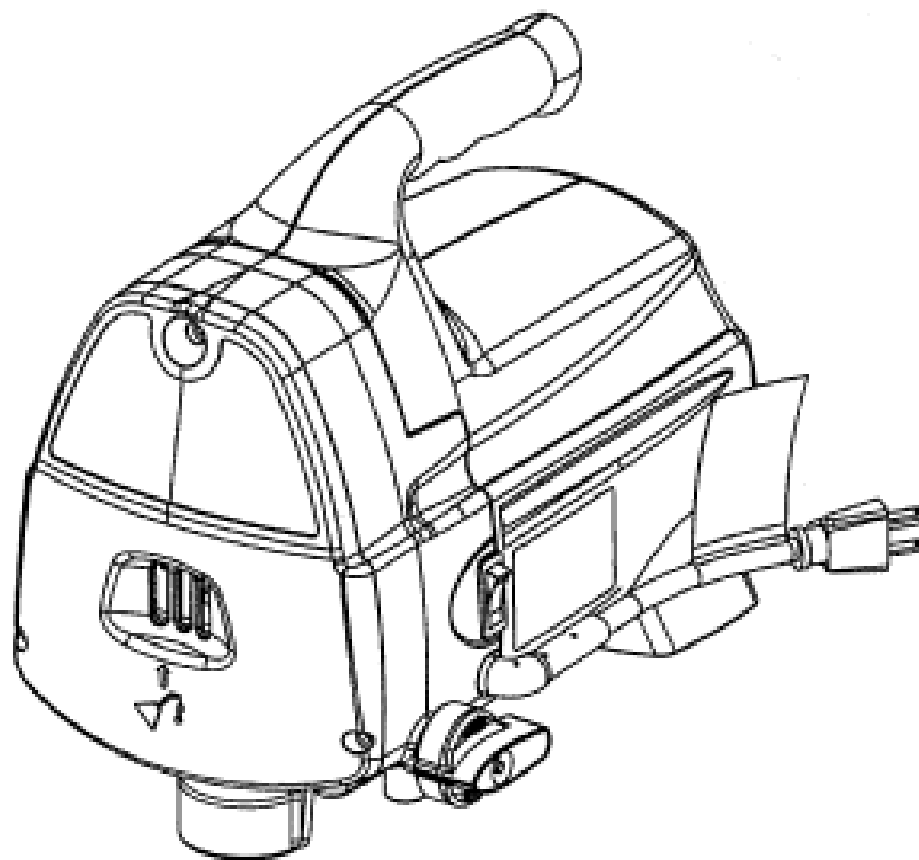
- (21) Design Number: **13265/2006**  
(22) Date of Filing Application: **27 July 2006**  
(24) Date from which industrial property rights may have effect: **27 July 2006**  
(54) Product in respect of which the design is registered: **Wheel**  
(51) International Design Classification: **12-16A**  
(71) Name(s) and Address(s) of Applicant(s):  
**Ferrari S.p.A.**  
**Via Emilia Est 1163 I-41100 Modena Italy**  
(72) Name(s) of Designer(s): **Maurizio Manfredini**  
(45) Registration Date: **24 October 2006**  
(30) Convention priority data:  
(31) Number (32) Date (33) Country  
**000475132-0004 06 Feb 2006 EUROPEAN COMMUNITY**  
(56) Related Art Documents: **Not Applicable**  
(57) Statement of Newness and Distinctiveness: **Those features of the wheel depicted in the representations that are new and distinctive are the shape and/or configuration.**



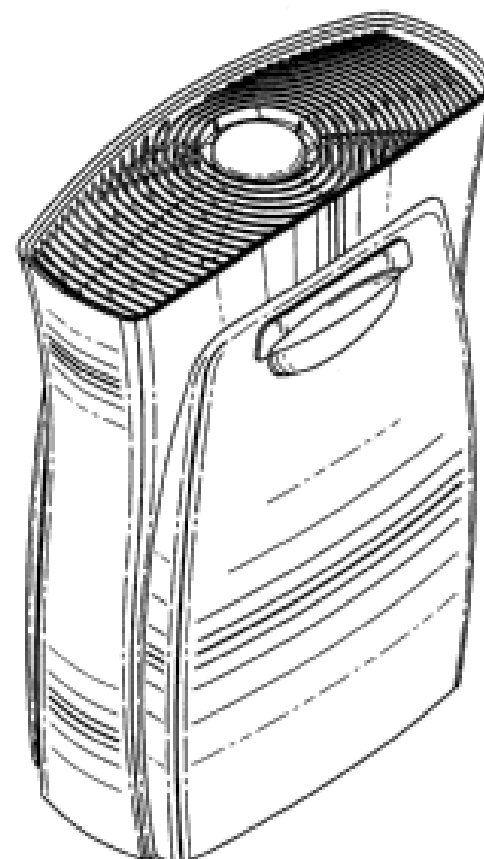
- (21) Design Number: **14059/2006**  
(22) Date of Filing Application: **11 September 2006**  
(24) Date from which industrial property rights may have effect: **11 September 2006**  
(54) Product in respect of which the design is registered: **Ratchet pawl body of a "Twist-To-Wring" Ratchet Squeeze Mop**  
(51) International Design Classification: **04-01, 07-05E**  
(71) Name(s) and Address(s) of Applicant(s):  
**The Decor Corporation Pty Ltd**  
**1314 Ferntree Gully Road Scoresby Victoria 3179 Australia**  
(72) Name(s) of Designer(s): **Jim Samartgis**  
(45) Registration Date: **24 October 2006**  
(56) Related Art Documents: **Not Applicable**  
(57) Statement of Newness and Distinctiveness: **The features of shape and configuration of a ratchet pawl body of a "Twist-to-Wring" Ratchet Squeeze Mop as shown by the body marked 'A' in the accompanying representations are new and distinctive. For the purposes of determining the features of the design in infringement proceedings, the features of all the ratchet squeeze mop components, except the ratchet pawl body are to be disregarded.**



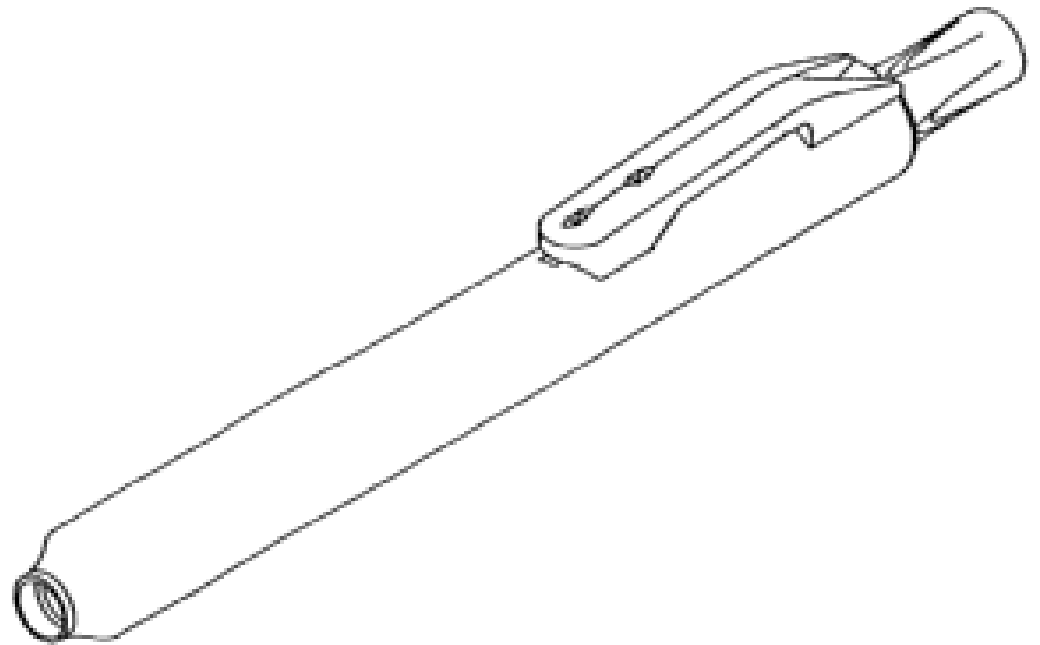
- (21) Design Number: **14083/2006**  
(22) Date of Filing Application: **12 September 2006**  
(24) Date from which industrial property rights may have effect: **12 September 2006**  
(54) Product in respect of which the design is registered: **Paint spray pump**  
(51) International Design Classification: **08-05L**  
(71) Name(s) and Address(s) of Applicant(s):  
**Wagner Spray Tech Corporation**  
**1770 Fernbrook Lane Plymouth Minnesota 55447 United States of America**  
(72) Name(s) of Designer(s): **Robert H. Bruno and Tunjung F. Ismoedi and Robert E. Miller and Wayne Robens**  
(45) Registration Date: **24 October 2006**  
(30) Convention priority data:  
(31) Number (32) Date (33) Country  
**29/246322 31 Mar 2006 UNITED STATES OF AMERICA**  
(56) Related Art Documents: **Not Applicable**  
(57) Statement of Newness and Distinctiveness: **Newness and distinctiveness is claimed in the features of shape and/or configuration of a paint spray pump as illustrated in the accompanying representations.**



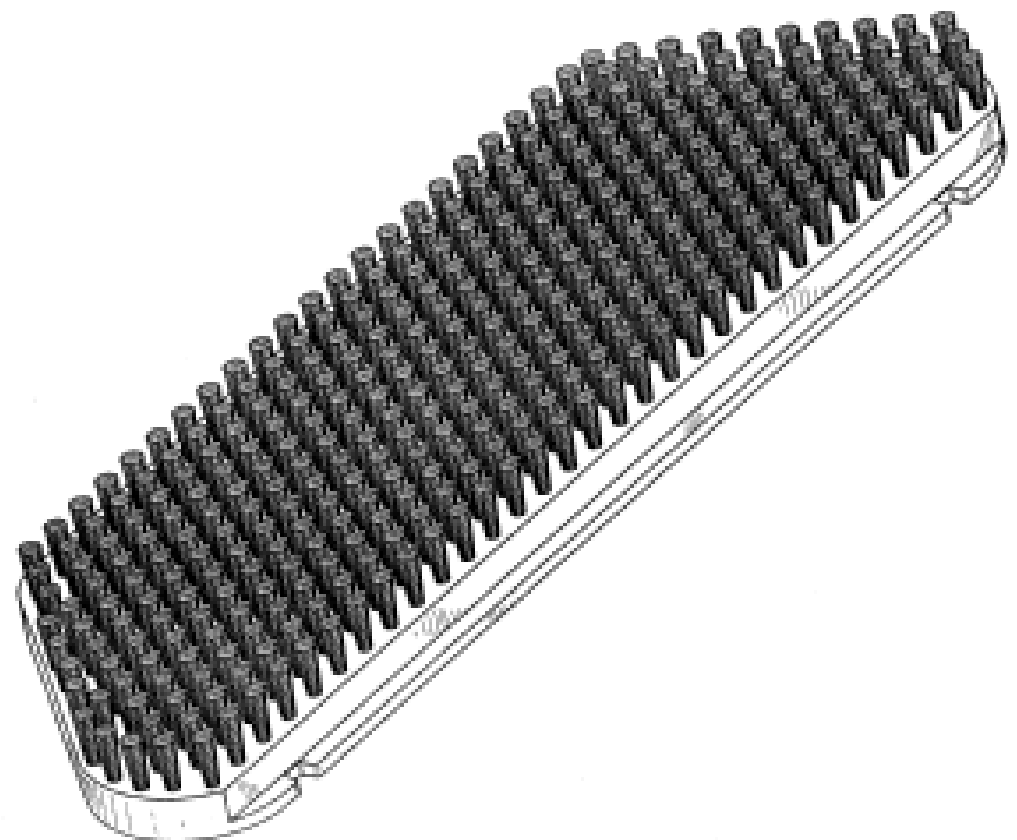
- (21) Design Number: **14087/2006**  
(22) Date of Filing Application: **12 September 2006**  
(24) Date from which industrial property rights may have effect: **12 September 2006**  
(54) Product in respect of which the design is registered: **Air purifier**  
(51) International Design Classification: **23-04, 28-99**  
(71) Name(s) and Address(s) of Applicant(s):  
**3M Innovative Properties Company**  
**3M Center Saint Paul Minnesota 55133-3427 United States of America**  
(72) Name(s) of Designer(s): **Casey L. Carlson**  
(45) Registration Date: **24 October 2006**  
(30) Convention priority data:  
(31) Number (32) Date (33) Country  
**29/256017 15 Mar 2006 UNITED STATES OF AMERICA**  
(56) Related Art Documents: **Not Applicable**  
(57) Statement of Newness and Distinctiveness: **Newness and distinctiveness is claimed in the shape and configuration of the visual features shown in the representations. In considering the extent of newness and distinctiveness, the features shown in broken lines should be disregarded.**



- (21) Design Number: **14236/2006**  
(22) Date of Filing Application: **21 September 2006**  
(24) Date from which industrial property rights may have effect: **21 September 2006**  
(54) Product in respect of which the design is registered: **Marking pen**  
(51) International Design Classification: **19-06**  
(71) Name(s) and Address(s) of Applicant(s):  
**Pentel Kabushiki Kaisha**  
**7-2 Nihonbashi Koami-Cho Chuo-Ku Tokyo Japan**  
(72) Name(s) of Designer(s): **Tomoaki Shibata**  
(45) Registration Date: **24 October 2006**  
(30) Convention priority data:  
(31) Number      (32) Date      (33) Country  
**2006-010027      18 Apr 2006      JAPAN**  
(56) Related Art Documents: **Not Applicable**  
(57) Statement of Newness and Distinctiveness: **Nil**



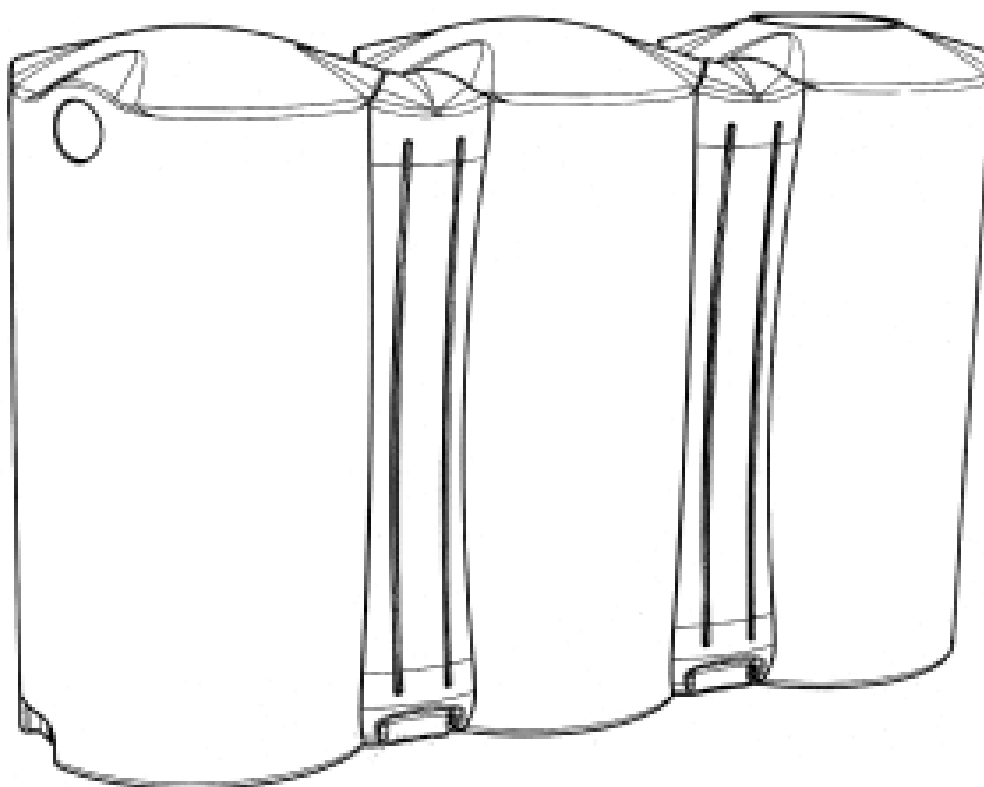
- (21) Design Number: **12480/2006**  
(22) Date of Filing Application: **07 June 2006**  
(24) Date from which industrial property rights may have effect: **07 June 2006**  
(54) Product in respect of which the design is registered: **Floor scrubbing brush adapted for use on a floor scrubbing machine**  
(51) International Design Classification: **15-05**  
(71) Name(s) and Address(s) of Applicant(s):  
**JohnsonDiversey, Inc.**  
**8310 16th Street Sturtevant Wisconsin 53177-0902 United States of America**  
(72) Name(s) of Designer(s): **Walter Hindler and Heinrich-Tito Mayer and Daniel Meier**  
(45) Registration Date: **24 October 2006**  
(30) Convention priority data:  
(31) Number      (32) Date      (33) Country  
**29/245219      20 Dec 2005      UNITED STATES OF AMERICA**  
(56) Related Art Documents: **Not Applicable**  
(57) Statement of Newness and Distinctiveness: **Newness and distinctiveness is claimed in the features of shape and/or configuration of a floor scrubbing brush adapted for use on a floor scrubbing machine as illustrated in continuous lines in the accompanying representations.**



- (21) Design Number: **11242/2006**  
(22) Date of Filing Application: **29 March 2006**  
(24) Date from which industrial property rights may have effect: **29 March 2006**  
(54) Product in respect of which the design is registered: **Handy step for standing on or for exercise**  
(51) International Design Classification: **21-02F, 25-04**  
(71) Name(s) and Address(s) of Applicant(s):  
**1st Consulting (Trading Name for Greek Press Pty Ltd)**  
**167 Charman Road Beaumaris Victoria 3193 Australia**  
(72) Name(s) of Designer(s): **Chris Blazos**  
(45) Registration Date: **24 October 2006**  
(56) Related Art Documents: **Not Applicable**  
(57) Statement of Newness and Distinctiveness: **Unique design using no fasteners for flat pack delivery, quick assembly without tools. Strong in construction capable of holding extremely overweight individuals.**



- (21) Design Number: **14276/2006**  
(22) Date of Filing Application: **22 September 2006**  
(24) Date from which industrial property rights may have effect: **22 September 2006**  
(54) Product in respect of which the design is registered: **3000lt water tank**  
(51) International Design Classification: **23-01F**  
(71) Name(s) and Address(s) of Applicant(s):  
**Global Rotomoulding**  
**1560 Koorlong Avenue Irymple Victoria 3498 Australia**  
(72) Name(s) of Designer(s): **Angus McDonald and Howard Ferry and Lester Ferry**  
(45) Registration Date: **24 October 2006**  
(56) Related Art Documents: **Not Applicable**  
(57) Statement of Newness and Distinctiveness: **Modular separate cylinders joined together to create a complete water storage product (tank). Three tanks joined together to form a larger capacity tank (in this case 3000lt). Cover moulding sits in between tanks where the cylinders meet making the tank appearance 'smoother', rather than 'bumpy' if the cover was not there. Cover moulding is potentially a different colour to tank body (cylinder) thus creating a visual vertical 'wave' effect. Outlet/overflow can be hidden behind the cover moulding thus providing no visible overflow location on the tank. Connecting point (at bottom of cylinder) is hidden by the cover moulding. Tank connection method can be anywhere behind the cover moulding.**



(21) Design Number: **13955/2006**  
(22) Date of Filing Application: **01 September 2006**  
(24) Date from which industrial property rights may have effect: **01 September 2006**  
(54) Product in respect of which the design is registered: **Chemistry container**  
(51) International Design Classification: **09-05**  
(71) Name(s) and Address(s) of Applicant(s):

**Steris Inc.**  
**43425 Business Park Drive Temecula California 92690 United States of America**

(72) Name(s) of Designer(s): **Phillip P. Franciskovich**

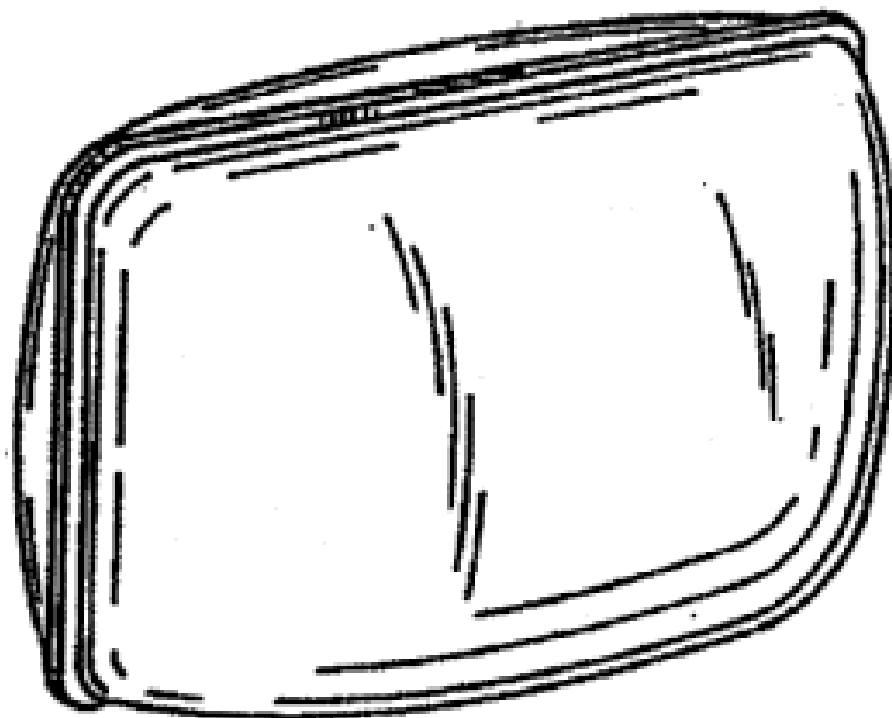
(45) Registration Date: **25 October 2006**

(30) Convention priority data:

(31) Number	(32) Date	(33) Country
<b>29/255,216</b>	<b>06 Mar 2006</b>	<b>UNITED STATES OF AMERICA</b>

(56) Related Art Documents: **Not Applicable**

(57) Statement of Newness and Distinctiveness: **In considering the newness or distinctiveness of the design, regard is to be given to the overall shape and/or configuration of chemistry container as shown in the representations.**



(21) Design Number: **14016/2006**  
(22) Date of Filing Application: **07 September 2006**  
(24) Date from which industrial property rights may have effect: **07 September 2006**  
(54) Product in respect of which the design is registered: **Manual breast pump**  
(51) International Design Classification: **24-02**  
(71) Name(s) and Address(s) of Applicant(s):

**Pigeon Corporation**  
**4-4 Nihonbashi Hisamatsu-cho Chuo-ku Tokyo Japan**

(72) Name(s) of Designer(s): **Mitsuo Tashiro and Shinichi Kataoka**

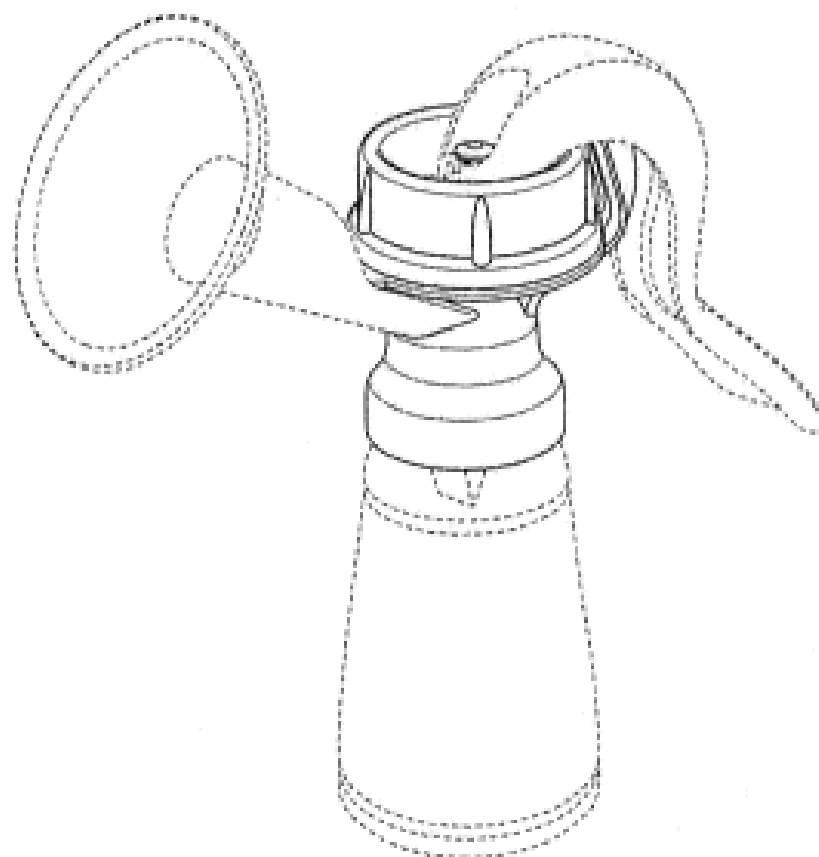
(45) Registration Date: **25 October 2006**

(30) Convention priority data:

(31) Number	(32) Date	(33) Country
<b>2006-9997</b>	<b>17 Mar 2006</b>	<b>JAPAN</b>

(56) Related Art Documents: **Not Applicable**

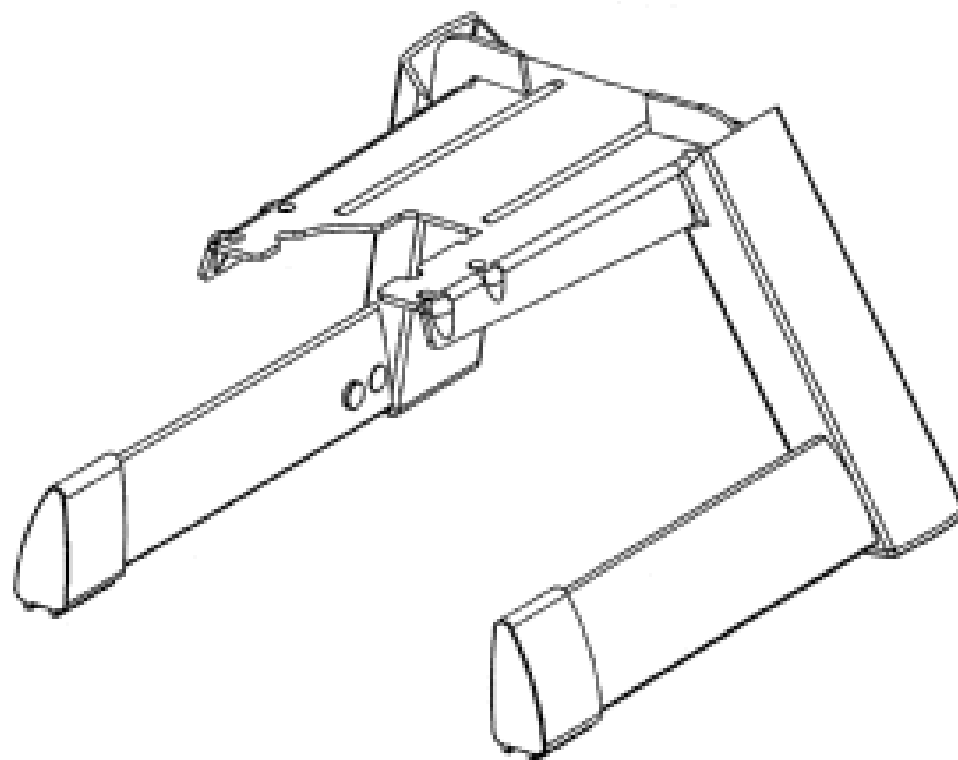
(57) Statement of Newness and Distinctiveness: **Newness and distinctiveness resides in the features of shape and/or configuration of a manual breast pump as illustrated in the accompanying representations. The features shown in dotted outlines do not form part of the design.**



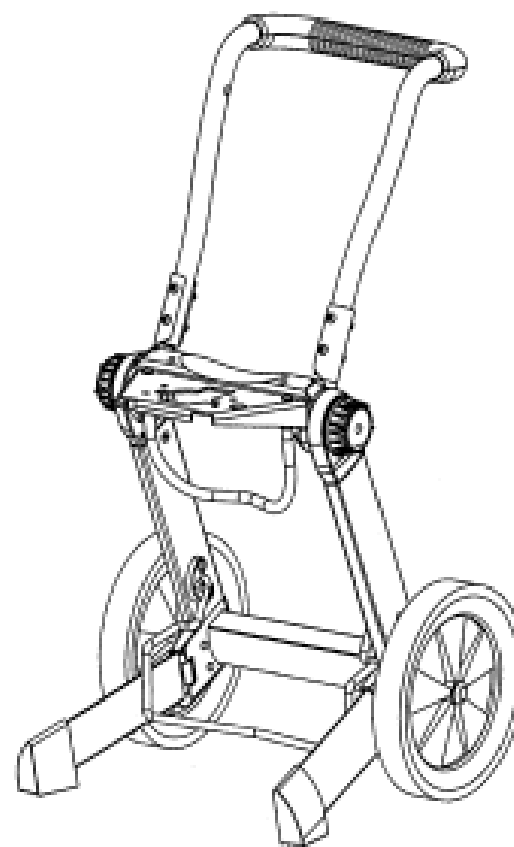
- (21) Design Number: **14043/2006**  
(22) Date of Filing Application: **11 September 2006**  
(24) Date from which industrial property rights may have effect: **11 September 2006**  
(54) Product in respect of which the design is registered: **Yacht**  
(51) International Design Classification: **12-06B**  
(71) Name(s) and Address(s) of Applicant(s):  
**Valuas Services B.V.**  
**K.P. van der Mandelelaan 36 b NL-3062 MB Rotterdam The Netherlands**  
(72) Name(s) of Designer(s): **Bruno Bouckaert**  
(45) Registration Date: **25 October 2006**  
(30) Convention priority data:  
(31) Number (32) Date (33) Country  
**567466 28 Jul 2006 EUROPEAN COMMUNITY**  
(56) Related Art Documents: **Not Applicable**  
(57) Statement of Newness and Distinctiveness: **Newness and distinctiveness is claimed in the features of shape and/or configuration of a yacht as illustrated in the accompanying representations.**



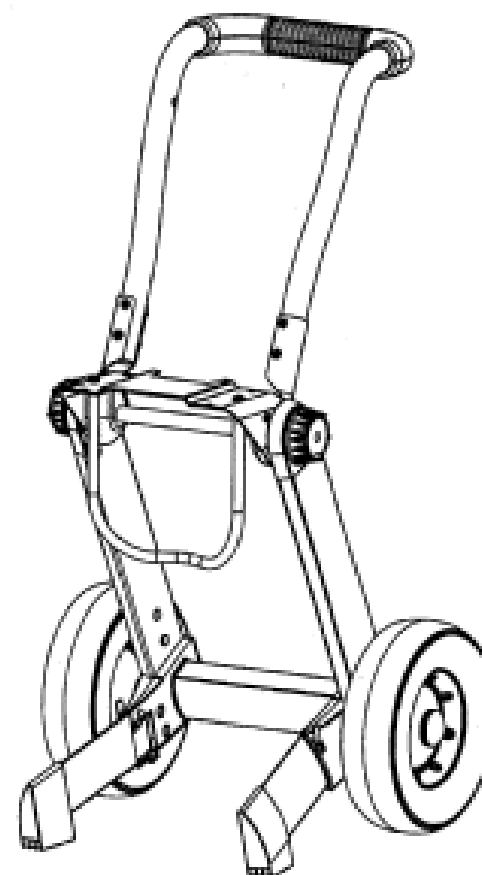
- (21) Design Number: **14078/2006**  
(22) Date of Filing Application: **12 September 2006**  
(24) Date from which industrial property rights may have effect: **12 September 2006**  
(54) Product in respect of which the design is registered: **Paint pump stand**  
(51) International Design Classification: **08-05L**  
(71) Name(s) and Address(s) of Applicant(s):  
**Wagner Spray Tech Corporation**  
**1770 Fernbrook Lane Plymouth Minnesota 55447 United States of America**  
(72) Name(s) of Designer(s): **Robert H. Bruno and Tunjung F. Ismoedi and Robert E. Miller and Wayne Robens**  
(45) Registration Date: **25 October 2006**  
(30) Convention priority data:  
(31) Number (32) Date (33) Country  
**29/246331 31 Mar 2006 UNITED STATES OF AMERICA**  
(56) Related Art Documents: **Not Applicable**  
(57) Statement of Newness and Distinctiveness: **Newness and distinctiveness is claimed in the features of shape and/or configuration of a paint pump stand as illustrated in the accompanying representations.**



- (21) Design Number: **14079/2006**  
(22) Date of Filing Application: **12 September 2006**  
(24) Date from which industrial property rights may have effect: **12 September 2006**  
(54) Product in respect of which the design is registered: **Collapsible cart for a paint spray pump**  
(51) International Design Classification: **08-05L, 12-02**  
(71) Name(s) and Address(s) of Applicant(s):  
**Wagner Spray Tech Corporation**  
**1770 Fernbrook Lane Plymouth Minnesota 55447 United States of America**  
(72) Name(s) of Designer(s): **Robert E. Miller and Wayne Robens**  
(45) Registration Date: **25 October 2006**  
(30) Convention priority data:  
(31) Number (32) Date (33) Country  
**29/246330 31 Mar 2006 UNITED STATES OF AMERICA**  
(56) Related Art Documents: **Not Applicable**  
(57) Statement of Newness and Distinctiveness: **Newness and distinctiveness is claimed in the features of shape and/or configuration of a collapsible cart for a paint spray pump as illustrated in the accompanying representations.**

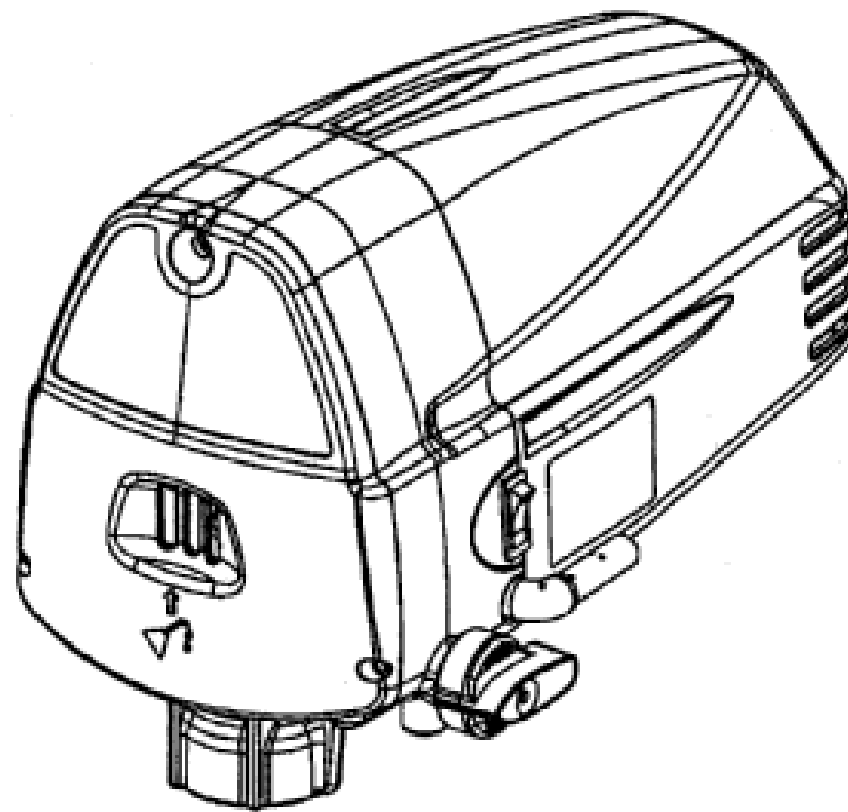


- (21) Design Number: **14080/2006**  
(22) Date of Filing Application: **12 September 2006**  
(24) Date from which industrial property rights may have effect: **12 September 2006**  
(54) Product in respect of which the design is registered: **Collapsible cart for a paint spray pump**  
(51) International Design Classification: **08-05L, 12-02**  
(71) Name(s) and Address(s) of Applicant(s):  
**Wagner Spray Tech Corporation**  
**1770 Fernbrook Lane Plymouth Minnesota 55447 United States of America**  
(72) Name(s) of Designer(s): **Robert E. Miller and Wayne Robens**  
(45) Registration Date: **25 October 2006**  
(30) Convention priority data:  
(31) Number (32) Date (33) Country  
**29/246330 31 Mar 2006 UNITED STATES OF AMERICA**  
(56) Related Art Documents: **Not Applicable**  
(57) Statement of Newness and Distinctiveness: **Newness and distinctiveness is claimed in the features of shape and/or configuration of a collapsible cart for a paint spray pump as illustrated in the accompanying representations.**



(19) AU

- (21) Design Number: **14081/2006**  
(22) Date of Filing Application: **12 September 2006**  
(24) Date from which industrial property rights may have effect: **12 September 2006**  
(54) Product in respect of which the design is registered: **Collapsible cart for a paint spray pump**  
(51) International Design Classification: **08-05L, 12-02**  
(71) Name(s) and Address(s) of Applicant(s):  
**Wagner Spray Tech Corporation**  
**1770 Fernbrook Lane Plymouth Minnesota 55447 United States of America**  
(72) Name(s) of Designer(s): **Robert E. Miller and Wayne Robens**  
(45) Registration Date: **25 October 2006**  
(30) Convention priority data:  
(31) Number (32) Date (33) Country  
**29/246330 31 Mar 2006 UNITED STATES OF AMERICA**  
(56) Related Art Documents: **Not Applicable**  
(57) Statement of Newness and Distinctiveness: **Newness and distinctiveness is claimed in the features of shape and/or configuration of a collapsible cart for a paint spray pump as illustrated in the accompanying representations.**



(19) AU

- (21) Design Number: **13994/2006**  
(22) Date of Filing Application: **06 September 2006**  
(24) Date from which industrial property rights may have effect: **06 September 2006**  
(54) Product in respect of which the design is registered: **Bezel for watch**  
(51) International Design Classification: **10-07**  
(71) Name(s) and Address(s) of Applicant(s):  
**Montres Tudor SA**  
**3 rue Francois Dussaud Geneva Switzerland**  
(72) Name(s) of Designer(s): **Daniel Riedo**  
(45) Registration Date: **25 October 2006**  
(30) Convention priority data:  
(31) Number (32) Date (33) Country  
**132 704 14 Mar 2006 SWITZERLAND**  
(56) Related Art Documents: **Not Applicable**  
(57) Statement of Newness and Distinctiveness: **Nil**



(21) Design Number: **13995/2006**  
(22) Date of Filing Application: **06 September 2006**  
(24) Date from which industrial property rights may have effect: **06 September 2006**  
(54) Product in respect of which the design is registered: **Bezel for watch**  
(51) International Design Classification: **10-07**  
(71) Name(s) and Address(s) of Applicant(s):

**Montres Tudor SA**  
**3 rue Francois Dussaud Geneva Switzerland**

(72) Name(s) of Designer(s): **Daniel Riedo**

(45) Registration Date: **25 October 2006**

(30) Convention priority data:

(31) Number	(32) Date	(33) Country
<b>132 704</b>	<b>14 Mar 2006</b>	<b>SWITZERLAND</b>

(56) Related Art Documents: **Not Applicable**

(57) Statement of Newness and Distinctiveness: **Nil**



(21) Design Number: **13996/2006**  
(22) Date of Filing Application: **06 September 2006**  
(24) Date from which industrial property rights may have effect: **06 September 2006**  
(54) Product in respect of which the design is registered: **Bezel for watch**  
(51) International Design Classification: **10-07**  
(71) Name(s) and Address(s) of Applicant(s):

**Montres Tudor SA**  
**3 rue Francois Dussaud Geneva Switzerland**

(72) Name(s) of Designer(s): **Daniel Riedo**

(45) Registration Date: **25 October 2006**

(30) Convention priority data:

(31) Number	(32) Date	(33) Country
<b>132 704</b>	<b>14 Mar 2006</b>	<b>SWITZERLAND</b>

(56) Related Art Documents: **Not Applicable**

(57) Statement of Newness and Distinctiveness: **Nil**



- (21) Design Number: **13998/2006**
- (22) Date of Filing Application: **06 September 2006**
- (24) Date from which industrial property rights may have effect: **06 September 2006**
- (54) Product in respect of which the design is registered: **Footwear sole**
- (51) International Design Classification: **02-04B**
- (71) Name(s) and Address(s) of Applicant(s):

**Jack Weisbly**  
**14139 216th Way NE Woodinville Washington 98077 United States of America**

(72) Name(s) of Designer(s): **Jack Weisbly**

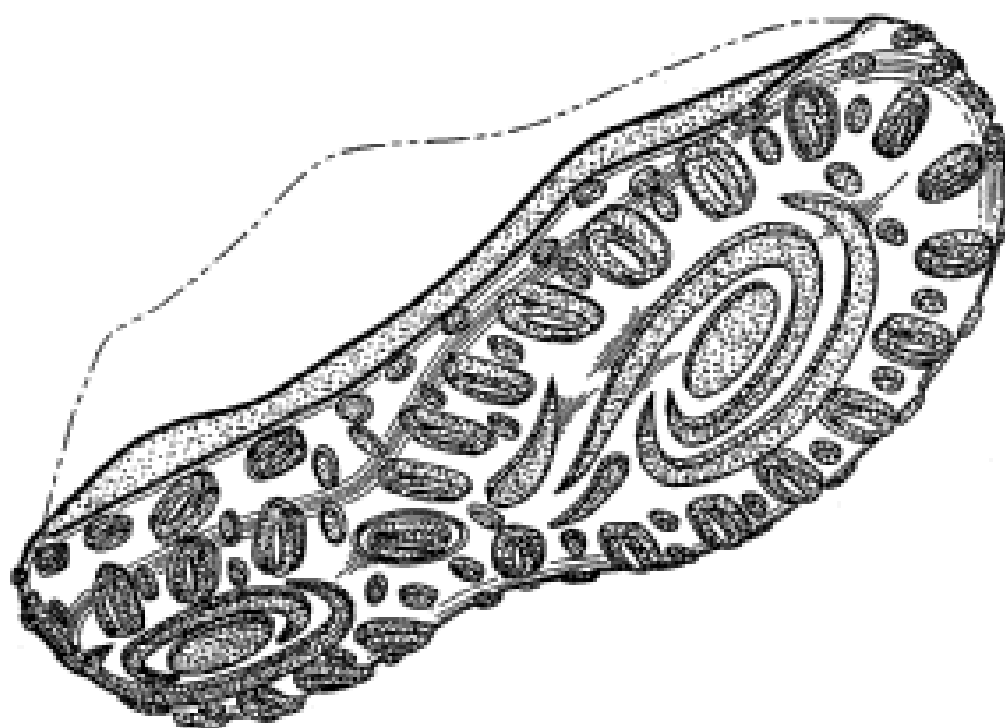
(45) Registration Date: **25 October 2006**

(30) Convention priority data:

(31) Number	(32) Date	(33) Country
<b>29/248222</b>	<b>03 Aug 2006</b>	<b>UNITED STATES OF AMERICA</b>

(56) Related Art Documents: **Not Applicable**

(57) Statement of Newness and Distinctiveness: **Newness and distinctiveness is claimed in the features of shape and/or configuration of a footwear sole as illustrated in continuous lines and dotted shading in the accompanying representations, and the features shown in phantom are to be disregarded.**



- (21) Design Number: **13999/2006**
- (22) Date of Filing Application: **06 September 2006**
- (24) Date from which industrial property rights may have effect: **06 September 2006**
- (54) Product in respect of which the design is registered: **Shoe upper**
- (51) International Design Classification: **02-04NES**
- (71) Name(s) and Address(s) of Applicant(s):

**Jack Weisbly**  
**14139 216th Way NE Woodinville Washington 98077 United States of America**

(72) Name(s) of Designer(s): **Jack Weisbly**

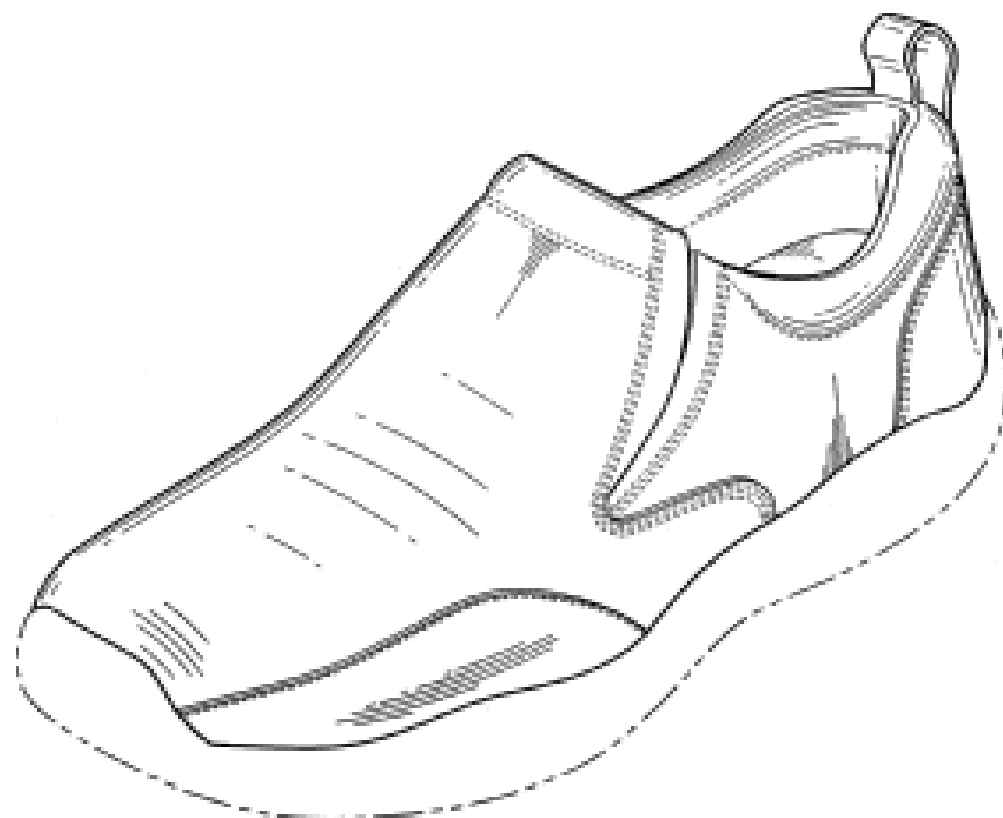
(45) Registration Date: **25 October 2006**

(30) Convention priority data:

(31) Number	(32) Date	(33) Country
<b>29/248224</b>	<b>03 Aug 2006</b>	<b>UNITED STATES OF AMERICA</b>

(56) Related Art Documents: **Not Applicable**

(57) Statement of Newness and Distinctiveness: **Newness and distinctiveness is claimed in the features of shape and/or configuration of a shoe upper as illustrated in continuous lines and shading in the accompanying representations, and the features shown in phantom are to be disregarded.**



- (21) Design Number: **14001/2006**  
(22) Date of Filing Application: **06 September 2006**  
(24) Date from which industrial property rights may have effect: **06 September 2006**  
(54) Product in respect of which the design is registered: **Camera stand**  
(51) International Design Classification: **16-05**  
(71) Name(s) and Address(s) of Applicant(s):

**Creative Technology Ltd**  
**31 International Business Park Creative Resource Singapore 609921**

- (72) Name(s) of Designer(s): **Kok Chong Anthony Oh and Andrew Loh**

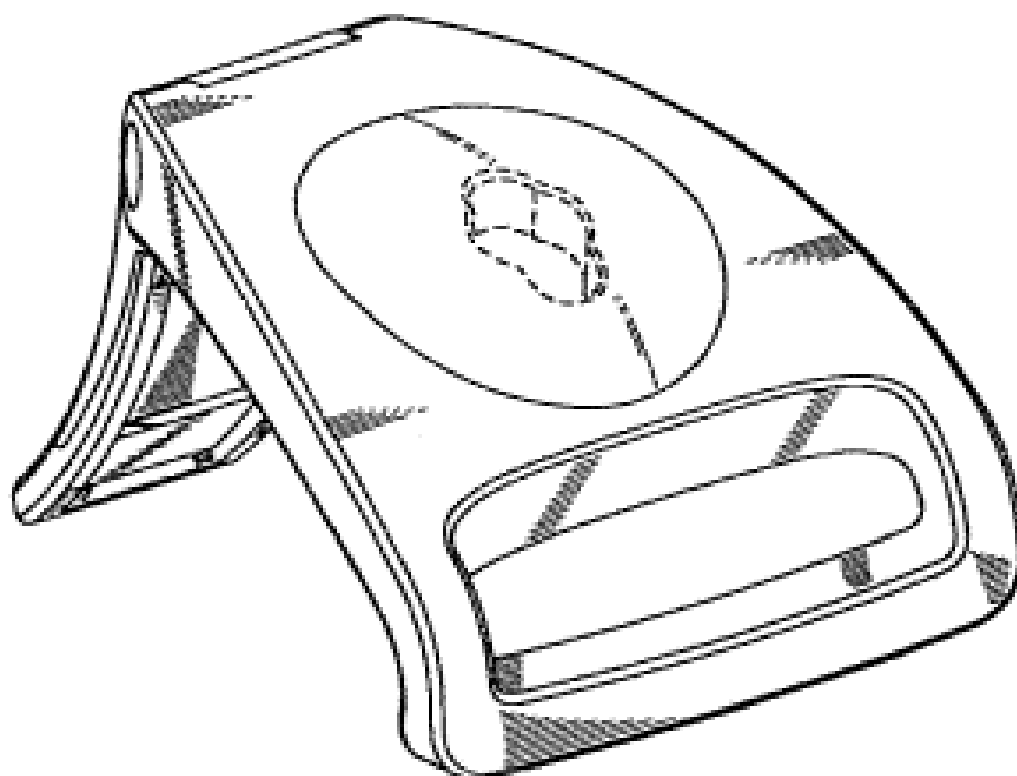
- (45) Registration Date: **25 October 2006**

- (30) Convention priority data:

(31) Number	(32) Date	(33) Country
<b>29/258,034</b>	<b>13 Apr 2006</b>	<b>UNITED STATES OF AMERICA</b>

- (56) Related Art Documents: **Not Applicable**

- (57) Statement of Newness and Distinctiveness: **Monopoly is claimed in the shape and configuration of the features of the article as depicted in the accompanying representations. No monopoly is claimed in the features illustrated using dashed lines (broken lines) these features are shown for exemplary purposes only in the accompanying representations.**



- (21) Design Number: **14002/2006**  
(22) Date of Filing Application: **06 September 2006**  
(24) Date from which industrial property rights may have effect: **06 September 2006**  
(54) Product in respect of which the design is registered: **Earphones**  
(51) International Design Classification: **14-01**  
(71) Name(s) and Address(s) of Applicant(s):

**Creative Technology Ltd**  
**31 International Business Park Creative Resource Singapore 609921**

- (72) Name(s) of Designer(s): **Hui Ling Gan and Vince Ang**

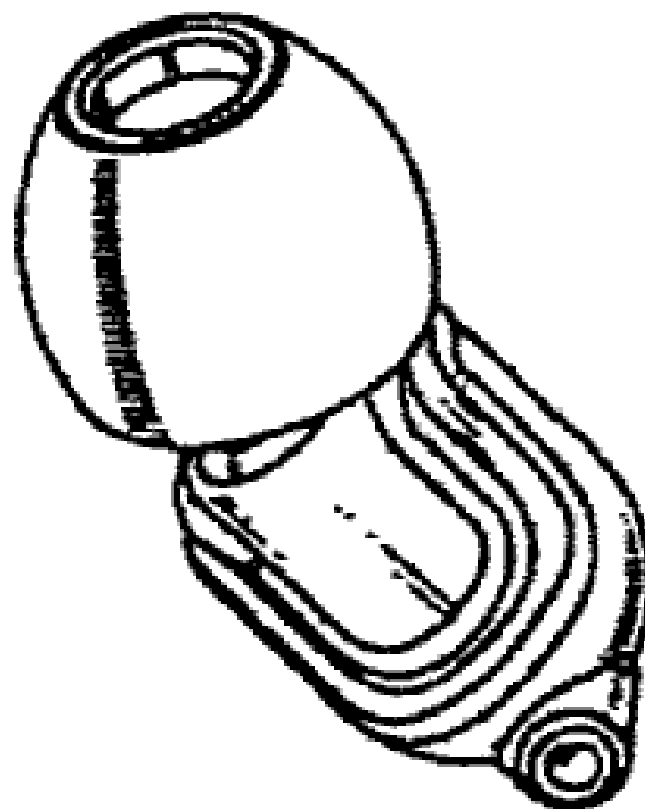
- (45) Registration Date: **25 October 2006**

- (30) Convention priority data:

(31) Number	(32) Date	(33) Country
<b>29/257,262</b>	<b>31 Mar 2006</b>	<b>UNITED STATES OF AMERICA</b>

- (56) Related Art Documents: **Not Applicable**

- (57) Statement of Newness and Distinctiveness: **Monopoly is claimed in the shape and configuration of the features of the article as depicted in the accompanying representations.**



- (21) Design Number: **14003/2006**  
(22) Date of Filing Application: **06 September 2006**  
(24) Date from which industrial property rights may have effect: **06 September 2006**  
(54) Product in respect of which the design is registered: **Portable speakers**  
(51) International Design Classification: **14-01**  
(71) Name(s) and Address(s) of Applicant(s):

**Creative Technology Ltd**  
**31 International Business Park Creative Resource Singapore 609921**

- (72) Name(s) of Designer(s): **Jason Tan and Kar Choon Ng**

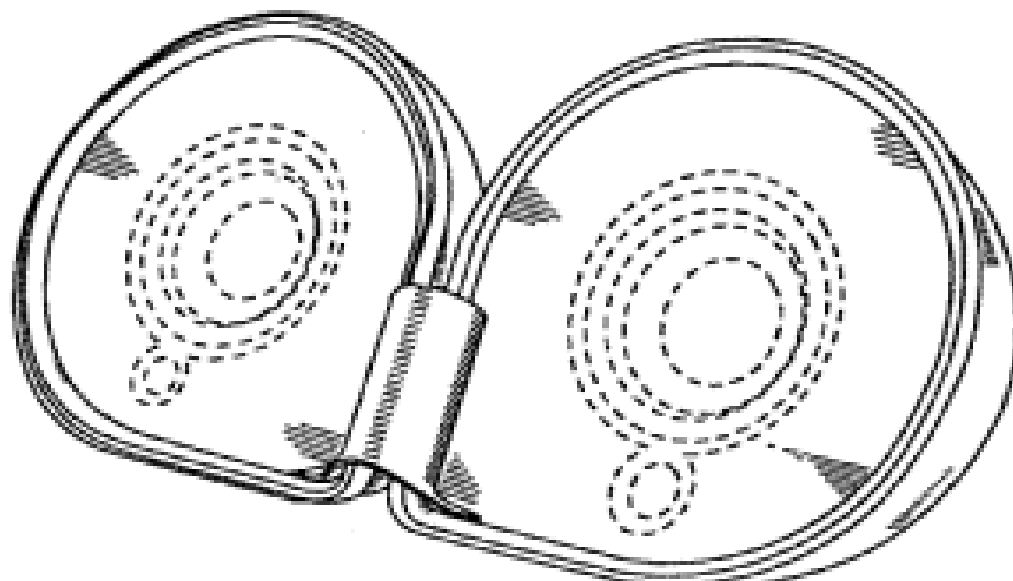
- (45) Registration Date: **25 October 2006**

- (30) Convention priority data:

(31) Number	(32) Date	(33) Country
<b>29/261,647</b>	<b>16 Jun 2006</b>	<b>UNITED STATES OF AMERICA</b>

- (56) Related Art Documents: **Not Applicable**

- (57) Statement of Newness and Distinctiveness: **Monopoly is claimed in the shape and configuration of the features of the article as depicted in the accompanying representations. No monopoly is claimed in the features illustrated using dashed lines (broken lines) these features are shown for exemplary purposes only in the accompanying representations.**



- (21) Design Number: **14004/2006**  
(22) Date of Filing Application: **06 September 2006**  
(24) Date from which industrial property rights may have effect: **06 September 2006**  
(54) Product in respect of which the design is registered: **Camera**  
(51) International Design Classification: **16-01**  
(71) Name(s) and Address(s) of Applicant(s):

**Creative Technology Ltd**  
**31 International Business Park Creative Resource Singapore 609921**

- (72) Name(s) of Designer(s): **Yuen Khim Joseph Liow and Siang Thia Goh and Jun Zhu**

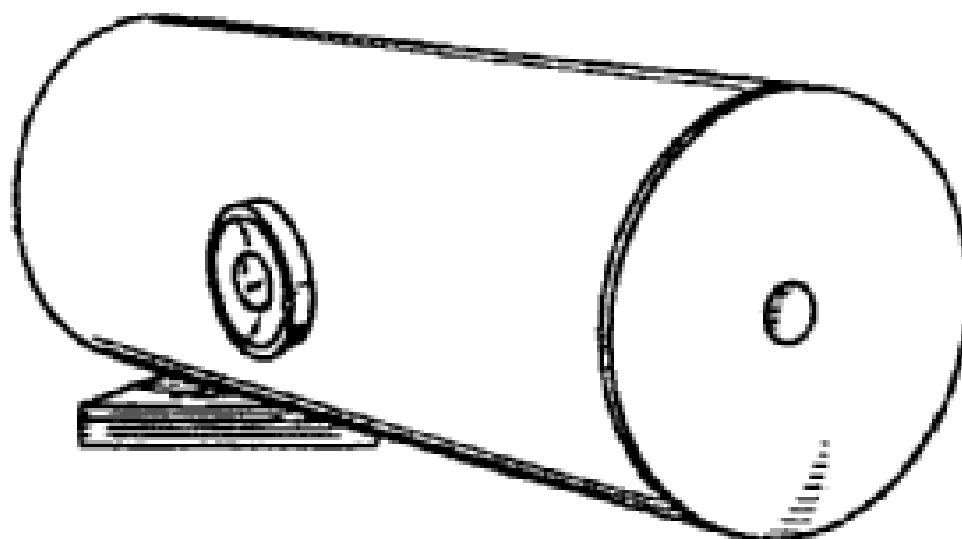
- (45) Registration Date: **25 October 2006**

- (30) Convention priority data:

(31) Number	(32) Date	(33) Country
<b>29/257,918</b>	<b>11 Apr 2006</b>	<b>UNITED STATES OF AMERICA</b>

- (56) Related Art Documents: **Not Applicable**

- (57) Statement of Newness and Distinctiveness: **Monopoly is claimed in the shape and configuration of the features of the article as depicted in the accompanying representations.**



(19) AU

- (21) Design Number: **14005/2006**
- (22) Date of Filing Application: **07 September 2006**
- (24) Date from which industrial property rights may have effect: **07 September 2006**
- (54) Product in respect of which the design is registered: **Flag**
- (51) International Design Classification: **11-05**
- (71) Name(s) and Address(s) of Applicant(s):

**Jim Tait**  
**56 McPhails Road Huonbrook New South Wales 2482 Australia**

- (72) Name(s) of Designer(s): **Jim Tait**
- (45) Registration Date: **25 October 2006**
- (56) Related Art Documents: **Not Applicable**
- (57) Statement of Newness and Distinctiveness: **This design is developed from an earlier version, its distinctiveness is defined by the circle in the upper left corner now extending into the blue band of the black - red blue - tri colour.**

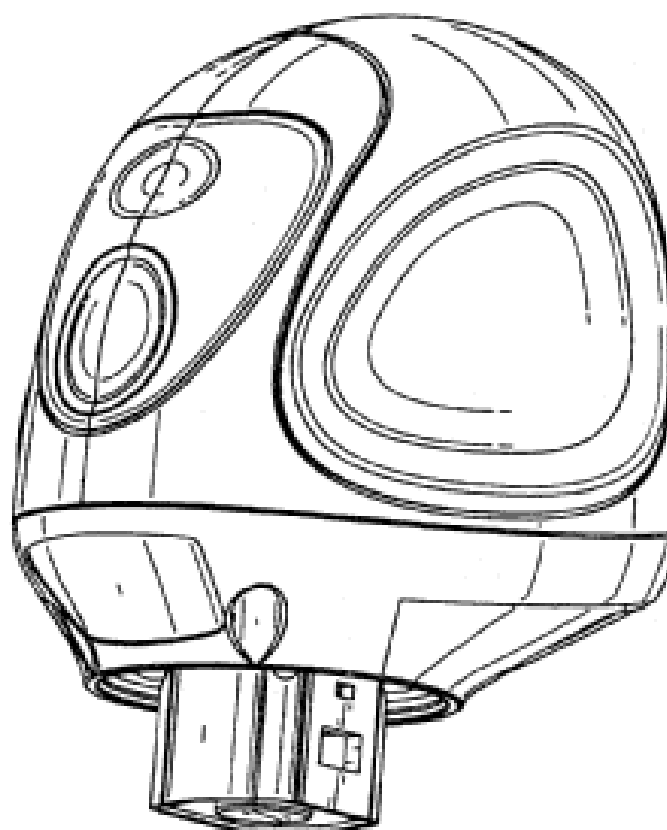


(19) AU

- (21) Design Number: **14140/2006**
- (22) Date of Filing Application: **19 September 2006**
- (24) Date from which industrial property rights may have effect: **19 September 2006**
- (54) Product in respect of which the design is registered: **A Scrubber**
- (51) International Design Classification: **08-05N**
- (71) Name(s) and Address(s) of Applicant(s):

**Black & Decker Inc.**  
**1207 Drummond Plaza Newark Delaware 19711 United States of America**

- (72) Name(s) of Designer(s): **Scott Evans**
  - (45) Registration Date: **25 October 2006**
  - (30) Convention priority data:
- |                 |                    |                                 |
|-----------------|--------------------|---------------------------------|
| (31) Number     | (32) Date          | (33) Country                    |
| <b>29256547</b> | <b>22 Mar 2006</b> | <b>UNITED STATES OF AMERICA</b> |
- (56) Related Art Documents: **Not Applicable**
  - (57) Statement of Newness and Distinctiveness: **Nil.**



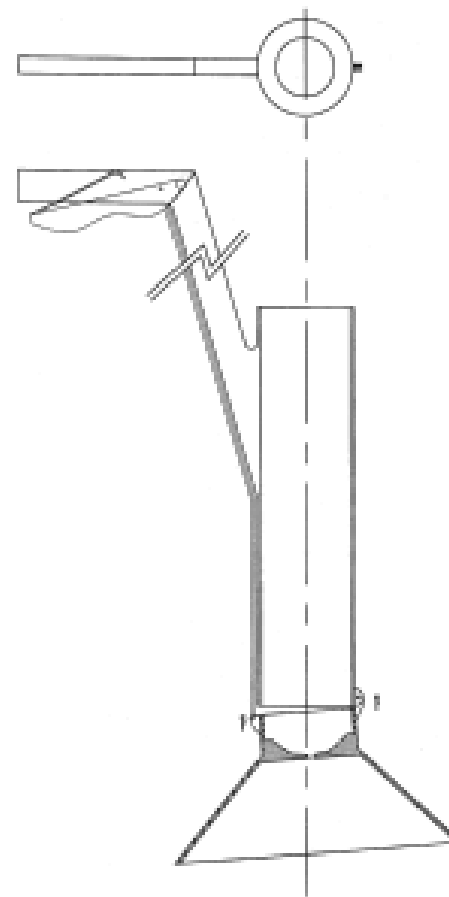
(21) Design Number: **14230/2006**  
(22) Date of Filing Application: **21 September 2006**  
(24) Date from which industrial property rights may have effect: **21 September 2006**  
(54) Product in respect of which the design is registered: **Outdoor furniture**  
(51) International Design Classification: **06-01H**  
(71) Name(s) and Address(s) of Applicant(s):  
**Reuven Oziel Nominees Pty Ltd**  
**Suite 1206/Lvl 12 World Tower Liverpool Street Sydney 2000 Australia**  
(72) Name(s) of Designer(s): **Tanya Oziel and Reuven Oziel**  
(45) Registration Date: **25 October 2006**  
(56) Related Art Documents: **Not Applicable**  
(57) Statement of Newness and Distinctiveness: **Nil**



(21) Design Number: **14231/2006**  
(22) Date of Filing Application: **21 September 2006**  
(24) Date from which industrial property rights may have effect: **21 September 2006**  
(54) Product in respect of which the design is registered: **Gaming machine**  
(51) International Design Classification: **21-03**  
(71) Name(s) and Address(s) of Applicant(s):  
**Cyberscan Technology, Inc.**  
**Two Palo Alto Square Suite 500 Palo Alto California 94306-2122**  
**United States of America**  
(72) Name(s) of Designer(s): **Sylvie Linard and Rodney Keith Mead**  
(45) Registration Date: **25 October 2006**  
(30) Convention priority data:  
(31) Number (32) Date (33) Country  
**29/257180 29 Mar 2006 UNITED STATES OF AMERICA**  
(56) Related Art Documents: **Not Applicable**  
(57) Statement of Newness and Distinctiveness: **Nil. ;**



- (21) Design Number: **14237/2006**
- (22) Date of Filing Application: **22 September 2006**
- (24) Date from which industrial property rights may have effect: **22 September 2006**
- (54) Product in respect of which the design is registered: **Universal herbicide weed applicator**
- (51) International Design Classification: **15-03A**
- (71) Name(s) and Address(s) of Applicant(s):  
**Karel Pancer**  
**202 A'Beckett Road Narre Warren North Victoria 3804 Australia**
- (72) Name(s) of Designer(s): **Karel Pancer**
- (45) Registration Date: **25 October 2006**
- (56) Related Art Documents: **Not Applicable**
- (57) Statement of Newness and Distinctiveness: **Nil**



- (21) Design Number: **14240/2006**
- (22) Date of Filing Application: **22 September 2006**
- (24) Date from which industrial property rights may have effect: **22 September 2006**
- (54) Product in respect of which the design is registered: **Cleaning device for an electric shaver**
- (51) International Design Classification: **28-03A**
- (71) Name(s) and Address(s) of Applicant(s):  
**Braun GmbH**  
**Frankfurter Str. 145 61476 Kronberg Germany**
- (72) Name(s) of Designer(s): **Roland Ullmann**
- (45) Registration Date: **25 October 2006**
- (30) Convention priority data:

(31) Number	(32) Date	(33) Country
<b>40601786.7</b>	<b>29 Mar 2006</b>	<b>GERMANY</b>
- (56) Related Art Documents: **Not Applicable**
- (57) Statement of Newness and Distinctiveness: **Nil.**

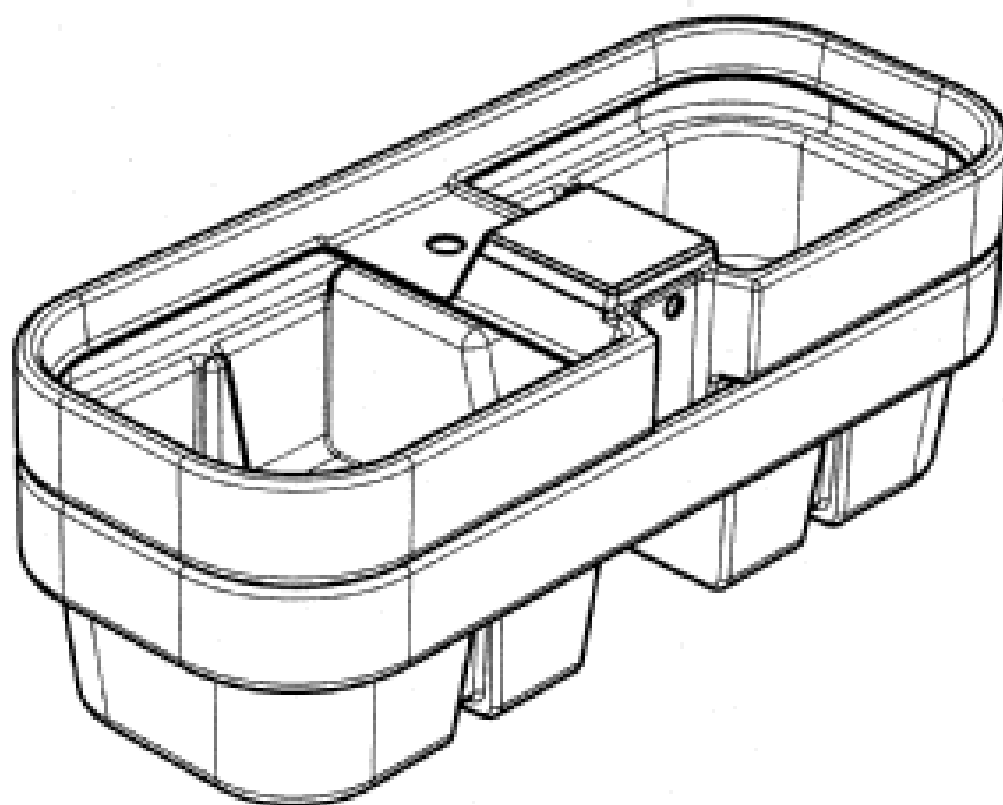


- (21) Design Number: **14271/2006**  
(22) Date of Filing Application: **22 September 2006**  
(24) Date from which industrial property rights may have effect: **22 September 2006**  
(54) Product in respect of which the design is registered: **Stock trough - small**  
(51) International Design Classification: **30-03**  
(71) Name(s) and Address(s) of Applicant(s):

**Global Rotomoulding**  
**1560 Koorlong Avenue Irymple Victoria 3498 Australia**

- (72) Name(s) of Designer(s): **Angus McDonald and Howard Ferry and Lester Ferry**  
(45) Registration Date: **25 October 2006**  
(56) Related Art Documents: **Not Applicable**

(57) Statement of Newness and Distinctiveness: **Stock Trough (Linear Trough - Small). Single piece moulding. Vertical ribs with varying degrees of draft running from the underside of the upper 'waist' to the floor of the tank (lower half). The waist is the vertical, flat surface that runs around the trough perimeter as the outer most width and length of the trough in the top 1/3 (approx) of the trough height. Vertical ribs in the lower half of the trough can continue into the floor surface of the trough, looking like one continuous rib. Tapered lower half of trough to allow for nesting as shown where one complete lower half fits inside the trough below where the top edge of the trough waist supports the underside surface of the waist of the trough above. Provision for float valve in one side of the trough along its length such that when the troughs nest inside one another they do so by turning through 180 degrees. Rebates in the base of the trough floor in the central area of the trough are suited to accommodate the nesting feature as described above. The small linear trough can be nested with the medium liner trough and the large linear trough (also seen in this application).**

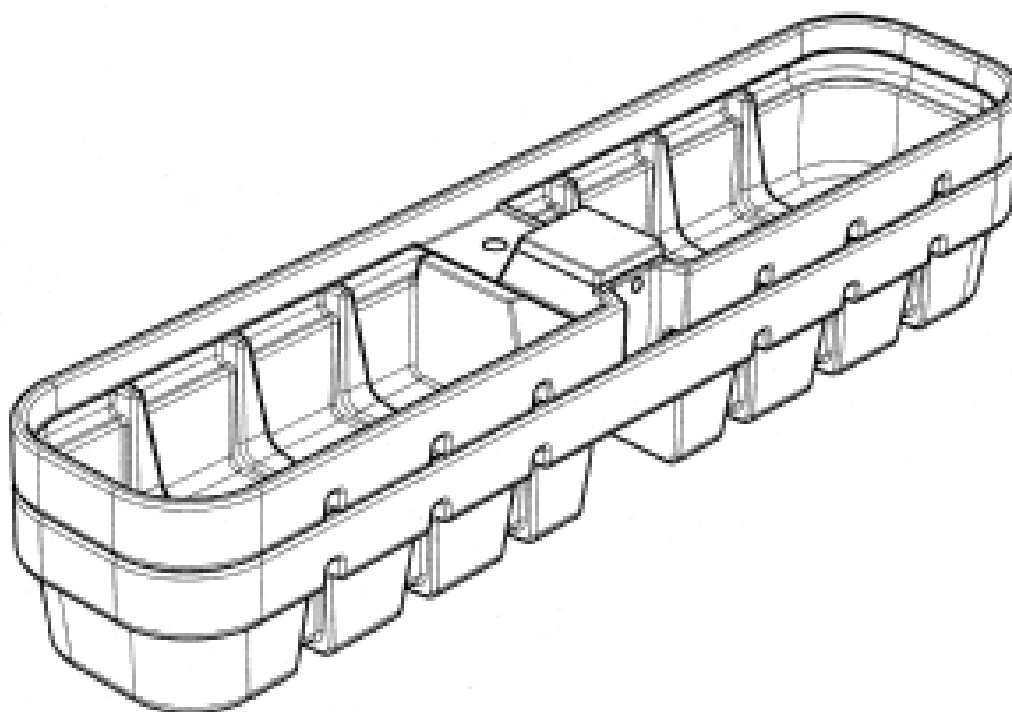


- (21) Design Number: **14272/2006**  
(22) Date of Filing Application: **22 September 2006**  
(24) Date from which industrial property rights may have effect: **22 September 2006**  
(54) Product in respect of which the design is registered: **Stock trough - medium**  
(51) International Design Classification: **30-03**  
(71) Name(s) and Address(s) of Applicant(s):

**Global Rotomoulding**  
**1560 Koorlong Avenue Irymple Victoria 3498 Australia**

- (72) Name(s) of Designer(s): **Angus McDonald and Howard Ferry and Lester Ferry**  
(45) Registration Date: **25 October 2006**  
(56) Related Art Documents: **Not Applicable**

(57) Statement of Newness and Distinctiveness: **Stock Trough (Linear Trough - Medium). Single piece moulding. Vertical ribs with varying degrees of draft running from the underside of the upper 'waist' to the floor of the tank (lower half). The waist is the vertical, flat surface that runs around the trough perimeter as the outer most width and length of the trough in the top 1/3 (approx) of the trough height. Vertical ribs in the lower half of the trough can continue into the floor surface of the trough, looking like one continuous rib. Tapered lower half of trough to allow for nesting as shown where one complete lower half fits inside the trough below where the top edge of the trough waist supports the underside surface of the waist of the trough above. Provision for float valve in one side of the trough along its length such that when the troughs nest inside one another they do so by turning through 180 degrees. Rebates in the base of the trough floor in the central area of the trough are suited to accommodate the nesting feature as described above. The small linear trough can be nested with the medium liner trough and the large linear trough (also seen in this application).**

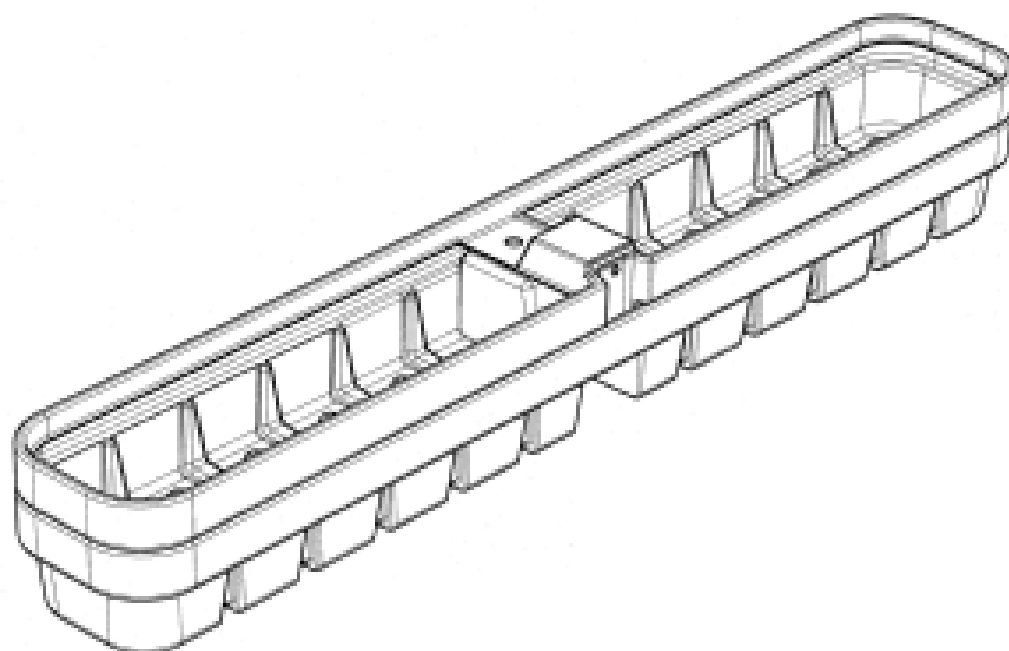


- (21) Design Number: **14273/2006**  
(22) Date of Filing Application: **22 September 2006**  
(24) Date from which industrial property rights may have effect: **22 September 2006**  
(54) Product in respect of which the design is registered: **Stock trough - large**  
(51) International Design Classification: **30-03**  
(71) Name(s) and Address(s) of Applicant(s):

**Global Rotomoulding**  
**1560 Koorlong Avenue Irymple Victoria 3498 Australia**

- (72) Name(s) of Designer(s): **Angus McDonald and Howard Ferry and Lester Ferry**  
(45) Registration Date: **25 October 2006**  
(56) Related Art Documents: **Not Applicable**

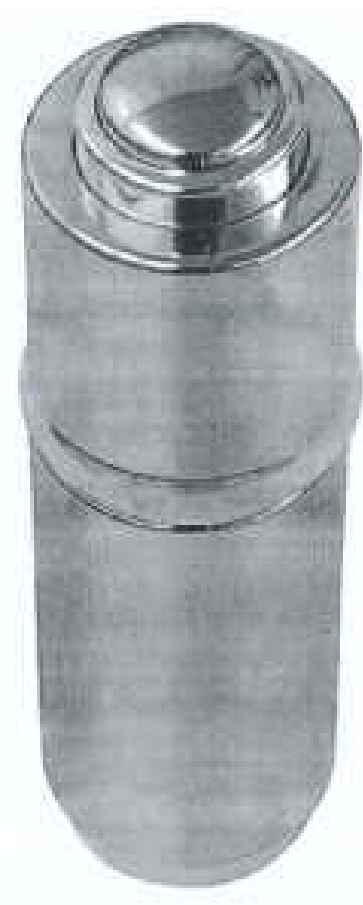
- (57) Statement of Newness and Distinctiveness: **Stock Trough (Linear Trough - Large). Single piece moulding. Vertical ribs with varying degrees of draft running from the underside of the upper 'waist' to the floor of the tank (lower half). The waist is the vertical, flat surface that runs around the trough perimeter as the outer most width and length of the trough in the top 1/3 (approx) of the trough height. Vertical ribs in the lower half of the trough can continue into the floor surface of the trough, looking like one continuous rib. Tapered lower half of trough to allow for nesting as shown where one complete lower half fits inside the trough below where the top edge of the trough waist supports the underside surface of the waist of the trough above. Provision for float valve in one side of the trough along its length such that when the troughs nest inside one another they do so by turning through 180 degrees. Rebates in the base of the trough floor in the central area of the trough are suited to accommodate the nesting feature as described above. The small linear trough can be nested with the medium linear trough and the large linear trough (also seen in this application).**



- (21) Design Number: **14085/2006**  
(22) Date of Filing Application: **12 September 2006**  
(24) Date from which industrial property rights may have effect: **12 September 2006**  
(54) Product in respect of which the design is registered: **A container**  
(51) International Design Classification: **07-01F, 09-01NES**  
(71) Name(s) and Address(s) of Applicant(s):

**Laboratoires La Prairie SA**  
**Industriestrasse 8 8604 Vikjetswil Switzerland**

- (72) Name(s) of Designer(s): **Lynne Florio**  
(45) Registration Date: **25 October 2006**  
(56) Related Art Documents: **Not Applicable**  
(57) Statement of Newness and Distinctiveness: **Newness and distinctiveness is claimed in the features of shape and/or configuration of a container as illustrated in the accompanying representations.**



(21) Design Number: **15025/2005**

(22) Date of Filing Application: **11 November 2005**

(24) Date from which industrial property rights may have effect: **11 November 2005**

(54) Product in respect of which the design is registered: **A joint plate insert for concrete footpaths**

(51) International Design Classification: **25-01B**

(71) Name(s) and Address(s) of Applicant(s):

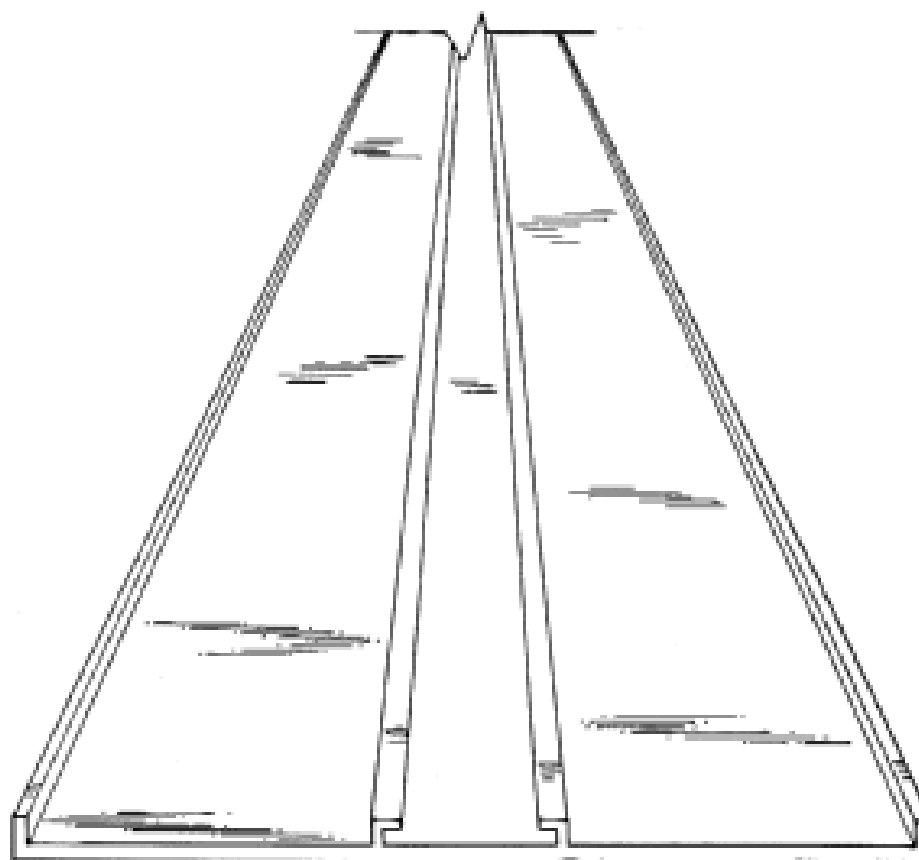
**Danley Construction Products Pty Ltd  
21 Steel Place Morningside Queensland 4127 Australia**

(72) Name(s) of Designer(s): **Daniel Charles Underwood and Bruce Ian Ireland**

(45) Registration Date: **25 October 2006**

(56) Related Art Documents: **Not Applicable**

(57) Statement of Newness and Distinctiveness: **Newness and distinctiveness resides in a joint plate having parallel flanges and variable width and of indefinite length.**



(21) Design Number: **11998/2006**

(22) Date of Filing Application: **28 April 2006**

(24) Date from which industrial property rights may have effect: **28 April 2006**

(54) Product in respect of which the design is registered: **Set of trailers**

(51) International Design Classification: **12-10**

(71) Name(s) and Address(s) of Applicant(s):

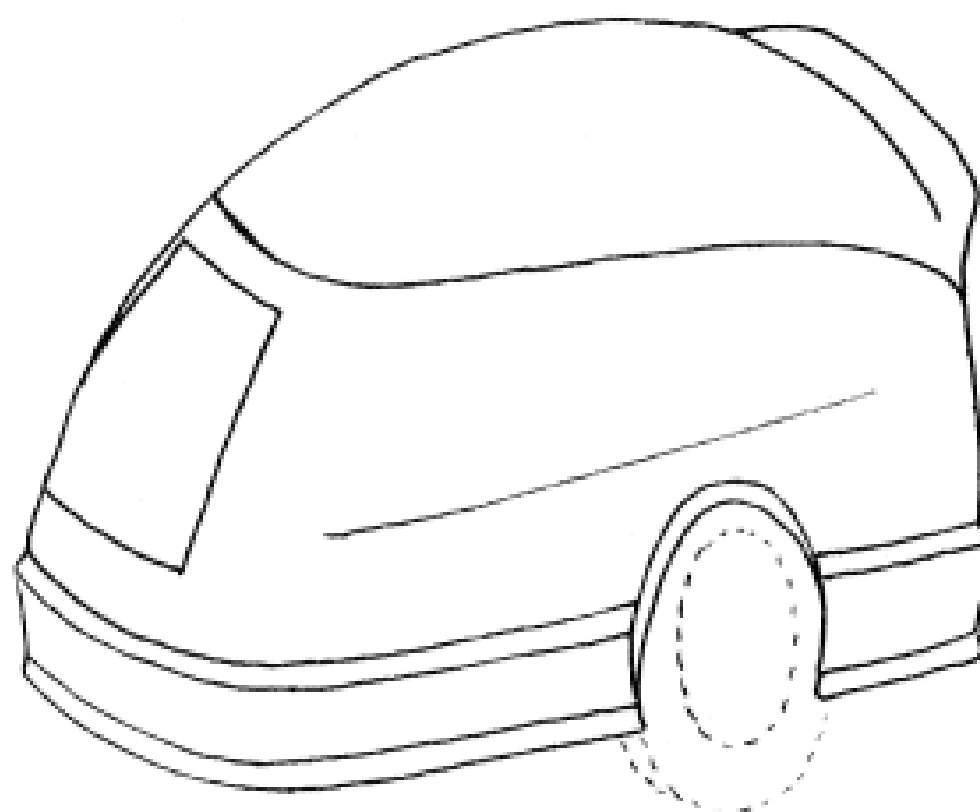
**Gregory Charles McInnes  
Lot 45 Stuart Drive Lake Cargelligo New South Wales 2672 Australia**

(72) Name(s) of Designer(s): **Gregory Charles McInnes**

(45) Registration Date: **26 October 2006**

(56) Related Art Documents: **Not Applicable**

(57) Statement of Newness and Distinctiveness: **The continuous curving of all the surfaces make it stronger for manufacture and as an actual product. It also offers less drag because of these surfaces.**



(21) Design Number: **12706/2006**

(22) Date of Filing Application: **21 June 2006**

(24) Date from which industrial property rights may have effect: **21 June 2006**

(54) Product in respect of which the design is registered: **Lock**

(51) International Design Classification: **08-07**

(71) Name(s) and Address(s) of Applicant(s):

**Master Lock Company LLC**  
**137 W. Forest Hill Avenue PO Box 927 Oak Creek Wisconsin 53154**  
**United States of America**

(72) Name(s) of Designer(s): **John Blomstrom and John Heppner and Glen P. Meekma**

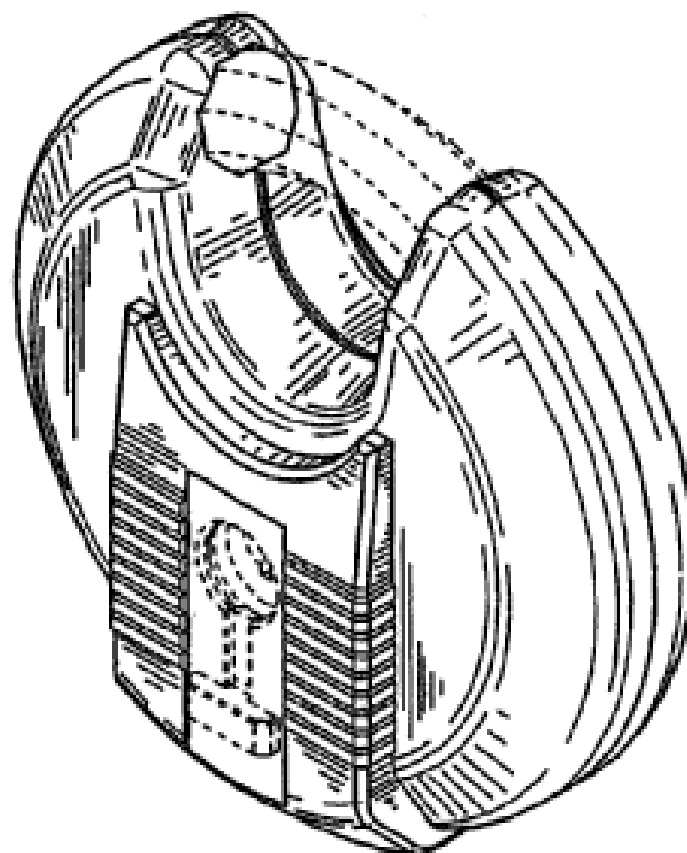
(45) Registration Date: **26 October 2006**

(30) Convention priority data:

(31) Number	(32) Date	(33) Country
<b>29/245,251</b>	<b>21 Dec 2005</b>	<b>UNITED STATES OF AMERICA</b>

(56) Related Art Documents: **Not Applicable**

(57) Statement of Newness and Distinctiveness: **The newness and distinctiveness are provided by the shape and/or configuration of the design shown in the representations. The features shown in broken lines in the representations are for illustrative purposes only and should not be considered when construing visual features of the design.**



(21) Design Number: **12963/2006**

(22) Date of Filing Application: **13 July 2006**

(24) Date from which industrial property rights may have effect: **13 July 2006**

(54) Product in respect of which the design is registered: **Surfy koala**

(51) International Design Classification: **11-02E, 21-01A**

(71) Name(s) and Address(s) of Applicant(s):

**Wayne Robert Weskin**  
**23 Wishaw Loop Kinross Western Australia 6028 Australia**

**Bernadene Mary Weskin**  
**23 Wishaw Loop Kinross Western Australia 6028 Australia**

(72) Name(s) of Designer(s): **Wayne Robert Weskin and Bernadene Mary Weskin**

(45) Registration Date: **26 October 2006**

(56) Related Art Documents: **Not Applicable**

(57) Statement of Newness and Distinctiveness: **Souvenir koala - Australian themed humanlike characteristics of a surfer standing ornament.**



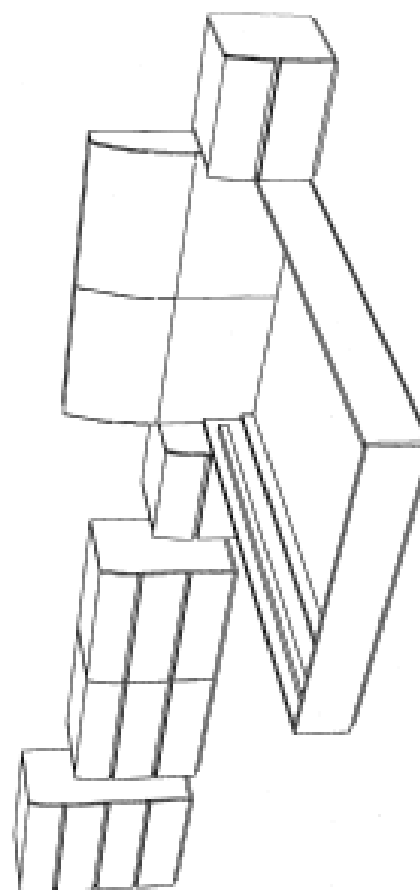
- (21) Design Number: **12964/2006**  
(22) Date of Filing Application: **13 July 2006**  
(24) Date from which industrial property rights may have effect: **13 July 2006**  
(54) Product in respect of which the design is registered: **BBQ Dad koala**  
(51) International Design Classification: **11-02E, 21-01A**  
(71) Name(s) and Address(s) of Applicant(s):  
**Wayne Robert Weskin**  
**23 Wishaw Loop Kinross Western Australia 6028 Australia**  
**Bernadene Mary Weskin**  
**23 Wishaw Loop Kinross Western Australia 6028 Australia**  
(72) Name(s) of Designer(s): **Wayne Robert Weskin and Bernadene Mary Weskin**  
(45) Registration Date: **26 October 2006**  
(56) Related Art Documents: **Not Applicable**  
(57) Statement of Newness and Distinctiveness: **Souvenir koala - Australian themed humanlike characteristics of a barbeque dad standing ornament.**



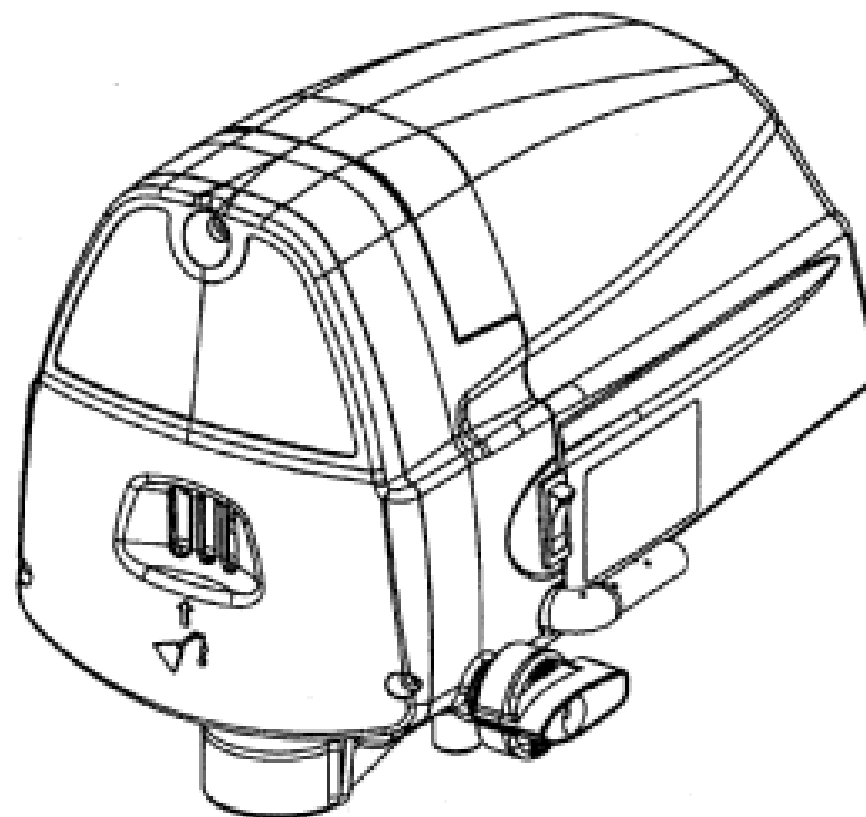
- (21) Design Number: **12965/2006**  
(22) Date of Filing Application: **13 July 2006**  
(24) Date from which industrial property rights may have effect: **13 July 2006**  
(54) Product in respect of which the design is registered: **Koala bell**  
(51) International Design Classification: **11-02E, 21-01A**  
(71) Name(s) and Address(s) of Applicant(s):  
**Wayne Robert Weskin**  
**23 Wishaw Loop Kinross Western Australia 6028 Australia**  
**Bernadene Mary Weskin**  
**23 Wishaw Loop Kinross Western Australia 6028 Australia**  
(72) Name(s) of Designer(s): **Wayne Robert Weskin and Bernadene Mary Weskin**  
(45) Registration Date: **26 October 2006**  
(56) Related Art Documents: **Not Applicable**  
(57) Statement of Newness and Distinctiveness: **Souvenir koala - humanlike characteristics hanging ornament with upper body of a koala and lower body of a bell.**



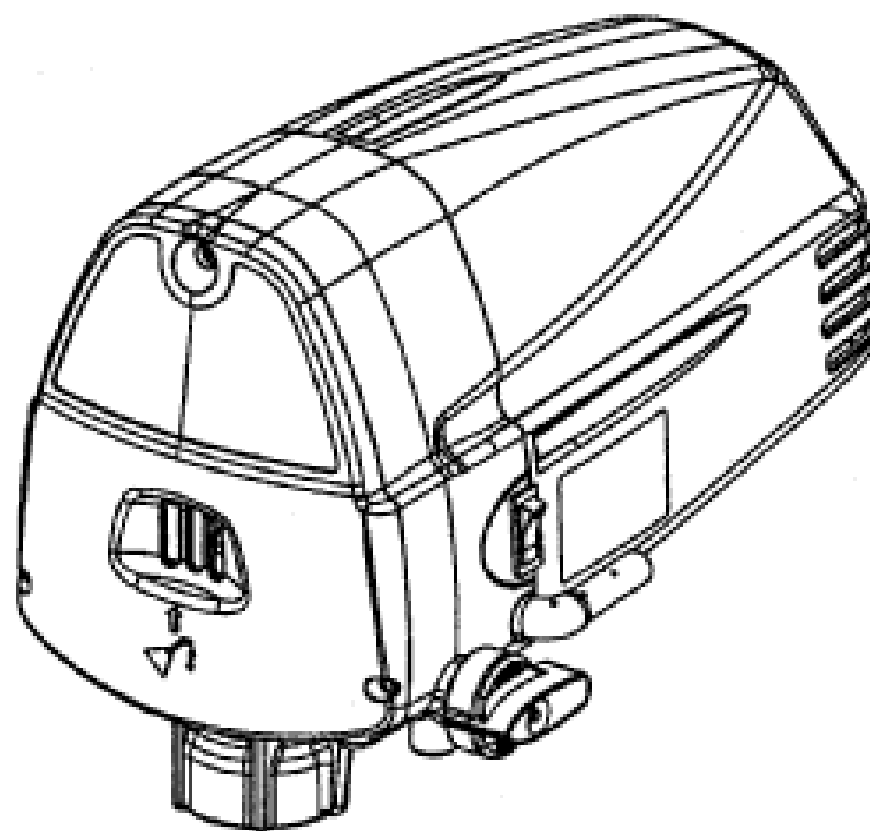
- (21) Design Number: **14154/2006**  
(22) Date of Filing Application: **15 September 2006**  
(24) Date from which industrial property rights may have effect: **15 September 2006**  
(54) Product in respect of which the design is registered: **Bedroom furniture**  
(51) International Design Classification: **06-02, 06-06D**  
(71) Name(s) and Address(s) of Applicant(s):  
**David Durance**  
**Rear 24 Cunningham Street Northcote Victoria 3070 Australia**  
(72) Name(s) of Designer(s): **David Durance**  
(45) Registration Date: **26 October 2006**  
(56) Related Art Documents: **Not Applicable**  
(57) Statement of Newness and Distinctiveness: **Distinctiveness is not claimed in respect of the sides and end of the bed.**



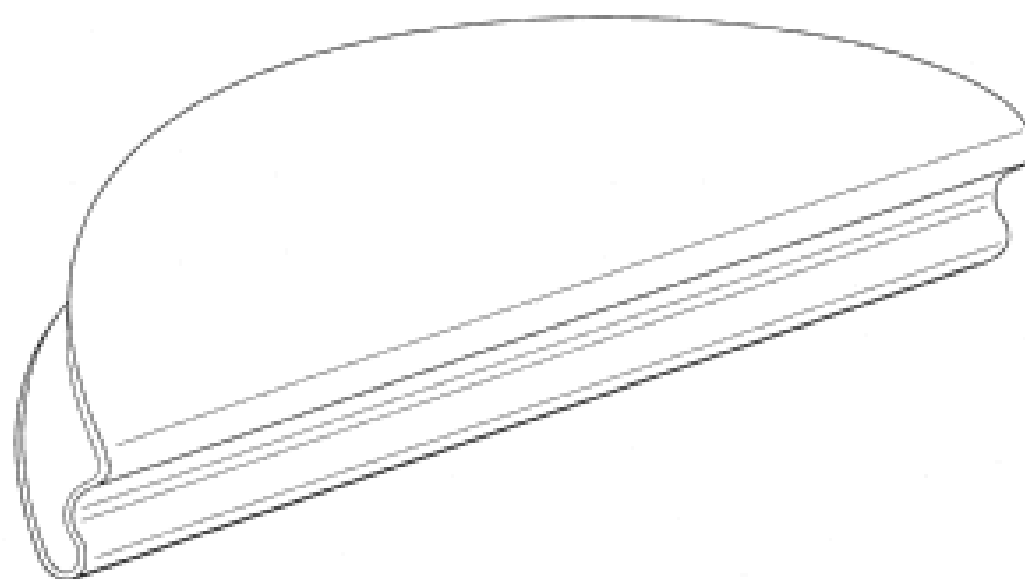
- (21) Design Number: **14084/2006**  
(22) Date of Filing Application: **12 September 2006**  
(24) Date from which industrial property rights may have effect: **12 September 2006**  
(54) Product in respect of which the design is registered: **Paint spray pump**  
(51) International Design Classification: **08-05L**  
(71) Name(s) and Address(s) of Applicant(s):  
**Wagner Spray Tech Corporation**  
**1770 Fernbrook Lane Plymouth Minnesota 55447 United States of America**  
(72) Name(s) of Designer(s): **Robert H. Bruno and Tunjung F. Ismoedi and Robert E. Miller and Wayne Robens**  
(45) Registration Date: **30 October 2006**  
(30) Convention priority data:  
(31) Number (32) Date (33) Country  
**29/246323 31 Mar 2006 UNITED STATES OF AMERICA**  
(56) Related Art Documents: **Not Applicable**  
(57) Statement of Newness and Distinctiveness: **Newness and distinctiveness is claimed in the features of shape and/or configuration of a paint spray pump as illustrated in the accompanying representations.**



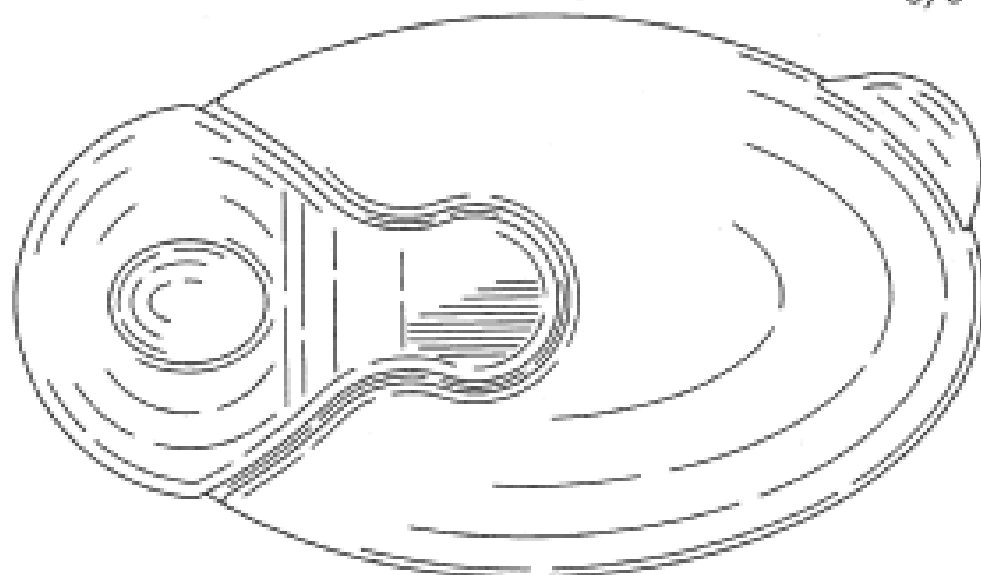
- (21) Design Number: **14082/2006**  
(22) Date of Filing Application: **12 September 2006**  
(24) Date from which industrial property rights may have effect: **12 September 2006**  
(54) Product in respect of which the design is registered: **Paint spray pump**  
(51) International Design Classification: **08-05L**  
(71) Name(s) and Address(s) of Applicant(s):  
**Wagner Spray Tech Corporation**  
**1770 Fernbrook Lane Plymouth Minnesota 55447 United States of America**  
(72) Name(s) of Designer(s): **Robert H. Bruno and Tunjung F. Ismoedi and Robert E. Miller and Wayne Robens**  
(45) Registration Date: **30 October 2006**  
(30) Convention priority data:  
(31) Number (32) Date (33) Country  
**29/246326 31 Mar 2006 UNITED STATES OF AMERICA**  
(56) Related Art Documents: **Not Applicable**  
(57) Statement of Newness and Distinctiveness: **Newness and distinctiveness is claimed in the features of shape and/or configuration of a paint spray pump as illustrated in the accompanying representations.**



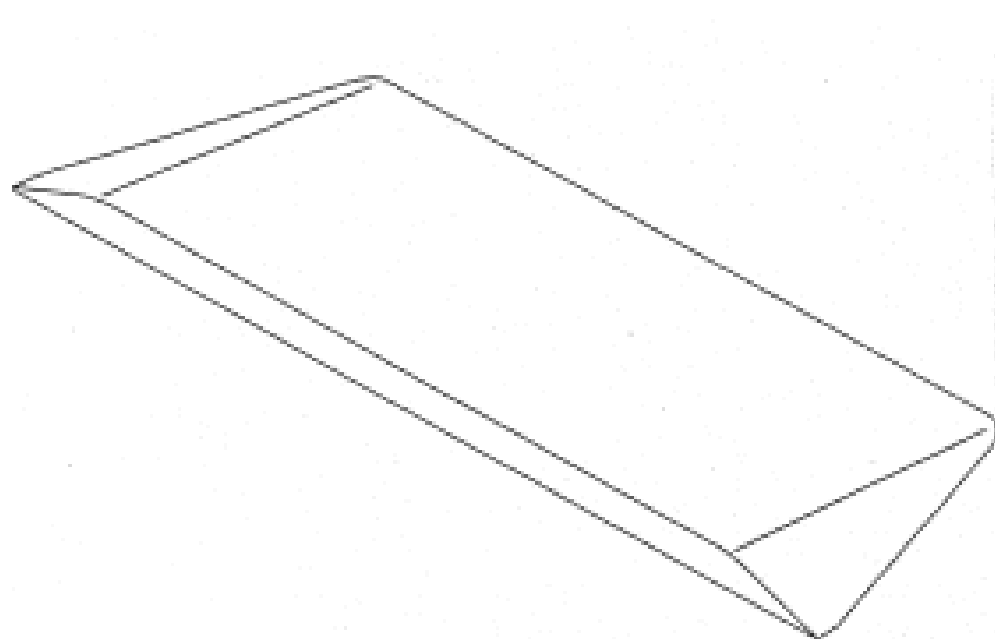
- (21) Design Number: **14098/2006**  
(22) Date of Filing Application: **12 September 2006**  
(24) Date from which industrial property rights may have effect: **12 September 2006**  
(54) Product in respect of which the design is registered: **Curved bottom taco shell**  
(51) International Design Classification: **01-01, 01-99**  
(71) Name(s) and Address(s) of Applicant(s):  
**Gruma Oceania Pty Ltd**  
**20 Klauer Street SEAFORD VIC 3198 AUSTRALIA**  
(72) Name(s) of Designer(s): **Haissam Masri and Nicholas Arthur Crosbie**  
(45) Registration Date: **30 October 2006**  
(56) Related Art Documents: **Not Applicable**  
(57) Statement of Newness and Distinctiveness: **Newness and distinctiveness are claimed in the features of shape and /or configuration of a curved bottom taco shell, as illustrated in the accompanying representations.**



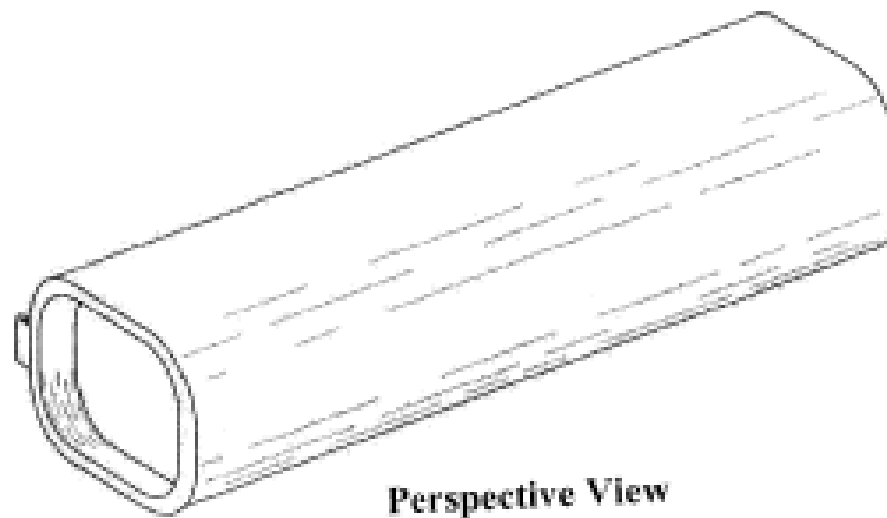
(21) Design Number: **14102/2006**  
(22) Date of Filing Application: **12 September 2006**  
(24) Date from which industrial property rights may have effect: **12 September 2006**  
(54) Product in respect of which the design is registered: **Cover**  
(51) International Design Classification: **09-05, 09-07B, 09-07NES**  
(71) Name(s) and Address(s) of Applicant(s):  
**Dart Industries Inc**  
**14901 S. Orange Blossom Trail Orlando Florida 32837 United States of America**  
(72) Name(s) of Designer(s): **Vincent Jalet**  
(45) Registration Date: **30 October 2006**  
(30) Convention priority data:  
(31) Number (32) Date (33) Country  
**29/257,592 06 Apr 2006 UNITED STATES OF AMERICA**  
(56) Related Art Documents: **Not Applicable**  
(57) Statement of Newness and Distinctiveness: **Those features of the cover depicted in the representations that are new and distinctive are the shape and/or configuration.**



(21) Design Number: **14103/2006**  
(22) Date of Filing Application: **08 September 2006**  
(24) Date from which industrial property rights may have effect: **08 September 2006**  
(54) Product in respect of which the design is registered: **Ramped Mat**  
(51) International Design Classification: **06-11**  
(71) Name(s) and Address(s) of Applicant(s):  
**Raven Products Pty Ltd**  
**22 Aldershot Road Lonsdale South Australia 5160 Australia**  
(72) Name(s) of Designer(s): **Russell Clark**  
(45) Registration Date: **30 October 2006**  
(56) Related Art Documents: **Not Applicable**  
(57) Statement of Newness and Distinctiveness: **Nil**



(21) Design Number: **14110/2006**  
(22) Date of Filing Application: **13 September 2006**  
(24) Date from which industrial property rights may have effect: **13 September 2006**  
(54) Product in respect of which the design is registered: **Product dispenser**  
(51) International Design Classification: **03-01NES**  
(71) Name(s) and Address(s) of Applicant(s):  
**Wm. Wrigley Jr. Company**  
**410 North Michigan Avenue Chicago Illinois 60611 United States of America**  
(72) Name(s) of Designer(s): **Jose Ramon Sainz**  
(45) Registration Date: **30 October 2006**  
(30) Convention priority data:  
(31) Number (32) Date (33) Country  
**29/256493 21 Mar 2006 UNITED STATES OF AMERICA**  
(56) Related Art Documents: **Not Applicable**  
(57) Statement of Newness and Distinctiveness: **Newness and distinctiveness is claimed in the features of shape and/or configuration of a product dispenser as illustrated in the accompanying representations.**



(21) Design Number: **14132/2006**  
(22) Date of Filing Application: **14 September 2006**  
(24) Date from which industrial property rights may have effect: **14 September 2006**  
(54) Product in respect of which the design is registered: **A watch case**  
(51) International Design Classification: **10-07**  
(71) Name(s) and Address(s) of Applicant(s):  
**La Montre Hermes S.A.**  
**Erlenstrasse 31A 2555 Brugg Switzerland**  
(72) Name(s) of Designer(s): **Pierre Hardy**  
(45) Registration Date: **30 October 2006**  
(30) Convention priority data:  
(31) Number (32) Date (33) Country  
**DM/067676 20 Mar 2006 WORLD INTELLECTUAL PROPERTY ORGANIZATION (WIPO)**  
(56) Related Art Documents: **Not Applicable**  
(57) Statement of Newness and Distinctiveness: **Nil**



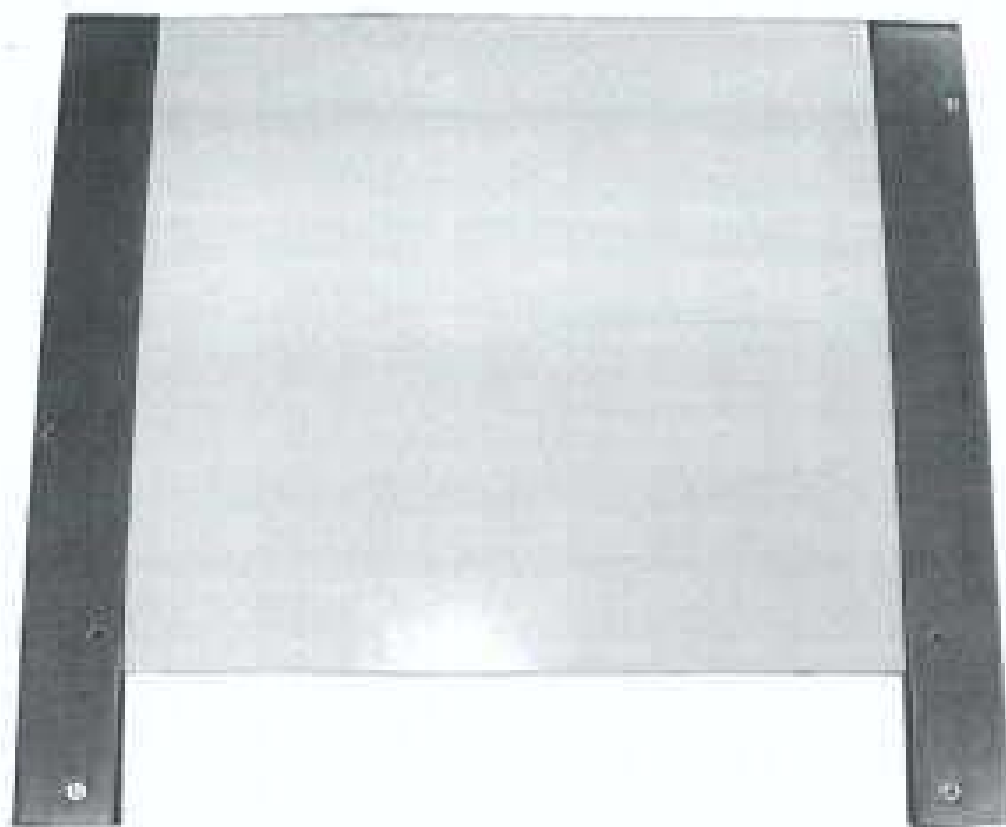
- (21) Design Number: **14155/2006**  
(22) Date of Filing Application: **15 September 2006**  
(24) Date from which industrial property rights may have effect: **15 September 2006**  
(54) Product in respect of which the design is registered: **Cot**  
(51) International Design Classification: **06-02**  
(71) Name(s) and Address(s) of Applicant(s):  
**C.O. White Pty Ltd**  
**20-22 Lindaway Place Tullamarine Victoria 3043 Australia**  
(72) Name(s) of Designer(s): **Charles Guy White**  
(45) Registration Date: **30 October 2006**  
(56) Related Art Documents: **Not Applicable**  
(57) Statement of Newness and Distinctiveness: **Monopoly is claimed in the shape and the configuration of a cot, as shown in the representations, but excluding the drop-side sliding track mechanism on the inside surface of the end panels.**



- (21) Design Number: **14156/2006**  
(22) Date of Filing Application: **15 September 2006**  
(24) Date from which industrial property rights may have effect: **15 September 2006**  
(54) Product in respect of which the design is registered: **End panel for cot**  
(51) International Design Classification: **06-02**  
(71) Name(s) and Address(s) of Applicant(s):  
**C.O. White Pty Ltd**  
**20-22 Lindaway Place Tullamarine Victoria 3043 Australia**  
(72) Name(s) of Designer(s): **Charles Guy White**  
(45) Registration Date: **30 October 2006**  
(56) Related Art Documents: **Not Applicable**  
(57) Statement of Newness and Distinctiveness: **Monopoly is claimed in the shape and the configuration of an end panel of a cot as shown in the representation.**



- (21) Design Number: **14157/2006**  
(22) Date of Filing Application: **15 September 2006**  
(24) Date from which industrial property rights may have effect: **15 September 2006**  
(54) Product in respect of which the design is registered: **End panel for a junior bed**  
(51) International Design Classification: **06-02**  
(71) Name(s) and Address(s) of Applicant(s):  
**C.O. White Pty Ltd**  
**20-22 Lindaway Place Tullamarine Victoria 3043 Australia**  
(72) Name(s) of Designer(s): **Charles Guy White**  
(45) Registration Date: **30 October 2006**  
(56) Related Art Documents: **Not Applicable**  
(57) Statement of Newness and Distinctiveness: **Monopoly is claimed in the shape and the configuration of an end panel of a junior bed as shown in the representation.**

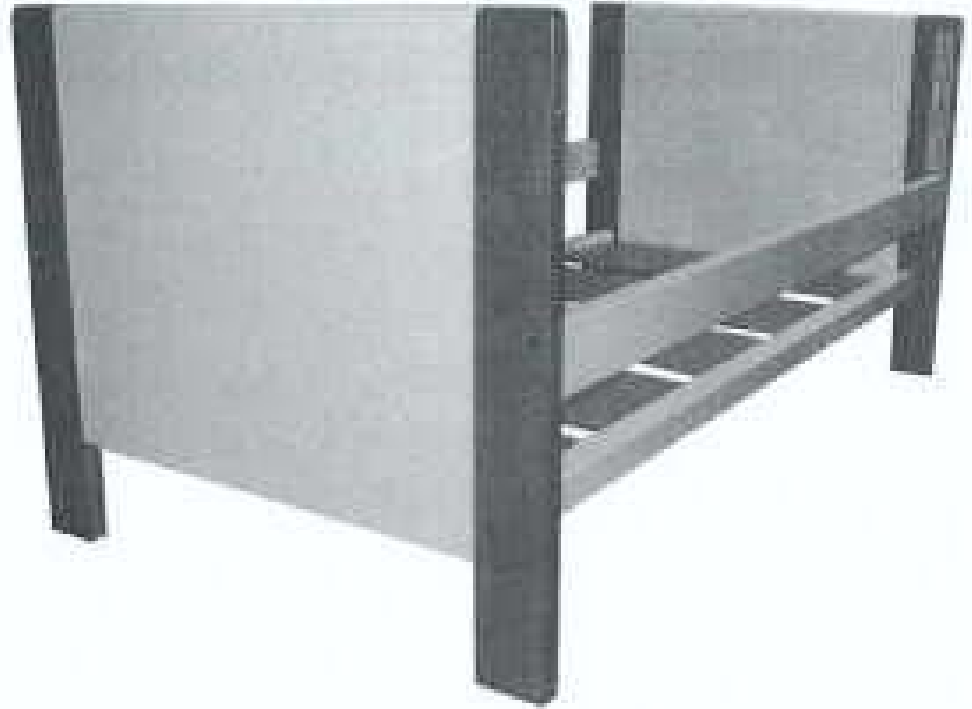


End panel for a junior bed

- (21) Design Number: **14158/2006**  
(22) Date of Filing Application: **15 September 2006**  
(24) Date from which industrial property rights may have effect: **15 September 2006**  
(54) Product in respect of which the design is registered: **End panel component for a cot**  
(51) International Design Classification: **06-02**  
(71) Name(s) and Address(s) of Applicant(s):  
**C.O. White Pty Ltd**  
**20-22 Lindaway Place Tullamarine Victoria 3043 Australia**  
(72) Name(s) of Designer(s): **Charles Guy White**  
(45) Registration Date: **30 October 2006**  
(56) Related Art Documents: **Not Applicable**  
(57) Statement of Newness and Distinctiveness: **Monopoly is claimed in the shape and the configuration of an end panel component for a cot as shown in the representation.**



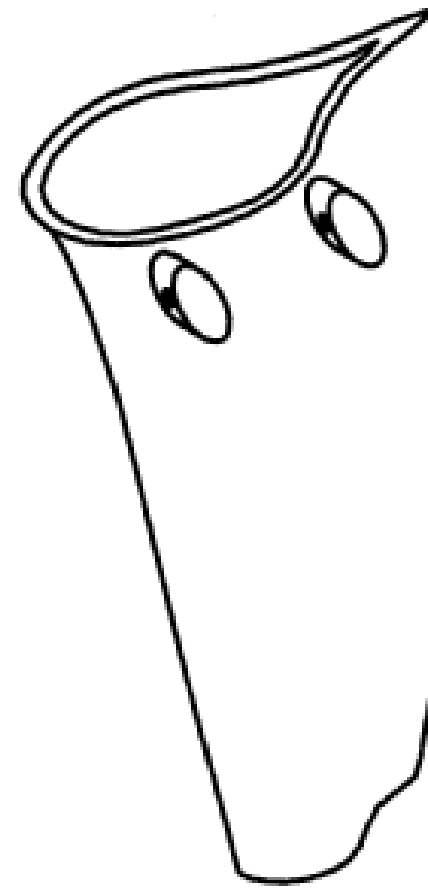
- (21) Design Number: **14159/2006**  
(22) Date of Filing Application: **15 September 2006**  
(24) Date from which industrial property rights may have effect: **15 September 2006**  
(54) Product in respect of which the design is registered: **Junior bed**  
(51) International Design Classification: **06-02**  
(71) Name(s) and Address(s) of Applicant(s):  
**C.O. White Pty Ltd**  
**20-22 Lindaway Place Tullamarine Victoria 3043 Australia**  
(72) Name(s) of Designer(s): **Charles Guy White**  
(45) Registration Date: **30 October 2006**  
(56) Related Art Documents: **Not Applicable**  
(57) Statement of Newness and Distinctiveness: **Monopoly is claimed in the shape and the configuration of a junior bed, as shown in the representations, but excluding the sliding track assembly on the inside surface of the end panels.**



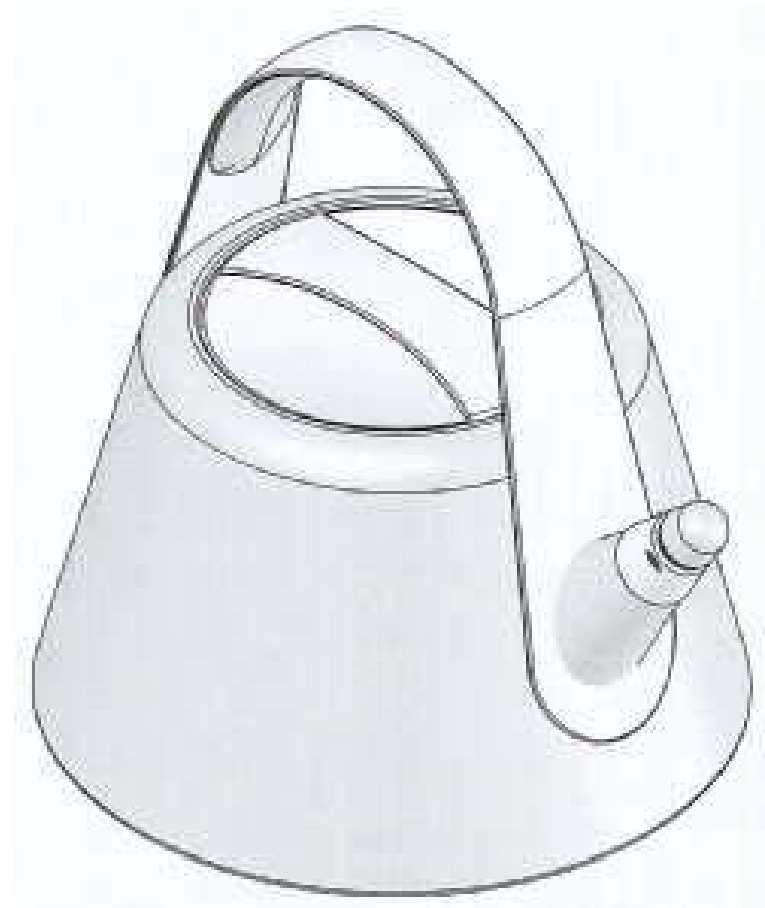
- (21) Design Number: **14343/2006**  
(22) Date of Filing Application: **27 September 2006**  
(24) Date from which industrial property rights may have effect: **27 September 2006**  
(54) Product in respect of which the design is registered: **Surf craft**  
(51) International Design Classification: **21-02D**  
(71) Name(s) and Address(s) of Applicant(s):  
**DMC International Pty Limited**  
**789 Botany Road Rosebury New South Wales 2018 Australia**  
(72) Name(s) of Designer(s): **David Corrick**  
(45) Registration Date: **30 October 2006**  
(56) Related Art Documents: **Not Applicable**  
(57) Statement of Newness and Distinctiveness: **Newness and distinctiveness is claimed in respect of the shape and configuration of the surf craft as illustrated in the accompanying representations, but not the pattern or graphics shown on the representations.**



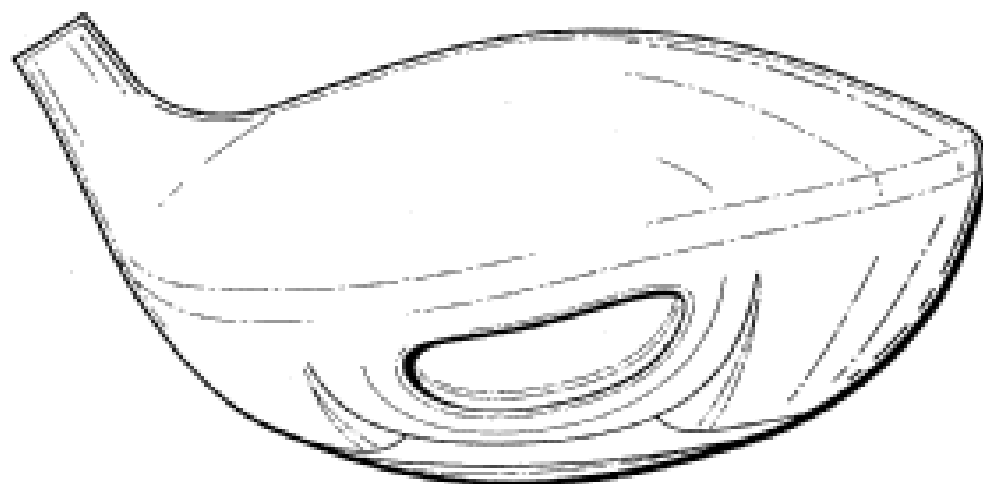
- (21) Design Number: **10887/2006**  
(22) Date of Filing Application: **09 March 2006**  
(24) Date from which industrial property rights may have effect: **09 March 2006**  
(54) Product in respect of which the design is registered: **Guide tube for materials delivery**  
(51) International Design Classification: **09-05**  
(71) Name(s) and Address(s) of Applicant(s):  
**Neil Laughlin**  
**PO Box 497 Kingston Tasmania 7051 Australia**  
**John Sutherland**  
**PO Box 497 Kingston Tasmania 7051 Australia**  
**Gilbert Hanson**  
**PO Box 497 Kingston Tasmania 7051 Australia**  
(72) Name(s) of Designer(s): **Neil Laughlin and John Sutherland and Gilbert Hanson**  
(45) Registration Date: **25 October 2006**  
(56) Related Art Documents: **Not Applicable**  
(57) Statement of Newness and Distinctiveness: **i. Lip around larger diameter end of tube. ii. Tapered tube with aerofoil cross section. iii. Attachment lugs near top of tube on outside wall. iv. Tubes are stackable within each other. v. Tube will tend to tilt in a specific direction when anchored by its lugs with a liquid or gas flowing through and around it.**



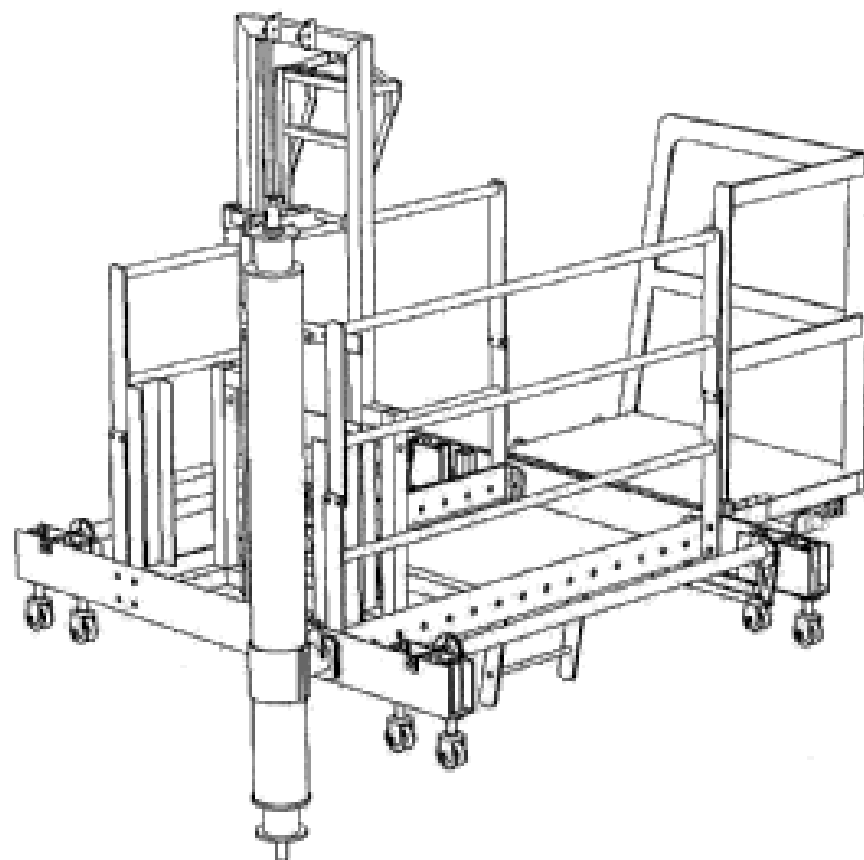
- (21) Design Number: **14109/2006**  
(22) Date of Filing Application: **14 September 2006**  
(24) Date from which industrial property rights may have effect: **14 September 2006**  
(54) Product in respect of which the design is registered: **Kettle**  
(51) International Design Classification: **07-02K**  
(71) Name(s) and Address(s) of Applicant(s):  
**Housewares International Ltd**  
**Bldg 1 Port Air Indst Estate 1A Hale Street Botany New South Wales**  
**2019 Australia**  
(72) Name(s) of Designer(s): **Kristin Schanche**  
(45) Registration Date: **25 October 2006**  
(56) Related Art Documents: **Not Applicable**  
(57) Statement of Newness and Distinctiveness: **Newness is claimed in the features of shape and configuration of the kettle as shown in the accompanying representations.**



- (21) Design Number: **14111/2006**  
(22) Date of Filing Application: **13 September 2006**  
(24) Date from which industrial property rights may have effect: **13 September 2006**  
(54) Product in respect of which the design is registered: **Golf driver head**  
(51) International Design Classification: **21-02C**  
(71) Name(s) and Address(s) of Applicant(s):  
**Karsten Manufacturing Corporation**  
**2201 West Desert Cove Phoenix Arizona 85029 United States of America**  
(72) Name(s) of Designer(s): **Xiaojian Chen and Anthony D. Serrano**  
(45) Registration Date: **25 October 2006**  
(30) Convention priority data:  
(31) Number (32) Date (33) Country  
**29/256242 17 Mar 2006 UNITED STATES OF AMERICA**  
(56) Related Art Documents: **Not Applicable**  
(57) Statement of Newness and Distinctiveness: **Newness and distinctiveness is claimed in the visual features shown in solid lines in the representations.**



- (21) Design Number: **14124/2006**  
(22) Date of Filing Application: **14 September 2006**  
(24) Date from which industrial property rights may have effect: **14 September 2006**  
(54) Product in respect of which the design is registered: **A cable bolting rig**  
(51) International Design Classification: **25-02NES**  
(71) Name(s) and Address(s) of Applicant(s):  
**Rambor Pty Limited**  
**25-27 Waratah Street Kirrawee NEW SOUTH WALES 2232**  
(72) Name(s) of Designer(s): **Peter Mastalir and Des Conway**  
(45) Registration Date: **25 October 2006**  
(56) Related Art Documents: **Not Applicable**  
(57) Statement of Newness and Distinctiveness: **Newness and distinctiveness is claimed in the features of shape and/or configuration of a cable bolting rig as illustrated in the accompanying representations.**



- (21) Design Number: **14128/2006**  
(22) Date of Filing Application: **15 September 2006**  
(24) Date from which industrial property rights may have effect: **15 September 2006**  
(54) Product in respect of which the design is registered: **Star picket anchor**  
(51) International Design Classification: **25-01E**  
(71) Name(s) and Address(s) of Applicant(s):  
**Ronald Norman Stoddart**  
**96 Butlers Road Tyalgum NEW SOUTH WALES 2484**  
(72) Name(s) of Designer(s): **Ronald Norman Stoddart**  
(45) Registration Date: **25 October 2006**  
(56) Related Art Documents: **Not Applicable**  
(57) Statement of Newness and Distinctiveness: **Nil**



- (21) Design Number: **14129/2006**  
(22) Date of Filing Application: **14 September 2006**  
(24) Date from which industrial property rights may have effect: **14 September 2006**  
(54) Product in respect of which the design is registered: **Headband (headwear)**  
(51) International Design Classification: **02-03**  
(71) Name(s) and Address(s) of Applicant(s):  
**X-Technology Swiss GmbH**  
**Samstagerstasse 45, 8832 Wollerau SWITZERLAND**  
(72) Name(s) of Designer(s): **Bodo W. Lambertz**  
(45) Registration Date: **25 October 2006**  
(30) Convention priority data:  

(31) Number	(32) Date	(33) Country
<b>502968</b>	<b>16 Mar 2006</b>	<b>EUROPEAN PATENT OFFICE (EP)</b>

  
(56) Related Art Documents: **Not Applicable**  
(57) Statement of Newness and Distinctiveness: **Nil**



(21) Design Number: **14130/2006**

(22) Date of Filing Application: **14 September 2006**

(24) Date from which industrial property rights may have effect: **14 September 2006**

(54) Product in respect of which the design is registered: **A watch**

(51) International Design Classification: **10-02**

(71) Name(s) and Address(s) of Applicant(s):

**La Montre Hermes S.A.  
Erlenstrasse 31A 2555 Brugg Switzerland**

(72) Name(s) of Designer(s): **Pierre Hardy**

(45) Registration Date: **25 October 2006**

(30) Convention priority data:

(31) Number (32) Date  
**DM/067878 20 Mar 2006**

(33) Country  
**WORLD INTELLECTUAL  
PROPERTY ORGANIZATION  
(WIPO)**

(56) Related Art Documents: **Not Applicable**

(57) Statement of Newness and Distinctiveness: **Nil**



(21) Design Number: **14131/2006**

(22) Date of Filing Application: **14 September 2006**

(24) Date from which industrial property rights may have effect: **14 September 2006**

(54) Product in respect of which the design is registered: **A watch dial**

(51) International Design Classification: **10-07**

(71) Name(s) and Address(s) of Applicant(s):

**La Montre Hermes S.A.  
Erlenstrasse 31A 2555 Brugg Switzerland**

(72) Name(s) of Designer(s): **Pierre Hardy**

(45) Registration Date: **25 October 2006**

(30) Convention priority data:

(31) Number (32) Date  
**DM/067677 20 Mar 2006**

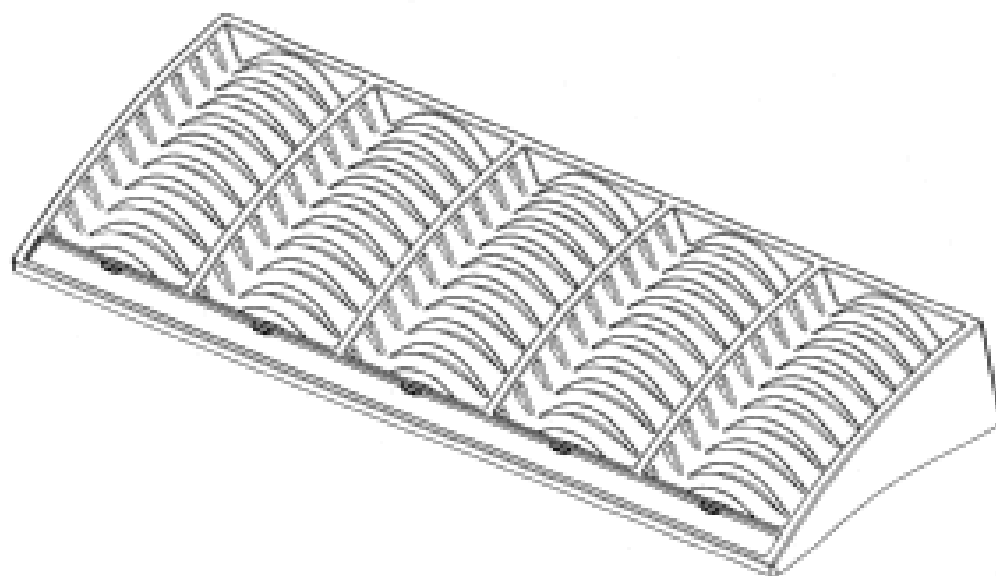
(33) Country  
**WORLD INTELLECTUAL  
PROPERTY ORGANIZATION  
(WIPO)**

(56) Related Art Documents: **Not Applicable**

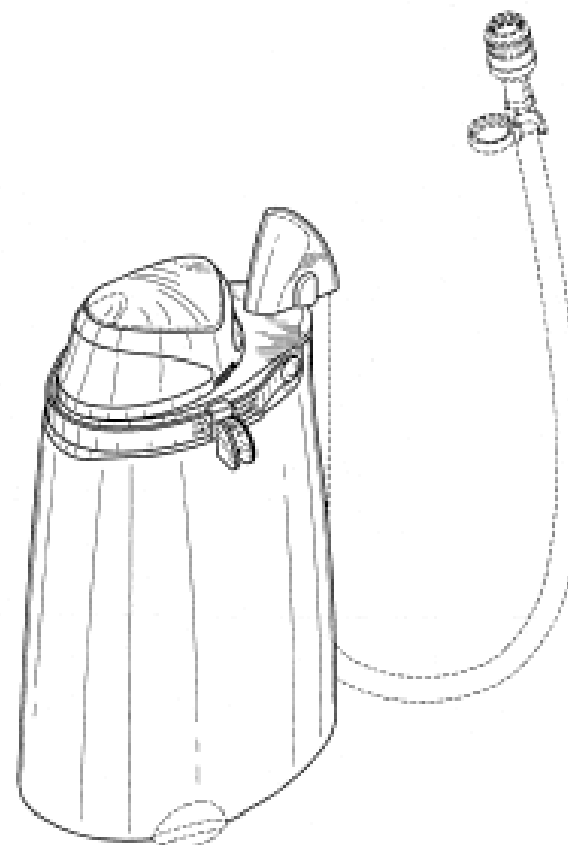
(57) Statement of Newness and Distinctiveness: **Nil**



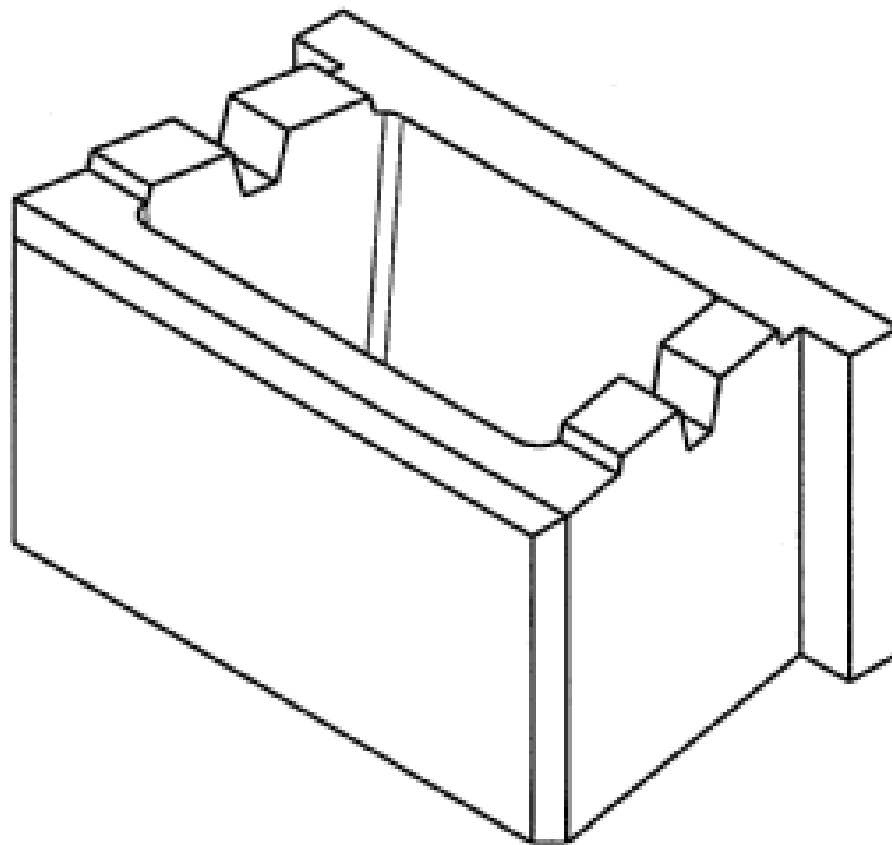
(21) Design Number: **14178/2006**  
(22) Date of Filing Application: **18 September 2006**  
(24) Date from which industrial property rights may have effect: **18 September 2006**  
(54) Product in respect of which the design is registered: **A convention or business card holder**  
(51) International Design Classification: **19-04**  
(71) Name(s) and Address(s) of Applicant(s):  
**Acco Australia Pty Ltd**  
**The Lakes Business Park Level 2 8 Lord Street Botany New South Wales 2019 Australia**  
(72) Name(s) of Designer(s): **Adam Laws**  
(45) Registration Date: **25 October 2006**  
(56) Related Art Documents: **Not Applicable**  
(57) Statement of Newness and Distinctiveness: **Nil**



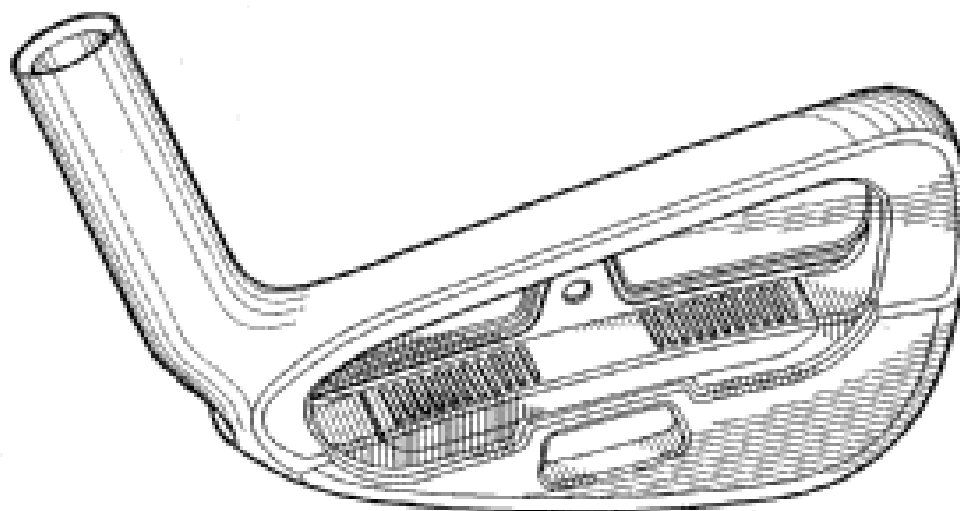
(21) Design Number: **14191/2006**  
(22) Date of Filing Application: **19 September 2006**  
(24) Date from which industrial property rights may have effect: **19 September 2006**  
(54) Product in respect of which the design is registered: **A brush and roller cleaner**  
(51) International Design Classification: **15-05**  
(71) Name(s) and Address(s) of Applicant(s):  
**Black & Decker Inc.**  
**1207 Drummond Plaza Newark Delaware 19711 United States of America**  
(72) Name(s) of Designer(s): **Romeo Graham and Robert D. Watters and Michael G. Sirois and Tracine Andrus**  
(45) Registration Date: **25 October 2006**  
(30) Convention priority data:  
(31) Number      (32) Date      (33) Country  
**29256512      22 Mar 2006      UNITED STATES OF AMERICA**  
(56) Related Art Documents: **Not Applicable**  
(57) Statement of Newness and Distinctiveness: **Newness and distinctiveness is claimed in the visual features shown in solid lines in the representations.**



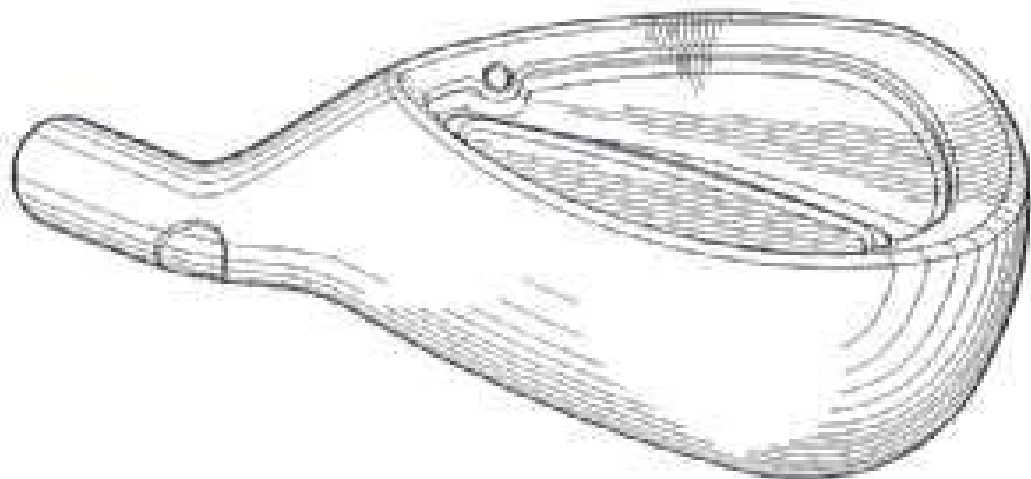
- (21) Design Number: **14192/2006**  
(22) Date of Filing Application: **19 September 2006**  
(24) Date from which industrial property rights may have effect: **19 September 2006**  
(54) Product in respect of which the design is registered: **Wall block**  
(51) International Design Classification: **25-01A**  
(71) Name(s) and Address(s) of Applicant(s):  
**Island Block & Paving Pty Ltd**  
**Midlands Highway Breadalbane Tasmania 7300 Australia**  
(72) Name(s) of Designer(s): **William John Fawdry**  
(45) Registration Date: **25 October 2006**  
(56) Related Art Documents: **Not Applicable**  
(57) Statement of Newness and Distinctiveness: **Those visual features of the wall block depicted in the representations that are new and distinctive are the shape and/or configuration.**



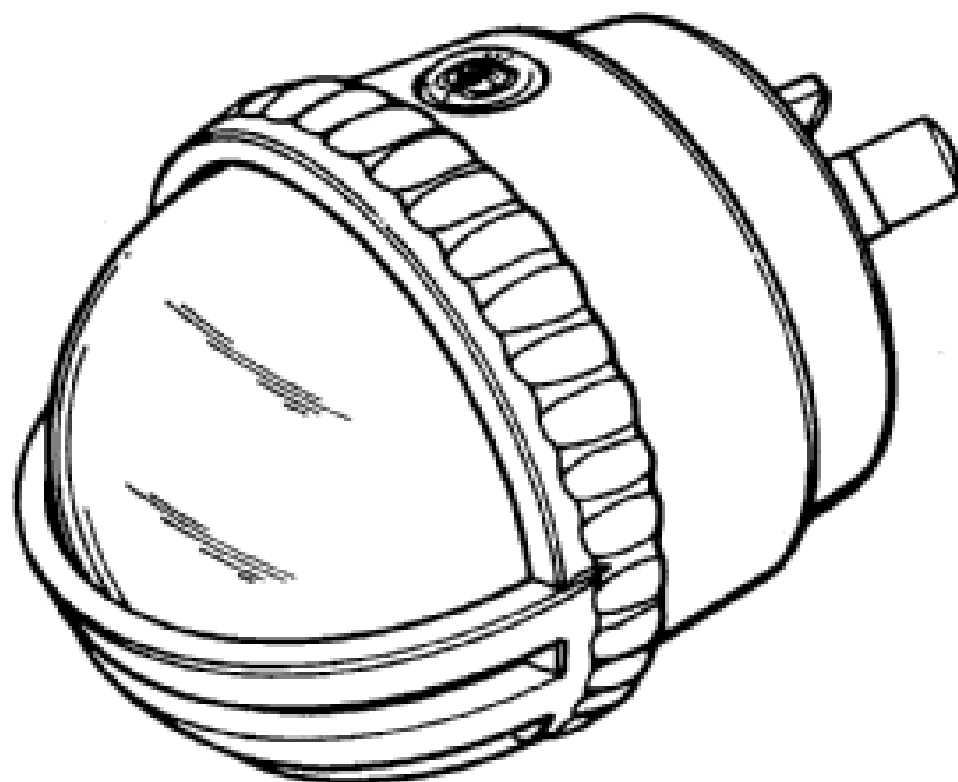
- (21) Design Number: **14196/2006**  
(22) Date of Filing Application: **19 September 2006**  
(24) Date from which industrial property rights may have effect: **19 September 2006**  
(54) Product in respect of which the design is registered: **Golf iron head**  
(51) International Design Classification: **21-02C**  
(71) Name(s) and Address(s) of Applicant(s):  
**Karsten Manufacturing Corporation**  
**2201 West Desert Cove Phoenix Arizona 85029 United States of America**  
(72) Name(s) of Designer(s): **Michael R. Nicolette and Marty R. Jertson and Bradley D. Schweigert and Xiaojian Chen and John A. Solheim**  
(45) Registration Date: **25 October 2006**  
(30) Convention priority data:  
(31) Number (32) Date (33) Country  
**29/257257 30 Mar 2006 UNITED STATES OF AMERICA**  
(56) Related Art Documents: **Not Applicable**  
(57) Statement of Newness and Distinctiveness: **Nil**



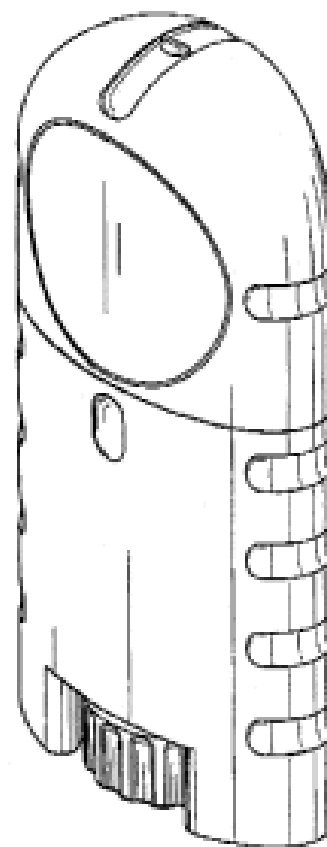
- (21) Design Number: **14197/2006**  
(22) Date of Filing Application: **19 September 2006**  
(24) Date from which industrial property rights may have effect: **19 September 2006**  
(54) Product in respect of which the design is registered: **Golf iron head**  
(51) International Design Classification: **21-02C**  
(71) Name(s) and Address(s) of Applicant(s):  
**Karsten Manufacturing Corporation**  
**2201 West Desert Cove Phoenix Arizona 85029 United States of America**  
(72) Name(s) of Designer(s): **Michael R. Nicolette and Bradley D. Schweigert and Marty R. Jertson and Xiaojian Chen and John A. Solheim**  
(45) Registration Date: **25 October 2006**  
(30) Convention priority data:  
(31) Number (32) Date (33) Country  
**29/257233 30 Mar 2006 UNITED STATES OF AMERICA**  
(56) Related Art Documents: **Not Applicable**  
(57) Statement of Newness and Distinctiveness: **Nil**



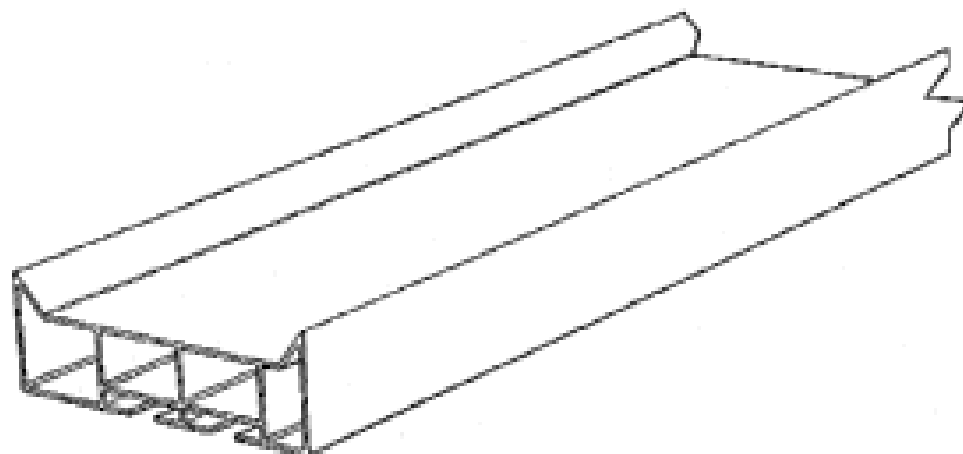
- (21) Design Number: **14198/2006**  
(22) Date of Filing Application: **19 September 2006**  
(24) Date from which industrial property rights may have effect: **19 September 2006**  
(54) Product in respect of which the design is registered: **A light**  
(51) International Design Classification: **26-05NES**  
(71) Name(s) and Address(s) of Applicant(s):  
**Jackson Industries Pty Limited**  
**16 Brookhollow Avenue Norwest Business Park Baulkham Hills New South Wales 2153 Australia**  
(72) Name(s) of Designer(s): **Ross Alec Jackson**  
(45) Registration Date: **25 October 2006**  
(56) Related Art Documents: **Not Applicable**  
(57) Statement of Newness and Distinctiveness: **Newness and distinctiveness is claimed in the features of shape and/or configuration of the rotatable bezel of the light illustrated in the accompanying representations.**



- (21) Design Number: **14199/2006**  
(22) Date of Filing Application: **20 September 2006**  
(24) Date from which industrial property rights may have effect: **20 September 2006**  
(54) Product in respect of which the design is registered: **Cosmetic container**  
(51) International Design Classification: **28-03NES**  
(71) Name(s) and Address(s) of Applicant(s):  
**The Gillette Company**  
**Prudential Tower Building 38th Floor 800 Boylston Street Boston**  
**Massachusetts 02199 United States of America**  
(72) Name(s) of Designer(s): **Jill Marie Shurtleff and Steven Michael Bourque**  
**and Jason Christopher Billig and Stuart Mark Leslie and Justin Phillip**  
**Waldinger**  
(45) Registration Date: **25 October 2006**  
(30) Convention priority data:  
(31) Number (32) Date (33) Country  
**29/256,611 22 Mar 2006 UNITED STATES OF AMERICA**  
(56) Related Art Documents: **Not Applicable**  
(57) Statement of Newness and Distinctiveness: **Newness and distinctiveness**  
**resides in the features of shape and/or configuration of the cosmetic**  
**container as shown in the accompanying representations.**



- (21) Design Number: **14200/2006**  
(22) Date of Filing Application: **20 September 2006**  
(24) Date from which industrial property rights may have effect: **20 September 2006**  
(54) Product in respect of which the design is registered: **A side form**  
(51) International Design Classification: **25-01K**  
(71) Name(s) and Address(s) of Applicant(s):  
**Tilt Slab (S.A.) Pty Ltd**  
**Level 1 120 Greenhill Road Unley South Australia 5061 Australia**  
(72) Name(s) of Designer(s): **Ian Charles Steel**  
(45) Registration Date: **25 October 2006**  
(56) Related Art Documents: **Not Applicable**  
(57) Statement of Newness and Distinctiveness: **Newness and distinctive is**  
**claimed in the features of shape and configuration of a side form of**  
**indefinite length, as shown in the accompanying drawings.**



(21) Design Number: **14241/2006**  
(22) Date of Filing Application: **22 September 2006**  
(24) Date from which industrial property rights may have effect: **22 September 2006**  
(54) Product in respect of which the design is registered: **Electric shaver**  
(51) International Design Classification: **28-03A**  
(71) Name(s) and Address(s) of Applicant(s):

**Braun GmbH**  
**Frankfurter Str. 145 61476 Kronberg Germany**

(72) Name(s) of Designer(s): **Roland Ullmann**

(45) Registration Date: **25 October 2006**

(30) Convention priority data:

(31) Number	(32) Date	(33) Country
<b>40601786.7</b>	<b>29 Mar 2006</b>	<b>GERMANY</b>

(56) Related Art Documents: **Not Applicable**

(57) Statement of Newness and Distinctiveness: **Nil.**



(21) Design Number: **14260/2006**  
(22) Date of Filing Application: **22 September 2006**  
(24) Date from which industrial property rights may have effect: **22 September 2006**  
(54) Product in respect of which the design is registered: **Eyewear**  
(51) International Design Classification: **16-06**  
(71) Name(s) and Address(s) of Applicant(s):

**Dioptics Medical Products, Inc.**  
**125 Venture Drive San Luis Obispo California 93401 United States of America**

(72) Name(s) of Designer(s): **Henry Welling Lane and Eric Rhea**

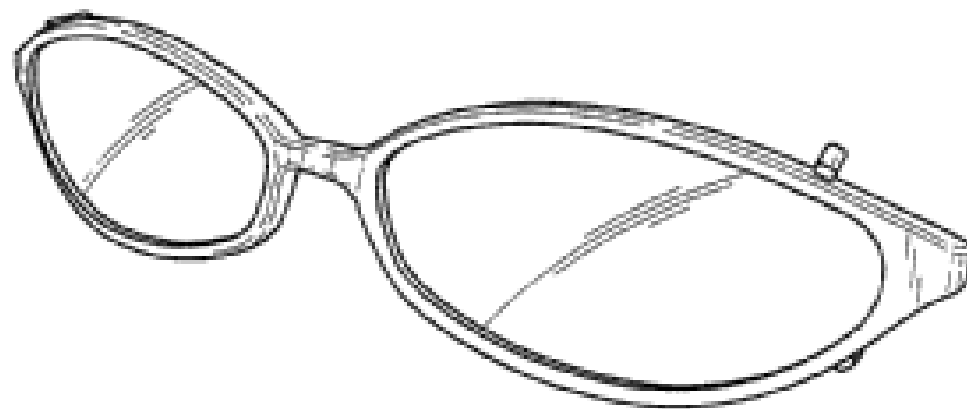
(45) Registration Date: **25 October 2006**

(30) Convention priority data:

(31) Number	(32) Date	(33) Country
<b>29256755</b>	<b>24 Mar 2006</b>	<b>UNITED STATES OF AMERICA</b>

(56) Related Art Documents: **Not Applicable**

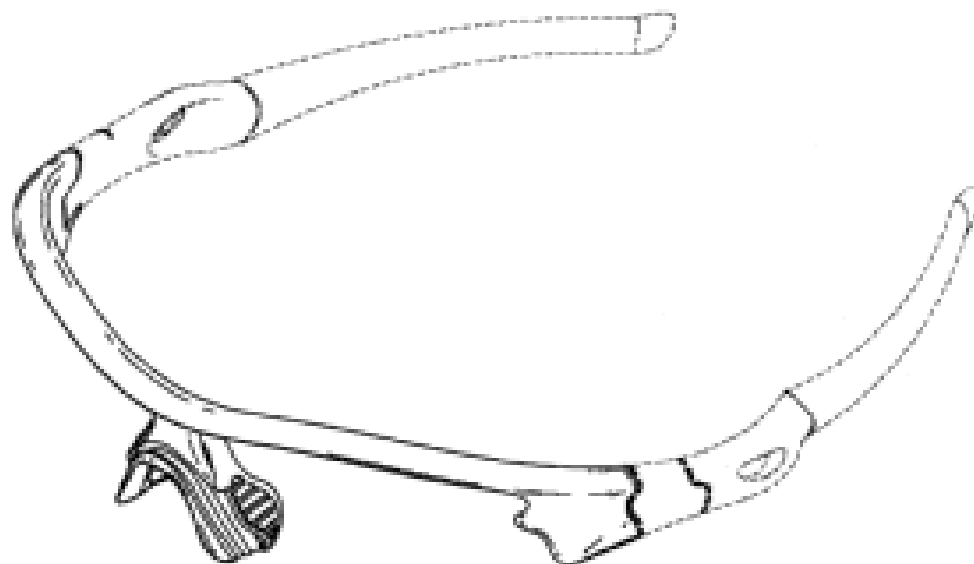
(57) Statement of Newness and Distinctiveness: **Nil.**



(21) Design Number: **14261/2006**  
(22) Date of Filing Application: **22 September 2006**  
(24) Date from which industrial property rights may have effect: **22 September 2006**  
(54) Product in respect of which the design is registered: **Eyewear**  
(51) International Design Classification: **16-06**  
(71) Name(s) and Address(s) of Applicant(s):  
**Dioptics Medical Products, Inc.**  
**125 Venture Drive San Luis Obispo California 93401 United States of America**  
(72) Name(s) of Designer(s): **Henry Welling Lane and Eric Rhea**  
(45) Registration Date: **25 October 2006**  
(30) Convention priority data:  
(31) Number (32) Date (33) Country  
**29256790 24 Mar 2006 UNITED STATES OF AMERICA**  
(56) Related Art Documents: **Not Applicable**  
(57) Statement of Newness and Distinctiveness: **Nil.**



(21) Design Number: **14266/2006**  
(22) Date of Filing Application: **22 September 2006**  
(24) Date from which industrial property rights may have effect: **22 September 2006**  
(54) Product in respect of which the design is registered: **Eyewear frame**  
(51) International Design Classification: **16-06**  
(71) Name(s) and Address(s) of Applicant(s):  
**Oakley, Inc.**  
**One Icon Foothill Ranch California 92610 United States of America**  
(72) Name(s) of Designer(s): **James H. Jannard and Lek Thixton and Colin Baden and Peter Yee**  
(45) Registration Date: **25 October 2006**  
(56) Related Art Documents: **Not Applicable**  
(57) Statement of Newness and Distinctiveness: **Nil.**



(21) Design Number: **10950/2006**

(22) Date of Filing Application: **09 March 2006**

(24) Date from which industrial property rights may have effect: **09 March 2006**

(54) Product in respect of which the design is registered: **Swimwear and outerwear**

(51) International Design Classification: **02-02A**

(71) Name(s) and Address(s) of Applicant(s):

**Jets Swimwear Pty Ltd**  
**8-18 Bowden Street Alexandria New South Wales 2015 Australia**

(72) Name(s) of Designer(s): **Jessika Allen**

(45) Registration Date: **26 October 2006**

(56) Related Art Documents: **Not Applicable**

(57) Statement of Newness and Distinctiveness: **Asymmetrical twist front pant (1 of 10) The twist knot sits asymmetrical on the front of the pant. The fabric is actually pulled through to create the knot. The garment is cut in a way that the waist band is bagged out and there are seams in it that allow you to knot the fabric. When worn there are no seams showing on the waistline. The garment has two layers of fabric thus giving support.**



(21) Design Number: **10951/2006**

(22) Date of Filing Application: **09 March 2006**

(24) Date from which industrial property rights may have effect: **09 March 2006**

(54) Product in respect of which the design is registered: **Swimwear and outerwear**

(51) International Design Classification: **02-02A**

(71) Name(s) and Address(s) of Applicant(s):

**Jets Swimwear Pty Ltd**  
**8-18 Bowden Street Alexandria New South Wales 2015 Australia**

(72) Name(s) of Designer(s): **Jessika Allen**

(45) Registration Date: **26 October 2006**

(56) Related Art Documents: **Not Applicable**

(57) Statement of Newness and Distinctiveness: **Bagged out sweetheart twist neckline with soft foam shelf bra. (2 of 10) The construction underneath the garment with foam gives the bust a boost. The neckline is sweetheart in style with a twist knot neck line. The band is bagged out and there is a seam that sits through the middle of the knot which then sits flat on the neckline. On the inside there is a bartac (8mm of stitching going backwards and forwards and reinforces the stitching to hold in one place) to hold the knot and the twist onto the garment.**



(21) Design Number: **10952/2006**

(22) Date of Filing Application: **09 March 2006**

(24) Date from which industrial property rights may have effect: **09 March 2006**

(54) Product in respect of which the design is registered: **Swimwear and outerwear**

(51) International Design Classification: **02-02A**

(71) Name(s) and Address(s) of Applicant(s):

**Jets Swimwear Pty Ltd**  
**8-18 Bowden Street Alexandria New South Wales 2015 Australia**

(72) Name(s) of Designer(s): **Jessika Allen**

(45) Registration Date: **26 October 2006**

(56) Related Art Documents: **Not Applicable**

(57) Statement of Newness and Distinctiveness: **Gathered Wide Band halter Neck Singlet with Shelf Bra and Foam Cups (3 of 10)** This singlet is an empire roused singlet with a sweetheart neckline and very fine binding. The soft construction of the banding bagged out with no rubber sitting inside with the shelf floating inside. Inside the garment there is no stitching showing as the lining is sewn separately to the main part of the garment and its bagged out internally. This has an effect when the garment is worn it's smooth and very comfortable. There are bartacs on the side of the neckline to ensure everything sits smoothly.



(21) Design Number: **10953/2006**

(22) Date of Filing Application: **09 March 2006**

(24) Date from which industrial property rights may have effect: **09 March 2006**

(54) Product in respect of which the design is registered: **Swimwear and outerwear**

(51) International Design Classification: **02-02A**

(71) Name(s) and Address(s) of Applicant(s):

**Jets Swimwear Pty Ltd**  
**8-18 Bowden Street Alexandria New South Wales 2015 Australia**

(72) Name(s) of Designer(s): **Jessika Allen**

(45) Registration Date: **26 October 2006**

(56) Related Art Documents: **Not Applicable**

(57) Statement of Newness and Distinctiveness: **D/DD Twist Front Knot bagged out Halter with Tie Back and Boning (4 of 10)** The fabric is actually pulled through to create the knot. The garment is cut in a way that there are seams in it that allow you to knot the fabric. When worn there are no seams showing. Each side of the garment is in one piece folding in on itself so there are two layers with bands sitting underneath the bust giving extra support. The garment has boning inside and a band out neckline with an emphasis on the twist/knot. The pattern piece is all in one and resembles a stingray.



(21) Design Number: **10954/2006**

(22) Date of Filing Application: **09 March 2006**

(24) Date from which industrial property rights may have effect: **09 March 2006**

(54) Product in respect of which the design is registered: **Swimwear and outerwear**

(51) International Design Classification: **02-02A**

(71) Name(s) and Address(s) of Applicant(s):

**Jets Swimwear Pty Ltd**

**8-18 Bowden Street Alexandria New South Wales 2015 Australia**

(72) Name(s) of Designer(s): **Jessika Allen**

(45) Registration Date: **26 October 2006**

(56) Related Art Documents: **Not Applicable**

(57) Statement of Newness and Distinctiveness: **Twist Front Knot Bagged Out Halter with Tie Back (5 of 10) This is the same as the model number above except it is for a C bust and there is no boning on the side seams with J4215. The fabric is actually pulled through to create the knot. The garment is cut in a way that there are seams in it that allow you to knot the fabric. When worn there are no seams showing.**



(21) Design Number: **10955/2006**

(22) Date of Filing Application: **09 March 2006**

(24) Date from which industrial property rights may have effect: **09 March 2006**

(54) Product in respect of which the design is registered: **Swimwear and outerwear**

(51) International Design Classification: **02-02A**

(71) Name(s) and Address(s) of Applicant(s):

**Jets Swimwear Pty Ltd**

**8-18 Bowden Street Alexandria New South Wales 2015 Australia**

(72) Name(s) of Designer(s): **Jessika Allen**

(45) Registration Date: **26 October 2006**

(56) Related Art Documents: **Not Applicable**

(57) Statement of Newness and Distinctiveness: **Enhanced twist DD underwire bra with wide binding and straps (6 of 10) This bra has wide straps to hold a heavier bust and two layers of lycra and internally there is a nylon supplying extra lift.**



(21) Design Number: **10956/2006**

(22) Date of Filing Application: **09 March 2006**

(24) Date from which industrial property rights may have effect: **09 March 2006**

(54) Product in respect of which the design is registered: **Swimwear and outerwear**

(51) International Design Classification: **02-02A**

(71) Name(s) and Address(s) of Applicant(s):

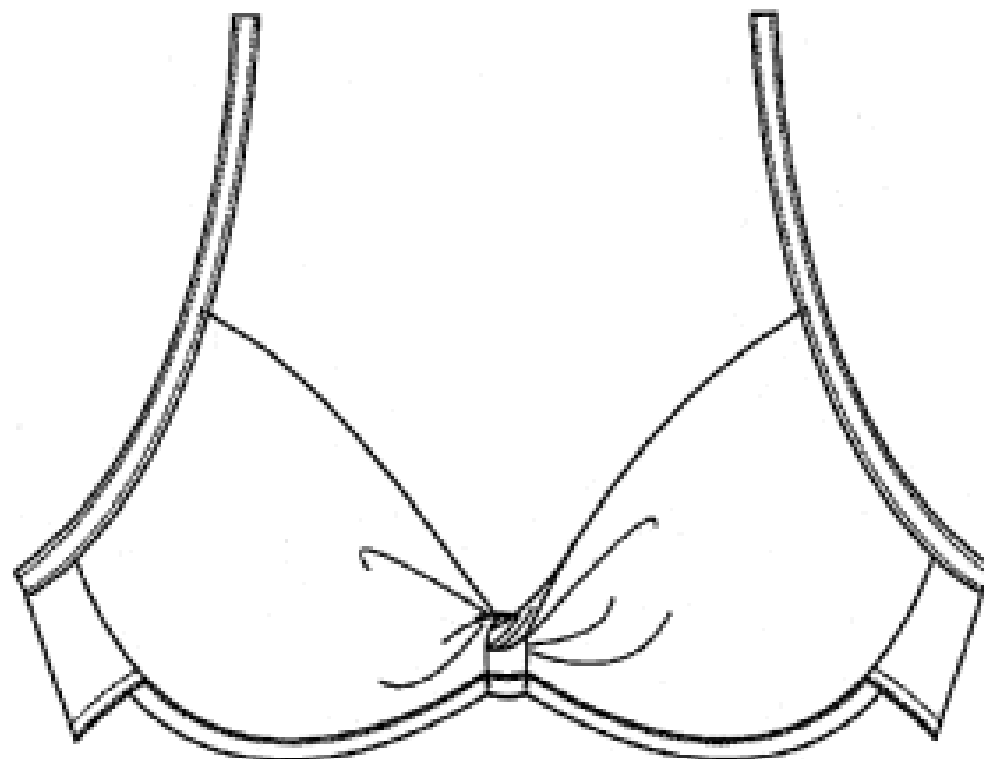
**Jets Swimwear Pty Ltd**  
**8-18 Bowden Street Alexandria New South Wales 2015 Australia**

(72) Name(s) of Designer(s): **Jessika Allen**

(45) Registration Date: **26 October 2006**

(56) Related Art Documents: **Not Applicable**

(57) Statement of Newness and Distinctiveness: **Twist CD underwire (7 of 10)**  
**This bra has wide straps to hold a heavier bust and two layers of lycra and internally there is a nylon supplying extra lift with adjustable straps.**



(21) Design Number: **10957/2006**

(22) Date of Filing Application: **09 March 2006**

(24) Date from which industrial property rights may have effect: **09 March 2006**

(54) Product in respect of which the design is registered: **Swimwear and outerwear**

(51) International Design Classification: **02-02A**

(71) Name(s) and Address(s) of Applicant(s):

**Jets Swimwear Pty Ltd**  
**8-18 Bowden Street Alexandria New South Wales 2015 Australia**

(72) Name(s) of Designer(s): **Jessika Allen**

(45) Registration Date: **26 October 2006**

(56) Related Art Documents: **Not Applicable**

(57) Statement of Newness and Distinctiveness: **Twist Singlet (8 of 10) Twist C/D**  
**underwire singlet with adjustable straps.**



(21) Design Number: **10958/2006**

(22) Date of Filing Application: **09 March 2006**

(24) Date from which industrial property rights may have effect: **09 March 2006**

(54) Product in respect of which the design is registered: **Swimwear and outerwear**

(51) International Design Classification: **02-02A**

(71) Name(s) and Address(s) of Applicant(s):

**Jets Swimwear Pty Ltd**

**8-18 Bowden Street Alexandria New South Wales 2015 Australia**

(72) Name(s) of Designer(s): **Jessika Allen**

(45) Registration Date: **26 October 2006**

(56) Related Art Documents: **Not Applicable**

(57) Statement of Newness and Distinctiveness: **Under wire twist 1 piece ( 9 of 10) Twist C/D underwire one piece with adjustable straps.**



(21) Design Number: **10959/2006**

(22) Date of Filing Application: **09 March 2006**

(24) Date from which industrial property rights may have effect: **09 March 2006**

(54) Product in respect of which the design is registered: **Swimwear and outerwear**

(51) International Design Classification: **02-02A**

(71) Name(s) and Address(s) of Applicant(s):

**Jets Swimwear Pty Ltd**

**8-18 Bowden Street Alexandria New South Wales 2015 Australia**

(72) Name(s) of Designer(s): **Jessika Allen**

(45) Registration Date: **26 October 2006**

(56) Related Art Documents: **Not Applicable**

(57) Statement of Newness and Distinctiveness: **Ruched CD Twist singlet ( 10 of 10) Twist C/D underwire gathered singlet with adjustable straps.**



(21) Design Number: **14100/2006**  
(22) Date of Filing Application: **12 September 2006**  
(24) Date from which industrial property rights may have effect: **12 September 2006**  
(54) Product in respect of which the design is registered: **Luminaires**  
(51) International Design Classification: **26-05A**  
(71) Name(s) and Address(s) of Applicant(s):

**Osram GmbH**  
**Hellabrunner Strasse 1, D-81543 Munich, GERMANY**

(72) Name(s) of Designer(s): **Florian Wildner**

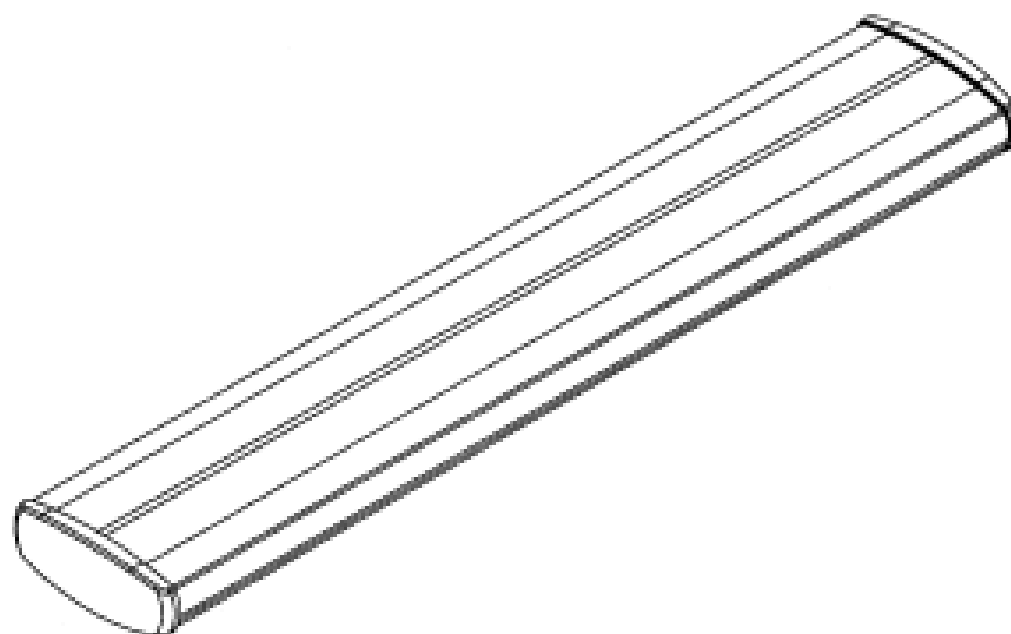
(45) Registration Date: **26 October 2006**

(30) Convention priority data:

(31) Number	(32) Date	(33) Country
<b>40601489.2</b>	<b>13 Mar 2006</b>	<b>GERMANY</b>

(56) Related Art Documents: **Not Applicable**

(57) Statement of Newness and Distinctiveness: **Nil**



(21) Design Number: **14101/2006**  
(22) Date of Filing Application: **12 September 2006**  
(24) Date from which industrial property rights may have effect: **12 September 2006**  
(54) Product in respect of which the design is registered: **Luminaires**  
(51) International Design Classification: **26-05A**  
(71) Name(s) and Address(s) of Applicant(s):

**Osram GmbH**  
**Hellabrunner Strasse 1, D-81543 Munich, GERMANY**

(72) Name(s) of Designer(s): **Florian Wildner**

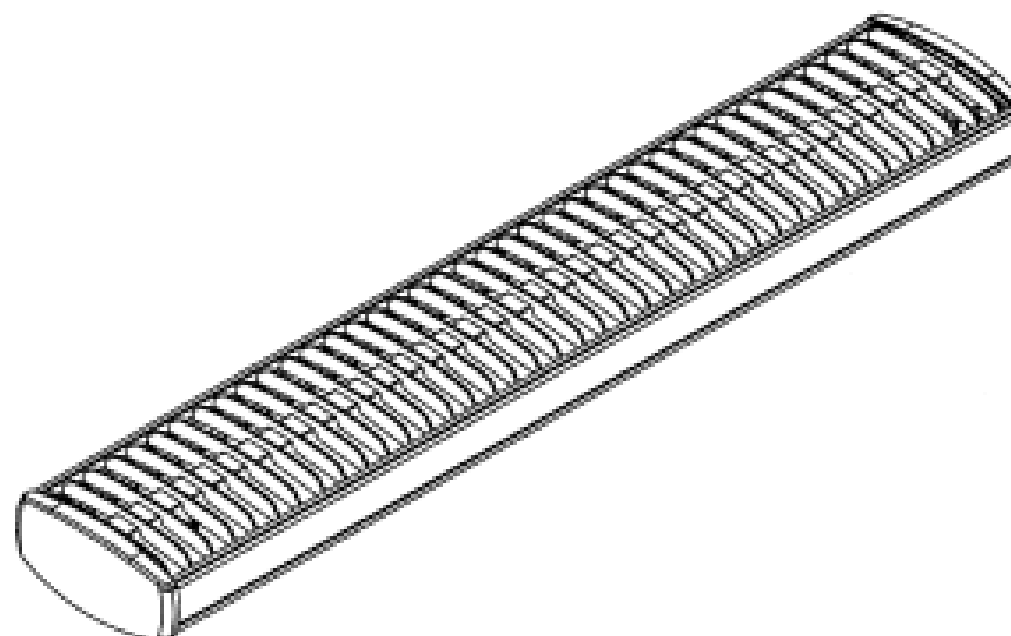
(45) Registration Date: **26 October 2006**

(30) Convention priority data:

(31) Number	(32) Date	(33) Country
<b>40601489.2</b>	<b>13 Mar 2006</b>	<b>GERMANY</b>

(56) Related Art Documents: **Not Applicable**

(57) Statement of Newness and Distinctiveness: **Nil**



- (21) Design Number: **13416/2006**  
(22) Date of Filing Application: **02 August 2006**  
(24) Date from which industrial property rights may have effect: **02 August 2006**  
(54) Product in respect of which the design is registered: **Packages and containers for the transport or handling of goods in class 09, in particular storage cans in sub-class**  
(51) International Design Classification: **09-02NES, 09-03NES**  
(71) Name(s) and Address(s) of Applicant(s):  
**Anchor Foods Pty Ltd**  
**148 Carrington Street O'Connor Western Australia 6163 Australia**  
(72) Name(s) of Designer(s): **Steve Boros**  
(45) Registration Date: **26 October 2006**  
(56) Related Art Documents: **Not Applicable**  
(57) Statement of Newness and Distinctiveness: **Newness and distinctiveness are claimed in the visual features of shape and configuration of the tin, having a viewing aperture or window in the lid, as shown in the accompanying representations.**



- (21) Design Number: **14099/2006**  
(22) Date of Filing Application: **12 September 2006**  
(24) Date from which industrial property rights may have effect: **12 September 2006**  
(54) Product in respect of which the design is registered: **Decanter**  
(51) International Design Classification: **07-01F, 09-01H, 09-01NES**  
(71) Name(s) and Address(s) of Applicant(s):  
**Martell & Co.**  
**Place Edouard Martell 16100 Cognac France**  
(72) Name(s) of Designer(s): **Serge Mansau**  
(45) Registration Date: **26 October 2006**  
(30) Convention priority data:  

(31) Number	(32) Date	(33) Country
<b>000499033</b>	<b>21 Mar 2006</b>	<b>EUROPEAN COMMUNITY</b>

  
(56) Related Art Documents: **Not Applicable**  
(57) Statement of Newness and Distinctiveness: **Nil**



(19) AU

(21) Design Number: **13728/2006**

(22) Date of Filing Application: **16 August 2006**

(24) Date from which industrial property rights may have effect: **16 August 2006**

(54) Product in respect of which the design is registered: **Cosmetic container**

(51) International Design Classification: **28-03NES**

(71) Name(s) and Address(s) of Applicant(s):

**Physicians Formula Cosmetics, Inc.  
1055 West Eighth Street Azusa California 91702 United States of  
America**

(72) Name(s) of Designer(s): **Ingrid Jackel-Marken**

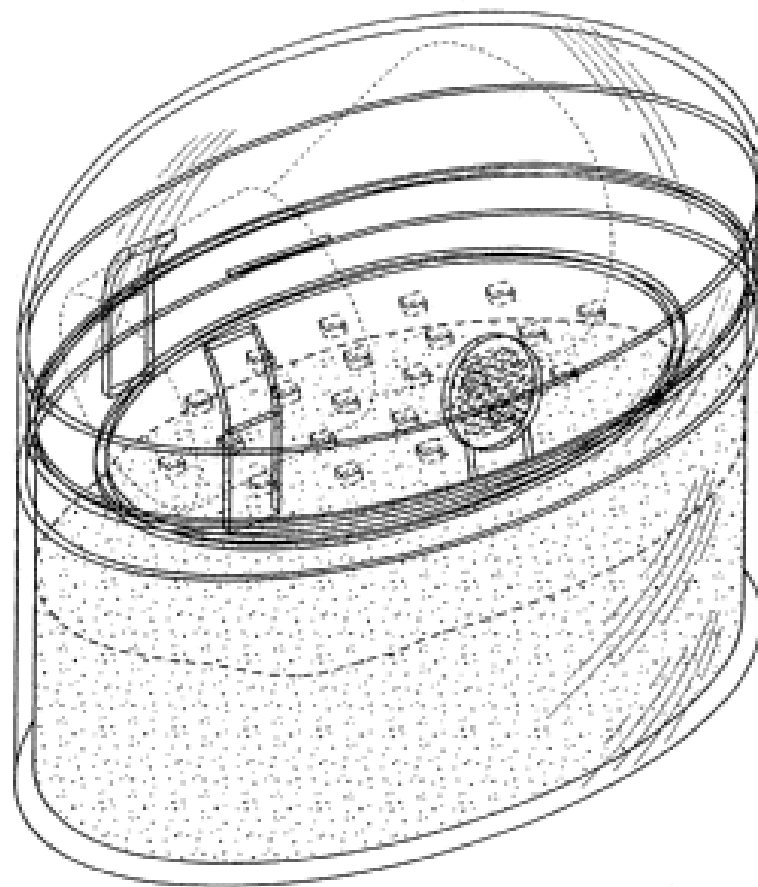
(45) Registration Date: **26 October 2006**

(30) Convention priority data:

(31) Number	(32) Date	(33) Country
<b>29/254086</b>	<b>15 Feb 2006</b>	<b>UNITED STATES OF AMERICA</b>

(56) Related Art Documents: **Not Applicable**

(57) Statement of Newness and Distinctiveness: **Newness and distinctiveness of the design resides in the shape and configuration of the cosmetic container as shown in the accompanying representations.**



(19) AU

(21) Design Number: **12227/2006**

(22) Date of Filing Application: **19 May 2006**

(24) Date from which industrial property rights may have effect: **19 May 2006**

(54) Product in respect of which the design is registered: **A headlight case of a four wheel vehicle**

(51) International Design Classification: **26-06**

(71) Name(s) and Address(s) of Applicant(s):

**Honda Motor Co., Ltd.  
1-1 Minami-Aoyama 2-Chome Minato-Ku Tokyo Japan**

(72) Name(s) of Designer(s): **Koji Miwa and Takao Mikami**

(45) Registration Date: **26 October 2006**

(30) Convention priority data:

(31) Number	(32) Date	(33) Country
<b>2005-34280</b>	<b>22 Nov 2005</b>	<b>JAPAN</b>

(56) Related Art Documents: **Not Applicable**

(57) Statement of Newness and Distinctiveness: **Newness and distinctiveness is claimed in the features of shape and/or configuration of a headlight case of a four wheel vehicle as illustrated in the accompanying representations.**



(21) Design Number: **12630/2006**

(22) Date of Filing Application: **19 June 2006**

(24) Date from which industrial property rights may have effect: **19 June 2006**

(54) Product in respect of which the design is registered: **Clip**

(51) International Design Classification: **08-08C, 08-08M**

(71) Name(s) and Address(s) of Applicant(s):

**Pointflame Services Limited  
Unit 17a Nailsworth Mill Estate Nailsworth Gloucestershire GL6 0BS  
United Kingdom**

(72) Name(s) of Designer(s): **Charles William Oliver Ellwood**

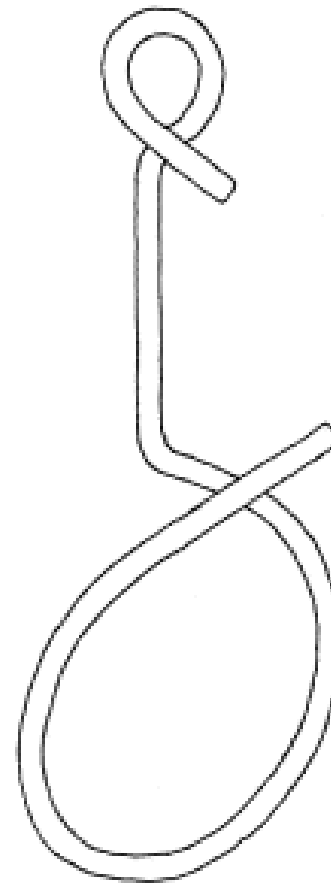
(45) Registration Date: **26 October 2006**

(30) Convention priority data:

(31) Number	(32) Date	(33) Country
<b>000454137-0001</b>	<b>19 Dec 2005</b>	<b>EUROPEAN COMMUNITY</b>

(56) Related Art Documents: **Not Applicable**

(57) Statement of Newness and Distinctiveness: **Newness and distinctiveness is claimed in the shape and configuration of a clip as depicted in the attached representation of design 1.**



(21) Design Number: **12631/2006**

(22) Date of Filing Application: **19 June 2006**

(24) Date from which industrial property rights may have effect: **19 June 2006**

(54) Product in respect of which the design is registered: **Clip**

(51) International Design Classification: **08-08C, 08-08M**

(71) Name(s) and Address(s) of Applicant(s):

**Pointflame Services Limited  
Unit 17a Nailsworth Mill Estate Nailsworth Gloucestershire GL6 0BS  
United Kingdom**

(72) Name(s) of Designer(s): **Charles William Oliver Ellwood**

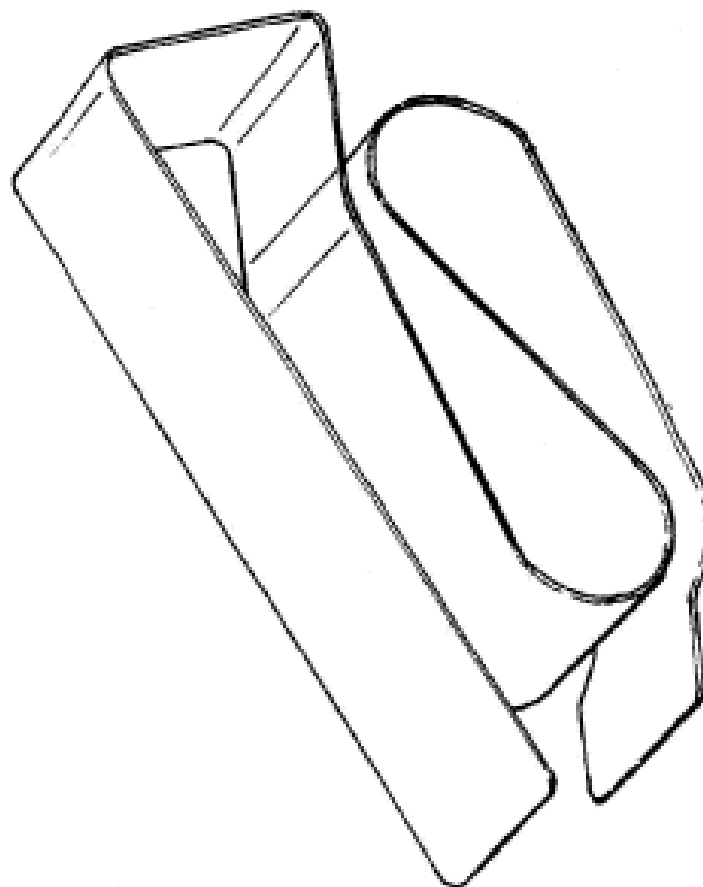
(45) Registration Date: **26 October 2006**

(30) Convention priority data:

(31) Number	(32) Date	(33) Country
<b>000454137-0002</b>	<b>19 Dec 2005</b>	<b>EUROPEAN COMMUNITY</b>

(56) Related Art Documents: **Not Applicable**

(57) Statement of Newness and Distinctiveness: **Newness and distinctiveness is claimed in the shape and configuration of a clip as depicted in the attached representation of design 2.**



(21) Design Number: **11282/2006**

(22) Date of Filing Application: **23 March 2006**

(24) Date from which industrial property rights may have effect: **23 March 2006**

(54) Product in respect of which the design is registered: **Gift cards for wine, champagne or liquor bottles**

(51) International Design Classification: **19-08**

(71) Name(s) and Address(s) of Applicant(s):

**Melanie Skinner**

**76 Dixon Drive Holder ACT 2611 Australia**

(72) Name(s) of Designer(s): **Melanie Skinner**

(45) Registration Date: **26 October 2006**

(56) Related Art Documents: **Not Applicable**

(57) Statement of Newness and Distinctiveness: **Unlike other registered designs, this design includes a square di-cut, has a flap that sits behind the bottle and flap at the front folds out to reveal an additional panel.**



(21) Design Number: **11283/2006**

(22) Date of Filing Application: **23 March 2006**

(24) Date from which industrial property rights may have effect: **23 March 2006**

(54) Product in respect of which the design is registered: **Gift cards for wine, champagne or liquor bottles**

(51) International Design Classification: **19-08**

(71) Name(s) and Address(s) of Applicant(s):

**Melanie Skinner**

**76 Dixon Drive Holder ACT 2611 Australia**

(72) Name(s) of Designer(s): **Melanie Skinner**

(45) Registration Date: **26 October 2006**

(56) Related Art Documents: **Not Applicable**

(57) Statement of Newness and Distinctiveness: **Unlike other registered designs, this design includes a square di-cut and has a flap that sits behind the bottle. When displayed, these features are clearly differently to the naked eye.**



(21) Design Number: **11503/2006**

(22) Date of Filing Application: **11 April 2006**

(24) Date from which industrial property rights may have effect: **11 April 2006**

(54) Product in respect of which the design is registered: **Swimwear and outerwear**

(51) International Design Classification: **02-02A**

(71) Name(s) and Address(s) of Applicant(s):

**Jets Swimwear Pty Ltd**  
**8-18 Bowden Street Alexandria New South Wales 2015 Australia**

(72) Name(s) of Designer(s): **Jessika Allen**

(45) Registration Date: **27 October 2006**

(56) Related Art Documents: **Not Applicable**

(57) Statement of Newness and Distinctiveness: **Gathered DD singlet with concealed underwire and adjustable knotted double straps with gold trim. All the construction of the floating under wire is on the inside of the garment and the rouching of the singlet is on the outside. The lining of the garment is separate from the outside rouching. The double straps are knotted onto the gold hardware on the front of the singlet, the double straps having 8mm of rubber inside of them adjusting at the back.**



(21) Design Number: **11517/2006**

(22) Date of Filing Application: **11 April 2006**

(24) Date from which industrial property rights may have effect: **11 April 2006**

(54) Product in respect of which the design is registered: **Swimwear and outerwear**

(51) International Design Classification: **02-02A**

(71) Name(s) and Address(s) of Applicant(s):

**Jets Swimwear Pty Ltd**  
**8-18 Bowden Street Alexandria New South Wales 2015 Australia**

(72) Name(s) of Designer(s): **Jessika Allen**

(45) Registration Date: **27 October 2006**

(56) Related Art Documents: **Not Applicable**

(57) Statement of Newness and Distinctiveness: **C/D gathered bandeau with concealed underwire, tie back detachable strap and removeable wide neck tie. This garment is a bandeau which has rouching at the centre front. The rouching is created with a gather stitch which gives the illusion of a sweetheart neckline. The rouching also adds fullness over the bust removing the necessity for darts. The garment has boning and fine binding on the neckline. There is also a wide neck tie band that can be removed giving the top a different appearance. Internally is the hidden underwire construction. The placement of the internal tricot on the inside of the garment is crucial for extra support. The bagged out ties at the back enable it to be worn by a lot more bust sizes as the tie back can be tightened or loosened for added support.**



(21) Design Number: **11518/2006**

(22) Date of Filing Application: **11 April 2006**

(24) Date from which industrial property rights may have effect: **11 April 2006**

(54) Product in respect of which the design is registered: **Swimwear and outerwear**

(51) International Design Classification: **02-02A**

(71) Name(s) and Address(s) of Applicant(s):

**Jets Swimwear Pty Ltd**

**8-18 Bowden Street Alexandria New South Wales 2015 Australia**

(72) Name(s) of Designer(s): **Jessika Allen**

(45) Registration Date: **27 October 2006**

(56) Related Art Documents: **Not Applicable**

(57) Statement of Newness and Distinctiveness: **Wide band tie back halter with gold buckle and removable cups. The neck band on this garment is all in one piece-there are no seams. The band construction is unique. From the neck tie the band goes down the back and ties at the under bust all in one piece. When you tie the neck it automatically adjusts the back as its all one piece. If you tie the under bust tie it automatically gives you a lift on the neck. In other garments if you adjust one tie it requires the wearer to adjust the other tie. The garment has removable cups which can be used if you need a smooth look or a bust.**



(21) Design Number: **11519/2006**

(22) Date of Filing Application: **11 April 2006**

(24) Date from which industrial property rights may have effect: **11 April 2006**

(54) Product in respect of which the design is registered: **Swimwear and outerwear**

(51) International Design Classification: **02-02A**

(71) Name(s) and Address(s) of Applicant(s):

**Jets Swimwear Pty Ltd**

**8-18 Bowden Street Alexandria New South Wales 2015 Australia**

(72) Name(s) of Designer(s): **Jessika Allen**

(45) Registration Date: **27 October 2006**

(56) Related Art Documents: **Not Applicable**

(57) Statement of Newness and Distinctiveness: **Gathered empire paneled one piece with bagged out low back. The band on this garment goes from the leg line to the neckline, which is all in one piece giving the wearer an hour glass effect (waist in and smaller hips) and is incorporated with the rouching of the bustline. The band has two layers of tactel giving a soft touch to the skin and added support of holding you in by having the double layer. There is a lower back with two layers of tactel in the back with a bagged out backline which does not dig into the wearer.**



(21) Design Number: **11520/2006**

(22) Date of Filing Application: **11 April 2006**

(24) Date from which industrial property rights may have effect: **11 April 2006**

(54) Product in respect of which the design is registered: **Swimwear and outerwear**

(51) International Design Classification: **02-02A**

(71) Name(s) and Address(s) of Applicant(s):

**Jets Swimwear Pty Ltd**

**8-18 Bowden Street Alexandria New South Wales 2015 Australia**

(72) Name(s) of Designer(s): **Jessika Allen**

(45) Registration Date: **27 October 2006**

(56) Related Art Documents: **Not Applicable**

(57) Statement of Newness and Distinctiveness: **Cherish (Mesh) Gathered banded halter with cups and tie front detail with asymmetrical mid gathered pant. The neck band on this garment is all in one piece-there are no seams. The band construction is unique. From the neck tie the band goes down the back and ties at the under bust all in one piece. When you tie the neck it automatically adjusts the back as its all in one piece. If you tie the under bust tie it automatically gives you a lift on the neck. In other garments if you adjust one tie it requires the wearer to adjust the other tie. The garment has removable cups. This garment has cups sewn inside that float inside the rouching of the fabric and held in place by the tie at the front of the garment.**



(21) Design Number: **11521/2006**

(22) Date of Filing Application: **11 April 2006**

(24) Date from which industrial property rights may have effect: **11 April 2006**

(54) Product in respect of which the design is registered: **Swimwear and outerwear**

(51) International Design Classification: **02-02A**

(71) Name(s) and Address(s) of Applicant(s):

**Jets Swimwear Pty Ltd**

**8-18 Bowden Street Alexandria New South Wales 2015 Australia**

(72) Name(s) of Designer(s): **Jessika Allen**

(45) Registration Date: **27 October 2006**

(56) Related Art Documents: **Not Applicable**

(57) Statement of Newness and Distinctiveness: **Twist C/D underwire gathered one piece with adjustable fine knotted double straps. Its uniqueness is in a flip twist shape underwire one piece with rouching. The mesh is rouching on top of a floating piece of fabric. The rouching is sewn onto rubber holding it into place. The straps have been stopped at the bust line and there is a loop of double straps knotted to create straps. Uniqueness here lies in the flip twist with a hole and concealed underwire as well as the delicate knotted double straps.**



(21) Design Number: **11522/2006**

(22) Date of Filing Application: **11 April 2006**

(24) Date from which industrial property rights may have effect: **11 April 2006**

(54) Product in respect of which the design is registered: **Swimwear and outerwear**

(51) International Design Classification: **02-02A**

(71) Name(s) and Address(s) of Applicant(s):

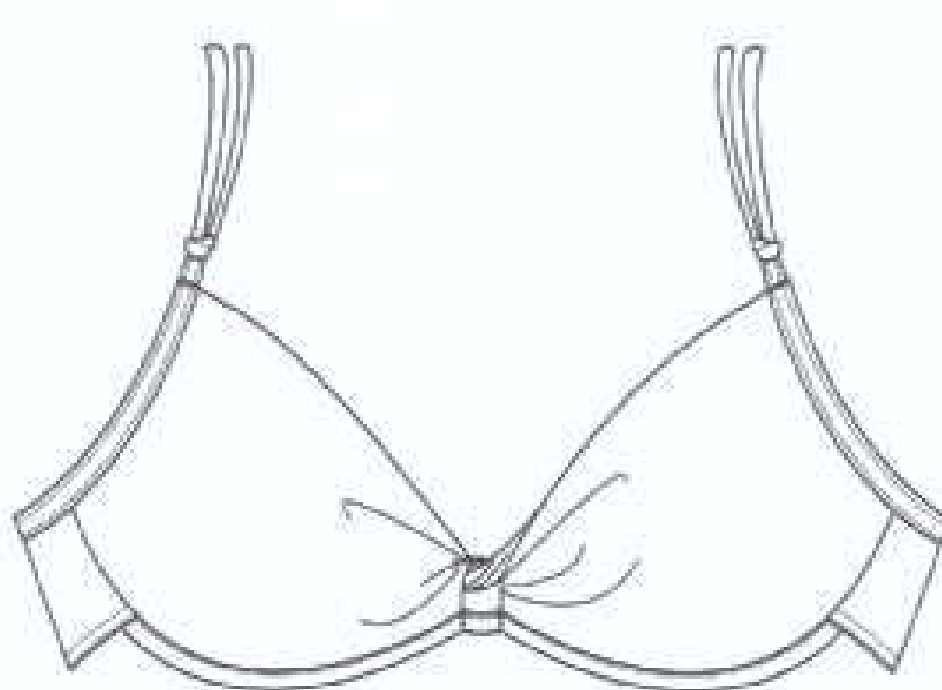
**Jets Swimwear Pty Ltd**  
**8-18 Bowden Street Alexandria New South Wales 2015 Australia**

(72) Name(s) of Designer(s): **Jessika Allen**

(45) Registration Date: **27 October 2006**

(56) Related Art Documents: **Not Applicable**

(57) Statement of Newness and Distinctiveness: **Charmed Twist C/D underwire bra with adjustable fine knotted double straps. Its uniqueness is in a flip twist shape underwire bra with delicate knotted double straps. The straps have been stopped at the bust line and there is a loop of double straps knotted to create straps. Uniqueness here lies in the flip twist with a hole and concealed underwire as well as the delicate strap detail.**



(21) Design Number: **11523/2006**

(22) Date of Filing Application: **11 April 2006**

(24) Date from which industrial property rights may have effect: **11 April 2006**

(54) Product in respect of which the design is registered: **Swimwear and outerwear**

(51) International Design Classification: **02-02A**

(71) Name(s) and Address(s) of Applicant(s):

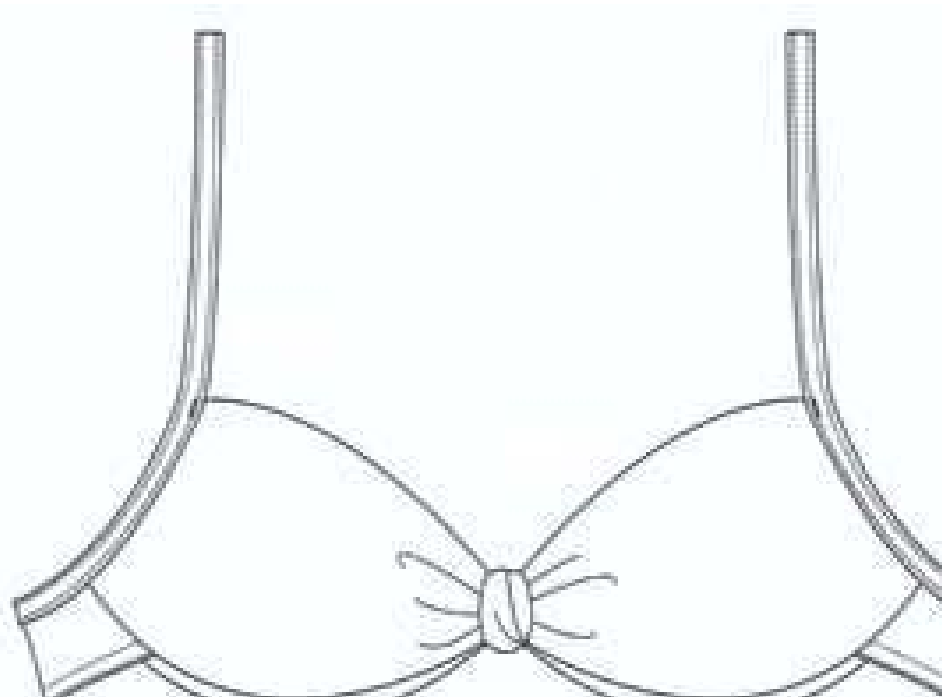
**Jets Swimwear Pty Ltd**  
**8-18 Bowden Street Alexandria New South Wales 2015 Australia**

(72) Name(s) of Designer(s): **Jessika Allen**

(45) Registration Date: **27 October 2006**

(56) Related Art Documents: **Not Applicable**

(57) Statement of Newness and Distinctiveness: **Spirited Knot front underwire with adjustable straps. There are two layers of fabric bagged out and knotted together therefore no seams/stitching visible. Rather than twisting the fabric it has been knotted. There are no gathers, darts or seams showing. The knot creates the fullness instead of darts which allows different shapes to wear it.**



(21) Design Number: **11524/2006**

(22) Date of Filing Application: **11 April 2006**

(24) Date from which industrial property rights may have effect: **11 April 2006**

(54) Product in respect of which the design is registered: **Swimwear and outerwear**

(51) International Design Classification: **02-02A**

(71) Name(s) and Address(s) of Applicant(s):

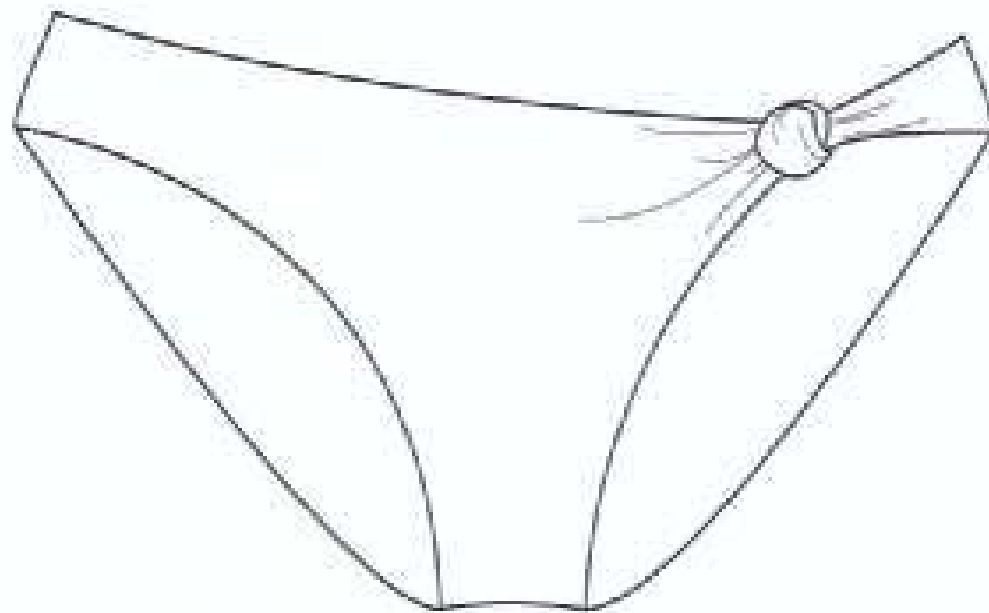
**Jets Swimwear Pty Ltd**  
**8-18 Bowden Street Alexandria New South Wales 2015 Australia**

(72) Name(s) of Designer(s): **Jessika Allen**

(45) Registration Date: **27 October 2006**

(56) Related Art Documents: **Not Applicable**

(57) Statement of Newness and Distinctiveness: **Bagged out one side knot pant. The pant has been cut so it's not symmetrical due to the requirement of positioning a knot on one side of the pant. There are two layers of fabric bagged out and knotted together therefore no seams/stitching visible.**



(21) Design Number: **11525/2006**

(22) Date of Filing Application: **11 April 2006**

(24) Date from which industrial property rights may have effect: **11 April 2006**

(54) Product in respect of which the design is registered: **Swimwear and outerwear**

(51) International Design Classification: **02-02A**

(71) Name(s) and Address(s) of Applicant(s):

**Jets Swimwear Pty Ltd**  
**8-18 Bowden Street Alexandria New South Wales 2015 Australia**

(72) Name(s) of Designer(s): **Jessika Allen**

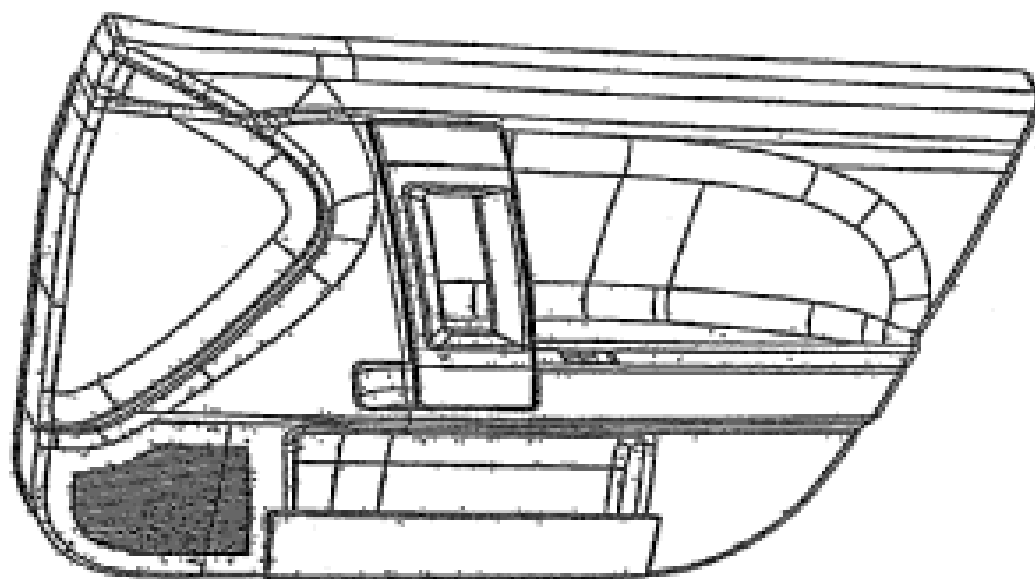
(45) Registration Date: **27 October 2006**

(56) Related Art Documents: **Not Applicable**

(57) Statement of Newness and Distinctiveness: **Enhanced twist DD underwire gathered singlet with adjustable wide straps. This is a singlet with an extra layer of fabric in the bra which we are calling an "enhancer". There are two layers of luster fabric with a layer of lining sandwiched in the middle. These three layers are twisted together providing an extra enhanced lift. 2 layers of lustre tactel lycra total 32% lycra and an extra 10% lycra in the internal layer a total 42% lycra in your bust area. The wider strap on this style is to hold up a heavier bust, as well as adjustable straps which enable the wearer to get an extra lift.**



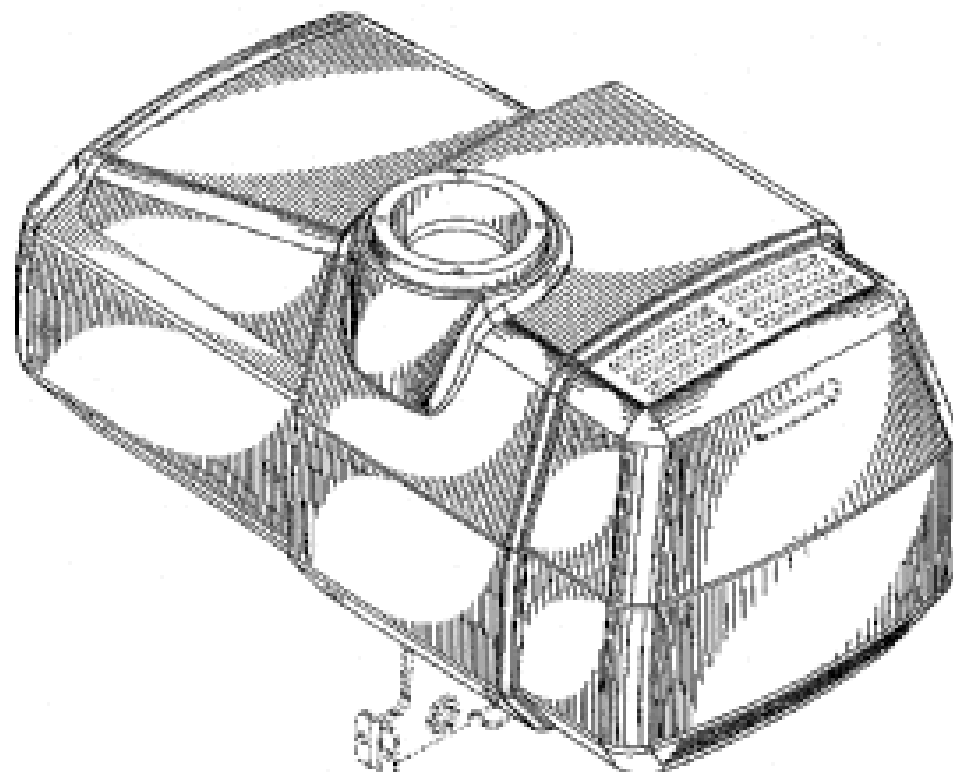
- (21) Design Number: **13057/2006**  
(22) Date of Filing Application: **18 July 2006**  
(24) Date from which industrial property rights may have effect: **18 July 2006**  
(54) Product in respect of which the design is registered: **Front door trim**  
(51) International Design Classification: **12-16A, 12-16NES**  
(71) Name(s) and Address(s) of Applicant(s):  
**Perusahaan Otomobil Nasional SDN. BHD.**  
**HICOM Industrial Estate Batu 3 40000 Shah Alam Selangor Darul**  
**Ehsan Malaysia**  
(72) Name(s) of Designer(s): **Anthony John Bushell**  
(45) Registration Date: **27 October 2006**  
(30) Convention priority data:  
(31) Number      (32) Date      (33) Country  
**06-00031      19 Jan 2006      MALAYSIA**  
(56) Related Art Documents: **Not Applicable**  
(57) Statement of Newness and Distinctiveness: **The features of shape and configuration of the article as illustrated in the representation.**



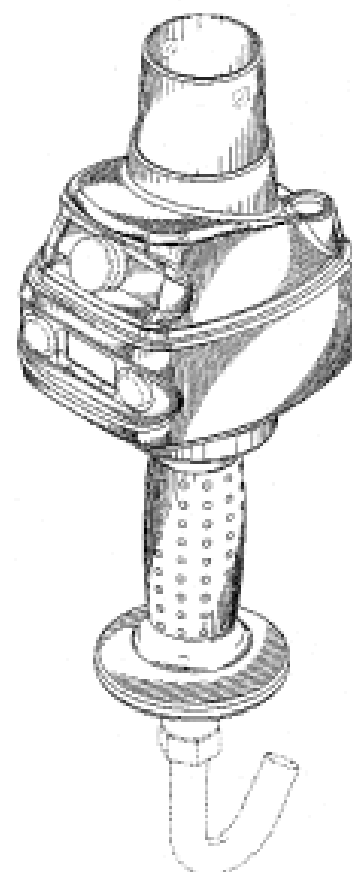
- (21) Design Number: **14122/2006**  
(22) Date of Filing Application: **14 September 2006**  
(24) Date from which industrial property rights may have effect: **14 September 2006**  
(54) Product in respect of which the design is registered: **Tagging spike**  
(51) International Design Classification: **20-03NES**  
(71) Name(s) and Address(s) of Applicant(s):  
**Balco Australia Pty Ltd**  
**27 Edith Terrace Balaklava SOUTH AUSTRALIA 5461**  
(72) Name(s) of Designer(s): **Andrew Whittaker**  
(45) Registration Date: **27 October 2006**  
(56) Related Art Documents: **Not Applicable**  
(57) Statement of Newness and Distinctiveness: **Nil**



(21) Design Number: **14238/2006**  
 (22) Date of Filing Application: **22 September 2006**  
 (24) Date from which industrial property rights may have effect: **22 September 2006**  
 (54) Product in respect of which the design is registered: **Actuator for a lifting device**  
 (51) International Design Classification: **12-05**  
 (71) Name(s) and Address(s) of Applicant(s):  
**Gorbel, Inc.**  
**600 Fisher Run Fishers New York 14453-0593 United States of America**  
 (72) Name(s) of Designer(s): **Eugene Helmetsie**  
 (45) Registration Date: **27 October 2006**  
 (30) Convention priority data:  
 (31) Number (32) Date (33) Country  
**29/256,812 24 Mar 2006 UNITED STATES OF AMERICA**  
 (56) Related Art Documents: **Not Applicable**  
 (57) Statement of Newness and Distinctiveness: **Visual features of the design which are new and distinctive are the features of shape and configuration of an actuator for a lifting device as illustrated in the representations. The broken line features are depicted for illustrative purposes only and form no part of the claimed design.**



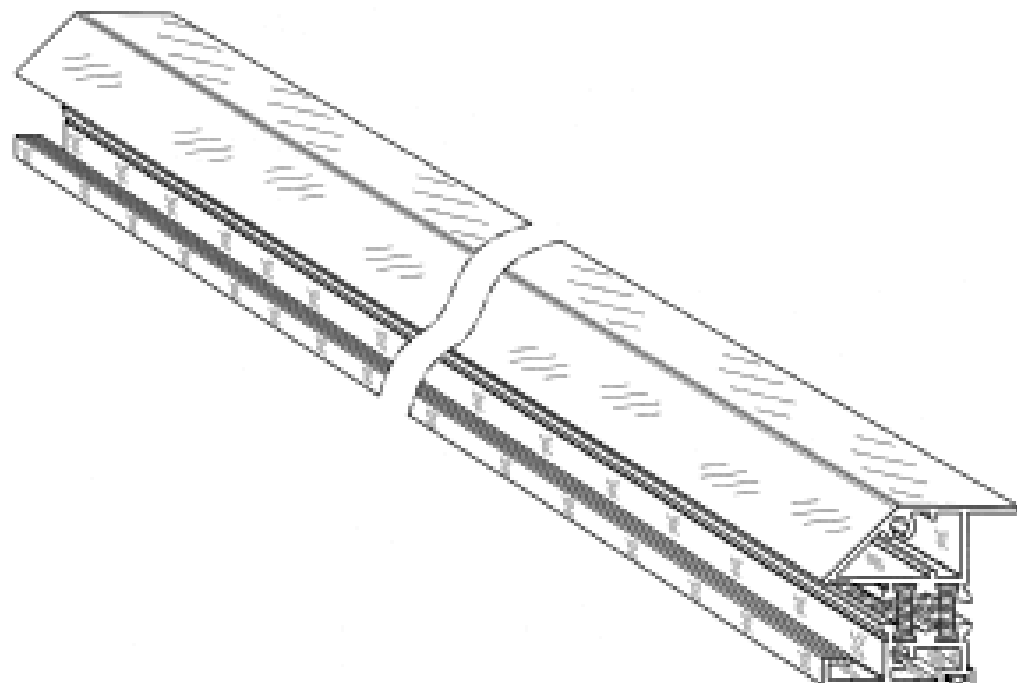
(21) Design Number: **14239/2006**  
 (22) Date of Filing Application: **22 September 2006**  
 (24) Date from which industrial property rights may have effect: **22 September 2006**  
 (54) Product in respect of which the design is registered: **Handle for a lifting device**  
 (51) International Design Classification: **12-05**  
 (71) Name(s) and Address(s) of Applicant(s):  
**Gorbel, Inc.**  
**600 Fisher Run Fishers New York 14453-0593 United States of America**  
 (72) Name(s) of Designer(s): **Eugene Helmetsie**  
 (45) Registration Date: **27 October 2006**  
 (30) Convention priority data:  
 (31) Number (32) Date (33) Country  
**29/256,811 24 Mar 2006 UNITED STATES OF AMERICA**  
 (56) Related Art Documents: **Not Applicable**  
 (57) Statement of Newness and Distinctiveness: **Visual features of the design which are new and distinctive are the features of shape and configuration of a handle for a lifting device as illustrated in the representations. The broken line features are depicted for illustrative purposes only and form no part of the claimed design.**



- (21) Design Number: **14278/2006**  
(22) Date of Filing Application: **11 April 2006**  
(24) Date from which industrial property rights may have effect: **11 April 2006**  
(54) Product in respect of which the design is registered: **Swimwear and outerwear**  
(51) International Design Classification: **02-02A**  
(71) Name(s) and Address(s) of Applicant(s):  
**Jets Swimwear Pty Ltd**  
**8-18 Bowden Street Alexandria New South Wales 2015 Australia**  
(72) Name(s) of Designer(s): **Jessika Allen**  
(45) Registration Date: **27 October 2006**  
(56) Related Art Documents: **Not Applicable**  
(57) Statement of Newness and Distinctiveness: **This is a mid covered pant. The pant has an asymmetrical panel with gathers being a design feature and creating a slimming illusion.**



- (21) Design Number: **14355/2006**  
(22) Date of Filing Application: **29 September 2006**  
(24) Date from which industrial property rights may have effect: **29 September 2006**  
(54) Product in respect of which the design is registered: **"Joinery extrusion with insulating bridge"**  
(51) International Design Classification: **25-01K**  
(71) Name(s) and Address(s) of Applicant(s):  
**Prime Global Brands Ltd.**  
**Level 1 1 Cathedral Street Port Louis Mauritius**  
(72) Name(s) of Designer(s): **Anthony James Keller**  
(45) Registration Date: **27 October 2006**  
(56) Related Art Documents: **Not Applicable**  
(57) Statement of Newness and Distinctiveness: **Nil**



(21) Design Number: **14784/2006**

(22) Date of Filing Application: **18 October 2006**

(24) Date from which industrial property rights may have effect: **18 October 2006**

(54) Product in respect of which the design is registered: **Louvre clip**

(51) International Design Classification: **25-02K**

(71) Name(s) and Address(s) of Applicant(s):

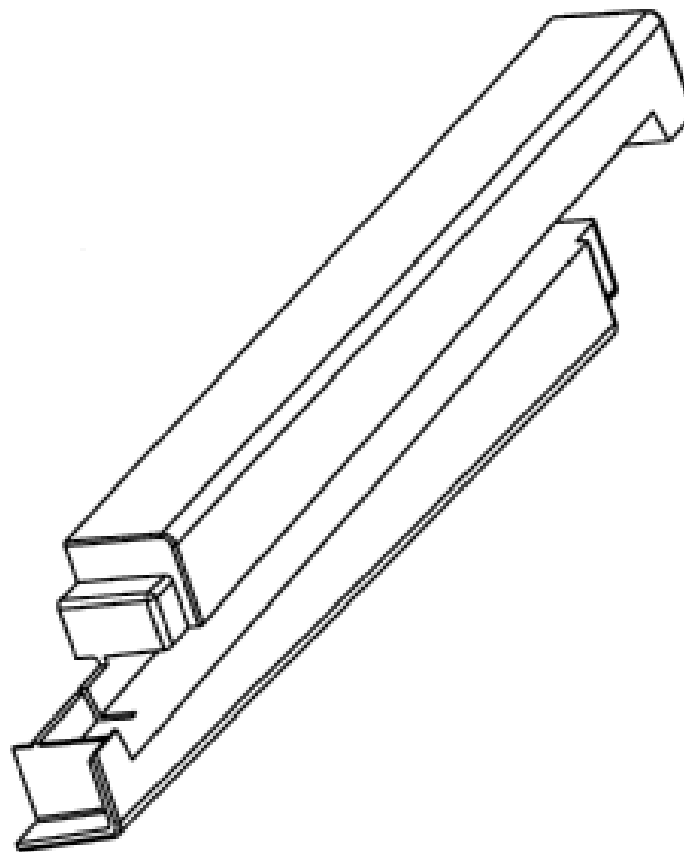
**Architectural Window Systems Pty Ltd  
76-78 Jemma Road Prestons New South Wales 2170 Australia**

(72) Name(s) of Designer(s): **Mark Davey McCleary**

(45) Registration Date: **27 October 2006**

(56) Related Art Documents: **Not Applicable**

(57) Statement of Newness and Distinctiveness: **Newness and distinctiveness is claimed in the shape and/or configuration of a louvre clip as illustrated by the unbroken lines in the accompanying representation/s.**



(21) Design Number: **14785/2006**

(22) Date of Filing Application: **18 October 2006**

(24) Date from which industrial property rights may have effect: **18 October 2006**

(54) Product in respect of which the design is registered: **An extrusion**

(51) International Design Classification: **25-01K**

(71) Name(s) and Address(s) of Applicant(s):

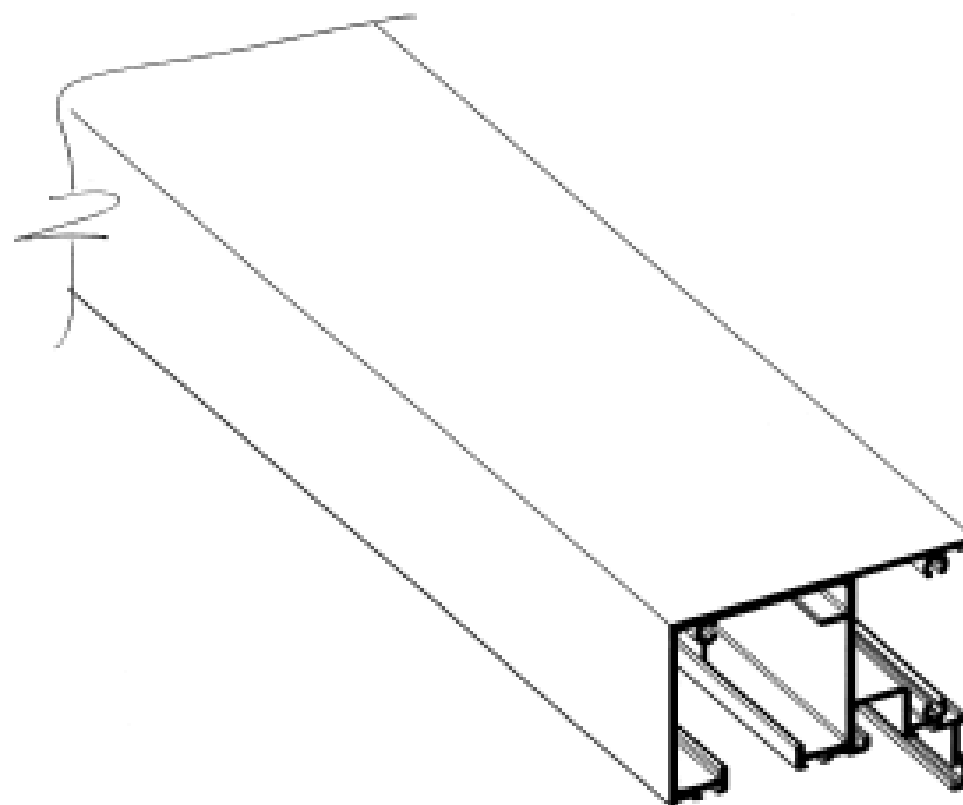
**Architectural Window Systems Pty Ltd  
76-78 Jemma Road Prestons New South Wales 2170 Australia**

(72) Name(s) of Designer(s): **David John McCleary**

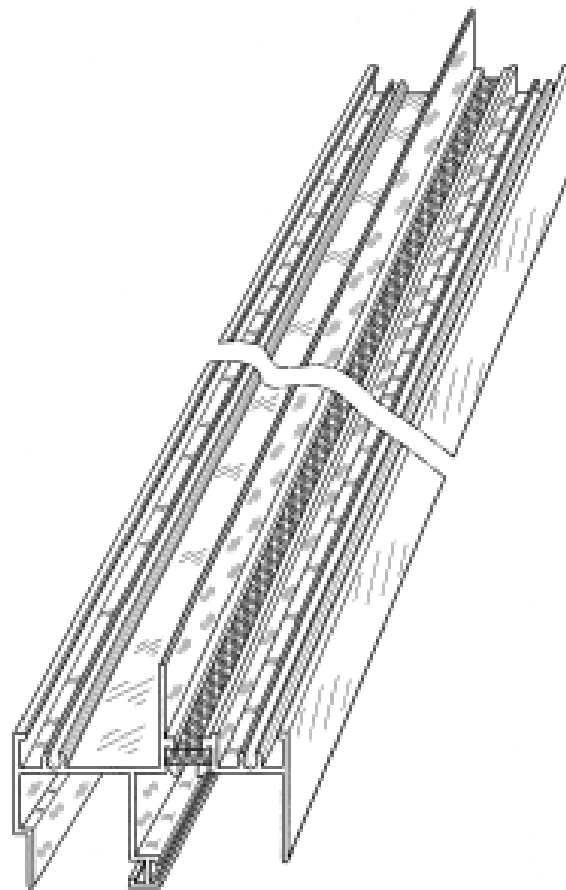
(45) Registration Date: **27 October 2006**

(56) Related Art Documents: **Not Applicable**

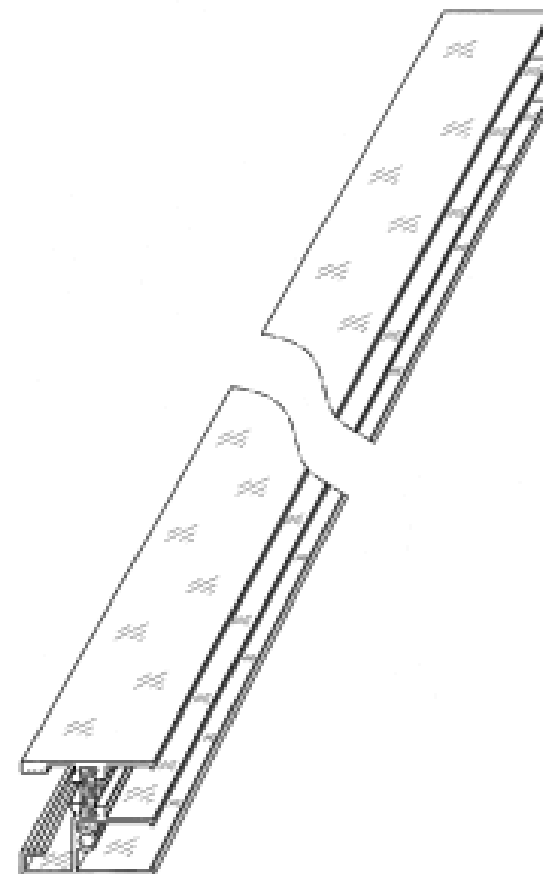
(57) Statement of Newness and Distinctiveness: **Newness and distinctiveness is claimed in the shape and/or configuration of an extrusion as illustrated by the unbroken lines in the accompanying representation/s.**



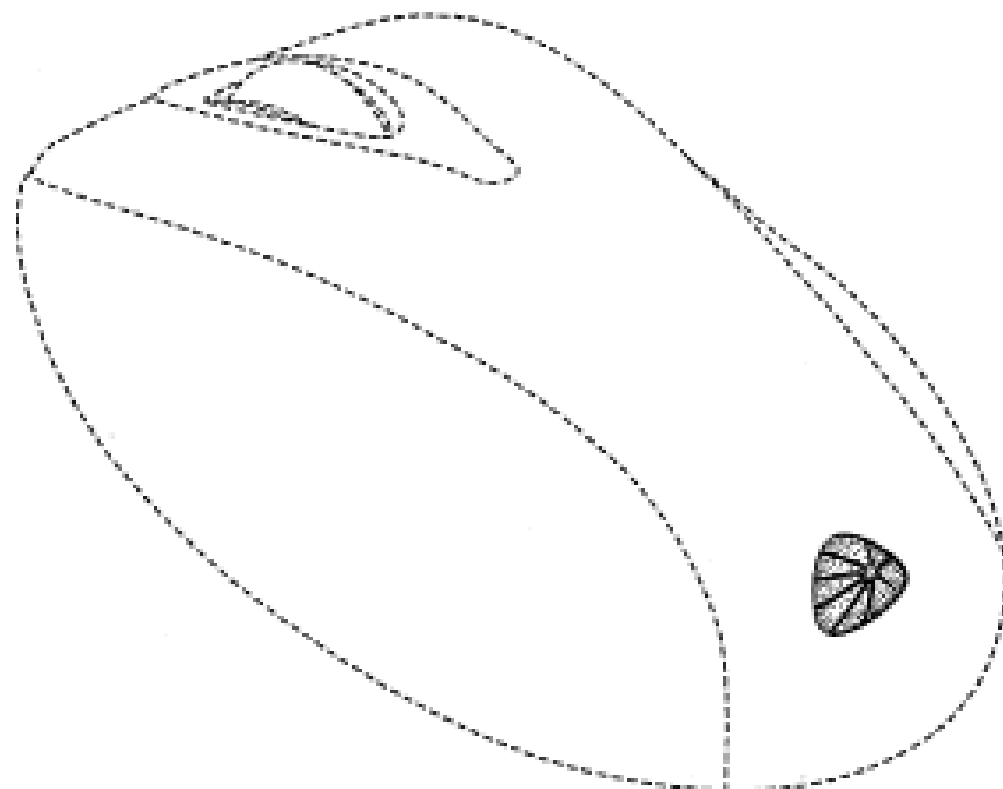
- (21) Design Number: **14357/2006**  
(22) Date of Filing Application: **29 September 2006**  
(24) Date from which industrial property rights may have effect: **29 September 2006**  
(54) Product in respect of which the design is registered: **"Joinery extrusion with insulating bridge"**  
(51) International Design Classification: **25-01K**  
(71) Name(s) and Address(s) of Applicant(s):  
**Prime Global Brands Ltd.**  
**Level 1 1 Cathedral Street Port Louis Mauritius**  
(72) Name(s) of Designer(s): **Anthony James Keller**  
(45) Registration Date: **27 October 2006**  
(56) Related Art Documents: **Not Applicable**  
(57) Statement of Newness and Distinctiveness: **Nil**



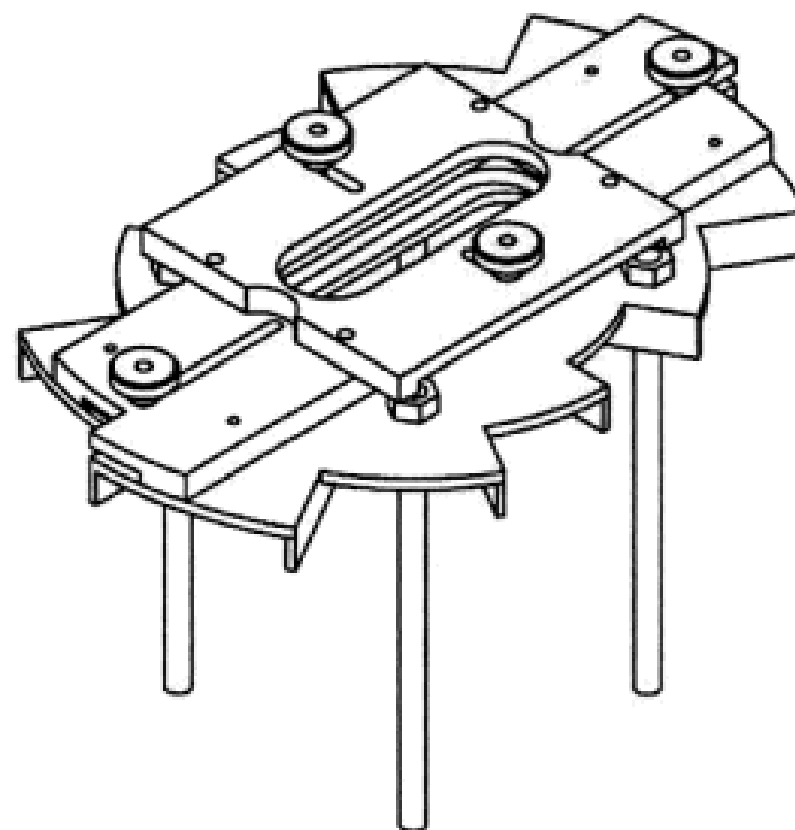
- (21) Design Number: **14360/2006**  
(22) Date of Filing Application: **29 September 2006**  
(24) Date from which industrial property rights may have effect: **29 September 2006**  
(54) Product in respect of which the design is registered: **"Joinery extrusion with insulating bridge"**  
(51) International Design Classification: **25-01K**  
(71) Name(s) and Address(s) of Applicant(s):  
**Prime Global Brands Ltd.**  
**Level 1 1 Cathedral Street Port Louis Mauritius**  
(72) Name(s) of Designer(s): **Anthony James Keller**  
(45) Registration Date: **27 October 2006**  
(56) Related Art Documents: **Not Applicable**  
(57) Statement of Newness and Distinctiveness: **Nil**



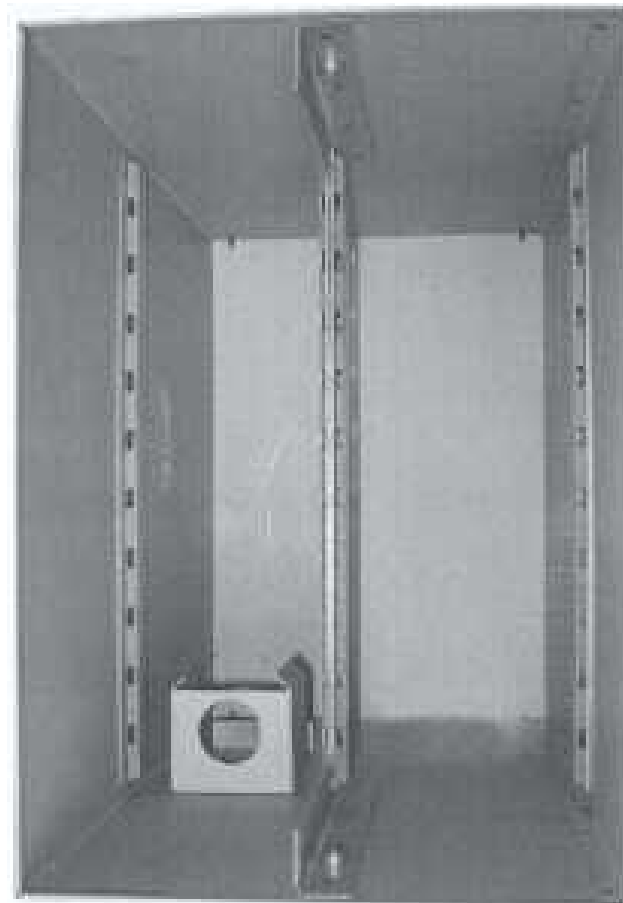
(21) Design Number: **10629/2006**  
(22) Date of Filing Application: **20 February 2006**  
(24) Date from which industrial property rights may have effect: **20 February 2006**  
(54) Product in respect of which the design is registered: **Element of a computer input device**  
(51) International Design Classification: **14-02**  
(71) Name(s) and Address(s) of Applicant(s):  
**Microsoft Corporation**  
**One Microsoft Way Redmond Washington 98052 United States of America**  
(72) Name(s) of Designer(s): **Young Soo Kim and Brian Boram and Scott Tong**  
(45) Registration Date: **30 October 2006**  
(30) Convention priority data:  
(31) Number (32) Date (33) Country  
**29/236990 25 Aug 2005 UNITED STATES OF AMERICA**  
(56) Related Art Documents: **Not Applicable**  
(57) Statement of Newness and Distinctiveness: **Newness and distinctiveness reside in the shape and configuration of a portion of an element of an electronic device as illustrated in the accompanying representations. The features shown in broken outline are illustrative only and do not form part of the design.**



(21) Design Number: **12184/2006**  
(22) Date of Filing Application: **18 May 2006**  
(24) Date from which industrial property rights may have effect: **18 May 2006**  
(54) Product in respect of which the design is registered: **Hydropac tertiary doors**  
(51) International Design Classification: **15-03NES**  
(71) Name(s) and Address(s) of Applicant(s):  
**Peter Thew**  
**Blk 25 Hazel Park Terrace #01-02 Hazel Park Condominium Singapore 678948 Singapore**  
(72) Name(s) of Designer(s): **Peter Thew**  
(45) Registration Date: **30 October 2006**  
(30) Convention priority data:  
(31) Number (32) Date (33) Country  
**D2005/2168/F 06 Dec 2005 SINGAPORE**  
(56) Related Art Documents: **Not Applicable**  
(57) Statement of Newness and Distinctiveness: **Those features of the hydropac tertiary doors depicted in the representations that are new and distinctive are the shape and/or configuration.**



- (21) Design Number: **12268/2006**  
(22) Date of Filing Application: **23 May 2006**  
(24) Date from which industrial property rights may have effect: **23 May 2006**  
(54) Product in respect of which the design is registered: **Storage container**  
(51) International Design Classification: **06-04NES**  
(71) Name(s) and Address(s) of Applicant(s):  
**Echidna Products Pty Ltd**  
**34 Dickens Street Bentleigh Victoria 3204 Australia**  
(72) Name(s) of Designer(s): **Steven Montagu Bartlett and Helen Bartlett**  
(45) Registration Date: **30 October 2006**  
(56) Related Art Documents: **Not Applicable**  
(57) Statement of Newness and Distinctiveness: **Newness and distinctiveness resides in the visual features of shape and/or configuration as applied to a storage container as illustrated in the representations.**



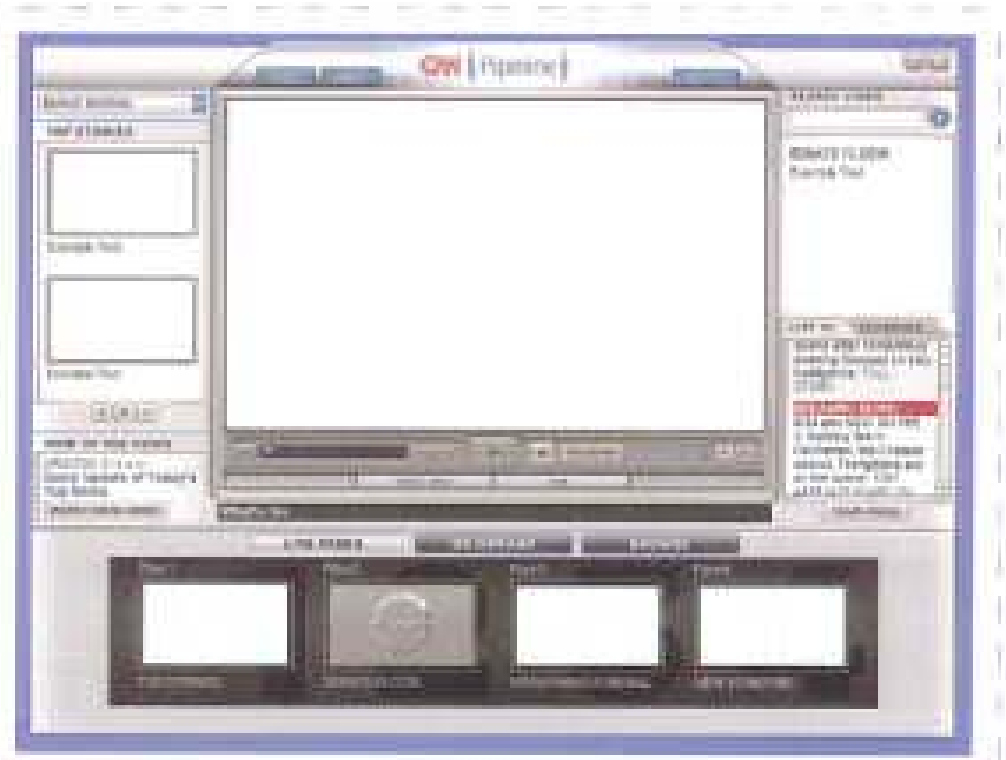
- (21) Design Number: **12269/2006**  
(22) Date of Filing Application: **23 May 2006**  
(24) Date from which industrial property rights may have effect: **23 May 2006**  
(54) Product in respect of which the design is registered: **Storage container**  
(51) International Design Classification: **06-04NES**  
(71) Name(s) and Address(s) of Applicant(s):  
**Echidna Products Pty Ltd**  
**34 Dickens Street Bentleigh Victoria 3204 Australia**  
(72) Name(s) of Designer(s): **Steven Montagu Bartlett and Helen Bartlett**  
(45) Registration Date: **30 October 2006**  
(56) Related Art Documents: **Not Applicable**  
(57) Statement of Newness and Distinctiveness: **Newness and distinctiveness resides in the visual features of shape and/or configuration as applied to a storage container as illustrated in the representations.**



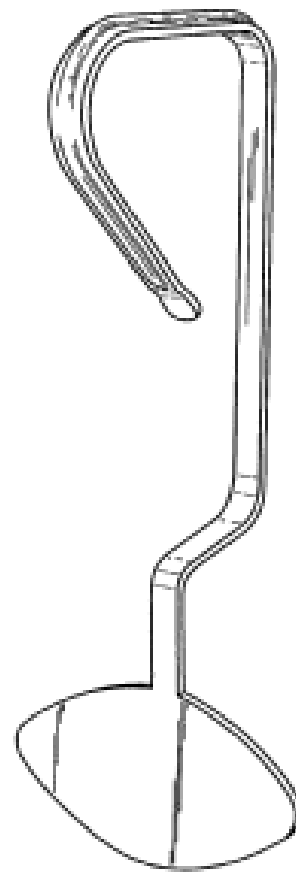
- (21) Design Number: **12414/2006**  
(22) Date of Filing Application: **01 June 2006**  
(24) Date from which industrial property rights may have effect: **01 June 2006**  
(54) Product in respect of which the design is registered: **A Display Screen**  
(51) International Design Classification: **14-04**  
(71) Name(s) and Address(s) of Applicant(s):  
**Turner Broadcasting System, Inc.**  
**1030 Techwood Drive N.W. Atlanta GA 30318 United States of America**  
(72) Name(s) of Designer(s): **Mitchell B. Gelman and Sandra Gail Malcolm and Andrew Robert Mitchell and Richard Montgomery Mullig and David Anderson Payne and Anwer Sultan and Aaron Christopher Tighe**  
(45) Registration Date: **30 October 2006**  
(30) Convention priority data:  
(31) Number (32) Date (33) Country  
**29/224,032 02 Dec 2005 UNITED STATES OF AMERICA**  
(56) Related Art Documents: **Not Applicable**  
(57) Statement of Newness and Distinctiveness: **The newness and distinctiveness of the design resides in the features of pattern and/or ornamentation of the display screen user interface depicted in the accompanying representation, with the exception of all text and the display screen shown in dashed outline which are for illustrative purposes only and are not part of the design.**



- (21) Design Number: **12416/2006**  
(22) Date of Filing Application: **01 June 2006**  
(24) Date from which industrial property rights may have effect: **01 June 2006**  
(54) Product in respect of which the design is registered: **A Display Screen**  
(51) International Design Classification: **14-04**  
(71) Name(s) and Address(s) of Applicant(s):  
**Turner Broadcasting System, Inc.**  
**1030 Techwood Drive N.W. Atlanta GA 30318 United States of America**  
(72) Name(s) of Designer(s): **Mitchell B. Gelman and Andrew Robert Mitchell and Richard Montgomery Mullig and David Anderson Payne and Anwer Sultan and Aaron Christopher Tighe and Sandra Gail Malcolm**  
(45) Registration Date: **30 October 2006**  
(30) Convention priority data:  
(31) Number (32) Date (33) Country  
**29/224,032 02 Dec 2005 UNITED STATES OF AMERICA**  
(56) Related Art Documents: **Not Applicable**  
(57) Statement of Newness and Distinctiveness: **The newness and distinctiveness of the design resides in the features of pattern and/or ornamentation of the display screen user interface depicted in the accompanying representation, with the exception of all text and the display screen shown in dashed outline which are for illustrative purposes only and are not part of the design.**



- (21) Design Number: **14168/2006**  
(22) Date of Filing Application: **15 September 2006**  
(24) Date from which industrial property rights may have effect: **15 September 2006**  
(54) Product in respect of which the design is registered: **Hanger for a lavatory dispensing device**  
(51) International Design Classification: **23-02A**  
(71) Name(s) and Address(s) of Applicant(s):  
**Reckitt Benckiser Inc.**  
**Morris Corporate Center IV 399 Interpace Parkway Parsippany New Jersey 07054 United States of America**  
(72) Name(s) of Designer(s): **Christopher Brian King**  
(45) Registration Date: **30 October 2006**  
(30) Convention priority data:  
(31) Number (32) Date (33) Country  
**29/256578 22 Mar 2006 UNITED STATES OF AMERICA**  
(56) Related Art Documents: **Not Applicable**  
(57) Statement of Newness and Distinctiveness: **Newness and distinctiveness reside in the features of the design shown in solid lines in the representations excluding those features shown in broken lines.**



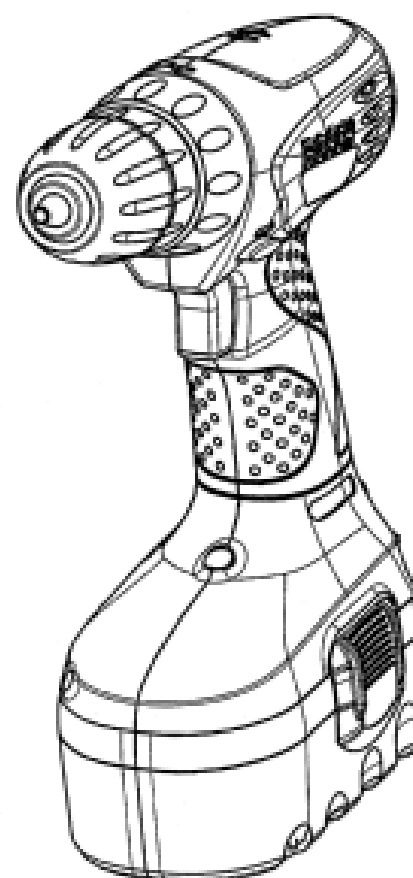
- (21) Design Number: **14289/2006**  
(22) Date of Filing Application: **25 September 2006**  
(24) Date from which industrial property rights may have effect: **25 September 2006**  
(54) Product in respect of which the design is registered: **Eyeglasses**  
(51) International Design Classification: **16-06**  
(71) Name(s) and Address(s) of Applicant(s):  
**Silhouette International Schmied AG**  
**Eilbognerstrasse 24 A-4020 Linz Austria**  
(72) Name(s) of Designer(s): **Gerhard Fuchs**  
(45) Registration Date: **30 October 2006**  
(30) Convention priority data:  
(31) Number (32) Date (33) Country  
**000554779-0001 04 Jul 2006 EUROPEAN COMMUNITY**  
(56) Related Art Documents: **Not Applicable**  
(57) Statement of Newness and Distinctiveness: **Nil**



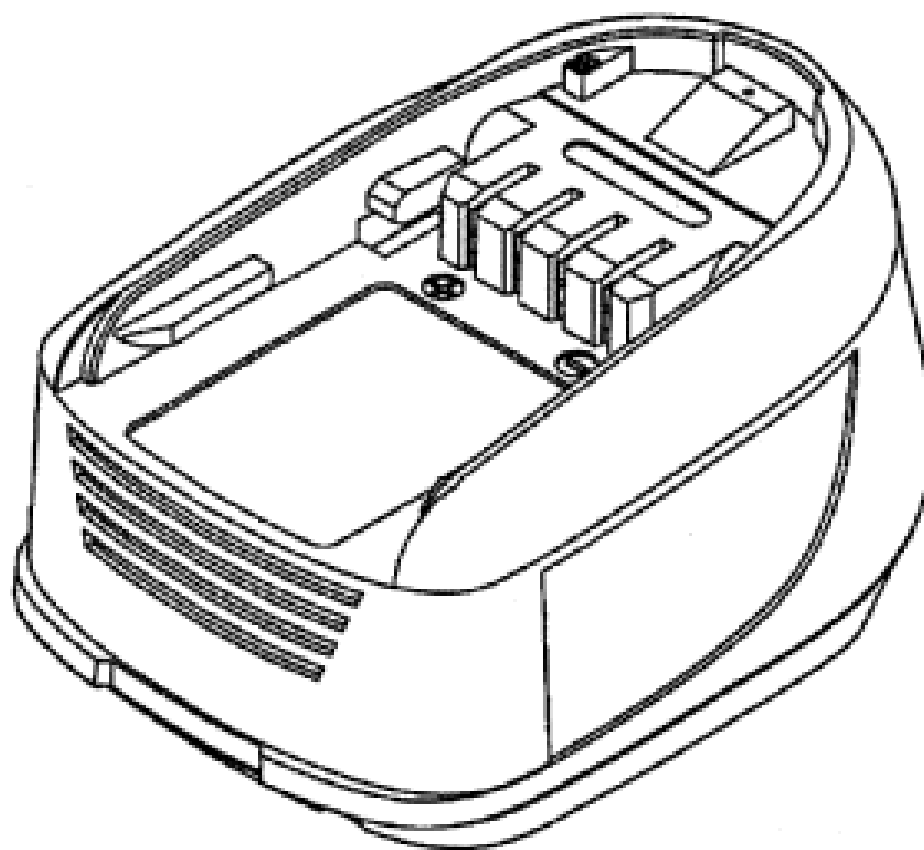
- (21) Design Number: **14297/2006**  
(22) Date of Filing Application: **25 September 2006**  
(24) Date from which industrial property rights may have effect: **25 September 2006**  
(54) Product in respect of which the design is registered: **Stackable tray and blank therefor**  
(51) International Design Classification: **09-03K**  
(71) Name(s) and Address(s) of Applicant(s):  
**Ancor Limited**  
**679 Victoria Street Abbotsford Victoria 3067 Australia**  
(72) Name(s) of Designer(s): **David Carter and Tony Marrapodi**  
(45) Registration Date: **30 October 2006**  
(56) Related Art Documents: **Not Applicable**  
(57) Statement of Newness and Distinctiveness: **Newness and distinctiveness are claimed in the shape and configuration of a stackable tray and blank therefor as depicted in the accompanying representations.**



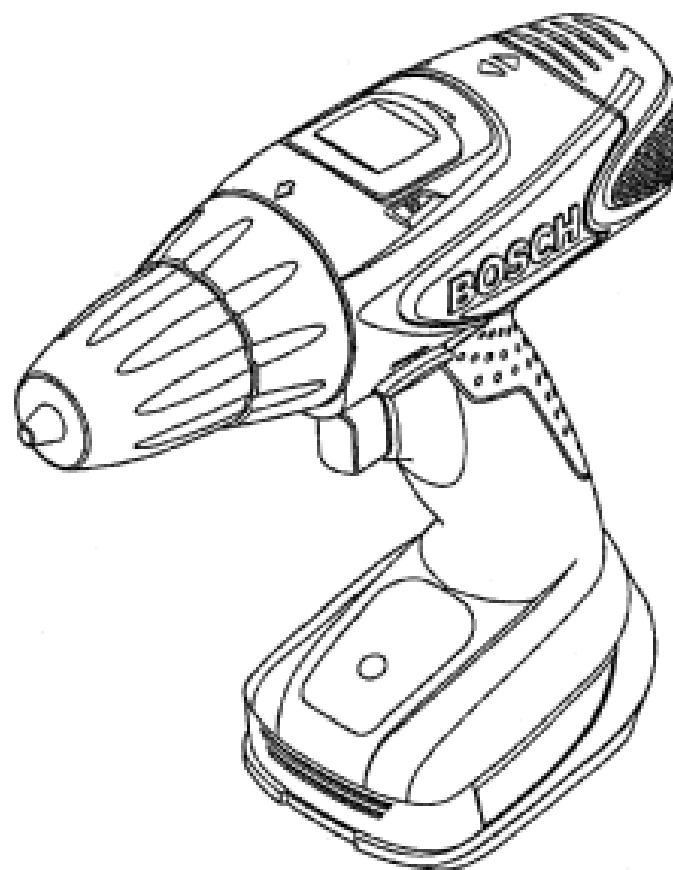
- (21) Design Number: **14335/2006**  
(22) Date of Filing Application: **27 September 2006**  
(24) Date from which industrial property rights may have effect: **27 September 2006**  
(54) Product in respect of which the design is registered: **Cordless drill**  
(51) International Design Classification: **08-01**  
(71) Name(s) and Address(s) of Applicant(s):  
**Robert Bosch GmbH**  
**Postfach 30 02 20 D-70442 Stuttgart Germany**  
(72) Name(s) of Designer(s): **Hans-Peter Aglassinger**  
(45) Registration Date: **30 October 2006**  
(30) Convention priority data:  
(31) Number      (32) Date      (33) Country  
**000535158      25 May 2006      EUROPEAN COMMUNITY**  
(56) Related Art Documents: **Not Applicable**  
(57) Statement of Newness and Distinctiveness: **Newness and distinctiveness are provided by the shape and/or configuration of the design shown in the representations. In considering the scope of the newness protection any indicia on the cordless drill is to be disregarded.**



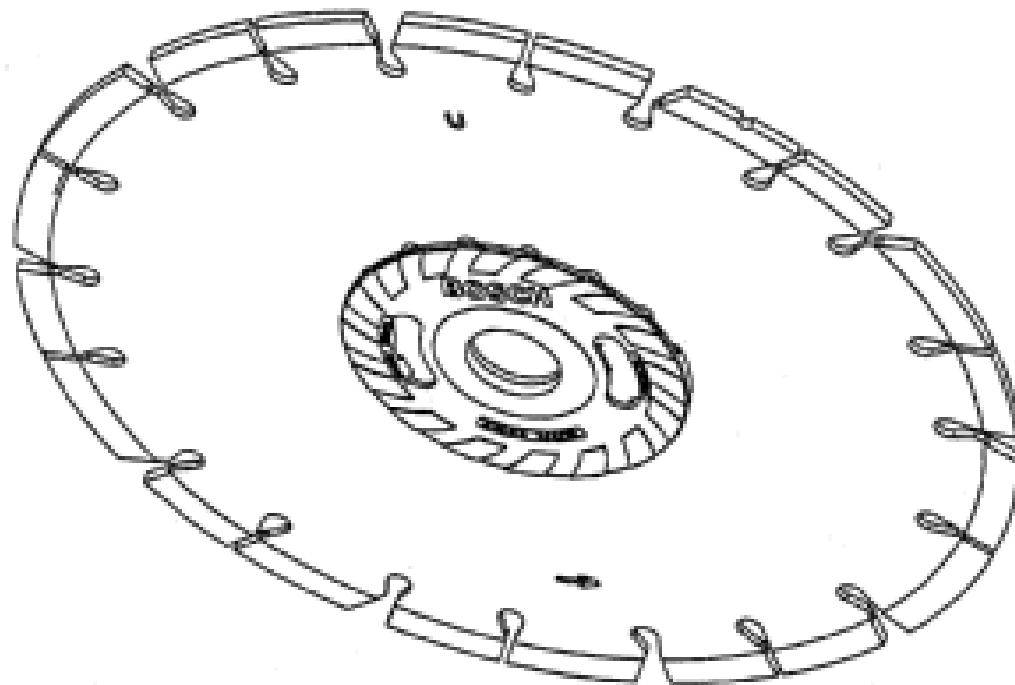
- (21) Design Number: **14336/2006**  
(22) Date of Filing Application: **27 September 2006**  
(24) Date from which industrial property rights may have effect: **27 September 2006**  
(54) Product in respect of which the design is registered: **Battery charger**  
(51) International Design Classification: **13-02**  
(71) Name(s) and Address(s) of Applicant(s):  
**Robert Bosch GmbH**  
**Postfach 30 02 20 D-70442 Stuttgart Germany**  
(72) Name(s) of Designer(s): **Hans-Peter Aglassinger**  
(45) Registration Date: **30 October 2006**  
(30) Convention priority data:  
(31) Number (32) Date (33) Country  
**000533419 22 May 2006 EUROPEAN COMMUNITY**  
(56) Related Art Documents: **Not Applicable**  
(57) Statement of Newness and Distinctiveness: **Newness and distinctiveness are provided by the shape and/or configuration of the design shown in the representations.**



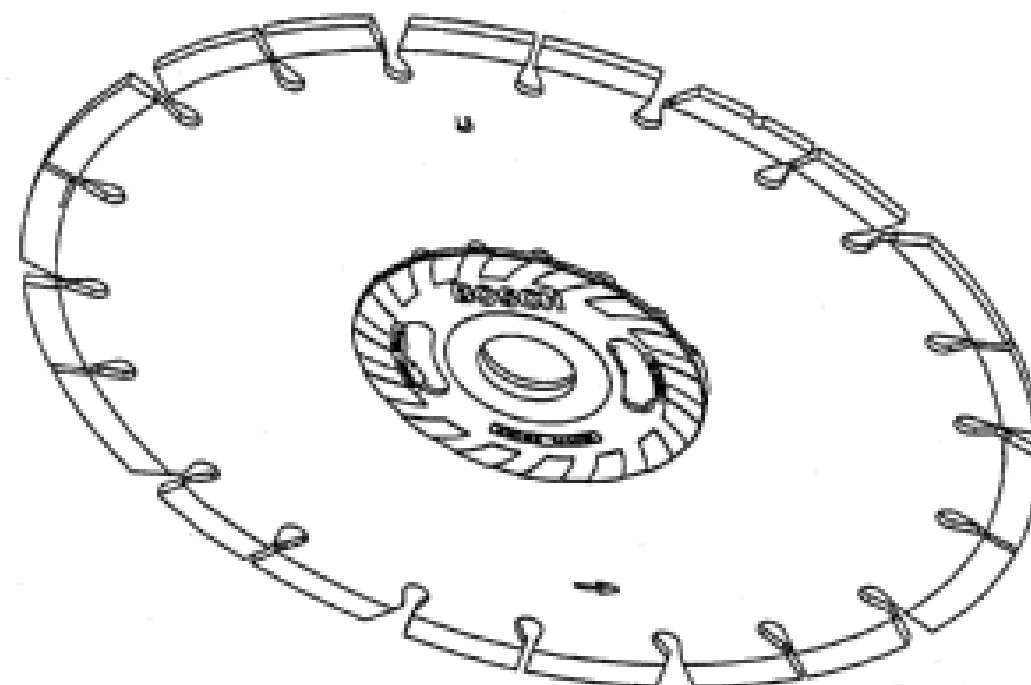
- (21) Design Number: **14337/2006**  
(22) Date of Filing Application: **27 September 2006**  
(24) Date from which industrial property rights may have effect: **27 September 2006**  
(54) Product in respect of which the design is registered: **Cordless-drill**  
(51) International Design Classification: **08-01**  
(71) Name(s) and Address(s) of Applicant(s):  
**Robert Bosch GmbH**  
**Postfach 30 02 20 D-70442 Stuttgart Germany**  
(72) Name(s) of Designer(s): **Hans-Peter Aglassinger**  
(45) Registration Date: **30 October 2006**  
(30) Convention priority data:  
(31) Number (32) Date (33) Country  
**000533419 22 May 2006 EUROPEAN COMMUNITY**  
(56) Related Art Documents: **Not Applicable**  
(57) Statement of Newness and Distinctiveness: **Newness and distinctiveness are provided by the shape and/or configuration of the design shown in the representations. In considering the scope of the newness protection any indicia on the cordless drill is to be disregarded.**



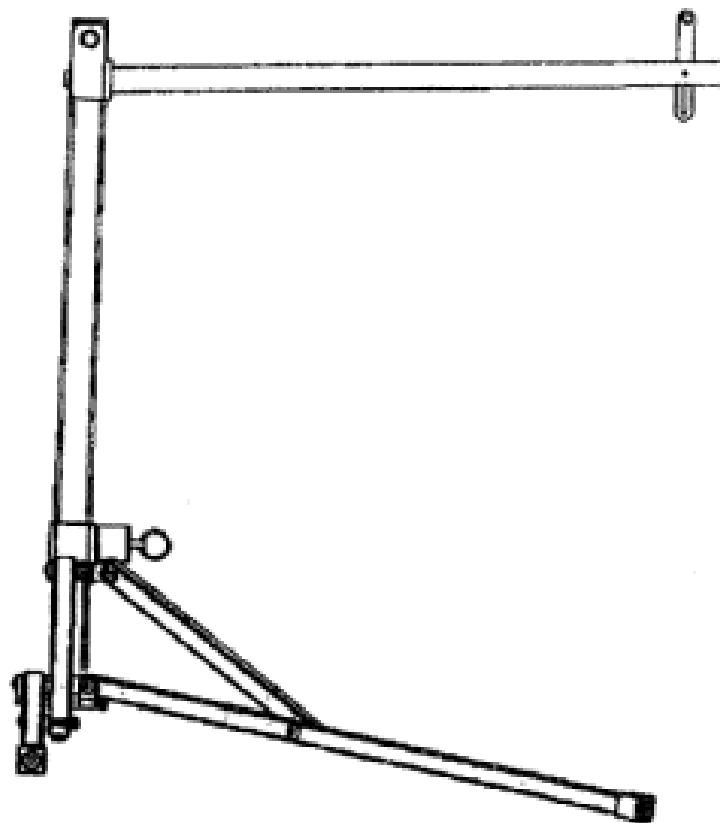
- (21) Design Number: **14338/2006**  
(22) Date of Filing Application: **27 September 2006**  
(24) Date from which industrial property rights may have effect: **27 September 2006**  
(54) Product in respect of which the design is registered: **Cutting disk**  
(51) International Design Classification: **08-03**  
(71) Name(s) and Address(s) of Applicant(s):  
**Robert Bosch GmbH**  
**Postfach 30 02 20 D-70442 Stuttgart Germany**  
(72) Name(s) of Designer(s): **Daniel Jeiziner and Roberto Mulone and Beat Salzberger and Thomas Tschumi and Marcus Niederhauser**  
(45) Registration Date: **30 October 2006**  
(30) Convention priority data:  
(31) Number (32) Date (33) Country  
**000535174 25 May 2006 EUROPEAN COMMUNITY**  
(56) Related Art Documents: **Not Applicable**  
(57) Statement of Newness and Distinctiveness: **Newness and distinctiveness are provided by the shape and/or configuration of the design shown in the representations. In considering the scope of the newness protection any indicia on the cutting disc is to be disregarded.**



- (21) Design Number: **14339/2006**  
(22) Date of Filing Application: **27 September 2006**  
(24) Date from which industrial property rights may have effect: **27 September 2006**  
(54) Product in respect of which the design is registered: **Cutting disk**  
(51) International Design Classification: **08-03**  
(71) Name(s) and Address(s) of Applicant(s):  
**Robert Bosch GmbH**  
**Postfach 30 02 20 D-70442 Stuttgart Germany**  
(72) Name(s) of Designer(s): **Daniel Jeiziner and Roberto Mulone and Beat Salzberger and Thomas Tschumi and Marcus Niederhauser**  
(45) Registration Date: **30 October 2006**  
(30) Convention priority data:  
(31) Number (32) Date (33) Country  
**000535174 25 May 2006 EUROPEAN COMMUNITY**  
(56) Related Art Documents: **Not Applicable**  
(57) Statement of Newness and Distinctiveness: **Newness and distinctiveness are provided by the shape and/or configuration of the design shown in the representations. In considering the scope of the newness protection any indicia on the cutting disc is to be disregarded.**



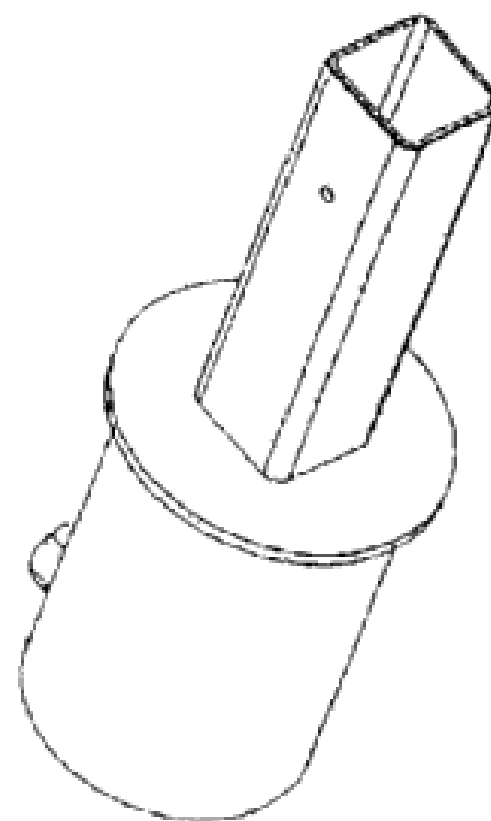
(21) Design Number: **14244/2006**  
(22) Date of Filing Application: **22 September 2006**  
(24) Date from which industrial property rights may have effect: **22 September 2006**  
(54) Product in respect of which the design is registered: **Stand**  
(51) International Design Classification: **08-08NES**  
(71) Name(s) and Address(s) of Applicant(s):  
**Cablestik Pty Ltd**  
**12 Kyla Street Alstonville New South Wales 2477 Australia**  
(72) Name(s) of Designer(s): **Peter Bruce Nankervis**  
(45) Registration Date: **30 October 2006**  
(56) Related Art Documents: **Not Applicable**  
(57) Statement of Newness and Distinctiveness: **Nil.**



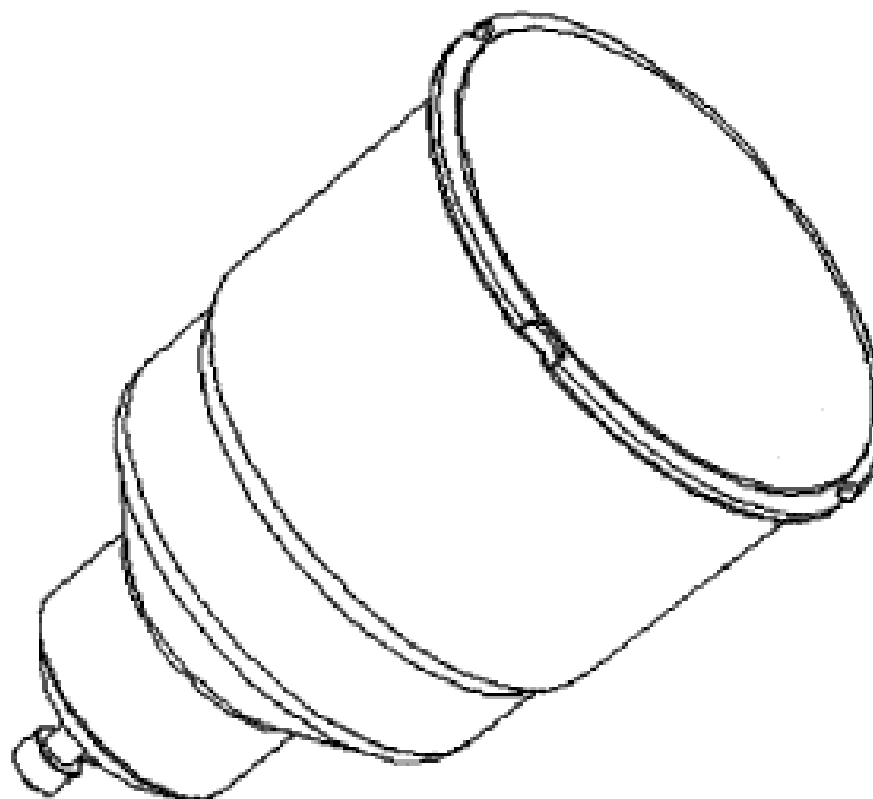
(21) Design Number: **14245/2006**  
(22) Date of Filing Application: **22 September 2006**  
(24) Date from which industrial property rights may have effect: **22 September 2006**  
(54) Product in respect of which the design is registered: **Support for reel**  
(51) International Design Classification: **08-08NES**  
(71) Name(s) and Address(s) of Applicant(s):  
**Cablestik Pty Ltd**  
**12 Kyla Street Alstonville New South Wales 2477 Australia**  
(72) Name(s) of Designer(s): **Peter Bruce Nankervis**  
(45) Registration Date: **30 October 2006**  
(56) Related Art Documents: **Not Applicable**  
(57) Statement of Newness and Distinctiveness: **Nil.**



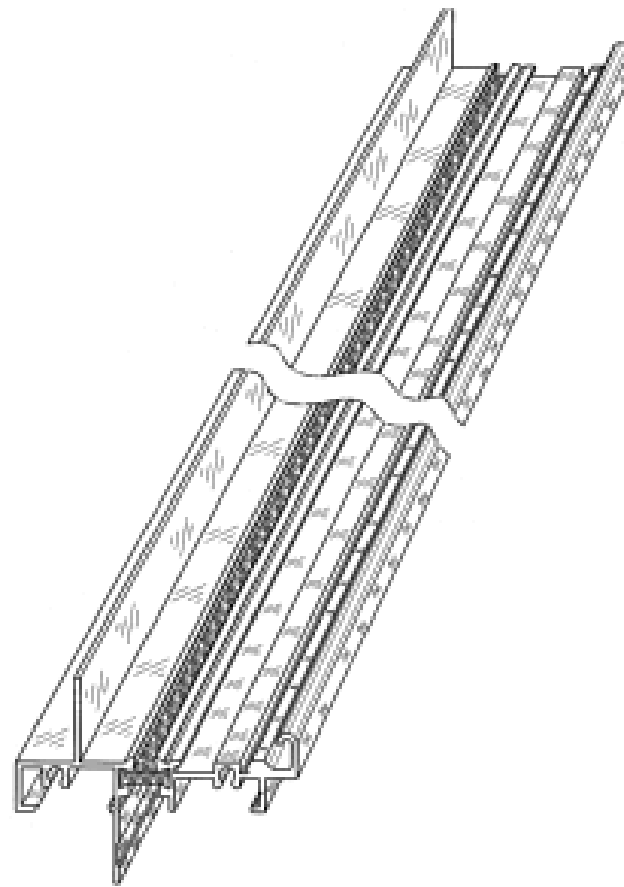
- (21) Design Number: **14246/2006**  
(22) Date of Filing Application: **22 September 2006**  
(24) Date from which industrial property rights may have effect: **22 September 2006**  
(54) Product in respect of which the design is registered: **Attachment housing for tow ball**  
(51) International Design Classification: **12-16L**  
(71) Name(s) and Address(s) of Applicant(s):  
**Cablestik Pty Ltd**  
**12 Kyla Street Alstonville New South Wales 2477 Australia**  
(72) Name(s) of Designer(s): **Peter Bruce Nankervis**  
(45) Registration Date: **30 October 2006**  
(56) Related Art Documents: **Not Applicable**  
(57) Statement of Newness and Distinctiveness: **Nil.**



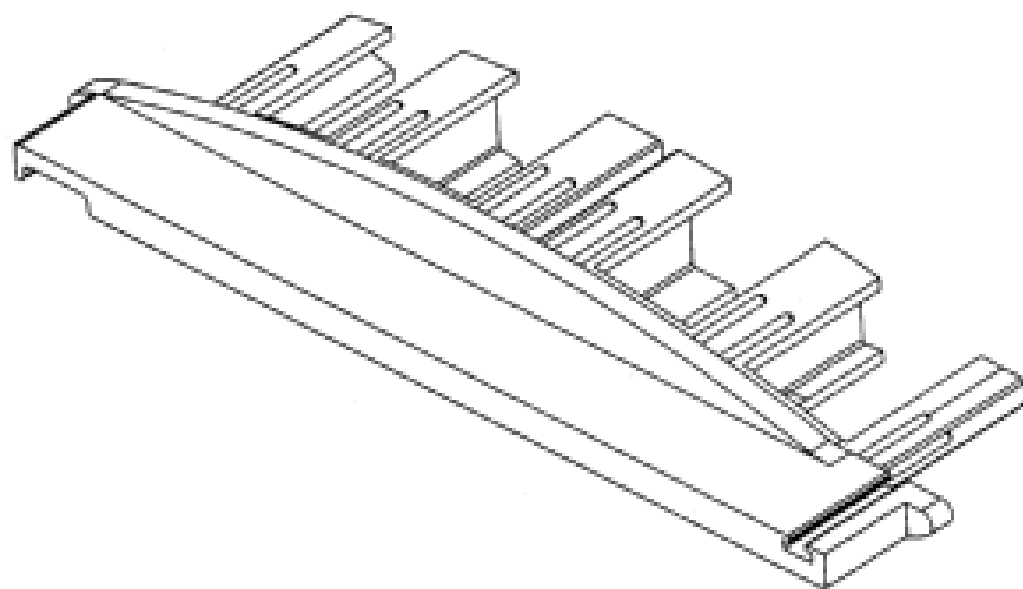
- (21) Design Number: **14247/2006**  
(22) Date of Filing Application: **22 September 2006**  
(24) Date from which industrial property rights may have effect: **22 September 2006**  
(54) Product in respect of which the design is registered: **Fluorescent lamp**  
(51) International Design Classification: **26-05A**  
(71) Name(s) and Address(s) of Applicant(s):  
**Mass Technology (H.K.) Ltd**  
**Room 2902-6 Tower 6 The Gateway No. 9 Canton Road Kowloon Hong Kong**  
(72) Name(s) of Designer(s): **Foo Onn Fah**  
(45) Registration Date: **30 October 2006**  
(30) Convention priority data:  
(31) Number (32) Date (33) Country  
**200630008442.7 24 Mar 2006 CHINA**  
(56) Related Art Documents: **Not Applicable**  
(57) Statement of Newness and Distinctiveness: **Newness and distinctiveness is claimed in the features of shape and/or configuration of a fluorescent lamp as illustrated in the accompanying representations.**



- (21) Design Number: **14351/2006**  
(22) Date of Filing Application: **29 September 2006**  
(24) Date from which industrial property rights may have effect: **29 September 2006**  
(54) Product in respect of which the design is registered: **"Joinery extrusion with insulating bridge"**  
(51) International Design Classification: **25-01K**  
(71) Name(s) and Address(s) of Applicant(s):  
**Prime Global Brands Ltd.**  
**Level 1 1 Cathedral Street Port Louis Mauritius**  
(72) Name(s) of Designer(s): **Anthony James Keller**  
(45) Registration Date: **30 October 2006**  
(56) Related Art Documents: **Not Applicable**  
(57) Statement of Newness and Distinctiveness: **Nil**



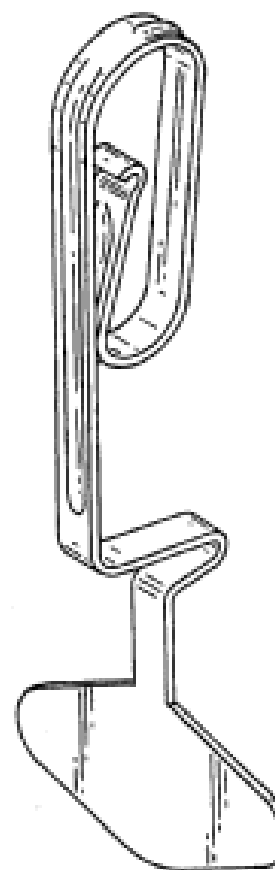
- (21) Design Number: **11849/2006**  
(22) Date of Filing Application: **03 May 2006**  
(24) Date from which industrial property rights may have effect: **03 May 2006**  
(54) Product in respect of which the design is registered: **Endcap**  
(51) International Design Classification: **25-01K**  
(71) Name(s) and Address(s) of Applicant(s):  
**Capral Aluminium Limited**  
**Unwin Street Granville New South Wales 2142 Australia**  
(72) Name(s) of Designer(s): **Martin Bowman**  
(45) Registration Date: **30 October 2006**  
(56) Related Art Documents: **Not Applicable**  
(57) Statement of Newness and Distinctiveness: **Newness and distinctiveness is claimed in the visual features shown in solid lines in the representations.**



(21) Design Number: **14203/2006**  
 (22) Date of Filing Application: **20 September 2006**  
 (24) Date from which industrial property rights may have effect: **20 September 2006**  
 (54) Product in respect of which the design is registered: **Hanger for a lavatory dispensing device**  
 (51) International Design Classification: **23-02A**  
 (71) Name(s) and Address(s) of Applicant(s):  
**Reckitt Benckiser Inc.**  
**Morris Corporate Center IV 399 Interpace Parkway Parsippany New Jersey 07054 United States of America**  
 (72) Name(s) of Designer(s): **Christopher Brian King and Dana Pheiff**  
 (45) Registration Date: **31 October 2006**  
 (30) Convention priority data:  

(31) Number	(32) Date	(33) Country
<b>29/256579</b>	<b>22 Mar 2006</b>	<b>UNITED STATES OF AMERICA</b>

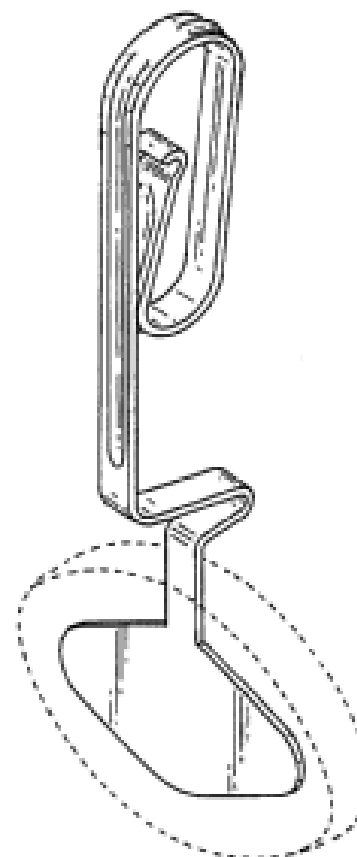
 (56) Related Art Documents: **Not Applicable**  
 (57) Statement of Newness and Distinctiveness: **Newness and distinctiveness reside in the features of the design as shown in the representations.**



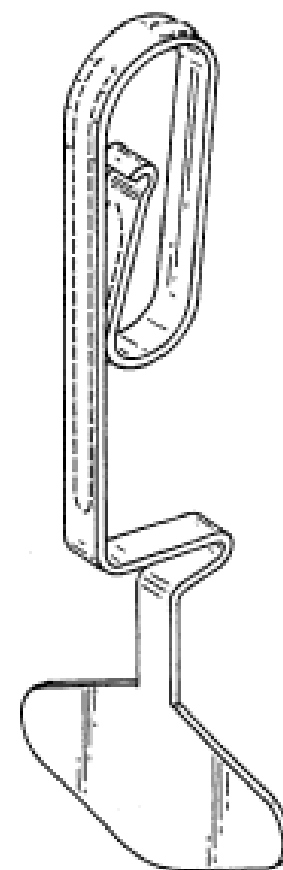
(21) Design Number: **14204/2006**  
 (22) Date of Filing Application: **20 September 2006**  
 (24) Date from which industrial property rights may have effect: **20 September 2006**  
 (54) Product in respect of which the design is registered: **Hanger for a lavatory dispensing device**  
 (51) International Design Classification: **23-02A**  
 (71) Name(s) and Address(s) of Applicant(s):  
**Reckitt Benckiser Inc.**  
**Morris Corporate Center IV 399 Interpace Parkway Parsippany New Jersey 07054 United States of America**  
 (72) Name(s) of Designer(s): **Christopher Brian King and Dana Pheiff**  
 (45) Registration Date: **31 October 2006**  
 (30) Convention priority data:  

(31) Number	(32) Date	(33) Country
<b>29/256579</b>	<b>22 Mar 2006</b>	<b>UNITED STATES OF AMERICA</b>

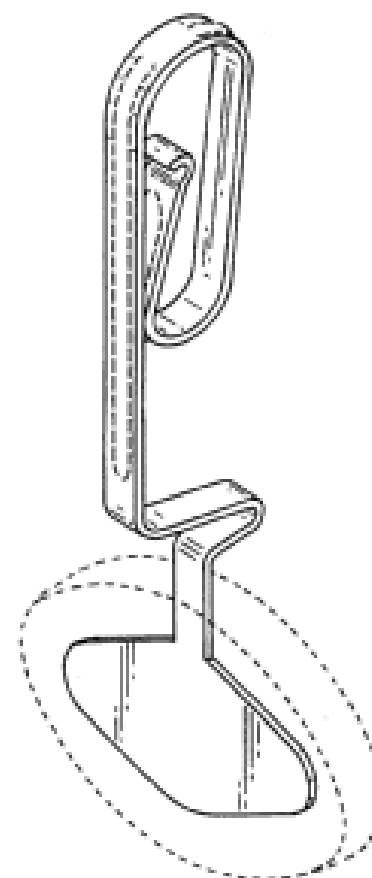
 (56) Related Art Documents: **Not Applicable**  
 (57) Statement of Newness and Distinctiveness: **Newness and distinctiveness reside in the features of the design shown in solid lines in the representations excluding those features shown in broken lines.**



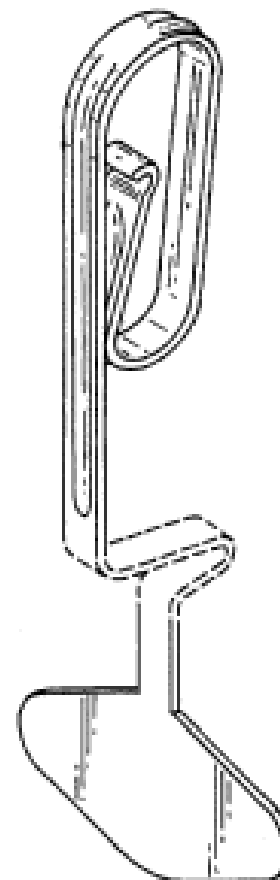
(21) Design Number: **14205/2006**  
 (22) Date of Filing Application: **20 September 2006**  
 (24) Date from which industrial property rights may have effect: **20 September 2006**  
 (54) Product in respect of which the design is registered: **Hanger for a lavatory device**  
 (51) International Design Classification: **23-02A**  
 (71) Name(s) and Address(s) of Applicant(s):  
**Reckitt Benckiser Inc.**  
**Morris Corporate Center IV 399 Interpace Parkway Parsippany New Jersey 07054 United States of America**  
 (72) Name(s) of Designer(s): **Christopher Brian King and Dana Pheiff**  
 (45) Registration Date: **31 October 2006**  
 (30) Convention priority data:  
 (31) Number (32) Date (33) Country  
**29/256579 22 Mar 2006 UNITED STATES OF AMERICA**  
 (56) Related Art Documents: **Not Applicable**  
 (57) Statement of Newness and Distinctiveness: **Newness and distinctiveness reside in the features of the design shown in solid lines in the representations excluding those feautres shown in broken lines.**



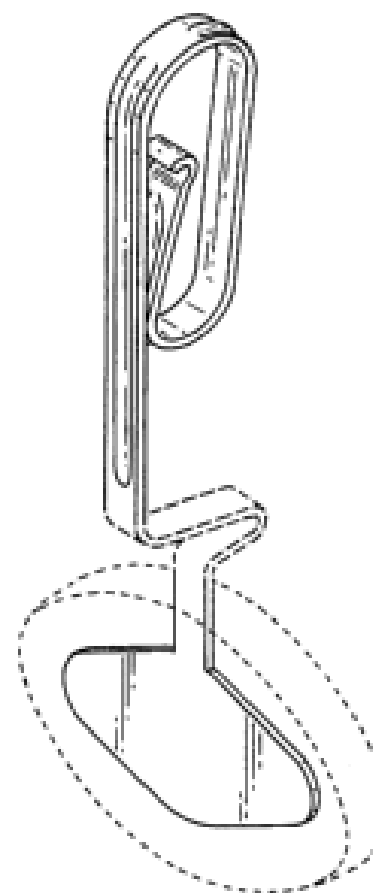
(21) Design Number: **14206/2006**  
 (22) Date of Filing Application: **20 September 2006**  
 (24) Date from which industrial property rights may have effect: **20 September 2006**  
 (54) Product in respect of which the design is registered: **Hanger for a lavatory dispensing device**  
 (51) International Design Classification: **23-02A**  
 (71) Name(s) and Address(s) of Applicant(s):  
**Reckitt Benckiser Inc.**  
**Morris Corporate Center IV 399 Interpace Parkway Parsippany New Jersey 07054 United States of America**  
 (72) Name(s) of Designer(s): **Christopher Brian King and Dana Pheiff**  
 (45) Registration Date: **31 October 2006**  
 (30) Convention priority data:  
 (31) Number (32) Date (33) Country  
**29/256579 22 Mar 2006 UNITED STATES OF AMERICA**  
 (56) Related Art Documents: **Not Applicable**  
 (57) Statement of Newness and Distinctiveness: **Newness and distinctiveness reside in the features of the design shown in solid lines in the representations excluding those features shown in broken lines.**



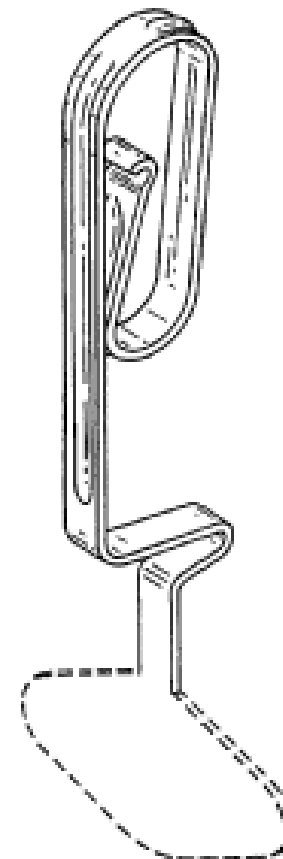
- (21) Design Number: **14207/2006**  
(22) Date of Filing Application: **20 September 2006**  
(24) Date from which industrial property rights may have effect: **20 September 2006**  
(54) Product in respect of which the design is registered: **Hanger for a lavatory dispensing device**  
(51) International Design Classification: **23-02A**  
(71) Name(s) and Address(s) of Applicant(s):  
**Reckitt Benckiser Inc.**  
**Morris Corporate Center IV 399 Interpace Parkway Parsippany New Jersey 07054 United States of America**  
(72) Name(s) of Designer(s): **Christopher Brian King and Dana Pheiff**  
(45) Registration Date: **31 October 2006**  
(30) Convention priority data:  
(31) Number (32) Date (33) Country  
**29/256579 22 Mar 2006 UNITED STATES OF AMERICA**  
(56) Related Art Documents: **Not Applicable**  
(57) Statement of Newness and Distinctiveness: **Newness and distinctiveness reside in the features of the design shown in solid lines in the representations excluding those features shown in broken lines.**



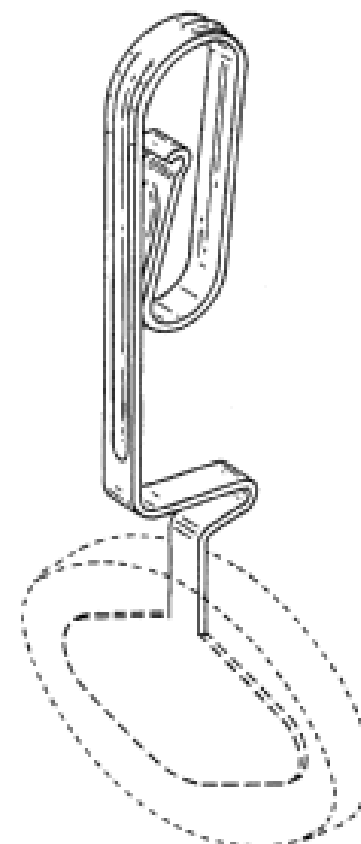
- (21) Design Number: **14208/2006**  
(22) Date of Filing Application: **20 September 2006**  
(24) Date from which industrial property rights may have effect: **20 September 2006**  
(54) Product in respect of which the design is registered: **Hanger for a lavatory dispensing device**  
(51) International Design Classification: **23-02A**  
(71) Name(s) and Address(s) of Applicant(s):  
**Reckitt Benckiser Inc.**  
**Morris Corporate Center IV 399 Interpace Parkway Parsippany New Jersey 07054 United States of America**  
(72) Name(s) of Designer(s): **Christopher Brian King and Dana Pheiff**  
(45) Registration Date: **31 October 2006**  
(30) Convention priority data:  
(31) Number (32) Date (33) Country  
**29/256579 22 Mar 2006 UNITED STATES OF AMERICA**  
(56) Related Art Documents: **Not Applicable**  
(57) Statement of Newness and Distinctiveness: **Newness and distinctiveness reside in the features of the design shown in solid lines in the representations excluding those features shown in broken lines.**



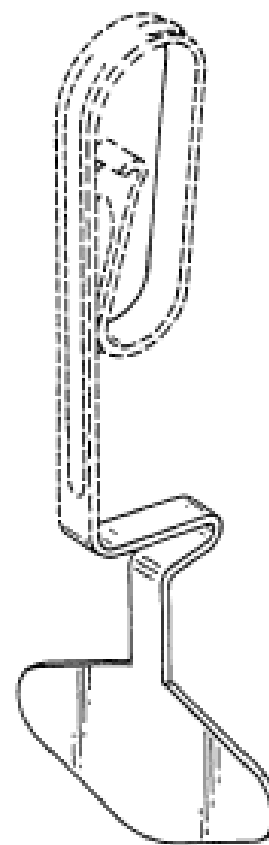
(21) Design Number: **14209/2006**  
(22) Date of Filing Application: **20 September 2006**  
(24) Date from which industrial property rights may have effect: **20 September 2006**  
(54) Product in respect of which the design is registered: **Hanger for a lavatory dispensing device**  
(51) International Design Classification: **23-02A**  
(71) Name(s) and Address(s) of Applicant(s):  
**Reckitt Benckiser Inc.**  
**Morris Corporate Center IV 399 Interpace Parkway Parsippany New Jersey 07054 United States of America**  
(72) Name(s) of Designer(s): **Christopher Brian King and Dana Pheiff**  
(45) Registration Date: **31 October 2006**  
(30) Convention priority data:  
(31) Number (32) Date (33) Country  
**29/256579 22 Mar 2006 UNITED STATES OF AMERICA**  
(56) Related Art Documents: **Not Applicable**  
(57) Statement of Newness and Distinctiveness: **Newness and distinctiveness reside in the features of the design shown in solid lines in the representations excluding those features shown in broken lines.**



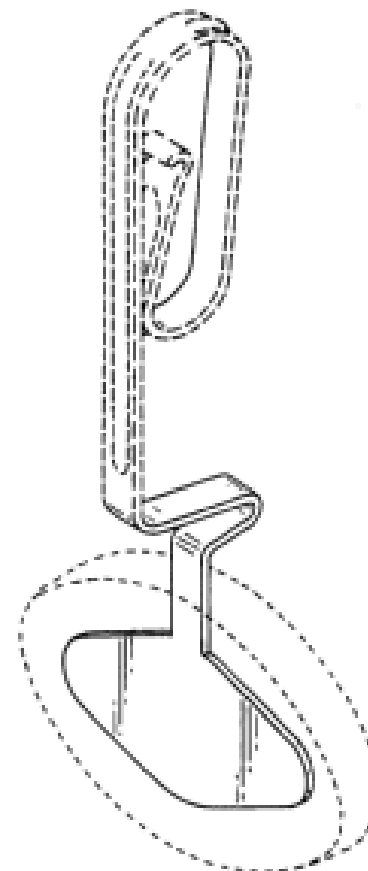
(21) Design Number: **14210/2006**  
(22) Date of Filing Application: **20 September 2006**  
(24) Date from which industrial property rights may have effect: **20 September 2006**  
(54) Product in respect of which the design is registered: **Hanger for a lavatory dispensing device**  
(51) International Design Classification: **23-02A**  
(71) Name(s) and Address(s) of Applicant(s):  
**Reckitt Benckiser Inc.**  
**Morris Corporate Center IV 399 Interpace Parkway Parsippany New Jersey 07054 United States of America**  
(72) Name(s) of Designer(s): **Christopher Brian King and Dana Pheiff**  
(45) Registration Date: **31 October 2006**  
(30) Convention priority data:  
(31) Number (32) Date (33) Country  
**29/256579 22 Mar 2006 UNITED STATES OF AMERICA**  
(56) Related Art Documents: **Not Applicable**  
(57) Statement of Newness and Distinctiveness: **Newness and distinctiveness reside in the features of the design shown in solid lines in the representations excluding those features shown in broken lines.**



- (21) Design Number: **14211/2006**  
(22) Date of Filing Application: **20 September 2006**  
(24) Date from which industrial property rights may have effect: **20 September 2006**  
(54) Product in respect of which the design is registered: **Hanger for a lavatory dispensing device**  
(51) International Design Classification: **23-02A**  
(71) Name(s) and Address(s) of Applicant(s):  
**Reckitt Benckiser Inc.**  
**Morris Corporate Center IV 399 Interpace Parkway Parsippany New Jersey 07054 United States of America**  
(72) Name(s) of Designer(s): **Christopher Brian King and Dana Pheiff**  
(45) Registration Date: **31 October 2006**  
(30) Convention priority data:  
(31) Number (32) Date (33) Country  
**29/256579 22 Mar 2006 UNITED STATES OF AMERICA**  
(56) Related Art Documents: **Not Applicable**  
(57) Statement of Newness and Distinctiveness: **Newness and distinctiveness reside in the features of the design shown in solid lines in the representations excluding those features shown in broken lines.**



- (21) Design Number: **14212/2006**  
(22) Date of Filing Application: **20 September 2006**  
(24) Date from which industrial property rights may have effect: **20 September 2006**  
(54) Product in respect of which the design is registered: **Hanger for lavatory dispensing device**  
(51) International Design Classification: **23-02A**  
(71) Name(s) and Address(s) of Applicant(s):  
**Reckitt Benckiser Inc.**  
**Morris Corporate Center IV 399 Interpace Parkway Parsippany New Jersey 07054 United States of America**  
(72) Name(s) of Designer(s): **Christopher Brian King and Dana Pheiff**  
(45) Registration Date: **31 October 2006**  
(30) Convention priority data:  
(31) Number (32) Date (33) Country  
**29/256579 22 Mar 2006 UNITED STATES OF AMERICA**  
(56) Related Art Documents: **Not Applicable**  
(57) Statement of Newness and Distinctiveness: **Newness and distinctiveness reside in the features of the design shown in solid lines in the representations excluding those features shown in broken lines.**

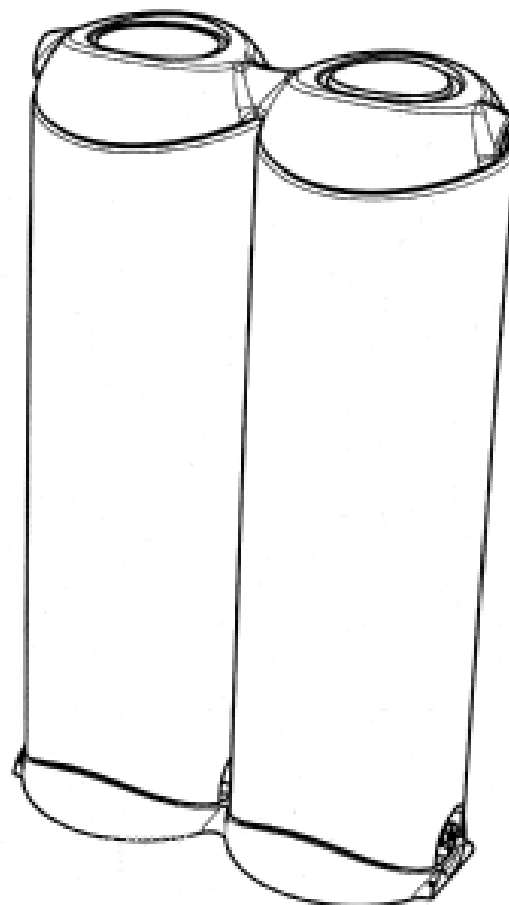


- (21) Design Number: **14274/2006**
- (22) Date of Filing Application: **22 September 2006**
- (24) Date from which industrial property rights may have effect: **22 September 2006**
- (54) Product in respect of which the design is registered: **1000lt water tank**
- (51) International Design Classification: **23-01F**
- (71) Name(s) and Address(s) of Applicant(s):

**Global Rotomoulding**  
**1560 Koorlong Avenue Irymple Victoria 3498 Australia**

- (72) Name(s) of Designer(s): **Angus McDonald and Howard Ferry and Lester Ferry**
- (45) Registration Date: **31 October 2006**
- (56) Related Art Documents: **Not Applicable**

(57) Statement of Newness and Distinctiveness: **1000lt Water Tank (1000lt Water Tower). Modular separate cylinders joined together to create a complete water storage product (tank). Top of tank (top cover) is potentially a different colour to tank body (cylinder) thus creating a 'wave' visual effect. Base of tank (bottom cover) is potentially a different colour to the tank body (cylinder) thus creating a 'wave' visual effect. Water tank consists of 2 separate holding cylinders and 1 top cover and 1 bottom cover. Outlet/overflow is integrated into top cover shape. Connecting point (at bottom of cylinder) is integrated into the tank base. 'Joining' of two circular top 'caps' to form 1 top cover. 'Joining' of two circular bottom 'feet' to form 1 bottom cover. Width of tank = 0.5 tank length.**

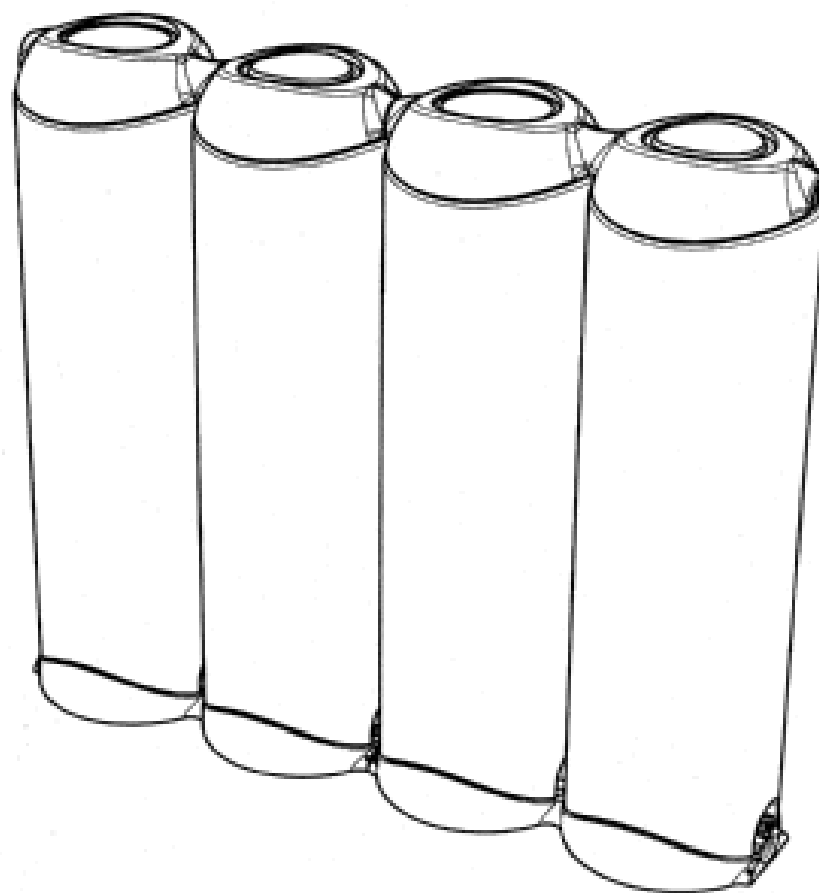


- (21) Design Number: **14275/2006**
- (22) Date of Filing Application: **22 September 2006**
- (24) Date from which industrial property rights may have effect: **22 September 2006**
- (54) Product in respect of which the design is registered: **2000lt water tank**
- (51) International Design Classification: **23-01F**
- (71) Name(s) and Address(s) of Applicant(s):

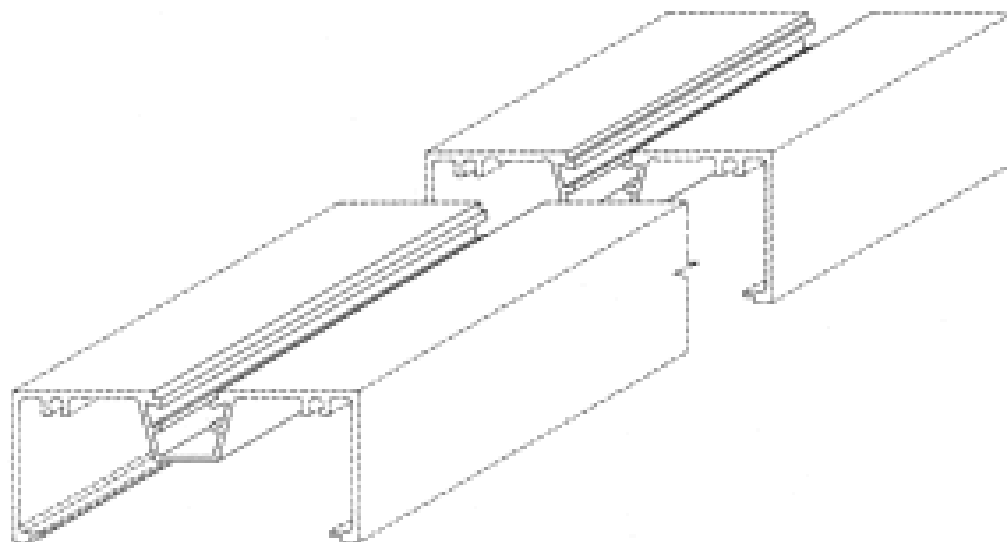
**Global Rotomoulding**  
**1560 Koorlong Avenue Irymple Victoria 3498 Australia**

- (72) Name(s) of Designer(s): **Angus McDonald and Howard Ferry and Lester Ferry**
- (45) Registration Date: **31 October 2006**
- (56) Related Art Documents: **Not Applicable**

(57) Statement of Newness and Distinctiveness: **1000lt Water Tank (2000lt Water Tower). Modular separate cylinders joined together to create a complete water storage product (tank). Two tanks joined together to form a larger capacity tank (in this case 2000lt). Top of tank (top cover) is potentially a different colour to tank body (cylinder) thus creating a 'wave' visual effect. Base of tank (bottom cover) is potentially a different colour to the tank body (cylinder) thus creating a 'wave' visual effect. Water tank consists of 2 complete tanks joined together. Once joined together there is very little obvious visual markings as to where they are joined thus creating the 'look' of one complete tank. Outlet/overflow is integrated into top cover shape. Connecting point (at bottom of cylinder) is integrated into the tank base. Width of 2000lt tank = 0.25 x 2000lt tank length.**



- (21) Design Number: **14292/2006**  
(22) Date of Filing Application: **25 September 2006**  
(24) Date from which industrial property rights may have effect: **25 September 2006**  
(54) Product in respect of which the design is registered: **Captive glazing pocket**  
(51) International Design Classification: **25-01K, 25-02H**  
(71) Name(s) and Address(s) of Applicant(s):  
**Aluminium Specialties Group Pty Ltd**  
**3 Alspec Place Eastern Creek New South Wales 2766 Australia**  
(72) Name(s) of Designer(s): **David W. Evans**  
(45) Registration Date: **31 October 2006**  
(56) Related Art Documents: **Not Applicable**  
(57) Statement of Newness and Distinctiveness: **Newness and distinctiveness is claimed in the shape and/or configuration of the extrusion of constant cross section and indefinite length as shown in the accompanying representations. In considering the shape and/or configuration of the extrusion the features shown in broken lines should be disregarded.**



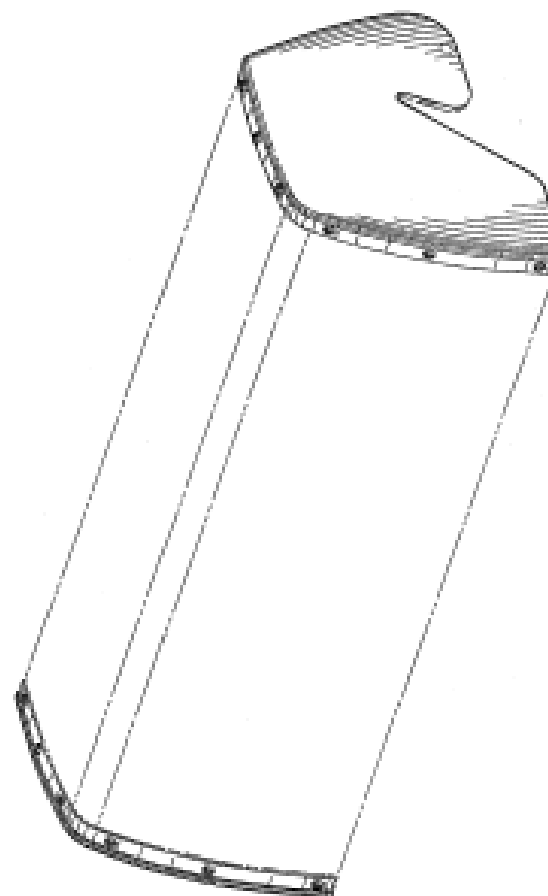
- (21) Design Number: **14344/2006**  
(22) Date of Filing Application: **28 September 2006**  
(24) Date from which industrial property rights may have effect: **28 September 2006**  
(54) Product in respect of which the design is registered: **Leggings (also called 'gaiters' or chappetts') used for equestrian activities**  
(51) International Design Classification: **02-04C**  
(71) Name(s) and Address(s) of Applicant(s):  
**Leonie Quick**  
**650 Hammond Road Murchison Victoria 3610 Australia**  
(72) Name(s) of Designer(s): **Leonie Quick**  
(45) Registration Date: **31 October 2006**  
(56) Related Art Documents: **Not Applicable**  
(57) Statement of Newness and Distinctiveness: **The garment fastens at the front of the leg (not to the side or the rear of the leg) as per attached page 1 to 6. Leggings/gaiters/chappetts (referred to as 'the garment') for equestrian activities are intended to be worn with riding boots. The garment is generally made from leather or suede or leather-like or suede-like material and fastens by a zipper or velcro positioned vertically to the rear or side of the garment. The design of the garment herewith is distinctive by the fastening being placed at the front of the garment. The fastening is positioned vertically on or near the shin bone of the wearer's leg within a zone that comprises the front portion of the garment.**



- (21) Design Number: **14345/2006**  
(22) Date of Filing Application: **28 September 2006**  
(24) Date from which industrial property rights may have effect: **28 September 2006**  
(54) Product in respect of which the design is registered: **Slipstream cap decoration only**  
(51) International Design Classification: **02-03**  
(71) Name(s) and Address(s) of Applicant(s):  
**Epicentre Trading Pty Ltd**  
**32 Borthwick Avenue Murrarie Queensland 4172 Australia**  
(72) Name(s) of Designer(s): **Bob Murray**  
(45) Registration Date: **31 October 2006**  
(56) Related Art Documents: **Not Applicable**  
(57) Statement of Newness and Distinctiveness: **Two tone peak or cap separated by a distinctive border flowing from the left edge of the cap peak along the left hand border and finishing at the right hand side of the front of the peak.**

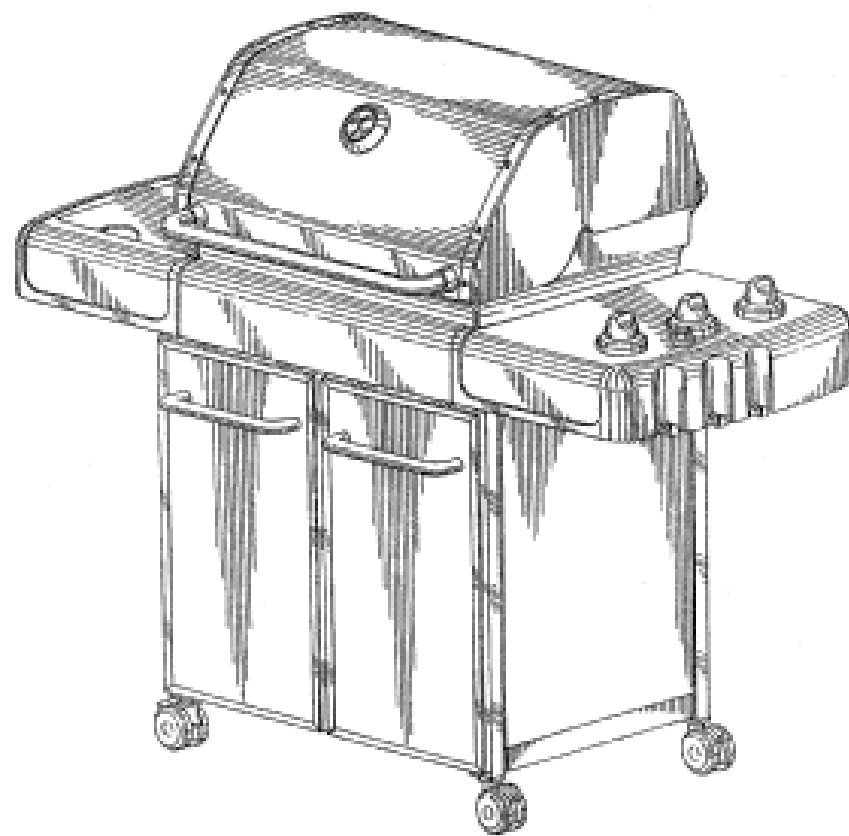


- (21) Design Number: **14346/2006**  
(22) Date of Filing Application: **27 September 2006**  
(24) Date from which industrial property rights may have effect: **27 September 2006**  
(54) Product in respect of which the design is registered: **Shroud for a barbecue grill**  
(51) International Design Classification: **07-02E**  
(71) Name(s) and Address(s) of Applicant(s):  
**Weber-Stephen Products Co.**  
**200 E. Daniels Road Palatine Illinois 60067 United States of America**  
(72) Name(s) of Designer(s): **Adrian A. Bruno and Daniel S. Choi and Charles Choi and Leonard Zelek**  
(45) Registration Date: **31 October 2006**  
(30) Convention priority data:  
(31) Number      (32) Date      (33) Country  
**29/256980      27 Mar 2006      UNITED STATES OF AMERICA**  
(56) Related Art Documents: **Not Applicable**  
(57) Statement of Newness and Distinctiveness: **Newness and distinctiveness is claimed in the features of shape and/or configuration of a shroud for a barbecue grill as illustrated in continuous line in the accompanying representations.**



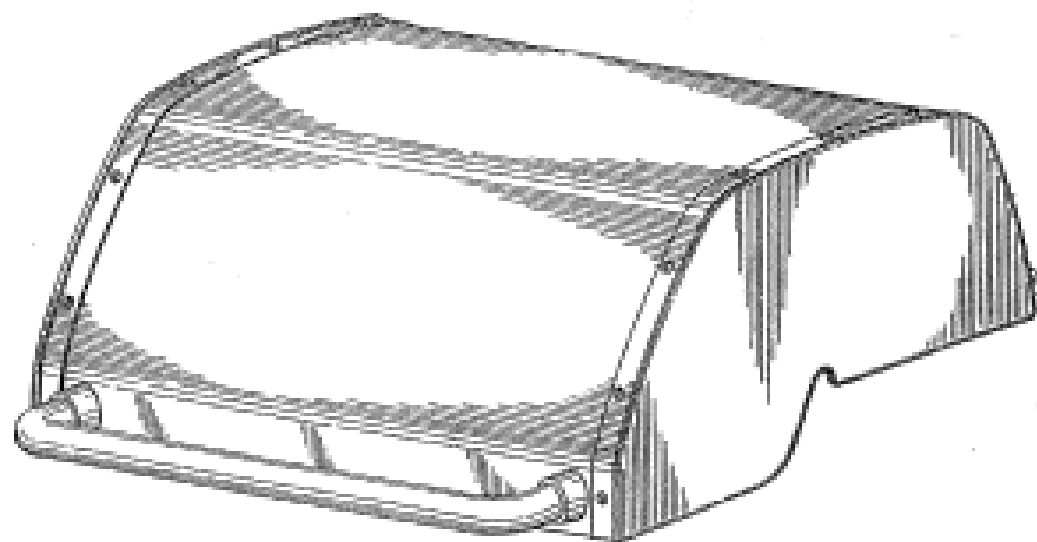
- (21) Design Number: **14347/2006**
- (22) Date of Filing Application: **27 September 2006**
- (24) Date from which industrial property rights may have effect: **27 September 2006**
- (54) Product in respect of which the design is registered: **Grill**
- (51) International Design Classification: **07-02E**
- (71) Name(s) and Address(s) of Applicant(s):  
**Weber-Stephen Products Co.**  
**200 E. Daniels Road Palatine Illinois 60067 United States of America**
- (72) Name(s) of Designer(s): **Adrian A. Bruno and Daniel S. Choi and Charles Choi and Leonard Zelek**
- (45) Registration Date: **31 October 2006**
- (30) Convention priority data:  

(31) Number	(32) Date	(33) Country
<b>29/256991</b>	<b>27 Mar 2006</b>	<b>UNITED STATES OF AMERICA</b>
- (56) Related Art Documents: **Not Applicable**
- (57) Statement of Newness and Distinctiveness: **Newness and distinctiveness is claimed in the features of shape and/or configuration of a grill as illustrated in the accompanying representations.**

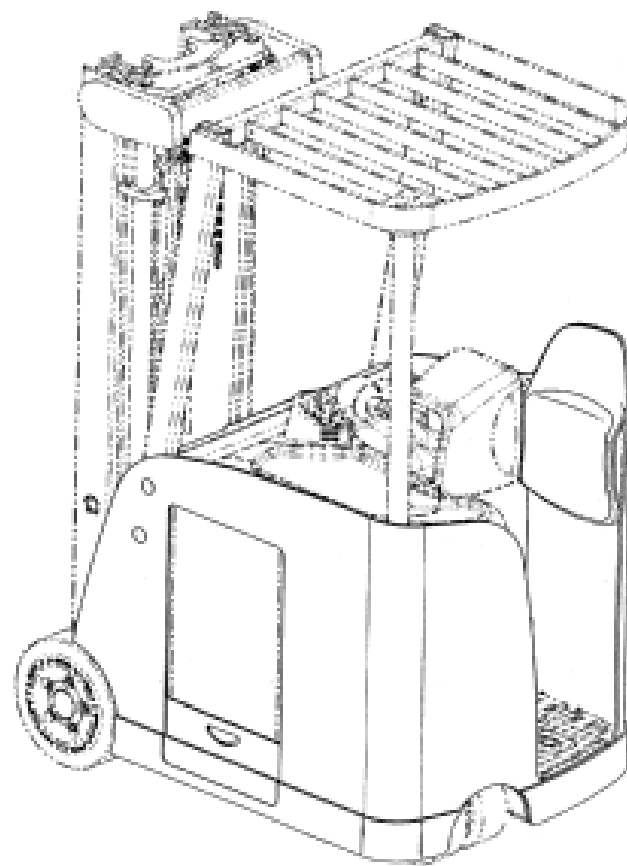


- (21) Design Number: **14348/2006**
- (22) Date of Filing Application: **27 September 2006**
- (24) Date from which industrial property rights may have effect: **27 September 2006**
- (54) Product in respect of which the design is registered: **Shroud for a barbecue grill**
- (51) International Design Classification: **07-02E**
- (71) Name(s) and Address(s) of Applicant(s):  
**Weber-Stephen Products Co.**  
**200 E. Daniels Road Palatine Illinois 60067 United States of America**
- (72) Name(s) of Designer(s): **Adrian A. Bruno and Daniel S. Choi and Charles Choi and Leonard Zelek**
- (45) Registration Date: **31 October 2006**
- (30) Convention priority data:  

(31) Number	(32) Date	(33) Country
<b>29/256977</b>	<b>27 Mar 2006</b>	<b>UNITED STATES OF AMERICA</b>
- (56) Related Art Documents: **Not Applicable**
- (57) Statement of Newness and Distinctiveness: **Newness and distinctiveness is claimed in the features of shape and/or configuration of a shroud for a barbecue grill as illustrated in the accompanying representations.**



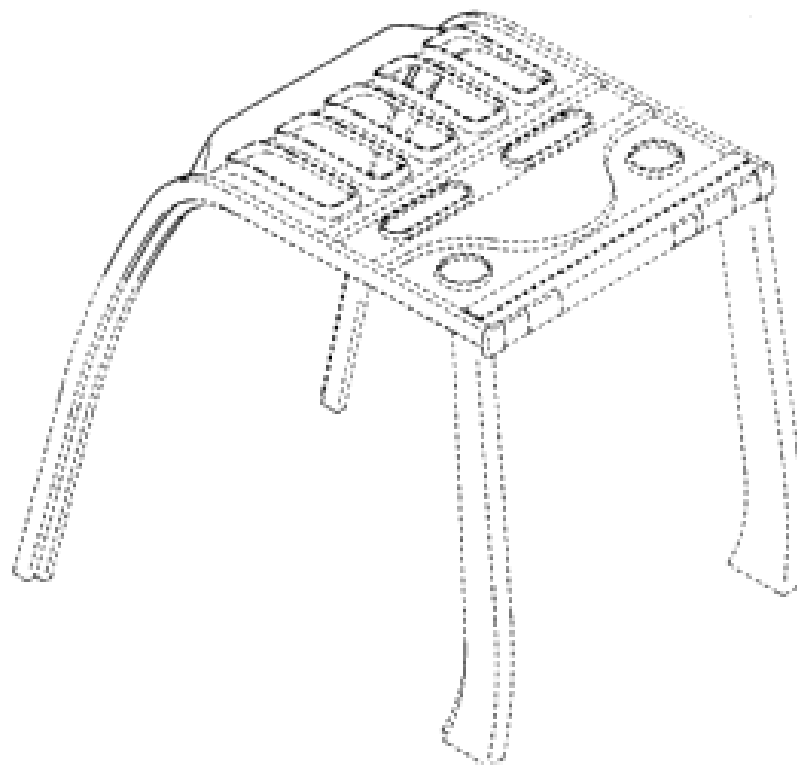
- (21) Design Number: **14381/2006**  
(22) Date of Filing Application: **28 September 2006**  
(24) Date from which industrial property rights may have effect: **28 September 2006**  
(54) Product in respect of which the design is registered: **Stand-up counterbalance lift truck**  
(51) International Design Classification: **12-05**  
(71) Name(s) and Address(s) of Applicant(s):  
**Crown Equipment Corporation**  
**40 South Washington Street New Bremen OH 45869 United States of America**  
(72) Name(s) of Designer(s): **Roger J. Quinlan Jr. and Craig J. Rekow and Michael P. Gallagher**  
(45) Registration Date: **31 October 2006**  
(30) Convention priority data:  
(31) Number (32) Date (33) Country  
**29/257,833 11 Apr 2006 UNITED STATES OF AMERICA**  
(56) Related Art Documents: **Not Applicable**  
(57) Statement of Newness and Distinctiveness: **The shape and configuration of the stand-up counterbalance lift truck is new and distinctive. In considering the newness and distinctiveness of the design, the features shown in broken lines are to be disregarded.**



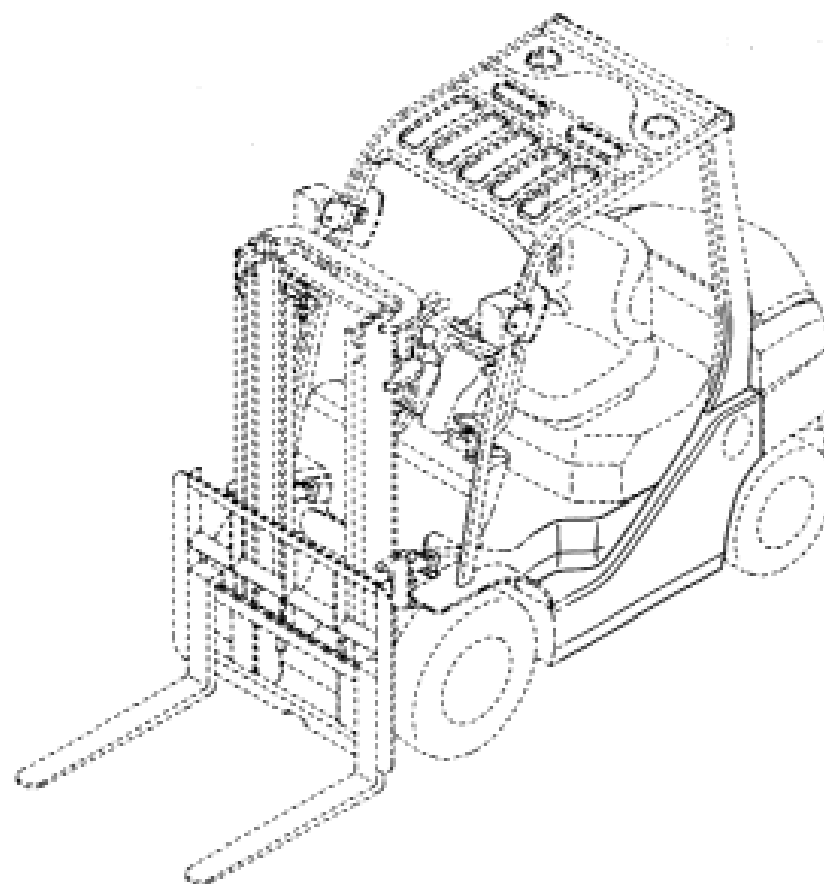
- (21) Design Number: **14382/2006**  
(22) Date of Filing Application: **28 September 2006**  
(24) Date from which industrial property rights may have effect: **28 September 2006**  
(54) Product in respect of which the design is registered: **A handset**  
(51) International Design Classification: **14-03E**  
(71) Name(s) and Address(s) of Applicant(s):  
**Nokia Corporation**  
**Keilalahdentie 4 FIN-02150 Espoo Finland**  
(72) Name(s) of Designer(s): **Ian Buckle and Anthony Dalby**  
(45) Registration Date: **31 October 2006**  
(30) Convention priority data:  
(31) Number (32) Date (33) Country  
**M20060075 03 Apr 2006 FINLAND**  
(56) Related Art Documents: **Not Applicable**  
(57) Statement of Newness and Distinctiveness: **Nil**



- (21) Design Number: **14391/2006**  
(22) Date of Filing Application: **29 September 2006**  
(24) Date from which industrial property rights may have effect: **29 September 2006**  
(54) Product in respect of which the design is registered: **Head guard for working vehicles**  
(51) International Design Classification: **12-16C**  
(71) Name(s) and Address(s) of Applicant(s):  
**Kabushiki Kaisha Toyota Jidoshokki**  
**2-1 Toyoda-Cho Kariya-Shi Aichi-Ken Japan**  
(72) Name(s) of Designer(s): **Tomomichi Miura**  
(45) Registration Date: **31 October 2006**  
(30) Convention priority data:  
(31) Number      (32) Date      (33) Country  
**2006-008567      31 Mar 2006      JAPAN**  
(56) Related Art Documents: **Not Applicable**  
(57) Statement of Newness and Distinctiveness: **The shape and configuration of the head guard shown in solid lines is new and distinctive. In considering the newness and distinctiveness of the design, the features shown in broken lines are to be disregarded.**



- (21) Design Number: **14392/2006**  
(22) Date of Filing Application: **29 September 2006**  
(24) Date from which industrial property rights may have effect: **29 September 2006**  
(54) Product in respect of which the design is registered: **Forklift truck**  
(51) International Design Classification: **12-05**  
(71) Name(s) and Address(s) of Applicant(s):  
**Kabushiki Kaisha Toyota Jidoshokki**  
**2-1 Toyoda-Cho Kariya-Shi Aichi-Ken Japan**  
(72) Name(s) of Designer(s): **Hiroki Mori and Tomomichi Miura and Masanori Shinoda and Takahito Miyake**  
(45) Registration Date: **31 October 2006**  
(30) Convention priority data:  
(31) Number      (32) Date      (33) Country  
**2006-008561      31 Mar 2006      JAPAN**  
(56) Related Art Documents: **Not Applicable**  
(57) Statement of Newness and Distinctiveness: **The shape and configuration of the side panel shown in solid lines is new and distinctive. In considering the newness and distinctiveness of the design, the features shown in broken lines are to be disregarded.**



(21) Design Number: **14393/2006**

(22) Date of Filing Application: **29 September 2006**

(24) Date from which industrial property rights may have effect: **29 September 2006**

(54) Product in respect of which the design is registered: **Head guard for working vehicles**

(51) International Design Classification: **12-16C**

(71) Name(s) and Address(s) of Applicant(s):

**Kabushiki Kaisha Toyota Jidoshokki  
2-1 Toyoda-Cho Kariya-Shi Aichi-Ken Japan**

(72) Name(s) of Designer(s): **Tomomichi Miura**

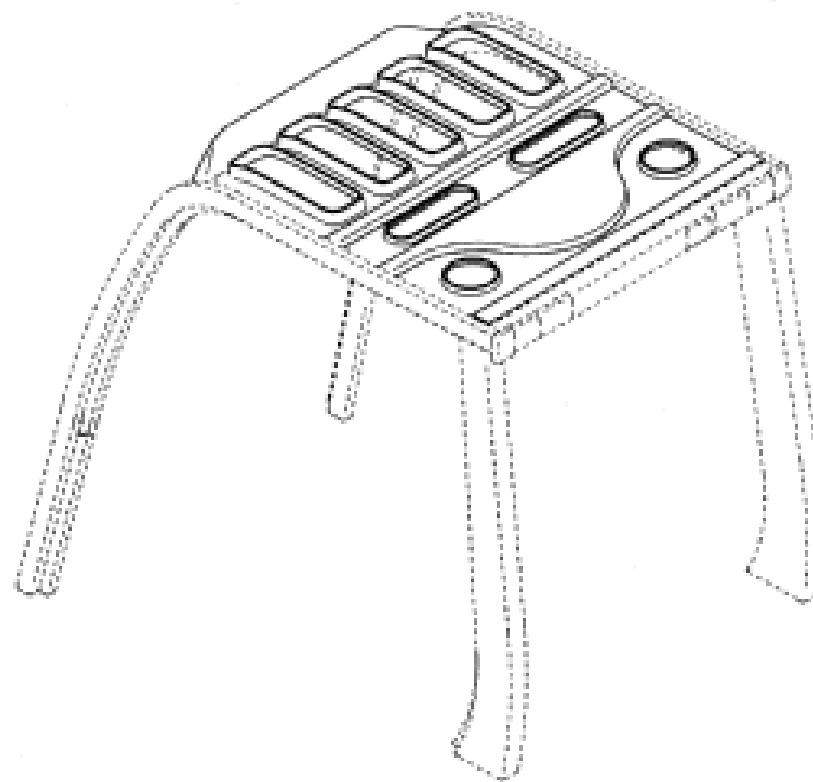
(45) Registration Date: **31 October 2006**

(30) Convention priority data:

(31) Number	(32) Date	(33) Country
<b>22006-008566</b>	<b>31 Mar 2006</b>	<b>JAPAN</b>

(56) Related Art Documents: **Not Applicable**

(57) Statement of Newness and Distinctiveness: **The shape and configuration of the head guard shown in solid lines is new and distinctive. In considering the newness and distinctiveness of the design, the features shown in broken lines are to be disregarded.**



(21) Design Number: **14395/2006**

(22) Date of Filing Application: **29 September 2006**

(24) Date from which industrial property rights may have effect: **29 September 2006**

(54) Product in respect of which the design is registered: **Forklift truck**

(51) International Design Classification: **12-05**

(71) Name(s) and Address(s) of Applicant(s):

**Kabushiki Kaisha Toyota Jidoshokki  
2-1 Toyoda-Cho Kariya-Shi Aichi-Ken Japan**

(72) Name(s) of Designer(s): **Hiroki Mori and Tomomichi Miura and Masanori Shinoda and Takahito Miyake**

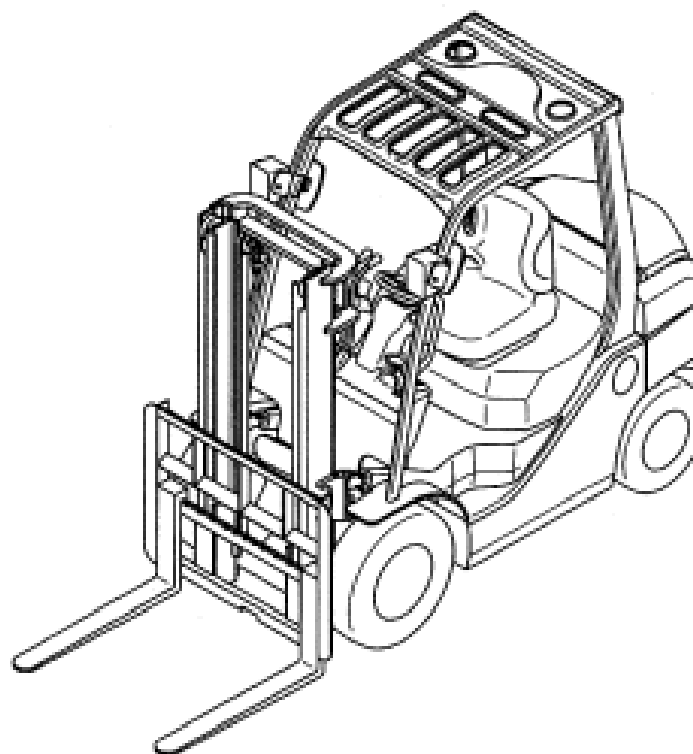
(45) Registration Date: **31 October 2006**

(30) Convention priority data:

(31) Number	(32) Date	(33) Country
<b>2006-008551</b>	<b>31 Mar 2006</b>	<b>JAPAN</b>

(56) Related Art Documents: **Not Applicable**

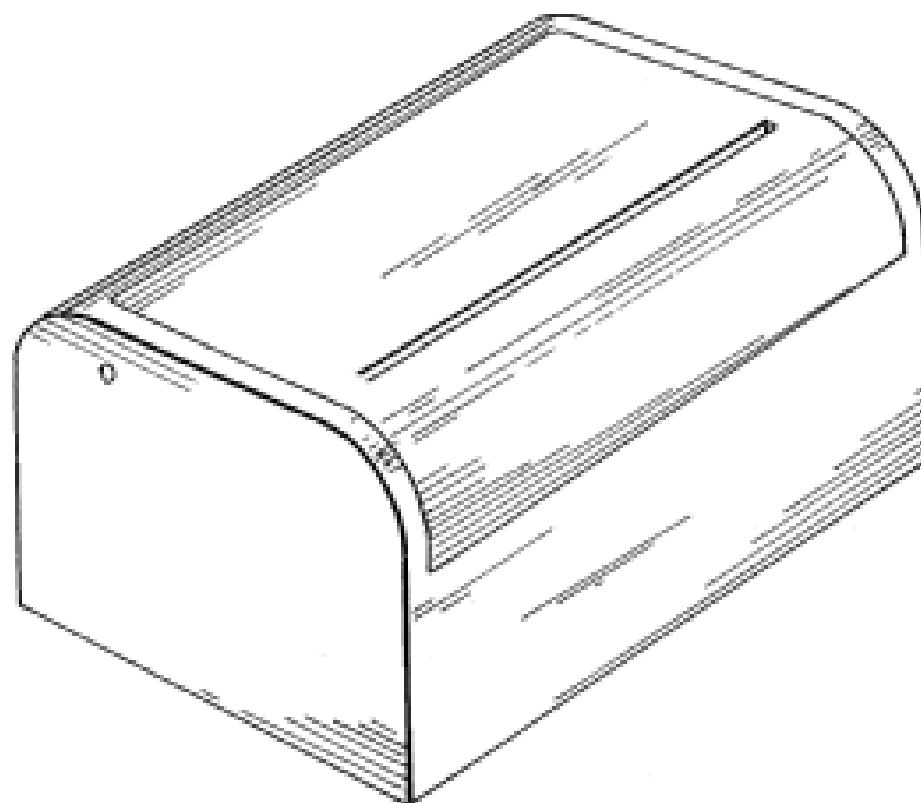
(57) Statement of Newness and Distinctiveness: **The shape and configuration of the forklift truck is new and distinctive.**



- (21) Design Number: **14400/2006**  
(22) Date of Filing Application: **29 September 2006**  
(24) Date from which industrial property rights may have effect: **29 September 2006**  
(54) Product in respect of which the design is registered: **Magnetic photo frame with clip-on magnetic stand**  
(51) International Design Classification: **06-07**  
(71) Name(s) and Address(s) of Applicant(s):  
**Brendan Sharpe**  
**51 Bridge Street Richmond Tasmania 7025 Australia**  
(72) Name(s) of Designer(s): **Brendan Sharpe**  
(45) Registration Date: **31 October 2006**  
(56) Related Art Documents: **Not Applicable**  
(57) Statement of Newness and Distinctiveness: **Magnetic photo frame on stainless steel backing, with magnetic clip-on prop for stand.**



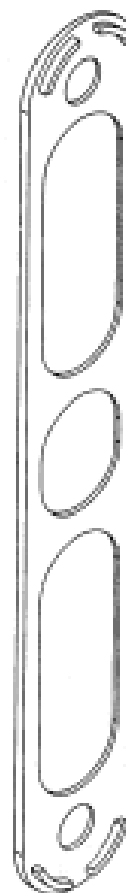
- (21) Design Number: **10505/2006**  
(22) Date of Filing Application: **10 February 2006**  
(24) Date from which industrial property rights may have effect: **10 February 2006**  
(54) Product in respect of which the design is registered: **Receptacle**  
(51) International Design Classification: **03-01NES**  
(71) Name(s) and Address(s) of Applicant(s):  
**Frank Fortunato Morabito**  
**4 Karu Court Bundoora Victoria 3083 Australia**  
**Giuseppe Cellini**  
**16 Swindon Court Lalor Victoria 3075 Australia**  
(72) Name(s) of Designer(s): **Frank Fortunato Morabito and Giuseppe Cellini**  
(45) Registration Date: **30 October 2006**  
(56) Related Art Documents: **Not Applicable**  
(57) Statement of Newness and Distinctiveness: **Nil**



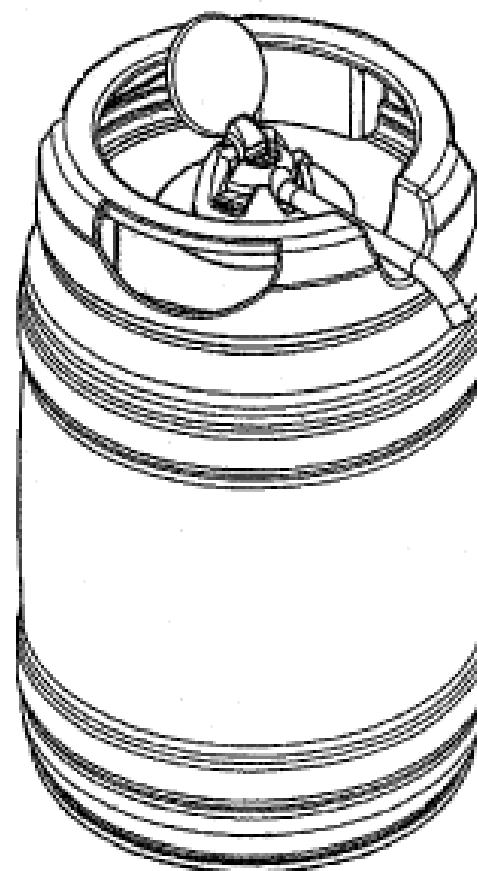
- (21) Design Number: **11707/2006**  
(22) Date of Filing Application: **26 April 2006**  
(24) Date from which industrial property rights may have effect: **26 April 2006**  
(54) Product in respect of which the design is registered: **Drink holder attachment for a booster seat**  
(51) International Design Classification: **08-08NES, 07-06A**  
(71) Name(s) and Address(s) of Applicant(s):  
**Ortech Pty Ltd**  
**59/15 Fulham Road Rowville Victoria 3178 Australia**  
(72) Name(s) of Designer(s): **Sydney Allan Sharpe**  
(45) Registration Date: **30 October 2006**  
(56) Related Art Documents: **Not Applicable**  
(57) Statement of Newness and Distinctiveness: **Protection is only for the attachment of the bottle holder. The bottle and the chair are not part of this design.**



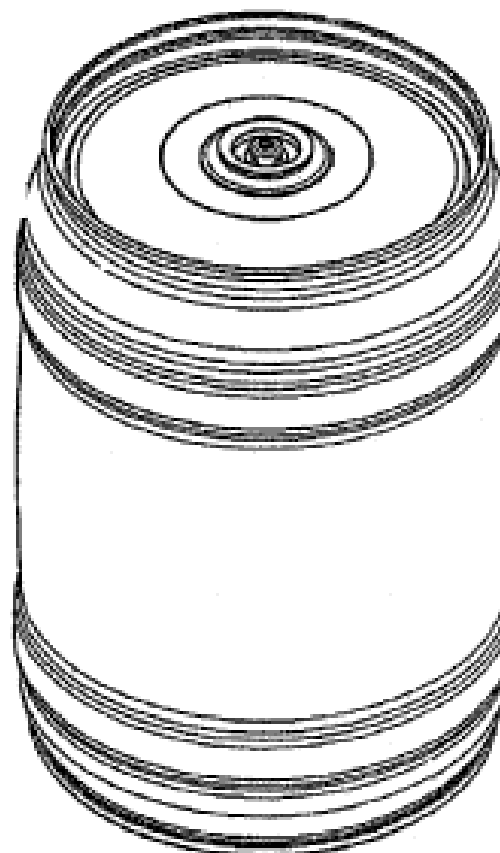
- (21) Design Number: **11851/2006**  
(22) Date of Filing Application: **03 May 2006**  
(24) Date from which industrial property rights may have effect: **03 May 2006**  
(54) Product in respect of which the design is registered: **Spacer**  
(51) International Design Classification: **08-07**  
(71) Name(s) and Address(s) of Applicant(s):  
**Capral Aluminium Limited**  
**Unwin Street Granville New South Wales 2142 Australia**  
(72) Name(s) of Designer(s): **Martin Bowman**  
(45) Registration Date: **30 October 2006**  
(56) Related Art Documents: **Not Applicable**  
(57) Statement of Newness and Distinctiveness: **Newness and distinctiveness is claimed in the visual features shown in solid lines in the representations.**



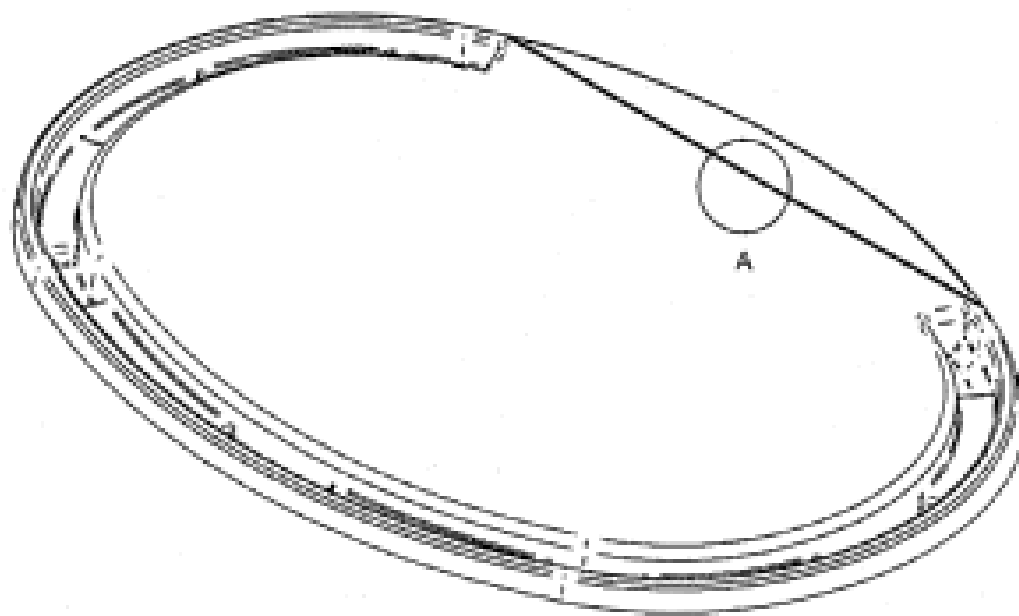
- (21) Design Number: **14281/2006**  
(22) Date of Filing Application: **25 September 2006**  
(24) Date from which industrial property rights may have effect: **25 September 2006**  
(54) Product in respect of which the design is registered: **Beer keg**  
(51) International Design Classification: **09-02C**  
(71) Name(s) and Address(s) of Applicant(s):  
**Heineken Supply Chain B.V.**  
**Burgemeester Smeetsweg 1 NL-2382 PH Zoeterwoude The Netherlands**  
(72) Name(s) of Designer(s): **Albert Brans**  
(45) Registration Date: **30 October 2006**  
(30) Convention priority data:  
(31) Number (32) Date (33) Country  
**000500830-0003 23 Mar 2006 EUROPEAN COMMUNITY**  
(56) Related Art Documents: **Not Applicable**  
(57) Statement of Newness and Distinctiveness: **Newness and distinctiveness reside in the features of the design as shown in the representations.**



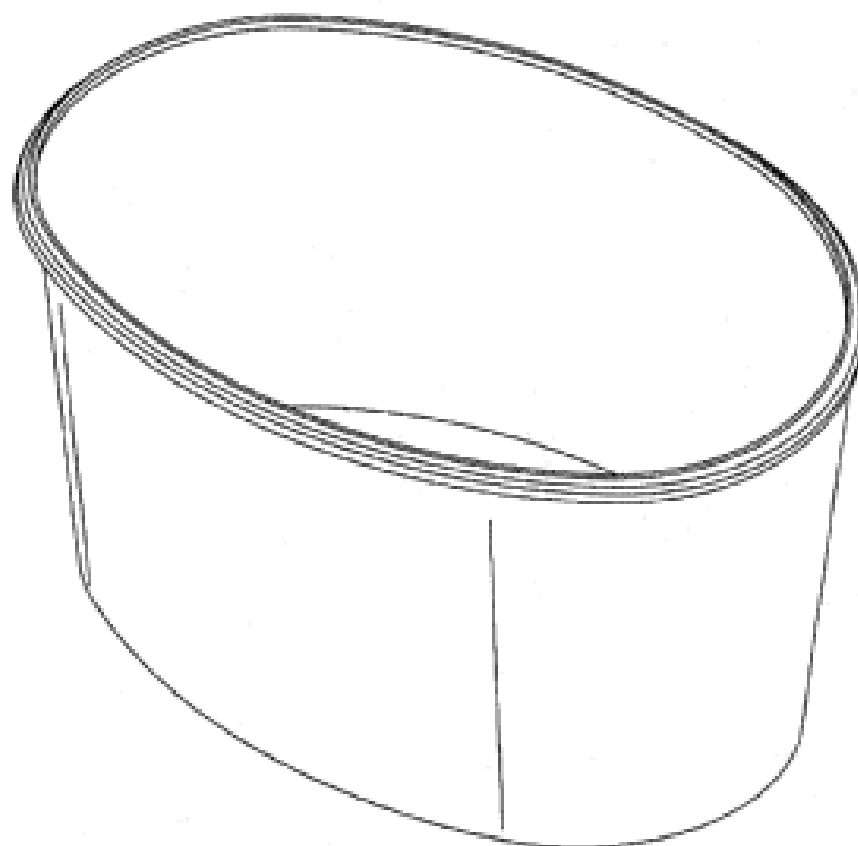
- (21) Design Number: **14280/2006**  
(22) Date of Filing Application: **25 September 2006**  
(24) Date from which industrial property rights may have effect: **25 September 2006**  
(54) Product in respect of which the design is registered: **Beer Keg**  
(51) International Design Classification: **09-02NES**  
(71) Name(s) and Address(s) of Applicant(s):  
**Heineken Supply Chain B.V.**  
**Burgemeester Smeetsweg 1 NL-2382 PH Zoeterwoude The Netherlands**  
(72) Name(s) of Designer(s): **Albert Brans**  
(45) Registration Date: **30 October 2006**  
(30) Convention priority data:  
(31) Number (32) Date (33) Country  
**000500830-0002 23 Mar 2006 EUROPEAN COMMUNITY**  
(56) Related Art Documents: **Not Applicable**  
(57) Statement of Newness and Distinctiveness: **Newness and distinctiveness reside in the features of the design as shown in the representations.**



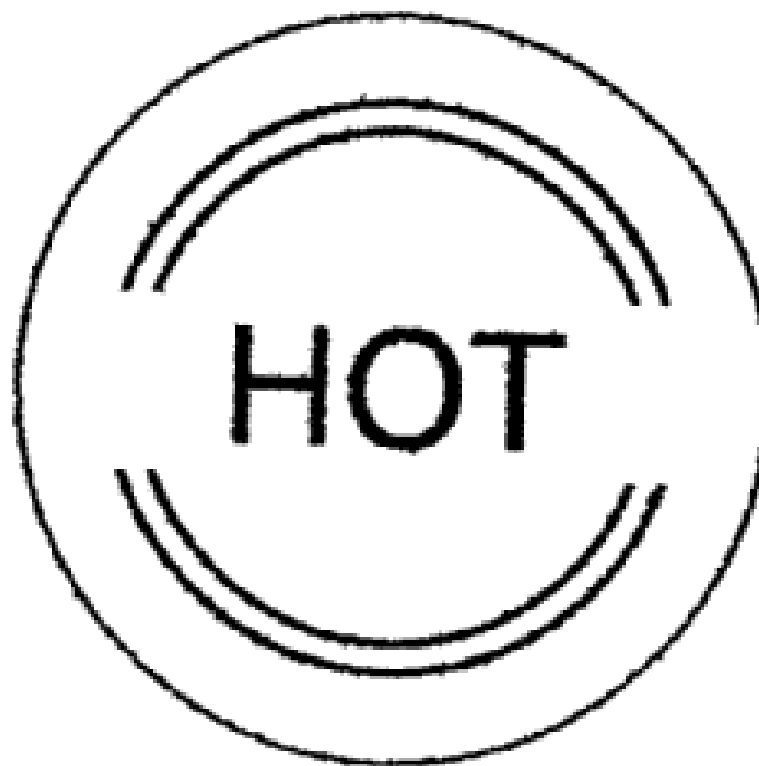
- (21) Design Number: **13787/2006**  
(22) Date of Filing Application: **22 August 2006**  
(24) Date from which industrial property rights may have effect: **22 August 2006**  
(54) Product in respect of which the design is registered: **A lid**  
(51) International Design Classification: **07-01NES**  
(71) Name(s) and Address(s) of Applicant(s):  
**Huhtamaki Australia Pty Limited**  
**225 Wellington Road Mulgrave Victoria 3170 Australia**  
(72) Name(s) of Designer(s): **Paul Daffurn and Ian Janetzki**  
(45) Registration Date: **30 October 2006**  
(56) Related Art Documents: **Not Applicable**  
(57) Statement of Newness and Distinctiveness: **Newness and distinctiveness is claimed in features of shape and/or configuration of a lid as illustrated in the accompanying representations. In considering which features are new and distinctive, particular/special regard is to be had to the hinged feature of the lid marked A.**



- (21) Design Number: **13788/2006**  
(22) Date of Filing Application: **22 August 2006**  
(24) Date from which industrial property rights may have effect: **22 August 2006**  
(54) Product in respect of which the design is registered: **A container**  
(51) International Design Classification: **07-01NES**  
(71) Name(s) and Address(s) of Applicant(s):  
**Huhtamaki Australia Pty Limited**  
**225 Wellington Road Mulgrave Victoria 3170 Australia**  
(72) Name(s) of Designer(s): **Paul Daffurn and Ian Janetzki**  
(45) Registration Date: **30 October 2006**  
(56) Related Art Documents: **Not Applicable**  
(57) Statement of Newness and Distinctiveness: **Newness and distinctiveness is claimed in features of shape and/or configuration of a container as illustrated in the accompanying representations. In considering which features are new and distinctive, particular/special regard is to be had to the rim as shown in section F-F.**



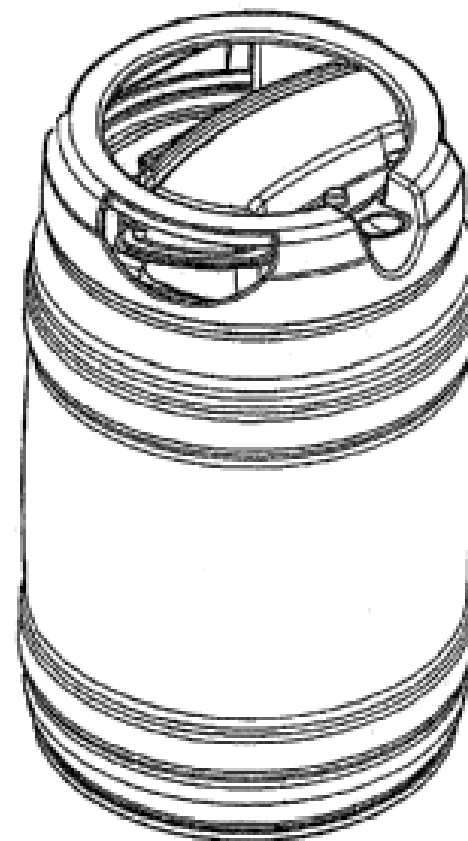
- (21) Design Number: **14088/2006**  
(22) Date of Filing Application: **13 September 2006**  
(24) Date from which industrial property rights may have effect: **13 September 2006**  
(54) Product in respect of which the design is registered: **Tap button for tap handle**  
(51) International Design Classification: **23-01H**  
(71) Name(s) and Address(s) of Applicant(s):  
**Ian Peter Shirliff**  
**45 Carlingford Road Epping New South Wales 2121 Australia**  
(72) Name(s) of Designer(s): **Ian Shirliff**  
(45) Registration Date: **30 October 2006**  
(56) Related Art Documents: **Not Applicable**  
(57) Statement of Newness and Distinctiveness: **The new feature is the twin lines around the diameter of the button. The wording hot, cold, H and C or other wording optional**



- (21) Design Number: **14089/2006**  
(22) Date of Filing Application: **13 September 2006**  
(24) Date from which industrial property rights may have effect: **13 September 2006**  
(54) Product in respect of which the design is registered: **Tap handle**  
(51) International Design Classification: **23-01H**  
(71) Name(s) and Address(s) of Applicant(s):  
**Ian Peter Shirliff**  
**45 Carlingford Road Epping New South Wales 2121 Australia**  
(72) Name(s) of Designer(s): **Ian Shirliff**  
(45) Registration Date: **30 October 2006**  
(56) Related Art Documents: **Not Applicable**  
(57) Statement of Newness and Distinctiveness: **The new feature is the design and shape of the tap handle**



- (21) Design Number: **14279/2006**  
(22) Date of Filing Application: **25 September 2006**  
(24) Date from which industrial property rights may have effect: **25 September 2006**  
(54) Product in respect of which the design is registered: **Beer Keg**  
(51) International Design Classification: **09-02C**  
(71) Name(s) and Address(s) of Applicant(s):  
**Heineken Supply Chain B.V.**  
**Burgemeester Smeetsweg 1 NL-2382 PH Zoeterwoude The Netherlands**  
(72) Name(s) of Designer(s): **Albert Brans**  
(45) Registration Date: **30 October 2006**  
(30) Convention priority data:  
(31) Number      (32) Date      (33) Country  
**000500830-0001    23 Mar 2006      EUROPEAN COMMUNITY**  
(56) Related Art Documents: **Not Applicable**  
(57) Statement of Newness and Distinctiveness: **Newness and distinctiveness reside in the features of the design as shown in the representations.**



- (21) Design Number: **14285/2006**  
(22) Date of Filing Application: **25 September 2006**  
(24) Date from which industrial property rights may have effect: **25 September 2006**  
(54) Product in respect of which the design is registered: **Slipstream cap decoration only**  
(51) International Design Classification: **02-04NES**  
(71) Name(s) and Address(s) of Applicant(s):  
**Epicentre Trading Pty Ltd**  
**32 Borthwick Avenue Murrarie Queensland 4172 Australia**  
(72) Name(s) of Designer(s): **Epicentre Trading Pty Ltd - Mr Bob Murray**  
(45) Registration Date: **30 October 2006**  
(56) Related Art Documents: **Not Applicable**  
(57) Statement of Newness and Distinctiveness: **Two tone peak or cap separated by a distinctive border flowing from the right edge of the cap peak along the right hand border and finishing at the left hand side of the front of the peak.**



(21) Design Number: **14286/2006**

(22) Date of Filing Application: **25 September 2006**

(24) Date from which industrial property rights may have effect: **25 September 2006**

(54) Product in respect of which the design is registered: **Champion cap decoration only**

(51) International Design Classification: **02-03**

(71) Name(s) and Address(s) of Applicant(s):

**Epicentre Trading Pty Ltd**

**32 Borthwick Avenue Murrarie Queensland 4172 Australia**

(72) Name(s) of Designer(s): **Epicentre Trading Pty Ltd - Mr Bob Murray**

(45) Registration Date: **30 October 2006**

(56) Related Art Documents: **Not Applicable**

(57) Statement of Newness and Distinctiveness: **New to the market identified by the two tone border flowing from the rear of the cap along the side of the cap and the peak and finishing at the rear of the cap on the other side.**



(21) Design Number: **14287/2006**

(22) Date of Filing Application: **26 September 2006**

(24) Date from which industrial property rights may have effect: **26 September 2006**

(54) Product in respect of which the design is registered: **Shoes**

(51) International Design Classification: **02-04NES**

(71) Name(s) and Address(s) of Applicant(s):

**Lorraine Bechara**

**1 Briar Place Georges Hall New South Wales 2198 Australia**

**Michael Porcu**

**65A Oak Drive Georges Hall New South Wales 2098 Australia**

(72) Name(s) of Designer(s): **Lorraine Bechara and Michael Porcu**

(45) Registration Date: **30 October 2006**

(56) Related Art Documents: **Not Applicable**

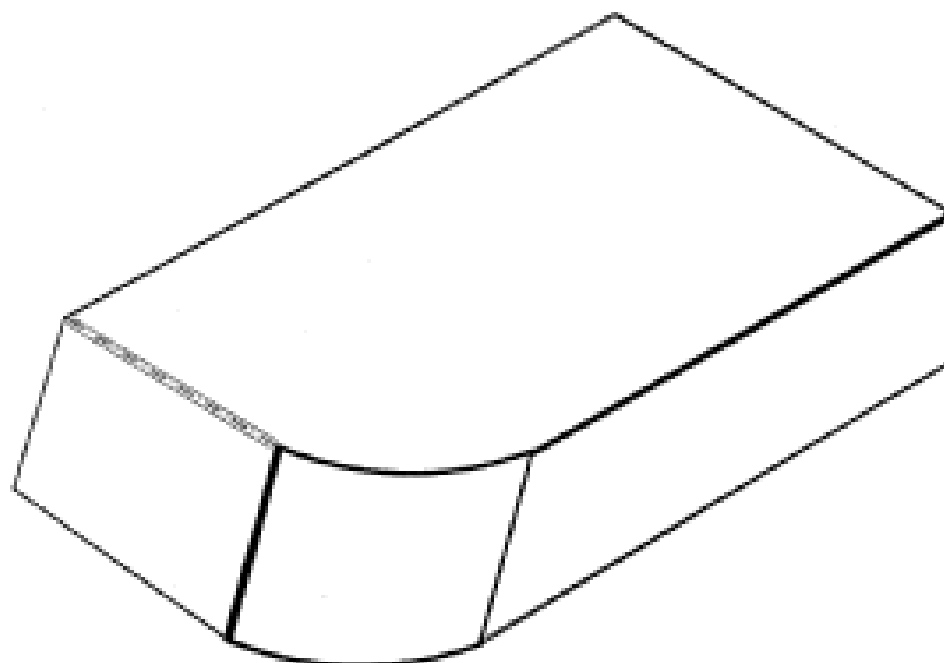
(57) Statement of Newness and Distinctiveness: **Newness is claimed in the features of configuration of the pedometer, in its two part hinged case, with ion part of the case retained in a tongue of a shoe. Newness is not claimed in the particular shape of the shoe.**



(21) Design Number: **14288/2006**  
(22) Date of Filing Application: **25 September 2006**  
(24) Date from which industrial property rights may have effect: **25 September 2006**  
(54) Product in respect of which the design is registered: **Eyeglasses**  
(51) International Design Classification: **16-06**  
(71) Name(s) and Address(s) of Applicant(s):  
**Silhouette International Schmied AG**  
**Eilbognerstrasse 24 A-4020 Linz Austria**  
(72) Name(s) of Designer(s): **Gerhard Fuchs**  
(45) Registration Date: **30 October 2006**  
(30) Convention priority data:  
(31) Number (32) Date (33) Country  
**000554779-0002 04 Jul 2006 EUROPEAN COMMUNITY**  
(56) Related Art Documents: **Not Applicable**  
(57) Statement of Newness and Distinctiveness: **Nil**



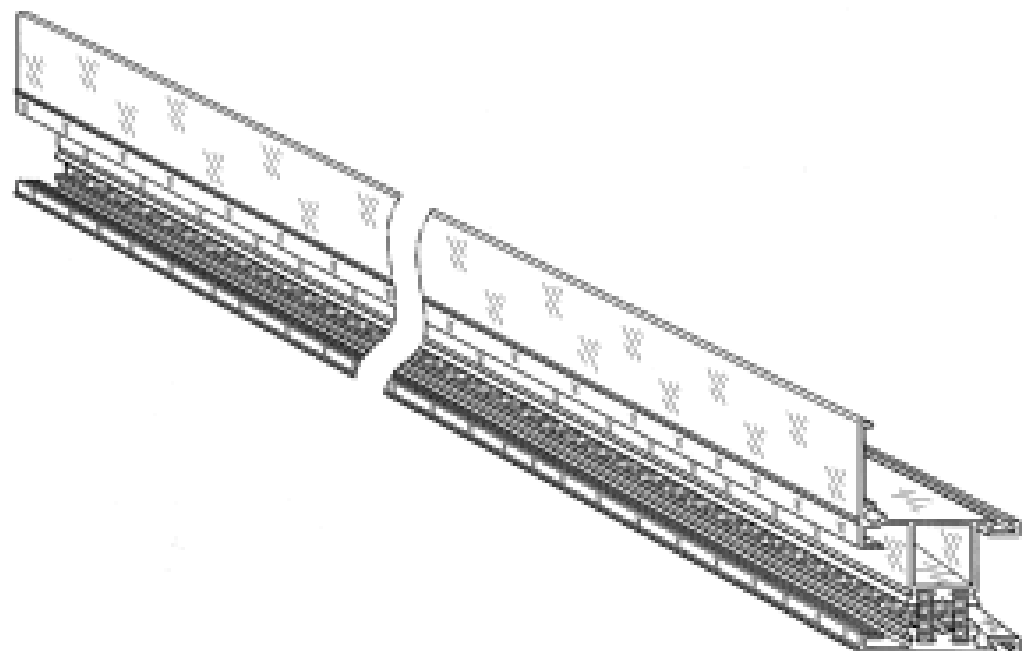
(21) Design Number: **14342/2006**  
(22) Date of Filing Application: **27 September 2006**  
(24) Date from which industrial property rights may have effect: **07 May 2004**  
(54) Product in respect of which the design is registered: **Packaging sleeve**  
(51) International Design Classification: **09-03M**  
(71) Name(s) and Address(s) of Applicant(s):  
**Ancor Limited**  
**679 Victoria Street Abbotsford Victoria 3067 Australia**  
(72) Name(s) of Designer(s): **Mark Moore**  
(45) Registration Date: **30 October 2006**  
(62) Divisional of: **311153**  
(56) Related Art Documents: **Not Applicable**  
(57) Statement of Newness and Distinctiveness: **Nil**



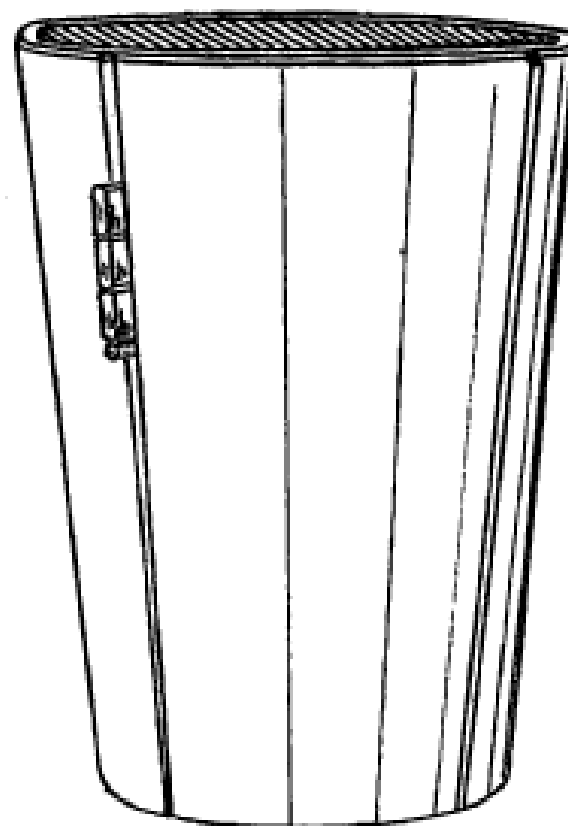
(21) Design Number: **14298/2006**  
(22) Date of Filing Application: **25 September 2006**  
(24) Date from which industrial property rights may have effect: **25 September 2006**  
(54) Product in respect of which the design is registered: **Lipstick case**  
(51) International Design Classification: **28-02**  
(71) Name(s) and Address(s) of Applicant(s):  
**Parfums Christian Dior**  
**33 Avenue Hoche F-75008 Paris France**  
(72) Name(s) of Designer(s): **Claude Martinez**  
(45) Registration Date: **30 October 2006**  
(30) Convention priority data:  
(31) Number (32) Date (33) Country  
**000510763-0001 10 Apr 2006 EUROPEAN COMMUNITY**  
(56) Related Art Documents: **Not Applicable**  
(57) Statement of Newness and Distinctiveness: **Nil**



(21) Design Number: **14362/2006**  
(22) Date of Filing Application: **29 September 2006**  
(24) Date from which industrial property rights may have effect: **29 September 2006**  
(54) Product in respect of which the design is registered: **"Joinery extrusion with insulating bridge"**  
(51) International Design Classification: **25-01K**  
(71) Name(s) and Address(s) of Applicant(s):  
**Prime Global Brands Ltd.**  
**Level 1 1 Cathedral Street Port Louis Mauritius**  
(72) Name(s) of Designer(s): **Anthony James Keller**  
(45) Registration Date: **30 October 2006**  
(56) Related Art Documents: **Not Applicable**  
(57) Statement of Newness and Distinctiveness: **Nil**



(21) Design Number: **15750/2005**  
(22) Date of Filing Application: **22 December 2005**  
(24) Date from which industrial property rights may have effect: **22 December 2005**  
(54) Product in respect of which the design is registered: **A gas grill**  
(51) International Design Classification: **07-02D**  
(71) Name(s) and Address(s) of Applicant(s):  
**Eva Denmark A/S**  
**Malov Teknikerby 18-20 DK-2760 Malov Denmark**  
(72) Name(s) of Designer(s): **Claus Jensen**  
(45) Registration Date: **30 October 2006**  
(30) Convention priority data:  
(31) Number      (32) Date      (33) Country  
**000402557      05 Sep 2005      EUROPEAN COMMUNITY**  
(56) Related Art Documents: **Not Applicable**  
(57) Statement of Newness and Distinctiveness: **Nil**



(21) Design Number: **15214/2005**  
(22) Date of Filing Application: **29 November 2005**  
(24) Date from which industrial property rights may have effect: **29 November 2005**  
(54) Product in respect of which the design is registered: **a magnetic clip, a knob, a toilet roll holder, a hook and plaques**  
(51) International Design Classification: **19-99, 23-02A, 08-06, 08-08G, 20-03NES**  
(71) Name(s) and Address(s) of Applicant(s):  
**Splosh Australia Pty Ltd**  
**49-51 Parramatta Road Underwood Queensland 4119 Australia**  
(72) Name(s) of Designer(s): **Kim Kendall**  
(45) Registration Date: **30 October 2006**  
(56) Related Art Documents: **Not Applicable**  
(57) Statement of Newness and Distinctiveness: **The Surf Beach Hut Design is used to give the Surf Beach Hut Homewares an original and distinctive appearance**



(19) AU

- (21) Design Number: **14248/2006**
- (22) Date of Filing Application: **22 September 2006**
- (24) Date from which industrial property rights may have effect: **22 September 2006**
- (54) Product in respect of which the design is registered: **Motorcycle**
- (51) International Design Classification: **12-11**
- (71) Name(s) and Address(s) of Applicant(s):  
**Honda Motor Co., Ltd**  
**1-1 Minamiaoyama 2-chome Minato-ku Tokyo Japan**
- (72) Name(s) of Designer(s): **Akihiro Sawabe and Hirotsugu Ueno and Kiyoshi Katagiri**
- (45) Registration Date: **30 October 2006**
- (30) Convention priority data:  

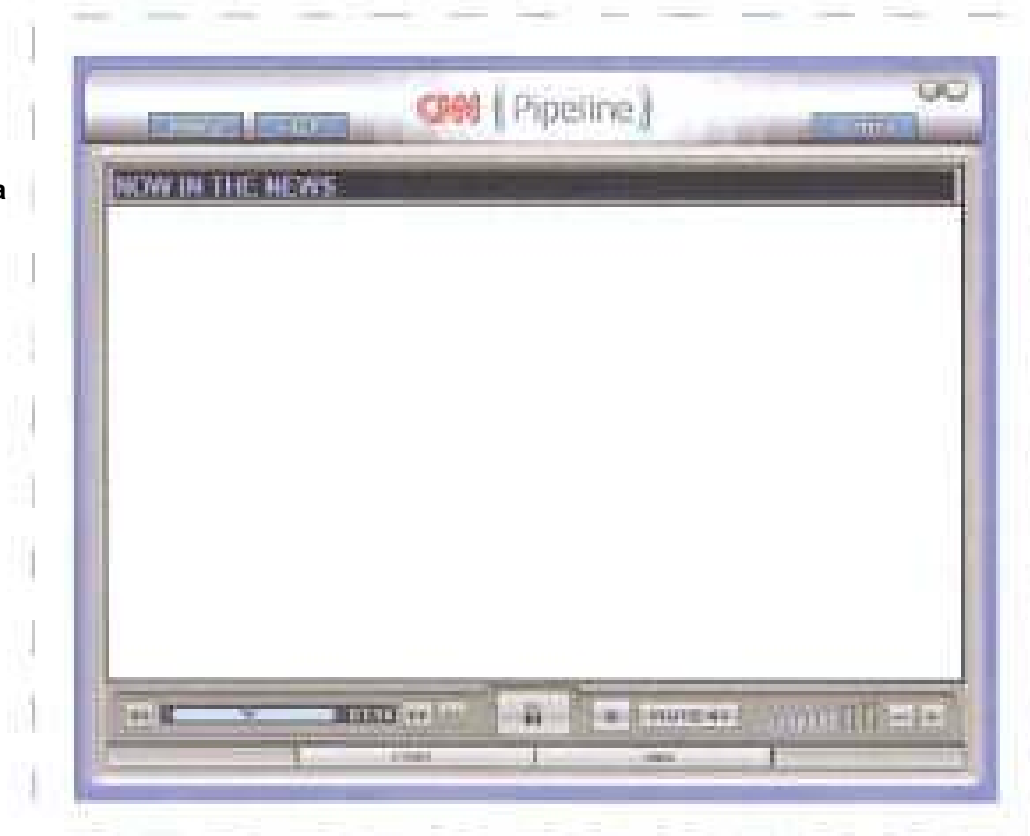
(31) Number	(32) Date	(33) Country
<b>2006-7241</b>	<b>23 Mar 2006</b>	<b>JAPAN</b>
- (56) Related Art Documents: **Not Applicable**
- (57) Statement of Newness and Distinctiveness: **Newness and distinctiveness is claimed in the features of shape and/or configuration of a motorcycle as illustrated in the accompanying representations.**



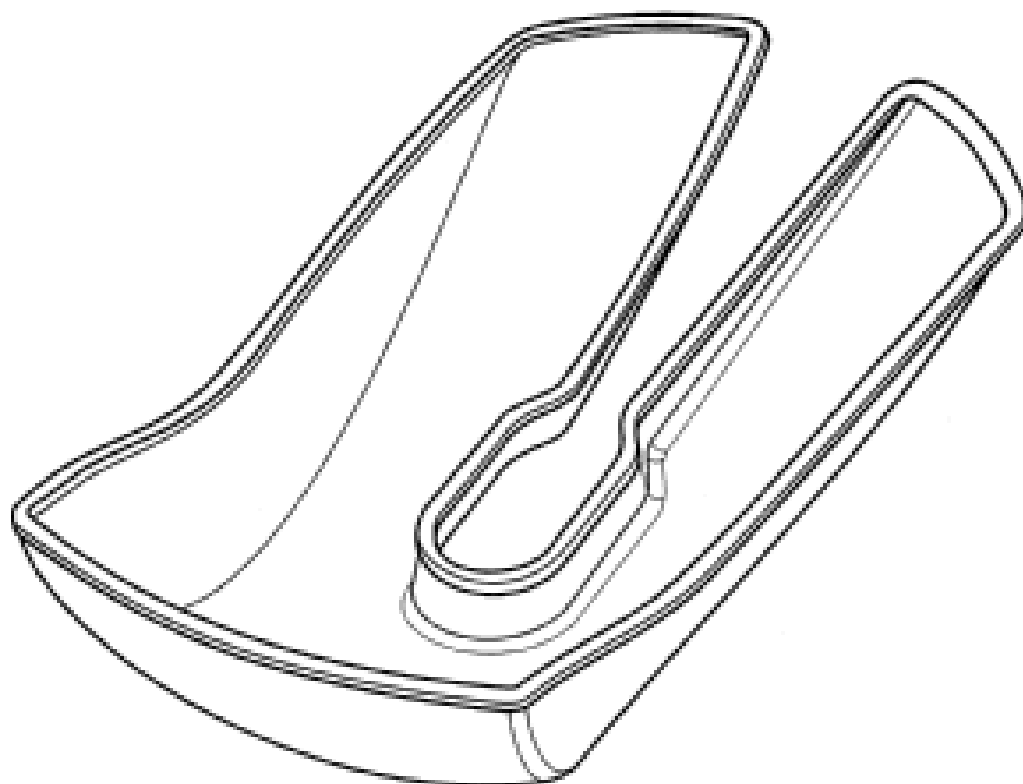
(19) AU

- (21) Design Number: **12415/2006**
- (22) Date of Filing Application: **01 June 2006**
- (24) Date from which industrial property rights may have effect: **01 June 2006**
- (54) Product in respect of which the design is registered: **A Display Screen**
- (51) International Design Classification: **14-04**
- (71) Name(s) and Address(s) of Applicant(s):  
**Turner Broadcasting System, Inc.**  
**1030 Techwood Drive N.W. Atlanta GA 30318 United States of America**
- (72) Name(s) of Designer(s): **Mitchell B. Gelman and Sandra Gail Malcolm and Andrew Robert Mitchell and Richard Montgomery Mullig and David Anderson Payne and Anwer Sultan and Aaron Christopher Tighe**
- (45) Registration Date: **31 October 2006**
- (30) Convention priority data:  

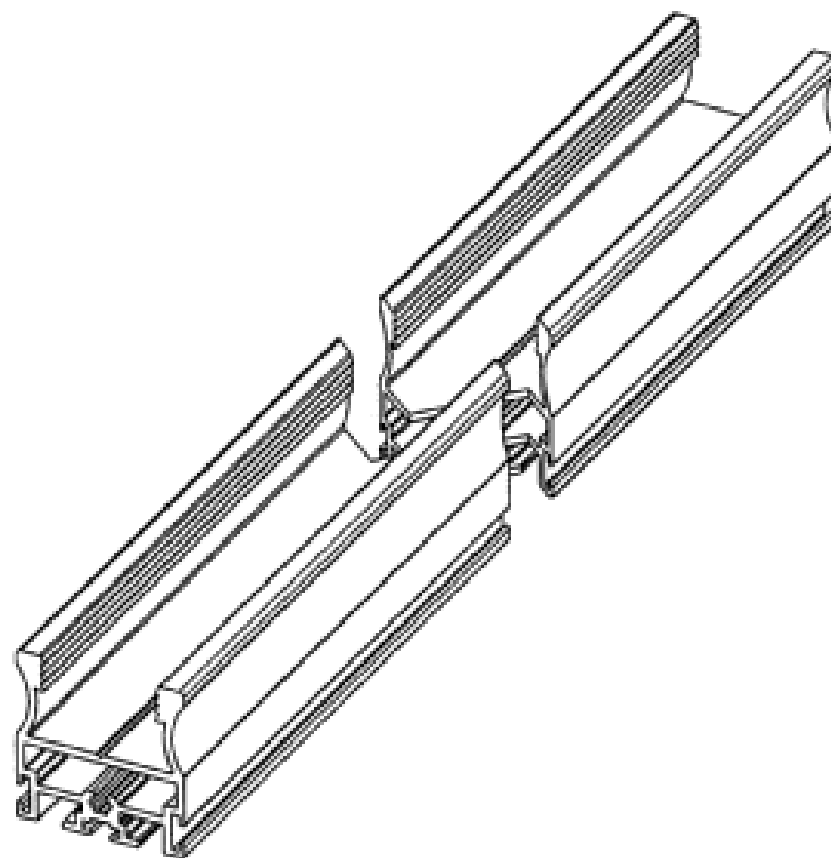
(31) Number	(32) Date	(33) Country
<b>29/224,032</b>	<b>02 Dec 2005</b>	<b>UNITED STATES OF AMERICA</b>
- (56) Related Art Documents: **Not Applicable**
- (57) Statement of Newness and Distinctiveness: **The newness and distinctiveness of the design resides in the features of pattern and/or ornamentation of the display screen user interface depicted in the accompanying representation, with the exception of all text and the display screen shown in dashed outline which are for illustrative purposes only and are not part of the design.**



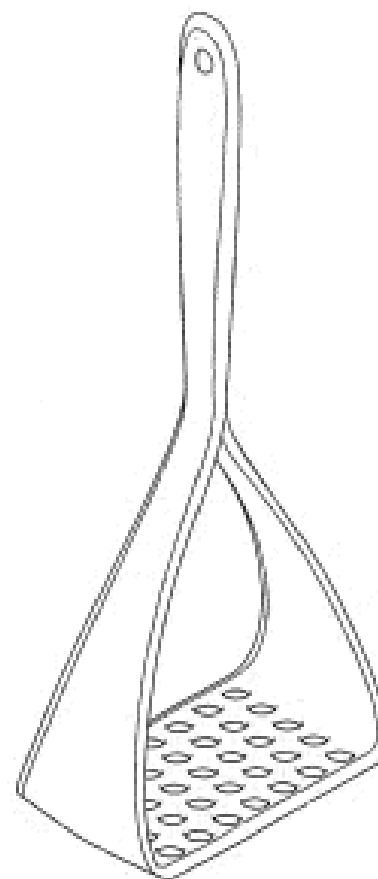
- (21) Design Number: **13151/2006**  
(22) Date of Filing Application: **24 July 2006**  
(24) Date from which industrial property rights may have effect: **24 July 2006**  
(54) Product in respect of which the design is registered: **A utilities holder for holding power or data utilities from a furniture item.**  
(51) International Design Classification: **08-08M**  
(71) Name(s) and Address(s) of Applicant(s):  
**Formway Furniture Limited**  
**176 Gracefield Road Petone Wellington New Zealand**  
(72) Name(s) of Designer(s): **Alex John Whitney**  
(45) Registration Date: **31 October 2006**  
(30) Convention priority data:  
(31) Number (32) Date (33) Country  
**407094 10 Feb 2006 NEW ZEALAND**  
(56) Related Art Documents: **Not Applicable**  
(57) Statement of Newness and Distinctiveness: **Newness and distinctiveness reside in the features of shape and/or configuration of the utilities holder, as shown in the representations.**



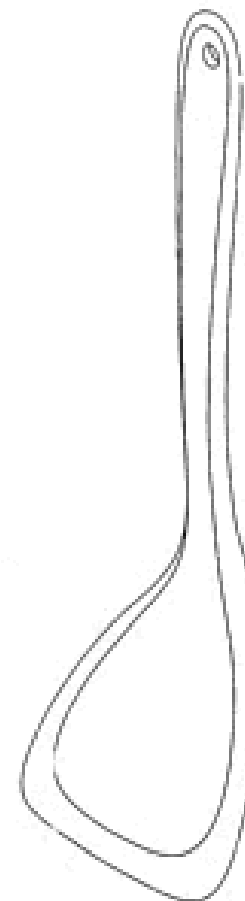
- (21) Design Number: **14249/2006**  
(22) Date of Filing Application: **22 September 2006**  
(24) Date from which industrial property rights may have effect: **22 September 2006**  
(54) Product in respect of which the design is registered: **An extrusion**  
(51) International Design Classification: **25-01K**  
(71) Name(s) and Address(s) of Applicant(s):  
**Aluminium Specialities Group Pty Ltd**  
**3 Alspec Place Eastern Creek New South Wales 2766 Australia**  
(72) Name(s) of Designer(s): **David W. Evans**  
(45) Registration Date: **31 October 2006**  
(56) Related Art Documents: **Not Applicable**  
(57) Statement of Newness and Distinctiveness: **Newness and distinctiveness is claimed in the shape and/or configuration of the extrusion as shown in the accompanying representation.**



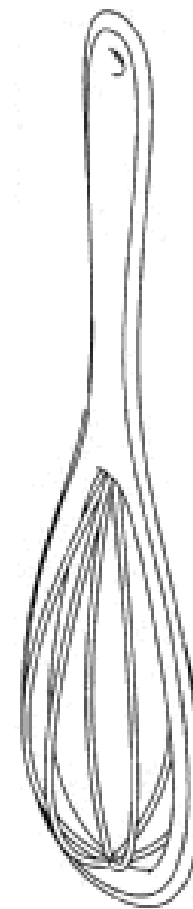
- (21) Design Number: **14250/2006**  
(22) Date of Filing Application: **25 September 2006**  
(24) Date from which industrial property rights may have effect: **25 September 2006**  
(54) Product in respect of which the design is registered: **Masher**  
(51) International Design Classification: **07-04**  
(71) Name(s) and Address(s) of Applicant(s):  
**Housewares International Limited**  
**Bldg 1 Port Air Industrial Est 1A Hale Street Botany New South Wales**  
**2019 Australia**  
(72) Name(s) of Designer(s): **Kristin Schanche**  
(45) Registration Date: **31 October 2006**  
(56) Related Art Documents: **Not Applicable**  
(57) Statement of Newness and Distinctiveness: **Newness is claimed in the features of shape and configuration of the masher as shown in the accompanying representations.**



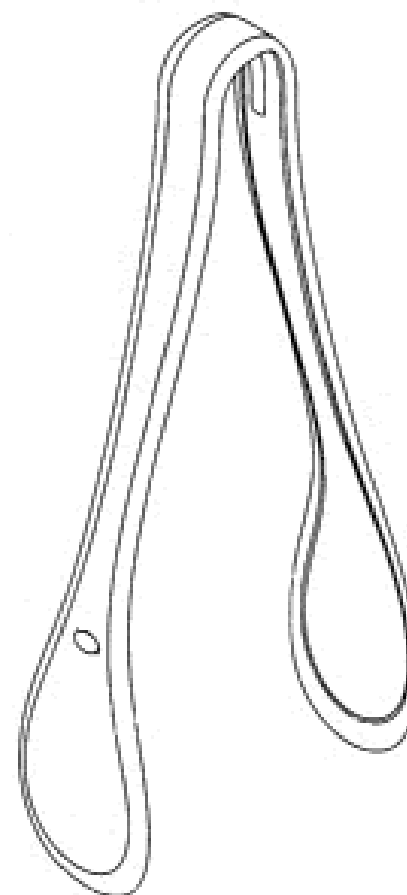
- (21) Design Number: **14251/2006**  
(22) Date of Filing Application: **25 September 2006**  
(24) Date from which industrial property rights may have effect: **25 September 2006**  
(54) Product in respect of which the design is registered: **Spatula**  
(51) International Design Classification: **07-04**  
(71) Name(s) and Address(s) of Applicant(s):  
**Housewares International Limited**  
**Bldg 1 Port Air Industrial Est 1A Hale Street Botany New South Wales**  
**2019 Australia**  
(72) Name(s) of Designer(s): **Kristin Schanche**  
(45) Registration Date: **31 October 2006**  
(56) Related Art Documents: **Not Applicable**  
(57) Statement of Newness and Distinctiveness: **Newness is claimed in the features of shape and configuration of the spatula as shown in the accompanying representations.**



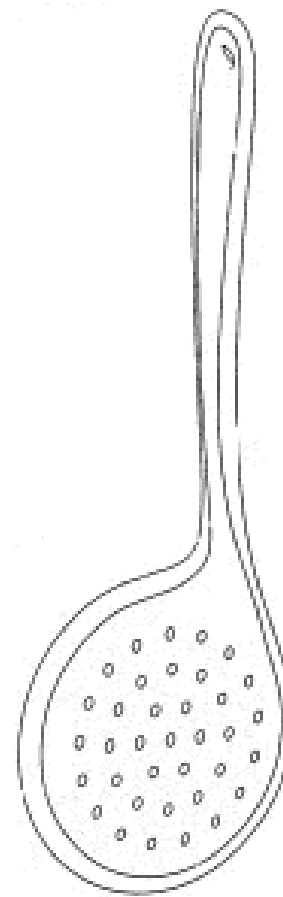
- (21) Design Number: **14252/2006**  
(22) Date of Filing Application: **25 September 2006**  
(24) Date from which industrial property rights may have effect: **25 September 2006**  
(54) Product in respect of which the design is registered: **Whisk**  
(51) International Design Classification: **07-04**  
(71) Name(s) and Address(s) of Applicant(s):  
**Housewares International Limited**  
**Bldg 1 Port Air Industrial Est 1A Hale Street Botany New South Wales**  
**2019 Australia**  
(72) Name(s) of Designer(s): **Kristin Schanche**  
(45) Registration Date: **31 October 2006**  
(56) Related Art Documents: **Not Applicable**  
(57) Statement of Newness and Distinctiveness: **Newness is claimed in the features of shape and configuration of the whisk as shown in the accompanying representations.**



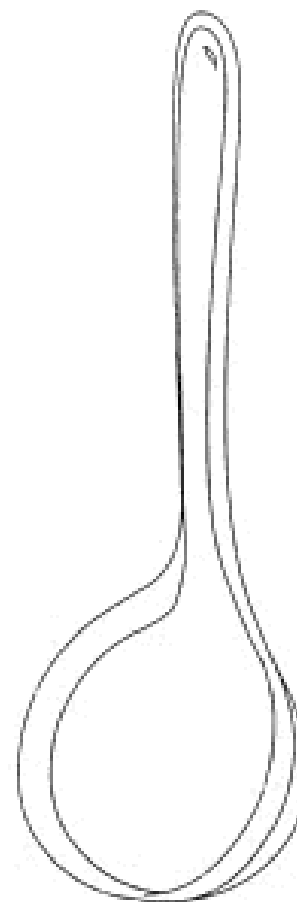
- (21) Design Number: **14253/2006**  
(22) Date of Filing Application: **25 September 2006**  
(24) Date from which industrial property rights may have effect: **25 September 2006**  
(54) Product in respect of which the design is registered: **Tongs**  
(51) International Design Classification: **07-04**  
(71) Name(s) and Address(s) of Applicant(s):  
**Housewares International Limited**  
**Bldg 1 Port Air Industrial Est 1A Hale Street Botany New South Wales**  
**2019 Australia**  
(72) Name(s) of Designer(s): **Kristin Schanche**  
(45) Registration Date: **31 October 2006**  
(56) Related Art Documents: **Not Applicable**  
(57) Statement of Newness and Distinctiveness: **Newness is claimed in the features of shape and configuration of the tongs as shown in the accompanying representations.**



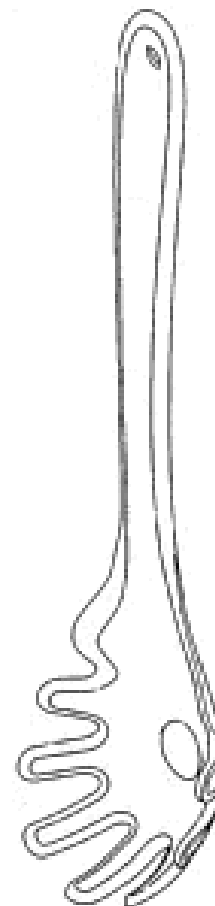
- (21) Design Number: **14254/2006**  
(22) Date of Filing Application: **25 September 2006**  
(24) Date from which industrial property rights may have effect: **25 September 2006**  
(54) Product in respect of which the design is registered: **Straining ladle**  
(51) International Design Classification: **07-04**  
(71) Name(s) and Address(s) of Applicant(s):  
**Housewares International Limited**  
**Bldg 1 Port Air Industrial Est 1A Hale Street Botany New South Wales**  
**2019 Australia**  
(72) Name(s) of Designer(s): **Kristin Schanche**  
(45) Registration Date: **31 October 2006**  
(56) Related Art Documents: **Not Applicable**  
(57) Statement of Newness and Distinctiveness: **Newness is claimed in the features of shape and configuration of the straining ladle as shown in the accompanying representations.**



- (21) Design Number: **14255/2006**  
(22) Date of Filing Application: **25 September 2006**  
(24) Date from which industrial property rights may have effect: **25 September 2006**  
(54) Product in respect of which the design is registered: **Ladle**  
(51) International Design Classification: **07-04**  
(71) Name(s) and Address(s) of Applicant(s):  
**Housewares International Limited**  
**Bldg 1 Port Air Industrial Est 1A Hale Street Botany New South Wales**  
**2019 Australia**  
(72) Name(s) of Designer(s): **Kristin Schanche**  
(45) Registration Date: **31 October 2006**  
(56) Related Art Documents: **Not Applicable**  
(57) Statement of Newness and Distinctiveness: **Newness is claimed in the features of shape and configuration of the ladle as shown in the accompanying representations.**



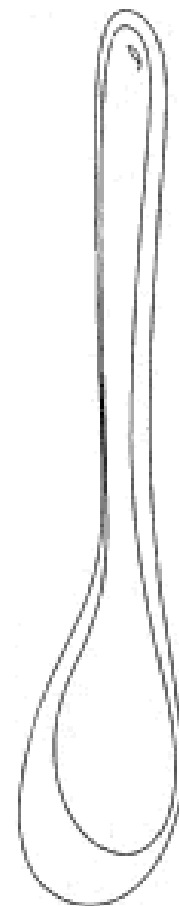
- (21) Design Number: **14256/2006**  
(22) Date of Filing Application: **25 September 2006**  
(24) Date from which industrial property rights may have effect: **25 September 2006**  
(54) Product in respect of which the design is registered: **Spaghetti server**  
(51) International Design Classification: **07-04**  
(71) Name(s) and Address(s) of Applicant(s):  
**Housewares International Limited**  
**Bldg 1 Port Air Industrial Est 1A Hale Street Botany New South Wales**  
**2019 Australia**  
(72) Name(s) of Designer(s): **Kristin Schanche**  
(45) Registration Date: **31 October 2006**  
(56) Related Art Documents: **Not Applicable**  
(57) Statement of Newness and Distinctiveness: **Newness is claimed in the features of shape and configuration of the spaghetti server as shown in the accompanying representations.**



- (21) Design Number: **14257/2006**  
(22) Date of Filing Application: **25 September 2006**  
(24) Date from which industrial property rights may have effect: **25 September 2006**  
(54) Product in respect of which the design is registered: **Spoon with drainer**  
(51) International Design Classification: **07-04**  
(71) Name(s) and Address(s) of Applicant(s):  
**Housewares International Limited**  
**Bldg 1 Port Air Industrial Est 1A Hale Street Botany New South Wales**  
**2019 Australia**  
(72) Name(s) of Designer(s): **Kristin Schanche**  
(45) Registration Date: **31 October 2006**  
(56) Related Art Documents: **Not Applicable**  
(57) Statement of Newness and Distinctiveness: **Newness is claimed in the features of shape and configuration of the spoon with drainer as shown in the accompanying representations.**



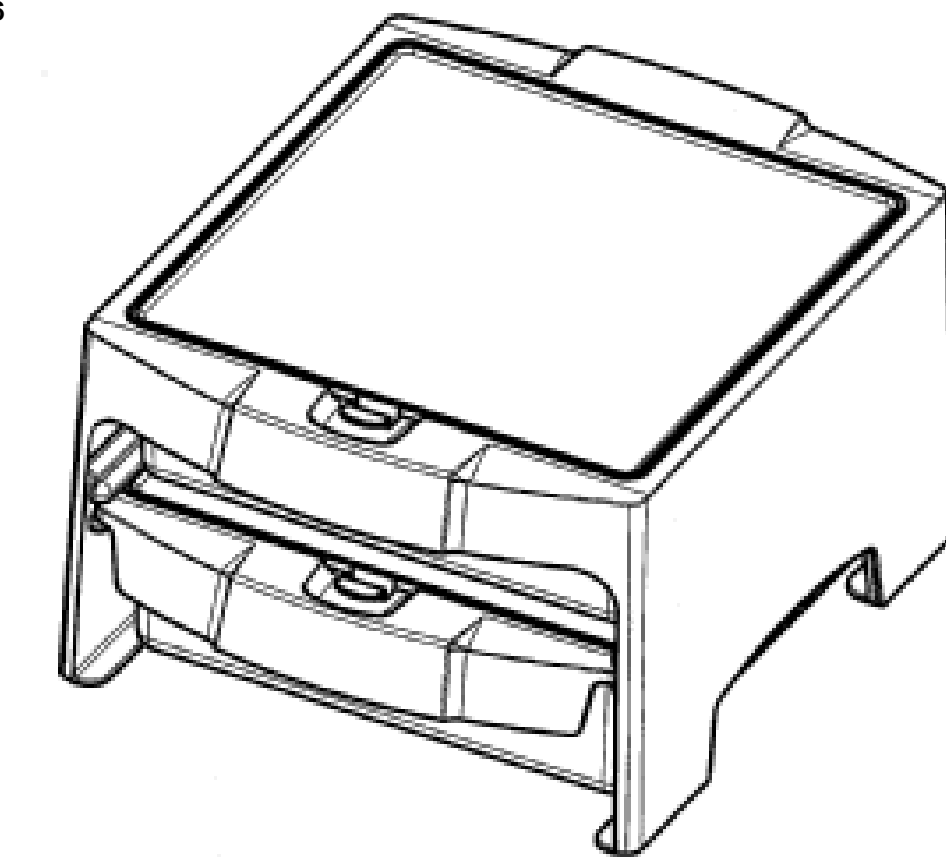
- (21) Design Number: **14258/2006**  
(22) Date of Filing Application: **25 September 2006**  
(24) Date from which industrial property rights may have effect: **25 September 2006**  
(54) Product in respect of which the design is registered: **Spoon**  
(51) International Design Classification: **07-04**  
(71) Name(s) and Address(s) of Applicant(s):  
**Housewares International Limited**  
**Bldg 1 Port Air Industrial Est 1A Hale Street Botany New South Wales**  
**2019 Australia**  
(72) Name(s) of Designer(s): **Kristin Schanche**  
(45) Registration Date: **31 October 2006**  
(56) Related Art Documents: **Not Applicable**  
(57) Statement of Newness and Distinctiveness: **Newness is claimed in the features of shape and configuration of the spoon as shown in the accompanying representations.**



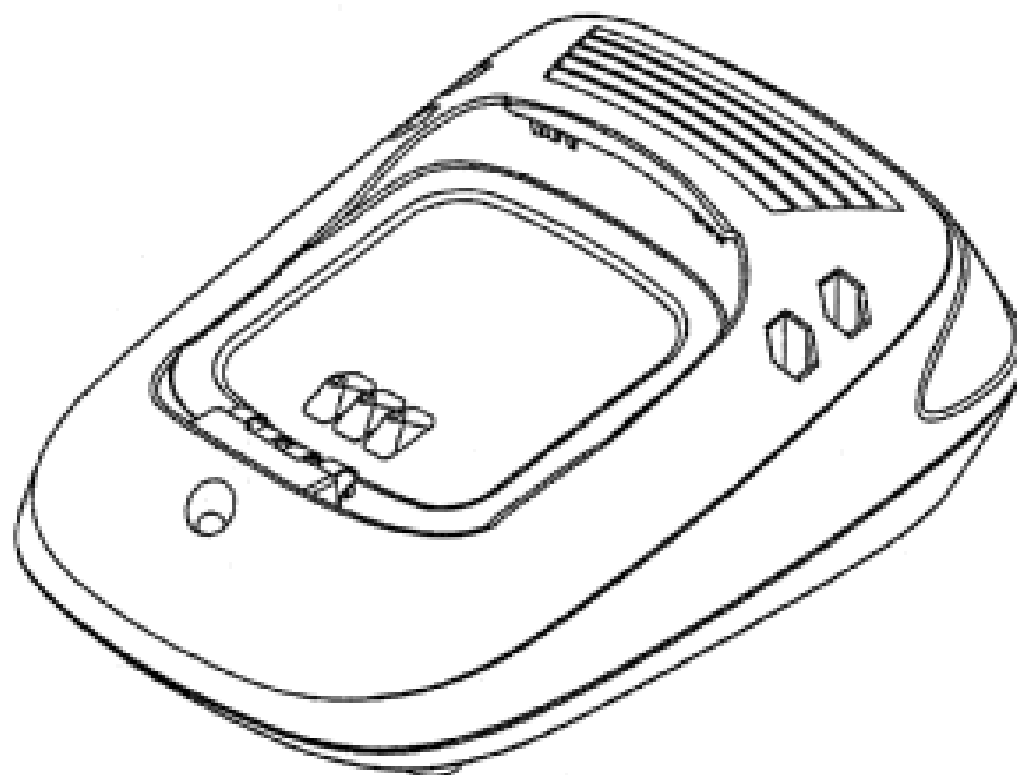
- (21) Design Number: **14312/2006**  
(22) Date of Filing Application: **27 September 2006**  
(24) Date from which industrial property rights may have effect: **27 September 2006**  
(54) Product in respect of which the design is registered: **Food storage caddy**  
(51) International Design Classification: **07-01NES**  
(71) Name(s) and Address(s) of Applicant(s):  
**Karen Davis**  
**84 Beulah Road Norwood South Australia 5067 Australia**  
(72) Name(s) of Designer(s): **Karen Davis and Giles Cameron McDonald**  
(45) Registration Date: **31 October 2006**  
(56) Related Art Documents: **Not Applicable**  
(57) Statement of Newness and Distinctiveness: **Nil**



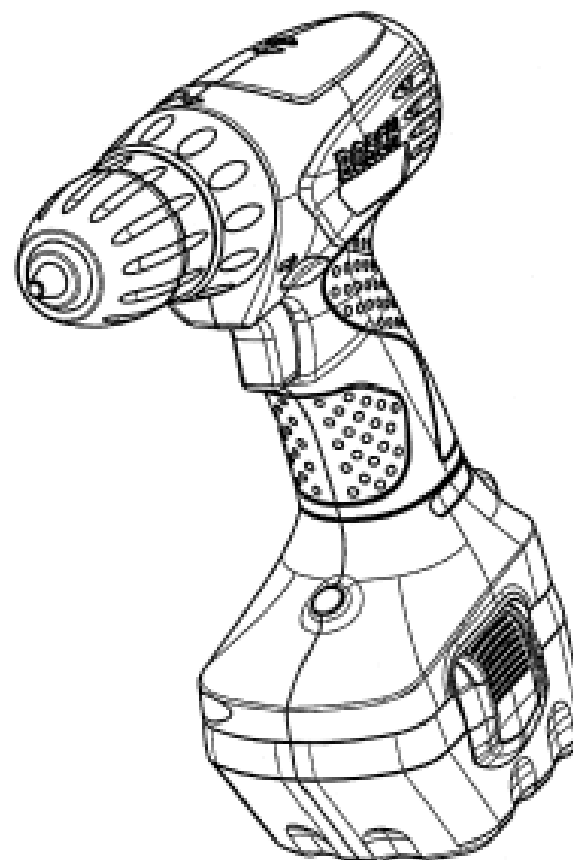
- (21) Design Number: **14313/2006**  
(22) Date of Filing Application: **27 September 2006**  
(24) Date from which industrial property rights may have effect: **27 September 2006**  
(54) Product in respect of which the design is registered: **Food storage caddy**  
(51) International Design Classification: **07-01NES**  
(71) Name(s) and Address(s) of Applicant(s):  
**Karen Davis**  
**84 Beulah Road Norwood South Australia 5067 Australia**  
(72) Name(s) of Designer(s): **Karen Davis and Giles Cameron McDonald**  
(45) Registration Date: **31 October 2006**  
(56) Related Art Documents: **Not Applicable**  
(57) Statement of Newness and Distinctiveness: **Nil**



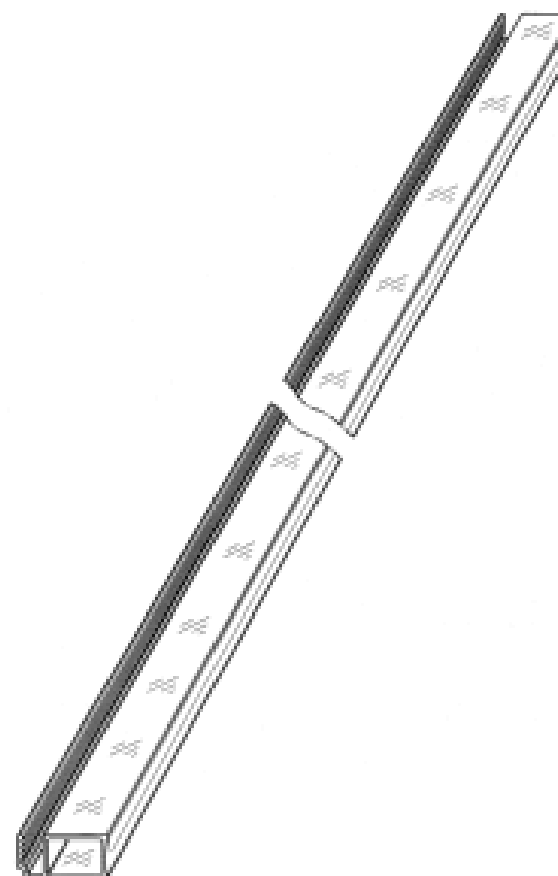
- (21) Design Number: **14333/2006**  
(22) Date of Filing Application: **27 September 2006**  
(24) Date from which industrial property rights may have effect: **27 September 2006**  
(54) Product in respect of which the design is registered: **Battery charger**  
(51) International Design Classification: **13-02**  
(71) Name(s) and Address(s) of Applicant(s):  
**Robert Bosch GmbH**  
**Postfach 30 02 20 D-70442 Stuttgart Germany**  
(72) Name(s) of Designer(s): **Hans-Peter Aglassinger**  
(45) Registration Date: **31 October 2006**  
(30) Convention priority data:  
(31) Number      (32) Date      (33) Country  
**000533419      22 May 2006      EUROPEAN COMMUNITY**  
(56) Related Art Documents: **Not Applicable**  
(57) Statement of Newness and Distinctiveness: **Newness and distinctiveness are provided by the shape and/or configuration of the design shown in the representations.**



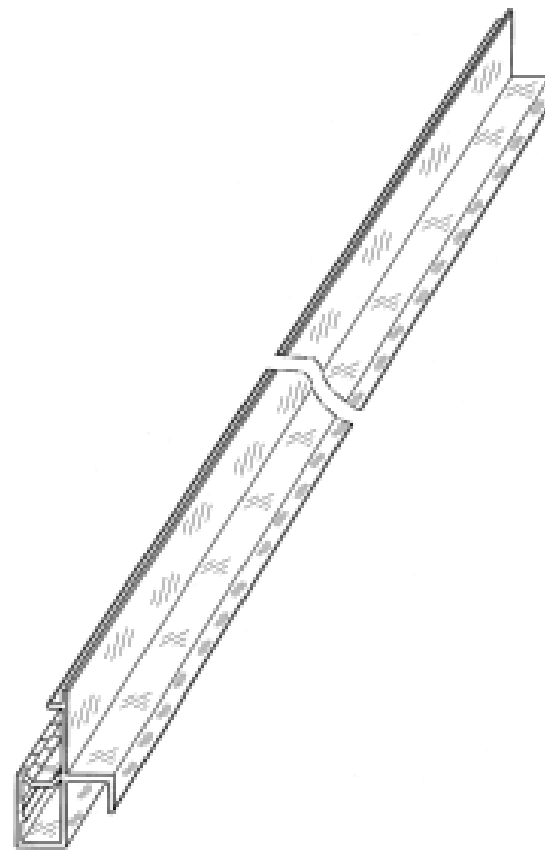
- (21) Design Number: **14334/2006**  
(22) Date of Filing Application: **27 September 2006**  
(24) Date from which industrial property rights may have effect: **27 September 2006**  
(54) Product in respect of which the design is registered: **Cordless drill**  
(51) International Design Classification: **08-01**  
(71) Name(s) and Address(s) of Applicant(s):  
**Robert Bosch GmbH**  
**Postfach 30 02 20 D-70442 Stuttgart Germany**  
(72) Name(s) of Designer(s): **Hans-Peter Aglassinger**  
(45) Registration Date: **31 October 2006**  
(30) Convention priority data:  
(31) Number (32) Date (33) Country  
**000535158 25 May 2006 EUROPEAN COMMUNITY**  
(56) Related Art Documents: **Not Applicable**  
(57) Statement of Newness and Distinctiveness: **Newness and distinctiveness are provided by the shape and/or configuration of the design shown in the representations. In considering the scope of the newness protection any indicia on the cordless drill is to be disregarded.**



- (21) Design Number: **14353/2006**  
(22) Date of Filing Application: **29 September 2006**  
(24) Date from which industrial property rights may have effect: **29 September 2006**  
(54) Product in respect of which the design is registered: **"Flywire screen extrusion"**  
(51) International Design Classification: **25-01K**  
(71) Name(s) and Address(s) of Applicant(s):  
**Prime Global Brands Ltd.**  
**Level 1 1 Cathedral Street Port Louis Mauritius**  
(72) Name(s) of Designer(s): **Anthony James Keller**  
(45) Registration Date: **31 October 2006**  
(56) Related Art Documents: **Not Applicable**  
(57) Statement of Newness and Distinctiveness: **Newness and distinctiveness reside in the flywire screen extrusion as shown in the accompanying representations.**



- (21) Design Number: **14354/2006**  
(22) Date of Filing Application: **29 September 2006**  
(24) Date from which industrial property rights may have effect: **29 September 2006**  
(54) Product in respect of which the design is registered: **"Flywire screen sill extrusion"**  
(51) International Design Classification: **25-01K**  
(71) Name(s) and Address(s) of Applicant(s):  
**Prime Global Brands Ltd.**  
**Level 1 1 Cathedral Street Port Louis Mauritius**  
(72) Name(s) of Designer(s): **Anthony James Keller**  
(45) Registration Date: **31 October 2006**  
(56) Related Art Documents: **Not Applicable**  
(57) Statement of Newness and Distinctiveness: **Newness and distinctiveness reside in the flywire screen sill extrusion as shown in the accompanying representations.**



- (21) Design Number: **14383/2006**  
(22) Date of Filing Application: **28 September 2006**  
(24) Date from which industrial property rights may have effect: **28 September 2006**  
(54) Product in respect of which the design is registered: **A handset**  
(51) International Design Classification: **14-03E**  
(71) Name(s) and Address(s) of Applicant(s):  
**Nokia Corporation**  
**Keilalahdentie 4 FIN-02150 Espoo Finland**  
(72) Name(s) of Designer(s): **Kati Bjorninen**  
(45) Registration Date: **31 October 2006**  
(30) Convention priority data:  

(31) Number	(32) Date	(33) Country
<b>M20060074</b>	<b>03 Apr 2006</b>	<b>FINLAND</b>

  
(56) Related Art Documents: **Not Applicable**  
(57) Statement of Newness and Distinctiveness: **Nil**



(21) Design Number: **14386/2006**  
(22) Date of Filing Application: **29 September 2006**  
(24) Date from which industrial property rights may have effect: **29 September 2006**  
(54) Product in respect of which the design is registered: **A charger**  
(51) International Design Classification: **13-02**  
(71) Name(s) and Address(s) of Applicant(s):

**Nokia Corporation**  
**Keilalahdentie 4 FIN-02150 Espoo Finland**

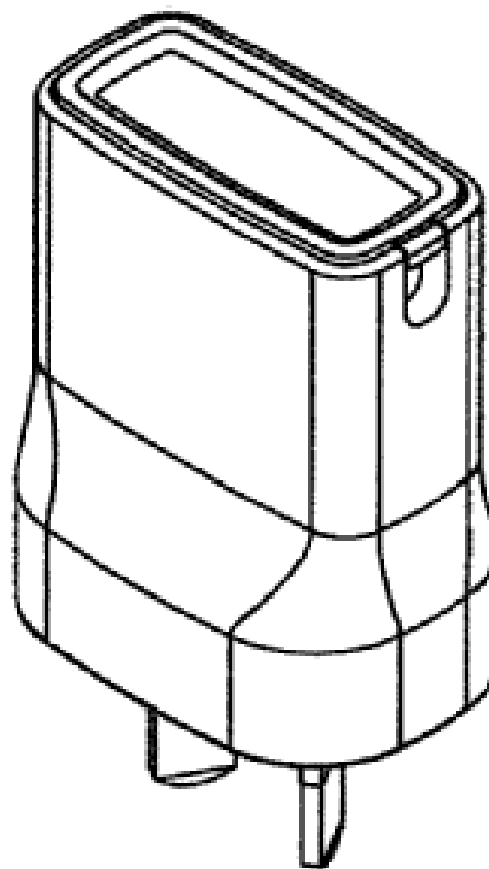
(72) Name(s) of Designer(s): **Heli Sade and Janne Loiske**  
(45) Registration Date: **31 October 2006**

(30) Convention priority data:

(31) Number	(32) Date	(33) Country
<b>M20060072</b>	<b>03 Apr 2006</b>	<b>FINLAND</b>

(56) Related Art Documents: **Not Applicable**

(57) Statement of Newness and Distinctiveness: **Nil**



(21) Design Number: **12665/2006**  
(22) Date of Filing Application: **22 June 2006**  
(24) Date from which industrial property rights may have effect: **22 June 2006**  
(54) Product in respect of which the design is registered: **Elbow for respiratory mask**  
(51) International Design Classification: **24-01, 24-04, 29-99**  
(71) Name(s) and Address(s) of Applicant(s):

**ResMed Ltd**  
**1 Elizabeth Macarthur Drive Bella Vista New South Wales 2153**  
**Australia**

(72) Name(s) of Designer(s): **Robin Garth Hitchcock and Scott Alexander Howard and Philip Thomas Stallard**

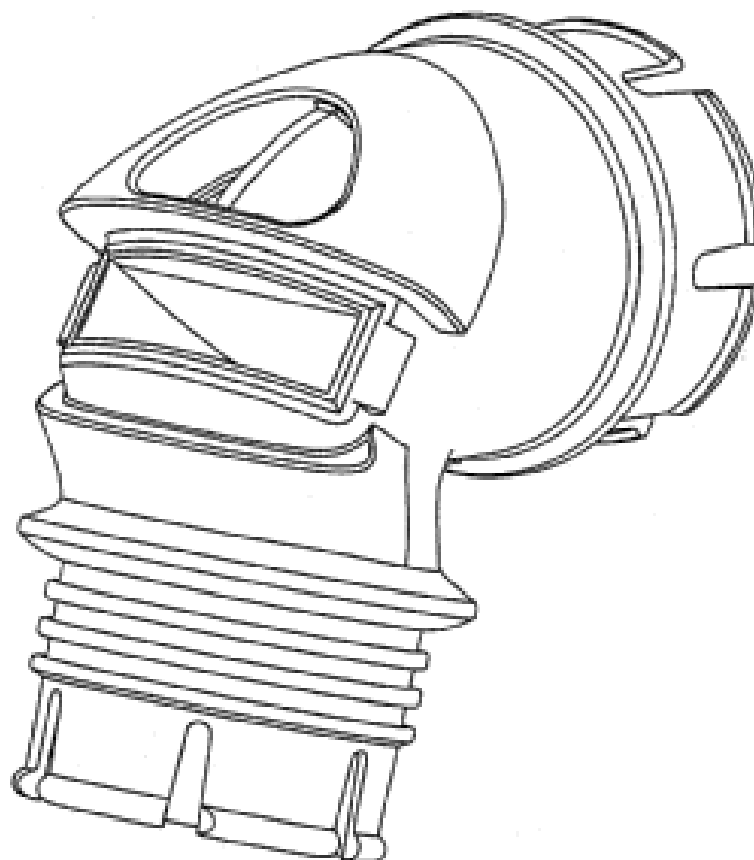
(45) Registration Date: **31 October 2006**

(30) Convention priority data:

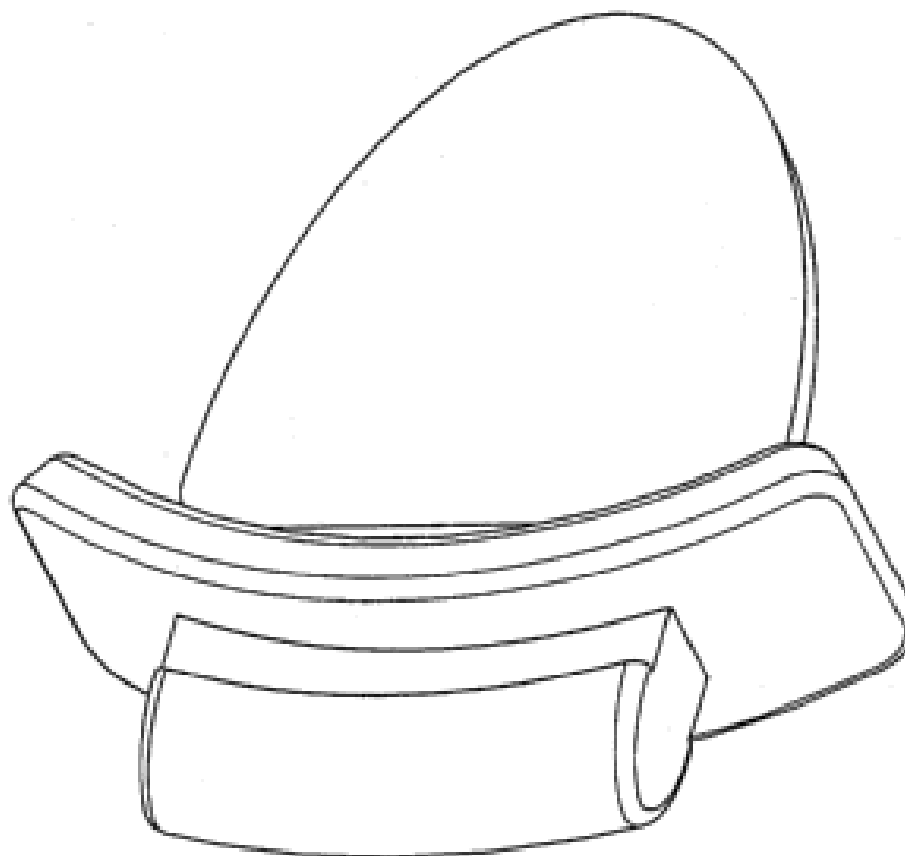
(31) Number	(32) Date	(33) Country
<b>29/251,709</b>	<b>12 Jan 2006</b>	<b>UNITED STATES OF AMERICA</b>

(56) Related Art Documents: **Not Applicable**

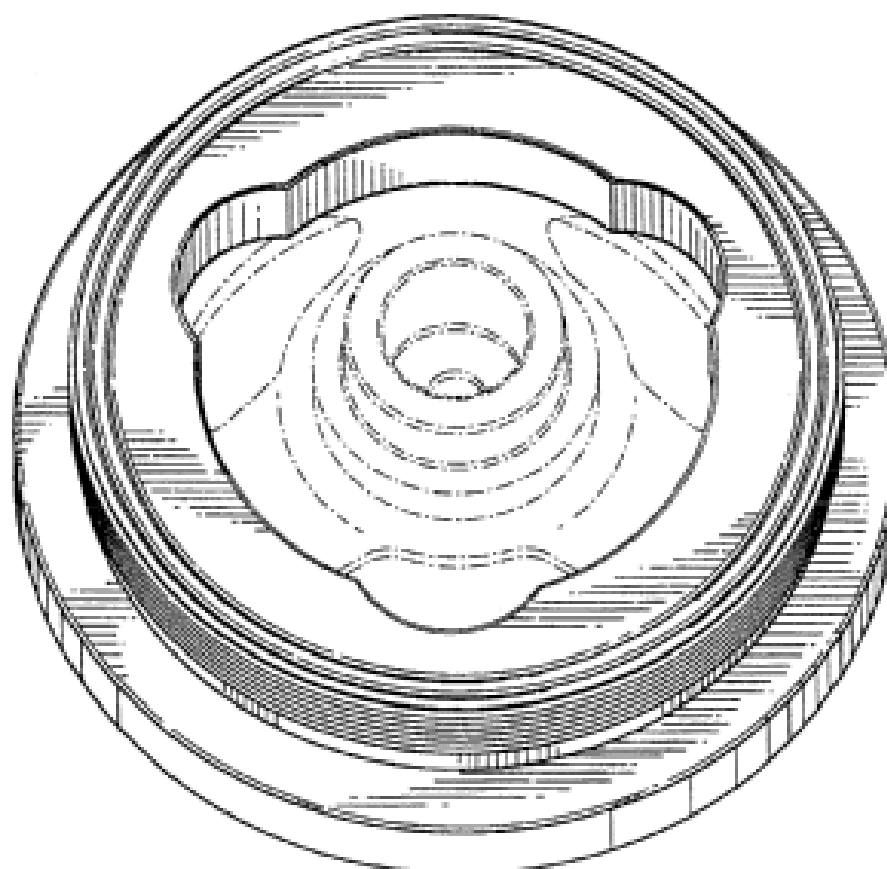
(57) Statement of Newness and Distinctiveness: **Nil**



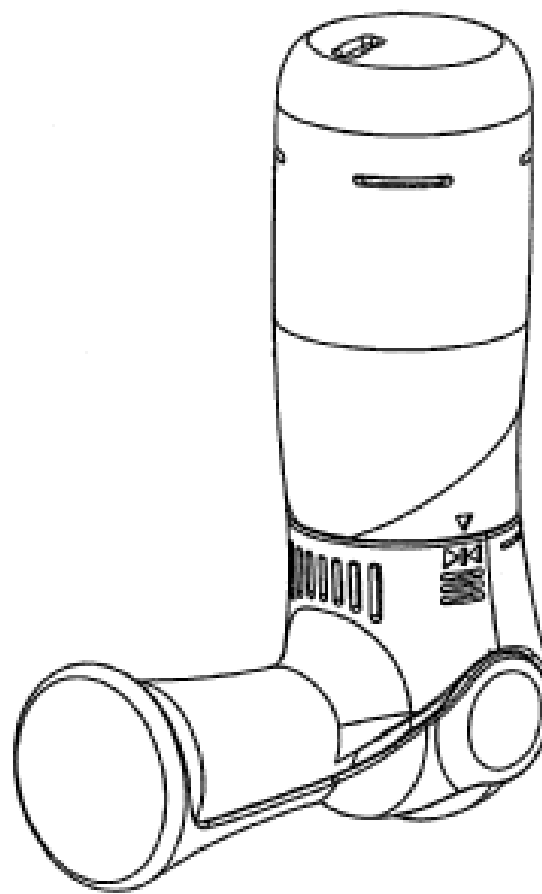
- (21) Design Number: **12666/2006**  
(22) Date of Filing Application: **22 June 2006**  
(24) Date from which industrial property rights may have effect: **22 June 2006**  
(54) Product in respect of which the design is registered: **Anti-asphyxia valve for respiratory mask**  
(51) International Design Classification: **24-01, 24-04, 29-99**  
(71) Name(s) and Address(s) of Applicant(s):  
**ResMed Ltd**  
**1 Elizabeth Macarthur Drive Bella Vista New South Wales 2153**  
**Australia**  
(72) Name(s) of Designer(s): **Alison Oldenburg and Steven John Lubke and James William Charles Vandyke and David John Worboys and Susan Robyn Lynch**  
(45) Registration Date: **31 October 2006**  
(30) Convention priority data:  
(31) Number (32) Date (33) Country  
**29/251,715 12 Jan 2006 UNITED STATES OF AMERICA**  
(56) Related Art Documents: **Not Applicable**  
(57) Statement of Newness and Distinctiveness: **Nil**



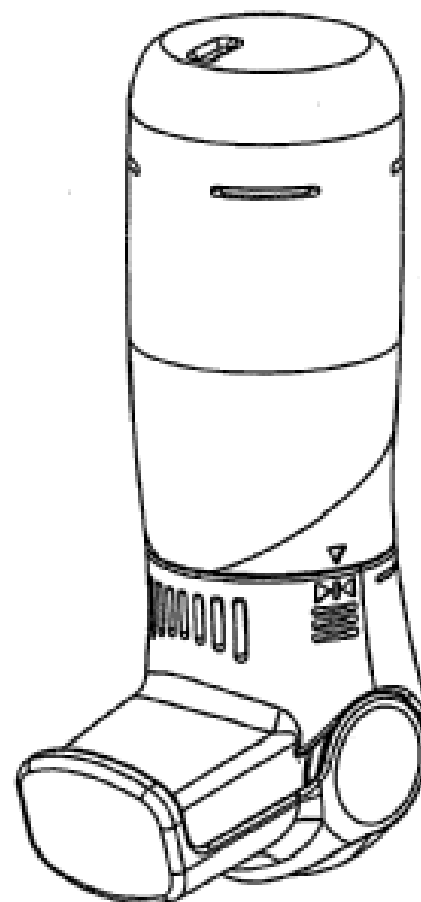
- (21) Design Number: **13755/2006**  
(22) Date of Filing Application: **23 August 2006**  
(24) Date from which industrial property rights may have effect: **23 August 2006**  
(54) Product in respect of which the design is registered: **Dual-mass damper**  
(51) International Design Classification: **15-01**  
(71) Name(s) and Address(s) of Applicant(s):  
**The Gates Corporation**  
**1551 Wewatta Street MS:IP Law Dept. 10-A3 Denver Colorado 80202**  
**United States of America**  
(72) Name(s) of Designer(s): **Yahya Hodjat and Marc R. Cadarette and Lin Zhu and Shoukath M. Ali**  
(45) Registration Date: **31 October 2006**  
(30) Convention priority data:  
(31) Number (32) Date (33) Country  
**29/254,826 28 Feb 2006 UNITED STATES OF AMERICA**  
(56) Related Art Documents: **Not Applicable**  
(57) Statement of Newness and Distinctiveness: **Those features of the dual-mass damper depicted in the representations that are new and distinctive are the shape and/or configuration. The features shown in broken lines are to be disregarded when considering the overall impression of the design.**



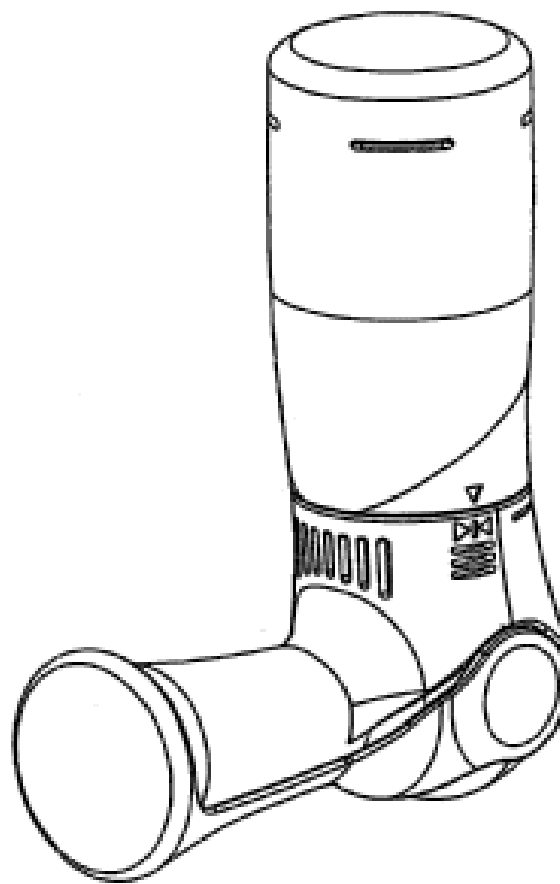
- (21) Design Number: **13872/2006**  
(22) Date of Filing Application: **28 August 2006**  
(24) Date from which industrial property rights may have effect: **28 February 2006**  
(54) Product in respect of which the design is registered: **Inhaler**  
(51) International Design Classification: **24-04**  
(71) Name(s) and Address(s) of Applicant(s):  
**Neolab Limited**  
**57 High Street Odiham Hants RG29 1LF Great Britain**  
(72) Name(s) of Designer(s): **James I-Chee Lee and Reza Saied and Glen M. Thomson and Peter Edwards**  
(45) Registration Date: **31 October 2006**  
(62) Divisional of: **310619**  
(56) Related Art Documents: **Not Applicable**  
(57) Statement of Newness and Distinctiveness: **Those features of the inhaler depicted in the representations that are new and distinctive are the shape and/or configuration.**



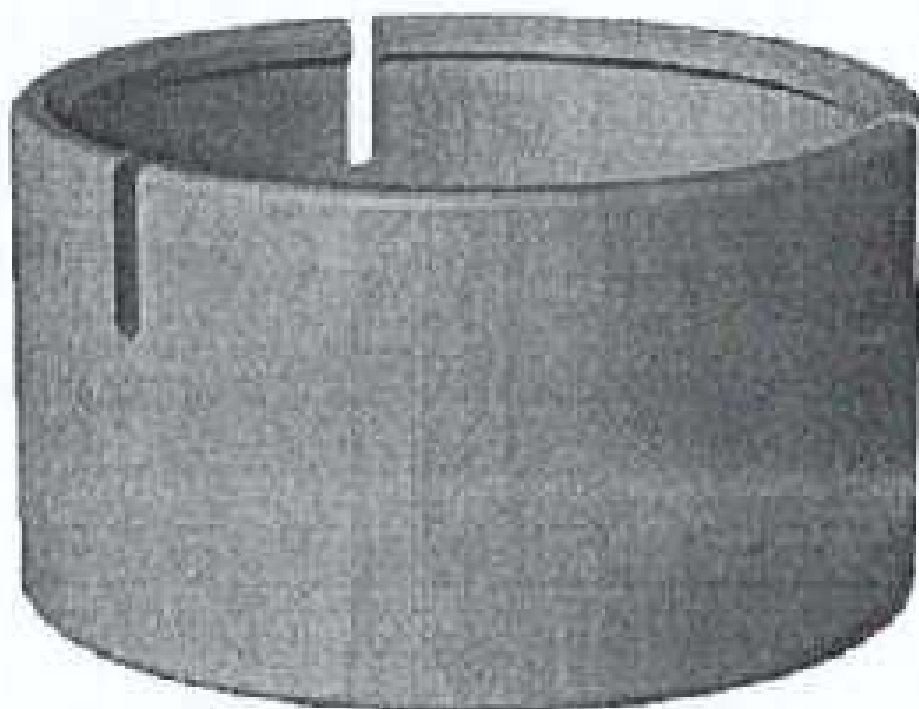
- (21) Design Number: **13873/2006**  
(22) Date of Filing Application: **28 August 2006**  
(24) Date from which industrial property rights may have effect: **28 February 2006**  
(54) Product in respect of which the design is registered: **Inhaler**  
(51) International Design Classification: **24-04**  
(71) Name(s) and Address(s) of Applicant(s):  
**Neolab Limited**  
**57 High Street Odiham Hants RG29 1LF Great Britain**  
(72) Name(s) of Designer(s): **James I-Chee Lee and Reza Saied and Glen M. Thomson and Peter Edwards**  
(45) Registration Date: **31 October 2006**  
(62) Divisional of: **310619**  
(56) Related Art Documents: **Not Applicable**  
(57) Statement of Newness and Distinctiveness: **Those features of the inhaler depicted in the representations that are new and distinctive are the shape and/or configuration.**



- (21) Design Number: **13874/2006**  
(22) Date of Filing Application: **28 August 2006**  
(24) Date from which industrial property rights may have effect: **28 February 2006**  
(54) Product in respect of which the design is registered: **Inhaler**  
(51) International Design Classification: **24-04**  
(71) Name(s) and Address(s) of Applicant(s):  
**Neolab Limited**  
**57 High Street Odiham Hants RG29 1LF Great Britain**  
(72) Name(s) of Designer(s): **James I-Chee Lee and Reza Saied and Glen M. Thomson and Peter Edwards**  
(45) Registration Date: **31 October 2006**  
(62) Divisional of: **310619**  
(56) Related Art Documents: **Not Applicable**  
(57) Statement of Newness and Distinctiveness: **Those features of the inhaler depicted in the representations that are new and distinctive are the shape and/or configuration.**



- (21) Design Number: **13969/2006**  
(22) Date of Filing Application: **01 September 2006**  
(24) Date from which industrial property rights may have effect: **01 September 2006**  
(54) Product in respect of which the design is registered: **Cover for a hand rail**  
(51) International Design Classification: **25-02C**  
(71) Name(s) and Address(s) of Applicant(s):  
**Con-Serv Corporation Australia Pty Ltd**  
**17 Glentanna Street Kedron Queensland 4031 Australia**  
(72) Name(s) of Designer(s): **Kent Smith**  
(45) Registration Date: **31 October 2006**  
(56) Related Art Documents: **Not Applicable**  
(57) Statement of Newness and Distinctiveness: **Newness and distinctiveness is claimed in the shape and configuration of a cover for a hand rail as shown in the representations.**



- (21) Design Number: **14305/2006**
- (22) Date of Filing Application: **26 September 2006**
- (24) Date from which industrial property rights may have effect: **26 September 2006**
- (54) Product in respect of which the design is registered: **Faucet**
- (51) International Design Classification: **23-01H**
- (71) Name(s) and Address(s) of Applicant(s):

**Kohler Co.**  
**444 Highland Drive Kohler WI 53044 United States of America**

- (72) Name(s) of Designer(s): **Herbert V. Kohler Jr. and Howard M. Montgomery**

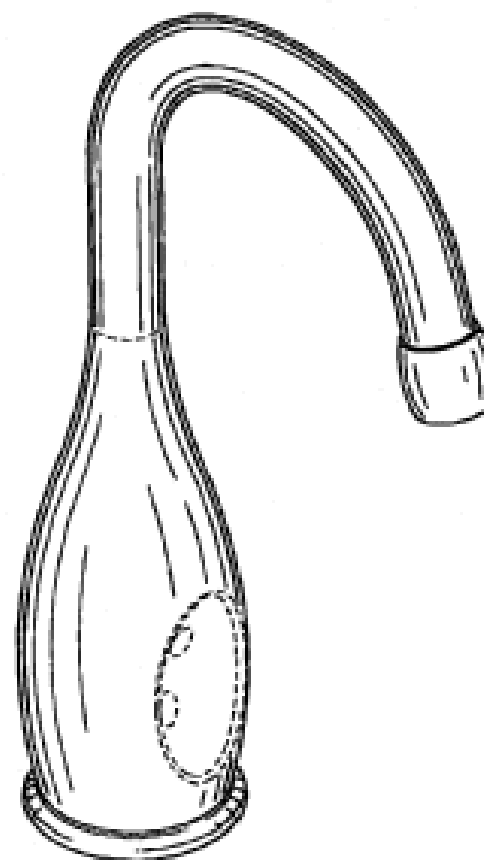
- (45) Registration Date: **31 October 2006**

- (30) Convention priority data:

(31) Number	(32) Date	(33) Country
<b>29/257167</b>	<b>30 Mar 2006</b>	<b>UNITED STATES OF AMERICA</b>

- (56) Related Art Documents: **Not Applicable**

- (57) Statement of Newness and Distinctiveness: **When determining whether the design is substantially similar in overall impression to another design, no regard is to be had to those features shown in dotted outline in the accompanying drawings.**



- (21) Design Number: **14304/2006**
- (22) Date of Filing Application: **26 September 2006**
- (24) Date from which industrial property rights may have effect: **26 September 2006**
- (54) Product in respect of which the design is registered: **Faucet**
- (51) International Design Classification: **23-01H**
- (71) Name(s) and Address(s) of Applicant(s):

**Kohler Co.**  
**444 Highland Drive Kohler WI 53044 United States of America**

- (72) Name(s) of Designer(s): **Herbert V. Kohler Jr. and Howard M. Montgomery**

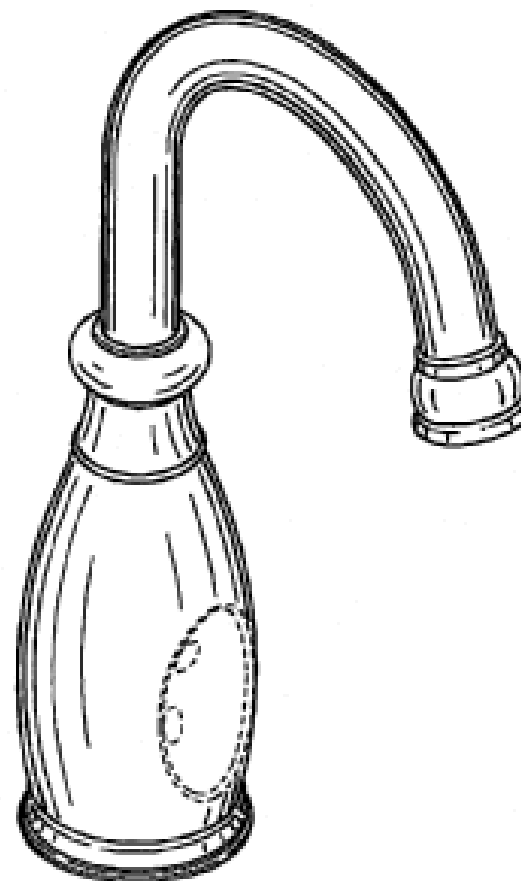
- (45) Registration Date: **31 October 2006**

- (30) Convention priority data:

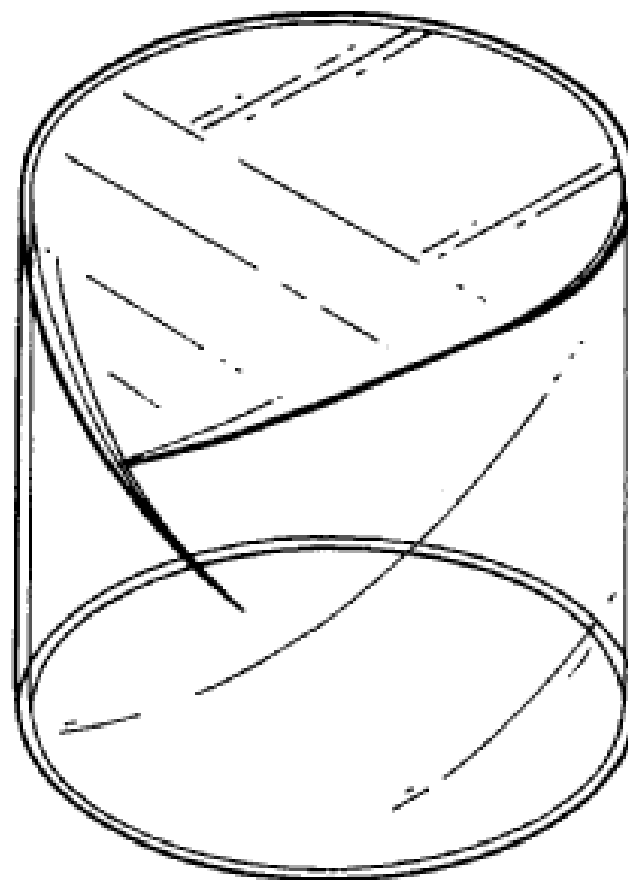
(31) Number	(32) Date	(33) Country
<b>29/257166</b>	<b>30 Mar 2006</b>	<b>UNITED STATES OF AMERICA</b>

- (56) Related Art Documents: **Not Applicable**

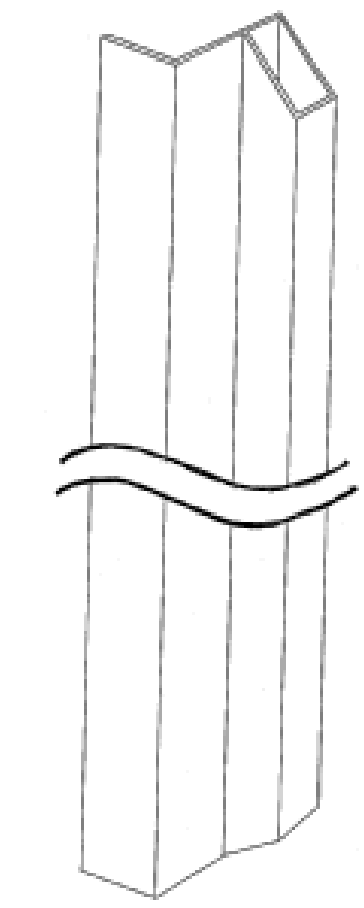
- (57) Statement of Newness and Distinctiveness: **When determining whether the design is substantially similar in overall impression to another design, no regard is to be had to those features shown in dotted outline in the accompanying drawings.**



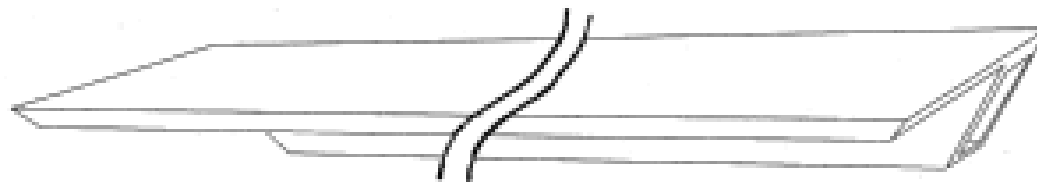
(21) Design Number: **14315/2006**  
(22) Date of Filing Application: **26 September 2006**  
(24) Date from which industrial property rights may have effect: **26 September 2006**  
(54) Product in respect of which the design is registered: **A cap**  
(51) International Design Classification: **09-07C**  
(71) Name(s) and Address(s) of Applicant(s):  
**Glaxo Group Limited**  
**Glaxo Wellcome House Berkeley Avenue Greenford Middlesex UB6**  
**0NN United Kingdom**  
(72) Name(s) of Designer(s): **Gary Spencer**  
(45) Registration Date: **31 October 2006**  
(30) Convention priority data:  
(31) Number (32) Date (33) Country  
**3024347 28 Mar 2006 UNITED KINGDOM**  
(56) Related Art Documents: **Not Applicable**  
(57) Statement of Newness and Distinctiveness: **Nil**



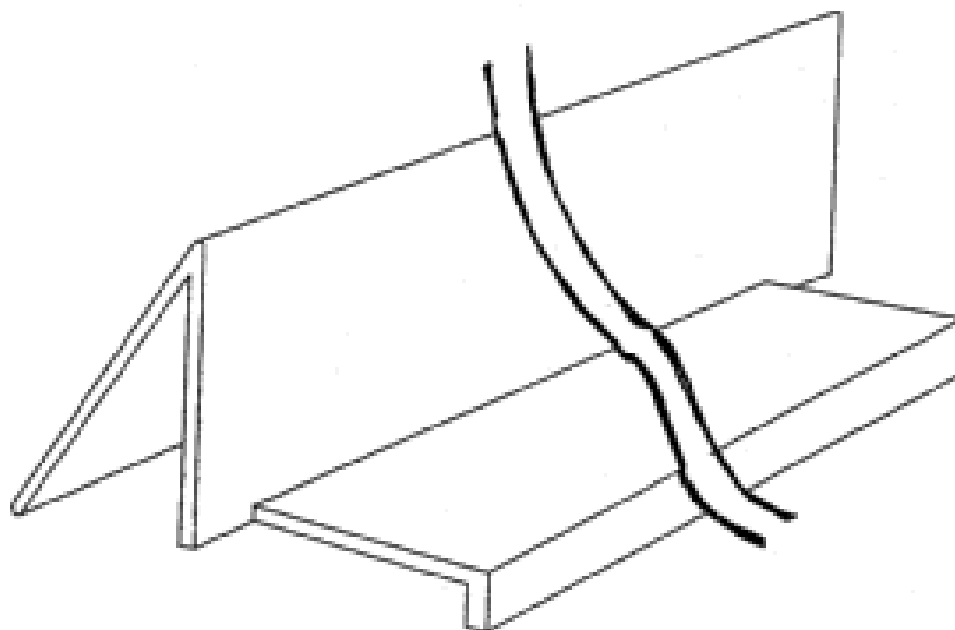
(21) Design Number: **14317/2006**  
(22) Date of Filing Application: **26 September 2006**  
(24) Date from which industrial property rights may have effect: **26 September 2006**  
(54) Product in respect of which the design is registered: **"Window or door frame extrusion"**  
(51) International Design Classification: **25-02B**  
(71) Name(s) and Address(s) of Applicant(s):  
**Giannarelli Holdings Pty Ltd**  
**121 Trawalla Avenue Thomastown Victoria 3074 Australia**  
(72) Name(s) of Designer(s): **Emileo Giannarelli**  
(45) Registration Date: **31 October 2006**  
(56) Related Art Documents: **Not Applicable**  
(57) Statement of Newness and Distinctiveness: **Newness and distinctiveness resides in the features of shape and/or configuration of a window or door frame extrusion of indefinite length as shown in the accompanying representations.**



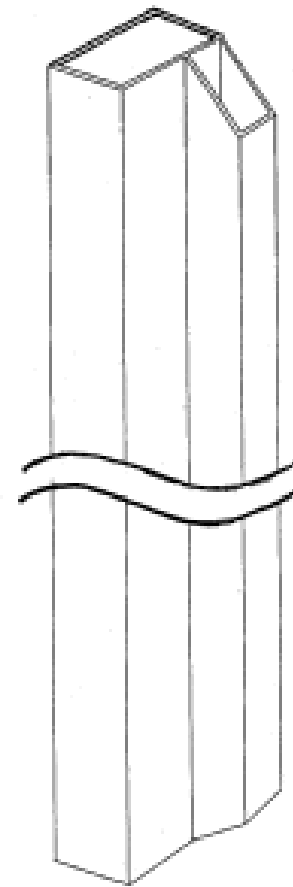
- (21) Design Number: **14318/2006**  
(22) Date of Filing Application: **26 September 2006**  
(24) Date from which industrial property rights may have effect: **26 September 2006**  
(54) Product in respect of which the design is registered: **"Window or door frame extrusion"**  
(51) International Design Classification: **25-02B**  
(71) Name(s) and Address(s) of Applicant(s):  
**Giannarelli Holdings Pty Ltd**  
**121 Trawalla Avenue Thomastown Victoria 3074 Australia**  
(72) Name(s) of Designer(s): **Emileo Giannarelli**  
(45) Registration Date: **31 October 2006**  
(56) Related Art Documents: **Not Applicable**  
(57) Statement of Newness and Distinctiveness: **Newness and distinctiveness resides in the features of shape and/or configuration of a window or door frame extrusion of indefinite length as shown in the accompanying representations.**



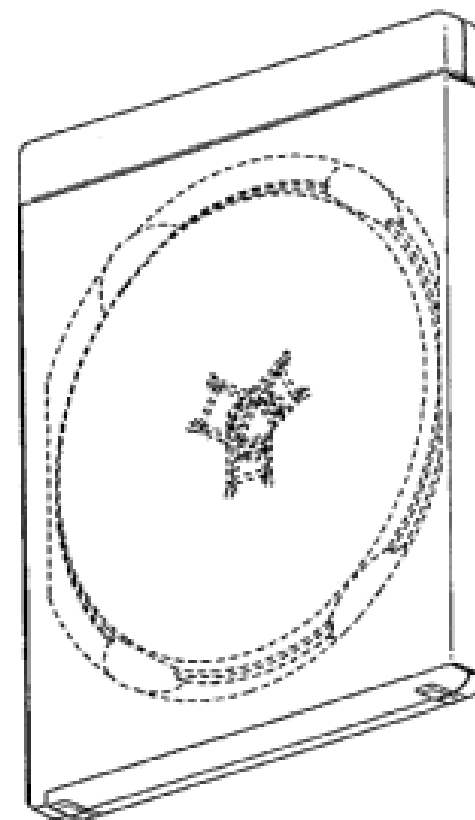
- (21) Design Number: **14319/2006**  
(22) Date of Filing Application: **26 September 2006**  
(24) Date from which industrial property rights may have effect: **26 September 2006**  
(54) Product in respect of which the design is registered: **"Weather shield for a window or door frame"**  
(51) International Design Classification: **25-02H**  
(71) Name(s) and Address(s) of Applicant(s):  
**Giannarelli Holdings Pty Ltd**  
**121 Trawalla Avenue Thomastown Victoria 3074 Australia**  
(72) Name(s) of Designer(s): **Emileo Giannarelli**  
(45) Registration Date: **31 October 2006**  
(56) Related Art Documents: **Not Applicable**  
(57) Statement of Newness and Distinctiveness: **Newness and distinctiveness resides in the features of shape and/or configuration of a weather shield for a window or door frame of indefinite length as shown in the accompanying representations.**



- (21) Design Number: **14320/2006**  
(22) Date of Filing Application: **26 September 2006**  
(24) Date from which industrial property rights may have effect: **26 September 2006**  
(54) Product in respect of which the design is registered: **"Window or door frame extrusion"**  
(51) International Design Classification: **25-02B**  
(71) Name(s) and Address(s) of Applicant(s):  
**Giannarelli Holdings Pty Ltd**  
**121 Trawalla Avenue Thomastown Victoria 3074 Australia**  
(72) Name(s) of Designer(s): **Emileo Giannarelli**  
(45) Registration Date: **31 October 2006**  
(56) Related Art Documents: **Not Applicable**  
(57) Statement of Newness and Distinctiveness: **Newness and distinctiveness resides in the features of shape and/or configuration of a window or door frame extrusion of indefinite length as shown in the accompanying representations.**



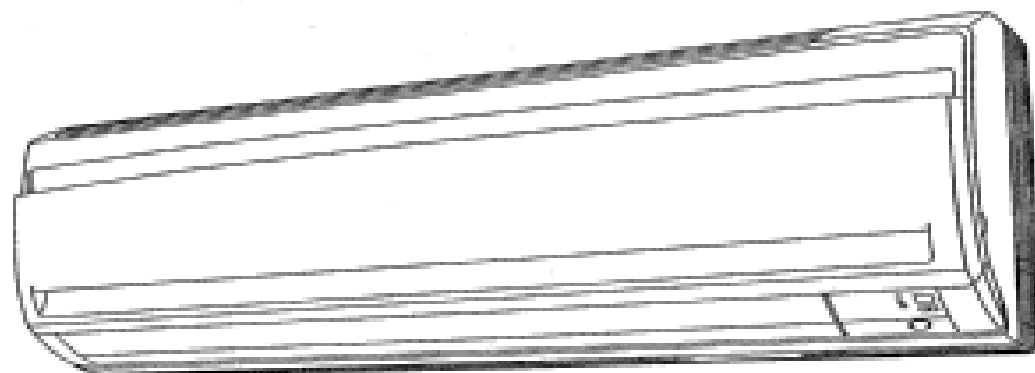
- (21) Design Number: **14368/2006**  
(22) Date of Filing Application: **28 September 2006**  
(24) Date from which industrial property rights may have effect: **28 September 2006**  
(54) Product in respect of which the design is registered: **Case for a storage medium**  
(51) International Design Classification: **03-01C**  
(71) Name(s) and Address(s) of Applicant(s):  
**Sony Computer Entertainment Inc.**  
**2-6-21 Minami-Aoyama Minato-ku Tokyo 107-0062 Japan**  
(72) Name(s) of Designer(s): **Teiyu Goto**  
(45) Registration Date: **31 October 2006**  
(30) Convention priority data:  
(31) Number      (32) Date      (33) Country  
**2006-011636      08 May 2006      JAPAN**  
(56) Related Art Documents: **Not Applicable**  
(57) Statement of Newness and Distinctiveness: **Newness and distinctiveness reside in the shape and configuration of a case for a storage medium as illustrated in the accompanying representations. The features shown in broken outline are illustrative only and do not form part of the design.**



(21) Design Number: **14385/2006**  
(22) Date of Filing Application: **29 September 2006**  
(24) Date from which industrial property rights may have effect: **29 September 2006**  
(54) Product in respect of which the design is registered: **External style of industrial or commercial vehicle**  
(51) International Design Classification: **12-08**  
(71) Name(s) and Address(s) of Applicant(s):  
**Iveco S.p.A.**  
**Via Puglia 35 Torino 10156 Italy**  
(72) Name(s) of Designer(s): **Giovanni Capello and Paolo Mirone**  
(45) Registration Date: **31 October 2006**  
(30) Convention priority data:  
(31) Number (32) Date (33) Country  
**000513940-0001 18 Apr 2006 EUROPEAN COMMUNITY**  
(56) Related Art Documents: **Not Applicable**  
(57) Statement of Newness and Distinctiveness: **Nil**



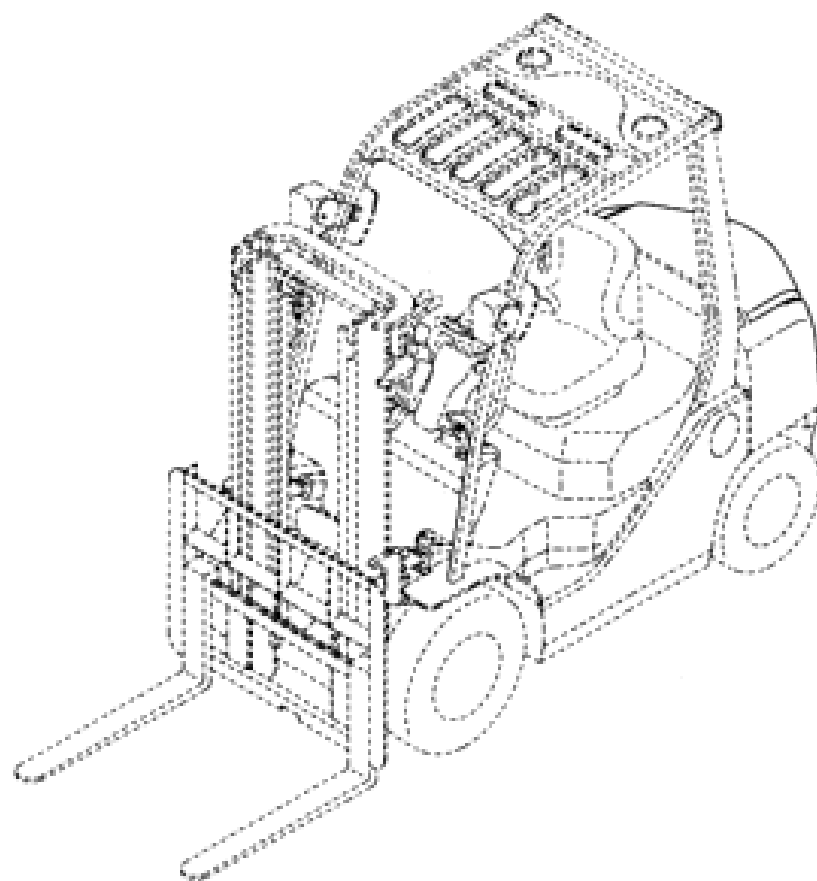
(21) Design Number: **14387/2006**  
(22) Date of Filing Application: **29 September 2006**  
(24) Date from which industrial property rights may have effect: **29 September 2006**  
(54) Product in respect of which the design is registered: **Air conditioner**  
(51) International Design Classification: **23-04**  
(71) Name(s) and Address(s) of Applicant(s):  
**Daikin Industries Ltd.**  
**Umeda Center Building 4-12 Nakazaki-Nishi 2-chome Kita-Ku**  
**Osaka-shi Osaka-fu Japan**  
(72) Name(s) of Designer(s): **Hisashi Shimizu**  
(45) Registration Date: **31 October 2006**  
(30) Convention priority data:  
(31) Number (32) Date (33) Country  
**2006-021088 08 Aug 2006 JAPAN**  
(56) Related Art Documents: **Not Applicable**  
(57) Statement of Newness and Distinctiveness: **Nil**



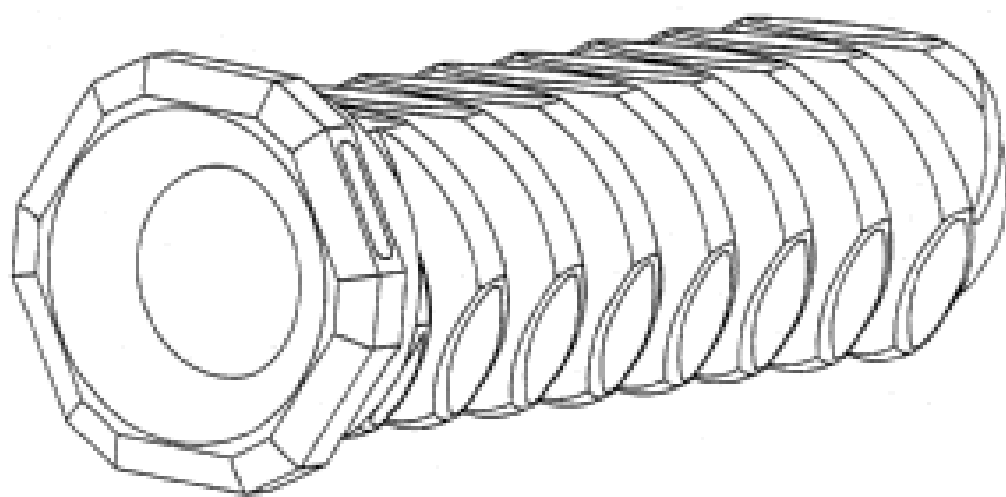
- (21) Design Number: **14388/2006**  
(22) Date of Filing Application: **29 September 2006**  
(24) Date from which industrial property rights may have effect: **29 September 2006**  
(54) Product in respect of which the design is registered: **Recording medium**  
(51) International Design Classification: **14-02**  
(71) Name(s) and Address(s) of Applicant(s):  
**Kabushiki Kaisha Toshiba**  
**1-1 Shibaura 1-Chome Minato-Ku Tokyo 105-8001 Japan**  
(72) Name(s) of Designer(s): **Hitoshi Otsuka**  
(45) Registration Date: **31 October 2006**  
(30) Convention priority data:  
(31) Number      (32) Date      (33) Country  
**2006-016636      27 Jun 2006      JAPAN**  
(56) Related Art Documents: **Not Applicable**  
(57) Statement of Newness and Distinctiveness: **Nil**



- (21) Design Number: **14390/2006**  
(22) Date of Filing Application: **29 September 2006**  
(24) Date from which industrial property rights may have effect: **29 September 2006**  
(54) Product in respect of which the design is registered: **Forklift truck**  
(51) International Design Classification: **12-05**  
(71) Name(s) and Address(s) of Applicant(s):  
**Kabushiki Kaisha Toyota Jidoshokki**  
**2-1 Toyoda-Cho Kariya-Shi Aichi-Ken Japan**  
(72) Name(s) of Designer(s): **Hiroki Mori and Tomomichi Miura and Masanori Shinoda and Takahito Miyake**  
(45) Registration Date: **31 October 2006**  
(30) Convention priority data:  
(31) Number      (32) Date      (33) Country  
**2006-008565      31 Mar 2006      JAPAN**  
(56) Related Art Documents: **Not Applicable**  
(57) Statement of Newness and Distinctiveness: **The shape and configuration of the engine hood shown in solid lines is new and distinctive. In considering the newness and distinctiveness of the design, the features shown in broken lines are to be disregarded.**



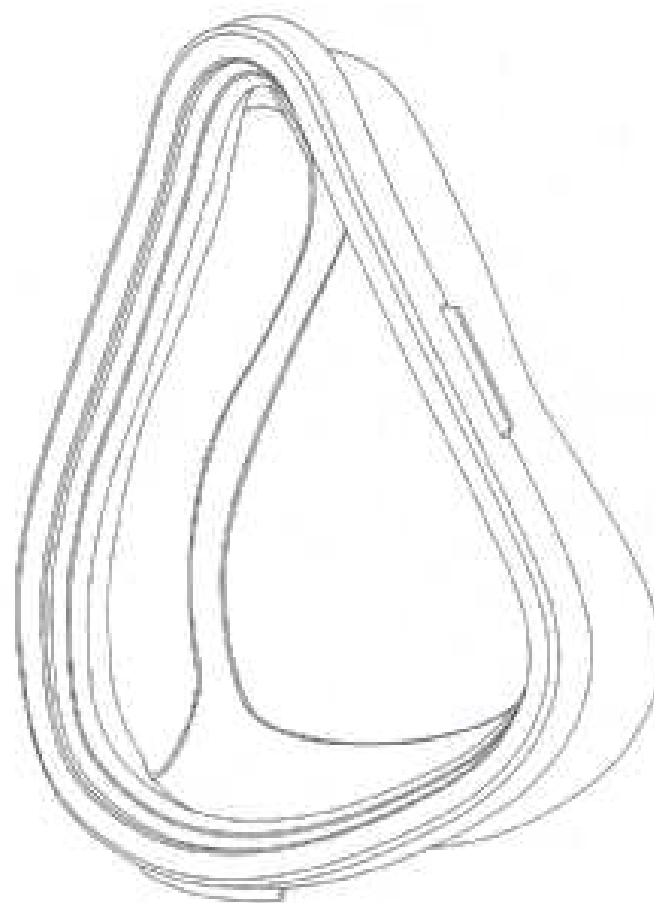
- (21) Design Number: **12663/2006**  
(22) Date of Filing Application: **22 June 2006**  
(24) Date from which industrial property rights may have effect: **22 June 2006**  
(54) Product in respect of which the design is registered: **Adjustable forehead support screw for respiratory mask**  
(51) International Design Classification: **24-01, 24-04, 29-99**  
(71) Name(s) and Address(s) of Applicant(s):  
**ResMed Ltd**  
**1 Elizabeth Macarthur Drive Bella Vista New South Wales 2153**  
**Australia**  
(72) Name(s) of Designer(s): **Eva Ng and Scott Alexander Howard and Vincent Chu and Murray William Lee and Errol Savio Alex D'Souza**  
(45) Registration Date: **31 October 2006**  
(30) Convention priority data:  
(31) Number (32) Date (33) Country  
**29/251,714 12 Jan 2006 UNITED STATES OF AMERICA**  
(56) Related Art Documents: **Not Applicable**  
(57) Statement of Newness and Distinctiveness: **Nil**



- (21) Design Number: **12169/2006**  
(22) Date of Filing Application: **17 May 2006**  
(24) Date from which industrial property rights may have effect: **17 May 2006**  
(54) Product in respect of which the design is registered: **Attachment device for a Rotary Hoe**  
(51) International Design Classification: **15-99, 15-03NES**  
(71) Name(s) and Address(s) of Applicant(s):  
**Eila Anneli Kangas**  
**Mail Service 102 Ingham Queensland 4850 Australia**  
**Michael Arbi Kangas**  
**Mail Service 102 Ingham Queensland 4850 Australia**  
**John Tapio Kangas**  
**Mail Service 102 Ingham Queensland 4850 Australia**  
(72) Name(s) of Designer(s): **Hannu Tapio Kangas**  
(45) Registration Date: **31 October 2006**  
(56) Related Art Documents: **Not Applicable**  
(57) Statement of Newness and Distinctiveness: **This device has been designed with multi-functions: Protects the nut and bolt heads. Self-locates both the nut and bolt heads within the device. Prevents the nut and bolt from seizing. No other locking device is required. The leading edges of the flanges of the Rotaloc protects and locates the nut and bolts for easy fitting and/or removal. The leading edges of both components are designed in a way as to protect the bolt head and nut from abrasion while in operation in the soil by: A. Having the tapered self-locating countersunk flange and tapered nut it allows easier removal for replacement/maintenance; other devices seize and in most cases must be removed by cutting the bolt head or nut from the apparatus. Abrasion wears and distorts the head of the nut making it difficult to secure in a mechanical device (eg, a spanner). This nut is protected by the leading edge. B. Is formed in such a way as to locate and secure the bolt head without the use of a mechanical device (eg, spanner). The leading edge and tail protect both bolt heads. There is currently no product on the market to protect the nuts or bolt heads.**



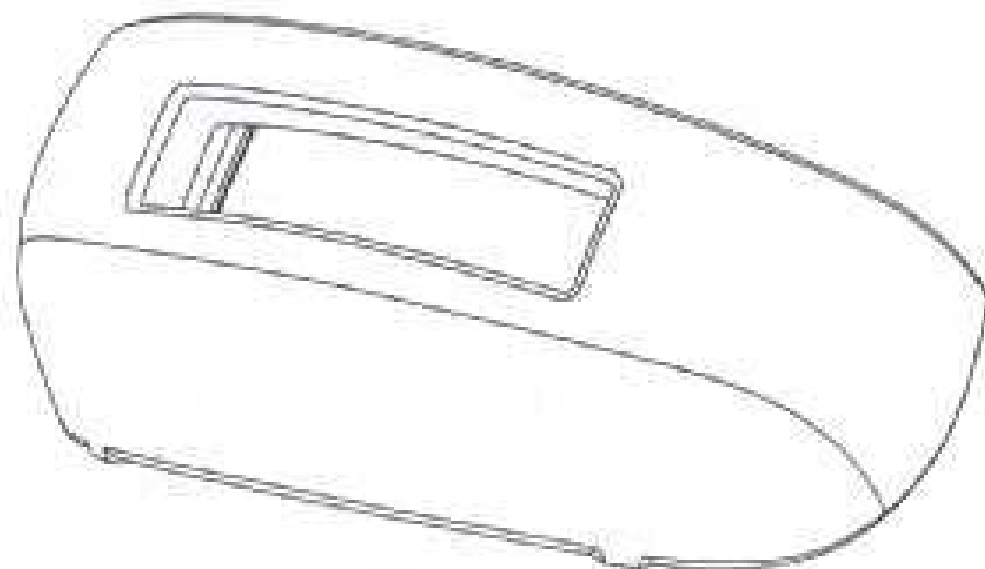
(21) Design Number: **12660/2006**  
(22) Date of Filing Application: **22 June 2006**  
(24) Date from which industrial property rights may have effect: **22 June 2006**  
(54) Product in respect of which the design is registered: **Cushion for respiratory mask**  
(51) International Design Classification: **24-01, 24-04, 29-99**  
(71) Name(s) and Address(s) of Applicant(s):  
**ResMed Ltd**  
**1 Elizabeth Macarthur Drive Bella Vista New South Wales 2153**  
**Australia**  
(72) Name(s) of Designer(s): **Aaron Samuel Davidson and Robin Garth Hitchcock and Errol Savio Alex D'Souza and Matthew Eves**  
(45) Registration Date: **31 October 2006**  
(30) Convention priority data:  
(31) Number (32) Date (33) Country  
**29/251,705 12 Jan 2006 UNITED STATES OF AMERICA**  
(56) Related Art Documents: **Not Applicable**  
(57) Statement of Newness and Distinctiveness: **Nil**



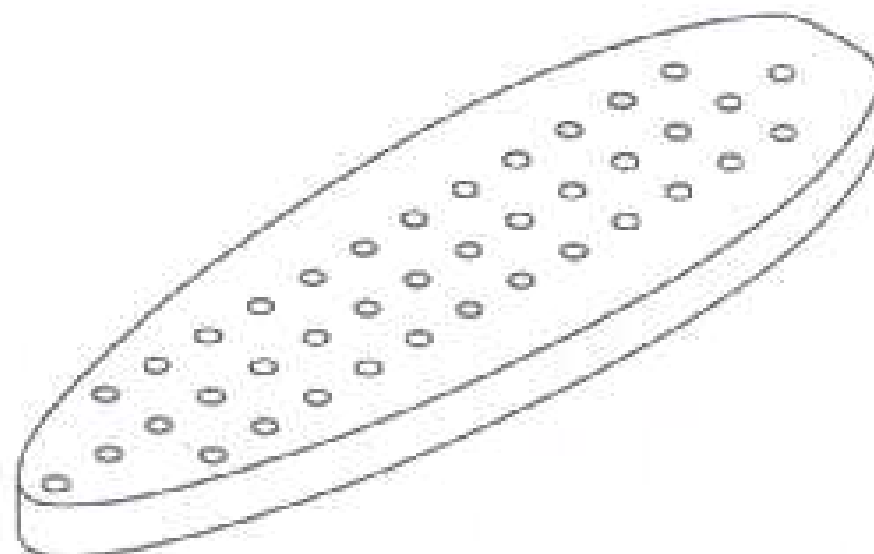
(21) Design Number: **12662/2006**  
(22) Date of Filing Application: **22 June 2006**  
(24) Date from which industrial property rights may have effect: **22 June 2006**  
(54) Product in respect of which the design is registered: **Forehead support for respiratory mask**  
(51) International Design Classification: **24-01, 24-04, 29-99**  
(71) Name(s) and Address(s) of Applicant(s):  
**ResMed Ltd**  
**1 Elizabeth Macarthur Drive Bella Vista New South Wales 2153**  
**Australia**  
(72) Name(s) of Designer(s): **Eva Ng and Vincent Chu and Scott Alexander Howard**  
(45) Registration Date: **31 October 2006**  
(30) Convention priority data:  
(31) Number (32) Date (33) Country  
**29/251,706 12 Jan 2006 UNITED STATES OF AMERICA**  
(56) Related Art Documents: **Not Applicable**  
(57) Statement of Newness and Distinctiveness: **Nil**



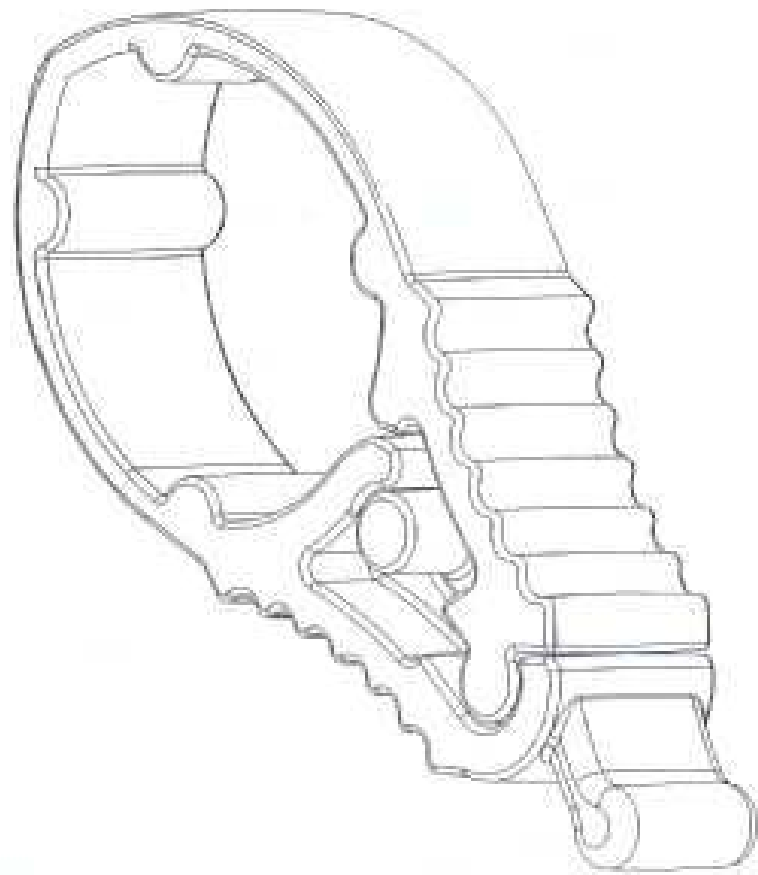
(21) Design Number: **12667/2006**  
(22) Date of Filing Application: **22 June 2006**  
(24) Date from which industrial property rights may have effect: **22 June 2006**  
(54) Product in respect of which the design is registered: **Anti-asphyxia valve clip for respiratory mask**  
(51) International Design Classification: **24-01, 24-04, 29-99**  
(71) Name(s) and Address(s) of Applicant(s):  
**ResMed Ltd**  
**1 Elizabeth Macarthur Drive Bella Vista New South Wales 2153**  
**Australia**  
(72) Name(s) of Designer(s): **Robin Garth Hitchcock and Scott Alexander Howard**  
(45) Registration Date: **31 October 2006**  
(30) Convention priority data:  
(31) Number (32) Date (33) Country  
**29/251,708 12 Jan 2006 UNITED STATES OF AMERICA**  
(56) Related Art Documents: **Not Applicable**  
(57) Statement of Newness and Distinctiveness: **Nil**



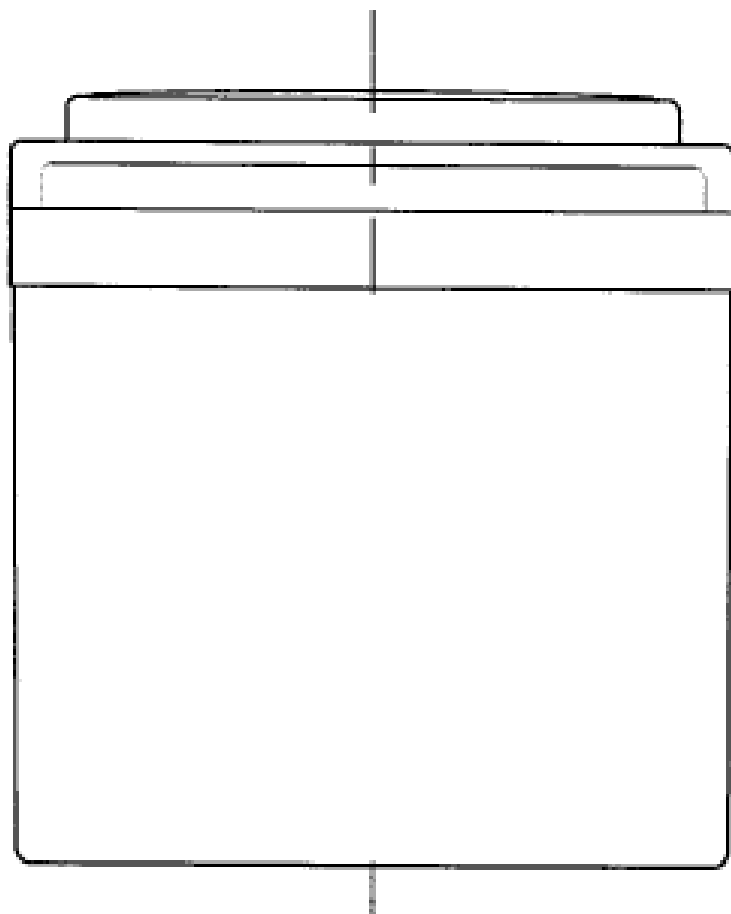
(21) Design Number: **12670/2006**  
(22) Date of Filing Application: **22 June 2006**  
(24) Date from which industrial property rights may have effect: **22 June 2006**  
(54) Product in respect of which the design is registered: **Vent for respiratory mask**  
(51) International Design Classification: **24-01, 24-04, 29-99**  
(71) Name(s) and Address(s) of Applicant(s):  
**ResMed Ltd**  
**1 Elizabeth Macarthur Drive Bella Vista New South Wales 2153**  
**Australia**  
(72) Name(s) of Designer(s): **Philip Thomas Stallard and Lee James Veliss and Daniel Robert Judson**  
(45) Registration Date: **31 October 2006**  
(30) Convention priority data:  
(31) Number (32) Date (33) Country  
**29/251,713 12 Jan 2006 UNITED STATES OF AMERICA**  
(56) Related Art Documents: **Not Applicable**  
(57) Statement of Newness and Distinctiveness: **Nil**



- (21) Design Number: **14135/2006**  
(22) Date of Filing Application: **14 September 2006**  
(24) Date from which industrial property rights may have effect: **14 September 2006**  
(54) Product in respect of which the design is registered: **A clip**  
(51) International Design Classification: **09-07NES**  
(71) Name(s) and Address(s) of Applicant(s):  
**Amcor Limited**  
**679 Victoria Street Abbotsford Victoria 3067 Australia**  
(72) Name(s) of Designer(s): **Adam Gray**  
(45) Registration Date: **31 October 2006**  
(56) Related Art Documents: **Not Applicable**  
(57) Statement of Newness and Distinctiveness: **Nil**



- (21) Design Number: **14222/2006**  
(22) Date of Filing Application: **20 September 2006**  
(24) Date from which industrial property rights may have effect: **20 September 2006**  
(54) Product in respect of which the design is registered: **Stackable spice container with flip top screw on cap**  
(51) International Design Classification: **07-06C**  
(71) Name(s) and Address(s) of Applicant(s):  
**Australian Grocery Solutions Pty Ltd**  
**PO Box 4352 Dandenong South Victoria 3164 Australia**  
(72) Name(s) of Designer(s): **Roy Meaker and Rodney Meaker**  
(45) Registration Date: **31 October 2006**  
(56) Related Art Documents: **Not Applicable**  
(57) Statement of Newness and Distinctiveness: **Monopoly is claimed in the features of (1) pattern and ornamentation of a spice container lid, and (2) shape and configuration of a spice container as illustrated in the accompanying representations.**



- (21) Design Number: **14307/2006**  
(22) Date of Filing Application: **26 September 2006**  
(24) Date from which industrial property rights may have effect: **26 September 2006**  
(54) Product in respect of which the design is registered: **Fishing Tackle**  
(51) International Design Classification: **22-05**  
(71) Name(s) and Address(s) of Applicant(s):  
**Rapala VMC Oyj**  
**Tehtaantie 2 17200 Vaaksy Finland**  
(72) Name(s) of Designer(s): **Harri Leppala**  
(45) Registration Date: **31 October 2006**  
(30) Convention priority data:  
(31) Number (32) Date (33) Country  
**000557343-0001 10 Jul 2006 EUROPEAN COMMUNITY**  
(56) Related Art Documents: **Not Applicable**  
(57) Statement of Newness and Distinctiveness: **Newness and distinctiveness reside in the features of the design as shown in the representations.**



- (21) Design Number: **14308/2006**  
(22) Date of Filing Application: **26 September 2006**  
(24) Date from which industrial property rights may have effect: **26 September 2006**  
(54) Product in respect of which the design is registered: **Fishing Tackle**  
(51) International Design Classification: **22-05**  
(71) Name(s) and Address(s) of Applicant(s):  
**Rapala VMC Oyj**  
**Tehtaantie 2 17200 Vaaksy Finland**  
(72) Name(s) of Designer(s): **Heikki Niemela**  
(45) Registration Date: **31 October 2006**  
(30) Convention priority data:  
(31) Number (32) Date (33) Country  
**000557343-0001 10 Jul 2006 EUROPEAN COMMUNITY**  
(56) Related Art Documents: **Not Applicable**  
(57) Statement of Newness and Distinctiveness: **Newness and distinctiveness reside in the features of the design as shown in the representations.**



- (21) Design Number: **14309/2006**  
(22) Date of Filing Application: **26 September 2006**  
(24) Date from which industrial property rights may have effect: **26 September 2006**  
(54) Product in respect of which the design is registered: **Fishing Tackle**  
(51) International Design Classification: **22-05**  
(71) Name(s) and Address(s) of Applicant(s):  
**Rapala VMC Oyj**  
**Tehtaantie 2 17200 Vaaksy Finland**  
(72) Name(s) of Designer(s): **Harri Leppala**  
(45) Registration Date: **31 October 2006**  
(30) Convention priority data:  
(31) Number (32) Date (33) Country  
**000557343-0003 10 Jul 2006 EUROPEAN COMMUNITY**  
(56) Related Art Documents: **Not Applicable**  
(57) Statement of Newness and Distinctiveness: **Newness and distinctiveness reside in the features of the design as shown in the representations.**



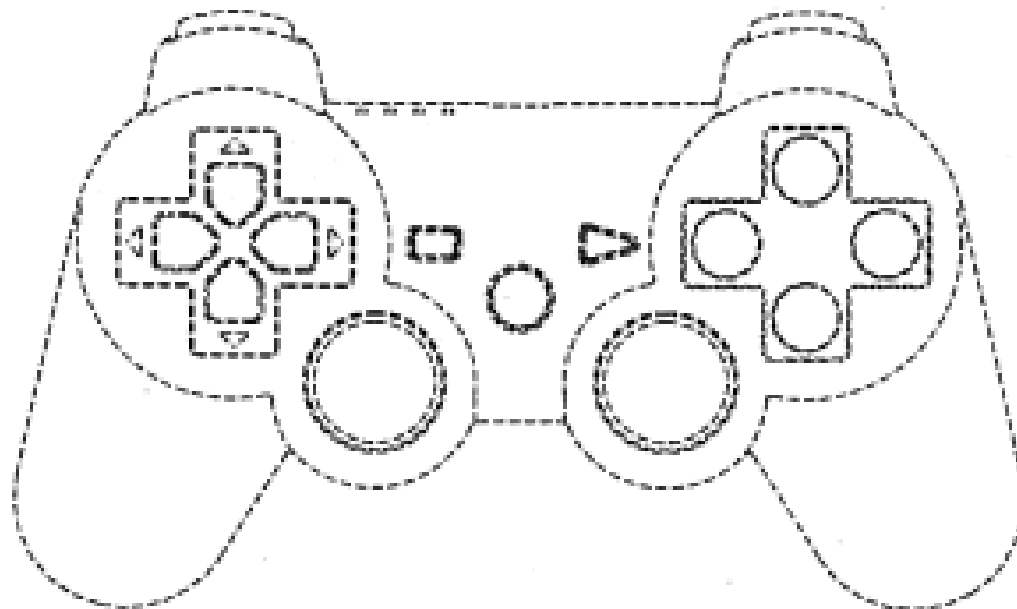
- (21) Design Number: **14310/2006**  
(22) Date of Filing Application: **26 September 2006**  
(24) Date from which industrial property rights may have effect: **26 September 2006**  
(54) Product in respect of which the design is registered: **Fishing Tackle**  
(51) International Design Classification: **22-05**  
(71) Name(s) and Address(s) of Applicant(s):  
**Rapala VMC Oyj**  
**Tehtaantie 2 17200 Vaaksy Finland**  
(72) Name(s) of Designer(s): **Raimo Salonen**  
(45) Registration Date: **31 October 2006**  
(30) Convention priority data:  
(31) Number (32) Date (33) Country  
**000557343-0004 10 Jul 2006 EUROPEAN COMMUNITY**  
(56) Related Art Documents: **Not Applicable**  
(57) Statement of Newness and Distinctiveness: **Newness and distinctiveness reside in the features of the design as shown in the representations.**



(21) Design Number: **14311/2006**  
(22) Date of Filing Application: **26 September 2006**  
(24) Date from which industrial property rights may have effect: **26 September 2006**  
(54) Product in respect of which the design is registered: **Fishing Tackle**  
(51) International Design Classification: **22-05**  
(71) Name(s) and Address(s) of Applicant(s):  
**Rapala VMC Oyj**  
**Tehtaantie 2 17200 Vaaksy Finland**  
(72) Name(s) of Designer(s): **Raimo Salonen**  
(45) Registration Date: **31 October 2006**  
(30) Convention priority data:  
(31) Number      (32) Date      (33) Country  
**000557343-005    10 Jul 2006      EUROPEAN COMMUNITY**  
(56) Related Art Documents: **Not Applicable**  
(57) Statement of Newness and Distinctiveness: **Newness and distinctiveness reside in the features of the design as shown in the representations.**



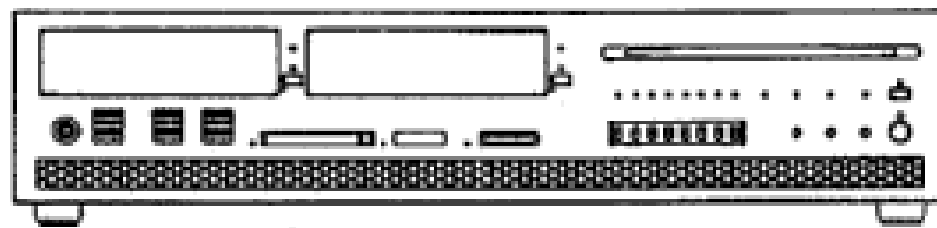
(21) Design Number: **14363/2006**  
(22) Date of Filing Application: **28 September 2006**  
(24) Date from which industrial property rights may have effect: **28 September 2006**  
(54) Product in respect of which the design is registered: **Controller for an arithmetic and control unit**  
(51) International Design Classification: **14-02**  
(71) Name(s) and Address(s) of Applicant(s):  
**Sony Computer Entertainment Inc.**  
**2-6-21 Minami-Aoyama Minato-ku Tokyo 107-0062 Japan**  
(72) Name(s) of Designer(s): **Teiyu Goto**  
(45) Registration Date: **31 October 2006**  
(30) Convention priority data:  
(31) Number      (32) Date      (33) Country  
**2006-011635      08 May 2006      JAPAN**  
(56) Related Art Documents: **Not Applicable**  
(57) Statement of Newness and Distinctiveness: **Newness and distinctiveness resides in the shape and configuration of a controller for an arithmetic and control unit as illustrated in the accompanying representations. The features shown in broken outlines are illustrative only and do not form part of the design.**



(21) Design Number: **14364/2006**  
 (22) Date of Filing Application: **28 September 2006**  
 (24) Date from which industrial property rights may have effect: **28 September 2006**  
 (54) Product in respect of which the design is registered: **Arithmetic and control unit**  
 (51) International Design Classification: **14-02**  
 (71) Name(s) and Address(s) of Applicant(s):  
**Sony Computer Entertainment Inc.**  
**2-6-21 Minami-Aoyama Minato-ku Tokyo 107-0062 Japan**  
 (72) Name(s) of Designer(s): **Teiyu Goto**  
 (45) Registration Date: **31 October 2006**  
 (30) Convention priority data:  

(31) Number	(32) Date	(33) Country
<b>2006-011637</b>	<b>08 May 2006</b>	<b>JAPAN</b>

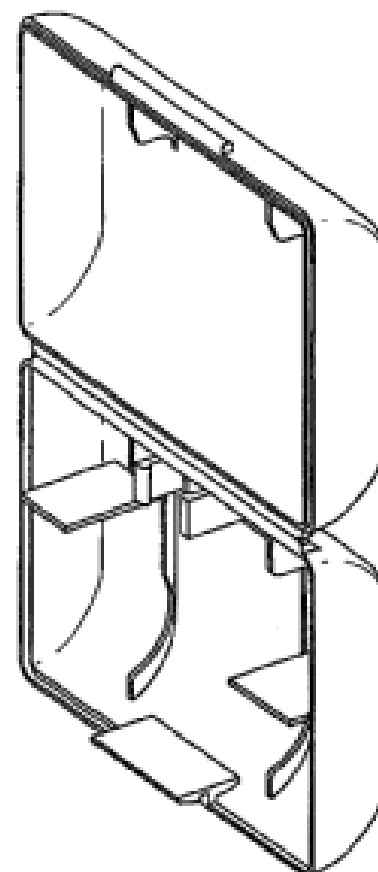
 (56) Related Art Documents: **Not Applicable**  
 (57) Statement of Newness and Distinctiveness: **Nil**



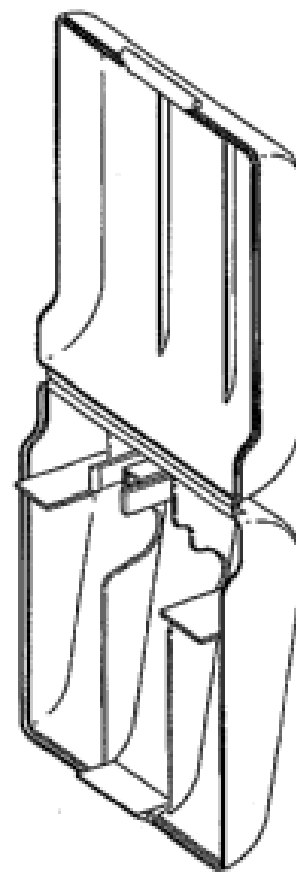
(21) Design Number: **14365/2006**  
 (22) Date of Filing Application: **28 September 2006**  
 (24) Date from which industrial property rights may have effect: **28 September 2006**  
 (54) Product in respect of which the design is registered: **Case for an electronic device**  
 (51) International Design Classification: **09-03L**  
 (71) Name(s) and Address(s) of Applicant(s):  
**Sony Computer Entertainment Inc.**  
**2-6-21 Minami-Aoyama Minato-ku Tokyo 107-0062 Japan**  
 (72) Name(s) of Designer(s): **Takatoshi Nakamura**  
 (45) Registration Date: **31 October 2006**  
 (30) Convention priority data:  

(31) Number	(32) Date	(33) Country
<b>2006-011632</b>	<b>08 May 2006</b>	<b>JAPAN</b>

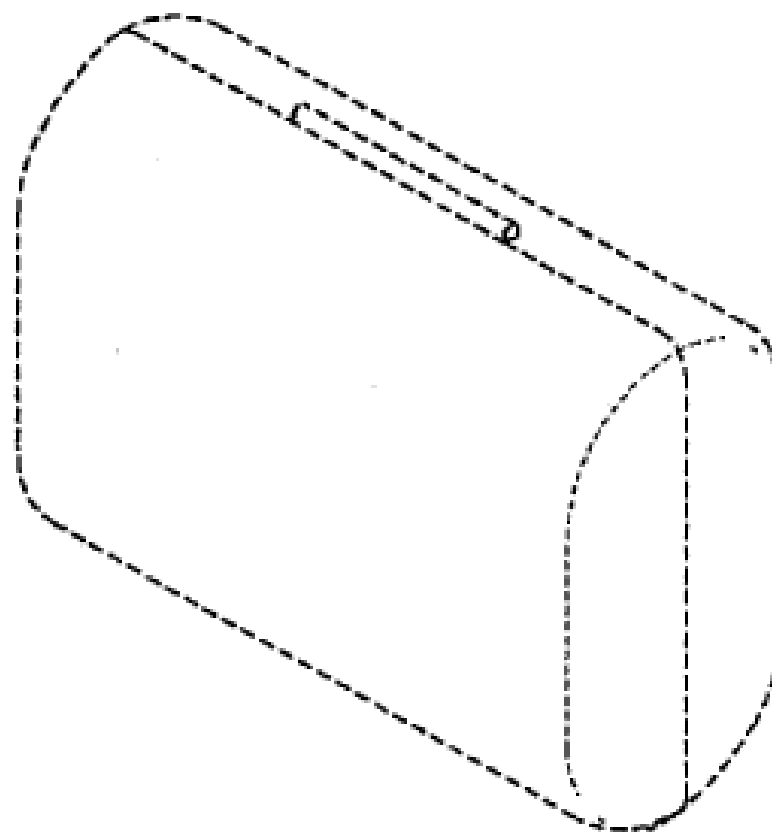
 (56) Related Art Documents: **Not Applicable**  
 (57) Statement of Newness and Distinctiveness: **Nil**



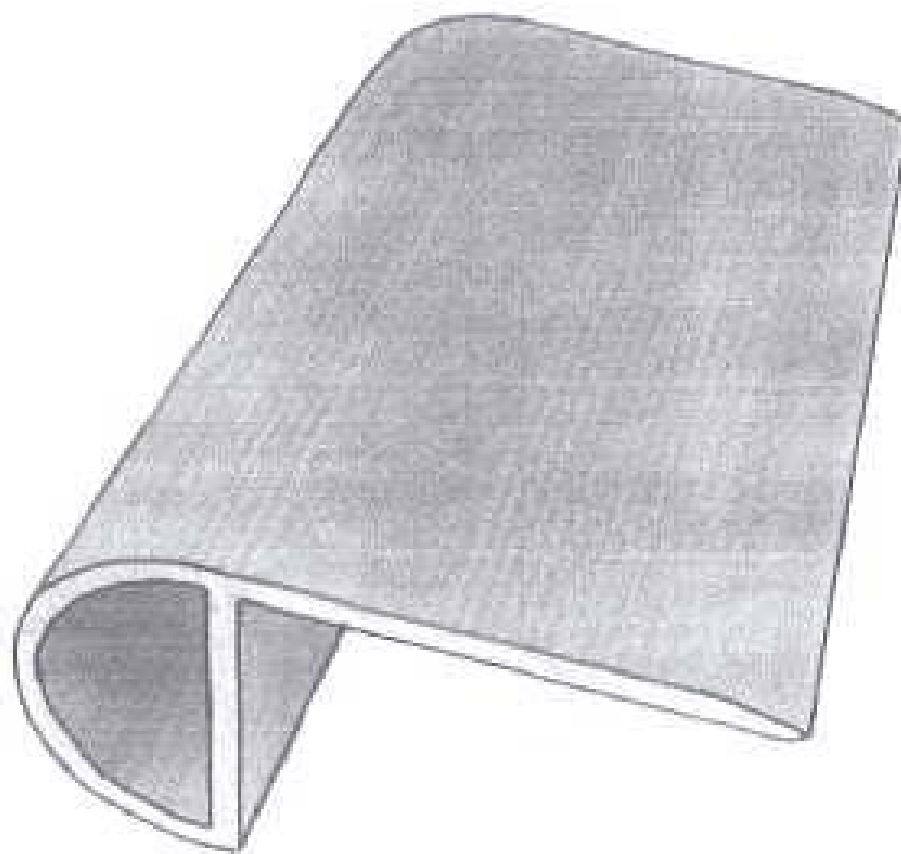
- (21) Design Number: **14366/2006**  
(22) Date of Filing Application: **28 September 2006**  
(24) Date from which industrial property rights may have effect: **28 September 2006**  
(54) Product in respect of which the design is registered: **Case for an electronic device**  
(51) International Design Classification: **09-03L**  
(71) Name(s) and Address(s) of Applicant(s):  
**Sony Computer Entertainment Inc.**  
**2-6-21 Minami-Aoyama Minato-ku Tokyo 107-0062 Japan**  
(72) Name(s) of Designer(s): **Takatoshi Nakamura**  
(45) Registration Date: **31 October 2006**  
(30) Convention priority data:  
(31) Number      (32) Date      (33) Country  
**2006-011633      08 May 2006      JAPAN**  
(56) Related Art Documents: **Not Applicable**  
(57) Statement of Newness and Distinctiveness: **Nil**



- (21) Design Number: **14367/2006**  
(22) Date of Filing Application: **28 September 2006**  
(24) Date from which industrial property rights may have effect: **28 September 2006**  
(54) Product in respect of which the design is registered: **Case for an electronic device**  
(51) International Design Classification: **09-03L**  
(71) Name(s) and Address(s) of Applicant(s):  
**Sony Computer Entertainment Inc.**  
**2-6-21 Minami-Aoyama Minato-ku Tokyo 107-0062 Japan**  
(72) Name(s) of Designer(s): **Takatoshi Nakamura**  
(45) Registration Date: **31 October 2006**  
(30) Convention priority data:  
(31) Number      (32) Date      (33) Country  
**2006-011634      08 May 2006      JAPAN**  
(56) Related Art Documents: **Not Applicable**  
(57) Statement of Newness and Distinctiveness: **Newness and distinctiveness resides in the shape and configuration of a case for an electronic device as illustrated in the accompanying representations. The features shown in broken outline are illustrative only and do not form part of the design.**



- (21) Design Number: **14433/2006**  
(22) Date of Filing Application: **03 October 2006**  
(24) Date from which industrial property rights may have effect: **03 October 2006**  
(54) Product in respect of which the design is registered: **Extrusion**  
(51) International Design Classification: **25-01K**  
(71) Name(s) and Address(s) of Applicant(s):  
**Peter Klaus Guhra**  
**Unit 4 46 Seton Road Moorebank New South Wales 2170 Australia**  
(72) Name(s) of Designer(s): **Peter Klaus Guhra**  
(45) Registration Date: **31 October 2006**  
(56) Related Art Documents: **Not Applicable**  
(57) Statement of Newness and Distinctiveness: **The new and distinctive visual feature of the extrusion having a constant cross-sectional shape as shown and indefinite length is the semicircular end portion. The pattern, placement and shape of the markings on the outer surfaces of the extrusion may vary.**



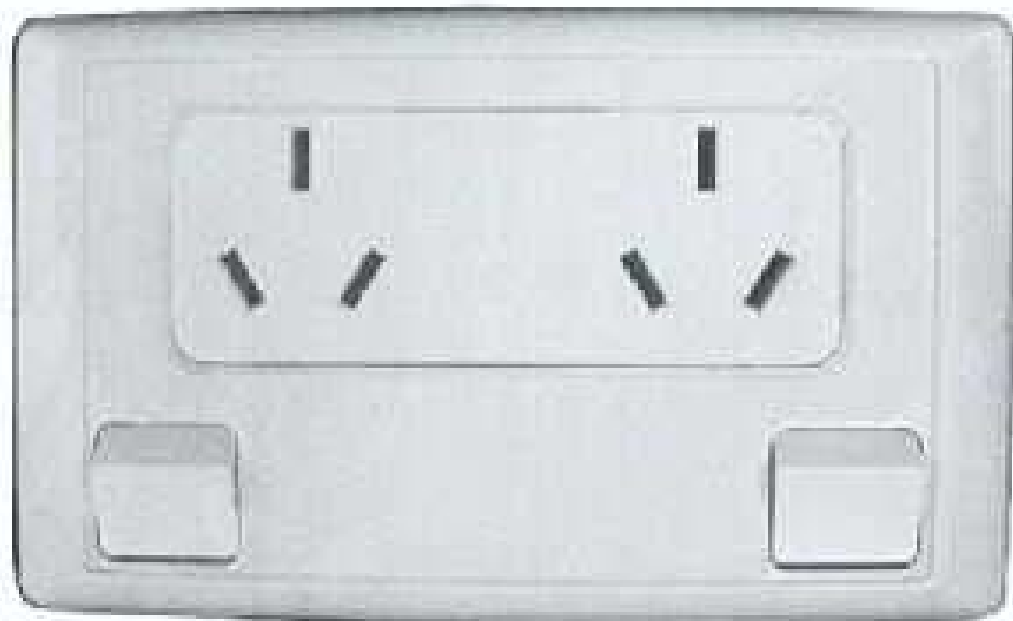
- (21) Design Number: **13496/2006**  
(22) Date of Filing Application: **08 August 2006**  
(24) Date from which industrial property rights may have effect: **08 August 2006**  
(54) Product in respect of which the design is registered: **chair**  
(51) International Design Classification: **06-01G**  
(71) Name(s) and Address(s) of Applicant(s):  
**Damba Furniture Pty Ltd**  
**69 Nicholson St St Leonards New South Wales 2065 Australia**  
(72) Name(s) of Designer(s): **Walter Tinyow**  
(45) Registration Date: **31 October 2006**  
(30) Convention priority data:  

(31) Number	(32) Date	(33) Country
<b>407 608</b>	<b>25 May 2006</b>	<b>NEW ZEALAND</b>

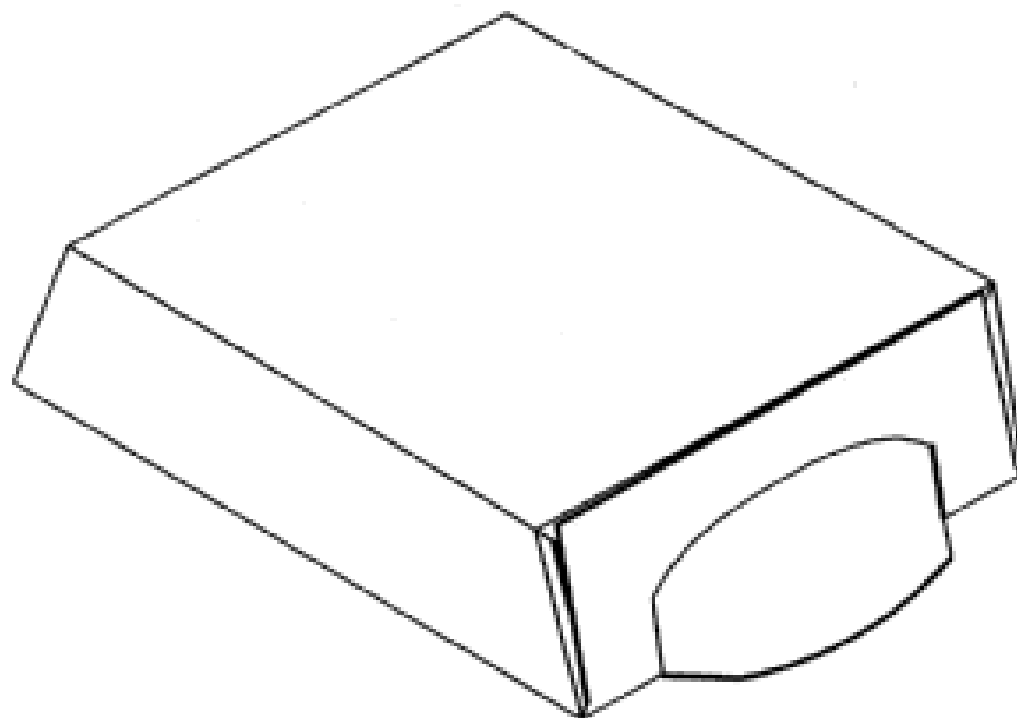
  
(56) Related Art Documents: **Not Applicable**  
(57) Statement of Newness and Distinctiveness: **Particular visual features of the design we would like to identify as new and distinctive reside in the features of shape and configuration as shown in the accompanying representations.**



- (21) Design Number: **13974/2006**  
(22) Date of Filing Application: **04 September 2006**  
(24) Date from which industrial property rights may have effect: **04 September 2006**  
(54) Product in respect of which the design is registered: **Electrical socket with switches (0 series with 2 switches and 2 electrodes with earth concealed receptacle slots)**  
(51) International Design Classification: **13-03D**  
(71) Name(s) and Address(s) of Applicant(s):  
**Yanwei Bao**  
**53 Liuyue Road Liushihoujie Industrial Zone Yueqing City Zhejiang Province 325604 People's Republic of China**  
(72) Name(s) of Designer(s): **Yong Ye**  
(45) Registration Date: **31 October 2006**  
(56) Related Art Documents: **Not Applicable**  
(57) Statement of Newness and Distinctiveness: **Nil**



- (21) Design Number: **10510/2006**  
(22) Date of Filing Application: **10 February 2006**  
(24) Date from which industrial property rights may have effect: **07 May 2004**  
(54) Product in respect of which the design is registered: **Packaging sleeve**  
(51) International Design Classification: **09-05**  
(71) Name(s) and Address(s) of Applicant(s):  
**Ancor Limited**  
**679 Victoria Road Abbotsford Victoria 3067 Australia**  
(72) Name(s) of Designer(s): **Mark Moore**  
(45) Registration Date: **31 October 2006**  
(62) Divisional of: **01712/2004**  
(56) Related Art Documents: **Not Applicable**  
(57) Statement of Newness and Distinctiveness: **Nil**



(21) Design Number: 11243/2006

(22) Date of Filing Application: 24 March 2006

(24) Date from which industrial property rights may have effect: 24 March 2006

(54) Product in respect of which the design is registered: **Grey water heat exchangers for showers**

(51) International Design Classification: 23-01B, 23-01NES

(71) Name(s) and Address(s) of Applicant(s):

**Nicolas Pyner**

**43 Wheeler Parade Dee Why New South Wales 2099 Australia**

(72) Name(s) of Designer(s): **Nicolas Pyner**

(45) Registration Date: 31 October 2006

(56) Related Art Documents: **Not Applicable**

(57) Statement of Newness and Distinctiveness: **This is a heat exchanger for domestic use. It is simple, practical and economical, using common components. It is inherently suitable for low grade heat. It recovers heat from the shower drain in order to pre-heat fresh water before it goes into the heater. Sheets 1 and 2 show a straight device operating essentially horizontally. It may also be used vertically. Sheet 3 and 4 show a folded version.**



(21) Design Number: 14407/2006

(22) Date of Filing Application: 28 September 2006

(24) Date from which industrial property rights may have effect: 28 September 2006

(54) Product in respect of which the design is registered: **Grey water heat exchanger for showers**

(51) International Design Classification: 23-01B, 23-01NES

(71) Name(s) and Address(s) of Applicant(s):

**Nicolas Pyner**

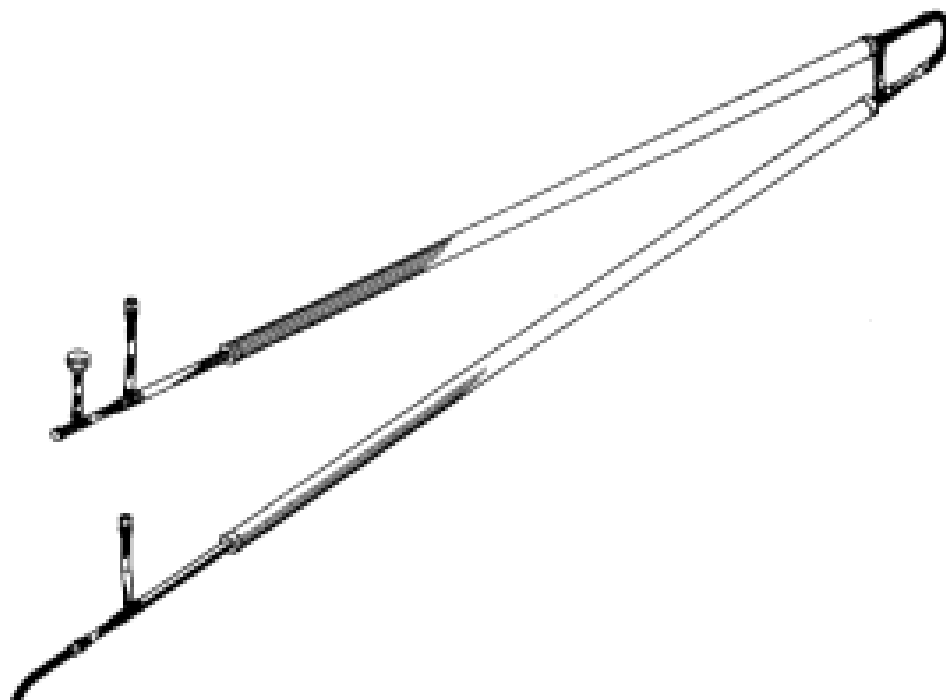
**43 Wheeler Parade Dee Why New South Wales 2099 Australia**

(72) Name(s) of Designer(s): **Nicolas Pyner**

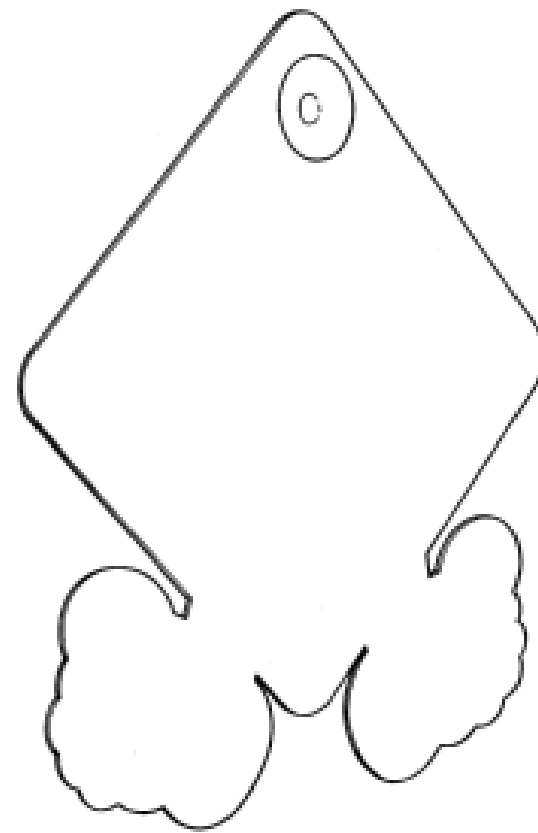
(45) Registration Date: 31 October 2006

(56) Related Art Documents: **Not Applicable**

(57) Statement of Newness and Distinctiveness: **This is a heat exchanger for domestic use. It is simple, practical and economical, using common components. It is inherently suitable for low grade heat. It recovers heat from the shower drain in order to pre-heat fresh water before it goes into the heater. Sheets 1 and 2 show a straight device operating essentially horizontally. It may also be used vertically. Sheet 3 and 4 show a folded version.**



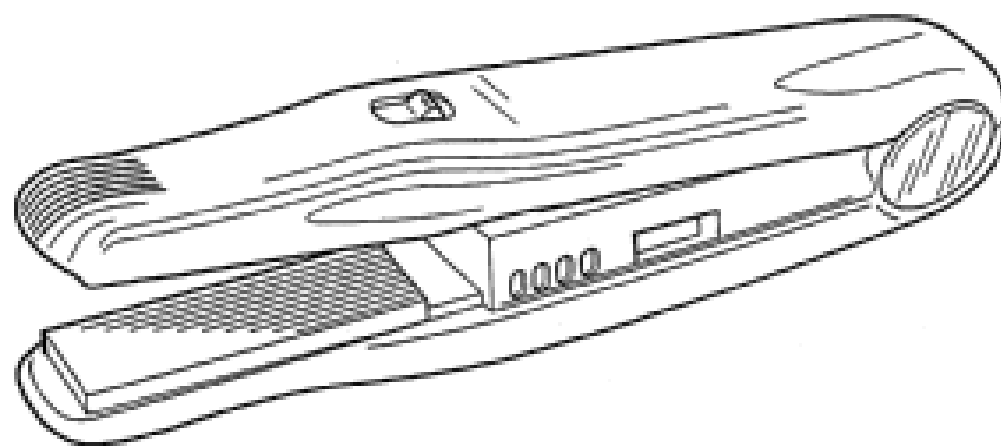
- (21) Design Number: **11529/2006**  
(22) Date of Filing Application: **12 April 2006**  
(24) Date from which industrial property rights may have effect: **12 April 2006**  
(54) Product in respect of which the design is registered: **A sign**  
(51) International Design Classification: **20-03NES**  
(71) Name(s) and Address(s) of Applicant(s):  
**Globaleyes Distribution Pty Ltd**  
**6-8 Maddison Lane Surry Hills New South Wales 2016 Australia**  
(72) Name(s) of Designer(s): **Matthew Davies**  
(45) Registration Date: **31 October 2006**  
(56) Related Art Documents: **Not Applicable**  
(57) Statement of Newness and Distinctiveness: **Newness and distinctiveness is claimed in the features of shape and/or configuration of a sign as illustrated in the accompanying representations.**



- (21) Design Number: **11716/2006**  
(22) Date of Filing Application: **24 April 2006**  
(24) Date from which industrial property rights may have effect: **24 April 2006**  
(54) Product in respect of which the design is registered: **Iron**  
(51) International Design Classification: **28-03B**  
(71) Name(s) and Address(s) of Applicant(s):  
**Jemella Limited**  
**Unit 12 Ryefield Way Belton Road Silsden BD20 OEF United Kingdom**  
(72) Name(s) of Designer(s): **Paul Overend**  
(45) Registration Date: **31 October 2006**  
(30) Convention priority data:  

(31) Number	(32) Date	(33) Country
<b>000429501</b>	<b>04 Nov 2005</b>	<b>EUROPEAN COMMUNITY</b>

  
(56) Related Art Documents: **Not Applicable**  
(57) Statement of Newness and Distinctiveness: **Those features of the iron depicted in the representations that are new and distinctive are the shape and/or configuration.**



(21) Design Number: **12008/2006**

(22) Date of Filing Application: **03 August 2006**

(24) Date from which industrial property rights may have effect: **03 August 2006**

(54) Product in respect of which the design is registered: **Chair**

(51) International Design Classification: **06-01F, 06-01L**

(71) Name(s) and Address(s) of Applicant(s):

**Xin dong Che**

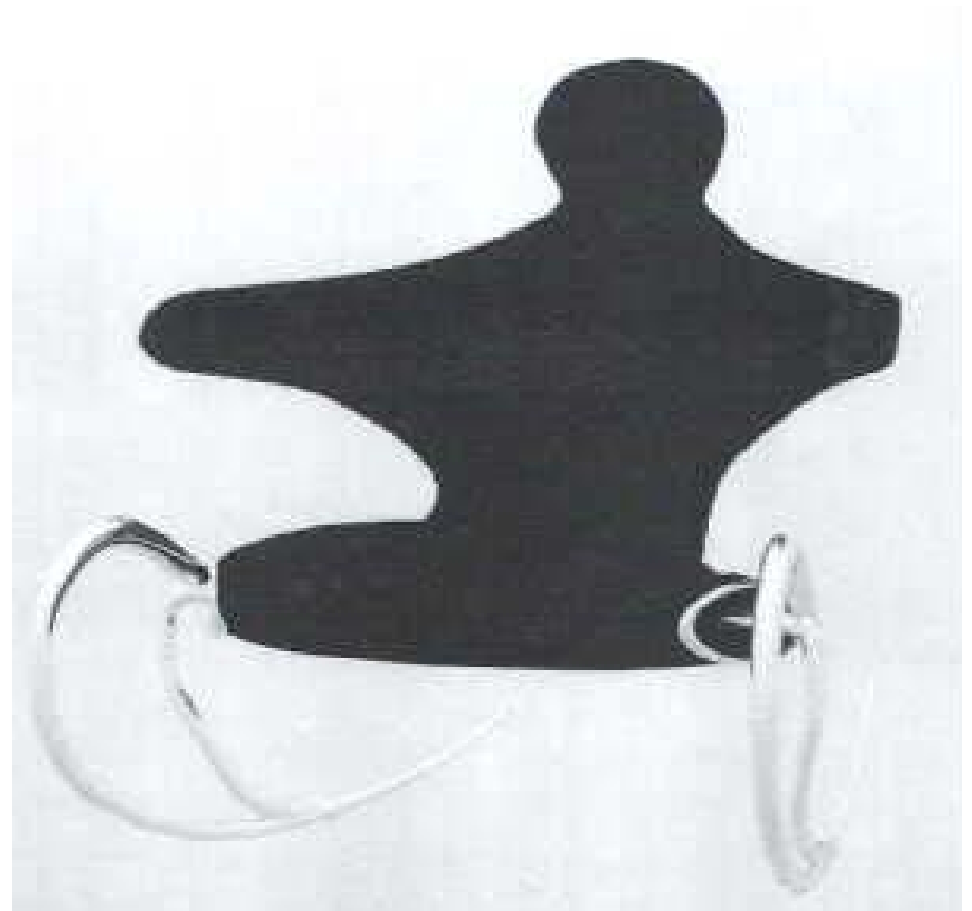
**3-5 Close Street Canterbury New South Wales 2193 Australia**

(72) Name(s) of Designer(s): **Xin dong Che**

(45) Registration Date: **31 October 2006**

(56) Related Art Documents: **Not Applicable**

(57) Statement of Newness and Distinctiveness: **Shape new, structure, collapsible.**



(21) Design Number: **12773/2006**

(22) Date of Filing Application: **28 June 2006**

(24) Date from which industrial property rights may have effect: **28 June 2006**

(54) Product in respect of which the design is registered: **Knife**

(51) International Design Classification: **08-03**

(71) Name(s) and Address(s) of Applicant(s):

**Martor KG**

**Heider Hof 60 42653 Solingen Germany**

(72) Name(s) of Designer(s): **Harald Berns**

(45) Registration Date: **31 October 2006**

(56) Related Art Documents: **Not Applicable**

(57) Statement of Newness and Distinctiveness: **Newness and distinctiveness is claimed in the shape and configuration of the knife shown in the representations. The pattern and ornamentation, including the writing and logos, should be disregarded.**



- (21) Design Number: **12775/2006**  
(22) Date of Filing Application: **28 June 2006**  
(24) Date from which industrial property rights may have effect: **28 June 2006**  
(54) Product in respect of which the design is registered: **Knife**  
(51) International Design Classification: **08-03**  
(71) Name(s) and Address(s) of Applicant(s):  
**Martor KG**  
**Heider Hof 60 42653 Solingen Germany**  
(72) Name(s) of Designer(s): **Harald Berns**  
(45) Registration Date: **31 October 2006**  
(56) Related Art Documents: **Not Applicable**  
(57) Statement of Newness and Distinctiveness: **Newness and distinctiveness is claimed in the shape and configuration of the knife shown in the representations. The pattern and ornamentation, including the writing and logos, should be disregarded.**



- (21) Design Number: **12776/2006**  
(22) Date of Filing Application: **28 June 2006**  
(24) Date from which industrial property rights may have effect: **28 June 2006**  
(54) Product in respect of which the design is registered: **Knife**  
(51) International Design Classification: **08-03**  
(71) Name(s) and Address(s) of Applicant(s):  
**Martor KG**  
**Heider Hof 60 42653 Solingen Germany**  
(72) Name(s) of Designer(s): **Wolfgang Doren**  
(45) Registration Date: **31 October 2006**  
(30) Convention priority data:  

(31) Number	(32) Date	(33) Country
<b>000513353</b>	<b>18 Apr 2006</b>	<b>EUROPEAN COMMUNITY</b>

  
(56) Related Art Documents: **Not Applicable**  
(57) Statement of Newness and Distinctiveness: **Newness and distinctiveness is claimed in the shape and configuration of the knife shown in the representations. The pattern and ornamentation, including the writing and logos, should be disregarded.**



(21) Design Number: **12774/2006**

(22) Date of Filing Application: **28 June 2006**

(24) Date from which industrial property rights may have effect: **28 June 2006**

(54) Product in respect of which the design is registered: **Knife**

(51) International Design Classification: **08-03**

(71) Name(s) and Address(s) of Applicant(s):

**Martor KG**

**Heider Hof 60 42653 Solingen Germany**

(72) Name(s) of Designer(s): **Martin Rohrbach**

(45) Registration Date: **31 October 2006**

(30) Convention priority data:

(31) Number

(32) Date

(33) Country

**000513353**

**18 Apr 2006**

**EUROPEAN COMMUNITY**

(56) Related Art Documents: **Not Applicable**

(57) Statement of Newness and Distinctiveness: **Newness and distinctiveness is claimed in the shape and configuration of the knife shown in the representations. The pattern and ornamentation, including the writing and logos, should be disregarded.**



(21) Design Number: **12840/2006**

(22) Date of Filing Application: **04 July 2006**

(24) Date from which industrial property rights may have effect: **04 July 2006**

(54) Product in respect of which the design is registered: **Tools**

(51) International Design Classification: **08-05P**

(71) Name(s) and Address(s) of Applicant(s):

**Rehau AG + Co**

**Rheniumhaus 95111 Rehau Germany**

(72) Name(s) of Designer(s): **Richard Sapper and Sven Christoph**

(45) Registration Date: **31 October 2006**

(30) Convention priority data:

(31) Number

(32) Date

(33) Country

**000465968**

**19 Jan 2006**

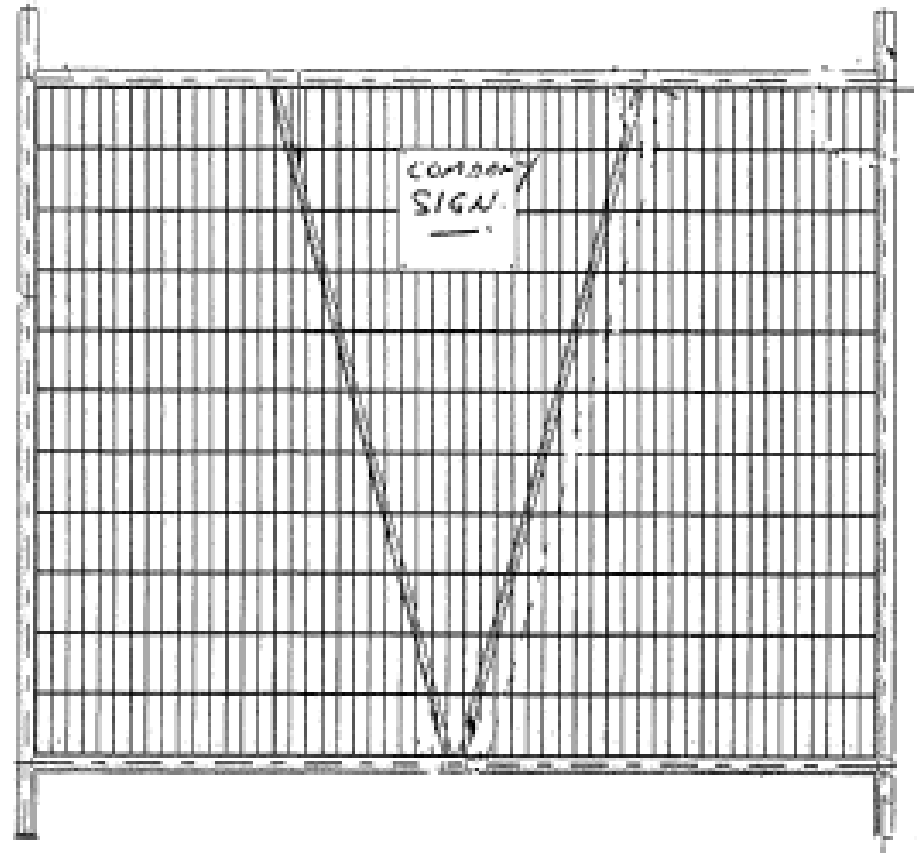
**EUROPEAN PATENT OFFICE (EP)**

(56) Related Art Documents: **Not Applicable**

(57) Statement of Newness and Distinctiveness: **Nil.**



- (21) Design Number: **13832/2006**  
(22) Date of Filing Application: **28 August 2006**  
(24) Date from which industrial property rights may have effect: **28 August 2006**  
(54) Product in respect of which the design is registered: **Temporary fence panel**  
(51) International Design Classification: **25-02C**  
(71) Name(s) and Address(s) of Applicant(s):  
**Damian K. Lee**  
**6/70 Chifley Drive Preston Victoria 3072 Australia**  
(72) Name(s) of Designer(s): **Damian K. Lee**  
(45) Registration Date: **31 October 2006**  
(56) Related Art Documents: **Not Applicable**  
(57) Statement of Newness and Distinctiveness: **Mesh size. Central V steel section representing our company name (Victorian Temporary Fencing).**



- (21) Design Number: **13934/2006**  
(22) Date of Filing Application: **01 September 2006**  
(24) Date from which industrial property rights may have effect: **01 September 2006**  
(54) Product in respect of which the design is registered: **Paint pot holder**  
(51) International Design Classification: **08-05L**  
(71) Name(s) and Address(s) of Applicant(s):  
**M. Ware**  
**55 Salisbury Drive Nowra New South Wales 2541 Australia**  
(72) Name(s) of Designer(s): **M. Ware**  
(45) Registration Date: **31 October 2006**  
(56) Related Art Documents: **Not Applicable**  
(57) Statement of Newness and Distinctiveness: **Design reference MWCI Paint Pot Holder. The ergonomic shapes and the functional configurations of this design are the same as design reference MWDI with 2 distinctive differences. No1 the bottom plate finger grip has been moved forward, enlarged and open ended, 2 finger bolts have been added to allow fixing to a scaffold or alike. No2 the ring shape thumb grip has been changed it is now a hook/hanger thumb grip.**



(21) Design Number: **14037/2006**

(22) Date of Filing Application: **11 September 2006**

(24) Date from which industrial property rights may have effect: **11 September 2006**

(54) Product in respect of which the design is registered: **Rubber Safety Shroud for Note Book Computer**

(51) International Design Classification: **03-01NES**

(71) Name(s) and Address(s) of Applicant(s):

**Industrial Evolution Designs Pty Ltd**

**27/159 Arthur Street Homebush West New South Wales 2140 Australia**

(72) Name(s) of Designer(s): **Tim Bird and Brett Franzi**

(45) Registration Date: **31 October 2006**

(56) Related Art Documents: **Not Applicable**

(57) Statement of Newness and Distinctiveness: **Nil**



(21) Design Number: **14306/2006**

(22) Date of Filing Application: **26 September 2006**

(24) Date from which industrial property rights may have effect: **26 September 2006**

(54) Product in respect of which the design is registered: **Hauling Shroud**

(51) International Design Classification: **13-03C**

(71) Name(s) and Address(s) of Applicant(s):

**Prysmian Telecom Cables & Systems Australia Pty Ltd**

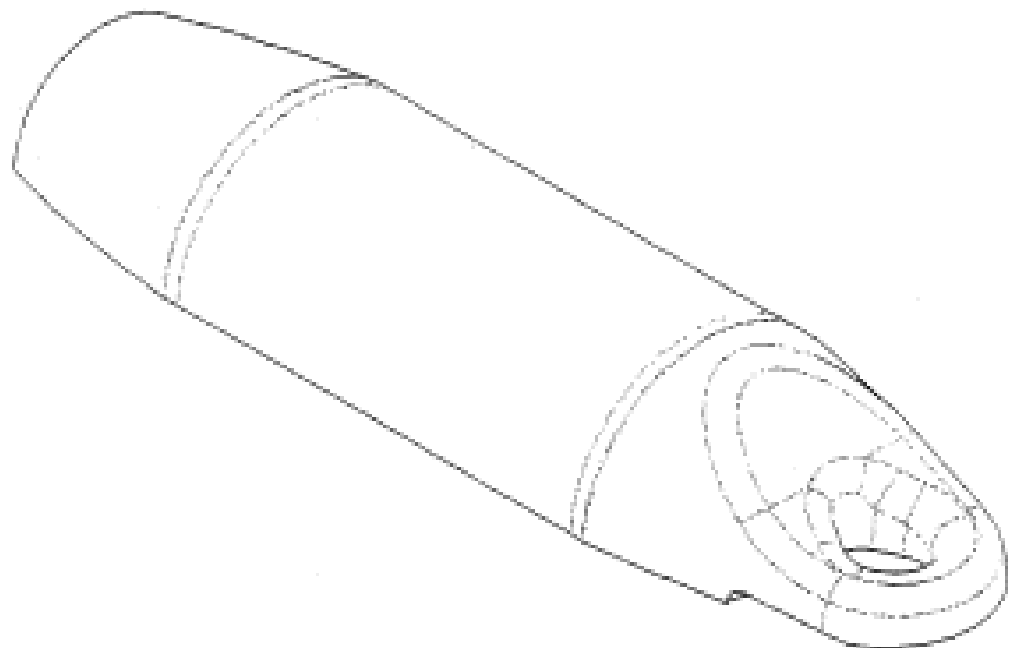
**1 Heathcote Road Liverpool New South Wales 2170 Australia**

(72) Name(s) of Designer(s): **Andrew Eliot Pierce and Alexander Mennie and Andrew Kaczmariski and Kyle Bolto**

(45) Registration Date: **31 October 2006**

(56) Related Art Documents: **Not Applicable**

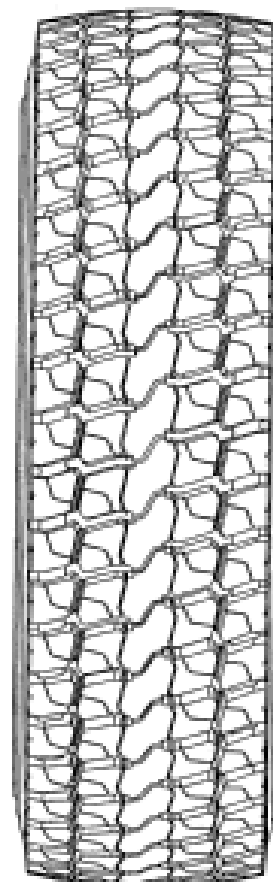
(57) Statement of Newness and Distinctiveness: **Newness and distinctiveness is claimed in the visual features shown in solid lines in the representations. Newness and distinctiveness is claimed in the exterior shape and/or configuration of the hauling shroud.**



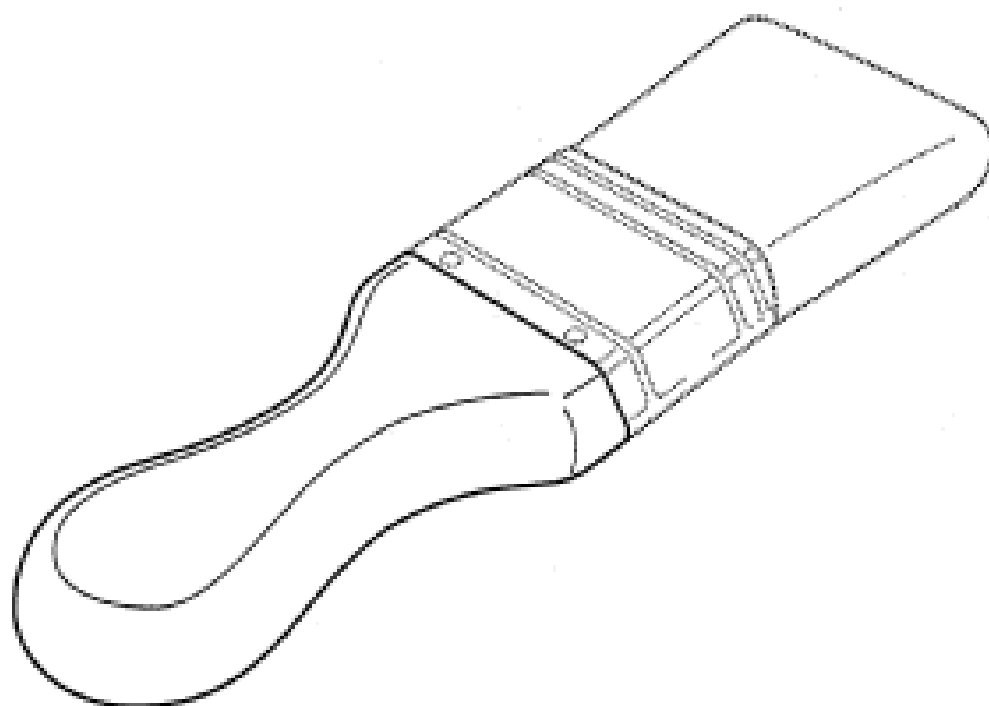
- (21) Design Number: **14321/2006**  
(22) Date of Filing Application: **26 September 2006**  
(24) Date from which industrial property rights may have effect: **26 September 2006**  
(54) Product in respect of which the design is registered: **Pneumatic tyre**  
(51) International Design Classification: **12-15C**  
(71) Name(s) and Address(s) of Applicant(s):  
**Pirelli Tyre S.P.A.**  
**Viale Sarca 222 20126 Milano Italy**  
(72) Name(s) of Designer(s): **Luigi Campana**  
(45) Registration Date: **31 October 2006**  
(30) Convention priority data:  
(31) Number (32) Date (33) Country  
**504741-0001/002 30 Mar 2006 EUROPEAN COMMUNITY**  
(56) Related Art Documents: **Not Applicable**  
(57) Statement of Newness and Distinctiveness: **The shape and configuration of the pneumatic tyre is new and distinctive.**



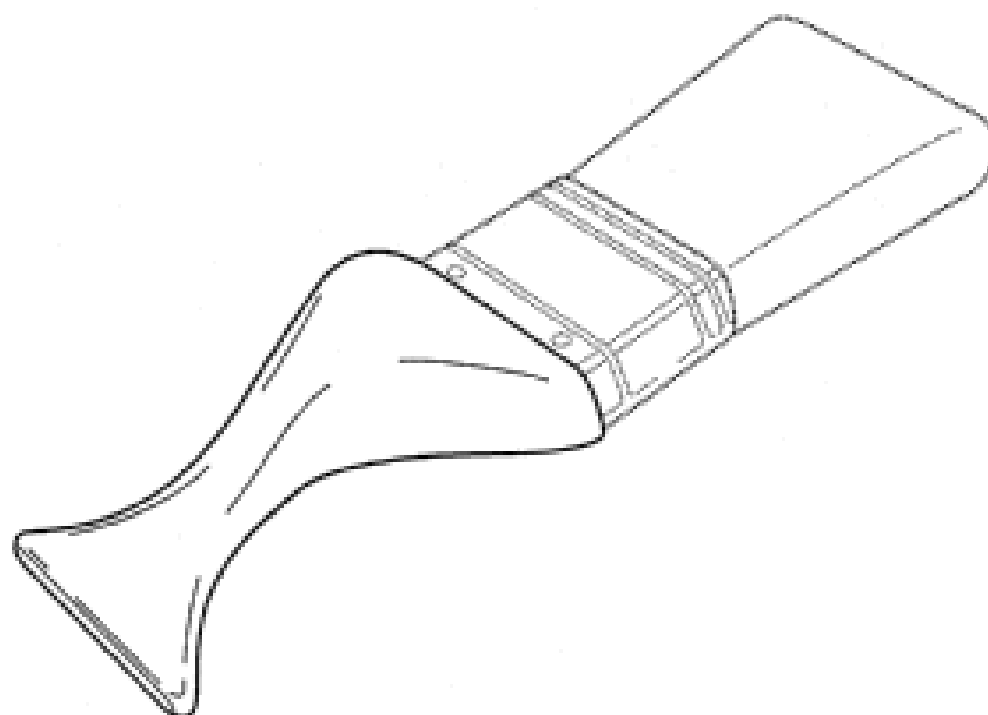
- (21) Design Number: **14322/2006**  
(22) Date of Filing Application: **26 September 2006**  
(24) Date from which industrial property rights may have effect: **26 September 2006**  
(54) Product in respect of which the design is registered: **Tread band**  
(51) International Design Classification: **12-15C**  
(71) Name(s) and Address(s) of Applicant(s):  
**Pirelli Tyre S.P.A.**  
**Viale Sarca 222 20126 Milano Italy**  
(72) Name(s) of Designer(s): **Luigi Campana**  
(45) Registration Date: **31 October 2006**  
(30) Convention priority data:  
(31) Number (32) Date (33) Country  
**504741#0001/002 30 Mar 2006 EUROPEAN COMMUNITY**  
(56) Related Art Documents: **Not Applicable**  
(57) Statement of Newness and Distinctiveness: **The shape and configuration of the tread band is new and distinctive.**



(21) Design Number: **14323/2006**  
(22) Date of Filing Application: **26 September 2006**  
(24) Date from which industrial property rights may have effect: **26 September 2006**  
(54) Product in respect of which the design is registered: **Flexibrush handle**  
(51) International Design Classification: **04-04**  
(71) Name(s) and Address(s) of Applicant(s):  
**L G Harris & Co Limited**  
**Stoke Prior Bromsgrove Worcestershire B60 4AE United Kingdom**  
(72) Name(s) of Designer(s): **Gary Jordan and James Ashby**  
(45) Registration Date: **31 October 2006**  
(30) Convention priority data:  
(31) Number (32) Date (33) Country  
**000 530 944 12 May 2006 EUROPEAN COMMUNITY**  
(56) Related Art Documents: **Not Applicable**  
(57) Statement of Newness and Distinctiveness: **Nil**



(21) Design Number: **14324/2006**  
(22) Date of Filing Application: **26 September 2006**  
(24) Date from which industrial property rights may have effect: **26 September 2006**  
(54) Product in respect of which the design is registered: **Contour brush handle**  
(51) International Design Classification: **04-04**  
(71) Name(s) and Address(s) of Applicant(s):  
**L G Harris & Co Limited**  
**Stoke Prior Bromsgrove Worcestershire B60 4AE United Kingdom**  
(72) Name(s) of Designer(s): **Gary Jordan and James Ashby**  
(45) Registration Date: **31 October 2006**  
(30) Convention priority data:  
(31) Number (32) Date (33) Country  
**000 530 944 12 May 2006 EUROPEAN COMMUNITY**  
(56) Related Art Documents: **Not Applicable**  
(57) Statement of Newness and Distinctiveness: **Nil**



(21) Design Number: **14325/2006**  
(22) Date of Filing Application: **26 September 2006**  
(24) Date from which industrial property rights may have effect: **26 September 2006**  
(54) Product in respect of which the design is registered: **Precision brush handle**  
(51) International Design Classification: **04-04**  
(71) Name(s) and Address(s) of Applicant(s):  
**L G Harris & Co Limited**  
**Stoke Prior Bromsgrove Worcestershire B60 4AE United Kingdom**  
(72) Name(s) of Designer(s): **Gary Jordan and James Ashby**  
(45) Registration Date: **31 October 2006**  
(30) Convention priority data:  
(31) Number      (32) Date      (33) Country  
**000 530 944      12 May 2006      EUROPEAN COMMUNITY**  
(56) Related Art Documents: **Not Applicable**  
(57) Statement of Newness and Distinctiveness: **Nil**

