



Australian Government

IP Australia

AUSTRALIAN OFFICIAL JOURNAL

OF

DESIGNS

Did you know a searchable version of this journal is now available online?

It's FREE and EASY to SEARCH.

Find it at

<http://pericles.ipaustralia.gov.au/ols/epublish/content/olsEpublications.jsp>
or using the "Online Journals" link on the IP Australia home page.

This Page Left Intentionally Blank

Contents

General Information & Notices

Proceedings Under the Designs Act 1906 preserved as a result of the provisions of Chapter 12 Part 2 of the Designs Act 2003

Application for Extension of Period of Registration	7348
Applications for Extension of Time	7348
Extension of Period of Registration of Designs	7348
Extensions of Time Granted	7348
Names Registered - Alterations and Amendments	7349
Registrations Ceased	7348
Subsequent Owners Registered	7349

Proceedings Under the Designs Act 2003

Applications Lapsed	7358
Applications Lodged	7353
Certificate of Examination	7361
Corrigenda	7360
Extension of Time Granted Under Section 137	7359
Names Registered - Alterations and Amendments	7359
Publication and Registration Proceedings	
Designs Registered 311173 to 311436.....	7362
Revocation of Design Registrations	7359
Subsequent Owners Registered	7359

This Page Left Intentionally Blank

General Information

EDITORIAL ENQUIRIES

All enquiries about official notices and general information in the Journal should be directed to IP Australia, (ABN No 38 113 072 755), PO Box 200 Woden ACT 2606

Or

Telephone 1300 651 010
(International Callers +61 2 6283 2999)
Fax 02 6283 7999
E-mail assist@ipaustralia.gov.au

CONTACT INFORMATION

Customer Service Network
Telephone 1300 651 010 , Fax: 02 6283 7999
E-mail: assist@ipaustralia.gov.au

Customers can contact the Customer Service Network by telephone or by e-mail. Telephones are staffed between 9am and 5pm each working day.

Customers should contact the Customer Service Network for information about:

- All Patent Matters including PCT and Innovation Patents.
- All Trade Mark Matters.
- All Design Matters.

Professional Standards Board for Patent and Trade Mark Attorneys.

Ph: 02 6283 2345 Fax: 02 6283 1048

ORDERING PATENT DOCUMENTS

When ordering copies of Australian patent specifications, or abstracts and abridgments notified as open to public inspection on or after 26 October 1978, or as accepted on or after 16 November 1978, the documents should be referred to by application numbers only, preceded by letters AU-A or AU-B respectively.

REQUESTS FOR INFORMATION UNDER SECTION 194 (C)

A request for information under Section 194 (C) of the Patents Act 1990 should be made in the approved form and be accompanied by the prescribed fee. The request should be as detailed as possible.

INFORMATION FROM REGISTERS

All requests for information from Register of Patents, Trade Marks or Designs, should be made in writing and accompanied by the prescribed fee. The Registers are located in Canberra and may be examined free of charge.

COUNTRY CODES

For a listing of country codes used by IP Australia please refer to the Official Journals dated 7 November 1996.

ABBREVIATIONS IN JOURNAL

Standard abbreviations are used in the name of companies and firms. Enquiries concerning the precise name should be directed to the Customer Service Network.

FREEDOM OF INFORMATION ACT

What does it do?

- Gives you right to obtain information held by Commonwealth Ministers, Departments and most statutory bodies (these bodies are called agencies under the Act).
- Requires Commonwealth Government agencies to make available to members of the public:
 - Information about agencies, their functions and operations.
 - Information about rules and practices which are used in making decisions which affect you.
- Gives you a legal right to:
 - See non exempt documents held by agencies, and
 - appeal against a decision not to grant access to a document.

What documents can you see?

- The Act gives you a right to see documents lodged on or after 1 December 1977, or earlier if you need them to understand another document you have already.
- Documents include files, reports, computer printouts, maps, plans, photographs, tape recordings, films or videotapes.
- Documents which are available for purchase under the Patents Act 1990, the Trade Marks Act 1995 or Designs Act 2003 or Plant Breeder's Rights Act 1994 are not available under the Freedom of Information Act (Section 12 refers).

How do you apply?

Requests for access to documents must

- Be in writing
- Provide sufficient information so as to enable identification of the documents requested
- Specify an address in Australia where notices can be sent and
- Be accompanied by the application fee (currently \$30.00).

Requests for documents should be addressed to IP Australia, PO Box 200 Woden, ACT 2606, or Faxed to 02 6283 7999

DECISIONS OF THE COMMISSIONER OF PATENTS AND REGISTRAR OF TRADE MARKS AND DESIGNS

- All decisions of the Commissioner and Registrars are available free of charge from AUSTLII's website

www.austlii.edu.au

Copies of all written Patent and Design decisions are available (except if they would not be available under the provisions of the Freedom of Information legislation, e.g. if they would effectively disclose matter from documents that are not open to public inspection) on request for a cost of \$AU 25. They are also available for inspection in indexed volume series, dating from 1 January 1987, in the Office library, Canberra.

Copies of Trade Mark decisions may be accessed via IP Australia's website www.ipaustralia.gov.au

- Copies of the taped record of Patent and Design hearings are available (with the same exception as above) on request.
- When a written decision is issued the fact of the decision plus a brief head note will be published in the Official Notices section of the next available Patents, Trade Marks or Designs Journal.

HEARINGS BEFORE THE COMMISSIONER OF PATENTS

Hearings before the Commissioner of Patents will usually be conducted at the Patent Office in Canberra and interstate hearing sessions are not provided. However, the Commissioner will conduct hearings outside of Canberra at a convenient time to all parties provided that the parties bear the travel costs of the hearing officer.

The various options for hearings are set out in the document "Options for Hearings" available on IP Australia's website at: www.ipaustralia.gov.au/pdfs/patents/optionsforhearings.PDF

HEARINGS BEFORE THE REGISTRARS OF TRADE MARKS AND DESIGNS

Hearings before the Registrars of Trade Marks and Designs will be set down in Melbourne, Sydney, Adelaide, Perth and Brisbane during the periods indicated below.

Designs and Trade Marks Hearings Sessions 2006

Melbourne	13 – 17 February 5 – 9 June 11 – 15 September
Sydney	13 – 17 March 17 – 21 July 16 – 20 October
Adelaide	14 – 15 August
Perth	17 – 18 August
Brisbane	24 – 25 August

Persons who desire matters to be set down for hearing in Melbourne, Sydney, Adelaide, Perth or Brisbane must give at least one month's notice of their intention to be heard. If such notice is not given, it may be that there would be insufficient time to allow for the execution of official procedures associated with the listing of hearings, and as a result, the matter involved might not be listed.

Subject to the convenience of this Office, hearings will be set down in Canberra at any time suitable to the parties.

LIST OF STATE OFFICES

IP Australia State Offices are located in the Australian Capitals at the addresses given below. Requests for information may be obtained by calling at, phoning or writing to these offices or IP Australia, Canberra.

Australian Capital Territory

Ground Floor
Discovery House
PHILLIP ACT 2606
(PO Box 200, WODEN ACT 2606)
Ph: 1300 651 010
Fax: (02) 6283 7999

New South Wales

Level 1
45 Clarence Street
SYDNEY NSW 2000
Ph: 1300 651 010
Fax: (02) 9249 5807

Victoria

Level 6
OCBC House
565 Bourke Street
MELBOURNE VIC 3000
Ph: 1300 651 010
Fax (03) 9612 9807

Western Australia

2nd Floor
East Point Plaza
233 Adelaide Terrace
PERTH WA 6000
Ph: 1300 651 010
Fax: (08) 9220 8907

Queensland

Level 1
Grant Thornton House
102 Adelaide Street
BRISBANE QLD 4000
Ph: 1300 651 010
Fax: (07) 3007 1107

South Australia

Level 10
Origin Energy House
1 King William Street
ADELAIDE SA 5000
Ph: 1300 651 010
Fax: (08) 8239 4507

Tasmania

4th Floor
AMP Building
27 Elizabeth Street
HOBART TAS 7000
Ph: 1300 651 010
Fax: (03) 6235 6307

“INID” NUMBERS in use on Australian Design Documents

“INID” is an acronym for “Internationally agreed Numbers for the Identification of Data”.

(10) Data concerning the registration/renewal

- (11) Serial number of the registration and/or number of the design document
- (12) Plain language designation of the kind of published document
- (19) Identification, using the two-letter code according to WIPO Standard ST.3, of the authority publishing or registering the industrial design

(20) Data concerning the application

- (21) Serial number of the application
- (22) Date of filing of the application
- (24) Date from which the industrial design right has effect

(30) Data relating to priority under the Paris Convention

- (31) Serial number assigned to the priority application
- (32) Date of filing of the priority application
- (33) Two-letter code, according to WIPO Standard ST.3, identifying the authority with which the priority application was made

(40) Date(s) of making information available to the public

- (45) Date of publication of the registered industrial design by printing or similar process, or making it available to the public by any other means

(50) Miscellaneous Information

- (51) International Classification for Industrial Designs (class and subclass of the Locarno Classification)
- (54) Designation of article(s) or product(s) covered by the industrial design or title of the industrial design
- (55) Reproduction of the industrial design (e.g., drawing, photograph) and explanations relating to the reproduction
- (56) List of prior art documents, if separate from descriptive text
- (57) Description of characteristic features of the industrial design including indication of colours

(60) References to other legally related application(s) and registration(s)

- (62) Serial number(s) and, if available, filing date(s) of application(s), registration(s) or document(s) related by division
- (66) Serial number(s) of the application, or the registration, of the design(s) which is (are) a variant(s) of the present one

(70) Identification of parties concerned with the application or registration

- (71) Name(s) and address(es) of the applicant(s)
- (72) Name(s) of the creator(s) if known to be such
- (74) Name(s) and address(es) of the representative(s)

This Page Left Intentionally Blank

Official Notice

Important Notice to All Bankcard Credit Card Customers

The Bankcard Association of Australia has decided to withdraw the Bankcard credit card scheme in 2007. As a result, IP Australia will no longer accept Bankcard credit card as a method of payment, effective 1 January 2007. All Bankcard credit card customers are required to make alternative payment arrangements.

Customer payments via American Express card, MasterCard, and VISA Card are accepted for all IP Australia products and services where credit card can be used.

If you have any questions regarding this service, please call our Customer Services Network on 1300 651 010, or email assist@ipaustralia.gov.au

Queries: Tara Ravishanker
Financial Reporting
+61 2 6283 2370

Contact: IP Australia
Phone: 1300 651 010 or +61 2 6283 2999
Fax: +61 2 6283 7999
E-mail: assist@ipaustralia.gov.au
Web: www.ipaustralia.gov.au

Official Notice**Designs Act 2003
Amendments to Registered Designs at Examination**

The following amendments have been made to details previously published in the Australian Official Journal of Designs during the Examination process:

Registration Number	Amendment type	New details
310794	Classification	08-05L

Contact: IP Australia
Phone: 1300 651 010
Fax: +61 2 6283 7999
E-Mail: assist@ipaustralia.gov.au
Web: www.ipaustralia.gov.au

Official Notice

Relocation of NSW Collection of Australian Designs Registrations

IP Australia's NSW State Office collection of Australian Designs Registrations will be relocated to the Powerhouse Museum as of 13 November 2006.

The Powerhouse Museum is located at 500 Harris Street, Ultimo NSW.

The NSW State Office collection of Australian Designs Registrations will be available for public viewing.

Queries: Hellene Flame Name
NSW State Manager
+61 2 9249 5810

Contact: IP Australia
Phone: 1300 651 010
Fax: +61 2 6283 7999
E-mail: assist@ipaustralia.gov.au
Web: www.ipaustralia.gov.au

This Page Left Intentionally Blank

**Proceedings under the Designs Act 1906 preserved as a
result of the provisions of Chapter 12 Part 2 of the Designs
Act 2003.**

This Page Left Intentionally Blank

Applications Lapsed

There were no Applications Lapsed under this section

Application for Extension of Period of Registration

Applications under Section 27A(2) for extension of registration of the following designs have been lodged. In the event that a design is shown to be not new or original, the Registrar may refuse to extend the period of registration. Sub-section 27A(4) allows any person to lodge at the Designs Office material relevant to the question whether the design is not new or original. That material must be lodged within 11 months of the date when the registration of the design was made. Further details of the conditions and procedures for the lodgement of material are contained in Form 8 provided under the Designs Regulation 24.

Registration Number	Registered Owner	Registration Date
158378	RED DINGO GMBH	14/11/2005
158387	VAN HOREN HOLDINGS PTY LTD	15/11/2005
158413	NATIONAL VENDING ASSET MANAGEMENT LIMITED	24/11/2005
158466	BOTTLES OF AUSTRALIA PTY LIMITED	17/01/2006
158482	AUNGER CARCRAFT PTY LTD	01/02/2006
158500	KOHLER CO.	01/02/2006

Extension of Period of Registration of Designs

1st Period (Section 27A(8))

158365	158367	158368
158369	158370	158371
158372	158373	158375
158377	158378	158379
158380	158381	158382
158383	158384	158385
158386		

2nd Period (Section 27A(12))

140668	140669	143990
143995	144073	144193
144383	144392	144414
144415	144416	144430
144431	144434	144437
144438	144439	144509
144533	144577	144578
144579	144580	144581
144632	144676	144807
144809	145079	145124
145427	146322	146498
147153	147435	147854
147918	148515	148601
149153	149281	149529
149530	149649	151071
154295	156994	

3rd Period (Section 27A(13))

126190	127118	127126
127193	127223	

127445	127470	127317
127760	127761	127649
131149	131547	129043
134370		131549

Registrations Ceased

Note: Some of the following Registrations may have been previously advertised as ceased. In this instance, the previous advertisement still prevails.

110970	111025	111118
111119	111120	111139
111167	111168	111228
111321	111322	111323
111451	111453	111665
111948	112152	113129
113321	113322	113323
113329	113633	114493
114607	114738	114747
115141	123692	125341
125343	125382	125469
125753	125773	126642
126985	127229	127372
129625	140571	140572
140792	140832	142171
142257	142443	142444
142445	142455	142456
142457	142458	142459
142791	142809	142929
142930	142931	142932
143016	143229	143311
143402	143886	144092
144406	144625	145020
145021	145225	145548
145650	145651	145768
145769	145929	146117
146170	146994	158366

Applications for Extension of time

Applications for extension of time have been lodged. Objections must be lodged within 1 month from the date of this journal.

158203 **Peter Anthony Hannah** Extension of time to extend a registration. Address for Service: Anderson Taylor & Associates 10 Harrison Avenue BONNET BAY NSW 2226

Extensions of time granted

Applications lodged for extension of time have been granted.

140668 **Brian Raymond Kirkby** An Extension of time to extend a registration has been granted to 20/10/2006

140669 **Brian Raymond Kirkby** An Extension of time to extend a registration has been granted to 20/10/2006

Subsequent Owners Registered

(The name in parentheses is that of the subsequent owner)

- 149151 **(Specialty Concepts Pty Limited)** Specialty Cereals Pty Limited
- 152595 **(Specialty Concepts Pty Limited)** Specialty Cereals Pty Limited
- 146506 **(NEC Infrontia Corporation)** NEC Corporation
- 149849 **(U Media Group Pty Ltd)** Ultimate Media Group Pty Ltd
- 145659 **(Synthes GmbH)** Synthes A.G. Chur
- 146678 **(Synthes GmbH)** Synthes A.G. Chur
- 146679 **(Synthes GmbH)** Synthes A.G. Chur
- 146680 **(Synthes GmbH)** Synthes A.G. Chur
- 146681 **(Synthes GmbH)** Synthes A.G. Chur
- 141682 **(Maypole Foods Pty Ltd)** Maypole Bakery Pty Ltd
- 140375 **(Biolab (Aust) Pty Ltd ACN 058 390 917)** App-Tek Pty Ltd
- 155070 **(Not Hot Design Pty Ltd)** Phillip Donnelly;Rayna Donnelly
- 137352 **(Berry Plastics Corporation)** Kerr Group Inc.

Names Registered - Alterations and Amendments

(The name in parentheses is the new name of the proprietor)

- 149849 **(Ultimate Media Group Pty Ltd)** Ultimate Outdoor Pty Ltd
- 126786 **(Magic Brands, LLC)** Magic Restaurant, LLC

This Page Left Intentionally Blank

Proceedings under the Designs Act 2003.

This Page Left Intentionally Blank

Applications Lodged

Lodgement information is in the following order: **Applicant's Name**; International Classification, Name of Product, Lodgement Date and **Design Number**. If the applicant claims an earlier priority date under an International Convention, the Convention Country and the associated filing date are shown in parentheses before the Lodgement Date. Divisional information will also appear in parentheses before the Lodgement Date.

Aktiebolaget Skf; 15-99, Bearing housing, (EM, 15 May 2006) 30 Oct 2006	14999/2006	ARPER S.P.A.; 06-01F, Armchair, (EM, 21 Apr 2006) 18 Oct 2006	14712/2006
Architectural Window Systems Pty Ltd; 25-01K, An extrusion, 18 Oct 2006	14783/2006	ARPER S.P.A.; 06-01F, Armchair, (EM, 21 Apr 2006) 18 Oct 2006	14713/2006
Assa Abloy Australia Pty Limited; 08-07, Window lock, 23 Oct 2006	14845/2006	ARPER S.P.A.; 06-01F, Armchair, (EM, 21 Apr 2006) 18 Oct 2006	14714/2006
Astra Tech AB; 03-01A, Bag, (EM, 26 Apr 2006) 24 Oct 2006	14871/2006	ARPER S.P.A.; 06-01F, Chair, (EM, 21 Apr 2006) 18 Oct 2006	14715/2006
Astra Tech AB; 03-01A, Bag, (EM, 26 Apr 2006) 24 Oct 2006	14872/2006	ARPER S.P.A.; 06-01C, Bench seat, (EM, 21 Apr 2006) 18 Oct 2006	14701/2006
Azuma Design Pty Limited; 08-06, 08-07, Door furniture, (Divisional of 12617/2006) 19 Jun 2006	14549/2006	ARPER S.P.A.; 06-03A, Table, (EM, 21 Apr 2006) 18 Oct 2006	14702/2006
AL-KO International Pty Ltd; 12-16M, Brake calliper, 05 Oct 2006	14477/2006	ARPER S.P.A.; 06-01F, Chair, (EM, 21 Apr 2006) 18 Oct 2006	14707/2006
ARPER S.P.A.; 06-01F, Chair, (EM, 21 Apr 2006) 18 Oct 2006	14708/2006	B T ENGINEERING PTY LTD; 12-16B, Door frame string holder, 23 Oct 2006	14798/2006
ARPER S.P.A.; 06-01F, Chair, (EM, 21 Apr 2006) 18 Oct 2006	14716/2006	Baby Bjorn AB; 06-01E, Baby sitter, (EM, 07 Jul 2006) 20 Oct 2006	14796/2006
ARPER S.P.A.; 06-01F, Chair, (EM, 21 Apr 2006) 18 Oct 2006	14717/2006	Bang & Olufsen A/S; 14-03A, Headset with stand, (DK, 28 Jun 2006) 24 Oct 2006	14885/2006
ARPER S.P.A.; 06-01H, Deck chair, (EM, 21 Apr 2006) 18 Oct 2006	14718/2006	Bang & Olufsen A/S; 14-03A, Headset, (DK, 28 Jun 2006) 24 Oct 2006	14884/2006
ARPER S.P.A.; 06-01H, Chair, (EM, 21 Apr 2006) 18 Oct 2006	14719/2006	Built NY, Inc.; 03-01NES, Cover, (US, 24 Apr 2006) 24 Oct 2006	14856/2006
ARPER S.P.A.; 06-01H, Chair, (EM, 21 Apr 2006) 18 Oct 2006	14720/2006	Built NY, Inc.; 03-01NES, Carrying pocket, (US, 26 Apr 2006) 24 Oct 2006	14857/2006
ARPER S.P.A.; 06-01F, Armchair, (EM, 21 Apr 2006) 18 Oct 2006	14721/2006	Cicada Mobile Pty Limited; 21-01A, Toy, 18 Oct 2006	14726/2006
ARPER S.P.A.; 06-01F, Armchair, (EM, 21 Apr 2006) 18 Oct 2006	14722/2006	Colgate-Palmolive Company; 28-02, Dentifrice, (US, 04 Aug 2005) 24 Jan 2006	15034/2006
ARPER S.P.A.; 06-01E, Pouff, (EM, 21 Apr 2006) 18 Oct 2006	14723/2006	Constable, Catherine Louise; 12-16H, Vehicle mirror insert, 24 Oct 2006	14836/2006
ARPER S.P.A.; 06-01E, Pouff, (EM, 21 Apr 2006) 18 Oct 2006	14724/2006	Continuum Audio Labs Pty Ltd; 14-01, A tonearm, 19 Oct 2006	14776/2006
ARPER S.P.A.; 06-01E, Stool, (EM, 21 Apr 2006) 18 Oct 2006	14725/2006	Cooper Brands, Inc.; 10-04, Tape measure, (US, 26 Apr 2006) 25 Oct 2006	14894/2006
ARPER S.P.A.; 06-01F, Chair, (EM, 21 Apr 2006) 18 Oct 2006	14709/2006	Cooper Brands, Inc.; 10-04, Tape measure, (US, 26 Apr 2006) 25 Oct 2006	14895/2006
ARPER S.P.A.; 06-01F, Chair, (EM, 21 Apr 2006) 18 Oct 2006	14710/2006	Courier Pete Ltd; 23-01F, Module rain water tanks, 20 Oct 2006	14792/2006
ARPER S.P.A.; 06-01F, Armchair, (EM, 21 Apr 2006) 18 Oct 2006	14711/2006		

Courier Pete Pty Ltd; 23-01F, Modular rain water tanks, 27 Oct 2006	14917/2006	Delgado, Maria Angeles Perez; 08-08D, Clamp for electrical wires, (EM, 21 Apr 2006) 20 Oct 2006	14821/2006
Courier Pete Pty Ltd; 23-01F, Modular rain water tanks, 27 Oct 2006	14916/2006	Delgado, Maria Angeles Perez; 08-99, Reel for electrical wires, (EM, 21 Apr 2006) 20 Oct 2006	14811/2006
Cruise Pro Group Pty Limited; 25-01NES, Flashing, 18 Oct 2006	14751/2006	Delgado, Maria Angeles Perez; 08-08B, Clamp for electrical wires, (EM, 21 Apr 2006) 20 Oct 2006	14812/2006
Damba Furniture Pty Ltd; 06-01F, Chair, 25 Oct 2006	14877/2006	Delgado, Maria Angeles Perez; 08-08B, Clamp for electrical wires, (EM, 21 Apr 2006) 20 Oct 2006	14813/2006
Dart Industries Inc; 31-00, Food processor, (US, 12 May 2006) 25 Oct 2006	14901/2006	Delgado, Maria Angeles Perez; 08-08B, Fastening element for electrical wires, (ES, 21 Apr 2006) 20 Oct 2006	14814/2006
Dart Industries Inc; 09-03NES, Containers, (US, 17 May 2006) 25 Oct 2006	14902/2006	Delgado, Maria Angeles Perez; 08-08B, Fastening element for electrical wires, (ES, 21 Apr 2006) 20 Oct 2006	14815/2006
Delgado, Maria Angeles Perez; 08-08NES, Fastening element for electrical wires, (ES, 21 Apr 2006) 20 Oct 2006	14822/2006	Design Mobil NZ Limited; 06-04F, A lowboy, (NZ, 12 Sep 2006) 25 Oct 2006	14890/2006
Delgado, Maria Angeles Perez; 08-08B, Fastening element for electrical wires, (ES, 21 Apr 2006) 20 Oct 2006	14823/2006	Design Mobil NZ Limited; 06-04F, A single bedside, (NZ, 12 Sep 2006) 25 Oct 2006	14891/2006
Delgado, Maria Angeles Perez; 08-08NES, Clamp for electrical wires, (EM, 21 Apr 2006) 20 Oct 2006	14824/2006	Design Mobil NZ Limited; 06-02, A chest, (NZ, 12 Sep 2006) 25 Oct 2006	14892/2006
Delgado, Maria Angeles Perez; 08-99, Reel for electrical wires, (EM, 21 Apr 2006) 20 Oct 2006	14825/2006	Design Mobil NZ Limited; 06-01D, A seat, (NZ, 12 Sep 2006) 25 Oct 2006	14893/2006
Delgado, Maria Angeles Perez; 08-08E, Clamp for electrical wires, (EM, 21 Apr 2006) 20 Oct 2006	14826/2006	Doran, William Joseph; 08-07, Wool bales and cotton bales, 24 Oct 2006	14835/2006
Delgado, Maria Angeles Perez; 08-08D, Clamp for electrical wires, (EM, 21 Apr 2006) 20 Oct 2006	14827/2006	DJO, LLC; 08-06, A hinge, (US, 20 Apr 2006) 18 Oct 2006	14752/2006
Delgado, Maria Angeles Perez; 08-08D, Clamp for electrical wires, (EM, 21 Apr 2006) 20 Oct 2006	14828/2006	Eveready Battery Company, Inc.; 26-02, Flashlight, 24 Oct 2006	14846/2006
Delgado, Maria Angeles Perez; 08-08D, Clamp for electrical wires, (EM, 21 Apr 2006) 20 Oct 2006	14829/2006	Explora Ltd; 14-01, Microphone clamp, (EM, 27 Apr 2006) 25 Oct 2006	14875/2006
Delgado, Maria Angeles Perez; 08-08D, Clamp for electrical wires, (EM, 21 Apr 2006) 20 Oct 2006	14830/2006	Ferag AG; 12-10, Transport Grippers, (CH, 13 Apr 2006) 13 Oct 2006	14626/2006
Delgado, Maria Angeles Perez; 13-03B, Fastening element for electrical wires, (ES, 21 Apr 2006) 20 Oct 2006	14816/2006	Ferag AG; 12-10, Transport grippers, (CH, 13 Apr 2006) 13 Oct 2006	14627/2006
Delgado, Maria Angeles Perez; 13-03B, Fastening element for electrical wires, (ES, 21 Apr 2006) 20 Oct 2006	14817/2006	Ferrari S.p.A.; 11-02NES, Cars and toy cars, (IT, 27 Apr 2006) 24 Oct 2006	14873/2006
Delgado, Maria Angeles Perez; 13-03B, Fastening element for electrical wires, (ES, 21 Apr 2006) 20 Oct 2006	14818/2006	Firth, Elizabeth May; Firth, Philip Malcolm; 08-08L, Bracket component, 24 Oct 2006	14866/2006
Delgado, Maria Angeles Perez; 13-03B, Clamp for electrical wires, (EM, 21 Apr 2006) 20 Oct 2006	14819/2006	Firth, Philip Malcolm; Firth, Elizabeth May; 08-08L, Bracket component, 24 Oct 2006	14868/2006
Delgado, Maria Angeles Perez; 08-08D, Clamp for electrical wires, (EM, 21 Apr 2006) 20 Oct 2006	14820/2006	Firth, Elizabeth May; Firth, Philip Malcolm; 08-08L, Bracket component, 24 Oct 2006	14868/2006
		Firth, Philip Malcolm; Firth, Elizabeth May; 08-08L, Bracket component, 24 Oct 2006	14869/2006
		Firth, Elizabeth May; Firth, Philip Malcolm; 08-08L, Bracket component, 24 Oct 2006	14869/2006

Firth, Philip Malcolm; Firth, Elizabeth May; 08-08L, Bracket component, 24 Oct 2006	14866/2006	Kohler Co.; 23-02B, Showerhead, (US, 18 Apr 2006) 17 Oct 2006	14684/2006
Fulton, Trevor Laurence; 11-02A, Glassware decanter, 03 Oct 2006	14469/2006	Kriesl & Co. Pty. Ltd.; 25-01E, "Ground anchor", 20 Oct 2006	14808/2006
Gribble, Marc Hamilton; 16-06, Amphibious sunglass with neoprene strap attached in various sizes, 26 Oct 2006	14896/2006	Kriesl & Co. Pty. Ltd.; 25-01E, "Ground anchor", 20 Oct 2006	14809/2006
GM Global Technology Operations, Inc.; 12-16A, Vehicle wheel, 26 Oct 2006	14935/2006	Kromer, Andrew; 19-01, Soap, 13 Oct 2006	14646/2006
GM Global Technology Operations, Inc.; 12-16A, Vehicle wheel, 26 Oct 2006	14936/2006	Leatherman Tool Group, Inc.; 08-05NES, Folding multipurpose hand tool, (US, 25 Apr 2006) 23 Oct 2006	14839/2006
Hills Industries Limited; 07-05C, Smart peg, 20 Oct 2006	14768/2006	Leatherman Tool Group, Inc.; 08-03, Folding multipurpose hand tool, (US, 25 Apr 2006) 23 Oct 2006	14838/2006
Hills Industries Limited; 07-05D, A clothes line, 20 Oct 2006	14769/2006	Litman, Guillermo E.; 16-01, Camera, (US, 20 Apr 2006) 20 Oct 2006	14799/2006
Hills Industries Limited; 07-05D, Pivot connector, 20 Oct 2006	14770/2006	Litman, Guillermo E.; 16-01, Camera, (US, 20 Apr 2006) 20 Oct 2006	14800/2006
Hills Industries Limited; 07-05D, Handle assembly, 20 Oct 2006	14771/2006	Litman, Guillermo E.; 16-01, Camera, (US, 20 Apr 2006) 20 Oct 2006	14801/2006
Hills Industries Limited; 07-05D, Stay, 20 Oct 2006	14772/2006	Litman, Guillermo E.; 16-01, Camera, (US, 20 Apr 2006) 20 Oct 2006	14802/2006
Holliday, Gary F.; 08-09, Plastic coated fiberglass mesh, flexible materials, 19 Oct 2006	14697/2006	Lo, Simon; 03-01B, Handbag or purse, 25 Oct 2006	14897/2006
Holliday, Gary F.; 08-03, Cutable material, 19 Oct 2006	14698/2006	Louis M Gerson Co., Inc.; 29-02, Pleated face mask, (US, 31 Jul 2006) 19 Oct 2006	14755/2006
Honda Motor Co., Ltd.; 13-01, Generator, (JP, 19 Apr 2006) 18 Oct 2006	14748/2006	Louis M Gerson Co., Inc.; 29-02, Pleated face mask, (US, 31 Jul 2006) 19 Oct 2006	14756/2006
Isuzu Motors Limited; 12-08, A truck, (CN, 26 Jun 2006) 19 Oct 2006	14760/2006	Louis M Gerson Co., Inc.; 29-02, Pleated face mask, (US, 31 Jul 2006) 19 Oct 2006	14757/2006
Isuzu Motors Limited; 12-08, A truck, (CN, 26 Jun 2006) 19 Oct 2006	14778/2006	Louis M Gerson Co., Inc.; 29-02, Pleated face mask, (US, 31 Jul 2006) 19 Oct 2006	14758/2006
Isuzu Motors Limited; 12-08, A truck, (CN, 26 Jun 2006) 19 Oct 2006	14761/2006	Luigi Lavazza S.p.A.; 07-01D, Cup, (IT, 28 Apr 2006) 25 Oct 2006	14900/2006
Isuzu Motors Limited; 12-08, A truck, (CN, 26 Jun 2006) 19 Oct 2006	14762/2006	McColm, Graham; 21-02A, A football kicking tee, 18 Oct 2006	14749/2006
Iveco S.p.A.; 12-08, External style of industrial or commercial vehicle, (EM, 11 May 2006) 25 Oct 2006	14913/2006	McDonald, Patricia; McDonald, Andrew; 11-02A, Vase, 29 Sep 2006	15127/2006
IAMS Company, The; 30-99, Grooming glove for animals, (US, 25 Apr 2006) 20 Oct 2006	14779/2006	McDonald, Andrew; McDonald, Patricia; 11-02A, Vase, 09 Nov 2006	15126/2006
IAMS Company, The; 30-99, Grooming glove for animals, (US, 25 Apr 2006) 20 Oct 2006	14780/2006	McDonald, Patricia; McDonald, Andrew; 11-02A, Vase, 09 Nov 2006	15126/2006
Jackson Industries Pty Limited; 13-03E, A power board, 24 Oct 2006	14865/2006	McDonald, Andrew; McDonald, Patricia; 11-02A, Vase, 29 Sep 2006	15127/2006
John, Solomon; 25-01NES, A member, 24 Oct 2006	14858/2006	Money Cubby Holding Pty Ltd.; 19-02, A money box, 23 Oct 2006	14837/2006
Kelch, a Division of Bemis Manufacturing Co.; 12-16NES, Fuel cap, (US, 12 Oct 2006) 16 Oct 2006	14657/2006	Morcraft Industries; 09-01A, Rinnai gas log fires models slimline and royal, 25 Oct 2006	14876/2006

Nakano, Yuichiro; 06-04NES, Shadow magazine rack, 16 Oct 2006	14665/2006	Plastec Australia Pty Ltd; 23-01A, An adapter for a pipe connector, 25 Oct 2006	14882/2006
NeuroMetrix, Inc.; 24-01, Ncs-emg instrument, (US, 06 Jun 2006) 27 Oct 2006	14945/2006	Plastec Australia Pty Ltd; 21-01A, An adapter for a pipe connector, 25 Oct 2006	14883/2006
NeuroMetrix, Inc.; 13-02, Charger/holder, (US, 06 Jun 2006) 30 Oct 2006	14975/2006	Polyweld Pty Ltd; 12-16NES, 08-08H, Truck curtain roller with bumpers without wheels similar to existing registered design 149685 # 2#8#2002., 26 Sep 2006	14989/2006
Nintendo Co., Ltd.; 21-01N, A controller for an electronic game machine, (JP, 02 May 2006) 01 Nov 2006	15042/2006	Polyweld Pty Ltd; 12-16NES, 08-08H, Truck cabin roller with bumpers without wheels similar to existing registered design 149685 # 2#8#2002, 26 Sep 2006	14912/2006
Nintendo Co., Ltd.; 21-01N, A base stand for an electronic game machine, (JP, 02 May 2006) 01 Nov 2006	15043/2006	Pomper, John Robert; 22-05, Fishing bait pump, 23 Oct 2006	14787/2006
No Bolt Operations Pty Ltd; 25-04, Rolling platform ladder with entry barrier, 24 Oct 2006	14878/2006	Proctor, Leonard Ross; 08-03, Tile trim, 23 Oct 2006	14847/2006
No Bolt Operations Pty Ltd; 25-04, Rolling platform ladder with foot lever operable undercarriage, 24 Oct 2006	14879/2006	Progressive Gaming International Corporation; 21-01L, A casino table, (US, 16 Dec 2005) (Divisional of 12544/2006) 09 Nov 2006	15124/2006
Nokia Corporation; 09-03NES, A box, (FI, 21 Apr 2006) 20 Oct 2006	14803/2006	Purdue Research Foundation; 12-11, Tricycle and tricycle frame, (Divisional of 10564/2006) 03 Nov 2006	15076/2006
Nokia Corporation; 14-03A, A headset, (FI, 24 Apr 2006) 23 Oct 2006	14832/2006	ResMed Ltd; 24-02, Mask frame, (US, 26 Sep 2005) 17 Mar 2006	14326/2006
Nokia Corporation; 14-03A, A headset, (FI, 24 Apr 2006) 23 Oct 2006	14833/2006	ResMed Ltd; 24-02, Mask frame, (US, 26 Sep 2005) 17 Mar 2006	14327/2006
Nokia Corporation; 14-03A, A headset, (FI, 24 Apr 2006) 23 Oct 2006	14834/2006	ResMed Ltd; 24-02, Mask frame, (US, 26 Sep 2005) 17 Mar 2006	14328/2006
Nokia Corporation; 09-03NES, A box, (FI, 21 Apr 2006) 20 Oct 2006	14804/2006	Review Australia Pty Ltd; 02-02C, 02-02NES, , 06 Apr 2006	14467/2006
O Book Pty Ltd, The; 19-04, Books and printed matter, 20 Oct 2006	14781/2006	Review Australia Pty Ltd; 02-02C, 02-02NES, Ladies garments, 08 May 2006	15112/2006
Osram GmbH; 26-02, Pocket torches, (EM, 20 Apr 2006) 18 Oct 2006	14706/2006	Review Australia Pty Ltd; 02-02C, 02-02NES, Ladies garments, 08 May 2006	15113/2006
Ostroff, Herbert; 06-06A, A stand, (ZA, 10 Apr 2006) 10 Oct 2006	14560/2006	Review Australia Pty Ltd; 02-02C, 02-02NES, Ladies garments, 08 May 2006	15114/2006
Papoutsidis, Kyriacos (Jack); 06-06A, Christmas tree shelving, 18 Oct 2006	14664/2006	Review Australia Pty Ltd; 02-02C, 02-02NES, Ladies garments, 08 May 2006	15115/2006
Parry, Stuart; 11-02E, Figurine, 25 Oct 2006	14874/2006	Review Australia Pty Ltd; 02-02C, 02-02NES, , 06 Apr 2006	14468/2006
Peking Tung Jen Tang Chinese Medical Hall Singapore; 07-01G, Pot, 16 Oct 2006	14663/2006	Rubicon Research Pty Ltd; 23-01A, Radial gate, 20 Oct 2006	14805/2006
Plastec Australia Pty Ltd; 23-01A, A pipe connector, 25 Oct 2006	14880/2006	S.C. Johnson & Son, Inc.; 09-01K, Bottle, (US, 20 Apr 2006) 19 Oct 2006	14759/2006
Plastec Australia Pty Ltd; 23-01A, An adapter for a pipe connection, 25 Oct 2006	14881/2006		

Schneider Electric New Zealand Holdings Limited; 13-03E, Single switch, Double switch, Triple switch, Switched socket Horizontal, Double socket Horizontal,, Cover and frame assembly, cover and frame assembly, (NZ, 21 Apr 2006) 19 Oct 2006	14696/2006	TradingHUBonline.com Pty. Ltd.; 23-01E, Water management apparatus, 16 Oct 2006	14660/2006
Societe Autonome de Verreries; 07-01F, Flask, 18 Oct 2006	14739/2006	TradingHUBonline.com Pty. Ltd.; 09-09, Carrier for liquid receptacle, 16 Oct 2006	14661/2006
Societe Autonome de Verreries; 07-01F, Flask, 18 Oct 2006	14740/2006	TradingHUBonline.com Pty. Ltd.; 09-09, Liquid receptacle, 16 Oct 2006	14662/2006
Societe Autonome de Verreries; 09-01C, Jar, 18 Oct 2006	14741/2006	Unilever PLC; 07-06A, Cup sleeve, (EM, 02 May 2006) 24 Oct 2006	14864/2006
Societe Autonome de Verreries; 07-01F, Flask, 18 Oct 2006	14742/2006	Vater, Lance Malcolm; 23-01A, Combinational T and adjustable angle cross pipe clamp, 19 Oct 2006	14777/2006
Societe Autonome de Verreries; 07-01F, Flask, 18 Oct 2006	14743/2006	Vectura Group Plc; 28-01, Pharmaceutical product, (EM, 28 Apr 2006) 24 Oct 2006	14860/2006
Societe Autonome de Verreries; 07-01F, Flask, 18 Oct 2006	14744/2006	Vortice Elettrosociali S.p.A.; 07-05NES, 23-02NES, Hand dryer, (EM, 19 Apr 2006) 18 Oct 2006	14704/2006
Societe Autonome de Verreries; 07-01F, Flask, 18 Oct 2006	14745/2006	Vortice Elettrosociali S.p.A.; 07-05NES, 23-02NES, Hand dryer, (EM, 19 Apr 2006) 18 Oct 2006	14705/2006
Societe Autonome de Verreries; 07-01F, Flask, 18 Oct 2006	14746/2006	Warner Lambert Company LLC; 03-01NES, Bottle holder, (US, 24 Apr 2006) 20 Oct 2006	14794/2006
Societe Autonome de Verreries; 07-01F, Flask, 18 Oct 2006	14747/2006	Warner Lambert Company LLC; 03-01NES, Bottle holder, (US, 24 Apr 2006) 20 Oct 2006	14795/2006
Sportsgirl Pty Ltd; 02-02C, Garments, 19 Oct 2006	14754/2006	Westpac Banking Corporation; 19-08, Credit, debit, charge and bank cards, 20 Oct 2006	14797/2006
Sportsgirl Pty Ltd; 19-08, Swing tags, 23 Oct 2006	14850/2006	Whitehot Solutions Pty Ltd; 08-01, "Power tool", 20 Oct 2006	14810/2006
Sportsgirl Pty Ltd; 19-08, Swing tags, 23 Oct 2006	14851/2006	Wideband Technology Pty Ltd; 13-03C, 25-01NES, Cable management panels, 17 Oct 2006	14659/2006
Sportsgirl Pty Ltd; 19-08, Swing tags, 23 Oct 2006	14852/2006	Williams, Eric Charles; 27-03, Butt out mark II, 17 Oct 2006	14658/2006
Sportsgirl Pty Ltd; 19-08, Swing tags, 23 Oct 2006	14853/2006	Williams, Robert George; 07-02D, Campfire cooking stand, 16 Oct 2006	14849/2006
Sportsgirl Pty Ltd; 19-08, Swing tags, 23 Oct 2006	14854/2006	Woodstock Percussion Pty Ltd; 25-02NES, A mould for forming a recess in a concrete panel, 18 Oct 2006	14699/2006
Sportsgirl Pty Ltd; 19-08, Swing tags, 23 Oct 2006	14855/2006	Woodstock Percussion Pty Ltd; 25-01D, A concrete panel having a recess formed therein with lifting anchor located in the recess, 18 Oct 2006	14700/2006
St Arnou Pty Limited; 09-01K, Bottle, 06 Nov 2006	15077/2006	WD-40 Company; 09-01A, Retainer for rust inhibitor, (US, 05 Nov 2006) 07 Nov 2006	15106/2006
St Arnou Pty Limited; 09-01K, Bottle, 06 Nov 2006	15078/2006	Zumtobel Lighting GmbH; 26-05A, Lighting fixture, (EM, 19 Apr 2006) 18 Oct 2006	14731/2006
St Arnou Pty Limited; 09-03H, 09-03E, Bottle packaging, 06 Nov 2006	15079/2006	Zumtobel Lighting GmbH; 26-05A, Lighting fixture, (EM, 19 Apr 2006) 18 Oct 2006	14732/2006
SCA Hygiene Products AB; 23-02A, Paper dispenser, (EM, 08 May 2006) 18 Oct 2006	14703/2006		
The Decor Corporation Pty Ltd; 09-03M, Storage container, 23 Oct 2006	14844/2006		
Toshiba Singapore Pte Ltd; 14-03B, Television set, 19 Oct 2006	14750/2006		
Toso, Robert; 01-01, A cylinder shaped muffin, 23 Oct 2006	14793/2006		

Zumtobel Lighting GmbH; 26-05A, Lighting fixture, (EM, 19 Apr 2006) 18 Oct 2006	14733/2006	Zumtobel Lighting GmbH & Co. KG; 26-05C, Lighting fixture, (EM, 19 Apr 2006) 18 Oct 2006	14728/2006
Zumtobel Lighting GmbH; 26-05A, Lighting fixture, (EM, 19 Apr 2006) 18 Oct 2006	14734/2006	Zumtobel Lighting GmbH & Co. KG; 26-05C, Lighting fixture, (EM, 19 Apr 2006) 18 Oct 2006	14729/2006
Zumtobel Lighting GmbH; 26-05A, Lighting fixture, (EM, 19 Apr 2006) 18 Oct 2006	14735/2006	Zumtobel Lighting GmbH & Co. KG; 26-05C, Lighting fixture, (EM, 19 Apr 2006) 18 Oct 2006	14730/2006
Zumtobel Lighting GmbH & Co. KG; 26-05C, Lighting fixture, (EM, 19 Apr 2006) 18 Oct 2006	14727/2006		

Applications Lapsed

12797 / 2005 (06-01G)	12798 / 2005 (06-01G)	12912 / 2006 (07-06NES)	13154 / 2006 (25-02NES)
12799 / 2005 (06-01G)	12800 / 2005 (06-01G)	13205 / 2006 (21-01L)	13306 / 2006 (08-05E)
12801 / 2005 (06-01G)	12802 / 2005 (06-01G)	13307 / 2006 (08-05E)	13308 / 2006 (08-05E)
12803 / 2005 (06-01G)	12804 / 2005 (06-01G)	13309 / 2006 (08-05N)	13310 / 2006 (08-05E)
12805 / 2005 (06-01G)	13031 / 2005 (02-04NES)	13311 / 2006 (08-05E)	13312 / 2006 (08-05E)
13032 / 2005 (02-04NES)	13033 / 2005 (02-04NES)	13313 / 2006 (08-05E)	13314 / 2006 (08-05E)
13034 / 2005 (02-04NES)	13035 / 2005 (02-04NES)	13345 / 2006 (11-99)	13353 / 2006 (10-04)
13036 / 2005 (02-04NES)	13460 / 2005 (09-03H)	13821 / 2006 (23-01F)	13966 / 2006 (12-16NES)
15512 / 2005 (14-03NES)	15615 / 2005 (08-07)	13984 / 2006 (02-04NES)	
15616 / 2005 (09-01NES)	15797 / 2005 (15-05)		
15798 / 2005 (06-01G)	15799 / 2005 (06-01G)		
15800 / 2005 (06-01G)	15801 / 2005 (06-01G)		
15802 / 2005 (06-01G)	15803 / 2005 (06-01G)		
15804 / 2005 (06-01G)	15805 / 2005 (06-01G)		
15806 / 2005 (06-01G)	15807 / 2005 (06-01G)		
15808 / 2005 (06-01G)	15809 / 2005 (06-01G)		
15810 / 2005 (06-01G)	15811 / 2005 (06-01G)		
15812 / 2005 (06-01G)	15813 / 2005 (06-01G)		
15814 / 2005 (06-01G)	15815 / 2005 (06-01G)		
15816 / 2005 (06-01G)	15817 / 2005 (06-01G)		
15818 / 2005 (06-01G)	15819 / 2005 (06-01G)		
15820 / 2005 (06-01G)	15821 / 2005 (06-01G)		
15822 / 2005 (06-01G)	15823 / 2005 (06-01G)		
15824 / 2005 (06-01G)	15825 / 2005 (06-01G)		
15826 / 2005 (06-01G)	15827 / 2005 (06-01G)		
15828 / 2005 (06-01G)	15829 / 2005 (06-01G)		
15830 / 2005 (06-01G)	15831 / 2005 (06-01G)		
15832 / 2005 (06-01G)	10004 / 2006 (06-09)		
10046 / 2006 (12-05)	10358 / 2006 (13-01)		
10414 / 2006 (07-07A)	10474 / 2006 (13-03D)		
10644 / 2006 (18-03)	10714 / 2006 (23-01C)		
11244 / 2006 (05-05A)	11652 / 2006 (08-08NES)		
11655 / 2006 (13-03D)	11702 / 2006 (02-02C)		
11807 / 2006 (07-06C)	11808 / 2006 (30-08)		
11944 / 2006 (08-07)	11955 / 2006 (20-02E)		
11956 / 2006 (20-02E)	11957 / 2006 (20-02E)		
11958 / 2006 (20-02E)	11959 / 2006 (20-02E)		
11960 / 2006 (20-02E)	11961 / 2006 (20-02E)		
11962 / 2006 (20-02E)	11963 / 2006 (20-02E)		
11964 / 2006 (20-02E)	11985 / 2006 (26-02)		
12023 / 2006 (25-03)	12038 / 2006 (12-16L)		
12180 / 2006 (21-01K)	12281 / 2006 (19-08)		
12690 / 2006 (12-02)	12718 / 2006 (25-02NES)		
12719 / 2006 (25-02NES)	12734 / 2006 (25-01B)		

Revocation of Design Registrations

The following Design Registration(s) have been revoked and are taken never to have been registered:

156820 09-01H

Extensions of time granted under Section 137

Applications lodged under section 137 for extension of time have been granted.

13517/2006 **Osiris Furniture and Joinery Pty Ltd**

13518/2006 **Osiris Furniture and Joinery Pty Ltd**

Subsequent Owners Registered

(The name in parentheses is that of the subsequent owner)

307158 (**Durrant Nominees Pty Ltd**) Peter Lazarou;Mark Lazarou
 307159 (**Durrant Nominees Pty Ltd**) Peter Lazarou;Mark Lazarou
 310483 (**Alto Packaging Limited**) Alto Holdings Limited
 310525 (**Alto Packaging Limited**) Alto Holdings Limited
 310526 (**Alto Packaging Limited**) Alto Holdings Limited
 308092 (**Alleywho Pty Ltd**) Alley Michelle
 307879 (**Unistraw Patent Holdings Limited (Company No LL 03919)**) Unistraw Asset Holdings Pty Limited
 308680 (**Unistraw Patent Holdings Limited (Company No LL 03919)**) Unistraw Asset Holdings Pty Limited
 309788 (**Smart Door and Window Solutions (ACN 119 315 347)**) David John Ashard
 310527 (**Alto Packaging Limited**) Alto Holdings Limited
 306592 (**Valerie Margaret Saunders trading as Bronswood Stepin 'N' Sit Bath;Gary Saunders trading as Bronswood Stepin 'N' Sit Bath**) Valerie Margaret Saunders trading as Bronswood Building Supplies
 301642 (**James Chiu**) Raymond Chiu
 301643 (**James Chiu**) Raymond Chiu
 300747 (**Imaxeon Pty Ltd**) Rodney Brian Savage
 305535 (**Steelworks Hardware LLC**) Global Distribution Management, Inc.
 305536 (**Steelworks Hardware LLC**) Global Distribution Management, Inc.

Names Registered - Alterations and Amendments

(The name in parentheses is that of the subsequent applicant)

307568 (**Unisantis Europe GmbH.**) Osa Technologien GmbH

Corrigenda

Number 12458/2006

In Vol 20 , No 23 , page 7146 under the heading **Applications Lapsed**; Design No. 12458/2006 should be deleted.

Number 310905

In Vol 20 , No 23 , page 7211 under the heading **Australian Registered Design**; (54) Product in respect of which the design is registered should read: Sports shoe.

Number 13937/2006

In Vol 20 , No 23 , page 7143 under the heading **Applications Lodged**; Lodgement information for Design No. 13937/2006 should read: Becker, Leslie; 21-02A, Bumbo crawl ball, 31 Aug 2006.

Certificate(s) of Examination

Examination of the following Design Registration(s) has been completed. Infringement proceedings may now be commenced.

300858	25-01D	06/11/2006
304768	04-02	16/11/2006
305603	14-03D	03/11/2006
305856	24-01	06/11/2006
306281	23-01H	16/11/2006
306773	14-03B	16/11/2006
306985	03-01A	13/11/2006
306986	03-01A	13/11/2006
306987	03-01A	13/11/2006
306988	03-01A	13/11/2006
306989	03-01A	13/11/2006
306991	03-01A	08/11/2006
306992	03-01A	08/11/2006
306993	03-01A	08/11/2006
306994	03-01A	08/11/2006
306995	03-01A	08/11/2006
310794	08-05L	10/11/2006
311165	08-05L	10/11/2006

Publication and Registration Proceedings

Designs Registered

This section provides a concordance between design number and registration number of Designs covered in this journal. It also shows the main class and registration date.

This section covers Registration numbers 311173 to 311436 .

The registration number shown below should be used in all future correspondence.

Design Number	Registration Number	International Classification Code (IDC)	Registration Date	Design Number	Registration Number	International Classification Code (IDC)	Registration Date
11905/2005	311280	06-02	09/11/2006	11095/2006	311309	12-16A	09/11/2006
13534/2005	311281	12-11	09/11/2006	11096/2006	311310	12-16A	09/11/2006
15047/2005	311393	16-06	13/11/2006	11097/2006	311311	12-16A	09/11/2006
15048/2005	311394	16-06	13/11/2006	11098/2006	311312	12-16A	09/11/2006
15049/2005	311395	16-06	13/11/2006	11099/2006	311313	12-16B	09/11/2006
15050/2005	311396	16-06	13/11/2006	11100/2006	311319	12-16B	09/11/2006
15494/2005	311278	07-05E	09/11/2006	11101/2006	311320	12-16B	09/11/2006
15495/2005	311279	07-05E	09/11/2006	11102/2006	311321	12-16B	09/11/2006
10000/2006	311219	29-02	08/11/2006	11103/2006	311322	12-16E	09/11/2006
10026/2006	311417	04-02	15/11/2006	11104/2006	311323	12-16E	09/11/2006
10253/2006	311399	02-02C	14/11/2006	11105/2006	311324	12-16B	09/11/2006
10260/2006	311400	26-05C	14/11/2006	11106/2006	311325	12-16B	09/11/2006
10300/2006	311435	03-99	15/11/2006	11107/2006	311326	12-16A	09/11/2006
10475/2006	311282	11-02B	09/11/2006	11108/2006	311327	12-16A	09/11/2006
10557/2006	311401	24-04	14/11/2006	11281/2006	311240	23-01A	08/11/2006
10558/2006	311402	24-04	14/11/2006	11377/2006	311189	24-01	03/11/2006
10559/2006	311330	24-04	10/11/2006	11419/2006	311336	22-05	10/11/2006
10560/2006	311331	24-04	10/11/2006	11440/2006	311192	26-05D	03/11/2006
10698/2006	311398	23-01G	13/11/2006	11441/2006	311193	26-05D	03/11/2006
10757/2006	311188	07-05B	03/11/2006	11496/2006	311379	06-03NES	13/11/2006
10809/2006	311283	09-07A	09/11/2006	11497/2006	311380	06-03NES	13/11/2006
11049/2006	311173	24-02	02/11/2006	11632/2006	311381	07-04	13/11/2006
11057/2006	311328	12-16B	09/11/2006	11735/2006	311208	21-03	03/11/2006
11058/2006	311356	12-16B	13/11/2006	11742/2006	311337	02-02B	10/11/2006
11059/2006	311357	12-16B	13/11/2006	11776/2006	311241	25-01K	08/11/2006
11060/2006	311358	12-16B	13/11/2006	11777/2006	311242	25-01K	08/11/2006
11061/2006	311359	12-16B	13/11/2006	11778/2006	311243	25-01K	08/11/2006
11062/2006	311378	12-16B	13/11/2006	11781/2006	311244	25-01K	08/11/2006
11064/2006	311403	12-16B	14/11/2006	11906/2006	311284	08-07	09/11/2006
11065/2006	311404	12-16B	14/11/2006	11989/2006	311285	28-99	09/11/2006
11066/2006	311405	12-16B	14/11/2006	11990/2006	311286	28-99	09/11/2006
11067/2006	311406	12-16B	14/11/2006	12046/2006	311338	02-01B	10/11/2006
11068/2006	311407	12-16B	14/11/2006	12086/2006	311382	02-04NES	13/11/2006
11069/2006	311408	12-16B	14/11/2006	12125/2006	311287	26-99	09/11/2006
11070/2006	311409	12-16B	14/11/2006	12190/2006	311209	09-07B	03/11/2006
11071/2006	311410	12-16B	14/11/2006	12191/2006	311210	09-07B	03/11/2006
11072/2006	311411	11-02B	14/11/2006	12192/2006	311211	09-07B	03/11/2006
11073/2006	311412	12-16B	14/11/2006	12193/2006	311212	09-07B	03/11/2006
11074/2006	311413	12-16B	14/11/2006	12194/2006	311213	09-07B	03/11/2006
11075/2006	311414	12-16B	14/11/2006	12209/2006	311339	14-04	10/11/2006
11076/2006	311332	12-16B	10/11/2006	12210/2006	311340	14-04	10/11/2006
11077/2006	311333	12-16E	10/11/2006	12211/2006	311341	14-04	10/11/2006
11078/2006	311334	12-16C	10/11/2006	12212/2006	311342	14-04	10/11/2006
11079/2006	311335	12-16C	10/11/2006	12213/2006	311343	14-04	10/11/2006
11080/2006	311300	12-16C	09/11/2006	12214/2006	311344	14-04	10/11/2006
11081/2006	311301	12-16B	09/11/2006	12215/2006	311345	14-04	10/11/2006
11082/2006	311302	12-16B	09/11/2006	12218/2006	311346	15-07	10/11/2006
11083/2006	311303	12-16C	09/11/2006	12277/2006	311433	11-02A	15/11/2006
11084/2006	311304	12-16C	09/11/2006	12278/2006	311434	26-05D	15/11/2006
11085/2006	311305	12-16B	09/11/2006	12279/2006	311383	26-05D	13/11/2006
11086/2006	311306	12-16B	09/11/2006	12443/2006	311314	16-06	09/11/2006
11092/2006	311307	11-02E	09/11/2006	12444/2006	311315	16-06	09/11/2006
11094/2006	311308	12-16A	09/11/2006	12544/2006	311419	21-01L	15/11/2006

Publication and Registration Proceedings - Designs Registered cont'd

Design Number	Registration Number	International Classification Code (IDC)	Registration Date	Design Number	Registration Number	International Classification Code (IDC)	Registration Date
12772/2006	311174	08-03	02/11/2006	14242/2006	311429	28-03NES	15/11/2006
12813/2006	311347	11-02B	10/11/2006	14243/2006	311430	28-03NES	15/11/2006
12816/2006	311420	25-03	15/11/2006	14294/2006	311182	25-03	02/11/2006
12928/2006	311421	25-02H	15/11/2006	14295/2006	311183	23-02B	02/11/2006
13030/2006	311422	12-16F	15/11/2006	14296/2006	311184	23-02B	02/11/2006
13088/2006	311360	02-02NES	13/11/2006	14326/2006	311185	24-02	03/11/2006
13089/2006	311361	02-02NES	13/11/2006	14327/2006	311186	24-02	03/11/2006
13090/2006	311362	02-02NES	13/11/2006	14328/2006	311187	24-02	03/11/2006
13091/2006	311363	02-02NES	13/11/2006	14374/2006	311264	23-01D	09/11/2006
13092/2006	311364	02-02C	13/11/2006	14375/2006	311265	23-01D	09/11/2006
13093/2006	311365	02-02C	13/11/2006	14376/2006	311266	23-01D	09/11/2006
13094/2006	311366	02-02C	13/11/2006	14378/2006	311220	23-01D	08/11/2006
13095/2006	311367	02-02C	13/11/2006	14379/2006	311247	12-16NES	08/11/2006
13096/2006	311368	02-02C	13/11/2006	14380/2006	311248	12-05	08/11/2006
13097/2006	311369	02-02C	13/11/2006	14389/2006	311207	12-05	03/11/2006
13098/2006	311370	02-02C	13/11/2006	14411/2006	311290	08-08B	09/11/2006
13099/2006	311371	02-02NES	13/11/2006	14412/2006	311249	26-05C	08/11/2006
13100/2006	311372	02-02NES	13/11/2006	14415/2006	311250	22-06	08/11/2006
13101/2006	311373	02-02NES	13/11/2006	14418/2006	311251	23-04	08/11/2006
13102/2006	311374	02-02C	13/11/2006	14420/2006	311221	06-06G	08/11/2006
13103/2006	311375	02-02C	13/11/2006	14421/2006	311267	06-01G	09/11/2006
13104/2006	311376	02-04NES	13/11/2006	14422/2006	311252	06-01G	08/11/2006
13105/2006	311377	02-04NES	13/11/2006	14423/2006	311268	06-01G	09/11/2006
13129/2006	311423	02-03	15/11/2006	14424/2006	311253	06-01G	08/11/2006
13161/2006	311424	23-01G	15/11/2006	14425/2006	311254	06-01G	08/11/2006
13215/2006	311348	12-11	10/11/2006	14426/2006	311222	06-01G	08/11/2006
13216/2006	311349	12-11	10/11/2006	14427/2006	311223	06-01G	08/11/2006
13217/2006	311350	12-11	10/11/2006	14428/2006	311224	06-01G	08/11/2006
13218/2006	311351	12-11	10/11/2006	14429/2006	311225	06-01G	08/11/2006
13368/2006	311425	08-10	15/11/2006	14430/2006	311226	06-01G	08/11/2006
13370/2006	311426	08-10	15/11/2006	14431/2006	311227	06-01G	08/11/2006
13441/2006	311214	25-01A	03/11/2006	14432/2006	311386	07-01NES	13/11/2006
13442/2006	311215	25-01A	03/11/2006	14434/2006	311228	08-08C	08/11/2006
13443/2006	311216	25-01A	03/11/2006	14435/2006	311229	15-01	08/11/2006
13445/2006	311217	08-99	03/11/2006	14436/2006	311230	26-06	08/11/2006
13507/2006	311218	04-01	03/11/2006	14437/2006	311231	12-08	08/11/2006
13758/2006	311260	28-99	09/11/2006	14438/2006	311232	12-08	08/11/2006
13812/2006	311397	06-01C	13/11/2006	14439/2006	311233	12-16B	08/11/2006
13824/2006	311261	08-05NES	09/11/2006	14440/2006	311234	12-16C	08/11/2006
13830/2006	311262	25-01NES	09/11/2006	14441/2006	311255	26-06	08/11/2006
13834/2006	311263	25-01NES	09/11/2006	14442/2006	311256	26-06	08/11/2006
13842/2006	311175	07-03	02/11/2006	14443/2006	311235	26-06	08/11/2006
13843/2006	311176	07-03	02/11/2006	14444/2006	311236	26-06	08/11/2006
13844/2006	311177	07-03	02/11/2006	14445/2006	311237	09-03L	08/11/2006
13845/2006	311178	07-03	02/11/2006	14447/2006	311238	06-01G	08/11/2006
13846/2006	311179	07-03	02/11/2006	14449/2006	311239	09-03L	08/11/2006
13847/2006	311180	07-03	02/11/2006	14456/2006	311269	08-07	09/11/2006
13848/2006	311181	07-03	02/11/2006	14457/2006	311270	08-07	09/11/2006
13849/2006	311416	04-02	15/11/2006	14458/2006	311271	08-07	09/11/2006
13914/2006	311384	09-08	13/11/2006	14459/2006	311272	08-07	09/11/2006
13942/2006	311288	26-05C	09/11/2006	14461/2006	311258	23-04	08/11/2006
13959/2006	311427	08-09	15/11/2006	14462/2006	311273	23-04	09/11/2006
14022/2006	311385	23-01E	13/11/2006	14465/2006	311190	24-01	03/11/2006
14107/2006	311245	09-05	08/11/2006	14466/2006	311191	24-01	03/11/2006
14118/2006	311246	21-02A	08/11/2006	14470/2006	311257	08-09	08/11/2006
14171/2006	311428	15-99	15/11/2006	14472/2006	311415	15-05	14/11/2006
14177/2006	311289	12-16NES	09/11/2006	14473/2006	311274	10-07	09/11/2006
14229/2006	311418	04-02	15/11/2006	14474/2006	311275	10-07	09/11/2006

Publication and Registration Proceedings - Designs Registered cont'd

Design Number	Registration Number	International Classification Code (IDC)	Registration Date	Design Number	Registration Number	International Classification Code (IDC)	Registration Date
14475/2006	311276	11-02E	09/11/2006	14510/2006	311203	22-05	03/11/2006
14476/2006	311316	12-16M	09/11/2006	14511/2006	311204	21-02C	03/11/2006
14483/2006	311352	09-09	10/11/2006	14512/2006	311205	19-08	03/11/2006
14489/2006	311194	14-03C	03/11/2006	14514/2006	311317	15-01	09/11/2006
14490/2006	311291	14-03C	09/11/2006	14519/2006	311318	23-04	09/11/2006
14491/2006	311292	06-08	09/11/2006	14520/2006	311277	08-02	09/11/2006
14492/2006	311293	08-05NES	09/11/2006	14521/2006	311298	02-04NES	09/11/2006
14493/2006	311294	09-03M	09/11/2006	14523/2006	311353	19-01	10/11/2006
14494/2006	311295	09-03M	09/11/2006	14524/2006	311354	19-01	10/11/2006
14495/2006	311296	09-07B	09/11/2006	14529/2006	311329	26-06	09/11/2006
14496/2006	311297	24-01	09/11/2006	14530/2006	311355	26-06	10/11/2006
14500/2006	311195	24-01	03/11/2006	14534/2006	311387	09-01K	13/11/2006
14501/2006	311196	24-01	03/11/2006	14535/2006	311388	18-02	13/11/2006
14502/2006	311197	24-01	03/11/2006	14536/2006	311389	07-06A	13/11/2006
14503/2006	311198	24-01	03/11/2006	14537/2006	311390	23-04	13/11/2006
14504/2006	311199	24-01	03/11/2006	14538/2006	311391	23-04	13/11/2006
14505/2006	311200	24-01	03/11/2006	14552/2006	311392	22-05	13/11/2006
14506/2006	311206	02-04A	03/11/2006	14569/2006	311431	24-01	15/11/2006
14507/2006	311201	02-04A	03/11/2006	14570/2006	311432	24-01	15/11/2006
14508/2006	311202	23-02C	03/11/2006	14783/2006	311299	25-01K	09/11/2006
14509/2006	311259	12-15B	08/11/2006	14786/2006	311436	25-01K	13/11/2006

Publication and Registration Proceedings
Class Listing of Designs Published or Registered

The following section shows an International Classification Code listing of the Registered or Published Designs covered in this supplement.

Classification	Registration Number	Design Number	Classification	Registration Number	Design Number
02-01 B	311338	12046/2006	07-01 NES	311386	14432/2006
02-02 B	311337	11742/2006	07-03	311175	13842/2006
02-02 C	311364	13092/2006	07-03	311176	13843/2006
02-02 C	311365	13093/2006	07-03	311177	13844/2006
02-02 C	311366	13094/2006	07-03	311178	13845/2006
02-02 C	311367	13095/2006	07-03	311179	13846/2006
02-02 C	311368	13096/2006	07-03	311180	13847/2006
02-02 C	311369	13097/2006	07-03	311181	13848/2006
02-02 C	311370	13098/2006	07-04	311381	11632/2006
02-02 C	311374	13102/2006	07-05 B	311188	10757/2006
02-02 C	311375	13103/2006	07-05 E	311278	15494/2005
02-02 C	311399	10253/2006	07-05 E	311279	15495/2005
02-02 NES	311360	13088/2006	07-06 A	311389	14536/2006
02-02 NES	311361	13089/2006	08-02	311277	14520/2006
02-02 NES	311362	13090/2006	08-03	311174	12772/2006
02-02 NES	311363	13091/2006	08-05 NES	311261	13824/2006
02-02 NES	311371	13099/2006	08-05 NES	311293	14492/2006
02-02 NES	311372	13100/2006	08-07	311269	14456/2006
02-02 NES	311373	13101/2006	08-07	311270	14457/2006
02-03	311423	13129/2006	08-07	311271	14458/2006
02-04 A	311201	14507/2006	08-07	311272	14459/2006
02-04 A	311206	14506/2006	08-07	311284	11906/2006
02-04 NES	311298	14521/2006	08-08 B	311290	14411/2006
02-04 NES	311376	13104/2006	08-08 C	311228	14434/2006
02-04 NES	311377	13105/2006	08-08 L	311262	13830/2006
02-04 NES	311382	12086/2006	08-08 L	311263	13834/2006
02-05	311423	13129/2006	08-09	311257	14470/2006
03-01 NES	311245	14107/2006	08-09	311427	13959/2006
03-99	311435	10300/2006	08-10	311425	13368/2006
04-01	311218	13507/2006	08-10	311426	13370/2006
04-02	311416	13849/2006	08-99	311217	13445/2006
04-02	311417	10026/2006	09-01 K	311387	14534/2006
04-02	311418	14229/2006	09-03 L	311237	14445/2006
06-01 C	311397	13812/2006	09-03 L	311239	14449/2006
06-01 G	311222	14426/2006	09-03 M	311294	14493/2006
06-01 G	311223	14427/2006	09-03 M	311295	14494/2006
06-01 G	311224	14428/2006	09-03 NES	311237	14445/2006
06-01 G	311225	14429/2006	09-05	311245	14107/2006
06-01 G	311226	14430/2006	09-07 A	311283	10809/2006
06-01 G	311227	14431/2006	09-07 B	311209	12190/2006
06-01 G	311238	14447/2006	09-07 B	311210	12191/2006
06-01 G	311252	14422/2006	09-07 B	311211	12192/2006
06-01 G	311253	14424/2006	09-07 B	311212	12193/2006
06-01 G	311254	14425/2006	09-07 B	311213	12194/2006
06-01 G	311267	14421/2006	09-07 B	311296	14495/2006
06-01 G	311268	14423/2006	09-08	311384	13914/2006
06-02	311280	11905/2005	09-09	311352	14483/2006
06-02	311379	11496/2006	10-07	311274	14473/2006
06-02	311380	11497/2006	10-07	311275	14474/2006
06-03 NES	311379	11496/2006	11-02 A	311433	12277/2006
06-03 NES	311380	11497/2006	11-02 B	311282	10475/2006
06-04 NES	311420	12816/2006	11-02 B	311347	12813/2006
06-06 D	311280	11905/2005	11-02 B	311411	11072/2006
06-06 F	311280	11905/2005	11-02 E	311276	14475/2006
06-06 G	311221	14420/2006	11-02 E	311307	11092/2006
06-08	311292	14491/2006	12-05	311207	14389/2006

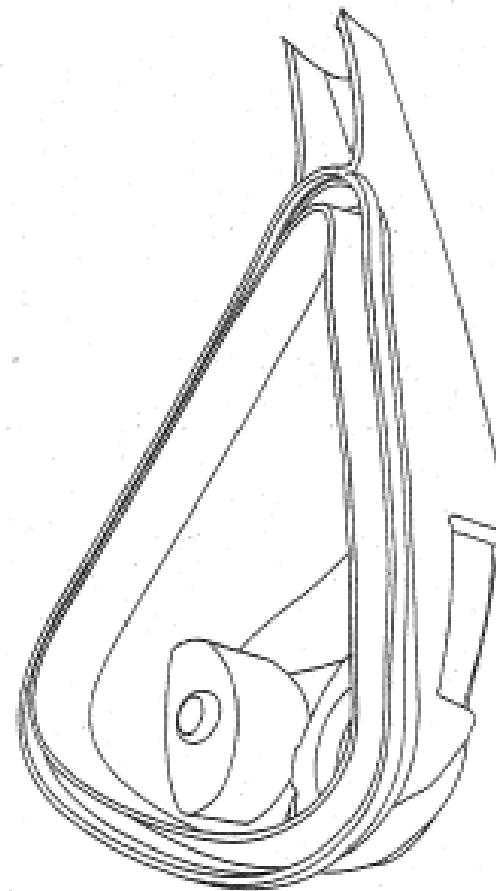
Registration Proceedings - Class Listing of Designs Published or Registered cont'd

Classification	Registration Number	Design Number	Classification	Registration Number	Design Number
12-05	311248	14380/2006	14-03 C	311291	14490/2006
12-08	311231	14437/2006	14-04	311339	12209/2006
12-08	311232	14438/2006	14-04	311340	12210/2006
12-11	311281	13534/2005	14-04	311341	12211/2006
12-11	311348	13215/2006	14-04	311342	12212/2006
12-11	311349	13216/2006	14-04	311343	12213/2006
12-11	311350	13217/2006	14-04	311344	12214/2006
12-11	311351	13218/2006	14-04	311345	12215/2006
12-15 B	311259	14509/2006	15-01	311229	14435/2006
12-16 A	311308	11094/2006	15-01	311317	14514/2006
12-16 A	311309	11095/2006	15-05	311415	14472/2006
12-16 A	311310	11096/2006	15-07	311346	12218/2006
12-16 A	311311	11097/2006	15-99	311428	14171/2006
12-16 A	311312	11098/2006	16-06	311314	12443/2006
12-16 A	311326	11107/2006	16-06	311315	12444/2006
12-16 A	311327	11108/2006	16-06	311393	15047/2005
12-16 B	311233	14439/2006	16-06	311394	15048/2005
12-16 B	311301	11081/2006	16-06	311395	15049/2005
12-16 B	311302	11082/2006	16-06	311396	15050/2005
12-16 B	311305	11085/2006	18-02	311388	14535/2006
12-16 B	311306	11086/2006	19-01	311353	14523/2006
12-16 B	311313	11099/2006	19-01	311354	14524/2006
12-16 B	311319	11100/2006	19-08	311205	14512/2006
12-16 B	311320	11101/2006	21-01 L	311419	12544/2006
12-16 B	311321	11102/2006	21-02 A	311246	14118/2006
12-16 B	311324	11105/2006	21-02 C	311204	14511/2006
12-16 B	311325	11106/2006	21-03	311208	11735/2006
12-16 B	311328	11057/2006	22-05	311203	14510/2006
12-16 B	311332	11076/2006	22-05	311336	11419/2006
12-16 B	311356	11058/2006	22-05	311392	14552/2006
12-16 B	311357	11059/2006	22-06	311250	14415/2006
12-16 B	311358	11060/2006	23-01 A	311240	11281/2006
12-16 B	311359	11061/2006	23-01 D	311220	14378/2006
12-16 B	311378	11062/2006	23-01 D	311264	14374/2006
12-16 B	311403	11064/2006	23-01 D	311265	14375/2006
12-16 B	311404	11065/2006	23-01 D	311266	14376/2006
12-16 B	311405	11066/2006	23-01 E	311385	14022/2006
12-16 B	311406	11067/2006	23-01 G	311398	10698/2006
12-16 B	311407	11068/2006	23-01 G	311424	13161/2006
12-16 B	311408	11069/2006	23-01 NES	311240	11281/2006
12-16 B	311409	11070/2006	23-02 B	311182	14294/2006
12-16 B	311410	11071/2006	23-02 B	311183	14295/2006
12-16 B	311412	11073/2006	23-02 B	311184	14296/2006
12-16 B	311413	11074/2006	23-02 C	311202	14508/2006
12-16 B	311414	11075/2006	23-04	311251	14418/2006
12-16 C	311234	14440/2006	23-04	311258	14461/2006
12-16 C	311300	11080/2006	23-04	311273	14462/2006
12-16 C	311303	11083/2006	23-04	311318	14519/2006
12-16 C	311304	11084/2006	23-04	311390	14537/2006
12-16 C	311334	11078/2006	23-04	311391	14538/2006
12-16 C	311335	11079/2006	24-01	311189	11377/2006
12-16 E	311322	11103/2006	24-01	311190	14465/2006
12-16 E	311323	11104/2006	24-01	311191	14466/2006
12-16 E	311333	11077/2006	24-01	311195	14500/2006
12-16 F	311422	13030/2006	24-01	311196	14501/2006
12-16 M	311316	14476/2006	24-01	311197	14502/2006
12-16 NES	311247	14379/2006	24-01	311198	14503/2006
12-16 NES	311289	14177/2006	24-01	311199	14504/2006
14-03 C	311194	14489/2006	24-01	311200	14505/2006

Registration Proceedings - Class Listing of Designs Published or Registered cont'd

Classification	Registration Number	Design Number	Classification	Registration Number	Design Number
24-01	311297	14496/2006	25-03	311184	14296/2006
24-01	311431	14569/2006	25-03	311420	12816/2006
24-01	311432	14570/2006	26-05 C	311249	14412/2006
24-02	311173	11049/2006	26-05 C	311288	13942/2006
24-02	311185	14326/2006	26-05 C	311400	10260/2006
24-02	311186	14327/2006	26-05 D	311192	11440/2006
24-02	311187	14328/2006	26-05 D	311193	11441/2006
24-02	311431	14569/2006	26-05 D	311383	12279/2006
24-02	311432	14570/2006	26-05 D	311434	12278/2006
24-04	311330	10559/2006	26-05 NES	311288	13942/2006
24-04	311331	10560/2006	26-06	311230	14436/2006
24-04	311401	10557/2006	26-06	311235	14443/2006
24-04	311402	10558/2006	26-06	311236	14444/2006
25-01 A	311214	13441/2006	26-06	311255	14441/2006
25-01 A	311215	13442/2006	26-06	311256	14442/2006
25-01 A	311216	13443/2006	26-06	311329	14529/2006
25-01 K	311241	11776/2006	26-06	311355	14530/2006
25-01 K	311242	11777/2006	26-99	311287	12125/2006
25-01 K	311243	11778/2006	28-03 NES	311429	14242/2006
25-01 K	311244	11781/2006	28-03 NES	311430	14243/2006
25-01 K	311299	14783/2006	28-99	311260	13758/2006
25-01 K	311436	14786/2006	28-99	311285	11989/2006
25-01 NES	311262	13830/2006	28-99	311286	11990/2006
25-01 NES	311263	13834/2006	29-02	311219	10000/2006
25-02 H	311421	12928/2006	99-00	311287	12125/2006
25-03	311182	14294/2006			
25-03	311183	14295/2006			

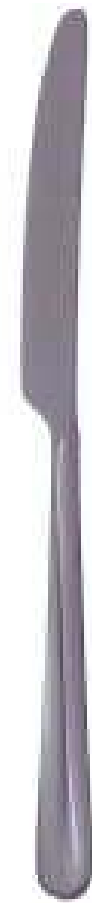
(21) Design Number: **11049/2006**
(22) Date of Filing Application: **17 March 2006**
(24) Date from which industrial property rights may have effect: **17 March 2006**
(54) Product in respect of which the design is registered: **Mask frame**
(51) International Design Classification: **24-02**
(71) Name(s) and Address(s) of Applicant(s):
ResMed Ltd
1 Elizabeth Macarthur Drive Bella Vista New South Wales 2153
Australia
(72) Name(s) of Designer(s): **Philip Thomas Stallard and Scott Alexander**
Howard
(45) Registration Date: **02 November 2006**
(30) Convention priority data:
(31) Number (32) Date (33) Country
29/240,923 26 Sep 2005 UNITED STATES OF AMERICA
(56) Related Art Documents: **Not Applicable**
(57) Statement of Newness and Distinctiveness: **Nil**



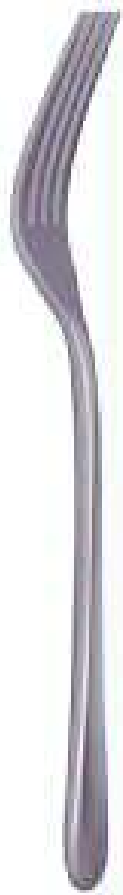
(21) Design Number: **12772/2006**
(22) Date of Filing Application: **28 June 2006**
(24) Date from which industrial property rights may have effect: **28 June 2006**
(54) Product in respect of which the design is registered: **Knife**
(51) International Design Classification: **08-03**
(71) Name(s) and Address(s) of Applicant(s):
Martor KG
Heider Hof 60 42653 Solingen Germany
(72) Name(s) of Designer(s): **Harald Berns**
(45) Registration Date: **02 November 2006**
(56) Related Art Documents: **Not Applicable**
(57) Statement of Newness and Distinctiveness: **Newness and distinctiveness is claimed in the shape and configuration of the knife shown in the representations. The pattern and ornamentation, including the writing and logos, should be disregarded.**



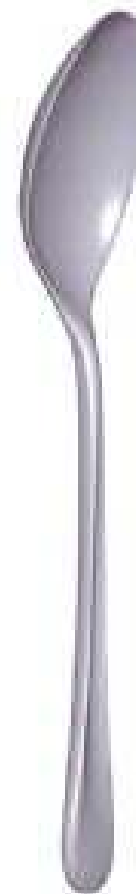
(21) Design Number: **13842/2006**
(22) Date of Filing Application: **25 August 2006**
(24) Date from which industrial property rights may have effect: **25 August 2006**
(54) Product in respect of which the design is registered: **A knife**
(51) International Design Classification: **07-03**
(71) Name(s) and Address(s) of Applicant(s):
Robert Welch Designs Limited
Lower High Street Chipping Campden GL55 6DY England
(72) Name(s) of Designer(s): **Iain Paul de Bretton Gordon**
(45) Registration Date: **02 November 2006**
(30) Convention priority data:
(31) Number (32) Date (33) Country
000496419 10 Mar 2006 EUROPEAN COMMUNITY
(56) Related Art Documents: **Not Applicable**
(57) Statement of Newness and Distinctiveness: **A new design of knife.**



(21) Design Number: **13843/2006**
(22) Date of Filing Application: **25 August 2006**
(24) Date from which industrial property rights may have effect: **25 August 2006**
(54) Product in respect of which the design is registered: **A fork**
(51) International Design Classification: **07-03**
(71) Name(s) and Address(s) of Applicant(s):
Robert Welch Designs Limited
Lower High Street Chipping Campden GL55 6DY England
(72) Name(s) of Designer(s): **Iain Paul de Bretton Gordon**
(45) Registration Date: **02 November 2006**
(30) Convention priority data:
(31) Number (32) Date (33) Country
000496419 10 Mar 2006 EUROPEAN COMMUNITY
(56) Related Art Documents: **Not Applicable**
(57) Statement of Newness and Distinctiveness: **A new design of fork.**



- (21) Design Number: **13844/2006**
(22) Date of Filing Application: **25 August 2006**
(24) Date from which industrial property rights may have effect: **25 August 2006**
(54) Product in respect of which the design is registered: **A spoon**
(51) International Design Classification: **07-03**
(71) Name(s) and Address(s) of Applicant(s):
Robert Welch Designs Limited
Lower High Street Chipping Campden GL55 6DY England
(72) Name(s) of Designer(s): **Iain Paul de Bretton Gordon**
(45) Registration Date: **02 November 2006**
(30) Convention priority data:
(31) Number (32) Date (33) Country
000496419 10 Mar 2006 EUROPEAN COMMUNITY
(56) Related Art Documents: **Not Applicable**
(57) Statement of Newness and Distinctiveness: **A new design of spoon.**



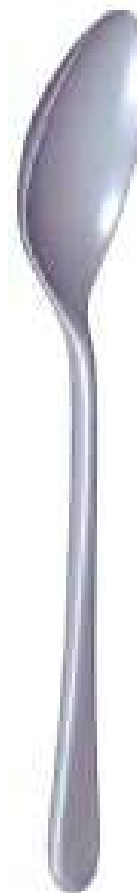
- (21) Design Number: **13845/2006**
(22) Date of Filing Application: **25 August 2006**
(24) Date from which industrial property rights may have effect: **25 August 2006**
(54) Product in respect of which the design is registered: **A knife**
(51) International Design Classification: **07-03**
(71) Name(s) and Address(s) of Applicant(s):
Robert Welch Designs Limited
Lower High Street Chipping Campden GL55 6DY England
(72) Name(s) of Designer(s): **Iain Paul de Bretton Gordon**
(45) Registration Date: **02 November 2006**
(30) Convention priority data:
(31) Number (32) Date (33) Country
000496419 10 Mar 2006 EUROPEAN COMMUNITY
(56) Related Art Documents: **Not Applicable**
(57) Statement of Newness and Distinctiveness: **A new design of knife.**



- (21) Design Number: **13846/2006**
(22) Date of Filing Application: **25 August 2006**
(24) Date from which industrial property rights may have effect: **25 August 2006**
(54) Product in respect of which the design is registered: **A fork**
(51) International Design Classification: **07-03**
(71) Name(s) and Address(s) of Applicant(s):
Robert Welch Designs Limited
Lower High Street Chipping Campden GL55 6DY England
(72) Name(s) of Designer(s): **Iain Paul de Bretton Gordon**
(45) Registration Date: **02 November 2006**
(30) Convention priority data:
(31) Number (32) Date (33) Country
000496419 10 Mar 2006 EUROPEAN COMMUNITY
(56) Related Art Documents: **Not Applicable**
(57) Statement of Newness and Distinctiveness: **A new design of fork.**



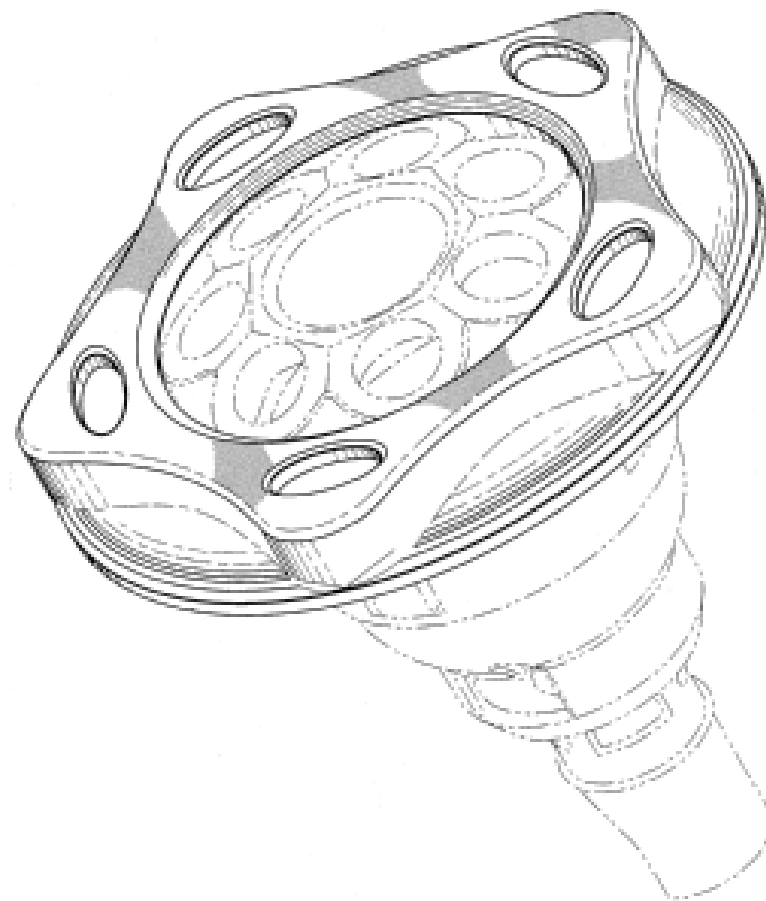
- (21) Design Number: **13847/2006**
(22) Date of Filing Application: **25 August 2006**
(24) Date from which industrial property rights may have effect: **25 August 2006**
(54) Product in respect of which the design is registered: **A spoon**
(51) International Design Classification: **07-03**
(71) Name(s) and Address(s) of Applicant(s):
Robert Welch Designs Limited
Lower High Street Chipping Campden GL55 6DY England
(72) Name(s) of Designer(s): **Iain Paul de Bretton Gordon**
(45) Registration Date: **02 November 2006**
(30) Convention priority data:
(31) Number (32) Date (33) Country
000496419 10 Mar 2006 EUROPEAN COMMUNITY
(56) Related Art Documents: **Not Applicable**
(57) Statement of Newness and Distinctiveness: **A new design of spoon.**



- (21) Design Number: **13848/2006**
(22) Date of Filing Application: **25 August 2006**
(24) Date from which industrial property rights may have effect: **25 August 2006**
(54) Product in respect of which the design is registered: **A spork**
(51) International Design Classification: **07-03**
(71) Name(s) and Address(s) of Applicant(s):
Robert Welch Designs Limited
Lower High Street Chipping Campden GL55 6DY England
(72) Name(s) of Designer(s): **Iain Paul de Bretton Gordon**
(45) Registration Date: **02 November 2006**
(56) Related Art Documents: **Not Applicable**
(57) Statement of Newness and Distinctiveness: **A new design of spork being a combined fork and spoon.**

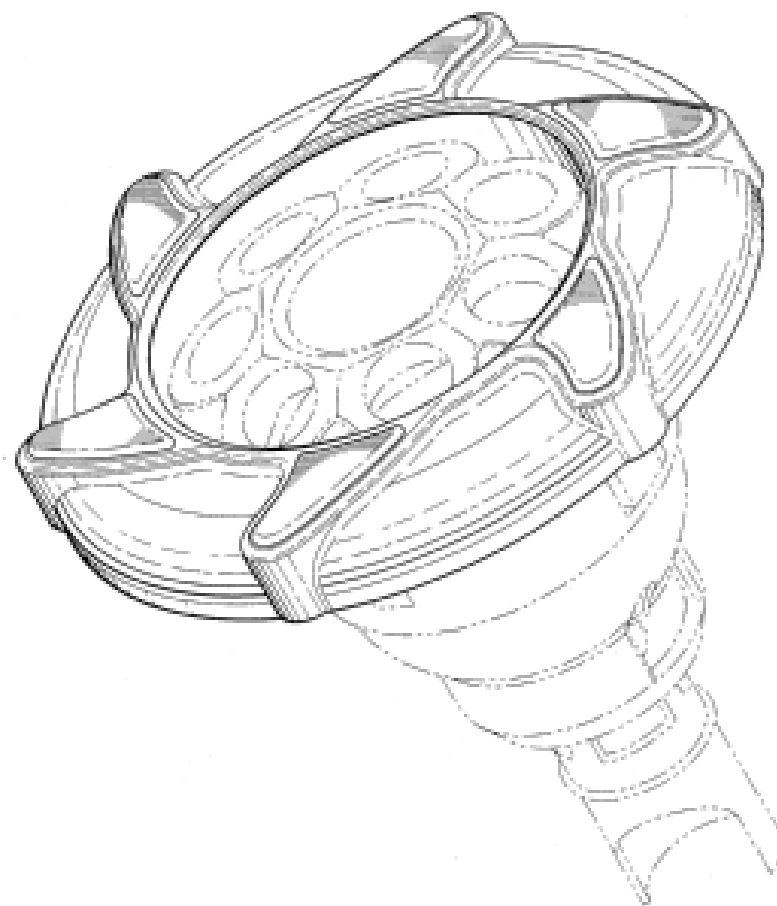


- (21) Design Number: **14294/2006**
(22) Date of Filing Application: **25 September 2006**
(24) Date from which industrial property rights may have effect: **25 September 2006**
(54) Product in respect of which the design is registered: **Spa/pool fixture**
(51) International Design Classification: **25-03, 23-02B**
(71) Name(s) and Address(s) of Applicant(s):
B & S Plastics Inc.
2200 East Sturgis Road Oxnard California 93030 United States of America
(72) Name(s) of Designer(s): **Michael D. Holtsnider and Raymundo Colin**
(45) Registration Date: **02 November 2006**
(30) Convention priority data:
(31) Number (32) Date (33) Country
29/260542 25 May 2006 UNITED STATES OF AMERICA
(56) Related Art Documents: **Not Applicable**
(57) Statement of Newness and Distinctiveness: **Newness and distinctiveness is claimed in the visual features shown in solid lines in the representations.**



- (21) Design Number: **14295/2006**
- (22) Date of Filing Application: **25 September 2006**
- (24) Date from which industrial property rights may have effect: **25 September 2006**
- (54) Product in respect of which the design is registered: **Spa/pool fixture**
- (51) International Design Classification: **23-02B, 25-03**
- (71) Name(s) and Address(s) of Applicant(s):
B & S Plastics Inc.
2200 East Sturgis Road Oxnard California 93030 United States of America
- (72) Name(s) of Designer(s): **Michael D. Holtsnider and Raymundo Colin**
- (45) Registration Date: **02 November 2006**
- (30) Convention priority data:

(31) Number	(32) Date	(33) Country
29/260543	25 May 2006	UNITED STATES OF AMERICA
- (56) Related Art Documents: **Not Applicable**
- (57) Statement of Newness and Distinctiveness: **Newness and distinctiveness is claimed in the visual features shown in solid lines in the representations.**



- (21) Design Number: **14296/2006**
- (22) Date of Filing Application: **25 September 2006**
- (24) Date from which industrial property rights may have effect: **25 September 2006**
- (54) Product in respect of which the design is registered: **Spa/pool fixture**
- (51) International Design Classification: **23-02B, 25-03**
- (71) Name(s) and Address(s) of Applicant(s):
B & S Plastics Inc.
2200 East Sturgis Road Oxnard California 93030 United States of America
- (72) Name(s) of Designer(s): **Michael D. Holtsnider and Raymundo Colin**
- (45) Registration Date: **02 November 2006**
- (30) Convention priority data:

(31) Number	(32) Date	(33) Country
29/260554	25 May 2006	UNITED STATES OF AMERICA
- (56) Related Art Documents: **Not Applicable**
- (57) Statement of Newness and Distinctiveness: **Newness and distinctiveness is claimed in the visual features shown in solid lines in the representations.**

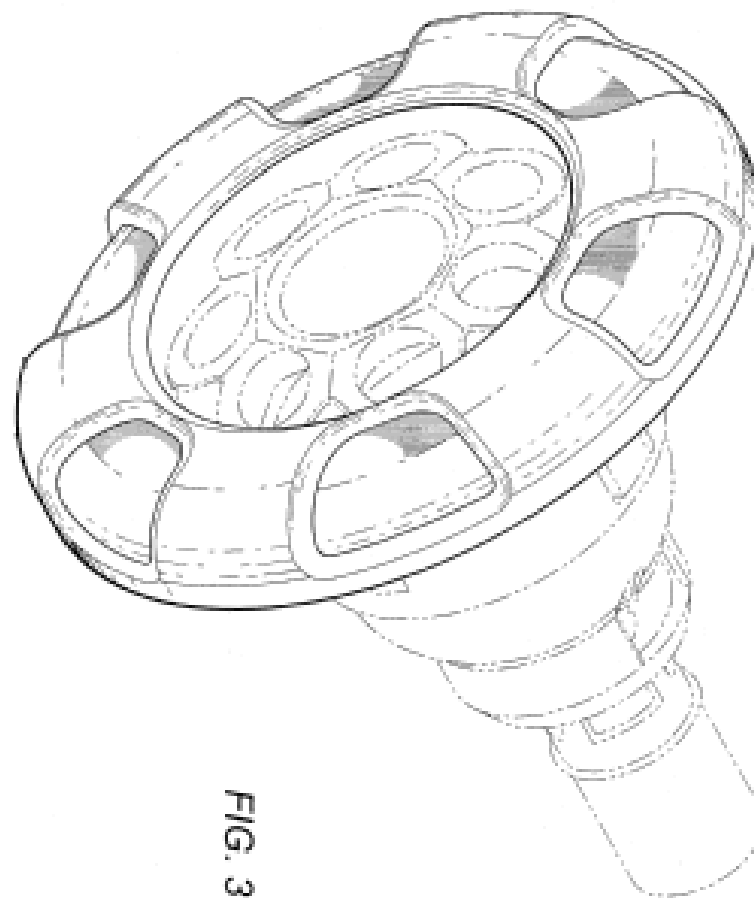
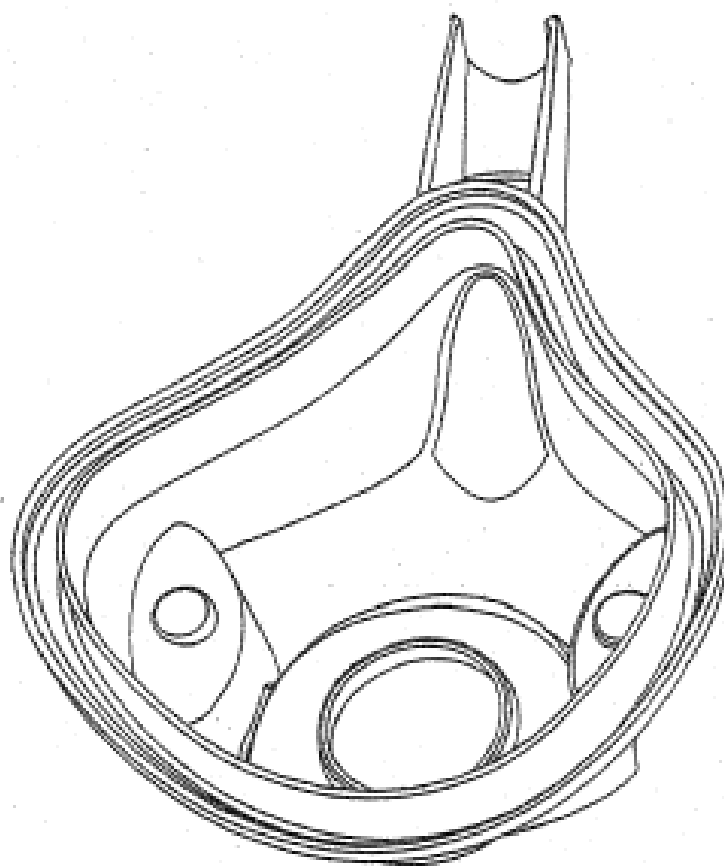
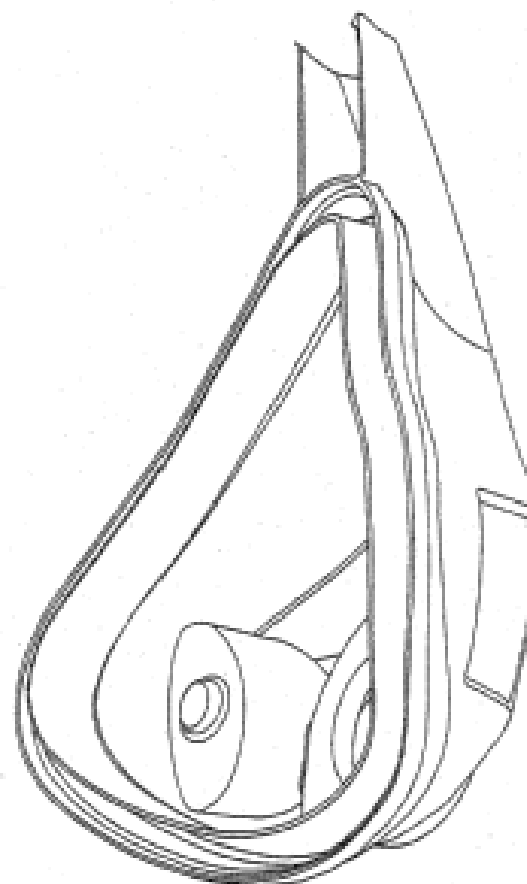


FIG. 3

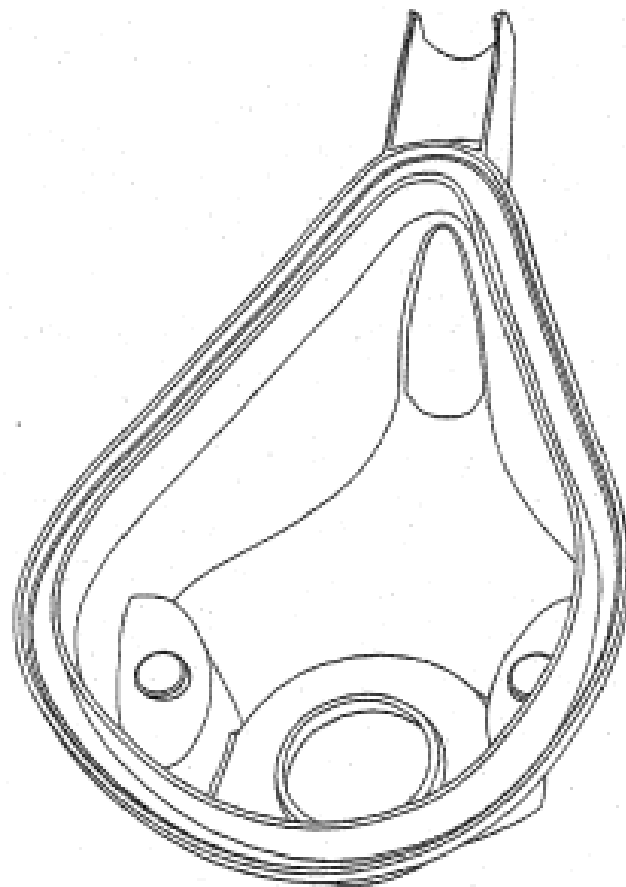
(21) Design Number: **14326/2006**
(22) Date of Filing Application: **17 March 2006**
(24) Date from which industrial property rights may have effect: **17 March 2006**
(54) Product in respect of which the design is registered: **Mask frame**
(51) International Design Classification: **24-02**
(71) Name(s) and Address(s) of Applicant(s):
ResMed Ltd
1 Elizabeth Macarthur Drive Bella Vista New South Wales 2153
Australia
(72) Name(s) of Designer(s): **Philip Thomas Stallard and Scott Alexander**
Howard
(45) Registration Date: **03 November 2006**
(30) Convention priority data:
(31) Number (32) Date (33) Country
29/240,923 26 Sep 2005 UNITED STATES OF AMERICA
(56) Related Art Documents: **Not Applicable**
(57) Statement of Newness and Distinctiveness: **Nil**



(21) Design Number: **14327/2006**
(22) Date of Filing Application: **17 March 2006**
(24) Date from which industrial property rights may have effect: **17 March 2006**
(54) Product in respect of which the design is registered: **Mask frame**
(51) International Design Classification: **24-02**
(71) Name(s) and Address(s) of Applicant(s):
ResMed Ltd
1 Elizabeth Macarthur Drive Bella Vista New South Wales 2153
Australia
(72) Name(s) of Designer(s): **Philip Thomas Stallard and Scott Alexander**
Howard
(45) Registration Date: **03 November 2006**
(30) Convention priority data:
(31) Number (32) Date (33) Country
29/240,923 26 Sep 2005 UNITED STATES OF AMERICA
(56) Related Art Documents: **Not Applicable**
(57) Statement of Newness and Distinctiveness: **Nil**



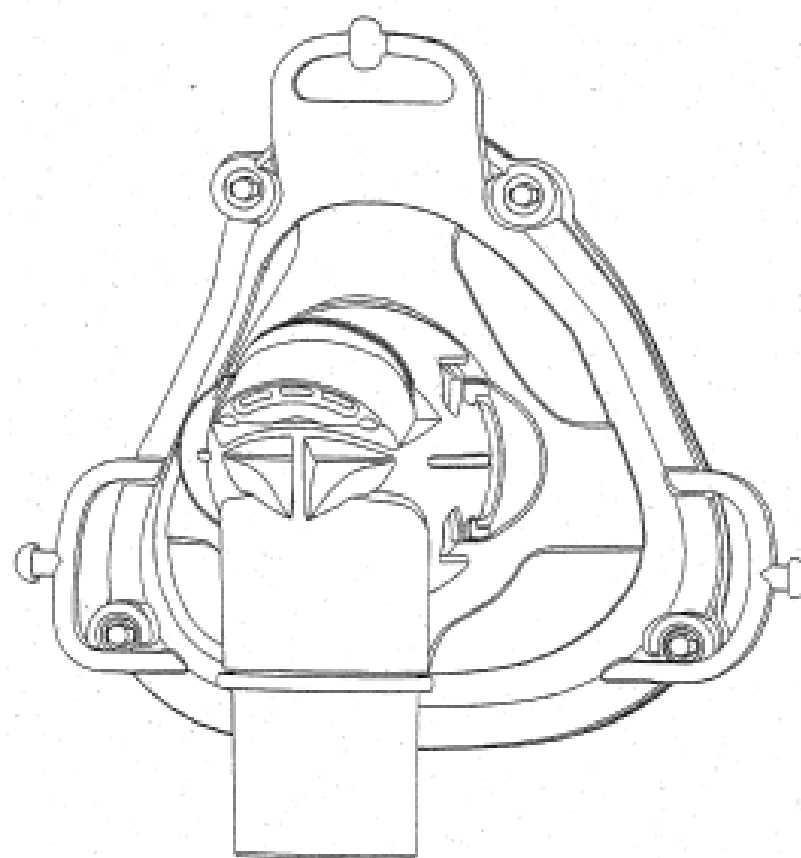
- (21) Design Number: **14328/2006**
(22) Date of Filing Application: **17 March 2006**
(24) Date from which industrial property rights may have effect: **17 March 2006**
(54) Product in respect of which the design is registered: **Mask frame**
(51) International Design Classification: **24-02**
(71) Name(s) and Address(s) of Applicant(s):
ResMed Ltd
1 Elizabeth Macarthur Drive Bella Vista New South Wales 2153
Australia
(72) Name(s) of Designer(s): **Philip Thomas Stallard and Scott Alexander Howard**
(45) Registration Date: **03 November 2006**
(30) Convention priority data:
(31) Number (32) Date (33) Country
29/240,923 26 Sep 2005 UNITED STATES OF AMERICA
(56) Related Art Documents: **Not Applicable**
(57) Statement of Newness and Distinctiveness: **Nil**



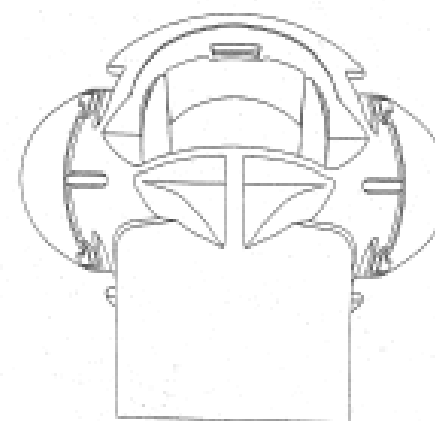
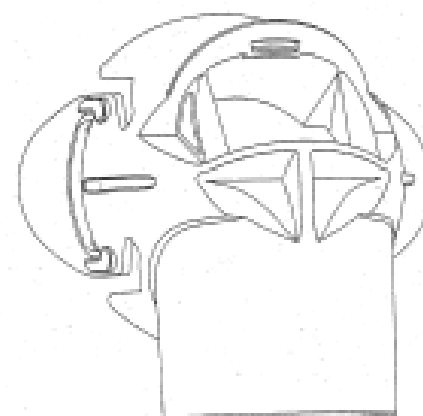
- (21) Design Number: **10757/2006**
(22) Date of Filing Application: **28 February 2006**
(24) Date from which industrial property rights may have effect: **28 February 2006**
(54) Product in respect of which the design is registered: **Tub console**
(51) International Design Classification: **07-05B**
(71) Name(s) and Address(s) of Applicant(s):
Aquatica NZ Limited
9 Saunders Place Avondale New Zealand
(72) Name(s) of Designer(s): **Lindsay Dalziel**
(45) Registration Date: **03 November 2006**
(56) Related Art Documents: **Not Applicable**
(57) Statement of Newness and Distinctiveness: **Newness and distinctiveness is claimed in the shape and/or configuration of a tub console as depicted in the attached representations, excluding the blue washed portions.**



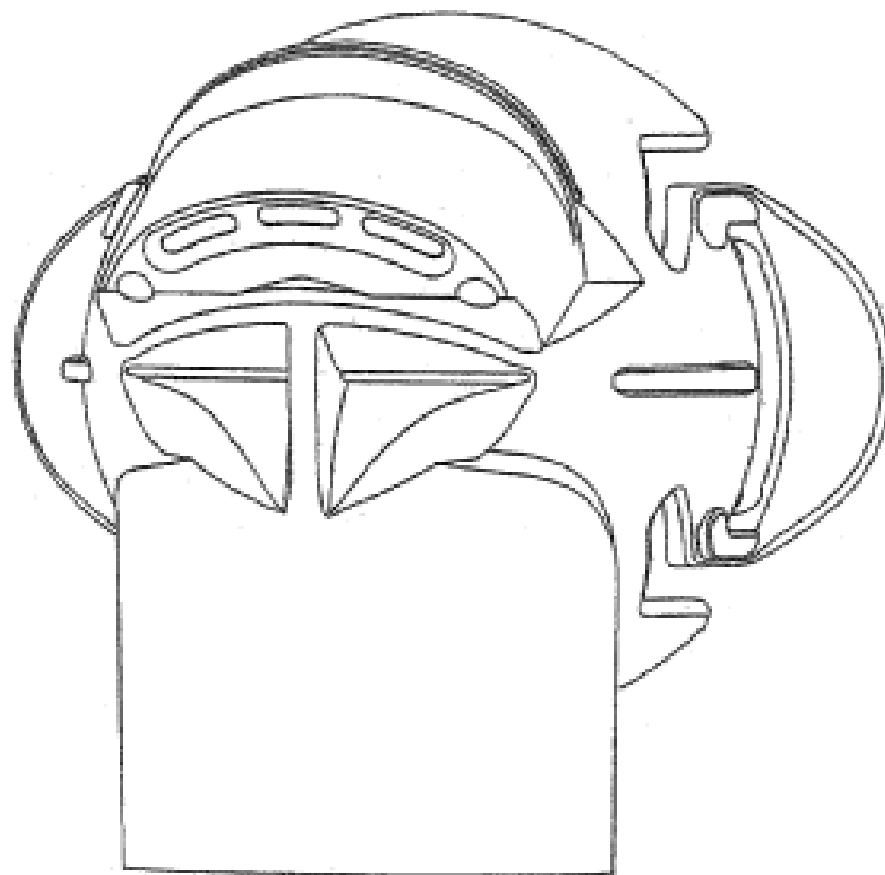
(21) Design Number: **11377/2006**
 (22) Date of Filing Application: **04 April 2006**
 (24) Date from which industrial property rights may have effect: **04 April 2006**
 (54) Product in respect of which the design is registered: **Mask assembly**
 (51) International Design Classification: **24-01**
 (71) Name(s) and Address(s) of Applicant(s):
ResMed Ltd
1 Elizabeth Macarthur Drive Bella Vista New South Wales 2153
Australia
 (72) Name(s) of Designer(s): **Amal Shirley Amarasinghe and Aaron Samuel Davidson and Daniel Robert Judson and Daniel Joseph Kaars Sijpesteijn**
 (45) Registration Date: **03 November 2006**
 (30) Convention priority data:
 (31) Number (32) Date (33) Country
29/243,093 07 Oct 2005 UNITED STATES OF AMERICA
 (56) Related Art Documents: **Not Applicable**
 (57) Statement of Newness and Distinctiveness: **Nil**



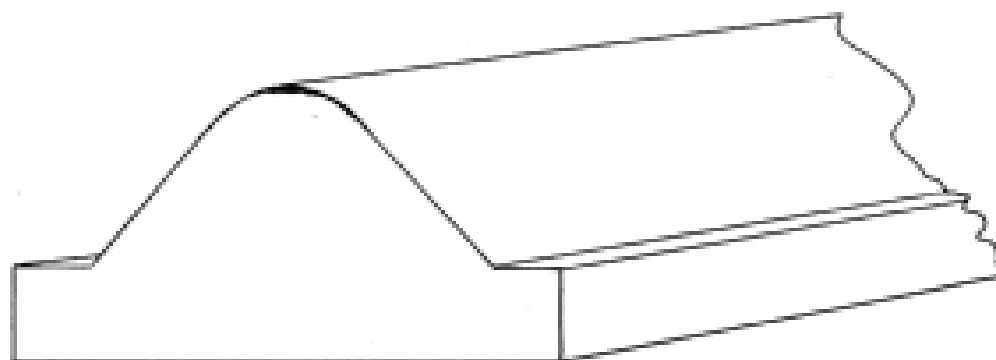
(21) Design Number: **14465/2006**
 (22) Date of Filing Application: **04 April 2006**
 (24) Date from which industrial property rights may have effect: **04 April 2006**
 (54) Product in respect of which the design is registered: **Elbow for mask**
 (51) International Design Classification: **24-01**
 (71) Name(s) and Address(s) of Applicant(s):
ResMed Ltd
1 Elizabeth Macarthur Drive Bella Vista New South Wales 2153
Australia
 (72) Name(s) of Designer(s): **Shirley Amal Amarasinghe and Aaron Samuel Davidson and Daniel Robert Judson and Daniel Joseph Kaars Sijpesteijn**
 (45) Registration Date: **03 November 2006**
 (30) Convention priority data:
 (31) Number (32) Date (33) Country
29/243,093 07 Oct 2005 UNITED STATES OF AMERICA
 (56) Related Art Documents: **Not Applicable**
 (57) Statement of Newness and Distinctiveness: **Nil**



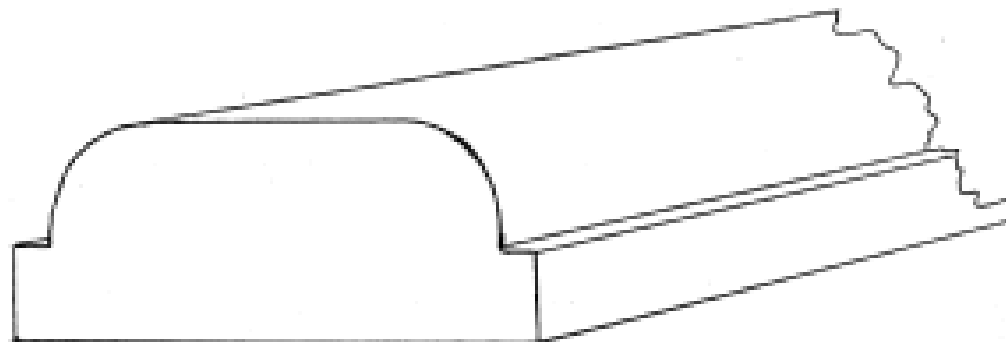
- (21) Design Number: **14466/2006**
(22) Date of Filing Application: **04 April 2006**
(24) Date from which industrial property rights may have effect: **04 April 2006**
(54) Product in respect of which the design is registered: **Elbow with vent cover for mask**
(51) International Design Classification: **24-01**
(71) Name(s) and Address(s) of Applicant(s):
ResMed Ltd
1 Elizabeth Macarthur Drive Bella Vista New South Wales 2153
Australia
(72) Name(s) of Designer(s): **Shirley Amal Amarasinghe and Aaron Samuel Davidson and Daniel Robert Judson and Daniel Joseph Kaars Sijpesteijn**
(45) Registration Date: **03 November 2006**
(30) Convention priority data:
(31) Number (32) Date (33) Country
29/243,093 07 Oct 2005 UNITED STATES OF AMERICA
(56) Related Art Documents: **Not Applicable**
(57) Statement of Newness and Distinctiveness: **Nil**



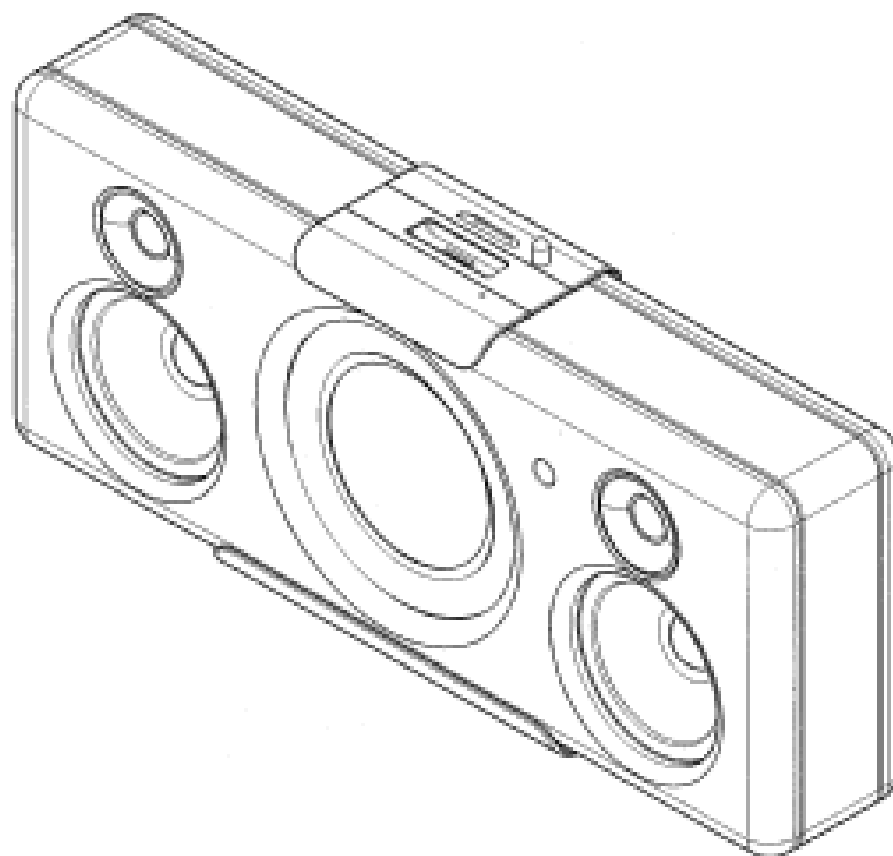
- (21) Design Number: **11440/2006**
(22) Date of Filing Application: **10 April 2006**
(24) Date from which industrial property rights may have effect: **10 April 2006**
(54) Product in respect of which the design is registered: **Lighting product**
(51) International Design Classification: **26-05D**
(71) Name(s) and Address(s) of Applicant(s):
Associated Controls (Australia) Pty Limited
PO Box 584 Concord New South Wales 2137 Australia
(72) Name(s) of Designer(s): **David Clarkson**
(45) Registration Date: **03 November 2006**
(56) Related Art Documents: **Not Applicable**
(57) Statement of Newness and Distinctiveness: **Nil**



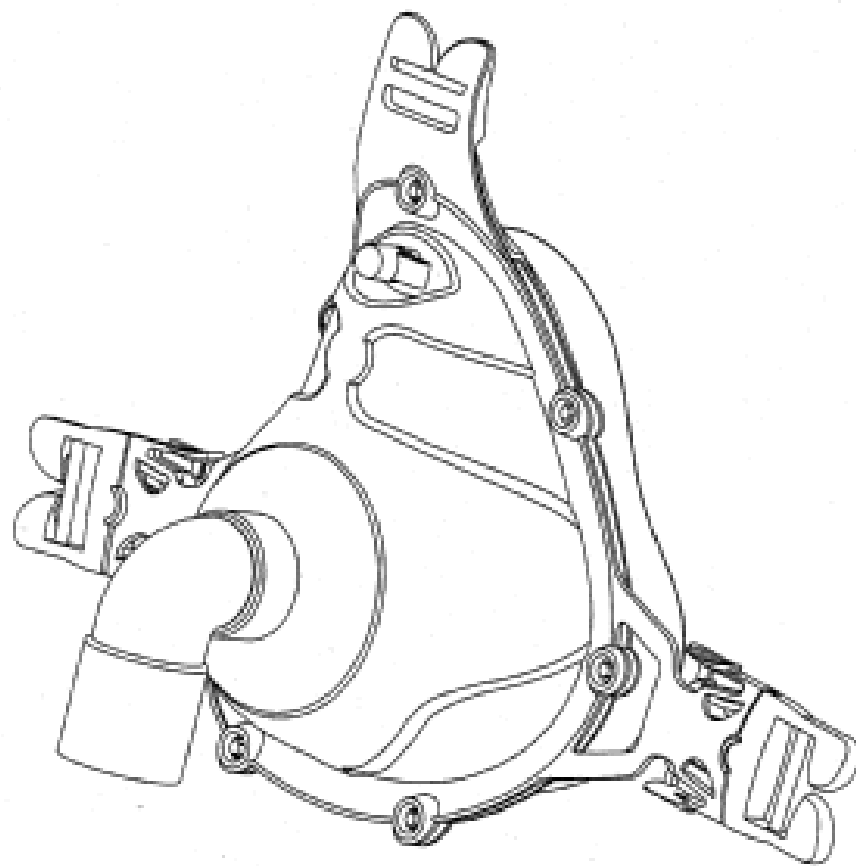
- (21) Design Number: **11441/2006**
(22) Date of Filing Application: **10 April 2006**
(24) Date from which industrial property rights may have effect: **10 April 2006**
(54) Product in respect of which the design is registered: **Lighting product**
(51) International Design Classification: **26-05D**
(71) Name(s) and Address(s) of Applicant(s):
Associated Controls (Aust) Pty Ltd
PO Box 584 Concord New South Wales 2137 Australia
(72) Name(s) of Designer(s): **David Clarkson**
(45) Registration Date: **03 November 2006**
(56) Related Art Documents: **Not Applicable**
(57) Statement of Newness and Distinctiveness: **Nil**



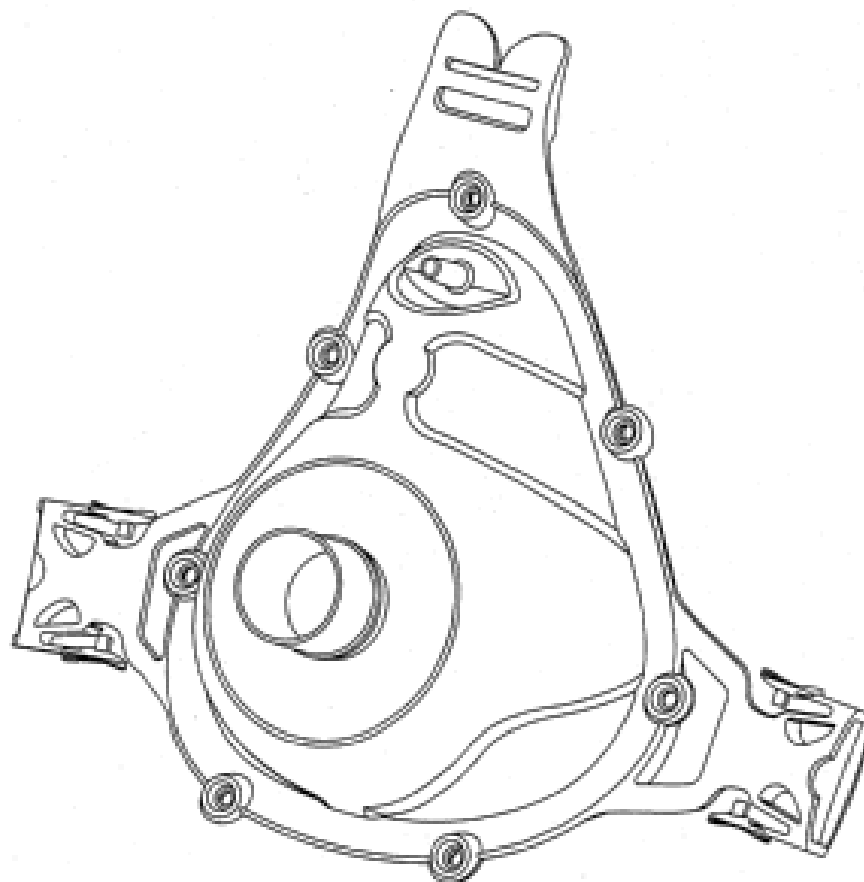
- (21) Design Number: **14489/2006**
(22) Date of Filing Application: **06 October 2006**
(24) Date from which industrial property rights may have effect: **06 October 2006**
(54) Product in respect of which the design is registered: **Audio speakers and amplifier enclosure**
(51) International Design Classification: **14-03C**
(71) Name(s) and Address(s) of Applicant(s):
IPPV Pty Ltd
25 First Avenue St Peters South Australia 5069 Australia
(72) Name(s) of Designer(s): **Philip Vafiadis**
(45) Registration Date: **03 November 2006**
(56) Related Art Documents: **Not Applicable**
(57) Statement of Newness and Distinctiveness: **Nil**



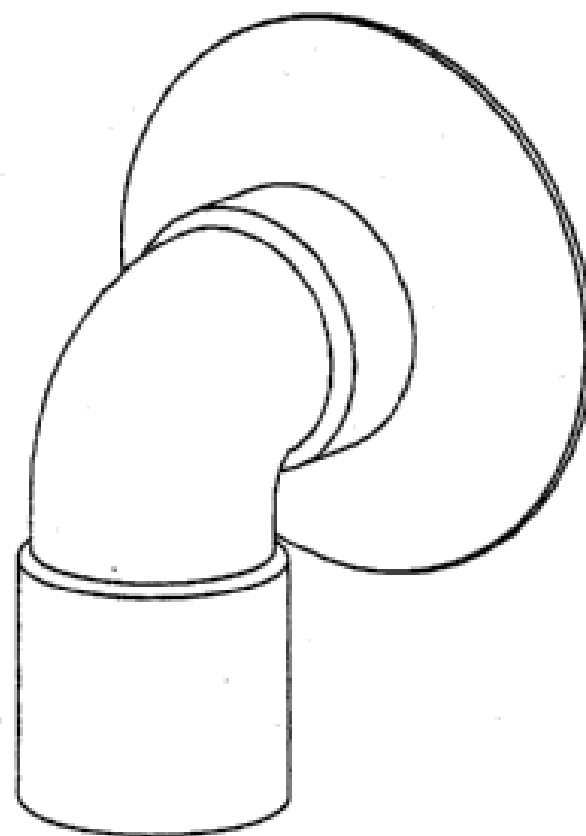
- (21) Design Number: **14500/2006**
(22) Date of Filing Application: **05 October 2006**
(24) Date from which industrial property rights may have effect: **05 October 2006**
(54) Product in respect of which the design is registered: **Respiratory mask**
(51) International Design Classification: **24-01**
(71) Name(s) and Address(s) of Applicant(s):
ResMed Ltd
1 Elizabeth Macarthur Drive Bella Vista New South Wales 2153
Australia
(72) Name(s) of Designer(s): **Craig David Edwards and Luke MacGuire and**
Michiel Kooij
(45) Registration Date: **03 November 2006**
(30) Convention priority data:
(31) Number (32) Date (33) Country
29/257,532 07 Apr 2006 UNITED STATES OF AMERICA
(56) Related Art Documents: **Not Applicable**
(57) Statement of Newness and Distinctiveness: **Nil**



- (21) Design Number: **14501/2006**
(22) Date of Filing Application: **05 October 2006**
(24) Date from which industrial property rights may have effect: **05 October 2006**
(54) Product in respect of which the design is registered: **Respiratory mask frame**
(51) International Design Classification: **24-01**
(71) Name(s) and Address(s) of Applicant(s):
ResMed Ltd
1 Elizabeth Macarthur Drive Bella Vista New South Wales 2153
Australia
(72) Name(s) of Designer(s): **Craig David Edwards and Luke MacGuire and**
Michiel Kooij
(45) Registration Date: **03 November 2006**
(30) Convention priority data:
(31) Number (32) Date (33) Country
29/257,532 07 Apr 2006 UNITED STATES OF AMERICA
(56) Related Art Documents: **Not Applicable**
(57) Statement of Newness and Distinctiveness: **Nil**

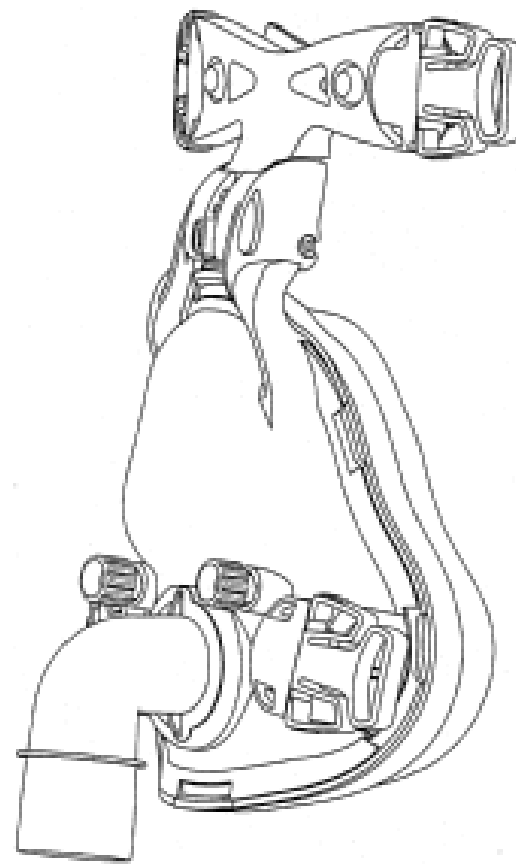


- (21) Design Number: **14502/2006**
- (22) Date of Filing Application: **05 October 2006**
- (24) Date from which industrial property rights may have effect: **05 October 2006**
- (54) Product in respect of which the design is registered: **Respiratory mask elbow**
- (51) International Design Classification: **24-01**
- (71) Name(s) and Address(s) of Applicant(s):
ResMed Ltd
1 Elizabeth Macarthur Drive Bella Vista New South Wales 2153
Australia
- (72) Name(s) of Designer(s): **Craig David Edwards and Luke MacGuire and Michiel Kooij**
- (45) Registration Date: **03 November 2006**
- (56) Related Art Documents: **Not Applicable**
- (57) Statement of Newness and Distinctiveness: **Nil**

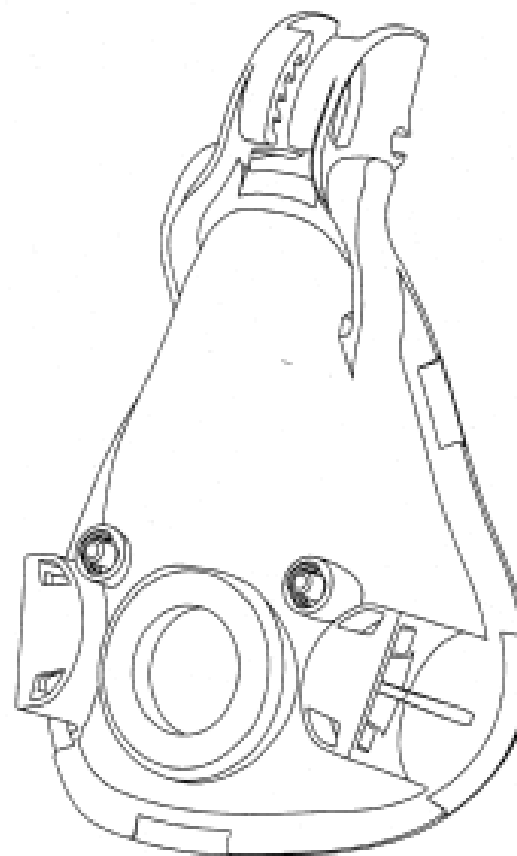


- (21) Design Number: **14503/2006**
- (22) Date of Filing Application: **05 October 2006**
- (24) Date from which industrial property rights may have effect: **05 October 2006**
- (54) Product in respect of which the design is registered: **Respiratory mask**
- (51) International Design Classification: **24-01**
- (71) Name(s) and Address(s) of Applicant(s):
ResMed Ltd
1 Elizabeth Macarthur Drive Bella Vista New South Wales 2153
Australia
- (72) Name(s) of Designer(s): **Luke MacGuire and Craig David Edwards and Fiona Catherine Carrol and Michiel Kooij**
- (45) Registration Date: **03 November 2006**
- (30) Convention priority data:

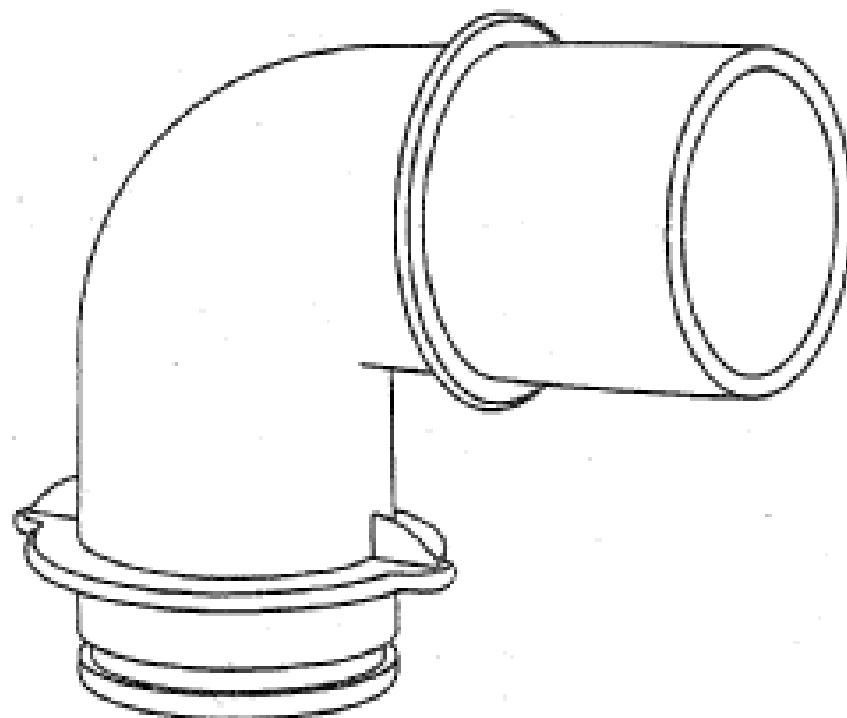
(31) Number	(32) Date	(33) Country
29/257,607	07 Apr 2006	UNITED STATES OF AMERICA
- (56) Related Art Documents: **Not Applicable**
- (57) Statement of Newness and Distinctiveness: **Nil**



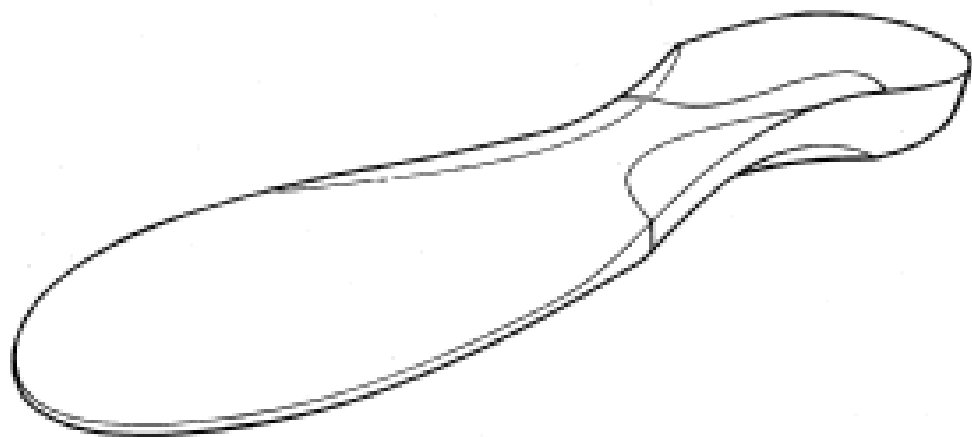
(21) Design Number: **14504/2006**
(22) Date of Filing Application: **05 October 2006**
(24) Date from which industrial property rights may have effect: **05 October 2006**
(54) Product in respect of which the design is registered: **Respiratory mask frame**
(51) International Design Classification: **24-01**
(71) Name(s) and Address(s) of Applicant(s):
ResMed Ltd
1 Elizabeth Macarthur Drive Bella Vista New South Wales 2153
Australia
(72) Name(s) of Designer(s): **Luke MacGuire and Craig David Edwards and**
Fiona Catherine Carrol and Michiel Kooij
(45) Registration Date: **03 November 2006**
(30) Convention priority data:
(31) Number (32) Date (33) Country
29/257,607 07 Apr 2006 UNITED STATES OF AMERICA
(56) Related Art Documents: **Not Applicable**
(57) Statement of Newness and Distinctiveness: **Nil**



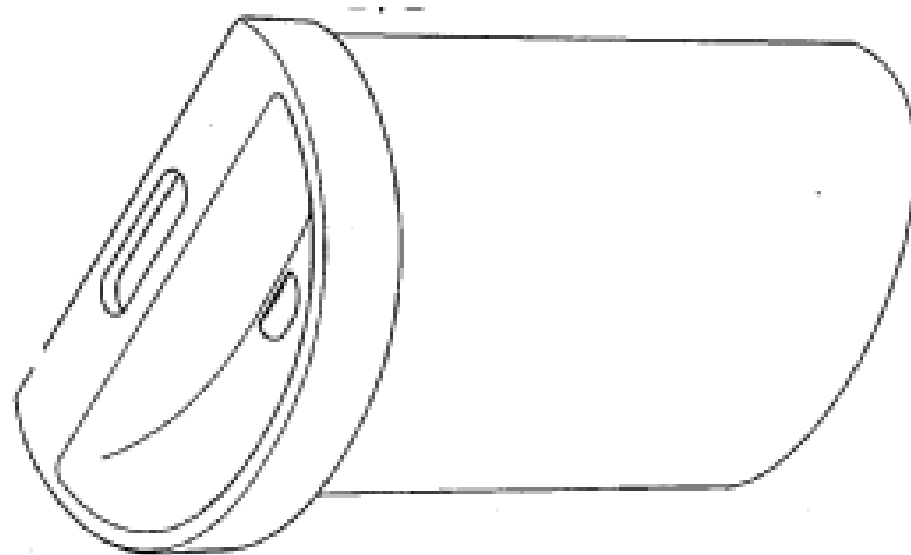
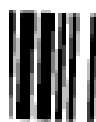
(21) Design Number: **14505/2006**
(22) Date of Filing Application: **05 October 2006**
(24) Date from which industrial property rights may have effect: **05 October 2006**
(54) Product in respect of which the design is registered: **Respiratory mask elbow**
(51) International Design Classification: **24-01**
(71) Name(s) and Address(s) of Applicant(s):
ResMed Ltd
1 Elizabeth Macarthur Drive Bella Vista New South Wales 2153
Australia
(72) Name(s) of Designer(s): **Luke MacGuire and Craig David Edwards and**
Fiona Catherine Carrol and Michiel Kooij
(45) Registration Date: **03 November 2006**
(30) Convention priority data:
(31) Number (32) Date (33) Country
29/257,607 07 Apr 2006 UNITED STATES OF AMERICA
(56) Related Art Documents: **Not Applicable**
(57) Statement of Newness and Distinctiveness: **Nil**



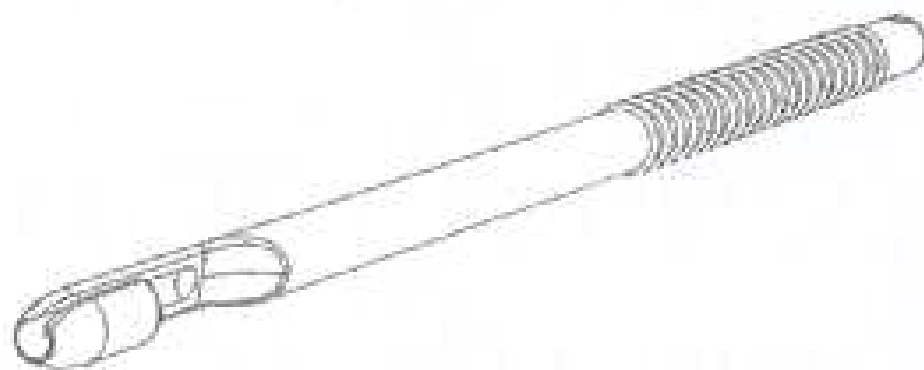
- (21) Design Number: **14507/2006**
- (22) Date of Filing Application: **05 October 2006**
- (24) Date from which industrial property rights may have effect: **05 October 2006**
- (54) Product in respect of which the design is registered: **Heat mouldable orthotic insert**
- (51) International Design Classification: **02-04A**
- (71) Name(s) and Address(s) of Applicant(s):
Foot Steps Orthotics Pty Limited
C/- Shedden & Green Chartered Accountants Level 3 19/21 Central Road Miranda New South Wales 2228 Australia
- (72) Name(s) of Designer(s): **Rodney Kielt and Abdul Najjarine**
- (45) Registration Date: **03 November 2006**
- (56) Related Art Documents: **Not Applicable**
- (57) Statement of Newness and Distinctiveness: **Nil**



- (21) Design Number: **14508/2006**
- (22) Date of Filing Application: **05 October 2006**
- (24) Date from which industrial property rights may have effect: **05 October 2006**
- (54) Product in respect of which the design is registered: **A toilet cistern**
- (51) International Design Classification: **23-02C**
- (71) Name(s) and Address(s) of Applicant(s):
Caroma Industries Limited
10 Market Street Brisbane Queensland 4000 Australia
- (72) Name(s) of Designer(s): **Stephen John Cummings and Vincent Kai Hong Ho**
- (45) Registration Date: **03 November 2006**
- (56) Related Art Documents: **Not Applicable**
- (57) Statement of Newness and Distinctiveness: **Newness and distinctiveness is claimed in the features of shape and/or configuration of a toilet cistern as illustrated in the accompanying representations.**



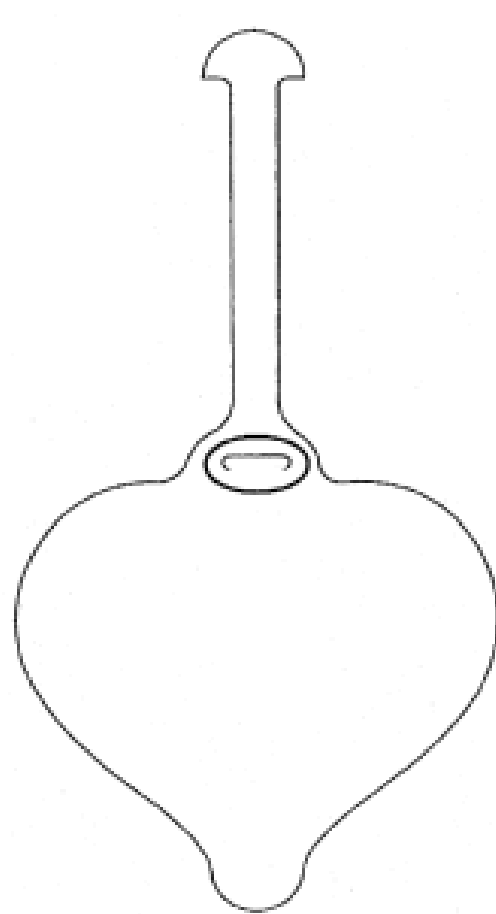
(21) Design Number: **14510/2006**
(22) Date of Filing Application: **06 October 2006**
(24) Date from which industrial property rights may have effect: **06 October 2006**
(54) Product in respect of which the design is registered: **Fish hook remover**
(51) International Design Classification: **22-05**
(71) Name(s) and Address(s) of Applicant(s):
Paul Francis Green
29 McCrystal Avenue Eastern Beach Auckland New Zealand
Bruce Martin McNeilage
29 McCrystal Avenue Eastern Beach Auckland New Zealand
(72) Name(s) of Designer(s): **Paul Francis Green**
(45) Registration Date: **03 November 2006**
(30) Convention priority data:
(31) Number (32) Date (33) Country
407399 06 Apr 2006 NEW ZEALAND
(56) Related Art Documents: **Not Applicable**
(57) Statement of Newness and Distinctiveness: **Nil**



(21) Design Number: **14511/2006**
(22) Date of Filing Application: **05 October 2006**
(24) Date from which industrial property rights may have effect: **05 October 2006**
(54) Product in respect of which the design is registered: **Golf iron head**
(51) International Design Classification: **21-02C**
(71) Name(s) and Address(s) of Applicant(s):
Karsten Manufacturing Corporation
2201 West Desert Cove Phoenix Arizona 85029 United States of America
(72) Name(s) of Designer(s): **Michael R. Nicolette and Bradley D. Schweigert**
(45) Registration Date: **03 November 2006**
(30) Convention priority data:
(31) Number (32) Date (33) Country
29/258046 13 Apr 2006 UNITED STATES OF AMERICA
(56) Related Art Documents: **Not Applicable**
(57) Statement of Newness and Distinctiveness: **Nil**

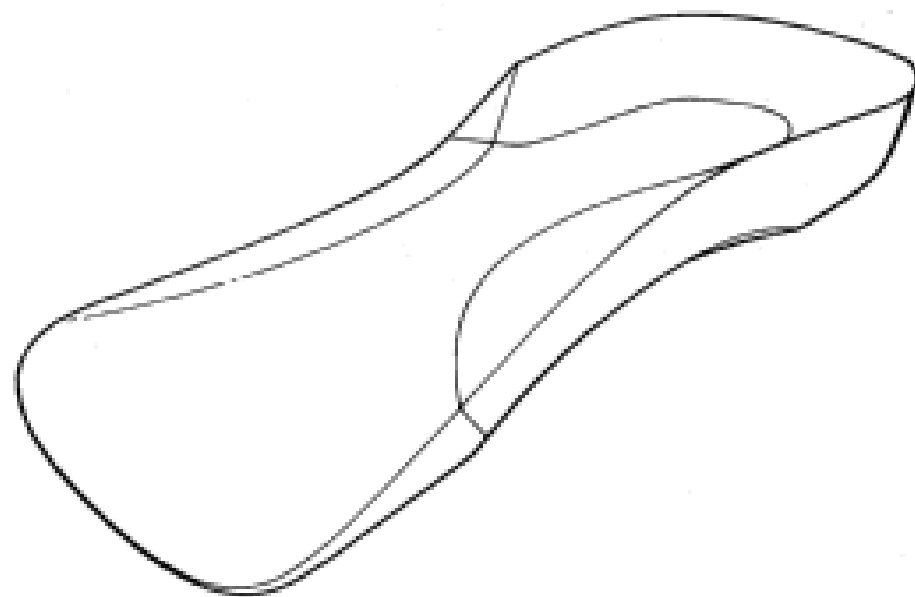


- (21) Design Number: **14512/2006**
(22) Date of Filing Application: **06 October 2006**
(24) Date from which industrial property rights may have effect: **06 October 2006**
(54) Product in respect of which the design is registered: **Bag tag**
(51) International Design Classification: **19-08**
(71) Name(s) and Address(s) of Applicant(s):
SASF Consulting Pty Ltd
PO Box 158 Wilston Queensland 4051 Australia
(72) Name(s) of Designer(s): **Susan Frances Matthews**
(45) Registration Date: **03 November 2006**
(56) Related Art Documents: **Not Applicable**
(57) Statement of Newness and Distinctiveness: **The new and distinct features are the features of shape and configuration of the bag tag slit as shown in the representations marked as "A". The lower shape of the bag under the slit and the configuration of the tongue, are not new or distinctive features of the design.**

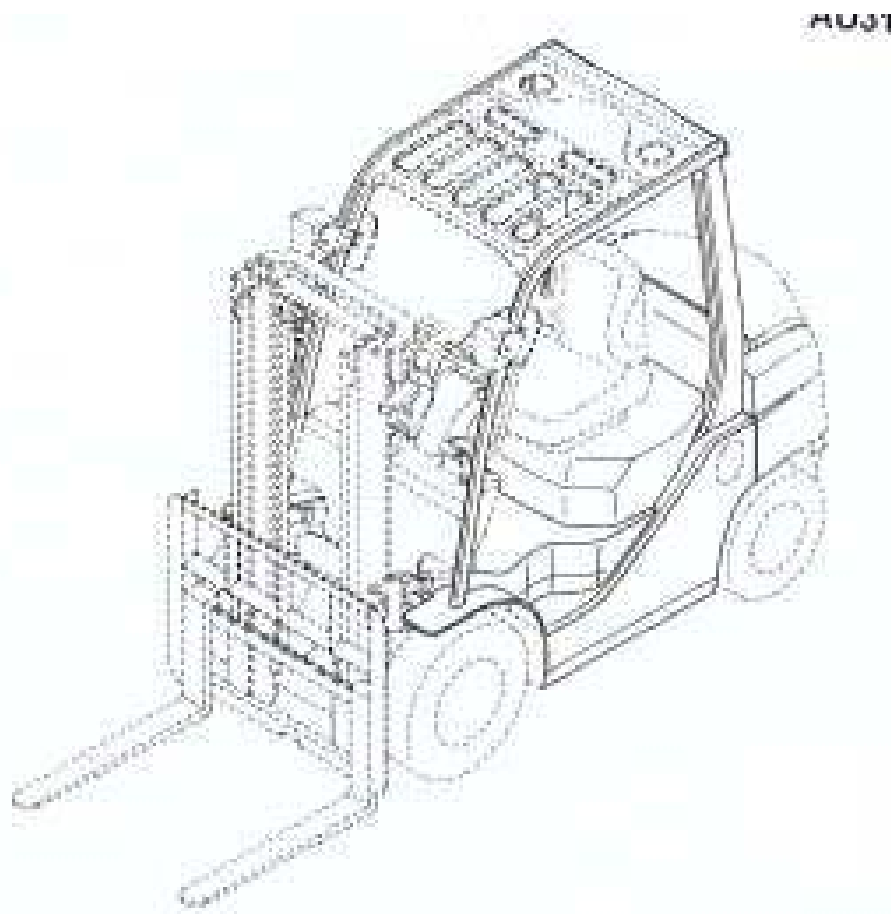


AU31

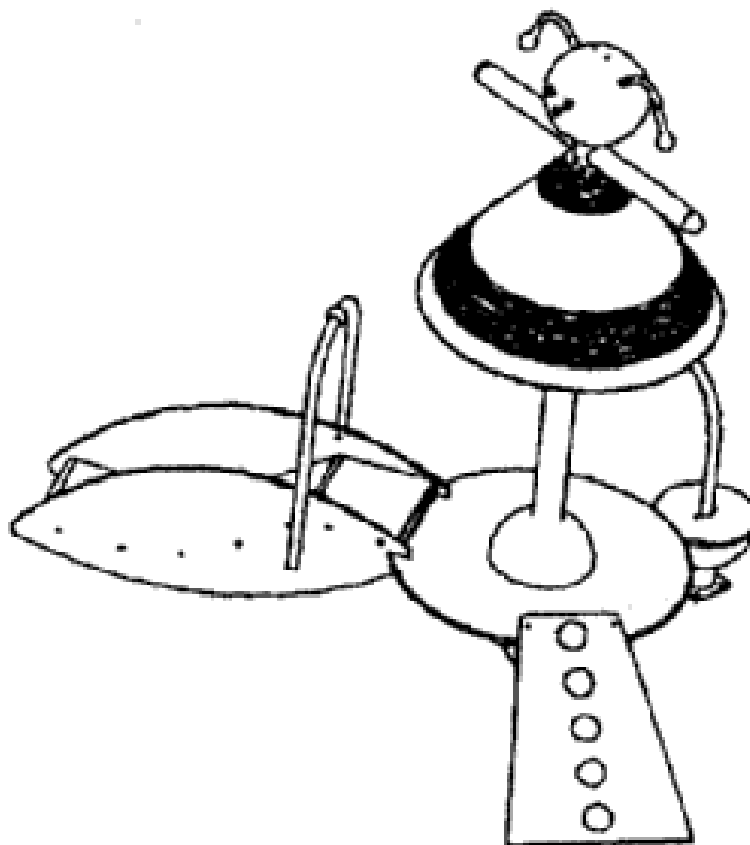
- (21) Design Number: **14506/2006**
(22) Date of Filing Application: **05 October 2006**
(24) Date from which industrial property rights may have effect: **05 October 2006**
(54) Product in respect of which the design is registered: **Heat mouldable orthotic insert**
(51) International Design Classification: **02-04A**
(71) Name(s) and Address(s) of Applicant(s):
Foot Steps Orthotics Pty Limited
C/- Shedden & Green Chartered Accountants Level 3 19/21 Central Road Miranda New South Wales 2228 Australia
(72) Name(s) of Designer(s): **Rodney Kielt and Abdul Najjarine**
(45) Registration Date: **03 November 2006**
(56) Related Art Documents: **Not Applicable**
(57) Statement of Newness and Distinctiveness: **Nil**



- (21) Design Number: **14389/2006**
(22) Date of Filing Application: **29 September 2006**
(24) Date from which industrial property rights may have effect: **29 September 2006**
(54) Product in respect of which the design is registered: **Forklift truck**
(51) International Design Classification: **12-05**
(71) Name(s) and Address(s) of Applicant(s):
Kabushiki Kaisha Toyota Jidoshokki
2-1 Toyoda-Cho Kariya-Shi Aichi-Ken Japan
(72) Name(s) of Designer(s): **Tomomichi Miura and Masanori Shinoda and**
Takahito Miyake and Hiroki Mori
(45) Registration Date: **03 November 2006**
(30) Convention priority data:
(31) Number (32) Date (33) Country
2006-008556 31 Mar 2006 JAPAN
(56) Related Art Documents: **Not Applicable**
(57) Statement of Newness and Distinctiveness: **The shape and configuration of the driver's cabin shown in solid lines is new and distinctive. In considering the newness and distinctiveness of the design, the features shown in broken lines are to be disregarded.**



- (21) Design Number: **11735/2006**
(22) Date of Filing Application: **26 April 2006**
(24) Date from which industrial property rights may have effect: **26 April 2006**
(54) Product in respect of which the design is registered: **An outgame structure**
(51) International Design Classification: **21-03**
(71) Name(s) and Address(s) of Applicant(s):
Compagnie Plastic Omnium
19 avenue Jules Carteret Lyon 69007 France
(72) Name(s) of Designer(s): **Camille Montfort**
(45) Registration Date: **03 November 2006**
(30) Convention priority data:
(31) Number (32) Date (33) Country
421136-0001 25 Oct 2005 EUROPEAN COMMUNITY
(56) Related Art Documents: **Not Applicable**
(57) Statement of Newness and Distinctiveness: **Nil**



- (21) Design Number: **12190/2006**
(22) Date of Filing Application: **18 May 2006**
(24) Date from which industrial property rights may have effect: **18 May 2006**
(54) Product in respect of which the design is registered: **Cup lid**
(51) International Design Classification: **09-07B**
(71) Name(s) and Address(s) of Applicant(s):

Seda S.P.A
Corso Salvatore D'Amato 84 Arzano I-80022 Italy

(72) Name(s) of Designer(s): **Gianfranco D'Amato**

(45) Registration Date: **03 November 2006**

(30) Convention priority data:

(31) Number	(32) Date	(33) Country
000 433 784	18 Nov 2005	EUROPEAN PATENT OFFICE (EP)

(56) Related Art Documents: **Not Applicable**

(57) Statement of Newness and Distinctiveness: **Newness and distinctiveness in the design as applied to a cup lid reside in the shape and configuration thereof as illustrated in the accompanying representations.**



- (21) Design Number: **12191/2006**
(22) Date of Filing Application: **18 May 2006**
(24) Date from which industrial property rights may have effect: **18 May 2006**
(54) Product in respect of which the design is registered: **Cup lid**
(51) International Design Classification: **09-07B**
(71) Name(s) and Address(s) of Applicant(s):

Seda S.P.A
Corso Salvatore D'Amato 84 Arzano I-80022 Italy

(72) Name(s) of Designer(s): **Gianfranco D'Amato**

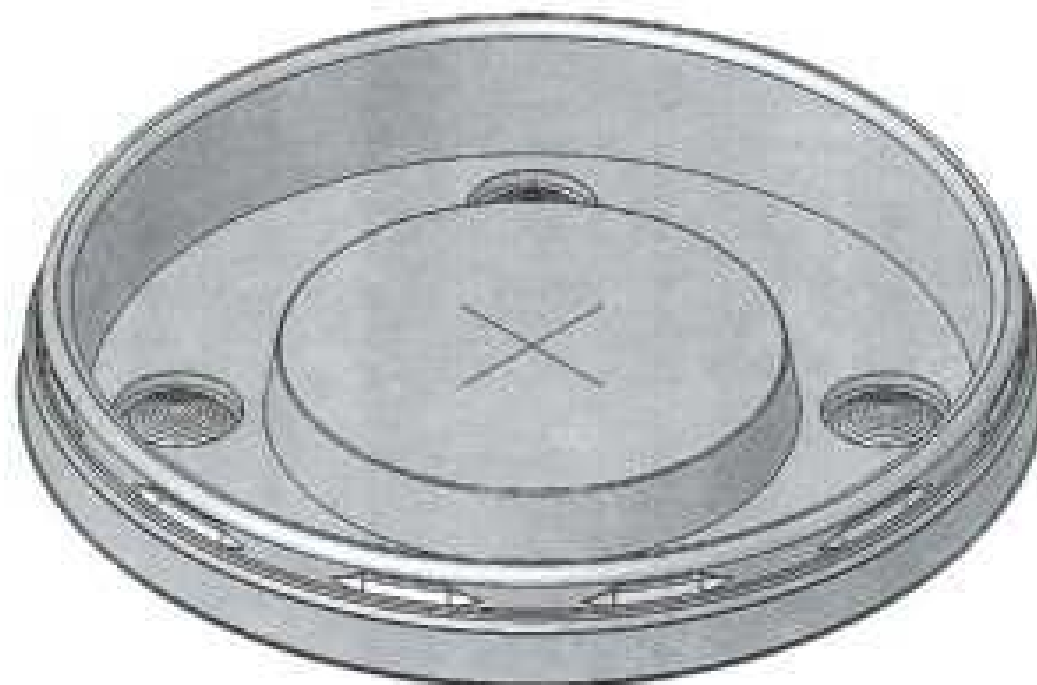
(45) Registration Date: **03 November 2006**

(30) Convention priority data:

(31) Number	(32) Date	(33) Country
000 433 784	18 Nov 2005	EUROPEAN PATENT OFFICE (EP)

(56) Related Art Documents: **Not Applicable**

(57) Statement of Newness and Distinctiveness: **Newness and distinctiveness in the design as applied to a cup lid reside in the shape and configuration thereof as illustrated in the accompanying representations.**



(21) Design Number: **12192/2006**
(22) Date of Filing Application: **18 May 2006**
(24) Date from which industrial property rights may have effect: **18 May 2006**
(54) Product in respect of which the design is registered: **Cup lid**
(51) International Design Classification: **09-07B**
(71) Name(s) and Address(s) of Applicant(s):

Seda S.P.A
Corso Salvatore D'Amato 84 Arzano I-80022 Italy

(72) Name(s) of Designer(s): **Gianfranco D'Amato**

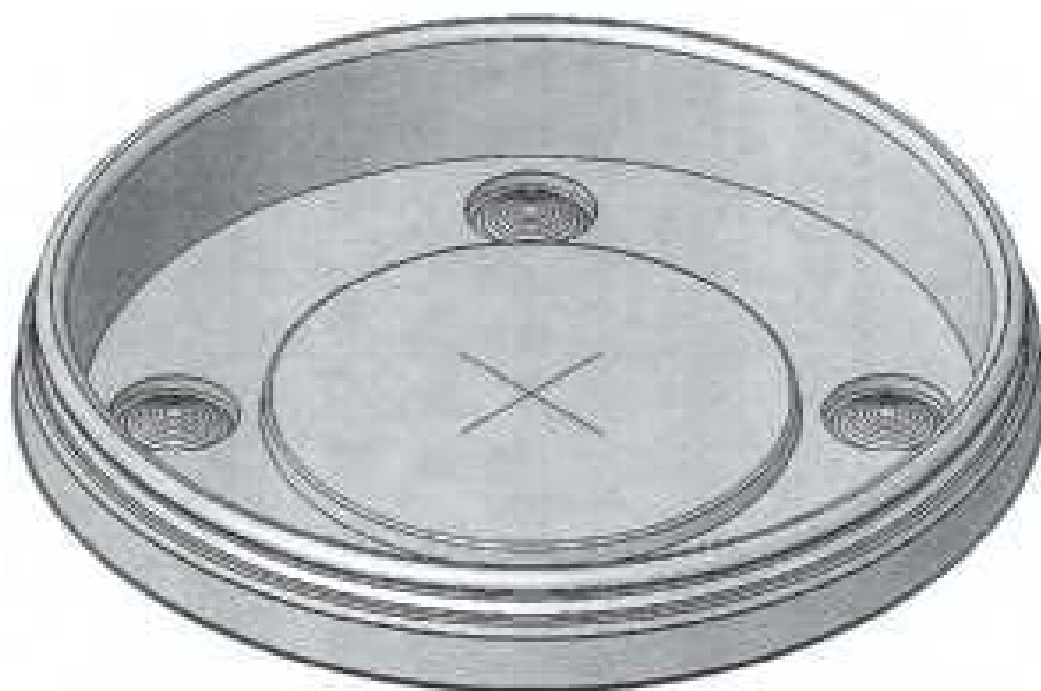
(45) Registration Date: **03 November 2006**

(30) Convention priority data:

(31) Number	(32) Date	(33) Country
000 433 784	18 Nov 2005	EUROPEAN PATENT OFFICE (EP)

(56) Related Art Documents: **Not Applicable**

(57) Statement of Newness and Distinctiveness: **Newness and distinctiveness in the design as applied to a cup lid reside in the shape and configuration thereof as illustrated in the accompanying representations.**



(21) Design Number: **12193/2006**
(22) Date of Filing Application: **18 May 2006**
(24) Date from which industrial property rights may have effect: **18 May 2006**
(54) Product in respect of which the design is registered: **Cup lid**
(51) International Design Classification: **09-07B**
(71) Name(s) and Address(s) of Applicant(s):

Seda S.P.A
Corso Salvatore D'Amato 84 Arzano I-80022 Italy

(72) Name(s) of Designer(s): **Gianfranco D'Amato**

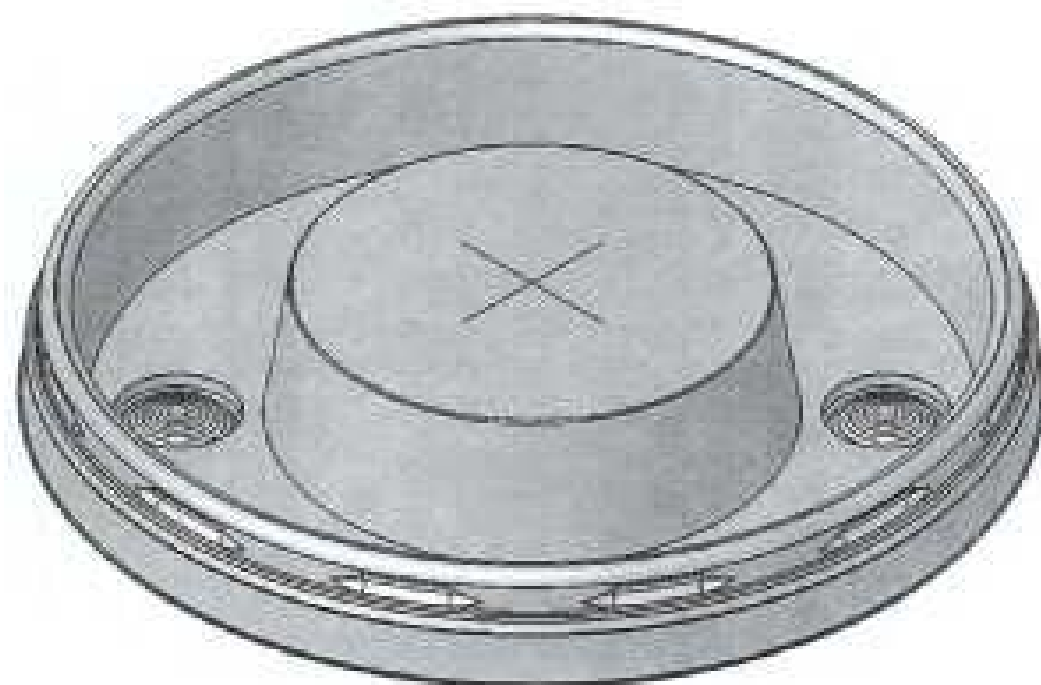
(45) Registration Date: **03 November 2006**

(30) Convention priority data:

(31) Number	(32) Date	(33) Country
000 433 784	18 Nov 2005	EUROPEAN PATENT OFFICE (EP)

(56) Related Art Documents: **Not Applicable**

(57) Statement of Newness and Distinctiveness: **Newness and distinctiveness in the design as applied to a cup lid reside in the shape and configuration thereof as illustrated in the accompanying representations.**



(21) Design Number: **12194/2006**
 (22) Date of Filing Application: **18 May 2006**
 (24) Date from which industrial property rights may have effect: **18 May 2006**
 (54) Product in respect of which the design is registered: **Cup lid**
 (51) International Design Classification: **09-07B**
 (71) Name(s) and Address(s) of Applicant(s):

Seda S.P.A
Corso Salvatore D'Amato 84 Arzano I-80022 Italy

(72) Name(s) of Designer(s): **Gianfranco D'Amato**

(45) Registration Date: **03 November 2006**

(30) Convention priority data:

(31) Number	(32) Date	(33) Country
000 433 784	18 Nov 2005	EUROPEAN PATENT OFFICE (EP)

(56) Related Art Documents: **Not Applicable**

(57) Statement of Newness and Distinctiveness: **Newness and distinctiveness in the design as applied to a cup lid reside in the shape and configuration thereof as illustrated in the accompanying representations.**



(21) Design Number: **13441/2006**
 (22) Date of Filing Application: **04 August 2006**
 (24) Date from which industrial property rights may have effect: **04 August 2006**
 (54) Product in respect of which the design is registered: **Masonry Cap Block for Topping Walls**
 (51) International Design Classification: **25-01A**
 (71) Name(s) and Address(s) of Applicant(s):

Tony J. Azar
3555 North Service Road East Windsor Ontario N8W 5R7 Canada

(72) Name(s) of Designer(s): **Tony J. Azar**

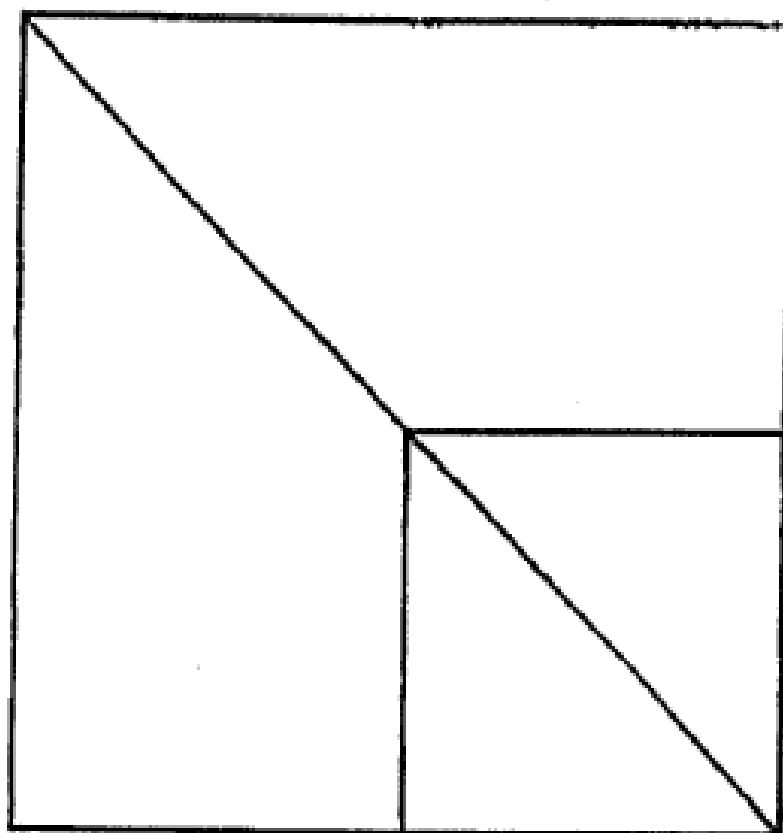
(45) Registration Date: **03 November 2006**

(30) Convention priority data:

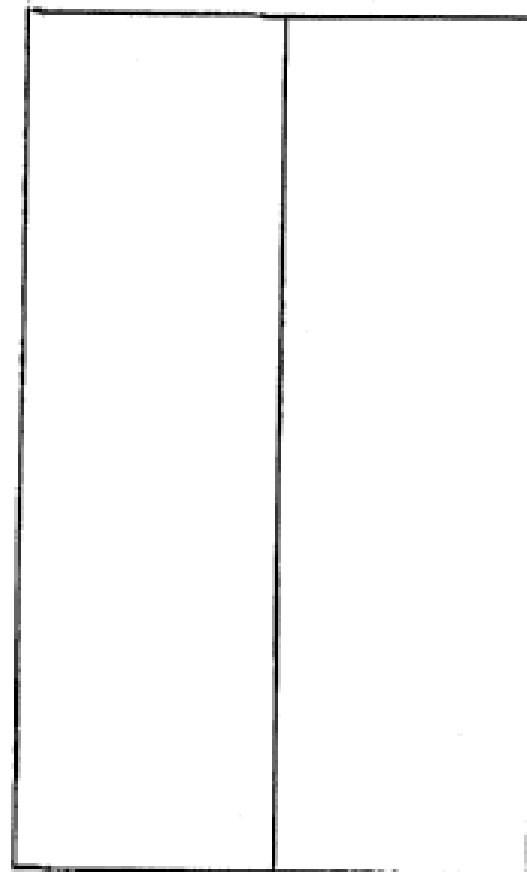
(31) Number	(32) Date	(33) Country
115651	28 Apr 2006	CANADA

(56) Related Art Documents: **Not Applicable**

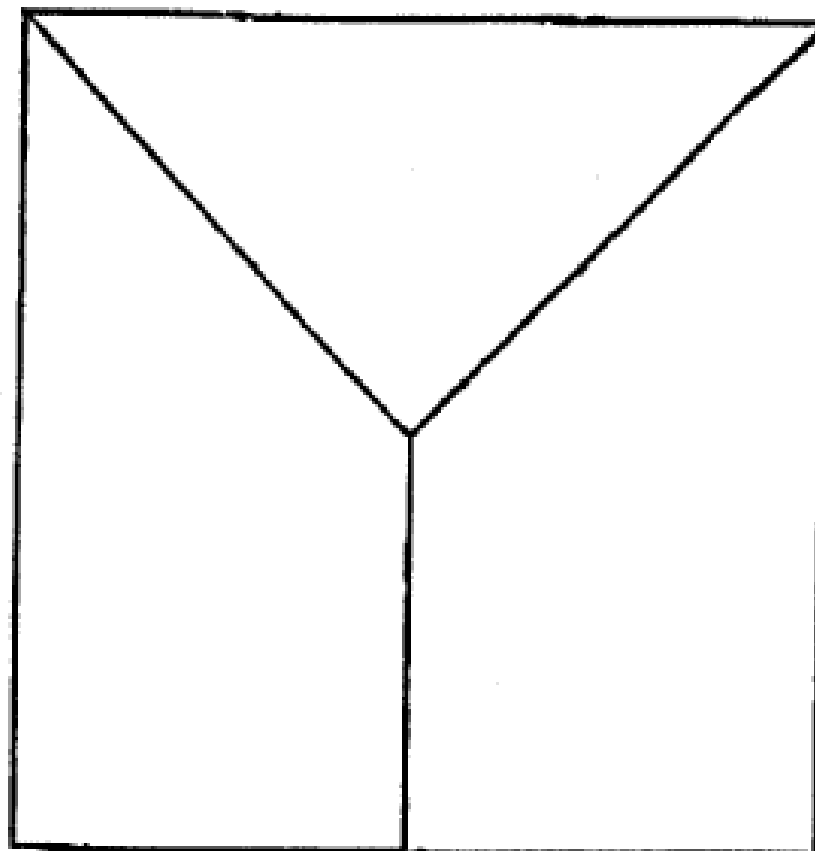
(57) Statement of Newness and Distinctiveness: **Nil**



(21) Design Number: **13442/2006**
(22) Date of Filing Application: **04 August 2006**
(24) Date from which industrial property rights may have effect: **04 August 2006**
(54) Product in respect of which the design is registered: **Masonry Cap Block for Topping Walls**
(51) International Design Classification: **25-01A**
(71) Name(s) and Address(s) of Applicant(s):
Tony J. Azar
3555 North Service Road East Windsor Ontario N8W 5R7 Canada
(72) Name(s) of Designer(s): **Tony J. Azar**
(45) Registration Date: **03 November 2006**
(30) Convention priority data:
(31) Number (32) Date (33) Country
115651 28 Apr 2006 CANADA
(56) Related Art Documents: **Not Applicable**
(57) Statement of Newness and Distinctiveness: **Nil**



(21) Design Number: **13443/2006**
(22) Date of Filing Application: **04 August 2006**
(24) Date from which industrial property rights may have effect: **04 August 2006**
(54) Product in respect of which the design is registered: **Masonry Cap Block for Topping Walls**
(51) International Design Classification: **25-01A**
(71) Name(s) and Address(s) of Applicant(s):
Tony J. Azar
3555 North Service Road East Windsor Ontario N8W 5R7 Canada
(72) Name(s) of Designer(s): **Tony J. Azar**
(45) Registration Date: **03 November 2006**
(30) Convention priority data:
(31) Number (32) Date (33) Country
115651 28 Apr 2006 CANADA
(56) Related Art Documents: **Not Applicable**
(57) Statement of Newness and Distinctiveness: **Nil**



(21) Design Number: **13445/2006**

(22) Date of Filing Application: **04 August 2006**

(24) Date from which industrial property rights may have effect: **04 August 2006**

(54) Product in respect of which the design is registered: **Remote rope threading device**

(51) International Design Classification: **08-99**

(71) Name(s) and Address(s) of Applicant(s):

Glenn Anthony Roberts
16 Dewrang Street Cardiff New South Wales 2285 Australia

(72) Name(s) of Designer(s): **Glenn Anthony Roberts**

(45) Registration Date: **03 November 2006**

(56) Related Art Documents: **Not Applicable**

(57) Statement of Newness and Distinctiveness: **A monopoly is claimed in the features of shape or configuration of the article as shown in the accompanying representations but the features of colour and surface texture of the article are disclaimed.**



(21) Design Number: **13507/2006**

(22) Date of Filing Application: **10 August 2006**

(24) Date from which industrial property rights may have effect: **10 August 2006**

(54) Product in respect of which the design is registered: **Broom head**

(51) International Design Classification: **04-01**

(71) Name(s) and Address(s) of Applicant(s):

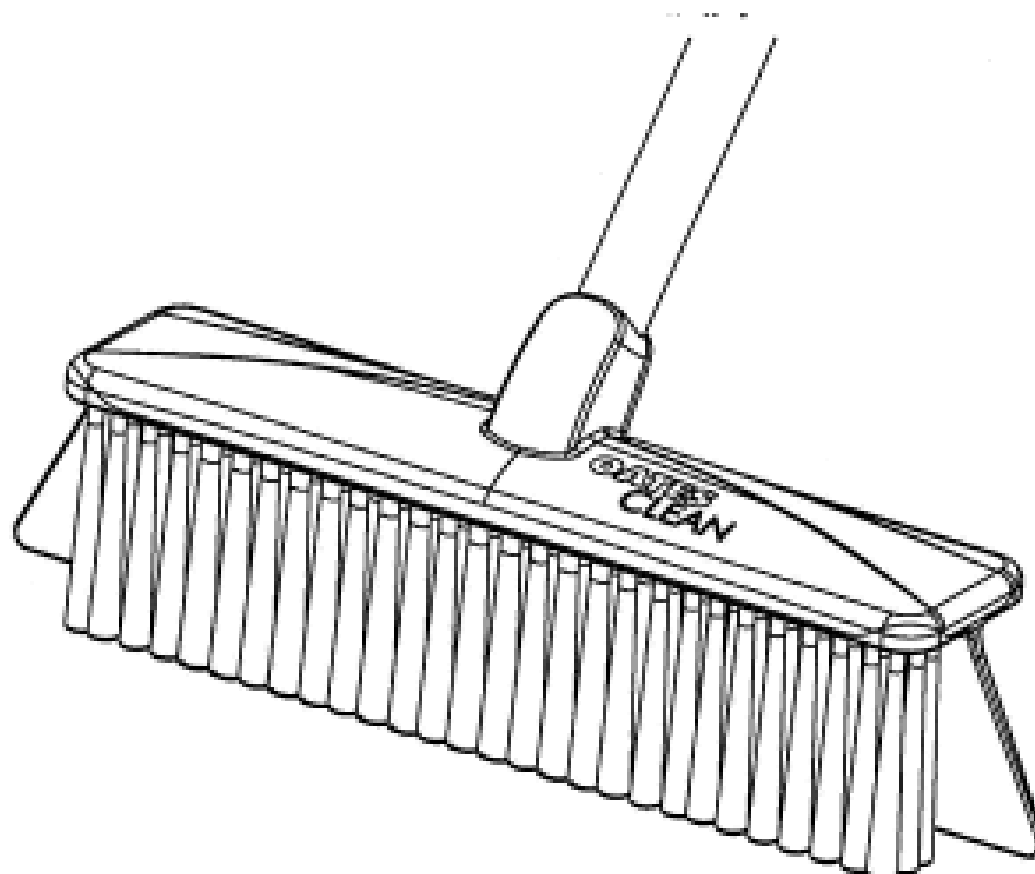
E.D. Oates Pty Ltd
76-82 Newlands Road Reservoir Victoria 3073 Australia

(72) Name(s) of Designer(s): **Jon Lawson and Paul Charlwood and Andrew Howley**

(45) Registration Date: **03 November 2006**

(56) Related Art Documents: **Not Applicable**

(57) Statement of Newness and Distinctiveness: **Newness and distinctiveness resides in the visual features of shape and/or configuration of a broom head as illustrated in the accompanying representations. The words 'OATES CLEAN' and the broom handle shown in part do not form part of the design and are to be disregarded when considering the newness and distinctiveness of the design.**



(21) Design Number: **10000/2006**
 (22) Date of Filing Application: **03 January 2006**
 (24) Date from which industrial property rights may have effect: **03 January 2006**
 (54) Product in respect of which the design is registered: **A protective mask assembly**
 (51) International Design Classification: **29-02**
 (71) Name(s) and Address(s) of Applicant(s):
SNC Technologies Inc
5 Montee des Arsenaux Le Gardeur Quebec Canada J5Z 2P4 Canada
 (72) Name(s) of Designer(s): **Yves Dupuis**
 (45) Registration Date: **08 November 2006**
 (30) Convention priority data:

(31) Number	(32) Date	(33) Country
111,733	07 Jul 2005	CANADA

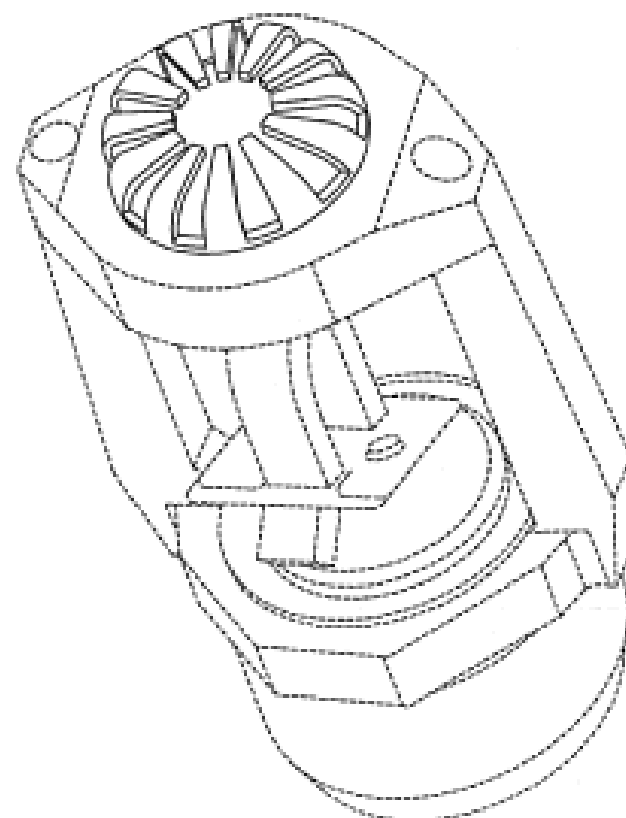
 (56) Related Art Documents: **Not Applicable**
 (57) Statement of Newness and Distinctiveness: **1. The particular visual features of the design which are new and distinctive are shape or configuration. 2. When considering the scope of the design the shape or configuration of the components in dotted lines is to be disregarded.**



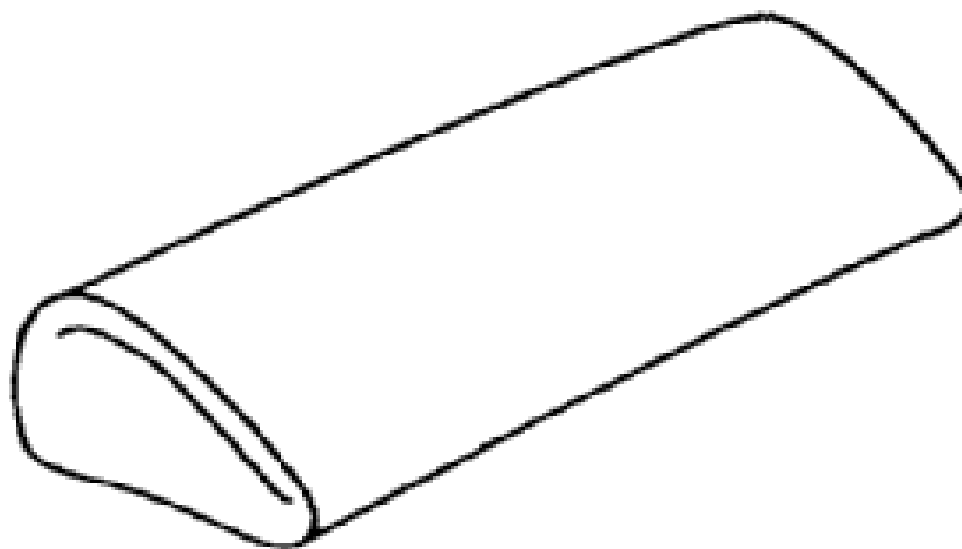
(21) Design Number: **14378/2006**
 (22) Date of Filing Application: **28 September 2006**
 (24) Date from which industrial property rights may have effect: **28 September 2006**
 (54) Product in respect of which the design is registered: **Flow shaper for a sprinkler assembly**
 (51) International Design Classification: **23-01D**
 (71) Name(s) and Address(s) of Applicant(s):
The Viking Corporation
210 N. Industrial Park Road Hastings Michigan 49058 United States of America
 (72) Name(s) of Designer(s): **Scott T. Franson and Thomas E. Winebrenner and Shawn G. Orr**
 (45) Registration Date: **08 November 2006**
 (30) Convention priority data:

(31) Number	(32) Date	(33) Country
29257198	30 Mar 2006	UNITED STATES OF AMERICA

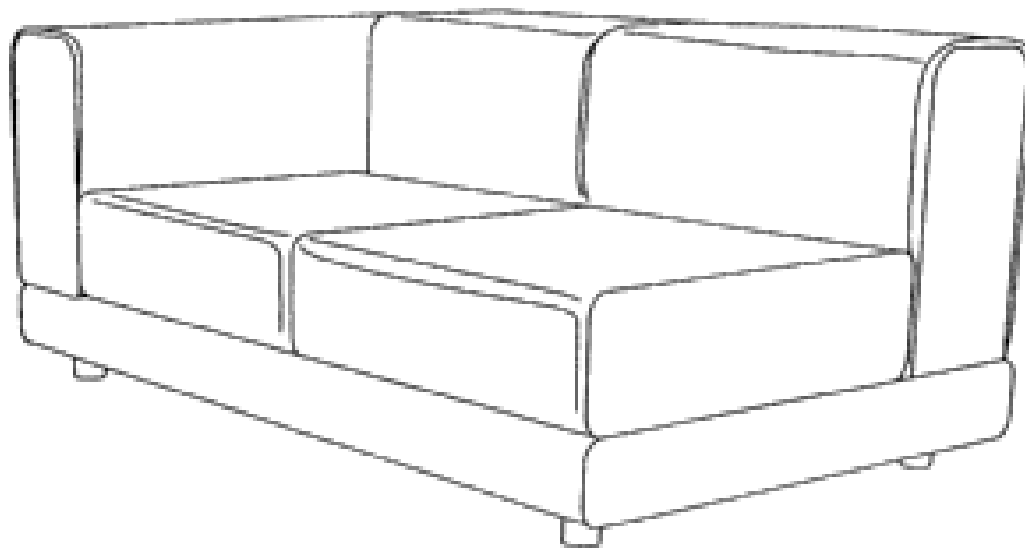
 (56) Related Art Documents: **Not Applicable**
 (57) Statement of Newness and Distinctiveness: **Newness and distinctiveness is claimed in the features of the flow shaper for a sprinkler assembly shown in solid lines in the drawings.**



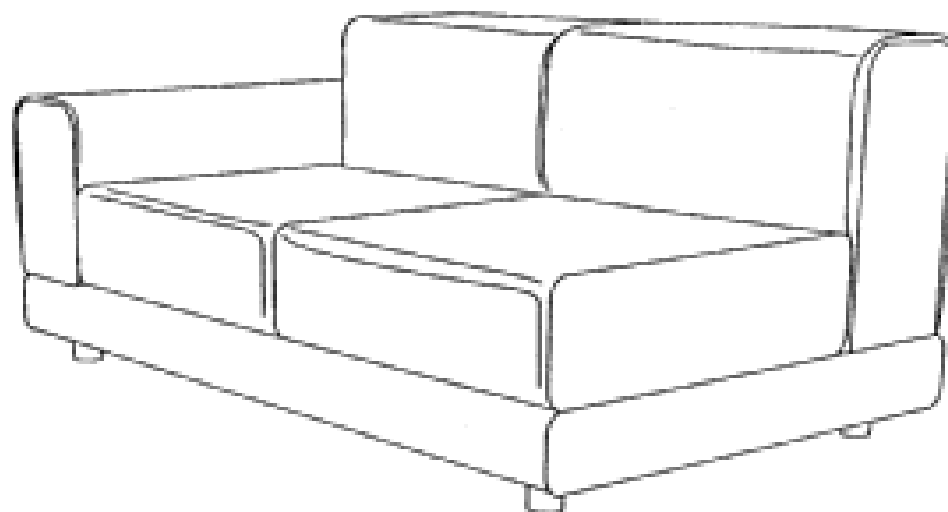
- (21) Design Number: **14420/2006**
(22) Date of Filing Application: **29 September 2006**
(24) Date from which industrial property rights may have effect: **29 September 2006**
(54) Product in respect of which the design is registered: **Furniture headrest**
(51) International Design Classification: **06-06G**
(71) Name(s) and Address(s) of Applicant(s):
King Furniture (Australia) Pty Ltd
123 Turrella Street Turrella New South Wales 2205 Australia
(72) Name(s) of Designer(s): **David Russell King and Steve Higgs**
(45) Registration Date: **08 November 2006**
(56) Related Art Documents: **Not Applicable**
(57) Statement of Newness and Distinctiveness: **Newness and distinctiveness reside in the features of the design as shown in the representations.**



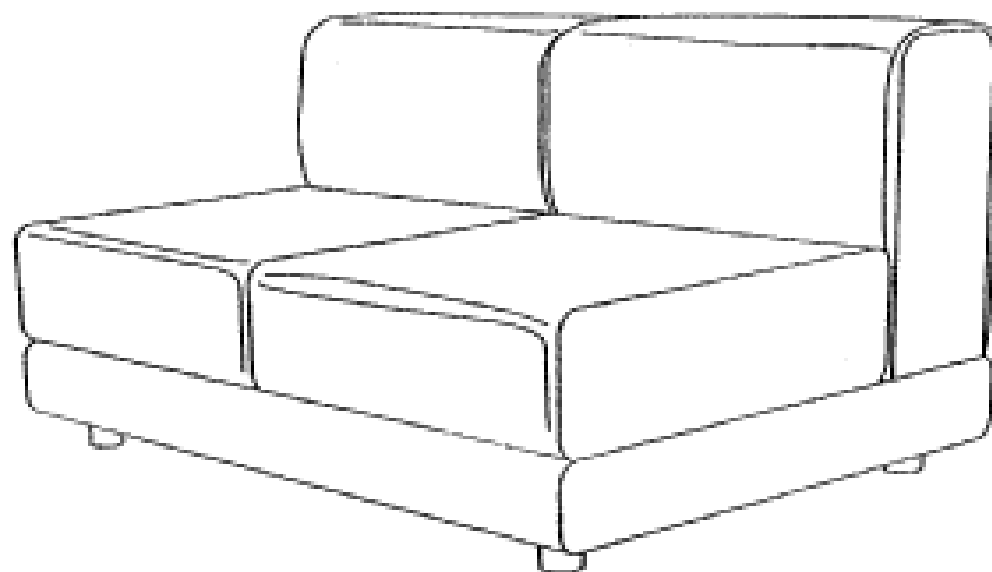
- (21) Design Number: **14426/2006**
(22) Date of Filing Application: **29 September 2006**
(24) Date from which industrial property rights may have effect: **29 September 2006**
(54) Product in respect of which the design is registered: **Sofa**
(51) International Design Classification: **06-01G**
(71) Name(s) and Address(s) of Applicant(s):
David Russell King
123 Turrella Street Turrella New South Wales 2205 Australia
Steve Higgs
5 Cogan Street Lane Cove New South Wales 2066 Australia
(72) Name(s) of Designer(s): **David Russell King and Steve Higgs**
(45) Registration Date: **08 November 2006**
(56) Related Art Documents: **Not Applicable**
(57) Statement of Newness and Distinctiveness: **Newness and distinctiveness reside in the features of the design as shown in the representations.**



- (21) Design Number: **14427/2006**
(22) Date of Filing Application: **29 September 2006**
(24) Date from which industrial property rights may have effect: **29 September 2006**
(54) Product in respect of which the design is registered: **Sofa**
(51) International Design Classification: **06-01G**
(71) Name(s) and Address(s) of Applicant(s):
King Furniture (Australia) Pty Ltd
123 Turrella Street Turrella New South Wales 2205 Australia
(72) Name(s) of Designer(s): **David Russell King and Steve Higgs**
(45) Registration Date: **08 November 2006**
(56) Related Art Documents: **Not Applicable**
(57) Statement of Newness and Distinctiveness: **Newness and distinctiveness reside in the features of the design as shown in the representations.**



- (21) Design Number: **14428/2006**
(22) Date of Filing Application: **29 September 2006**
(24) Date from which industrial property rights may have effect: **29 September 2006**
(54) Product in respect of which the design is registered: **Sofa**
(51) International Design Classification: **06-01G**
(71) Name(s) and Address(s) of Applicant(s):
King Furniture (Australia) Pty Ltd
123 Turrella Street Turrella New South Wales 2205 Australia
(72) Name(s) of Designer(s): **David Russell King and Steve Higgs**
(45) Registration Date: **08 November 2006**
(56) Related Art Documents: **Not Applicable**
(57) Statement of Newness and Distinctiveness: **Newness and distinctiveness reside in the features of the design as shown in the representations.**



(21) Design Number: **14429/2006**

(22) Date of Filing Application: **29 September 2006**

(24) Date from which industrial property rights may have effect: **29 September 2006**

(54) Product in respect of which the design is registered: **Chair**

(51) International Design Classification: **06-01G**

(71) Name(s) and Address(s) of Applicant(s):

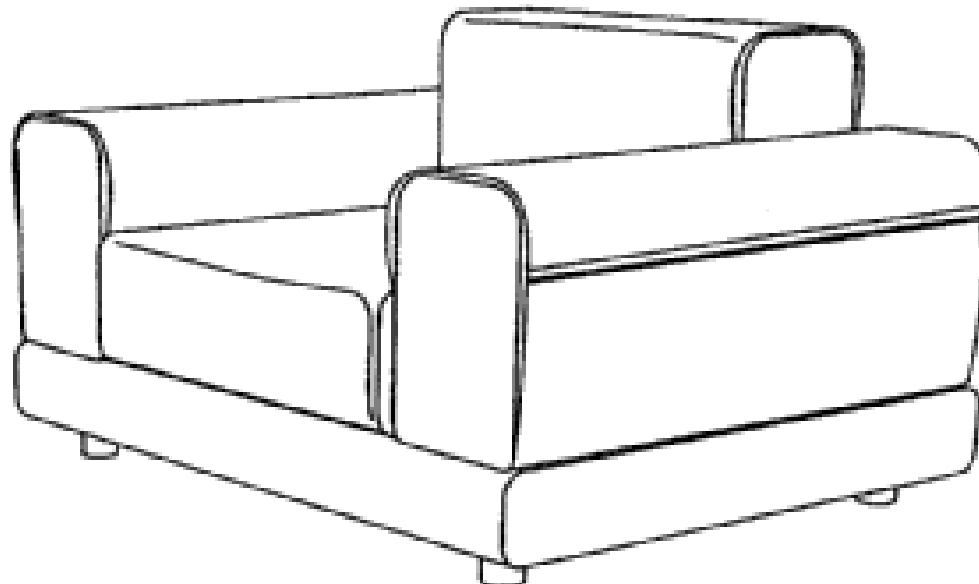
King Furniture (Australia) Pty Ltd
123 Turrella Street Turrella New South Wales 2205 Australia

(72) Name(s) of Designer(s): **David Russell King and Steve Higgs**

(45) Registration Date: **08 November 2006**

(56) Related Art Documents: **Not Applicable**

(57) Statement of Newness and Distinctiveness: **Newness and distinctiveness reside in the features of the design as shown in the representations.**



(21) Design Number: **14430/2006**

(22) Date of Filing Application: **29 September 2006**

(24) Date from which industrial property rights may have effect: **29 September 2006**

(54) Product in respect of which the design is registered: **Chair**

(51) International Design Classification: **06-01G**

(71) Name(s) and Address(s) of Applicant(s):

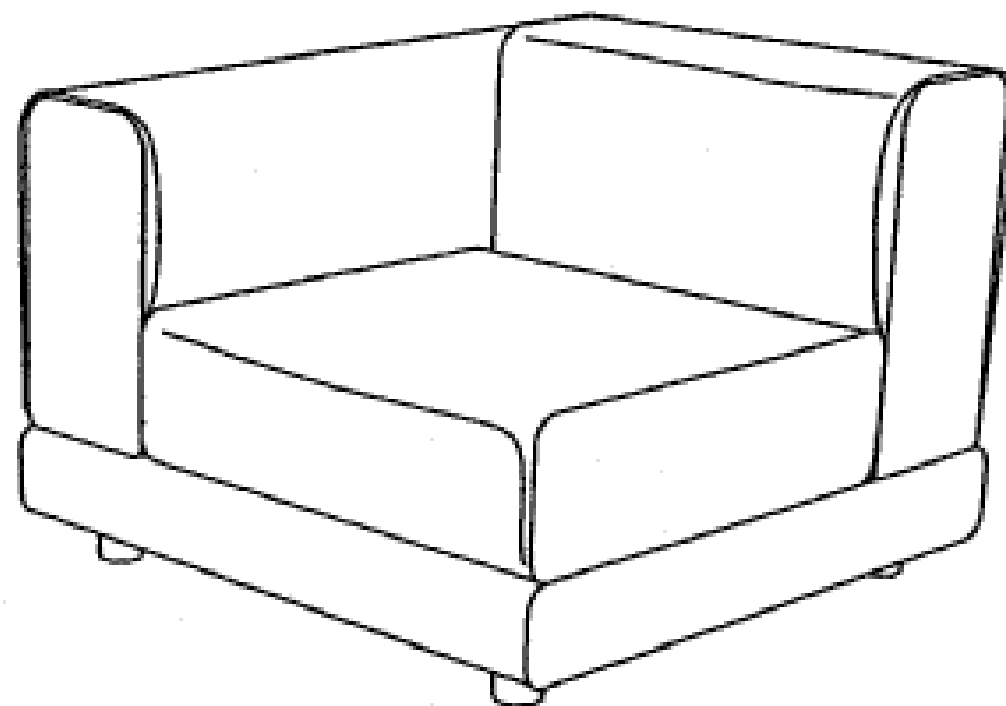
King Furniture (Australia) Pty Ltd
123 Turrella Street Turrella New South Wales 2205 Australia

(72) Name(s) of Designer(s): **David Russell King and Steve Higgs**

(45) Registration Date: **08 November 2006**

(56) Related Art Documents: **Not Applicable**

(57) Statement of Newness and Distinctiveness: **Newness and distinctiveness reside in the features of the design as shown in the representations.**



(21) Design Number: **14431/2006**

(22) Date of Filing Application: **29 September 2006**

(24) Date from which industrial property rights may have effect: **29 September 2006**

(54) Product in respect of which the design is registered: **Chair**

(51) International Design Classification: **06-01G**

(71) Name(s) and Address(s) of Applicant(s):

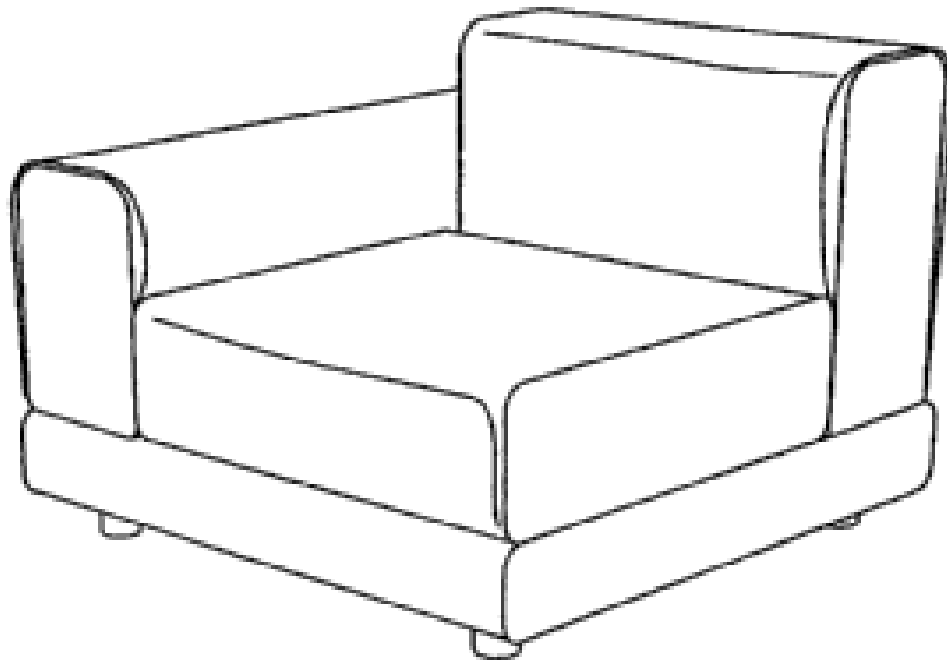
King Furniture (Australia) Pty Ltd
123 Turrella Street Turrella New South Wales 2205 Australia

(72) Name(s) of Designer(s): **David Russell King and Steve Higgs**

(45) Registration Date: **08 November 2006**

(56) Related Art Documents: **Not Applicable**

(57) Statement of Newness and Distinctiveness: **Newness and distinctiveness reside in the features of the design as shown in the representations.**



(21) Design Number: **14434/2006**

(22) Date of Filing Application: **29 September 2006**

(24) Date from which industrial property rights may have effect: **29 September 2006**

(54) Product in respect of which the design is registered: **Clip**

(51) International Design Classification: **08-08C**

(71) Name(s) and Address(s) of Applicant(s):

RND Services Pty Limited
16 Flinders Avenue Camden New South Wales 2570 Australia

(72) Name(s) of Designer(s): **Stephen John McClean**

(45) Registration Date: **08 November 2006**

(56) Related Art Documents: **Not Applicable**

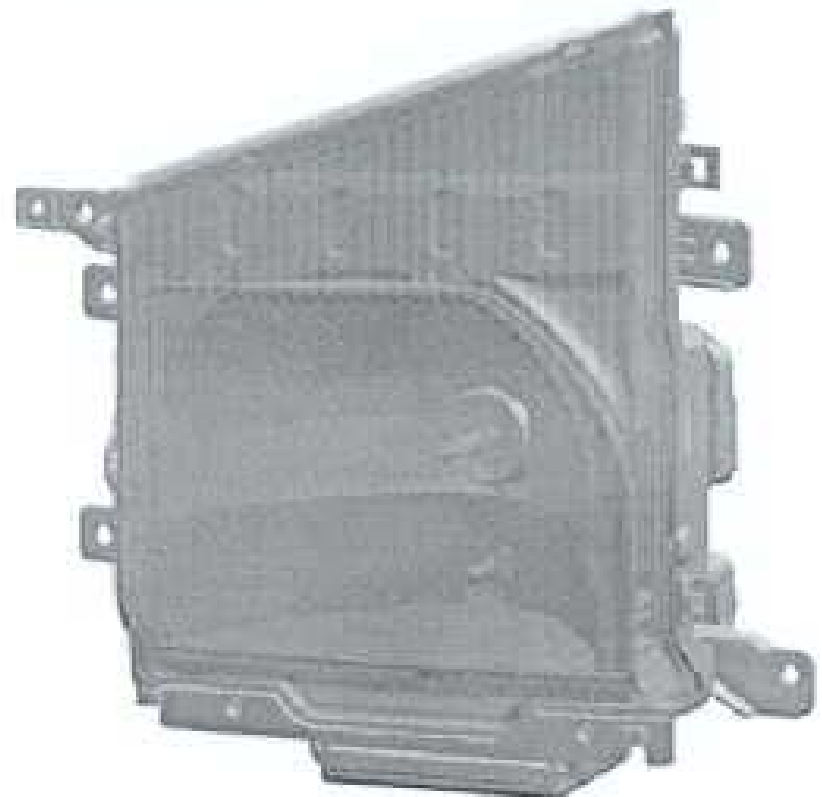
(57) Statement of Newness and Distinctiveness: **Nil**



- (21) Design Number: **14435/2006**
(22) Date of Filing Application: **29 September 2006**
(24) Date from which industrial property rights may have effect: **29 September 2006**
(54) Product in respect of which the design is registered: **Internal combustion engine**
(51) International Design Classification: **15-01**
(71) Name(s) and Address(s) of Applicant(s):
Honda Motor Co., Ltd.
1-1 Minamiaoyama 2-chome Minato-ku Tokyo Japan
(72) Name(s) of Designer(s): **Masayuki Osumi**
(45) Registration Date: **08 November 2006**
(30) Convention priority data:
(31) Number (32) Date (33) Country
2006-8136 30 Mar 2006 JAPAN
(56) Related Art Documents: **Not Applicable**
(57) Statement of Newness and Distinctiveness: **Newness and distinctiveness is claimed in the features of shape and/or configuration of an internal combustion engine as illustrated in the accompanying representations.**



- (21) Design Number: **14436/2006**
(22) Date of Filing Application: **29 September 2006**
(24) Date from which industrial property rights may have effect: **29 September 2006**
(54) Product in respect of which the design is registered: **Headlight for a motor vehicle**
(51) International Design Classification: **26-06**
(71) Name(s) and Address(s) of Applicant(s):
Isuzu Motors Limited
6-26-1 Minami-Oi Shinagawa-ku Tokyo 140-8722 Japan
(72) Name(s) of Designer(s): **Seiji Emoto and Takahiro Uematsu and Yuuichi Kushida and Katsumi Tajima and Yui Iwama**
(45) Registration Date: **08 November 2006**
(30) Convention priority data:
(31) Number (32) Date (33) Country
200630010613.X 31 Mar 2006 CHINA
(56) Related Art Documents: **Not Applicable**
(57) Statement of Newness and Distinctiveness: **Newness and distinctiveness is claimed in the features of shape and/or configuration of a headlight for a motor vehicle as illustrated in the accompanying representations.**



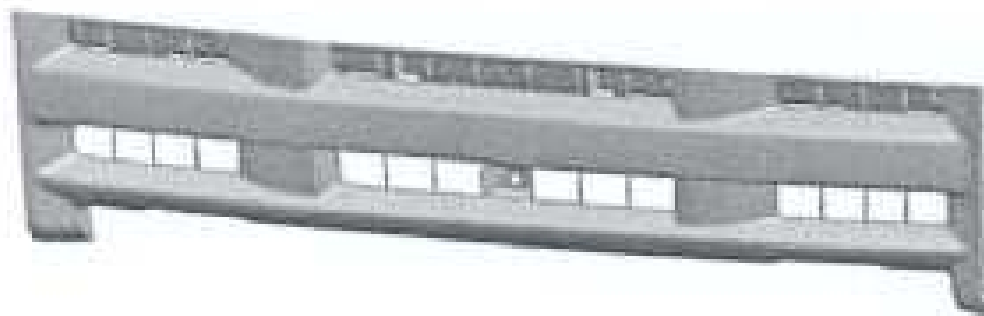
- (21) Design Number: **14437/2006**
(22) Date of Filing Application: **29 September 2006**
(24) Date from which industrial property rights may have effect: **29 September 2006**
(54) Product in respect of which the design is registered: **A truck cab**
(51) International Design Classification: **12-08**
(71) Name(s) and Address(s) of Applicant(s):
Isuzu Motors Limited
6-26-1 Minami-Oi Shinagawa-ku Tokyo 140-8722 Japan
(72) Name(s) of Designer(s): **Seiji Emoto and Katsumi Tajima and Takahiro Uematsu and Yuuichi Kushida**
(45) Registration Date: **08 November 2006**
(30) Convention priority data:
(31) Number (32) Date (33) Country
200630010601.7 31 Mar 2006 CHINA
(56) Related Art Documents: **Not Applicable**
(57) Statement of Newness and Distinctiveness: **Newness and distinctiveness is claimed in the features of shape and/or configuration of a truck cab as illustrated in the accompanying representations.**



- (21) Design Number: **14438/2006**
(22) Date of Filing Application: **29 September 2006**
(24) Date from which industrial property rights may have effect: **29 September 2006**
(54) Product in respect of which the design is registered: **A truck cab**
(51) International Design Classification: **12-08**
(71) Name(s) and Address(s) of Applicant(s):
Isuzu Motors Limited
6-26-1 Minami-Oi Shinagawa-ku Tokyo 140-8722 Japan
(72) Name(s) of Designer(s): **Seiji Emoto and Takahiro Uematsu and Ryou Kawahara and Katsumi Tajima**
(45) Registration Date: **08 November 2006**
(30) Convention priority data:
(31) Number (32) Date (33) Country
200630010611.0 31 Mar 2006 CHINA
(56) Related Art Documents: **Not Applicable**
(57) Statement of Newness and Distinctiveness: **Newness and distinctiveness is claimed in the features of shape and/or configuration of a truck cab as illustrated in the accompanying representations.**



- (21) Design Number: **14439/2006**
(22) Date of Filing Application: **29 September 2006**
(24) Date from which industrial property rights may have effect: **29 September 2006**
(54) Product in respect of which the design is registered: **Radiator grille for a motor vehicle**
(51) International Design Classification: **12-16B**
(71) Name(s) and Address(s) of Applicant(s):
Isuzu Motors Limited
6-26-1 Minami-Oi Shinagawa-ku Tokyo 140-8722 Japan
(72) Name(s) of Designer(s): **Seiji Emoto and Takahiro Uematsu and Ryou Kawahara and Katsumi Tajima and Takashi Nanbu and Yui Iwama**
(45) Registration Date: **08 November 2006**
(30) Convention priority data:
(31) Number (32) Date (33) Country
200630010603.6 31 Mar 2006 CHINA
(56) Related Art Documents: **Not Applicable**
(57) Statement of Newness and Distinctiveness: **Newness and distinctiveness is claimed in the features of shape and/or configuration of a radiator grille for a motor vehicle as illustrated in the accompanying representations.**



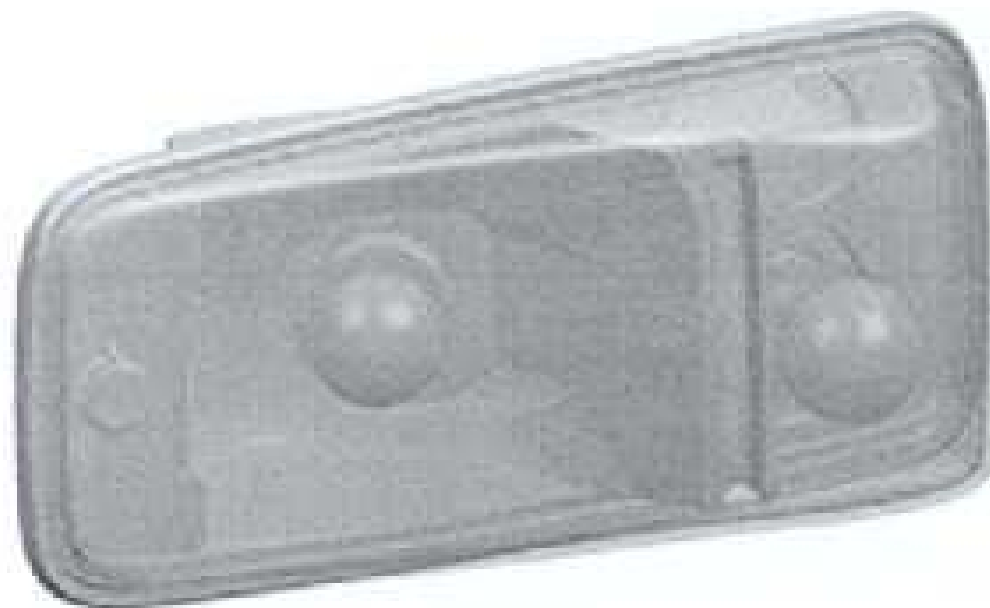
- (21) Design Number: **14440/2006**
(22) Date of Filing Application: **29 September 2006**
(24) Date from which industrial property rights may have effect: **29 September 2006**
(54) Product in respect of which the design is registered: **Bumper for a motor vehicle**
(51) International Design Classification: **12-16C**
(71) Name(s) and Address(s) of Applicant(s):
Isuzu Motors Limited
6-26-1 Minami-Oi Shinagawa-ku Tokyo 140-8722 Japan
(72) Name(s) of Designer(s): **Seiji Emoto and Takahiro Uematsu and Ryou Kawahara and Katsumi Tajima and Takashi Nanbu and Shiro Nishida**
(45) Registration Date: **08 November 2006**
(30) Convention priority data:
(31) Number (32) Date (33) Country
200630010604.0 31 Mar 2006 CHINA
(56) Related Art Documents: **Not Applicable**
(57) Statement of Newness and Distinctiveness: **Newness and distinctiveness is claimed in the features of shape and/or configuration of a bumper for a motor vehicle as illustrated in the accompanying representations.**



- (21) Design Number: **14443/2006**
(22) Date of Filing Application: **29 September 2006**
(24) Date from which industrial property rights may have effect: **29 September 2006**
(54) Product in respect of which the design is registered: **Lamp for a motor vehicle**
(51) International Design Classification: **26-06**
(71) Name(s) and Address(s) of Applicant(s):
Isuzu Motors Limited
6-26-1 Minami-Oi Shinagawa-ku Tokyo 140-8722 Japan
(72) Name(s) of Designer(s): **Seiji Emoto and Takahiro Uematsu and Yuuichi Kushida and Katsumi Tajima and Yui Iwama**
(45) Registration Date: **08 November 2006**
(30) Convention priority data:
(31) Number (32) Date (33) Country
200630010614.4 31 Mar 2006 CHINA
(56) Related Art Documents: **Not Applicable**
(57) Statement of Newness and Distinctiveness: **Newness and distinctiveness is claimed in the features of shape and/or configuration of a lamp for a motor vehicle as illustrated in the accompanying representations.**



- (21) Design Number: **14444/2006**
(22) Date of Filing Application: **29 September 2006**
(24) Date from which industrial property rights may have effect: **29 September 2006**
(54) Product in respect of which the design is registered: **Lamp for motor vehicle**
(51) International Design Classification: **26-06**
(71) Name(s) and Address(s) of Applicant(s):
Isuzu Motors Limited
6-26-1 Minami-Oi Shinagawa-ku Tokyo 140-8722 Japan
(72) Name(s) of Designer(s): **Seiji Emoto and Takahiro Uematsu and Akinori Hirashita and Katsumi Tajima and Akira Suzuki**
(45) Registration Date: **08 November 2006**
(30) Convention priority data:
(31) Number (32) Date (33) Country
200630010607.4 31 Mar 2006 CHINA
(56) Related Art Documents: **Not Applicable**
(57) Statement of Newness and Distinctiveness: **Newness and distinctiveness is claimed in the features of shape and/or configuration of a lamp for a motor vehicle as illustrated in the accompanying representations.**



(21) Design Number: **14445/2006**

(22) Date of Filing Application: **03 October 2006**

(24) Date from which industrial property rights may have effect: **03 October 2006**

(54) Product in respect of which the design is registered: **Drop dispenser**

(51) International Design Classification: **09-03L, 09-03NES**

(71) Name(s) and Address(s) of Applicant(s):

Insite Vision Incorporated
965 Atlantic Avenue Alameda CA 94501 United States of America

(72) Name(s) of Designer(s): **Patrick Poisson and Lyle M. Bowman**

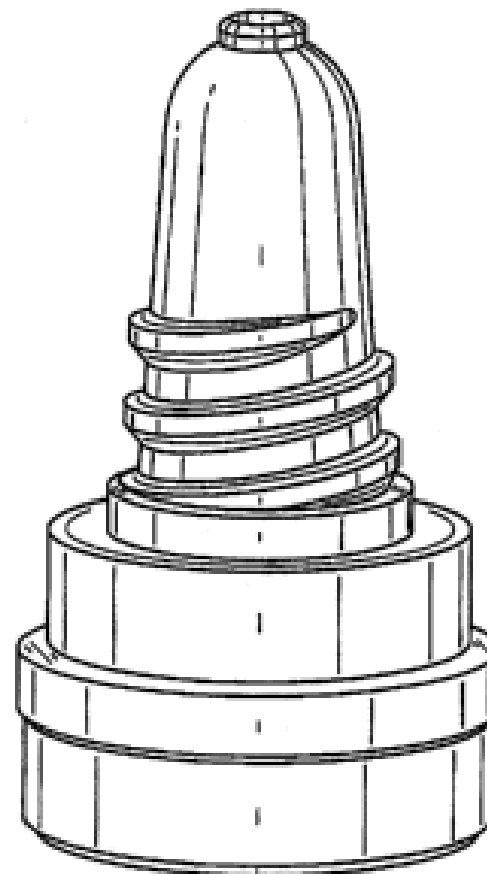
(45) Registration Date: **08 November 2006**

(30) Convention priority data:

(31) Number	(32) Date	(33) Country
29/257,372	03 Apr 2006	UNITED STATES OF AMERICA

(56) Related Art Documents: **Not Applicable**

(57) Statement of Newness and Distinctiveness: **Nil**



(21) Design Number: **14447/2006**

(22) Date of Filing Application: **29 September 2006**

(24) Date from which industrial property rights may have effect: **29 September 2006**

(54) Product in respect of which the design is registered: **Chair**

(51) International Design Classification: **06-01G**

(71) Name(s) and Address(s) of Applicant(s):

King Furniture (Australia) Pty Ltd
123 Turrella Street Turrella New South Wales 2205 Australia

(72) Name(s) of Designer(s): **David Russell King and Steve Higgs**

(45) Registration Date: **08 November 2006**

(56) Related Art Documents: **Not Applicable**

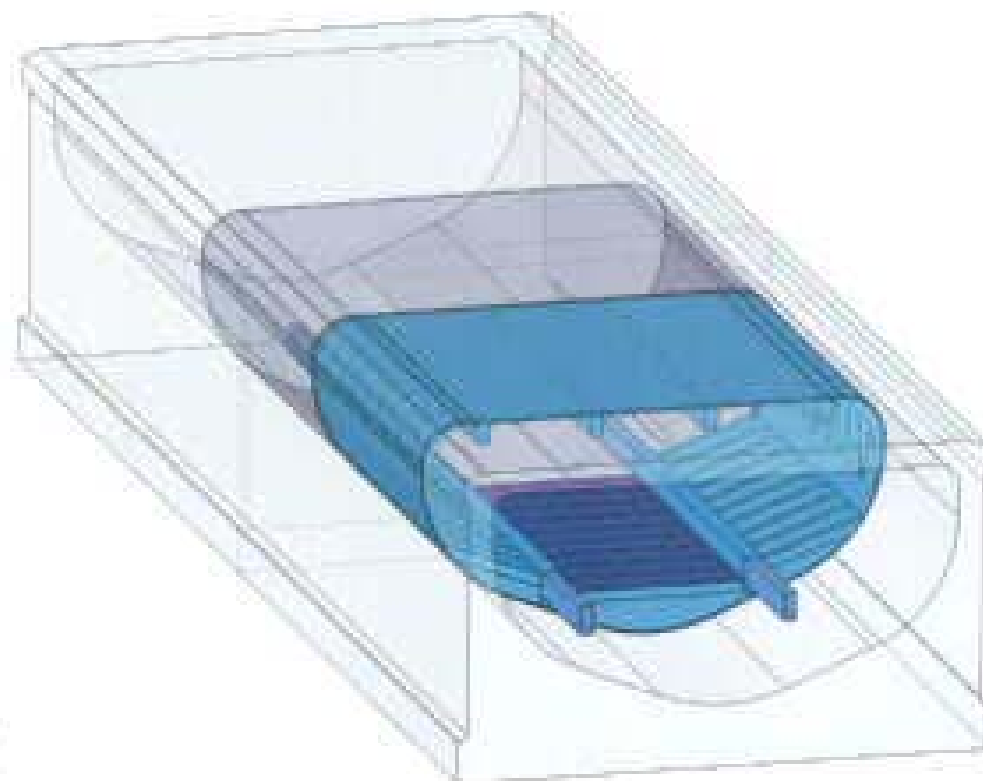
(57) Statement of Newness and Distinctiveness: **Newness and distinctiveness reside in the features of the design as shown in the representations.**



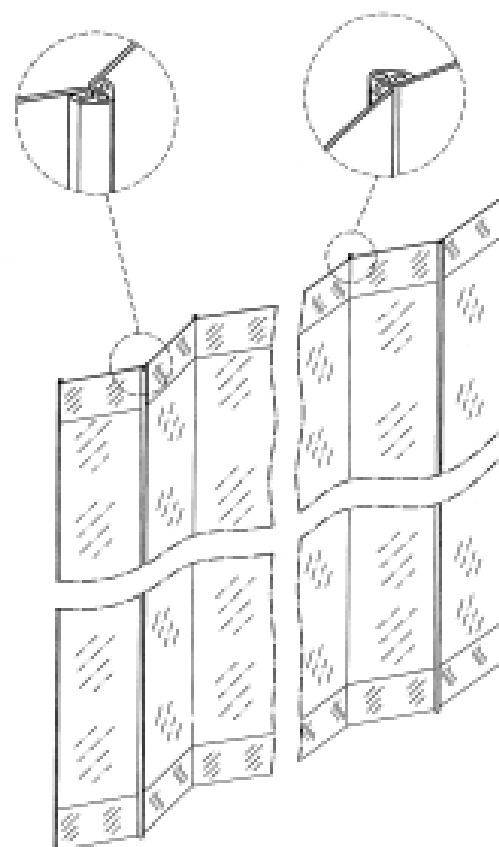
- (21) Design Number: **14449/2006**
- (22) Date of Filing Application: **04 October 2006**
- (24) Date from which industrial property rights may have effect: **04 October 2006**
- (54) Product in respect of which the design is registered: **Clear squeezable plastic containers, to be used as a tool/device for air-conditioning engineers**
- (51) International Design Classification: **09-03L**
- (71) Name(s) and Address(s) of Applicant(s):
Michael Jenns
17 Alpine View Harrow Road Carshalton Sutton Surrey SM5 3QJ
England
- (72) Name(s) of Designer(s): **Michael Jenns and Maita Jenns**
- (45) Registration Date: **08 November 2006**
- (56) Related Art Documents: **Not Applicable**
- (57) Statement of Newness and Distinctiveness: **Nil**



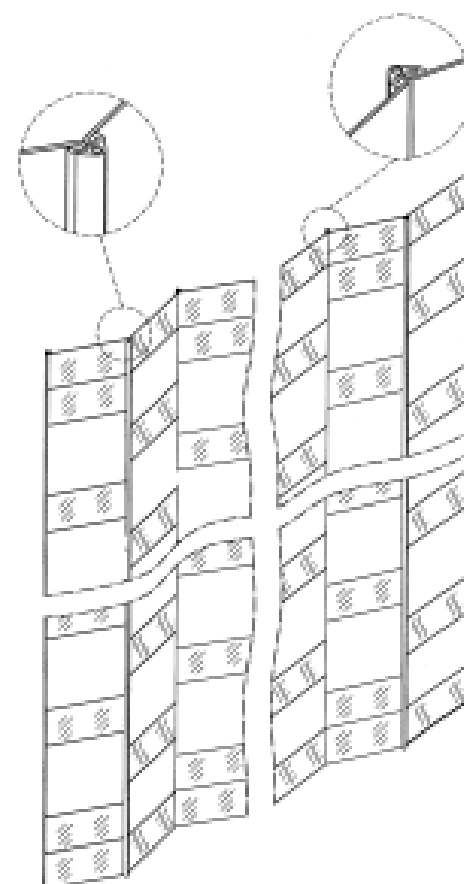
- (21) Design Number: **11281/2006**
- (22) Date of Filing Application: **27 March 2006**
- (24) Date from which industrial property rights may have effect: **27 March 2006**
- (54) Product in respect of which the design is registered: **Pipes**
- (51) International Design Classification: **23-01A, 23-01NES**
- (71) Name(s) and Address(s) of Applicant(s):
Pacific Lining Solutions Pty Ltd
C/-Level 25 Chifley Tower 2 Chifley Square Sydney New South Wales
2000 Australia
- (72) Name(s) of Designer(s): **Peter Elliott and Claudio Sesia**
- (45) Registration Date: **08 November 2006**
- (56) Related Art Documents: **Not Applicable**
- (57) Statement of Newness and Distinctiveness: **Relocatable collapsible form for use in lining inside of pipes.**



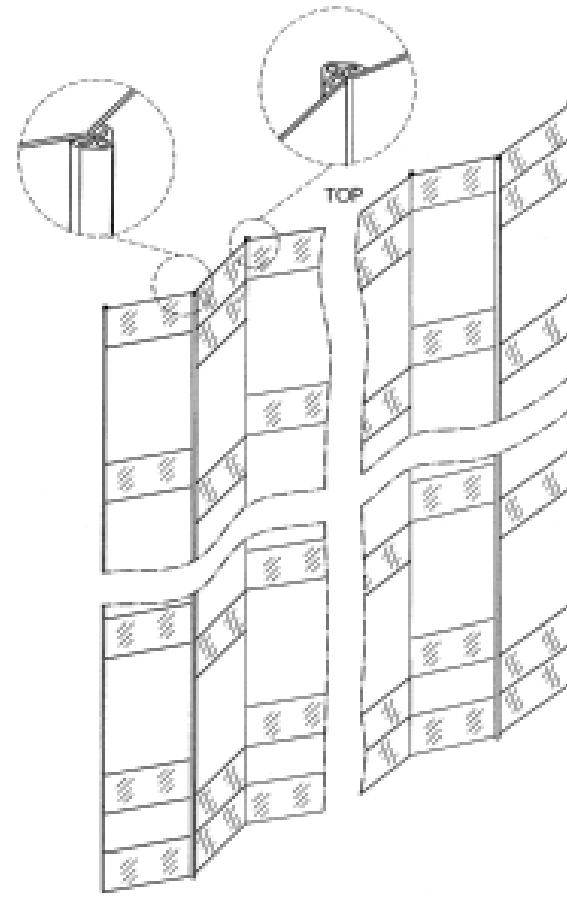
- (21) Design Number: **11776/2006**
- (22) Date of Filing Application: **28 April 2006**
- (24) Date from which industrial property rights may have effect: **28 April 2006**
- (54) Product in respect of which the design is registered: **A movable array of extrusions**
- (51) International Design Classification: **25-01K**
- (71) Name(s) and Address(s) of Applicant(s):
Dynamic Closures (Aust) Pty Ltd
58 Industrial Park Drive Lilydale Victoria 3140 Australia
- (72) Name(s) of Designer(s): **Mike Svenson**
- (45) Registration Date: **08 November 2006**
- (56) Related Art Documents: **Not Applicable**
- (57) Statement of Newness and Distinctiveness: **The movable array of extrusions is of indefinite length and indefinite width and has a regular repeating pattern over its length and width.**



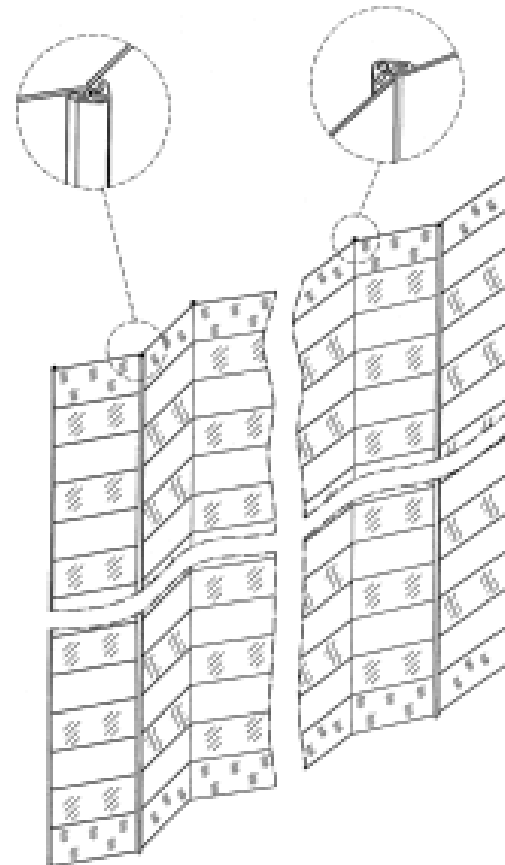
- (21) Design Number: **11777/2006**
- (22) Date of Filing Application: **28 April 2006**
- (24) Date from which industrial property rights may have effect: **28 April 2006**
- (54) Product in respect of which the design is registered: **A movable array of extrusions**
- (51) International Design Classification: **25-01K**
- (71) Name(s) and Address(s) of Applicant(s):
Dynamic Closures (Aust) Pty Ltd
58 Industrial Park Drive Lilydale Victoria 3140 Australia
- (72) Name(s) of Designer(s): **Mike Svenson**
- (45) Registration Date: **08 November 2006**
- (56) Related Art Documents: **Not Applicable**
- (57) Statement of Newness and Distinctiveness: **The movable array of extrusions is of indefinite length and indefinite width and has a regular repeating pattern over its length and width.**



- (21) Design Number: **11778/2006**
- (22) Date of Filing Application: **28 April 2006**
- (24) Date from which industrial property rights may have effect: **28 April 2006**
- (54) Product in respect of which the design is registered: **A movable array of extrusions**
- (51) International Design Classification: **25-01K**
- (71) Name(s) and Address(s) of Applicant(s):
Dynamic Closures (Aust) Pty Ltd
58 Industrial Park Drive Lilydale Victoria 3140 Australia
- (72) Name(s) of Designer(s): **Mike Svenson**
- (45) Registration Date: **08 November 2006**
- (56) Related Art Documents: **Not Applicable**
- (57) Statement of Newness and Distinctiveness: **The movable array of extrusions is of indefinite length and indefinite width and has a regular repeating pattern over its length and width.**



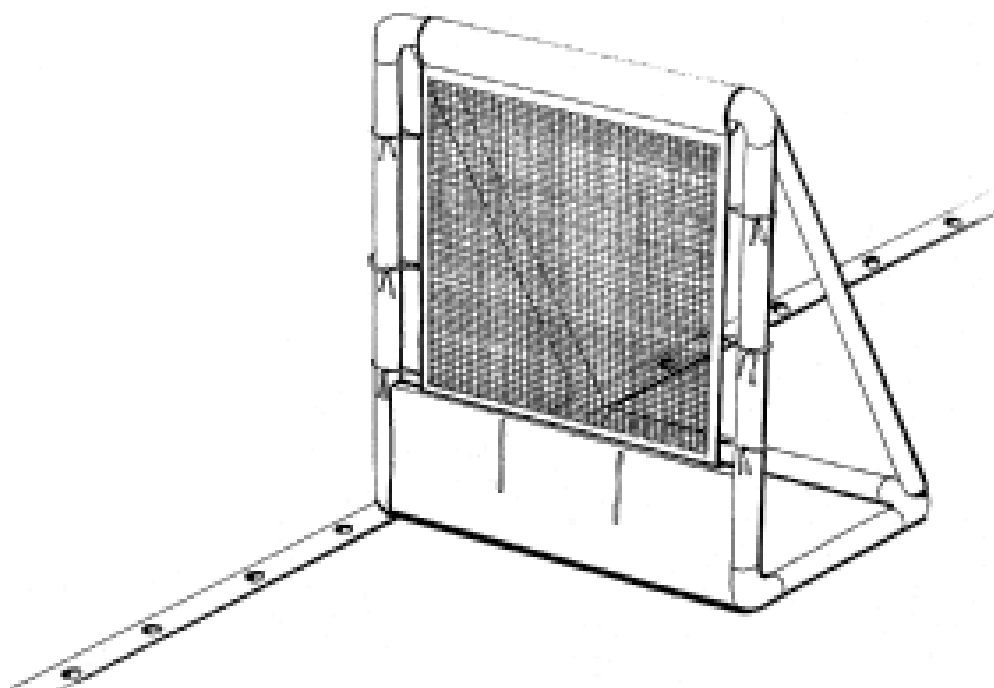
- (21) Design Number: **11781/2006**
- (22) Date of Filing Application: **28 April 2006**
- (24) Date from which industrial property rights may have effect: **28 April 2006**
- (54) Product in respect of which the design is registered: **A movable array of extrusions**
- (51) International Design Classification: **25-01K**
- (71) Name(s) and Address(s) of Applicant(s):
Dynamic Closures (Aust) Pty Ltd
58 Industrial Park Drive Lilydale Victoria 3140 Australia
- (72) Name(s) of Designer(s): **Mike Svenson**
- (45) Registration Date: **08 November 2006**
- (56) Related Art Documents: **Not Applicable**
- (57) Statement of Newness and Distinctiveness: **The movable array of extrusions is of indefinite length and indefinite width and has a regular repeating pattern over its length and width.**



- (21) Design Number: **14107/2006**
(22) Date of Filing Application: **13 September 2006**
(24) Date from which industrial property rights may have effect: **13 September 2006**
(54) Product in respect of which the design is registered: **Wine bottle bag**
(51) International Design Classification: **09-05, 03-01NES**
(71) Name(s) and Address(s) of Applicant(s):
Gosport Yachts Pty Ltd
Unit 1/85 Gosport Street Hemmant Queensland 4174
(72) Name(s) of Designer(s): **Kyle Sydney Brooke**
(45) Registration Date: **08 November 2006**
(56) Related Art Documents: **Not Applicable**
(57) Statement of Newness and Distinctiveness: **Newness and distinctiveness resides in the wine bottle bag having a partition dividing it into two compartments with each compartment being sized to accommodate a bottle of wine when fully open.**

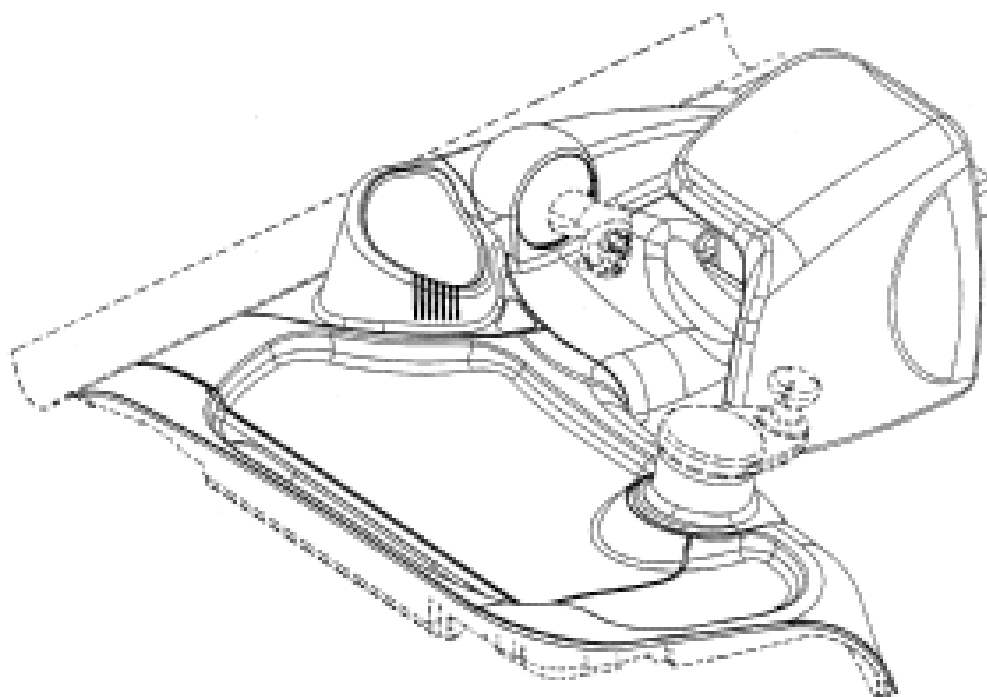


- (21) Design Number: **14118/2006**
(22) Date of Filing Application: **13 September 2006**
(24) Date from which industrial property rights may have effect: **13 September 2006**
(54) Product in respect of which the design is registered: **Athletics equipment**
(51) International Design Classification: **21-02A**
(71) Name(s) and Address(s) of Applicant(s):
Amphitrite Limited
20 Marlborough Place, London NW8 0PA, UNITED KINGDOM
(72) Name(s) of Designer(s): **Philip Richard Shade and Nigel Timothy Court and Julian Francis Ralph Swan**
(45) Registration Date: **08 November 2006**
(30) Convention priority data:
(31) Number (32) Date (33) Country
00496252-0002 13 Mar 2006 EUROPEAN COMMUNITY
(56) Related Art Documents: **Not Applicable**
(57) Statement of Newness and Distinctiveness: **In considering the newness or distinctiveness of the design, regard is to be given to the overall shape and/or configuration of the athletics equipment as shown in the representations.**



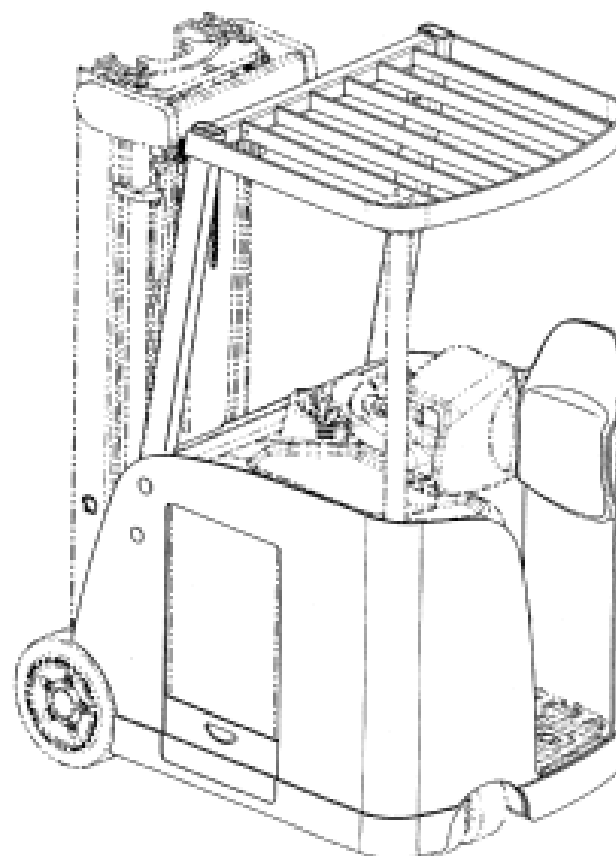
- (21) Design Number: **14379/2006**
- (22) Date of Filing Application: **28 September 2006**
- (24) Date from which industrial property rights may have effect: **28 September 2006**
- (54) Product in respect of which the design is registered: **Operator's station for a materials handling vehicle**
- (51) International Design Classification: **12-16NES**
- (71) Name(s) and Address(s) of Applicant(s):
Crown Equipment Corporation
40 South Washington Street New Bremen OH 45869 United States of America
- (72) Name(s) of Designer(s): **Roger J. Quinlan Jr. and Craig J. Rekow and Michael P. Gallagher and Adam M. Ruppert and Thornton K. Lothrop and Ryan R. Berger and George K. Chow**
- (45) Registration Date: **08 November 2006**
- (30) Convention priority data:

(31) Number	(32) Date	(33) Country
29/257,835	11 Apr 2006	UNITED STATES OF AMERICA
- (56) Related Art Documents: **Not Applicable**
- (57) Statement of Newness and Distinctiveness: **The shape and configuration of the operator's station for a materials handling vehicle is new and distinctive. In considering the newness and distinctiveness of the design, the features shown in broken lines are to be disregarded.**

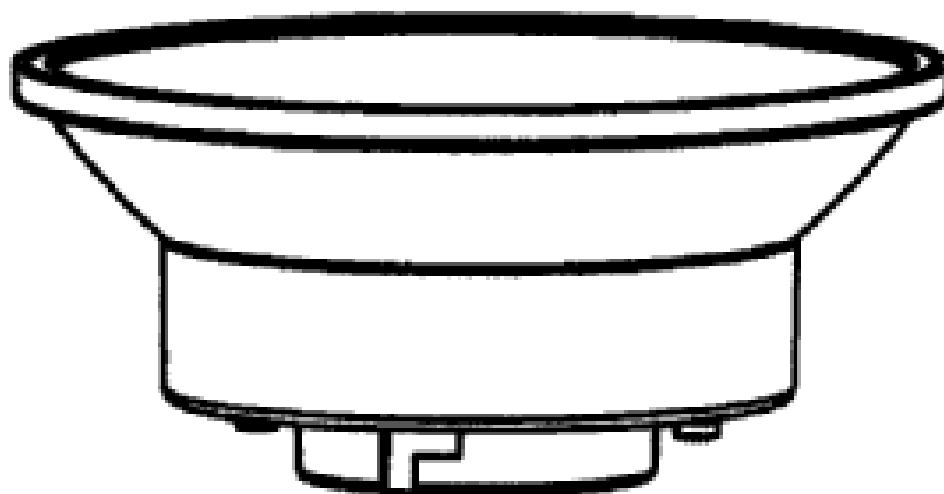


- (21) Design Number: **14380/2006**
- (22) Date of Filing Application: **28 September 2006**
- (24) Date from which industrial property rights may have effect: **28 September 2006**
- (54) Product in respect of which the design is registered: **Stand-up counterbalance lift truck**
- (51) International Design Classification: **12-05**
- (71) Name(s) and Address(s) of Applicant(s):
Crown Equipment Corporation
40 South Washington Street New Bremen OH 45869 United States of America
- (72) Name(s) of Designer(s): **Roger J. Quinlan Jr. and Craig J. Rekow and Michael P. Gallagher**
- (45) Registration Date: **08 November 2006**
- (30) Convention priority data:

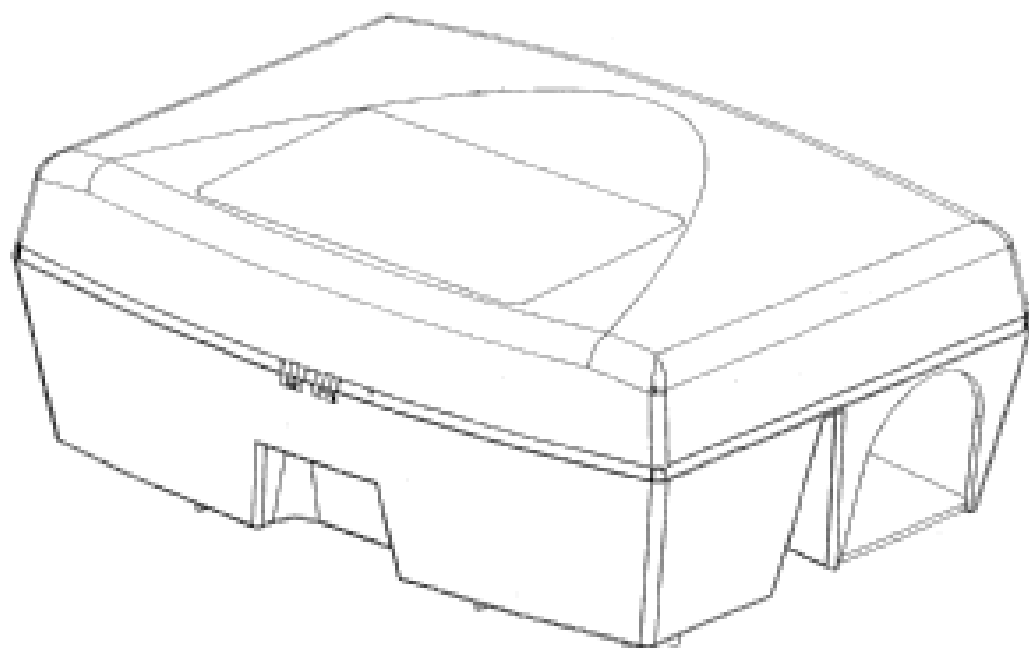
(31) Number	(32) Date	(33) Country
29/257,834	11 Apr 2006	UNITED STATES OF AMERICA
- (56) Related Art Documents: **Not Applicable**
- (57) Statement of Newness and Distinctiveness: **The shape and configuration of the stand-up counterbalance lift truck is new and distinctive. In considering the newness and distinctiveness of the design, the features shown in broken lines are to be disregarded.**



- (21) Design Number: **14412/2006**
(22) Date of Filing Application: **29 September 2006**
(24) Date from which industrial property rights may have effect: **29 September 2006**
(54) Product in respect of which the design is registered: **A lamp**
(51) International Design Classification: **26-05C**
(71) Name(s) and Address(s) of Applicant(s):
Mass Technology (H.K.) Limited
Room 2902-6 Tower 6 The Gateway 9 Canton Road Tsimshatsui
Kowloon Hong Kong
(72) Name(s) of Designer(s): **Onn Fah Foo**
(45) Registration Date: **08 November 2006**
(30) Convention priority data:
(31) Number (32) Date (33) Country
200630004361.X 03 Apr 2006 CHINA
(56) Related Art Documents: **Not Applicable**
(57) Statement of Newness and Distinctiveness: **The shape and configuration of parts of the design shown other than by means of broken lines in the representations are new and distinctive.**



- (21) Design Number: **14415/2006**
(22) Date of Filing Application: **02 October 2006**
(24) Date from which industrial property rights may have effect: **02 October 2006**
(54) Product in respect of which the design is registered: **Bait station**
(51) International Design Classification: **22-06**
(71) Name(s) and Address(s) of Applicant(s):
Killgerm Group Limited
PO Box 2 Ossett West Yorkshire WF5 9NA United Kingdom
(72) Name(s) of Designer(s): **Paul Hoyes**
(45) Registration Date: **08 November 2006**
(30) Convention priority data:
(31) Number (32) Date (33) Country
000561915 14 Jul 2006 EUROPEAN COMMUNITY
(56) Related Art Documents: **Not Applicable**
(57) Statement of Newness and Distinctiveness: **Nil**



(21) Design Number: **14418/2006**

(22) Date of Filing Application: **02 October 2006**

(24) Date from which industrial property rights may have effect: **02 October 2006**

(54) Product in respect of which the design is registered: **Fan**

(51) International Design Classification: **23-04**

(71) Name(s) and Address(s) of Applicant(s):

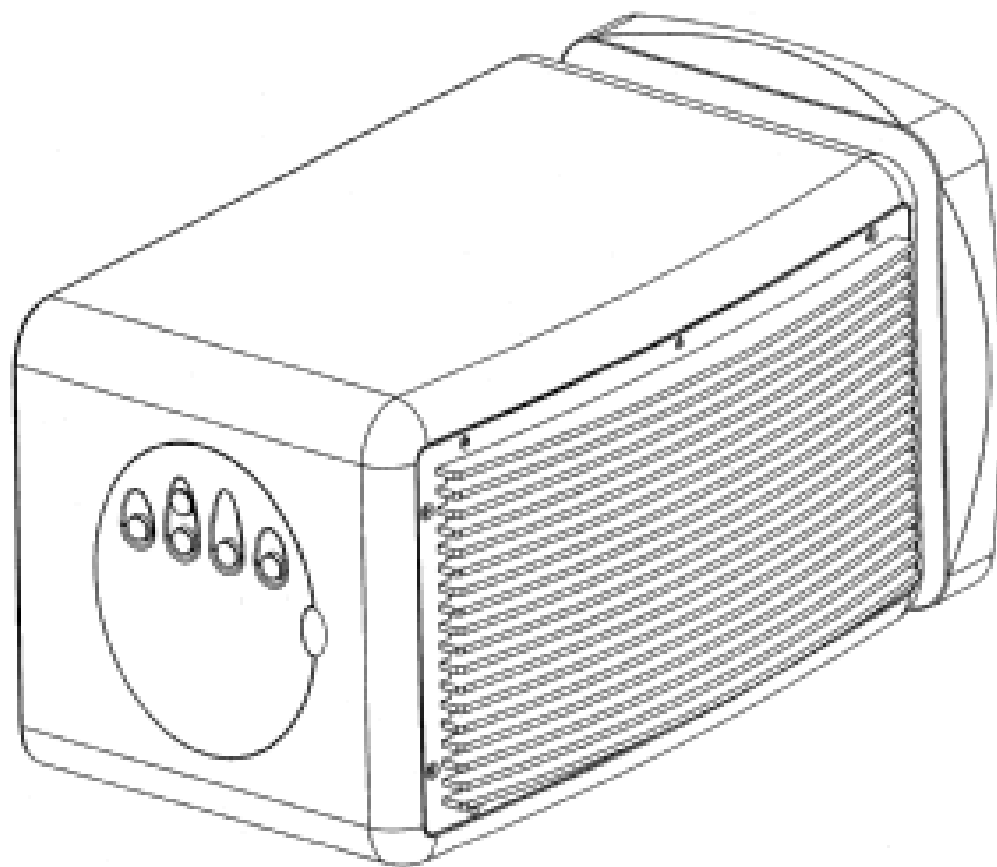
Kuei-Chih Hsu
Aomen Industry Zhangge Village Guanlan town Baoan Shenzhen
China

(72) Name(s) of Designer(s): **Kuei-Chih Hsu**

(45) Registration Date: **08 November 2006**

(56) Related Art Documents: **Not Applicable**

(57) Statement of Newness and Distinctiveness: **The particular visual features of the design which the applicant hereby identifies as new and distinctiveness are as follows: A fan article as illustrated in the accompanying representations.**



(21) Design Number: **14422/2006**

(22) Date of Filing Application: **29 September 2006**

(24) Date from which industrial property rights may have effect: **29 September 2006**

(54) Product in respect of which the design is registered: **Sofa**

(51) International Design Classification: **06-01G**

(71) Name(s) and Address(s) of Applicant(s):

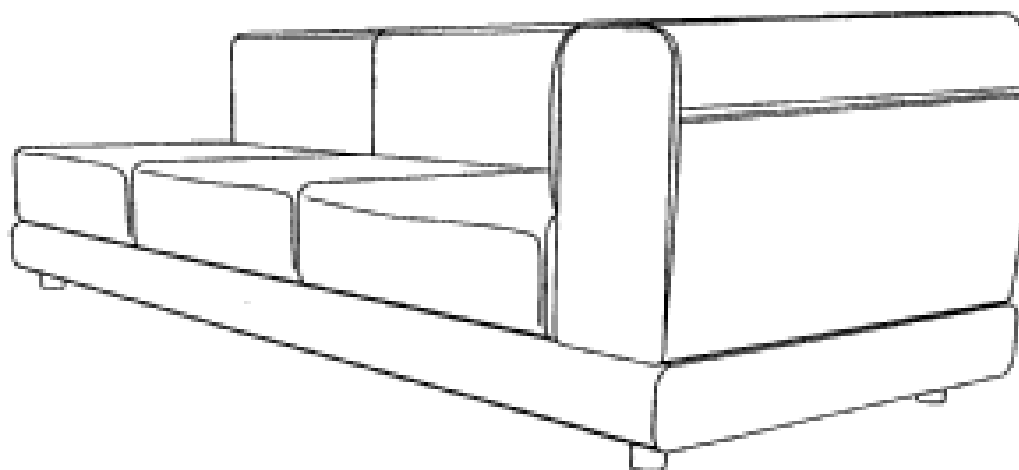
King Furniture (Australia) Pty Ltd
123 Turrella Street Turrella New South Wales 2205 Australia

(72) Name(s) of Designer(s): **David Russell King and Steve Higgs**

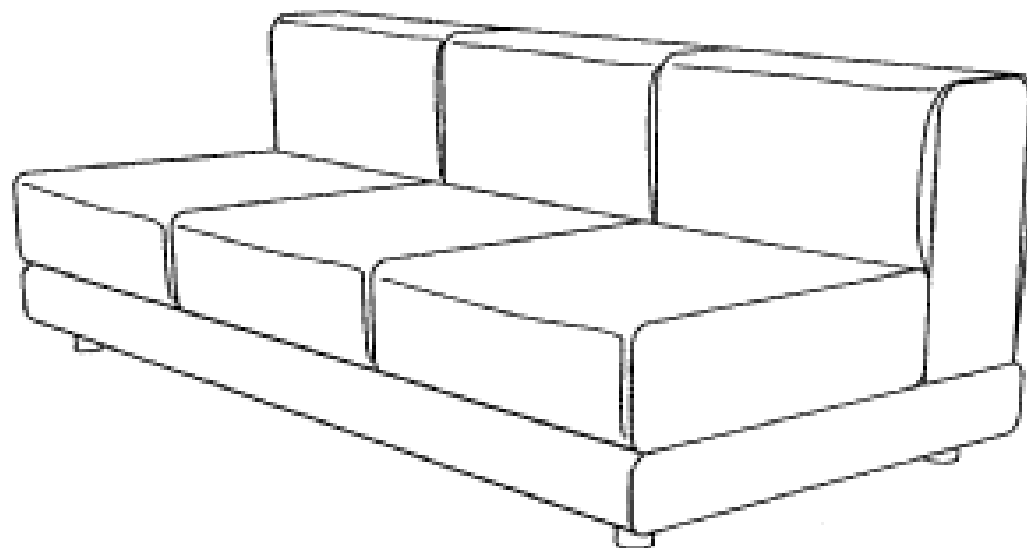
(45) Registration Date: **08 November 2006**

(56) Related Art Documents: **Not Applicable**

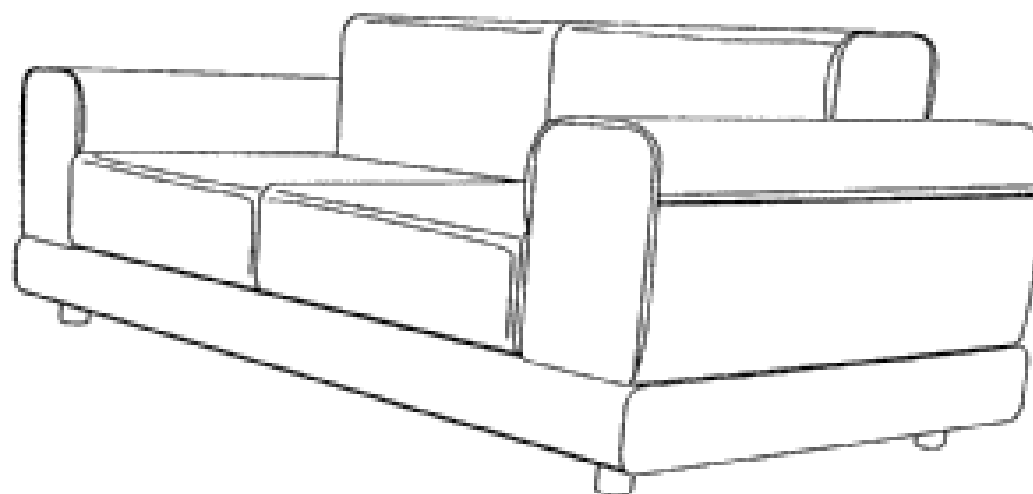
(57) Statement of Newness and Distinctiveness: **Newness and distinctiveness reside in the features of the design as shown in the representations.**



- (21) Design Number: **14424/2006**
(22) Date of Filing Application: **29 September 2006**
(24) Date from which industrial property rights may have effect: **29 September 2006**
(54) Product in respect of which the design is registered: **Sofa**
(51) International Design Classification: **06-01G**
(71) Name(s) and Address(s) of Applicant(s):
King Furniture (Australia) Pty Ltd
123 Turrella Street Turrella New South Wales 2205 Australia
(72) Name(s) of Designer(s): **David Russell King and Steve Higgs**
(45) Registration Date: **08 November 2006**
(56) Related Art Documents: **Not Applicable**
(57) Statement of Newness and Distinctiveness: **Newness and distinctiveness reside in the features of the design as shown in the representations.**



- (21) Design Number: **14425/2006**
(22) Date of Filing Application: **29 September 2006**
(24) Date from which industrial property rights may have effect: **29 September 2006**
(54) Product in respect of which the design is registered: **Sofa**
(51) International Design Classification: **06-01G**
(71) Name(s) and Address(s) of Applicant(s):
King Furniture (Australia) Pty Ltd
123 Turrella Street Turrella New South Wales 2205 Australia
(72) Name(s) of Designer(s): **David Russell King and Steve Higgs**
(45) Registration Date: **08 November 2006**
(56) Related Art Documents: **Not Applicable**
(57) Statement of Newness and Distinctiveness: **Newness and distinctiveness reside in the features of the design as shown in the representations.**



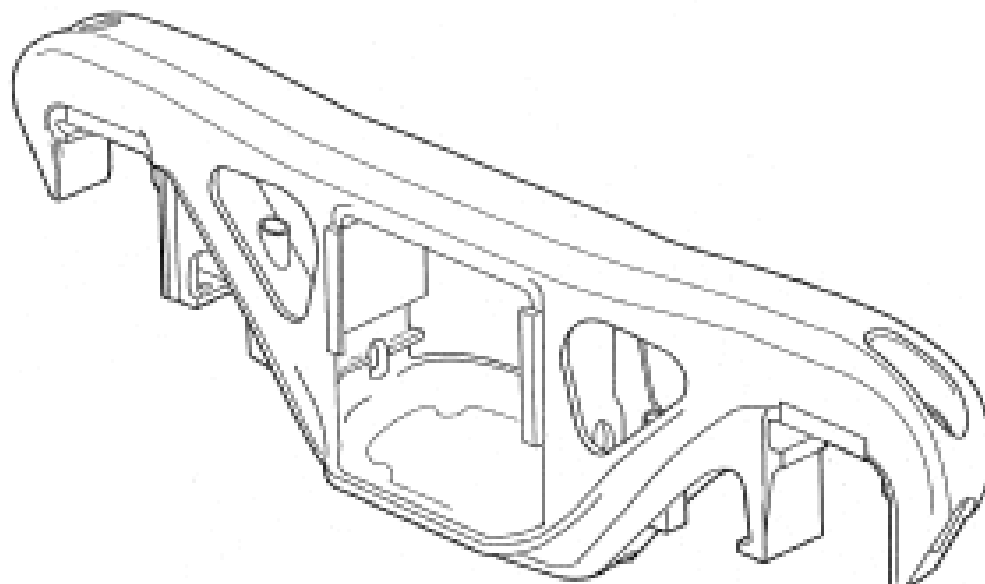
- (21) Design Number: **14441/2006**
(22) Date of Filing Application: **29 September 2006**
(24) Date from which industrial property rights may have effect: **29 September 2006**
(54) Product in respect of which the design is registered: **Front turn lamp for a motor vehicle**
(51) International Design Classification: **26-06**
(71) Name(s) and Address(s) of Applicant(s):
Isuzu Motors Limited
6-26-1 Minami-Oi Shinagawa-ku Tokyo 140-8722 Japan
(72) Name(s) of Designer(s): **Seiji Emoto and Takahiro Uematsu and Ryou Kawahara and Katsumi Tajima and Takashi Nanbu and Taiki Watanabe**
(45) Registration Date: **08 November 2006**
(30) Convention priority data:
(31) Number (32) Date (33) Country
200630010606.X 31 Mar 2006 CHINA
(56) Related Art Documents: **Not Applicable**
(57) Statement of Newness and Distinctiveness: **Newness and distinctiveness is claimed in the features of shape and/or configuration of a front turn lamp for a motor vehicle as illustrated in the accompanying representations.**



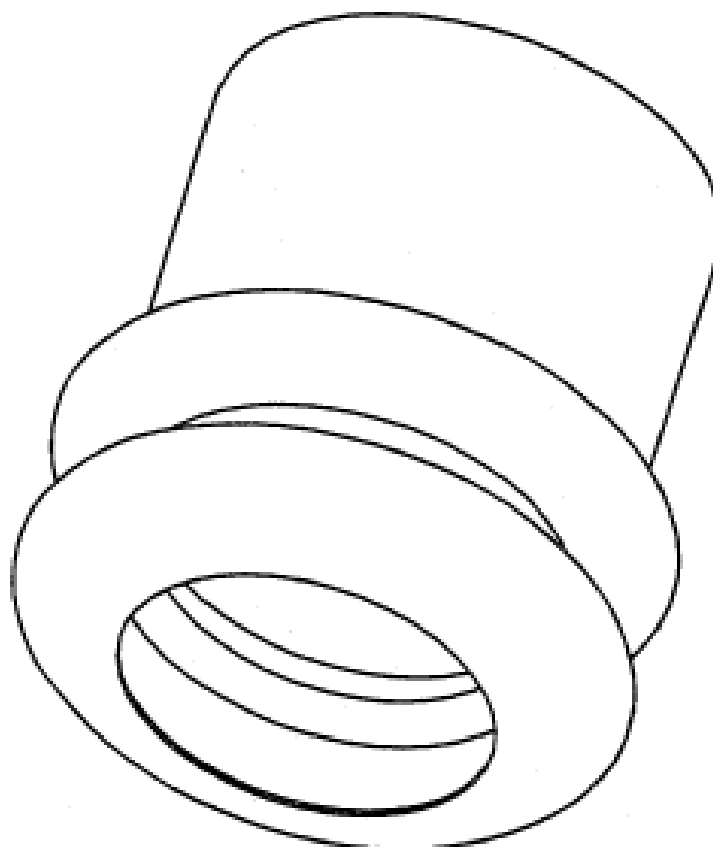
- (21) Design Number: **14442/2006**
(22) Date of Filing Application: **29 September 2006**
(24) Date from which industrial property rights may have effect: **29 September 2006**
(54) Product in respect of which the design is registered: **Headlight for a motor vehicle**
(51) International Design Classification: **26-06**
(71) Name(s) and Address(s) of Applicant(s):
Isuzu Motors Limited
6-26-1 Minami-Oi Shinagawa-ku Tokyo 140-8722 Japan
(72) Name(s) of Designer(s): **Seiji Emoto and Takahiro Uematsu and Ryou Kawahara and Katsumi Tajima and Takashi Nanbu and Taiki Watanabe**
(45) Registration Date: **08 November 2006**
(30) Convention priority data:
(31) Number (32) Date (33) Country
200630010605.5 31 Mar 2006 CHINA
(56) Related Art Documents: **Not Applicable**
(57) Statement of Newness and Distinctiveness: **Newness and distinctiveness is claimed in the features of shape and/or configuration of a headlight for a motor vehicle as illustrated in the accompanying representations.**



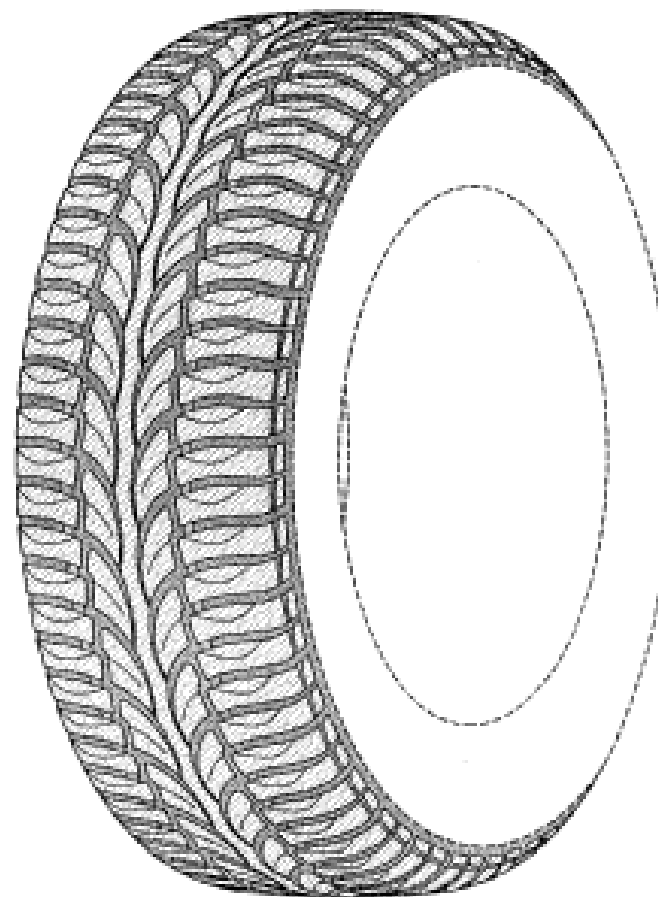
(21) Design Number: **14470/2006**
(22) Date of Filing Application: **28 September 2006**
(24) Date from which industrial property rights may have effect: **28 September 2006**
(54) Product in respect of which the design is registered: **Rail side frame**
(51) International Design Classification: **08-09**
(71) Name(s) and Address(s) of Applicant(s):
Ture Nyholm
Suite 7/200 Toorak Road South Yarra Victoria 3141 Australia
(72) Name(s) of Designer(s): **Ture Nyholm**
(45) Registration Date: **08 November 2006**
(56) Related Art Documents: **Not Applicable**
(57) Statement of Newness and Distinctiveness: **Nil**



(21) Design Number: **14461/2006**
(22) Date of Filing Application: **04 October 2006**
(24) Date from which industrial property rights may have effect: **04 October 2006**
(54) Product in respect of which the design is registered: **Adaptor seal for a humidifier/respiratory apparatus**
(51) International Design Classification: **23-04**
(71) Name(s) and Address(s) of Applicant(s):
ResMed Ltd
1 Elizabeth Macarthur Drive Bella Vista New South Wales 2153 Australia
(72) Name(s) of Designer(s): **Ian Malcolm Smith and Dan Kao and Perry David Lithgow**
(45) Registration Date: **08 November 2006**
(30) Convention priority data:
(31) Number (32) Date (33) Country
29/257,448 05 Apr 2006 UNITED STATES OF AMERICA
(56) Related Art Documents: **Not Applicable**
(57) Statement of Newness and Distinctiveness: **Nil**



- (21) Design Number: **14509/2006**
(22) Date of Filing Application: **05 October 2006**
(24) Date from which industrial property rights may have effect: **05 October 2006**
(54) Product in respect of which the design is registered: **A tyre**
(51) International Design Classification: **12-15B**
(71) Name(s) and Address(s) of Applicant(s):
The Goodyear Tire & Rubber Company
1144 East Market Street Akron Ohio 44316-0001 United States of America
(72) Name(s) of Designer(s): **Richard Heinen and Pascale De Briey-Terlinden and Sebastien Morin**
(45) Registration Date: **08 November 2006**
(30) Convention priority data:
(31) Number (32) Date (33) Country
29/258273 19 Apr 2006 UNITED STATES OF AMERICA
(56) Related Art Documents: **Not Applicable**
(57) Statement of Newness and Distinctiveness: **Newness and distinctiveness is claimed in the features of shape and/or configuration of the tread of a tyre as illustrated in continuous lines in the accompanying representations, wherein the shape and/or configuration of the tread is repeated throughout the circumference of the tyre.**



- (21) Design Number: **13758/2006**
(22) Date of Filing Application: **23 August 2006**
(24) Date from which industrial property rights may have effect: **23 August 2006**
(54) Product in respect of which the design is registered: **Refill bottles for air deodorising apparatus**
(51) International Design Classification: **28-99**
(71) Name(s) and Address(s) of Applicant(s):
Sara Lee Household and Body Care Nederland B.V.
Vleutensevaart 35 NL-3532 AD Utrecht Netherlands
(72) Name(s) of Designer(s): **Bjorn Weggelaar**
(45) Registration Date: **09 November 2006**
(30) Convention priority data:
(31) Number (32) Date (33) Country
000542964-0001 12 Jun 2006 EUROPEAN COMMUNITY
(56) Related Art Documents: **Not Applicable**
(57) Statement of Newness and Distinctiveness: **Nil**



(21) Design Number: **13824/2006**

(22) Date of Filing Application: **28 August 2006**

(24) Date from which industrial property rights may have effect: **28 August 2006**

(54) Product in respect of which the design is registered: **A door handling tool**

(51) International Design Classification: **08-05NES**

(71) Name(s) and Address(s) of Applicant(s):

Warren Glenn Starr

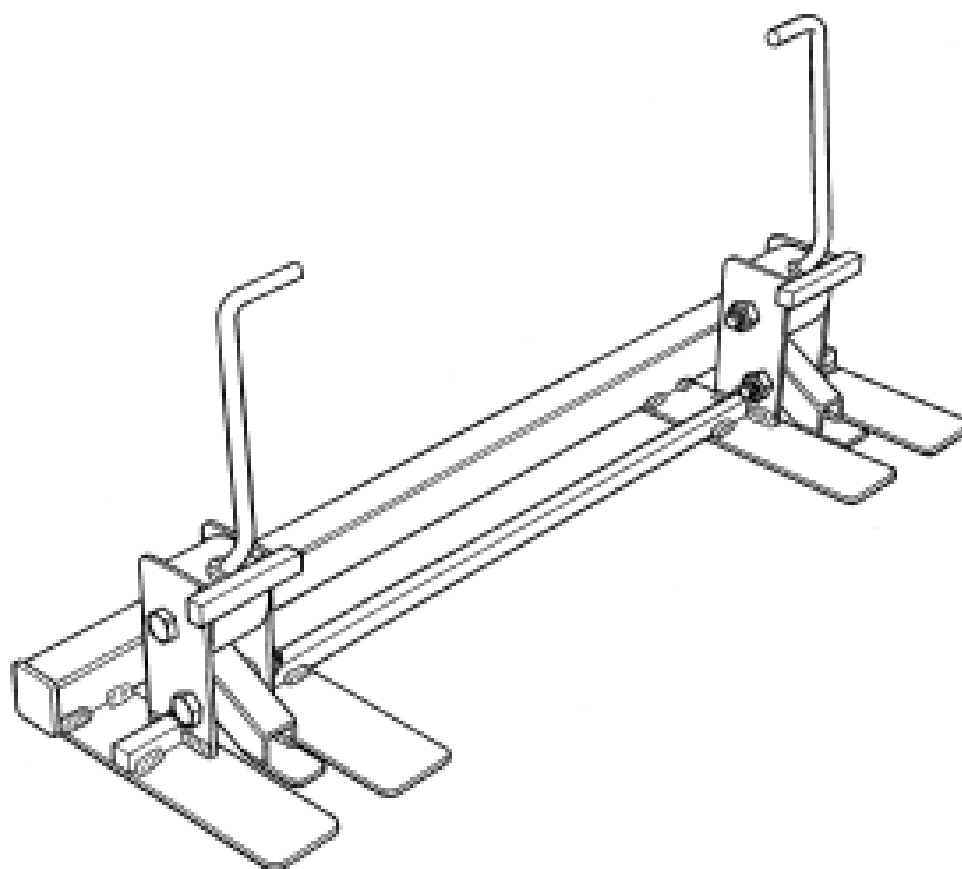
46 Edward Beck Drive Sheidow Park South Australia 5158 Australia

(72) Name(s) of Designer(s): **Warren Glenn Starr**

(45) Registration Date: **09 November 2006**

(56) Related Art Documents: **Not Applicable**

(57) Statement of Newness and Distinctiveness: **Newness and distinctiveness resides in the features of shape and configuration of a door handling tool as shown in the accompanying representations.**



(21) Design Number: **13830/2006**

(22) Date of Filing Application: **25 August 2006**

(24) Date from which industrial property rights may have effect: **25 August 2006**

(54) Product in respect of which the design is registered: **A connector for use in building construction**

(51) International Design Classification: **25-01NES, 08-08L**

(71) Name(s) and Address(s) of Applicant(s):

ITW Australia Pty Ltd

3 Chester Street Oakleigh Victoria 3166 Australia

(72) Name(s) of Designer(s): **Paul Gaiardo**

(45) Registration Date: **09 November 2006**

(56) Related Art Documents: **Not Applicable**

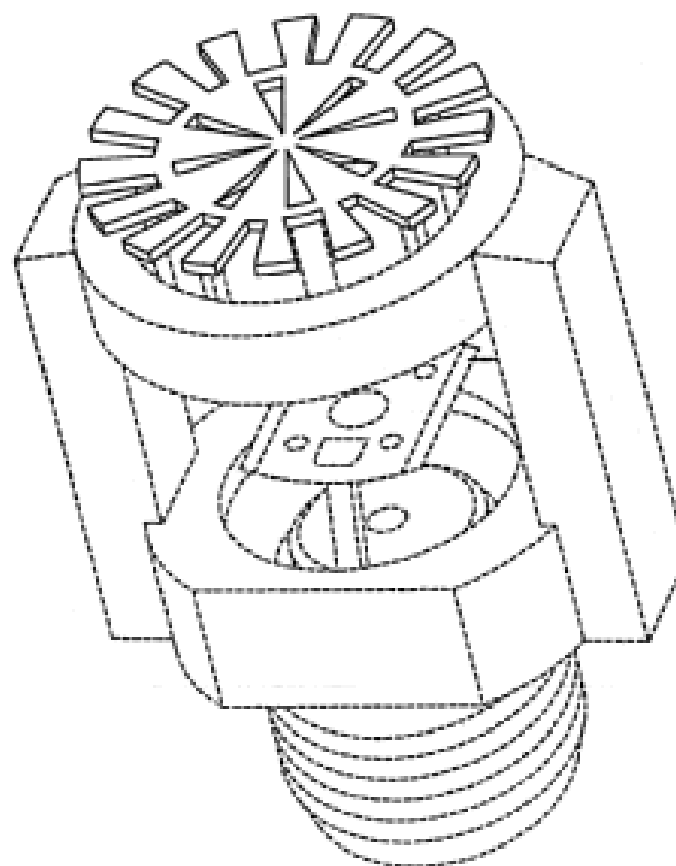
(57) Statement of Newness and Distinctiveness: **Nil**



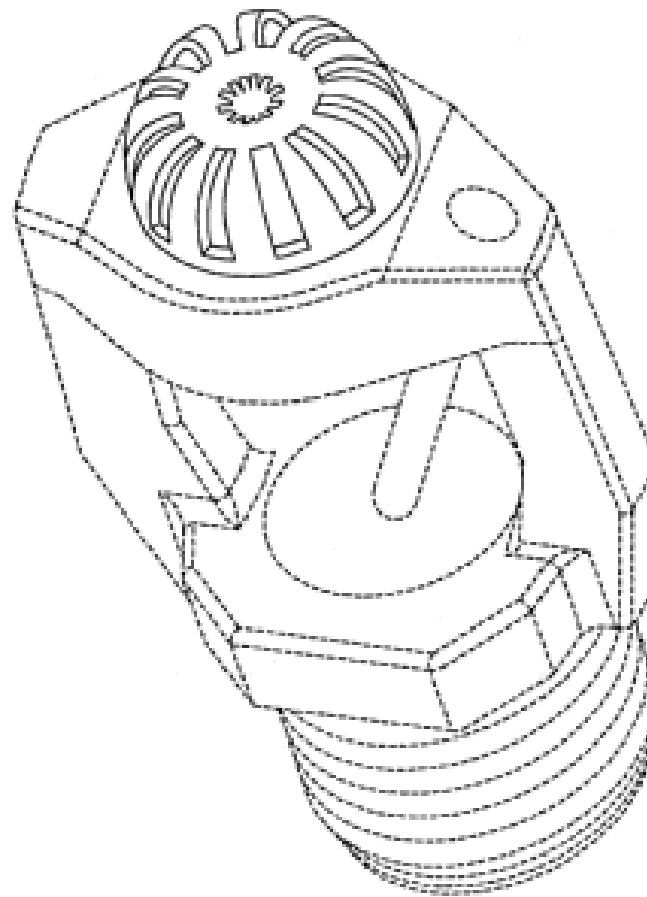
(21) Design Number: **13834/2006**
(22) Date of Filing Application: **25 August 2006**
(24) Date from which industrial property rights may have effect: **25 August 2006**
(54) Product in respect of which the design is registered: **A truss boot**
(51) International Design Classification: **25-01NES, 08-08L**
(71) Name(s) and Address(s) of Applicant(s):
ITW Australia Pty Ltd
3 Chester Street Oakleigh Victoria 3166 Australia
(72) Name(s) of Designer(s): **Graham Cooper**
(45) Registration Date: **09 November 2006**
(56) Related Art Documents: **Not Applicable**
(57) Statement of Newness and Distinctiveness: **Nil**



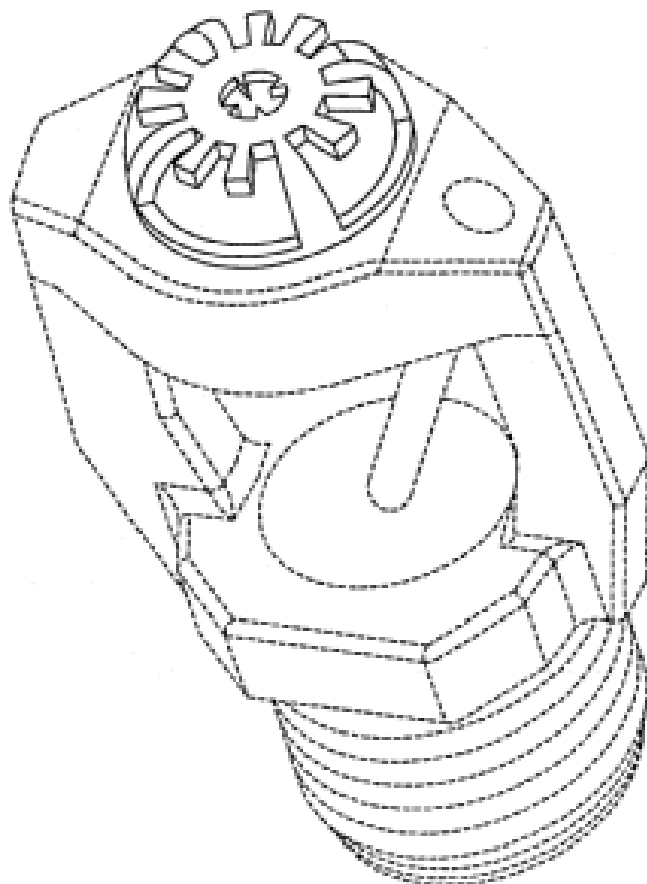
(21) Design Number: **14374/2006**
(22) Date of Filing Application: **28 September 2006**
(24) Date from which industrial property rights may have effect: **28 September 2006**
(54) Product in respect of which the design is registered: **Flow shaper for a sprinkler assembly**
(51) International Design Classification: **23-01D**
(71) Name(s) and Address(s) of Applicant(s):
The Viking Corporation
210 N. Industrial Park Road Hastings Michigan 49058 United States of America
(72) Name(s) of Designer(s): **Scott T. Franson and Thomas E. Winebrenner and Shawn G. Orr**
(45) Registration Date: **09 November 2006**
(30) Convention priority data:
(31) Number (32) Date (33) Country
29257204 30 Mar 2006 UNITED STATES OF AMERICA
(56) Related Art Documents: **Not Applicable**
(57) Statement of Newness and Distinctiveness: **Newness and distinctiveness is claimed in the features of the flow shaper for a sprinkler assembly shown in solid lines in the drawings.**



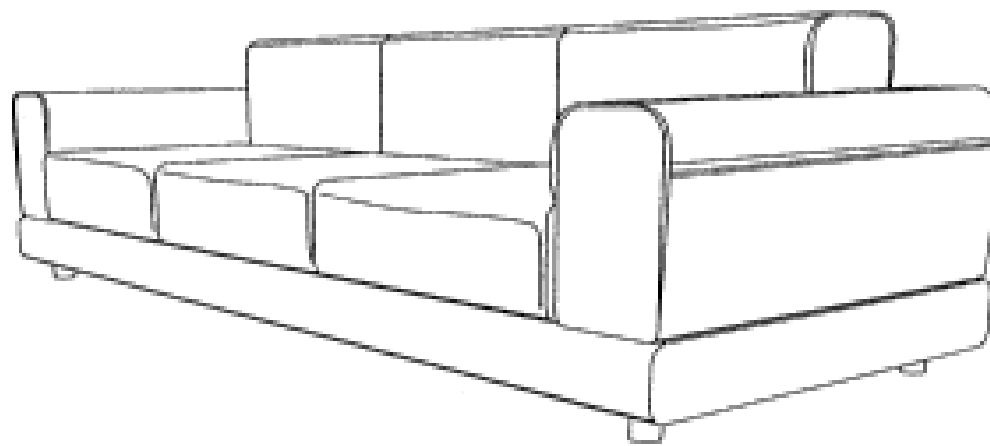
- (21) Design Number: **14375/2006**
(22) Date of Filing Application: **28 September 2006**
(24) Date from which industrial property rights may have effect: **28 September 2006**
(54) Product in respect of which the design is registered: **Flow shaper for a sprinkler assembly**
(51) International Design Classification: **23-01D**
(71) Name(s) and Address(s) of Applicant(s):
The Viking Corporation
210 N. Industrial Park Road Hastings Michigan 49058 United States of America
(72) Name(s) of Designer(s): **Scott T. Franson and Thomas E. Winebrenner and Shawn G. Orr**
(45) Registration Date: **09 November 2006**
(30) Convention priority data:
(31) Number (32) Date (33) Country
29257200 30 Mar 2006 UNITED STATES OF AMERICA
(56) Related Art Documents: **Not Applicable**
(57) Statement of Newness and Distinctiveness: **Newness and distinctiveness is claimed in the features of the flow shaper for a sprinkler assembly shown in solid lines in the drawings.**



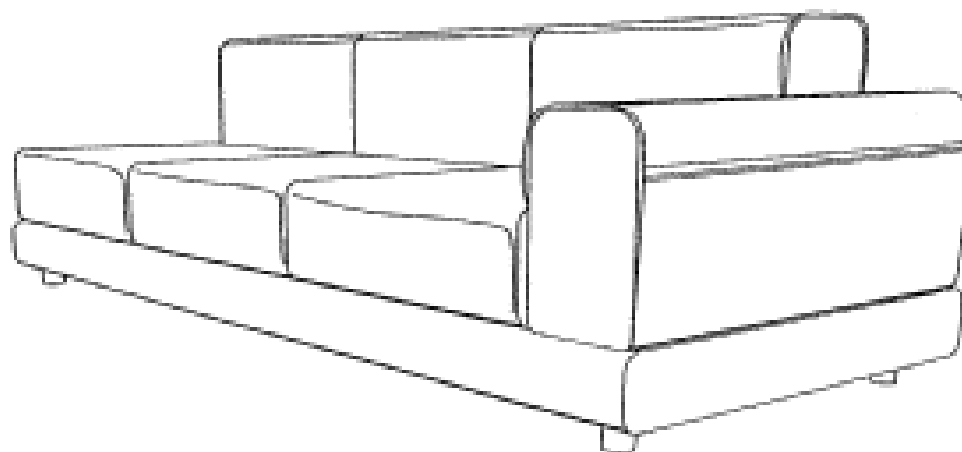
- (21) Design Number: **14376/2006**
(22) Date of Filing Application: **28 September 2006**
(24) Date from which industrial property rights may have effect: **28 September 2006**
(54) Product in respect of which the design is registered: **Flow shaper for a sprinkler assembly**
(51) International Design Classification: **23-01D**
(71) Name(s) and Address(s) of Applicant(s):
The Viking Corporation
210 N. Industrial Park Road Hastings Michigan 49058 United States of America
(72) Name(s) of Designer(s): **Scott T. Franson and Thomas E. Winebrenner and Shawn G. Orr**
(45) Registration Date: **09 November 2006**
(30) Convention priority data:
(31) Number (32) Date (33) Country
29257199 30 Mar 2006 UNITED STATES OF AMERICA
(56) Related Art Documents: **Not Applicable**
(57) Statement of Newness and Distinctiveness: **Newness and distinctiveness is claimed in the features of the flow shaper for a sprinkler assembly shown in solid lines in the drawings.**



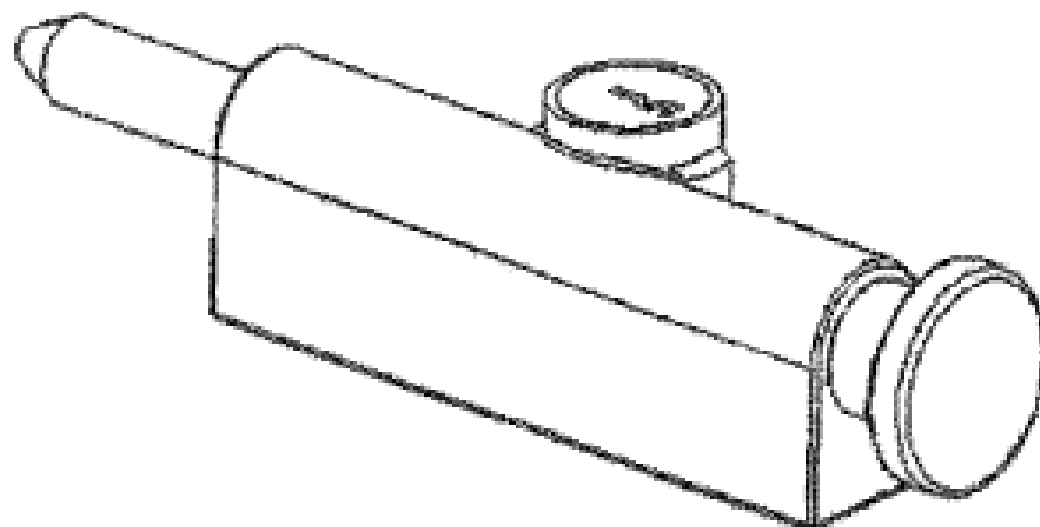
- (21) Design Number: **14421/2006**
(22) Date of Filing Application: **29 September 2006**
(24) Date from which industrial property rights may have effect: **29 September 2006**
(54) Product in respect of which the design is registered: **Sofa**
(51) International Design Classification: **06-01G**
(71) Name(s) and Address(s) of Applicant(s):
King Furniture (Australia) Pty Ltd
123 Turrella Street Turrella New South Wales 2205 Australia
(72) Name(s) of Designer(s): **David Russell King and Steve Higgs**
(45) Registration Date: **09 November 2006**
(56) Related Art Documents: **Not Applicable**
(57) Statement of Newness and Distinctiveness: **Newness and distinctiveness reside in the features of the design as shown in the representations.**



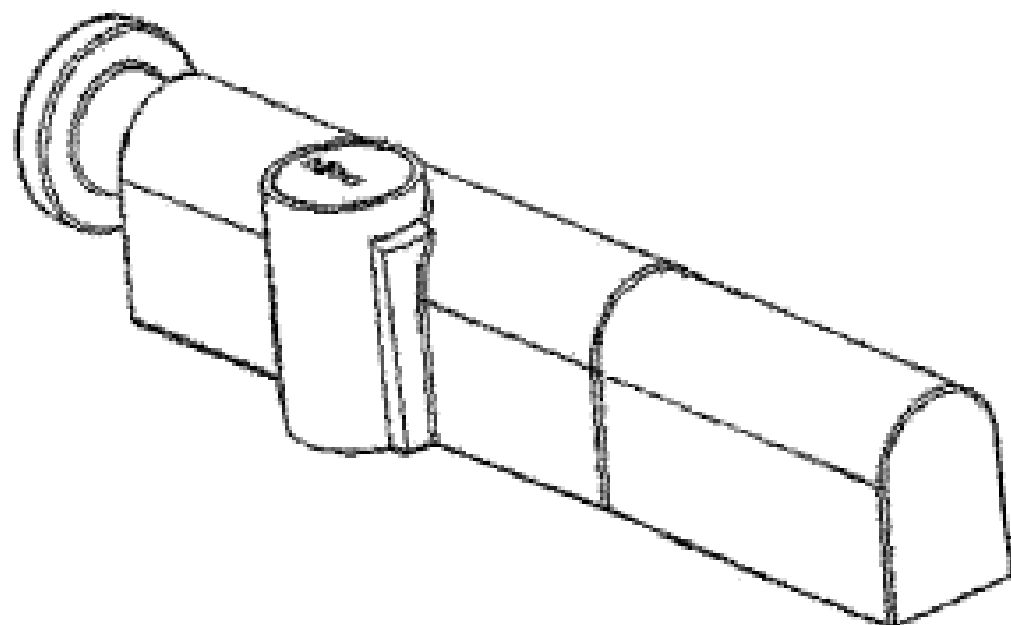
- (21) Design Number: **14423/2006**
(22) Date of Filing Application: **29 September 2006**
(24) Date from which industrial property rights may have effect: **29 September 2006**
(54) Product in respect of which the design is registered: **Sofa**
(51) International Design Classification: **06-01G**
(71) Name(s) and Address(s) of Applicant(s):
King Furniture (Australia) Pty Ltd
123 Turrella Street Turrella New South Wales 2205 Australia
(72) Name(s) of Designer(s): **David Russell King and Steve Higgs**
(45) Registration Date: **09 November 2006**
(56) Related Art Documents: **Not Applicable**
(57) Statement of Newness and Distinctiveness: **Newness and distinctiveness reside in the features of the design as shown in the representations.**



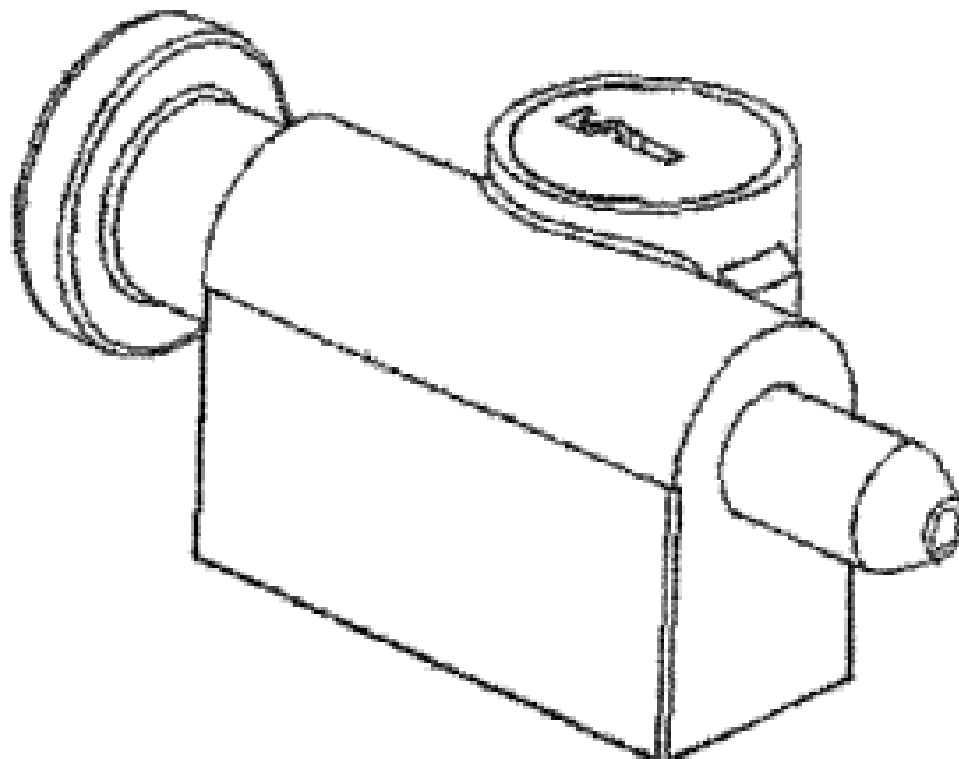
(21) Design Number: **14456/2006**
(22) Date of Filing Application: **03 October 2006**
(24) Date from which industrial property rights may have effect: **03 October 2006**
(54) Product in respect of which the design is registered: **Lock for windows**
(51) International Design Classification: **08-07**
(71) Name(s) and Address(s) of Applicant(s):
ABUS August Bremicker Sohne KG
Altenhofer Weg 25 58300 Wetter-Volmarstein Germany
(72) Name(s) of Designer(s): **Martin Ulrich and Murray Baber**
(45) Registration Date: **09 November 2006**
(56) Related Art Documents: **Not Applicable**
(57) Statement of Newness and Distinctiveness: **Nil**



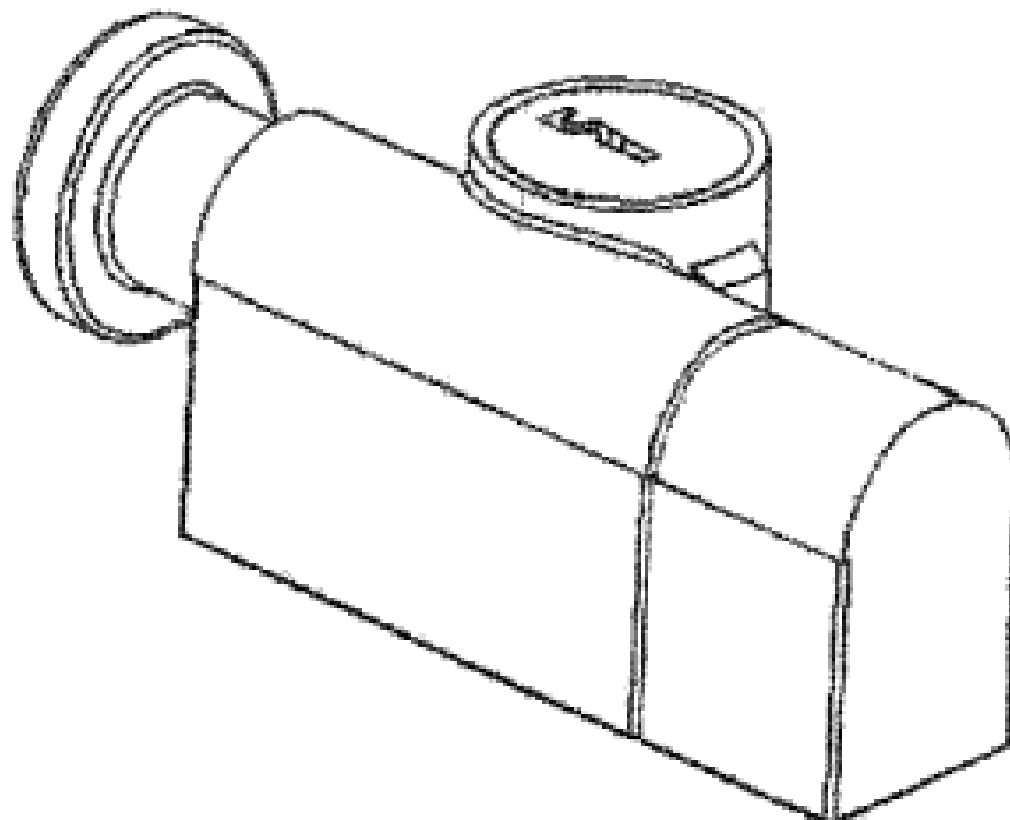
(21) Design Number: **14457/2006**
(22) Date of Filing Application: **03 October 2006**
(24) Date from which industrial property rights may have effect: **03 October 2006**
(54) Product in respect of which the design is registered: **Lock for windows**
(51) International Design Classification: **08-07**
(71) Name(s) and Address(s) of Applicant(s):
ABUS August Bremicker Sohne KG
Altenhofer Weg 25 58300 Wetter-Volmarstein Germany
(72) Name(s) of Designer(s): **Martin Ulrich and Murray Baber**
(45) Registration Date: **09 November 2006**
(56) Related Art Documents: **Not Applicable**
(57) Statement of Newness and Distinctiveness: **Nil**



- (21) Design Number: **14458/2006**
- (22) Date of Filing Application: **03 October 2006**
- (24) Date from which industrial property rights may have effect: **03 October 2006**
- (54) Product in respect of which the design is registered: **Lock for windows**
- (51) International Design Classification: **08-07**
- (71) Name(s) and Address(s) of Applicant(s):
ABUS August Bremicker Sohne KG
Altenhofer Weg 25 58300 Wetter-Volmarstein Germany
- (72) Name(s) of Designer(s): **Martin Ulrich and Murray Baber**
- (45) Registration Date: **09 November 2006**
- (56) Related Art Documents: **Not Applicable**
- (57) Statement of Newness and Distinctiveness: **Nil**



- (21) Design Number: **14459/2006**
- (22) Date of Filing Application: **03 October 2006**
- (24) Date from which industrial property rights may have effect: **03 October 2006**
- (54) Product in respect of which the design is registered: **Lock for windows**
- (51) International Design Classification: **08-07**
- (71) Name(s) and Address(s) of Applicant(s):
ABUS August Bremicker Sohne KG
Altenhofer Weg 25 58300 Wetter-Volmarstein Germany
- (72) Name(s) of Designer(s): **Martin Ulrich and Murray Baber**
- (45) Registration Date: **09 November 2006**
- (56) Related Art Documents: **Not Applicable**
- (57) Statement of Newness and Distinctiveness: **Nil**



(21) Design Number: **14462/2006**

(22) Date of Filing Application: **04 October 2006**

(24) Date from which industrial property rights may have effect: **04 October 2006**

(54) Product in respect of which the design is registered: **Humidifier tub**

(51) International Design Classification: **23-04**

(71) Name(s) and Address(s) of Applicant(s):

ResMed Ltd
1 Elizabeth Macarthur Drive Bella Vista New South Wales 2153
Australia

(72) Name(s) of Designer(s): **Ian Malcolm Smith and William Bonilla and John Michael Snow and Perry David Lithgow and Dan Kao**

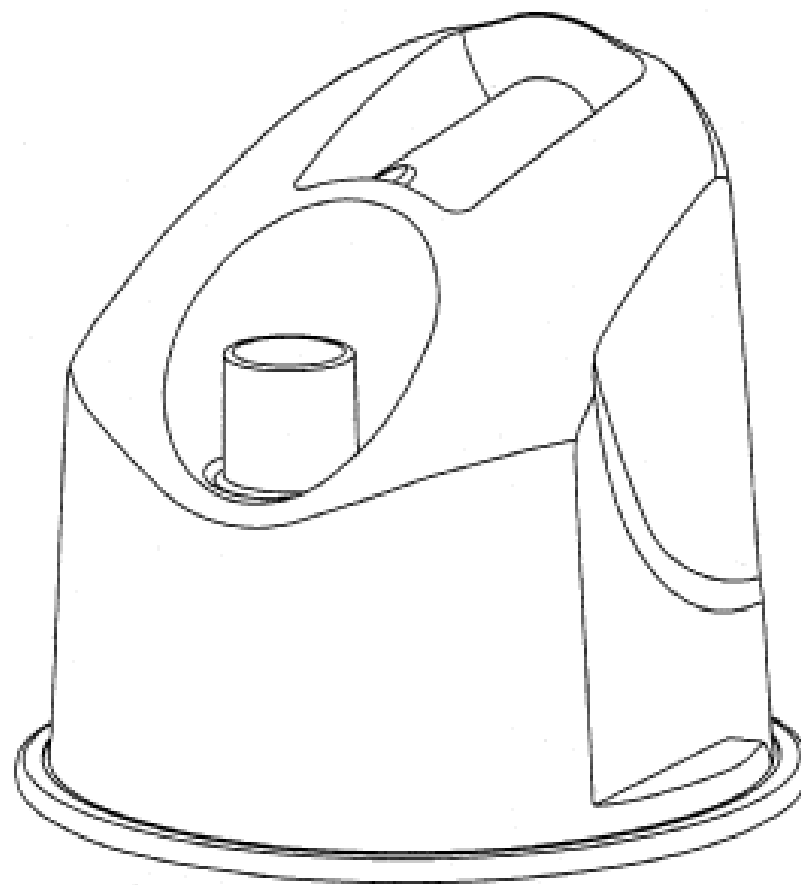
(45) Registration Date: **09 November 2006**

(30) Convention priority data:

(31) Number	(32) Date	(33) Country
29/257,528	06 Apr 2006	UNITED STATES OF AMERICA

(56) Related Art Documents: **Not Applicable**

(57) Statement of Newness and Distinctiveness: **Nil**



(21) Design Number: **14473/2006**

(22) Date of Filing Application: **04 October 2006**

(24) Date from which industrial property rights may have effect: **04 October 2006**

(54) Product in respect of which the design is registered: **Watch case**

(51) International Design Classification: **10-07**

(71) Name(s) and Address(s) of Applicant(s):

La Montre Hermes S.A.
Erlenstrasse 31A 2555 Brugg Switzerland

(72) Name(s) of Designer(s): **Frederick Vidal**

(45) Registration Date: **09 November 2006**

(30) Convention priority data:

(31) Number	(32) Date	(33) Country
DM/067 730	11 Apr 2006	WORLD INTELLECTUAL PROPERTY ORGANIZATION (WIPO)

(56) Related Art Documents: **Not Applicable**

(57) Statement of Newness and Distinctiveness: **Nil**



(19) AU

(21) Design Number: **14474/2006**

(22) Date of Filing Application: **04 October 2006**

(24) Date from which industrial property rights may have effect: **04 October 2006**

(54) Product in respect of which the design is registered: **Watch dial**

(51) International Design Classification: **10-07**

(71) Name(s) and Address(s) of Applicant(s):

**La Montre Hermes S.A.
Erlenstrasse 31A 2555 Brugg Switzerland**

(72) Name(s) of Designer(s): **Frederick Vidal**

(45) Registration Date: **09 November 2006**

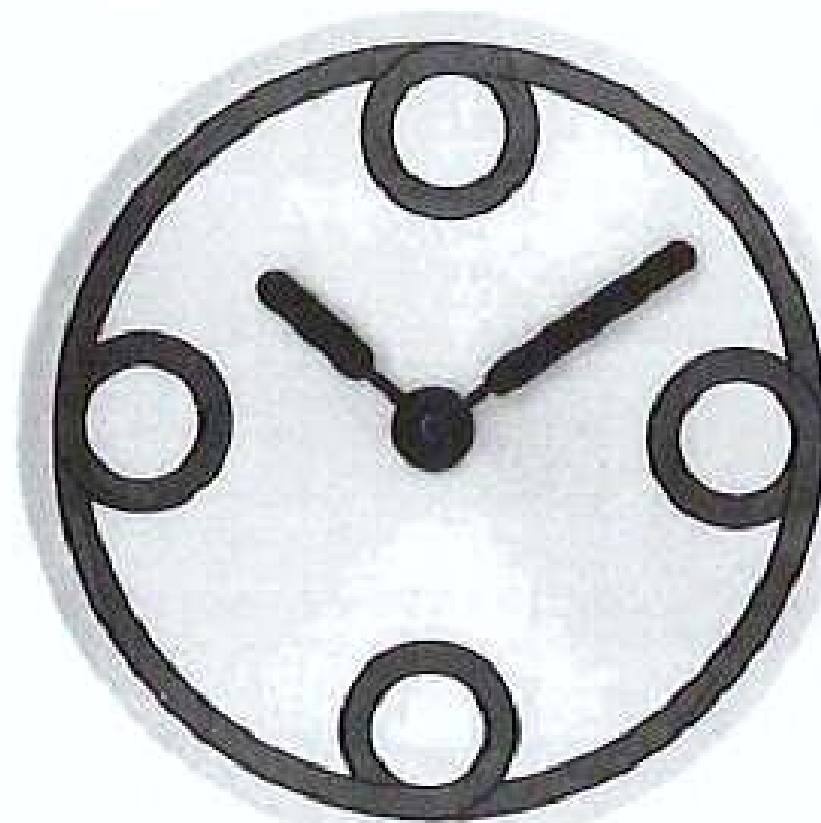
(30) Convention priority data:

(31) Number (32) Date
DM/067 729 11 Apr 2006

(33) Country
**WORLD INTELLECTUAL
PROPERTY ORGANIZATION
(WIPO)**

(56) Related Art Documents: **Not Applicable**

(57) Statement of Newness and Distinctiveness: **Nil**



(19) AU

(21) Design Number: **14475/2006**

(22) Date of Filing Application: **04 October 2006**

(24) Date from which industrial property rights may have effect: **04 October 2006**

(54) Product in respect of which the design is registered: **Ornamental object**

(51) International Design Classification: **11-02E**

(71) Name(s) and Address(s) of Applicant(s):

**Swarovski Aktiengesellschaft
Droschistrasse 15 FL-9495 Triesen Liechtenstein**

(72) Name(s) of Designer(s): **Heinz Tabertshofer**

(45) Registration Date: **09 November 2006**

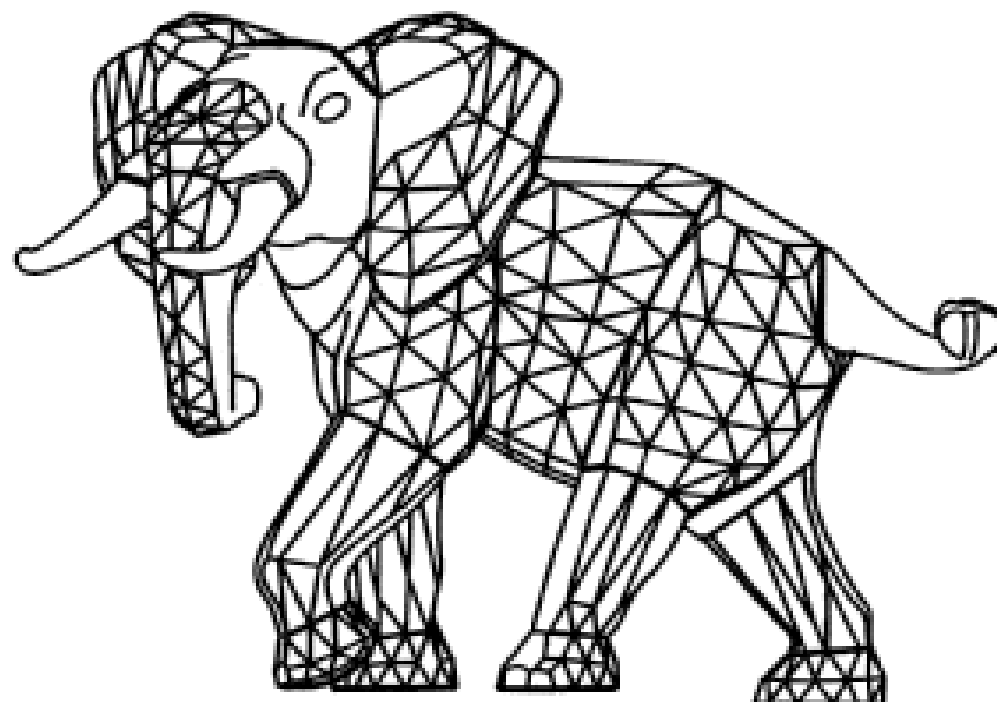
(30) Convention priority data:

(31) Number (32) Date
510607 11 Apr 2006

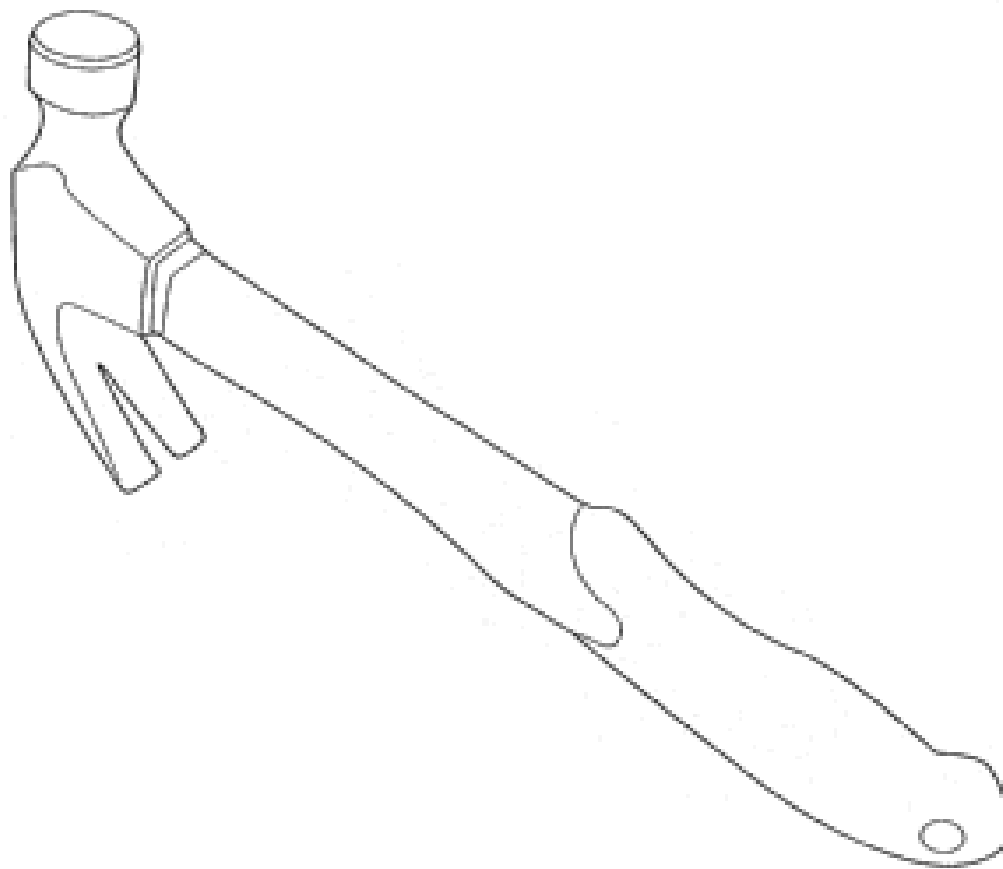
(33) Country
**EUROPEAN PATENT OFFICE
(EP)**

(56) Related Art Documents: **Not Applicable**

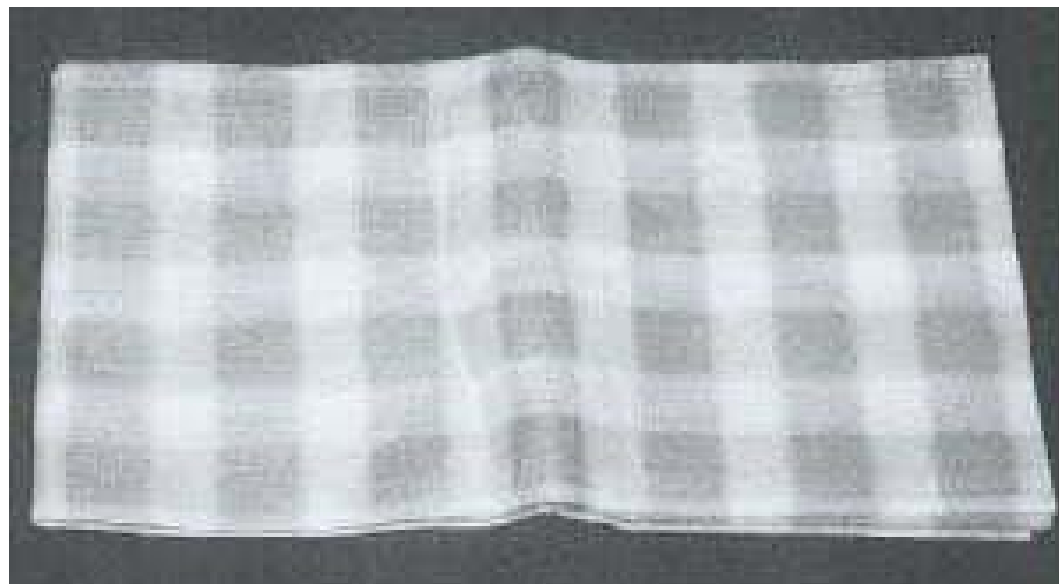
(57) Statement of Newness and Distinctiveness: **Nil**



- (21) Design Number: **14520/2006**
(22) Date of Filing Application: **09 October 2006**
(24) Date from which industrial property rights may have effect: **09 October 2006**
(54) Product in respect of which the design is registered: **Hammer**
(51) International Design Classification: **08-02**
(71) Name(s) and Address(s) of Applicant(s):
Master Distributors Pty Ltd
11 Howleys Road Notting Hill Victoria 3168 Australia
(72) Name(s) of Designer(s): **Sandra Dobbin**
(45) Registration Date: **09 November 2006**
(56) Related Art Documents: **Not Applicable**
(57) Statement of Newness and Distinctiveness: **Monopoly is claimed for the features, shape and/or configuration of, and in particular the hammer handle as illustrated in attached documents.**



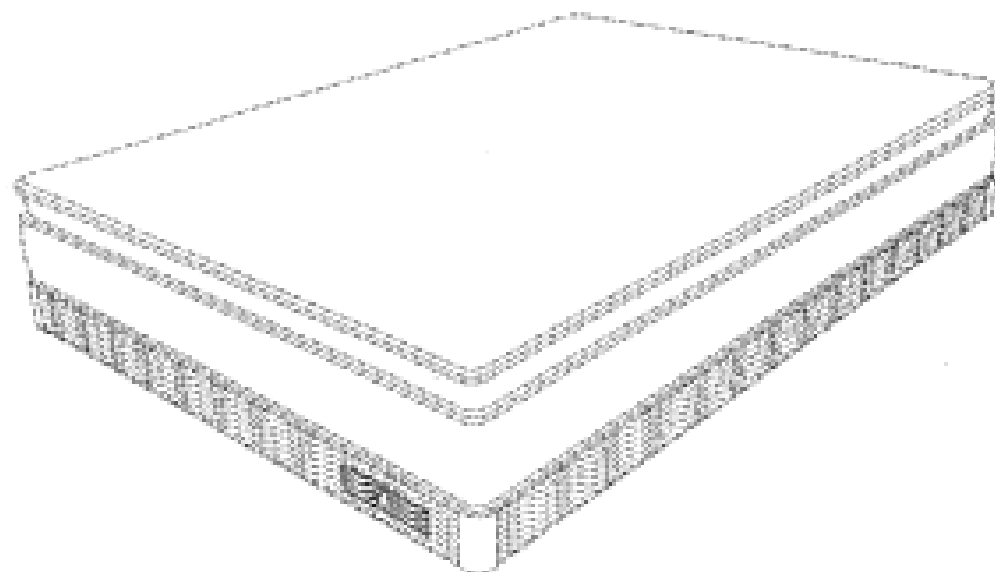
- (21) Design Number: **15494/2005**
(22) Date of Filing Application: **09 December 2005**
(24) Date from which industrial property rights may have effect: **09 December 2005**
(54) Product in respect of which the design is registered: **Cleaning cloth**
(51) International Design Classification: **07-05E**
(71) Name(s) and Address(s) of Applicant(s):
Intellectual Property Development Corporation Pty Ltd
Level 9 51 Queen Street Melbourne Victoria 3000 Australia
(72) Name(s) of Designer(s): **Philip Withers**
(45) Registration Date: **09 November 2006**
(56) Related Art Documents: **Not Applicable**
(57) Statement of Newness and Distinctiveness: **Newness and distinctiveness are claimed in the features of shape and/or configuration, pattern and/or ornamentation of a cleaning cloth. The pattern is a uniform repeat and the article may be of indefinite dimensions in lengths and widths, as illustrated in the accompanying representations.**



- (21) Design Number: **15495/2005**
(22) Date of Filing Application: **09 December 2005**
(24) Date from which industrial property rights may have effect: **09 December 2005**
(54) Product in respect of which the design is registered: **Cleaning cloth**
(51) International Design Classification: **07-05E**
(71) Name(s) and Address(s) of Applicant(s):
Intellectual Property Development Corporation Pty Ltd
Level 9 51 Queen Street Melbourne Victoria 3000 Australia
(72) Name(s) of Designer(s): **Philip Withers**
(45) Registration Date: **09 November 2006**
(56) Related Art Documents: **Not Applicable**
(57) Statement of Newness and Distinctiveness: **Newness and distinctiveness are claimed in the features of shape and/or configuration, pattern and/or ornamentation of a cleaning cloth, as illustrated in the accompanying representations. In the representations, the cloth is shown enveloping a sponge - this is for illustrative purposes only and does not form part of the design.**



- (21) Design Number: **11905/2005**
(22) Date of Filing Application: **04 May 2005**
(24) Date from which industrial property rights may have effect: **04 May 2005**
(54) Product in respect of which the design is registered: **A plastic mattress foundation drawer**
(51) International Design Classification: **06-02, 06-06D, 06-06F**
(71) Name(s) and Address(s) of Applicant(s):
Dreamwell, Ltd
2215-B Renaissance Drive Suite 12 Las Vegas Nevada 89119 United States of America
(72) Name(s) of Designer(s): **Richard F. Gladney**
(45) Registration Date: **09 November 2006**
(30) Convention priority data:
(31) Number (32) Date (33) Country
29/216643 04 Nov 2004 UNITED STATES OF AMERICA
(56) Related Art Documents: **Not Applicable**
(57) Statement of Newness and Distinctiveness: **Nil**



(21) Design Number: **13534/2005**

(22) Date of Filing Application: **17 August 2005**

(24) Date from which industrial property rights may have effect: **17 August 2005**

(54) Product in respect of which the design is registered: **Motorcycle fender skirt**

(51) International Design Classification: **12-11**

(71) Name(s) and Address(s) of Applicant(s):

Dnh Management LLC

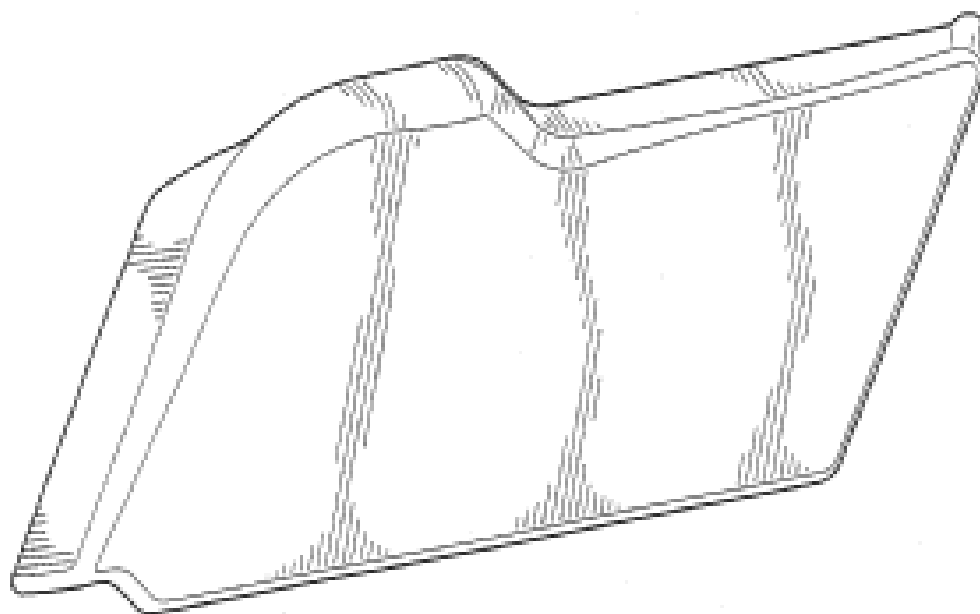
240 Robinson Road Combine Texas 75159 United States of America

(72) Name(s) of Designer(s): **Dwight N. Haddock**

(45) Registration Date: **09 November 2006**

(56) Related Art Documents: **Not Applicable**

(57) Statement of Newness and Distinctiveness: **Those features of the motorcycle fender skirt depicted in the representations that are new and distinctive are the shape and/or configuration. The features shown in broken lines are not part of the design and are to be disregarded when considering the overall impression of the design.**



(21) Design Number: **10475/2006**

(22) Date of Filing Application: **09 February 2006**

(24) Date from which industrial property rights may have effect: **09 February 2006**

(54) Product in respect of which the design is registered: **An ornamental urn**

(51) International Design Classification: **11-02B**

(71) Name(s) and Address(s) of Applicant(s):

C.L. Higgins

c/- 7 Binney Road Kings Park New South Wales 2148 Australia

(72) Name(s) of Designer(s): **Christopher Lyndon Higgins**

(45) Registration Date: **09 November 2006**

(56) Related Art Documents: **Not Applicable**

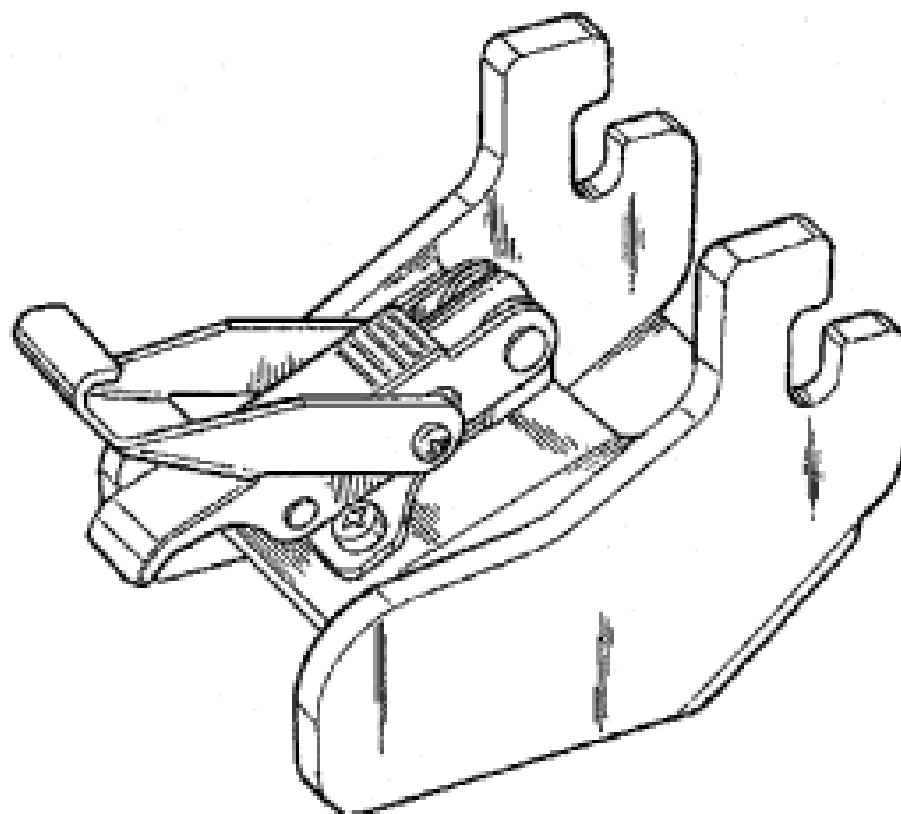
(57) Statement of Newness and Distinctiveness: **Newness and distinctiveness resides in the shape and/or configuration of the ornamental garden pot or urn.**



- (21) Design Number: **10809/2006**
(22) Date of Filing Application: **02 March 2006**
(24) Date from which industrial property rights may have effect: **02 March 2006**
(54) Product in respect of which the design is registered: **A container neck**
(51) International Design Classification: **09-07A**
(71) Name(s) and Address(s) of Applicant(s):
Ctech Closures Pty Ltd
7 Binney Road Kings Park New South Wales 2148 Australia
(72) Name(s) of Designer(s): **Christopher Lyndon Higgins**
(45) Registration Date: **09 November 2006**
(56) Related Art Documents: **Not Applicable**
(57) Statement of Newness and Distinctiveness: **Newness and distinctiveness resides in the shape and/or configuration of the portion of the container neck between dotted lines A and B in Fig. 1. All other features illustrated do not form part of the claimed design and are included only for the purpose of illustrating the relationship of the claimed design to the overall shape and/or configuration of a container neck.**



- (21) Design Number: **11906/2006**
(22) Date of Filing Application: **04 May 2006**
(24) Date from which industrial property rights may have effect: **24 August 2005**
(54) Product in respect of which the design is registered: **Trolley latch**
(51) International Design Classification: **08-07**
(71) Name(s) and Address(s) of Applicant(s):
Shairzal Pty Ltd
28 Jersey Road Bayswater Victoria 3153 Australia
(72) Name(s) of Designer(s): **David Ian Holm and Ernest James Benson and Anthony Farrugia**
(45) Registration Date: **09 November 2006**
(62) Divisional of: **306800**
(56) Related Art Documents: **Not Applicable**
(57) Statement of Newness and Distinctiveness: **Those features of the trolley latch depicted in the representations that are new and distinctive are the shape and/or configuration.**



(21) Design Number: **11989/2006**

(22) Date of Filing Application: **05 May 2006**

(24) Date from which industrial property rights may have effect: **05 May 2006**

(54) Product in respect of which the design is registered: **Air feshener device**

(51) International Design Classification: **28-99**

(71) Name(s) and Address(s) of Applicant(s):

Reckitt Benckiser (UK) Limited
103-105 Bath Road Slough Berkshire SL1 3UH United Kingdom

(72) Name(s) of Designer(s): **Andrew Douglas Barraclough**

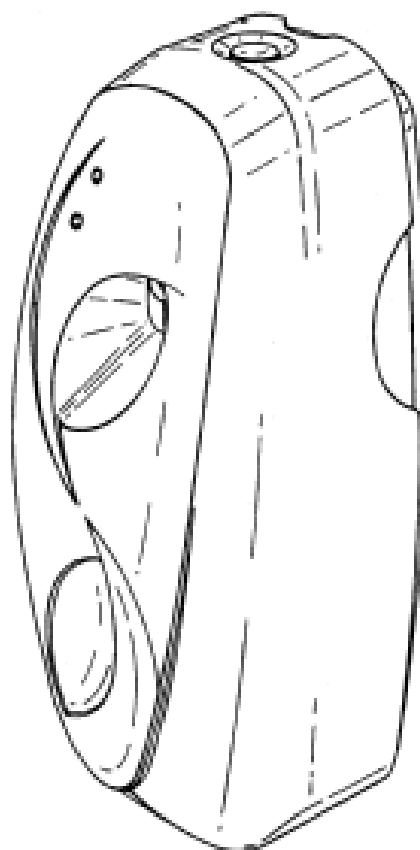
(45) Registration Date: **09 November 2006**

(30) Convention priority data:

(31) Number	(32) Date	(33) Country
000428362	07 Nov 2005	EUROPEAN COMMUNITY

(56) Related Art Documents: **Not Applicable**

(57) Statement of Newness and Distinctiveness: **Newness and distinctiveness reside in the features of the design as shown in the representations.**



(21) Design Number: **11990/2006**

(22) Date of Filing Application: **05 May 2006**

(24) Date from which industrial property rights may have effect: **05 May 2006**

(54) Product in respect of which the design is registered: **Air freshener device**

(51) International Design Classification: **28-99**

(71) Name(s) and Address(s) of Applicant(s):

Reckitt Benckiser (UK) Limited
103-105 Bath Road Slough Berkshire SL1 3UH United Kingdom

(72) Name(s) of Designer(s): **Matthew Copeman**

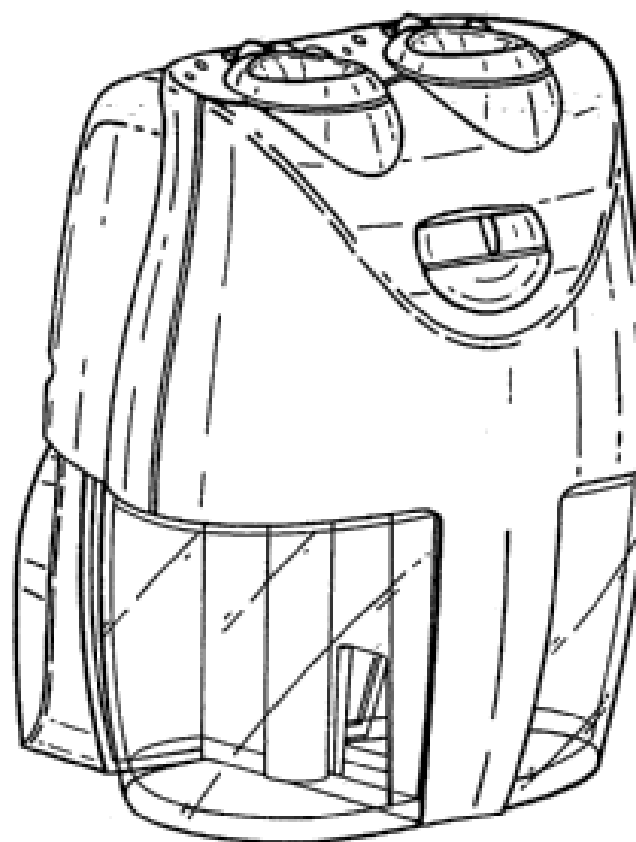
(45) Registration Date: **09 November 2006**

(30) Convention priority data:

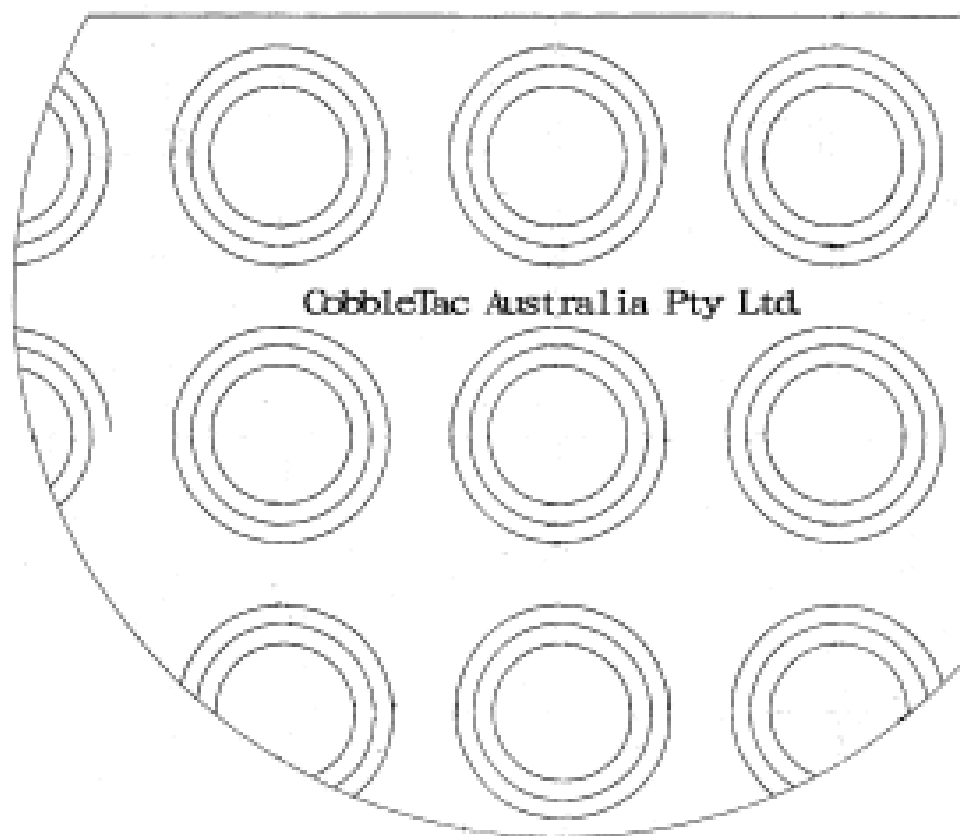
(31) Number	(32) Date	(33) Country
000428602	08 Nov 2005	EUROPEAN COMMUNITY

(56) Related Art Documents: **Not Applicable**

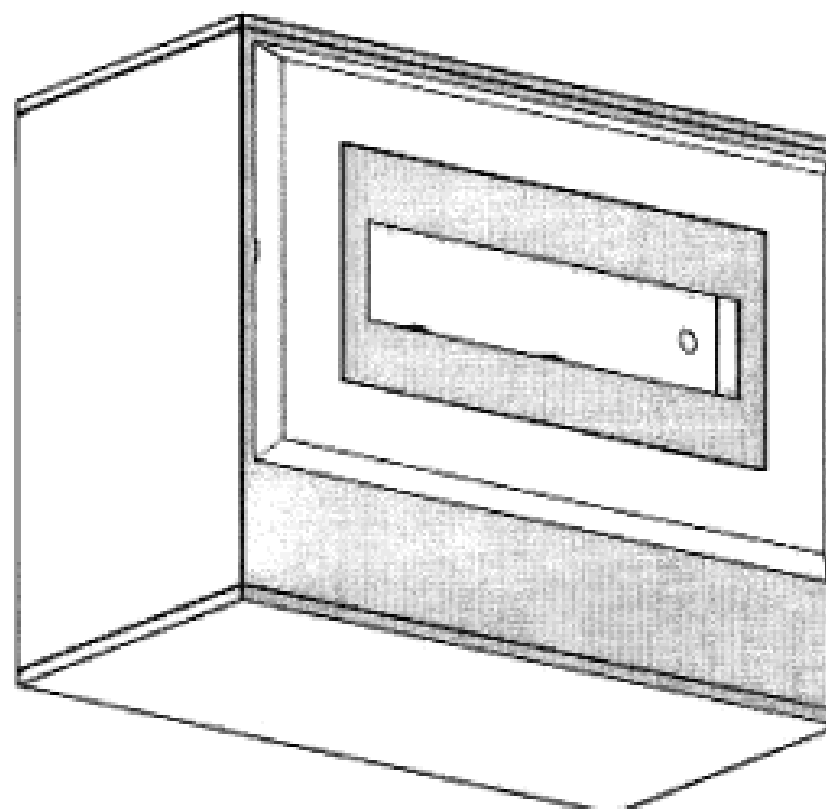
(57) Statement of Newness and Distinctiveness: **Newness and distinctiveness reside in the features of the design shown in solid lines in the representations excluding those features shown in broken lines.**



- (21) Design Number: **12125/2006**
(22) Date of Filing Application: **15 May 2006**
(24) Date from which industrial property rights may have effect: **15 May 2006**
(54) Product in respect of which the design is registered: **Tactile ground surface indicators, otherwise known as tactiles, which are used for orientation of the vision**
(51) International Design Classification: **26-99, 99-00**
(71) Name(s) and Address(s) of Applicant(s):
CTA Australia Pty Ltd
89 Hickford Street East Brunswick Victoria 3057 Australia
(72) Name(s) of Designer(s): **Secondo Gastaldello**
(45) Registration Date: **09 November 2006**
(56) Related Art Documents: **Not Applicable**
(57) Statement of Newness and Distinctiveness: **The stud is designed for maximum anti-slip, having a textured surface finish and a 0.5mm lip around the top of the stud, both of which increase frictional properties. Also, the radius at the base of the stud provides ease of cleaning by reducing dirt ingress. The tile size, 600mmx900mm, optimises installation time and provides minimum number of joins for typical installation lay-out. This tile size is unique in the industry, where all competitor tiles are either 200x200, 300x300, 400x400 or 300x600.**



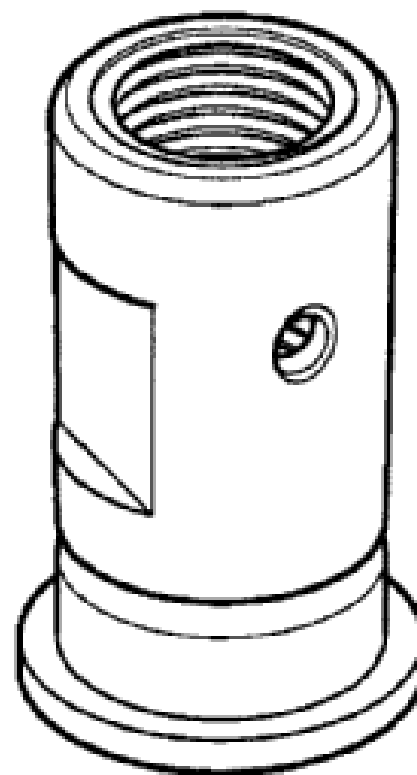
- (21) Design Number: **13942/2006**
(22) Date of Filing Application: **31 August 2006**
(24) Date from which industrial property rights may have effect: **31 August 2006**
(54) Product in respect of which the design is registered: **LED lighting fixture**
(51) International Design Classification: **26-05C, 26-05NES**
(71) Name(s) and Address(s) of Applicant(s):
Zumtobel Lighting GmbH & Co. KG
Grevenmarschstr. 74-78 32657 Lemgo Germany
(72) Name(s) of Designer(s): **Katharina Goetz-Schaefer**
(45) Registration Date: **09 November 2006**
(30) Convention priority data:
(31) Number (32) Date (33) Country
000492137-0003 09 Mar 2006 EUROPEAN COMMUNITY
(57) Statement of Newness and Distinctiveness: **Newness and distinctiveness is claimed in the features of shape and/or configuration of an LED lighting fixture as illustrated in the accompanying representations.**



- (21) Design Number: **14177/2006**
(22) Date of Filing Application: **19 September 2006**
(24) Date from which industrial property rights may have effect: **19 September 2006**
(54) Product in respect of which the design is registered: **Manifold**
(51) International Design Classification: **12-16NES**
(71) Name(s) and Address(s) of Applicant(s):
Agro Air-Volution
100 Pyke Road Mooroopna VICTORIA 3629
(72) Name(s) of Designer(s): **Paul Maksacheff**
(45) Registration Date: **09 November 2006**
(56) Related Art Documents: **Not Applicable**
(57) Statement of Newness and Distinctiveness: **Distinctive manifold to hold an intercooler core inside it, with intercooler entries at the rear. Front of intercooler is recessed to allow fitment in direct OEM location, without the need to relocate OEM alternator. Main body of the manifold sits deep into the valley of engine, to accomodate intercooler core.**



- (21) Design Number: **14411/2006**
(22) Date of Filing Application: **03 October 2006**
(24) Date from which industrial property rights may have effect: **03 October 2006**
(54) Product in respect of which the design is registered: **Barrel nut**
(51) International Design Classification: **08-08B**
(71) Name(s) and Address(s) of Applicant(s):
Korvest Ltd
580 Prospect Road Kilburn South Australia 5084 Australia
(72) Name(s) of Designer(s): **David Salvaterra**
(45) Registration Date: **09 November 2006**
(56) Related Art Documents: **Not Applicable**
(57) Statement of Newness and Distinctiveness: **Newness and distinctiveness resides in the features of shape and configuration of a barrel nut as shown in the accompanying representations.**



(21) Design Number: **14490/2006**

(22) Date of Filing Application: **06 October 2006**

(24) Date from which industrial property rights may have effect: **06 October 2006**

(54) Product in respect of which the design is registered: **Cover for audio speakers and amplifier enclosure**

(51) International Design Classification: **14-03C**

(71) Name(s) and Address(s) of Applicant(s):

IPPV Pty Ltd

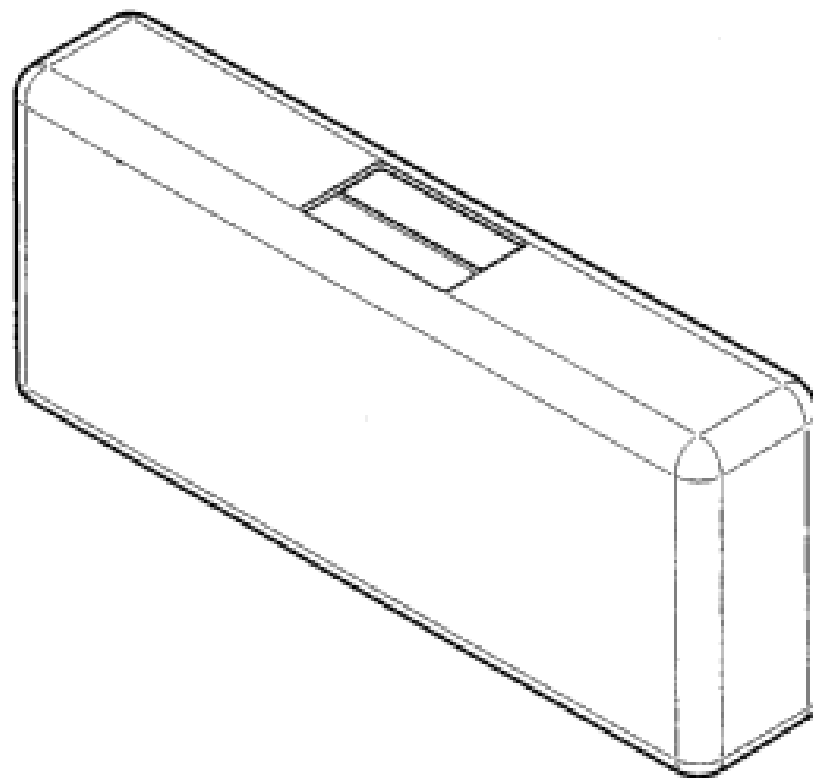
25 First Avenue St Peters South Australia 5069 Australia

(72) Name(s) of Designer(s): **Philip Vafiadis**

(45) Registration Date: **09 November 2006**

(56) Related Art Documents: **Not Applicable**

(57) Statement of Newness and Distinctiveness: **Nil**



(21) Design Number: **14491/2006**

(22) Date of Filing Application: **06 October 2006**

(24) Date from which industrial property rights may have effect: **06 October 2006**

(54) Product in respect of which the design is registered: **Hanging rack/coat hooks**

(51) International Design Classification: **06-08**

(71) Name(s) and Address(s) of Applicant(s):

Penelope Forlano

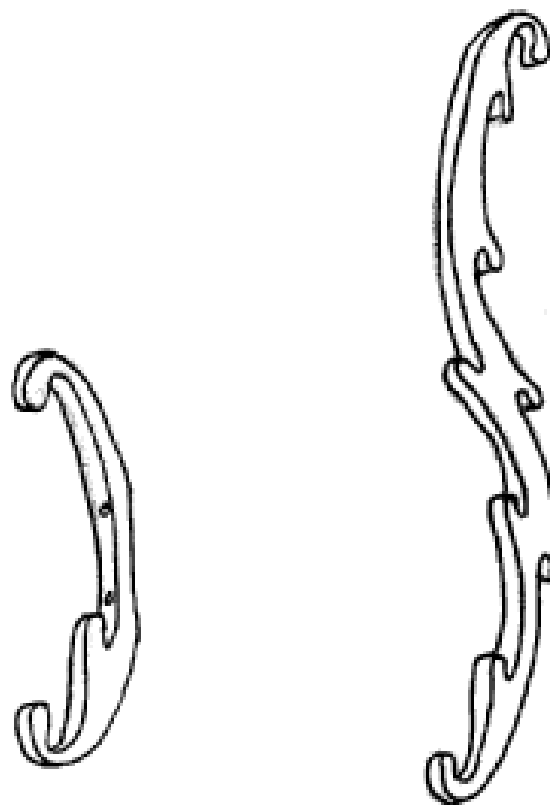
24 McManus Street Wilson Western Australia 6107 Australia

(72) Name(s) of Designer(s): **Penelope Forlano**

(45) Registration Date: **09 November 2006**

(56) Related Art Documents: **Not Applicable**

(57) Statement of Newness and Distinctiveness: **Nil**



- (21) Design Number: **14492/2006**
(22) Date of Filing Application: **06 October 2006**
(24) Date from which industrial property rights may have effect: **06 October 2006**
(54) Product in respect of which the design is registered: **Cornice mitre box**
(51) International Design Classification: **08-05NES**
(71) Name(s) and Address(s) of Applicant(s):

Graham John Gibb
PO Box 5326 Maroochydore BC Queensland 4558 Australia

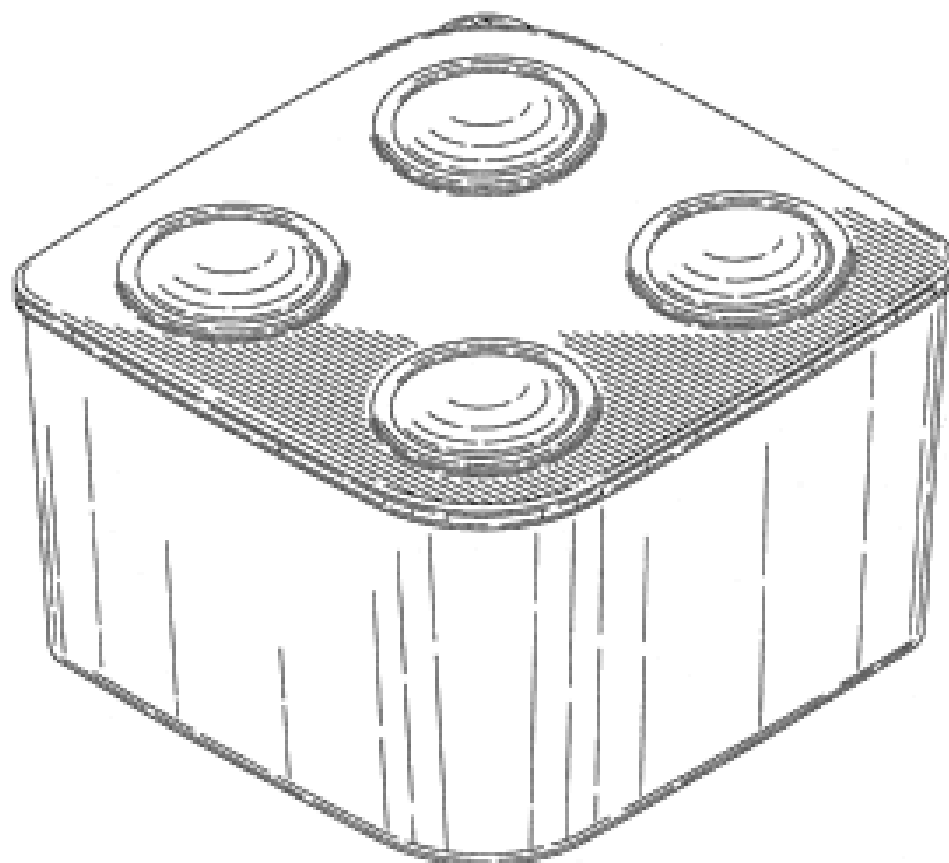
- (72) Name(s) of Designer(s): **Graham John Gibb**
(45) Registration Date: **09 November 2006**
(56) Related Art Documents: **Not Applicable**
(57) Statement of Newness and Distinctiveness: **Nil**



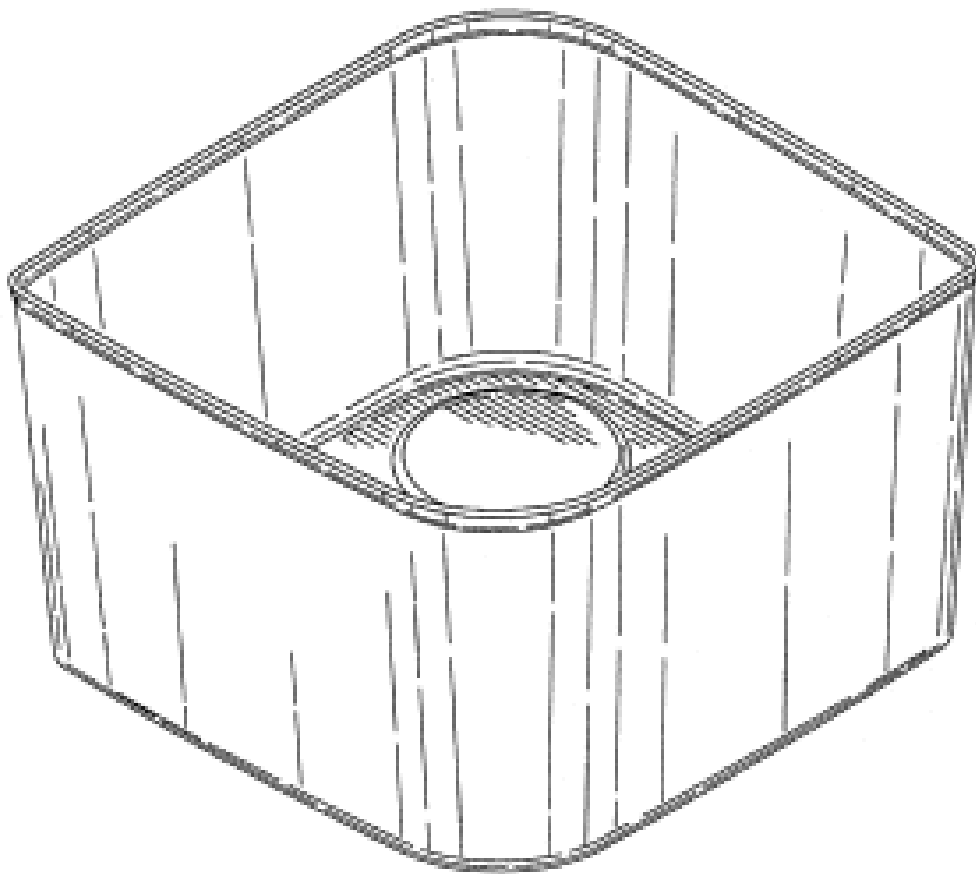
- (21) Design Number: **14493/2006**
(22) Date of Filing Application: **05 October 2006**
(24) Date from which industrial property rights may have effect: **05 October 2006**
(54) Product in respect of which the design is registered: **Covered container**
(51) International Design Classification: **09-03M**
(71) Name(s) and Address(s) of Applicant(s):

Dart Industries Inc
14901 S. Orange Blossom Trail Orlando Florida 32837 United States of America

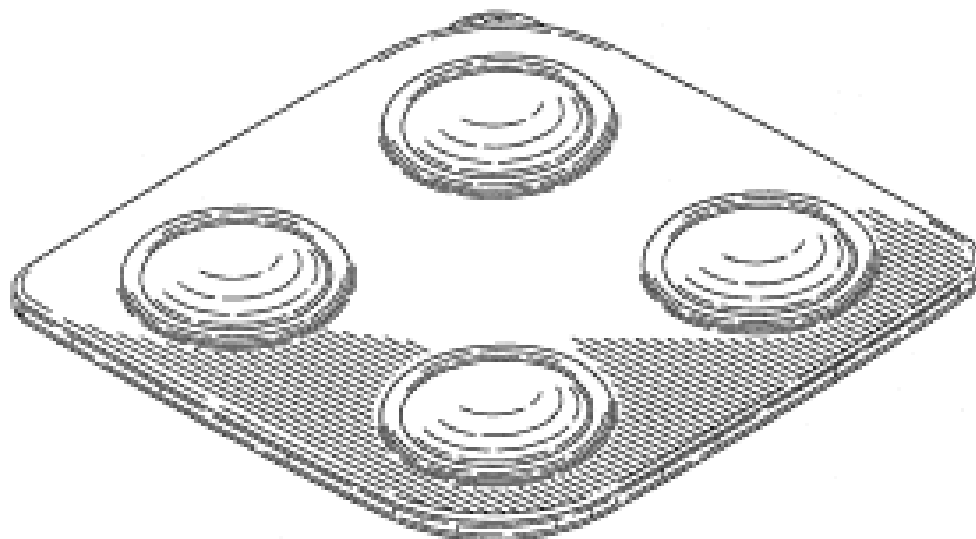
- (72) Name(s) of Designer(s): **Anita Suk Ping Liu**
(45) Registration Date: **09 November 2006**
(30) Convention priority data:
(31) Number (32) Date (33) Country
29/258,800 27 Apr 2006 UNITED STATES OF AMERICA
(56) Related Art Documents: **Not Applicable**
(57) Statement of Newness and Distinctiveness: **Those features of the covered container depicted in the representations that are new and distinctive are the shape and/or configuration.**



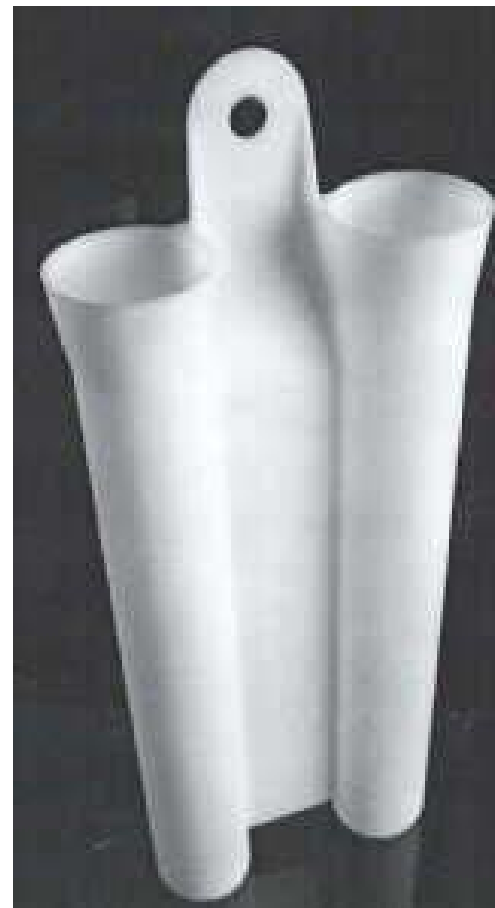
(21) Design Number: **14494/2006**
 (22) Date of Filing Application: **05 October 2006**
 (24) Date from which industrial property rights may have effect: **05 October 2006**
 (54) Product in respect of which the design is registered: **Container**
 (51) International Design Classification: **09-03M**
 (71) Name(s) and Address(s) of Applicant(s):
Dart Industries Inc
14901 S. Orange Blossom Trail Orlando Florida 32837 United States of America
 (72) Name(s) of Designer(s): **Anita Suk Ping Liu**
 (45) Registration Date: **09 November 2006**
 (30) Convention priority data:
 (31) Number (32) Date (33) Country
29/258,804 27 Apr 2006 UNITED STATES OF AMERICA
 (56) Related Art Documents: **Not Applicable**
 (57) Statement of Newness and Distinctiveness: **Those features of the container depicted in the representations that are new and distinctive are the shape and/or configuration.**



(21) Design Number: **14495/2006**
 (22) Date of Filing Application: **05 October 2006**
 (24) Date from which industrial property rights may have effect: **05 October 2006**
 (54) Product in respect of which the design is registered: **Cover**
 (51) International Design Classification: **09-07B**
 (71) Name(s) and Address(s) of Applicant(s):
Dart Industries Inc
14901 S. Orange Blossom Trail Orlando Florida 32837 United States of America
 (72) Name(s) of Designer(s): **Anita Suk Ping Liu**
 (45) Registration Date: **09 November 2006**
 (30) Convention priority data:
 (31) Number (32) Date (33) Country
29/258,801 27 Apr 2006 UNITED STATES OF AMERICA
 (56) Related Art Documents: **Not Applicable**
 (57) Statement of Newness and Distinctiveness: **Those features of the cover depicted in the representations that are new and distinctive are the shape and/or configuration.**



- (21) Design Number: **14496/2006**
(22) Date of Filing Application: **05 October 2006**
(24) Date from which industrial property rights may have effect: **05 October 2006**
(54) Product in respect of which the design is registered: **Surgical instrument holder**
(51) International Design Classification: **24-01**
(71) Name(s) and Address(s) of Applicant(s):
Richard McArthur
70 North Valley Road Highton Victoria 3216 Australia
Robert Cockayne
32 Saint James Street Whittington Victoria 3219 Australia
(72) Name(s) of Designer(s): **Richard McArthur and Robert Cockayne**
(45) Registration Date: **09 November 2006**
(56) Related Art Documents: **Not Applicable**
(57) Statement of Newness and Distinctiveness: **Newness and distinctiveness are claimed in the features of shape and/or configuration of a surgical instrument holder, as illustrated in the accompanying representatives.**



- (21) Design Number: **14521/2006**
(22) Date of Filing Application: **09 October 2006**
(24) Date from which industrial property rights may have effect: **09 October 2006**
(54) Product in respect of which the design is registered: **Footwear-thongs**
(51) International Design Classification: **02-04NES**
(71) Name(s) and Address(s) of Applicant(s):
Taking The Phis Pty Ltd
909 Albany Highway East Victoria Park Western Australia 6101 Australia
(72) Name(s) of Designer(s): **Phillip Smart**
(45) Registration Date: **09 November 2006**
(56) Related Art Documents: **Not Applicable**
(57) Statement of Newness and Distinctiveness: **Thong is to use two 'Plugs', instead of the usual one 'Plug', for the straps front connection (between the toes) to the flat sole.**



(21) Design Number: **14783/2006**

(22) Date of Filing Application: **18 October 2006**

(24) Date from which industrial property rights may have effect: **18 October 2006**

(54) Product in respect of which the design is registered: **An extrusion**

(51) International Design Classification: **25-01K**

(71) Name(s) and Address(s) of Applicant(s):

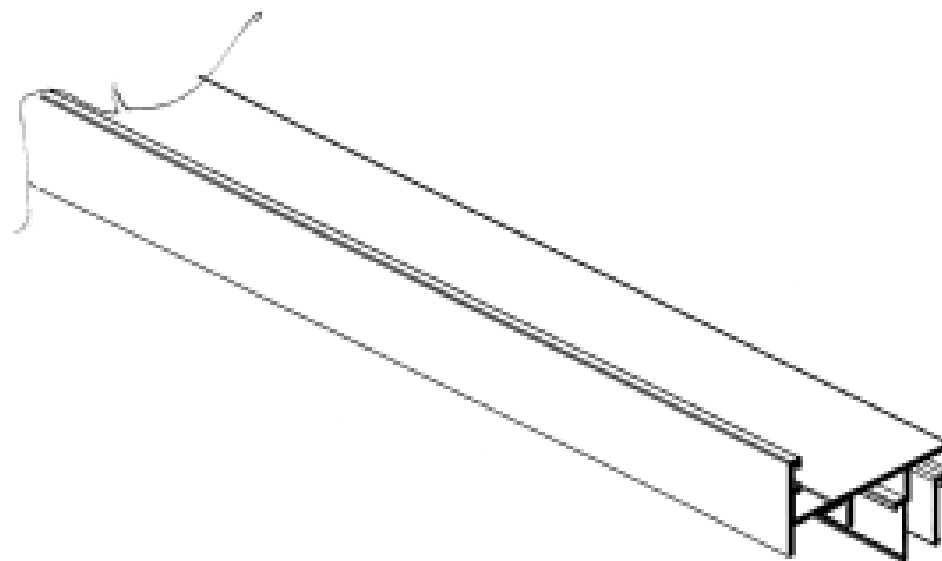
**Architectural Window Systems Pty Ltd
76-78 Jemma Road Prestons New South Wales 2170 Australia**

(72) Name(s) of Designer(s): **David John McCleary**

(45) Registration Date: **09 November 2006**

(56) Related Art Documents: **Not Applicable**

(57) Statement of Newness and Distinctiveness: **Newness and distinctiveness is claimed in the shape and/or configuration of an extrusion as illustrated by the unbroken lines in the accompanying representation/s.**



(21) Design Number: **11080/2006**

(22) Date of Filing Application: **16 March 2006**

(24) Date from which industrial property rights may have effect: **16 March 2006**

(54) Product in respect of which the design is registered: **Vehicle fascia**

(51) International Design Classification: **12-16C**

(71) Name(s) and Address(s) of Applicant(s):

**GM Holden Ltd
241 Salmon Street Port Melbourne Victoria 3207 Australia**

(72) Name(s) of Designer(s): **Peter Hughes**

(45) Registration Date: **09 November 2006**

(56) Related Art Documents: **Not Applicable**

(57) Statement of Newness and Distinctiveness: **Newness and distinctiveness is claimed in the shape and/or configuration of a vehicle fascia as shown in the representations.**



(21) Design Number: **11081/2006**

(22) Date of Filing Application: **16 March 2006**

(24) Date from which industrial property rights may have effect: **16 March 2006**

(54) Product in respect of which the design is registered: **Vehicle fascia insert**

(51) International Design Classification: **12-16B**

(71) Name(s) and Address(s) of Applicant(s):

GM Holden Ltd

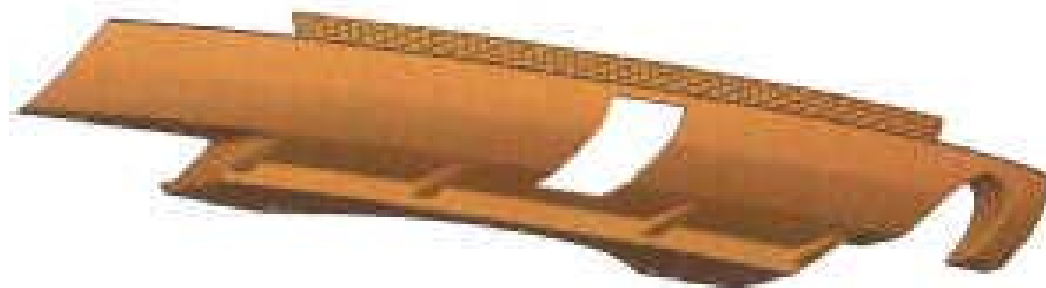
241 Salmon Street Port Melbourne Victoria 3207 Australia

(72) Name(s) of Designer(s): **Peter Hughes**

(45) Registration Date: **09 November 2006**

(56) Related Art Documents: **Not Applicable**

(57) Statement of Newness and Distinctiveness: **Newness and distinctiveness is claimed in the shape and/or configuration of a vehicle fascia insert as shown in the representations.**



(21) Design Number: **11082/2006**

(22) Date of Filing Application: **16 March 2006**

(24) Date from which industrial property rights may have effect: **16 March 2006**

(54) Product in respect of which the design is registered: **Vehicle fascia insert**

(51) International Design Classification: **12-16B**

(71) Name(s) and Address(s) of Applicant(s):

GM Holden Ltd

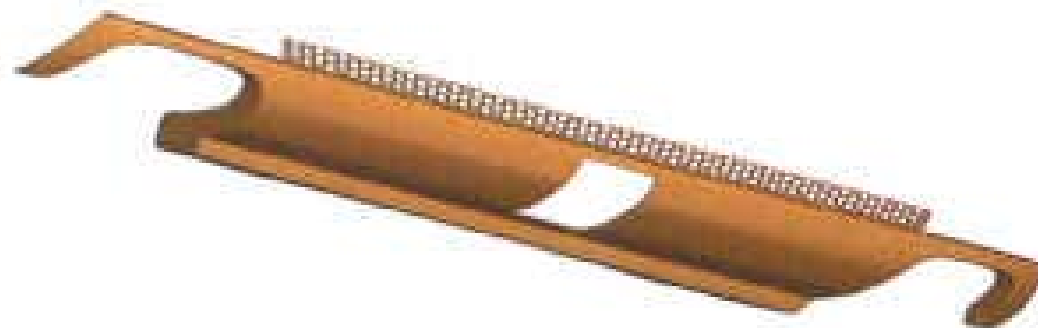
241 Salmon Street Port Melbourne Victoria 3207 Australia

(72) Name(s) of Designer(s): **Peter Hughes**

(45) Registration Date: **09 November 2006**

(56) Related Art Documents: **Not Applicable**

(57) Statement of Newness and Distinctiveness: **Newness and distinctiveness is claimed in the shape and/or configuration of a vehicle fascia insert as shown in the representations.**



(21) Design Number: **11083/2006**

(22) Date of Filing Application: **16 March 2006**

(24) Date from which industrial property rights may have effect: **16 March 2006**

(54) Product in respect of which the design is registered: **Vehicle fascia insert**

(51) International Design Classification: **12-16C**

(71) Name(s) and Address(s) of Applicant(s):

GM Holden Ltd

241 Salmon Street Port Melbourne Victoria 3207 Australia

(72) Name(s) of Designer(s): **Peter Hughes**

(45) Registration Date: **09 November 2006**

(56) Related Art Documents: **Not Applicable**

(57) Statement of Newness and Distinctiveness: **Newness and distinctiveness is claimed in the shape and/or configuration of a vehicle fascia insert as shown in the representations.**



(21) Design Number: **11084/2006**

(22) Date of Filing Application: **16 March 2006**

(24) Date from which industrial property rights may have effect: **16 March 2006**

(54) Product in respect of which the design is registered: **Vehicle fascia insert**

(51) International Design Classification: **12-16C**

(71) Name(s) and Address(s) of Applicant(s):

GM Holden Ltd

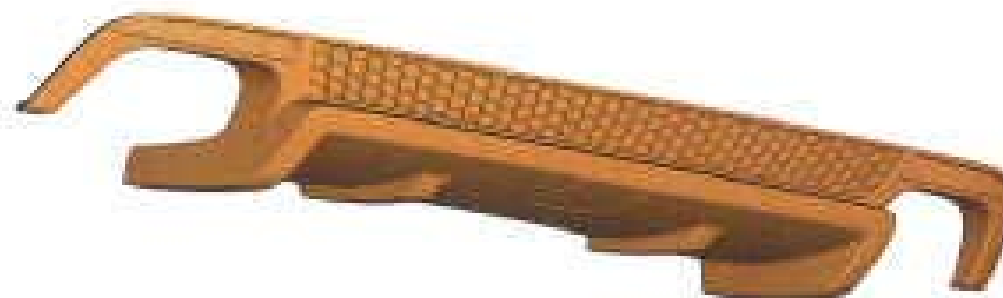
241 Salmon Street Port Melbourne Victoria 3207 Australia

(72) Name(s) of Designer(s): **Peter Hughes**

(45) Registration Date: **09 November 2006**

(56) Related Art Documents: **Not Applicable**

(57) Statement of Newness and Distinctiveness: **Newness and distinctiveness is claimed in the shape and/or configuration of a vehicle fascia insert as shown in the representations.**



(21) Design Number: **11085/2006**

(22) Date of Filing Application: **16 March 2006**

(24) Date from which industrial property rights may have effect: **16 March 2006**

(54) Product in respect of which the design is registered: **Vehicle fascia insert**

(51) International Design Classification: **12-16B**

(71) Name(s) and Address(s) of Applicant(s):

GM Holden Ltd

241 Salmon Street Port Melbourne Victoria 3207 Australia

(72) Name(s) of Designer(s): **Peter Hughes**

(45) Registration Date: **09 November 2006**

(56) Related Art Documents: **Not Applicable**

(57) Statement of Newness and Distinctiveness: **Newness and distinctiveness is claimed in the shape and/or configuration of a vehicle fascia insert as shown in the representations.**



(21) Design Number: **11086/2006**

(22) Date of Filing Application: **16 March 2006**

(24) Date from which industrial property rights may have effect: **16 March 2006**

(54) Product in respect of which the design is registered: **Vehicle fascia insert**

(51) International Design Classification: **12-16B**

(71) Name(s) and Address(s) of Applicant(s):

GM Holden Ltd

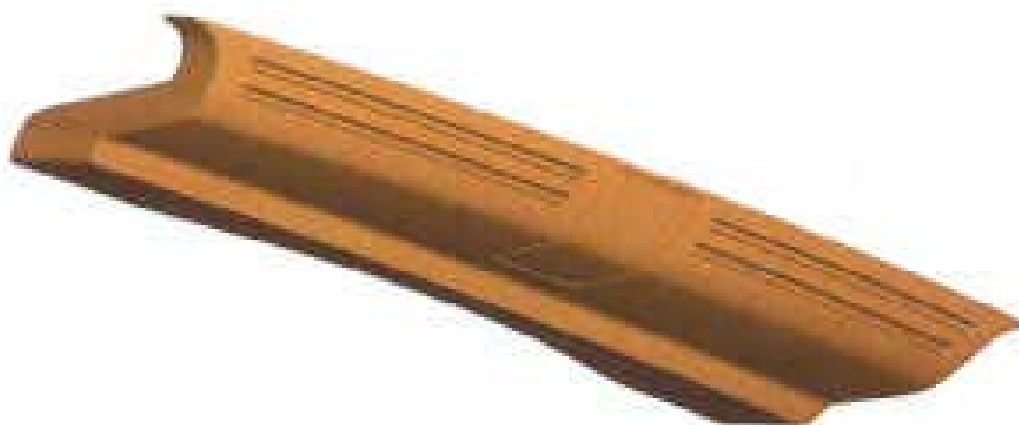
241 Salmon Street Port Melbourne Victoria 3207 Australia

(72) Name(s) of Designer(s): **Peter Hughes**

(45) Registration Date: **09 November 2006**

(56) Related Art Documents: **Not Applicable**

(57) Statement of Newness and Distinctiveness: **Newness and distinctiveness is claimed in the shape and/or configuration of a vehicle fascia insert as shown in the representations.**



(21) Design Number: **11092/2006**

(22) Date of Filing Application: **16 March 2006**

(24) Date from which industrial property rights may have effect: **16 March 2006**

(54) Product in respect of which the design is registered: **Vehicle lamp housing**

(51) International Design Classification: **11-02E**

(71) Name(s) and Address(s) of Applicant(s):

GM Holden Ltd

241 Salmon Street Port Melbourne Victoria 3207 Australia

(72) Name(s) of Designer(s): **Peter Hughes**

(45) Registration Date: **09 November 2006**

(56) Related Art Documents: **Not Applicable**

(57) Statement of Newness and Distinctiveness: **Newness and distinctiveness is claimed in the shape and/or configuration of a vehicle lamp housing as shown in the representations.**



(21) Design Number: **11094/2006**

(22) Date of Filing Application: **16 March 2006**

(24) Date from which industrial property rights may have effect: **16 March 2006**

(54) Product in respect of which the design is registered: **Vehicle wheel**

(51) International Design Classification: **12-16A**

(71) Name(s) and Address(s) of Applicant(s):

GM Holden Ltd

241 Salmon Street Port Melbourne Victoria 3207 Australia

(72) Name(s) of Designer(s): **Peter Hughes**

(45) Registration Date: **09 November 2006**

(56) Related Art Documents: **Not Applicable**

(57) Statement of Newness and Distinctiveness: **Newness and distinctiveness is claimed in the shape and/or configuration of a vehicle wheel as shown in the representations, except that the rim is to be disregarded.**



(21) Design Number: **11095/2006**

(22) Date of Filing Application: **16 March 2006**

(24) Date from which industrial property rights may have effect: **16 March 2006**

(54) Product in respect of which the design is registered: **Vehicle wheel**

(51) International Design Classification: **12-16A**

(71) Name(s) and Address(s) of Applicant(s):

GM Holden Ltd

241 Salmon Street Port Melbourne Victoria 3207 Australia

(72) Name(s) of Designer(s): **Peter Hughes**

(45) Registration Date: **09 November 2006**

(56) Related Art Documents: **Not Applicable**

(57) Statement of Newness and Distinctiveness: **Newness and distinctiveness is claimed in the shape and/or configuration of a vehicle wheel as shown in the representations, except that the rim is to be disregarded.**



(21) Design Number: **11096/2006**

(22) Date of Filing Application: **16 March 2006**

(24) Date from which industrial property rights may have effect: **16 March 2006**

(54) Product in respect of which the design is registered: **Vehicle wheel**

(51) International Design Classification: **12-16A**

(71) Name(s) and Address(s) of Applicant(s):

GM Holden Ltd

241 Salmon Street Port Melbourne Victoria 3207 Australia

(72) Name(s) of Designer(s): **Peter Hughes**

(45) Registration Date: **09 November 2006**

(56) Related Art Documents: **Not Applicable**

(57) Statement of Newness and Distinctiveness: **Newness and distinctiveness is claimed in the shape and/or configuration of a vehicle wheel as shown in the representations, except that the rim is to be disregarded.**



(21) Design Number: **11097/2006**

(22) Date of Filing Application: **16 March 2006**

(24) Date from which industrial property rights may have effect: **16 March 2006**

(54) Product in respect of which the design is registered: **Vehicle wheel**

(51) International Design Classification: **12-16A**

(71) Name(s) and Address(s) of Applicant(s):

GM Holden Ltd

241 Salmon Street Port Melbourne Victoria 3207 Australia

(72) Name(s) of Designer(s): **Peter Hughes**

(45) Registration Date: **09 November 2006**

(56) Related Art Documents: **Not Applicable**

(57) Statement of Newness and Distinctiveness: **Newness and distinctiveness is claimed in the shape and/or configuration of a vehicle wheel as shown in the representations, except that the rim is to be disregarded.**



(21) Design Number: **11098/2006**

(22) Date of Filing Application: **16 March 2006**

(24) Date from which industrial property rights may have effect: **16 March 2006**

(54) Product in respect of which the design is registered: **Vehicle wheel**

(51) International Design Classification: **12-16A**

(71) Name(s) and Address(s) of Applicant(s):

GM Holden Ltd

241 Salmon Street Port Melbourne Victoria 3207 Australia

(72) Name(s) of Designer(s): **Peter Hughes**

(45) Registration Date: **09 November 2006**

(56) Related Art Documents: **Not Applicable**

(57) Statement of Newness and Distinctiveness: **Newness and distinctiveness is claimed in the shape and/or configuration of a vehicle wheel as shown in the representations, except that the rim is to be disregarded.**



(21) Design Number: **11099/2006**
(22) Date of Filing Application: **16 March 2006**
(24) Date from which industrial property rights may have effect: **16 March 2006**
(54) Product in respect of which the design is registered: **Vehicle sill extension**
(51) International Design Classification: **12-16B**
(71) Name(s) and Address(s) of Applicant(s):
GM Holden Ltd
241 Salmon Street Port Melbourne Victoria 3207 Australia
(72) Name(s) of Designer(s): **Peter Hughes**
(45) Registration Date: **09 November 2006**
(56) Related Art Documents: **Not Applicable**
(57) Statement of Newness and Distinctiveness: **Newness and distinctiveness is claimed in the shape and/or configuration of a vehicle sill extension as shown in the representations.**



(21) Design Number: **12443/2006**
(22) Date of Filing Application: **05 June 2006**
(24) Date from which industrial property rights may have effect: **05 June 2006**
(54) Product in respect of which the design is registered: **Glasses**
(51) International Design Classification: **16-06**
(71) Name(s) and Address(s) of Applicant(s):
TAG Heuer SA
14A avenue des Champs-Montants 2074 Marin Switzerland
(72) Name(s) of Designer(s): **Michael Damen**
(45) Registration Date: **09 November 2006**
(30) Convention priority data:
(31) Number (32) Date (33) Country
000442348 05 Dec 2005 EUROPEAN COMMUNITY
(56) Related Art Documents: **Not Applicable**
(57) Statement of Newness and Distinctiveness: **Newness and distinctiveness resides in the visual features of shape and/or configuration as applied to glasses as illustrated in the representations.**



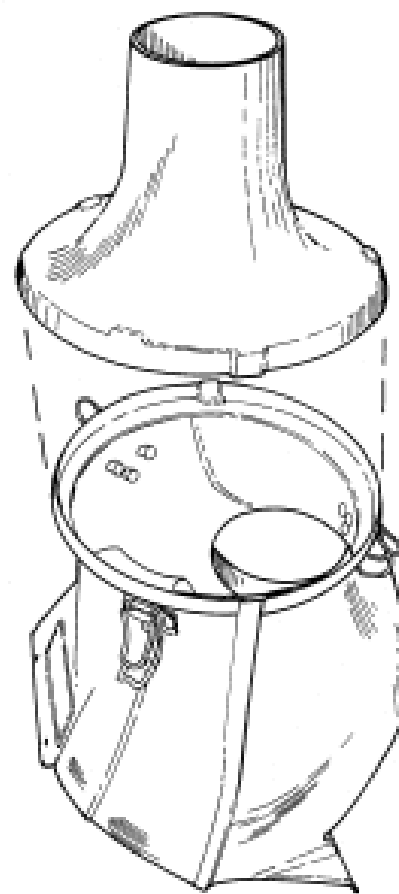
- (21) Design Number: **12444/2006**
(22) Date of Filing Application: **05 June 2006**
(24) Date from which industrial property rights may have effect: **05 June 2006**
(54) Product in respect of which the design is registered: **Glasses**
(51) International Design Classification: **16-06**
(71) Name(s) and Address(s) of Applicant(s):
TAG Heuer SA
14A avenue des Champs-Montants 2074 Marin Switzerland
(72) Name(s) of Designer(s): **Michael Damen**
(45) Registration Date: **09 November 2006**
(30) Convention priority data:
(31) Number (32) Date (33) Country
000442348 05 Dec 2005 EUROPEAN COMMUNITY
(56) Related Art Documents: **Not Applicable**
(57) Statement of Newness and Distinctiveness: **Newness and distinctiveness resides in the visual features of shape and/or configuration as applied to glasses as illustrated in the representations.**



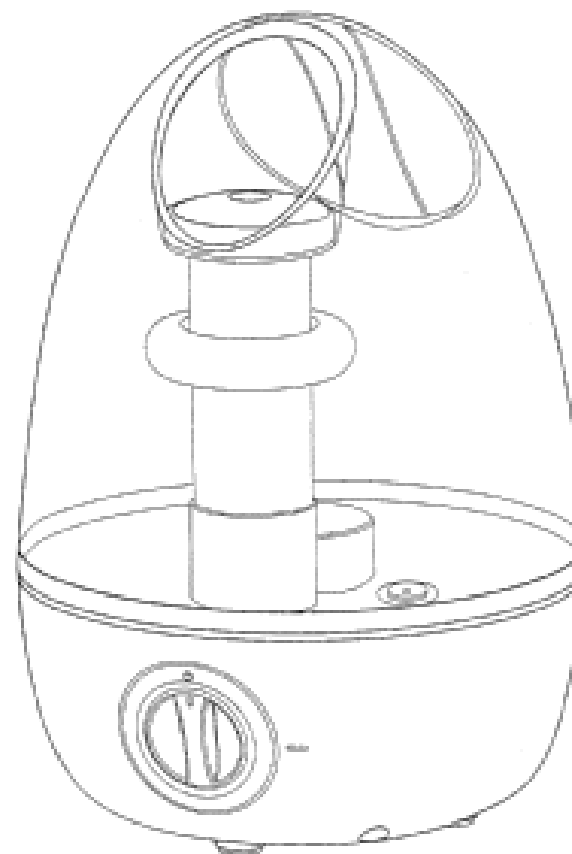
- (21) Design Number: **14476/2006**
(22) Date of Filing Application: **05 October 2006**
(24) Date from which industrial property rights may have effect: **05 October 2006**
(54) Product in respect of which the design is registered: **Brake calliper**
(51) International Design Classification: **12-16M**
(71) Name(s) and Address(s) of Applicant(s):
AL-KO International Pty Ltd
67 Nathan Road Dandenong South Victoria 3175 Australia
(72) Name(s) of Designer(s): **Robert Funder and Slobodan Cabarkapa**
(45) Registration Date: **09 November 2006**
(56) Related Art Documents: **Not Applicable**
(57) Statement of Newness and Distinctiveness: **Any words letters or numbers appearing in the representations are excluded from the design.**



- (21) Design Number: **14514/2006**
(22) Date of Filing Application: **09 August 2006**
(24) Date from which industrial property rights may have effect: **09 August 2006**
(54) Product in respect of which the design is registered: **Induction unit**
(51) International Design Classification: **15-01**
(71) Name(s) and Address(s) of Applicant(s):
Bellnet Pty Ltd
1/76 Blanck Street Ormeau Queensland 4308 Australia
(72) Name(s) of Designer(s): **Kevin Hoverd**
(45) Registration Date: **09 November 2006**
(56) Related Art Documents: **Not Applicable**
(57) Statement of Newness and Distinctiveness: **Nil**



- (21) Design Number: **14519/2006**
(22) Date of Filing Application: **06 October 2006**
(24) Date from which industrial property rights may have effect: **06 October 2006**
(54) Product in respect of which the design is registered: **Ultrasonic humidifier**
(51) International Design Classification: **23-04**
(71) Name(s) and Address(s) of Applicant(s):
OSIM International Ltd
65 Ubi Avenue 1 OSIM Headquarters Singapore 408939
(72) Name(s) of Designer(s): **Felix Wai Mun Lee**
(45) Registration Date: **09 November 2006**
(56) Related Art Documents: **Not Applicable**
(57) Statement of Newness and Distinctiveness: **Monopoly is claimed in the shape and configuration of the features of the article as depicted in the accompanying representations. No monopoly is claimed in the letters and arrows depicted in Figure 3 in the accompanying representations.**



(21) Design Number: **11100/2006**

(22) Date of Filing Application: **16 March 2006**

(24) Date from which industrial property rights may have effect: **16 March 2006**

(54) Product in respect of which the design is registered: **Vehicle grille mesh**

(51) International Design Classification: **12-16B**

(71) Name(s) and Address(s) of Applicant(s):

GM Holden Ltd

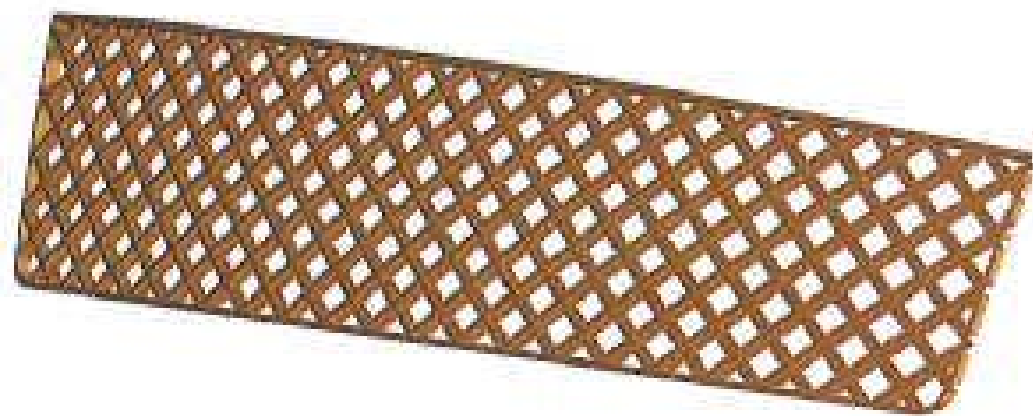
241 Salmon Street Port Melbourne Victoria 3207 Australia

(72) Name(s) of Designer(s): **Peter Hughes**

(45) Registration Date: **09 November 2006**

(56) Related Art Documents: **Not Applicable**

(57) Statement of Newness and Distinctiveness: **Newness and distinctiveness is claimed in the shape and/or configuration of a vehicle grille mesh as shown in the representations.**



(21) Design Number: **11101/2006**

(22) Date of Filing Application: **16 March 2006**

(24) Date from which industrial property rights may have effect: **16 March 2006**

(54) Product in respect of which the design is registered: **Vehicle applique**

(51) International Design Classification: **12-16B**

(71) Name(s) and Address(s) of Applicant(s):

GM Holden Ltd

241 Salmon Street Port Melbourne Victoria 3207 Australia

(72) Name(s) of Designer(s): **Peter Hughes**

(45) Registration Date: **09 November 2006**

(56) Related Art Documents: **Not Applicable**

(57) Statement of Newness and Distinctiveness: **Newness and distinctiveness is claimed in the shape and/or configuration of a vehicle applique as shown in the representations.**



(21) Design Number: **11102/2006**

(22) Date of Filing Application: **16 March 2006**

(24) Date from which industrial property rights may have effect: **16 March 2006**

(54) Product in respect of which the design is registered: **Vehicle fascia extension**

(51) International Design Classification: **12-16B**

(71) Name(s) and Address(s) of Applicant(s):

GM Holden Ltd

241 Salmon Street Port Melbourne Victoria 3207 Australia

(72) Name(s) of Designer(s): **Peter Hughes**

(45) Registration Date: **09 November 2006**

(56) Related Art Documents: **Not Applicable**

(57) Statement of Newness and Distinctiveness: **Newness and distinctiveness is claimed in the shape and/or configuration of a vehicle fascia extension as shown in the representations.**



(21) Design Number: **11103/2006**

(22) Date of Filing Application: **16 March 2006**

(24) Date from which industrial property rights may have effect: **16 March 2006**

(54) Product in respect of which the design is registered: **Vehicle lamp escutcheon**

(51) International Design Classification: **12-16E**

(71) Name(s) and Address(s) of Applicant(s):

GM Holden Ltd

241 Salmon Street Port Melbourne Victoria 3207 Australia

(72) Name(s) of Designer(s): **Peter Hughes**

(45) Registration Date: **09 November 2006**

(56) Related Art Documents: **Not Applicable**

(57) Statement of Newness and Distinctiveness: **Newness and distinctiveness is claimed in the shape and/or configuration of a vehicle lamp escutcheon as shown in the representations.**



(21) Design Number: **11104/2006**

(22) Date of Filing Application: **16 March 2006**

(24) Date from which industrial property rights may have effect: **16 March 2006**

(54) Product in respect of which the design is registered: **Vehicle lamp escutcheon**

(51) International Design Classification: **12-16E**

(71) Name(s) and Address(s) of Applicant(s):

GM Holden Ltd

241 Salmon Street Port Melbourne Victoria 3207 Australia

(72) Name(s) of Designer(s): **Peter Hughes**

(45) Registration Date: **09 November 2006**

(56) Related Art Documents: **Not Applicable**

(57) Statement of Newness and Distinctiveness: **Newness and distinctiveness is claimed in the shape and/or configuration of a vehicle lamp escutcheon as shown in the representations.**



(21) Design Number: **11105/2006**

(22) Date of Filing Application: **16 March 2006**

(24) Date from which industrial property rights may have effect: **16 March 2006**

(54) Product in respect of which the design is registered: **Vehicle grille mesh**

(51) International Design Classification: **12-16B**

(71) Name(s) and Address(s) of Applicant(s):

GM Holden Ltd

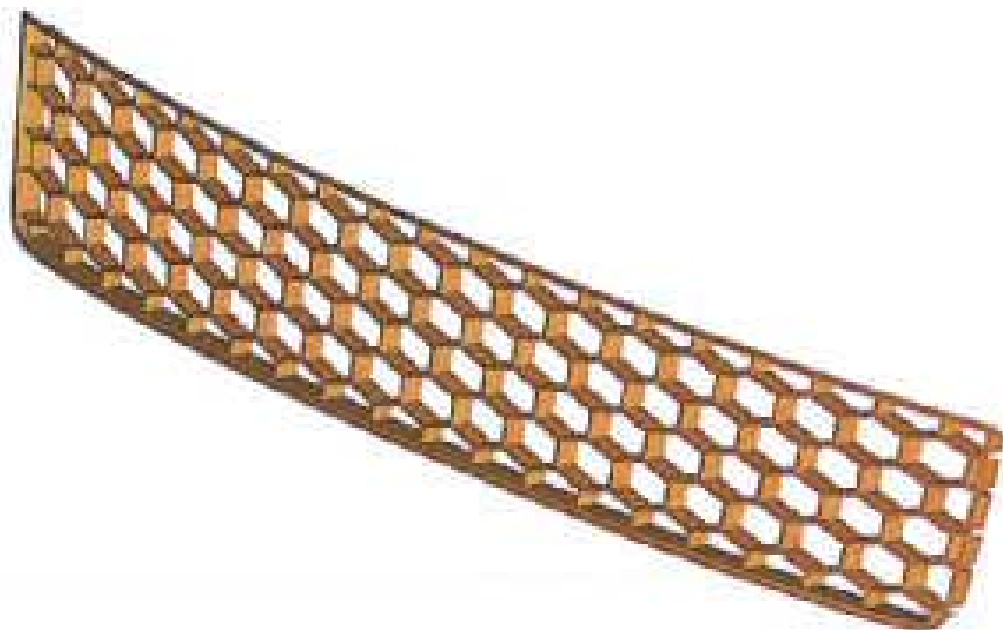
241 Salmon Street Port Melbourne Victoria 3207 Australia

(72) Name(s) of Designer(s): **Peter Hughes**

(45) Registration Date: **09 November 2006**

(56) Related Art Documents: **Not Applicable**

(57) Statement of Newness and Distinctiveness: **Newness and distinctiveness is claimed in the shape and/or configuration of a vehicle grille mesh as shown in the representations.**



(21) Design Number: **11106/2006**

(22) Date of Filing Application: **16 March 2006**

(24) Date from which industrial property rights may have effect: **16 March 2006**

(54) Product in respect of which the design is registered: **Vehicle fender vent**

(51) International Design Classification: **12-16B**

(71) Name(s) and Address(s) of Applicant(s):

GM Holden Ltd

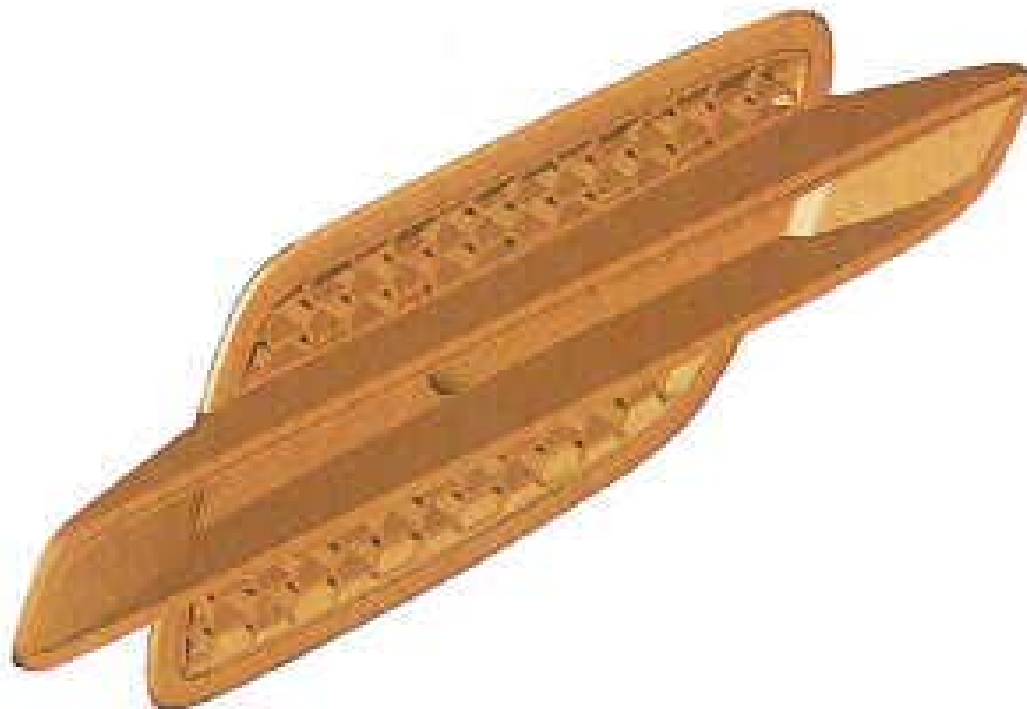
241 Salmon Street Port Melbourne Victoria 3207 Australia

(72) Name(s) of Designer(s): **Peter Hughes**

(45) Registration Date: **09 November 2006**

(56) Related Art Documents: **Not Applicable**

(57) Statement of Newness and Distinctiveness: **Newness and distinctiveness is claimed in the shape and/or configuration of a vehicle fender vent as shown in the representations.**



(21) Design Number: **11107/2006**

(22) Date of Filing Application: **16 March 2006**

(24) Date from which industrial property rights may have effect: **16 March 2006**

(54) Product in respect of which the design is registered: **Vehicle wheel centre cap**

(51) International Design Classification: **12-16A**

(71) Name(s) and Address(s) of Applicant(s):

GM Holden Ltd

241 Salmon Street Port Melbourne Victoria 3207 Australia

(72) Name(s) of Designer(s): **Peter Hughes**

(45) Registration Date: **09 November 2006**

(56) Related Art Documents: **Not Applicable**

(57) Statement of Newness and Distinctiveness: **Newness and distinctiveness is claimed in the shape and/or configuration of a vehicle wheel centre cap as shown in the representations.**



(21) Design Number: **11108/2006**

(22) Date of Filing Application: **16 March 2006**

(24) Date from which industrial property rights may have effect: **16 March 2006**

(54) Product in respect of which the design is registered: **Vehicle wheel**

(51) International Design Classification: **12-16A**

(71) Name(s) and Address(s) of Applicant(s):

GM Holden Ltd

241 Salmon Street Port Melbourne Victoria 3207 Australia

(72) Name(s) of Designer(s): **Peter Hughes**

(45) Registration Date: **09 November 2006**

(56) Related Art Documents: **Not Applicable**

(57) Statement of Newness and Distinctiveness: **Newness and distinctiveness is claimed in the shape and/or configuration of a vehicle wheel as shown in the representations, except that the rim is to be disregarded.**



(21) Design Number: **11057/2006**

(22) Date of Filing Application: **16 March 2006**

(24) Date from which industrial property rights may have effect: **16 March 2006**

(54) Product in respect of which the design is registered: **Vehicle roof panel**

(51) International Design Classification: **12-16B**

(71) Name(s) and Address(s) of Applicant(s):

GM Holden Ltd

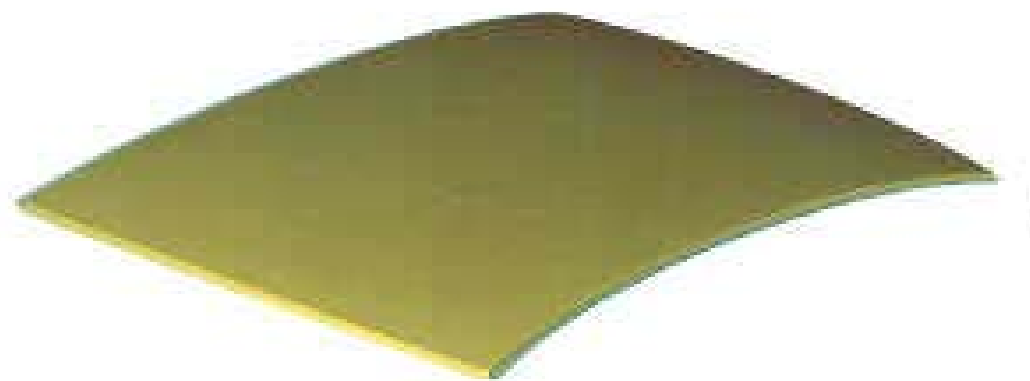
241 Salmon Street Port Melbourne Victoria 3207 Australia

(72) Name(s) of Designer(s): **Peter Hughes**

(45) Registration Date: **09 November 2006**

(56) Related Art Documents: **Not Applicable**

(57) Statement of Newness and Distinctiveness: **Newness and distinctiveness is claimed in the shape and/or configuration of a vehicle roof panel as shown in the representations.**



(21) Design Number: **14529/2006**

(22) Date of Filing Application: **09 October 2006**

(24) Date from which industrial property rights may have effect: **09 October 2006**

(54) Product in respect of which the design is registered: **"Tail light assembly (Single)"**

(51) International Design Classification: **26-06**

(71) Name(s) and Address(s) of Applicant(s):

Prime Global Brands Ltd.

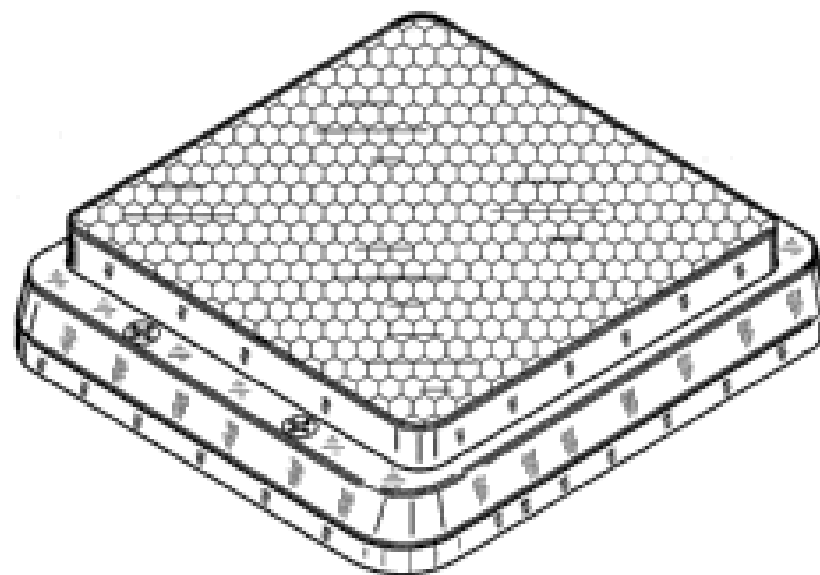
Level 1 1 Cathedral Street Port Louis Mauritius

(72) Name(s) of Designer(s): **Anthony James Keller**

(45) Registration Date: **09 November 2006**

(56) Related Art Documents: **Not Applicable**

(57) Statement of Newness and Distinctiveness: **Newness and distinctiveness reside in the tail light assembly (single) as shown in the accompanying representations. The wire connections shown in broken lines in the rear view do not form part of the design.**



(21) Design Number: **10559/2006**

(22) Date of Filing Application: **15 February 2006**

(24) Date from which industrial property rights may have effect: **15 February 2006**

(54) Product in respect of which the design is registered: **Nebuliser**

(51) International Design Classification: **24-04**

(71) Name(s) and Address(s) of Applicant(s):

Intelligent Medical Technologies Pty Limited

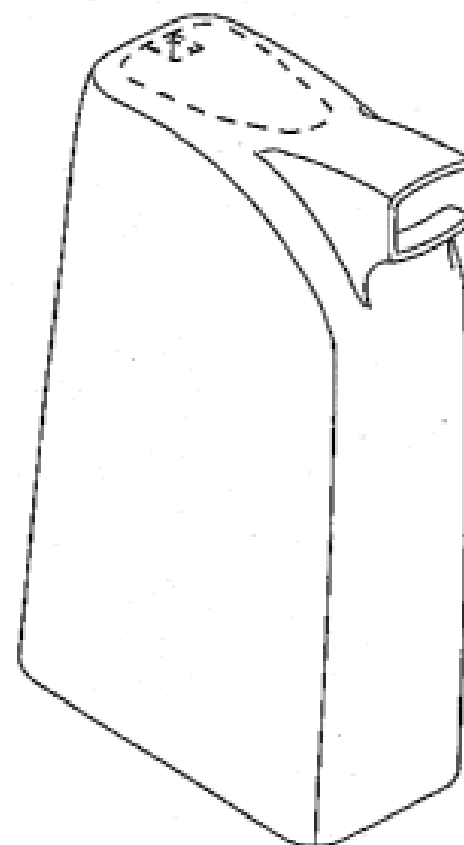
PO Box 842 Bondi Junction New South Wales 2022 Australia

(72) Name(s) of Designer(s): **John Brown and Michael Squires and Claudia Bonifer and Jose Romagnoli and Andy Wyatt**

(45) Registration Date: **10 November 2006**

(56) Related Art Documents: **Not Applicable**

(57) Statement of Newness and Distinctiveness: **Newness and distinctiveness reside in the shape and configuration of the nebuliser as illustrated in the accompany Figures. The features shown in broken outline are illustrative only and do not form part of the design.**



(21) Design Number: **10560/2006**

(22) Date of Filing Application: **15 February 2006**

(24) Date from which industrial property rights may have effect: **15 February 2006**

(54) Product in respect of which the design is registered: **Nebuliser**

(51) International Design Classification: **24-04**

(71) Name(s) and Address(s) of Applicant(s):

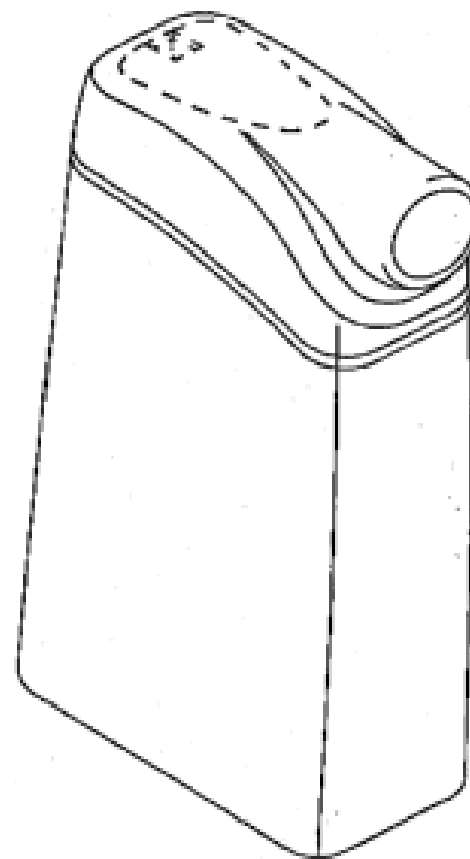
**Intelligent Medical Technologies Pty Limited
PO Box 842 Bondi Junction New South Wales 2022 Australia**

(72) Name(s) of Designer(s): **John Brown and Michael Squires and Claudia Bonifer and Jose Romagnoli and Andy Wyatt**

(45) Registration Date: **10 November 2006**

(56) Related Art Documents: **Not Applicable**

(57) Statement of Newness and Distinctiveness: **Newness and distinctiveness reside in the shape and configuration of the nebuliser as illustrated in the accompanying Figures. The features shown in broken outline are illustrative only and do not form part of the design.**



(21) Design Number: **11076/2006**

(22) Date of Filing Application: **16 March 2006**

(24) Date from which industrial property rights may have effect: **16 March 2006**

(54) Product in respect of which the design is registered: **Vehicle fascia**

(51) International Design Classification: **12-16B**

(71) Name(s) and Address(s) of Applicant(s):

**GM Holden Ltd
241 Salmon Street Port Melbourne Victoria 3207 Australia**

(72) Name(s) of Designer(s): **Peter Hughes**

(45) Registration Date: **10 November 2006**

(56) Related Art Documents: **Not Applicable**

(57) Statement of Newness and Distinctiveness: **Newness and distinctiveness is claimed in the shape and/or configuration of a vehicle fascia grille insert as shown in the representations.**



(21) Design Number: **11077/2006**

(22) Date of Filing Application: **16 March 2006**

(24) Date from which industrial property rights may have effect: **16 March 2006**

(54) Product in respect of which the design is registered: **Vehicle lamp escutcheon**

(51) International Design Classification: **12-16E**

(71) Name(s) and Address(s) of Applicant(s):

GM Holden Ltd

241 Salmon Street Port Melbourne Victoria 3207 Australia

(72) Name(s) of Designer(s): **Peter Hughes**

(45) Registration Date: **10 November 2006**

(56) Related Art Documents: **Not Applicable**

(57) Statement of Newness and Distinctiveness: **Newness and distinctiveness is claimed in the shape and/or configuration of a vehicle lamp escutcheon as shown in the representations.**



(21) Design Number: **11078/2006**

(22) Date of Filing Application: **16 March 2006**

(24) Date from which industrial property rights may have effect: **16 March 2006**

(54) Product in respect of which the design is registered: **Vehicle fascia**

(51) International Design Classification: **12-16C**

(71) Name(s) and Address(s) of Applicant(s):

GM Holden Ltd

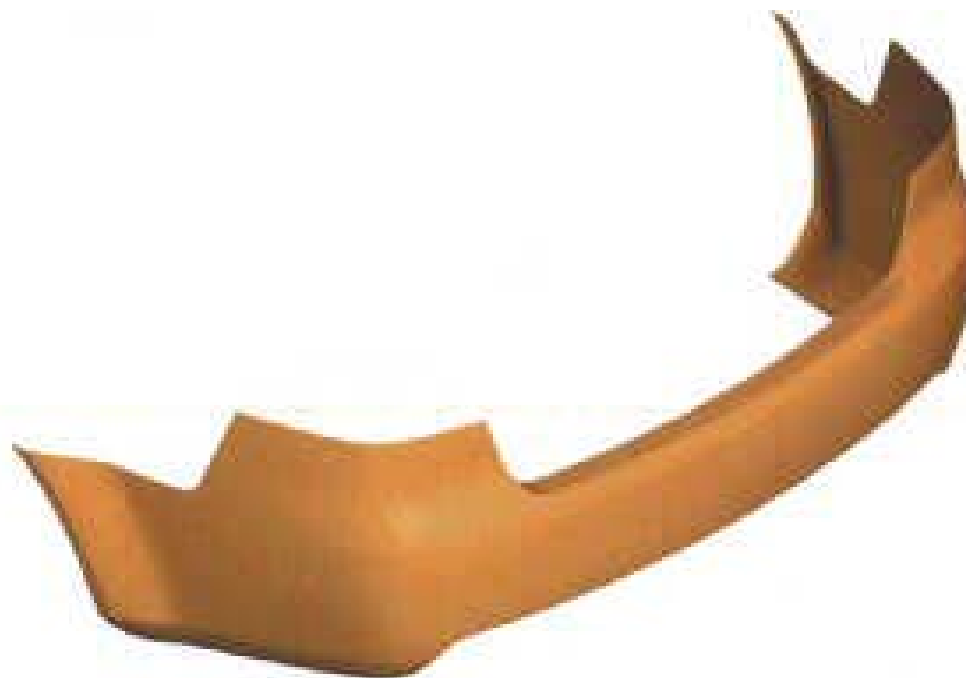
241 Salmon Street Port Melbourne Victoria 3207 Australia

(72) Name(s) of Designer(s): **Peter Hughes**

(45) Registration Date: **10 November 2006**

(56) Related Art Documents: **Not Applicable**

(57) Statement of Newness and Distinctiveness: **Newness and distinctiveness is claimed in the shape and/or configuration of a vehicle fascia as shown in the representations.**



(21) Design Number: **11079/2006**

(22) Date of Filing Application: **16 March 2006**

(24) Date from which industrial property rights may have effect: **16 March 2006**

(54) Product in respect of which the design is registered: **Vehicle fascia**

(51) International Design Classification: **12-16C**

(71) Name(s) and Address(s) of Applicant(s):

GM Holden Ltd

241 Salmon Street Port Melbourne Victoria 3207 Australia

(72) Name(s) of Designer(s): **Peter Hughes**

(45) Registration Date: **10 November 2006**

(56) Related Art Documents: **Not Applicable**

(57) Statement of Newness and Distinctiveness: **Newness and distinctiveness is claimed in the shape and/or configuration of a vehicle fascia as shown in the representations.**



(21) Design Number: **11419/2006**

(22) Date of Filing Application: **05 April 2006**

(24) Date from which industrial property rights may have effect: **05 April 2006**

(54) Product in respect of which the design is registered: **Barb for a fish hook or lure**

(51) International Design Classification: **22-05**

(71) Name(s) and Address(s) of Applicant(s):

Vasko Atanasovski

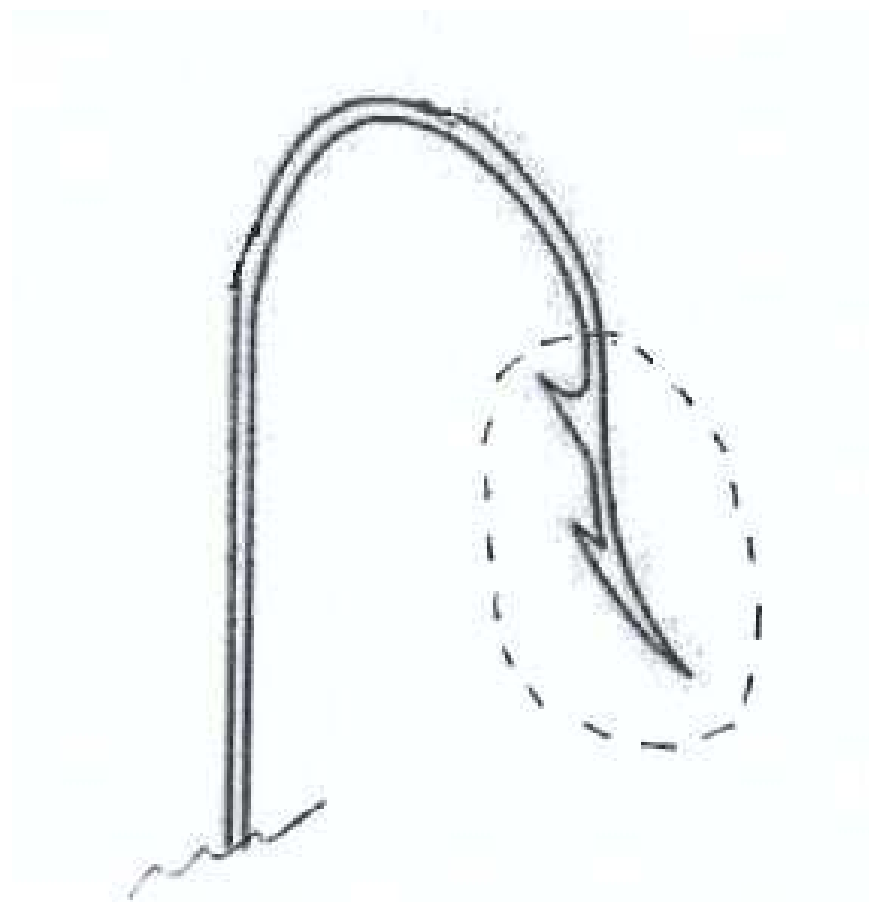
C/-Australian Professional Finance PO Box 4 Victoria 3134 Australia

(72) Name(s) of Designer(s): **Vasko Atanasovski**

(45) Registration Date: **10 November 2006**

(56) Related Art Documents: **Not Applicable**

(57) Statement of Newness and Distinctiveness: **Newness and distinctiveness are claimed in the features of shape and/or configuration of a barb for a fish hook or lure, as illustrated in the accompanying representations. In considering the scope of monopoly, the design is limited to the area shown within the dashed lines.**



(21) Design Number: **11742/2006**

(22) Date of Filing Application: **28 April 2006**

(24) Date from which industrial property rights may have effect: **28 April 2006**

(54) Product in respect of which the design is registered: **Work pants/trousers**

(51) International Design Classification: **02-02B**

(71) Name(s) and Address(s) of Applicant(s):

Gunnar Risnes

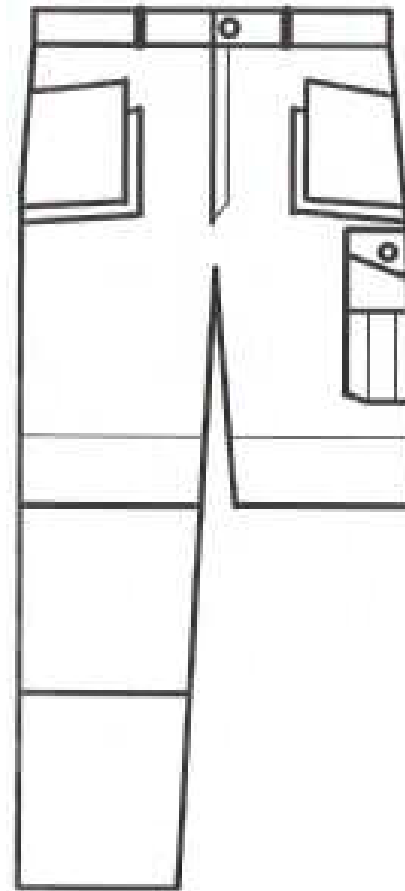
4 Ferrari Place Ingleburn New South Wales 2565 Australia

(72) Name(s) of Designer(s): **Gunnar Risnes**

(45) Registration Date: **10 November 2006**

(56) Related Art Documents: **Not Applicable**

(57) Statement of Newness and Distinctiveness: **Pockets for removable kneepads. Extra front pockets that are only sown to the pants at the top of the pocket which gives easy access to the underlying pocket.**



(21) Design Number: **12046/2006**

(22) Date of Filing Application: **12 May 2006**

(24) Date from which industrial property rights may have effect: **12 May 2006**

(54) Product in respect of which the design is registered: **Absorbent article**

(51) International Design Classification: **02-01B**

(71) Name(s) and Address(s) of Applicant(s):

SeNevens International Pty Ltd

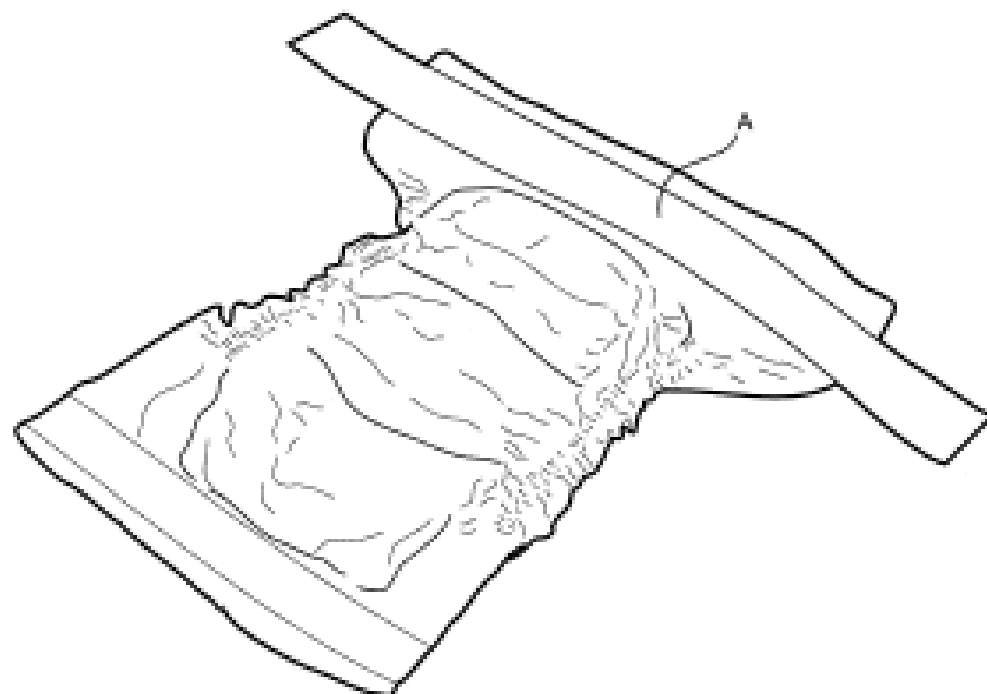
PO Box 74 Como Western Australia 6952 Australia

(72) Name(s) of Designer(s): **Charishma Mohini Wickremesinghe Seneviratne**

(45) Registration Date: **10 November 2006**

(56) Related Art Documents: **Not Applicable**

(57) Statement of Newness and Distinctiveness: **Newness and distinctiveness is claimed in the shape and/or configuration of an absorbent article with a banded portion marked A as illustrated in the accompanying representations.**



- (21) Design Number: **12209/2006**
- (22) Date of Filing Application: **19 May 2006**
- (24) Date from which industrial property rights may have effect: **19 May 2006**
- (54) Product in respect of which the design is registered: **Mobile communication device**
- (51) International Design Classification: **14-04**
- (71) Name(s) and Address(s) of Applicant(s):
Palmerston Limited
2nd Floor Sixty Circular Road Douglas Isle of Man
- (72) Name(s) of Designer(s): **Barry Robson**
- (45) Registration Date: **10 November 2006**
- (56) Related Art Documents: **Not Applicable**
- (57) Statement of Newness and Distinctiveness: **The design resides in the pattern and ornamentation of a screen display of a mobile communication device as shown in the attached representations. The shape and configuration of the mobile communication device shown in the attached representations does not form part of the design.**



- (21) Design Number: **12210/2006**
- (22) Date of Filing Application: **19 May 2006**
- (24) Date from which industrial property rights may have effect: **19 May 2006**
- (54) Product in respect of which the design is registered: **Mobile communication device**
- (51) International Design Classification: **14-04**
- (71) Name(s) and Address(s) of Applicant(s):
Palmerston Limited
2nd Floor Sixty Circular Road Douglas Isle of Man
- (72) Name(s) of Designer(s): **Barry Robson**
- (45) Registration Date: **10 November 2006**
- (56) Related Art Documents: **Not Applicable**
- (57) Statement of Newness and Distinctiveness: **The design resides in the pattern and ornamentation of a screen display of a mobile communication device as shown in the attached representations. The shape and configuration of the mobile communication device shown in the attached representations does not form part of the design.**



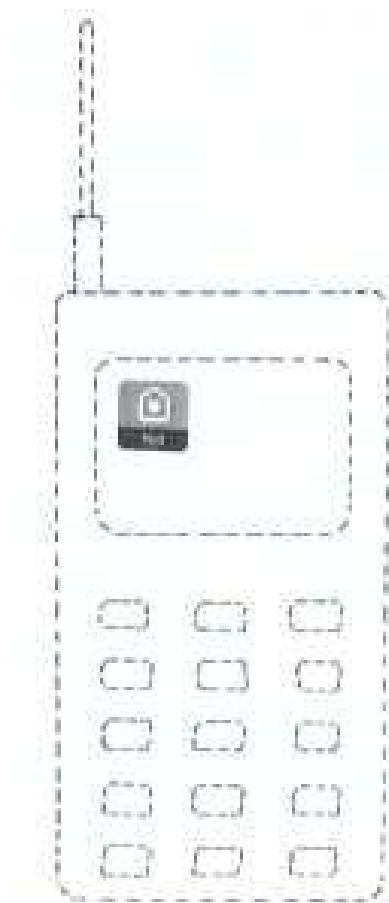
- (21) Design Number: **12211/2006**
(22) Date of Filing Application: **19 May 2006**
(24) Date from which industrial property rights may have effect: **19 May 2006**
(54) Product in respect of which the design is registered: **Mobile communication device**
(51) International Design Classification: **14-04**
(71) Name(s) and Address(s) of Applicant(s):
Palmerston Limited
2nd Floor Sixty Circular Road Douglas Isle of Man
(72) Name(s) of Designer(s): **Barry Robson**
(45) Registration Date: **10 November 2006**
(56) Related Art Documents: **Not Applicable**
(57) Statement of Newness and Distinctiveness: **The design resides in the pattern and ornamentation of a screen display of a mobile communication device as shown in the attached representations. The shape and configuration of the mobile communication device shown in the attached representations does not form part of the design.**



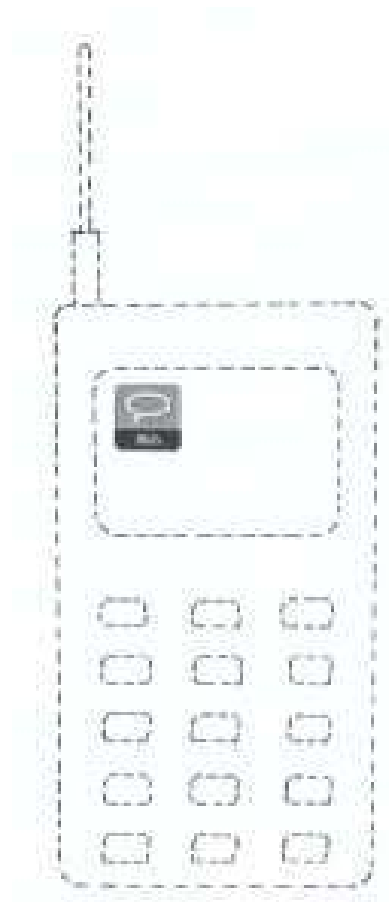
- (21) Design Number: **12212/2006**
(22) Date of Filing Application: **19 May 2006**
(24) Date from which industrial property rights may have effect: **19 May 2006**
(54) Product in respect of which the design is registered: **Mobile communication device**
(51) International Design Classification: **14-04**
(71) Name(s) and Address(s) of Applicant(s):
Palmerston Limited
2nd Floor Sixty Circular Road Douglas Isle of Man
(72) Name(s) of Designer(s): **Barry Robson**
(45) Registration Date: **10 November 2006**
(56) Related Art Documents: **Not Applicable**
(57) Statement of Newness and Distinctiveness: **The design resides in the pattern and ornamentation of a screen display of a mobile communication device as shown in the attached representations. The shape and configuration of the mobile communication device shown in the attached representations does not form part of the design.**



- (21) Design Number: **12213/2006**
- (22) Date of Filing Application: **19 May 2006**
- (24) Date from which industrial property rights may have effect: **19 May 2006**
- (54) Product in respect of which the design is registered: **Mobile communication device**
- (51) International Design Classification: **14-04**
- (71) Name(s) and Address(s) of Applicant(s):
Palmerston Limited
2nd Floor Sixty Circular Road Douglas Isle of Man
- (72) Name(s) of Designer(s): **Barry Robson**
- (45) Registration Date: **10 November 2006**
- (56) Related Art Documents: **Not Applicable**
- (57) Statement of Newness and Distinctiveness: **The design resides in the pattern and ornamentation of a screen display of a mobile communication device as shown in the attached representations. The shape and configuration of the mobile communication device shown in the attached representations does not form part of the design.**



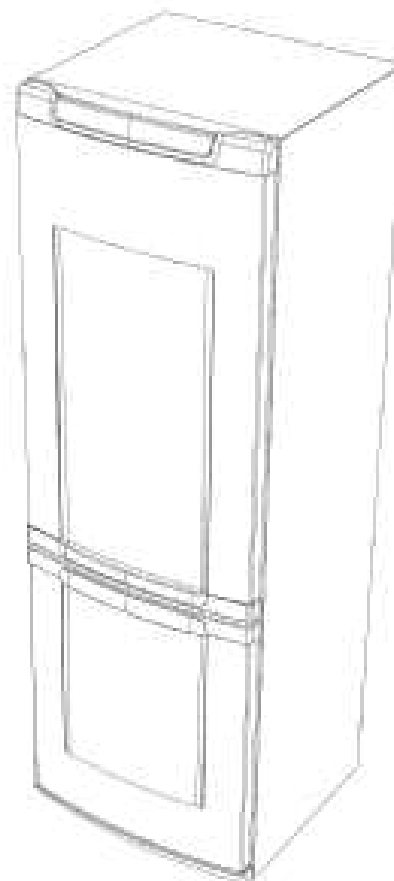
- (21) Design Number: **12214/2006**
- (22) Date of Filing Application: **19 May 2006**
- (24) Date from which industrial property rights may have effect: **19 May 2006**
- (54) Product in respect of which the design is registered: **Mobile communication device**
- (51) International Design Classification: **14-04**
- (71) Name(s) and Address(s) of Applicant(s):
Palmerston Limited
2nd Floor Sixty Circular Road Douglas Isle of Man
- (72) Name(s) of Designer(s): **Barry Robson**
- (45) Registration Date: **10 November 2006**
- (56) Related Art Documents: **Not Applicable**
- (57) Statement of Newness and Distinctiveness: **The design resides in the pattern and ornamentation of a screen display of a mobile communication device as shown in the attached representations. The shape and configuration of the mobile communication device shown in the attached representations does not form part of the design.**



- (21) Design Number: **12215/2006**
(22) Date of Filing Application: **19 May 2006**
(24) Date from which industrial property rights may have effect: **19 May 2006**
(54) Product in respect of which the design is registered: **Mobile communication device**
(51) International Design Classification: **14-04**
(71) Name(s) and Address(s) of Applicant(s):
Palmerston Limited
2nd Floor Sixty Circular Road Douglas Isle of Man
(72) Name(s) of Designer(s): **Barry Robson**
(45) Registration Date: **10 November 2006**
(56) Related Art Documents: **Not Applicable**
(57) Statement of Newness and Distinctiveness: **The design resides in the pattern and ornamentation of a screen display of a mobile communication device as shown in the attached representations. The shape and configuration of the mobile communication device shown in the attached representations does not form part of the design.**



- (21) Design Number: **12218/2006**
(22) Date of Filing Application: **19 May 2006**
(24) Date from which industrial property rights may have effect: **19 May 2006**
(54) Product in respect of which the design is registered: **A refrigerator**
(51) International Design Classification: **15-07**
(71) Name(s) and Address(s) of Applicant(s):
Electrolux Home Products Corporation N.V.
Belgicastraat 17 Zaventem B-1930 Belgium
(72) Name(s) of Designer(s): **Angelo Santarossa and Katarina Esteve and Mark Hetterich and Martin Beeh and Patrick Speck**
(45) Registration Date: **10 November 2006**
(30) Convention priority data:
(31) Number (32) Date (33) Country
000435284 23 Nov 2005 EUROPEAN COMMUNITY
(56) Related Art Documents: **Not Applicable**
(57) Statement of Newness and Distinctiveness: **Nil.**



(21) Design Number: 12813/2006

(22) Date of Filing Application: 03 July 2006

(24) Date from which industrial property rights may have effect: 03 July 2006

(54) Product in respect of which the design is registered: **Stackable plant pot**

(51) International Design Classification: 11-02B

(71) Name(s) and Address(s) of Applicant(s):

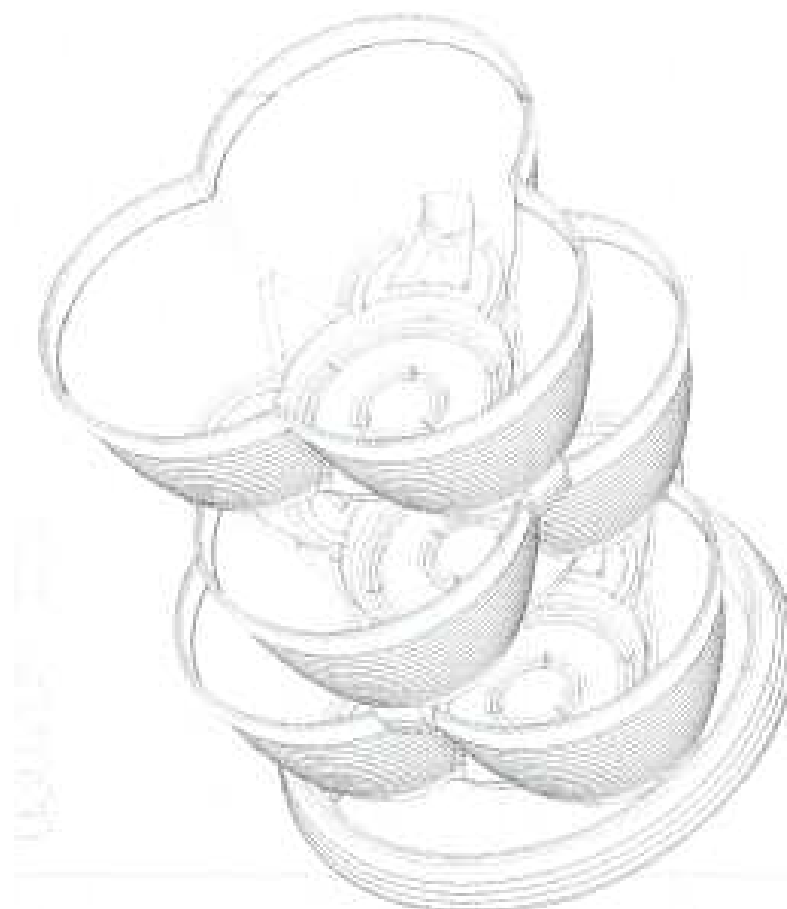
John Rodney Keats
22A Hill Street Lambton New South Wales 2299 Australia

(72) Name(s) of Designer(s): **John Rodney**

(45) Registration Date: 10 November 2006

(56) Related Art Documents: **Not Applicable**

(57) Statement of Newness and Distinctiveness: **A plant pot which, in use, is adapted to be stacked with one or more similar plant pots, said plant pot comprising: a cavity with three radially located lobed sub-cavity sections supporting a series of water flow directing gutters, a centrally located catchment region provided with second series water flow directing gutters adapted with time controlled water flow inhibiting drainage slits. The said centrally located catchment region is designed to receive a moisture retaining device in the form of a super absorbent mat working in co-operation with the plant pots soil holding region located above said moisture retaining mat.**



(21) Design Number: 13215/2006

(22) Date of Filing Application: 25 July 2006

(24) Date from which industrial property rights may have effect: 25 July 2006

(54) Product in respect of which the design is registered: **Tricycle**

(51) International Design Classification: 12-11

(71) Name(s) and Address(s) of Applicant(s):

H Grossman Limited
Herschel House Ashton Road Quay Industrial Estate Glasgow G73
1UB United Kingdom

(72) Name(s) of Designer(s): **Martin Grossman**

(45) Registration Date: 10 November 2006

(30) Convention priority data:

(31) Number	(32) Date	(33) Country
GB 3 023 759	25 Jan 2006	UNITED KINGDOM

(56) Related Art Documents: **Not Applicable**

(57) Statement of Newness and Distinctiveness: **Newness and distinctiveness resides in the appearance of the product resulting from features of, for example, the lines, contours, shape, texture, and/or materials of each product in figures 1,2 and 3, or its ornamentation resulting from illumination as shown in Figures 1.3, 1.4, 4.1 and 4.2.**



(21) Design Number: **13216/2006**

(22) Date of Filing Application: **25 July 2006**

(24) Date from which industrial property rights may have effect: **25 July 2006**

(54) Product in respect of which the design is registered: **Tricycle**

(51) International Design Classification: **12-11**

(71) Name(s) and Address(s) of Applicant(s):

H Grossman Limited
Herschel House Ashton Road Quay Industrial Estate Glasgow G73
1UB United Kingdom

(72) Name(s) of Designer(s): **Martin Grossman**

(45) Registration Date: **10 November 2006**

(30) Convention priority data:

(31) Number	(32) Date	(33) Country
GB 3 023 759	25 Jan 2006	UNITED KINGDOM

(56) Related Art Documents: **Not Applicable**

(57) Statement of Newness and Distinctiveness: **Newness and distinctiveness resides in the appearance of the product resulting from features of, for example, the lines, contours, shape, texture, and/or materials of each product in figures 1,2 and 3, or its ornamentation resulting from illumination as shown in Figures 1.3, 1.4, 4.1 and 4.2.**



(21) Design Number: **13217/2006**

(22) Date of Filing Application: **25 July 2006**

(24) Date from which industrial property rights may have effect: **25 July 2006**

(54) Product in respect of which the design is registered: **Tricycle**

(51) International Design Classification: **12-11**

(71) Name(s) and Address(s) of Applicant(s):

H Grossman Limited
Herschel House Ashton Road Quay Industrial Estate Glasgow G73
1UB United Kingdom

(72) Name(s) of Designer(s): **Martin Grossman**

(45) Registration Date: **10 November 2006**

(30) Convention priority data:

(31) Number	(32) Date	(33) Country
GB 3 023 759	25 Jan 2006	UNITED KINGDOM

(56) Related Art Documents: **Not Applicable**

(57) Statement of Newness and Distinctiveness: **Newness and distinctiveness resides in the appearance of the product resulting from features of, for example, the lines, contours, shape, texture, and/or materials of each product in figures 1,2 and 3, or its ornamentation resulting from illumination as shown in Figures 1.3, 1.4, 4.1 and 4.2.**



(21) Design Number: **13218/2006**

(22) Date of Filing Application: **25 July 2006**

(24) Date from which industrial property rights may have effect: **25 July 2006**

(54) Product in respect of which the design is registered: **Wheel for vehicle**

(51) International Design Classification: **12-11**

(71) Name(s) and Address(s) of Applicant(s):

H Grossman Limited
Herschel House Ashton Road Quay Industrial Estate Glasgow G73
1UB United Kingdom

(72) Name(s) of Designer(s): **Martin Grossman**

(45) Registration Date: **10 November 2006**

(30) Convention priority data:

(31) Number	(32) Date	(33) Country
GB 3 023 759	25 Jan 2006	UNITED KINGDOM

(56) Related Art Documents: **Not Applicable**

(57) Statement of Newness and Distinctiveness: **Newness and distinctiveness resides in the appearance of the product resulting from features of, for example, the lines, contours, shape, texture, and/or materials of each product in figures 1,2 and 3, or its ornamentation resulting from illumination as shown in Figures 1.3, 1.4, 4.1 and 4.2.**



(21) Design Number: **14483/2006**

(22) Date of Filing Application: **06 October 2006**

(24) Date from which industrial property rights may have effect: **06 October 2006**

(54) Product in respect of which the design is registered: **Wheelie ezy bin lifter**

(51) International Design Classification: **09-09**

(71) Name(s) and Address(s) of Applicant(s):

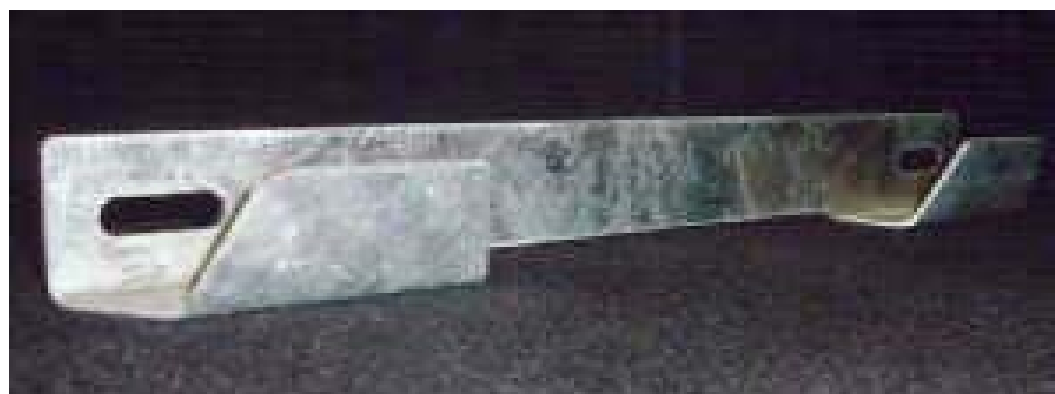
Shane Michael Roberts
14 Considine Court Bayswater North Victoria 3153 Australia

(72) Name(s) of Designer(s): **Shane Michael Roberts**

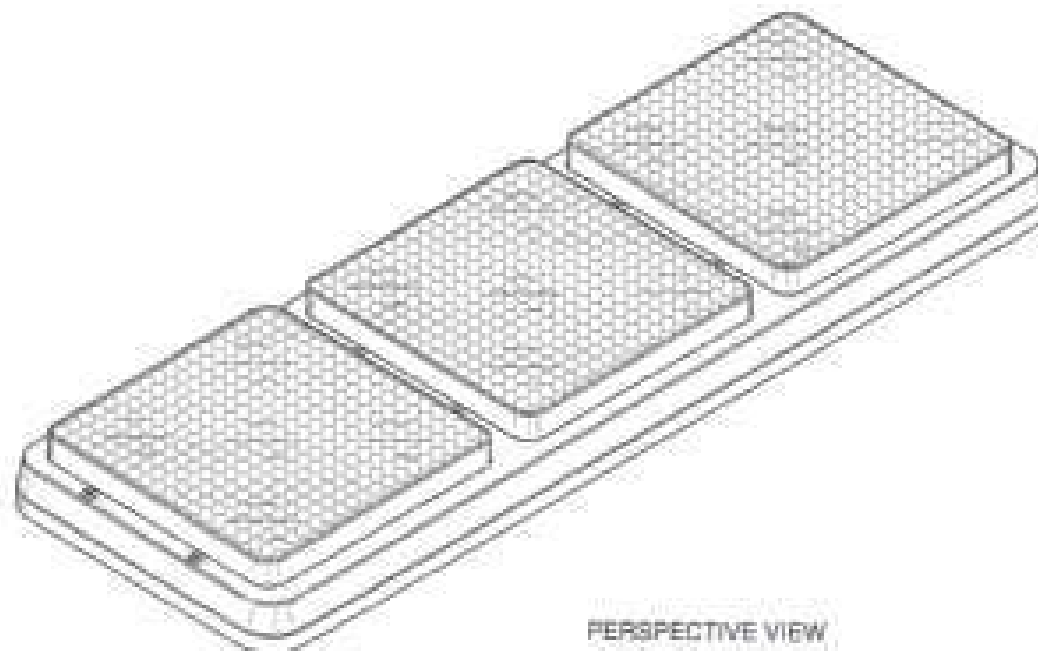
(45) Registration Date: **10 November 2006**

(56) Related Art Documents: **Not Applicable**

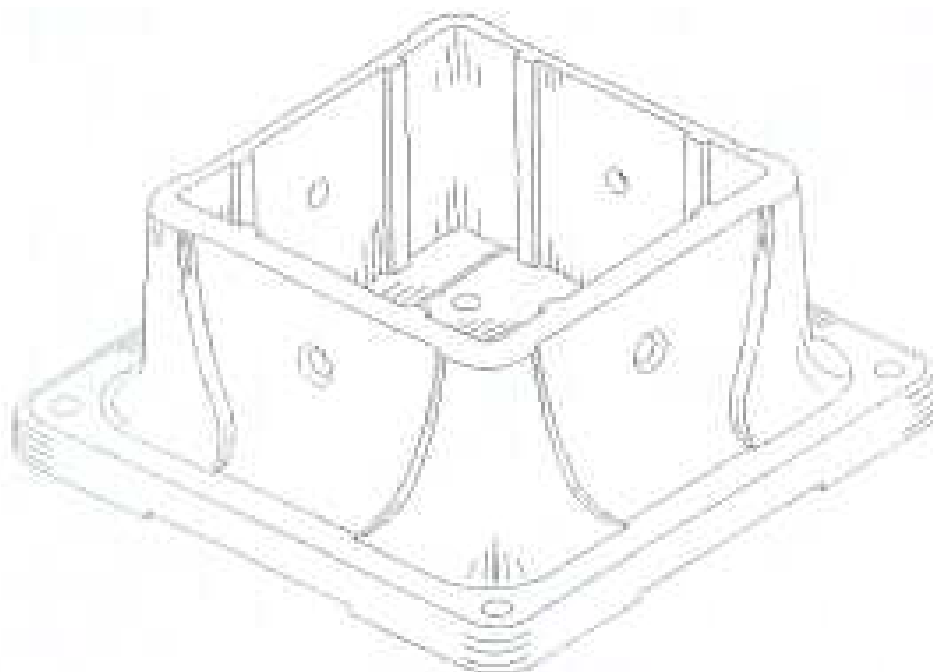
(57) Statement of Newness and Distinctiveness: **Nil**



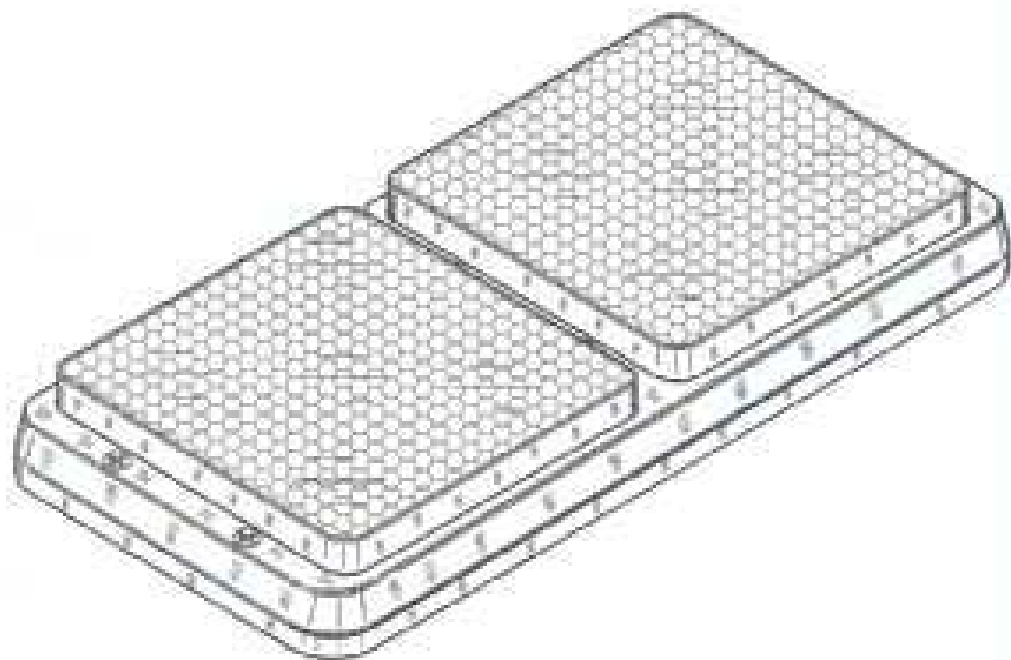
- (21) Design Number: **14523/2006**
(22) Date of Filing Application: **09 October 2006**
(24) Date from which industrial property rights may have effect: **09 October 2006**
(54) Product in respect of which the design is registered: **Tail light assembly (triple)**
(51) International Design Classification: **19-01**
(71) Name(s) and Address(s) of Applicant(s):
Prime Global Brands Ltd.
Level 1 1 Cathedral Street Port Louis Mauritius
(72) Name(s) of Designer(s): **Anthony James Keller**
(45) Registration Date: **10 November 2006**
(56) Related Art Documents: **Not Applicable**
(57) Statement of Newness and Distinctiveness: **Newness and distinctiveness reside in the tail light assembly (triple) as shown in the accompanying representations. The wire connections shown in broken lines in the rear view do not form part of the design.**



- (21) Design Number: **14524/2006**
(22) Date of Filing Application: **03 October 2006**
(24) Date from which industrial property rights may have effect: **03 October 2006**
(54) Product in respect of which the design is registered: **A post anchor**
(51) International Design Classification: **19-01**
(71) Name(s) and Address(s) of Applicant(s):
Peak Innovations Inc.
Attn: Legal Dept Suite 203 11782 Hammersmith Way Richmond British Columbia Canada V7A5E3
(72) Name(s) of Designer(s): **John Gross and Simon Walker and Frank Fan and Karen Zhu**
(45) Registration Date: **10 November 2006**
(30) Convention priority data:
(31) Number (32) Date (33) Country
115,277 03 Apr 2006 CANADA
(56) Related Art Documents: **Not Applicable**
(57) Statement of Newness and Distinctiveness: **The design consists of the features of shape, ornament, pattern and configuration of the entire post anchor shown in the drawings. All four sides are identical to each**



- (21) Design Number: **14530/2006**
(22) Date of Filing Application: **09 October 2006**
(24) Date from which industrial property rights may have effect: **09 October 2006**
(54) Product in respect of which the design is registered: **Tail light assembly (double)**
(51) International Design Classification: **26-06**
(71) Name(s) and Address(s) of Applicant(s):
Prime Global Brands Ltd.
Level 1 1 Cathedral Street Port Louis Mauritius
(72) Name(s) of Designer(s): **Anthony James Keller**
(45) Registration Date: **10 November 2006**
(56) Related Art Documents: **Not Applicable**
(57) Statement of Newness and Distinctiveness: **Newness and distinctiveness reside in the tail light assembly (double) as shown in the accompanying representations. The wire connections shown in broken lines in the rear view do not form part of the design.**



- (21) Design Number: **11058/2006**
(22) Date of Filing Application: **16 March 2006**
(24) Date from which industrial property rights may have effect: **16 March 2006**
(54) Product in respect of which the design is registered: **Vehicle side panel**
(51) International Design Classification: **12-16B**
(71) Name(s) and Address(s) of Applicant(s):
GM Holden Ltd
241 Salmon Street Port Melbourne Victoria 3207 Australia
(72) Name(s) of Designer(s): **Peter Hughes**
(45) Registration Date: **13 November 2006**
(56) Related Art Documents: **Not Applicable**
(57) Statement of Newness and Distinctiveness: **Newness and distinctiveness is claimed in the shape and/or configuration of a vehicle side panel as shown in the representations.**



(21) Design Number: **11059/2006**

(22) Date of Filing Application: **16 March 2006**

(24) Date from which industrial property rights may have effect: **16 March 2006**

(54) Product in respect of which the design is registered: **Vehicle bootlid**

(51) International Design Classification: **12-16B**

(71) Name(s) and Address(s) of Applicant(s):

GM Holden Ltd

241 Salmon Street Port Melbourne Victoria 3207 Australia

(72) Name(s) of Designer(s): **Peter Hughes**

(45) Registration Date: **13 November 2006**

(56) Related Art Documents: **Not Applicable**

(57) Statement of Newness and Distinctiveness: **Newness and distinctiveness is claimed in the shape and/or configuration of a vehicle bootlid as shown in the representations.**



(21) Design Number: **11060/2006**

(22) Date of Filing Application: **16 March 2006**

(24) Date from which industrial property rights may have effect: **16 March 2006**

(54) Product in respect of which the design is registered: **Vehicle fuel filler door**

(51) International Design Classification: **12-16B**

(71) Name(s) and Address(s) of Applicant(s):

GM Holden Ltd

241 Salmon Street Port Melbourne Victoria 3207 Australia

(72) Name(s) of Designer(s): **Peter Hughes**

(45) Registration Date: **13 November 2006**

(56) Related Art Documents: **Not Applicable**

(57) Statement of Newness and Distinctiveness: **Newness and distinctiveness is claimed in the shape and/or configuration of a vehicle fuel filler door as shown in the representations.**



(21) Design Number: **11061/2006**

(22) Date of Filing Application: **16 March 2006**

(24) Date from which industrial property rights may have effect: **16 March 2006**

(54) Product in respect of which the design is registered: **Vehicle door panel**

(51) International Design Classification: **12-16B**

(71) Name(s) and Address(s) of Applicant(s):

GM Holden Ltd

241 Salmon Street Port Melbourne Victoria 3207 Australia

(72) Name(s) of Designer(s): **Peter Hughes**

(45) Registration Date: **13 November 2006**

(56) Related Art Documents: **Not Applicable**

(57) Statement of Newness and Distinctiveness: **Newness and distinctiveness is claimed in the shape and/or configuration of a vehicle door panel as shown in the representations.**



(21) Design Number: **13088/2006**

(22) Date of Filing Application: **25 January 2006**

(24) Date from which industrial property rights may have effect: **25 January 2006**

(54) Product in respect of which the design is registered: **A lady's garment**

(51) International Design Classification: **02-02NES**

(71) Name(s) and Address(s) of Applicant(s):

Scanlan & Theodore Pty Ltd

44 River Street SOUTH YARRA VIC 3141

(72) Name(s) of Designer(s): **Gary Theodore and Maria Sita**

(45) Registration Date: **13 November 2006**

(56) Related Art Documents: **Not Applicable**

(57) Statement of Newness and Distinctiveness: **Nil**



- (21) Design Number: **13089/2006**
(22) Date of Filing Application: **25 January 2006**
(24) Date from which industrial property rights may have effect: **25 January 2006**
(54) Product in respect of which the design is registered: **A lady's garment**
(51) International Design Classification: **02-02NES**
(71) Name(s) and Address(s) of Applicant(s):
Scanlan & Theodore Pty Ltd
44 River Street SOUTH YARRA VIC 3141
(72) Name(s) of Designer(s): **Gary Theodore and Maria Sita**
(45) Registration Date: **13 November 2006**
(56) Related Art Documents: **Not Applicable**
(57) Statement of Newness and Distinctiveness: **Nil**



- (21) Design Number: **13090/2006**
(22) Date of Filing Application: **25 January 2006**
(24) Date from which industrial property rights may have effect: **25 January 2006**
(54) Product in respect of which the design is registered: **A lady's garment**
(51) International Design Classification: **02-02NES**
(71) Name(s) and Address(s) of Applicant(s):
Scanlan & Theodore Pty Ltd
44 River Street SOUTH YARRA VIC 3141
(72) Name(s) of Designer(s): **Gary Theodore and Maria Sita**
(45) Registration Date: **13 November 2006**
(56) Related Art Documents: **Not Applicable**
(57) Statement of Newness and Distinctiveness: **Nil**



- (21) Design Number: **13091/2006**
(22) Date of Filing Application: **25 January 2006**
(24) Date from which industrial property rights may have effect: **25 January 2006**
(54) Product in respect of which the design is registered: **A lady's garment**
(51) International Design Classification: **02-02NES**
(71) Name(s) and Address(s) of Applicant(s):
Scanlan & Theodore Pty Ltd
44 River Street SOUTH YARRA VIC 3141
(72) Name(s) of Designer(s): **Gary Theodore and Maria Sita**
(45) Registration Date: **13 November 2006**
(56) Related Art Documents: **Not Applicable**
(57) Statement of Newness and Distinctiveness: **Nil**



- (21) Design Number: **13092/2006**
(22) Date of Filing Application: **25 January 2006**
(24) Date from which industrial property rights may have effect: **25 January 2006**
(54) Product in respect of which the design is registered: **A lady's garment**
(51) International Design Classification: **02-02C**
(71) Name(s) and Address(s) of Applicant(s):
Scanlan & Theodore Pty Ltd
44 River Street SOUTH YARRA VIC 3141
(72) Name(s) of Designer(s): **Gary Theodore and Maria Sita**
(45) Registration Date: **13 November 2006**
(56) Related Art Documents: **Not Applicable**
(57) Statement of Newness and Distinctiveness: **Nil**



- (21) Design Number: **13093/2006**
(22) Date of Filing Application: **25 January 2006**
(24) Date from which industrial property rights may have effect: **25 January 2006**
(54) Product in respect of which the design is registered: **A lady's garment**
(51) International Design Classification: **02-02C**
(71) Name(s) and Address(s) of Applicant(s):
Scanlan & Theodore Pty Ltd
44 River Street SOUTH YARRA VIC 3141
(72) Name(s) of Designer(s): **Gary Theodore and Maria Sita**
(45) Registration Date: **13 November 2006**
(56) Related Art Documents: **Not Applicable**
(57) Statement of Newness and Distinctiveness: **Nil**



- (21) Design Number: **13094/2006**
(22) Date of Filing Application: **25 January 2006**
(24) Date from which industrial property rights may have effect: **25 January 2006**
(54) Product in respect of which the design is registered: **A lady's garment**
(51) International Design Classification: **02-02C**
(71) Name(s) and Address(s) of Applicant(s):
Scanlan & Theodore Pty Ltd
44 River Street SOUTH YARRA VIC 3141
(72) Name(s) of Designer(s): **Gary Theodore and Maria Sita**
(45) Registration Date: **13 November 2006**
(56) Related Art Documents: **Not Applicable**
(57) Statement of Newness and Distinctiveness: **Nil**



- (21) Design Number: **13095/2006**
(22) Date of Filing Application: **25 January 2006**
(24) Date from which industrial property rights may have effect: **25 January 2006**
(54) Product in respect of which the design is registered: **A lady's garment**
(51) International Design Classification: **02-02C**
(71) Name(s) and Address(s) of Applicant(s):
Scanlan & Theodore Pty Ltd
44 River Street SOUTH YARRA VIC 3141
(72) Name(s) of Designer(s): **Gary Theodore and Maria Sita**
(45) Registration Date: **13 November 2006**
(56) Related Art Documents: **Not Applicable**
(57) Statement of Newness and Distinctiveness: **Nil**



- (21) Design Number: **13096/2006**
(22) Date of Filing Application: **25 January 2006**
(24) Date from which industrial property rights may have effect: **25 January 2006**
(54) Product in respect of which the design is registered: **A lady's garment**
(51) International Design Classification: **02-02C**
(71) Name(s) and Address(s) of Applicant(s):
Scanlan & Theodore Pty Ltd
44 River Street SOUTH YARRA VIC 3141
(72) Name(s) of Designer(s): **Gary Theodore and Maria Sita**
(45) Registration Date: **13 November 2006**
(56) Related Art Documents: **Not Applicable**
(57) Statement of Newness and Distinctiveness: **Nil**



- (21) Design Number: **13097/2006**
(22) Date of Filing Application: **25 January 2006**
(24) Date from which industrial property rights may have effect: **25 January 2006**
(54) Product in respect of which the design is registered: **A lady's garment**
(51) International Design Classification: **02-02C**
(71) Name(s) and Address(s) of Applicant(s):
Scanlan & Theodore Pty Ltd
44 River Street SOUTH YARRA VIC 3141
(72) Name(s) of Designer(s): **Gary Theodore and Maria Sita**
(45) Registration Date: **13 November 2006**
(56) Related Art Documents: **Not Applicable**
(57) Statement of Newness and Distinctiveness: **Nil**



- (21) Design Number: **13098/2006**
(22) Date of Filing Application: **25 January 2006**
(24) Date from which industrial property rights may have effect: **25 January 2006**
(54) Product in respect of which the design is registered: **A lady's garment**
(51) International Design Classification: **02-02C**
(71) Name(s) and Address(s) of Applicant(s):
Scanlan & Theodore Pty Ltd
44 River Street SOUTH YARRA VIC 3141
(72) Name(s) of Designer(s): **Gary Theodore and Maria Sita**
(45) Registration Date: **13 November 2006**
(56) Related Art Documents: **Not Applicable**
(57) Statement of Newness and Distinctiveness: **Nil**



- (21) Design Number: **13099/2006**
(22) Date of Filing Application: **25 January 2006**
(24) Date from which industrial property rights may have effect: **25 January 2006**
(54) Product in respect of which the design is registered: **A lady's garment**
(51) International Design Classification: **02-02NES**
(71) Name(s) and Address(s) of Applicant(s):
Scanlan & Theodore Pty Ltd
44 River Street SOUTH YARRA VIC 3141
(72) Name(s) of Designer(s): **Gary Theodore and Maria Sita**
(45) Registration Date: **13 November 2006**
(56) Related Art Documents: **Not Applicable**
(57) Statement of Newness and Distinctiveness: **Nil**



- (21) Design Number: **13100/2006**
(22) Date of Filing Application: **25 January 2006**
(24) Date from which industrial property rights may have effect: **25 January 2006**
(54) Product in respect of which the design is registered: **A lady's garment**
(51) International Design Classification: **02-02NES**
(71) Name(s) and Address(s) of Applicant(s):
Scanlan & Theodore Pty Ltd
44 River Street SOUTH YARRA VIC 3141
(72) Name(s) of Designer(s): **Gary Theodore and Maria Sita**
(45) Registration Date: **13 November 2006**
(56) Related Art Documents: **Not Applicable**
(57) Statement of Newness and Distinctiveness: **Nil**



- (21) Design Number: **13101/2006**
(22) Date of Filing Application: **25 January 2006**
(24) Date from which industrial property rights may have effect: **25 January 2006**
(54) Product in respect of which the design is registered: **A lady's garment**
(51) International Design Classification: **02-02NES**
(71) Name(s) and Address(s) of Applicant(s):
Scanlan & Theodore Pty Ltd
44 River Street SOUTH YARRA VIC 3141
(72) Name(s) of Designer(s): **Gary Theodore and Maria Sita**
(45) Registration Date: **13 November 2006**
(56) Related Art Documents: **Not Applicable**
(57) Statement of Newness and Distinctiveness: **Nil**



- (21) Design Number: **13102/2006**
(22) Date of Filing Application: **25 January 2006**
(24) Date from which industrial property rights may have effect: **25 January 2006**
(54) Product in respect of which the design is registered: **A lady's garment**
(51) International Design Classification: **02-02C**
(71) Name(s) and Address(s) of Applicant(s):
Scanlan & Theodore Pty Ltd
44 River Street SOUTH YARRA VIC 3141
(72) Name(s) of Designer(s): **Gary Theodore and Maria Sita**
(45) Registration Date: **13 November 2006**
(56) Related Art Documents: **Not Applicable**
(57) Statement of Newness and Distinctiveness: **Nil**



- (21) Design Number: **13103/2006**
- (22) Date of Filing Application: **25 January 2006**
- (24) Date from which industrial property rights may have effect: **25 January 2006**
- (54) Product in respect of which the design is registered: **A lady's garment**
- (51) International Design Classification: **02-02C**
- (71) Name(s) and Address(s) of Applicant(s):
Scanlan & Theodore Pty Ltd
44 River Street SOUTH YARRA VIC 3141
- (72) Name(s) of Designer(s): **Gary Theodore and Maria Sita**
- (45) Registration Date: **13 November 2006**
- (56) Related Art Documents: **Not Applicable**
- (57) Statement of Newness and Distinctiveness: **Nil**



- (21) Design Number: **13104/2006**
- (22) Date of Filing Application: **25 January 2006**
- (24) Date from which industrial property rights may have effect: **25 January 2006**
- (54) Product in respect of which the design is registered: **Footwear**
- (51) International Design Classification: **02-04NES**
- (71) Name(s) and Address(s) of Applicant(s):
Scanlan & Theodore Pty Ltd
44 River Street SOUTH YARRA VIC 3141
- (72) Name(s) of Designer(s): **Gary Theodore and Maria Sita**
- (45) Registration Date: **13 November 2006**
- (56) Related Art Documents: **Not Applicable**
- (57) Statement of Newness and Distinctiveness: **Nil**



- (21) Design Number: **13105/2006**
(22) Date of Filing Application: **25 January 2006**
(24) Date from which industrial property rights may have effect: **25 January 2006**
(54) Product in respect of which the design is registered: **Footwear**
(51) International Design Classification: **02-04NES**
(71) Name(s) and Address(s) of Applicant(s):
Scanlan & Theodore Pty Ltd
44 River Street SOUTH YARRA VIC 3141
(72) Name(s) of Designer(s): **Gary Theodore and Maria Sita**
(45) Registration Date: **13 November 2006**
(56) Related Art Documents: **Not Applicable**
(57) Statement of Newness and Distinctiveness: **Nil**



- (21) Design Number: **11062/2006**
(22) Date of Filing Application: **16 March 2006**
(24) Date from which industrial property rights may have effect: **16 March 2006**
(54) Product in respect of which the design is registered: **Vehicle door panel**
(51) International Design Classification: **12-16B**
(71) Name(s) and Address(s) of Applicant(s):
GM Holden Ltd
241 Salmon Street Port Melbourne Victoria 3207 Australia
(72) Name(s) of Designer(s): **Peter Hughes**
(45) Registration Date: **13 November 2006**
(56) Related Art Documents: **Not Applicable**
(57) Statement of Newness and Distinctiveness: **Newness and distinctiveness is claimed in the shape and/or configuration of a vehicle door panel as shown in the representations.**



(21) Design Number: **11496/2006**

(22) Date of Filing Application: **10 April 2006**

(24) Date from which industrial property rights may have effect: **10 April 2006**

(54) Product in respect of which the design is registered: **Massage table frame**

(51) International Design Classification: **06-03NES, 06-02**

(71) Name(s) and Address(s) of Applicant(s):

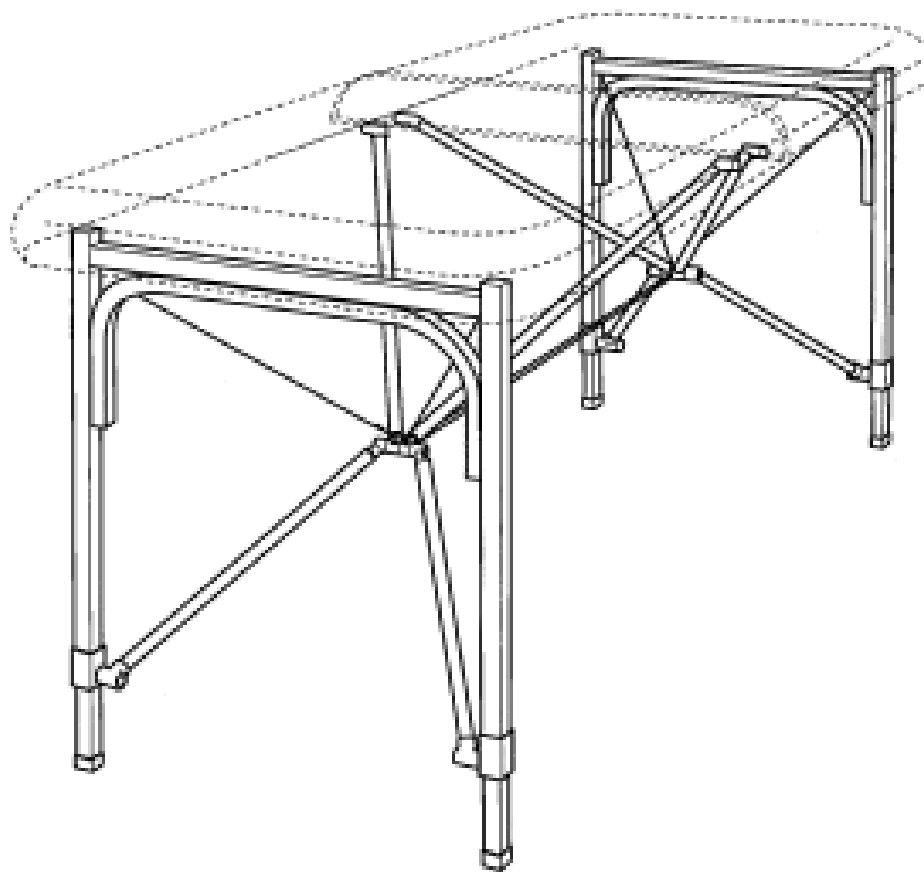
John Alexander Wilson
11 Derinton Way Hamilton Hill Western Australia 6163 Australia

(72) Name(s) of Designer(s): **John Alexander Wilson**

(45) Registration Date: **13 November 2006**

(56) Related Art Documents: **Not Applicable**

(57) Statement of Newness and Distinctiveness: **Newness and distinctiveness is claimed in the shape and/or configuration of a curved corner braces of a massage task frame as depicted in the attached drawings.**



(21) Design Number: **11497/2006**

(22) Date of Filing Application: **10 April 2006**

(24) Date from which industrial property rights may have effect: **10 April 2006**

(54) Product in respect of which the design is registered: **Massage table frame**

(51) International Design Classification: **06-03NES, 06-02**

(71) Name(s) and Address(s) of Applicant(s):

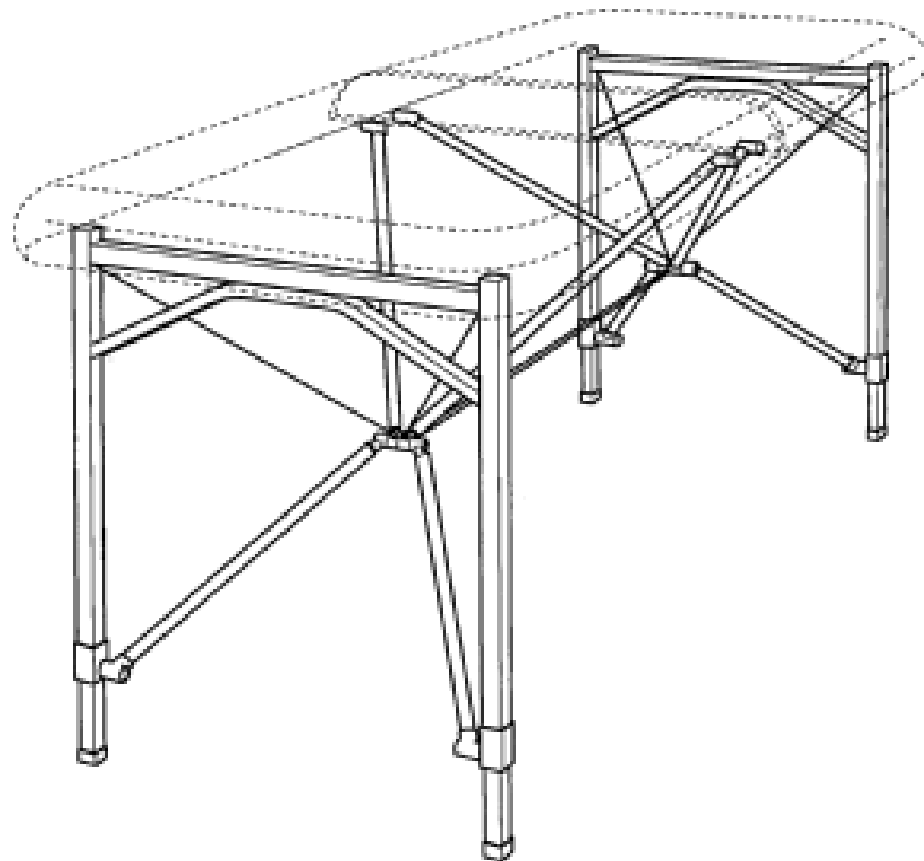
John Alexander Wilson
11 Derinton Way Hamilton Hill Western Australia 6163 Australia

(72) Name(s) of Designer(s): **John Alexander Wilson**

(45) Registration Date: **13 November 2006**

(56) Related Art Documents: **Not Applicable**

(57) Statement of Newness and Distinctiveness: **Newness and distinctiveness is claimed in the shape and/or configuration of a massage table frame as depicted in the attached representations.**



- (21) Design Number: **11632/2006**
(22) Date of Filing Application: **20 April 2006**
(24) Date from which industrial property rights may have effect: **20 April 2006**
(54) Product in respect of which the design is registered: **Vegetable slicer**
(51) International Design Classification: **07-04**
(71) Name(s) and Address(s) of Applicant(s):
Mehrdad Zandipour
4 Vineyard Avenue Smithfield New South Wales 2164 Australia
(72) Name(s) of Designer(s): **Mehrdad Zandipour**
(45) Registration Date: **13 November 2006**
(56) Related Art Documents: **Not Applicable**
(57) Statement of Newness and Distinctiveness: **Newness and distinctiveness is found in the upright blades appearing in the upper surface of the vegetable slicer as illustrated.**



- (21) Design Number: **12086/2006**
(22) Date of Filing Application: **12 May 2006**
(24) Date from which industrial property rights may have effect: **12 May 2006**
(54) Product in respect of which the design is registered: **A slipper**
(51) International Design Classification: **02-04NES**
(71) Name(s) and Address(s) of Applicant(s):
Adrianus Johannes Meijer
Anjerhof 9 Aalsmeer 1431 RC The Netherlands
(72) Name(s) of Designer(s): **Adrianus Johannes Meijer**
(45) Registration Date: **13 November 2006**
(30) Convention priority data:
(31) Number (32) Date (33) Country
000474127-0001 03 Feb 2006 EUROPEAN COMMUNITY
(56) Related Art Documents: **Not Applicable**
(57) Statement of Newness and Distinctiveness: **Nil.**



(21) Design Number: **12279/2006**

(22) Date of Filing Application: **22 May 2006**

(24) Date from which industrial property rights may have effect: **22 May 2006**

(54) Product in respect of which the design is registered: **Lampshade**

(51) International Design Classification: **26-05D**

(71) Name(s) and Address(s) of Applicant(s):

Jessica Lea Dunn

**11/685 Old South Head Road Vaucluse New South Wales 2030
Australia**

(72) Name(s) of Designer(s): **Jessica Lea Dunn**

(45) Registration Date: **13 November 2006**

(56) Related Art Documents: **Not Applicable**

(57) Statement of Newness and Distinctiveness: **Monopoly is claimed for the shape, configuration, and decoration of the lampshade as shown in the accompanying representations. No monopoly is claimed for the lampstand.**



(21) Design Number: **13914/2006**

(22) Date of Filing Application: **31 August 2006**

(24) Date from which industrial property rights may have effect: **31 August 2006**

(54) Product in respect of which the design is registered: **Pallet (made of paper)**

(51) International Design Classification: **09-08**

(71) Name(s) and Address(s) of Applicant(s):

Scotch Group Pty Ltd

2/4 Bolan Street Glen Waverley Victoria 3150 Australia

(72) Name(s) of Designer(s): **Scotch Group Design Team**

(45) Registration Date: **13 November 2006**

(56) Related Art Documents: **Not Applicable**

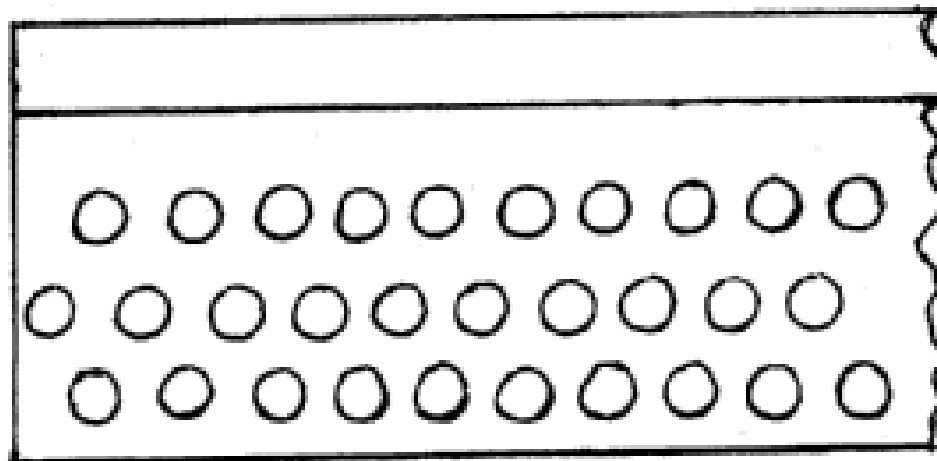
(57) Statement of Newness and Distinctiveness: **DIY assembling of paper pallet just using T panels insert to the runners. No nail. This "Groove & Tongue" design provide strength of 4 tons (static). Shape and configuration is new.**



- (21) Design Number: **14022/2006**
- (22) Date of Filing Application: **08 September 2006**
- (24) Date from which industrial property rights may have effect: **08 September 2006**
- (54) Product in respect of which the design is registered: **Channel**
- (51) International Design Classification: **23-01E**
- (71) Name(s) and Address(s) of Applicant(s):

David John Denny
105 Georges River Crescent Oyster Bay New South Wales 2225
Australia

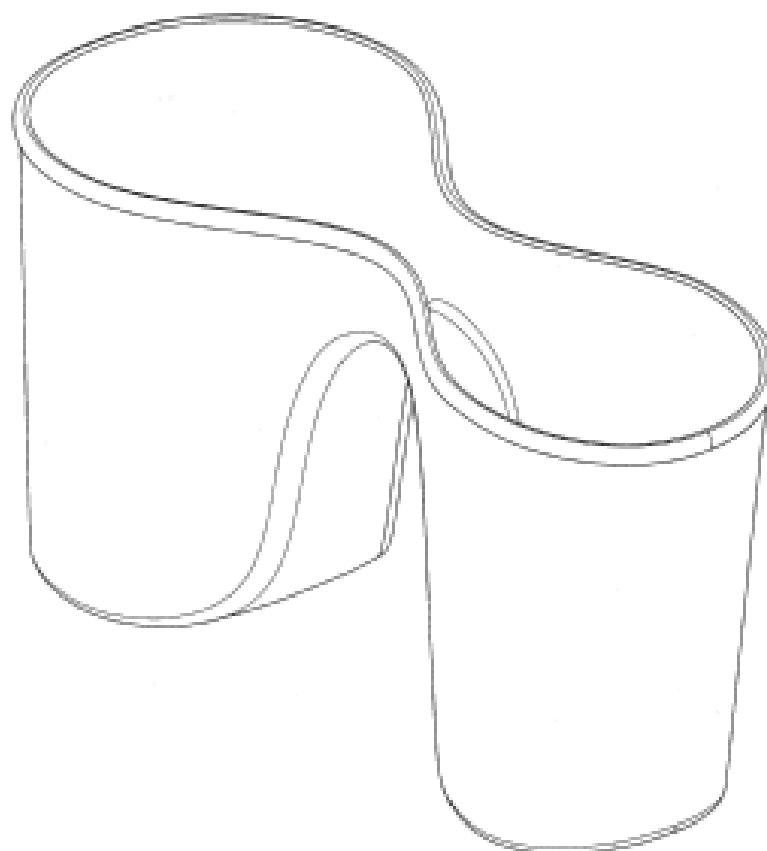
- (72) Name(s) of Designer(s): **David John Denny**
- (45) Registration Date: **13 November 2006**
- (56) Related Art Documents: **Not Applicable**
- (57) Statement of Newness and Distinctiveness: **The particular visual features of the design which are new and distinctive are the cross-sectional shape and configuration of a channel of indefinite length as shown in the attached representations. The pattern, placement and shape of the holes along the length of the channel may vary.**



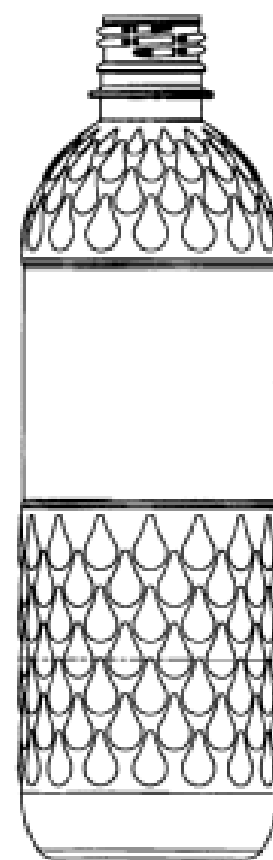
- (21) Design Number: **14432/2006**
- (22) Date of Filing Application: **29 September 2006**
- (24) Date from which industrial property rights may have effect: **29 September 2006**
- (54) Product in respect of which the design is registered: **Two-compartment container**
- (51) International Design Classification: **07-01NES**
- (71) Name(s) and Address(s) of Applicant(s):

Acco Australia Pty Ltd
The Lakes Business Park Level 2 8 Lord Street Botany New South
Wales 2019 Australia

- (72) Name(s) of Designer(s): **Adam Laws**
- (45) Registration Date: **13 November 2006**
- (56) Related Art Documents: **Not Applicable**
- (57) Statement of Newness and Distinctiveness: **Nil**



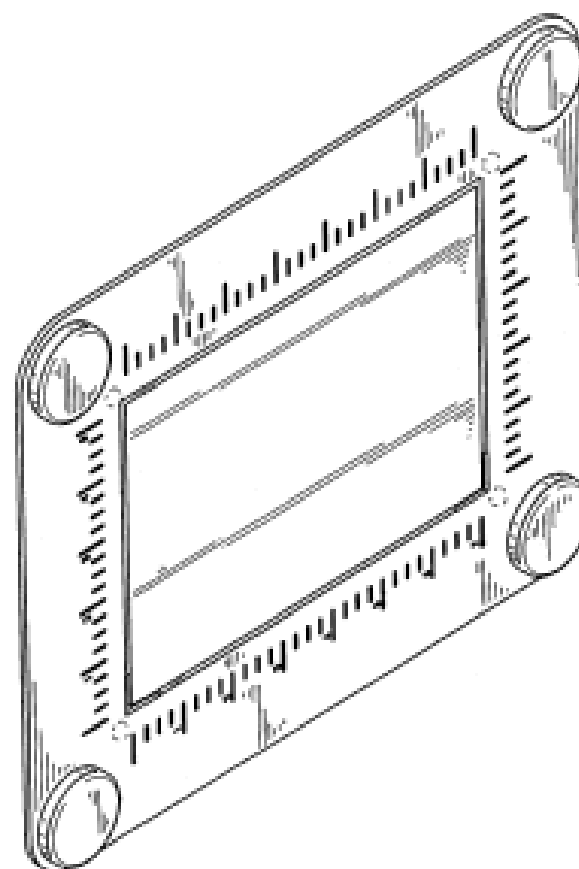
- (21) Design Number: **14534/2006**
(22) Date of Filing Application: **09 October 2006**
(24) Date from which industrial property rights may have effect: **09 October 2006**
(54) Product in respect of which the design is registered: **Raindrop bottle**
(51) International Design Classification: **09-01K**
(71) Name(s) and Address(s) of Applicant(s):
Brickwood Holdings Pty Ltd
3 Brixton Road Cheltenham Victoria 3192 Australia
(72) Name(s) of Designer(s): **Alistair Hall**
(45) Registration Date: **13 November 2006**
(56) Related Art Documents: **Not Applicable**
(57) Statement of Newness and Distinctiveness: **Nil**



- (21) Design Number: **14535/2006**
(22) Date of Filing Application: **09 October 2006**
(24) Date from which industrial property rights may have effect: **09 October 2006**
(54) Product in respect of which the design is registered: **Stamp press**
(51) International Design Classification: **18-02**
(71) Name(s) and Address(s) of Applicant(s):
Fiskars Brands, Inc.
2537 Daniels Street Madison 53718-6772 United States of America
(72) Name(s) of Designer(s): **Peter Russo and Bill Cooke**
(45) Registration Date: **13 November 2006**
(30) Convention priority data:

(31) Number	(32) Date	(33) Country
29/258111	17 Apr 2006	UNITED STATES OF AMERICA

(56) Related Art Documents: **Not Applicable**
(57) Statement of Newness and Distinctiveness: **Nil**

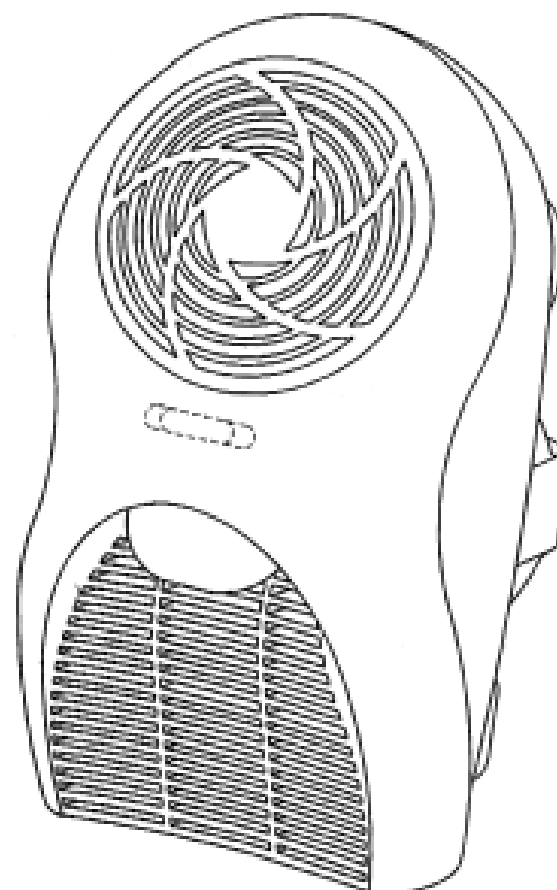


- (21) Design Number: **14536/2006**
- (22) Date of Filing Application: **10 October 2006**
- (24) Date from which industrial property rights may have effect: **10 October 2006**
- (54) Product in respect of which the design is registered: **Bottle holder for booster seat or child seat**
- (51) International Design Classification: **07-06A**
- (71) Name(s) and Address(s) of Applicant(s):
Ortech Pty Ltd
59/15 Fulham Road Rowville Victoria 3178 Australia
- (72) Name(s) of Designer(s): **Syd Sharpe and Graeme Fella**
- (45) Registration Date: **13 November 2006**
- (56) Related Art Documents: **Not Applicable**
- (57) Statement of Newness and Distinctiveness: **The photo of the bottle holder is an example of how it can be fitted. This design does not include the booster seat, the bottle or the trade mark - Fig 1.**



- (21) Design Number: **14537/2006**
- (22) Date of Filing Application: **09 October 2006**
- (24) Date from which industrial property rights may have effect: **09 October 2006**
- (54) Product in respect of which the design is registered: **Plug-in air purifier**
- (51) International Design Classification: **23-04**
- (71) Name(s) and Address(s) of Applicant(s):
S.C. Johnson & Son, Inc.
1525 Howe Street Racine Wisconsin 53403-2236 United States of America
- (72) Name(s) of Designer(s): **Marissa A. K. Schultz and Thomas Van Dyk**
- (45) Registration Date: **13 November 2006**
- (30) Convention priority data:

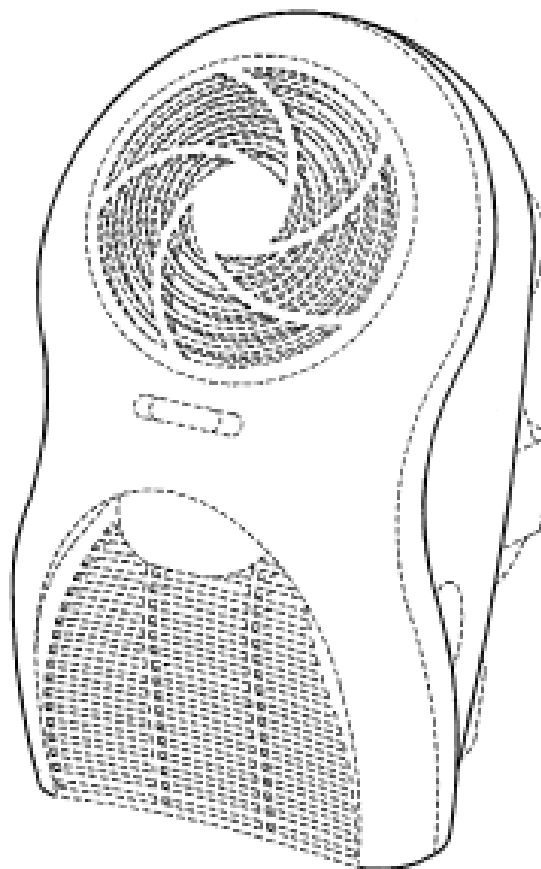
(31) Number	(32) Date	(33) Country
29/257901	12 Apr 2006	UNITED STATES OF AMERICA
- (56) Related Art Documents: **Not Applicable**
- (57) Statement of Newness and Distinctiveness: **Newness and distinctiveness is claimed in those features of shape and/or configuration of a plug-in air purifier illustrated in continuous lines in the accompanying representations.**



(21) Design Number: **14538/2006**
 (22) Date of Filing Application: **09 October 2006**
 (24) Date from which industrial property rights may have effect: **09 October 2006**
 (54) Product in respect of which the design is registered: **Plug-in air purifier**
 (51) International Design Classification: **23-04**
 (71) Name(s) and Address(s) of Applicant(s):
S.C. Johnson & Son, Inc.
1525 Howe Street Racine Wisconsin 53403-2236 United States of America
 (72) Name(s) of Designer(s): **Marissa A. K. Schultz and Thomas Van Dyk**
 (45) Registration Date: **13 November 2006**
 (30) Convention priority data:

(31) Number	(32) Date	(33) Country
29/257901	12 Apr 2006	UNITED STATES OF AMERICA

 (56) Related Art Documents: **Not Applicable**
 (57) Statement of Newness and Distinctiveness: **Newness and distinctiveness is claimed in those features of shape and/or configuration of a plug-in air purifier illustrated in continuous lines in the accompanying representations.**



(21) Design Number: **14552/2006**
 (22) Date of Filing Application: **10 October 2006**
 (24) Date from which industrial property rights may have effect: **10 October 2006**
 (54) Product in respect of which the design is registered: **Crab pot upright**
 (51) International Design Classification: **22-05**
 (71) Name(s) and Address(s) of Applicant(s):
M.J. Conroy
16 Cameron Street Clontarf Queensland 4019 Australia
S.J. Conroy
16 Cameron Street Clontarf Queensland 4019 Australia
 (72) Name(s) of Designer(s): **M.J. Conroy and S.J. Conroy**
 (45) Registration Date: **13 November 2006**
 (56) Related Art Documents: **Not Applicable**
 (57) Statement of Newness and Distinctiveness: **A single curled end and reversed curled end on a single upright.**



- (21) Design Number: **15047/2005**
(22) Date of Filing Application: **16 November 2005**
(24) Date from which industrial property rights may have effect: **16 November 2005**
(54) Product in respect of which the design is registered: **Sunglasses**
(51) International Design Classification: **16-06**
(71) Name(s) and Address(s) of Applicant(s):
Andrew Holdsworth
28 Holyrood Drive Vermont Victoria 3133 Australia
(72) Name(s) of Designer(s): **Andrew Holdsworth**
(45) Registration Date: **13 November 2006**
(56) Related Art Documents: **Not Applicable**
(57) Statement of Newness and Distinctiveness: **Sunglasses with etched feature on arms.**



- (21) Design Number: **15048/2005**
(22) Date of Filing Application: **16 November 2005**
(24) Date from which industrial property rights may have effect: **16 November 2005**
(54) Product in respect of which the design is registered: **Sunglasses**
(51) International Design Classification: **16-06**
(71) Name(s) and Address(s) of Applicant(s):
Andrew Holdsworth
28 Holyrood Drive Vermont Victoria 3133 Australia
(72) Name(s) of Designer(s): **Andrew Holdsworth**
(45) Registration Date: **13 November 2006**
(56) Related Art Documents: **Not Applicable**
(57) Statement of Newness and Distinctiveness: **Sunglasses with wing design feature on arm.**



- (21) Design Number: **15049/2005**
(22) Date of Filing Application: **16 November 2005**
(24) Date from which industrial property rights may have effect: **16 November 2005**
(54) Product in respect of which the design is registered: **Sunglasses**
(51) International Design Classification: **16-06**
(71) Name(s) and Address(s) of Applicant(s):
Andrew Holdsworth
28 Holyrood Drive Vermont Victoria 3133 Australia
(72) Name(s) of Designer(s): **Andrew Holdsworth**
(45) Registration Date: **13 November 2006**
(56) Related Art Documents: **Not Applicable**
(57) Statement of Newness and Distinctiveness: **Sunglasses with 3D flame design on arm.**



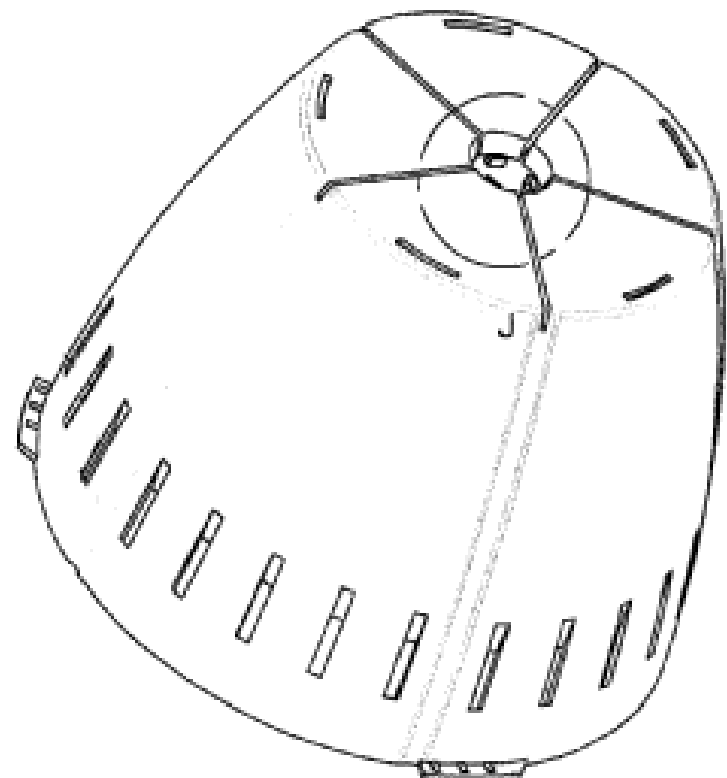
- (21) Design Number: **15050/2005**
(22) Date of Filing Application: **16 November 2005**
(24) Date from which industrial property rights may have effect: **16 November 2005**
(54) Product in respect of which the design is registered: **Sunglasses**
(51) International Design Classification: **16-06**
(71) Name(s) and Address(s) of Applicant(s):
Andrew Holdsworth
28 Holyrood Drive Vermont Victoria 3133 Australia
(72) Name(s) of Designer(s): **Andrew Holdsworth**
(45) Registration Date: **13 November 2006**
(56) Related Art Documents: **Not Applicable**
(57) Statement of Newness and Distinctiveness: **Sunglasses with 3D flame design on arm.**



- (21) Design Number: **13812/2006**
(22) Date of Filing Application: **24 August 2006**
(24) Date from which industrial property rights may have effect: **24 August 2006**
(54) Product in respect of which the design is registered: **Tri-arc chair**
(51) International Design Classification: **06-01C**
(71) Name(s) and Address(s) of Applicant(s):
Ryan Beavis
4 Amy Place Ballina New South Wales 2478 Australia
(72) Name(s) of Designer(s): **Ryan Beavis**
(45) Registration Date: **13 November 2006**
(56) Related Art Documents: **Not Applicable**
(57) Statement of Newness and Distinctiveness: **The chair combines smooth but distinct flowing lines which seamlessly blends to form the top rail. This design allows inclusive or exclusive engagement with others based on users choice. This design can be used for both outdoor and indoor situations with ease.**



- (21) Design Number: **10698/2006**
(22) Date of Filing Application: **27 February 2006**
(24) Date from which industrial property rights may have effect: **27 February 2006**
(54) Product in respect of which the design is registered: **Swimming pool filtration device**
(51) International Design Classification: **23-01G**
(71) Name(s) and Address(s) of Applicant(s):
Planet Pty Ltd
32 York Terrace Bilgola New South Wales 2107 Australia
(72) Name(s) of Designer(s): **Rodney John Tanks**
(45) Registration Date: **13 November 2006**
(56) Related Art Documents: **Not Applicable**
(57) Statement of Newness and Distinctiveness: **'Mushroom head' shown as 'A' on sheet 1 protects water inlets. Head connects to body via mechanism shown as detail 'A' on page 3. Base plate includes integral dish 'X' shown in isometric view 001 on page 5.**



(21) Design Number: **10253/2006**
(22) Date of Filing Application: **25 January 2006**
(24) Date from which industrial property rights may have effect: **25 January 2006**
(54) Product in respect of which the design is registered: **A lady's garment**
(51) International Design Classification: **02-02C**
(71) Name(s) and Address(s) of Applicant(s):
Scanlan & Theodore Pty Ltd
44 River Street SOUTH YARRA VIC 3141
(72) Name(s) of Designer(s): **Gary Theodore and Maria Sita**
(45) Registration Date: **14 November 2006**
(56) Related Art Documents: **Not Applicable**
(57) Statement of Newness and Distinctiveness: **Nil**



(21) Design Number: **10260/2006**
(22) Date of Filing Application: **25 January 2006**
(24) Date from which industrial property rights may have effect: **25 January 2006**
(54) Product in respect of which the design is registered: **Ceiling lighting fitting**
(51) International Design Classification: **26-05C**
(71) Name(s) and Address(s) of Applicant(s):
Scolmore International Limited
1 Scolmore Park Landsberg Lichfield Road Industrial Estate
Tamworth Staffs B797XB United Kingdom
(72) Name(s) of Designer(s): **Karl Justin Rawlins**
(45) Registration Date: **14 November 2006**
(30) Convention priority data:
(31) Number (32) Date (33) Country
000376918-0001 25 Jul 2005 EUROPEAN COMMUNITY
(56) Related Art Documents: **Not Applicable**
(57) Statement of Newness and Distinctiveness: **Nil**



(21) Design Number: **10557/2006**

(22) Date of Filing Application: **15 February 2006**

(24) Date from which industrial property rights may have effect: **15 February 2006**

(54) Product in respect of which the design is registered: **Nebuliser**

(51) International Design Classification: **24-04**

(71) Name(s) and Address(s) of Applicant(s):

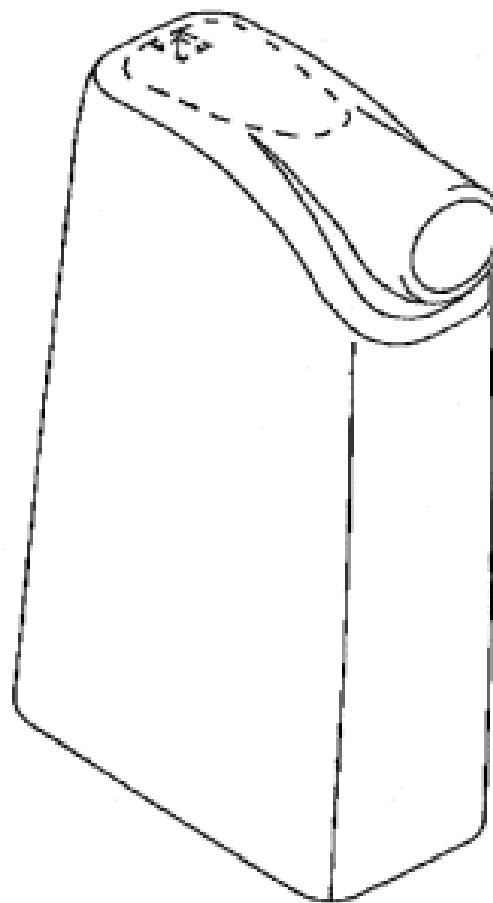
**Intelligent Medical Technologies Pty Limited
PO Box 842 Bondi Junction New South Wales 2022 Australia**

(72) Name(s) of Designer(s): **John Brown and Michael Squires and Claudia Bonifer and Andy Wyatt and Jose Romagnoli**

(45) Registration Date: **14 November 2006**

(56) Related Art Documents: **Not Applicable**

(57) Statement of Newness and Distinctiveness: **Newness and distinctiveness reside in the shape and configuration of the nebuliser as illustrated in the accompanying Figures. The features shown in broken outline are illustrative only and do not form part of the design.**



(21) Design Number: **10558/2006**

(22) Date of Filing Application: **15 February 2006**

(24) Date from which industrial property rights may have effect: **15 February 2006**

(54) Product in respect of which the design is registered: **Nebuliser**

(51) International Design Classification: **24-04**

(71) Name(s) and Address(s) of Applicant(s):

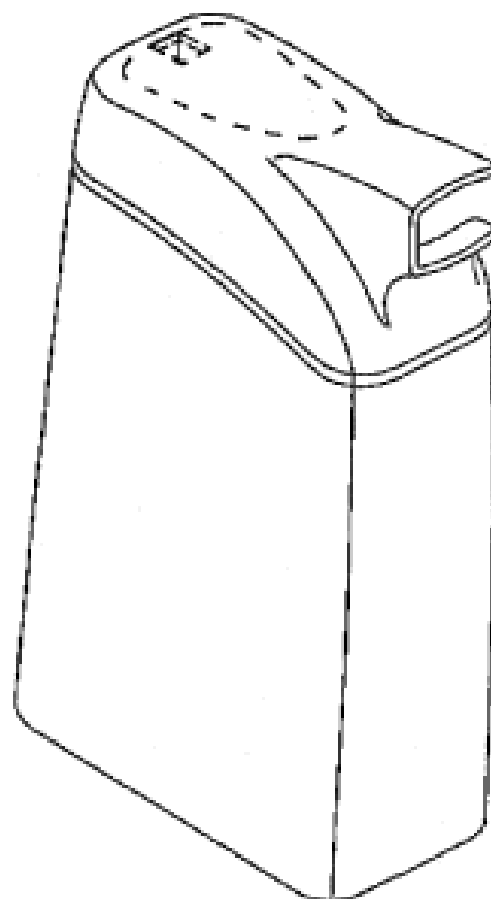
**Intelligent Medical Technologies Pty Limited
PO Box 842 Bondi Junction New South Wales 2022 Australia**

(72) Name(s) of Designer(s): **John Brown and Michael Squires and Claudia Bonifer and Jose Romagnoli and Andy Wyatt**

(45) Registration Date: **14 November 2006**

(56) Related Art Documents: **Not Applicable**

(57) Statement of Newness and Distinctiveness: **Newness and distinctiveness reside in the shape and configuration of the nebuliser as illustrated in the accompanying Figures. The features shown in outline are illustrative only and do not form part of the design.**



(21) Design Number: **11064/2006**

(22) Date of Filing Application: **16 March 2006**

(24) Date from which industrial property rights may have effect: **16 March 2006**

(54) Product in respect of which the design is registered: **Vehicle bonnet**

(51) International Design Classification: **12-16B**

(71) Name(s) and Address(s) of Applicant(s):

GM Holden Ltd

241 Salmon Street Port Melbourne Victoria 3207 Australia

(72) Name(s) of Designer(s): **Peter Hughes**

(45) Registration Date: **14 November 2006**

(56) Related Art Documents: **Not Applicable**

(57) Statement of Newness and Distinctiveness: **Newness and distinctiveness is claimed in the shape and/or configuration of a vehicle bonnet as shown in the representations.**



(21) Design Number: **11065/2006**

(22) Date of Filing Application: **16 March 2006**

(24) Date from which industrial property rights may have effect: **16 March 2006**

(54) Product in respect of which the design is registered: **Vehicle sill panel**

(51) International Design Classification: **12-16B**

(71) Name(s) and Address(s) of Applicant(s):

GM Holden Ltd

241 Salmon Street Port Melbourne Victoria 3207 Australia

(72) Name(s) of Designer(s): **Peter Hughes**

(45) Registration Date: **14 November 2006**

(56) Related Art Documents: **Not Applicable**

(57) Statement of Newness and Distinctiveness: **Newness and distinctiveness is claimed in the shape and/or configuration of a vehicle sill panel as shown in the representations.**



(21) Design Number: **11066/2006**

(22) Date of Filing Application: **16 March 2006**

(24) Date from which industrial property rights may have effect: **16 March 2006**

(54) Product in respect of which the design is registered: **Vehicle sill panel**

(51) International Design Classification: **12-16B**

(71) Name(s) and Address(s) of Applicant(s):

GM Holden Ltd

241 Salmon Street Port Melbourne Victoria 3207 Australia

(72) Name(s) of Designer(s): **Peter Hughes**

(45) Registration Date: **14 November 2006**

(56) Related Art Documents: **Not Applicable**

(57) Statement of Newness and Distinctiveness: **Newness and distinctiveness is claimed in the shape and/or configuration of a vehicle sill panel as shown in the representations.**



(21) Design Number: **11067/2006**

(22) Date of Filing Application: **16 March 2006**

(24) Date from which industrial property rights may have effect: **16 March 2006**

(54) Product in respect of which the design is registered: **Vehicle rear spoiler**

(51) International Design Classification: **12-16B**

(71) Name(s) and Address(s) of Applicant(s):

GM Holden Ltd

241 Salmon Street Port Melbourne Victoria 3207 Australia

(72) Name(s) of Designer(s): **Peter Hughes**

(45) Registration Date: **14 November 2006**

(56) Related Art Documents: **Not Applicable**

(57) Statement of Newness and Distinctiveness: **Newness and distinctiveness is claimed in the shape and/or configuration of a vehicle rear spoiler as shown in the representations.**



(21) Design Number: **11068/2006**

(22) Date of Filing Application: **16 March 2006**

(24) Date from which industrial property rights may have effect: **16 March 2006**

(54) Product in respect of which the design is registered: **Vehicle spoiler**

(51) International Design Classification: **12-16B**

(71) Name(s) and Address(s) of Applicant(s):

GM Holden Ltd

241 Salmon Street Port Melbourne Victoria 3207 Australia

(72) Name(s) of Designer(s): **Peter Hughes**

(45) Registration Date: **14 November 2006**

(56) Related Art Documents: **Not Applicable**

(57) Statement of Newness and Distinctiveness: **Newness and distinctiveness is claimed in the shape and/or configuration of a vehicle spoiler as shown in the representations.**



(21) Design Number: **11069/2006**

(22) Date of Filing Application: **16 March 2006**

(24) Date from which industrial property rights may have effect: **16 March 2006**

(54) Product in respect of which the design is registered: **Vehicle body side moulding**

(51) International Design Classification: **12-16B**

(71) Name(s) and Address(s) of Applicant(s):

GM Holden Ltd

241 Salmon Street Port Melbourne Victoria 3207 Australia

(72) Name(s) of Designer(s): **Peter Hughes**

(45) Registration Date: **14 November 2006**

(56) Related Art Documents: **Not Applicable**

(57) Statement of Newness and Distinctiveness: **Newness and distinctiveness is claimed in the shape and/or configuration of a vehicle body side moulding as shown in the representations.**



(21) Design Number: **11070/2006**

(22) Date of Filing Application: **16 March 2006**

(24) Date from which industrial property rights may have effect: **16 March 2006**

(54) Product in respect of which the design is registered: **Vehicle grille**

(51) International Design Classification: **12-16B**

(71) Name(s) and Address(s) of Applicant(s):

GM Holden Ltd

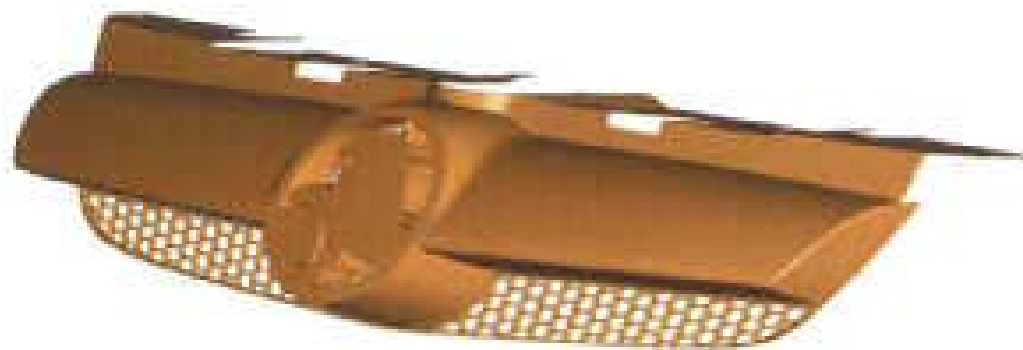
241 Salmon Street Port Melbourne Victoria 3207 Australia

(72) Name(s) of Designer(s): **Peter Hughes**

(45) Registration Date: **14 November 2006**

(56) Related Art Documents: **Not Applicable**

(57) Statement of Newness and Distinctiveness: **Newness and distinctiveness is claimed in the shape and/or configuration of a vehicle grille as shown in the representations.**



(21) Design Number: **11071/2006**

(22) Date of Filing Application: **16 March 2006**

(24) Date from which industrial property rights may have effect: **16 March 2006**

(54) Product in respect of which the design is registered: **Vehicle grille**

(51) International Design Classification: **12-16B**

(71) Name(s) and Address(s) of Applicant(s):

GM Holden Ltd

241 Salmon Street Port Melbourne Victoria 3207 Australia

(72) Name(s) of Designer(s): **Peter Hughes**

(45) Registration Date: **14 November 2006**

(56) Related Art Documents: **Not Applicable**

(57) Statement of Newness and Distinctiveness: **Newness and distinctiveness is claimed in the shape and/or configuration of a vehicle grille as shown in the representations.**



(21) Design Number: **11072/2006**

(22) Date of Filing Application: **16 March 2006**

(24) Date from which industrial property rights may have effect: **16 March 2006**

(54) Product in respect of which the design is registered: **Vehicle grille**

(51) International Design Classification: **11-02B**

(71) Name(s) and Address(s) of Applicant(s):

GM Holden Ltd

241 Salmon Street Port Melbourne Victoria 3207 Australia

(72) Name(s) of Designer(s): **Peter Hughes**

(45) Registration Date: **14 November 2006**

(56) Related Art Documents: **Not Applicable**

(57) Statement of Newness and Distinctiveness: **Newness and distinctiveness is claimed in the shape and/or configuration of a vehicle grille as shown in the representations.**



(21) Design Number: **11073/2006**

(22) Date of Filing Application: **16 March 2006**

(24) Date from which industrial property rights may have effect: **16 March 2006**

(54) Product in respect of which the design is registered: **Vehicle fascia**

(51) International Design Classification: **12-16B**

(71) Name(s) and Address(s) of Applicant(s):

GM Holden Ltd

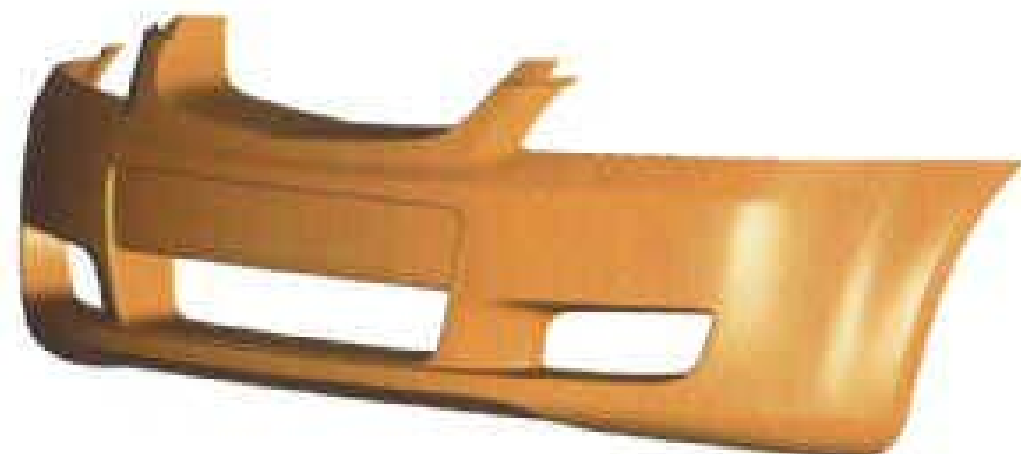
241 Salmon Street Port Melbourne Victoria 3207 Australia

(72) Name(s) of Designer(s): **Peter Hughes**

(45) Registration Date: **14 November 2006**

(56) Related Art Documents: **Not Applicable**

(57) Statement of Newness and Distinctiveness: **Newness and distinctiveness is claimed in the shape and/or configuration of a vehicle fascia as shown in the representations.**



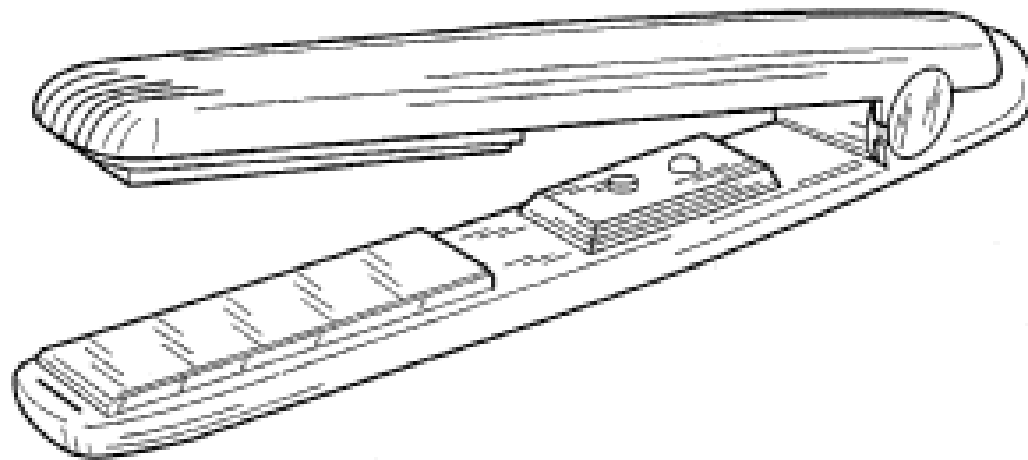
- (21) Design Number: **11074/2006**
(22) Date of Filing Application: **16 March 2006**
(24) Date from which industrial property rights may have effect: **16 March 2006**
(54) Product in respect of which the design is registered: **Vehicle fascia**
(51) International Design Classification: **12-16B**
(71) Name(s) and Address(s) of Applicant(s):
GM Holden Ltd
241 Salmon Street Port Melbourne Victoria 3207 Australia
(72) Name(s) of Designer(s): **Peter Hughes**
(45) Registration Date: **14 November 2006**
(56) Related Art Documents: **Not Applicable**
(57) Statement of Newness and Distinctiveness: **Newness and distinctiveness is claimed in the shape and/or configuration of a vehicle fascia as shown in the representations.**



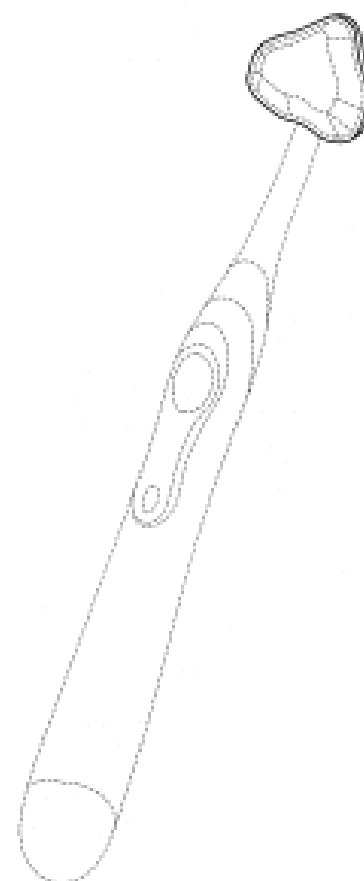
- (21) Design Number: **11075/2006**
(22) Date of Filing Application: **16 March 2006**
(24) Date from which industrial property rights may have effect: **16 March 2006**
(54) Product in respect of which the design is registered: **Vehicle fascia**
(51) International Design Classification: **12-16B**
(71) Name(s) and Address(s) of Applicant(s):
GM Holden Ltd
241 Salmon Street Port Melbourne Victoria 3207 Australia
(72) Name(s) of Designer(s): **Peter Hughes**
(45) Registration Date: **14 November 2006**
(56) Related Art Documents: **Not Applicable**
(57) Statement of Newness and Distinctiveness: **Newness and distinctiveness is claimed in the shape and/or configuration of a vehicle fascia as shown in the representations.**



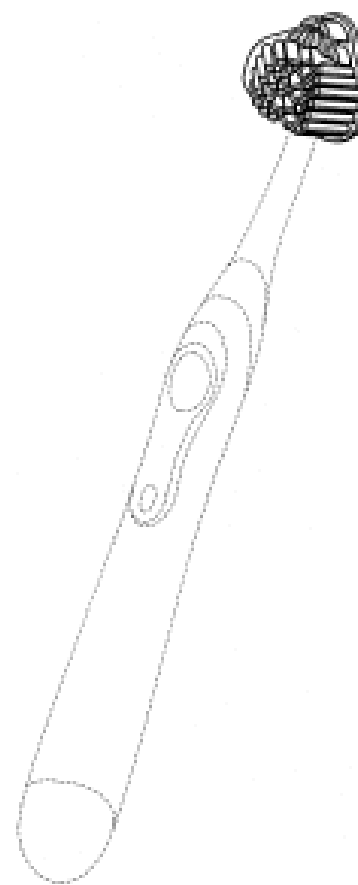
(21) Design Number: **14472/2006**
(22) Date of Filing Application: **24 April 2006**
(24) Date from which industrial property rights may have effect: **24 April 2006**
(54) Product in respect of which the design is registered: **Iron**
(51) International Design Classification: **15-05**
(71) Name(s) and Address(s) of Applicant(s):
Jemella Limited
Unit 12 Ryefield Way Belton Road Silsden BD20 OEF United Kingdom
(72) Name(s) of Designer(s): **Paul Overend**
(45) Registration Date: **14 November 2006**
(62) Divisional of: **311157**
(56) Related Art Documents: **Not Applicable**
(57) Statement of Newness and Distinctiveness: **Those features of the iron depicted in the representations that are new and distinctive are the shape and/or configuration.**



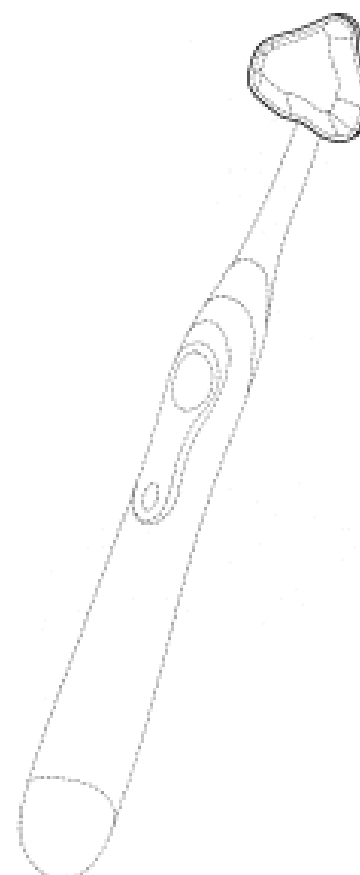
(21) Design Number: **13849/2006**
(22) Date of Filing Application: **05 January 2006**
(24) Date from which industrial property rights may have effect: **05 January 2006**
(54) Product in respect of which the design is registered: **Toothbrush head**
(51) International Design Classification: **04-02**
(71) Name(s) and Address(s) of Applicant(s):
The Gillette Company
Prudential Tower Building Boston Massachusetts 02119 United States of America
(72) Name(s) of Designer(s): **Ludwig Littmann and Fritz Schubert and Rory McGarry**
(45) Registration Date: **15 November 2006**
(30) Convention priority data:
(31) Number (32) Date (33) Country
40503531.4 08 Jul 2005 GERMANY
(56) Related Art Documents: **Not Applicable**
(57) Statement of Newness and Distinctiveness: **Nil**



- (21) Design Number: **10026/2006**
(22) Date of Filing Application: **05 January 2006**
(24) Date from which industrial property rights may have effect: **05 January 2006**
(54) Product in respect of which the design is registered: **Toothbrush head**
(51) International Design Classification: **04-02**
(71) Name(s) and Address(s) of Applicant(s):
The Gillette Company
Prudential Tower Building Boston Massachusetts 02119 United States
of America
(72) Name(s) of Designer(s): **Ludwig Littmann and Fritz Schubert and Rory**
McGarry
(45) Registration Date: **15 November 2006**
(30) Convention priority data:
(31) Number (32) Date (33) Country
40503531.4 08 Jul 2005 GERMANY
(56) Related Art Documents: **Not Applicable**
(57) Statement of Newness and Distinctiveness: **Nil**



- (21) Design Number: **14229/2006**
(22) Date of Filing Application: **05 January 2006**
(24) Date from which industrial property rights may have effect: **05 January 2006**
(54) Product in respect of which the design is registered: **Toothbrush head**
(51) International Design Classification: **04-02**
(71) Name(s) and Address(s) of Applicant(s):
The Gillette Company
Prudential Tower Building Boston Massachusetts 02119 United States
of America
(72) Name(s) of Designer(s): **Ludwig Littmann and Fritz Schubert and Rory**
McGarry
(45) Registration Date: **15 November 2006**
(30) Convention priority data:
(31) Number (32) Date (33) Country
40503531.4 08 Jul 2005 GERMANY
(62) Divisional of: **311417**
(56) Related Art Documents: **Not Applicable**
(57) Statement of Newness and Distinctiveness: **Nil**



(21) Design Number: 12544/2006

(22) Date of Filing Application: 14 June 2006

(24) Date from which industrial property rights may have effect: 14 June 2006

(54) Product in respect of which the design is registered: A casino table

(51) International Design Classification: 21-01L

(71) Name(s) and Address(s) of Applicant(s):

**Progressive Gaming International Corporation
920 Pilot Road Las Vegas Nevada 89119 United States of America**

(72) Name(s) of Designer(s): Trent R. Looney and Barney Abramson

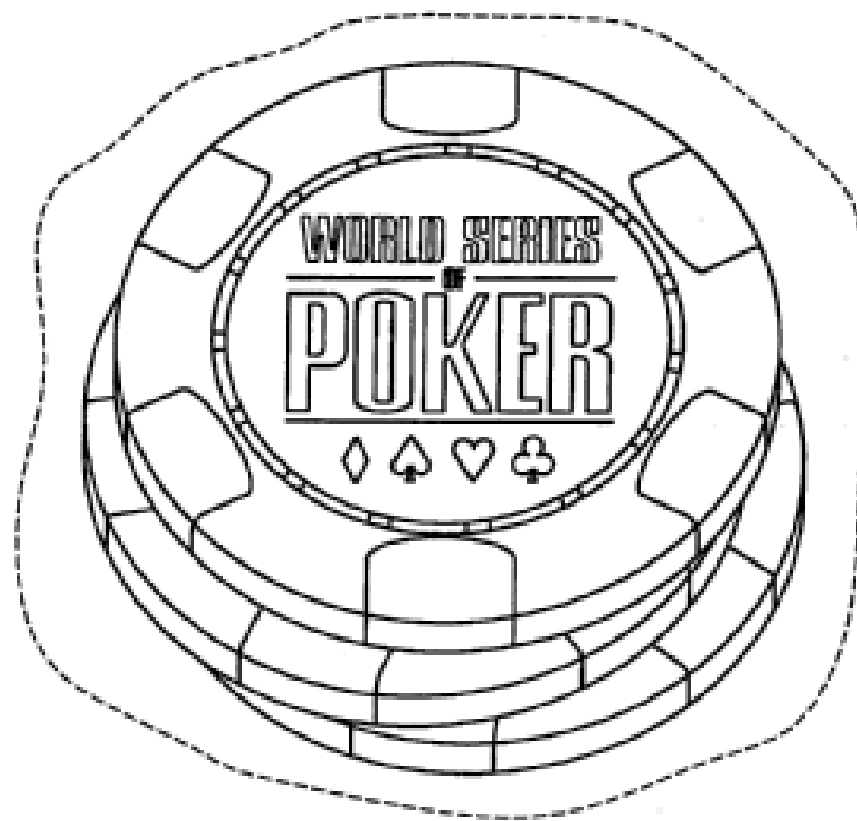
(45) Registration Date: 15 November 2006

(30) Convention priority data:

(31) Number	(32) Date	(33) Country
29245010	16 Dec 2005	UNITED STATES OF AMERICA

(56) Related Art Documents: Not Applicable

(57) Statement of Newness and Distinctiveness: **Newness and distinctiveness is claimed in the surface pattern as shown in solid lines in the representations as applied to the casino table. The shape of the table as shown in broken lines is to be disregarded.**



(21) Design Number: 12816/2006

(22) Date of Filing Application: 30 June 2006

(24) Date from which industrial property rights may have effect: 30 June 2006

(54) Product in respect of which the design is registered: Shed and shelves

(51) International Design Classification: 25-03, 06-04NES

(71) Name(s) and Address(s) of Applicant(s):

**Kevin John Stephens
13 Bacchus Street Burpengary Queensland 4505 Australia**

(72) Name(s) of Designer(s): Kevin John Stephens

(45) Registration Date: 15 November 2006

(56) Related Art Documents: Not Applicable

(57) Statement of Newness and Distinctiveness: **My design is newness & distinctiveness of the follow reason. Other shed have framework to hold up the metal sheets and than it. My design make use of the framework. The shed is built around the shelves give you more strength maximum utilisation & interlock by the roof beams and the back wall making it easy to put up.**



(21) Design Number: **12928/2006**

(22) Date of Filing Application: **11 July 2006**

(24) Date from which industrial property rights may have effect: **11 July 2006**

(54) Product in respect of which the design is registered: **Awning**

(51) International Design Classification: **25-02H**

(71) Name(s) and Address(s) of Applicant(s):

**Schmitz-Werke GmbH + Co. KG
Hansestrasse 53 D-48282 Emsdetten Germany**

(72) Name(s) of Designer(s): **Andreas Kramer**

(45) Registration Date: **15 November 2006**

(30) Convention priority data:

(31) Number	(32) Date	(33) Country
000470	27 Jan 2006	EUROPEAN COMMUNITY
679-0001		

(56) Related Art Documents: **Not Applicable**

(57) Statement of Newness and Distinctiveness: **Those features of the awning depicted in the representations that are new and distinctive are the shape and/or configuration of its ends as shown in the representations. The awning may be of any length. The textual matter shown in the representations are not part of the design and are to be disregarded when considering the overall impression of the design.**



(21) Design Number: **13030/2006**

(22) Date of Filing Application: **13 July 2006**

(24) Date from which industrial property rights may have effect: **13 July 2006**

(54) Product in respect of which the design is registered: **Sun Visor for vehicle**

(51) International Design Classification: **12-16F**

(71) Name(s) and Address(s) of Applicant(s):

**A.E. Davey
23 Rosemary Drive Modbury North South Australia 5092 Australia**

**J.L. Davey
23 Rosemary Drive Modbury North South Australia 5092 Australia**

(72) Name(s) of Designer(s): **Alan E. Davey**

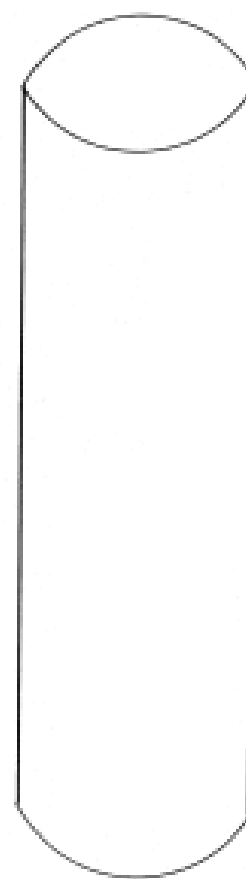
(45) Registration Date: **15 November 2006**

(56) Related Art Documents: **Not Applicable**

(57) Statement of Newness and Distinctiveness: **It is an item, to our knowledge that has not been produced and effectively fitted in any vehicles before.**

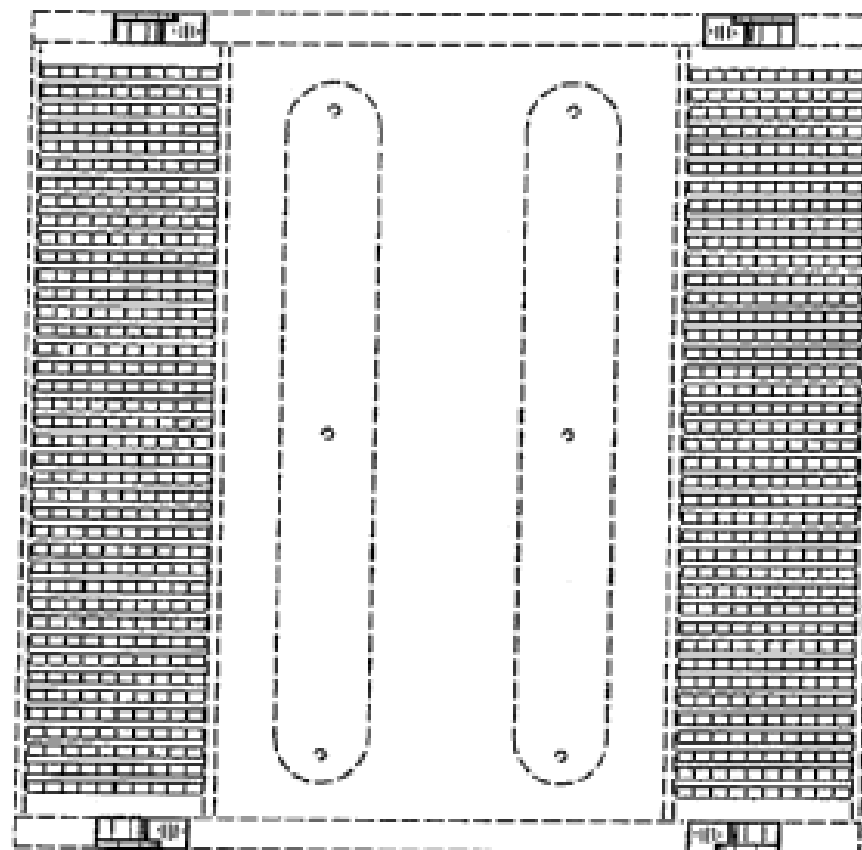


- (21) Design Number: **13129/2006**
- (22) Date of Filing Application: **21 July 2006**
- (24) Date from which industrial property rights may have effect: **21 July 2006**
- (54) Product in respect of which the design is registered: **Head covering**
- (51) International Design Classification: **02-03, 02-05**
- (71) Name(s) and Address(s) of Applicant(s):
Amanda Konecke
9B Spencer Avenue Yokine Western Australia 6060 Australia
- (72) Name(s) of Designer(s): **Amanda Konecke and Raquel Paten**
- (45) Registration Date: **15 November 2006**
- (56) Related Art Documents: **Not Applicable**
- (57) Statement of Newness and Distinctiveness: **A tubular scarf which stretches over the head like a hat then drapes round the neck like a scarf.**

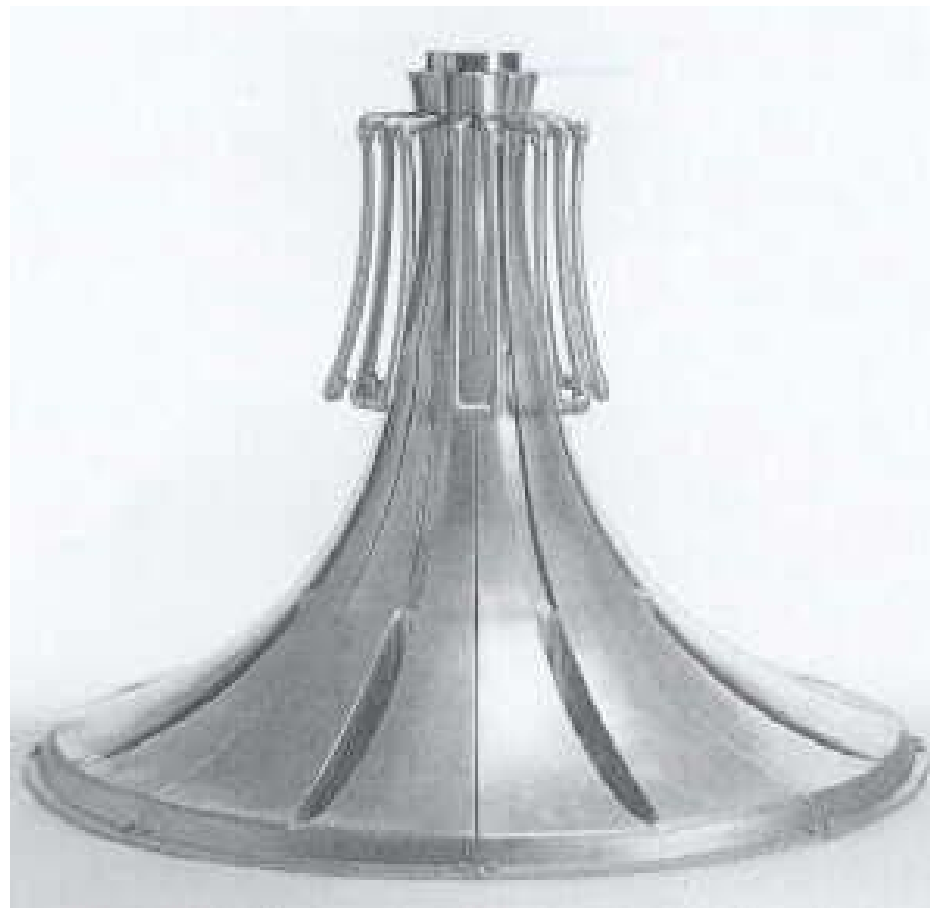


- (21) Design Number: **13161/2006**
- (22) Date of Filing Application: **21 July 2006**
- (24) Date from which industrial property rights may have effect: **21 July 2006**
- (54) Product in respect of which the design is registered: **Filter cassette for a gas stream**
- (51) International Design Classification: **23-01G**
- (71) Name(s) and Address(s) of Applicant(s):
AAF-McQuay Inc.
10300 Ormsby Park Place Suite 600 Louisville Kentucky 40223 United States of America
- (72) Name(s) of Designer(s): **Mike Osborne and Keiron O'Connell and Husheder P. Daruwalla and Joachim Horst Wenzek and Ng Cheah Wei**
- (45) Registration Date: **15 November 2006**
- (30) Convention priority data:

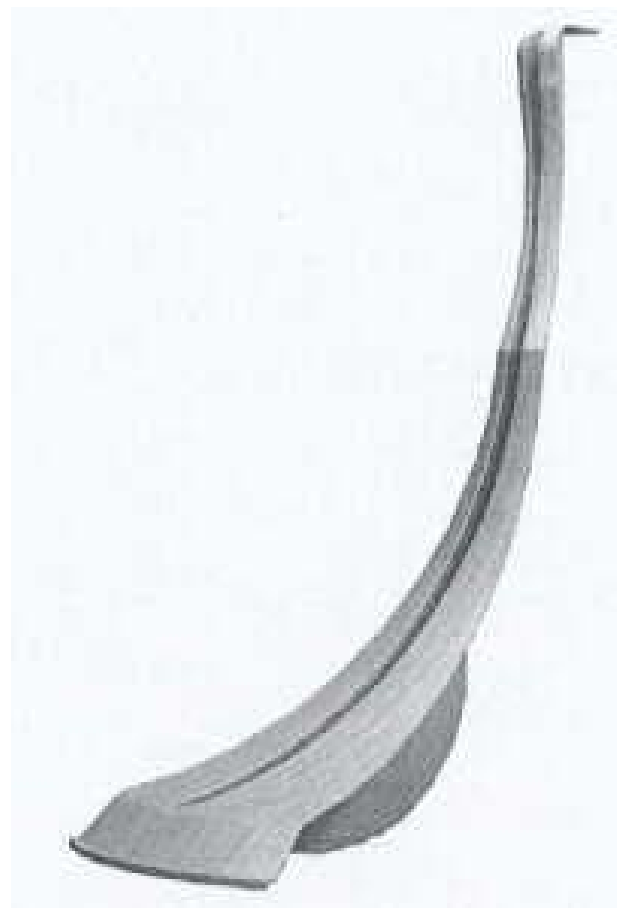
(31) Number	(32) Date	(33) Country
29/252268	20 Jan 2006	UNITED STATES OF AMERICA
- (56) Related Art Documents: **Not Applicable**
- (57) Statement of Newness and Distinctiveness: **Nil.**



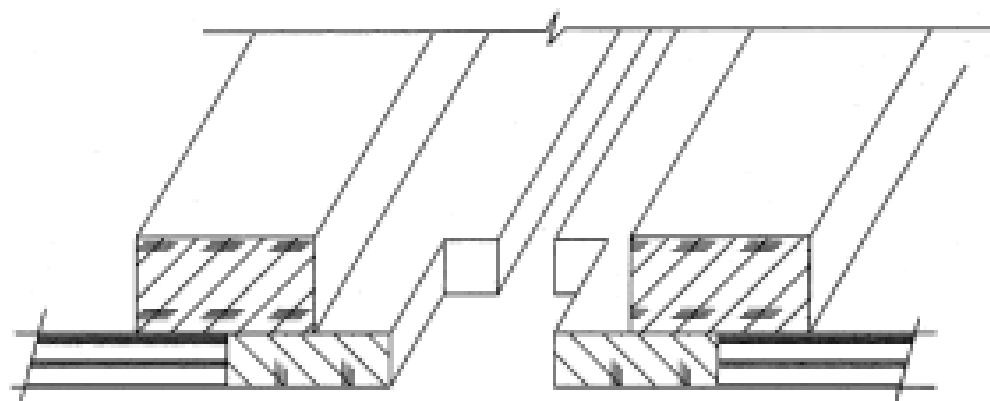
- (21) Design Number: **13368/2006**
(22) Date of Filing Application: **31 July 2006**
(24) Date from which industrial property rights may have effect: **31 July 2006**
(54) Product in respect of which the design is registered: **Bicycle stand**
(51) International Design Classification: **08-10**
(71) Name(s) and Address(s) of Applicant(s):
James John Steward
50 Burnhill Road Beckenham Kent BR3 3LA United Kingdom
(72) Name(s) of Designer(s): **James John Steward**
(45) Registration Date: **15 November 2006**
(30) Convention priority data:
(31) Number (32) Date (33) Country
3023819 31 Jan 2006 UNITED KINGDOM
(56) Related Art Documents: **Not Applicable**
(57) Statement of Newness and Distinctiveness: **Newness and distinctiveness resides in the features of shape and configuration as applied to a bicycle stand as shown in the accompanying drawings.**



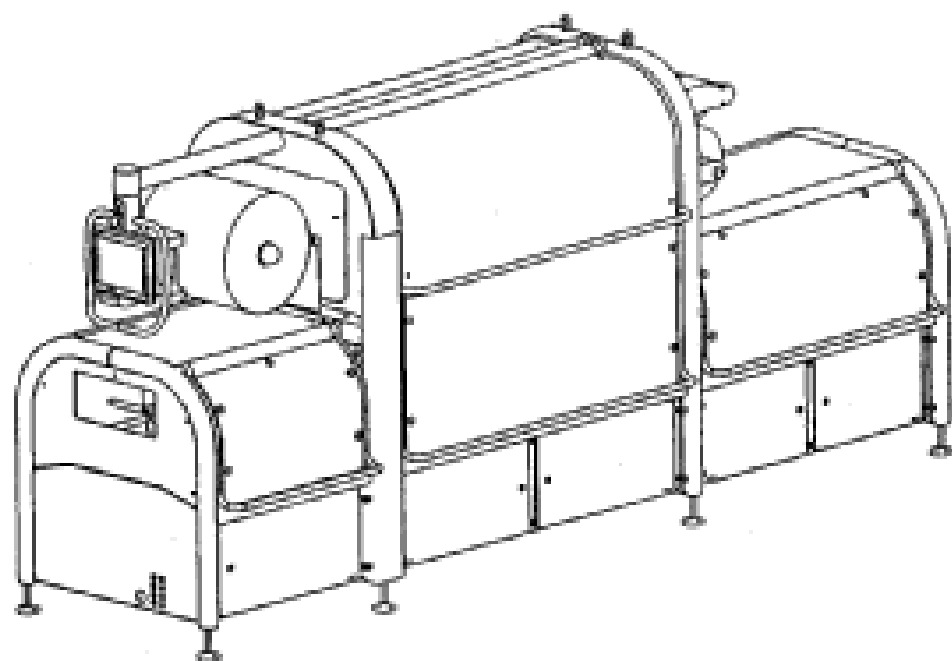
- (21) Design Number: **13370/2006**
(22) Date of Filing Application: **31 July 2006**
(24) Date from which industrial property rights may have effect: **31 July 2006**
(54) Product in respect of which the design is registered: **Bicycle stand or bicycle stand segment**
(51) International Design Classification: **08-10**
(71) Name(s) and Address(s) of Applicant(s):
James John Steward
50 Burnhill Road Beckenham Kent BR3 3LA United Kingdom
(72) Name(s) of Designer(s): **James John Steward**
(45) Registration Date: **15 November 2006**
(30) Convention priority data:
(31) Number (32) Date (33) Country
3023819 31 Jan 2006 UNITED KINGDOM
(56) Related Art Documents: **Not Applicable**
(57) Statement of Newness and Distinctiveness: **The design is to be applied to a bicycle stand or bicycle stand segment and the novelty resides in the shape and configuration of the bicycle stand or bicycle stand segment as shown in the accompanying drawings.**



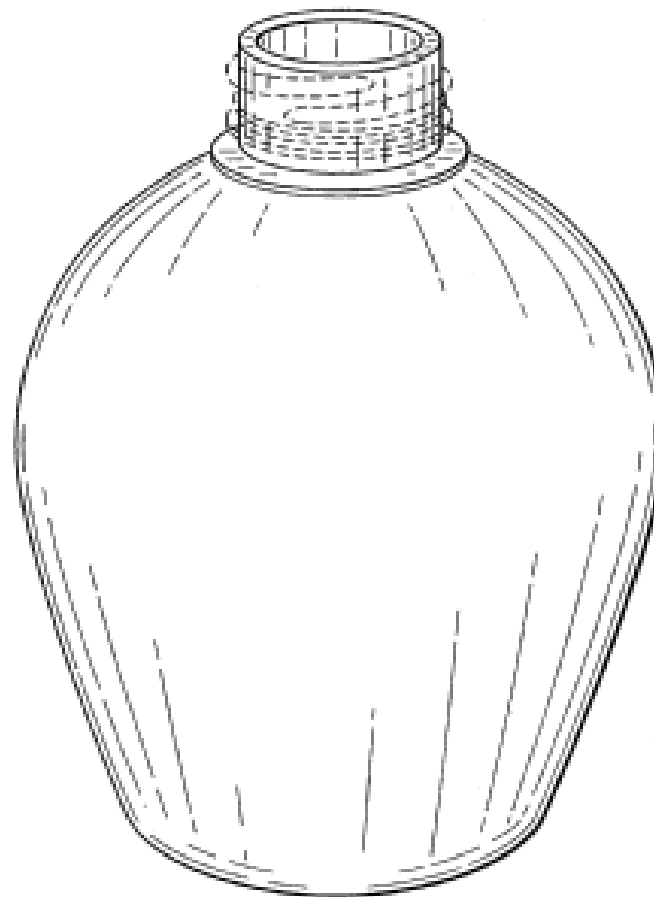
- (21) Design Number: **13959/2006**
(22) Date of Filing Application: **25 August 2006**
(24) Date from which industrial property rights may have effect: **25 August 2006**
(54) Product in respect of which the design is registered: **Sliding door pocket**
(51) International Design Classification: **08-09**
(71) Name(s) and Address(s) of Applicant(s):
Corinthian Industries (Australia) Pty Limited Victoria Division
6 Healey Road Dandenong Victoria 3175 Australia
(72) Name(s) of Designer(s): **Geoff Bagg and D&K Home Security**
(45) Registration Date: **15 November 2006**
(56) Related Art Documents: **Not Applicable**
(57) Statement of Newness and Distinctiveness: **Monopoly is claimed in the design and configuration of the flush ceiling trims with trolley cut out and trolley cut out cover piece.**



- (21) Design Number: **14171/2006**
(22) Date of Filing Application: **15 September 2006**
(24) Date from which industrial property rights may have effect: **15 September 2006**
(54) Product in respect of which the design is registered: **Packaging machine**
(51) International Design Classification: **15-99**
(71) Name(s) and Address(s) of Applicant(s):
Ishida Europe Limited
11 Kettles Wood Drive Woodgate Business Park Birmingham West
Midlands B32 3DB United Kingdom
(72) Name(s) of Designer(s): **Lee Michael Vine**
(45) Registration Date: **15 November 2006**
(30) Convention priority data:
(31) Number (32) Date (33) Country
000500061 17 Mar 2006 EUROPEAN COMMUNITY
(56) Related Art Documents: **Not Applicable**
(57) Statement of Newness and Distinctiveness: **Newness and distinctiveness is claimed in the features of shape and/or configuration of a packaging machine, particularly the rounded nature of the frame of the packaging machine and the panels fitted to the frame, as illustrated in the accompanying representations.**



(21) Design Number: **14242/2006**
(22) Date of Filing Application: **22 September 2006**
(24) Date from which industrial property rights may have effect: **22 September 2006**
(54) Product in respect of which the design is registered: **Dispenser for personal care products**
(51) International Design Classification: **28-03NES**
(71) Name(s) and Address(s) of Applicant(s):
Colgate-Palmolive Company
300 Park Avenue New York New York 10022 United States of America
(72) Name(s) of Designer(s): **Christopher Bradley and John Jamieson and Jeffrey Tilley and John C. Crawford**
(45) Registration Date: **15 November 2006**
(30) Convention priority data:
(31) Number (32) Date (33) Country
29/256764 24 Mar 2006 UNITED STATES OF AMERICA
(56) Related Art Documents: **Not Applicable**
(57) Statement of Newness and Distinctiveness: **Newness and distinctiveness reside in the features of the design as shown in the representations.**



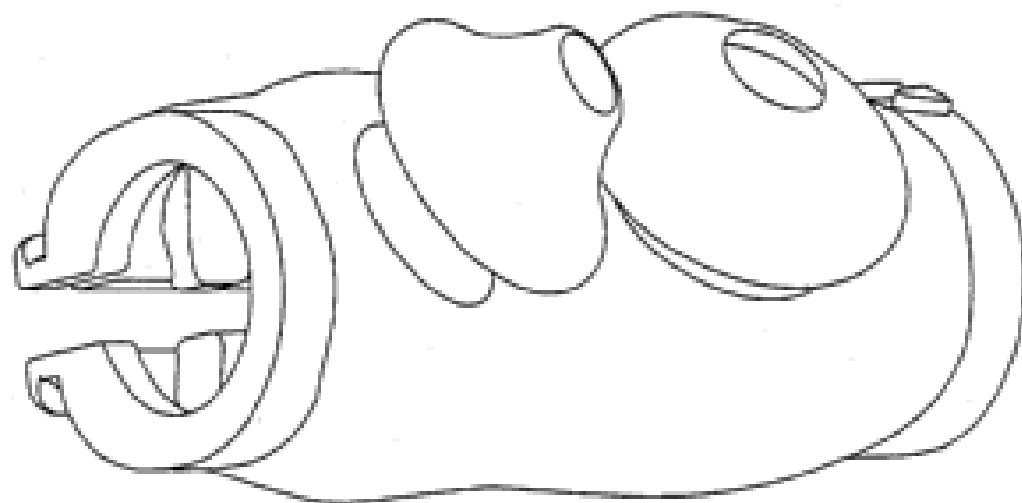
(21) Design Number: **14243/2006**
(22) Date of Filing Application: **22 September 2006**
(24) Date from which industrial property rights may have effect: **22 September 2006**
(54) Product in respect of which the design is registered: **Dispenser for personal care products**
(51) International Design Classification: **28-03NES**
(71) Name(s) and Address(s) of Applicant(s):
Colgate-Palmolive Company
300 Park Avenue New York New York 10022 United States of America
(72) Name(s) of Designer(s): **Christopher Bradley and John Jamieson and Jeffrey Tilley and John C. Crawford**
(45) Registration Date: **15 November 2006**
(30) Convention priority data:
(31) Number (32) Date (33) Country
29/256764 24 Mar 2006 UNITED STATES OF AMERICA
(56) Related Art Documents: **Not Applicable**
(57) Statement of Newness and Distinctiveness: **Newness and distinctiveness reside in the features of the design as shown in the representations.**



(21) Design Number: **14569/2006**
(22) Date of Filing Application: **12 October 2006**
(24) Date from which industrial property rights may have effect: **12 October 2006**
(54) Product in respect of which the design is registered: **Respiratory mask**
(51) International Design Classification: **24-01, 24-02**
(71) Name(s) and Address(s) of Applicant(s):
ResMed Ltd
1 Elizabeth Macarthur Drive Bella Vista New South Wales 2153
Australia
(72) Name(s) of Designer(s): **Daniel Robert Judson and Aaron Samuel Davidson and Daniel Joseph Kaars Sijpesteijn and Lee James Veliss**
(45) Registration Date: **15 November 2006**
(30) Convention priority data:
(31) Number (32) Date (33) Country
29/258,083 14 Apr 2006 UNITED STATES OF AMERICA
(56) Related Art Documents: **Not Applicable**
(57) Statement of Newness and Distinctiveness: **Nil**



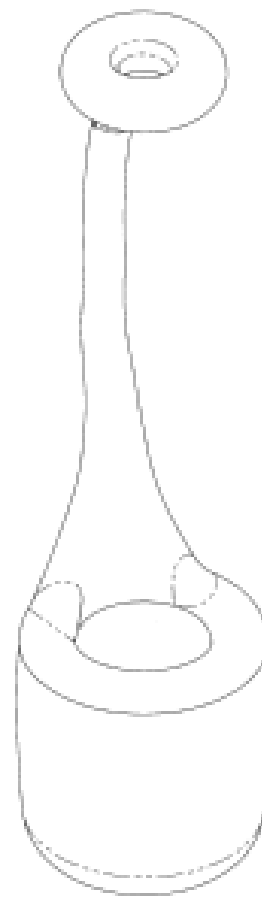
(21) Design Number: **14570/2006**
(22) Date of Filing Application: **12 October 2006**
(24) Date from which industrial property rights may have effect: **12 October 2006**
(54) Product in respect of which the design is registered: **Respiratory mask cushion**
(51) International Design Classification: **24-01, 24-02**
(71) Name(s) and Address(s) of Applicant(s):
ResMed Ltd
1 Elizabeth Macarthur Drive Bella Vista New South Wales 2153
Australia
(72) Name(s) of Designer(s): **Daniel Robert Judson and Aaron Samuel Davidson and Daniel Joseph Kaars Sijpesteijn and Lee James Veliss**
(45) Registration Date: **15 November 2006**
(30) Convention priority data:
(31) Number (32) Date (33) Country
29/258,083 14 Apr 2006 UNITED STATES OF AMERICA
(56) Related Art Documents: **Not Applicable**
(57) Statement of Newness and Distinctiveness: **Nil**



- (21) Design Number: **12277/2006**
- (22) Date of Filing Application: **22 May 2006**
- (24) Date from which industrial property rights may have effect: **22 May 2006**
- (54) Product in respect of which the design is registered: **Vase**
- (51) International Design Classification: **11-02A**
- (71) Name(s) and Address(s) of Applicant(s):

Jessica Lea Dunn
11/685 Old South Head Road Vaucluse New South Wales 2030
Australia

- (72) Name(s) of Designer(s): **Jessica Lea Dunn**
- (45) Registration Date: **15 November 2006**
- (56) Related Art Documents: **Not Applicable**
- (57) Statement of Newness and Distinctiveness: **Monopoly is claimed for the shape and configuration of the vase as shown in the accompanying representations. The vase features a water-holding base with a stem-support for a flower.**



- (21) Design Number: **12278/2006**
- (22) Date of Filing Application: **22 May 2006**
- (24) Date from which industrial property rights may have effect: **22 May 2006**
- (54) Product in respect of which the design is registered: **Lamp**
- (51) International Design Classification: **26-05D**
- (71) Name(s) and Address(s) of Applicant(s):

Jessica Lea Dunn
11/685 Old South Head Road Vaucluse New South Wales 2030
Australia

- (72) Name(s) of Designer(s): **Jessica Lea Dunn**
- (45) Registration Date: **15 November 2006**
- (56) Related Art Documents: **Not Applicable**
- (57) Statement of Newness and Distinctiveness: **Monopoly is claimed for the shape and configuration of a lamp of indefinite length as shown in the accompanying representations.**



- (21) Design Number: **10300/2006**
(22) Date of Filing Application: **31 January 2006**
(24) Date from which industrial property rights may have effect: **31 January 2006**
(54) Product in respect of which the design is registered: **Baby sling**
(51) International Design Classification: **03-99**
(71) Name(s) and Address(s) of Applicant(s):
Bubzilla Pty Ltd
37a North Street Henley Beach South Australia Australia
(72) Name(s) of Designer(s): **Branka Brborovic**
(45) Registration Date: **15 November 2006**
(56) Related Art Documents: **Not Applicable**
(57) Statement of Newness and Distinctiveness: **Width of fabric creating deepest, safest pouch for baby pockets (2) velcro tab storage pleated pockets Original colours - purple, red, ocean, fuchsia dye mix created for bubzilla.**



- (21) Design Number: **14786/2006**
(22) Date of Filing Application: **18 October 2006**
(24) Date from which industrial property rights may have effect: **18 October 2006**
(54) Product in respect of which the design is registered: **An extrusion**
(51) International Design Classification: **25-01K**
(71) Name(s) and Address(s) of Applicant(s):
Architectural Window Systems Pty Ltd
76-78 Jemma Road Prestons New South Wales 2170 Australia
(72) Name(s) of Designer(s): **David John McCleary**
(45) Registration Date: **13 November 2006**
(56) Related Art Documents: **Not Applicable**
(57) Statement of Newness and Distinctiveness: **Newness and distinctiveness is claimed in the shape and/or configuration of an extrusion as illustrated by the unbroken lines in the accompanying representation/s.**

