



Australian Government

IP Australia

AUSTRALIAN OFFICIAL JOURNAL

OF

DESIGNS

Did you know a searchable version of this journal is now available online?

It's FREE and EASY to SEARCH.

Find it at

<http://pericles.ipaustralia.gov.au/ols/epublish/content/olsEpublications.jsp>
or using the "Online Journals" link on the IP Australia home page.

This Page Left Intentionally Blank

Contents

General Information & Notices

Proceedings Under the Designs Act 1906 preserved as a result of the provisions of Chapter 12 Part 2 of the Designs Act 2003

Application for Extension of Period of Registration	7502
Applications Refused	7501
Extension of Period of Registration of Designs	7502
Extensions of Time Granted	7503
Registrations Ceased	7502
Subsequent Owners Registered	7503

Proceedings Under the Designs Act 2003

Applications Assigned	7513
Applications Lapsed	7511
Applications Lodged	7507
Applications Withdrawn	7511
Certificate of Examination	7515
Corrigenda	7514
Extension of Time Granted Under Section 137	7512
Publication and Registration Proceedings	
Designs Registered 311437 to 311643.....	7516
Registrations Ceased	7512
Revocation of Design Registrations	7512
Subsequent Owners Registered	7513

This Page Left Intentionally Blank

General Information

EDITORIAL ENQUIRIES

All enquiries about official notices and general information in the Journal should be directed to IP Australia, (ABN No 38 113 072 755), PO Box 200 Woden ACT 2606

Or

Telephone 1300 651 010
(International Callers +61 2 6283 2999)
Fax 02 6283 7999
E-mail assist@ipaustralia.gov.au

CONTACT INFORMATION

Customer Service Network
Telephone 1300 651 010 , Fax: 02 6283 7999
E-mail: assist@ipaustralia.gov.au

Customers can contact the Customer Service Network by telephone or by e-mail. Telephones are staffed between 9am and 5pm each working day.

Customers should contact the Customer Service Network for information about:

- All Patent Matters including PCT and Innovation Patents.
- All Trade Mark Matters.
- All Design Matters.

Professional Standards Board for Patent and Trade Mark Attorneys.

Ph: 02 6283 2345 Fax: 02 6283 1048

ORDERING PATENT DOCUMENTS

When ordering copies of Australian patent specifications, or abstracts and abridgments notified as open to public inspection on or after 26 October 1978, or as accepted on or after 16 November 1978, the documents should be referred to by application numbers only, preceded by letters AU-A or AU-B respectively.

REQUESTS FOR INFORMATION UNDER SECTION 194 (C)

A request for information under Section 194 (C) of the Patents Act 1990 should be made in the approved form and be accompanied by the prescribed fee. The request should be as detailed as possible.

INFORMATION FROM REGISTERS

All requests for information from Register of Patents, Trade Marks or Designs, should be made in writing and accompanied by the prescribed fee. The Registers are located in Canberra and may be examined free of charge.

COUNTRY CODES

For a listing of country codes used by IP Australia please refer to the Official Journals dated 7 November 1996.

ABBREVIATIONS IN JOURNAL

Standard abbreviations are used in the name of companies and firms. Enquiries concerning the precise name should be directed to the Customer Service Network.

FREEDOM OF INFORMATION ACT

What does it do?

- Gives you right to obtain information held by Commonwealth Ministers, Departments and most statutory bodies (these bodies are called agencies under the Act).
- Requires Commonwealth Government agencies to make available to members of the public:
 - Information about agencies, their functions and operations.
 - Information about rules and practices which are used in making decisions which affect you.
- Gives you a legal right to:
 - See non exempt documents held by agencies, and
 - appeal against a decision not to grant access to a document.

What documents can you see?

- The Act gives you a right to see documents lodged on or after 1 December 1977, or earlier if you need them to understand another document you have already.
- Documents include files, reports, computer printouts, maps, plans, photographs, tape recordings, films or videotapes.
- Documents which are available for purchase under the Patents Act 1990, the Trade Marks Act 1995 or Designs Act 2003 or Plant Breeder's Rights Act 1994 are not available under the Freedom of Information Act (Section 12 refers).

How do you apply?

Requests for access to documents must

- Be in writing
- Provide sufficient information so as to enable identification of the documents requested
- Specify an address in Australia where notices can be sent and
- Be accompanied by the application fee (currently \$30.00).

Requests for documents should be addressed to IP Australia, PO Box 200 Woden, ACT 2606, or Faxed to 02 6283 7999

DECISIONS OF THE COMMISSIONER OF PATENTS AND REGISTRAR OF TRADE MARKS AND DESIGNS

- All decisions of the Commissioner and Registrars are available free of charge from AUSTLII's website

www.austlii.edu.au

Copies of all written Patent and Design decisions are available (except if they would not be available under the provisions of the Freedom of Information legislation, e.g. if they would effectively disclose matter from documents that are not open to public inspection) on request for a cost of \$AU 25. They are also available for inspection in indexed volume series, dating from 1 January 1987, in the Office library, Canberra.

Copies of Trade Mark decisions may be accessed via IP Australia's website www.ipaustralia.gov.au

- Copies of the taped record of Patent and Design hearings are available (with the same exception as above) on request.
- When a written decision is issued the fact of the decision plus a brief head note will be published in the Official Notices section of the next available Patents, Trade Marks or Designs Journal.

HEARINGS BEFORE THE COMMISSIONER OF PATENTS

Hearings before the Commissioner of Patents will usually be conducted at the Patent Office in Canberra and interstate hearing sessions are not provided. However, the Commissioner will conduct hearings outside of Canberra at a convenient time to all parties provided that the parties bear the travel costs of the hearing officer.

The various options for hearings are set out in the document "Options for Hearings" available on IP Australia's website at: www.ipaustralia.gov.au/pdfs/patents/optionsforhearings.PDF

HEARINGS BEFORE THE REGISTRARS OF TRADE MARKS AND DESIGNS

Hearings before the Registrars of Trade Marks and Designs will be set down in Melbourne, Sydney, Adelaide, Perth and Brisbane during the periods indicated below.

Designs and Trade Marks Hearings Sessions 2006

Melbourne	13 – 17 February 5 – 9 June 11 – 15 September
Sydney	13 – 17 March 17 – 21 July 16 – 20 October
Adelaide	14 – 15 August
Perth	17 – 18 August
Brisbane	24 – 25 August

Persons who desire matters to be set down for hearing in Melbourne, Sydney, Adelaide, Perth or Brisbane must give at least one month's notice of their intention to be heard. If such notice is not given, it may be that there would be insufficient time to allow for the execution of official procedures associated with the listing of hearings, and as a result, the matter involved might not be listed.

Subject to the convenience of this Office, hearings will be set down in Canberra at any time suitable to the parties.

LIST OF STATE OFFICES

IP Australia State Offices are located in the Australian Capitals at the addresses given below. Requests for information may be obtained by calling at, phoning or writing to these offices or IP Australia, Canberra.

Australian Capital Territory

Ground Floor
Discovery House
PHILLIP ACT 2606
(PO Box 200, WODEN ACT 2606)
Ph: 1300 651 010
Fax: (02) 6283 7999

New South Wales

Level 1
45 Clarence Street
SYDNEY NSW 2000
Ph: 1300 651 010
Fax: (02) 9249 5807

Victoria

Level 6
OCBC House
565 Bourke Street
MELBOURNE VIC 3000
Ph: 1300 651 010
Fax (03) 9612 9807

Western Australia

2nd Floor
East Point Plaza
233 Adelaide Terrace
PERTH WA 6000
Ph: 1300 651 010
Fax: (08) 9220 8907

Queensland

Level 1
Grant Thornton House
102 Adelaide Street
BRISBANE QLD 4000
Ph: 1300 651 010
Fax: (07) 3007 1107

South Australia

Level 10
Origin Energy House
1 King William Street
ADELAIDE SA 5000
Ph: 1300 651 010
Fax: (08) 8239 4507

Tasmania

4th Floor
AMP Building
27 Elizabeth Street
HOBART TAS 7000
Ph: 1300 651 010
Fax: (03) 6235 6307

“INID” NUMBERS in use on Australian Design Documents

“INID” is an acronym for “Internationally agreed Numbers for the Identification of Data”.

(10) Data concerning the registration/renewal

- (11) Serial number of the registration and/or number of the design document
- (12) Plain language designation of the kind of published document
- (19) Identification, using the two-letter code according to WIPO Standard ST.3, of the authority publishing or registering the industrial design

(20) Data concerning the application

- (21) Serial number of the application
- (22) Date of filing of the application
- (24) Date from which the industrial design right has effect

(30) Data relating to priority under the Paris Convention

- (31) Serial number assigned to the priority application
- (32) Date of filing of the priority application
- (33) Two-letter code, according to WIPO Standard ST.3, identifying the authority with which the priority application was made

(40) Date(s) of making information available to the public

- (45) Date of publication of the registered industrial design by printing or similar process, or making it available to the public by any other means

(50) Miscellaneous Information

- (51) International Classification for Industrial Designs (class and subclass of the Locarno Classification)
- (54) Designation of article(s) or product(s) covered by the industrial design or title of the industrial design
- (55) Reproduction of the industrial design (e.g., drawing, photograph) and explanations relating to the reproduction
- (56) List of prior art documents, if separate from descriptive text
- (57) Description of characteristic features of the industrial design including indication of colours

(60) References to other legally related application(s) and registration(s)

- (62) Serial number(s) and, if available, filing date(s) of application(s), registration(s) or document(s) related by division
- (66) Serial number(s) of the application, or the registration, of the design(s) which is (are) a variant(s) of the present one

(70) Identification of parties concerned with the application or registration

- (71) Name(s) and address(es) of the applicant(s)
- (72) Name(s) of the creator(s) if known to be such
- (74) Name(s) and address(es) of the representative(s)

This Page Left Intentionally Blank

Official Notice**Designs Act 2003
Amendments to Registered Designs at Examination**

The following amendments have been made to details previously published in the Australian Official Journal of Designs during the Examination process:

Registration Number	Amendment type	New details
305535	Classification	03-01D, 06-04Z
307545	Classification	07-99C, 30-99

Contact: IP Australia
Phone: 1300 651 010
Fax: +61 2 6283 7999
E-Mail: assist@ipaaustralia.gov.au
Web: www.ipaustralia.gov.au

This Page Left Intentionally Blank

Proceedings under the Designs Act 1906 preserved as a result of the provisions of Chapter 12 Part 2 of the Designs Act 2003.

This Page Left Intentionally Blank

Applications Refused

00835 / 2004 (12-08)

00837 / 2004 (12-08)

Application for Extension of Period of Registration

Applications under Section 27A(2) for extension of registration of the following designs have been lodged. In the event that a design is shown to be not new or original, the Registrar may refuse to extend the period of registration. Sub-section 27A(4) allows any person to lodge at the Designs Office material relevant to the question whether the design is not new or original. That material must be lodged within 11 months of the date when the registration of the design was made. Further details of the conditions and procedures for the lodgement of material are contained in Form 8 provided under the Designs Regulation 24.

158404	158405	158406
158407	158408	158409
158410	158411	158412
158413	158414	158415
158416	158417	158418
158419	158420	158421
158422	158423	158424
158425	158426	158427
158428	158429	158430
158431	158432	158438
158440		

Registration Number	Registered Owner	Registration Date
157774	PRATLEY INVESTMENTS (PROPRIETARY) LIMITED	22/03/2005
157948	SHOWA CO.	19/04/2005
158315	INDUSTRIAL EXPRESSION PTY LTD	27/09/2005
158316	INDUSTRIAL EXPRESSION PTY LTD	27/09/2005
158317	INDUSTRIAL EXPRESSION PTY LTD	27/09/2005
158318	INDUSTRIAL EXPRESSION PTY LTD	27/09/2005
158319	INDUSTRIAL EXPRESSION PTY LTD	27/09/2005
158320	INDUSTRIAL EXPRESSION PTY LTD	27/09/2005
158321	INDUSTRIAL EXPRESSION PTY LTD	27/09/2005
158390	ANDREW ROBERT HARCOURT	24/11/2005
158391	ANDREW ROBERT HARCOURT	24/11/2005
158394	ANDREW ROBERT HARCOURT	24/11/2005
158395	ANDREW ROBERT HARCOURT	24/11/2005
158404	MARS INCORPORATED	24/11/2005
158416	GLJ, LLC	28/11/2005
158417	GLJ, LLC	28/11/2005
158418	GLJ, LLC	28/11/2005
158419	GLJ, LLC	28/11/2005
158423	IGT	28/11/2005
158426	ROSS ANDREW DIDIER	28/11/2005
158471	BARRY THOMAS DUFFIELD	18/01/2006

2nd Period (Section 27A(12))

142550	143080	143238
143299	144116	144170
144171	144235	144256
144257	144258	144259
144426	144427	144428
144446	144447	144448
144510	144560	144561
144569	144575	144671
144672	144681	144686
144695	144696	144814
144864	144976	144977
144978	144979	144980
145030	145078	145243
145560	145660	145661
146122	146210	146211
146212	146213	146214
146323	146388	146607
146718	146724	146725
146726	146727	146728
146729	146766	146836
146952	147210	147392
147434	147789	148364
149548	151704	157210

3rd Period (Section 27A(13))

127124	127576	127587
127590	127759	127845
127858	128225	128226
128490	128491	130301
130642		

Extension of Period of Registration of Designs

1st Period (Section 27A(8))

157774	157948	158315
158316	158317	158318
158319	158320	158321
158387	158388	158390
158391	158392	158394
158395	158396	158397
158398	158399	158400
158401	158402	158403

Registrations Ceased

Note: Some of the following Registrations may have been previously advertised as ceased. In this instance, the previous advertisement still prevails.

110022	111246	111329
111333	111334	111335
111338	111353	111354
111569	111666	111952
112001	112004	112417
112437	112589	113106
114193	114195	114237

116999	123720	124206
125472	125524	125543
125552	125554	125611
125629	125668	125669
125690	125802	125912
126107	126785	128549
128573	128717	128827
128873	129087	129127
129134	129135	129136
129685	134683	139874
140812	140852	140912
140913	140972	141379
142299	142300	142302
142342	142345	142357
142361	142448	142451
142483	142512	142835
142867	142893	143053
143151	143342	143967
144743	144744	144745
144746	144747	144748
144894	144895	144896
145550	145721	145722
146314	146488	146489
146943		

Subsequent Owners Registered

143920	(Island Block & Paving Pty Ltd) William John Fawdry
151531	(BIC Corporation a company organised and existing under the laws of the State of Connecticut, United States of America) BIC Corporation
148059	(Industrial Roll Formers Pty. Limited) Jeffrey Robert Fergusson
156673	(Special Sports Beheer, B.V.) Wai Kok Sports Limited
156674	(Special Sports Beheer, B.V.) Wai Kok Sports Limited
144607	(Leifheit AG) Soehnle A.G.
130154	(Leifheit AG) Soehnle-Waagen G.m.b.H. & Co.
138690	(Leifheit AG) Soehnle A.G.
144608	(Leifheit AG) Soehnle A.G.
156673	(Power Plate International Limited) Special Sports Beheer, B.V.
156674	(Power Plate International Limited) Special Sports Beheer, B.V.

Extensions of time granted

Applications lodged for extension of time have been granted.

158315 **Industrial Expression Pty Ltd** An Extension of time to extend a registration has been granted to 16/10/2006

158316 **Industrial Expression Pty Ltd** An Extension of time to extend a registration has been granted to 25/10/2006

158317 **Industrial Expression Pty Ltd** An Extension of time to extend a registration has been granted to 16/10/2006

158318 **Industrial Expression Pty Ltd** An Extension of time to extend a registration has been granted to 16/10/2006

158319 **Industrial Expression Pty Ltd** An Extension of time to extend a registration has been granted to 16/10/2006

158320 **Industrial Expression Pty Ltd** An Extension of time to extend a registration has been granted to 16/10/2006

158321 **Industrial Expression Pty Ltd** An Extension of time to extend a registration has been granted to 16/10/2006

157948 **Showa Co.** An Extension of time to extend a registration has been granted to 27/09/2006

157774 **Pratley Investments (Proprietary) Limited** An Extension of time to extend a registration has been granted to 27/09/2006

Subsequent Owners Registered

(The name in parentheses is that of the subsequent owner)

139893	(Island Block & Paving Pty Ltd) William John Fawdry
139892	(Island Block & Paving Pty Ltd) William John Fawdry
139894	(Island Block & Paving Pty Ltd) William John Fawdry
153727	(Island Block & Paving Pty Ltd) William John Fawdry

This Page Left Intentionally Blank

Proceedings under the Designs Act 2003.

This Page Left Intentionally Blank

Applications Lodged

Lodgement information is in the following order: **Applicant's Name**; International Classification, Name of Product, Lodgement Date and **Design Number**. If the applicant claims an earlier priority date under an International Convention, the Convention Country and the associated filing date are shown in parentheses before the Lodgement Date. Divisional information will also appear in parentheses before the Lodgement Date.

Alarimda Pty Ltd; 06-06NES, Draught excluder, 03 Nov 2006	15053/2006	BlueScope Steel Limited; 05-06NES, Ribbed sheet, 26 Oct 2006	14931/2006
Aluminium Specialities Group Pty Ltd; 08-06, 08-07, Lockable handle, 31 Oct 2006	15009/2006	BlueScope Steel Limited; 05-06NES, Ribbed sheet, 26 Oct 2006	14932/2006
Aluminium Specialities Group Pty Ltd; 08-06, Non-lockable handle, 31 Oct 2006	15010/2006	Brown & Watson International Pty Ltd; 26-05C, Light fitting, 30 Oct 2006	15001/2006
Amendola, Rodney; 09-01K, Bottle, 27 Oct 2006	14938/2006	Brown & Watson International Pty Ltd; 26-05C, Light fitting, 30 Oct 2006	15002/2006
Ames True Temper, Inc.; 08-03, Planter's knife, (US, 02 May 2006) 03 Nov 2006	15066/2006	Brown & Watson International Pty Ltd; 26-05C, Light fitting, 30 Oct 2006	15003/2006
Antelco Pty Ltd; 23-01E, A shut-off adaptor for a watering system, 01 Nov 2006	15007/2006	Brown & Watson International Pty Ltd; 26-05C, Light fitting, 30 Oct 2006	15000/2006
Antelco Pty Ltd; 23-01E, A dripper, 01 Nov 2006	15008/2006	BCF Australia Pty Ltd; 21-04, BCF hub, 30 Oct 2006	14946/2006
Architectural Designer Products P/L; 23-02F, Bathroom vanities (top) various sizes, 09 Nov 2006	15167/2006	Campbell, R. Bryce; 08-08B, Fastener, (US, 28 Apr 2006) 27 Oct 2006	14947/2006
Architectural Designer Products P/L; 23-02F, Bathroom vanities (top) various sizes, 09 Nov 2006	15168/2006	Campbell, R. Bryce; 08-08B, "Fastener and fastener tool", (US, 02 Oct 2006) 01 Nov 2006	15056/2006
Architectural Designer Products P/L; 23-02F, Bathroom vanities (top) various sizes, 09 Nov 2006	15169/2006	Campbell, R. Bryce; 08-08B, Fastener key, (US, 28 Apr 2006) 27 Oct 2006	14948/2006
Arthurson, Kingsley; 08-05NES, Bin lid lifter, 31 Oct 2006	15018/2006	Classic Hardware Suppliers Pty Ltd; 08-06, Door handle, 25 Oct 2006	14904/2006
Atkinson, Gail; Atkinson, Geoffrey; 06-03C, Moorrooba executive desk, 31 Oct 2006	14993/2006	Conrod Motor Sport Pty Limited; 12-16NES, A vehicle cold air induction box, 02 Nov 2006	15060/2006
Atkinson, Geoffrey; Atkinson, Gail; 06-03C, Moorrooba executive desk, 31 Oct 2006	14993/2006	Corbett, Robyn F.; 02-01B, Baby or child nappy booster, 06 Nov 2006	15068/2006
Atlas Copco Rock Drills AB; 15-99, Digging tip for bucket, (SE, 05 May 2006) 31 Oct 2006	15028/2006	Crelux Holding S.A.; 02-07A, Stops for a slide fastener, (EM, 05 May 2006) 03 Nov 2006	15090/2006
Atlas Copco Rock Drills AB; 15-99, Digging tip for bucket, (SE, 05 May 2006) 31 Oct 2006	15029/2006	CSMM Pty Ltd, trading as Creative Sleepers; 25-01E, Concrete sleeper, 02 Nov 2006	15049/2006
Atlas Copco Rock Drills AB; 15-99, Digging tip for bucket, (SE, 05 May 2006) 31 Oct 2006	15030/2006	CSMM Pty Ltd, trading as Creative Sleepers; 25-01E, Concrete sleeper, 02 Nov 2006	15050/2006
Bayer Healthcare LLC; 24-02, An analyte-determining meter, (US, 08 May 2006) 03 Nov 2006	15082/2006	D & D Group Pty Ltd; 08-07, Latch for gates and doors, 03 Nov 2006	15069/2006
Bayer Healthcare LLC; 24-01, An analyte-determining meter, (US, 08 May 2006) 03 Nov 2006	15080/2006	DaimlerChrysler AG; 12-16A, A vehicle wheel, (EM, 15 May 2006) 31 Oct 2006	15015/2006
Black & Decker, Inc.; 15-04, Pavement breaker, (EM, 12 Oct 2006) 27 Oct 2006	14984/2006	DaimlerChrysler AG; 12-16A, A vehicle wheel, (EM, 15 May 2006) 31 Oct 2006	15016/2006
BlueScope Steel Limited; 05-06NES, Ribbed sheet, 26 Oct 2006	14930/2006	DaimlerChrysler AG; 12-16A, A vehicle wheel, (EM, 15 May 2006) 31 Oct 2006	15017/2006

DaimlerChrysler AG; 12-16A, A vehicle wheel, (EM, 15 May 2006) 31 Oct 2006	15011/2006	Dream Property GmbH; 14-01, Multimedia apparatus, (EM, 02 May 2006) 31 Oct 2006	15025/2006
DaimlerChrysler AG; 12-16A, A vehicle wheel, (EM, 15 May 2006) 31 Oct 2006	15012/2006	Dubois Limited; 09-05, A box for a DVD or similar disc, (EM, 11 May 2006) 27 Oct 2006	14918/2006
DaimlerChrysler AG; 12-16A, A vehicle wheel, (EM, 15 May 2006) 31 Oct 2006	15013/2006	Dubois Limited; 09-05, A box for a DVD or similar disc, (EM, 11 May 2006) 27 Oct 2006	14919/2006
DaimlerChrysler AG; 12-16A, A vehicle wheel, (EM, 15 May 2006) 31 Oct 2006	15014/2006	Dubois Limited; 09-05, A box for a DVD or similar disc, (EM, 11 May 2006) 27 Oct 2006	14920/2006
Dart Industries Inc; 09-03NES, Containers, (US, 17 May 2006) 25 Oct 2006	14899/2006	Dyer, John Raymond; 23-03H, Water heater safety skirt, 03 Nov 2006	15065/2006
Dart Industries Inc; 07-01B, Platter, (US, 17 May 2006) 25 Oct 2006	14903/2006	Electrolux Home Products Corporation N.V.; 07-02A, A range, (EM, 05 Jan 2006) (Divisional of 12873/2006) 27 Oct 2006	14986/2006
De Palma, Alicia; 19-01, Wrapping paper, 01 Nov 2006	15032/2006	Ergonomiprodukter I Bodafors AB; 06-01F, Castor assembly, (EM, 29 Jun 2006) 08 Nov 2006	15117/2006
De Palma, Alicia; 19-01, Wrapping paper, 01 Nov 2006	15033/2006	Ergonomiprodukter I Bodafors AB; 06-01F, Castor base, (EM, 29 Jun 2006) 08 Nov 2006	15118/2006
De Palma, Alicia; 19-01, Wrapping paper, 01 Nov 2006	15006/2006	Files, Edward M.; 08-08NES, Modified riser clamp, 03 Nov 2006	15092/2006
Delta Shelving Systems Pty Ltd; 06-06NES, Support bar, 27 Oct 2006	14955/2006	Fresh Box Pty Ltd; 09-03K, Fresh produce container, 14 Nov 2006	15340/2006
Delta Shelving Systems Pty Ltd; 06-06NES, Support bar, 27 Oct 2006	14957/2006	Fritsch and Son; 25-01F, A set of pavers and tiles, 03 Nov 2006	15054/2006
Delta Shelving Systems Pty Ltd; 06-06NES, Support bar, 27 Oct 2006	14958/2006	GlaxoSmithKline Consumer Healthcare GmbH & Co. KG; 28-03NES, Oral care appliance handle, (GB, 08 May 2006) 03 Nov 2006	15081/2006
Delta Shelving Systems Pty Ltd; 06-06NES, Support bar, 27 Oct 2006	14956/2006	Graham, Barbara Lea Dempster; 10-07, Clockface, 01 Nov 2006	15045/2006
Dematic Pty Ltd; 13-03C, Upright protector, 03 Nov 2006	15070/2006	Gripple Limited; 13-03D, Wire termination, connecting and tensioning device, (EM, 08 May 2006) 27 Oct 2006	14980/2006
Dematic Pty Ltd; 02-01B, Racking guard, 03 Nov 2006	15071/2006	GM Global Technology Operations, Inc; 07-01F, Vehicle fascia, 02 Nov 2006	15064/2006
Dematic Pty Ltd; 02-01B, Racking guard, 03 Nov 2006	15072/2006	GM Global Technology Operations, Inc; 12-16A, Vehicle wheel, 26 Oct 2006	14933/2006
Demo Holding S.A.; 16-06, Hinges for spectacles, (EM, 03 May 2006) 27 Oct 2006	14983/2006	GM Global Technology Operations, Inc; 12-16A, Vehicle wheel, 26 Oct 2006	14934/2006
Design Mobil NZ Limited; 06-06NES, A head board, (NZ, 12 Sep 2006) 25 Oct 2006	14887/2006	Hangzhou China Arts Economic & Trading Corp. Ltd; 03-03, Hanging parasol, (CN, 18 Sep 2006) 27 Oct 2006	14981/2006
Design Mobil NZ Limited; 06-04F, A double bedside, (NZ, 12 Sep 2006) 25 Oct 2006	14888/2006	Hanson Building Products Pty Ltd; 25-01A, Paving block, 27 Oct 2006	14987/2006
Design Mobil NZ Limited; 06-04D, A headboard with storage, (NZ, 12 Sep 2006) 25 Oct 2006	14889/2006	Haynes, Andrew Leo; 06-06NES, A set of flexible connectors, (NZ, 18 May 2006) 07 Nov 2006	15094/2006
Design Mobil NZ Limited; 06-02, A bedframe, (NZ, 12 Sep 2006) 25 Oct 2006	14886/2006		
Downes, Anthony Martin; 06-04B, 06-04F, Timber and steel lockers, 31 Oct 2006	14992/2006		

Herring, Henning; 21-02D, (1) An underwater device (Towsled) capable of being towed at a slow speed by a motor boat. (2) A scuba diver shall be, capable of holding on to the towed via two handsets located on vertical fins on either side of the mainbody of the two, sled (3) The/T/sled shall be capable of being manevverep, 26 Oct 2006	14907/2006	Misterchill, LLC; 23-04, Air cooling device, (US, 07 Aug 2006) 25 Oct 2006	14898/2006
Hill, Rowland; Stewart, Robert Kim; 12-16F, Car cover - sedan, 27 Oct 2006	14940/2006	MiMCo Pty Ltd; 03-01A, Tomboy traveller, 31 Oct 2006	15027/2006
Hill, Rowland; Stewart, Robert Kim; 12-16F, Car cover - utility, 27 Oct 2006	14939/2006	Monarch Industries (Aust.) Pty. Ltd.; 25-03, Temporary storage/housing module, 30 Oct 2006	14976/2006
Home Diagnostics, Inc.; 10-04, Diagnostic meter, (US, 08 May 2006) 06 Nov 2006	15105/2006	NeuroMetrix, Inc.; 14-03NES, Communication hub, (US, 06 Jun 2006) 27 Oct 2006	14944/2006
Hsu, Kuei-Chih; 23-04, Fan, 26 Oct 2006	14942/2006	Nintendo Co., Ltd.; 21-01N, A base stand for a sensor bar, (JP, 02 May 2006) 01 Nov 2006	15036/2006
In Your Face Advertising Pty Ltd; 20-03NES, Product name not listed, 30 Oct 2006	14950/2006	Nintendo Co., Ltd.; 21-01N, A controller for an electronic game machine, (JP, 02 May 2006) 01 Nov 2006	15046/2006
Iuliano, Sandro; 23-02F, Vanity unit, 09 Nov 2006	15120/2006	Nintendo Co., Ltd.; 21-01N, A sensor bar for an electronic game machine, (JP, 02 May 2006) 01 Nov 2006	15037/2006
Iuliano, Sandro; 23-02F, Vanity unit top, 09 Nov 2006	15121/2006	Nintendo Co., Ltd.; 21-01N, A connector plug for an electronic game machine, (JP, 05 Sep 2006) 01 Nov 2006	15038/2006
Jinding Group Co., Ltd.; 08-05NES, Tool housing, (US, 26 Sep 2006) 26 Oct 2006	14937/2006	Nintendo Co., Ltd.; 21-01N, A cable connector plug, (JP, 02 May 2006) 01 Nov 2006	15039/2006
Kabushiki Kaisha Toshiba also Trading as Toshiba Corporation; Toshiba Consumer Marketing Corporation; 15-07, A refrigerator, (JP, 14 Jul 2006) 27 Oct 2006	14954/2006	Nintendo Co., Ltd.; 21-01N, A cable connector plug, (JP, 02 May 2006) 01 Nov 2006	15040/2006
Kuei-chih, Hsu; 23-04, Electric fan stand, 26 Oct 2006	14991/2006	Nintendo Co., Ltd.; 21-01N, A cable connector plug, (JP, 02 May 2006) 01 Nov 2006	15041/2006
Maloney, Paul G.; Maloney, Barbara M.; 12-10, Mobile food, licensed beverage & coffee lounge system in a towable van/trailer, 28 Jul 2006	15067/2006	Nintendo Co., Ltd.; 21-01N, 13-02, An AC adaptor for an electronic game machine, (JP, 02 May 2006) 01 Nov 2006	15044/2006
Maloney, Barbara M.; Maloney, Paul G.; 12-10, Mobile food, licensed beverage & coffee lounge system in a towable van/trailer, 28 Jul 2006	15067/2006	Niro#Plan AG; 23-02F, Sink, (ZA, 28 Apr 2006) 27 Oct 2006	14978/2006
Mary Kay Inc.; 06-07, Folding mirror, (US, 20 Sep 2006) 31 Oct 2006	14990/2006	Niro#Plan AG; 23-02F, Sink, (ZA, 28 Apr 2006) 27 Oct 2006	14979/2006
Mayne Industries Pty Ltd; 23-01K, Valve body, 03 Nov 2006	15091/2006	Northeast, Brenda V.; 06-08, Decorative clothes hanger, 07 Nov 2006	15104/2006
McGuire, Joseph E.; 23-02C, Water closet pan, 03 Nov 2006	15057/2006	O'Shea, Steven Gary; 14-02, Usb key card, 08 Nov 2006	15107/2006
Mechanical Plating Pty Limited; 25-01G, A profiled panel of indefinite length, 27 Oct 2006	14959/2006	O'Shea, Steven Gary; 14-02, Usb key card, 08 Nov 2006	15108/2006
Mechanical Plating Pty Limited; 25-01G, A profiled panel of indefinite length, 27 Oct 2006	14960/2006	Oki Data Corporation; 16-04, Image drum cartridge, 07 Nov 2006	15109/2006
Midamarine Pty Ltd; 12-06NES, Inflatable surf craft, 21 Nov 2006	15343/2006	Oki Data Corporation; 16-04, Toner cartridge, 07 Nov 2006	15110/2006
		Palmer, Neal; 23-01F, 31-00, Wine tank, 07 Nov 2006	15100/2006
		Parkinson, Tom; 21-02NES, Netball training device, 27 Oct 2006	14941/2006
		Pi-Design AG; 07-01C, Beer glass, (DK, 01 May 2006) 26 Oct 2006	14921/2006

Pi-Design AG; 07-02L, Double wall drip coffee maker, (DK, 09 May 2006) 03 Nov 2006	15061/2006	ResMed Ltd; 24-01, Headgear for patient interface, 30 Oct 2006	14973/2006
Pi-Design AG; 07-02L, Coffee filter, (DK, 09 May 2006) 03 Nov 2006	15062/2006	ResMed Ltd; 24-01, Headgear for patient interface, 30 Oct 2006	14974/2006
Pi-Design AG; 07-01F, Coffee jug, (DK, 09 May 2006) 03 Nov 2006	15063/2006	ResMed Ltd; 24-01, Mask frame, (US, 28 Apr 2006) 27 Oct 2006	14924/2006
Pi-Design AG; 07-01C, Wine glass, (DK, 01 May 2006) 26 Oct 2006	14922/2006	ResMed Ltd; 24-01, Mask frame, (US, 28 Apr 2006) 27 Oct 2006	14925/2006
Poolrite Research Pty Ltd; 23-01NES, Chloride generator, 02 Nov 2006	15058/2006	ResMed Ltd; 24-01, Mask frame, (US, 28 Apr 2006) 27 Oct 2006	14926/2006
Poolrite Research Pty Ltd; 15-02, A pump, 02 Nov 2006	15059/2006	ResMed Ltd; 24-01, Mask frame, (US, 28 Apr 2006) 27 Oct 2006	14927/2006
Power Plate International Limited; 28-03NES, Vibration apparatus, 27 Oct 2006	14943/2006	Review Australia Pty Ltd; 02-02C, A lady's garment, 30 Oct 2006	14998/2006
Quench Solutions Pty Ltd; 23-02B, Shower recess, 31 Oct 2006	15026/2006	Robert Bosch GmbH; 08-03, Jigsaw, (EM, 24 Apr 2006) 25 Oct 2006	14905/2006
ResMed Ltd; 24-01, Mask frame, (US, 28 Apr 2006) 27 Oct 2006	14923/2006	Robert Bosch GmbH; 08-04, Screwdriver, (EM, 20 Jul 2006) 01 Nov 2006	15047/2006
ResMed Ltd; 24-01, Patient interface, (US, 28 Apr 2006) 30 Oct 2006	14961/2006	Robert Bosch GmbH; 16-06, Optical range finder, (EM, 15 Jun 2006) 01 Nov 2006	15048/2006
ResMed Ltd; 24-01, Frame for patient interface, 30 Oct 2006	14962/2006	Robert Bosch GmbH; 08-05N, Angle grinder, (EM, 17 Jul 2006) 03 Nov 2006	15084/2006
ResMed Ltd; 24-01, Cushion for patient interface, 30 Oct 2006	14963/2006	Roughan, Sean; 06-07, Frame, 17 Mar 2006	14277/2006
ResMed Ltd; 24-01, Lower headgear portion for patient interface, 30 Oct 2006	14964/2006	S.C. Johnson & Son, Inc.; 23-04, Air Purifier, (US, 03 May 2006) 03 Nov 2006	15074/2006
ResMed Ltd; 24-01, Upper headgear portion for patient interface, 30 Oct 2006	14965/2006	S.C. Johnson & Son, Inc.; 23-04, Air purifier, (US, 03 May 2006) 03 Nov 2006	15075/2006
ResMed Ltd; 24-01, Prongs for patient interface, 30 Oct 2006	14966/2006	Sahm GmbH & Co. KG; 07-01C, Tumbler, 03 Nov 2006	15083/2006
ResMed Ltd; 24-01, Elbow for patient interface, 30 Oct 2006	14967/2006	Shi Symbol International Pty Ltd; 11-01K, Jewellery, 06 Nov 2006	15102/2006
ResMed Ltd; 24-01, Cover for retaining clip for patient interface, 30 Oct 2006	14968/2006	Shure Acquisition Holdings, Inc.; 14-01, An earphone bud, 31 Oct 2006	15019/2006
ResMed Ltd; 24-01, Lower headgear stabilizer for patient interface, 30 Oct 2006	14969/2006	Shure Acquisition Holdings, Inc.; 14-01, An earphone bud, 31 Oct 2006	15020/2006
ResMed Ltd; 24-01, Lower headgear stabilizer for patient interface, 30 Oct 2006	14970/2006	Shure Acquisition Holdings, Inc.; 14-01, An earphone bud, 31 Oct 2006	15021/2006
ResMed Ltd; 24-01, Left upper headgear stabilizer for patient interface, 30 Oct 2006	14971/2006	Somfy SAS; 08-07, Door opener, (EM, 27 Jun 2006) 30 Oct 2006	14994/2006
ResMed Ltd; 24-01, Right upper headgear stabilizer for patient interface, 30 Oct 2006	14972/2006	Sony Computer Entertainment Inc.; 14-02, Video game controller front face, (US, 08 May 2006) 06 Nov 2006	15085/2006
		Sony Computer Entertainment Inc.; 14-02, Video game controller front face, (US, 08 May 2006) 06 Nov 2006	15086/2006

Stewart, Robert Kim; Hill, Rowland; 12-16F, Car cover - sedan, 27 Oct 2006	14940/2006	Toshiba Consumer Marketing Corporation; Kabushiki Kaisha Toshiba also Trading as Toshiba Corporation; 15-07, A refrigerator, (JP, 14 Jul 2006) 27 Oct 2006	14954/2006
Stewart, Robert Kim; Hill, Rowland; 12-16F, Car cover - utility, 27 Oct 2006	14939/2006	Trenchard, Douglas Michael; 09-05, Window banana bunch cover, 06 Nov 2006	15088/2006
Sunbeam Corporation Limited; 23-03F, Burner, 26 Oct 2006	14928/2006	Trenchard, Douglas Michael; 09-05, Laundry collection bags, 06 Nov 2006	15089/2006
Sunbeam Corporation Limited; 23-03F, Burner, 26 Oct 2006	14929/2006	Tyrrell, Gary; 08-07, Lock installation jig, 01 Nov 2006	15031/2006
Swarovski Aktiengesellschaft; 11-02E, Ornamental object, (EM, 19 May 2006) 30 Oct 2006	14996/2006	Visy Industrial Plastics Pty Ltd; 09-01K, A bottle, 27 Oct 2006	14949/2006
Swarovski Aktiengesellschaft; 11-02E, Ornamental object, (EM, 19 May 2006) 30 Oct 2006	14997/2006	Waterjet Corporation Pty Ltd; 23-02B, Spa, 27 Oct 2006	14977/2006
SDI Corporation; 19-02, A correction tape dispenser, 07 Nov 2006	15103/2006	Yella Terra Pty Ltd; 15-01, Engine supercharger component, 01 Nov 2006	15022/2006
Tat Tsuen Industrial Ltd; 03-01C, A central hub for an optic disc box, (HK, 04 Jul 2006) 27 Oct 2006	14985/2006	Yella Terra Pty Ltd; 15-01, Engine supercharger component, 01 Nov 2006	15023/2006
Telectran International Pty Ltd; 26-05C, Light fitting, 03 Nov 2006	15073/2006	Yella Terra Pty Ltd; 15-01, Engine supercharger component, 01 Nov 2006	15024/2006
The Chamberlain Group, Inc.; 14-03NES, Remote control transmitter, (US, 05 May 2006) 06 Nov 2006	15101/2006	3M Innovative Properties Company; 24-04, Appendage wrap, (US, 09 May 2006) 07 Nov 2006	15111/2006
The Continental Spirits Company Pty Ltd; 09-01K, Bottle, 27 Oct 2006	14982/2006		
The Decor Corporation Pty Ltd; 09-03L, Butter container, 30 Oct 2006	14995/2006		

Applications Withdrawn

14541 / 2006 (30-02) 14544 / 2006 (30-02)
14545 / 2006 (30-02)

Applications Lapsed

10678 / 2006 (07-04) 11904 / 2006 (11-02F)
12024 / 2006 (02-01B) 12175 / 2006 (02-02NES)
12691 / 2006 (06-11) 12692 / 2006 (06-11)
13405 / 2006 (03-01C) 13406 / 2006 (03-01C)
13459 / 2006 (25-02C) 13460 / 2006 (25-02C)
13461 / 2006 (25-02C) 13462 / 2006 (25-02C)
13579 / 2006 (07-06C) 13580 / 2006 (07-06C)
14030 / 2006 (08-05NES) 14108 / 2006 (02-04NES)

Revocation of Design Registrations

The following Design Registration(s) have been revoked and are taken never to have been registered:

304365 06-03NES

Registrations Ceased

304011

Extensions of time granted under Section 137

Applications lodged under section 137 for extension of time have been granted.

- 12797/2005 De Coro Limited
- 12798/2005 De Coro Limited
- 12799/2005 De Coro Limited
- 12800/2005 De Coro Limited
- 12801/2005 De Coro Limited
- 12802/2005 De Coro Limited
- 12803/2005 De Coro Limited
- 12804/2005 De Coro Limited
- 12805/2005 De Coro Limited
- 15370/2005 Guy Jean-Claude Adolphe
- 15371/2005 Guy Jean-Claude Adolphe
- 15648/2005 Assa Abloy New Zealand Limited
- 15698/2005 Perusahaan Otomobil Nasional SDN. BHD.
- 15699/2005 Perusahaan Otomobil Nasional SDN. BHD.
- 15700/2005 Perusahaan Otomobil Nasional SDN. BHD.
- 15701/2005 Perusahaan Otomobil Nasional SDN. BHD.
- 15702/2005 Perusahaan Otomobil Nasional SDN. BHD.
- 15703/2005 Perusahaan Otomobil Nasional SDN. BHD.
- 15704/2005 Perusahaan Otomobil Nasional SDN. BHD.
- 15705/2005 Perusahaan Otomobil Nasional SDN. BHD.
- 15706/2005 Perusahaan Otomobil Nasional SDN. BHD.
- 15707/2005 Perusahaan Otomobil Nasional SDN. BHD.
- 15708/2005 Perusahaan Otomobil Nasional SDN. BHD.
- 15709/2005 Perusahaan Otomobil Nasional SDN. BHD.
- 15798/2005 De Coro Limited
- 15799/2005 De Coro Limited
- 15800/2005 De Coro Limited
- 15801/2005 De Coro Limited
- 15802/2005 De Coro Limited
- 15803/2005 De Coro Limited
- 15804/2005 De Coro Limited
- 15805/2005 De Coro Limited
- 15806/2005 De Coro Limited
- 15807/2005 De Coro Limited
- 15808/2005 De Coro Limited

15809/2005 **De Coro Limited**

15810/2005 **De Coro Limited**

15811/2005 **De Coro Limited**

15812/2005 **De Coro Limited**

15813/2005 **De Coro Limited**

15814/2005 **De Coro Limited**

15815/2005 **De Coro Limited**

15816/2005 **De Coro Limited**

15817/2005 **De Coro Limited**

15818/2005 **De Coro Limited**

15819/2005 **De Coro Limited**

15820/2005 **De Coro Limited**

15821/2005 **De Coro Limited**

15822/2005 **De Coro Limited**

15823/2005 **De Coro Limited**

15824/2005 **De Coro Limited**

15825/2005 **De Coro Limited**

15826/2005 **De Coro Limited**

15827/2005 **De Coro Limited**

15828/2005 **De Coro Limited**

15829/2005 **De Coro Limited**

15830/2005 **De Coro Limited**

15831/2005 **De Coro Limited**

15832/2005 **De Coro Limited**

10122/2006 **Dart Industries Inc.**

10296/2006 **Visy Industrial Plastics Pty Ltd**

11652/2006 **Daniel Charles Underwood**

12023/2006 **Car Wash Club Pty Ltd**

12613/2006 **British American Tobacco (New Zealand) Limited**

12848/2006 **Electrolux Home Products Corporation N.V.**

13305/2006 **Paul G. Maloney**

13331/2006 **SCA Hygiene Products AB**

14516/2006 **Dart Industries Inc**

15067/2006 **Paul G. Maloney**

15106/2006 **WD-40 Company**

Subsequent Owners Registered

(The name in parentheses is that of the subsequent owner)

309733 (**About Time Technologies Pty Ltd**) Leslie Tomlinson

308566 (**About Time Technologies Pty Ltd**) Leslie Tomlinson

308306 (**F & G Technoligies Pty Ltd;UES (Int'l) Pty Ltd**)
Robert Paul Frankham;Gary John Grevis

309286 (**F & G Technoligies Pty Ltd;UES (Int'l) Pty Ltd**)
Robert Paul Frankham;Gary John Grevis

Applications Assigned

(The name in parentheses is that of the subsequent applicant)

15340/2006 (**Fresh Box Pty Ltd**) Florentzos Pty Ltd t/as Florentzos Design

Corrigenda

Number 306532

In Vol 20 , No 10 , page 4688 under the heading **Australian Registered Design**; (54) Product in respect of which the design is registered should read: Headband scarf.

Certificate(s) of Examination

Examination of the following Design Registration(s) has been completed. Infringement proceedings may now be commenced.

301325	07-02E	21/11/2006
302608	13-03NES	27/11/2006
302609	13-03NES	27/11/2006
302610	13-03NES	27/11/2006
302611	13-03NES	27/11/2006
303392	10-01	17/11/2006
304543	12-13	21/11/2006
304969	21-03	21/11/2006
305183	15-02	28/11/2006
305535	06-04NES	27/11/2006
305536	06-04NES	27/11/2006
305611	25-01G	23/11/2006
305777	16-06	20/11/2006
305863	09-03M	22/11/2006
305864	09-03M	22/11/2006
305865	09-03M	22/11/2006
305933	26-04	24/11/2006
306521	15-05	28/11/2006
306532	02-03	21/11/2006
306573	04-02	17/11/2006
306574	04-02	17/11/2006
306575	04-02	17/11/2006
306963	21-03	24/11/2006
306964	21-03	24/11/2006
306967	21-03	24/11/2006
307299	21-03	24/11/2006
307315	21-03	27/11/2006
307316	21-03	27/11/2006
307317	21-03	27/11/2006
307545	07-99C	21/11/2006
307605	08-01	21/11/2006

Publication and Registration Proceedings

Designs Registered

This section provides a concordance between design number and registration number of Designs covered in this journal. It also shows the main class and registration date.

This section covers Registration numbers 311437 to 311643 .

The registration number shown below should be used in all future correspondence.

Design Number	Registration Number	International Classification Code (IDC)	Registration Date	Design Number	Registration Number	International Classification Code (IDC)	Registration Date
13176/2005	311642	02-02C	29/11/2006	12253/2006	311473	03-01B	23/11/2006
14091/2005	311457	09-03K	23/11/2006	12254/2006	311474	03-01B	23/11/2006
14092/2005	311458	09-03K	23/11/2006	12256/2006	311475	21-01NES	23/11/2006
14899/2005	311633	30-04	28/11/2006	12257/2006	311476	21-01NES	23/11/2006
14967/2005	311634	21-01N	28/11/2006	12258/2006	311477	21-01NES	23/11/2006
15037/2005	311635	21-01N	28/11/2006	12259/2006	311478	21-01NES	23/11/2006
15501/2005	311583	02-02NES	28/11/2006	12424/2006	311513	12-16NES	23/11/2006
15746/2005	311467	10-04	23/11/2006	12434/2006	311514	06-01D	23/11/2006
10257/2006	311636	14-01	29/11/2006	12617/2006	311439	08-06	21/11/2006
10264/2006	311488	01-01	23/11/2006	12735/2006	311454	30-03	23/11/2006
10366/2006	311451	21-02F	23/11/2006	12848/2006	311440	15-05	21/11/2006
10367/2006	311452	21-02F	23/11/2006	12881/2006	311588	11-02B	28/11/2006
10368/2006	311453	21-02F	23/11/2006	12882/2006	311589	11-02B	28/11/2006
10372/2006	311637	02-02NES	29/11/2006	12951/2006	311455	12-16B	23/11/2006
10373/2006	311638	02-02NES	29/11/2006	12952/2006	311456	12-16B	23/11/2006
10374/2006	311639	02-02NES	29/11/2006	13152/2006	311515	02-01B	23/11/2006
10375/2006	311640	02-02NES	29/11/2006	13204/2006	311592	06-07	28/11/2006
10376/2006	311641	02-02C	29/11/2006	13369/2006	311441	08-10	21/11/2006
10842/2006	311489	05-05D	23/11/2006	13589/2006	311491	24-04	23/11/2006
11256/2006	311532	25-01C	24/11/2006	13614/2006	311609	19-06	28/11/2006
11257/2006	311533	25-01C	24/11/2006	13615/2006	311607	19-02	28/11/2006
11258/2006	311534	25-01C	24/11/2006	13710/2006	311568	21-02F	28/11/2006
11259/2006	311535	25-01C	24/11/2006	13753/2006	311492	14-03A	23/11/2006
11260/2006	311536	25-01C	24/11/2006	13754/2006	311493	14-03E	23/11/2006
11261/2006	311537	25-01C	24/11/2006	13853/2006	311576	28-04	28/11/2006
11262/2006	311538	25-04	24/11/2006	13854/2006	311577	28-04	28/11/2006
11263/2006	311539	25-04	24/11/2006	13891/2006	311494	03-01B	23/11/2006
11264/2006	311540	25-04	24/11/2006	13951/2006	311643	28-03NES	29/11/2006
11265/2006	311541	25-04	24/11/2006	13957/2006	311495	09-03K	23/11/2006
11266/2006	311542	25-01C	24/11/2006	13981/2006	311590	12-16B	28/11/2006
11267/2006	311543	25-01C	24/11/2006	13987/2006	311610	21-01H	28/11/2006
11268/2006	311544	25-01C	24/11/2006	14032/2006	311496	14-03E	23/11/2006
11269/2006	311545	25-01C	24/11/2006	14039/2006	311497	09-01K	23/11/2006
11270/2006	311546	25-01C	24/11/2006	14040/2006	311498	09-01K	23/11/2006
11271/2006	311547	25-01C	24/11/2006	14041/2006	311499	09-01K	23/11/2006
11272/2006	311548	25-01C	24/11/2006	14160/2006	311516	12-15C	23/11/2006
11273/2006	311549	25-01C	24/11/2006	14161/2006	311517	12-15C	23/11/2006
11274/2006	311550	25-04	24/11/2006	14162/2006	311518	12-15C	23/11/2006
11275/2006	311551	25-04	24/11/2006	14163/2006	311519	12-15C	23/11/2006
11276/2006	311552	25-04	24/11/2006	14164/2006	311520	12-15C	23/11/2006
11277/2006	311553	25-04	24/11/2006	14165/2006	311521	12-15C	23/11/2006
11278/2006	311554	25-04	24/11/2006	14166/2006	311522	12-15C	23/11/2006
11442/2006	311512	24-01	23/11/2006	14284/2006	311500	02-03	23/11/2006
11464/2006	311468	08-06	23/11/2006	14299/2006	311501	09-01NES	23/11/2006
11465/2006	311591	08-07	28/11/2006	14332/2006	311523	12-16A	23/11/2006
11486/2006	311608	14-03E	28/11/2006	14350/2006	311442	25-01K	21/11/2006
11714/2006	311490	09-01NES	23/11/2006	14352/2006	311443	25-01K	21/11/2006
12014/2006	311437	10-04	21/11/2006	14356/2006	311444	25-01K	21/11/2006
12128/2006	311469	23-01A	23/11/2006	14358/2006	311445	25-01K	21/11/2006
12129/2006	311470	23-01A	23/11/2006	14359/2006	311446	25-01K	21/11/2006
12174/2006	311438	26-06	21/11/2006	14361/2006	311447	25-01K	21/11/2006
12251/2006	311471	03-01B	23/11/2006	14384/2006	311448	02-07B	21/11/2006
12252/2006	311472	03-01B	23/11/2006	14401/2006	311524	12-16A	23/11/2006

Publication and Registration Proceedings - Designs Registered cont'd

Design Number	Registration Number	International Classification Code (IDC)	Registration Date	Design Number	Registration Number	International Classification Code (IDC)	Registration Date
14402/2006	311525	12-16A	23/11/2006	14633/2006	311561	09-07A	24/11/2006
14403/2006	311526	12-16A	23/11/2006	14634/2006	311562	09-07C	24/11/2006
14404/2006	311527	12-16A	23/11/2006	14635/2006	311563	09-03M	24/11/2006
14405/2006	311528	12-16A	23/11/2006	14636/2006	311564	14-02	24/11/2006
14406/2006	311529	12-16A	23/11/2006	14637/2006	311565	14-02	24/11/2006
14408/2006	311593	08-07	28/11/2006	14640/2006	311603	26-05D	28/11/2006
14409/2006	311479	08-06	23/11/2006	14642/2006	311604	23-02F	28/11/2006
14416/2006	311502	03-01NES	23/11/2006	14643/2006	311605	07-05B	28/11/2006
14417/2006	311503	14-03E	23/11/2006	14644/2006	311606	23-02F	28/11/2006
14446/2006	311459	09-07NES	23/11/2006	14647/2006	311614	02-01B	28/11/2006
14448/2006	311611	25-02B	28/11/2006	14650/2006	311615	12-08	28/11/2006
14450/2006	311578	26-05NES	28/11/2006	14651/2006	311616	12-08	28/11/2006
14451/2006	311579	26-05NES	28/11/2006	14652/2006	311617	26-06	28/11/2006
14452/2006	311580	26-05B	28/11/2006	14653/2006	311618	12-16C	28/11/2006
14454/2006	311612	19-06	28/11/2006	14654/2006	311619	07-06A	28/11/2006
14455/2006	311613	19-06	28/11/2006	14666/2006	311569	21-02F	28/11/2006
14471/2006	311581	19-01	28/11/2006	14667/2006	311570	21-02F	28/11/2006
14481/2006	311504	25-02C	23/11/2006	14668/2006	311571	21-02F	28/11/2006
14550/2006	311460	07-02L	23/11/2006	14669/2006	311572	21-02F	28/11/2006
14551/2006	311461	07-02L	23/11/2006	14670/2006	311573	21-02F	28/11/2006
14553/2006	311505	19-06	23/11/2006	14671/2006	311574	21-02F	28/11/2006
14557/2006	311480	23-01F	23/11/2006	14672/2006	311575	21-02F	28/11/2006
14559/2006	311594	24-01	28/11/2006	14676/2006	311620	07-01A	28/11/2006
14561/2006	311481	14-02	23/11/2006	14677/2006	311621	07-01NES	28/11/2006
14562/2006	311462	01-01	23/11/2006	14678/2006	311622	07-01NES	28/11/2006
14563/2006	311482	24-01	23/11/2006	14679/2006	311623	07-01A	28/11/2006
14564/2006	311483	24-01	23/11/2006	14680/2006	311624	07-01NES	28/11/2006
14565/2006	311484	24-01	23/11/2006	14681/2006	311625	07-01NES	28/11/2006
14566/2006	311485	24-01	23/11/2006	14682/2006	311626	26-05NES	28/11/2006
14567/2006	311486	24-01	23/11/2006	14683/2006	311627	26-05NES	28/11/2006
14568/2006	311487	24-01	23/11/2006	14685/2006	311628	09-01C	28/11/2006
14571/2006	311595	09-07A	28/11/2006	14686/2006	311629	13-03D	28/11/2006
14572/2006	311506	09-07A	23/11/2006	14688/2006	311630	12-06NES	28/11/2006
14573/2006	311507	09-07A	23/11/2006	14690/2006	311631	02-07A	28/11/2006
14574/2006	311508	09-07A	23/11/2006	14691/2006	311632	02-07B	28/11/2006
14575/2006	311509	09-07A	23/11/2006	14699/2006	311463	25-02NES	23/11/2006
14577/2006	311596	06-02	28/11/2006	14700/2006	311464	25-01D	23/11/2006
14581/2006	311597	25-01K	28/11/2006	14765/2006	311582	23-02F	28/11/2006
14582/2006	311598	25-01K	28/11/2006	14788/2006	311584	02-02NES	28/11/2006
14584/2006	311510	24-02	23/11/2006	14789/2006	311585	02-02NES	28/11/2006
14588/2006	311530	23-02A	23/11/2006	14790/2006	311586	02-02NES	28/11/2006
14589/2006	311531	23-02A	23/11/2006	14791/2006	311587	02-02NES	28/11/2006
14591/2006	311599	26-04	28/11/2006	14907/2006	311511	21-02D	23/11/2006
14592/2006	311600	26-04	28/11/2006	14944/2006	311465	14-03NES	23/11/2006
14594/2006	311601	07-02N	28/11/2006	14945/2006	311449	24-01	21/11/2006
14595/2006	311602	12-16H	28/11/2006	14946/2006	311466	21-04	23/11/2006
14624/2006	311555	08-07	24/11/2006	14975/2006	311450	13-02	21/11/2006
14625/2006	311556	08-07	24/11/2006	14990/2006	311566	06-07	24/11/2006
14628/2006	311557	25-02C	24/11/2006	15343/2006	311567	12-06NES	24/11/2006
14629/2006	311558	09-07A	24/11/2006				
14630/2006	311559	09-07A	24/11/2006				
14631/2006	311560	09-07A	24/11/2006				

Publication and Registration Proceedings
Class Listing of Designs Published or Registered

The following section shows an International Classification Code listing of the Registered or Published Designs covered in this supplement.

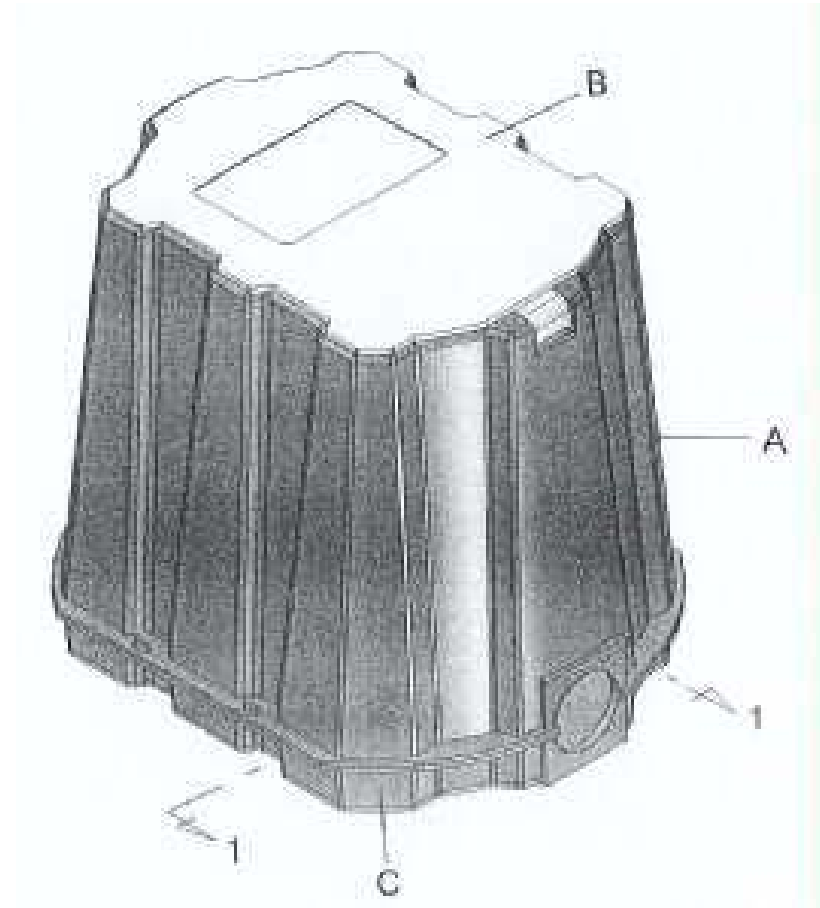
Classification	Registration Number	Design Number	Classification	Registration Number	Design Number
01-01	311462	14562/2006	09-01 NES	311501	14299/2006
01-01	311488	10264/2006	09-03 K	311457	14091/2005
02-01 B	311515	13152/2006	09-03 K	311458	14092/2005
02-01 B	311614	14647/2006	09-03 K	311495	13957/2006
02-02 C	311641	10376/2006	09-03 M	311563	14635/2006
02-02 C	311642	13176/2005	09-07 A	311506	14572/2006
02-02 NES	311583	15501/2005	09-07 A	311507	14573/2006
02-02 NES	311584	14788/2006	09-07 A	311508	14574/2006
02-02 NES	311585	14789/2006	09-07 A	311509	14575/2006
02-02 NES	311586	14790/2006	09-07 A	311558	14629/2006
02-02 NES	311587	14791/2006	09-07 A	311559	14630/2006
02-02 NES	311637	10372/2006	09-07 A	311560	14631/2006
02-02 NES	311638	10373/2006	09-07 A	311561	14633/2006
02-02 NES	311639	10374/2006	09-07 A	311595	14571/2006
02-02 NES	311640	10375/2006	09-07 C	311562	14634/2006
02-03	311500	14284/2006	09-07 NES	311459	14446/2006
02-07 A	311631	14690/2006	10-04	311437	12014/2006
02-07 B	311448	14384/2006	10-04	311467	15746/2005
02-07 B	311632	14691/2006	11-02 B	311588	12881/2006
03-01 B	311471	12251/2006	11-02 B	311589	12882/2006
03-01 B	311472	12252/2006	11-02 F	311592	13204/2006
03-01 B	311473	12253/2006	11-02 NES	311592	13204/2006
03-01 B	311474	12254/2006	12-06 NES	311567	15343/2006
03-01 B	311494	13891/2006	12-06 NES	311630	14688/2006
03-01 NES	311502	14416/2006	12-08	311615	14650/2006
03-01 NES	311643	13951/2006	12-08	311616	14651/2006
05-05 D	311489	10842/2006	12-15 C	311516	14160/2006
06-01 D	311514	12434/2006	12-15 C	311517	14161/2006
06-02	311596	14577/2006	12-15 C	311518	14162/2006
06-07	311566	14990/2006	12-15 C	311519	14163/2006
06-07	311592	13204/2006	12-15 C	311520	14164/2006
07-01 A	311620	14676/2006	12-15 C	311521	14165/2006
07-01 A	311623	14679/2006	12-15 C	311522	14166/2006
07-01 NES	311621	14677/2006	12-16 A	311523	14332/2006
07-01 NES	311622	14678/2006	12-16 A	311524	14401/2006
07-01 NES	311624	14680/2006	12-16 A	311525	14402/2006
07-01 NES	311625	14681/2006	12-16 A	311526	14403/2006
07-02 L	311460	14550/2006	12-16 A	311527	14404/2006
07-02 L	311461	14551/2006	12-16 A	311528	14405/2006
07-02 N	311601	14594/2006	12-16 A	311529	14406/2006
07-05 B	311605	14643/2006	12-16 B	311455	12951/2006
07-06 A	311619	14654/2006	12-16 B	311456	12952/2006
08-06	311439	12617/2006	12-16 B	311590	13981/2006
08-06	311468	11464/2006	12-16 C	311618	14653/2006
08-06	311479	14409/2006	12-16 H	311602	14595/2006
08-07	311439	12617/2006	12-16 NES	311513	12424/2006
08-07	311555	14624/2006	13-02	311450	14975/2006
08-07	311556	14625/2006	13-03 D	311629	14686/2006
08-07	311591	11465/2006	14-01	311636	10257/2006
08-07	311593	14408/2006	14-02	311481	14561/2006
08-10	311441	13369/2006	14-02	311564	14636/2006
09-01 C	311628	14685/2006	14-02	311565	14637/2006
09-01 K	311497	14039/2006	14-03 A	311492	13753/2006
09-01 K	311498	14040/2006	14-03 E	311493	13754/2006
09-01 K	311499	14041/2006	14-03 E	311496	14032/2006
09-01 NES	311490	11714/2006	14-03 E	311503	14417/2006

Registration Proceedings - Class Listing of Designs Published or Registered cont'd

Classification	Registration Number	Design Number	Classification	Registration Number	Design Number
14-03 E	311608	11486/2006	24-02	311510	14584/2006
14-03 NES	311465	14944/2006	24-04	311491	13589/2006
15-03 A	311513	12424/2006	24-04	311614	14647/2006
15-05	311440	12848/2006	25-01 C	311532	11256/2006
19-01	311581	14471/2006	25-01 C	311533	11257/2006
19-02	311607	13615/2006	25-01 C	311534	11258/2006
19-06	311505	14553/2006	25-01 C	311535	11259/2006
19-06	311609	13614/2006	25-01 C	311536	11260/2006
19-06	311612	14454/2006	25-01 C	311537	11261/2006
19-06	311613	14455/2006	25-01 C	311542	11266/2006
20-02 NES	311494	13891/2006	25-01 C	311543	11267/2006
21-01 H	311610	13987/2006	25-01 C	311544	11268/2006
21-01 N	311481	14561/2006	25-01 C	311545	11269/2006
21-01 N	311634	14967/2005	25-01 C	311546	11270/2006
21-01 N	311635	15037/2005	25-01 C	311547	11271/2006
21-01 NES	311475	12256/2006	25-01 C	311548	11272/2006
21-01 NES	311476	12257/2006	25-01 C	311549	11273/2006
21-01 NES	311477	12258/2006	25-01 D	311464	14700/2006
21-01 NES	311478	12259/2006	25-01 K	311442	14350/2006
21-01 NES	311610	13987/2006	25-01 K	311443	14352/2006
21-02 D	311511	14907/2006	25-01 K	311444	14356/2006
21-02 F	311451	10366/2006	25-01 K	311445	14358/2006
21-02 F	311452	10367/2006	25-01 K	311446	14359/2006
21-02 F	311453	10368/2006	25-01 K	311447	14361/2006
21-02 F	311568	13710/2006	25-01 K	311597	14581/2006
21-02 F	311569	14666/2006	25-01 K	311598	14582/2006
21-02 F	311570	14667/2006	25-02 B	311611	14448/2006
21-02 F	311571	14668/2006	25-02 C	311504	14481/2006
21-02 F	311572	14669/2006	25-02 C	311557	14628/2006
21-02 F	311573	14670/2006	25-02 NES	311463	14699/2006
21-02 F	311574	14671/2006	25-04	311538	11262/2006
21-02 F	311575	14672/2006	25-04	311539	11263/2006
21-04	311466	14946/2006	25-04	311540	11264/2006
23-01 A	311469	12128/2006	25-04	311541	11265/2006
23-01 A	311470	12129/2006	25-04	311550	11274/2006
23-01 B	311469	12128/2006	25-04	311551	11275/2006
23-01 B	311470	12129/2006	25-04	311552	11276/2006
23-01 F	311480	14557/2006	25-04	311553	11277/2006
23-02 A	311530	14588/2006	25-04	311554	11278/2006
23-02 A	311531	14589/2006	26-04	311599	14591/2006
23-02 F	311582	14765/2006	26-04	311600	14592/2006
23-02 F	311604	14642/2006	26-05 B	311580	14452/2006
23-02 F	311605	14643/2006	26-05 D	311603	14640/2006
23-02 F	311606	14644/2006	26-05 NES	311578	14450/2006
24-01	311449	14945/2006	26-05 NES	311579	14451/2006
24-01	311482	14563/2006	26-05 NES	311626	14682/2006
24-01	311483	14564/2006	26-05 NES	311627	14683/2006
24-01	311484	14565/2006	26-06	311438	12174/2006
24-01	311485	14566/2006	26-06	311617	14652/2006
24-01	311486	14567/2006	28-03 C	311577	13854/2006
24-01	311487	14568/2006	28-03 NES	311576	13853/2006
24-01	311512	11442/2006	28-03 NES	311643	13951/2006
24-01	311594	14559/2006	28-04	311576	13853/2006
24-02	311482	14563/2006	28-04	311577	13854/2006
24-02	311483	14564/2006	30-03	311454	12735/2006
24-02	311484	14565/2006	30-04	311633	14899/2005
24-02	311485	14566/2006			
24-02	311486	14567/2006			
24-02	311487	14568/2006			

Registration Proceedings - Class Listing of Designs Published or Registered cont'd

- (21) Design Number: **12014/2006**
- (22) Date of Filing Application: **09 May 2006**
- (24) Date from which industrial property rights may have effect: **09 May 2006**
- (54) Product in respect of which the design is registered: **Housing**
- (51) International Design Classification: **10-04**
- (71) Name(s) and Address(s) of Applicant(s):
Johann Georg Eder
97 Cassien Street Schoemansville Hartebeespoort South Africa
- (72) Name(s) of Designer(s): **Johann Georg Eder**
- (45) Registration Date: **21 November 2006**
- (56) Related Art Documents: **Not Applicable**
- (57) Statement of Newness and Distinctiveness: **Those features of the housing depicted in the representations that are new and distinctive are the shape and/or configuration.**



- (21) Design Number: **12174/2006**
- (22) Date of Filing Application: **17 May 2006**
- (24) Date from which industrial property rights may have effect: **07 October 2005**
- (54) Product in respect of which the design is registered: **Lamp for a vehicle**
- (51) International Design Classification: **26-06**
- (71) Name(s) and Address(s) of Applicant(s):
Ford Motor Company of Australia Limited
735 Sydney Road Campbellfield Victoria 3061 Australia
- (72) Name(s) of Designer(s): **Graham Wadsworth**
- (45) Registration Date: **21 November 2006**
- (62) Divisional of: **14411/2005**
- (56) Related Art Documents: **Not Applicable**
- (57) Statement of Newness and Distinctiveness: **Newness and distinctiveness is claimed in the visual features of shape and/or configuration as applied to a lamp for a vehicle as illustrated in the representations.**



(21) Design Number: **12617/2006**

(22) Date of Filing Application: **19 June 2006**

(24) Date from which industrial property rights may have effect: **19 June 2006**

(54) Product in respect of which the design is registered: **Door furniture**

(51) International Design Classification: **08-06, 08-07**

(71) Name(s) and Address(s) of Applicant(s):

Azuma Design Pty Limited

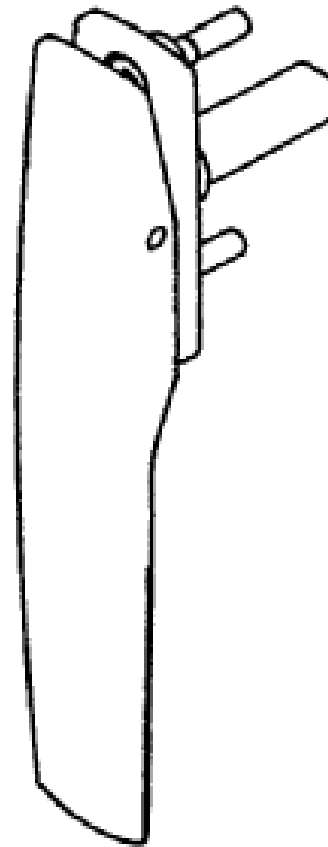
160-162 Newton Road Wetherill Park New South Wales 2164 Australia

(72) Name(s) of Designer(s): **Michael Brian Alchin**

(45) Registration Date: **21 November 2006**

(56) Related Art Documents: **Not Applicable**

(57) Statement of Newness and Distinctiveness: **Newness and distinctiveness resides in the features of shape and/or configuration of a handle of door furniture as illustrated in the accompanying drawings.**



(21) Design Number: **12848/2006**

(22) Date of Filing Application: **04 July 2006**

(24) Date from which industrial property rights may have effect: **04 July 2006**

(54) Product in respect of which the design is registered: **A drying machine for laundry**

(51) International Design Classification: **15-05**

(71) Name(s) and Address(s) of Applicant(s):

Electrolux Home Products Corporation N.V.

Belgicastraat 17 Zaventem B-1930 Belgium

(72) Name(s) of Designer(s): **Georgio Revoldini and Jeromo Esteve and Saba Rizzi and Marie-Josephe Bodet-Hoarau**

(45) Registration Date: **21 November 2006**

(30) Convention priority data:

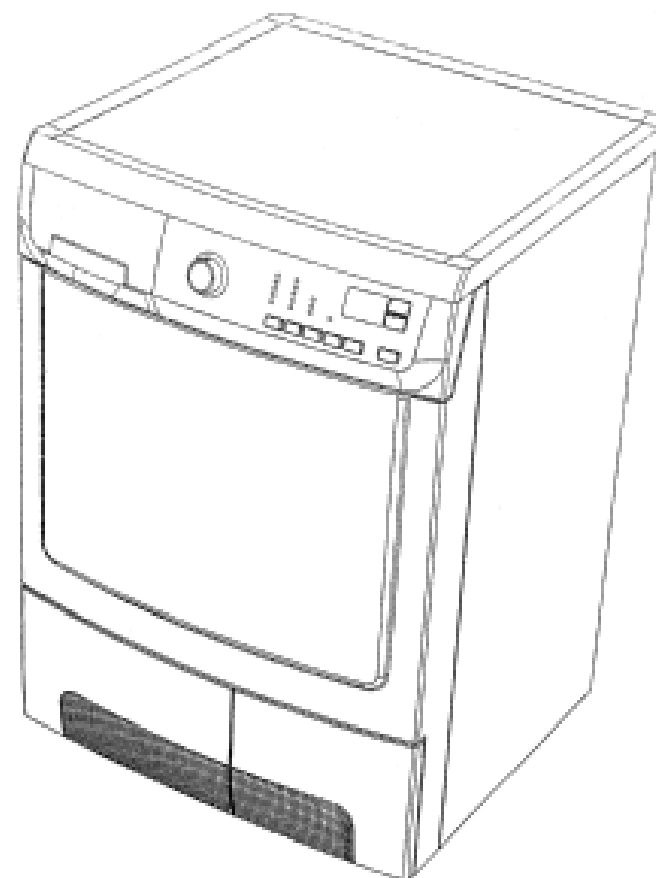
(31) Number
00459938

(32) Date
04 Jan 2006

(33) Country
EUROPEAN COMMUNITY

(56) Related Art Documents: **Not Applicable**

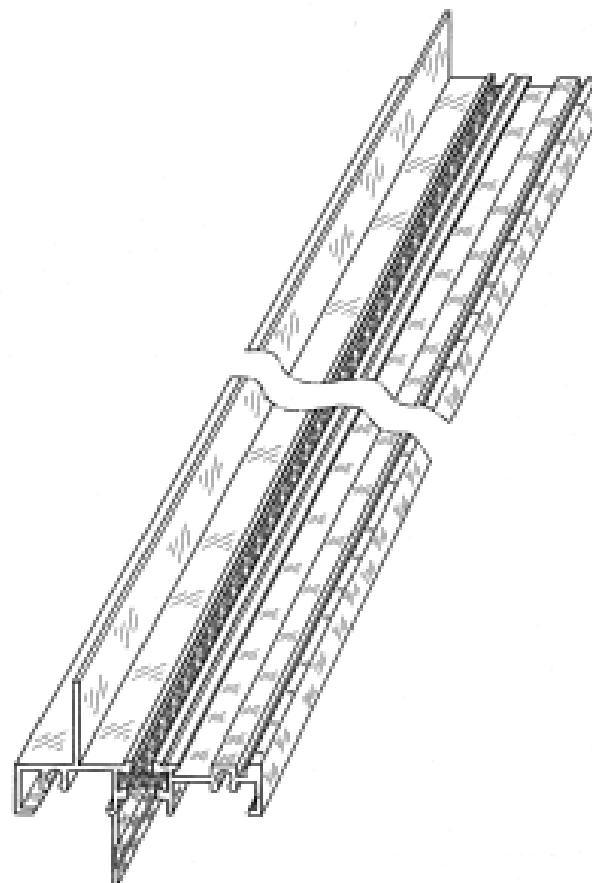
(57) Statement of Newness and Distinctiveness: **Nil.**



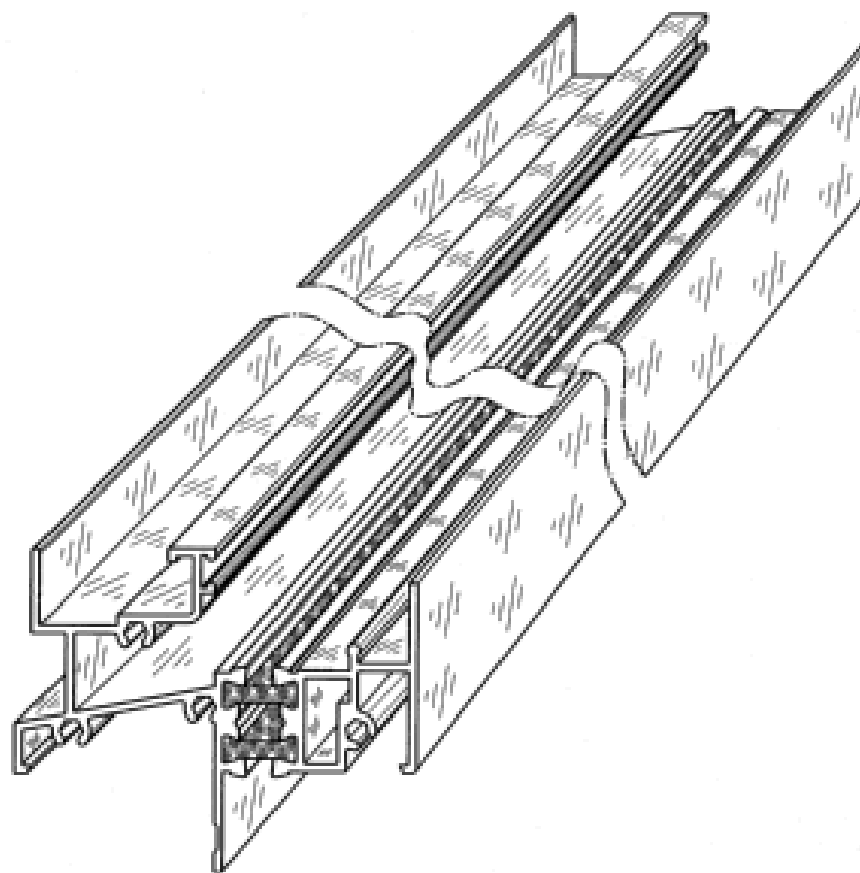
- (21) Design Number: **13369/2006**
(22) Date of Filing Application: **31 July 2006**
(24) Date from which industrial property rights may have effect: **31 July 2006**
(54) Product in respect of which the design is registered: **Bicycle stand with canopy**
(51) International Design Classification: **08-10**
(71) Name(s) and Address(s) of Applicant(s):
James John Steward
50 Burnhill Road Beckenham Kent BR3 3LA United Kingdom
(72) Name(s) of Designer(s): **James John Steward**
(45) Registration Date: **21 November 2006**
(30) Convention priority data:
(31) Number (32) Date (33) Country
3023819 31 Jan 2006 UNITED KINGDOM
(56) Related Art Documents: **Not Applicable**
(57) Statement of Newness and Distinctiveness: **Newness and distinctiveness resides in the features of shape and configuration as applied to a bicycle stand with canopy as shown in the accompanying drawings.**



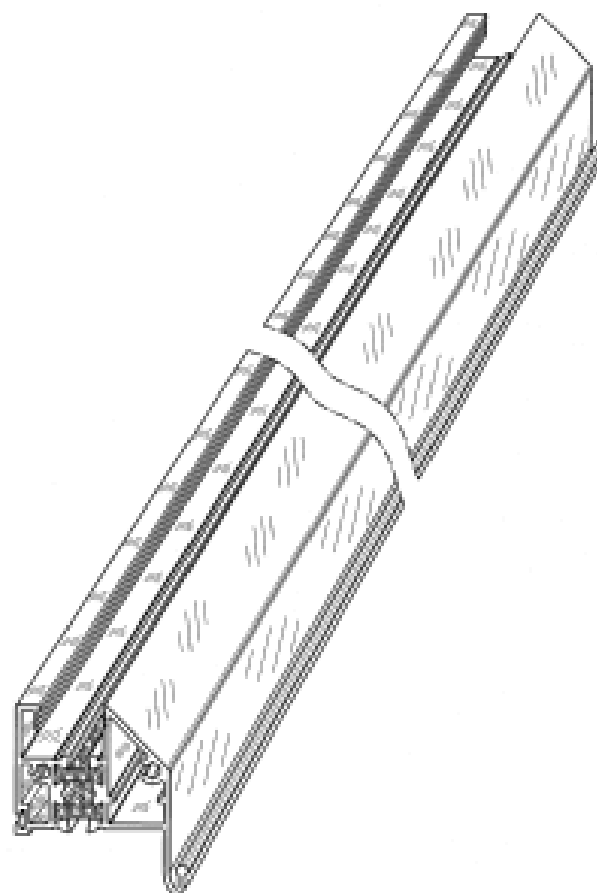
- (21) Design Number: **14350/2006**
(22) Date of Filing Application: **29 September 2006**
(24) Date from which industrial property rights may have effect: **29 September 2006**
(54) Product in respect of which the design is registered: **Joinery extrusion with insulating bridge**
(51) International Design Classification: **25-01K**
(71) Name(s) and Address(s) of Applicant(s):
Prime Global Brands Ltd.
Level 1 1 Cathedral Street Port Louis Mauritius
(72) Name(s) of Designer(s): **Anthony James Keller**
(45) Registration Date: **21 November 2006**
(56) Related Art Documents: **Not Applicable**
(57) Statement of Newness and Distinctiveness: **Nil**



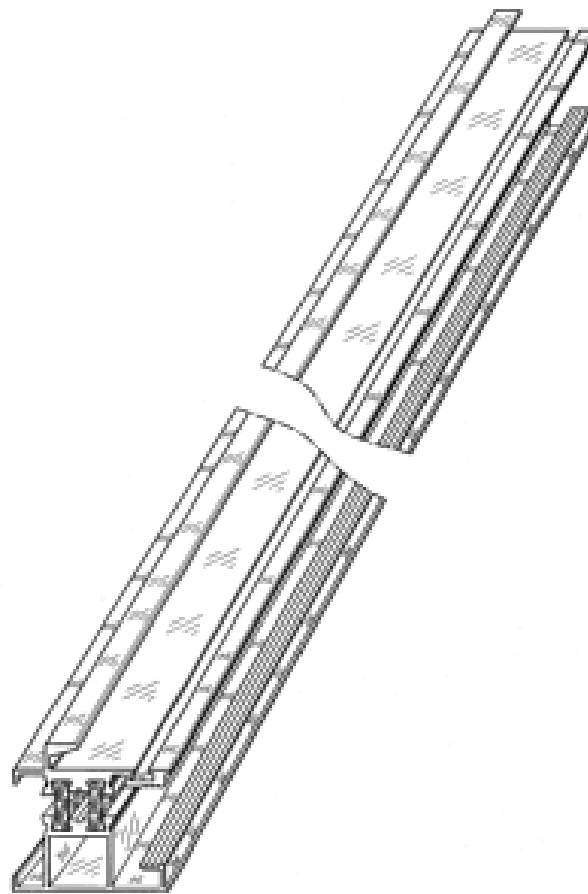
- (21) Design Number: **14352/2006**
(22) Date of Filing Application: **29 September 2006**
(24) Date from which industrial property rights may have effect: **29 September 2006**
(54) Product in respect of which the design is registered: **Joinery extrusion with insulating bridge**
(51) International Design Classification: **25-01K**
(71) Name(s) and Address(s) of Applicant(s):
Prime Global Brands Ltd.
Level 1 1 Cathedral Street Port Louis Mauritius
(72) Name(s) of Designer(s): **Anthony James Keller**
(45) Registration Date: **21 November 2006**
(56) Related Art Documents: **Not Applicable**
(57) Statement of Newness and Distinctiveness: **Nil**



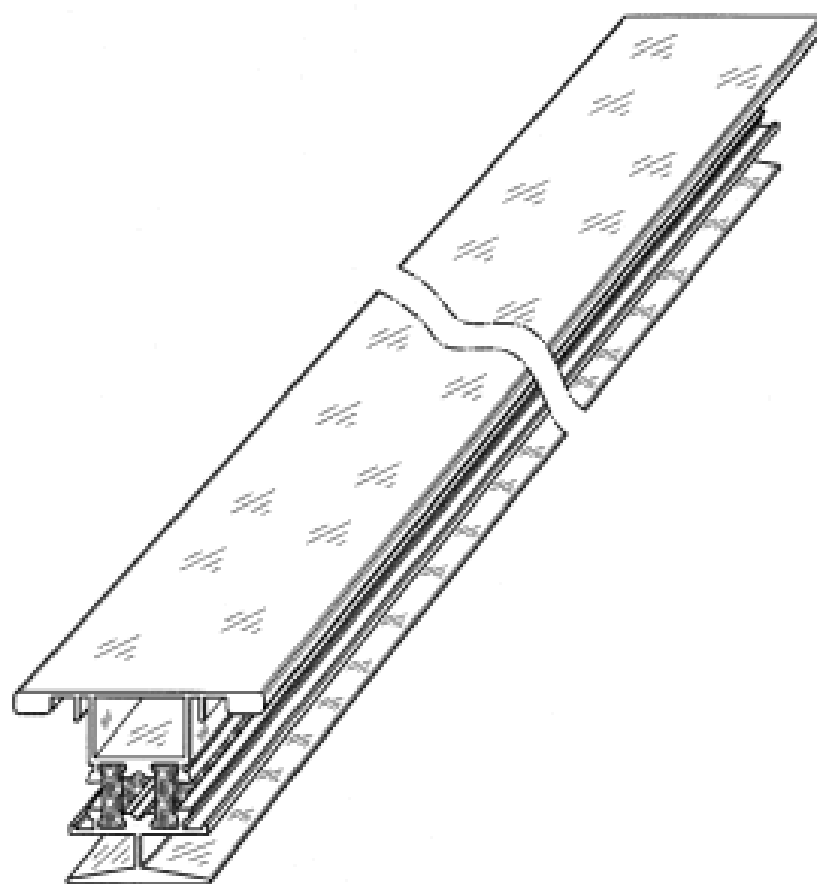
- (21) Design Number: **14356/2006**
(22) Date of Filing Application: **29 September 2006**
(24) Date from which industrial property rights may have effect: **29 September 2006**
(54) Product in respect of which the design is registered: **Joinery extrusion with insulating bridge**
(51) International Design Classification: **25-01K**
(71) Name(s) and Address(s) of Applicant(s):
Prime Global Brands Ltd.
Level 1 1 Cathedral Street Port Louis Mauritius
(72) Name(s) of Designer(s): **Anthony James Keller**
(45) Registration Date: **21 November 2006**
(56) Related Art Documents: **Not Applicable**
(57) Statement of Newness and Distinctiveness: **Nil**



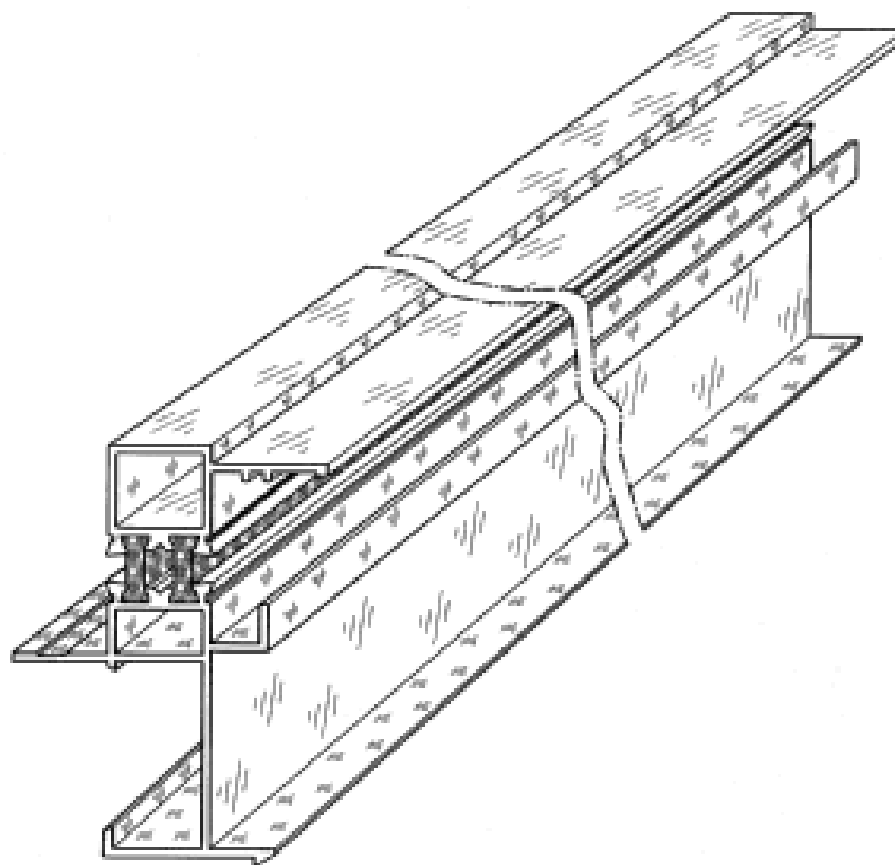
- (21) Design Number: **14358/2006**
(22) Date of Filing Application: **29 September 2006**
(24) Date from which industrial property rights may have effect: **29 September 2006**
(54) Product in respect of which the design is registered: **Joinery extrusion with insulating bridge**
(51) International Design Classification: **25-01K**
(71) Name(s) and Address(s) of Applicant(s):
Prime Global Brands Ltd.
Level 1 1 Cathedral Street Port Louis Mauritius
(72) Name(s) of Designer(s): **Anthony James Keller**
(45) Registration Date: **21 November 2006**
(56) Related Art Documents: **Not Applicable**
(57) Statement of Newness and Distinctiveness: **Nil**



- (21) Design Number: **14359/2006**
(22) Date of Filing Application: **29 September 2006**
(24) Date from which industrial property rights may have effect: **29 September 2006**
(54) Product in respect of which the design is registered: **Joinery extrusion with insulating bridge**
(51) International Design Classification: **25-01K**
(71) Name(s) and Address(s) of Applicant(s):
Prime Global Brands Ltd.
Level 1 1 Cathedral Street Port Louis Mauritius
(72) Name(s) of Designer(s): **Anthony James Keller**
(45) Registration Date: **21 November 2006**
(56) Related Art Documents: **Not Applicable**
(57) Statement of Newness and Distinctiveness: **Nil**



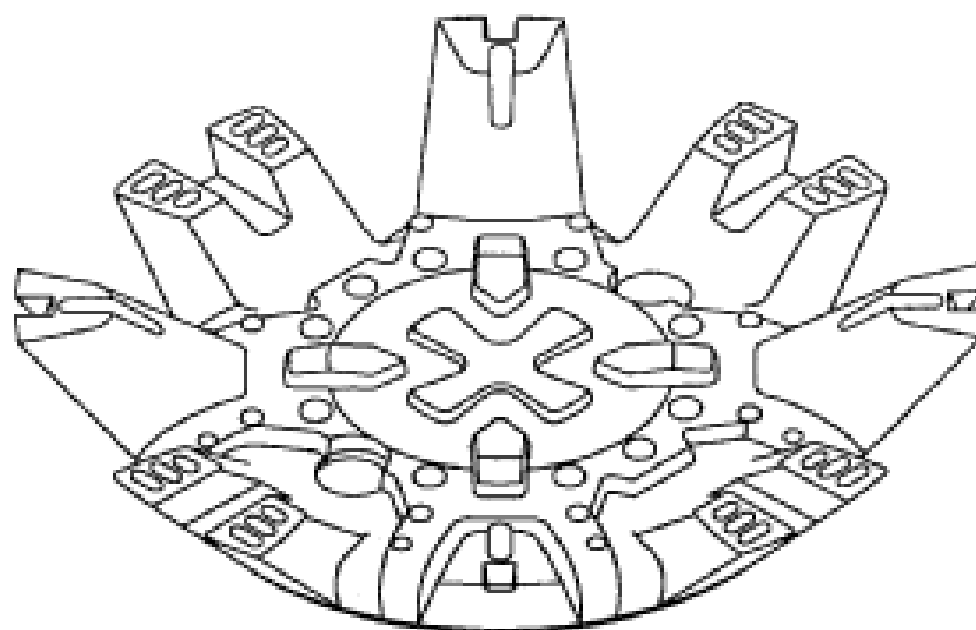
- (21) Design Number: **14361/2006**
(22) Date of Filing Application: **29 September 2006**
(24) Date from which industrial property rights may have effect: **29 September 2006**
(54) Product in respect of which the design is registered: **Joinery extrusion with insulating bridge**
(51) International Design Classification: **25-01K**
(71) Name(s) and Address(s) of Applicant(s):
Prime Global Brands Ltd.
Level 1 1 Cathedral Street Port Louis Mauritius
(72) Name(s) of Designer(s): **Anthony James Keller**
(45) Registration Date: **21 November 2006**
(56) Related Art Documents: **Not Applicable**
(57) Statement of Newness and Distinctiveness: **Nil**



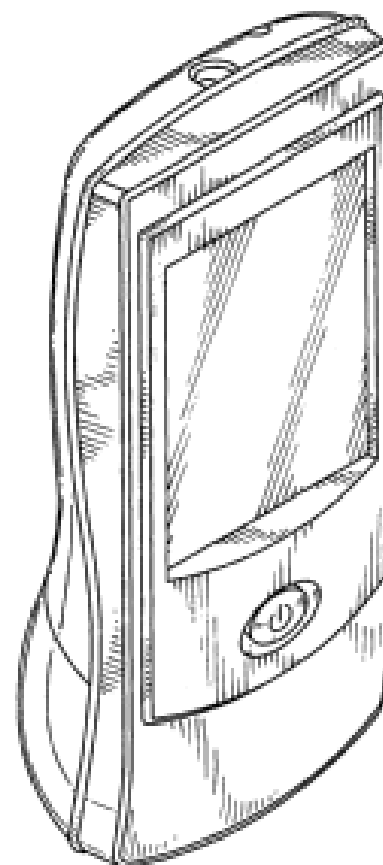
- (21) Design Number: **14384/2006**
(22) Date of Filing Application: **29 September 2006**
(24) Date from which industrial property rights may have effect: **29 September 2006**
(54) Product in respect of which the design is registered: **Golf shoe spike**
(51) International Design Classification: **02-07B**
(71) Name(s) and Address(s) of Applicant(s):
Japana Co, Ltd
25-1 Meieki 5-chome Nakamura-ku Nagoya-shi Aichi 450-0002 Japan
(72) Name(s) of Designer(s): **Yasuyuki Terashima**
(45) Registration Date: **21 November 2006**
(30) Convention priority data:

(31) Number	(32) Date	(33) Country
2006-8399	31 Mar 2006	JAPAN

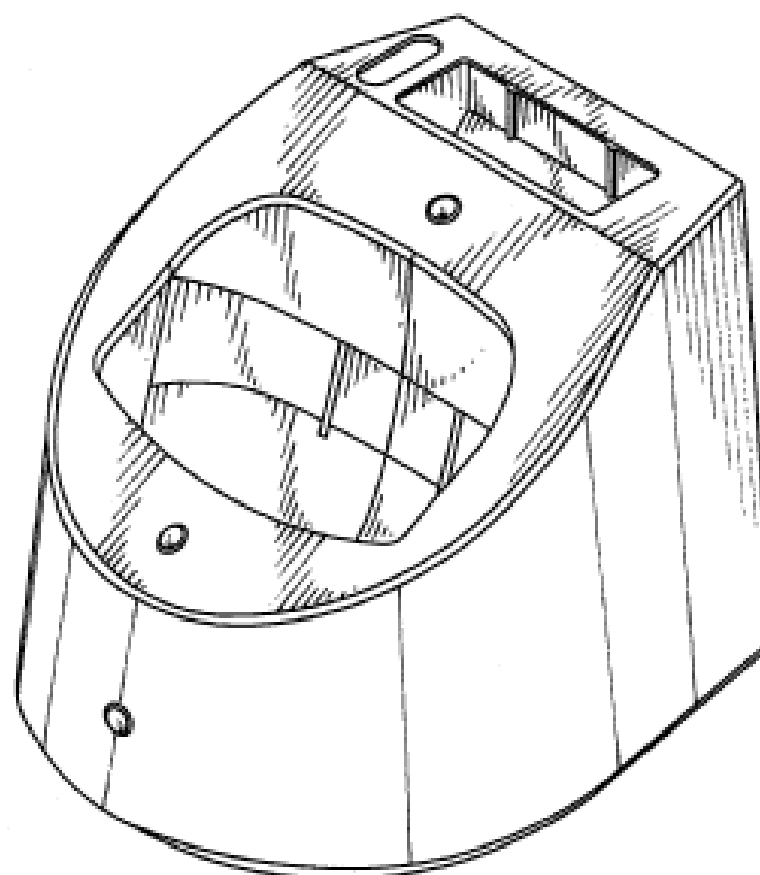
(56) Related Art Documents: **Not Applicable**
(57) Statement of Newness and Distinctiveness: **Newness and distinctiveness is claimed in the features of shape and/or configuration of a golf shoe spike as shown in the attached representations.**



(21) Design Number: **14945/2006**
 (22) Date of Filing Application: **27 October 2006**
 (24) Date from which industrial property rights may have effect: **27 October 2006**
 (54) Product in respect of which the design is registered: **Ncs-emg instrument**
 (51) International Design Classification: **24-01**
 (71) Name(s) and Address(s) of Applicant(s):
NeuroMetrix, Inc.
62 Fourth Avenue Waltham MA 02451 United States of America
 (72) Name(s) of Designer(s): **Michael Williams and Paul E. Brefka and John D'Arco and Charles Fendrock**
 (45) Registration Date: **21 November 2006**
 (30) Convention priority data:
 (31) Number (32) Date (33) Country
29/261,021 06 Jun 2006 UNITED STATES OF AMERICA
 (56) Related Art Documents: **Not Applicable**
 (57) Statement of Newness and Distinctiveness: **Nil**



(21) Design Number: **14975/2006**
 (22) Date of Filing Application: **30 October 2006**
 (24) Date from which industrial property rights may have effect: **30 October 2006**
 (54) Product in respect of which the design is registered: **Charger/holder**
 (51) International Design Classification: **13-02**
 (71) Name(s) and Address(s) of Applicant(s):
NeuroMetrix, Inc.
62 Fourth Avenue Waltham MA 02451 United States of America
 (72) Name(s) of Designer(s): **Michael Williams and Paul E. Brefka and John D'Arco and Charles Fendrock**
 (45) Registration Date: **21 November 2006**
 (30) Convention priority data:
 (31) Number (32) Date (33) Country
29/261,048 06 Jun 2006 UNITED STATES OF AMERICA
 (56) Related Art Documents: **Not Applicable**
 (57) Statement of Newness and Distinctiveness: **Nil**



(21) Design Number: **10366/2006**

(22) Date of Filing Application: **03 February 2006**

(24) Date from which industrial property rights may have effect: **03 February 2006**

(54) Product in respect of which the design is registered: **Trampoline**

(51) International Design Classification: **21-02F**

(71) Name(s) and Address(s) of Applicant(s):

Bradley Phillip Ingram
42 Alma Road Leppington New South Wales 2179 Australia

(72) Name(s) of Designer(s): **Bradley Phillip Ingram**

(45) Registration Date: **23 November 2006**

(56) Related Art Documents: **Not Applicable**

(57) Statement of Newness and Distinctiveness: **The design is new and distinctive in its shape and configuration. The colour of the item can be disregarded.**



(21) Design Number: **10367/2006**

(22) Date of Filing Application: **03 February 2006**

(24) Date from which industrial property rights may have effect: **03 February 2006**

(54) Product in respect of which the design is registered: **Trampoline**

(51) International Design Classification: **21-02F**

(71) Name(s) and Address(s) of Applicant(s):

Bradley Phillip Ingram
42 Alma Road Leppington New South Wales 2179 Australia

(72) Name(s) of Designer(s): **Bradley Phillip Ingram**

(45) Registration Date: **23 November 2006**

(56) Related Art Documents: **Not Applicable**

(57) Statement of Newness and Distinctiveness: **The design is new and distinctive in its shape and configuration. The colour of the item can be disregarded.**



(21) Design Number: **10368/2006**

(22) Date of Filing Application: **03 February 2006**

(24) Date from which industrial property rights may have effect: **03 February 2006**

(54) Product in respect of which the design is registered: **Trampoline**

(51) International Design Classification: **21-02F**

(71) Name(s) and Address(s) of Applicant(s):

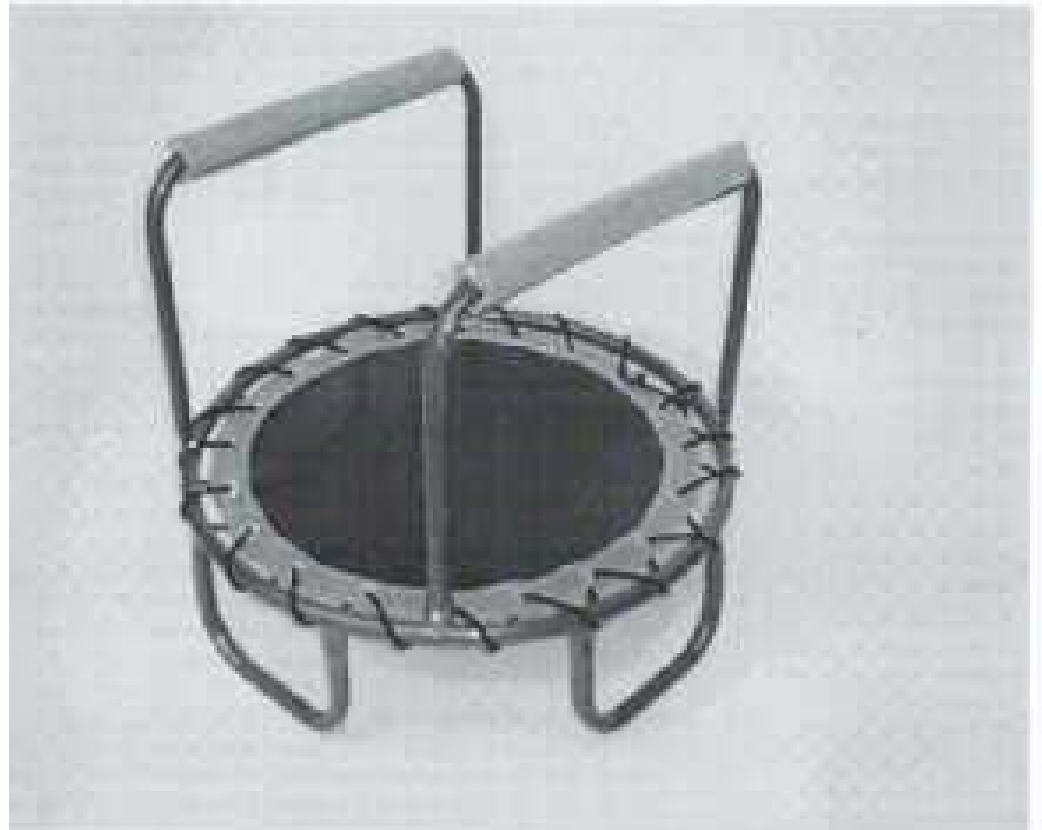
Bradley Phillip Ingram
42 Alma Road Leppington New South Wales 2179 Australia

(72) Name(s) of Designer(s): **Bradley Phillip Ingram**

(45) Registration Date: **23 November 2006**

(56) Related Art Documents: **Not Applicable**

(57) Statement of Newness and Distinctiveness: **The design is new and distinctive in its shape and configuration. The colour of the item can be disregarded.**



(21) Design Number: **12735/2006**

(22) Date of Filing Application: **22 June 2006**

(24) Date from which industrial property rights may have effect: **22 June 2006**

(54) Product in respect of which the design is registered: **Automatic horse feeding bin**

(51) International Design Classification: **30-03**

(71) Name(s) and Address(s) of Applicant(s):

Timothy Joseph Corbett
"Yarrandi Farm" Upper Dartbrook Road Scone New South Wales 2337 Australia

(72) Name(s) of Designer(s): **Timothy Joseph Corbett**

(45) Registration Date: **23 November 2006**

(56) Related Art Documents: **Not Applicable**

(57) Statement of Newness and Distinctiveness: **A timer operated device which when set, latches the movable lid and prevents it from rotating to allow the horse access to food, until a predetermined time is reached.**



(21) Design Number: **12951/2006**

(22) Date of Filing Application: **11 July 2006**

(24) Date from which industrial property rights may have effect: **11 July 2006**

(54) Product in respect of which the design is registered: **Cycle mudguard**

(51) International Design Classification: **12-16B**

(71) Name(s) and Address(s) of Applicant(s):

Stuart Maxwell Wallace
354 North Road Brighton East Victoria 3187 Australia

(72) Name(s) of Designer(s): **Stuart Maxwell Wallace**

(45) Registration Date: **23 November 2006**

(56) Related Art Documents: **Not Applicable**

(57) Statement of Newness and Distinctiveness: **Configuration of the incision(s) and indentations.**



(21) Design Number: **12952/2006**

(22) Date of Filing Application: **11 July 2006**

(24) Date from which industrial property rights may have effect: **11 July 2006**

(54) Product in respect of which the design is registered: **Cycle mudguard**

(51) International Design Classification: **12-16B**

(71) Name(s) and Address(s) of Applicant(s):

Stuart Maxwell Wallace
354 North Road Brighton East Victoria 3187 Australia

(72) Name(s) of Designer(s): **Stuart Maxwell Wallace**

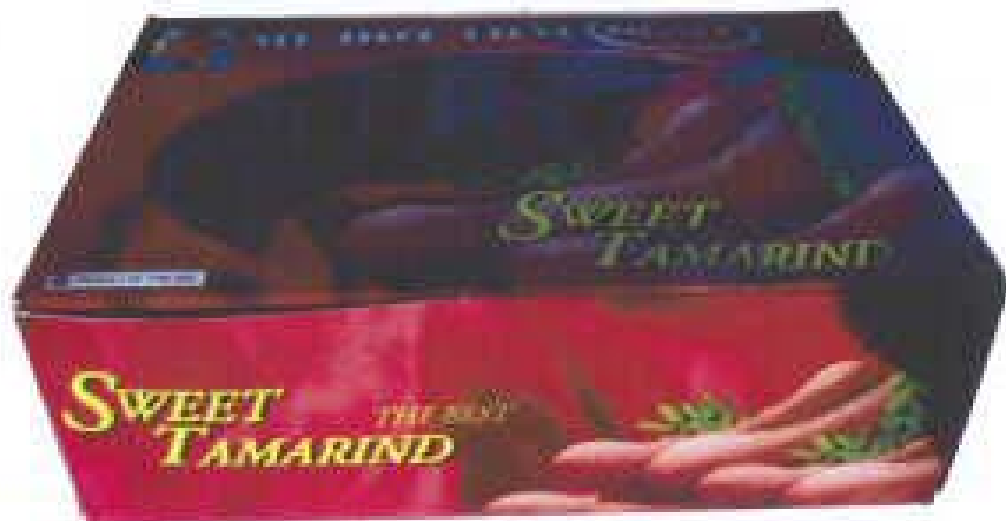
(45) Registration Date: **23 November 2006**

(56) Related Art Documents: **Not Applicable**

(57) Statement of Newness and Distinctiveness: **Configuration of the incision(s) and longitudinal indentations.**

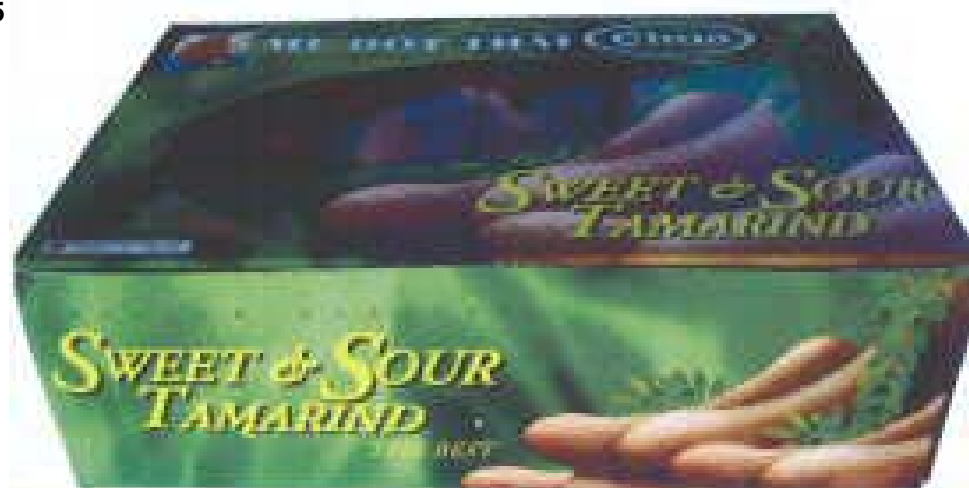


- (21) Design Number: **14091/2005**
- (22) Date of Filing Application: **16 September 2005**
- (24) Date from which industrial property rights may have effect: **16 September 2005**
- (54) Product in respect of which the design is registered: **Sweet tamarind (me dot thai ngot) tamarind packaging**
- (51) International Design Classification: **09-03K**
- (71) Name(s) and Address(s) of Applicant(s):
Pacific Worldwide Pty Ltd
39-41 Sandown Road Springvale Victoria 3171 Australia
- (72) Name(s) of Designer(s): **Henry Chen**
- (45) Registration Date: **23 November 2006**
- (56) Related Art Documents: **Not Applicable**
- (57) Statement of Newness and Distinctiveness: **Red coloured boxes with window and tamarind photo in bottom right corner under text sweet tamarind.**



Design 1 side view

- (21) Design Number: **14092/2005**
- (22) Date of Filing Application: **16 September 2005**
- (24) Date from which industrial property rights may have effect: **16 September 2005**
- (54) Product in respect of which the design is registered: **Sweet and sour (me dot thai chua) tamarind packaging**
- (51) International Design Classification: **09-03K**
- (71) Name(s) and Address(s) of Applicant(s):
Pacific Worldwide Pty Ltd
39-41 Sandown Road Springvale Victoria 3171 Australia
- (72) Name(s) of Designer(s): **Henry Chen**
- (45) Registration Date: **23 November 2006**
- (56) Related Art Documents: **Not Applicable**
- (57) Statement of Newness and Distinctiveness: **Green coloured boxes with window, and tamarind. Photo in bottom right corner.**



(21) Design Number: **14446/2006**

(22) Date of Filing Application: **03 October 2006**

(24) Date from which industrial property rights may have effect: **03 October 2006**

(54) Product in respect of which the design is registered: **Cap**

(51) International Design Classification: **09-07NES**

(71) Name(s) and Address(s) of Applicant(s):

Insite Vision Incorporated
965 Atlantic Avenue Alameda CA 94501 United States of America

(72) Name(s) of Designer(s): **Patrick Poisson and Lyle M. Bowman**

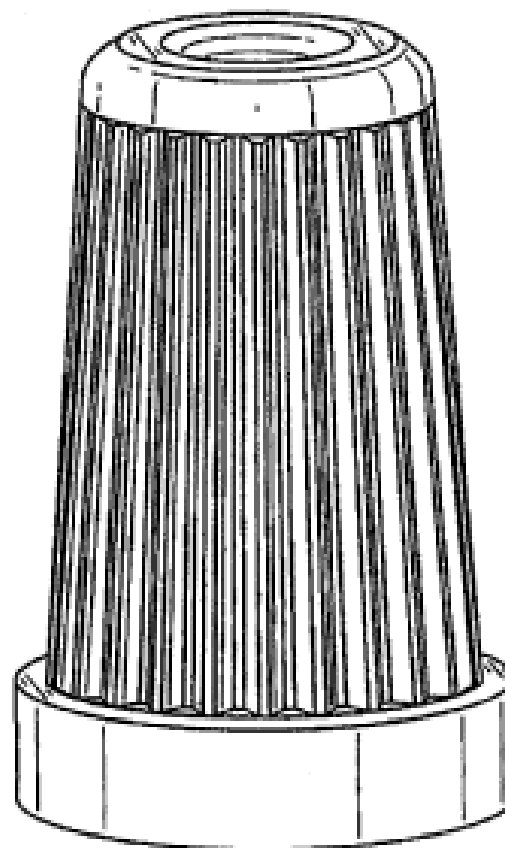
(45) Registration Date: **23 November 2006**

(30) Convention priority data:

(31) Number	(32) Date	(33) Country
29/257,375	03 Apr 2006	UNITED STATES OF AMERICA

(56) Related Art Documents: **Not Applicable**

(57) Statement of Newness and Distinctiveness: **Nil**



(21) Design Number: **14550/2006**

(22) Date of Filing Application: **09 October 2006**

(24) Date from which industrial property rights may have effect: **09 October 2006**

(54) Product in respect of which the design is registered: **Coffee makers**

(51) International Design Classification: **07-02L**

(71) Name(s) and Address(s) of Applicant(s):

Saeco IPR Limited
Unit 1E Block 71 Park West Business Park Nangor Road Dublin 12
Ireland

(72) Name(s) of Designer(s): **Stefano Tonelli**

(45) Registration Date: **23 November 2006**

(30) Convention priority data:

(31) Number	(32) Date	(33) Country
000509823-0002	07 Apr 2006	EUROPEAN COMMUNITY

(56) Related Art Documents: **Not Applicable**

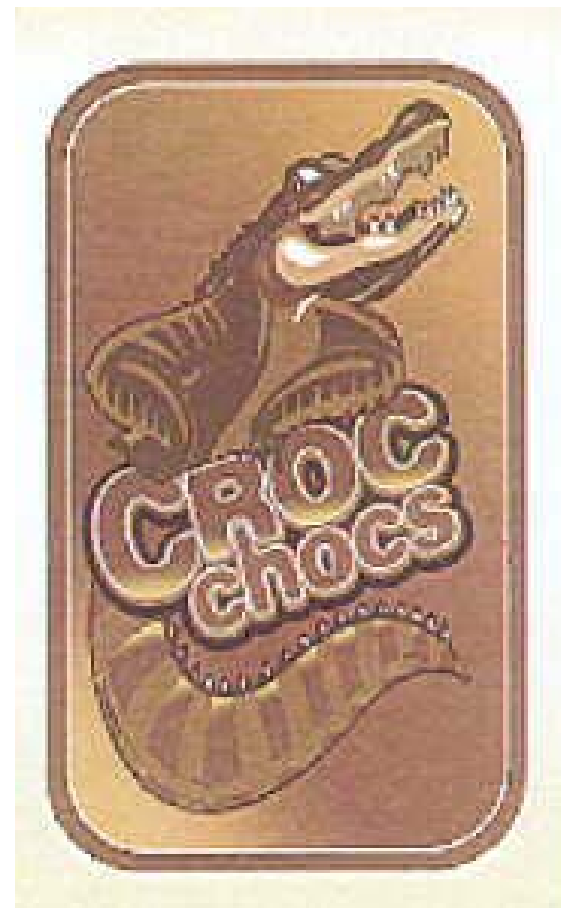
(57) Statement of Newness and Distinctiveness: **Nil**



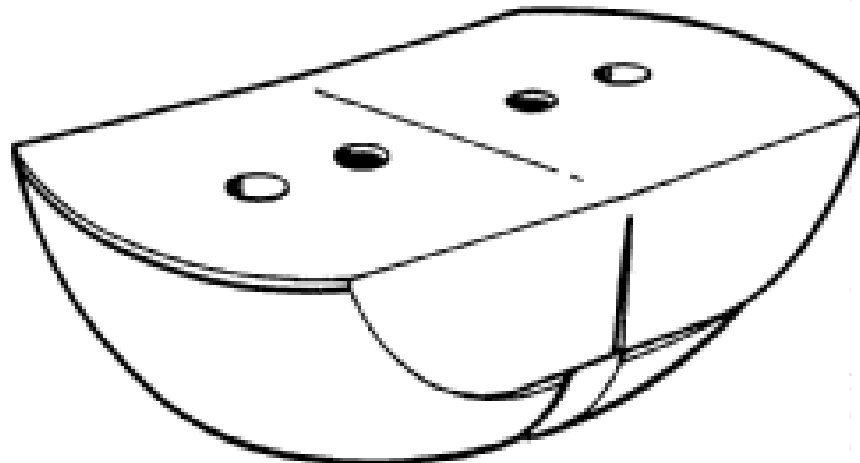
(21) Design Number: **14551/2006**
(22) Date of Filing Application: **09 October 2006**
(24) Date from which industrial property rights may have effect: **09 October 2006**
(54) Product in respect of which the design is registered: **Coffee makers**
(51) International Design Classification: **07-02L**
(71) Name(s) and Address(s) of Applicant(s):
Saeco IPR Limited
Unit 1E Block 71 Park West Business Park Nangor Road Dublin 12
Ireland
(72) Name(s) of Designer(s): **Stefano Tonelli**
(45) Registration Date: **23 November 2006**
(30) Convention priority data:
(31) Number (32) Date (33) Country
000509823-0001 07 Apr 2006 EUROPEAN COMMUNITY
(56) Related Art Documents: **Not Applicable**
(57) Statement of Newness and Distinctiveness: **Nil**



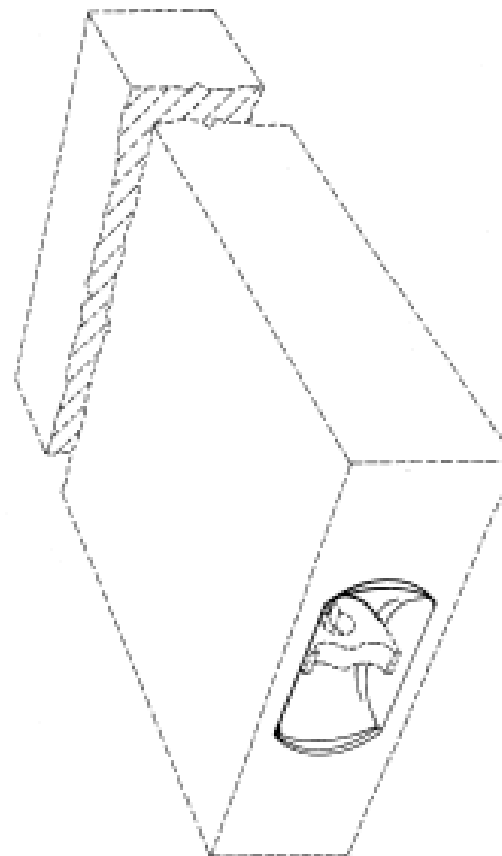
(21) Design Number: **14562/2006**
(22) Date of Filing Application: **11 October 2006**
(24) Date from which industrial property rights may have effect: **11 October 2006**
(54) Product in respect of which the design is registered: **Confectionary**
(51) International Design Classification: **01-01**
(71) Name(s) and Address(s) of Applicant(s):
Comat Pty Ltd
1/20 Capital Court Braeside Victoria 3195 Australia
(72) Name(s) of Designer(s): **Noel Watson**
(45) Registration Date: **23 November 2006**
(56) Related Art Documents: **Not Applicable**
(57) Statement of Newness and Distinctiveness: **Nil**



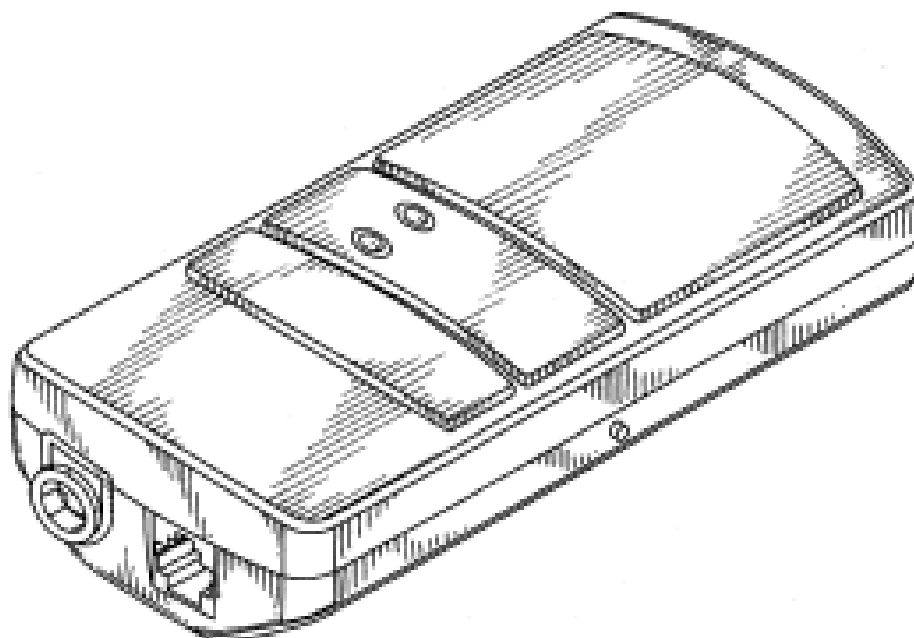
- (21) Design Number: **14699/2006**
(22) Date of Filing Application: **18 October 2006**
(24) Date from which industrial property rights may have effect: **18 October 2006**
(54) Product in respect of which the design is registered: **A mould for forming a recess in a concrete panel**
(51) International Design Classification: **25-02NES**
(71) Name(s) and Address(s) of Applicant(s):
Woodstock Percussion Pty Ltd
14 Hillside Crescent Epping New South Wales 2121 Australia
(72) Name(s) of Designer(s): **Rodney Mackay Sim**
(45) Registration Date: **23 November 2006**
(56) Related Art Documents: **Not Applicable**
(57) Statement of Newness and Distinctiveness: **Newness and distinctiveness is claimed in respect of the shape and/or configuration of the mould illustrated in the accompanying representations. In carrying out a consideration in accordance with Section 19, the shape and/or configuration of the flat head portion is not to be considered as either new or distinctive.**



- (21) Design Number: **14700/2006**
(22) Date of Filing Application: **18 October 2006**
(24) Date from which industrial property rights may have effect: **18 October 2006**
(54) Product in respect of which the design is registered: **A concrete panel having a recess formed therein with lifting anchor located in the recess**
(51) International Design Classification: **25-01D**
(71) Name(s) and Address(s) of Applicant(s):
Woodstock Percussion Pty Ltd
14 Hillside Crescent Epping New South Wales 2121 Australia
(72) Name(s) of Designer(s): **Rodney Mackay Sim**
(45) Registration Date: **23 November 2006**
(56) Related Art Documents: **Not Applicable**
(57) Statement of Newness and Distinctiveness: **Nil**



- (21) Design Number: **14944/2006**
(22) Date of Filing Application: **27 October 2006**
(24) Date from which industrial property rights may have effect: **27 October 2006**
(54) Product in respect of which the design is registered: **Communication hub**
(51) International Design Classification: **14-03NES**
(71) Name(s) and Address(s) of Applicant(s):
NeuroMetrix, Inc.
62 Fourth Avenue Waltham MA 02451 United States of America
(72) Name(s) of Designer(s): **Michael Williams and Paul E. Brefka and John D'Arco and Charles Fendrock**
(45) Registration Date: **23 November 2006**
(30) Convention priority data:
(31) Number (32) Date (33) Country
29/261,025 06 Jun 2006 UNITED STATES OF AMERICA
(56) Related Art Documents: **Not Applicable**
(57) Statement of Newness and Distinctiveness: **Nil**



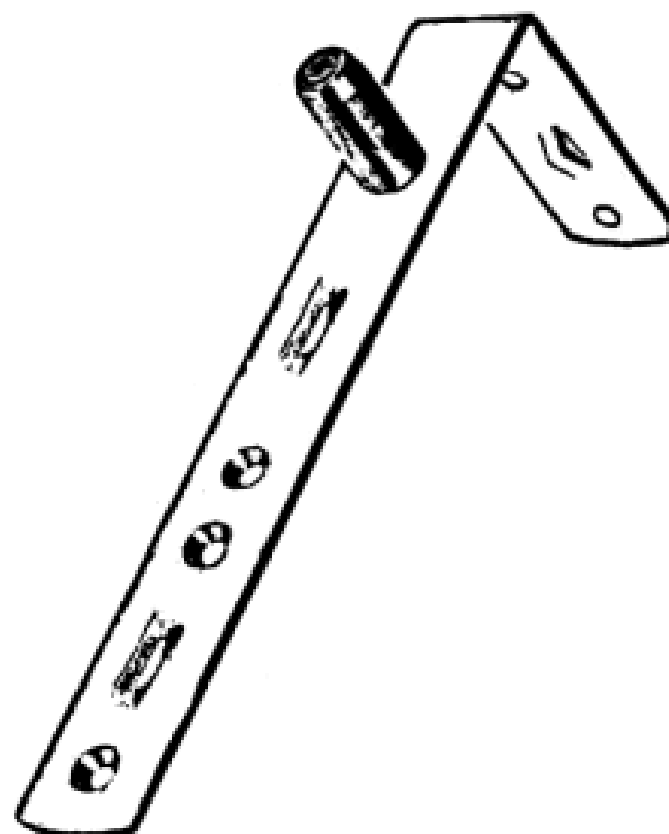
- (21) Design Number: **14946/2006**
(22) Date of Filing Application: **30 October 2006**
(24) Date from which industrial property rights may have effect: **30 October 2006**
(54) Product in respect of which the design is registered: **BCF hub**
(51) International Design Classification: **21-04**
(71) Name(s) and Address(s) of Applicant(s):
BCF Australia Pty Ltd
751 Gympie Road Lawnton Queensland 4501 Australia
(72) Name(s) of Designer(s): **Gordon Wood**
(45) Registration Date: **23 November 2006**
(56) Related Art Documents: **Not Applicable**
(57) Statement of Newness and Distinctiveness: **Ability to attach one or a number of camping or outdoor shelters on the side of a gazebo. The gazebo becomes the central hub of the whole shelter.**



- (21) Design Number: **15746/2005**
(22) Date of Filing Application: **23 December 2005**
(24) Date from which industrial property rights may have effect: **23 December 2005**
(54) Product in respect of which the design is registered: **Thermometer**
(51) International Design Classification: **10-04**
(71) Name(s) and Address(s) of Applicant(s):
Omron Healthcare Co., Ltd.
24 Yamanouchi Yamanoshita-cho Ukyo-ku Kyoto-shi Kyoto 615-0084
Japan
(72) Name(s) of Designer(s): **Tetsuya Nakada and Masaki Tomioka and Tadashi Koike and Fumie Shibata and Yuki Shibata**
(45) Registration Date: **23 November 2006**
(30) Convention priority data:
(31) Number (32) Date (33) Country
2005-019065 30 Jun 2005 JAPAN
(56) Related Art Documents: **Not Applicable**
(57) Statement of Newness and Distinctiveness: **Those features of the thermometer depicted in the representations that are new and distinctive are the shape and/or configuration.**



- (21) Design Number: **11464/2006**
(22) Date of Filing Application: **11 April 2006**
(24) Date from which industrial property rights may have effect: **11 April 2006**
(54) Product in respect of which the design is registered: **A hinge**
(51) International Design Classification: **08-06**
(71) Name(s) and Address(s) of Applicant(s):
David John Ashard
32 Excalibur Parade Valentine New South Wales 2282 Australia
(72) Name(s) of Designer(s): **David John Ashard and Thorston Kohl and Gerhard Kohl**
(45) Registration Date: **23 November 2006**
(56) Related Art Documents: **Not Applicable**
(57) Statement of Newness and Distinctiveness: **Nil**



- (21) Design Number: **12128/2006**
(22) Date of Filing Application: **15 May 2006**
(24) Date from which industrial property rights may have effect: **15 May 2006**
(54) Product in respect of which the design is registered: **Water treatment apparatus Wastewater treatment apparatus**
(51) International Design Classification: **23-01A, 23-01B**
(71) Name(s) and Address(s) of Applicant(s):
Waterpac Patents Pty Ltd
C/- PO Box 189 Jimboomba Queensland 4280 Australia
(72) Name(s) of Designer(s): **Ken Bryer and Tim Prince**
(45) Registration Date: **23 November 2006**
(56) Related Art Documents: **Not Applicable**
(57) Statement of Newness and Distinctiveness: **Sealing nut and thimble seat arrangement earth point at top of cylinder. Ridge in thimble holder.**



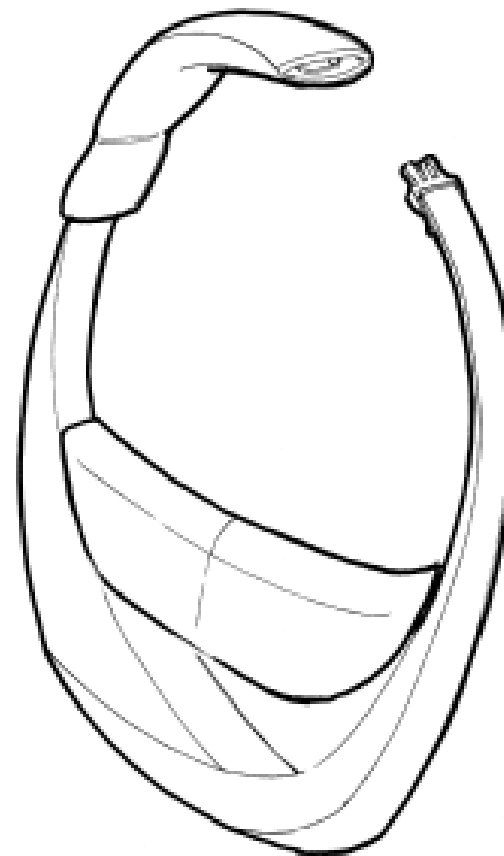
- (21) Design Number: **12129/2006**
(22) Date of Filing Application: **15 May 2006**
(24) Date from which industrial property rights may have effect: **15 May 2006**
(54) Product in respect of which the design is registered: **Water treatment apparatus Wastewater treatment apparatus**
(51) International Design Classification: **23-01A, 23-01B**
(71) Name(s) and Address(s) of Applicant(s):
Waterpac Patents Pty Ltd
C/- PO Box 189 Jimboomba Queensland 4280 Australia
(72) Name(s) of Designer(s): **Ken Bryer and Tim Prince**
(45) Registration Date: **23 November 2006**
(56) Related Art Documents: **Not Applicable**
(57) Statement of Newness and Distinctiveness: **Triclover clamp arrangement. Top cap arrangement. Thimble seat and o'ring arrangement. Earth point at top of cylinder.**



- (21) Design Number: **12251/2006**
(22) Date of Filing Application: **23 May 2006**
(24) Date from which industrial property rights may have effect: **23 May 2006**
(54) Product in respect of which the design is registered: **Fresh Bag 1**
(51) International Design Classification: **03-01B**
(71) Name(s) and Address(s) of Applicant(s):

Tasjimi Pty Ltd
7/1 The Avenue Prahran Victoria 3181 Australia

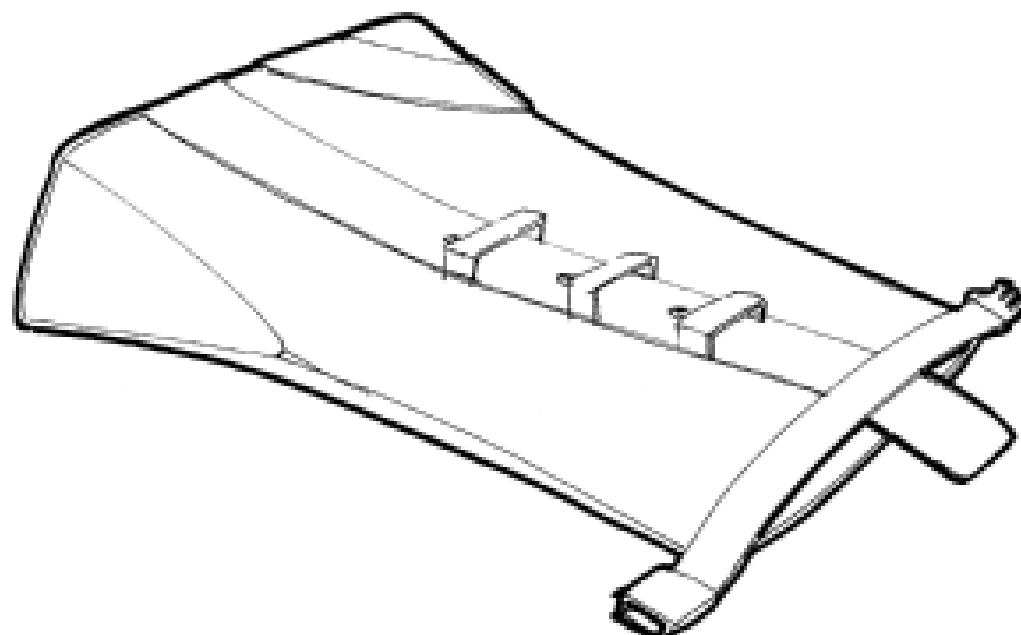
- (72) Name(s) of Designer(s): **Natasja Marcelis**
(45) Registration Date: **23 November 2006**
(56) Related Art Documents: **Not Applicable**
(57) Statement of Newness and Distinctiveness: **Unique system of showing the bag incorporating the strap. Unique shape and closure. Unique combination of design elements including, but not limited to the shape of the bag, the method of showing, the material, plastic insert pockets, and the quilted 'pod' for storage.**



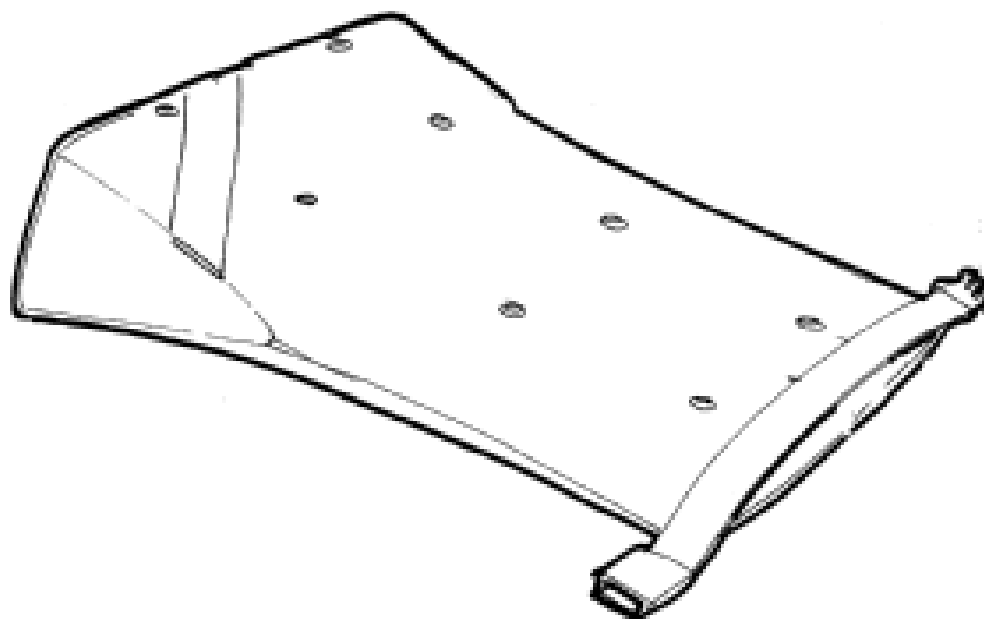
- (21) Design Number: **12252/2006**
(22) Date of Filing Application: **23 May 2006**
(24) Date from which industrial property rights may have effect: **23 May 2006**
(54) Product in respect of which the design is registered: **Fresh Bag 2**
(51) International Design Classification: **03-01B**
(71) Name(s) and Address(s) of Applicant(s):

Tasjimi Pty Ltd
7/1 The Avenue Prahran Victoria 3181 Australia

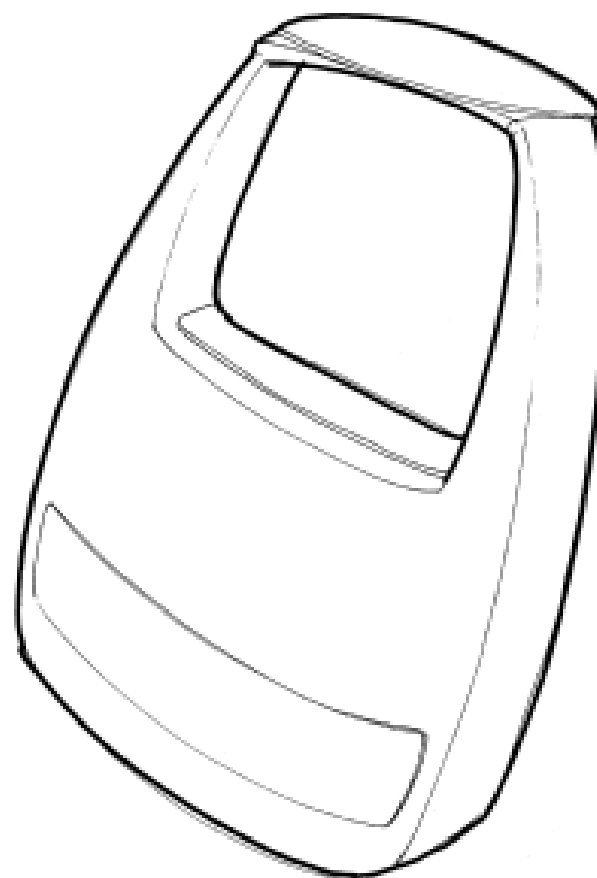
- (72) Name(s) of Designer(s): **Natasja Marcelis**
(45) Registration Date: **23 November 2006**
(56) Related Art Documents: **Not Applicable**
(57) Statement of Newness and Distinctiveness: **Unique design of bag including, but not limited to a roll-closure, multiple points to fasten the bag, fastening strap, water resistant product, quilted base and plastic insert pocket.**



- (21) Design Number: **12253/2006**
(22) Date of Filing Application: **23 May 2006**
(24) Date from which industrial property rights may have effect: **23 May 2006**
(54) Product in respect of which the design is registered: **Fresh Bag 3**
(51) International Design Classification: **03-01B**
(71) Name(s) and Address(s) of Applicant(s):
Tasjimi Pty Ltd
7/1 The Avenue Prahran Victoria 3181 Australia
(72) Name(s) of Designer(s): **Natasja Marcelis**
(45) Registration Date: **23 November 2006**
(56) Related Art Documents: **Not Applicable**
(57) Statement of Newness and Distinctiveness: **Unique design of bag including, but not limited to a roll-closure, multiple points to fasten the bag, water resistant production, plastic insert pocket.**



- (21) Design Number: **12254/2006**
(22) Date of Filing Application: **23 May 2006**
(24) Date from which industrial property rights may have effect: **23 May 2006**
(54) Product in respect of which the design is registered: **Freshg Bag 4**
(51) International Design Classification: **03-01B**
(71) Name(s) and Address(s) of Applicant(s):
Tasjimi Pty Ltd
7/1 The Avenue Prahran Victoria 3181 Australia
(72) Name(s) of Designer(s): **Natasja Marcelis**
(45) Registration Date: **23 November 2006**
(56) Related Art Documents: **Not Applicable**
(57) Statement of Newness and Distinctiveness: **Unique design of bag including, but not limited to a storage 'pod' which then forms part of the handle, water resistant production, shape and form of the bag and plastic insert pockets.**



- (21) Design Number: **12256/2006**
(22) Date of Filing Application: **23 May 2006**
(24) Date from which industrial property rights may have effect: **23 May 2006**
(54) Product in respect of which the design is registered: **1. Pogo stick**
(51) International Design Classification: **21-01NES**
(71) Name(s) and Address(s) of Applicant(s):
H Grossman Limited
Herschel House Ashton Road Quay Industrial Estate Rutherglen
Glasgow G73 1UB United Kingdom
(72) Name(s) of Designer(s): **Martin Grossman**
(45) Registration Date: **23 November 2006**
(30) Convention priority data:
(31) Number (32) Date (33) Country
000436290-0001 23 Nov 2005 EUROPEAN COMMUNITY
(56) Related Art Documents: **Not Applicable**
(57) Statement of Newness and Distinctiveness: **Nil**



- (21) Design Number: **12257/2006**
(22) Date of Filing Application: **23 May 2006**
(24) Date from which industrial property rights may have effect: **23 May 2006**
(54) Product in respect of which the design is registered: **1. Pogo stick**
(51) International Design Classification: **21-01NES**
(71) Name(s) and Address(s) of Applicant(s):
H Grossman Limited
Herschel House Ashton Road Quay Industrial Estate Rutherglen
Glasgow G73 1UB United Kingdom
(72) Name(s) of Designer(s): **Martin Grossman**
(45) Registration Date: **23 November 2006**
(30) Convention priority data:
(31) Number (32) Date (33) Country
000436290-0002 23 Nov 2005 EUROPEAN COMMUNITY
(56) Related Art Documents: **Not Applicable**
(57) Statement of Newness and Distinctiveness: **This statement of newness and distinctiveness identifies particular visual features of the design 1, but without prejudice to the newness or distinctiveness of other visual features of the design, as follows: The pattern and ornamentation with respect to the luminous appearance of the side columns of the pogo stick shown in the representations is new and distinctive.**



(21) Design Number: **12258/2006**

(22) Date of Filing Application: **23 May 2006**

(24) Date from which industrial property rights may have effect: **23 May 2006**

(54) Product in respect of which the design is registered: **1. Pogo stick**

(51) International Design Classification: **21-01NES**

(71) Name(s) and Address(s) of Applicant(s):

H Grossman Limited

**Herschel House Ashton Road Quay Industrial Estate Rutherglen
Glasgow G73 1UB United Kingdom**

(72) Name(s) of Designer(s): **Martin Grossman**

(45) Registration Date: **23 November 2006**

(30) Convention priority data:

(31) Number

(32) Date

(33) Country

000436290-0003 23 Nov 2005

EUROPEAN COMMUNITY

(56) Related Art Documents: **Not Applicable**

(57) Statement of Newness and Distinctiveness: **Nil**



(21) Design Number: **12259/2006**

(22) Date of Filing Application: **23 May 2006**

(24) Date from which industrial property rights may have effect: **23 May 2006**

(54) Product in respect of which the design is registered: **1. Pogo stick**

(51) International Design Classification: **21-01NES**

(71) Name(s) and Address(s) of Applicant(s):

H Grossman Limited

**Herschel House Ashton Road Quay Industrial Estate Rutherglen
Glasgow G73 1UB United Kingdom**

(72) Name(s) of Designer(s): **Martin Grossman**

(45) Registration Date: **23 November 2006**

(30) Convention priority data:

(31) Number

(32) Date

(33) Country

000436290-0004 23 Nov 2005

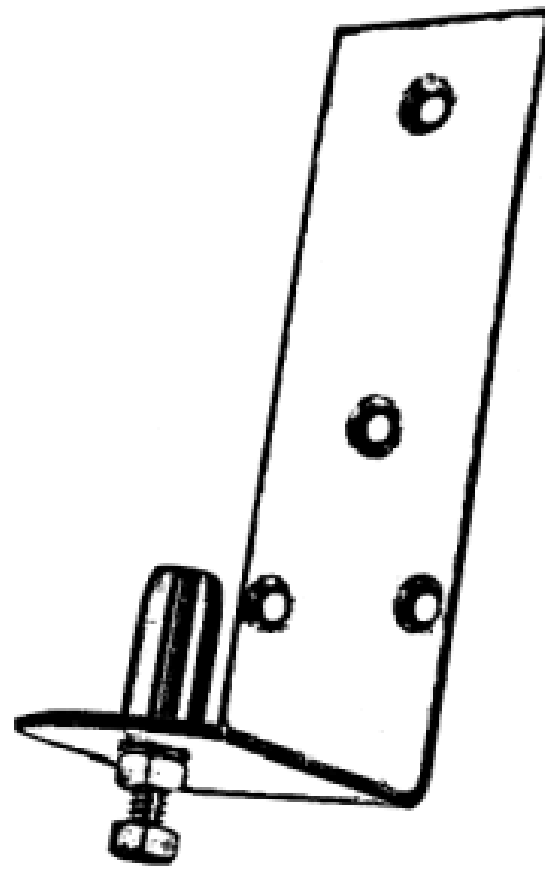
EUROPEAN COMMUNITY

(56) Related Art Documents: **Not Applicable**

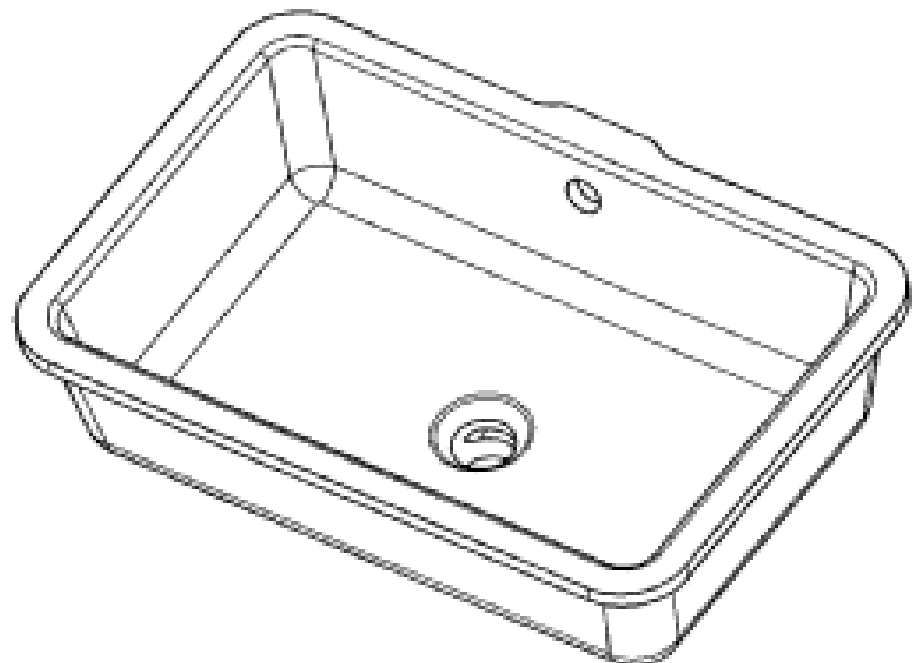
(57) Statement of Newness and Distinctiveness: **Nil**



- (21) Design Number: **14409/2006**
(22) Date of Filing Application: **11 April 2006**
(24) Date from which industrial property rights may have effect: **11 April 2006**
(54) Product in respect of which the design is registered: **A Hinge**
(51) International Design Classification: **08-06**
(71) Name(s) and Address(s) of Applicant(s):
David John Ashard
32 Excalibur Parade Valentine New South Wales 2282 Australia
(72) Name(s) of Designer(s): **David John Ashard and Thorston Kohl and Gerhard Kohl**
(45) Registration Date: **23 November 2006**
(56) Related Art Documents: **Not Applicable**
(57) Statement of Newness and Distinctiveness: **Nil**



- (21) Design Number: **14557/2006**
(22) Date of Filing Application: **10 October 2006**
(24) Date from which industrial property rights may have effect: **10 October 2006**
(54) Product in respect of which the design is registered: **A basin**
(51) International Design Classification: **23-01F**
(71) Name(s) and Address(s) of Applicant(s):
Caroma Industries Limited
10 Market Street Brisbane Queensland 4000 Australia
(72) Name(s) of Designer(s): **Vincent Kai Hong Ho**
(45) Registration Date: **23 November 2006**
(56) Related Art Documents: **Not Applicable**
(57) Statement of Newness and Distinctiveness: **Newness and distinctiveness is claimed in the features of shape and/or configuration of a basin as illustrated in the accompanying representations.**



(21) Design Number: **14561/2006**
(22) Date of Filing Application: **11 October 2006**
(24) Date from which industrial property rights may have effect: **11 October 2006**
(54) Product in respect of which the design is registered: **A data entry device**
(51) International Design Classification: **14-02, 21-01N**
(71) Name(s) and Address(s) of Applicant(s):

Nintendo Co., Ltd.
11-1 Hokotate-cho Kamitoba Minami-ku Kyoto-shi Kyoto Japan

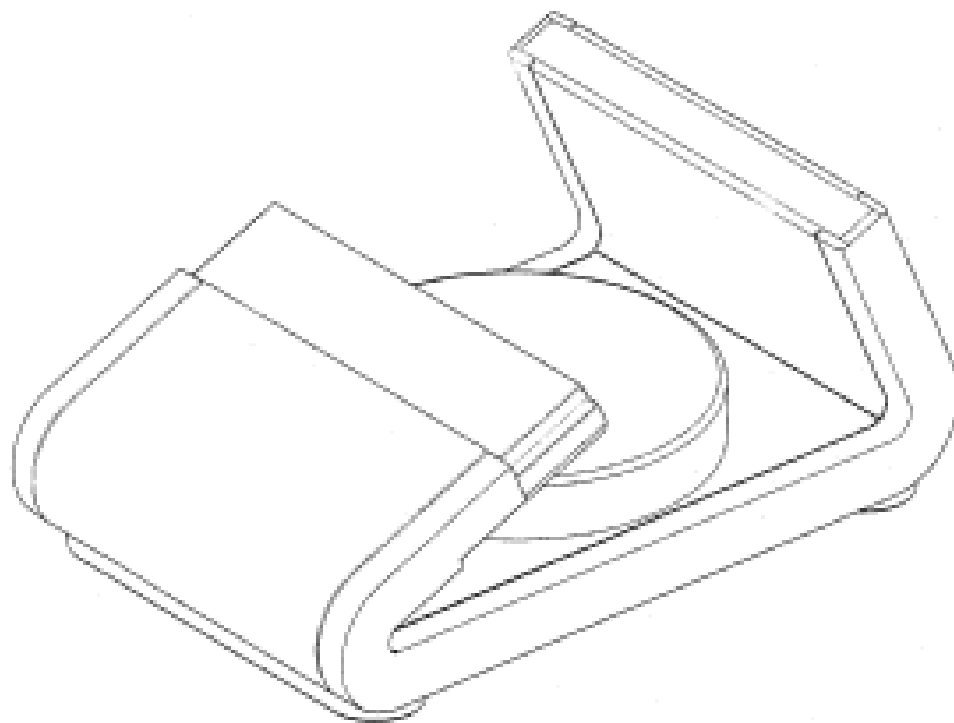
(72) Name(s) of Designer(s): **Kazuhiro Maruyama and Noriko Akita**
(45) Registration Date: **23 November 2006**

(30) Convention priority data:

(31) Number	(32) Date	(33) Country
2006-9644	13 Apr 2006	JAPAN

(56) Related Art Documents: **Not Applicable**

(57) Statement of Newness and Distinctiveness: **Nil**



(21) Design Number: **14563/2006**
(22) Date of Filing Application: **12 October 2006**
(24) Date from which industrial property rights may have effect: **12 October 2006**
(54) Product in respect of which the design is registered: **Respiratory mask**
(51) International Design Classification: **24-01, 24-02**
(71) Name(s) and Address(s) of Applicant(s):

ResMed Ltd
1 Elizabeth Macarthur Drive Bella Vista New South Wales 2153
Australia

(72) Name(s) of Designer(s): **Daniel Robert Judson and Aaron Samuel Davidson and Daniel Joseph Kaars Sijpesteijn and Lee James Veliss**

(45) Registration Date: **23 November 2006**

(30) Convention priority data:

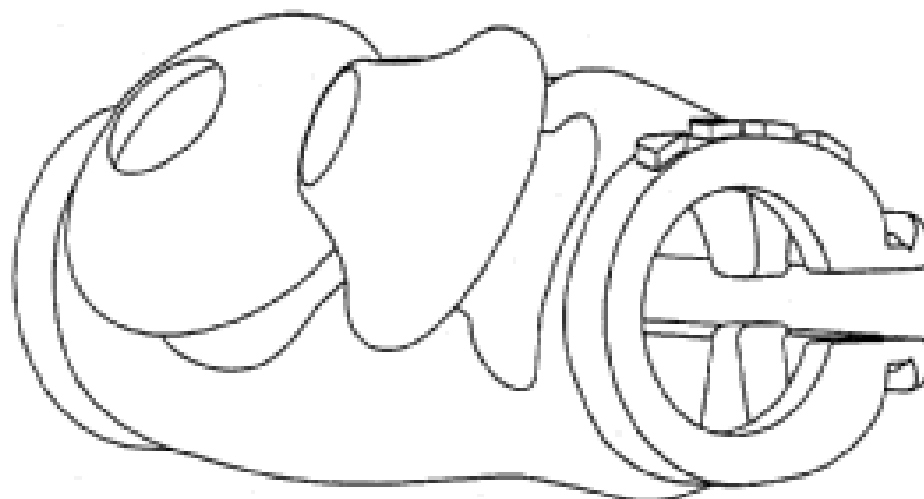
(31) Number	(32) Date	(33) Country
29/258,084	14 Apr 2006	UNITED STATES OF AMERICA

(56) Related Art Documents: **Not Applicable**

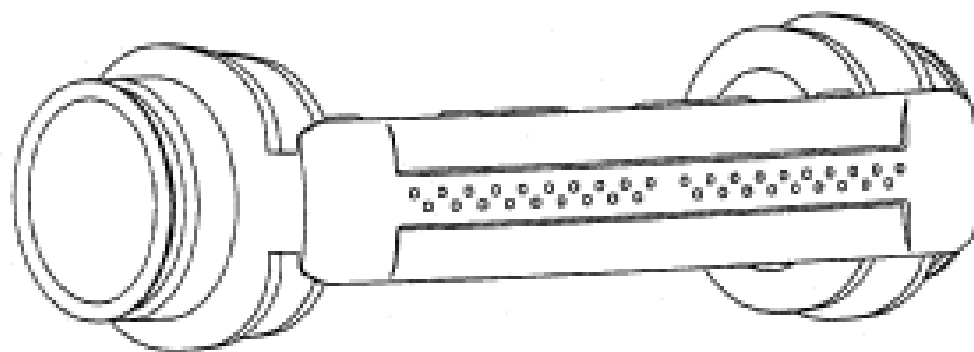
(57) Statement of Newness and Distinctiveness: **Nil**



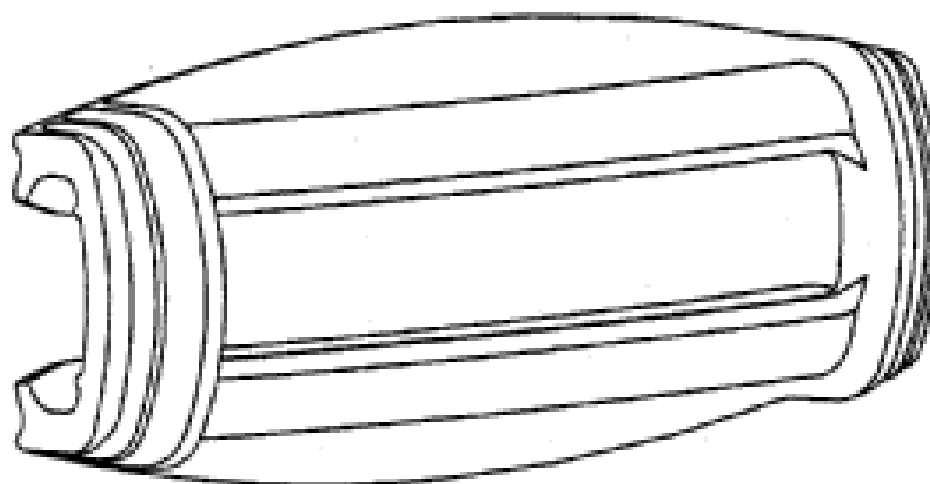
(21) Design Number: **14564/2006**
(22) Date of Filing Application: **12 October 2006**
(24) Date from which industrial property rights may have effect: **12 October 2006**
(54) Product in respect of which the design is registered: **Respiratory mask cushion**
(51) International Design Classification: **24-01, 24-02**
(71) Name(s) and Address(s) of Applicant(s):
ResMed Ltd
1 Elizabeth Macarthur Drive Bella Vista New South Wales 2153
Australia
(72) Name(s) of Designer(s): **Daniel Robert Judson and Aaron Samuel Davidson and Daniel Joseph Kaars Sijpesteijn and Lee James Veliss**
(45) Registration Date: **23 November 2006**
(30) Convention priority data:
(31) Number (32) Date (33) Country
29/258,084 14 Apr 2006 UNITED STATES OF AMERICA
(56) Related Art Documents: **Not Applicable**
(57) Statement of Newness and Distinctiveness: **Nil**



(21) Design Number: **14565/2006**
(22) Date of Filing Application: **12 October 2006**
(24) Date from which industrial property rights may have effect: **12 October 2006**
(54) Product in respect of which the design is registered: **Respiratory mask frame**
(51) International Design Classification: **24-01, 24-02**
(71) Name(s) and Address(s) of Applicant(s):
ResMed Ltd
1 Elizabeth Macarthur Drive Bella Vista New South Wales 2153
Australia
(72) Name(s) of Designer(s): **Daniel Robert Judson and Aaron Samuel Davidson and Daniel Joseph Kaars Sijpesteijn and Lee James Veliss**
(45) Registration Date: **23 November 2006**
(30) Convention priority data:
(31) Number (32) Date (33) Country
29/258,084 14 Apr 2006 UNITED STATES OF AMERICA
(56) Related Art Documents: **Not Applicable**
(57) Statement of Newness and Distinctiveness: **Nil**



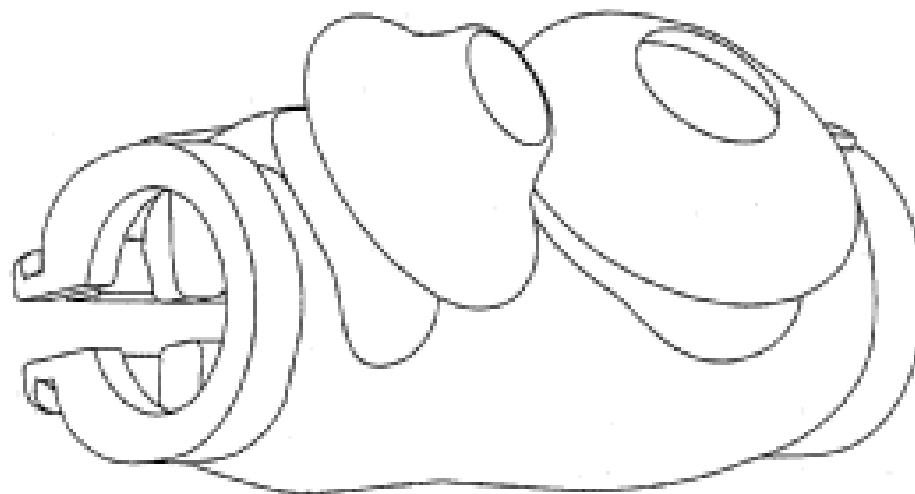
- (21) Design Number: **14566/2006**
(22) Date of Filing Application: **12 October 2006**
(24) Date from which industrial property rights may have effect: **12 October 2006**
(54) Product in respect of which the design is registered: **Respiratory mask frame clip**
(51) International Design Classification: **24-01, 24-02**
(71) Name(s) and Address(s) of Applicant(s):
ResMed Ltd
1 Elizabeth Macarthur Drive Bella Vista New South Wales 2153
Australia
(72) Name(s) of Designer(s): **Daniel Robert Judson and Aaron Samuel Davidson and Daniel Joseph Kaars Sijpesteijn and Lee James Veliss**
(45) Registration Date: **23 November 2006**
(30) Convention priority data:
(31) Number (32) Date (33) Country
29/258,084 14 Apr 2006 UNITED STATES OF AMERICA
(56) Related Art Documents: **Not Applicable**
(57) Statement of Newness and Distinctiveness: **Nil**



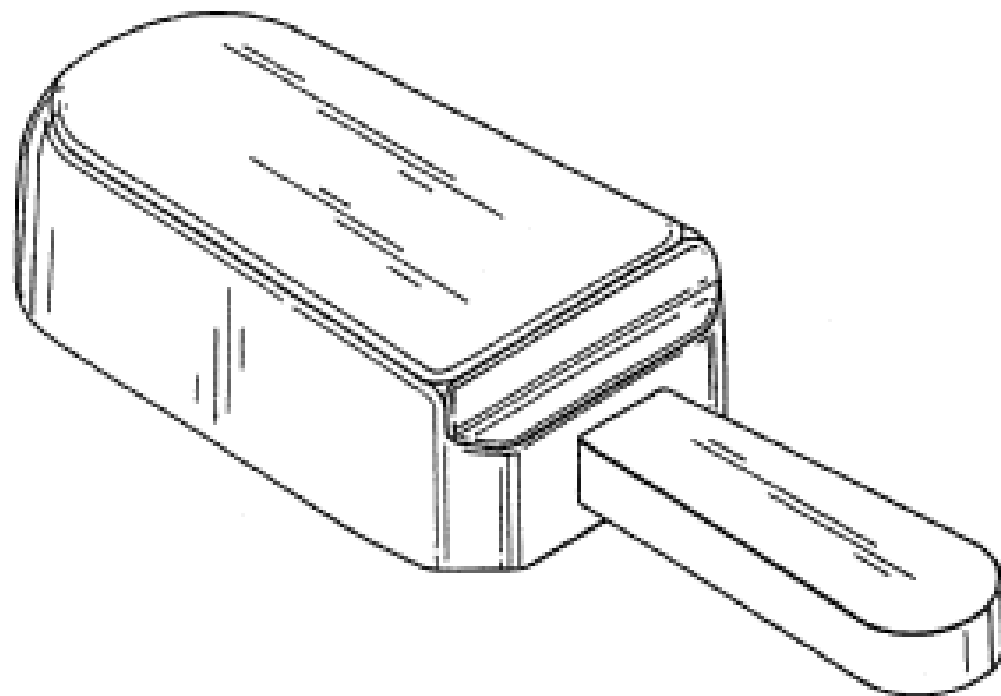
- (21) Design Number: **14567/2006**
(22) Date of Filing Application: **12 October 2006**
(24) Date from which industrial property rights may have effect: **12 October 2006**
(54) Product in respect of which the design is registered: **Respiratory mask**
(51) International Design Classification: **24-01, 24-02**
(71) Name(s) and Address(s) of Applicant(s):
ResMed Ltd
1 Elizabeth Macarthur Drive Bella Vista New South Wales 2153
Australia
(72) Name(s) of Designer(s): **Daniel Robert Judson and Aaron Samuel Davidson and Daniel Joseph Kaars Sijpesteijn and Lee James Veliss**
(45) Registration Date: **23 November 2006**
(30) Convention priority data:
(31) Number (32) Date (33) Country
29/258,085 14 Apr 2006 UNITED STATES OF AMERICA
(56) Related Art Documents: **Not Applicable**
(57) Statement of Newness and Distinctiveness: **Nil**



- (21) Design Number: **14568/2006**
(22) Date of Filing Application: **12 October 2006**
(24) Date from which industrial property rights may have effect: **12 October 2006**
(54) Product in respect of which the design is registered: **Respiratory mask cushion**
(51) International Design Classification: **24-01, 24-02**
(71) Name(s) and Address(s) of Applicant(s):
ResMed Ltd
1 Elizabeth Macarthur Drive Bella Vista New South Wales 2153
Australia
(72) Name(s) of Designer(s): **Daniel Robert Judson and Aaron Samuel Davidson and Daniel Joseph Kaars Sijpesteijn and Lee James Veliss**
(45) Registration Date: **23 November 2006**
(30) Convention priority data:
(31) Number (32) Date (33) Country
29/258,085 14 Apr 2006 UNITED STATES OF AMERICA
(56) Related Art Documents: **Not Applicable**
(57) Statement of Newness and Distinctiveness: **Nil**



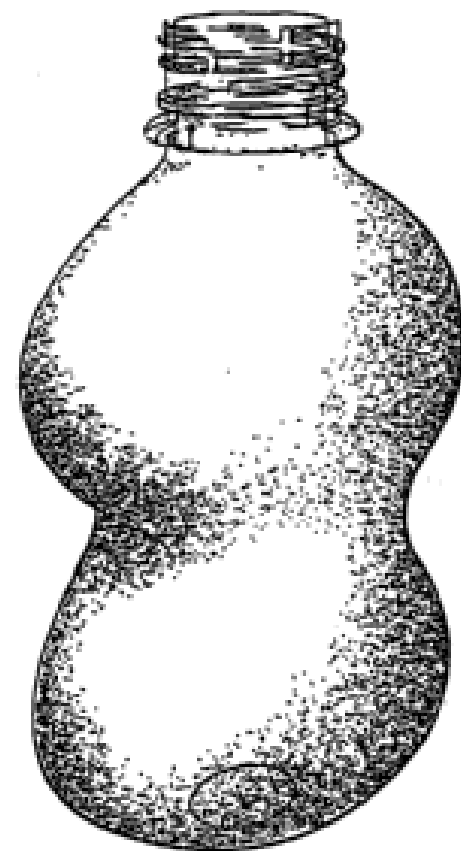
- (21) Design Number: **10264/2006**
(22) Date of Filing Application: **27 January 2006**
(24) Date from which industrial property rights may have effect: **27 January 2006**
(54) Product in respect of which the design is registered: **Confection**
(51) International Design Classification: **01-01**
(71) Name(s) and Address(s) of Applicant(s):
Kinnerton (Confectionery) Company Limited
Acre House 11/15 William Road London NW1 3ER United Kingdom
(72) Name(s) of Designer(s): **Clive Beecham**
(45) Registration Date: **23 November 2006**
(30) Convention priority data:
(31) Number (32) Date (33) Country
0385208 06 Aug 2005 EUROPEAN COMMUNITY
(56) Related Art Documents: **Not Applicable**
(57) Statement of Newness and Distinctiveness: **Those features of the confection depicted in the representations that are new and distinctive are the shape and/or configuration. The handle may or may not form part of the design.**



(21) Design Number: **10842/2006**
(22) Date of Filing Application: **01 March 2006**
(24) Date from which industrial property rights may have effect: **01 March 2006**
(54) Product in respect of which the design is registered: **Textile**
(51) International Design Classification: **05-05D**
(71) Name(s) and Address(s) of Applicant(s):
Jets Swimwear Pty Ltd
8-18 Bowden Street Alexandria New South Wales 2015 Australia
(72) Name(s) of Designer(s): **Jessika Allen**
(45) Registration Date: **23 November 2006**
(56) Related Art Documents: **Not Applicable**
(57) Statement of Newness and Distinctiveness: **Nil**



(21) Design Number: **11714/2006**
(22) Date of Filing Application: **24 April 2006**
(24) Date from which industrial property rights may have effect: **24 April 2006**
(54) Product in respect of which the design is registered: **Bottle**
(51) International Design Classification: **09-01NES**
(71) Name(s) and Address(s) of Applicant(s):
The Coca-Cola Company
One Coca-Cola Plaza NW Atlanta Georgia 30313 United States of America
(72) Name(s) of Designer(s): **Robert P. Grant and Malcolm Kinmont and Tracy M. Momany and Daniel L. Witham and Jonathan A. McGurk and Frank E. Semersky and Barbara A. Balyeat and Sumit Mukherjee and David M. Ryan and Robert J. Groll and Martin T. Geithmann**
(45) Registration Date: **23 November 2006**
(30) Convention priority data:
(31) Number (32) Date (33) Country
29/242,590 10 Nov 2005 UNITED STATES OF AMERICA
(56) Related Art Documents: **Not Applicable**
(57) Statement of Newness and Distinctiveness: **Those features of the bottle depicted in the representations that are new and distinctive are the shape and/or configuration.**



(21) Design Number: **13589/2006**

(22) Date of Filing Application: **14 August 2006**

(24) Date from which industrial property rights may have effect: **14 August 2006**

(54) Product in respect of which the design is registered: **Inhaler**

(51) International Design Classification: **24-04**

(71) Name(s) and Address(s) of Applicant(s):

Glaxo Group Limited
Glaxo Wellcome House Berkeley Avenue Greenford Middlesex UB6
0NN United Kingdom

(72) Name(s) of Designer(s): **Stephen James Harvey and Paul Matthew Phillips**
and Robert William Tansley

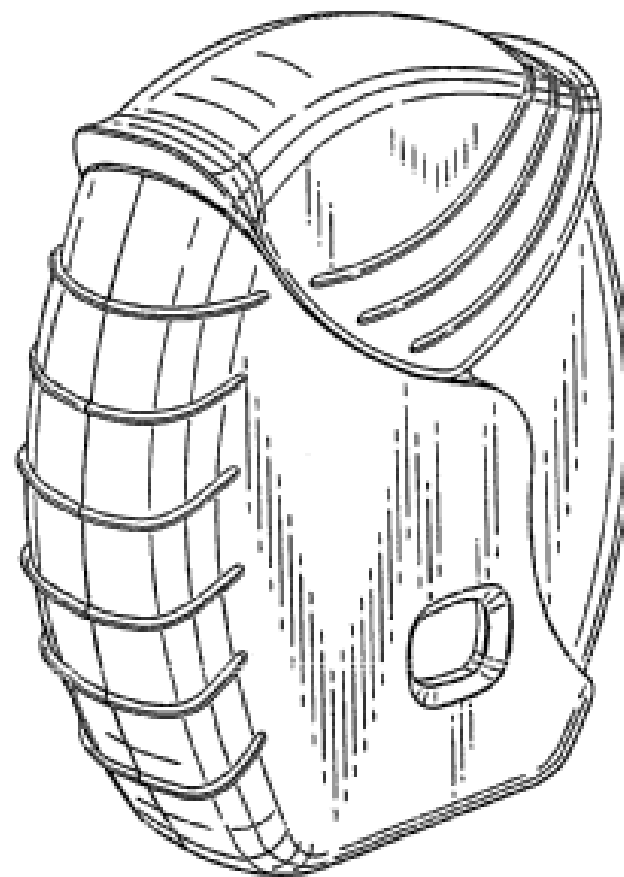
(45) Registration Date: **23 November 2006**

(30) Convention priority data:

(31) Number	(32) Date	(33) Country
3023978	16 Feb 2006	UNITED KINGDOM

(56) Related Art Documents: **Not Applicable**

(57) Statement of Newness and Distinctiveness: **Nil**



(21) Design Number: **13753/2006**

(22) Date of Filing Application: **23 August 2006**

(24) Date from which industrial property rights may have effect: **23 August 2006**

(54) Product in respect of which the design is registered: **A front cover for a handset**

(51) International Design Classification: **14-03A**

(71) Name(s) and Address(s) of Applicant(s):

Nokia Corporation
Keilalahdentie 4 FIN-02150 Espoo Finland

(72) Name(s) of Designer(s): **Luke Miles and Anthony Dalby**

(45) Registration Date: **23 November 2006**

(30) Convention priority data:

(31) Number	(32) Date	(33) Country
M20060043	24 Feb 2006	FINLAND

(56) Related Art Documents: **Not Applicable**

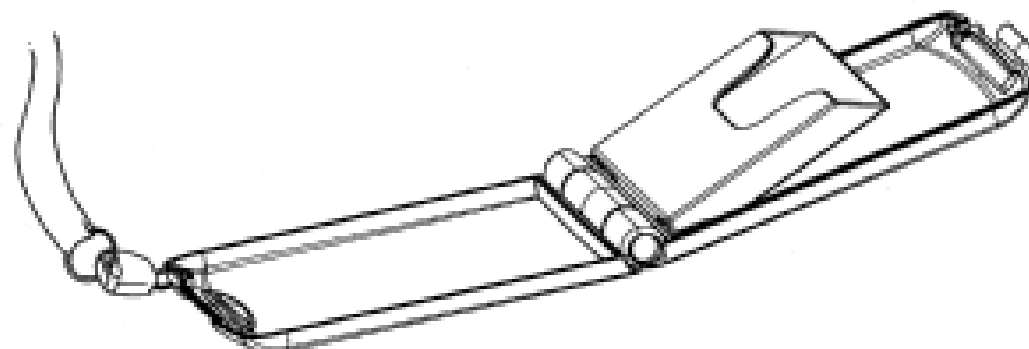
(57) Statement of Newness and Distinctiveness: **Nil**



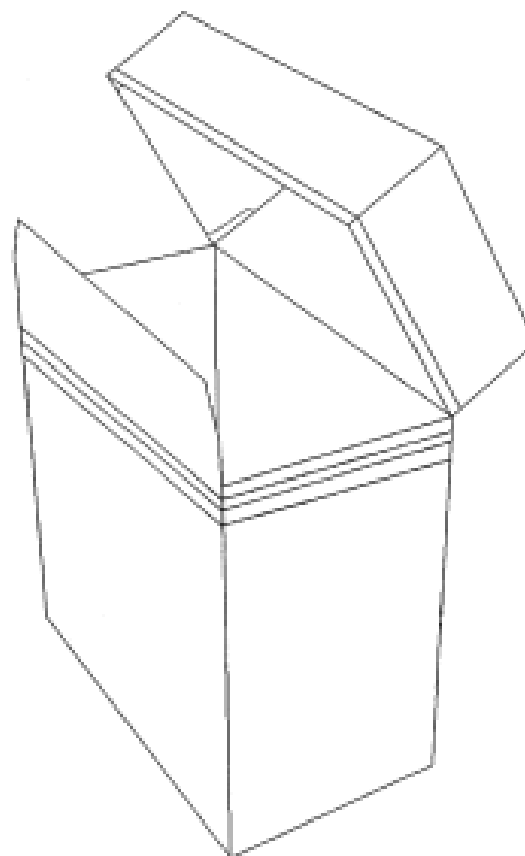
(21) Design Number: **13754/2006**
(22) Date of Filing Application: **23 August 2006**
(24) Date from which industrial property rights may have effect: **23 August 2006**
(54) Product in respect of which the design is registered: **A handset**
(51) International Design Classification: **14-03E**
(71) Name(s) and Address(s) of Applicant(s):
Nokia Corporation
Keilalahdentie 4 FIN-02150 Espoo Finland
(72) Name(s) of Designer(s): **Luke Miles and Anthony Dalby**
(45) Registration Date: **23 November 2006**
(30) Convention priority data:
(31) Number (32) Date (33) Country
M20060043 24 Feb 2006 FINLAND
(56) Related Art Documents: **Not Applicable**
(57) Statement of Newness and Distinctiveness: **Nil**



(21) Design Number: **13891/2006**
(22) Date of Filing Application: **29 August 2006**
(24) Date from which industrial property rights may have effect: **29 August 2006**
(54) Product in respect of which the design is registered: **A card holder**
(51) International Design Classification: **03-01B, 20-02NES**
(71) Name(s) and Address(s) of Applicant(s):
Kard Kaddy Pty Ltd
84 Argyle Road Kew Victoria 3108 Australia
(72) Name(s) of Designer(s): **Jenny Gouloupoulos and Dean Del Giudice and Marc Fraser and Maria Raciti**
(45) Registration Date: **23 November 2006**
(56) Related Art Documents: **Not Applicable**
(57) Statement of Newness and Distinctiveness: **Nil**



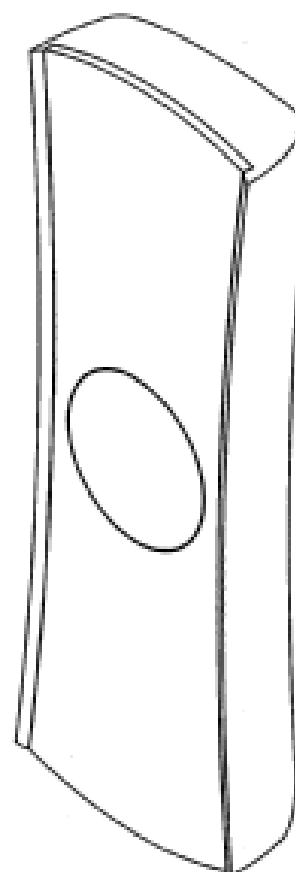
- (21) Design Number: **13957/2006**
(22) Date of Filing Application: **31 August 2006**
(24) Date from which industrial property rights may have effect: **31 August 2006**
(54) Product in respect of which the design is registered: **Carton blank**
(51) International Design Classification: **09-03K**
(71) Name(s) and Address(s) of Applicant(s):
AMR Hewitts PrintPackaging Pty Ltd
29-31 Garden Drive Tullamarine Victoria 3043 Australia
(72) Name(s) of Designer(s): **Matteo Mimmo**
(45) Registration Date: **23 November 2006**
(56) Related Art Documents: **Not Applicable**
(57) Statement of Newness and Distinctiveness: **Nil**



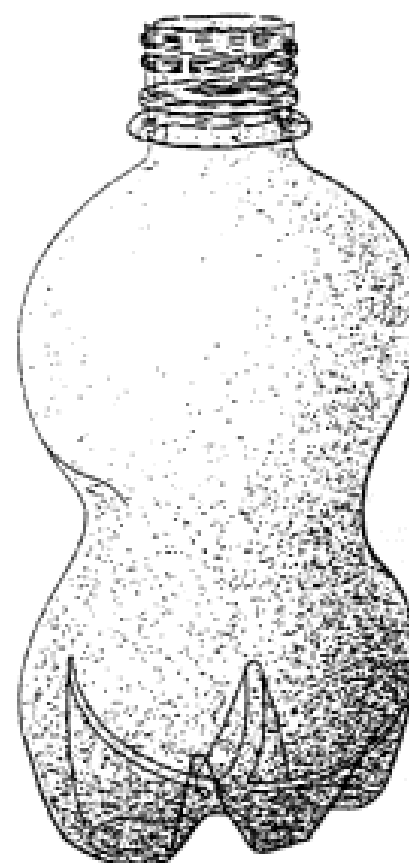
- (21) Design Number: **14032/2006**
(22) Date of Filing Application: **08 September 2006**
(24) Date from which industrial property rights may have effect: **08 September 2006**
(54) Product in respect of which the design is registered: **A telephone**
(51) International Design Classification: **14-03E**
(71) Name(s) and Address(s) of Applicant(s):
Bang & Olufsen A/S
Peter Bangs Vej 15 Postboks 40 7600 Struer Denmark
(72) Name(s) of Designer(s): **David Lewis**
(45) Registration Date: **23 November 2006**
(30) Convention priority data:

(31) Number	(32) Date	(33) Country
DA 2006	10 Mar 2006	DENMARK
00078		

(56) Related Art Documents: **Not Applicable**
(57) Statement of Newness and Distinctiveness: **Nil**



- (21) Design Number: **14039/2006**
(22) Date of Filing Application: **24 April 2006**
(24) Date from which industrial property rights may have effect: **24 April 2006**
(54) Product in respect of which the design is registered: **Bottle**
(51) International Design Classification: **09-01K**
(71) Name(s) and Address(s) of Applicant(s):
The Coca-Cola Company
One Coca-Cola Plaza NW Atlanta Georgia 30313 United States of America
(72) Name(s) of Designer(s): **Robert P. Grant and Malcolm Kinmont and Tracy M. Momany and Daniel L. Witham and Jonathan A. McGurk and Frank E. Semersky and Barbara A. Balyeat and Sumit Mukherjee and David M. Ryan and Robert J. Groll and Martin T. Geithmann**
(45) Registration Date: **23 November 2006**
(62) Divisional of: **311490**
(56) Related Art Documents: **Not Applicable**
(57) Statement of Newness and Distinctiveness: **Those features of the bottle depicted in the representations that are new and distinctive are the shape and/or configuration.**



- (21) Design Number: **14040/2006**
(22) Date of Filing Application: **24 April 2006**
(24) Date from which industrial property rights may have effect: **24 April 2006**
(54) Product in respect of which the design is registered: **Bottle**
(51) International Design Classification: **09-01K**
(71) Name(s) and Address(s) of Applicant(s):
The Coca-Cola Company
One Coca-Cola Plaza NW Atlanta Georgia 30313 United States of America
(72) Name(s) of Designer(s): **Robert P. Grant and Malcolm Kinmont and Tracy M. Momany and Daniel L. Witham and Jonathan A. McGurk and Frank E. Semersky and Barbara A. Balyeat and Sumit Mukherjee and David M. Ryan and Robert J. Groll and Martin T. Geithmann**
(45) Registration Date: **23 November 2006**
(62) Divisional of: **311490**
(56) Related Art Documents: **Not Applicable**
(57) Statement of Newness and Distinctiveness: **Those features of the bottle depicted in the representations that are new and distinctive are the shape and/or configuration.**



(21) Design Number: **14041/2006**

(22) Date of Filing Application: **24 April 2006**

(24) Date from which industrial property rights may have effect: **24 April 2006**

(54) Product in respect of which the design is registered: **Bottle**

(51) International Design Classification: **09-01K**

(71) Name(s) and Address(s) of Applicant(s):

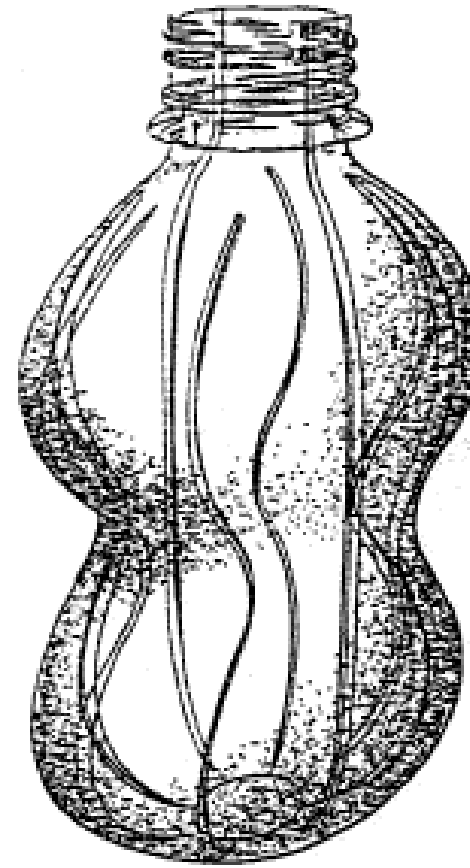
The Coca-Cola Company
One Coca-Cola Plaza NW Atlanta Georgia 30313 United States of America

(72) Name(s) of Designer(s): **Robert P. Grant and Malcolm Kinmont and Tracy M. Momany and Daniel L. Witham and Jonathan A. McGurk and Frank E. Semersky and Barbara A. Balyeat and Sumit Mukherjee and David M. Ryan and Robert J. Groll and Martin T. Geithmann**

(45) Registration Date: **23 November 2006**

(56) Related Art Documents: **Not Applicable**

(57) Statement of Newness and Distinctiveness: **Those features of the bottle depicted in the representations that are new and distinctive are the shape and/or configuration.**



(21) Design Number: **14284/2006**

(22) Date of Filing Application: **25 September 2006**

(24) Date from which industrial property rights may have effect: **25 September 2006**

(54) Product in respect of which the design is registered: **Whisper cap decoration only**

(51) International Design Classification: **02-03**

(71) Name(s) and Address(s) of Applicant(s):

Epicentre Trading Pty Ltd
32 Borthwick Avenue Murrarie Queensland 4172 Australia

(72) Name(s) of Designer(s): **Epicentre Trading Pty Ltd - Mr Bob Murray**

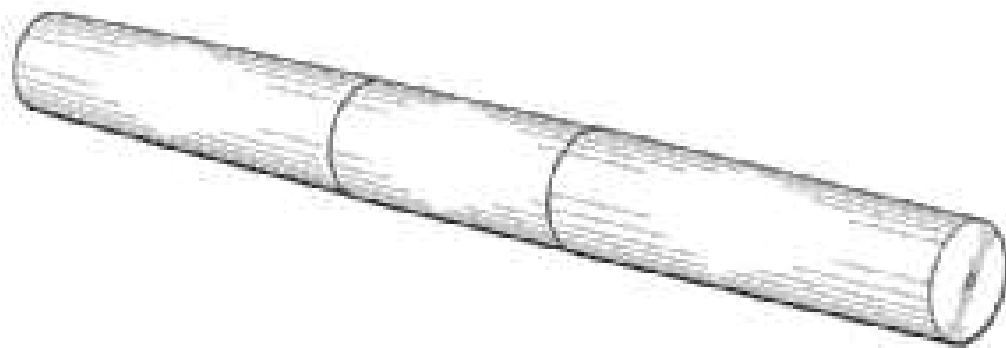
(45) Registration Date: **23 November 2006**

(56) Related Art Documents: **Not Applicable**

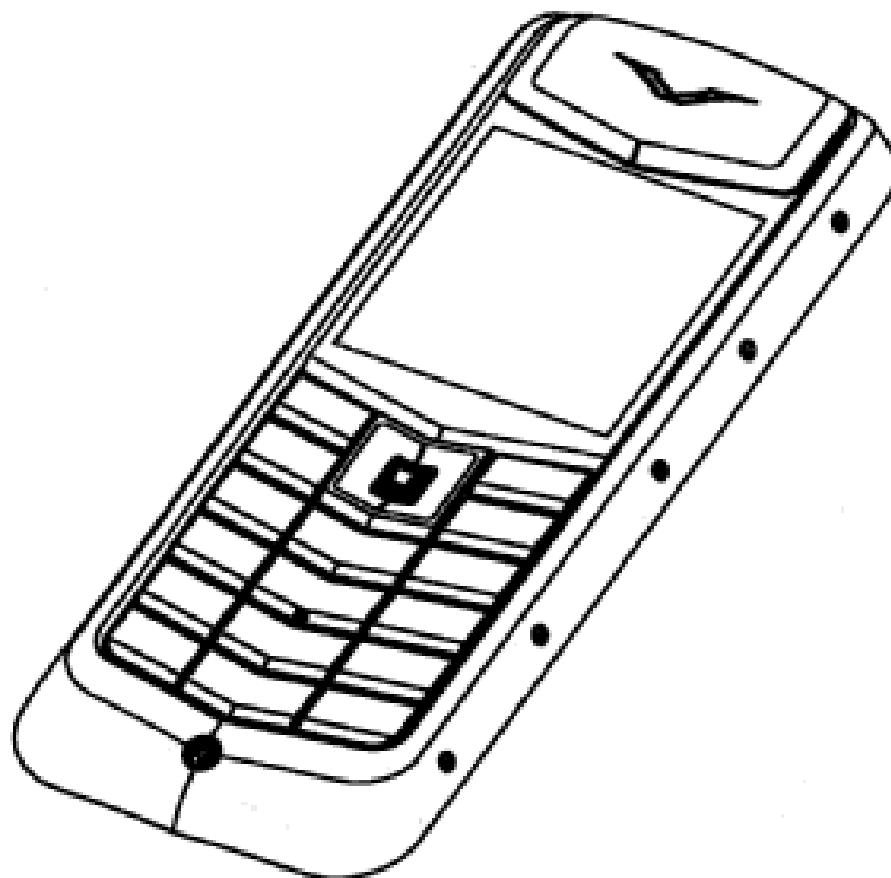
(57) Statement of Newness and Distinctiveness: **Two tone peak or cap separated by a distinctive border flowing from one side of the cap peak to the other.**



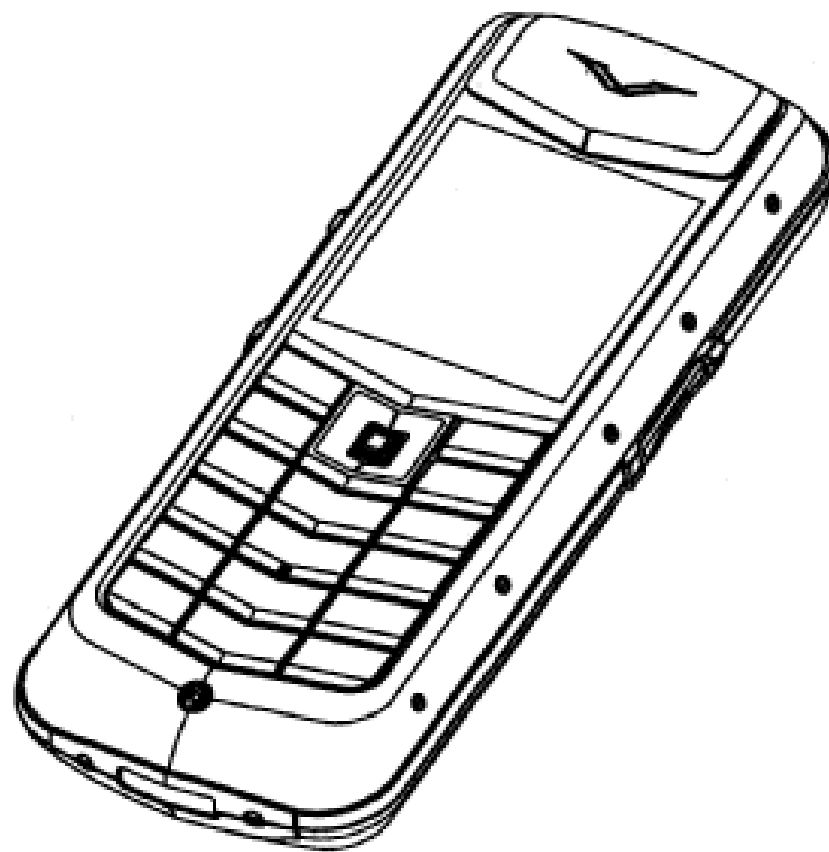
(21) Design Number: **14299/2006**
(22) Date of Filing Application: **25 September 2006**
(24) Date from which industrial property rights may have effect: **25 September 2006**
(54) Product in respect of which the design is registered: **Container**
(51) International Design Classification: **09-01NES**
(71) Name(s) and Address(s) of Applicant(s):
Avon Products Inc.
14 Avon Place Suffern New York 10901-5605 United States of America
(72) Name(s) of Designer(s): **Robert Ramos Bortolotti**
(45) Registration Date: **23 November 2006**
(30) Convention priority data:
(31) Number (32) Date (33) Country
29/259638 11 May 2006 UNITED STATES OF AMERICA
(56) Related Art Documents: **Not Applicable**
(57) Statement of Newness and Distinctiveness: **Those features of the containers depicted in the representations that are new and distinctive are the shape and/or configuration.**



(21) Design Number: **14416/2006**
(22) Date of Filing Application: **02 October 2006**
(24) Date from which industrial property rights may have effect: **02 October 2006**
(54) Product in respect of which the design is registered: **A front cover for a handset**
(51) International Design Classification: **03-01NES**
(71) Name(s) and Address(s) of Applicant(s):
Nokia Corporation
Keilalahdentie 4 FIN-02150 Espoo Finland
(72) Name(s) of Designer(s): **Frank Nuovo**
(45) Registration Date: **23 November 2006**
(30) Convention priority data:
(31) Number (32) Date (33) Country
29246359 03 Apr 2006 UNITED STATES OF AMERICA
(56) Related Art Documents: **Not Applicable**
(57) Statement of Newness and Distinctiveness: **Nil**



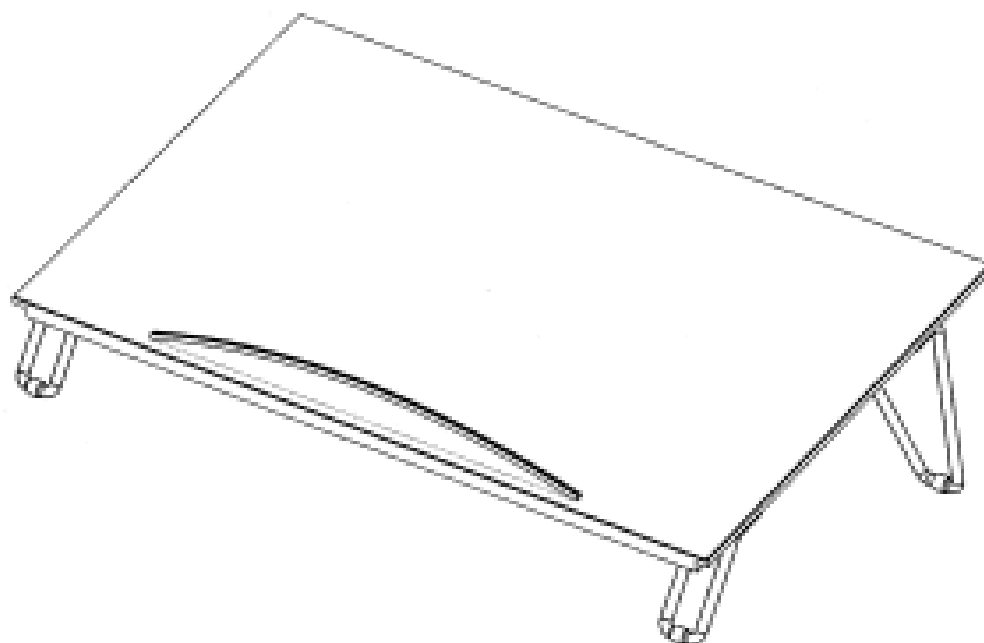
(21) Design Number: **14417/2006**
(22) Date of Filing Application: **02 October 2006**
(24) Date from which industrial property rights may have effect: **02 October 2006**
(54) Product in respect of which the design is registered: **A handset**
(51) International Design Classification: **14-03E**
(71) Name(s) and Address(s) of Applicant(s):
Nokia Corporation
Keilalahdentie 4 FIN-02150 Espoo Finland
(72) Name(s) of Designer(s): **Frank Nuovo**
(45) Registration Date: **23 November 2006**
(30) Convention priority data:
(31) Number (32) Date (33) Country
29246359 03 Apr 2006 UNITED STATES OF AMERICA
(56) Related Art Documents: **Not Applicable**
(57) Statement of Newness and Distinctiveness: **Nil**



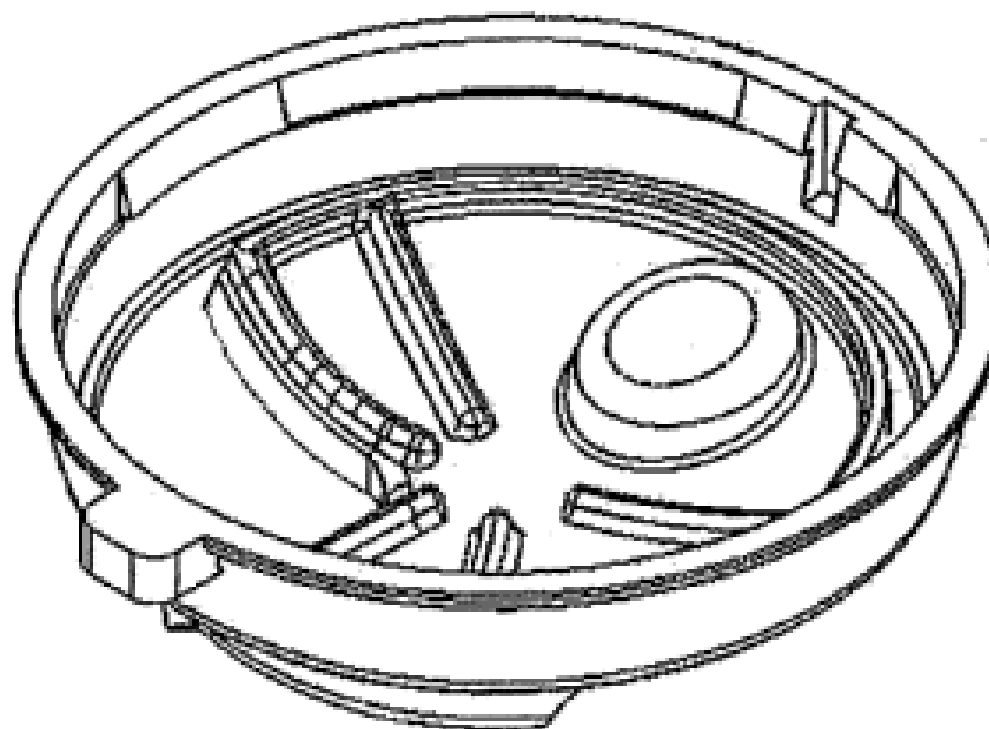
(21) Design Number: **14481/2006**
(22) Date of Filing Application: **04 October 2006**
(24) Date from which industrial property rights may have effect: **04 October 2006**
(54) Product in respect of which the design is registered: **Frameless glass fencing**
(51) International Design Classification: **25-02C**
(71) Name(s) and Address(s) of Applicant(s):
Gary Ricketts
PO Box 95 Brookvale New South Wales 2100 Australia
(72) Name(s) of Designer(s): **Gary Ricketts**
(45) Registration Date: **23 November 2006**
(56) Related Art Documents: **Not Applicable**
(57) Statement of Newness and Distinctiveness: **The new features of the design are the shape and wedges visible against the glass.**



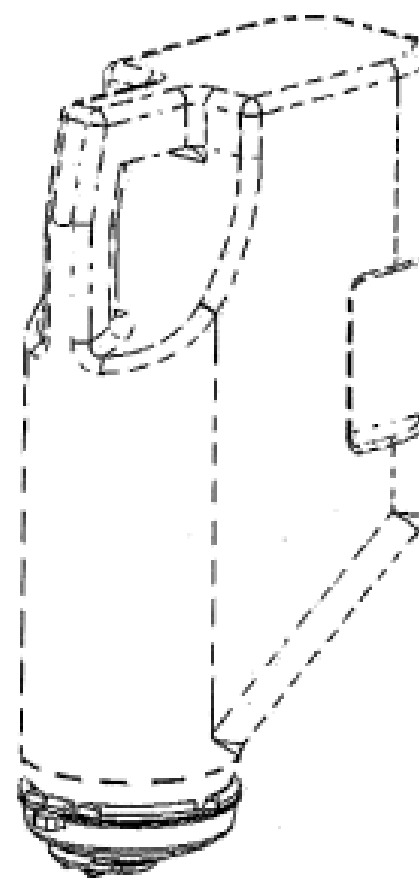
- (21) Design Number: **14553/2006**
(22) Date of Filing Application: **10 October 2006**
(24) Date from which industrial property rights may have effect: **10 October 2006**
(54) Product in respect of which the design is registered: **Writing board, document holder, reading board, slant board**
(51) International Design Classification: **19-06**
(71) Name(s) and Address(s) of Applicant(s):
Bodysmart Health Solutions
26/8 Kadina Street North Perth Western Australia 6006 Australia
(72) Name(s) of Designer(s): **Katherine Wilson and Michael Masiello and Jocelyn Bartlem**
(45) Registration Date: **23 November 2006**
(56) Related Art Documents: **Not Applicable**
(57) Statement of Newness and Distinctiveness: **Statement of newness and distinctiveness is claimed in the shape and configuration as shown in the representations attached.**



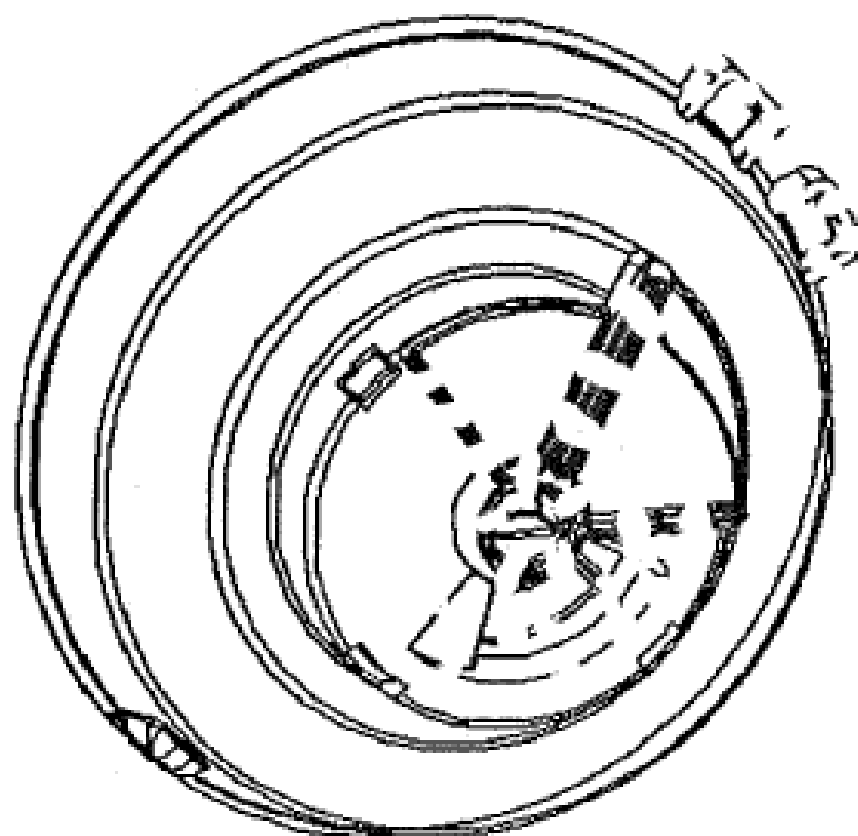
- (21) Design Number: **14572/2006**
(22) Date of Filing Application: **11 October 2006**
(24) Date from which industrial property rights may have effect: **11 October 2006**
(54) Product in respect of which the design is registered: **Dispensing closure**
(51) International Design Classification: **09-07A**
(71) Name(s) and Address(s) of Applicant(s):
JohnsonDiversey, Inc.
8310 16th Street M/S 509 Sturtevant Wisconsin 53177-0902 United States of America
(72) Name(s) of Designer(s): **M. Rinley Deeds**
(45) Registration Date: **23 November 2006**
(30) Convention priority data:
(31) Number (32) Date (33) Country
29/258031 14 Apr 2006 UNITED STATES OF AMERICA
(56) Related Art Documents: **Not Applicable**
(57) Statement of Newness and Distinctiveness: **Newness and distinctiveness is claimed in the features of shape and/or configuration of a dispensing closure as illustrated in the accompanying representations.**



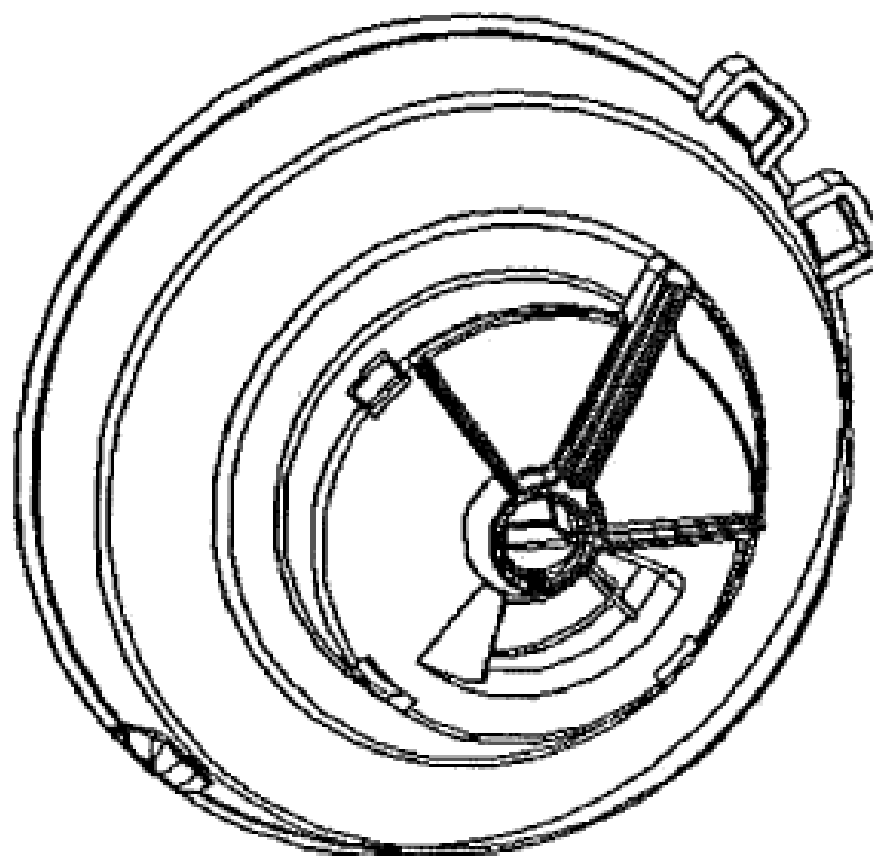
(21) Design Number: **14573/2006**
 (22) Date of Filing Application: **11 October 2006**
 (24) Date from which industrial property rights may have effect: **11 October 2006**
 (54) Product in respect of which the design is registered: **Dispensing closure**
 (51) International Design Classification: **09-07A**
 (71) Name(s) and Address(s) of Applicant(s):
JohnsonDiversey, Inc.
8310 16th Street M/S 509 Sturtevant Wisconsin 53177-0902 United States of America
 (72) Name(s) of Designer(s): **M. Rinley Deeds**
 (45) Registration Date: **23 November 2006**
 (30) Convention priority data:
 (31) Number (32) Date (33) Country
29/258031 14 Apr 2006 UNITED STATES OF AMERICA
 (56) Related Art Documents: **Not Applicable**
 (57) Statement of Newness and Distinctiveness: **Newness and distinctiveness is claimed in those features of shape and/or configuration of a dispensing closure illustrated in continuous lines in the accompanying representations.**



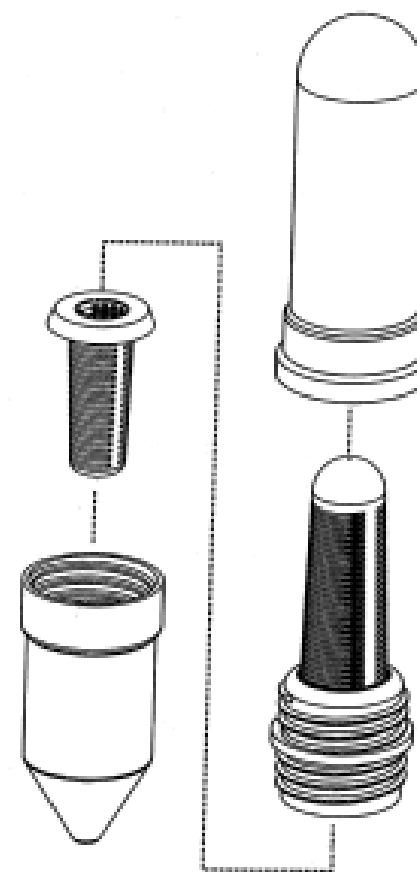
(21) Design Number: **14574/2006**
 (22) Date of Filing Application: **11 October 2006**
 (24) Date from which industrial property rights may have effect: **11 October 2006**
 (54) Product in respect of which the design is registered: **Dispensing closure**
 (51) International Design Classification: **09-07A**
 (71) Name(s) and Address(s) of Applicant(s):
JohnsonDiversey, Inc.
8310 16th Street M/S 509 Sturtevant Wisconsin 53177-0902 United States of America
 (72) Name(s) of Designer(s): **Kenneth J. Bird and Tyson L. Webster and M. Rinley Deeds and James W. Livingston and Andy Swain and Christopher J. Webb and David Holden**
 (45) Registration Date: **23 November 2006**
 (30) Convention priority data:
 (31) Number (32) Date (33) Country
29/258052 14 Apr 2006 UNITED STATES OF AMERICA
 (56) Related Art Documents: **Not Applicable**
 (57) Statement of Newness and Distinctiveness: **Newness and distinctiveness is claimed in those features of shape and/or configuration of a dispensing closure illustrated in continuous lines in the accompanying representations.**



(21) Design Number: **14575/2006**
 (22) Date of Filing Application: **11 October 2006**
 (24) Date from which industrial property rights may have effect: **11 October 2006**
 (54) Product in respect of which the design is registered: **Dispensing closure**
 (51) International Design Classification: **09-07A**
 (71) Name(s) and Address(s) of Applicant(s):
JohnsonDiversey, Inc.
8310 16th Street M/S 509 Sturtevant Wisconsin 53177-0902 United States of America
 (72) Name(s) of Designer(s): **Kenneth J. Bird and Tyson L. Webster and M. Rinley Deeds and James W. Livingston and Andy Swain and Christopher J. Webb and David Holden**
 (45) Registration Date: **23 November 2006**
 (30) Convention priority data:
 (31) Number (32) Date (33) Country
29/258052 14 Apr 2006 UNITED STATES OF AMERICA
 (56) Related Art Documents: **Not Applicable**
 (57) Statement of Newness and Distinctiveness: **Newness and distinctiveness is claimed in the features of shape and/or configuration of a dispensing closure as illustrated in the accompanying representations.**



(21) Design Number: **14584/2006**
 (22) Date of Filing Application: **12 October 2006**
 (24) Date from which industrial property rights may have effect: **12 October 2006**
 (54) Product in respect of which the design is registered: **Filtration device for biological specimens**
 (51) International Design Classification: **24-02**
 (71) Name(s) and Address(s) of Applicant(s):
DiaSys Europe Limited
Unit 5 The Sapphire Centre Fishponds Road Wokingham Berkshire RG41 2QL United Kingdom
 (72) Name(s) of Designer(s): **Richard Banfield Hicks**
 (45) Registration Date: **23 November 2006**
 (30) Convention priority data:
 (31) Number (32) Date (33) Country
000512017 12 Apr 2006 EUROPEAN COMMUNITY
 (56) Related Art Documents: **Not Applicable**
 (57) Statement of Newness and Distinctiveness: **Newness and distinctiveness reside in the features of the design as shown in the representations.**



(19) AU

(21) Design Number: 14907/2006

(22) Date of Filing Application: 26 October 2006

(24) Date from which industrial property rights may have effect: 26 October 2006

(54) Product in respect of which the design is registered: (1) An underwater device (Towsled) capable of being towed at a slow speed by a motor boat. (2) A scuba diver shall be

(51) International Design Classification: 21-02D

(71) Name(s) and Address(s) of Applicant(s):

Henning Herringe
25 Newman Road Charleston South Australia 5244 Australia

(72) Name(s) of Designer(s): Henning Herringe

(45) Registration Date: 23 November 2006

(56) Related Art Documents: Not Applicable

(57) Statement of Newness and Distinctiveness: (1) An underwater device, "The underwater diver towing device" (tow-sled), capable of being towed at a slow speed by a motor boat. (2) A scuba diver shall be capable of holding on to the tow-sled via two handles located on two vertical fins on either side of the main body of the tow-sled. (3) The tow-sled shall be capable of being maneuvered up and down or sideways by gentle twisting on the handles by the diver. (4) The tow-sled can be controlled by either one or two hands (one hand may temperately be needed to "pinch" the diver's nose when compensate inner ear pressure on the divers). (5) Monopoly is claimed in the shape of the new simplified "underwater diver towing device" (tow-sled), as illustrated in the accompanying representations (Fig1 Fig2 Fig3 Fig4 as attached in the "design application" lodged 23/10/06). (6) "The underwater diver towing device" (tow-sled), has been made out of flat materials slightly curved upward where the two side finds/handles has been attached. (7) No hydrodynamic leading edge (airplane leading wing foil or tail "spoiler"), has been included on the main circular body design, for simplify and ease of maneuverability of the device.



(19) AU

(21) Design Number: 11442/2006

(22) Date of Filing Application: 07 April 2006

(24) Date from which industrial property rights may have effect: 07 April 2006

(54) Product in respect of which the design is registered: Blood or plasma treatment apparatus

(51) International Design Classification: 24-01

(71) Name(s) and Address(s) of Applicant(s):

Gambro Lundia AB
Magistratsvagen 16 Lund 22643 Sweden

(72) Name(s) of Designer(s): Cyril Meziere

(45) Registration Date: 23 November 2006

(30) Convention priority data:

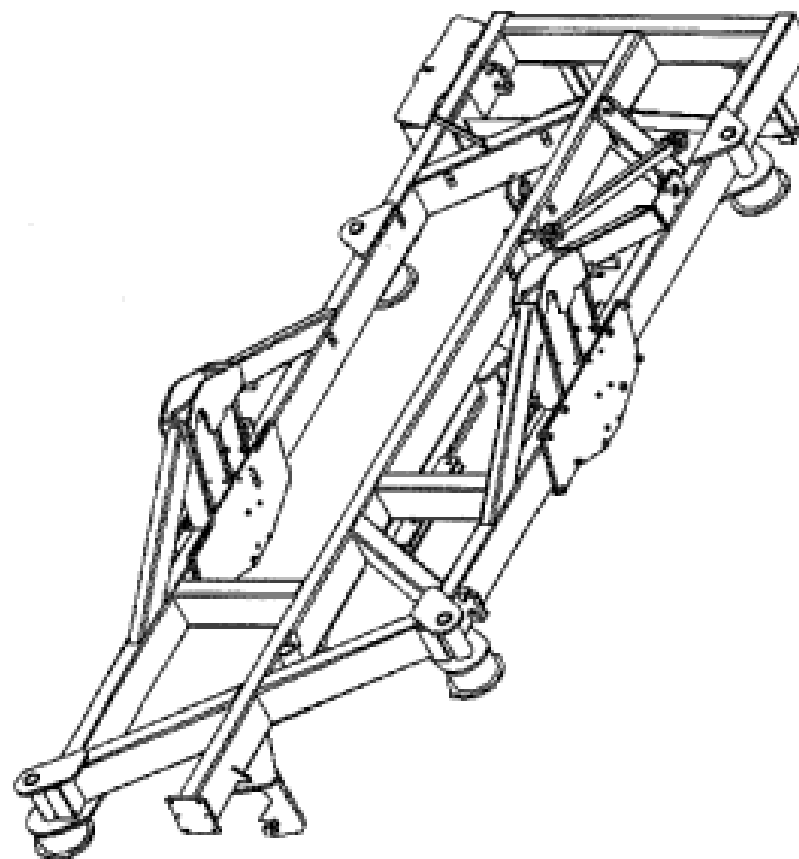
(31) Number	(32) Date	(33) Country
000412630	10 Oct 2005	EUROPEAN COMMUNITY

(56) Related Art Documents: Not Applicable

(57) Statement of Newness and Distinctiveness: Nil



- (21) Design Number: **12424/2006**
(22) Date of Filing Application: **02 June 2006**
(24) Date from which industrial property rights may have effect: **02 June 2006**
(54) Product in respect of which the design is registered: **A frame for a plough**
(51) International Design Classification: **12-16NES, 15-03A**
(71) Name(s) and Address(s) of Applicant(s):
Oregon House Pty Ltd
PO Box 831 Swan Hill Victoria 3585 Australia
(72) Name(s) of Designer(s): **Gavan Monk**
(45) Registration Date: **23 November 2006**
(56) Related Art Documents: **Not Applicable**
(57) Statement of Newness and Distinctiveness: **Nil.**



- (21) Design Number: **12434/2006**
(22) Date of Filing Application: **02 June 2006**
(24) Date from which industrial property rights may have effect: **02 June 2006**
(54) Product in respect of which the design is registered: **Child's seat**
(51) International Design Classification: **06-01D**
(71) Name(s) and Address(s) of Applicant(s):
Prince Lionheart UK Limited
4 Sovereign Park Coronation Road London NW10 7QP England
(72) Name(s) of Designer(s): **Thomas E. McConnell**
(45) Registration Date: **23 November 2006**
(30) Convention priority data:
(31) Number (32) Date (33) Country
000442876 05 Dec 2005 EUROPEAN COMMUNITY
(56) Related Art Documents: **Not Applicable**
(57) Statement of Newness and Distinctiveness: **When determining whether the design 1 is substantially similar in overall impression to another design, no regard is to be had to the child shown in dotted outline sitting in the seat in Figure 1.**



- (21) Design Number: **13152/2006**
(22) Date of Filing Application: **24 July 2006**
(24) Date from which industrial property rights may have effect: **24 July 2006**
(54) Product in respect of which the design is registered: **Ladies instant slimming waist band stylish fashion**
(51) International Design Classification: **02-01B**
(71) Name(s) and Address(s) of Applicant(s):
Marjaneh Malihi
10A Beatrice Street North Ryde New South Wales 2113 Australia
(72) Name(s) of Designer(s): **Marjaneh Malihi**
(45) Registration Date: **23 November 2006**
(56) Related Art Documents: **Not Applicable**
(57) Statement of Newness and Distinctiveness: **It is a fashion style slimmer with exact body shape with nice looking belly button print on it. It has a beautiful real belly button ring attach on it or even printed one.**



- (21) Design Number: **14160/2006**
(22) Date of Filing Application: **15 September 2006**
(24) Date from which industrial property rights may have effect: **15 September 2006**
(54) Product in respect of which the design is registered: **Tyre**
(51) International Design Classification: **12-15C**
(71) Name(s) and Address(s) of Applicant(s):
Motoz Pty Ltd
B18/148 Old Pittwater Road Brookvale New South Wales 2100 Australia
(72) Name(s) of Designer(s): **John Richard Atkinson**
(45) Registration Date: **23 November 2006**
(56) Related Art Documents: **Not Applicable**
(57) Statement of Newness and Distinctiveness: **When determining whether the design is substantially similar in overall impression to another design, no regard is to be had to the alphanumeric characters on the tyre.**



(21) Design Number: **14161/2006**

(22) Date of Filing Application: **15 September 2006**

(24) Date from which industrial property rights may have effect: **15 September 2006**

(54) Product in respect of which the design is registered: **Tyre**

(51) International Design Classification: **12-15C**

(71) Name(s) and Address(s) of Applicant(s):

Motoz Pty Ltd
B18/148 Old Pittwater Road Brookvale New South Wales 2100
Australia

(72) Name(s) of Designer(s): **John Richard Atkinson**

(45) Registration Date: **23 November 2006**

(56) Related Art Documents: **Not Applicable**

(57) Statement of Newness and Distinctiveness: **When determining whether the design is substantially similar in overall impression to another design, no regard is to be had to the alphanumeric characters on the tyre.**



(21) Design Number: **14162/2006**

(22) Date of Filing Application: **15 September 2006**

(24) Date from which industrial property rights may have effect: **15 September 2006**

(54) Product in respect of which the design is registered: **Tyre**

(51) International Design Classification: **12-15C**

(71) Name(s) and Address(s) of Applicant(s):

Motoz Pty Ltd
B18/148 Old Pittwater Road Brookvale New South Wales 2100
Australia

(72) Name(s) of Designer(s): **John Richard Atkinson**

(45) Registration Date: **23 November 2006**

(56) Related Art Documents: **Not Applicable**

(57) Statement of Newness and Distinctiveness: **When determining whether the design is substantially similar in overall impression to another design, no regard is to be had to the alphanumeric characters on the tyre.**



(21) Design Number: **14163/2006**

(22) Date of Filing Application: **15 September 2006**

(24) Date from which industrial property rights may have effect: **15 September 2006**

(54) Product in respect of which the design is registered: **Tyre**

(51) International Design Classification: **12-15C**

(71) Name(s) and Address(s) of Applicant(s):

Motoz Pty Ltd
B18/148 Old Pittwater Road Brookvale New South Wales 2100
Australia

(72) Name(s) of Designer(s): **John Richard Atkinson**

(45) Registration Date: **23 November 2006**

(56) Related Art Documents: **Not Applicable**

(57) Statement of Newness and Distinctiveness: **When determining whether the design is substantially similar in overall impression to another design, no regard is to be had to the alphanumeric characters on the tyre.**



(21) Design Number: **14164/2006**

(22) Date of Filing Application: **15 September 2006**

(24) Date from which industrial property rights may have effect: **15 September 2006**

(54) Product in respect of which the design is registered: **Tyre**

(51) International Design Classification: **12-15C**

(71) Name(s) and Address(s) of Applicant(s):

Motoz Pty Ltd
B18/148 Old Pittwater Road Brookvale New South Wales 2100
Australia

(72) Name(s) of Designer(s): **John Richard Atkinson**

(45) Registration Date: **23 November 2006**

(56) Related Art Documents: **Not Applicable**

(57) Statement of Newness and Distinctiveness: **When determining whether the design is substantially similar in overall impression to another design, no regard is to be had to the alphanumeric characters on the tyre.**



(21) Design Number: **14165/2006**

(22) Date of Filing Application: **15 September 2006**

(24) Date from which industrial property rights may have effect: **15 September 2006**

(54) Product in respect of which the design is registered: **Tyre**

(51) International Design Classification: **12-15C**

(71) Name(s) and Address(s) of Applicant(s):

Motoz Pty Ltd
B18/148 Old Pittwater Road Brookvale New South Wales 2100
Australia

(72) Name(s) of Designer(s): **John Richard Atkinson**

(45) Registration Date: **23 November 2006**

(56) Related Art Documents: **Not Applicable**

(57) Statement of Newness and Distinctiveness: **When determining whether the design is substantially similar in overall impression to another design, no regard is to be had to the alphanumeric characters on the tyre.**



(21) Design Number: **14166/2006**

(22) Date of Filing Application: **15 September 2006**

(24) Date from which industrial property rights may have effect: **15 September 2006**

(54) Product in respect of which the design is registered: **Tyre**

(51) International Design Classification: **12-15C**

(71) Name(s) and Address(s) of Applicant(s):

Motoz Pty Ltd
B18/148 Old Pittwater Road Brookvale New South Wales 2100
Australia

(72) Name(s) of Designer(s): **John Richard Atkinson**

(45) Registration Date: **23 November 2006**

(56) Related Art Documents: **Not Applicable**

(57) Statement of Newness and Distinctiveness: **When determining whether the design is substantially similar in overall impression to another design, no regard is to be had to the alphanumeric characters on the tyre.**



(21) Design Number: **14332/2006**
(22) Date of Filing Application: **27 September 2006**
(24) Date from which industrial property rights may have effect: **27 September 2006**
(54) Product in respect of which the design is registered: **Wheel hubs**
(51) International Design Classification: **12-16A**
(71) Name(s) and Address(s) of Applicant(s):
Otto Sauer Achsenfabrik GmbH
Hauptstrasse 26 63856 Bessenbach Germany
(72) Name(s) of Designer(s): **Werner Weigand**
(45) Registration Date: **23 November 2006**
(30) Convention priority data:
(31) Number (32) Date (33) Country
406 02 044.2 05 Apr 2006 GERMANY
(56) Related Art Documents: **Not Applicable**
(57) Statement of Newness and Distinctiveness: **Nil**



(21) Design Number: **14401/2006**
(22) Date of Filing Application: **27 September 2006**
(24) Date from which industrial property rights may have effect: **27 September 2006**
(54) Product in respect of which the design is registered: **Wheel hubs**
(51) International Design Classification: **12-16A**
(71) Name(s) and Address(s) of Applicant(s):
Otto Sauer Achsenfabrik GmbH
Hauptstrasse 26 63856 Bessenbach Germany
(72) Name(s) of Designer(s): **Werner Weigand**
(45) Registration Date: **23 November 2006**
(30) Convention priority data:
(31) Number (32) Date (33) Country
406 02 044.2 05 Apr 2006 GERMANY
(56) Related Art Documents: **Not Applicable**
(57) Statement of Newness and Distinctiveness: **Nil**



(21) Design Number: **14402/2006**
(22) Date of Filing Application: **27 September 2006**
(24) Date from which industrial property rights may have effect: **27 September 2006**
(54) Product in respect of which the design is registered: **Wheel hubs**
(51) International Design Classification: **12-16A**
(71) Name(s) and Address(s) of Applicant(s):
Otto Sauer Achsenfabrik GmbH
Hauptstrasse 26 63856 Bessenbach Germany
(72) Name(s) of Designer(s): **Werner Weigand**
(45) Registration Date: **23 November 2006**
(30) Convention priority data:
(31) Number (32) Date (33) Country
406 02 044.2 05 Apr 2006 GERMANY
(56) Related Art Documents: **Not Applicable**
(57) Statement of Newness and Distinctiveness: **Nil**



(21) Design Number: **14403/2006**
(22) Date of Filing Application: **27 September 2006**
(24) Date from which industrial property rights may have effect: **27 September 2006**
(54) Product in respect of which the design is registered: **Wheel hubs**
(51) International Design Classification: **12-16A**
(71) Name(s) and Address(s) of Applicant(s):
Otto Sauer Achsenfabrik GmbH
Hauptstrasse 26 63856 Bessenbach Germany
(72) Name(s) of Designer(s): **Werner Weigand**
(45) Registration Date: **23 November 2006**
(30) Convention priority data:
(31) Number (32) Date (33) Country
406 02 044.2 05 Apr 2006 GERMANY
(56) Related Art Documents: **Not Applicable**
(57) Statement of Newness and Distinctiveness: **Nil**



(21) Design Number: **14404/2006**

(22) Date of Filing Application: **27 September 2006**

(24) Date from which industrial property rights may have effect: **27 September 2006**

(54) Product in respect of which the design is registered: **Wheel hubs**

(51) International Design Classification: **12-16A**

(71) Name(s) and Address(s) of Applicant(s):

**Otto Sauer Achsenfabrik GmbH
Hauptstrasse 26 63856 Bessenbach Germany**

(72) Name(s) of Designer(s): **Werner Weigand**

(45) Registration Date: **23 November 2006**

(30) Convention priority data:

(31) Number	(32) Date	(33) Country
406 02 044.2	05 Apr 2006	GERMANY

(56) Related Art Documents: **Not Applicable**

(57) Statement of Newness and Distinctiveness: **Nil**



(21) Design Number: **14405/2006**

(22) Date of Filing Application: **27 September 2006**

(24) Date from which industrial property rights may have effect: **27 September 2006**

(54) Product in respect of which the design is registered: **Wheel hubs**

(51) International Design Classification: **12-16A**

(71) Name(s) and Address(s) of Applicant(s):

**Otto Sauer Achsenfabrik GmbH
Hauptstrasse 26 63856 Bessenbach Germany**

(72) Name(s) of Designer(s): **Werner Weigand**

(45) Registration Date: **23 November 2006**

(30) Convention priority data:

(31) Number	(32) Date	(33) Country
406 02 044.2	05 Apr 2006	GERMANY

(56) Related Art Documents: **Not Applicable**

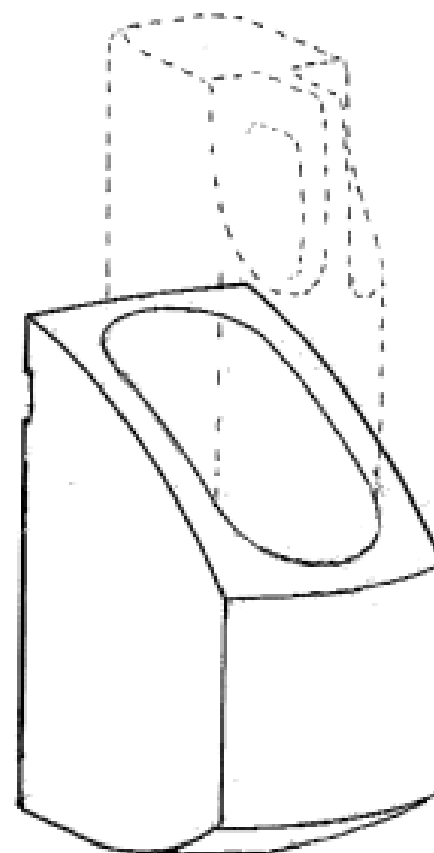
(57) Statement of Newness and Distinctiveness: **Nil**



(21) Design Number: **14406/2006**
(22) Date of Filing Application: **27 September 2006**
(24) Date from which industrial property rights may have effect: **27 September 2006**
(54) Product in respect of which the design is registered: **Wheel hubs**
(51) International Design Classification: **12-16A**
(71) Name(s) and Address(s) of Applicant(s):
Otto Sauer Achsenfabrik GmbH
Hauptstrasse 26 63856 Bessenbach Germany
(72) Name(s) of Designer(s): **Werner Weigand**
(45) Registration Date: **23 November 2006**
(30) Convention priority data:
(31) Number (32) Date (33) Country
406 02 044.2 05 Apr 2006 GERMANY
(56) Related Art Documents: **Not Applicable**
(57) Statement of Newness and Distinctiveness: **Nil**



(21) Design Number: **14588/2006**
(22) Date of Filing Application: **12 October 2006**
(24) Date from which industrial property rights may have effect: **12 October 2006**
(54) Product in respect of which the design is registered: **Dispenser**
(51) International Design Classification: **23-02A**
(71) Name(s) and Address(s) of Applicant(s):
JohnsonDiversey, Inc.
8310 16th Street M/S 509 Sturtevant Wisconsin 53177-0902 United States of America
(72) Name(s) of Designer(s): **M. Rinley Deeds and Tyson L. Webster and Loren D. Stirling**
(45) Registration Date: **23 November 2006**
(30) Convention priority data:
(31) Number (32) Date (33) Country
29/258033 14 Apr 2006 UNITED STATES OF AMERICA
(56) Related Art Documents: **Not Applicable**
(57) Statement of Newness and Distinctiveness: **Newness and distinctiveness is claimed in those features of shape and/or configuration of a dispenser illustrated in continuous lines in the accompanying representations.**



(21) Design Number: **14589/2006**

(22) Date of Filing Application: **12 October 2006**

(24) Date from which industrial property rights may have effect: **12 October 2006**

(54) Product in respect of which the design is registered: **Dispenser**

(51) International Design Classification: **23-02A**

(71) Name(s) and Address(s) of Applicant(s):

JohnsonDiversey, Inc.
8310 16th Street M/S 509 Sturtevant Wisconsin 53177-0902 United States of America

(72) Name(s) of Designer(s): **M. Rinley Deeds and Tyson L. Webster and Loren D. Stirling**

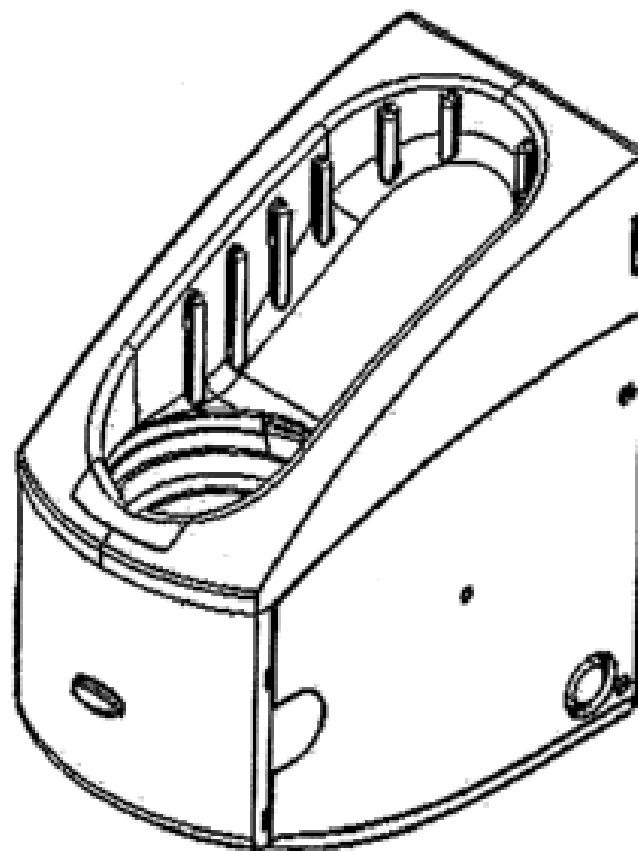
(45) Registration Date: **23 November 2006**

(30) Convention priority data:

(31) Number	(32) Date	(33) Country
29/258033	14 Apr 2006	UNITED STATES OF AMERICA

(56) Related Art Documents: **Not Applicable**

(57) Statement of Newness and Distinctiveness: **Newness and distinctiveness is claimed in those features of shape and/or configuration of a dispenser illustrated in continuous lines in the accompanying representations.**



(21) Design Number: **11256/2006**

(22) Date of Filing Application: **24 March 2006**

(24) Date from which industrial property rights may have effect: **24 March 2006**

(54) Product in respect of which the design is registered: **Structural beam**

(51) International Design Classification: **25-01C**

(71) Name(s) and Address(s) of Applicant(s):

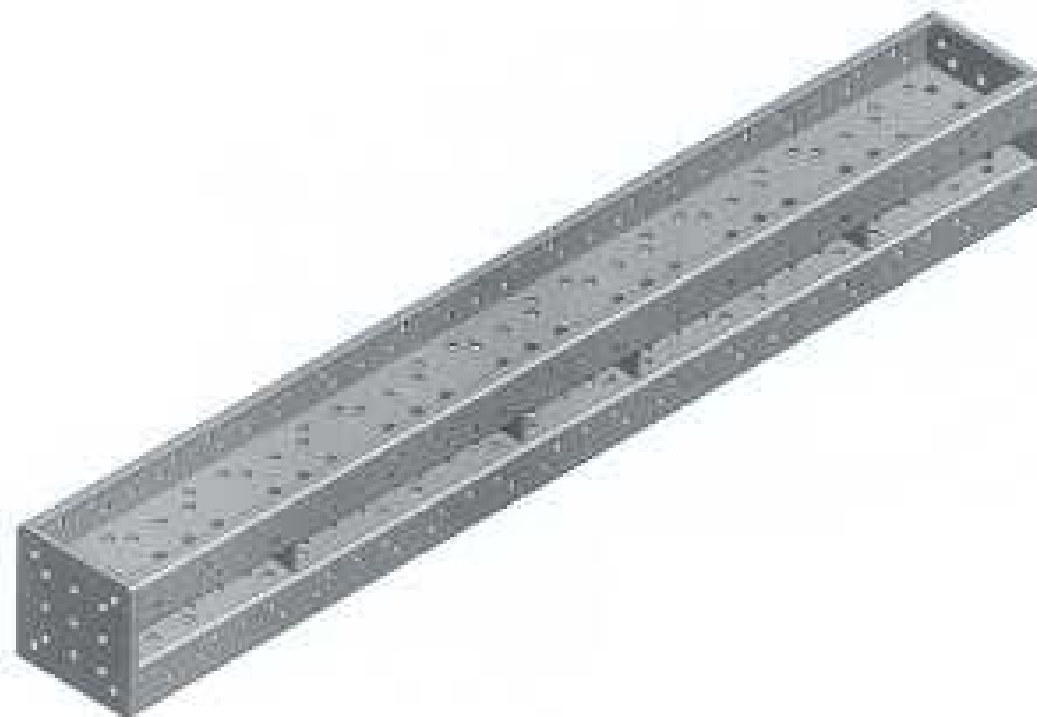
Coates Hire Operations Pty Limited
250 Parramatta Road Flemington New South Wales 2140 Australia

(72) Name(s) of Designer(s): **David Baxter and Peter Geelan**

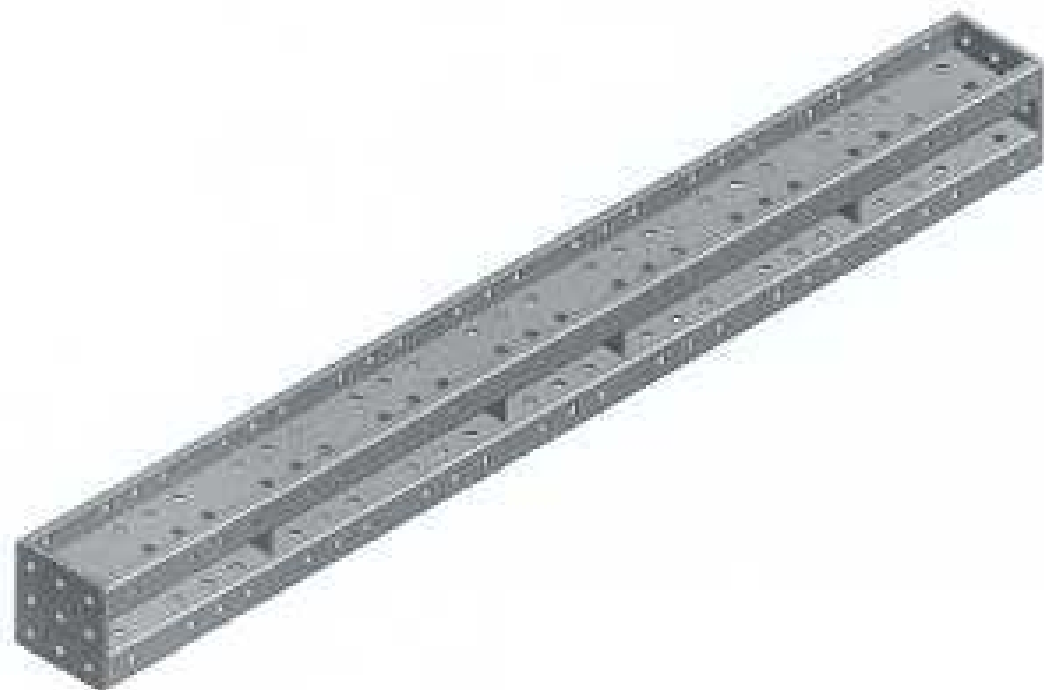
(45) Registration Date: **24 November 2006**

(56) Related Art Documents: **AU-S-NIL()**

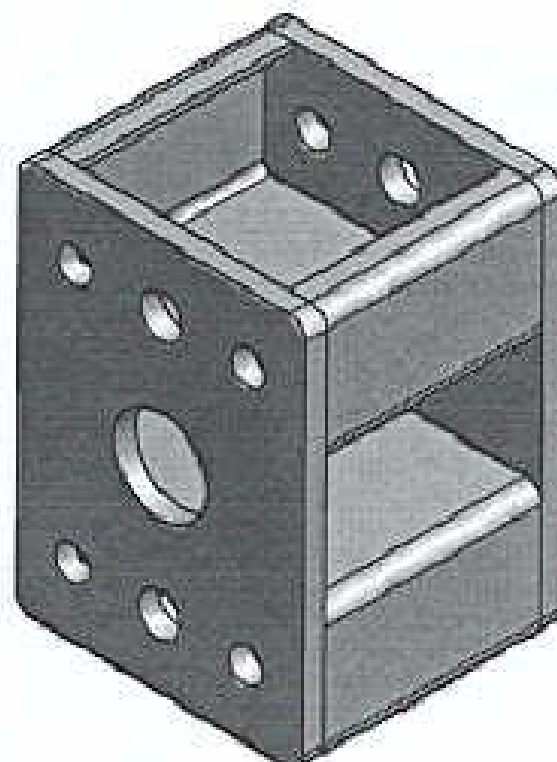
(57) Statement of Newness and Distinctiveness: **Nil**



(21) Design Number: **11257/2006**
(22) Date of Filing Application: **24 March 2006**
(24) Date from which industrial property rights may have effect: **24 March 2006**
(54) Product in respect of which the design is registered: **Structural beam**
(51) International Design Classification: **25-01C**
(71) Name(s) and Address(s) of Applicant(s):
Coates Hire Operations Pty Limited
250 Parramatta Road Flemington New South Wales 2140 Australia
(72) Name(s) of Designer(s): **David Baxter and Peter Geelan**
(45) Registration Date: **24 November 2006**
(56) Related Art Documents: **Not Applicable**
(57) Statement of Newness and Distinctiveness: **Nil**



(21) Design Number: **11258/2006**
(22) Date of Filing Application: **24 March 2006**
(24) Date from which industrial property rights may have effect: **24 March 2006**
(54) Product in respect of which the design is registered: **Structural beam**
(51) International Design Classification: **25-01C**
(71) Name(s) and Address(s) of Applicant(s):
Coates Hire Operations Pty Limited
250 Parramatta Road Flemington New South Wales 2140 Australia
(72) Name(s) of Designer(s): **David Baxter and Peter Geelan**
(45) Registration Date: **24 November 2006**
(56) Related Art Documents: **Not Applicable**
(57) Statement of Newness and Distinctiveness: **Nil**



(21) Design Number: **11259/2006**

(22) Date of Filing Application: **24 March 2006**

(24) Date from which industrial property rights may have effect: **24 March 2006**

(54) Product in respect of which the design is registered: **Structural beam**

(51) International Design Classification: **25-01C**

(71) Name(s) and Address(s) of Applicant(s):

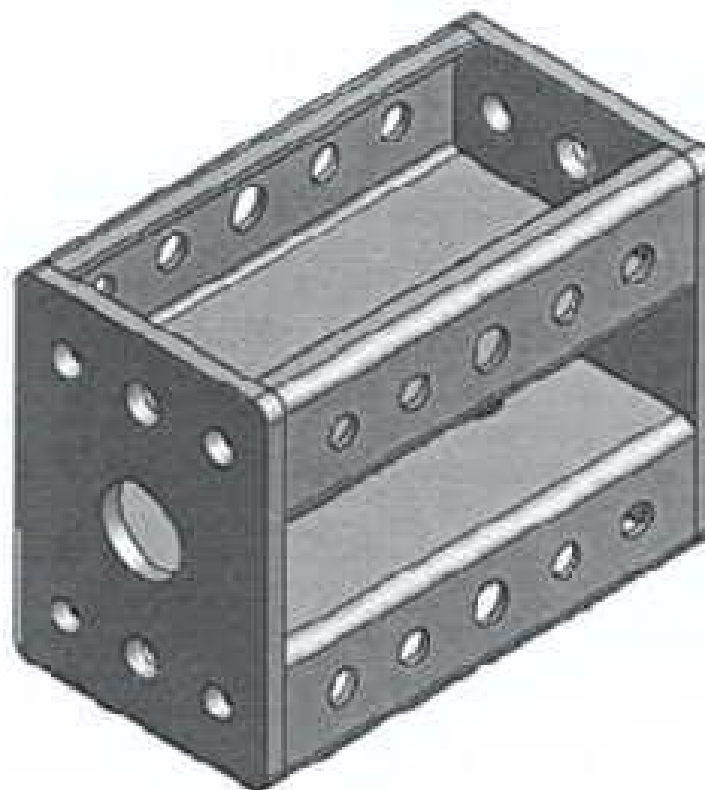
Coates Hire Operations Pty Limited
250 Parramatta Road Flemington New South Wales 2140 Australia

(72) Name(s) of Designer(s): **David Baxter and Peter Geelan**

(45) Registration Date: **24 November 2006**

(56) Related Art Documents: **Not Applicable**

(57) Statement of Newness and Distinctiveness: **Nil**



(21) Design Number: **11260/2006**

(22) Date of Filing Application: **24 March 2006**

(24) Date from which industrial property rights may have effect: **24 March 2006**

(54) Product in respect of which the design is registered: **Structural beam**

(51) International Design Classification: **25-01C**

(71) Name(s) and Address(s) of Applicant(s):

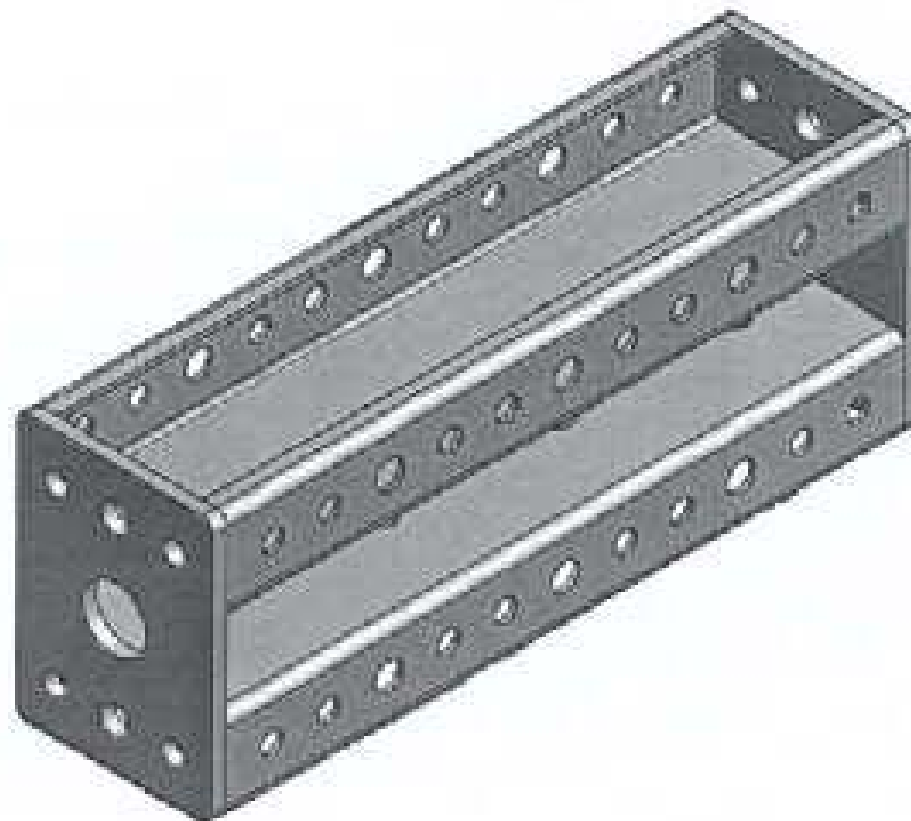
Coates Hire Operations Pty Limited
250 Parramatta Road Flemington New South Wales 2140 Australia

(72) Name(s) of Designer(s): **David Baxter and Peter Geelan**

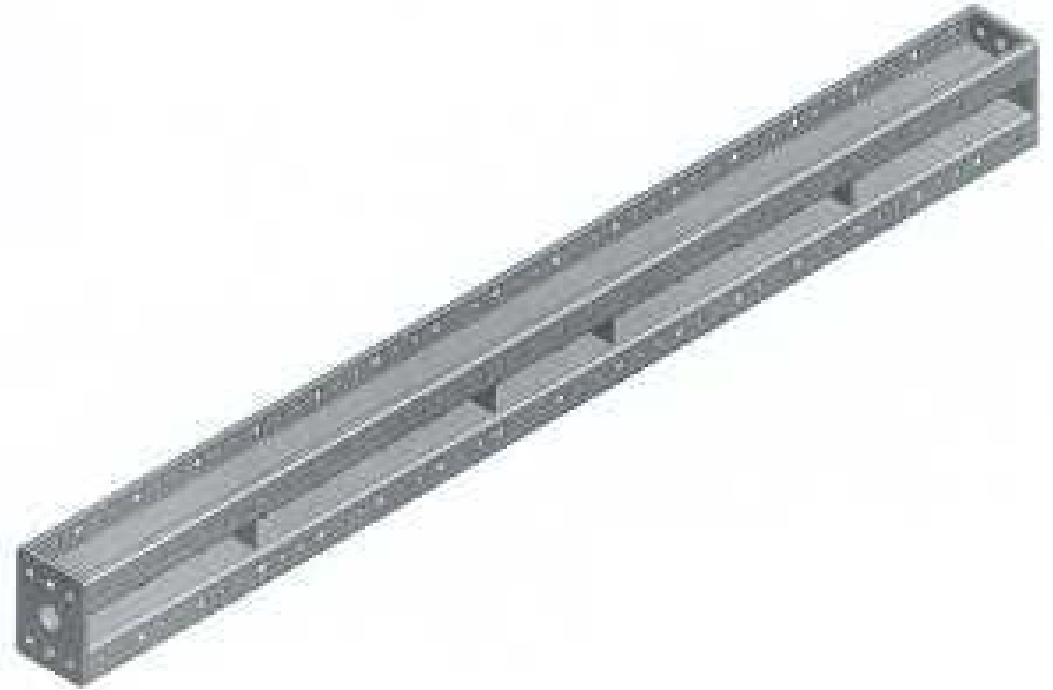
(45) Registration Date: **24 November 2006**

(56) Related Art Documents: **Not Applicable**

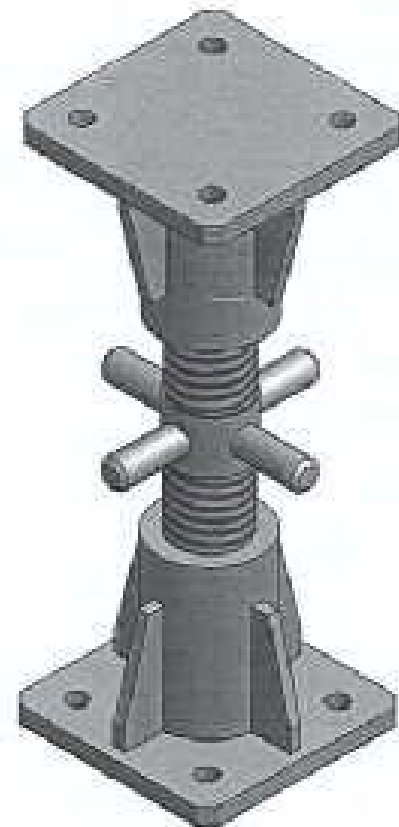
(57) Statement of Newness and Distinctiveness: **Nil**



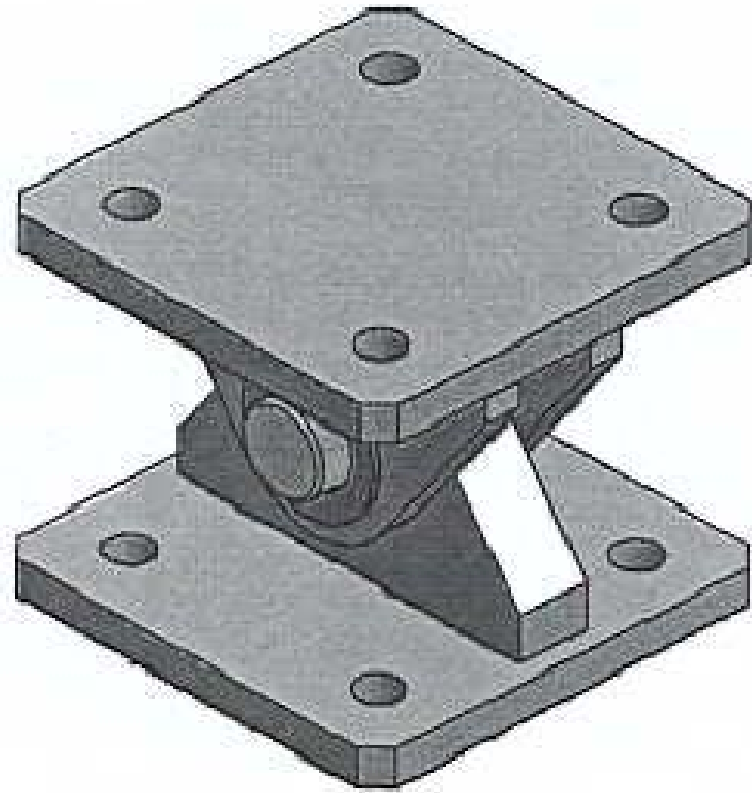
- (21) Design Number: **11261/2006**
(22) Date of Filing Application: **24 March 2006**
(24) Date from which industrial property rights may have effect: **24 March 2006**
(54) Product in respect of which the design is registered: **Structural beam**
(51) International Design Classification: **25-01C**
(71) Name(s) and Address(s) of Applicant(s):
Coates Hire Operations Pty Limited
250 Parramatta Road Flemington New South Wales 2140 Australia
(72) Name(s) of Designer(s): **David Baxter and Peter Geelan**
(45) Registration Date: **24 November 2006**
(56) Related Art Documents: **Not Applicable**
(57) Statement of Newness and Distinctiveness: **Nil**



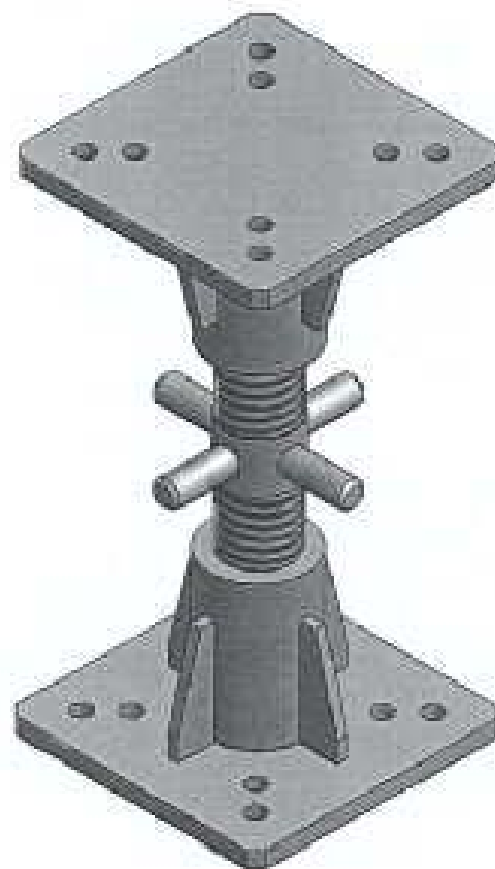
- (21) Design Number: **11262/2006**
(22) Date of Filing Application: **24 March 2006**
(24) Date from which industrial property rights may have effect: **24 March 2006**
(54) Product in respect of which the design is registered: **Screw jack**
(51) International Design Classification: **25-04**
(71) Name(s) and Address(s) of Applicant(s):
Coates Hire Operations Pty Limited
250 Parramatta Road Flemington New South Wales 2140 Australia
(72) Name(s) of Designer(s): **David Baxter and Peter Geelan**
(45) Registration Date: **24 November 2006**
(56) Related Art Documents: **Not Applicable**
(57) Statement of Newness and Distinctiveness: **Nil**



- (21) Design Number: **11263/2006**
(22) Date of Filing Application: **24 March 2006**
(24) Date from which industrial property rights may have effect: **24 March 2006**
(54) Product in respect of which the design is registered: **Raking bracket**
(51) International Design Classification: **25-04**
(71) Name(s) and Address(s) of Applicant(s):
Coates Hire Operations Pty Limited
250 Parramatta Road Flemington New South Wales 2140 Australia
(72) Name(s) of Designer(s): **David Baxter and Peter Geelan**
(45) Registration Date: **24 November 2006**
(56) Related Art Documents: **Not Applicable**
(57) Statement of Newness and Distinctiveness: **Nil**



- (21) Design Number: **11264/2006**
(22) Date of Filing Application: **24 March 2006**
(24) Date from which industrial property rights may have effect: **24 March 2006**
(54) Product in respect of which the design is registered: **Screw jack**
(51) International Design Classification: **25-04**
(71) Name(s) and Address(s) of Applicant(s):
Coates Hire Operations Pty Limited
250 Parramatta Road Flemington New South Wales 2140 Australia
(72) Name(s) of Designer(s): **David Baxter and Peter Geelan**
(45) Registration Date: **24 November 2006**
(56) Related Art Documents: **Not Applicable**
(57) Statement of Newness and Distinctiveness: **Nil**



(21) Design Number: **11265/2006**

(22) Date of Filing Application: **24 March 2006**

(24) Date from which industrial property rights may have effect: **24 March 2006**

(54) Product in respect of which the design is registered: **Raking bracket**

(51) International Design Classification: **25-04**

(71) Name(s) and Address(s) of Applicant(s):

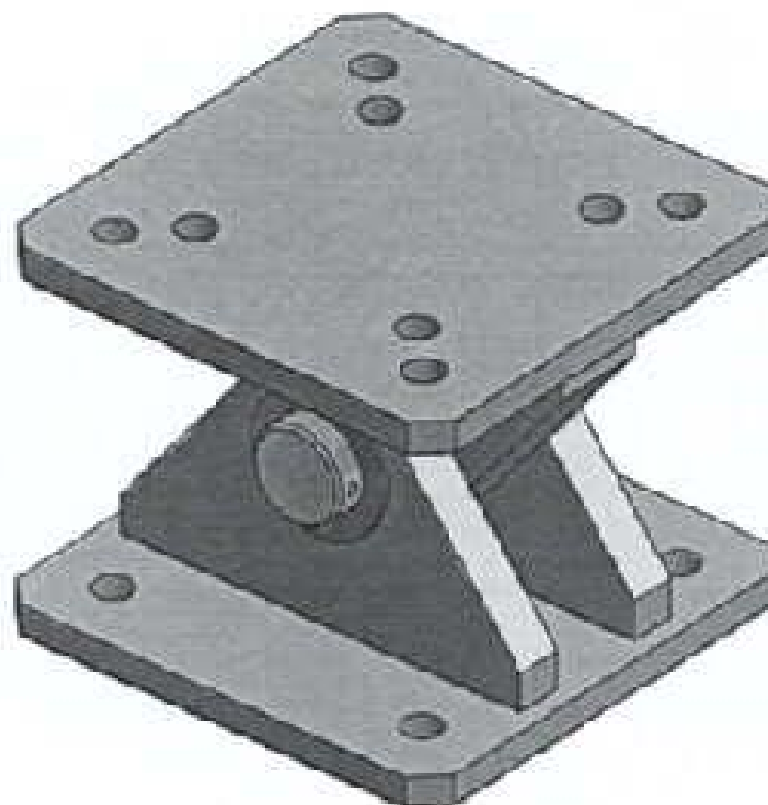
Coates Hire Operations Pty Limited
250 Parramatta Road Flemington New South Wales 2140 Australia

(72) Name(s) of Designer(s): **David Baxter and Peter Geelan**

(45) Registration Date: **24 November 2006**

(56) Related Art Documents: **Not Applicable**

(57) Statement of Newness and Distinctiveness: **Nil**



(21) Design Number: **11266/2006**

(22) Date of Filing Application: **24 March 2006**

(24) Date from which industrial property rights may have effect: **24 March 2006**

(54) Product in respect of which the design is registered: **Structural beam**

(51) International Design Classification: **25-01C**

(71) Name(s) and Address(s) of Applicant(s):

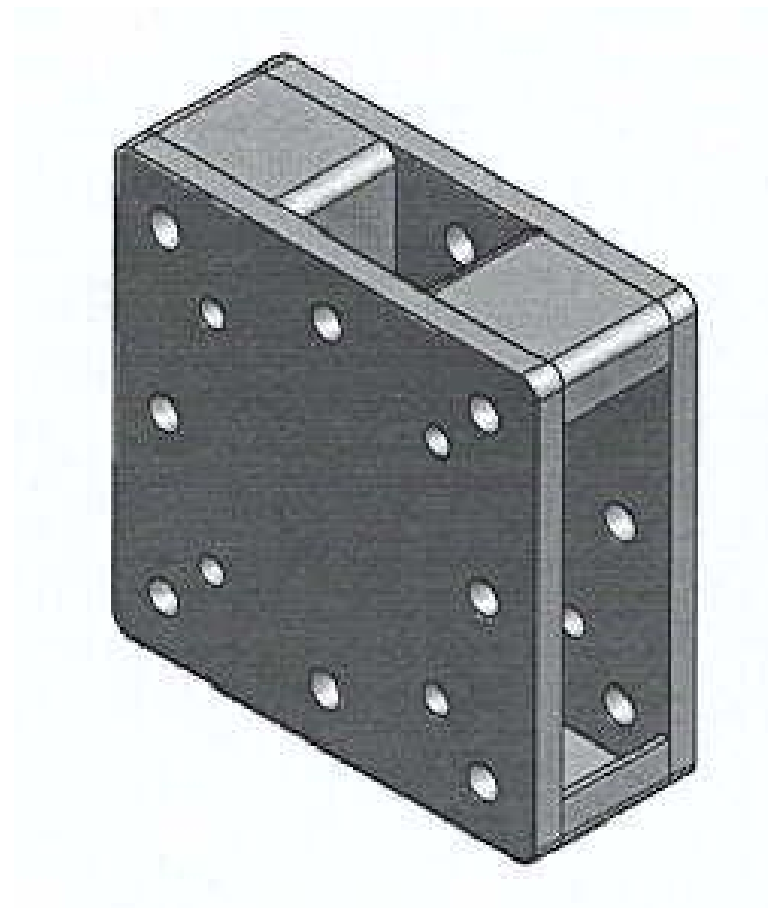
Coates Hire Operations Pty Limited
250 Parramatta Road Flemington New South Wales 2140 Australia

(72) Name(s) of Designer(s): **David Baxter and Peter Geelan**

(45) Registration Date: **24 November 2006**

(56) Related Art Documents: **Not Applicable**

(57) Statement of Newness and Distinctiveness: **Nil**



(21) Design Number: **11267/2006**

(22) Date of Filing Application: **24 March 2006**

(24) Date from which industrial property rights may have effect: **24 March 2006**

(54) Product in respect of which the design is registered: **Structural beam**

(51) International Design Classification: **25-01C**

(71) Name(s) and Address(s) of Applicant(s):

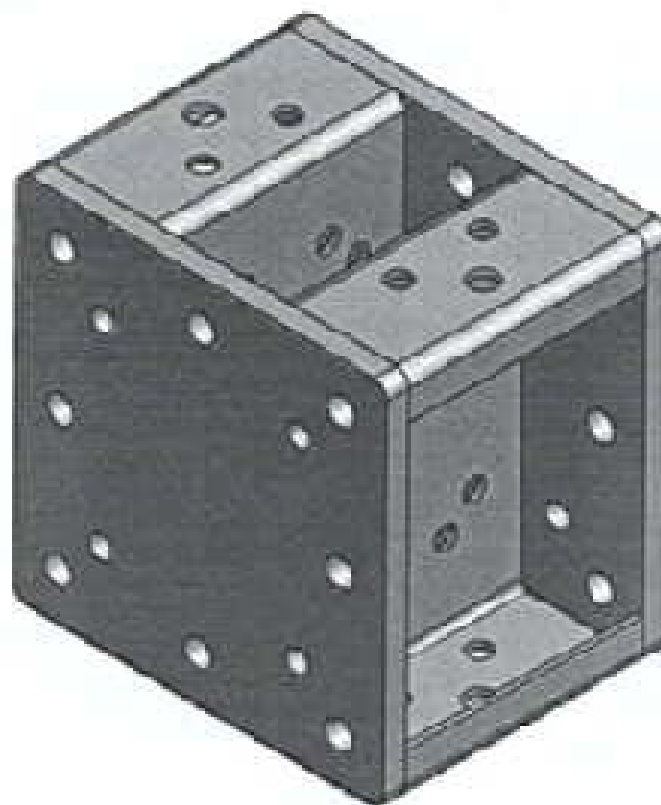
Coates Hire Operations Pty Limited
250 Parramatta Road Flemington New South Wales 2140 Australia

(72) Name(s) of Designer(s): **David Baxter and Peter Geelan**

(45) Registration Date: **24 November 2006**

(56) Related Art Documents: **Not Applicable**

(57) Statement of Newness and Distinctiveness: **Nil**



(21) Design Number: **11268/2006**

(22) Date of Filing Application: **24 March 2006**

(24) Date from which industrial property rights may have effect: **24 March 2006**

(54) Product in respect of which the design is registered: **Structural beam**

(51) International Design Classification: **25-01C**

(71) Name(s) and Address(s) of Applicant(s):

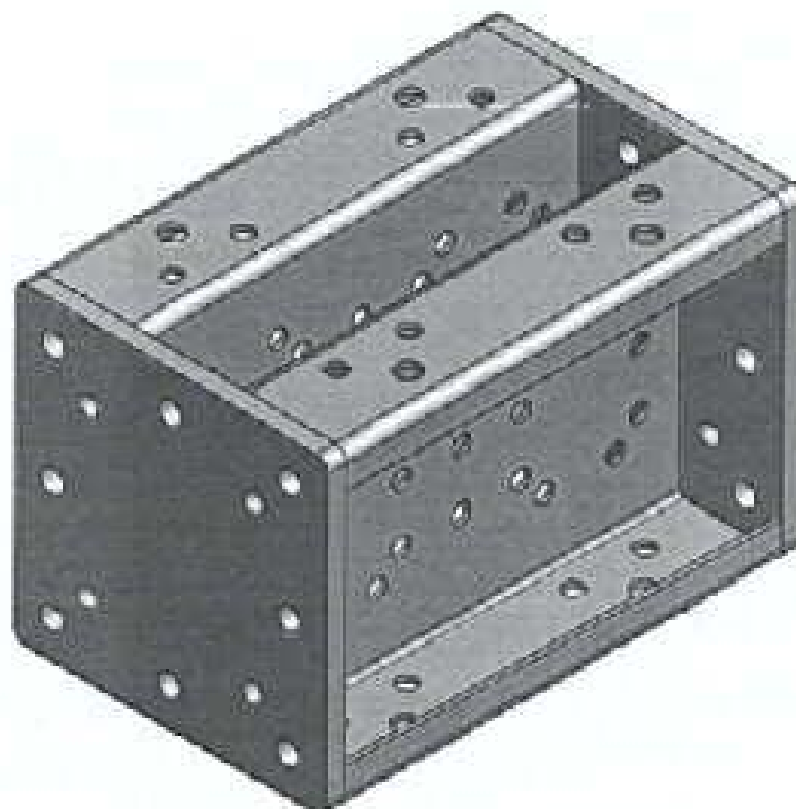
Coates Hire Operations Pty Limited
250 Parramatta Road Flemington New South Wales 2140 Australia

(72) Name(s) of Designer(s): **David Baxter and Peter Geelan**

(45) Registration Date: **24 November 2006**

(56) Related Art Documents: **Not Applicable**

(57) Statement of Newness and Distinctiveness: **Nil**



(21) Design Number: **11269/2006**

(22) Date of Filing Application: **24 March 2006**

(24) Date from which industrial property rights may have effect: **24 March 2006**

(54) Product in respect of which the design is registered: **Structural beam**

(51) International Design Classification: **25-01C**

(71) Name(s) and Address(s) of Applicant(s):

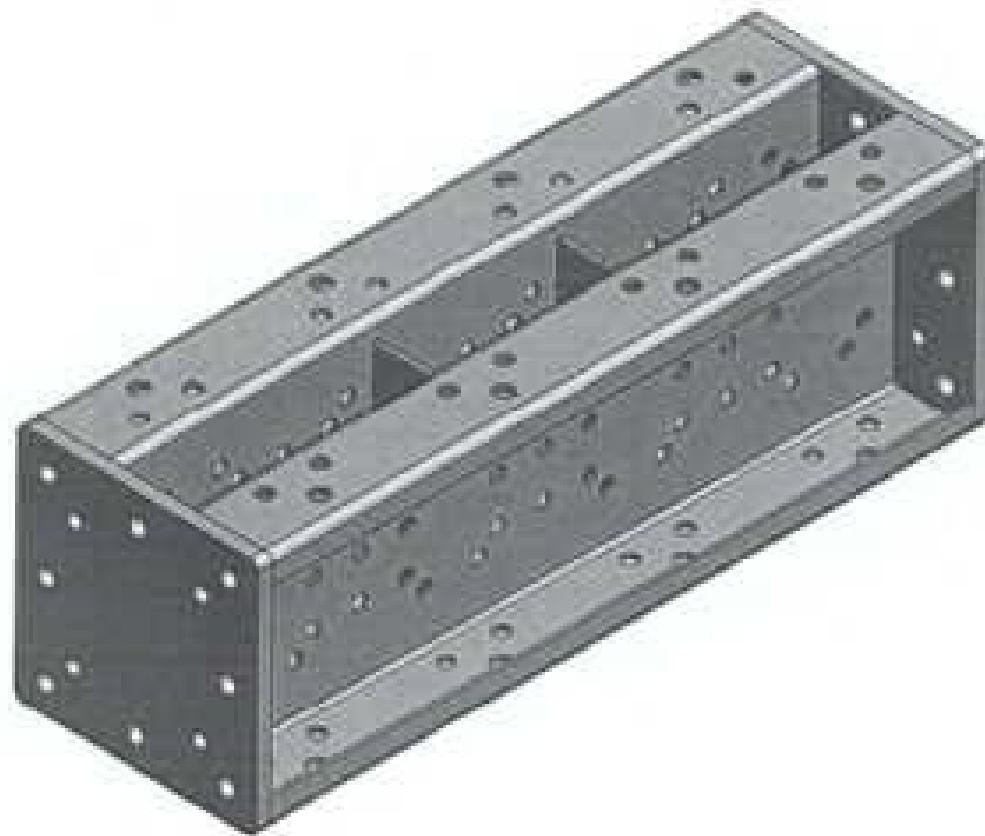
Coates Hire Operations Pty Limited
250 Parramatta Road Flemington New South Wales 2140 Australia

(72) Name(s) of Designer(s): **David Baxter and Peter Geelan**

(45) Registration Date: **24 November 2006**

(56) Related Art Documents: **Not Applicable**

(57) Statement of Newness and Distinctiveness: **Nil**



(21) Design Number: **11270/2006**

(22) Date of Filing Application: **24 March 2006**

(24) Date from which industrial property rights may have effect: **24 March 2006**

(54) Product in respect of which the design is registered: **Structural beam**

(51) International Design Classification: **25-01C**

(71) Name(s) and Address(s) of Applicant(s):

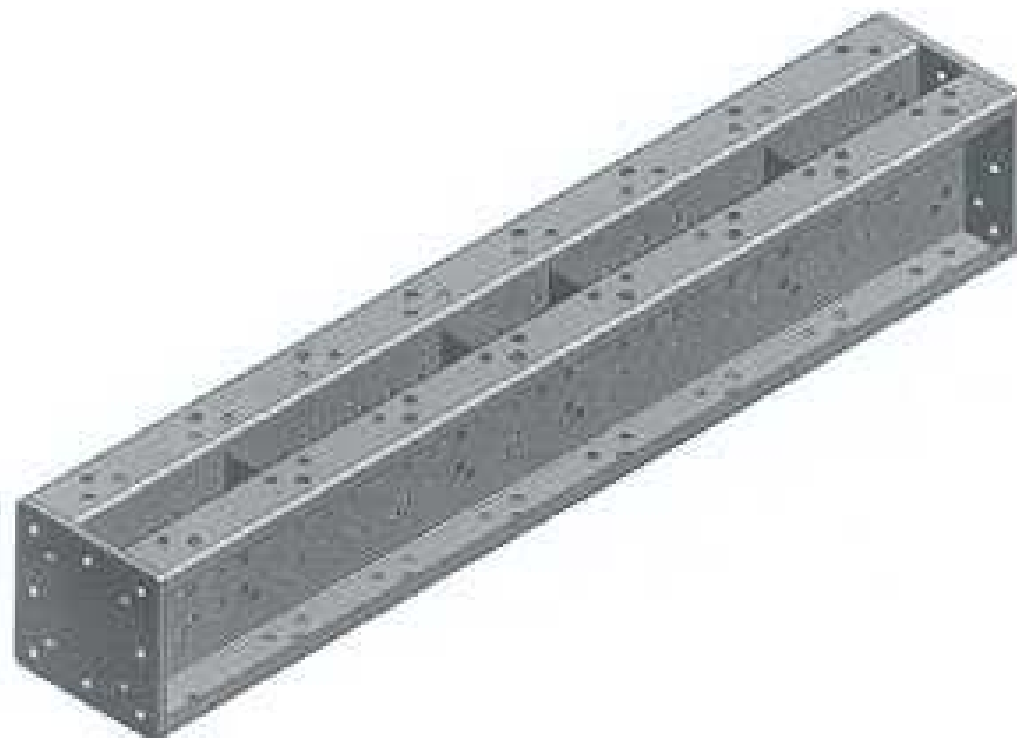
Coates Hire Operations Pty Limited
250 Parramatta Road Flemington New South Wales 2140 Australia

(72) Name(s) of Designer(s): **David Baxter and Peter Geelan**

(45) Registration Date: **24 November 2006**

(56) Related Art Documents: **Not Applicable**

(57) Statement of Newness and Distinctiveness: **Nil**



(21) Design Number: **11271/2006**

(22) Date of Filing Application: **24 March 2006**

(24) Date from which industrial property rights may have effect: **24 March 2006**

(54) Product in respect of which the design is registered: **Grillage beam**

(51) International Design Classification: **25-01C**

(71) Name(s) and Address(s) of Applicant(s):

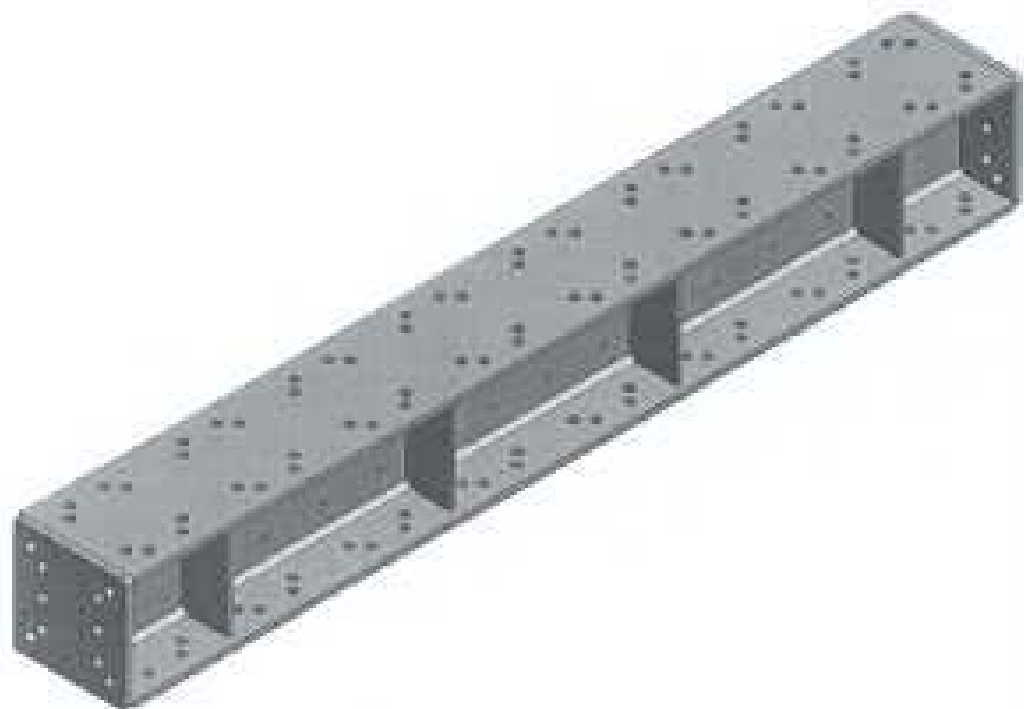
Coates Hire Operations Pty Limited
250 Parramatta Road Flemington New South Wales 2140 Australia

(72) Name(s) of Designer(s): **David Baxter and Peter Geelan**

(45) Registration Date: **24 November 2006**

(56) Related Art Documents: **Not Applicable**

(57) Statement of Newness and Distinctiveness: **Nil**



(21) Design Number: **11272/2006**

(22) Date of Filing Application: **24 March 2006**

(24) Date from which industrial property rights may have effect: **24 March 2006**

(54) Product in respect of which the design is registered: **Grillage beam**

(51) International Design Classification: **25-01C**

(71) Name(s) and Address(s) of Applicant(s):

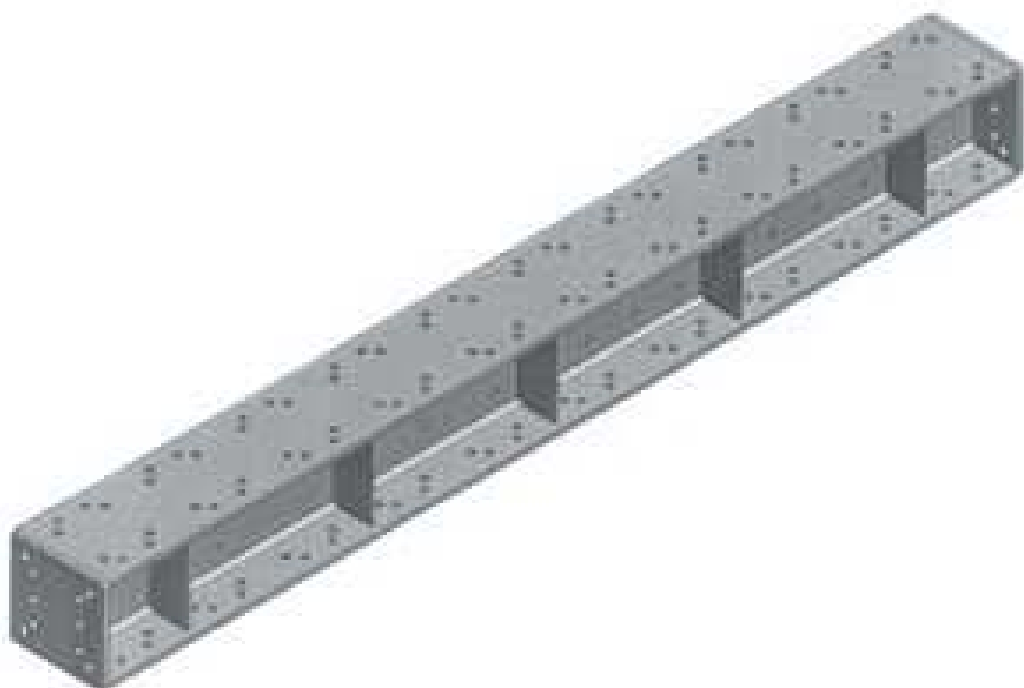
Coates Hire Operations Pty Limited
250 Parramatta Road Flemington New South Wales 2140 Australia

(72) Name(s) of Designer(s): **David Baxter and Peter Geelan**

(45) Registration Date: **24 November 2006**

(56) Related Art Documents: **Not Applicable**

(57) Statement of Newness and Distinctiveness: **Nil**



(21) Design Number: **11273/2006**

(22) Date of Filing Application: **24 March 2006**

(24) Date from which industrial property rights may have effect: **24 March 2006**

(54) Product in respect of which the design is registered: **Grillage beam**

(51) International Design Classification: **25-01C**

(71) Name(s) and Address(s) of Applicant(s):

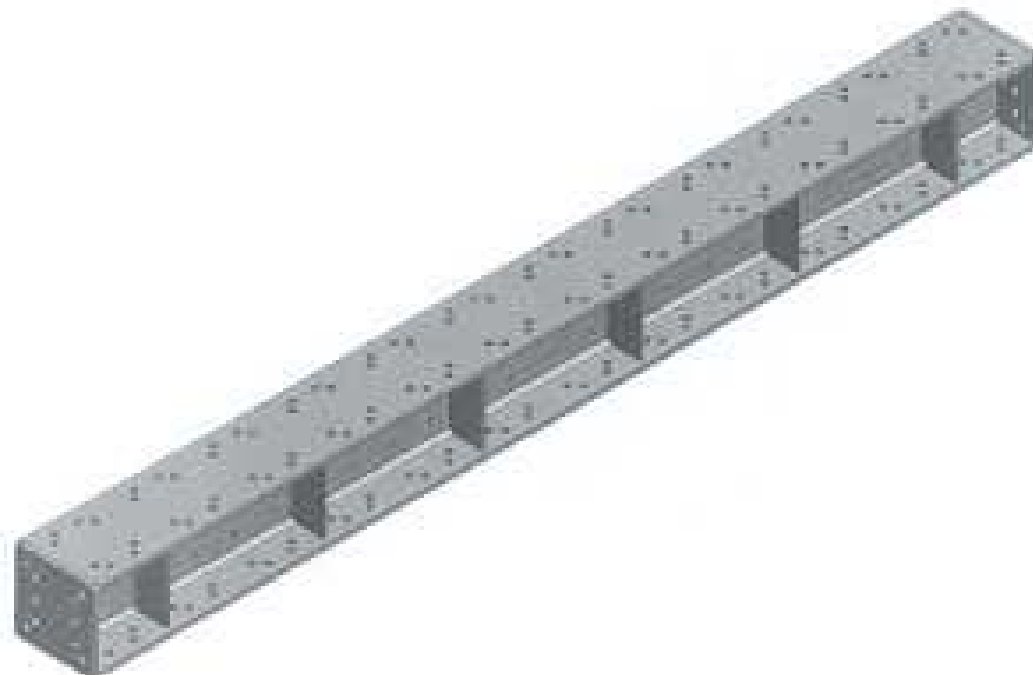
Coates Hire Operations Pty Limited
250 Parramatta Road Flemington New South Wales 2140 Australia

(72) Name(s) of Designer(s): **David Baxter and Peter Geelan**

(45) Registration Date: **24 November 2006**

(56) Related Art Documents: **Not Applicable**

(57) Statement of Newness and Distinctiveness: **Nil**



(21) Design Number: **11274/2006**

(22) Date of Filing Application: **24 March 2006**

(24) Date from which industrial property rights may have effect: **24 March 2006**

(54) Product in respect of which the design is registered: **Swivel scaffold**

(51) International Design Classification: **25-04**

(71) Name(s) and Address(s) of Applicant(s):

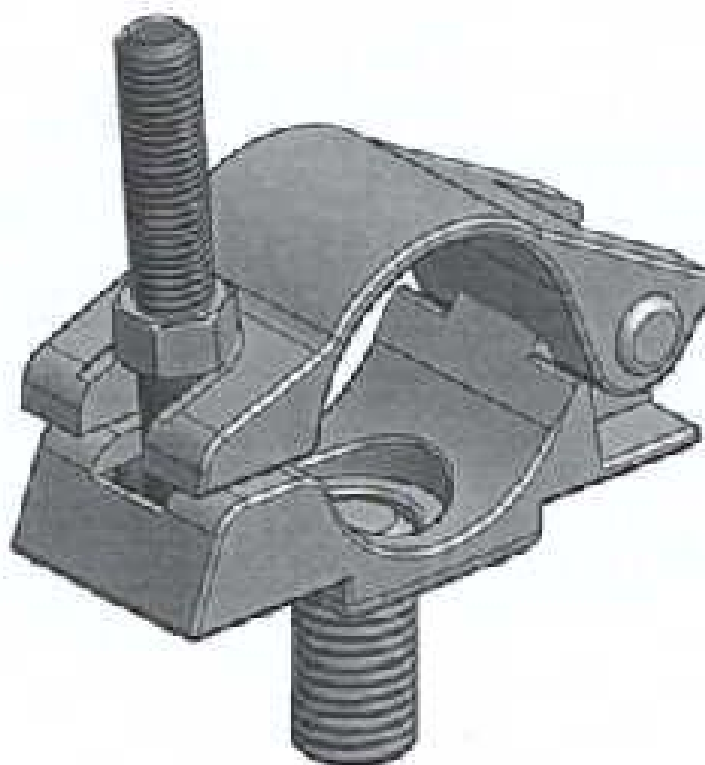
Coates Hire Operations Pty Limited
250 Parramatta Road Flemington New South Wales 2140 Australia

(72) Name(s) of Designer(s): **David Baxter and Peter Geelan**

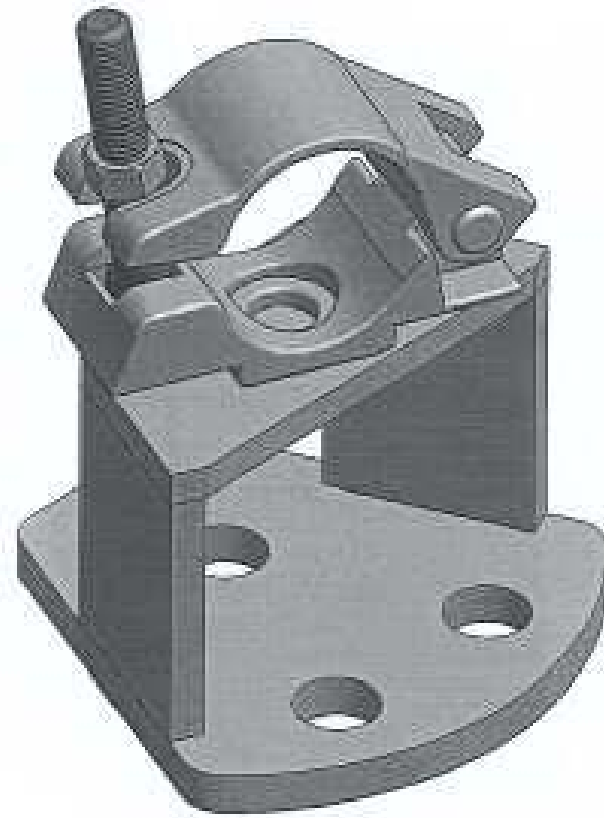
(45) Registration Date: **24 November 2006**

(56) Related Art Documents: **Not Applicable**

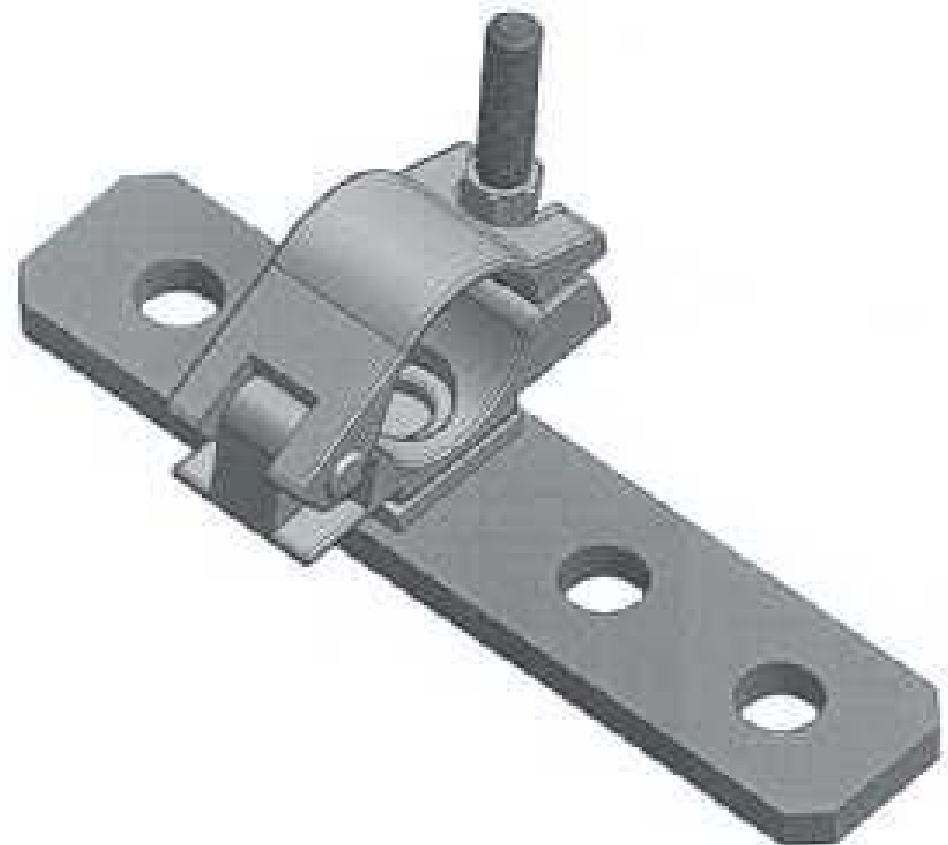
(57) Statement of Newness and Distinctiveness: **Nil**



(21) Design Number: **11275/2006**
(22) Date of Filing Application: **24 March 2006**
(24) Date from which industrial property rights may have effect: **24 March 2006**
(54) Product in respect of which the design is registered: **Web scaffold**
(51) International Design Classification: **25-04**
(71) Name(s) and Address(s) of Applicant(s):
Coates Hire Operations Pty Limited
250 Parramatta Road Flemington New South Wales 2140 Australia
(72) Name(s) of Designer(s): **David Baxter and Peter Geelan**
(45) Registration Date: **24 November 2006**
(56) Related Art Documents: **Not Applicable**
(57) Statement of Newness and Distinctiveness: **Nil**



(21) Design Number: **11276/2006**
(22) Date of Filing Application: **24 March 2006**
(24) Date from which industrial property rights may have effect: **24 March 2006**
(54) Product in respect of which the design is registered: **Flange scaffold**
(51) International Design Classification: **25-04**
(71) Name(s) and Address(s) of Applicant(s):
Coates Hire Operations Pty Limited
250 Parramatta Road Flemington New South Wales 2140 Australia
(72) Name(s) of Designer(s): **David Baxter and Peter Geelan**
(45) Registration Date: **24 November 2006**
(56) Related Art Documents: **Not Applicable**
(57) Statement of Newness and Distinctiveness: **Nil**



(21) Design Number: **11277/2006**

(22) Date of Filing Application: **24 March 2006**

(24) Date from which industrial property rights may have effect: **24 March 2006**

(54) Product in respect of which the design is registered: **Bracing clevis**

(51) International Design Classification: **25-04**

(71) Name(s) and Address(s) of Applicant(s):

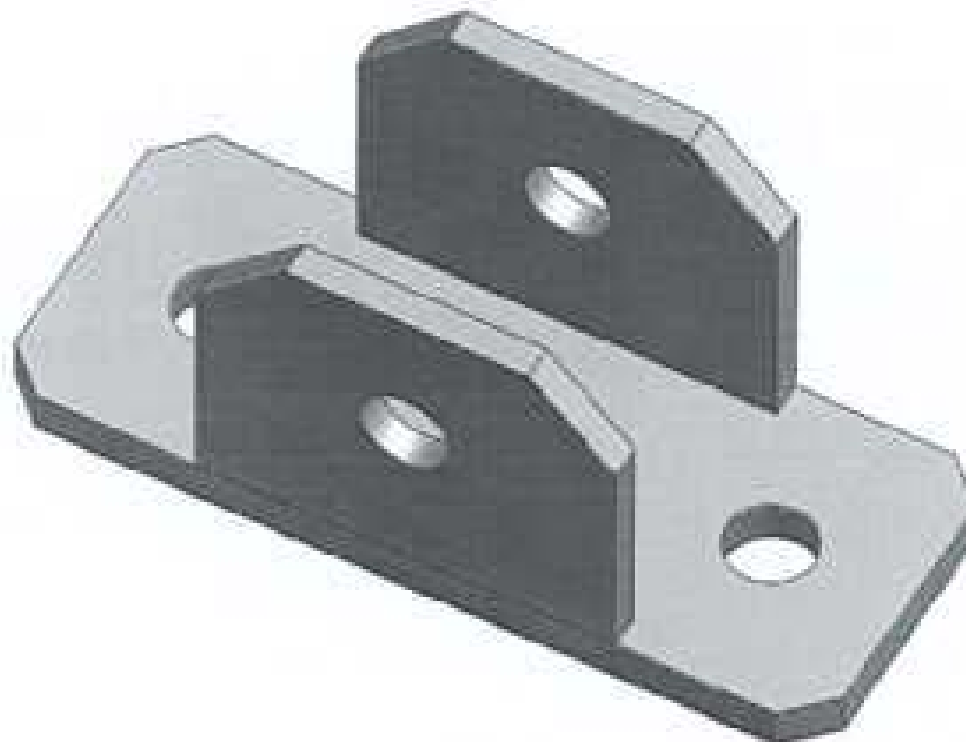
Coates Hire Operations Pty Limited
250 Parramatta Road Flemington New South Wales 2140 Australia

(72) Name(s) of Designer(s): **David Baxter and Peter Geelan**

(45) Registration Date: **24 November 2006**

(56) Related Art Documents: **Not Applicable**

(57) Statement of Newness and Distinctiveness: **Nil**



(21) Design Number: **11278/2006**

(22) Date of Filing Application: **24 March 2006**

(24) Date from which industrial property rights may have effect: **24 March 2006**

(54) Product in respect of which the design is registered: **Needle beam connector**

(51) International Design Classification: **25-04**

(71) Name(s) and Address(s) of Applicant(s):

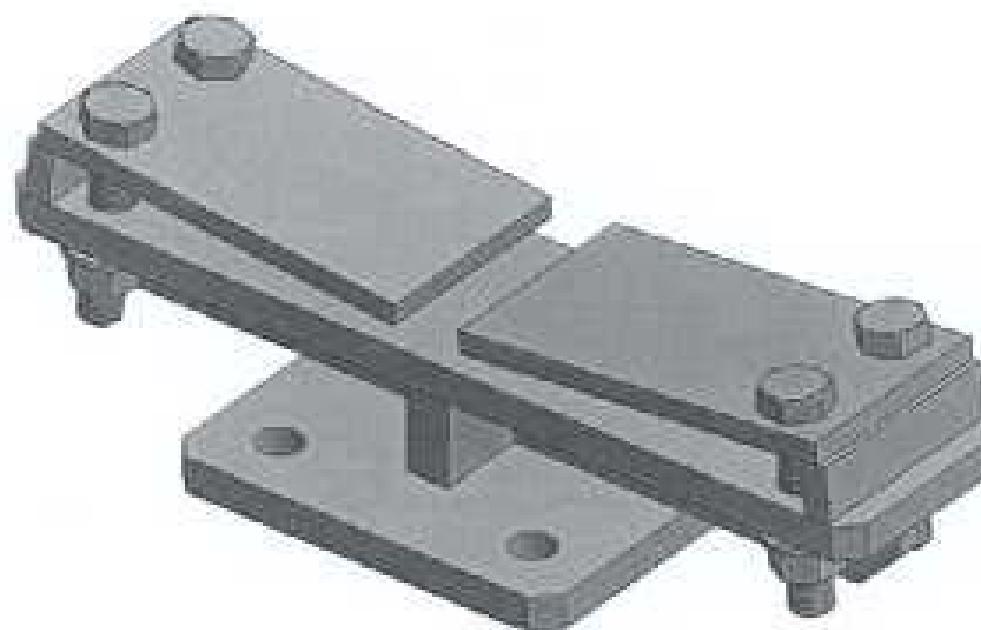
Coates Hire Operations Pty Limited
250 Parramatta Road Flemington New South Wales 2140 Australia

(72) Name(s) of Designer(s): **David Baxter and Peter Geelan**

(45) Registration Date: **24 November 2006**

(56) Related Art Documents: **Not Applicable**

(57) Statement of Newness and Distinctiveness: **Nil**



(21) Design Number: 14624/2006

(22) Date of Filing Application: 13 October 2006

(24) Date from which industrial property rights may have effect: 13 October 2006

(54) Product in respect of which the design is registered: Deadbolt escutcheon

(51) International Design Classification: 08-07

(71) Name(s) and Address(s) of Applicant(s):

Harrow Products LLC
PO Box 0445 155 Chestnut Ridge Road Montvale New Jersey 07645
United States of America

(72) Name(s) of Designer(s): Rockwood Theodore Roberts and Victor Bogdanov and George Frolov

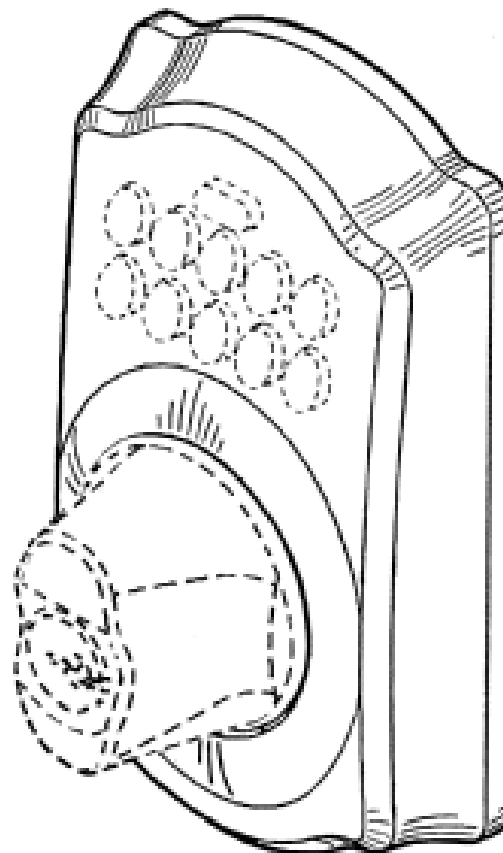
(45) Registration Date: 24 November 2006

(30) Convention priority data:

(31) Number	(32) Date	(33) Country
29/247,946	21 Jul 2006	UNITED STATES OF AMERICA

(56) Related Art Documents: Not Applicable

(57) Statement of Newness and Distinctiveness: The shape and configuration of the deadbolt escutcheon shown in solid lines is new and distinctive. In considering the newness and distinctiveness of the design, the features shown in broken lines are to be disregarded.



(21) Design Number: 14625/2006

(22) Date of Filing Application: 13 October 2006

(24) Date from which industrial property rights may have effect: 13 October 2006

(54) Product in respect of which the design is registered: Deadbolt escutcheon

(51) International Design Classification: 08-07

(71) Name(s) and Address(s) of Applicant(s):

Harrow Products LLC
PO Box 0445 155 Chestnut Ridge Road Montvale New Jersey 07645
United States of America

(72) Name(s) of Designer(s): Rockwood Theodore Roberts and Victor Bogdanov and George Frolov

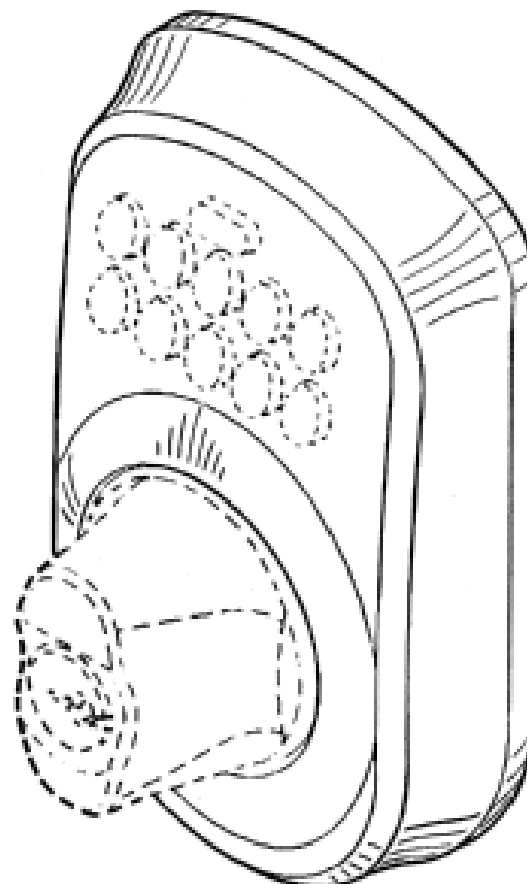
(45) Registration Date: 24 November 2006

(30) Convention priority data:

(31) Number	(32) Date	(33) Country
29/247,945	21 Apr 2006	UNITED STATES OF AMERICA

(56) Related Art Documents: Not Applicable

(57) Statement of Newness and Distinctiveness: The shape and configuration of the deadbolt escutcheon shown in solid lines is new and distinctive. In considering the newness and distinctiveness of the design, the features shown in broken lines are to be disregarded.

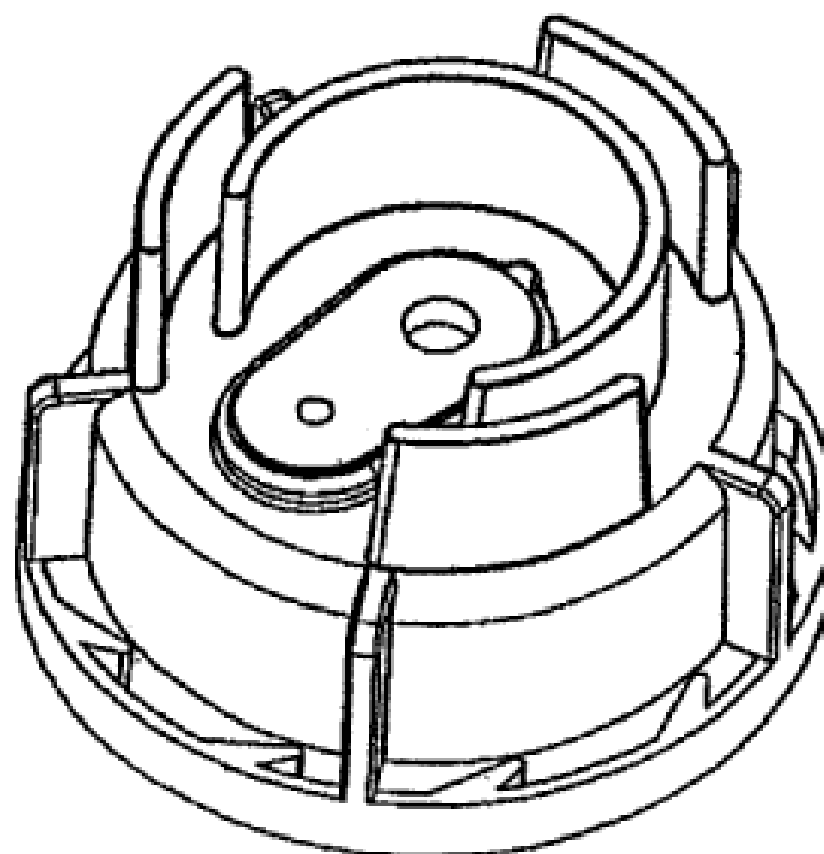


- (21) Design Number: **14628/2006**
- (22) Date of Filing Application: **16 October 2006**
- (24) Date from which industrial property rights may have effect: **16 October 2006**
- (54) Product in respect of which the design is registered: **Fence and gates**
- (51) International Design Classification: **25-02C**
- (71) Name(s) and Address(s) of Applicant(s):
 - Henry Stubbings**
 - 44 Magdalene Terrace Pasadena South Australia 5042 Australia**
 - Harry Thomas Stubbings**
 - 44 Magdalene Terrace Pasadena South Australia 5042 Australia**
- (72) Name(s) of Designer(s): **Henry Stubbings and Harry Thomas Stubbings**
- (45) Registration Date: **24 November 2006**
- (56) Related Art Documents: **Not Applicable**
- (57) Statement of Newness and Distinctiveness: **The design is applicable to the shape and configuration and pattern of a fence as displayed in the accompanying representations.**

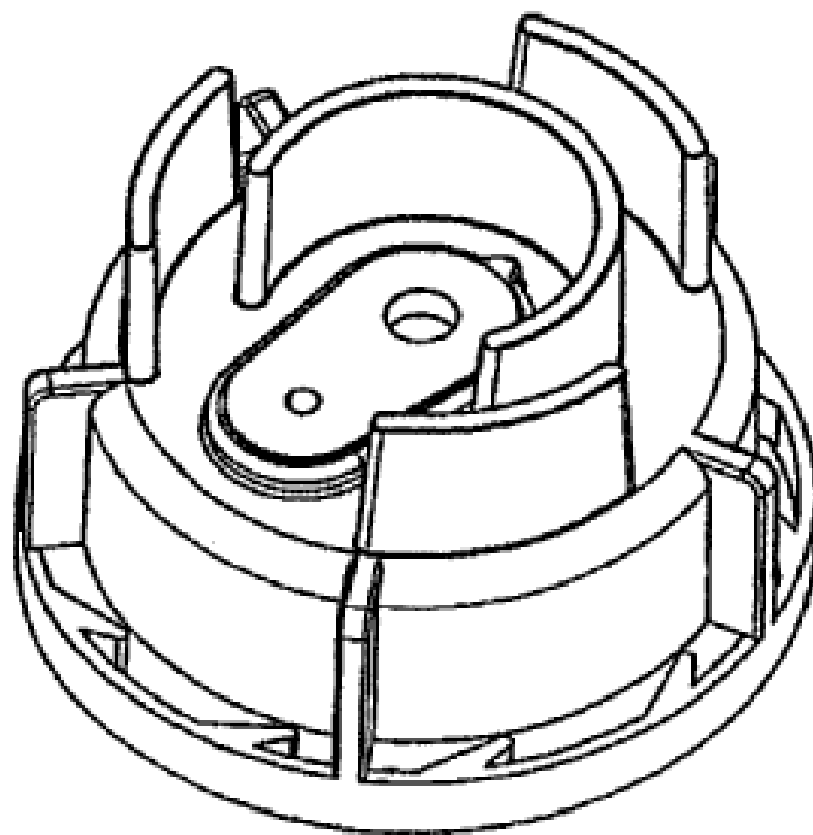


- (21) Design Number: **14629/2006**
- (22) Date of Filing Application: **13 October 2006**
- (24) Date from which industrial property rights may have effect: **13 October 2006**
- (54) Product in respect of which the design is registered: **Closure**
- (51) International Design Classification: **09-07A**
- (71) Name(s) and Address(s) of Applicant(s):
 - JohnsonDiversey, Inc.**
 - 8310 16th Street M/S 509 Sturtevant Wisconsin 53177-0902 United States of America**
- (72) Name(s) of Designer(s): **Kirk M. Reiman and William E. Simpson and Nancy D. Trafelet and Andy Swain and Christopher J. Webb and David Holden and Garry W. Crossdale and Brian D. Haworth and Bert Van Der Heijden**
- (45) Registration Date: **24 November 2006**
- (30) Convention priority data:

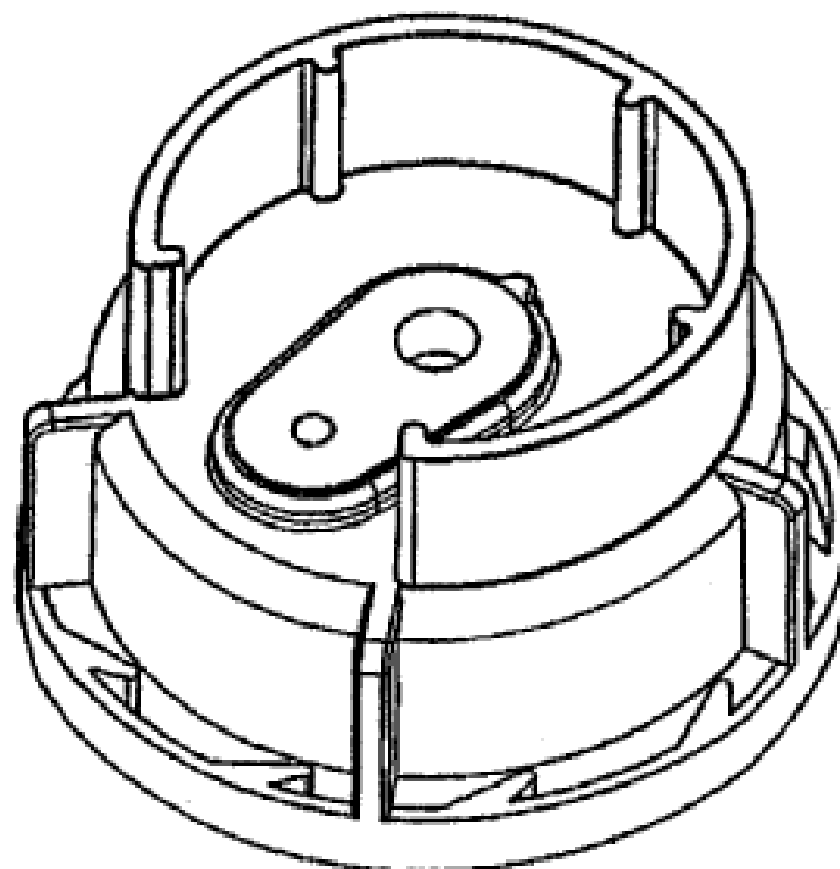
(31) Number	(32) Date	(33) Country
29/258032	14 Apr 2006	UNITED STATES OF AMERICA
- (56) Related Art Documents: **Not Applicable**
- (57) Statement of Newness and Distinctiveness: **Newness and distinctiveness is claimed in the features of shape and/or configuration of a closure as illustrated in the accompanying representations.**



- (21) Design Number: **14630/2006**
(22) Date of Filing Application: **13 October 2006**
(24) Date from which industrial property rights may have effect: **13 October 2006**
(54) Product in respect of which the design is registered: **Closure**
(51) International Design Classification: **09-07A**
(71) Name(s) and Address(s) of Applicant(s):
JohnsonDiversey, Inc.
8310 16th Street M/S 509 Sturtevant Wisconsin 53177-0902 United States of America
(72) Name(s) of Designer(s): **Kirk M. Reiman and William E. Simpson and Nancy D. Trafelet and Andy Swain and Christopher J. Webb and David Holden and Garry W. Crossdale and Brian D. Haworth and Bert Van Der Heijden**
(45) Registration Date: **24 November 2006**
(30) Convention priority data:
(31) Number (32) Date (33) Country
29/258032 14 Apr 2006 UNITED STATES OF AMERICA
(56) Related Art Documents: **Not Applicable**
(57) Statement of Newness and Distinctiveness: **Newness and distinctiveness is claimed in the features of shape and/or configuration of a closure as illustrated in the accompanying representations.**



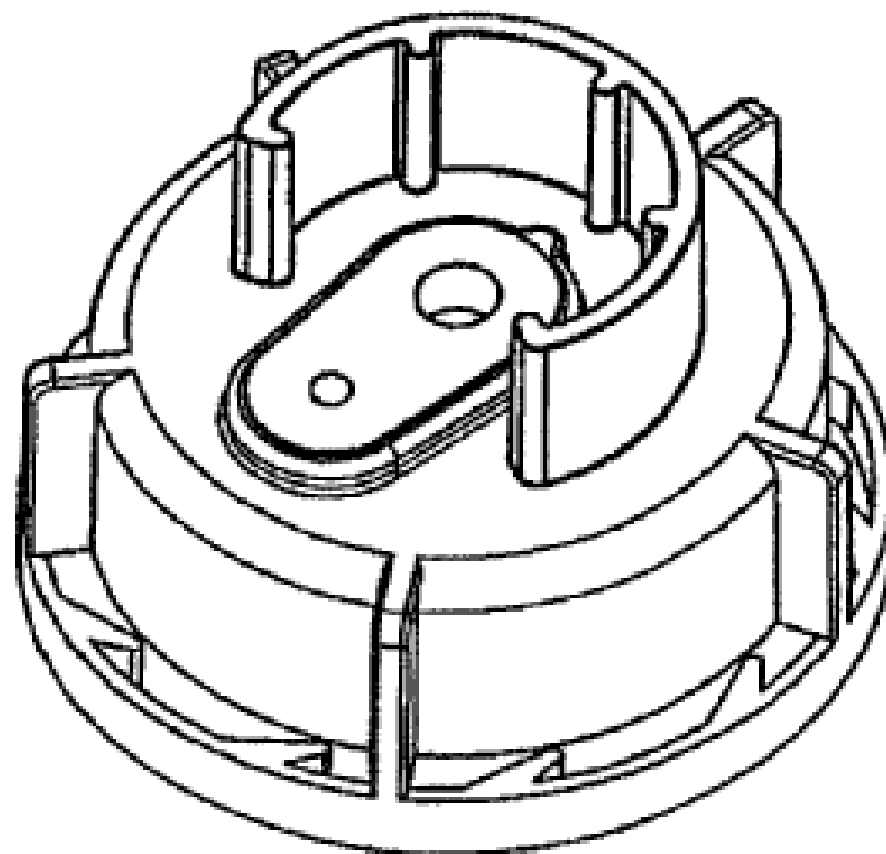
- (21) Design Number: **14631/2006**
(22) Date of Filing Application: **13 October 2006**
(24) Date from which industrial property rights may have effect: **13 October 2006**
(54) Product in respect of which the design is registered: **Closure**
(51) International Design Classification: **09-07A**
(71) Name(s) and Address(s) of Applicant(s):
JohnsonDiversey, Inc.
8310 16th Street M/S 509 Sturtevant Wisconsin 53177-0902 United States of America
(72) Name(s) of Designer(s): **Kirk M. Reiman and William E. Simpson and Nancy D. Trafelet and Andy Swain and Christopher J. Webb and David Holden and Garry W. Crossdale and Brian D. Haworth and Bert Van Der Heijden**
(45) Registration Date: **24 November 2006**
(30) Convention priority data:
(31) Number (32) Date (33) Country
29/258032 14 Apr 2006 UNITED STATES OF AMERICA
(56) Related Art Documents: **Not Applicable**
(57) Statement of Newness and Distinctiveness: **Newness and distinctiveness is claimed in the features of shape and/or configuration of a closure as illustrated in the accompanying representations.**



(19) AU

- (21) Design Number: **14633/2006**
- (22) Date of Filing Application: **13 October 2006**
- (24) Date from which industrial property rights may have effect: **13 October 2006**
- (54) Product in respect of which the design is registered: **Closure**
- (51) International Design Classification: **09-07A**
- (71) Name(s) and Address(s) of Applicant(s):
JohnsonDiversey, Inc.
8310 16th Street M/S 509 Sturtevant Wisconsin 53177-0902 United States of America
- (72) Name(s) of Designer(s): **Kirk M. Reiman and William E. Simpson and Nancy D. Trafelet and Andy Swain and Christopher J. Webb and David Holden and Garry W. Crossdale and Brian D. Haworth and Bert Van Der Heijden**
- (45) Registration Date: **24 November 2006**
- (30) Convention priority data:

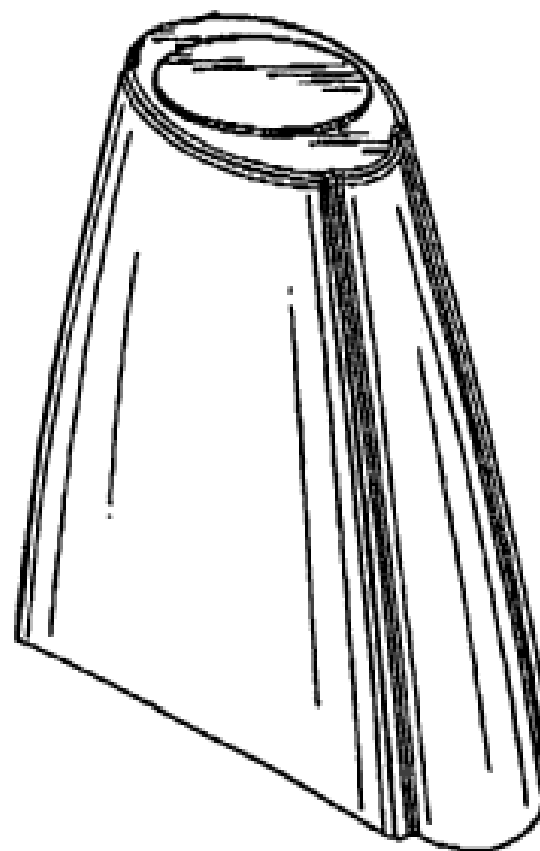
(31) Number	(32) Date	(33) Country
29/258032	14 Apr 2006	UNITED STATES OF AMERICA
- (56) Related Art Documents: **Not Applicable**
- (57) Statement of Newness and Distinctiveness: **Newness and distinctiveness is claimed in the features of shape and/or configuration of a closure as illustrated in the accompanying representations.**



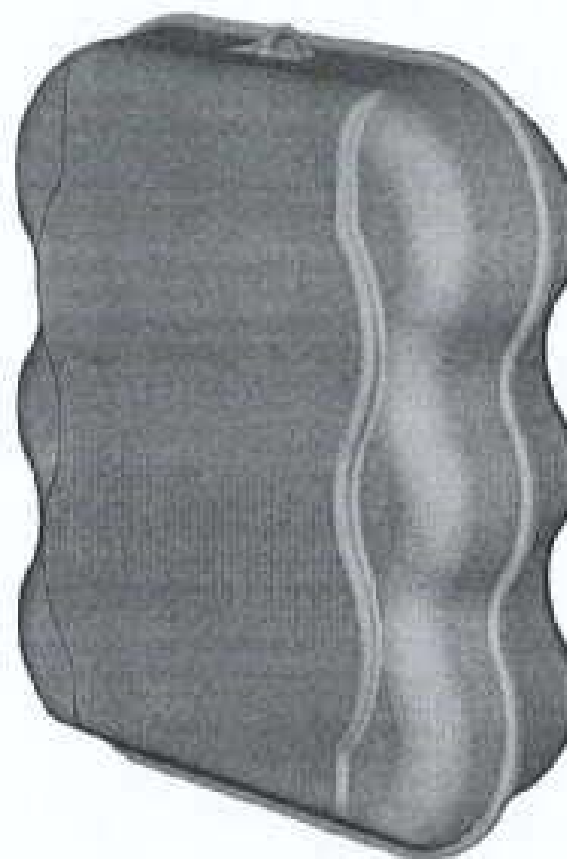
(19) AU

- (21) Design Number: **14634/2006**
- (22) Date of Filing Application: **13 October 2006**
- (24) Date from which industrial property rights may have effect: **13 October 2006**
- (54) Product in respect of which the design is registered: **Cap**
- (51) International Design Classification: **09-07C**
- (71) Name(s) and Address(s) of Applicant(s):
S.C. Johnson & Son, Inc.
1525 Howe Street Racine Wisconsin 53403-2236 United States of America
- (72) Name(s) of Designer(s): **Edward J. Kunesh and Allen D. Miller and James A. Shoemaker and Dirk L. Nickel and Ivan Da Barp and Terrence M. Parve**
- (45) Registration Date: **24 November 2006**
- (30) Convention priority data:

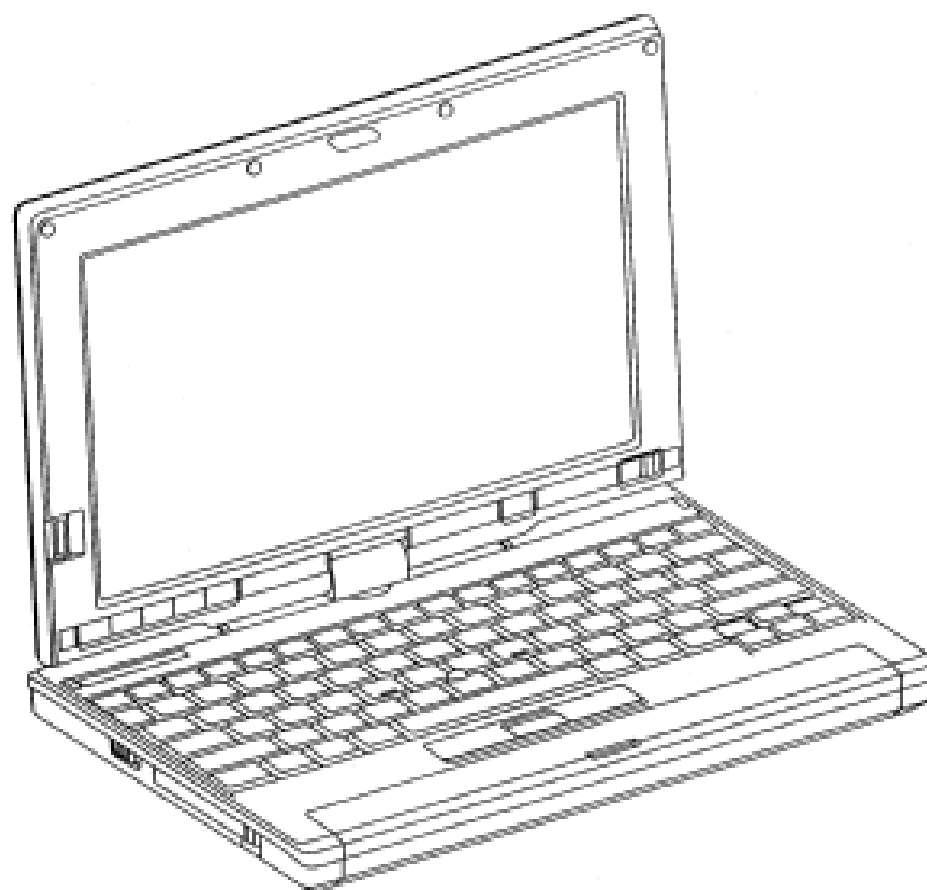
(31) Number	(32) Date	(33) Country
29/246516	20 Apr 2006	UNITED STATES OF AMERICA
- (56) Related Art Documents: **Not Applicable**
- (57) Statement of Newness and Distinctiveness: **Newness and distinctiveness is claimed in those features of shape and/or configuration of a cap illustrated in continuous lines in the accompanying representations.**



- (21) Design Number: **14635/2006**
(22) Date of Filing Application: **13 October 2006**
(24) Date from which industrial property rights may have effect: **13 October 2006**
(54) Product in respect of which the design is registered: **Packaging for foodstuffs**
(51) International Design Classification: **09-03M**
(71) Name(s) and Address(s) of Applicant(s):
Sara Lee/DE N.V.
Vleutensevaart 100 3532 AD Utrecht The Netherlands
(72) Name(s) of Designer(s): **John Henri Flamand**
(45) Registration Date: **24 November 2006**
(30) Convention priority data:
(31) Number (32) Date (33) Country
000592415 21 Sep 2006 EUROPEAN COMMUNITY
(56) Related Art Documents: **Not Applicable**
(57) Statement of Newness and Distinctiveness: **Newness and distinctiveness is claimed in the features of shape and/or configuration of a packaging for foodstuffs as illustrated in the accompanying representations.**



- (21) Design Number: **14636/2006**
(22) Date of Filing Application: **13 October 2006**
(24) Date from which industrial property rights may have effect: **13 October 2006**
(54) Product in respect of which the design is registered: **Personal computer**
(51) International Design Classification: **14-02**
(71) Name(s) and Address(s) of Applicant(s):
Fujitsu Limited
1-1 Kamikodanaka 4-chome Nakahara-ku Kawasaki-shi Kanagawa
211-8588 Japan
(72) Name(s) of Designer(s): **Hisao Morooka and Tomohiro Takizawa**
(45) Registration Date: **24 November 2006**
(30) Convention priority data:
(31) Number (32) Date (33) Country
2006#018946 19 Jul 2006 JAPAN
(56) Related Art Documents: **Not Applicable**
(57) Statement of Newness and Distinctiveness: **Newness and distinctiveness is claimed in the features of shape and/or configuration of a personal computer as illustrated in the accompanying representations and when considering newness and distinctiveness, particular regard is to be had to: - the sloping lateral sides of the liquid crystal display (LCD) - the belt-like part under the LCD which provides accent to the design and which serves as an application button, power switch, status LED display and screw cover, and the fingerprint authentication part at the left side of the LCD.**



- (21) Design Number: **14637/2006**
- (22) Date of Filing Application: **13 October 2006**
- (24) Date from which industrial property rights may have effect: **13 October 2006**
- (54) Product in respect of which the design is registered: **Personal computer**
- (51) International Design Classification: **14-02**
- (71) Name(s) and Address(s) of Applicant(s):

Fujitsu Limited
1-1 Kamikodanaka 4-chome Nakahara-ku Kawasaki-shi Kanagawa
211-8588 Japan

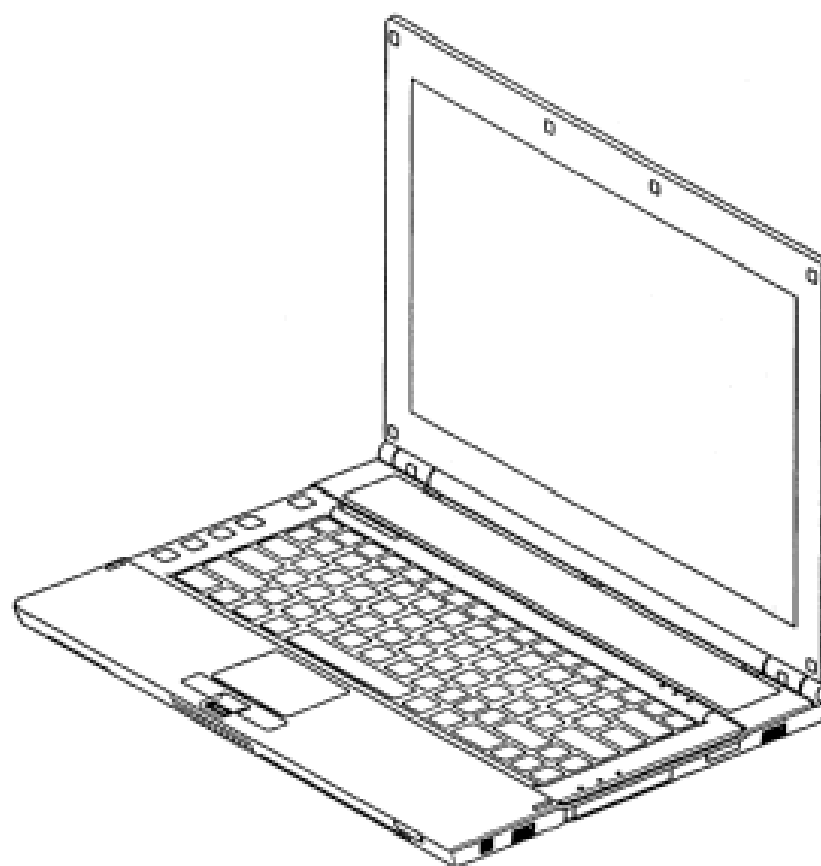
- (72) Name(s) of Designer(s): **Mitsuhiko Kawami and Tomohiro Takizawa**
- (45) Registration Date: **24 November 2006**

(30) Convention priority data:

(31) Number	(32) Date	(33) Country
2006#016198	22 Jun 2006	JAPAN

(56) Related Art Documents: **Not Applicable**

(57) Statement of Newness and Distinctiveness: **Newness and distinctiveness is claimed in the features of shape and/or configuration of a personal computer as illustrated in the accompanying representations and when considering newness and distinctiveness, particular regard is to be had to: - when the liquid crystal display (LCD) is closed, it assumes a shape of two overlapping "thin boards", - when the LCD is closed, such forms a concave part between the "thin boards" between which the keyboard is wedged, and click buttons on the right and left sides of the fingerprint authentication part are shaped to appear as they are connected.**



- (21) Design Number: **14990/2006**
- (22) Date of Filing Application: **31 October 2006**
- (24) Date from which industrial property rights may have effect: **31 October 2006**
- (54) Product in respect of which the design is registered: **Folding mirror**
- (51) International Design Classification: **06-07**
- (71) Name(s) and Address(s) of Applicant(s):

Mary Kay Inc.
16251 Dallas Parkway Addison TX 75001 United States of America

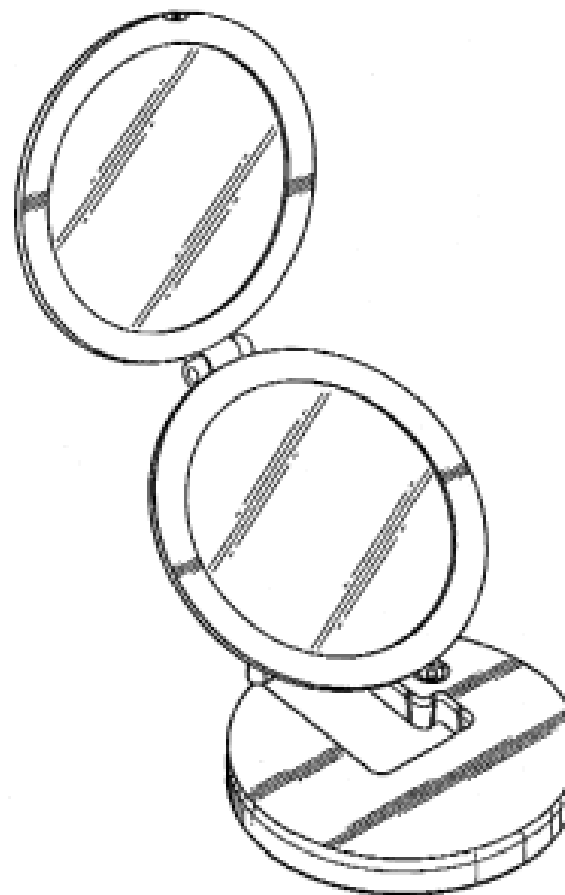
- (72) Name(s) of Designer(s): **Tami Merica**
- (45) Registration Date: **24 November 2006**

(30) Convention priority data:

(31) Number	(32) Date	(33) Country
29/249,096	20 Sep 2006	UNITED STATES OF AMERICA

(56) Related Art Documents: **Not Applicable**

(57) Statement of Newness and Distinctiveness: **Nil**



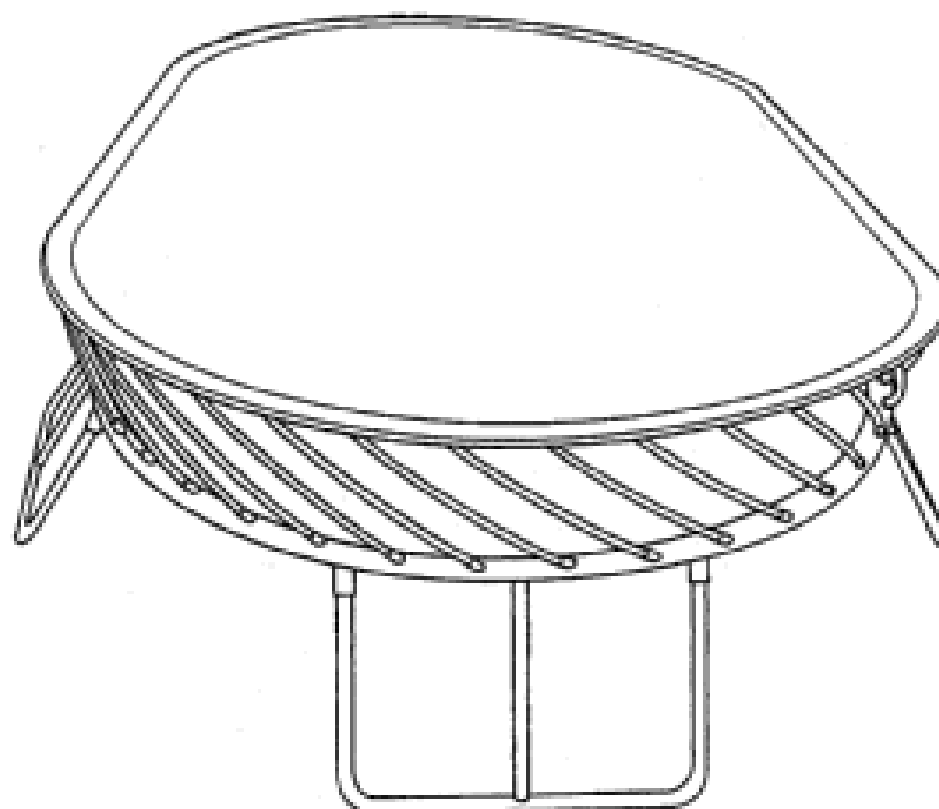
- (21) Design Number: **15343/2006**
(22) Date of Filing Application: **21 November 2006**
(24) Date from which industrial property rights may have effect: **21 November 2006**
(54) Product in respect of which the design is registered: **Inflatable surf craft**
(51) International Design Classification: **12-06NES**
(71) Name(s) and Address(s) of Applicant(s):
Midamarine Pty Ltd
2810 Ipswich Road Darra Queensland 4076 Australia
(72) Name(s) of Designer(s): **Michael Arenson**
(45) Registration Date: **24 November 2006**
(56) Related Art Documents: **Not Applicable**
(57) Statement of Newness and Distinctiveness: **The newness and distinctiveness resides in the shape and configuration of the inflatable surf craft. The position of the handles, the embossing on the nose and any ribbing on the deck of the inflatable surf craft should be disregarded. Any pattern or ornamentation on the inflatable surf craft should be disregarded.**



- (21) Design Number: **13710/2006**
(22) Date of Filing Application: **18 August 2006**
(24) Date from which industrial property rights may have effect: **18 August 2006**
(54) Product in respect of which the design is registered: **A trampoline**
(51) International Design Classification: **21-02F**
(71) Name(s) and Address(s) of Applicant(s):
Board & Batten International Inc
Harbour Centre 4th Floor North Church Street Georgetown Cayman Islands
(72) Name(s) of Designer(s): **Keith Vivian Alexander**
(45) Registration Date: **28 November 2006**
(30) Convention priority data:

(31) Number	(32) Date	(33) Country
407993	11 Aug 2006	NEW ZEALAND

(56) Related Art Documents: **Not Applicable**
(57) Statement of Newness and Distinctiveness: **The novelty claimed for the design resides in the features of shape and/or configuration of the trampolines having two straight sides and two regularly or irregularly curved ends or other sides all as shown in the representations and particularly in the plan views, excluding the shape and configuration of the support frame and legs of the trampolines which do not form part of the design.**



(21) Design Number: **14666/2006**

(22) Date of Filing Application: **18 August 2006**

(24) Date from which industrial property rights may have effect: **18 August 2006**

(54) Product in respect of which the design is registered: **A trampoline**

(51) International Design Classification: **21-02F**

(71) Name(s) and Address(s) of Applicant(s):

**Board & Batten International Inc
Harbour Centre 4th Floor North Church Street Georgetown Cayman
Islands**

(72) Name(s) of Designer(s): **Keith Vivian Alexander**

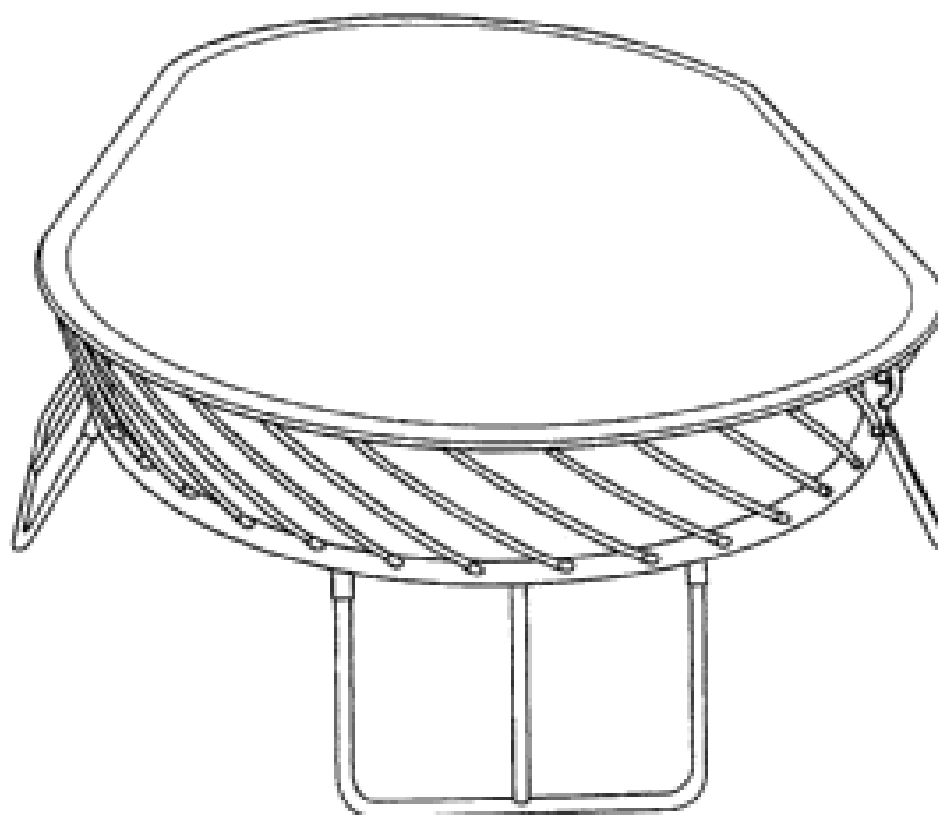
(45) Registration Date: **28 November 2006**

(30) Convention priority data:

(31) Number	(32) Date	(33) Country
407993	11 Aug 2006	NEW ZEALAND

(56) Related Art Documents: **Not Applicable**

(57) Statement of Newness and Distinctiveness: **The novelty claimed for the design resides in the features of shape and/or configuration of the trampolines having two straight sides and two regularly or irregularly curved ends or other sides all as shown in the representations and particularly in the plan views, excluding the shape and configuration of the support frame and legs of the trampolines which do not form part of the design.**



(21) Design Number: **14667/2006**

(22) Date of Filing Application: **18 August 2006**

(24) Date from which industrial property rights may have effect: **18 August 2006**

(54) Product in respect of which the design is registered: **A trampoline**

(51) International Design Classification: **21-02F**

(71) Name(s) and Address(s) of Applicant(s):

**Board & Batten International Inc
Harbour Centre 4th Floor North Church Street Georgetown Cayman
Islands**

(72) Name(s) of Designer(s): **Keith Vivian Alexander**

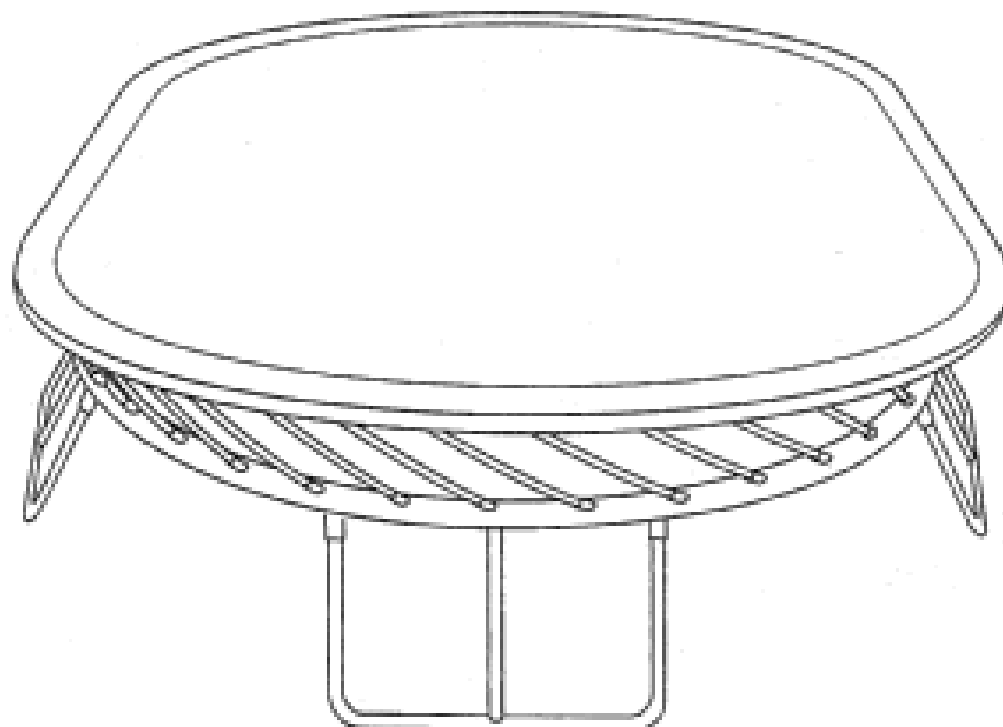
(45) Registration Date: **28 November 2006**

(30) Convention priority data:

(31) Number	(32) Date	(33) Country
407993	11 Aug 2006	NEW ZEALAND

(56) Related Art Documents: **Not Applicable**

(57) Statement of Newness and Distinctiveness: **The novelty claimed for the design resides in the features of shape and/or configuration of the trampolines having two straight sides and two regularly or irregularly curved ends or other sides all as shown in the representations and particularly in the plan views, excluding the shape and configuration of the support frame and legs of the trampolines which do not form part of the design.**



(21) Design Number: 14668/2006

(22) Date of Filing Application: 18 August 2006

(24) Date from which industrial property rights may have effect: 18 August 2006

(54) Product in respect of which the design is registered: A trampoline

(51) International Design Classification: 21-02F

(71) Name(s) and Address(s) of Applicant(s):

Board & Batten International Inc
Harbour Centre 4th Floor North Church Street Georgetown Cayman Islands

(72) Name(s) of Designer(s): Keith Vivian Alexander

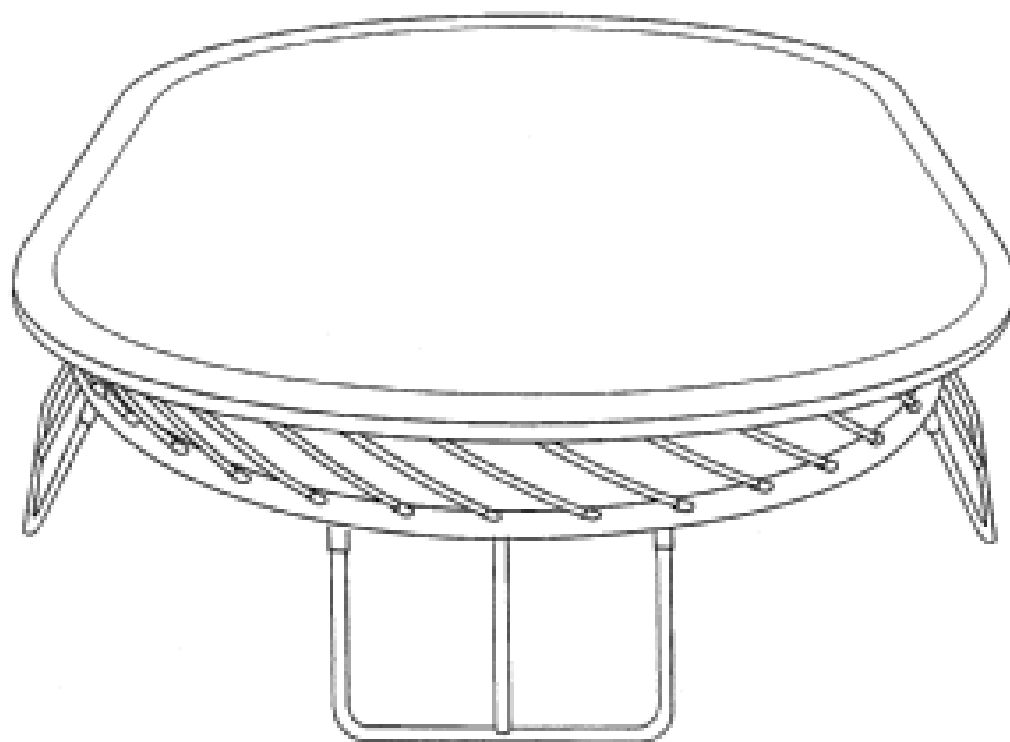
(45) Registration Date: 28 November 2006

(30) Convention priority data:

(31) Number	(32) Date	(33) Country
407993	11 Aug 2006	NEW ZEALAND

(56) Related Art Documents: Not Applicable

(57) Statement of Newness and Distinctiveness: **The novelty claimed for the design resides in the features of shape and/or configuration of the trampolines having two straight sides and two regularly or irregularly curved ends or other sides all as shown in the representations and particularly in the plan views, excluding the shape and configuration of the support frame and legs of the trampolines which do not form part of the design.**



(21) Design Number: 14669/2006

(22) Date of Filing Application: 18 August 2006

(24) Date from which industrial property rights may have effect: 18 August 2006

(54) Product in respect of which the design is registered: A trampoline

(51) International Design Classification: 21-02F

(71) Name(s) and Address(s) of Applicant(s):

Board & Batten International Inc
Harbour Centre 4th Floor North Church Street Georgetown Cayman Islands

(72) Name(s) of Designer(s): Keith Vivian Alexander

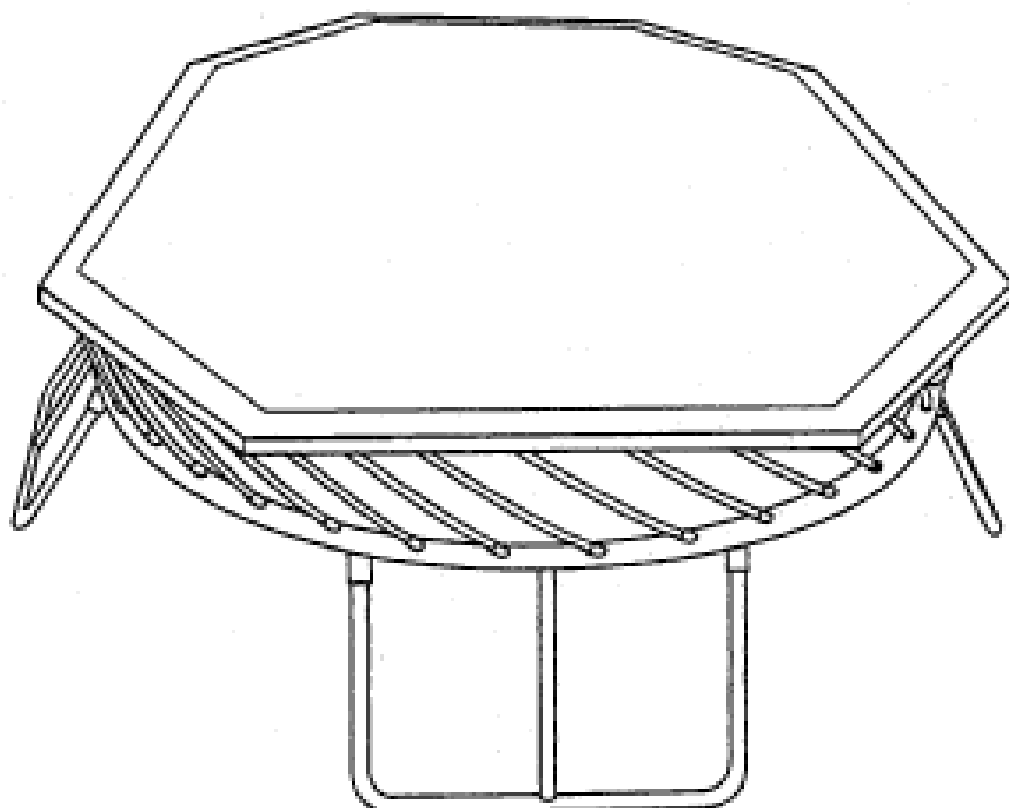
(45) Registration Date: 28 November 2006

(30) Convention priority data:

(31) Number	(32) Date	(33) Country
407993	11 Aug 2006	NEW ZEALAND

(56) Related Art Documents: Not Applicable

(57) Statement of Newness and Distinctiveness: **The novelty claimed for the design resides in the features of shape and/or configuration of the trampolines having two straight sides and two regularly or irregularly curved ends or other sides all as shown in the representations and particularly in the plan views, excluding the shape and configuration of the support frame and legs of the trampolines which do not form part of the design.**



(21) Design Number: 14670/2006

(22) Date of Filing Application: 18 August 2006

(24) Date from which industrial property rights may have effect: 18 August 2006

(54) Product in respect of which the design is registered: A trampoline

(51) International Design Classification: 21-02F

(71) Name(s) and Address(s) of Applicant(s):

Board & Batten International Inc
Harbour Centre 4th Floor North Church Street Georgetown Cayman Islands

(72) Name(s) of Designer(s): Keith Vivian Alexander

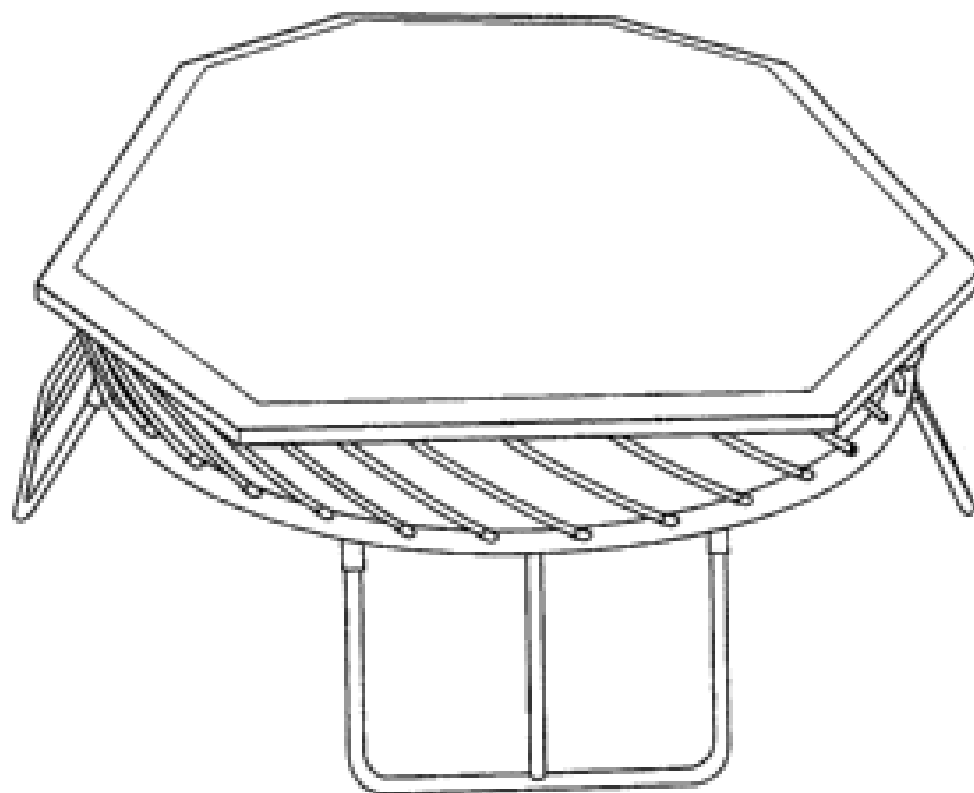
(45) Registration Date: 28 November 2006

(30) Convention priority data:

(31) Number	(32) Date	(33) Country
407993	11 Aug 2006	NEW ZEALAND

(56) Related Art Documents: Not Applicable

(57) Statement of Newness and Distinctiveness: **The novelty claimed for the design resides in the features of shape and/or configuration of the trampolines having two straight sides and two regularly or irregularly curved ends or other sides all as shown in the representations and particularly in the plan views, excluding the shape and configuration of the support frame and legs of the trampolines which do not form part of the design.**



(21) Design Number: 14671/2006

(22) Date of Filing Application: 18 August 2006

(24) Date from which industrial property rights may have effect: 18 August 2006

(54) Product in respect of which the design is registered: A trampoline

(51) International Design Classification: 21-02F

(71) Name(s) and Address(s) of Applicant(s):

Board & Batten International Inc
Harbour Centre 4th Floor North Church Street Georgetown Cayman Islands

(72) Name(s) of Designer(s): Keith Vivian Alexander

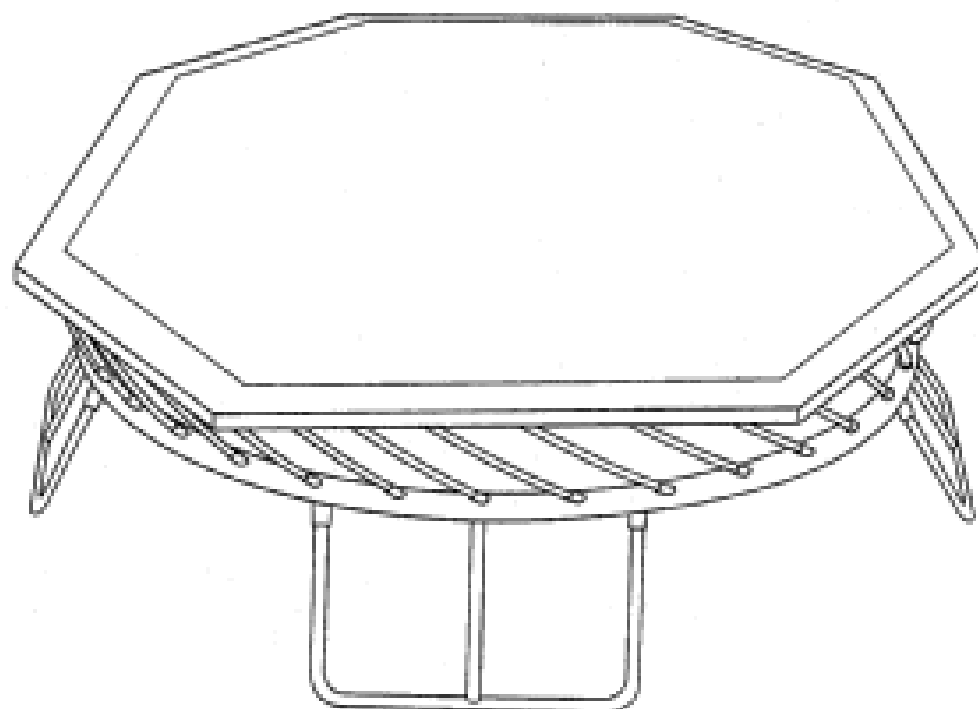
(45) Registration Date: 28 November 2006

(30) Convention priority data:

(31) Number	(32) Date	(33) Country
407993	11 Aug 2006	NEW ZEALAND

(56) Related Art Documents: Not Applicable

(57) Statement of Newness and Distinctiveness: **The novelty claimed for the design resides in the features of shape and/or configuration of the trampolines having two straight sides and two regularly or irregularly curved ends or other sides all as shown in the representations and particularly in the plan views, excluding the shape and configuration of the support frame and legs of the trampolines which do not form part of the design.**



(21) Design Number: **14672/2006**

(22) Date of Filing Application: **18 August 2006**

(24) Date from which industrial property rights may have effect: **18 August 2006**

(54) Product in respect of which the design is registered: **A trampoline**

(51) International Design Classification: **21-02F**

(71) Name(s) and Address(s) of Applicant(s):

**Board & Batten International Inc
Harbour Centre 4th Floor North Church Street Georgetown Cayman
Islands**

(72) Name(s) of Designer(s): **Keith Vivian Alexander**

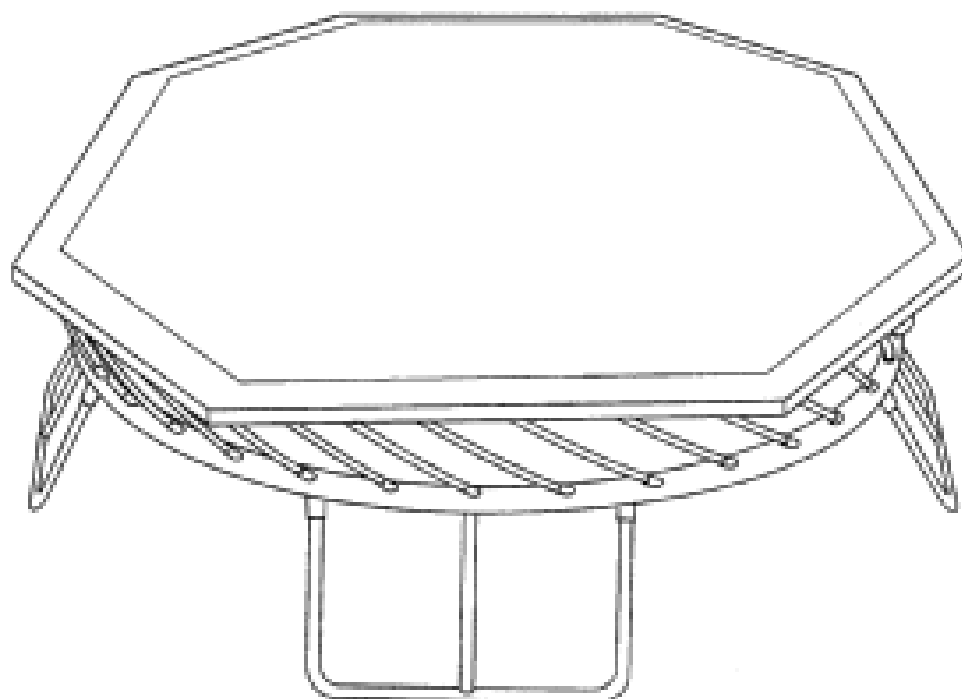
(45) Registration Date: **28 November 2006**

(30) Convention priority data:

(31) Number	(32) Date	(33) Country
407993	11 Aug 2006	NEW ZEALAND

(56) Related Art Documents: **Not Applicable**

(57) Statement of Newness and Distinctiveness: **The novelty claimed for the design resides in the features of shape and/or configuration of the trampolines having two straight sides and two regularly or irregularly curved ends or other sides all as shown in the representations and particularly in the plan views, excluding the shape and configuration of the support frame and legs of the trampolines which do not form part of the design.**



(21) Design Number: **13853/2006**

(22) Date of Filing Application: **28 August 2006**

(24) Date from which industrial property rights may have effect: **28 August 2006**

(54) Product in respect of which the design is registered: **Clip for a wig**

(51) International Design Classification: **28-04, 28-03NES**

(71) Name(s) and Address(s) of Applicant(s):

**Aderans Co., Ltd.
6-3 Shinjuku 1-chome Shinjuku-ku Tokyo 160-8429 Japan**

(72) Name(s) of Designer(s): **Kazuhiro Umezu and Yoshimi Sasaki and
Tetsuhiro Matsuda**

(45) Registration Date: **28 November 2006**

(30) Convention priority data:

(31) Number	(32) Date	(33) Country
2006-4684	27 Feb 2006	JAPAN

(56) Related Art Documents: **Not Applicable**

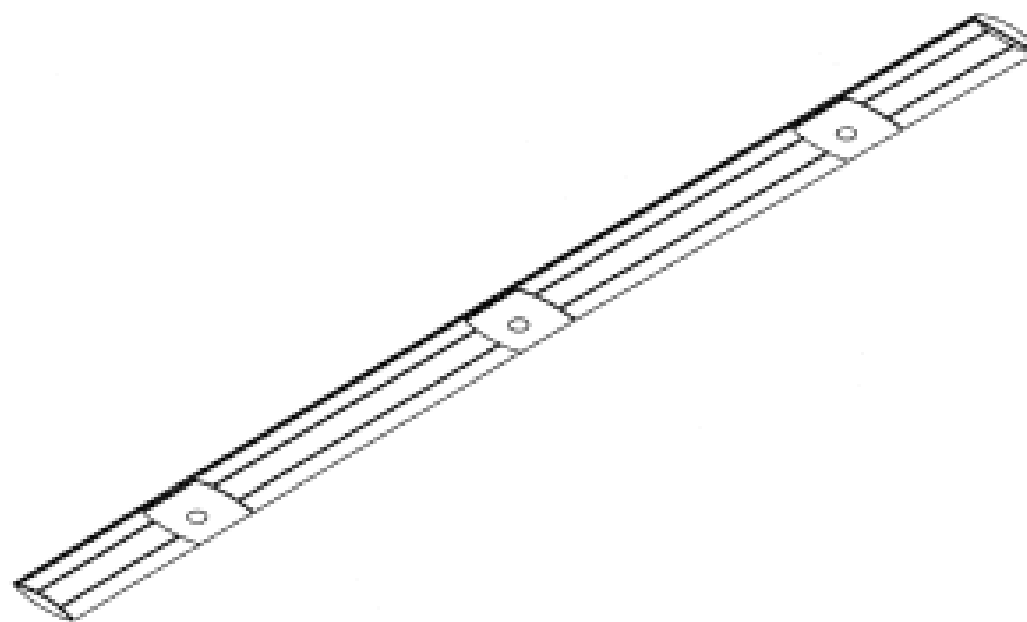
(57) Statement of Newness and Distinctiveness: **Newness and distinctiveness reside in the features of the design as shown in the representations.**



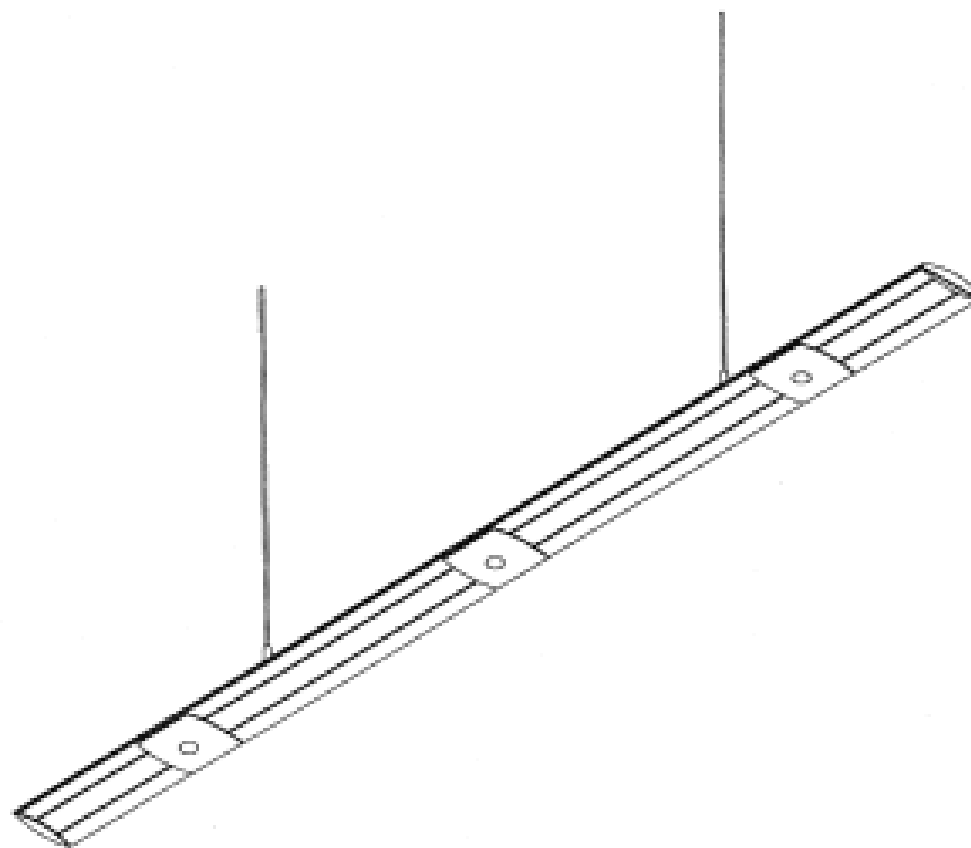
- (21) Design Number: **13854/2006**
(22) Date of Filing Application: **28 August 2006**
(24) Date from which industrial property rights may have effect: **28 August 2006**
(54) Product in respect of which the design is registered: **Clip for a wig**
(51) International Design Classification: **28-04, 28-03C**
(71) Name(s) and Address(s) of Applicant(s):
Aderans Co., Ltd.
6-3 Shinjuku 1-chome Shinjuku-ku Tokyo 160-8429 Japan
(72) Name(s) of Designer(s): **Kazuhiro Umezu and Yoshimi Sasaki and Tetsuhiro Matsuda**
(45) Registration Date: **28 November 2006**
(30) Convention priority data:
(31) Number (32) Date (33) Country
2006-6848 17 Mar 2006 JAPAN
(56) Related Art Documents: **Not Applicable**
(57) Statement of Newness and Distinctiveness: **Newness and distinctiveness reside in particular in the appearance of the two projections which protrude from each lateral side of the clip each of which defines a circular aperture.**



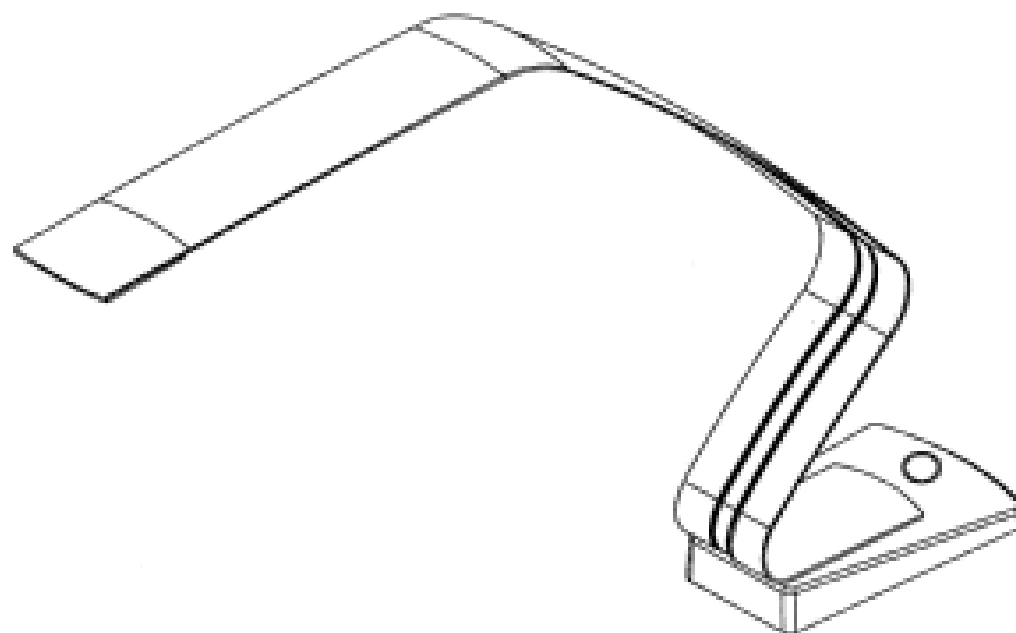
- (21) Design Number: **14450/2006**
(22) Date of Filing Application: **03 October 2006**
(24) Date from which industrial property rights may have effect: **03 October 2006**
(54) Product in respect of which the design is registered: **Ceiling light**
(51) International Design Classification: **26-05NES**
(71) Name(s) and Address(s) of Applicant(s):
Osram GmbH
Hellabrunner Strasse 1, D-81543 Munich, Germany
(72) Name(s) of Designer(s): **Robert Wolf and Jurgen Komar**
(45) Registration Date: **28 November 2006**
(30) Convention priority data:
(31) Number (32) Date (33) Country
000516893 06 Apr 2006 EUROPEAN COMMUNITY
(56) Related Art Documents: **Not Applicable**
(57) Statement of Newness and Distinctiveness: **Nil**



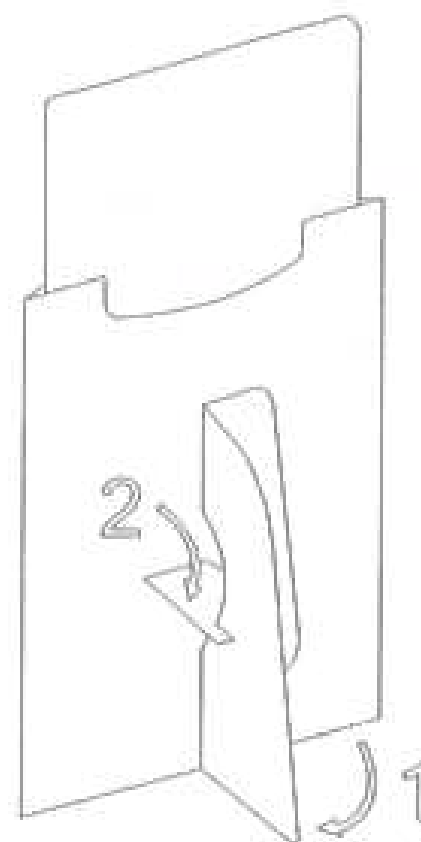
(21) Design Number: **14451/2006**
(22) Date of Filing Application: **03 October 2006**
(24) Date from which industrial property rights may have effect: **03 October 2006**
(54) Product in respect of which the design is registered: **Ceiling light**
(51) International Design Classification: **26-05NES**
(71) Name(s) and Address(s) of Applicant(s):
Osram GmbH
Hellabrunner Strasse 1 D-81543 Munich Germany
(72) Name(s) of Designer(s): **Robert Wolf and Jurgen Komar**
(45) Registration Date: **28 November 2006**
(30) Convention priority data:
(31) Number (32) Date (33) Country
000516893 06 Apr 2006 EUROPEAN COMMUNITY
(56) Related Art Documents: **Not Applicable**
(57) Statement of Newness and Distinctiveness: **Nil**



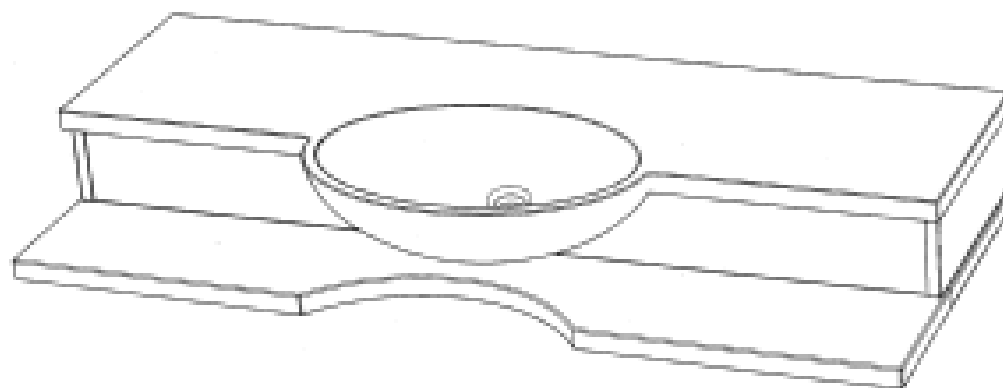
(21) Design Number: **14452/2006**
(22) Date of Filing Application: **03 October 2006**
(24) Date from which industrial property rights may have effect: **03 October 2006**
(54) Product in respect of which the design is registered: **Table lamp**
(51) International Design Classification: **26-05B**
(71) Name(s) and Address(s) of Applicant(s):
Osram GmbH
Hellabrunner Strasse 1 D-81543 Munich Germany
(72) Name(s) of Designer(s): **Robert Wolf and Jurgen Komar**
(45) Registration Date: **28 November 2006**
(30) Convention priority data:
(31) Number (32) Date (33) Country
000516869 05 Apr 2006 EUROPEAN COMMUNITY
(56) Related Art Documents: **Not Applicable**
(57) Statement of Newness and Distinctiveness: **Nil**



- (21) Design Number: **14471/2006**
- (22) Date of Filing Application: **28 September 2006**
- (24) Date from which industrial property rights may have effect: **28 September 2006**
- (54) Product in respect of which the design is registered: **Self standing gift card**
- (51) International Design Classification: **19-01**
- (71) Name(s) and Address(s) of Applicant(s):
Nathan Adamowicz
67 Dolphin Avenue Mermaid Beach Queensland 4218 Australia
- (72) Name(s) of Designer(s): **Nathan Adamowicz**
- (45) Registration Date: **28 November 2006**
- (56) Related Art Documents: **Not Applicable**
- (57) Statement of Newness and Distinctiveness: **Self standing gift card with removable insert to write messages on. Fold out arm on the back to support the card as free standing.**



- (21) Design Number: **14765/2006**
- (22) Date of Filing Application: **20 October 2006**
- (24) Date from which industrial property rights may have effect: **20 October 2006**
- (54) Product in respect of which the design is registered: **Vanity unit top**
- (51) International Design Classification: **23-02F**
- (71) Name(s) and Address(s) of Applicant(s):
Sandro Iuliano
43 Malpas Street Rostrevor South Australia 5073 Australia
- (72) Name(s) of Designer(s): **Sandro Iuliano**
- (45) Registration Date: **28 November 2006**
- (56) Related Art Documents: **Not Applicable**
- (57) Statement of Newness and Distinctiveness: **Nil**



(21) Design Number: **15501/2005**
 (22) Date of Filing Application: **12 December 2005**
 (24) Date from which industrial property rights may have effect: **12 December 2005**
 (54) Product in respect of which the design is registered: **Garment**
 (51) International Design Classification: **02-02NES**
 (71) Name(s) and Address(s) of Applicant(s):

Diana L. Erland
Laguna Beach California United States of America

(72) Name(s) of Designer(s): **Diana L. Erland**

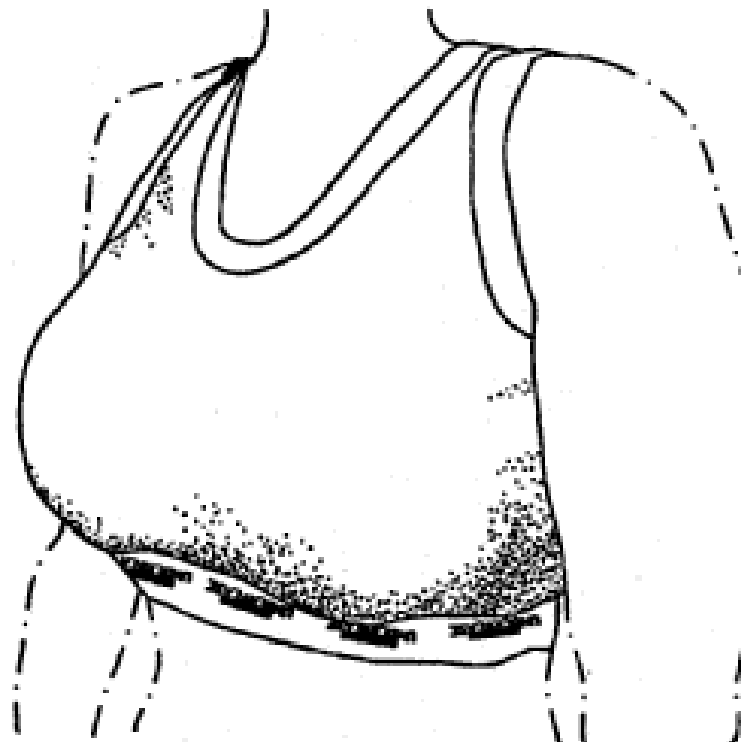
(45) Registration Date: **28 November 2006**

(30) Convention priority data:

(31) Number	(32) Date	(33) Country
29/231,873	10 Jun 2005	UNITED STATES OF AMERICA

(56) Related Art Documents: **Not Applicable**

(57) Statement of Newness and Distinctiveness: **Newness and distinctiveness are provided by the shape and/or configuration of the design shown in the representations. The features shown in broken lines in the representations are for illustrative purposes only and should not be considered when construing visual features of the design. In considering the scope of the newness protection any indicia on the garment is to be disregarded.**



(21) Design Number: **14788/2006**
 (22) Date of Filing Application: **12 December 2005**
 (24) Date from which industrial property rights may have effect: **12 December 2005**
 (54) Product in respect of which the design is registered: **Garment**
 (51) International Design Classification: **02-02NES**
 (71) Name(s) and Address(s) of Applicant(s):

Diana L. Erland
Laguna Beach California United States of America

(72) Name(s) of Designer(s): **Diana L. Erland**

(45) Registration Date: **28 November 2006**

(30) Convention priority data:

(31) Number	(32) Date	(33) Country
29/231,873	10 Jun 2005	UNITED STATES OF AMERICA

(56) Related Art Documents: **Not Applicable**

(57) Statement of Newness and Distinctiveness: **Newness and distinctiveness are provided by the shape and/or configuration of the design shown in the representations. The features shown in broken lines in the representations are for illustrative purposes only and should not be considered when construing visual features of the design. In considering the scope of the newness protection any indicia on the garment is to be disregarded.**



- (21) Design Number: **14789/2006**
- (22) Date of Filing Application: **12 December 2005**
- (24) Date from which industrial property rights may have effect: **12 December 2005**
- (54) Product in respect of which the design is registered: **Garment**
- (51) International Design Classification: **02-02NES**
- (71) Name(s) and Address(s) of Applicant(s):

Diana L. Erland
Laguna Beach California United States of America

(72) Name(s) of Designer(s): **Diana L. Erland**

(45) Registration Date: **28 November 2006**

(30) Convention priority data:

(31) Number	(32) Date	(33) Country
29/231,873	10 Jun 2005	UNITED STATES OF AMERICA

(56) Related Art Documents: **Not Applicable**

(57) Statement of Newness and Distinctiveness: **Newness and distinctiveness are provided by the shape and/or configuration of the design shown in the representations. The features shown in broken lines in the representations are for illustrative purposes only and should not be considered when construing visual features of the design. In considering the scope of the newness protection any indicia on the garment is to be disregarded.**



- (21) Design Number: **14790/2006**
- (22) Date of Filing Application: **12 December 2005**
- (24) Date from which industrial property rights may have effect: **12 December 2005**
- (54) Product in respect of which the design is registered: **Garment**
- (51) International Design Classification: **02-02NES**
- (71) Name(s) and Address(s) of Applicant(s):

Diana L. Erland
Laguna Beach California United States of America

(72) Name(s) of Designer(s): **Diana L. Erland**

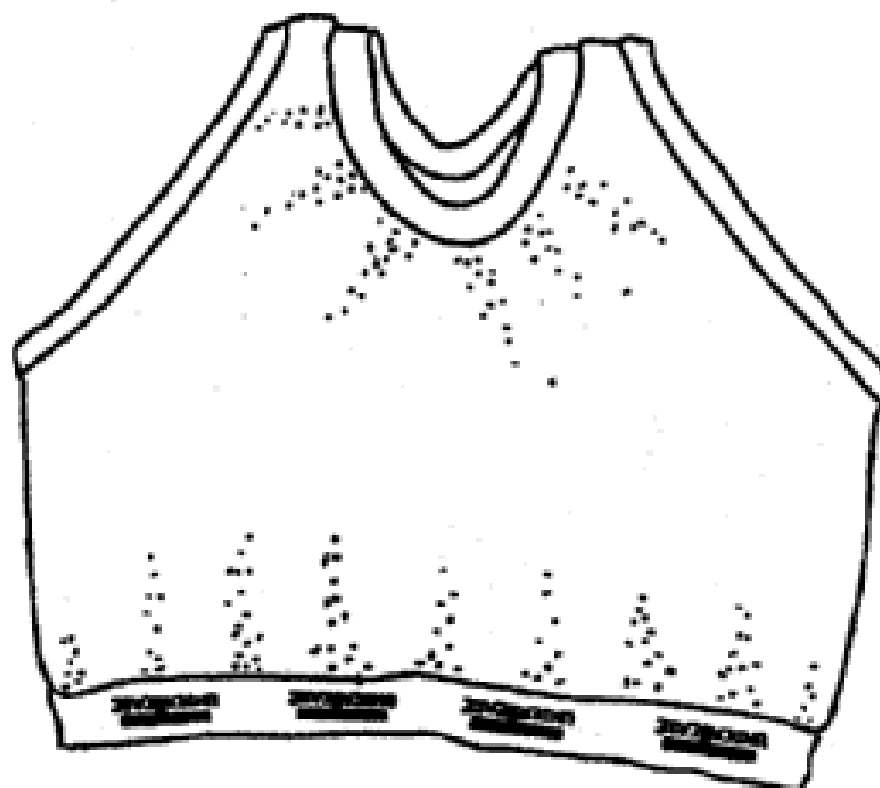
(45) Registration Date: **28 November 2006**

(30) Convention priority data:

(31) Number	(32) Date	(33) Country
29/231,873	10 Jun 2005	UNITED STATES OF AMERICA

(56) Related Art Documents: **Not Applicable**

(57) Statement of Newness and Distinctiveness: **Newness and distinctiveness are provided by the shape and/or configuration of the design shown in the representations. The features shown in broken lines in the representations are for illustrative purposes only and should not be considered when construing visual features of the design. In considering the scope of the newness protection any indicia on the garment is to be disregarded.**



(21) Design Number: **14791/2006**
 (22) Date of Filing Application: **12 December 2005**
 (24) Date from which industrial property rights may have effect: **12 December 2005**
 (54) Product in respect of which the design is registered: **Garment**
 (51) International Design Classification: **02-02NES**
 (71) Name(s) and Address(s) of Applicant(s):

Diana L. Erland
Laguna Beach California United States of America

(72) Name(s) of Designer(s): **Diana L. Erland**

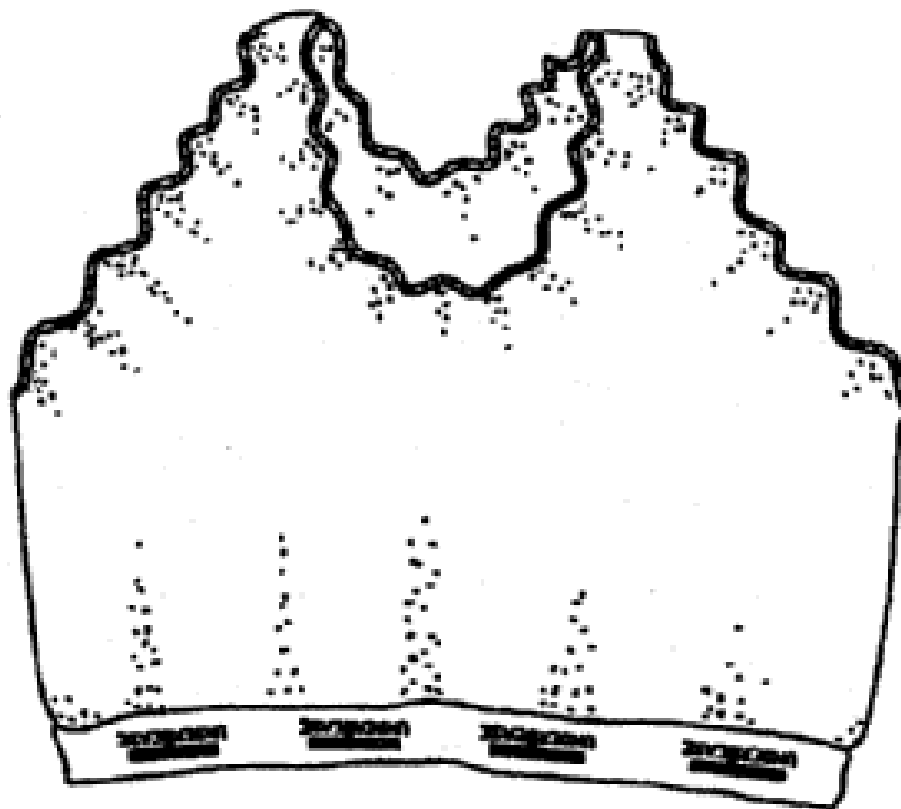
(45) Registration Date: **28 November 2006**

(30) Convention priority data:

(31) Number	(32) Date	(33) Country
29/231,873	10 Jun 2005	UNITED STATES OF AMERICA

(56) Related Art Documents: **Not Applicable**

(57) Statement of Newness and Distinctiveness: **Newness and distinctiveness are provided by the shape and/or configuration of the design shown in the representations. The features shown in broken lines in the representations are for illustrative purposes only and should not be considered when construing visual features of the design. In considering the scope of the newness protection any indicia on the garment is to be disregarded.**



(21) Design Number: **12881/2006**
 (22) Date of Filing Application: **06 July 2006**
 (24) Date from which industrial property rights may have effect: **06 July 2006**
 (54) Product in respect of which the design is registered: **Tomato and herb planter**
 (51) International Design Classification: **11-02B**
 (71) Name(s) and Address(s) of Applicant(s):

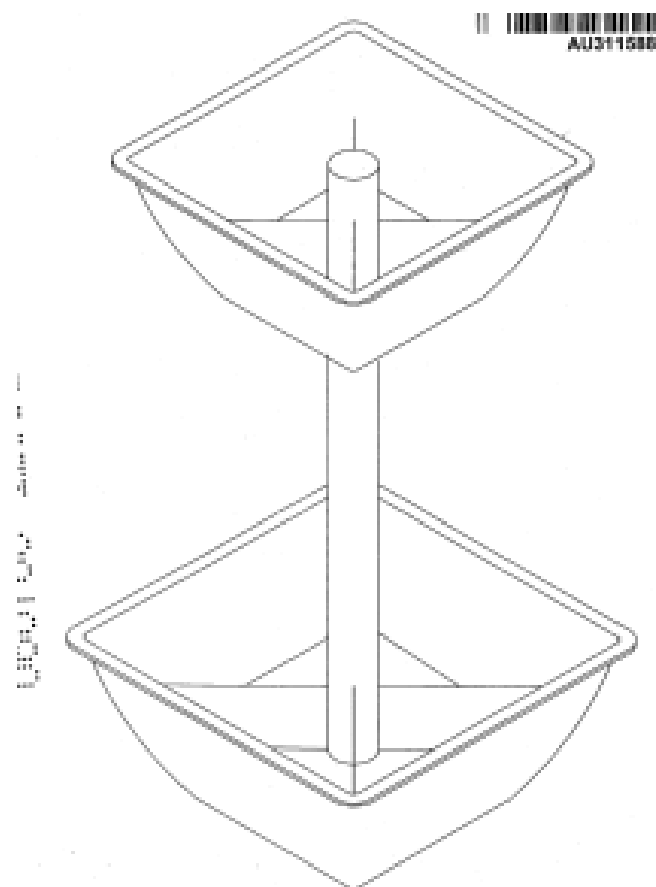
Solutions Sourcing Pty Ltd
Solutions Sourcing Pty Ltd 108 Lexton Street BALLARAT VIC 3350

(72) Name(s) of Designer(s): **Beau O'Donohue and Steve Beckett**

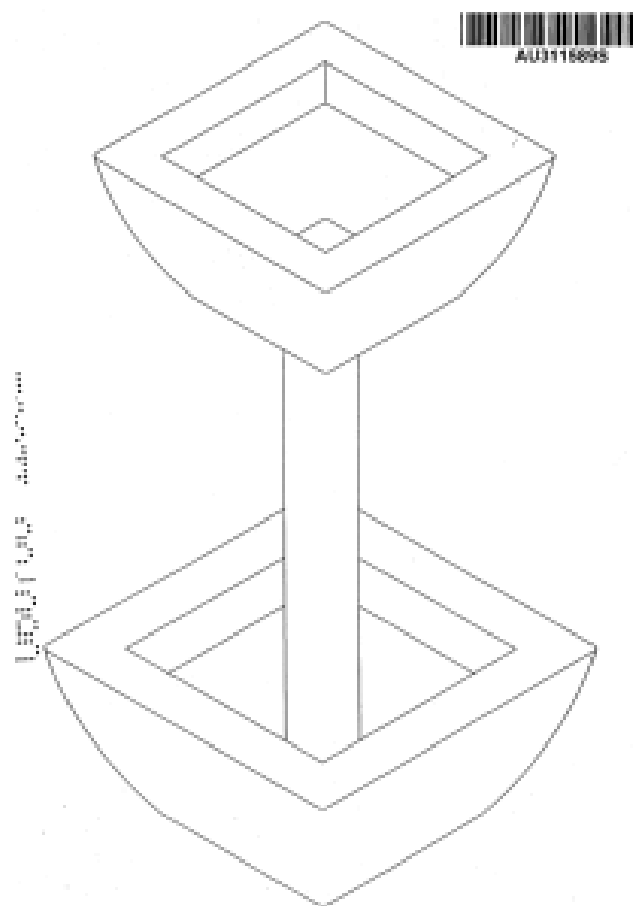
(45) Registration Date: **28 November 2006**

(56) Related Art Documents: **Not Applicable**

(57) Statement of Newness and Distinctiveness: **Nil**



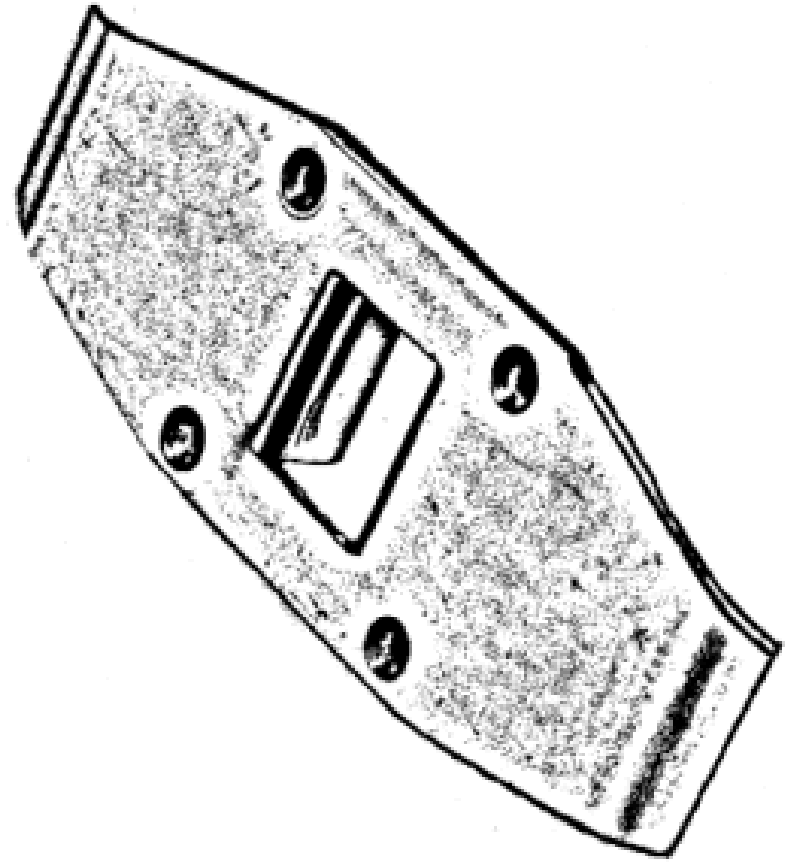
- (21) Design Number: **12882/2006**
- (22) Date of Filing Application: **06 July 2006**
- (24) Date from which industrial property rights may have effect: **06 July 2006**
- (54) Product in respect of which the design is registered: **Tomato and herb planter**
- (51) International Design Classification: **11-02B**
- (71) Name(s) and Address(s) of Applicant(s):
Solutions Sourcing Pty Ltd
Solutions Sourcing Pty Ltd 108 Lexton Street BALLARAT VIC 3350
- (72) Name(s) of Designer(s): **Beau O'Donohue and Steve Beckett**
- (45) Registration Date: **28 November 2006**
- (56) Related Art Documents: **Not Applicable**
- (57) Statement of Newness and Distinctiveness: **Nil**



- (21) Design Number: **13981/2006**
- (22) Date of Filing Application: **05 September 2006**
- (24) Date from which industrial property rights may have effect: **05 September 2006**
- (54) Product in respect of which the design is registered: **Canopy**
- (51) International Design Classification: **12-16B**
- (71) Name(s) and Address(s) of Applicant(s):
Hugo Woof Pty Ltd
No. 6 Darriwell Drive Mt. Helen Victoria 3350 Australia
- (72) Name(s) of Designer(s): **Tony Cluff**
- (45) Registration Date: **28 November 2006**
- (56) Related Art Documents: **Not Applicable**
- (57) Statement of Newness and Distinctiveness: **The newness and distinctiveness applies only to the visual appearance of the canopy attachment not to that of the vehicle.**



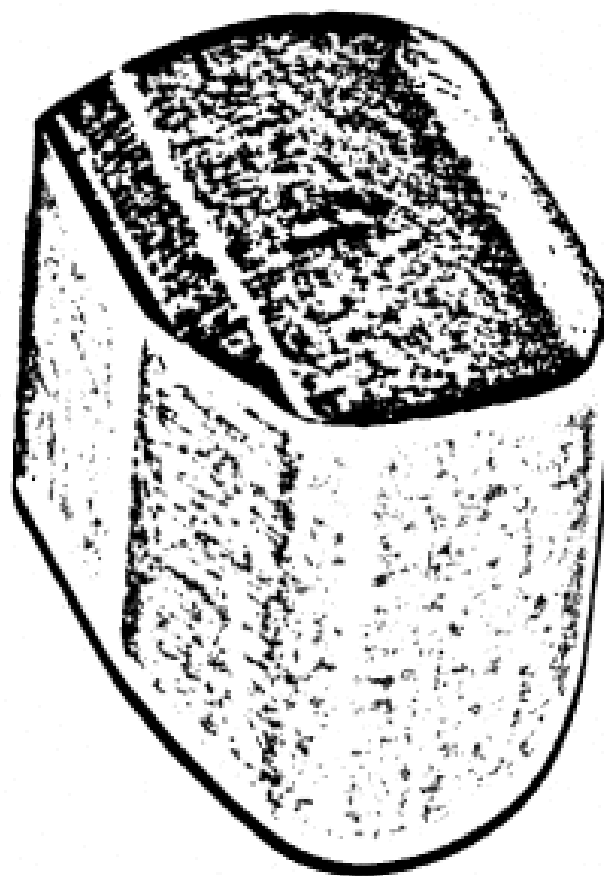
- (21) Design Number: **11465/2006**
(22) Date of Filing Application: **11 April 2006**
(24) Date from which industrial property rights may have effect: **11 April 2006**
(54) Product in respect of which the design is registered: **A latch assembly**
(51) International Design Classification: **08-07**
(71) Name(s) and Address(s) of Applicant(s):
Smart Door and Window Solutions Pty. Limited
PO Box 373 Charlestown New South Wales 2290 Australia
(72) Name(s) of Designer(s): **David John Ashard and Thorston Kohl and Gerhard Kohl**
(45) Registration Date: **28 November 2006**
(56) Related Art Documents: **Not Applicable**
(57) Statement of Newness and Distinctiveness: **Nil**



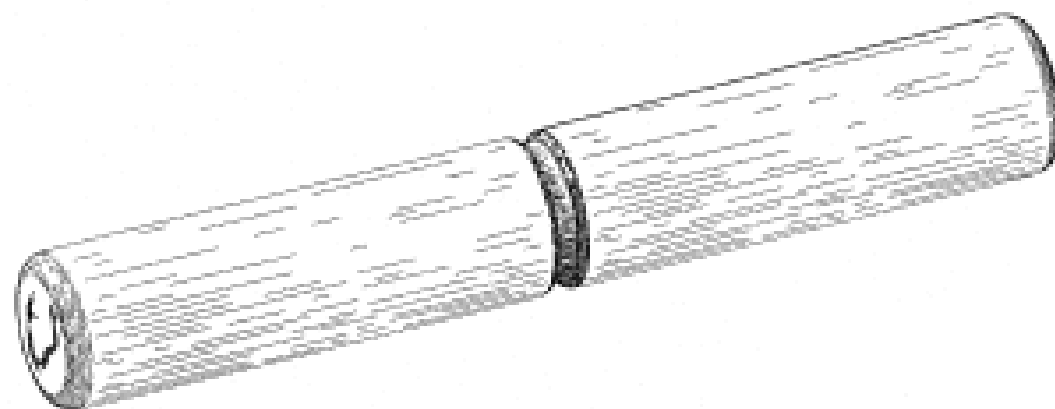
- (21) Design Number: **13204/2006**
(22) Date of Filing Application: **24 July 2006**
(24) Date from which industrial property rights may have effect: **29 November 2005**
(54) Product in respect of which the design is registered: **Various photograph frames, a mini photograph frame, a mirror frame, various decorative plaques, a letter holder, a card**
(51) International Design Classification: **06-07, 11-02F, 11-02NES**
(71) Name(s) and Address(s) of Applicant(s):
Splosh Australia Pty Ltd
49-51 Parramatta Road Underwood Queensland 4119 Australia
(72) Name(s) of Designer(s): **Kim Kendall**
(45) Registration Date: **28 November 2006**
(62) Divisional of: **311091**
(56) Related Art Documents: **Not Applicable**
(57) Statement of Newness and Distinctiveness: **The Frangipani Beach Hut Design is used to give the Frangipani Beach Hut homewares an original and distinctive appearance.**



(21) Design Number: **14408/2006**
(22) Date of Filing Application: **11 April 2006**
(24) Date from which industrial property rights may have effect: **11 April 2006**
(54) Product in respect of which the design is registered: **A latch assembly**
(51) International Design Classification: **08-07**
(71) Name(s) and Address(s) of Applicant(s):
David John Ashard
32 Excalibur Parade Valentine New South Wales 2282 Australia
(72) Name(s) of Designer(s): **David John Ashard and Thorston Kohl and Gerhard Kohl**
(45) Registration Date: **28 November 2006**
(56) Related Art Documents: **Not Applicable**
(57) Statement of Newness and Distinctiveness: **Nil**



(21) Design Number: **14559/2006**
(22) Date of Filing Application: **11 October 2006**
(24) Date from which industrial property rights may have effect: **11 October 2006**
(54) Product in respect of which the design is registered: **Apparatus for therapeutic exercises, foam roller for therapeutic exercises**
(51) International Design Classification: **24-01**
(71) Name(s) and Address(s) of Applicant(s):
Thomas Andrew Fink
3136 Indian Ripple Road Dayton Ohio 45440 United States of America
(72) Name(s) of Designer(s): **Thomas Andrew Fink**
(45) Registration Date: **28 November 2006**
(30) Convention priority data:
(31) Number (32) Date (33) Country
29/257,807 11 Apr 2006 UNITED STATES OF AMERICA
(56) Related Art Documents: **Not Applicable**
(57) Statement of Newness and Distinctiveness: **Nil**



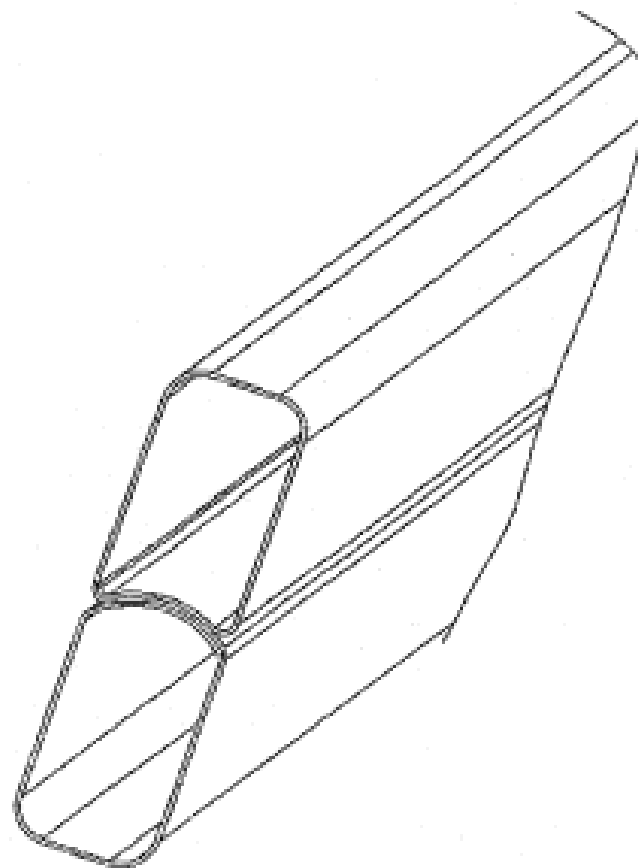
- (21) Design Number: **14571/2006**
(22) Date of Filing Application: **11 October 2006**
(24) Date from which industrial property rights may have effect: **11 October 2006**
(54) Product in respect of which the design is registered: **Actuator cap**
(51) International Design Classification: **09-07A**
(71) Name(s) and Address(s) of Applicant(s):
S.C. Johnson & Son, Inc.
1525 Howe Street Racine Wisconsin 53403-2236 United States of America
(72) Name(s) of Designer(s): **Dirk L. Nickel and Neil P. Williams and James A. Shoemaker and Kristoffer A. Knudson**
(45) Registration Date: **28 November 2006**
(30) Convention priority data:
(31) Number (32) Date (33) Country
29/246515 20 Apr 2006 UNITED STATES OF AMERICA
(56) Related Art Documents: **Not Applicable**
(57) Statement of Newness and Distinctiveness: **Newness and distinctiveness is claimed in those features of shape and/or configuration of an actuator cap illustrated in continuous lines in the accompanying representations.**



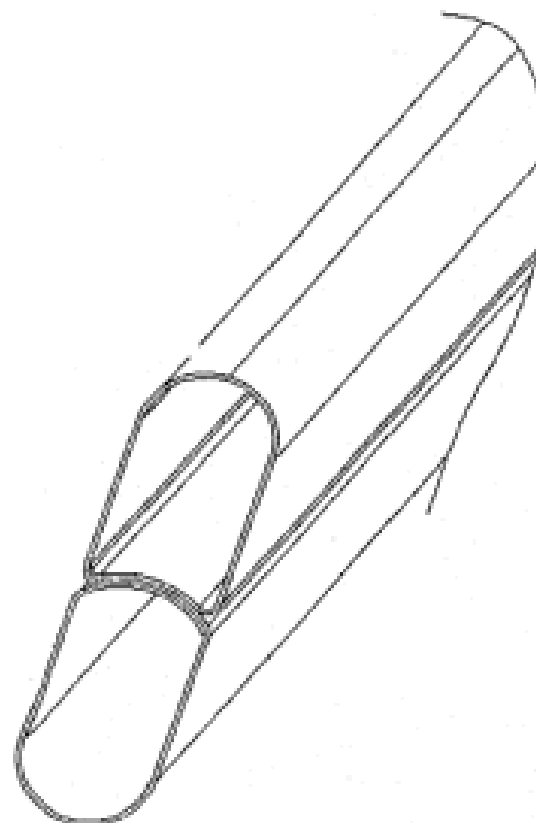
- (21) Design Number: **14577/2006**
(22) Date of Filing Application: **11 October 2006**
(24) Date from which industrial property rights may have effect: **11 October 2006**
(54) Product in respect of which the design is registered: **Bed**
(51) International Design Classification: **06-02**
(71) Name(s) and Address(s) of Applicant(s):
Van Horen Holdings Pty Ltd
19 John Street Lawson New South Wales 2783 Australia
(72) Name(s) of Designer(s): **Gerard Michael Van Horen and Stephen John Van Horen**
(45) Registration Date: **28 November 2006**
(56) Related Art Documents: **Not Applicable**
(57) Statement of Newness and Distinctiveness: **Nil**



- (21) Design Number: **14581/2006**
(22) Date of Filing Application: **12 October 2006**
(24) Date from which industrial property rights may have effect: **12 October 2006**
(54) Product in respect of which the design is registered: **A profiled section of indefinite length**
(51) International Design Classification: **25-01K**
(71) Name(s) and Address(s) of Applicant(s):
Gram Engineering Pty Limited
16-22 Cullen Place Smithfield New South Wales 2164 Australia
(72) Name(s) of Designer(s): **Ronald Mann**
(45) Registration Date: **28 November 2006**
(56) Related Art Documents: **Not Applicable**
(57) Statement of Newness and Distinctiveness: **Nil**



- (21) Design Number: **14582/2006**
(22) Date of Filing Application: **12 October 2006**
(24) Date from which industrial property rights may have effect: **12 October 2006**
(54) Product in respect of which the design is registered: **A profiled section of indefinite length**
(51) International Design Classification: **25-01K**
(71) Name(s) and Address(s) of Applicant(s):
Gram Engineering Pty Limited
16-22 Cullen Place Smithfield New South Wales 2164 Australia
(72) Name(s) of Designer(s): **Ronald Mann**
(45) Registration Date: **28 November 2006**
(56) Related Art Documents: **Not Applicable**
(57) Statement of Newness and Distinctiveness: **Nil**



(21) Design Number: **14591/2006**

(22) Date of Filing Application: **12 October 2006**

(24) Date from which industrial property rights may have effect: **12 October 2006**

(54) Product in respect of which the design is registered: **Lens for light fitting**

(51) International Design Classification: **26-04**

(71) Name(s) and Address(s) of Applicant(s):

**Brown & Watson International Pty Ltd
3 Millennium Court Knoxfield Victoria 3179 Australia**

(72) Name(s) of Designer(s): **Timothy Miller and Chris Fang**

(45) Registration Date: **28 November 2006**

(56) Related Art Documents: **Not Applicable**

(57) Statement of Newness and Distinctiveness: **Those features of the lens for light fitting depicted in the representations that are new and distinctive are the shape and/or configuration.**



(21) Design Number: **14592/2006**

(22) Date of Filing Application: **12 October 2006**

(24) Date from which industrial property rights may have effect: **12 October 2006**

(54) Product in respect of which the design is registered: **Light fitting**

(51) International Design Classification: **26-04**

(71) Name(s) and Address(s) of Applicant(s):

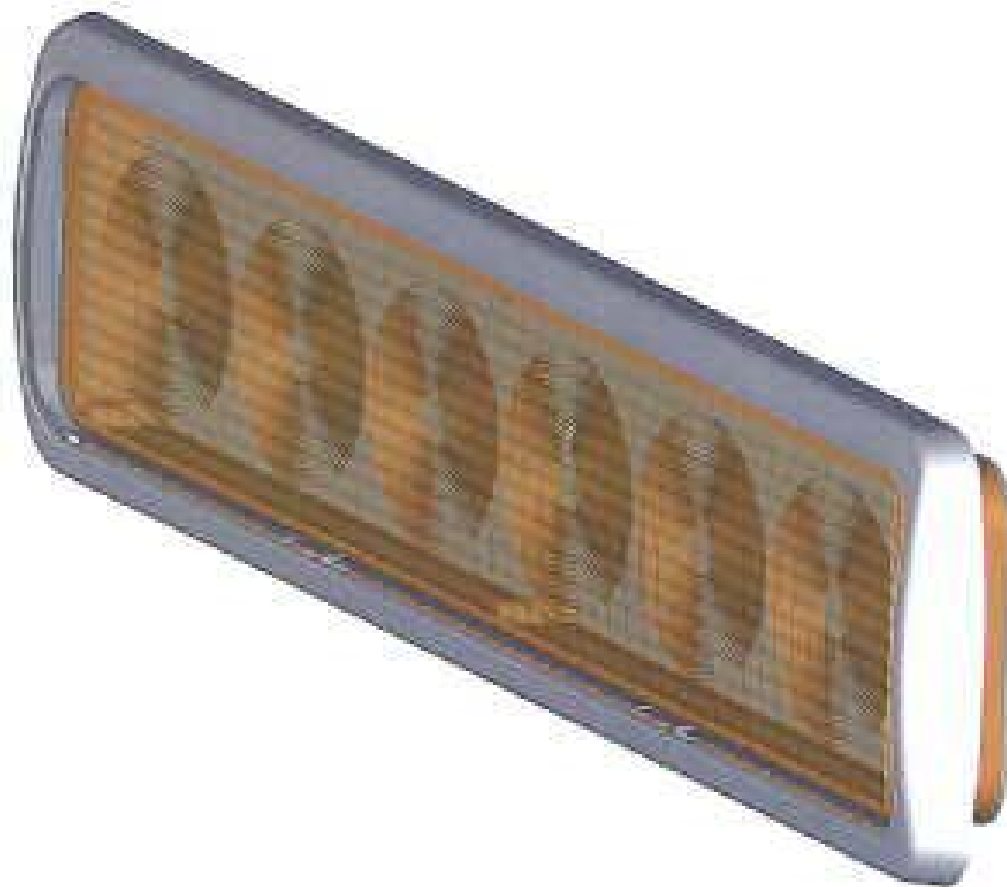
**Brown & Watson International Pty Ltd
3 Millennium Court Knoxfield Victoria 3179 Australia**

(72) Name(s) of Designer(s): **Timothy Miller and Chris Fang**

(45) Registration Date: **28 November 2006**

(56) Related Art Documents: **Not Applicable**

(57) Statement of Newness and Distinctiveness: **Those features of the light fitting depicted in the representations that are new and distinctive are the shape, configuration, pattern and/or ornamentation.**



(21) Design Number: **14594/2006**

(22) Date of Filing Application: **12 October 2006**

(24) Date from which industrial property rights may have effect: **12 October 2006**

(54) Product in respect of which the design is registered: **Microwave tray**

(51) International Design Classification: **07-02N**

(71) Name(s) and Address(s) of Applicant(s):

**Societe Des Produits Nestle S.A.
1800 Vevey Switzerland**

(72) Name(s) of Designer(s): **Rolland Lorbach**

(45) Registration Date: **28 November 2006**

(30) Convention priority data:

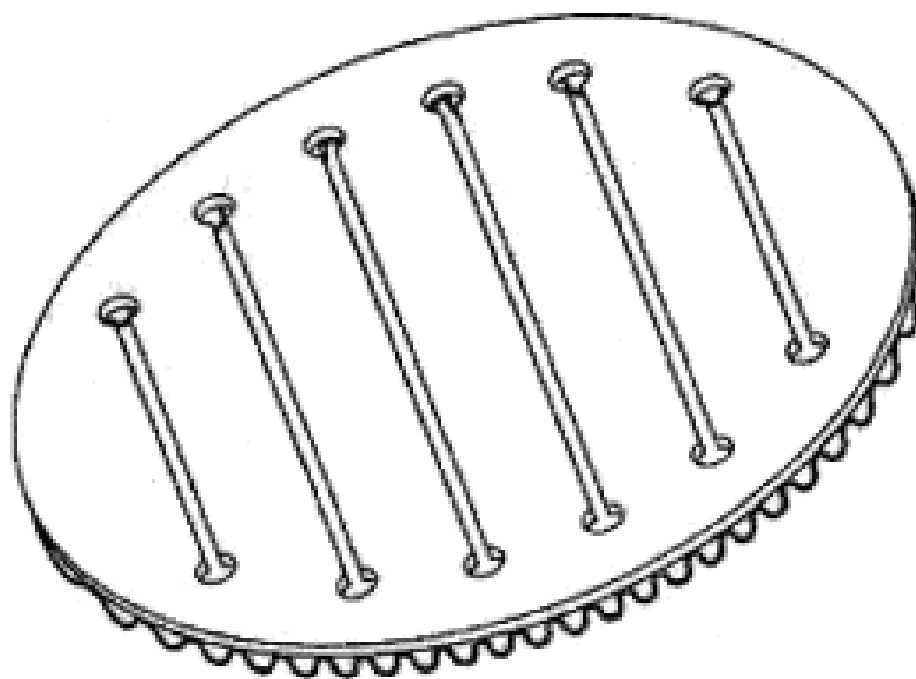
(31) Number
29/262648

(32) Date
07 Jul 2006

(33) Country
UNITED STATES OF AMERICA

(56) Related Art Documents: **Not Applicable**

(57) Statement of Newness and Distinctiveness: **Newness and distinctiveness reside in the shape and configuration of the top surface of the microwave tray as depicted in the accompanying representations. The features shown on the underside of the tray do not form part of the design and are not to be included when considering the monopoly claimed.**



(21) Design Number: **14595/2006**

(22) Date of Filing Application: **12 October 2006**

(24) Date from which industrial property rights may have effect: **12 October 2006**

(54) Product in respect of which the design is registered: **Vehicle mirror**

(51) International Design Classification: **12-16H**

(71) Name(s) and Address(s) of Applicant(s):

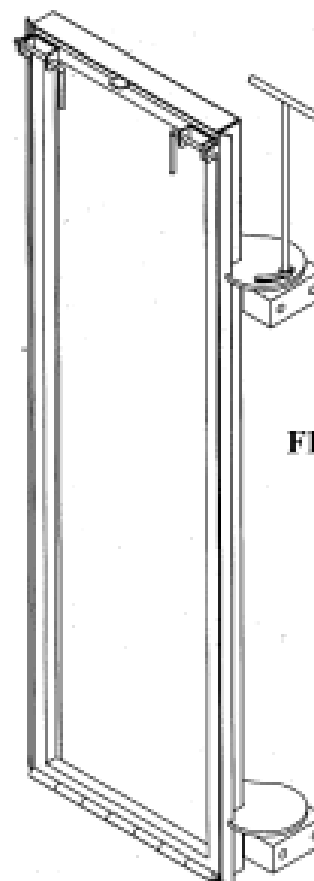
**Catherine Louise Constable
22 Wilson Street Musewellbrook New South Wales 2333 Australia**

(72) Name(s) of Designer(s): **Catherine Louise Constable**

(45) Registration Date: **28 November 2006**

(56) Related Art Documents: **Not Applicable**

(57) Statement of Newness and Distinctiveness: **Nil**



FIGU

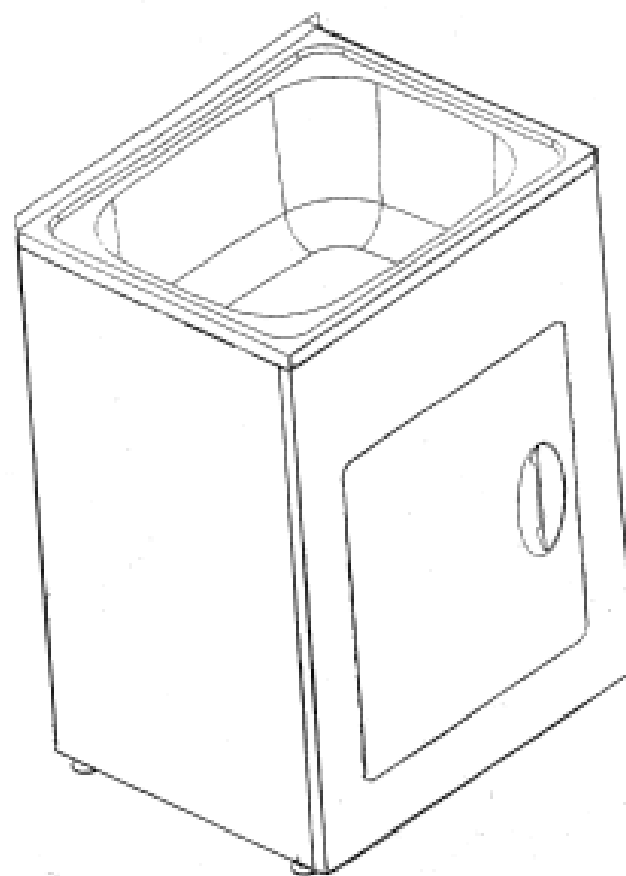
(21) Design Number: **14640/2006**
(22) Date of Filing Application: **13 October 2006**
(24) Date from which industrial property rights may have effect: **13 October 2006**
(54) Product in respect of which the design is registered: **Lamp**
(51) International Design Classification: **26-05D**
(71) Name(s) and Address(s) of Applicant(s):
Hartmut S. Engel
Monrepos Strasse 7 71634 Ludwigsburg Germany
(72) Name(s) of Designer(s): **Hartmut S. Engel**
(45) Registration Date: **28 November 2006**
(30) Convention priority data:
(31) Number (32) Date (33) Country
000526702 13 Apr 2006 EUROPEAN COMMUNITY
(56) Related Art Documents: **Not Applicable**
(57) Statement of Newness and Distinctiveness: **Nil**



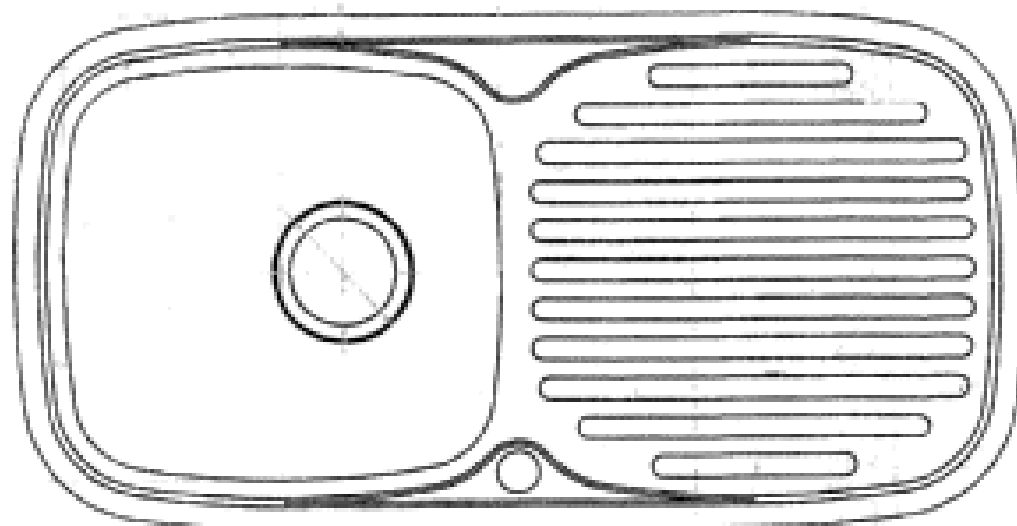
(21) Design Number: **14642/2006**
(22) Date of Filing Application: **16 October 2006**
(24) Date from which industrial property rights may have effect: **16 October 2006**
(54) Product in respect of which the design is registered: **Sink**
(51) International Design Classification: **23-02F**
(71) Name(s) and Address(s) of Applicant(s):
International Research & Marketing Corp Pty Ltd
21 North Terrace Burnie Tasmania 7320 Australia
(72) Name(s) of Designer(s): **Lloyd V. Campbell**
(45) Registration Date: **28 November 2006**
(56) Related Art Documents: **Not Applicable**
(57) Statement of Newness and Distinctiveness: **Top design.**



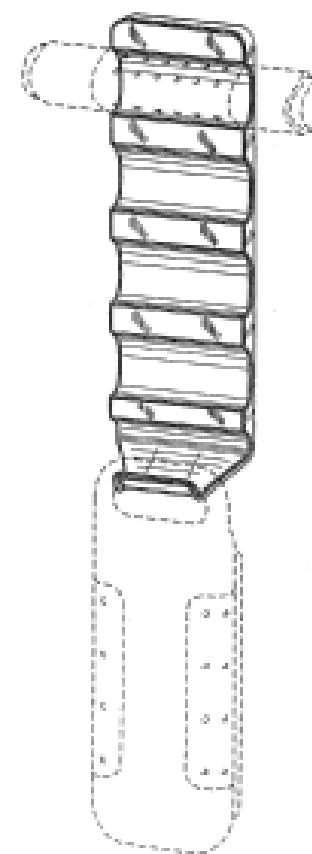
- (21) Design Number: **14643/2006**
- (22) Date of Filing Application: **16 October 2006**
- (24) Date from which industrial property rights may have effect: **16 October 2006**
- (54) Product in respect of which the design is registered: **Laundry cabinet & tub**
- (51) International Design Classification: **07-05B, 23-02F**
- (71) Name(s) and Address(s) of Applicant(s):
International Research & Marketing Corp Pty Ltd
21 North Terrace Burnie Tasmania 7320 Australia
- (72) Name(s) of Designer(s): **Lloyd Campbell**
- (45) Registration Date: **28 November 2006**
- (56) Related Art Documents: **Not Applicable**
- (57) Statement of Newness and Distinctiveness: **Design overall, handle style.**



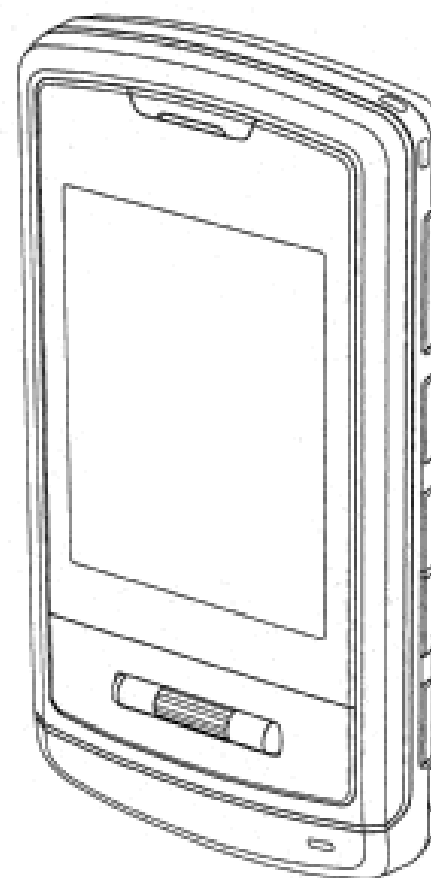
- (21) Design Number: **14644/2006**
- (22) Date of Filing Application: **16 October 2006**
- (24) Date from which industrial property rights may have effect: **16 October 2006**
- (54) Product in respect of which the design is registered: **Sink**
- (51) International Design Classification: **23-02F**
- (71) Name(s) and Address(s) of Applicant(s):
International Research & Marketing Corp Pty Ltd
21 North Terrace Burnie Tasmania 7320 Australia
- (72) Name(s) of Designer(s): **Lloyd Campbell**
- (45) Registration Date: **28 November 2006**
- (56) Related Art Documents: **Not Applicable**
- (57) Statement of Newness and Distinctiveness: **Style.**



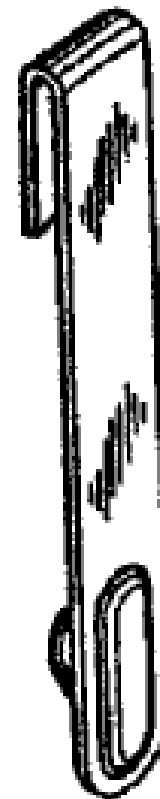
- (21) Design Number: **13615/2006**
(22) Date of Filing Application: **15 August 2006**
(24) Date from which industrial property rights may have effect: **15 August 2006**
(54) Product in respect of which the design is registered: **Holder for markers and eraser**
(51) International Design Classification: **19-02**
(71) Name(s) and Address(s) of Applicant(s):
OMX, Inc.
101 Convention Center Drive Suite 850 Las Vegas Nevada 89109
United States of America
(72) Name(s) of Designer(s): **Scott Ternovits**
(45) Registration Date: **28 November 2006**
(30) Convention priority data:
(31) Number (32) Date (33) Country
29/254048 15 Feb 2006 UNITED STATES OF AMERICA
(56) Related Art Documents: **Not Applicable**
(57) Statement of Newness and Distinctiveness: **Newness and distinctiveness is claimed in those features of shape and/or configuration of a holder for holding markers and an eraser illustrated in continuous lines in the accompanying representations.**



- (21) Design Number: **11486/2006**
(22) Date of Filing Application: **10 April 2006**
(24) Date from which industrial property rights may have effect: **10 April 2006**
(54) Product in respect of which the design is registered: **Cellular phone**
(51) International Design Classification: **14-03E**
(71) Name(s) and Address(s) of Applicant(s):
LG Electronics Inc.
20 Yoido-dong Yongdungpo-gu Seoul Korea
(72) Name(s) of Designer(s): **Kyong Pil Mun**
(45) Registration Date: **28 November 2006**
(56) Related Art Documents: **Not Applicable**
(57) Statement of Newness and Distinctiveness: **Nil**



- (21) Design Number: **13614/2006**
(22) Date of Filing Application: **15 August 2006**
(24) Date from which industrial property rights may have effect: **15 August 2006**
(54) Product in respect of which the design is registered: **Clip for pen**
(51) International Design Classification: **19-06**
(71) Name(s) and Address(s) of Applicant(s):
OMX, Inc.
101 Convention Center Drive Suite 850 Las Vegas Nevada 89109
United States of America
(72) Name(s) of Designer(s): **Scott Ternovits**
(45) Registration Date: **28 November 2006**
(30) Convention priority data:
(31) Number (32) Date (33) Country
29/254079 15 Feb 2006 UNITED STATES OF AMERICA
(56) Related Art Documents: **Not Applicable**
(57) Statement of Newness and Distinctiveness: **Newness and distinctiveness is claimed in the features of shape and/or configuration of a clip for pen as illustrated in the accompanying representations.**



- (21) Design Number: **13987/2006**
(22) Date of Filing Application: **06 September 2006**
(24) Date from which industrial property rights may have effect: **06 September 2006**
(54) Product in respect of which the design is registered: **Circular flying/gliding throwing disk**
(51) International Design Classification: **21-01H, 21-01NES**
(71) Name(s) and Address(s) of Applicant(s):
Anthony C. Roden
Level 9 Unit 19 100 Collins Street Melbourne Victoria 3000 Australia
(72) Name(s) of Designer(s): **Anthony C. Roden**
(45) Registration Date: **28 November 2006**
(56) Related Art Documents: **Not Applicable**
(57) Statement of Newness and Distinctiveness: **Airflow slots/holes positioned in different locations around the upper part of the rim of a circular flying/gliding throwing disk to allow airflow through the upper part of the disk. An internal flexible airtight membrane affixed to the entire inside rim of the disk underneath the airflow slots/holes to create a dual level disk.**



(21) Design Number: **14448/2006**

(22) Date of Filing Application: **04 October 2006**

(24) Date from which industrial property rights may have effect: **04 October 2006**

(54) Product in respect of which the design is registered: **Wall panel**

(51) International Design Classification: **25-02B**

(71) Name(s) and Address(s) of Applicant(s):

**The World is Round Pty Ltd
Suite 1B 249 Darlinghurst Rd Darlinghurst Sydney New South Wales
2010 Australia**

(72) Name(s) of Designer(s): **Andrew Joseph Cliffe**

(45) Registration Date: **28 November 2006**

(56) Related Art Documents: **Not Applicable**

(57) Statement of Newness and Distinctiveness: **Nil**



(21) Design Number: **14454/2006**

(22) Date of Filing Application: **03 October 2006**

(24) Date from which industrial property rights may have effect: **03 October 2006**

(54) Product in respect of which the design is registered: **Writing implement**

(51) International Design Classification: **19-06**

(71) Name(s) and Address(s) of Applicant(s):

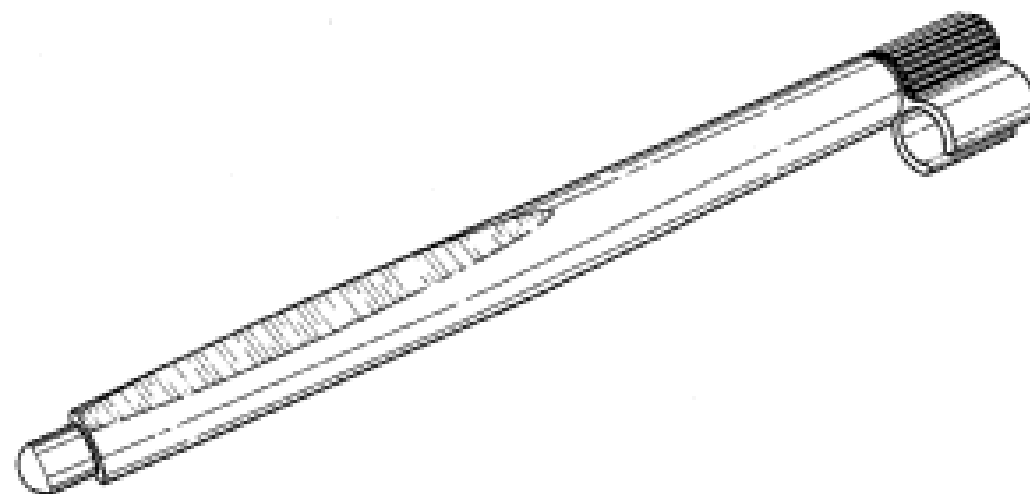
**A W Faber-Castell (Aust) Pty Limited
69 O'Connell Street Smithfield New South Wales 2164 Australia**

(72) Name(s) of Designer(s): **Harald Marquardt**

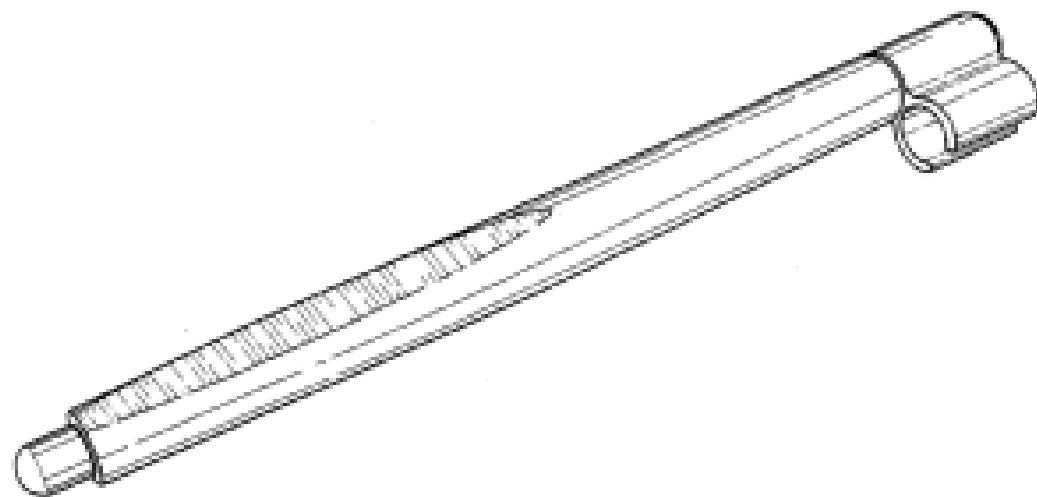
(45) Registration Date: **28 November 2006**

(56) Related Art Documents: **Not Applicable**

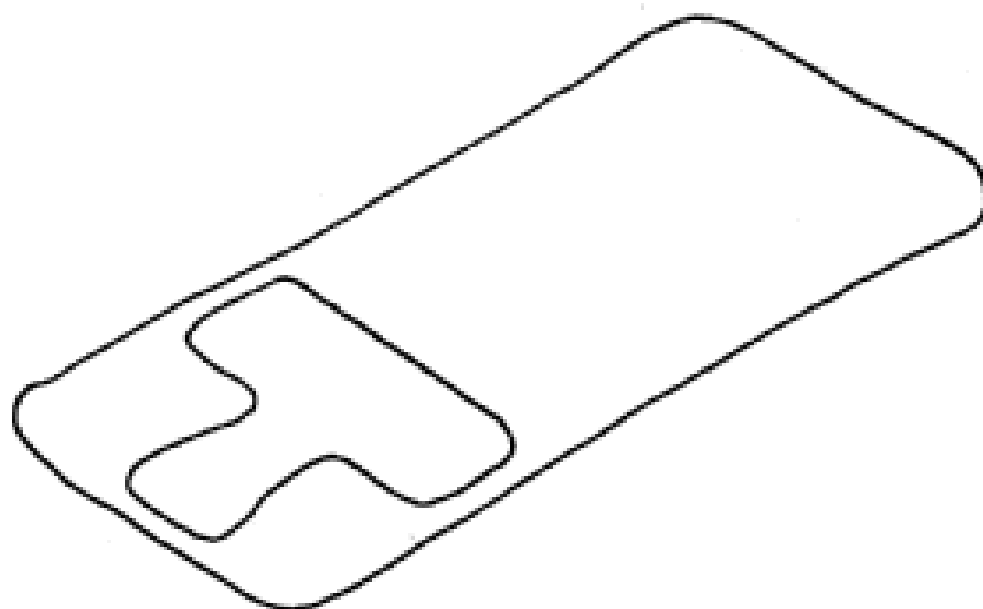
(57) Statement of Newness and Distinctiveness: **Nil**



- (21) Design Number: **14455/2006**
(22) Date of Filing Application: **03 October 2006**
(24) Date from which industrial property rights may have effect: **03 October 2006**
(54) Product in respect of which the design is registered: **Writing implement**
(51) International Design Classification: **19-06**
(71) Name(s) and Address(s) of Applicant(s):
A W Faber-Castell (Aust) Pty Limited
69 O'Connell Street Smithfield New South Wales 2164 Australia
(72) Name(s) of Designer(s): **Harald Marquardt**
(45) Registration Date: **28 November 2006**
(56) Related Art Documents: **Not Applicable**
(57) Statement of Newness and Distinctiveness: **Nil**



- (21) Design Number: **14647/2006**
(22) Date of Filing Application: **13 October 2006**
(24) Date from which industrial property rights may have effect: **13 October 2006**
(54) Product in respect of which the design is registered: **Attachable guard for containing infant's excretion when lying down & no nappy is in place.**
(51) International Design Classification: **02-01B, 24-04**
(71) Name(s) and Address(s) of Applicant(s):
Dejaque Designs P/L
39 Waratah Street Bentleigh East Victoria 3165 Australia
(72) Name(s) of Designer(s): **Jacqueline Tsamoudakis and Deanne Goldsmith**
(45) Registration Date: **28 November 2006**
(56) Related Art Documents: **Not Applicable**
(57) Statement of Newness and Distinctiveness: **Monopoly is claimed in the shape and configuration of a guard fitting to a baby change mat as illustrated in the representations. Each feature of the design considered separately or in combination with any other feature or features. The shape of the guard is a unique design. The combination of guard and mat is a unique design. In determining the scope of the monopoly, the printed fabric of the baby change mat and guard, should be disregarded.**



- (21) Design Number: **14650/2006**
(22) Date of Filing Application: **16 October 2006**
(24) Date from which industrial property rights may have effect: **16 October 2006**
(54) Product in respect of which the design is registered: **Truck cab**
(51) International Design Classification: **12-08**
(71) Name(s) and Address(s) of Applicant(s):
Isuzu Motors Limited
6-26-1 Minami-Oi Shinagawa-ku Tokyo 140-8722 Japan
(72) Name(s) of Designer(s): **Seiji Emoto and Takahiro Uematsu and Hiroto Wakasugi and Ryou Kawahara and Atsutomo Serizawa**
(45) Registration Date: **28 November 2006**
(30) Convention priority data:
(31) Number (32) Date (33) Country
200630136765.4 05 Sep 2006 CHINA
(56) Related Art Documents: **Not Applicable**
(57) Statement of Newness and Distinctiveness: **Newness and distinctiveness is claimed in the features of shape and/or configuration of a truck cab as illustrated in the accompanying representations.**



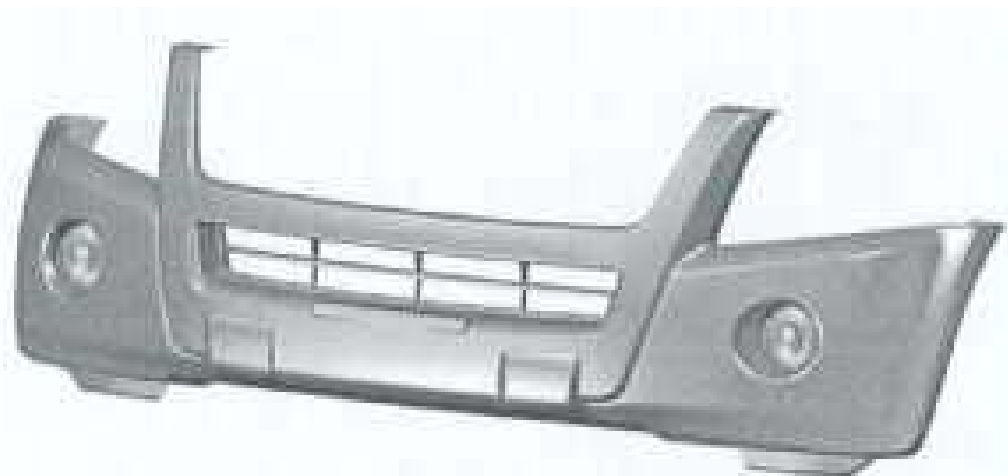
- (21) Design Number: **14651/2006**
(22) Date of Filing Application: **16 October 2006**
(24) Date from which industrial property rights may have effect: **16 October 2006**
(54) Product in respect of which the design is registered: **Truck cab**
(51) International Design Classification: **12-08**
(71) Name(s) and Address(s) of Applicant(s):
Isuzu Motors Limited
6-26-1 Minami-Oi Shinagawa-ku Tokyo 140-8722 Japan
(72) Name(s) of Designer(s): **Seiji Emoto and Takahiro Uematsu and Hiroto Wakasugi and Atsutomo Serizawa**
(45) Registration Date: **28 November 2006**
(30) Convention priority data:
(31) Number (32) Date (33) Country
200630136764.X 05 Sep 2006 CHINA
(56) Related Art Documents: **Not Applicable**
(57) Statement of Newness and Distinctiveness: **Newness and distinctiveness is claimed in the features of shape and/or configuration of a truck cab as illustrated in the accompanying representations.**



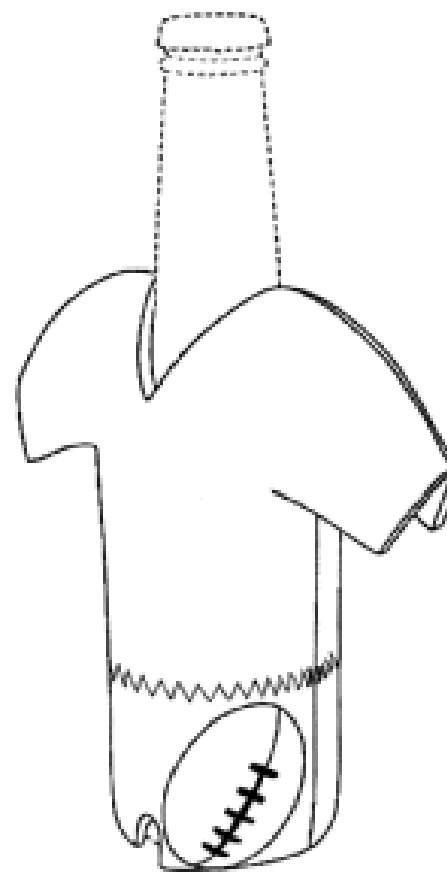
(21) Design Number: **14652/2006**
(22) Date of Filing Application: **16 October 2006**
(24) Date from which industrial property rights may have effect: **16 October 2006**
(54) Product in respect of which the design is registered: **Head lamp for a vehicle**
(51) International Design Classification: **26-06**
(71) Name(s) and Address(s) of Applicant(s):
Isuzu Motors Limited
6-26-1 Minami-Oi Shinagawa-ku Tokyo 140-8722 Japan
(72) Name(s) of Designer(s): **Yoshio Iwasaki and Keishi Hayashi and Akihiro Hirai and Kaoru Honma and Toru Takagi**
(45) Registration Date: **28 November 2006**
(30) Convention priority data:
(31) Number (32) Date (33) Country
200630122699.5 04 Aug 2006 CHINA
(56) Related Art Documents: **Not Applicable**
(57) Statement of Newness and Distinctiveness: **Newness and distinctiveness is claimed in the features of shape and/or configuration of a head lamp for a vehicle as illustrated in the accompanying representations.**



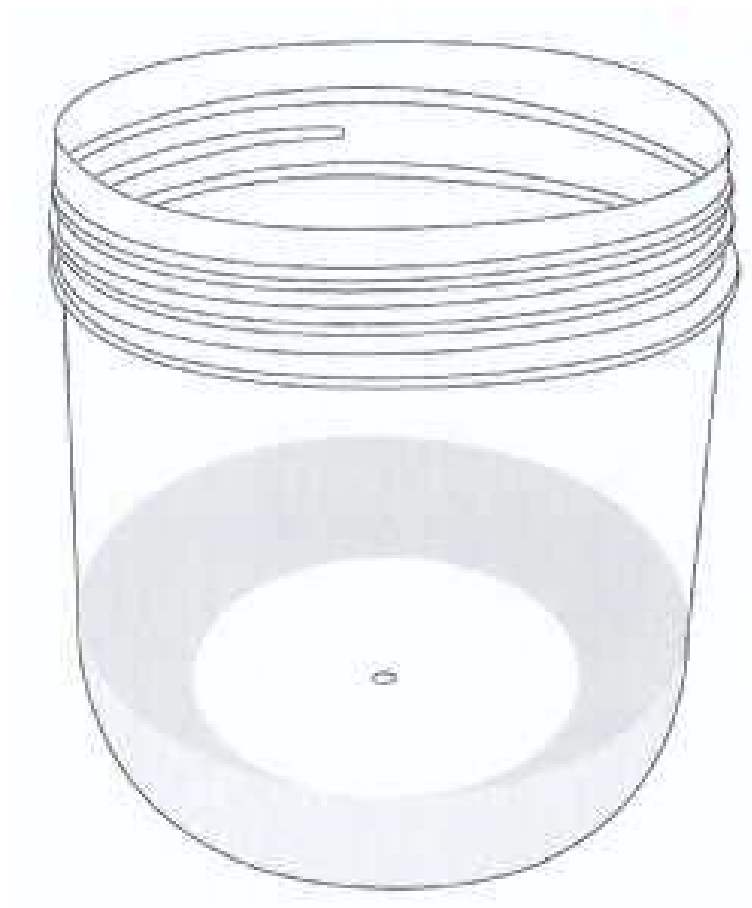
(21) Design Number: **14653/2006**
(22) Date of Filing Application: **16 October 2006**
(24) Date from which industrial property rights may have effect: **16 October 2006**
(54) Product in respect of which the design is registered: **Bumper**
(51) International Design Classification: **12-16C**
(71) Name(s) and Address(s) of Applicant(s):
Isuzu Motors Limited
6-26-1 Minami-Oi Shinagawa-ku Tokyo 140-8722 Japan
(72) Name(s) of Designer(s): **Yoshio Iwasaki and Keishi Hayashi and Yasuhiro Morifuji and Toru Takagi**
(45) Registration Date: **28 November 2006**
(30) Convention priority data:
(31) Number (32) Date (33) Country
200630122693.8 04 Aug 2006 CHINA
(56) Related Art Documents: **Not Applicable**
(57) Statement of Newness and Distinctiveness: **Newness and distinctiveness is claimed in the features of shape and/or configuration of a bumper as illustrated in the accompanying representations.**



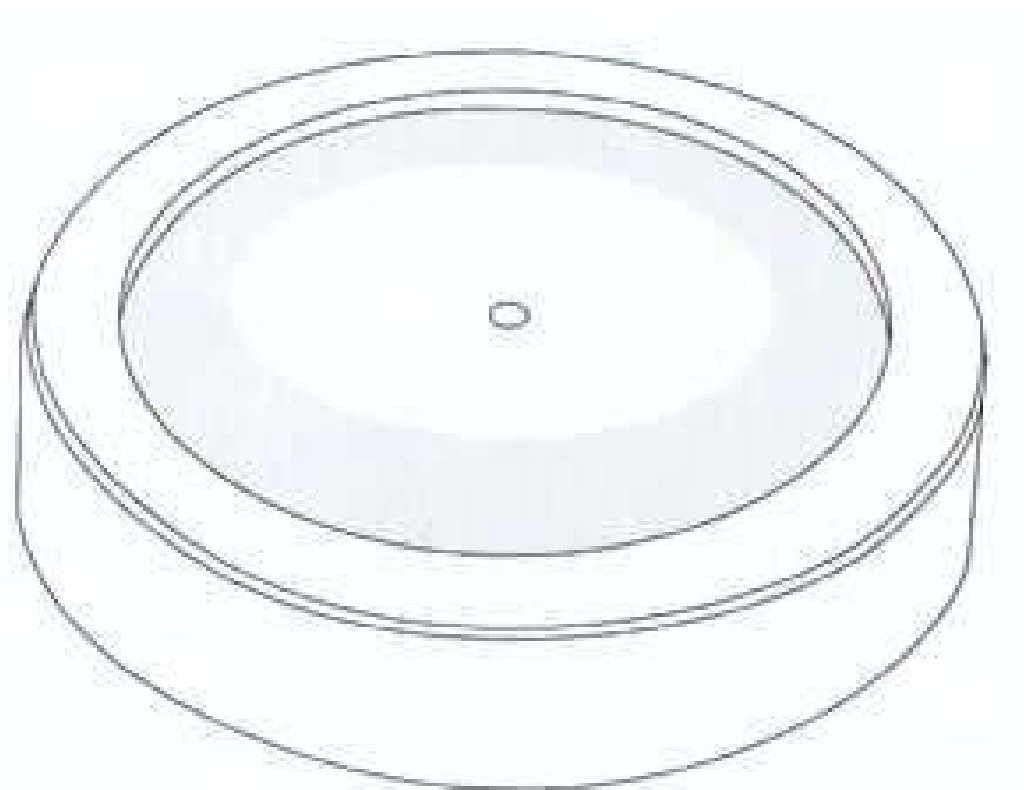
- (21) Design Number: **14654/2006**
(22) Date of Filing Application: **16 October 2006**
(24) Date from which industrial property rights may have effect: **16 October 2006**
(54) Product in respect of which the design is registered: **Stubby holder with molded football**
(51) International Design Classification: **07-06A**
(71) Name(s) and Address(s) of Applicant(s):
Creative Products Enterprises Pty Limited
68-72 Derby Street Silverwater New South Wales 2128 Australia
(72) Name(s) of Designer(s): **David Te**
(45) Registration Date: **28 November 2006**
(56) Related Art Documents: **Not Applicable**
(57) Statement of Newness and Distinctiveness: **Newness is claimed in the features of shape and configuration of the stubby holder with molded football as shown in the accompanying representations.**



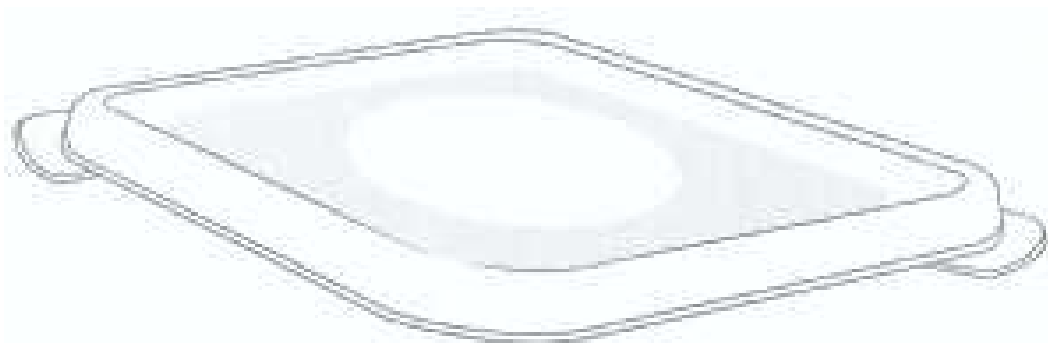
- (21) Design Number: **14676/2006**
(22) Date of Filing Application: **17 October 2006**
(24) Date from which industrial property rights may have effect: **17 October 2006**
(54) Product in respect of which the design is registered: **A container body**
(51) International Design Classification: **07-01A**
(71) Name(s) and Address(s) of Applicant(s):
Woolworths Limited
1 Woolworths Way Bella Vista New South Wales 2153 Australia
(72) Name(s) of Designer(s): **Cameo Cheung**
(45) Registration Date: **28 November 2006**
(56) Related Art Documents: **Not Applicable**
(57) Statement of Newness and Distinctiveness: **Newness and distinctiveness is claimed in the features of ornamentation of the frosted shading of the base and lower side wall of a container body as illustrated in the accompanying representations.**



- (21) Design Number: **14677/2006**
(22) Date of Filing Application: **17 October 2006**
(24) Date from which industrial property rights may have effect: **17 October 2006**
(54) Product in respect of which the design is registered: **A container lid**
(51) International Design Classification: **07-01NES**
(71) Name(s) and Address(s) of Applicant(s):
Woolworths Limited
1 Woolworths Way Bella Vista New South Wales 2153 Australia
(72) Name(s) of Designer(s): **Cameo Cheung**
(45) Registration Date: **28 November 2006**
(56) Related Art Documents: **Not Applicable**
(57) Statement of Newness and Distinctiveness: **Newness and distinctiveness is claimed in the features of ornamentation of the annular frosted shading of a container lid as illustrated in the accompanying representations.**



- (21) Design Number: **14678/2006**
(22) Date of Filing Application: **17 October 2006**
(24) Date from which industrial property rights may have effect: **17 October 2006**
(54) Product in respect of which the design is registered: **A container lid**
(51) International Design Classification: **07-01NES**
(71) Name(s) and Address(s) of Applicant(s):
Woolworths Limited
1 Woolworths Way Bella Vista New South Wales 2153 Australia
(72) Name(s) of Designer(s): **Cameo Cheung**
(45) Registration Date: **28 November 2006**
(56) Related Art Documents: **Not Applicable**
(57) Statement of Newness and Distinctiveness: **Newness and distinctiveness is claimed in the features of ornamentation of the frosted shading of a container lid, and in the shape and/or configuration of the diagonally opposing tabs of the container lid, as illustrated in the accompanying representations.**



(21) Design Number: **14679/2006**

(22) Date of Filing Application: **17 October 2006**

(24) Date from which industrial property rights may have effect: **17 October 2006**

(54) Product in respect of which the design is registered: **A container body**

(51) International Design Classification: **07-01A**

(71) Name(s) and Address(s) of Applicant(s):

Woolworths Limited

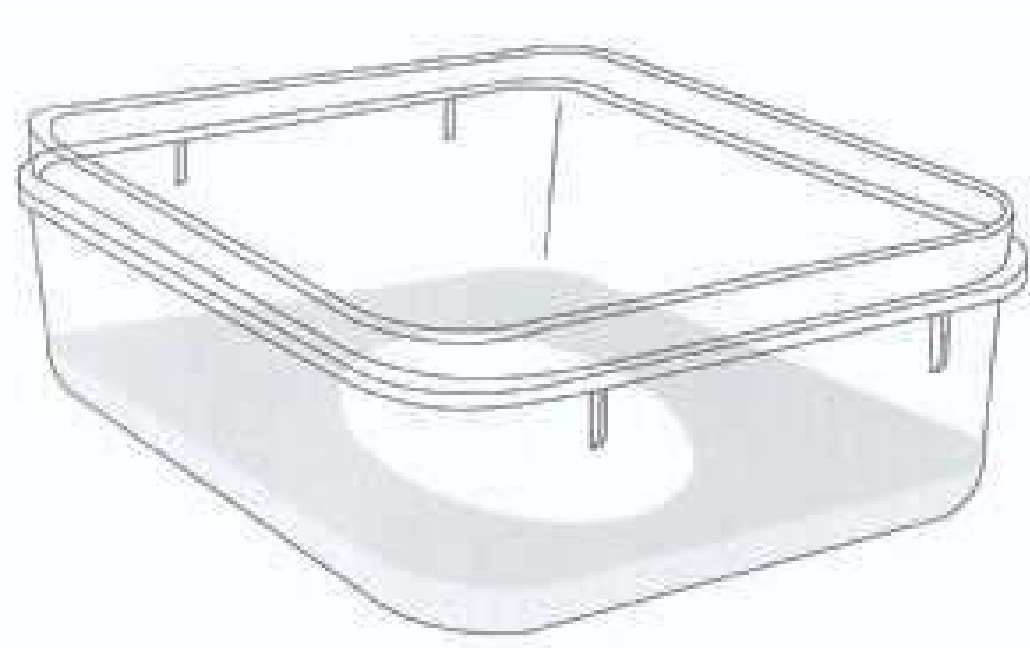
1 Woolworths Way Bella Vista New South Wales 2153 Australia

(72) Name(s) of Designer(s): **Cameo Cheung**

(45) Registration Date: **28 November 2006**

(56) Related Art Documents: **Not Applicable**

(57) Statement of Newness and Distinctiveness: **Newness and distinctiveness is claimed in the features of ornamentation of the frosted shading of the base and lower side walls of a container body as illustrated in the accompanying representations.**



(21) Design Number: **14680/2006**

(22) Date of Filing Application: **17 October 2006**

(24) Date from which industrial property rights may have effect: **17 October 2006**

(54) Product in respect of which the design is registered: **A container lid**

(51) International Design Classification: **07-01NES**

(71) Name(s) and Address(s) of Applicant(s):

Woolworths Limited

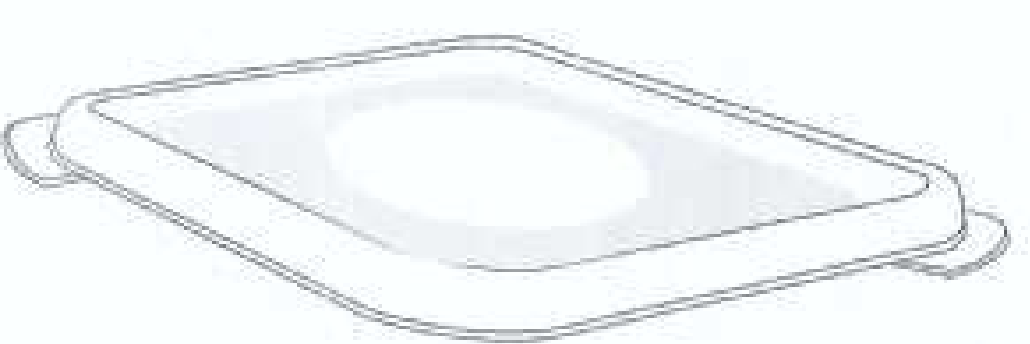
1 Woolworths Way Bella Vista New South Wales 2153 Australia

(72) Name(s) of Designer(s): **Cameo Cheung**

(45) Registration Date: **28 November 2006**

(56) Related Art Documents: **Not Applicable**

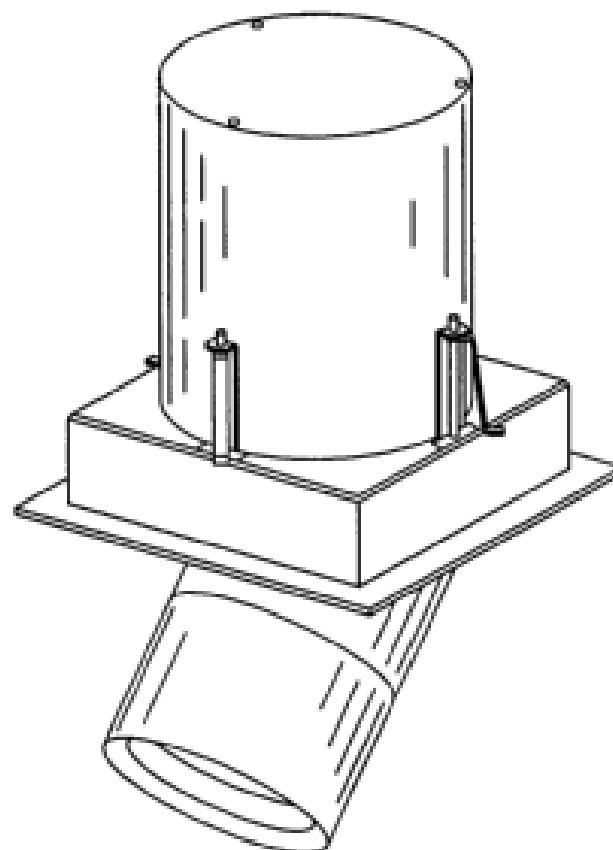
(57) Statement of Newness and Distinctiveness: **Newness and distinctiveness is claimed in the features of ornamentation of frosted shading of a container lid, and in the shape and/or configuration of the diagonally opposing tabs of the container lid, as illustrated in the accompanying representations.**



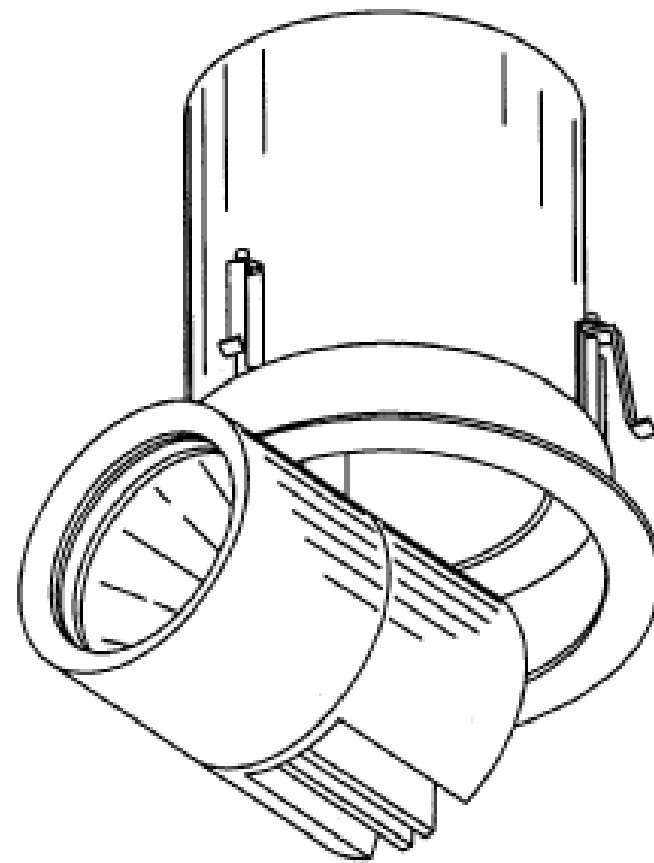
- (21) Design Number: **14681/2006**
(22) Date of Filing Application: **17 October 2006**
(24) Date from which industrial property rights may have effect: **17 October 2006**
(54) Product in respect of which the design is registered: **A container body**
(51) International Design Classification: **07-01NES**
(71) Name(s) and Address(s) of Applicant(s):
Woolworths Limited
1 Woolworths Way Bella Vista New South Wales 2153 Australia
(72) Name(s) of Designer(s): **Cameo Cheung**
(45) Registration Date: **28 November 2006**
(56) Related Art Documents: **Not Applicable**
(57) Statement of Newness and Distinctiveness: **Newness and distinctiveness is claimed in the features of ornamentation of frosted shading of the base and lower side walls of a container body as illustrated in the accompanying representations.**



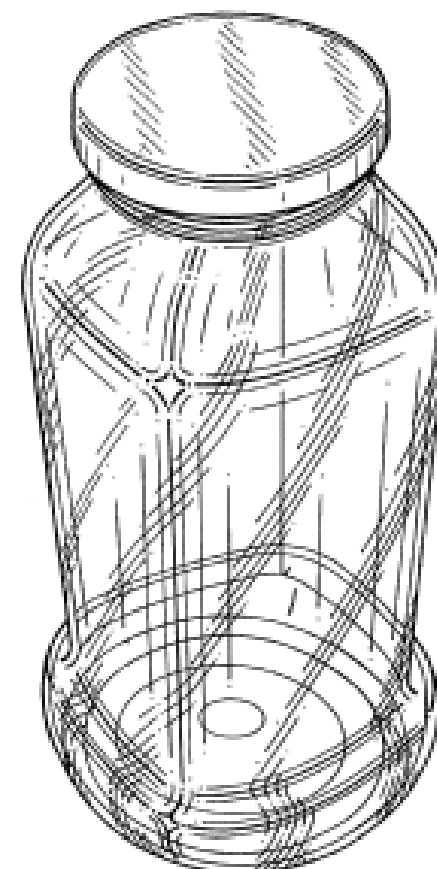
- (21) Design Number: **14682/2006**
(22) Date of Filing Application: **17 October 2006**
(24) Date from which industrial property rights may have effect: **17 October 2006**
(54) Product in respect of which the design is registered: **Lighting fixture**
(51) International Design Classification: **26-05NES**
(71) Name(s) and Address(s) of Applicant(s):
Zumtobel Lighting GmbH & Co. KG
Grevenmarschstr. 74-78 32657 Lemgo Germany
(72) Name(s) of Designer(s): **Gernot Bohmann and Harald Grundl and Martin Bergmann**
(45) Registration Date: **28 November 2006**
(30) Convention priority data:
(31) Number (32) Date (33) Country
000514245#0001 19 Apr 2006 EUROPEAN COMMUNITY
(56) Related Art Documents: **Not Applicable**
(57) Statement of Newness and Distinctiveness: **Newness and distinctiveness is claimed in the features of shape and/or configuration of a lighting fixture as illustrated in the accompanying representations.**



- (21) Design Number: **14683/2006**
(22) Date of Filing Application: **17 October 2006**
(24) Date from which industrial property rights may have effect: **17 October 2006**
(54) Product in respect of which the design is registered: **Lighting fixture**
(51) International Design Classification: **26-05NES**
(71) Name(s) and Address(s) of Applicant(s):
Zumtobel Lighting GmbH & Co. KG
Grevenmarschstr. 74-78 32657 Lemgo Germany
(72) Name(s) of Designer(s): **Gernot Bohmann and Harald Grundl and Martin Bergmann**
(45) Registration Date: **28 November 2006**
(30) Convention priority data:
(31) Number (32) Date (33) Country
000514245#0001 19 Apr 2006 EUROPEAN COMMUNITY
(56) Related Art Documents: **Not Applicable**
(57) Statement of Newness and Distinctiveness: **Newness and distinctiveness is claimed in the features of shape and/or configuration of a lighting fixture as illustrated in the accompanying representations.**



- (21) Design Number: **14685/2006**
(22) Date of Filing Application: **17 October 2006**
(24) Date from which industrial property rights may have effect: **17 October 2006**
(54) Product in respect of which the design is registered: **Jar**
(51) International Design Classification: **09-01C**
(71) Name(s) and Address(s) of Applicant(s):
Unilever PLC
Unilever House Blackfriars London EC4P 4BQ United Kingdom
(72) Name(s) of Designer(s): **John Michael Hughes and James Lindsay Clark and Brett Matthew Beaver**
(45) Registration Date: **28 November 2006**
(30) Convention priority data:
(31) Number (32) Date (33) Country
29/259005 01 May 2006 UNITED STATES OF AMERICA
(56) Related Art Documents: **Not Applicable**
(57) Statement of Newness and Distinctiveness: **Newness and distinctiveness is claimed in the visual features shown in solid lines in the representations.**



(21) Design Number: **14686/2006**

(22) Date of Filing Application: **18 October 2006**

(24) Date from which industrial property rights may have effect: **18 October 2006**

(54) Product in respect of which the design is registered: **Extension cord hanger**

(51) International Design Classification: **13-03D**

(71) Name(s) and Address(s) of Applicant(s):

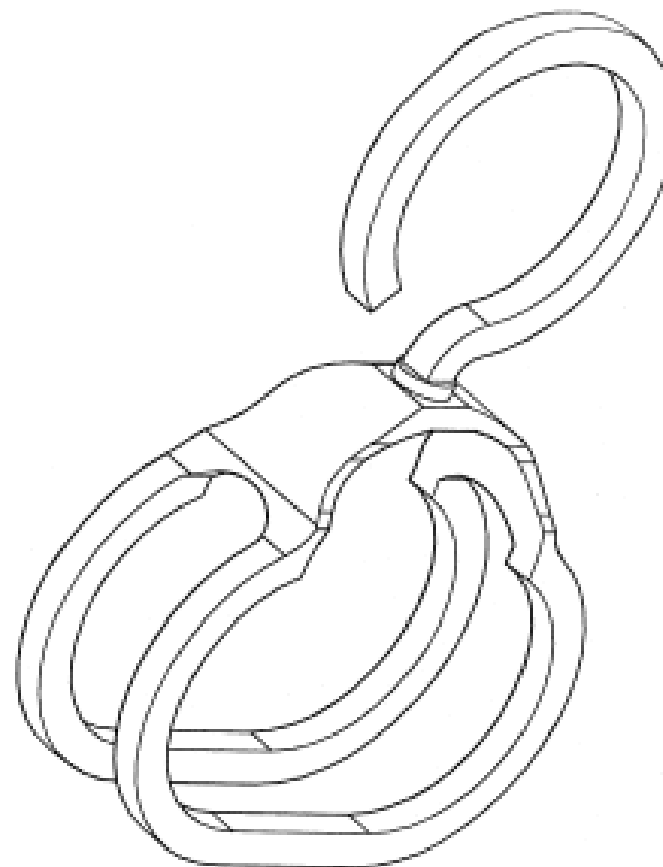
**Quality Innovative Products Pty Ltd
80 Beringarra Avenue Malaga Western Australia 6090 Australia**

(72) Name(s) of Designer(s): **Jay Larmont**

(45) Registration Date: **28 November 2006**

(56) Related Art Documents: **Not Applicable**

(57) Statement of Newness and Distinctiveness: **Extension cord hanger.**



(21) Design Number: **14688/2006**

(22) Date of Filing Application: **17 October 2006**

(24) Date from which industrial property rights may have effect: **17 October 2006**

(54) Product in respect of which the design is registered: **Boat Assembly**

(51) International Design Classification: **12-06NES**

(71) Name(s) and Address(s) of Applicant(s):

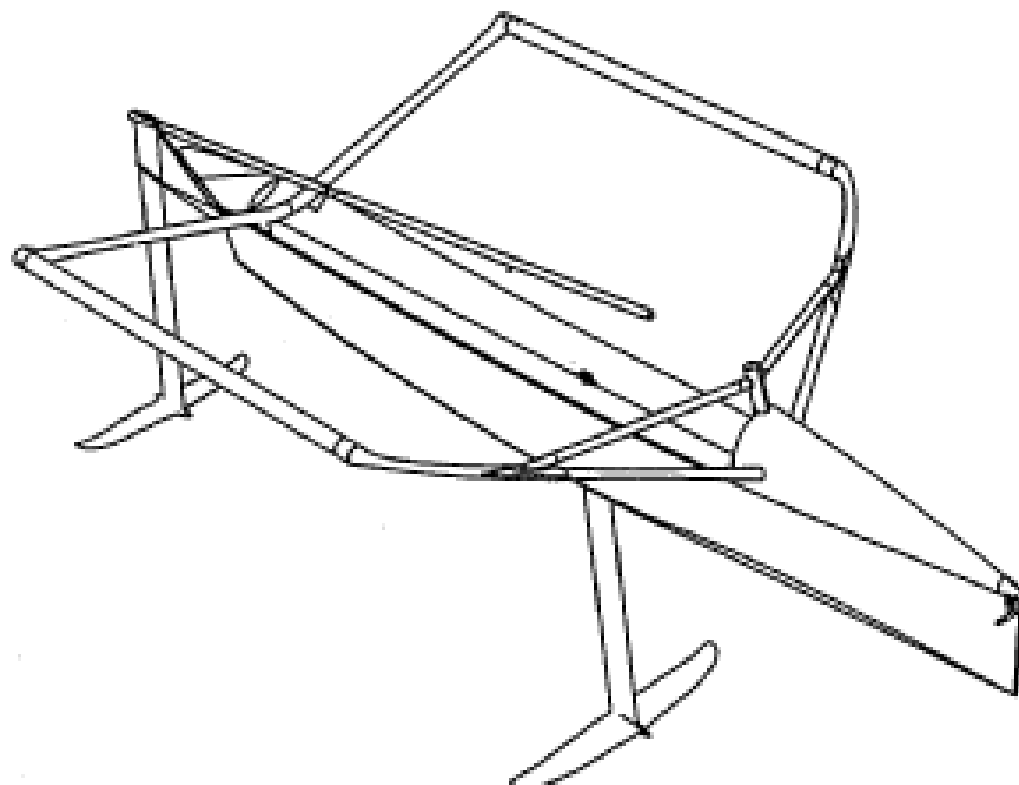
**KA Sail Australia Pty. Ltd
1123 Toorak Road Hartwell Victoria 3124 Australia**

(72) Name(s) of Designer(s): **Andrew Graeme McDougall**

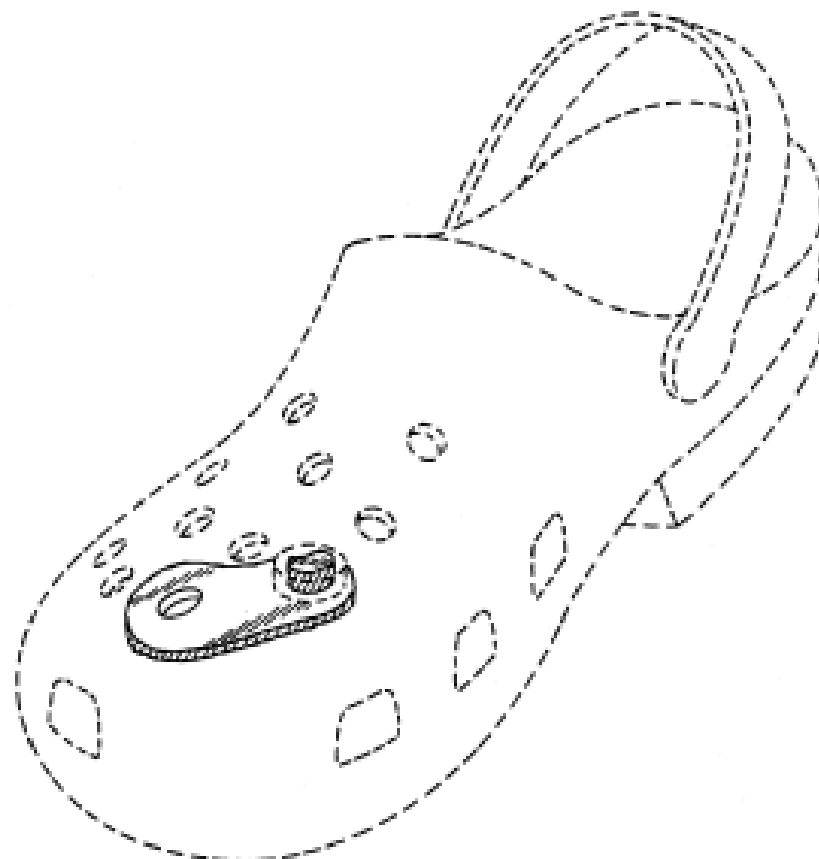
(45) Registration Date: **28 November 2006**

(56) Related Art Documents: **Not Applicable**

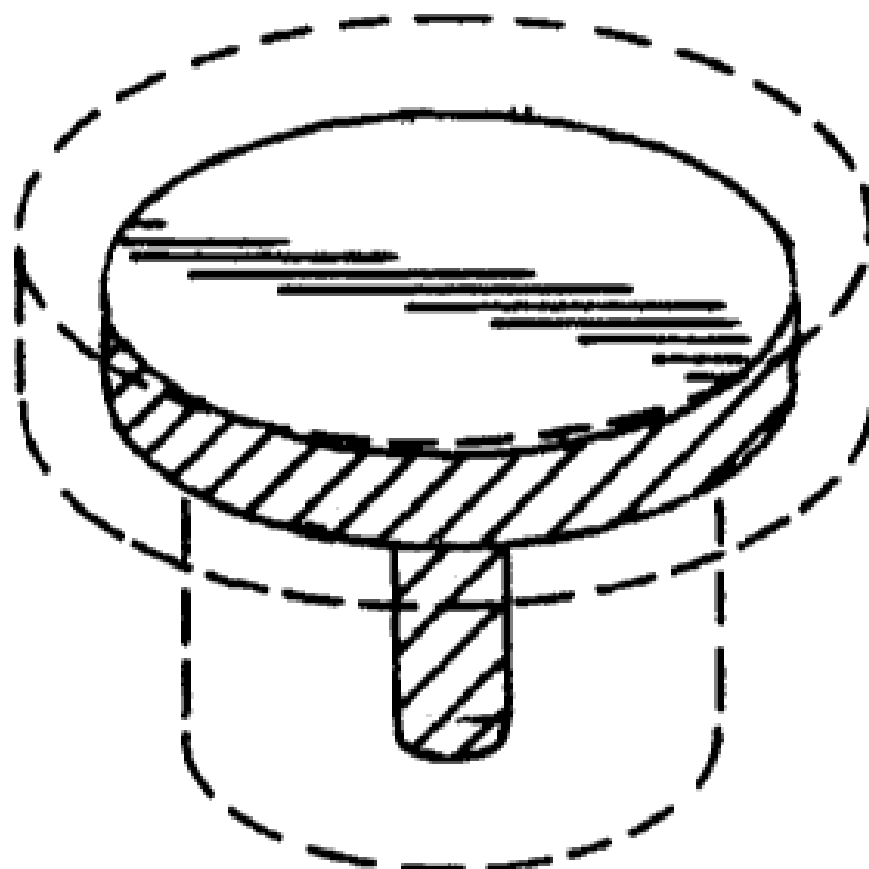
(57) Statement of Newness and Distinctiveness: **Nil**



(21) Design Number: **14690/2006**
 (22) Date of Filing Application: **17 October 2006**
 (24) Date from which industrial property rights may have effect: **17 October 2006**
 (54) Product in respect of which the design is registered: **Shoe accessory**
 (51) International Design Classification: **02-07A**
 (71) Name(s) and Address(s) of Applicant(s):
Juniper Holding Corp.
1080 Juniper Avenue Boulder CO 80304 United States of America
 (72) Name(s) of Designer(s): **Richard Schmelzer and Sheri Schmelzer**
 (45) Registration Date: **28 November 2006**
 (30) Convention priority data:
 (31) Number (32) Date (33) Country
29/258,102 17 Apr 2006 UNITED STATES OF AMERICA
 (56) Related Art Documents: **Not Applicable**
 (57) Statement of Newness and Distinctiveness: **The newness and distinctiveness of the design resides in the features of shape and/or configuration of the shoe accessory shown in unbroken lines in the accompanying representations.**



(21) Design Number: **14691/2006**
 (22) Date of Filing Application: **17 October 2006**
 (24) Date from which industrial property rights may have effect: **17 October 2006**
 (54) Product in respect of which the design is registered: **Shoe accessory**
 (51) International Design Classification: **02-07B**
 (71) Name(s) and Address(s) of Applicant(s):
Juniper Holding Corp.
1080 Juniper Avenue Boulder CO 80304 United States of America
 (72) Name(s) of Designer(s): **Richard Schmelzer and Sheri Schmelzer**
 (45) Registration Date: **28 November 2006**
 (30) Convention priority data:
 (31) Number (32) Date (33) Country
29/258,101 17 Apr 2006 UNITED STATES OF AMERICA
 (56) Related Art Documents: **Not Applicable**
 (57) Statement of Newness and Distinctiveness: **The newness and distinctiveness of the design resides in the features of shape and/or configuration shown in unbroken lines in the accompanying representations.**



(21) Design Number: **14899/2005**

(22) Date of Filing Application: **04 November 2005**

(24) Date from which industrial property rights may have effect: **04 November 2005**

(54) Product in respect of which the design is registered: **Saddle flaps with knee roll**

(51) International Design Classification: **30-04**

(71) Name(s) and Address(s) of Applicant(s):

Hammersmith Nominees Pty Ltd
430 Newcastle Street Perth Western Australia 6000 Australia

(72) Name(s) of Designer(s): **Kenneth John Bates**

(45) Registration Date: **28 November 2006**

(56) Related Art Documents: **Not Applicable**

(57) Statement of Newness and Distinctiveness: **Newness and distinctiveness is claimed in the shape of the knee rolls "A" of the saddle flaps as shown in the representations. The straps in the representations do not form part of the design and are to be disregarded.**



(21) Design Number: **14967/2005**

(22) Date of Filing Application: **09 November 2005**

(24) Date from which industrial property rights may have effect: **09 November 2005**

(54) Product in respect of which the design is registered: **A base stand for an electronic game machine**

(51) International Design Classification: **21-01N**

(71) Name(s) and Address(s) of Applicant(s):

Nintendo Co., Ltd
11-1 Hokotate-cho Kamitoba Minami-ku Kyoto-shi Kyoto Japan

(72) Name(s) of Designer(s): **Kenichiro Ashida and Masato Ibuki and Shinji Yamamoto and Akiko Suga and Hirokazu Matsui**

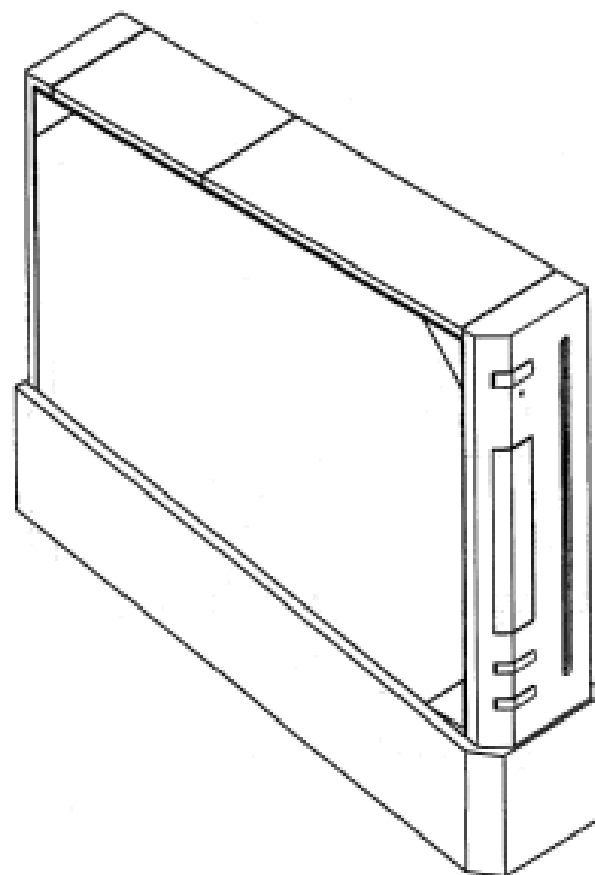
(45) Registration Date: **28 November 2006**

(30) Convention priority data:

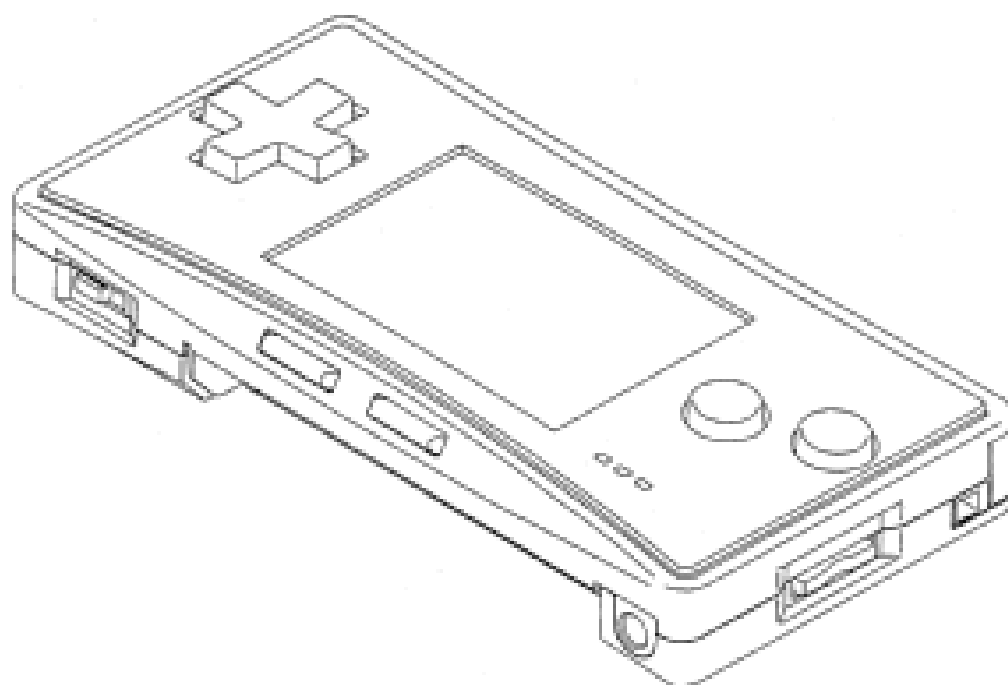
(31) Number	(32) Date	(33) Country
2005-13471	11 May 2005	JAPAN

(56) Related Art Documents: **Not Applicable**

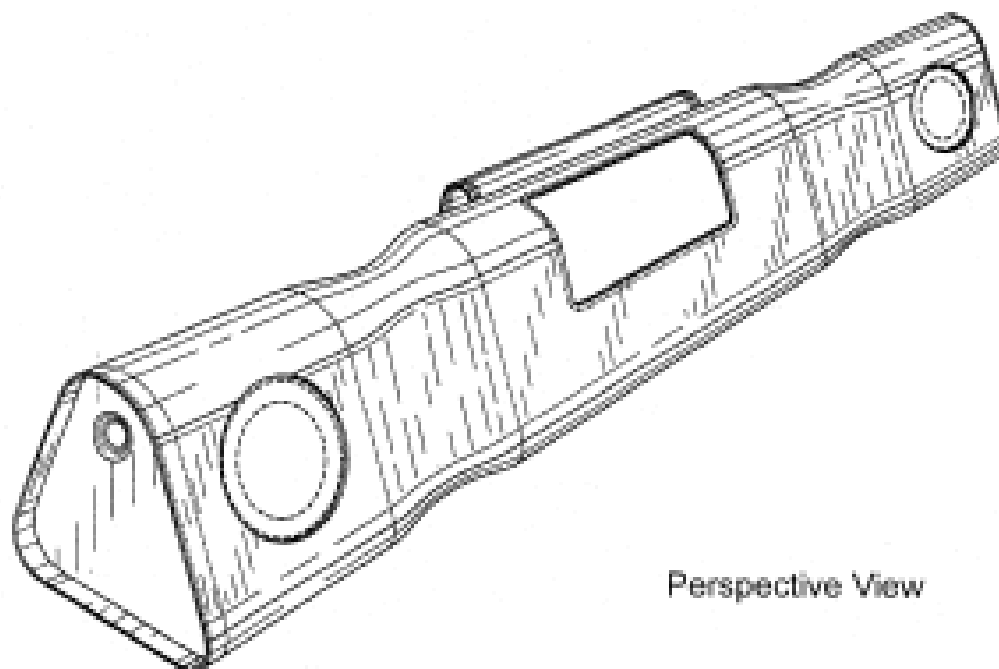
(57) Statement of Newness and Distinctiveness: **Newness and distinctiveness is claimed in the visual features of the base stand as shown in the representations. The game machine does not form part of the design and is to be disregarded.**



- (21) Design Number: **15037/2005**
(22) Date of Filing Application: **14 November 2005**
(24) Date from which industrial property rights may have effect: **14 November 2005**
(54) Product in respect of which the design is registered: **A cover for a hand-held electronic game machine**
(51) International Design Classification: **21-01N**
(71) Name(s) and Address(s) of Applicant(s):
Nintendo Co., Ltd
11-1 Hokotate-cho Kamitoba Minami-ku Kyoto-shi Kyoto Japan
(72) Name(s) of Designer(s): **Naoya Kawanobe and Tomoyuki Sakiyama**
(45) Registration Date: **28 November 2006**
(30) Convention priority data:
(31) Number (32) Date (33) Country
2005-13671 13 May 2005 JAPAN
(56) Related Art Documents: **Not Applicable**
(57) Statement of Newness and Distinctiveness: **Newness and distinctiveness is claimed in the visual features of the cover as shown in the representations. The game machine does not form part of the design and is to be disregarded.**



- (21) Design Number: **10257/2006**
(22) Date of Filing Application: **25 January 2006**
(24) Date from which industrial property rights may have effect: **25 January 2006**
(54) Product in respect of which the design is registered: **Loud speaker device**
(51) International Design Classification: **14-01**
(71) Name(s) and Address(s) of Applicant(s):
Creative Technology Ltd
31 International Business Park Creative Resource Singapore 609921
(72) Name(s) of Designer(s): **Yuet Syn Joey Ng and Kar Choon Ng**
(45) Registration Date: **29 November 2006**
(30) Convention priority data:
(31) Number (32) Date (33) Country
29/238,093 09 Sep 2005 UNITED STATES OF AMERICA
(56) Related Art Documents: **Not Applicable**
(57) Statement of Newness and Distinctiveness: **Monopoly is claimed in the shape and configuration of the features of the article as depicted in the accompanying representations. The applicant claims monopoly in the features of the article depicted in solid lines. No monopoly is claimed in the features depicted in dashed (broken) lines in the accompanying representations.**



Perspective View

(21) Design Number: **10372/2006**

(22) Date of Filing Application: **25 July 2005**

(24) Date from which industrial property rights may have effect: **25 July 2005**

(54) Product in respect of which the design is registered: **A lady's garment**

(51) International Design Classification: **02-02NES**

(71) Name(s) and Address(s) of Applicant(s):

Scanlan & Theodore

44 River Street South Yarra Victoria 3141 Australia

(72) Name(s) of Designer(s): **Gary Theodore and Maria Sita**

(45) Registration Date: **29 November 2006**

(56) Related Art Documents: **Not Applicable**

(57) Statement of Newness and Distinctiveness: **Nil**



(21) Design Number: **10373/2006**

(22) Date of Filing Application: **25 July 2005**

(24) Date from which industrial property rights may have effect: **25 July 2005**

(54) Product in respect of which the design is registered: **A lady's garment**

(51) International Design Classification: **02-02NES**

(71) Name(s) and Address(s) of Applicant(s):

Scanlan & Theodore

44 River Street South Yarra Victoria 3141 Australia

(72) Name(s) of Designer(s): **Gary Theodore and Maria Sita**

(45) Registration Date: **29 November 2006**

(56) Related Art Documents: **Not Applicable**

(57) Statement of Newness and Distinctiveness: **Nil**



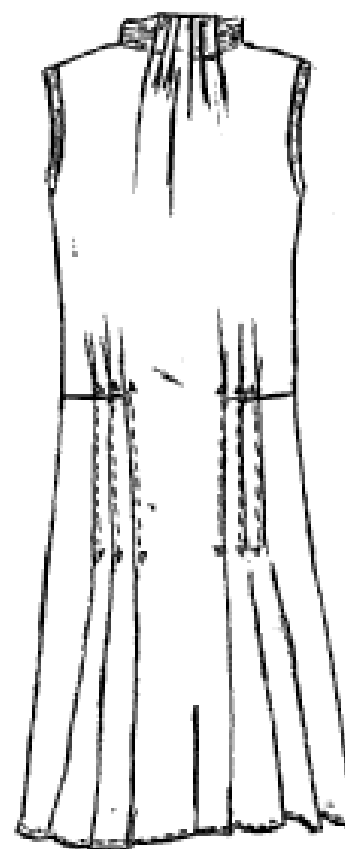
- (21) Design Number: **10374/2006**
(22) Date of Filing Application: **25 July 2005**
(24) Date from which industrial property rights may have effect: **25 July 2005**
(54) Product in respect of which the design is registered: **A lady's garment**
(51) International Design Classification: **02-02NES**
(71) Name(s) and Address(s) of Applicant(s):
Scanlan & Theodore
44 River Street South Yarra Victoria 3141 Australia
(72) Name(s) of Designer(s): **Gary Theodore and Maria Sita**
(45) Registration Date: **29 November 2006**
(56) Related Art Documents: **Not Applicable**
(57) Statement of Newness and Distinctiveness: **Nil**



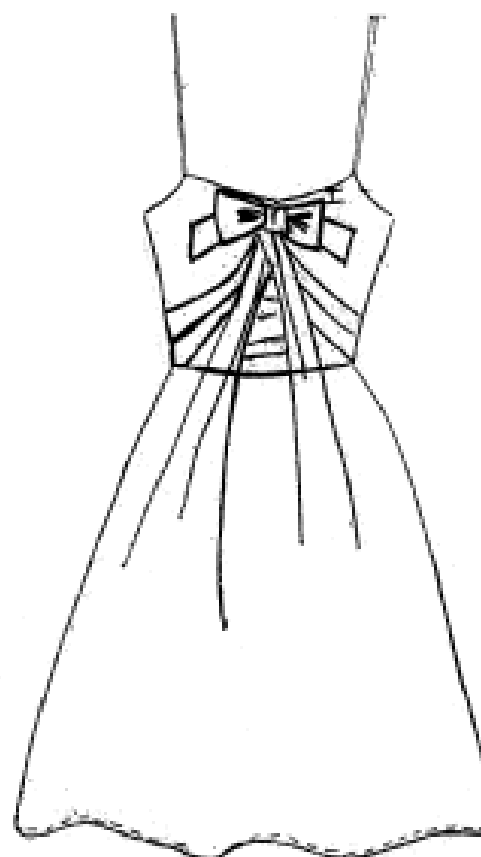
- (21) Design Number: **10375/2006**
(22) Date of Filing Application: **25 July 2005**
(24) Date from which industrial property rights may have effect: **25 July 2005**
(54) Product in respect of which the design is registered: **A lady's garment**
(51) International Design Classification: **02-02NES**
(71) Name(s) and Address(s) of Applicant(s):
Scanlan & Theodore
44 River Street South Yarra Victoria 3141 Australia
(72) Name(s) of Designer(s): **Gary Theodore and Maria Sita**
(45) Registration Date: **29 November 2006**
(56) Related Art Documents: **Not Applicable**
(57) Statement of Newness and Distinctiveness: **Nil**



- (21) Design Number: **10376/2006**
- (22) Date of Filing Application: **25 July 2005**
- (24) Date from which industrial property rights may have effect: **25 July 2005**
- (54) Product in respect of which the design is registered: **A lady's garment**
- (51) International Design Classification: **02-02C**
- (71) Name(s) and Address(s) of Applicant(s):
Scanlan & Theodore
44 River Street South Yarra Victoria 3141 Australia
- (72) Name(s) of Designer(s): **Gary Theodore and Maria Sita**
- (45) Registration Date: **29 November 2006**
- (56) Related Art Documents: **Not Applicable**
- (57) Statement of Newness and Distinctiveness: **Nil**



- (21) Design Number: **13176/2005**
- (22) Date of Filing Application: **25 July 2005**
- (24) Date from which industrial property rights may have effect: **25 July 2005**
- (54) Product in respect of which the design is registered: **A lady's garment**
- (51) International Design Classification: **02-02C**
- (71) Name(s) and Address(s) of Applicant(s):
Scanlan & Theodore
44 River Street South Yarra Victoria 3141 Australia
- (72) Name(s) of Designer(s): **Gary Theodore and Maria Sita**
- (45) Registration Date: **29 November 2006**
- (56) Related Art Documents: **Not Applicable**
- (57) Statement of Newness and Distinctiveness: **Nil**



- (21) Design Number: **13951/2006**
(22) Date of Filing Application: **14 August 2006**
(24) Date from which industrial property rights may have effect: **14 August 2006**
(54) Product in respect of which the design is registered: **Toothpick holder**
(51) International Design Classification: **28-03NES, 03-01NES**
(71) Name(s) and Address(s) of Applicant(s):
Mintstix Pty Limited
PO Box A164 Enfield South New South Wales 2133 Australia
(72) Name(s) of Designer(s): **Rita Saad**
(45) Registration Date: **29 November 2006**
(56) Related Art Documents: **Not Applicable**
(57) Statement of Newness and Distinctiveness: **Nil**

