



Australian Government

IP Australia

AUSTRALIAN OFFICIAL JOURNAL

OF

DESIGNS

Did you know a searchable version of this journal is now available online?

It's FREE and EASY to SEARCH.

Find it at

<http://pericles.ipaustralia.gov.au/ols/epublish/content/olsEpublications.jsp>
or using the "Online Journals" link on the IP Australia home page.

This Page Left Intentionally Blank

Contents

General Information & Notices

Proceedings Under the Designs Act 1906 preserved as a result of the provisions of Chapter 12 Part 2 of the Designs Act 2003

Application for Extension of Period of Registration	7626
Extension of Period of Registration of Designs	7626
Extensions of Time Granted	7626
Registrations Ceased	7626
Subsequent Owners Registered	7627

Proceedings Under the Designs Act 2003

Applications Lapsed	7636
Applications Lodged	7631
Applications Withdrawn	7636
Certificate of Examination	7639
Corrigenda	7638
Extension of Time Granted Under Section 137	7637
Publication and Registration Proceedings	
Designs Registered 311644 to 311981.....	7640
Registrations Ceased	7637
Revocation of Design Registrations	7637
Subsequent Owners Registered	7637

This Page Left Intentionally Blank

General Information

EDITORIAL ENQUIRIES

All enquiries about official notices and general information in the Journal should be directed to IP Australia, (ABN No 38 113 072 755), PO Box 200 Woden ACT 2606

Or

Telephone 1300 651 010
(International Callers +61 2 6283 2999)
Fax 02 6283 7999
E-mail assist@ipaustralia.gov.au

CONTACT INFORMATION

Customer Service Network
Telephone 1300 651 010 , Fax: 02 6283 7999
E-mail: assist@ipaustralia.gov.au

Customers can contact the Customer Service Network by telephone or by e-mail. Telephones are staffed between 9am and 5pm each working day.

Customers should contact the Customer Service Network for information about:

- All Patent Matters including PCT and Innovation Patents.
- All Trade Mark Matters.
- All Design Matters.

Professional Standards Board for Patent and Trade Mark Attorneys.

Ph: 02 6283 2345 Fax: 02 6283 1048

ORDERING PATENT DOCUMENTS

When ordering copies of Australian patent specifications, or abstracts and abridgments notified as open to public inspection on or after 26 October 1978, or as accepted on or after 16 November 1978, the documents should be referred to by application numbers only, preceded by letters AU-A or AU-B respectively.

REQUESTS FOR INFORMATION UNDER SECTION 194 (C)

A request for information under Section 194 (C) of the Patents Act 1990 should be made in the approved form and be accompanied by the prescribed fee. The request should be as detailed as possible.

INFORMATION FROM REGISTERS

All requests for information from Register of Patents, Trade Marks or Designs, should be made in writing and accompanied by the prescribed fee. The Registers are located in Canberra and may be examined free of charge.

COUNTRY CODES

For a listing of country codes used by IP Australia please refer to the Official Journals dated 7 November 1996.

ABBREVIATIONS IN JOURNAL

Standard abbreviations are used in the name of companies and firms. Enquiries concerning the precise name should be directed to the Customer Service Network.

FREEDOM OF INFORMATION ACT

What does it do?

- Gives you right to obtain information held by Commonwealth Ministers, Departments and most statutory bodies (these bodies are called agencies under the Act).
- Requires Commonwealth Government agencies to make available to members of the public:
 - Information about agencies, their functions and operations.
 - Information about rules and practices which are used in making decisions which affect you.
- Gives you a legal right to:
 - See non exempt documents held by agencies, and
 - appeal against a decision not to grant access to a document.

What documents can you see?

- The Act gives you a right to see documents lodged on or after 1 December 1977, or earlier if you need them to understand another document you have already.
- Documents include files, reports, computer printouts, maps, plans, photographs, tape recordings, films or videotapes.
- Documents which are available for purchase under the Patents Act 1990, the Trade Marks Act 1995 or Designs Act 2003 or Plant Breeder's Rights Act 1994 are not available under the Freedom of Information Act (Section 12 refers).

How do you apply?

Requests for access to documents must

- Be in writing
- Provide sufficient information so as to enable identification of the documents requested
- Specify an address in Australia where notices can be sent and
- Be accompanied by the application fee (currently \$30.00).

Requests for documents should be addressed to IP Australia, PO Box 200 Woden, ACT 2606, or Faxed to 02 6283 7999

DECISIONS OF THE COMMISSIONER OF PATENTS AND REGISTRAR OF TRADE MARKS AND DESIGNS

- All decisions of the Commissioner and Registrars are available free of charge from AUSTLII's website

www.austlii.edu.au

Copies of all written Patent and Design decisions are available (except if they would not be available under the provisions of the Freedom of Information legislation, e.g. if they would effectively disclose matter from documents that are not open to public inspection) on request for a cost of \$AU 25. They are also available for inspection in indexed volume series, dating from 1 January 1987, in the Office library, Canberra.

Copies of Trade Mark decisions may be accessed via IP Australia's website www.ipaustralia.gov.au

- Copies of the taped record of Patent and Design hearings are available (with the same exception as above) on request.
- When a written decision is issued the fact of the decision plus a brief head note will be published in the Official Notices section of the next available Patents, Trade Marks or Designs Journal.

HEARINGS BEFORE THE COMMISSIONER OF PATENTS

Hearings before the Commissioner of Patents will usually be conducted at the Patent Office in Canberra and interstate hearing sessions are not provided. However, the Commissioner will conduct hearings outside of Canberra at a convenient time to all parties provided that the parties bear the travel costs of the hearing officer.

The various options for hearings are set out in the document "Options for Hearings" available on IP Australia's website at: www.ipaustralia.gov.au/pdfs/patents/optionsforhearings.PDF

HEARINGS BEFORE THE REGISTRARS OF TRADE MARKS AND DESIGNS

Hearings before the Registrars of Trade Marks and Designs will be set down in Melbourne, Sydney, Adelaide, Perth and Brisbane during the periods indicated below.

Designs and Trade Marks Hearings Sessions 2006

Melbourne	13 – 17 February 5 – 9 June 11 – 15 September
Sydney	13 – 17 March 17 – 21 July 16 – 20 October
Adelaide	14 – 15 August
Perth	17 – 18 August
Brisbane	24 – 25 August

Persons who desire matters to be set down for hearing in Melbourne, Sydney, Adelaide, Perth or Brisbane must give at least one month's notice of their intention to be heard. If such notice is not given, it may be that there would be insufficient time to allow for the execution of official procedures associated with the listing of hearings, and as a result, the matter involved might not be listed.

Subject to the convenience of this Office, hearings will be set down in Canberra at any time suitable to the parties.

LIST OF STATE OFFICES

IP Australia State Offices are located in the Australian Capitals at the addresses given below. Requests for information may be obtained by calling at, phoning or writing to these offices or IP Australia, Canberra.

Australian Capital Territory

Ground Floor
Discovery House
PHILLIP ACT 2606
(PO Box 200, WODEN ACT 2606)
Ph: 1300 651 010
Fax: (02) 6283 7999

New South Wales

Level 1
45 Clarence Street
SYDNEY NSW 2000
Ph: 1300 651 010
Fax: (02) 9249 5807

Victoria

Level 6
OCBC House
565 Bourke Street
MELBOURNE VIC 3000
Ph: 1300 651 010
Fax (03) 9612 9807

Western Australia

2nd Floor
East Point Plaza
233 Adelaide Terrace
PERTH WA 6000
Ph: 1300 651 010
Fax: (08) 9220 8907

Queensland

Level 1
Grant Thornton House
102 Adelaide Street
BRISBANE QLD 4000
Ph: 1300 651 010
Fax: (07) 3007 1107

South Australia

Level 10
Origin Energy House
1 King William Street
ADELAIDE SA 5000
Ph: 1300 651 010
Fax: (08) 8239 4507

Tasmania

4th Floor
AMP Building
27 Elizabeth Street
HOBART TAS 7000
Ph: 1300 651 010
Fax: (03) 6235 6307

“INID” NUMBERS in use on Australian Design Documents

“INID” is an acronym for “Internationally agreed Numbers for the Identification of Data”.

(10) Data concerning the registration/renewal

- (11) Serial number of the registration and/or number of the design document
- (12) Plain language designation of the kind of published document
- (19) Identification, using the two-letter code according to WIPO Standard ST.3, of the authority publishing or registering the industrial design

(20) Data concerning the application

- (21) Serial number of the application
- (22) Date of filing of the application
- (24) Date from which the industrial design right has effect

(30) Data relating to priority under the Paris Convention

- (31) Serial number assigned to the priority application
- (32) Date of filing of the priority application
- (33) Two-letter code, according to WIPO Standard ST.3, identifying the authority with which the priority application was made

(40) Date(s) of making information available to the public

- (45) Date of publication of the registered industrial design by printing or similar process, or making it available to the public by any other means

(50) Miscellaneous Information

- (51) International Classification for Industrial Designs (class and subclass of the Locarno Classification)
- (54) Designation of article(s) or product(s) covered by the industrial design or title of the industrial design
- (55) Reproduction of the industrial design (e.g., drawing, photograph) and explanations relating to the reproduction
- (56) List of prior art documents, if separate from descriptive text
- (57) Description of characteristic features of the industrial design including indication of colours

(60) References to other legally related application(s) and registration(s)

- (62) Serial number(s) and, if available, filing date(s) of application(s), registration(s) or document(s) related by division
- (66) Serial number(s) of the application, or the registration, of the design(s) which is (are) a variant(s) of the present one

(70) Identification of parties concerned with the application or registration

- (71) Name(s) and address(es) of the applicant(s)
- (72) Name(s) of the creator(s) if known to be such
- (74) Name(s) and address(es) of the representative(s)

This Page Left Intentionally Blank

Official Notice**2007 Public Holidays for IP Australia Staff**

The following days will be observed as Australia-wide public holidays in 2007:

New Years Day	Monday 1 January
Australia Day	Friday 26 January
Good Friday	Friday 6 April
Easter Saturday	Saturday 7 April
Easter Monday	Monday 9 April
Anzac Day	Wednesday 25 April
Christmas Day	Tuesday 25 December
Boxing Day	Wednesday 26 December
Additional Day	Monday 31 December

2007 Christmas Holiday Close Down for IP Australia staff will be Thursday 27 and Friday 28 December.

The following are additional public holidays for each state and the ACT:

ACT

Canberra Day	Monday 19 March
Queen's Birthday	Monday 11 June
Labour Day	Monday 1 October

NSW

Queen's Birthday	Monday 11 June
Labour Day	Monday 1 October

VICTORIA

Labour Day	Monday 12 March
Queen's Birthday	Monday 11 June
Melbourne Cup Day	Tuesday 6 November

QUEENSLAND

Labour Day	Monday 7 May
Queen's Birthday	Monday 11 June
Brisbane Show Day	Wednesday 15 August

SOUTH AUSTRALIA

Adelaide Cup Day	Monday 12 March
Queen's Birthday	Monday 11 June
Labour Day	Monday 1 October

WESTERN AUSTRALIA

Labour Day	Monday 5 March
Foundation Day	Monday 4 June
Queen's Birthday	Monday 1 October

TASMANIA

Royal Regatta Day	Monday 12 February
Eight Hour Day	Monday 12 March
Queen's Birthday	Monday 11 June
Hobart Show Day	Thursday 25 October

Contact: IP Australia
Phone: 1300 651 010
Fax: +61 2 6283 7999
E-mail: assist@ipaustralia.gov.au
Web: www.ipaustralia.gov.au

Official Notice

Amendment to 2006 Christmas Holiday Closedown

The following amendment has been made to details previously published in the Australian Official Journal of Designs, the Australian Official Journal of Trade Marks and the Australian Official Journal of Patents on 2 November 2006.

"This means that the majority of IP Australia's staff will be on leave for the period 25 December 2006 until 1 January 2007 inclusive"

Queries: Renata Rose
Customer Services Network
+61 2 6283 2193

Contact: IP Australia
Phone: 1300 651 010
Fax: +61 2 6283 7999
E-mail: assist@ipaustralia.gov.au
Web: www.ipaustralia.gov.au

Official Notice

Fee Regulations under the Designs, Patents, Plant Breeder's Rights and Trade Marks Acts made 13 December 2006

The *Intellectual Property Legislation (Fees) Amendment Regulations 2006* were signed by the Governor-General on Wednesday 13 December 2006.

The Fee Amendment Regulations will commence on 1 March 2007. The amended Regulations will appear on ComLaw (www.comlaw.gov.au) in the near future.

The main purpose of the Regulations is to amend the fees for various transactions within the Patent and Trade Marks Offices located within IP Australia. These fee amendments arise from a recent comprehensive fee review conducted by IP Australia as part of IP Australia's Cost Recovery Impact Statement, in compliance with the Government's cost recovery policy.

Some non-cost recovery changes for Designs (aligning like fees to Patents and Trade Marks) and Plant Breeder's Rights are also introduced.

In addition to the fee changes, Designs, Patents and Trade Marks cost items, relating to instances where costs may be awarded to a party by the Commissioner or Registrar, have been increased. These costs have not been reviewed for some time and have been adjusted to what is now considered reasonable.

Preliminary information about the fee changes was provided on the IP Australia website on 26 September 2006 ([IP Australia : Resources > News > What's new](#)). The new fees will be the same as those published, with two exceptions:

- The fee for responding to a patent examination report will remain unchanged at \$100 per month; and
- Item 2, Part 1 of Schedule 8 to the Trade Marks Regulations: cost for evidence in support, will be \$700, the same as the amended cost item for evidence in answer.

As a general rule, customers are advised that the fee payable for an action will be the fee applicable on the day the action is completed.

For matters under the *Patents Act 1990*, if the fee is not paid or is partly paid, an Invitation to Pay will be issued based on the fee applicable on the day the action is completed.

IP Australia reminds our customers that some IP rights require full payment before an action is deemed to have been completed. Customers wishing to discuss individual fees or transactions should contact IP Australia for assistance.

Contact: IP Australia
Phone: 1300 651 010
Fax: +61 2 6283 7999
E-mail: assist@ipaaustralia.gov.au
Web: www.ipaustralia.gov.au

**Proceedings under the Designs Act 1906 preserved as a
result of the provisions of Chapter 12 Part 2 of the Designs
Act 2003.**

This Page Left Intentionally Blank

Applications Lapsed

There were no Applications Lapsed under this section

Application for Extension of Period of Registration

Applications under Section 27A(2) for extension of registration of the following designs have been lodged. In the event that a design is shown to be not new or original, the Registrar may refuse to extend the period of registration. Sub-section 27A(4) allows any person to lodge at the Designs Office material relevant to the question whether the design is not new or original. That material must be lodged within 11 months of the date when the registration of the design was made. Further details of the conditions and procedures for the lodgement of material are contained in Form 8 provided under the Designs Regulation 24.

Registration Number	Registered Owner	Registration Date
158016	DAVID BEGG and KIERAN TAPLEY	26/05/2005
158019	DAVID BEGG and KIERAN TAPLEY	26/05/2005
158020	DAVID BEGG and KIERAN TAPLEY	26/05/2005
158350	INDUSTRIAL EXPRESSION PTY LTD	12/10/2005

Extension of Period of Registration of Designs

1st Period (Section 27A(8))

158016	158019	158020
158350	158441	158442
158445	158448	158452
158453	158454	158455

2nd Period (Section 27A(12))

142920	144233	144512
144532	144576	144582
144682	144689	144692
144693	144704	144705
144813	144871	144981
144982	144983	144984
145080	145081	145082
145083	145084	145085
145086	145087	145088
145089	145487	145718
146654	148060	148061
148062	148452	148514
148852	149393	149608
151724	151725	158413

3rd Period (Section 27A(13))

126399	127160	127161
127320	127321	127412
127442	127503	127579
127589	127887	127980
128172	128331	129559
130873	131326	132507
132511		

Registrations Ceased

Note: Some of the following Registrations may have been previously advertised as ceased. In this instance, the previous advertisement still prevails.

110550	110551	110552
111416	111464	111465
111467	111472	111483
111484	111485	111486
111487	111488	111489
111593	111681	111683
111687	111690	111693
111694	111695	111696
111697	111698	111699
111700	111706	111707
111712	111715	111718
111720	111721	111722
111895	111896	112151
113392	114562	115443
115444	115646	115982
117250	119596	121381
123834	123839	125525
125591	125748	125841
125856	125979	125980
128110	140973	141201
141266	141345	141623
141731	141783	142383
142384	142400	142402
142460	142461	142462
142465	142487	142600
142664	142665	142666
142708	142794	142851
142933	142934	142935
143152	143172	143173
143210	143289	143463
143745	144004	144093
144443	145337	145770
145771	145877	146171
146490	146491	146492
146493	146494	146495
146496	146848	147062
147140	147141	147607
147949	149793	150405
151914	158389	158433
158434	158435	158436
158437	158439	

Extensions of time granted

Applications lodged for extension of time have been granted.

158350 **Industrial Expression Pty Ltd** An Extension of time to extend a registration has been granted to 29/11/2006

158019 **David Begg** An Extension of time to extend a registration has been granted to 27/09/2006

158020 **David Begg** An Extension of time to extend a registration has been granted to 27/09/2006

158016 **David Begg** An Extension of time to extend a registration has been granted to 27/09/2006

Subsequent Owners Registered

(The name in parentheses is that of the subsequent owner)

130155	(Soehnle-Waagen G.m.b.H. & Co.;Leifheit AG) Soehnle-Waagen G.m.b.H. & Co.
151182	(CHEP Technology Pty Limited) CHEP Australia Limited
140046	(Siemens Water Technologies Corp.) U.S. Filter Wastewater Group Inc.
142387	(Siemens Water Technologies Corp.) U.S. Filter Wastewater Group Inc.
141083	(Siemens Water Technologies Corp.) U.S. Filter Wastewater Group Inc.
145080	(Up-Side Group Pty Ltd) Daryl W. Curyer
135587	(IPH International Pty Ltd) John Charles Pepperell;Norman Cecil Waterman
135588	(IPH International Pty Ltd) John Charles Pepperell;Norman Cecil Waterman
147100	(Traffic Technology International Pty Ltd) Pavelite Technology Pty Ltd
152698	(Hitachi Appliances, Ltd.) Hitachi Home & Life Solutions Inc.

This Page Left Intentionally Blank

Proceedings under the Designs Act 2003.

This Page Left Intentionally Blank

Applications Lodged

Lodgement information is in the following order: **Applicant's Name**; International Classification, Name of Product, Lodgement Date and **Design Number**. If the applicant claims an earlier priority date under an International Convention, the Convention Country and the associated filing date are shown in parentheses before the Lodgement Date. Divisional information will also appear in parentheses before the Lodgement Date.

Aquakleen Pty Ltd; 08-05A, Head for automatic pool cleaner, 01 Nov 2006	15052/2006	Conroy, Sandie; Conroy, Michael; 22-05, Crab pot upright, 13 Nov 2006	15179/2006
Architectural Window Systems Pty Ltd; 25-01K, An extrusion, 25 Oct 2006	14988/2006	Conroy, Michael; Conroy, Sandie; 22-05, Crab pot upright, 13 Nov 2006	15179/2006
Art Plastics Pty Ltd; 23-01B, Downpipe conduit, 25 Oct 2006	14914/2006	Creative Technology Ltd; 14-01, Loudspeaker device, (US, 26 Jul 2006) 10 Nov 2006	15143/2006
Art Plastics Pty Ltd; 23-01B, Toilet connector component, 25 Oct 2006	14915/2006	Creative Technology Ltd; 14-01, Loudspeaker device, (US, 26 Jul 2006) 10 Nov 2006	15144/2006
Asiana Airlines, Inc.; 12-07, Aircraft, (KR, 18 Oct 2006) 10 Nov 2006	15141/2006	Creative Technology Ltd; 14-01, Loudspeaker device, (US, 21 Jul 2006) 10 Nov 2006	15145/2006
Axial Vector Engine Corporation; 15-01, Engine, (US, 22 May 2006) 21 Nov 2006	15342/2006	Creative Technology Ltd; 14-02, Replaceable mouse cover, (US, 19 Jul 2006) 10 Nov 2006	15146/2006
APA Manufacturing Pty Ltd; 09-01A, Dual cylinder system, 10 Nov 2006	15140/2006	Crown Equipment Corporation; 12-05, Low level order picker lift truck, (US, 03 Nov 2006) 16 Nov 2006	15274/2006
Balu Pty Ltd; 25-01E, A post, 02 Nov 2006	15051/2006	CSAV, Inc.; 08-08D, Table clamp for electronic display mount, (US, 09 Sep 2005) 06 Oct 2006	14532/2006
Balu Pty Ltd; 25-01K, Plastic gasket, 10 Nov 2006	15135/2006	Dorma GmbH & Co. KG; 08-07, A door closer, (DE, 16 May 2006) 15 Nov 2006	15254/2006
Bennet, Edward A.; Wang, Jiek Wen; 08-05NES, Floorboard joiner, 01 Nov 2006	15035/2006	Eckersley, Thomas Clayden; 06-09, The acumat is a foam yoga/pilates mat; that can double as a sleeping/camp rest., 31 Oct 2006	15004/2006
Bobic, Milica; 06-06A, hat rack, hat and bag stand, hat stand, belt/scarf/bag stand; hat and belt stand, 25 Oct 2006	14859/2006	Eckersley, Thomas Clayden; 28-03NES, The acurolla is a 'figure - 8' shaped foam bolster with a pyramid textured surface for yoga/pilates., 31 Oct 2006	15005/2006
Bridgestone Corporation; 12-15A, Motorcycle tyre, (JP, 10 May 2006) 10 Nov 2006	15155/2006	Electrolux Home Products Corporation N.V.; 15-05, A drying machine for laundry, (EM, 04 Jan 2006) (Divisional of 12848/2006) 10 Nov 2006	15152/2006
Cadbury Enterprises Pte Limited; 09-01B, Bottle, 27 Oct 2006	14953/2006	Electrolux Home Products Corporation N.V.; 15-05, A washing machine for laundry, (EM, 04 Jan 2006) (Divisional of 12848/2006) 10 Nov 2006	15153/2006
Carlton Industries Pty Limited; 06-03C, (1) Carlton desk and hutch (2) Carlton desk and hutch - with drawers unit, 10 Nov 2006	15129/2006	Electrolux Home Products Corporation N.V.; 15-05, A washing machine for laundry, (EM, 04 Jan 2006) (Divisional of 12848/2006) 10 Nov 2006	15154/2006
Carlton Industries Pty Limited; 06-03C, (1) Carlton desk and hutch (2) Carlton desk and hutch - with drawers unit, 10 Nov 2006	15128/2006	Eveready Battery Company, Inc.; 26-02, Power failure light, (US, 23 May 2006) 15 Nov 2006	15262/2006
Chint Group Corp; 13-03NES, Miniature circuit breaker, (CN, 03 Jun 2006) 16 Nov 2006	15266/2006	Eveready Battery Company, Inc.; 26-02, Portable light (hands free LED flashlight/area light), (US, 23 May 2006) 15 Nov 2006	15263/2006
Combisafe International AB; 25-02NES, A holder for part of an edge protection system, (EM, 03 Feb 2006) 22 Nov 2006	15362/2006		
Combisafe International AB; 25-02NES, A holder for part of an edge protection system, (EM, 03 Feb 2006) 22 Nov 2006	15363/2006		

Eyers, Michael Bruce; 25-01K, Alpine fascia gutter, 07 Nov 2006	15095/2006	Kordz Pty Ltd; 13-03NES, Wall plate, 22 Nov 2006	15354/2006
Filtercorp International Limited; 23-01A, A flexible tubular connector with self supporting end bands, (NZ, 15 May 2006) 13 Nov 2006	15178/2006	Kordz Pty Ltd; 13-03E, Wall plate with HDMI & AV connectors, 22 Nov 2006	15355/2006
Filtercorp International Limited; 23-01B, A tube for receiving a flexible connector at its profiled end, (NZ, 15 May 2006) 13 Nov 2006	15180/2006	Kordz Pty Ltd; 13-03E, Wall plate with rear cabled HDMI connector, 22 Nov 2006	15356/2006
Filtercorp International Limited; 23-01B, A tube for receiving a flexible connector at its profiled end, (NZ, 26 Oct 2006) 13 Nov 2006	15181/2006	Lednium Pty Ltd; 06-11, Contact pattern, (Divisional of 13964/2006) 20 Nov 2006	15330/2006
Formway Furniture Limited; 06-03C, A desk, 13 Nov 2006	15170/2006	Lednium Pty Ltd; 14-03NES, Printed circuit board, (Divisional of 13964/2006) 20 Nov 2006	15331/2006
Formway Furniture Limited; 06-03C, A desk, 13 Nov 2006	15171/2006	Lednium Pty Ltd; 14-03NES, Printed circuit board, (Divisional of 13964/2006) 20 Nov 2006	15332/2006
Formway Furniture Limited; 06-03C, A desk, 13 Nov 2006	15172/2006	Lednium Pty Ltd; 14-03NES, Printed circuit board, (Divisional of 13964/2006) 20 Nov 2006	15333/2006
Formway Furniture Limited; 06-03C, A desk, 13 Nov 2006	15173/2006	Lednium Pty Ltd; 14-03NES, Printed circuit board, (Divisional of 13964/2006) 20 Nov 2006	15334/2006
Formway Furniture Limited; 06-03C, A desk, 13 Nov 2006	15174/2006	Lednium Pty Ltd; 14-03NES, Printed circuit board, (Divisional of 13964/2006) 20 Nov 2006	15335/2006
Formway Furniture Limited; 06-03C, A return, 13 Nov 2006	15175/2006	Locmac Holdings Pty Ltd; 12-16L, 13-03E, Trailer connector, 29 Jun 2006	12785/2006
Formway Furniture Limited; 06-03C, A return, 13 Nov 2006	15176/2006	Logipak Pty Limited; 08-04, Combination bung and cap spanner, 10 Nov 2006	15148/2006
Formway Furniture Limited; 06-03C, A return, 13 Nov 2006	15177/2006	Marina Protection Systems Pty Ltd; 13-03NES, An electrode, 10 Nov 2006	15139/2006
French Fashion (H.K.) Limited; 28-03C, Hair clip, 21 Nov 2006	15341/2006	Mars Incorporated; 01-06, Animal foodstuffs, (EM, 09 May 2006) 09 Nov 2006	15133/2006
Fritsch and Son; 25-01A, A set of paver and tiles, 03 Nov 2006	15055/2006	Mason, Glenn; 07-99C, Sun screen applicator, 14 Nov 2006	15186/2006
Gemini Industries Pty Ltd; 23-02C, Toilet Pan, 10 Nov 2006	15150/2006	Maxitrol Company; 14-03NES, A handset, (US, 12 May 2006) 13 Nov 2006	15187/2006
Gemini Industries Pty Ltd; 23-02C, Toilet pan, 10 Nov 2006	15151/2006	McCabe, Tim; McCabe, Lee; 25-01C, Roof purlins - that support safety mesh and roof sheeting in the construction of commercial/industrial type buildings., 24 Jul 2006	15292/2006
Gemini Industries Pty Ltd; 23-02C, Toilet pan, 10 Nov 2006	15149/2006	McCabe, Lee; McCabe, Tim; 25-01C, Roof purlins - that support safety mesh and roof sheeting in the construction of commercial/industrial type buildings., 24 Jul 2006	15292/2006
Gibson, Lynne; Scott, Olivia; 02-03, Head scarf/bandanna, 13 Nov 2006	15142/2006	McCabe, Tim; McCabe, Lee; 25-01C, Roof purlins - that support safety mesh and roof sheeting in the construction of commercial/industrial type buildings., 24 Jul 2006	15293/2006
Horne, Iain; 09-04, Bussing, collecting, stocking tables/bar in bars in bars, taverns, restaurants, pubs, 10 Nov 2006	15125/2006		
Hsiao, E-Ming; 15-02, Air compressor, 10 Nov 2006	15134/2006		
Kelly, Christopher; 24-99, Airway appliance for snoring and sleep apnoea, 07 Nov 2006	15096/2006		
Kelly, Christopher; 24-99, Airway appliance for snoring and sleep apnoea, 07 Nov 2006	15098/2006		
Kelly, Christopher; 24-99, Airway appliance for snoring and sleep apnoea, 07 Nov 2006	15099/2006		

McCabe, Lee; McCabe, Tim; 25-01C, Roof purlins - that support safety mesh and roof sheeting in the construction of commercial/industrial type buildings., 24 Jul 2006	15293/2006	Pacific Market International, LLC; 07-01F, Vacuum carafe, (US, 01 Mar 2006) 01 Sep 2006	15319/2006
McCabe, Tim; McCabe, Lee; 25-01C, Roof purlins - that support safety mesh and roof sheeting in the construction of commercial/industrial type buildings., 24 Jul 2006	15294/2006	Pacific Market International, LLC; 07-01F, Vacuum carafe, (US, 01 Mar 2006) 01 Sep 2006	15320/2006
McCabe, Lee; McCabe, Tim; 25-01C, Roof purlins - that support safety mesh and roof sheeting in the construction of commercial/industrial type buildings., 24 Jul 2006	15294/2006	Perrine Architecture Pty Ltd; 25-02NES, Wall element for a building, 24 Oct 2006	14861/2006
McCabe, Lee; McCabe, Tim; 25-01C, Roof purlins - that support safety mesh and roof sheeting in the construction of commercial/industrial type buildings., 24 Jul 2006	15294/2006	Perrine Architecture Pty Ltd; 25-02NES, Wall element for a bulding, 24 Oct 2006	14862/2006
McCabe, Lee; McCabe, Tim; 25-01C, Roof purlins - that support safety mesh and roof sheeting in the construction of commercial/industrial type buildings., 24 Jul 2006	15294/2006	Perrine Architecture Pty Ltd; 25-02NES, Wall element for a building, 24 Oct 2006	14863/2006
McMahon, Benjamin John; 23-03A, The design is a central heating system/radiator, 03 Nov 2006	15087/2006	Pidial, Richard; 21-01L, Tuffluk, 17 Nov 2006	15315/2006
Mink Pink Fashion Group Pty Ltd; 02-02C, Clothing, 08 Nov 2006	15119/2006	Polyweld Pty Ltd; 06-10, Truck side curtain cant rail and curtain track combined with roof support track, 30 Oct 2006	14951/2006
Nanjing Chervon Industry Co., Ltd.; 08-01, Drill, (CN, 13 Jun 2006) 16 Nov 2006	15270/2006	Polyweld Pty Ltd; 06-10, Truck side curtain cant rail and curtain track combined with roof support track and gate hanger track, 30 Oct 2006	14952/2006
Nanjing Chervon Industry Co., Ltd.; 08-03, Circular saw, (CN, 31 May 2006) 16 Nov 2006	15267/2006	Procter & Gamble Company, The; 09-05, Packaging, (EM, 09 May 2006) 09 Nov 2006	15122/2006
Nanjing Chervon Industry Co., Ltd.; 26-02, Flashlight, (CN, 19 May 2006) 16 Nov 2006	15268/2006	Procter & Gamble Company, The; 09-05, Packaging, (EM, 31 Oct 2006) 09 Nov 2006	15123/2006
Nanjing Chervon Industry Co., Ltd.; 13-02, Charger, (CN, 17 May 2006) 16 Nov 2006	15269/2006	Retail & Commercial Properties Pty Ltd; 25-01NES, Edge form, 13 Nov 2006	15189/2006
Nokia Corporation; 14-03A, Front cover for a handset, (FI, 15 May 2006) 09 Nov 2006	15136/2006	Retown Pty Ltd; 08-08A, Slide fastener, 09 Nov 2006	15131/2006
Nokia Corporation; 14-03A, Part of a headset, (US, 09 May 2006) 09 Nov 2006	15137/2006	Rosemin Pty Ltd; 02-02C, Endora dress, 16 Nov 2006	15277/2006
Nokia Corporation; 14-03A, A handset, (FI, 15 May 2006) 09 Nov 2006	15138/2006	Rosemin Pty Ltd; 02-02C, Day and night dress, 16 Nov 2006	15278/2006
Nycomed Danmark ApS; 24-02, Case for medical devices, (EM, 30 May 2006) 20 Nov 2006	15329/2006	Rosemin Pty Ltd; 02-02C, Short suit, 16 Nov 2006	15279/2006
Olori Furniture Pty Ltd; 06-01F, Chair, 14 Nov 2006	15247/2006	Rosemin Pty Ltd; 02-02C, Winter dress, 16 Nov 2006	15280/2006
Orica Australia Pty Ltd; 07-02A, A spout fitting for application to a container, 14 Nov 2006	15250/2006	Rosemin Pty Ltd; 02-02C, Marlyn dress, 16 Nov 2006	15281/2006
Orica Australia Pty Ltd; 09-03F, A lid for a container, 14 Nov 2006	15251/2006	Rosemin Pty Ltd; 02-02C, Secret dress, 16 Nov 2006	15282/2006
Pacific Market International, LLC; 07-01F, Vacuum carafe, (US, 01 Mar 2006) 01 Sep 2006	15316/2006	Rosemin Pty Ltd; 02-02C, Lilac dress, 16 Nov 2006	15283/2006
Pacific Market International, LLC; 07-01F, Vacuum carafe, (US, 01 Mar 2006) 01 Sep 2006	15317/2006	Rosemin Pty Ltd; 02-02C, Tea cup dress, 16 Nov 2006	15284/2006
Pacific Market International, LLC; 07-01F, Vacuum carafe, (US, 01 Mar 2006) 01 Sep 2006	15318/2006	Rosemin Pty Ltd; 02-02C, Princess dress, 16 Nov 2006	15285/2006
Pacific Market International, LLC; 07-01F, Vacuum carafe, (US, 01 Mar 2006) 01 Sep 2006	15318/2006	Rostron, Brett Cyril; 08-05NES, Turning cyress timber into kindling pushed through a tube by a ram, 24 Oct 2006	14841/2006

Rostron, Brett Cyril; 08-05NES, An attachment that goes on any small wood splitter available currently for sale, 24 Oct 2006	14842/2006	Spin Master Ltd; 21-01B, Toy, 14 Nov 2006	15183/2006
Ruud Lighting, Inc.; 26-05C, Housing of a lighting fixture, (US, 11 May 2006) 09 Nov 2006	15130/2006	Spin Master Ltd; 21-01B, Toy, 14 Nov 2006	15184/2006
S.C. Johnson & Son, Inc.; 28-03NES, Applicator refill, (Divisional of 13851/2006) 10 Nov 2006	15147/2006	Spin Master Ltd; 21-01A, Toy, 14 Nov 2006	15185/2006
Samho C&T Pty Ltd; 10-01, Clock tower, 10 Nov 2006	15132/2006	Stargames Corporation Pty Limited; 21-01L, Craps table, 10 Nov 2006	15161/2006
Samsung Electronics Co., Ltd.; 14-03B, Television, 14 Nov 2006	15249/2006	Stargames Corporation Pty Limited; 21-01L, Craps table, 10 Nov 2006	15162/2006
Scanlan & Theodore Pty Ltd; 02-02C, Ladies' garments, 24 Oct 2006	14870/2006	StrongArm Inc.; 03-03, Mobility device, (US, 17 May 2006) 17 Nov 2006	15271/2006
Schneider Electric New Zealand Holdings Limited; 13-03D, 13-03E, A set of electrical fittings, (NZ, 15 May 2006) 14 Nov 2006	15188/2006	StrongArm Inc.; 03-03, Mobility device, (US, 17 May 2006) 17 Nov 2006	15272/2006
Scott, Olivia; Gibson, Lynne; 02-03, Head scarve/bandanna, 13 Nov 2006	15142/2006	StrongArm Inc.; 03-03, Mobility device, (US, 17 May 2006) 17 Nov 2006	15273/2006
Scott, Stephen; 12-16K, Cartopper boat loader system, 17 Nov 2006	15265/2006	Sumitomo Rubber Industries, Ltd.; 12-15C, Tire, (JP, 25 Jul 2006) 15 Nov 2006	15259/2006
Societe Bic; 19-06, Writing instrument, (US, 23 May 2006) 10 Nov 2006	15158/2006	Sumitomo Rubber Industries, Ltd.; 12-15C, Tire, (JP, 12 Jul 2006) 15 Nov 2006	15260/2006
Sony Ericsson Mobile Communications AB; 14-03E, Mobile phone (opened & closed), (EM, 15 May 2006) 10 Nov 2006	15159/2006	Sumitomo Rubber Industries, Ltd.; 12-15B, Tire, (JP, 12 Jul 2006) 15 Nov 2006	15261/2006
Sony Ericsson Mobile Communications AB; 14-03E, Mobile phone, (EM, 15 May 2006) 10 Nov 2006	15160/2006	SLATBOX PTY LTD; 20-02NES, An open topped container, 19 Sep 2006	15337/2006
Sony Ericsson Mobile Communications AB; 14-03A, Travel charger (for mobile phones and accessories thereto), (EM, 15 May 2006) 10 Nov 2006	15163/2006	SLATBOX PTY LTD; 20-02NES, An open topped container, 19 Sep 2006	15338/2006
Sony Ericsson Mobile Communications AB; 14-03A, Travel charger (for mobile phones and accessories thereto), (EM, 15 May 2006) 10 Nov 2006	15164/2006	SLATBOX PTY LTD; 20-02NES, A connector, 19 Sep 2006	15339/2006
Sony Ericsson Mobile Communications AB; 14-03A, Cover for travel charger (for mobile phones and accessories thereto), (EM, 15 May 2006) 10 Nov 2006	15165/2006	Tube Tool Supplies; 08-03, Cutter, 16 Nov 2006	15253/2006
Sony Ericsson Mobile Communications AB; 14-03A, Travel charger and cover thereto (for mobile phones and accessories thereto), (EM, 15 May 2006) 10 Nov 2006	15166/2006	Turner Industries Pty Ltd; 25-02NES, Ferrule, 17 Nov 2006	15357/2006
Soremartec S.A.; 09-03NES, Container, (EM, 11 May 2006) 10 Nov 2006	15156/2006	Vinidex Pty Limited; 23-01B, Plumbing traps and connectors, 26 Oct 2006	14908/2006
Soremartec S.A.; 09-03NES, Container, (EM, 11 May 2006) 10 Nov 2006	15157/2006	Vinidex Pty Limited; 23-01B, Plumbing traps and connectors, 26 Oct 2006	14909/2006
Spin Master Ltd; 21-01B, Toy, 14 Nov 2006	15182/2006	Vinidex Pty Limited; 23-01B, Plumbing traps and connectors, 26 Oct 2006	14910/2006
		Vinidex Pty Limited; 23-01B, Plumbing traps and connectors, 26 Oct 2006	14911/2006
		Wang, Jiek Wen; Bennet, Edward A.; 08-05NES, Floorboard joiner, 01 Nov 2006	15035/2006
		Wolverine World Wide, Inc.; 02-04NES, A footwear upper, (US, 18 May 2006) 14 Nov 2006	15211/2006
		Wolverine World Wide, Inc.; 02-04B, A footwear sole, (US, 18 May 2006) 14 Nov 2006	15207/2006

Wolverine World Wide, Inc.; 02-04NES, A footwear upper, (US, 18 May 2006) 14 Nov 2006	15218/2006	Wolverine World Wide, Inc.; 02-04B, A footwear sole, (US, 18 May 2006) 14 Nov 2006	15202/2006
Wolverine World Wide, Inc.; 02-04B, A footwear sole, (US, 18 May 2006) 14 Nov 2006	15197/2006	Wolverine World Wide, Inc.; 02-04NES, A footwear upper, (US, 18 May 2006) 14 Nov 2006	15222/2006
Wolverine World Wide, Inc.; 02-04NES, A footwear upper, (US, 18 May 2006) 14 Nov 2006	15219/2006	Wolverine World Wide, Inc.; 02-04B, A footwear sole, (US, 18 May 2006) 14 Nov 2006	15203/2006
Wolverine World Wide, Inc.; 02-04B, A footwear sole, (US, 18 May 2006) 14 Nov 2006	15198/2006	Wolverine World Wide, Inc.; 02-04NES, A footwear upper, (US, 18 May 2006) 14 Nov 2006	15223/2006
Wolverine World Wide, Inc.; 02-04NES, A footwear upper, (US, 18 May 2006) 14 Nov 2006	15220/2006	Wolverine World Wide, Inc.; 02-04B, A footwear sole, (US, 18 May 2006) 14 Nov 2006	15204/2006
Wolverine World Wide, Inc.; 02-04B, A footwear sole, (US, 18 May 2006) 14 Nov 2006	15199/2006	Wolverine World Wide, Inc.; 02-04B, A footwear sole, (US, 18 May 2006) 14 Nov 2006	15205/2006
Wolverine World Wide, Inc.; 02-04NES, A footwear upper, (US, 18 May 2006) 14 Nov 2006	15221/2006	Wolverine World Wide, Inc.; 02-04B, A footwear sole, (US, 18 May 2006) 14 Nov 2006	15206/2006
Wolverine World Wide, Inc.; 02-04NES, A footwear upper, (US, 18 May 2006) 14 Nov 2006	15200/2006	Wolverine World Wide, Inc.; 02-04NES, A footwear upper, (US, 18 May 2006) 14 Nov 2006	15210/2006
Wolverine World Wide, Inc.; 02-04NES, A footwear upper, (US, 18 May 2006) 14 Nov 2006	15201/2006		

Applications Withdrawn

14095 / 2006 (02-02C)	14615 / 2006 (02-02C)
14620 / 2006 (02-02C)	14621 / 2006 (02-02C)

Applications Lapsed

10409 / 2006 (08-08H)	10447 / 2006 (02-02NES)	14121 / 2006 (26-03)	14185 / 2006 (02-02A)
10810 / 2006 (06-09)	12206 / 2006 (26-02)	14186 / 2006 (02-02A)	14187 / 2006 (02-02A)
12208 / 2006 (26-02)	12262 / 2006 (02-02C)	14188 / 2006 (02-02A)	14189 / 2006 (02-02A)
12263 / 2006 (02-02NES)	12264 / 2006 (02-02NES)		
12738 / 2006	12779 / 2006		
12780 / 2006	13716 / 2006		
13717 / 2006 (06-10)	13720 / 2006 (23-02B)		
13819 / 2006 (02-02C)	14036 / 2006 (25-02B)		
14044 / 2006 (11-01E)	14045 / 2006 (11-01E)		
14046 / 2006 (11-01E)	14047 / 2006 (11-01E)		
14048 / 2006 (11-01E)	14049 / 2006 (11-01E)		
14050 / 2006 (11-01E)	14051 / 2006 (11-01E)		
14052 / 2006 (11-01E)	14053 / 2006 (11-01E)		
14054 / 2006 (11-01E)	14055 / 2006 (11-01E)		
14056 / 2006 (11-01E)	14057 / 2006 (11-01E)		
14058 / 2006 (11-01E)	14093 / 2006 (02-02C)		
14094 / 2006 (02-02C)	14095 / 2006 (02-02C)		
14096 / 2006 (02-02C)	14097 / 2006 (02-02C)		
14114 / 2006 (07-05E)	14120 / 2006 (26-03)		

Revocation of Design Registrations

The following Design Registration(s) have been revoked and are taken never to have been registered:

310967 21-02D

Registrations Ceased

301924 303086 303499

Extensions of time granted under Section 137

Applications lodged under section 137 for extension of time have been granted.

305817 Cerebos (Australia) Limited

15698/2005 **Perusahaan Otomobil Nasional SDN. BHD.**

15699/2005 **Perusahaan Otomobil Nasional SDN. BHD.**

15700/2005 **Perusahaan Otomobil Nasional SDN. BHD.**

15701/2005 **Perusahaan Otomobil Nasional SDN. BHD.**

15702/2005 **Perusahaan Otomobil Nasional SDN. BHD.**

15703/2005 **Perusahaan Otomobil Nasional SDN. BHD.**

15704/2005 **Perusahaan Otomobil Nasional SDN. BHD.**

15705/2005 **Perusahaan Otomobil Nasional SDN. BHD.**

15706/2005 **Perusahaan Otomobil Nasional SDN. BHD.**

15707/2005 **Perusahaan Otomobil Nasional SDN. BHD.**

15708/2005 **Perusahaan Otomobil Nasional SDN. BHD.**

15709/2005 **Perusahaan Otomobil Nasional SDN. BHD.**

14093/2006 **ROSEMIN**

14094/2006 **ROSEMIN**

14095/2006 **ROSEMIN**

14096/2006 **ROSEMIN**

14097/2006 **ROSEMIN**

Subsequent Owners Registered

(The name in parentheses is that of the subsequent owner)

309518 **(Siemens Water Technologies Corp.)** U.S. Filter Wastewater Group, Inc.

Corrigenda

Number 308507

In Vol 20 , No 17 , page 5857 under the heading **Australian Registered Design;** (51) International Design Classification should read: 06-02.

Number 309868

In Vol 20 , No 20 , page 6620 under the heading **Australian Registered Design;** (51) International Design Classification should read: 06-02.

Certificate(s) of Examination

Examination of the following Design Registration(s) has been completed. Infringement proceedings may now be commenced.

302466	06-02	07/12/2006
304240	27-03	11/12/2006
304970	21-03	30/11/2006
305381	08-07	11/12/2006
305382	08-07	11/12/2006
305383	08-07	11/12/2006
306112	20-02NES	05/12/2006
306549	02-04B	06/12/2006
306552	02-04B	06/12/2006
306962	21-03	30/11/2006
306965	21-03	30/11/2006
306966	21-03	30/11/2006
306968	21-03	30/11/2006
306969	21-03	30/11/2006
306970	21-03	30/11/2006
306971	21-03	30/11/2006
307238	26-04	30/11/2006
307257	26-04	30/11/2006
307258	26-04	30/11/2006
307664	02-02NES	06/12/2006

Publication and Registration Proceedings

Designs Registered

This section provides a concordance between design number and registration number of Designs covered in this journal. It also shows the main class and registration date.

This section covers Registration numbers 311644 to 311981 .

The registration number shown below should be used in all future correspondence.

Design Number	Registration Number	International Classification Code (IDC)	Registration Date	Design Number	Registration Number	International Classification Code (IDC)	Registration Date
14439/2004	311724	02-02C	04/12/2006	12642/2006	311719	06-02	04/12/2006
11849/2005	311707	09-07A	04/12/2006	12849/2006	311720	08-08M	04/12/2006
11850/2005	311708	09-07A	04/12/2006	12850/2006	311721	08-08M	04/12/2006
13058/2005	311775	09-01NES	06/12/2006	12851/2006	311683	08-08M	04/12/2006
15044/2005	311772	06-13NES	06/12/2006	12852/2006	311684	08-08M	04/12/2006
15045/2005	311773	06-13NES	06/12/2006	12873/2006	311722	07-02A	04/12/2006
15046/2005	311774	06-13NES	06/12/2006	13076/2006	311902	15-02	11/12/2006
15087/2005	311732	12-12	04/12/2006	13344/2006	311670	26-05D	04/12/2006
15423/2005	311752	02-02C	05/12/2006	13375/2006	311671	25-01K	04/12/2006
10212/2006	311678	11-02C	04/12/2006	13376/2006	311672	25-01K	04/12/2006
10213/2006	311679	11-02C	04/12/2006	13378/2006	311753	12-16B	06/12/2006
10234/2006	311733	28-02	05/12/2006	13464/2006	311723	03-01NES	04/12/2006
10244/2006	311903	09-07B	11/12/2006	13512/2006	311801	16-06	06/12/2006
10261/2006	311816	21-01B	06/12/2006	13513/2006	311802	16-06	06/12/2006
10262/2006	311817	21-01A	06/12/2006	13516/2006	311905	25-04	11/12/2006
10263/2006	311818	21-01A	06/12/2006	13517/2006	311805	06-01F	06/12/2006
10419/2006	311665	06-04NES	04/12/2006	13518/2006	311806	06-01F	06/12/2006
10420/2006	311666	06-04NES	04/12/2006	13535/2006	311868	03-01B	08/12/2006
10422/2006	311667	06-04NES	04/12/2006	13536/2006	311869	03-01B	08/12/2006
10489/2006	311841	06-13NES	07/12/2006	13537/2006	311870	03-01B	08/12/2006
10509/2006	311796	03-01A	06/12/2006	13538/2006	311871	03-01B	08/12/2006
10564/2006	311800	12-11	06/12/2006	13539/2006	311872	03-01B	08/12/2006
10580/2006	311680	07-07B	04/12/2006	13540/2006	311873	03-01B	08/12/2006
10614/2006	311819	06-06C	06/12/2006	13541/2006	311874	03-01B	08/12/2006
10884/2006	311962	03-01NES	12/12/2006	13542/2006	311875	03-01B	08/12/2006
11031/2006	311705	06-04NES	04/12/2006	13543/2006	311876	03-01B	08/12/2006
11039/2006	311963	06-07	12/12/2006	13544/2006	311877	03-01B	08/12/2006
11404/2006	311820	06-03B	06/12/2006	13545/2006	311878	03-01B	08/12/2006
11511/2006	311685	23-04	04/12/2006	13546/2006	311879	03-01B	08/12/2006
11631/2006	311668	02-05	04/12/2006	13547/2006	311880	03-01B	08/12/2006
11637/2006	311706	23-01G	04/12/2006	13548/2006	311881	03-01B	08/12/2006
11720/2006	311669	21-02C	04/12/2006	13549/2006	311882	03-01B	08/12/2006
11970/2006	311734	14-02	05/12/2006	13550/2006	311883	03-01B	08/12/2006
11983/2006	311842	02-02C	07/12/2006	13551/2006	311884	03-01B	08/12/2006
12023/2006	311964	25-03	12/12/2006	13552/2006	311885	03-01B	08/12/2006
12167/2006	311797	30-02	06/12/2006	13553/2006	311886	03-01B	08/12/2006
12199/2006	311821	19-08	06/12/2006	13554/2006	311887	03-01B	08/12/2006
12322/2006	311735	02-02C	05/12/2006	13555/2006	311888	03-01B	08/12/2006
12323/2006	311736	02-02C	05/12/2006	13556/2006	311889	03-01B	08/12/2006
12432/2006	311798	12-08	06/12/2006	13557/2006	311890	03-01B	08/12/2006
12458/2006	311737	25-03	05/12/2006	13558/2006	311891	03-01B	08/12/2006
12488/2006	311942	12-05	12/12/2006	13559/2006	311892	03-01B	08/12/2006
12494/2006	311709	21-03	04/12/2006	13560/2006	311893	03-01B	08/12/2006
12613/2006	311965	27-06	12/12/2006	13561/2006	311894	03-01B	08/12/2006
12628/2006	311714	09-03M	04/12/2006	13562/2006	311895	03-01B	08/12/2006
12634/2006	311710	06-02	04/12/2006	13563/2006	311896	03-01B	08/12/2006
12635/2006	311711	06-02	04/12/2006	13564/2006	311897	03-01B	08/12/2006
12636/2006	311712	06-02	04/12/2006	13565/2006	311898	03-01B	08/12/2006
12637/2006	311713	06-02	04/12/2006	13566/2006	311899	03-01NES	08/12/2006
12638/2006	311715	06-02	04/12/2006	13567/2006	311900	03-01NES	08/12/2006
12639/2006	311716	06-02	04/12/2006	13568/2006	311901	03-01B	08/12/2006
12640/2006	311717	06-02	04/12/2006	13598/2006	311755	12-10	06/12/2006
12641/2006	311718	06-02	04/12/2006	13599/2006	311754	12-10	06/12/2006

Publication and Registration Proceedings - Designs Registered cont'd

Design Number	Registration Number	International Classification Code (IDC)	Registration Date	Design Number	Registration Number	International Classification Code (IDC)	Registration Date
13600/2006	311756	12-10	06/12/2006	14513/2006	311725	08-08O	04/12/2006
13601/2006	311757	12-10	06/12/2006	14549/2006	311741	08-06	05/12/2006
13602/2006	311758	12-10	06/12/2006	14560/2006	311826	06-06A	06/12/2006
13603/2006	311686	07-04	04/12/2006	14580/2006	311946	25-01K	12/12/2006
13612/2006	311673	12-05	04/12/2006	14590/2006	311809	16-06	06/12/2006
13642/2006	311966	24-02	12/12/2006	14626/2006	311947	12-10	12/12/2006
13643/2006	311967	24-02	12/12/2006	14627/2006	311948	12-10	12/12/2006
13644/2006	311968	24-02	12/12/2006	14648/2006	311726	12-16NES	04/12/2006
13657/2006	311776	09-03NES	06/12/2006	14649/2006	311846	11-02A	07/12/2006
13663/2006	311803	07-02C	06/12/2006	14658/2006	311949	27-03	12/12/2006
13711/2006	311916	02-02B	11/12/2006	14675/2006	311973	09-03G	12/12/2006
13790/2006	311644	07-08	04/12/2006	14684/2006	311688	23-02B	04/12/2006
13791/2006	311645	07-08	04/12/2006	14687/2006	311974	23-01K	12/12/2006
13792/2006	311646	07-08	04/12/2006	14694/2006	311727	09-03F	04/12/2006
13793/2006	311647	07-08	04/12/2006	14695/2006	311681	09-03M	04/12/2006
13794/2006	311648	06-03A	04/12/2006	14697/2006	311810	08-09	06/12/2006
13795/2006	311649	23-03B	04/12/2006	14698/2006	311811	08-03	06/12/2006
13796/2006	311650	23-03B	04/12/2006	14701/2006	311950	06-01C	12/12/2006
13797/2006	311651	07-08	04/12/2006	14702/2006	311760	06-03A	06/12/2006
13798/2006	311652	07-08	04/12/2006	14703/2006	311761	23-02A	06/12/2006
13799/2006	311653	07-08	04/12/2006	14704/2006	311762	07-05NES	06/12/2006
13800/2006	311654	07-08	04/12/2006	14705/2006	311763	07-05NES	06/12/2006
13801/2006	311655	07-08	04/12/2006	14706/2006	311764	26-02	06/12/2006
13802/2006	311656	07-08	04/12/2006	14707/2006	311777	06-01F	06/12/2006
13803/2006	311657	07-08	04/12/2006	14708/2006	311778	06-01F	06/12/2006
13804/2006	311658	07-08	04/12/2006	14709/2006	311779	06-01F	06/12/2006
13805/2006	311659	07-08	04/12/2006	14710/2006	311780	06-01F	06/12/2006
13806/2006	311660	07-08	04/12/2006	14711/2006	311781	06-01F	06/12/2006
13807/2006	311661	07-08	04/12/2006	14712/2006	311782	06-01F	06/12/2006
13820/2006	311969	10-04	12/12/2006	14713/2006	311783	06-01F	06/12/2006
13831/2006	311799	03-01A	06/12/2006	14714/2006	311784	06-01F	06/12/2006
13835/2006	311738	13-02	05/12/2006	14715/2006	311785	06-01F	06/12/2006
13851/2006	311843	28-03NES	07/12/2006	14716/2006	311786	06-01F	06/12/2006
13852/2006	311844	28-03NES	07/12/2006	14717/2006	311787	06-01F	06/12/2006
13916/2006	311822	09-03M	06/12/2006	14718/2006	311788	06-01H	06/12/2006
13917/2006	311823	09-03M	06/12/2006	14719/2006	311789	06-01H	06/12/2006
13937/2006	311804	21-02A	06/12/2006	14720/2006	311790	06-01H	06/12/2006
13939/2006	311943	24-01	12/12/2006	14721/2006	311791	06-01F	06/12/2006
13956/2006	311944	23-02A	12/12/2006	14722/2006	311792	06-01F	06/12/2006
13965/2006	311687	09-01F	04/12/2006	14723/2006	311793	06-01E	06/12/2006
13968/2006	311945	06-04F	12/12/2006	14724/2006	311794	06-01E	06/12/2006
14007/2006	311824	15-09	06/12/2006	14725/2006	311795	06-01E	06/12/2006
14013/2006	311970	09-03NES	12/12/2006	14726/2006	311765	21-01A	06/12/2006
14014/2006	311971	09-03NES	12/12/2006	14730/2006	311689	26-05C	04/12/2006
14113/2006	311759	15-01	06/12/2006	14731/2006	311690	26-05A	04/12/2006
14221/2006	311674	12-16E	04/12/2006	14732/2006	311691	26-05A	04/12/2006
14225/2006	311675	12-16B	04/12/2006	14733/2006	311692	26-05A	04/12/2006
14259/2006	311825	12-10	06/12/2006	14734/2006	311693	26-05A	04/12/2006
14277/2006	311972	06-07	12/12/2006	14735/2006	311694	26-05A	04/12/2006
14282/2006	311739	08-08NES	05/12/2006	14736/2006	311695	26-05A	04/12/2006
14283/2006	311740	08-08H	05/12/2006	14737/2006	311696	23-02B	04/12/2006
14290/2006	311676	29-02	04/12/2006	14738/2006	311697	07-01F	04/12/2006
14291/2006	311677	29-02	04/12/2006	14739/2006	311827	07-01F	06/12/2006
14341/2006	311807	03-01NES	06/12/2006	14740/2006	311828	07-01F	06/12/2006
14414/2006	311682	28-99	04/12/2006	14741/2006	311829	09-01C	06/12/2006
14464/2006	311845	11-02A	07/12/2006	14742/2006	311975	07-01F	12/12/2006
14477/2006	311808	12-16M	06/12/2006	14743/2006	311830	07-01F	06/12/2006
14484/2006	311853	08-03	07/12/2006	14744/2006	311831	07-01F	06/12/2006

Publication and Registration Proceedings - Designs Registered cont'd

Design Number	Registration Number	International Classification Code (IDC)	Registration Date	Design Number	Registration Number	International Classification Code (IDC)	Registration Date
14745/2006	311832	07-01F	06/12/2006	14843/2006	311703	09-03M	04/12/2006
14746/2006	311833	07-01F	06/12/2006	14844/2006	311930	09-03M	11/12/2006
14747/2006	311922	07-01F	11/12/2006	14845/2006	311931	08-07	11/12/2006
14748/2006	311915	13-01	11/12/2006	14847/2006	311932	08-03	11/12/2006
14750/2006	311834	14-03B	06/12/2006	14850/2006	311835	19-08	06/12/2006
14751/2006	311906	25-01NES	11/12/2006	14851/2006	311836	19-08	06/12/2006
14752/2006	311766	08-06	06/12/2006	14852/2006	311837	19-08	06/12/2006
14755/2006	311847	29-02	07/12/2006	14853/2006	311838	19-08	06/12/2006
14756/2006	311907	29-02	11/12/2006	14854/2006	311839	19-08	06/12/2006
14757/2006	311848	29-02	07/12/2006	14855/2006	311840	19-08	06/12/2006
14758/2006	311909	29-02	11/12/2006	14856/2006	311857	03-01NES	07/12/2006
14759/2006	311908	09-01K	11/12/2006	14857/2006	311858	03-01NES	07/12/2006
14760/2006	311854	12-08	07/12/2006	14858/2006	311859	25-01NES	07/12/2006
14761/2006	311941	12-08	11/12/2006	14860/2006	311704	28-01	04/12/2006
14762/2006	311923	12-08	11/12/2006	14864/2006	311814	07-06A	06/12/2006
14764/2006	311698	23-02F	04/12/2006	14865/2006	311860	13-03E	07/12/2006
14766/2006	311699	23-02F	04/12/2006	14871/2006	311957	03-01A	12/12/2006
14767/2006	311700	23-02F	04/12/2006	14872/2006	311958	03-01A	12/12/2006
14768/2006	311767	07-05C	06/12/2006	14874/2006	311959	11-02E	12/12/2006
14769/2006	311768	07-05D	06/12/2006	14877/2006	311960	06-01F	12/12/2006
14770/2006	311769	07-05D	06/12/2006	14878/2006	311815	25-04	06/12/2006
14771/2006	311770	07-05D	06/12/2006	14879/2006	311861	25-04	07/12/2006
14772/2006	311771	07-05D	06/12/2006	14881/2006	311979	23-01A	12/12/2006
14773/2006	311728	23-02F	04/12/2006	14883/2006	311980	21-01A	12/12/2006
14774/2006	311729	23-02F	04/12/2006	14884/2006	311917	14-03A	11/12/2006
14777/2006	311701	23-01A	04/12/2006	14885/2006	311918	14-03A	11/12/2006
14778/2006	311849	12-08	07/12/2006	14890/2006	311911	06-04F	11/12/2006
14779/2006	311742	30-99	05/12/2006	14891/2006	311912	06-04F	11/12/2006
14780/2006	311743	30-99	05/12/2006	14892/2006	311913	06-02	11/12/2006
14787/2006	311812	22-05	06/12/2006	14893/2006	311914	06-01D	11/12/2006
14792/2006	311744	23-01F	05/12/2006	14894/2006	311933	10-04	11/12/2006
14796/2006	311924	06-01E	11/12/2006	14895/2006	311934	10-04	11/12/2006
14805/2006	311951	23-01A	12/12/2006	14896/2006	311919	16-06	11/12/2006
14806/2006	311730	09-01G	04/12/2006	14900/2006	311935	07-01D	11/12/2006
14807/2006	311731	28-01	04/12/2006	14901/2006	311936	31-00	11/12/2006
14808/2006	311952	25-01E	12/12/2006	14902/2006	311937	09-03NES	11/12/2006
14809/2006	311976	25-01E	12/12/2006	14912/2006	311749	12-16NES	05/12/2006
14812/2006	311953	08-08B	12/12/2006	14913/2006	311961	12-08	12/12/2006
14813/2006	311977	08-08B	12/12/2006	14938/2006	311981	09-01K	12/12/2006
14814/2006	311978	08-08B	12/12/2006	14988/2006	311904	25-01K	11/12/2006
14816/2006	311745	13-03B	05/12/2006	14989/2006	311750	12-16NES	05/12/2006
14817/2006	311746	13-03B	05/12/2006	15034/2006	311751	28-02	05/12/2006
14818/2006	311747	13-03B	05/12/2006	15042/2006	311920	21-01N	11/12/2006
14819/2006	311748	13-03B	05/12/2006	15043/2006	311910	21-01N	11/12/2006
14820/2006	311850	08-08D	07/12/2006	15066/2006	311662	08-03	04/12/2006
14821/2006	311851	08-08D	07/12/2006	15077/2006	311938	09-01K	11/12/2006
14822/2006	311852	08-08NES	07/12/2006	15078/2006	311939	09-01K	11/12/2006
14823/2006	311855	08-08B	07/12/2006	15079/2006	311940	09-03H	11/12/2006
14824/2006	311856	08-08NES	07/12/2006	15085/2006	311663	14-02	04/12/2006
14826/2006	311921	08-08E	11/12/2006	15086/2006	311664	14-02	04/12/2006
14827/2006	311954	08-08D	12/12/2006	15112/2006	311862	02-02C	07/12/2006
14828/2006	311955	08-08D	12/12/2006	15113/2006	311863	02-02C	07/12/2006
14829/2006	311925	08-08D	11/12/2006	15114/2006	311864	02-02C	07/12/2006
14830/2006	311956	08-08D	12/12/2006	15115/2006	311865	02-02C	07/12/2006
14835/2006	311926	08-07	11/12/2006	15126/2006	311866	11-02A	07/12/2006
14836/2006	311927	12-16H	11/12/2006	15127/2006	311867	11-02A	07/12/2006
14837/2006	311928	19-02	11/12/2006				
14838/2006	311813	08-03	06/12/2006				
14839/2006	311929	08-05NES	11/12/2006				
14840/2006	311702	08-05NES	04/12/2006				

Publication and Registration Proceedings - Designs Registered cont'd

Publication and Registration Proceedings
Class Listing of Designs Published or Registered

The following section shows an International Classification Code listing of the Registered or Published Designs covered in this supplement.

Classification	Registration Number	Design Number	Classification	Registration Number	Design Number
02-02 B	311916	13711/2006	03-01 NES	311858	14857/2006
02-02 C	311724	14439/2004	03-01 NES	311899	13566/2006
02-02 C	311735	12322/2006	03-01 NES	311900	13567/2006
02-02 C	311736	12323/2006	03-01 NES	311962	10884/2006
02-02 C	311752	15423/2005	06-01 C	311820	11404/2006
02-02 C	311842	11983/2006	06-01 C	311950	14701/2006
02-02 C	311862	15112/2006	06-01 D	311914	14893/2006
02-02 C	311863	15113/2006	06-01 E	311793	14723/2006
02-02 C	311864	15114/2006	06-01 E	311794	14724/2006
02-02 C	311865	15115/2006	06-01 E	311795	14725/2006
02-02 NES	311752	15423/2005	06-01 E	311924	14796/2006
02-02 NES	311842	11983/2006	06-01 F	311777	14707/2006
02-02 NES	311862	15112/2006	06-01 F	311778	14708/2006
02-02 NES	311863	15113/2006	06-01 F	311779	14709/2006
02-02 NES	311864	15114/2006	06-01 F	311780	14710/2006
02-02 NES	311865	15115/2006	06-01 F	311781	14711/2006
02-05	311668	11631/2006	06-01 F	311782	14712/2006
03-01 A	311796	10509/2006	06-01 F	311783	14713/2006
03-01 A	311799	13831/2006	06-01 F	311784	14714/2006
03-01 A	311957	14871/2006	06-01 F	311785	14715/2006
03-01 A	311958	14872/2006	06-01 F	311786	14716/2006
03-01 B	311868	13535/2006	06-01 F	311787	14717/2006
03-01 B	311869	13536/2006	06-01 F	311791	14721/2006
03-01 B	311870	13537/2006	06-01 F	311792	14722/2006
03-01 B	311871	13538/2006	06-01 F	311805	13517/2006
03-01 B	311872	13539/2006	06-01 F	311806	13518/2006
03-01 B	311873	13540/2006	06-01 F	311960	14877/2006
03-01 B	311874	13541/2006	06-01 H	311788	14718/2006
03-01 B	311875	13542/2006	06-01 H	311789	14719/2006
03-01 B	311876	13543/2006	06-01 H	311790	14720/2006
03-01 B	311877	13544/2006	06-01 L	311805	13517/2006
03-01 B	311878	13545/2006	06-01 L	311806	13518/2006
03-01 B	311879	13546/2006	06-02	311710	12634/2006
03-01 B	311880	13547/2006	06-02	311711	12635/2006
03-01 B	311881	13548/2006	06-02	311712	12636/2006
03-01 B	311882	13549/2006	06-02	311713	12637/2006
03-01 B	311883	13550/2006	06-02	311715	12638/2006
03-01 B	311884	13551/2006	06-02	311716	12639/2006
03-01 B	311885	13552/2006	06-02	311717	12640/2006
03-01 B	311886	13553/2006	06-02	311718	12641/2006
03-01 B	311887	13554/2006	06-02	311719	12642/2006
03-01 B	311888	13555/2006	06-02	311913	14892/2006
03-01 B	311889	13556/2006	06-03 A	311648	13794/2006
03-01 B	311890	13557/2006	06-03 A	311760	14702/2006
03-01 B	311891	13558/2006	06-03 B	311820	11404/2006
03-01 B	311892	13559/2006	06-03 NES	311710	12634/2006
03-01 B	311893	13560/2006	06-03 NES	311711	12635/2006
03-01 B	311894	13561/2006	06-03 NES	311712	12636/2006
03-01 B	311895	13562/2006	06-03 NES	311713	12637/2006
03-01 B	311896	13563/2006	06-03 NES	311715	12638/2006
03-01 B	311897	13564/2006	06-03 NES	311716	12639/2006
03-01 B	311898	13565/2006	06-03 NES	311717	12640/2006
03-01 B	311901	13568/2006	06-03 NES	311718	12641/2006
03-01 NES	311723	13464/2006	06-03 NES	311719	12642/2006
03-01 NES	311807	14341/2006	06-04 F	311911	14890/2006
03-01 NES	311857	14856/2006	06-04 F	311912	14891/2006

Registration Proceedings - Class Listing of Designs Published or Registered cont'd

Classification	Registration Number	Design Number	Classification	Registration Number	Design Number
06-04 F	311945	13968/2006	07-08	311661	13807/2006
06-04 NES	311665	10419/2006	08-03	311662	15066/2006
06-04 NES	311666	10420/2006	08-03	311811	14698/2006
06-04 NES	311667	10422/2006	08-03	311813	14838/2006
06-04 NES	311705	11031/2006	08-03	311853	14484/2006
06-06 A	311826	14560/2006	08-03	311932	14847/2006
06-06 C	311647	13793/2006	08-05 D	311969	13820/2006
06-06 C	311819	10614/2006	08-05 NES	311702	14840/2006
06-06 F	311710	12634/2006	08-05 NES	311929	14839/2006
06-06 F	311711	12635/2006	08-06	311741	14549/2006
06-06 F	311712	12636/2006	08-06	311766	14752/2006
06-06 F	311713	12637/2006	08-07	311741	14549/2006
06-06 F	311715	12638/2006	08-07	311926	14835/2006
06-06 F	311716	12639/2006	08-07	311931	14845/2006
06-06 F	311717	12640/2006	08-08 B	311855	14823/2006
06-06 F	311718	12641/2006	08-08 B	311953	14812/2006
06-06 F	311719	12642/2006	08-08 B	311977	14813/2006
06-07	311963	11039/2006	08-08 B	311978	14814/2006
06-07	311972	14277/2006	08-08 D	311850	14820/2006
06-13 NES	311772	15044/2005	08-08 D	311851	14821/2006
06-13 NES	311773	15045/2005	08-08 D	311925	14829/2006
06-13 NES	311774	15046/2005	08-08 D	311954	14827/2006
06-13 NES	311841	10489/2006	08-08 D	311955	14828/2006
07-01 D	311935	14900/2006	08-08 D	311956	14830/2006
07-01 F	311697	14738/2006	08-08 E	311921	14826/2006
07-01 F	311827	14739/2006	08-08 H	311740	14283/2006
07-01 F	311828	14740/2006	08-08 H	311749	14912/2006
07-01 F	311830	14743/2006	08-08 H	311750	14989/2006
07-01 F	311831	14744/2006	08-08 M	311683	12851/2006
07-01 F	311832	14745/2006	08-08 M	311684	12852/2006
07-01 F	311833	14746/2006	08-08 M	311720	12849/2006
07-01 F	311922	14747/2006	08-08 M	311721	12850/2006
07-01 F	311975	14742/2006	08-08 NES	311683	12851/2006
07-02 A	311722	12873/2006	08-08 NES	311684	12852/2006
07-02 C	311803	13663/2006	08-08 NES	311720	12849/2006
07-04	311686	13603/2006	08-08 NES	311721	12850/2006
07-05 C	311767	14768/2006	08-08 NES	311739	14282/2006
07-05 D	311768	14769/2006	08-08 NES	311852	14822/2006
07-05 D	311769	14770/2006	08-08 NES	311856	14824/2006
07-05 D	311770	14771/2006	08-08 O	311725	14513/2006
07-05 D	311771	14772/2006	08-09	311810	14697/2006
07-05 NES	311762	14704/2006	09-01 C	311829	14741/2006
07-05 NES	311763	14705/2006	09-01 F	311687	13965/2006
07-06 A	311814	14864/2006	09-01 G	311730	14806/2006
07-07 B	311680	10580/2006	09-01 K	311908	14759/2006
07-08	311644	13790/2006	09-01 K	311938	15077/2006
07-08	311645	13791/2006	09-01 K	311939	15078/2006
07-08	311646	13792/2006	09-01 K	311981	14938/2006
07-08	311647	13793/2006	09-01 NES	311775	13058/2005
07-08	311651	13797/2006	09-03 E	311940	15079/2006
07-08	311652	13798/2006	09-03 F	311727	14694/2006
07-08	311653	13799/2006	09-03 G	311973	14675/2006
07-08	311654	13800/2006	09-03 H	311940	15079/2006
07-08	311655	13801/2006	09-03 M	311681	14695/2006
07-08	311656	13802/2006	09-03 M	311703	14843/2006
07-08	311657	13803/2006	09-03 M	311714	12628/2006
07-08	311658	13804/2006	09-03 M	311822	13916/2006
07-08	311659	13805/2006	09-03 M	311823	13917/2006
07-08	311660	13806/2006	09-03 M	311930	14844/2006

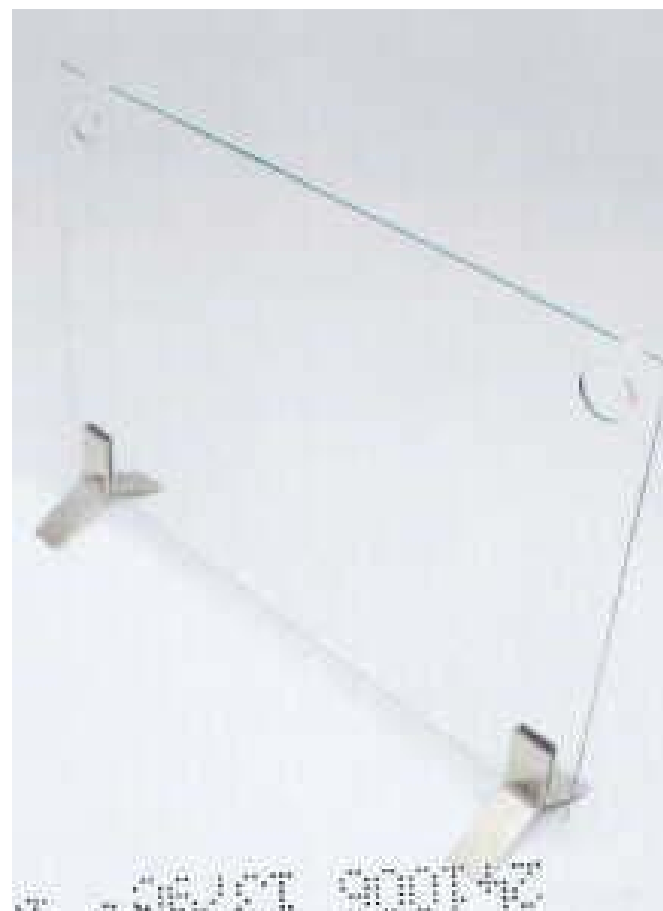
Registration Proceedings - Class Listing of Designs Published or Registered cont'd

Classification	Registration Number	Design Number	Classification	Registration Number	Design Number
09-03 NES	311714	12628/2006	14-03 A	311917	14884/2006
09-03 NES	311776	13657/2006	14-03 A	311918	14885/2006
09-03 NES	311937	14902/2006	14-03 B	311834	14750/2006
09-03 NES	311970	14013/2006	15-01	311759	14113/2006
09-03 NES	311971	14014/2006	15-02	311902	13076/2006
09-04	311776	13657/2006	15-05	311687	13965/2006
09-07 A	311707	11849/2005	15-05	311964	12023/2006
09-07 A	311708	11850/2005	15-09	311824	14007/2006
09-07 B	311903	10244/2006	16-06	311801	13512/2006
10-04	311933	14894/2006	16-06	311802	13513/2006
10-04	311934	14895/2006	16-06	311809	14590/2006
10-04	311969	13820/2006	16-06	311919	14896/2006
11-02 A	311845	14464/2006	19-02	311928	14837/2006
11-02 A	311846	14649/2006	19-08	311821	12199/2006
11-02 A	311866	15126/2006	19-08	311835	14850/2006
11-02 A	311867	15127/2006	19-08	311836	14851/2006
11-02 C	311678	10212/2006	19-08	311837	14852/2006
11-02 C	311679	10213/2006	19-08	311838	14853/2006
11-02 E	311959	14874/2006	19-08	311839	14854/2006
12-05	311673	13612/2006	19-08	311840	14855/2006
12-05	311942	12488/2006	19-99	311723	13464/2006
12-08	311798	12432/2006	21-01 A	311765	14726/2006
12-08	311849	14778/2006	21-01 A	311817	10262/2006
12-08	311854	14760/2006	21-01 A	311818	10263/2006
12-08	311923	14762/2006	21-01 A	311980	14883/2006
12-08	311941	14761/2006	21-01 B	311816	10261/2006
12-08	311961	14913/2006	21-01 F	311804	13937/2006
12-10	311754	13599/2006	21-01 N	311910	15043/2006
12-10	311755	13598/2006	21-01 N	311920	15042/2006
12-10	311756	13600/2006	21-02 A	311804	13937/2006
12-10	311757	13601/2006	21-02 C	311669	11720/2006
12-10	311758	13602/2006	21-03	311709	12494/2006
12-10	311825	14259/2006	22-05	311812	14787/2006
12-10	311947	14626/2006	23-01 A	311701	14777/2006
12-10	311948	14627/2006	23-01 A	311951	14805/2006
12-11	311800	10564/2006	23-01 A	311979	14881/2006
12-12	311732	15087/2005	23-01 F	311744	14792/2006
12-13	311798	12432/2006	23-01 G	311706	11637/2006
12-16 B	311675	14225/2006	23-01 G	311902	13076/2006
12-16 B	311753	13378/2006	23-01 K	311974	14687/2006
12-16 C	311753	13378/2006	23-02 A	311761	14703/2006
12-16 E	311674	14221/2006	23-02 A	311944	13956/2006
12-16 H	311927	14836/2006	23-02 B	311688	14684/2006
12-16 M	311808	14477/2006	23-02 B	311696	14737/2006
12-16 NES	311726	14648/2006	23-02 F	311698	14764/2006
12-16 NES	311739	14282/2006	23-02 F	311699	14766/2006
12-16 NES	311740	14283/2006	23-02 F	311700	14767/2006
12-16 NES	311749	14912/2006	23-02 F	311728	14773/2006
12-16 NES	311750	14989/2006	23-02 F	311729	14774/2006
13-01	311915	14748/2006	23-02 NES	311762	14704/2006
13-02	311738	13835/2006	23-02 NES	311763	14705/2006
13-03 B	311745	14816/2006	23-03 B	311649	13795/2006
13-03 B	311746	14817/2006	23-03 B	311650	13796/2006
13-03 B	311747	14818/2006	23-03 E	311655	13801/2006
13-03 B	311748	14819/2006	23-04	311685	11511/2006
13-03 E	311860	14865/2006	24-01	311943	13939/2006
14-02	311663	15085/2006	24-02	311943	13939/2006
14-02	311664	15086/2006	24-02	311966	13642/2006
14-02	311734	11970/2006	24-02	311967	13643/2006

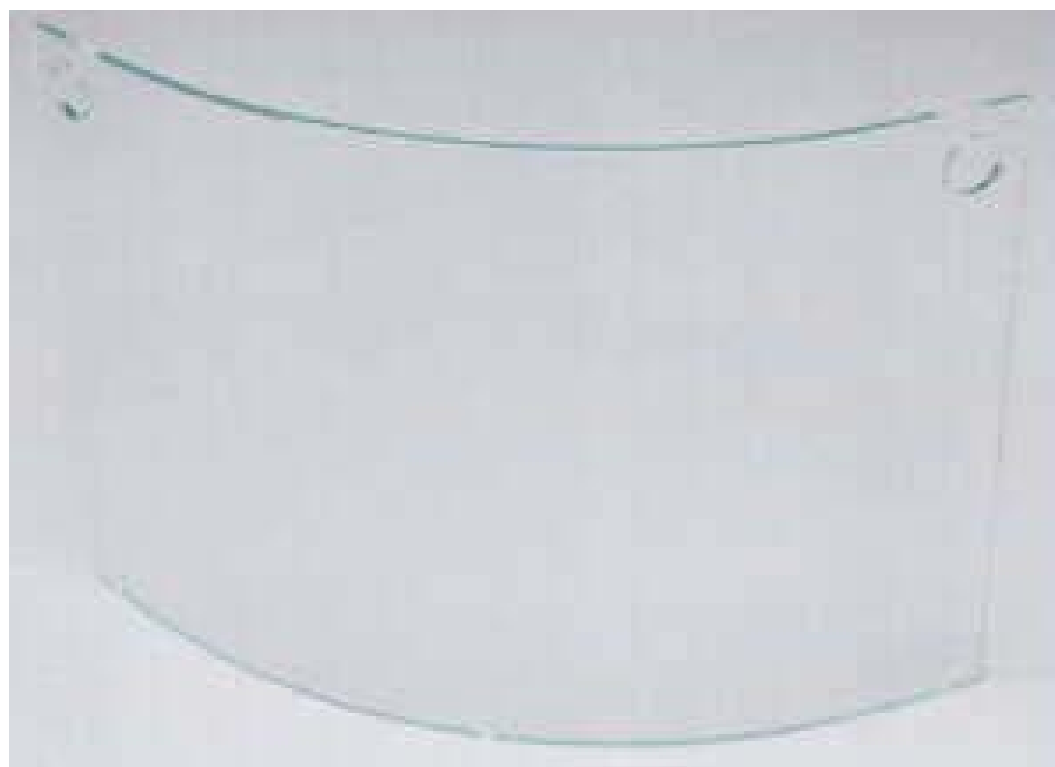
Registration Proceedings - Class Listing of Designs Published or Registered cont'd

Classification	Registration Number	Design Number	Classification	Registration Number	Design Number
24-02	311968	13644/2006	26-05 A	311695	14736/2006
25-01 A	311660	13806/2006	26-05 C	311689	14730/2006
25-01 A	311661	13807/2006	26-05 D	311670	13344/2006
25-01 E	311952	14808/2006	26-99	311670	13344/2006
25-01 E	311976	14809/2006	27-01	311965	12613/2006
25-01 K	311671	13375/2006	27-03	311949	14658/2006
25-01 K	311672	13376/2006	27-06	311965	12613/2006
25-01 K	311904	14988/2006	28-01	311704	14860/2006
25-01 K	311946	14580/2006	28-01	311731	14807/2006
25-01 NES	311859	14858/2006	28-02	311733	10234/2006
25-01 NES	311906	14751/2006	28-02	311751	15034/2006
25-02 E	311654	13800/2006	28-03 NES	311843	13851/2006
25-03	311737	12458/2006	28-03 NES	311844	13852/2006
25-03	311902	13076/2006	28-99	311682	14414/2006
25-03	311964	12023/2006	29-02	311676	14290/2006
25-04	311815	14878/2006	29-02	311677	14291/2006
25-04	311861	14879/2006	29-02	311847	14755/2006
25-04	311905	13516/2006	29-02	311848	14757/2006
26-02	311764	14706/2006	29-02	311907	14756/2006
26-04	311809	14590/2006	29-02	311909	14758/2006
26-05 A	311690	14731/2006	30-02	311797	12167/2006
26-05 A	311691	14732/2006	30-99	311742	14779/2006
26-05 A	311692	14733/2006	30-99	311743	14780/2006
26-05 A	311693	14734/2006	31-00	311936	14901/2006
26-05 A	311694	14735/2006			

- (21) Design Number: **13790/2006**
(22) Date of Filing Application: **24 August 2006**
(24) Date from which industrial property rights may have effect: **24 August 2006**
(54) Product in respect of which the design is registered: **Firescreen for an open fireplace**
(51) International Design Classification: **07-08**
(71) Name(s) and Address(s) of Applicant(s):
ESmart Group Pty Ltd
9/5 Vuko Place Warriewood New South Wales 2102 Australia
(72) Name(s) of Designer(s): **Stephane Thomas**
(45) Registration Date: **04 December 2006**
(56) Related Art Documents: **Not Applicable**
(57) Statement of Newness and Distinctiveness: **Toughened glass panel with 2 holes cut out at either end for ease of movement. Stainless steel feet with a seamless fitting assembly.**



- (21) Design Number: **13791/2006**
(22) Date of Filing Application: **24 August 2006**
(24) Date from which industrial property rights may have effect: **24 August 2006**
(54) Product in respect of which the design is registered: **Firescreen for an open fireplace**
(51) International Design Classification: **07-08**
(71) Name(s) and Address(s) of Applicant(s):
ESmart Group Pty Ltd
9/5 Vuko Place Warriewood New South Wales 2102 Australia
(72) Name(s) of Designer(s): **Stephane Thomas**
(45) Registration Date: **04 December 2006**
(56) Related Art Documents: **Not Applicable**
(57) Statement of Newness and Distinctiveness: **Toughened glass with 2 circular holes cut out at either end for ease of movement. 3 little feet evenly spaced at base for stability and to separate from the floor.**



(21) Design Number: **13792/2006**

(22) Date of Filing Application: **24 August 2006**

(24) Date from which industrial property rights may have effect: **24 August 2006**

(54) Product in respect of which the design is registered: **Firescreen for an open fireplace**

(51) International Design Classification: **07-08**

(71) Name(s) and Address(s) of Applicant(s):

ESmart Group Pty Ltd
9/5 Vuko Place Warriewood New South Wales 2102 Australia

(72) Name(s) of Designer(s): **Stephane Thomas**

(45) Registration Date: **04 December 2006**

(56) Related Art Documents: **Not Applicable**

(57) Statement of Newness and Distinctiveness: **Curved toughened glass with 1 oval cut out in the centre for ease of movement. 3 little feet evenly spaced at base for stability and to separate from the floor.**



(21) Design Number: **13793/2006**

(22) Date of Filing Application: **24 August 2006**

(24) Date from which industrial property rights may have effect: **24 August 2006**

(54) Product in respect of which the design is registered: **Legs for firescreen fixing method**

(51) International Design Classification: **07-08, 06-06C**

(71) Name(s) and Address(s) of Applicant(s):

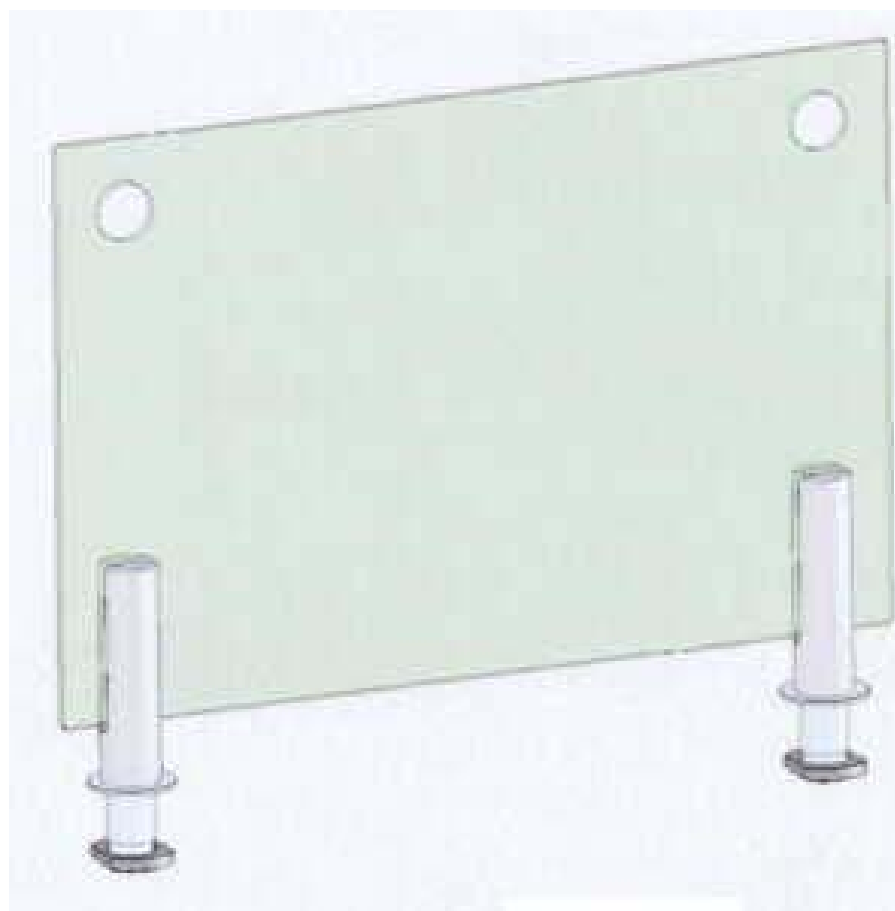
ESmart Group Pty Ltd
9/5 Vuko Place Warriewood New South Wales 2102 Australia

(72) Name(s) of Designer(s): **Stephane Thomas**

(45) Registration Date: **04 December 2006**

(56) Related Art Documents: **Not Applicable**

(57) Statement of Newness and Distinctiveness: **Stainless steel cylinder with a slot for glass panel to slide into. Non collapsible. Cylinders spiggot into recessed receiver. System is slot in, slot out.**



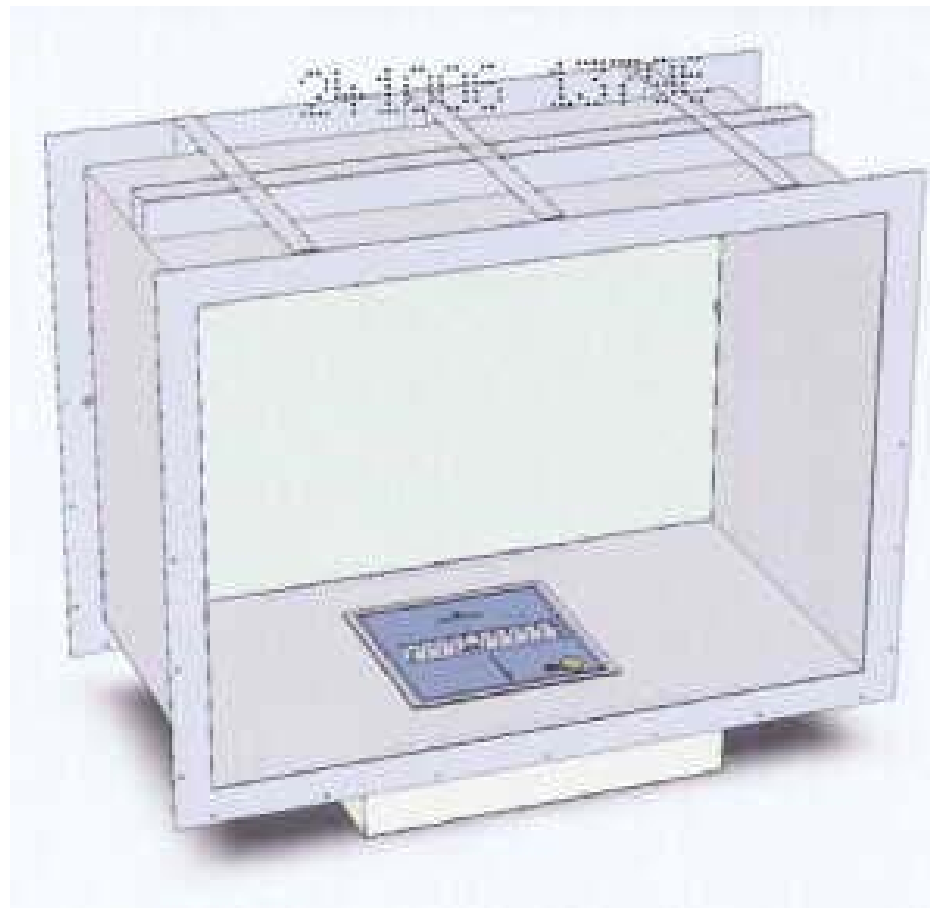
- (21) Design Number: **13794/2006**
(22) Date of Filing Application: **24 August 2006**
(24) Date from which industrial property rights may have effect: **24 August 2006**
(54) Product in respect of which the design is registered: **freestanding open fireplace**
(51) International Design Classification: **06-03A**
(71) Name(s) and Address(s) of Applicant(s):
ESmart Group Pty Ltd
9/5 Vuko Place Warriewood New South Wales 2102 Australia
(72) Name(s) of Designer(s): **Stephane Thomas**
(45) Registration Date: **04 December 2006**
(56) Related Art Documents: **Not Applicable**
(57) Statement of Newness and Distinctiveness: **Aluminium assembly consisting of base & top. Top is on a sliding mechanism that can cover burner & other half of base. Main features is that the top can slide over the burner and turn it off.**



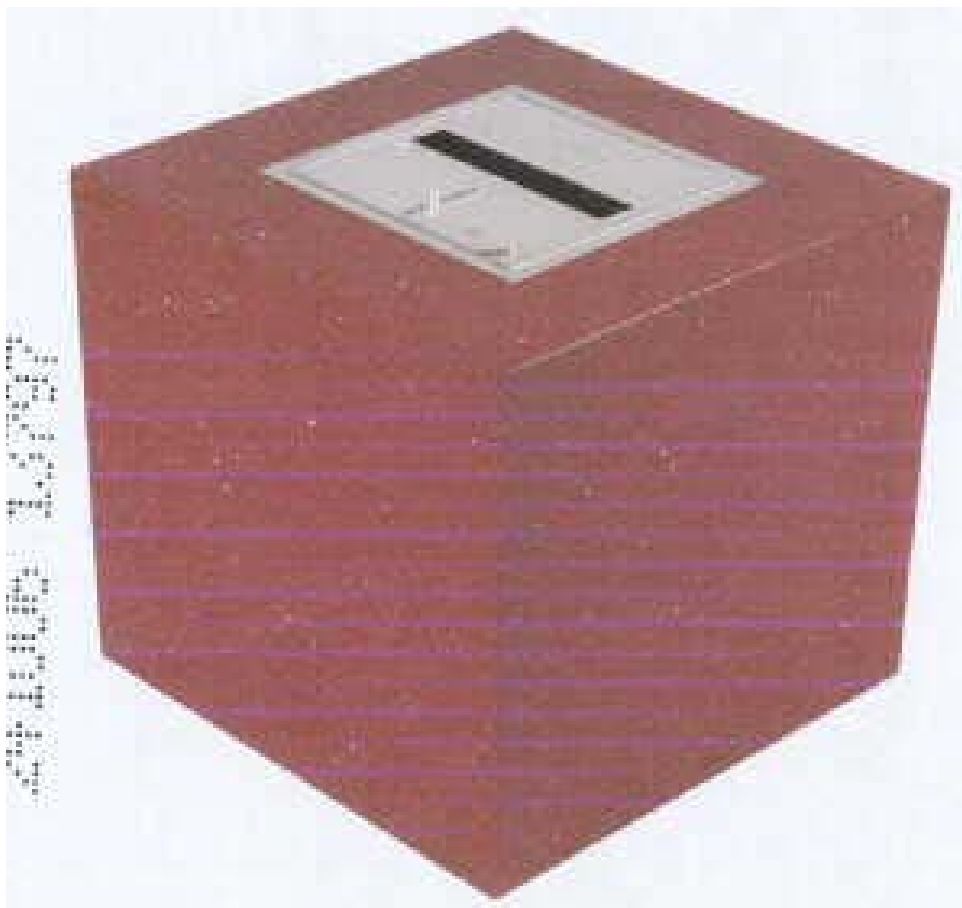
- (21) Design Number: **13795/2006**
(22) Date of Filing Application: **24 August 2006**
(24) Date from which industrial property rights may have effect: **24 August 2006**
(54) Product in respect of which the design is registered: **Zero clearance firebox insert for an open fireplace**
(51) International Design Classification: **23-03B**
(71) Name(s) and Address(s) of Applicant(s):
ESmart Group Pty Ltd
9/5 Vuko Place Warriewood New South Wales 2102 Australia
(72) Name(s) of Designer(s): **Stephane Thomas**
(45) Registration Date: **04 December 2006**
(56) Related Art Documents: **Not Applicable**
(57) Statement of Newness and Distinctiveness: **Stainless steel firebox designed to accommodate the Ecosmart Burner and designed accordingly to manufacturers specifications. Zero clearance. All constructed from stainless steel. Single opening.**



- (21) Design Number: **13796/2006**
(22) Date of Filing Application: **24 August 2006**
(24) Date from which industrial property rights may have effect: **24 August 2006**
(54) Product in respect of which the design is registered: **Zero clearance firebox insert for an open fireplace**
(51) International Design Classification: **23-03B**
(71) Name(s) and Address(s) of Applicant(s):
ESmart Group Pty Ltd
9/5 Vuko Place Warriewood New South Wales 2102 Australia
(72) Name(s) of Designer(s): **Stephane Thomas**
(45) Registration Date: **04 December 2006**
(56) Related Art Documents: **Not Applicable**
(57) Statement of Newness and Distinctiveness: **Stainless steel double-sided Firebox designed to accommodate the Escosmart Burner and designed accordingly to manufacturers specifications. Zero clearance. All constructed from stainless steel. Double-sided with an option of being closed off one side with toughened glass.**



- (21) Design Number: **13797/2006**
(22) Date of Filing Application: **24 August 2006**
(24) Date from which industrial property rights may have effect: **24 August 2006**
(54) Product in respect of which the design is registered: **Freestanding open fireplace**
(51) International Design Classification: **07-08**
(71) Name(s) and Address(s) of Applicant(s):
ESmart Group Pty Ltd
9/5 Vuko Place Warriewood New South Wales 2102 Australia
(72) Name(s) of Designer(s): **Stephane Thomas**
(45) Registration Date: **04 December 2006**
(56) Related Art Documents: **Not Applicable**
(57) Statement of Newness and Distinctiveness: **Cube shape piece of joinery designed to accept the Ecosmart Burner in the top.**



(21) Design Number: **13798/2006**

(22) Date of Filing Application: **24 August 2006**

(24) Date from which industrial property rights may have effect: **24 August 2006**

(54) Product in respect of which the design is registered: **Freestanding open fireplace**

(51) International Design Classification: **07-08**

(71) Name(s) and Address(s) of Applicant(s):

ESmart Group Pty Ltd
9/5 Vuko Place Warriewood New South Wales 2102 Australia

(72) Name(s) of Designer(s): **Stephane Thomas**

(45) Registration Date: **04 December 2006**

(56) Related Art Documents: **Not Applicable**

(57) Statement of Newness and Distinctiveness: **Part of the Designer Range of the Ecosmart Fires. 3 Toughened glass panels (Back & Sides). Joined together by a platform that accommodated the Ecosmart Burner.**



(21) Design Number: **13799/2006**

(22) Date of Filing Application: **24 August 2006**

(24) Date from which industrial property rights may have effect: **24 August 2006**

(54) Product in respect of which the design is registered: **freestanding open fireplace**

(51) International Design Classification: **07-08**

(71) Name(s) and Address(s) of Applicant(s):

ESmart Group Pty Ltd
9/5 Vuko Place Warriewood New South Wales 2102 Australia

(72) Name(s) of Designer(s): **Stephane Thomas**

(45) Registration Date: **04 December 2006**

(56) Related Art Documents: **Not Applicable**

(57) Statement of Newness and Distinctiveness: **Part of the designer range of the Ecosmart Fire. Freestanding. MDF polyurethane finish. Available in a range of colours or finish. Assemble using 900 DB Firebox.**



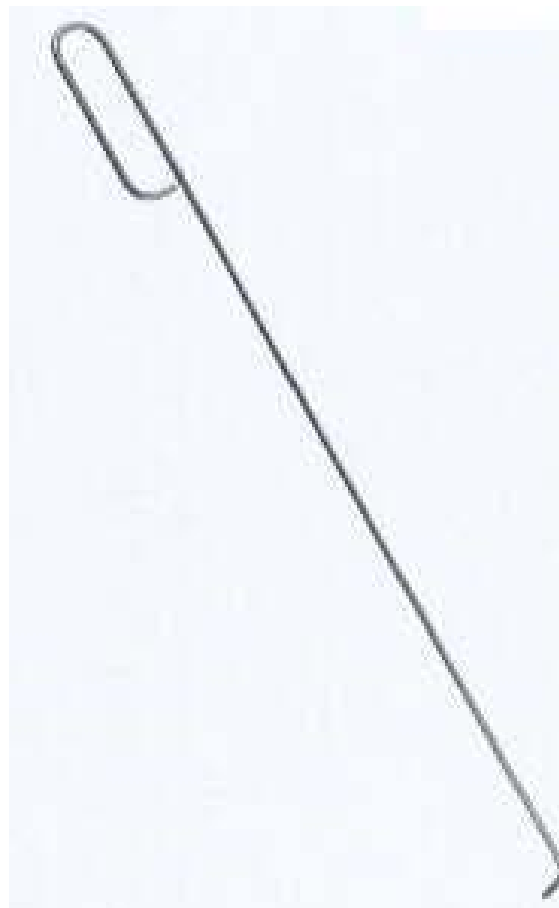
- (21) Design Number: **13800/2006**
(22) Date of Filing Application: **24 August 2006**
(24) Date from which industrial property rights may have effect: **24 August 2006**
(54) Product in respect of which the design is registered: **Freestanding open fireplace**
(51) International Design Classification: **07-08, 25-02E**
(71) Name(s) and Address(s) of Applicant(s):
ESmart Group Pty Ltd
9/5 Vuko Place Warriewood New South Wales 2102 Australia
(72) Name(s) of Designer(s): **Stephane Thomas**
(45) Registration Date: **04 December 2006**
(56) Related Art Documents: **Not Applicable**
(57) Statement of Newness and Distinctiveness: **Part of the Designer Range of the Ecosmart Fire. Freestanding. MDF polyurethane finish. Available in a range of colours or finish. Assemble using 900 SS Firebox.**



- (21) Design Number: **13801/2006**
(22) Date of Filing Application: **24 August 2006**
(24) Date from which industrial property rights may have effect: **24 August 2006**
(54) Product in respect of which the design is registered: **Freestanding open fireplace**
(51) International Design Classification: **07-08, 23-03E**
(71) Name(s) and Address(s) of Applicant(s):
ESmart Group Pty Ltd
9/5 Vuko Place Warriewood New South Wales 2102 Australia
(72) Name(s) of Designer(s): **Stephane Thomas**
(45) Registration Date: **04 December 2006**
(56) Related Art Documents: **Not Applicable**
(57) Statement of Newness and Distinctiveness: **Part of the Designer Range of the Ecosmart Fires. Freestanding to fit into a corner. MDF polyurethane finish. Available in a range of colours or finish. Assemble using 650SQ Firebox.**



- (21) Design Number: **13802/2006**
(22) Date of Filing Application: **24 August 2006**
(24) Date from which industrial property rights may have effect: **24 August 2006**
(54) Product in respect of which the design is registered: **Lighting rod for a fireplace**
(51) International Design Classification: **07-08**
(71) Name(s) and Address(s) of Applicant(s):
ESmart Group Pty Ltd
9/5 Vuko Place Warriewood New South Wales 2102 Australia
(72) Name(s) of Designer(s): **Stephane Thomas**
(45) Registration Date: **04 December 2006**
(56) Related Art Documents: **Not Applicable**
(57) Statement of Newness and Distinctiveness: **Rod made of stainless steel with handle and a return that is used to light, regulate & shut off the Ecosmart Burner.**



- (21) Design Number: **13803/2006**
(22) Date of Filing Application: **24 August 2006**
(24) Date from which industrial property rights may have effect: **24 August 2006**
(54) Product in respect of which the design is registered: **Top tray**
(51) International Design Classification: **07-08**
(71) Name(s) and Address(s) of Applicant(s):
ESmart Group Pty Ltd
9/5 Vuko Place Warriewood New South Wales 2102 Australia
(72) Name(s) of Designer(s): **Stephane Thomas**
(45) Registration Date: **04 December 2006**
(56) Related Art Documents: **Not Applicable**
(57) Statement of Newness and Distinctiveness: **Stainless steel tray that accommodates the Ecosmart Burner in a flush setting. Prevents heat transfer, spillage & leakage. It is slotted into a support material from above as one unit.**



(21) Design Number: **13804/2006**

(22) Date of Filing Application: **24 August 2006**

(24) Date from which industrial property rights may have effect: **24 August 2006**

(54) Product in respect of which the design is registered: **Fireplace Insert**

(51) International Design Classification: **07-08**

(71) Name(s) and Address(s) of Applicant(s):

ESmart Group Pty Ltd
9/5 Vuko Place Warriewood New South Wales 2102 Australia

(72) Name(s) of Designer(s): **Stephane Thomas**

(45) Registration Date: **04 December 2006**

(56) Related Art Documents: **Not Applicable**

(57) Statement of Newness and Distinctiveness: **Grate system designed to accommodate Ecosmart Burner and conceived to be inserted/replace old wood/gas grate system in old fireplaces.**



(21) Design Number: **13805/2006**

(22) Date of Filing Application: **24 August 2006**

(24) Date from which industrial property rights may have effect: **24 August 2006**

(54) Product in respect of which the design is registered: **Fireplace Insert**

(51) International Design Classification: **07-08**

(71) Name(s) and Address(s) of Applicant(s):

ESmart Group Pty Ltd
9/5 Vuko Place Warriewood New South Wales 2102 Australia

(72) Name(s) of Designer(s): **Stephane Thomas**

(45) Registration Date: **04 December 2006**

(56) Related Art Documents: **Not Applicable**

(57) Statement of Newness and Distinctiveness: **Grate system designed to accommodate Ecosmart Burner and conceived to be inserted/replace old wood/gas grate system in old fireplaces.**



(21) Design Number: **13806/2006**

(22) Date of Filing Application: **24 August 2006**

(24) Date from which industrial property rights may have effect: **24 August 2006**

(54) Product in respect of which the design is registered: **Fireplace Insert**

(51) International Design Classification: **07-08, 25-01A**

(71) Name(s) and Address(s) of Applicant(s):

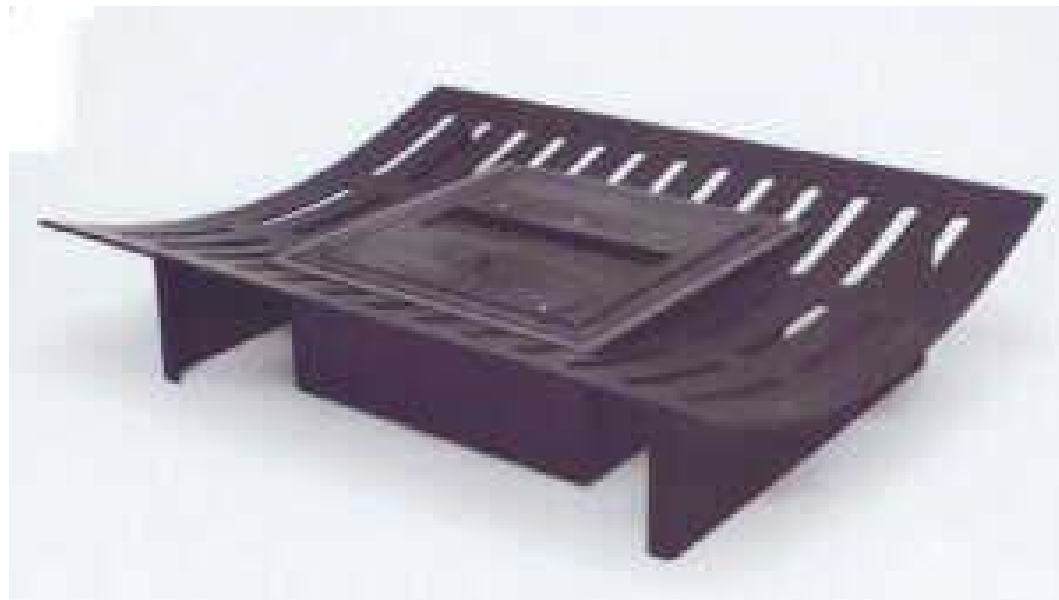
ESmart Group Pty Ltd
9/5 Vuko Place Warriewood New South Wales 2102 Australia

(72) Name(s) of Designer(s): **Stephane Thomas**

(45) Registration Date: **04 December 2006**

(56) Related Art Documents: **Not Applicable**

(57) Statement of Newness and Distinctiveness: **Grate system designed to accommodate Ecosmart Burner and conceived to be inserted/replace old wood/gas grate system in old fireplaces.**



(21) Design Number: **13807/2006**

(22) Date of Filing Application: **24 August 2006**

(24) Date from which industrial property rights may have effect: **24 August 2006**

(54) Product in respect of which the design is registered: **Fireplace Insert**

(51) International Design Classification: **07-08, 25-01A**

(71) Name(s) and Address(s) of Applicant(s):

ESmart Group Pty Ltd
9/5 Vuko Place Warriewood New South Wales 2102 Australia

(72) Name(s) of Designer(s): **Stephane Thomas**

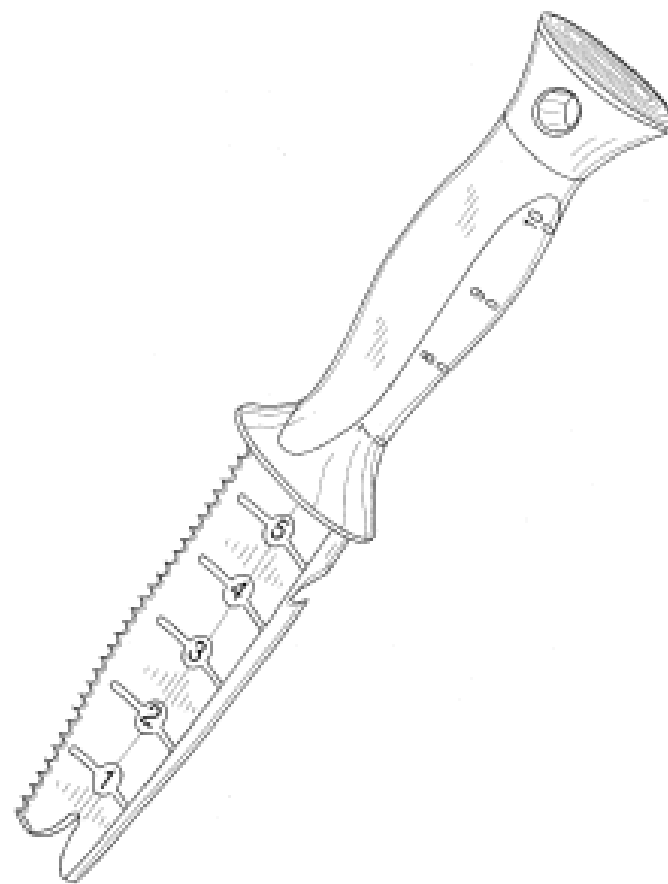
(45) Registration Date: **04 December 2006**

(56) Related Art Documents: **Not Applicable**

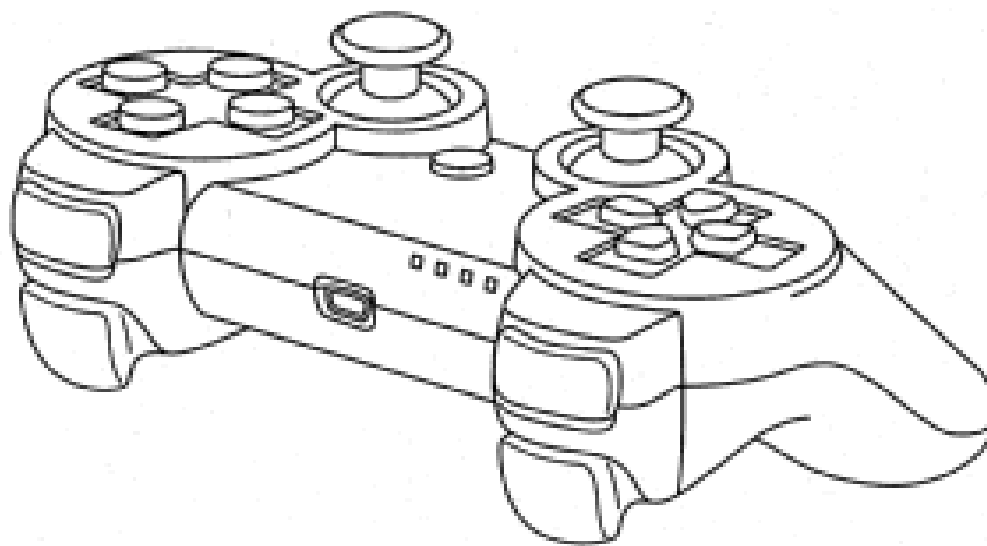
(57) Statement of Newness and Distinctiveness: **Grate system designed to accommodate Ecosmart Burner and conceived to be inserted/replace old wood/gas grate system in old fireplaces.**



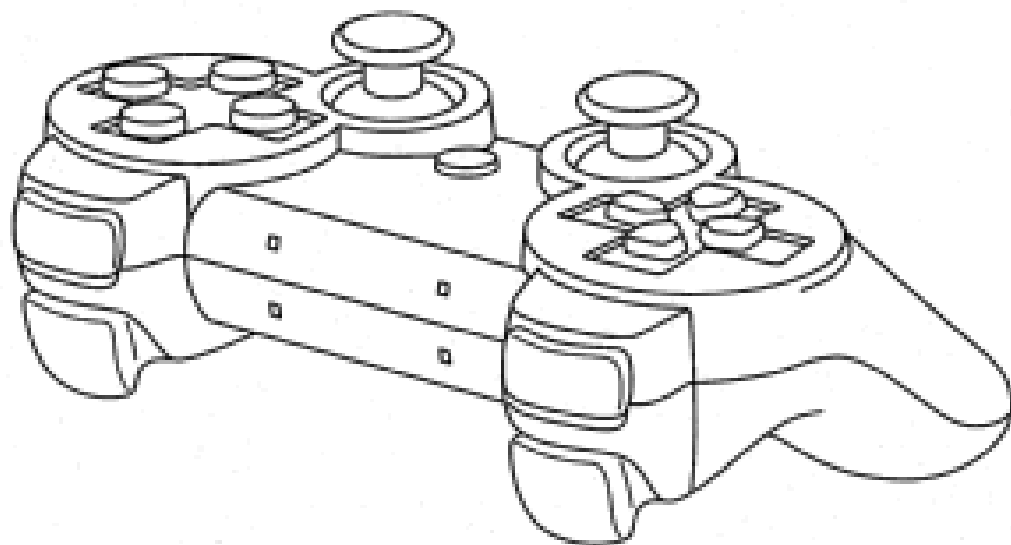
(21) Design Number: **15066/2006**
 (22) Date of Filing Application: **03 November 2006**
 (24) Date from which industrial property rights may have effect: **03 November 2006**
 (54) Product in respect of which the design is registered: **Planter's knife**
 (51) International Design Classification: **08-03**
 (71) Name(s) and Address(s) of Applicant(s):
Ames True Temper, Inc.
465 Railroad Avenue Camp Hill PA 17011 United States of America
 (72) Name(s) of Designer(s): **Eric D. Hyp and Darlene B. Santacroce**
 (45) Registration Date: **04 December 2006**
 (30) Convention priority data:
 (31) Number (32) Date (33) Country
29/259,085 02 May 2006 UNITED STATES OF AMERICA
 (56) Related Art Documents: **Not Applicable**
 (57) Statement of Newness and Distinctiveness: **Nil**



(21) Design Number: **15085/2006**
 (22) Date of Filing Application: **06 November 2006**
 (24) Date from which industrial property rights may have effect: **06 November 2006**
 (54) Product in respect of which the design is registered: **Video game controller front face**
 (51) International Design Classification: **14-02**
 (71) Name(s) and Address(s) of Applicant(s):
Sony Computer Entertainment Inc.
2-6-21 Minami-Aoyama Minato-ku Tokyo 107-0062 Japan
 (72) Name(s) of Designer(s): **Teiyu Goto and Gary M. Zalewski**
 (45) Registration Date: **04 December 2006**
 (30) Convention priority data:
 (31) Number (32) Date (33) Country
29/246,767 08 May 2006 UNITED STATES OF AMERICA
 (56) Related Art Documents: **Not Applicable**
 (57) Statement of Newness and Distinctiveness: **Nil**



(21) Design Number: **15086/2006**
(22) Date of Filing Application: **06 November 2006**
(24) Date from which industrial property rights may have effect: **06 November 2006**
(54) Product in respect of which the design is registered: **Video game controller front face**
(51) International Design Classification: **14-02**
(71) Name(s) and Address(s) of Applicant(s):
Sony Computer Entertainment Inc.
2-6-21 Minami-Aoyama Minato-ku Tokyo 107-0062 Japan
(72) Name(s) of Designer(s): **Teiyu Goto and Gary M. Zalewski**
(45) Registration Date: **04 December 2006**
(30) Convention priority data:
(31) Number (32) Date (33) Country
29/246,743 08 May 2006 UNITED STATES OF AMERICA
(56) Related Art Documents: **Not Applicable**
(57) Statement of Newness and Distinctiveness: **Nil**



(21) Design Number: **10419/2006**
(22) Date of Filing Application: **07 February 2006**
(24) Date from which industrial property rights may have effect: **07 February 2006**
(54) Product in respect of which the design is registered: **Wine rack**
(51) International Design Classification: **06-04NES**
(71) Name(s) and Address(s) of Applicant(s):
Kenneth Scott
85 Quinliven Road Port Willunga South Australia 5173 Australia
Debbie Hicks
85 Quinliven Road Port Willunga South Australia 5173 Australia
(72) Name(s) of Designer(s): **Kenneth Scott**
(45) Registration Date: **04 December 2006**
(56) Related Art Documents: **Not Applicable**
(57) Statement of Newness and Distinctiveness: **Hand made.**



- (21) Design Number: **10420/2006**
(22) Date of Filing Application: **07 February 2006**
(24) Date from which industrial property rights may have effect: **07 February 2006**
(54) Product in respect of which the design is registered: **Wine rack**
(51) International Design Classification: **06-04NES**
(71) Name(s) and Address(s) of Applicant(s):
 Kenneth Scott
 85 Quinliven Road Port Willunga South Australia 5173 Australia
 Debbie Hicks
 85 Quinliven Road Port Willunga South Australia 5173 Australia
(72) Name(s) of Designer(s): **Kenneth Scott**
(45) Registration Date: **04 December 2006**
(56) Related Art Documents: **Not Applicable**
(57) Statement of Newness and Distinctiveness: **Hand made.**



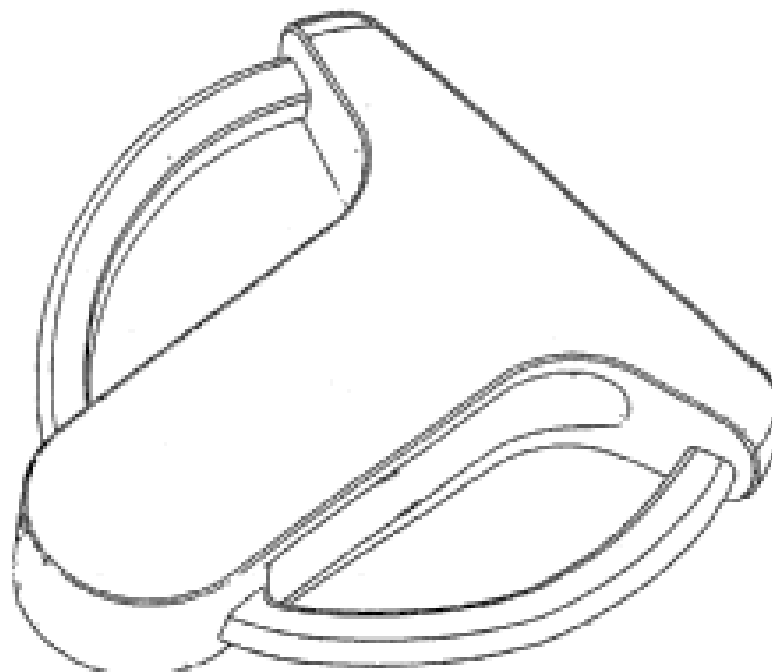
- (21) Design Number: **10422/2006**
(22) Date of Filing Application: **07 February 2006**
(24) Date from which industrial property rights may have effect: **07 February 2006**
(54) Product in respect of which the design is registered: **Wine rack**
(51) International Design Classification: **06-04NES**
(71) Name(s) and Address(s) of Applicant(s):
 Kenneth Scott
 85 Quinliven Road Port Willunga South Australia 5173 Australia
 Debbie Hicks
 85 Quinliven Road Port Willunga South Australia 5173 Australia
(72) Name(s) of Designer(s): **Kenneth Scott**
(45) Registration Date: **04 December 2006**
(56) Related Art Documents: **Not Applicable**
(57) Statement of Newness and Distinctiveness: **Hand made.**



- (21) Design Number: **11631/2006**
(22) Date of Filing Application: **21 April 2006**
(24) Date from which industrial property rights may have effect: **21 April 2006**
(54) Product in respect of which the design is registered: **Hand knitted 10ply woolen blend scarf with vintage button-through fastening feature**
(51) International Design Classification: **02-05**
(71) Name(s) and Address(s) of Applicant(s):
Anna Veronica Banno
9 Kingsford Ave Five Dock NSW 2046
(72) Name(s) of Designer(s): **Anna Veronica Banno**
(45) Registration Date: **04 December 2006**
(56) Related Art Documents: **Not Applicable**
(57) Statement of Newness and Distinctiveness: **Distinctive feature is the vintage button on one end of the scarf used buttoned through any loop of the knitted scarf down other end.**



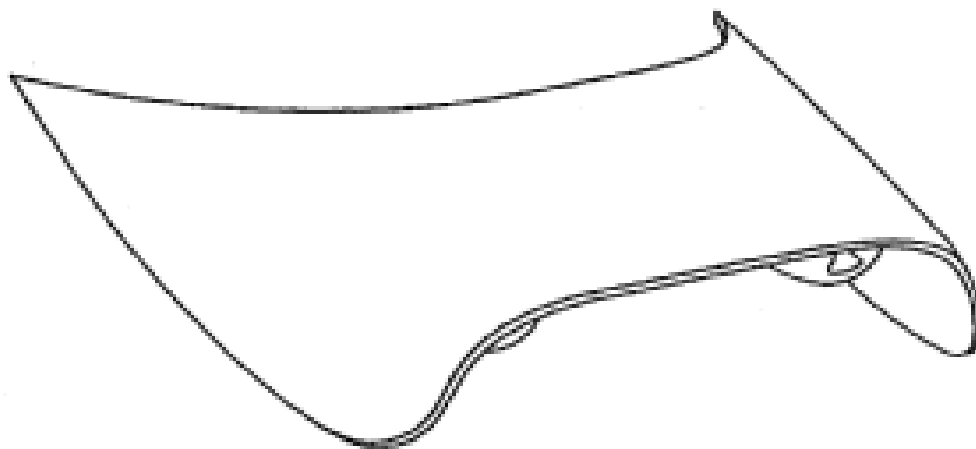
- (21) Design Number: **11720/2006**
(22) Date of Filing Application: **24 April 2006**
(24) Date from which industrial property rights may have effect: **24 April 2006**
(54) Product in respect of which the design is registered: **Putter head**
(51) International Design Classification: **21-02C**
(71) Name(s) and Address(s) of Applicant(s):
Callaway Golf Company
2180 Rutherford Road Carlsbad California 92008 United States of America
(72) Name(s) of Designer(s): **Larry G. Tang and Augustin W. Rollinson**
(45) Registration Date: **04 December 2006**
(30) Convention priority data:
(31) Number (32) Date (33) Country
29/241385 25 Oct 2005 UNITED STATES OF AMERICA
(56) Related Art Documents: **Not Applicable**
(57) Statement of Newness and Distinctiveness: **Newness and distinctiveness is claimed in the features of shape and/or configuration of a putter head as illustrated in the accompanying representations.**



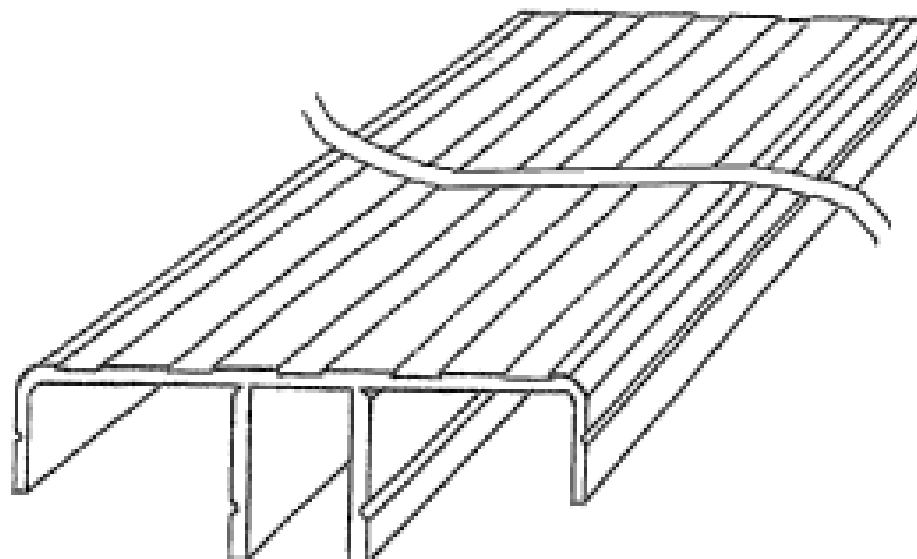
- (21) Design Number: **13344/2006**
(22) Date of Filing Application: **31 July 2006**
(24) Date from which industrial property rights may have effect: **31 July 2006**
(54) Product in respect of which the design is registered: **Improved lighting apparatus**
(51) International Design Classification: **26-05D, 26-99**
(71) Name(s) and Address(s) of Applicant(s):
Tor Design Limited
6 Rapaki Road Christchurch New Zealand
(72) Name(s) of Designer(s): **Simon Dyer**
(45) Registration Date: **04 December 2006**
(30) Convention priority data:

(31) Number	(32) Date	(33) Country
29/253165	31 Jan 2006	UNITED STATES OF AMERICA

(56) Related Art Documents: **Not Applicable**
(57) Statement of Newness and Distinctiveness: **We wish to submit a statement of newness and distinctiveness in respect of particular features of the design, but without prejudice to the newness or distinctiveness of other visual features of the design. The shape and configuration of the or one of the bubble portions as shown in the accompanying representations is new and distinctive.**



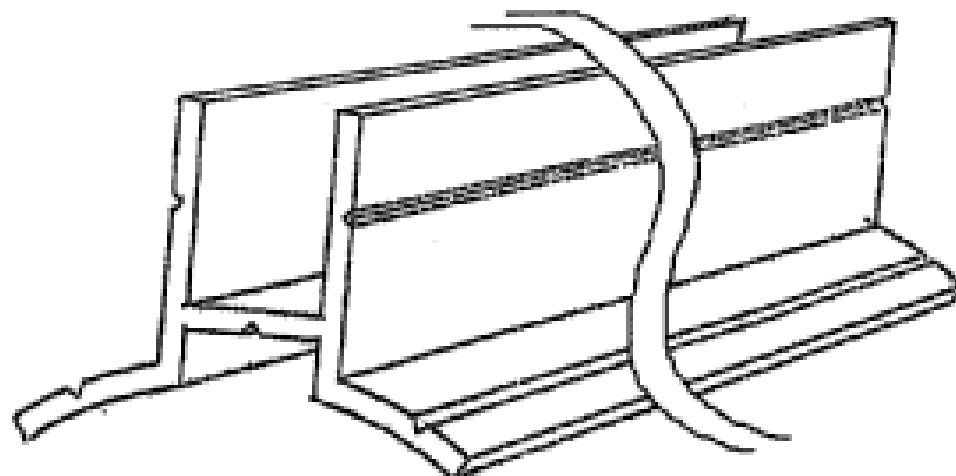
- (21) Design Number: **13375/2006**
(22) Date of Filing Application: **01 August 2006**
(24) Date from which industrial property rights may have effect: **01 August 2006**
(54) Product in respect of which the design is registered: **An extrusion**
(51) International Design Classification: **25-01K**
(71) Name(s) and Address(s) of Applicant(s):
Ronald Kennard Wright
312 New Beith Road Greenbank Queensland 4124 Australia
(72) Name(s) of Designer(s): **Patrick William Harris**
(45) Registration Date: **04 December 2006**
(56) Related Art Documents: **Not Applicable**
(57) Statement of Newness and Distinctiveness: **Nil**



(21) Design Number: **13376/2006**
(22) Date of Filing Application: **01 August 2006**
(24) Date from which industrial property rights may have effect: **01 August 2006**
(54) Product in respect of which the design is registered: **An extrusion**
(51) International Design Classification: **25-01K**
(71) Name(s) and Address(s) of Applicant(s):

Ronald Kennard Wright
1B Durwald House 31 Kensington Court London W8 5BH United Kingdom

(72) Name(s) of Designer(s): **Patrick William Harris**
(45) Registration Date: **04 December 2006**
(56) Related Art Documents: **Not Applicable**
(57) Statement of Newness and Distinctiveness: **Nil**



(21) Design Number: **13612/2006**
(22) Date of Filing Application: **15 August 2006**
(24) Date from which industrial property rights may have effect: **15 August 2006**
(54) Product in respect of which the design is registered: **Escalator**
(51) International Design Classification: **12-05**
(71) Name(s) and Address(s) of Applicant(s):

Constructions Industrielles De La Mediterranee - CNIM
35 Rue de Bassano 75008 Paris France

(72) Name(s) of Designer(s): **Bernard Jacques Dabezies**
(45) Registration Date: **04 December 2006**
(30) Convention priority data:
(31) Number (32) Date (33) Country
060777 16 Feb 2006 FRANCE
(56) Related Art Documents: **Not Applicable**
(57) Statement of Newness and Distinctiveness: **Newness and distinctiveness reside in the features of the design as shown in the representations.**



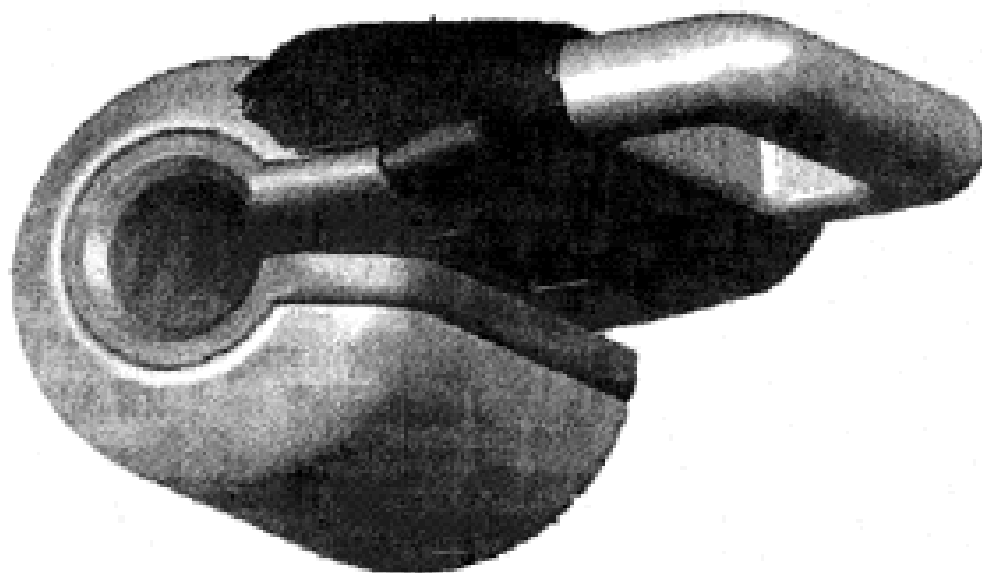
- (21) Design Number: **14221/2006**
(22) Date of Filing Application: **20 September 2006**
(24) Date from which industrial property rights may have effect: **20 September 2006**
(54) Product in respect of which the design is registered: **A left-side and a right-side vehicle lamp assembly**
(51) International Design Classification: **12-16E**
(71) Name(s) and Address(s) of Applicant(s):
GM Global Technology Operations, Inc
300 Renaissance Center Detroit MI 48265-3000 United States of America
(72) Name(s) of Designer(s): **Julian Quincey**
(45) Registration Date: **04 December 2006**
(56) Related Art Documents: **Not Applicable**
(57) Statement of Newness and Distinctiveness: **Newness and distinctiveness is claimed in the shape and/or configuration of a left-side and a right-side vehicle lamp assembly as shown in the representations.**



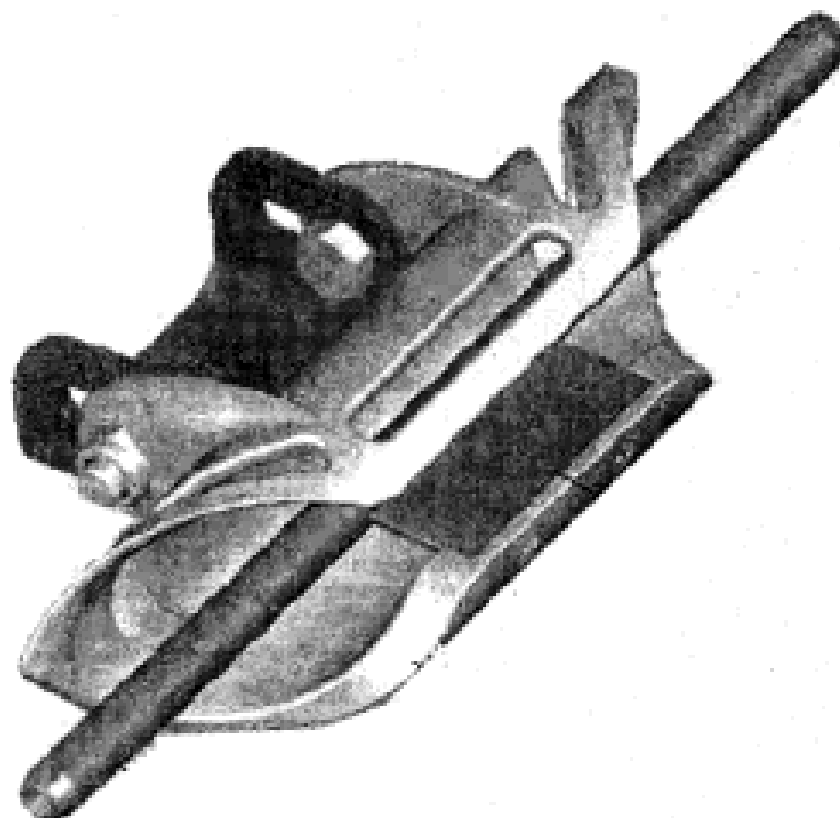
- (21) Design Number: **14225/2006**
(22) Date of Filing Application: **20 September 2006**
(24) Date from which industrial property rights may have effect: **20 September 2006**
(54) Product in respect of which the design is registered: **A left-side and right-side vehicle rear quarter panel end cap**
(51) International Design Classification: **12-16B**
(71) Name(s) and Address(s) of Applicant(s):
GM Global Technology Operations, Inc
300 Renaissance Center Detroit MI 48265-3000 United States of America
(72) Name(s) of Designer(s): **Julian Quincey**
(45) Registration Date: **04 December 2006**
(56) Related Art Documents: **Not Applicable**
(57) Statement of Newness and Distinctiveness: **Newness and distinctiveness is claimed in the shape and/or configuration of a left-side and a right-side vehicle rear quarter panel end cap as shown in the representations.**



- (21) Design Number: **14290/2006**
(22) Date of Filing Application: **25 September 2006**
(24) Date from which industrial property rights may have effect: **25 September 2006**
(54) Product in respect of which the design is registered: **A slider attachment for a fall arrest system**
(51) International Design Classification: **29-02**
(71) Name(s) and Address(s) of Applicant(s):
Otto Holdings (Aust) Pty Ltd
Gilbert + Tobin Lawyers Level 37, 2 Park Street Sydney NSW 2000
(72) Name(s) of Designer(s): **Philip Newman and Daniel Foreman**
(45) Registration Date: **04 December 2006**
(56) Related Art Documents: **Not Applicable**
(57) Statement of Newness and Distinctiveness: **Nil**



- (21) Design Number: **14291/2006**
(22) Date of Filing Application: **25 September 2006**
(24) Date from which industrial property rights may have effect: **25 September 2006**
(54) Product in respect of which the design is registered: **A bracket for a fall arrest system**
(51) International Design Classification: **29-02**
(71) Name(s) and Address(s) of Applicant(s):
Otto Holdings (Aust) Pty Ltd
5 Cumberland Street The Rocks Sydney New South Wales 2000
Australia
(72) Name(s) of Designer(s): **Philip Newman and Daniel Foreman**
(45) Registration Date: **04 December 2006**
(56) Related Art Documents: **Not Applicable**
(57) Statement of Newness and Distinctiveness: **Nil**



(21) Design Number: **10212/2006**

(22) Date of Filing Application: **23 January 2006**

(24) Date from which industrial property rights may have effect: **23 January 2006**

(54) Product in respect of which the design is registered: **Plant pot holder**

(51) International Design Classification: **11-02C**

(71) Name(s) and Address(s) of Applicant(s):

Geoffrey Francis Keating

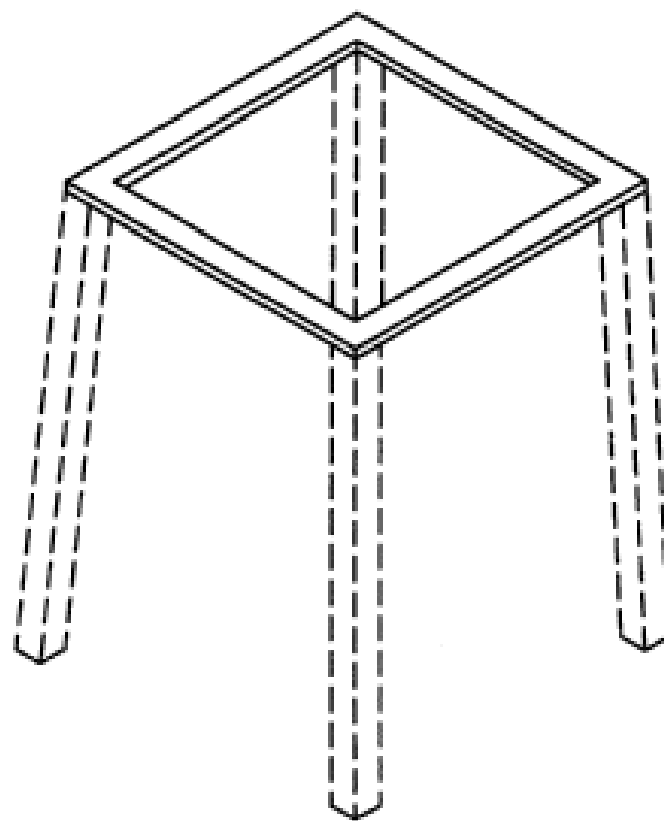
44 Jacana Parade Ballajura Western Australia 6066 Australia

(72) Name(s) of Designer(s): **Geoffrey Francis Keating**

(45) Registration Date: **04 December 2006**

(56) Related Art Documents: **Not Applicable**

(57) Statement of Newness and Distinctiveness: **newness and distinctiveness resides in the shape and configuration of the "plant pot holder" (particularly the wide flat rim upon which the lip of the plant pot will rest) as shown in the accompanying representations. Those features shown in phantom do not form part of the monopoly claimed.**



(21) Design Number: **10213/2006**

(22) Date of Filing Application: **23 January 2006**

(24) Date from which industrial property rights may have effect: **23 January 2006**

(54) Product in respect of which the design is registered: **Plant pot/container holder**

(51) International Design Classification: **11-02C**

(71) Name(s) and Address(s) of Applicant(s):

Geoffrey Francis Keating

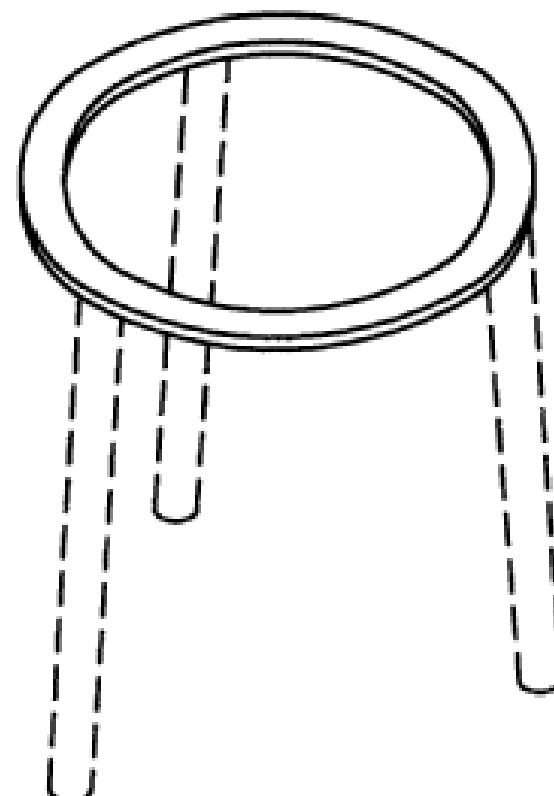
7 Bacon Place Beechboro Western Australia 6053 Australia

(72) Name(s) of Designer(s): **Geoffrey Francis Keating**

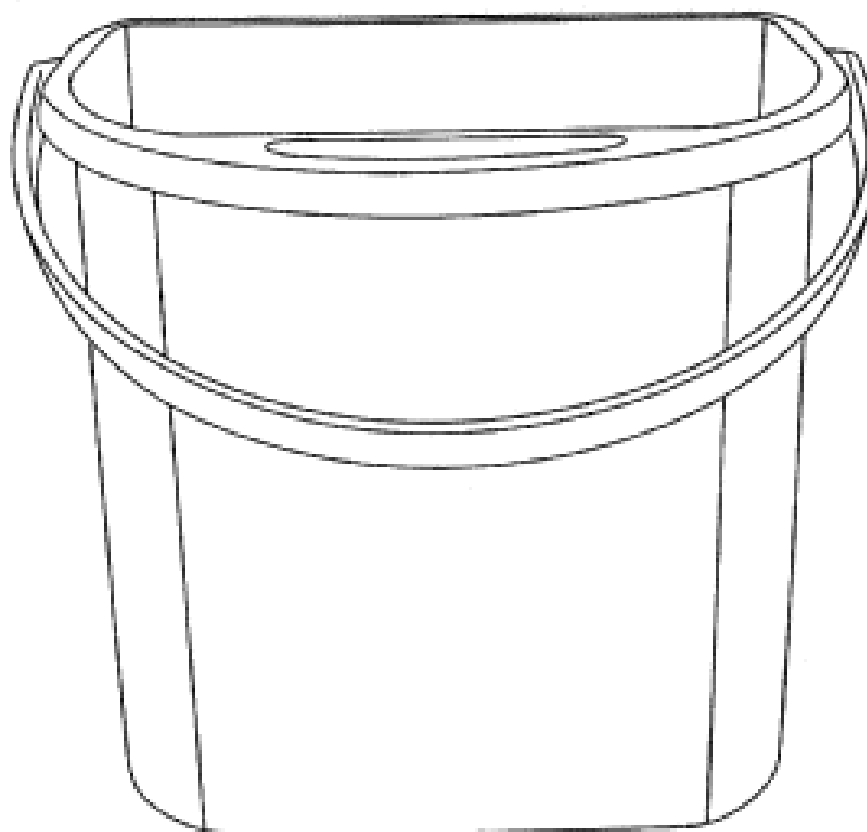
(45) Registration Date: **04 December 2006**

(56) Related Art Documents: **Not Applicable**

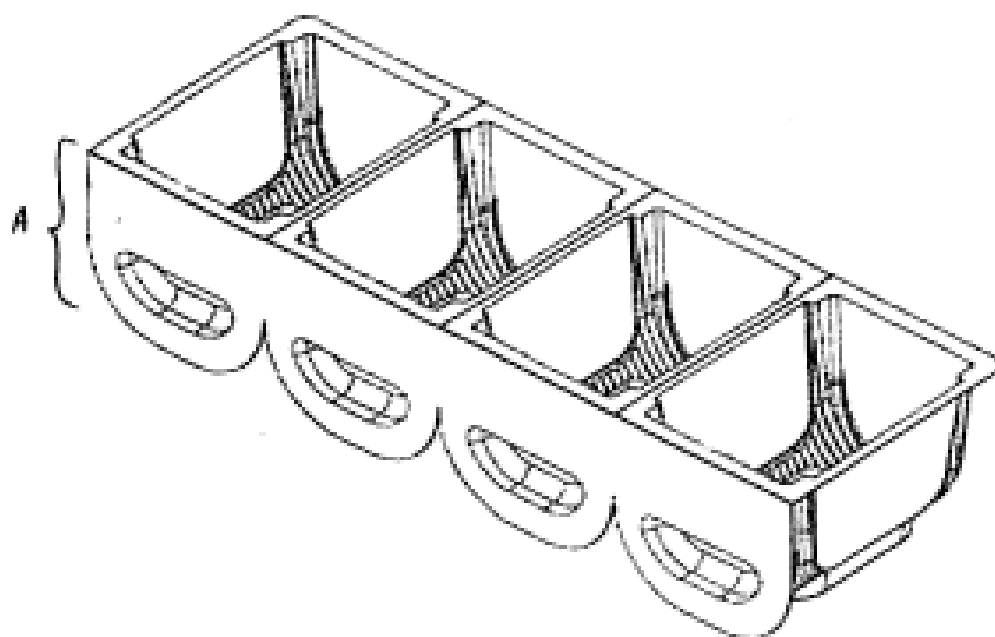
(57) Statement of Newness and Distinctiveness: **newness and distinctiveness resides in the shape and configuration of the "plant pot/container holder" (particularly the wide flat rim upon which the lip of the plant pot or container will rest) as shown in the accompanying representations. Those features shown in phantom do not form part of the monopoly claimed.**



- (21) Design Number: **10580/2006**
(22) Date of Filing Application: **16 February 2006**
(24) Date from which industrial property rights may have effect: **16 February 2006**
(54) Product in respect of which the design is registered: **Bucket**
(51) International Design Classification: **07-07B**
(71) Name(s) and Address(s) of Applicant(s):
Aunger Carcraft Pty Ltd
1307 Kingsford Smith Drive Eagle Farm Queensland 4009 Australia
(72) Name(s) of Designer(s): **Richard Frappell**
(45) Registration Date: **04 December 2006**
(56) Related Art Documents: **Not Applicable**
(57) Statement of Newness and Distinctiveness: **The newness and distinctiveness resides in the shape and configuration of the bucket.**

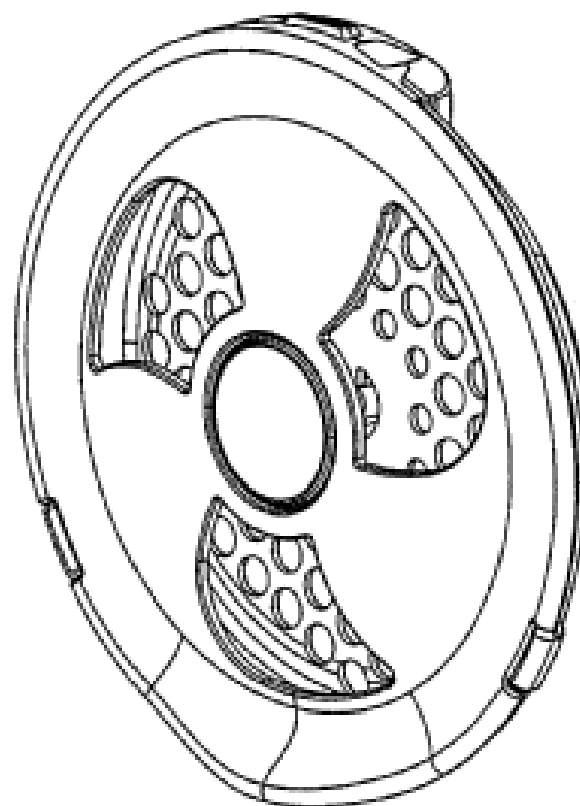


- (21) Design Number: **14695/2006**
(22) Date of Filing Application: **17 October 2006**
(24) Date from which industrial property rights may have effect: **17 October 2006**
(54) Product in respect of which the design is registered: **Packaging**
(51) International Design Classification: **09-03M**
(71) Name(s) and Address(s) of Applicant(s):
Visy Industrial Plastics Pty Ltd
Level 17 644 Chapel Street South Yarra Victoria 3141 Australia
(72) Name(s) of Designer(s): **Corey Mitchell Robertson**
(45) Registration Date: **04 December 2006**
(56) Related Art Documents: **Not Applicable**
(57) Statement of Newness and Distinctiveness: **Newness and distinctiveness is claimed in the visual features of the packaging base portion indicated with the letter "A" in the accompanying representations.**



(19) AU

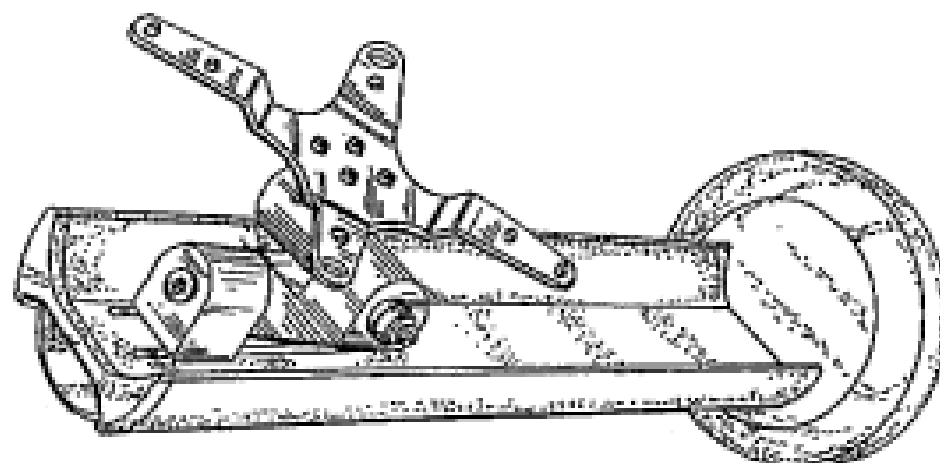
(21) Design Number: **14414/2006**
 (22) Date of Filing Application: **02 October 2006**
 (24) Date from which industrial property rights may have effect: **02 October 2006**
 (54) Product in respect of which the design is registered: **Air deodorising apparatus**
 (51) International Design Classification: **28-99**
 (71) Name(s) and Address(s) of Applicant(s):
Samar, LLC
10 South Riverside Plaza Suite 1800 Chicago Illinois 60606 United States of America
 (72) Name(s) of Designer(s): **Bjorn Weggelaar**
 (45) Registration Date: **04 December 2006**
 (30) Convention priority data:
 (31) Number (32) Date (33) Country
000557483-0001 10 Jul 2006 EUROPEAN COMMUNITY
 (56) Related Art Documents: **Not Applicable**
 (57) Statement of Newness and Distinctiveness: **Nil**



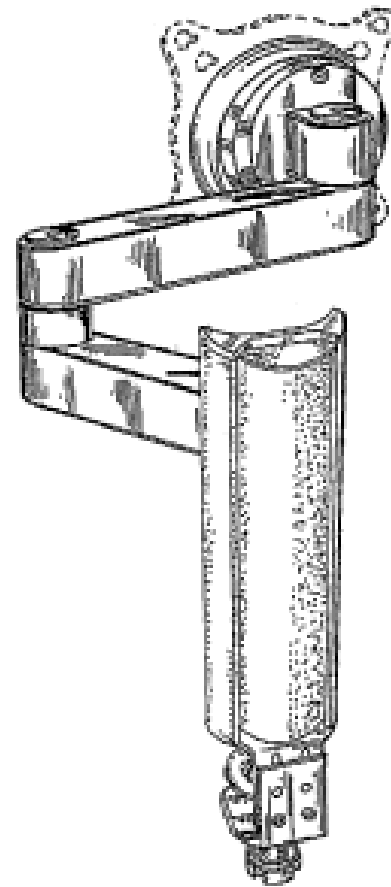
(19) AU

(21) Design Number: **12851/2006**
 (22) Date of Filing Application: **04 July 2006**
 (24) Date from which industrial property rights may have effect: **04 July 2006**
 (54) Product in respect of which the design is registered: **Ceiling mount for flat panel electronic display**
 (51) International Design Classification: **08-08M, 08-08NES**
 (71) Name(s) and Address(s) of Applicant(s):
CSAV, Inc
593 Washington Street Wellesley Massachusetts 02482 United States of America
 (72) Name(s) of Designer(s): **Jim Wohlford and Joel Pfister and Dominic Grey and Stuart Bulcraig**
 (45) Registration Date: **04 December 2006**
 (30) Convention priority data:
 (31) Number (32) Date (33) Country
29/251,158 04 Jan 2006 UNITED STATES OF AMERICA
 (56) Related Art Documents: **Not Applicable**
 (57) Statement of Newness and Distinctiveness: **Nil.**

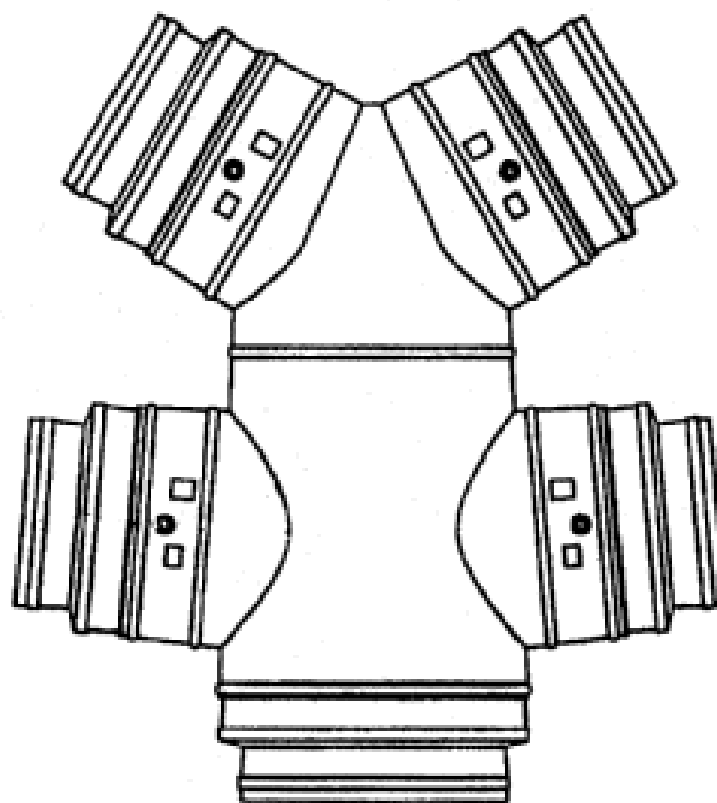
Fig. 1.



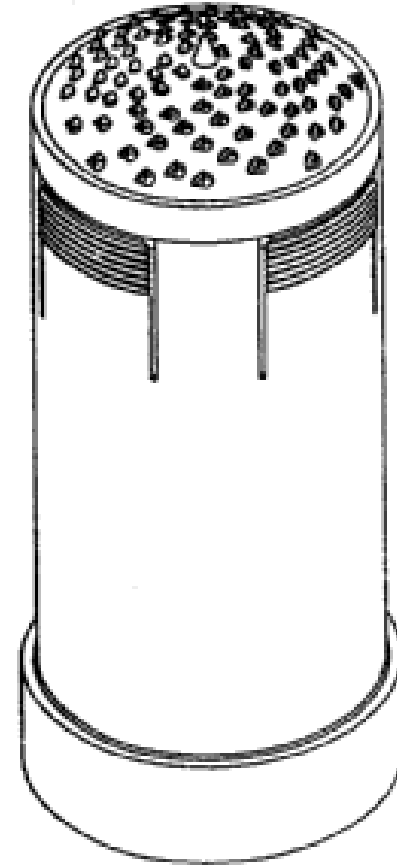
- (21) Design Number: **12852/2006**
(22) Date of Filing Application: **04 July 2006**
(24) Date from which industrial property rights may have effect: **04 July 2006**
(54) Product in respect of which the design is registered: **Table mount for flat panel electronic display**
(51) International Design Classification: **08-08M, 08-08NES**
(71) Name(s) and Address(s) of Applicant(s):
CSAV, Inc
593 Washington Street Wellesley Massachusetts 02482 United States of America
(72) Name(s) of Designer(s): **Jim Wohlford and Joel Pfister and Dominic Grey and Stuart Bulcraig**
(45) Registration Date: **04 December 2006**
(30) Convention priority data:
(31) Number (32) Date (33) Country
29/262,222 04 Jan 2006 UNITED STATES OF AMERICA
(56) Related Art Documents: **Not Applicable**
(57) Statement of Newness and Distinctiveness: **Nil.**



- (21) Design Number: **11511/2006**
(22) Date of Filing Application: **11 April 2006**
(24) Date from which industrial property rights may have effect: **11 April 2006**
(54) Product in respect of which the design is registered: **Air distribution duct**
(51) International Design Classification: **23-04**
(71) Name(s) and Address(s) of Applicant(s):
Polyaire Pty Ltd
11-13 White Road Gepps Cross South Australia 5094 Australia
(72) Name(s) of Designer(s): **Adam Cottam**
(45) Registration Date: **04 December 2006**
(56) Related Art Documents: **Not Applicable**
(57) Statement of Newness and Distinctiveness: **Those features of the air distribution duct depicted in the representations that are new and distinctive are the shape and/or configuration.**

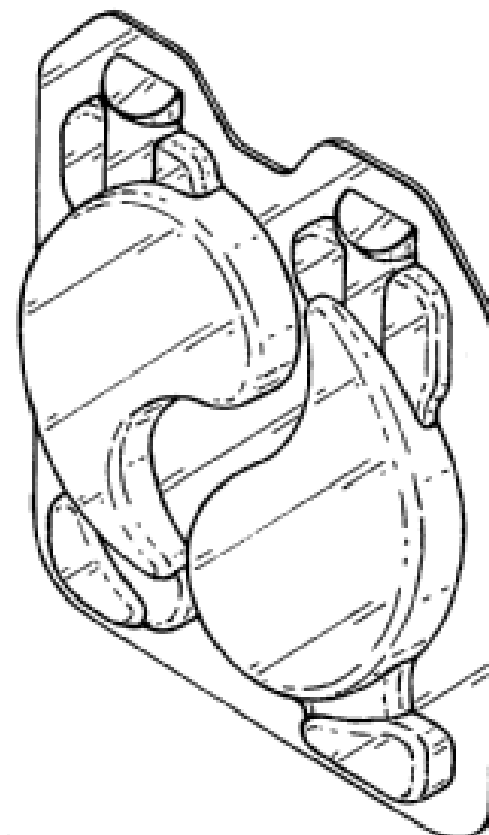


- (21) Design Number: **13603/2006**
- (22) Date of Filing Application: **15 August 2006**
- (24) Date from which industrial property rights may have effect: **15 August 2006**
- (54) Product in respect of which the design is registered: **A cheese grater**
- (51) International Design Classification: **07-04**
- (71) Name(s) and Address(s) of Applicant(s):
Fonterra Co-Operative Group Limited
9 Princes Street Auckland New Zealand
- (72) Name(s) of Designer(s): **Michael J. Grima and Rowan Lamont**
- (45) Registration Date: **04 December 2006**
- (56) Related Art Documents: **Not Applicable**
- (57) Statement of Newness and Distinctiveness: **Nil**

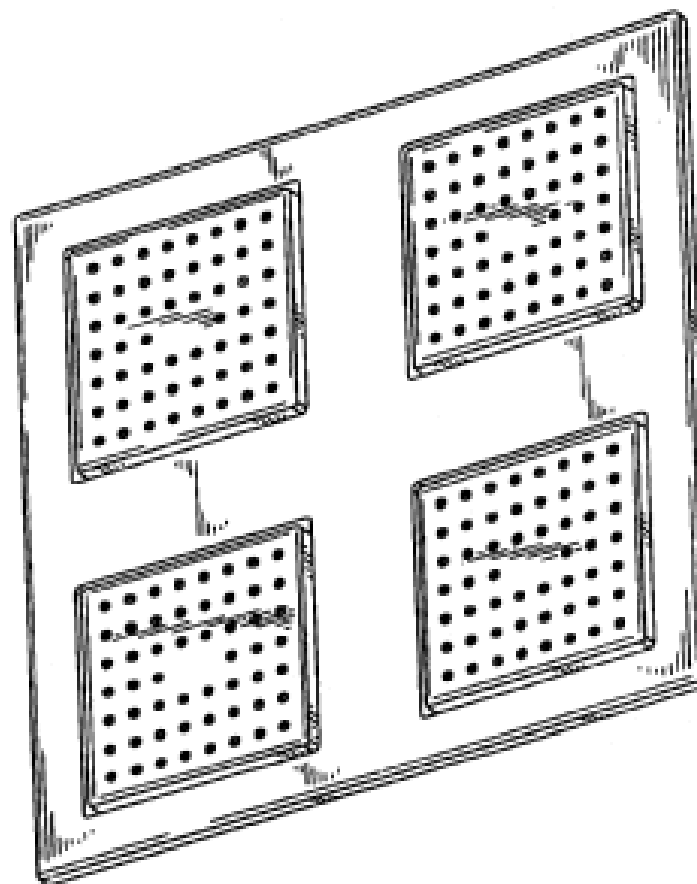


- (21) Design Number: **13965/2006**
- (22) Date of Filing Application: **01 September 2006**
- (24) Date from which industrial property rights may have effect: **01 September 2006**
- (54) Product in respect of which the design is registered: **A container**
- (51) International Design Classification: **09-01F, 15-05**
- (71) Name(s) and Address(s) of Applicant(s):
Reckitt Benckiser N.V.
De Fruittuinen 2-12 2132 NZ Hoofddorp The Netherlands
- (72) Name(s) of Designer(s): **Refik Oner and Renaud Lachery**
- (45) Registration Date: **04 December 2006**
- (30) Convention priority data:

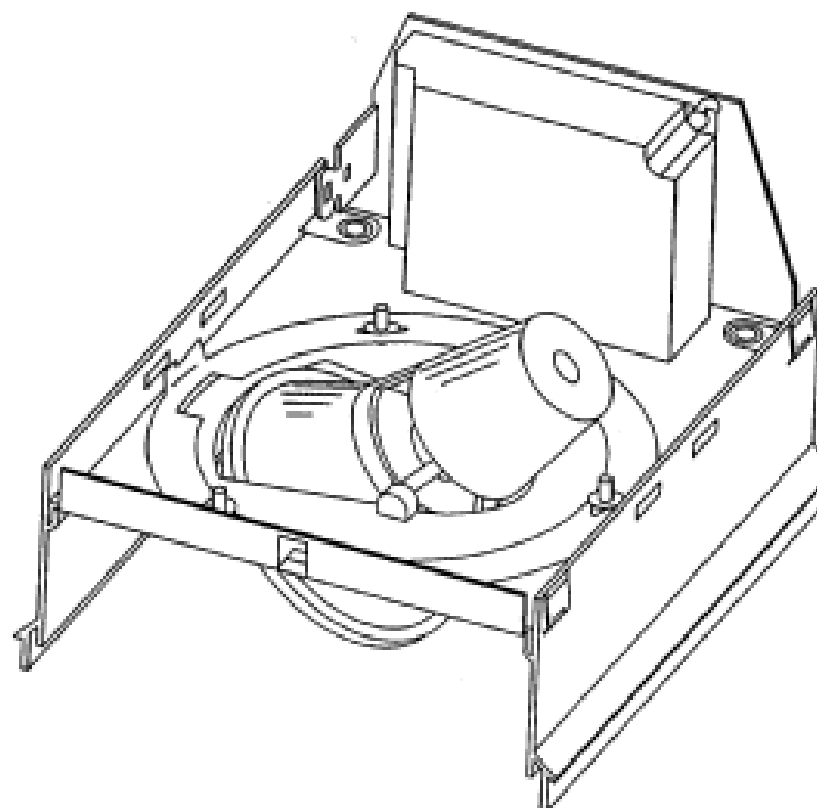
(31) Number	(32) Date	(33) Country
000531793-002	18 May 2006	EUROPEAN COMMUNITY
- (56) Related Art Documents: **Not Applicable**
- (57) Statement of Newness and Distinctiveness: **Newness and distinctiveness reside in the features of a container as shown in the representations.**



(21) Design Number: **14684/2006**
(22) Date of Filing Application: **17 October 2006**
(24) Date from which industrial property rights may have effect: **17 October 2006**
(54) Product in respect of which the design is registered: **Showerhead**
(51) International Design Classification: **23-02B**
(71) Name(s) and Address(s) of Applicant(s):
Kohler Co.
444 Highland Drive Kohler WI 53044 United States of America
(72) Name(s) of Designer(s): **Rafael A. Rexach**
(45) Registration Date: **04 December 2006**
(30) Convention priority data:
(31) Number (32) Date (33) Country
29/258207 18 Apr 2006 UNITED STATES OF AMERICA
(56) Related Art Documents: **Not Applicable**
(57) Statement of Newness and Distinctiveness: **When determining whether the design 1 is substantially similar in overall impression to another design, no regard is to be had to those features shown in dotted outline in the drawings.**



(21) Design Number: **14730/2006**
(22) Date of Filing Application: **18 October 2006**
(24) Date from which industrial property rights may have effect: **18 October 2006**
(54) Product in respect of which the design is registered: **Lighting fixture**
(51) International Design Classification: **26-05C**
(71) Name(s) and Address(s) of Applicant(s):
Zumtobel Lighting GmbH & Co. KG
Grevenmarschstr. 74-78 32657 Lemgo Germany
(72) Name(s) of Designer(s): **Jean-Michel Wilmotte**
(45) Registration Date: **04 December 2006**
(30) Convention priority data:
(31) Number (32) Date (33) Country
000514 19 Apr 2006 EUROPEAN COMMUNITY
591-0001
(56) Related Art Documents: **Not Applicable**
(57) Statement of Newness and Distinctiveness: **Newness and distinctiveness is claimed in the features of shape and/or configuration of a lighting fixture as illustrated in the accompanying representations.**



(21) Design Number: **14731/2006**
(22) Date of Filing Application: **18 October 2006**
(24) Date from which industrial property rights may have effect: **18 October 2006**
(54) Product in respect of which the design is registered: **Lighting fixture**
(51) International Design Classification: **26-05A**
(71) Name(s) and Address(s) of Applicant(s):

Zumtobel Lighting GmbH
Schweizer Str. 30 6851 Dornbin Austria

(72) Name(s) of Designer(s): **Massimo Iosa Ghini**

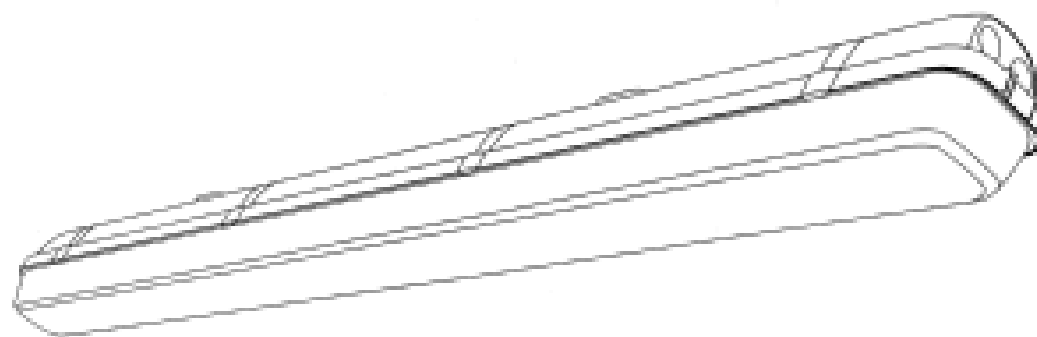
(45) Registration Date: **04 December 2006**

(30) Convention priority data:

(31) Number	(32) Date	(33) Country
000514	19 Apr 2006	EUROPEAN COMMUNITY
237-0001		

(56) Related Art Documents: **Not Applicable**

(57) Statement of Newness and Distinctiveness: **Newness and distinctiveness is claimed in the features of shape and/or configuration of a lighting fixture as illustrated in the accompanying representations.**



(21) Design Number: **14732/2006**
(22) Date of Filing Application: **18 October 2006**
(24) Date from which industrial property rights may have effect: **18 October 2006**
(54) Product in respect of which the design is registered: **Lighting fixture**
(51) International Design Classification: **26-05A**
(71) Name(s) and Address(s) of Applicant(s):

Zumtobel Lighting GmbH
Schweizer Str. 30 6851 Dornbin Austria

(72) Name(s) of Designer(s): **Massimo Iosa Ghini**

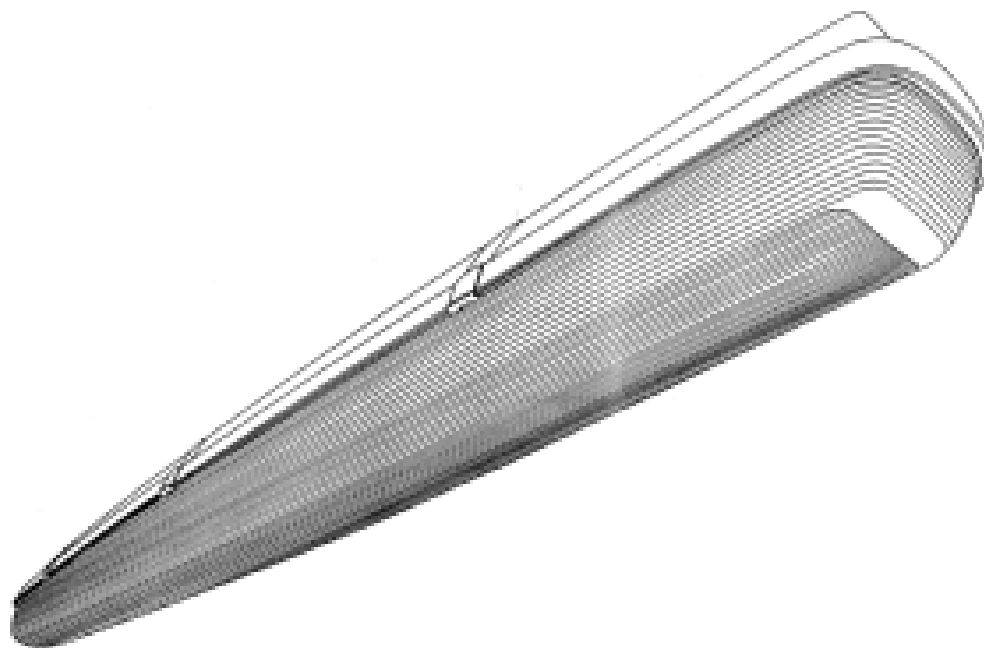
(45) Registration Date: **04 December 2006**

(30) Convention priority data:

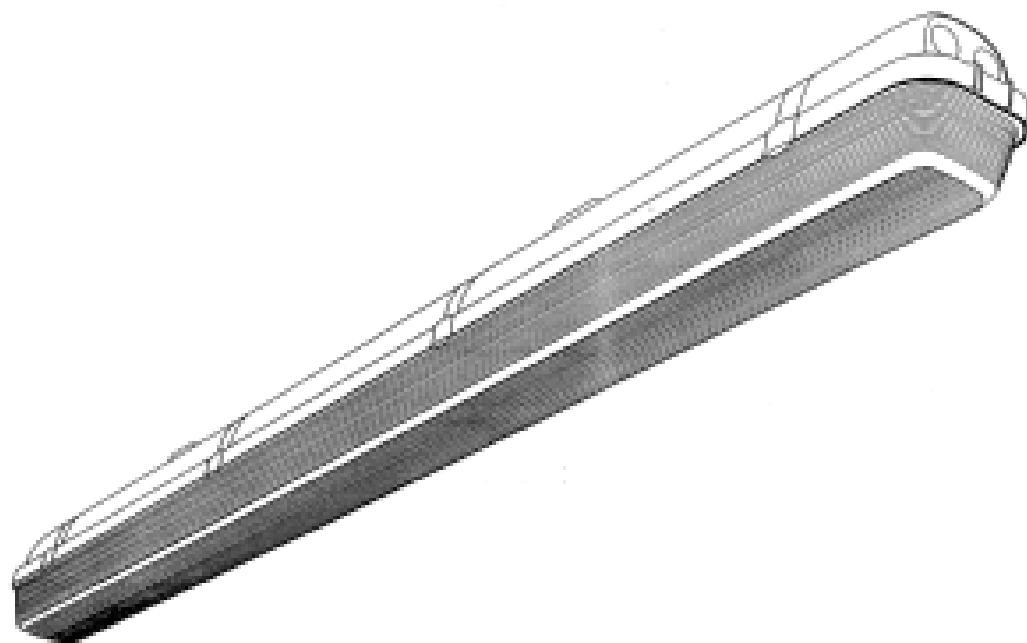
(31) Number	(32) Date	(33) Country
000514	19 Apr 2006	EUROPEAN COMMUNITY
237-0001		

(56) Related Art Documents: **Not Applicable**

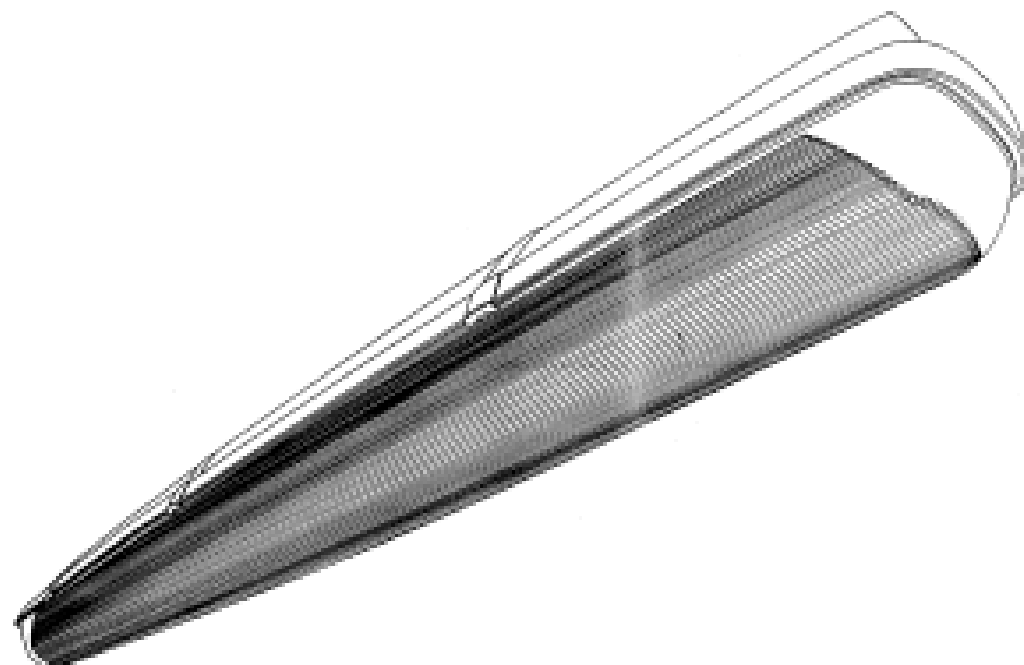
(57) Statement of Newness and Distinctiveness: **Newness and distinctiveness is claimed in the features of shape and/or configuration of a lighting fixture as illustrated in the accompanying representations.**



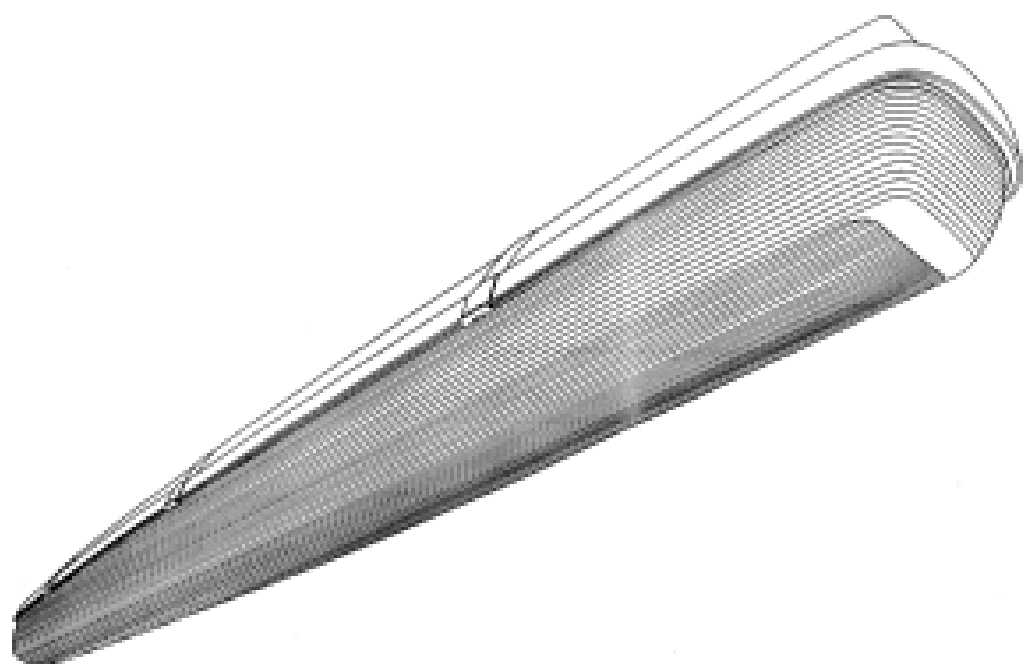
- (21) Design Number: **14733/2006**
(22) Date of Filing Application: **18 October 2006**
(24) Date from which industrial property rights may have effect: **18 October 2006**
(54) Product in respect of which the design is registered: **Lighting fixture**
(51) International Design Classification: **26-05A**
(71) Name(s) and Address(s) of Applicant(s):
Zumtobel Lighting GmbH
Schweizer Str. 30 6851 Dornbin Austria
(72) Name(s) of Designer(s): **Massimo Iosa Ghini**
(45) Registration Date: **04 December 2006**
(30) Convention priority data:
(31) Number (32) Date (33) Country
000514 19 Apr 2006 EUROPEAN COMMUNITY
237-0001
(56) Related Art Documents: **Not Applicable**
(57) Statement of Newness and Distinctiveness: **Newness and distinctiveness is claimed in the features of shape and/or configuration of a lighting fixture as illustrated in the accompanying representations.**



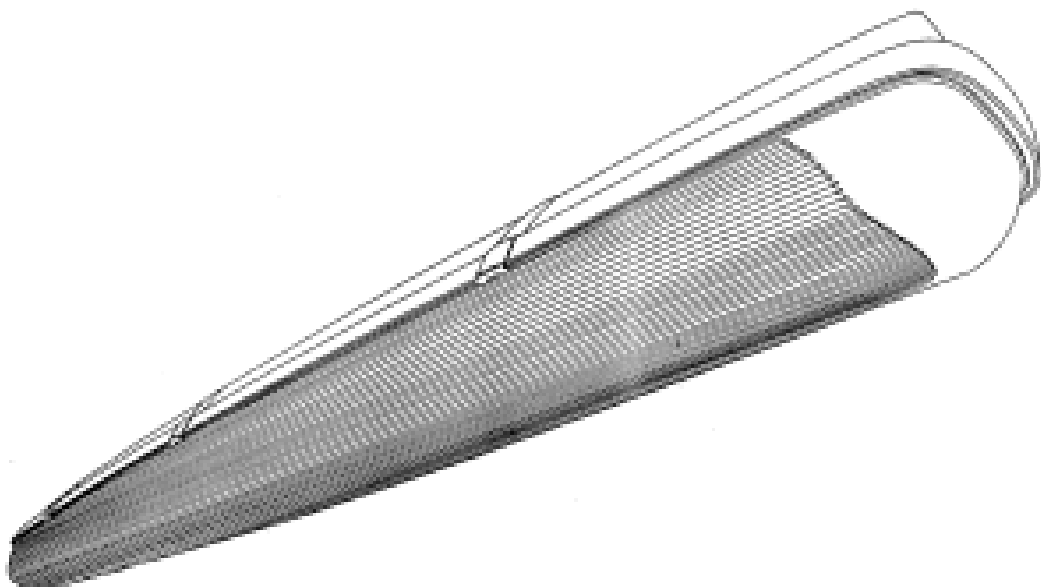
- (21) Design Number: **14734/2006**
(22) Date of Filing Application: **18 October 2006**
(24) Date from which industrial property rights may have effect: **18 October 2006**
(54) Product in respect of which the design is registered: **Lighting fixture**
(51) International Design Classification: **26-05A**
(71) Name(s) and Address(s) of Applicant(s):
Zumtobel Lighting GmbH
Schweizer Str. 30 6851 Dornbin Austria
(72) Name(s) of Designer(s): **Massimo Iosa Ghini**
(45) Registration Date: **04 December 2006**
(30) Convention priority data:
(31) Number (32) Date (33) Country
000514 19 Apr 2006 EUROPEAN COMMUNITY
237-0001
(56) Related Art Documents: **Not Applicable**
(57) Statement of Newness and Distinctiveness: **Newness and distinctiveness is claimed in the features of shape and/or configuration of a lighting fixture as illustrated in the accompanying representations.**



- (21) Design Number: **14735/2006**
(22) Date of Filing Application: **18 October 2006**
(24) Date from which industrial property rights may have effect: **18 October 2006**
(54) Product in respect of which the design is registered: **Lighting fixture**
(51) International Design Classification: **26-05A**
(71) Name(s) and Address(s) of Applicant(s):
Zumtobel Lighting GmbH
Schweizer Str. 30 6851 Dornbin Austria
(72) Name(s) of Designer(s): **Massimo Iosa Ghini**
(45) Registration Date: **04 December 2006**
(30) Convention priority data:
(31) Number (32) Date (33) Country
000514 19 Apr 2006 EUROPEAN COMMUNITY
237-0001
(56) Related Art Documents: **Not Applicable**
(57) Statement of Newness and Distinctiveness: **Newness and distinctiveness is claimed in the features of shape and/or configuration of a lighting fixture as illustrated in the accompanying representations.**



- (21) Design Number: **14736/2006**
(22) Date of Filing Application: **18 October 2006**
(24) Date from which industrial property rights may have effect: **18 October 2006**
(54) Product in respect of which the design is registered: **Lighting fixture**
(51) International Design Classification: **26-05A**
(71) Name(s) and Address(s) of Applicant(s):
Zumtobel Lighting GmbH
Schweizer Str. 30 6851 Dornbin Austria
(72) Name(s) of Designer(s): **Massimo Iosa Ghini**
(45) Registration Date: **04 December 2006**
(30) Convention priority data:
(31) Number (32) Date (33) Country
000514 19 Apr 2006 EUROPEAN COMMUNITY
237-0001
(56) Related Art Documents: **Not Applicable**
(57) Statement of Newness and Distinctiveness: **Newness and distinctiveness is claimed in the features of shape and/or configuration of a lighting fixture as illustrated in the accompanying representations.**



(21) Design Number: **14737/2006**

(22) Date of Filing Application: **18 October 2006**

(24) Date from which industrial property rights may have effect: **18 October 2006**

(54) Product in respect of which the design is registered: **Tub for bathing**

(51) International Design Classification: **23-02B**

(71) Name(s) and Address(s) of Applicant(s):

Kohler Co.

444 Highland Drive Kohler WI 53044 United States of America

(72) Name(s) of Designer(s): **James M. Piatt**

(45) Registration Date: **04 December 2006**

(30) Convention priority data:

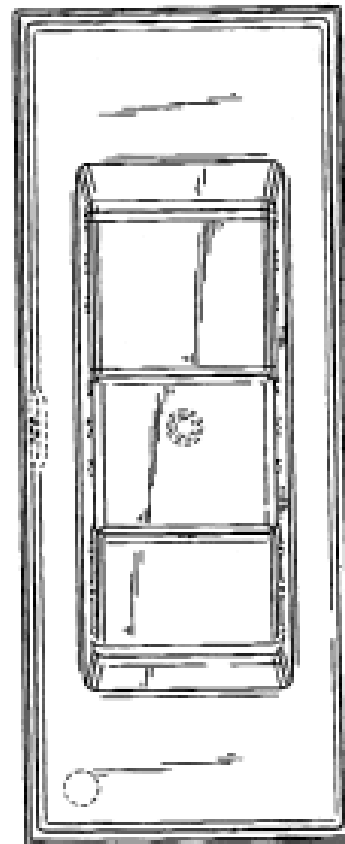
(31) Number
29/258200

(32) Date
18 Apr 2006

(33) Country
UNITED STATES OF AMERICA

(56) Related Art Documents: **Not Applicable**

(57) Statement of Newness and Distinctiveness: **When determining whether the design 1 is substantially similar in overall impression to another design no regard is to be had to those features shown in dotted outline in the drawings.**



(21) Design Number: **14738/2006**

(22) Date of Filing Application: **18 October 2006**

(24) Date from which industrial property rights may have effect: **18 October 2006**

(54) Product in respect of which the design is registered: **Flask**

(51) International Design Classification: **07-01F**

(71) Name(s) and Address(s) of Applicant(s):

Societe Autonome de Verreries

Place de la Gare 60960 Feuquieres France

(72) Name(s) of Designer(s): **Didier Rica**

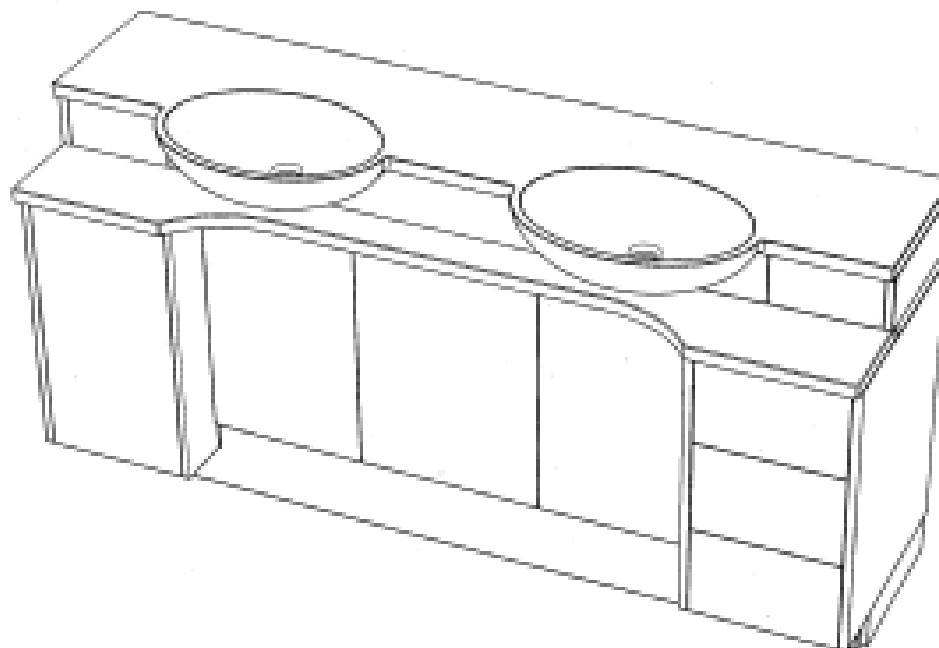
(45) Registration Date: **04 December 2006**

(56) Related Art Documents: **Not Applicable**

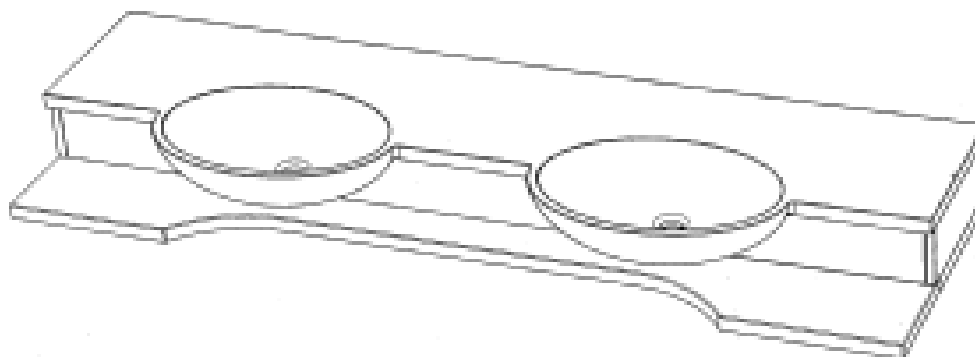
(57) Statement of Newness and Distinctiveness: **The distinctive features of the flask include a slender silhouette. The front/rear profile is very conical as the shoulders of the front and rear faces are much wider than their bases. The flask has a rectangular section in plan view and an almost horizontal shoulder portion. In side view, the shoulder radiuses are very rounded, whereas those on the base of the flask are sharper. The side profile is slightly conical, wider at the shoulder and tapering in at the thick glass base.**



- (21) Design Number: **14764/2006**
(22) Date of Filing Application: **20 October 2006**
(24) Date from which industrial property rights may have effect: **20 October 2006**
(54) Product in respect of which the design is registered: **Double vanity unit**
(51) International Design Classification: **23-02F**
(71) Name(s) and Address(s) of Applicant(s):
Sandro Iuliano
43 Malpas Street Rostrevor South Australia 5073 Australia
(72) Name(s) of Designer(s): **Sandro Iuliano**
(45) Registration Date: **04 December 2006**
(56) Related Art Documents: **Not Applicable**
(57) Statement of Newness and Distinctiveness: **Nil**



- (21) Design Number: **14766/2006**
(22) Date of Filing Application: **20 October 2006**
(24) Date from which industrial property rights may have effect: **20 October 2006**
(54) Product in respect of which the design is registered: **Double vanity unit top**
(51) International Design Classification: **23-02F**
(71) Name(s) and Address(s) of Applicant(s):
Sandro Iuliano
43 Malpas Street Rostrevor South Australia 5073 Australia
(72) Name(s) of Designer(s): **Sandro Iuliano**
(45) Registration Date: **04 December 2006**
(56) Related Art Documents: **Not Applicable**
(57) Statement of Newness and Distinctiveness: **Nil**



(21) Design Number: **14767/2006**

(22) Date of Filing Application: **20 October 2006**

(24) Date from which industrial property rights may have effect: **20 October 2006**

(54) Product in respect of which the design is registered: **Corner vanity unit top**

(51) International Design Classification: **23-02F**

(71) Name(s) and Address(s) of Applicant(s):

Sandro Iuliano

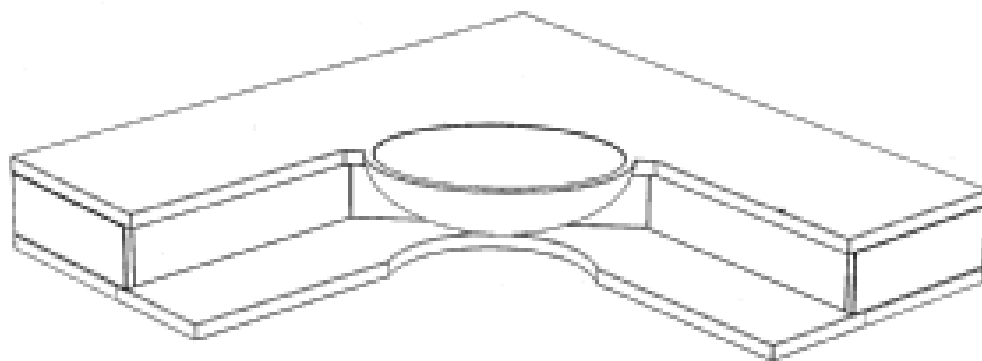
43 Malpas Street Rostrevor South Australia 5073 Australia

(72) Name(s) of Designer(s): **Sandro Iuliano**

(45) Registration Date: **04 December 2006**

(56) Related Art Documents: **Not Applicable**

(57) Statement of Newness and Distinctiveness: **Nil**



(21) Design Number: **14777/2006**

(22) Date of Filing Application: **19 October 2006**

(24) Date from which industrial property rights may have effect: **19 October 2006**

(54) Product in respect of which the design is registered: **Combinational T and adjustable angle cross pipe clamp**

(51) International Design Classification: **23-01A**

(71) Name(s) and Address(s) of Applicant(s):

Lance Malcolm Vater

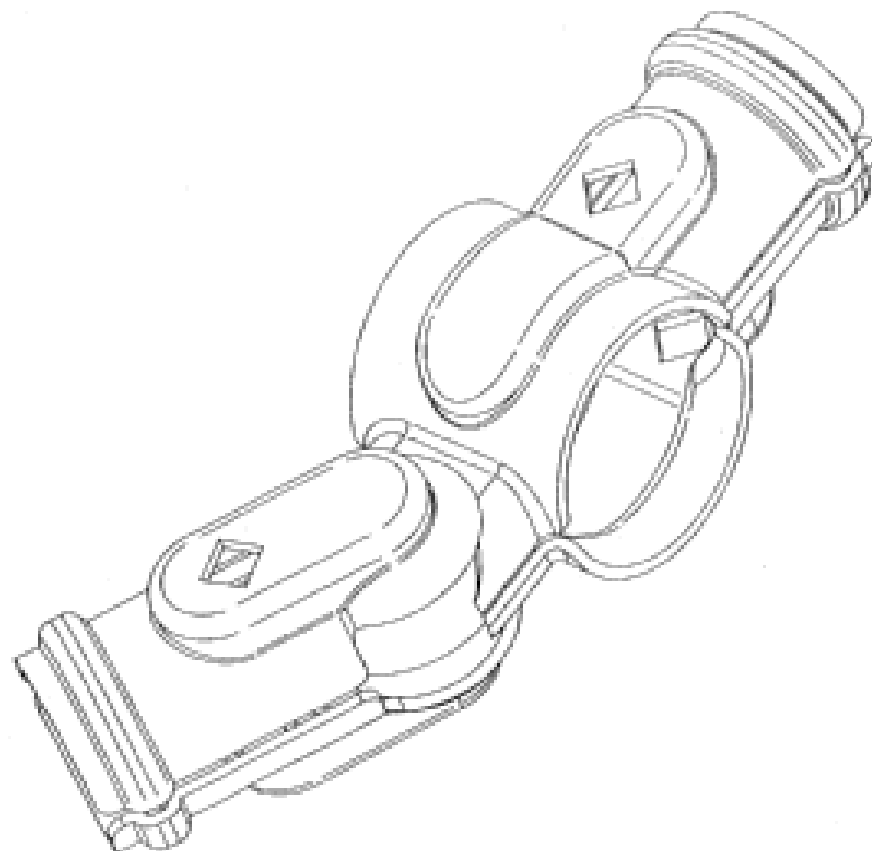
Unit 7 538 Portrush Road St Georges South Australia 5064 Australia

(72) Name(s) of Designer(s): **Lance Malcolm Vater**

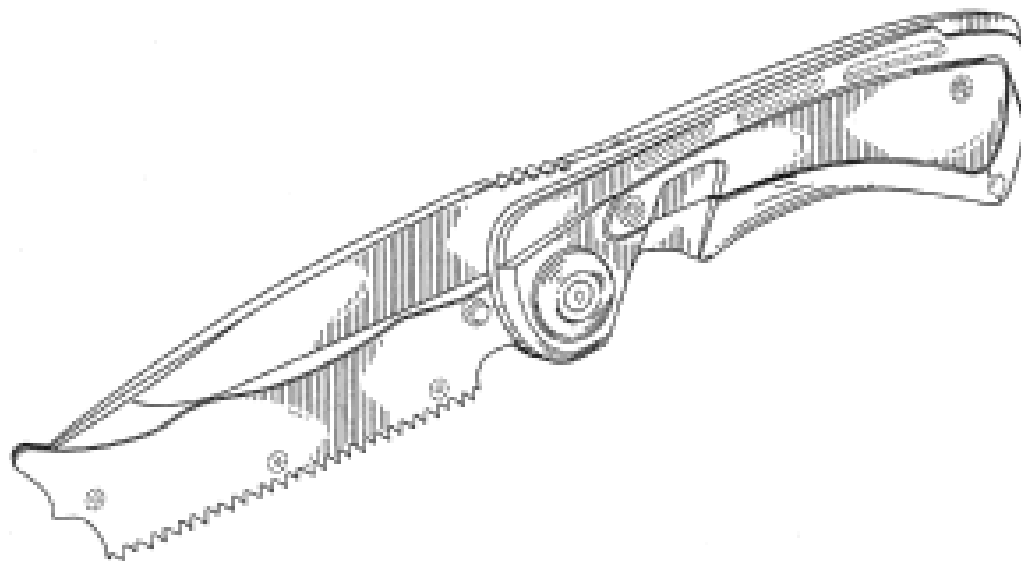
(45) Registration Date: **04 December 2006**

(56) Related Art Documents: **Not Applicable**

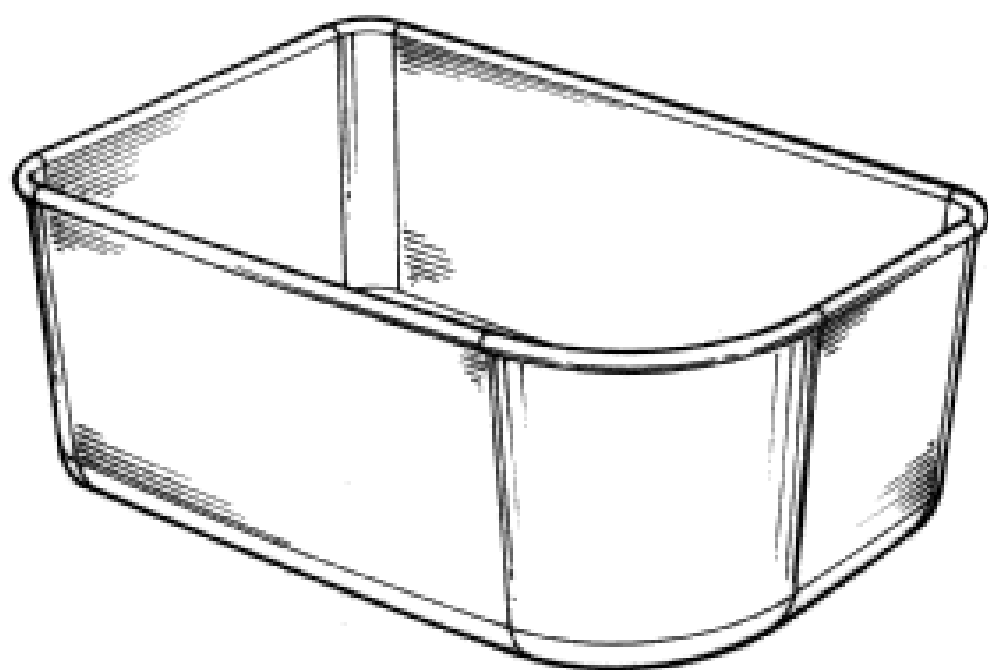
(57) Statement of Newness and Distinctiveness: **Nil**



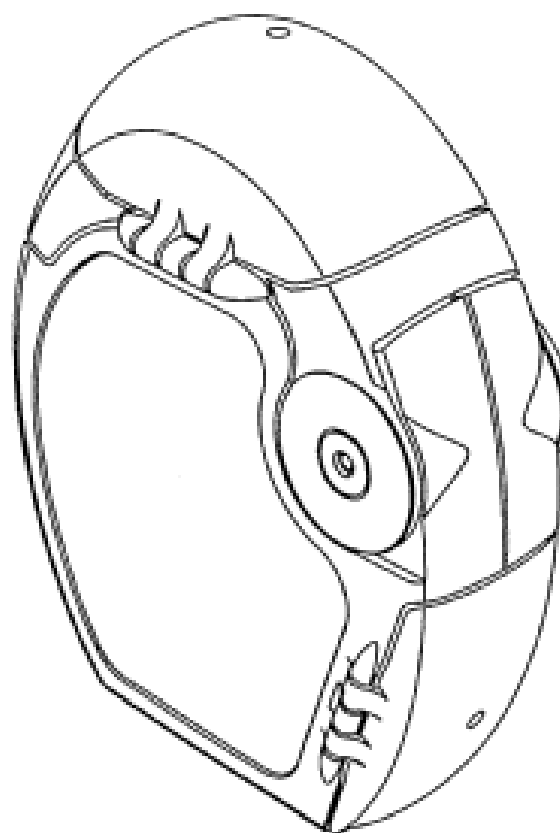
- (21) Design Number: **14840/2006**
(22) Date of Filing Application: **23 October 2006**
(24) Date from which industrial property rights may have effect: **23 October 2006**
(54) Product in respect of which the design is registered: **Folding multipurpose hand tool**
(51) International Design Classification: **08-05NES**
(71) Name(s) and Address(s) of Applicant(s):
Leatherman Tool Group, Inc.
12106 NE Ainsworth Circle Portland OR 97220 United States of America
(72) Name(s) of Designer(s): **Hollan Akio Tsuda and Blair Scott Barnes**
(45) Registration Date: **04 December 2006**
(30) Convention priority data:
(31) Number (32) Date (33) Country
11/410,439 25 Apr 2006 UNITED STATES OF AMERICA
(56) Related Art Documents: **Not Applicable**
(57) Statement of Newness and Distinctiveness: **The newness and distinctiveness of the design resides in the features of shape and/or configuration of the folding multipurpose hand tool shown in unbroken lines in the accompanying representations.**



- (21) Design Number: **14843/2006**
(22) Date of Filing Application: **23 October 2006**
(24) Date from which industrial property rights may have effect: **23 October 2006**
(54) Product in respect of which the design is registered: **Storage container**
(51) International Design Classification: **09-03M**
(71) Name(s) and Address(s) of Applicant(s):
The Decor Corporation Pty Ltd
1314 Ferntree Gully Road Scoresby Victoria 3179 Australia
(72) Name(s) of Designer(s): **Arthur Richard Carlson**
(45) Registration Date: **04 December 2006**
(56) Related Art Documents: **Not Applicable**
(57) Statement of Newness and Distinctiveness: **Nil**



- (21) Design Number: **14860/2006**
(22) Date of Filing Application: **24 October 2006**
(24) Date from which industrial property rights may have effect: **24 October 2006**
(54) Product in respect of which the design is registered: **Pharmaceutical product**
(51) International Design Classification: **28-01**
(71) Name(s) and Address(s) of Applicant(s):
Vectura Group Plc
1 Prospect West Chippenham Wiltshire SN14 6FH United Kingdom
(72) Name(s) of Designer(s): **Stephen William Eason and Roger William Clarke and Matthew Wright**
(45) Registration Date: **04 December 2006**
(30) Convention priority data:
(31) Number (32) Date (33) Country
000521315#0001 28 Apr 2006 EUROPEAN COMMUNITY
(56) Related Art Documents: **Not Applicable**
(57) Statement of Newness and Distinctiveness: **Newness and distinctiveness are claimed in the visual features of a pharmaceutical product as shown in the accompanying representations. In determining the scope of visual features of the design, the blister strip "A" denoted in the representations is to be disregarded.**



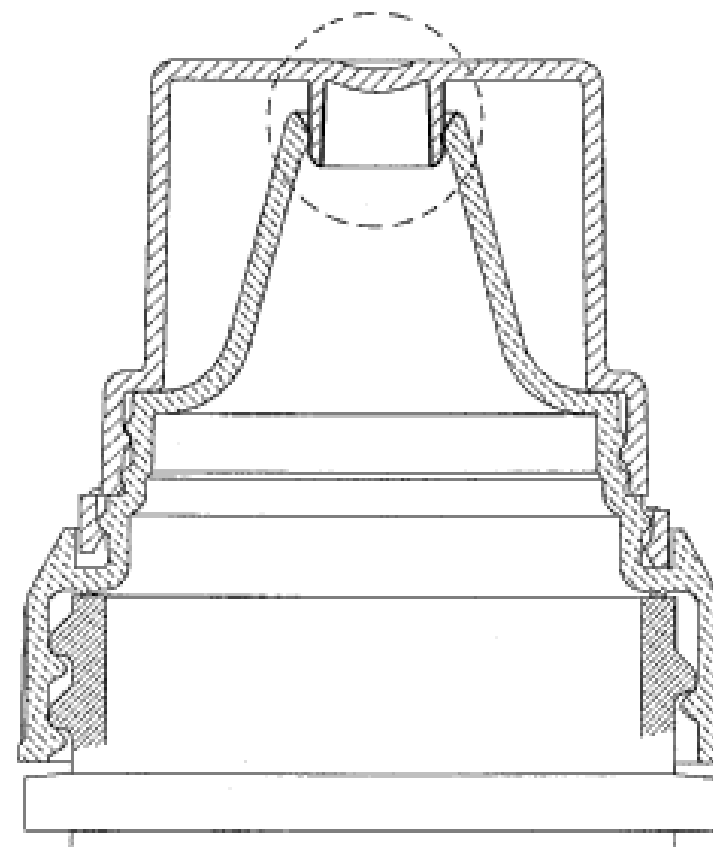
- (21) Design Number: **11031/2006**
(22) Date of Filing Application: **07 March 2006**
(24) Date from which industrial property rights may have effect: **07 March 2006**
(54) Product in respect of which the design is registered: **Wine rack**
(51) International Design Classification: **06-04NES**
(71) Name(s) and Address(s) of Applicant(s):
Kenneth Scott
85 Quinliven Road Port Willunga South Australia 5173 Australia
(72) Name(s) of Designer(s): **Ken Scott**
(45) Registration Date: **04 December 2006**
(56) Related Art Documents: **Not Applicable**
(57) Statement of Newness and Distinctiveness: **This is a new and distinct design because of its hand drawn shape design and hand painted detail. No other wine rack presents itself in this way.**



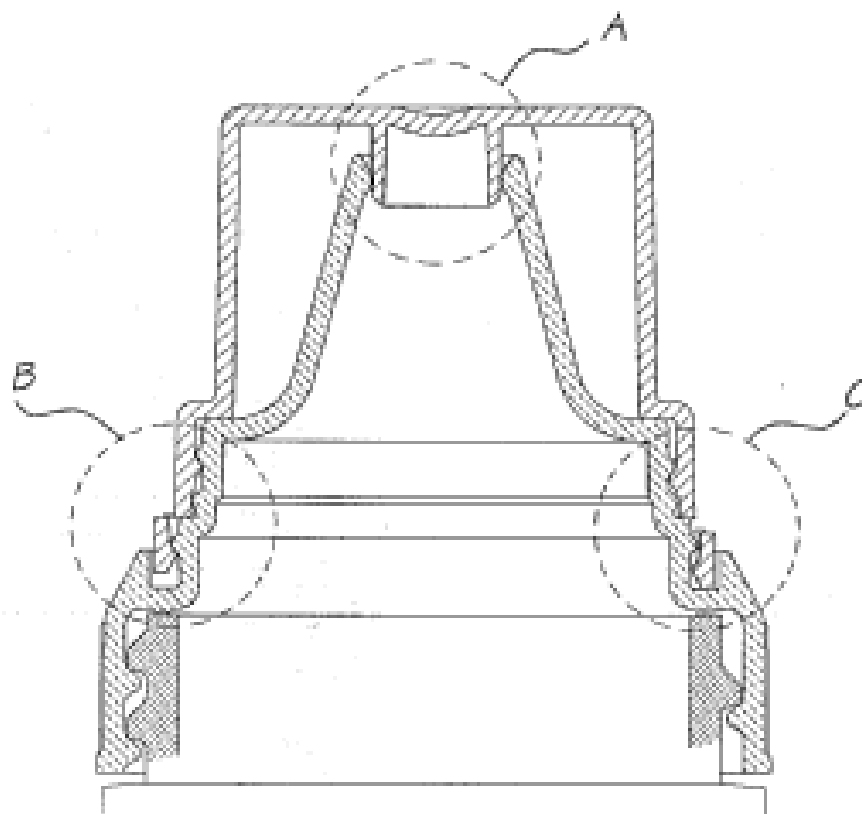
- (21) Design Number: **11637/2006**
(22) Date of Filing Application: **21 April 2006**
(24) Date from which industrial property rights may have effect: **21 April 2006**
(54) Product in respect of which the design is registered: **AG02 aquarium filter**
(51) International Design Classification: **23-01G**
(71) Name(s) and Address(s) of Applicant(s):
Philippe Dor
10 Cheritons PI Armadale WA 6112
Melissa Dor
10 Cheritons PI Armadale WA 6112
(72) Name(s) of Designer(s): **Philippe Dor and Melissa Dor**
(45) Registration Date: **04 December 2006**
(56) Related Art Documents: **Not Applicable**
(57) Statement of Newness and Distinctiveness: **Near vertical collective and grill/air curtain driven/extractor stand-pipe/vertical action position.**



- (21) Design Number: **11849/2005**
(22) Date of Filing Application: **02 May 2005**
(24) Date from which industrial property rights may have effect: **02 May 2005**
(54) Product in respect of which the design is registered: **A dispensing closure having A-sealing overcap**
(51) International Design Classification: **09-07A**
(71) Name(s) and Address(s) of Applicant(s):
CTECH Closures Pty Ltd
7 Binney Road Kings Park New South Wales 2148 Australia
(72) Name(s) of Designer(s): **Christopher Lyndon Higgins**
(45) Registration Date: **04 December 2006**
(56) Related Art Documents: **Not Applicable**
(57) Statement of Newness and Distinctiveness: **Newness and distinctiveness resides in the shape and/or configuration of that portion of a dispensing closure and sealing overcap circled in broken lines and labelled A and shown in darker lines. All other features do not form part of the claimed design and are included only for the purpose of illustrating the relationship of the claimed design to the overall shape of a dispensing closure and sealing overcap.**



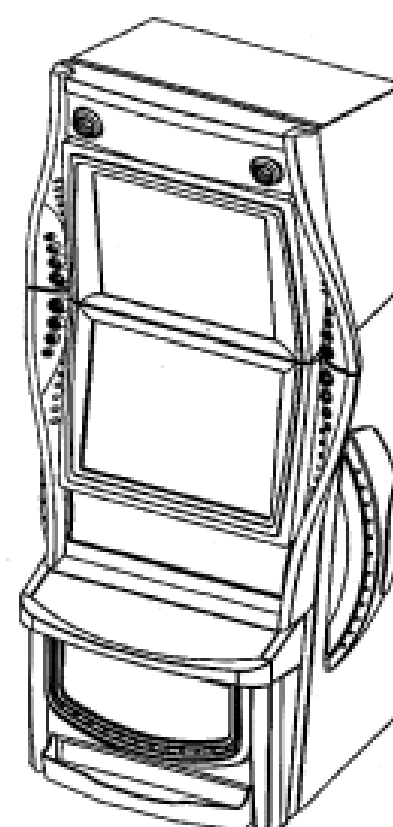
(21) Design Number: **11850/2005**
 (22) Date of Filing Application: **02 May 2005**
 (24) Date from which industrial property rights may have effect: **02 May 2005**
 (54) Product in respect of which the design is registered: **A dispensing closure having A-sealing overcap**
 (51) International Design Classification: **09-07A**
 (71) Name(s) and Address(s) of Applicant(s):
CTECH Closures Pty Ltd
7 Binney Road Kings Park New South Wales 2148 Australia
 (72) Name(s) of Designer(s): **Christopher Lyndon Higgins**
 (45) Registration Date: **04 December 2006**
 (56) Related Art Documents: **Not Applicable**
 (57) Statement of Newness and Distinctiveness: **Newness and distinctiveness resides in the shape and/or configuration of those portions of a dispensing closure and sealing overcap with tamper evidence band and circled in broken lines and labelled A B and C and shown in darker lines. All other features do not form part of the claimed design and are included only for the purpose of illustrating the relationship of the claimed design to the overall shape of a dispensing closure and sealing overcap with tamper evidence band.**



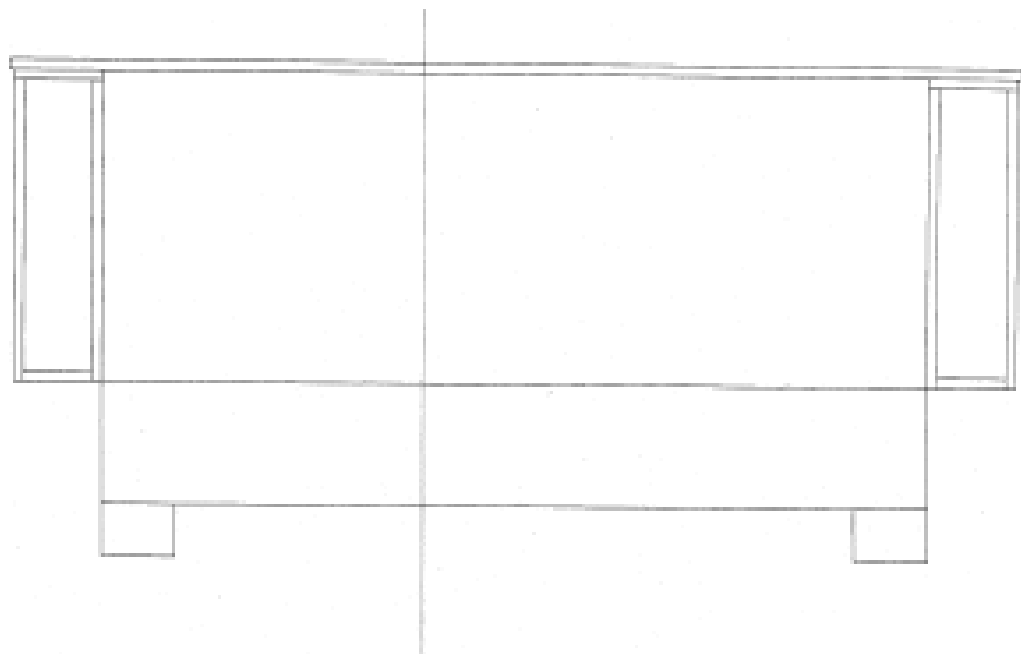
(21) Design Number: **12494/2006**
 (22) Date of Filing Application: **08 June 2006**
 (24) Date from which industrial property rights may have effect: **08 June 2006**
 (54) Product in respect of which the design is registered: **Slot machine**
 (51) International Design Classification: **21-03**
 (71) Name(s) and Address(s) of Applicant(s):
Aruze Corporation
1-25 Ariake 3-chome Koto-ku Tokyo 135-0063 Japan
 (72) Name(s) of Designer(s): **Yasuaki Tanabe and Naoki Shibasaki**
 (45) Registration Date: **04 December 2006**
 (30) Convention priority data:

(31) Number	(32) Date	(33) Country
D2006-005815	08 Mar 2006	JAPAN

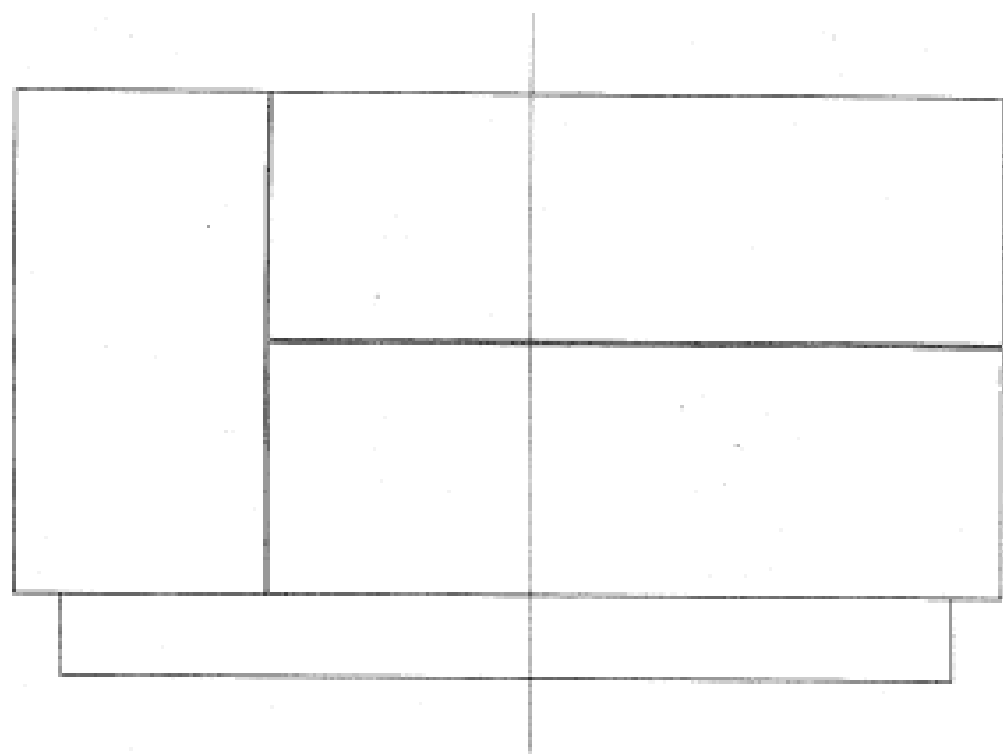
 (56) Related Art Documents: **Not Applicable**
 (57) Statement of Newness and Distinctiveness: **Nil.**



- (21) Design Number: **12634/2006**
- (22) Date of Filing Application: **20 June 2006**
- (24) Date from which industrial property rights may have effect: **20 June 2006**
- (54) Product in respect of which the design is registered: **Bedhead**
- (51) International Design Classification: **06-02, 06-03NES, 06-06F**
- (71) Name(s) and Address(s) of Applicant(s):
Bomi Furniture Pty Ltd
11-17 Sages Road Glenroy Victoria 3046 Australia
- (72) Name(s) of Designer(s): **Damir Tankovic**
- (45) Registration Date: **04 December 2006**
- (56) Related Art Documents: **Not Applicable**
- (57) Statement of Newness and Distinctiveness: **Cupboard incorporated beside drawers.**

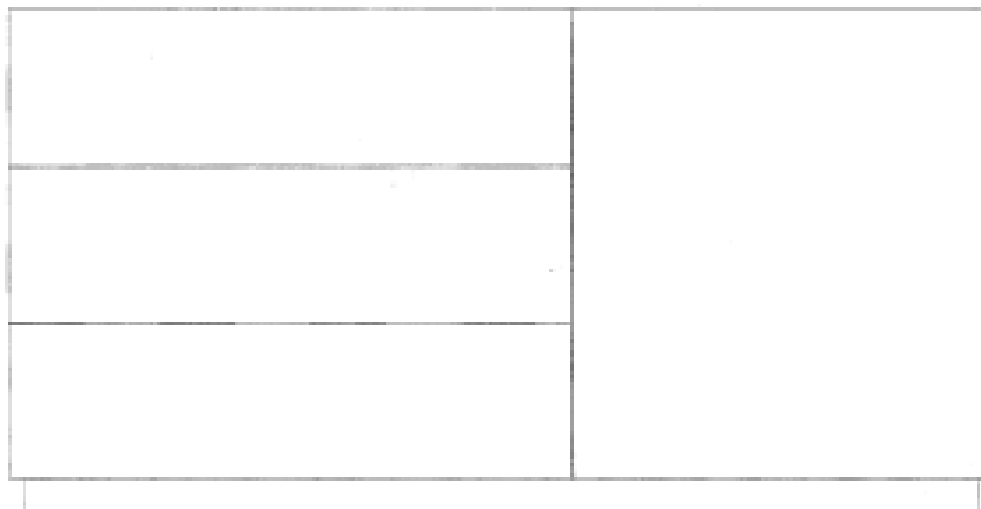


- (21) Design Number: **12635/2006**
- (22) Date of Filing Application: **20 June 2006**
- (24) Date from which industrial property rights may have effect: **20 June 2006**
- (54) Product in respect of which the design is registered: **Bedside table**
- (51) International Design Classification: **06-02, 06-03NES, 06-06F**
- (71) Name(s) and Address(s) of Applicant(s):
Bomi Furniture Pty Ltd
11-17 Sages Road Glenroy Victoria 3046 Australia
- (72) Name(s) of Designer(s): **Damir Tankovic**
- (45) Registration Date: **04 December 2006**
- (56) Related Art Documents: **Not Applicable**
- (57) Statement of Newness and Distinctiveness: **Cupboard incorporated beside drawers.**



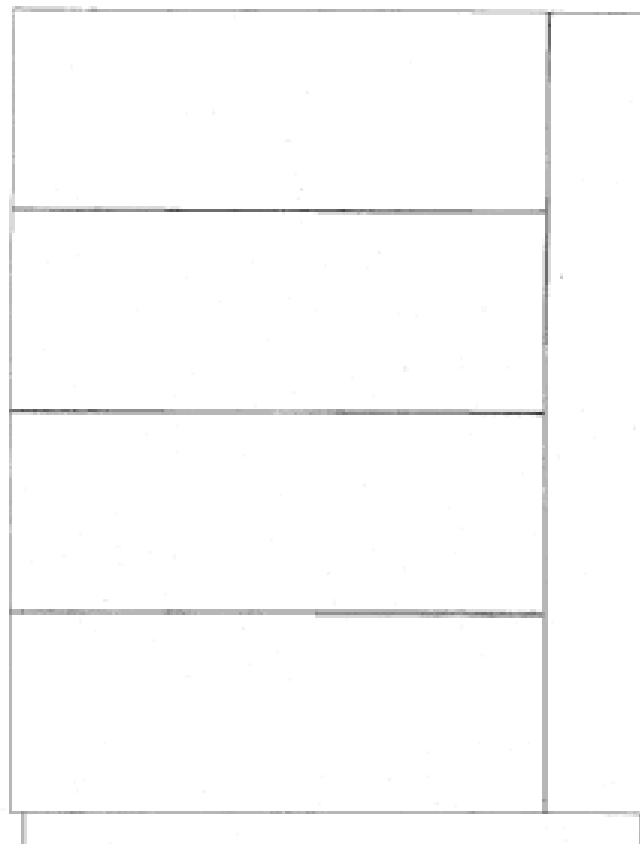
(19) AU

- (21) Design Number: **12636/2006**
- (22) Date of Filing Application: **20 June 2006**
- (24) Date from which industrial property rights may have effect: **20 June 2006**
- (54) Product in respect of which the design is registered: **Chest**
- (51) International Design Classification: **06-02, 06-03NES, 06-06F**
- (71) Name(s) and Address(s) of Applicant(s):
Bomi Furniture Pty Ltd
11-17 Sages Road Glenroy Victoria 3046 Australia
- (72) Name(s) of Designer(s): **Damir Tankovic**
- (45) Registration Date: **04 December 2006**
- (56) Related Art Documents: **Not Applicable**
- (57) Statement of Newness and Distinctiveness: **Cupboard incorporated beside drawers.**



(19) AU

- (21) Design Number: **12637/2006**
- (22) Date of Filing Application: **20 June 2006**
- (24) Date from which industrial property rights may have effect: **20 June 2006**
- (54) Product in respect of which the design is registered: **Tallboy**
- (51) International Design Classification: **06-02, 06-03NES, 06-06F**
- (71) Name(s) and Address(s) of Applicant(s):
Bomi Furniture Pty Ltd
11-17 Sages Road Glenroy Victoria 3046 Australia
- (72) Name(s) of Designer(s): **Damir Tankovic**
- (45) Registration Date: **04 December 2006**
- (56) Related Art Documents: **Not Applicable**
- (57) Statement of Newness and Distinctiveness: **Cupboard incorporated beside drawers.**



(21) Design Number: **12628/2006**
 (22) Date of Filing Application: **19 June 2006**
 (24) Date from which industrial property rights may have effect: **19 June 2006**
 (54) Product in respect of which the design is registered: **A box**
 (51) International Design Classification: **09-03M, 09-03NES**
 (71) Name(s) and Address(s) of Applicant(s):

Nokia Corporation
Keilalahdentie 4 FIN-02150 Espoo Finland

(72) Name(s) of Designer(s): **Magnusson Birgir**

(45) Registration Date: **04 December 2006**

(30) Convention priority data:

(31) Number	(32) Date	(33) Country
M20050200	19 Dec 2005	FINLAND

(56) Related Art Documents: **Not Applicable**

(57) Statement of Newness and Distinctiveness: **Nil.**



(21) Design Number: **12638/2006**
 (22) Date of Filing Application: **20 June 2006**
 (24) Date from which industrial property rights may have effect: **20 June 2006**
 (54) Product in respect of which the design is registered: **Bedhead**
 (51) International Design Classification: **06-02, 06-03NES, 06-06F**
 (71) Name(s) and Address(s) of Applicant(s):

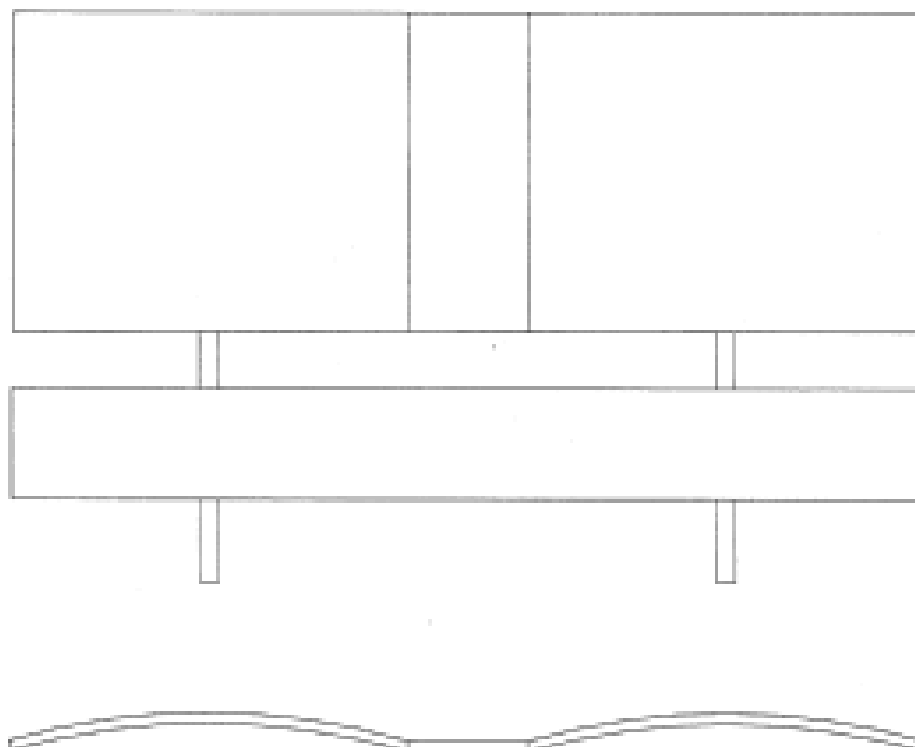
Bomi Furniture Pty Ltd
11-17 Sages Road Glenroy Victoria 3046 Australia

(72) Name(s) of Designer(s): **Damir Tankovic and Howard Bowler**

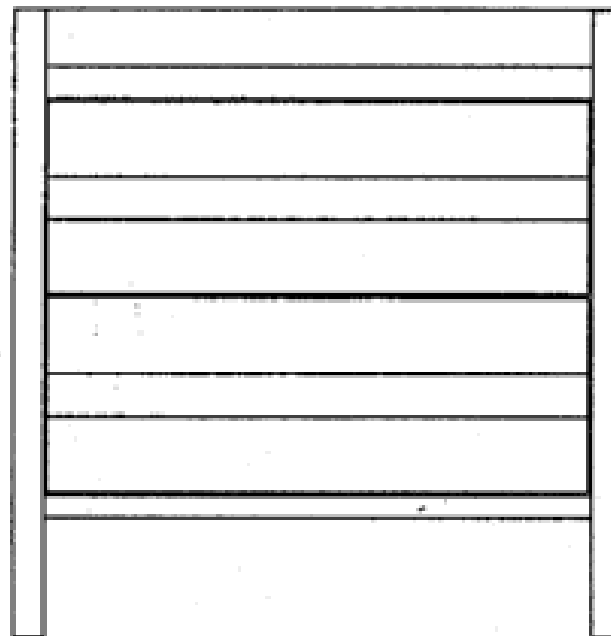
(45) Registration Date: **04 December 2006**

(56) Related Art Documents: **Not Applicable**

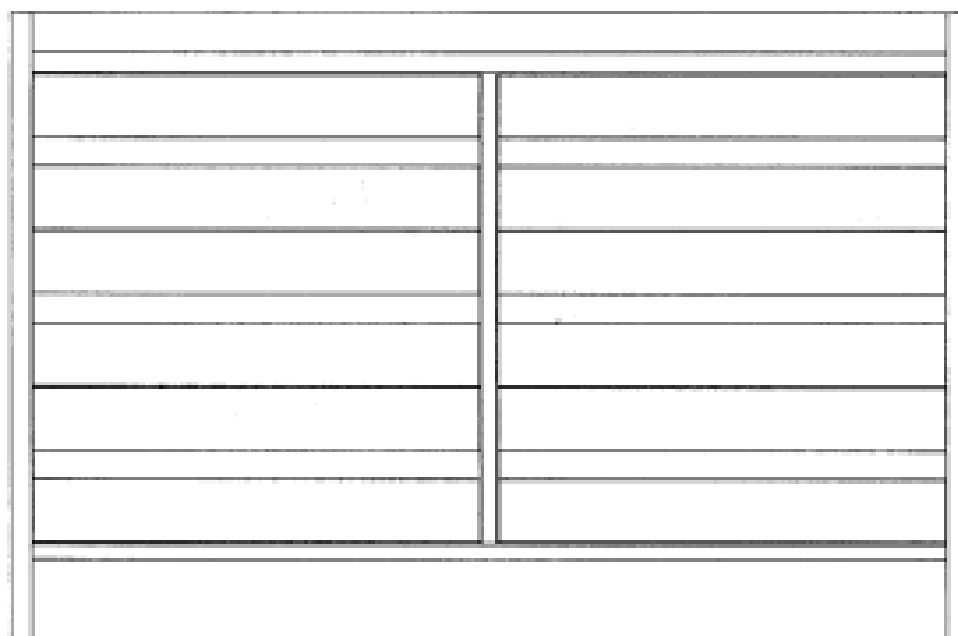
(57) Statement of Newness and Distinctiveness: **Two concave panels sitting vertically and joined in the middle with a flat panel.**



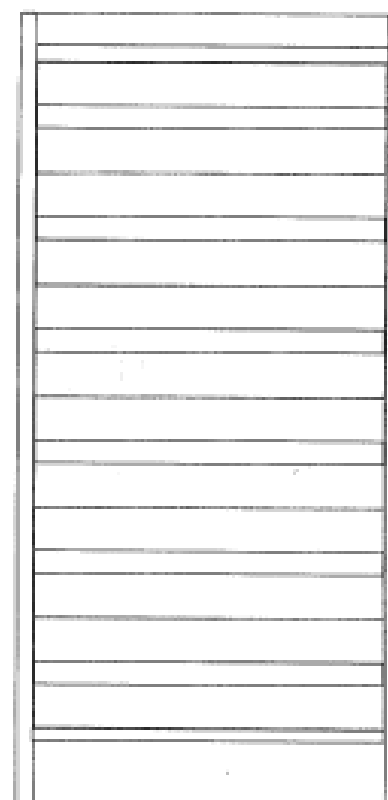
- (21) Design Number: **12639/2006**
- (22) Date of Filing Application: **20 June 2006**
- (24) Date from which industrial property rights may have effect: **20 June 2006**
- (54) Product in respect of which the design is registered: **Bedside table**
- (51) International Design Classification: **06-02, 06-03NES, 06-06F**
- (71) Name(s) and Address(s) of Applicant(s):
Bomi Furniture Pty Ltd
11-17 Sages Road Glenroy Victoria 3046 Australia
- (72) Name(s) of Designer(s): **Damir Tankovic and Howard Bowler**
- (45) Registration Date: **04 December 2006**
- (56) Related Art Documents: **Not Applicable**
- (57) Statement of Newness and Distinctiveness: **Laminated bowed handles stretching from end to end of the drawer front.**



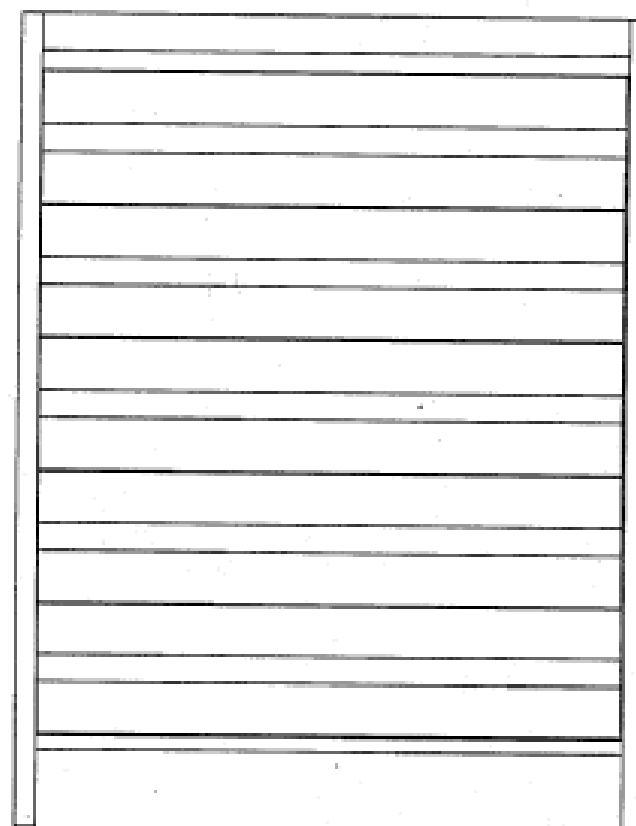
- (21) Design Number: **12640/2006**
- (22) Date of Filing Application: **20 June 2006**
- (24) Date from which industrial property rights may have effect: **20 June 2006**
- (54) Product in respect of which the design is registered: **Chest**
- (51) International Design Classification: **06-02, 06-03NES, 06-06F**
- (71) Name(s) and Address(s) of Applicant(s):
Bomi Furniture Pty Ltd
11-17 Sages Road Glenroy Victoria 3046 Australia
- (72) Name(s) of Designer(s): **Damir Tankovic and Howard Bowler**
- (45) Registration Date: **04 December 2006**
- (56) Related Art Documents: **Not Applicable**
- (57) Statement of Newness and Distinctiveness: **Laminated bowed handles stretching from end to end of the drawer front.**



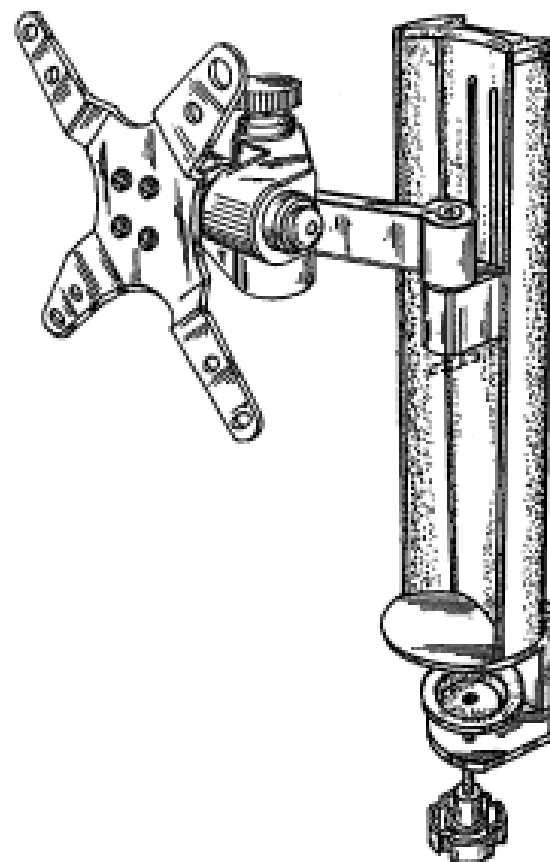
- (21) Design Number: **12641/2006**
(22) Date of Filing Application: **20 June 2006**
(24) Date from which industrial property rights may have effect: **20 June 2006**
(54) Product in respect of which the design is registered: **Lingerie chest**
(51) International Design Classification: **06-02, 06-03NES, 06-06F**
(71) Name(s) and Address(s) of Applicant(s):
Bomi Furniture Pty Ltd
11-17 Sages Road Glenroy Victoria 3046 Australia
(72) Name(s) of Designer(s): **Damir Tankovic and Howard Bowler**
(45) Registration Date: **04 December 2006**
(56) Related Art Documents: **Not Applicable**
(57) Statement of Newness and Distinctiveness: **Laminated bowed handles stretching from end to end of the drawer front.**



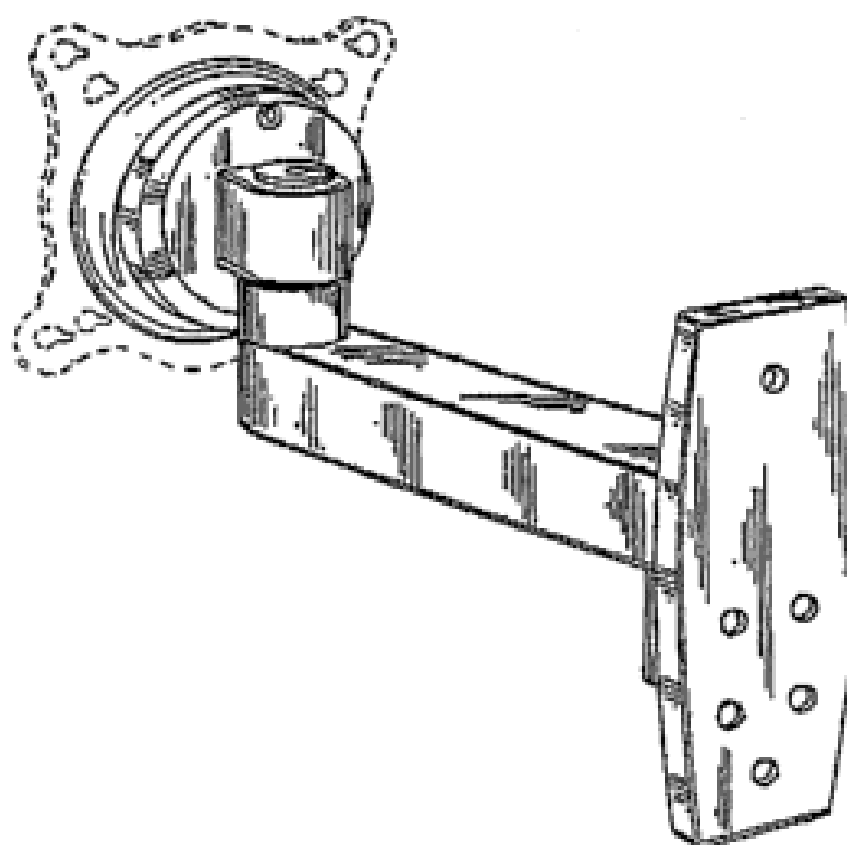
- (21) Design Number: **12642/2006**
(22) Date of Filing Application: **20 June 2006**
(24) Date from which industrial property rights may have effect: **20 June 2006**
(54) Product in respect of which the design is registered: **Tallboy**
(51) International Design Classification: **06-02, 06-03NES, 06-06F**
(71) Name(s) and Address(s) of Applicant(s):
Bomi Furniture Pty Ltd
11-17 Sages Road Glenroy Victoria 3046 Australia
(72) Name(s) of Designer(s): **Damir Tankovic and Howard Bowler**
(45) Registration Date: **04 December 2006**
(56) Related Art Documents: **Not Applicable**
(57) Statement of Newness and Distinctiveness: **Laminated bowed handles stretching from end to end of the drawer front.**



(21) Design Number: **12849/2006**
 (22) Date of Filing Application: **04 July 2006**
 (24) Date from which industrial property rights may have effect: **04 July 2006**
 (54) Product in respect of which the design is registered: **Table mount for flat panel electronic display**
 (51) International Design Classification: **08-08M, 08-08NES**
 (71) Name(s) and Address(s) of Applicant(s):
CSAV, Inc
593 Washington Street Wellesley Massachusetts 02482 United States of America
 (72) Name(s) of Designer(s): **Jim Wohlford and Joel Pfister and Dominic Grey and Stuart Bulcraig**
 (45) Registration Date: **04 December 2006**
 (30) Convention priority data:
 (31) Number (32) Date (33) Country
29/262,223 04 Jan 2006 UNITED STATES OF AMERICA
 (56) Related Art Documents: **Not Applicable**
 (57) Statement of Newness and Distinctiveness: **Nil.**



(21) Design Number: **12850/2006**
 (22) Date of Filing Application: **04 July 2006**
 (24) Date from which industrial property rights may have effect: **04 July 2006**
 (54) Product in respect of which the design is registered: **Support arm for flat panel electronic display**
 (51) International Design Classification: **08-08M, 08-08NES**
 (71) Name(s) and Address(s) of Applicant(s):
CSAV, Inc
593 Washington Street Wellesley Massachusetts 02482 United States of America
 (72) Name(s) of Designer(s): **Jim Wohlford and Joel Pfister and Dominic Grey and Stuart Bulcraig**
 (45) Registration Date: **04 December 2006**
 (30) Convention priority data:
 (31) Number (32) Date (33) Country
29/251,192 04 Jan 2006 UNITED STATES OF AMERICA
 (56) Related Art Documents: **Not Applicable**
 (57) Statement of Newness and Distinctiveness: **Nil.**



(21) Design Number: **12873/2006**

(22) Date of Filing Application: **05 July 2006**

(24) Date from which industrial property rights may have effect: **05 July 2006**

(54) Product in respect of which the design is registered: **A range**

(51) International Design Classification: **07-02A**

(71) Name(s) and Address(s) of Applicant(s):

**Electrolux Home Products Corporation N.V.
Belgicastraat 17 Zaventem B-1930 Belgium**

(72) Name(s) of Designer(s): **Alexandre Barros Neves and Ollie Moore**

(45) Registration Date: **04 December 2006**

(30) Convention priority data:

(31) Number	(32) Date	(33) Country
000460092	05 Jan 2006	EUROPEAN COMMUNITY

(56) Related Art Documents: **Not Applicable**

(57) Statement of Newness and Distinctiveness: **Nil**



(21) Design Number: **13464/2006**

(22) Date of Filing Application: **08 August 2006**

(24) Date from which industrial property rights may have effect: **08 August 2006**

(54) Product in respect of which the design is registered: **The pencil nappy**

(51) International Design Classification: **03-01NES, 19-99**

(71) Name(s) and Address(s) of Applicant(s):

**Thomas Gordon Fischer
67 Regent Street Paddington New South Wales 2021 Australia**

**Elizabeth Francesca Rosa
67 Regent Street Paddington New South Wales 2021 Australia**

(72) Name(s) of Designer(s): **Thomas Gordon Fischer and Elizabeth Francesca Rosa**

(45) Registration Date: **04 December 2006**

(56) Related Art Documents: **Not Applicable**

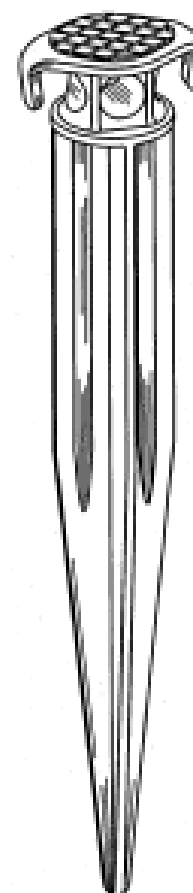
(57) Statement of Newness and Distinctiveness: **This is an original design for a pencil case.**



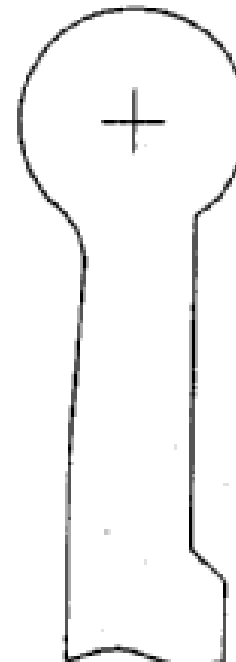
- (21) Design Number: **14439/2004**
(22) Date of Filing Application: **20 September 2004**
(24) Date from which industrial property rights may have effect: **20 September 2004**
(54) Product in respect of which the design is registered: **A pair of pants**
(51) International Design Classification: **02-02C**
(71) Name(s) and Address(s) of Applicant(s):
Morrison International Pty Ltd
47 Market Street Fremantle Western Australia 6160 Australia
(72) Name(s) of Designer(s): **Kylie-Jane Radford**
(45) Registration Date: **04 December 2006**
(56) Related Art Documents: **Not Applicable**
(57) Statement of Newness and Distinctiveness: **This pair of pants is unique in the design of the band (waist) including large belt loop, crooked flap and velcro fastner.**



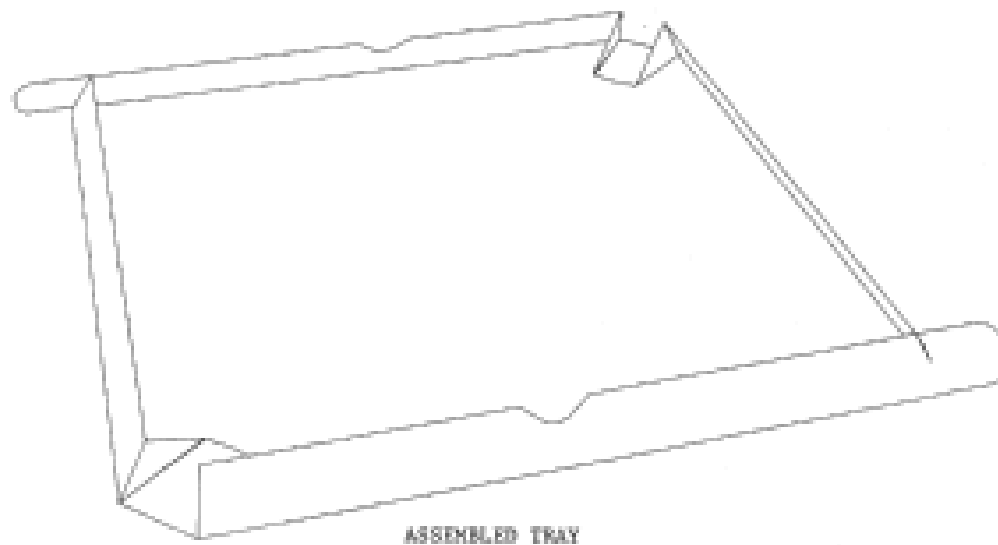
- (21) Design Number: **14513/2006**
(22) Date of Filing Application: **03 October 2006**
(24) Date from which industrial property rights may have effect: **03 October 2006**
(54) Product in respect of which the design is registered: **A ground stake**
(51) International Design Classification: **08-08O**
(71) Name(s) and Address(s) of Applicant(s):
Peak Innovations Inc.
Attn: Legal Dept Suite 203 11782 Hammersmith Way Richmond British Columbia Canada V7A5E3
(72) Name(s) of Designer(s): **John Gross and Simon Walker and Frank Fan and Karen Zhu**
(45) Registration Date: **04 December 2006**
(30) Convention priority data:
(31) Number (32) Date (33) Country
115,278 03 Apr 2006 CANADA
(56) Related Art Documents: **Not Applicable**
(57) Statement of Newness and Distinctiveness: **The design consists of the features of shape, ornament, pattern and configuration of the entire ground stake shown in the drawings. The left and right sides are identical to each other, while the front and back sides are identical to each other. The drawings shown two embodiments. Figures 1-5 shown the first embodiment and Figure 6 shows the second embodiment. The second embodiment has a different design on its top surface.**



- (21) Design Number: **14648/2006**
(22) Date of Filing Application: **13 October 2006**
(24) Date from which industrial property rights may have effect: **13 October 2006**
(54) Product in respect of which the design is registered: **Truck side curtain
pelmet/weather seal**
(51) International Design Classification: **12-16NES**
(71) Name(s) and Address(s) of Applicant(s):
Polyweld Pty Ltd
259 Rex Road Campbellfield Victoria 3061 Australia
(72) Name(s) of Designer(s): **John Gray**
(45) Registration Date: **04 December 2006**
(56) Related Art Documents: **Not Applicable**
(57) Statement of Newness and Distinctiveness: **1. Re-curved shape allowing a
better weather seal. 2. Circular bead and shoulder allows fitment to a
wide variety of curtain tracks. 3. Shorter in height allows greater daylight
opening at vehicle's sides.**



- (21) Design Number: **14694/2006**
(22) Date of Filing Application: **17 October 2006**
(24) Date from which industrial property rights may have effect: **17 October 2006**
(54) Product in respect of which the design is registered: **Tray and blank therefor**
(51) International Design Classification: **09-03F**
(71) Name(s) and Address(s) of Applicant(s):
Visy R & D Pty Ltd
Level 2 533 Little Lonsdale St Melbourne Victoria 3000 Australia
(72) Name(s) of Designer(s): **Giles Matthews**
(45) Registration Date: **04 December 2006**
(56) Related Art Documents: **Not Applicable**
(57) Statement of Newness and Distinctiveness: **The new and distinctive
features of the design reside in the shape or configuration of foldable
corner structures F in the accompanying representations.**



(21) Design Number: **14773/2006**

(22) Date of Filing Application: **20 October 2006**

(24) Date from which industrial property rights may have effect: **20 October 2006**

(54) Product in respect of which the design is registered: **Vanity unit**

(51) International Design Classification: **23-02F**

(71) Name(s) and Address(s) of Applicant(s):

Sandro Iuliano

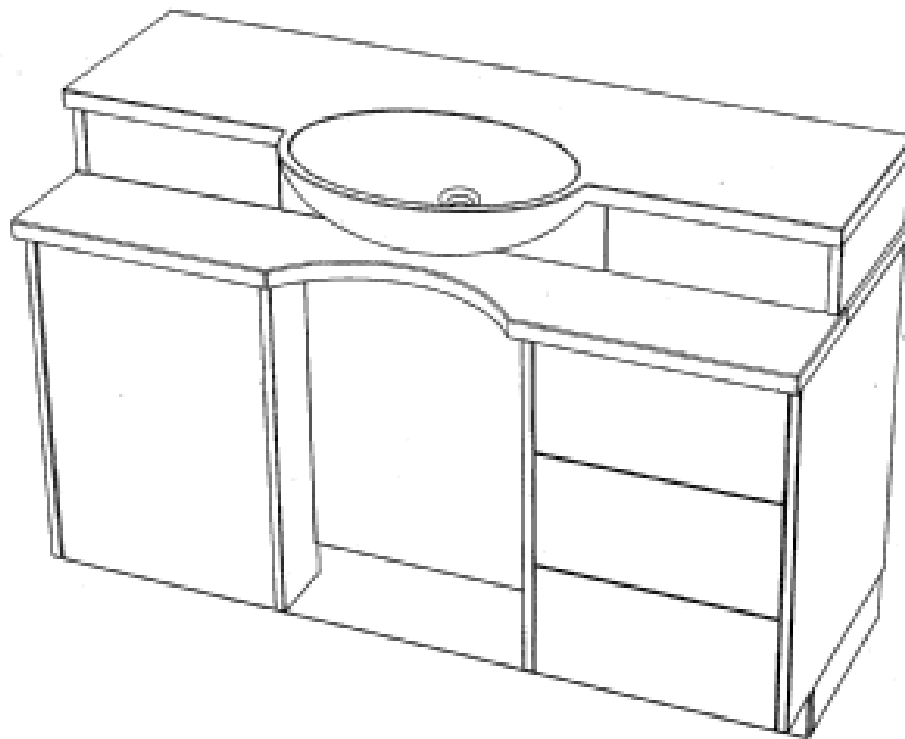
43 Malpas Street Rostrevor South Australia 5073 Australia

(72) Name(s) of Designer(s): **Sandro Iuliano**

(45) Registration Date: **04 December 2006**

(56) Related Art Documents: **Not Applicable**

(57) Statement of Newness and Distinctiveness: **Nil**



(21) Design Number: **14774/2006**

(22) Date of Filing Application: **20 October 2006**

(24) Date from which industrial property rights may have effect: **20 October 2006**

(54) Product in respect of which the design is registered: **Corner vanity unit**

(51) International Design Classification: **23-02F**

(71) Name(s) and Address(s) of Applicant(s):

Sandro Iuliano

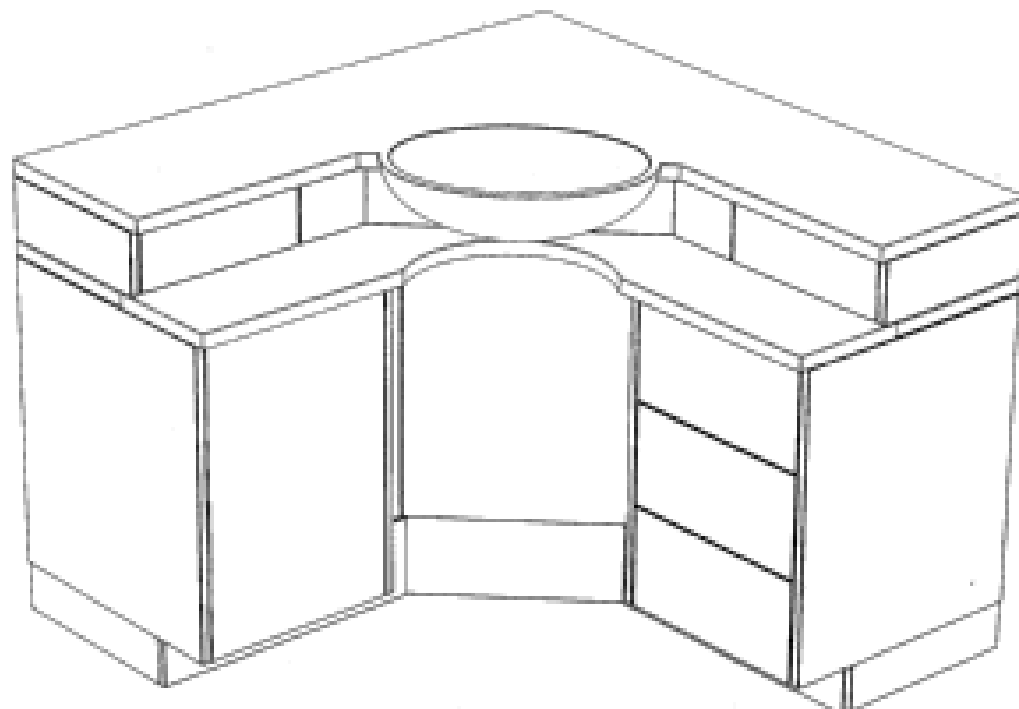
43 Malpas Street Rostrevor South Australia 5073 Australia

(72) Name(s) of Designer(s): **Sandro Iuliano**

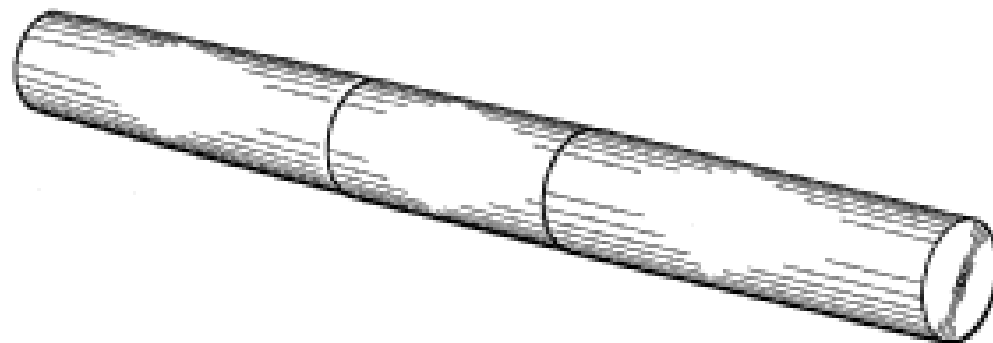
(45) Registration Date: **04 December 2006**

(56) Related Art Documents: **Not Applicable**

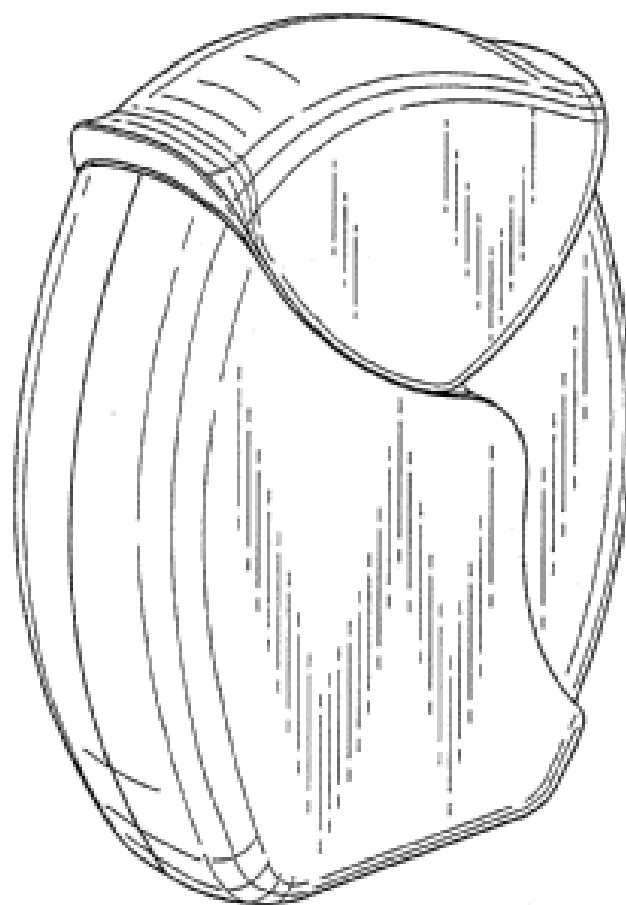
(57) Statement of Newness and Distinctiveness: **Nil**



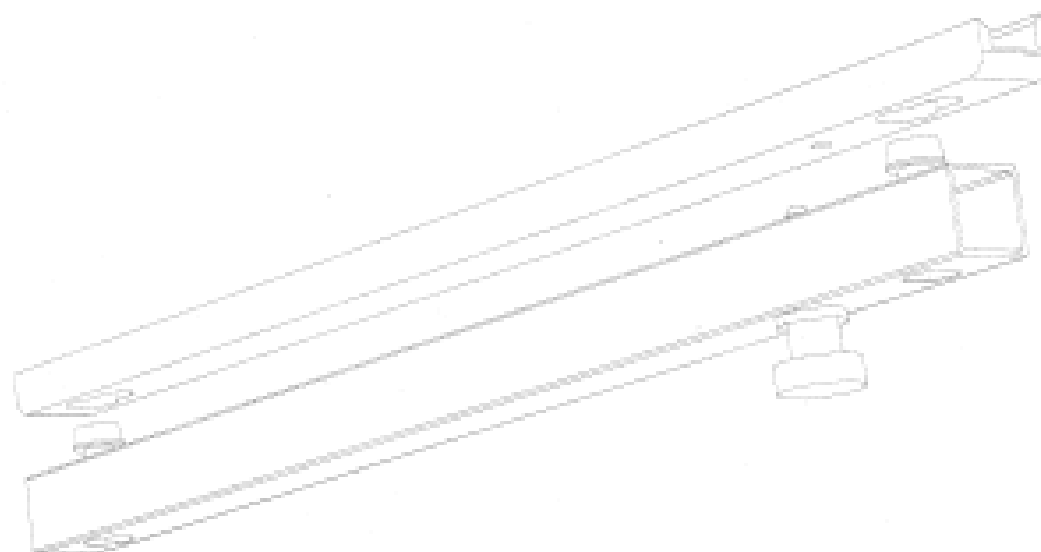
- (21) Design Number: **14806/2006**
(22) Date of Filing Application: **20 October 2006**
(24) Date from which industrial property rights may have effect: **25 September 2006**
(54) Product in respect of which the design is registered: **Container**
(51) International Design Classification: **09-01G**
(71) Name(s) and Address(s) of Applicant(s):
AVON PRODUCTS, INC.
14 Avon Place Suffern New York 10901#5605 United States of America
(72) Name(s) of Designer(s): **Robert Ramos Bortolotti**
(45) Registration Date: **04 December 2006**
(62) Divisional of: **311501**
(56) Related Art Documents: **Not Applicable**
(57) Statement of Newness and Distinctiveness: **Those features of the container depicted in the representations that are new and distinctive are the shape and/or configuration.**



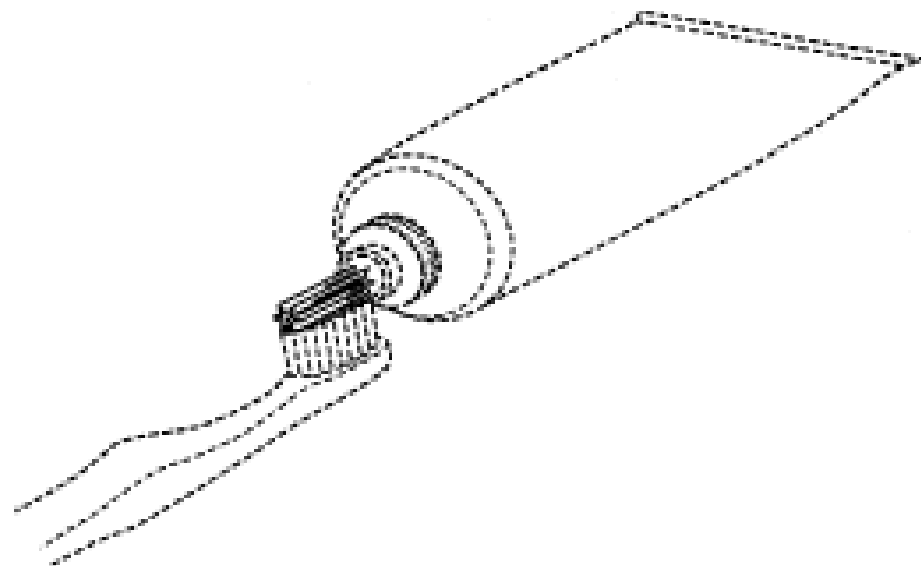
- (21) Design Number: **14807/2006**
(22) Date of Filing Application: **20 October 2006**
(24) Date from which industrial property rights may have effect: **14 August 2006**
(54) Product in respect of which the design is registered: **Inhaler**
(51) International Design Classification: **28-01**
(71) Name(s) and Address(s) of Applicant(s):
Glaxo Group Limited
Glaxo Wellcome House Berkeley Avenue Greenford Middlesex UB6
0NN United Kingdom
(72) Name(s) of Designer(s): **Stephen James Harvey and Paul Matthew Phillips**
and Robert William Tansley
(45) Registration Date: **04 December 2006**
(62) Divisional of: **311491**
(56) Related Art Documents: **Not Applicable**
(57) Statement of Newness and Distinctiveness: **Nil**



- (21) Design Number: **15087/2005**
(22) Date of Filing Application: **17 November 2005**
(24) Date from which industrial property rights may have effect: **17 November 2005**
(54) Product in respect of which the design is registered: **locking mechanism**
(51) International Design Classification: **12-12**
(71) Name(s) and Address(s) of Applicant(s):
Royal Alexandra Hospital for Children
Locked Bag 4001 Westmead New South Wales 2145 Australia
(72) Name(s) of Designer(s): **Colin Williams**
(45) Registration Date: **04 December 2006**
(56) Related Art Documents: **Not Applicable**
(57) Statement of Newness and Distinctiveness: **Nil**



- (21) Design Number: **10234/2006**
(22) Date of Filing Application: **24 January 2006**
(24) Date from which industrial property rights may have effect: **24 January 2006**
(54) Product in respect of which the design is registered: **Dentifrice**
(51) International Design Classification: **28-02**
(71) Name(s) and Address(s) of Applicant(s):
Colgate-Palmolive Company
300 Park Avenue New York New York 10022 United States of America
(72) Name(s) of Designer(s): **Joseph T. Norris and John C. Crawford**
(45) Registration Date: **05 December 2006**
(30) Convention priority data:
(31) Number (32) Date (33) Country
29/235710 04 Aug 2005 UNITED STATES OF AMERICA
(56) Related Art Documents: **Not Applicable**
(57) Statement of Newness and Distinctiveness: **Newness and distinctiveness reside in the features of the design shown in solid lines in the representations excluding those features shown in broken lines.**



- (21) Design Number: **11970/2006**
(22) Date of Filing Application: **05 May 2006**
(24) Date from which industrial property rights may have effect: **05 May 2006**
(54) Product in respect of which the design is registered: **Compact docking station to secure a laptop computer in a vehicle**
(51) International Design Classification: **14-02**
(71) Name(s) and Address(s) of Applicant(s):
Industrial Evolution Pty Ltd
27/159 Arthur Street Homebush West New South Wales 2140 Australia
(72) Name(s) of Designer(s): **Brett Franzi and Tim Bird**
(45) Registration Date: **05 December 2006**
(56) Related Art Documents: **Not Applicable**
(57) Statement of Newness and Distinctiveness: **Compact docking station to secure a laptop computer in a vehicle.**



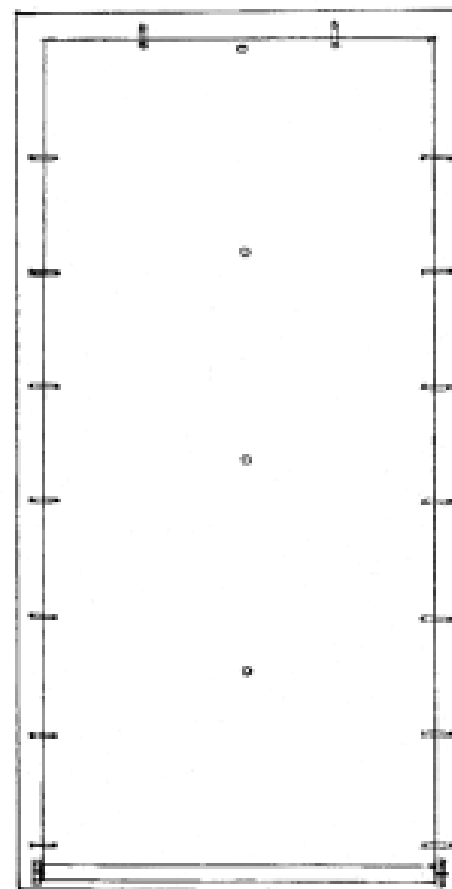
- (21) Design Number: **12322/2006**
(22) Date of Filing Application: **06 December 2005**
(24) Date from which industrial property rights may have effect: **06 December 2005**
(54) Product in respect of which the design is registered: **Ladies garments**
(51) International Design Classification: **02-02C**
(71) Name(s) and Address(s) of Applicant(s):
Review Australia Pty Ltd
25-31 Rokeby Street Collingwood Victoria 3066 Australia
(72) Name(s) of Designer(s): **Jayne Ellis**
(45) Registration Date: **05 December 2006**
(56) Related Art Documents: **Not Applicable**
(57) Statement of Newness and Distinctiveness: **Nil.**



- (21) Design Number: **12323/2006**
(22) Date of Filing Application: **06 December 2005**
(24) Date from which industrial property rights may have effect: **06 December 2005**
(54) Product in respect of which the design is registered: **Ladies garments**
(51) International Design Classification: **02-02C**
(71) Name(s) and Address(s) of Applicant(s):
Review Australia Pty Ltd
25-31 Rokeby Street Collingwood Victoria 3066 Australia
(72) Name(s) of Designer(s): **Jayne Ellis**
(45) Registration Date: **05 December 2006**
(56) Related Art Documents: **Not Applicable**
(57) Statement of Newness and Distinctiveness: **Nil.**



- (21) Design Number: **12458/2006**
(22) Date of Filing Application: **01 June 2006**
(24) Date from which industrial property rights may have effect: **01 June 2006**
(54) Product in respect of which the design is registered: **Hi-Tek Aussie pool covers**
(51) International Design Classification: **25-03**
(71) Name(s) and Address(s) of Applicant(s):
Carolyn Joan Will
6303 Ephraim Inlet Precinct Paradise Point Queensland 4216 Australia
(72) Name(s) of Designer(s): **Allen Will**
(45) Registration Date: **05 December 2006**
(56) Related Art Documents: **Not Applicable**
(57) Statement of Newness and Distinctiveness: **Children could walk across our pool cover without falling in and drowning. Cannot fill up with water as our cover has drain holes can be adjusted to fit all pool sizes. Prevents water evaporation.**



(21) Design Number: **13835/2006**

(22) Date of Filing Application: **25 August 2006**

(24) Date from which industrial property rights may have effect: **25 August 2006**

(54) Product in respect of which the design is registered: **Battery charger**

(51) International Design Classification: **13-02**

(71) Name(s) and Address(s) of Applicant(s):

Nokia Corporation
Keilalahdentie 4 FIN-02150 Espoo Finland

(72) Name(s) of Designer(s): **Heli Sade and Sami Lehtovaara**

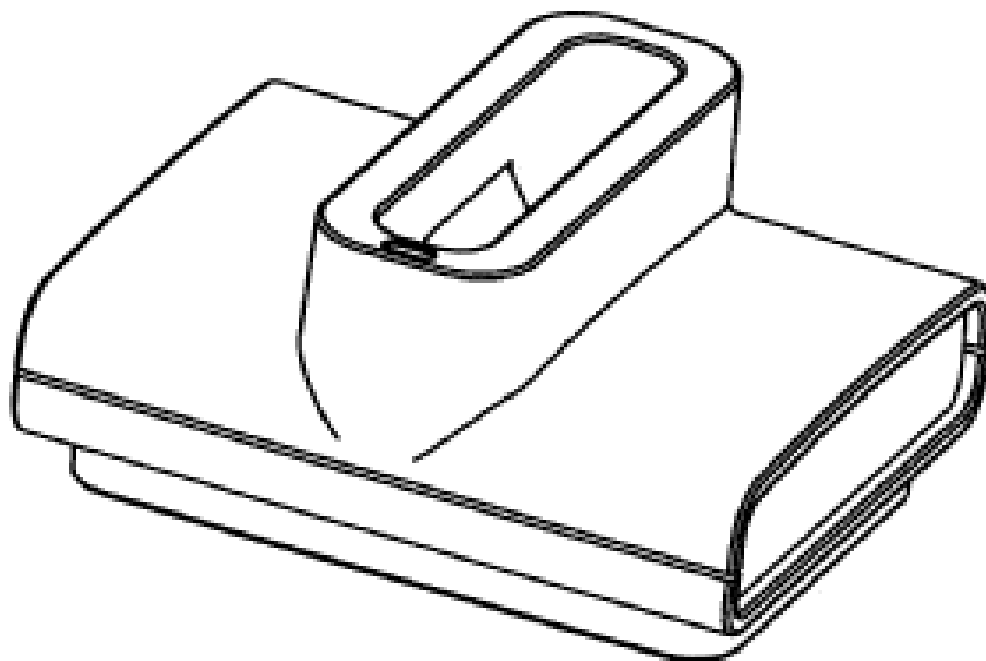
(45) Registration Date: **05 December 2006**

(30) Convention priority data:

(31) Number	(32) Date	(33) Country
M20060045	27 Feb 2006	FINLAND

(56) Related Art Documents: **Not Applicable**

(57) Statement of Newness and Distinctiveness: **Nil**



(21) Design Number: **14282/2006**

(22) Date of Filing Application: **26 September 2006**

(24) Date from which industrial property rights may have effect: **26 September 2006**

(54) Product in respect of which the design is registered: **Freezer van door corner bracket and internal lock rod pivot**

(51) International Design Classification: **08-08NES, 12-16NES**

(71) Name(s) and Address(s) of Applicant(s):

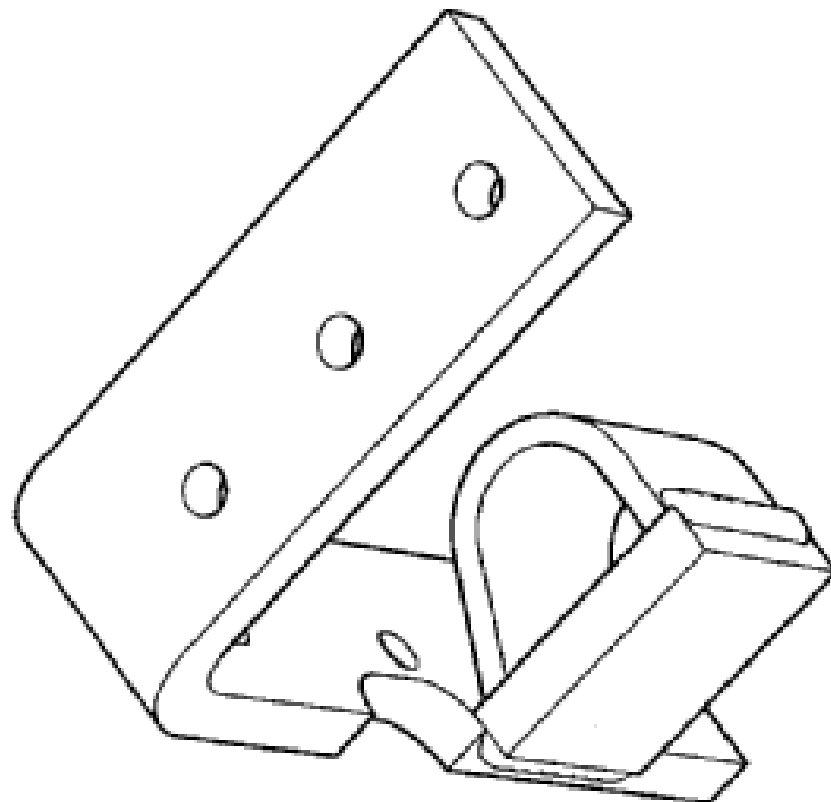
Polyweld Pty Ltd
259 Rex Road Campbellfield Victoria 3062 Australia

(72) Name(s) of Designer(s): **John Gray**

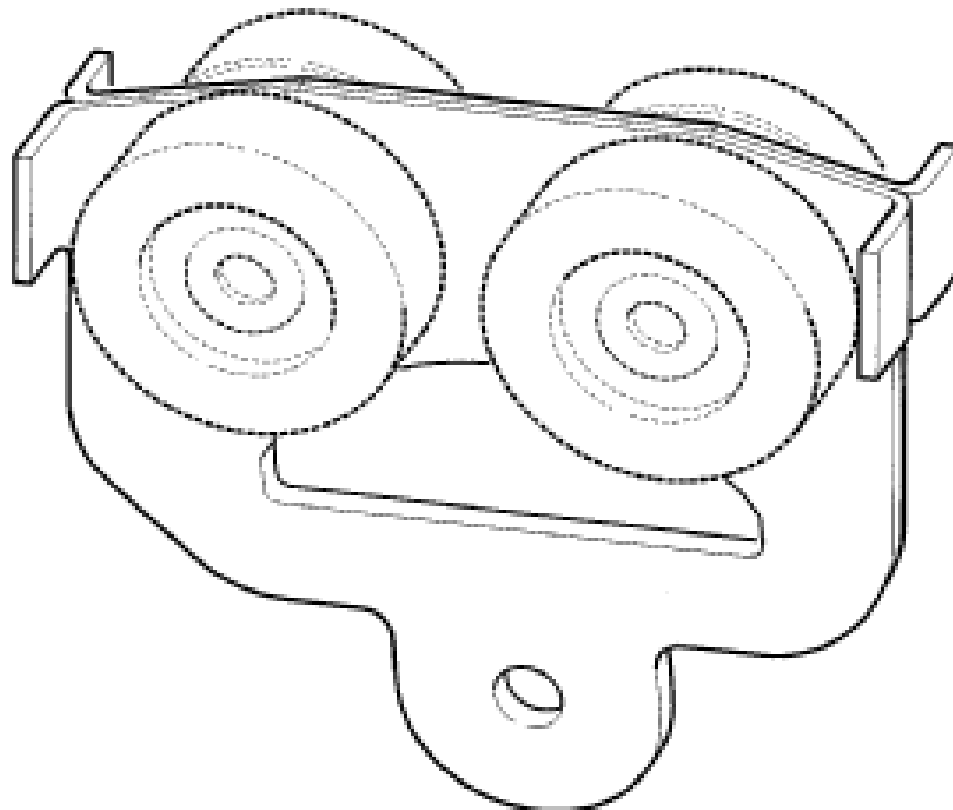
(45) Registration Date: **05 December 2006**

(56) Related Art Documents: **Not Applicable**

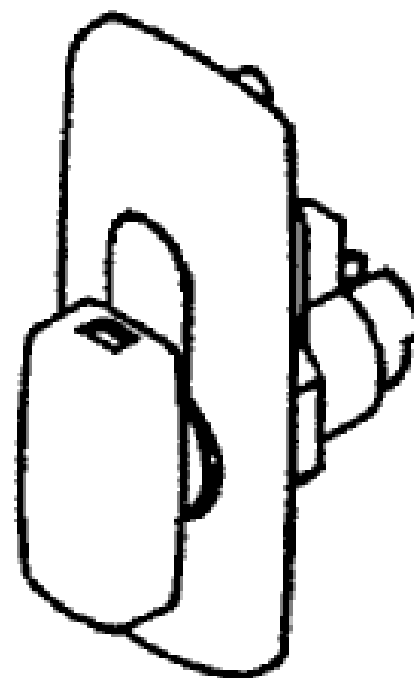
(57) Statement of Newness and Distinctiveness: **The pivot and the corner bracket are combined in one part allowing latches at the corners with full width insulation and unobstructed outer panel.**



- (21) Design Number: **14283/2006**
(22) Date of Filing Application: **26 September 2006**
(24) Date from which industrial property rights may have effect: **26 September 2006**
(54) Product in respect of which the design is registered: **Truck curtain roller with bumpers without wheels similar to existing registered design 149685 - 2-8-2002**
(51) International Design Classification: **08-08H, 12-16NES**
(71) Name(s) and Address(s) of Applicant(s):
Polyweld Pty Ltd
259 Rex Road Campbellfield Victoria 3061 Australia
(72) Name(s) of Designer(s): **John Gray**
(45) Registration Date: **05 December 2006**
(56) Related Art Documents: **Not Applicable**
(57) Statement of Newness and Distinctiveness: **Combination of plate with semi circular hole and bumpers.**

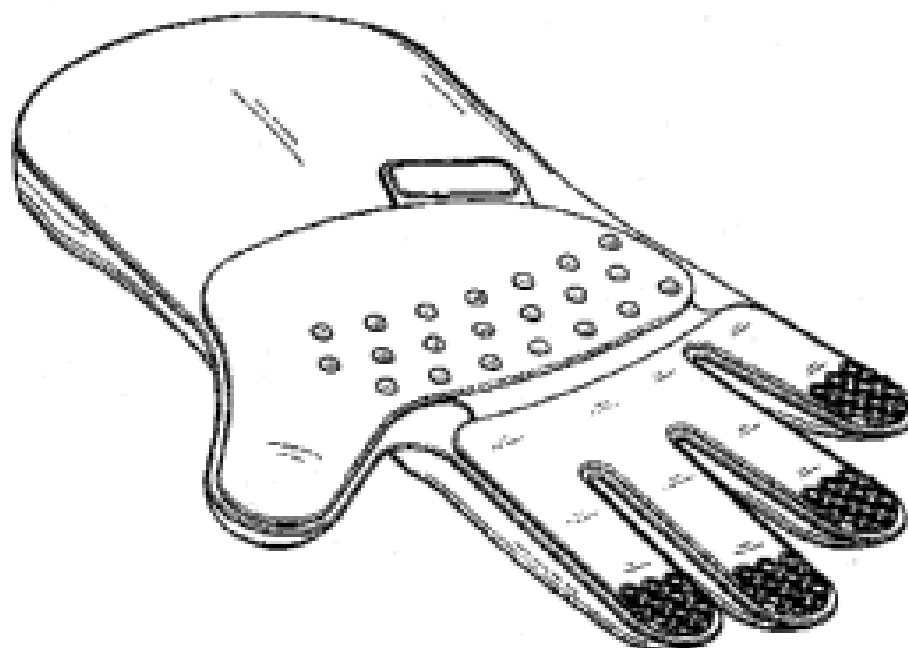


- (21) Design Number: **14549/2006**
(22) Date of Filing Application: **19 June 2006**
(24) Date from which industrial property rights may have effect: **19 June 2006**
(54) Product in respect of which the design is registered: **Door furniture**
(51) International Design Classification: **08-06, 08-07**
(71) Name(s) and Address(s) of Applicant(s):
Azuma Design Pty Limited
160-162 Newton Road Wetherill Park New South Wales 2164 Australia
(72) Name(s) of Designer(s): **Michael Brian Alchin**
(45) Registration Date: **05 December 2006**
(62) Divisional of: **311439**
(56) Related Art Documents: **Not Applicable**
(57) Statement of Newness and Distinctiveness: **Newness and distinctiveness resides in the features of shape and/or configuration of an escutcheon of door furniture as illustrated in the accompanying drawings.**



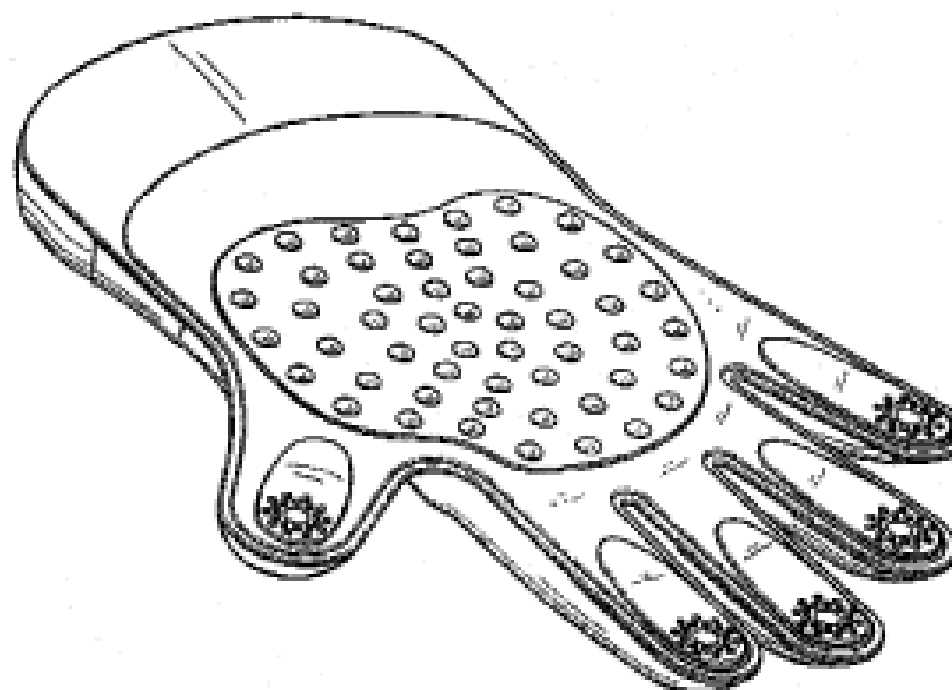
- (21) Design Number: **14779/2006**
- (22) Date of Filing Application: **20 October 2006**
- (24) Date from which industrial property rights may have effect: **20 October 2006**
- (54) Product in respect of which the design is registered: **Grooming glove for animals**
- (51) International Design Classification: **30-99**
- (71) Name(s) and Address(s) of Applicant(s):
The IAMS Company
One Procter & Gamble Plaza Cincinnati Ohio 45202 United States of America
- (72) Name(s) of Designer(s): **David William Schuller and Craig Merillat Rasmussen and Brent William Mason and Anthony Piazza and Sally Madsen and Elizabeth Liebert and Judy M. Lee**
- (45) Registration Date: **05 December 2006**
- (30) Convention priority data:

(31) Number	(32) Date	(33) Country
29/258,640	25 Apr 2006	UNITED STATES OF AMERICA
- (56) Related Art Documents: **Not Applicable**
- (57) Statement of Newness and Distinctiveness: **Newness and distinctiveness reside in the features of shape and/or configuration of the grooming glove for animals as shown in the representations.**



- (21) Design Number: **14780/2006**
- (22) Date of Filing Application: **20 October 2006**
- (24) Date from which industrial property rights may have effect: **20 October 2006**
- (54) Product in respect of which the design is registered: **Grooming glove for animals**
- (51) International Design Classification: **30-99**
- (71) Name(s) and Address(s) of Applicant(s):
The IAMS Company
One Procter & Gamble Plaza Cincinnati Ohio 45202 United States of America
- (72) Name(s) of Designer(s): **David William Schuller and Craig Merillat Rasmussen and Brent William Mason and Anthony Piazza and Sally Madsen and Elizabeth Liebert and Judy M. Lee**
- (45) Registration Date: **05 December 2006**
- (30) Convention priority data:

(31) Number	(32) Date	(33) Country
29/258,683	25 Apr 2006	UNITED STATES OF AMERICA
- (56) Related Art Documents: **Not Applicable**
- (57) Statement of Newness and Distinctiveness: **Newness and distinctiveness reside in the features of shape and/or configuration of the grooming glove for animals as shown in the representations.**



(21) Design Number: 14792/2006

(22) Date of Filing Application: 20 October 2006

(24) Date from which industrial property rights may have effect: 20 October 2006

(54) Product in respect of which the design is registered: Module rain water tanks

(51) International Design Classification: 23-01F

(71) Name(s) and Address(s) of Applicant(s):

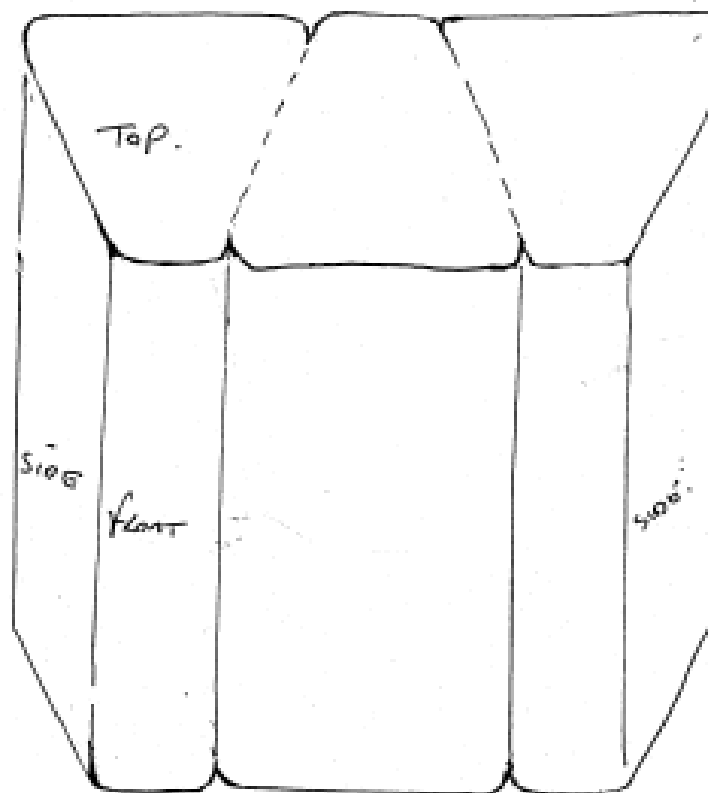
Courier Pete Ltd
Rosarina 32 Hicks Road East Greenmount Queensland 4359 Australia

(72) Name(s) of Designer(s): Mark Nicholas Collymore

(45) Registration Date: 05 December 2006

(56) Related Art Documents: Not Applicable

(57) Statement of Newness and Distinctiveness: Please find enclosed drawings for a new design of modular rain water tanks. I already have a design of modular rain water tanks that application was lodged on 21.9.2006 in the name of Mark Nicholas Collymore it has been allocated the number 14224/2006. The design that I now lodge are a variation of those designs. These are of a total different configuration but are still modular units of tanks. That are artistic in design which can be used inside as well as outside.



(21) Design Number: 14816/2006

(22) Date of Filing Application: 20 October 2006

(24) Date from which industrial property rights may have effect: 20 October 2006

(54) Product in respect of which the design is registered: Fastening element for electrical wires

(51) International Design Classification: 13-03B

(71) Name(s) and Address(s) of Applicant(s):

Maria Angeles Perez Delgado
Casino no.2 38620 San Miguel De Abona (Tenerife) Spain

(72) Name(s) of Designer(s): Maria Angeles Perez Delgado

(45) Registration Date: 05 December 2006

(30) Convention priority data:

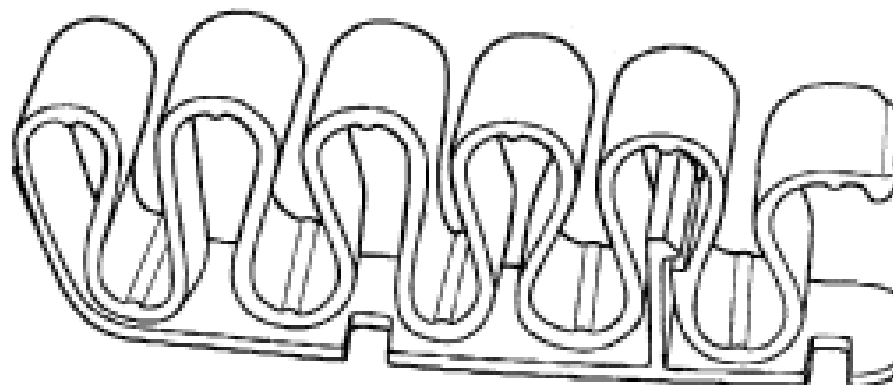
(31) Number	(32) Date	(33) Country
503.180#X	21 Apr 2006	SPAIN

(56) Related Art Documents: Not Applicable

(57) Statement of Newness and Distinctiveness: Nil



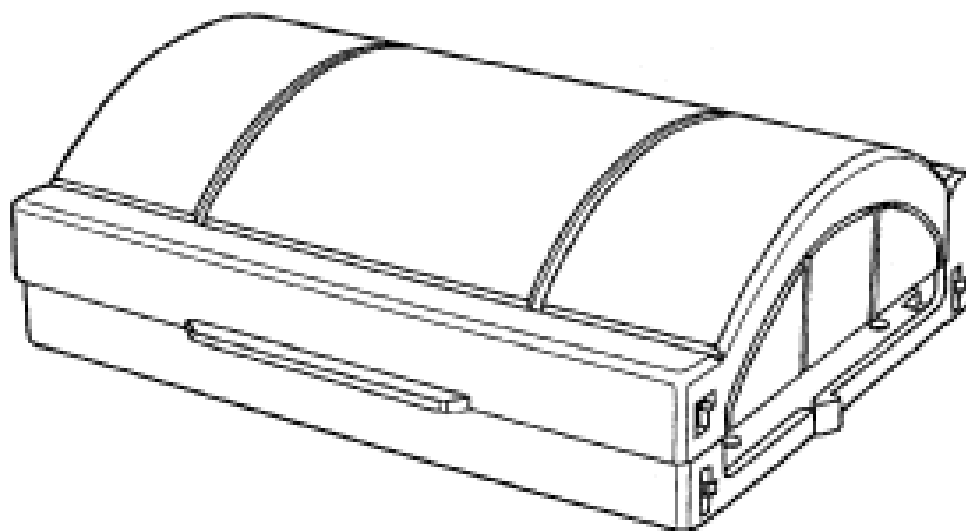
(21) Design Number: **14817/2006**
(22) Date of Filing Application: **20 October 2006**
(24) Date from which industrial property rights may have effect: **20 October 2006**
(54) Product in respect of which the design is registered: **Fastening element for electrical wires**
(51) International Design Classification: **13-03B**
(71) Name(s) and Address(s) of Applicant(s):
Maria Angeles Perez Delgado
Casino no.2 38620 San Miguel De Abona (Tenerife) Spain
(72) Name(s) of Designer(s): **Maria Angeles Perez Delgado**
(45) Registration Date: **05 December 2006**
(30) Convention priority data:
(31) Number (32) Date (33) Country
503.180#X 21 Apr 2006 SPAIN
(56) Related Art Documents: **Not Applicable**
(57) Statement of Newness and Distinctiveness: **Nil**



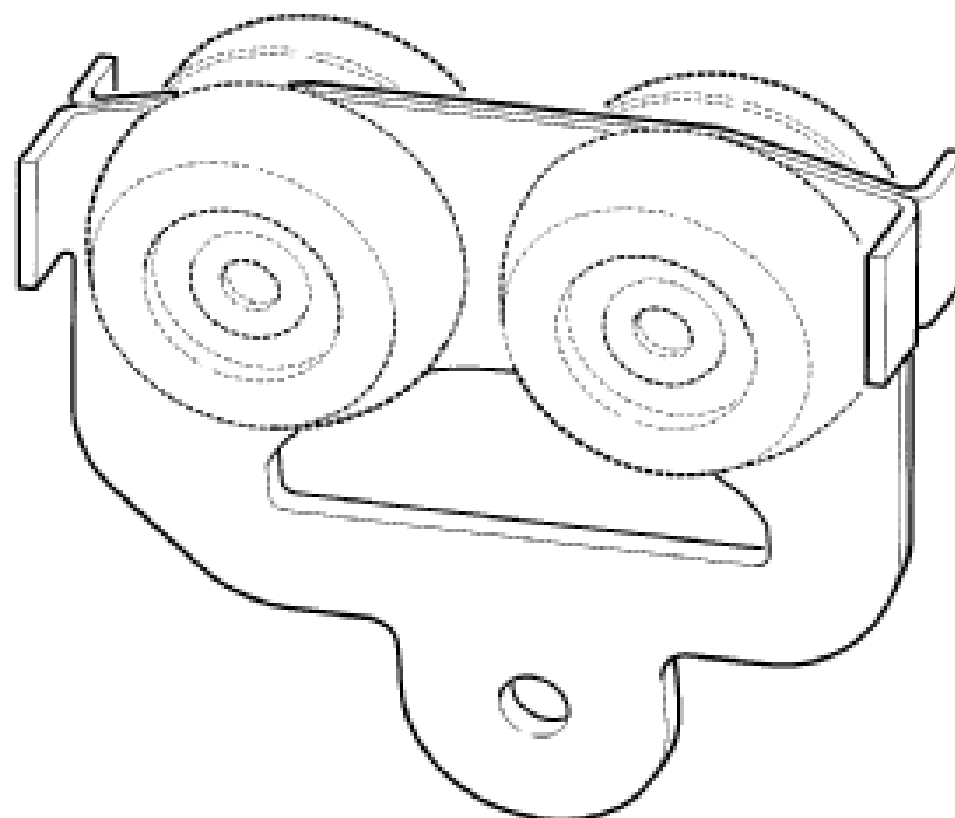
(21) Design Number: **14818/2006**
(22) Date of Filing Application: **20 October 2006**
(24) Date from which industrial property rights may have effect: **20 October 2006**
(54) Product in respect of which the design is registered: **Fastening element for electrical wires**
(51) International Design Classification: **13-03B**
(71) Name(s) and Address(s) of Applicant(s):
Maria Angeles Perez Delgado
Casino no.2 38620 San Miguel De Abona (Tenerife) Spain
(72) Name(s) of Designer(s): **Maria Angeles Perez Delgado**
(45) Registration Date: **05 December 2006**
(30) Convention priority data:
(31) Number (32) Date (33) Country
503.180#X 21 Apr 2006 SPAIN
(56) Related Art Documents: **Not Applicable**
(57) Statement of Newness and Distinctiveness: **Nil**



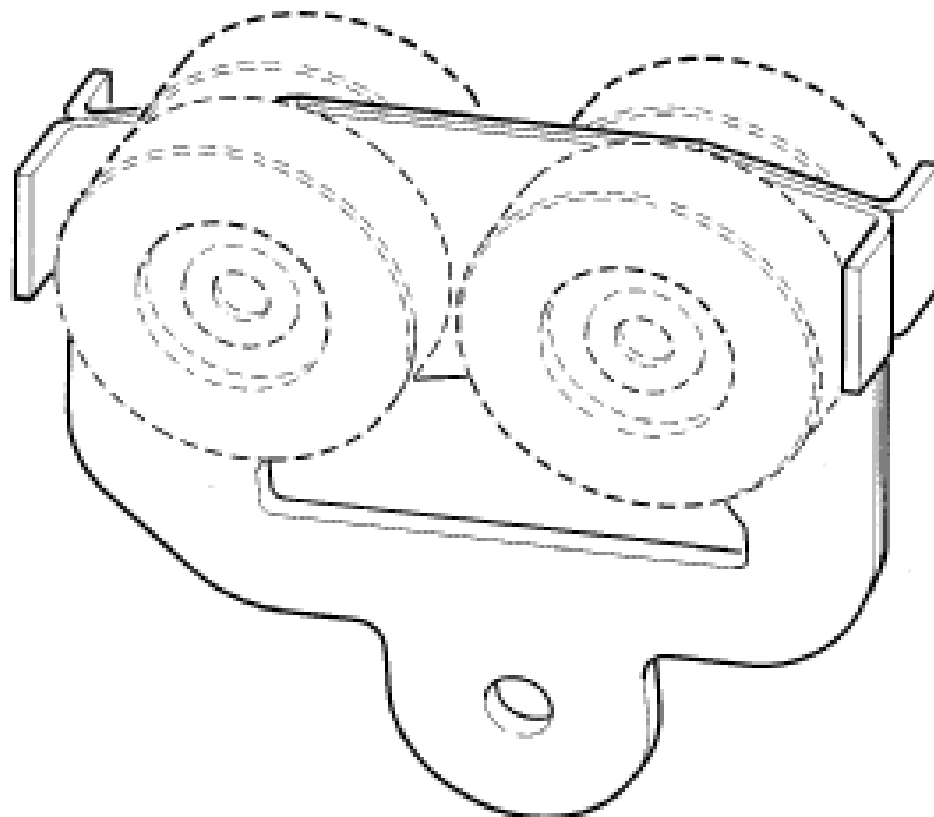
(21) Design Number: **14819/2006**
(22) Date of Filing Application: **20 October 2006**
(24) Date from which industrial property rights may have effect: **20 October 2006**
(54) Product in respect of which the design is registered: **Clamp for electrical wires**
(51) International Design Classification: **13-03B**
(71) Name(s) and Address(s) of Applicant(s):
Maria Angeles Perez Delgado
Casino no.2 38620 San Miguel De Abona (Tenerife) Spain
(72) Name(s) of Designer(s): **Maria Angeles Perez Delgado**
(45) Registration Date: **05 December 2006**
(30) Convention priority data:
(31) Number (32) Date (33) Country
000516711#0017 21 Apr 2006 EUROPEAN COMMUNITY
(56) Related Art Documents: **Not Applicable**
(57) Statement of Newness and Distinctiveness: **Nil**



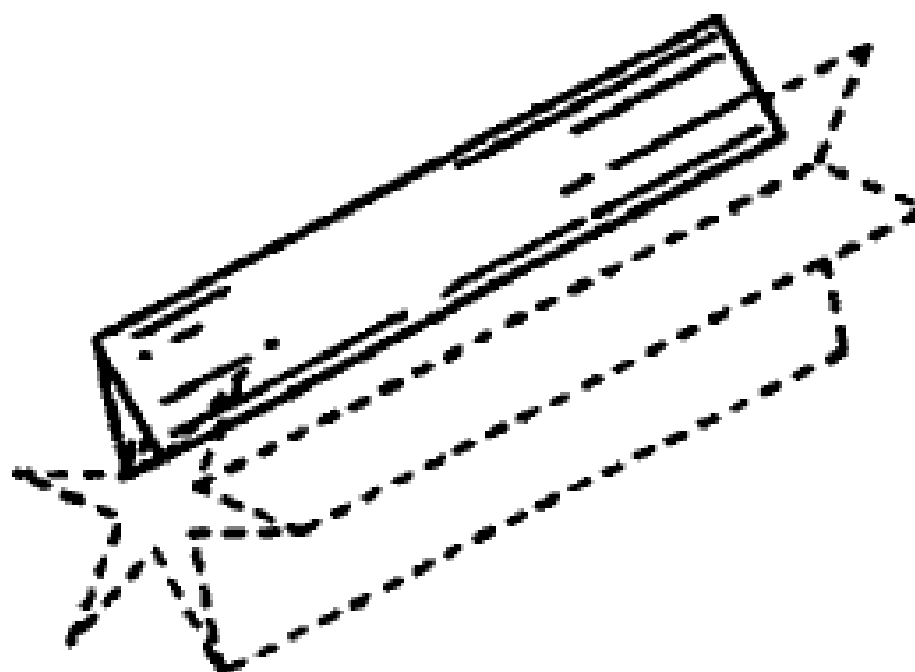
(21) Design Number: **14912/2006**
(22) Date of Filing Application: **26 September 2006**
(24) Date from which industrial property rights may have effect: **26 September 2006**
(54) Product in respect of which the design is registered: **Truck cabin roller with bumpers without wheels similar to existing registered design 149685 # 2#8#2002**
(51) International Design Classification: **12-16NES, 08-08H**
(71) Name(s) and Address(s) of Applicant(s):
Polyweld Pty Ltd
259 Rex Road Campbellfield Victoria 3061 Australia
(72) Name(s) of Designer(s): **John Gray**
(45) Registration Date: **05 December 2006**
(56) Related Art Documents: **Not Applicable**
(57) Statement of Newness and Distinctiveness: **Combination of plate with semi circular hole and bumpers.**



- (21) Design Number: **14989/2006**
(22) Date of Filing Application: **26 September 2006**
(24) Date from which industrial property rights may have effect: **26 September 2006**
(54) Product in respect of which the design is registered: **Truck curtain roller with bumpers without wheels similar to existing registered design 149685 # 2#8#2002.**
(51) International Design Classification: **12-16NES, 08-08H**
(71) Name(s) and Address(s) of Applicant(s):
Polyweld Pty Ltd
259 Rex Road Campbellfield Victoria 3061 Australia
(72) Name(s) of Designer(s): **John Gray**
(45) Registration Date: **05 December 2006**
(56) Related Art Documents: **Not Applicable**
(57) Statement of Newness and Distinctiveness: **Configuration of plate with semi circular hole and bumpers.**



- (21) Design Number: **15034/2006**
(22) Date of Filing Application: **24 January 2006**
(24) Date from which industrial property rights may have effect: **24 January 2006**
(54) Product in respect of which the design is registered: **Dentifrice**
(51) International Design Classification: **28-02**
(71) Name(s) and Address(s) of Applicant(s):
Colgate-Palmolive Company
300 Park Avenue New York New York 10022 United States of America
(72) Name(s) of Designer(s): **Joseph T. Norris and John C. Crawford**
(45) Registration Date: **05 December 2006**
(30) Convention priority data:
(31) Number (32) Date (33) Country
29/235710 04 Aug 2005 UNITED STATES OF AMERICA
(56) Related Art Documents: **Not Applicable**
(57) Statement of Newness and Distinctiveness: **Newness and distinctiveness resides in the features of the design shown in solid lines in the representations excluding those features shown in broken lines.**



- (21) Design Number: **15423/2005**
(22) Date of Filing Application: **06 December 2005**
(24) Date from which industrial property rights may have effect: **06 December 2005**
(54) Product in respect of which the design is registered: **Ladies garments**
(51) International Design Classification: **02-02C, 02-02NES**
(71) Name(s) and Address(s) of Applicant(s):
Review Australia Pty Ltd
25-31 Rokeby Street Collingwood Victoria 3066 Australia
(72) Name(s) of Designer(s): **Jayne Ellis**
(45) Registration Date: **05 December 2006**
(56) Related Art Documents: **Not Applicable**
(57) Statement of Newness and Distinctiveness: **Nil**



- (21) Design Number: **13378/2006**
(22) Date of Filing Application: **02 August 2006**
(24) Date from which industrial property rights may have effect: **02 August 2006**
(54) Product in respect of which the design is registered: **Portion of a front vehicle bumper**
(51) International Design Classification: **12-16B, 12-16C**
(71) Name(s) and Address(s) of Applicant(s):
Toyota Motor Corporation Australia Limited
155 Bertie Street Port Melbourne Victoria 3207 Australia
(72) Name(s) of Designer(s): **Michael Gretton**
(45) Registration Date: **06 December 2006**
(56) Related Art Documents: **Not Applicable**
(57) Statement of Newness and Distinctiveness: **Nil**



(21) Design Number: 13599/2006

(22) Date of Filing Application: 15 August 2006

(24) Date from which industrial property rights may have effect: 15 August 2006

(54) Product in respect of which the design is registered: Trailer

(51) International Design Classification: 12-10

(71) Name(s) and Address(s) of Applicant(s):

Barker Trailers Pty. Ltd.

Clancy's Lane Woodend Victoria 3442 Australia

(72) Name(s) of Designer(s): **Michael Bulluss**

(45) Registration Date: **06 December 2006**

(56) Related Art Documents: **Not Applicable**

(57) Statement of Newness and Distinctiveness: **The shape and configuration of the lengthwise extending dividing wall, as positioned within the trailer, is new and distinctive. The trailer may include any one or more of a front wall panel, curtain side walls, and panel door side walls. These features should not be considered when construing visual features of the design.**



(21) Design Number: 13598/2006

(22) Date of Filing Application: 15 August 2006

(24) Date from which industrial property rights may have effect: 15 August 2006

(54) Product in respect of which the design is registered: Trailer

(51) International Design Classification: 12-10

(71) Name(s) and Address(s) of Applicant(s):

Barker Trailers Pty. Ltd.

Clancy's Lane Woodend Victoria 3442 Australia

(72) Name(s) of Designer(s): **Michael Bulluss**

(45) Registration Date: **06 December 2006**

(56) Related Art Documents: **Not Applicable**

(57) Statement of Newness and Distinctiveness: **The shape and configuration of the lengthwise extending dividing wall, as positioned within the trailer, is new and distinctive. The trailer may include any one or more of a front wall panel, curtain side walls, and panel door side walls. These features should not be considered when construing visual features of the design.**



(21) Design Number: 13600/2006

(22) Date of Filing Application: 15 August 2006

(24) Date from which industrial property rights may have effect: 15 August 2006

(54) Product in respect of which the design is registered: Trailer

(51) International Design Classification: 12-10

(71) Name(s) and Address(s) of Applicant(s):

Barker Trailers Pty. Ltd.

Clancy's Lane Woodend Victoria 3442 Australia

(72) Name(s) of Designer(s): **Michael Bulluss**

(45) Registration Date: **06 December 2006**

(56) Related Art Documents: **Not Applicable**

(57) Statement of Newness and Distinctiveness: **The shape and configuration of the lengthwise extending dividing wall, as positioned within the trailer, is new and distinctive. The trailer may include any one or more of a front wall panel, curtain side walls, and panel door side walls. These features should not be considered when construing visual features of the design.**



(21) Design Number: 13601/2006

(22) Date of Filing Application: 15 August 2006

(24) Date from which industrial property rights may have effect: 15 August 2006

(54) Product in respect of which the design is registered: Trailer

(51) International Design Classification: 12-10

(71) Name(s) and Address(s) of Applicant(s):

Barker Trailers Pty. Ltd.

Clancy's Lane Woodend Victoria 3442 Australia

(72) Name(s) of Designer(s): **Michael Bulluss**

(45) Registration Date: **06 December 2006**

(56) Related Art Documents: **Not Applicable**

(57) Statement of Newness and Distinctiveness: **The shape and configuration of the lengthwise extending dividing wall, as positioned within the trailer, is new and distinctive. The trailer may include any one or more of a front wall panel, curtain side walls, and panel door side walls. These features should not be considered when construing visual features of the design.**



(21) Design Number: **13602/2006**

(22) Date of Filing Application: **15 August 2006**

(24) Date from which industrial property rights may have effect: **15 August 2006**

(54) Product in respect of which the design is registered: **Trailer**

(51) International Design Classification: **12-10**

(71) Name(s) and Address(s) of Applicant(s):

**Barker Trailers Pty. Ltd.
Clancy's Lane Woodend Victoria 3442 Australia**

(72) Name(s) of Designer(s): **Michael Bulluss**

(45) Registration Date: **06 December 2006**

(56) Related Art Documents: **Not Applicable**

(57) Statement of Newness and Distinctiveness: **The shape and configuration of the lengthwise extending dividing wall, as positioned within the trailer, is new and distinctive. The trailer may include any one or more of a front wall panel, curtain side walls, and panel door side walls. These features should not be considered when construing visual features of the design.**



(21) Design Number: **14113/2006**

(22) Date of Filing Application: **13 September 2006**

(24) Date from which industrial property rights may have effect: **13 September 2006**

(54) Product in respect of which the design is registered: **Engine manifold to turbocharger extension.**

(51) International Design Classification: **15-01**

(71) Name(s) and Address(s) of Applicant(s):

**Martin Donnon
15 Windarra Avenue Burnside South Australia 5066**

(72) Name(s) of Designer(s): **Martin Donnon**

(45) Registration Date: **06 December 2006**

(56) Related Art Documents: **Not Applicable**

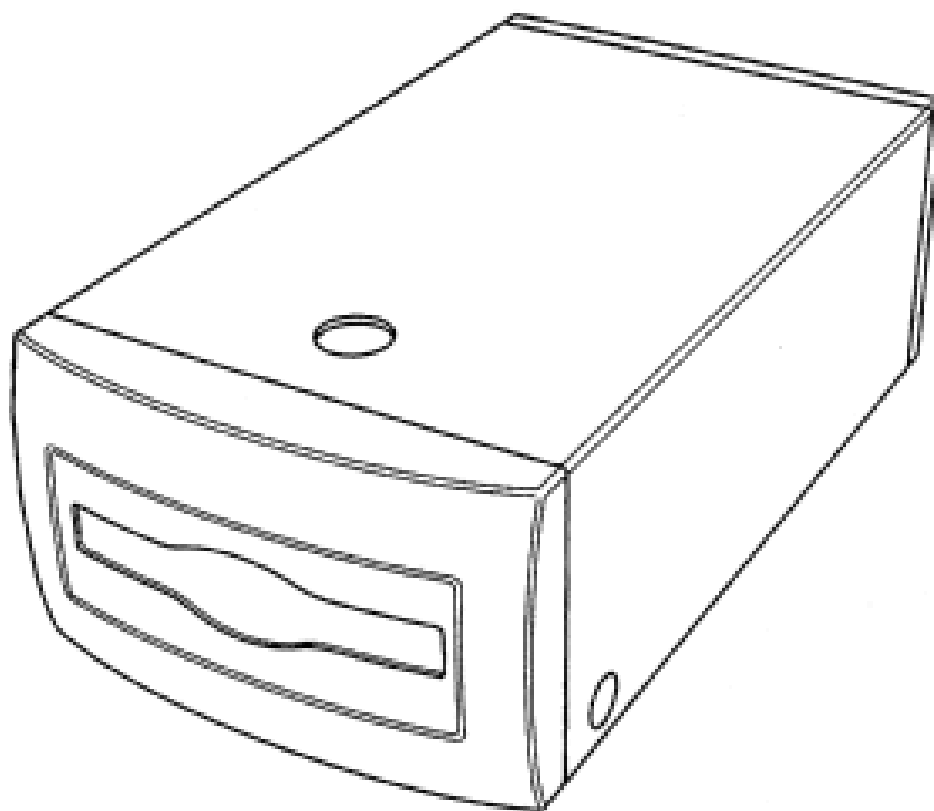
(57) Statement of Newness and Distinctiveness: **Gen-TT is separated from any other commercially available turbocharger kit by its unique and distinctive method of mounting the turbocharger(s) from the original manufacturers cast exhaust manifolds. This negates the need for expensive and design intensive complete manifold casting process and instead only requires short joiner pipes to connect the turbocharger to the engine. This is the Gen-TT advantage and is why we consider the design requires registration.**



(21) Design Number: **14702/2006**
(22) Date of Filing Application: **18 October 2006**
(24) Date from which industrial property rights may have effect: **18 October 2006**
(54) Product in respect of which the design is registered: **Table**
(51) International Design Classification: **06-03A**
(71) Name(s) and Address(s) of Applicant(s):
ARPER S.P.A.
via Lombardia 16 31050 Monastier Di Treviso (Prov.of Treviso) Italy
(72) Name(s) of Designer(s): **Jean-Marie Massaud**
(45) Registration Date: **06 December 2006**
(30) Convention priority data:
(31) Number (32) Date (33) Country
517206 21 Apr 2006 EUROPEAN COMMUNITY
(56) Related Art Documents: **Not Applicable**
(57) Statement of Newness and Distinctiveness: **Nil**



(21) Design Number: **14703/2006**
(22) Date of Filing Application: **18 October 2006**
(24) Date from which industrial property rights may have effect: **18 October 2006**
(54) Product in respect of which the design is registered: **Paper dispenser**
(51) International Design Classification: **23-02A**
(71) Name(s) and Address(s) of Applicant(s):
SCA Hygiene Products AB
S-405 03 Goteborg, Sweden
(72) Name(s) of Designer(s): **Kent Zeiron**
(45) Registration Date: **06 December 2006**
(30) Convention priority data:
(31) Number (32) Date (33) Country
000524798-0001 08 May 2006 EUROPEAN COMMUNITY
(56) Related Art Documents: **Not Applicable**
(57) Statement of Newness and Distinctiveness: **Nil**



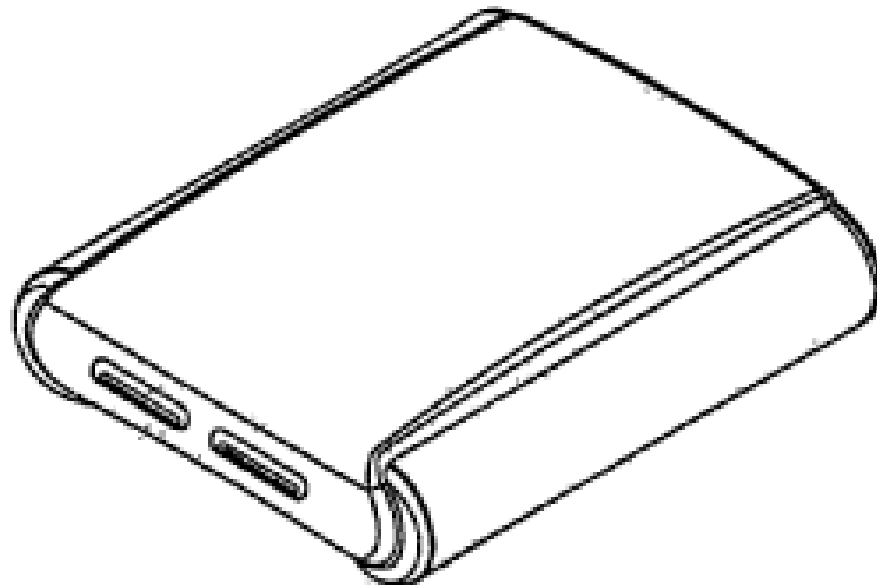
(21) Design Number: **14704/2006**
(22) Date of Filing Application: **18 October 2006**
(24) Date from which industrial property rights may have effect: **18 October 2006**
(54) Product in respect of which the design is registered: **Hand dryer**
(51) International Design Classification: **07-05NES, 23-02NES**
(71) Name(s) and Address(s) of Applicant(s):
Vortice Elettrosociali S.p.A.
Strada Cerca 2 20067 Tribiano (Prov.of Milano) Italy
(72) Name(s) of Designer(s): **Francesco Trabucco**
(45) Registration Date: **06 December 2006**
(30) Convention priority data:
(31) Number (32) Date (33) Country
000515283 19 Apr 2006 EUROPEAN COMMUNITY
(56) Related Art Documents: **Not Applicable**
(57) Statement of Newness and Distinctiveness: **Nil**



(21) Design Number: **14705/2006**
(22) Date of Filing Application: **18 October 2006**
(24) Date from which industrial property rights may have effect: **18 October 2006**
(54) Product in respect of which the design is registered: **Hand dryer**
(51) International Design Classification: **07-05NES, 23-02NES**
(71) Name(s) and Address(s) of Applicant(s):
Vortice Elettrosociali S.p.A.
Strada Cerca 2 20067 Tribiano (Prov.of Milano) Italy
(72) Name(s) of Designer(s): **Francesco Trabucco**
(45) Registration Date: **06 December 2006**
(30) Convention priority data:
(31) Number (32) Date (33) Country
000515283 19 Apr 2006 EUROPEAN COMMUNITY
(56) Related Art Documents: **Not Applicable**
(57) Statement of Newness and Distinctiveness: **Nil**



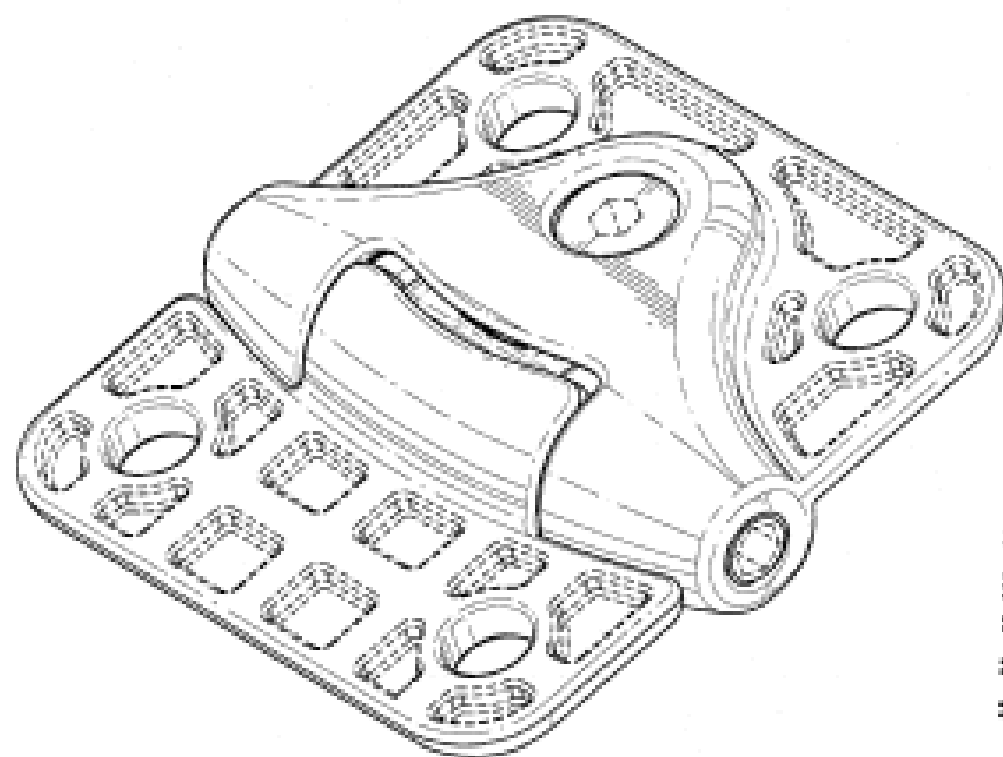
(21) Design Number: **14706/2006**
(22) Date of Filing Application: **18 October 2006**
(24) Date from which industrial property rights may have effect: **18 October 2006**
(54) Product in respect of which the design is registered: **Pocket torches**
(51) International Design Classification: **26-02**
(71) Name(s) and Address(s) of Applicant(s):
Osram GmbH
Hellabrunner Strasse 1, D-81543 Munich, Germany
(72) Name(s) of Designer(s): **Jurgen Komar**
(45) Registration Date: **06 December 2006**
(30) Convention priority data:
(31) Number (32) Date (33) Country
000525829 20 Apr 2006 EUROPEAN COMMUNITY
(56) Related Art Documents: **Not Applicable**
(57) Statement of Newness and Distinctiveness: **Nil**



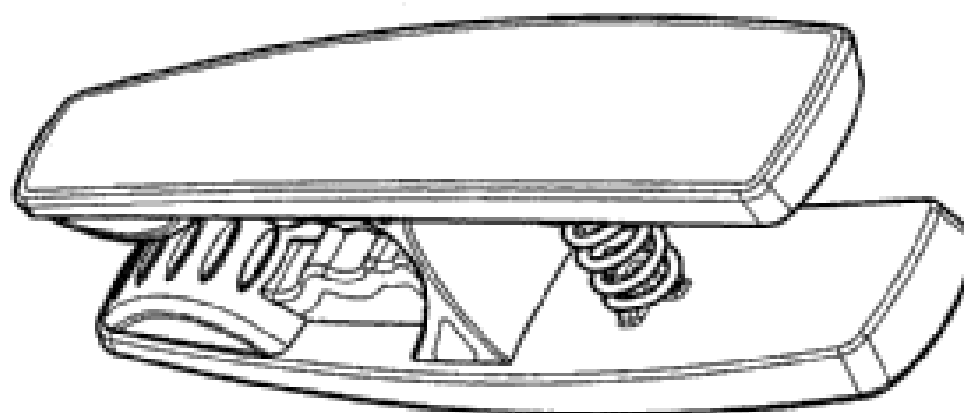
(21) Design Number: **14726/2006**
(22) Date of Filing Application: **18 October 2006**
(24) Date from which industrial property rights may have effect: **18 October 2006**
(54) Product in respect of which the design is registered: **Toy**
(51) International Design Classification: **21-01A**
(71) Name(s) and Address(s) of Applicant(s):
Cicada Mobile Pty Limited
Suite 9 7 Roseberry Place Balmain New South Wales 2041 Australia
(72) Name(s) of Designer(s): **Dewi Telford and Tim Pethick**
(45) Registration Date: **06 December 2006**
(56) Related Art Documents: **Not Applicable**
(57) Statement of Newness and Distinctiveness: **Nil**



(21) Design Number: **14752/2006**
(22) Date of Filing Application: **18 October 2006**
(24) Date from which industrial property rights may have effect: **18 October 2006**
(54) Product in respect of which the design is registered: **A hinge**
(51) International Design Classification: **08-06**
(71) Name(s) and Address(s) of Applicant(s):
DJO, LLC
1430 Decision Street Vista California 92081 United States of America
(72) Name(s) of Designer(s): **Scott Seligman**
(45) Registration Date: **06 December 2006**
(30) Convention priority data:
(31) Number (32) Date (33) Country
29258461 20 Apr 2006 UNITED STATES OF AMERICA
(56) Related Art Documents: **Not Applicable**
(57) Statement of Newness and Distinctiveness: **Newness and distinctiveness is claimed in the visual features shown in solid lines in the representations.**



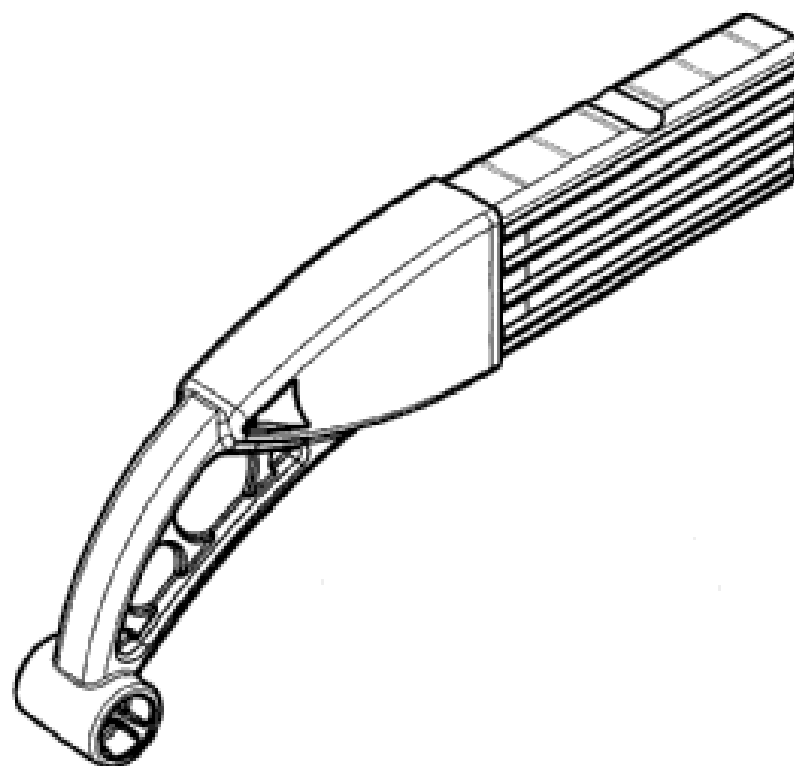
(21) Design Number: **14768/2006**
(22) Date of Filing Application: **20 October 2006**
(24) Date from which industrial property rights may have effect: **20 October 2006**
(54) Product in respect of which the design is registered: **Smart peg**
(51) International Design Classification: **07-05C**
(71) Name(s) and Address(s) of Applicant(s):
Hills Industries Limited
944-956 South Road Edwardstown South Australia 5039 Australia
(72) Name(s) of Designer(s): **Timothy Hooper**
(45) Registration Date: **06 December 2006**
(56) Related Art Documents: **Not Applicable**
(57) Statement of Newness and Distinctiveness: **Nil**



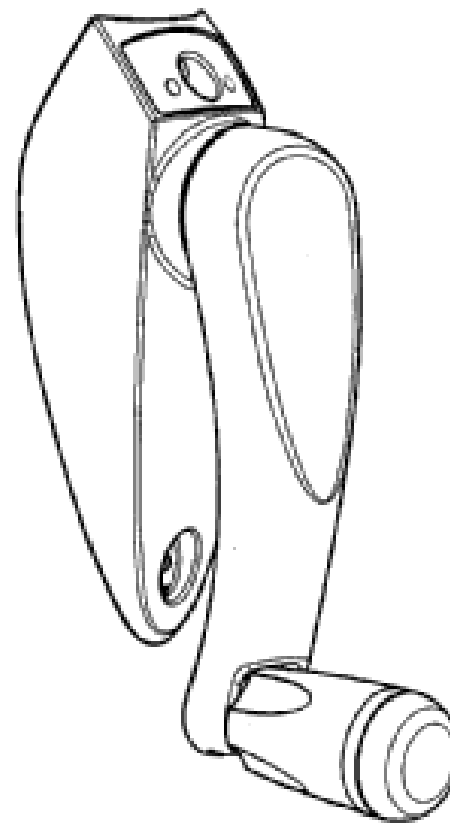
(21) Design Number: **14769/2006**
(22) Date of Filing Application: **20 October 2006**
(24) Date from which industrial property rights may have effect: **20 October 2006**
(54) Product in respect of which the design is registered: **A clothes line**
(51) International Design Classification: **07-05D**
(71) Name(s) and Address(s) of Applicant(s):
Hills Industries Limited
944-956 South Road Edwardstown South Australia 5039 Australia
(72) Name(s) of Designer(s): **Timothy Hooper**
(45) Registration Date: **06 December 2006**
(56) Related Art Documents: **Not Applicable**
(57) Statement of Newness and Distinctiveness: **Nil**



(21) Design Number: **14770/2006**
(22) Date of Filing Application: **20 October 2006**
(24) Date from which industrial property rights may have effect: **20 October 2006**
(54) Product in respect of which the design is registered: **Pivot connector**
(51) International Design Classification: **07-05D**
(71) Name(s) and Address(s) of Applicant(s):
Hills Industries Limited
944-956 South Road Edwardstown South Australia 5039 Australia
(72) Name(s) of Designer(s): **Timothy Hooper**
(45) Registration Date: **06 December 2006**
(56) Related Art Documents: **Not Applicable**
(57) Statement of Newness and Distinctiveness: **Nil**



- (21) Design Number: **14771/2006**
(22) Date of Filing Application: **20 October 2006**
(24) Date from which industrial property rights may have effect: **20 October 2006**
(54) Product in respect of which the design is registered: **Handle assembly**
(51) International Design Classification: **07-05D**
(71) Name(s) and Address(s) of Applicant(s):
Hills Industries Limited
944-956 South Road Edwardstown South Australia 5039 Australia
(72) Name(s) of Designer(s): **Timothy Hooper**
(45) Registration Date: **06 December 2006**
(56) Related Art Documents: **Not Applicable**
(57) Statement of Newness and Distinctiveness: **Nil**



- (21) Design Number: **14772/2006**
(22) Date of Filing Application: **20 October 2006**
(24) Date from which industrial property rights may have effect: **20 October 2006**
(54) Product in respect of which the design is registered: **Stay**
(51) International Design Classification: **07-05D**
(71) Name(s) and Address(s) of Applicant(s):
Hills Industries Limited
944-956 South Road Edwardstown South Australia 5039 Australia
(72) Name(s) of Designer(s): **Timothy Hooper**
(45) Registration Date: **06 December 2006**
(56) Related Art Documents: **Not Applicable**
(57) Statement of Newness and Distinctiveness: **Nil**



(21) Design Number: **15044/2005**

(22) Date of Filing Application: **16 November 2005**

(24) Date from which industrial property rights may have effect: **16 November 2005**

(54) Product in respect of which the design is registered: **Wrap blanket**

(51) International Design Classification: **06-13NES**

(71) Name(s) and Address(s) of Applicant(s):

Lodger B.V.

Prins Bernhardlaan 60 2252 GZ Voorschoten Netherlands

(72) Name(s) of Designer(s): **Angelica van Oostveen**

(45) Registration Date: **06 December 2006**

(30) Convention priority data:

(31) Number
000413299

(32) Date
10 Oct 2005

(33) Country
EUROPEAN COMMUNITY

(56) Related Art Documents: **Not Applicable**

(57) Statement of Newness and Distinctiveness: **In considering the newness or distinctiveness of the design, regard is to be given to the overall shape and/or configuration of the wrap blanket as shown in the representations. The heart shaped ornamentations and the drawstring do not form a part of the design.**



(21) Design Number: **15045/2005**

(22) Date of Filing Application: **16 November 2005**

(24) Date from which industrial property rights may have effect: **16 November 2005**

(54) Product in respect of which the design is registered: **Wrap blanket**

(51) International Design Classification: **06-13NES**

(71) Name(s) and Address(s) of Applicant(s):

Lodger B.V.

Prins Bernhardlaan 60 2252 GZ Voorschoten Netherlands

(72) Name(s) of Designer(s): **Angelica van Oostveen**

(45) Registration Date: **06 December 2006**

(30) Convention priority data:

(31) Number
000413299

(32) Date
10 Oct 2005

(33) Country
EUROPEAN COMMUNITY

(56) Related Art Documents: **Not Applicable**

(57) Statement of Newness and Distinctiveness: **In considering the newness or distinctiveness of the design, regard is to be given to the overall shape and/or configuration of the wrap blanket as shown in the representations. The indicia and drawstring do not form a part of the design.**



- (21) Design Number: **15046/2005**
(22) Date of Filing Application: **16 November 2005**
(24) Date from which industrial property rights may have effect: **16 November 2005**
(54) Product in respect of which the design is registered: **Wrap blanket**
(51) International Design Classification: **06-13NES**
(71) Name(s) and Address(s) of Applicant(s):

Lodger B.V.
Prins Bernhardlaan 60 2252 GZ Voorschoten Netherlands

(72) Name(s) of Designer(s): **Angelica van Oostveen**

(45) Registration Date: **06 December 2006**

(30) Convention priority data:

(31) Number	(32) Date	(33) Country
000413299	10 Oct 2005	EUROPEAN COMMUNITY

(56) Related Art Documents: **Not Applicable**

(57) Statement of Newness and Distinctiveness: **In considering the newness or distinctiveness of the design, regard is to be given to the overall shape and/or configuration of the wrap blanket as shown in the representations. The indicia and drawstring do not form a part of the design.**



- (21) Design Number: **13058/2005**
(22) Date of Filing Application: **15 July 2005**
(24) Date from which industrial property rights may have effect: **15 July 2005**
(54) Product in respect of which the design is registered: **A container**
(51) International Design Classification: **09-01NES**
(71) Name(s) and Address(s) of Applicant(s):

CTECH Closures Pty Ltd
7 Binney Road Kings Park New South Wales 2148 Australia

(72) Name(s) of Designer(s): **Christopher Lyndon Higgins**

(45) Registration Date: **06 December 2006**

(56) Related Art Documents: **Not Applicable**

(57) Statement of Newness and Distinctiveness: **Newness and distinctiveness resides in the shape and/or configuration of the portion of the container between the broken lines A and B shown in figs. 1 and 3. All other features do not form part of the claimed design and are included for illustrative purposes only.**



(21) Design Number: **13657/2006**
(22) Date of Filing Application: **17 August 2006**
(24) Date from which industrial property rights may have effect: **17 August 2006**
(54) Product in respect of which the design is registered: **A container and lid**
(51) International Design Classification: **09-03NES, 09-04**
(71) Name(s) and Address(s) of Applicant(s):
Waterco Limited
36 South Street Rydalmere New South Wales 2116 Australia
(72) Name(s) of Designer(s): **Pradeep Kumar Tandon**
(45) Registration Date: **06 December 2006**
(56) Related Art Documents: **Not Applicable**
(57) Statement of Newness and Distinctiveness: **Nil**



(21) Design Number: **14707/2006**
(22) Date of Filing Application: **18 October 2006**
(24) Date from which industrial property rights may have effect: **18 October 2006**
(54) Product in respect of which the design is registered: **Chair**
(51) International Design Classification: **06-01F**
(71) Name(s) and Address(s) of Applicant(s):
ARPER S.P.A.
via Lombardia 16 31050 Monastier Di Treviso (Prov.of Treviso) Italy
(72) Name(s) of Designer(s): **Alberto Lievore**
(45) Registration Date: **06 December 2006**
(30) Convention priority data:

(31) Number	(32) Date	(33) Country
517206	21 Apr 2006	EUROPEAN COMMUNITY

(56) Related Art Documents: **Not Applicable**
(57) Statement of Newness and Distinctiveness: **Nil**



(21) Design Number: **14708/2006**
(22) Date of Filing Application: **18 October 2006**
(24) Date from which industrial property rights may have effect: **18 October 2006**
(54) Product in respect of which the design is registered: **Chair**
(51) International Design Classification: **06-01F**
(71) Name(s) and Address(s) of Applicant(s):
ARPER S.P.A.
via Lombardia 16 31050 Monastier Di Treviso (Prov.of Treviso) Italy
(72) Name(s) of Designer(s): **Alberto Lievore**
(45) Registration Date: **06 December 2006**
(30) Convention priority data:
(31) Number (32) Date (33) Country
517206 21 Apr 2006 EUROPEAN COMMUNITY
(56) Related Art Documents: **Not Applicable**
(57) Statement of Newness and Distinctiveness: **Nil**



(21) Design Number: **14709/2006**
(22) Date of Filing Application: **18 October 2006**
(24) Date from which industrial property rights may have effect: **18 October 2006**
(54) Product in respect of which the design is registered: **Chair**
(51) International Design Classification: **06-01F**
(71) Name(s) and Address(s) of Applicant(s):
ARPER S.P.A.
via Lombardia 16 31050 Monastier Di Treviso (Prov.of Treviso) Italy
(72) Name(s) of Designer(s): **Alberto Lievore**
(45) Registration Date: **06 December 2006**
(30) Convention priority data:
(31) Number (32) Date (33) Country
517206 21 Apr 2006 EUROPEAN COMMUNITY
(56) Related Art Documents: **Not Applicable**
(57) Statement of Newness and Distinctiveness: **Nil**



(21) Design Number: **14710/2006**
(22) Date of Filing Application: **18 October 2006**
(24) Date from which industrial property rights may have effect: **18 October 2006**
(54) Product in respect of which the design is registered: **Chair**
(51) International Design Classification: **06-01F**
(71) Name(s) and Address(s) of Applicant(s):
ARPER S.P.A.
via Lombardia 16 31050 Monastier Di Treviso (Prov.of Treviso) Italy
(72) Name(s) of Designer(s): **Alberto Lievore**
(45) Registration Date: **06 December 2006**
(30) Convention priority data:
(31) Number (32) Date (33) Country
517206 21 Apr 2006 EUROPEAN COMMUNITY
(56) Related Art Documents: **Not Applicable**
(57) Statement of Newness and Distinctiveness: **Nil**



(21) Design Number: **14711/2006**
(22) Date of Filing Application: **18 October 2006**
(24) Date from which industrial property rights may have effect: **18 October 2006**
(54) Product in respect of which the design is registered: **Armchair**
(51) International Design Classification: **06-01F**
(71) Name(s) and Address(s) of Applicant(s):
ARPER S.P.A.
via Lombardia 16 31050 Monastier Di Treviso (Prov.of Treviso) Italy
(72) Name(s) of Designer(s): **Alberto Lievore**
(45) Registration Date: **06 December 2006**
(30) Convention priority data:
(31) Number (32) Date (33) Country
517206 21 Apr 2006 EUROPEAN COMMUNITY
(56) Related Art Documents: **Not Applicable**
(57) Statement of Newness and Distinctiveness: **Nil**



(21) Design Number: **14712/2006**

(22) Date of Filing Application: **18 October 2006**

(24) Date from which industrial property rights may have effect: **18 October 2006**

(54) Product in respect of which the design is registered: **Armchair**

(51) International Design Classification: **06-01F**

(71) Name(s) and Address(s) of Applicant(s):

ARPER S.P.A.

via Lombardia 16 31050 Monastier Di Treviso (Prov.of Treviso) Italy

(72) Name(s) of Designer(s): **Alberto Lievore**

(45) Registration Date: **06 December 2006**

(30) Convention priority data:

(31) Number
517206

(32) Date
21 Apr 2006

(33) Country
EUROPEAN COMMUNITY

(56) Related Art Documents: **Not Applicable**

(57) Statement of Newness and Distinctiveness: **Nil**



(21) Design Number: **14713/2006**

(22) Date of Filing Application: **18 October 2006**

(24) Date from which industrial property rights may have effect: **18 October 2006**

(54) Product in respect of which the design is registered: **Armchair**

(51) International Design Classification: **06-01F**

(71) Name(s) and Address(s) of Applicant(s):

ARPER S.P.A.

via Lombardia 16 31050 Monastier Di Treviso (Prov.of Treviso) Italy

(72) Name(s) of Designer(s): **Alberto Lievore**

(45) Registration Date: **06 December 2006**

(30) Convention priority data:

(31) Number
517206

(32) Date
21 Apr 2006

(33) Country
EUROPEAN COMMUNITY

(56) Related Art Documents: **Not Applicable**

(57) Statement of Newness and Distinctiveness: **Nil**



(21) Design Number: **14714/2006**
(22) Date of Filing Application: **18 October 2006**
(24) Date from which industrial property rights may have effect: **18 October 2006**
(54) Product in respect of which the design is registered: **Armchair**
(51) International Design Classification: **06-01F**
(71) Name(s) and Address(s) of Applicant(s):
ARPER S.P.A.
via Lombardia 16 31050 Monastier Di Treviso (Prov.of Treviso) Italy
(72) Name(s) of Designer(s): **Alberto Lievore**
(45) Registration Date: **06 December 2006**
(30) Convention priority data:
(31) Number (32) Date (33) Country
517206 21 Apr 2006 EUROPEAN COMMUNITY
(56) Related Art Documents: **Not Applicable**
(57) Statement of Newness and Distinctiveness: **Nil**



(21) Design Number: **14715/2006**
(22) Date of Filing Application: **18 October 2006**
(24) Date from which industrial property rights may have effect: **18 October 2006**
(54) Product in respect of which the design is registered: **Chair**
(51) International Design Classification: **06-01F**
(71) Name(s) and Address(s) of Applicant(s):
ARPER S.P.A.
via Lombardia 16 31050 Monastier Di Treviso (Prov.of Treviso) Italy
(72) Name(s) of Designer(s): **Alberto Lievore**
(45) Registration Date: **06 December 2006**
(30) Convention priority data:
(31) Number (32) Date (33) Country
517206 21 Apr 2006 EUROPEAN COMMUNITY
(56) Related Art Documents: **Not Applicable**
(57) Statement of Newness and Distinctiveness: **Nil**



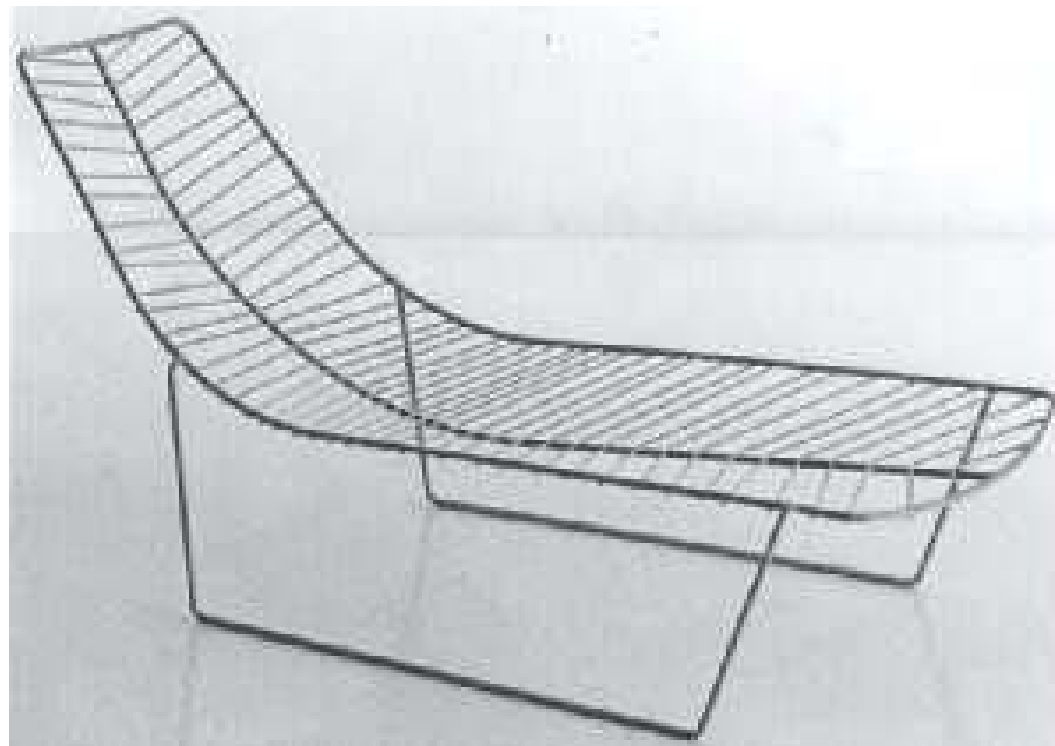
(21) Design Number: **14716/2006**
(22) Date of Filing Application: **18 October 2006**
(24) Date from which industrial property rights may have effect: **18 October 2006**
(54) Product in respect of which the design is registered: **Chair**
(51) International Design Classification: **06-01F**
(71) Name(s) and Address(s) of Applicant(s):
ARPER S.P.A.
via Lombardia 16 31050 Monastier Di Treviso (Prov.of Treviso) Italy
(72) Name(s) of Designer(s): **Alberto Lievore**
(45) Registration Date: **06 December 2006**
(30) Convention priority data:
(31) Number (32) Date (33) Country
517206 21 Apr 2006 EUROPEAN COMMUNITY
(56) Related Art Documents: **Not Applicable**
(57) Statement of Newness and Distinctiveness: **Nil**



(21) Design Number: **14717/2006**
(22) Date of Filing Application: **18 October 2006**
(24) Date from which industrial property rights may have effect: **18 October 2006**
(54) Product in respect of which the design is registered: **Chair**
(51) International Design Classification: **06-01F**
(71) Name(s) and Address(s) of Applicant(s):
ARPER S.P.A.
via Lombardia 16 31050 Monastier Di Treviso (Prov.of Treviso) Italy
(72) Name(s) of Designer(s): **Alberto Lievore**
(45) Registration Date: **06 December 2006**
(30) Convention priority data:
(31) Number (32) Date (33) Country
517206 21 Apr 2006 EUROPEAN COMMUNITY
(56) Related Art Documents: **Not Applicable**
(57) Statement of Newness and Distinctiveness: **Nil**



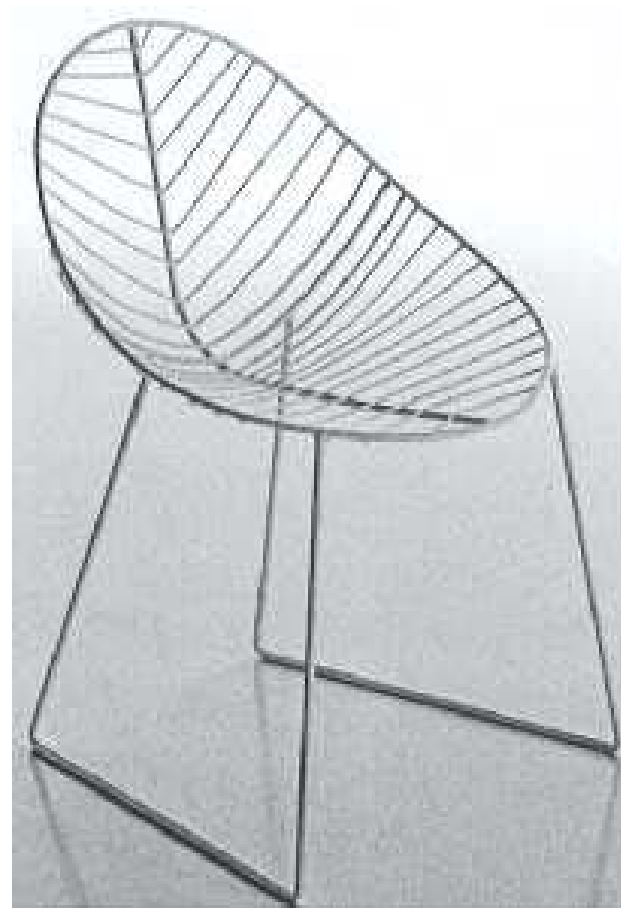
(21) Design Number: **14718/2006**
(22) Date of Filing Application: **18 October 2006**
(24) Date from which industrial property rights may have effect: **18 October 2006**
(54) Product in respect of which the design is registered: **Deck chair**
(51) International Design Classification: **06-01H**
(71) Name(s) and Address(s) of Applicant(s):
ARPER S.P.A.
via Lombardia 16 31050 Monastier Di Treviso (Prov.of Treviso) Italy
(72) Name(s) of Designer(s): **Alberto Lievore**
(45) Registration Date: **06 December 2006**
(30) Convention priority data:
(31) Number (32) Date (33) Country
517206 21 Apr 2006 EUROPEAN COMMUNITY
(56) Related Art Documents: **Not Applicable**
(57) Statement of Newness and Distinctiveness: **Nil**



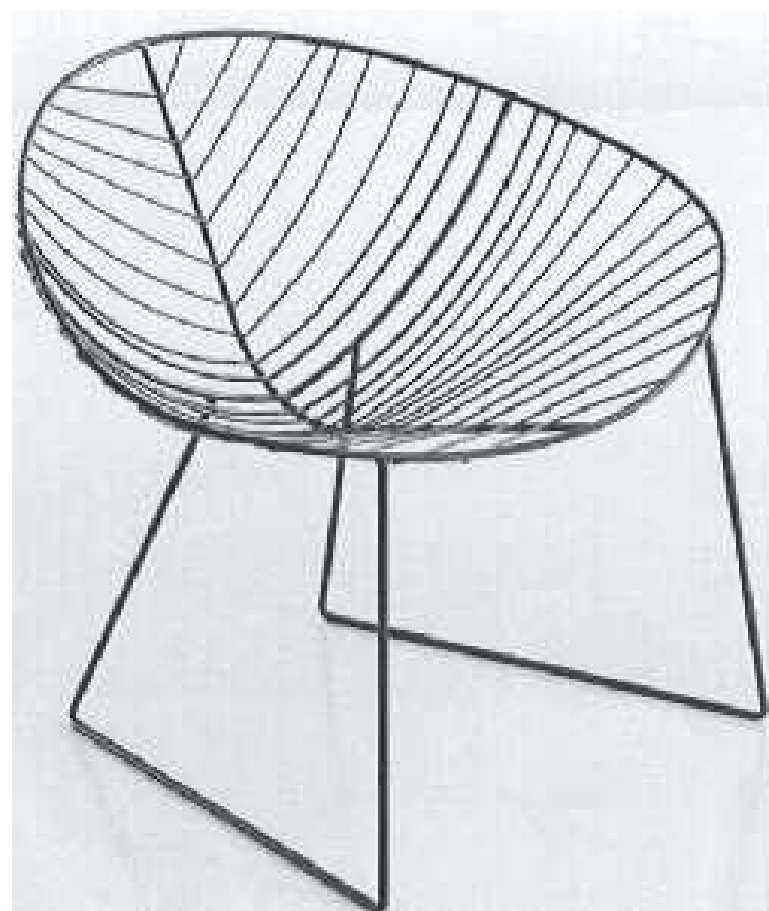
(21) Design Number: **14719/2006**
(22) Date of Filing Application: **18 October 2006**
(24) Date from which industrial property rights may have effect: **18 October 2006**
(54) Product in respect of which the design is registered: **Chair**
(51) International Design Classification: **06-01H**
(71) Name(s) and Address(s) of Applicant(s):
ARPER S.P.A.
via Lombardia 16 31050 Monastier Di Treviso (Prov.of Treviso) Italy
(72) Name(s) of Designer(s): **Alberto Lievore**
(45) Registration Date: **06 December 2006**
(30) Convention priority data:
(31) Number (32) Date (33) Country
517206 21 Apr 2006 EUROPEAN COMMUNITY
(56) Related Art Documents: **Not Applicable**
(57) Statement of Newness and Distinctiveness: **Nil**



(21) Design Number: **14720/2006**
(22) Date of Filing Application: **18 October 2006**
(24) Date from which industrial property rights may have effect: **18 October 2006**
(54) Product in respect of which the design is registered: **Chair**
(51) International Design Classification: **06-01H**
(71) Name(s) and Address(s) of Applicant(s):
ARPER S.P.A.
via Lombardia 16 31050 Monastier Di Treviso (Prov.of Treviso) Italy
(72) Name(s) of Designer(s): **Alberto Lievore**
(45) Registration Date: **06 December 2006**
(30) Convention priority data:
(31) Number (32) Date (33) Country
517206 21 Apr 2006 EUROPEAN COMMUNITY
(56) Related Art Documents: **Not Applicable**
(57) Statement of Newness and Distinctiveness: **Nil**



(21) Design Number: **14721/2006**
(22) Date of Filing Application: **18 October 2006**
(24) Date from which industrial property rights may have effect: **18 October 2006**
(54) Product in respect of which the design is registered: **Armchair**
(51) International Design Classification: **06-01F**
(71) Name(s) and Address(s) of Applicant(s):
ARPER S.P.A.
via Lombardia 16 31050 Monastier Di Treviso (Prov.of Treviso) Italy
(72) Name(s) of Designer(s): **Alberto Lievore**
(45) Registration Date: **06 December 2006**
(30) Convention priority data:
(31) Number (32) Date (33) Country
517206 21 Apr 2006 EUROPEAN COMMUNITY
(56) Related Art Documents: **Not Applicable**
(57) Statement of Newness and Distinctiveness: **Nil**



(21) Design Number: **14722/2006**
(22) Date of Filing Application: **18 October 2006**
(24) Date from which industrial property rights may have effect: **18 October 2006**
(54) Product in respect of which the design is registered: **Armchair**
(51) International Design Classification: **06-01F**
(71) Name(s) and Address(s) of Applicant(s):
ARPER S.P.A.
via Lombardia 16 31050 Monastier Di Treviso (Prov.of Treviso) Italy
(72) Name(s) of Designer(s): **Jean-Marie Massaud**
(45) Registration Date: **06 December 2006**
(30) Convention priority data:
(31) Number (32) Date (33) Country
517206 21 Apr 2006 EUROPEAN COMMUNITY
(56) Related Art Documents: **Not Applicable**
(57) Statement of Newness and Distinctiveness: **Nil**



(21) Design Number: **14723/2006**
(22) Date of Filing Application: **18 October 2006**
(24) Date from which industrial property rights may have effect: **18 October 2006**
(54) Product in respect of which the design is registered: **Pouff**
(51) International Design Classification: **06-01E**
(71) Name(s) and Address(s) of Applicant(s):
ARPER S.P.A.
via Lombardia 16 31050 Monastier Di Treviso (Prov.of Treviso) Italy
(72) Name(s) of Designer(s): **Alberto Lievore**
(45) Registration Date: **06 December 2006**
(30) Convention priority data:
(31) Number (32) Date (33) Country
517206 21 Apr 2006 EUROPEAN COMMUNITY
(56) Related Art Documents: **Not Applicable**
(57) Statement of Newness and Distinctiveness: **Nil**



(21) Design Number: **14724/2006**
(22) Date of Filing Application: **18 October 2006**
(24) Date from which industrial property rights may have effect: **18 October 2006**
(54) Product in respect of which the design is registered: **Pouff**
(51) International Design Classification: **06-01E**
(71) Name(s) and Address(s) of Applicant(s):
ARPER S.P.A.
via Lombardia 16 31050 Monastier Di Treviso (Prov.of Treviso) Italy
(72) Name(s) of Designer(s): **Jean-Marie Massaud**
(45) Registration Date: **06 December 2006**
(30) Convention priority data:
(31) Number (32) Date (33) Country
517206 21 Apr 2006 EUROPEAN COMMUNITY
(56) Related Art Documents: **Not Applicable**
(57) Statement of Newness and Distinctiveness: **Nil**



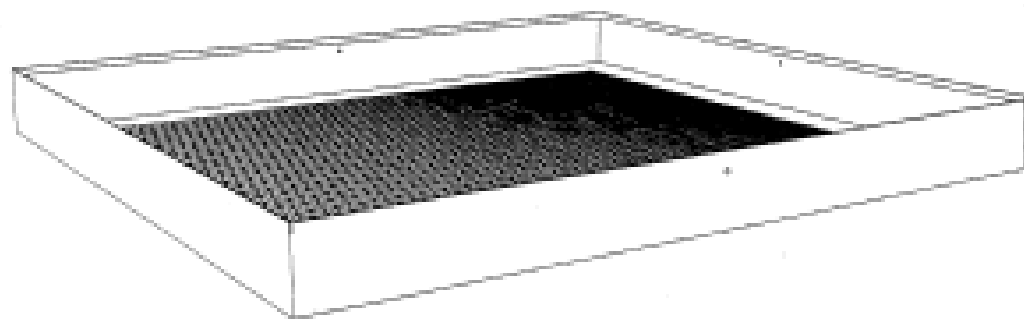
(21) Design Number: **14725/2006**
(22) Date of Filing Application: **18 October 2006**
(24) Date from which industrial property rights may have effect: **18 October 2006**
(54) Product in respect of which the design is registered: **Stool**
(51) International Design Classification: **06-01E**
(71) Name(s) and Address(s) of Applicant(s):
ARPER S.P.A.
via Lombardia 16 31050 Monastier Di Treviso (Prov.of Treviso) Italy
(72) Name(s) of Designer(s): **Simon Pengelly**
(45) Registration Date: **06 December 2006**
(30) Convention priority data:
(31) Number (32) Date (33) Country
517206 21 Apr 2006 EUROPEAN COMMUNITY
(56) Related Art Documents: **Not Applicable**
(57) Statement of Newness and Distinctiveness: **Nil**



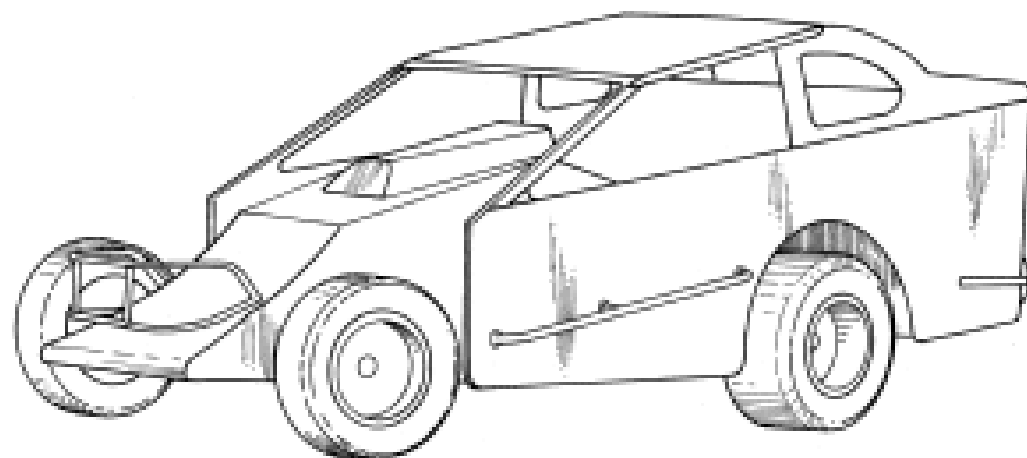
(21) Design Number: **10509/2006**
(22) Date of Filing Application: **10 February 2006**
(24) Date from which industrial property rights may have effect: **10 February 2006**
(54) Product in respect of which the design is registered: **Hand luggage**
(51) International Design Classification: **03-01A**
(71) Name(s) and Address(s) of Applicant(s):
Samsonite Corporation
11200 East 45th Avenue Denver Colorado 80239 United States of America
(72) Name(s) of Designer(s): **Quentin Mackay**
(45) Registration Date: **06 December 2006**
(30) Convention priority data:
(31) Number (32) Date (33) Country
29/237,764 06 Sep 2005 UNITED STATES OF AMERICA
(56) Related Art Documents: **Not Applicable**
(57) Statement of Newness and Distinctiveness: **The shape and configuration of the product is new and distinctive.**



(21) Design Number: **12167/2006**
(22) Date of Filing Application: **17 May 2006**
(24) Date from which industrial property rights may have effect: **17 May 2006**
(54) Product in respect of which the design is registered: **A travel top for a beehive**
(51) International Design Classification: **30-02**
(71) Name(s) and Address(s) of Applicant(s):
William John Stevens
Merrivale Road Okehampton Devon DX20 1UD England
(72) Name(s) of Designer(s): **William John Stevens**
(45) Registration Date: **06 December 2006**
(56) Related Art Documents: **Not Applicable**
(57) Statement of Newness and Distinctiveness: **Nil.**



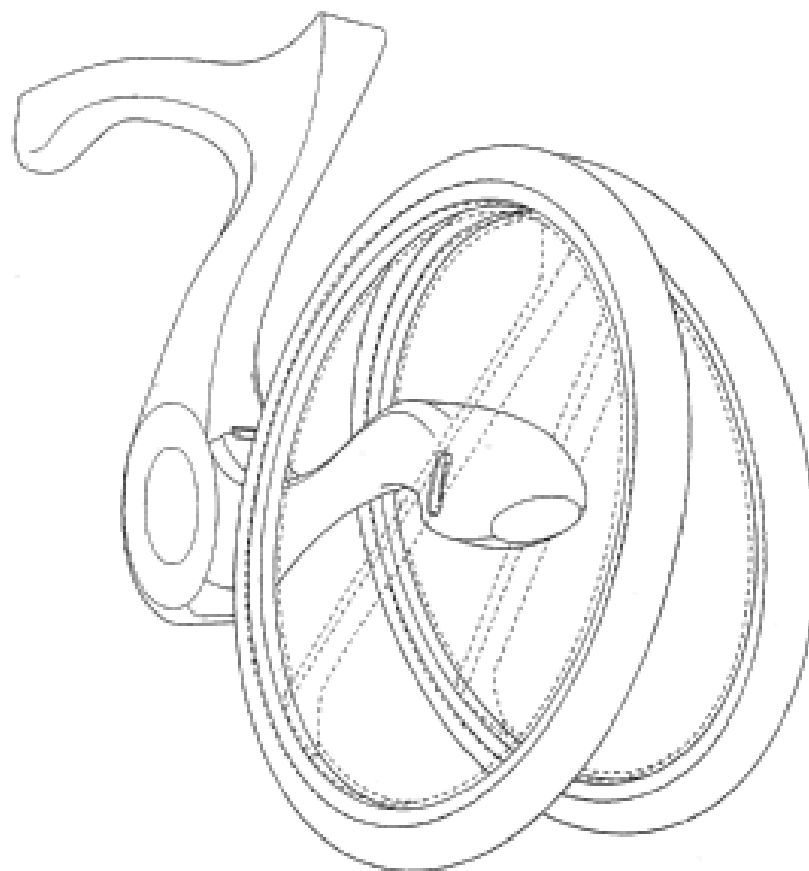
(21) Design Number: **12432/2006**
(22) Date of Filing Application: **02 June 2006**
(24) Date from which industrial property rights may have effect: **02 June 2006**
(54) Product in respect of which the design is registered: **An automobile body**
(51) International Design Classification: **12-08, 12-13**
(71) Name(s) and Address(s) of Applicant(s):
Raymond Carlo Klarich
211 Rawbotham Street Toowoomba Queensland 4350 Australia
(72) Name(s) of Designer(s): **Raymond Carlo Klarich**
(45) Registration Date: **06 December 2006**
(56) Related Art Documents: **Not Applicable**
(57) Statement of Newness and Distinctiveness: **Nil.**



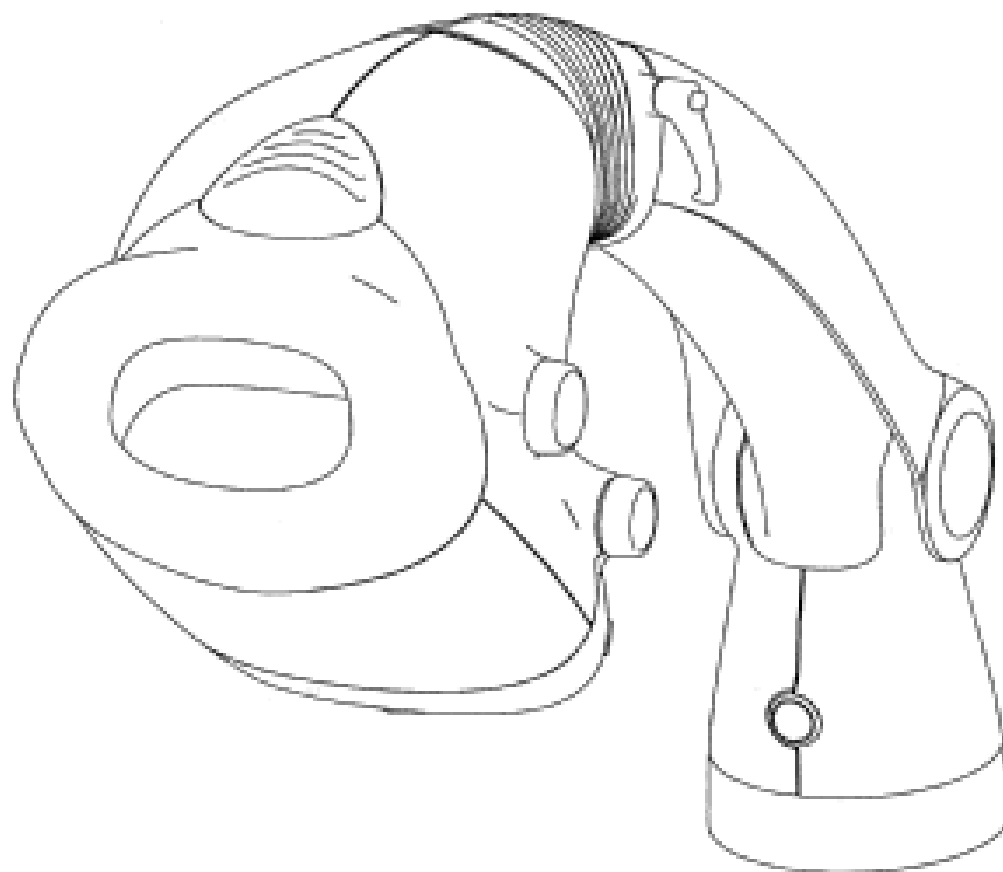
(21) Design Number: **13831/2006**
(22) Date of Filing Application: **10 February 2006**
(24) Date from which industrial property rights may have effect: **10 February 2006**
(54) Product in respect of which the design is registered: **Hand luggage**
(51) International Design Classification: **03-01A**
(71) Name(s) and Address(s) of Applicant(s):
Samsonite Corporation
11200 East 45th Avenue Denver Colorado 80239 United States of America
(72) Name(s) of Designer(s): **Quentin Mackay**
(45) Registration Date: **06 December 2006**
(30) Convention priority data:
(31) Number (32) Date (33) Country
29/237,764 06 Sep 2005 UNITED STATES OF AMERICA
(56) Related Art Documents: **Not Applicable**
(57) Statement of Newness and Distinctiveness: **The shape and configuration of the product is new and distinctive.**



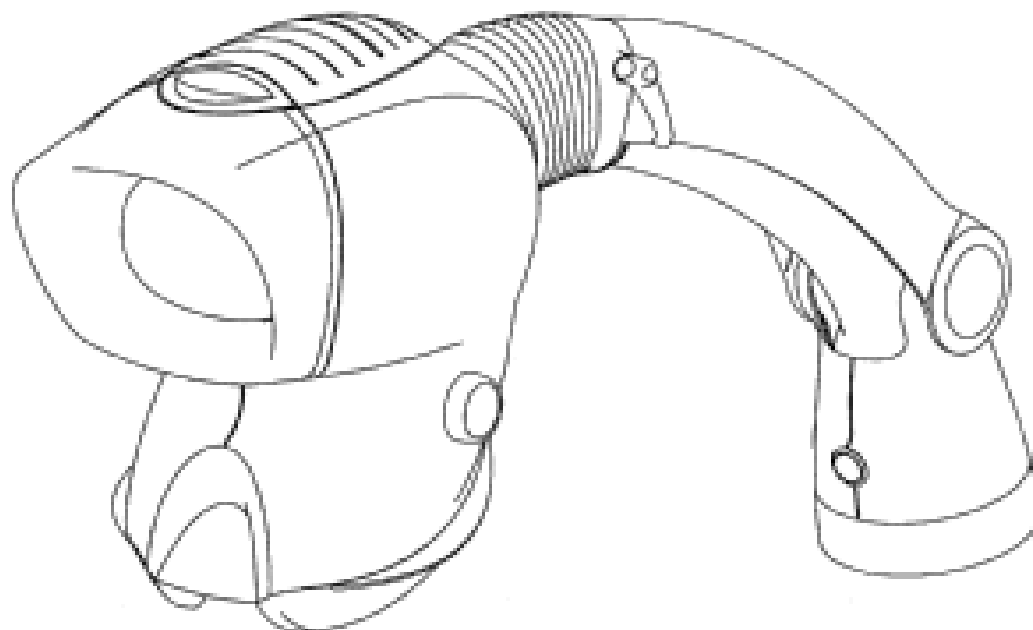
- (21) Design Number: **10564/2006**
(22) Date of Filing Application: **16 February 2006**
(24) Date from which industrial property rights may have effect: **16 February 2006**
(54) Product in respect of which the design is registered: **Tricycle frame with wheels**
(51) International Design Classification: **12-11**
(71) Name(s) and Address(s) of Applicant(s):
Purdue Research Foundation
300 Kent Avenue West Lafayette Indiana 47906 United States of America
(72) Name(s) of Designer(s): **S. Scott Shim and Matthew C. Grossman and Ryan Lightbody**
(45) Registration Date: **06 December 2006**
(30) Convention priority data:
(31) Number (32) Date (33) Country
29/236440 16 Aug 2005 UNITED STATES OF AMERICA
(56) Related Art Documents: **Not Applicable**
(57) Statement of Newness and Distinctiveness: **Newness and distinctiveness is claimed in those features of shape and/or configuration of a tricycle frame with wheels, as illustrated in continuous lines in the accompanying representations.**



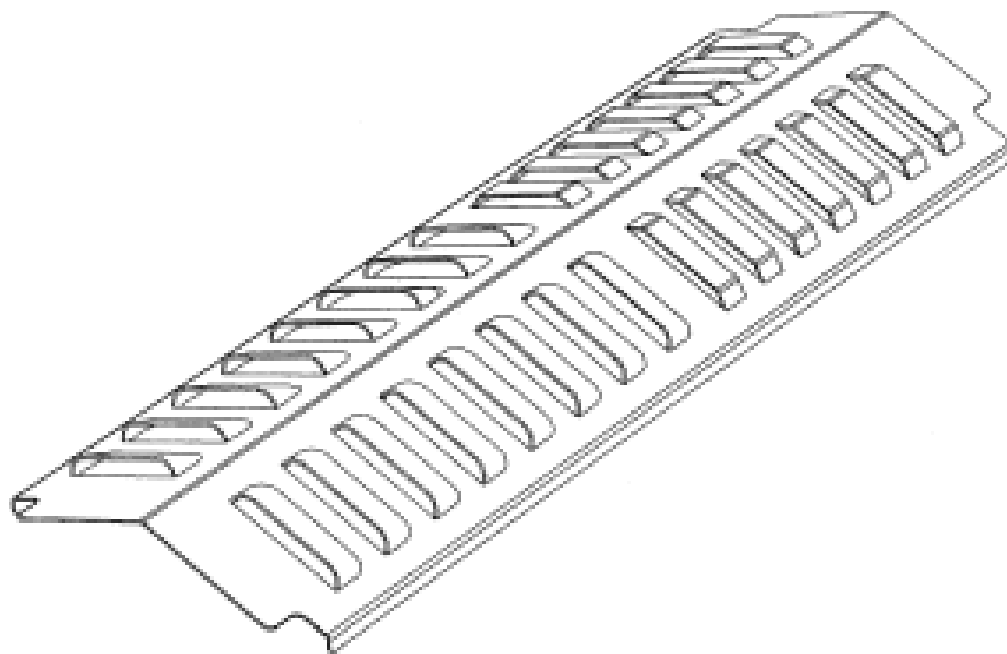
- (21) Design Number: **13512/2006**
(22) Date of Filing Application: **10 August 2006**
(24) Date from which industrial property rights may have effect: **10 August 2006**
(54) Product in respect of which the design is registered: **Microscope**
(51) International Design Classification: **16-06**
(71) Name(s) and Address(s) of Applicant(s):
Vision Engineering Limited
Send Road Send Woking Surrey GU23 7ER United Kingdom
(72) Name(s) of Designer(s): **Graham Peter Francis Mercer and Geoffrey Michael Newman**
(45) Registration Date: **06 December 2006**
(56) Related Art Documents: **Not Applicable**
(57) Statement of Newness and Distinctiveness: **Nil**



- (21) Design Number: **13513/2006**
(22) Date of Filing Application: **10 August 2006**
(24) Date from which industrial property rights may have effect: **10 August 2006**
(54) Product in respect of which the design is registered: **Microscope**
(51) International Design Classification: **16-06**
(71) Name(s) and Address(s) of Applicant(s):
Vision Engineering Limited
Send Road Send Woking Surrey GU23 7ER United Kingdom
(72) Name(s) of Designer(s): **Graham Peter Francis Mercer and Geoffrey Michael Newman**
(45) Registration Date: **06 December 2006**
(56) Related Art Documents: **Not Applicable**
(57) Statement of Newness and Distinctiveness: **Nil**



- (21) Design Number: **13663/2006**
(22) Date of Filing Application: **17 August 2006**
(24) Date from which industrial property rights may have effect: **17 August 2006**
(54) Product in respect of which the design is registered: **Flame arrestor for barbeque**
(51) International Design Classification: **07-02C**
(71) Name(s) and Address(s) of Applicant(s):
Sunbeam Corporation Limited
Units 5 & 6 13 Lord Street Botany New South Wales 2019 Australia
(72) Name(s) of Designer(s): **Paul David Riley**
(45) Registration Date: **06 December 2006**
(56) Related Art Documents: **Not Applicable**
(57) Statement of Newness and Distinctiveness: **Newness and distinctiveness in the design as applied to a flame tamer resides in the shape and/or configuration thereof as is illustrated in the accompanying representations.**



(21) Design Number: **13937/2006**

(22) Date of Filing Application: **31 August 2006**

(24) Date from which industrial property rights may have effect: **31 August 2006**

(54) Product in respect of which the design is registered: **Crawl ball**

(51) International Design Classification: **21-02A, 21-01F**

(71) Name(s) and Address(s) of Applicant(s):

Leslie Becker

60 Rooikat Street Valley Settlement Rand Vaal Gauteng South Africa

(72) Name(s) of Designer(s): **Leslie Becker**

(45) Registration Date: **06 December 2006**

(30) Convention priority data:

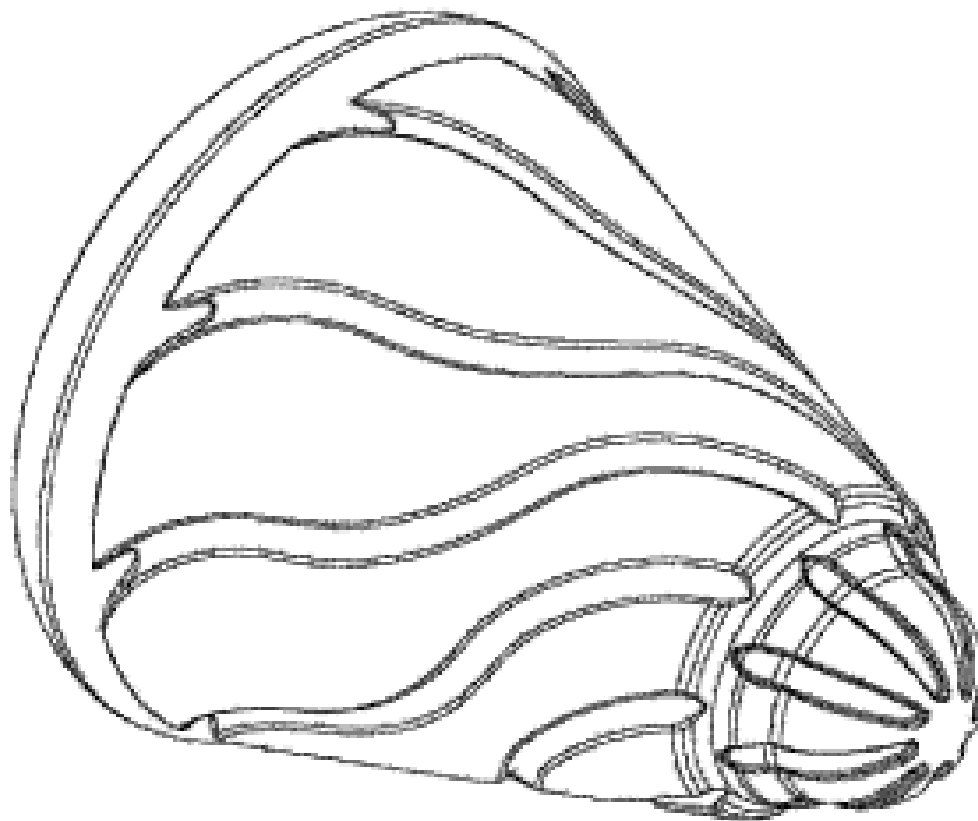
(31) Number
2006/1098

(32) Date
20 Jul 2006

(33) Country
SOUTH AFRICA

(56) Related Art Documents: **Not Applicable**

(57) Statement of Newness and Distinctiveness: **Nil**



(21) Design Number: **13517/2006**

(22) Date of Filing Application: **10 August 2006**

(24) Date from which industrial property rights may have effect: **10 August 2006**

(54) Product in respect of which the design is registered: **Chair/Stool**

(51) International Design Classification: **06-01F, 06-01L**

(71) Name(s) and Address(s) of Applicant(s):

Osiris Furniture and Joinery Pty Ltd

28 Eastern Road South Melbourne Victoria 3205 Australia

(72) Name(s) of Designer(s): **Tony Fortuna**

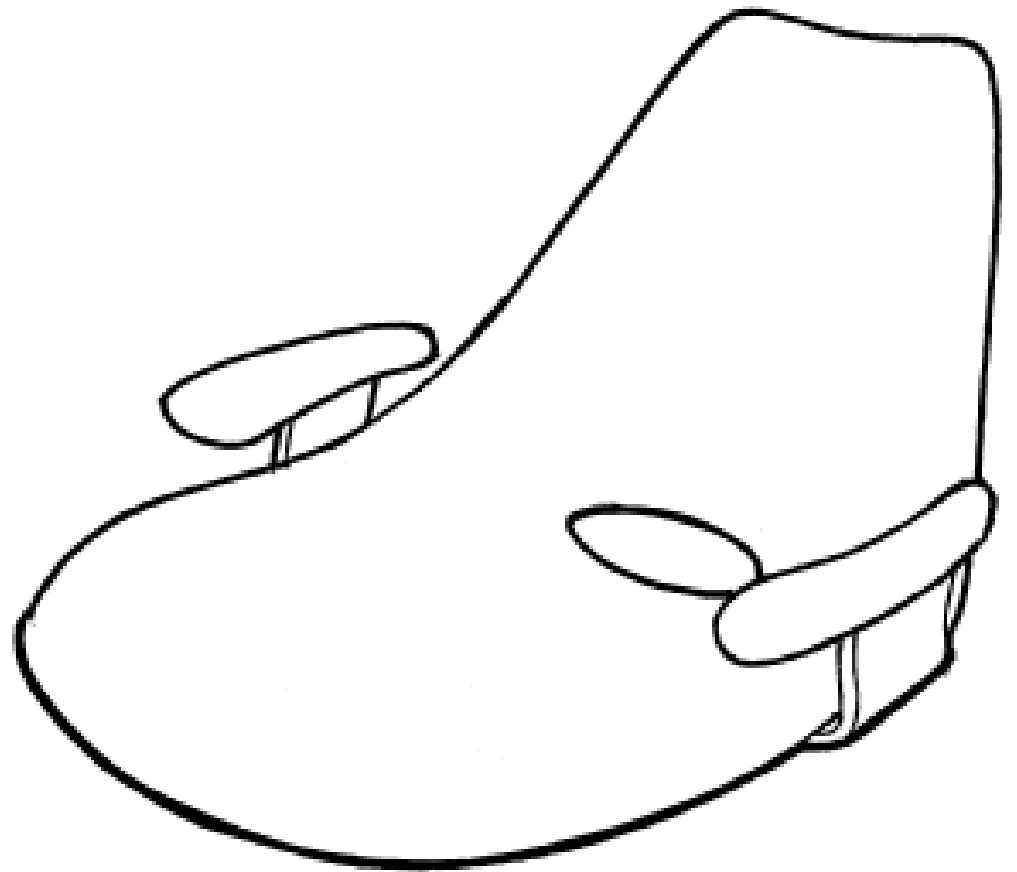
(45) Registration Date: **06 December 2006**

(56) Related Art Documents: **Not Applicable**

(57) Statement of Newness and Distinctiveness: **The overall organic shape and distinctive hole feature.**



- (21) Design Number: **13518/2006**
(22) Date of Filing Application: **10 August 2006**
(24) Date from which industrial property rights may have effect: **10 August 2006**
(54) Product in respect of which the design is registered: **Chair/Stool**
(51) International Design Classification: **06-01F, 06-01L**
(71) Name(s) and Address(s) of Applicant(s):
Osiris Furniture and Joinery Pty Ltd
28 Eastern Road South Melbourne Victoria 3205 Australia
(72) Name(s) of Designer(s): **Tony Fortuna**
(45) Registration Date: **06 December 2006**
(56) Related Art Documents: **Not Applicable**
(57) Statement of Newness and Distinctiveness: **The overall organic shape and distinctive hole feature with arms.**



- (21) Design Number: **14341/2006**
(22) Date of Filing Application: **27 September 2006**
(24) Date from which industrial property rights may have effect: **27 September 2006**
(54) Product in respect of which the design is registered: **A handset**
(51) International Design Classification: **03-01NES**
(71) Name(s) and Address(s) of Applicant(s):
Nokia Corporation
Keilalahdentie 4 FIN-02150 Espoo Finland
(72) Name(s) of Designer(s): **Wei He**
(45) Registration Date: **06 December 2006**
(30) Convention priority data:

(31) Number	(32) Date	(33) Country
M20060069	30 Mar 2006	FINLAND

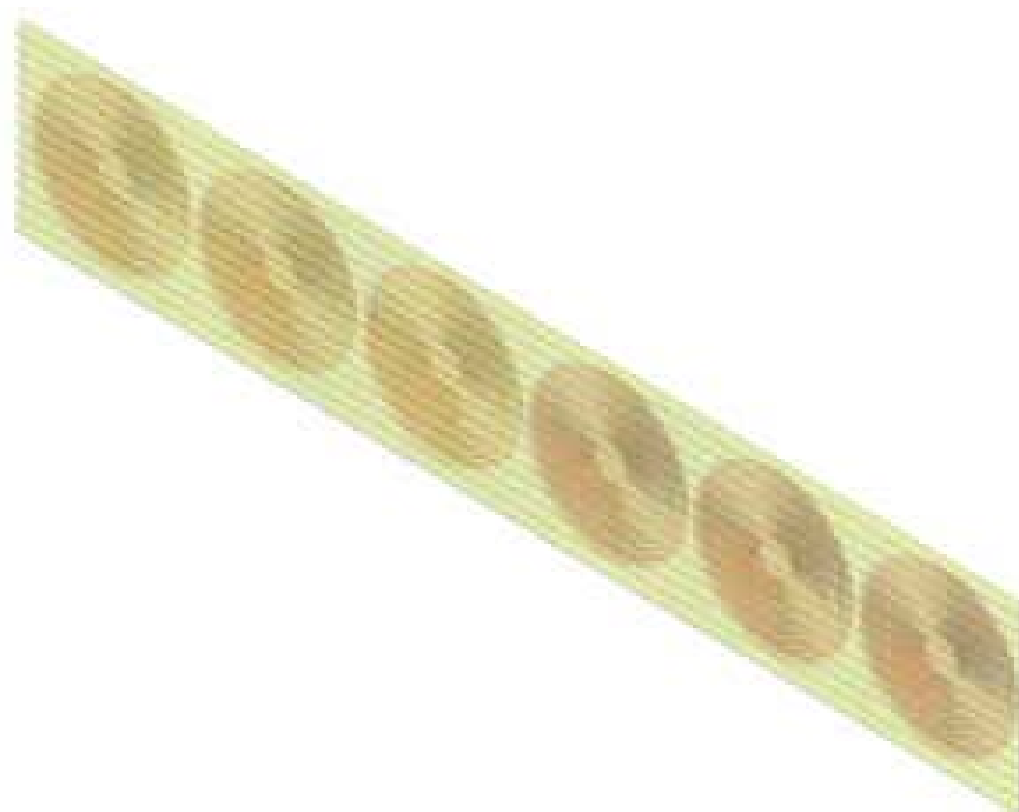
(56) Related Art Documents: **Not Applicable**
(57) Statement of Newness and Distinctiveness: **Nil**



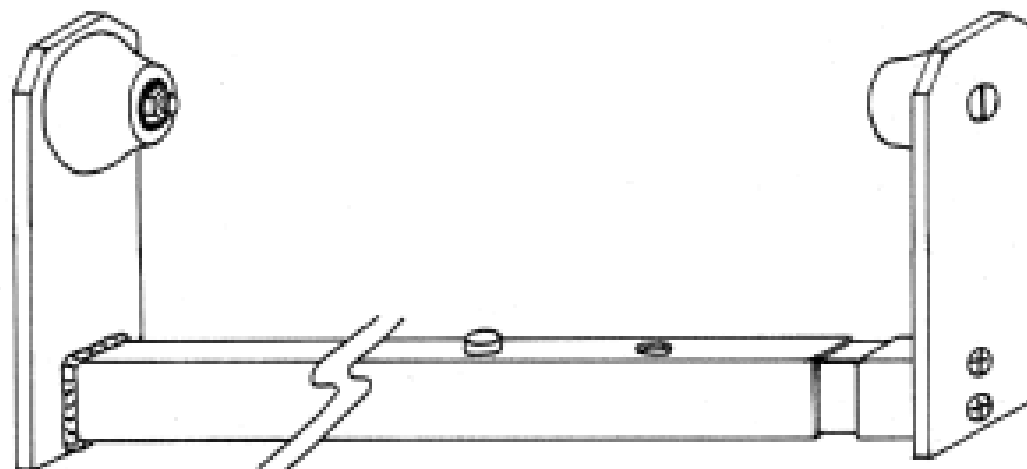
(21) Design Number: **14477/2006**
(22) Date of Filing Application: **05 October 2006**
(24) Date from which industrial property rights may have effect: **05 October 2006**
(54) Product in respect of which the design is registered: **Brake calliper**
(51) International Design Classification: **12-16M**
(71) Name(s) and Address(s) of Applicant(s):
AL-KO International Pty Ltd
67 Nathan Road Dandenong South Victoria 3175 Australia
(72) Name(s) of Designer(s): **Robert Funder and Slobodan Cabarkapa**
(45) Registration Date: **06 December 2006**
(56) Related Art Documents: **Not Applicable**
(57) Statement of Newness and Distinctiveness: **Any words letters or numbers appearing in the representations are excluded from the design.**



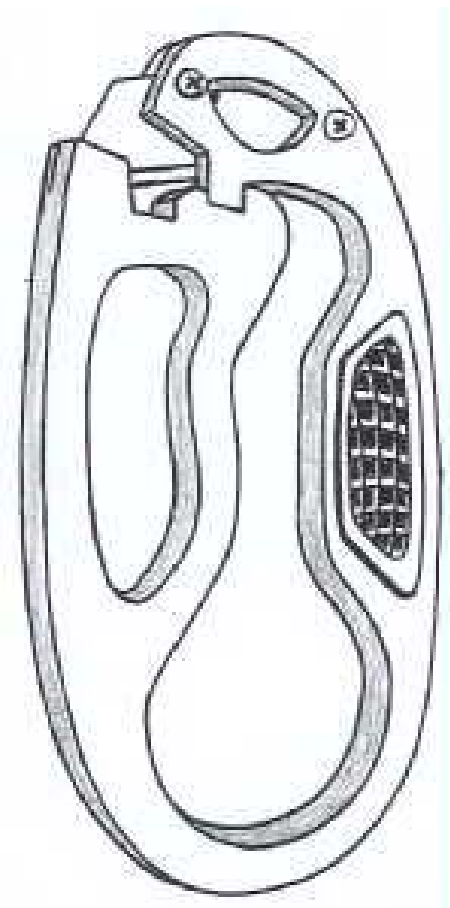
(21) Design Number: **14590/2006**
(22) Date of Filing Application: **12 October 2006**
(24) Date from which industrial property rights may have effect: **12 October 2006**
(54) Product in respect of which the design is registered: **Light diffusing lens**
(51) International Design Classification: **16-06, 26-04**
(71) Name(s) and Address(s) of Applicant(s):
Brown & Watson International Pty Ltd
3 Millennium Court Knoxfield Victoria 3179 Australia
(72) Name(s) of Designer(s): **Timothy Miller and Chris Fang**
(45) Registration Date: **06 December 2006**
(56) Related Art Documents: **Not Applicable**
(57) Statement of Newness and Distinctiveness: **Those features of the lens depicted in the representations that are new and distinctive are the shape, configuration, pattern and/or ornamentation.**



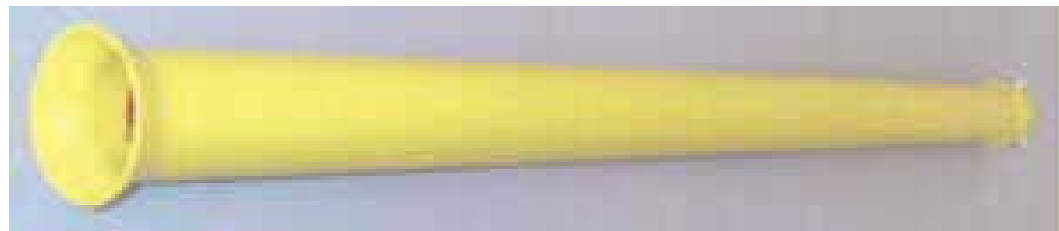
- (21) Design Number: **14697/2006**
(22) Date of Filing Application: **19 October 2006**
(24) Date from which industrial property rights may have effect: **19 October 2006**
(54) Product in respect of which the design is registered: **Plastic coated fiberglass mesh, flexible materials**
(51) International Design Classification: **08-09**
(71) Name(s) and Address(s) of Applicant(s):
Gary F. Holliday
72 John Robb Way Cudgen New South Wales 2487 Australia
(72) Name(s) of Designer(s): **Gary Holliday**
(45) Registration Date: **06 December 2006**
(56) Related Art Documents: **Not Applicable**
(57) Statement of Newness and Distinctiveness: **Newness and distinctiveness of the design resides in the shape and/or configuration of the roll holder as shown in the accompanying representations.**



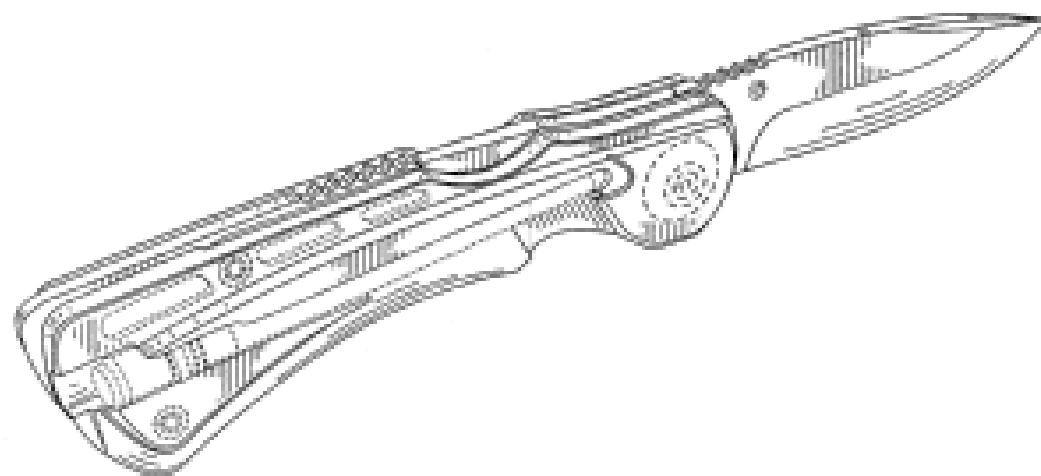
- (21) Design Number: **14698/2006**
(22) Date of Filing Application: **19 October 2006**
(24) Date from which industrial property rights may have effect: **19 October 2006**
(54) Product in respect of which the design is registered: **Cutable material**
(51) International Design Classification: **08-03**
(71) Name(s) and Address(s) of Applicant(s):
Gary F. Holliday
72 John Robb Way Cudgen New South Wales 2487 Australia
(72) Name(s) of Designer(s): **Gary Holliday**
(45) Registration Date: **06 December 2006**
(56) Related Art Documents: **Not Applicable**
(57) Statement of Newness and Distinctiveness: **The features of the cutter depicted in the representations that are new and distinctive are the shape and/or configuration. The pattern on the lid of the spare blade compartment should be ignored.**



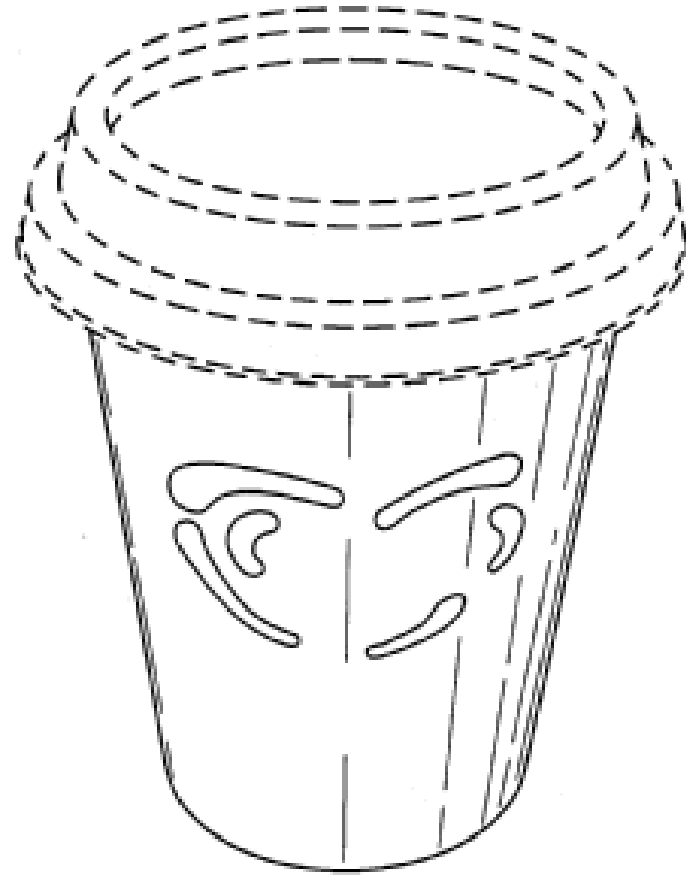
- (21) Design Number: **14787/2006**
(22) Date of Filing Application: **23 October 2006**
(24) Date from which industrial property rights may have effect: **23 October 2006**
(54) Product in respect of which the design is registered: **Fishing bait pump**
(51) International Design Classification: **22-05**
(71) Name(s) and Address(s) of Applicant(s):
John Robert Pomper
33 Song Street Narre Warren Victoria 3805 Australia
(72) Name(s) of Designer(s): **John Pomper**
(45) Registration Date: **06 December 2006**
(56) Related Art Documents: **Not Applicable**
(57) Statement of Newness and Distinctiveness: **The new and distinct feature of the bait pump design is the flared nozzle end shape.**



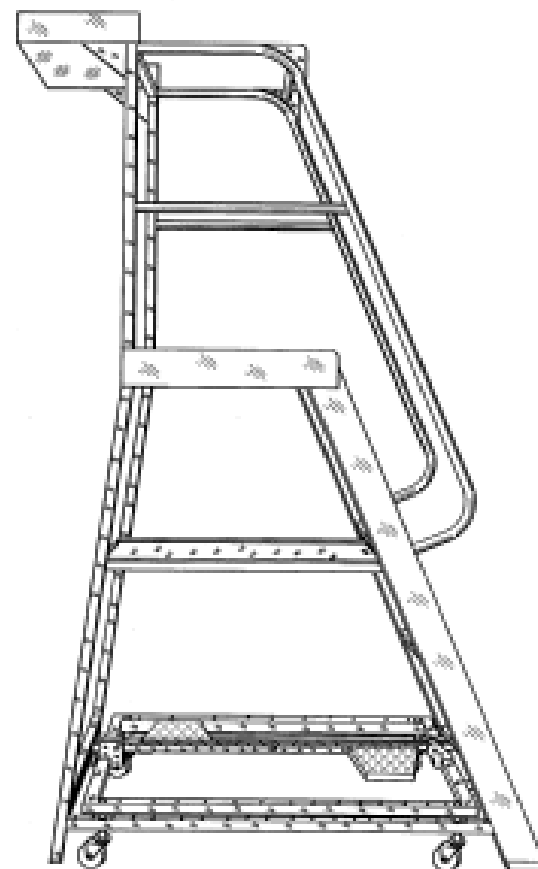
- (21) Design Number: **14838/2006**
(22) Date of Filing Application: **23 October 2006**
(24) Date from which industrial property rights may have effect: **23 October 2006**
(54) Product in respect of which the design is registered: **Folding multipurpose hand tool**
(51) International Design Classification: **08-03**
(71) Name(s) and Address(s) of Applicant(s):
Leatherman Tool Group, Inc.
12106 NE Ainsworth Circle Portland OR 97220 United States of America
(72) Name(s) of Designer(s): **Hollan Akio Tsuda and Blair Scott Barnes and Melissa C. Yale and Nathan E. Knight and Charles J. Goodrich**
(45) Registration Date: **06 December 2006**
(30) Convention priority data:
(31) Number (32) Date (33) Country
11/410,879 25 Apr 2006 UNITED STATES OF AMERICA
(56) Related Art Documents: **Not Applicable**
(57) Statement of Newness and Distinctiveness: **The newness and distinctiveness of the design resides in the features of shape and/or configuration of the folding multipurpose hand tool shown in unbroken lines in the accompanying representations.**



- (21) Design Number: **14864/2006**
(22) Date of Filing Application: **24 October 2006**
(24) Date from which industrial property rights may have effect: **24 October 2006**
(54) Product in respect of which the design is registered: **Cup sleeve**
(51) International Design Classification: **07-06A**
(71) Name(s) and Address(s) of Applicant(s):
Unilever PLC
Unilever House Blackfriars London EC4P 4BQ United Kingdom
(72) Name(s) of Designer(s): **Roger Botti and Jeffrey Hunter and Varkey Berty Jacob and Barbara Pavone and Domenico Rinaldi**
(45) Registration Date: **06 December 2006**
(30) Convention priority data:
(31) Number (32) Date (33) Country
000520937#0001 02 May 2006 EUROPEAN COMMUNITY
(56) Related Art Documents: **Not Applicable**
(57) Statement of Newness and Distinctiveness: **When determining whether the design 1 is substantially similar in overall impression to another design, no regard is to be had to the lid as mounted to the sleeve and as shown in dotted outline in the drawings, such lid forming no part of the design.**



- (21) Design Number: **14878/2006**
(22) Date of Filing Application: **24 October 2006**
(24) Date from which industrial property rights may have effect: **24 October 2006**
(54) Product in respect of which the design is registered: **Rolling platform ladder with entry barrier**
(51) International Design Classification: **25-04**
(71) Name(s) and Address(s) of Applicant(s):
No Bolt Operations Pty Ltd
29 Union Road Dandenong South Victoria 3175 Australia
(72) Name(s) of Designer(s): **Scott Jacobsen**
(45) Registration Date: **06 December 2006**
(56) Related Art Documents: **Not Applicable**
(57) Statement of Newness and Distinctiveness: **The features of the shape and configuration of a rolling platform ladder with entry barrier are new and distinctive. For the purposes of determining the features of the design in infringement proceedings, the features of the foot lever operable undercarriage are to be disregarded. In addition, the narrative appearing on the entry barrier is to be disregarded as features of the design in infringement proceedings.**



(21) Design Number: **10261/2006**
(22) Date of Filing Application: **25 January 2006**
(24) Date from which industrial property rights may have effect: **25 January 2006**
(54) Product in respect of which the design is registered: **Puppets**
(51) International Design Classification: **21-01B**
(71) Name(s) and Address(s) of Applicant(s):
Tiny Love Ltd
22 A Raoul Wallenberg Street Beit Zamir Tel Aviv 69719 Israel
(72) Name(s) of Designer(s): **Shoshana Oren and Asaf Eshet and Yoav Ziv**
(45) Registration Date: **06 December 2006**
(30) Convention priority data:
(31) Number (32) Date (33) Country
000378039 25 Jul 2005 EUROPEAN COMMUNITY
(56) Related Art Documents: **Not Applicable**
(57) Statement of Newness and Distinctiveness: **Nil**



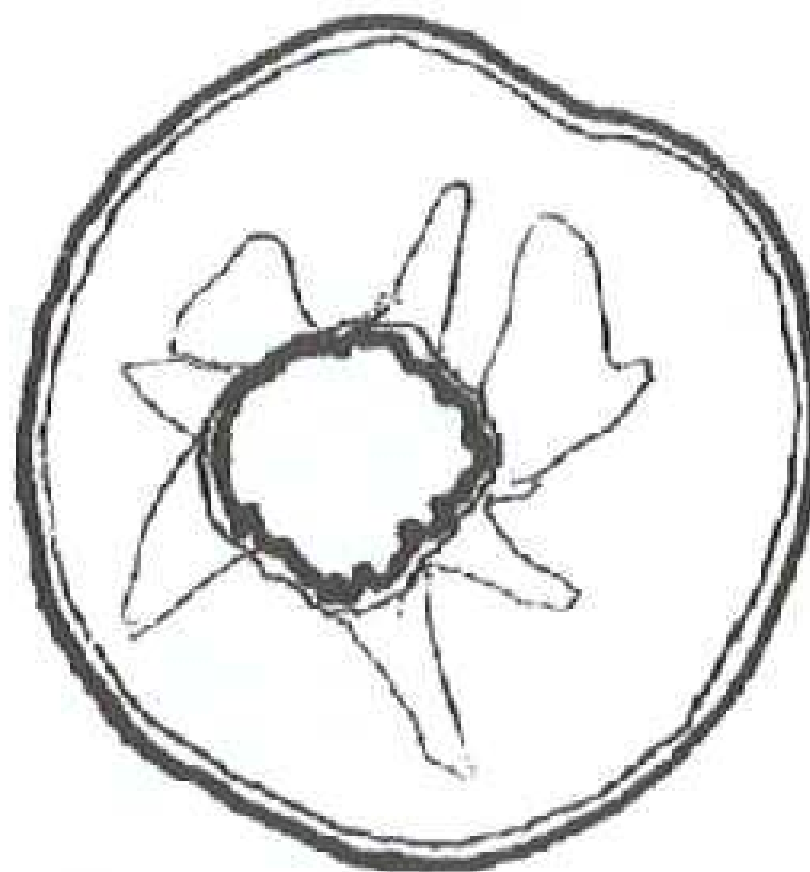
(21) Design Number: **10262/2006**
(22) Date of Filing Application: **25 January 2006**
(24) Date from which industrial property rights may have effect: **25 January 2006**
(54) Product in respect of which the design is registered: **Puppets**
(51) International Design Classification: **21-01A**
(71) Name(s) and Address(s) of Applicant(s):
Tiny Love Ltd
22 A Raoul Wallenberg Street Beit Zamir Tel Aviv 69719 Israel
(72) Name(s) of Designer(s): **Shoshana Oren and Asaf Eshet and Yoav Ziv**
(45) Registration Date: **06 December 2006**
(30) Convention priority data:
(31) Number (32) Date (33) Country
000378039 25 Jul 2005 EUROPEAN COMMUNITY
(56) Related Art Documents: **Not Applicable**
(57) Statement of Newness and Distinctiveness: **Nil**



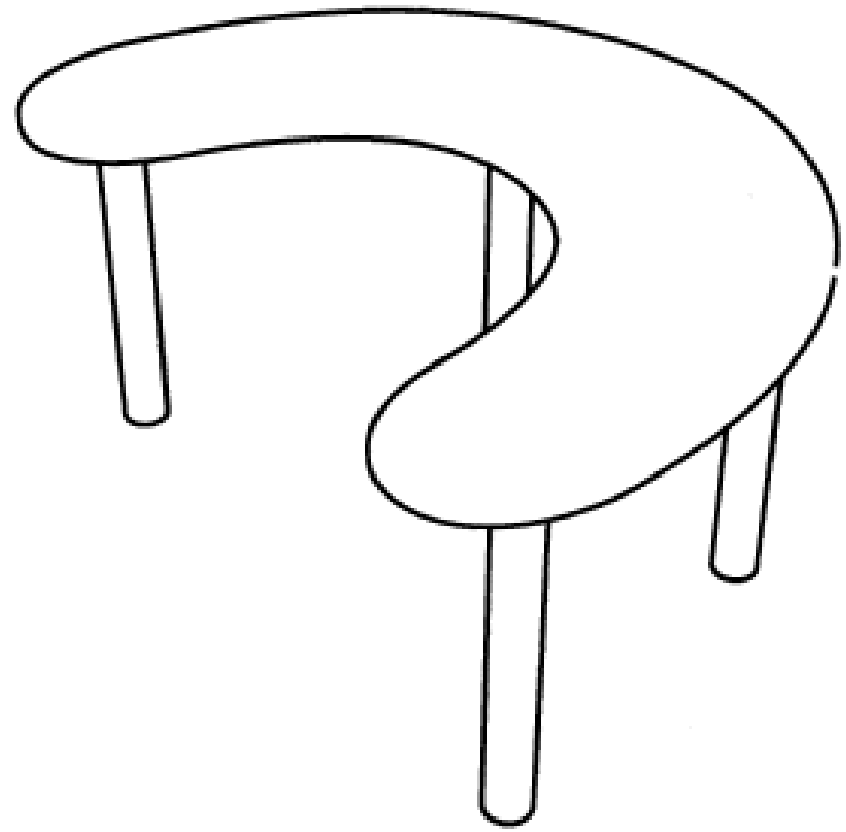
(21) Design Number: **10263/2006**
(22) Date of Filing Application: **25 January 2006**
(24) Date from which industrial property rights may have effect: **25 January 2006**
(54) Product in respect of which the design is registered: **Puppets**
(51) International Design Classification: **21-01A**
(71) Name(s) and Address(s) of Applicant(s):
Tiny Love Ltd
22 A Raoul Wallenberg Street Beit Zamir Tel Aviv 69719 Israel
(72) Name(s) of Designer(s): **Shoshana Oren and Asaf Eshet and Yoav Ziv**
(45) Registration Date: **06 December 2006**
(30) Convention priority data:
(31) Number (32) Date (33) Country
000378039 25 Jul 2005 EUROPEAN COMMUNITY
(56) Related Art Documents: **Not Applicable**
(57) Statement of Newness and Distinctiveness: **Nil**



(21) Design Number: **10614/2006**
(22) Date of Filing Application: **21 February 2006**
(24) Date from which industrial property rights may have effect: **21 February 2006**
(54) Product in respect of which the design is registered: **Table leveller**
(51) International Design Classification: **06-06C**
(71) Name(s) and Address(s) of Applicant(s):
David Lugton
120 Neville Street Middle Park Victoria 3206 Australia
(72) Name(s) of Designer(s): **David William Lugton**
(45) Registration Date: **06 December 2006**
(56) Related Art Documents: **Not Applicable**
(57) Statement of Newness and Distinctiveness: **The newness and distinctiveness of the design resides in the overall shape. Particularly distinctive visual features are the general tubular shape and the folded profile of the cloth casing. Shape and features are shown in the attached illustrations.**



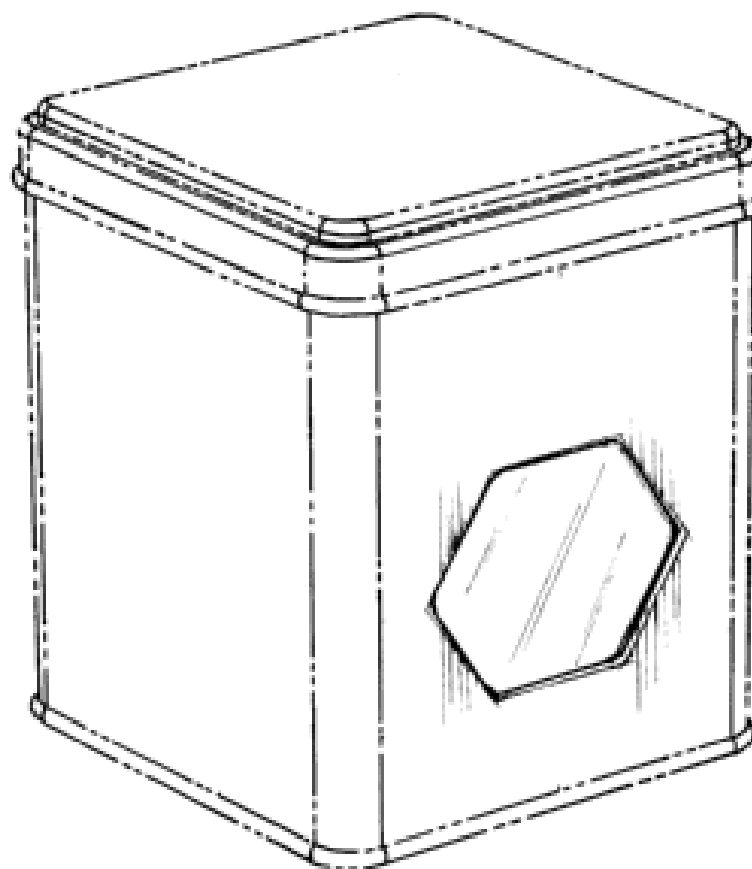
- (21) Design Number: **11404/2006**
(22) Date of Filing Application: **05 April 2006**
(24) Date from which industrial property rights may have effect: **05 April 2006**
(54) Product in respect of which the design is registered: **U bench**
(51) International Design Classification: **06-03B, 06-01C**
(71) Name(s) and Address(s) of Applicant(s):
Walkatjara Art Uluru Pty Ltd
PO Box 82 Yulara Northern Territory 0872 Australia
(72) Name(s) of Designer(s): **Rene Kulitja and Jennifer Taylor and Pamela Taylor**
(45) Registration Date: **06 December 2006**
(56) Related Art Documents: **Not Applicable**
(57) Statement of Newness and Distinctiveness: **Nil**



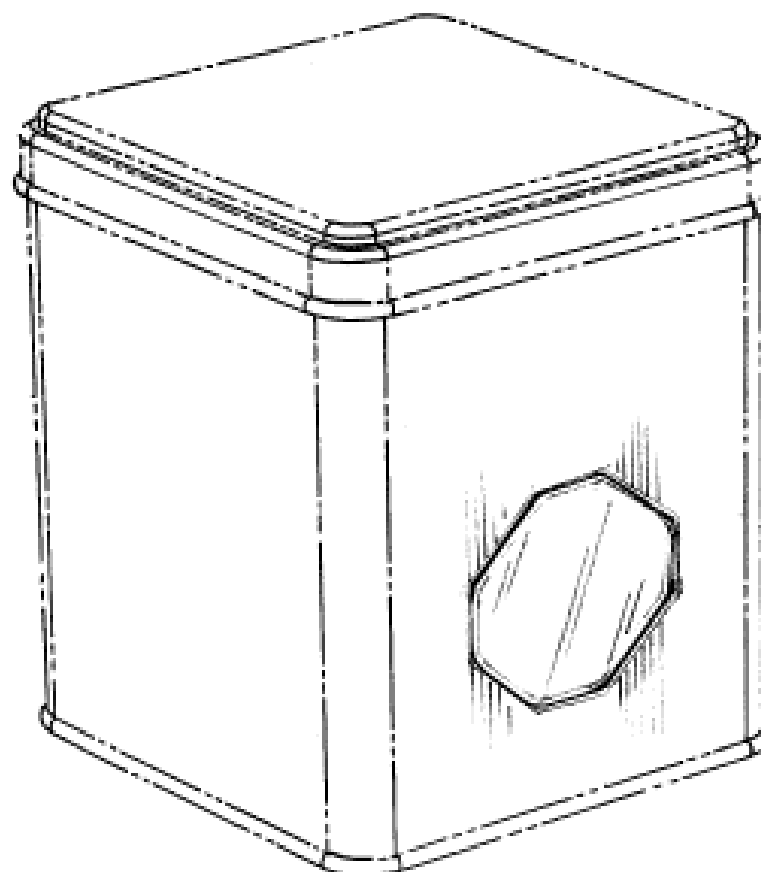
- (21) Design Number: **12199/2006**
(22) Date of Filing Application: **18 May 2006**
(24) Date from which industrial property rights may have effect: **18 May 2006**
(54) Product in respect of which the design is registered: **Swing tags**
(51) International Design Classification: **19-08**
(71) Name(s) and Address(s) of Applicant(s):
Sportsgirl Pty Ltd
24-40 Rosslyn Street West Melbourne Victoria 3003 Australia
(72) Name(s) of Designer(s): **Erin Fletcher**
(45) Registration Date: **06 December 2006**
(56) Related Art Documents: **Not Applicable**
(57) Statement of Newness and Distinctiveness: **Nil.**



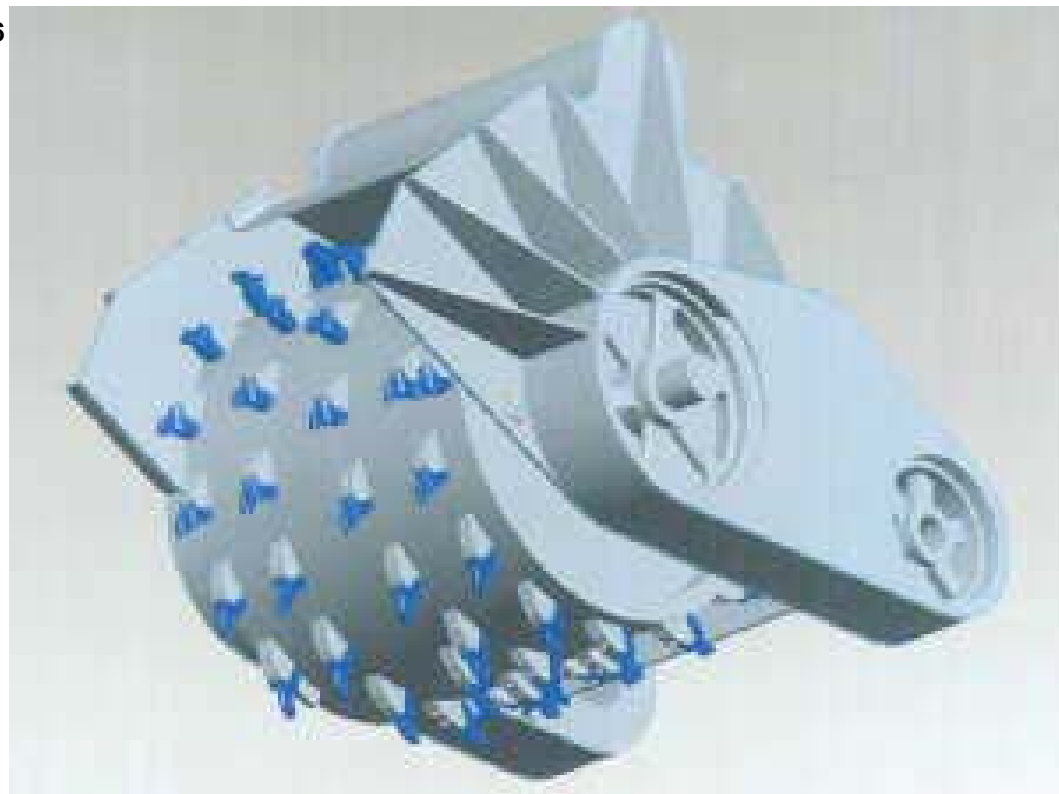
- (21) Design Number: **13916/2006**
(22) Date of Filing Application: **30 August 2006**
(24) Date from which industrial property rights may have effect: **30 August 2006**
(54) Product in respect of which the design is registered: **Container**
(51) International Design Classification: **09-03M**
(71) Name(s) and Address(s) of Applicant(s):
Hofesh Enterprises Pty Ltd.
15 Anderson Street Surrey Hills Victoria 3127 Australia
(72) Name(s) of Designer(s): **Kate Weiss and Tal Weiss**
(45) Registration Date: **06 December 2006**
(56) Related Art Documents: **Not Applicable**
(57) Statement of Newness and Distinctiveness: **Newness and distinctiveness is claimed in the features of shape and/or configuration of a container with a hexagonal shaped window as illustrated in the accompanying representations.**



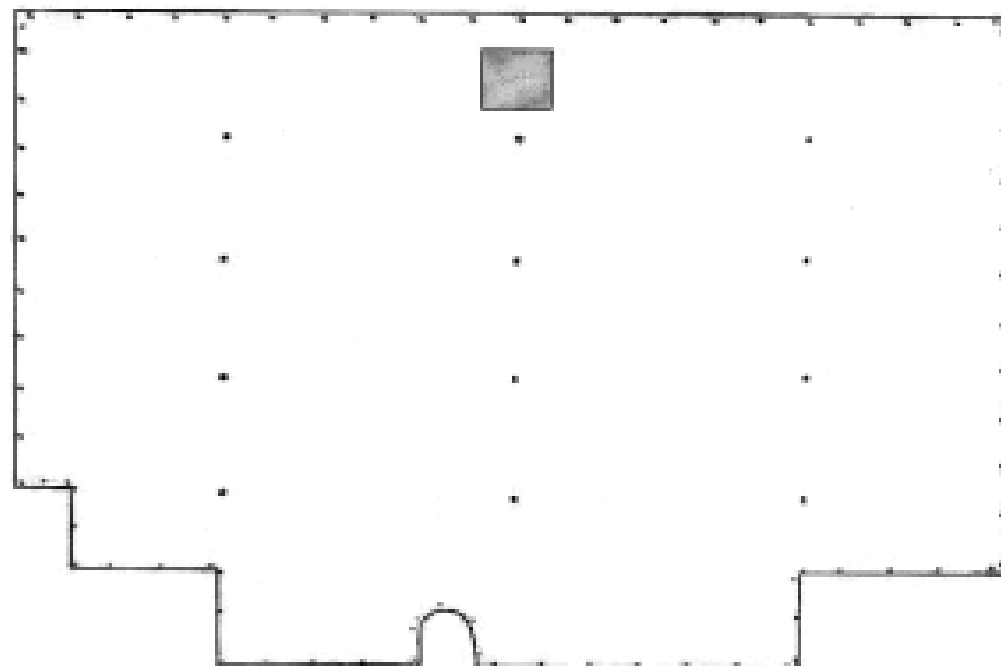
- (21) Design Number: **13917/2006**
(22) Date of Filing Application: **30 August 2006**
(24) Date from which industrial property rights may have effect: **30 August 2006**
(54) Product in respect of which the design is registered: **Container**
(51) International Design Classification: **09-03M**
(71) Name(s) and Address(s) of Applicant(s):
Hofesh Enterprises Pty Ltd.
15 Anderson Street Surrey Hills Victoria 3127 Australia
(72) Name(s) of Designer(s): **Kate Weiss and Tal Weiss**
(45) Registration Date: **06 December 2006**
(56) Related Art Documents: **Not Applicable**
(57) Statement of Newness and Distinctiveness: **Newness and distinctiveness is claimed in the features of shape and/or configuration of a container with an octagonal shaped window as illustrated in the accompanying representations.**



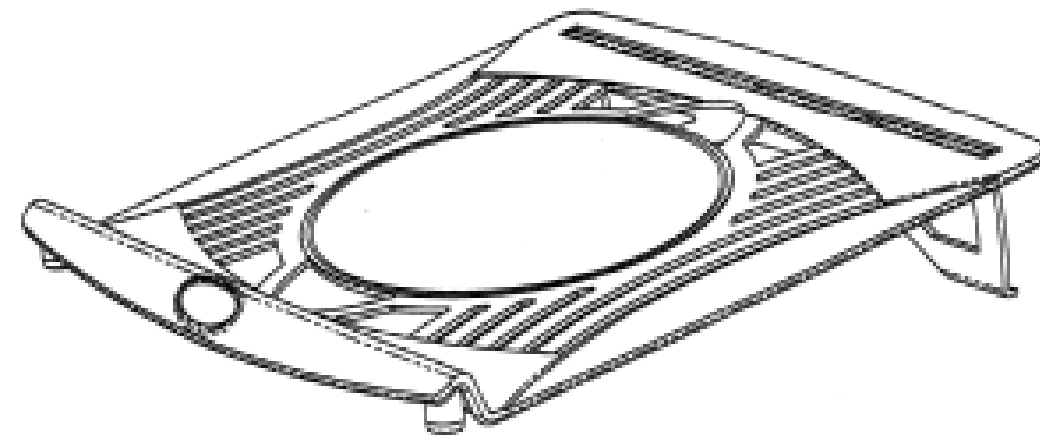
- (21) Design Number: **14007/2006**
(22) Date of Filing Application: **06 September 2006**
(24) Date from which industrial property rights may have effect: **06 September 2006**
(54) Product in respect of which the design is registered: **Stump grinder**
(51) International Design Classification: **15-09**
(71) Name(s) and Address(s) of Applicant(s):
Agrifuture Pty Ltd
1st Floor Suite 3 43 Ventnor Avenue West Perth 6005 Western
Australia Australia
(72) Name(s) of Designer(s): **Nils Viktor Jonson and Ian Smith**
(45) Registration Date: **06 December 2006**
(56) Related Art Documents: **Not Applicable**
(57) Statement of Newness and Distinctiveness: **Newness and distinctiveness**
reside in the shape, configuration and the features of the design as
shown in the representations attached.



- (21) Design Number: **14259/2006**
(22) Date of Filing Application: **25 September 2006**
(24) Date from which industrial property rights may have effect: **25 September 2006**
(54) Product in respect of which the design is registered: **Trailer Protector**
(51) International Design Classification: **12-10**
(71) Name(s) and Address(s) of Applicant(s):
Mould Haulage Pty Ltd
c/- Trademark Works Level 30 AMP Place 10 Eagle Street, Brisbane
Queensland 4000 Australia
(72) Name(s) of Designer(s): **Troy Mould**
(45) Registration Date: **06 December 2006**
(56) Related Art Documents: **Not Applicable**
(57) Statement of Newness and Distinctiveness: **The trailer protector is designed**
to fit and protect the front of the trailer as shown in the photograph in
attachement 2.



- (21) Design Number: **14560/2006**
(22) Date of Filing Application: **10 October 2006**
(24) Date from which industrial property rights may have effect: **10 October 2006**
(54) Product in respect of which the design is registered: **A stand**
(51) International Design Classification: **06-06A**
(71) Name(s) and Address(s) of Applicant(s):
Herbert Ostroff
Unit 36 53/55 Knox Street Waverly Johannesburg South Africa
(72) Name(s) of Designer(s): **Herbert Ostroff**
(45) Registration Date: **06 December 2006**
(30) Convention priority data:
(31) Number (32) Date (33) Country
F2006/0476 10 Apr 2006 SOUTH AFRICA
(56) Related Art Documents: **Not Applicable**
(57) Statement of Newness and Distinctiveness: **Nil**



- (21) Design Number: **14739/2006**
(22) Date of Filing Application: **18 October 2006**
(24) Date from which industrial property rights may have effect: **18 October 2006**
(54) Product in respect of which the design is registered: **Flask**
(51) International Design Classification: **07-01F**
(71) Name(s) and Address(s) of Applicant(s):
Societe Autonome de Verreries
Place de la Gare 60960 Feuquieres France
(72) Name(s) of Designer(s): **Didier Rica**
(45) Registration Date: **06 December 2006**
(56) Related Art Documents: **Not Applicable**
(57) Statement of Newness and Distinctiveness: **The distinctive features of the flask include a squat silhouette and square section in plan view. Two opposed sides have very rounded shoulders and sharper radiused bases. The other two opposed sides have sharper shoulders and very rounded bases. In this way, the opposite sides of the flask have similar appearances. The bottom of the flask has a very thick glass base.**



(21) Design Number: **14740/2006**

(22) Date of Filing Application: **18 October 2006**

(24) Date from which industrial property rights may have effect: **18 October 2006**

(54) Product in respect of which the design is registered: **Flask**

(51) International Design Classification: **07-01F**

(71) Name(s) and Address(s) of Applicant(s):

**Societe Autonome de Verreries
Place de la Gare 60960 Feuquieres France**

(72) Name(s) of Designer(s): **Didier Rica**

(45) Registration Date: **06 December 2006**

(56) Related Art Documents: **Not Applicable**

(57) Statement of Newness and Distinctiveness: **The distinctive features of the flask include an overall truncated pyramid shape and its relatively high silhouette and as a result of the almost non-existent neck, the finish looks as if it is attached directly to the narrow and horizontal shoulder. The conical body has slightly rounded faces and sharp angles. The base comprises a cant which gives height to the flask, and a round shaped resting plane. The base of the flask is particularly thick.**



(21) Design Number: **14741/2006**

(22) Date of Filing Application: **18 October 2006**

(24) Date from which industrial property rights may have effect: **18 October 2006**

(54) Product in respect of which the design is registered: **Jar**

(51) International Design Classification: **09-01C**

(71) Name(s) and Address(s) of Applicant(s):

**Societe Autonome de Verreries
Place de la Gare 60960 Feuquieres France**

(72) Name(s) of Designer(s): **Didier Rica**

(45) Registration Date: **06 December 2006**

(56) Related Art Documents: **Not Applicable**

(57) Statement of Newness and Distinctiveness: **The distinctive features of the jar include its overall truncated pyramid shape. The square section conical body has slightly rounded sides. The bottom comprises a very thick glass base.**



(21) Design Number: **14743/2006**

(22) Date of Filing Application: **18 October 2006**

(24) Date from which industrial property rights may have effect: **18 October 2006**

(54) Product in respect of which the design is registered: **Flask**

(51) International Design Classification: **07-01F**

(71) Name(s) and Address(s) of Applicant(s):

**Societe Autonome de Verreries
Place de la Gare 60960 Feuquieres France**

(72) Name(s) of Designer(s): **Didier Rica**

(45) Registration Date: **06 December 2006**

(56) Related Art Documents: **Not Applicable**

(57) Statement of Newness and Distinctiveness: **The distinctive features of the flask include an overall truncated cone profile, an extremely short neck extending into a narrow almost horizontal shoulder, with a curved shaped body expanding towards the bottom and a very thick glass base made of a cant and cylindrical resting plane.**



(21) Design Number: **14744/2006**

(22) Date of Filing Application: **18 October 2006**

(24) Date from which industrial property rights may have effect: **18 October 2006**

(54) Product in respect of which the design is registered: **Flask**

(51) International Design Classification: **07-01F**

(71) Name(s) and Address(s) of Applicant(s):

**Societe Autonome de Verreries
Place de la Gare 60960 Feuquieres France**

(72) Name(s) of Designer(s): **Didier Rica**

(45) Registration Date: **06 December 2006**

(56) Related Art Documents: **Not Applicable**

(57) Statement of Newness and Distinctiveness: **The distinctive features of the flask include a squat silhouette, a short wide diameter neck, a shoulder that is both narrow and almost horizontal extending into a body which is fully curved and expands towards the heavy glass base.**



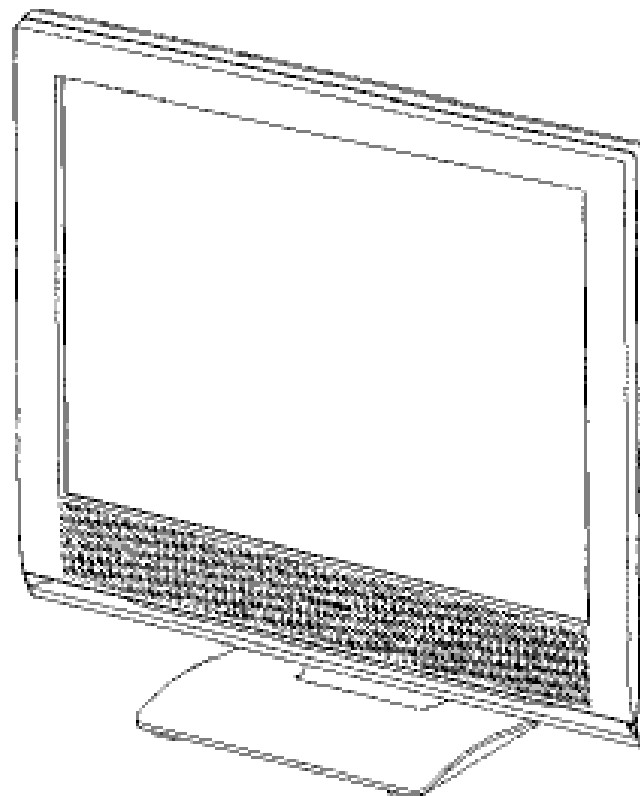
- (21) Design Number: **14745/2006**
(22) Date of Filing Application: **18 October 2006**
(24) Date from which industrial property rights may have effect: **18 October 2006**
(54) Product in respect of which the design is registered: **Flask**
(51) International Design Classification: **07-01F**
(71) Name(s) and Address(s) of Applicant(s):
Societe Autonome de Verreries
Place de la Gare 60960 Feuquieres France
(72) Name(s) of Designer(s): **Didier Rica**
(45) Registration Date: **06 December 2006**
(56) Related Art Documents: **Not Applicable**
(57) Statement of Newness and Distinctiveness: **The distinctive features of the flask include its square shape and the sharpness of its angles. The flask has an almost horizontal shoulder and a cylindrical neck and a thick bottom glass base.**



- (21) Design Number: **14746/2006**
(22) Date of Filing Application: **18 October 2006**
(24) Date from which industrial property rights may have effect: **18 October 2006**
(54) Product in respect of which the design is registered: **Flask**
(51) International Design Classification: **07-01F**
(71) Name(s) and Address(s) of Applicant(s):
Societe Autonome de Verreries
Place de la Gare 60960 Feuquieres France
(72) Name(s) of Designer(s): **Didier Rica**
(45) Registration Date: **06 December 2006**
(56) Related Art Documents: **Not Applicable**
(57) Statement of Newness and Distinctiveness: **The distinctive features of the flask include its perfectly square section and its overall squat and compact silhouette. The neck diameter is relatively wide, the shoulder is practically horizontal, the corners are heavily thickened with glass and have sharp angles. All four faces of the flask are perfectly flat and the bottom of the flask has a thick glass base.**



- (21) Design Number: **14750/2006**
(22) Date of Filing Application: **19 October 2006**
(24) Date from which industrial property rights may have effect: **19 October 2006**
(54) Product in respect of which the design is registered: **Television set**
(51) International Design Classification: **14-03B**
(71) Name(s) and Address(s) of Applicant(s):
Toshiba Singapore Pte Ltd
438B Alexandra Road #06-01 Alexandra Technopark Singapore
119968
(72) Name(s) of Designer(s): **Hiroki Sugiyama and Mikio Hamada**
(45) Registration Date: **06 December 2006**
(56) Related Art Documents: **Not Applicable**
(57) Statement of Newness and Distinctiveness: **Novelty resides in the features of shape and configuration as shown in the accompanying representations.**



- (21) Design Number: **14850/2006**
(22) Date of Filing Application: **18 May 2006**
(24) Date from which industrial property rights may have effect: **18 May 2006**
(54) Product in respect of which the design is registered: **Swing tags**
(51) International Design Classification: **19-08**
(71) Name(s) and Address(s) of Applicant(s):
Sportsgirl Pty Ltd
24-40 Rosslyn Street West Melbourne Victoria 3003 Australia
(72) Name(s) of Designer(s): **Erin Fletcher**
(45) Registration Date: **06 December 2006**
(56) Related Art Documents: **Not Applicable**
(57) Statement of Newness and Distinctiveness: **Nil**



- (21) Design Number: **14851/2006**
(22) Date of Filing Application: **18 May 2006**
(24) Date from which industrial property rights may have effect: **18 May 2006**
(54) Product in respect of which the design is registered: **Swing tags**
(51) International Design Classification: **19-08**
(71) Name(s) and Address(s) of Applicant(s):
Sportsgirl Pty Ltd
24-40 Rosslyn Street West Melbourne Victoria 3003 Australia
(72) Name(s) of Designer(s): **Erin Fletcher**
(45) Registration Date: **06 December 2006**
(56) Related Art Documents: **Not Applicable**
(57) Statement of Newness and Distinctiveness: **Nil**



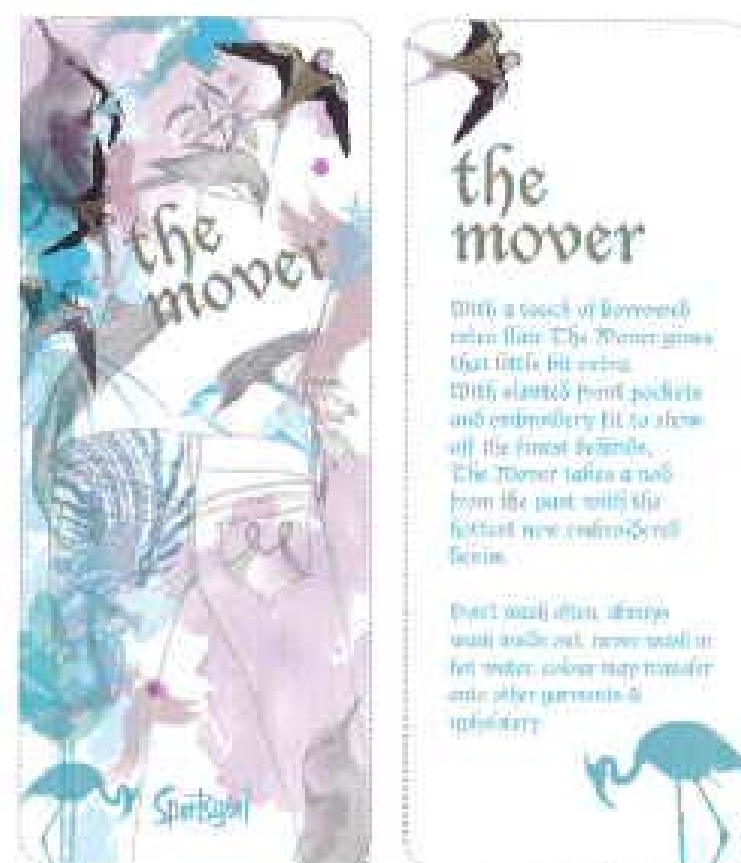
- (21) Design Number: **14852/2006**
(22) Date of Filing Application: **18 May 2006**
(24) Date from which industrial property rights may have effect: **18 May 2006**
(54) Product in respect of which the design is registered: **Swing tags**
(51) International Design Classification: **19-08**
(71) Name(s) and Address(s) of Applicant(s):
Sportsgirl Pty Ltd
24-40 Rosslyn Street West Melbourne Victoria 3003 Australia
(72) Name(s) of Designer(s): **Erin Fletcher**
(45) Registration Date: **06 December 2006**
(56) Related Art Documents: **Not Applicable**
(57) Statement of Newness and Distinctiveness: **Nil**



- (21) Design Number: **14853/2006**
(22) Date of Filing Application: **18 May 2006**
(24) Date from which industrial property rights may have effect: **18 May 2006**
(54) Product in respect of which the design is registered: **Swing tags**
(51) International Design Classification: **19-08**
(71) Name(s) and Address(s) of Applicant(s):
Sportsgirl Pty Ltd
24-40 Rosslyn Street West Melbourne Victoria 3003 Australia
(72) Name(s) of Designer(s): **Erin Fletcher**
(45) Registration Date: **06 December 2006**
(56) Related Art Documents: **Not Applicable**
(57) Statement of Newness and Distinctiveness: **Nil**



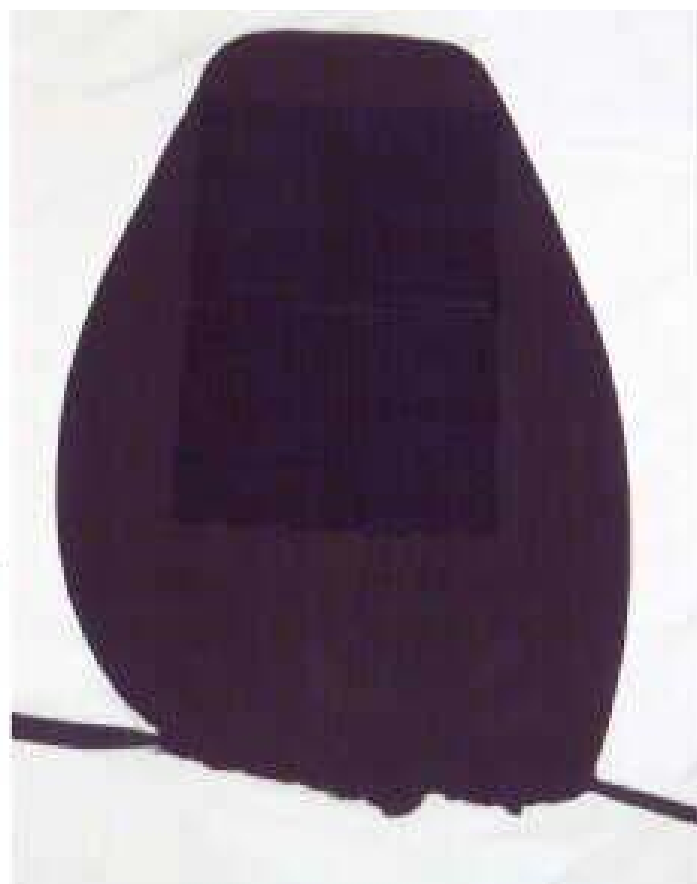
- (21) Design Number: **14854/2006**
(22) Date of Filing Application: **18 May 2006**
(24) Date from which industrial property rights may have effect: **18 May 2006**
(54) Product in respect of which the design is registered: **Swing tags**
(51) International Design Classification: **19-08**
(71) Name(s) and Address(s) of Applicant(s):
Sportsgirl Pty Ltd
24-40 Rosslyn Street West Melbourne Victoria 3003 Australia
(72) Name(s) of Designer(s): **Erin Fletcher**
(45) Registration Date: **06 December 2006**
(56) Related Art Documents: **Not Applicable**
(57) Statement of Newness and Distinctiveness: **Nil**



- (21) Design Number: **14855/2006**
- (22) Date of Filing Application: **18 May 2006**
- (24) Date from which industrial property rights may have effect: **18 May 2006**
- (54) Product in respect of which the design is registered: **Swing tags**
- (51) International Design Classification: **19-08**
- (71) Name(s) and Address(s) of Applicant(s):
Sportsgirl Pty Ltd
24-40 Rosslyn Street West Melbourne Victoria 3003 Australia
- (72) Name(s) of Designer(s): **Erin Fletcher**
- (45) Registration Date: **06 December 2006**
- (56) Related Art Documents: **Not Applicable**
- (57) Statement of Newness and Distinctiveness: **Nil**



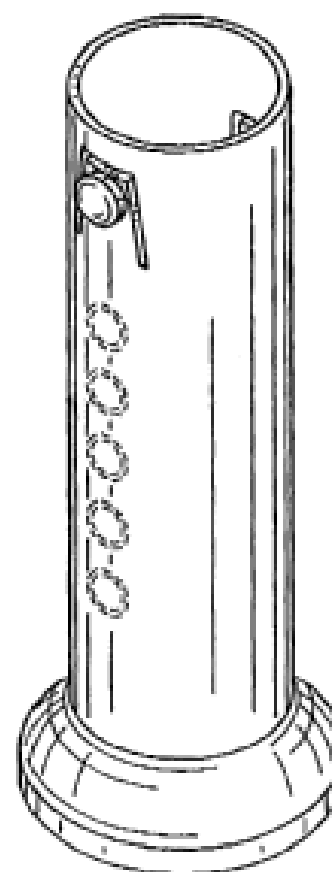
- (21) Design Number: **10489/2006**
- (22) Date of Filing Application: **09 February 2006**
- (24) Date from which industrial property rights may have effect: **09 February 2006**
- (54) Product in respect of which the design is registered: **Sleeve for a seat**
- (51) International Design Classification: **06-13NES**
- (71) Name(s) and Address(s) of Applicant(s):
CabAdsCorp Pty Ltd
36 Leyshon Court Bonogin Queensland 4213 Australia
- (72) Name(s) of Designer(s): **David John Neophyton and Darell Andrew Darling**
- (45) Registration Date: **07 December 2006**
- (56) Related Art Documents: **Not Applicable**
- (57) Statement of Newness and Distinctiveness: **The new and distinctive features of the design are the shape and configuration of the sleeve for a seat as shown in the attached representations.**



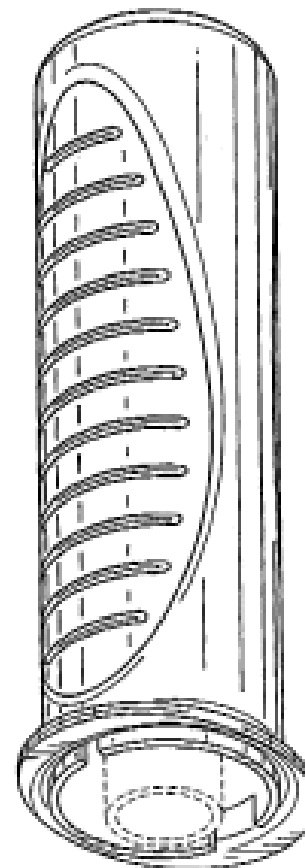
- (21) Design Number: **11983/2006**
(22) Date of Filing Application: **08 May 2006**
(24) Date from which industrial property rights may have effect: **08 May 2006**
(54) Product in respect of which the design is registered: **Ladies garment**
(51) International Design Classification: **02-02C, 02-02NES**
(71) Name(s) and Address(s) of Applicant(s):
Review Australia Pty Ltd
25-31 Rokeby Street Collingwood Victoria 3066 Australia
(72) Name(s) of Designer(s): **Jayne Ellis**
(45) Registration Date: **07 December 2006**
(56) Related Art Documents: **Not Applicable**
(57) Statement of Newness and Distinctiveness: **Nil**



- (21) Design Number: **13851/2006**
(22) Date of Filing Application: **28 August 2006**
(24) Date from which industrial property rights may have effect: **28 August 2006**
(54) Product in respect of which the design is registered: **Applicator refill**
(51) International Design Classification: **28-03NES**
(71) Name(s) and Address(s) of Applicant(s):
S.C. Johnson & Son, Inc.
1525 Howe Street Racine Wisconsin 53403-2236 United States of America
(72) Name(s) of Designer(s): **Doraiswami Jaichandra and Steven A. Zach**
(45) Registration Date: **07 December 2006**
(30) Convention priority data:
(31) Number (32) Date (33) Country
29/254747 28 Feb 2006 UNITED STATES OF AMERICA
(56) Related Art Documents: **Not Applicable**
(57) Statement of Newness and Distinctiveness: **Newness and distinctiveness is claimed in the features of shape and/or configuration of an applicator refill as illustrated in continuous lines in the accompanying representations.**



- (21) Design Number: **13852/2006**
(22) Date of Filing Application: **28 August 2006**
(24) Date from which industrial property rights may have effect: **28 August 2006**
(54) Product in respect of which the design is registered: **Applicator**
(51) International Design Classification: **28-03NES**
(71) Name(s) and Address(s) of Applicant(s):
S.C. Johnson & Son, Inc.
1525 Howe Street Racine Wisconsin 53403-2236 United States of America
(72) Name(s) of Designer(s): **Steven A. Zach and Doraiswami Jaichandra and Michael E. Klinkhammer**
(45) Registration Date: **07 December 2006**
(30) Convention priority data:
(31) Number (32) Date (33) Country
29/254795 28 Feb 2006 UNITED STATES OF AMERICA
(56) Related Art Documents: **Not Applicable**
(57) Statement of Newness and Distinctiveness: **Newness and distinctiveness is claimed in the features of shape and/or configuration of an applicator as illustrated in continuous lines in the accompanying representations.**



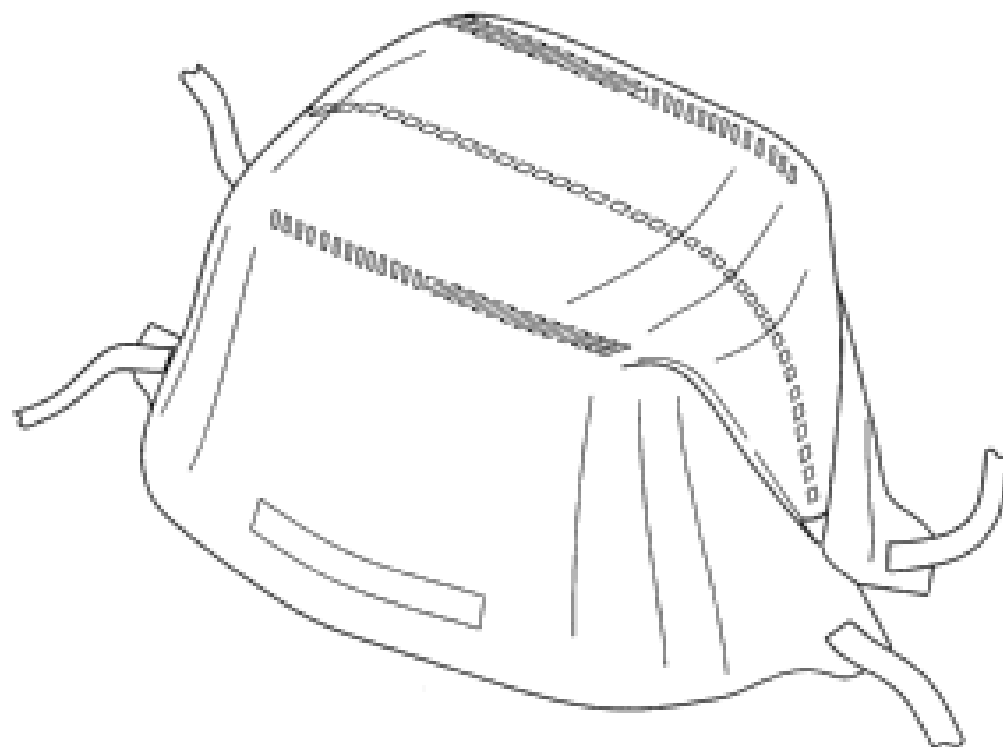
- (21) Design Number: **14464/2006**
(22) Date of Filing Application: **29 September 2006**
(24) Date from which industrial property rights may have effect: **29 September 2006**
(54) Product in respect of which the design is registered: **Vase**
(51) International Design Classification: **11-02A**
(71) Name(s) and Address(s) of Applicant(s):
Andrew McDonald
22 Banksia Avenue Tin Can Bay Queensland 4580 Australia
Patricia McDonald
22 Banksia Avenue Tin Can Bay Queensland 4580 Australia
(72) Name(s) of Designer(s): **Patricia McDonald**
(45) Registration Date: **07 December 2006**
(56) Related Art Documents: **Not Applicable**
(57) Statement of Newness and Distinctiveness: **Will send statement with photographs.**



(21) Design Number: **14649/2006**
(22) Date of Filing Application: **17 October 2006**
(24) Date from which industrial property rights may have effect: **17 October 2006**
(54) Product in respect of which the design is registered: **Vase**
(51) International Design Classification: **11-02A**
(71) Name(s) and Address(s) of Applicant(s):
Andrew McDonald
22 Banksia Avenue Tin Can Bay Queensland 4580 Australia
Patricia McDonald
22 Banksia Avenue Tin Can Bay Queensland 4580 Australia
(72) Name(s) of Designer(s): **Andrew McDonald and Patricia McDonald**
(45) Registration Date: **07 December 2006**
(56) Related Art Documents: **Not Applicable**
(57) Statement of Newness and Distinctiveness: **Nil**



(21) Design Number: **14755/2006**
(22) Date of Filing Application: **19 October 2006**
(24) Date from which industrial property rights may have effect: **19 October 2006**
(54) Product in respect of which the design is registered: **Pleated face mask**
(51) International Design Classification: **29-02**
(71) Name(s) and Address(s) of Applicant(s):
Louis M Gerson Co., Inc.
15 Sproat Street Middleboro MA 02346 United States of America
(72) Name(s) of Designer(s): **Ronald L. Gerson and Robert A. Brunell and Michael Cupicha**
(45) Registration Date: **07 December 2006**
(30) Convention priority data:
(31) Number (32) Date (33) Country
29/248,157 31 Jul 2006 UNITED STATES OF AMERICA
(56) Related Art Documents: **Not Applicable**
(57) Statement of Newness and Distinctiveness: **The shape and configuration of the pleated face mask is new and distinctive.**



(19) AU

(21) Design Number: **14757/2006**

(22) Date of Filing Application: **19 October 2006**

(24) Date from which industrial property rights may have effect: **19 October 2006**

(54) Product in respect of which the design is registered: **Pleated face mask**

(51) International Design Classification: **29-02**

(71) Name(s) and Address(s) of Applicant(s):

**Louis M Gerson Co., Inc.
15 Sproat Street Middleboro MA 02346 United States of America**

(72) Name(s) of Designer(s): **Robert A. Brunell**

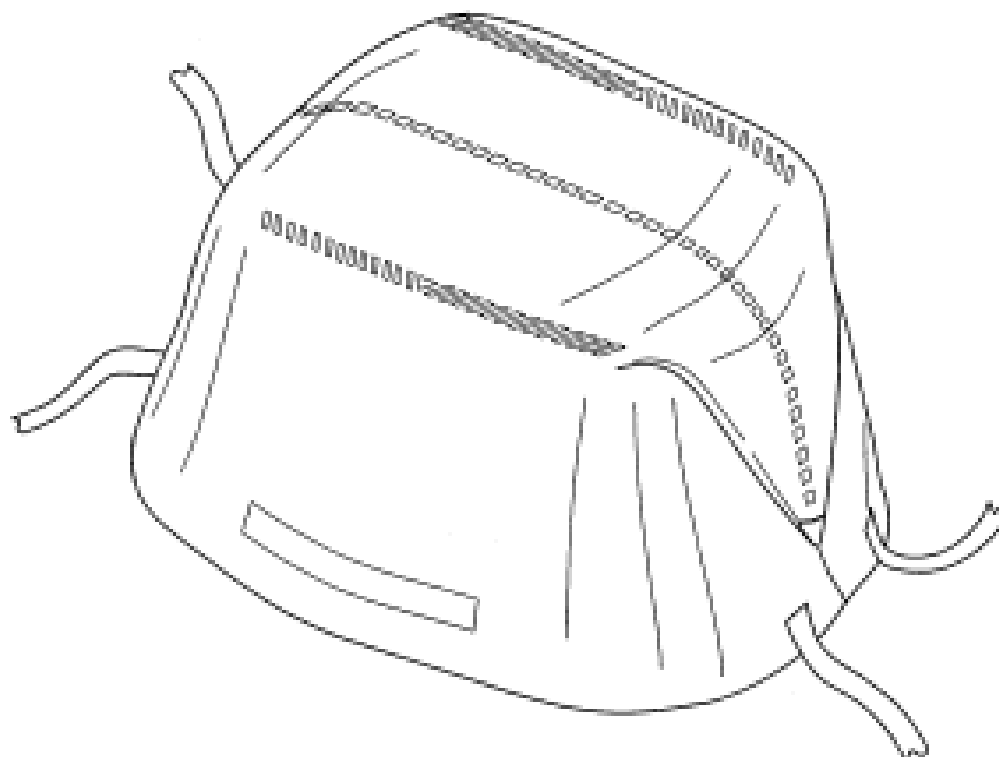
(45) Registration Date: **07 December 2006**

(30) Convention priority data:

(31) Number	(32) Date	(33) Country
29/248,158	31 Jul 2006	UNITED STATES OF AMERICA

(56) Related Art Documents: **Not Applicable**

(57) Statement of Newness and Distinctiveness: **The shape and configuration of the pleated face mask is new and distinctive.**



(19) AU

(21) Design Number: **14778/2006**

(22) Date of Filing Application: **19 October 2006**

(24) Date from which industrial property rights may have effect: **19 October 2006**

(54) Product in respect of which the design is registered: **A truck**

(51) International Design Classification: **12-08**

(71) Name(s) and Address(s) of Applicant(s):

**Isuzu Motors Limited
6-26-1 Minami-Oi Shinagawa-ku Tokyo 140-8722 Japan**

(72) Name(s) of Designer(s): **Toru Takagi and Keishi Hayashi and Yoshio Iwasaki**

(45) Registration Date: **07 December 2006**

(30) Convention priority data:

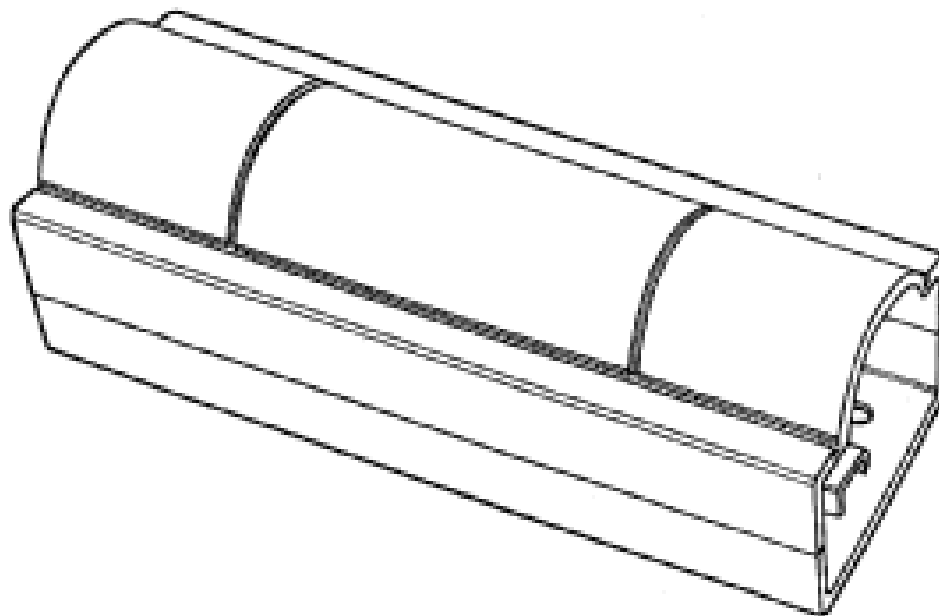
(31) Number	(32) Date	(33) Country
200630130865.6	26 Jun 2006	CHINA

(56) Related Art Documents: **Not Applicable**

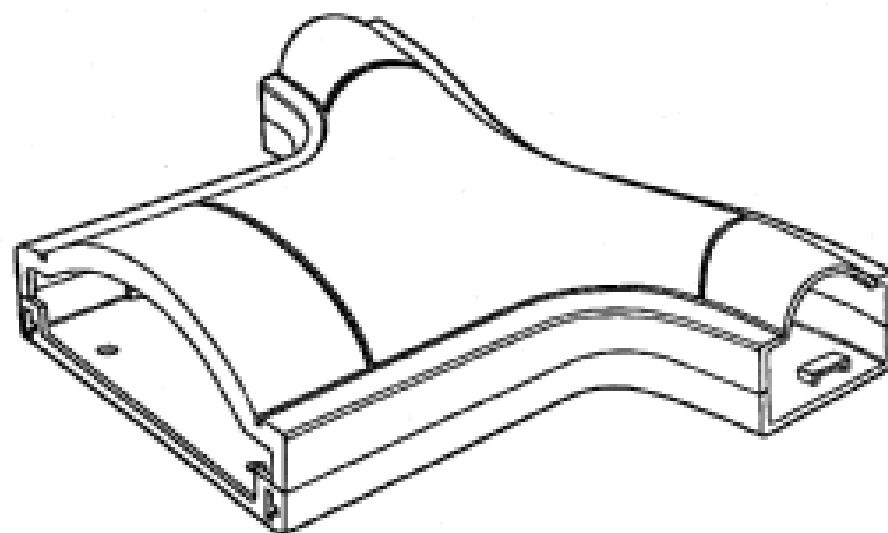
(57) Statement of Newness and Distinctiveness: **Newness and distinctiveness is claimed in the features of shape and/or configuration of the bumpers, grille and headlights of a truck as illustrated in the accompanying representations.**



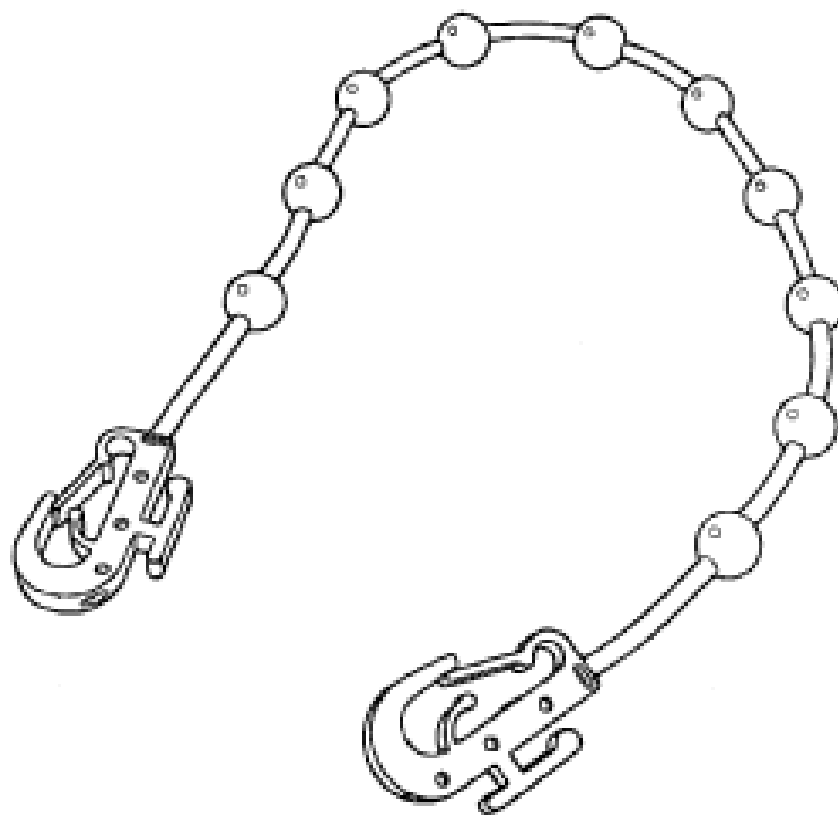
(21) Design Number: **14820/2006**
(22) Date of Filing Application: **20 October 2006**
(24) Date from which industrial property rights may have effect: **20 October 2006**
(54) Product in respect of which the design is registered: **Clamp for electrical wires**
(51) International Design Classification: **08-08D**
(71) Name(s) and Address(s) of Applicant(s):
Maria Angeles Perez Delgado
Casino no.2 38620 San Miguel De Abona (Tenerife) Spain
(72) Name(s) of Designer(s): **Maria Angeles Perez Delgado**
(45) Registration Date: **07 December 2006**
(30) Convention priority data:
(31) Number (32) Date (33) Country
000516711#0016 21 Apr 2006 EUROPEAN COMMUNITY
(56) Related Art Documents: **Not Applicable**
(57) Statement of Newness and Distinctiveness: **Nil**



(21) Design Number: **14821/2006**
(22) Date of Filing Application: **20 October 2006**
(24) Date from which industrial property rights may have effect: **20 October 2006**
(54) Product in respect of which the design is registered: **Clamp for electrical wires**
(51) International Design Classification: **08-08D**
(71) Name(s) and Address(s) of Applicant(s):
Maria Angeles Perez Delgado
Casino no.2 38620 San Miguel De Abona (Tenerife) Spain
(72) Name(s) of Designer(s): **Maria Angeles Perez Delgado**
(45) Registration Date: **07 December 2006**
(30) Convention priority data:
(31) Number (32) Date (33) Country
000516711#0014 21 Apr 2006 EUROPEAN COMMUNITY
(56) Related Art Documents: **Not Applicable**
(57) Statement of Newness and Distinctiveness: **Nil**



(21) Design Number: **14822/2006**
(22) Date of Filing Application: **20 October 2006**
(24) Date from which industrial property rights may have effect: **20 October 2006**
(54) Product in respect of which the design is registered: **Fastening element for electrical wires**
(51) International Design Classification: **08-08NES**
(71) Name(s) and Address(s) of Applicant(s):
Maria Angeles Perez Delgado
Casino no.2 38620 San Miguel De Abona (Tenerife) Spain
(72) Name(s) of Designer(s): **Maria Angeles Perez Delgado**
(45) Registration Date: **07 December 2006**
(30) Convention priority data:
(31) Number (32) Date (33) Country
503.180#X 21 Apr 2006 SPAIN
(56) Related Art Documents: **Not Applicable**
(57) Statement of Newness and Distinctiveness: **Nil**



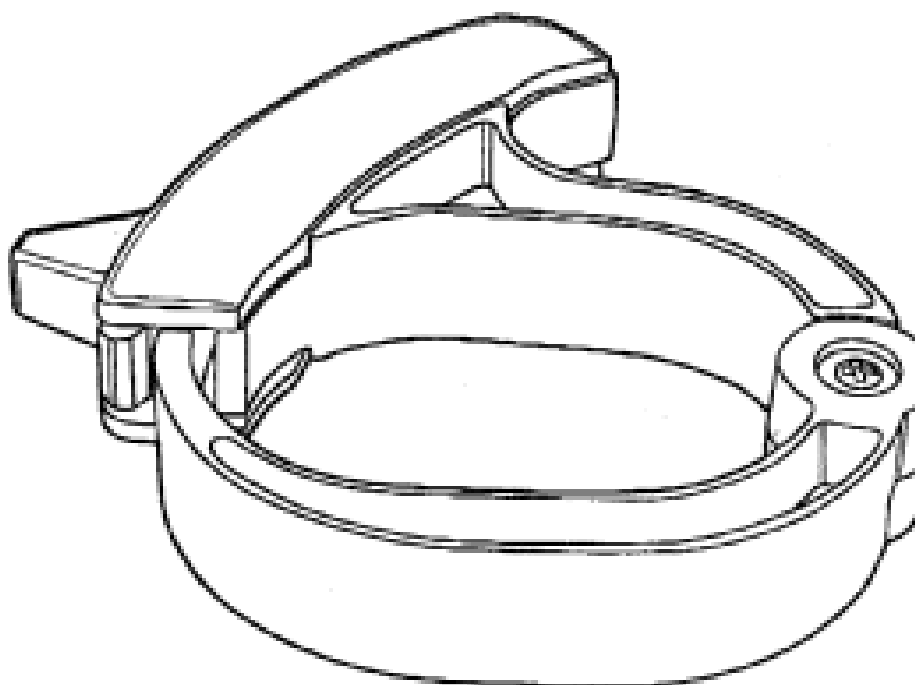
(21) Design Number: **14484/2006**
(22) Date of Filing Application: **06 October 2006**
(24) Date from which industrial property rights may have effect: **06 October 2006**
(54) Product in respect of which the design is registered: **Tile cutting aid and saw display board**
(51) International Design Classification: **08-03**
(71) Name(s) and Address(s) of Applicant(s):
Craig Le Breton
c/-Trademark Works Level 30 AMP Place 10 Eagle Street Brisbane
Queensland 4000 Australia
(72) Name(s) of Designer(s): **Craig Le Breton**
(45) Registration Date: **07 December 2006**
(56) Related Art Documents: **Not Applicable**
(57) Statement of Newness and Distinctiveness: **Especially designed tile cutting aid and saw display board.**



(21) Design Number: **14760/2006**
(22) Date of Filing Application: **19 October 2006**
(24) Date from which industrial property rights may have effect: **19 October 2006**
(54) Product in respect of which the design is registered: **A truck**
(51) International Design Classification: **12-08**
(71) Name(s) and Address(s) of Applicant(s):
Isuzu Motors Limited
6-26-1 Minami-Oi Shinagawa-ku Tokyo 140-8722 Japan
(72) Name(s) of Designer(s): **Toru Takagi and Yoshio Iwasaki and Keishi Hayashi**
(45) Registration Date: **07 December 2006**
(30) Convention priority data:
(31) Number (32) Date (33) Country
200630130868.X 26 Jun 2006 CHINA
(56) Related Art Documents: **Not Applicable**
(57) Statement of Newness and Distinctiveness: **Newness and distinctiveness is claimed in the features of shape and/or configuration of the bumpers, grille and headlights of a truck as illustrated in the accompanying representations.**



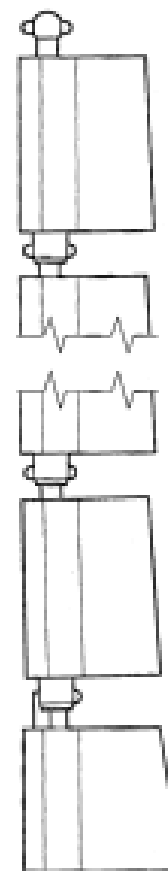
(21) Design Number: **14823/2006**
(22) Date of Filing Application: **20 October 2006**
(24) Date from which industrial property rights may have effect: **20 October 2006**
(54) Product in respect of which the design is registered: **Fastening element for electrical wires**
(51) International Design Classification: **08-08B**
(71) Name(s) and Address(s) of Applicant(s):
Maria Angeles Perez Delgado
Casino no.2 38620 San Miguel De Abona (Tenerife) Spain
(72) Name(s) of Designer(s): **Maria Angeles Perez Delgado**
(45) Registration Date: **07 December 2006**
(30) Convention priority data:
(31) Number (32) Date (33) Country
503.180#X 21 Apr 2006 SPAIN
(56) Related Art Documents: **Not Applicable**
(57) Statement of Newness and Distinctiveness: **Nil**



(19) AU

- (21) Design Number: **14824/2006**
- (22) Date of Filing Application: **20 October 2006**
- (24) Date from which industrial property rights may have effect: **20 October 2006**
- (54) Product in respect of which the design is registered: **Clamp for electrical wires**
- (51) International Design Classification: **08-08NES**
- (71) Name(s) and Address(s) of Applicant(s):
Maria Angeles Perez Delgado
Casino no.2 38620 San Miguel De Abona (Tenerife) Spain
- (72) Name(s) of Designer(s): **Maria Angeles Perez Delgado**
- (45) Registration Date: **07 December 2006**
- (30) Convention priority data:

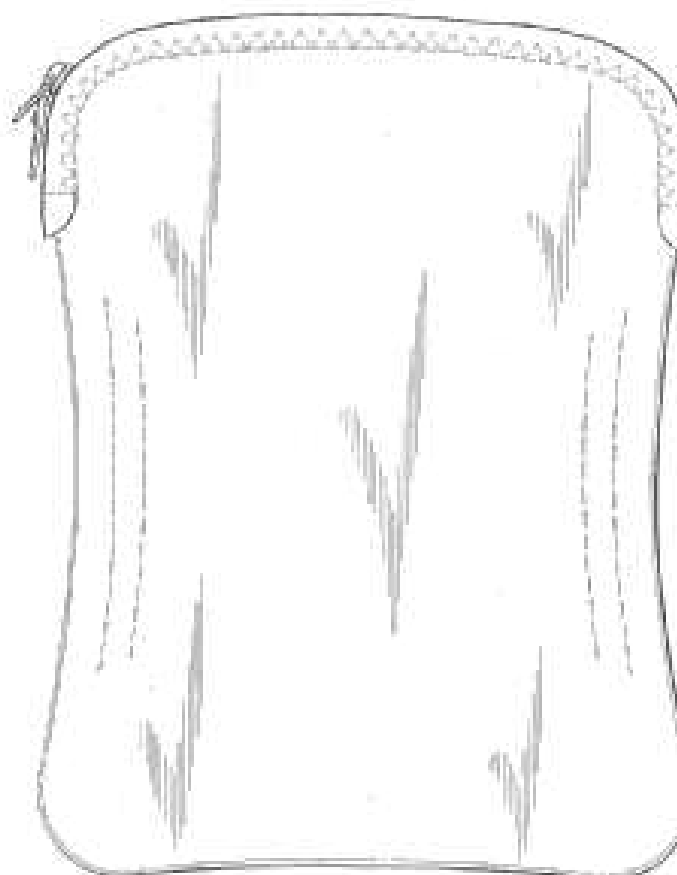
(31) Number	(32) Date	(33) Country
000516711#0006	21 Apr 2006	EUROPEAN COMMUNITY
- (56) Related Art Documents: **Not Applicable**
- (57) Statement of Newness and Distinctiveness: **Nil**



(19) AU

- (21) Design Number: **14856/2006**
- (22) Date of Filing Application: **24 October 2006**
- (24) Date from which industrial property rights may have effect: **24 October 2006**
- (54) Product in respect of which the design is registered: **Cover**
- (51) International Design Classification: **03-01NES**
- (71) Name(s) and Address(s) of Applicant(s):
Built NY, Inc.
520 Broadway 2nd Floor New York NY 10012 United States of America
- (72) Name(s) of Designer(s): **Aaron Lown and John R. Swartz**
- (45) Registration Date: **07 December 2006**
- (30) Convention priority data:

(31) Number	(32) Date	(33) Country
29/258,559	24 Apr 2006	UNITED STATES OF AMERICA
- (56) Related Art Documents: **Not Applicable**
- (57) Statement of Newness and Distinctiveness: **The newness and distinctiveness of the design resides in the features of shape and configuration of a cover as illustrated in the accompanying representations wherein: Fig. 1 is a front elevation of a cover showing the design; Fig. 2 is a top plan view thereof; Fig. 3 is a left side view thereof; Fig. 4 is a right side view thereof; Fig. 5 is a bottom plan view thereof, and wherein the newness and distinctiveness of the features of the body portion apart from the nature of the closure portion are emphasized.**



(21) Design Number: **14857/2006**

(22) Date of Filing Application: **24 October 2006**

(24) Date from which industrial property rights may have effect: **24 October 2006**

(54) Product in respect of which the design is registered: **Carrying pocket**

(51) International Design Classification: **03-01NES**

(71) Name(s) and Address(s) of Applicant(s):

Built NY, Inc.

520 Broadway 2nd Floor New York NY 10012 United States of America

(72) Name(s) of Designer(s): **Aaron Lown and John R. Swartz**

(45) Registration Date: **07 December 2006**

(30) Convention priority data:

(31) Number
29/246,604

(32) Date
26 Apr 2006

(33) Country
UNITED STATES OF AMERICA

(56) Related Art Documents: **Not Applicable**

(57) Statement of Newness and Distinctiveness: **The newness and distinctiveness of the design resides in the features of shape and configuration of the carrying pocket as illustrated in the accompanying representations and wherein: Fig. 1 is a front perspective view of a carrying pocket of the design; Fig. 2. is a top view thereof; Fig. 3 is a side view thereof; Fig. 4 is a bottom plan view thereof; and Fig. 5 is a rear plan view thereof.**



(21) Design Number: **14858/2006**

(22) Date of Filing Application: **24 October 2006**

(24) Date from which industrial property rights may have effect: **24 October 2006**

(54) Product in respect of which the design is registered: **A member**

(51) International Design Classification: **25-01NES**

(71) Name(s) and Address(s) of Applicant(s):

Solomon John

65 Enterprise Street Cleveland Queensland 4163 Australia

(72) Name(s) of Designer(s): **Carmen Keating and Ben McGarry and Steve McCallion**

(45) Registration Date: **07 December 2006**

(56) Related Art Documents: **Not Applicable**

(57) Statement of Newness and Distinctiveness: **The new and distinctive features are the features of shape and configuration of the member. The design comprises a repeating shape of indefinite length.**



(21) Design Number: **14865/2006**

(22) Date of Filing Application: **24 October 2006**

(24) Date from which industrial property rights may have effect: **24 October 2006**

(54) Product in respect of which the design is registered: **A power board**

(51) International Design Classification: **13-03E**

(71) Name(s) and Address(s) of Applicant(s):

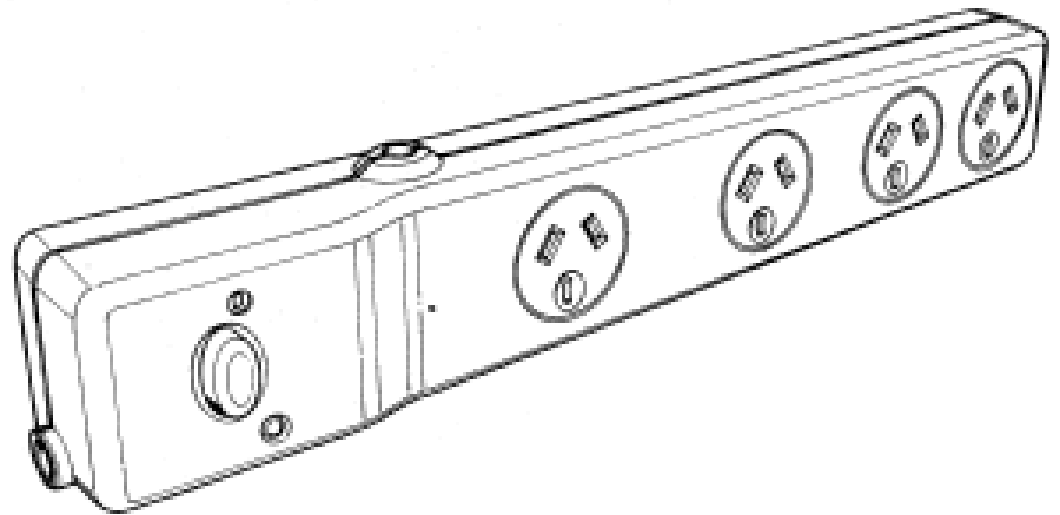
Jackson Industries Pty Limited
16 Brookhollow Avenue Norwest Business Park Baulkham Hills New
South Wales 2153 Australia

(72) Name(s) of Designer(s): **Ross Alec Jackson**

(45) Registration Date: **07 December 2006**

(56) Related Art Documents: **Not Applicable**

(57) Statement of Newness and Distinctiveness: **Newness and distinctiveness is claimed in the features of shape and/or configuration of the radiussed edges of a power board as illustrated in the accompanying representations.**



(21) Design Number: **14879/2006**

(22) Date of Filing Application: **24 October 2006**

(24) Date from which industrial property rights may have effect: **24 October 2006**

(54) Product in respect of which the design is registered: **Rolling platform ladder with foot lever operable undercarriage**

(51) International Design Classification: **25-04**

(71) Name(s) and Address(s) of Applicant(s):

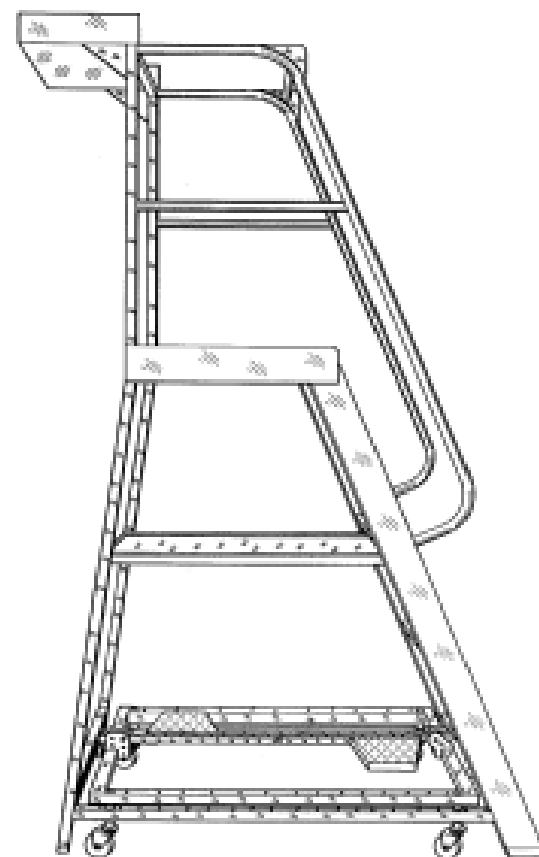
No Bolt Operations Pty Ltd
29 Union Road Dandenong South Victoria 3175 Australia

(72) Name(s) of Designer(s): **Danny Frolik**

(45) Registration Date: **07 December 2006**

(56) Related Art Documents: **Not Applicable**

(57) Statement of Newness and Distinctiveness: **The features of the shape and configuration of a rolling platform ladder with foot lever operable undercarriage are new and distinctive. For the purposes of determining the features of the design in infringement proceedings, the features of the entry barrier marked 'A' are to be disregarded.**



- (21) Design Number: **15112/2006**
(22) Date of Filing Application: **08 May 2006**
(24) Date from which industrial property rights may have effect: **08 May 2006**
(54) Product in respect of which the design is registered: **Ladies garments**
(51) International Design Classification: **02-02C, 02-02NES**
(71) Name(s) and Address(s) of Applicant(s):
Review Australia Pty Ltd
25-31 Rokeby Street Collingwood Victoria 3066 Australia
(72) Name(s) of Designer(s): **Jayne Ellis**
(45) Registration Date: **07 December 2006**
(56) Related Art Documents: **Not Applicable**
(57) Statement of Newness and Distinctiveness: **Nil**



- (21) Design Number: **15113/2006**
(22) Date of Filing Application: **08 May 2006**
(24) Date from which industrial property rights may have effect: **08 May 2006**
(54) Product in respect of which the design is registered: **Ladies garments**
(51) International Design Classification: **02-02C, 02-02NES**
(71) Name(s) and Address(s) of Applicant(s):
Review Australia Pty Ltd
25-31 Rokeby Street Collingwood Victoria 3066 Australia
(72) Name(s) of Designer(s): **Jayne Ellis**
(45) Registration Date: **07 December 2006**
(56) Related Art Documents: **Not Applicable**
(57) Statement of Newness and Distinctiveness: **Nil**



(21) Design Number: **15114/2006**
(22) Date of Filing Application: **08 May 2006**
(24) Date from which industrial property rights may have effect: **08 May 2006**
(54) Product in respect of which the design is registered: **Ladies garments**
(51) International Design Classification: **02-02C, 02-02NES**
(71) Name(s) and Address(s) of Applicant(s):
Review Australia Pty Ltd
25-31 Rokeby Street Collingwood Victoria 3066 Australia
(72) Name(s) of Designer(s): **Jayne Ellis**
(45) Registration Date: **07 December 2006**
(56) Related Art Documents: **Not Applicable**
(57) Statement of Newness and Distinctiveness: **Nil**



(21) Design Number: **15115/2006**
(22) Date of Filing Application: **08 May 2006**
(24) Date from which industrial property rights may have effect: **08 May 2006**
(54) Product in respect of which the design is registered: **Ladies garments**
(51) International Design Classification: **02-02C, 02-02NES**
(71) Name(s) and Address(s) of Applicant(s):
Review Australia Pty Ltd
25-31 Rokeby Street Collingwood Victoria 3066 Australia
(72) Name(s) of Designer(s): **Jayne Ellis**
(45) Registration Date: **07 December 2006**
(56) Related Art Documents: **Not Applicable**
(57) Statement of Newness and Distinctiveness: **Nil**



- (21) Design Number: **15126/2006**
(22) Date of Filing Application: **09 November 2006**
(24) Date from which industrial property rights may have effect: **09 November 2006**
(54) Product in respect of which the design is registered: **Vase**
(51) International Design Classification: **11-02A**
(71) Name(s) and Address(s) of Applicant(s):
 Andrew McDonald
 22 Banksia Avenue Tin Can Bay Queensland 4580 Australia
 Patricia McDonald
 22 Banksia Avenue Tin Can Bay Queensland 4580 Australia
(72) Name(s) of Designer(s): **Andrew McDonald and Patricia McDonald**
(45) Registration Date: **07 December 2006**
(56) Related Art Documents: **Not Applicable**
(57) Statement of Newness and Distinctiveness: **Nil**



- (21) Design Number: **15127/2006**
(22) Date of Filing Application: **29 September 2006**
(24) Date from which industrial property rights may have effect: **29 September 2006**
(54) Product in respect of which the design is registered: **Vase**
(51) International Design Classification: **11-02A**
(71) Name(s) and Address(s) of Applicant(s):
 Andrew McDonald
 22 Banksia Avenue Tin Can Bay Queensland 4580 Australia
 Patricia McDonald
 22 Banksia Avenue Tin Can Bay Queensland 4580 Australia
(72) Name(s) of Designer(s): **Andrew McDonald and Patricia McDonald**
(45) Registration Date: **07 December 2006**
(56) Related Art Documents: **Not Applicable**
(57) Statement of Newness and Distinctiveness: **Nil**



- (21) Design Number: **13535/2006**
(22) Date of Filing Application: **14 August 2006**
(24) Date from which industrial property rights may have effect: **14 August 2006**
(54) Product in respect of which the design is registered: **Handbag**
(51) International Design Classification: **03-01B**
(71) Name(s) and Address(s) of Applicant(s):
Spencer & Rutherford Pty Ltd
199 Fitzroy Street St Kilda Victoria 3182 Australia
(72) Name(s) of Designer(s): **Kim Michaelides**
(45) Registration Date: **08 December 2006**
(56) Related Art Documents: **Not Applicable**
(57) Statement of Newness and Distinctiveness: **Monopoly is claimed in the shape, configuration and the features of pattern and ornamentation of the handbag as illustrated in the accompanying representations.**



- (21) Design Number: **13536/2006**
(22) Date of Filing Application: **14 August 2006**
(24) Date from which industrial property rights may have effect: **14 August 2006**
(54) Product in respect of which the design is registered: **Handbag**
(51) International Design Classification: **03-01B**
(71) Name(s) and Address(s) of Applicant(s):
Spencer & Rutherford Pty Ltd
199 Fitzroy Street St Kilda Victoria 3182 Australia
(72) Name(s) of Designer(s): **Kim Michaelides**
(45) Registration Date: **08 December 2006**
(56) Related Art Documents: **Not Applicable**
(57) Statement of Newness and Distinctiveness: **Monopoly is claimed in the shape, configuration and the features of pattern and ornamentation of the handbag as illustrated in the accompanying representations.**



(21) Design Number: **13537/2006**

(22) Date of Filing Application: **14 August 2006**

(24) Date from which industrial property rights may have effect: **14 August 2006**

(54) Product in respect of which the design is registered: **Handbag**

(51) International Design Classification: **03-01B**

(71) Name(s) and Address(s) of Applicant(s):

**Spencer & Rutherford Pty Ltd
199 Fitzroy Street St Kilda Victoria 3182 Australia**

(72) Name(s) of Designer(s): **Kim Michaelides**

(45) Registration Date: **08 December 2006**

(56) Related Art Documents: **Not Applicable**

(57) Statement of Newness and Distinctiveness: **Monopoly is claimed in the shape, configuration and the features of pattern and ornamentation of the handbag as illustrated in the accompanying representations.**



(21) Design Number: **13538/2006**

(22) Date of Filing Application: **14 August 2006**

(24) Date from which industrial property rights may have effect: **14 August 2006**

(54) Product in respect of which the design is registered: **Handbag**

(51) International Design Classification: **03-01B**

(71) Name(s) and Address(s) of Applicant(s):

**Spencer & Rutherford Pty Ltd
199 Fitzroy Street St Kilda Victoria 3182 Australia**

(72) Name(s) of Designer(s): **Kim Michaelides**

(45) Registration Date: **08 December 2006**

(56) Related Art Documents: **Not Applicable**

(57) Statement of Newness and Distinctiveness: **Monopoly is claimed in the shape, configuration and the features of pattern and ornamentation of the handbag as illustrated in the accompanying representations.**



(21) Design Number: **13539/2006**

(22) Date of Filing Application: **14 August 2006**

(24) Date from which industrial property rights may have effect: **14 August 2006**

(54) Product in respect of which the design is registered: **Handbag**

(51) International Design Classification: **03-01B**

(71) Name(s) and Address(s) of Applicant(s):

**Spencer & Rutherford Pty Ltd
199 Fitzroy Street St Kilda Victoria 3182 Australia**

(72) Name(s) of Designer(s): **Kim Michaelides**

(45) Registration Date: **08 December 2006**

(56) Related Art Documents: **Not Applicable**

(57) Statement of Newness and Distinctiveness: **Monopoly is claimed in the shape, configuration and the features of pattern and ornamentation of the handbag as illustrated in the accompanying representations.**



(21) Design Number: **13540/2006**

(22) Date of Filing Application: **14 August 2006**

(24) Date from which industrial property rights may have effect: **14 August 2006**

(54) Product in respect of which the design is registered: **Handbag**

(51) International Design Classification: **03-01B**

(71) Name(s) and Address(s) of Applicant(s):

**Spencer & Rutherford Pty Ltd
199 Fitzroy Street St Kilda Victoria 3182 Australia**

(72) Name(s) of Designer(s): **Kim Michaelides**

(45) Registration Date: **08 December 2006**

(56) Related Art Documents: **Not Applicable**

(57) Statement of Newness and Distinctiveness: **Monopoly is claimed in the shape, configuration and the features of pattern and ornamentation of the handbag as illustrated in the accompanying representations.**



(21) Design Number: **13541/2006**

(22) Date of Filing Application: **14 August 2006**

(24) Date from which industrial property rights may have effect: **14 August 2006**

(54) Product in respect of which the design is registered: **Handbag**

(51) International Design Classification: **03-01B**

(71) Name(s) and Address(s) of Applicant(s):

**Spencer & Rutherford Pty Ltd
199 Fitzroy Street St Kilda Victoria 3182 Australia**

(72) Name(s) of Designer(s): **Kim Michaelides**

(45) Registration Date: **08 December 2006**

(56) Related Art Documents: **Not Applicable**

(57) Statement of Newness and Distinctiveness: **Monopoly is claimed in the shape, configuration and the features of pattern and ornamentation of the handbag as illustrated in the accompanying representations.**



(21) Design Number: **13542/2006**

(22) Date of Filing Application: **14 August 2006**

(24) Date from which industrial property rights may have effect: **14 August 2006**

(54) Product in respect of which the design is registered: **Handbag**

(51) International Design Classification: **03-01B**

(71) Name(s) and Address(s) of Applicant(s):

**Spencer & Rutherford Pty Ltd
199 Fitzroy Street St Kilda Victoria 3182 Australia**

(72) Name(s) of Designer(s): **Kim Michaelides**

(45) Registration Date: **08 December 2006**

(56) Related Art Documents: **Not Applicable**

(57) Statement of Newness and Distinctiveness: **Monopoly is claimed in the shape, configuration and the features of pattern and ornamentation of the handbag as illustrated in the accompanying representations.**



(21) Design Number: **13543/2006**

(22) Date of Filing Application: **14 August 2006**

(24) Date from which industrial property rights may have effect: **14 August 2006**

(54) Product in respect of which the design is registered: **Handbag**

(51) International Design Classification: **03-01B**

(71) Name(s) and Address(s) of Applicant(s):

Spencer & Rutherford Pty Ltd
199 Fitzroy Street St Kilda Victoria 3182 Australia

(72) Name(s) of Designer(s): **Kim Michaelides**

(45) Registration Date: **08 December 2006**

(56) Related Art Documents: **Not Applicable**

(57) Statement of Newness and Distinctiveness: **Monopoly is claimed in the shape, configuration and the features of pattern and ornamentation of the handbag as illustrated in the accompanying representations.**



(21) Design Number: **13544/2006**

(22) Date of Filing Application: **14 August 2006**

(24) Date from which industrial property rights may have effect: **14 August 2006**

(54) Product in respect of which the design is registered: **Handbag**

(51) International Design Classification: **03-01B**

(71) Name(s) and Address(s) of Applicant(s):

Spencer & Rutherford Pty Ltd
199 Fitzroy Street St Kilda Victoria 3182 Australia

(72) Name(s) of Designer(s): **Kim Michaelides**

(45) Registration Date: **08 December 2006**

(56) Related Art Documents: **Not Applicable**

(57) Statement of Newness and Distinctiveness: **Monopoly is claimed in the shape, configuration and the features of pattern and ornamentation of the handbag as illustrated in the accompanying representations.**



(21) Design Number: **13545/2006**

(22) Date of Filing Application: **14 August 2006**

(24) Date from which industrial property rights may have effect: **14 August 2006**

(54) Product in respect of which the design is registered: **Handbag**

(51) International Design Classification: **03-01B**

(71) Name(s) and Address(s) of Applicant(s):

**Spencer & Rutherford Pty Ltd
199 Fitzroy Street St Kilda Victoria 3182 Australia**

(72) Name(s) of Designer(s): **Kim Michaelides**

(45) Registration Date: **08 December 2006**

(56) Related Art Documents: **Not Applicable**

(57) Statement of Newness and Distinctiveness: **Monopoly is claimed in the shape, configuration and the features of pattern and ornamentation of the handbag as illustrated in the accompanying representations.**



(21) Design Number: **13546/2006**

(22) Date of Filing Application: **14 August 2006**

(24) Date from which industrial property rights may have effect: **14 August 2006**

(54) Product in respect of which the design is registered: **Handbag**

(51) International Design Classification: **03-01B**

(71) Name(s) and Address(s) of Applicant(s):

**Spencer & Rutherford Pty Ltd
199 Fitzroy Street St Kilda Victoria 3182 Australia**

(72) Name(s) of Designer(s): **Kim Michaelides**

(45) Registration Date: **08 December 2006**

(56) Related Art Documents: **Not Applicable**

(57) Statement of Newness and Distinctiveness: **Monopoly is claimed in the shape, configuration and the features of pattern and ornamentation of the handbag as illustrated in the accompanying representations.**



(21) Design Number: **13547/2006**

(22) Date of Filing Application: **14 August 2006**

(24) Date from which industrial property rights may have effect: **14 August 2006**

(54) Product in respect of which the design is registered: **Handbag**

(51) International Design Classification: **03-01B**

(71) Name(s) and Address(s) of Applicant(s):

**Spencer & Rutherford Pty Ltd
199 Fitzroy Street St Kilda Victoria 3182 Australia**

(72) Name(s) of Designer(s): **Kim Michaelides**

(45) Registration Date: **08 December 2006**

(56) Related Art Documents: **Not Applicable**

(57) Statement of Newness and Distinctiveness: **Monopoly is claimed in the shape, configuration and the features of pattern and ornamentation of the handbag as illustrated in the accompanying representations.**



(21) Design Number: **13548/2006**

(22) Date of Filing Application: **14 August 2006**

(24) Date from which industrial property rights may have effect: **14 August 2006**

(54) Product in respect of which the design is registered: **Handbag**

(51) International Design Classification: **03-01B**

(71) Name(s) and Address(s) of Applicant(s):

**Spencer & Rutherford Pty Ltd
199 Fitzroy Street St Kilda Victoria 3182 Australia**

(72) Name(s) of Designer(s): **Kim Michaelides**

(45) Registration Date: **08 December 2006**

(56) Related Art Documents: **Not Applicable**

(57) Statement of Newness and Distinctiveness: **Monopoly is claimed in the shape, configuration and the features of pattern and ornamentation of the handbag as illustrated in the accompanying representations.**



(21) Design Number: **13549/2006**

(22) Date of Filing Application: **14 August 2006**

(24) Date from which industrial property rights may have effect: **14 August 2006**

(54) Product in respect of which the design is registered: **Handbag**

(51) International Design Classification: **03-01B**

(71) Name(s) and Address(s) of Applicant(s):

**Spencer & Rutherford Pty Ltd
199 Fitzroy Street St Kilda Victoria 3182 Australia**

(72) Name(s) of Designer(s): **Kim Michaelides**

(45) Registration Date: **08 December 2006**

(56) Related Art Documents: **Not Applicable**

(57) Statement of Newness and Distinctiveness: **Monopoly is claimed in the shape, configuration and the features of pattern and ornamentation of the handbag as illustrated in the accompanying representations.**



(21) Design Number: **13550/2006**

(22) Date of Filing Application: **14 August 2006**

(24) Date from which industrial property rights may have effect: **14 August 2006**

(54) Product in respect of which the design is registered: **Handbag**

(51) International Design Classification: **03-01B**

(71) Name(s) and Address(s) of Applicant(s):

**Spencer & Rutherford Pty Ltd
199 Fitzroy Street St Kilda Victoria 3182 Australia**

(72) Name(s) of Designer(s): **Kim Michaelides**

(45) Registration Date: **08 December 2006**

(56) Related Art Documents: **Not Applicable**

(57) Statement of Newness and Distinctiveness: **Monopoly is claimed in the shape, configuration and the features of pattern and ornamentation of the handbag as illustrated in the accompanying representations.**



- (21) Design Number: **13551/2006**
(22) Date of Filing Application: **14 August 2006**
(24) Date from which industrial property rights may have effect: **14 August 2006**
(54) Product in respect of which the design is registered: **Handbag**
(51) International Design Classification: **03-01B**
(71) Name(s) and Address(s) of Applicant(s):
Spencer & Rutherford Pty Ltd
199 Fitzroy Street St Kilda Victoria 3182 Australia
(72) Name(s) of Designer(s): **Kim Michaelides**
(45) Registration Date: **08 December 2006**
(56) Related Art Documents: **Not Applicable**
(57) Statement of Newness and Distinctiveness: **Monopoly is claimed in the shape, configuration and the features of pattern and ornamentation of the handbag as illustrated in the accompanying representations.**



- (21) Design Number: **13552/2006**
(22) Date of Filing Application: **14 August 2006**
(24) Date from which industrial property rights may have effect: **14 August 2006**
(54) Product in respect of which the design is registered: **Handbag**
(51) International Design Classification: **03-01B**
(71) Name(s) and Address(s) of Applicant(s):
Spencer & Rutherford Pty Ltd
199 Fitzroy Street St Kilda Victoria 3182 Australia
(72) Name(s) of Designer(s): **Kim Michaelides**
(45) Registration Date: **08 December 2006**
(56) Related Art Documents: **Not Applicable**
(57) Statement of Newness and Distinctiveness: **Monopoly is claimed in the shape, configuration and the features of pattern and ornamentation of the handbag as illustrated in the accompanying representations.**



(21) Design Number: **13553/2006**

(22) Date of Filing Application: **14 August 2006**

(24) Date from which industrial property rights may have effect: **14 August 2006**

(54) Product in respect of which the design is registered: **Handbag**

(51) International Design Classification: **03-01B**

(71) Name(s) and Address(s) of Applicant(s):

**Spencer & Rutherford Pty Ltd
199 Fitzroy Street St Kilda Victoria 3182 Australia**

(72) Name(s) of Designer(s): **Kim Michaelides**

(45) Registration Date: **08 December 2006**

(56) Related Art Documents: **Not Applicable**

(57) Statement of Newness and Distinctiveness: **Monopoly is claimed in the shape, configuration and the features of pattern and ornamentation of the handbag as illustrated in the accompanying representations.**



(21) Design Number: **13554/2006**

(22) Date of Filing Application: **14 August 2006**

(24) Date from which industrial property rights may have effect: **14 August 2006**

(54) Product in respect of which the design is registered: **Handbag**

(51) International Design Classification: **03-01B**

(71) Name(s) and Address(s) of Applicant(s):

**Spencer & Rutherford Pty Ltd
199 Fitzroy Street St Kilda Victoria 3182 Australia**

(72) Name(s) of Designer(s): **Kim Michaelides**

(45) Registration Date: **08 December 2006**

(56) Related Art Documents: **Not Applicable**

(57) Statement of Newness and Distinctiveness: **Monopoly is claimed in the shape, configuration and the features of pattern and ornamentation of the handbag as illustrated in the accompanying representations.**



- (21) Design Number: **13555/2006**
(22) Date of Filing Application: **14 August 2006**
(24) Date from which industrial property rights may have effect: **14 August 2006**
(54) Product in respect of which the design is registered: **Handbag**
(51) International Design Classification: **03-01B**
(71) Name(s) and Address(s) of Applicant(s):
Spencer & Rutherford Pty Ltd
199 Fitzroy Street St Kilda Victoria 3182 Australia
(72) Name(s) of Designer(s): **Kim Michaelides**
(45) Registration Date: **08 December 2006**
(56) Related Art Documents: **Not Applicable**
(57) Statement of Newness and Distinctiveness: **Monopoly is claimed in the shape, configuration and the features of pattern and ornamentation of the handbag as illustrated in the accompanying representations.**



- (21) Design Number: **13556/2006**
(22) Date of Filing Application: **14 August 2006**
(24) Date from which industrial property rights may have effect: **14 August 2006**
(54) Product in respect of which the design is registered: **Handbag**
(51) International Design Classification: **03-01B**
(71) Name(s) and Address(s) of Applicant(s):
Spencer & Rutherford Pty Ltd
199 Fitzroy Street St Kilda Victoria 3182 Australia
(72) Name(s) of Designer(s): **Kim Michaelides**
(45) Registration Date: **08 December 2006**
(56) Related Art Documents: **Not Applicable**
(57) Statement of Newness and Distinctiveness: **Monopoly is claimed in the shape, configuration and the features of pattern and ornamentation of the handbag as illustrated in the accompanying representations.**



(21) Design Number: **13557/2006**

(22) Date of Filing Application: **14 August 2006**

(24) Date from which industrial property rights may have effect: **14 August 2006**

(54) Product in respect of which the design is registered: **Wallet**

(51) International Design Classification: **03-01B**

(71) Name(s) and Address(s) of Applicant(s):

**Spencer & Rutherford Pty Ltd
199 Fitzroy Street St Kilda Victoria 3182 Australia**

(72) Name(s) of Designer(s): **Kim Michaelides**

(45) Registration Date: **08 December 2006**

(56) Related Art Documents: **Not Applicable**

(57) Statement of Newness and Distinctiveness: **Monopoly is claimed in the shape, configuration and the features of pattern and ornamentation of the wallet as illustrated in the accompanying representations.**



(21) Design Number: **13558/2006**

(22) Date of Filing Application: **14 August 2006**

(24) Date from which industrial property rights may have effect: **14 August 2006**

(54) Product in respect of which the design is registered: **Handbag**

(51) International Design Classification: **03-01B**

(71) Name(s) and Address(s) of Applicant(s):

**Spencer & Rutherford Pty Ltd
199 Fitzroy Street St Kilda Victoria 3182 Australia**

(72) Name(s) of Designer(s): **Kim Michaelides**

(45) Registration Date: **08 December 2006**

(56) Related Art Documents: **Not Applicable**

(57) Statement of Newness and Distinctiveness: **Monopoly is claimed in the shape, configuration and the features of pattern and ornamentation of the handbag as illustrated in the accompanying representations.**



(21) Design Number: **13559/2006**

(22) Date of Filing Application: **14 August 2006**

(24) Date from which industrial property rights may have effect: **14 August 2006**

(54) Product in respect of which the design is registered: **Handbag**

(51) International Design Classification: **03-01B**

(71) Name(s) and Address(s) of Applicant(s):

**Spencer & Rutherford Pty Ltd
199 Fitzroy Street St Kilda Victoria 3182 Australia**

(72) Name(s) of Designer(s): **Kim Michaelides**

(45) Registration Date: **08 December 2006**

(56) Related Art Documents: **Not Applicable**

(57) Statement of Newness and Distinctiveness: **Monopoly is claimed in the shape, configuration and the features of pattern and ornamentation of the handbag as illustrated in the accompanying representations.**



(21) Design Number: **13560/2006**

(22) Date of Filing Application: **14 August 2006**

(24) Date from which industrial property rights may have effect: **14 August 2006**

(54) Product in respect of which the design is registered: **Handbag**

(51) International Design Classification: **03-01B**

(71) Name(s) and Address(s) of Applicant(s):

**Spencer & Rutherford Pty Ltd
199 Fitzroy Street St Kilda Victoria 3182 Australia**

(72) Name(s) of Designer(s): **Kim Michaelides**

(45) Registration Date: **08 December 2006**

(56) Related Art Documents: **Not Applicable**

(57) Statement of Newness and Distinctiveness: **Monopoly is claimed in the shape, configuration and the features of pattern and ornamentation of the handbag as illustrated in the accompanying representations.**



(21) Design Number: **13561/2006**

(22) Date of Filing Application: **14 August 2006**

(24) Date from which industrial property rights may have effect: **14 August 2006**

(54) Product in respect of which the design is registered: **Handbag**

(51) International Design Classification: **03-01B**

(71) Name(s) and Address(s) of Applicant(s):

**Spencer & Rutherford Pty Ltd
199 Fitzroy Street St Kilda Victoria 3182 Australia**

(72) Name(s) of Designer(s): **Kim Michaelides**

(45) Registration Date: **08 December 2006**

(56) Related Art Documents: **Not Applicable**

(57) Statement of Newness and Distinctiveness: **Monopoly is claimed in the shape, configuration and the features of pattern and ornamentation of the handbag as illustrated in the accompanying representations.**



(21) Design Number: **13562/2006**

(22) Date of Filing Application: **14 August 2006**

(24) Date from which industrial property rights may have effect: **14 August 2006**

(54) Product in respect of which the design is registered: **Handbag**

(51) International Design Classification: **03-01B**

(71) Name(s) and Address(s) of Applicant(s):

**Spencer & Rutherford Pty Ltd
199 Fitzroy Street St Kilda Victoria 3182 Australia**

(72) Name(s) of Designer(s): **Kim Michaelides**

(45) Registration Date: **08 December 2006**

(56) Related Art Documents: **Not Applicable**

(57) Statement of Newness and Distinctiveness: **Monopoly is claimed in the shape, configuration and the features of pattern and ornamentation of the handbag as illustrated in the accompanying representations.**



(21) Design Number: **13563/2006**

(22) Date of Filing Application: **14 August 2006**

(24) Date from which industrial property rights may have effect: **14 August 2006**

(54) Product in respect of which the design is registered: **Handbag**

(51) International Design Classification: **03-01B**

(71) Name(s) and Address(s) of Applicant(s):

**Spencer & Rutherford Pty Ltd
199 Fitzroy Street St Kilda Victoria 3182 Australia**

(72) Name(s) of Designer(s): **Kim Michaelides**

(45) Registration Date: **08 December 2006**

(56) Related Art Documents: **Not Applicable**

(57) Statement of Newness and Distinctiveness: **Monopoly is claimed in the shape, configuration and the features of pattern and ornamentation of the handbag as illustrated in the accompanying representations.**



(21) Design Number: **13564/2006**

(22) Date of Filing Application: **14 August 2006**

(24) Date from which industrial property rights may have effect: **14 August 2006**

(54) Product in respect of which the design is registered: **Handbag**

(51) International Design Classification: **03-01B**

(71) Name(s) and Address(s) of Applicant(s):

**Spencer & Rutherford Pty Ltd
199 Fitzroy Street St Kilda Victoria 3182 Australia**

(72) Name(s) of Designer(s): **Kim Michaelides**

(45) Registration Date: **08 December 2006**

(56) Related Art Documents: **Not Applicable**

(57) Statement of Newness and Distinctiveness: **Monopoly is claimed in the shape, configuration and the features of pattern and ornamentation of the handbag as illustrated in the accompanying representations.**



- (21) Design Number: **13565/2006**
(22) Date of Filing Application: **14 August 2006**
(24) Date from which industrial property rights may have effect: **14 August 2006**
(54) Product in respect of which the design is registered: **Handbag**
(51) International Design Classification: **03-01B**
(71) Name(s) and Address(s) of Applicant(s):
Spencer & Rutherford Pty Ltd
199 Fitzroy Street St Kilda Victoria 3182 Australia
(72) Name(s) of Designer(s): **Kim Michaelides**
(45) Registration Date: **08 December 2006**
(56) Related Art Documents: **Not Applicable**
(57) Statement of Newness and Distinctiveness: **Monopoly is claimed in the shape, configuration and the features of pattern and ornamentation of the handbag as illustrated in the accompanying representations.**



- (21) Design Number: **13566/2006**
(22) Date of Filing Application: **14 August 2006**
(24) Date from which industrial property rights may have effect: **14 August 2006**
(54) Product in respect of which the design is registered: **Diary cover**
(51) International Design Classification: **03-01NES**
(71) Name(s) and Address(s) of Applicant(s):
Spencer & Rutherford Pty Ltd
199 Fitzroy Street St Kilda Victoria 3182 Australia
(72) Name(s) of Designer(s): **Kim Michaelides**
(45) Registration Date: **08 December 2006**
(56) Related Art Documents: **Not Applicable**
(57) Statement of Newness and Distinctiveness: **Monopoly is claimed in the shape, configuration and the features of pattern and ornamentation of the diary cover as illustrated in the accompanying representations.**



(21) Design Number: **13567/2006**

(22) Date of Filing Application: **14 August 2006**

(24) Date from which industrial property rights may have effect: **14 August 2006**

(54) Product in respect of which the design is registered: **Diary cover**

(51) International Design Classification: **03-01NES**

(71) Name(s) and Address(s) of Applicant(s):

**Spencer & Rutherford Pty Ltd
199 Fitzroy Street St Kilda Victoria 3182 Australia**

(72) Name(s) of Designer(s): **Kim Michaelides**

(45) Registration Date: **08 December 2006**

(56) Related Art Documents: **Not Applicable**

(57) Statement of Newness and Distinctiveness: **Monopoly is claimed in the shape, configuration and the features of pattern and ornamentation of the diary cover as illustrated in the accompanying representations.**



(21) Design Number: **13568/2006**

(22) Date of Filing Application: **14 August 2006**

(24) Date from which industrial property rights may have effect: **14 August 2006**

(54) Product in respect of which the design is registered: **Wallet**

(51) International Design Classification: **03-01B**

(71) Name(s) and Address(s) of Applicant(s):

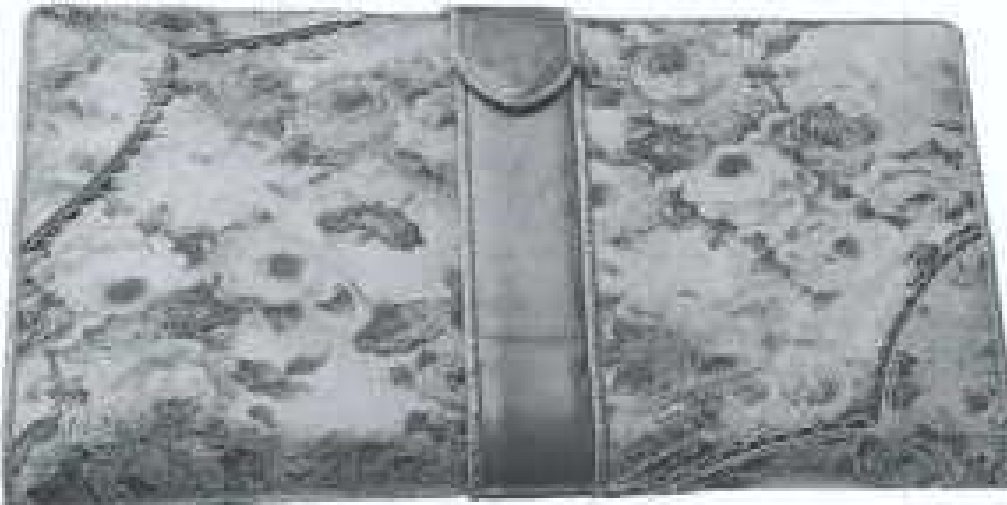
**Spencer & Rutherford Pty Ltd
199 Fitzroy Street St Kilda Victoria 3182 Australia**

(72) Name(s) of Designer(s): **Kim Michaelides**

(45) Registration Date: **08 December 2006**

(56) Related Art Documents: **Not Applicable**

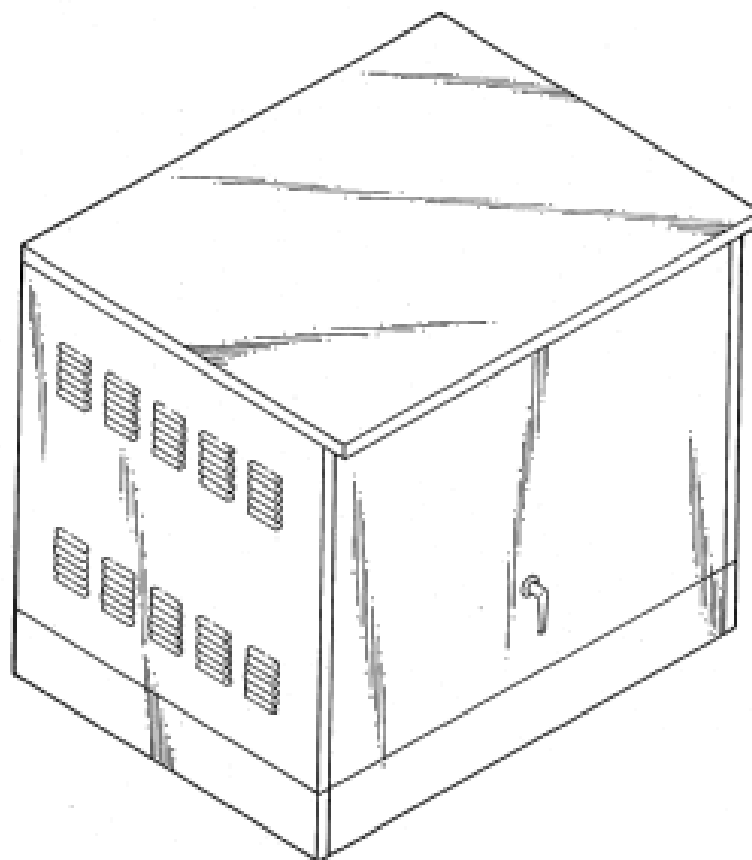
(57) Statement of Newness and Distinctiveness: **Monopoly is claimed in the shape, configuration and the features of pattern and ornamentation of the wallet as illustrated in the accompanying representations.**



(21) Design Number: **13076/2006**
(22) Date of Filing Application: **19 July 2006**
(24) Date from which industrial property rights may have effect: **19 July 2006**
(54) Product in respect of which the design is registered: **Pool pump housing**
(51) International Design Classification: **15-02, 23-01G, 25-03**
(71) Name(s) and Address(s) of Applicant(s):

Dean Bennett
66 Crotona Road Capalaba Queensland 4157 Australia

(72) Name(s) of Designer(s): **Dean Bennett**
(45) Registration Date: **11 December 2006**
(56) Related Art Documents: **Not Applicable**
(57) Statement of Newness and Distinctiveness: **Nil**



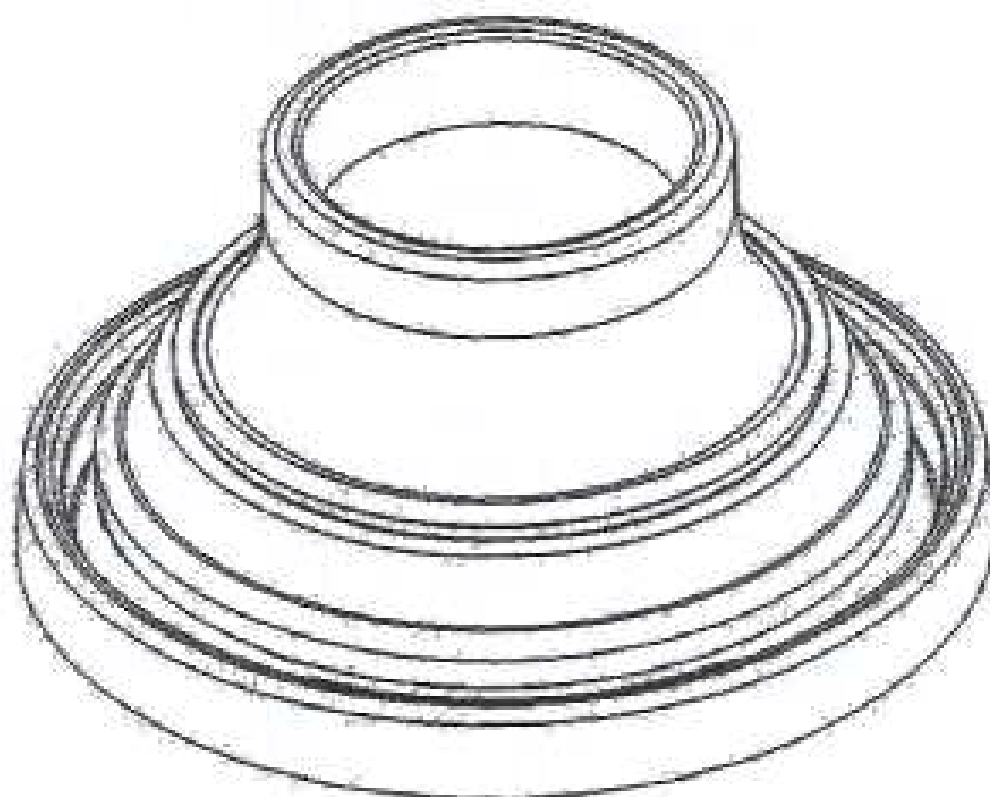
(21) Design Number: **10244/2006**
(22) Date of Filing Application: **25 January 2006**
(24) Date from which industrial property rights may have effect: **25 January 2006**
(54) Product in respect of which the design is registered: **Reconfigurable cap component**
(51) International Design Classification: **09-07B**
(71) Name(s) and Address(s) of Applicant(s):

Alto Packaging Limited
Level 6 LJ Hooker House 57-59 Symonds Street Auckland New Zealand

(72) Name(s) of Designer(s): **Michael Patrick Noonan**
(45) Registration Date: **11 December 2006**
(30) Convention priority data:

(31) Number	(32) Date	(33) Country
406455	01 Aug 2005	NEW ZEALAND

(56) Related Art Documents: **Not Applicable**
(57) Statement of Newness and Distinctiveness: **Nil**



(21) Design Number: **14988/2006**

(22) Date of Filing Application: **25 October 2006**

(24) Date from which industrial property rights may have effect: **25 October 2006**

(54) Product in respect of which the design is registered: **An extrusion**

(51) International Design Classification: **25-01K**

(71) Name(s) and Address(s) of Applicant(s):

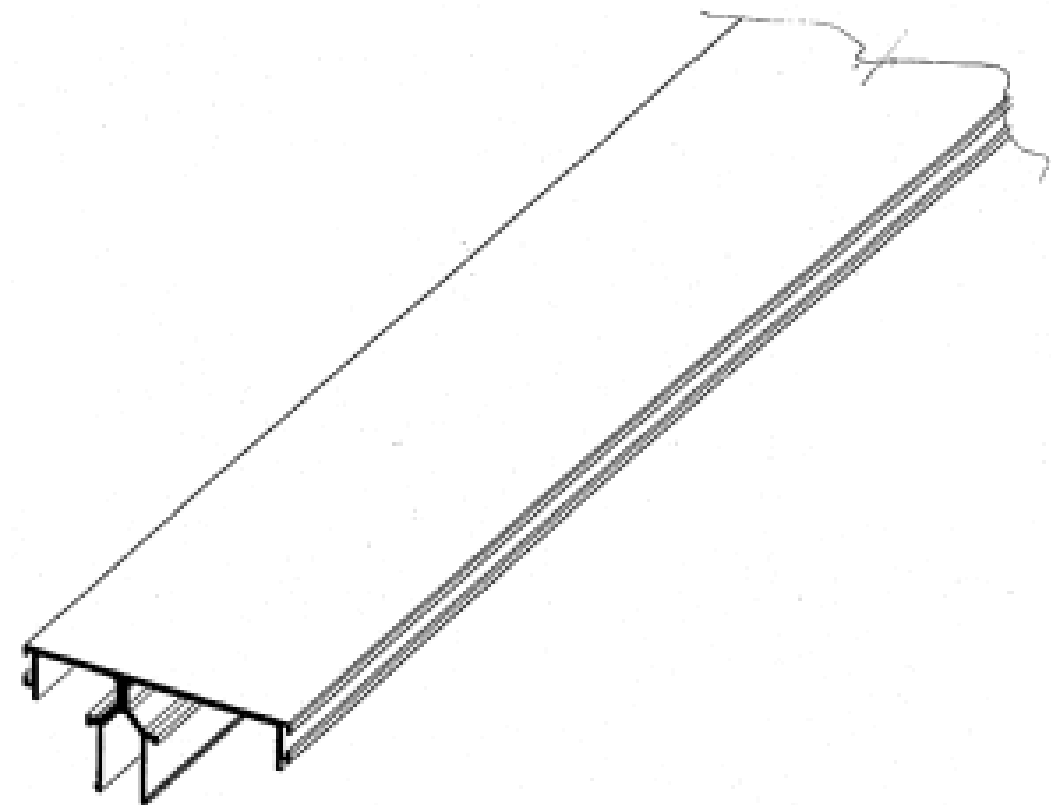
**Architectural Window Systems Pty Ltd
76-78 Jemma Road Prestons New South Wales 2170 Australia**

(72) Name(s) of Designer(s): **David John McCleary**

(45) Registration Date: **11 December 2006**

(56) Related Art Documents: **Not Applicable**

(57) Statement of Newness and Distinctiveness: **Newness and distinctiveness is claimed in the shape and/or configuration of an extrusion as illustrated by the unbroken lines in the accompanying representation/s.**



(21) Design Number: **13516/2006**

(22) Date of Filing Application: **09 August 2006**

(24) Date from which industrial property rights may have effect: **09 August 2006**

(54) Product in respect of which the design is registered: **Safety stair**

(51) International Design Classification: **25-04**

(71) Name(s) and Address(s) of Applicant(s):

**Vernon Beetham
PO Box 2505 Tauranga New Zealand 3140**

(72) Name(s) of Designer(s): **Vernon Beetham**

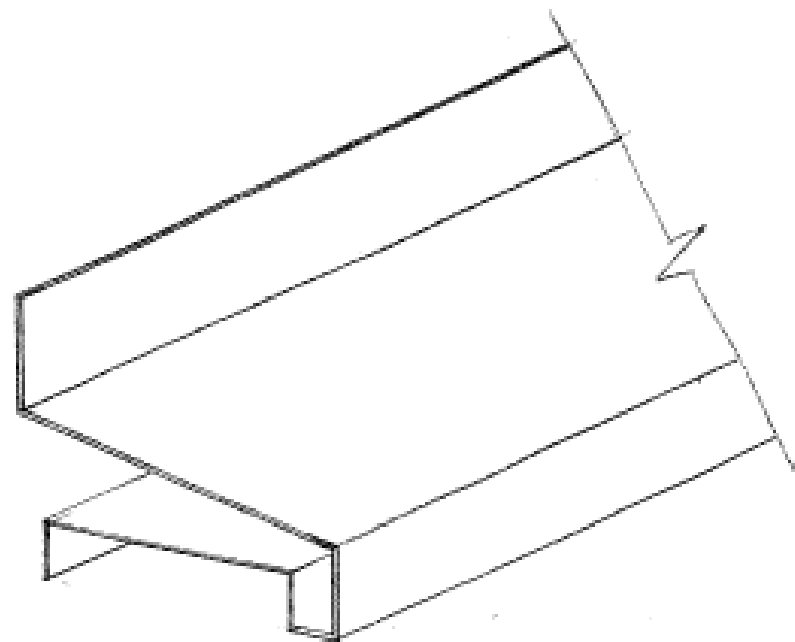
(45) Registration Date: **11 December 2006**

(56) Related Art Documents: **Not Applicable**

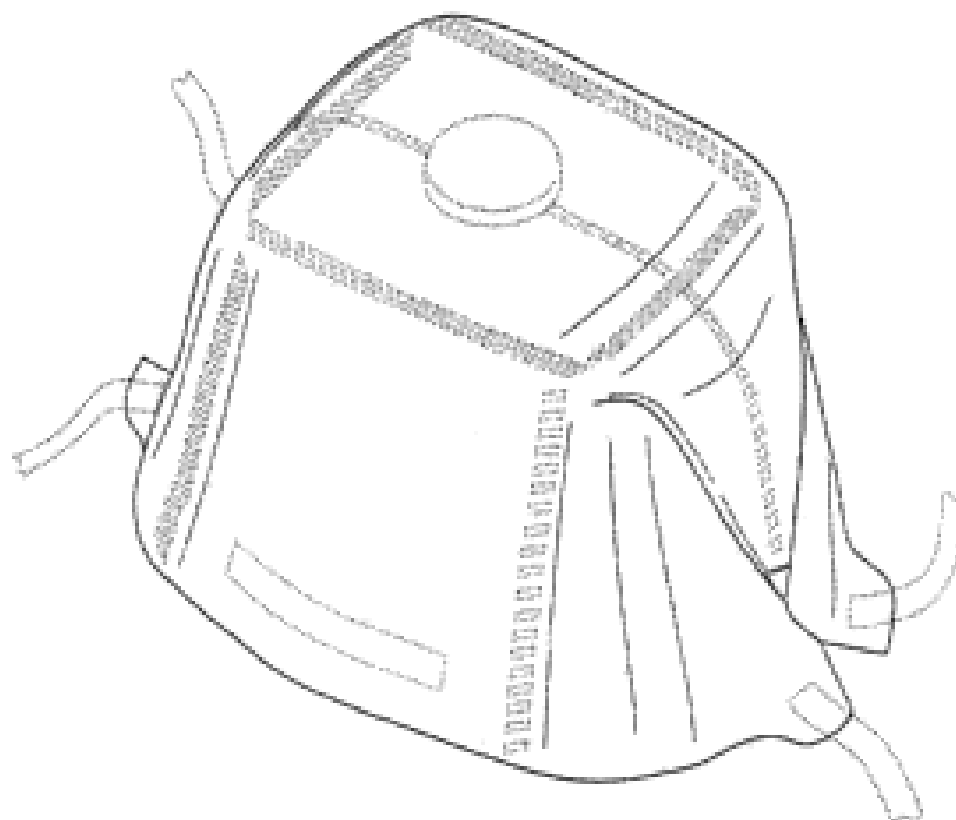
(57) Statement of Newness and Distinctiveness: **The novelty of this product resides in the features of self leveling treads and fold up handrails with dual stringers.**



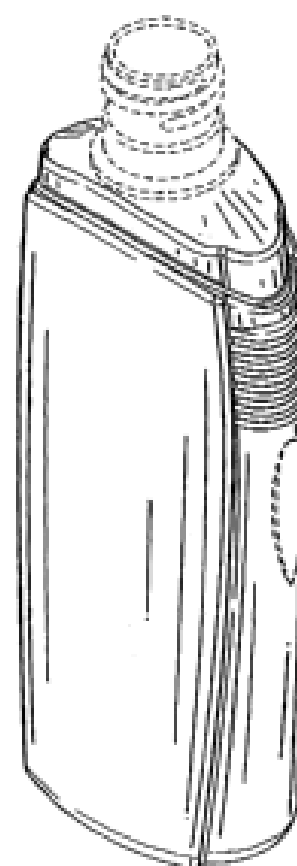
- (21) Design Number: **14751/2006**
(22) Date of Filing Application: **18 October 2006**
(24) Date from which industrial property rights may have effect: **18 October 2006**
(54) Product in respect of which the design is registered: **Flashing**
(51) International Design Classification: **25-01NES**
(71) Name(s) and Address(s) of Applicant(s):
Cruise Pro Group Pty Limited
35-37 Lakeside Drive Broadmeadows Victoria 3047 Australia
(72) Name(s) of Designer(s): **Andrew Allen**
(45) Registration Date: **11 December 2006**
(56) Related Art Documents: **Not Applicable**
(57) Statement of Newness and Distinctiveness: **The configuration of the product is new and distinctive.**



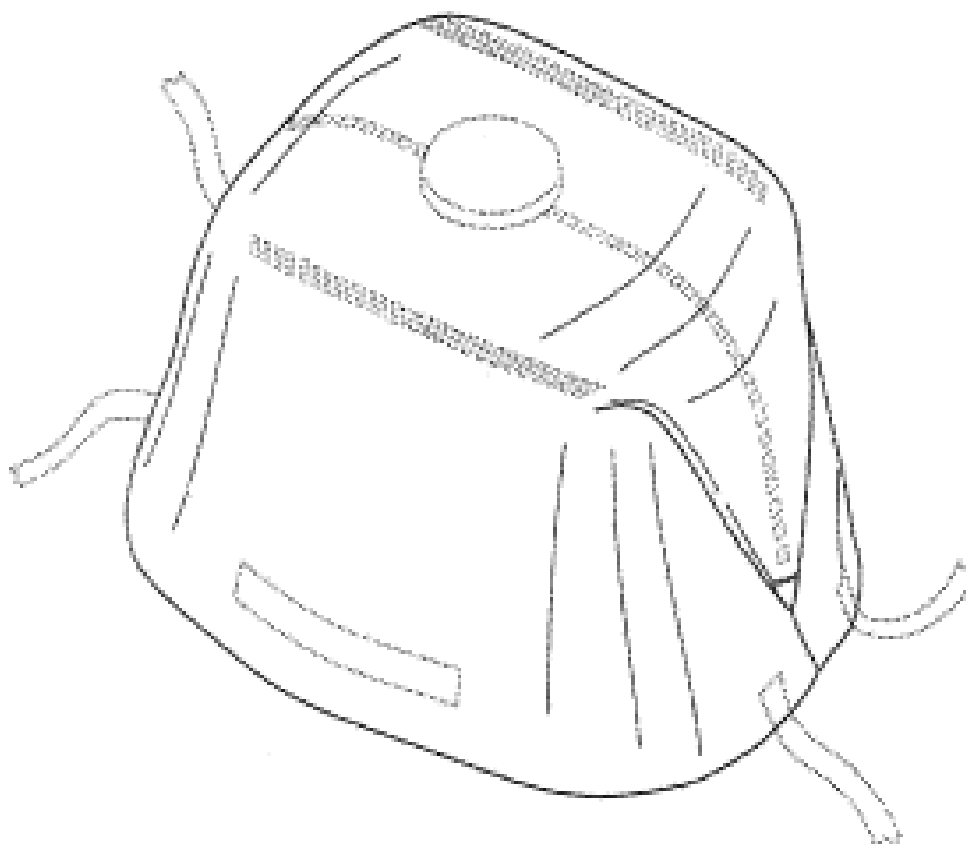
- (21) Design Number: **14756/2006**
(22) Date of Filing Application: **19 October 2006**
(24) Date from which industrial property rights may have effect: **19 October 2006**
(54) Product in respect of which the design is registered: **Pleated face mask**
(51) International Design Classification: **29-02**
(71) Name(s) and Address(s) of Applicant(s):
Louis M Gerson Co., Inc.
15 Sproat Street Middleboro MA 02346 United States of America
(72) Name(s) of Designer(s): **Ronald L. Gerson and Robert A. Brunell and Michael Cupicha**
(45) Registration Date: **11 December 2006**
(30) Convention priority data:
(31) Number (32) Date (33) Country
29/248,157 31 Jul 2006 UNITED STATES OF AMERICA
(56) Related Art Documents: **Not Applicable**
(57) Statement of Newness and Distinctiveness: **The shape and configuration of the pleated face mask are new and distinctive. In considering the newness and distinctiveness of the pleated face mask, the features shown in broken lines are to be disregarded.**



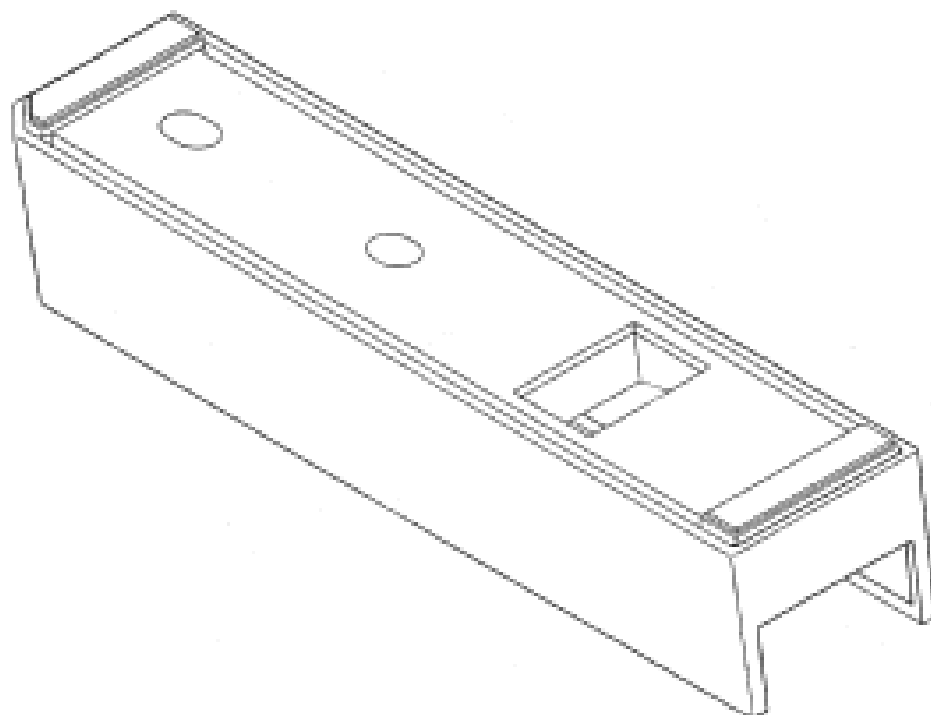
(21) Design Number: **14759/2006**
 (22) Date of Filing Application: **19 October 2006**
 (24) Date from which industrial property rights may have effect: **19 October 2006**
 (54) Product in respect of which the design is registered: **Bottle**
 (51) International Design Classification: **09-01K**
 (71) Name(s) and Address(s) of Applicant(s):
S.C. Johnson & Son, Inc.
1525 Howe Street Racine Wisconsin 53403-2236 United States of America
 (72) Name(s) of Designer(s): **Edward J. Kunesh and Allen D. Miller and James A. Shoemaker and Dirk L. Nickel and Ivan Da Barp and Terrence M. Parve and Neil P. Williams**
 (45) Registration Date: **11 December 2006**
 (30) Convention priority data:
 (31) Number (32) Date (33) Country
29/246514 20 Apr 2006 UNITED STATES OF AMERICA
 (56) Related Art Documents: **Not Applicable**
 (57) Statement of Newness and Distinctiveness: **Newness and distinctiveness is claimed in those features of shape and/or configuration of a bottle illustrated in continuous lines in the accompanying representations.**



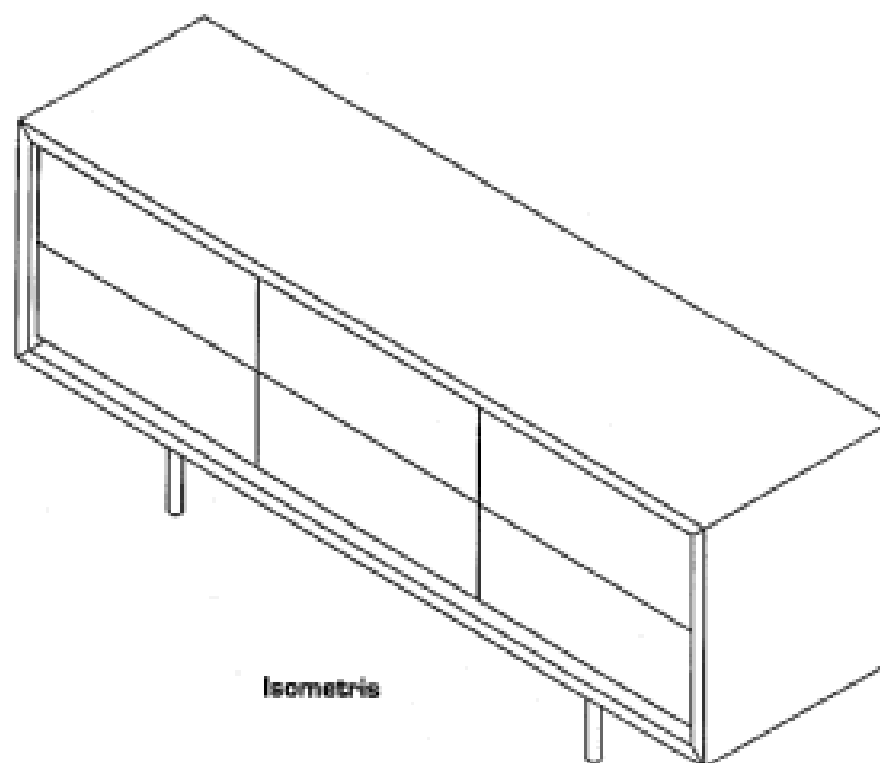
(21) Design Number: **14758/2006**
 (22) Date of Filing Application: **19 October 2006**
 (24) Date from which industrial property rights may have effect: **19 October 2006**
 (54) Product in respect of which the design is registered: **Pleated face mask**
 (51) International Design Classification: **29-02**
 (71) Name(s) and Address(s) of Applicant(s):
Louis M Gerson Co., Inc.
15 Sproat Street Middleboro MA 02346 United States of America
 (72) Name(s) of Designer(s): **Robert A. Brunell**
 (45) Registration Date: **11 December 2006**
 (30) Convention priority data:
 (31) Number (32) Date (33) Country
29/248,158 31 Jul 2006 UNITED STATES OF AMERICA
 (56) Related Art Documents: **Not Applicable**
 (57) Statement of Newness and Distinctiveness: **The shape and configuration of the pleated face mask is new and distinctive. In considering the newness and distinctiveness of the pleated face mask, the features shown in broken lines are to be disregarded.**



- (21) Design Number: **15043/2006**
(22) Date of Filing Application: **01 November 2006**
(24) Date from which industrial property rights may have effect: **01 November 2006**
(54) Product in respect of which the design is registered: **A base stand for an electronic game machine**
(51) International Design Classification: **21-01N**
(71) Name(s) and Address(s) of Applicant(s):
Nintendo Co., Ltd.
11-1 Hokotate-cho Kamitoba Minami-ku Kyoto-shi Kyoto Japan
(72) Name(s) of Designer(s): **Kenichiro Ashida and Junji Takamoto and Yoshitomo Goto and Masato Ibuki and Shinji Yamamoto and Fumiyoshi Suetake and Akiko Suga**
(45) Registration Date: **11 December 2006**
(30) Convention priority data:
(31) Number (32) Date (33) Country
2006-011517 02 May 2006 JAPAN
(56) Related Art Documents: **Not Applicable**
(57) Statement of Newness and Distinctiveness: **Nil**



- (21) Design Number: **14890/2006**
(22) Date of Filing Application: **25 October 2006**
(24) Date from which industrial property rights may have effect: **25 October 2006**
(54) Product in respect of which the design is registered: **A lowboy**
(51) International Design Classification: **06-04F**
(71) Name(s) and Address(s) of Applicant(s):
Design Mobel NZ Limited
PO Box 1142 Tauranga New Zealand
(72) Name(s) of Designer(s): **Daniel Emery**
(45) Registration Date: **11 December 2006**
(30) Convention priority data:
(31) Number (32) Date (33) Country
408097 12 Sep 2006 NEW ZEALAND
(56) Related Art Documents: **Not Applicable**
(57) Statement of Newness and Distinctiveness: **Nil**



(21) Design Number: **14891/2006**

(22) Date of Filing Application: **25 October 2006**

(24) Date from which industrial property rights may have effect: **25 October 2006**

(54) Product in respect of which the design is registered: **A single bedside**

(51) International Design Classification: **06-04F**

(71) Name(s) and Address(s) of Applicant(s):

**Design Mobel NZ Limited
PO Box 1142 Tauranga New Zealand**

(72) Name(s) of Designer(s): **Daniel Emery**

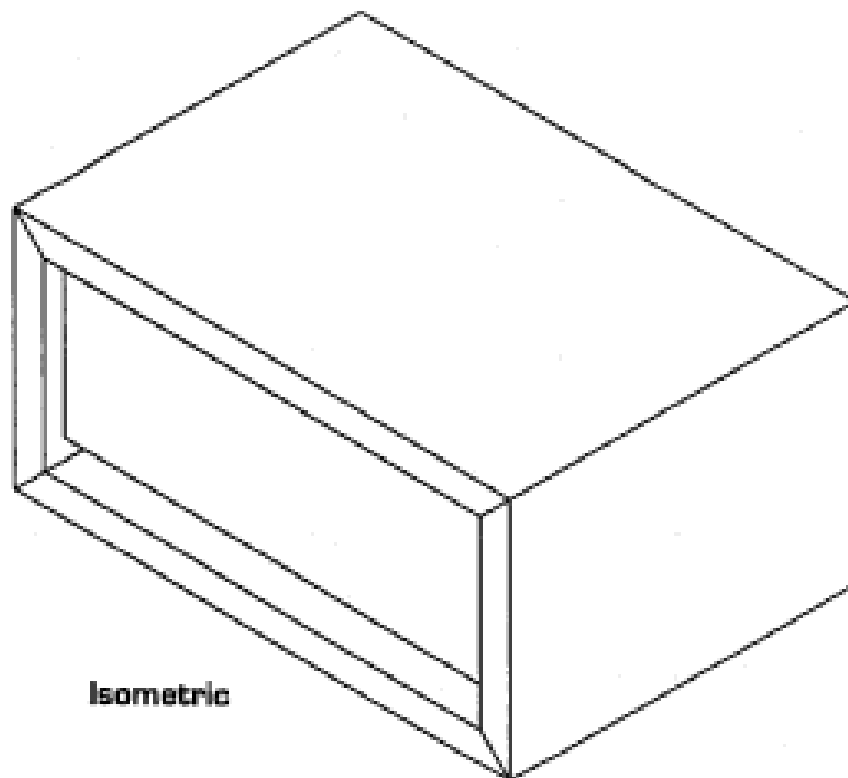
(45) Registration Date: **11 December 2006**

(30) Convention priority data:

(31) Number	(32) Date	(33) Country
408098	12 Sep 2006	NEW ZEALAND

(56) Related Art Documents: **Not Applicable**

(57) Statement of Newness and Distinctiveness: **Nil**



(21) Design Number: **14892/2006**

(22) Date of Filing Application: **25 October 2006**

(24) Date from which industrial property rights may have effect: **25 October 2006**

(54) Product in respect of which the design is registered: **A chest**

(51) International Design Classification: **06-02**

(71) Name(s) and Address(s) of Applicant(s):

**Design Mobel NZ Limited
PO Box 1142 Tauranga New Zealand**

(72) Name(s) of Designer(s): **Daniel Emery**

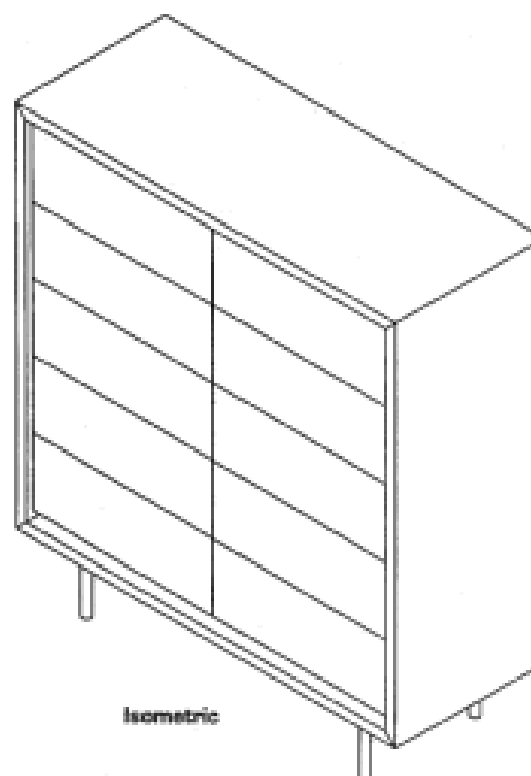
(45) Registration Date: **11 December 2006**

(30) Convention priority data:

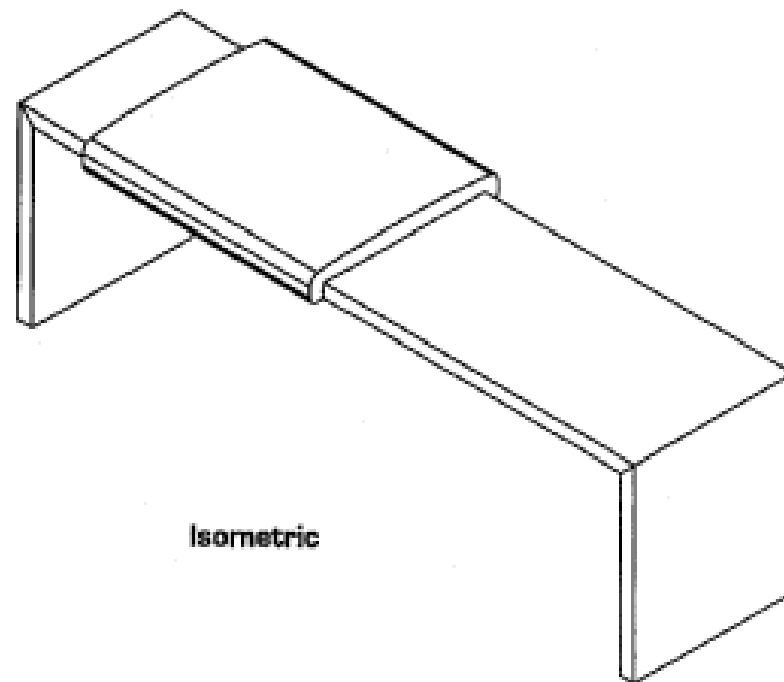
(31) Number	(32) Date	(33) Country
408099	12 Sep 2006	NEW ZEALAND

(56) Related Art Documents: **Not Applicable**

(57) Statement of Newness and Distinctiveness: **Nil**



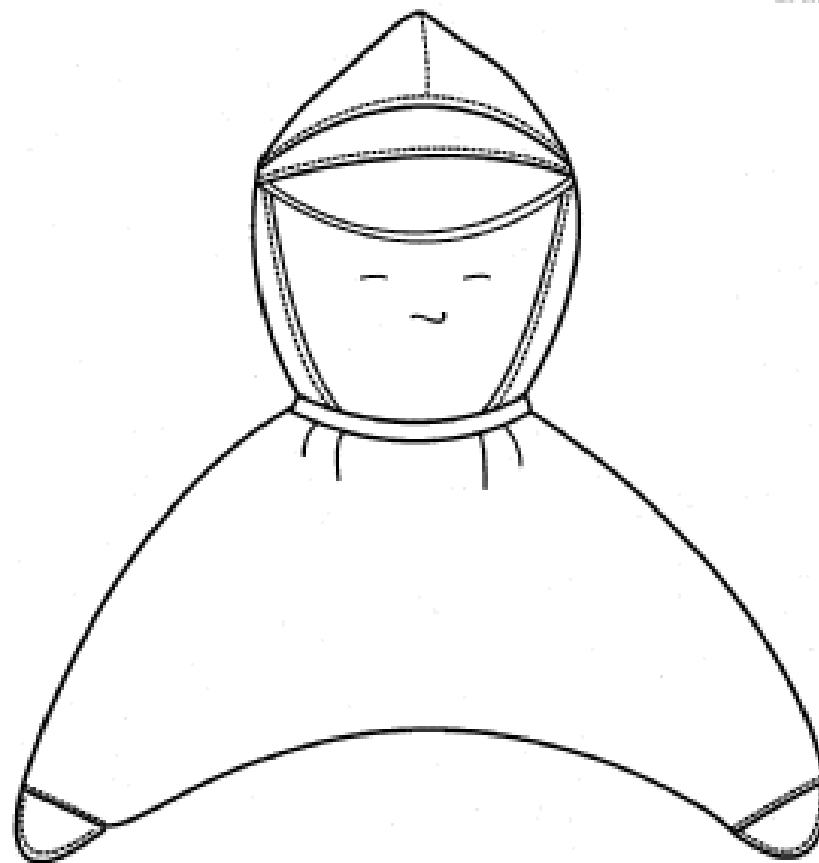
(21) Design Number: **14893/2006**
(22) Date of Filing Application: **25 October 2006**
(24) Date from which industrial property rights may have effect: **25 October 2006**
(54) Product in respect of which the design is registered: **A seat**
(51) International Design Classification: **06-01D**
(71) Name(s) and Address(s) of Applicant(s):
Design Mobil NZ Limited
PO Box 1142 Tauranga New Zealand
(72) Name(s) of Designer(s): **Daniel Emery**
(45) Registration Date: **11 December 2006**
(30) Convention priority data:
(31) Number (32) Date (33) Country
408100 12 Sep 2006 NEW ZEALAND
(56) Related Art Documents: **Not Applicable**
(57) Statement of Newness and Distinctiveness: **Nil**



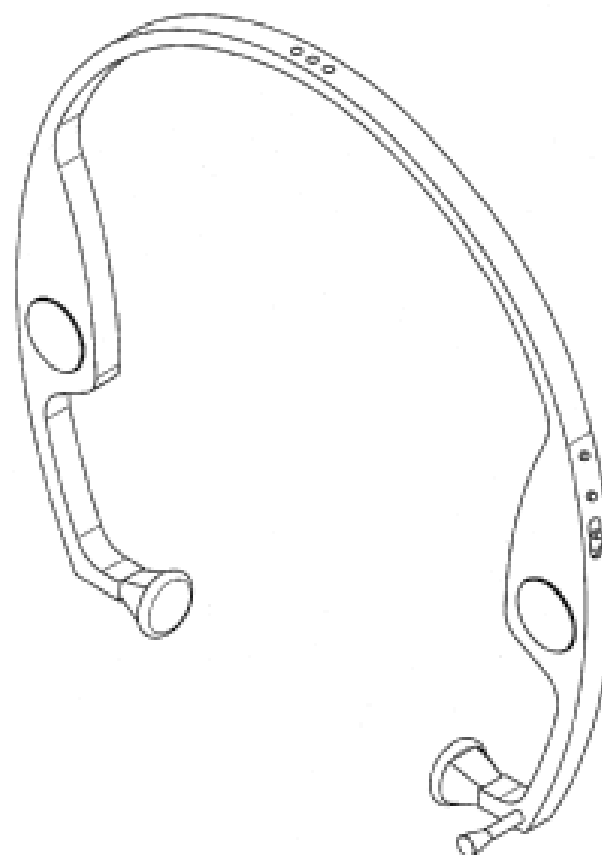
(21) Design Number: **14748/2006**
(22) Date of Filing Application: **18 October 2006**
(24) Date from which industrial property rights may have effect: **18 October 2006**
(54) Product in respect of which the design is registered: **Generator**
(51) International Design Classification: **13-01**
(71) Name(s) and Address(s) of Applicant(s):
Honda Motor Co., Ltd.
1-1 Minamiaoyama 2-chome Minato-ku Tokyo Japan
(72) Name(s) of Designer(s): **Shuhei Imai**
(45) Registration Date: **11 December 2006**
(30) Convention priority data:
(31) Number (32) Date (33) Country
2006-10074 19 Apr 2006 JAPAN
(56) Related Art Documents: **Not Applicable**
(57) Statement of Newness and Distinctiveness: **Newness and distinctiveness is claimed in the features of shape and/or configuration of a generator as illustrated in the accompanying representations.**



- (21) Design Number: **13711/2006**
(22) Date of Filing Application: **18 August 2006**
(24) Date from which industrial property rights may have effect: **18 August 2006**
(54) Product in respect of which the design is registered: **Baby sun protection cover**
(51) International Design Classification: **02-02B**
(71) Name(s) and Address(s) of Applicant(s):
Gillian Roslyn Halstead
25 Amber Drive Lennox Head New South Wales 2478 Australia
(72) Name(s) of Designer(s): **Gillian Roslyn Halstead**
(45) Registration Date: **11 December 2006**
(56) Related Art Documents: **Not Applicable**
(57) Statement of Newness and Distinctiveness: **An overall hooded "poncho like" cover for crawling and toddling babies. Attaches at wrists. The visor is fabric and therefore flexible. The protective form to the visor is achieved by a foam card inserted into the edge of the rim.**



- (21) Design Number: **14884/2006**
(22) Date of Filing Application: **24 October 2006**
(24) Date from which industrial property rights may have effect: **24 October 2006**
(54) Product in respect of which the design is registered: **Headset**
(51) International Design Classification: **14-03A**
(71) Name(s) and Address(s) of Applicant(s):
Bang & Olufsen A/S
Peter Bangs Vej 15 Postboks 40 7600 Struer Denmark
(72) Name(s) of Designer(s): **Anders Hermansen**
(45) Registration Date: **11 December 2006**
(30) Convention priority data:
(31) Number (32) Date (33) Country
DA 2006 28 Jun 2006 DENMARK
00171
(56) Related Art Documents: **Not Applicable**
(57) Statement of Newness and Distinctiveness: **Nil**



(21) Design Number: **14885/2006**
(22) Date of Filing Application: **24 October 2006**
(24) Date from which industrial property rights may have effect: **24 October 2006**
(54) Product in respect of which the design is registered: **Headset with stand**
(51) International Design Classification: **14-03A**
(71) Name(s) and Address(s) of Applicant(s):

Bang & Olufsen A/S
Peter Bangs Vej 15 Postboks 40 7600 Struer Denmark

(72) Name(s) of Designer(s): **Anders Hermansen**

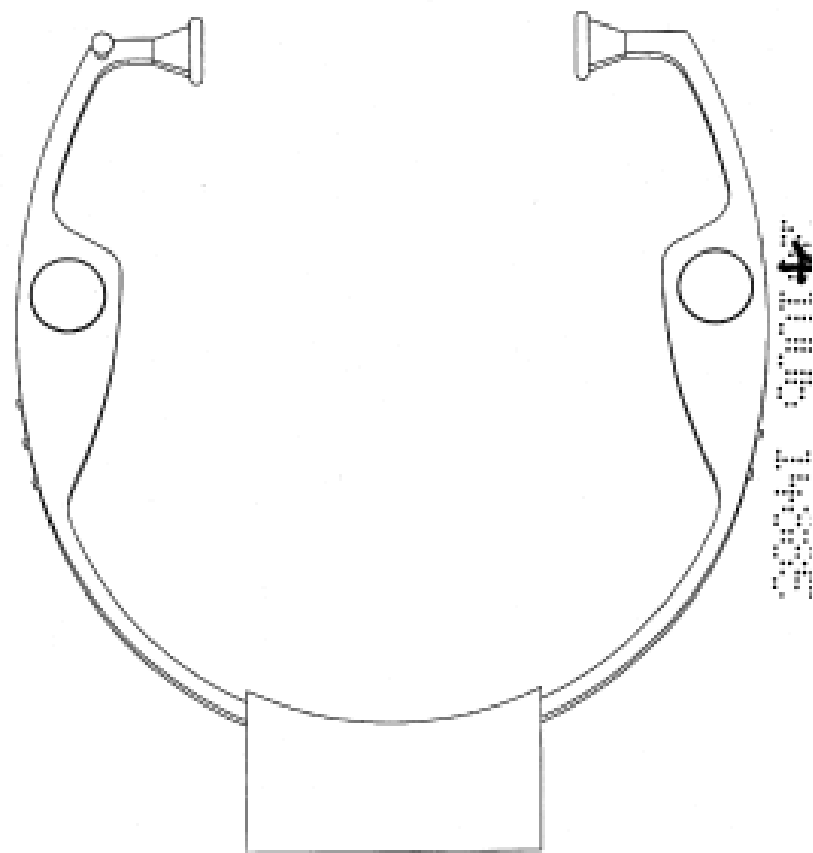
(45) Registration Date: **11 December 2006**

(30) Convention priority data:

(31) Number	(32) Date	(33) Country
DA 2006	28 Jun 2006	DENMARK
00171		

(56) Related Art Documents: **Not Applicable**

(57) Statement of Newness and Distinctiveness: **Nil**



(21) Design Number: **14896/2006**
(22) Date of Filing Application: **26 October 2006**
(24) Date from which industrial property rights may have effect: **26 October 2006**
(54) Product in respect of which the design is registered: **Amphibious sunglass with neoprene strap attached in various sizes**
(51) International Design Classification: **16-06**
(71) Name(s) and Address(s) of Applicant(s):

Marc Hamilton Gribble
1 Haldane Street Beaumaris Victoria 3193 Australia

(72) Name(s) of Designer(s): **Marc Hamilton Gribble**

(45) Registration Date: **11 December 2006**

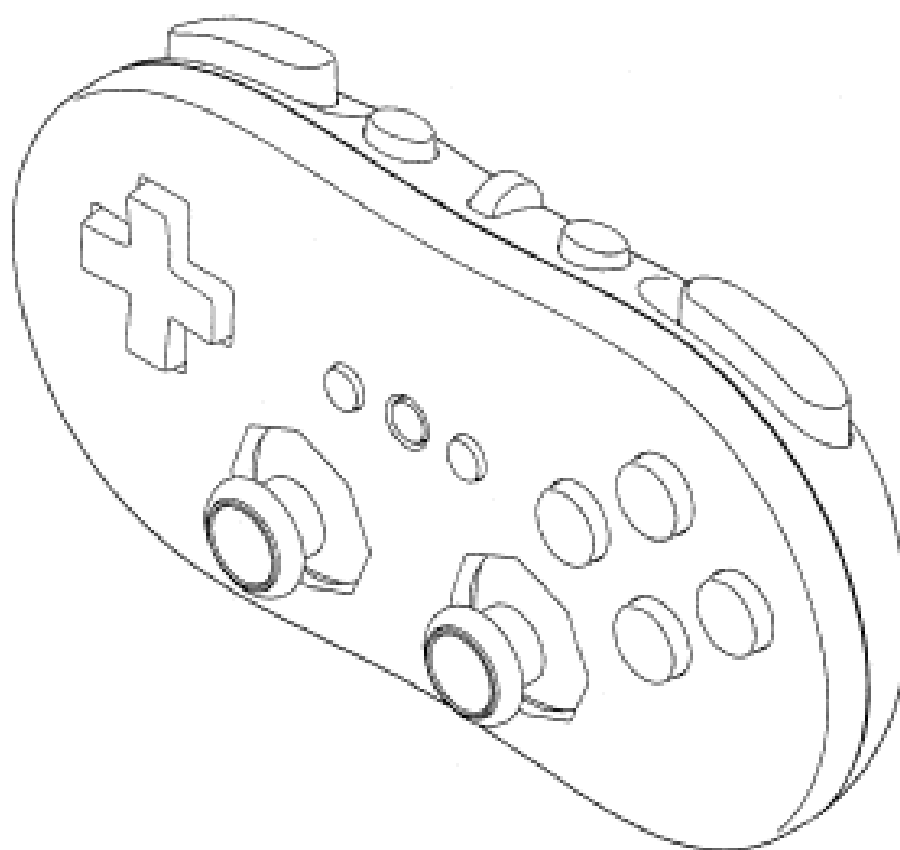
(56) Related Art Documents: **Not Applicable**

(57) Statement of Newness and Distinctiveness: **Nil**

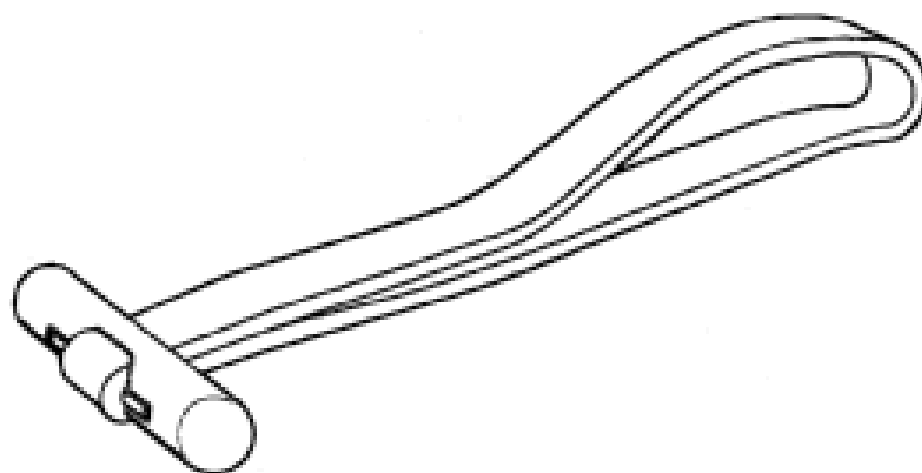


(21) Design Number: **15042/2006**
 (22) Date of Filing Application: **01 November 2006**
 (24) Date from which industrial property rights may have effect: **01 November 2006**
 (54) Product in respect of which the design is registered: **A controller for an electronic game machine**
 (51) International Design Classification: **21-01N**
 (71) Name(s) and Address(s) of Applicant(s):
Nintendo Co., Ltd.
11-1 Hokotate-cho Kamitoba Minami-ku Kyoto-shi Kyoto Japan
 (72) Name(s) of Designer(s): **Kenichiro Ashida and Junji Takamoto and Masato Ibuki and Shinji Yamamoto and Fumiyoshi Suetake and Daisuke Kumazaki and Akiko Suga**
 (45) Registration Date: **11 December 2006**
 (30) Convention priority data:
 (31) Number (32) Date (33) Country
2006-011504 02 May 2006 JAPAN
 (56) Related Art Documents: **Not Applicable**
 (57) Statement of Newness and Distinctiveness: **Nil**

AU31



(21) Design Number: **14826/2006**
 (22) Date of Filing Application: **20 October 2006**
 (24) Date from which industrial property rights may have effect: **20 October 2006**
 (54) Product in respect of which the design is registered: **Clamp for electrical wires**
 (51) International Design Classification: **08-08E**
 (71) Name(s) and Address(s) of Applicant(s):
Maria Angeles Perez Delgado
Casino no.2 38620 San Miguel De Abona (Tenerife) Spain
 (72) Name(s) of Designer(s): **Maria Angeles Perez Delgado**
 (45) Registration Date: **11 December 2006**
 (30) Convention priority data:
 (31) Number (32) Date (33) Country
000516711#0008 21 Apr 2006 EUROPEAN COMMUNITY
 (56) Related Art Documents: **Not Applicable**
 (57) Statement of Newness and Distinctiveness: **Nil**



- (21) Design Number: **14747/2006**
(22) Date of Filing Application: **18 October 2006**
(24) Date from which industrial property rights may have effect: **18 October 2006**
(54) Product in respect of which the design is registered: **Flask**
(51) International Design Classification: **07-01F**
(71) Name(s) and Address(s) of Applicant(s):

Societe Autonome de Verreries
Place de la Gare 60960 Feuquieres France

- (72) Name(s) of Designer(s): **Didier Rica**
(45) Registration Date: **11 December 2006**
(56) Related Art Documents: **Not Applicable**
(57) Statement of Newness and Distinctiveness: **The distinctive features of the flask include its overall cubic shape and its perfectly square section in plan view, although the height of the body is slightly greater than its width. The neck is relatively short and of a relatively wide diameter, the shoulder is almost horizontal, the corners are heavily thickened with glass and have sharp angles. All four faces of the flask are perfectly flat. The bottom of the flask has a thick glass base.**



- (21) Design Number: **14762/2006**
(22) Date of Filing Application: **19 October 2006**
(24) Date from which industrial property rights may have effect: **19 October 2006**
(54) Product in respect of which the design is registered: **A truck**
(51) International Design Classification: **12-08**
(71) Name(s) and Address(s) of Applicant(s):

Isuzu Motors Limited
6-26-1 Minami-Oi Shinagawa-ku Tokyo 140-8722 Japan

- (72) Name(s) of Designer(s): **Toru Takagi and Yoshio Iwasaki and Keishi Hayashi**
(45) Registration Date: **11 December 2006**
(30) Convention priority data:
(31) Number (32) Date (33) Country
200630130867.5 26 Jun 2006 CHINA
(56) Related Art Documents: **Not Applicable**
(57) Statement of Newness and Distinctiveness: **Newness and distinctiveness is claimed in the features of shape and/or configuration of the bumpers, grille and headlights of a truck as illustrated in the accompanying representations.**



(21) Design Number: **14796/2006**

(22) Date of Filing Application: **20 October 2006**

(24) Date from which industrial property rights may have effect: **20 October 2006**

(54) Product in respect of which the design is registered: **Baby sitter**

(51) International Design Classification: **06-01E**

(71) Name(s) and Address(s) of Applicant(s):

Baby Bjorn AB

PO Box 595 S-182 15 Danderyd Sweden

(72) Name(s) of Designer(s): **Hakan Bergkvist**

(45) Registration Date: **11 December 2006**

(30) Convention priority data:

(31) Number

(32) Date

(33) Country

000556766-0001 07 Jul 2006

EUROPEAN COMMUNITY

(56) Related Art Documents: **Not Applicable**

(57) Statement of Newness and Distinctiveness: **Newness and distinctiveness is claimed in the features of shape and/or configuration of the following parts of the baby sitter as illustrated in the accompanying drawings: - the bottom side of the front foot part; - the inclination setting piece (in the angled region between the back rest and bottom frame); and - the rim along the edge of the back rest.**



(21) Design Number: **14829/2006**

(22) Date of Filing Application: **20 October 2006**

(24) Date from which industrial property rights may have effect: **20 October 2006**

(54) Product in respect of which the design is registered: **Clamp for electrical wires**

(51) International Design Classification: **08-08D**

(71) Name(s) and Address(s) of Applicant(s):

Maria Angeles Perez Delgado

Casino no.2 38620 San Miguel De Abona (Tenerife) Spain

(72) Name(s) of Designer(s): **Maria Angeles Perez Delgado**

(45) Registration Date: **11 December 2006**

(30) Convention priority data:

(31) Number

(32) Date

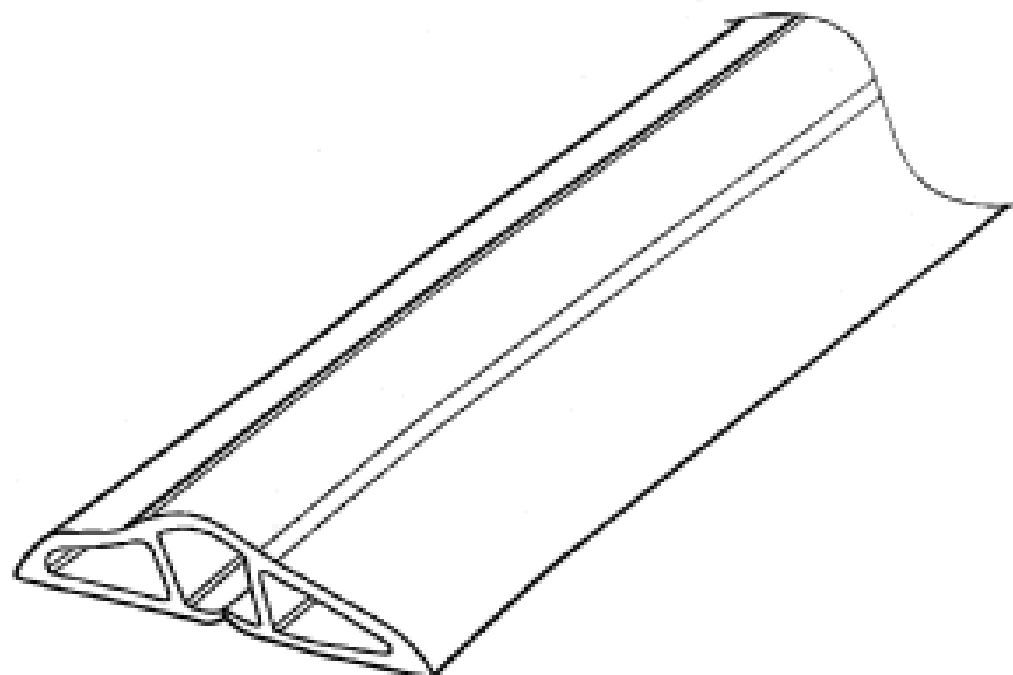
(33) Country

000516711#0011 21 Apr 2006

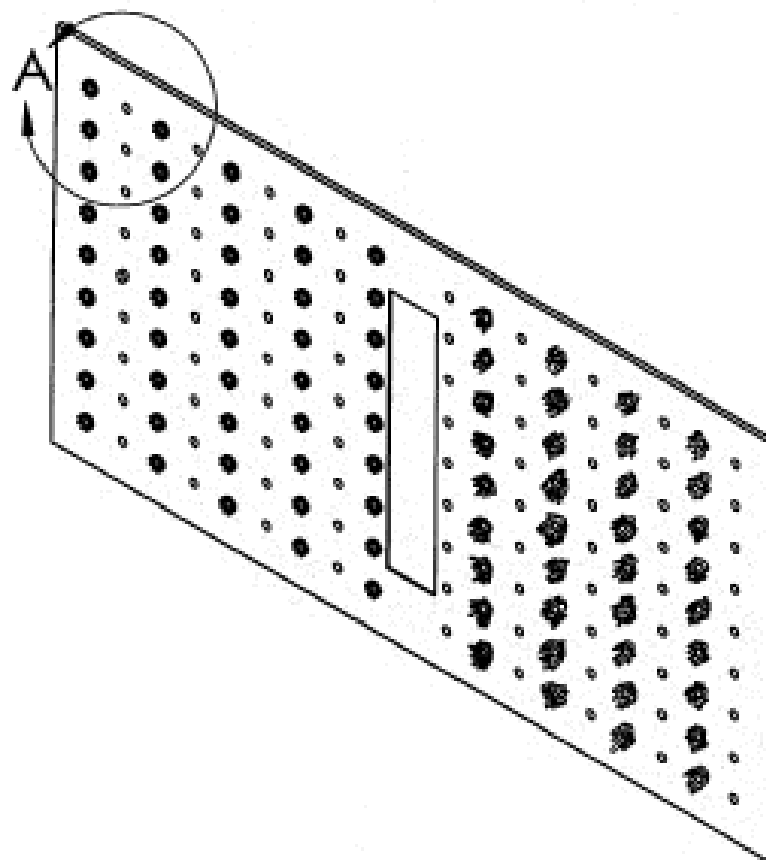
EUROPEAN COMMUNITY

(56) Related Art Documents: **Not Applicable**

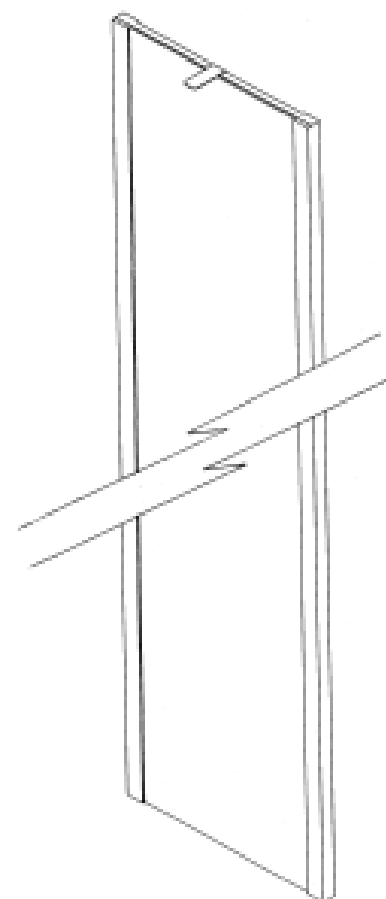
(57) Statement of Newness and Distinctiveness: **Nil**



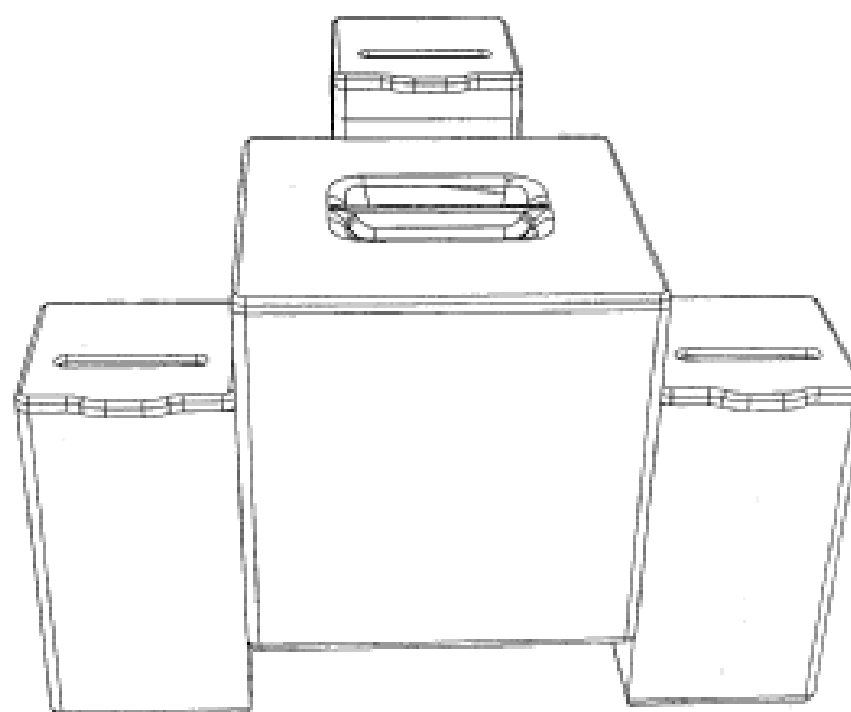
- (21) Design Number: **14835/2006**
(22) Date of Filing Application: **24 October 2006**
(24) Date from which industrial property rights may have effect: **24 October 2006**
(54) Product in respect of which the design is registered: **Wool bales and cotton bales**
(51) International Design Classification: **08-07**
(71) Name(s) and Address(s) of Applicant(s):
William Joseph Doran
66 Fergus Road Queanbeyan New South Wales 2620 Australia
(72) Name(s) of Designer(s): **William Joseph Doran**
(45) Registration Date: **11 December 2006**
(56) Related Art Documents: **Not Applicable**
(57) Statement of Newness and Distinctiveness: **Each bale lock has perforations through it in a distinctive pattern and manner the perforation pattern results in half the perforation forming serrations on each side of the plate used in manufacture. These serrations lock into bales.**



- (21) Design Number: **14836/2006**
(22) Date of Filing Application: **24 October 2006**
(24) Date from which industrial property rights may have effect: **24 October 2006**
(54) Product in respect of which the design is registered: **Vehicle mirror insert**
(51) International Design Classification: **12-16H**
(71) Name(s) and Address(s) of Applicant(s):
Catherine Louise Constable
22 Wilson Street Muswellbrook New South Wales 2333 Australia
(72) Name(s) of Designer(s): **Catherine Louise Constable**
(45) Registration Date: **11 December 2006**
(56) Related Art Documents: **Not Applicable**
(57) Statement of Newness and Distinctiveness: **Newness and distinctiveness is claimed in the visual features shown in solid lines in the representations.**

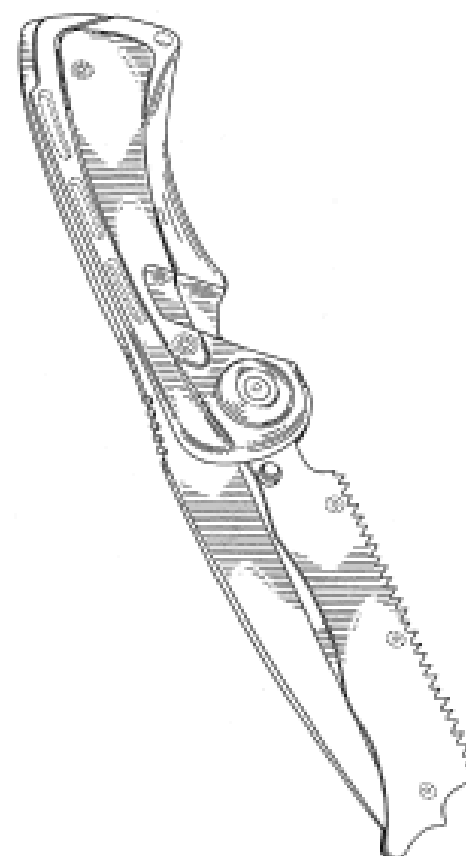


- (21) Design Number: **14837/2006**
- (22) Date of Filing Application: **23 October 2006**
- (24) Date from which industrial property rights may have effect: **23 October 2006**
- (54) Product in respect of which the design is registered: **A money box**
- (51) International Design Classification: **19-02**
- (71) Name(s) and Address(s) of Applicant(s):
Money Cubby Holding Pty Ltd
119 Beach Street Cleveland Queensland 4163 Australia
- (72) Name(s) of Designer(s): **Christene Lovich**
- (45) Registration Date: **11 December 2006**
- (56) Related Art Documents: **Not Applicable**
- (57) Statement of Newness and Distinctiveness: **Newness and distinctiveness reside in the shape and configuration of a money box as illustrated in the accompanying representations.**

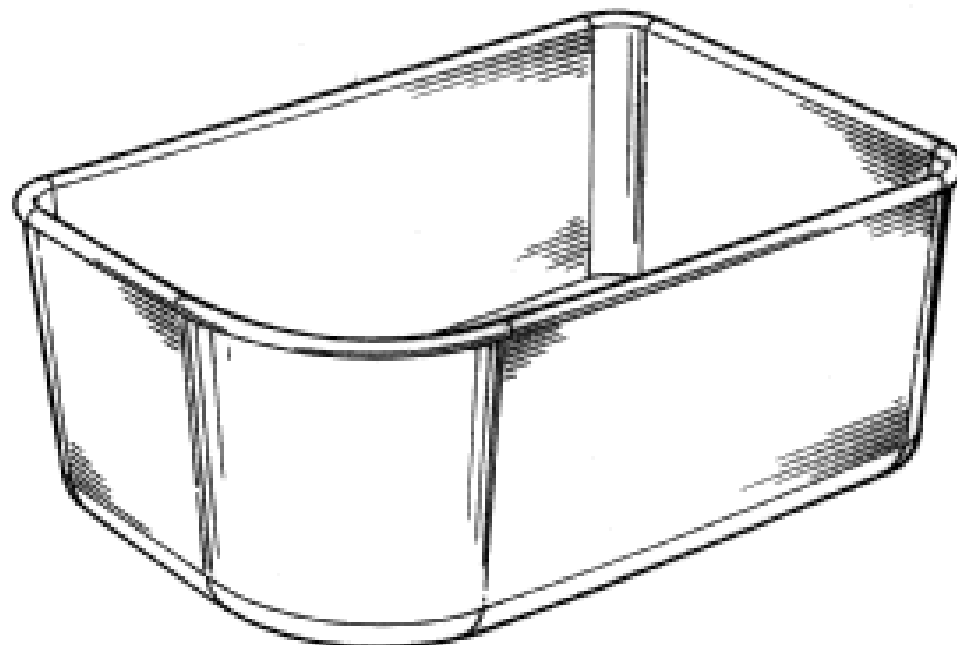


- (21) Design Number: **14839/2006**
- (22) Date of Filing Application: **23 October 2006**
- (24) Date from which industrial property rights may have effect: **23 October 2006**
- (54) Product in respect of which the design is registered: **Folding multipurpose hand tool**
- (51) International Design Classification: **08-05NES**
- (71) Name(s) and Address(s) of Applicant(s):
Leatherman Tool Group, Inc.
12106 NE Ainsworth Circle Portland OR 97220 United States of America
- (72) Name(s) of Designer(s): **Hollan Akio Tsuda and Blair Scott Barnes**
- (45) Registration Date: **11 December 2006**
- (30) Convention priority data:

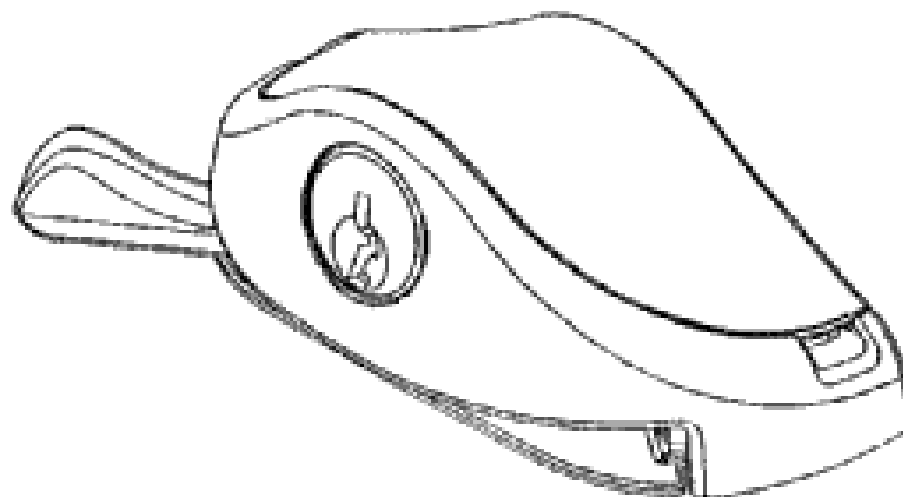
(31) Number	(32) Date	(33) Country
11/410,439	25 Apr 2006	UNITED STATES OF AMERICA
- (56) Related Art Documents: **Not Applicable**
- (57) Statement of Newness and Distinctiveness: **The newness and distinctiveness of the design resides in the features of shape and/or configuration of the folding multipurpose hand tool shown in unbroken lines in the accompanying representations.**



- (21) Design Number: **14844/2006**
(22) Date of Filing Application: **23 October 2006**
(24) Date from which industrial property rights may have effect: **23 October 2006**
(54) Product in respect of which the design is registered: **Storage container**
(51) International Design Classification: **09-03M**
(71) Name(s) and Address(s) of Applicant(s):
The Decor Corporation Pty Ltd
1314 Ferntree Gully Road Scoresby Victoria 3179 Australia
(72) Name(s) of Designer(s): **Arthur Richard Carlson**
(45) Registration Date: **11 December 2006**
(56) Related Art Documents: **Not Applicable**
(57) Statement of Newness and Distinctiveness: **Nil**



- (21) Design Number: **14845/2006**
(22) Date of Filing Application: **23 October 2006**
(24) Date from which industrial property rights may have effect: **23 October 2006**
(54) Product in respect of which the design is registered: **Window lock**
(51) International Design Classification: **08-07**
(71) Name(s) and Address(s) of Applicant(s):
Assa Abloy Australia Pty Limited
50 Edward Street Oakleigh Victoria 3166 Australia
(72) Name(s) of Designer(s): **Shelley Ellen Farrell**
(45) Registration Date: **11 December 2006**
(56) Related Art Documents: **Not Applicable**
(57) Statement of Newness and Distinctiveness: **Those features of the window lock depicted in the representations that are new and distinctive are the shape/and or configuration.**

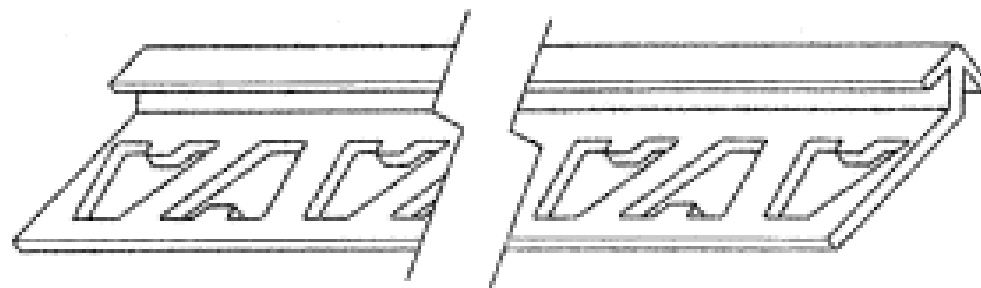


(21) Design Number: **14847/2006**
 (22) Date of Filing Application: **23 October 2006**
 (24) Date from which industrial property rights may have effect: **23 October 2006**
 (54) Product in respect of which the design is registered: **Tile trim**
 (51) International Design Classification: **08-03**
 (71) Name(s) and Address(s) of Applicant(s):

Leonard Ross Proctor
48 Skarratt Street Silverwater New South Wales 2128 Australia

(72) Name(s) of Designer(s): **Leonard Ross Proctor**
 (45) Registration Date: **11 December 2006**
 (56) Related Art Documents: **Not Applicable**

(57) Statement of Newness and Distinctiveness: **Newness and distinctiveness is claimed in the features shown in solid lines in the representation of a tile trim of indefinite length but no newness or distinctiveness is claimed in relation to the cut-outs in the shape of the letter "A" as shown in the representation.**



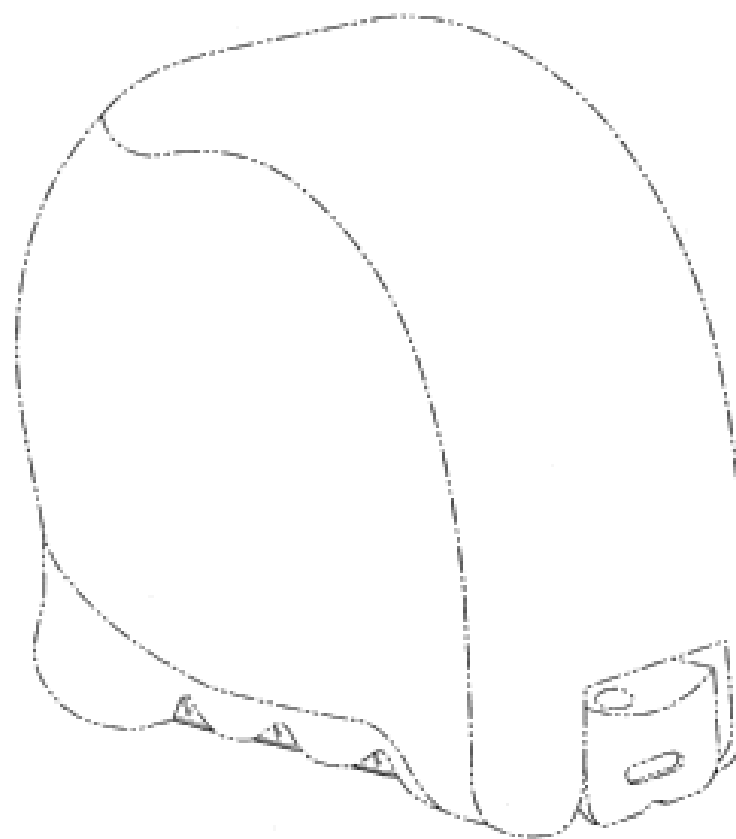
(21) Design Number: **14894/2006**
 (22) Date of Filing Application: **25 October 2006**
 (24) Date from which industrial property rights may have effect: **25 October 2006**
 (54) Product in respect of which the design is registered: **Tape measure**
 (51) International Design Classification: **10-04**
 (71) Name(s) and Address(s) of Applicant(s):

Cooper Brands, Inc.
1000 Lufkin Road Apex North Carolina 27539 United States of America

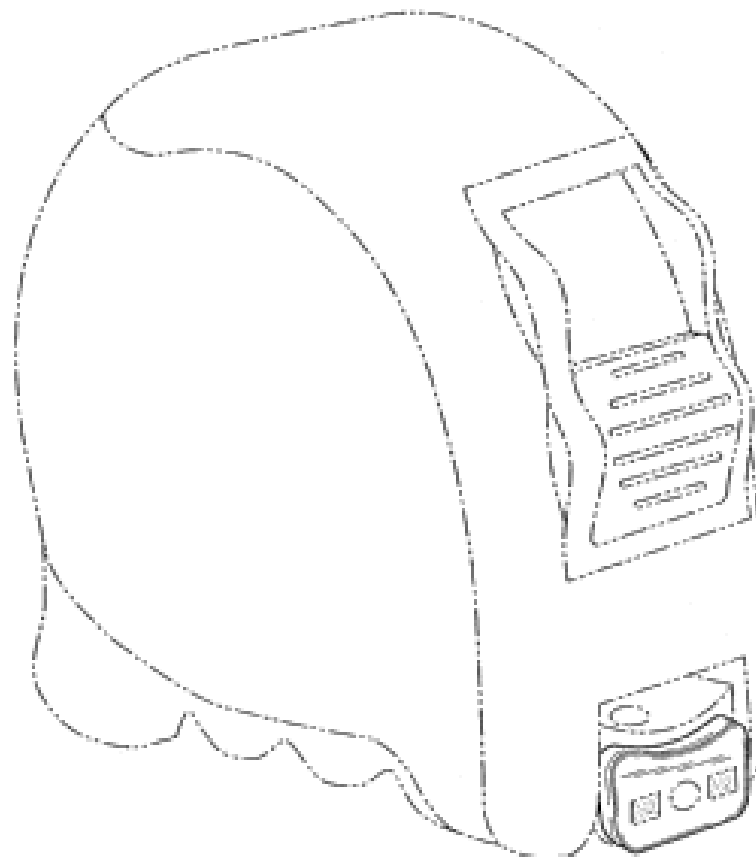
(72) Name(s) of Designer(s): **James M. Critelli**
 (45) Registration Date: **11 December 2006**
 (30) Convention priority data:

(31) Number	(32) Date	(33) Country
29/258707	26 Apr 2006	UNITED STATES OF AMERICA

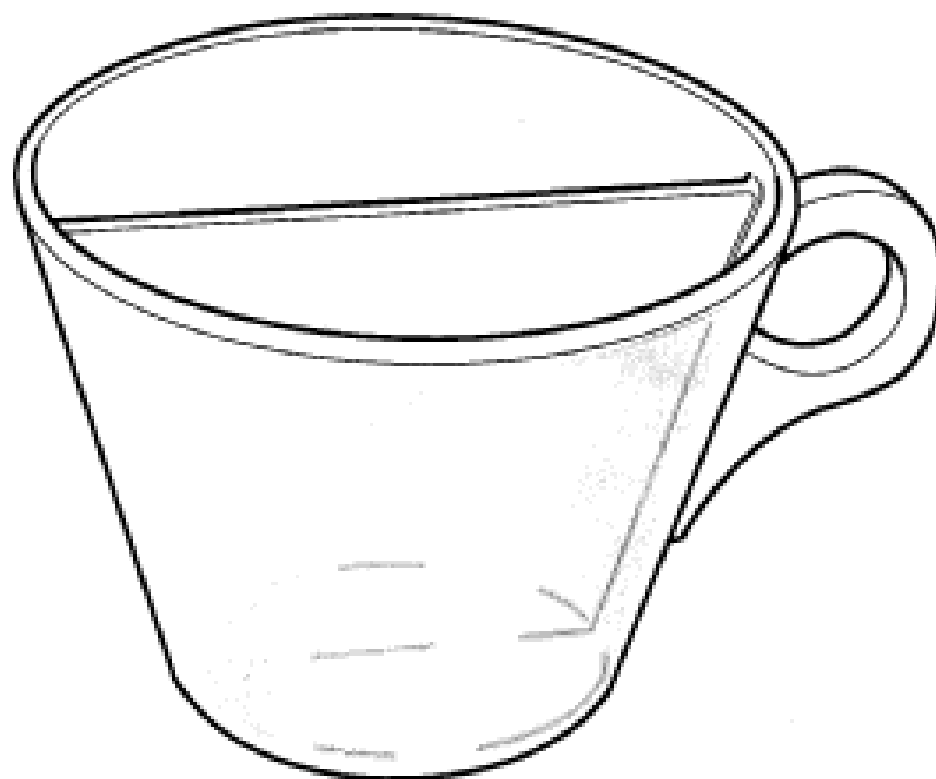
(56) Related Art Documents: **Not Applicable**
 (57) Statement of Newness and Distinctiveness: **Newness and distinctiveness of the design resides in the features of shape and configuration of the release button of a tape measure shown in solid lines in the attached representations.**



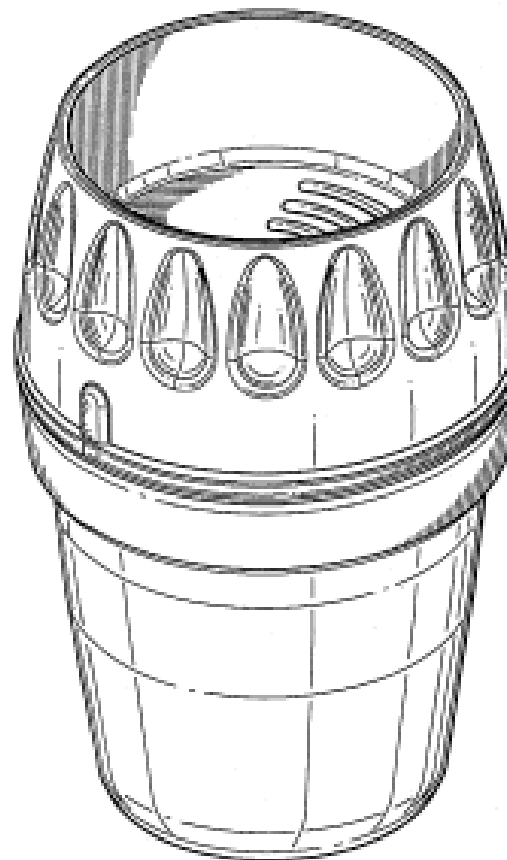
(21) Design Number: **14895/2006**
(22) Date of Filing Application: **25 October 2006**
(24) Date from which industrial property rights may have effect: **25 October 2006**
(54) Product in respect of which the design is registered: **Tape measure**
(51) International Design Classification: **10-04**
(71) Name(s) and Address(s) of Applicant(s):
Cooper Brands, Inc.
1000 Lufkin Road Apex North Carolina 27539 United States of America
(72) Name(s) of Designer(s): **James M. Critelli**
(45) Registration Date: **11 December 2006**
(30) Convention priority data:
(31) Number (32) Date (33) Country
29/258706 26 Apr 2006 UNITED STATES OF AMERICA
(56) Related Art Documents: **Not Applicable**
(57) Statement of Newness and Distinctiveness: **Newness and distinctiveness of the design resides in the features of shape and configuration of the end portion of the tape of a tape measure shown in solid lines in the attached representations.**



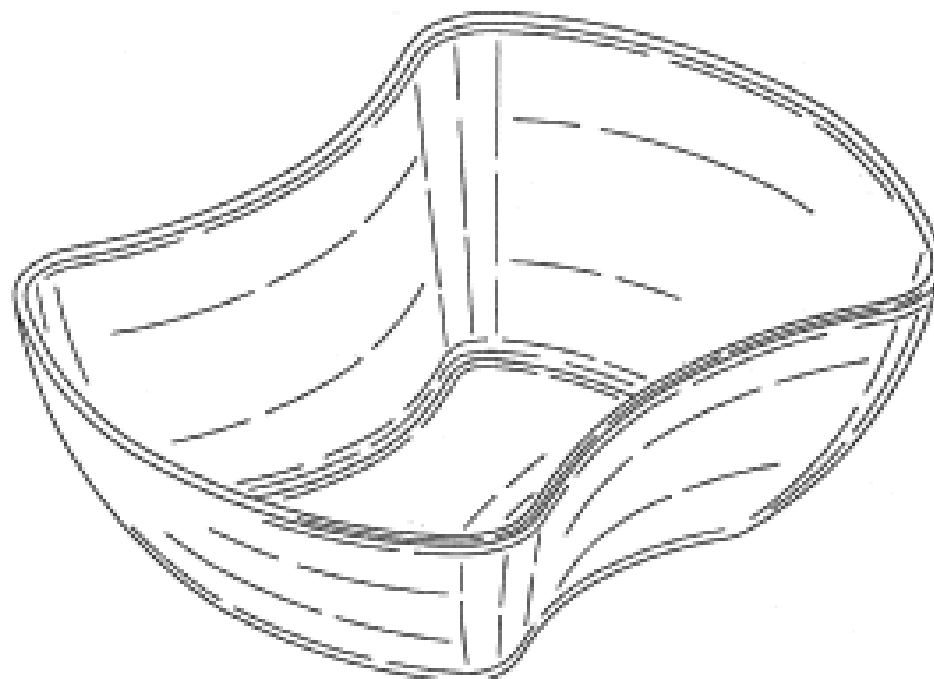
(21) Design Number: **14900/2006**
(22) Date of Filing Application: **25 October 2006**
(24) Date from which industrial property rights may have effect: **25 October 2006**
(54) Product in respect of which the design is registered: **Cup**
(51) International Design Classification: **07-01D**
(71) Name(s) and Address(s) of Applicant(s):
Luigi Lavazza S.p.A
Corso Novara 59 I-10154 Torino Italy
(72) Name(s) of Designer(s): **Marcello Arcangeli**
(45) Registration Date: **11 December 2006**
(30) Convention priority data:
(31) Number (32) Date (33) Country
TO20060000030 28 Apr 2006 ITALY
(56) Related Art Documents: **Not Applicable**
(57) Statement of Newness and Distinctiveness: **Nil**



(21) Design Number: **14901/2006**
(22) Date of Filing Application: **25 October 2006**
(24) Date from which industrial property rights may have effect: **25 October 2006**
(54) Product in respect of which the design is registered: **Food processor**
(51) International Design Classification: **31-00**
(71) Name(s) and Address(s) of Applicant(s):
Dart Industries Inc
14901 S. Orange Blossom Trail Orlando Florida 32837 United States of America
(72) Name(s) of Designer(s): **Jan-Hendrik de Groot**
(45) Registration Date: **11 December 2006**
(30) Convention priority data:
(31) Number (32) Date (33) Country
29/259,621 12 May 2006 UNITED STATES OF AMERICA
(56) Related Art Documents: **Not Applicable**
(57) Statement of Newness and Distinctiveness: **Nil**



(21) Design Number: **14902/2006**
(22) Date of Filing Application: **25 October 2006**
(24) Date from which industrial property rights may have effect: **25 October 2006**
(54) Product in respect of which the design is registered: **Containers**
(51) International Design Classification: **09-03NES**
(71) Name(s) and Address(s) of Applicant(s):
Dart Industries Inc
14901 S. Orange Blossom Trail Orlando Florida 32837 United States of America
(72) Name(s) of Designer(s): **Famia E. Ablo**
(45) Registration Date: **11 December 2006**
(30) Convention priority data:
(31) Number (32) Date (33) Country
29/259,916 17 May 2006 UNITED STATES OF AMERICA
(56) Related Art Documents: **Not Applicable**
(57) Statement of Newness and Distinctiveness: **Nil**



(21) Design Number: **15077/2006**

(22) Date of Filing Application: **06 November 2006**

(24) Date from which industrial property rights may have effect: **06 November 2006**

(54) Product in respect of which the design is registered: **Bottle**

(51) International Design Classification: **09-01K**

(71) Name(s) and Address(s) of Applicant(s):

St Arnou Pty Limited

Level 3 49-51 York Street Sydney New South Wales 2000 Australia

(72) Name(s) of Designer(s): **Matthew Beggs**

(45) Registration Date: **11 December 2006**

(56) Related Art Documents: **Not Applicable**

(57) Statement of Newness and Distinctiveness: **Protection is claimed over the three dimensional embossing of letters and numbers around the neck of the bottle, as depicted in the representations.**



(21) Design Number: **15078/2006**

(22) Date of Filing Application: **06 November 2006**

(24) Date from which industrial property rights may have effect: **06 November 2006**

(54) Product in respect of which the design is registered: **Bottle**

(51) International Design Classification: **09-01K**

(71) Name(s) and Address(s) of Applicant(s):

St Arnou Pty Limited

Level 3 49-51 York Street Sydney New South Wales 2000 Australia

(72) Name(s) of Designer(s): **Matthew Beggs**

(45) Registration Date: **11 December 2006**

(56) Related Art Documents: **Not Applicable**

(57) Statement of Newness and Distinctiveness: **Protection is claimed over the shape and configuration of the neck of the bottle, as depicted in the representations.**



- (21) Design Number: **15079/2006**
(22) Date of Filing Application: **06 November 2006**
(24) Date from which industrial property rights may have effect: **06 November 2006**
(54) Product in respect of which the design is registered: **Bottle packaging**
(51) International Design Classification: **09-03H, 09-03E**
(71) Name(s) and Address(s) of Applicant(s):
St Arnou Pty Limited
Level 3 49-51 York Street Sydney New South Wales 2000 Australia
(72) Name(s) of Designer(s): **Matthew Beggs**
(45) Registration Date: **11 December 2006**
(56) Related Art Documents: **Not Applicable**
(57) Statement of Newness and Distinctiveness: **Protection is claimed over the shape and configuration of the ends of the packaging which are curved and rounded as depicted in the representations attached to the application.**

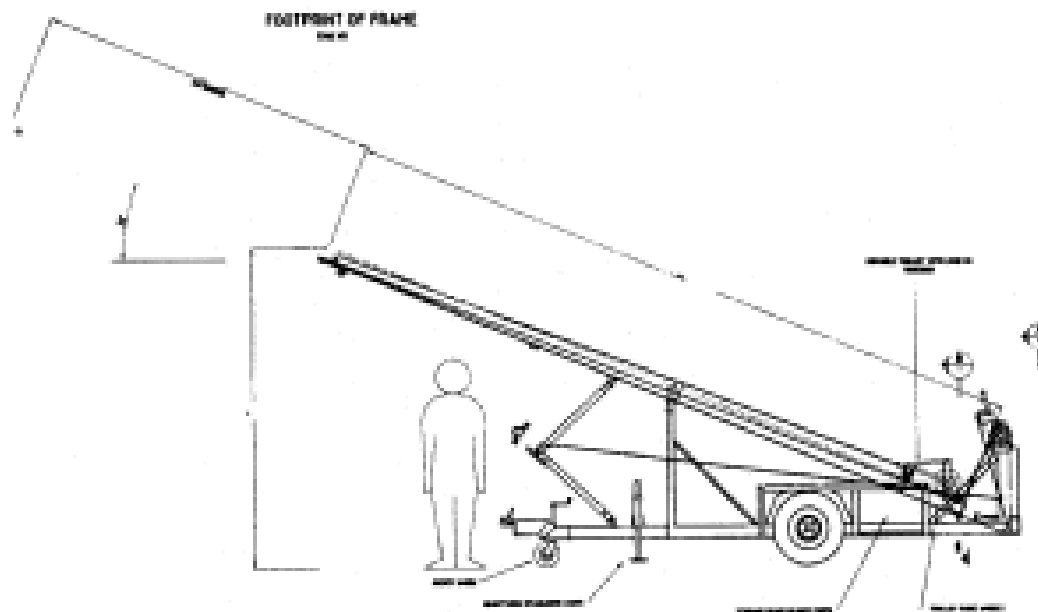


- (21) Design Number: **14761/2006**
(22) Date of Filing Application: **19 October 2006**
(24) Date from which industrial property rights may have effect: **19 October 2006**
(54) Product in respect of which the design is registered: **A truck**
(51) International Design Classification: **12-08**
(71) Name(s) and Address(s) of Applicant(s):
Isuzu Motors Limited
6-26-1 Minami-Oi Shinagawa-ku Tokyo 140-8722 Japan
(72) Name(s) of Designer(s): **Toru Takagi and Keishi Hayashi and Yoshio Iwasaki**
(45) Registration Date: **11 December 2006**
(30) Convention priority data:
(31) Number (32) Date (33) Country
200630130864.1 26 Jun 2006 CHINA
(56) Related Art Documents: **Not Applicable**
(57) Statement of Newness and Distinctiveness: **Newness and distinctiveness is claimed in the features of shape and/or configuration of the bumpers, grille and headlights of a truck as illustrated in the accompanying representations.**



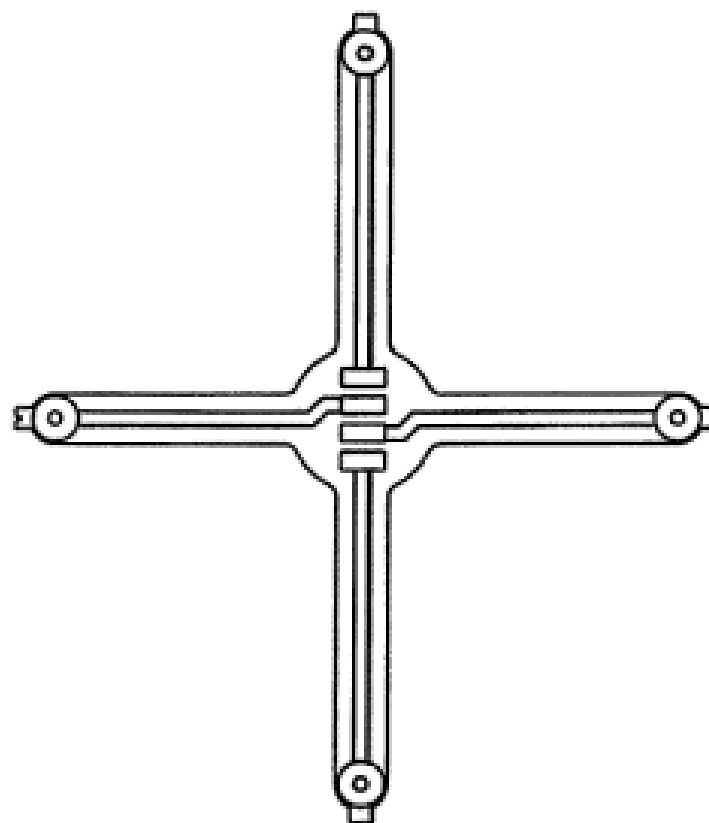
(19) AU

- (21) Design Number: **12488/2006**
- (22) Date of Filing Application: **27 April 2006**
- (24) Date from which industrial property rights may have effect: **27 April 2006**
- (54) Product in respect of which the design is registered: **Roofing Material**
- (51) International Design Classification: **12-05**
- (71) Name(s) and Address(s) of Applicant(s):
Earle Raymond Hogg
51 Lyrebird Ridge Road Springbrook Queensland 4213 Australia
- (72) Name(s) of Designer(s): **Earle R. Hogg**
- (45) Registration Date: **12 December 2006**
- (56) Related Art Documents: **Not Applicable**
- (57) Statement of Newness and Distinctiveness: **The roof mate is a trailer mounted twin arm impliment which telescopes out to 9 meters. It has a winch operated mobile bogey that climbs up the twin booms with its load onto the roof.**

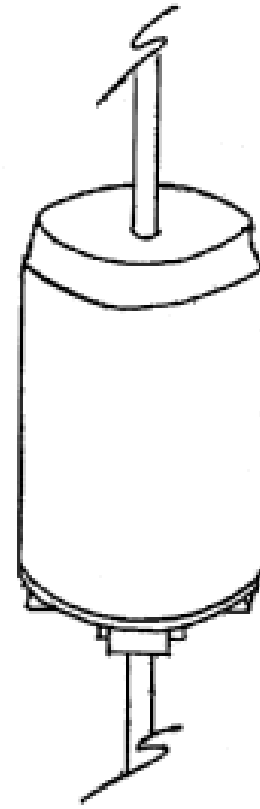


(19) AU

- (21) Design Number: **13939/2006**
- (22) Date of Filing Application: **31 August 2006**
- (24) Date from which industrial property rights may have effect: **31 August 2006**
- (54) Product in respect of which the design is registered: **Flexible printed circuit board electrode assembly for measurement of electrophysiological signals**
- (51) International Design Classification: **24-01, 24-02**
- (71) Name(s) and Address(s) of Applicant(s):
ObjectiVision Pty Ltd
Unit 145 National Innovation Centre Australian Technology Park
Eveleigh NSW 1430 Australia
- (72) Name(s) of Designer(s): **Arthur Cheng and Alexander Klistorner and Jonathan Mathew Dyer**
- (45) Registration Date: **12 December 2006**
- (56) Related Art Documents: **Not Applicable**
- (57) Statement of Newness and Distinctiveness: **Newness and distinctiveness is claimed in the features of shape and/or configuration of a flexible printed circuit board electrode assembly as illustrated in the accompanying representations.**



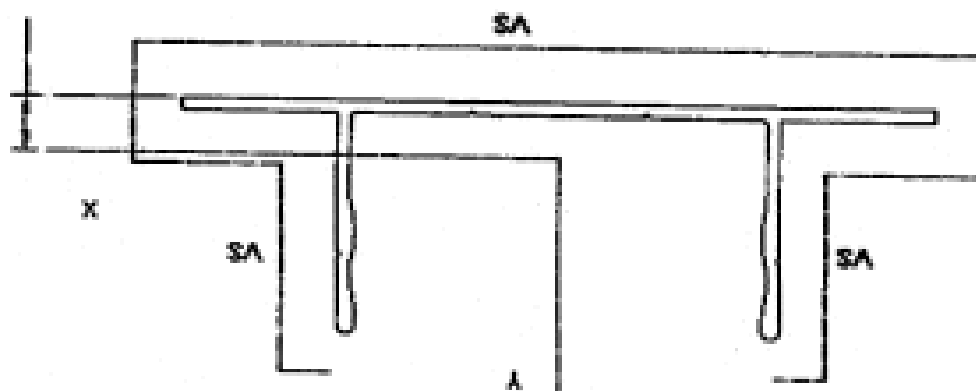
- (21) Design Number: **13956/2006**
(22) Date of Filing Application: **31 August 2006**
(24) Date from which industrial property rights may have effect: **31 August 2006**
(54) Product in respect of which the design is registered: **Dispenser**
(51) International Design Classification: **23-02A**
(71) Name(s) and Address(s) of Applicant(s):
William Freedman
21/18 Carr Street Waverton New South Wales 2060 Australia
(72) Name(s) of Designer(s): **William Freedman**
(45) Registration Date: **12 December 2006**
(56) Related Art Documents: **Not Applicable**
(57) Statement of Newness and Distinctiveness: **Nil**



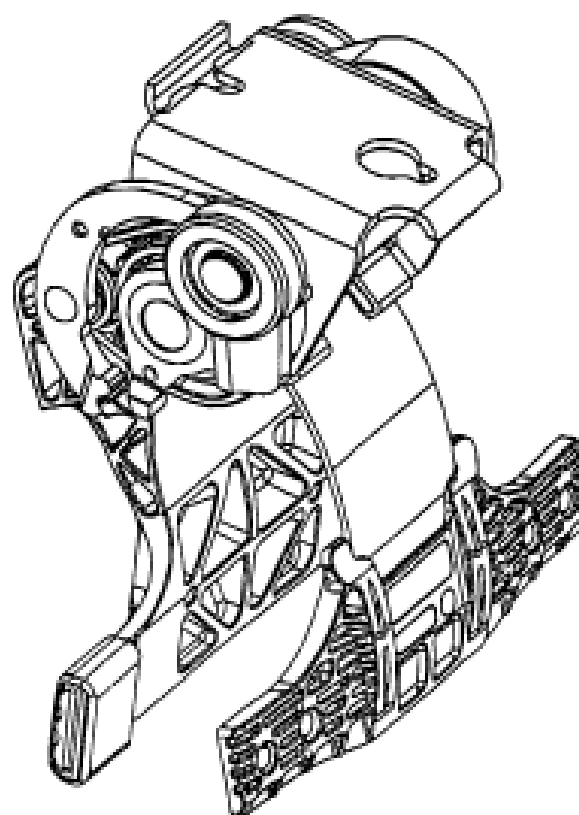
- (21) Design Number: **13968/2006**
(22) Date of Filing Application: **01 September 2006**
(24) Date from which industrial property rights may have effect: **01 September 2006**
(54) Product in respect of which the design is registered: **Lockable storage container/s for a vehicle**
(51) International Design Classification: **06-04F**
(71) Name(s) and Address(s) of Applicant(s):
Seris (QLD) Pty Ltd
6 Molloy Street Toowoomba Queensland 4350 Australia
(72) Name(s) of Designer(s): **Keiron Shepherd and Scott Sires**
(45) Registration Date: **12 December 2006**
(56) Related Art Documents: **Not Applicable**
(57) Statement of Newness and Distinctiveness: **Newness and distinctiveness resides in the shape or configuration of the lockable storage container/s as shown in the accompanying representations. When interpreting the scope of protection, the locking devices and feet (labelled as "feet") may be disregarded.**



(21) Design Number: **14580/2006**
(22) Date of Filing Application: **12 October 2006**
(24) Date from which industrial property rights may have effect: **12 October 2006**
(54) Product in respect of which the design is registered: **Aluminium extrusion**
(51) International Design Classification: **25-01K**
(71) Name(s) and Address(s) of Applicant(s):
Monarch Industries (Aust.) Pty. Ltd.
132 Mooringe Avenue North Plympton South Australia 5037 Australia
(72) Name(s) of Designer(s): **John Milton**
(45) Registration Date: **12 December 2006**
(56) Related Art Documents: **Not Applicable**
(57) Statement of Newness and Distinctiveness: **Nil**



(21) Design Number: **14626/2006**
(22) Date of Filing Application: **13 October 2006**
(24) Date from which industrial property rights may have effect: **13 October 2006**
(54) Product in respect of which the design is registered: **Transport Grippers**
(51) International Design Classification: **12-10**
(71) Name(s) and Address(s) of Applicant(s):
Ferag AG
Zurichstrasse 74 8340 Hinwil Switzerland
(72) Name(s) of Designer(s): **Konrad Auf der Maur**
(45) Registration Date: **12 December 2006**
(30) Convention priority data:
(31) Number (32) Date (33) Country
132 800 13 Apr 2006 SWITZERLAND
(56) Related Art Documents: **Not Applicable**
(57) Statement of Newness and Distinctiveness: **Nil**



(21) Design Number: **14627/2006**
(22) Date of Filing Application: **13 October 2006**
(24) Date from which industrial property rights may have effect: **13 October 2006**
(54) Product in respect of which the design is registered: **Transport grippers**
(51) International Design Classification: **12-10**
(71) Name(s) and Address(s) of Applicant(s):

Ferag AG
Zurichstrasse 74 8340 Hinwil Switzerland

(72) Name(s) of Designer(s): **Konrad Auf der Maur**

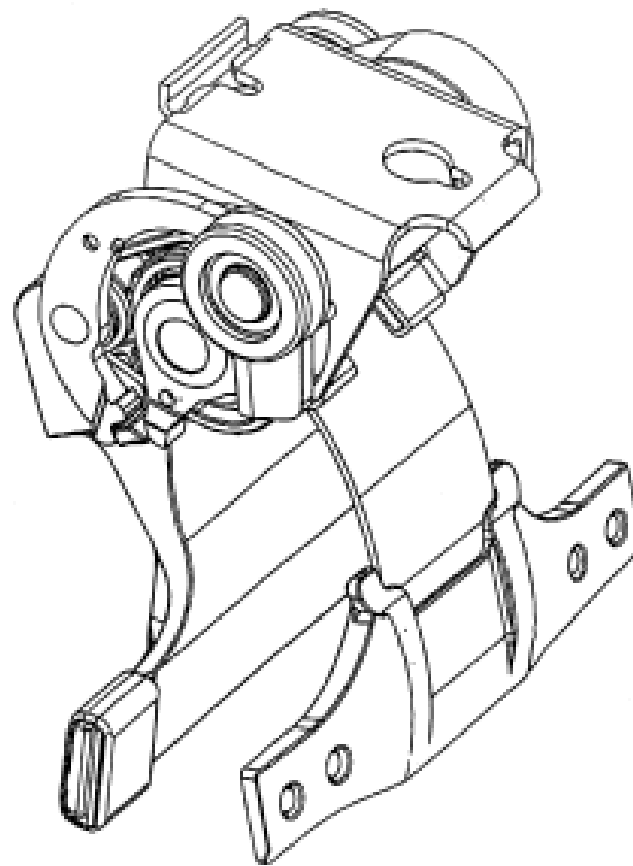
(45) Registration Date: **12 December 2006**

(30) Convention priority data:

(31) Number	(32) Date	(33) Country
132 800	13 Apr 2006	SWITZERLAND

(56) Related Art Documents: **Not Applicable**

(57) Statement of Newness and Distinctiveness: **Nil**



(21) Design Number: **14658/2006**
(22) Date of Filing Application: **17 October 2006**
(24) Date from which industrial property rights may have effect: **17 October 2006**
(54) Product in respect of which the design is registered: **Butt out - Gum bin**
(51) International Design Classification: **27-03**
(71) Name(s) and Address(s) of Applicant(s):

Eric Charles Williams
APT 153#183 City Road (City Towers) South Bank 3006 Victoria
Australia

(72) Name(s) of Designer(s): **Eric Charles Williams**

(45) Registration Date: **12 December 2006**

(56) Related Art Documents: **Not Applicable**

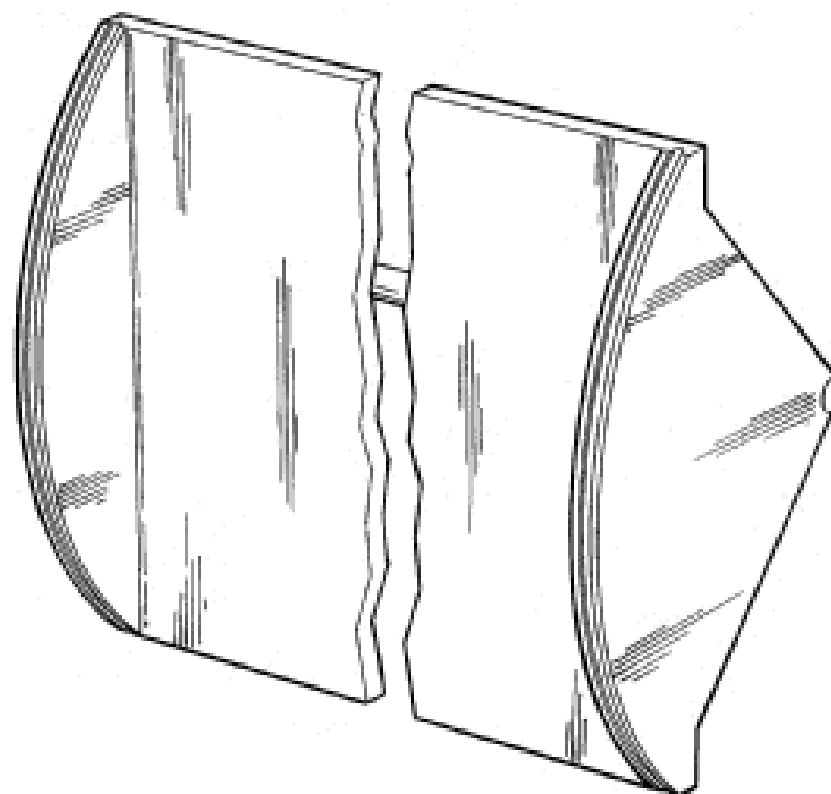
(57) Statement of Newness and Distinctiveness: **Nil**



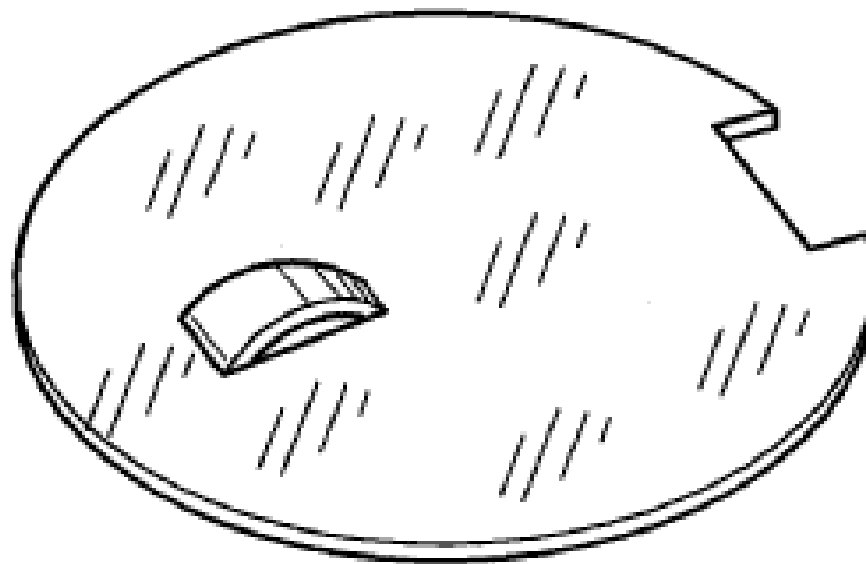
(21) Design Number: **14701/2006**
(22) Date of Filing Application: **18 October 2006**
(24) Date from which industrial property rights may have effect: **18 October 2006**
(54) Product in respect of which the design is registered: **Bench seat**
(51) International Design Classification: **06-01C**
(71) Name(s) and Address(s) of Applicant(s):
ARPER S.P.A.
via Lombardia 16 31050 Monastier Di Treviso (Prov.of Treviso) Italy
(72) Name(s) of Designer(s): **Alberto Lievore**
(45) Registration Date: **12 December 2006**
(30) Convention priority data:
(31) Number (32) Date (33) Country
517206 21 Apr 2006 EUROPEAN COMMUNITY
(56) Related Art Documents: **Not Applicable**
(57) Statement of Newness and Distinctiveness: **Nil**



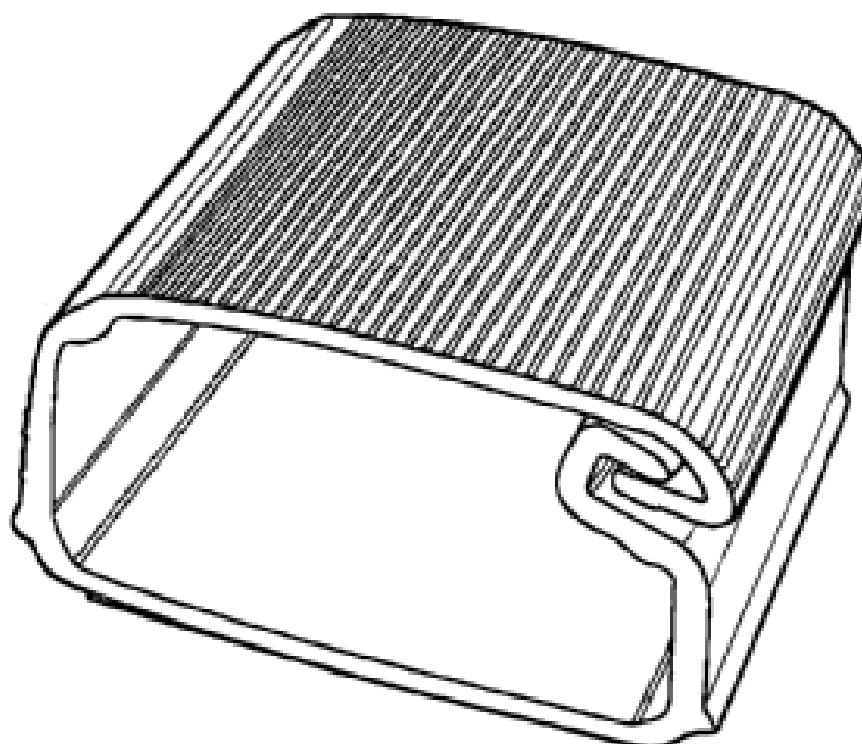
(21) Design Number: **14805/2006**
(22) Date of Filing Application: **20 October 2006**
(24) Date from which industrial property rights may have effect: **20 October 2006**
(54) Product in respect of which the design is registered: **Radial gate**
(51) International Design Classification: **23-01A**
(71) Name(s) and Address(s) of Applicant(s):
Rubicon Research Pty Ltd
1 Cato Street Hawthorn Victoria 3122 Australia
(72) Name(s) of Designer(s): **David Aughton**
(45) Registration Date: **12 December 2006**
(56) Related Art Documents: **Not Applicable**
(57) Statement of Newness and Distinctiveness: **Newness and distinctiveness are provided by the shape and/or configuration of the design shown in the representations.**



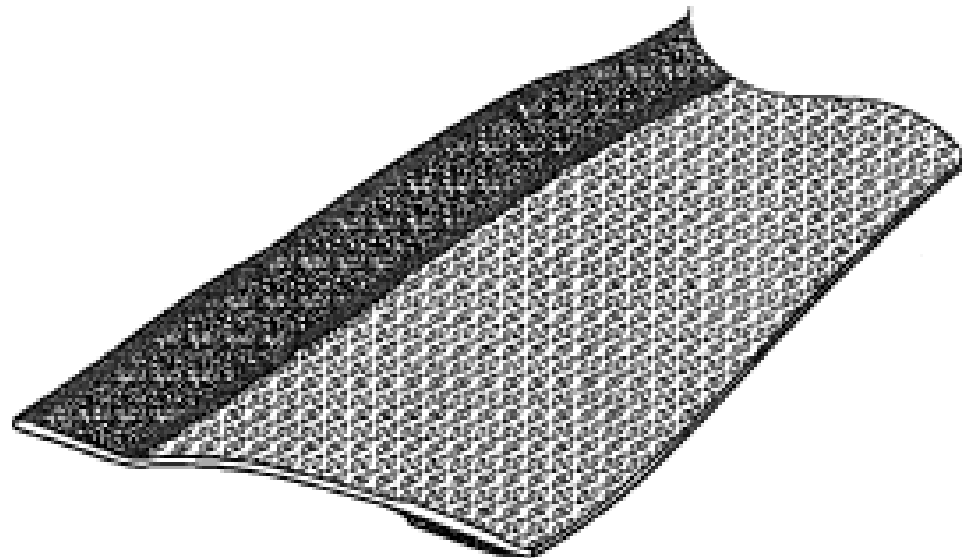
- (21) Design Number: **14808/2006**
(22) Date of Filing Application: **20 October 2006**
(24) Date from which industrial property rights may have effect: **20 October 2006**
(54) Product in respect of which the design is registered: "**Ground anchor**"
(51) International Design Classification: **25-01E**
(71) Name(s) and Address(s) of Applicant(s):
Kriesl & Co. Pty. Ltd.
27 Princes Way Warragul Victoria 3820 Australia
(72) Name(s) of Designer(s): **Frank Kriesl**
(45) Registration Date: **12 December 2006**
(56) Related Art Documents: **Not Applicable**
(57) Statement of Newness and Distinctiveness: **Newness and distinctiveness reside in the ground anchor as shown in the accompanying representations.**



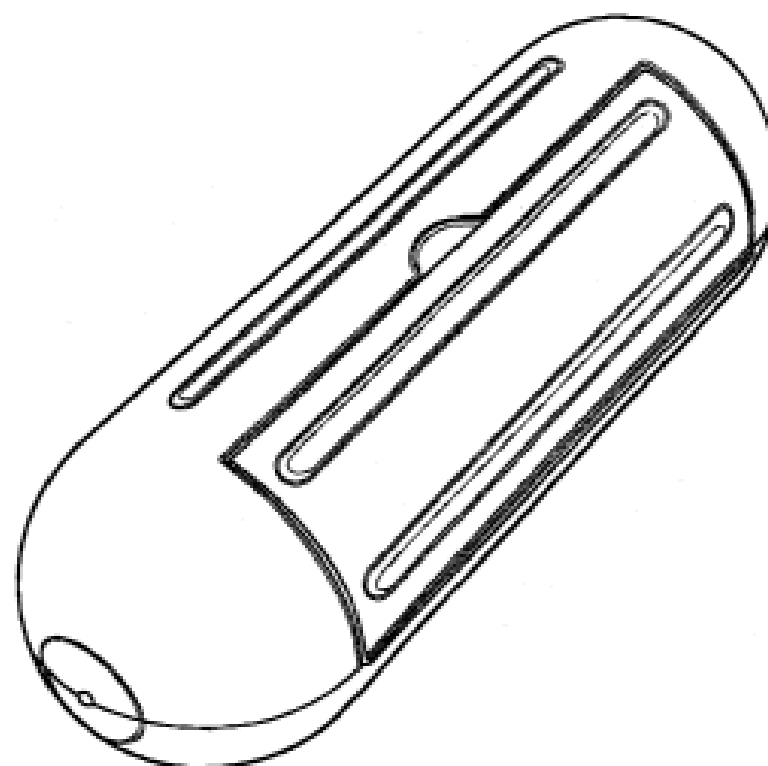
- (21) Design Number: **14812/2006**
(22) Date of Filing Application: **20 October 2006**
(24) Date from which industrial property rights may have effect: **20 October 2006**
(54) Product in respect of which the design is registered: **Clamp for electrical wires**
(51) International Design Classification: **08-08B**
(71) Name(s) and Address(s) of Applicant(s):
Maria Angeles Perez Delgado
Casino no.2 38620 San Miguel De Abona (Tenerife) Spain
(72) Name(s) of Designer(s): **Maria Angeles Perez Delgado**
(45) Registration Date: **12 December 2006**
(30) Convention priority data:
(31) Number (32) Date (33) Country
000516711-0001 21 Apr 2006 EUROPEAN COMMUNITY
(56) Related Art Documents: **Not Applicable**
(57) Statement of Newness and Distinctiveness: **Nil**



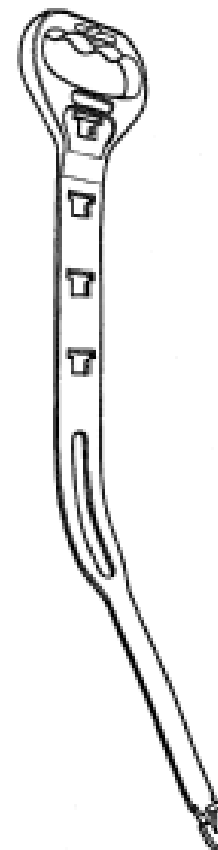
(21) Design Number: **14827/2006**
(22) Date of Filing Application: **20 October 2006**
(24) Date from which industrial property rights may have effect: **20 October 2006**
(54) Product in respect of which the design is registered: **Clamp for electrical wires**
(51) International Design Classification: **08-08D**
(71) Name(s) and Address(s) of Applicant(s):
Maria Angeles Perez Delgado
Casino no.2 38620 San Miguel De Abona (Tenerife) Spain
(72) Name(s) of Designer(s): **Maria Angeles Perez Delgado**
(45) Registration Date: **12 December 2006**
(30) Convention priority data:
(31) Number (32) Date (33) Country
000516711#0013 21 Apr 2006 EUROPEAN COMMUNITY
(56) Related Art Documents: **Not Applicable**
(57) Statement of Newness and Distinctiveness: **Nil**



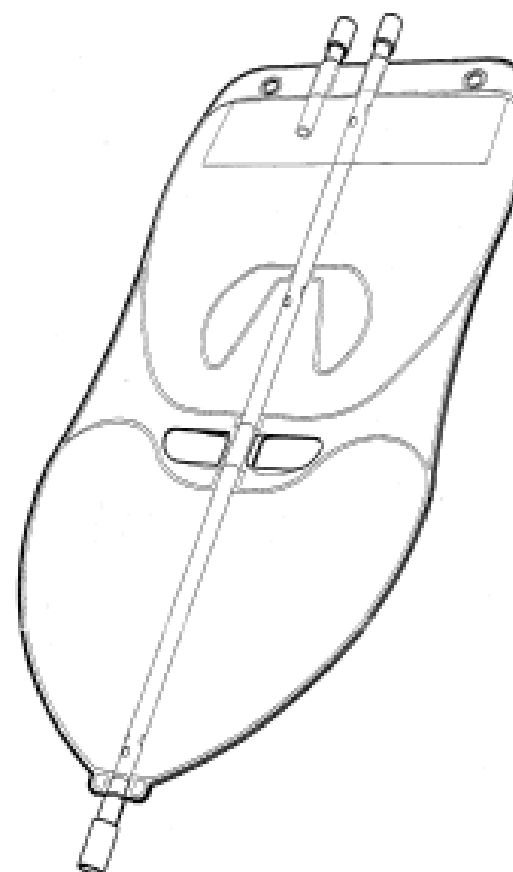
(21) Design Number: **14828/2006**
(22) Date of Filing Application: **20 October 2006**
(24) Date from which industrial property rights may have effect: **20 October 2006**
(54) Product in respect of which the design is registered: **Clamp for electrical wires**
(51) International Design Classification: **08-08D**
(71) Name(s) and Address(s) of Applicant(s):
Maria Angeles Perez Delgado
Casino no.2 38620 San Miguel De Abona (Tenerife) Spain
(72) Name(s) of Designer(s): **Maria Angeles Perez Delgado**
(45) Registration Date: **12 December 2006**
(30) Convention priority data:
(31) Number (32) Date (33) Country
000516711#0012 21 Apr 2006 EUROPEAN COMMUNITY
(56) Related Art Documents: **Not Applicable**
(57) Statement of Newness and Distinctiveness: **Nil**



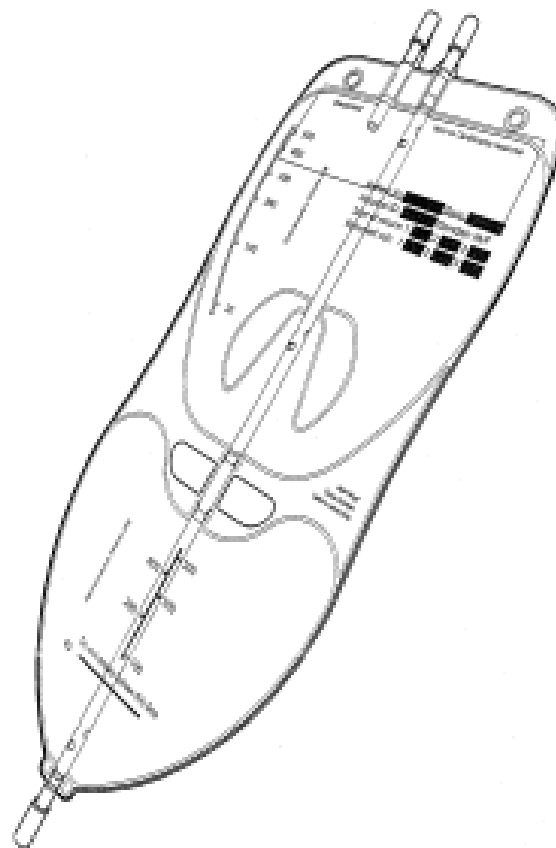
- (21) Design Number: **14830/2006**
(22) Date of Filing Application: **20 October 2006**
(24) Date from which industrial property rights may have effect: **20 October 2006**
(54) Product in respect of which the design is registered: **Clamp for electrical wires**
(51) International Design Classification: **08-08D**
(71) Name(s) and Address(s) of Applicant(s):
Maria Angeles Perez Delgado
Casino no.2 38620 San Miguel De Abona (Tenerife) Spain
(72) Name(s) of Designer(s): **Maria Angeles Perez Delgado**
(45) Registration Date: **12 December 2006**
(30) Convention priority data:
(31) Number (32) Date (33) Country
000516711#0010 21 Apr 2006 EUROPEAN COMMUNITY
(56) Related Art Documents: **Not Applicable**
(57) Statement of Newness and Distinctiveness: **Nil**



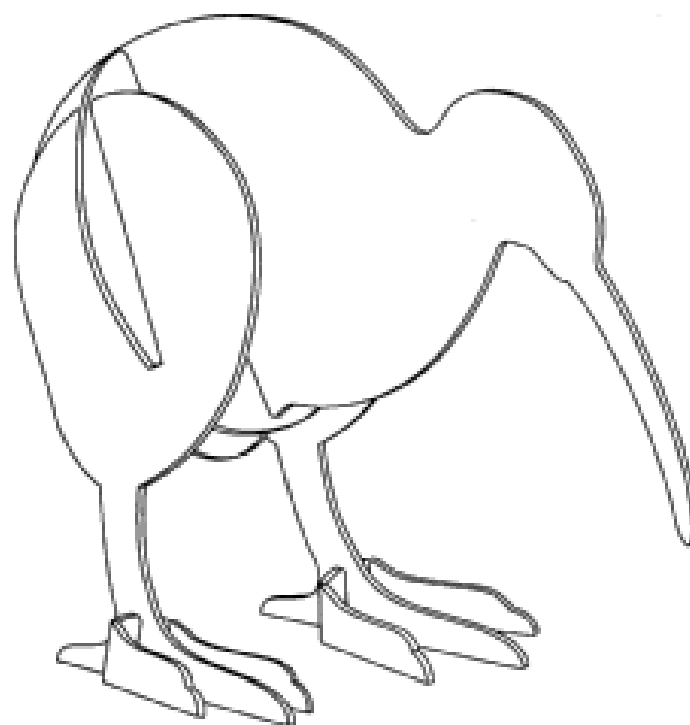
- (21) Design Number: **14871/2006**
(22) Date of Filing Application: **24 October 2006**
(24) Date from which industrial property rights may have effect: **24 October 2006**
(54) Product in respect of which the design is registered: **Bag**
(51) International Design Classification: **03-01A**
(71) Name(s) and Address(s) of Applicant(s):
Astra Tech AB
Aminogaten 1 431 21 Molndal Sweden
(72) Name(s) of Designer(s): **Gunnar Engstrom and Susanna Grange-Jansson**
(45) Registration Date: **12 December 2006**
(30) Convention priority data:
(31) Number (32) Date (33) Country
000519699#0002 26 Apr 2006 EUROPEAN COMMUNITY
(56) Related Art Documents: **Not Applicable**
(57) Statement of Newness and Distinctiveness: **Nil**



(21) Design Number: **14872/2006**
(22) Date of Filing Application: **24 October 2006**
(24) Date from which industrial property rights may have effect: **24 October 2006**
(54) Product in respect of which the design is registered: **Bag**
(51) International Design Classification: **03-01A**
(71) Name(s) and Address(s) of Applicant(s):
Astra Tech AB
Aminogaten 1 431 21 Molndal Sweden
(72) Name(s) of Designer(s): **Gunnar Engstrom and Susanna Grange-Jansson**
(45) Registration Date: **12 December 2006**
(30) Convention priority data:
(31) Number (32) Date (33) Country
000519699#0001 26 Apr 2006 EUROPEAN COMMUNITY
(56) Related Art Documents: **Not Applicable**
(57) Statement of Newness and Distinctiveness: **Nil**



(21) Design Number: **14874/2006**
(22) Date of Filing Application: **25 October 2006**
(24) Date from which industrial property rights may have effect: **25 October 2006**
(54) Product in respect of which the design is registered: **Figurine**
(51) International Design Classification: **11-02E**
(71) Name(s) and Address(s) of Applicant(s):
Stuart Parry
PO Box 2273 Richmond Victoria 3121 Australia
(72) Name(s) of Designer(s): **Stuart Parry**
(45) Registration Date: **12 December 2006**
(56) Related Art Documents: **Not Applicable**
(57) Statement of Newness and Distinctiveness: **Nil**



- (21) Design Number: **14877/2006**
(22) Date of Filing Application: **25 October 2006**
(24) Date from which industrial property rights may have effect: **25 October 2006**
(54) Product in respect of which the design is registered: **Chair**
(51) International Design Classification: **06-01F**
(71) Name(s) and Address(s) of Applicant(s):
Damba Furniture Pty Ltd
69 Nicholson St St Leonards New South Wales 2065 Australia
(72) Name(s) of Designer(s): **Walter Tinyow**
(45) Registration Date: **12 December 2006**
(56) Related Art Documents: **Not Applicable**
(57) Statement of Newness and Distinctiveness: **Particular visual features of the design we would like to identify as new and distinctive reside in the features of shape and configuration as shown in the accompanying representations. Beam seating.**



- (21) Design Number: **14913/2006**
(22) Date of Filing Application: **25 October 2006**
(24) Date from which industrial property rights may have effect: **25 October 2006**
(54) Product in respect of which the design is registered: **External style of industrial or commercial vehicle**
(51) International Design Classification: **12-08**
(71) Name(s) and Address(s) of Applicant(s):
Iveco S.p.A.
Via Puglia 35 Torino 10156 Italy
(72) Name(s) of Designer(s): **Marco Armigliato and Marco Carignano**
(45) Registration Date: **12 December 2006**
(30) Convention priority data:
(31) Number (32) Date (33) Country
000528278-0001 11 May 2006 EUROPEAN COMMUNITY
(56) Related Art Documents: **Not Applicable**
(57) Statement of Newness and Distinctiveness: **Nil**



(21) Design Number: **10884/2006**

(22) Date of Filing Application: **08 March 2006**

(24) Date from which industrial property rights may have effect: **08 March 2006**

(54) Product in respect of which the design is registered: **Hay bale bag**

(51) International Design Classification: **03-01NES**

(71) Name(s) and Address(s) of Applicant(s):

Jae Parker

184 Hidden Valley Road North Arm Queensland 4561 Australia

(72) Name(s) of Designer(s): **Jae Parker**

(45) Registration Date: **12 December 2006**

(56) Related Art Documents: **Not Applicable**

(57) Statement of Newness and Distinctiveness: **Made to be adjustable to secure and carry a variety of square hay bale sizes. Top strap handles are positioned in line with the body to provide a correct lifting action to carry by one person**



(21) Design Number: **11039/2006**

(22) Date of Filing Application: **17 March 2006**

(24) Date from which industrial property rights may have effect: **17 March 2006**

(54) Product in respect of which the design is registered: **Frame**

(51) International Design Classification: **06-07**

(71) Name(s) and Address(s) of Applicant(s):

Sean Roughan

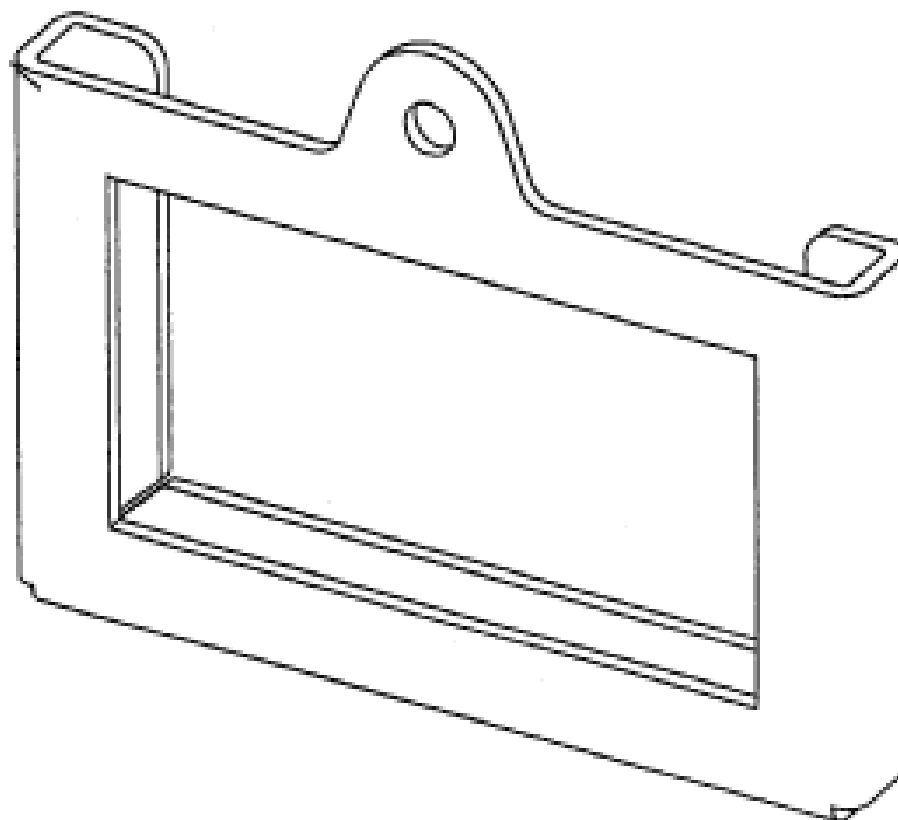
25 Barr's Avenue Oxenford Queensland 4210 Australia

(72) Name(s) of Designer(s): **Sean Roughan**

(45) Registration Date: **12 December 2006**

(56) Related Art Documents: **Not Applicable**

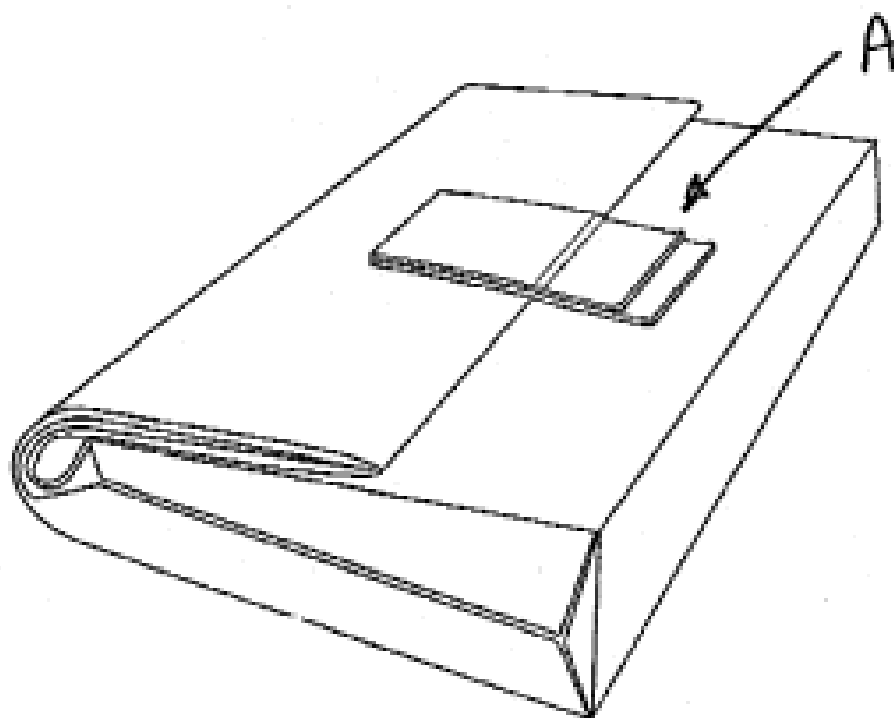
(57) Statement of Newness and Distinctiveness: **Nil**



(21) Design Number: **12023/2006**
(22) Date of Filing Application: **10 May 2006**
(24) Date from which industrial property rights may have effect: **10 May 2006**
(54) Product in respect of which the design is registered: **Mobile Car Wash**
(51) International Design Classification: **25-03, 15-05**
(71) Name(s) and Address(s) of Applicant(s):
Car Wash Club Pty Ltd
PO Box 375 Sutherland New South Wales 1499 Australia
(72) Name(s) of Designer(s): **Pat James**
(45) Registration Date: **12 December 2006**
(56) Related Art Documents: **Not Applicable**
(57) Statement of Newness and Distinctiveness: **Nil**



(21) Design Number: **12613/2006**
(22) Date of Filing Application: **19 June 2006**
(24) Date from which industrial property rights may have effect: **19 June 2006**
(54) Product in respect of which the design is registered: **A pack of tobacco**
(51) International Design Classification: **27-06, 27-01**
(71) Name(s) and Address(s) of Applicant(s):
British American Tobacco (New Zealand) Limited
66 Wyndham Street Auckland New Zealand
(72) Name(s) of Designer(s): **Deepa Patel and Elaine Lim**
(45) Registration Date: **12 December 2006**
(30) Convention priority data:
(31) Number (32) Date (33) Country
406984 23 Dec 2005 NEW ZEALAND
(56) Related Art Documents: **Not Applicable**
(57) Statement of Newness and Distinctiveness: **Nil**.



- (21) Design Number: **13642/2006**
(22) Date of Filing Application: **17 August 2006**
(24) Date from which industrial property rights may have effect: **17 August 2006**
(54) Product in respect of which the design is registered: **Handles for surgical instruments**
(51) International Design Classification: **24-02**
(71) Name(s) and Address(s) of Applicant(s):
Biomet Spain Orthopaedics, S.L.
c/Islas Baleares 50 10 Pol. Ind. Fuente del Jarro Paterna 46988
Valencia Spain
(72) Name(s) of Designer(s): **Alfredo Sierra Aparici and Vicente Fores Ahuir**
(45) Registration Date: **12 December 2006**
(56) Related Art Documents: **Not Applicable**
(57) Statement of Newness and Distinctiveness: **Newness and distinctiveness are claimed in the features of shape and/or configuration of a handle for surgical instruments, as illustrated in the accompanying representatives.**



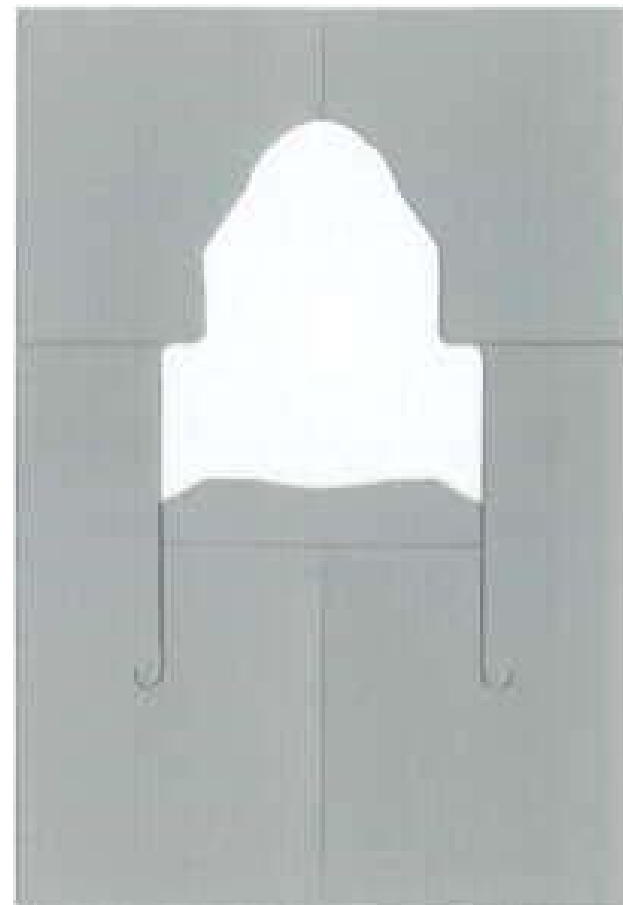
- (21) Design Number: **13643/2006**
(22) Date of Filing Application: **17 August 2006**
(24) Date from which industrial property rights may have effect: **17 August 2006**
(54) Product in respect of which the design is registered: **Handles for surgical instruments**
(51) International Design Classification: **24-02**
(71) Name(s) and Address(s) of Applicant(s):
Biomet Spain Orthopaedics, S.L.
c/Islas Baleares 50 10 Pol. Ind. Fuente del Jarro Paterna 46988
Valencia Spain
(72) Name(s) of Designer(s): **Alfredo Sierra Aparici and Vicente Fores Ahuir**
(45) Registration Date: **12 December 2006**
(56) Related Art Documents: **Not Applicable**
(57) Statement of Newness and Distinctiveness: **Newness and distinctiveness are claimed in the features of shape and/or configuration of a handle for surgical instruments, as illustrated in the accompanying representatives.**



- (21) Design Number: **13644/2006**
(22) Date of Filing Application: **17 August 2006**
(24) Date from which industrial property rights may have effect: **17 August 2006**
(54) Product in respect of which the design is registered: **Handles for surgical instruments**
(51) International Design Classification: **24-02**
(71) Name(s) and Address(s) of Applicant(s):
Biomet Spain Orthopaedics, S.L.
c/Islas Baleares 50 10 Pol. Ind. Fuente del Jarro Paterna 46988
Valencia Spain
(72) Name(s) of Designer(s): **Alfredo Sierra Aparici and Vicente Fores Ahuir**
(45) Registration Date: **12 December 2006**
(56) Related Art Documents: **Not Applicable**
(57) Statement of Newness and Distinctiveness: **Newness and distinctiveness are claimed in the features of shape and/or configuration of a handle for surgical instruments, as illustrated in the accompanying representatives.**



- (21) Design Number: **13820/2006**
(22) Date of Filing Application: **25 August 2006**
(24) Date from which industrial property rights may have effect: **25 August 2006**
(54) Product in respect of which the design is registered: **Registration device_for aligning cleats on bicycle shoes**
(51) International Design Classification: **10-04, 08-05D**
(71) Name(s) and Address(s) of Applicant(s):
Stuart Wallace
354 North Road Brighton East Victoria 3187 Australia
(72) Name(s) of Designer(s): **Stuart Maxwell Wallace**
(45) Registration Date: **12 December 2006**
(56) Related Art Documents: **Not Applicable**
(57) Statement of Newness and Distinctiveness: **Configuration of the incision(s) and indentations surrounding the opening.**



- (21) Design Number: **14013/2006**
- (22) Date of Filing Application: **07 September 2006**
- (24) Date from which industrial property rights may have effect: **07 September 2006**
- (54) Product in respect of which the design is registered: **Pet Product container**
- (51) International Design Classification: **09-03NES**
- (71) Name(s) and Address(s) of Applicant(s):

The IAMS Company
One Procter & Gamble Plaza Cincinnati Ohio 45202 United States of America

- (72) Name(s) of Designer(s): **Sharon Ann Norton and Steven M. Whyne and Leslie Crombie and Mark D. Hara**

- (45) Registration Date: **12 December 2006**

- (30) Convention priority data:

(31) Number	(32) Date	(33) Country
29/255,286	07 Mar 2006	UNITED STATES OF AMERICA

- (56) Related Art Documents: **Not Applicable**

- (57) Statement of Newness and Distinctiveness: **Newness and distinctiveness reside in the features of pattern and/or ornament of the pet product container, as shown in the representations. The pattern and/or ornament can be in colour, but not a particular colour. Newness and distinctiveness are not claimed for any colour and are not claimed in relation to the features shown in phantom lines in the representations.**



- (21) Design Number: **14014/2006**
- (22) Date of Filing Application: **07 September 2006**
- (24) Date from which industrial property rights may have effect: **07 September 2006**
- (54) Product in respect of which the design is registered: **Pet product container**
- (51) International Design Classification: **09-03NES**
- (71) Name(s) and Address(s) of Applicant(s):

The IAMS Company
One Procter & Gamble Plaza Cincinnati Ohio 45202 United States of America

- (72) Name(s) of Designer(s): **Sharon Ann Norton and Mark D. Hara**

- (45) Registration Date: **12 December 2006**

- (30) Convention priority data:

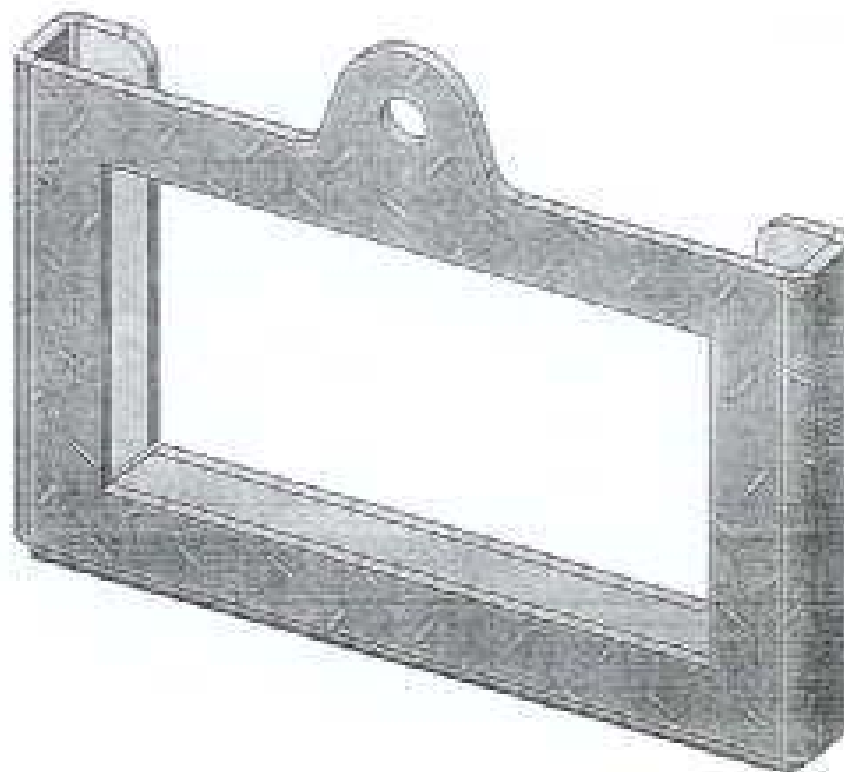
(31) Number	(32) Date	(33) Country
29/255,283	07 Mar 2006	UNITED STATES OF AMERICA

- (56) Related Art Documents: **Not Applicable**

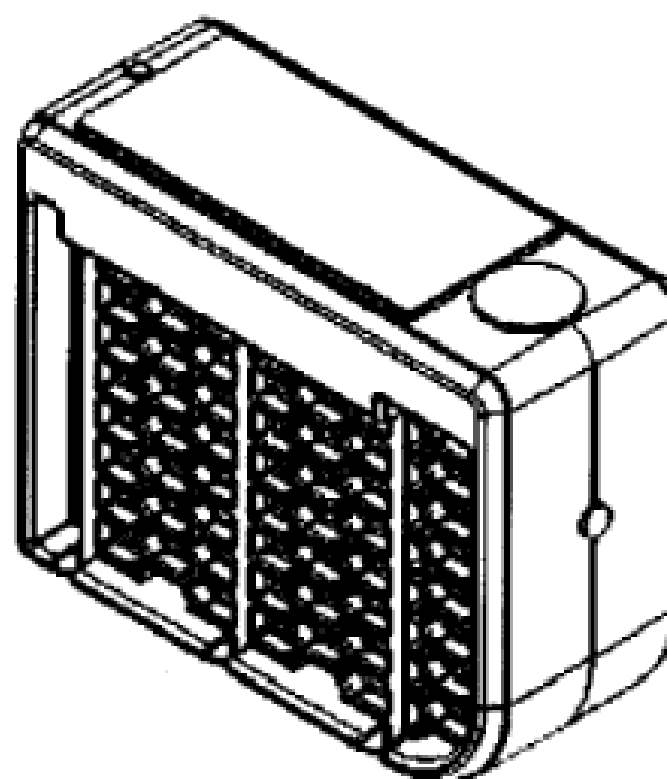
- (57) Statement of Newness and Distinctiveness: **Newness and distinctiveness reside in the features of pattern and/or ornament of the pet product container, as shown in the representations. The pattern and/or ornament can be in colour, but not a particular colour. Newness and distinctiveness are not claimed for any colour and are not claimed in relation to the features shown in phantom lines in the representations.**



- (21) Design Number: **14277/2006**
(22) Date of Filing Application: **17 March 2006**
(24) Date from which industrial property rights may have effect: **17 March 2006**
(54) Product in respect of which the design is registered: **Frame**
(51) International Design Classification: **06-07**
(71) Name(s) and Address(s) of Applicant(s):
Sean Roughan
25 Barr's Avenue Oxenford Queensland 4210 Australia
(72) Name(s) of Designer(s): **Sean Roughan**
(45) Registration Date: **12 December 2006**
(56) Related Art Documents: **Not Applicable**
(57) Statement of Newness and Distinctiveness: **Nil**



- (21) Design Number: **14675/2006**
(22) Date of Filing Application: **12 October 2006**
(24) Date from which industrial property rights may have effect: **12 October 2006**
(54) Product in respect of which the design is registered: **Bio-digester**
(51) International Design Classification: **09-03G**
(71) Name(s) and Address(s) of Applicant(s):
Astral Property Pty Limited
Unit 3 19-21 Gibbes Street Chatswood New South Wales 2067
Australia
(72) Name(s) of Designer(s): **Humberto Urriola**
(45) Registration Date: **12 December 2006**
(56) Related Art Documents: **Not Applicable**
(57) Statement of Newness and Distinctiveness: **The newness and distinctiveness in respect of the design is claimed in the features of shape and configuration of the bio-digester, as illustrated in the accompanying representations; the rectangular lid forms no part of the design.**



(21) Design Number: **14687/2006**

(22) Date of Filing Application: **17 October 2006**

(24) Date from which industrial property rights may have effect: **17 October 2006**

(54) Product in respect of which the design is registered: **Dispensing valve**

(51) International Design Classification: **23-01K**

(71) Name(s) and Address(s) of Applicant(s):

Gary John Walker

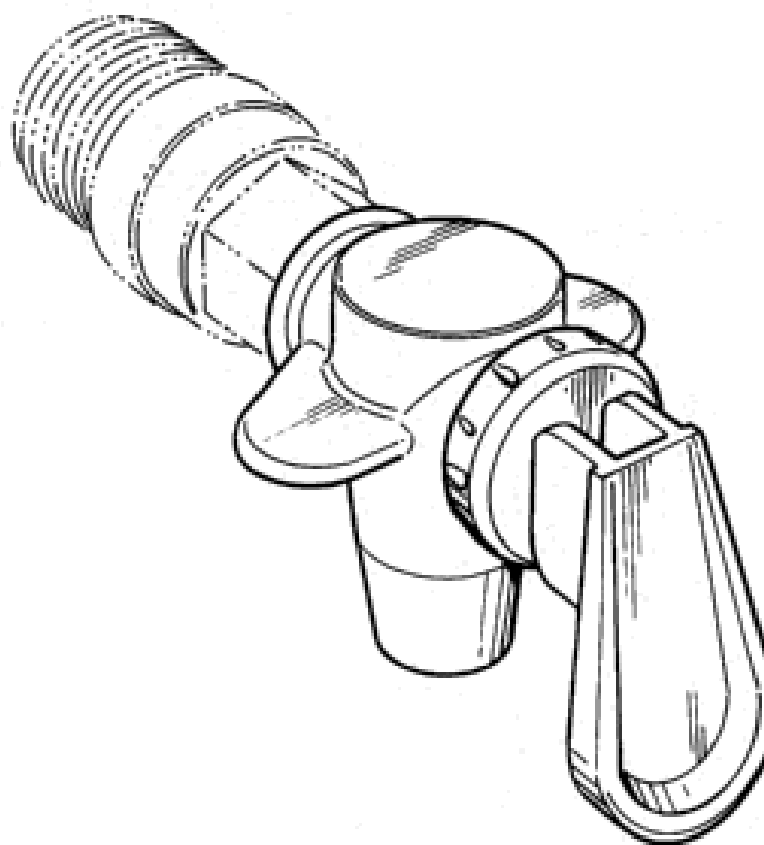
18 Jull Parade North Ringwood Victoria 3134 Australia

(72) Name(s) of Designer(s): **Gary John Walker**

(45) Registration Date: **12 December 2006**

(56) Related Art Documents: **Not Applicable**

(57) Statement of Newness and Distinctiveness: **Newness and distinctiveness are provided by the shape and/or configuration of the design shown in the representations. The features shown in broken lines in the representations are for illustrative purposes only and should not be considered when construing visual features of the design.**



(21) Design Number: **14742/2006**

(22) Date of Filing Application: **18 October 2006**

(24) Date from which industrial property rights may have effect: **18 October 2006**

(54) Product in respect of which the design is registered: **Flask**

(51) International Design Classification: **07-01F**

(71) Name(s) and Address(s) of Applicant(s):

Societe Autonome de Verreries

Place de la Gare 60960 Feuquieres France

(72) Name(s) of Designer(s): **Didier Rica**

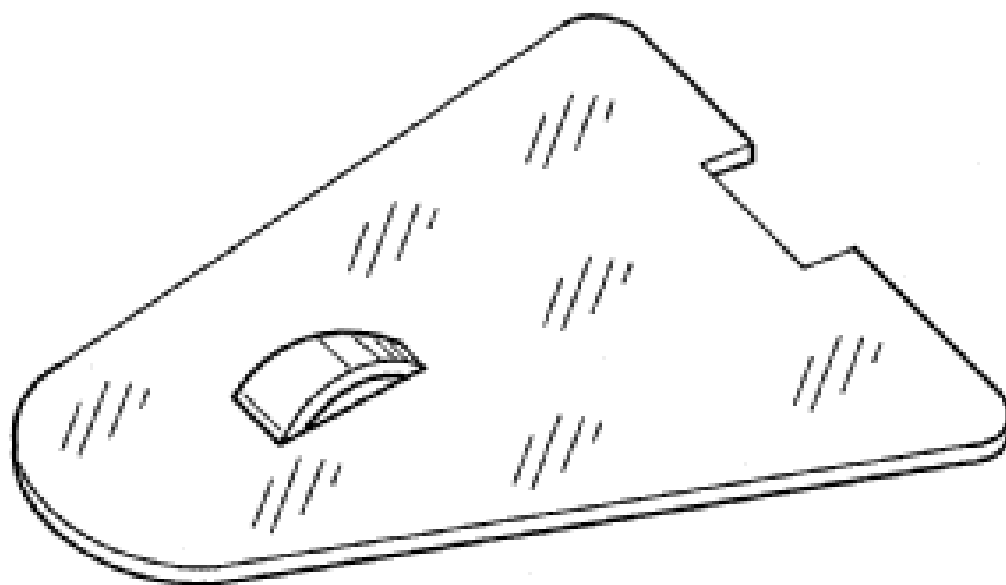
(45) Registration Date: **12 December 2006**

(56) Related Art Documents: **Not Applicable**

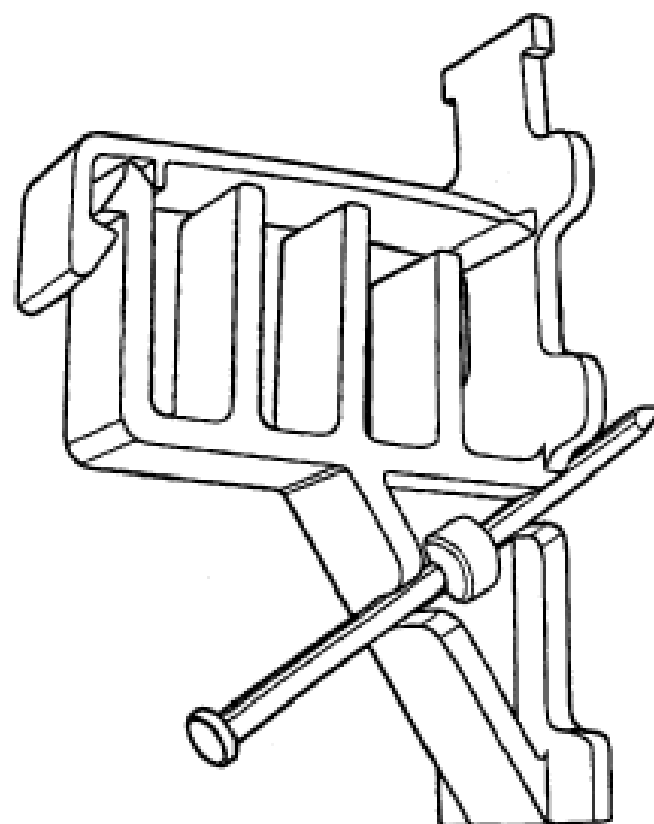
(57) Statement of Newness and Distinctiveness: **The distinctive features of the flask include an overall squat truncated pyramid shape, an extremely short neck extending into a narrow almost horizontal shoulder, a conical body having radiating faces and sharp angles with a very thick glass base made of a cant and a round shaped resting plane.**



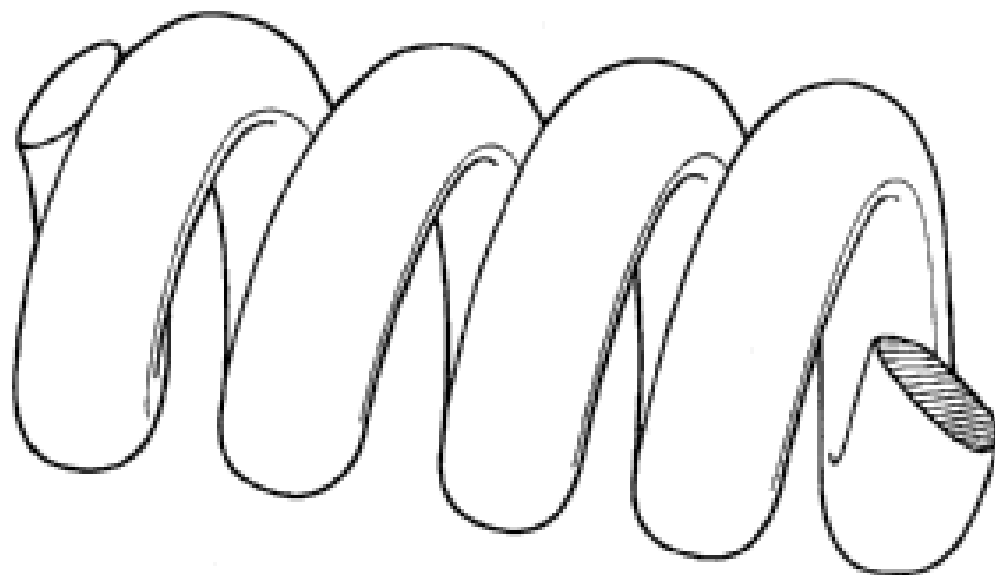
- (21) Design Number: **14809/2006**
(22) Date of Filing Application: **20 October 2006**
(24) Date from which industrial property rights may have effect: **20 October 2006**
(54) Product in respect of which the design is registered: "**Ground anchor**"
(51) International Design Classification: **25-01E**
(71) Name(s) and Address(s) of Applicant(s):
Kriesl & Co. Pty. Ltd.
27 Princes Way Warragul Victoria 3820 Australia
(72) Name(s) of Designer(s): **Frank Kriesl**
(45) Registration Date: **12 December 2006**
(56) Related Art Documents: **Not Applicable**
(57) Statement of Newness and Distinctiveness: **Newness and distinctiveness reside in the ground anchor as shown in the accompanying representations.**



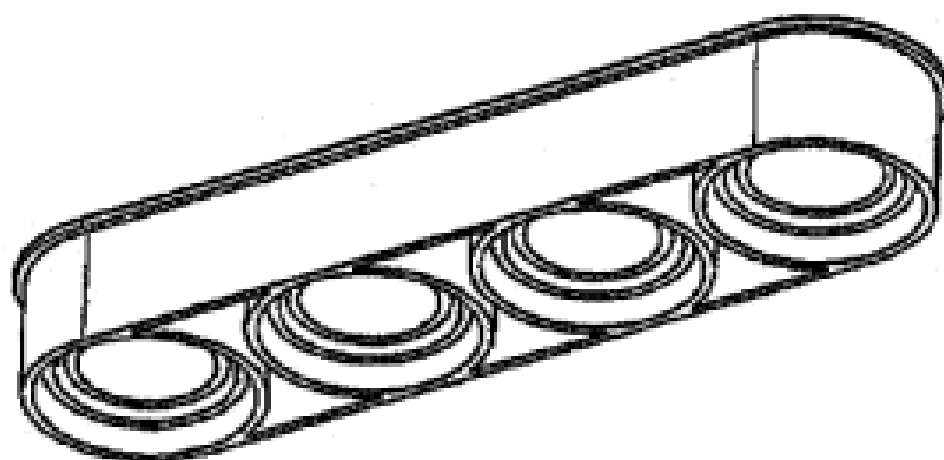
- (21) Design Number: **14813/2006**
(22) Date of Filing Application: **20 October 2006**
(24) Date from which industrial property rights may have effect: **20 October 2006**
(54) Product in respect of which the design is registered: **Clamp for electrical wires**
(51) International Design Classification: **08-08B**
(71) Name(s) and Address(s) of Applicant(s):
Maria Angeles Perez Delgado
Casino no.2 38620 San Miguel De Abona (Tenerife) Spain
(72) Name(s) of Designer(s): **Maria Angeles Perez Delgado**
(45) Registration Date: **12 December 2006**
(30) Convention priority data:
(31) Number (32) Date (33) Country
000516711-0002 21 Apr 2006 EUROPEAN COMMUNITY
(56) Related Art Documents: **Not Applicable**
(57) Statement of Newness and Distinctiveness: **Nil**



- (21) Design Number: **14814/2006**
(22) Date of Filing Application: **20 October 2006**
(24) Date from which industrial property rights may have effect: **20 October 2006**
(54) Product in respect of which the design is registered: **Fastening element for electrical wires**
(51) International Design Classification: **08-08B**
(71) Name(s) and Address(s) of Applicant(s):
Maria Angeles Perez Delgado
Casino no.2 38620 San Miguel De Abona (Tenerife) Spain
(72) Name(s) of Designer(s): **Maria Angeles Perez Delgado**
(45) Registration Date: **12 December 2006**
(30) Convention priority data:
(31) Number (32) Date (33) Country
503.180-X 21 Apr 2006 SPAIN
(56) Related Art Documents: **Not Applicable**
(57) Statement of Newness and Distinctiveness: **Nil**



- (21) Design Number: **14881/2006**
(22) Date of Filing Application: **25 October 2006**
(24) Date from which industrial property rights may have effect: **25 October 2006**
(54) Product in respect of which the design is registered: **An adapter for a pipe connection**
(51) International Design Classification: **23-01A**
(71) Name(s) and Address(s) of Applicant(s):
Plastec Australia Pty Ltd
2 Enterprise Street Caloundra Queensland 4551 Australia
(72) Name(s) of Designer(s): **Brian Eley**
(45) Registration Date: **12 December 2006**
(56) Related Art Documents: **Not Applicable**
(57) Statement of Newness and Distinctiveness: **The newness and distinctiveness of the design resides in the features of shape and/or configuration shown in the accompanying representations.**



(21) Design Number: **14883/2006**

(22) Date of Filing Application: **25 October 2006**

(24) Date from which industrial property rights may have effect: **25 October 2006**

(54) Product in respect of which the design is registered: **An adapter for a pipe connector**

(51) International Design Classification: **21-01A**

(71) Name(s) and Address(s) of Applicant(s):

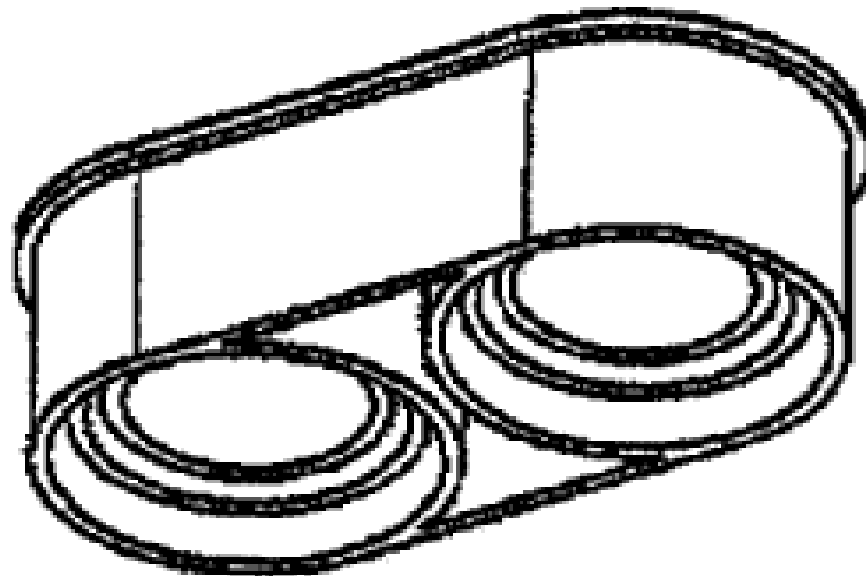
Plastec Australia Pty Ltd
2 Enterprise Street Caloundra Queensland 4551 Australia

(72) Name(s) of Designer(s): **Brian Eley**

(45) Registration Date: **12 December 2006**

(56) Related Art Documents: **Not Applicable**

(57) Statement of Newness and Distinctiveness: **The newness and distinctiveness of the design resides in the features of shape and/or configuration shown in the accompanying representations.**



(21) Design Number: **14938/2006**

(22) Date of Filing Application: **27 October 2006**

(24) Date from which industrial property rights may have effect: **27 October 2006**

(54) Product in respect of which the design is registered: **Bottle**

(51) International Design Classification: **09-01K**

(71) Name(s) and Address(s) of Applicant(s):

Rodney Amendola
24A Tidworth Crescent Colonel Light Gardens South Australia 5041 Australia

(72) Name(s) of Designer(s): **Rodney Amendola**

(45) Registration Date: **12 December 2006**

(56) Related Art Documents: **Not Applicable**

(57) Statement of Newness and Distinctiveness: **Nil**

