



Australian Government

IP Australia

AUSTRALIAN OFFICIAL JOURNAL

OF

DESIGNS

Did you know a searchable version of this journal is now available online?

It's FREE and EASY to SEARCH.

Find it at

<http://pericles.ipaustralia.gov.au/ols/epublish/content/olsEpublications.jsp>
or using the "Online Journals" link on the IP Australia home page.

This Page Left Intentionally Blank

Contents

General Information & Notices

Proceedings Under the Designs Act 1906 preserved as a result of the provisions of Chapter 12 Part 2 of the Designs Act 2003

Application for Extension of Period of Registration	7818
Extension of Period of Registration of Designs	7818
Extensions of Time Granted	7819
Registrations Ceased	7818
Subsequent Owners Registered	7819

Proceedings Under the Designs Act 2003

Applications Assigned	7836
Applications Lapsed	7835
Applications Lodged	7823
Certificate of Examination	7839
Corrigenda	7838
Extension of Time Granted Under Section 137	7836
Names Registered - Alterations and Amendments	7837
Publication and Registration Proceedings	
Designs Registered 311982 to 312233.....	7840
Registrations Ceased	7836
Subsequent Owners Registered	7837

This Page Left Intentionally Blank

General Information

EDITORIAL ENQUIRIES

All enquiries about official notices and general information in the Journal should be directed to IP Australia, (ABN No 38 113 072 755), PO Box 200 Woden ACT 2606

Or

Telephone 1300 651 010
(International Callers +61 2 6283 2999)
Fax 02 6283 7999
E-mail assist@ipaustralia.gov.au

CONTACT INFORMATION

Customer Service Network
Telephone 1300 651 010 , Fax: 02 6283 7999
E-mail: assist@ipaustralia.gov.au

Customers can contact the Customer Service Network by telephone or by e-mail. Telephones are staffed between 9am and 5pm each working day.

Customers should contact the Customer Service Network for information about:

- All Patent Matters including PCT and Innovation Patents.
- All Trade Mark Matters.
- All Design Matters.

Professional Standards Board for Patent and Trade Mark Attorneys.

Ph: 02 6283 2345 Fax: 02 6283 1048

ORDERING PATENT DOCUMENTS

When ordering copies of Australian patent specifications, or abstracts and abridgments notified as open to public inspection on or after 26 October 1978, or as accepted on or after 16 November 1978, the documents should be referred to by application numbers only, preceded by letters AU-A or AU-B respectively.

REQUESTS FOR INFORMATION UNDER SECTION 194 (C)

A request for information under Section 194 (C) of the Patents Act 1990 should be made in the approved form and be accompanied by the prescribed fee. The request should be as detailed as possible.

INFORMATION FROM REGISTERS

All requests for information from Register of Patents, Trade Marks or Designs, should be made in writing and accompanied by the prescribed fee. The Registers are located in Canberra and may be examined free of charge.

COUNTRY CODES

For a listing of country codes used by IP Australia please refer to the Official Journals dated 7 November 1996.

ABBREVIATIONS IN JOURNAL

Standard abbreviations are used in the name of companies and firms. Enquiries concerning the precise name should be directed to the Customer Service Network.

FREEDOM OF INFORMATION ACT

What does it do?

- Gives you right to obtain information held by Commonwealth Ministers, Departments and most statutory bodies (these bodies are called agencies under the Act).
- Requires Commonwealth Government agencies to make available to members of the public:
 - Information about agencies, their functions and operations.
 - Information about rules and practices which are used in making decisions which affect you.
- Gives you a legal right to:
 - See non exempt documents held by agencies, and
 - appeal against a decision not to grant access to a document.

What documents can you see?

- The Act gives you a right to see documents lodged on or after 1 December 1977, or earlier if you need them to understand another document you have already.
- Documents include files, reports, computer printouts, maps, plans, photographs, tape recordings, films or videotapes.
- Documents which are available for purchase under the Patents Act 1990, the Trade Marks Act 1995 or Designs Act 2003 or Plant Breeder's Rights Act 1994 are not available under the Freedom of Information Act (Section 12 refers).

How do you apply?

Requests for access to documents must

- Be in writing
- Provide sufficient information so as to enable identification of the documents requested
- Specify an address in Australia where notices can be sent and
- Be accompanied by the application fee (currently \$30.00).

Requests for documents should be addressed to IP Australia, PO Box 200 Woden, ACT 2606, or Faxed to 02 6283 7999

DECISIONS OF THE COMMISSIONER OF PATENTS AND REGISTRAR OF TRADE MARKS AND DESIGNS

- All decisions of the Commissioner and Registrars are available free of charge from AUSTLII's website

www.austlii.edu.au

Copies of all written Patent and Design decisions are available (except if they would not be available under the provisions of the Freedom of Information legislation, e.g. if they would effectively disclose matter from documents that are not open to public inspection) on request for a cost of \$AU 25. They are also available for inspection in indexed volume series, dating from 1 January 1987, in the Office library, Canberra.

Copies of Trade Mark decisions may be accessed via IP Australia's website www.ipaustralia.gov.au

- Copies of the taped record of Patent and Design hearings are available (with the same exception as above) on request.
- When a written decision is issued the fact of the decision plus a brief head note will be published in the Official Notices section of the next available Patents, Trade Marks or Designs Journal.

HEARINGS BEFORE THE COMMISSIONER OF PATENTS

Hearings before the Commissioner of Patents will usually be conducted at the Patent Office in Canberra and interstate hearing sessions are not provided. However, the Commissioner will conduct hearings outside of Canberra at a convenient time to all parties provided that the parties bear the travel costs of the hearing officer.

The various options for hearings are set out in the document "Options for Hearings" available on IP Australia's website at: www.ipaustralia.gov.au/pdfs/patents/optionsforhearings.PDF

HEARINGS BEFORE THE REGISTRARS OF TRADE MARKS AND DESIGNS

Hearings before the Registrars of Trade Marks and Designs will be set down in Melbourne, Sydney, Adelaide, Perth and Brisbane during the periods indicated below.

Designs and Trade Marks Hearings Sessions 2006

Melbourne	13 – 17 February 5 – 9 June 11 – 15 September
Sydney	13 – 17 March 17 – 21 July 16 – 20 October
Adelaide	14 – 15 August
Perth	17 – 18 August
Brisbane	24 – 25 August

Persons who desire matters to be set down for hearing in Melbourne, Sydney, Adelaide, Perth or Brisbane must give at least one month's notice of their intention to be heard. If such notice is not given, it may be that there would be insufficient time to allow for the execution of official procedures associated with the listing of hearings, and as a result, the matter involved might not be listed.

Subject to the convenience of this Office, hearings will be set down in Canberra at any time suitable to the parties.

LIST OF STATE OFFICES

IP Australia State Offices are located in the Australian Capitals at the addresses given below. Requests for information may be obtained by calling at, phoning or writing to these offices or IP Australia, Canberra.

Australian Capital Territory

Ground Floor
Discovery House
PHILLIP ACT 2606
(PO Box 200, WODEN ACT 2606)
Ph: 1300 651 010
Fax: (02) 6283 7999

New South Wales

Level 1
45 Clarence Street
SYDNEY NSW 2000
Ph: 1300 651 010
Fax: (02) 9249 5807

Victoria

Level 6
OCBC House
565 Bourke Street
MELBOURNE VIC 3000
Ph: 1300 651 010
Fax (03) 9612 9807

Western Australia

2nd Floor
East Point Plaza
233 Adelaide Terrace
PERTH WA 6000
Ph: 1300 651 010
Fax: (08) 9220 8907

Queensland

Level 1
Grant Thornton House
102 Adelaide Street
BRISBANE QLD 4000
Ph: 1300 651 010
Fax: (07) 3007 1107

South Australia

Level 10
Origin Energy House
1 King William Street
ADELAIDE SA 5000
Ph: 1300 651 010
Fax: (08) 8239 4507

Tasmania

4th Floor
AMP Building
27 Elizabeth Street
HOBART TAS 7000
Ph: 1300 651 010
Fax: (03) 6235 6307

“INID” NUMBERS in use on Australian Design Documents

“INID” is an acronym for “Internationally agreed Numbers for the Identification of Data”.

(10) Data concerning the registration/renewal

- (11) Serial number of the registration and/or number of the design document
- (12) Plain language designation of the kind of published document
- (19) Identification, using the two-letter code according to WIPO Standard ST.3, of the authority publishing or registering the industrial design

(20) Data concerning the application

- (21) Serial number of the application
- (22) Date of filing of the application
- (24) Date from which the industrial design right has effect

(30) Data relating to priority under the Paris Convention

- (31) Serial number assigned to the priority application
- (32) Date of filing of the priority application
- (33) Two-letter code, according to WIPO Standard ST.3, identifying the authority with which the priority application was made

(40) Date(s) of making information available to the public

- (45) Date of publication of the registered industrial design by printing or similar process, or making it available to the public by any other means

(50) Miscellaneous Information

- (51) International Classification for Industrial Designs (class and subclass of the Locarno Classification)
- (54) Designation of article(s) or product(s) covered by the industrial design or title of the industrial design
- (55) Reproduction of the industrial design (e.g., drawing, photograph) and explanations relating to the reproduction
- (56) List of prior art documents, if separate from descriptive text
- (57) Description of characteristic features of the industrial design including indication of colours

(60) References to other legally related application(s) and registration(s)

- (62) Serial number(s) and, if available, filing date(s) of application(s), registration(s) or document(s) related by division
- (66) Serial number(s) of the application, or the registration, of the design(s) which is (are) a variant(s) of the present one

(70) Identification of parties concerned with the application or registration

- (71) Name(s) and address(es) of the applicant(s)
- (72) Name(s) of the creator(s) if known to be such
- (74) Name(s) and address(es) of the representative(s)

This Page Left Intentionally Blank

Official Notice

Revised Business Rules for Electronic Communication

On 2 January 2007, IP Australia launched our revised Business Rules for Electronic Communication. The Business Rules are produced in accordance with the requirements of the *Electronic Transactions Act 1999*. The revised document is intended to be read and referred to by customers who choose to communicate with IP Australia by electronic means and provides a useful guide to operating in our electronic environment.

The business rules include information about using IP Australia's online search facilities, applying for IP rights online, making electronic payments and corresponding electronically with IP Australia. Other changes in the version are:

- Revision and update of all system requirements; and
- insertion of a ready reference table of the electronic communication options available to customers.

The revised Business Rules for Electronic Communication are available from IP Australia's website at www.ipaustralia.gov.au/pdfs/general/eta.pdf.

Queries: Susanna Taylor
Customer Operations Group
+61 2 6283 2817

Contact: IP Australia
Phone: 1300 651 010
Fax: +61 2 6283 7999
E-mail: assist@ipaustralia.gov.au
Web: www.ipaustralia.gov.au

Official Notice**IP Australia's 2007 Customer Service Charter Now Available**

On 2 January 2007, IP Australia launched our revised Customer Service Charter for 2007. Our Charter provides a clear statement about the level of service customers can expect IP Australia to provide. IP Australia's customer service principles are backed up by service level commitments which we measure each quarter.

The new Charter was developed in consultation with customers and stakeholders. IP Australia reviews its Customer Service Charter every 12 months to ensure its relevance to our customers. Changes in the 2007 Charter include:

- Increased quality service level commitment to 98% for error-free Trade Marks examination reports (from 95% in 2006)
- New quality service level commitment introduced for Design examination reports.

For a copy of the 2007 Customer Service Charter, phone **1300 651 010** or visit IP Australia's website at www.ipaustralia.gov.au/service.

Queries: Susanna Taylor
Customer Operations Group
Corporate Quality Office
+61 2 6283 2817

Contact: IP Australia
Phone: 1300 651 010
Fax: +61 2 6283 7999
E-mail: assist@ipaustralia.gov.au
Web: www.ipaustralia.gov.au

Official Notice

**Designs Act 2003
Correction of Register**

The following corrections under Regulation 9.05 (2) have been made to details previously published in the Australian Official Journal of Designs:

Registration Number	Amendment type	New details
307049	Representations	Representations as below

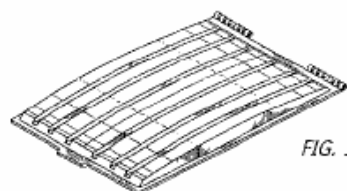


FIG. 1

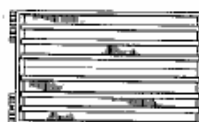


FIG. 2



FIG. 3



FIG. 4



FIG. 7



FIG. 5

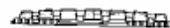


FIG. 8

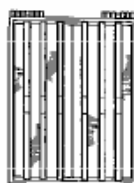


FIG. 6



FIG. 9

Contact: IP Australia
Phone: 1300 651 010
Fax: +61 2 6283 7999
E-Mail: assist@ipaustalia.gov.au
Web: www.ipaustralia.gov.au

This Page Left Intentionally Blank

**Proceedings under the Designs Act 1906 preserved as a
result of the provisions of Chapter 12 Part 2 of the Designs
Act 2003.**

This Page Left Intentionally Blank

Applications Lapsed

There were no Applications Lapsed under this section

Application for Extension of Period of Registration

Applications under Section 27A(2) for extension of registration of the following designs have been lodged. In the event that a design is shown to be not new or original, the Registrar may refuse to extend the period of registration. Sub-section 27A(4) allows any person to lodge at the Designs Office material relevant to the question whether the design is not new or original. That material must be lodged within 11 months of the date when the registration of the design was made. Further details of the conditions and procedures for the lodgement of material are contained in Form 8 provided under the Designs Regulation 24.

Registration Number	Registered Owner	Registration Date
158132	KYP (HOLDINGS) PLC	07/07/2005
158336	TRISTAR HOUSEWARE AUSTRALIA PTY LTD	10/10/2005
158464	ULTRA-LIGHT FLOATING OBJECTS INC.	17/01/2006

Extension of Period of Registration of Designs

1st Period (Section 27A(8))

156840	158132	158336
--------	--------	--------

2nd Period (Section 27A(12))

142816	144553	144570
144639	144640	144687
144688	144697	144701
144782	144807	144812
144815	144816	144817
144833	144834	144835
144866	144870	144992
145127	145134	145189
145190	145304	145310
145319	145325	145490
145614	145617	145730
145818	145823	145824
145825	146188	146447
146609	146610	146767
147118	147120	147121
147123	147157	147745
148123	148219	148306
148383	148384	148707
148854	149375	149376
150001	150057	150385
152437	152438	

3rd Period (Section 27A(13))

127235	127386	127409
127416	127417	127606
127607	127613	127672
127797	127800	127801
128078	128093	128149
128176	128268	128295
128357	128431	128780

128812	128864	129309
129310	129727	129746
129993	130628	130843
130874		

Registrations Ceased

Note: Some of the following Registrations may have been previously advertised as ceased. In this instance, the previous advertisement still prevails.

110971	111417	111504
111509	111510	111514
111515	111518	111558
111562	111614	111615
111616	111617	111618
111619	111620	111622
111623	111646	111647
111648	111659	111671
111674	111676	111835
111836	111853	111854
111992	112010	112176
112989	113291	113407
114171	114581	114606
114644	114645	114669
114883	114906	115071
115388	115436	115490
115678	115728	115891
120258	124392	124767
125788	125859	125860
125877	125896	125915
125916	125917	126018
126062	126127	126242
126723	126956	127210
127211	127427	127750
128024	128512	129181
129236	129635	130260
130261	141243	141245
141302	141380	141381
141473	141627	141899
141995	142468	142469
142470	142471	142507
142508	142509	142510
142514	142516	142520
142521	142522	142523
142545	142546	142547
142548	142549	142578
142579	142580	142582
142583	142584	142585
142641	142642	142643
142760	142778	142779
142780	142856	142914
142936	142937	142961
142964	143127	143174
143175	143321	143465
143983	144851	145022
145067	145227	145285
145286	145287	145288

145289	145290	145480
145481	145685	146015
146274	146378	146443
146944	147142	147143
147412	147710	147796
150320	158446	158447
158451		

Extensions of time granted

Applications lodged for extension of time have been granted.

158132 **KYP (Holdings) PLC** An Extension of time to extend a registration has been granted to 23/10/2006

Subsequent Owners Registered

(The name in parentheses is that of the subsequent owner)

136252	(Union Lucky Industrial Limited)	Shun So
136253	(Union Lucky Industrial Limited)	Shun So
136254	(Union Lucky Industrial Limited)	Shun So
136255	(Union Lucky Industrial Limited)	Shun So

This Page Left Intentionally Blank

Proceedings under the Designs Act 2003.

This Page Left Intentionally Blank

Applications Lodged

Lodgement information is in the following order: **Applicant's Name**; International Classification, Name of Product, Lodgement Date and **Design Number**. If the applicant claims an earlier priority date under an International Convention, the Convention Country and the associated filing date are shown in parentheses before the Lodgement Date. Divisional information will also appear in parentheses before the Lodgement Date.

A & K Landscape Retail Ltd; 11-02B, A plant pot, (EM, 06 Jun 2006) 06 Dec 2006	15609/2006	Aussie Soles Australia Pty Ltd; 02-04NES, Footwear, 23 Nov 2006	15379/2006
Advanced Circuits and Systems Pty Ltd; 14-02, A housing for a filter, 04 Dec 2006	15555/2006	Aussie Soles Australia Pty Ltd; 02-04NES, Footwear, 23 Nov 2006	15380/2006
Aisapack Holding S.A.; 09-01NES, Container top, (CH, 27 Oct 2006) 13 Dec 2006	15717/2006	Austral Brick Company Pty Ltd, The; 25-01A, Brick, 06 Dec 2006	15586/2006
Aisapack Holding S.A.; 09-01NES, Container top, (CH, 27 Oct 2006) 13 Dec 2006	15718/2006	Austral Brick Company Pty Ltd, The; 25-01A, Brick, 06 Dec 2006	15587/2006
Aisapack Holding S.A.; 09-01NES, Container top, (CH, 27 Oct 2006) 13 Dec 2006	15719/2006	Austral Brick Company Pty Ltd, The; 25-01A, Brick, 06 Dec 2006	15588/2006
Aisapack Holding S.A.; 09-01NES, Container top, (CH, 27 Oct 2006) 13 Dec 2006	15719/2006	Austral Brick Company Pty Ltd, The; 25-01A, Brick, 06 Dec 2006	15589/2006
Aisapack Holding S.A.; 09-01NES, Container top, (CH, 27 Oct 2006) 13 Dec 2006	15719/2006	Austral Brick Company Pty Ltd, The; 25-01A, Brick, 06 Dec 2006	15590/2006
Aloys F Dornbracht GmbH & Co KG; 23-02NES, Sanitary fitting, (DE, 06 Jun 2006) 27 Nov 2006	15446/2006	Austral Brick Company Pty Ltd, The; 25-01A, Brick, 06 Dec 2006	15591/2006
Alto Packaging Limited; 09-07B, A closure, (NZ, 21 Jun 2006) 13 Dec 2006	15696/2006	Austral Brick Company Pty Ltd, The; 25-01A, Brick, 06 Dec 2006	15592/2006
Alto Packaging Limited; 09-01B, A container, (NZ, 21 Jun 2006) 13 Dec 2006	15697/2006	Austral Brick Company Pty Ltd, The; 25-01A, Brick, 06 Dec 2006	15593/2006
Alto Packaging Limited; 09-01B, A container, (NZ, 21 Jun 2006) 13 Dec 2006	15697/2006	Avant Garden Collections; 06-09, Outdoor cushion, 22 Nov 2006	15353/2006
Apple Computer, Inc.; 14-03NES, Activity sensor, (US, 22 May 2006) 21 Nov 2006	15351/2006	Axcess Oss Pty Ltd; 30-04, A dog lead with a device attached which goes around the wrist and secured with velcroe-hands free dog lead, 24 Nov 2006	15378/2006
Apple Computer, Inc.; 14-02, Accessory device, (US, 22 May 2006) 21 Nov 2006	15350/2006	Axcess Oss Pty Ltd; 05-99, A rectangular piece of fabric with decorative tassels and weights along the 4 sides - to cover a dead horse, 24 Nov 2006	15377/2006
Argent Australia Pty Ltd; 23-01H, zen, stick mixer, 11 Dec 2006	15650/2006	AAP Pty Ltd; 08-06, Door handle, 30 Nov 2006	15530/2006
Argent Australia Pty Ltd; 23-01H, Zen, basin mixer, 11 Dec 2006	15651/2006	AAP Pty Ltd; 08-06, Door handle, 30 Nov 2006	15510/2006
Argent Australia Pty Ltd; 23-01H, Cube, tall mixer, 11 Dec 2006	15652/2006	ADC Communications (Australia) Pty Limited; 13-03C, 25-01NES, Detachable cable manager, 30 Nov 2006	15503/2006
Argent Australia Pty Ltd; 23-01H, Cube, basin mixer, 11 Dec 2006	15653/2006	B & S Commercial Kitchen Appliances Pty Ltd; 23-04, Cooking range (and/or) cooking utensil support assembly, 08 Dec 2006	15655/2006
Astral Property Pty Limited; 23-01E, Drainage cell, 05 Dec 2006	15568/2006	Bacardi & Company Limited; 09-01K, A bottle, (LI, 17 May 2006) 16 Nov 2006	15286/2006
Astral Property Pty Limited; 09-03G, Bio-digester, 14 Dec 2006	15729/2006	Bagtart Pty Ltd; 14-03A, Phone holder, 22 Nov 2006	15359/2006
Augux Co., Ltd; 26-05B, Lamp, (TW, 25 May 2006) 20 Nov 2006	15324/2006	Bain, Ross William; 22-05, Device for attaching fishing line to a hook or swivel, 29 Nov 2006	15465/2006
Augux Co., Ltd; 26-05B, Lamp, (TW, 25 May 2006) 20 Nov 2006	15325/2006		
Auscha Corporation Pty Ltd; 13-03NES, Power saver Designed and engineered in Australia, 01 Dec 2006	15497/2006		

Baker, Kevin John; 25-02F, Roof ventilation device, 06 Dec 2006	14303/2006	Bousdoukos, Steve; 19-01, Greeting card, 04 Dec 2006	15562/2006
Bang & Olufsen A/S; 14-01, Mono headset, (DK, 30 Jun 2006) 19 Dec 2006	15812/2006	Braun GmbH; 07-04, Food processor, (EM, 27 Jun 2006) 13 Dec 2006	15721/2006
Bang & Olufsen A/S; 14-01, Loudspeaker, (DK, 07 Jun 2006) 06 Dec 2006	15610/2006	Braun GmbH; 07-04, Food processor, (EM, 27 Jun 2006) 13 Dec 2006	15722/2006
Basser Millyard Pty Ltd; 22-05, Fishing lures, 30 Oct 2006	15352/2006	Breeta Sales & Marketing Ltd.; Trade Guys International Pty Ltd; 21-02C, Ball holding device, 15 Nov 2006	15264/2006
Becton, Dickinson and Company; 24-02, Lancet device, (US, 07 Jun 2006) 30 Nov 2006	15518/2006	Breezway Australia (Holdings) Pty Ltd; 25-01K, An extrusion, 14 Dec 2006	15754/2006
Becton, Dickinson and Company; 24-02, Lancet device, (US, 07 Jun 2006) 30 Nov 2006	15519/2006	Breezway Australia (Holdings) Pty Ltd; 25-01K, An extrusion, 14 Dec 2006	15755/2006
Belin, Alexander; 07-01A, Porcelan decorative gift-greeting plate complit set, 28 Nov 2006	15434/2006	Breezway Australia (Holdings) Pty Ltd; 25-01K, An extrusion, 14 Dec 2006	15756/2006
Bellett Leasing Pty Ltd; 24-04, 03-01NES, Carry case and pacifier combination, 20 Nov 2006	15336/2006	Bretherton, Garry; 08-99, Added top for design no 310839, 30 Nov 2006	15484/2006
Bellnet Pty Ltd; 12-16NES, Suzuki cold air intake, 20 Nov 2006	15313/2006	Bromic Pty Ltd; 23-03NES, Outdoor patio heater - cover, 08 Dec 2006	15637/2006
Beveridge, Hannah; 06-01E, Stool, 20 Nov 2006	15298/2006	Bulk Beverage Systems; 31-00, Dispenser gun guide, 01 Dec 2006	15490/2006
Bewick, Christine; 28-03NES, Wheat bag, 30 Nov 2006	15481/2006	Bulk Beverage Systems; 31-00, Bulk liquor strip dispenser, 01 Dec 2006	15491/2006
Bi Fold Solutions Pty Ltd; 08-07, A bolt for a door or window, 14 Dec 2006	15785/2006	Cadbury Schweppes plc; 09-03L, Container, (EM, 18 Jul 2006) 13 Dec 2006	15712/2006
Bi Fold Solutions Pty Ltd; 08-09, A track for a door or window, 14 Dec 2006	15791/2006	Carl Manufacturing Co., Ltd.; 18-99, Handicraft processing machine, (JP, 14 Sep 2006) 04 Dec 2006	15551/2006
Bi Fold Solutions Pty Ltd; 08-09, A track for a door or window, 14 Dec 2006	15786/2006	Carl-Louis Pty Ltd; 07-01C, Beverage container, 30 Nov 2006	15525/2006
Bi Fold Solutions Pty Ltd; 08-09, A hinge for a door or window, 14 Dec 2006	15787/2006	Carlex Pty Ltd; 12-10, Trailer, 20 Nov 2006	15310/2006
Bi Fold Solutions Pty Ltd; 08-09, A track for a door or window, 14 Dec 2006	15788/2006	Carlex Pty Ltd; 12-10, Trailer, 22 Nov 2006	15360/2006
Bi Fold Solutions Pty Ltd; 08-09, A track pelmet for a door or window, 14 Dec 2006	15789/2006	Carlex Pty Ltd; 12-10, Trailer, 22 Nov 2006	15361/2006
Bi Fold Solutions Pty Ltd; 08-09, A frame member for a door or window, 14 Dec 2006	15790/2006	Carlex Pty Ltd; 12-10, Trailer, 20 Nov 2006	15311/2006
Binder Investments Ltd.; 19-01, 14-02, Dvd postcard, 27 Nov 2006	15454/2006	Cipla Limited; 24-01, Inhaler device, (IN, 01 Jun 2006) 01 Dec 2006	15534/2006
Black, Christopher Herbert; 12-05, Lifting crown, 13 Dec 2006	15726/2006	Cipla Limited; 09-01K, Inhaler container, (IN, 23 Jun 2006) 07 Dec 2006	15627/2006
Black & Decker, Inc.; 08-05P, A wrench, (US, 31 May 2006) 21 Nov 2006	15349/2006	Cipla Limited; 24-01, Inhaler, (IN, 01 Jun 2006) 01 Dec 2006	15535/2006
Bousdoukos, Steve; 19-01, Greeting card, 04 Dec 2006	15561/2006	Cipla Limited; 24-01, Inhaler tube, (IN, 01 Jun 2006) 01 Dec 2006	15536/2006
		Civil Construction Products Pty. Ltd.; 25-01E, Stanchion plug, 23 Nov 2006	15358/2006

Cladding & Roofing Contractors Pty Ltd; 25-01K, Roof walkway mount extrusion, 30 Nov 2006	15508/2006	D & D Group Pty Ltd; 08-07, An actuator for a gate latch and as illustrated in figures 17 to 24 of the attached representations, 31 Jan 2006	13730/2006
Club Car, Inc; 12-16NES, Vehicle dashboard, (US, 26 Jun 2006) 18 Dec 2006	15804/2006	D & D Group Pty Ltd; 08-07, 1. Gatch latch as illustrated in the attached figures 1 to 8 2. A side bar as illustrated in figures 9 to 16 of the, attached representations and for use with a gate latch 3. An actuator for a gate latch and as illustrated in, figures 17 to 24 of the attached representations, 31 Jan 2006	13729/2006
Club Car, Inc; 12-16B, Vehicle body front, (US, 26 Jun 2006) 19 Dec 2006	15807/2006		
Club Car, Inc; 12-16B, Vehicle body front, (US, 26 Jun 2006) 19 Dec 2006	15808/2006		
Coca-Cola Company, The; 09-01B, Bottles, (US, 06 Jul 2006) 06 Dec 2006	15594/2006	D.S. Numbers Pty Ltd; 20-03C, An illuminated street number indicator, 15 Dec 2006	15780/2006
Concerto Computers Pty Ltd; 22-05, Chemiluminescent fishing lures, 08 Dec 2006	15658/2006	Daikin Industries Ltd.; 14-03NES, Remote control, 28 Nov 2006	15466/2006
Concerto Computers Pty Ltd; 22-05, Chemiluminescent fishing lures, 08 Dec 2006	15659/2006	Daikin Industries Ltd.; 23-04, Air-conditioner, 12 Dec 2006	15693/2006
Connolly Key Joint Pty Ltd; 25-02A, Reinforcing rod safety cap, 13 Dec 2006	15723/2006	Daikin Industries Ltd.; 23-04, Air-conditioner, 12 Dec 2006	15694/2006
Connolly Key Joint Pty Ltd; 25-02A, Reinforcing steel safety cap, 14 Dec 2006	15703/2006	Daikin Industries Ltd.; 23-04, Air-conditioner, 12 Dec 2006	15695/2006
Cool Heat, Inc.; 25-02A, Patio unit, (US, 05 Jul 2006) 01 Dec 2006	15537/2006	Daikin Industries Ltd.; 23-04, Panel for outdoor-unit of air-conditioner, 28 Nov 2006	15467/2006
Cox Group Pty Ltd, The; 10-06, 26-06, Traffic light, (Divisional of 14091/2006) 29 Nov 2006	15476/2006	Dalton, Ralph; 06-06G, Accessory for furniture loungechair, 18 Dec 2006	15784/2006
Cox Group Pty Ltd, The; 10-06, 26-06, Traffic light, (Divisional of 14092/2006) 29 Nov 2006	15477/2006	Dart Industries Inc; 09-03L, Container with cover, (US, 07 Jun 2006) 17 Nov 2006	15303/2006
Crown Equipment Corporation; 06-01D, Seat assembly, (US, 03 Nov 2006) 16 Nov 2006	15275/2006	Dart Industries Inc; 08-03, Rotary tool assembly, (US, 12 Jul 2006) 12 Dec 2006	15692/2006
CAP Fencing Pty Ltd; 25-01E, Fence post cap, 11 Dec 2006	15649/2006	Dart Industries Inc; 09-01D, Container, (US, 12 Jul 2006) 12 Dec 2006	15690/2006
CEO Australia Pty Ltd; 06-13NES, Car seat back cover, 30 Nov 2006	15485/2006	Dart Industries Inc; 09-03L, Container, (US, 07 Jun 2006) 17 Nov 2006	15304/2006
CPC Holdings (Hong Kong) Limited; 28-03NES, Combined vibromassage device and its support, (EM, 24 Oct 2006) 29 Nov 2006	15468/2006	Dart Industries Inc; 09-03NES, Container, (Divisional of 14899/2006) 11 Dec 2006	15664/2006
CPC Holdings (Hong Kong) Limited; 28-03NES, Support for vibromassage device, (EM, 24 Oct 2006) 29 Nov 2006	15469/2006	Decor Corporation Pty Ltd, The; 09-07NES, Pastry container lid, 27 Nov 2006	15444/2006
CPC Holdings (Hong Kong) Limited; 28-03NES, Vibromassage device, (EM, 29 May 2006) 29 Nov 2006	15470/2006	Decor Corporation Pty Ltd, The; 09-03M, Pastry container base, 27 Nov 2006	15445/2006
CSAV, Inc; 08-08NES, Mounting bracket for electronic display, (US, 15 Jun 2006) 14 Dec 2006	15759/2006	Delgado, Maria Angeles Perez; 08-08NES, Reel for wires, (EM, 22 May 2006) 22 Nov 2006	15373/2006
CSAV, Inc; 08-08NES, Mounting bracket for electronic display, (US, 15 Jun 2006) 14 Dec 2006	15760/2006	Design By Them; 26-03, Lighting, 01 Dec 2006	15511/2006
		Diageo Great Britain Limited; 07-01C, LMS glass, (EM, 24 May 2006) 22 Nov 2006	15366/2006
		Diesel S.p.A; 02-04NES, Footwear, 17 Nov 2006	15297/2006

Dioptics Medical Products, Inc.; 16-06, Eyewear, (US, 11 Apr 2006) (Divisional of 14517/2006) 24 Nov 2006	15416/2006	Eveready Battery Company, Inc.; 28-03A, Razor handle, (US, 08 Jun 2006) 05 Dec 2006	15575/2006
Dioptics Medical Products, Inc.; 16-06, Eyewear, (US, 11 Apr 2006) (Divisional of 14517/2006) 24 Nov 2006	15417/2006	Eveready Battery Company, Inc.; 28-03A, Razor handle, (US, 08 Jun 2006) 05 Dec 2006	15574/2006
Dioptics Medical Products, Inc.; 16-06, Eyewear, (US, 11 Apr 2006) (Divisional of 14517/2006) 24 Nov 2006	15418/2006	F.H. Booth P/L; 03-01A, Plastic bag/satchel, 08 Dec 2006	15631/2006
Dioptics Medical Products, Inc.; 16-06, Eyewear, (US, 11 Apr 2006) (Divisional of 14517/2006) 24 Nov 2006	15419/2006	Falland, Kenneth John; 09-08, Pallet stacking frame, 07 Dec 2006	15621/2006
Dioptics Medical Products, Inc.; 16-06, Eyewear, (US, 11 Apr 2006) (Divisional of 14517/2006) 24 Nov 2006	15420/2006	Ferrari S.p.A.; 12-08, 21-01C, Car and toy car, (IT, 27 Apr 2006) 06 Dec 2006	15615/2006
Dowd, Kieron; Hunwick, Rod; 30-03, Pet food and pet products, 04 Dec 2006	15544/2006	Ferrari S.p.A.; 12-08, 21-01C, Car and toy car, (IT, 27 Apr 2006) 06 Dec 2006	15616/2006
Drayton, Katherine Amanda; 03-01A, Padded backpack, 05 Dec 2006	14015/2006	Ferrari S.p.A.; 12-08, 21-01C, Car and toy car, (IT, 27 Apr 2006) 24 Oct 2006	15617/2006
Dream Farm Pty Ltd, The; 08-03, Scissors, 16 Nov 2006	15287/2006	Field, Claire; Roach, Phillip; 02-04NES, Rubber footwear, 27 Nov 2006	15453/2006
Duncan Ward - Satelight Design Pty Ltd; 26-05A, , 07 Dec 2006	15639/2006	Firth, Philip Malcolm; Firth, Elizabeth May; 25-01E, Joiner for fence rails, 04 Dec 2006	15550/2006
DC Shoes, Inc.; 02-04NES, Shoe with foxing tape and airbag window, (US, 06 Jun 2006) 04 Dec 2006	15552/2006	Firth, Elizabeth May; Firth, Philip Malcolm; 25-01E, Joiner for fence rails, 04 Dec 2006	15550/2006
Electrolux Home Products Corporation N.V.; 23-01H, A dispenser, (IT, 05 Apr 2006) (Divisional of 14497/2006) 01 Dec 2006	15531/2006	Flex-Seal Couplings Limited; 23-01L, Blanks for storm drain channels, (EM, 19 Jun 2006) 04 Dec 2006	15556/2006
Elegant Garden World P/L; 25-03, Letter box, 08 Dec 2006	15638/2006	Flex-Seal Couplings Limited; 23-01L, Storm drain channel, (EM, 19 Jun 2006) 04 Dec 2006	15557/2006
Elektromotive Limited; 13-02, Charging device, (EM, 19 Jun 2006) 19 Dec 2006	15814/2006	Ford, Colin Raymond; 23-02B, Shower/wet area base, 18 Dec 2006	15771/2006
Elite Confectionery Ltd; 07-01D, A saucer, 12 Dec 2006	15699/2006	Ford, Colin Raymond; 23-02B, Shower tray, (NZ, 28 Jun 2006) 18 Dec 2006	15772/2006
Elite Confectionery Ltd; 07-01D, A beverage mug, 13 Dec 2006	15700/2006	Ford, Colin Raymond; 23-02B, Shower tray, (NZ, 28 Jun 2006) 18 Dec 2006	15773/2006
Emanuelli, Seona; Emanuelli, Todd; 02-01B, Nappy, 07 Dec 2006	15619/2006	Fugro N.V.; 19-08, Poster, (EM, 07 Jun 2006) 06 Dec 2006	15614/2006
Emanuelli, Todd; Emanuelli, Seona; 02-01B, Nappy, 07 Dec 2006	15619/2006	Furlow, Carole; Furlow, John; 02-03, Hats all sizes, 07 Dec 2006	15620/2006
Enanef, Ltd; 21-02F, Exerciser, (US, 01 Aug 2006) 27 Nov 2006	15435/2006	Furlow, John; Furlow, Carole; 02-03, Hats all sizes, 07 Dec 2006	15620/2006
European Foods Wholesalers Pty Ltd; 09-03M, Container, 30 Nov 2006	15512/2006	Gary Hall The Bodyguard N.S.W.; 23-01G, Spa's & pool's, 07 Dec 2006	15667/2006
Evans, Garry; 25-02E, Cornice, 24 Nov 2006	15422/2006	Greenwood Air Management Limited; 23-04, A panel for an extractor fan, (EM, 03 Apr 2006) (Divisional of 14453/2006) 07 Dec 2006	15625/2006
Evans, Garry; 25-02E, Cornice external corner block, 24 Nov 2006	15423/2006	GMCA Pty. Ltd.; 08-05N, Sander power tool, (EM, 26 May 2006) 27 Nov 2006	15436/2006
Evans, Garry; 25-02E, Cornice internal corner block, 24 Nov 2006	15424/2006	Hall, Jason Hamilton; 02-03, Hat, 08 Dec 2006	15654/2006
Evans, Garry; 25-02E, Ceiling centre, 24 Nov 2006	15425/2006	Heltech Industries Pty Ltd; 08-08B, Screw pile end piece, 12 Dec 2006	15680/2006

Heltech Industries Pty Ltd; 08-08B, Screw pile end female coupling, 12 Dec 2006	15681/2006	Jones, Carol; Pleshev, Victor; 07-05NES, Laundry clothes bag, 30 Nov 2006	15495/2006
Heltech Industries Pty Ltd; 08-08B, Screw pile end male coupling, 12 Dec 2006	15682/2006	Joyce, Karl; 09-03H, Container insert, 27 Nov 2006	15437/2006
Heltech Industries Pty Ltd; 08-08B, Screw pile stem, 12 Dec 2006	15683/2006	Joyce, Karl; 09-03H, Container insert, 27 Nov 2006	15438/2006
Heltech Industries Pty Ltd; 08-08B, Screw pile, 12 Dec 2006	15684/2006	Jura Elektroapparate AG; 07-02L, Coffee maker, (DM, 08 Sep 2006) 11 Dec 2006	15665/2006
High Gear Specialties, Inc.; 08-08NES, Mount, (US, 12 Jun 2006) 12 Dec 2006	15678/2006	Kennedy, Martin Anthony; 23-01L, A pivotable gutter design, 12 Dec 2006	15698/2006
Hills Industries Limited; 21-03, Climbing ring, 07 Dec 2006	15632/2006	King Furniture (Australia) Pty Ltd; 06-01G, Chair, 18 Dec 2006	15800/2006
Hills Industries Limited; 21-03, Climbing ring, 28 Nov 2006	15451/2006	King Furniture (Australia) Pty Ltd; 06-01G, Sofa, 18 Dec 2006	15801/2006
Hills Industries Limited; 08-08L, A roof mount support member, 14 Dec 2006	15767/2006	King Furniture (Australia) Pty Ltd; 06-01G, Sofa, 18 Dec 2006	15802/2006
Hills Industries Limited; 21-03, Playground structure, 28 Nov 2006	15452/2006	King Furniture (Australia) Pty Ltd; 06-01G, Sofa, 19 Dec 2006	15817/2006
Hills Industries Limited; 21-03, Platform for playground structure, 28 Nov 2006	15450/2006	Knott, David; 07-01C, 09-01H, Bottle convertible into a drinking glass, 18 Dec 2006	15778/2006
Hunwick, Rod; Dowd, Kieron; 30-03, Pet food and pet products, 04 Dec 2006	15544/2006	Knott, David; 07-01C, 09-01H, Bottle convertible into a drinking glass, 18 Dec 2006	15779/2006
Illac Pty Ltd; 28-03D, A comb, 18 Dec 2006	15799/2006	Koninklijke Philips Electronics N.V.; Swarovski Aktiengesellschaft; 14-02, USB stick, 19 Dec 2006	15818/2006
Illinois Tool Works Inc.; 08-02, Fastener driving tool housing, (US, 22 Jun 2006) 21 Nov 2006	15346/2006	Koninklijke Philips Electronics N.V.; Swarovski Aktiengesellschaft; 14-02, USB stick, 19 Dec 2006	15819/2006
Industrial Progress Corporation Pty Ltd; 25-01G, Internal and external cladding, 13 Dec 2006	15679/2006	Koninklijke Philips Electronics N.V.; 28-03A, 3-head dry shaver with display unit, (EM, 09 Jun 2006) 07 Dec 2006	15628/2006
Inflatable Image Technologies Pty Limited; 03-03, 12-13, ShelterMe inflatable image system, 20 Nov 2006	15314/2006	Koninklijke Philips Electronics N.V.; 28-03A, 3-head dry shaver without display unit, (EM, 09 Jun 2006) 07 Dec 2006	15629/2006
Innovative Office Products, Inc.; 14-02, Laptop holder, (US, 09 Jun 2006) 17 Nov 2006	15305/2006	Kraft Foods Holdings, Inc.; 09-03L, Container, (US, 07 Jun 2006) 30 Nov 2006	15514/2006
Intellectual Property Development Corporation Pty Ltd; 09-01K, Bottle body, 05 Dec 2006	15579/2006	Kraft Foods Holdings, Inc.; 09-07B, Lid, (US, 07 Jun 2006) 30 Nov 2006	15515/2006
Intellectual Property Development Corporation Pty Ltd; 09-01K, Bottle neck, 05 Dec 2006	15578/2006	Kraft Foods Holdings, Inc.; 09-03L, Container and lid, (US, 07 Jun 2006) 30 Nov 2006	15516/2006
Jennings, Belinda; 07-03, Pet spoon, 01 Sep 2006	15948/2006	Kuei-chih, Hsu; 23-04, Electric fan stand, 26 Oct 2006	15321/2006
Jennings, Belinda; 07-03, Pet spoon, 01 Sep 2006	15947/2006	Kukolja, Ramon; 20-03NES, Domain names www.Gravitics.NGT, www.Gravitics.Org The intended websites corresponding to those domains, will be about scientific theories and methods of energy generation, 07 Dec 2006	15622/2006
Johns, Peter; 08-08NES, Structural steel, 19 Dec 2006	15793/2006	Kuo, Hai Pin; 21-02F, Treadmill, 30 Nov 2006	15526/2006
Johnson & Johnson GmbH; 28-03NES, Non-woven wipe for cosmetic applications, (EM, 30 May 2006) 17 Nov 2006	15296/2006	Kushner, Robert Gerald; 21-99, Dancing pole kit, (GB, 13 Sep 2006) 06 Dec 2006	11765/2006

KMS Qld Pty, as Trustee for KMS Investments; 25-01E, Fencing, 01 Dec 2006	15527/2006	Lutron Electronics Co., Inc.; 13-03E, Wall-mountable lighting control unit, (US, 26 May 2006) 24 Nov 2006	15413/2006
Le Breton, Craig; 08-03, Cutting guide and display board, 30 Nov 2006	15528/2006	Lutron Electronics Co., Inc.; 13-03E, Wall-mountable lighting control unit, (US, 26 May 2006) 24 Nov 2006	15389/2006
Le Breton, Craig; 20-02NES, Merchandise display card, 30 Nov 2006	15529/2006	Lutron Electronics Co., Inc.; 13-03E, Wall-mountable lighting control unit, (US, 26 May 2006) 24 Nov 2006	15390/2006
Leuring, Jurgen; Ziemann, Tim; 14-01, Receivers, (EM, 24 May 2006) 24 Nov 2006	15414/2006	Lutron Electronics Co., Inc.; 13-03E, Control display for a lighting control unit, (US, 26 May 2006) 24 Nov 2006	15391/2006
Lifesjoy Pty Ltd; 21-02A, Pass Master - Practice Rugby Ball, 01 Dec 2006	15513/2006	Lutron Electronics Co., Inc.; 13-03E, Control display for a lighting control unit, (US, 26 May 2006) 24 Nov 2006	15392/2006
Lipovec, Miran; 21-01L, Roulette board pattern, 05 Dec 2006	15563/2006	Lutron Electronics Co., Inc.; 13-03E, Control display for a lighting control unit, (US, 26 May 2006) 24 Nov 2006	15393/2006
Logan City Council; 08-08B, Ferrule nut, 07 Dec 2006	15633/2006	Lutron Electronics Co., Inc.; 13-03E, Wall-mountable lighting control unit, (US, 26 May 2006) 24 Nov 2006	15394/2006
Lutron Electronics Co., Inc.; 13-03E, Wall-mountable lighting control unit, (US, 26 May 2006) 24 Nov 2006	15400/2006	Lutron Electronics Co., Inc.; 13-03E, Wall-mountable lighting control unit, (US, 26 May 2006) 24 Nov 2006	15395/2006
Lutron Electronics Co., Inc.; 13-03E, Wall-mountable lighting control unit, (US, 26 May 2006) 24 Nov 2006	15401/2006	Lutron Electronics Co., Inc.; 13-03E, Wall-mountable lighting control unit, (US, 26 May 2006) 24 Nov 2006	15396/2006
Lutron Electronics Co., Inc.; 13-03E, Wall-mountable lighting control unit, (US, 26 May 2006) 24 Nov 2006	15402/2006	Lutron Electronics Co., Inc.; 13-03E, Wall-mountable lighting control unit, (US, 26 May 2006) 24 Nov 2006	15397/2006
Lutron Electronics Co., Inc.; 13-03E, Wall-mountable lighting control unit, (US, 26 May 2006) 24 Nov 2006	15403/2006	Lutron Electronics Co., Inc.; 13-03E, Wall-mountable lighting control unit, (US, 26 May 2006) 24 Nov 2006	15398/2006
Lutron Electronics Co., Inc.; 13-03E, Wall-mountable lighting control unit, (US, 26 May 2006) 24 Nov 2006	15404/2006	Lutron Electronics Co., Inc.; 13-03E, Wall-mountable lighting control unit, (US, 26 May 2006) 24 Nov 2006	15399/2006
Lutron Electronics Co., Inc.; 13-03E, Wall-mountable lighting control unit, (US, 26 May 2006) 24 Nov 2006	15405/2006	LED Technologies Pty Ltd; 26-04, Lighting assembly, 29 Nov 2006	15482/2006
Lutron Electronics Co., Inc.; 13-03E, Wall-mountable lighting control unit, (US, 26 May 2006) 24 Nov 2006	15406/2006	LRC Products Limited; 28-99, Sex toy, (EM, 18 May 2006) 17 Nov 2006	15299/2006
Lutron Electronics Co., Inc.; 13-03E, Wall-mountable lighting control unit, (US, 26 May 2006) 24 Nov 2006	15407/2006	M.D.I. International Pty Ltd; 21-01B, A doll, 06 Dec 2006	11766/2006
Lutron Electronics Co., Inc.; 13-03E, Wall-mountable lighting control unit, (US, 26 May 2006) 24 Nov 2006	15408/2006	Mack, Kevin John; 26-05D, Light, 15 Dec 2006	15769/2006
Lutron Electronics Co., Inc.; 13-03E, Wall-mountable lighting control unit, (US, 26 May 2006) 24 Nov 2006	15409/2006	Macnaught Pty Limited; 10-04, Meter Assembly, 05 Dec 2006	15573/2006
Lutron Electronics Co., Inc.; 13-03E, Wall-mountable lighting control unit, (US, 26 May 2006) 24 Nov 2006	15410/2006	Mars, Incorporated; 01-01, Chocolate bar, (EM, 15 Jun 2006) 15 Dec 2006	15781/2006
Lutron Electronics Co., Inc.; 13-03E, Wall-mountable lighting control unit, (US, 26 May 2006) 24 Nov 2006	15411/2006	Mars, Incorporated; 01-01, Chocolate bar, (EM, 15 Jun 2006) 15 Dec 2006	15782/2006
Lutron Electronics Co., Inc.; 13-03E, Wall-mountable lighting control unit, (US, 26 May 2006) 24 Nov 2006	15412/2006	Mary Kay Inc.; 28-03NES, Cosmetic container, (US, 29 Sep 2006) 20 Nov 2006	15312/2006

Mascull, Roger Thomas; 06-01D, A seat, (NZ, 19 May 2006) 20 Nov 2006	15306/2006	Morcraft Industries; 23-03E, Rinnai gas log fires models slimline and royal, 25 Oct 2006	15840/2006
Mass Technology (H.K.) Limited; 26-05D, A lamp, (CN, 21 Jun 2006) 14 Dec 2006	15766/2006	Morphy Richards Ltd; 15-05, Vacuum Cleaner, (EM, 07 Jun 2006) 04 Dec 2006	15558/2006
McDonald Muirhead, Jamie; 21-02C, Golf tee, 04 Dec 2006	15543/2006	Morphy Richards Ltd; 15-05, Vacuum cleaner, (EM, 07 Jun 2006) 04 Dec 2006	15559/2006
McLachlan, Andrew John; 31-00, Apparatus for aerating a fluid, 27 Nov 2006	15439/2006	Morphy Richards Ltd; 15-05, Vacuum cleaner, (EM, 07 Jun 2006) 04 Dec 2006	15560/2006
McLachlan, Andrew John; 31-00, Apparatus for aerating a fluid, 27 Nov 2006	15440/2006	Multisteps Pty Ltd; 09-03M, Produce container, 23 Nov 2006	15382/2006
McLachlan, Andrew John; 31-00, Apparatus for aerating a fluid, 27 Nov 2006	15441/2006	Multisteps Pty Ltd; 09-03M, Produce container, 23 Nov 2006	15383/2006
McLachlan, Andrew John; 31-00, Apparatus for aerating a fluid, 27 Nov 2006	15442/2006	MAM Babyartikel Gesellschaft m.b.H.; 24-04, Pacifier, (EM, 14 Aug 2006) 11 Dec 2006	15662/2006
McNeil-PPC, Inc.; 04-02, Toothbrush, (US, 08 Jun 2006) 08 Dec 2006	15642/2006	Nanjing Chervon Industry Co., Ltd.; 13-02, Battery, (CN, 13 Jun 2006) 13 Dec 2006	15728/2006
McNeil-PPC, Inc.; 04-02, Toothbrush, (US, 08 Jun 2006) 08 Dec 2006	15645/2006	Neoqi AS; 28-03NES, Multifunctional health capsule, (EE, 05 Jun 2006) 05 Dec 2006	15618/2006
Metcalf, Christopher John; 11-04, Fruit bowl, table base, lampshade, platter, decorative ornament, 22 Nov 2006	15365/2006	Newbill, Anthony J.; 99-00, A support for a mailbox, (US, 26 Jun 2006) 01 Dec 2006	15533/2006
Methven Limited; 23-02B, A shower handpiece, (NZ, 07 Jul 2006) 06 Dec 2006	15611/2006	Nexus Designs Pty Ltd; 09-03NES, Utility Bin, 04 Dec 2006	15549/2006
Mhouse Srl; 13-01, Motor for liftable doors, (IT, 06 Jun 2006) 05 Dec 2006	15577/2006	Ngai Mun, Lee; Paramount Safety Products; 08-07, Anchorage link for safety helmet, 24 Nov 2006	15456/2006
Miller, Virginia Helen Karyn; 29-02, A face protector lens blank, 18 Dec 2006	15797/2006	Ngai Mun, Lee; Paramount Safety Products; 08-07, Push-button slide lock for safety helmet, 24 Nov 2006	15455/2006
Miller, Virginia Helen Karyn; 29-02, A face protector holder, 18 Dec 2006	15798/2006	Nice SPA; 15-99, Heads of actuating device, (IT, 18 May 2006) 14 Nov 2006	15248/2006
Minchin, Kerry; 25-01E, Design block will be used for a garden bed edging and tree surrounds, 06 Dec 2006	15582/2006	Nicoll, Jennifer; 06-06A, Bag hook, 24 Nov 2006	15384/2006
Mitsubishi Electric Corporation; 15-07, Refrigerator, (JP, 19 Jul 2006) 14 Dec 2006	15734/2006	Nicoll, Jennifer; 06-06A, Bag hook, 24 Nov 2006	15385/2006
Moncal Pty Ltd; 25-02H, Shower enclosure and window glazing, 20 Nov 2006	15307/2006	Nokia Corporation; 14-03E, Handset, (FI, 24 Jul 2006) 11 Dec 2006	15663/2006
Moncal Pty Ltd; 25-02H, Shower enclosure and window glazing, 20 Nov 2006	15308/2006	Nokia Corporation; 14-03E, Handset, (US, 14 Jun 2006) 13 Dec 2006	15709/2006
Moncal Pty Ltd; 25-02H, Shower enclosure, 20 Nov 2006	15309/2006	Nokia Corporation; 14-03E, Handset, (FI, 14 Jun 2006) 13 Dec 2006	15710/2006
Montesinos, Alejandro Gutierrez; 12-15NES, Lining for hoop of radial tyre, (US, 30 May 2006) 28 Nov 2006	15464/2006	Nokia Corporation; 14-03A, Front cover for a handset, (FI, 14 Jun 2006) 13 Dec 2006	15711/2006
		Nokia Corporation; 14-03E, Handset, (US, 09 Jun 2006) 08 Dec 2006	15656/2006

Nokia Corporation; 14-03A, Part of a headset, (FI, 14 Jun 2006) 14 Dec 2006	15764/2006	Perceptionz Limited; 19-01, A foldable blank for a postcard, (NZ, 23 Jun 2006) 18 Dec 2006	15783/2006
Nokia Corporation; 14-03A, Front cover for a handset, (US, 09 Jun 2006) 08 Dec 2006	15657/2006	PersoCare Australia; 05-06NES, Cold seal foil to fit PersoCare medication management systems and cold seal to fit generic products, 14 Dec 2006	15730/2006
NCI Packaging Pty Ltd; 09-03L, Container, 15 Nov 2006	15255/2006	PersoCare Australia; 05-06NES, Cold seal foil to fit PersoCare medication management systems and cold deal to fit generic products., 14 Dec 2006	15701/2006
NCI Packaging Pty Ltd; 09-03L, Container lid, 15 Nov 2006	15256/2006	Phonic Ear A/S; 14-01, Loudspeaker, (EP, 22 May 2006) 22 Nov 2006	15372/2006
NCI Packaging Pty Ltd; 09-03L, Container with lid, 15 Nov 2006	15257/2006	Pi-Design AG; 07-02L, Coffee maker, (DK, 24 Nov 2006) 19 Dec 2006	15815/2006
NVB International Limited; 08-05E, Bicycle pump, (DK, 07 Jun 2006) 07 Dec 2006	15634/2006	Pi-Design AG; 07-02L, Coffee maker, (DK, 24 Nov 2006) 19 Dec 2006	15816/2006
NVB International Limited; 10-04, 08-05E, Pressure gauge, (DK, 07 Jun 2006) 07 Dec 2006	15635/2006	Pi-Design AG; 07-01D, Double wall mug, 28 Nov 2006	15458/2006
NVB International Limited; 08-05E, Valve connector, (DK, 07 Jun 2006) 07 Dec 2006	15636/2006	Pi-Design AG; 07-02L, Electric coffee maker, (DK, 03 Jul 2006) 13 Dec 2006	15720/2006
O'Brien, Paul; 02-03, Safety helmets, 01 Dec 2006	15493/2006	Pi-Design AG; 07-01C, Double wall glass, 28 Nov 2006	15459/2006
O'Connor-Cowley, Elizabeth Ann; 02-04NES, , 04 Dec 2006	15548/2006	Pi-Design AG; 07-02L, Double wall french press coffee maker (1), (DK, 06 Jun 2006) 05 Dec 2006	15571/2006
Olympus Medical Systems Corp.; 09-01K, A bottle for antiseptic solution, (JP, 11 Oct 2006) 06 Dec 2006	15595/2006	Pi-Design AG; 07-02L, Double wall french press coffee maker (2), (DK, 06 Jun 2006) 05 Dec 2006	15572/2006
Olympus Medical Systems Corp.; 09-01K, A bottle for antiseptic solution, 06 Dec 2006	15596/2006	Pi-Design AG; 07-01D, Double wall cup, 28 Nov 2006	15460/2006
Orient Sino (Guangzhou) Industrial Corp. Ltd; 06-06H, Frame for hammock, 06 Dec 2006	15612/2006	Pi-Design AG; 07-01D, Double wall mug, (DK, 22 Jun 2006) 28 Nov 2006	15461/2006
Orient Sino (Guangzhou) Industrial Corp. Ltd; 06-06H, Frame for hammock, 06 Dec 2006	15613/2006	Pi-Design AG; 07-01C, Double wall glass, (DK, 22 Jun 2006) 28 Nov 2006	15462/2006
Pacemaker Headers Pty Ltd; 12-16N, A set of exhaust manifolds, 17 Oct 2006	15821/2006	Pi-Design AG; 07-01D, Double wall cup, (DK, 22 Jun 2006) 28 Nov 2006	15463/2006
Pacemaker Headers Pty Ltd; 12-16N, A set of exhaust manifolds, 17 Oct 2006	15934/2006	Playtex Products, Inc.; 07-01E, Plate, (US, 14 Jun 2006) 14 Dec 2006	15761/2006
Pacific Enterprises (Aust) Pty Ltd; 08-07, Sash window lock, 19 Dec 2006	15809/2006	Playtex Products, Inc.; 07-01E, Cup, (US, 14 Jun 2006) 14 Dec 2006	15762/2006
Pactiv Corporation; 03-01A, A slider bag, (US, 07 Jun 2006) 07 Dec 2006	15624/2006	Playtex Products, Inc.; 07-01E, Bowls, (US, 14 Jun 2006) 14 Dec 2006	15763/2006
Paper-Pak Sweden AB; 05-99, Pads, (EM, 29 May 2006) 24 Nov 2006	15415/2006	Pleshev, Victor; Jones, Carol; 07-05NES, Laundry clothes bag, 30 Nov 2006	15495/2006
Paramount Safety Products; Ngai Mun, Lee; 08-07, Push-button slide lock for safety helmet, 24 Nov 2006	15455/2006	Poly Industries Pty Ltd; 07-01C, Drinking vessel, 30 Nov 2006	15520/2006
Paramount Safety Products; Ngai Mun, Lee; 08-07, Anchorage link for safety helmet, 24 Nov 2006	15456/2006	Pomper, John Robert; 22-05, Fishing bait pump, 17 Nov 2006	15289/2006
		Ponti S.p.A.; 09-01H, Bottle, (EM, 06 Jun 2006) 06 Dec 2006	15600/2006

Ponti S.p.A.; 09-01H, Bottle, (EM, 06 Jun 2006) 06 Dec 2006	15601/2006	Quantum Intech, Inc.; 24-01, A portable device for measuring heart rate, (US, 13 Jun 2006) 01 Dec 2006	15532/2006
Ponti S.p.A.; 09-01H, Bottle, (EM, 06 Jun 2006) 06 Dec 2006	15602/2006	Quantum Pacific Limited; 07-05NES, A detergent tablet, (NZ, 30 Jun 2006) 14 Dec 2006	15733/2006
Ponti S.p.A.; 09-01H, Bottle, (EM, 06 Jun 2006) 06 Dec 2006	15603/2006	Quinsey, Wilfred; Quinsey, Craig; 25-02A, Post in building and construction industry, 01 Dec 2006	15494/2006
Ponti S.p.A.; 09-01H, Bottle, (EM, 06 Jun 2006) 06 Dec 2006	15604/2006	Quinsey, Craig; Quinsey, Wilfred; 25-02A, Post in building and construction industry, 01 Dec 2006	15494/2006
Ponti S.p.A.; 09-01H, Bottle, (EM, 06 Jun 2006) 06 Dec 2006	15605/2006	Racovalis, Paul; 12-16B, Shaker, 27 Nov 2006	15443/2006
Ponti S.p.A.; 09-01H, Bottle, (EM, 06 Jun 2006) 06 Dec 2006	15606/2006	Rain Bird Corporation; 23-01E, Irrigation controller, (US, 15 Jun 2006) 15 Dec 2006	15735/2006
Ponti S.p.A.; 07-01NES, Preserve jar, (EM, 06 Jun 2006) 06 Dec 2006	15607/2006	Rain Bird Corporation; 23-01E, Irrigation controller, (US, 15 Jun 2006) 15 Dec 2006	15736/2006
Ponti S.p.A.; 07-01NES, Preserve jar, (EM, 06 Jun 2006) 06 Dec 2006	15608/2006	Rain Bird Corporation; 23-01E, Irrigation controller, (US, 15 Jun 2006) 15 Dec 2006	15737/2006
Prima Tooling Pty. Ltd.; 19-04, Map pocket substrate, 20 Dec 2006	15820/2006	Reefman, Mike; 10-04, Spirit level stabiliser/plumbing string lines (on hurdles) down onto slabs or footings, no more shakes, for positive, linemarking. (Ezyplumb), 16 Nov 2006	15258/2006
Prodrome Designs Pty Ltd; 25-01K, An extrusion for a balustrade post, 06 Dec 2006	15583/2006	Reidy's Lures Pty. Ltd.; 22-05, Fishing lures, 01 Dec 2006	15492/2006
Prodrome Designs Pty Ltd; 25-01K, An extrusion for a balustrade post, 06 Dec 2006	15584/2006	ResMed Ltd; 24-01, Elbow assembly for patient interface, (US, 16 Jun 2006) 14 Dec 2006	15738/2006
Prodrome Designs Pty Ltd; 25-01K, An extrusion for a balustrade post, 06 Dec 2006	15585/2006	ResMed Ltd; 24-01, Elbow component for an elbow assembly, (US, 16 Jun 2006) 14 Dec 2006	15739/2006
Progressive International Corporation; 07-04, A vegetable dicer, (US, 09 Jun 2006) 08 Dec 2006	15646/2006	ResMed Ltd; 24-01, Elbow component for an elbow assembly, (US, 16 Jun 2006) 14 Dec 2006	15740/2006
PACCAR Inc; 12-16A, Vehicle wheel, (US, 30 Jun 2006) 18 Dec 2006	15805/2006	ResMed Ltd; 24-01, Elbow assembly for a patient interface, (US, 16 Jun 2006) 14 Dec 2006	15741/2006
PACCAR Inc; 12-16B, Truck hood assembly, (US, 31 Aug 2006) 30 Nov 2006	15524/2006	ResMed Ltd; 24-01, Clip component for an elbow assembly, (US, 16 Jun 2006) 14 Dec 2006	15742/2006
PACCAR Inc; 12-16B, Truck quarter fender, (US, 31 Aug 2006) 30 Nov 2006	15498/2006	ResMed Ltd; 24-01, Clip component for an elbow assembly, (US, 16 Jun 2006) 14 Dec 2006	15743/2006
PACCAR Inc; 12-16B, Truck bumper, (US, 31 Aug 2006) 30 Nov 2006	15499/2006	ResMed Ltd; 24-01, Valve component for an elbow assembly, (US, 16 Jun 2006) 14 Dec 2006	15744/2006
PACCAR Inc; 12-16B, Grille surround for truck, (US, 31 Aug 2006) 30 Nov 2006	15500/2006	ResMed Ltd; 24-01, Patient interface, (US, 16 Jun 2006) 14 Dec 2006	15745/2006
PACCAR Inc; 12-16B, Fender panel for truck hood, (US, 31 Aug 2006) 30 Nov 2006	15501/2006	ResMed Ltd; 24-01, Dial or knob component for a patient interface, (US, 16 Jun 2006) 14 Dec 2006	15746/2006
PACCAR Inc; 12-16B, Top panel for truck hood, (US, 31 Aug 2006) 30 Nov 2006	15502/2006		
PACCAR Inc; 12-16B, Truck body, (US, 31 Aug 2006) 30 Nov 2006	15496/2006		

ResMed Ltd; 24-01, Forehead support frame component for a patient interface, (US, 16 Jun 2006) 14 Dec 2006	15747/2006	RIC Investments LLC; 28-03NES, Oral appliance tray, (US, 14 Jun 2006) 14 Dec 2006	15757/2006
ResMed Ltd; 24-01, Frame component for a patient interface, (US, 16 Jun 2006) 14 Dec 2006	15748/2006	RIC Investments LLC; 28-03NES, Oral appliance, (US, 14 Jun 2006) 14 Dec 2006	15758/2006
Review Australia Pty Ltd; 02-02C, 02-02NES, Ladies garments, 19 Dec 2006	15806/2006	RMD Press Co. Pty Limited; 25-01E, Ground anchor, 30 Nov 2006	15521/2006
Review Australia Pty Ltd; 02-02C, Ladies garments, 03 Oct 2006	15668/2006	RMD Press Co. Pty Limited; 25-01E, Ground anchor component, 30 Nov 2006	15522/2006
Review Australia Pty Ltd; 02-02C, Ladies garments, 03 Oct 2006	15669/2006	RMD Press Co. Pty Limited; 08-08A, Wedge, 30 Nov 2006	15523/2006
Review Australia Pty Ltd; 02-02C, Ladies garments, 03 Oct 2006	15670/2006	RMD Press Company Pty Limited; 08-08NES, Reinforcing bar chair, 18 Dec 2006	15776/2006
Review Australia Pty Ltd; 02-02C, Ladies garments, 03 Oct 2006	15671/2006	S.C. Johnson & Son, Inc.; 22-06, Bait station, (US, 01 Jun 2006) 29 Nov 2006	15471/2006
Review Australia Pty Ltd; 02-02C, Ladies garments, 03 Oct 2006	15672/2006	S.C. Johnson & Son, Inc.; 26-05NES, A base for a decorative light object, (US, 15 Jun 2006) 14 Dec 2006	15731/2006
Review Australia Pty Ltd; 02-02C, Ladies garments, 03 Oct 2006	15673/2006	S.C. Johnson & Son, Inc.; 26-04, Decorative light object, (US, 15 Jun 2006) 14 Dec 2006	15732/2006
Review Australia Pty Ltd; 02-02C, Ladies garments, 03 Oct 2006	15674/2006	S.C. Johnson & Son, Inc.; 09-01A, Volatile material dispenser, (US, 30 May 2006) 29 Nov 2006	15472/2006
Review Australia Pty Ltd; 02-02C, Ladies garments, 03 Oct 2006	15675/2006	S.C. Johnson & Son, Inc.; 26-04, Decorative light object, (US, 06 Jun 2006) 06 Dec 2006	15597/2006
Review Australia Pty Ltd; 02-02C, Ladies garments, 03 Oct 2006	15677/2006	S.C. Johnson & Son, Inc.; 09-01A, Diffuser, (US, 07 Jun 2006) 07 Dec 2006	15626/2006
Review Australia Pty Ltd; 02-02C, Ladies garments, 16 Jun 2006	15660/2006	S.C. Johnson & Son, Inc.; 26-04, Decorative light object, (US, 06 Jun 2006) 06 Dec 2006	15598/2006
Reward Snake Pty Ltd; 19-01, A reward chart for monitoring children's progress, 15 Dec 2006	15768/2006	S.C. Johnson & Son, Inc.; 26-04, Decorative light object, (US, 06 Jun 2006) 06 Dec 2006	15599/2006
Roach, Phillip; Field, Claire; 02-04NES, Rubber footwear, 27 Nov 2006	15453/2006	Sacilla Pty Ltd; 06-09, Cushion, 14 Dec 2006	15765/2006
Robert McBride Limited; 07-05NES, Dishwasher tablet, 11 Dec 2006	15661/2006	Salton, Inc.; 07-02N, Roaster, 06 Dec 2006	14531/2006
Roberts, Jock M.; 24-01, Oestrus detector for livestock, 24 Nov 2006	15421/2006	Samsung Electronics Co., Ltd.; 07-02B, Microwave oven, 29 Nov 2006	15473/2006
Roger Seller & Myhill Pty. Ltd.; 23-02B, Cloud cover, 11 Dec 2006	15647/2006	Samsung Electronics Co., Ltd.; 07-02B, Microwave oven, 29 Nov 2006	15475/2006
Rosemin Pty Ltd; 02-02C, Fan dance dress, 12 Dec 2006	15666/2006	Samsung Electronics Co., Ltd.; 07-02B, Microwave oven, 29 Nov 2006	15474/2006
Rosemin Pty Ltd; 02-02C, Cute as a button skirt/dress, 28 Nov 2006	15449/2006	Sanyo Electric Co Ltd; 08-08NES, Tools for coiling a cord, (JP, 29 Jun 2006) 20 Nov 2006	15326/2006
Ryan, Gerard; 25-02NES, Ant capping corner element, 21 Nov 2006	15344/2006	Sanyo Electric Co Ltd; 20-02E, 15-07, Cold storage show case, (JP, 21 Jul 2006) 20 Nov 2006	15327/2006
Ryan, Gerard; 25-02NES, Ant capping corner element, 21 Nov 2006	15345/2006	Sanyo Electric Co Ltd; 20-02E, 15-07, Cold storage show case, (JP, 07 Aug 2006) 20 Nov 2006	15328/2006

Scanlan & Theodore Pty Ltd; 02-04NES, 02-02C, 02-02NES, Lady's garment, 24 Nov 2006	15376/2006	Simmons, Richard; Simmons, Neville; Simmons, Jack Graeme; Simmons, Andrew; 25-01K, An extrusion, (NZ, 01 Jun 2006) 01 Dec 2006	15488/2006
Schneider Electric New Zealand Holdings Limited; 13-03E, An electrical socket, (NZ, 07 Jun 2006) 05 Dec 2006	15553/2006	Simmons, Jack Graeme; Simmons, Neville; Simmons, Richard; Simmons, Andrew; 25-01K, An extrusion, (NZ, 01 Jun 2006) 01 Dec 2006	15488/2006
Schneider Electric New Zealand Holdings Limited; 13-03E, An electrical socket, (NZ, 07 Jun 2006) 05 Dec 2006	15554/2006	Simmons, Andrew; Simmons, Neville; Simmons, Richard; Simmons, Jack Graeme; 25-01K, An extrusion, (NZ, 01 Jun 2006) 01 Dec 2006	15488/2006
Seapa Pty Ltd; 22-05, Oyster basket - diamond apertures, 16 Nov 2006	15290/2006	Simmons, Neville; Simmons, Richard; Simmons, Jack Graeme; Simmons, Andrew; 06-03C, A desk, (NZ, 01 Jun 2006) 01 Dec 2006	15489/2006
Seapa Pty Ltd; 22-05, Oyster basket - circular apertures, 16 Nov 2006	15291/2006	Simmons, Richard; Simmons, Neville; Simmons, Jack Graeme; Simmons, Andrew; 06-03C, A desk, (NZ, 01 Jun 2006) 01 Dec 2006	15489/2006
Seiko Epson Corporation; 18-02, Ink cartridge, (JP, 31 May 2006) 27 Nov 2006	15432/2006	Simmons, Jack Graeme; Simmons, Neville; Simmons, Richard; Simmons, Andrew; 06-03C, A desk, (NZ, 01 Jun 2006) 01 Dec 2006	15489/2006
Seiko Epson Corporation; 18-02, Ink cartridge, (JP, 31 May 2006) 27 Nov 2006	15433/2006	Simmons, Andrew; Simmons, Neville; Simmons, Richard; Simmons, Jack Graeme; 06-03C, A desk, (NZ, 01 Jun 2006) 01 Dec 2006	15489/2006
Silvan H2O Pty Ltd; 23-01G, Water filter, 21 Nov 2006	15348/2006	SmarTech Designs Pty Limited; 25-01K, An extrusion, 05 Dec 2006	15576/2006
Simmons, Neville; Simmons, Richard; Simmons, Jack Graeme; Simmons, Andrew; 25-01K, An extrusion, (NZ, 01 Jun 2006) 01 Dec 2006	15486/2006	Sony Ericsson Mobile Communications AB; 14-03E, Mobile phone (opened), (EM, 10 Jul 2006) 13 Dec 2006	15707/2006
Simmons, Richard; Simmons, Neville; Simmons, Jack Graeme; Simmons, Andrew; 25-01K, An extrusion, (NZ, 01 Jun 2006) 01 Dec 2006	15486/2006	Sony Ericsson Mobile Communications AB; 14-03E, Mobile phone, (EM, 10 Jul 2006) 13 Dec 2006	15708/2006
Simmons, Jack Graeme; Simmons, Neville; Simmons, Richard; Simmons, Andrew; 25-01K, An extrusion, (NZ, 01 Jun 2006) 01 Dec 2006	15486/2006	Sony Ericsson Mobile Communications AB; 14-03E, Mobile phone (closed), (EM, 10 Jul 2006) 13 Dec 2006	15704/2006
Simmons, Andrew; Simmons, Neville; Simmons, Richard; Simmons, Jack Graeme; 25-01K, An extrusion, (NZ, 01 Jun 2006) 01 Dec 2006	15486/2006	Sony Ericsson Mobile Communications AB; 14-03E, Mobile phone (opened), (EM, 10 Jul 2006) 13 Dec 2006	15705/2006
Simmons, Neville; Simmons, Richard; Simmons, Jack Graeme; Simmons, Andrew; 25-01K, An extrusion, (NZ, 01 Jun 2006) 01 Dec 2006	15487/2006	Sony Ericsson Mobile Communications AB; 14-03E, Mobile phone (closed position), (EM, 10 Jul 2006) 13 Dec 2006	15706/2006
Simmons, Richard; Simmons, Neville; Simmons, Jack Graeme; Simmons, Andrew; 25-01K, An extrusion, (NZ, 01 Jun 2006) 01 Dec 2006	15487/2006	Soremartec S.A.; 09-03C, Packaging, (EM, 23 Jun 2006) 12 Dec 2006	15691/2006
Simmons, Jack Graeme; Simmons, Neville; Simmons, Richard; Simmons, Andrew; 25-01K, An extrusion, (NZ, 01 Jun 2006) 01 Dec 2006	15487/2006	Speedo International Limited; 02-02A, Article of clothing, 30 Nov 2006	15540/2006
Simmons, Andrew; Simmons, Neville; Simmons, Richard; Simmons, Jack Graeme; 25-01K, An extrusion, (NZ, 01 Jun 2006) 01 Dec 2006	15487/2006	Speedo International Limited; 02-02A, Article of clothing, 30 Nov 2006	15541/2006
Simmons, Neville; Simmons, Richard; Simmons, Jack Graeme; Simmons, Andrew; 25-01K, An extrusion, (NZ, 01 Jun 2006) 01 Dec 2006	15488/2006	Speedo International Limited; 02-02A, Article of clothing, 30 Nov 2006	15542/2006
		Speedo International Limited; 02-02A, Article of clothing, 30 Nov 2006	15517/2006
		Speedo International Limited; 02-02A, Article of clothing, 30 Nov 2006	15538/2006

Speedo International Limited; 02-02A, Article of clothing, 30 Nov 2006	15539/2006	The Little Linen Company Pty Ltd; 05-05B, Protector, 21 Nov 2006	15347/2006
Sportsgirl Pty Ltd; 02-02B, 02-02NES, Garments, 07 Dec 2006	15623/2006	The Viking Corporation; 23-01D, Flow shaper for a sprinkler body, (US, 30 Mar 2006) (Divisional of 14370/2006) 17 Nov 2006	15300/2006
Sportsgirl Pty Ltd; 02-01B, 02-02C, Garments, 20 Dec 2006	15770/2006	The Viking Corporation; 23-01D, Flow shaper for a sprinkler body, (US, 30 Mar 2006) (Divisional of 14370/2006) 17 Nov 2006	15301/2006
Sportsgirl Pty Ltd; 02-02C, 02-02NES, Garments, 18 Dec 2006	15803/2006	Theuerkauf, Michael; 23-01F, Poly water tank, 24 Nov 2006	15374/2006
Stratco (Australia) Pty Limited; 25-02K, A section for a louvre, 05 Dec 2006	15580/2006	Toymonster Limited; 21-03, A swing play assembly, 06 Dec 2006	14848/2006
Strating, Max; 21-01L, Chess set, 06 Dec 2006	15581/2006	Toymonster Limited; 21-03, A splash play assembly, 29 Nov 2006	15479/2006
Swarovski Aktiengesellschaft; Koninklijke Philips Electronics N.V.; 14-02, USB stick, 19 Dec 2006	15818/2006	Toymonster Limited; 21-03, A slide play assembly, 29 Nov 2006	15480/2006
Swarovski Aktiengesellschaft; Koninklijke Philips Electronics N.V.; 14-02, USB stick, 19 Dec 2006	15819/2006	Toyota Jidosha Kabushiki Kaisha; 12-08, Automobile, 27 Nov 2006	15427/2006
Tasic, Zoran; 03-01D, Tool holder, 29 Nov 2006	15483/2006	Toyota Jidosha Kabushiki Kaisha; 12-16B, Bumper for automobile, 30 Nov 2006	15504/2006
Tasman Eco Furniture Pty Ltd; 06-02, Cot, 04 Dec 2006	15547/2006	Toyota Jidosha Kabushiki Kaisha; 26-06, Combination lamp for automobile, 30 Nov 2006	15505/2006
Tasman Eco Furniture Pty Ltd; 06-02, Cot, 04 Dec 2006	15545/2006	Toyota Jidosha Kabushiki Kaisha; 12-16B, Grille for automobile, 30 Nov 2006	15506/2006
Tasman Eco Furniture Pty Ltd; 06-02, Cot, 04 Dec 2006	15546/2006	Toyota Jidosha Kabushiki Kaisha; 12-08, Bus, 30 Nov 2006	15507/2006
Tclip Pty Ltd; 08-08NES, A connector, 04 Dec 2006	15564/2006	Toyota Jidosha Kabushiki Kaisha; 12-08, Automobile, 27 Nov 2006	15428/2006
Tclip Pty Ltd; 08-08NES, A connector, 04 Dec 2006	15565/2006	Toyota Jidosha Kabushiki Kaisha; 12-16B, Front grill for an automobile, 27 Nov 2006	15429/2006
Tclip Pty Ltd; 08-08NES, A connector, 04 Dec 2006	15566/2006	Toyota Jidosha Kabushiki Kaisha; 26-06, Head lamp for an automobile, 27 Nov 2006	15430/2006
Tclip Pty Ltd; 25-01K, A hollow section, 04 Dec 2006	15567/2006	Toyota Jidosha Kabushiki Kaisha; 12-16B, Front bumper for an automobile, 27 Nov 2006	15431/2006
Teleflex Canada Inc; 12-06NES, Tilt helm, (US, 12 Jun 2006) 24 Nov 2006	15387/2006	Toyota Motor Corporation (Australia) Limited; 12-16B, Vehicle grille mesh, 28 Nov 2006	15447/2006
Teleflex Canada Inc; 12-06NES, Tilt helm, (US, 12 Jun 2006) 24 Nov 2006	15388/2006	Toyota Motor Corporation (Australia) Limited; 12-16A, Vehicle wheel, 28 Nov 2006	15448/2006
Thatslove Pty Ltd; 02-02NES, T-shirts, 14 Dec 2006	15713/2006	Trade Guys International Pty Ltd; Breeta Sales & Marketing Ltd.; 21-02C, Ball holding device, 15 Nov 2006	15264/2006
Thatslove Pty Ltd; 02-05, Fabric squares, art work-fabric canvas, 14 Dec 2006	15714/2006	Tube Home (M) Sdn Bhd; 06-02, Burger bed (1), 22 Nov 2006	15367/2006
Thatslove Pty Ltd; 11-01NES, 30-04, Dog lead, dog collar, child necklace/chocker, 14 Dec 2006	15715/2006	Tube Home (M) Sdn Bhd; 06-02, Burger bed (2), 22 Nov 2006	15368/2006
Thatslove Pty Ltd; 09-03M, Gift box, 14 Dec 2006	15716/2006	Tube Home (M) Sdn Bhd; 06-02, Burger bed (3), 22 Nov 2006	15369/2006
The Decor Corporation Pty Ltd; 09-03NES, Storage container with handle, (NZ, 11 Dec 2006) 19 Dec 2006	15810/2006	Tube Home (M) Sdn Bhd; 06-02, Burger bed (4), 22 Nov 2006	15370/2006
The Decor Corporation Pty Ltd; 09-03M, Storage container, (NZ, 11 Dec 2006) 19 Dec 2006	15811/2006		

Tube Home (M) Sdn Bhd; 06-03C, Graduation desk, 22 Nov 2006	15371/2006	Wm. Wrigley Jr. Company; 09-01K, Product dispenser, (US, 05 Jun 2006) 24 Nov 2006	15386/2006
Tube Home (M) SDN BHD; 06-02, 06-04F, OBSD Bed, 11 Dec 2006	15648/2006	Ziemann, Tim; Leuring, Jurgen; 14-01, Receivers, (EM, 24 May 2006) 24 Nov 2006	15414/2006
Tuck, Jane; 06-01L, 14-01, The [sub] lounge, 30 Nov 2006	15478/2006	3M Innovative Properties Company; 24-04, Bandage, (US, 12 Jun 2006) 14 Dec 2006	15752/2006
Turbosmart Pty Ltd; 12-16NES, Boost tee - manual boost controller Part Number: TS-4210602, 24 Nov 2006	15375/2006	3M Innovative Properties Company; 24-04, Bandage, (US, 12 Jun 2006) 14 Dec 2006	15753/2006
Turner Leisure Products Pty Ltd; 23-03B, Round gas column heater, 18 Dec 2006	15774/2006	3M Innovative Properties Company; 24-04, Bandage, (US, 12 Jun 2006) 14 Dec 2006	15749/2006
Turner Leisure Products Pty Ltd; 23-03B, Square gas column heater, 18 Dec 2006	15775/2006	3M Innovative Properties Company; 24-04, Bandage, (US, 12 Jun 2006) 14 Dec 2006	15750/2006
Valbia S.r.l.; 13-99, Electric actuator, (EM, 19 Jun 2006) 19 Dec 2006	15813/2006	3M Innovative Properties Company; 24-04, Bandage, (US, 12 Jun 2006) 14 Dec 2006	15751/2006
Ventaira Pharmaceuticals, Inc.; 09-01K, Hand held dispenser, (US, 24 May 2006) 22 Nov 2006	15364/2006	3M Innovative Properties Company; 24-04, Bandage, (US, 12 Jun 2006) 08 Dec 2006	15630/2006
Venture products Limited; 10-06, A marking cone, (NZ, 20 Jun 2006) 14 Dec 2006	15702/2006	3M Innovative Properties Company; 24-04, Bandage, (US, 12 Jun 2006) 12 Dec 2006	15685/2006
Walkinshaw Performance Pty Ltd; 12-16B, Vehicle hood scoop, 23 Nov 2006	15426/2006	3M Innovative Properties Company; 24-04, Bandage, (US, 12 Jun 2006) 12 Dec 2006	15686/2006
Wang, Li-qun; 26-01, Candle with crocodilian pattern, 30 Nov 2006	15509/2006	3M Innovative Properties Company; 24-04, Bandage, (US, 12 Jun 2006) 12 Dec 2006	15687/2006
Warmington, Neale Robert; 23-01D, Watering device, 20 Nov 2006	15322/2006	3M Innovative Properties Company; 24-04, Bandage, (US, 12 Jun 2006) 12 Dec 2006	15688/2006
WestfaliaSurge GmbH.; 15-03C, Milking device, (EM, 17 May 2006) 16 Nov 2006	15276/2006	3M Innovative Properties Company; 24-04, Bandage, (US, 12 Jun 2006) 12 Dec 2006	15689/2006
Wildchild Design Pty Ltd; 21-01F, Ride on toy, 24 Nov 2006	15457/2006		
Wilding, Geoffrey Alan; 13-03E, Household power socket, 05 Dec 2006	15570/2006		
Wilmans, Ian; 15-02, 25-03, pool pump cover, 18 Dec 2006	15777/2006		

Applications Lapsed

11476 / 2005 (02-02A)	11479 / 2005 (02-02A)	12822 / 2006	14394 / 2006 (12-16NES)
11481 / 2005 (02-02A)	11482 / 2005 (02-02A)	14522 / 2006 (19-01)	14596 / 2006 (06-01NES)
11484 / 2005 (02-02A)	11486 / 2005 (02-02A)	14831 / 2006	
11488 / 2005 (02-02A)	11489 / 2005 (02-02A)		
11490 / 2005 (02-02A)	11491 / 2005 (02-02A)		
11492 / 2005 (02-02A)	11493 / 2005 (02-02A)		
11210 / 2006 (13-03D)	11541 / 2006 (06-03D)		
12503 / 2006 (02-02NES)	12506 / 2006 (02-02NES)		
12507 / 2006 (02-02C)	12755 / 2006 (25-01C)		
12756 / 2006 (25-01C)	12770 / 2006 (12-06A)		
12818 / 2006 (03-01B)	12819 / 2006 (03-01B)		
12820 / 2006 (03-01B)	12821 / 2006 (03-01B)		

Registrations Ceased

304498	304512	305668
305846	306059	

Extensions of time granted under Section 137

Applications lodged under section 137 for extension of time have been granted.

303901 **Dewhurst Plc**

15616/2005 **Gush Creative Pty Ltd**

10004/2006 **Ruby Niemoeller**

12024/2006 **Funky Bomz**

14120/2006 **Bromic Pty Ltd**

14121/2006 **Bromic Pty Ltd**

14185/2006 **Jets Swimwear Pty Ltd**

14186/2006 **Jets Swimwear Pty Ltd**

14187/2006 **Jets Swimwear Pty Ltd**

14188/2006 **Jets Swimwear Pty Ltd**

14189/2006 **Jets Swimwear Pty Ltd**

14597/2006 **Monique Alamedine**

14598/2006 **Monique Alamedine**

14599/2006 **Monique Alamedine**

14600/2006 **Monique Alamedine**

14601/2006 **Monique Alamedine**

14602/2006 **Monique Alamedine**

14603/2006 **Monique Alamedine**

14604/2006 **Monique Alamedine**

14605/2006 **Monique Alamedine**

14606/2006 **Monique Alamedine**

14607/2006 **Monique Alamedine**

14608/2006 **Monique Alamedine**

14609/2006 **Monique Alamedine**

14610/2006 **Monique Alamedine**

14611/2006 **Monique Alamedine**

14612/2006 **Monique Alamedine**

14613/2006 **Monique Alamedine**

Applications Assigned

(The name in parentheses is that of the subsequent applicant)

15525/2006 (**Carl-Louis Pty Ltd**) Food Pack Pty Ltd

12605/2006 (**Carl-Louis Pty Ltd**) Food Pack Pty Ltd

12603/2006 (**Carl-Louis Pty Ltd**) Food Pack Pty Ltd

12604/2006 (**Carl-Louis Pty Ltd**) Food Pack Pty Ltd
 12602/2006 (**Carl-Louis Pty Ltd**) Food Pack Pty Ltd
 12606/2006 (**Carl-Louis Pty Ltd**) Food Pack Pty Ltd
 12607/2006 (**Carl-Louis Pty Ltd**) Food Pack Pty Ltd

Subsequent Owners Registered

(The name in parentheses is that of the subsequent owner)

309898 (**R.M.D. Press Co. Pty Ltd**) Pratco Industries Pty Ltd
 301839 (**United States Pipe and Foundry Company, LLC**)
 United States Pipe & Foundry Company
 301840 (**United States Pipe and Foundry Company, LLC**)
 United States Pipe & Foundry Company
 309826 (**Carl-Louis Pty Ltd**) Food Pack Pty Ltd
 309335 (**Carl-Louis Pty Ltd**) Food Pack Pty Ltd
 309334 (**Carl-Louis Pty Ltd**) Food Pack Pty Ltd
 309333 (**Carl-Louis Pty Ltd**) Food Pack Pty Ltd
 309332 (**Carl-Louis Pty Ltd**) Food Pack Pty Ltd
 309315 (**Carl-Louis Pty Ltd**) Food Pack Pty Ltd
 309314 (**Carl-Louis Pty Ltd**) Food Pack Pty Ltd
 309313 (**Carl-Louis Pty Ltd**) Food Pack Pty Ltd
 309281 (**Carl-Louis Pty Ltd**) Food Pack Pty Ltd
 309336 (**Carl-Louis Pty Ltd**) Food Pack Pty Ltd
 309615 (**Carl-Louis Pty Ltd**) Food Pack Pty Ltd
 309923 (**Carl-Louis Pty Ltd**) Food Pack Pty Ltd
 309922 (**Carl-Louis Pty Ltd**) Food Pack Pty Ltd
 309282 (**Carl-Louis Pty Ltd**) Food Pack Pty Ltd
 309616 (**Carl-Louis Pty Ltd**) Food Pack Pty Ltd
 309283 (**Just Chill Pty Ltd**) PWM Finance Pty Ltd
 307348 (**Roy Michael Halle**) Automatic Pool Cleaners
 (Australia) Pty Ltd.
 309623 (**Little Magic Blanket Australia Pty Ltd**) Eliza Simpson
 Clapin;Natalie Ruth Bompard
 310619 (**Neo-Inhalation Technologies Limited**) Neolab Limited
 311116 (**Neo-Inhalation Technologies Limited**) Neolab Limited
 311117 (**Neo-Inhalation Technologies Limited**) Neolab Limited
 311118 (**Neo-Inhalation Technologies Limited**) Neolab Limited

Names Registered - Alterations and Amendments

(The name in parentheses is that of the subsequent applicant)

310394 (**Peer Intellectual Properties Pty Ltd**) Metal Building
 Systems Holdings Pty Ltd
 310727 (**Peer Intellectual Properties Pty Ltd**) Metal Building
 Systems Holdings Pty Ltd

Corrigenda

Number 11655/2006

In Vol 20 , No 24 , page 7358 under the heading **Applications lapsed**; Design No. 11655/2006 should be deleted.

Number 311687

In Vol 20 , No 26 , page 7669 under the heading **Australian Registered Design**; (57) Statement of Newness and Distinctiveness should read: Newness and distinctiveness reside in the features of a container as shown in the representations in particular a substantially planar, rear part having projection forwardly therefrom, two raised curved tear drop shaped parts in a head-two-tail arrangement, the two tear drop shaped parts providing an overall raised feature..

Certificate(s) of Examination

Examination of the following Design Registration(s) has been completed. Infringement proceedings may now be commenced.

303737	19-06	21/12/2006
304377	22-05	18/12/2006
304392	13-03NES	21/12/2006
304395	13-03NES	21/12/2006
304396	13-03NES	21/12/2006
304399	13-03NES	21/12/2006
304433	16-01	14/12/2006
304535	07-07A	21/12/2006
304630	31-00	04/01/2007
307446	21-01L	21/12/2006
307604	28-03A	13/12/2006
311643	28-03NES	20/12/2006

Publication and Registration Proceedings

Designs Registered

This section provides a concordance between design number and registration number of Designs covered in this journal. It also shows the main class and registration date.

This section covers Registration numbers 311982 to 312233 .

The registration number shown below should be used in all future correspondence.

Design Number	Registration Number	International Classification Code (IDC)	Registration Date	Design Number	Registration Number	International Classification Code (IDC)	Registration Date
14773/2005	312115	23-02NES	21/12/2006	14467/2006	312071	02-02C	18/12/2006
15370/2005	312004	12-06NES	14/12/2006	14468/2006	312072	02-02C	18/12/2006
15371/2005	312005	12-06NES	14/12/2006	14478/2006	312094	08-08NES	19/12/2006
10004/2006	312111	06-09	21/12/2006	14485/2006	312073	08-04	18/12/2006
10306/2006	312006	21-04	15/12/2006	14486/2006	312074	08-04	18/12/2006
10307/2006	312007	21-04	15/12/2006	14487/2006	312095	02-02C	19/12/2006
10313/2006	312091	08-07	19/12/2006	14497/2006	312172	23-01H	02/01/2007
10314/2006	312092	08-07	19/12/2006	14542/2006	312112	30-02	21/12/2006
10377/2006	312020	02-02C	29/11/2006	14546/2006	312096	25-01G	19/12/2006
10378/2006	312021	02-02NES	15/12/2006	14547/2006	312113	25-01G	21/12/2006
10379/2006	312022	02-02C	15/12/2006	14558/2006	312189	09-01D	03/01/2007
10380/2006	312023	02-02C	15/12/2006	14583/2006	312165	06-01NES	02/01/2007
11299/2006	312008	02-02NES	15/12/2006	14586/2006	312097	28-03NES	19/12/2006
11432/2006	312069	02-02C	18/12/2006	14587/2006	312098	28-03NES	19/12/2006
12473/2006	312185	25-02A	03/01/2007	14638/2006	312208	26-05D	03/01/2007
12562/2006	312186	12-15C	03/01/2007	14639/2006	312209	26-05D	03/01/2007
12897/2006	311982	06-01H	14/12/2006	14641/2006	312210	26-05D	03/01/2007
13077/2006	312009	02-02NES	15/12/2006	14659/2006	311989	13-03C	14/12/2006
13078/2006	312010	02-02NES	15/12/2006	14693/2006	312114	14-02	21/12/2006
13079/2006	312011	02-02NES	15/12/2006	14798/2006	312099	12-16B	19/12/2006
13080/2006	312012	02-02C	15/12/2006	14810/2006	312116	08-01	21/12/2006
13081/2006	312013	02-02C	15/12/2006	14811/2006	311990	08-99	14/12/2006
13082/2006	312014	02-02C	15/12/2006	14815/2006	311991	08-08B	14/12/2006
13083/2006	312019	02-02C	15/12/2006	14825/2006	312049	08-99	18/12/2006
13084/2006	312015	02-02C	15/12/2006	14873/2006	312100	12-08	19/12/2006
13085/2006	312016	02-02NES	15/12/2006	14886/2006	312050	06-02	18/12/2006
13086/2006	312017	02-02C	15/12/2006	14887/2006	311997	06-06NES	14/12/2006
13087/2006	312018	02-02NES	15/12/2006	14888/2006	312117	06-04F	21/12/2006
13305/2006	311983	12-10	14/12/2006	14889/2006	311998	06-04D	14/12/2006
13331/2006	312211	05-05NES	03/01/2007	14898/2006	311992	23-04	14/12/2006
13472/2006	312142	25-02NES	03/01/2007	14899/2006	312101	09-03NES	19/12/2006
13473/2006	312143	25-02NES	03/01/2007	14903/2006	312027	07-01B	15/12/2006
13474/2006	312144	25-02NES	03/01/2007	14904/2006	312028	08-06	15/12/2006
13475/2006	312145	25-02NES	03/01/2007	14905/2006	312029	08-03	15/12/2006
13730/2006	312187	08-07	03/01/2007	14908/2006	312102	23-01B	19/12/2006
13922/2006	311984	24-02	14/12/2006	14909/2006	312103	23-01B	19/12/2006
13923/2006	311985	24-02	14/12/2006	14910/2006	312104	23-01B	19/12/2006
13964/2006	312188	14-03NES	03/01/2007	14911/2006	312105	23-01B	19/12/2006
14115/2006	311986	07-07B	14/12/2006	14916/2006	312217	23-01F	03/01/2007
14116/2006	311987	07-07B	14/12/2006	14917/2006	312218	23-01F	03/01/2007
14194/2006	312125	20-02NES	02/01/2007	14921/2006	311993	07-01C	14/12/2006
14195/2006	312128	20-02NES	02/01/2007	14922/2006	311994	07-01C	14/12/2006
14219/2006	312070	10-03	18/12/2006	14923/2006	312036	24-01	15/12/2006
14234/2006	312179	07-03	02/01/2007	14924/2006	312037	24-01	15/12/2006
14235/2006	312180	07-03	02/01/2007	14925/2006	312038	24-01	15/12/2006
14268/2006	311988	08-08H	14/12/2006	14926/2006	312039	24-01	15/12/2006
14369/2006	312030	23-01D	15/12/2006	14927/2006	312040	24-01	15/12/2006
14370/2006	312031	23-01D	15/12/2006	14928/2006	312025	23-03F	15/12/2006
14371/2006	312032	23-01D	15/12/2006	14929/2006	312026	23-03F	15/12/2006
14372/2006	312033	23-01D	15/12/2006	14937/2006	311995	08-05NES	14/12/2006
14373/2006	312034	23-01D	15/12/2006	14939/2006	311996	12-16F	14/12/2006
14377/2006	312035	23-01D	15/12/2006	14940/2006	311999	12-16F	14/12/2006
14453/2006	312093	23-04	19/12/2006	14941/2006	312001	21-02NES	14/12/2006

Publication and Registration Proceedings - Designs Registered cont'd

Design Number	Registration Number	International Classification Code (IDC)	Registration Date	Design Number	Registration Number	International Classification Code (IDC)	Registration Date
14942/2006	312000	23-04	14/12/2006	15047/2006	312061	08-04	18/12/2006
14948/2006	312130	08-08B	02/01/2007	15048/2006	312062	16-06	18/12/2006
14954/2006	312041	15-07	15/12/2006	15049/2006	312232	25-01E	03/01/2007
14955/2006	312042	06-06NES	15/12/2006	15050/2006	312227	25-01E	03/01/2007
14956/2006	312024	06-06NES	15/12/2006	15053/2006	312233	06-06NES	03/01/2007
14957/2006	312043	06-06NES	15/12/2006	15054/2006	312141	25-01F	02/01/2007
14958/2006	312044	06-06NES	15/12/2006	15058/2006	312146	23-01NES	03/01/2007
14959/2006	312045	25-01G	15/12/2006	15059/2006	312076	15-02	18/12/2006
14960/2006	312046	25-01G	15/12/2006	15061/2006	312077	07-02L	18/12/2006
14976/2006	312190	25-03	03/01/2007	15062/2006	312078	07-02L	18/12/2006
14979/2006	312106	23-02F	19/12/2006	15063/2006	312079	07-01F	18/12/2006
14980/2006	312131	13-03D	02/01/2007	15065/2006	312080	23-03H	18/12/2006
14982/2006	312173	09-01K	02/01/2007	15067/2006	312003	12-10	14/12/2006
14983/2006	312191	16-06	03/01/2007	15070/2006	312120	13-03C	21/12/2006
14984/2006	312192	15-04	03/01/2007	15071/2006	312063	02-01B	18/12/2006
14987/2006	312193	25-01A	03/01/2007	15072/2006	312064	02-01B	18/12/2006
14991/2006	312194	23-04	03/01/2007	15074/2006	312222	23-04	03/01/2007
14992/2006	312195	06-04B	03/01/2007	15075/2006	312221	23-04	03/01/2007
14993/2006	312002	06-03C	14/12/2006	15080/2006	312065	24-01	18/12/2006
14994/2006	312196	08-07	03/01/2007	15081/2006	312081	28-03NES	18/12/2006
14995/2006	312197	09-03L	03/01/2007	15082/2006	312066	24-02	18/12/2006
14996/2006	312118	11-02E	21/12/2006	15083/2006	312067	07-01C	18/12/2006
14997/2006	312220	11-02E	03/01/2007	15084/2006	312082	08-05N	18/12/2006
15000/2006	312226	26-05C	03/01/2007	15088/2006	312083	09-05	18/12/2006
15001/2006	312225	26-05C	03/01/2007	15089/2006	312084	09-05	18/12/2006
15002/2006	312224	26-05C	03/01/2007	15091/2006	312085	23-01K	18/12/2006
15003/2006	312223	26-05C	03/01/2007	15092/2006	312086	08-08NES	18/12/2006
15007/2006	312051	23-01E	18/12/2006	15100/2006	312087	23-01F	18/12/2006
15008/2006	312048	23-01E	15/12/2006	15101/2006	312088	14-03NES	18/12/2006
15009/2006	312229	08-06	03/01/2007	15102/2006	312089	11-01K	18/12/2006
15010/2006	312228	08-06	03/01/2007	15103/2006	312090	19-02	18/12/2006
15011/2006	312231	12-16A	03/01/2007	15105/2006	312219	10-04	03/01/2007
15012/2006	312230	12-16A	03/01/2007	15107/2006	312212	14-02	03/01/2007
15013/2006	312047	12-16A	15/12/2006	15108/2006	312213	14-02	03/01/2007
15014/2006	312198	12-16A	03/01/2007	15109/2006	312202	16-04	03/01/2007
15015/2006	312199	12-16A	03/01/2007	15110/2006	312203	16-04	03/01/2007
15016/2006	312200	12-16A	03/01/2007	15117/2006	312122	06-01F	02/01/2007
15017/2006	312201	12-16A	03/01/2007	15118/2006	312123	06-01F	02/01/2007
15019/2006	312132	14-01	02/01/2007	15120/2006	312124	23-02F	02/01/2007
15020/2006	312133	14-01	02/01/2007	15131/2006	312204	08-08A	03/01/2007
15021/2006	312134	14-01	02/01/2007	15134/2006	312147	15-02	03/01/2007
15022/2006	312052	15-01	18/12/2006	15135/2006	312164	25-01K	02/01/2007
15023/2006	312053	15-01	18/12/2006	15136/2006	312148	14-03A	03/01/2007
15024/2006	312054	15-01	18/12/2006	15137/2006	312150	14-03A	03/01/2007
15027/2006	312135	03-01A	02/01/2007	15138/2006	312149	14-03A	03/01/2007
15028/2006	312137	15-99	02/01/2007	15143/2006	312151	14-01	03/01/2007
15029/2006	312136	15-99	02/01/2007	15163/2006	312181	14-03A	02/01/2007
15030/2006	312138	15-99	02/01/2007	15164/2006	312182	14-03A	02/01/2007
15031/2006	312139	08-07	02/01/2007	15165/2006	312183	14-03A	02/01/2007
15036/2006	312140	21-01N	02/01/2007	15166/2006	312184	14-03A	02/01/2007
15037/2006	312075	21-01N	18/12/2006	15167/2006	312214	23-02F	03/01/2007
15038/2006	312055	21-01N	18/12/2006	15168/2006	312215	23-02F	03/01/2007
15039/2006	312056	21-01N	18/12/2006	15169/2006	312216	23-02F	03/01/2007
15040/2006	312057	21-01N	18/12/2006	15178/2006	312166	23-01A	02/01/2007
15041/2006	312058	21-01N	18/12/2006	15182/2006	312168	21-01B	02/01/2007
15044/2006	312059	21-01N	18/12/2006	15183/2006	312167	21-01B	02/01/2007
15045/2006	312119	10-07	21/12/2006	15184/2006	312178	21-01B	02/01/2007
15046/2006	312060	21-01N	18/12/2006	15185/2006	312177	21-01A	02/01/2007

Publication and Registration Proceedings - Designs Registered cont'd

Design Number	Registration Number	International Classification Code (IDC)	Registration Date	Design Number	Registration Number	International Classification Code (IDC)	Registration Date
15190/2006	312176	02-04B	02/01/2007	15220/2006	312174	02-04NES	02/01/2007
15191/2006	312175	02-04B	02/01/2007	15298/2006	312121	06-01E	21/12/2006
15192/2006	312171	02-04B	02/01/2007	15312/2006	312207	28-03NES	03/01/2007
15198/2006	312169	02-04B	02/01/2007	15337/2006	312126	20-02NES	02/01/2007
15199/2006	312152	02-04B	03/01/2007	15338/2006	312127	20-02NES	02/01/2007
15200/2006	312153	02-04NES	03/01/2007	15339/2006	312129	20-02NES	02/01/2007
15201/2006	312154	02-04NES	03/01/2007	15362/2006	312162	25-02NES	03/01/2007
15202/2006	312170	02-04B	02/01/2007	15363/2006	312163	25-02NES	03/01/2007
15203/2006	312155	02-04B	03/01/2007	15382/2006	312206	09-03M	03/01/2007
15204/2006	312156	02-04B	03/01/2007	15383/2006	312205	09-03M	03/01/2007
15205/2006	312157	02-04B	03/01/2007	15615/2006	312107	12-08	19/12/2006
15206/2006	312158	02-04B	03/01/2007	15616/2006	312108	12-08	19/12/2006
15208/2006	312159	02-04NES	03/01/2007	15617/2006	312109	12-08	19/12/2006
15209/2006	312160	02-04NES	03/01/2007	15620/2006	312068	02-03	18/12/2006
15210/2006	312161	02-04NES	03/01/2007	15625/2006	312110	23-04	19/12/2006

Publication and Registration Proceedings
Class Listing of Designs Published or Registered

The following section shows an International Classification Code listing of the Registered or Published Designs covered in this supplement.

Classification	Registration Number	Design Number	Classification	Registration Number	Design Number
02-01 B	312063	15071/2006	06-06 NES	311997	14887/2006
02-01 B	312064	15072/2006	06-06 NES	312024	14956/2006
02-02 C	312012	13080/2006	06-06 NES	312042	14955/2006
02-02 C	312013	13081/2006	06-06 NES	312043	14957/2006
02-02 C	312014	13082/2006	06-06 NES	312044	14958/2006
02-02 C	312015	13084/2006	06-06 NES	312233	15053/2006
02-02 C	312017	13086/2006	06-09	312111	10004/2006
02-02 C	312019	13083/2006	07-01 B	312027	14903/2006
02-02 C	312020	10377/2006	07-01 C	311993	14921/2006
02-02 C	312022	10379/2006	07-01 C	311994	14922/2006
02-02 C	312023	10380/2006	07-01 C	312067	15083/2006
02-02 C	312069	11432/2006	07-01 F	312079	15063/2006
02-02 C	312071	14467/2006	07-02 L	312077	15061/2006
02-02 C	312072	14468/2006	07-02 L	312078	15062/2006
02-02 C	312095	14487/2006	07-03	312179	14234/2006
02-02 NES	312008	11299/2006	07-03	312180	14235/2006
02-02 NES	312009	13077/2006	07-07 B	311986	14115/2006
02-02 NES	312010	13078/2006	07-07 B	311987	14116/2006
02-02 NES	312011	13079/2006	08-01	312116	14810/2006
02-02 NES	312016	13085/2006	08-03	312029	14905/2006
02-02 NES	312018	13087/2006	08-04	312061	15047/2006
02-02 NES	312021	10378/2006	08-04	312073	14485/2006
02-02 NES	312069	11432/2006	08-04	312074	14486/2006
02-02 NES	312071	14467/2006	08-05 N	312082	15084/2006
02-02 NES	312072	14468/2006	08-05 NES	311995	14937/2006
02-03	312068	15620/2006	08-06	312028	14904/2006
02-04 B	312152	15199/2006	08-06	312228	15010/2006
02-04 B	312155	15203/2006	08-06	312229	15009/2006
02-04 B	312156	15204/2006	08-07	312091	10313/2006
02-04 B	312157	15205/2006	08-07	312092	10314/2006
02-04 B	312158	15206/2006	08-07	312139	15031/2006
02-04 B	312169	15198/2006	08-07	312187	13730/2006
02-04 B	312170	15202/2006	08-07	312196	14994/2006
02-04 B	312171	15192/2006	08-07	312229	15009/2006
02-04 B	312175	15191/2006	08-08 A	312204	15131/2006
02-04 B	312176	15190/2006	08-08 B	311991	14815/2006
02-04 NES	312153	15200/2006	08-08 B	312130	14948/2006
02-04 NES	312154	15201/2006	08-08 H	311988	14268/2006
02-04 NES	312159	15208/2006	08-08 NES	312086	15092/2006
02-04 NES	312160	15209/2006	08-08 NES	312094	14478/2006
02-04 NES	312161	15210/2006	08-99	311990	14811/2006
02-04 NES	312174	15220/2006	08-99	312049	14825/2006
03-01 A	312135	15027/2006	09-01 D	312189	14558/2006
05-05 NES	312211	13331/2006	09-01 K	312173	14982/2006
05-06 NES	312211	13331/2006	09-03 L	312197	14995/2006
06-01 E	312121	15298/2006	09-03 M	312205	15383/2006
06-01 F	312122	15117/2006	09-03 M	312206	15382/2006
06-01 F	312123	15118/2006	09-03 NES	312101	14899/2006
06-01 H	311982	12897/2006	09-05	312083	15088/2006
06-01 NES	312165	14583/2006	09-05	312084	15089/2006
06-02	312050	14886/2006	10-03	312070	14219/2006
06-03 C	312002	14993/2006	10-04	312219	15105/2006
06-04 B	312195	14992/2006	10-07	312119	15045/2006
06-04 D	311998	14889/2006	11-01 K	312089	15102/2006
06-04 F	312117	14888/2006	11-02 E	312118	14996/2006
06-04 F	312195	14992/2006	11-02 E	312220	14997/2006

Registration Proceedings - Class Listing of Designs Published or Registered cont'd

Classification	Registration Number	Design Number	Classification	Registration Number	Design Number
12-06 NES	312004	15370/2005	20-02 NES	312129	15339/2006
12-06 NES	312005	15371/2005	21-01 A	312177	15185/2006
12-08	312100	14873/2006	21-01 B	312167	15183/2006
12-08	312107	15615/2006	21-01 B	312168	15182/2006
12-08	312108	15616/2006	21-01 B	312178	15184/2006
12-08	312109	15617/2006	21-01 C	312100	14873/2006
12-10	311983	13305/2006	21-01 C	312107	15615/2006
12-10	312003	15067/2006	21-01 C	312108	15616/2006
12-15 C	312186	12562/2006	21-01 C	312109	15617/2006
12-16 A	312047	15013/2006	21-01 N	312055	15038/2006
12-16 A	312198	15014/2006	21-01 N	312056	15039/2006
12-16 A	312199	15015/2006	21-01 N	312057	15040/2006
12-16 A	312200	15016/2006	21-01 N	312058	15041/2006
12-16 A	312201	15017/2006	21-01 N	312059	15044/2006
12-16 A	312230	15012/2006	21-01 N	312060	15046/2006
12-16 A	312231	15011/2006	21-01 N	312075	15037/2006
12-16 B	312099	14798/2006	21-01 N	312140	15036/2006
12-16 F	311996	14939/2006	21-02 NES	312001	14941/2006
12-16 F	311999	14940/2006	21-04	312006	10306/2006
13-02	312059	15044/2006	21-04	312007	10307/2006
13-03 C	311989	14659/2006	23-01 A	312166	15178/2006
13-03 C	312120	15070/2006	23-01 B	312102	14908/2006
13-03 D	312131	14980/2006	23-01 B	312103	14909/2006
14-01	312114	14693/2006	23-01 B	312104	14910/2006
14-01	312132	15019/2006	23-01 B	312105	14911/2006
14-01	312133	15020/2006	23-01 D	312030	14369/2006
14-01	312134	15021/2006	23-01 D	312031	14370/2006
14-01	312151	15143/2006	23-01 D	312032	14371/2006
14-02	312114	14693/2006	23-01 D	312033	14372/2006
14-02	312212	15107/2006	23-01 D	312034	14373/2006
14-02	312213	15108/2006	23-01 D	312035	14377/2006
14-03 A	312148	15136/2006	23-01 E	312048	15008/2006
14-03 A	312149	15138/2006	23-01 E	312051	15007/2006
14-03 A	312150	15137/2006	23-01 F	312087	15100/2006
14-03 A	312181	15163/2006	23-01 F	312217	14916/2006
14-03 A	312182	15164/2006	23-01 F	312218	14917/2006
14-03 A	312183	15165/2006	23-01 H	312172	14497/2006
14-03 A	312184	15166/2006	23-01 K	312085	15091/2006
14-03 NES	312088	15101/2006	23-01 NES	312146	15058/2006
14-03 NES	312188	13964/2006	23-02 F	312106	14979/2006
15-01	312052	15022/2006	23-02 F	312124	15120/2006
15-01	312053	15023/2006	23-02 F	312214	15167/2006
15-01	312054	15024/2006	23-02 F	312215	15168/2006
15-02	312076	15059/2006	23-02 F	312216	15169/2006
15-02	312147	15134/2006	23-02 NES	312115	14773/2005
15-04	312192	14984/2006	23-03 F	312025	14928/2006
15-07	312041	14954/2006	23-03 F	312026	14929/2006
15-99	312136	15029/2006	23-03 H	312080	15065/2006
15-99	312137	15028/2006	23-04	311992	14898/2006
15-99	312138	15030/2006	23-04	312000	14942/2006
16-04	312202	15109/2006	23-04	312093	14453/2006
16-04	312203	15110/2006	23-04	312110	15625/2006
16-06	312062	15048/2006	23-04	312194	14991/2006
16-06	312191	14983/2006	23-04	312221	15075/2006
19-02	312090	15103/2006	23-04	312222	15074/2006
20-02 NES	312125	14194/2006	24-01	312036	14923/2006
20-02 NES	312126	15337/2006	24-01	312037	14924/2006
20-02 NES	312127	15338/2006	24-01	312038	14925/2006
20-02 NES	312128	14195/2006	24-01	312039	14926/2006

Registration Proceedings - Class Listing of Designs Published or Registered cont'd

Classification	Registration Number	Design Number	Classification	Registration Number	Design Number
24-01	312040	14927/2006	25-02 NES	312145	13475/2006
24-01	312065	15080/2006	25-02 NES	312162	15362/2006
24-02	311984	13922/2006	25-02 NES	312163	15363/2006
24-02	311985	13923/2006	25-03	312190	14976/2006
24-02	312066	15082/2006	26-05 C	312223	15003/2006
25-01 A	312193	14987/2006	26-05 C	312224	15002/2006
25-01 E	312227	15050/2006	26-05 C	312225	15001/2006
25-01 E	312232	15049/2006	26-05 C	312226	15000/2006
25-01 F	312141	15054/2006	26-05 D	312208	14638/2006
25-01 G	312045	14959/2006	26-05 D	312209	14639/2006
25-01 G	312046	14960/2006	26-05 D	312210	14641/2006
25-01 G	312096	14546/2006	28-03 NES	312081	15081/2006
25-01 G	312113	14547/2006	28-03 NES	312097	14586/2006
25-01 K	312164	15135/2006	28-03 NES	312098	14587/2006
25-01 NES	311989	14659/2006	28-03 NES	312207	15312/2006
25-02 A	312185	12473/2006	30-02	312112	14542/2006
25-02 NES	312142	13472/2006	31-00	312087	15100/2006
25-02 NES	312143	13473/2006			
25-02 NES	312144	13474/2006			

(21) Design Number: **12897/2006**

(22) Date of Filing Application: **07 July 2006**

(24) Date from which industrial property rights may have effect: **07 July 2006**

(54) Product in respect of which the design is registered: **Chair**

(51) International Design Classification: **06-01H**

(71) Name(s) and Address(s) of Applicant(s):

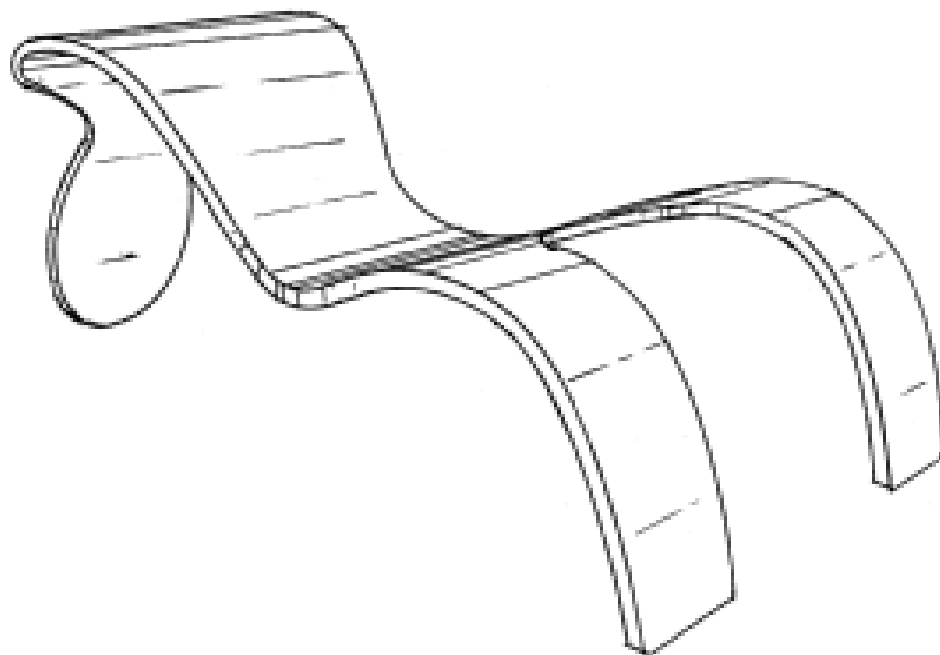
Rust Global Enterprises Pty Ltd
367 Collins Street Melbourne Victoria 3000 Australia

(72) Name(s) of Designer(s): **Russell Grigg**

(45) Registration Date: **14 December 2006**

(56) Related Art Documents: **Not Applicable**

(57) Statement of Newness and Distinctiveness: **Those features of the chair depicted in the representations that are new and distinctive are the shape and/or configuration.**



(21) Design Number: **13305/2006**

(22) Date of Filing Application: **28 July 2006**

(24) Date from which industrial property rights may have effect: **28 July 2006**

(54) Product in respect of which the design is registered: **Mobile food, licensed beverage and coffee lounge system in a towable van/trailer**

(51) International Design Classification: **12-10**

(71) Name(s) and Address(s) of Applicant(s):

Paul G. Maloney
94 Serpentine Street Cawarral Queensland 4702 Australia

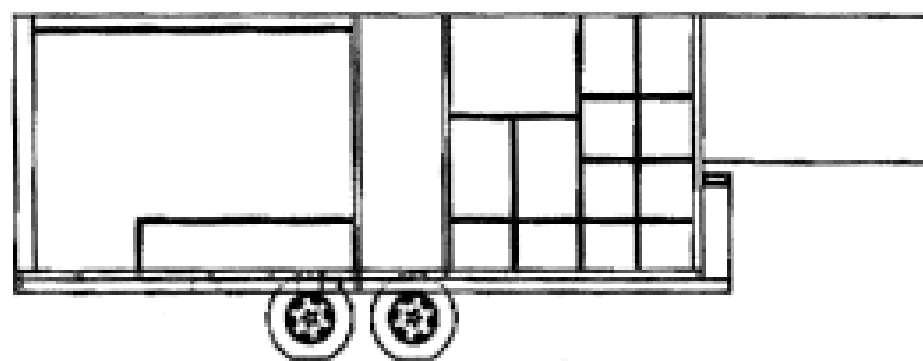
Barbara M. Maloney
94 Serpentine Street Cawarral Queensland 4702 Australia

(72) Name(s) of Designer(s): **Paul G. Maloney**

(45) Registration Date: **14 December 2006**

(56) Related Art Documents: **Not Applicable**

(57) Statement of Newness and Distinctiveness: **A complete mobile system for food preparation, cooking and alfresco dining designed to ensure compliance for Transport Licensing, Health Licensing and Liquor Licensing. Design includes an integrated cocktail bar with all spirits, and beer and wine on tap. The integrated cafe with espresso coffee machine has a coffee lounge area and optional TV/stereo/CD/DVD. The design incorporates all required lighting of service and lounge areas, seating, service tables, chairs, awnings, cafe umbrellas and weather protection. An optional accommodation area is available in the larger gooseneck model and includes sleeping areas, ensuite, TV, fridge/freezer, cooking, dining and lounge for operators.**



(21) Design Number: **13922/2006**

(22) Date of Filing Application: **31 August 2006**

(24) Date from which industrial property rights may have effect: **31 August 2006**

(54) Product in respect of which the design is registered: **Trocar**

(51) International Design Classification: **24-02**

(71) Name(s) and Address(s) of Applicant(s):

Ventrassist Pty Ltd

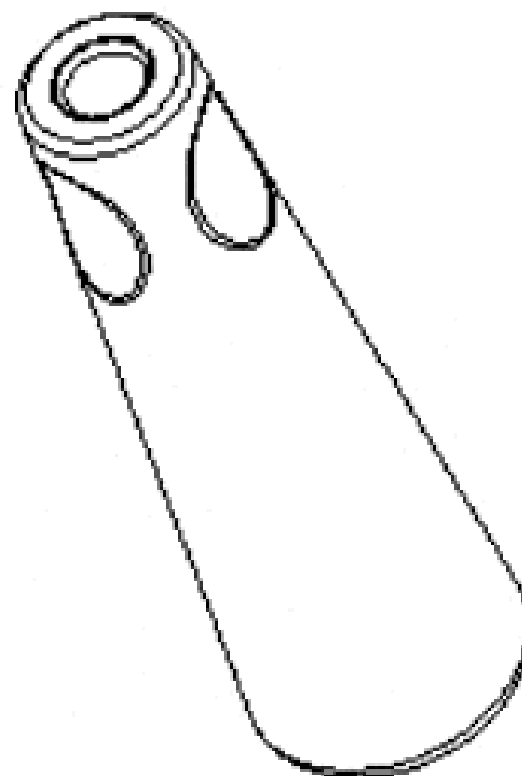
126 Greville Street Chatswood New South Wales 2067 Australia

(72) Name(s) of Designer(s): **James Smith and John Begg**

(45) Registration Date: **14 December 2006**

(56) Related Art Documents: **Not Applicable**

(57) Statement of Newness and Distinctiveness: **Nil**



(21) Design Number: **13923/2006**

(22) Date of Filing Application: **31 August 2006**

(24) Date from which industrial property rights may have effect: **31 August 2006**

(54) Product in respect of which the design is registered: **Surgical tool**

(51) International Design Classification: **24-02**

(71) Name(s) and Address(s) of Applicant(s):

Ventrassist Pty Ltd

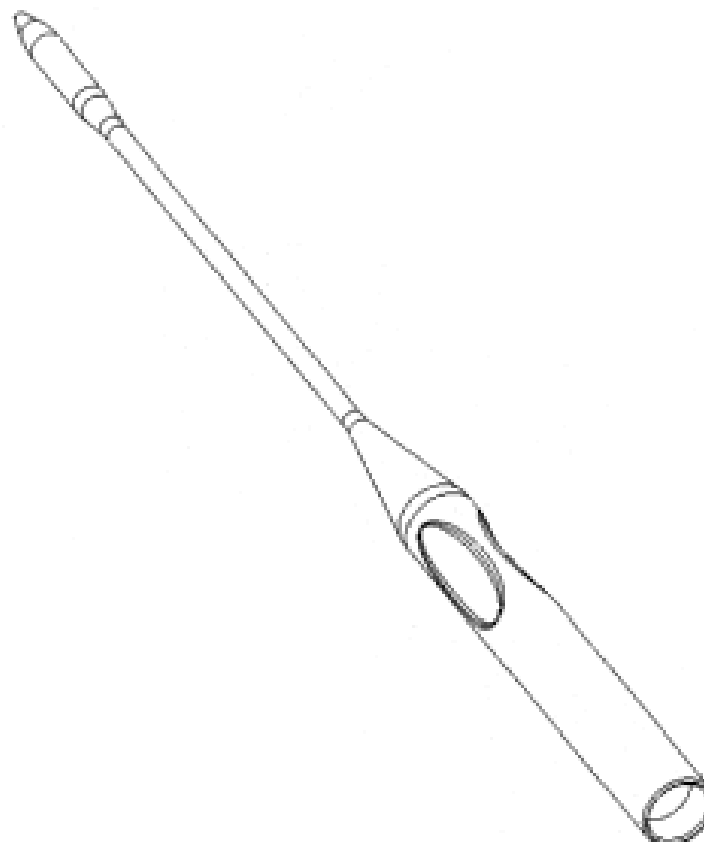
126 Greville Street Chatswood New South Wales 2067 Australia

(72) Name(s) of Designer(s): **James Smith and John Begg**

(45) Registration Date: **14 December 2006**

(56) Related Art Documents: **Not Applicable**

(57) Statement of Newness and Distinctiveness: **Nil**



(21) Design Number: **14115/2006**

(22) Date of Filing Application: **13 September 2006**

(24) Date from which industrial property rights may have effect: **13 September 2006**

(54) Product in respect of which the design is registered: **Plastic pails with lid**

(51) International Design Classification: **07-07B**

(71) Name(s) and Address(s) of Applicant(s):

BoCan as

Valmuevej 6 Tollose 4340 DENMARK

(72) Name(s) of Designer(s): **Erik Bock**

(45) Registration Date: **14 December 2006**

(56) Related Art Documents: **Not Applicable**

(57) Statement of Newness and Distinctiveness: **The lid fits into a groove of the rim on the pail and is retained by means of a conical section of the lid catching underneath a bead on the pail**



(21) Design Number: **14116/2006**

(22) Date of Filing Application: **13 September 2006**

(24) Date from which industrial property rights may have effect: **13 September 2006**

(54) Product in respect of which the design is registered: **Plastic pails with lid**

(51) International Design Classification: **07-07B**

(71) Name(s) and Address(s) of Applicant(s):

BoCan as

Valmuevej 6 Tollose 4340 DENMARK

(72) Name(s) of Designer(s): **Erik Bock**

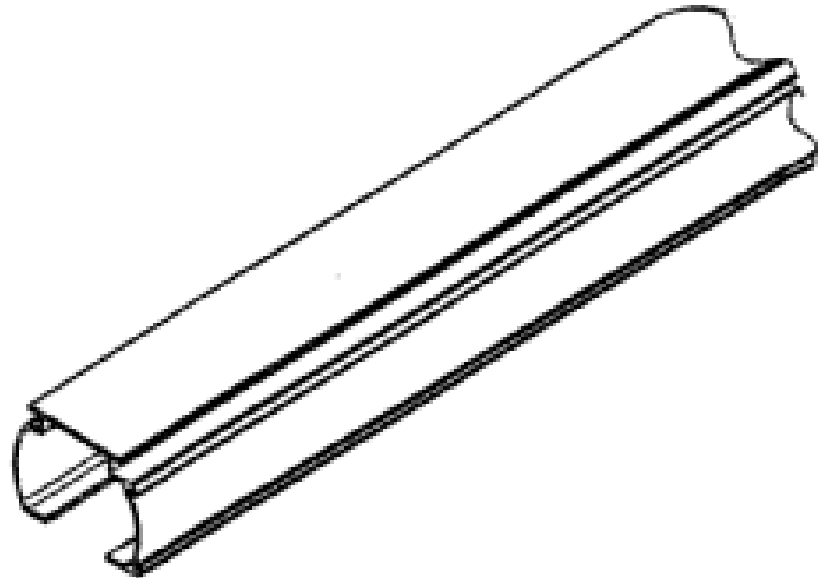
(45) Registration Date: **14 December 2006**

(56) Related Art Documents: **Not Applicable**

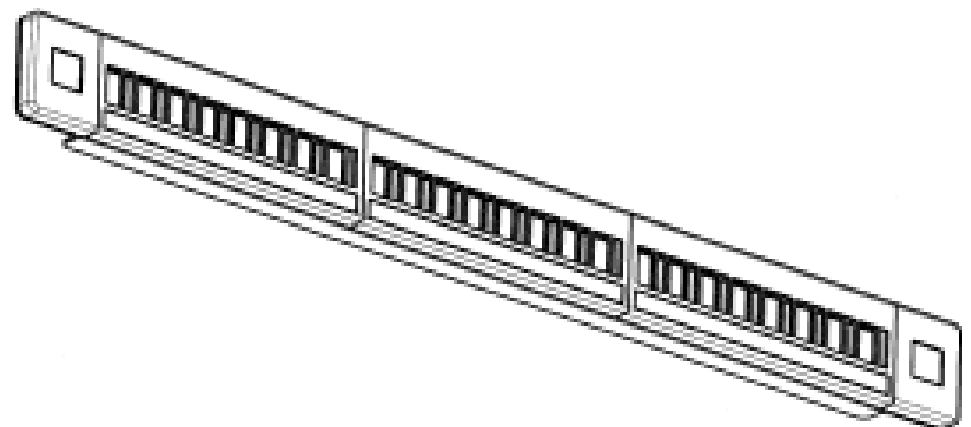
(57) Statement of Newness and Distinctiveness: **The lid fits into a groove of the rim on the pail and is retained by means of a conical section of the lid catching underneath a bead on the pail**



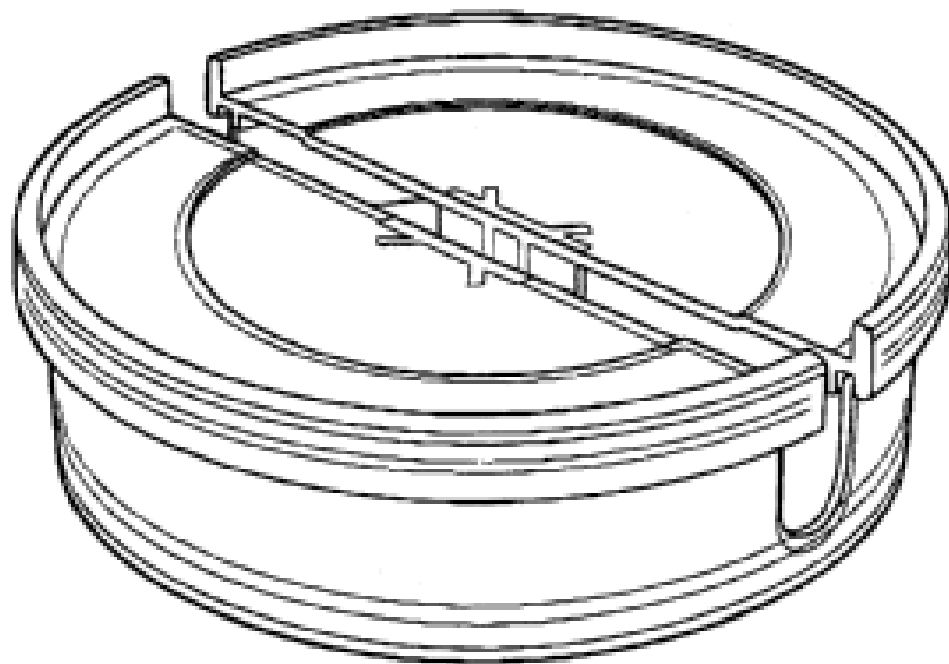
- (21) Design Number: **14268/2006**
(22) Date of Filing Application: **22 September 2006**
(24) Date from which industrial property rights may have effect: **22 September 2006**
(54) Product in respect of which the design is registered: **Window blind headrail**
(51) International Design Classification: **08-08H**
(71) Name(s) and Address(s) of Applicant(s):
Louver-Lite Limited
Ashton Road Hyde Cheshire SK14 4BG United Kingdom
(72) Name(s) of Designer(s): **Reginald Charles Allsopp**
(45) Registration Date: **14 December 2006**
(56) Related Art Documents: **Not Applicable**
(57) Statement of Newness and Distinctiveness: **Nil**



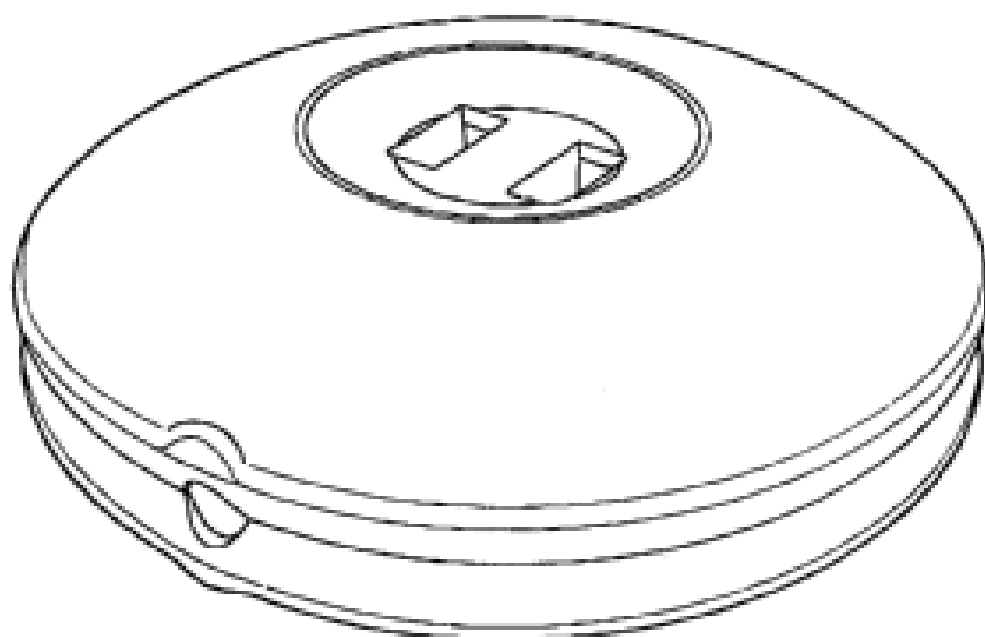
- (21) Design Number: **14659/2006**
(22) Date of Filing Application: **17 October 2006**
(24) Date from which industrial property rights may have effect: **17 October 2006**
(54) Product in respect of which the design is registered: **Cable management panels**
(51) International Design Classification: **13-03C, 25-01NES**
(71) Name(s) and Address(s) of Applicant(s):
Wideband Technology Pty Ltd
C/- Norton White 1st Floor 224 Queen Street Melbourne Victoria 3000 Australia
(72) Name(s) of Designer(s): **Nathan Portnoy**
(45) Registration Date: **14 December 2006**
(56) Related Art Documents: **Not Applicable**
(57) Statement of Newness and Distinctiveness: **The features of shape and configuration of the cable management panel as illustrated in the representations affixed hereto.**



(21) Design Number: **14811/2006**
(22) Date of Filing Application: **20 October 2006**
(24) Date from which industrial property rights may have effect: **20 October 2006**
(54) Product in respect of which the design is registered: **Reel for electrical wires**
(51) International Design Classification: **08-99**
(71) Name(s) and Address(s) of Applicant(s):
Maria Angeles Perez Delgado
Casino no.2 38620 San Miguel De Abona (Tenerife) Spain
(72) Name(s) of Designer(s): **Maria Angeles Perez Delgado**
(45) Registration Date: **14 December 2006**
(30) Convention priority data:
(31) Number (32) Date (33) Country
000516711-0009 21 Apr 2006 EUROPEAN COMMUNITY
(56) Related Art Documents: **Not Applicable**
(57) Statement of Newness and Distinctiveness: **Nil**



(21) Design Number: **14815/2006**
(22) Date of Filing Application: **20 October 2006**
(24) Date from which industrial property rights may have effect: **20 October 2006**
(54) Product in respect of which the design is registered: **Fastening element for electrical wires**
(51) International Design Classification: **08-08B**
(71) Name(s) and Address(s) of Applicant(s):
Maria Angeles Perez Delgado
Casino no.2 38620 San Miguel De Abona (Tenerife) Spain
(72) Name(s) of Designer(s): **Maria Angeles Perez Delgado**
(45) Registration Date: **14 December 2006**
(30) Convention priority data:
(31) Number (32) Date (33) Country
503.180-X 21 Apr 2006 SPAIN
(56) Related Art Documents: **Not Applicable**
(57) Statement of Newness and Distinctiveness: **Nil**



(21) Design Number: **14898/2006**

(22) Date of Filing Application: **25 October 2006**

(24) Date from which industrial property rights may have effect: **25 October 2006**

(54) Product in respect of which the design is registered: **Air cooling device**

(51) International Design Classification: **23-04**

(71) Name(s) and Address(s) of Applicant(s):

Misterchill, LLC

11755 Wilshire Boulevard Suite 1150 Los Angeles CA 90025 United States of America

(72) Name(s) of Designer(s): **Bernard Elan Urfig**

(45) Registration Date: **14 December 2006**

(30) Convention priority data:

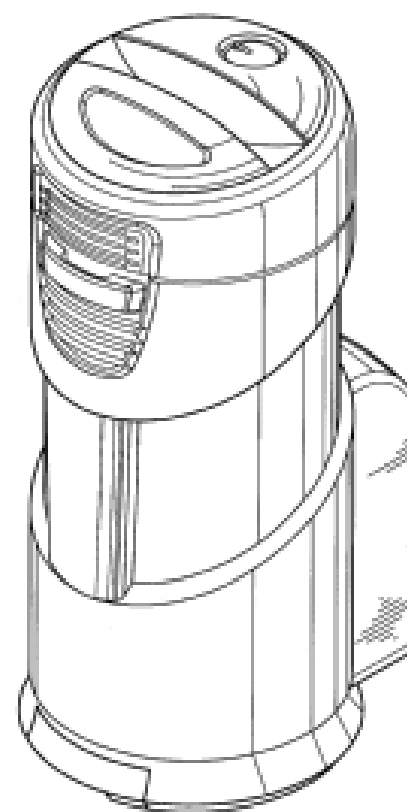
(31) Number
29/264,337

(32) Date
07 Aug 2006

(33) Country
UNITED STATES OF AMERICA

(56) Related Art Documents: **Not Applicable**

(57) Statement of Newness and Distinctiveness: **Newness and distinctiveness are claimed in the features of shape and/or configuration of a air cooling device, as illustrated in the accompanying representations. The area shown in dotted lines in the representations does not form part of the claimed design and should be disregarded.**



(21) Design Number: **14921/2006**

(22) Date of Filing Application: **26 October 2006**

(24) Date from which industrial property rights may have effect: **26 October 2006**

(54) Product in respect of which the design is registered: **Beer glass**

(51) International Design Classification: **07-01C**

(71) Name(s) and Address(s) of Applicant(s):

Pi-Design AG

Kantonstrasse 100 Postfach 463 CH-6234 Triengen Switzerland

(72) Name(s) of Designer(s): **Jorgen Bodum**

(45) Registration Date: **14 December 2006**

(30) Convention priority data:

(31) Number
**DA 2006
00130**

(32) Date
01 May 2006

(33) Country
DENMARK

(56) Related Art Documents: **Not Applicable**

(57) Statement of Newness and Distinctiveness: **Nil**



(21) Design Number: **14922/2006**

(22) Date of Filing Application: **26 October 2006**

(24) Date from which industrial property rights may have effect: **26 October 2006**

(54) Product in respect of which the design is registered: **Wine glass**

(51) International Design Classification: **07-01C**

(71) Name(s) and Address(s) of Applicant(s):

Pi-Design AG

Kantonsstrasse 100 Postfach 463 CH-6234 Triengen Switzerland

(72) Name(s) of Designer(s): **Jorgen Bodum**

(45) Registration Date: **14 December 2006**

(30) Convention priority data:

(31) Number

(32) Date

(33) Country

DA 2006

01 May 2006

DENMARK

00130

(56) Related Art Documents: **Not Applicable**

(57) Statement of Newness and Distinctiveness: **Nil**



(21) Design Number: **14937/2006**

(22) Date of Filing Application: **26 October 2006**

(24) Date from which industrial property rights may have effect: **26 October 2006**

(54) Product in respect of which the design is registered: **Tool housing**

(51) International Design Classification: **08-05NES**

(71) Name(s) and Address(s) of Applicant(s):

Jinding Group Co., Ltd.

**No.689 Beijing East Road Eastern Tower, 9th Floor Shanghai 200001
China**

(72) Name(s) of Designer(s): **Rients Mathijs Bakker**

(45) Registration Date: **14 December 2006**

(30) Convention priority data:

(31) Number

(32) Date

(33) Country

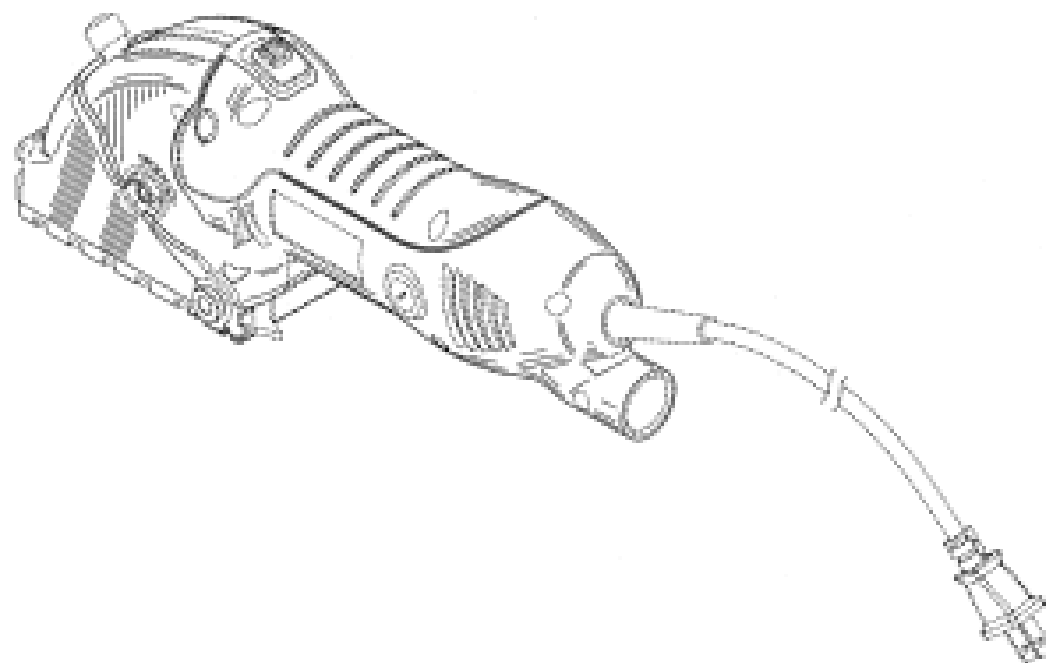
29/249,192

26 Sep 2006

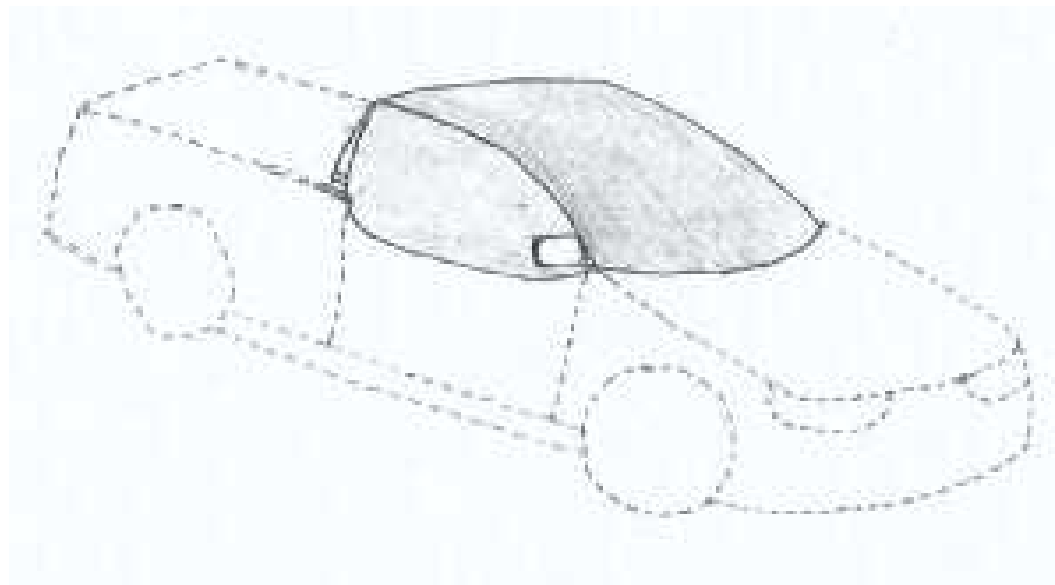
UNITED STATES OF AMERICA

(56) Related Art Documents: **Not Applicable**

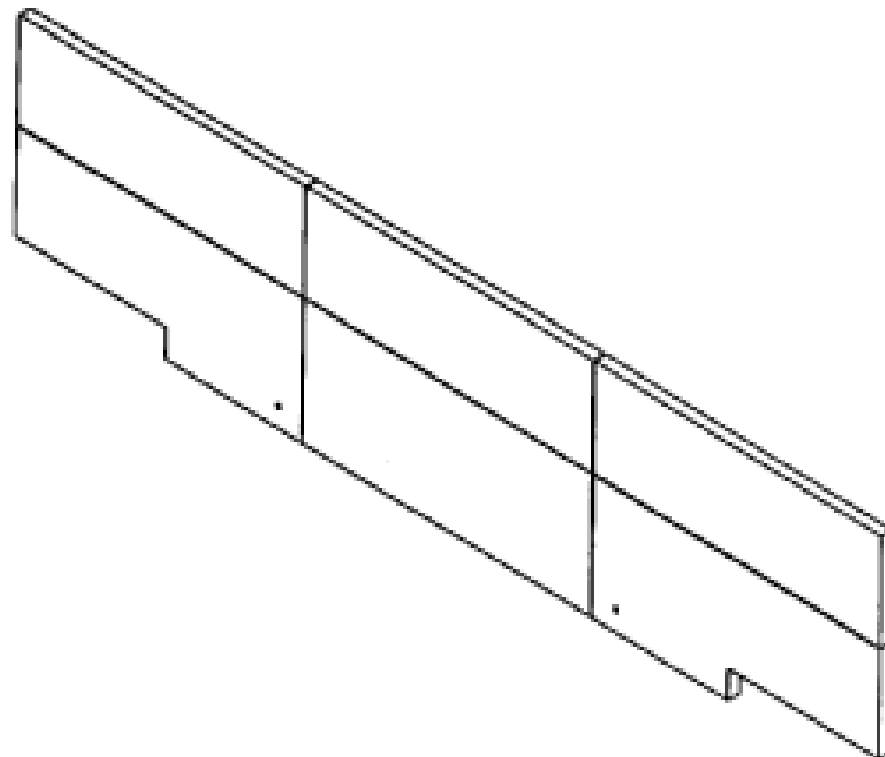
(57) Statement of Newness and Distinctiveness: **The newness and distinctiveness of the design resides in the features of the tool housing illustrated in unbroken lines in the accompanying representations.**



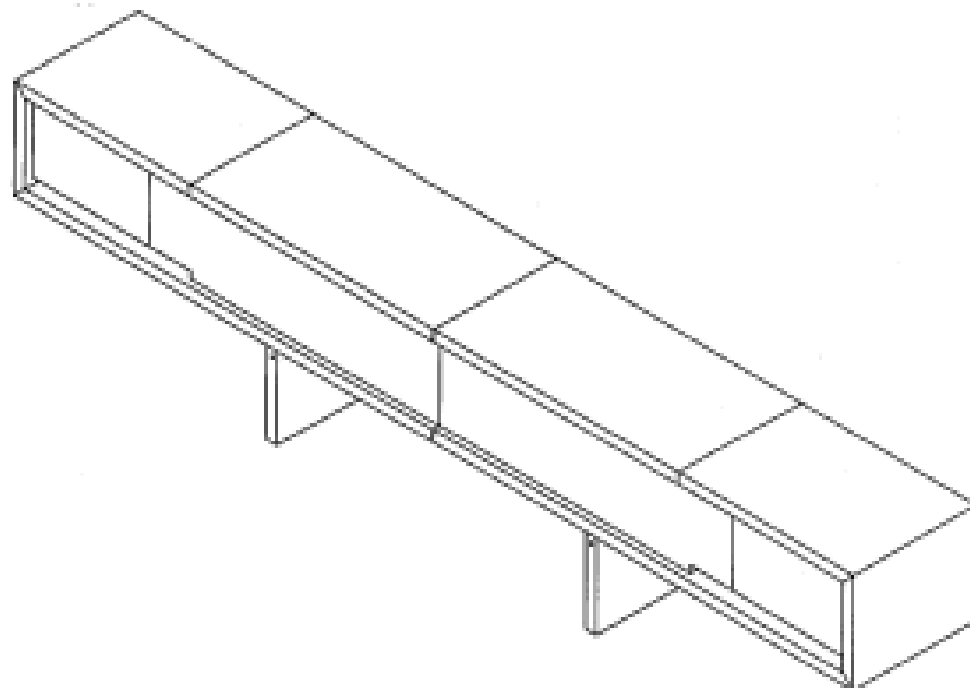
- (21) Design Number: **14939/2006**
(22) Date of Filing Application: **27 October 2006**
(24) Date from which industrial property rights may have effect: **27 October 2006**
(54) Product in respect of which the design is registered: **Car cover - utility**
(51) International Design Classification: **12-16F**
(71) Name(s) and Address(s) of Applicant(s):
Rowland Hill
16 Turton Street Semaphore South Australia 5019 Australia
Robert Kim Stewart
16 Turton Street Semaphore South Australia 5019 Australia
(72) Name(s) of Designer(s): **Rowland Hill and Robert Kim Stewart**
(45) Registration Date: **14 December 2006**
(56) Related Art Documents: **Not Applicable**
(57) Statement of Newness and Distinctiveness: **Adjustable rear panel for tight fit to most model utilities. Locking straps can be closed & locked in rear canopy or in door for theft prevention & hold down. Adjustable securing straps around side rear view mirrors.**



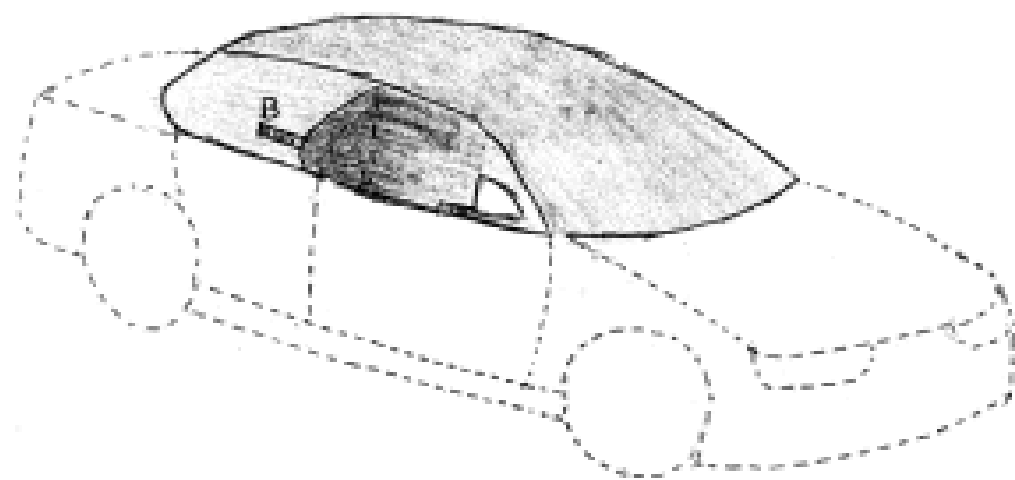
- (21) Design Number: **14887/2006**
(22) Date of Filing Application: **25 October 2006**
(24) Date from which industrial property rights may have effect: **25 October 2006**
(54) Product in respect of which the design is registered: **A head board**
(51) International Design Classification: **06-06NES**
(71) Name(s) and Address(s) of Applicant(s):
Design Mobel NZ Limited
PO Box 1142 Tauranga New Zealand
(72) Name(s) of Designer(s): **Daniel Emery**
(45) Registration Date: **14 December 2006**
(30) Convention priority data:
(31) Number (32) Date (33) Country
408096 12 Sep 2006 NEW ZEALAND
(56) Related Art Documents: **Not Applicable**
(57) Statement of Newness and Distinctiveness: **Nil**



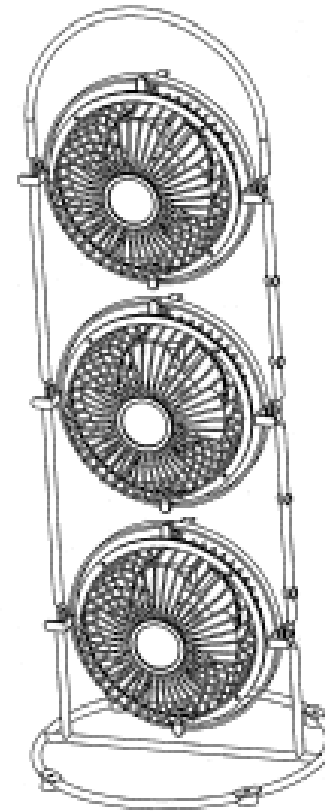
- (21) Design Number: **14889/2006**
(22) Date of Filing Application: **25 October 2006**
(24) Date from which industrial property rights may have effect: **25 October 2006**
(54) Product in respect of which the design is registered: **A headboard with storage**
(51) International Design Classification: **06-04D**
(71) Name(s) and Address(s) of Applicant(s):
Design Mobel NZ Limited
PO Box 1142 Tauranga New Zealand
(72) Name(s) of Designer(s): **Daniel Emery**
(45) Registration Date: **14 December 2006**
(30) Convention priority data:
(31) Number (32) Date (33) Country
408095 12 Sep 2006 NEW ZEALAND
(56) Related Art Documents: **Not Applicable**
(57) Statement of Newness and Distinctiveness: **Nil**



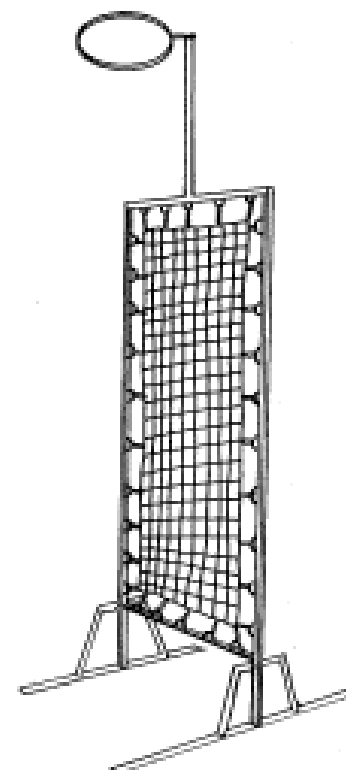
- (21) Design Number: **14940/2006**
(22) Date of Filing Application: **27 October 2006**
(24) Date from which industrial property rights may have effect: **27 October 2006**
(54) Product in respect of which the design is registered: **Car cover - sedan**
(51) International Design Classification: **12-16F**
(71) Name(s) and Address(s) of Applicant(s):
Rowland Hill
16 Turton Street Semaphore South Australia 5019 Australia
Robert Kim Stewart
16 Turton Street Semaphore South Australia 5019 Australia
(72) Name(s) of Designer(s): **Rowland Hill and Robert Kim Stewart**
(45) Registration Date: **14 December 2006**
(56) Related Art Documents: **Not Applicable**
(57) Statement of Newness and Distinctiveness: **Front section of rear side window panel (A) is closed inside front door, to lock cover to car. Rear flap of front panel (B) is then fixed back to rear panel ('Velcro'). This feature locks cover to car and also adjusts length of cover to suit various cars. Adjustable straps around side rear view mirrors.**



- (21) Design Number: **14942/2006**
(22) Date of Filing Application: **26 October 2006**
(24) Date from which industrial property rights may have effect: **26 October 2006**
(54) Product in respect of which the design is registered: **Fan**
(51) International Design Classification: **23-04**
(71) Name(s) and Address(s) of Applicant(s):
Kuei-Chih Hsu
Yongmei Garden 25 Meihua Fazenda Minzhi Village Longhua Town
Baoan Shenzhen China
(72) Name(s) of Designer(s): **Kuei-Chih Hsu**
(45) Registration Date: **14 December 2006**
(56) Related Art Documents: **Not Applicable**
(57) Statement of Newness and Distinctiveness: **Newness and distinctiveness are claimed in the features of shape and/or configuration of a fan, as illustrated in the accompanying representatives.**



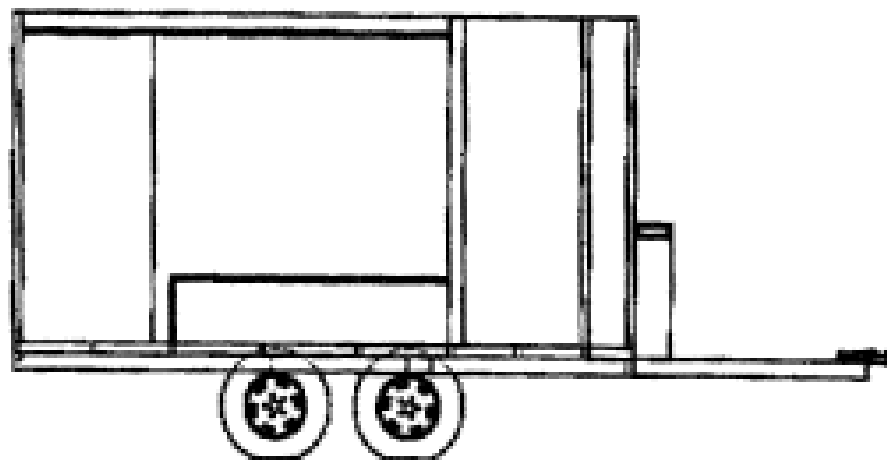
- (21) Design Number: **14941/2006**
(22) Date of Filing Application: **27 October 2006**
(24) Date from which industrial property rights may have effect: **27 October 2006**
(54) Product in respect of which the design is registered: **Netball training device**
(51) International Design Classification: **21-02NES**
(71) Name(s) and Address(s) of Applicant(s):
Tom Parkinson
115 Rundle Street Kent Town South Australia 5067 Australia
(72) Name(s) of Designer(s): **Tom Parkinson**
(45) Registration Date: **14 December 2006**
(56) Related Art Documents: **Not Applicable**
(57) Statement of Newness and Distinctiveness: **Nil**



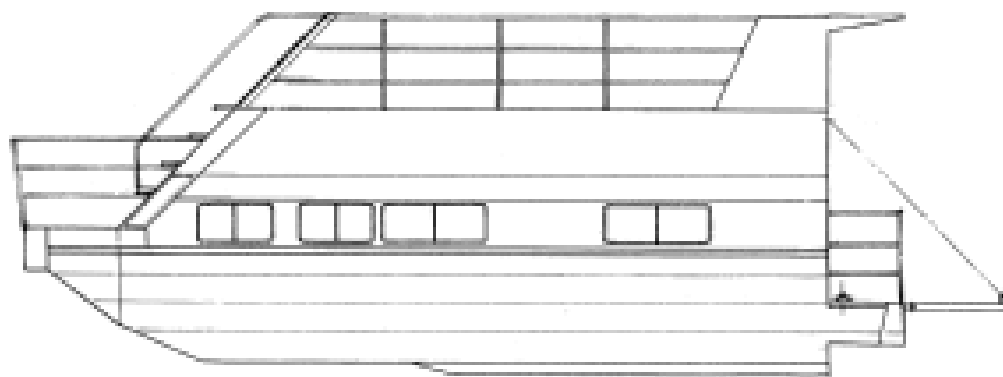
- (21) Design Number: **14993/2006**
(22) Date of Filing Application: **31 October 2006**
(24) Date from which industrial property rights may have effect: **31 October 2006**
(54) Product in respect of which the design is registered: **Moorrooba executive desk**
(51) International Design Classification: **06-03C**
(71) Name(s) and Address(s) of Applicant(s):
Gail Atkinson
22 Chatsworth Street Hocking Western Australia 6065 Australia
Geoffrey Atkinson
22 Chatsworth Street Hocking Western Australia 6065 Australia
(72) Name(s) of Designer(s): **Gail Patricia Atkinson and Geoffrey Claydon Atkinson**
(45) Registration Date: **14 December 2006**
(56) Related Art Documents: **Not Applicable**
(57) Statement of Newness and Distinctiveness: **The Moorrooba executive desk is distinctive because of 3 factors being: 1) The leg shape, 2) The boomerang shape of the combined tops, 3) Dual height of the desk.**



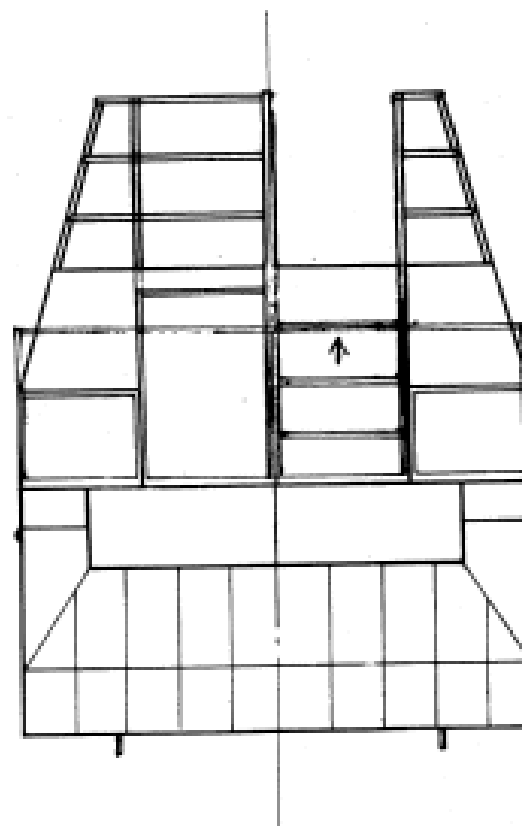
- (21) Design Number: **15067/2006**
(22) Date of Filing Application: **28 July 2006**
(24) Date from which industrial property rights may have effect: **28 July 2006**
(54) Product in respect of which the design is registered: **Mobile food, licensed beverage & coffee lounge system in a towable van/trailer**
(51) International Design Classification: **12-10**
(71) Name(s) and Address(s) of Applicant(s):
Paul G. Maloney
94 Serpentine Street Cawarral Queensland 4702 Australia
Barbara M. Maloney
94 Serpentine Street Cawarral Queensland 4702 Australia
(72) Name(s) of Designer(s): **Paul G. Maloney**
(45) Registration Date: **14 December 2006**
(56) Related Art Documents: **Not Applicable**
(57) Statement of Newness and Distinctiveness: **A complete mobile system for food preparation, cooking and alfresco dining designed to ensure compliance for Transport Licensing, Health Licensing and Liquor Licensing. Design includes an integrated cocktail bar with all spirits, and beer & wine on tap. The integrated cafe with espresso coffee machine has a coffee lounge area and optional TV/stereo/CD/DVD. The design incorporates all required lighting of service and lounge areas, seating, service tables, chairs, awnings, cafe umbrellas and weather protection. An optional accommodation area is available in the larger gooseneck model and includes sleeping areas, ensuite, TV, fridge/freezer, cooking, dining and lounge for operators.**



- (21) Design Number: **15370/2005**
(22) Date of Filing Application: **05 December 2005**
(24) Date from which industrial property rights may have effect: **05 December 2005**
(54) Product in respect of which the design is registered: **A trailerable houseboat for use on smooth waters (inland waterways)**
(51) International Design Classification: **12-06NES**
(71) Name(s) and Address(s) of Applicant(s):
Guy Jean-Claude Adolphe
5A Terilbah Place The Entrance North New South Wales 2261
Australia
(72) Name(s) of Designer(s): **Guy Jean-Claude Adolphe**
(45) Registration Date: **14 December 2006**
(56) Related Art Documents: **Not Applicable**
(57) Statement of Newness and Distinctiveness: **Innovation, aerodynamic shape with 45% tilted front windscreens, tapered sides, at top, rear wings with storage compartment, rear spoiler, drawbridge-style swim platform at rear.**



- (21) Design Number: **15371/2005**
(22) Date of Filing Application: **05 December 2005**
(24) Date from which industrial property rights may have effect: **05 December 2005**
(54) Product in respect of which the design is registered: **A trailerable houseboat for use on smooth waters (inland waterways)**
(51) International Design Classification: **12-06NES**
(71) Name(s) and Address(s) of Applicant(s):
Guy Jean-Claude Adolphe
5A Terilbah Place The Entrance North New South Wales 2261
Australia
(72) Name(s) of Designer(s): **Guy Jean-Claude Adolphe**
(45) Registration Date: **14 December 2006**
(56) Related Art Documents: **Not Applicable**
(57) Statement of Newness and Distinctiveness: **Position of double sofa bed, single sofa bed, galley, dining table, shower, double bed and helm station in relation to each other. Innovative arrangement of above areas within the compact area available.**



(21) Design Number: **10306/2006**

(22) Date of Filing Application: **31 January 2006**

(24) Date from which industrial property rights may have effect: **31 January 2006**

(54) Product in respect of which the design is registered: **A peg**

(51) International Design Classification: **21-04**

(71) Name(s) and Address(s) of Applicant(s):

Darcy Higgins

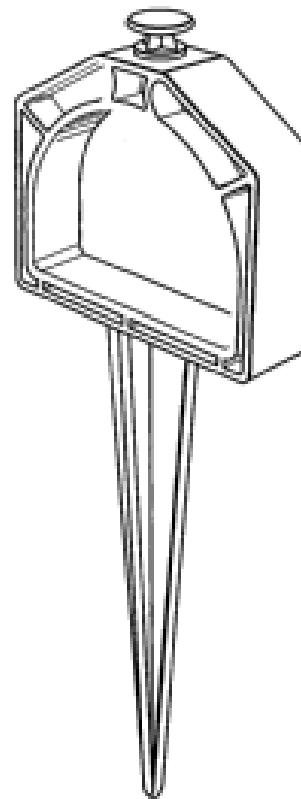
5 Pensilua Court Alexandra Hills Queensland 4161 Australia

(72) Name(s) of Designer(s): **Darcy Higgins**

(45) Registration Date: **15 December 2006**

(56) Related Art Documents: **Not Applicable**

(57) Statement of Newness and Distinctiveness: **Newness and distinctiveness resides in the shape and/or configuration of a peg as depicted in the accompanying representations.**



(21) Design Number: **10307/2006**

(22) Date of Filing Application: **31 January 2006**

(24) Date from which industrial property rights may have effect: **31 January 2006**

(54) Product in respect of which the design is registered: **A peg**

(51) International Design Classification: **21-04**

(71) Name(s) and Address(s) of Applicant(s):

Darcy Higgins

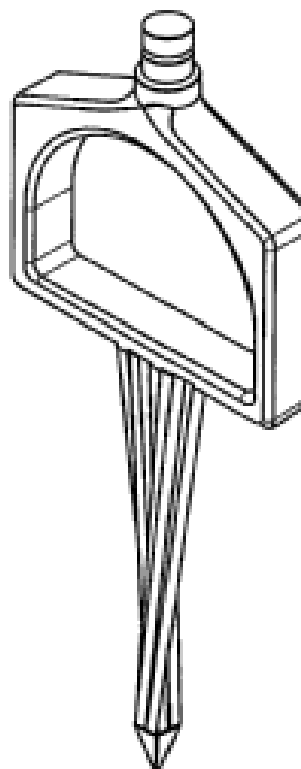
5 Pensilua Court Alexandra Hills Queensland 4161 Australia

(72) Name(s) of Designer(s): **Darcy Higgins**

(45) Registration Date: **15 December 2006**

(56) Related Art Documents: **Not Applicable**

(57) Statement of Newness and Distinctiveness: **Newness and distinctiveness resides in the shape and/or configuration of a peg as depicted in the accompanying representations.**



(21) Design Number: **11299/2006**

(22) Date of Filing Application: **27 March 2006**

(24) Date from which industrial property rights may have effect: **27 March 2006**

(54) Product in respect of which the design is registered: **A lady's garment**

(51) International Design Classification: **02-02NES**

(71) Name(s) and Address(s) of Applicant(s):

Scanlan & Theodore Pty Ltd
44 River Street SOUTH YARRA VIC 3141

(72) Name(s) of Designer(s): **Garry Theodore and Maria Sita**

(45) Registration Date: **15 December 2006**

(56) Related Art Documents: **Not Applicable**

(57) Statement of Newness and Distinctiveness: **Nil**



(21) Design Number: **13077/2006**

(22) Date of Filing Application: **27 March 2006**

(24) Date from which industrial property rights may have effect: **27 March 2006**

(54) Product in respect of which the design is registered: **A lady's garment**

(51) International Design Classification: **02-02NES**

(71) Name(s) and Address(s) of Applicant(s):

Scanlan & Theodore Pty Ltd
44 River Street SOUTH YARRA VIC 3141

(72) Name(s) of Designer(s): **Gary Theodore and Maria Sita**

(45) Registration Date: **15 December 2006**

(56) Related Art Documents: **Not Applicable**

(57) Statement of Newness and Distinctiveness: **Nil**



- (21) Design Number: **13078/2006**
(22) Date of Filing Application: **27 March 2006**
(24) Date from which industrial property rights may have effect: **27 March 2006**
(54) Product in respect of which the design is registered: **A lady's garment**
(51) International Design Classification: **02-02NES**
(71) Name(s) and Address(s) of Applicant(s):
Scanlan & Theodore Pty Ltd
44 River Street SOUTH YARRA VIC 3141
(72) Name(s) of Designer(s): **Gary Theodore and Maria Sita**
(45) Registration Date: **15 December 2006**
(56) Related Art Documents: **Not Applicable**
(57) Statement of Newness and Distinctiveness: **Nil**



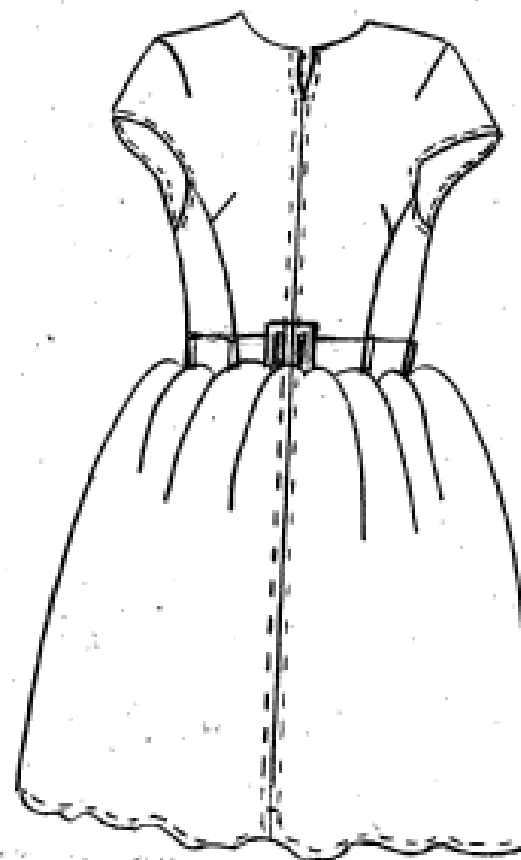
- (21) Design Number: **13079/2006**
(22) Date of Filing Application: **27 March 2006**
(24) Date from which industrial property rights may have effect: **27 March 2006**
(54) Product in respect of which the design is registered: **A lady's garment**
(51) International Design Classification: **02-02NES**
(71) Name(s) and Address(s) of Applicant(s):
Scanlan & Theodore Pty Ltd
44 River Street SOUTH YARRA VIC 3141
(72) Name(s) of Designer(s): **Gary Theodore and Maria Sita**
(45) Registration Date: **15 December 2006**
(56) Related Art Documents: **Not Applicable**
(57) Statement of Newness and Distinctiveness: **Nil**



- (21) Design Number: **13080/2006**
(22) Date of Filing Application: **27 March 2006**
(24) Date from which industrial property rights may have effect: **27 March 2006**
(54) Product in respect of which the design is registered: **A lady's garment**
(51) International Design Classification: **02-02C**
(71) Name(s) and Address(s) of Applicant(s):
Scanlan & Theodore Pty Ltd
44 River Street SOUTH YARRA VIC 3141
(72) Name(s) of Designer(s): **Gary Theodore and Maria Sita**
(45) Registration Date: **15 December 2006**
(56) Related Art Documents: **Not Applicable**
(57) Statement of Newness and Distinctiveness: **Nil**



- (21) Design Number: **13081/2006**
(22) Date of Filing Application: **27 March 2006**
(24) Date from which industrial property rights may have effect: **27 March 2006**
(54) Product in respect of which the design is registered: **A lady's garment**
(51) International Design Classification: **02-02C**
(71) Name(s) and Address(s) of Applicant(s):
Scanlan & Theodore Pty Ltd
44 River Street SOUTH YARRA VIC 3141
(72) Name(s) of Designer(s): **Gary Theodore and Maria Sita**
(45) Registration Date: **15 December 2006**
(56) Related Art Documents: **Not Applicable**
(57) Statement of Newness and Distinctiveness: **Nil**



- (21) Design Number: **13082/2006**
(22) Date of Filing Application: **27 March 2006**
(24) Date from which industrial property rights may have effect: **27 March 2006**
(54) Product in respect of which the design is registered: **A lady's garment**
(51) International Design Classification: **02-02C**
(71) Name(s) and Address(s) of Applicant(s):
Scanlan & Theodore Pty Ltd
44 River Street SOUTH YARRA VIC 3141
(72) Name(s) of Designer(s): **Gary Theodore and Maria Sita**
(45) Registration Date: **15 December 2006**
(56) Related Art Documents: **Not Applicable**
(57) Statement of Newness and Distinctiveness: **Nil**



- (21) Design Number: **13084/2006**
(22) Date of Filing Application: **27 March 2006**
(24) Date from which industrial property rights may have effect: **27 March 2006**
(54) Product in respect of which the design is registered: **A lady's garment**
(51) International Design Classification: **02-02C**
(71) Name(s) and Address(s) of Applicant(s):
Scanlan & Theodore Pty Ltd
44 River Street SOUTH YARRA VIC 3141
(72) Name(s) of Designer(s): **Gary Theodore and Maria Sita**
(45) Registration Date: **15 December 2006**
(56) Related Art Documents: **Not Applicable**
(57) Statement of Newness and Distinctiveness: **Nil**



- (21) Design Number: **13085/2006**
(22) Date of Filing Application: **27 March 2006**
(24) Date from which industrial property rights may have effect: **27 March 2006**
(54) Product in respect of which the design is registered: **A lady's garment**
(51) International Design Classification: **02-02NES**
(71) Name(s) and Address(s) of Applicant(s):
Scanlan & Theodore Pty Ltd
44 River Street SOUTH YARRA VIC 3141
(72) Name(s) of Designer(s): **Gary Theodore and Maria Sita**
(45) Registration Date: **15 December 2006**
(56) Related Art Documents: **Not Applicable**
(57) Statement of Newness and Distinctiveness: **Nil**



- (21) Design Number: **13086/2006**
(22) Date of Filing Application: **27 March 2006**
(24) Date from which industrial property rights may have effect: **27 March 2006**
(54) Product in respect of which the design is registered: **A lady's garment**
(51) International Design Classification: **02-02C**
(71) Name(s) and Address(s) of Applicant(s):
Scanlan & Theodore Pty Ltd
44 River Street SOUTH YARRA VIC 3141
(72) Name(s) of Designer(s): **Gary Theodore and Maria Sita**
(45) Registration Date: **15 December 2006**
(56) Related Art Documents: **Not Applicable**
(57) Statement of Newness and Distinctiveness: **Nil**



(21) Design Number: **13087/2006**

(22) Date of Filing Application: **27 March 2006**

(24) Date from which industrial property rights may have effect: **27 March 2006**

(54) Product in respect of which the design is registered: **A lady's garment**

(51) International Design Classification: **02-02NES**

(71) Name(s) and Address(s) of Applicant(s):

Scanlan & Theodore Pty Ltd
44 River Street SOUTH YARRA VIC 3141

(72) Name(s) of Designer(s): **Gary Theodore and Maria Sita**

(45) Registration Date: **15 December 2006**

(56) Related Art Documents: **Not Applicable**

(57) Statement of Newness and Distinctiveness: **Nil**



(21) Design Number: **13083/2006**

(22) Date of Filing Application: **27 March 2006**

(24) Date from which industrial property rights may have effect: **27 March 2006**

(54) Product in respect of which the design is registered: **A lady's garment**

(51) International Design Classification: **02-02C**

(71) Name(s) and Address(s) of Applicant(s):

Scanlan & Theodore Pty Ltd
44 River Street SOUTH YARRA VIC 3141

(72) Name(s) of Designer(s): **Gary Theodore and Maria Sita**

(45) Registration Date: **15 December 2006**

(56) Related Art Documents: **Not Applicable**

(57) Statement of Newness and Distinctiveness: **Nil**



- (21) Design Number: **10377/2006**
(22) Date of Filing Application: **25 July 2005**
(24) Date from which industrial property rights may have effect: **25 July 2005**
(54) Product in respect of which the design is registered: **A lady's garment**
(51) International Design Classification: **02-02C**
(71) Name(s) and Address(s) of Applicant(s):
Scanlan & Theodore
44 River Street South Yarra Victoria 3141 Australia
(72) Name(s) of Designer(s): **Gary Theodore and Maria Sita**
(45) Registration Date: **29 November 2006**
(56) Related Art Documents: **Not Applicable**
(57) Statement of Newness and Distinctiveness: **Nil**



- (21) Design Number: **10378/2006**
(22) Date of Filing Application: **25 July 2005**
(24) Date from which industrial property rights may have effect: **25 July 2005**
(54) Product in respect of which the design is registered: **A lady's garment**
(51) International Design Classification: **02-02NES**
(71) Name(s) and Address(s) of Applicant(s):
Scanlan & Theodore
44 River Street South Yarra Victoria 3141 Australia
(72) Name(s) of Designer(s): **Gary Theodore and Maria Sita**
(45) Registration Date: **15 December 2006**
(56) Related Art Documents: **Not Applicable**
(57) Statement of Newness and Distinctiveness: **Nil**



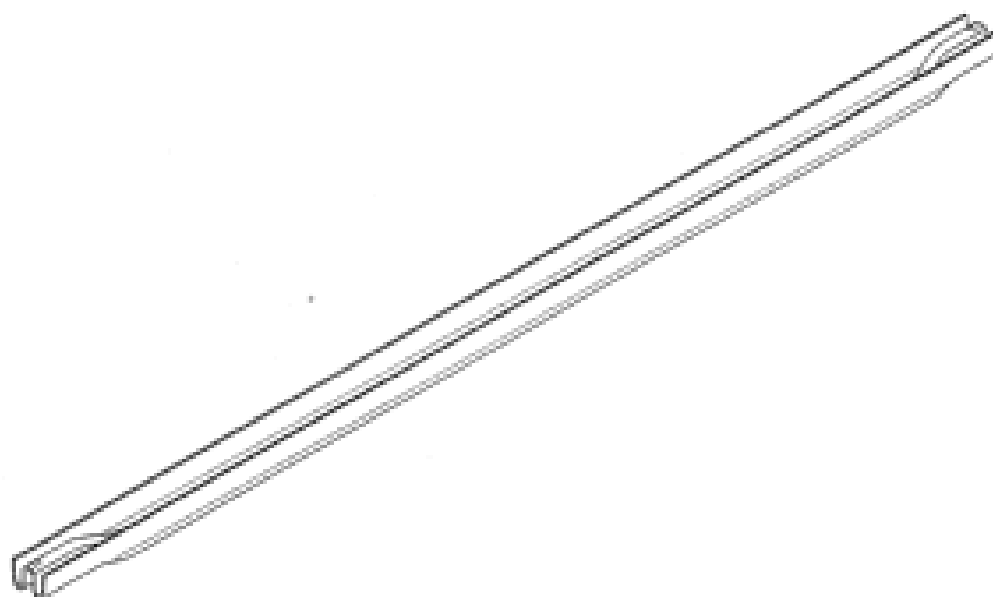
- (21) Design Number: **10379/2006**
- (22) Date of Filing Application: **25 July 2005**
- (24) Date from which industrial property rights may have effect: **25 July 2005**
- (54) Product in respect of which the design is registered: **A lady's garment**
- (51) International Design Classification: **02-02C**
- (71) Name(s) and Address(s) of Applicant(s):
Scanlan & Theodore
44 River Street South Yarra Victoria 3141 Australia
- (72) Name(s) of Designer(s): **Gary Theodore and Maria Sita**
- (45) Registration Date: **15 December 2006**
- (56) Related Art Documents: **Not Applicable**
- (57) Statement of Newness and Distinctiveness: **Nil**



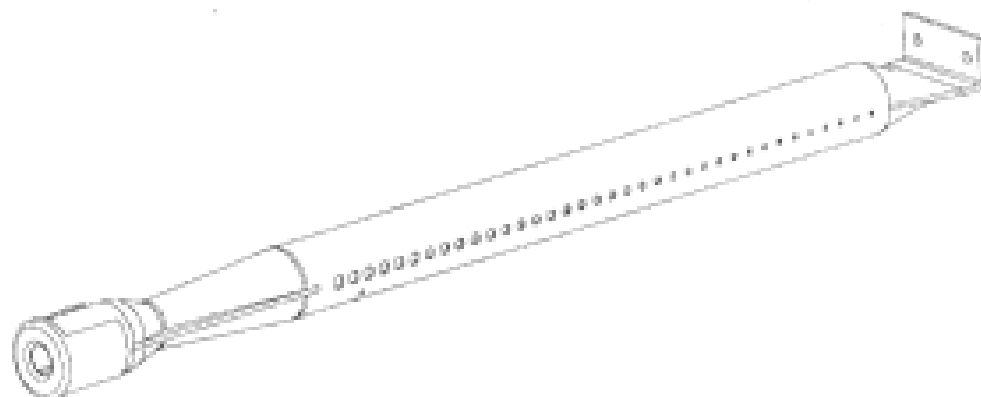
- (21) Design Number: **10380/2006**
- (22) Date of Filing Application: **25 July 2005**
- (24) Date from which industrial property rights may have effect: **25 July 2005**
- (54) Product in respect of which the design is registered: **A lady's garment**
- (51) International Design Classification: **02-02C**
- (71) Name(s) and Address(s) of Applicant(s):
Scanlan & Theodore
44 River Street South Yarra Victoria 3141 Australia
- (72) Name(s) of Designer(s): **Gary Theodore and Maria Sita**
- (45) Registration Date: **15 December 2006**
- (56) Related Art Documents: **Not Applicable**
- (57) Statement of Newness and Distinctiveness: **Nil**



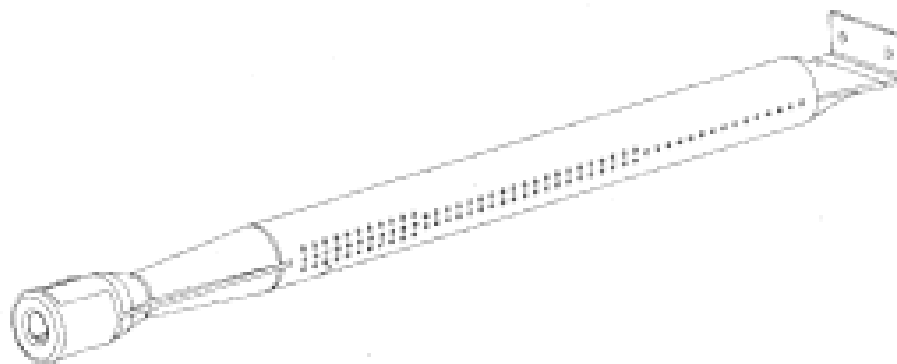
- (21) Design Number: **14956/2006**
(22) Date of Filing Application: **27 October 2006**
(24) Date from which industrial property rights may have effect: **27 October 2006**
(54) Product in respect of which the design is registered: **Support bar**
(51) International Design Classification: **06-06NES**
(71) Name(s) and Address(s) of Applicant(s):
Delta Shelving Systems Pty Ltd
32 Regent Crescent Moorebank New South Wales 2170 Australia
(72) Name(s) of Designer(s): **Stephen Eddowes**
(45) Registration Date: **15 December 2006**
(56) Related Art Documents: **Not Applicable**
(57) Statement of Newness and Distinctiveness: **Newness and distinctiveness resides in particular, in the features of the ends of the bar, particularly in end view, and that the ends have reduced depth compared with the central portion of the bar.**



- (21) Design Number: **14928/2006**
(22) Date of Filing Application: **26 October 2006**
(24) Date from which industrial property rights may have effect: **26 October 2006**
(54) Product in respect of which the design is registered: **Burner**
(51) International Design Classification: **23-03F**
(71) Name(s) and Address(s) of Applicant(s):
Sunbeam Corporation Limited
Unit 5 & 6 13 Lord Street Botany New South Wales 2019 Australia
(72) Name(s) of Designer(s): **Paul David Riley**
(45) Registration Date: **15 December 2006**
(56) Related Art Documents: **Not Applicable**
(57) Statement of Newness and Distinctiveness: **Newness and distinctiveness resides in the shape and/or configuration of the apertures in the burner as illustrated in the accompanying representations.**



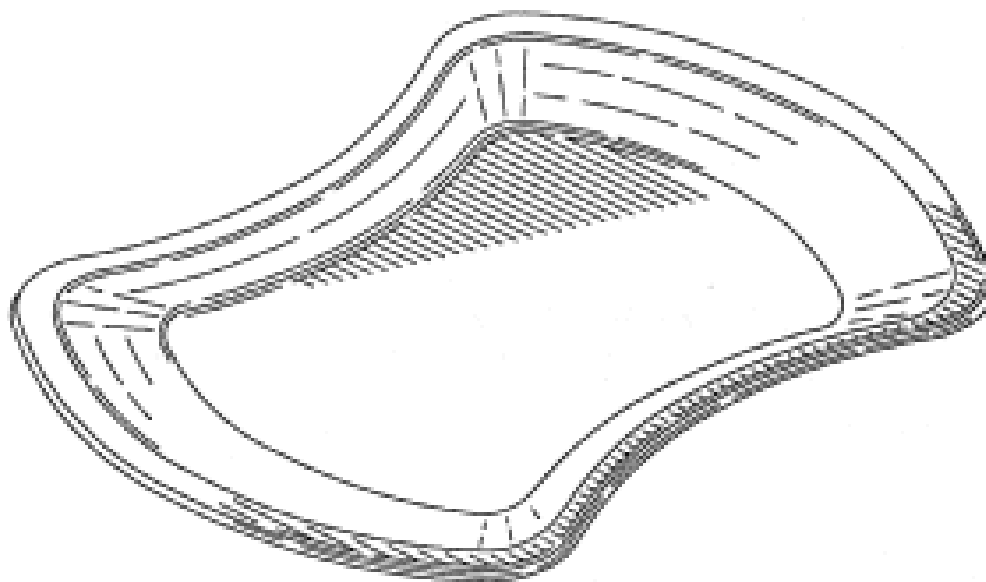
(21) Design Number: **14929/2006**
 (22) Date of Filing Application: **26 October 2006**
 (24) Date from which industrial property rights may have effect: **26 October 2006**
 (54) Product in respect of which the design is registered: **Burner**
 (51) International Design Classification: **23-03F**
 (71) Name(s) and Address(s) of Applicant(s):
Sunbeam Corporation Limited
Unit 5 & 6 13 Lord Street Botany New South Wales 2019 Australia
 (72) Name(s) of Designer(s): **Paul David Riley**
 (45) Registration Date: **15 December 2006**
 (56) Related Art Documents: **Not Applicable**
 (57) Statement of Newness and Distinctiveness: **Newness and distinctiveness resides in the shape and/or configuration of the apertures in the burner as illustrated in the accompanying representations.**



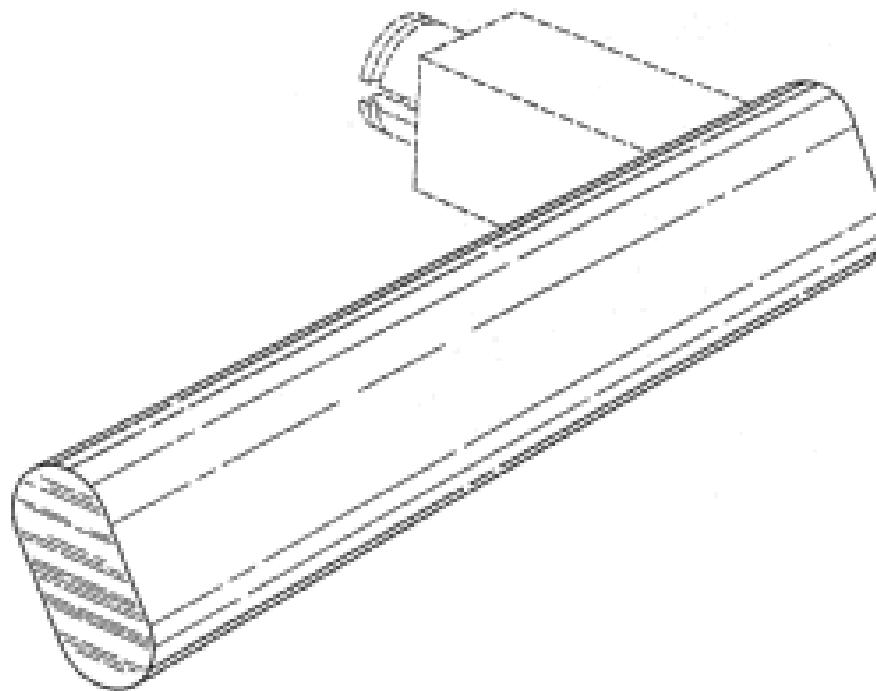
(21) Design Number: **14903/2006**
 (22) Date of Filing Application: **25 October 2006**
 (24) Date from which industrial property rights may have effect: **25 October 2006**
 (54) Product in respect of which the design is registered: **Platter**
 (51) International Design Classification: **07-01B**
 (71) Name(s) and Address(s) of Applicant(s):
Dart Industries Inc
14901 S. Orange Blossom Trail Orlando Florida 32837 United States of America
 (72) Name(s) of Designer(s): **Famia E. Ablo**
 (45) Registration Date: **15 December 2006**
 (30) Convention priority data:

(31) Number	(32) Date	(33) Country
29/259,915	17 May 2006	UNITED STATES OF AMERICA

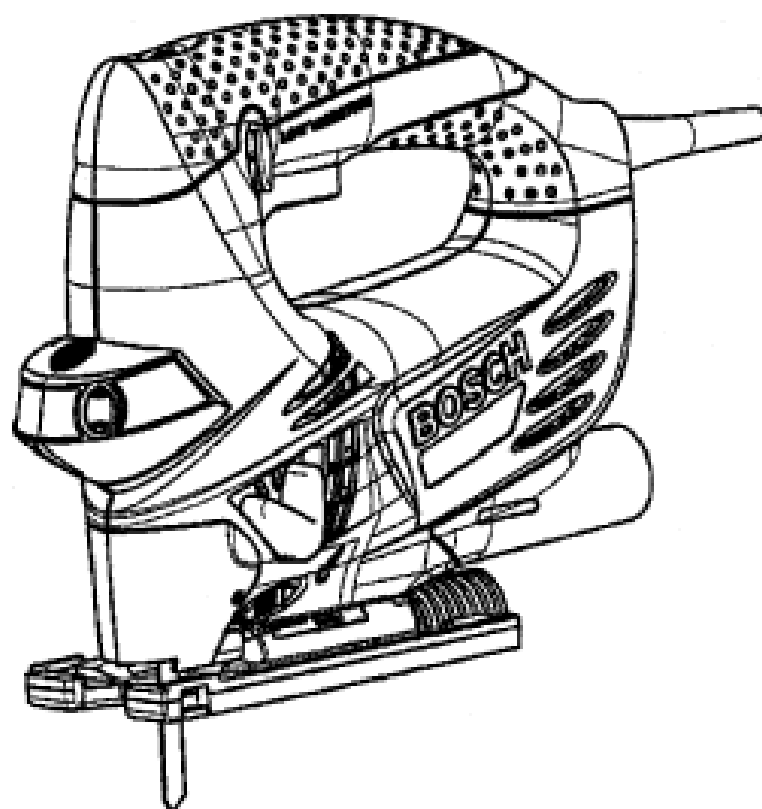
 (56) Related Art Documents: **Not Applicable**
 (57) Statement of Newness and Distinctiveness: **Nil**



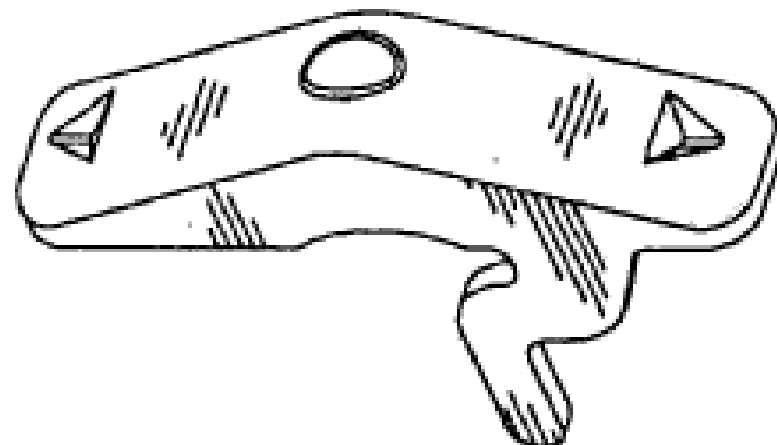
- (21) Design Number: **14904/2006**
(22) Date of Filing Application: **25 October 2006**
(24) Date from which industrial property rights may have effect: **25 October 2006**
(54) Product in respect of which the design is registered: **Door handle**
(51) International Design Classification: **08-06**
(71) Name(s) and Address(s) of Applicant(s):
Classic Hardware Suppliers Pty Ltd
20A Thornton Crescent Mitcham Victoria 3132 Australia
(72) Name(s) of Designer(s): **James Yu**
(45) Registration Date: **15 December 2006**
(56) Related Art Documents: **Not Applicable**
(57) Statement of Newness and Distinctiveness: **Novelty resides in the shape or configuration of the handle part shown in full outline and not in the shaft part shown in phantom outline.**



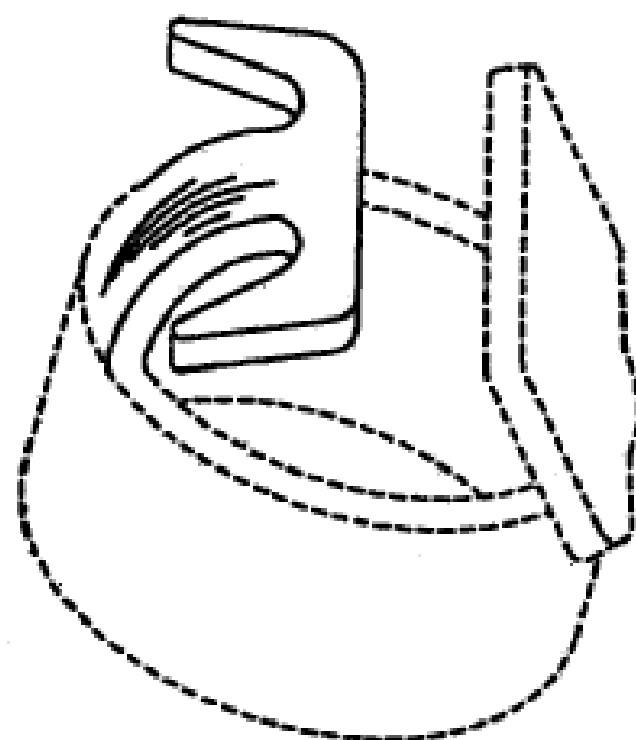
- (21) Design Number: **14905/2006**
(22) Date of Filing Application: **25 October 2006**
(24) Date from which industrial property rights may have effect: **25 October 2006**
(54) Product in respect of which the design is registered: **Jigsaw**
(51) International Design Classification: **08-03**
(71) Name(s) and Address(s) of Applicant(s):
Robert Bosch GmbH
Postfach 30 02 20 D-70442 Stuttgart Germany
(72) Name(s) of Designer(s): **Klaus Baumgartner**
(45) Registration Date: **15 December 2006**
(30) Convention priority data:
(31) Number (32) Date (33) Country
000517263 24 Apr 2006 EUROPEAN COMMUNITY
(56) Related Art Documents: **Not Applicable**
(57) Statement of Newness and Distinctiveness: **Newness and distinctiveness are provided by the shape and/or configuration of the design shown in the representations. In considering the scope of the newness protection any indicia on the jigsaw is to be disregarded.**



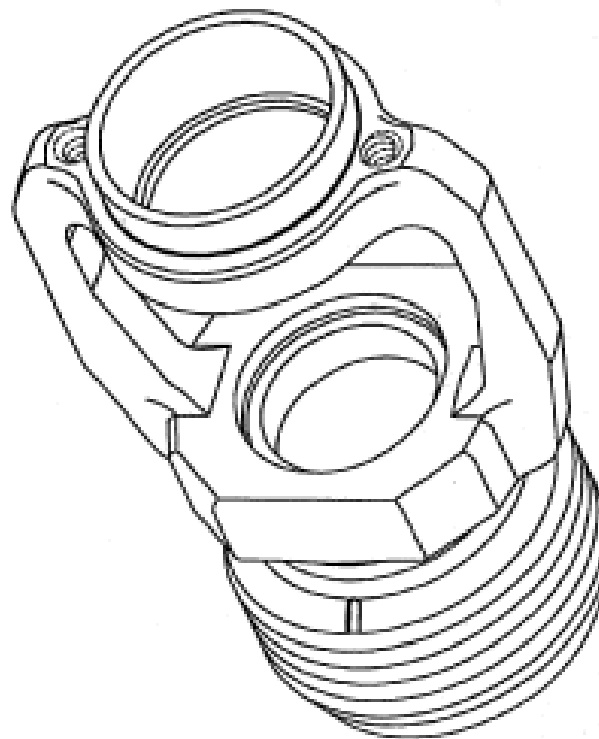
(21) Design Number: **14369/2006**
(22) Date of Filing Application: **28 September 2006**
(24) Date from which industrial property rights may have effect: **28 September 2006**
(54) Product in respect of which the design is registered: **Sprinkler assembly compression yoke**
(51) International Design Classification: **23-01D**
(71) Name(s) and Address(s) of Applicant(s):
The Viking Corporation
210 N. Industrial Park Road Hastings Michigan 49058 United States of America
(72) Name(s) of Designer(s): **Scott T. Franson and Thomas E. Winebrenner and Shawn G. Orr**
(45) Registration Date: **15 December 2006**
(30) Convention priority data:
(31) Number (32) Date (33) Country
29257160 30 Mar 2006 UNITED STATES OF AMERICA
(56) Related Art Documents: **Not Applicable**
(57) Statement of Newness and Distinctiveness: **Newness and distinctiveness is claimed in the features of the sprinkler assembly compression yoke shown in solid lines in the drawings.**



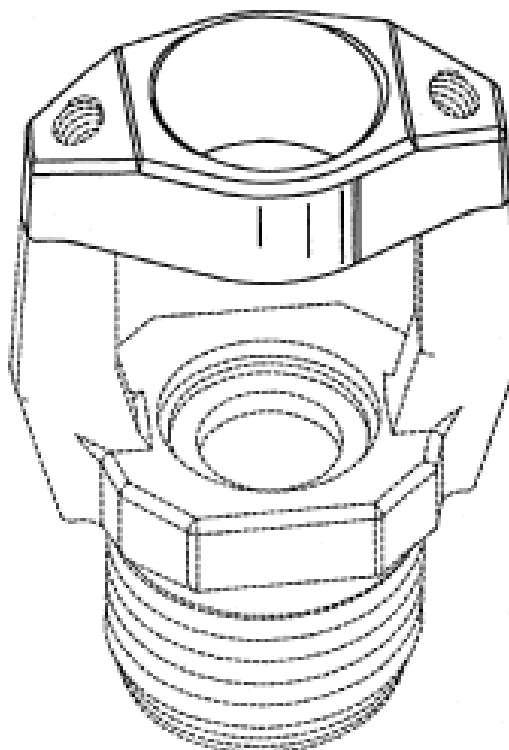
(21) Design Number: **14370/2006**
(22) Date of Filing Application: **28 September 2006**
(24) Date from which industrial property rights may have effect: **28 September 2006**
(54) Product in respect of which the design is registered: **Flow shaper for a sprinkler body**
(51) International Design Classification: **23-01D**
(71) Name(s) and Address(s) of Applicant(s):
The Viking Corporation
210 N. Industrial Park Road Hastings Michigan 49058 United States of America
(72) Name(s) of Designer(s): **Scott T. Franson and Thomas E. Winebrenner and Shawn G. Orr and Lindsay M. Barker**
(45) Registration Date: **15 December 2006**
(30) Convention priority data:
(31) Number (32) Date (33) Country
29257161 30 Mar 2006 UNITED STATES OF AMERICA
(56) Related Art Documents: **Not Applicable**
(57) Statement of Newness and Distinctiveness: **Newness and distinctiveness is claimed in the features of the flow shaper for a sprinkler body shown in solid lines in the drawings.**



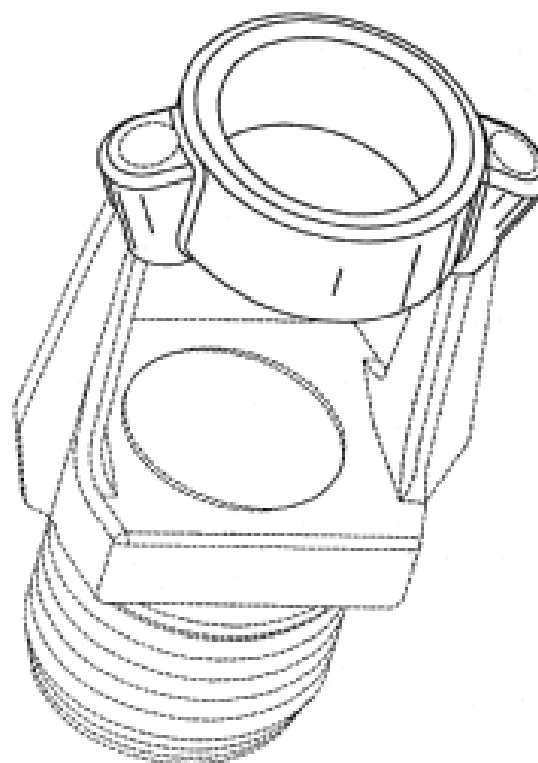
(21) Design Number: **14371/2006**
(22) Date of Filing Application: **28 September 2006**
(24) Date from which industrial property rights may have effect: **28 September 2006**
(54) Product in respect of which the design is registered: **Sprinkler body**
(51) International Design Classification: **23-01D**
(71) Name(s) and Address(s) of Applicant(s):
The Viking Corporation
210 N. Industrial Park Road Hastings Michigan 49058 United States of America
(72) Name(s) of Designer(s): **Scott T. Franson and Thomas E. Winebrenner and Shawn G. Orr**
(45) Registration Date: **15 December 2006**
(30) Convention priority data:
(31) Number (32) Date (33) Country
29257162 30 Mar 2006 UNITED STATES OF AMERICA
(56) Related Art Documents: **Not Applicable**
(57) Statement of Newness and Distinctiveness: **Newness and distinctiveness is claimed in the features of the sprinkler body shown in solid lines in the drawings.**



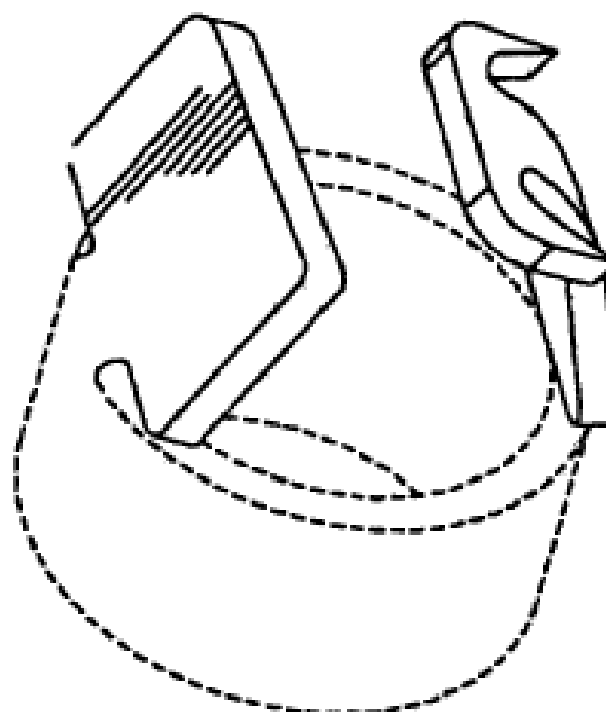
(21) Design Number: **14372/2006**
(22) Date of Filing Application: **28 September 2006**
(24) Date from which industrial property rights may have effect: **28 September 2006**
(54) Product in respect of which the design is registered: **Sprinkler body**
(51) International Design Classification: **23-01D**
(71) Name(s) and Address(s) of Applicant(s):
The Viking Corporation
210 N. Industrial Park Road Hastings Michigan 49058 United States of America
(72) Name(s) of Designer(s): **Scott T. Franson and Thomas E. Winebrenner and Shawn G. Orr**
(45) Registration Date: **15 December 2006**
(30) Convention priority data:
(31) Number (32) Date (33) Country
29257186 30 Mar 2006 UNITED STATES OF AMERICA
(56) Related Art Documents: **Not Applicable**
(57) Statement of Newness and Distinctiveness: **Newness and distinctiveness is claimed in the features of the sprinkler body shown in solid lines in the drawings.**



(21) Design Number: **14373/2006**
 (22) Date of Filing Application: **28 September 2006**
 (24) Date from which industrial property rights may have effect: **28 September 2006**
 (54) Product in respect of which the design is registered: **Sprinkler body**
 (51) International Design Classification: **23-01D**
 (71) Name(s) and Address(s) of Applicant(s):
The Viking Corporation
210 N. Industrial Park Road Hastings Michigan 49058 United States of America
 (72) Name(s) of Designer(s): **Scott T. Franson and Thomas E. Winebrenner and Shawn G. Orr**
 (45) Registration Date: **15 December 2006**
 (30) Convention priority data:
 (31) Number (32) Date (33) Country
29257181 30 Mar 2006 UNITED STATES OF AMERICA
 (56) Related Art Documents: **Not Applicable**
 (57) Statement of Newness and Distinctiveness: **Newness and distinctiveness is claimed in the features of the sprinkler body shown in solid lines in the drawings.**



(21) Design Number: **14377/2006**
 (22) Date of Filing Application: **28 September 2006**
 (24) Date from which industrial property rights may have effect: **28 September 2006**
 (54) Product in respect of which the design is registered: **Flow shaper for a sprinkler assembly**
 (51) International Design Classification: **23-01D**
 (71) Name(s) and Address(s) of Applicant(s):
The Viking Corporation
210 N. Industrial Park Road Hastings Michigan 49058 United States of America
 (72) Name(s) of Designer(s): **Scott T. Franson and Thomas E. Winebrenner and Shawn G. Orr and Lindsay M. Barker**
 (45) Registration Date: **15 December 2006**
 (30) Convention priority data:
 (31) Number (32) Date (33) Country
29257159 30 Mar 2006 UNITED STATES OF AMERICA
 (56) Related Art Documents: **Not Applicable**
 (57) Statement of Newness and Distinctiveness: **Newness and distinctiveness is claimed in the features of the flow shaper for a sprinkler assembly shown in solid lines in the drawings.**



- (21) Design Number: **14923/2006**
(22) Date of Filing Application: **27 October 2006**
(24) Date from which industrial property rights may have effect: **27 October 2006**
(54) Product in respect of which the design is registered: **Mask frame**
(51) International Design Classification: **24-01**
(71) Name(s) and Address(s) of Applicant(s):

ResMed Ltd
1 Elizabeth Macarthur Drive Bella Vista New South Wales 2153
Australia

- (72) Name(s) of Designer(s): **Gregory Scott Smart and Christopher Scott Skipper and Michael John Reid and Alison Oldenburg and Rupert Christian Scheiner and Steven John Lubke and James William Vandyke and Timothy Shawn Nelson**

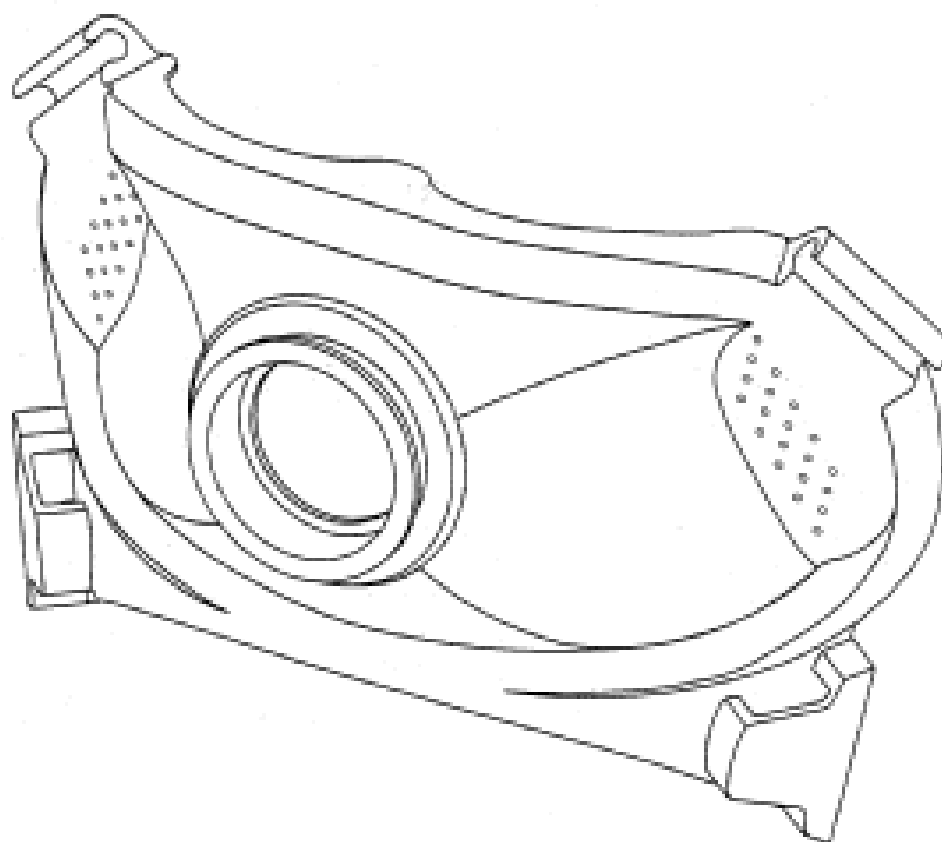
(45) Registration Date: **15 December 2006**

(30) Convention priority data:

(31) Number	(32) Date	(33) Country
29/258,791	28 Apr 2006	UNITED STATES OF AMERICA

(56) Related Art Documents: **Not Applicable**

(57) Statement of Newness and Distinctiveness: **Nil**



- (21) Design Number: **14924/2006**
(22) Date of Filing Application: **27 October 2006**
(24) Date from which industrial property rights may have effect: **27 October 2006**
(54) Product in respect of which the design is registered: **Mask frame**
(51) International Design Classification: **24-01**
(71) Name(s) and Address(s) of Applicant(s):

ResMed Ltd
1 Elizabeth Macarthur Drive Bella Vista New South Wales 2153
Australia

- (72) Name(s) of Designer(s): **Gregory Scott Smart and Christopher Scott Skipper and Michael John Reid and Alison Oldenburg and Rupert Christian Scheiner and Steven John Lubke and James William Vandyke and Timothy Shawn Nelson**

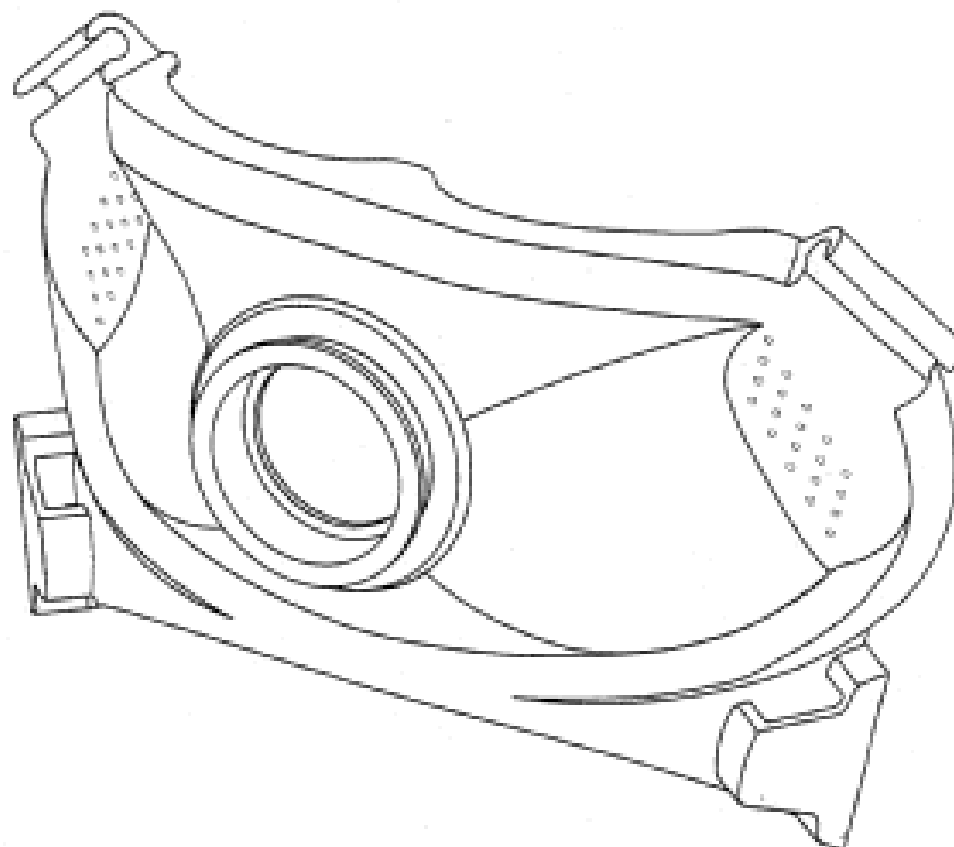
(45) Registration Date: **15 December 2006**

(30) Convention priority data:

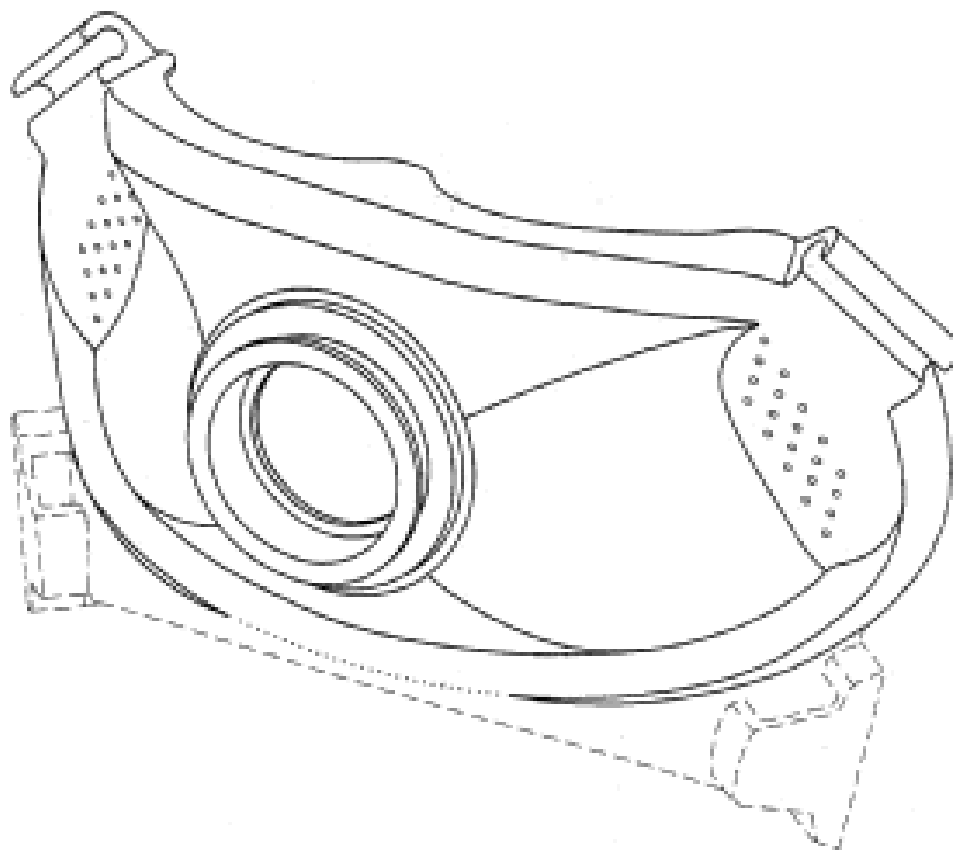
(31) Number	(32) Date	(33) Country
29/258,791	28 Apr 2006	UNITED STATES OF AMERICA

(56) Related Art Documents: **Not Applicable**

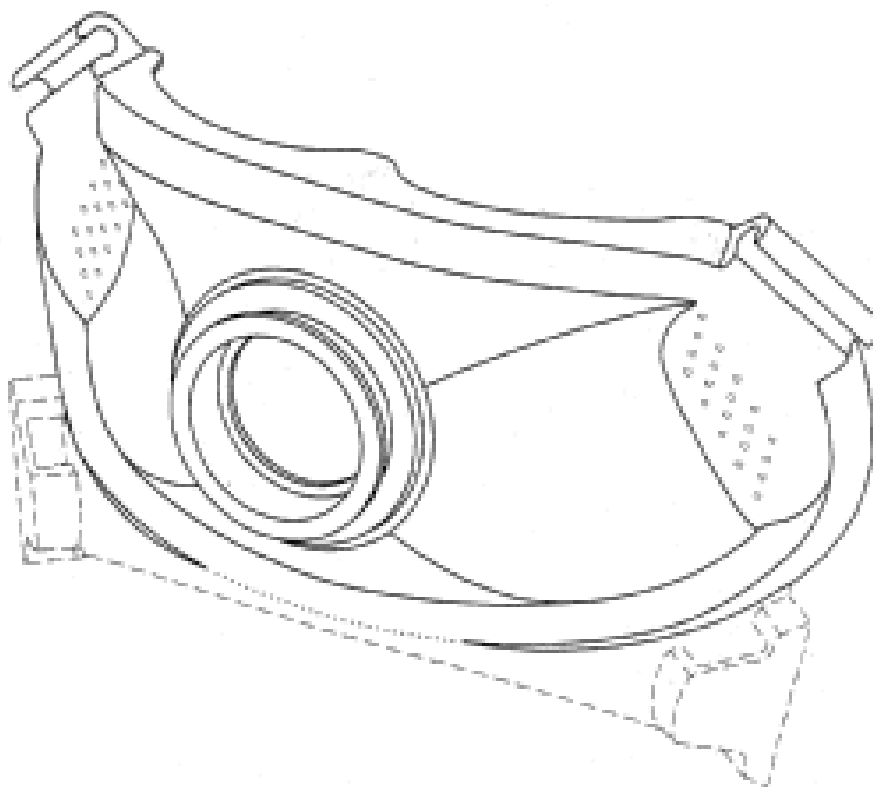
(57) Statement of Newness and Distinctiveness: **Nil**



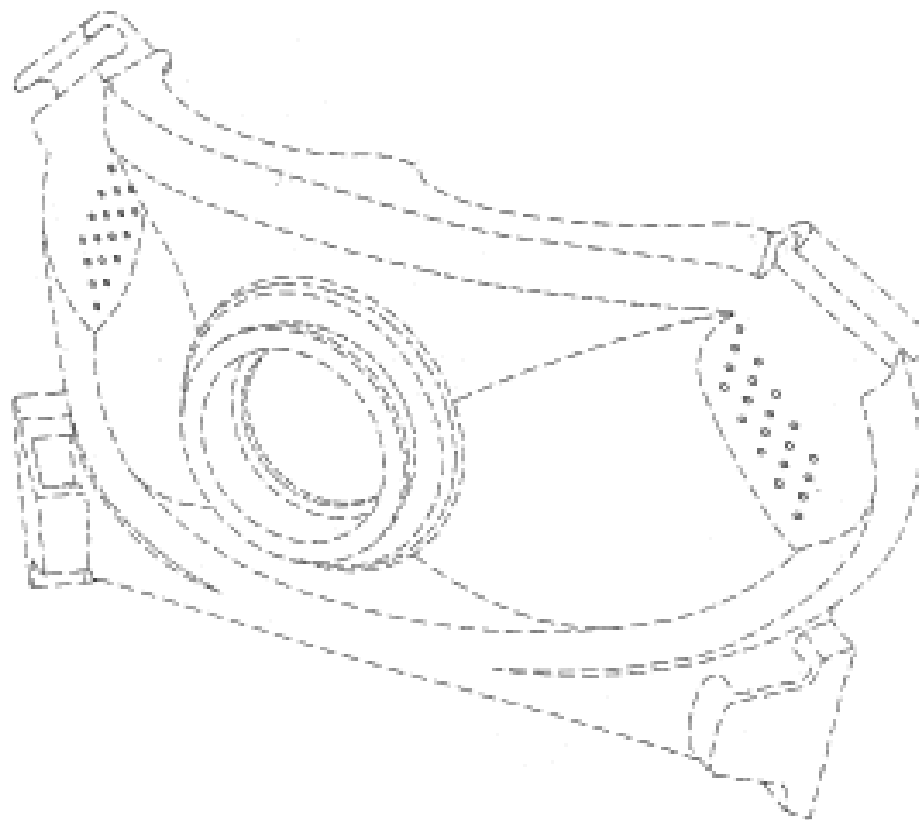
- (21) Design Number: **14925/2006**
(22) Date of Filing Application: **27 October 2006**
(24) Date from which industrial property rights may have effect: **27 October 2006**
(54) Product in respect of which the design is registered: **Mask frame**
(51) International Design Classification: **24-01**
(71) Name(s) and Address(s) of Applicant(s):
ResMed Ltd
1 Elizabeth Macarthur Drive Bella Vista New South Wales 2153
Australia
(72) Name(s) of Designer(s): **Gregory Scott Smart and Christopher Scott Skipper and Michael John Reid and Rupert Christian Scheiner and Steven John Lubke and James William Vandyke and Timothy Shawn Nelson and Alison Oldenburg**
(45) Registration Date: **15 December 2006**
(30) Convention priority data:
(31) Number (32) Date (33) Country
29/258,791 28 Apr 2006 UNITED STATES OF AMERICA
(56) Related Art Documents: **Not Applicable**
(57) Statement of Newness and Distinctiveness: **Nil**



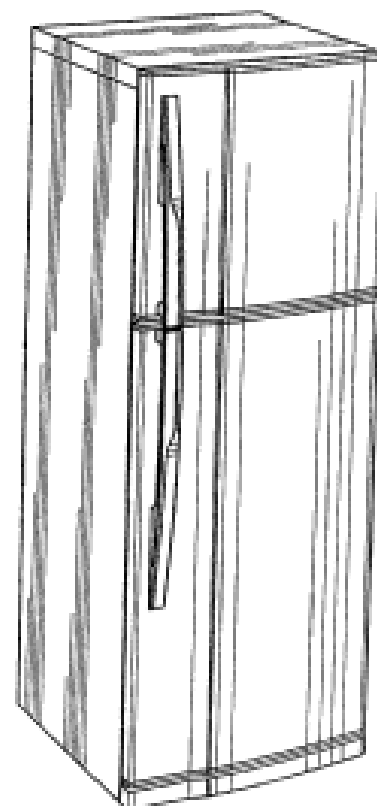
- (21) Design Number: **14926/2006**
(22) Date of Filing Application: **27 October 2006**
(24) Date from which industrial property rights may have effect: **27 October 2006**
(54) Product in respect of which the design is registered: **Mask frame**
(51) International Design Classification: **24-01**
(71) Name(s) and Address(s) of Applicant(s):
ResMed Ltd
1 Elizabeth Macarthur Drive Bella Vista New South Wales 2153
Australia
(72) Name(s) of Designer(s): **Gregory Scott Smart and Christopher Scott Skipper and Michael John Reid and Alison Oldenburg and Rupert Christian Scheiner and Steven John Lubke and James William Vandyke and Timothy Shawn Nelson**
(45) Registration Date: **15 December 2006**
(30) Convention priority data:
(31) Number (32) Date (33) Country
29/258,791 28 Apr 2006 UNITED STATES OF AMERICA
(56) Related Art Documents: **Not Applicable**
(57) Statement of Newness and Distinctiveness: **Nil**



- (21) Design Number: **14927/2006**
(22) Date of Filing Application: **27 October 2006**
(24) Date from which industrial property rights may have effect: **27 October 2006**
(54) Product in respect of which the design is registered: **Mask frame**
(51) International Design Classification: **24-01**
(71) Name(s) and Address(s) of Applicant(s):
ResMed Ltd
1 Elizabeth Macarthur Drive Bella Vista New South Wales 2153
Australia
(72) Name(s) of Designer(s): **Gregory Scott Smart and Christopher Scott Skipper and Michael John Reid and Alison Oldenburg and Rupert Christian Scheiner and Steven John Lubke and James William Vandyke and Timothy Shawn Nelson**
(45) Registration Date: **15 December 2006**
(30) Convention priority data:
(31) Number (32) Date (33) Country
29/258,791 28 Apr 2006 UNITED STATES OF AMERICA
(56) Related Art Documents: **Not Applicable**
(57) Statement of Newness and Distinctiveness: **Nil**



- (21) Design Number: **14954/2006**
(22) Date of Filing Application: **27 October 2006**
(24) Date from which industrial property rights may have effect: **27 October 2006**
(54) Product in respect of which the design is registered: **A refrigerator**
(51) International Design Classification: **15-07**
(71) Name(s) and Address(s) of Applicant(s):
Kabushiki Kaisha Toshiba also Trading as Toshiba Corporation
1#1 Shibaura 1-chome Minato-ku Tokyo Japan
Toshiba Consumer Marketing Corporation
1#8 Sotokanda 1-chome Chiyoda-ku Tokyo Japan
(72) Name(s) of Designer(s): **Koji Nagase**
(45) Registration Date: **15 December 2006**
(30) Convention priority data:
(31) Number (32) Date (33) Country
2006#018783 14 Jul 2006 JAPAN
(56) Related Art Documents: **Not Applicable**
(57) Statement of Newness and Distinctiveness: **The design comprises the shape and/or configuration of a refrigerator as shown in the representations.**



(21) Design Number: **14955/2006**

(22) Date of Filing Application: **27 October 2006**

(24) Date from which industrial property rights may have effect: **27 October 2006**

(54) Product in respect of which the design is registered: **Support bar**

(51) International Design Classification: **06-06NES**

(71) Name(s) and Address(s) of Applicant(s):

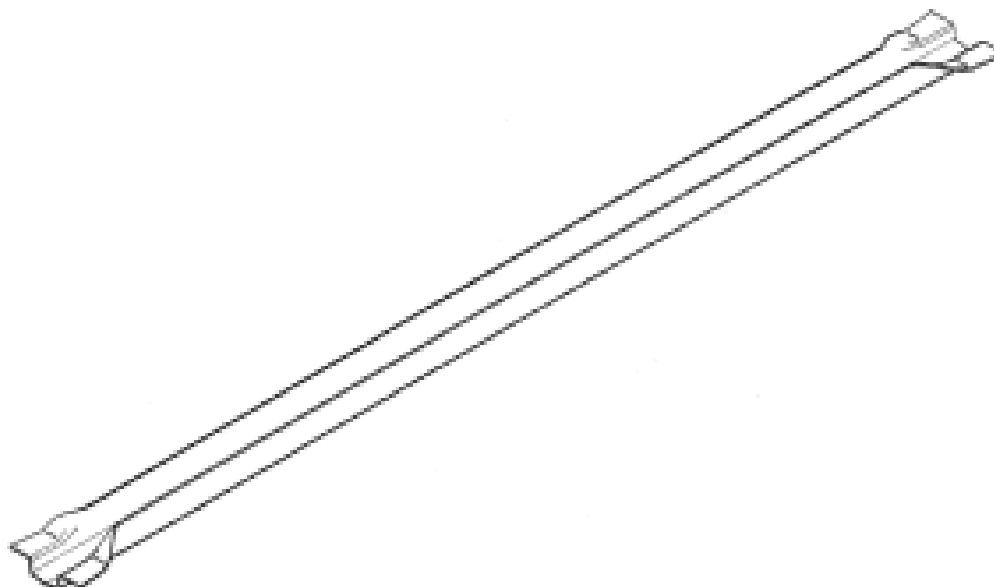
Delta Shelving Systems Pty Ltd
32 Regent Crescent Moorebank New South Wales 2170 Australia

(72) Name(s) of Designer(s): **Stephen Eddowes**

(45) Registration Date: **15 December 2006**

(56) Related Art Documents: **Not Applicable**

(57) Statement of Newness and Distinctiveness: **Newness and distinctiveness reside in particular, in the appearance of the ends of the bar and in that they have a reduced depth compared with the central portion of the bar.**



(21) Design Number: **14957/2006**

(22) Date of Filing Application: **27 October 2006**

(24) Date from which industrial property rights may have effect: **27 October 2006**

(54) Product in respect of which the design is registered: **Support bar**

(51) International Design Classification: **06-06NES**

(71) Name(s) and Address(s) of Applicant(s):

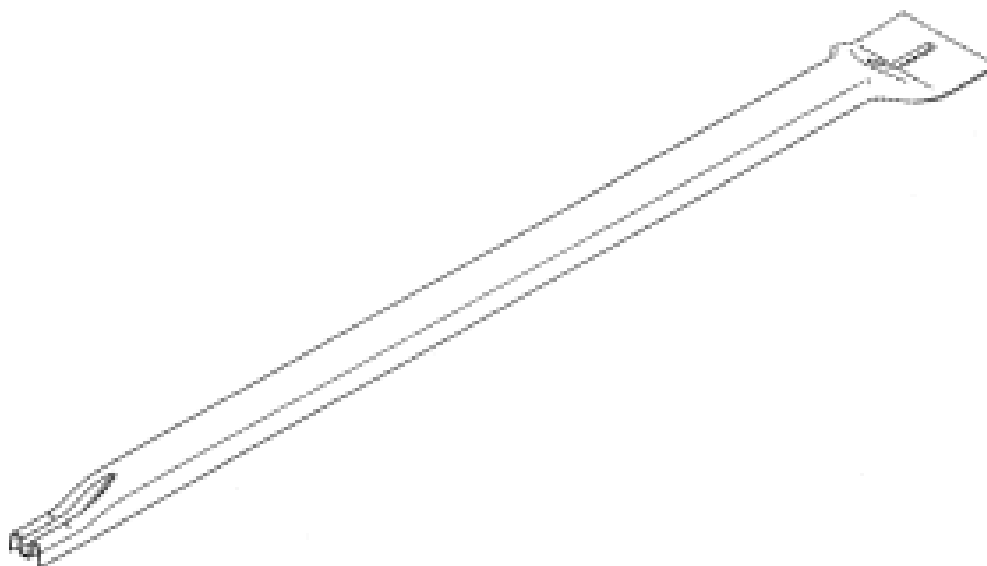
Delta Shelving Systems Pty Ltd
32 Regent Crescent Moorebank New South Wales 2170 Australia

(72) Name(s) of Designer(s): **Stephen Eddowes**

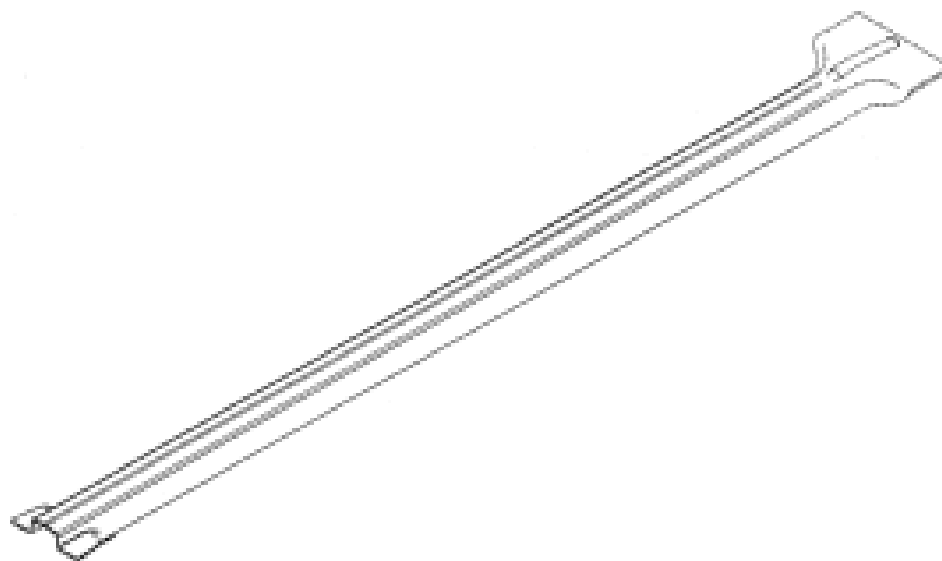
(45) Registration Date: **15 December 2006**

(56) Related Art Documents: **Not Applicable**

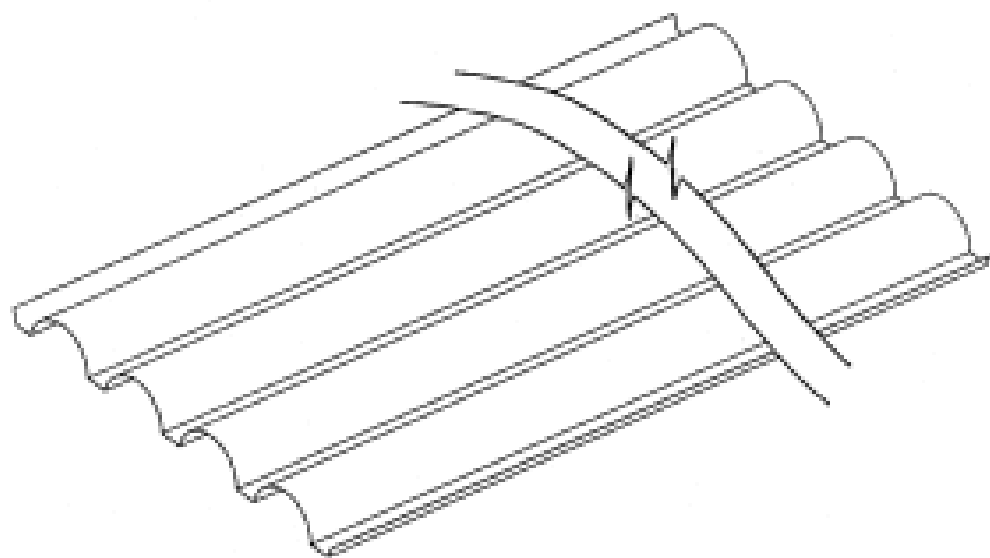
(57) Statement of Newness and Distinctiveness: **Newness and distinctiveness reside in the particular in the features shown in solid lines in the representations, and in particular, in the appearance of a support bar having one end of reduced depth compared to the depth of the central portion of the bar, and one flattened end.**



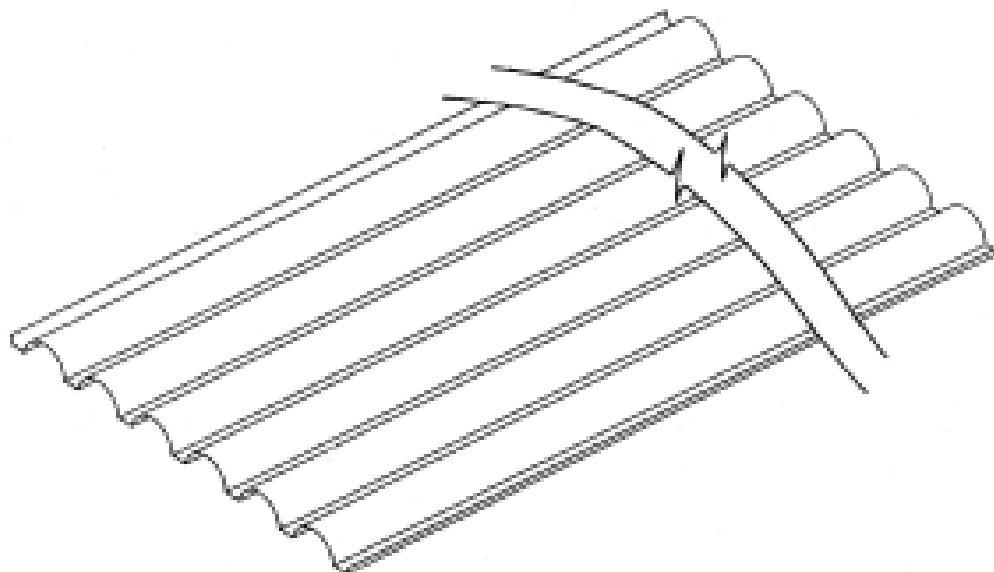
- (21) Design Number: **14958/2006**
(22) Date of Filing Application: **27 October 2006**
(24) Date from which industrial property rights may have effect: **27 October 2006**
(54) Product in respect of which the design is registered: **Support bar**
(51) International Design Classification: **06-06NES**
(71) Name(s) and Address(s) of Applicant(s):
Delta Shelving Systems Pty Ltd
32 Regent Crescent Moorebank New South Wales 2170 Australia
(72) Name(s) of Designer(s): **Stephen Eddowes**
(45) Registration Date: **15 December 2006**
(56) Related Art Documents: **Not Applicable**
(57) Statement of Newness and Distinctiveness: **Newness and distinctiveness reside in particular in the features shown in solid lines in the representations and in particular in the appearance of a support bar having one end reduced in depth compared to the depth of the central portion of the bar, and one flattened end.**



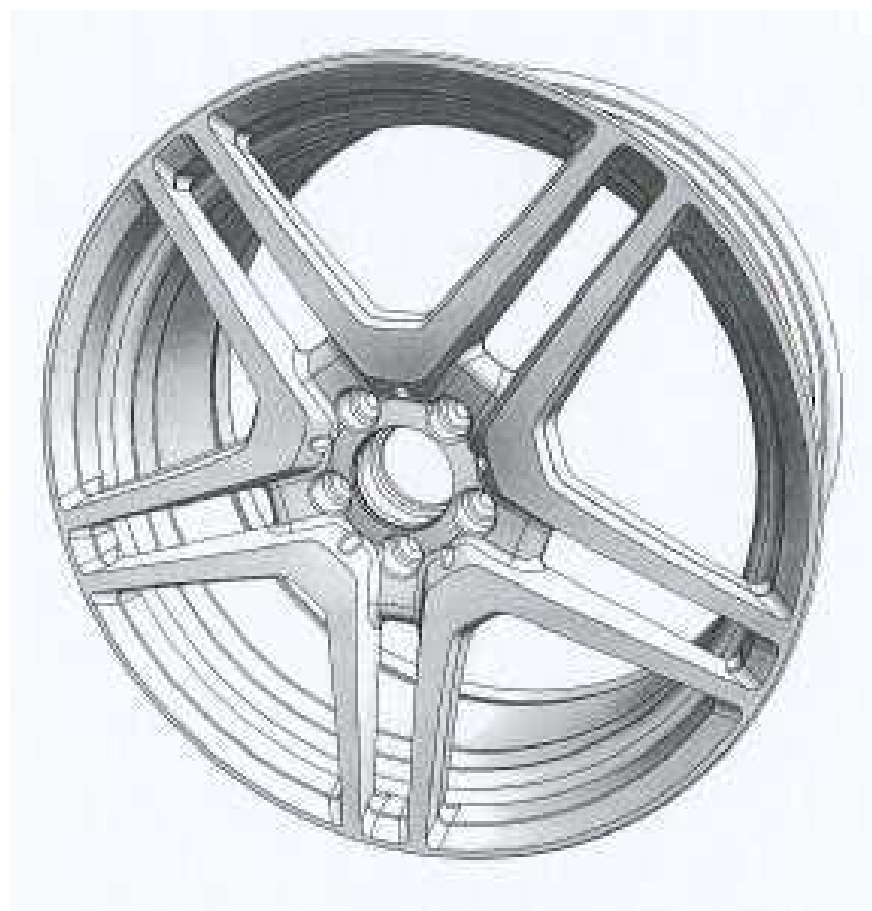
- (21) Design Number: **14959/2006**
(22) Date of Filing Application: **27 October 2006**
(24) Date from which industrial property rights may have effect: **27 October 2006**
(54) Product in respect of which the design is registered: **A profiled panel of indefinite length**
(51) International Design Classification: **25-01G**
(71) Name(s) and Address(s) of Applicant(s):
Mechanical Plating Pty Limited
12 Schofield Street Riverwood New South Wales 2210 Australia
(72) Name(s) of Designer(s): **Raymond Gary Hollis**
(45) Registration Date: **15 December 2006**
(56) Related Art Documents: **Not Applicable**
(57) Statement of Newness and Distinctiveness: **Nil**



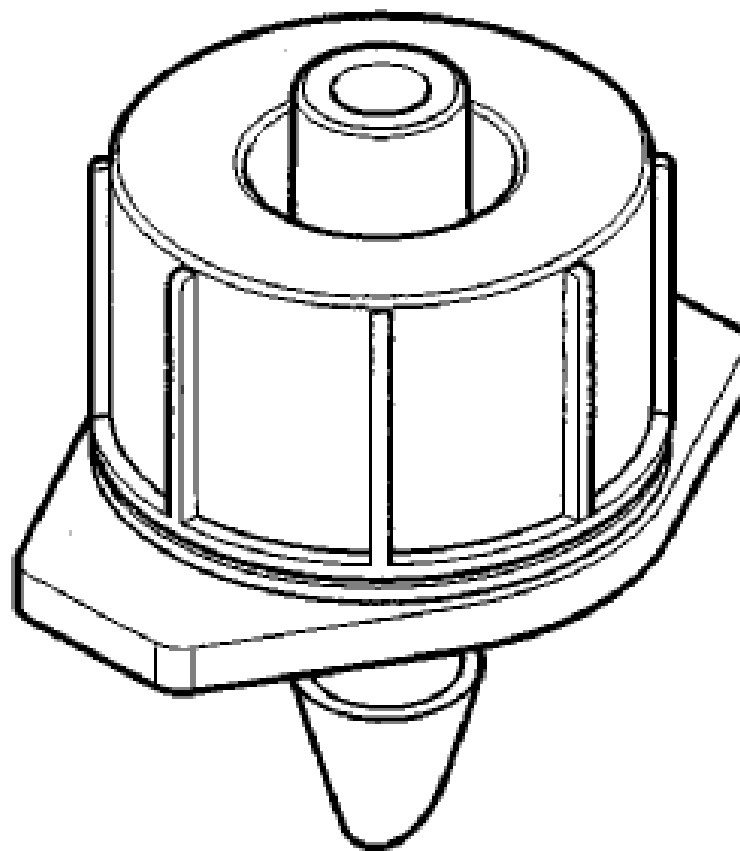
- (21) Design Number: **14960/2006**
(22) Date of Filing Application: **27 October 2006**
(24) Date from which industrial property rights may have effect: **27 October 2006**
(54) Product in respect of which the design is registered: **A profiled panel of indefinite length**
(51) International Design Classification: **25-01G**
(71) Name(s) and Address(s) of Applicant(s):
Mechanical Plating Pty Limited
12 Schofield Street Riverwood New South Wales 2210 Australia
(72) Name(s) of Designer(s): **Raymond Gary Hollis**
(45) Registration Date: **15 December 2006**
(56) Related Art Documents: **Not Applicable**
(57) Statement of Newness and Distinctiveness: **Nil**



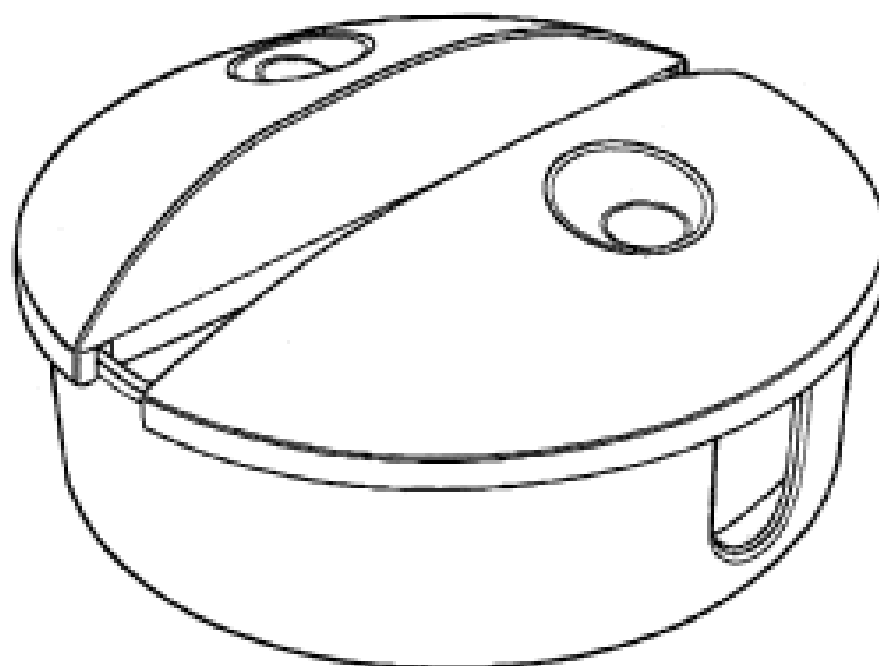
- (21) Design Number: **15013/2006**
(22) Date of Filing Application: **31 October 2006**
(24) Date from which industrial property rights may have effect: **31 October 2006**
(54) Product in respect of which the design is registered: **A vehicle wheel**
(51) International Design Classification: **12-16A**
(71) Name(s) and Address(s) of Applicant(s):
DaimlerChrysler AG
Epplestrasse 225 D-70567 Stuttgart Germany
(72) Name(s) of Designer(s): **Claus Hieke**
(45) Registration Date: **15 December 2006**
(30) Convention priority data:
(31) Number (32) Date (33) Country
529185#0010 15 May 2006 EUROPEAN COMMUNITY
(56) Related Art Documents: **Not Applicable**
(57) Statement of Newness and Distinctiveness: **Newness and distinctiveness is claimed in the features of shape and/or configuration of a vehicle wheel as illustrated in the accompanying representations.**



- (21) Design Number: **15008/2006**
(22) Date of Filing Application: **01 November 2006**
(24) Date from which industrial property rights may have effect: **01 November 2006**
(54) Product in respect of which the design is registered: **A dripper**
(51) International Design Classification: **23-01E**
(71) Name(s) and Address(s) of Applicant(s):
Antelco Pty Ltd
Pallamana Airfield Palmer Road Murray Bridge South Australia 5253
Australia
(72) Name(s) of Designer(s): **Lyll Causby and Robert Sigston and David**
Bevan Creed
(45) Registration Date: **15 December 2006**
(56) Related Art Documents: **Not Applicable**
(57) Statement of Newness and Distinctiveness: **Newness and distinctiveness**
resides in the features of shape and configuration of a dripper as shown
in the accompanying representations. In assessing newness and
distinctiveness, the shape and configuration of the base portion and
inlet spigot of the dripper are to be disregarded.



- (21) Design Number: **14825/2006**
(22) Date of Filing Application: **20 October 2006**
(24) Date from which industrial property rights may have effect: **20 October 2006**
(54) Product in respect of which the design is registered: **Reel for electrical wires**
(51) International Design Classification: **08-99**
(71) Name(s) and Address(s) of Applicant(s):
Maria Angeles Perez Delgado
Casino no.2 38620 San Miguel De Abona (Tenerife) Spain
(72) Name(s) of Designer(s): **Maria Angeles Perez Delgado**
(45) Registration Date: **18 December 2006**
(30) Convention priority data:
(31) Number (32) Date (33) Country
000516711#0007 21 Apr 2006 EUROPEAN COMMUNITY
(56) Related Art Documents: **Not Applicable**
(57) Statement of Newness and Distinctiveness: **Nil**



- (21) Design Number: **14886/2006**
(22) Date of Filing Application: **25 October 2006**
(24) Date from which industrial property rights may have effect: **25 October 2006**
(54) Product in respect of which the design is registered: **A bedframe**
(51) International Design Classification: **06-02**
(71) Name(s) and Address(s) of Applicant(s):

Design Mobil NZ Limited
PO Box 1142 Tauranga New Zealand

(72) Name(s) of Designer(s): **Daniel Emery**

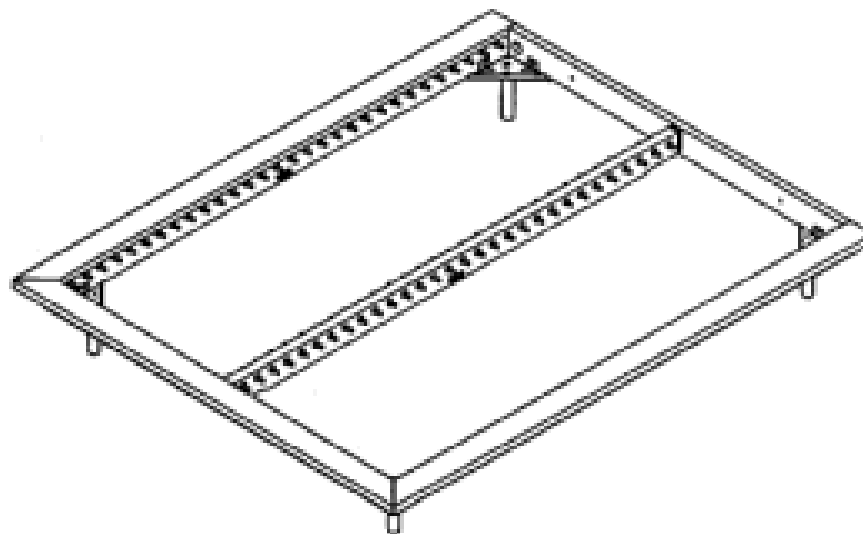
(45) Registration Date: **18 December 2006**

(30) Convention priority data:

(31) Number	(32) Date	(33) Country
408093	12 Sep 2006	NEW ZEALAND

(56) Related Art Documents: **Not Applicable**

(57) Statement of Newness and Distinctiveness: **Nil**



- (21) Design Number: **15007/2006**
(22) Date of Filing Application: **01 November 2006**
(24) Date from which industrial property rights may have effect: **01 November 2006**
(54) Product in respect of which the design is registered: **A shut-off adaptor for a watering system**
(51) International Design Classification: **23-01E**
(71) Name(s) and Address(s) of Applicant(s):

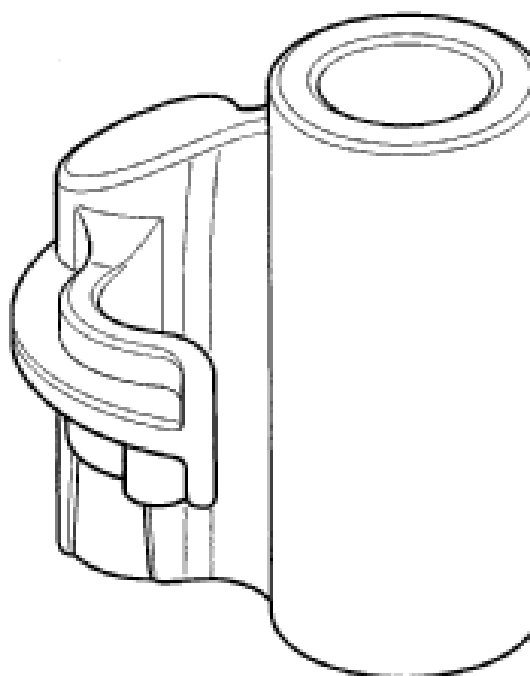
Antelco Pty Ltd
Pallamana Airfield Palmer Road Murray Bridge South Australia 5253
Australia

(72) Name(s) of Designer(s): **Lyll Causby and Robert Sigston and David Bevan Creed**

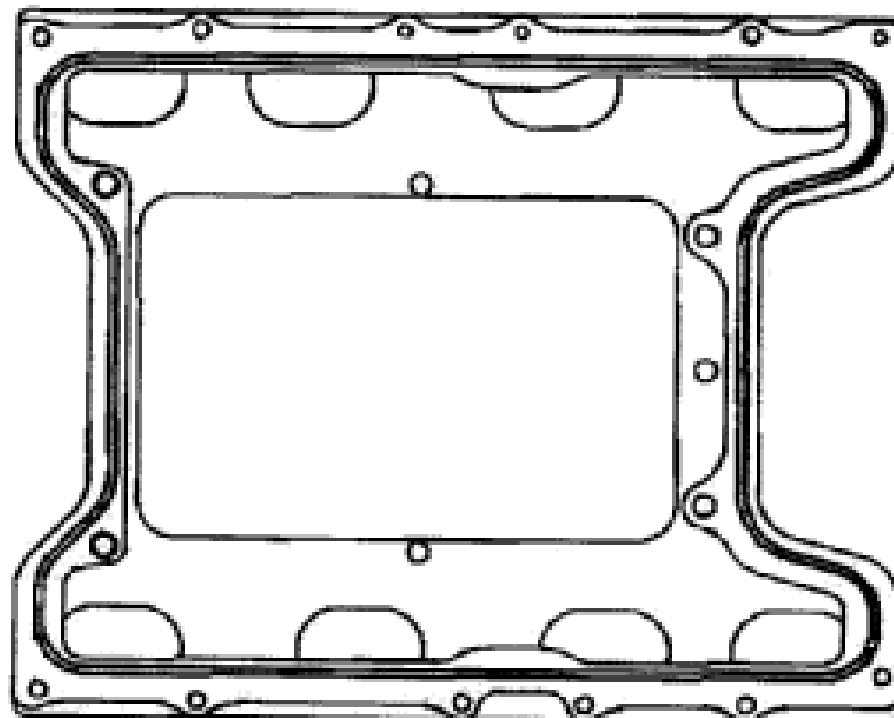
(45) Registration Date: **18 December 2006**

(56) Related Art Documents: **Not Applicable**

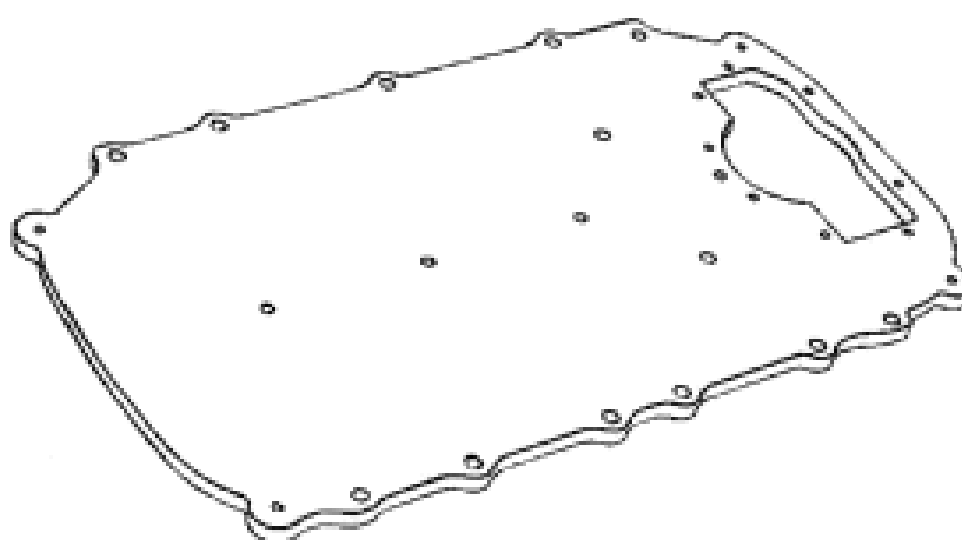
(57) Statement of Newness and Distinctiveness: **Newness and distinctiveness resides in the features of shape and configuration of a shut-off adaptor for a watering system as shown in the accompanying representations.**



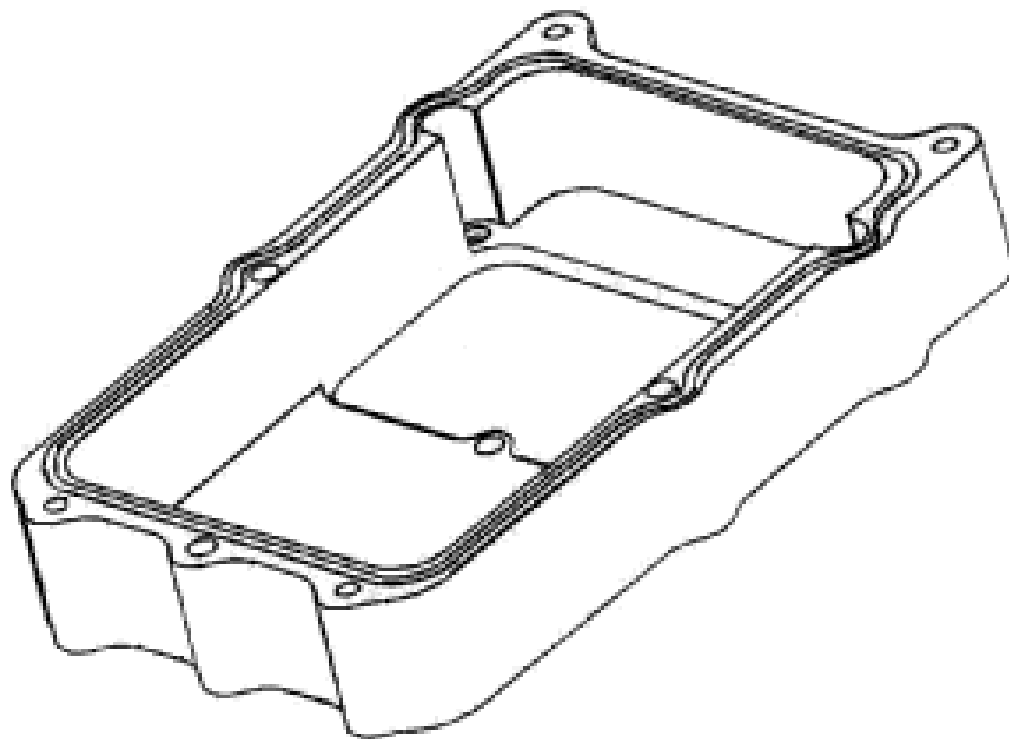
(21) Design Number: **15022/2006**
(22) Date of Filing Application: **01 November 2006**
(24) Date from which industrial property rights may have effect: **01 November 2006**
(54) Product in respect of which the design is registered: **Engine supercharger component**
(51) International Design Classification: **15-01**
(71) Name(s) and Address(s) of Applicant(s):
Yella Terra Pty Ltd
273 Wickham Road Moorabbin Victoria 3189 Australia
(72) Name(s) of Designer(s): **Matthew James Smith**
(45) Registration Date: **18 December 2006**
(56) Related Art Documents: **Not Applicable**
(57) Statement of Newness and Distinctiveness: **Nil**



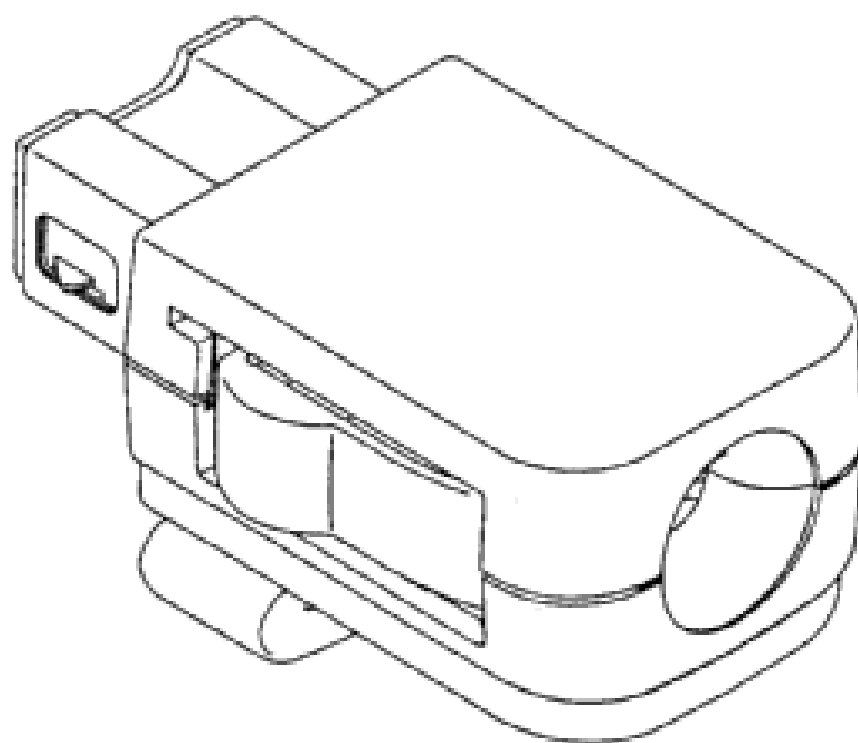
(21) Design Number: **15023/2006**
(22) Date of Filing Application: **01 November 2006**
(24) Date from which industrial property rights may have effect: **01 November 2006**
(54) Product in respect of which the design is registered: **Engine supercharger component**
(51) International Design Classification: **15-01**
(71) Name(s) and Address(s) of Applicant(s):
Yella Terra Pty Ltd
273 Wickham Road Moorabbin Victoria 3189 Australia
(72) Name(s) of Designer(s): **Matthew James Smith**
(45) Registration Date: **18 December 2006**
(56) Related Art Documents: **Not Applicable**
(57) Statement of Newness and Distinctiveness: **Nil**



- (21) Design Number: **15024/2006**
(22) Date of Filing Application: **01 November 2006**
(24) Date from which industrial property rights may have effect: **01 November 2006**
(54) Product in respect of which the design is registered: **Engine supercharger component**
(51) International Design Classification: **15-01**
(71) Name(s) and Address(s) of Applicant(s):
Yella Terra Pty Ltd
273 Wickham Road Moorabbin Victoria 3189 Australia
(72) Name(s) of Designer(s): **Matthew James Smith**
(45) Registration Date: **18 December 2006**
(56) Related Art Documents: **Not Applicable**
(57) Statement of Newness and Distinctiveness: **Nil**



- (21) Design Number: **15038/2006**
(22) Date of Filing Application: **01 November 2006**
(24) Date from which industrial property rights may have effect: **01 November 2006**
(54) Product in respect of which the design is registered: **A connector plug for an electronic game machine**
(51) International Design Classification: **21-01N**
(71) Name(s) and Address(s) of Applicant(s):
Nintendo Co., Ltd.
11-1 Hokotate-cho Kamitoba Minami-ku Kyoto-shi Kyoto Japan
(72) Name(s) of Designer(s): **Kenichiro Ashida and Junji Takamoto and Yoshitomo Goto and Masato Ibuki and Shinji Yamamoto and Daisuke Kumazaki and Fumiyoshi Suetake and Akiko Suga**
(45) Registration Date: **18 December 2006**
(30) Convention priority data:
(31) Number (32) Date (33) Country
2006-023699 05 Sep 2006 JAPAN
(56) Related Art Documents: **Not Applicable**
(57) Statement of Newness and Distinctiveness: **Nil**



(21) Design Number: **15039/2006**

(22) Date of Filing Application: **01 November 2006**

(24) Date from which industrial property rights may have effect: **01 November 2006**

(54) Product in respect of which the design is registered: **A cable connector plug**

(51) International Design Classification: **21-01N**

(71) Name(s) and Address(s) of Applicant(s):

Nintendo Co., Ltd.

11-1 Hokotate-cho Kamitoba Minami-ku Kyoto-shi Kyoto Japan

(72) Name(s) of Designer(s): **Kenichiro Ashida and Yuji Hori and Masato Ibuki and Shinji Yamamoto and Fumiyoshi Suetake and Akiko Suga and Hirokazu Matsui**

(45) Registration Date: **18 December 2006**

(30) Convention priority data:

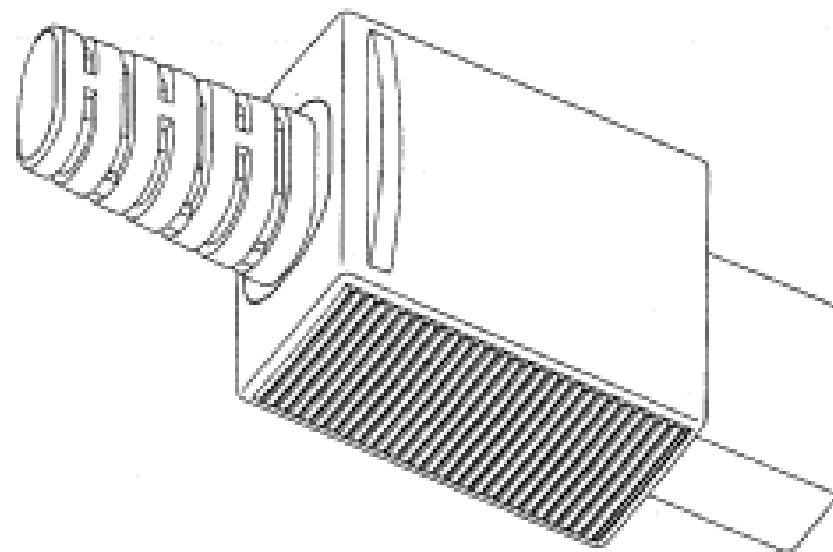
(31) Number
2006-011546

(32) Date
02 May 2006

(33) Country
JAPAN

(56) Related Art Documents: **Not Applicable**

(57) Statement of Newness and Distinctiveness: **Nil**



(21) Design Number: **15040/2006**

(22) Date of Filing Application: **01 November 2006**

(24) Date from which industrial property rights may have effect: **01 November 2006**

(54) Product in respect of which the design is registered: **A cable connector plug**

(51) International Design Classification: **21-01N**

(71) Name(s) and Address(s) of Applicant(s):

Nintendo Co., Ltd.

11-1 Hokotate-cho Kamitoba Minami-ku Kyoto-shi Kyoto Japan

(72) Name(s) of Designer(s): **Kenichiro Ashida and Yuji Hori and Masato Ibuki and Shinji Yamamoto and Fumiyoshi Suetake and Akiko Suga and Hirokazu Matsui**

(45) Registration Date: **18 December 2006**

(30) Convention priority data:

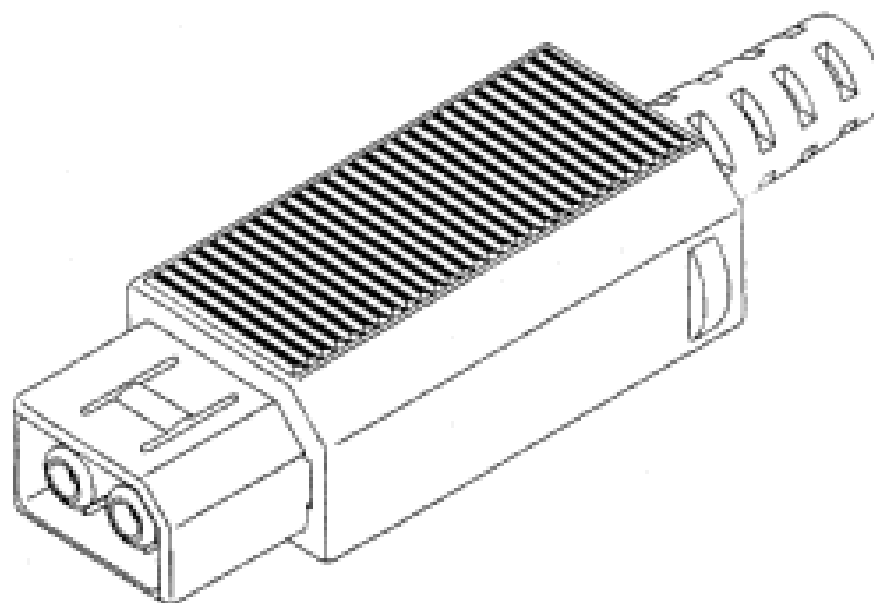
(31) Number
2006-011547

(32) Date
02 May 2006

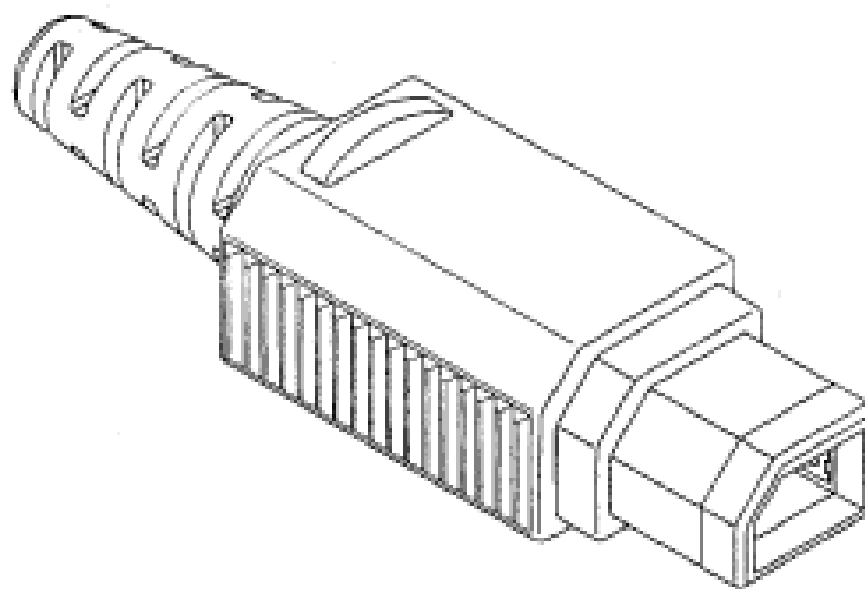
(33) Country
JAPAN

(56) Related Art Documents: **Not Applicable**

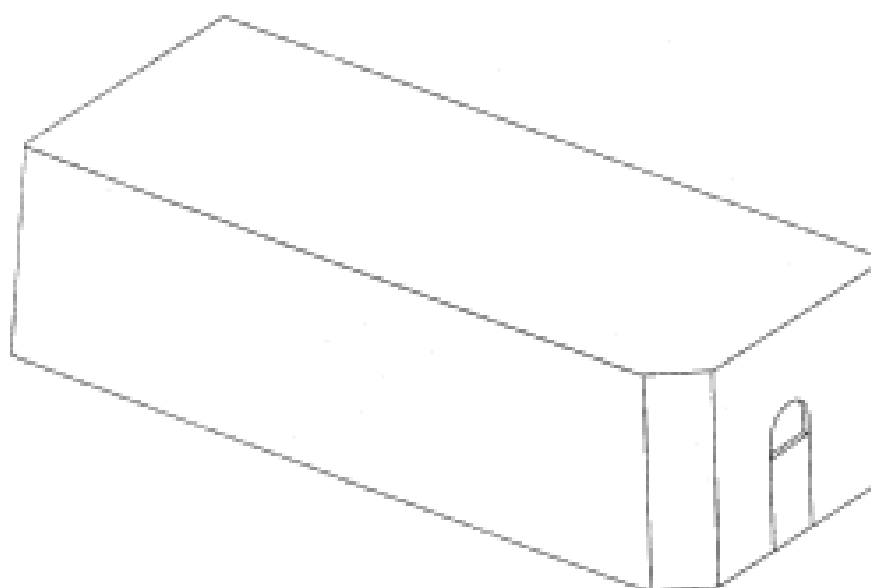
(57) Statement of Newness and Distinctiveness: **Nil**



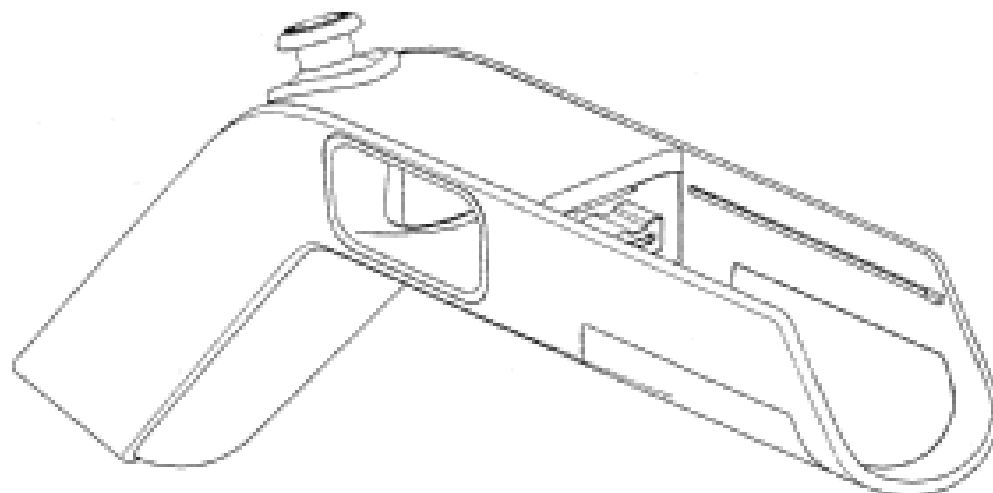
(21) Design Number: **15041/2006**
(22) Date of Filing Application: **01 November 2006**
(24) Date from which industrial property rights may have effect: **01 November 2006**
(54) Product in respect of which the design is registered: **A cable connector plug**
(51) International Design Classification: **21-01N**
(71) Name(s) and Address(s) of Applicant(s):
Nintendo Co., Ltd.
11-1 Hokotate-cho Kamitoba Minami-ku Kyoto-shi Kyoto Japan
(72) Name(s) of Designer(s): **Kenichiro Ashida and Yuji Hori and Masato Ibuki and Shinji Yamamoto and Fumiyoshi Suetake and Akiko Suga and Hirokazu Matsui**
(45) Registration Date: **18 December 2006**
(30) Convention priority data:
(31) Number (32) Date (33) Country
2006-011548 02 May 2006 JAPAN
(56) Related Art Documents: **Not Applicable**
(57) Statement of Newness and Distinctiveness: **Nil**



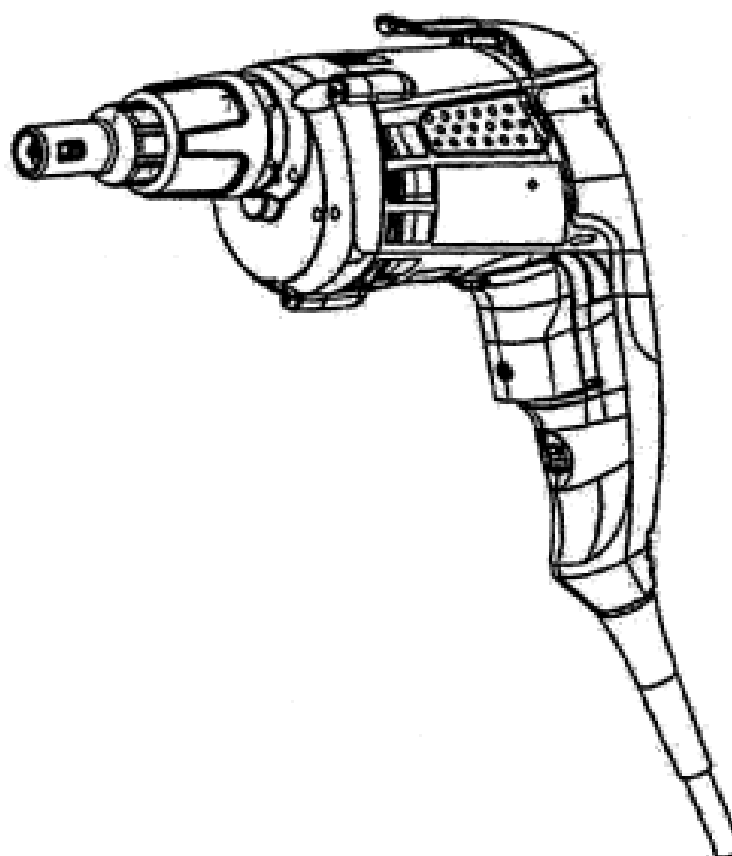
(21) Design Number: **15044/2006**
(22) Date of Filing Application: **01 November 2006**
(24) Date from which industrial property rights may have effect: **01 November 2006**
(54) Product in respect of which the design is registered: **An AC adaptor for an electronic game machine**
(51) International Design Classification: **21-01N, 13-02**
(71) Name(s) and Address(s) of Applicant(s):
Nintendo Co., Ltd.
11-1 Hokotate-cho Kamitoba Minami-ku Kyoto-shi Kyoto Japan
(72) Name(s) of Designer(s): **Kenichiro Ashida and Yuji Hori and Masato Ibuki and Shinji Yamamoto and Fumiyoshi Suetake and Akiko Suga**
(45) Registration Date: **18 December 2006**
(30) Convention priority data:
(31) Number (32) Date (33) Country
2006-011520 02 May 2006 JAPAN
(56) Related Art Documents: **Not Applicable**
(57) Statement of Newness and Distinctiveness: **Nil**



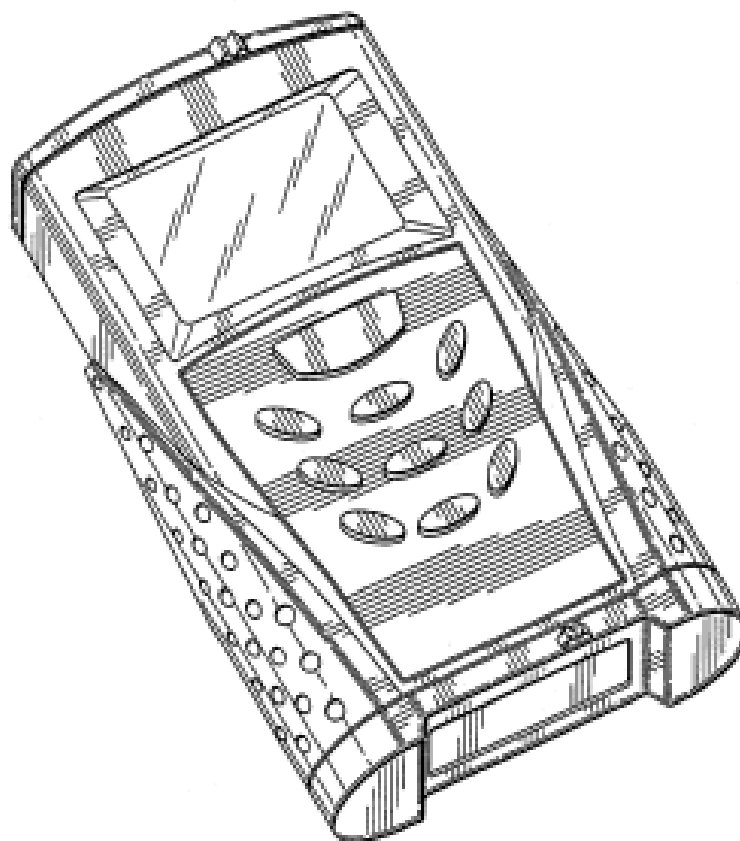
- (21) Design Number: **15046/2006**
(22) Date of Filing Application: **01 November 2006**
(24) Date from which industrial property rights may have effect: **01 November 2006**
(54) Product in respect of which the design is registered: **A controller for an electronic game machine**
(51) International Design Classification: **21-01N**
(71) Name(s) and Address(s) of Applicant(s):
Nintendo Co., Ltd.
11-1 Hokotate-cho Kamitoba Minami-ku Kyoto-shi Kyoto Japan
(72) Name(s) of Designer(s): **Kenichiro Ashida and Masato Ibuki and Shinji Yamamoto and Fumiyoshi Suetake and Daisuke Kumazaki and Akiko Suga**
(45) Registration Date: **18 December 2006**
(30) Convention priority data:
(31) Number (32) Date (33) Country
2006-011525 02 May 2006 JAPAN
(56) Related Art Documents: **Not Applicable**
(57) Statement of Newness and Distinctiveness: **Nil**



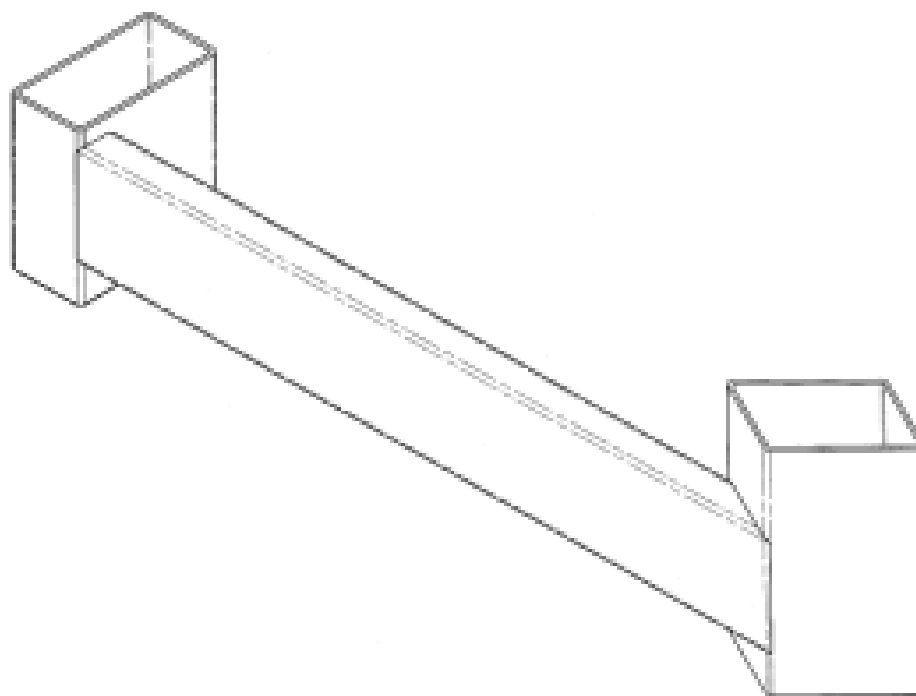
- (21) Design Number: **15047/2006**
(22) Date of Filing Application: **01 November 2006**
(24) Date from which industrial property rights may have effect: **01 November 2006**
(54) Product in respect of which the design is registered: **Screwdriver**
(51) International Design Classification: **08-04**
(71) Name(s) and Address(s) of Applicant(s):
Robert Bosch GmbH
Postfach 30 02 20 D-70442 Stuttgart Germany
(72) Name(s) of Designer(s): **Hans-Peter Aglassinger**
(45) Registration Date: **18 December 2006**
(30) Convention priority data:
(31) Number (32) Date (33) Country
00564224 20 Jul 2006 EUROPEAN COMMUNITY
(56) Related Art Documents: **Not Applicable**
(57) Statement of Newness and Distinctiveness: **Nil**



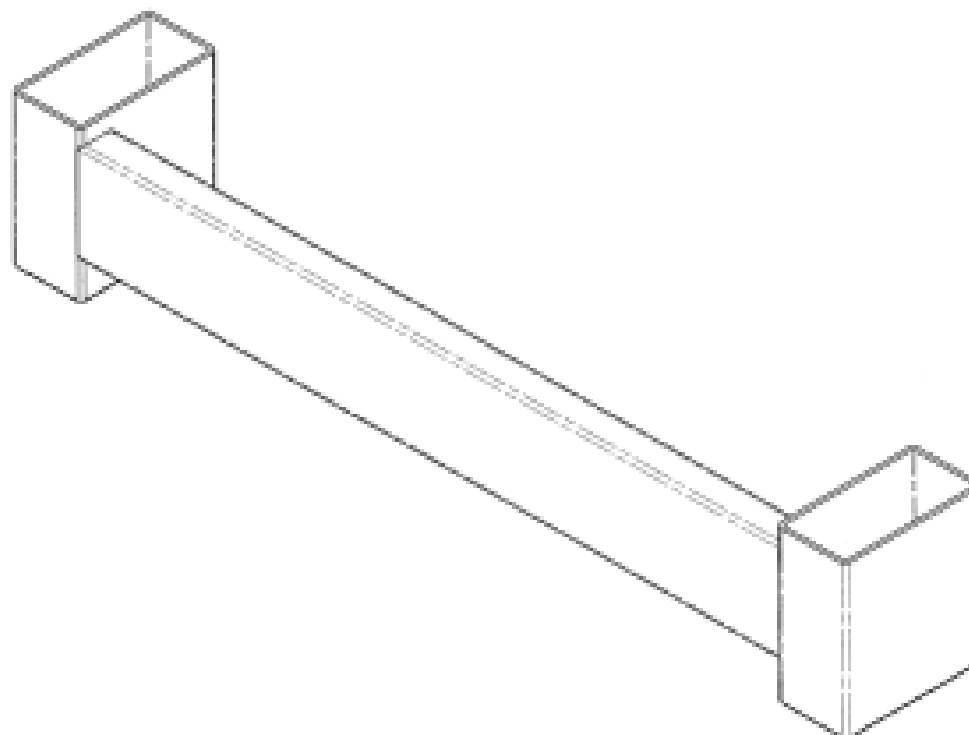
(21) Design Number: **15048/2006**
(22) Date of Filing Application: **01 November 2006**
(24) Date from which industrial property rights may have effect: **01 November 2006**
(54) Product in respect of which the design is registered: **Optical range finder**
(51) International Design Classification: **16-06**
(71) Name(s) and Address(s) of Applicant(s):
Robert Bosch GmbH
Postfach 30 02 20 D-70442 Stuttgart Germany
(72) Name(s) of Designer(s): **Klaus Baumgartner**
(45) Registration Date: **18 December 2006**
(30) Convention priority data:
(31) Number (32) Date (33) Country
000544903-0001 15 Jun 2006 EUROPEAN COMMUNITY
(56) Related Art Documents: **Not Applicable**
(57) Statement of Newness and Distinctiveness: **Nil**



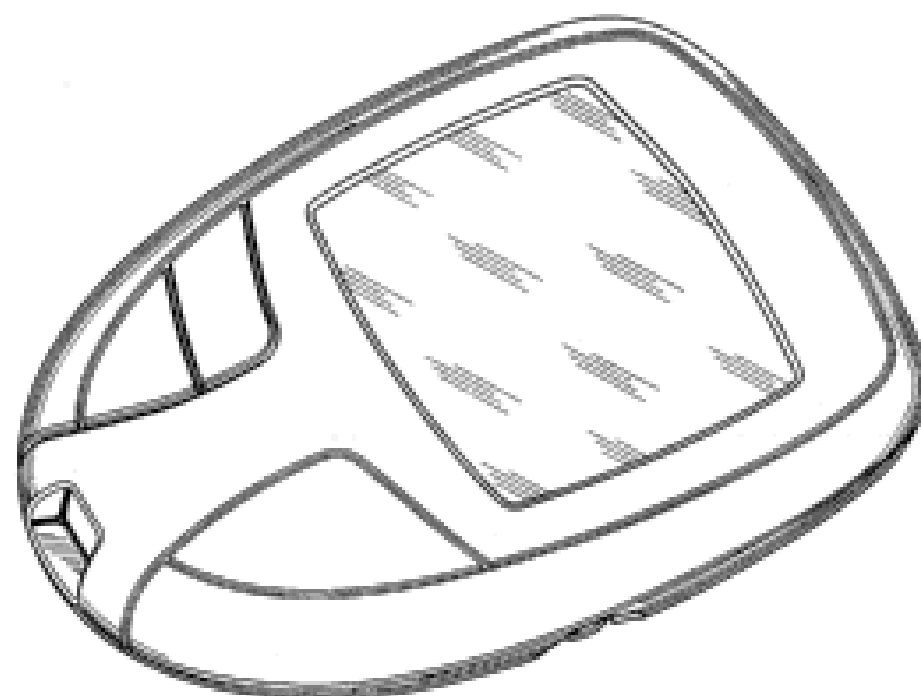
(21) Design Number: **15071/2006**
(22) Date of Filing Application: **03 November 2006**
(24) Date from which industrial property rights may have effect: **03 November 2006**
(54) Product in respect of which the design is registered: **Racking guard**
(51) International Design Classification: **02-01B**
(71) Name(s) and Address(s) of Applicant(s):
Dematic Pty Ltd
24 Narabang Way Belrose New South Wales 2085 Australia
(72) Name(s) of Designer(s): **Paul Armstrong Berry and Stephen John Celati and Murray James Clarke**
(45) Registration Date: **18 December 2006**
(56) Related Art Documents: **Not Applicable**
(57) Statement of Newness and Distinctiveness: **Nil**



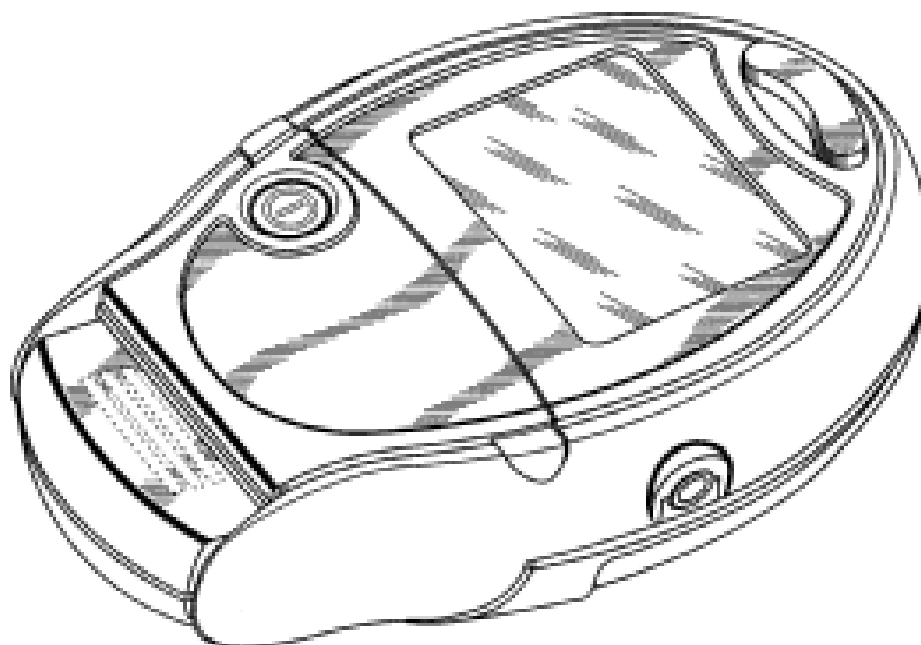
- (21) Design Number: **15072/2006**
(22) Date of Filing Application: **03 November 2006**
(24) Date from which industrial property rights may have effect: **03 November 2006**
(54) Product in respect of which the design is registered: **Racking guard**
(51) International Design Classification: **02-01B**
(71) Name(s) and Address(s) of Applicant(s):
Dematic Pty Ltd
24 Narabang Way Belrose New South Wales 2085 Australia
(72) Name(s) of Designer(s): **Paul Armstrong Berry and Stephen John Celati and Murray James Clarke**
(45) Registration Date: **18 December 2006**
(56) Related Art Documents: **Not Applicable**
(57) Statement of Newness and Distinctiveness: **Nil**



- (21) Design Number: **15080/2006**
(22) Date of Filing Application: **03 November 2006**
(24) Date from which industrial property rights may have effect: **03 November 2006**
(54) Product in respect of which the design is registered: **An analyte-determining meter**
(51) International Design Classification: **24-01**
(71) Name(s) and Address(s) of Applicant(s):
Bayer Healthcare LLC
555 White Plains Road Tarrytown New York 10591 United States of America
(72) Name(s) of Designer(s): **Julian Schlagheck and Markus Mottscheller and Jeffrey A. Culver and Barry D. Power and Eric Miller**
(45) Registration Date: **18 December 2006**
(30) Convention priority data:
(31) Number (32) Date (33) Country
29259437 08 May 2006 UNITED STATES OF AMERICA
(56) Related Art Documents: **Not Applicable**
(57) Statement of Newness and Distinctiveness: **Newness and distinctiveness is claimed in the visual features shown in solid lines in the representations.**



- (21) Design Number: **15082/2006**
(22) Date of Filing Application: **03 November 2006**
(24) Date from which industrial property rights may have effect: **03 November 2006**
(54) Product in respect of which the design is registered: **An analyte-determining meter**
(51) International Design Classification: **24-02**
(71) Name(s) and Address(s) of Applicant(s):
Bayer Healthcare LLC
555 White Plains Road Tarrytown New York 10591 United States of America
(72) Name(s) of Designer(s): **Rex J. Kuriger and Michael Green and Julian Schlagheck**
(45) Registration Date: **18 December 2006**
(30) Convention priority data:
(31) Number (32) Date (33) Country
29259407 08 May 2006 UNITED STATES OF AMERICA
(56) Related Art Documents: **Not Applicable**
(57) Statement of Newness and Distinctiveness: **Newness and distinctiveness is claimed in the visual features shown in solid lines in the representations.**



- (21) Design Number: **15083/2006**
(22) Date of Filing Application: **03 November 2006**
(24) Date from which industrial property rights may have effect: **03 November 2006**
(54) Product in respect of which the design is registered: **Tumbler**
(51) International Design Classification: **07-01C**
(71) Name(s) and Address(s) of Applicant(s):
Sahm GmbH & Co. KG
Westerwaldstrasse 13 56203 Hohn-Grenzhausen Germany
(72) Name(s) of Designer(s): **Michael Boehm**
(45) Registration Date: **18 December 2006**
(56) Related Art Documents: **Not Applicable**
(57) Statement of Newness and Distinctiveness: **Nil**



- (21) Design Number: **15620/2006**
(22) Date of Filing Application: **07 December 2006**
(24) Date from which industrial property rights may have effect: **07 December 2006**
(54) Product in respect of which the design is registered: **Hats all sizes**
(51) International Design Classification: **02-03**
(71) Name(s) and Address(s) of Applicant(s):
Carole Furlow
327 Tasman Highway Beaumaris Tasmania 7215 Australia
John Furlow
327 Tasman Highway Beaumaris Tasmania 7215 Australia
(72) Name(s) of Designer(s): **Carole J. Furlow**
(45) Registration Date: **18 December 2006**
(56) Related Art Documents: **Not Applicable**
(57) Statement of Newness and Distinctiveness: **Hand stitched marking around whiskers and hand stitched outline around eyes. Sides of hat are shaped as front legs with paws. 2 white felt teeth.**



- (21) Design Number: **11432/2006**
(22) Date of Filing Application: **06 April 2006**
(24) Date from which industrial property rights may have effect: **06 April 2006**
(54) Product in respect of which the design is registered: **Ladies garments**
(51) International Design Classification: **02-02C, 02-02NES**
(71) Name(s) and Address(s) of Applicant(s):
Review Australia Pty Ltd
25-31 Rokeby Street Collingwood Victoria 3066 Australia
(72) Name(s) of Designer(s): **Jayne Ellis**
(45) Registration Date: **18 December 2006**
(56) Related Art Documents: **Not Applicable**
(57) Statement of Newness and Distinctiveness: **Nil**



(21) Design Number: **14219/2006**
(22) Date of Filing Application: **20 September 2006**
(24) Date from which industrial property rights may have effect: **20 September 2006**
(54) Product in respect of which the design is registered: **An automatic parking ticket dispenser and calculator**
(51) International Design Classification: **10-03**
(71) Name(s) and Address(s) of Applicant(s):
Mirae Industrial Systems Co., Ltd.
#1004 Gayang-Techno Town 1487 Gayang 3-Dong Gangseo-gu Seoul
157-793 Republic of Korea (South)
(72) Name(s) of Designer(s): **Chon-U Choi**
(45) Registration Date: **18 December 2006**
(30) Convention priority data:
(31) Number (32) Date (33) Country
30-2006-10321 21 Mar 2006 REPUBLIC OF KOREA
(56) Related Art Documents: **Not Applicable**
(57) Statement of Newness and Distinctiveness: **Nil**



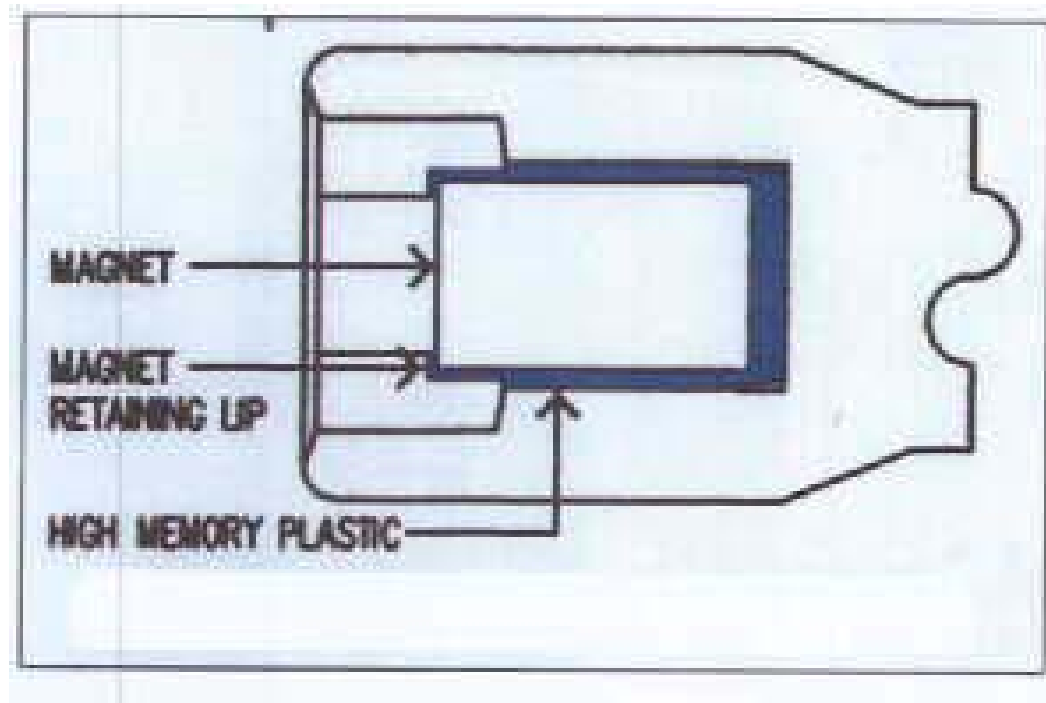
(21) Design Number: **14467/2006**
(22) Date of Filing Application: **06 April 2006**
(24) Date from which industrial property rights may have effect: **06 April 2006**
(54) Product in respect of which the design is registered: **Ladies garments**
(51) International Design Classification: **02-02C, 02-02NES**
(71) Name(s) and Address(s) of Applicant(s):
Review Australia Pty Ltd
25-31 Rokeby Street Collingwood Victoria 3066 Australia
(72) Name(s) of Designer(s): **Jayne Ellis**
(45) Registration Date: **18 December 2006**
(56) Related Art Documents: **Not Applicable**
(57) Statement of Newness and Distinctiveness: **Nil**



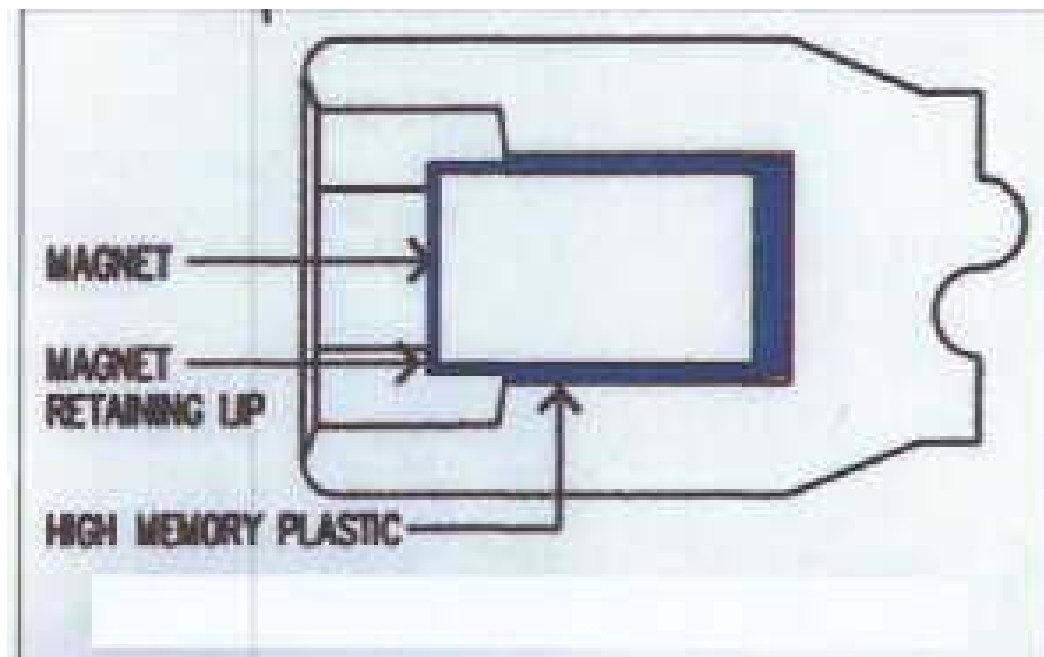
- (21) Design Number: **14468/2006**
- (22) Date of Filing Application: **06 April 2006**
- (24) Date from which industrial property rights may have effect: **06 April 2006**
- (54) Product in respect of which the design is registered: **Ladies garments**
- (51) International Design Classification: **02-02C, 02-02NES**
- (71) Name(s) and Address(s) of Applicant(s):
Review Australia Pty Ltd
25-31 Rokeby Street Collingwood Victoria 3066 Australia
- (72) Name(s) of Designer(s): **Jayne Ellis**
- (45) Registration Date: **18 December 2006**
- (56) Related Art Documents: **Not Applicable**
- (57) Statement of Newness and Distinctiveness: **Nil**



- (21) Design Number: **14485/2006**
- (22) Date of Filing Application: **06 October 2006**
- (24) Date from which industrial property rights may have effect: **06 October 2006**
- (54) Product in respect of which the design is registered: **A 'GFB' plastic magnet-holder to suit a nut-setter tool for power screwdrivers**
- (51) International Design Classification: **08-04**
- (71) Name(s) and Address(s) of Applicant(s):
Lawtools Pty Ltd
16 Lyons Terrace Windsor Queensland 4030 Australia
- (72) Name(s) of Designer(s): **Les Howard and R.M. Law**
- (45) Registration Date: **18 December 2006**
- (56) Related Art Documents: **Not Applicable**
- (57) Statement of Newness and Distinctiveness: **New wrap-around memory plastic to aid shock-proofing of tool magnet.**

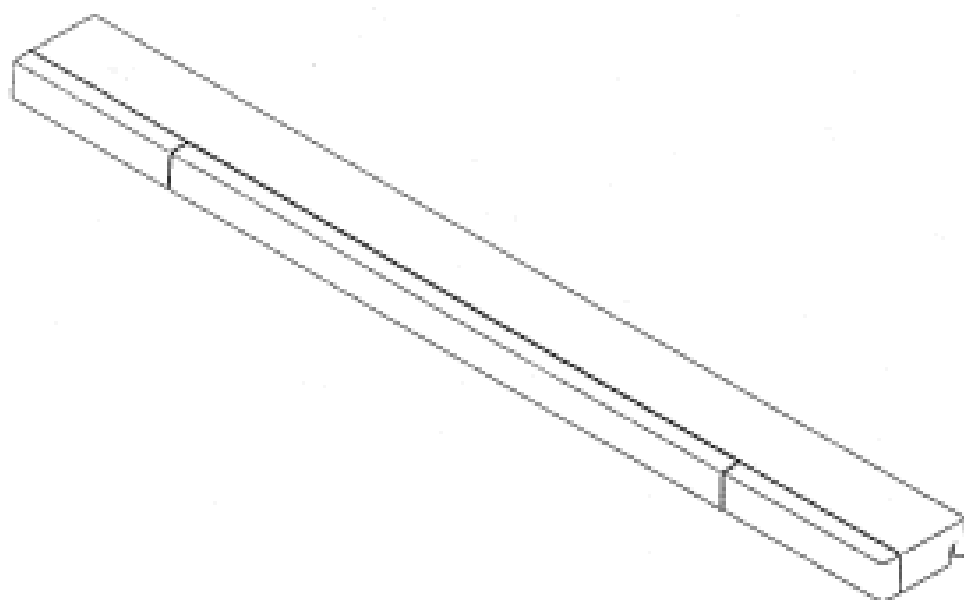


- (21) Design Number: **14486/2006**
- (22) Date of Filing Application: **06 October 2006**
- (24) Date from which industrial property rights may have effect: **06 October 2006**
- (54) Product in respect of which the design is registered: **A 'GFB' plastic magnet-holder to suit a nut-setter tool for power screwdrivers**
- (51) International Design Classification: **08-04**
- (71) Name(s) and Address(s) of Applicant(s):
Lawtools Pty Ltd
16 Lyons Terrace Windsor Queensland 4030 Australia
- (72) Name(s) of Designer(s): **Les Howard and R.M. Law**
- (45) Registration Date: **18 December 2006**
- (56) Related Art Documents: **Not Applicable**
- (57) Statement of Newness and Distinctiveness: **New wrap-around memory plastic to aid shock-proofing of tool magnet.**



- (21) Design Number: **15037/2006**
- (22) Date of Filing Application: **01 November 2006**
- (24) Date from which industrial property rights may have effect: **01 November 2006**
- (54) Product in respect of which the design is registered: **A sensor bar for an electronic game machine**
- (51) International Design Classification: **21-01N**
- (71) Name(s) and Address(s) of Applicant(s):
Nintendo Co., Ltd.
11-1 Hokotate-cho Kamitoba Minami-ku Kyoto-shi Kyoto Japan
- (72) Name(s) of Designer(s): **Kenichiro Ashida and Junji Takamoto and Yoshitomo Goto and Masato Ibuki and Shinji Yamamoto and Fumiyoshi Suetake and Akiko Suga**
- (45) Registration Date: **18 December 2006**
- (30) Convention priority data:

(31) Number	(32) Date	(33) Country
2006-011522	02 May 2006	JAPAN
- (56) Related Art Documents: **Not Applicable**
- (57) Statement of Newness and Distinctiveness: **Nil**



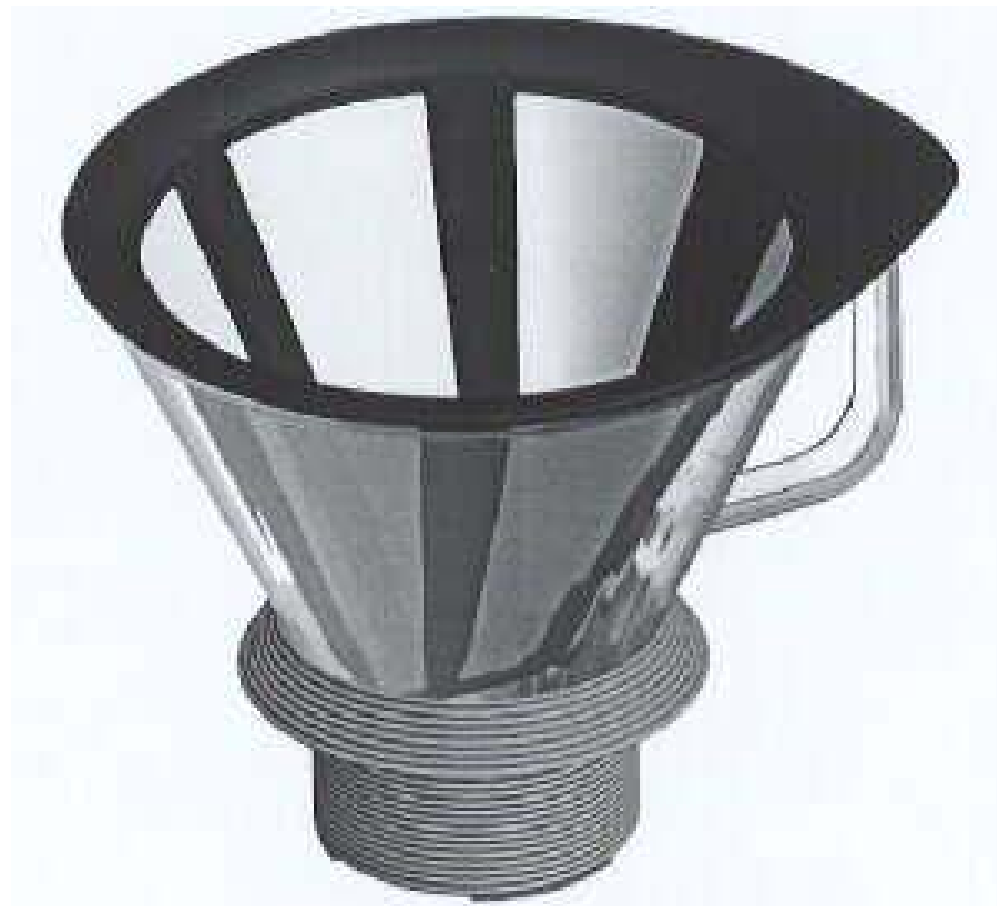
- (21) Design Number: **15059/2006**
(22) Date of Filing Application: **02 November 2006**
(24) Date from which industrial property rights may have effect: **02 November 2006**
(54) Product in respect of which the design is registered: **A pump**
(51) International Design Classification: **15-02**
(71) Name(s) and Address(s) of Applicant(s):
Poolrite Research Pty Ltd
415 Creek Road Mt Gravatt Queensland 4122 Australia
(72) Name(s) of Designer(s): **Ross Palmer and Colin James Redmond and Colin Holloway and Tom Percy**
(45) Registration Date: **18 December 2006**
(56) Related Art Documents: **Not Applicable**
(57) Statement of Newness and Distinctiveness: **Newness and distinctiveness resides in the shape and configuration of the pump shown in the accompanying representations.**



- (21) Design Number: **15061/2006**
(22) Date of Filing Application: **03 November 2006**
(24) Date from which industrial property rights may have effect: **03 November 2006**
(54) Product in respect of which the design is registered: **Double wall drip coffee maker**
(51) International Design Classification: **07-02L**
(71) Name(s) and Address(s) of Applicant(s):
Pi-Design AG
Kantonsstrasse 100 Postfach 463 CH-6234 Triengen Switzerland
(72) Name(s) of Designer(s): **Jorgen Bodum**
(45) Registration Date: **18 December 2006**
(30) Convention priority data:
(31) Number (32) Date (33) Country
DA 2006 09 May 2006 DENMARK
00134
(56) Related Art Documents: **Not Applicable**
(57) Statement of Newness and Distinctiveness: **Nil**



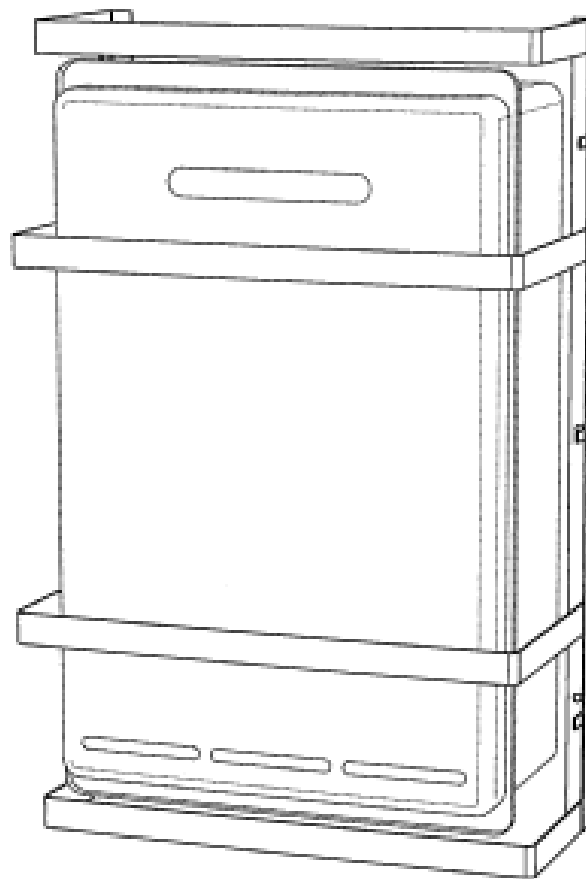
(21) Design Number: **15062/2006**
(22) Date of Filing Application: **03 November 2006**
(24) Date from which industrial property rights may have effect: **03 November 2006**
(54) Product in respect of which the design is registered: **Coffee filter**
(51) International Design Classification: **07-02L**
(71) Name(s) and Address(s) of Applicant(s):
Pi-Design AG
Kantonsstrasse 100 Postfach 463 CH-6234 Triengen Switzerland
(72) Name(s) of Designer(s): **Jorgen Bodum**
(45) Registration Date: **18 December 2006**
(30) Convention priority data:
(31) Number (32) Date (33) Country
DA 2006 09 May 2006 DENMARK
00134
(56) Related Art Documents: **Not Applicable**
(57) Statement of Newness and Distinctiveness: **Nil**



(21) Design Number: **15063/2006**
(22) Date of Filing Application: **03 November 2006**
(24) Date from which industrial property rights may have effect: **03 November 2006**
(54) Product in respect of which the design is registered: **Coffee jug**
(51) International Design Classification: **07-01F**
(71) Name(s) and Address(s) of Applicant(s):
Pi-Design AG
Kantonsstrasse 100 Postfach 463 CH-6234 Triengen Switzerland
(72) Name(s) of Designer(s): **Jorgen Bodum**
(45) Registration Date: **18 December 2006**
(30) Convention priority data:
(31) Number (32) Date (33) Country
DA 2006 09 May 2006 DENMARK
00134
(56) Related Art Documents: **Not Applicable**
(57) Statement of Newness and Distinctiveness: **Nil**



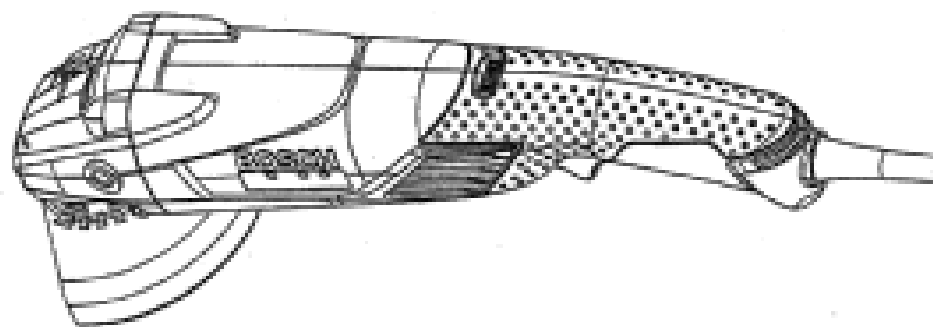
(21) Design Number: **15065/2006**
(22) Date of Filing Application: **03 November 2006**
(24) Date from which industrial property rights may have effect: **03 November 2006**
(54) Product in respect of which the design is registered: **Water heater safety skirt**
(51) International Design Classification: **23-03H**
(71) Name(s) and Address(s) of Applicant(s):
John Raymond Dyer
5 Powell Court West Lakes South Australia 5021 Australia
(72) Name(s) of Designer(s): **John Raymond Dyer**
(45) Registration Date: **18 December 2006**
(56) Related Art Documents: **Not Applicable**
(57) Statement of Newness and Distinctiveness: **Nil**



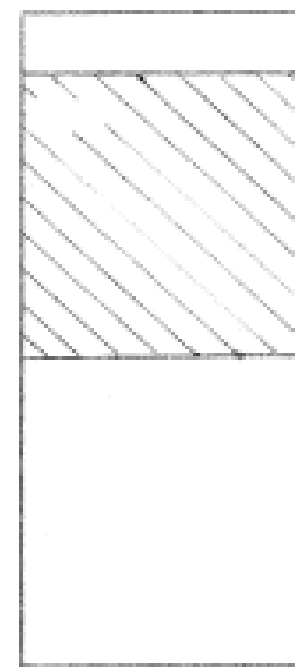
(21) Design Number: **15081/2006**
(22) Date of Filing Application: **03 November 2006**
(24) Date from which industrial property rights may have effect: **03 November 2006**
(54) Product in respect of which the design is registered: **Oral care appliance handle**
(51) International Design Classification: **28-03NES**
(71) Name(s) and Address(s) of Applicant(s):
GlaxoSmithKline Consumer Healthcare GmbH & Co. KG
Bussmatten 1 D-77815 Buehl (Baden) Germany
(72) Name(s) of Designer(s): **Christoph Geiberger and Klaus Reinbold and Mana Rezvani**
(45) Registration Date: **18 December 2006**
(30) Convention priority data:
(31) Number (32) Date (33) Country
3024767 08 May 2006 UNITED KINGDOM
(56) Related Art Documents: **Not Applicable**
(57) Statement of Newness and Distinctiveness: **Nil**



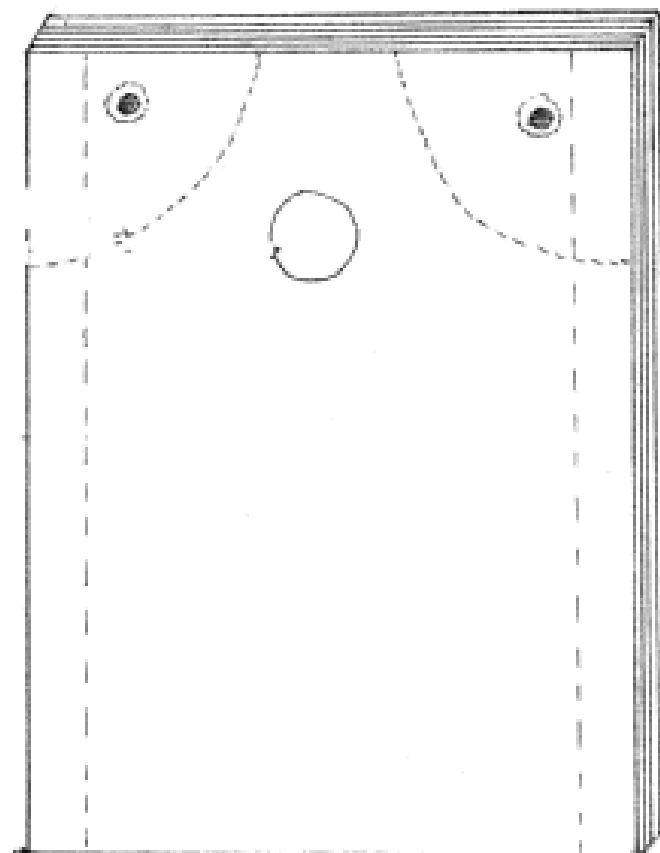
- (21) Design Number: **15084/2006**
(22) Date of Filing Application: **03 November 2006**
(24) Date from which industrial property rights may have effect: **03 November 2006**
(54) Product in respect of which the design is registered: **Angle grinder**
(51) International Design Classification: **08-05N**
(71) Name(s) and Address(s) of Applicant(s):
Robert Bosch GmbH
Postfach 30 02 20 D-70442 Stuttgart Germany
(72) Name(s) of Designer(s): **Hans-Peter Aglassinger**
(45) Registration Date: **18 December 2006**
(30) Convention priority data:
(31) Number (32) Date (33) Country
000562087 17 Jul 2006 EUROPEAN COMMUNITY
(56) Related Art Documents: **Not Applicable**
(57) Statement of Newness and Distinctiveness: **Newness and distinctiveness are provided by the shape and/or configuration of the design shown in the representations. In considering the scope of the newness protection any indicia on the angle grinder is to be disregarded.**



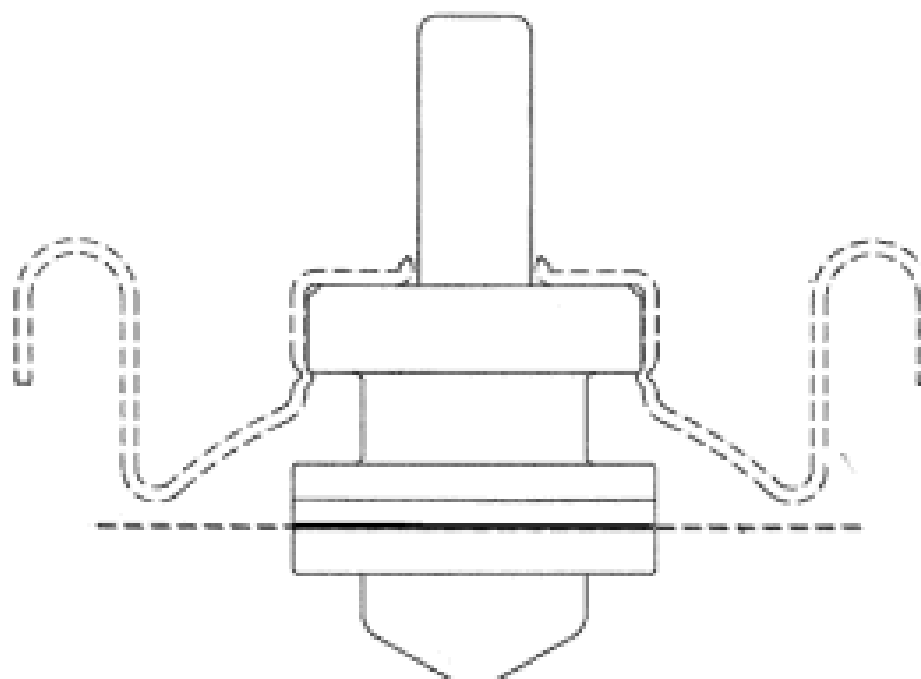
- (21) Design Number: **15088/2006**
(22) Date of Filing Application: **06 November 2006**
(24) Date from which industrial property rights may have effect: **06 November 2006**
(54) Product in respect of which the design is registered: **Window banana bunch cover**
(51) International Design Classification: **09-05**
(71) Name(s) and Address(s) of Applicant(s):
Douglas Michael Trenchard
PO Box 261 Sumner Park Queensland 4074 Australia
(72) Name(s) of Designer(s): **Douglas Michael Trenchard**
(45) Registration Date: **18 December 2006**
(56) Related Art Documents: **Not Applicable**
(57) Statement of Newness and Distinctiveness: **The design incorporates an unprinted area on the back of a transparent banana bunch cover, creating a window by which the fruit, covered by the sleeve, can be viewed.**



- (21) Design Number: **15089/2006**
(22) Date of Filing Application: **06 November 2006**
(24) Date from which industrial property rights may have effect: **06 November 2006**
(54) Product in respect of which the design is registered: **Laundry collection bags**
(51) International Design Classification: **09-05**
(71) Name(s) and Address(s) of Applicant(s):
Douglas Michael Trenchard
PO Box 261 Sumner Park Queensland 4074 Australia
(72) Name(s) of Designer(s): **Douglas Michael Trenchard**
(45) Registration Date: **18 December 2006**
(56) Related Art Documents: **Not Applicable**
(57) Statement of Newness and Distinctiveness: **Bags are contained as a blocked pad. Each bag can be removed from the pad by tearing along perforated lines. The removed bag has a central elongated handle at the top with a carrying hole punched in the centre of the handle.**



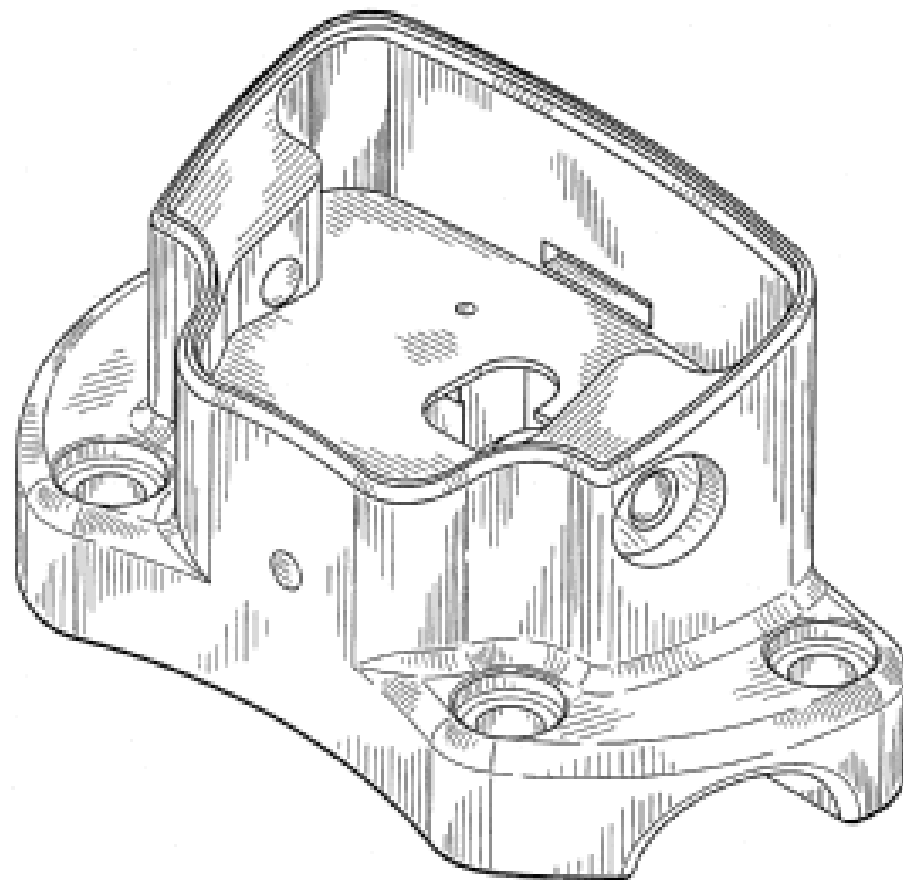
- (21) Design Number: **15091/2006**
(22) Date of Filing Application: **03 November 2006**
(24) Date from which industrial property rights may have effect: **03 November 2006**
(54) Product in respect of which the design is registered: **Valve body**
(51) International Design Classification: **23-01K**
(71) Name(s) and Address(s) of Applicant(s):
Mayne Industries Pty Ltd
24 Granite Street Geebung Queensland 4034 Australia
(72) Name(s) of Designer(s): **Geoff Bailey**
(45) Registration Date: **18 December 2006**
(56) Related Art Documents: **Not Applicable**
(57) Statement of Newness and Distinctiveness: **Newness and distinctiveness resides in the shape and/or configuration of a valve body as depicted in the accompanying representations. In considering newness and distinctiveness of the design the attachment means shown in phantom labelled A and the bag shown in the phantom labelled B, should be disregarded.**



- (21) Design Number: **15092/2006**
(22) Date of Filing Application: **03 November 2006**
(24) Date from which industrial property rights may have effect: **03 November 2006**
(54) Product in respect of which the design is registered: **Modified riser clamp**
(51) International Design Classification: **08-08NES**
(71) Name(s) and Address(s) of Applicant(s):

Edward M. Files
4818 NE Pebble Beach Street Lee's Summit 64064 Missouri United States of America

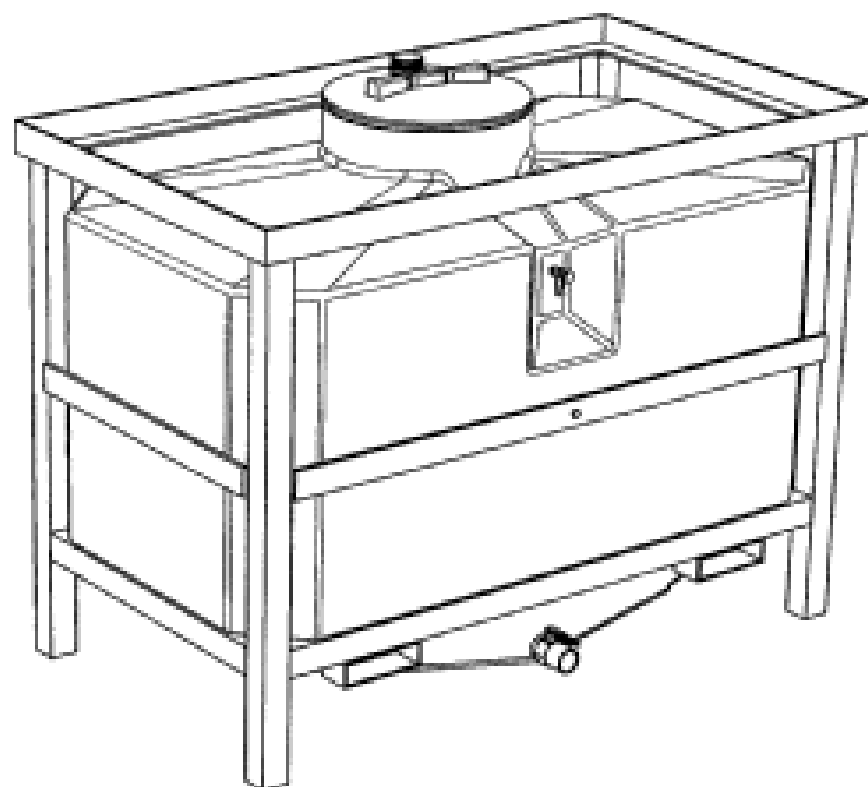
- (72) Name(s) of Designer(s): **Edward M. Files**
(45) Registration Date: **18 December 2006**
(56) Related Art Documents: **Not Applicable**
(57) Statement of Newness and Distinctiveness: **Nil**



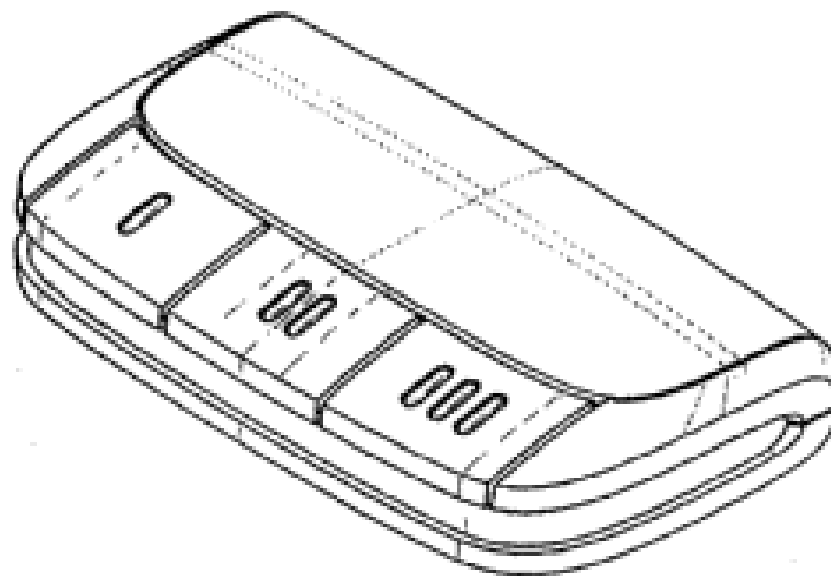
- (21) Design Number: **15100/2006**
(22) Date of Filing Application: **07 November 2006**
(24) Date from which industrial property rights may have effect: **07 November 2006**
(54) Product in respect of which the design is registered: **Wine tank**
(51) International Design Classification: **23-01F, 31-00**
(71) Name(s) and Address(s) of Applicant(s):

Neal Palmer
Symour Hills Julia Road Eudunda South Australia 5374 Australia

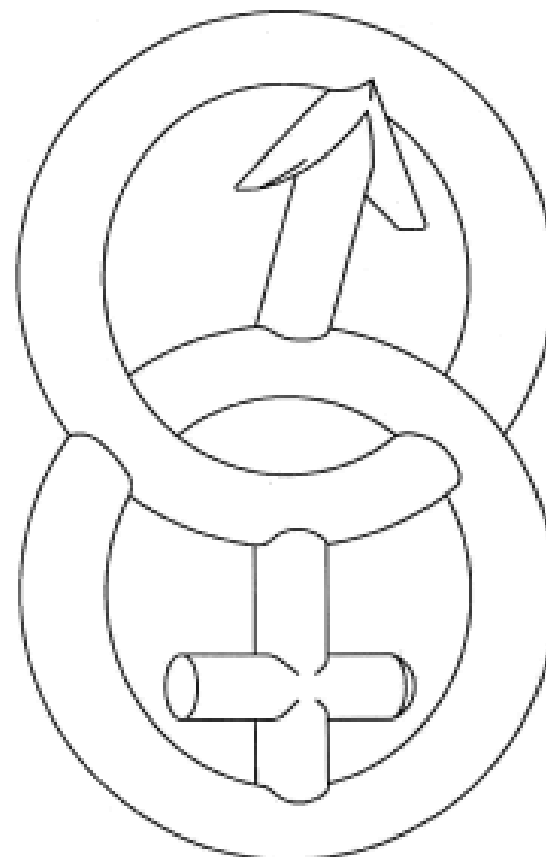
- (72) Name(s) of Designer(s): **Neal Palmer**
(45) Registration Date: **18 December 2006**
(56) Related Art Documents: **Not Applicable**
(57) Statement of Newness and Distinctiveness: **Newness and distinctiveness is claimed in the shape and/or configuration of the wine tank as illustrated in the accompanying representations. In considering the scope of newness and distinctiveness no consideration is to be given to the relative height of the tank.**



- (21) Design Number: **15101/2006**
(22) Date of Filing Application: **06 November 2006**
(24) Date from which industrial property rights may have effect: **06 November 2006**
(54) Product in respect of which the design is registered: **Remote control transmitter**
(51) International Design Classification: **14-03NES**
(71) Name(s) and Address(s) of Applicant(s):
The Chamberlain Group, Inc.
845 Larch Avenue Elmhurst Illinois 60126 United States of America
(72) Name(s) of Designer(s): **James J. Girard**
(45) Registration Date: **18 December 2006**
(30) Convention priority data:
(31) Number (32) Date (33) Country
29/259336 05 May 2006 UNITED STATES OF AMERICA
(56) Related Art Documents: **Not Applicable**
(57) Statement of Newness and Distinctiveness: **Newness and distinctiveness is claimed in the features of shape and/or configuration of a remote control transmitter as illustrated in the accompanying representations.**



- (21) Design Number: **15102/2006**
(22) Date of Filing Application: **06 November 2006**
(24) Date from which industrial property rights may have effect: **06 November 2006**
(54) Product in respect of which the design is registered: **Jewellery**
(51) International Design Classification: **11-01K**
(71) Name(s) and Address(s) of Applicant(s):
Shi Symbol International Pty Ltd
Shop 3 190 Hay Street East Perth Western Australia 6004 Australia
(72) Name(s) of Designer(s): **Christine Ezekiel**
(45) Registration Date: **18 December 2006**
(56) Related Art Documents: **Not Applicable**
(57) Statement of Newness and Distinctiveness: **Nil**



(21) Design Number: **15103/2006**

(22) Date of Filing Application: **07 November 2006**

(24) Date from which industrial property rights may have effect: **07 November 2006**

(54) Product in respect of which the design is registered: **A correction tape dispenser**

(51) International Design Classification: **19-02**

(71) Name(s) and Address(s) of Applicant(s):

SDI Corporation

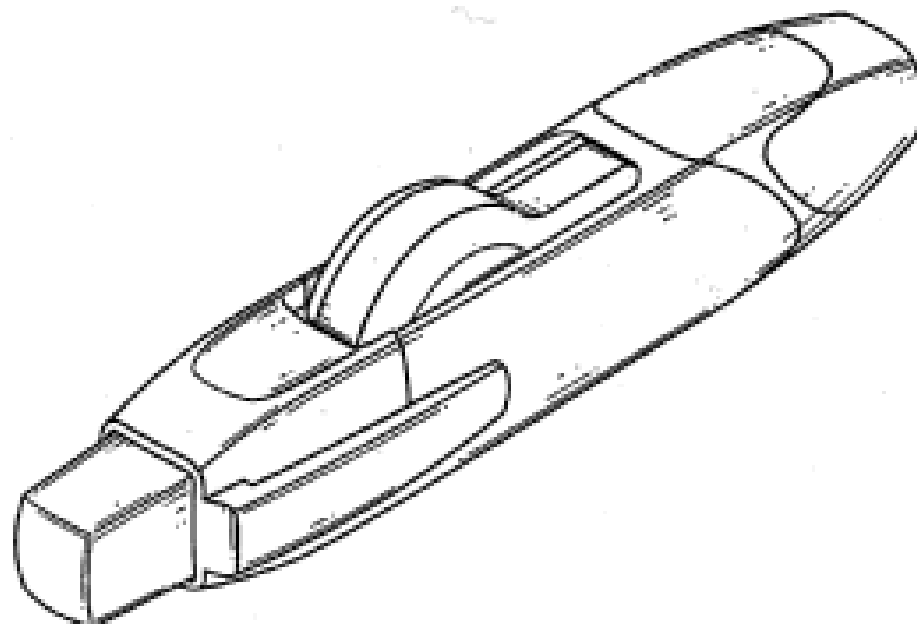
No. 260 Sec 2 Chang Nan Road Chang Hua Taiwan

(72) Name(s) of Designer(s): **Cheng-Loung Wu**

(45) Registration Date: **18 December 2006**

(56) Related Art Documents: **Not Applicable**

(57) Statement of Newness and Distinctiveness: **Newness and distinctiveness resides in the features of shape and configuration of a correction tape dispenser as shown in the accompanying drawings. In assessing newness and distinctiveness, the portion of the dispenser shown in broken lines in Figure 8 of the drawings is to be disregarded.**



(21) Design Number: **10313/2006**

(22) Date of Filing Application: **31 January 2006**

(24) Date from which industrial property rights may have effect: **31 January 2006**

(54) Product in respect of which the design is registered: **Gate latch**

(51) International Design Classification: **08-07**

(71) Name(s) and Address(s) of Applicant(s):

D & D Group Pty Ltd

**Unit 6 4-6 Aquatic Drive Frenchs Forest New South Wales 2086
Australia**

(72) Name(s) of Designer(s): **Margaret Antkowiak and Irek Karcz**

(45) Registration Date: **19 December 2006**

(56) Related Art Documents: **Not Applicable**

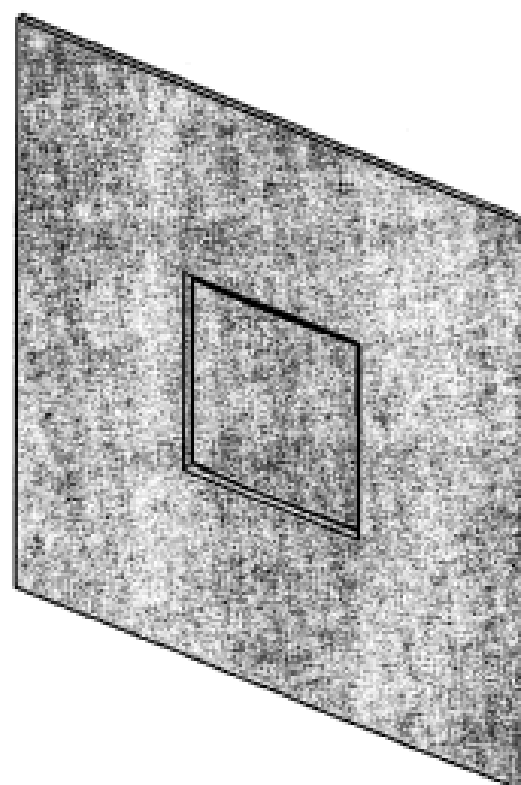
(57) Statement of Newness and Distinctiveness: **Nil**



- (21) Design Number: **10314/2006**
(22) Date of Filing Application: **31 January 2006**
(24) Date from which industrial property rights may have effect: **31 January 2006**
(54) Product in respect of which the design is registered: **Gate latch**
(51) International Design Classification: **08-07**
(71) Name(s) and Address(s) of Applicant(s):
D & D Group Pty Ltd
Unit 6 4-6 Aquatic Drive Frenchs Forest New South Wales 2086
Australia
(72) Name(s) of Designer(s): **Margaret Antkowiak and Irek Karcz**
(45) Registration Date: **19 December 2006**
(56) Related Art Documents: **Not Applicable**
(57) Statement of Newness and Distinctiveness: **Nil**



- (21) Design Number: **14453/2006**
(22) Date of Filing Application: **03 October 2006**
(24) Date from which industrial property rights may have effect: **03 October 2006**
(54) Product in respect of which the design is registered: **A panel for an extractor fan**
(51) International Design Classification: **23-04**
(71) Name(s) and Address(s) of Applicant(s):
Greenwood Air Management Limited
Brookside Industrial Estate Rustington West Sussex BN16 3LH United Kingdom
(72) Name(s) of Designer(s): **Glen Warren and Tony Croke and Paul Kearsley and Matthew Wright**
(45) Registration Date: **19 December 2006**
(30) Convention priority data:
(31) Number (32) Date (33) Country
509401-0001 03 Apr 2006 EUROPEAN COMMUNITY
(56) Related Art Documents: **Not Applicable**
(57) Statement of Newness and Distinctiveness: **Nil**



(21) Design Number: **14478/2006**

(22) Date of Filing Application: **05 October 2006**

(24) Date from which industrial property rights may have effect: **05 October 2006**

(54) Product in respect of which the design is registered: **Fitting for separating perpendicular rails, pipes or tubes**

(51) International Design Classification: **08-08NES**

(71) Name(s) and Address(s) of Applicant(s):

Vinidex Pty Limited

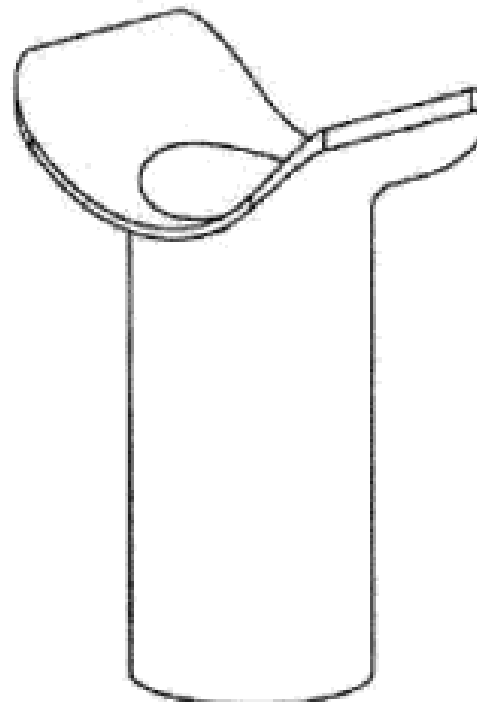
19 Loyalty Road North Rocks New South Wales 2151 Australia

(72) Name(s) of Designer(s): **John Carroll**

(45) Registration Date: **19 December 2006**

(56) Related Art Documents: **Not Applicable**

(57) Statement of Newness and Distinctiveness: **Nil**



(21) Design Number: **14487/2006**

(22) Date of Filing Application: **06 October 2006**

(24) Date from which industrial property rights may have effect: **06 October 2006**

(54) Product in respect of which the design is registered: **An item of clothing**

(51) International Design Classification: **02-02C**

(71) Name(s) and Address(s) of Applicant(s):

Bronwyn Hollingsworth

**c/-Trademark Works Level 50 101 Collins Street Melbourne Victoria
3000 Australia**

(72) Name(s) of Designer(s): **Bronwyn Hollingsworth**

(45) Registration Date: **19 December 2006**

(56) Related Art Documents: **Not Applicable**

(57) Statement of Newness and Distinctiveness: **The provided design has a unique and distinctive lineage pattern (both front and back).**



(21) Design Number: **14546/2006**

(22) Date of Filing Application: **09 October 2006**

(24) Date from which industrial property rights may have effect: **09 October 2006**

(54) Product in respect of which the design is registered: **An aquarium cladding sheet**

(51) International Design Classification: **25-01G**

(71) Name(s) and Address(s) of Applicant(s):

**Juwel Aquarium GmbH & Co. KG
Gewerbegebiet Hohenesch Karl-Gox Strasse 1 D-27356
Rotenburg/Wumme Germany**

(72) Name(s) of Designer(s): **Maik Hartje**

(45) Registration Date: **19 December 2006**

(56) Related Art Documents: **Not Applicable**

(57) Statement of Newness and Distinctiveness: **Newness and distinctiveness is claimed in the features of pattern and/or ornamentation of an aquarium cladding sheet as illustrated in the accompanying representations.**



(21) Design Number: **14586/2006**

(22) Date of Filing Application: **12 October 2006**

(24) Date from which industrial property rights may have effect: **12 October 2006**

(54) Product in respect of which the design is registered: **Massage oscillating belt (Mini)**

(51) International Design Classification: **28-03NES**

(71) Name(s) and Address(s) of Applicant(s):

**OSIM International Ltd
65 Ubi Avenue 1 OSIM Headquarters Singapore 408939**

(72) Name(s) of Designer(s): **Ng Kwang Ling Elwyn**

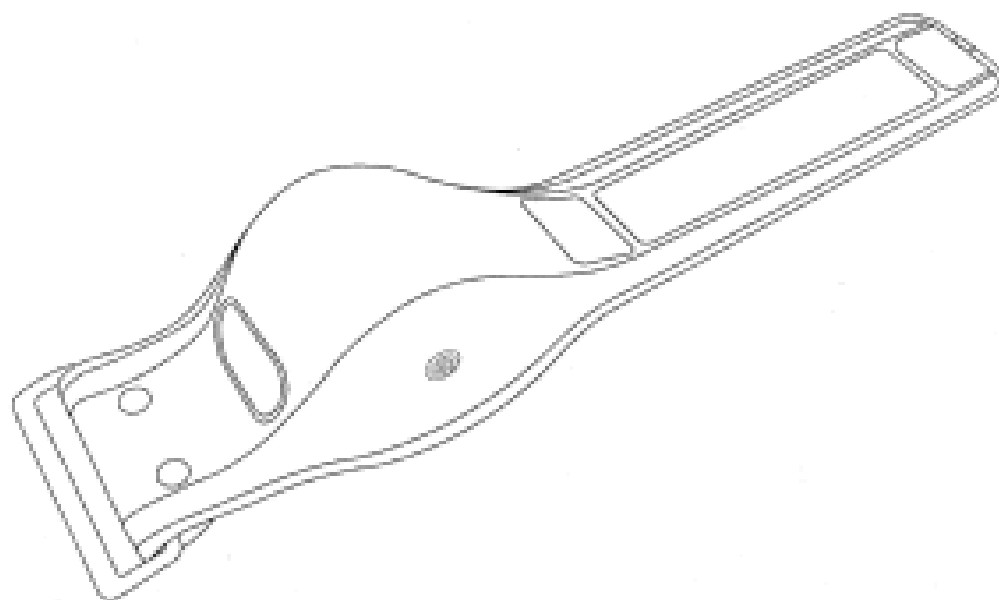
(45) Registration Date: **19 December 2006**

(30) Convention priority data:

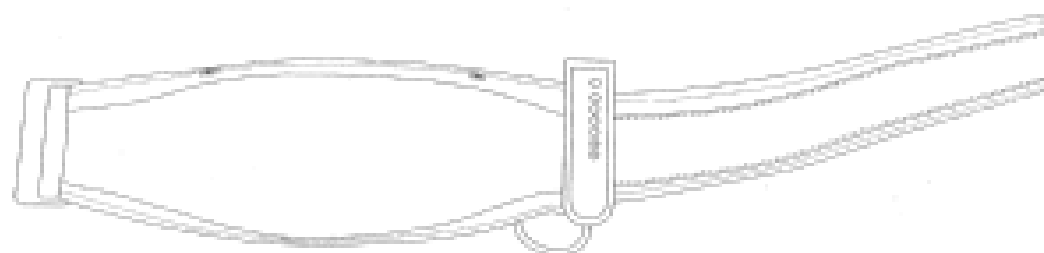
(31) Number	(32) Date	(33) Country
D2006/830/C	29 Aug 2006	SINGAPORE

(56) Related Art Documents: **Not Applicable**

(57) Statement of Newness and Distinctiveness: **Monopoly is claimed in the shape and configuration of the features of the article as depicted in the accompanying representations.**



- (21) Design Number: **14587/2006**
(22) Date of Filing Application: **12 October 2006**
(24) Date from which industrial property rights may have effect: **12 October 2006**
(54) Product in respect of which the design is registered: **Oscillating massage belt (with Buckle)**
(51) International Design Classification: **28-03NES**
(71) Name(s) and Address(s) of Applicant(s):
OSIM International Ltd
65 Ubi Avenue 1 OSIM Headquarters Singapore 408939
(72) Name(s) of Designer(s): **Ng Kwang Ling Elwyn**
(45) Registration Date: **19 December 2006**
(30) Convention priority data:
(31) Number (32) Date (33) Country
D2006/563/E 14 Jun 2006 SINGAPORE
(56) Related Art Documents: **Not Applicable**
(57) Statement of Newness and Distinctiveness: **Monopoly is claimed in the shape and configuration of the features of the article as depicted in the accompanying representations.**



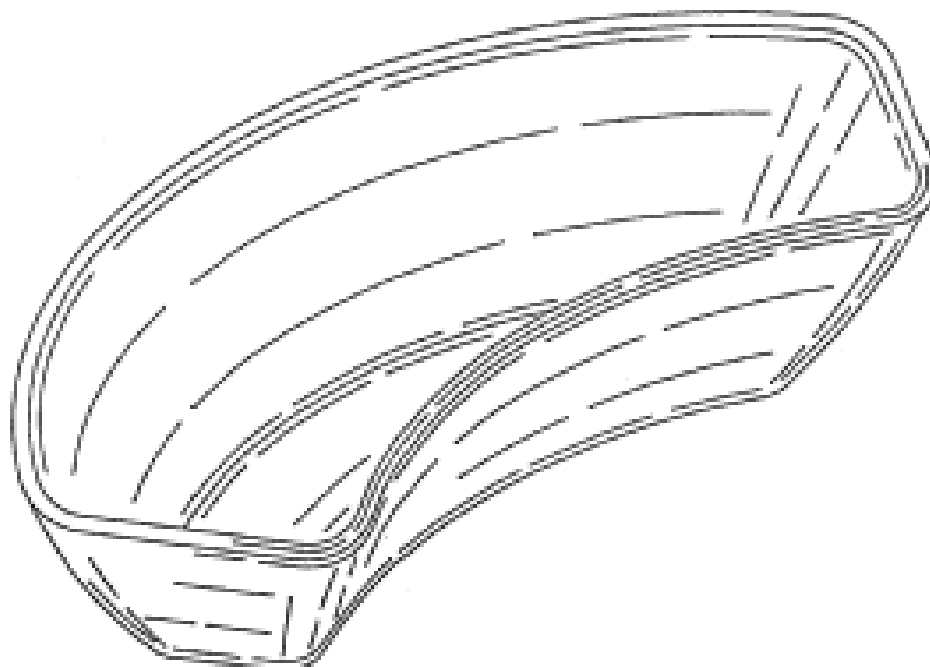
- (21) Design Number: **14798/2006**
(22) Date of Filing Application: **23 October 2006**
(24) Date from which industrial property rights may have effect: **23 October 2006**
(54) Product in respect of which the design is registered: **Door frame string holder**
(51) International Design Classification: **12-16B**
(71) Name(s) and Address(s) of Applicant(s):
B T ENGINEERING PTY LTD
K/61 Waratah Street Kirrawee New South Wales 2232 Australia
(72) Name(s) of Designer(s): **Jeffery Bruce Thomas**
(45) Registration Date: **19 December 2006**
(56) Related Art Documents: **Not Applicable**
(57) Statement of Newness and Distinctiveness: **The visual features of the design which are new and distinctive are the shape and configuration of the inside profile of the hook portion as shown in the attached representations.**



(21) Design Number: **14873/2006**
(22) Date of Filing Application: **24 October 2006**
(24) Date from which industrial property rights may have effect: **24 October 2006**
(54) Product in respect of which the design is registered: **Cars and toy cars**
(51) International Design Classification: **12-08, 21-01C**
(71) Name(s) and Address(s) of Applicant(s):
Ferrari S.p.A.
Via Emilia Est 1163 I-41100 Modena Italy
(72) Name(s) of Designer(s): **Manuele Amprimo and Werner Gruber and Jae-Cheul Yu and Robert Battams and David Tadashi Imai and Thomas Harry Hardman and Luis Agullo Spottorno and Felix Hiller and Daisuke Nagasato and Kim Tae Kyung and Hiroaki Yakubo**
(45) Registration Date: **19 December 2006**
(30) Convention priority data:
(31) Number (32) Date (33) Country
000519681 27 Apr 2006 ITALY
(56) Related Art Documents: **Not Applicable**
(57) Statement of Newness and Distinctiveness: **Nil**



(21) Design Number: **14899/2006**
(22) Date of Filing Application: **25 October 2006**
(24) Date from which industrial property rights may have effect: **25 October 2006**
(54) Product in respect of which the design is registered: **Container**
(51) International Design Classification: **09-03NES**
(71) Name(s) and Address(s) of Applicant(s):
Dart Industries Inc
14901 S. Orange Blossom Trail Orlando Florida 32837 United States of America
(72) Name(s) of Designer(s): **Famia E. Ablo**
(45) Registration Date: **19 December 2006**
(30) Convention priority data:
(31) Number (32) Date (33) Country
29/259,910 17 May 2006 UNITED STATES OF AMERICA
(56) Related Art Documents: **Not Applicable**
(57) Statement of Newness and Distinctiveness: **Nil**



(21) Design Number: **14908/2006**

(22) Date of Filing Application: **26 October 2006**

(24) Date from which industrial property rights may have effect: **26 October 2006**

(54) Product in respect of which the design is registered: **Plumbing traps and connectors**

(51) International Design Classification: **23-01B**

(71) Name(s) and Address(s) of Applicant(s):

Vinidex Pty Limited

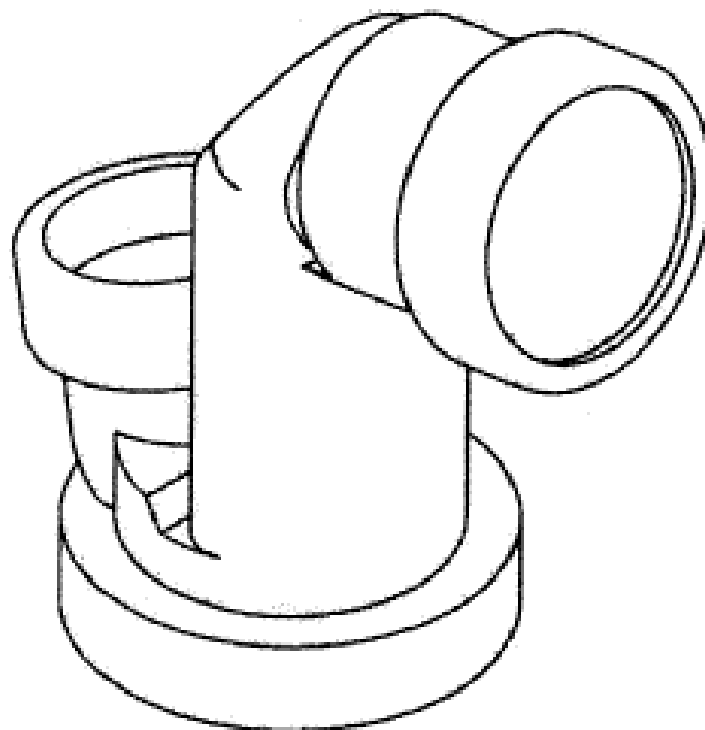
19 Loyalty Road North Rocks New South Wales 2151 Australia

(72) Name(s) of Designer(s): **John Carroll and Andrew Mackenzie**

(45) Registration Date: **19 December 2006**

(56) Related Art Documents: **Not Applicable**

(57) Statement of Newness and Distinctiveness: **Nil**



(21) Design Number: **14909/2006**

(22) Date of Filing Application: **26 October 2006**

(24) Date from which industrial property rights may have effect: **26 October 2006**

(54) Product in respect of which the design is registered: **Plumbing traps and connectors**

(51) International Design Classification: **23-01B**

(71) Name(s) and Address(s) of Applicant(s):

Vinidex Pty Limited

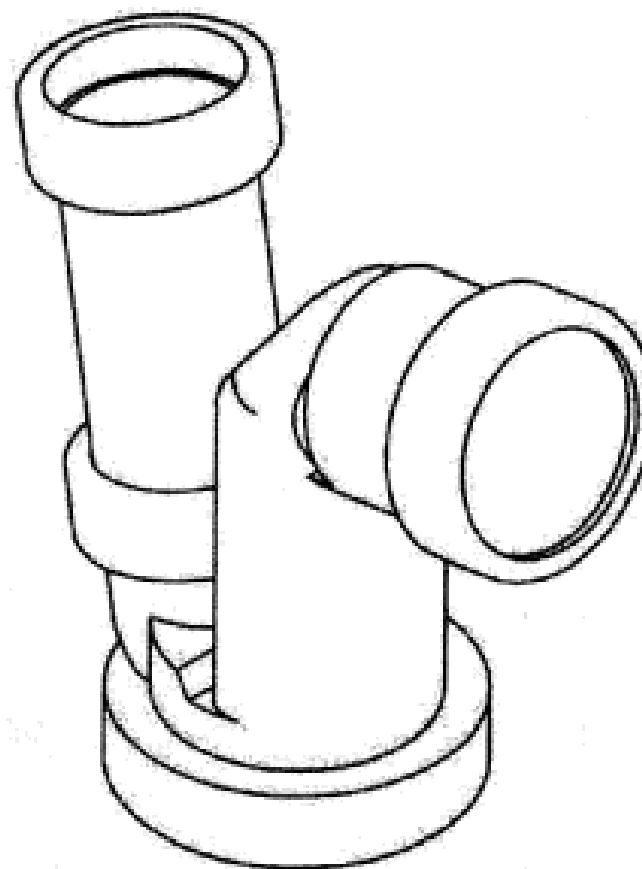
19 Loyalty Road North Rocks New South Wales 2151 Australia

(72) Name(s) of Designer(s): **John Carroll and Andrew Mackenzie**

(45) Registration Date: **19 December 2006**

(56) Related Art Documents: **Not Applicable**

(57) Statement of Newness and Distinctiveness: **Nil**



(21) Design Number: **14910/2006**

(22) Date of Filing Application: **26 October 2006**

(24) Date from which industrial property rights may have effect: **26 October 2006**

(54) Product in respect of which the design is registered: **Plumbing traps and connectors**

(51) International Design Classification: **23-01B**

(71) Name(s) and Address(s) of Applicant(s):

Vinidex Pty Limited

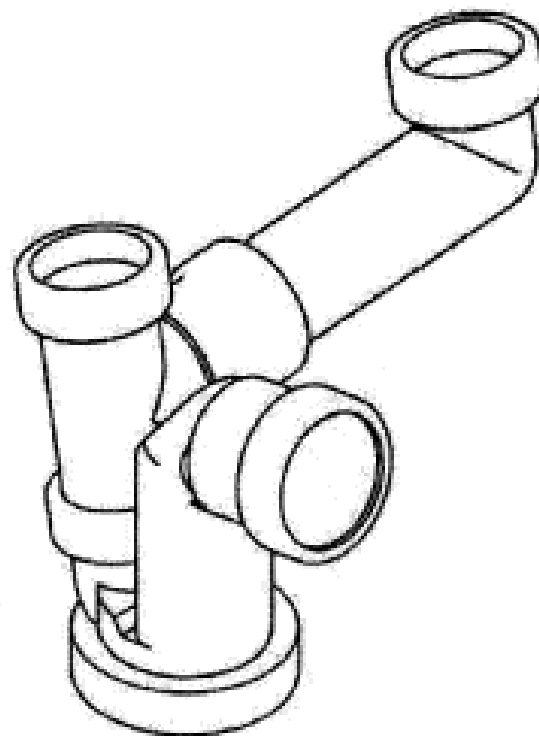
19 Loyalty Road North Rocks New South Wales 2151 Australia

(72) Name(s) of Designer(s): **John Carroll and Andrew Mackenzie**

(45) Registration Date: **19 December 2006**

(56) Related Art Documents: **Not Applicable**

(57) Statement of Newness and Distinctiveness: **Nil**



(21) Design Number: **14911/2006**

(22) Date of Filing Application: **26 October 2006**

(24) Date from which industrial property rights may have effect: **26 October 2006**

(54) Product in respect of which the design is registered: **Plumbing traps and connectors**

(51) International Design Classification: **23-01B**

(71) Name(s) and Address(s) of Applicant(s):

Vinidex Pty Limited

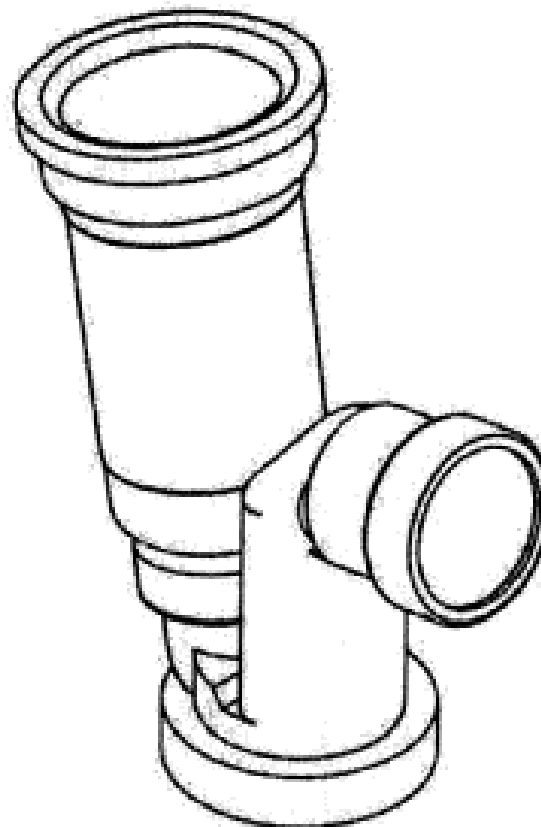
19 Loyalty Road North Rocks New South Wales 2151 Australia

(72) Name(s) of Designer(s): **John Carroll and Andrew Mackenzie**

(45) Registration Date: **19 December 2006**

(56) Related Art Documents: **Not Applicable**

(57) Statement of Newness and Distinctiveness: **Nil**



(21) Design Number: **14979/2006**

(22) Date of Filing Application: **27 October 2006**

(24) Date from which industrial property rights may have effect: **27 October 2006**

(54) Product in respect of which the design is registered: **Sink**

(51) International Design Classification: **23-02F**

(71) Name(s) and Address(s) of Applicant(s):

Niro#Plan AG

Dorfbachstrasse 2 4663 Aarburg Switzerland

(72) Name(s) of Designer(s): **Garry Coady**

(45) Registration Date: **19 December 2006**

(30) Convention priority data:

(31) Number

(32) Date

(33) Country

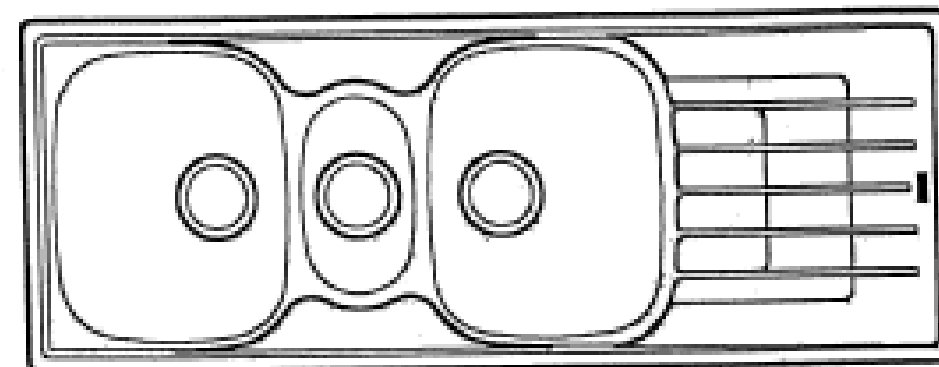
A2006/0587

28 Apr 2006

SOUTH AFRICA

(56) Related Art Documents: **Not Applicable**

(57) Statement of Newness and Distinctiveness: **The newness and distinctiveness resides in the shape and configuration of a sink.**



(21) Design Number: **15615/2006**

(22) Date of Filing Application: **06 December 2006**

(24) Date from which industrial property rights may have effect: **06 December 2006**

(54) Product in respect of which the design is registered: **Car and toy car**

(51) International Design Classification: **12-08, 21-01C**

(71) Name(s) and Address(s) of Applicant(s):

Ferrari S.p.A.

Via Emilia Est 1163 I-41100 Modena Italy

(72) Name(s) of Designer(s): **Robert Battams and David Tadashi Imai and Thomas Harry Hardman**

(45) Registration Date: **19 December 2006**

(30) Convention priority data:

(31) Number

(32) Date

(33) Country

000519681

27 Apr 2006

ITALY

(56) Related Art Documents: **Not Applicable**

(57) Statement of Newness and Distinctiveness: **Nil**



(21) Design Number: **15616/2006**
(22) Date of Filing Application: **06 December 2006**
(24) Date from which industrial property rights may have effect: **06 December 2006**
(54) Product in respect of which the design is registered: **Car and toy car**
(51) International Design Classification: **12-08, 21-01C**
(71) Name(s) and Address(s) of Applicant(s):

Ferrari S.p.A.
Via Emilia Est 1163 I-41100 Modena Italy

(72) Name(s) of Designer(s): **Luis Agullo Spottorno and Felix Hiller**

(45) Registration Date: **19 December 2006**

(30) Convention priority data:

(31) Number	(32) Date	(33) Country
000519681	27 Apr 2006	ITALY

(56) Related Art Documents: **Not Applicable**

(57) Statement of Newness and Distinctiveness: **Nil**



(21) Design Number: **15617/2006**
(22) Date of Filing Application: **24 October 2006**
(24) Date from which industrial property rights may have effect: **24 October 2006**
(54) Product in respect of which the design is registered: **Car and toy car**
(51) International Design Classification: **12-08, 21-01C**
(71) Name(s) and Address(s) of Applicant(s):

Ferrari S.p.A.
Via Emilia Est 1163 I-41100 Modena Italy

(72) Name(s) of Designer(s): **Daisuke Nagasato and Kim Tae Kyung and Hiroaki Yakubo**

(45) Registration Date: **19 December 2006**

(30) Convention priority data:

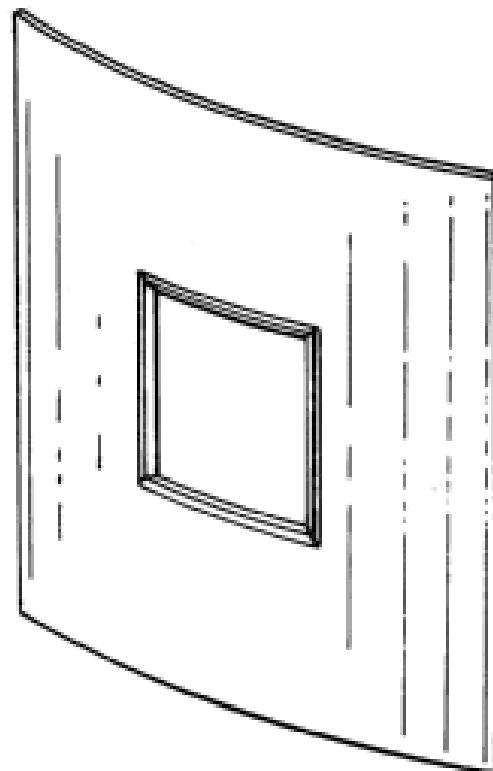
(31) Number	(32) Date	(33) Country
000519681	27 Apr 2006	ITALY

(56) Related Art Documents: **Not Applicable**

(57) Statement of Newness and Distinctiveness: **Nil**



- (21) Design Number: **15625/2006**
(22) Date of Filing Application: **07 December 2006**
(24) Date from which industrial property rights may have effect: **03 October 2006**
(54) Product in respect of which the design is registered: **A panel for an extractor fan**
(51) International Design Classification: **23-04**
(71) Name(s) and Address(s) of Applicant(s):
Greenwood Air Management Limited
Brookside Industrial Estate Rustington West Sussex BN16 3LH United Kingdom
(72) Name(s) of Designer(s): **Glen Warren and Tony Croke and Paul Kearsley and Matthew Wright**
(45) Registration Date: **19 December 2006**
(30) Convention priority data:
(31) Number (32) Date (33) Country
509401#0001 03 Apr 2006 EUROPEAN COMMUNITY
(62) Divisional of: **312093**
(56) Related Art Documents: **Not Applicable**
(57) Statement of Newness and Distinctiveness: **Nil**



- (21) Design Number: **10004/2006**
(22) Date of Filing Application: **03 January 2006**
(24) Date from which industrial property rights may have effect: **03 January 2006**
(54) Product in respect of which the design is registered: **Pillow**
(51) International Design Classification: **06-09**
(71) Name(s) and Address(s) of Applicant(s):
Ruby Niemoeller
9 Fraser Road Northgate Queensland 4013 Australia
(72) Name(s) of Designer(s): **Ruby Niemoeller**
(45) Registration Date: **21 December 2006**
(56) Related Art Documents: **Not Applicable**
(57) Statement of Newness and Distinctiveness: **Front of pillow: Organiser pocket in the middle of pillow 2 silk ribbons 1 running above the pocket and the other below the pocket, Back of pillow: Silk ribbon running diagonally from bottom left to top right, silk ribbon looped at the top right of pillow. The pattern on the material is not part of the design.**



(21) Design Number: **14542/2006**

(22) Date of Filing Application: **09 October 2006**

(24) Date from which industrial property rights may have effect: **09 October 2006**

(54) Product in respect of which the design is registered: **An aquarium**

(51) International Design Classification: **30-02**

(71) Name(s) and Address(s) of Applicant(s):

**Juwel Aquarium GmbH & Co. KG
Gewerbegebiet Hohenesch Karl-Gox Strasse 1 D-27356
Rotenburg/Wumme Germany**

(72) Name(s) of Designer(s): **Maik Hartje**

(45) Registration Date: **21 December 2006**

(56) Related Art Documents: **Not Applicable**

(57) Statement of Newness and Distinctiveness: **Newness and distinctiveness is claimed in the features of shape and/or configuration of an aquarium as illustrated in the accompanying representations.**



(21) Design Number: **14547/2006**

(22) Date of Filing Application: **09 October 2006**

(24) Date from which industrial property rights may have effect: **09 October 2006**

(54) Product in respect of which the design is registered: **An aquarium cladding sheet**

(51) International Design Classification: **25-01G**

(71) Name(s) and Address(s) of Applicant(s):

**Juwel Aquarium GmbH & Co. KG
Gewerbegebiet Hohenesch Karl-Gox Strasse 1 D-27356
Rotenburg/Wumme Germany**

(72) Name(s) of Designer(s): **Maik Hartje**

(45) Registration Date: **21 December 2006**

(56) Related Art Documents: **Not Applicable**

(57) Statement of Newness and Distinctiveness: **Newness and distinctiveness is claimed in the features of pattern and/or ornamentation of an aquarium cladding sheet as illustrated in the accompanying representations.**



(21) Design Number: **14693/2006**

(22) Date of Filing Application: **17 October 2006**

(24) Date from which industrial property rights may have effect: **17 October 2006**

(54) Product in respect of which the design is registered: **Display device**

(51) International Design Classification: **14-02, 14-01**

(71) Name(s) and Address(s) of Applicant(s):

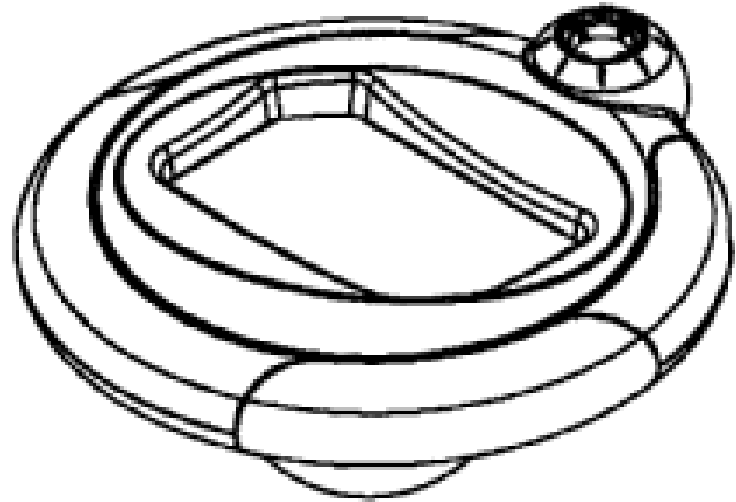
**Australasian CRC for Interaction Design Pty Ltd
Level 3 Room 312 34 Parer Place Kelvin Grove Queensland 4159
Australia**

(72) Name(s) of Designer(s): **Sam Bucolo and Glenn Smith**

(45) Registration Date: **21 December 2006**

(56) Related Art Documents: **Not Applicable**

(57) Statement of Newness and Distinctiveness: **Those features of the display device depicted in the representations that are new and distinctive are the shape and/or configuration.**



(21) Design Number: **14773/2005**

(22) Date of Filing Application: **31 October 2005**

(24) Date from which industrial property rights may have effect: **31 October 2005**

(54) Product in respect of which the design is registered: **Drainage grate**

(51) International Design Classification: **23-02NES**

(71) Name(s) and Address(s) of Applicant(s):

**C C P Pty Ltd
A2.2 63 Turner Street Port Melbourne Victoria 3207 Australia**

(72) Name(s) of Designer(s): **Alan Travers**

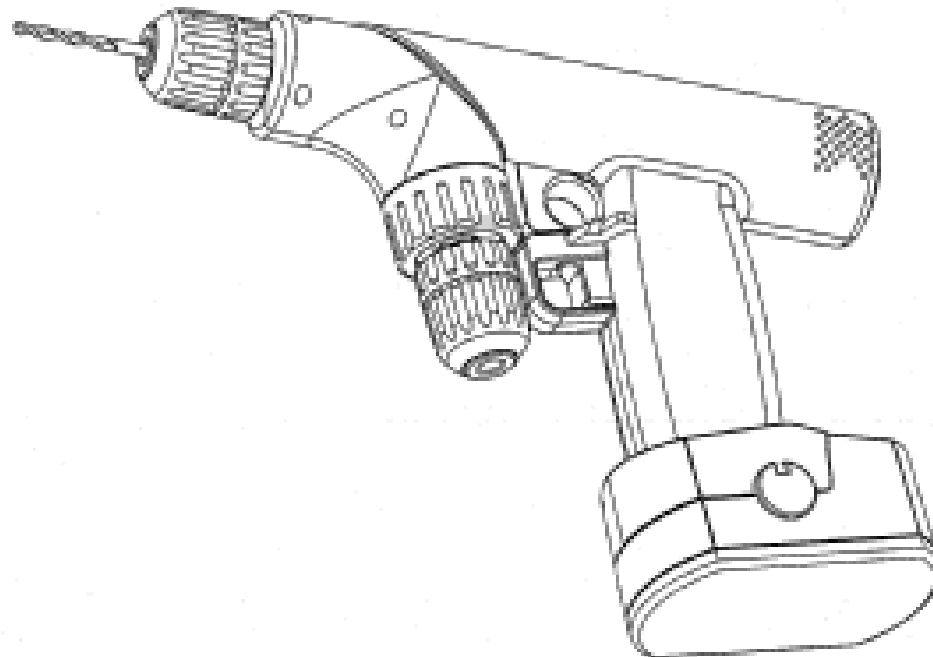
(45) Registration Date: **21 December 2006**

(56) Related Art Documents: **Not Applicable**

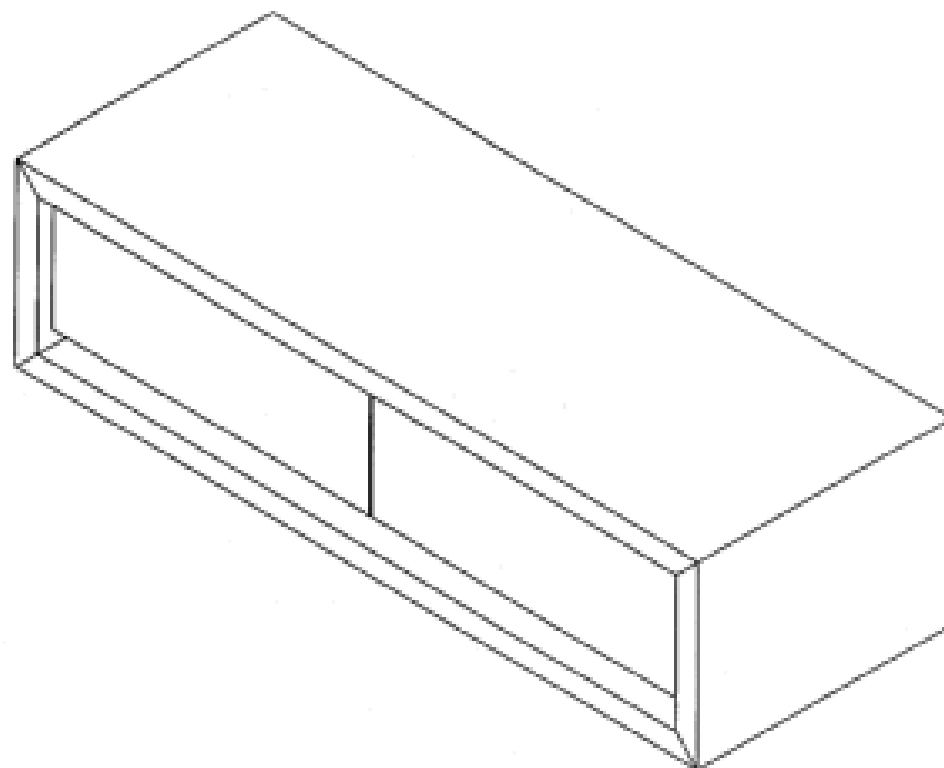
(57) Statement of Newness and Distinctiveness: **Elimination of the typical side end banding used on this type of drainage grating. Addition of a transverse locking bar.**



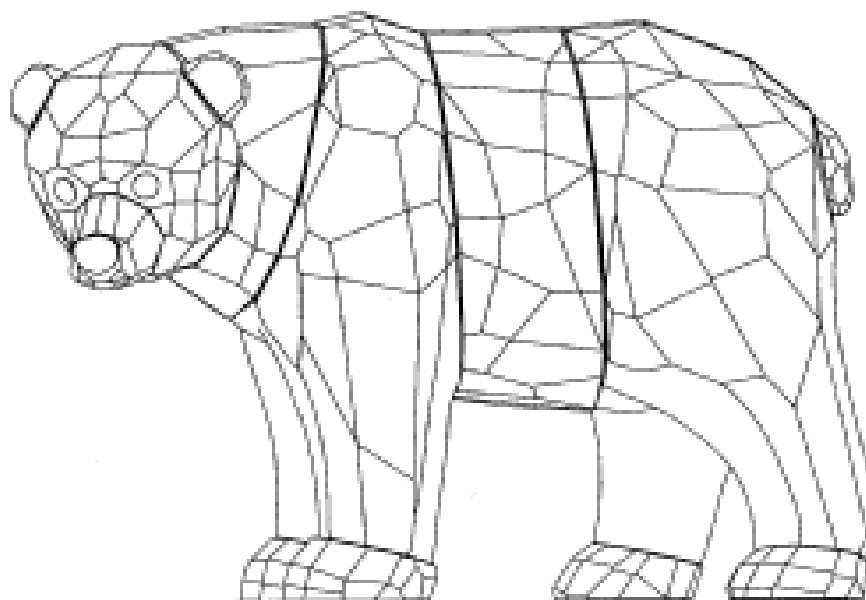
(21) Design Number: **14810/2006**
(22) Date of Filing Application: **20 October 2006**
(24) Date from which industrial property rights may have effect: **20 October 2006**
(54) Product in respect of which the design is registered: **"Power tool"**
(51) International Design Classification: **08-01**
(71) Name(s) and Address(s) of Applicant(s):
Whitehot Solutions Pty Ltd
'Colombo Creek' Jerilderie New South Wales 2716 Australia
(72) Name(s) of Designer(s): **John Francis Whitehead and Iain White**
(45) Registration Date: **21 December 2006**
(56) Related Art Documents: **Not Applicable**
(57) Statement of Newness and Distinctiveness: **Newness and distinctiveness resides in the features of shape and/or configuration of a power tool as shown in the accompanying representations.**



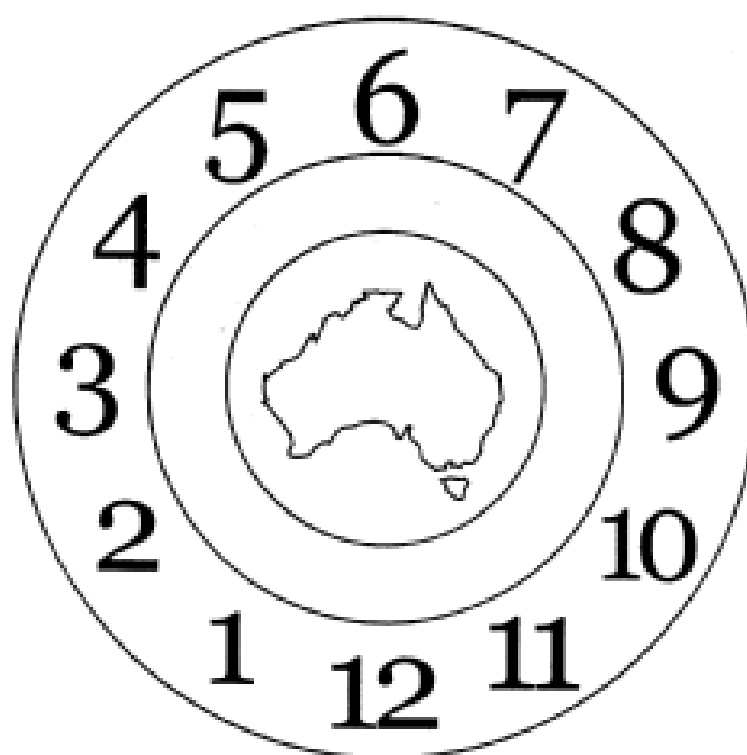
(21) Design Number: **14888/2006**
(22) Date of Filing Application: **25 October 2006**
(24) Date from which industrial property rights may have effect: **25 October 2006**
(54) Product in respect of which the design is registered: **A double bedside**
(51) International Design Classification: **06-04F**
(71) Name(s) and Address(s) of Applicant(s):
Design Mobel NZ Limited
PO Box 1142 Tauranga New Zealand
(72) Name(s) of Designer(s): **Daniel Emery**
(45) Registration Date: **21 December 2006**
(30) Convention priority data:
(31) Number (32) Date (33) Country
408094 12 Sep 2006 NEW ZEALAND
(56) Related Art Documents: **Not Applicable**
(57) Statement of Newness and Distinctiveness: **Nil**



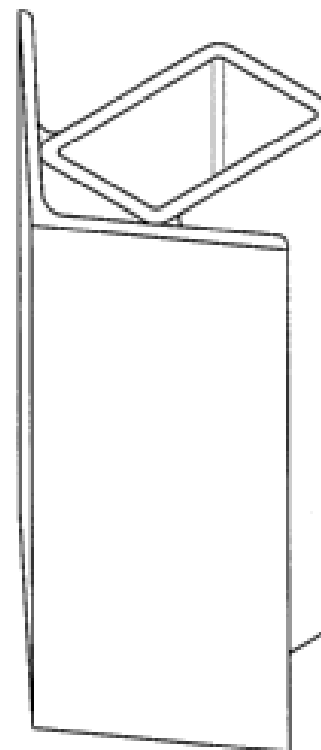
- (21) Design Number: **14996/2006**
(22) Date of Filing Application: **30 October 2006**
(24) Date from which industrial property rights may have effect: **30 October 2006**
(54) Product in respect of which the design is registered: **Ornamental object**
(51) International Design Classification: **11-02E**
(71) Name(s) and Address(s) of Applicant(s):
Swarovski Aktiengesellschaft
Droschistrasse 15 FL-9495 Triesen Liechtenstein
(72) Name(s) of Designer(s): **Elisabeth Adamer**
(45) Registration Date: **21 December 2006**
(30) Convention priority data:
(31) Number (32) Date (33) Country
531850#0001 19 May 2006 EUROPEAN COMMUNITY
(56) Related Art Documents: **Not Applicable**
(57) Statement of Newness and Distinctiveness: **Nil**



- (21) Design Number: **15045/2006**
(22) Date of Filing Application: **01 November 2006**
(24) Date from which industrial property rights may have effect: **01 November 2006**
(54) Product in respect of which the design is registered: **Clockface**
(51) International Design Classification: **10-07**
(71) Name(s) and Address(s) of Applicant(s):
Barbara Lea Dempster Graham
Unit 1 18 Kielli Drive Warrnambool Victoria 3280 Australia
(72) Name(s) of Designer(s): **Barbara Lee Graham**
(45) Registration Date: **21 December 2006**
(56) Related Art Documents: **Not Applicable**
(57) Statement of Newness and Distinctiveness: **The newness and distinctiveness of the design is in the pattern and ornamentation of a clockface as shown in the accompanying representations, including the location and relative positions of the numerals of the clockface. No monopoly is claimed in the exact font or print style of the numerals appearing in the representations.**



- (21) Design Number: **15070/2006**
(22) Date of Filing Application: **03 November 2006**
(24) Date from which industrial property rights may have effect: **03 November 2006**
(54) Product in respect of which the design is registered: **Upright protector**
(51) International Design Classification: **13-03C**
(71) Name(s) and Address(s) of Applicant(s):
Dematic Pty Ltd
24 Narabang Way Belrose New South Wales 2085 Australia
(72) Name(s) of Designer(s): **Paul Armstrong Berry and Stephen John Celati and Murray James Clarke and Timothy Paul Hickey and Robert Edward Ian Smith**
(45) Registration Date: **21 December 2006**
(56) Related Art Documents: **Not Applicable**
(57) Statement of Newness and Distinctiveness: **Nil**



- (21) Design Number: **15298/2006**
(22) Date of Filing Application: **20 November 2006**
(24) Date from which industrial property rights may have effect: **20 November 2006**
(54) Product in respect of which the design is registered: **Stool**
(51) International Design Classification: **06-01E**
(71) Name(s) and Address(s) of Applicant(s):
Hannah Beveridge
74 Broadway Camberwell Victoria 3124 Australia
(72) Name(s) of Designer(s): **Hannah Beveridge**
(45) Registration Date: **21 December 2006**
(56) Related Art Documents: **Not Applicable**
(57) Statement of Newness and Distinctiveness: **Nil**



- (21) Design Number: **15117/2006**
(22) Date of Filing Application: **08 November 2006**
(24) Date from which industrial property rights may have effect: **08 November 2006**
(54) Product in respect of which the design is registered: **Castor assembly**
(51) International Design Classification: **06-01F**
(71) Name(s) and Address(s) of Applicant(s):

Ergonomiprodukter I Bodafors AB
Box 294 571 23 Nassjo Sweden

- (72) Name(s) of Designer(s): **Marten Rittfeldt and Oskar Ponnert**

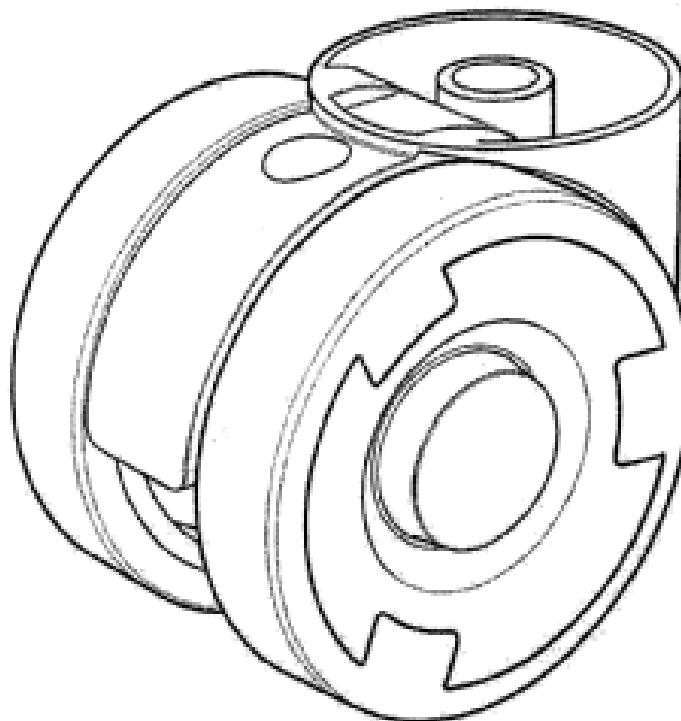
- (45) Registration Date: **02 January 2007**

- (30) Convention priority data:

(31) Number	(32) Date	(33) Country
000552617	29 Jun 2006	EUROPEAN COMMUNITY

- (56) Related Art Documents: **Not Applicable**

- (57) Statement of Newness and Distinctiveness: **Newness and distinctiveness is claimed in the features of shape and/or configuration of a castor assembly in which the wheel rim as seen in the side view has three equidistantly arranged cup shaped incisions, which in relation to the wheel axle have arc shaped base and tangentially aligned cup walls as illustrated in the accompanying illustrations.**



- (21) Design Number: **15118/2006**
(22) Date of Filing Application: **08 November 2006**
(24) Date from which industrial property rights may have effect: **08 November 2006**
(54) Product in respect of which the design is registered: **Castor base**
(51) International Design Classification: **06-01F**
(71) Name(s) and Address(s) of Applicant(s):

Ergonomiprodukter I Bodafors AB
Box 294 571 23 Nassjo Sweden

- (72) Name(s) of Designer(s): **Marten Rittfeldt and Oskar Ponnert**

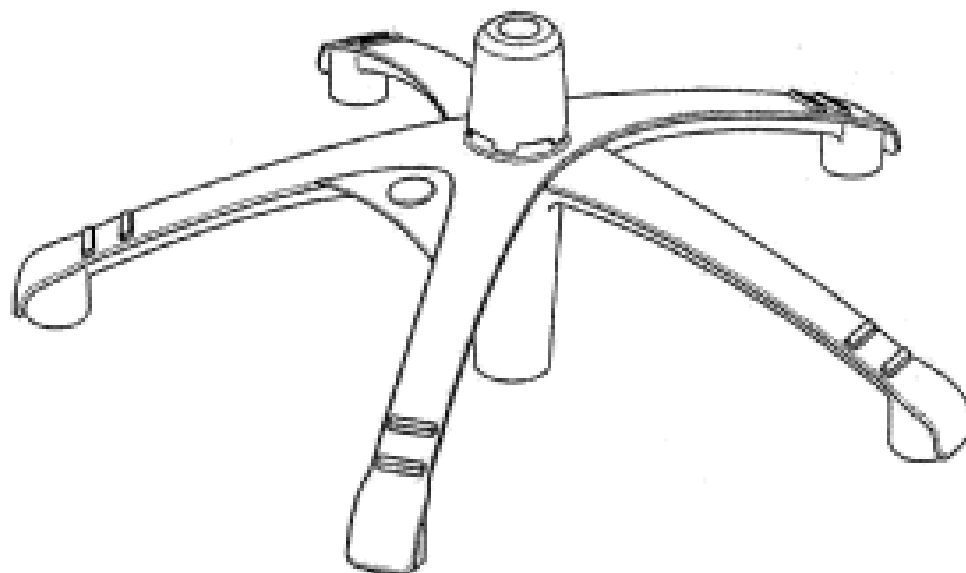
- (45) Registration Date: **02 January 2007**

- (30) Convention priority data:

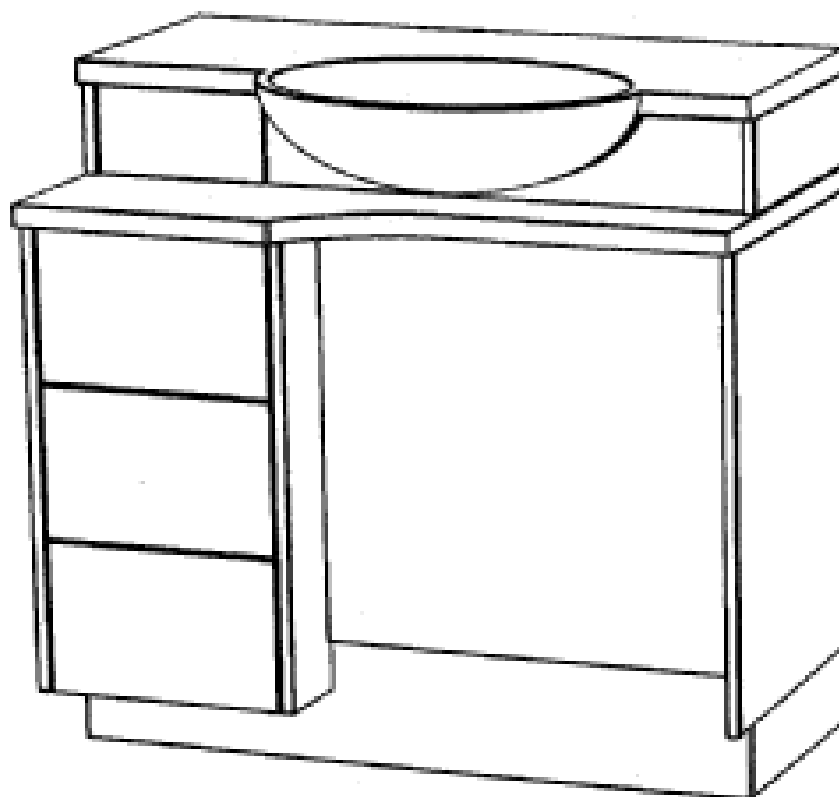
(31) Number	(32) Date	(33) Country
000552617	29 Jun 2006	EUROPEAN COMMUNITY

- (56) Related Art Documents: **Not Applicable**

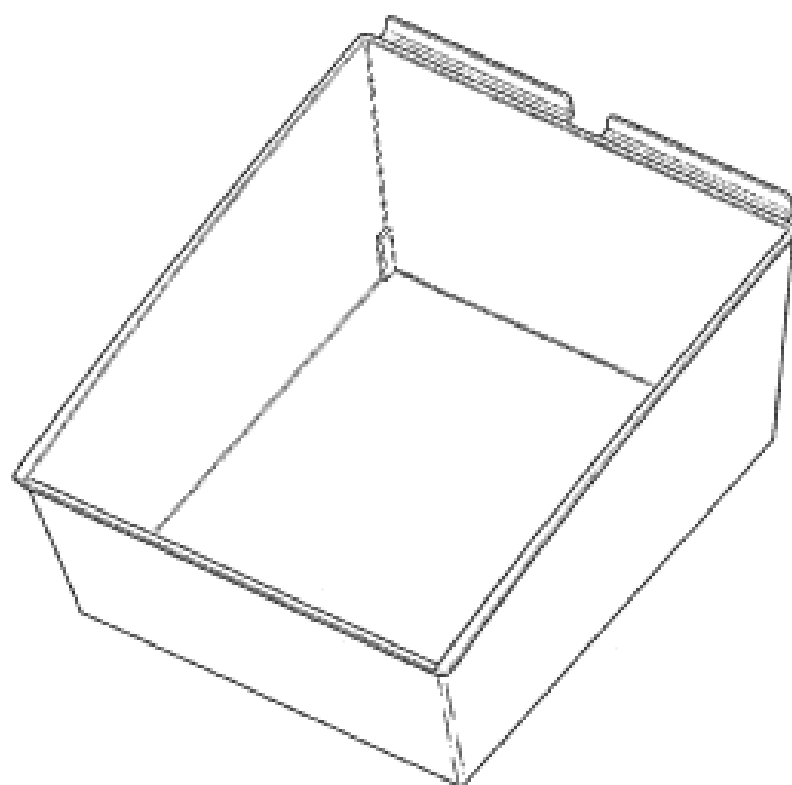
- (57) Statement of Newness and Distinctiveness: **Newness and distinctiveness is claimed in the features of shape and/or configuration of a castor base in which each castor base leg is provided at a free end with two transversely oriented, elevated stripes, three legs of the castor base forming a Y-shaped portion overlying two remaining legs and a substantially triangular plate including a relief circle is arranged in an angle formed by the Y-shaped portion as shown in the accompanying representations.**



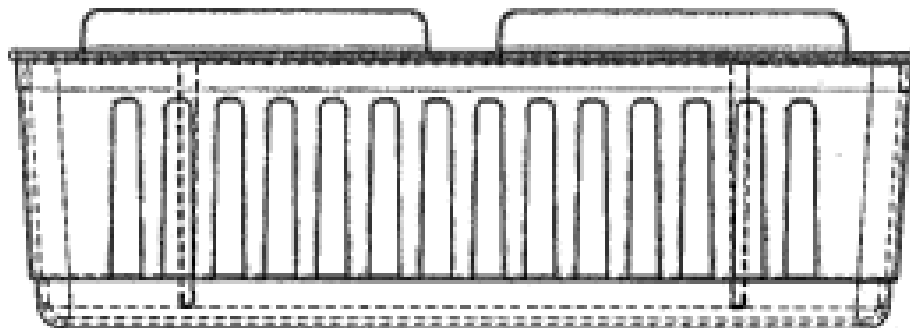
- (21) Design Number: **15120/2006**
(22) Date of Filing Application: **09 November 2006**
(24) Date from which industrial property rights may have effect: **09 November 2006**
(54) Product in respect of which the design is registered: **Vanity unit**
(51) International Design Classification: **23-02F**
(71) Name(s) and Address(s) of Applicant(s):
Sandro Iuliano
43 Malpas Street Rostrevor South Australia 5073 Australia
(72) Name(s) of Designer(s): **Sandro Iuliano**
(45) Registration Date: **02 January 2007**
(56) Related Art Documents: **Not Applicable**
(57) Statement of Newness and Distinctiveness: **Newness and distinctiveness resides in the features of shape and configuration of a vanity unit as shown in the accompanying representations.**



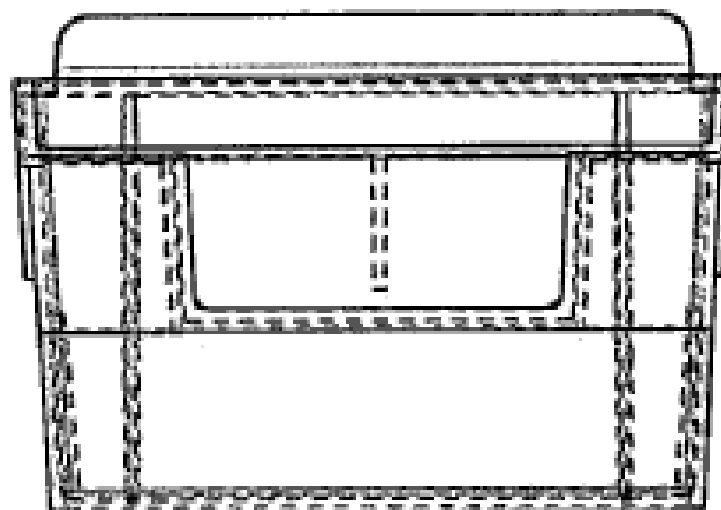
- (21) Design Number: **14194/2006**
(22) Date of Filing Application: **19 September 2006**
(24) Date from which industrial property rights may have effect: **19 September 2006**
(54) Product in respect of which the design is registered: **An open topped container**
(51) International Design Classification: **20-02NES**
(71) Name(s) and Address(s) of Applicant(s):
SLATBOX PTY LTD
342 Savages Road Brookfield Queensland 4069 Australia
(72) Name(s) of Designer(s): **Timothy Neilsen**
(45) Registration Date: **02 January 2007**
(56) Related Art Documents: **Not Applicable**
(57) Statement of Newness and Distinctiveness: **Monopoly is claimed in the shape and configuration of an open topped container as shown in the accompanying representations.**



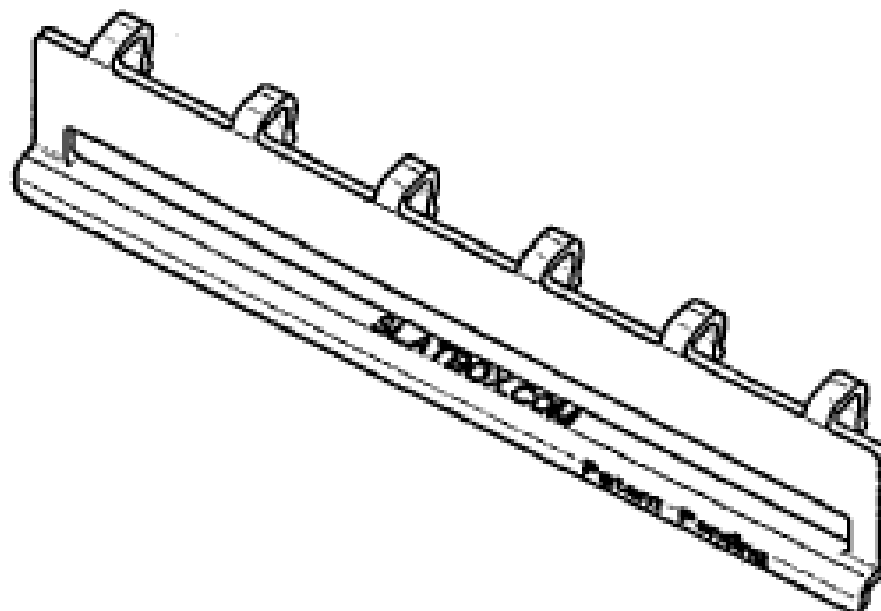
- (21) Design Number: **15337/2006**
(22) Date of Filing Application: **19 September 2006**
(24) Date from which industrial property rights may have effect: **19 September 2006**
(54) Product in respect of which the design is registered: **An open topped container**
(51) International Design Classification: **20-02NES**
(71) Name(s) and Address(s) of Applicant(s):
SLATBOX PTY LTD
342 Savages Road Brookfield Queensland 4069 Australia
(72) Name(s) of Designer(s): **Timothy Neilsen**
(45) Registration Date: **02 January 2007**
(56) Related Art Documents: **Not Applicable**
(57) Statement of Newness and Distinctiveness: **Monopoly is claimed in the shape and configuration of an open topped container as shown in the accompanying representations.**



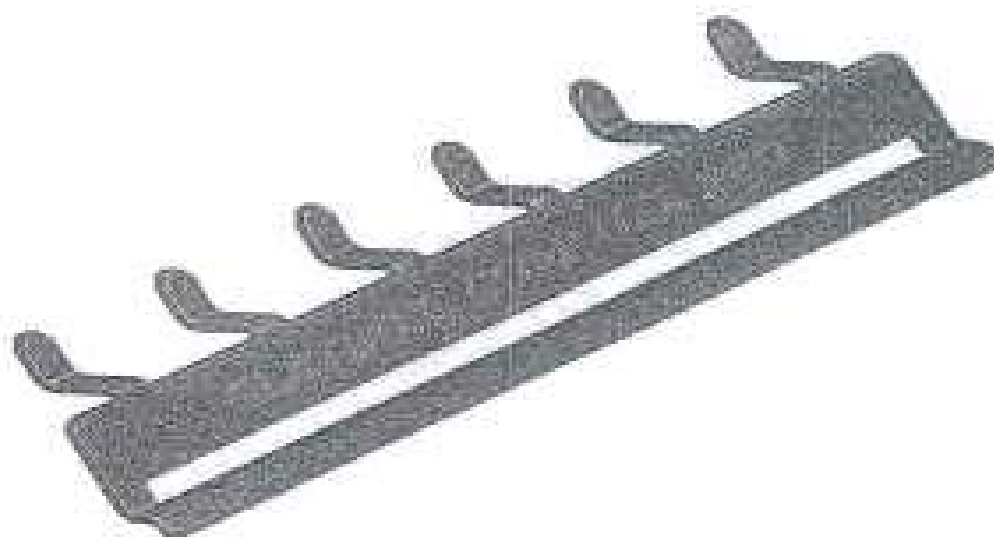
- (21) Design Number: **15338/2006**
(22) Date of Filing Application: **19 September 2006**
(24) Date from which industrial property rights may have effect: **19 September 2006**
(54) Product in respect of which the design is registered: **An open topped container**
(51) International Design Classification: **20-02NES**
(71) Name(s) and Address(s) of Applicant(s):
SLATBOX PTY LTD
342 Savages Road Brookfield Queensland 4069 Australia
(72) Name(s) of Designer(s): **Timothy Neilsen**
(45) Registration Date: **02 January 2007**
(56) Related Art Documents: **Not Applicable**
(57) Statement of Newness and Distinctiveness: **Monopoly is claimed in the shape and configuration of an open topped container as shown in the accompanying representations.**



- (21) Design Number: **14195/2006**
(22) Date of Filing Application: **19 September 2006**
(24) Date from which industrial property rights may have effect: **19 September 2006**
(54) Product in respect of which the design is registered: **A connector**
(51) International Design Classification: **20-02NES**
(71) Name(s) and Address(s) of Applicant(s):
SLATBOX PTY LTD
342 Savages Road Brookfield Queensland 4069 Australia
(72) Name(s) of Designer(s): **Timothy Neilsen**
(45) Registration Date: **02 January 2007**
(56) Related Art Documents: **Not Applicable**
(57) Statement of Newness and Distinctiveness: **Monopoly is claimed in the shape and configuration of a connector for connecting a container, or a similar article, to a display wall as shown in the accompanying representations.**

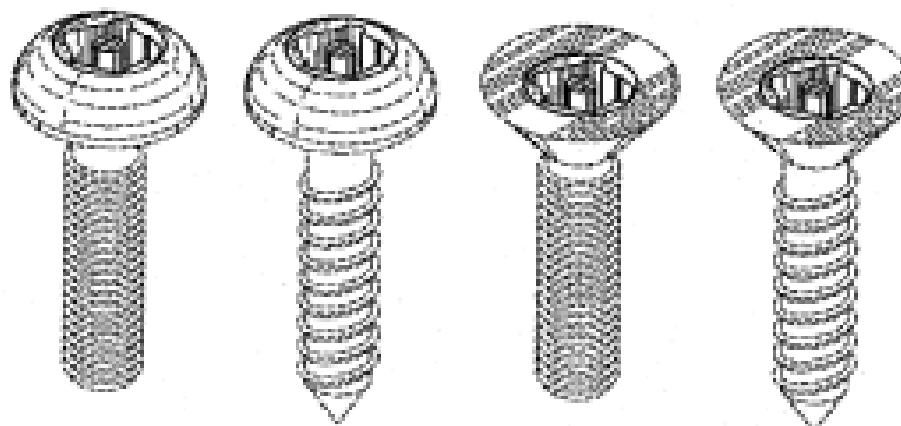


- (21) Design Number: **15339/2006**
(22) Date of Filing Application: **19 September 2006**
(24) Date from which industrial property rights may have effect: **19 September 2006**
(54) Product in respect of which the design is registered: **A connector**
(51) International Design Classification: **20-02NES**
(71) Name(s) and Address(s) of Applicant(s):
SLATBOX PTY LTD
342 Savages Road Brookfield Queensland 4069 Australia
(72) Name(s) of Designer(s): **Timothy Neilsen**
(45) Registration Date: **02 January 2007**
(56) Related Art Documents: **Not Applicable**
(57) Statement of Newness and Distinctiveness: **Monopoly is claimed in the shape and configuration of a connector for connecting a container, or a similar article, to a display wall as shown in the accompanying representations.**



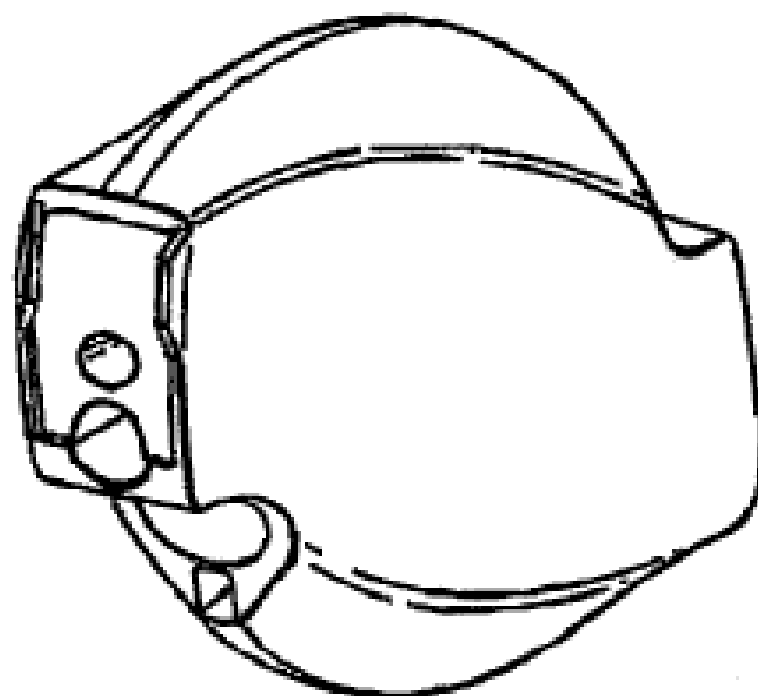
(19) AU

(21) Design Number: **14948/2006**
 (22) Date of Filing Application: **27 October 2006**
 (24) Date from which industrial property rights may have effect: **27 October 2006**
 (54) Product in respect of which the design is registered: **1. Round-headed bolt. 2. Round-headed screw.**
 (51) International Design Classification: **08-08B**
 (71) Name(s) and Address(s) of Applicant(s):
R. Bryce Campbell
3800 S. Cantabria Crl. #1019 Chandler Arizona 85248 United States of America
 (72) Name(s) of Designer(s): **R. Bryce Campbell**
 (45) Registration Date: **02 January 2007**
 (30) Convention priority data:
 (31) Number (32) Date (33) Country
29/258,941 28 Apr 2006 UNITED STATES OF AMERICA
 (56) Related Art Documents: **Not Applicable**
 (57) Statement of Newness and Distinctiveness: **Newness and distinctiveness is claimed in the visual features shown in solid lines in the representations.**

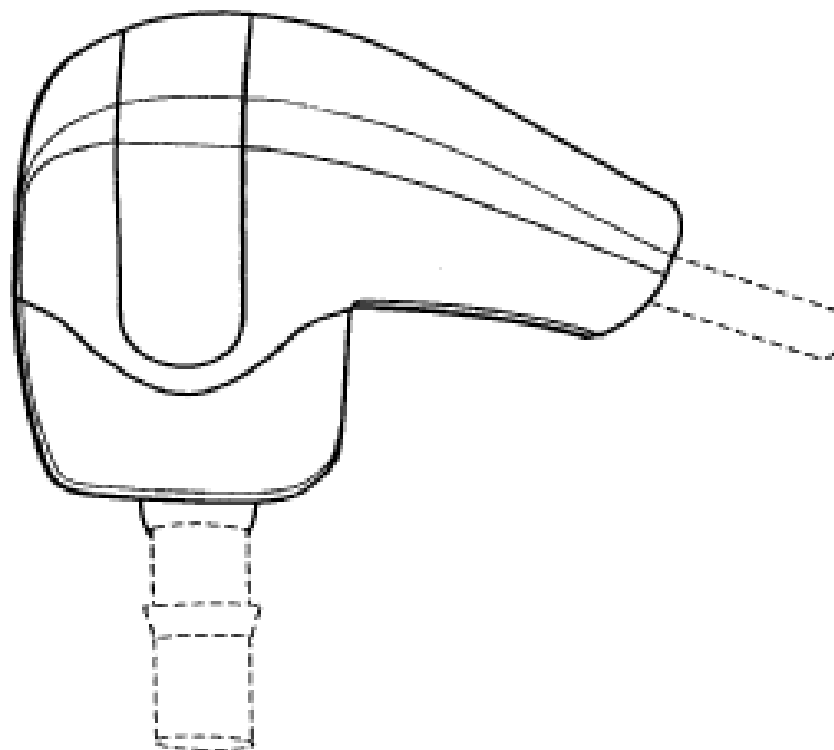


(19) AU

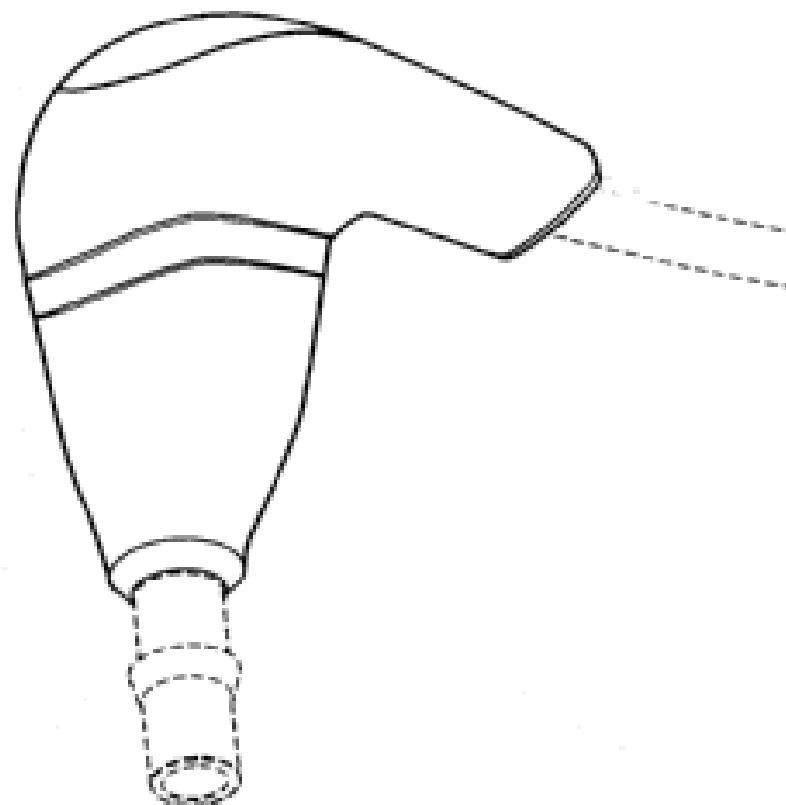
(21) Design Number: **14980/2006**
 (22) Date of Filing Application: **27 October 2006**
 (24) Date from which industrial property rights may have effect: **27 October 2006**
 (54) Product in respect of which the design is registered: **Wire termination, connecting and tensioning device**
 (51) International Design Classification: **13-03D**
 (71) Name(s) and Address(s) of Applicant(s):
Gripple Limited
The Old West Gun Works Saville Street East Sheffield S4 7UQ United Kingdom
 (72) Name(s) of Designer(s): **Neil Clarke**
 (45) Registration Date: **02 January 2007**
 (30) Convention priority data:
 (31) Number (32) Date (33) Country
000526793 08 May 2006 EUROPEAN COMMUNITY
 (56) Related Art Documents: **Not Applicable**
 (57) Statement of Newness and Distinctiveness: **The newness and distinctiveness resides in the shape and configuration of a wire termination, connecting and tensioning device.**



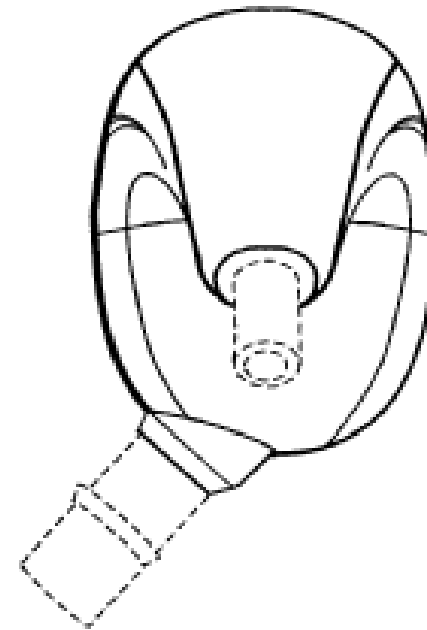
- (21) Design Number: **15019/2006**
- (22) Date of Filing Application: **31 October 2006**
- (24) Date from which industrial property rights may have effect: **31 October 2006**
- (54) Product in respect of which the design is registered: **An earphone bud**
- (51) International Design Classification: **14-01**
- (71) Name(s) and Address(s) of Applicant(s):
Shure Acquisition Holdings, Inc.
5800 West Touhy Avenue Niles Illinois 60714-4608 United States of America
- (72) Name(s) of Designer(s): **Daniel Perez and Ki Bok Song and Anne C. Moser and Scott M. Belliveau and Aleksey Pirkhalo and Patrick M. Flanagan and Kenneth M. Ross and Jeffery S. Kunkler**
- (45) Registration Date: **02 January 2007**
- (56) Related Art Documents: **Not Applicable**
- (57) Statement of Newness and Distinctiveness: **Newness and distinctiveness is claimed in the visual features shown in solid lines in the representations.**



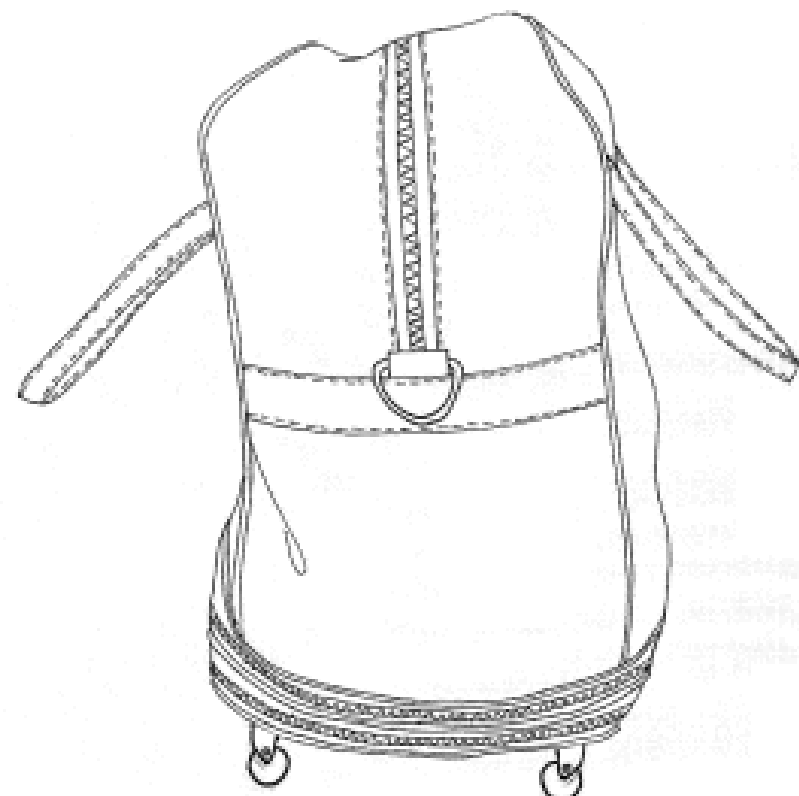
- (21) Design Number: **15020/2006**
- (22) Date of Filing Application: **31 October 2006**
- (24) Date from which industrial property rights may have effect: **31 October 2006**
- (54) Product in respect of which the design is registered: **An earphone bud**
- (51) International Design Classification: **14-01**
- (71) Name(s) and Address(s) of Applicant(s):
Shure Acquisition Holdings, Inc.
5800 West Touhy Avenue Niles Illinois 60714-4608 United States of America
- (72) Name(s) of Designer(s): **Matthew K. Engstrom and Daniel Perez and Ki Bok Song and Anne C. Moser and Scott M. Belliveau and Aleksey Pirkhalo and Patrick M. Flanagan and Kenneth M. Ross and Jeffery S. Kunkler**
- (45) Registration Date: **02 January 2007**
- (56) Related Art Documents: **Not Applicable**
- (57) Statement of Newness and Distinctiveness: **Newness and distinctiveness is claimed in the visual features shown in solid lines in the representations.**



- (21) Design Number: **15021/2006**
- (22) Date of Filing Application: **31 October 2006**
- (24) Date from which industrial property rights may have effect: **31 October 2006**
- (54) Product in respect of which the design is registered: **An earphone bud**
- (51) International Design Classification: **14-01**
- (71) Name(s) and Address(s) of Applicant(s):
Shure Acquisition Holdings, Inc.
5800 West Touhy Avenue Niles Illinois 60714-4608 United States of America
- (72) Name(s) of Designer(s): **Matthew K. Engstrom and Daniel Perez and Ki Bok Song and Anne C. Moser and Scott M. Belliveau and Aleksey Pirkhalo and Patrick M. Flanagan and Kenneth M. Ross and Jeffery S. Kunkler**
- (45) Registration Date: **02 January 2007**
- (56) Related Art Documents: **Not Applicable**
- (57) Statement of Newness and Distinctiveness: **Newness and distinctiveness is claimed in the visual features shown in solid lines in the representations.**



- (21) Design Number: **15027/2006**
- (22) Date of Filing Application: **31 October 2006**
- (24) Date from which industrial property rights may have effect: **31 October 2006**
- (54) Product in respect of which the design is registered: **Tomboy traveller**
- (51) International Design Classification: **03-01A**
- (71) Name(s) and Address(s) of Applicant(s):
MiMCo Pty Ltd
80-88 Greville Street Prahran Victoria 3181 Australia
- (72) Name(s) of Designer(s): **Amanda Briskin**
- (45) Registration Date: **02 January 2007**
- (56) Related Art Documents: **Not Applicable**
- (57) Statement of Newness and Distinctiveness: **Nil**



(21) Design Number: **15029/2006**

(22) Date of Filing Application: **31 October 2006**

(24) Date from which industrial property rights may have effect: **31 October 2006**

(54) Product in respect of which the design is registered: **Digging tip for bucket**

(51) International Design Classification: **15-99**

(71) Name(s) and Address(s) of Applicant(s):

**Atlas Copco Rock Drills AB
S-701 91 Orebro Sweden**

(72) Name(s) of Designer(s): **Alex Liebert and Jens Naslund and Peter Nilsson**

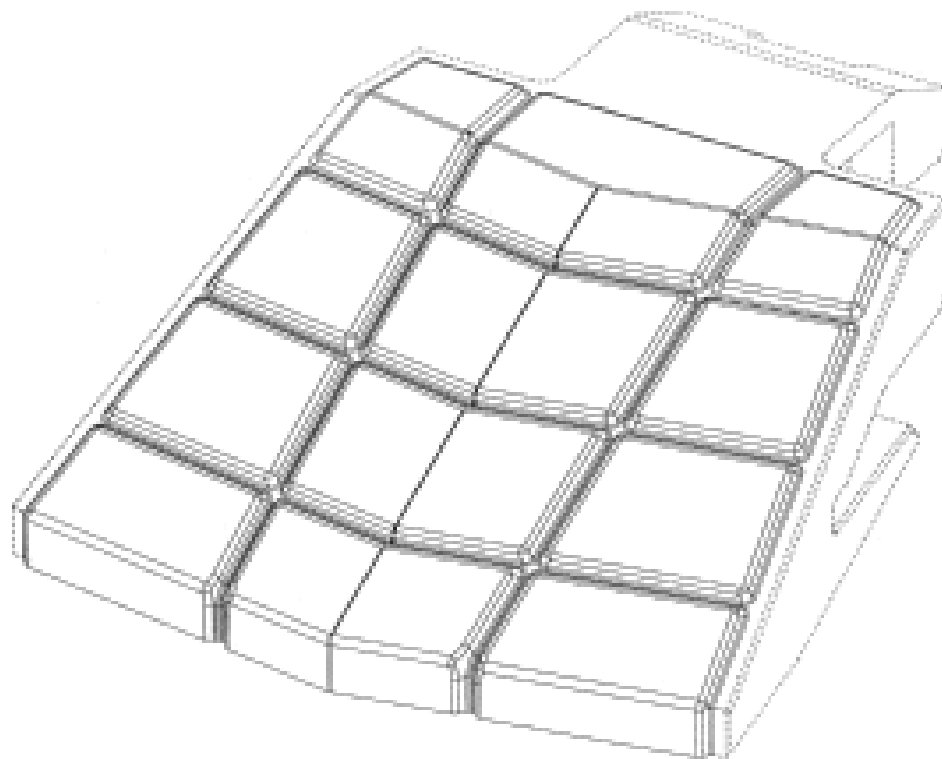
(45) Registration Date: **02 January 2007**

(30) Convention priority data:

(31) Number	(32) Date	(33) Country
06#0302	05 May 2006	SWEDEN

(56) Related Art Documents: **Not Applicable**

(57) Statement of Newness and Distinctiveness: **Newness and distinctiveness is claimed in the visual features shown in the representations except those shown in phantom lines.**



(21) Design Number: **15028/2006**

(22) Date of Filing Application: **31 October 2006**

(24) Date from which industrial property rights may have effect: **31 October 2006**

(54) Product in respect of which the design is registered: **Digging tip for bucket**

(51) International Design Classification: **15-99**

(71) Name(s) and Address(s) of Applicant(s):

**Atlas Copco Rock Drills AB
S-701 91 Orebro Sweden**

(72) Name(s) of Designer(s): **Alex Liebert and Jens Naslund and Peter Nilsson**

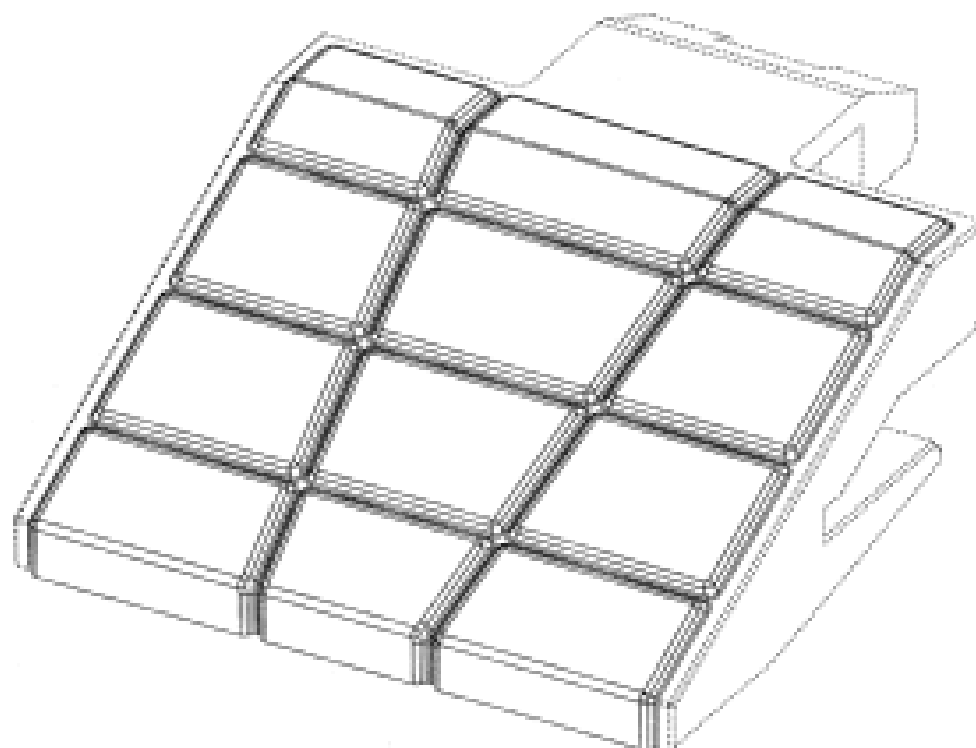
(45) Registration Date: **02 January 2007**

(30) Convention priority data:

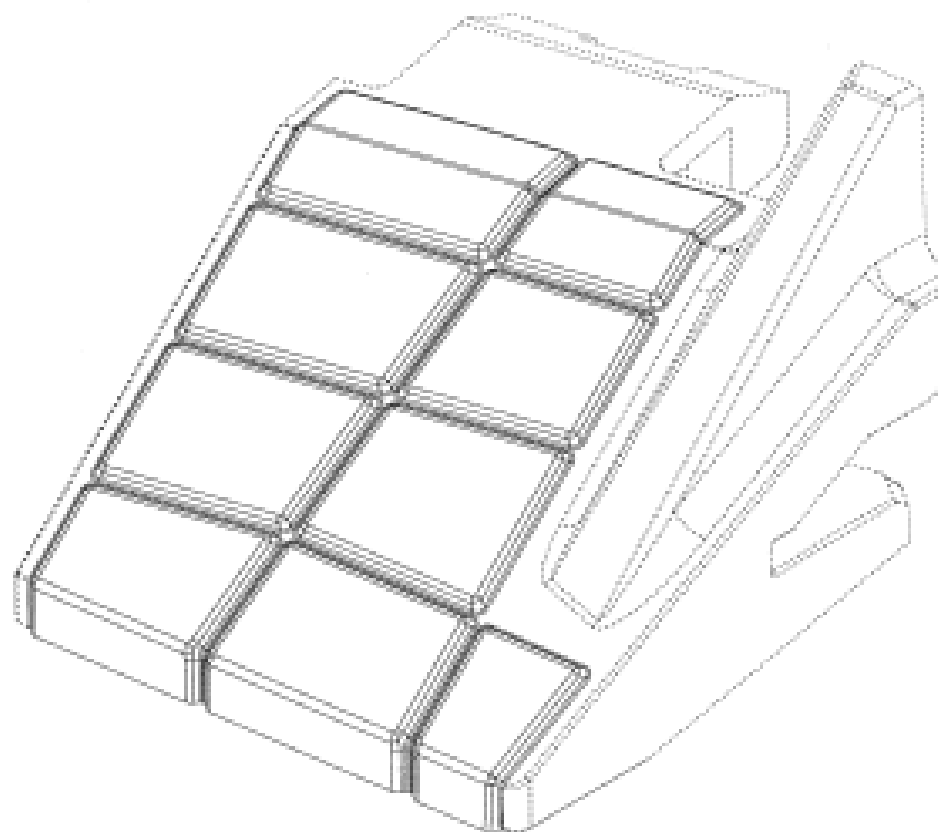
(31) Number	(32) Date	(33) Country
06#0302	05 May 2006	SWEDEN

(56) Related Art Documents: **Not Applicable**

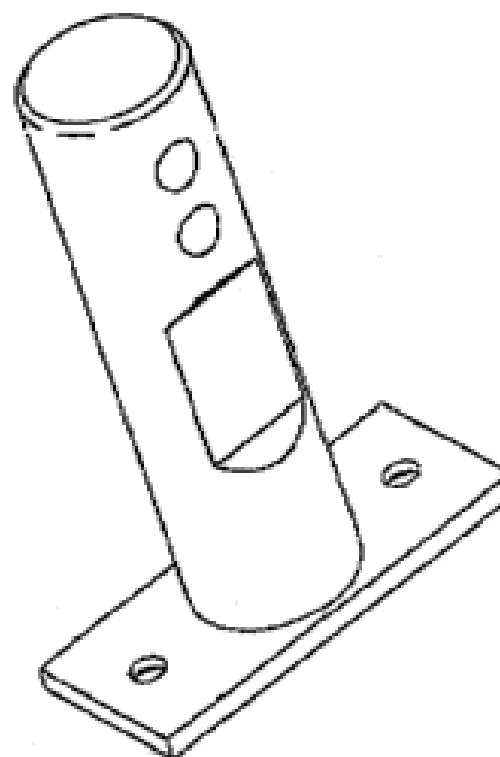
(57) Statement of Newness and Distinctiveness: **Newness and distinctiveness is claimed in the visual features shown in the representations except those shown in phantom lines.**



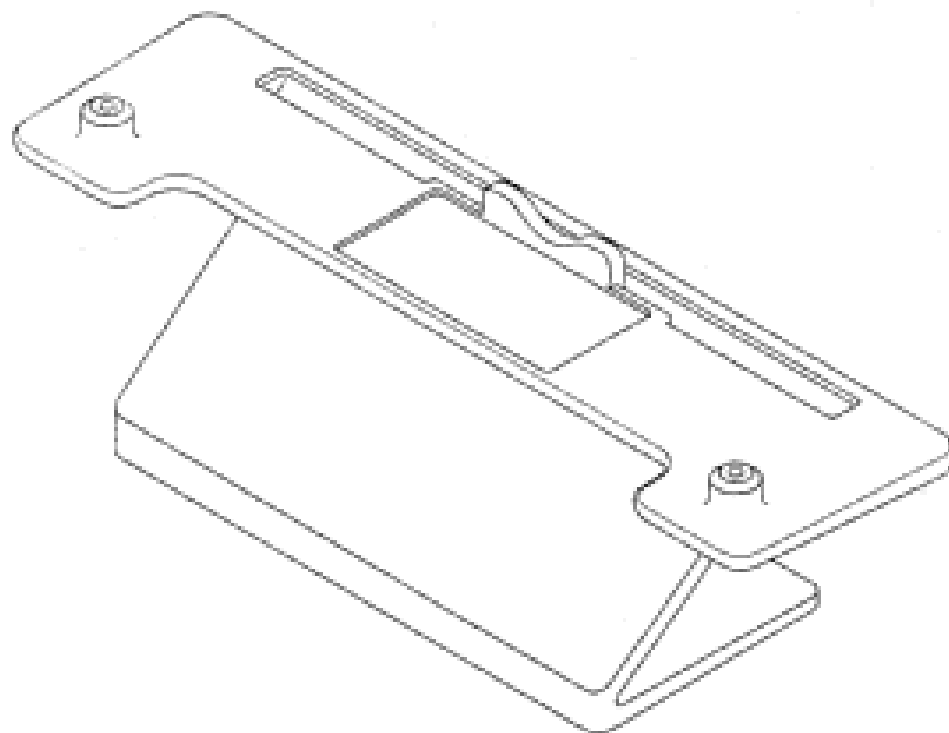
- (21) Design Number: **15030/2006**
(22) Date of Filing Application: **31 October 2006**
(24) Date from which industrial property rights may have effect: **31 October 2006**
(54) Product in respect of which the design is registered: **Digging tip for bucket**
(51) International Design Classification: **15-99**
(71) Name(s) and Address(s) of Applicant(s):
Atlas Copco Rock Drills AB
S-701 91 Orebro Sweden
(72) Name(s) of Designer(s): **Alex Liebert and Jens Naslund and Peter Nilsson**
(45) Registration Date: **02 January 2007**
(30) Convention priority data:
(31) Number (32) Date (33) Country
06#0302 05 May 2006 SWEDEN
(56) Related Art Documents: **Not Applicable**
(57) Statement of Newness and Distinctiveness: **Newness and distinctiveness is claimed in the visual features shown in the representations except those shown in phantom lines.**



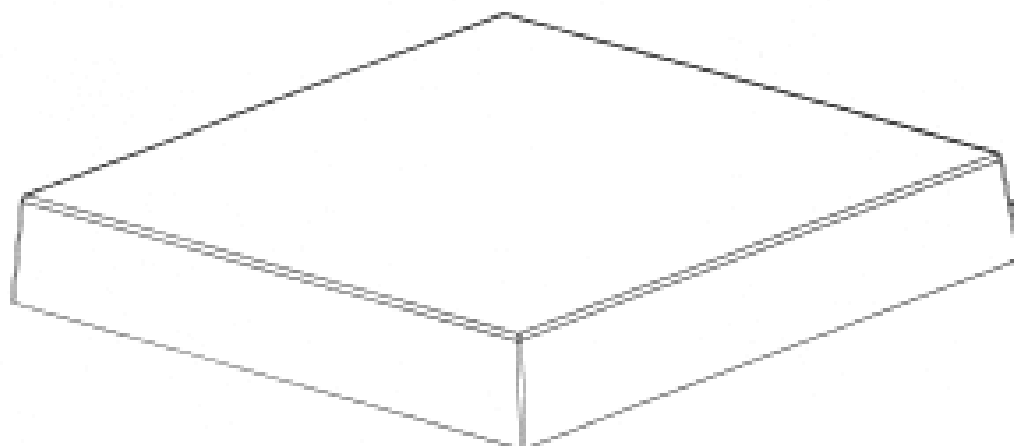
- (21) Design Number: **15031/2006**
(22) Date of Filing Application: **01 November 2006**
(24) Date from which industrial property rights may have effect: **01 November 2006**
(54) Product in respect of which the design is registered: **Lock installation jig**
(51) International Design Classification: **08-07**
(71) Name(s) and Address(s) of Applicant(s):
Gary Tyrrell
Shop 134 Commercial Lane Gawler South Australia 5118 Australia
(72) Name(s) of Designer(s): **Gary Tyrrell**
(45) Registration Date: **02 January 2007**
(56) Related Art Documents: **Not Applicable**
(57) Statement of Newness and Distinctiveness: **Nil**



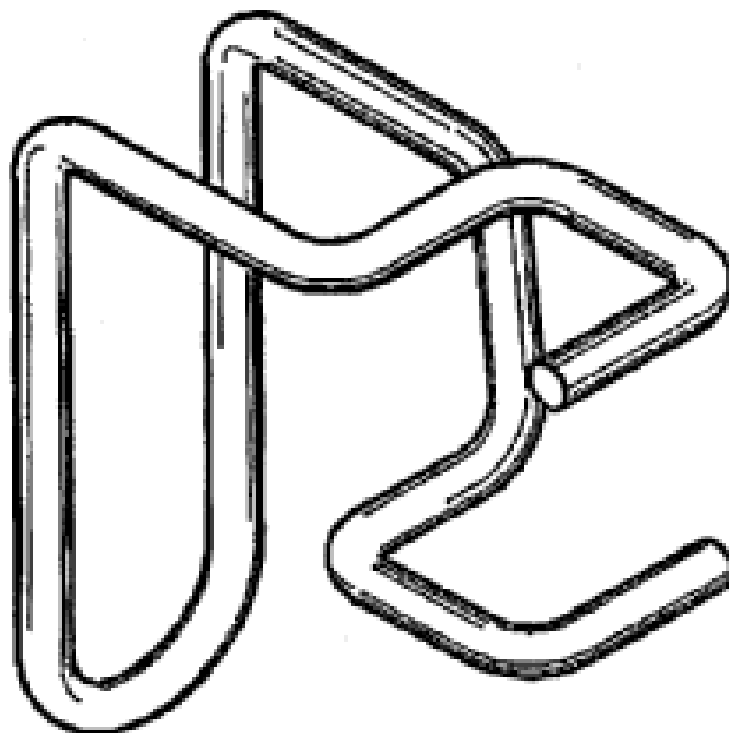
- (21) Design Number: **15036/2006**
(22) Date of Filing Application: **01 November 2006**
(24) Date from which industrial property rights may have effect: **01 November 2006**
(54) Product in respect of which the design is registered: **A base stand for a sensor bar**
(51) International Design Classification: **21-01N**
(71) Name(s) and Address(s) of Applicant(s):
Nintendo Co., Ltd.
11-1 Hokotate-cho Kamitoba Minami-ku Kyoto-shi Kyoto Japan
(72) Name(s) of Designer(s): **Kenichiro Ashida and Junji Takamoto and Masato Ibuki and Shinji Yamamoto and Fumiyoshi Suetake and Akiko Suga and Yoshitomo Goto**
(45) Registration Date: **02 January 2007**
(30) Convention priority data:
(31) Number (32) Date (33) Country
2006-011523 02 May 2006 JAPAN
(56) Related Art Documents: **Not Applicable**
(57) Statement of Newness and Distinctiveness: **Nil**



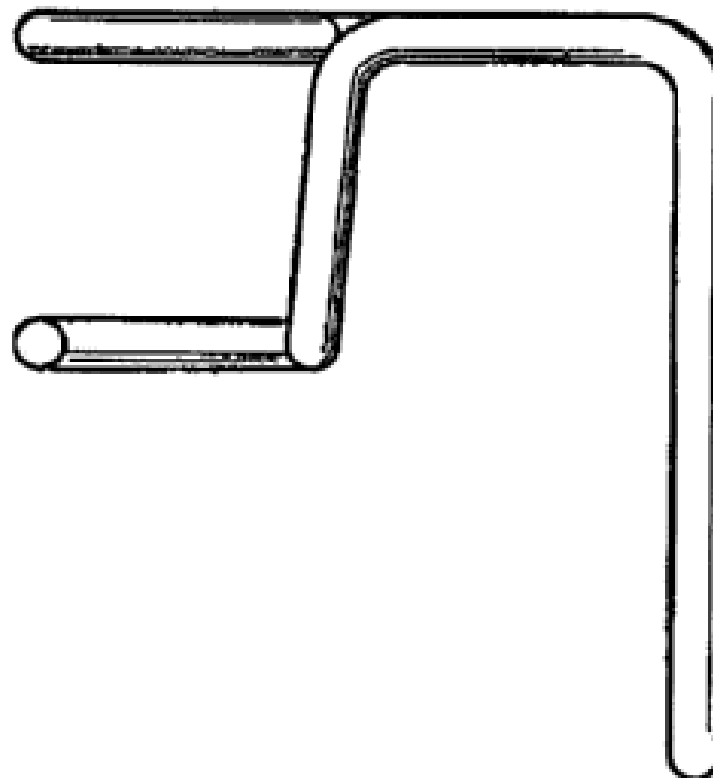
- (21) Design Number: **15054/2006**
(22) Date of Filing Application: **03 November 2006**
(24) Date from which industrial property rights may have effect: **03 November 2006**
(54) Product in respect of which the design is registered: **A set of pavers and tiles**
(51) International Design Classification: **25-01F**
(71) Name(s) and Address(s) of Applicant(s):
Fritsch and Son
82 Companion Way Tweed Heads New South Wales 2485 Australia
(72) Name(s) of Designer(s): **Daniel Fritsch**
(45) Registration Date: **02 January 2007**
(56) Related Art Documents: **Not Applicable**
(57) Statement of Newness and Distinctiveness: **In contrast to our other diamond shaped paver. This paver has its edges sloped down to a wider base. This feature will allow for easier manufacture and laying of the paver. It will also allow for the paver joins to be filled with crusher dust sand or grout to give the appearance of traditional pavers. Traditional pavers are laid with a gap to allow for this infill. These tiles cannot be laid with a gap at the base due to their unique diamond angles. (60 degrees & 120 degrees). Monopoly is claimed in the features of the shape as illustrated in the accompanying representations. In considering the extent of monopoly protection the features of the depth and relative width/length of the pavers are to be disregarded.**



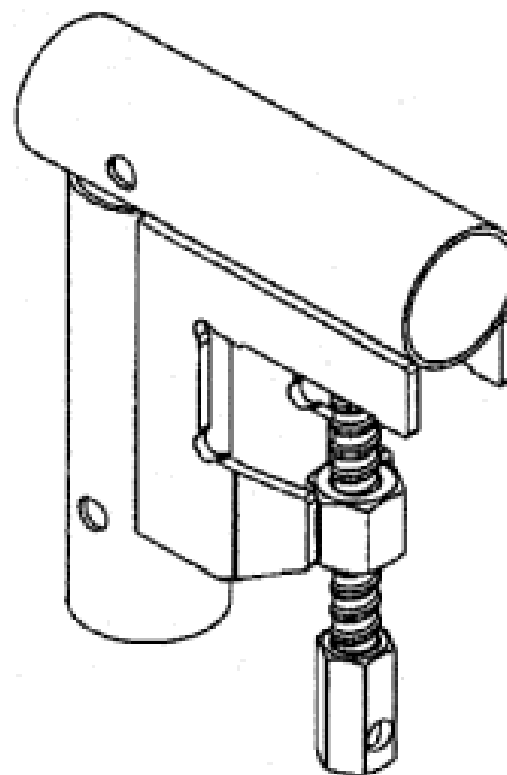
(21) Design Number: **13472/2006**
(22) Date of Filing Application: **03 August 2006**
(24) Date from which industrial property rights may have effect: **03 August 2006**
(54) Product in respect of which the design is registered: **A holder for part of an edge protection system**
(51) International Design Classification: **25-02NES**
(71) Name(s) and Address(s) of Applicant(s):
Combisafe International AB
Storsjostraket 15 Ostersund 83184 Sweden
(72) Name(s) of Designer(s): **Joakim Svedberg**
(45) Registration Date: **03 January 2007**
(30) Convention priority data:
(31) Number (32) Date (33) Country
000481114-0001 03 Feb 2006 EUROPEAN COMMUNITY
(56) Related Art Documents: **Not Applicable**
(57) Statement of Newness and Distinctiveness: **Nil**



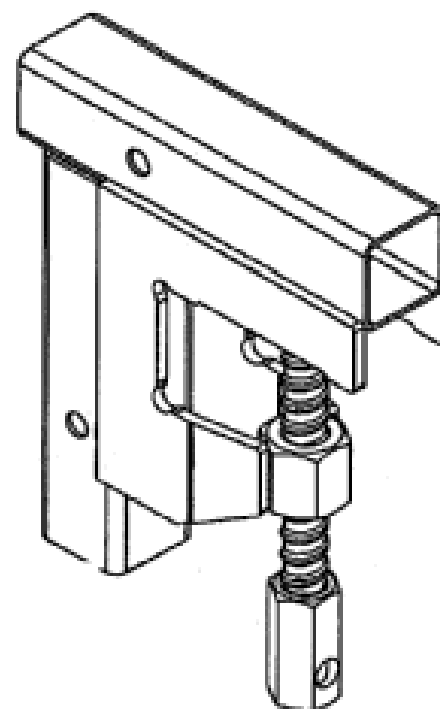
(21) Design Number: **13473/2006**
(22) Date of Filing Application: **03 August 2006**
(24) Date from which industrial property rights may have effect: **03 August 2006**
(54) Product in respect of which the design is registered: **A holder for part of an edge protection system**
(51) International Design Classification: **25-02NES**
(71) Name(s) and Address(s) of Applicant(s):
Combisafe International AB
Storsjostraket 15 Ostersund 83184 Sweden
(72) Name(s) of Designer(s): **Joakim Svedberg**
(45) Registration Date: **03 January 2007**
(30) Convention priority data:
(31) Number (32) Date (33) Country
000481114-0001 03 Feb 2006 EUROPEAN COMMUNITY
(56) Related Art Documents: **Not Applicable**
(57) Statement of Newness and Distinctiveness: **Nil**



- (21) Design Number: **13474/2006**
(22) Date of Filing Application: **03 August 2006**
(24) Date from which industrial property rights may have effect: **03 August 2006**
(54) Product in respect of which the design is registered: **A holder for part of an edge protection system**
(51) International Design Classification: **25-02NES**
(71) Name(s) and Address(s) of Applicant(s):
Combisafe International AB
Storsjostraket 15 Ostersund 83184 Sweden
(72) Name(s) of Designer(s): **Joakim Svedberg**
(45) Registration Date: **03 January 2007**
(30) Convention priority data:
(31) Number (32) Date (33) Country
000481114-0001 03 Feb 2006 EUROPEAN COMMUNITY
(56) Related Art Documents: **Not Applicable**
(57) Statement of Newness and Distinctiveness: **Nil**



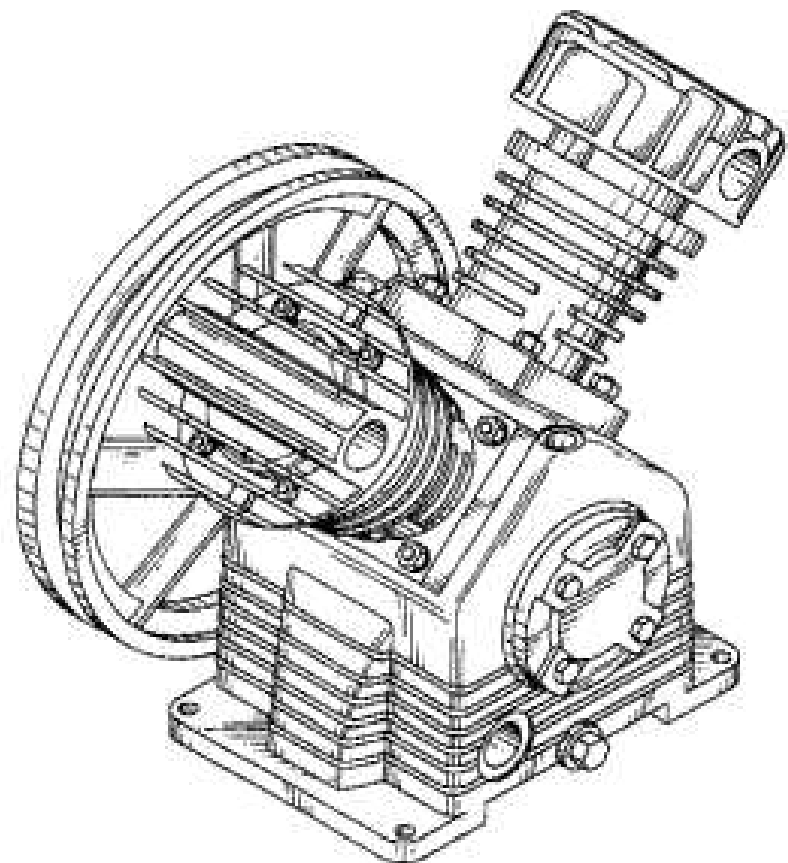
- (21) Design Number: **13475/2006**
(22) Date of Filing Application: **03 August 2006**
(24) Date from which industrial property rights may have effect: **03 August 2006**
(54) Product in respect of which the design is registered: **A holder for part of an edge protection system**
(51) International Design Classification: **25-02NES**
(71) Name(s) and Address(s) of Applicant(s):
Combisafe International AB
Storsjostraket 15 Ostersund 83184 Sweden
(72) Name(s) of Designer(s): **Joakim Svedberg**
(45) Registration Date: **03 January 2007**
(30) Convention priority data:
(31) Number (32) Date (33) Country
000481114-0001 03 Feb 2006 EUROPEAN COMMUNITY
(56) Related Art Documents: **Not Applicable**
(57) Statement of Newness and Distinctiveness: **Nil**



- (21) Design Number: **15058/2006**
(22) Date of Filing Application: **02 November 2006**
(24) Date from which industrial property rights may have effect: **02 November 2006**
(54) Product in respect of which the design is registered: **Chloride generator**
(51) International Design Classification: **23-01NES**
(71) Name(s) and Address(s) of Applicant(s):
Poolrite Research Pty Ltd
415 Creek Road Mt Gravatt Queensland 4122 Australia
(72) Name(s) of Designer(s): **Ross Palmer and Colin James Redmond and Brett Fuerst and Tom Percy**
(45) Registration Date: **03 January 2007**
(56) Related Art Documents: **Not Applicable**
(57) Statement of Newness and Distinctiveness: **Newness and distinctiveness resides in the shape and configuration of the chloride generator shown in the accompanying representations.**



- (21) Design Number: **15134/2006**
(22) Date of Filing Application: **10 November 2006**
(24) Date from which industrial property rights may have effect: **10 November 2006**
(54) Product in respect of which the design is registered: **Air compressor**
(51) International Design Classification: **15-02**
(71) Name(s) and Address(s) of Applicant(s):
E-Ming Hsiao
No 427 Sec 2 Doou-Chung Rd Tien-Chung Chang-Hwa Taiwan
(72) Name(s) of Designer(s): **E-Ming Hsiao**
(45) Registration Date: **03 January 2007**
(56) Related Art Documents: **Not Applicable**
(57) Statement of Newness and Distinctiveness: **Newness and distinctiveness resides in the features of shape and configuration of an air compressor as shown in the accompanying representations. Those portions shown in dotted lines form no part of the design.**



- (21) Design Number: **15136/2006**
(22) Date of Filing Application: **09 November 2006**
(24) Date from which industrial property rights may have effect: **09 November 2006**
(54) Product in respect of which the design is registered: **Front cover for a handset**
(51) International Design Classification: **14-03A**
(71) Name(s) and Address(s) of Applicant(s):
Nokia Corporation
Keilalahdentie 4 FIN-02150 Espoo Finland
(72) Name(s) of Designer(s): **Valtteri Eroma and Jussi Juva**
(45) Registration Date: **03 January 2007**
(30) Convention priority data:

(31) Number	(32) Date	(33) Country
M20060111	15 May 2006	FINLAND

(56) Related Art Documents: **Not Applicable**
(57) Statement of Newness and Distinctiveness: **Nil**



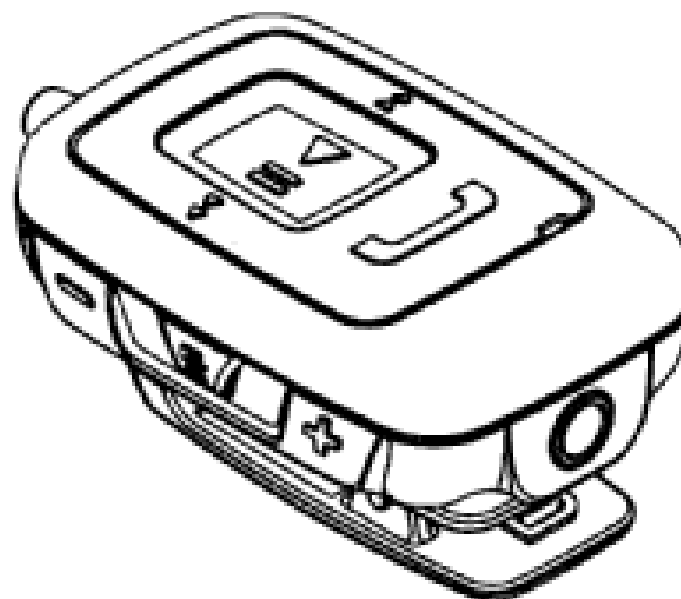
- (21) Design Number: **15138/2006**
(22) Date of Filing Application: **09 November 2006**
(24) Date from which industrial property rights may have effect: **09 November 2006**
(54) Product in respect of which the design is registered: **A handset**
(51) International Design Classification: **14-03A**
(71) Name(s) and Address(s) of Applicant(s):
Nokia Corporation
Keilalahdentie 4 FIN-02150 Espoo Finland
(72) Name(s) of Designer(s): **Valtteri Eroma and Jussi Juva**
(45) Registration Date: **03 January 2007**
(30) Convention priority data:

(31) Number	(32) Date	(33) Country
M20060111	15 May 2006	FINLAND

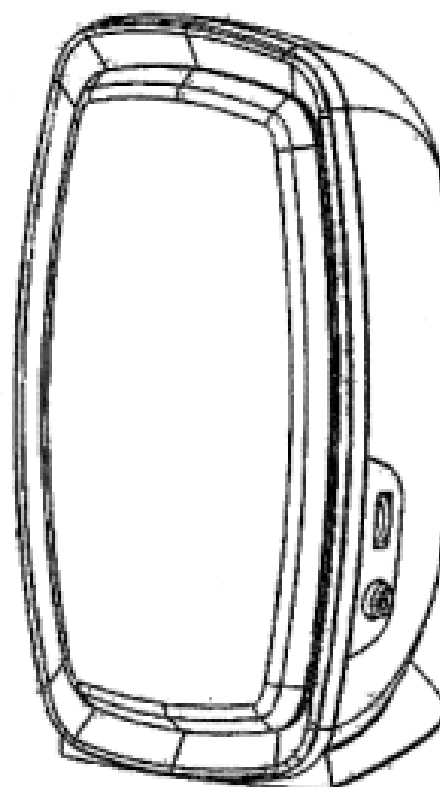
(56) Related Art Documents: **Not Applicable**
(57) Statement of Newness and Distinctiveness: **Nil**



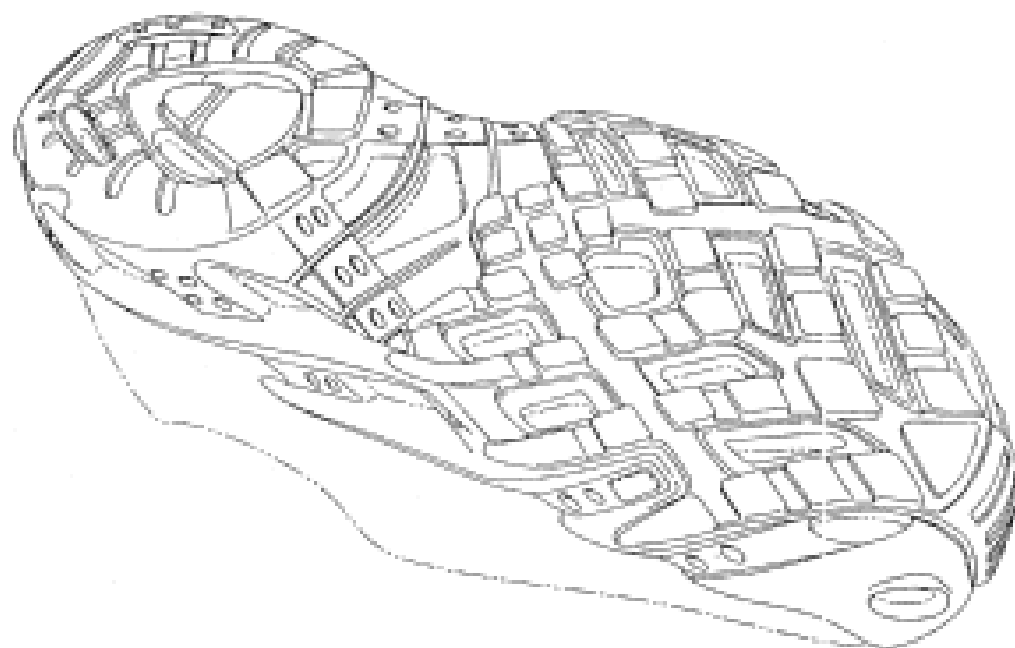
- (21) Design Number: **15137/2006**
(22) Date of Filing Application: **09 November 2006**
(24) Date from which industrial property rights may have effect: **09 November 2006**
(54) Product in respect of which the design is registered: **Part of a headset**
(51) International Design Classification: **14-03A**
(71) Name(s) and Address(s) of Applicant(s):
Nokia Corporation
Keilalahdentie 4 FIN-02150 Espoo Finland
(72) Name(s) of Designer(s): **Mikael Jaakkola and Kati Bjorninen and Veikko Rihu**
(45) Registration Date: **03 January 2007**
(30) Convention priority data:
(31) Number (32) Date (33) Country
29246784 09 May 2006 UNITED STATES OF AMERICA
(56) Related Art Documents: **Not Applicable**
(57) Statement of Newness and Distinctiveness: **Nil**



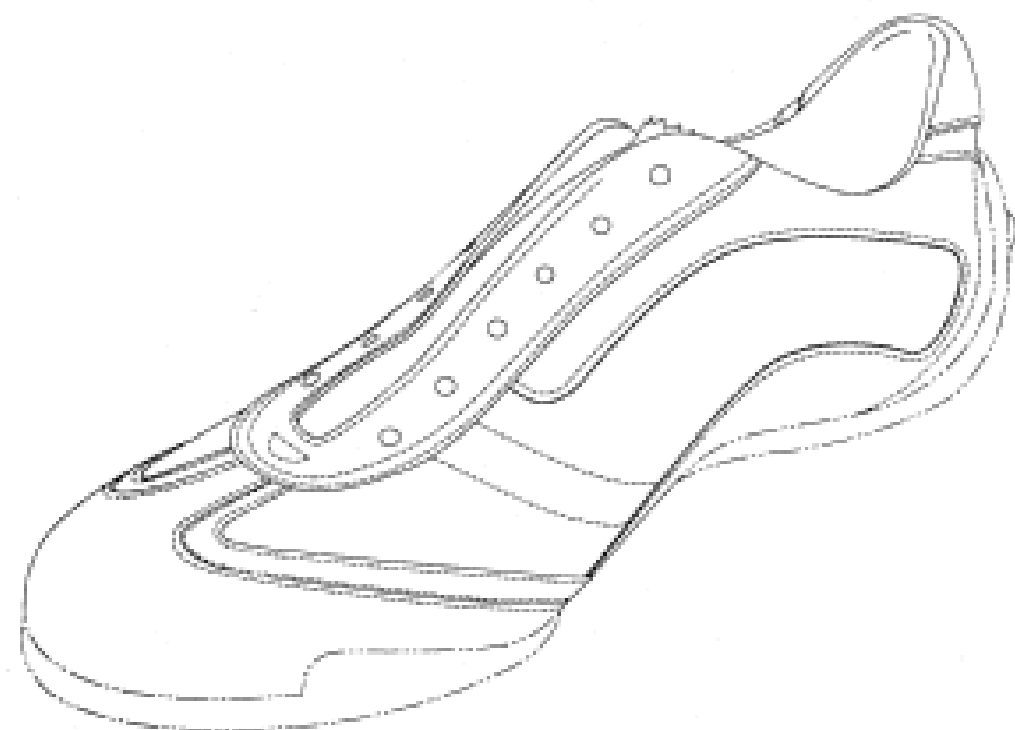
- (21) Design Number: **15143/2006**
(22) Date of Filing Application: **10 November 2006**
(24) Date from which industrial property rights may have effect: **10 November 2006**
(54) Product in respect of which the design is registered: **Loudspeaker device**
(51) International Design Classification: **14-01**
(71) Name(s) and Address(s) of Applicant(s):
Creative Technology Ltd
31 International Business Park Creative Resource Singapore 609921
(72) Name(s) of Designer(s): **Mei San Gigi Cho and Gan Hui Ling**
(45) Registration Date: **03 January 2007**
(30) Convention priority data:
(31) Number (32) Date (33) Country
29/263,604 26 Jul 2006 UNITED STATES OF AMERICA
(56) Related Art Documents: **Not Applicable**
(57) Statement of Newness and Distinctiveness: **Monopoly is claimed in the features of shape and configuration of the article as depicted in the accompanying representations.**



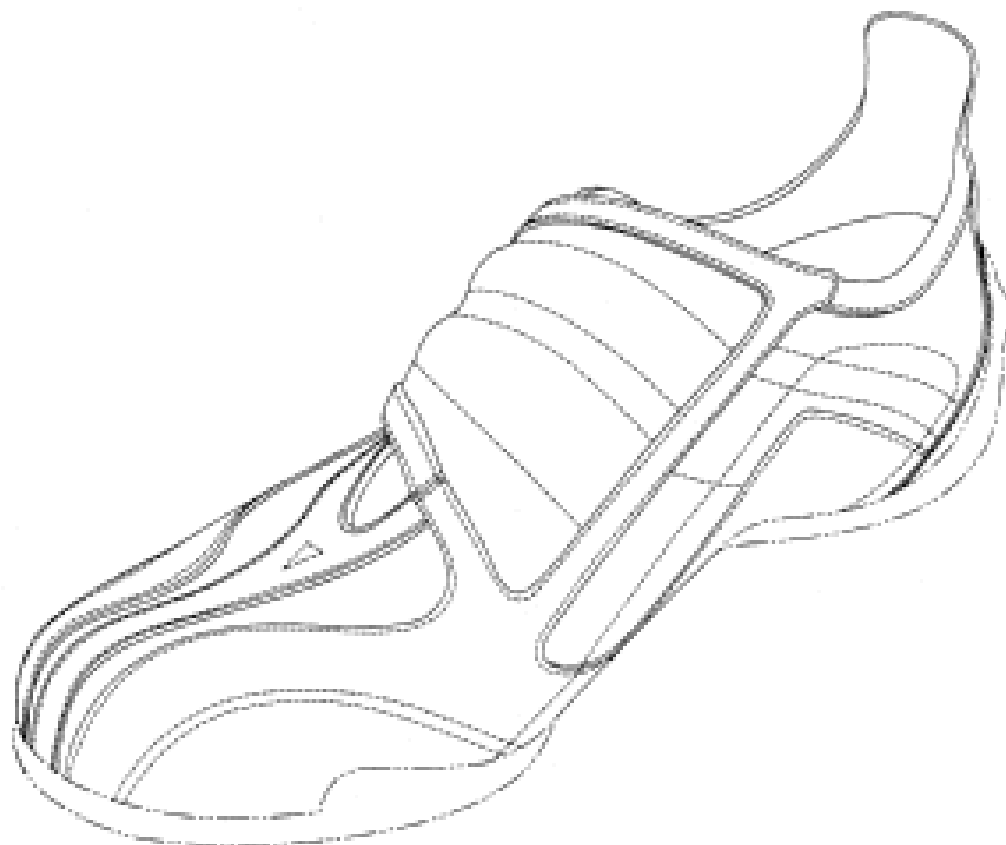
(21) Design Number: **15199/2006**
 (22) Date of Filing Application: **14 November 2006**
 (24) Date from which industrial property rights may have effect: **14 November 2006**
 (54) Product in respect of which the design is registered: **A footwear sole**
 (51) International Design Classification: **02-04B**
 (71) Name(s) and Address(s) of Applicant(s):
Wolverine World Wide, Inc.
9341 Courtland Drive NE Rockford Michigan 49351 United States of America
 (72) Name(s) of Designer(s): **Clark A. Matis and Martin W.F. Dean**
 (45) Registration Date: **03 January 2007**
 (30) Convention priority data:
 (31) Number (32) Date (33) Country
29259992 18 May 2006 UNITED STATES OF AMERICA
 (56) Related Art Documents: **Not Applicable**
 (57) Statement of Newness and Distinctiveness: **Newness and distinctiveness is claimed in the visual features shown in the representations except for those shown in phantom lines.**



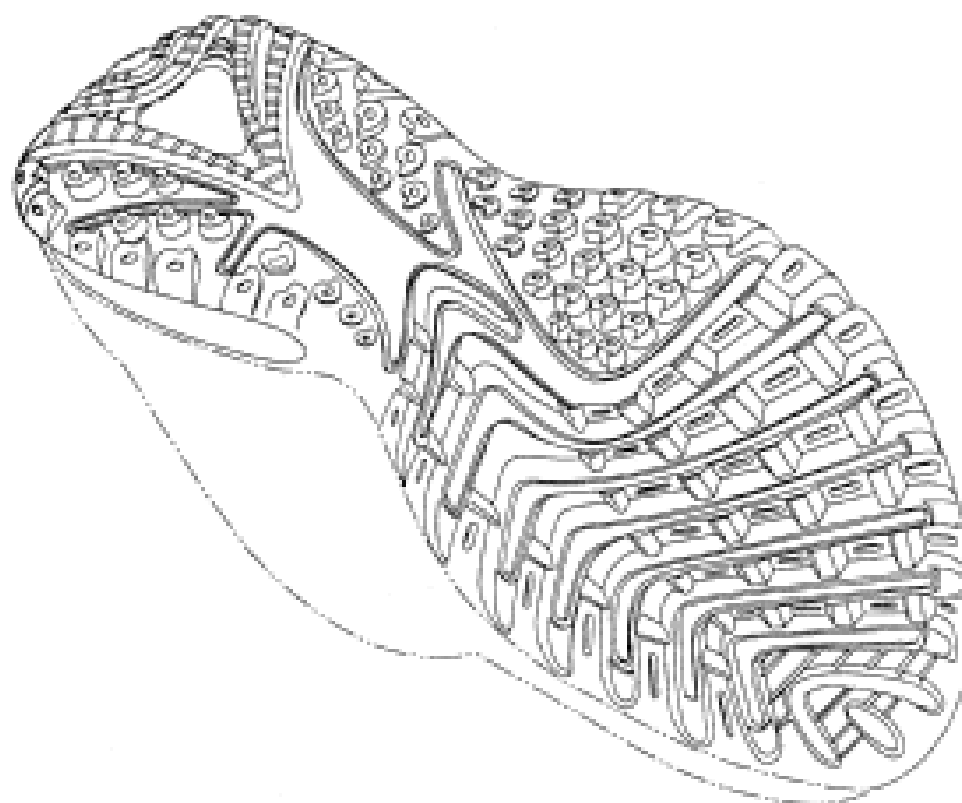
(21) Design Number: **15200/2006**
 (22) Date of Filing Application: **14 November 2006**
 (24) Date from which industrial property rights may have effect: **14 November 2006**
 (54) Product in respect of which the design is registered: **A footwear upper**
 (51) International Design Classification: **02-04NES**
 (71) Name(s) and Address(s) of Applicant(s):
Wolverine World Wide, Inc.
9341 Courtland Drive NE Rockford Michigan 49351 United States of America
 (72) Name(s) of Designer(s): **Manon Belley and Martin W.F. Dean**
 (45) Registration Date: **03 January 2007**
 (30) Convention priority data:
 (31) Number (32) Date (33) Country
29260069 18 May 2006 UNITED STATES OF AMERICA
 (56) Related Art Documents: **Not Applicable**
 (57) Statement of Newness and Distinctiveness: **Newness and distinctiveness is claimed in the visual features shown in the representations except for those shown in phantom lines.**



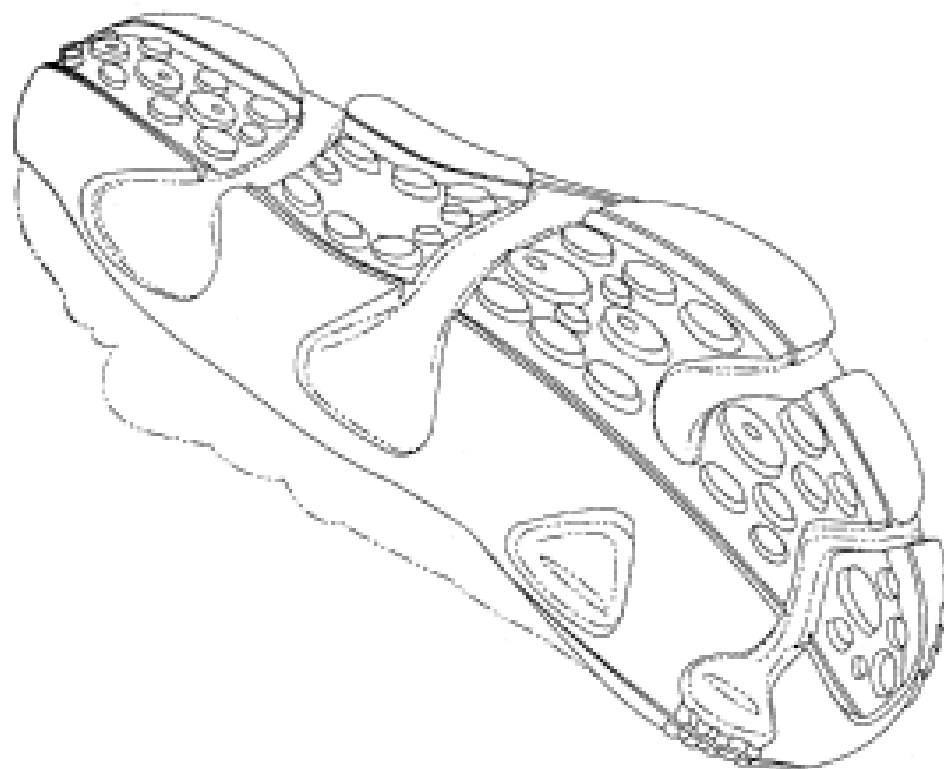
- (21) Design Number: **15201/2006**
(22) Date of Filing Application: **14 November 2006**
(24) Date from which industrial property rights may have effect: **14 November 2006**
(54) Product in respect of which the design is registered: **A footwear upper**
(51) International Design Classification: **02-04NES**
(71) Name(s) and Address(s) of Applicant(s):
Wolverine World Wide, Inc.
9341 Courtland Drive NE Rockford Michigan 49351 United States of America
(72) Name(s) of Designer(s): **Manon Belley and Martin W.F. Dean**
(45) Registration Date: **03 January 2007**
(30) Convention priority data:
(31) Number (32) Date (33) Country
29260029 18 May 2006 UNITED STATES OF AMERICA
(56) Related Art Documents: **Not Applicable**
(57) Statement of Newness and Distinctiveness: **Newness and distinctiveness is claimed in the visual features shown in the representations except for those shown in phantom lines.**



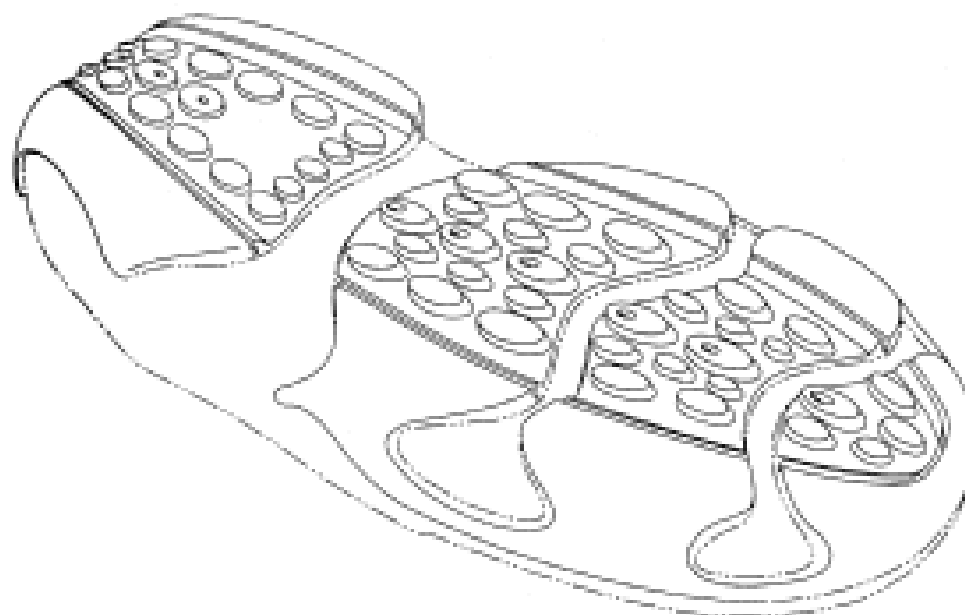
- (21) Design Number: **15203/2006**
(22) Date of Filing Application: **14 November 2006**
(24) Date from which industrial property rights may have effect: **14 November 2006**
(54) Product in respect of which the design is registered: **A footwear sole**
(51) International Design Classification: **02-04B**
(71) Name(s) and Address(s) of Applicant(s):
Wolverine World Wide, Inc.
9341 Courtland Drive NE Rockford Michigan 49351 United States of America
(72) Name(s) of Designer(s): **Manon Belley and Martin W.F. Dean and Defne Yalkut**
(45) Registration Date: **03 January 2007**
(30) Convention priority data:
(31) Number (32) Date (33) Country
29259997 18 May 2006 UNITED STATES OF AMERICA
(56) Related Art Documents: **Not Applicable**
(57) Statement of Newness and Distinctiveness: **Newness and distinctiveness is claimed in the visual features shown in the representations except for those shown in phantom lines.**



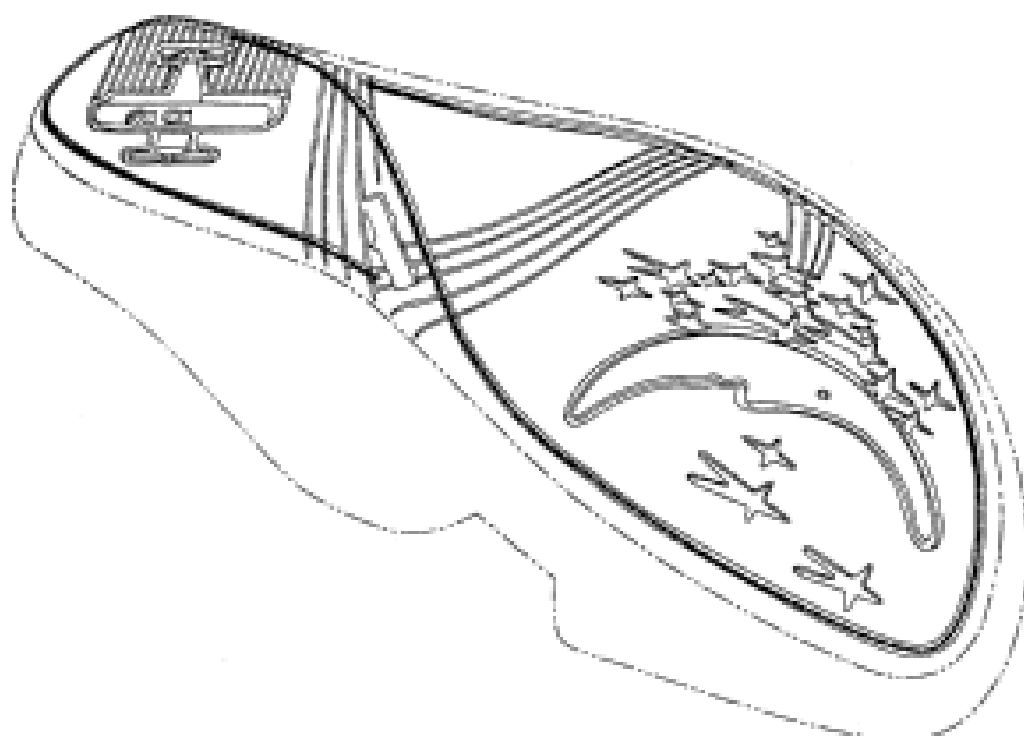
- (21) Design Number: **15204/2006**
(22) Date of Filing Application: **14 November 2006**
(24) Date from which industrial property rights may have effect: **14 November 2006**
(54) Product in respect of which the design is registered: **A footwear sole**
(51) International Design Classification: **02-04B**
(71) Name(s) and Address(s) of Applicant(s):
Wolverine World Wide, Inc.
9341 Courtland Drive NE Rockford Michigan 49351 United States of America
(72) Name(s) of Designer(s): **Manon Belley and Martin W.F. Dean and Grant A. Urie**
(45) Registration Date: **03 January 2007**
(30) Convention priority data:
(31) Number (32) Date (33) Country
29259999 18 May 2006 UNITED STATES OF AMERICA
(56) Related Art Documents: **Not Applicable**
(57) Statement of Newness and Distinctiveness: **Newness and distinctiveness is claimed in the visual features shown in the representations except for those shown in phantom lines.**



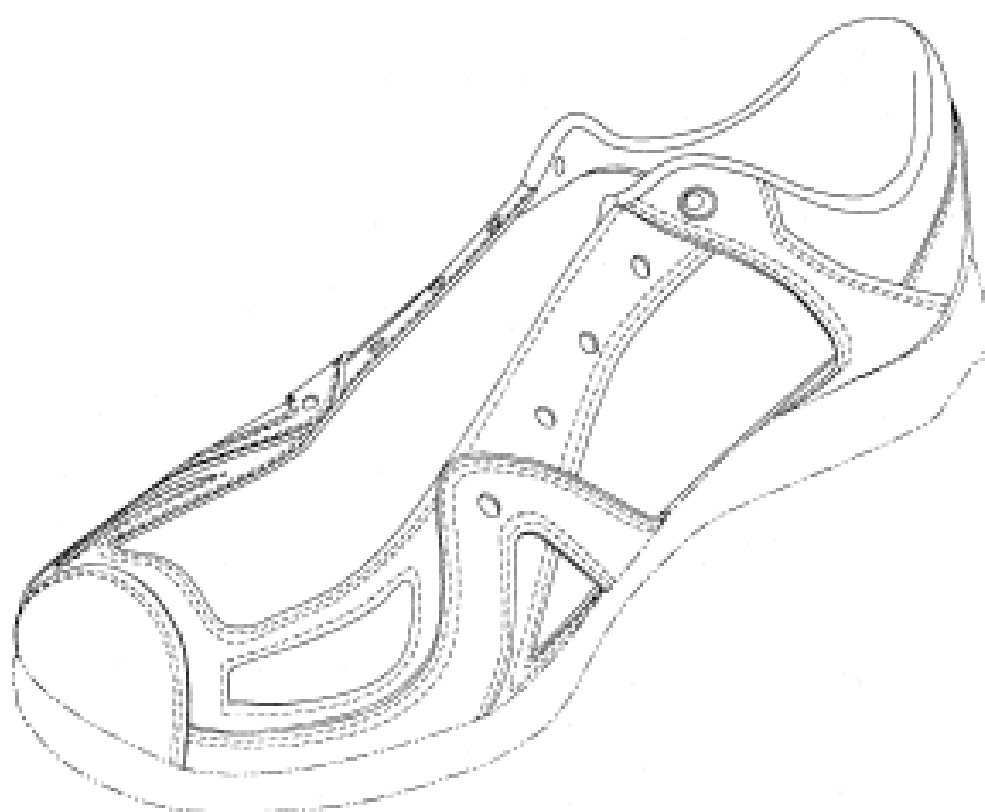
- (21) Design Number: **15205/2006**
(22) Date of Filing Application: **14 November 2006**
(24) Date from which industrial property rights may have effect: **14 November 2006**
(54) Product in respect of which the design is registered: **A footwear sole**
(51) International Design Classification: **02-04B**
(71) Name(s) and Address(s) of Applicant(s):
Wolverine World Wide, Inc.
9341 Courtland Drive NE Rockford Michigan 49351 United States of America
(72) Name(s) of Designer(s): **Manon Belley and Martin W.F. Dean and Grant A. Urie**
(45) Registration Date: **03 January 2007**
(30) Convention priority data:
(31) Number (32) Date (33) Country
29260054 18 May 2006 UNITED STATES OF AMERICA
(56) Related Art Documents: **Not Applicable**
(57) Statement of Newness and Distinctiveness: **Newness and distinctiveness is claimed in the visual features shown in the representations except for those shown in phantom lines.**



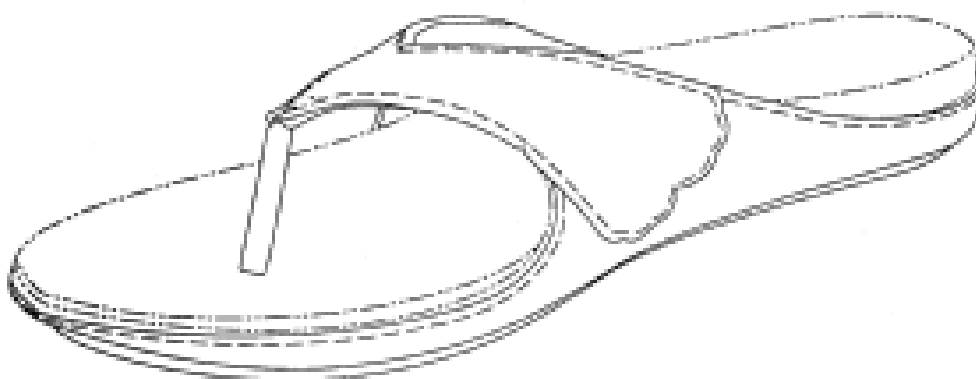
(21) Design Number: **15206/2006**
 (22) Date of Filing Application: **14 November 2006**
 (24) Date from which industrial property rights may have effect: **14 November 2006**
 (54) Product in respect of which the design is registered: **A footwear sole**
 (51) International Design Classification: **02-04B**
 (71) Name(s) and Address(s) of Applicant(s):
Wolverine World Wide, Inc.
9341 Courtland Drive NE Rockford Michigan 49351 United States of America
 (72) Name(s) of Designer(s): **Deborah H. Andersen and Martin W.F. Dean and Grant A. Urie**
 (45) Registration Date: **03 January 2007**
 (30) Convention priority data:
 (31) Number (32) Date (33) Country
29260052 18 May 2006 UNITED STATES OF AMERICA
 (56) Related Art Documents: **Not Applicable**
 (57) Statement of Newness and Distinctiveness: **Newness and distinctiveness is claimed in the visual features shown in the representations except for those shown in phantom lines.**



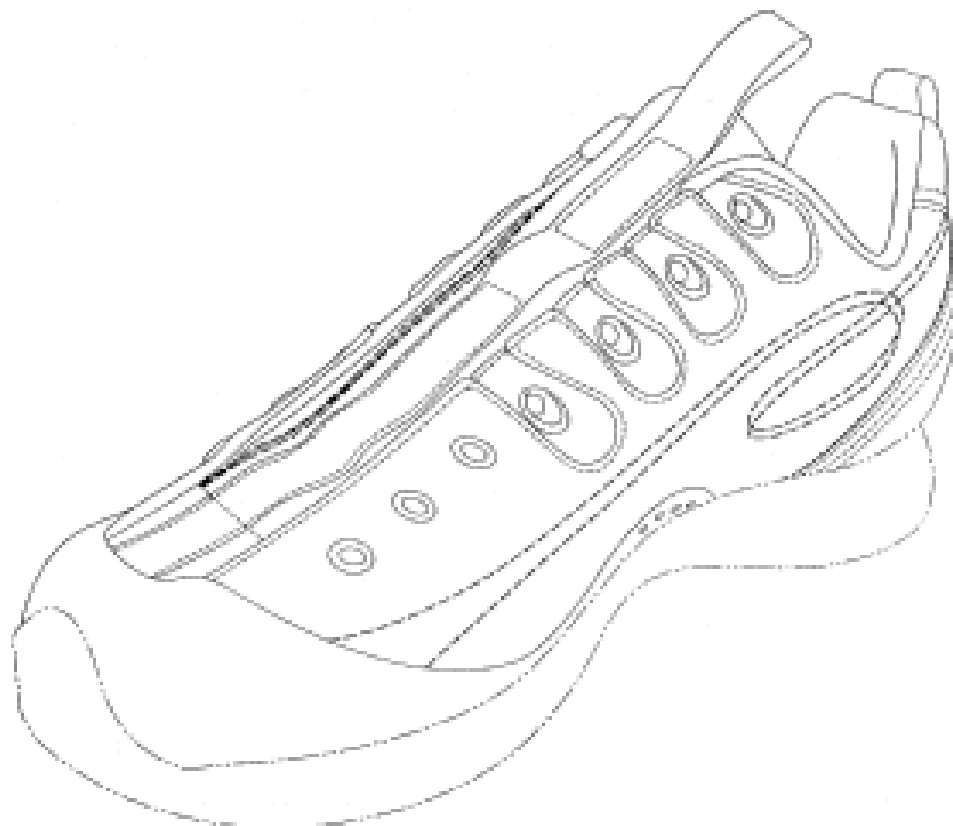
(21) Design Number: **15208/2006**
 (22) Date of Filing Application: **14 November 2006**
 (24) Date from which industrial property rights may have effect: **14 November 2006**
 (54) Product in respect of which the design is registered: **A footwear upper**
 (51) International Design Classification: **02-04NES**
 (71) Name(s) and Address(s) of Applicant(s):
Wolverine World Wide, Inc.
9341 Courtland Drive NE Rockford Michigan 49351 United States of America
 (72) Name(s) of Designer(s): **Manon Belley and Cristian Ardissono**
 (45) Registration Date: **03 January 2007**
 (30) Convention priority data:
 (31) Number (32) Date (33) Country
29260047 18 May 2006 UNITED STATES OF AMERICA
 (56) Related Art Documents: **Not Applicable**
 (57) Statement of Newness and Distinctiveness: **Newness and distinctiveness is claimed in the visual features shown in the representations except for those shown in phantom lines.**



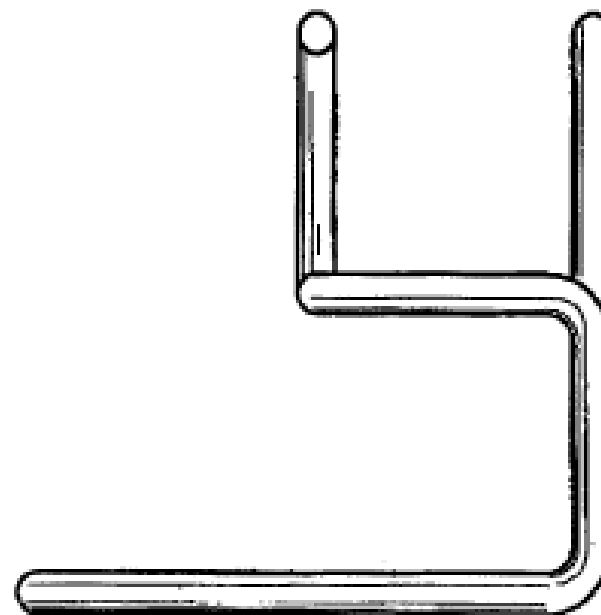
(21) Design Number: **15209/2006**
 (22) Date of Filing Application: **14 November 2006**
 (24) Date from which industrial property rights may have effect: **14 November 2006**
 (54) Product in respect of which the design is registered: **A footwear upper**
 (51) International Design Classification: **02-04NES**
 (71) Name(s) and Address(s) of Applicant(s):
Wolverine World Wide, Inc.
9341 Courtland Drive NE Rockford Michigan 49351 United States of America
 (72) Name(s) of Designer(s): **Deborah H. Andersen and Martin W.F. Dean and Grant A. Urie**
 (45) Registration Date: **03 January 2007**
 (30) Convention priority data:
 (31) Number (32) Date (33) Country
29259973 18 May 2006 UNITED STATES OF AMERICA
 (56) Related Art Documents: **Not Applicable**
 (57) Statement of Newness and Distinctiveness: **Newness and distinctiveness is claimed in the visual features shown in the representations except for those shown in phantom lines.**



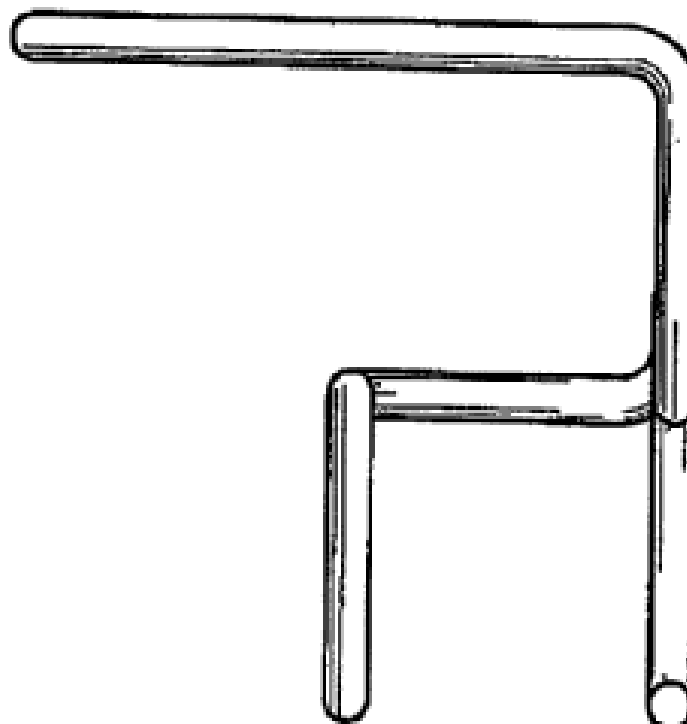
(21) Design Number: **15210/2006**
 (22) Date of Filing Application: **14 November 2006**
 (24) Date from which industrial property rights may have effect: **14 November 2006**
 (54) Product in respect of which the design is registered: **A footwear upper**
 (51) International Design Classification: **02-04NES**
 (71) Name(s) and Address(s) of Applicant(s):
Wolverine World Wide, Inc.
9341 Courtland Drive NE Rockford Michigan 49351 United States of America
 (72) Name(s) of Designer(s): **Lester F. Horne and Martin W.F. Dean**
 (45) Registration Date: **03 January 2007**
 (30) Convention priority data:
 (31) Number (32) Date (33) Country
29260025 18 May 2006 UNITED STATES OF AMERICA
 (56) Related Art Documents: **Not Applicable**
 (57) Statement of Newness and Distinctiveness: **Newness and distinctiveness is claimed in the visual features shown in the representations except for those shown in phantom lines.**



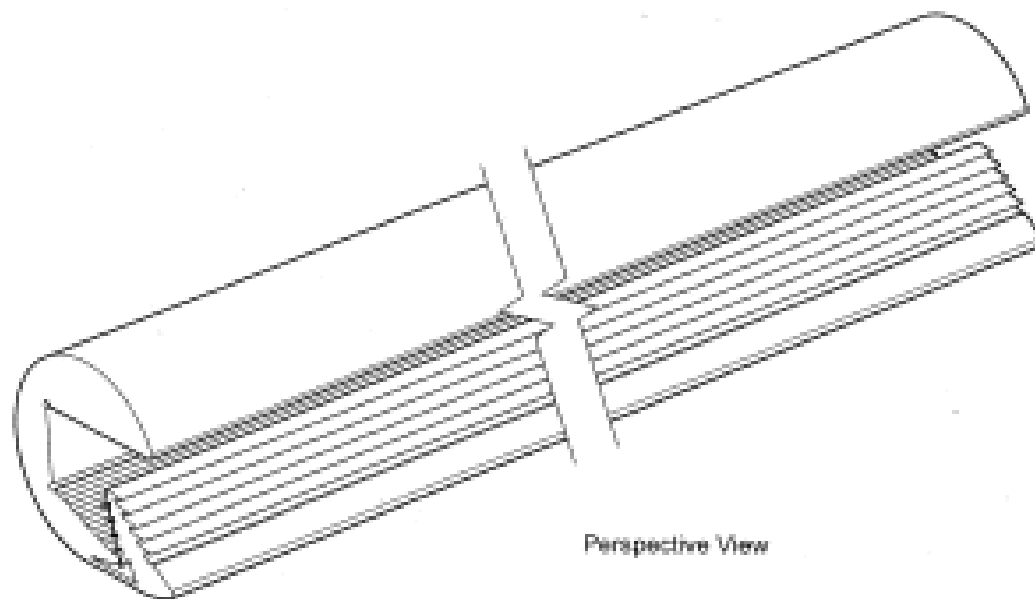
(21) Design Number: **15362/2006**
(22) Date of Filing Application: **22 November 2006**
(24) Date from which industrial property rights may have effect: **22 November 2006**
(54) Product in respect of which the design is registered: **A holder for part of an edge protection system**
(51) International Design Classification: **25-02NES**
(71) Name(s) and Address(s) of Applicant(s):
Combisafe International AB
Storsjostraket 15 Ostersund 83184 Sweden
(72) Name(s) of Designer(s): **Joakim Svedberg**
(45) Registration Date: **03 January 2007**
(30) Convention priority data:
(31) Number (32) Date (33) Country
000481114-0001 03 Feb 2006 EUROPEAN COMMUNITY
(56) Related Art Documents: **Not Applicable**
(57) Statement of Newness and Distinctiveness: **Nil**



(21) Design Number: **15363/2006**
(22) Date of Filing Application: **22 November 2006**
(24) Date from which industrial property rights may have effect: **22 November 2006**
(54) Product in respect of which the design is registered: **A holder for part of an edge protection system**
(51) International Design Classification: **25-02NES**
(71) Name(s) and Address(s) of Applicant(s):
Combisafe International AB
Storsjostraket 15 Ostersund 83184 Sweden
(72) Name(s) of Designer(s): **Joakim Svedberg**
(45) Registration Date: **03 January 2007**
(30) Convention priority data:
(31) Number (32) Date (33) Country
000481114-0001 03 Feb 2006 EUROPEAN COMMUNITY
(56) Related Art Documents: **Not Applicable**
(57) Statement of Newness and Distinctiveness: **Nil**



- (21) Design Number: **15135/2006**
(22) Date of Filing Application: **10 November 2006**
(24) Date from which industrial property rights may have effect: **10 November 2006**
(54) Product in respect of which the design is registered: **Plastic gasket**
(51) International Design Classification: **25-01K**
(71) Name(s) and Address(s) of Applicant(s):
Balu Pty Ltd
3 Staite Street Wingfield South Australia 5013 Australia
(72) Name(s) of Designer(s): **Peter Smithson and David Adderton**
(45) Registration Date: **02 January 2007**
(56) Related Art Documents: **Not Applicable**
(57) Statement of Newness and Distinctiveness: **Newness and distinctiveness resides in the features of shape and configuration of a plastic gasket of indefinite length as shown in the accompanying representations.**

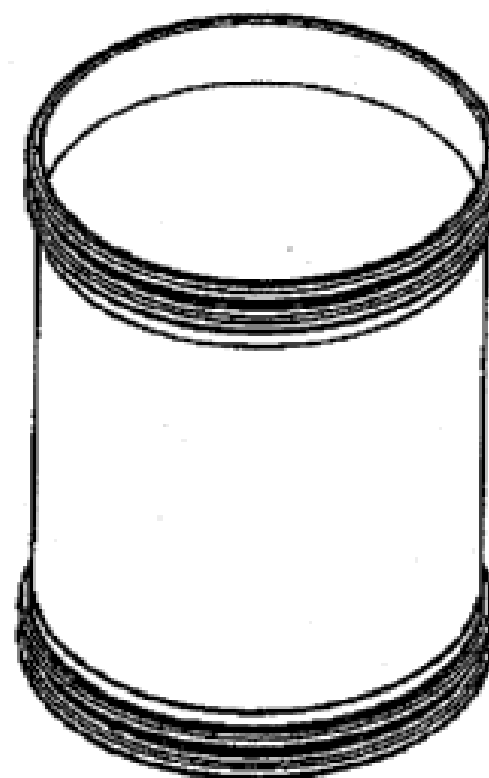


Perspective View

- (21) Design Number: **14583/2006**
(22) Date of Filing Application: **12 October 2006**
(24) Date from which industrial property rights may have effect: **12 October 2006**
(54) Product in respect of which the design is registered: **'Loop'**
(51) International Design Classification: **06-01NES**
(71) Name(s) and Address(s) of Applicant(s):
Warwick Keates
41 Regent Street Kensington South Australia 5068 Australia
Roger Goss
41 Regent Street Kensington South Australia 5068 Australia
Amanda Balmer
41 Regent Street Kensington South Australia 5068 Australia
(72) Name(s) of Designer(s): **Warwick Keates and Roger Goss and Amanda Balmer**
(45) Registration Date: **02 January 2007**
(56) Related Art Documents: **Not Applicable**
(57) Statement of Newness and Distinctiveness: **Continuous rolled laser cut out door seat, providing functional seating, & sculptured value.**

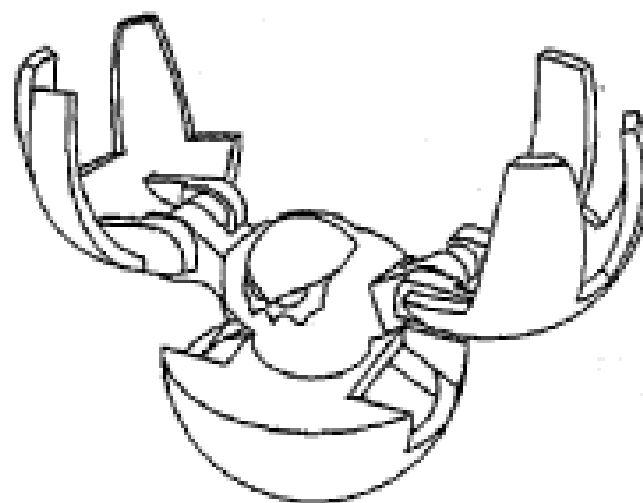


- (21) Design Number: **15178/2006**
(22) Date of Filing Application: **13 November 2006**
(24) Date from which industrial property rights may have effect: **13 November 2006**
(54) Product in respect of which the design is registered: **A flexible tubular connector with self supporting end bands**
(51) International Design Classification: **23-01A**
(71) Name(s) and Address(s) of Applicant(s):
Filtercorp International Limited
22#24 Baypark Place Beachhaven Auckland New Zealand
(72) Name(s) of Designer(s): **Blair Forres McPheat**
(45) Registration Date: **02 January 2007**
(30) Convention priority data:
(31) Number (32) Date (33) Country
407573 15 May 2006 NEW ZEALAND
(56) Related Art Documents: **Not Applicable**
(57) Statement of Newness and Distinctiveness: **Newness and distinctiveness is claimed in the features at the profiled end of the tube.**

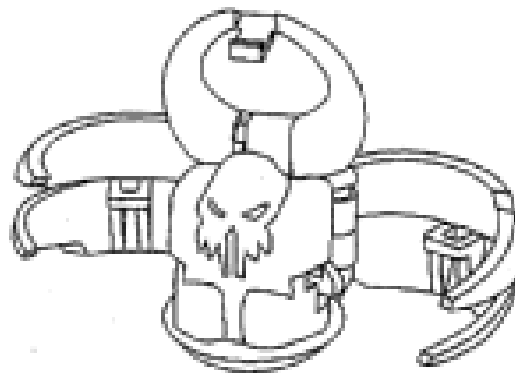


Isometric Representation

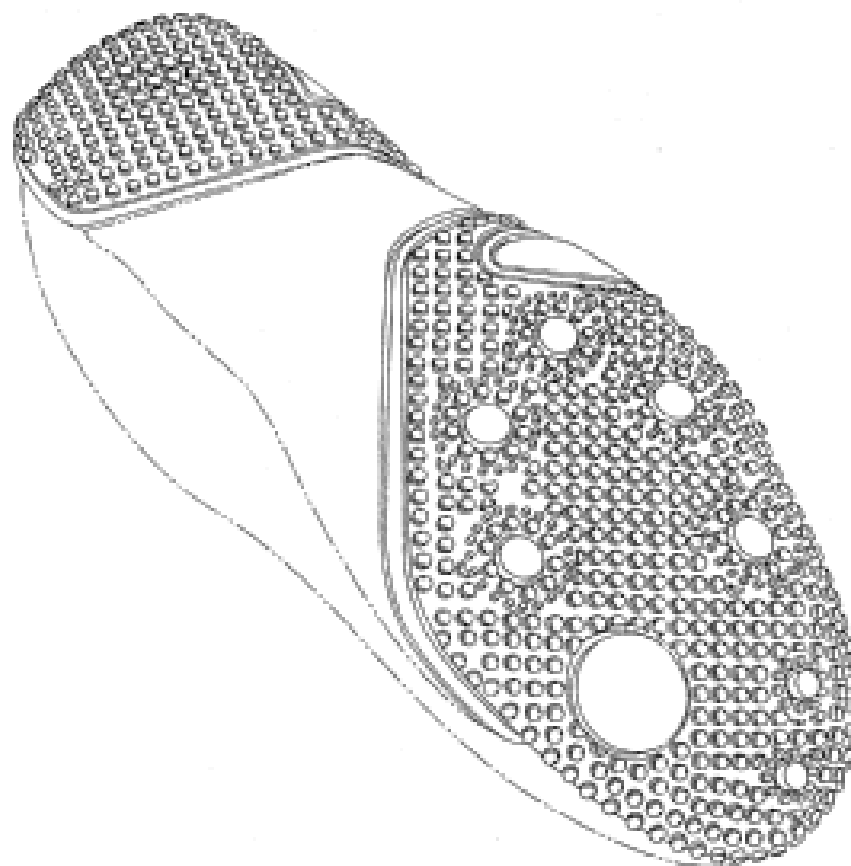
- (21) Design Number: **15183/2006**
(22) Date of Filing Application: **14 November 2006**
(24) Date from which industrial property rights may have effect: **14 November 2006**
(54) Product in respect of which the design is registered: **Toy**
(51) International Design Classification: **21-01B**
(71) Name(s) and Address(s) of Applicant(s):
Spin Master Ltd
450 Front Street West Toronto M5V 1B6 Ontario Canada
(72) Name(s) of Designer(s): **Wataru Sato and Tetsuyoshi Matsumura**
(45) Registration Date: **02 January 2007**
(56) Related Art Documents: **Not Applicable**
(57) Statement of Newness and Distinctiveness: **Nil**



- (21) Design Number: **15182/2006**
(22) Date of Filing Application: **14 November 2006**
(24) Date from which industrial property rights may have effect: **14 November 2006**
(54) Product in respect of which the design is registered: **Toy**
(51) International Design Classification: **21-01B**
(71) Name(s) and Address(s) of Applicant(s):
Spin Master Ltd
450 Front Street West Toronto M5V 1B6 Ontario Canada
(72) Name(s) of Designer(s): **Wataru Sato and Tetsuyoshi Matsumura**
(45) Registration Date: **02 January 2007**
(56) Related Art Documents: **Not Applicable**
(57) Statement of Newness and Distinctiveness: **Nil**



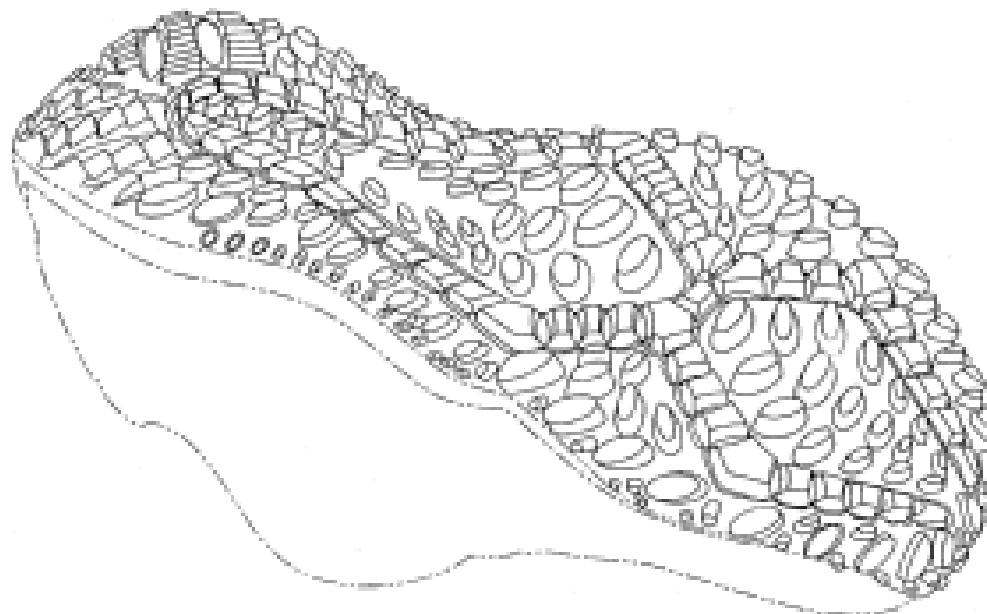
- (21) Design Number: **15198/2006**
(22) Date of Filing Application: **14 November 2006**
(24) Date from which industrial property rights may have effect: **14 November 2006**
(54) Product in respect of which the design is registered: **A footwear sole**
(51) International Design Classification: **02-04B**
(71) Name(s) and Address(s) of Applicant(s):
Wolverine World Wide, Inc.
9341 Courtland Drive NE Rockford Michigan 49351 United States of America
(72) Name(s) of Designer(s): **Mary L. Schoenborn and Grant A. Urie**
(45) Registration Date: **02 January 2007**
(30) Convention priority data:
(31) Number (32) Date (33) Country
29260019 18 May 2006 UNITED STATES OF AMERICA
(56) Related Art Documents: **Not Applicable**
(57) Statement of Newness and Distinctiveness: **Newness and distinctiveness is claimed in the visual features shown in the representations except for those shown in phantom lines.**



(21) Design Number: **15202/2006**
 (22) Date of Filing Application: **14 November 2006**
 (24) Date from which industrial property rights may have effect: **14 November 2006**
 (54) Product in respect of which the design is registered: **A footwear sole**
 (51) International Design Classification: **02-04B**
 (71) Name(s) and Address(s) of Applicant(s):
Wolverine World Wide, Inc.
9341 Courtland Drive NE Rockford Michigan 49351 United States of America
 (72) Name(s) of Designer(s): **Clark A. Matis and Martin W.F. Dean**
 (45) Registration Date: **02 January 2007**
 (30) Convention priority data:

(31) Number	(32) Date	(33) Country
29260089	18 May 2006	UNITED STATES OF AMERICA

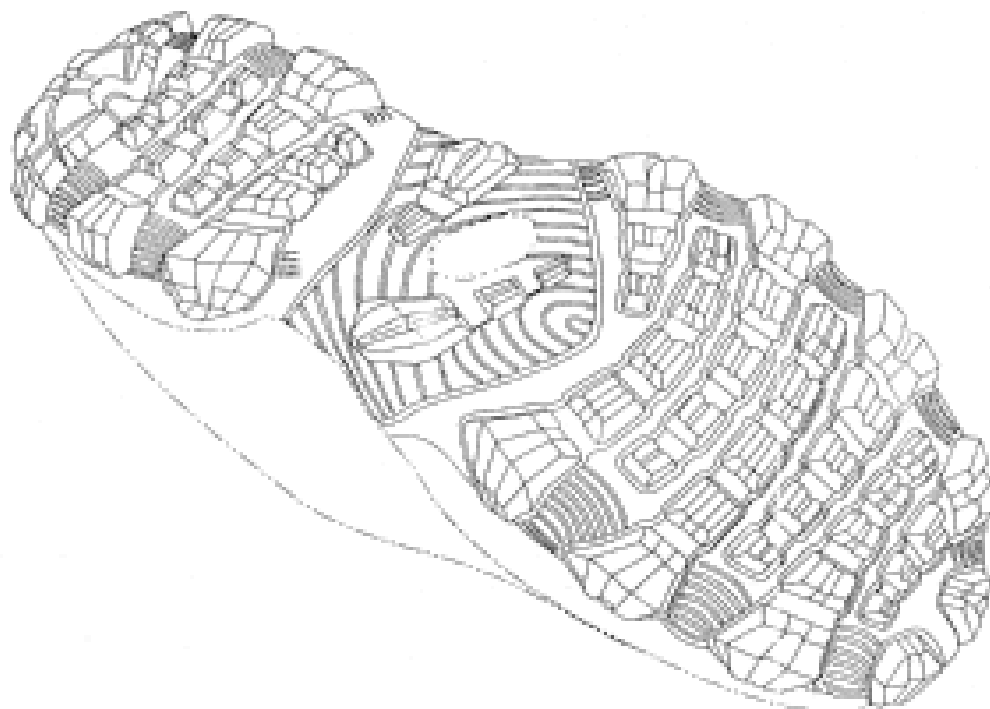
 (56) Related Art Documents: **Not Applicable**
 (57) Statement of Newness and Distinctiveness: **Newness and distinctiveness is claimed in the visual features shown in the representations except for those shown in phantom lines.**



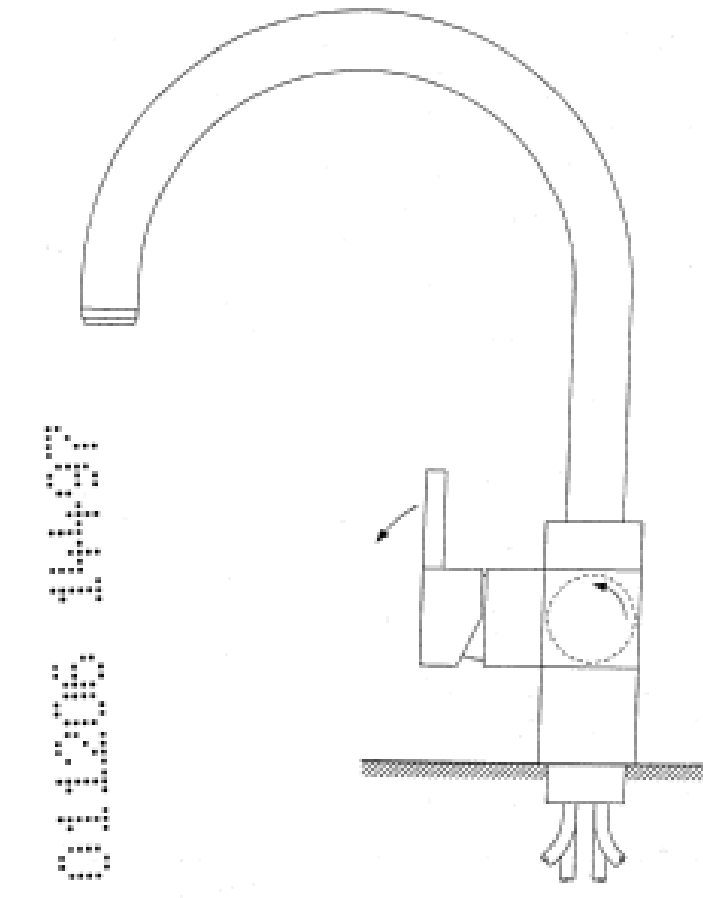
(21) Design Number: **15192/2006**
 (22) Date of Filing Application: **14 November 2006**
 (24) Date from which industrial property rights may have effect: **14 November 2006**
 (54) Product in respect of which the design is registered: **A footwear sole**
 (51) International Design Classification: **02-04B**
 (71) Name(s) and Address(s) of Applicant(s):
Wolverine World Wide, Inc.
9341 Courtland Drive NE Rockford Michigan 49351 United States of America
 (72) Name(s) of Designer(s): **Lester F. Horne and Andrea Rinaldi**
 (45) Registration Date: **02 January 2007**
 (30) Convention priority data:

(31) Number	(32) Date	(33) Country
29260016	18 May 2006	UNITED STATES OF AMERICA

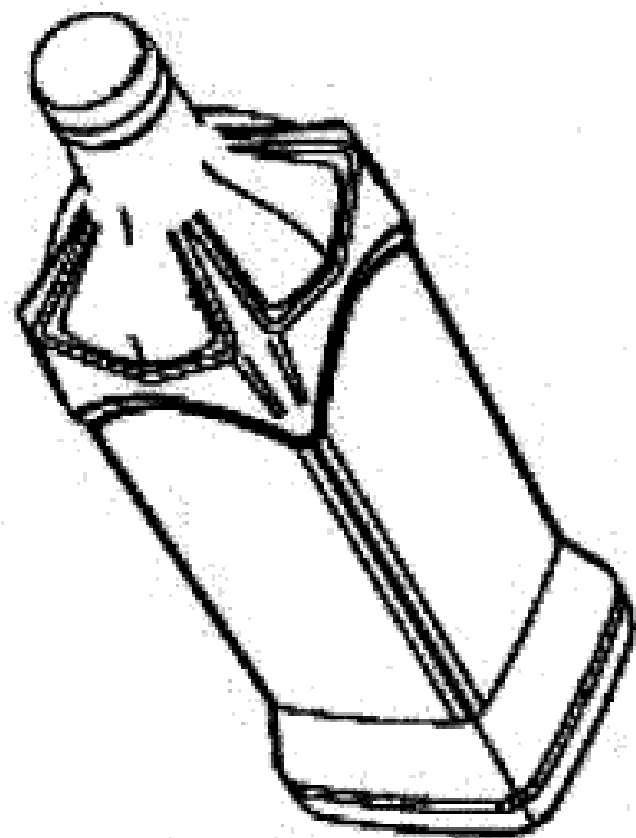
 (56) Related Art Documents: **Not Applicable**
 (57) Statement of Newness and Distinctiveness: **Newness and distinctiveness is claimed in the visual features shown in the representations except for those shown in phantom lines.**



- (21) Design Number: **14497/2006**
(22) Date of Filing Application: **05 October 2006**
(24) Date from which industrial property rights may have effect: **05 October 2006**
(54) Product in respect of which the design is registered: **A Dispenser**
(51) International Design Classification: **23-01H**
(71) Name(s) and Address(s) of Applicant(s):
Electrolux Home Products Corporation N.V.
Belgicastraat 17 1930 Zaventem Belgium
(72) Name(s) of Designer(s): **Luciano Cesa**
(45) Registration Date: **02 January 2007**
(30) Convention priority data:
(31) Number (32) Date (33) Country
RA20060000006 05 Apr 2006 ITALY
(56) Related Art Documents: **Not Applicable**
(57) Statement of Newness and Distinctiveness: **Newness and distinctiveness is claimed in the features of the dispensers shown in solid lines above the surface indicated with hatching.**

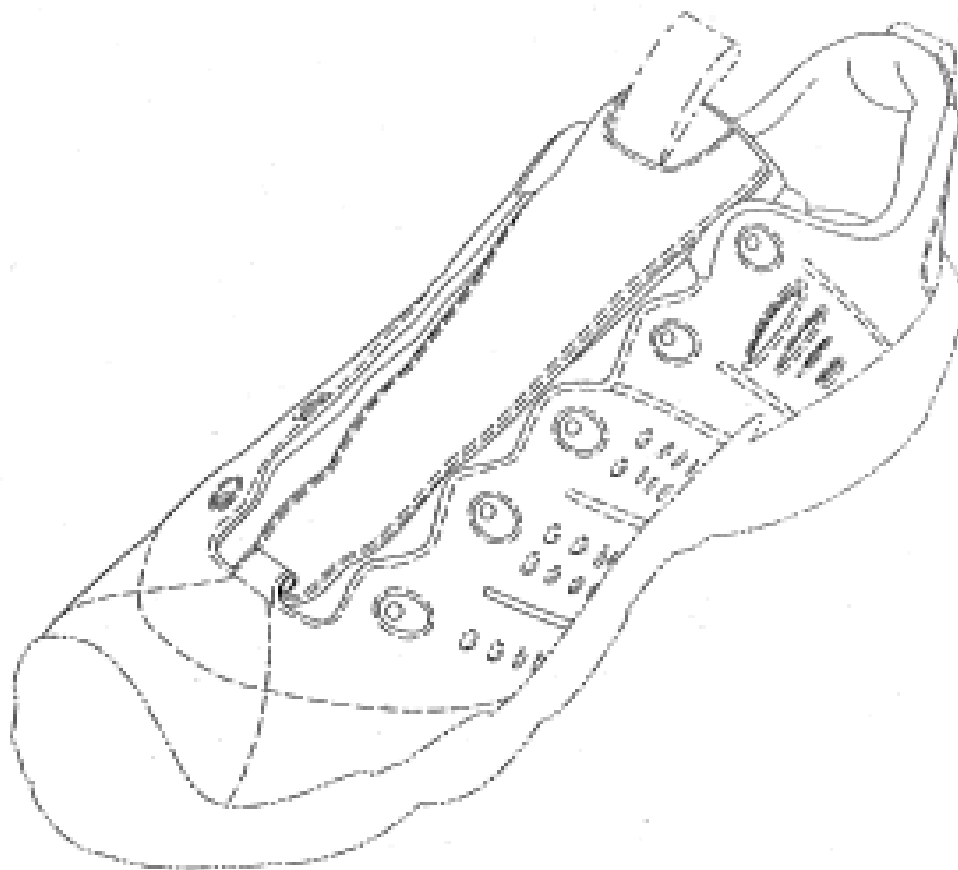


- (21) Design Number: **14982/2006**
(22) Date of Filing Application: **27 October 2006**
(24) Date from which industrial property rights may have effect: **27 October 2006**
(54) Product in respect of which the design is registered: **Bottle**
(51) International Design Classification: **09-01K**
(71) Name(s) and Address(s) of Applicant(s):
The Continental Spirits Company Pty Ltd
77 Southbank Boulevard Southbank Victoria 3006 Australia
(72) Name(s) of Designer(s): **Ed Ball and Nicky Kukulka**
(45) Registration Date: **02 January 2007**
(56) Related Art Documents: **Not Applicable**
(57) Statement of Newness and Distinctiveness: **Nil**



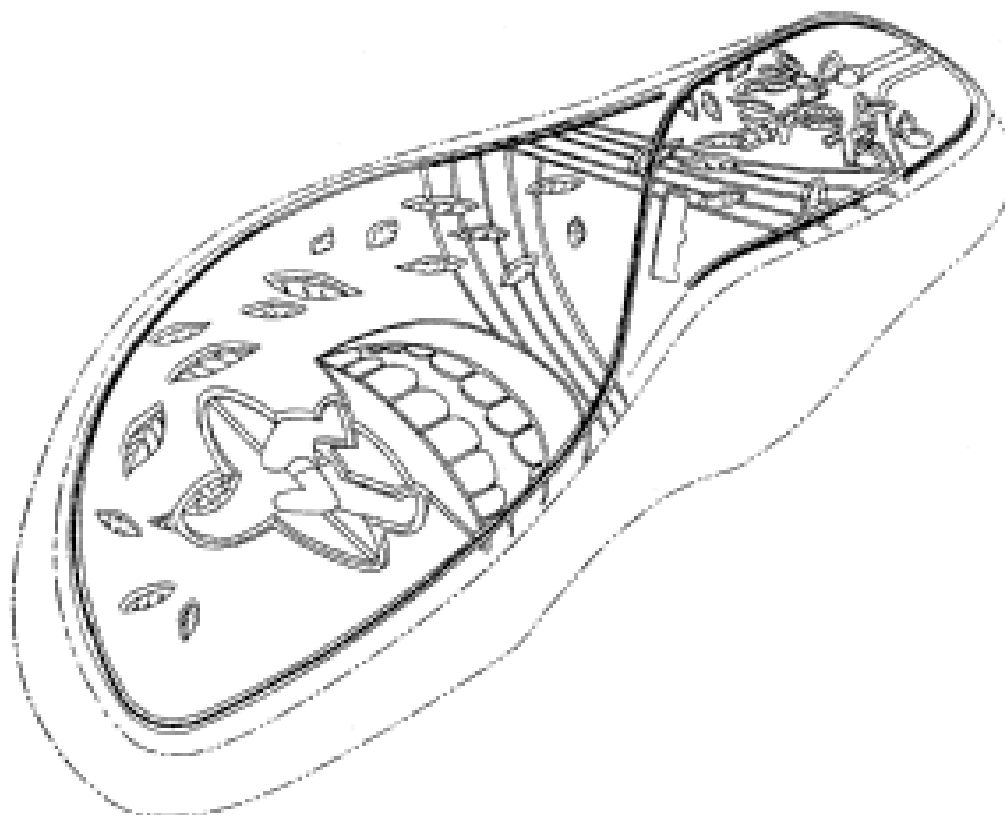
- (21) Design Number: **15220/2006**
- (22) Date of Filing Application: **14 November 2006**
- (24) Date from which industrial property rights may have effect: **14 November 2006**
- (54) Product in respect of which the design is registered: **A footwear upper**
- (51) International Design Classification: **02-04NES**
- (71) Name(s) and Address(s) of Applicant(s):
Wolverine World Wide, Inc.
9341 Courtland Drive NE Rockford Michigan 49351 United States of America
- (72) Name(s) of Designer(s): **Clark A. Matis and Martin W.F. Dean**
- (45) Registration Date: **02 January 2007**
- (30) Convention priority data:

(31) Number	(32) Date	(33) Country
29260012	18 May 2006	UNITED STATES OF AMERICA
- (56) Related Art Documents: **Not Applicable**
- (57) Statement of Newness and Distinctiveness: **Newness and distinctiveness is claimed in the visual features shown in the representations except for those shown in phantom lines.**

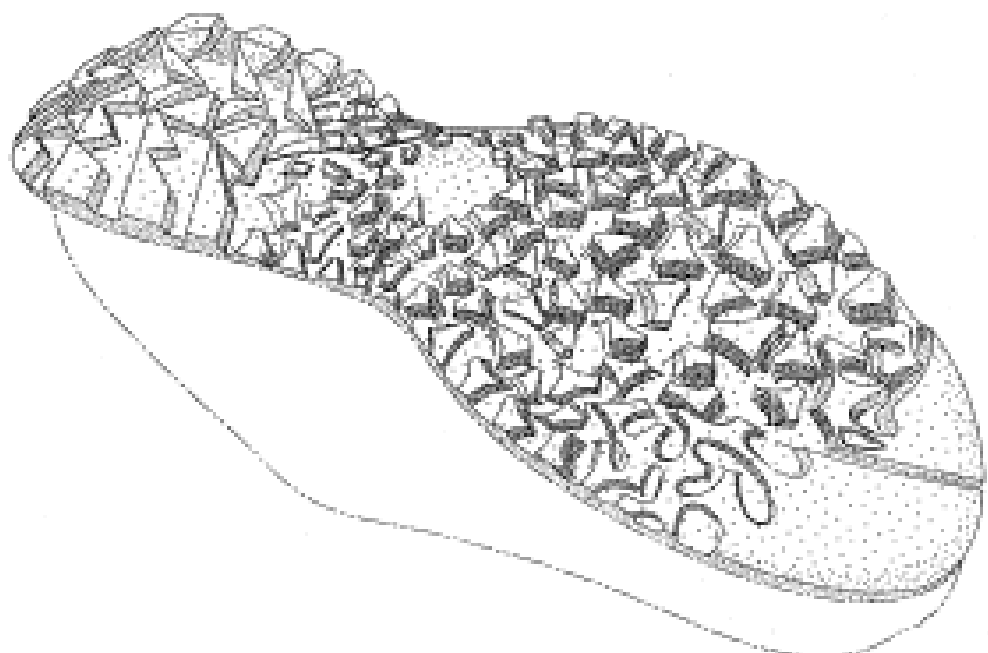


- (21) Design Number: **15191/2006**
- (22) Date of Filing Application: **14 November 2006**
- (24) Date from which industrial property rights may have effect: **14 November 2006**
- (54) Product in respect of which the design is registered: **A footwear sole**
- (51) International Design Classification: **02-04B**
- (71) Name(s) and Address(s) of Applicant(s):
Wolverine World Wide, Inc.
9341 Courtland Drive NE Rockford Michigan 49351 United States of America
- (72) Name(s) of Designer(s): **Deborah H. Andersen and Martin W.F. Dean and Grant A. Urie**
- (45) Registration Date: **02 January 2007**
- (30) Convention priority data:

(31) Number	(32) Date	(33) Country
29260051	18 May 2006	UNITED STATES OF AMERICA
- (56) Related Art Documents: **Not Applicable**
- (57) Statement of Newness and Distinctiveness: **Newness and distinctiveness is claimed in the visual features shown in the representations except for those shown in phantom lines.**



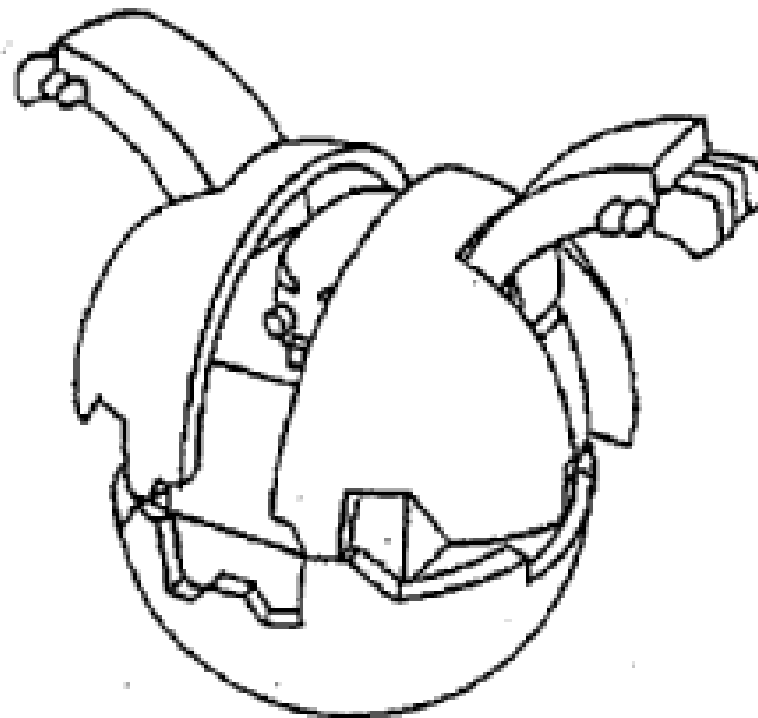
- (21) Design Number: **15190/2006**
(22) Date of Filing Application: **14 November 2006**
(24) Date from which industrial property rights may have effect: **14 November 2006**
(54) Product in respect of which the design is registered: **A footwear sole**
(51) International Design Classification: **02-04B**
(71) Name(s) and Address(s) of Applicant(s):
Wolverine World Wide, Inc.
9341 Courtland Drive NE Rockford Michigan 49351 United States of America
(72) Name(s) of Designer(s): **Lester F. Horne and Andrea Rinaldi**
(45) Registration Date: **02 January 2007**
(30) Convention priority data:
(31) Number (32) Date (33) Country
29260024 18 May 2006 UNITED STATES OF AMERICA
(56) Related Art Documents: **Not Applicable**
(57) Statement of Newness and Distinctiveness: **Newness and distinctiveness is claimed in the visual features shown in the representations except for those shown in phantom lines.**



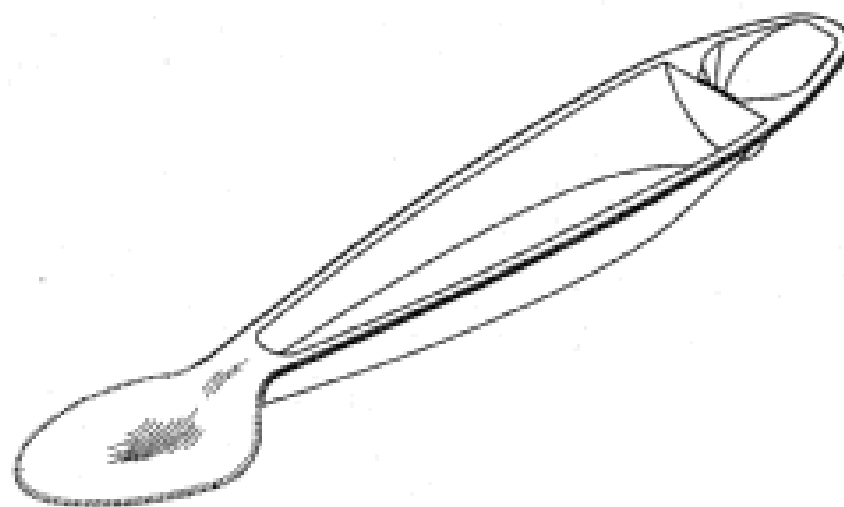
- (21) Design Number: **15185/2006**
(22) Date of Filing Application: **14 November 2006**
(24) Date from which industrial property rights may have effect: **14 November 2006**
(54) Product in respect of which the design is registered: **Toy**
(51) International Design Classification: **21-01A**
(71) Name(s) and Address(s) of Applicant(s):
Spin Master Ltd
450 Front Street West Toronto M5V 1B6 Ontario Canada
(72) Name(s) of Designer(s): **Wataru Sato and Tetsuyoshi Matsumura**
(45) Registration Date: **02 January 2007**
(56) Related Art Documents: **Not Applicable**
(57) Statement of Newness and Distinctiveness: **Nil**



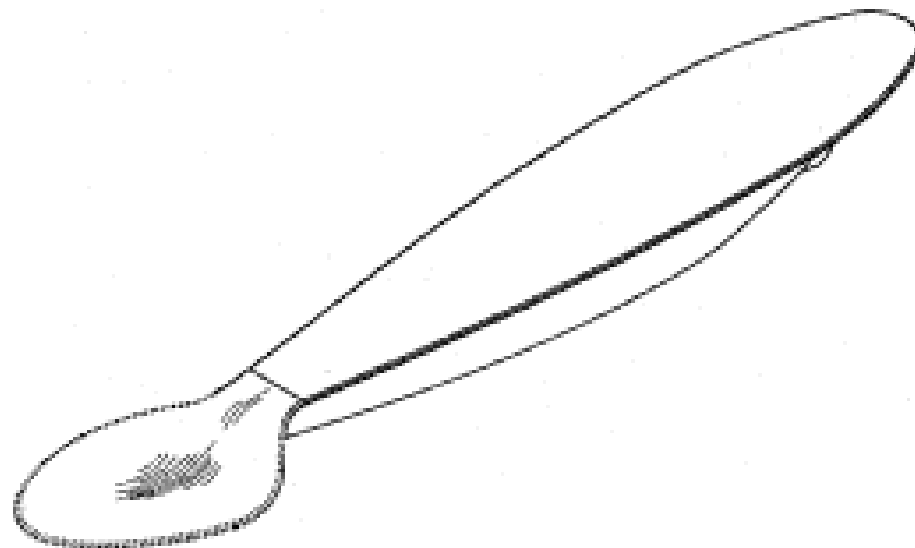
- (21) Design Number: **15184/2006**
(22) Date of Filing Application: **14 November 2006**
(24) Date from which industrial property rights may have effect: **14 November 2006**
(54) Product in respect of which the design is registered: **Toy**
(51) International Design Classification: **21-01B**
(71) Name(s) and Address(s) of Applicant(s):
Spin Master Ltd
450 Front Street West Toronto M5V 1B6 Ontario Canada
(72) Name(s) of Designer(s): **Wataru Sato and Tetsuyoshi Matsumura**
(45) Registration Date: **02 January 2007**
(56) Related Art Documents: **Not Applicable**
(57) Statement of Newness and Distinctiveness: **Nil**



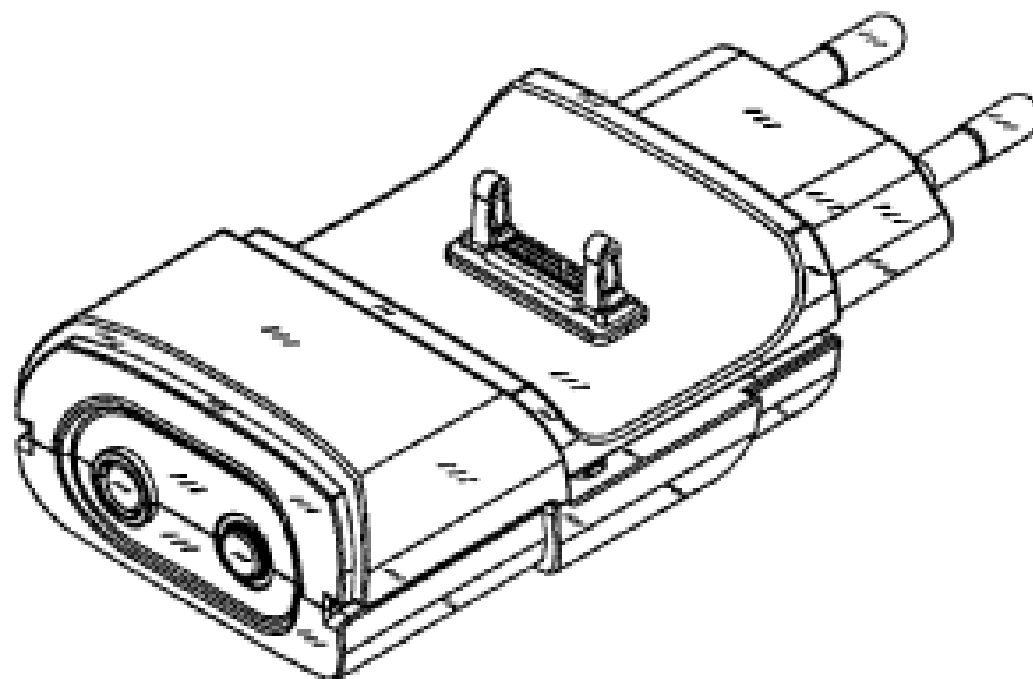
- (21) Design Number: **14234/2006**
(22) Date of Filing Application: **21 September 2006**
(24) Date from which industrial property rights may have effect: **21 September 2006**
(54) Product in respect of which the design is registered: **Utensil**
(51) International Design Classification: **07-03**
(71) Name(s) and Address(s) of Applicant(s):
Sands Innovations Pty Ltd
Level 3 74 Astor Terrace Brisbane Queensland 4000 Australia
(72) Name(s) of Designer(s): **Bradley Donald Teys and Benjamin Chapman and Glenn Bevan**
(45) Registration Date: **02 January 2007**
(56) Related Art Documents: **Not Applicable**
(57) Statement of Newness and Distinctiveness: **In assessing newness and distinctiveness of the visual features of the utensil depicted in the accompanying representations, particular attention is to be paid to the handle portion, and no attention is to be paid to the portion shown in dotted outline.**



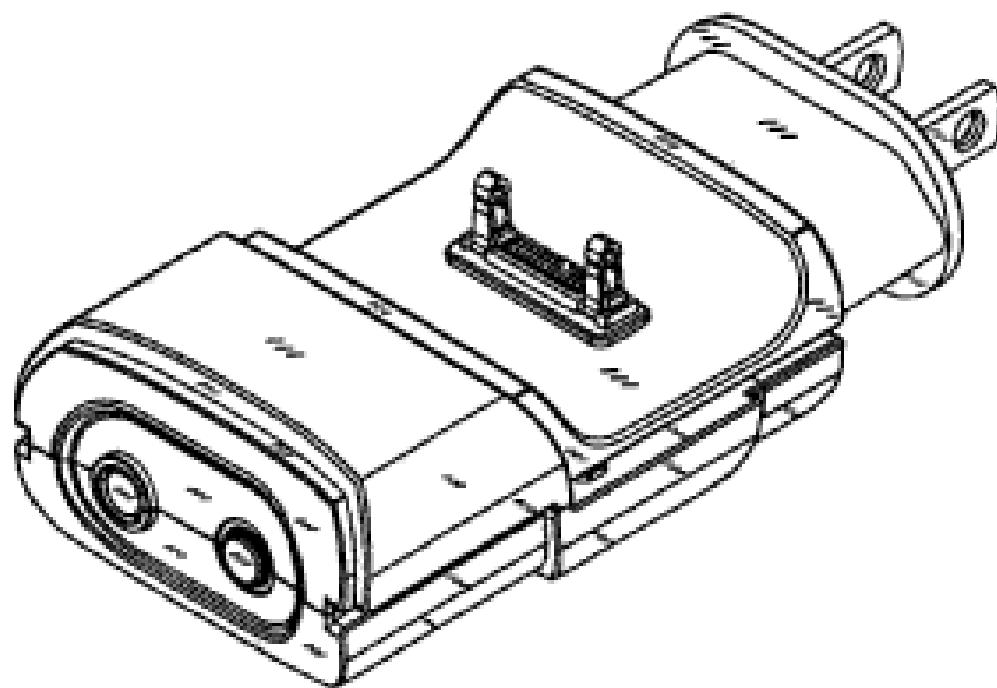
- (21) Design Number: **14235/2006**
(22) Date of Filing Application: **21 September 2006**
(24) Date from which industrial property rights may have effect: **21 September 2006**
(54) Product in respect of which the design is registered: **Utensil**
(51) International Design Classification: **07-03**
(71) Name(s) and Address(s) of Applicant(s):
Sands Innovations Pty Ltd
Level 3 74 Astor Terrace Brisbane Queensland 4000 Australia
(72) Name(s) of Designer(s): **Bradley Donald Teys and Benjamin Chapman and Glenn Bevan**
(45) Registration Date: **02 January 2007**
(56) Related Art Documents: **Not Applicable**
(57) Statement of Newness and Distinctiveness: **In assessing newness and distinctiveness of the visual features of the utensil depicted in the accompanying representations, particular attention is to be paid to the handle portion, and no attention is to be paid to the portion shown in dotted outline.**



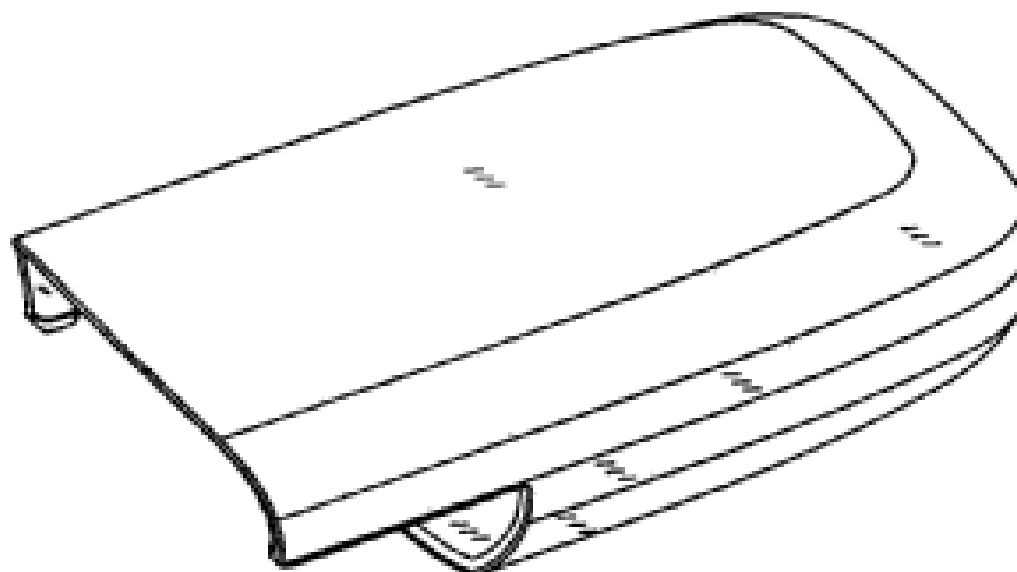
- (21) Design Number: **15163/2006**
(22) Date of Filing Application: **10 November 2006**
(24) Date from which industrial property rights may have effect: **10 November 2006**
(54) Product in respect of which the design is registered: **Travel charger (for mobile phones and accessories thereto)**
(51) International Design Classification: **14-03A**
(71) Name(s) and Address(s) of Applicant(s):
Sony Ericsson Mobile Communications AB
Nya Vattentorget SE 221 88 Lund Sweden
(72) Name(s) of Designer(s): **Erik Ahlgren and Nicholas Chin**
(45) Registration Date: **02 January 2007**
(30) Convention priority data:
(31) Number (32) Date (33) Country
5291440001#0007 15 May 2006 EUROPEAN COMMUNITY
(56) Related Art Documents: **Not Applicable**
(57) Statement of Newness and Distinctiveness: **Nil**



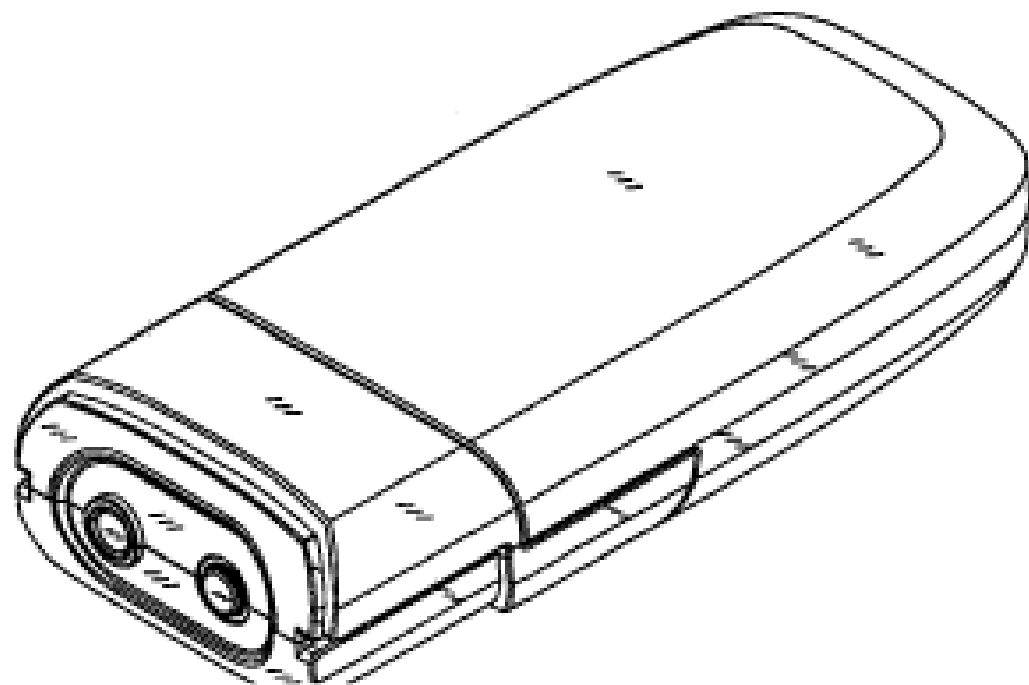
(21) Design Number: **15164/2006**
(22) Date of Filing Application: **10 November 2006**
(24) Date from which industrial property rights may have effect: **10 November 2006**
(54) Product in respect of which the design is registered: **Travel charger (for mobile phones and accessories thereto)**
(51) International Design Classification: **14-03A**
(71) Name(s) and Address(s) of Applicant(s):
Sony Ericsson Mobile Communications AB
Nya Vattentorget SE 221 88 Lund Sweden
(72) Name(s) of Designer(s): **Erik Ahlgren and Nicholas Chin**
(45) Registration Date: **02 January 2007**
(30) Convention priority data:
(31) Number (32) Date (33) Country
5291440001#0007 15 May 2006 EUROPEAN COMMUNITY
(56) Related Art Documents: **Not Applicable**
(57) Statement of Newness and Distinctiveness: **Nil**



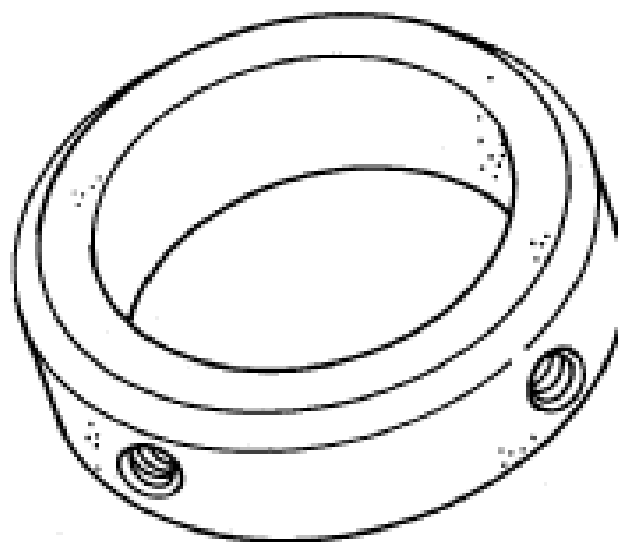
(21) Design Number: **15165/2006**
(22) Date of Filing Application: **10 November 2006**
(24) Date from which industrial property rights may have effect: **10 November 2006**
(54) Product in respect of which the design is registered: **Cover for travel charger (for mobile phones and accessories thereto)**
(51) International Design Classification: **14-03A**
(71) Name(s) and Address(s) of Applicant(s):
Sony Ericsson Mobile Communications AB
Nya Vattentorget SE 221 88 Lund Sweden
(72) Name(s) of Designer(s): **Erik Ahlgren and Nicholas Chin**
(45) Registration Date: **02 January 2007**
(30) Convention priority data:
(31) Number (32) Date (33) Country
5291440001#0007 15 May 2006 EUROPEAN COMMUNITY
(56) Related Art Documents: **Not Applicable**
(57) Statement of Newness and Distinctiveness: **Nil**



- (21) Design Number: **15166/2006**
(22) Date of Filing Application: **10 November 2006**
(24) Date from which industrial property rights may have effect: **10 November 2006**
(54) Product in respect of which the design is registered: **Travel charger and cover thereto (for mobile phones and accessories thereto)**
(51) International Design Classification: **14-03A**
(71) Name(s) and Address(s) of Applicant(s):
Sony Ericsson Mobile Communications AB
Nya Vattentorget SE 221 88 Lund Sweden
(72) Name(s) of Designer(s): **Erik Ahlgren and Nicholas Chin**
(45) Registration Date: **02 January 2007**
(30) Convention priority data:
(31) Number (32) Date (33) Country
5291440001#0007 15 May 2006 EUROPEAN COMMUNITY
(56) Related Art Documents: **Not Applicable**
(57) Statement of Newness and Distinctiveness: **Nil**



- (21) Design Number: **12473/2006**
(22) Date of Filing Application: **07 June 2006**
(24) Date from which industrial property rights may have effect: **07 June 2006**
(54) Product in respect of which the design is registered: **Collar for a pole**
(51) International Design Classification: **25-02A**
(71) Name(s) and Address(s) of Applicant(s):
Safe Swivel Patent Co Pty Ltd
Unit 4 57 Gordon Road Mandurah Western Australia 6210 Australia
(72) Name(s) of Designer(s): **Robert John Pannekoek**
(45) Registration Date: **03 January 2007**
(56) Related Art Documents: **Not Applicable**
(57) Statement of Newness and Distinctiveness: **Nil.**



(21) Design Number: **12562/2006**

(22) Date of Filing Application: **15 June 2006**

(24) Date from which industrial property rights may have effect: **15 June 2006**

(54) Product in respect of which the design is registered: **Tire**

(51) International Design Classification: **12-15C**

(71) Name(s) and Address(s) of Applicant(s):

**Bridgestone Firestone North American Tire, LLC
535 Marriott Drive Nashville TN 37214 United States of America**

(72) Name(s) of Designer(s): **Keith A. Dumigan and Francis J. Byrne**

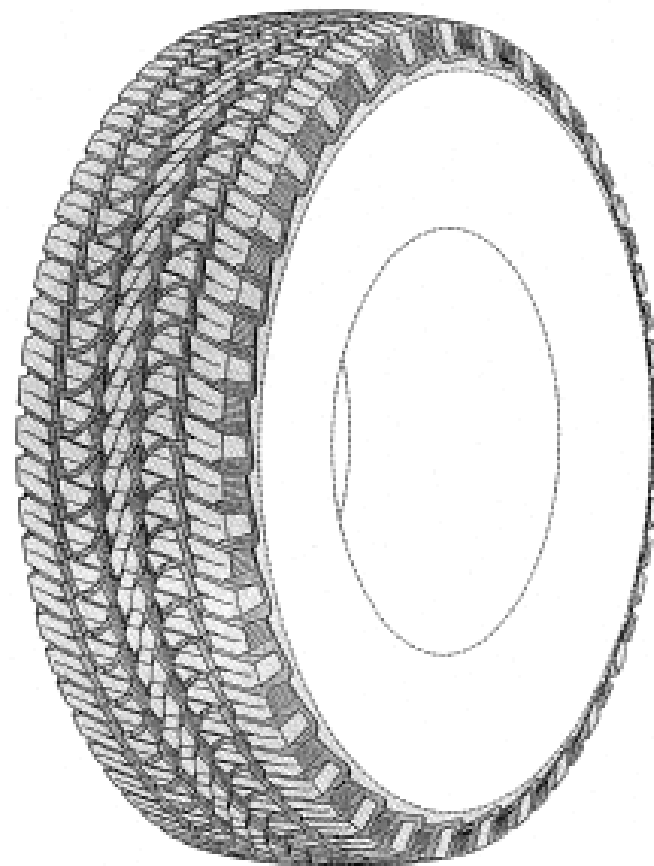
(45) Registration Date: **03 January 2007**

(30) Convention priority data:

(31) Number	(32) Date	(33) Country
29/259,835	16 May 2006	UNITED STATES OF AMERICA

(56) Related Art Documents: **Not Applicable**

(57) Statement of Newness and Distinctiveness: **Those features of the tire depicted in the representations that are new and distinctive are the repeating shape and/or configuration of the tread pattern. The broken line features shown in Figs 1 to 5 and Figs 6 to 9 are not part of the design and are to be disregarded when considering the overall impression of the design.**



(21) Design Number: **13730/2006**

(22) Date of Filing Application: **31 January 2006**

(24) Date from which industrial property rights may have effect: **31 January 2006**

(54) Product in respect of which the design is registered: **An actuator for a gate latch and as illustrated in figures 17 to 24 of the attached representations**

(51) International Design Classification: **08-07**

(71) Name(s) and Address(s) of Applicant(s):

**D & D Group Pty Ltd
Unit 6 4-6 Aquatic Drive Frenchs Forest New South Wales 2086
Australia**

(72) Name(s) of Designer(s): **Margaret Antkowiak and Irek Karcz**

(45) Registration Date: **03 January 2007**

(56) Related Art Documents: **Not Applicable**

(57) Statement of Newness and Distinctiveness: **Nil**



(19) AU

- (21) Design Number: **13964/2006**
- (22) Date of Filing Application: **01 September 2006**
- (24) Date from which industrial property rights may have effect: **01 September 2006**
- (54) Product in respect of which the design is registered: **Contact patterns for printed circuit boards and printed boards including contact patterns**
- (51) International Design Classification: **14-03NES**
- (71) Name(s) and Address(s) of Applicant(s):
Lednium Pty Ltd
272-274 Maroondah Highway Mooroolbark Victoria 3138 Australia
- (72) Name(s) of Designer(s): **Mazin Ali and John Montagnat**
- (45) Registration Date: **03 January 2007**
- (56) Related Art Documents: **Not Applicable**



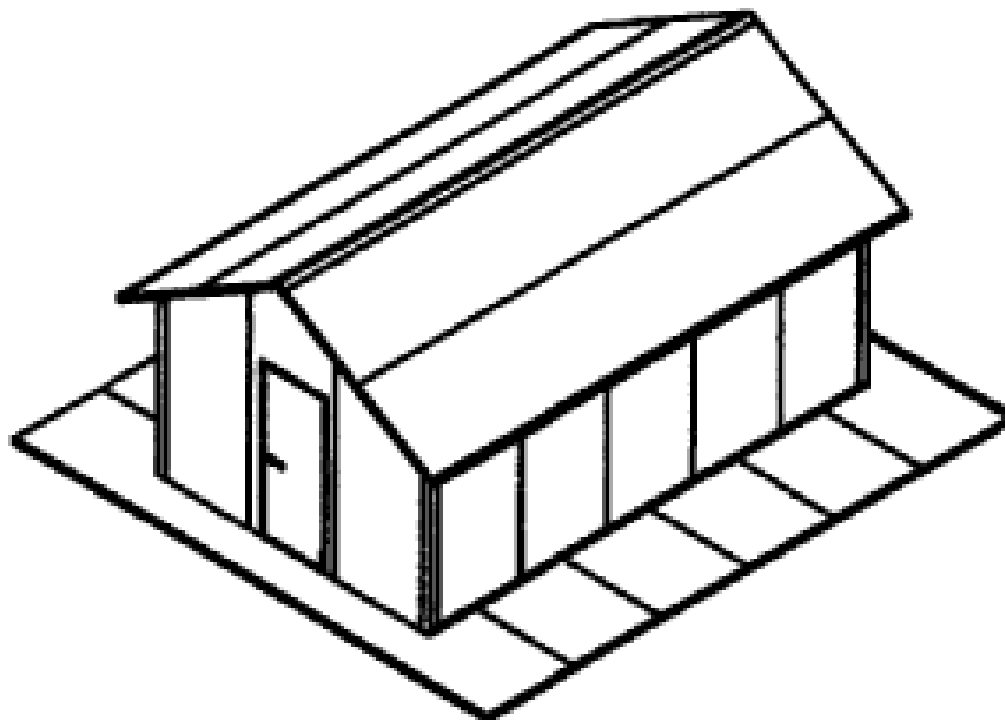
(19) AU

- (21) Design Number: **14558/2006**
- (22) Date of Filing Application: **11 October 2006**
- (24) Date from which industrial property rights may have effect: **11 October 2006**
- (54) Product in respect of which the design is registered: **Packaging**
- (51) International Design Classification: **09-01D**
- (71) Name(s) and Address(s) of Applicant(s):
Olivado International Ltd
Sandys Road RD2 Kerikeri Northland 0470 New Zealand
- (72) Name(s) of Designer(s): **Chris Nathan**
- (45) Registration Date: **03 January 2007**
- (30) Convention priority data:

(31) Number	(32) Date	(33) Country
D408180	28 Sep 2006	NEW ZEALAND
- (56) Related Art Documents: **Not Applicable**
- (57) Statement of Newness and Distinctiveness: **The pouch is a complete retail package designed to contain avocado and other edible oils. It is in the shape of an avocado with bold writing indicating the contents.**



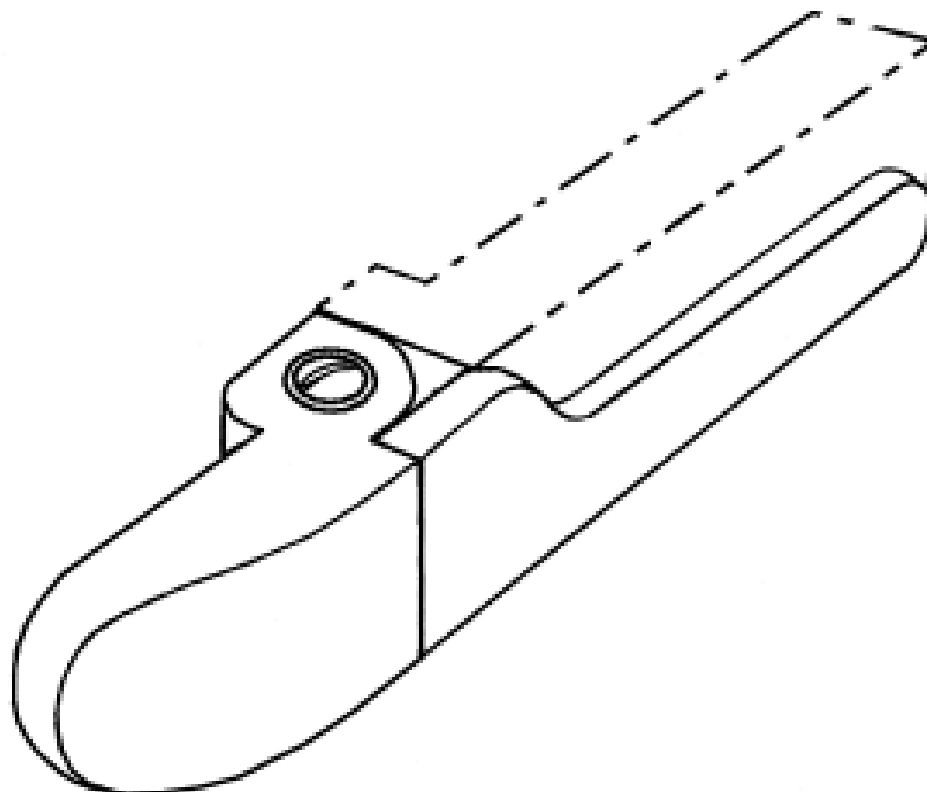
(21) Design Number: **14976/2006**
 (22) Date of Filing Application: **30 October 2006**
 (24) Date from which industrial property rights may have effect: **30 October 2006**
 (54) Product in respect of which the design is registered: **Temporary storage/housing module**
 (51) International Design Classification: **25-03**
 (71) Name(s) and Address(s) of Applicant(s):
Monarch Industries (Aust.) Pty. Ltd.
132 Mooringe Avenue North Plympton South Australia 5037 Australia
 (72) Name(s) of Designer(s): **John Milton and Craig Easton**
 (45) Registration Date: **03 January 2007**
 (56) Related Art Documents: **Not Applicable**
 (57) Statement of Newness and Distinctiveness: **The unit is constructed using styrofoam/steel laminate panel, reinforced with extruded aluminium structural sections. The required rigidity of the design is achieved using end and centre braces constructed from the styrofoam/steel laminate panels. This provides a structurally sound, light weight, low-cost structure unlike any other produced in Australia.**



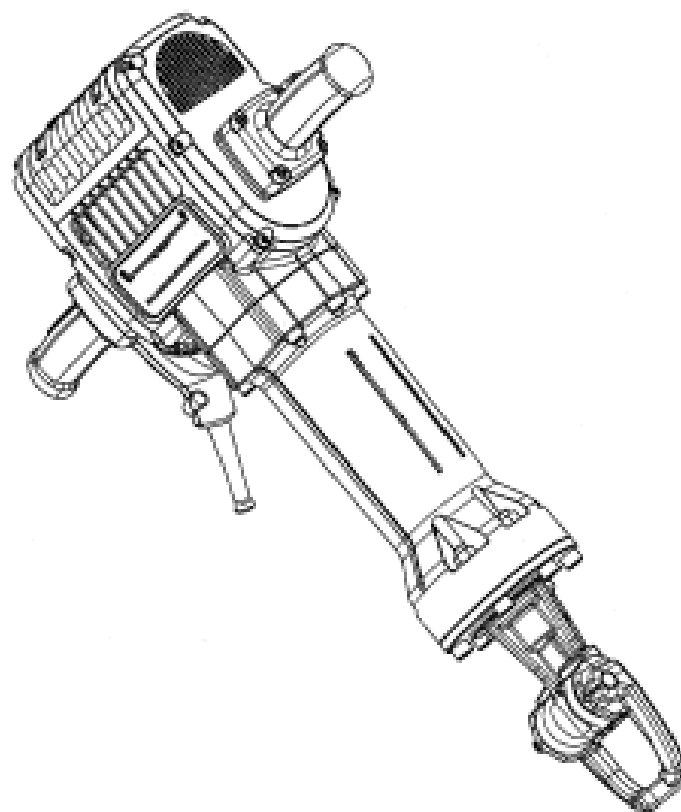
(21) Design Number: **14983/2006**
 (22) Date of Filing Application: **27 October 2006**
 (24) Date from which industrial property rights may have effect: **27 October 2006**
 (54) Product in respect of which the design is registered: **Hinges for spectacles**
 (51) International Design Classification: **16-06**
 (71) Name(s) and Address(s) of Applicant(s):
Demo Holding S.A.
2 Rue J. Hackin L-1746 Luxembourg
 (72) Name(s) of Designer(s): **James Irvine**
 (45) Registration Date: **03 January 2007**
 (30) Convention priority data:

(31) Number	(32) Date	(33) Country
000522511	03 May 2006	EUROPEAN COMMUNITY

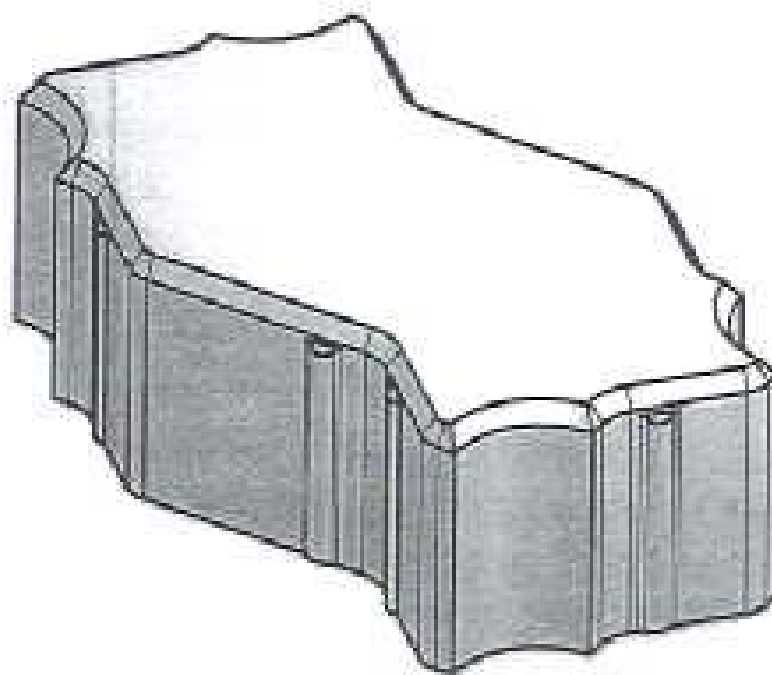
 (56) Related Art Documents: **Not Applicable**
 (57) Statement of Newness and Distinctiveness: **Newness and distinctiveness resides in the shape and configuration of the portion of the hinge depicted in solid lines in the representations. When considering whether the design is substantially similar in overall impression to another design no regard is to be given to those features of the design shown in phantom in the representations.**



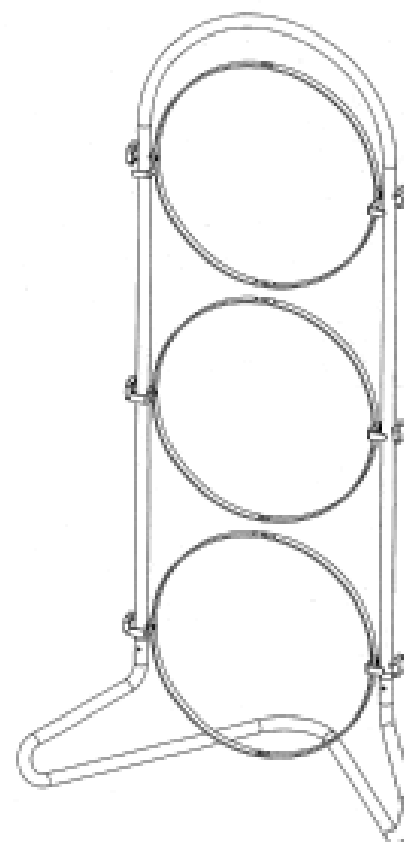
(21) Design Number: **14984/2006**
(22) Date of Filing Application: **27 October 2006**
(24) Date from which industrial property rights may have effect: **27 October 2006**
(54) Product in respect of which the design is registered: **Pavement breaker**
(51) International Design Classification: **15-04**
(71) Name(s) and Address(s) of Applicant(s):
Black & Decker, Inc.
1207 Drummond Plaza Newark Delaware 19711 United States of America
(72) Name(s) of Designer(s): **Michael Stirm**
(45) Registration Date: **03 January 2007**
(30) Convention priority data:
(31) Number (32) Date (33) Country
000603295 12 Oct 2006 EUROPEAN COMMUNITY
(56) Related Art Documents: **Not Applicable**
(57) Statement of Newness and Distinctiveness: **Nil**



(21) Design Number: **14987/2006**
(22) Date of Filing Application: **27 October 2006**
(24) Date from which industrial property rights may have effect: **27 October 2006**
(54) Product in respect of which the design is registered: **Paving block**
(51) International Design Classification: **25-01A**
(71) Name(s) and Address(s) of Applicant(s):
Hanson Building Products Pty Ltd
85 Christensen Road Stapylton Queensland 4207 Australia
(72) Name(s) of Designer(s): **Wayne Holt and Michael Scalon**
(45) Registration Date: **03 January 2007**
(56) Related Art Documents: **Not Applicable**
(57) Statement of Newness and Distinctiveness: **Newness and distinctiveness resides in the provision and configuration of drainage spacers in the form of upright projecting ribs spaced over the side walls of the block.**



- (21) Design Number: **14991/2006**
(22) Date of Filing Application: **26 October 2006**
(24) Date from which industrial property rights may have effect: **26 October 2006**
(54) Product in respect of which the design is registered: **Electric fan stand**
(51) International Design Classification: **23-04**
(71) Name(s) and Address(s) of Applicant(s):
Hsu Kuei-chih
Yongmei Garden 25 Meihua Fazenda Minzhi Village Longhua Town
Baoan Shenzhen China
(72) Name(s) of Designer(s): **Hsu Kuei-chih**
(45) Registration Date: **03 January 2007**
(56) Related Art Documents: **Not Applicable**
(57) Statement of Newness and Distinctiveness: **Newness and distinctiveness are claimed in the features of shape and/or configuration of a electric fan stand, as illustrated in the accompanying representatives.**



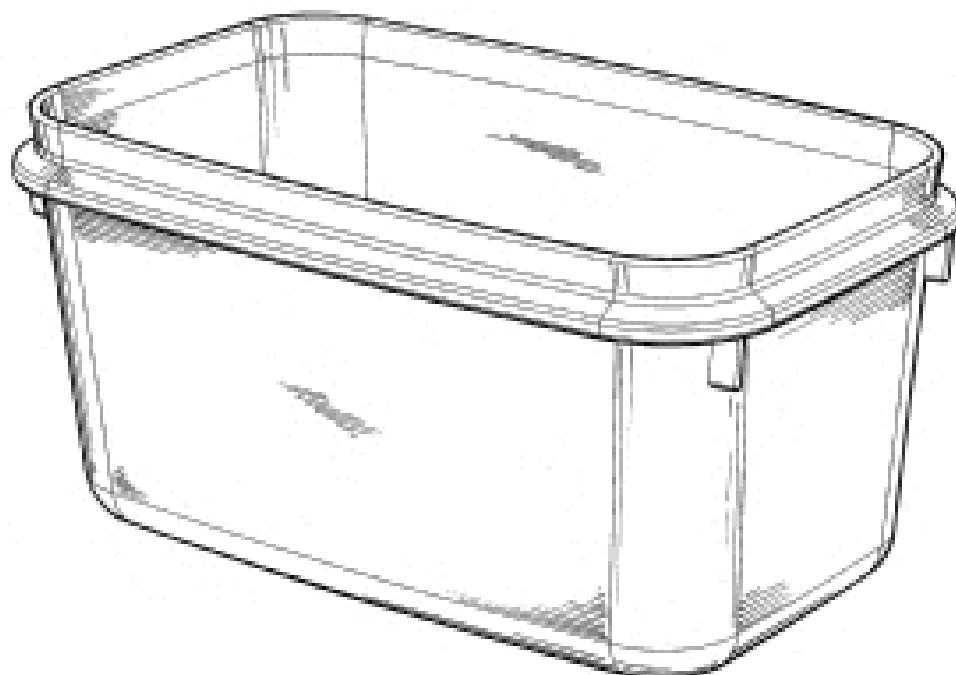
- (21) Design Number: **14992/2006**
(22) Date of Filing Application: **31 October 2006**
(24) Date from which industrial property rights may have effect: **31 October 2006**
(54) Product in respect of which the design is registered: **Timber and steel lockers**
(51) International Design Classification: **06-04B, 06-04F**
(71) Name(s) and Address(s) of Applicant(s):
Anthony Martin Downes
135 Highwood Road The Gap Queensland 4061 Australia
(72) Name(s) of Designer(s): **Anthony Martin Downes**
(45) Registration Date: **03 January 2007**
(56) Related Art Documents: **Not Applicable**
(57) Statement of Newness and Distinctiveness: **The curve in the external door design forms a perfect arc from the edge of the door to the centre of the door then the arc reverses in a perfect arc to the opposite edge. Fitted behind the door internally is a metal bracket, curved to follow the line of the door giving greater security to the open section of the locker.**



(21) Design Number: **14994/2006**
(22) Date of Filing Application: **30 October 2006**
(24) Date from which industrial property rights may have effect: **30 October 2006**
(54) Product in respect of which the design is registered: **Door opener**
(51) International Design Classification: **08-07**
(71) Name(s) and Address(s) of Applicant(s):
Somfy SAS
50 avenue du Nouveau Monde Cluses 74300 France
(72) Name(s) of Designer(s): **Matthieu Bonnaud**
(45) Registration Date: **03 January 2007**
(30) Convention priority data:
(31) Number (32) Date (33) Country
000551221 27 Jun 2006 EUROPEAN COMMUNITY
(56) Related Art Documents: **Not Applicable**
(57) Statement of Newness and Distinctiveness: **Nil**



(21) Design Number: **14995/2006**
(22) Date of Filing Application: **30 October 2006**
(24) Date from which industrial property rights may have effect: **30 October 2006**
(54) Product in respect of which the design is registered: **Butter container**
(51) International Design Classification: **09-03L**
(71) Name(s) and Address(s) of Applicant(s):
The Decor Corporation Pty Ltd
1314 Ferntree Gully Road Scoresby Victoria 3179 Australia
(72) Name(s) of Designer(s): **Arthur Richard Carlson**
(45) Registration Date: **03 January 2007**
(56) Related Art Documents: **Not Applicable**
(57) Statement of Newness and Distinctiveness: **Nil**



- (21) Design Number: **15014/2006**
(22) Date of Filing Application: **31 October 2006**
(24) Date from which industrial property rights may have effect: **31 October 2006**
(54) Product in respect of which the design is registered: **A vehicle wheel**
(51) International Design Classification: **12-16A**
(71) Name(s) and Address(s) of Applicant(s):
DaimlerChrysler AG
Epplestrasse 225 D-70567 Stuttgart Germany
(72) Name(s) of Designer(s): **Claus Hieke**
(45) Registration Date: **03 January 2007**
(30) Convention priority data:
(31) Number (32) Date (33) Country
529185#0005 15 May 2006 EUROPEAN COMMUNITY
(56) Related Art Documents: **Not Applicable**
(57) Statement of Newness and Distinctiveness: **Newness and distinctiveness is claimed in the features of shape and/or configuration of a vehicle wheel as illustrated in the accompanying representations.**



- (21) Design Number: **15015/2006**
(22) Date of Filing Application: **31 October 2006**
(24) Date from which industrial property rights may have effect: **31 October 2006**
(54) Product in respect of which the design is registered: **A vehicle wheel**
(51) International Design Classification: **12-16A**
(71) Name(s) and Address(s) of Applicant(s):
DaimlerChrysler AG
Epplestrasse 225 D-70567 Stuttgart Germany
(72) Name(s) of Designer(s): **Claus Hieke**
(45) Registration Date: **03 January 2007**
(30) Convention priority data:
(31) Number (32) Date (33) Country
529185#001 15 May 2006 EUROPEAN COMMUNITY
(56) Related Art Documents: **Not Applicable**
(57) Statement of Newness and Distinctiveness: **Newness and distinctiveness is claimed in the features of shape and/or configuration of a vehicle wheel as illustrated in the accompanying representations.**



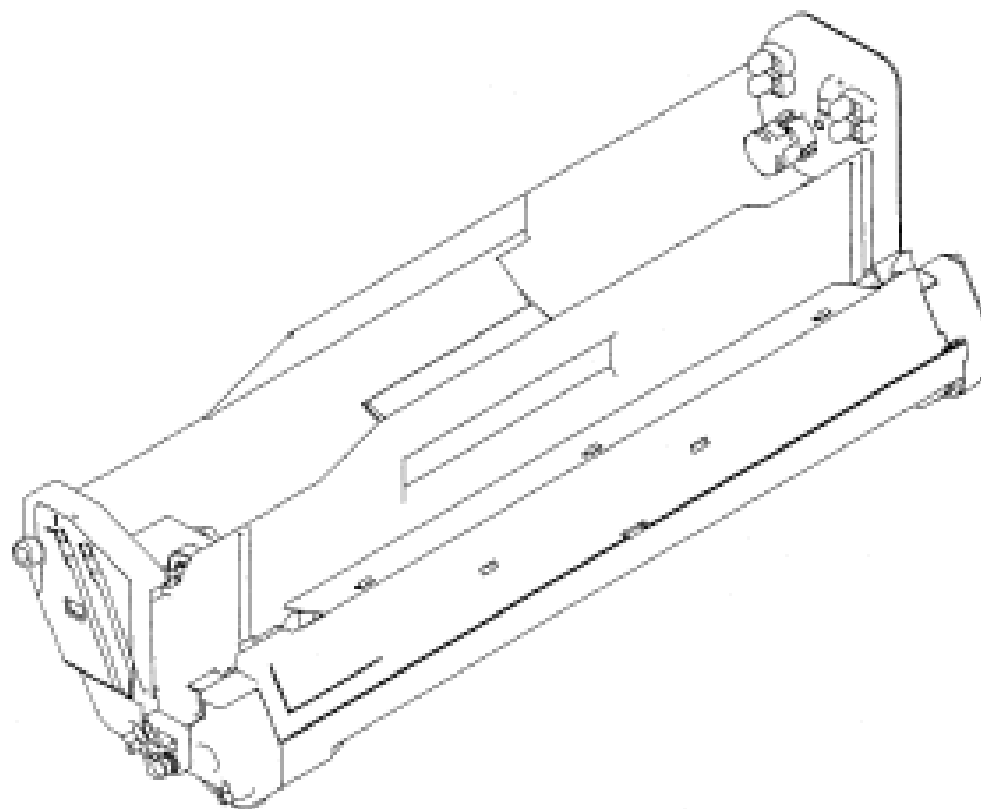
- (21) Design Number: **15016/2006**
(22) Date of Filing Application: **31 October 2006**
(24) Date from which industrial property rights may have effect: **31 October 2006**
(54) Product in respect of which the design is registered: **A vehicle wheel**
(51) International Design Classification: **12-16A**
(71) Name(s) and Address(s) of Applicant(s):
DaimlerChrysler AG
Epplestrasse 225 D-70567 Stuttgart Germany
(72) Name(s) of Designer(s): **Claus Hieke**
(45) Registration Date: **03 January 2007**
(30) Convention priority data:
(31) Number (32) Date (33) Country
529185#0003 15 May 2006 EUROPEAN COMMUNITY
(56) Related Art Documents: **Not Applicable**
(57) Statement of Newness and Distinctiveness: **Newness and distinctiveness is claimed in the features of shape and/or configuration of a vehicle wheel as illustrated in the accompanying representations.**



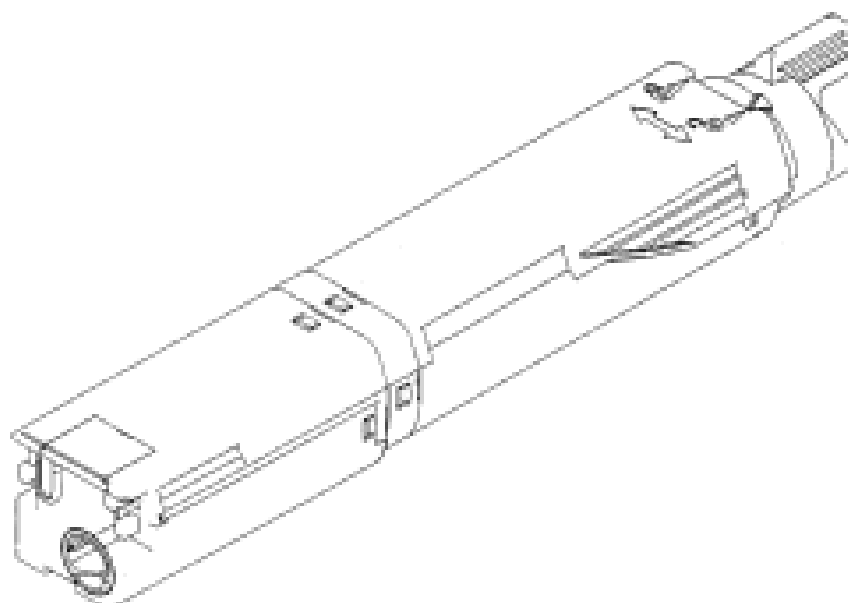
- (21) Design Number: **15017/2006**
(22) Date of Filing Application: **31 October 2006**
(24) Date from which industrial property rights may have effect: **31 October 2006**
(54) Product in respect of which the design is registered: **A vehicle wheel**
(51) International Design Classification: **12-16A**
(71) Name(s) and Address(s) of Applicant(s):
DaimlerChrysler AG
Epplestrasse 225 D-70567 Stuttgart Germany
(72) Name(s) of Designer(s): **Claus Hieke**
(45) Registration Date: **03 January 2007**
(30) Convention priority data:
(31) Number (32) Date (33) Country
529185#0007 15 May 2006 EUROPEAN COMMUNITY
(56) Related Art Documents: **Not Applicable**
(57) Statement of Newness and Distinctiveness: **Newness and distinctiveness is claimed in the features of shape and/or configuration of a vehicle wheel as illustrated in the accompanying representations.**



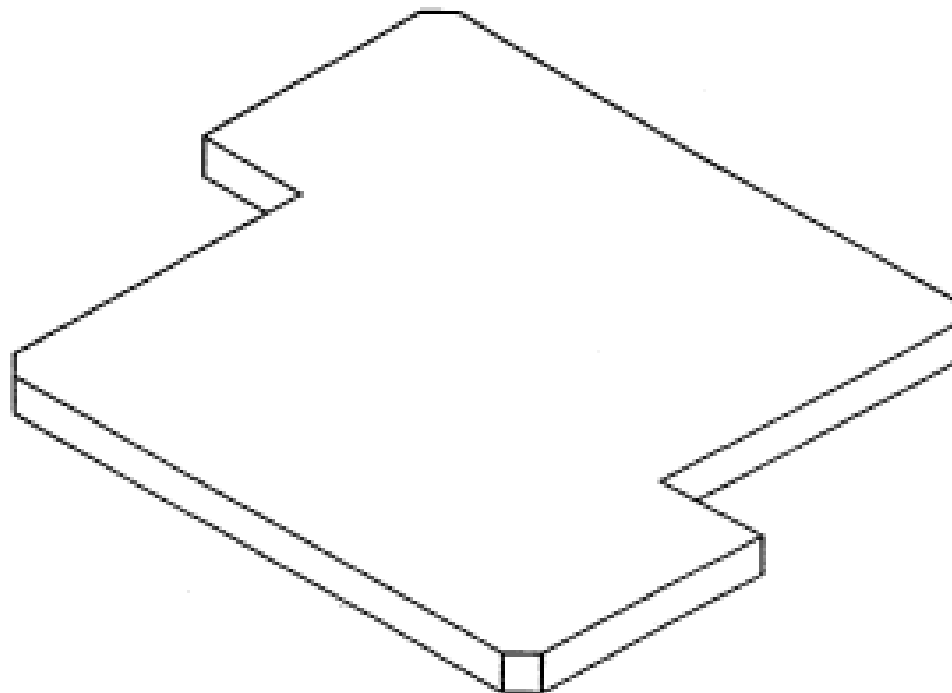
- (21) Design Number: **15109/2006**
(22) Date of Filing Application: **07 November 2006**
(24) Date from which industrial property rights may have effect: **07 November 2006**
(54) Product in respect of which the design is registered: **Image drum cartridge**
(51) International Design Classification: **16-04**
(71) Name(s) and Address(s) of Applicant(s):
Oki Data Corporation
11-22 Shibaura 4-chome Minato-ku Tokyo Japan
(72) Name(s) of Designer(s): **Yukiyoshi Oda and Shinichi Otani**
(45) Registration Date: **03 January 2007**
(56) Related Art Documents: **Not Applicable**
(57) Statement of Newness and Distinctiveness: **Nil**



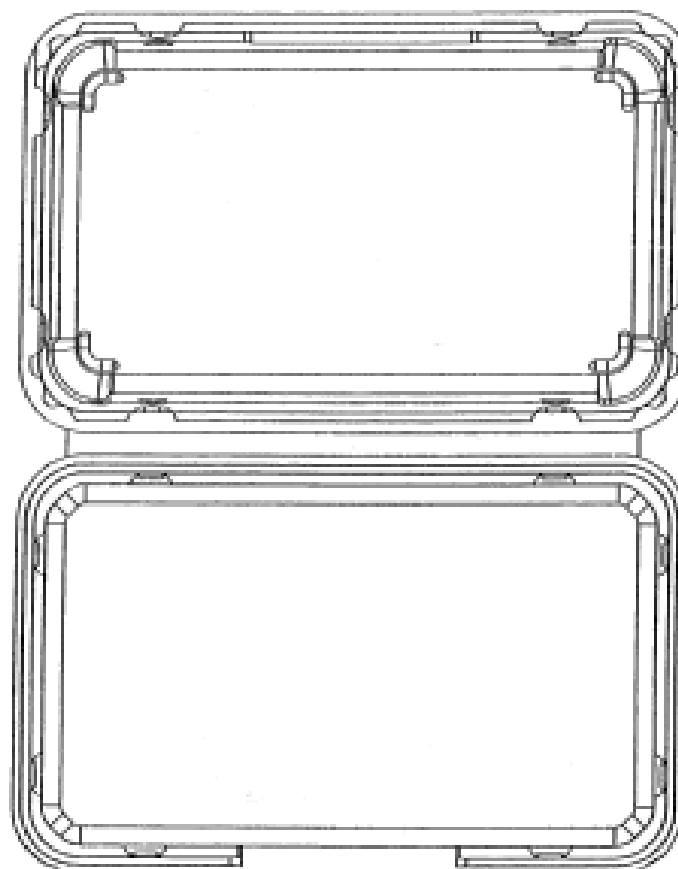
- (21) Design Number: **15110/2006**
(22) Date of Filing Application: **07 November 2006**
(24) Date from which industrial property rights may have effect: **07 November 2006**
(54) Product in respect of which the design is registered: **Toner cartridge**
(51) International Design Classification: **16-04**
(71) Name(s) and Address(s) of Applicant(s):
Oki Data Corporation
11-22 Shibaura 4-chome Minato-ku Tokyo Japan
(72) Name(s) of Designer(s): **Yukiyoshi Oda and Shinichi Otani**
(45) Registration Date: **03 January 2007**
(56) Related Art Documents: **Not Applicable**
(57) Statement of Newness and Distinctiveness: **Nil**



- (21) Design Number: **15131/2006**
(22) Date of Filing Application: **09 November 2006**
(24) Date from which industrial property rights may have effect: **09 November 2006**
(54) Product in respect of which the design is registered: **Slide fastener**
(51) International Design Classification: **08-08A**
(71) Name(s) and Address(s) of Applicant(s):
Retown Pty Ltd
26 Summit Street North Lambton New South Wales 2299 Australia
(72) Name(s) of Designer(s): **Bob Edman**
(45) Registration Date: **03 January 2007**
(56) Related Art Documents: **Not Applicable**
(57) Statement of Newness and Distinctiveness: **Newness and distinctiveness is claimed in the features of shape and/or configuration of a slide fastener as illustrated in the accompanying representations.**



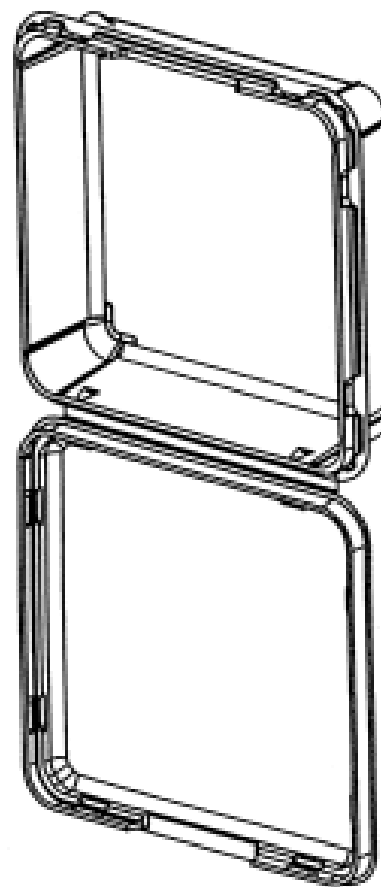
- (21) Design Number: **15383/2006**
(22) Date of Filing Application: **23 November 2006**
(24) Date from which industrial property rights may have effect: **23 November 2006**
(54) Product in respect of which the design is registered: **Produce container**
(51) International Design Classification: **09-03M**
(71) Name(s) and Address(s) of Applicant(s):
Multisteps Pty Ltd
Unit 5 (Level 3) Carlingford Village Shopping Centre 372 Pennant Hills Road Carlingford New South Wales 2118 Australia
(72) Name(s) of Designer(s): **John Lam**
(45) Registration Date: **03 January 2007**
(56) Related Art Documents: **Not Applicable**
(57) Statement of Newness and Distinctiveness: **Newness and distinctiveness reside in the features of the design as shown in the representations.**



- (21) Design Number: **15382/2006**
- (22) Date of Filing Application: **23 November 2006**
- (24) Date from which industrial property rights may have effect: **23 November 2006**
- (54) Product in respect of which the design is registered: **Produce container**
- (51) International Design Classification: **09-03M**
- (71) Name(s) and Address(s) of Applicant(s):

Multisteps Pty Ltd
Unit 5 (Level 3) Carlingford Village Shopping Centre 372 Pennant Hills
Road Carlingford New South Wales 2118 Australia

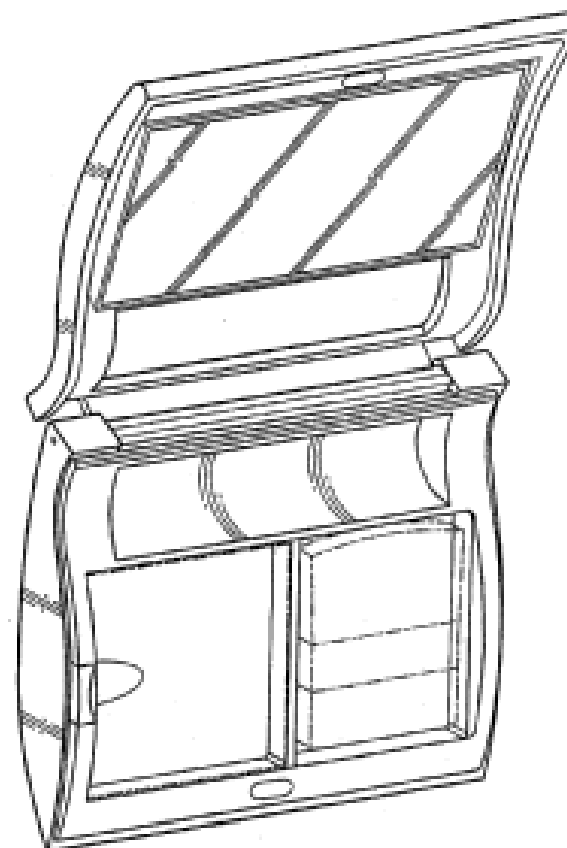
- (72) Name(s) of Designer(s): **John Lam**
- (45) Registration Date: **03 January 2007**
- (56) Related Art Documents: **Not Applicable**
- (57) Statement of Newness and Distinctiveness: **Newness and distinctiveness reside in the features of the design as shown in the representations.**



- (21) Design Number: **15312/2006**
- (22) Date of Filing Application: **20 November 2006**
- (24) Date from which industrial property rights may have effect: **20 November 2006**
- (54) Product in respect of which the design is registered: **Cosmetic container**
- (51) International Design Classification: **28-03NES**
- (71) Name(s) and Address(s) of Applicant(s):

Mary Kay Inc.
16251 Dallas Parkway Addison TX 75001 United States of America

- (72) Name(s) of Designer(s): **Kenneth Hirst**
 - (45) Registration Date: **03 January 2007**
 - (30) Convention priority data:
- | | | |
|-------------------|--------------------|---------------------------------|
| (31) Number | (32) Date | (33) Country |
| 29/249,282 | 29 Sep 2006 | UNITED STATES OF AMERICA |
- (56) Related Art Documents: **Not Applicable**
 - (57) Statement of Newness and Distinctiveness: **Nil**



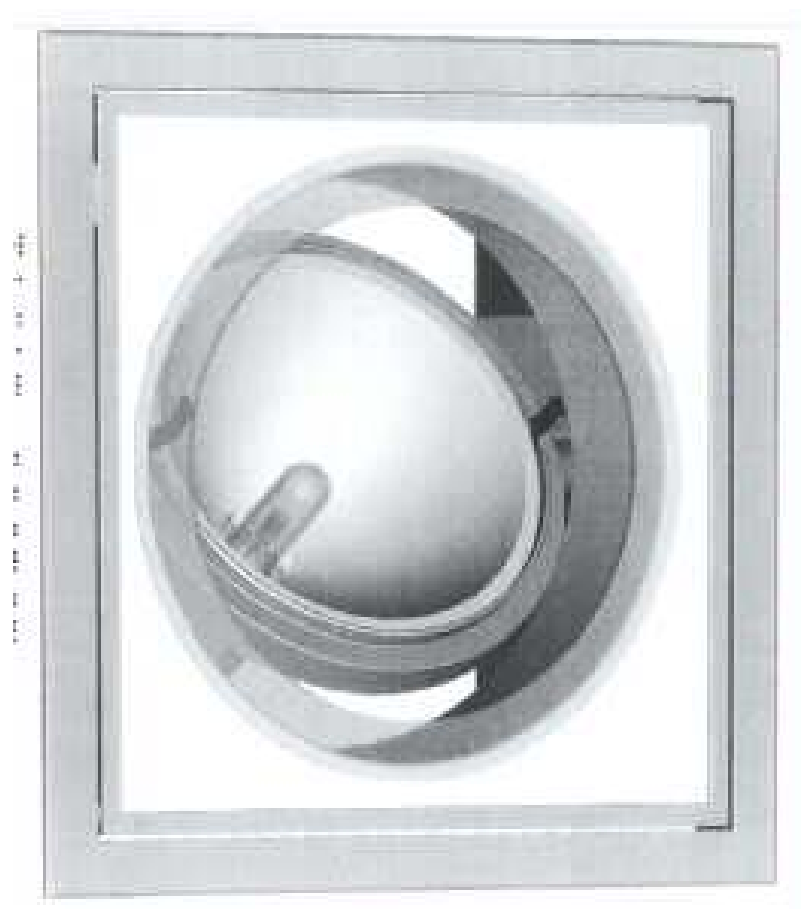
(21) Design Number: **14638/2006**
(22) Date of Filing Application: **13 October 2006**
(24) Date from which industrial property rights may have effect: **13 October 2006**
(54) Product in respect of which the design is registered: **Lamp**
(51) International Design Classification: **26-05D**
(71) Name(s) and Address(s) of Applicant(s):
Hartmut S. Engel
Monrepos Strasse 7 71634 Ludwigsburg Germany
(72) Name(s) of Designer(s): **Hartmut S. Engel**
(45) Registration Date: **03 January 2007**
(30) Convention priority data:
(31) Number (32) Date (33) Country
000526702 13 Apr 2006 EUROPEAN COMMUNITY
(56) Related Art Documents: **Not Applicable**
(57) Statement of Newness and Distinctiveness: **Nil**



(21) Design Number: **14639/2006**
(22) Date of Filing Application: **13 October 2006**
(24) Date from which industrial property rights may have effect: **13 October 2006**
(54) Product in respect of which the design is registered: **Lamp**
(51) International Design Classification: **26-05D**
(71) Name(s) and Address(s) of Applicant(s):
Hartmut S. Engel
Monrepos Strasse 7 71634 Ludwigsburg Germany
(72) Name(s) of Designer(s): **Hartmut S. Engel**
(45) Registration Date: **03 January 2007**
(30) Convention priority data:
(31) Number (32) Date (33) Country
000526702 13 Apr 2006 EUROPEAN COMMUNITY
(56) Related Art Documents: **Not Applicable**
(57) Statement of Newness and Distinctiveness: **Nil**



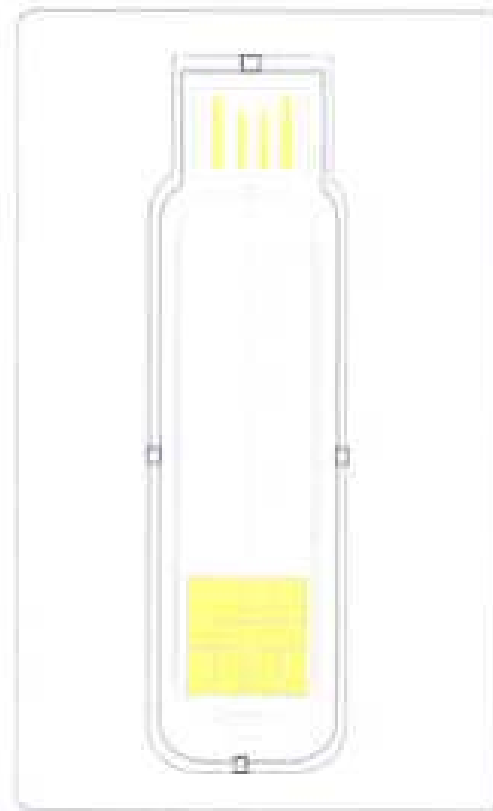
(21) Design Number: **14641/2006**
(22) Date of Filing Application: **13 October 2006**
(24) Date from which industrial property rights may have effect: **13 October 2006**
(54) Product in respect of which the design is registered: **Lamp**
(51) International Design Classification: **26-05D**
(71) Name(s) and Address(s) of Applicant(s):
Hartmut S. Engel
Monrepos Strasse 7 71634 Ludwigsburg Germany
(72) Name(s) of Designer(s): **Hartmut S. Engel**
(45) Registration Date: **03 January 2007**
(30) Convention priority data:
(31) Number (32) Date (33) Country
000526702 13 Apr 2006 EUROPEAN COMMUNITY
(56) Related Art Documents: **Not Applicable**
(57) Statement of Newness and Distinctiveness: **Nil**



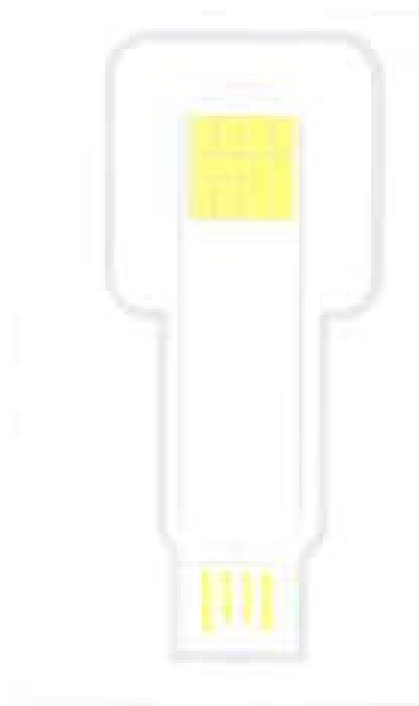
(21) Design Number: **13331/2006**
(22) Date of Filing Application: **28 July 2006**
(24) Date from which industrial property rights may have effect: **28 July 2006**
(54) Product in respect of which the design is registered: **Sheet material**
(51) International Design Classification: **05-05NES, 05-06NES**
(71) Name(s) and Address(s) of Applicant(s):
SCA Hygiene Products AB
S-405 03 Goteborg Sweden
(72) Name(s) of Designer(s): **Lothar Boehm**
(45) Registration Date: **03 January 2007**
(30) Convention priority data:
(31) Number (32) Date (33) Country
000476817-0001 09 Feb 2006 EUROPEAN COMMUNITY
(56) Related Art Documents: **Not Applicable**
(57) Statement of Newness and Distinctiveness: **Newness and distinctiveness resides in the pattern shown in the accompanying representations applied to a packaging product. The sheet material from which the packaging product is formed is of indefinite length and width. In considering the scope of the monopoly, no regard is to be had to the shape of the packaging product, the visual effect of the sealing portions thereof on the lateral edges and the directional arrows in the bottom view of the accompanying representations.**



- (21) Design Number: **15107/2006**
- (22) Date of Filing Application: **08 November 2006**
- (24) Date from which industrial property rights may have effect: **08 November 2006**
- (54) Product in respect of which the design is registered: **Usb key card**
- (51) International Design Classification: **14-02**
- (71) Name(s) and Address(s) of Applicant(s):
Steven Gary O'Shea
12 Oleander Street Daisy Hill Queensland 4127 Australia
- (72) Name(s) of Designer(s): **Steven Gary O'Shea**
- (45) Registration Date: **03 January 2007**
- (56) Related Art Documents: **Not Applicable**
- (57) Statement of Newness and Distinctiveness: **Nil**



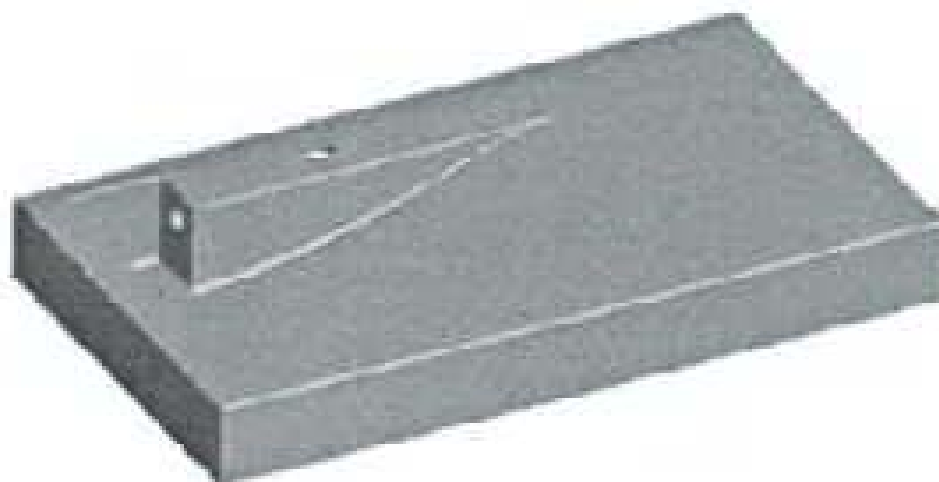
- (21) Design Number: **15108/2006**
- (22) Date of Filing Application: **08 November 2006**
- (24) Date from which industrial property rights may have effect: **08 November 2006**
- (54) Product in respect of which the design is registered: **Usb key card**
- (51) International Design Classification: **14-02**
- (71) Name(s) and Address(s) of Applicant(s):
Steven Gary O'Shea
12 Oleander Street Daisy Hill Queensland 4127 Australia
- (72) Name(s) of Designer(s): **Steven Gary O'Shea**
- (45) Registration Date: **03 January 2007**
- (56) Related Art Documents: **Not Applicable**
- (57) Statement of Newness and Distinctiveness: **Nil**



- (21) Design Number: **15167/2006**
(22) Date of Filing Application: **09 November 2006**
(24) Date from which industrial property rights may have effect: **09 November 2006**
(54) Product in respect of which the design is registered: **Bathroom vanities (top) various sizes**
(51) International Design Classification: **23-02F**
(71) Name(s) and Address(s) of Applicant(s):
Architectural Designer Products P/L
237 Berkeley Road Unanderra New South Wales 2526 Australia
(72) Name(s) of Designer(s): **Andrew Jones**
(45) Registration Date: **03 January 2007**
(56) Related Art Documents: **Not Applicable**
(57) Statement of Newness and Distinctiveness: **Visual features - Basin is wide at the front and narrow at the back**



- (21) Design Number: **15168/2006**
(22) Date of Filing Application: **09 November 2006**
(24) Date from which industrial property rights may have effect: **09 November 2006**
(54) Product in respect of which the design is registered: **Bathroom vanities (top) various sizes**
(51) International Design Classification: **23-02F**
(71) Name(s) and Address(s) of Applicant(s):
Architectural Designer Products P/L
237 Berkeley Road Unanderra New South Wales 2526 Australia
(72) Name(s) of Designer(s): **Andrew Jones**
(45) Registration Date: **03 January 2007**
(56) Related Art Documents: **Not Applicable**
(57) Statement of Newness and Distinctiveness: **Visual feature - Waste placed in corner with gentle slope down**



- (21) Design Number: **15169/2006**
- (22) Date of Filing Application: **09 November 2006**
- (24) Date from which industrial property rights may have effect: **09 November 2006**
- (54) Product in respect of which the design is registered: **Bathroom vanities (top) various sizes**
- (51) International Design Classification: **23-02F**
- (71) Name(s) and Address(s) of Applicant(s):
Architectural Designer Products P/L
237 Berkeley Road Unanderra New South Wales 2526 Australia
- (72) Name(s) of Designer(s): **Andrew Jones**
- (45) Registration Date: **03 January 2007**
- (56) Related Art Documents: **Not Applicable**
- (57) Statement of Newness and Distinctiveness: **Waste placed in corner - top is narrow**



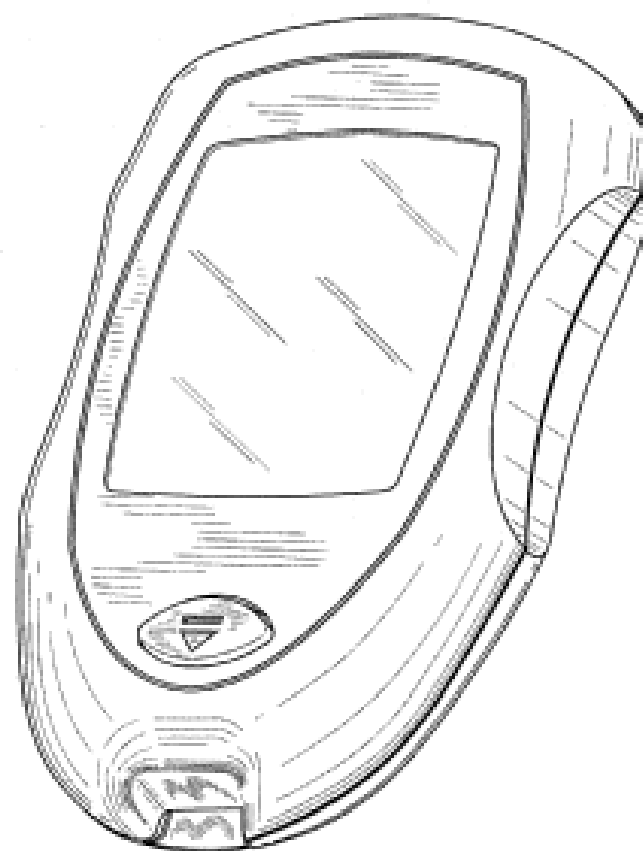
- (21) Design Number: **14916/2006**
- (22) Date of Filing Application: **27 October 2006**
- (24) Date from which industrial property rights may have effect: **27 October 2006**
- (54) Product in respect of which the design is registered: **Modular rain water tanks**
- (51) International Design Classification: **23-01F**
- (71) Name(s) and Address(s) of Applicant(s):
Courier Pete Pty Ltd
Rosarina 32 Hicks Road East Greenmount Queensland 4359 Australia
- (72) Name(s) of Designer(s): **Mark Nicholas Collymore**
- (45) Registration Date: **03 January 2007**
- (56) Related Art Documents: **Not Applicable**
- (57) Statement of Newness and Distinctiveness: **Nil**



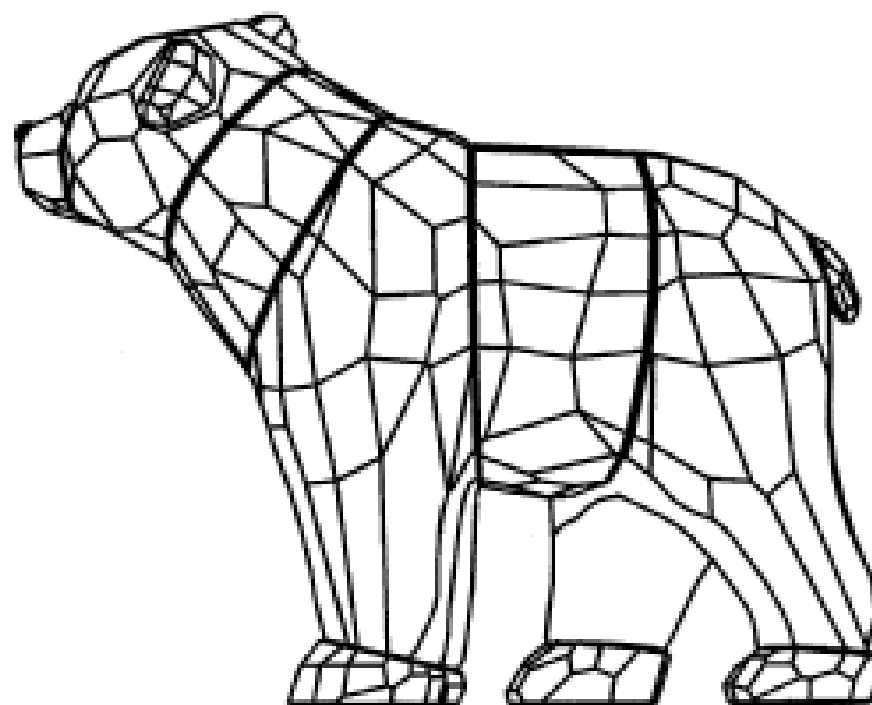
(21) Design Number: **14917/2006**
(22) Date of Filing Application: **27 October 2006**
(24) Date from which industrial property rights may have effect: **27 October 2006**
(54) Product in respect of which the design is registered: **Modular rain water tanks**
(51) International Design Classification: **23-01F**
(71) Name(s) and Address(s) of Applicant(s):
Courier Pete Pty Ltd
Rosarina 32 Hicks Road East Greenmount Queensland 4359 Australia
(72) Name(s) of Designer(s): **Mark Nicholas Collymore**
(45) Registration Date: **03 January 2007**
(56) Related Art Documents: **Not Applicable**
(57) Statement of Newness and Distinctiveness: **Nil**



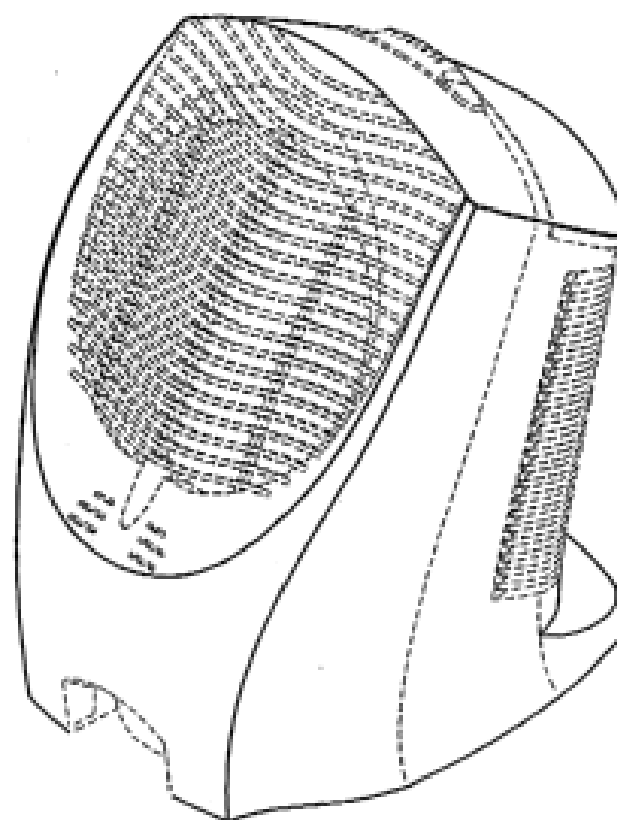
(21) Design Number: **15105/2006**
(22) Date of Filing Application: **06 November 2006**
(24) Date from which industrial property rights may have effect: **06 November 2006**
(54) Product in respect of which the design is registered: **Diagnostic meter**
(51) International Design Classification: **10-04**
(71) Name(s) and Address(s) of Applicant(s):
Home Diagnostics, Inc.
2400 N.W. 55th Court Fort Lauderdale FL 33309 United States of America
(72) Name(s) of Designer(s): **George R. Rounds and Adam Mark Will and Allan Javier Caban and Gary T. Neel**
(45) Registration Date: **03 January 2007**
(30) Convention priority data:
(31) Number (32) Date (33) Country
29/259,436 08 May 2006 UNITED STATES OF AMERICA
(56) Related Art Documents: **Not Applicable**
(57) Statement of Newness and Distinctiveness: **Nil**



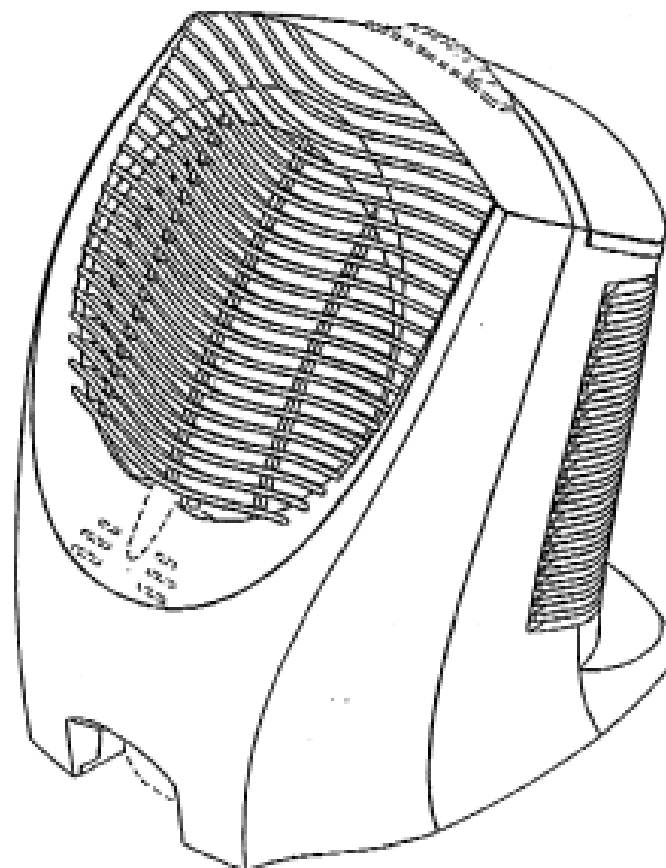
(21) Design Number: **14997/2006**
(22) Date of Filing Application: **30 October 2006**
(24) Date from which industrial property rights may have effect: **30 October 2006**
(54) Product in respect of which the design is registered: **Ornamental object**
(51) International Design Classification: **11-02E**
(71) Name(s) and Address(s) of Applicant(s):
Swarovski Aktiengesellschaft
Droschistrasse 15 FL-9495 Triesen Liechtenstein
(72) Name(s) of Designer(s): **Elisabeth Adamer**
(45) Registration Date: **03 January 2007**
(30) Convention priority data:
(31) Number (32) Date (33) Country
531850#0002 19 May 2006 EUROPEAN COMMUNITY
(56) Related Art Documents: **Not Applicable**
(57) Statement of Newness and Distinctiveness: **Nil**



(21) Design Number: **15075/2006**
(22) Date of Filing Application: **03 November 2006**
(24) Date from which industrial property rights may have effect: **03 November 2006**
(54) Product in respect of which the design is registered: **Air purifier**
(51) International Design Classification: **23-04**
(71) Name(s) and Address(s) of Applicant(s):
S.C. Johnson & Son, Inc.
1525 Howe Street Racine Wisconsin 53403-2236 United States of America
(72) Name(s) of Designer(s): **Thomas P. Gasper and Milan L. Zdrubeky and James R. Crapser and Daniel Perez and Ki Bok Song**
(45) Registration Date: **03 January 2007**
(30) Convention priority data:
(31) Number (32) Date (33) Country
29/246683 03 May 2006 UNITED STATES OF AMERICA
(56) Related Art Documents: **Not Applicable**
(57) Statement of Newness and Distinctiveness: **Newness and distinctiveness is claimed in those features of shape and/or configuration of an air purifier as illustrated in continuous lines in the accompanying representations.**



- (21) Design Number: **15074/2006**
(22) Date of Filing Application: **03 November 2006**
(24) Date from which industrial property rights may have effect: **03 November 2006**
(54) Product in respect of which the design is registered: **Air Purifier**
(51) International Design Classification: **23-04**
(71) Name(s) and Address(s) of Applicant(s):
S.C. Johnson & Son, Inc.
1525 Howe Street Racine Wisconsin 53403-2236 United States of America
(72) Name(s) of Designer(s): **Thomas P. Gasper and Milan L. Zdrubecky and James R. Crapser and Daniel Perez and Ki Bok Song**
(45) Registration Date: **03 January 2007**
(30) Convention priority data:
(31) Number (32) Date (33) Country
29/246683 03 May 2006 UNITED STATES OF AMERICA
(56) Related Art Documents: **Not Applicable**
(57) Statement of Newness and Distinctiveness: **Newness and distinctiveness is claimed in those features of shape and/or configuration of an air purifier as illustrated in continuous lines in the accompanying representations.**



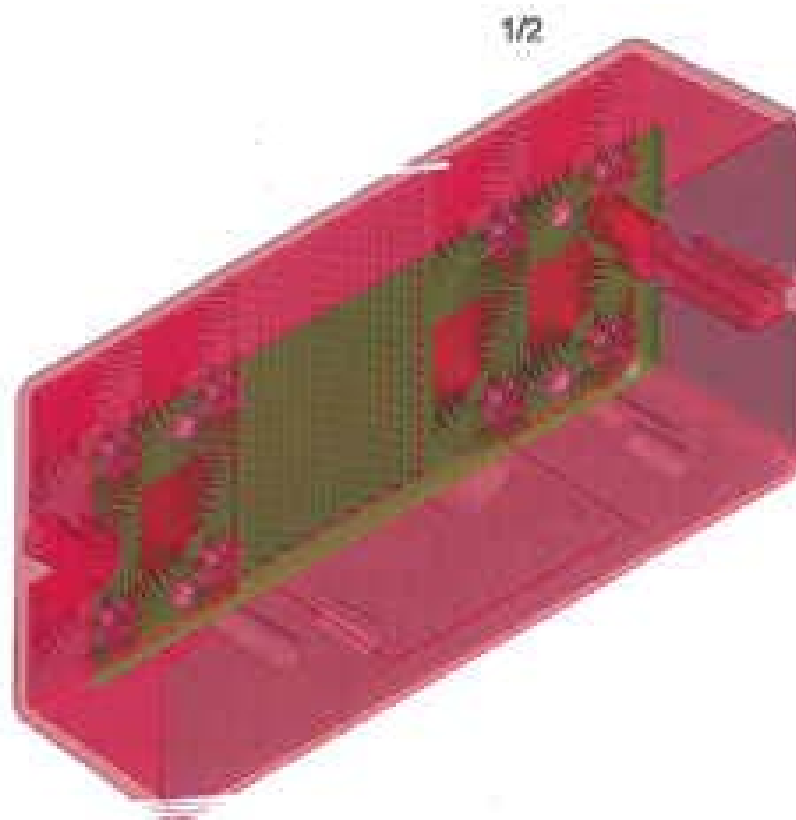
- (21) Design Number: **15003/2006**
(22) Date of Filing Application: **30 October 2006**
(24) Date from which industrial property rights may have effect: **30 October 2006**
(54) Product in respect of which the design is registered: **Light fitting**
(51) International Design Classification: **26-05C**
(71) Name(s) and Address(s) of Applicant(s):
Brown & Watson International Pty Ltd
3 Millennium Court Knoxfield Victoria 3179 Australia
(72) Name(s) of Designer(s): **Timothy Miller and Chris Fang**
(45) Registration Date: **03 January 2007**
(56) Related Art Documents: **Not Applicable**
(57) Statement of Newness and Distinctiveness: **Those features of the light fitting depicted in the representations that are new and distinctive are the shape, configuration, pattern and/or ornamentation.**



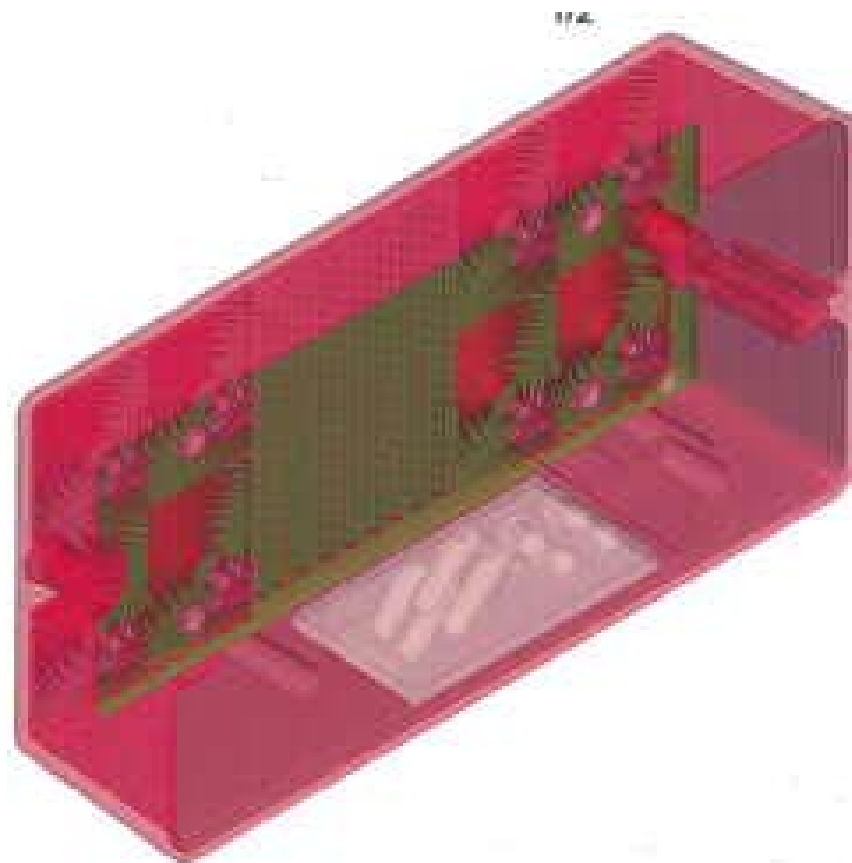
- (21) Design Number: **15002/2006**
- (22) Date of Filing Application: **30 October 2006**
- (24) Date from which industrial property rights may have effect: **30 October 2006**
- (54) Product in respect of which the design is registered: **Light fitting**
- (51) International Design Classification: **26-05C**
- (71) Name(s) and Address(s) of Applicant(s):
Brown & Watson International Pty Ltd
3 Millennium Court Knoxfield Victoria 3179 Australia
- (72) Name(s) of Designer(s): **Timothy Miller and Chris Fang**
- (45) Registration Date: **03 January 2007**
- (56) Related Art Documents: **Not Applicable**
- (57) Statement of Newness and Distinctiveness: **Those features of the light fitting depicted in the representations that are new and distinctive are the shape, configuration, pattern and/or ornamentation**



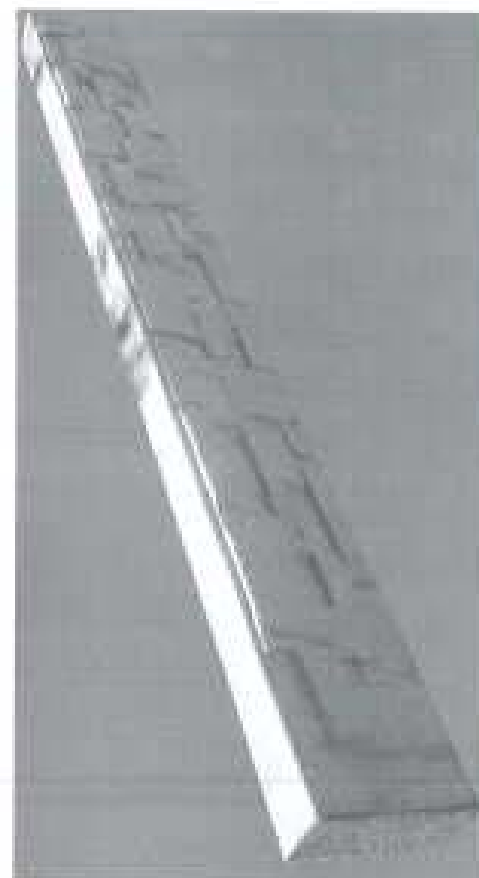
- (21) Design Number: **15001/2006**
- (22) Date of Filing Application: **30 October 2006**
- (24) Date from which industrial property rights may have effect: **30 October 2006**
- (54) Product in respect of which the design is registered: **Light fitting**
- (51) International Design Classification: **26-05C**
- (71) Name(s) and Address(s) of Applicant(s):
Brown & Watson International Pty Ltd
3 Millennium Court Knoxfield Victoria 3179 Australia
- (72) Name(s) of Designer(s): **Timothy Miller and Chris Fang**
- (45) Registration Date: **03 January 2007**
- (56) Related Art Documents: **Not Applicable**
- (57) Statement of Newness and Distinctiveness: **Those features of the light fitting depicted in the representations that are new and distinctive are the shape, configuration, pattern and/or ornamentation.**



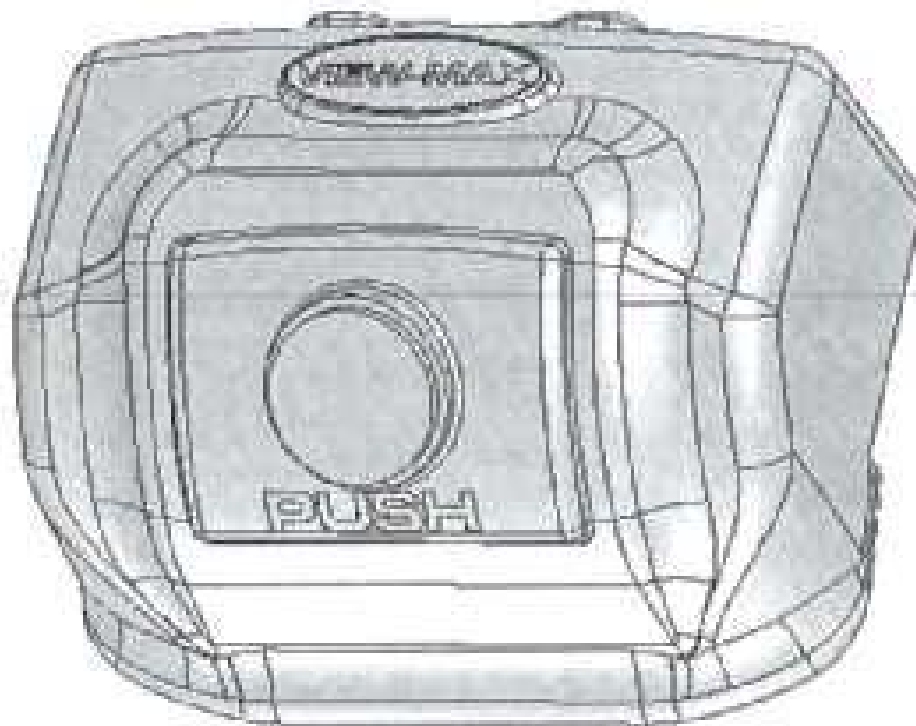
- (21) Design Number: **15000/2006**
- (22) Date of Filing Application: **30 October 2006**
- (24) Date from which industrial property rights may have effect: **30 October 2006**
- (54) Product in respect of which the design is registered: **Light fitting**
- (51) International Design Classification: **26-05C**
- (71) Name(s) and Address(s) of Applicant(s):
Brown & Watson International Pty Ltd
3 Millennium Court Knoxfield Victoria 3179 Australia
- (72) Name(s) of Designer(s): **Timothy Miller and Chris Fang**
- (45) Registration Date: **03 January 2007**
- (56) Related Art Documents: **Not Applicable**
- (57) Statement of Newness and Distinctiveness: **Those features of the light fitting depicted in the representations that are new and distinctive are the shape, configuration, pattern and/or ornamentation.**



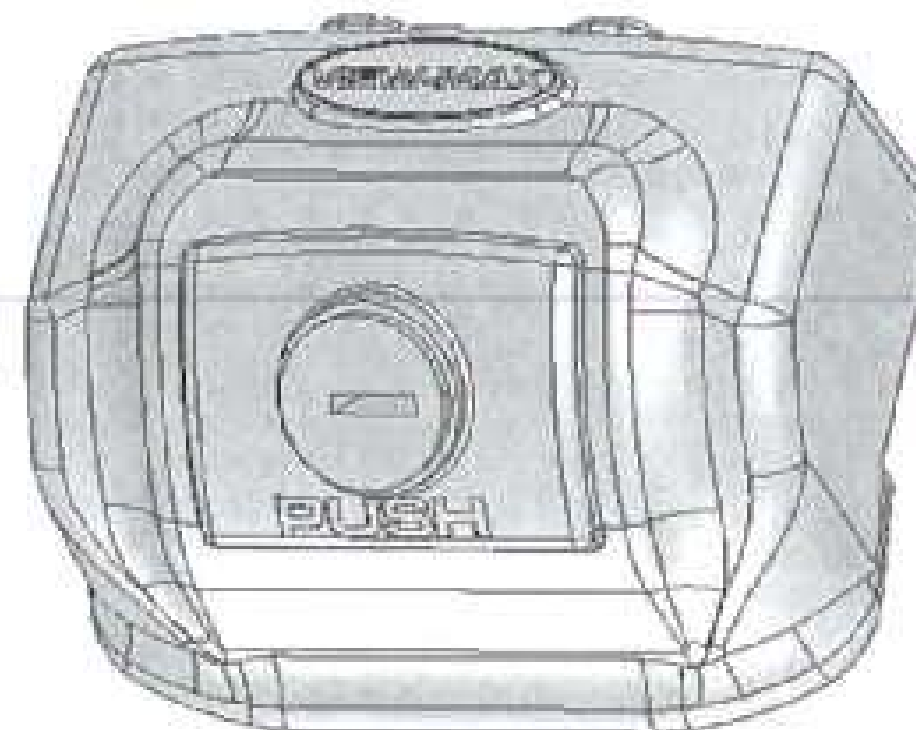
- (21) Design Number: **15050/2006**
- (22) Date of Filing Application: **02 November 2006**
- (24) Date from which industrial property rights may have effect: **02 November 2006**
- (54) Product in respect of which the design is registered: **Concrete sleeper**
- (51) International Design Classification: **25-01E**
- (71) Name(s) and Address(s) of Applicant(s):
CSMM Pty Ltd trading as Creative Sleepers
66 Morrow Road Lonsdale South Australia 5160 Australia
- (72) Name(s) of Designer(s): **Robin Williams**
- (45) Registration Date: **03 January 2007**
- (56) Related Art Documents: **Not Applicable**
- (57) Statement of Newness and Distinctiveness: **Nil**



- (21) Design Number: **15010/2006**
- (22) Date of Filing Application: **31 October 2006**
- (24) Date from which industrial property rights may have effect: **31 October 2006**
- (54) Product in respect of which the design is registered: **Non-lockable handle**
- (51) International Design Classification: **08-06**
- (71) Name(s) and Address(s) of Applicant(s):
Aluminium Specialities Group Pty Ltd
3 Alspec Place Eastern Creek New South Wales 2766 Australia
- (72) Name(s) of Designer(s): **David W. Evans**
- (45) Registration Date: **03 January 2007**
- (56) Related Art Documents: **Not Applicable**
- (57) Statement of Newness and Distinctiveness: **Newness and distinctiveness in the design as applied to a handle resides in the shape and/or configuration thereof as illustrated in the accompanying representations.**



- (21) Design Number: **15009/2006**
- (22) Date of Filing Application: **31 October 2006**
- (24) Date from which industrial property rights may have effect: **31 October 2006**
- (54) Product in respect of which the design is registered: **Lockable handle**
- (51) International Design Classification: **08-06, 08-07**
- (71) Name(s) and Address(s) of Applicant(s):
Aluminium Specialities Group Pty Ltd
3 Alspec Place Eastern Creek New South Wales 2766 Australia
- (72) Name(s) of Designer(s): **David W. Evans**
- (45) Registration Date: **03 January 2007**
- (56) Related Art Documents: **Not Applicable**
- (57) Statement of Newness and Distinctiveness: **Newness and distinctiveness in the design as applied to a handle resides in the shape and/or configuration thereof as illustrated in the accompanying representations.**



- (21) Design Number: **15012/2006**
(22) Date of Filing Application: **31 October 2006**
(24) Date from which industrial property rights may have effect: **31 October 2006**
(54) Product in respect of which the design is registered: **A vehicle wheel**
(51) International Design Classification: **12-16A**
(71) Name(s) and Address(s) of Applicant(s):
DaimlerChrysler AG
Epplestrasse 225 D-70567 Stuttgart Germany
(72) Name(s) of Designer(s): **Claus Hieke**
(45) Registration Date: **03 January 2007**
(30) Convention priority data:
(31) Number (32) Date (33) Country
529185#00013 15 May 2006 EUROPEAN COMMUNITY
(56) Related Art Documents: **Not Applicable**
(57) Statement of Newness and Distinctiveness: **Newness and distinctiveness is claimed in the features of shape and/or configuration of a vehicle wheel as illustrated in the accompanying representations.**



- (21) Design Number: **15011/2006**
(22) Date of Filing Application: **31 October 2006**
(24) Date from which industrial property rights may have effect: **31 October 2006**
(54) Product in respect of which the design is registered: **A vehicle wheel**
(51) International Design Classification: **12-16A**
(71) Name(s) and Address(s) of Applicant(s):
DaimlerChrysler AG
Epplestrasse 225 D-70567 Stuttgart Germany
(72) Name(s) of Designer(s): **Claus Hieke**
(45) Registration Date: **03 January 2007**
(30) Convention priority data:
(31) Number (32) Date (33) Country
529185#00011 15 May 2006 EUROPEAN COMMUNITY
(56) Related Art Documents: **Not Applicable**
(57) Statement of Newness and Distinctiveness: **Newness and distinctiveness is claimed in the features of shape and/or configuration of a vehicle wheel as illustrated in the accompanying representations.**



- (21) Design Number: **15049/2006**
(22) Date of Filing Application: **02 November 2006**
(24) Date from which industrial property rights may have effect: **02 November 2006**
(54) Product in respect of which the design is registered: **Concrete sleeper**
(51) International Design Classification: **25-01E**
(71) Name(s) and Address(s) of Applicant(s):
CSMM Pty Ltd trading as Creative Sleepers
66 Morrow Road Lonsdale South Australia 5160 Australia
(72) Name(s) of Designer(s): **Robin Williams**
(45) Registration Date: **03 January 2007**
(56) Related Art Documents: **Not Applicable**
(57) Statement of Newness and Distinctiveness: **Nil**



- (21) Design Number: **15053/2006**
(22) Date of Filing Application: **03 November 2006**
(24) Date from which industrial property rights may have effect: **03 November 2006**
(54) Product in respect of which the design is registered: **Draught excluder**
(51) International Design Classification: **06-06NES**
(71) Name(s) and Address(s) of Applicant(s):
Alarimda Pty Ltd
50 Longview Court Thomastown Victoria 3074 Australia
(72) Name(s) of Designer(s): **Ray McCluskey**
(45) Registration Date: **03 January 2007**
(56) Related Art Documents: **Not Applicable**
(57) Statement of Newness and Distinctiveness: **1. Item is double sided tube shape. 2. One side (tube) is shorter at one end than the other side.**

