



Australian Government

IP Australia

AUSTRALIAN OFFICIAL JOURNAL

OF

DESIGNS

Did you know a searchable version of this journal is now available online?

It's FREE and EASY to SEARCH.

Find it at

<http://pericles.ipaustralia.gov.au/ols/epublish/content/olsEpublications.jsp>
or using the "Online Journals" link on the IP Australia home page.

This Page Left Intentionally Blank

Contents

General Information & Notices

Proceedings Under the Designs Act 1906 preserved as a result of the provisions of Chapter 12 Part 2 of the Designs Act 2003

Application for Extension of Period of Registration	7974
Extension of Period of Registration of Designs	7974
Extensions of Time Granted	7974
Names Registered - Alterations and Amendments	7975
Registrations Ceased	7974
Subsequent Owners Registered	7975

Proceedings Under the Designs Act 2003

Applications for Extension of Time Under Section 137	7980
Applications Lapsed	7979
Applications Lodged	7979
Applications Withdrawn	7979
Certificate of Examination	7982
Corrigenda	7981
Extension of Period of Registration of Design	7980
Extension of Time Granted Under Section 137	7980
Names Registered - Alterations and Amendments	7980
Publication and Registration Proceedings	
Designs Registered 312234 to 312489.....	7983
Subsequent Owners Registered	7980

This Page Left Intentionally Blank

General Information

EDITORIAL ENQUIRIES

All enquiries about official notices and general information in the Journal should be directed to IP Australia, (ABN No 38 113 072 755), PO Box 200 Woden ACT 2606

Or

Telephone 1300 651 010
(International Callers +61 2 6283 2999)
Fax 02 6283 7999
E-mail assist@ipaustralia.gov.au

CONTACT INFORMATION

Customer Service Network
Telephone 1300 651 010 , Fax: 02 6283 7999
E-mail: assist@ipaustralia.gov.au

Customers can contact the Customer Service Network by telephone or by e-mail. Telephones are staffed between 9am and 5pm each working day.

Customers should contact the Customer Service Network for information about:

- All Patent Matters including PCT and Innovation Patents.
- All Trade Mark Matters.
- All Design Matters.

Professional Standards Board for Patent and Trade Mark Attorneys.

Ph: 02 6283 2345 Fax: 02 6283 1048

ORDERING PATENT DOCUMENTS

When ordering copies of Australian patent specifications, or abstracts and abridgments notified as open to public inspection on or after 26 October 1978, or as accepted on or after 16 November 1978, the documents should be referred to by application numbers only, preceded by letters AU-A or AU-B respectively.

REQUESTS FOR INFORMATION UNDER SECTION 194 (C)

A request for information under Section 194 (C) of the Patents Act 1990 should be made in the approved form and be accompanied by the prescribed fee. The request should be as detailed as possible.

INFORMATION FROM REGISTERS

All requests for information from Register of Patents, Trade Marks or Designs, should be made in writing and accompanied by the prescribed fee. The Registers are located in Canberra and may be examined free of charge.

COUNTRY CODES

For a listing of country codes used by IP Australia please refer to the Official Journals dated 7 November 1996.

ABBREVIATIONS IN JOURNAL

Standard abbreviations are used in the name of companies and firms. Enquiries concerning the precise name should be directed to the Customer Service Network.

FREEDOM OF INFORMATION ACT

What does it do?

- Gives you right to obtain information held by Commonwealth Ministers, Departments and most statutory bodies (these bodies are called agencies under the Act).
- Requires Commonwealth Government agencies to make available to members of the public:
 - Information about agencies, their functions and operations.
 - Information about rules and practices which are used in making decisions which affect you.
- Gives you a legal right to:
 - See non exempt documents held by agencies, and
 - appeal against a decision not to grant access to a document.

What documents can you see?

- The Act gives you a right to see documents lodged on or after 1 December 1977, or earlier if you need them to understand another document you have already.
- Documents include files, reports, computer printouts, maps, plans, photographs, tape recordings, films or videotapes.
- Documents which are available for purchase under the Patents Act 1990, the Trade Marks Act 1995 or Designs Act 2003 or Plant Breeder's Rights Act 1994 are not available under the Freedom of Information Act (Section 12 refers).

How do you apply?

Requests for access to documents must

- Be in writing
- Provide sufficient information so as to enable identification of the documents requested
- Specify an address in Australia where notices can be sent and
- Be accompanied by the application fee (currently \$30.00).

Requests for documents should be addressed to IP Australia, PO Box 200 Woden, ACT 2606, or Faxed to 02 6283 7999

DECISIONS OF THE COMMISSIONER OF PATENTS AND REGISTRAR OF TRADE MARKS AND DESIGNS

- All decisions of the Commissioner and Registrars are available free of charge from AUSTLII's website www.austlii.edu.au

Copies of all written Patent and Design decisions are available (except if they would not be available under the provisions of the Freedom of Information legislation, e.g. if they would effectively disclose matter from documents that are not open to public inspection) on request for a cost of \$AU 25. They are also available for inspection in indexed volume series, dating from 1 January 1987, in the Office library, Canberra.

Copies of Trade Mark decisions may be accessed via IP Australia's website www.ipaustralia.gov.au

- Copies of the taped record of Patent and Design hearings are available (with the same exception as above) on request.
- When a written decision is issued the fact of the decision plus a brief head note will be published in the Official Notices section of the next available Patents, Trade Marks or Designs Journal.

HEARINGS BEFORE THE COMMISSIONER OF PATENTS

Hearings before the Commissioner of Patents will usually be conducted at the Patent Office in Canberra and interstate hearing sessions are not provided. However, the Commissioner will conduct hearings outside of Canberra at a convenient time to all parties provided that the parties bear the travel costs of the hearing officer.

The various options for hearings are set out in the document "Options for Hearings" available on IP Australia's website at: www.ipaustralia.gov.au/pdfs/patents/optionsforhearings.PDF

HEARINGS BEFORE THE REGISTRARS OF TRADE MARKS AND DESIGNS

Hearings before the Registrars of Trade Marks and Designs will be set down in Melbourne, Sydney, Adelaide, Perth and Brisbane during the periods indicated below.

Designs and Trade Marks Hearings Sessions 2006

Melbourne	13 – 17 February 5 – 9 June 11 – 15 September
Sydney	13 – 17 March 17 – 21 July 16 – 20 October
Adelaide	14 – 15 August
Perth	17 – 18 August
Brisbane	24 – 25 August

Persons who desire matters to be set down for hearing in Melbourne, Sydney, Adelaide, Perth or Brisbane must give at least one month's notice of their intention to be heard. If such notice is not given, it may be that there would be insufficient time to allow for the execution of official procedures associated with the listing of hearings, and as a result, the matter involved might not be listed.

Subject to the convenience of this Office, hearings will be set down in Canberra at any time suitable to the parties.

LIST OF STATE OFFICES

IP Australia State Offices are located in the Australian Capitals at the addresses given below. Requests for information may be obtained by calling at, phoning or writing to these offices or IP Australia, ACT.

Australian Capital Territory

Ground Floor
Discovery House
PHILLIP ACT 2606
(PO Box 200, WODEN ACT 2606)
Ph: 1300 651 010
Fax: (02) 6283 7999
Email address: assist@ipaustralia.gov.au

New South Wales

Level 1, Bay 8
Locomotive Workshop
Evenleigh NSW 1430
Ph: 1300 651 010
Fax: (02) 6283 7999
Email address: assist@ipaustralia.gov.au

Victoria

Level 6
OCBC House
565 Bourke Street
MELBOURNE VIC 3000
Ph: 1300 651 010
Fax: (02) 6283 7999
Email address: assist@ipaustralia.gov.au

Western Australia

2nd Floor
East Point Plaza
233 Adelaide Terrace
PERTH WA 6000
Ph: 1300 651 010
Fax: (02) 6283 7999
Email address: assist@ipaustralia.gov.au

Queensland

Level 1
Grant Thornton House
102 Adelaide Street
BRISBANE QLD 4000
Ph: 1300 651 010
Fax: (02) 6283 7999
Email address: assist@ipaustralia.gov.au

South Australia

Innovation House, East Wing
Mawson Lakes Boulevard
MAWSON LAKES Adelaide SA 5095
Ph: 1300 651 010
Fax: (02) 6283 7999
Email address: assist@ipaustralia.gov.au

Tasmania

4th Floor
AMP Building
27 Elizabeth Street
HOBART TAS 7000
Ph: 1300 651 010
Fax: (02) 6283 7999
Email address: assist@ipaustralia.gov.au

“INID” NUMBERS in use on Australian Design Documents

“INID” is an acronym for “Internationally agreed Numbers for the Identification of Data”.

(10) Data concerning the registration/renewal

- (11) Serial number of the registration and/or number of the design document
- (12) Plain language designation of the kind of published document
- (19) Identification, using the two-letter code according to WIPO Standard ST.3, of the authority publishing or registering the industrial design

(20) Data concerning the application

- (21) Serial number of the application
- (22) Date of filing of the application
- (24) Date from which the industrial design right has effect

(30) Data relating to priority under the Paris Convention

- (31) Serial number assigned to the priority application
- (32) Date of filing of the priority application
- (33) Two-letter code, according to WIPO Standard ST.3, identifying the authority with which the priority application was made

(40) Date(s) of making information available to the public

- (45) Date of publication of the registered industrial design by printing or similar process, or making it available to the public by any other means

(50) Miscellaneous Information

- (51) International Classification for Industrial Designs (class and subclass of the Locarno Classification)
- (54) Designation of article(s) or product(s) covered by the industrial design or title of the industrial design
- (55) Reproduction of the industrial design (e.g., drawing, photograph) and explanations relating to the reproduction
- (56) List of prior art documents, if separate from descriptive text
- (57) Description of characteristic features of the industrial design including indication of colours

(60) References to other legally related application(s) and registration(s)

- (62) Serial number(s) and, if available, filing date(s) of application(s), registration(s) or document(s) related by division
- (66) Serial number(s) of the application, or the registration, of the design(s) which is (are) a variant(s) of the present one

(70) Identification of parties concerned with the application or registration

- (71) Name(s) and address(es) of the applicant(s)
- (72) Name(s) of the creator(s) if known to be such
- (74) Name(s) and address(es) of the representative(s)

This Page Left Intentionally Blank

Official Notice

**Designs Act 2003
Correction of Register**

The following corrections under Regulation 9.05 (1) have been made to details previously published in the Australian Official Journal of Designs:

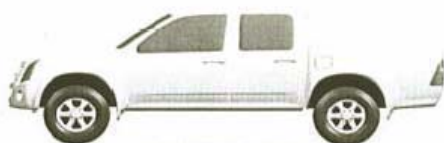
Registration Number	Amendment type	New details
311923	Representations	Representations as below



Front Left Side Perspective View



Front Right Side Perspective View



Front Elevational View



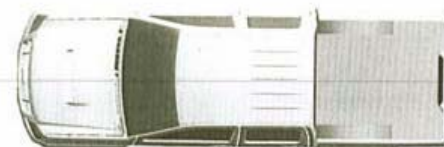
Right Side Elevational View



Rear Elevational View



Left Side Elevational View



Top Plan View

Contact: IP Australia
Phone: 1300 651 010
Fax: +61 2 6283 7999
E-Mail: assist@ipaustralia.gov.au
Web: www.ipaustralia.gov.au

This Page Left Intentionally Blank

Proceedings under the Designs Act 1906 preserved as a result of the provisions of Chapter 12 Part 2 of the Designs Act 2003.

This Page Left Intentionally Blank

Applications Lapsed

There were no Applications Lapsed under this section

Application for Extension of Period of Registration

Applications under Section 27A(2) for extension of registration of the following designs have been lodged. In the event that a design is shown to be not new or original, the Registrar may refuse to extend the period of registration. Sub-section 27A(4) allows any person to lodge at the Designs Office material relevant to the question whether the design is not new or original. That material must be lodged within 11 months of the date when the registration of the design was made. Further details of the conditions and procedures for the lodgement of material are contained in Form 8 provided under the Designs Regulation 24.

Registration Number	Registered Owner	Registration Date
158203	PETER ANTHONY HANNAH	01/08/2005
158439	PEAK INNOVATIONS INC.	28/11/2005
158456	INTERNATIONAL GROCERY MANUFACTURER PTY LTD	17/01/2006
158459	AMCOR LIMITED and DANE PTY LTD	17/01/2006
158460	AMCOR LIMITED and DANE PTY LTD	17/01/2006
158461	AMCOR LIMITED and DANE PTY LTD	17/01/2006
158469	LOVE N CARE PTY LTD	18/01/2006
158470	STEVE SEGARAM	18/01/2006
158473	RETAIL AND COMMERCIAL PROPERTIES PTY LTD	18/01/2006
158475	RETAIL AND COMMERCIAL PROPERTIES PTY LTD	18/01/2006
158493	HOLDEN BROWNE	01/02/2006

Extension of Period of Registration of Designs

1st Period (Section 27A(8))

158203 158439

2nd Period (Section 27A(12))

142978	142979	142980
143331	143332	143633
143708	144238	144544
144545	144546	144547
144548	144549	144613
144637	144786	145096
145140	145192	145250
145252	145303	145377
145561	145562	145615
145616	145619	145720
145827	146140	146141
146142	146178	146189
146190	146560	146840
146953	147136	147211
147305	147306	148125
148280	148382	148705
148706	149005	149296
149589	149886	155099

3rd Period (Section 27A(13))

126953	127476	127538
127560	127641	127709
128026	128192	128209
128296	128517	128583
130504		

Registrations Ceased

Note: Some of the following Registrations may have been previously advertised as ceased. In this instance, the previous advertisement still prevails.

111613	111745	111918
112274	112275	112843
112844	116044	116045
116422	124190	124451
124452	124508	124509
124510	124511	125956
125957	125982	125983
125995	126109	126133
126278	126279	126282
126349	126521	126595
126670	126671	126673
129219	129406	129846
130460	141181	141264
141265	141326	141346
141474	141573	142603
142621	142622	142623
142624	142625	142626
142627	142628	142629
142644	142645	142646
142739	142759	142868
142869	142872	142896
142897	142898	143018
143055	143211	143280
143392	143471	143583
143803	143804	143805
143806	143887	143984
144005	144050	144310
144311	144627	144642
144643	144752	145551
145911	146547	147080
147144	147145	147321
147651	147711	149233
149869	149870	149871
149872	149873	149874
149875	149876	

Extensions of time granted

Applications lodged for extension of time have been granted.

158203 **Peter Anthony Hannah** An Extension of time to extend a registration has been granted to 03/11/2006

158439 **Peak Innovations Inc.** An Extension of time to extend a registration has been granted to 20/12/2006

Subsequent Owners Registered

(The name in parentheses is that of the subsequent owner)

- 113163 (**Cartier Creation Studio SA**) Cartier International B.V.
- 113164 (**Cartier Creation Studio SA**) Cartier International B.V.
- 113165 (**Cartier Creation Studio SA**) Cartier International B.V.
- 115421 (**Cartier Creation Studio SA**) Cartier International B.V.
- 127416 (**Cartier Creation Studio SA**) Cartier International B.V.
- 127417 (**Cartier Creation Studio SA**) Cartier International B.V.
- 127418 (**Cartier Creation Studio SA**) Cartier International B.V.
- 132446 (**Cartier Creation Studio SA**) Cartier International B.V.
- 133290 (**Cartier Creation Studio SA**) Cartier International B.V.
- 133880 (**Cartier Creation Studio SA**) Cartier International B.V.
- 142592 (**Cartier Creation Studio SA**) Cartier International B.V.
- 143894 (**Cartier Creation Studio SA**) Cartier International B.V.
- 153882 (**Cartier Creation Studio SA**) Cartier International B.V.
- 153883 (**Cartier Creation Studio SA**) Cartier International B.V.
- 154468 (**Cartier Creation Studio SA**) Cartier International B.V.
- 126888 (**Sanford, L.P.**) Rubbermaid Office Products Inc.
- 141325 (**Janine Louise Mullins**) Dorrie Investments Pty Ltd
- 133067 (**ACP Magazines Limited**) Australian Geographic Pty Ltd
- 133068 (**ACP Magazines Limited**) Australian Geographic Pty Ltd
- 150861 (**John Thomas Lunnay**) GoGrabit International Pty Ltd
- 127192 (**Hunter & Gatherer Games & Clothing Pty Ltd**)
Robert George Witt
- 156638 (**Kenzo - French Trade and Companies Registry No. 402 180 194**) Kenzo

Names Registered - Alterations and Amendments

(The name in parentheses is the new name of the proprietor)

- 113521 (**Dalsonware Pty Ltd**) Peretal Pty Limited
- 118919 (**Dalsonware Pty Ltd**) Peretal Pty Ltd
- 144407 (**Avent Limited**) Cannon Rubber Limited
- 147455 (**Avent Limited**) Cannon Rubber Limited
- 145190 (**Avent Limited**) Cannon Rubber Limited
- 145189 (**Avent Limited**) Cannon Rubber Limited
- 144029 (**Avent Limited**) Cannon Rubber Limited
- 144028 (**Avent Limited**) Cannon Rubber Limited
- 144408 (**Avent Limited**) Cannon Rubber Limited
- 143604 (**Avent Limited**) Cannon Rubber Limited

This Page Left Intentionally Blank

Proceedings under the Designs Act 2003.

This Page Left Intentionally Blank

Applications Lodged

Lodgement information is in the following order: **Applicant's Name**; International Classification, Name of Product, Lodgement Date and **Design Number**. If the applicant claims an earlier priority date under an International Convention, the Convention Country and the associated filing date are shown in parentheses before the Lodgement Date. Divisional information will also appear in parentheses before the Lodgement Date.

Aktiebolaget Skf; 15-99, Bearing housing, (EM, 15 May 2006) 11 Jan 2007	15952/2007	HAG Import Corporation (Aust) Pty Ltd; 07-01B, Handle for a bowl lid, (Divisional of 14047/2005) 20 Sep 2005	12656/2006
Aktiebolaget Skf; 15-99, Bearing housing, (EM, 15 May 2006) 11 Jan 2007	15953/2007	HAG Import Corporation (Aust) Pty Ltd; 07-01D, Waved handle for a mug, (Divisional of 14048/2005) 20 Sep 2005	12657/2006
Aktiebolaget Skf; 15-99, Bearing housing, (EM, 15 May 2006) 11 Jan 2007	15954/2007	HAG Import Corporation (Aust) Pty Ltd; 07-01D, Waved handle for a double handled mug, (Divisional of 14048/2005) 20 Sep 2005	12658/2006
Architectural Glass Fittings Pty Ltd; 99-00, Product name not listed, 24 Nov 2006	15381/2006	HAG Import Corporation (Aust) Pty Ltd; 07-01B, Waved handle for a bowl lid, (Divisional of 14048/2005) 20 Sep 2005	12659/2006
Astra Furniture Pty Ltd; Tsorakidis, Arki; 06-03A, Tables, buffet, entertainment units, display units, 20 Nov 2006	15288/2006	Travis Technology Limited; 09-03NES, A container, (NZ, 23 Aug 2005) 22 Feb 2006	14142/2006
Augux Co., Ltd; 26-05B, Lamp, (TW, 25 May 2006) 20 Nov 2006	15323/2006	Travis Technology Limited; 09-03NES, A container, (NZ, 23 Aug 2005) 22 Feb 2006	14143/2006
ATC Pty Ltd; 02-01NES, Mens underwear including boxer shorts and traditional briefs, 15 Aug 2006	15929/2006	Travis Technology Limited; 09-03NES, A container, (NZ, 23 Aug 2005) 22 Feb 2006	14144/2006
HAG Import Corporation (Aust) Pty Ltd; 07-01D, Handle for a double handled mug, (Divisional of 14047/2005) 20 Sep 2005	12654/2006	Travis Technology Limited; 09-03NES, A container, (NZ, 23 Aug 2005) 22 Feb 2006	14145/2006
HAG Import Corporation (Aust) Pty Ltd; 07-01D, Handle for a mug, (Divisional of 14047/2005) 20 Sep 2005	12655/2006	Tsorakidis, Arki; Astra Furniture Pty Ltd; 06-03A, Tables, buffet, entertainment units, display units, 20 Nov 2006	15288/2006

Applications Withdrawn

11482 / 2005 (02-02A)	11484 / 2005 (02-02A)
11491 / 2005 (02-02A)	

Applications Lapsed

12783 / 2006 (06-01F)	12786 / 2006 (07-05E)
12797 / 2006 (02-02A)	12856 / 2006 (08-08D)
13476 / 2006 (02-04C)	13477 / 2006 (02-04C)
13902 / 2006 (07-06A)	14657 / 2006 (12-16NES)
14727 / 2006 (26-05C)	14728 / 2006 (26-05C)
14729 / 2006 (26-05C)	14859 / 2006 (06-06A)
14914 / 2006 (23-01B)	14915 / 2006 (23-01B)
15848 / 2006	

Extension of Period of Registration of Designs

311984 311985

Applications for Extension of time under Section 137

Applications under section 137 for extension of time have been lodged. Objections must be lodged within 1 month from the date of this journal.

13709/2006 **Assa Abloy Identification Technology Group AB**
Address for Service: Davies Collison Cave Level 15 1 Nicholson Street MELBOURNE VIC 3000

Extensions of time granted under Section 137

Applications lodged under section 137 for extension of time have been granted.

11476/2005 **Seafolly Pty Ltd**

11479/2005 **Seafolly Pty Ltd**

11481/2005 **Seafolly Pty Ltd**

11482/2005 **Seafolly Pty Ltd**

11484/2005 **Seafolly Pty Ltd**

11486/2005 **Seafolly Pty Ltd**

11488/2005 **Seafolly Pty Ltd**

11489/2005 **Seafolly Pty Ltd**

11490/2005 **Seafolly Pty Ltd**

11491/2005 **Seafolly Pty Ltd**

11492/2005 **Seafolly Pty Ltd**

11493/2005 **Seafolly Pty Ltd**

303551 **Parfums Givenchy**

14569/2005 **Intellectual Property Development Corporation Pty Ltd**

15615/2005 **Pacific Enterprises (Aust) Pty Ltd**

13717/2006 **Yasmaheena Madison-Christie**

13717/2006 **Yasmaheena Madison-Christie**

14914/2006 **Art Plastics Pty Ltd**

14915/2006 **Art Plastics Pty Ltd**

15749/2006 **3M Innovative Properties Company**

15750/2006 **3M Innovative Properties Company**

15751/2006 **3M Innovative Properties Company**

15752/2006 **3M Innovative Properties Company**

15753/2006 **3M Innovative Properties Company**

Subsequent Owners Registered

(The name in parentheses is that of the subsequent owner)

302698 (**Enviro Design Australia Pty Ltd**) Attwood Banner Pty Ltd

302699 (**Enviro Design Australia Pty Ltd**) Attwood Banner Pty Ltd

303229 (**Kenzo - French Trade and Companies Registry No. 402 180 194**) Kenzo S.A.

302814 (**Chameleon Research & Development (Australia) Pty Ltd**) Geoffrey John Clarke

308919 (**Chameleon Research & Development (Australia) Pty Ltd**) Geoffrey John Clarke

Names Registered - Alterations and Amendments

(The name in parentheses is that of the subsequent applicant)

308110 (**Schutz DSL (Australia) Pty Ltd**) Drum Services (WA) Pty Ltd

Corrigenda

Number 14394/2006

In Vol 21 , No 1 , page 7835 under the heading **Applications Lapsed**; Design No. 14394/2006 should be deleted.

Number 308673

In Vol 20 , No 18 , page 5971 under the heading **Australian Registered Design**; (72) Name(s) of Designer(s) should read: George Wiraszka and Kym Artis and Mark Moore.

Number 308909

In Vol 20 , No 18 , page 6089 under the heading **Australian Registered Design**; (30) Convention priority data should read: (31) Number 29/258,108 (32) Date 17 April 2006 (33) Country UNITED STATES OF AMERICA.

Certificate(s) of Examination

Examination of the following Design Registration(s) has been completed. Infringement proceedings may now be commenced.

300741	07-01C	05/01/2007
300742	07-01C	05/01/2007
301141	07-01C	09/01/2007
301661	06-03NES	14/01/2007
303742	06-03A	05/01/2007
303743	06-03A	05/01/2007
303744	06-03A	05/01/2007
303751	06-03B	05/01/2007
303765	06-03A	05/01/2007
303766	06-03A	05/01/2007
303768	06-01E	05/01/2007
303771	06-03A	05/01/2007
304929	28-03A	16/01/2007
304930	28-03A	15/01/2007
304931	28-03A	15/01/2007
304961	26-05NES	11/01/2007
305182	07-02NES	16/01/2007
305184	15-02	12/01/2007
305205	06-03B	18/01/2007
305206	06-03B	18/01/2007
305207	06-03B	18/01/2007
305649	14-03A	17/01/2007
305786	07-01C	17/01/2007
306000	07-01C	17/01/2007
306001	07-01C	17/01/2007
306791	08-05NES	11/01/2007
306792	25-01K	17/01/2007
306793	25-01K	15/01/2007
306819	09-03NES	18/01/2007
307126	25-01K	17/01/2007
307128	25-01K	17/01/2007
307537	09-03M	10/01/2007
307539	09-03M	10/01/2007
307540	09-03M	10/01/2007
307541	09-03M	10/01/2007
307542	09-03M	10/01/2007
307565	11-01E	05/01/2007
307716	28-99	12/01/2007
307718	09-07A	15/01/2007
307763	28-99	12/01/2007
307764	28-99	12/01/2007
307768	25-01K	17/01/2007
309661	12-02	10/01/2007

Publication and Registration Proceedings

Designs Registered

This section provides a concordance between design number and registration number of Designs covered in this journal. It also shows the main class and registration date.

This section covers Registration numbers 312234 to 312489 .

The registration number shown below should be used in all future correspondence.

Design Number	Registration Number	International Classification Code (IDC)	Registration Date	Design Number	Registration Number	International Classification Code (IDC)	Registration Date
12797/2005	312258	06-01G	15/01/2007	10908/2006	312411	09-09	16/01/2007
12798/2005	312259	06-01G	15/01/2007	10934/2006	312412	08-08D	16/01/2007
12799/2005	312260	06-01G	15/01/2007	11050/2006	312443	02-02NES	17/01/2007
12800/2005	312261	06-01G	15/01/2007	11818/2006	312304	06-01F	15/01/2007
12801/2005	312262	06-01G	15/01/2007	11819/2006	312305	06-01F	15/01/2007
12802/2005	312263	06-01G	15/01/2007	11820/2006	312306	06-01F	15/01/2007
12803/2005	312264	06-01G	15/01/2007	11896/2006	312444	25-01D	17/01/2007
12804/2005	312265	06-01G	15/01/2007	11991/2006	312445	28-99	17/01/2007
12805/2005	312266	06-01G	15/01/2007	12020/2006	312414	08-03	16/01/2007
15798/2005	312324	06-01G	15/01/2007	12270/2006	312415	25-02C	16/01/2007
15799/2005	312325	06-01G	15/01/2007	12441/2006	312416	09-05	16/01/2007
15800/2005	312326	06-01G	15/01/2007	12612/2006	312417	09-01H	16/01/2007
15801/2005	312327	06-01G	15/01/2007	12716/2006	312307	08-07	15/01/2007
15802/2005	312328	06-01G	15/01/2007	12717/2006	312418	09-03M	16/01/2007
15803/2005	312329	06-01G	15/01/2007	12765/2006	312419	21-03	16/01/2007
15804/2005	312330	06-01G	15/01/2007	12868/2006	312381	25-01G	15/01/2007
15805/2005	312331	06-01G	15/01/2007	12880/2006	312420	02-01A	16/01/2007
15806/2005	312332	06-01G	15/01/2007	13176/2006	312446	25-01C	17/01/2007
15807/2005	312333	06-01G	15/01/2007	13326/2006	312450	05-05NES	17/01/2007
15808/2005	312334	06-01G	15/01/2007	13327/2006	312451	05-05NES	17/01/2007
15809/2005	312335	06-01G	15/01/2007	13328/2006	312452	05-05NES	17/01/2007
15810/2005	312336	06-01G	15/01/2007	13329/2006	312453	05-05NES	17/01/2007
15811/2005	312337	06-01G	15/01/2007	13330/2006	312454	05-05A	17/01/2007
15812/2005	312338	06-01G	15/01/2007	13336/2006	312455	12-16NES	17/01/2007
15813/2005	312339	06-01G	15/01/2007	13379/2006	312456	12-16B	17/01/2007
15814/2005	312340	06-01G	15/01/2007	13380/2006	312457	12-16B	17/01/2007
15815/2005	312341	06-01G	15/01/2007	13381/2006	312458	12-16B	17/01/2007
15816/2005	312342	06-01G	15/01/2007	13382/2006	312459	12-16B	17/01/2007
15817/2005	312343	06-01G	15/01/2007	13383/2006	312460	12-16B	17/01/2007
15818/2005	312344	06-01G	15/01/2007	13620/2006	312422	19-06	17/01/2007
15819/2005	312345	06-01G	15/01/2007	13621/2006	312423	19-06	17/01/2007
15820/2005	312346	06-01G	15/01/2007	13622/2006	312424	19-06	17/01/2007
15821/2005	312347	06-01G	15/01/2007	13816/2006	312425	23-02B	17/01/2007
15822/2005	312348	06-01G	15/01/2007	13817/2006	312426	23-01H	17/01/2007
15823/2005	312349	06-01G	15/01/2007	13818/2006	312427	08-05NES	17/01/2007
15824/2005	312350	06-01G	15/01/2007	13838/2006	312428	13-03NES	17/01/2007
15825/2005	312351	06-01G	15/01/2007	13884/2006	312429	02-04NES	17/01/2007
15826/2005	312352	06-01G	15/01/2007	13885/2006	312430	02-04NES	17/01/2007
15827/2005	312353	06-01G	15/01/2007	13886/2006	312431	02-04B	17/01/2007
15828/2005	312354	06-01G	15/01/2007	13901/2006	312359	06-04D	15/01/2007
15829/2005	312355	06-01G	15/01/2007	13903/2006	312432	12-16B	17/01/2007
15830/2005	312356	06-01G	15/01/2007	13904/2006	312433	12-16B	17/01/2007
15831/2005	312357	06-01G	15/01/2007	13905/2006	312434	12-16B	17/01/2007
15832/2005	312358	06-01G	15/01/2007	13906/2006	312435	12-16B	17/01/2007
10255/2006	312402	28-03B	16/01/2007	13907/2006	312436	12-16D	17/01/2007
10295/2006	312403	08-03	16/01/2007	13961/2006	312272	07-01F	15/01/2007
10329/2006	312404	12-15B	16/01/2007	14061/2006	312465	23-03NES	17/01/2007
10394/2006	312405	23-03A	16/01/2007	14062/2006	312466	23-03NES	17/01/2007
10401/2006	312406	21-02C	16/01/2007	14063/2006	312467	23-03NES	17/01/2007
10855/2006	312407	25-02A	16/01/2007	14064/2006	312468	23-03NES	17/01/2007
10856/2006	312408	25-02A	16/01/2007	14065/2006	312469	23-03NES	17/01/2007
10857/2006	312409	25-02A	16/01/2007	14066/2006	312470	23-03NES	17/01/2007
10858/2006	312410	25-02A	16/01/2007	14067/2006	312471	23-03NES	17/01/2007

Publication and Registration Proceedings - Designs Registered cont'd

Design Number	Registration Number	International Classification Code (IDC)	Registration Date	Design Number	Registration Number	International Classification Code (IDC)	Registration Date
14068/2006	312472	23-03NES	17/01/2007	15149/2006	312271	23-02C	15/01/2007
14069/2006	312473	23-03NES	17/01/2007	15150/2006	312239	23-02C	15/01/2007
14091/2006	312474	10-06	17/01/2007	15151/2006	312240	23-02C	15/01/2007
14092/2006	312475	10-06	17/01/2007	15152/2006	312241	15-05	15/01/2007
14093/2006	312360	02-02C	15/01/2007	15153/2006	312242	15-05	15/01/2007
14094/2006	312361	02-02C	15/01/2007	15154/2006	312243	15-05	15/01/2007
14096/2006	312362	02-02C	15/01/2007	15155/2006	312244	12-15A	15/01/2007
14097/2006	312363	02-02C	15/01/2007	15158/2006	312245	19-06	15/01/2007
14134/2006	312476	21-04	17/01/2007	15159/2006	312246	14-03E	15/01/2007
14293/2006	312478	26-06	17/01/2007	15160/2006	312247	14-03E	15/01/2007
14303/2006	312234	25-02F	15/01/2007	15170/2006	312248	06-03C	15/01/2007
14329/2006	312437	02-06	17/01/2007	15171/2006	312249	06-03C	15/01/2007
14349/2006	312479	07-02E	17/01/2007	15172/2006	312250	06-03C	15/01/2007
14396/2006	312382	09-05	15/01/2007	15173/2006	312251	06-03C	15/01/2007
14398/2006	312235	20-03NES	15/01/2007	15174/2006	312252	06-03C	15/01/2007
14399/2006	312236	20-02NES	15/01/2007	15175/2006	312253	06-03C	15/01/2007
14498/2006	312383	20-02E	15/01/2007	15176/2006	312254	06-03C	15/01/2007
14499/2006	312384	20-02E	15/01/2007	15177/2006	312255	06-03C	15/01/2007
14516/2006	312278	09-03M	15/01/2007	15180/2006	312256	23-01B	15/01/2007
14532/2006	312413	08-08D	16/01/2007	15181/2006	312257	23-01B	15/01/2007
14548/2006	312480	30-02	17/01/2007	15207/2006	312281	02-04B	15/01/2007
14576/2006	312481	06-04F	17/01/2007	15211/2006	312282	02-04NES	15/01/2007
14578/2006	312482	06-06B	17/01/2007	15212/2006	312283	02-04NES	15/01/2007
14579/2006	312483	06-04F	17/01/2007	15213/2006	312284	02-04NES	15/01/2007
14623/2006	312438	12-16B	17/01/2007	15214/2006	312285	02-04NES	15/01/2007
14645/2006	312439	23-02F	17/01/2007	15215/2006	312286	02-04NES	15/01/2007
14655/2006	312440	23-01A	17/01/2007	15216/2006	312287	02-04NES	15/01/2007
14664/2006	312484	06-06A	17/01/2007	15217/2006	312288	02-04NES	15/01/2007
14775/2006	312279	13-03E	15/01/2007	15218/2006	312289	02-04NES	15/01/2007
14849/2006	312267	07-02D	15/01/2007	15219/2006	312290	02-04NES	15/01/2007
14866/2006	312385	08-08L	15/01/2007	15221/2006	312390	02-04NES	15/01/2007
14867/2006	312386	08-08L	15/01/2007	15222/2006	312391	02-04NES	15/01/2007
14868/2006	312387	08-08L	15/01/2007	15223/2006	312392	02-04NES	15/01/2007
14869/2006	312280	08-08L	15/01/2007	15224/2006	312393	02-04NES	15/01/2007
14875/2006	312388	14-01	15/01/2007	15225/2006	312394	02-04NES	15/01/2007
14882/2006	312441	23-01A	17/01/2007	15226/2006	312395	02-04NES	15/01/2007
14897/2006	312308	03-01B	15/01/2007	15227/2006	312396	02-04NES	15/01/2007
14943/2006	312442	28-03NES	17/01/2007	15228/2006	312397	02-04NES	15/01/2007
14950/2006	312389	20-03NES	15/01/2007	15229/2006	312398	02-04NES	15/01/2007
14978/2006	312485	23-02F	17/01/2007	15230/2006	312291	02-04NES	15/01/2007
14986/2006	312364	07-02A	15/01/2007	15231/2006	312292	02-04NES	15/01/2007
15051/2006	312237	25-01E	15/01/2007	15232/2006	312293	02-04NES	15/01/2007
15068/2006	312486	02-01B	17/01/2007	15233/2006	312294	02-04B	15/01/2007
15093/2006	312365	05-05NES	15/01/2007	15234/2006	312295	02-04B	15/01/2007
15094/2006	312309	06-06NES	15/01/2007	15235/2006	312372	02-04B	15/01/2007
15097/2006	312366	05-05NES	15/01/2007	15236/2006	312373	02-04NES	15/01/2007
15104/2006	312238	06-08	15/01/2007	15237/2006	312374	02-04NES	15/01/2007
15116/2006	312477	21-04	17/01/2007	15238/2006	312375	02-04NES	15/01/2007
15125/2006	312461	09-04	17/01/2007	15239/2006	312376	02-04NES	15/01/2007
15128/2006	312367	06-03C	15/01/2007	15247/2006	312462	06-01F	17/01/2007
15129/2006	312368	06-03C	15/01/2007	15249/2006	312377	14-03B	15/01/2007
15133/2006	312487	01-06	17/01/2007	15254/2006	312421	08-07	16/01/2007
15142/2006	312268	02-03	15/01/2007	15259/2006	312463	12-15C	17/01/2007
15144/2006	312269	14-01	15/01/2007	15260/2006	312464	12-15C	17/01/2007
15145/2006	312369	14-01	15/01/2007	15261/2006	312296	12-15B	15/01/2007
15146/2006	312370	14-02	15/01/2007	15262/2006	312297	26-02	15/01/2007
15147/2006	312371	28-03NES	15/01/2007	15263/2006	312298	26-02	15/01/2007
15148/2006	312270	08-04	15/01/2007	15266/2006	312378	13-03NES	15/01/2007

Publication and Registration Proceedings - Designs Registered cont'd

Design Number	Registration Number	International Classification Code (IDC)	Registration Date	Design Number	Registration Number	International Classification Code (IDC)	Registration Date
15267/2006	312299	08-03	15/01/2007	15332/2006	312311	14-03NES	15/01/2007
15268/2006	312300	26-02	15/01/2007	15333/2006	312312	14-03NES	15/01/2007
15269/2006	312301	13-02	15/01/2007	15334/2006	312313	14-03NES	15/01/2007
15270/2006	312302	08-01	15/01/2007	15335/2006	312314	14-03NES	15/01/2007
15271/2006	312399	03-03	15/01/2007	15344/2006	312315	25-02NES	15/01/2007
15272/2006	312400	03-03	15/01/2007	15345/2006	312316	25-02NES	15/01/2007
15273/2006	312401	03-03	15/01/2007	15346/2006	312317	08-02	15/01/2007
15274/2006	312303	12-05	15/01/2007	15348/2006	312318	23-01G	15/01/2007
15292/2006	312447	25-01C	17/01/2007	15349/2006	312319	08-05P	15/01/2007
15293/2006	312448	25-01C	17/01/2007	15350/2006	312320	14-02	15/01/2007
15294/2006	312449	25-01C	17/01/2007	15351/2006	312321	14-03NES	15/01/2007
15316/2006	312273	07-01F	15/01/2007	15364/2006	312322	09-01K	15/01/2007
15317/2006	312274	07-01F	15/01/2007	15366/2006	312323	07-01C	15/01/2007
15318/2006	312275	07-01F	15/01/2007	15476/2006	312488	10-06	17/01/2007
15319/2006	312276	07-01F	15/01/2007	15477/2006	312489	10-06	17/01/2007
15320/2006	312277	07-01F	15/01/2007	15548/2006	312379	02-04NES	15/01/2007
15331/2006	312310	14-03NES	15/01/2007	15793/2006	312380	08-08NES	15/01/2007

Publication and Registration Proceedings
Class Listing of Designs Published or Registered

The following section shows an International Classification Code listing of the Registered or Published Designs covered in this supplement.

Classification	Registration Number	Design Number	Classification	Registration Number	Design Number
01-06	312487	15133/2006	05-06 NES	312452	13328/2006
02-01 A	312420	12880/2006	05-06 NES	312453	13329/2006
02-01 B	312486	15068/2006	05-06 NES	312454	13330/2006
02-02 C	312360	14093/2006	06-01 F	312304	11818/2006
02-02 C	312361	14094/2006	06-01 F	312305	11819/2006
02-02 C	312362	14096/2006	06-01 F	312306	11820/2006
02-02 C	312363	14097/2006	06-01 F	312462	15247/2006
02-02 NES	312443	11050/2006	06-01 G	312258	12797/2005
02-03	312268	15142/2006	06-01 G	312259	12798/2005
02-04 B	312281	15207/2006	06-01 G	312260	12799/2005
02-04 B	312294	15233/2006	06-01 G	312261	12800/2005
02-04 B	312295	15234/2006	06-01 G	312262	12801/2005
02-04 B	312372	15235/2006	06-01 G	312263	12802/2005
02-04 B	312431	13886/2006	06-01 G	312264	12803/2005
02-04 NES	312282	15211/2006	06-01 G	312265	12804/2005
02-04 NES	312283	15212/2006	06-01 G	312266	12805/2005
02-04 NES	312284	15213/2006	06-01 G	312324	15798/2005
02-04 NES	312285	15214/2006	06-01 G	312325	15799/2005
02-04 NES	312286	15215/2006	06-01 G	312326	15800/2005
02-04 NES	312287	15216/2006	06-01 G	312327	15801/2005
02-04 NES	312288	15217/2006	06-01 G	312328	15802/2005
02-04 NES	312289	15218/2006	06-01 G	312329	15803/2005
02-04 NES	312290	15219/2006	06-01 G	312330	15804/2005
02-04 NES	312291	15230/2006	06-01 G	312331	15805/2005
02-04 NES	312292	15231/2006	06-01 G	312332	15806/2005
02-04 NES	312293	15232/2006	06-01 G	312333	15807/2005
02-04 NES	312373	15236/2006	06-01 G	312334	15808/2005
02-04 NES	312374	15237/2006	06-01 G	312335	15809/2005
02-04 NES	312375	15238/2006	06-01 G	312336	15810/2005
02-04 NES	312376	15239/2006	06-01 G	312337	15811/2005
02-04 NES	312379	15548/2006	06-01 G	312338	15812/2005
02-04 NES	312390	15221/2006	06-01 G	312339	15813/2005
02-04 NES	312391	15222/2006	06-01 G	312340	15814/2005
02-04 NES	312392	15223/2006	06-01 G	312341	15815/2005
02-04 NES	312393	15224/2006	06-01 G	312342	15816/2005
02-04 NES	312394	15225/2006	06-01 G	312343	15817/2005
02-04 NES	312395	15226/2006	06-01 G	312344	15818/2005
02-04 NES	312396	15227/2006	06-01 G	312345	15819/2005
02-04 NES	312397	15228/2006	06-01 G	312346	15820/2005
02-04 NES	312398	15229/2006	06-01 G	312347	15821/2005
02-04 NES	312429	13884/2006	06-01 G	312348	15822/2005
02-04 NES	312430	13885/2006	06-01 G	312349	15823/2005
02-06	312437	14329/2006	06-01 G	312350	15824/2005
03-01 B	312308	14897/2006	06-01 G	312351	15825/2005
03-03	312399	15271/2006	06-01 G	312352	15826/2005
03-03	312400	15272/2006	06-01 G	312353	15827/2005
03-03	312401	15273/2006	06-01 G	312354	15828/2005
05-05 A	312454	13330/2006	06-01 G	312355	15829/2005
05-05 NES	312365	15093/2006	06-01 G	312356	15830/2005
05-05 NES	312366	15097/2006	06-01 G	312357	15831/2005
05-05 NES	312450	13326/2006	06-01 G	312358	15832/2005
05-05 NES	312451	13327/2006	06-03 C	312248	15170/2006
05-05 NES	312452	13328/2006	06-03 C	312249	15171/2006
05-05 NES	312453	13329/2006	06-03 C	312250	15172/2006
05-06 NES	312450	13326/2006	06-03 C	312251	15173/2006
05-06 NES	312451	13327/2006	06-03 C	312252	15174/2006

Registration Proceedings - Class Listing of Designs Published or Registered cont'd

Classification	Registration Number	Design Number	Classification	Registration Number	Design Number
06-03 C	312253	15175/2006	12-16 B	312432	13903/2006
06-03 C	312254	15176/2006	12-16 B	312433	13904/2006
06-03 C	312255	15177/2006	12-16 B	312434	13905/2006
06-03 C	312367	15128/2006	12-16 B	312435	13906/2006
06-03 C	312368	15129/2006	12-16 B	312438	14623/2006
06-04 D	312359	13901/2006	12-16 B	312456	13379/2006
06-04 F	312481	14576/2006	12-16 B	312457	13380/2006
06-04 F	312483	14579/2006	12-16 B	312458	13381/2006
06-04 NES	312359	13901/2006	12-16 B	312459	13382/2006
06-06 A	312484	14664/2006	12-16 B	312460	13383/2006
06-06 B	312482	14578/2006	12-16 D	312436	13907/2006
06-06 NES	312309	15094/2006	12-16 NES	312455	13336/2006
06-08	312238	15104/2006	13-02	312301	15269/2006
07-01 C	312323	15366/2006	13-03 E	312279	14775/2006
07-01 F	312272	13961/2006	13-03 NES	312378	15266/2006
07-01 F	312273	15316/2006	13-03 NES	312428	13838/2006
07-01 F	312274	15317/2006	14-01	312269	15144/2006
07-01 F	312275	15318/2006	14-01	312369	15145/2006
07-01 F	312276	15319/2006	14-01	312388	14875/2006
07-01 F	312277	15320/2006	14-02	312320	15350/2006
07-02 A	312364	14986/2006	14-02	312370	15146/2006
07-02 D	312267	14849/2006	14-03 B	312377	15249/2006
07-02 E	312479	14349/2006	14-03 E	312246	15159/2006
08-01	312302	15270/2006	14-03 E	312247	15160/2006
08-02	312317	15346/2006	14-03 NES	312310	15331/2006
08-03	312299	15267/2006	14-03 NES	312311	15332/2006
08-03	312403	10295/2006	14-03 NES	312312	15333/2006
08-03	312414	12020/2006	14-03 NES	312313	15334/2006
08-04	312270	15148/2006	14-03 NES	312314	15335/2006
08-05 NES	312427	13818/2006	14-03 NES	312321	15351/2006
08-05 P	312319	15349/2006	15-05	312241	15152/2006
08-07	312307	12716/2006	15-05	312242	15153/2006
08-07	312421	15254/2006	15-05	312243	15154/2006
08-08 D	312412	10934/2006	19-06	312245	15158/2006
08-08 D	312413	14532/2006	19-06	312422	13620/2006
08-08 L	312280	14869/2006	19-06	312423	13621/2006
08-08 L	312385	14866/2006	19-06	312424	13622/2006
08-08 L	312386	14867/2006	20-02 E	312383	14498/2006
08-08 L	312387	14868/2006	20-02 E	312384	14499/2006
08-08 NES	312380	15793/2006	20-02 NES	312236	14399/2006
09-01 H	312417	12612/2006	20-03 NES	312235	14398/2006
09-01 K	312322	15364/2006	20-03 NES	312389	14950/2006
09-01 NES	312417	12612/2006	21-02 C	312406	10401/2006
09-03 M	312278	14516/2006	21-03	312419	12765/2006
09-03 M	312418	12717/2006	21-04	312476	14134/2006
09-04	312461	15125/2006	21-04	312477	15116/2006
09-05	312382	14396/2006	21-99	312419	12765/2006
09-05	312416	12441/2006	23-01 A	312440	14655/2006
09-09	312411	10908/2006	23-01 A	312441	14882/2006
10-06	312474	14091/2006	23-01 B	312256	15180/2006
10-06	312475	14092/2006	23-01 B	312257	15181/2006
10-06	312488	15476/2006	23-01 G	312318	15348/2006
10-06	312489	15477/2006	23-01 H	312426	13817/2006
12-05	312303	15274/2006	23-02 B	312425	13816/2006
12-15 A	312244	15155/2006	23-02 C	312239	15150/2006
12-15 B	312296	15261/2006	23-02 C	312240	15151/2006
12-15 B	312404	10329/2006	23-02 C	312271	15149/2006
12-15 C	312463	15259/2006	23-02 F	312439	14645/2006
12-15 C	312464	15260/2006	23-02 F	312485	14978/2006

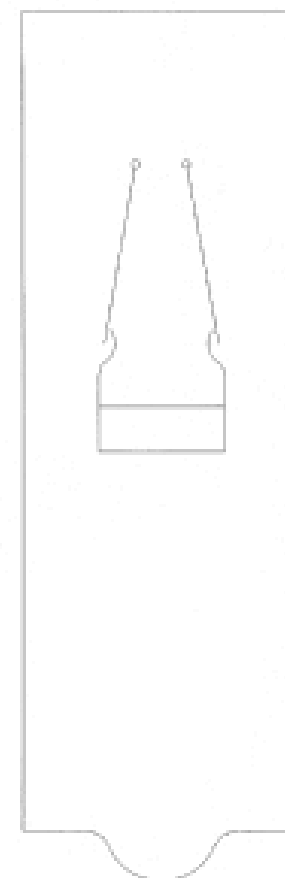
Registration Proceedings - Class Listing of Designs Published or Registered cont'd

Classification	Registration Number	Design Number	Classification	Registration Number	Design Number
23-03 A	312405	10394/2006	25-03	312407	10855/2006
23-03 NES	312405	10394/2006	25-03	312408	10856/2006
23-03 NES	312465	14061/2006	25-03	312409	10857/2006
23-03 NES	312466	14062/2006	25-03	312410	10858/2006
23-03 NES	312467	14063/2006	26-02	312297	15262/2006
23-03 NES	312468	14064/2006	26-02	312298	15263/2006
23-03 NES	312469	14065/2006	26-02	312300	15268/2006
23-03 NES	312470	14066/2006	26-06	312474	14091/2006
23-03 NES	312471	14067/2006	26-06	312475	14092/2006
23-03 NES	312472	14068/2006	26-06	312478	14293/2006
23-03 NES	312473	14069/2006	26-06	312488	15476/2006
25-01 C	312446	13176/2006	26-06	312489	15477/2006
25-01 C	312447	15292/2006	28-03 B	312402	10255/2006
25-01 C	312448	15293/2006	28-03 NES	312371	15147/2006
25-01 C	312449	15294/2006	28-03 NES	312442	14943/2006
25-01 D	312444	11896/2006	28-99	312445	11991/2006
25-01 E	312237	15051/2006	29-99	312465	14061/2006
25-01 G	312381	12868/2006	29-99	312466	14062/2006
25-01 K	312381	12868/2006	29-99	312467	14063/2006
25-02 A	312407	10855/2006	29-99	312468	14064/2006
25-02 A	312408	10856/2006	29-99	312469	14065/2006
25-02 A	312409	10857/2006	29-99	312470	14066/2006
25-02 A	312410	10858/2006	29-99	312471	14067/2006
25-02 C	312415	12270/2006	29-99	312472	14068/2006
25-02 F	312234	14303/2006	29-99	312473	14069/2006
25-02 NES	312315	15344/2006	30-02	312480	14548/2006
25-02 NES	312316	15345/2006			

(21) Design Number: **14303/2006**
(22) Date of Filing Application: **06 December 2006**
(24) Date from which industrial property rights may have effect: **06 December 2006**
(54) Product in respect of which the design is registered: **Roof ventilation device**
(51) International Design Classification: **25-02F**
(71) Name(s) and Address(s) of Applicant(s):
Kevin John Baker
18 Dobbin Circuit Nicholls ACT 2913 Australia
(72) Name(s) of Designer(s): **Kevin John Baker**
(45) Registration Date: **15 January 2007**
(56) Related Art Documents: **Not Applicable**
(57) Statement of Newness and Distinctiveness: **Nil**



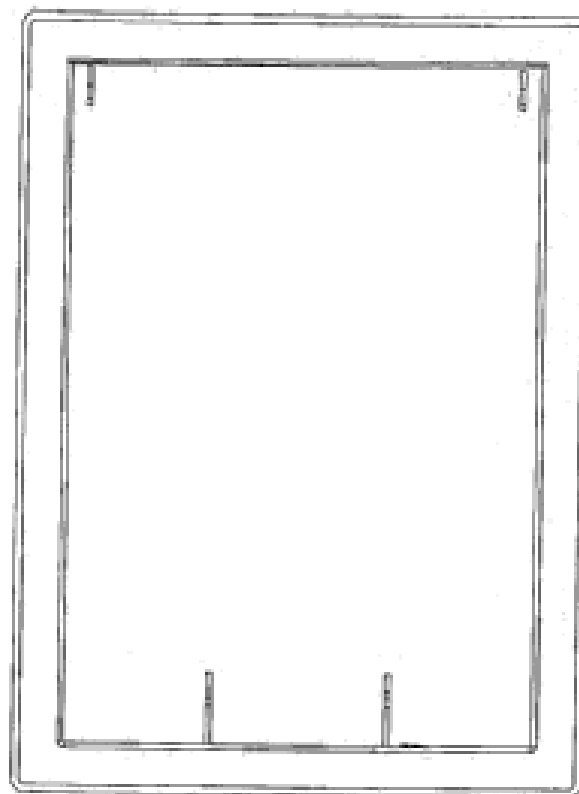
(21) Design Number: **14398/2006**
(22) Date of Filing Application: **29 September 2006**
(24) Date from which industrial property rights may have effect: **29 September 2006**
(54) Product in respect of which the design is registered: **A label holder**
(51) International Design Classification: **20-03NES**
(71) Name(s) and Address(s) of Applicant(s):
Adam Horwitz
Suite 2 133 Todman Avenue Kensington New South Wales 2033
Australia
(72) Name(s) of Designer(s): **Adam Horwitz**
(45) Registration Date: **15 January 2007**
(56) Related Art Documents: **Not Applicable**
(57) Statement of Newness and Distinctiveness: **Nil**



- (21) Design Number: **14399/2006**
(22) Date of Filing Application: **29 September 2006**
(24) Date from which industrial property rights may have effect: **29 September 2006**
(54) Product in respect of which the design is registered: **A label display device**
(51) International Design Classification: **20-02NES**
(71) Name(s) and Address(s) of Applicant(s):

Adam Horwitz
Suite 2 133 Todman Avenue Kensington New South Wales 2033
Australia

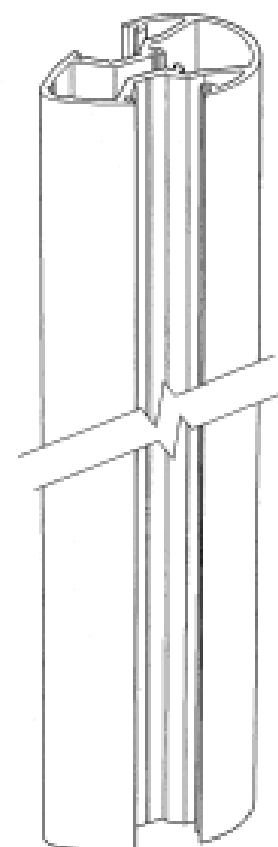
- (72) Name(s) of Designer(s): **Adam Horwitz**
(45) Registration Date: **15 January 2007**
(56) Related Art Documents: **Not Applicable**
(57) Statement of Newness and Distinctiveness: **Nil**



- (21) Design Number: **15051/2006**
(22) Date of Filing Application: **02 November 2006**
(24) Date from which industrial property rights may have effect: **02 November 2006**
(54) Product in respect of which the design is registered: **A post**
(51) International Design Classification: **25-01E**
(71) Name(s) and Address(s) of Applicant(s):

Balu Pty Ltd
3 Staite Street Wingfield South Australia 5013 Australia

- (72) Name(s) of Designer(s): **David Adderton and Peter Smithson**
(45) Registration Date: **15 January 2007**
(56) Related Art Documents: **Not Applicable**
(57) Statement of Newness and Distinctiveness: **Newness and distinctiveness resides in the features of shape and configuration of a post of indefinite length as shown in the accompanying representations.**



(21) Design Number: **15104/2006**

(22) Date of Filing Application: **07 November 2006**

(24) Date from which industrial property rights may have effect: **07 November 2006**

(54) Product in respect of which the design is registered: **Decorative clothes hanger**

(51) International Design Classification: **06-08**

(71) Name(s) and Address(s) of Applicant(s):

Brenda V. Northeast
36 Maltarra Road Munno Para South Australia 5115 Australia

(72) Name(s) of Designer(s): **Brenda V. Northeast**

(45) Registration Date: **15 January 2007**

(56) Related Art Documents: **Not Applicable**

(57) Statement of Newness and Distinctiveness: **The design is distinct in that its purpose is to decorate a childs room with the ability to display and hang a childs fairy princess dress by attachment to a wall hanger can be attached if needed.**



(21) Design Number: **15150/2006**

(22) Date of Filing Application: **10 November 2006**

(24) Date from which industrial property rights may have effect: **10 November 2006**

(54) Product in respect of which the design is registered: **Toilet Pan**

(51) International Design Classification: **23-02C**

(71) Name(s) and Address(s) of Applicant(s):

Gemini Industries Pty Ltd
3/97 Banksia Street Botany New South Wales 2019 Australia

(72) Name(s) of Designer(s): **James Arthur Longley**

(45) Registration Date: **15 January 2007**

(56) Related Art Documents: **Not Applicable**

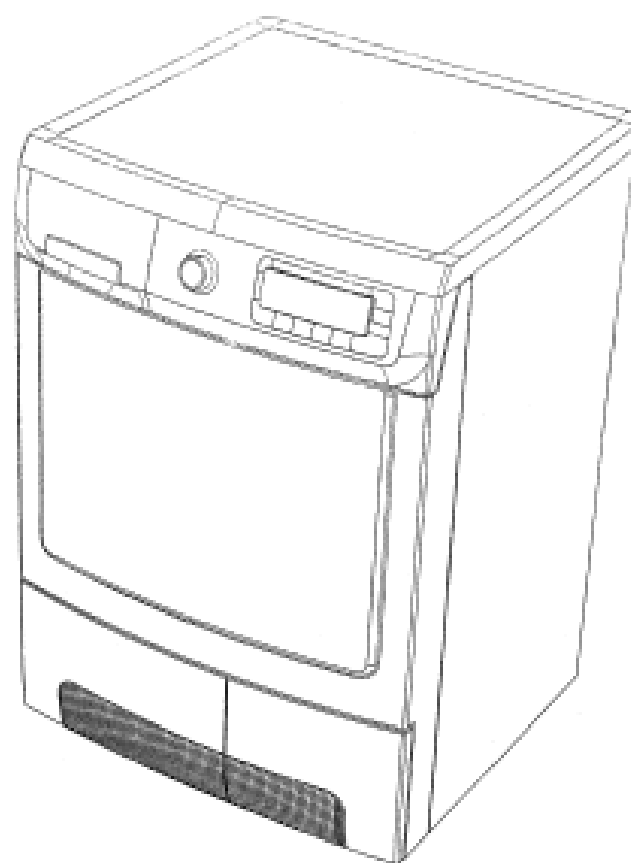
(57) Statement of Newness and Distinctiveness: **Nil**



(21) Design Number: **15151/2006**
(22) Date of Filing Application: **10 November 2006**
(24) Date from which industrial property rights may have effect: **10 November 2006**
(54) Product in respect of which the design is registered: **Toilet pan**
(51) International Design Classification: **23-02C**
(71) Name(s) and Address(s) of Applicant(s):
Gemini Industries Pty Ltd
3/97 Banksia Street Botany New South Wales 2019 Australia
(72) Name(s) of Designer(s): **James Arthur Longley**
(45) Registration Date: **15 January 2007**
(56) Related Art Documents: **Not Applicable**
(57) Statement of Newness and Distinctiveness: **Nil**



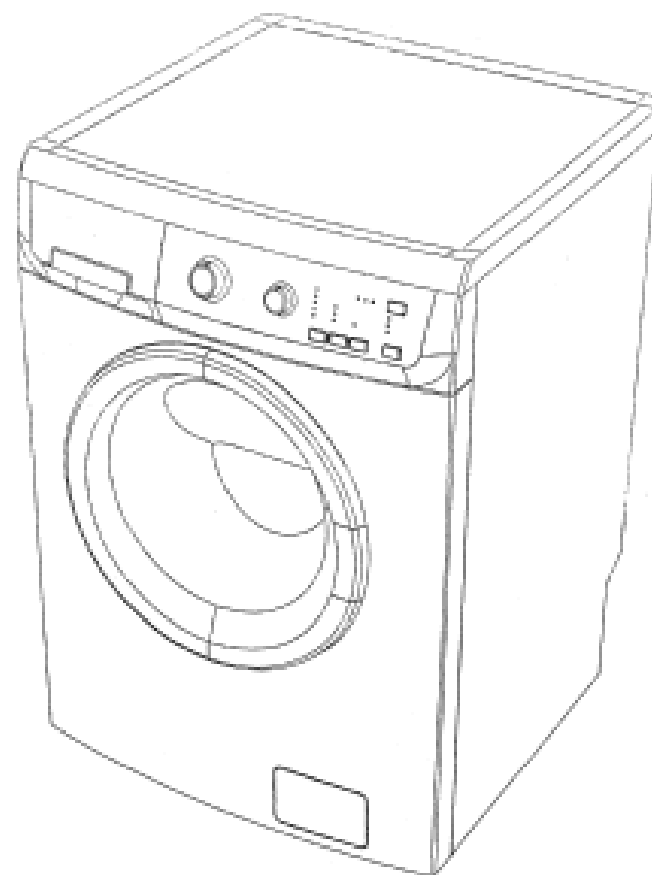
(21) Design Number: **15152/2006**
(22) Date of Filing Application: **10 November 2006**
(24) Date from which industrial property rights may have effect: **04 July 2006**
(54) Product in respect of which the design is registered: **A drying machine for laundry**
(51) International Design Classification: **15-05**
(71) Name(s) and Address(s) of Applicant(s):
Electrolux Home Products Corporation N.V.
Belgicastraat 17 Zaventem B-1930 Belgium
(72) Name(s) of Designer(s): **Georgio Revoldini and Jeromo Esteve and Saba Rizzi and Marie-Josephe Bodet-Hoarau**
(45) Registration Date: **15 January 2007**
(30) Convention priority data:
(31) Number (32) Date (33) Country
00459938 04 Jan 2006 EUROPEAN COMMUNITY
(62) Divisional of: **311440**
(56) Related Art Documents: **Not Applicable**
(57) Statement of Newness and Distinctiveness: **Nil**



- (21) Design Number: **15153/2006**
(22) Date of Filing Application: **10 November 2006**
(24) Date from which industrial property rights may have effect: **04 July 2006**
(54) Product in respect of which the design is registered: **A washing machine for laundry**
(51) International Design Classification: **15-05**
(71) Name(s) and Address(s) of Applicant(s):
Electrolux Home Products Corporation N.V.
Belgicastraat 17 Zaventem B-1930 Belgium
(72) Name(s) of Designer(s): **Georgio Revoldini and Jeromo Esteve and Saba Rizzi and Marie-Josephe Bodet-Hoarau**
(45) Registration Date: **15 January 2007**
(30) Convention priority data:
(31) Number (32) Date (33) Country
00459938 04 Jan 2006 EUROPEAN COMMUNITY
(62) Divisional of: **311440**
(56) Related Art Documents: **Not Applicable**
(57) Statement of Newness and Distinctiveness: **Nil**



- (21) Design Number: **15154/2006**
(22) Date of Filing Application: **10 November 2006**
(24) Date from which industrial property rights may have effect: **04 July 2006**
(54) Product in respect of which the design is registered: **A washing machine for laundry**
(51) International Design Classification: **15-05**
(71) Name(s) and Address(s) of Applicant(s):
Electrolux Home Products Corporation N.V.
Belgicastraat 17 Zaventem B-1930 Belgium
(72) Name(s) of Designer(s): **Georgio Revoldini and Jeromo Esteve and Saba Rizzi and Marie-Josephe Bodet-Hoarau**
(45) Registration Date: **15 January 2007**
(30) Convention priority data:
(31) Number (32) Date (33) Country
00459938 04 Jan 2006 EUROPEAN COMMUNITY
(62) Divisional of: **311440**
(56) Related Art Documents: **Not Applicable**
(57) Statement of Newness and Distinctiveness: **Nil**



(21) Design Number: **15155/2006**
(22) Date of Filing Application: **10 November 2006**
(24) Date from which industrial property rights may have effect: **10 November 2006**
(54) Product in respect of which the design is registered: **Motorcycle tyre**
(51) International Design Classification: **12-15A**
(71) Name(s) and Address(s) of Applicant(s):

Bridgestone Corporation
10-1 Kyobashi 1-chome Chuo-ku Tokyo Japan

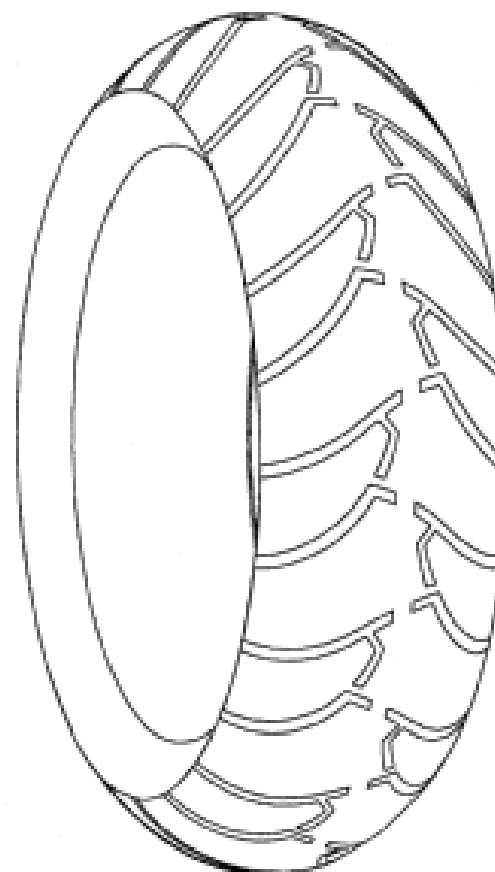
(72) Name(s) of Designer(s): **Daita Itoi**
(45) Registration Date: **15 January 2007**

(30) Convention priority data:

(31) Number	(32) Date	(33) Country
2006#11838	10 May 2006	JAPAN

(56) Related Art Documents: **Not Applicable**

(57) Statement of Newness and Distinctiveness: **Nil**



(21) Design Number: **15158/2006**
(22) Date of Filing Application: **10 November 2006**
(24) Date from which industrial property rights may have effect: **10 November 2006**
(54) Product in respect of which the design is registered: **Writing instrument**
(51) International Design Classification: **19-06**
(71) Name(s) and Address(s) of Applicant(s):

Societe Bic
14 rue Jeanne d'Asnieres 92 110 Clichy France

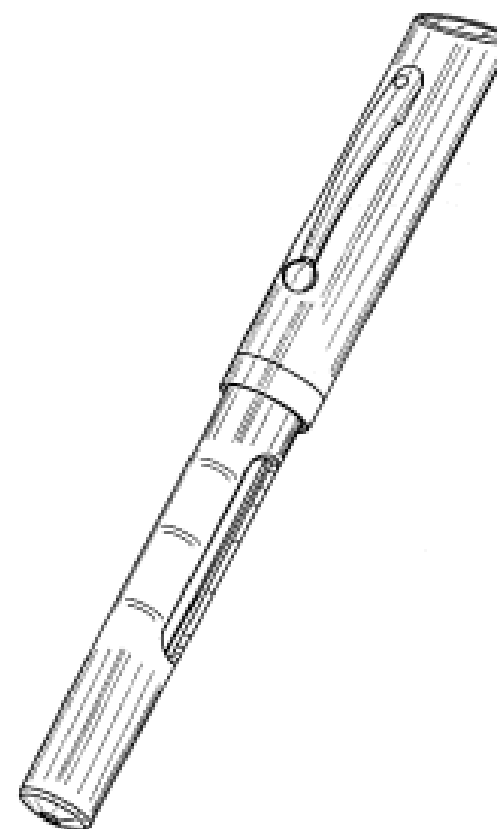
(72) Name(s) of Designer(s): **Ryan S. Eddington and Bernard J. McCauley**
(45) Registration Date: **15 January 2007**

(30) Convention priority data:

(31) Number	(32) Date	(33) Country
29/260,272	23 May 2006	UNITED STATES OF AMERICA

(56) Related Art Documents: **Not Applicable**

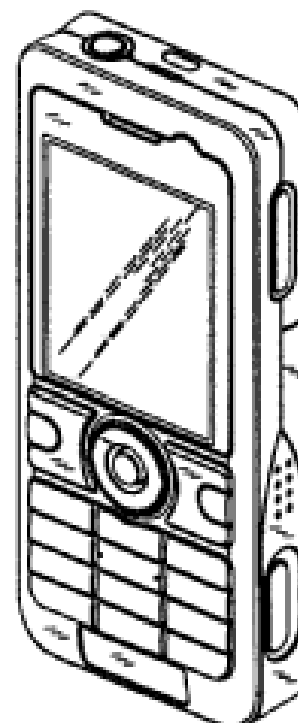
(57) Statement of Newness and Distinctiveness: **Those features of the writing instrument depicted in the representations that are new and distinctive are the shape and/or configuration.**



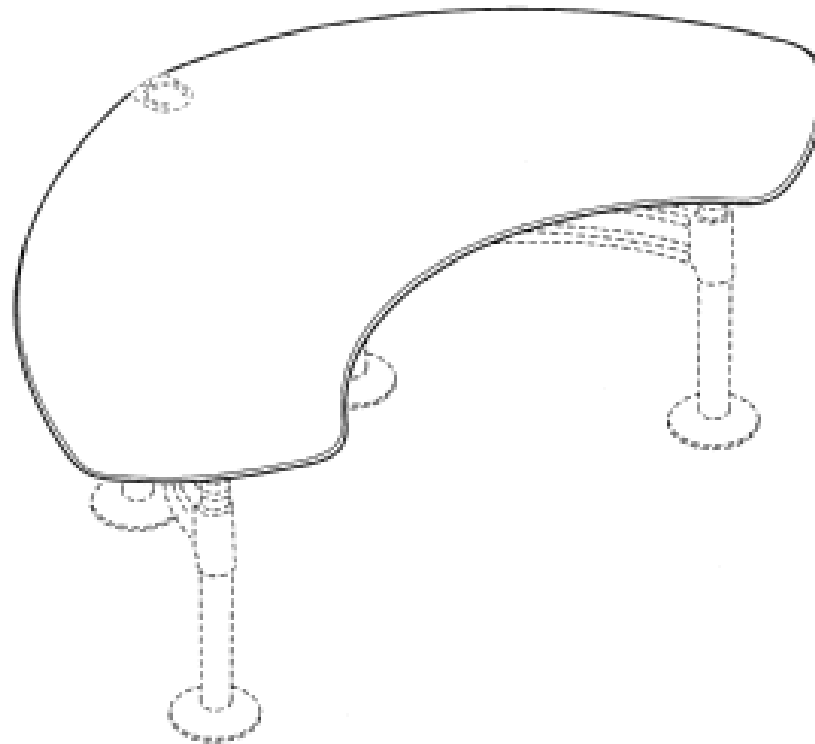
- (21) Design Number: **15159/2006**
(22) Date of Filing Application: **10 November 2006**
(24) Date from which industrial property rights may have effect: **10 November 2006**
(54) Product in respect of which the design is registered: **Mobile phone (opened & closed)**
(51) International Design Classification: **14-03E**
(71) Name(s) and Address(s) of Applicant(s):
Sony Ericsson Mobile Communications AB
Nya Vattentorget SE 221 88 Lund Sweden
(72) Name(s) of Designer(s): **Shimpei Hirano**
(45) Registration Date: **15 January 2007**
(30) Convention priority data:
(31) Number (32) Date (33) Country
5291440001#0007 15 May 2006 EUROPEAN COMMUNITY
(56) Related Art Documents: **Not Applicable**
(57) Statement of Newness and Distinctiveness: **Nil**



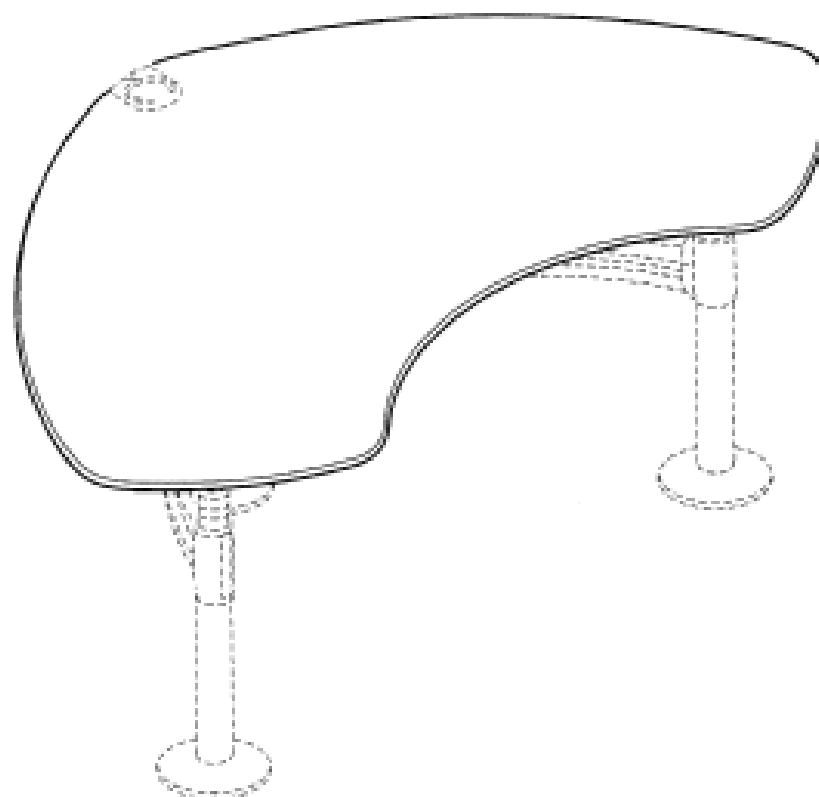
- (21) Design Number: **15160/2006**
(22) Date of Filing Application: **10 November 2006**
(24) Date from which industrial property rights may have effect: **10 November 2006**
(54) Product in respect of which the design is registered: **Mobile phone**
(51) International Design Classification: **14-03E**
(71) Name(s) and Address(s) of Applicant(s):
Sony Ericsson Mobile Communications AB
Nya Vattentorget SE 221 88 Lund Sweden
(72) Name(s) of Designer(s): **Kazuki Isono**
(45) Registration Date: **15 January 2007**
(30) Convention priority data:
(31) Number (32) Date (33) Country
5291440001#0007 15 May 2006 EUROPEAN COMMUNITY
(56) Related Art Documents: **Not Applicable**
(57) Statement of Newness and Distinctiveness: **Nil**



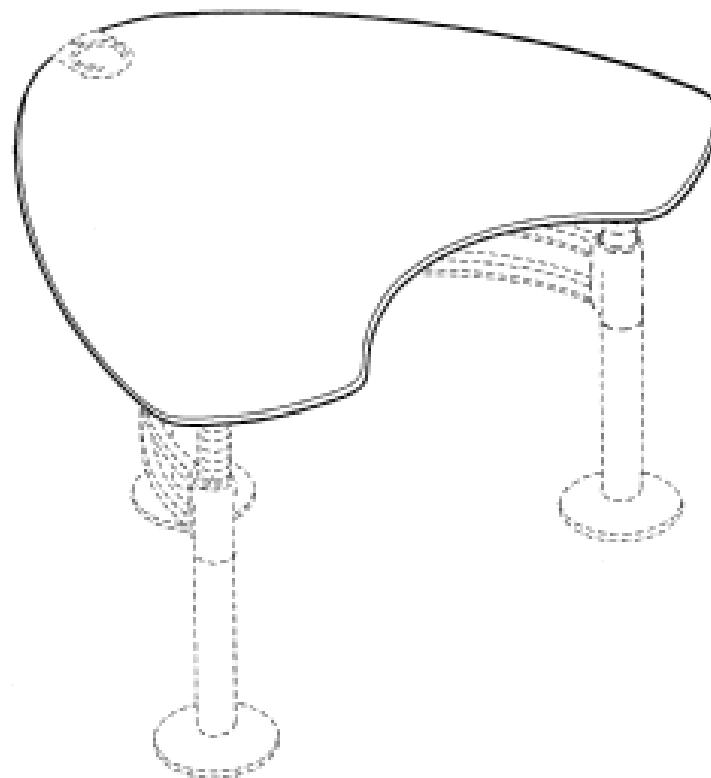
- (21) Design Number: **15170/2006**
(22) Date of Filing Application: **13 November 2006**
(24) Date from which industrial property rights may have effect: **13 November 2006**
(54) Product in respect of which the design is registered: **A desk**
(51) International Design Classification: **06-03C**
(71) Name(s) and Address(s) of Applicant(s):
Formway Furniture Limited
176 Gracefield Road Petone Wellington New Zealand
(72) Name(s) of Designer(s): **Alex John Whitney**
(45) Registration Date: **15 January 2007**
(56) Related Art Documents: **Not Applicable**
(57) Statement of Newness and Distinctiveness: **Newness and distinctiveness reside in the features of shape and/or configuration of the desk, as shown in the representations. Newness and distinctiveness is not claimed in relation to the features shown in phantom lines in the representations.**



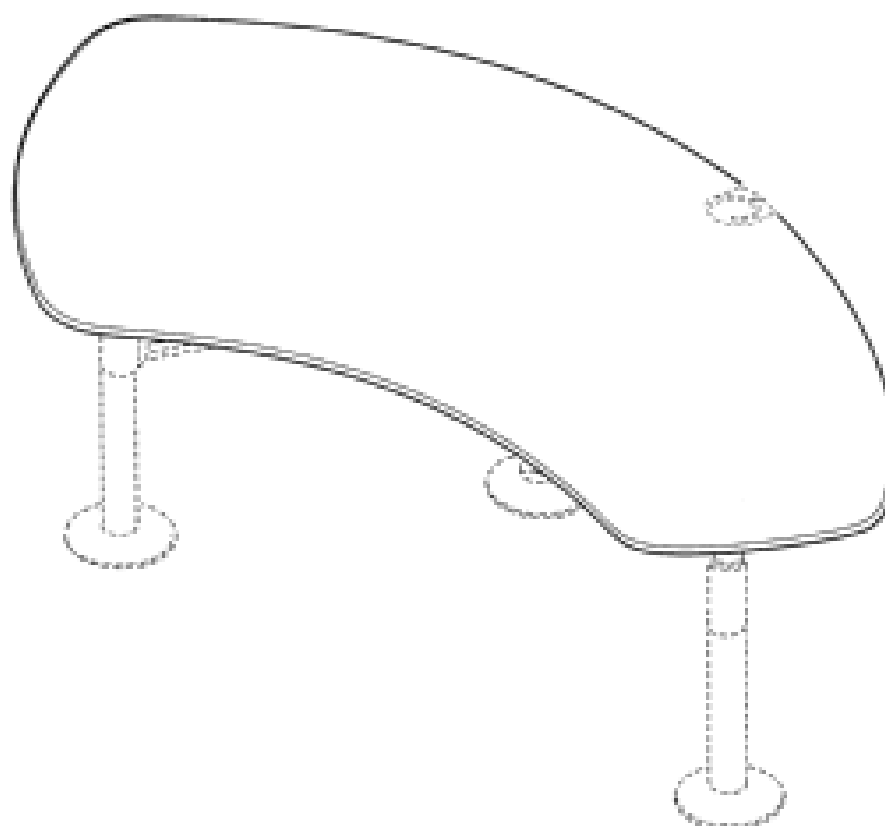
- (21) Design Number: **15171/2006**
(22) Date of Filing Application: **13 November 2006**
(24) Date from which industrial property rights may have effect: **13 November 2006**
(54) Product in respect of which the design is registered: **A desk**
(51) International Design Classification: **06-03C**
(71) Name(s) and Address(s) of Applicant(s):
Formway Furniture Limited
176 Gracefield Road Petone Wellington New Zealand
(72) Name(s) of Designer(s): **Alex John Whitney**
(45) Registration Date: **15 January 2007**
(56) Related Art Documents: **Not Applicable**
(57) Statement of Newness and Distinctiveness: **Newness and distinctiveness reside in the features of shape and/or configuration of the desk, as shown in the representations. Newness and distinctiveness is not claimed in relation to the features shown in phantom lines in the representations.**



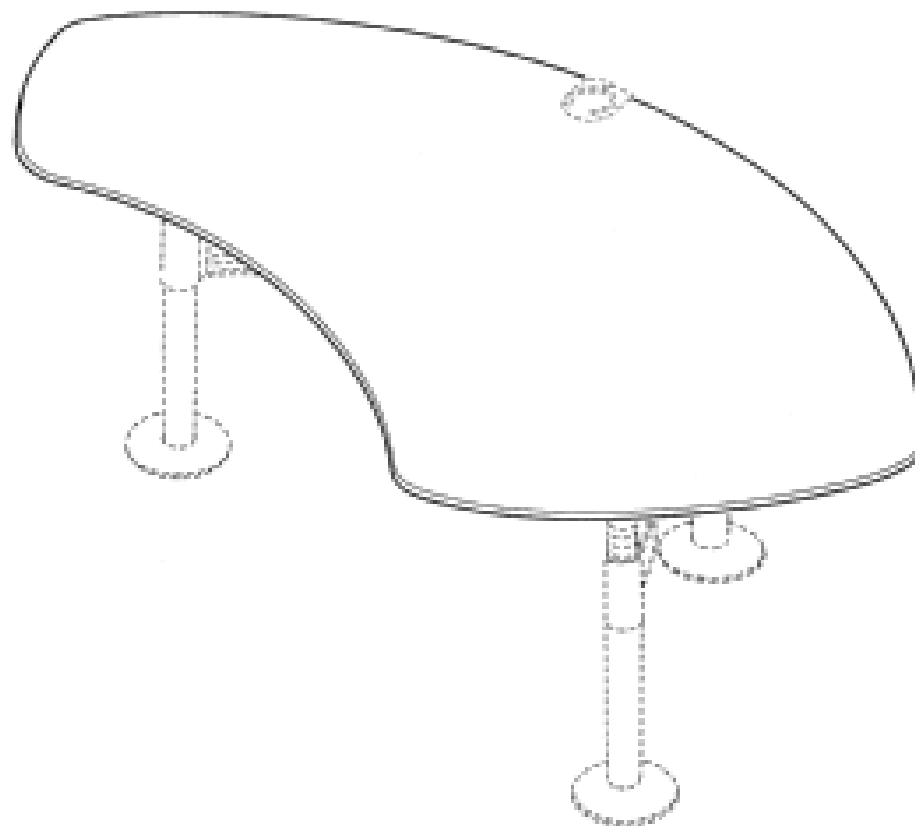
- (21) Design Number: **15172/2006**
(22) Date of Filing Application: **13 November 2006**
(24) Date from which industrial property rights may have effect: **13 November 2006**
(54) Product in respect of which the design is registered: **A desk**
(51) International Design Classification: **06-03C**
(71) Name(s) and Address(s) of Applicant(s):
Formway Furniture Limited
176 Gracefield Road Petone Wellington New Zealand
(72) Name(s) of Designer(s): **Alex John Whitney**
(45) Registration Date: **15 January 2007**
(56) Related Art Documents: **Not Applicable**
(57) Statement of Newness and Distinctiveness: **Newness and distinctiveness reside in the features of shape and/or configuration of the desk, as shown in the representations. Newness and distinctiveness is not claimed in relation to the features shown in phantom lines in the representations.**



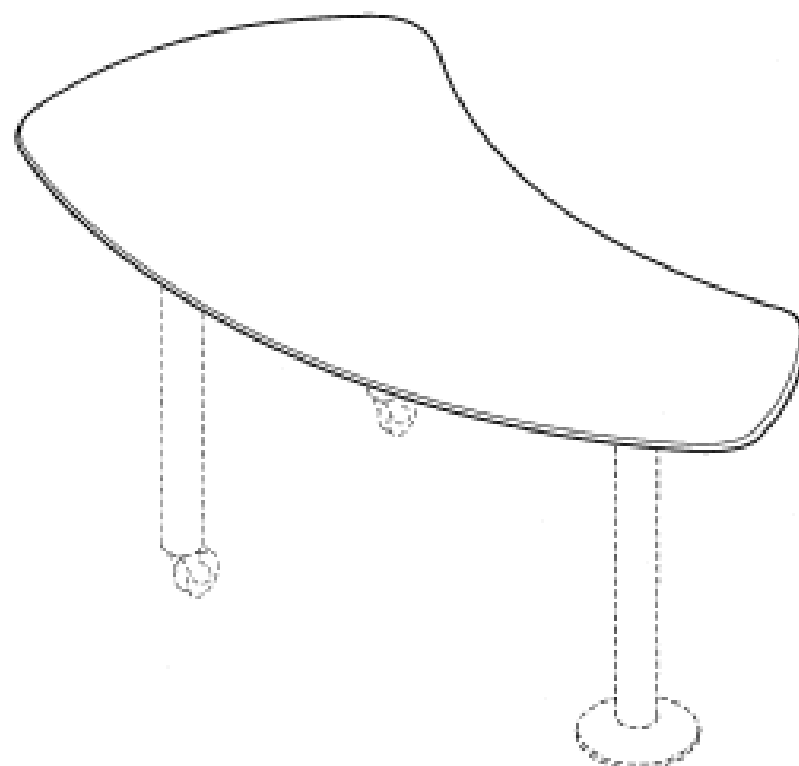
- (21) Design Number: **15173/2006**
(22) Date of Filing Application: **13 November 2006**
(24) Date from which industrial property rights may have effect: **13 November 2006**
(54) Product in respect of which the design is registered: **A desk**
(51) International Design Classification: **06-03C**
(71) Name(s) and Address(s) of Applicant(s):
Formway Furniture Limited
176 Gracefield Road Petone Wellington New Zealand
(72) Name(s) of Designer(s): **Alex John Whitney**
(45) Registration Date: **15 January 2007**
(56) Related Art Documents: **Not Applicable**
(57) Statement of Newness and Distinctiveness: **Newness and distinctiveness reside in the features of shape and/or configuration of the desk, as shown in the representations. Newness and distinctiveness is not claimed in relation to the features shown in phantom lines in the representations.**



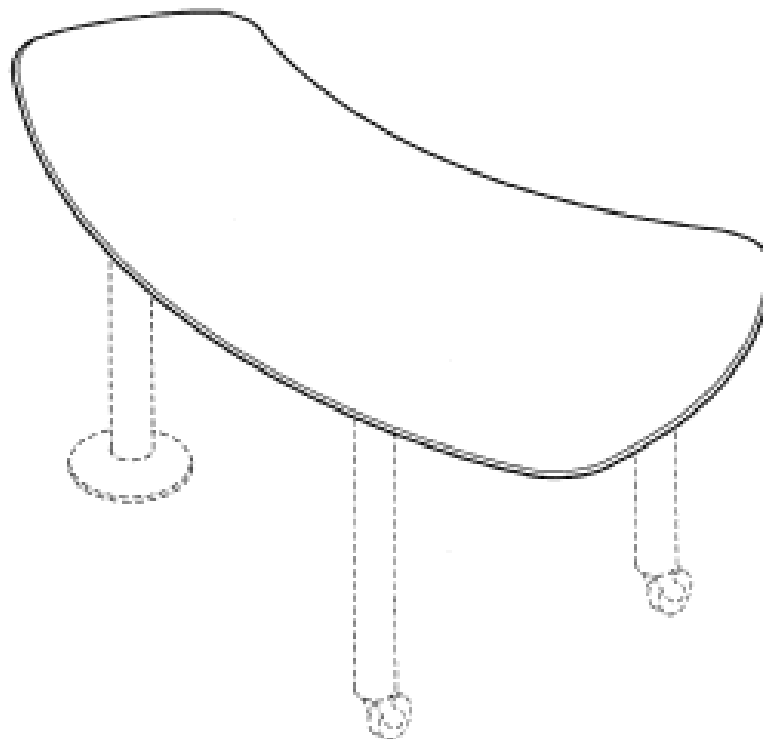
- (21) Design Number: **15174/2006**
(22) Date of Filing Application: **13 November 2006**
(24) Date from which industrial property rights may have effect: **13 November 2006**
(54) Product in respect of which the design is registered: **A desk**
(51) International Design Classification: **06-03C**
(71) Name(s) and Address(s) of Applicant(s):
Formway Furniture Limited
176 Gracefield Road Petone Wellington New Zealand
(72) Name(s) of Designer(s): **Alex John Whitney**
(45) Registration Date: **15 January 2007**
(56) Related Art Documents: **Not Applicable**
(57) Statement of Newness and Distinctiveness: **Newness and distinctiveness reside in the features of shape and/or configuration of the desk, as shown in the representations. Newness and distinctiveness is not claimed in relation to the features shown in phantom lines in the representations.**



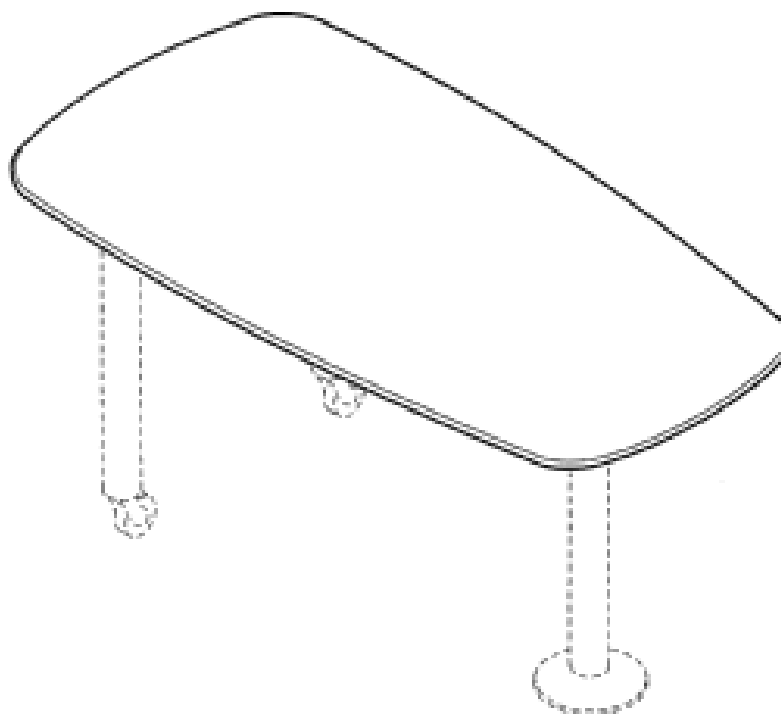
- (21) Design Number: **15175/2006**
(22) Date of Filing Application: **13 November 2006**
(24) Date from which industrial property rights may have effect: **13 November 2006**
(54) Product in respect of which the design is registered: **A return**
(51) International Design Classification: **06-03C**
(71) Name(s) and Address(s) of Applicant(s):
Formway Furniture Limited
176 Gracefield Road Petone Wellington New Zealand
(72) Name(s) of Designer(s): **Alex John Whitney**
(45) Registration Date: **15 January 2007**
(56) Related Art Documents: **Not Applicable**
(57) Statement of Newness and Distinctiveness: **Newness and distinctiveness reside in the features of shape and/or configuration of the return, as shown in the representations. Newness and distinctiveness is not claimed in relation to the features shown in phantom lines in the representations.**



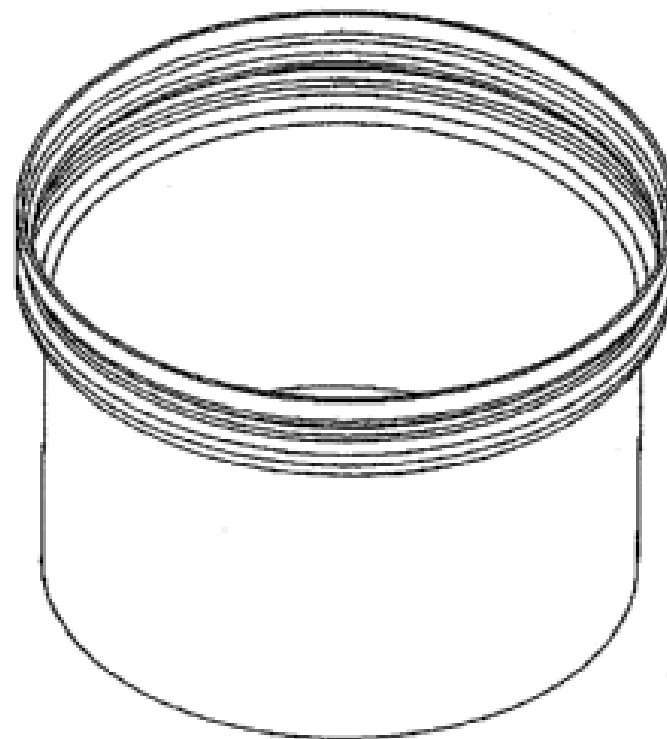
- (21) Design Number: **15176/2006**
- (22) Date of Filing Application: **13 November 2006**
- (24) Date from which industrial property rights may have effect: **13 November 2006**
- (54) Product in respect of which the design is registered: **A return**
- (51) International Design Classification: **06-03C**
- (71) Name(s) and Address(s) of Applicant(s):
Formway Furniture Limited
176 Gracefield Road Petone Wellington New Zealand
- (72) Name(s) of Designer(s): **Alex John Whitney**
- (45) Registration Date: **15 January 2007**
- (56) Related Art Documents: **Not Applicable**
- (57) Statement of Newness and Distinctiveness: **Newness and distinctiveness reside in the features of shape and/or configuration of the return, as shown in the representations. Newness and distinctiveness is not claimed in relation to the features shown in phantom lines in the representations.**



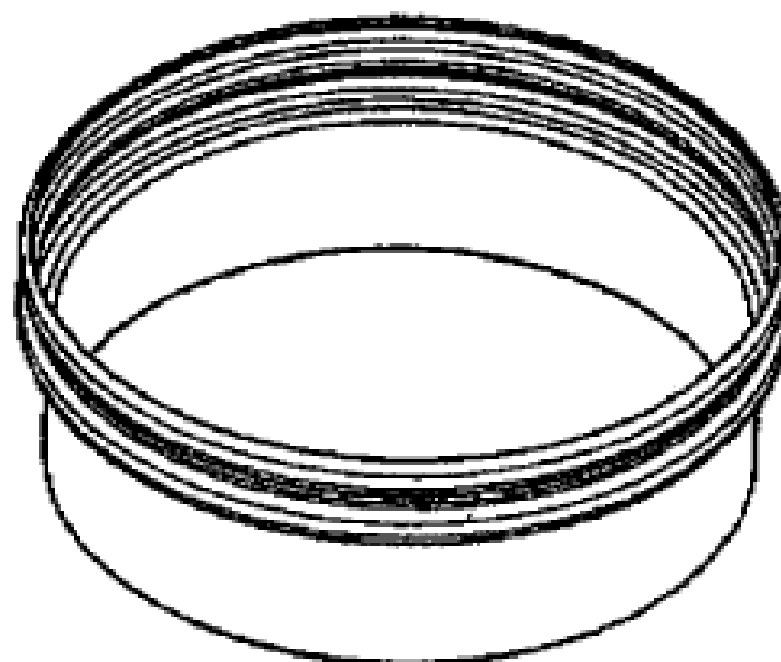
- (21) Design Number: **15177/2006**
- (22) Date of Filing Application: **13 November 2006**
- (24) Date from which industrial property rights may have effect: **13 November 2006**
- (54) Product in respect of which the design is registered: **A return**
- (51) International Design Classification: **06-03C**
- (71) Name(s) and Address(s) of Applicant(s):
Formway Furniture Limited
176 Gracefield Road Petone Wellington New Zealand
- (72) Name(s) of Designer(s): **Alex John Whitney**
- (45) Registration Date: **15 January 2007**
- (56) Related Art Documents: **Not Applicable**
- (57) Statement of Newness and Distinctiveness: **Newness and distinctiveness reside in the features of shape and/or configuration of the return, as shown in the representations. Newness and distinctiveness is not claimed in relation to the features shown in phantom lines in the representations.**



- (21) Design Number: **15180/2006**
(22) Date of Filing Application: **13 November 2006**
(24) Date from which industrial property rights may have effect: **13 November 2006**
(54) Product in respect of which the design is registered: **A tube for receiving a flexible connector at its profiled end**
(51) International Design Classification: **23-01B**
(71) Name(s) and Address(s) of Applicant(s):
Filtercorp International Limited
22#24 Baypark Place Beachhaven Auckland New Zealand
(72) Name(s) of Designer(s): **Blair Forres McPheat**
(45) Registration Date: **15 January 2007**
(30) Convention priority data:
(31) Number (32) Date (33) Country
407574 15 May 2006 NEW ZEALAND
(56) Related Art Documents: **Not Applicable**
(57) Statement of Newness and Distinctiveness: **Newness and distinctiveness is claimed in the features at the profiled end of the tube.**



- (21) Design Number: **15181/2006**
(22) Date of Filing Application: **13 November 2006**
(24) Date from which industrial property rights may have effect: **13 November 2006**
(54) Product in respect of which the design is registered: **A tube for receiving a flexible connector at its profiled end**
(51) International Design Classification: **23-01B**
(71) Name(s) and Address(s) of Applicant(s):
Filtercorp International Limited
22#24 Baypark Place Beachhaven Auckland New Zealand
(72) Name(s) of Designer(s): **Blair Forres McPheat**
(45) Registration Date: **15 January 2007**
(30) Convention priority data:
(31) Number (32) Date (33) Country
408276 26 Oct 2006 NEW ZEALAND
(56) Related Art Documents: **Not Applicable**
(57) Statement of Newness and Distinctiveness: **Newness and distinctiveness is claimed in the features at the profiled end of the tube.**



(21) Design Number: **12797/2005**

(22) Date of Filing Application: **01 July 2005**

(24) Date from which industrial property rights may have effect: **01 July 2005**

(54) Product in respect of which the design is registered: **Sofa**

(51) International Design Classification: **06-01G**

(71) Name(s) and Address(s) of Applicant(s):

De Coro Limited

1401 Hutchison House 10 Harcourt Road Hong Kong

(72) Name(s) of Designer(s): **Luca Ricci**

(45) Registration Date: **15 January 2007**

(56) Related Art Documents: **Not Applicable**

(57) Statement of Newness and Distinctiveness: **Nil**



(21) Design Number: **12798/2005**

(22) Date of Filing Application: **01 July 2005**

(24) Date from which industrial property rights may have effect: **01 July 2005**

(54) Product in respect of which the design is registered: **Sofa**

(51) International Design Classification: **06-01G**

(71) Name(s) and Address(s) of Applicant(s):

De Coro Limited

1401 Hutchison House 10 Harcourt Road Hong Kong

(72) Name(s) of Designer(s): **Luca Ricci**

(45) Registration Date: **15 January 2007**

(56) Related Art Documents: **Not Applicable**

(57) Statement of Newness and Distinctiveness: **Nil**



(21) Design Number: **12799/2005**
(22) Date of Filing Application: **01 July 2005**
(24) Date from which industrial property rights may have effect: **01 July 2005**
(54) Product in respect of which the design is registered: **Sofa**
(51) International Design Classification: **06-01G**
(71) Name(s) and Address(s) of Applicant(s):
De Coro Limited
1401 Hutchison House 10 Harcourt Road Hong Kong
(72) Name(s) of Designer(s): **Luca Ricci**
(45) Registration Date: **15 January 2007**
(56) Related Art Documents: **Not Applicable**
(57) Statement of Newness and Distinctiveness: **Nil**



(21) Design Number: **12800/2005**
(22) Date of Filing Application: **01 July 2005**
(24) Date from which industrial property rights may have effect: **01 July 2005**
(54) Product in respect of which the design is registered: **Sofa**
(51) International Design Classification: **06-01G**
(71) Name(s) and Address(s) of Applicant(s):
De Coro Limited
1401 Hutchison House 10 Harcourt Road Hong Kong
(72) Name(s) of Designer(s): **Luca Ricci**
(45) Registration Date: **15 January 2007**
(56) Related Art Documents: **Not Applicable**
(57) Statement of Newness and Distinctiveness: **Nil**



- (21) Design Number: **12801/2005**
- (22) Date of Filing Application: **01 July 2005**
- (24) Date from which industrial property rights may have effect: **01 July 2005**
- (54) Product in respect of which the design is registered: **Sofa**
- (51) International Design Classification: **06-01G**
- (71) Name(s) and Address(s) of Applicant(s):
De Coro Limited
1401 Hutchison House 10 Harcourt Road Hong Kong
- (72) Name(s) of Designer(s): **Luca Ricci**
- (45) Registration Date: **15 January 2007**
- (56) Related Art Documents: **Not Applicable**
- (57) Statement of Newness and Distinctiveness: **Nil**



- (21) Design Number: **12802/2005**
- (22) Date of Filing Application: **01 July 2005**
- (24) Date from which industrial property rights may have effect: **01 July 2005**
- (54) Product in respect of which the design is registered: **Sofa**
- (51) International Design Classification: **06-01G**
- (71) Name(s) and Address(s) of Applicant(s):
De Coro Limited
1401 Hutchison House 10 Harcourt Road Hong Kong
- (72) Name(s) of Designer(s): **Luca Ricci**
- (45) Registration Date: **15 January 2007**
- (56) Related Art Documents: **Not Applicable**
- (57) Statement of Newness and Distinctiveness: **Nil**



(21) Design Number: **12803/2005**

(22) Date of Filing Application: **01 July 2005**

(24) Date from which industrial property rights may have effect: **01 July 2005**

(54) Product in respect of which the design is registered: **Sofa**

(51) International Design Classification: **06-01G**

(71) Name(s) and Address(s) of Applicant(s):

De Coro Limited

1401 Hutchison House 10 Harcourt Road Hong Kong

(72) Name(s) of Designer(s): **Luca Ricci**

(45) Registration Date: **15 January 2007**

(56) Related Art Documents: **Not Applicable**

(57) Statement of Newness and Distinctiveness: **Nil**



(21) Design Number: **12804/2005**

(22) Date of Filing Application: **01 July 2005**

(24) Date from which industrial property rights may have effect: **01 July 2005**

(54) Product in respect of which the design is registered: **Sofa**

(51) International Design Classification: **06-01G**

(71) Name(s) and Address(s) of Applicant(s):

De Coro Limited

1401 Hutchison House 10 Harcourt Road Hong Kong

(72) Name(s) of Designer(s): **Luca Ricci**

(45) Registration Date: **15 January 2007**

(56) Related Art Documents: **Not Applicable**

(57) Statement of Newness and Distinctiveness: **Nil**



(21) Design Number: **12805/2005**

(22) Date of Filing Application: **01 July 2005**

(24) Date from which industrial property rights may have effect: **01 July 2005**

(54) Product in respect of which the design is registered: **Sofa**

(51) International Design Classification: **06-01G**

(71) Name(s) and Address(s) of Applicant(s):

De Coro Limited

1401 Hutchison House 10 Harcourt Road Hong Kong

(72) Name(s) of Designer(s): **Luca Ricci**

(45) Registration Date: **15 January 2007**

(56) Related Art Documents: **Not Applicable**

(57) Statement of Newness and Distinctiveness: **Nil**



(21) Design Number: **14849/2006**

(22) Date of Filing Application: **16 October 2006**

(24) Date from which industrial property rights may have effect: **16 October 2006**

(54) Product in respect of which the design is registered: **Campfire cooking stand**

(51) International Design Classification: **07-02D**

(71) Name(s) and Address(s) of Applicant(s):

Robert George Williams

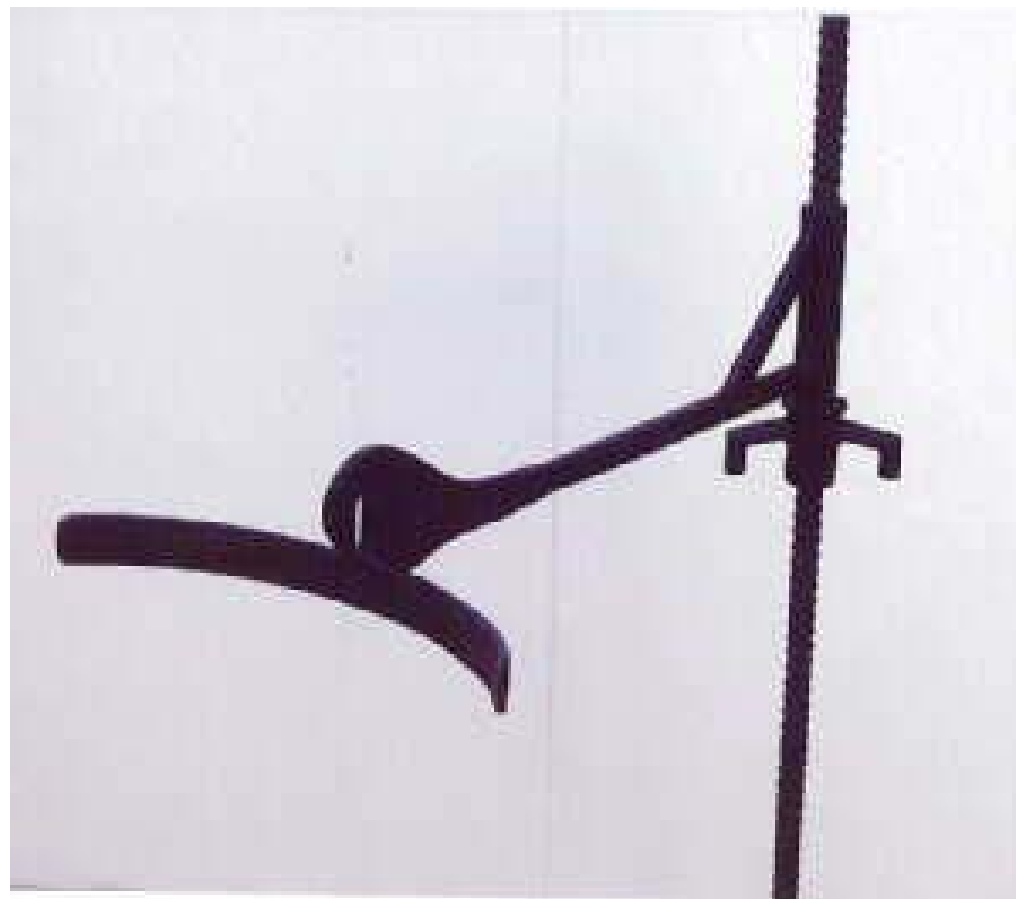
17 Hillside Gardens Alice Springs Northern Territory 0870 Australia

(72) Name(s) of Designer(s): **Robert George Williams**

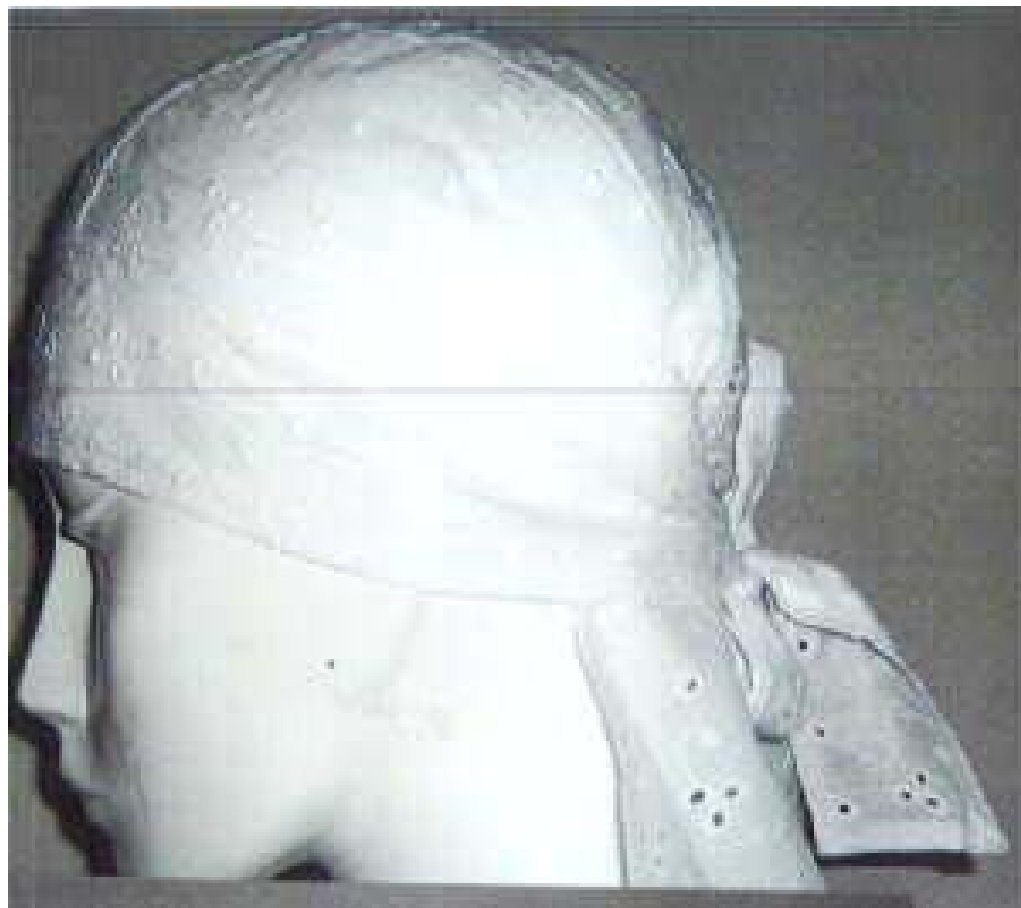
(45) Registration Date: **15 January 2007**

(56) Related Art Documents: **Not Applicable**

(57) Statement of Newness and Distinctiveness: **I state that the shape and configuration of the claw and hoop at the end of the cooking arm, also the coarse threaded cooking stand shaft and wingnut are new and distinctive.**



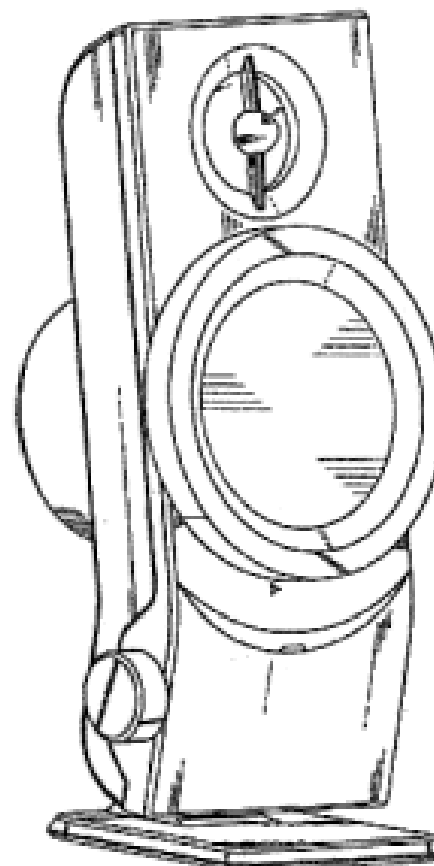
- (21) Design Number: **15142/2006**
(22) Date of Filing Application: **13 November 2006**
(24) Date from which industrial property rights may have effect: **13 November 2006**
(54) Product in respect of which the design is registered: **Head scarf/bandanna**
(51) International Design Classification: **02-03**
(71) Name(s) and Address(s) of Applicant(s):
Olivia Scott
6 Kilbreck Street Benowa Queensland 4217 Australia
Lynne Gibson
6 Kilbreck Street Benowa Queensland 4217 Australia
(72) Name(s) of Designer(s): **Olivia Scott and Lynne Gibson**
(45) Registration Date: **15 January 2007**
(56) Related Art Documents: **Not Applicable**
(57) Statement of Newness and Distinctiveness: **Nil**



- (21) Design Number: **15144/2006**
(22) Date of Filing Application: **10 November 2006**
(24) Date from which industrial property rights may have effect: **10 November 2006**
(54) Product in respect of which the design is registered: **Loudspeaker device**
(51) International Design Classification: **14-01**
(71) Name(s) and Address(s) of Applicant(s):
Creative Technology Ltd
31 International Business Park Creative Resource Singapore 609921
(72) Name(s) of Designer(s): **Reawsanguanwong Kittichai**
(45) Registration Date: **15 January 2007**
(30) Convention priority data:

(31) Number	(32) Date	(33) Country
29/263,608	26 Jul 2006	UNITED STATES OF AMERICA

(56) Related Art Documents: **Not Applicable**
(57) Statement of Newness and Distinctiveness: **Monopoly is claimed in the features of shape and configuration of the article as depicted in the accompanying representations. No monopoly is claimed in the features depicted in broken lines or in the shaded features in Figure 5 in the accompanying representations.**



(21) Design Number: **15148/2006**

(22) Date of Filing Application: **10 November 2006**

(24) Date from which industrial property rights may have effect: **10 November 2006**

(54) Product in respect of which the design is registered: **Combination bung and cap spanner**

(51) International Design Classification: **08-04**

(71) Name(s) and Address(s) of Applicant(s):

Logipak Pty Limited

7 Reynolds Place Galston New South Wales 2159 Australia

(72) Name(s) of Designer(s): **Graeme J. Langley**

(45) Registration Date: **15 January 2007**

(56) Related Art Documents: **Not Applicable**

(57) Statement of Newness and Distinctiveness: **Newness and distinctiveness of the design reside in the features of shape and/or configuration of the combination bung and cap spanner depicted in the representations. When considering the newness and distinctiveness of the design, no regard is to be had to the letters "LP" embossed on a surface of the spanner (shown in the rendered perspective views), or to the features of shape and/or configuration shown in dotted lines in the line drawings.**



(21) Design Number: **15149/2006**

(22) Date of Filing Application: **10 November 2006**

(24) Date from which industrial property rights may have effect: **10 November 2006**

(54) Product in respect of which the design is registered: **Toilet pan**

(51) International Design Classification: **23-02C**

(71) Name(s) and Address(s) of Applicant(s):

Gemini Industries Pty Ltd

3/97 Banksia Street Botany New South Wales 2019 Australia

(72) Name(s) of Designer(s): **James Arthur Longley**

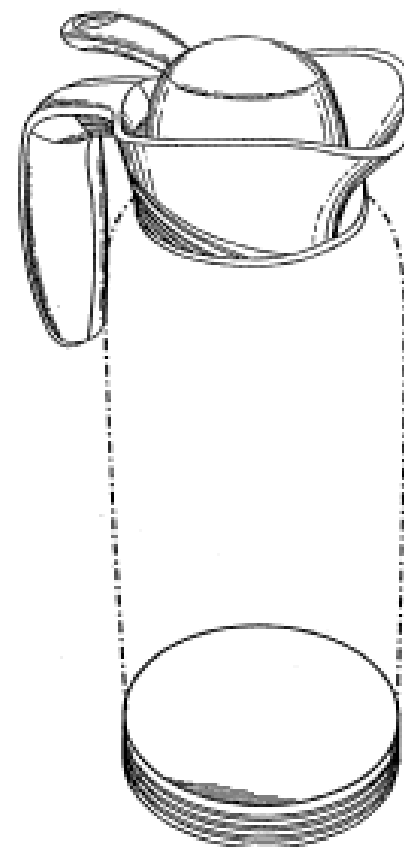
(45) Registration Date: **15 January 2007**

(56) Related Art Documents: **Not Applicable**

(57) Statement of Newness and Distinctiveness: **Nil**

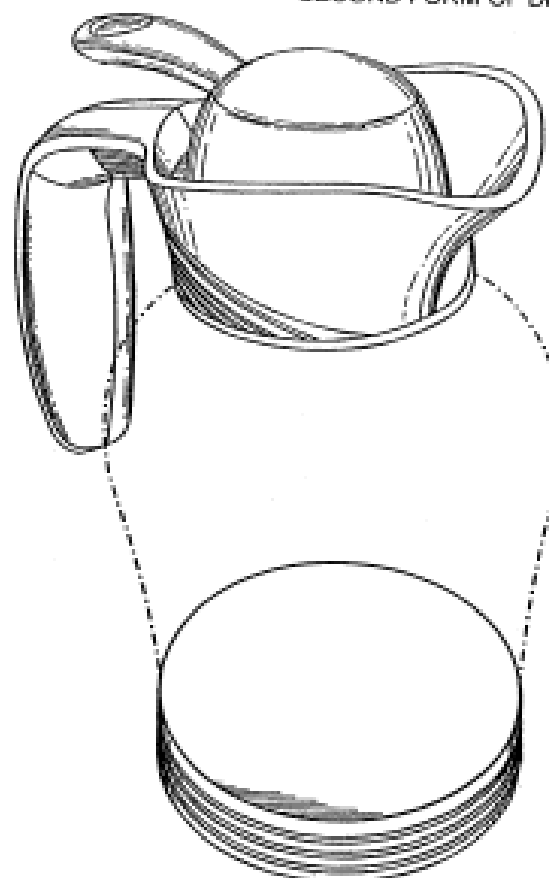


- (21) Design Number: **13961/2006**
(22) Date of Filing Application: **01 September 2006**
(24) Date from which industrial property rights may have effect: **01 September 2006**
(54) Product in respect of which the design is registered: **Vacuum carafe**
(51) International Design Classification: **07-01F**
(71) Name(s) and Address(s) of Applicant(s):
Pacific Market International, LLC
2140 Elliott Avenue Fourth Floor Seattle Washington 98121 United States of America
(72) Name(s) of Designer(s): **Carol Schreitmueller**
(45) Registration Date: **15 January 2007**
(30) Convention priority data:
(31) Number (32) Date (33) Country
29/254932 01 Mar 2006 UNITED STATES OF AMERICA
(56) Related Art Documents: **Not Applicable**
(57) Statement of Newness and Distinctiveness: **Newness and distinctiveness resides in the shape and configuration of the top, including the handle, and the base of the vacuum carafe as depicted in the representations.**



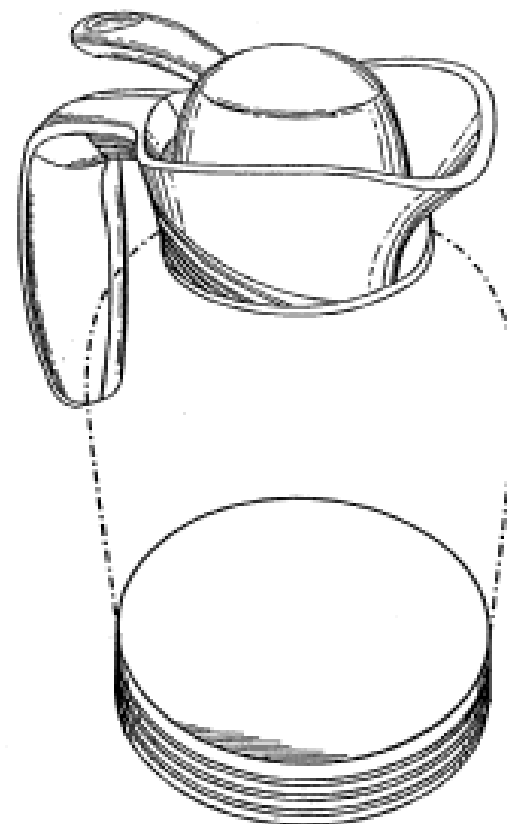
- (21) Design Number: **15316/2006**
(22) Date of Filing Application: **01 September 2006**
(24) Date from which industrial property rights may have effect: **01 September 2006**
(54) Product in respect of which the design is registered: **Vacuum carafe**
(51) International Design Classification: **07-01F**
(71) Name(s) and Address(s) of Applicant(s):
Pacific Market International, LLC
2140 Elliott Avenue Fourth Floor Seattle Washington 98121 United States of America
(72) Name(s) of Designer(s): **Carol Schreitmueller**
(45) Registration Date: **15 January 2007**
(30) Convention priority data:
(31) Number (32) Date (33) Country
29/254932 01 Mar 2006 UNITED STATES OF AMERICA
(56) Related Art Documents: **Not Applicable**
(57) Statement of Newness and Distinctiveness: **Newness and distinctiveness resides in the shape and configuration of the top, including the handle, and the base of the vacuum carafe as depicted in the representations.**

SECOND FORM OF DESIGN



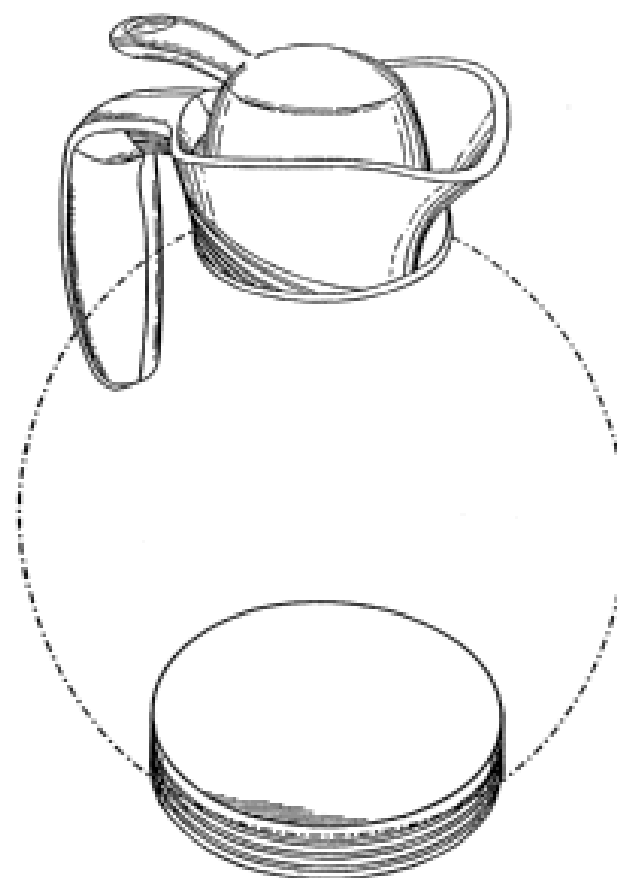
- (21) Design Number: **15317/2006**
- (22) Date of Filing Application: **01 September 2006**
- (24) Date from which industrial property rights may have effect: **01 September 2006**
- (54) Product in respect of which the design is registered: **Vacuum carafe**
- (51) International Design Classification: **07-01F**
- (71) Name(s) and Address(s) of Applicant(s):
Pacific Market International, LLC
2140 Elliott Avenue Fourth Floor Seattle Washington 98121 United States of America
- (72) Name(s) of Designer(s): **Carol Schreitmueller**
- (45) Registration Date: **15 January 2007**
- (30) Convention priority data:

(31) Number	(32) Date	(33) Country
29/254932	01 Mar 2006	UNITED STATES OF AMERICA
- (56) Related Art Documents: **Not Applicable**
- (57) Statement of Newness and Distinctiveness: **Newness and distinctiveness resides in the shape and configuration of the top, including the handle, and the base of the vacuum carafe as depicted in the representations.**

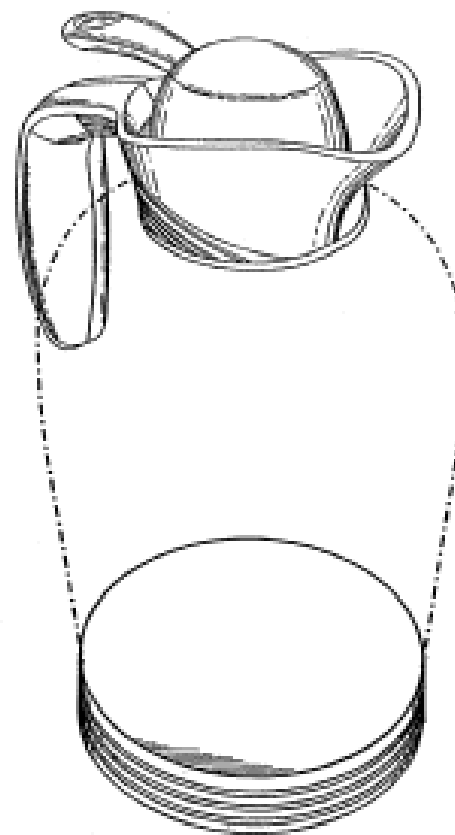


- (21) Design Number: **15318/2006**
- (22) Date of Filing Application: **01 September 2006**
- (24) Date from which industrial property rights may have effect: **01 September 2006**
- (54) Product in respect of which the design is registered: **Vacuum carafe**
- (51) International Design Classification: **07-01F**
- (71) Name(s) and Address(s) of Applicant(s):
Pacific Market International, LLC
2140 Elliott Avenue Fourth Floor Seattle Washington 98121 United States of America
- (72) Name(s) of Designer(s): **Carol Schreitmueller**
- (45) Registration Date: **15 January 2007**
- (30) Convention priority data:

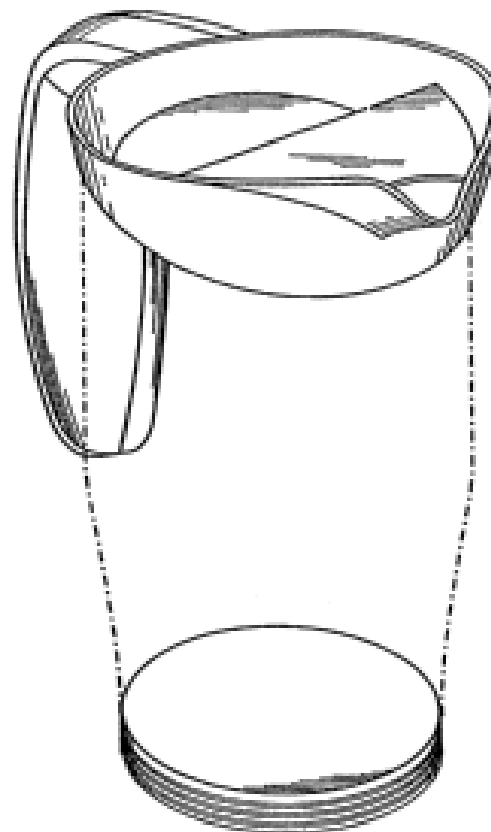
(31) Number	(32) Date	(33) Country
29/254932	01 Mar 2006	UNITED STATES OF AMERICA
- (56) Related Art Documents: **Not Applicable**
- (57) Statement of Newness and Distinctiveness: **Newness and distinctiveness resides in the shape and configuration of the top, including the handle, and the base of the vacuum carafe as depicted in the representations.**



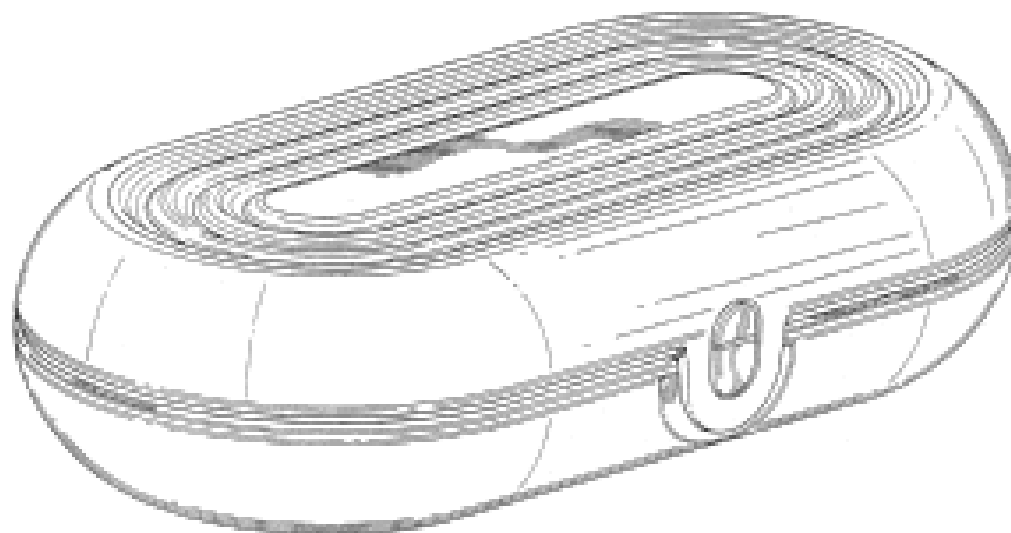
- (21) Design Number: **15319/2006**
(22) Date of Filing Application: **01 September 2006**
(24) Date from which industrial property rights may have effect: **01 September 2006**
(54) Product in respect of which the design is registered: **Vacuum carafe**
(51) International Design Classification: **07-01F**
(71) Name(s) and Address(s) of Applicant(s):
Pacific Market International, LLC
2140 Elliott Avenue Fourth Floor Seattle Washington 98121 United States of America
(72) Name(s) of Designer(s): **Carol Schreitmueller**
(45) Registration Date: **15 January 2007**
(30) Convention priority data:
(31) Number (32) Date (33) Country
29/254932 01 Mar 2006 UNITED STATES OF AMERICA
(56) Related Art Documents: **Not Applicable**
(57) Statement of Newness and Distinctiveness: **Newness and distinctiveness resides in the shape and configuration of the top, including the handle, and the base of the vacuum carafe as depicted in the representations.**



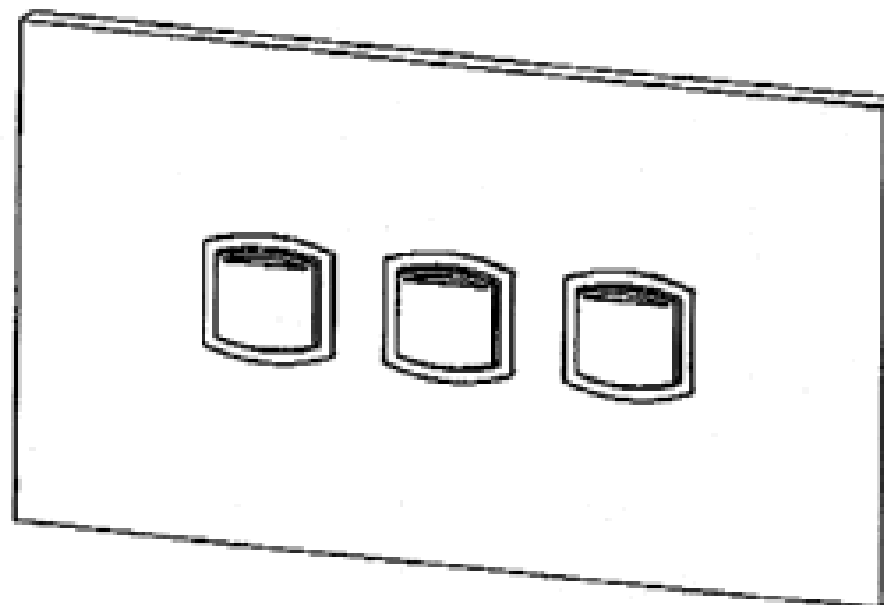
- (21) Design Number: **15320/2006**
(22) Date of Filing Application: **01 September 2006**
(24) Date from which industrial property rights may have effect: **01 September 2006**
(54) Product in respect of which the design is registered: **Vacuum carafe**
(51) International Design Classification: **07-01F**
(71) Name(s) and Address(s) of Applicant(s):
Pacific Market International, LLC
2140 Elliott Avenue Fourth Floor Seattle Washington 98121 United States of America
(72) Name(s) of Designer(s): **Carol Schreitmueller**
(45) Registration Date: **15 January 2007**
(30) Convention priority data:
(31) Number (32) Date (33) Country
29/254932 01 Mar 2006 UNITED STATES OF AMERICA
(56) Related Art Documents: **Not Applicable**
(57) Statement of Newness and Distinctiveness: **Newness and distinctiveness resides in the shape and configuration of the top, including the handle, and the base of the vacuum carafe as depicted in the representations.**



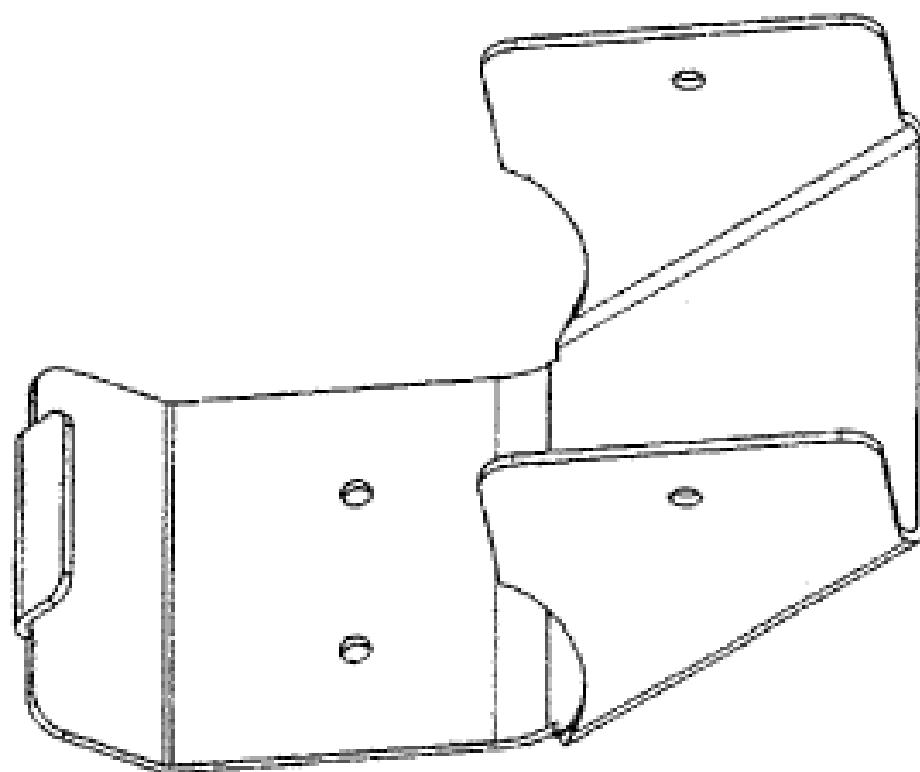
- (21) Design Number: **14516/2006**
(22) Date of Filing Application: **13 January 2006**
(24) Date from which industrial property rights may have effect: **13 January 2006**
(54) Product in respect of which the design is registered: **Container**
(51) International Design Classification: **09-03M**
(71) Name(s) and Address(s) of Applicant(s):
Dart Industries Inc
14901 S. Orange Blossom Trail Orlando Florida 32837 United States of America
(72) Name(s) of Designer(s): **Vincent Jalet**
(45) Registration Date: **15 January 2007**
(56) Related Art Documents: **Not Applicable**
(57) Statement of Newness and Distinctiveness: **Those features of the container depicted in the representations that are new and distinctive are the shape and/or configuration.**



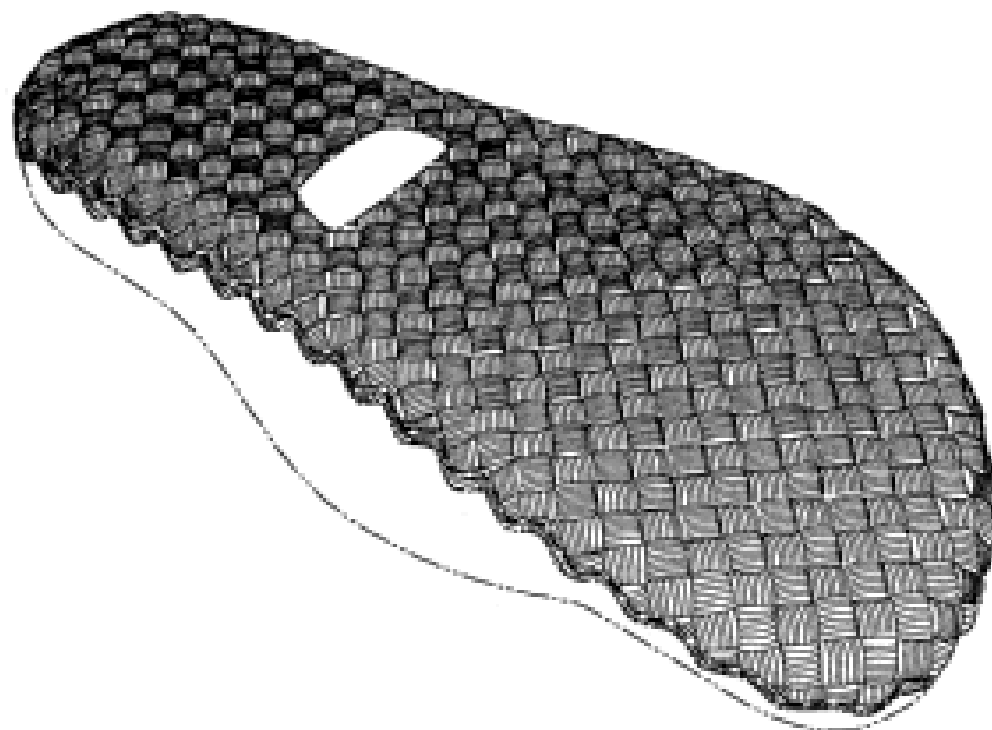
- (21) Design Number: **14775/2006**
(22) Date of Filing Application: **19 October 2006**
(24) Date from which industrial property rights may have effect: **19 October 2006**
(54) Product in respect of which the design is registered: **Single push button switch, Single push button switch, Two push button switch, Two push button switch, Two push button switch**
(51) International Design Classification: **13-03E**
(71) Name(s) and Address(s) of Applicant(s):
Schneider Electric New Zealand Holdings Limited
11 Moncur Place Middleton Christchurch New Zealand
(72) Name(s) of Designer(s): **Nigel Ruhi Hingston**
(45) Registration Date: **15 January 2007**
(30) Convention priority data:
(31) Number (32) Date (33) Country
407470 21 Apr 2006 NEW ZEALAND
(56) Related Art Documents: **Not Applicable**
(57) Statement of Newness and Distinctiveness: **The novelty claimed for the design resides in the features of shape and/or configuration of the push button switch(es) as shown in the representations excluding the shape and configuration of the surrounding fascia plate.**



- (21) Design Number: **14869/2006**
(22) Date of Filing Application: **24 October 2006**
(24) Date from which industrial property rights may have effect: **24 October 2006**
(54) Product in respect of which the design is registered: **Bracket component**
(51) International Design Classification: **08-08L**
(71) Name(s) and Address(s) of Applicant(s):
 Philip Malcolm Firth
 148 North Street Tamworth New South Wales 2340 Australia
 Elizabeth May Firth
 20 Cook Street Tamworth New South Wales 2340 Australia
(72) Name(s) of Designer(s): **Philip Malcolm Firth**
(45) Registration Date: **15 January 2007**
(56) Related Art Documents: **Not Applicable**
(57) Statement of Newness and Distinctiveness: **Nil**



- (21) Design Number: **15207/2006**
(22) Date of Filing Application: **14 November 2006**
(24) Date from which industrial property rights may have effect: **14 November 2006**
(54) Product in respect of which the design is registered: **A footwear sole**
(51) International Design Classification: **02-04B**
(71) Name(s) and Address(s) of Applicant(s):
 Wolverine World Wide, Inc.
 9341 Courtland Drive NE Rockford Michigan 49351 United States of America
(72) Name(s) of Designer(s): **Deborah H. Andersen and Martin W.F. Dean and Grant A. Urie**
(45) Registration Date: **15 January 2007**
(30) Convention priority data:
 (31) Number (32) Date (33) Country
 29260055 18 May 2006 UNITED STATES OF AMERICA
(56) Related Art Documents: **Not Applicable**
(57) Statement of Newness and Distinctiveness: **Newness and distinctiveness is claimed in the visual features shown in the representations except for those shown in phantom lines.**



- (21) Design Number: **15211/2006**
- (22) Date of Filing Application: **14 November 2006**
- (24) Date from which industrial property rights may have effect: **14 November 2006**
- (54) Product in respect of which the design is registered: **A footwear upper**
- (51) International Design Classification: **02-04NES**
- (71) Name(s) and Address(s) of Applicant(s):
Wolverine World Wide, Inc.
9341 Courtland Drive NE Rockford Michigan 49351 United States of America
- (72) Name(s) of Designer(s): **Clark A. Matis and Martin W.F. Dean**
- (45) Registration Date: **15 January 2007**
- (30) Convention priority data:

(31) Number	(32) Date	(33) Country
29260092	18 May 2006	UNITED STATES OF AMERICA
- (56) Related Art Documents: **Not Applicable**
- (57) Statement of Newness and Distinctiveness: **Newness and distinctiveness is claimed in the visual features shown in the representations except for those shown in phantom lines.**



- (21) Design Number: **15212/2006**
- (22) Date of Filing Application: **14 November 2006**
- (24) Date from which industrial property rights may have effect: **14 November 2006**
- (54) Product in respect of which the design is registered: **A footwear upper**
- (51) International Design Classification: **02-04NES**
- (71) Name(s) and Address(s) of Applicant(s):
Wolverine World Wide, Inc.
9341 Courtland Drive NE Rockford Michigan 49351 United States of America
- (72) Name(s) of Designer(s): **Clark A. Matis and Martin W.F. Dean**
- (45) Registration Date: **15 January 2007**
- (30) Convention priority data:

(31) Number	(32) Date	(33) Country
29260093	18 May 2006	UNITED STATES OF AMERICA
- (56) Related Art Documents: **Not Applicable**
- (57) Statement of Newness and Distinctiveness: **Newness and distinctiveness is claimed in the visual features shown in the representations except for those shown in phantom lines.**



- (21) Design Number: **15213/2006**
(22) Date of Filing Application: **14 November 2006**
(24) Date from which industrial property rights may have effect: **14 November 2006**
(54) Product in respect of which the design is registered: **A footwear upper**
(51) International Design Classification: **02-04NES**
(71) Name(s) and Address(s) of Applicant(s):
Wolverine World Wide, Inc.
9341 Courtland Drive NE Rockford Michigan 49351 United States of America
(72) Name(s) of Designer(s): **Manon Belley and Martin W.F. Dean**
(45) Registration Date: **15 January 2007**
(30) Convention priority data:
(31) Number (32) Date (33) Country
29259971 18 May 2006 UNITED STATES OF AMERICA
(56) Related Art Documents: **Not Applicable**
(57) Statement of Newness and Distinctiveness: **Newness and distinctiveness is claimed in the visual features shown in the representations except for those shown in phantom lines.**



- (21) Design Number: **15214/2006**
(22) Date of Filing Application: **14 November 2006**
(24) Date from which industrial property rights may have effect: **14 November 2006**
(54) Product in respect of which the design is registered: **A footwear upper**
(51) International Design Classification: **02-04NES**
(71) Name(s) and Address(s) of Applicant(s):
Wolverine World Wide, Inc.
9341 Courtland Drive NE Rockford Michigan 49351 United States of America
(72) Name(s) of Designer(s): **Manon Belley and Cristian Ardissono**
(45) Registration Date: **15 January 2007**
(30) Convention priority data:
(31) Number (32) Date (33) Country
29260048 18 May 2006 UNITED STATES OF AMERICA
(56) Related Art Documents: **Not Applicable**
(57) Statement of Newness and Distinctiveness: **Newness and distinctiveness is claimed in the visual features shown in the representations except for those shown in phantom lines.**



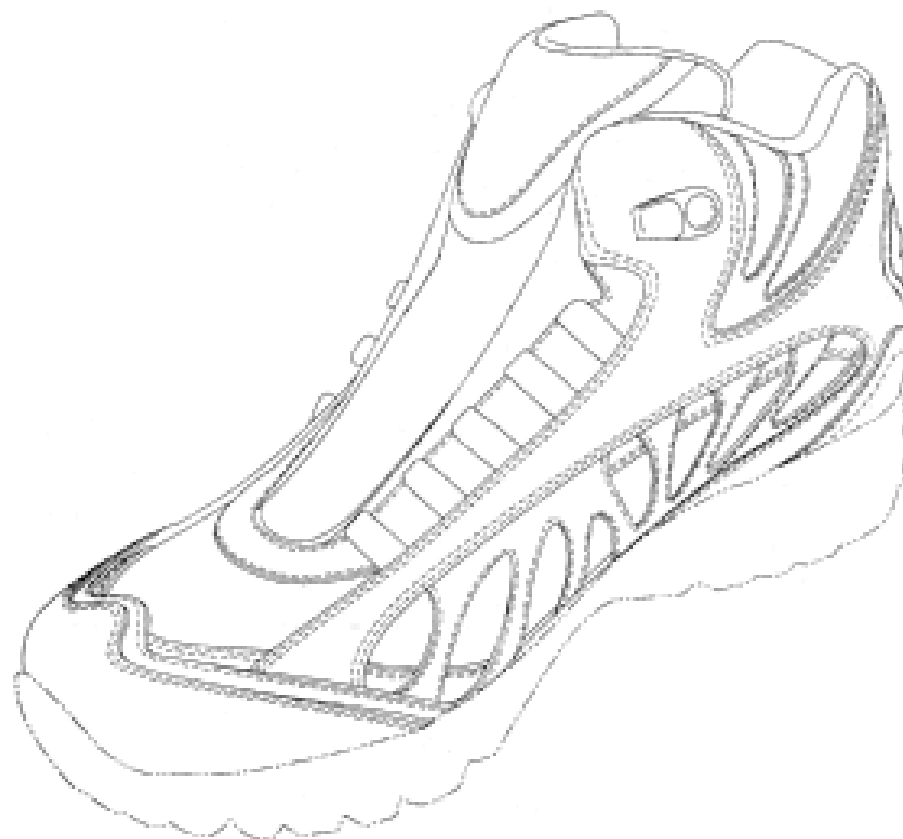
- (21) Design Number: **15215/2006**
- (22) Date of Filing Application: **14 November 2006**
- (24) Date from which industrial property rights may have effect: **14 November 2006**
- (54) Product in respect of which the design is registered: **A footwear upper**
- (51) International Design Classification: **02-04NES**
- (71) Name(s) and Address(s) of Applicant(s):
Wolverine World Wide, Inc.
9341 Courtland Drive NE Rockford Michigan 49351 United States of America
- (72) Name(s) of Designer(s): **Manon Belley and Martin W.F. Dean and Grant A. Urie**
- (45) Registration Date: **15 January 2007**
- (30) Convention priority data:

(31) Number	(32) Date	(33) Country
29260079	18 May 2006	UNITED STATES OF AMERICA
- (56) Related Art Documents: **Not Applicable**
- (57) Statement of Newness and Distinctiveness: **Newness and distinctiveness is claimed in the visual features shown in the representations except for those shown in phantom lines.**

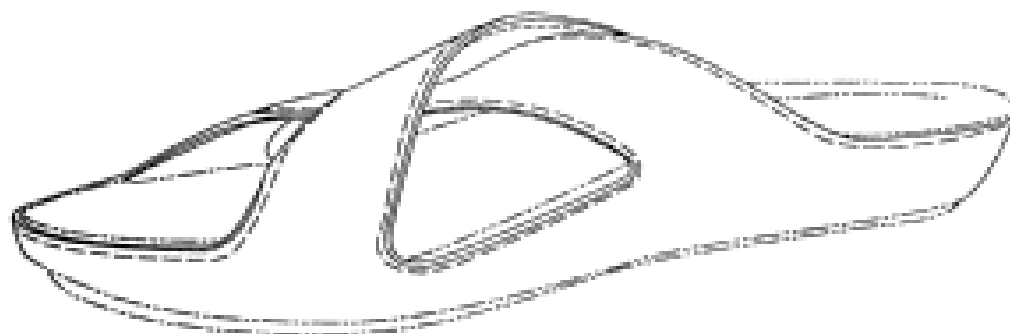


- (21) Design Number: **15216/2006**
- (22) Date of Filing Application: **14 November 2006**
- (24) Date from which industrial property rights may have effect: **14 November 2006**
- (54) Product in respect of which the design is registered: **A footwear upper**
- (51) International Design Classification: **02-04NES**
- (71) Name(s) and Address(s) of Applicant(s):
Wolverine World Wide, Inc.
9341 Courtland Drive NE Rockford Michigan 49351 United States of America
- (72) Name(s) of Designer(s): **Manon Belley and Martin W.F. Dean**
- (45) Registration Date: **15 January 2007**
- (30) Convention priority data:

(31) Number	(32) Date	(33) Country
29260026	18 May 2006	UNITED STATES OF AMERICA
- (56) Related Art Documents: **Not Applicable**
- (57) Statement of Newness and Distinctiveness: **Newness and distinctiveness is claimed in the visual features shown in the representations except for those shown in phantom lines.**



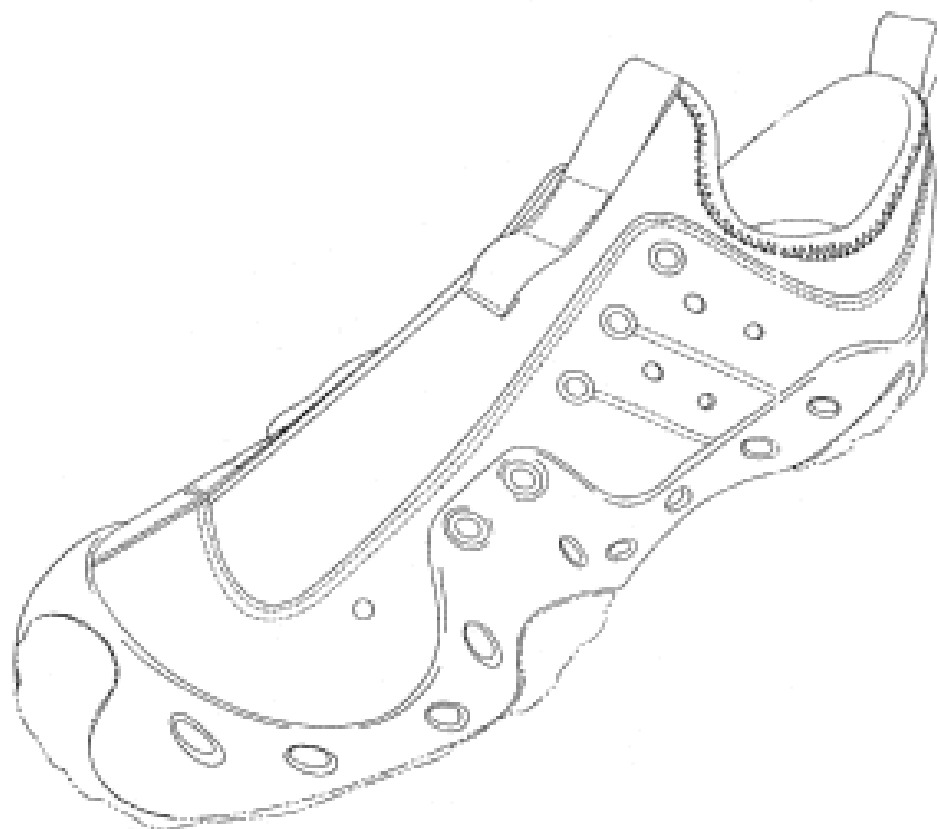
(21) Design Number: **15217/2006**
(22) Date of Filing Application: **14 November 2006**
(24) Date from which industrial property rights may have effect: **14 November 2006**
(54) Product in respect of which the design is registered: **A footwear upper**
(51) International Design Classification: **02-04NES**
(71) Name(s) and Address(s) of Applicant(s):
Wolverine World Wide, Inc.
9341 Courtland Drive NE Rockford Michigan 49351 United States of America
(72) Name(s) of Designer(s): **Deborah H. Andersen and Martin W.F. Dean and Grant A. Urie**
(45) Registration Date: **15 January 2007**
(30) Convention priority data:
(31) Number (32) Date (33) Country
29260056 18 May 2006 UNITED STATES OF AMERICA
(56) Related Art Documents: **Not Applicable**
(57) Statement of Newness and Distinctiveness: **Newness and distinctiveness is claimed in the visual features shown in the representations except for those shown in phantom lines.**



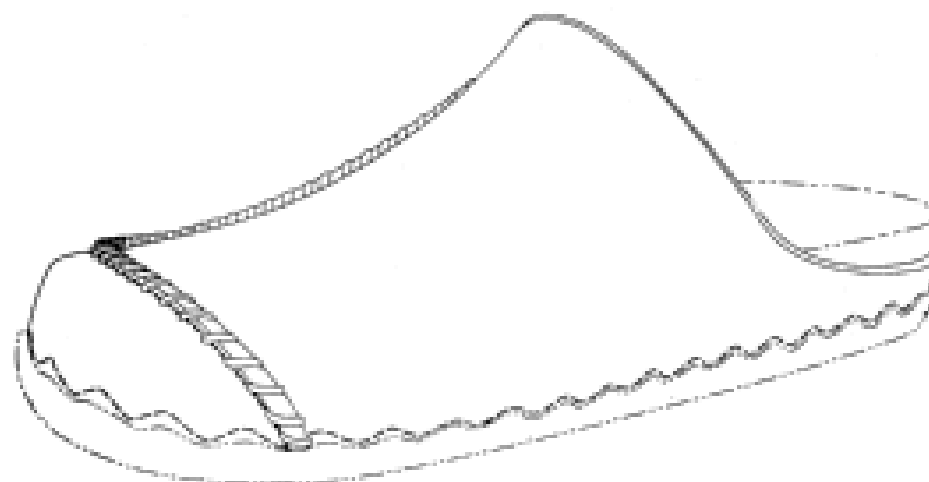
(21) Design Number: **15218/2006**
(22) Date of Filing Application: **14 November 2006**
(24) Date from which industrial property rights may have effect: **14 November 2006**
(54) Product in respect of which the design is registered: **A footwear upper**
(51) International Design Classification: **02-04NES**
(71) Name(s) and Address(s) of Applicant(s):
Wolverine World Wide, Inc.
9341 Courtland Drive NE Rockford Michigan 49351 United States of America
(72) Name(s) of Designer(s): **Lester F. Horne and Martin W.F. Dean**
(45) Registration Date: **15 January 2007**
(30) Convention priority data:
(31) Number (32) Date (33) Country
29259987 18 May 2006 UNITED STATES OF AMERICA
(56) Related Art Documents: **Not Applicable**
(57) Statement of Newness and Distinctiveness: **Newness and distinctiveness is claimed in the visual features shown in the representations except for those shown in phantom lines.**



- (21) Design Number: **15219/2006**
(22) Date of Filing Application: **14 November 2006**
(24) Date from which industrial property rights may have effect: **14 November 2006**
(54) Product in respect of which the design is registered: **A footwear upper**
(51) International Design Classification: **02-04NES**
(71) Name(s) and Address(s) of Applicant(s):
Wolverine World Wide, Inc.
9341 Courtland Drive NE Rockford Michigan 49351 United States of America
(72) Name(s) of Designer(s): **Clark A. Matis and Tuan N. Le**
(45) Registration Date: **15 January 2007**
(30) Convention priority data:
(31) Number (32) Date (33) Country
29260068 18 May 2006 UNITED STATES OF AMERICA
(56) Related Art Documents: **Not Applicable**
(57) Statement of Newness and Distinctiveness: **Newness and distinctiveness is claimed in the visual features shown in the representations except for those shown in phantom lines.**



- (21) Design Number: **15230/2006**
(22) Date of Filing Application: **14 November 2006**
(24) Date from which industrial property rights may have effect: **14 November 2006**
(54) Product in respect of which the design is registered: **A footwear upper**
(51) International Design Classification: **02-04NES**
(71) Name(s) and Address(s) of Applicant(s):
Wolverine World Wide, Inc.
9341 Courtland Drive NE Rockford Michigan 49351 United States of America
(72) Name(s) of Designer(s): **Deborah H. Andersen and Martin W.F. Dean and Grant A. Urie**
(45) Registration Date: **15 January 2007**
(30) Convention priority data:
(31) Number (32) Date (33) Country
29260030 18 May 2006 UNITED STATES OF AMERICA
(56) Related Art Documents: **Not Applicable**
(57) Statement of Newness and Distinctiveness: **Newness and distinctiveness is claimed in the visual features shown in the representations except for those shown in phantom lines.**



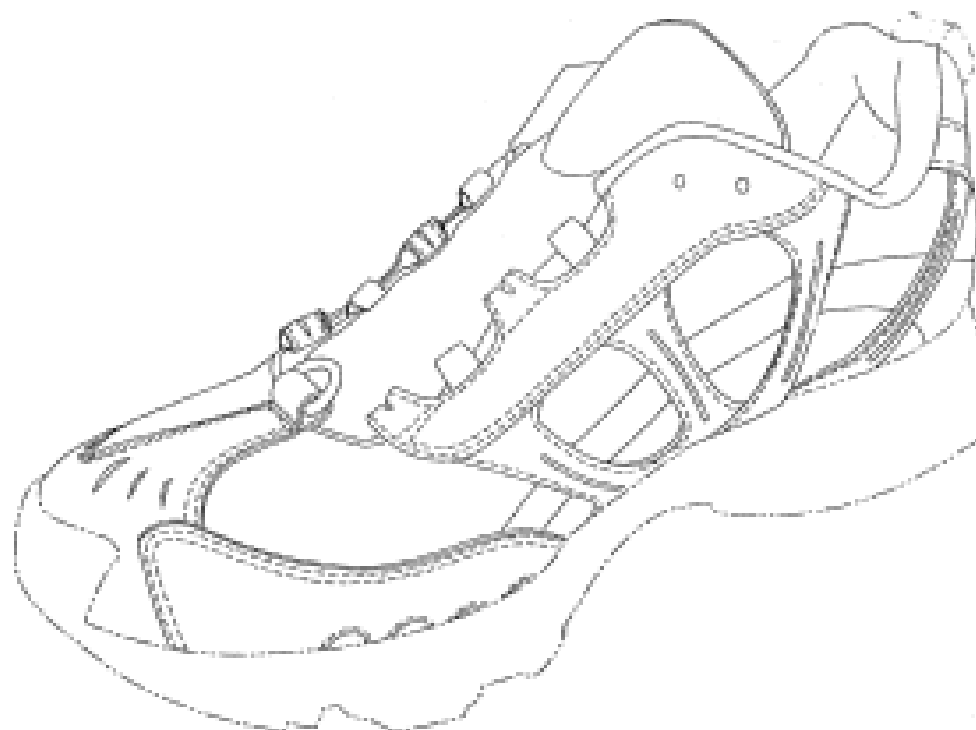
- (21) Design Number: **15231/2006**
- (22) Date of Filing Application: **14 November 2006**
- (24) Date from which industrial property rights may have effect: **14 November 2006**
- (54) Product in respect of which the design is registered: **A footwear upper**
- (51) International Design Classification: **02-04NES**
- (71) Name(s) and Address(s) of Applicant(s):
Wolverine World Wide, Inc.
9341 Courtland Drive NE Rockford Michigan 49351 United States of America
- (72) Name(s) of Designer(s): **Manon Belley and Annamaria Furlanetto**
- (45) Registration Date: **15 January 2007**
- (30) Convention priority data:

(31) Number	(32) Date	(33) Country
29259991	18 May 2006	UNITED STATES OF AMERICA
- (56) Related Art Documents: **Not Applicable**
- (57) Statement of Newness and Distinctiveness: **Newness and distinctiveness is claimed in the visual features shown in the representations except for those shown in phantom lines.**

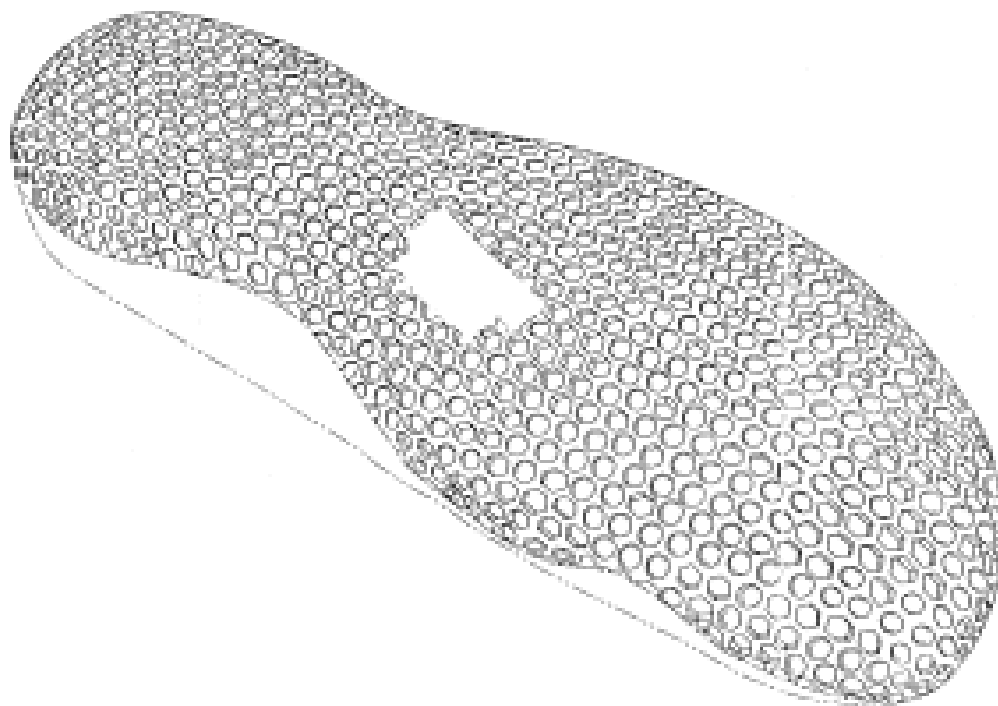


- (21) Design Number: **15232/2006**
- (22) Date of Filing Application: **14 November 2006**
- (24) Date from which industrial property rights may have effect: **14 November 2006**
- (54) Product in respect of which the design is registered: **A footwear upper**
- (51) International Design Classification: **02-04NES**
- (71) Name(s) and Address(s) of Applicant(s):
Wolverine World Wide, Inc.
9341 Courtland Drive NE Rockford Michigan 49351 United States of America
- (72) Name(s) of Designer(s): **Mary L. schoenborn and Tuan N. Le**
- (45) Registration Date: **15 January 2007**
- (30) Convention priority data:

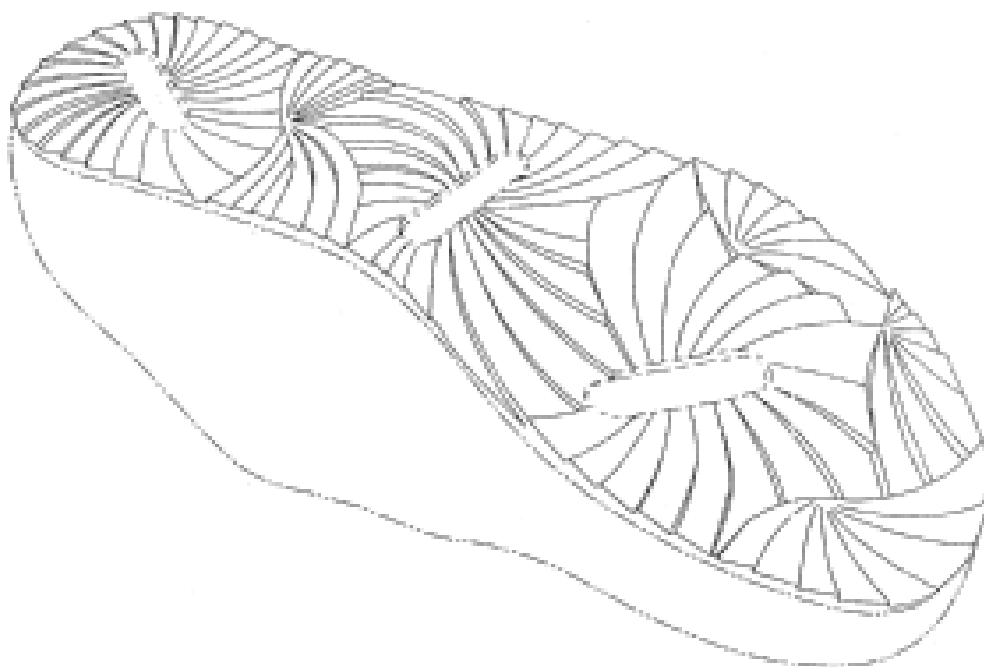
(31) Number	(32) Date	(33) Country
29260027	18 May 2006	UNITED STATES OF AMERICA
- (56) Related Art Documents: **Not Applicable**
- (57) Statement of Newness and Distinctiveness: **Newness and distinctiveness is claimed in the visual features shown in the representations except for those shown in phantom lines.**



- (21) Design Number: **15233/2006**
(22) Date of Filing Application: **14 November 2006**
(24) Date from which industrial property rights may have effect: **14 November 2006**
(54) Product in respect of which the design is registered: **A footwear sole**
(51) International Design Classification: **02-04B**
(71) Name(s) and Address(s) of Applicant(s):
Wolverine World Wide, Inc.
9341 Courtland Drive NE Rockford Michigan 49351 United States of America
(72) Name(s) of Designer(s): **Lester F. Horne and Martin W.F. Dean**
(45) Registration Date: **15 January 2007**
(30) Convention priority data:
(31) Number (32) Date (33) Country
29260000 18 May 2006 UNITED STATES OF AMERICA
(56) Related Art Documents: **Not Applicable**
(57) Statement of Newness and Distinctiveness: **Newness and distinctiveness is claimed in the visual features shown in the representations except for those shown in phantom lines.**



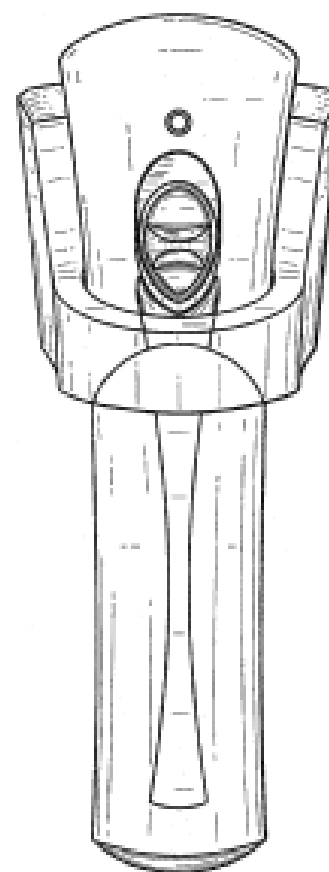
- (21) Design Number: **15234/2006**
(22) Date of Filing Application: **14 November 2006**
(24) Date from which industrial property rights may have effect: **14 November 2006**
(54) Product in respect of which the design is registered: **A footwear sole**
(51) International Design Classification: **02-04B**
(71) Name(s) and Address(s) of Applicant(s):
Wolverine World Wide, Inc.
9341 Courtland Drive NE Rockford Michigan 49351 United States of America
(72) Name(s) of Designer(s): **Lester F. Horne and Martin W.F. Dean**
(45) Registration Date: **15 January 2007**
(30) Convention priority data:
(31) Number (32) Date (33) Country
29260090 18 May 2006 UNITED STATES OF AMERICA
(56) Related Art Documents: **Not Applicable**
(57) Statement of Newness and Distinctiveness: **Newness and distinctiveness is claimed in the visual features shown in the representations except for those shown in phantom lines.**



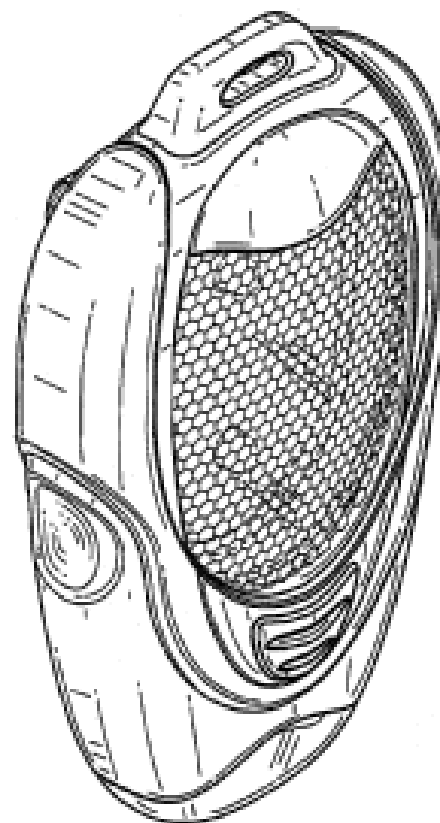
- (21) Design Number: **15261/2006**
(22) Date of Filing Application: **15 November 2006**
(24) Date from which industrial property rights may have effect: **15 November 2006**
(54) Product in respect of which the design is registered: **Tire**
(51) International Design Classification: **12-15B**
(71) Name(s) and Address(s) of Applicant(s):
Sumitomo Rubber Industries, Ltd.
6-9 Wakinohama-cho 3-chome Chuo-ku Kobe-shi Hyogo Japan
(72) Name(s) of Designer(s): **Hideto Yamakawa and Takehiko Murata and Tetsuya Sakaguchi**
(45) Registration Date: **15 January 2007**
(30) Convention priority data:
(31) Number (32) Date (33) Country
2006-018422 12 Jul 2006 JAPAN
(56) Related Art Documents: **Not Applicable**
(57) Statement of Newness and Distinctiveness: **Those features of the tire depicted in the representations that are new and distinctive are the shape, configuration and pattern of the tread.**



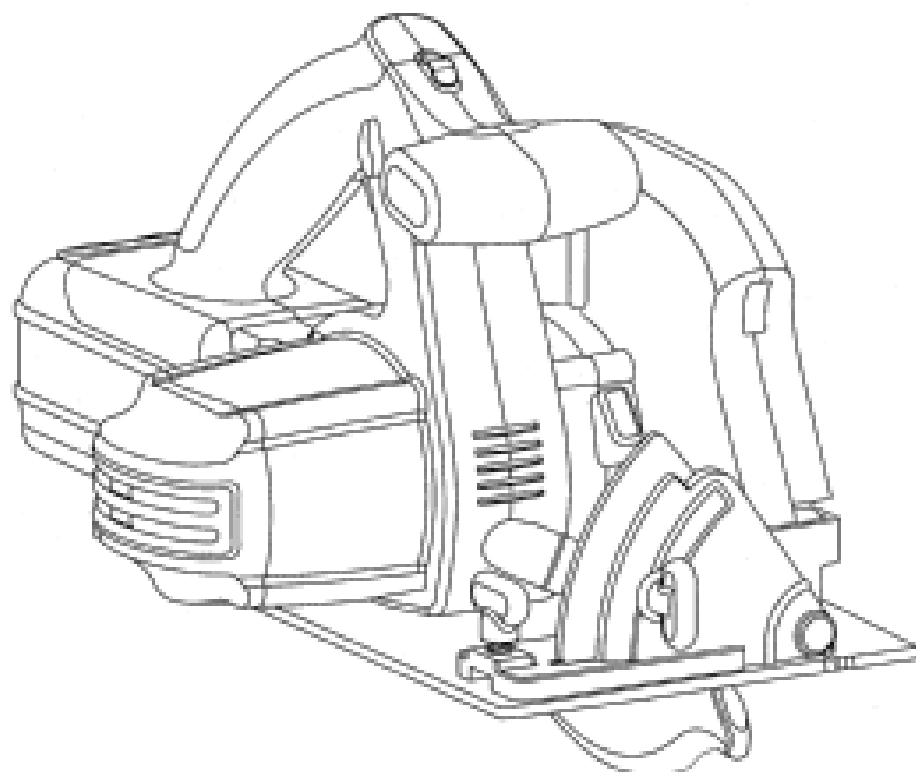
- (21) Design Number: **15262/2006**
(22) Date of Filing Application: **15 November 2006**
(24) Date from which industrial property rights may have effect: **15 November 2006**
(54) Product in respect of which the design is registered: **Power failure light**
(51) International Design Classification: **26-02**
(71) Name(s) and Address(s) of Applicant(s):
Eveready Battery Company, Inc.
533 Maryville University Drive St Louis Missouri 63164 United States of America
(72) Name(s) of Designer(s): **Ronald J. Kingston and Scott W. Osiecki**
(45) Registration Date: **15 January 2007**
(30) Convention priority data:
(31) Number (32) Date (33) Country
29/260262 23 May 2006 UNITED STATES OF AMERICA
(56) Related Art Documents: **Not Applicable**
(57) Statement of Newness and Distinctiveness: **Nil**



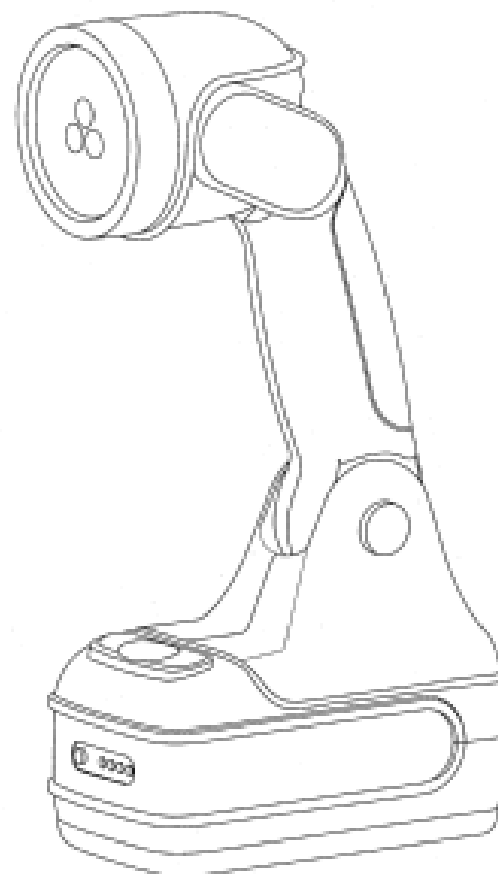
- (21) Design Number: **15263/2006**
(22) Date of Filing Application: **15 November 2006**
(24) Date from which industrial property rights may have effect: **15 November 2006**
(54) Product in respect of which the design is registered: **Portable light (hands free LED flashlight/area light)**
(51) International Design Classification: **26-02**
(71) Name(s) and Address(s) of Applicant(s):
Eveready Battery Company, Inc.
533 Maryville University Drive St Louis Missouri 63164 United States of America
(72) Name(s) of Designer(s): **Scott W. Osiecki and Robert S. Englert**
(45) Registration Date: **15 January 2007**
(30) Convention priority data:
(31) Number (32) Date (33) Country
29/260275 23 May 2006 UNITED STATES OF AMERICA
(56) Related Art Documents: **Not Applicable**
(57) Statement of Newness and Distinctiveness: **Nil**



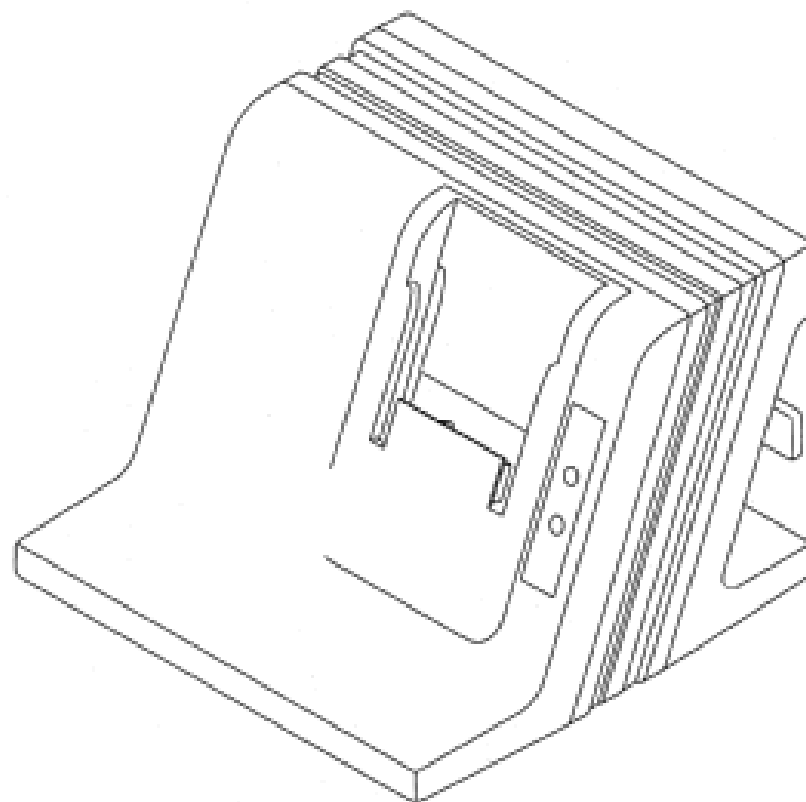
- (21) Design Number: **15267/2006**
(22) Date of Filing Application: **16 November 2006**
(24) Date from which industrial property rights may have effect: **16 November 2006**
(54) Product in respect of which the design is registered: **Circular saw**
(51) International Design Classification: **08-03**
(71) Name(s) and Address(s) of Applicant(s):
Nanjing Chervon Industry Co., Ltd.
No. 9 Shengli West Road Jiangning Economic & Technical Development Zone, Nanjing Jiangsu 211100 China
(72) Name(s) of Designer(s): **Junliu Zhang**
(45) Registration Date: **15 January 2007**
(30) Convention priority data:
(31) Number (32) Date (33) Country
200630089518.3 31 May 2006 CHINA
(56) Related Art Documents: **Not Applicable**
(57) Statement of Newness and Distinctiveness: **Each feature of the design considered separately or in combination with any other feature or features.**



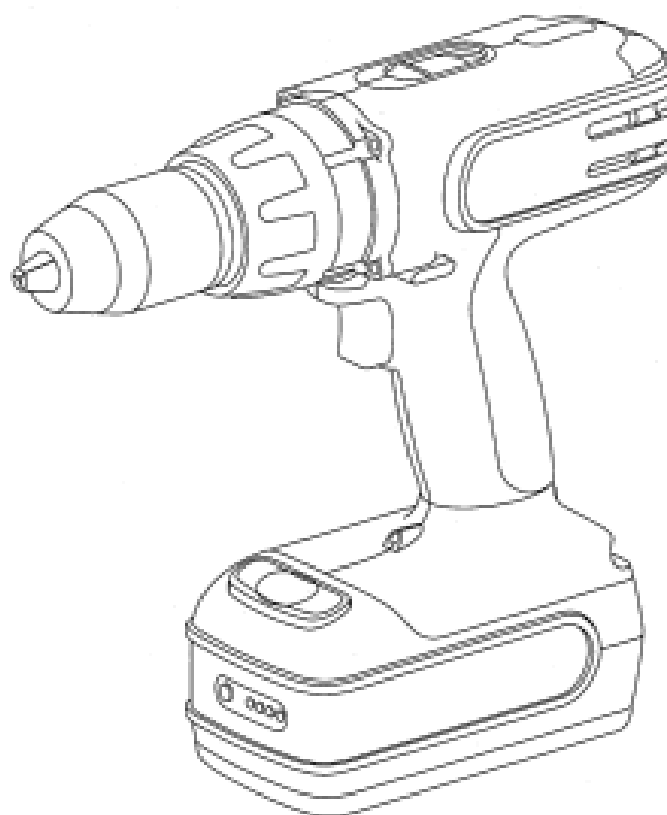
- (21) Design Number: **15268/2006**
(22) Date of Filing Application: **16 November 2006**
(24) Date from which industrial property rights may have effect: **16 November 2006**
(54) Product in respect of which the design is registered: **Flashlight**
(51) International Design Classification: **26-02**
(71) Name(s) and Address(s) of Applicant(s):
Nanjing Chervon Industry Co., Ltd.
No. 9 Shengli West Road Jiangning Economic & Technical
Development Zone, Nanjing Jiangsu 211100 China
(72) Name(s) of Designer(s): **Gan Wei**
(45) Registration Date: **15 January 2007**
(30) Convention priority data:
(31) Number (32) Date (33) Country
200630086548.9 19 May 2006 CHINA
(56) Related Art Documents: **Not Applicable**
(57) Statement of Newness and Distinctiveness: **Each feature of the design**
considered separately or in combination with any other feature or
features.



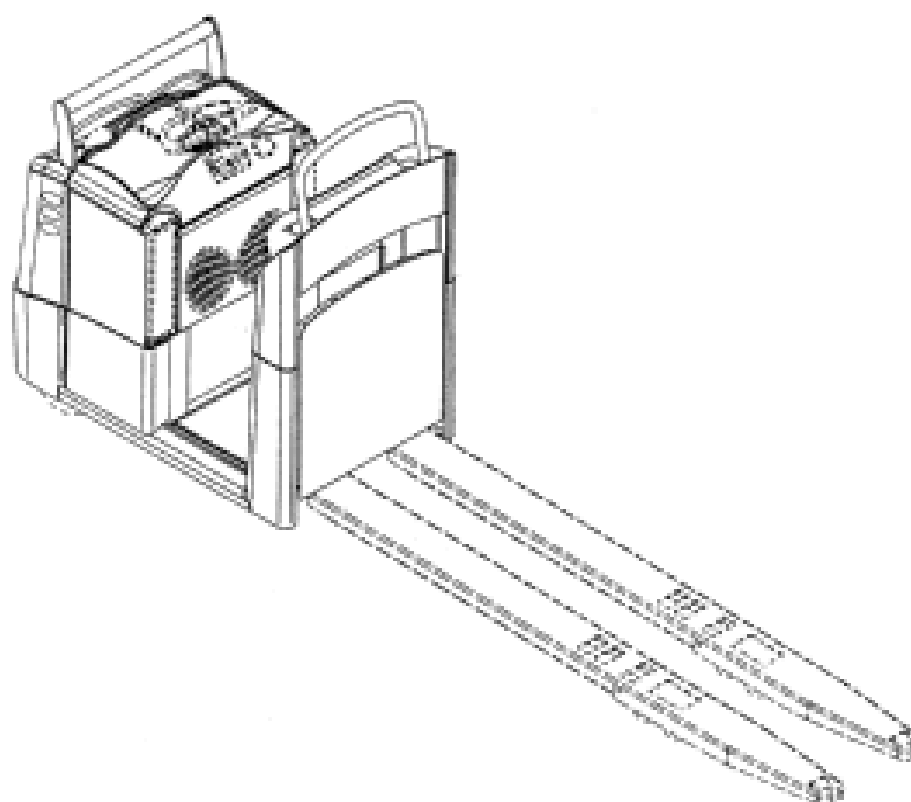
- (21) Design Number: **15269/2006**
(22) Date of Filing Application: **16 November 2006**
(24) Date from which industrial property rights may have effect: **16 November 2006**
(54) Product in respect of which the design is registered: **Charger**
(51) International Design Classification: **13-02**
(71) Name(s) and Address(s) of Applicant(s):
Nanjing Chervon Industry Co., Ltd.
No. 9 Shengli West Road Jiangning Economic & Technical
Development Zone, Nanjing Jiangsu 211100 China
(72) Name(s) of Designer(s): **Shubin Tong**
(45) Registration Date: **15 January 2007**
(30) Convention priority data:
(31) Number (32) Date (33) Country
200630086078.6 17 May 2006 CHINA
(56) Related Art Documents: **Not Applicable**
(57) Statement of Newness and Distinctiveness: **Each feature of the design**
considered separately or in combination with any other feature or
features.



- (21) Design Number: **15270/2006**
(22) Date of Filing Application: **16 November 2006**
(24) Date from which industrial property rights may have effect: **16 November 2006**
(54) Product in respect of which the design is registered: **Drill**
(51) International Design Classification: **08-01**
(71) Name(s) and Address(s) of Applicant(s):
Nanjing Chervon Industry Co., Ltd.
No. 9 Shengli West Road Jiangning Economic & Technical
Development Zone, Nanjing Jiangsu 211100 China
(72) Name(s) of Designer(s): **Zhi Zhang**
(45) Registration Date: **15 January 2007**
(30) Convention priority data:
(31) Number (32) Date (33) Country
200630087803.1 13 Jun 2006 CHINA
(56) Related Art Documents: **Not Applicable**
(57) Statement of Newness and Distinctiveness: **Each feature of the design considered separately or in combination with any other feature or features.**



- (21) Design Number: **15274/2006**
(22) Date of Filing Application: **16 November 2006**
(24) Date from which industrial property rights may have effect: **16 November 2006**
(54) Product in respect of which the design is registered: **Low level order picker lift truck**
(51) International Design Classification: **12-05**
(71) Name(s) and Address(s) of Applicant(s):
Crown Equipment Corporation
40 South Washington Street New Bremen OH 45869 United States of
America
(72) Name(s) of Designer(s): **Michael P. Gallagher and James V. Kraimer and**
Markus Graf and Philip D. Palermo and Robert J. Henshaw
(45) Registration Date: **15 January 2007**
(30) Convention priority data:
(31) Number (32) Date (33) Country
29250144 03 Nov 2006 UNITED STATES OF AMERICA
(56) Related Art Documents: **Not Applicable**
(57) Statement of Newness and Distinctiveness: **The shape and configuration of the low level order picker lift truck is new and distinctive. In considering the newness and distinctiveness of the design, the features shown in broken lines are to be disregarded.**



(21) Design Number: **11818/2006**

(22) Date of Filing Application: **02 May 2006**

(24) Date from which industrial property rights may have effect: **02 May 2006**

(54) Product in respect of which the design is registered: **Chair**

(51) International Design Classification: **06-01F**

(71) Name(s) and Address(s) of Applicant(s):

**Dauphin Entwicklungs-und Beteiligungs GmbH
Industriestrasse 11 DE-91217 Hersbruck Germany**

(72) Name(s) of Designer(s): **Elke Dauphin**

(45) Registration Date: **15 January 2007**

(56) Related Art Documents: **Not Applicable**

(57) Statement of Newness and Distinctiveness: **Those visual features of the chair depicted in the representations that are new and distinctive are the shape and/or configuration. The bottom view of the chair may or may not form part of the design.**



(21) Design Number: **11819/2006**

(22) Date of Filing Application: **02 May 2006**

(24) Date from which industrial property rights may have effect: **02 May 2006**

(54) Product in respect of which the design is registered: **Chair**

(51) International Design Classification: **06-01F**

(71) Name(s) and Address(s) of Applicant(s):

**Dauphin Entwicklungs-und Beteiligungs GmbH
Industriestrasse 11 DE-91217 Hersbruck Germany**

(72) Name(s) of Designer(s): **Elke Dauphin**

(45) Registration Date: **15 January 2007**

(56) Related Art Documents: **Not Applicable**

(57) Statement of Newness and Distinctiveness: **Those visual features of the chair depicted in the representations that are new and distinctive are the shape and/or configuration. The features of the bottom of the chair do not form part of the design and should be disregarded when considering the overall impression of the design.**



(21) Design Number: **11820/2006**

(22) Date of Filing Application: **02 May 2006**

(24) Date from which industrial property rights may have effect: **02 May 2006**

(54) Product in respect of which the design is registered: **Chair**

(51) International Design Classification: **06-01F**

(71) Name(s) and Address(s) of Applicant(s):

**Dauphin Entwicklungs-und Beteiligungs GmbH
Industriestrasse 11 DE-91217 Hersbruck Germany**

(72) Name(s) of Designer(s): **Elke Dauphin**

(45) Registration Date: **15 January 2007**

(56) Related Art Documents: **Not Applicable**

(57) Statement of Newness and Distinctiveness: **Those visual features of the chair depicted in the representations that are new and distinctive are the shape and/or configuration. The features of the bottom of the chair do not form part of the design and should be disregarded when considering the overall impression of the design.**



(21) Design Number: **12716/2006**

(22) Date of Filing Application: **22 June 2006**

(24) Date from which industrial property rights may have effect: **22 June 2006**

(54) Product in respect of which the design is registered: **Component of a door closer arm assembly**

(51) International Design Classification: **08-07**

(71) Name(s) and Address(s) of Applicant(s):

**ASSA ABLOY Australia Pty Limited
50 Edward Street Oakleigh Victoria 3166 Australia**

(72) Name(s) of Designer(s): **David Blanch**

(45) Registration Date: **15 January 2007**

(56) Related Art Documents: **Not Applicable**

(57) Statement of Newness and Distinctiveness: **Those features of the component of a door closer arm assembly depicted in the representations that are new and distinctive are the shape and/or configuration.**



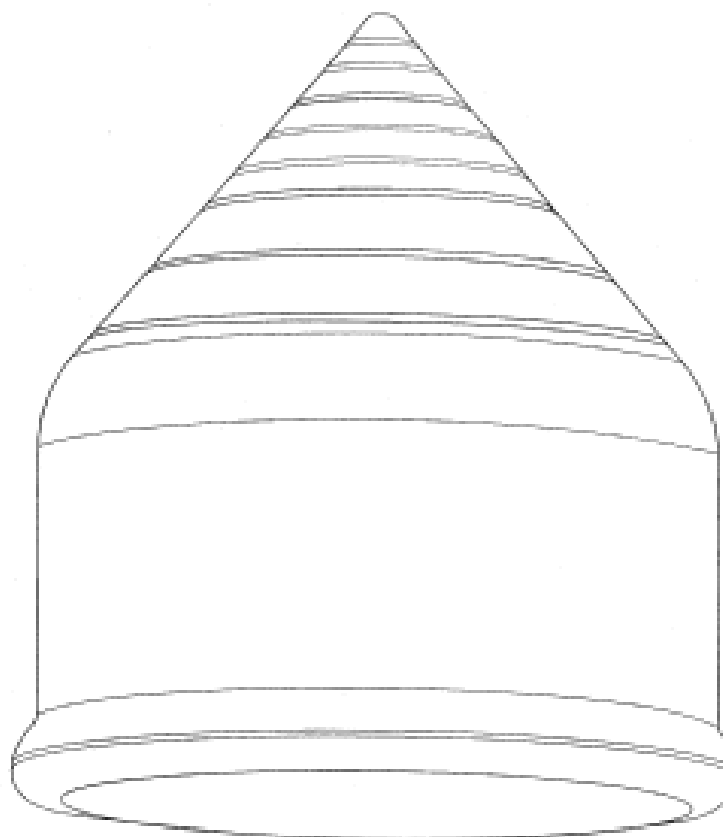
- (21) Design Number: **14897/2006**
(22) Date of Filing Application: **25 October 2006**
(24) Date from which industrial property rights may have effect: **25 October 2006**
(54) Product in respect of which the design is registered: **Handbag or purse**
(51) International Design Classification: **03-01B**
(71) Name(s) and Address(s) of Applicant(s):
Simon Lo
47 The Outlook Glen Waverley Melbourne Victoria 3150 Australia
(72) Name(s) of Designer(s): **Simon Lo**
(45) Registration Date: **15 January 2007**
(56) Related Art Documents: **Not Applicable**
(57) Statement of Newness and Distinctiveness: **The new features of the design are the shape of the handbag or purse and no exclusively is claimed for the handle or strap.**



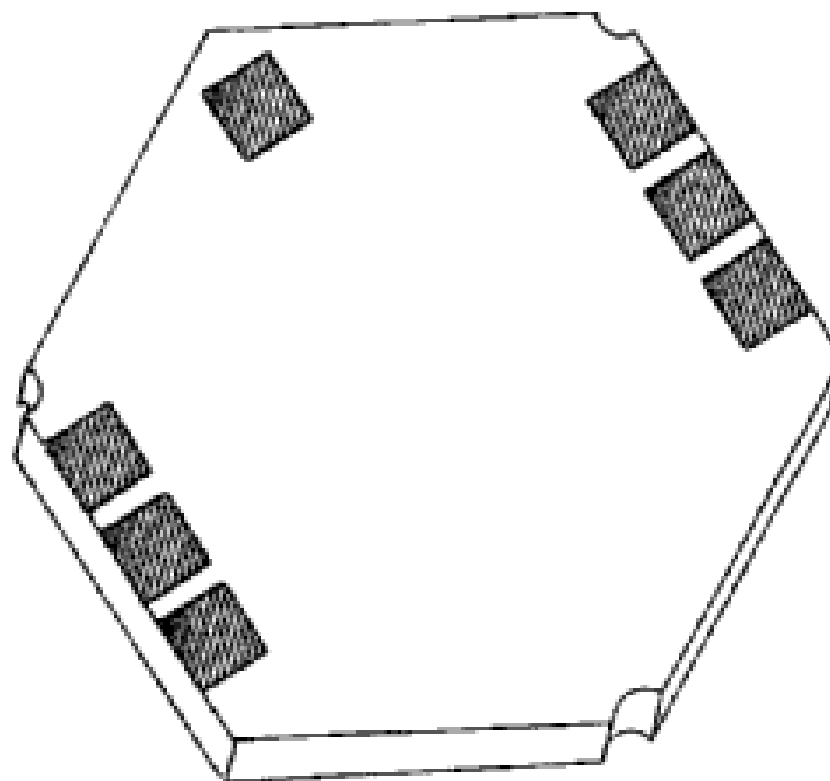
- (21) Design Number: **15094/2006**
(22) Date of Filing Application: **07 November 2006**
(24) Date from which industrial property rights may have effect: **07 November 2006**
(54) Product in respect of which the design is registered: **A set of flexible connectors**
(51) International Design Classification: **06-06NES**
(71) Name(s) and Address(s) of Applicant(s):
Andrew Leo Haynes
3/7 Mably Court Stanmore Bay Whangaparaoa New Zealand
(72) Name(s) of Designer(s): **Andrew Leo Haynes**
(45) Registration Date: **15 January 2007**
(30) Convention priority data:

(31) Number	(32) Date	(33) Country
407599	18 May 2006	NEW ZEALAND

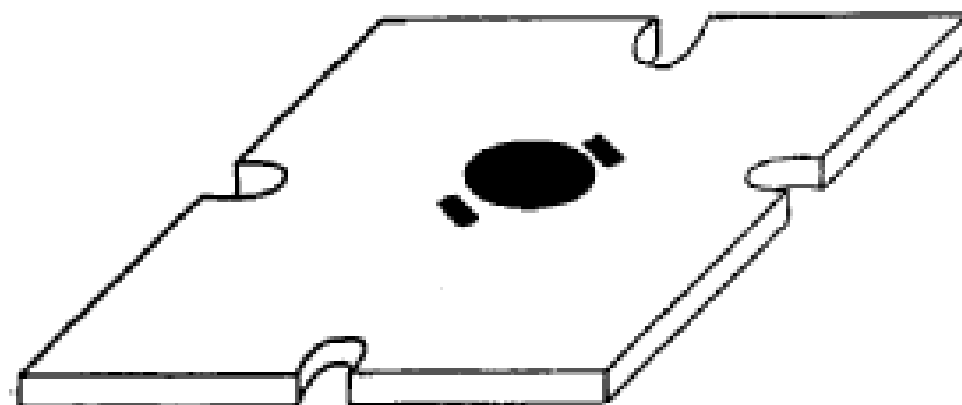
(56) Related Art Documents: **Not Applicable**
(57) Statement of Newness and Distinctiveness: **Noevlty resides in the features of shape and configuration of a set of flexible connectors all as shown in the accompanying drawings.**



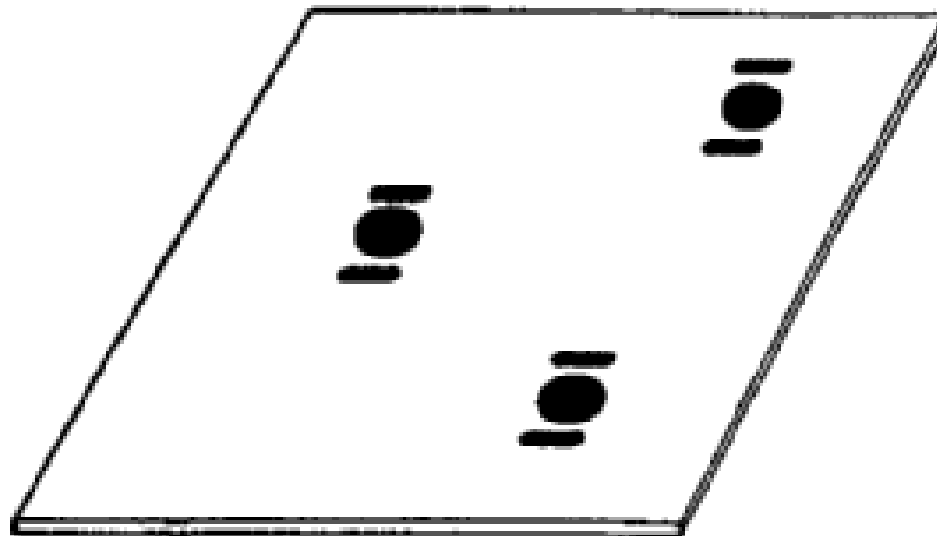
- (21) Design Number: **15331/2006**
(22) Date of Filing Application: **20 November 2006**
(24) Date from which industrial property rights may have effect: **01 September 2006**
(54) Product in respect of which the design is registered: **Printed circuit board**
(51) International Design Classification: **14-03NES**
(71) Name(s) and Address(s) of Applicant(s):
Lednium Pty Ltd
272-274 Maroondah Highway Mooroolbark Victoria 3138 Australia
(72) Name(s) of Designer(s): **Mazin Ali and John Montagnat**
(45) Registration Date: **15 January 2007**
(62) Divisional of: **312188**
(56) Related Art Documents: **Not Applicable**
(57) Statement of Newness and Distinctiveness: **Newness and distinctiveness is claimed in the shape of the contact pattern as applied to the printed circuit board.**



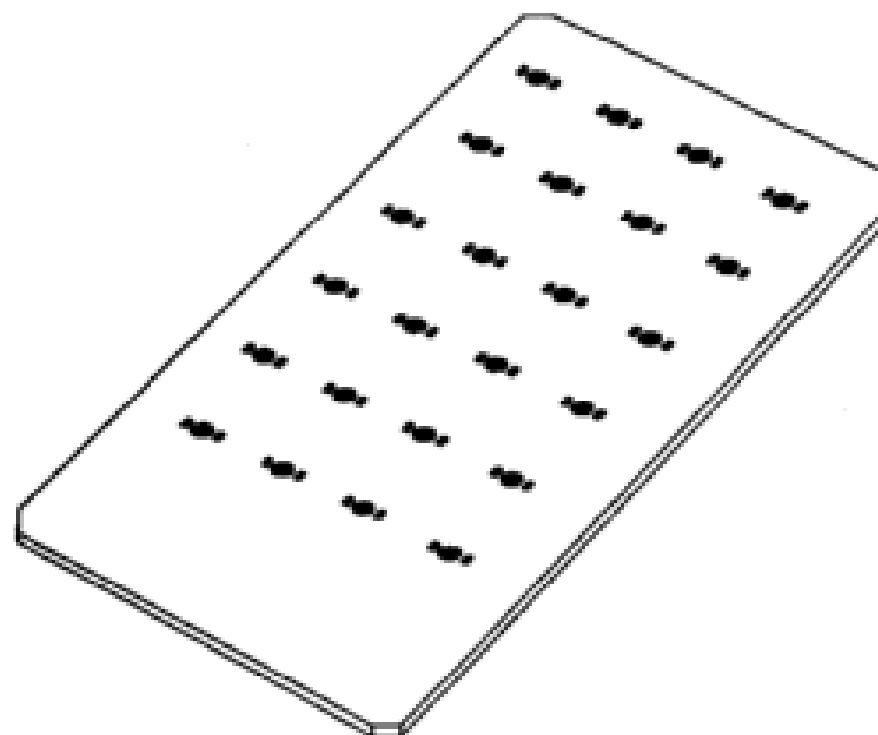
- (21) Design Number: **15332/2006**
(22) Date of Filing Application: **20 November 2006**
(24) Date from which industrial property rights may have effect: **01 September 2006**
(54) Product in respect of which the design is registered: **Printed circuit board**
(51) International Design Classification: **14-03NES**
(71) Name(s) and Address(s) of Applicant(s):
Lednium Pty Ltd
272-274 Maroondah Highway Mooroolbark Victoria 3138 Australia
(72) Name(s) of Designer(s): **Mazin Ali and John Montagnat**
(45) Registration Date: **15 January 2007**
(62) Divisional of: **312188**
(56) Related Art Documents: **Not Applicable**
(57) Statement of Newness and Distinctiveness: **Newness and distinctiveness is claimed in the shape of the contact pattern as applied to the printed circuit board.**



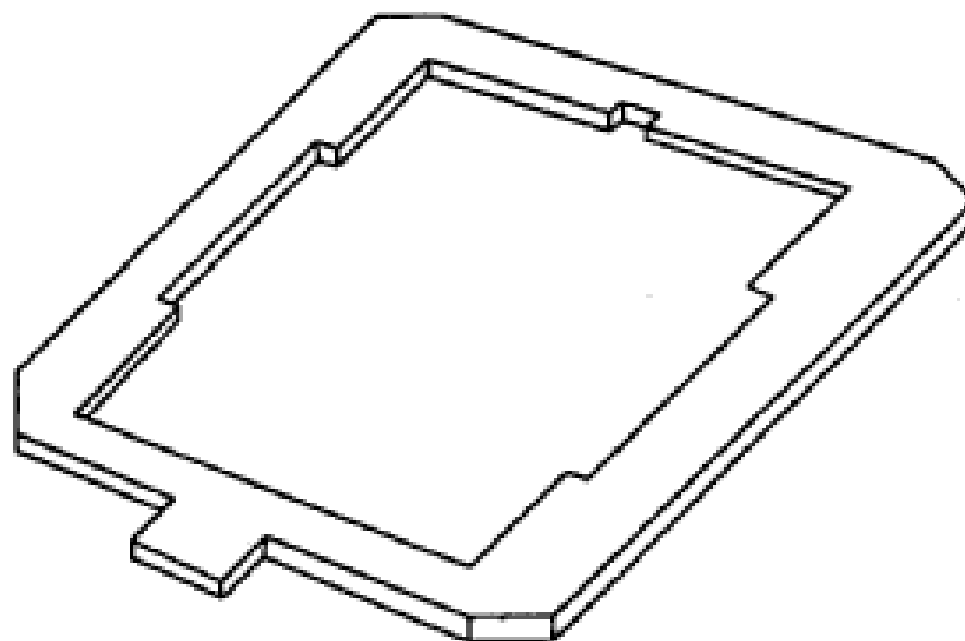
- (21) Design Number: **15333/2006**
(22) Date of Filing Application: **20 November 2006**
(24) Date from which industrial property rights may have effect: **01 September 2006**
(54) Product in respect of which the design is registered: **Printed circuit board**
(51) International Design Classification: **14-03NES**
(71) Name(s) and Address(s) of Applicant(s):
Lednium Pty Ltd
272-274 Maroondah Highway Mooroolbark Victoria 3138 Australia
(72) Name(s) of Designer(s): **Mazin Ali and John Montagnat**
(45) Registration Date: **15 January 2007**
(62) Divisional of: **312188**
(56) Related Art Documents: **Not Applicable**
(57) Statement of Newness and Distinctiveness: **Newness and distinctiveness is claimed in the shape of the contact patterns as applied to the printed circuit board.**



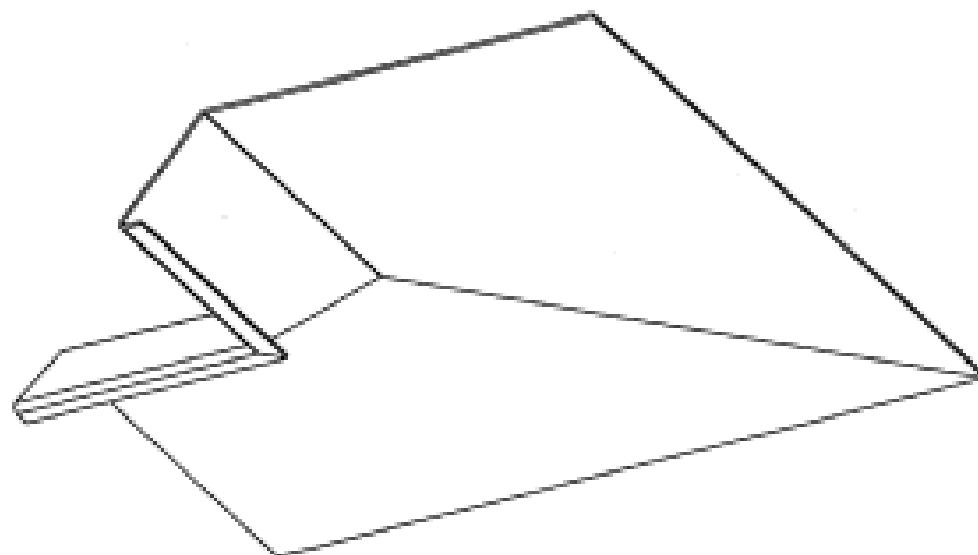
- (21) Design Number: **15334/2006**
(22) Date of Filing Application: **20 November 2006**
(24) Date from which industrial property rights may have effect: **01 September 2006**
(54) Product in respect of which the design is registered: **Printed circuit board**
(51) International Design Classification: **14-03NES**
(71) Name(s) and Address(s) of Applicant(s):
Lednium Pty Ltd
272-274 Maroondah Highway Mooroolbark Victoria 3138 Australia
(72) Name(s) of Designer(s): **Mazin Ali and John Montagnat**
(45) Registration Date: **15 January 2007**
(62) Divisional of: **312188**
(56) Related Art Documents: **Not Applicable**
(57) Statement of Newness and Distinctiveness: **Newness and distinctiveness is claimed in the shape of the contact patterns as applied to the printed circuit board.**



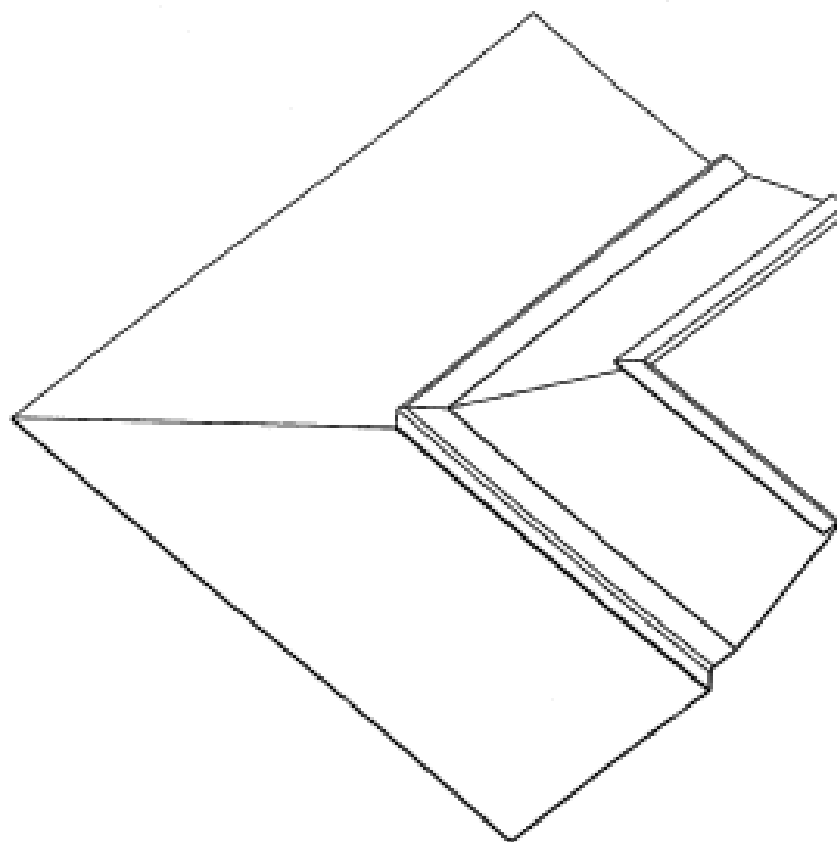
- (21) Design Number: **15335/2006**
(22) Date of Filing Application: **20 November 2006**
(24) Date from which industrial property rights may have effect: **01 September 2006**
(54) Product in respect of which the design is registered: **Printed circuit board**
(51) International Design Classification: **14-03NES**
(71) Name(s) and Address(s) of Applicant(s):
Lednium Pty Ltd
272-274 Maroondah Highway Mooroolbark Victoria 3138 Australia
(72) Name(s) of Designer(s): **Mazin Ali and John Montagnat**
(45) Registration Date: **15 January 2007**
(62) Divisional of: **312188**
(56) Related Art Documents: **Not Applicable**
(57) Statement of Newness and Distinctiveness: **Newness and distinctiveness is claimed in the shape of the contact pattern as applied to the printed circuit board.**



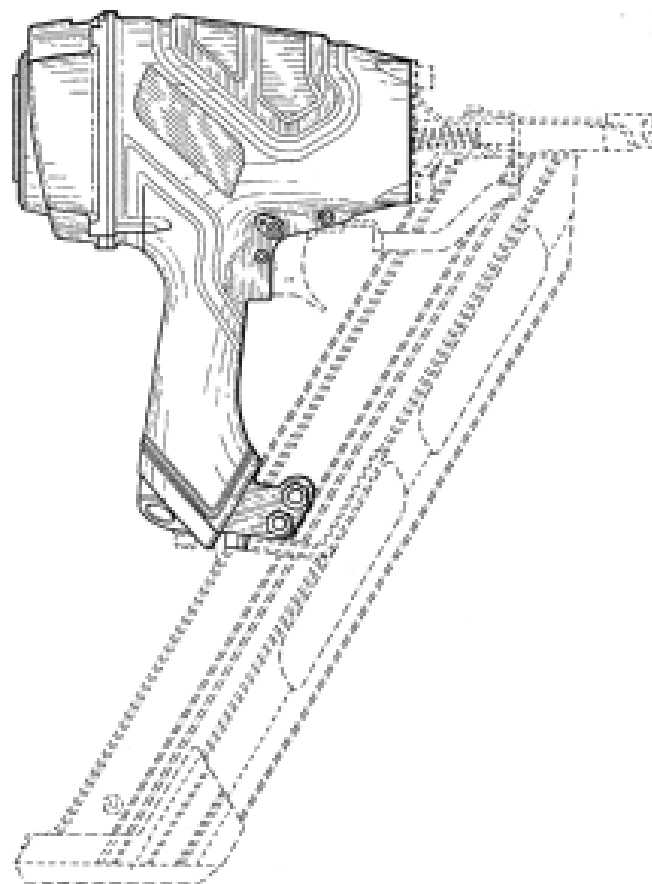
- (21) Design Number: **15344/2006**
(22) Date of Filing Application: **21 November 2006**
(24) Date from which industrial property rights may have effect: **21 November 2006**
(54) Product in respect of which the design is registered: **Ant capping corner element**
(51) International Design Classification: **25-02NES**
(71) Name(s) and Address(s) of Applicant(s):
Gerard Ryan
90 Bulimba Street Bulimba Queensland 4171 Australia
(72) Name(s) of Designer(s): **Gerard Ryan**
(45) Registration Date: **15 January 2007**
(56) Related Art Documents: **Not Applicable**
(57) Statement of Newness and Distinctiveness: **Nil**



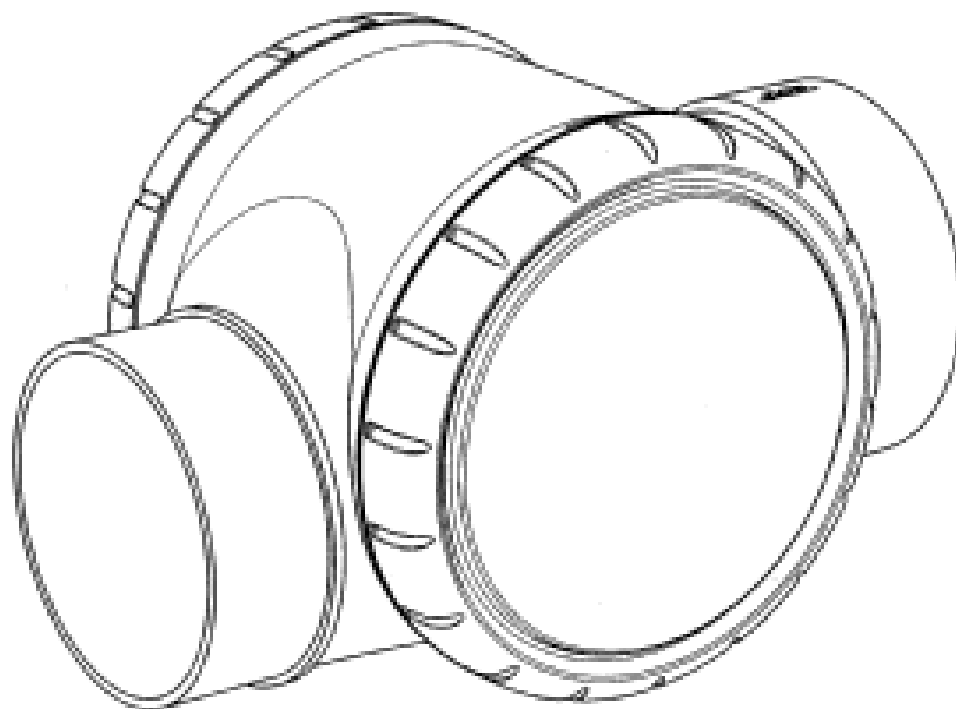
- (21) Design Number: **15345/2006**
(22) Date of Filing Application: **21 November 2006**
(24) Date from which industrial property rights may have effect: **21 November 2006**
(54) Product in respect of which the design is registered: **Ant capping corner element**
(51) International Design Classification: **25-02NES**
(71) Name(s) and Address(s) of Applicant(s):
Gerard Ryan
90 Bulimba Street Bulimba Queensland 4171 Australia
(72) Name(s) of Designer(s): **Gerard Ryan**
(45) Registration Date: **15 January 2007**
(56) Related Art Documents: **Not Applicable**
(57) Statement of Newness and Distinctiveness: **Nil**



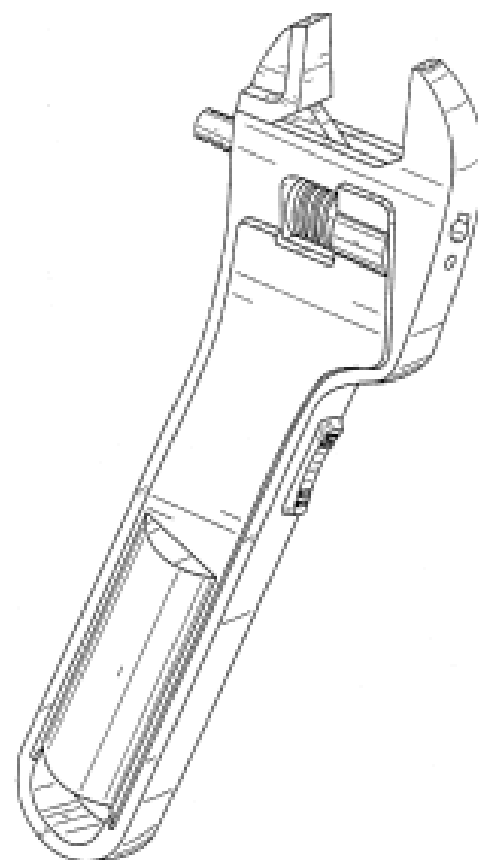
- (21) Design Number: **15346/2006**
(22) Date of Filing Application: **21 November 2006**
(24) Date from which industrial property rights may have effect: **21 November 2006**
(54) Product in respect of which the design is registered: **Fastener driving tool housing**
(51) International Design Classification: **08-02**
(71) Name(s) and Address(s) of Applicant(s):
Illinois Tool Works Inc.
Patent Department 3600 West Lake Avenue Glenview Illinois 60026
United States of America
(72) Name(s) of Designer(s): **Greg Holderfield and Joey Nakayama**
(45) Registration Date: **15 January 2007**
(30) Convention priority data:
(31) Number (32) Date (33) Country
29261883 22 Jun 2006 UNITED STATES OF AMERICA
(56) Related Art Documents: **Not Applicable**
(57) Statement of Newness and Distinctiveness: **Newness and distinctiveness is claimed in the visual features of the housing as shown in solid lines in the representations.**



(21) Design Number: **15348/2006**
(22) Date of Filing Application: **21 November 2006**
(24) Date from which industrial property rights may have effect: **21 November 2006**
(54) Product in respect of which the design is registered: **Water filter**
(51) International Design Classification: **23-01G**
(71) Name(s) and Address(s) of Applicant(s):
Silvan H2O Pty Ltd
89 Lewis Road Wantirna South Victoria 3152 Australia
(72) Name(s) of Designer(s): **Alan Boyes**
(45) Registration Date: **15 January 2007**
(56) Related Art Documents: **Not Applicable**
(57) Statement of Newness and Distinctiveness: **Nil**



(21) Design Number: **15349/2006**
(22) Date of Filing Application: **21 November 2006**
(24) Date from which industrial property rights may have effect: **21 November 2006**
(54) Product in respect of which the design is registered: **A wrench**
(51) International Design Classification: **08-05P**
(71) Name(s) and Address(s) of Applicant(s):
Black & Decker, Inc.
1207 Drummond Plaza Newark Delaware 19711 United States of America
(72) Name(s) of Designer(s): **Gregory Scott Snider**
(45) Registration Date: **15 January 2007**
(30) Convention priority data:
(31) Number (32) Date (33) Country
29/260687 31 May 2006 UNITED STATES OF AMERICA
(56) Related Art Documents: **Not Applicable**
(57) Statement of Newness and Distinctiveness: **Nil**

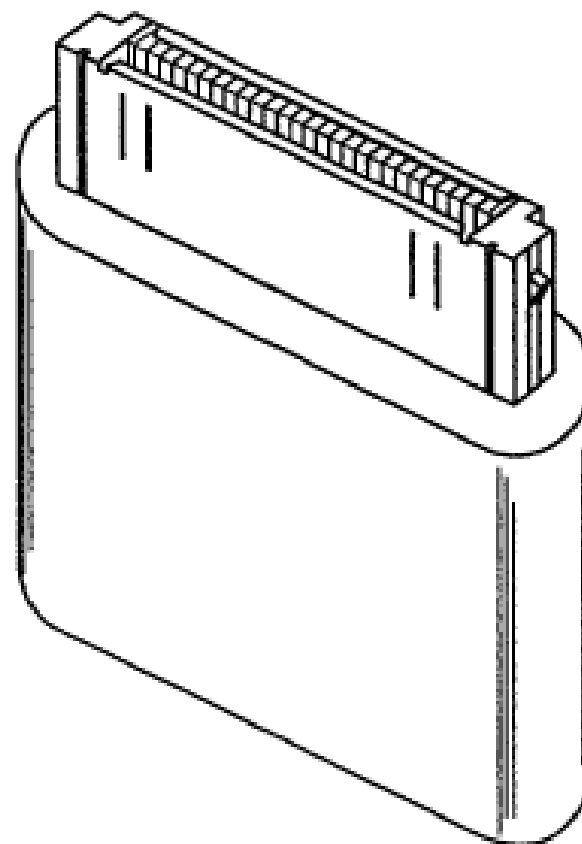


(19) AU

(21) Design Number: **15350/2006**
 (22) Date of Filing Application: **21 November 2006**
 (24) Date from which industrial property rights may have effect: **21 November 2006**
 (54) Product in respect of which the design is registered: **Accessory device**
 (51) International Design Classification: **14-02**
 (71) Name(s) and Address(s) of Applicant(s):
Apple Computer, Inc.
1 Infinite Loop Cupertino California 95014-2084 United States of America
 (72) Name(s) of Designer(s): **Christopher J. Stringer and Daniel J. Coster**
 (45) Registration Date: **15 January 2007**
 (30) Convention priority data:

(31) Number	(32) Date	(33) Country
29/260348	22 May 2006	UNITED STATES OF AMERICA

 (56) Related Art Documents: **Not Applicable**
 (57) Statement of Newness and Distinctiveness: **Nil**

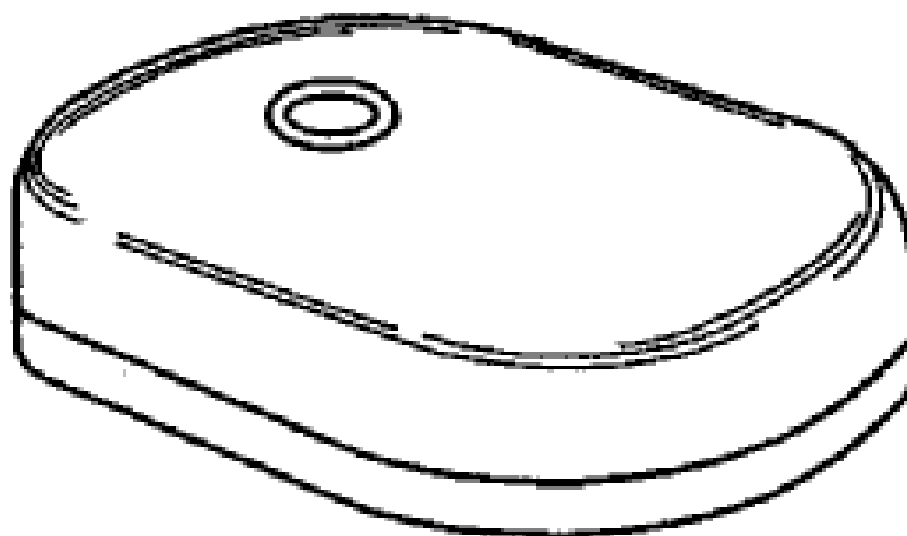


(19) AU

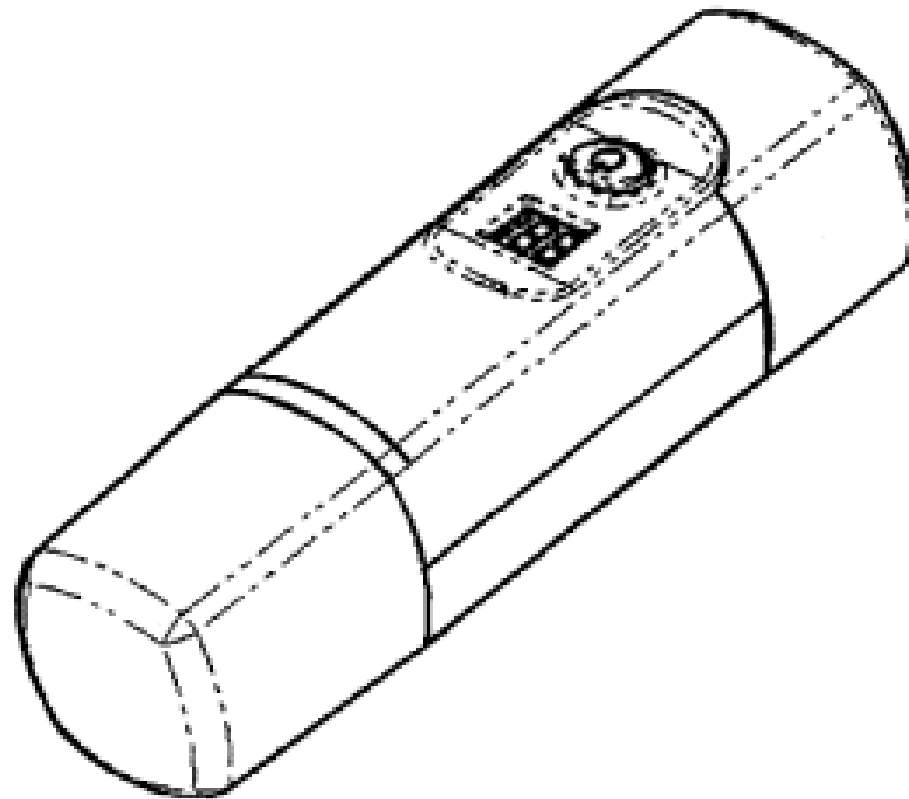
(21) Design Number: **15351/2006**
 (22) Date of Filing Application: **21 November 2006**
 (24) Date from which industrial property rights may have effect: **21 November 2006**
 (54) Product in respect of which the design is registered: **Activity sensor**
 (51) International Design Classification: **14-03NES**
 (71) Name(s) and Address(s) of Applicant(s):
Apple Computer, Inc.
1 Infinite Loop Cupertino California 95014-2084 United States of America
 (72) Name(s) of Designer(s): **Christopher J. Stringer and Daniel J. Coster**
 (45) Registration Date: **15 January 2007**
 (30) Convention priority data:

(31) Number	(32) Date	(33) Country
29/260346	22 May 2006	UNITED STATES OF AMERICA

 (56) Related Art Documents: **Not Applicable**
 (57) Statement of Newness and Distinctiveness: **Nil**



(21) Design Number: **15364/2006**
(22) Date of Filing Application: **22 November 2006**
(24) Date from which industrial property rights may have effect: **22 November 2006**
(54) Product in respect of which the design is registered: **Hand held dispenser**
(51) International Design Classification: **09-01K**
(71) Name(s) and Address(s) of Applicant(s):
Ventaira Pharmaceuticals, Inc.
1801 Watermark Drive Suite 100 Columbus Ohio 43215-1037 United States of America
(72) Name(s) of Designer(s): **Karl Dallas Kirk III and Theodore Robert Adams**
(45) Registration Date: **15 January 2007**
(30) Convention priority data:
(31) Number (32) Date (33) Country
29/260405 24 May 2006 UNITED STATES OF AMERICA
(56) Related Art Documents: **Not Applicable**
(57) Statement of Newness and Distinctiveness: **Nil**



(21) Design Number: **15366/2006**
(22) Date of Filing Application: **22 November 2006**
(24) Date from which industrial property rights may have effect: **22 November 2006**
(54) Product in respect of which the design is registered: **LMS glass**
(51) International Design Classification: **07-01C**
(71) Name(s) and Address(s) of Applicant(s):
Diageo Great Britain Limited
8 Henrietta Place London W1G 0NB United Kingdom
(72) Name(s) of Designer(s): **Toby Wilson and Kate Nunn**
(45) Registration Date: **15 January 2007**
(30) Convention priority data:
(31) Number (32) Date (33) Country
000534391-0001 24 May 2006 EUROPEAN COMMUNITY
(56) Related Art Documents: **Not Applicable**
(57) Statement of Newness and Distinctiveness: **Nil**



(21) Design Number: **15798/2005**
(22) Date of Filing Application: **22 December 2005**
(24) Date from which industrial property rights may have effect: **22 December 2005**
(54) Product in respect of which the design is registered: **Furniture/sofa**
(51) International Design Classification: **06-01G**
(71) Name(s) and Address(s) of Applicant(s):

De Coro Limited
1401 Hutchison House 10 Harcourt Road Hong Kong

(72) Name(s) of Designer(s): **Luca Ricci**

(45) Registration Date: **15 January 2007**

(30) Convention priority data:

(31) Number	(32) Date	(33) Country
200530147635.6	18 Nov 2005	CHINA

(56) Related Art Documents: **Not Applicable**

(57) Statement of Newness and Distinctiveness: **Nil**



(21) Design Number: **15799/2005**
(22) Date of Filing Application: **22 December 2005**
(24) Date from which industrial property rights may have effect: **22 December 2005**
(54) Product in respect of which the design is registered: **Furniture/sofa**
(51) International Design Classification: **06-01G**
(71) Name(s) and Address(s) of Applicant(s):

De Coro Limited
1401 Hutchison House 10 Harcourt Road Hong Kong

(72) Name(s) of Designer(s): **Luca Ricci**

(45) Registration Date: **15 January 2007**

(30) Convention priority data:

(31) Number	(32) Date	(33) Country
200530147636.0	18 Nov 2005	CHINA

(56) Related Art Documents: **Not Applicable**

(57) Statement of Newness and Distinctiveness: **Nil**



(21) Design Number: **15800/2005**
(22) Date of Filing Application: **22 December 2005**
(24) Date from which industrial property rights may have effect: **22 December 2005**
(54) Product in respect of which the design is registered: **Furniture/sofa**
(51) International Design Classification: **06-01G**
(71) Name(s) and Address(s) of Applicant(s):

De Coro Limited
1401 Hutchison House 10 Harcourt Road Hong Kong

(72) Name(s) of Designer(s): **Luca Ricci**

(45) Registration Date: **15 January 2007**

(30) Convention priority data:

(31) Number	(32) Date	(33) Country
200530147646.4	18 Nov 2005	CHINA

(56) Related Art Documents: **Not Applicable**

(57) Statement of Newness and Distinctiveness: **Nil**



(21) Design Number: **15801/2005**
(22) Date of Filing Application: **22 December 2005**
(24) Date from which industrial property rights may have effect: **22 December 2005**
(54) Product in respect of which the design is registered: **Furniture/sofa**
(51) International Design Classification: **06-01G**
(71) Name(s) and Address(s) of Applicant(s):

De Coro Limited
1401 Hutchison House 10 Harcourt Road Hong Kong

(72) Name(s) of Designer(s): **Luca Ricci**

(45) Registration Date: **15 January 2007**

(30) Convention priority data:

(31) Number	(32) Date	(33) Country
200530147628.6	18 Nov 2005	CHINA

(56) Related Art Documents: **Not Applicable**

(57) Statement of Newness and Distinctiveness: **Nil**



(21) Design Number: **15802/2005**
(22) Date of Filing Application: **22 December 2005**
(24) Date from which industrial property rights may have effect: **22 December 2005**
(54) Product in respect of which the design is registered: **Furniture/sofa**
(51) International Design Classification: **06-01G**
(71) Name(s) and Address(s) of Applicant(s):

De Coro Limited
1401 Hutchison House 10 Harcourt Road Hong Kong

(72) Name(s) of Designer(s): **Luca Ricci**

(45) Registration Date: **15 January 2007**

(30) Convention priority data:

(31) Number	(32) Date	(33) Country
200530147629.0	18 Nov 2005	CHINA

(56) Related Art Documents: **Not Applicable**

(57) Statement of Newness and Distinctiveness: **Nil**



(21) Design Number: **15803/2005**
(22) Date of Filing Application: **22 December 2005**
(24) Date from which industrial property rights may have effect: **22 December 2005**
(54) Product in respect of which the design is registered: **Furniture/sofa**
(51) International Design Classification: **06-01G**
(71) Name(s) and Address(s) of Applicant(s):

De Coro Limited
1401 Hutchison House 10 Harcourt Road Hong Kong

(72) Name(s) of Designer(s): **Luca Ricci**

(45) Registration Date: **15 January 2007**

(30) Convention priority data:

(31) Number	(32) Date	(33) Country
200530147652.X	18 Nov 2005	CHINA

(56) Related Art Documents: **Not Applicable**

(57) Statement of Newness and Distinctiveness: **Nil**



(21) Design Number: **15804/2005**
(22) Date of Filing Application: **22 December 2005**
(24) Date from which industrial property rights may have effect: **22 December 2005**
(54) Product in respect of which the design is registered: **Furniture/sofa**
(51) International Design Classification: **06-01G**
(71) Name(s) and Address(s) of Applicant(s):

De Coro Limited
1401 Hutchison House 10 Harcourt Road Hong Kong

(72) Name(s) of Designer(s): **Luca Ricci**

(45) Registration Date: **15 January 2007**

(30) Convention priority data:

(31) Number	(32) Date	(33) Country
200530147630.3	18 Nov 2005	CHINA

(56) Related Art Documents: **Not Applicable**

(57) Statement of Newness and Distinctiveness: **Nil**



(21) Design Number: **15805/2005**
(22) Date of Filing Application: **22 December 2005**
(24) Date from which industrial property rights may have effect: **22 December 2005**
(54) Product in respect of which the design is registered: **Furniture/sofa**
(51) International Design Classification: **06-01G**
(71) Name(s) and Address(s) of Applicant(s):

De Coro Limited
1401 Hutchison House 10 Harcourt Road Hong Kong

(72) Name(s) of Designer(s): **Luca Ricci**

(45) Registration Date: **15 January 2007**

(30) Convention priority data:

(31) Number	(32) Date	(33) Country
200530147631.8	18 Nov 2005	CHINA

(56) Related Art Documents: **Not Applicable**

(57) Statement of Newness and Distinctiveness: **Nil**



(21) Design Number: **15806/2005**
(22) Date of Filing Application: **22 December 2005**
(24) Date from which industrial property rights may have effect: **22 December 2005**
(54) Product in respect of which the design is registered: **Furniture/sofa**
(51) International Design Classification: **06-01G**
(71) Name(s) and Address(s) of Applicant(s):

De Coro Limited
1401 Hutchison House 10 Harcourt Road Hong Kong

(72) Name(s) of Designer(s): **Luca Ricci**

(45) Registration Date: **15 January 2007**

(30) Convention priority data:

(31) Number	(32) Date	(33) Country
200530147645.X	18 Nov 2005	CHINA

(56) Related Art Documents: **Not Applicable**

(57) Statement of Newness and Distinctiveness: **Nil**



(21) Design Number: **15807/2005**
(22) Date of Filing Application: **22 December 2005**
(24) Date from which industrial property rights may have effect: **22 December 2005**
(54) Product in respect of which the design is registered: **Furniture/sofa**
(51) International Design Classification: **06-01G**
(71) Name(s) and Address(s) of Applicant(s):

De Coro Limited
1401 Hutchison House 10 Harcourt Road Hong Kong

(72) Name(s) of Designer(s): **Luca Ricci**

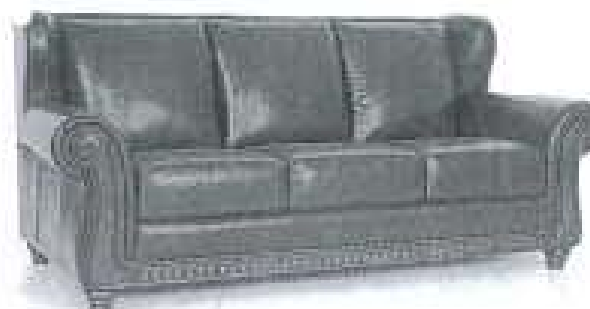
(45) Registration Date: **15 January 2007**

(30) Convention priority data:

(31) Number	(32) Date	(33) Country
200530147640.7	18 Nov 2005	CHINA

(56) Related Art Documents: **Not Applicable**

(57) Statement of Newness and Distinctiveness: **Nil**



(21) Design Number: **15808/2005**
(22) Date of Filing Application: **22 December 2005**
(24) Date from which industrial property rights may have effect: **22 December 2005**
(54) Product in respect of which the design is registered: **Furniture/sofa**
(51) International Design Classification: **06-01G**
(71) Name(s) and Address(s) of Applicant(s):

De Coro Limited
1401 Hutchison House 10 Harcourt Road Hong Kong

(72) Name(s) of Designer(s): **Luca Ricci**

(45) Registration Date: **15 January 2007**

(30) Convention priority data:

(31) Number	(32) Date	(33) Country
200530147641.1	18 Nov 2005	CHINA

(56) Related Art Documents: **Not Applicable**

(57) Statement of Newness and Distinctiveness: **Nil**



(21) Design Number: **15809/2005**
(22) Date of Filing Application: **22 December 2005**
(24) Date from which industrial property rights may have effect: **22 December 2005**
(54) Product in respect of which the design is registered: **Furniture/sofa**
(51) International Design Classification: **06-01G**
(71) Name(s) and Address(s) of Applicant(s):

De Coro Limited
1401 Hutchison House 10 Harcourt Road Hong Kong

(72) Name(s) of Designer(s): **Luca Ricci**

(45) Registration Date: **15 January 2007**

(30) Convention priority data:

(31) Number	(32) Date	(33) Country
200530147642.6	18 Nov 2005	CHINA

(56) Related Art Documents: **Not Applicable**

(57) Statement of Newness and Distinctiveness: **Nil**



(21) Design Number: **15810/2005**
(22) Date of Filing Application: **22 December 2005**
(24) Date from which industrial property rights may have effect: **22 December 2005**
(54) Product in respect of which the design is registered: **Furniture/sofa**
(51) International Design Classification: **06-01G**
(71) Name(s) and Address(s) of Applicant(s):

De Coro Limited
1401 Hutchison House 10 Harcourt Road Hong Kong

(72) Name(s) of Designer(s): **Luca Ricci**

(45) Registration Date: **15 January 2007**

(30) Convention priority data:

(31) Number	(32) Date	(33) Country
200530147643.0	18 Nov 2005	CHINA

(56) Related Art Documents: **Not Applicable**

(57) Statement of Newness and Distinctiveness: **Nil**



(21) Design Number: **15811/2005**
(22) Date of Filing Application: **22 December 2005**
(24) Date from which industrial property rights may have effect: **22 December 2005**
(54) Product in respect of which the design is registered: **Furniture/sofa**
(51) International Design Classification: **06-01G**
(71) Name(s) and Address(s) of Applicant(s):

De Coro Limited
1401 Hutchison House 10 Harcourt Road Hong Kong

(72) Name(s) of Designer(s): **Luca Ricci**

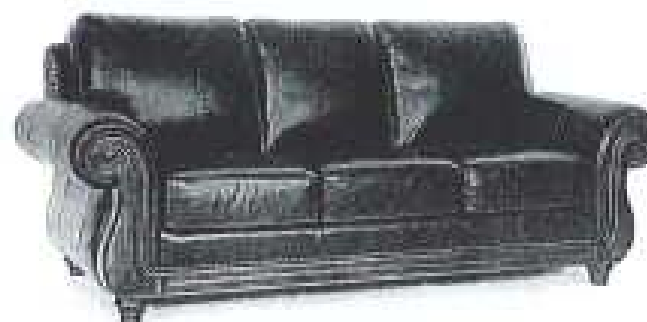
(45) Registration Date: **15 January 2007**

(30) Convention priority data:

(31) Number	(32) Date	(33) Country
200530147644.5	18 Nov 2005	CHINA

(56) Related Art Documents: **Not Applicable**

(57) Statement of Newness and Distinctiveness: **Nil**



(21) Design Number: **15812/2005**
(22) Date of Filing Application: **22 December 2005**
(24) Date from which industrial property rights may have effect: **22 December 2005**
(54) Product in respect of which the design is registered: **Furniture/sofa**
(51) International Design Classification: **06-01G**
(71) Name(s) and Address(s) of Applicant(s):

De Coro Limited
1401 Hutchison House 10 Harcourt Road Hong Kong

(72) Name(s) of Designer(s): **Luca Ricci**

(45) Registration Date: **15 January 2007**

(30) Convention priority data:

(31) Number	(32) Date	(33) Country
200530147638.X	18 Nov 2005	CHINA

(56) Related Art Documents: **Not Applicable**

(57) Statement of Newness and Distinctiveness: **Nil**



(21) Design Number: **15813/2005**
(22) Date of Filing Application: **22 December 2005**
(24) Date from which industrial property rights may have effect: **22 December 2005**
(54) Product in respect of which the design is registered: **Furniture/sofa**
(51) International Design Classification: **06-01G**
(71) Name(s) and Address(s) of Applicant(s):

De Coro Limited
1401 Hutchison House 10 Harcourt Road Hong Kong

(72) Name(s) of Designer(s): **Luca Ricci**

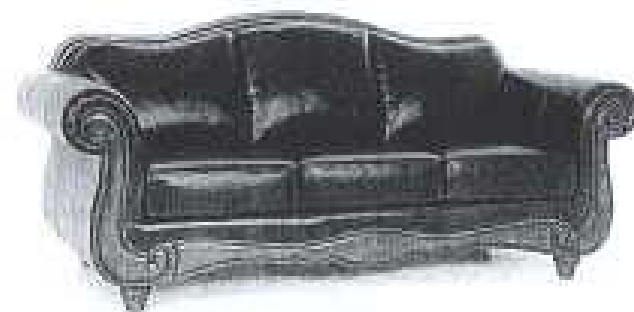
(45) Registration Date: **15 January 2007**

(30) Convention priority data:

(31) Number	(32) Date	(33) Country
200530147639.4	18 Nov 2005	CHINA

(56) Related Art Documents: **Not Applicable**

(57) Statement of Newness and Distinctiveness: **Nil**



(21) Design Number: **15814/2005**
(22) Date of Filing Application: **22 December 2005**
(24) Date from which industrial property rights may have effect: **22 December 2005**
(54) Product in respect of which the design is registered: **Furniture/sofa**
(51) International Design Classification: **06-01G**
(71) Name(s) and Address(s) of Applicant(s):

De Coro Limited
1401 Hutchison House 10 Harcourt Road Hong Kong

(72) Name(s) of Designer(s): **Luca Ricci**

(45) Registration Date: **15 January 2007**

(30) Convention priority data:

(31) Number	(32) Date	(33) Country
200530147637.5	18 Nov 2005	CHINA

(56) Related Art Documents: **Not Applicable**

(57) Statement of Newness and Distinctiveness: **Nil**



(21) Design Number: **15815/2005**
(22) Date of Filing Application: **22 December 2005**
(24) Date from which industrial property rights may have effect: **22 December 2005**
(54) Product in respect of which the design is registered: **Furniture/sofa**
(51) International Design Classification: **06-01G**
(71) Name(s) and Address(s) of Applicant(s):

De Coro Limited
1401 Hutchison House 10 Harcourt Road Hong Kong

(72) Name(s) of Designer(s): **Luca Ricci**

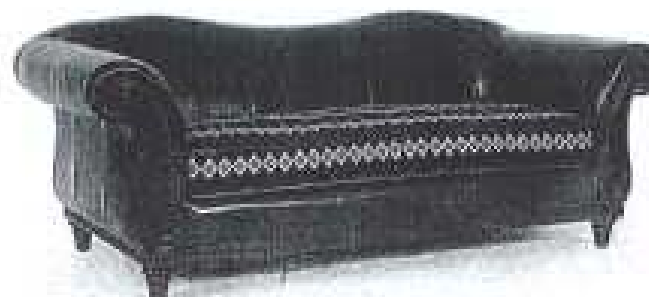
(45) Registration Date: **15 January 2007**

(30) Convention priority data:

(31) Number	(32) Date	(33) Country
200530147632.2	18 Nov 2005	CHINA

(56) Related Art Documents: **Not Applicable**

(57) Statement of Newness and Distinctiveness: **Nil**



- (21) Design Number: **15816/2005**
(22) Date of Filing Application: **22 December 2005**
(24) Date from which industrial property rights may have effect: **22 December 2005**
(54) Product in respect of which the design is registered: **Furniture/sofa**
(51) International Design Classification: **06-01G**
(71) Name(s) and Address(s) of Applicant(s):

De Coro Limited
1401 Hutchison House 10 Harcourt Road Hong Kong

(72) Name(s) of Designer(s): **Luca Ricci**

(45) Registration Date: **15 January 2007**

(30) Convention priority data:

(31) Number	(32) Date	(33) Country
200530147633.7	18 Nov 2005	CHINA

(56) Related Art Documents: **Not Applicable**

(57) Statement of Newness and Distinctiveness: **Nil**



- (21) Design Number: **15817/2005**
(22) Date of Filing Application: **22 December 2005**
(24) Date from which industrial property rights may have effect: **22 December 2005**
(54) Product in respect of which the design is registered: **Furniture/sofa**
(51) International Design Classification: **06-01G**
(71) Name(s) and Address(s) of Applicant(s):

De Coro Limited
1401 Hutchison House 10 Harcourt Road Hong Kong

(72) Name(s) of Designer(s): **Luca Ricci**

(45) Registration Date: **15 January 2007**

(30) Convention priority data:

(31) Number	(32) Date	(33) Country
200530147659.1	18 Nov 2005	CHINA

(56) Related Art Documents: **Not Applicable**

(57) Statement of Newness and Distinctiveness: **Nil**



(21) Design Number: **15818/2005**
(22) Date of Filing Application: **22 December 2005**
(24) Date from which industrial property rights may have effect: **22 December 2005**
(54) Product in respect of which the design is registered: **Furniture/sofa**
(51) International Design Classification: **06-01G**
(71) Name(s) and Address(s) of Applicant(s):

De Coro Limited
1401 Hutchison House 10 Harcourt Road Hong Kong

(72) Name(s) of Designer(s): **Luca Ricci**

(45) Registration Date: **15 January 2007**

(30) Convention priority data:

(31) Number	(32) Date	(33) Country
200530147660.4	18 Nov 2005	CHINA

(56) Related Art Documents: **Not Applicable**

(57) Statement of Newness and Distinctiveness: **Nil**



(21) Design Number: **15819/2005**
(22) Date of Filing Application: **22 December 2005**
(24) Date from which industrial property rights may have effect: **22 December 2005**
(54) Product in respect of which the design is registered: **Furniture/sofa**
(51) International Design Classification: **06-01G**
(71) Name(s) and Address(s) of Applicant(s):

De Coro Limited
1401 Hutchison House 10 Harcourt Road Hong Kong

(72) Name(s) of Designer(s): **Luca Ricci**

(45) Registration Date: **15 January 2007**

(30) Convention priority data:

(31) Number	(32) Date	(33) Country
200530147661.9	18 Nov 2005	CHINA

(56) Related Art Documents: **Not Applicable**

(57) Statement of Newness and Distinctiveness: **Nil**



(21) Design Number: **15820/2005**
(22) Date of Filing Application: **22 December 2005**
(24) Date from which industrial property rights may have effect: **22 December 2005**
(54) Product in respect of which the design is registered: **Furniture/sofa**
(51) International Design Classification: **06-01G**
(71) Name(s) and Address(s) of Applicant(s):

De Coro Limited
1401 Hutchison House 10 Harcourt Road Hong Kong

(72) Name(s) of Designer(s): **Luca Ricci**

(45) Registration Date: **15 January 2007**

(30) Convention priority data:

(31) Number	(32) Date	(33) Country
200530147662.3	18 Nov 2005	CHINA

(56) Related Art Documents: **Not Applicable**

(57) Statement of Newness and Distinctiveness: **Nil**



(21) Design Number: **15821/2005**
(22) Date of Filing Application: **22 December 2005**
(24) Date from which industrial property rights may have effect: **22 December 2005**
(54) Product in respect of which the design is registered: **Furniture/sofa**
(51) International Design Classification: **06-01G**
(71) Name(s) and Address(s) of Applicant(s):

De Coro Limited
1401 Hutchison House 10 Harcourt Road Hong Kong

(72) Name(s) of Designer(s): **Luca Ricci**

(45) Registration Date: **15 January 2007**

(30) Convention priority data:

(31) Number	(32) Date	(33) Country
200530147657.2	18 Nov 2005	CHINA

(56) Related Art Documents: **Not Applicable**

(57) Statement of Newness and Distinctiveness: **Nil**



(21) Design Number: **15822/2005**
(22) Date of Filing Application: **22 December 2005**
(24) Date from which industrial property rights may have effect: **22 December 2005**
(54) Product in respect of which the design is registered: **Furniture/sofa**
(51) International Design Classification: **06-01G**
(71) Name(s) and Address(s) of Applicant(s):
De Coro Limited
1401 Hutchison House 10 Harcourt Road Hong Kong
(72) Name(s) of Designer(s): **Luca Ricci**
(45) Registration Date: **15 January 2007**
(30) Convention priority data:
(31) Number (32) Date (33) Country
200530147634.1 18 Nov 2005 CHINA
(56) Related Art Documents: **Not Applicable**
(57) Statement of Newness and Distinctiveness: **Nil**



(21) Design Number: **15823/2005**
(22) Date of Filing Application: **22 December 2005**
(24) Date from which industrial property rights may have effect: **22 December 2005**
(54) Product in respect of which the design is registered: **Furniture/sofa**
(51) International Design Classification: **06-01G**
(71) Name(s) and Address(s) of Applicant(s):
De Coro Limited
1401 Hutchison House 10 Harcourt Road Hong Kong
(72) Name(s) of Designer(s): **Luca Ricci**
(45) Registration Date: **15 January 2007**
(30) Convention priority data:
(31) Number (32) Date (33) Country
200530147651.5 18 Nov 2005 CHINA
(56) Related Art Documents: **Not Applicable**
(57) Statement of Newness and Distinctiveness: **Nil**



(21) Design Number: **15824/2005**
(22) Date of Filing Application: **22 December 2005**
(24) Date from which industrial property rights may have effect: **22 December 2005**
(54) Product in respect of which the design is registered: **Furniture/sofa**
(51) International Design Classification: **06-01G**
(71) Name(s) and Address(s) of Applicant(s):

De Coro Limited
1401 Hutchison House 10 Harcourt Road Hong Kong

(72) Name(s) of Designer(s): **Luca Ricci**

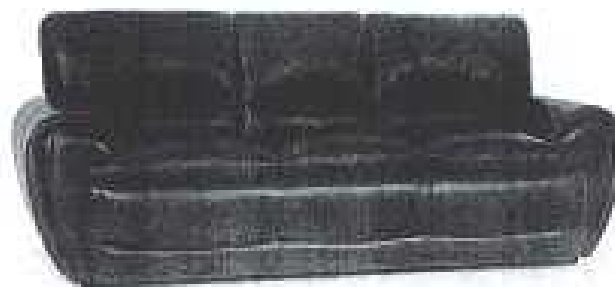
(45) Registration Date: **15 January 2007**

(30) Convention priority data:

(31) Number	(32) Date	(33) Country
200530147658.7	18 Nov 2005	CHINA

(56) Related Art Documents: **Not Applicable**

(57) Statement of Newness and Distinctiveness: **Nil**



(21) Design Number: **15825/2005**
(22) Date of Filing Application: **22 December 2005**
(24) Date from which industrial property rights may have effect: **22 December 2005**
(54) Product in respect of which the design is registered: **Furniture/sofa**
(51) International Design Classification: **06-01G**
(71) Name(s) and Address(s) of Applicant(s):

De Coro Limited
1401 Hutchison House 10 Harcourt Road Hong Kong

(72) Name(s) of Designer(s): **Luca Ricci**

(45) Registration Date: **15 January 2007**

(30) Convention priority data:

(31) Number	(32) Date	(33) Country
200530147653.4	18 Nov 2005	CHINA

(56) Related Art Documents: **Not Applicable**

(57) Statement of Newness and Distinctiveness: **Nil**



(21) Design Number: **15826/2005**
(22) Date of Filing Application: **22 December 2005**
(24) Date from which industrial property rights may have effect: **22 December 2005**
(54) Product in respect of which the design is registered: **Furniture/sofa**
(51) International Design Classification: **06-01G**
(71) Name(s) and Address(s) of Applicant(s):

De Coro Limited
1401 Hutchison House 10 Harcourt Road Hong Kong

(72) Name(s) of Designer(s): **Luca Ricci**

(45) Registration Date: **15 January 2007**

(30) Convention priority data:

(31) Number	(32) Date	(33) Country
200530147654.9	18 Nov 2005	CHINA

(56) Related Art Documents: **Not Applicable**

(57) Statement of Newness and Distinctiveness: **Nil**



(21) Design Number: **15827/2005**
(22) Date of Filing Application: **22 December 2005**
(24) Date from which industrial property rights may have effect: **22 December 2005**
(54) Product in respect of which the design is registered: **Furniture/sofa**
(51) International Design Classification: **06-01G**
(71) Name(s) and Address(s) of Applicant(s):

De Coro Limited
1401 Hutchison House 10 Harcourt Road Hong Kong

(72) Name(s) of Designer(s): **Luca Ricci**

(45) Registration Date: **15 January 2007**

(30) Convention priority data:

(31) Number	(32) Date	(33) Country
200530147655.3	18 Nov 2005	CHINA

(56) Related Art Documents: **Not Applicable**

(57) Statement of Newness and Distinctiveness: **Nil**



(21) Design Number: **15828/2005**

(22) Date of Filing Application: **22 December 2005**

(24) Date from which industrial property rights may have effect: **22 December 2005**

(54) Product in respect of which the design is registered: **Furniture/sofa**

(51) International Design Classification: **06-01G**

(71) Name(s) and Address(s) of Applicant(s):

De Coro Limited

1401 Hutchison House 10 Harcourt Road Hong Kong

(72) Name(s) of Designer(s): **Luca Ricci**

(45) Registration Date: **15 January 2007**

(30) Convention priority data:

(31) Number

(32) Date

(33) Country

200530147656.8 18 Nov 2005

CHINA

(56) Related Art Documents: **Not Applicable**

(57) Statement of Newness and Distinctiveness: **Nil**



(21) Design Number: **15829/2005**

(22) Date of Filing Application: **22 December 2005**

(24) Date from which industrial property rights may have effect: **22 December 2005**

(54) Product in respect of which the design is registered: **Furniture/sofa**

(51) International Design Classification: **06-01G**

(71) Name(s) and Address(s) of Applicant(s):

De Coro Limited

1401 Hutchison House 10 Harcourt Road Hong Kong

(72) Name(s) of Designer(s): **Luca Ricci**

(45) Registration Date: **15 January 2007**

(30) Convention priority data:

(31) Number

(32) Date

(33) Country

200530147647.9 18 Nov 2005

CHINA

(56) Related Art Documents: **Not Applicable**

(57) Statement of Newness and Distinctiveness: **Nil**



(21) Design Number: **15830/2005**
(22) Date of Filing Application: **22 December 2005**
(24) Date from which industrial property rights may have effect: **22 December 2005**
(54) Product in respect of which the design is registered: **Furniture/sofa**
(51) International Design Classification: **06-01G**
(71) Name(s) and Address(s) of Applicant(s):

De Coro Limited
1401 Hutchison House 10 Harcourt Road Hong Kong

(72) Name(s) of Designer(s): **Luca Ricci**

(45) Registration Date: **15 January 2007**

(30) Convention priority data:

(31) Number	(32) Date	(33) Country
200530147648.3	18 Nov 2005	CHINA

(56) Related Art Documents: **Not Applicable**

(57) Statement of Newness and Distinctiveness: **Nil**



(21) Design Number: **15831/2005**
(22) Date of Filing Application: **22 December 2005**
(24) Date from which industrial property rights may have effect: **22 December 2005**
(54) Product in respect of which the design is registered: **Furniture/sofa**
(51) International Design Classification: **06-01G**
(71) Name(s) and Address(s) of Applicant(s):

De Coro Limited
1401 Hutchison House 10 Harcourt Road Hong Kong

(72) Name(s) of Designer(s): **Luca Ricci**

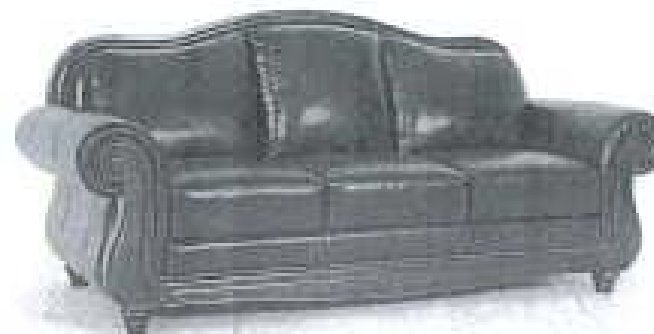
(45) Registration Date: **15 January 2007**

(30) Convention priority data:

(31) Number	(32) Date	(33) Country
200530147649.8	18 Nov 2005	CHINA

(56) Related Art Documents: **Not Applicable**

(57) Statement of Newness and Distinctiveness: **Nil**



- (21) Design Number: **15832/2005**
(22) Date of Filing Application: **22 December 2005**
(24) Date from which industrial property rights may have effect: **22 December 2005**
(54) Product in respect of which the design is registered: **Furniture/sofa**
(51) International Design Classification: **06-01G**
(71) Name(s) and Address(s) of Applicant(s):
De Coro Limited
1401 Hutchison House 10 Harcourt Road Hong Kong
(72) Name(s) of Designer(s): **Luca Ricci**
(45) Registration Date: **15 January 2007**
(30) Convention priority data:
(31) Number (32) Date (33) Country
200530147650.0 18 Nov 2005 CHINA
(56) Related Art Documents: **Not Applicable**
(57) Statement of Newness and Distinctiveness: **Nil**



- (21) Design Number: **13901/2006**
(22) Date of Filing Application: **30 August 2006**
(24) Date from which industrial property rights may have effect: **30 August 2006**
(54) Product in respect of which the design is registered: **A changer**
(51) International Design Classification: **06-04D, 06-04NES**
(71) Name(s) and Address(s) of Applicant(s):
Mali (Australia) Pty Ltd
88 Parramatta Road Underwood Queensland 4119 Australia
(72) Name(s) of Designer(s): **Robert Pavic**
(45) Registration Date: **15 January 2007**
(56) Related Art Documents: **Not Applicable**
(57) Statement of Newness and Distinctiveness: **Newness and distinctiveness are claimed in the shape and configuration of the changer depicted in the accompanying representations.**



- (21) Design Number: **14093/2006**
(22) Date of Filing Application: **13 September 2006**
(24) Date from which industrial property rights may have effect: **13 September 2006**
(54) Product in respect of which the design is registered: **Cat's eye dress**
(51) International Design Classification: **02-02C**
(71) Name(s) and Address(s) of Applicant(s):
ROSEMIN
444 Chapel Street South Yarra Victoria 3141 Australia
(72) Name(s) of Designer(s): **Rosemin Kim**
(45) Registration Date: **15 January 2007**
(56) Related Art Documents: **Not Applicable**
(57) Statement of Newness and Distinctiveness: **Sweetheart neckline with empire waist strap dress. It also has attachable bow on the bust with bra hook & eye at the back**



- (21) Design Number: **14094/2006**
(22) Date of Filing Application: **13 September 2006**
(24) Date from which industrial property rights may have effect: **13 September 2006**
(54) Product in respect of which the design is registered: **Moon dress**
(51) International Design Classification: **02-02C**
(71) Name(s) and Address(s) of Applicant(s):
ROSEMIN
444 Chapel Street South Yarra Victoria 3141 Australia
(72) Name(s) of Designer(s): **Kim Rosemin**
(45) Registration Date: **15 January 2007**
(56) Related Art Documents: **Not Applicable**
(57) Statement of Newness and Distinctiveness: **Halter dress with gore skirt piece**



- (21) Design Number: **14096/2006**
(22) Date of Filing Application: **13 September 2006**
(24) Date from which industrial property rights may have effect: **13 September 2006**
(54) Product in respect of which the design is registered: **Moon dress 2**
(51) International Design Classification: **02-02C**
(71) Name(s) and Address(s) of Applicant(s):
ROSEMIN
444 chapel Street SOUTH YARRA VIC 3141 AUSTRALIA
(72) Name(s) of Designer(s): **Kim Rosemin**
(45) Registration Date: **15 January 2007**
(56) Related Art Documents: **Not Applicable**
(57) Statement of Newness and Distinctiveness: **Fold top bust piece halter neck dress with gore skirt pieces. It also has got triangle waist tie piece**



- (21) Design Number: **14097/2006**
(22) Date of Filing Application: **13 September 2006**
(24) Date from which industrial property rights may have effect: **13 September 2006**
(54) Product in respect of which the design is registered: **Cross my heart dress**
(51) International Design Classification: **02-02C**
(71) Name(s) and Address(s) of Applicant(s):
ROSEMIN
444 chapel Street SOUTH YARRA VIC 3141 AUSTRALIA
(72) Name(s) of Designer(s): **Kim Rosemin**
(45) Registration Date: **15 January 2007**
(56) Related Art Documents: **Not Applicable**
(57) Statement of Newness and Distinctiveness: **Halter floaty dress with contrast trims which ties around waist.**



(19) AU

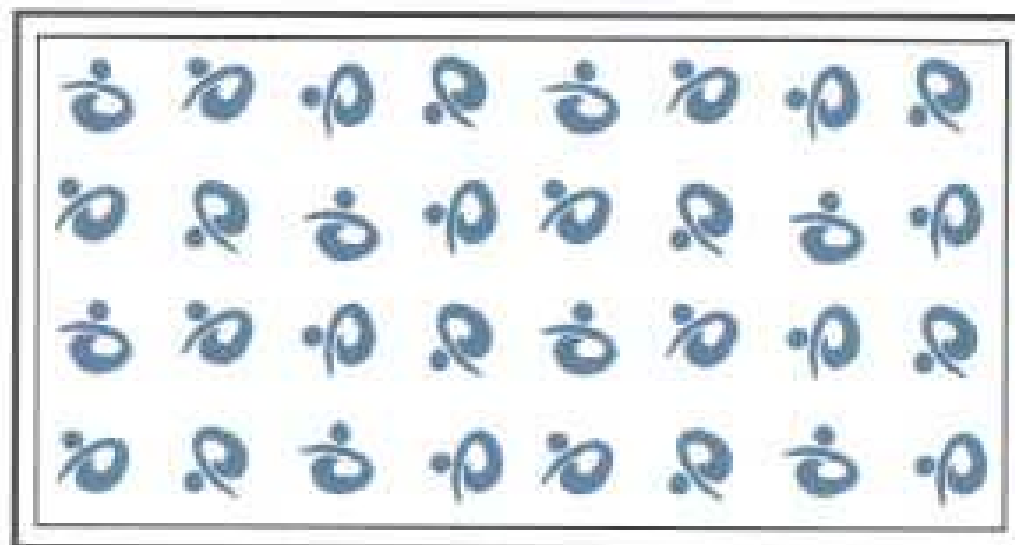
- (21) Design Number: **14986/2006**
- (22) Date of Filing Application: **27 October 2006**
- (24) Date from which industrial property rights may have effect: **05 July 2006**
- (54) Product in respect of which the design is registered: **A range**
- (51) International Design Classification: **07-02A**
- (71) Name(s) and Address(s) of Applicant(s):
Electrolux Home Products Corporation N.V.
Belgicastraat 17 Zaventem B-1930 Belgium
- (72) Name(s) of Designer(s): **Alexandre Barros Neves and Ollie Moore**
- (45) Registration Date: **15 January 2007**
- (30) Convention priority data:

(31) Number	(32) Date	(33) Country
000460092	05 Jan 2006	EUROPEAN COMMUNITY
- (62) Divisional of: **311722**
- (56) Related Art Documents: **Not Applicable**
- (57) Statement of Newness and Distinctiveness: **Nil**

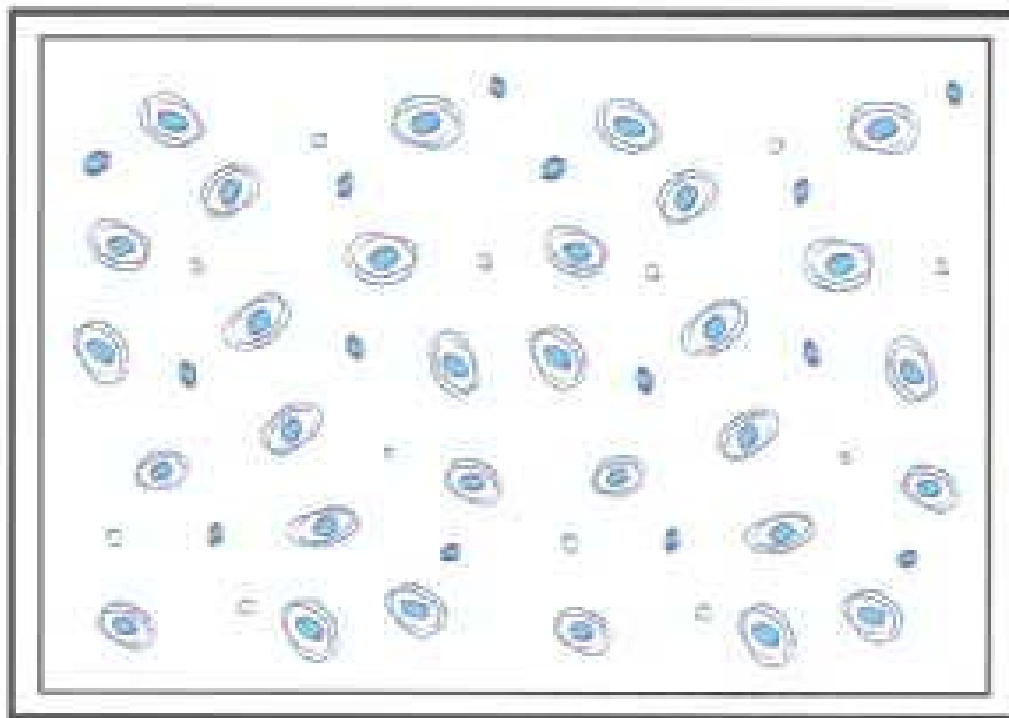


(19) AU

- (21) Design Number: **15093/2006**
- (22) Date of Filing Application: **06 November 2006**
- (24) Date from which industrial property rights may have effect: **06 November 2006**
- (54) Product in respect of which the design is registered: **Sheet Material**
- (51) International Design Classification: **05-05NES**
- (71) Name(s) and Address(s) of Applicant(s):
A.J. Sobey
22 Tate Drive Kerang Victoria 3579 Australia
R. Sobey
22 Tate Drive Kerang Victoria 3579 Australia
- (72) Name(s) of Designer(s): **Rob Sobey**
- (45) Registration Date: **15 January 2007**
- (56) Related Art Documents: **Not Applicable**
- (57) Statement of Newness and Distinctiveness: **Design 1 - Tadpole looking shape with smaller round dot. Design name: sensations (see enclosed print copy)**



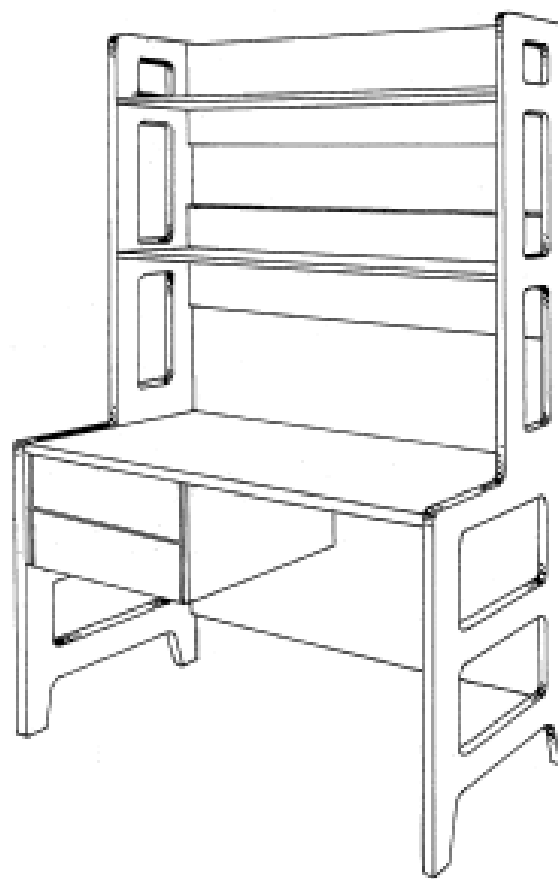
- (21) Design Number: **15097/2006**
(22) Date of Filing Application: **06 November 2006**
(24) Date from which industrial property rights may have effect: **06 November 2006**
(54) Product in respect of which the design is registered: **Sheet Material**
(51) International Design Classification: **05-05NES**
(71) Name(s) and Address(s) of Applicant(s):
 A.J. Sobey
 22 Tate Drive Kerang Victoria 3579 Australia
 R. Sobey
 22 Tate Drive Kerang Victoria 3579 Australia
(72) Name(s) of Designer(s): **Rob Sobey**
(45) Registration Date: **15 January 2007**
(56) Related Art Documents: **Not Applicable**
(57) Statement of Newness and Distinctiveness: **Design 2 - Circles around a solid oval shape, looks like a space orbit. Design name: cosmic (see enclosed print copy)**



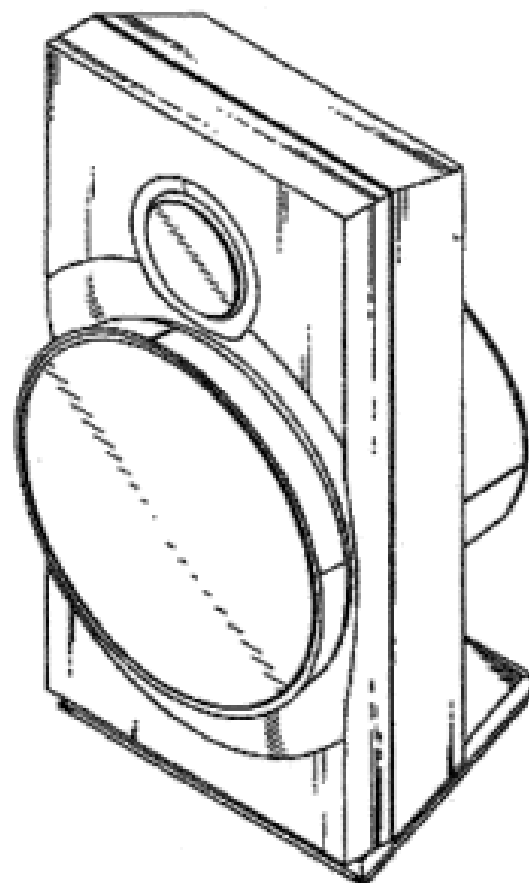
- (21) Design Number: **15128/2006**
(22) Date of Filing Application: **10 November 2006**
(24) Date from which industrial property rights may have effect: **10 November 2006**
(54) Product in respect of which the design is registered: **Carlton desk and hutch**
(51) International Design Classification: **06-03C**
(71) Name(s) and Address(s) of Applicant(s):
 Carlton Industries Pty Limited
 PO Box CP324 Bankstown Airport New South Wales 2200 Australia
(72) Name(s) of Designer(s): **Peter Inglis and Len Harrison**
(45) Registration Date: **15 January 2007**
(56) Related Art Documents: **Not Applicable**
(57) Statement of Newness and Distinctiveness: **Sides/side panels and the shelves along with their vertical support panels.**



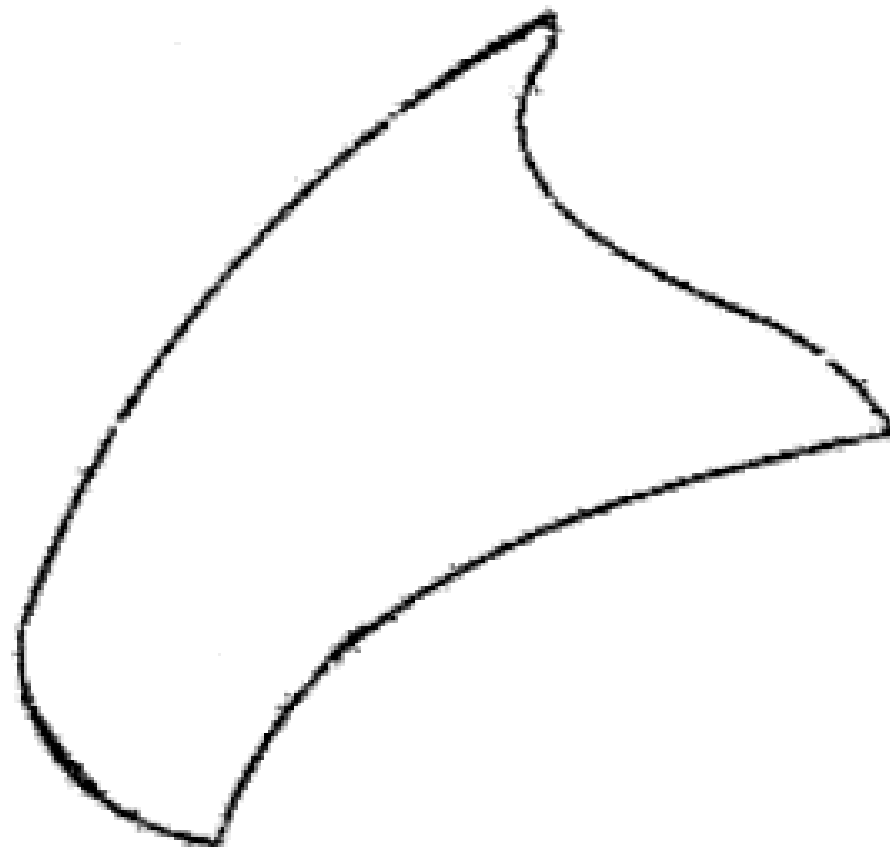
- (21) Design Number: **15129/2006**
(22) Date of Filing Application: **10 November 2006**
(24) Date from which industrial property rights may have effect: **10 November 2006**
(54) Product in respect of which the design is registered: **Carlton desk and hutch - with drawers unit**
(51) International Design Classification: **06-03C**
(71) Name(s) and Address(s) of Applicant(s):
Carlton Industries Pty Limited
PO Box CP324 Bankstown Airport New South Wales 2200 Australia
(72) Name(s) of Designer(s): **Peter Inglis and Len Harrison**
(45) Registration Date: **15 January 2007**
(56) Related Art Documents: **Not Applicable**
(57) Statement of Newness and Distinctiveness: **Sides/side panels and the shelves along with their vertical support panels.**



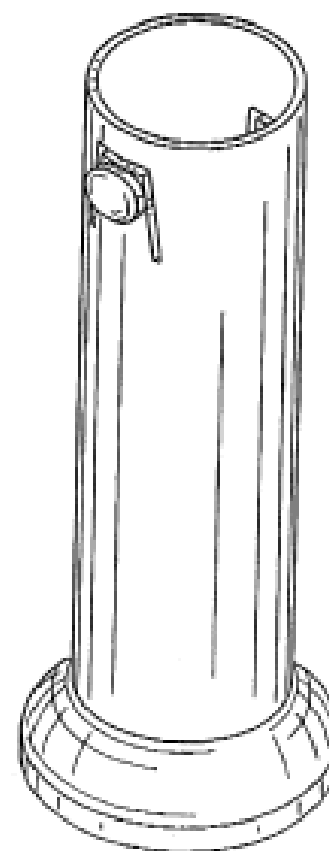
- (21) Design Number: **15145/2006**
(22) Date of Filing Application: **10 November 2006**
(24) Date from which industrial property rights may have effect: **10 November 2006**
(54) Product in respect of which the design is registered: **Loudspeaker device**
(51) International Design Classification: **14-01**
(71) Name(s) and Address(s) of Applicant(s):
Creative Technology Ltd
31 International Business Park Creative Resource Singapore 609921
(72) Name(s) of Designer(s): **Kar Choon Ng and Yuet Syn Joey Ng**
(45) Registration Date: **15 January 2007**
(30) Convention priority data:
(31) Number (32) Date (33) Country
29/263,379 21 Jul 2006 UNITED STATES OF AMERICA
(56) Related Art Documents: **Not Applicable**
(57) Statement of Newness and Distinctiveness: **Monopoly is claimed in the features of shape and configuration of the article as depicted in the accompanying representations.**



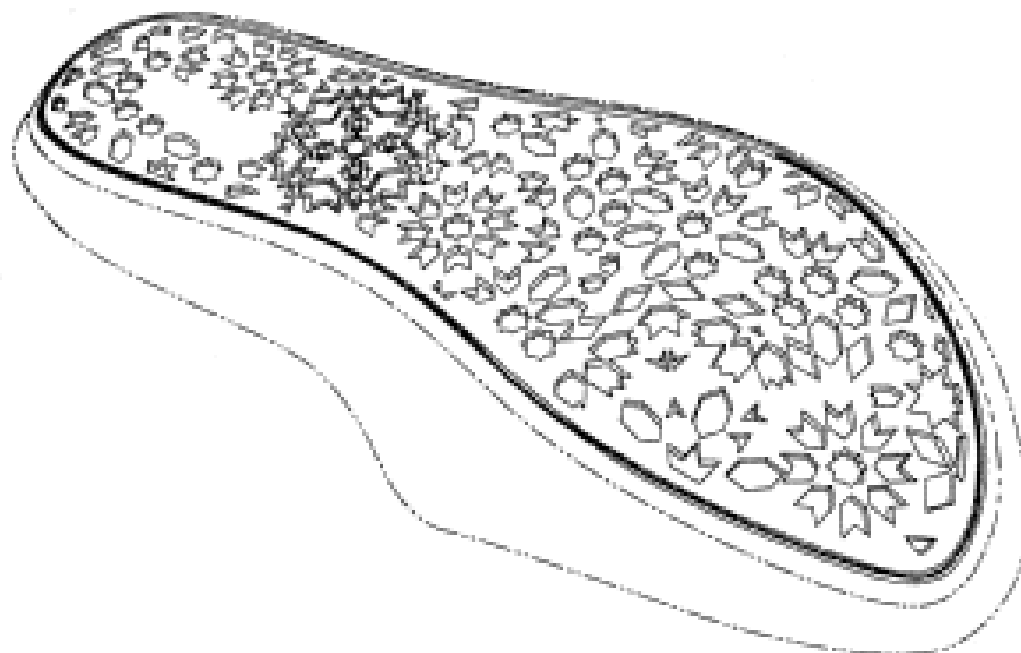
- (21) Design Number: **15146/2006**
(22) Date of Filing Application: **10 November 2006**
(24) Date from which industrial property rights may have effect: **10 November 2006**
(54) Product in respect of which the design is registered: **Replaceable mouse cover**
(51) International Design Classification: **14-02**
(71) Name(s) and Address(s) of Applicant(s):
Creative Technology Ltd
31 International Business Park Creative Resource Singapore 609921
(72) Name(s) of Designer(s): **Li Ern Ernest Sim**
(45) Registration Date: **15 January 2007**
(30) Convention priority data:
(31) Number (32) Date (33) Country
29/263,277 19 Jul 2006 UNITED STATES OF AMERICA
(56) Related Art Documents: **Not Applicable**
(57) Statement of Newness and Distinctiveness: **Monopoly is claimed in the features of shape and configuration of the article as depicted in the accompanying representations.**



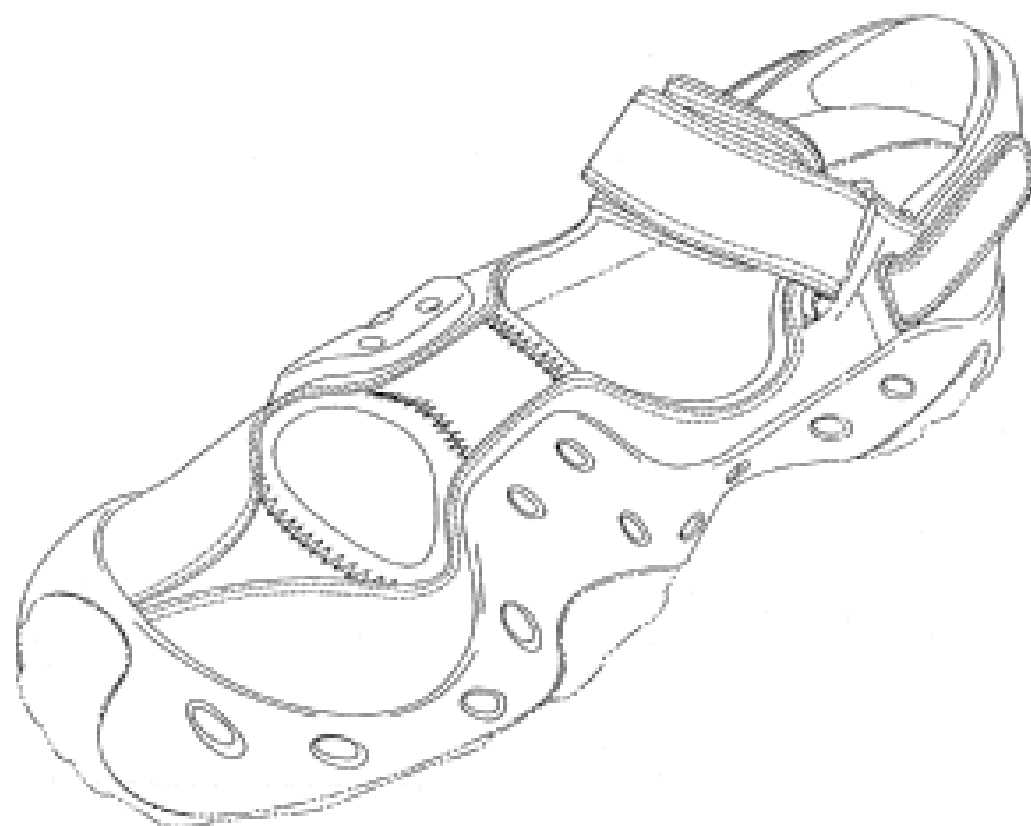
- (21) Design Number: **15147/2006**
(22) Date of Filing Application: **10 November 2006**
(24) Date from which industrial property rights may have effect: **28 August 2006**
(54) Product in respect of which the design is registered: **Applicator refill**
(51) International Design Classification: **28-03NES**
(71) Name(s) and Address(s) of Applicant(s):
S.C. Johnson & Son, Inc.
1525 Howe Street Racine Wisconsin 53403-2236 United States of America
(72) Name(s) of Designer(s): **Doraiswami Jaichandra and Steven A. Zach**
(45) Registration Date: **15 January 2007**
(62) Divisional of: **311843**
(56) Related Art Documents: **Not Applicable**
(57) Statement of Newness and Distinctiveness: **Newness and distinctiveness is claimed in those features of shape and/or configuration of an applicator refill as illustrated in continuous lines in the accompanying representations.**



- (21) Design Number: **15235/2006**
(22) Date of Filing Application: **14 November 2006**
(24) Date from which industrial property rights may have effect: **14 November 2006**
(54) Product in respect of which the design is registered: **A footwear sole**
(51) International Design Classification: **02-04B**
(71) Name(s) and Address(s) of Applicant(s):
Wolverine World Wide, Inc.
9341 Courtland Drive NE Rockford Michigan 49351 United States of America
(72) Name(s) of Designer(s): **Deborah H. Andersen and Martin W.F. Dean and Grant A. Urie**
(45) Registration Date: **15 January 2007**
(30) Convention priority data:
(31) Number (32) Date (33) Country
29259979 18 May 2006 UNITED STATES OF AMERICA
(56) Related Art Documents: **Not Applicable**
(57) Statement of Newness and Distinctiveness: **Newness and distinctiveness is claimed in the visual features shown in the representations except for those shown in phantom lines.**



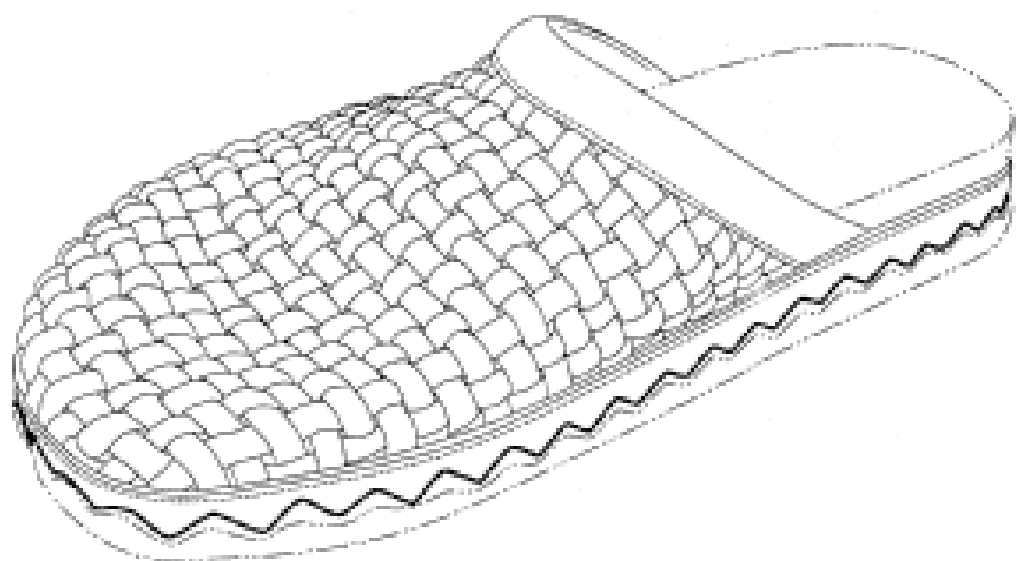
- (21) Design Number: **15236/2006**
(22) Date of Filing Application: **14 November 2006**
(24) Date from which industrial property rights may have effect: **14 November 2006**
(54) Product in respect of which the design is registered: **A footwear upper**
(51) International Design Classification: **02-04NES**
(71) Name(s) and Address(s) of Applicant(s):
Wolverine World Wide, Inc.
9341 Courtland Drive NE Rockford Michigan 49351 United States of America
(72) Name(s) of Designer(s): **Clark A. Matis and Tuan N. Le**
(45) Registration Date: **15 January 2007**
(30) Convention priority data:
(31) Number (32) Date (33) Country
29259996 18 May 2006 UNITED STATES OF AMERICA
(56) Related Art Documents: **Not Applicable**
(57) Statement of Newness and Distinctiveness: **Newness and distinctiveness is claimed in the visual features shown in the representations except for those shown in phantom lines.**



- (21) Design Number: **15237/2006**
(22) Date of Filing Application: **14 November 2006**
(24) Date from which industrial property rights may have effect: **14 November 2006**
(54) Product in respect of which the design is registered: **A footwear upper**
(51) International Design Classification: **02-04NES**
(71) Name(s) and Address(s) of Applicant(s):
Wolverine World Wide, Inc.
9341 Courtland Drive NE Rockford Michigan 49351 United States of America
(72) Name(s) of Designer(s): **Deborah H. Andersen and Martin W.F. Dean and Grant A. Urie**
(45) Registration Date: **15 January 2007**
(30) Convention priority data:
(31) Number (32) Date (33) Country
29260022 18 May 2006 UNITED STATES OF AMERICA
(56) Related Art Documents: **Not Applicable**
(57) Statement of Newness and Distinctiveness: **Newness and distinctiveness is claimed in the visual features shown in the representations except for those shown in phantom lines.**



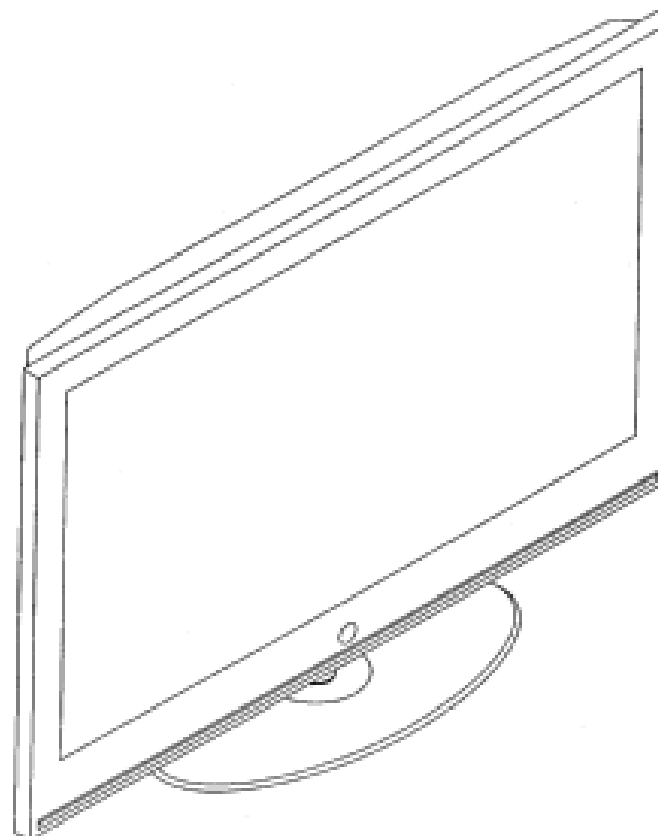
- (21) Design Number: **15238/2006**
(22) Date of Filing Application: **14 November 2006**
(24) Date from which industrial property rights may have effect: **14 November 2006**
(54) Product in respect of which the design is registered: **A footwear upper**
(51) International Design Classification: **02-04NES**
(71) Name(s) and Address(s) of Applicant(s):
Wolverine World Wide, Inc.
9341 Courtland Drive NE Rockford Michigan 49351 United States of America
(72) Name(s) of Designer(s): **Deborah H. Andersen and Martin W.F. Dean and Grant A. Urie**
(45) Registration Date: **15 January 2007**
(30) Convention priority data:
(31) Number (32) Date (33) Country
29259978 18 May 2006 UNITED STATES OF AMERICA
(56) Related Art Documents: **Not Applicable**
(57) Statement of Newness and Distinctiveness: **Newness and distinctiveness is claimed in the visual features shown in the representations except for those shown in phantom lines.**



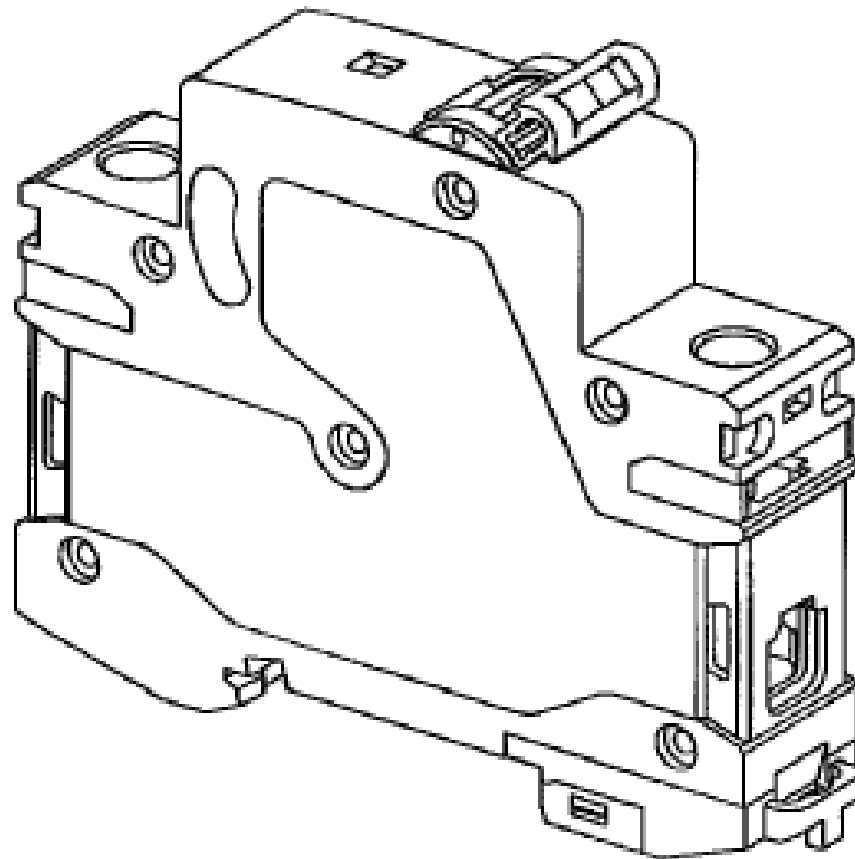
- (21) Design Number: **15239/2006**
(22) Date of Filing Application: **14 November 2006**
(24) Date from which industrial property rights may have effect: **14 November 2006**
(54) Product in respect of which the design is registered: **A footwear upper**
(51) International Design Classification: **02-04NES**
(71) Name(s) and Address(s) of Applicant(s):
Wolverine World Wide, Inc.
9341 Courtland Drive NE Rockford Michigan 49351 United States of America
(72) Name(s) of Designer(s): **Lester F. Horne and Martin W.F. Dean**
(45) Registration Date: **15 January 2007**
(30) Convention priority data:
(31) Number (32) Date (33) Country
29260071 18 May 2006 UNITED STATES OF AMERICA
(56) Related Art Documents: **Not Applicable**
(57) Statement of Newness and Distinctiveness: **Newness and distinctiveness is claimed in the visual features shown in the representations except for those shown in phantom lines.**



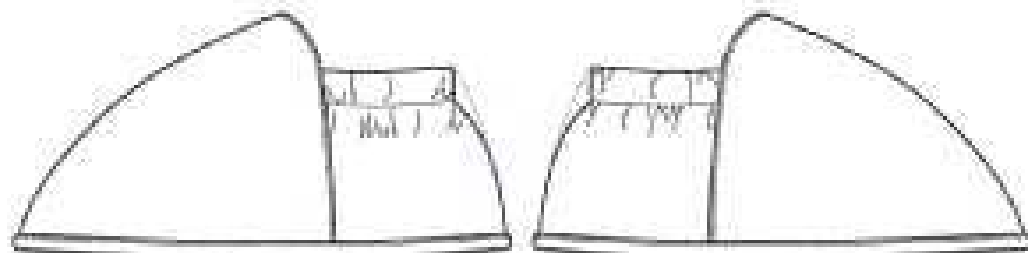
- (21) Design Number: **15249/2006**
(22) Date of Filing Application: **14 November 2006**
(24) Date from which industrial property rights may have effect: **14 November 2006**
(54) Product in respect of which the design is registered: **Television**
(51) International Design Classification: **14-03B**
(71) Name(s) and Address(s) of Applicant(s):
Samsung Electronics Co., Ltd.
416 Maetan 3-dong Paldal-gu Suwon-City Kyunggi-Do South Korea
(72) Name(s) of Designer(s): **Jun-Ho Yang and Yun-Je Kang**
(45) Registration Date: **15 January 2007**
(56) Related Art Documents: **Not Applicable**
(57) Statement of Newness and Distinctiveness: **Nil**



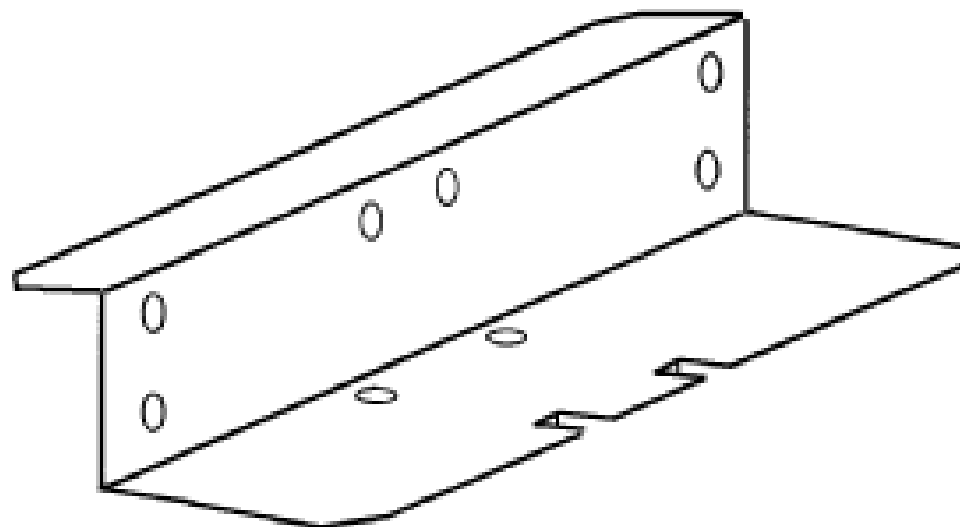
- (21) Design Number: **15266/2006**
(22) Date of Filing Application: **16 November 2006**
(24) Date from which industrial property rights may have effect: **16 November 2006**
(54) Product in respect of which the design is registered: **Miniature circuit breaker**
(51) International Design Classification: **13-03NES**
(71) Name(s) and Address(s) of Applicant(s):
Chint Group Corp
Chint Industrial Zone Liushi Yueqing Zhejiang 325604 China
(72) Name(s) of Designer(s): **Gang Yan and Xianfeng Wang and Liming Lin**
(45) Registration Date: **15 January 2007**
(30) Convention priority data:
(31) Number (32) Date (33) Country
200630110967.1 03 Jun 2006 CHINA
(56) Related Art Documents: **Not Applicable**
(57) Statement of Newness and Distinctiveness: **Each feature of the design considered separately or in combination with any other feature or features.**



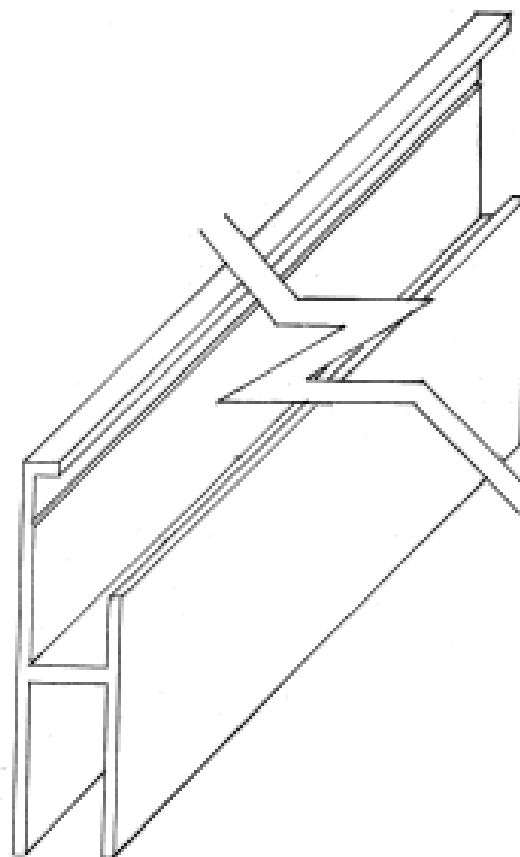
- (21) Design Number: **15548/2006**
(22) Date of Filing Application: **04 December 2006**
(24) Date from which industrial property rights may have effect: **04 December 2006**
(54) Product in respect of which the design is registered: **Slippers**
(51) International Design Classification: **02-04NES**
(71) Name(s) and Address(s) of Applicant(s):
Elizabeth Ann O'Connor-Cowley
PO Box 2244 Milton Queensland 4064 Australia
(72) Name(s) of Designer(s): **Elizabeth Ann O'Connor-Cowley**
(45) Registration Date: **15 January 2007**
(56) Related Art Documents: **Not Applicable**
(57) Statement of Newness and Distinctiveness: **The slippers are distinct due to the simplistic style of the soft footwear, which has a soft sole (with non-slip print on the base) and an internal elastic band encased in self fabric, which is designed to comfortably hold the slipper onto the foot.**



- (21) Design Number: **15793/2006**
(22) Date of Filing Application: **19 December 2006**
(24) Date from which industrial property rights may have effect: **19 December 2006**
(54) Product in respect of which the design is registered: **Lapped purlin cleat with stabiliser clip for structural steel**
(51) International Design Classification: **08-08NES**
(71) Name(s) and Address(s) of Applicant(s):
Peter Johns
19 Formby Crescent Port Adelaide South Australia 5015 Australia
(72) Name(s) of Designer(s): **Peter Johns**
(45) Registration Date: **15 January 2007**
(56) Related Art Documents: **Not Applicable**
(57) Statement of Newness and Distinctiveness: **Distinctiveness is claimed in the features clip, shape and/ or configuration for fixing to structural steel as depicted in the attached representations.**



- (21) Design Number: **12868/2006**
(22) Date of Filing Application: **05 July 2006**
(24) Date from which industrial property rights may have effect: **05 July 2006**
(54) Product in respect of which the design is registered: **Extruded fixing for cladding**
(51) International Design Classification: **25-01G, 25-01K**
(71) Name(s) and Address(s) of Applicant(s):
Andrell Investments Pty Ltd
150 Toongarra Road Ipswich Queensland 4305 Australia
(72) Name(s) of Designer(s): **Jeremy Joseph Parker**
(45) Registration Date: **15 January 2007**
(56) Related Art Documents: **Not Applicable**
(57) Statement of Newness and Distinctiveness: **The newness and distinctiveness resides in the extruded fixing of indefinite length as shown in the accompanying representations.**



(21) Design Number: **14396/2006**

(22) Date of Filing Application: **29 September 2006**

(24) Date from which industrial property rights may have effect: **29 September 2006**

(54) Product in respect of which the design is registered: **Infusion solution bag**

(51) International Design Classification: **09-05**

(71) Name(s) and Address(s) of Applicant(s):

**Otsuka Pharmaceutical Factory, Inc.
115 Aza-Kuguhara Tateiwa Muya-Cho Naruto-Shi Tokushima-Ken
Japan**

(72) Name(s) of Designer(s): **Fujio Inoue and Isamu Tateishi and Tatsuro Tsuruoka and Akihito Togawa**

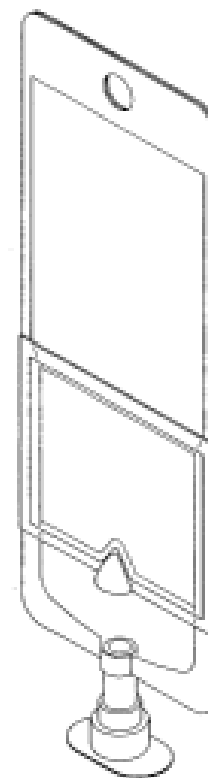
(45) Registration Date: **15 January 2007**

(30) Convention priority data:

(31) Number	(32) Date	(33) Country
2006-008482	31 Mar 2006	JAPAN

(56) Related Art Documents: **Not Applicable**

(57) Statement of Newness and Distinctiveness: **Nil**



(21) Design Number: **14498/2006**

(22) Date of Filing Application: **05 October 2006**

(24) Date from which industrial property rights may have effect: **05 October 2006**

(54) Product in respect of which the design is registered: **Display and blanks therefor**

(51) International Design Classification: **20-02E**

(71) Name(s) and Address(s) of Applicant(s):

**Fusion Print Media Group Pty Ltd
24 Baker Street Richmond Victoria 3121 Australia**

(72) Name(s) of Designer(s): **Jiao Hong Lin and Dean Hartle**

(45) Registration Date: **15 January 2007**

(56) Related Art Documents: **Not Applicable**

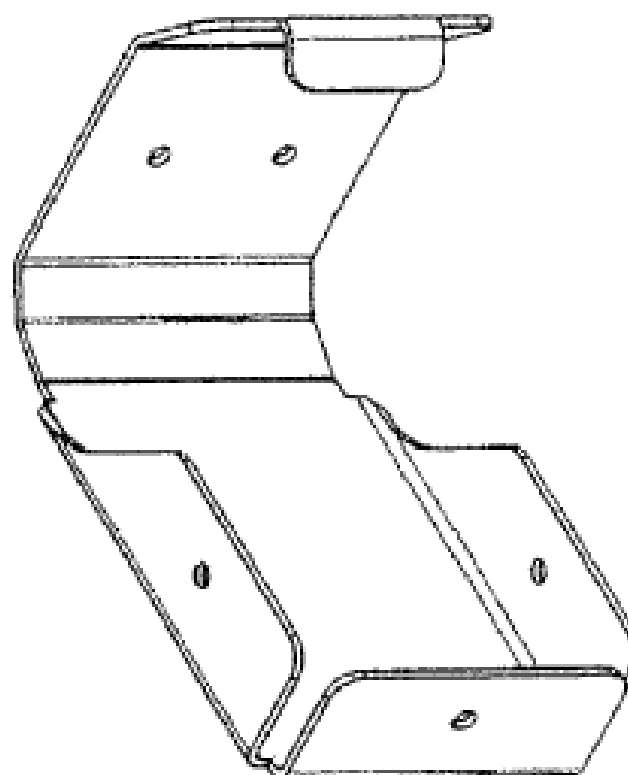
(57) Statement of Newness and Distinctiveness: **Newness and distinctiveness is claimed in the shape or configuration of a display as illustrated in the accompanying representations.**



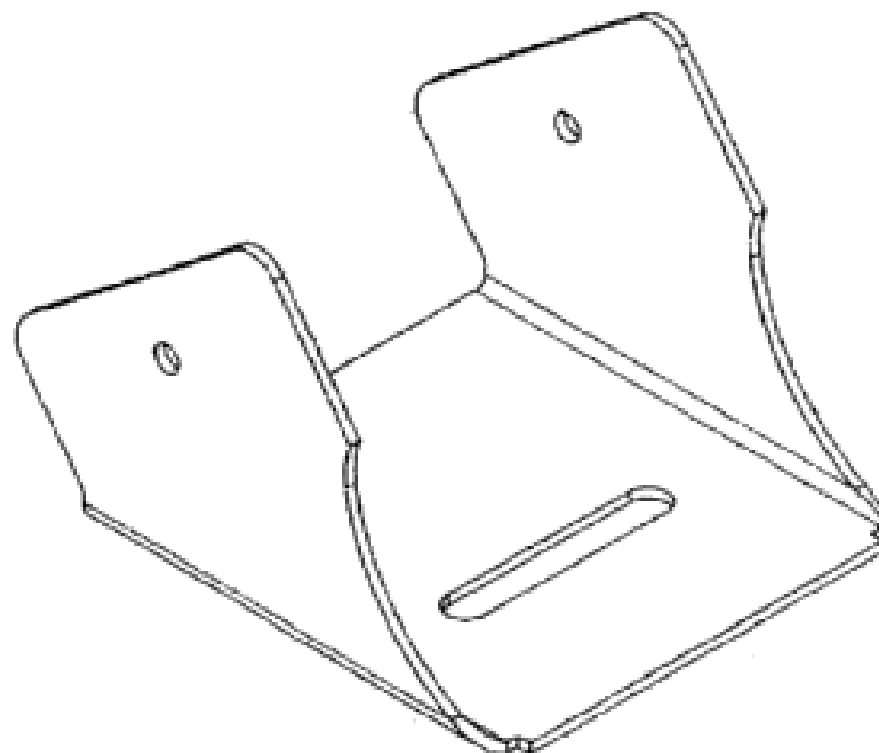
- (21) Design Number: **14499/2006**
(22) Date of Filing Application: **05 October 2006**
(24) Date from which industrial property rights may have effect: **05 October 2006**
(54) Product in respect of which the design is registered: **Display and blanks therefor**
(51) International Design Classification: **20-02E**
(71) Name(s) and Address(s) of Applicant(s):
Fusion Print Media Group Pty Ltd
24 Baker Street Richmond Victoria 3121 Australia
(72) Name(s) of Designer(s): **Jiao Hong Lin and Dean Hartle**
(45) Registration Date: **15 January 2007**
(56) Related Art Documents: **Not Applicable**
(57) Statement of Newness and Distinctiveness: **Newness and distinctiveness is claimed in the shape or configuration of a display as illustrated in the accompanying representations.**



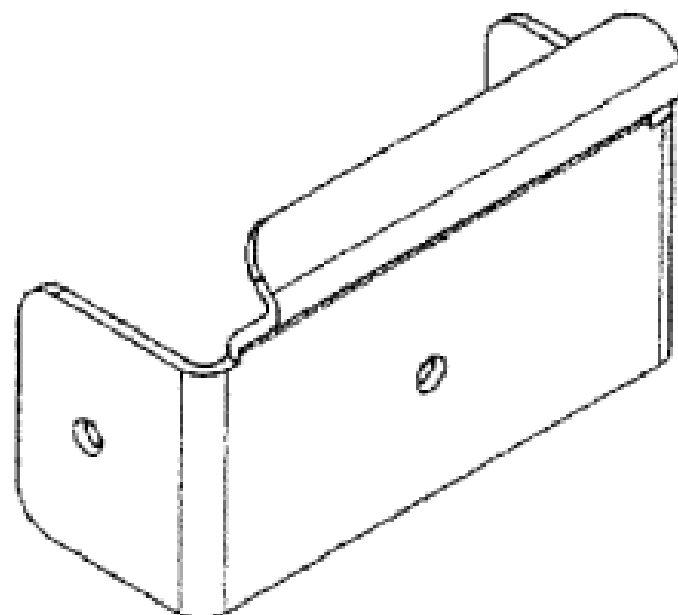
- (21) Design Number: **14866/2006**
(22) Date of Filing Application: **24 October 2006**
(24) Date from which industrial property rights may have effect: **24 October 2006**
(54) Product in respect of which the design is registered: **Bracket component**
(51) International Design Classification: **08-08L**
(71) Name(s) and Address(s) of Applicant(s):
Philip Malcolm Firth
148 North Street Tamworth New South Wales 2340 Australia
Elizabeth May Firth
20 Cook Street Tamworth New South Wales 2340 Australia
(72) Name(s) of Designer(s): **Philip Malcolm Firth**
(45) Registration Date: **15 January 2007**
(56) Related Art Documents: **Not Applicable**
(57) Statement of Newness and Distinctiveness: **Nil**



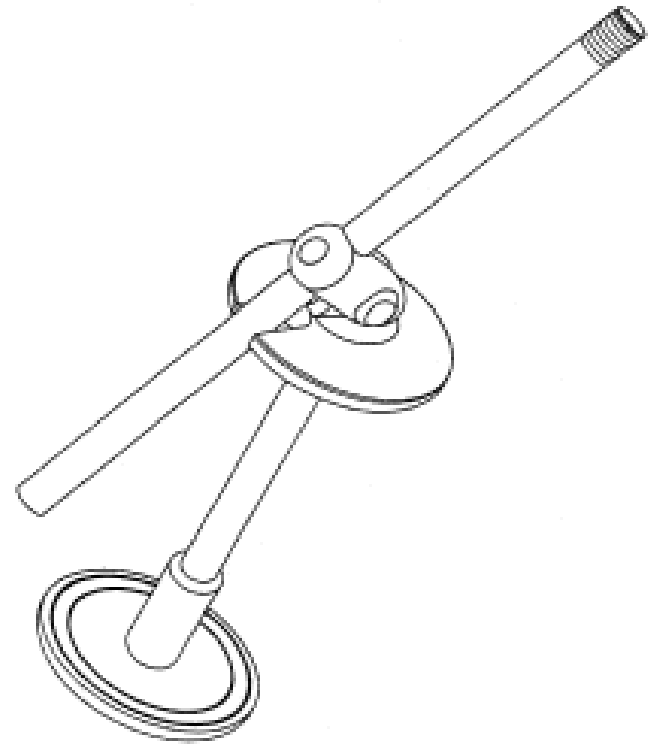
- (21) Design Number: **14867/2006**
- (22) Date of Filing Application: **24 October 2006**
- (24) Date from which industrial property rights may have effect: **24 October 2006**
- (54) Product in respect of which the design is registered: **Bracket component**
- (51) International Design Classification: **08-08L**
- (71) Name(s) and Address(s) of Applicant(s):
 - Philip Malcolm Firth**
148 North Street Tamworth New South Wales 2340 Australia
 - Elizabeth May Firth**
20 Cook Street Tamworth New South Wales 2340 Australia
- (72) Name(s) of Designer(s): **Philip Malcolm Firth**
- (45) Registration Date: **15 January 2007**
- (56) Related Art Documents: **Not Applicable**
- (57) Statement of Newness and Distinctiveness: **Nil**



- (21) Design Number: **14868/2006**
- (22) Date of Filing Application: **24 October 2006**
- (24) Date from which industrial property rights may have effect: **24 October 2006**
- (54) Product in respect of which the design is registered: **Bracket component**
- (51) International Design Classification: **08-08L**
- (71) Name(s) and Address(s) of Applicant(s):
 - Philip Malcolm Firth**
148 North Street Tamworth New South Wales 2340 Australia
 - Elizabeth May Firth**
20 Cook Street Tamworth New South Wales 2340 Australia
- (72) Name(s) of Designer(s): **Philip Malcolm Firth**
- (45) Registration Date: **15 January 2007**
- (56) Related Art Documents: **Not Applicable**
- (57) Statement of Newness and Distinctiveness: **Nil**



(21) Design Number: **14875/2006**
(22) Date of Filing Application: **25 October 2006**
(24) Date from which industrial property rights may have effect: **25 October 2006**
(54) Product in respect of which the design is registered: **Microphone clamp**
(51) International Design Classification: **14-01**
(71) Name(s) and Address(s) of Applicant(s):
Explora Ltd
PO Box 1166 Blagdon Bristol BS40 7DA United Kingdom
(72) Name(s) of Designer(s): **Robert Aitchison**
(45) Registration Date: **15 January 2007**
(30) Convention priority data:
(31) Number (32) Date (33) Country
000523253#0001 27 Apr 2006 EUROPEAN COMMUNITY
(56) Related Art Documents: **Not Applicable**
(57) Statement of Newness and Distinctiveness: **Nil**



(21) Design Number: **14950/2006**
(22) Date of Filing Application: **30 October 2006**
(24) Date from which industrial property rights may have effect: **30 October 2006**
(54) Product in respect of which the design is registered: **Vehicle Advertising Unit**
(51) International Design Classification: **20-03NES**
(71) Name(s) and Address(s) of Applicant(s):
In Your Face Advertising Pty Ltd
Cathedral Place Shop 1B 115 Wickham Terrace Fortitude Valley
Queensland 4006 Australia
(72) Name(s) of Designer(s): **Thomas Vo**
(45) Registration Date: **15 January 2007**
(56) Related Art Documents: **Not Applicable**
(57) Statement of Newness and Distinctiveness: **Nil**



- (21) Design Number: **15221/2006**
- (22) Date of Filing Application: **14 November 2006**
- (24) Date from which industrial property rights may have effect: **14 November 2006**
- (54) Product in respect of which the design is registered: **A footwear upper**
- (51) International Design Classification: **02-04NES**
- (71) Name(s) and Address(s) of Applicant(s):
Wolverine World Wide, Inc.
9341 Courtland Drive NE Rockford Michigan 49351 United States of America
- (72) Name(s) of Designer(s): **Lester F. Horne and Martin W.F. Dean**
- (45) Registration Date: **15 January 2007**
- (30) Convention priority data:

(31) Number	(32) Date	(33) Country
29260072	18 May 2006	UNITED STATES OF AMERICA
- (56) Related Art Documents: **Not Applicable**
- (57) Statement of Newness and Distinctiveness: **Newness and distinctiveness is claimed in the visual features shown in the representations except for those shown in phantom lines.**

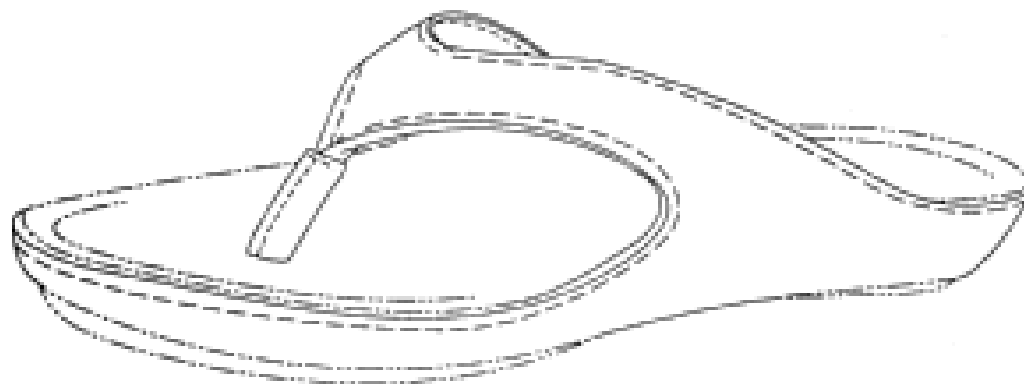


- (21) Design Number: **15222/2006**
- (22) Date of Filing Application: **14 November 2006**
- (24) Date from which industrial property rights may have effect: **14 November 2006**
- (54) Product in respect of which the design is registered: **A footwear upper**
- (51) International Design Classification: **02-04NES**
- (71) Name(s) and Address(s) of Applicant(s):
Wolverine World Wide, Inc.
9341 Courtland Drive NE Rockford Michigan 49351 United States of America
- (72) Name(s) of Designer(s): **Deborah H. Andersen and Martin W.F. Dean and Grant A. Urie**
- (45) Registration Date: **15 January 2007**
- (30) Convention priority data:

(31) Number	(32) Date	(33) Country
29259965	18 May 2006	UNITED STATES OF AMERICA
- (56) Related Art Documents: **Not Applicable**
- (57) Statement of Newness and Distinctiveness: **Newness and distinctiveness is claimed in the visual features shown in the representations except for those shown in phantom lines.**



- (21) Design Number: **15223/2006**
(22) Date of Filing Application: **14 November 2006**
(24) Date from which industrial property rights may have effect: **14 November 2006**
(54) Product in respect of which the design is registered: **A footwear upper**
(51) International Design Classification: **02-04NES**
(71) Name(s) and Address(s) of Applicant(s):
Wolverine World Wide, Inc.
9341 Courtland Drive NE Rockford Michigan 49351 United States of America
(72) Name(s) of Designer(s): **Deborah H. Andersen and Martin W.F. Dean and Grant A. Urie**
(45) Registration Date: **15 January 2007**
(30) Convention priority data:
(31) Number (32) Date (33) Country
29260091 18 May 2006 UNITED STATES OF AMERICA
(56) Related Art Documents: **Not Applicable**
(57) Statement of Newness and Distinctiveness: **Newness and distinctiveness is claimed in the visual features shown in the representations except for those shown in phantom lines.**



- (21) Design Number: **15224/2006**
(22) Date of Filing Application: **14 November 2006**
(24) Date from which industrial property rights may have effect: **14 November 2006**
(54) Product in respect of which the design is registered: **A footwear upper**
(51) International Design Classification: **02-04NES**
(71) Name(s) and Address(s) of Applicant(s):
Wolverine World Wide, Inc.
9341 Courtland Drive NE Rockford Michigan 49351 United States of America
(72) Name(s) of Designer(s): **Clark A. Matis and Tuan N. Le**
(45) Registration Date: **15 January 2007**
(30) Convention priority data:
(31) Number (32) Date (33) Country
29260085 18 May 2006 UNITED STATES OF AMERICA
(56) Related Art Documents: **Not Applicable**
(57) Statement of Newness and Distinctiveness: **Newness and distinctiveness is claimed in the visual features shown in the representations except for those shown in phantom lines.**



- (21) Design Number: **15225/2006**
(22) Date of Filing Application: **14 November 2006**
(24) Date from which industrial property rights may have effect: **14 November 2006**
(54) Product in respect of which the design is registered: **A footwear upper**
(51) International Design Classification: **02-04NES**
(71) Name(s) and Address(s) of Applicant(s):
Wolverine World Wide, Inc.
9341 Courtland Drive NE Rockford Michigan 49351 United States of America
(72) Name(s) of Designer(s): **Mary L. Schoenborn and Martin W.F. Dean**
(45) Registration Date: **15 January 2007**
(30) Convention priority data:
(31) Number (32) Date (33) Country
29259994 18 May 2006 UNITED STATES OF AMERICA
(56) Related Art Documents: **Not Applicable**
(57) Statement of Newness and Distinctiveness: **Newness and distinctiveness is claimed in the visual features shown in the representations except for those shown in phantom lines.**



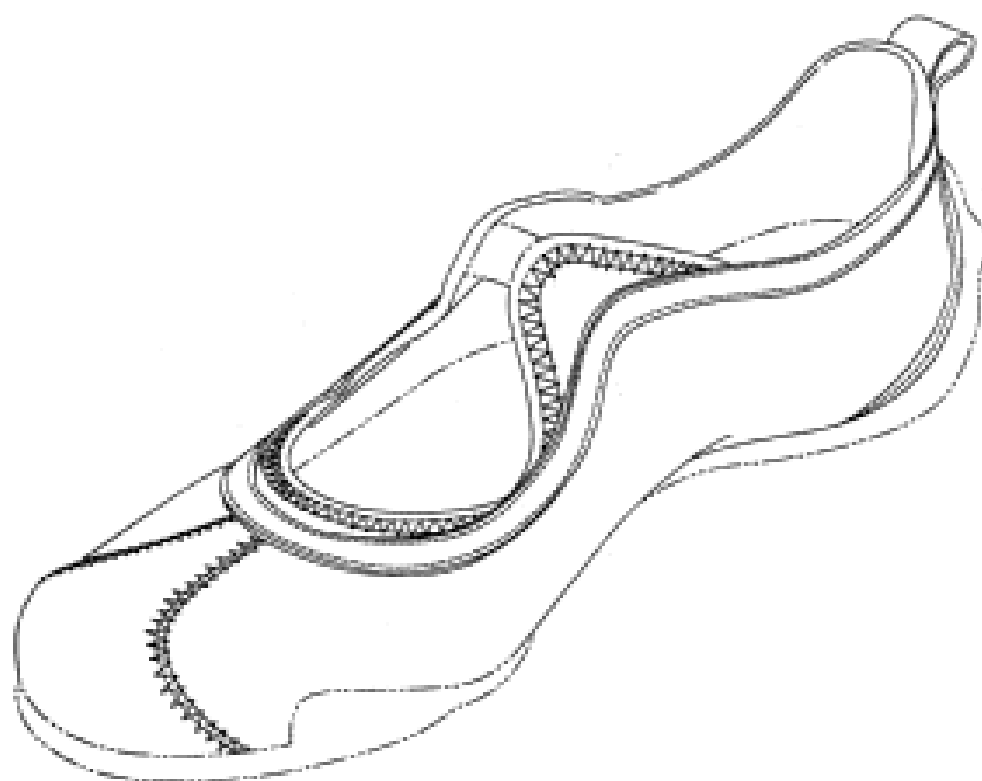
- (21) Design Number: **15226/2006**
(22) Date of Filing Application: **14 November 2006**
(24) Date from which industrial property rights may have effect: **14 November 2006**
(54) Product in respect of which the design is registered: **A footwear upper**
(51) International Design Classification: **02-04NES**
(71) Name(s) and Address(s) of Applicant(s):
Wolverine World Wide, Inc.
9341 Courtland Drive NE Rockford Michigan 49351 United States of America
(72) Name(s) of Designer(s): **Manon Belley and Martin W.F. Dean and Grant A. Urie**
(45) Registration Date: **15 January 2007**
(30) Convention priority data:
(31) Number (32) Date (33) Country
29260061 18 May 2006 UNITED STATES OF AMERICA
(56) Related Art Documents: **Not Applicable**
(57) Statement of Newness and Distinctiveness: **Newness and distinctiveness is claimed in the visual features shown in the representations except for those shown in phantom lines.**



(21) Design Number: **15227/2006**
 (22) Date of Filing Application: **14 November 2006**
 (24) Date from which industrial property rights may have effect: **14 November 2006**
 (54) Product in respect of which the design is registered: **A footwear upper**
 (51) International Design Classification: **02-04NES**
 (71) Name(s) and Address(s) of Applicant(s):
Wolverine World Wide, Inc.
9341 Courtland Drive NE Rockford Michigan 49351 United States of America
 (72) Name(s) of Designer(s): **Manon Belley**
 (45) Registration Date: **15 January 2007**
 (30) Convention priority data:

(31) Number	(32) Date	(33) Country
29259972	18 May 2006	UNITED STATES OF AMERICA

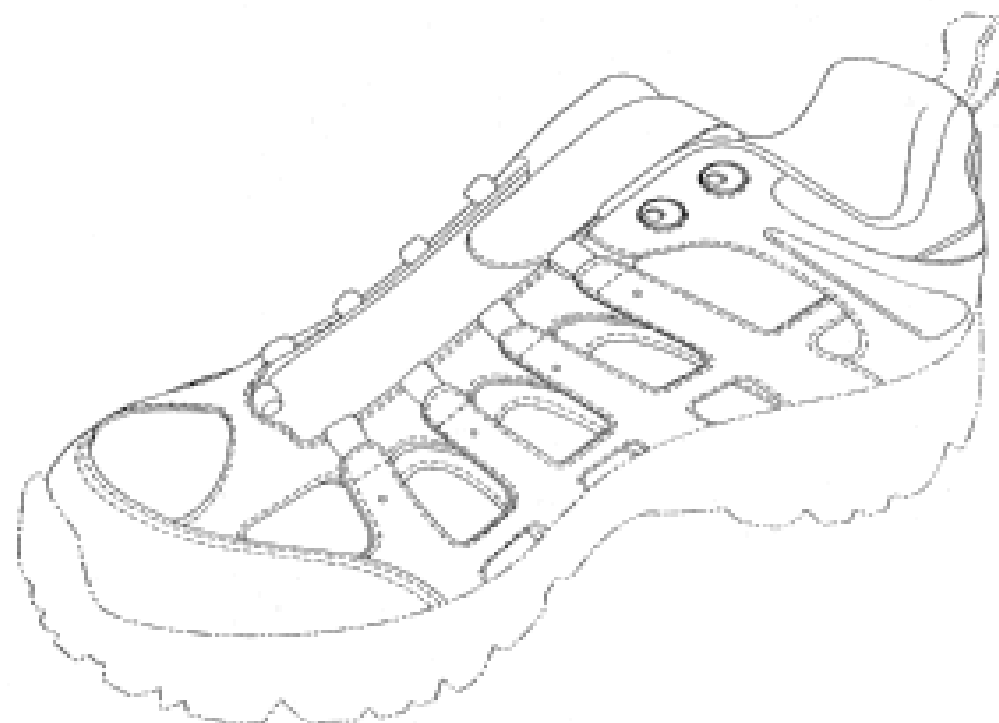
 (56) Related Art Documents: **Not Applicable**
 (57) Statement of Newness and Distinctiveness: **Newness and distinctiveness is claimed in the visual features shown in the representations except for those shown in phantom lines.**



(21) Design Number: **15228/2006**
 (22) Date of Filing Application: **14 November 2006**
 (24) Date from which industrial property rights may have effect: **14 November 2006**
 (54) Product in respect of which the design is registered: **A footwear upper**
 (51) International Design Classification: **02-04NES**
 (71) Name(s) and Address(s) of Applicant(s):
Wolverine World Wide, Inc.
9341 Courtland Drive NE Rockford Michigan 49351 United States of America
 (72) Name(s) of Designer(s): **Clark A. Matis and Tuan N. Le**
 (45) Registration Date: **15 January 2007**
 (30) Convention priority data:

(31) Number	(32) Date	(33) Country
29260078	18 May 2006	UNITED STATES OF AMERICA

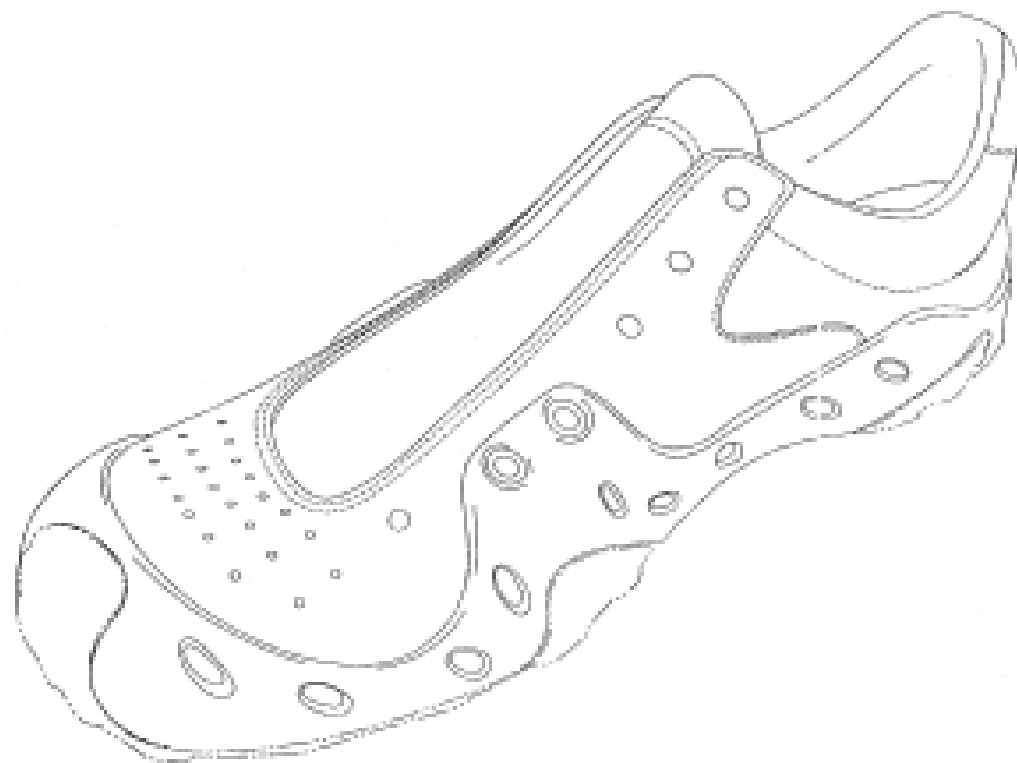
 (56) Related Art Documents: **Not Applicable**
 (57) Statement of Newness and Distinctiveness: **Newness and distinctiveness is claimed in the visual features shown in the representations except for those shown in phantom lines.**



(21) Design Number: **15229/2006**
 (22) Date of Filing Application: **14 November 2006**
 (24) Date from which industrial property rights may have effect: **14 November 2006**
 (54) Product in respect of which the design is registered: **A footwear upper**
 (51) International Design Classification: **02-04NES**
 (71) Name(s) and Address(s) of Applicant(s):
Wolverine World Wide, Inc.
9341 Courtland Drive NE Rockford Michigan 49351 United States of America
 (72) Name(s) of Designer(s): **Clark A. Matis and Tuan N. Le**
 (45) Registration Date: **15 January 2007**
 (30) Convention priority data:

(31) Number	(32) Date	(33) Country
29260046	18 May 2006	UNITED STATES OF AMERICA

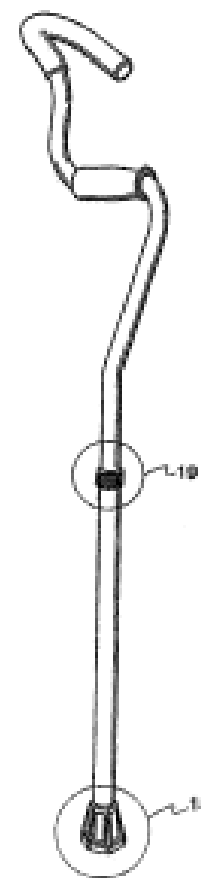
 (56) Related Art Documents: **Not Applicable**
 (57) Statement of Newness and Distinctiveness: **Newness and distinctiveness is claimed in the visual features shown in the representations except for those shown in phantom lines.**



(21) Design Number: **15271/2006**
 (22) Date of Filing Application: **17 November 2006**
 (24) Date from which industrial property rights may have effect: **17 November 2006**
 (54) Product in respect of which the design is registered: **Mobility device**
 (51) International Design Classification: **03-03**
 (71) Name(s) and Address(s) of Applicant(s):
StrongArm Inc
13000 W. Heiden Circle Suite 3209 Lake Bluff 60044 Illinois United States of America
 (72) Name(s) of Designer(s): **Michael E. Adams**
 (45) Registration Date: **15 January 2007**
 (30) Convention priority data:

(31) Number	(32) Date	(33) Country
29/259,942	17 May 2006	UNITED STATES OF AMERICA

 (56) Related Art Documents: **Not Applicable**
 (57) Statement of Newness and Distinctiveness: **Newness and distinctiveness resides in the shape and configuration of a mobility device as shown in the accompanying representations.**



- (21) Design Number: **15272/2006**
(22) Date of Filing Application: **17 November 2006**
(24) Date from which industrial property rights may have effect: **17 November 2006**
(54) Product in respect of which the design is registered: **Mobility device**
(51) International Design Classification: **03-03**
(71) Name(s) and Address(s) of Applicant(s):

StrongArm Inc
13000 W. Heiden Circle Suite 3209 Lake Bluff 60044 Illinois United States of America

(72) Name(s) of Designer(s): **Michael E. Adams**

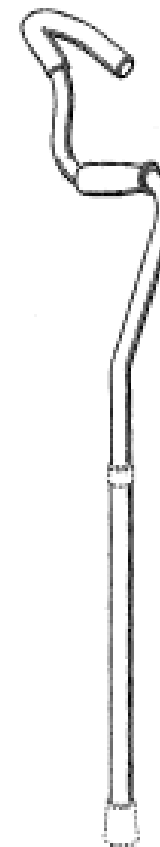
(45) Registration Date: **15 January 2007**

(30) Convention priority data:

(31) Number	(32) Date	(33) Country
29/259,942	17 May 2006	UNITED STATES OF AMERICA

(56) Related Art Documents: **Not Applicable**

(57) Statement of Newness and Distinctiveness: **Newness and distinctiveness resides in the shape and configuration of a mobility device as shown in the accompanying representations. Those portions of the device shown in dotted lines are to be disregarded in assessing newness and distinctiveness.**



- (21) Design Number: **15273/2006**
(22) Date of Filing Application: **17 November 2006**
(24) Date from which industrial property rights may have effect: **17 November 2006**
(54) Product in respect of which the design is registered: **Mobility device**
(51) International Design Classification: **03-03**
(71) Name(s) and Address(s) of Applicant(s):

StrongArm Inc
13000 W. Heiden Circle Suite 3209 Lake Bluff 60044 Illinois United States of America

(72) Name(s) of Designer(s): **Michael E. Adams**

(45) Registration Date: **15 January 2007**

(30) Convention priority data:

(31) Number	(32) Date	(33) Country
29/259,942	17 May 2006	UNITED STATES OF AMERICA

(56) Related Art Documents: **Not Applicable**

(57) Statement of Newness and Distinctiveness: **Newness and distinctiveness resides in the shape and configuration of a mobility device as shown in the accompanying representations. Those portions of the device shown in dotted lines are to be disregarded in assessing newness and distinctiveness.**



(21) Design Number: **10255/2006**
(22) Date of Filing Application: **25 January 2006**
(24) Date from which industrial property rights may have effect: **25 January 2006**
(54) Product in respect of which the design is registered: **Hot air rotary brush**
(51) International Design Classification: **28-03B**
(71) Name(s) and Address(s) of Applicant(s):

Actervis, GmbH
Grafenauweg 8 6304 Zug Switzerland

(72) Name(s) of Designer(s): **Juan Jose Campdera Lozano**

(45) Registration Date: **16 January 2007**

(30) Convention priority data:

(31) Number	(32) Date	(33) Country
377890	25 Jul 2005	EUROPEAN COMMUNITY

(56) Related Art Documents: **Not Applicable**

(57) Statement of Newness and Distinctiveness: **Newness and distinctiveness is claimed in the features of shape and/or configuration of a hot air rotary brush as illustrated in the accompanying representations, apart from the electrical cord and plugs.**



(21) Design Number: **10295/2006**
(22) Date of Filing Application: **30 January 2006**
(24) Date from which industrial property rights may have effect: **30 January 2006**
(54) Product in respect of which the design is registered: **A saw**
(51) International Design Classification: **08-03**
(71) Name(s) and Address(s) of Applicant(s):

Black & Decker, Inc.
1207 Drummond Plaza Newark Delaware 19711 United States of America

(72) Name(s) of Designer(s): **David L. Wikle and Robert P. Welsh**

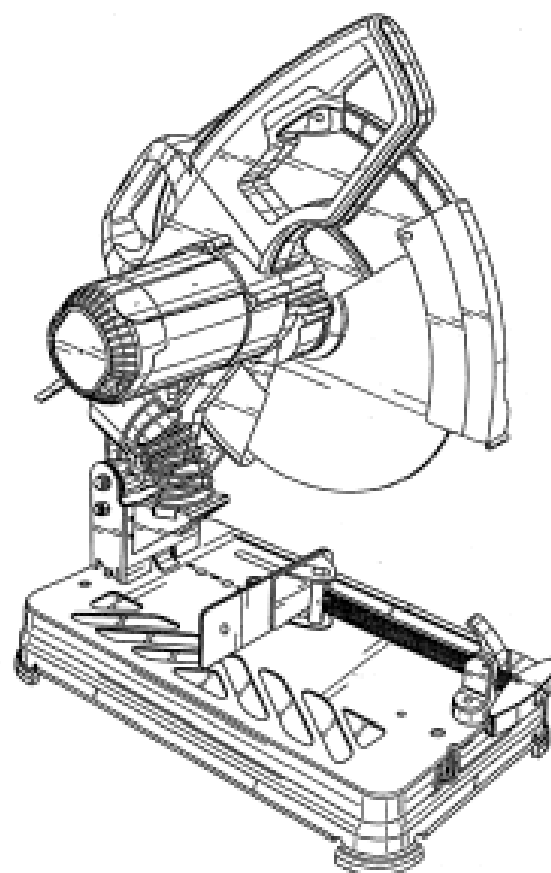
(45) Registration Date: **16 January 2007**

(30) Convention priority data:

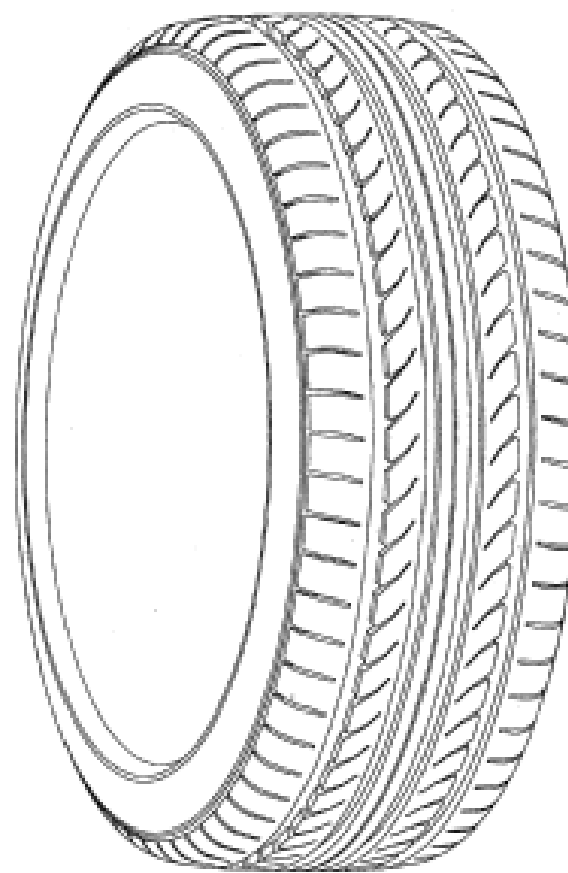
(31) Number	(32) Date	(33) Country
29/235369	01 Aug 2005	UNITED STATES OF AMERICA

(56) Related Art Documents: **Not Applicable**

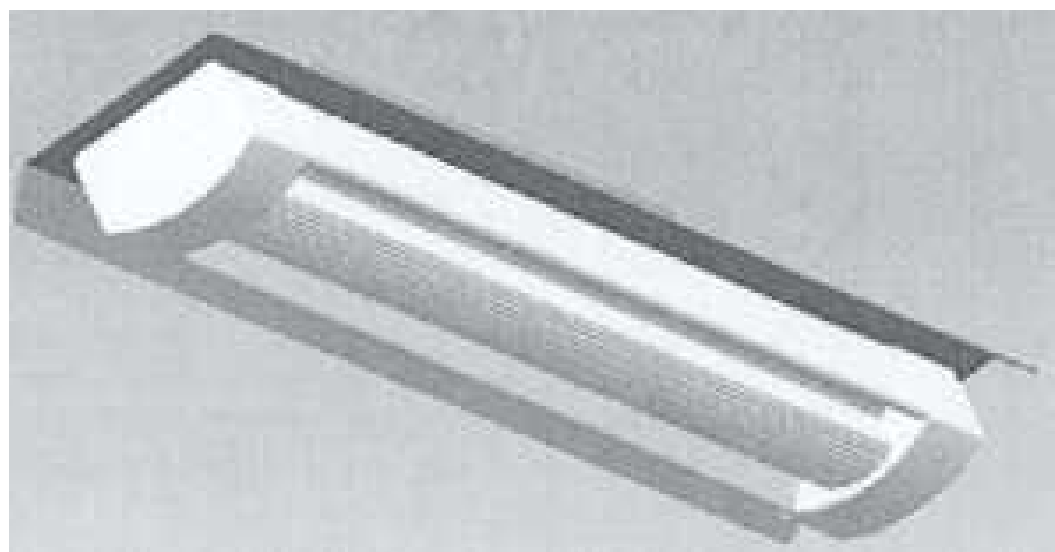
(57) Statement of Newness and Distinctiveness: **Nil**



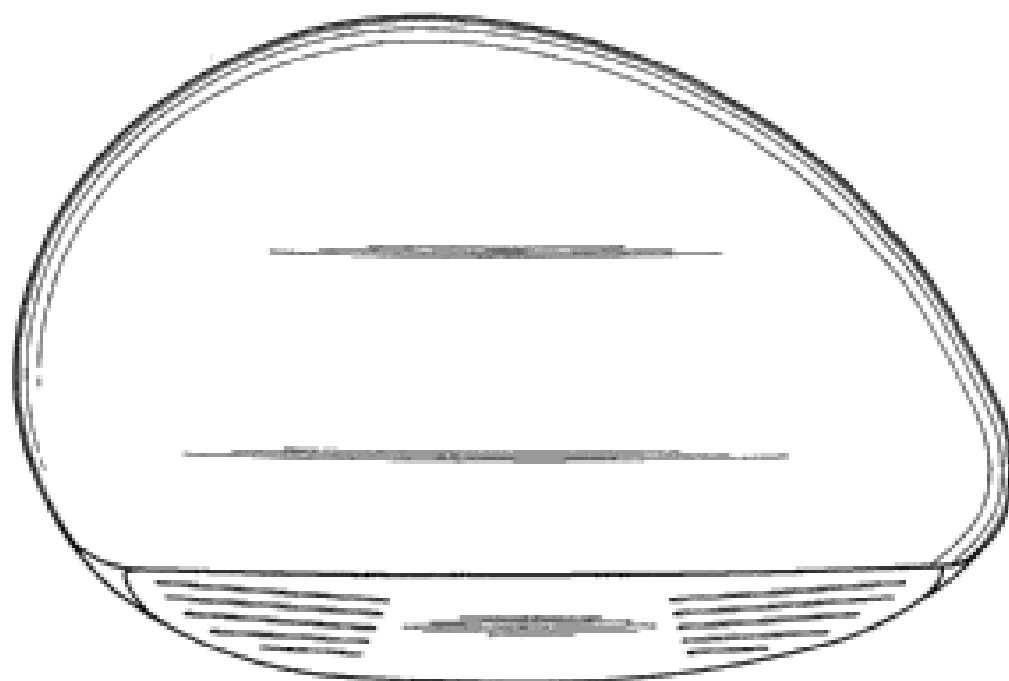
(21) Design Number: **10329/2006**
(22) Date of Filing Application: **01 February 2006**
(24) Date from which industrial property rights may have effect: **01 February 2006**
(54) Product in respect of which the design is registered: **Automobile tire**
(51) International Design Classification: **12-15B**
(71) Name(s) and Address(s) of Applicant(s):
Toyo Tire & Rubber Co Ltd
17-18 Edobori 1-chome Nishi-ku Osaka-shi Osaka 550-0002 Japan
(72) Name(s) of Designer(s): **Satoru Moriya and Yukiko Sashida**
(45) Registration Date: **16 January 2007**
(30) Convention priority data:
(31) Number (32) Date (33) Country
2005-23998 19 Aug 2005 JAPAN
(56) Related Art Documents: **Not Applicable**
(57) Statement of Newness and Distinctiveness: **Nil**



(21) Design Number: **10394/2006**
(22) Date of Filing Application: **03 February 2006**
(24) Date from which industrial property rights may have effect: **03 February 2006**
(54) Product in respect of which the design is registered: **Heater assembly and heater element therefor**
(51) International Design Classification: **23-03A, 23-03NES**
(71) Name(s) and Address(s) of Applicant(s):
Pacific Trends International Pty Ltd
2/71 Roslyn Street Brighton Victoria 3186 Australia
(72) Name(s) of Designer(s): **Dominic Lamanna**
(45) Registration Date: **16 January 2007**
(56) Related Art Documents: **Not Applicable**
(57) Statement of Newness and Distinctiveness: **Nil**



- (21) Design Number: **10401/2006**
(22) Date of Filing Application: **03 February 2006**
(24) Date from which industrial property rights may have effect: **03 February 2006**
(54) Product in respect of which the design is registered: **Golf club head**
(51) International Design Classification: **21-02C**
(71) Name(s) and Address(s) of Applicant(s):
Callaway Golf Company
2180 Rutherford Road Carlsbad California 92008 United States of America
(72) Name(s) of Designer(s): **Philip G. Foster and Luke R. Williams and Homer E. Aguinaldo**
(45) Registration Date: **16 January 2007**
(30) Convention priority data:
(31) Number (32) Date (33) Country
29/235751 04 Aug 2005 UNITED STATES OF AMERICA
(56) Related Art Documents: **Not Applicable**
(57) Statement of Newness and Distinctiveness: **Newness and distinctiveness is claimed in the features of shape and/or configuration of a golf club head as illustrated in the accompanying representations.**



- (21) Design Number: **10855/2006**
(22) Date of Filing Application: **06 March 2006**
(24) Date from which industrial property rights may have effect: **06 March 2006**
(54) Product in respect of which the design is registered: **Sleeve for composite pole**
(51) International Design Classification: **25-02A, 25-03**
(71) Name(s) and Address(s) of Applicant(s):
Koppers Wood Products Pty Ltd
15 Blue Street North Sydney New South Wales 2060 Australia
(72) Name(s) of Designer(s): **Damian McCue**
(45) Registration Date: **16 January 2007**
(56) Related Art Documents: **Not Applicable**
(57) Statement of Newness and Distinctiveness: **Newness and distinctiveness reside in the shape and configuration of a sleeve for a composite pole as illustrated in the accompanying representation.**



- (21) Design Number: **10856/2006**
(22) Date of Filing Application: **06 March 2006**
(24) Date from which industrial property rights may have effect: **06 March 2006**
(54) Product in respect of which the design is registered: **Sleeve for composite pole**
(51) International Design Classification: **25-02A, 25-03**
(71) Name(s) and Address(s) of Applicant(s):
Koppers Wood Products Pty Ltd
15 Blue Street North Sydney New South Wales 2060 Australia
(72) Name(s) of Designer(s): **Damian McCue**
(45) Registration Date: **16 January 2007**
(56) Related Art Documents: **Not Applicable**
(57) Statement of Newness and Distinctiveness: **Newness and distinctiveness reside in the shape configuration of a sleeve for a composite pole as illustrated in the accompanying representation.**



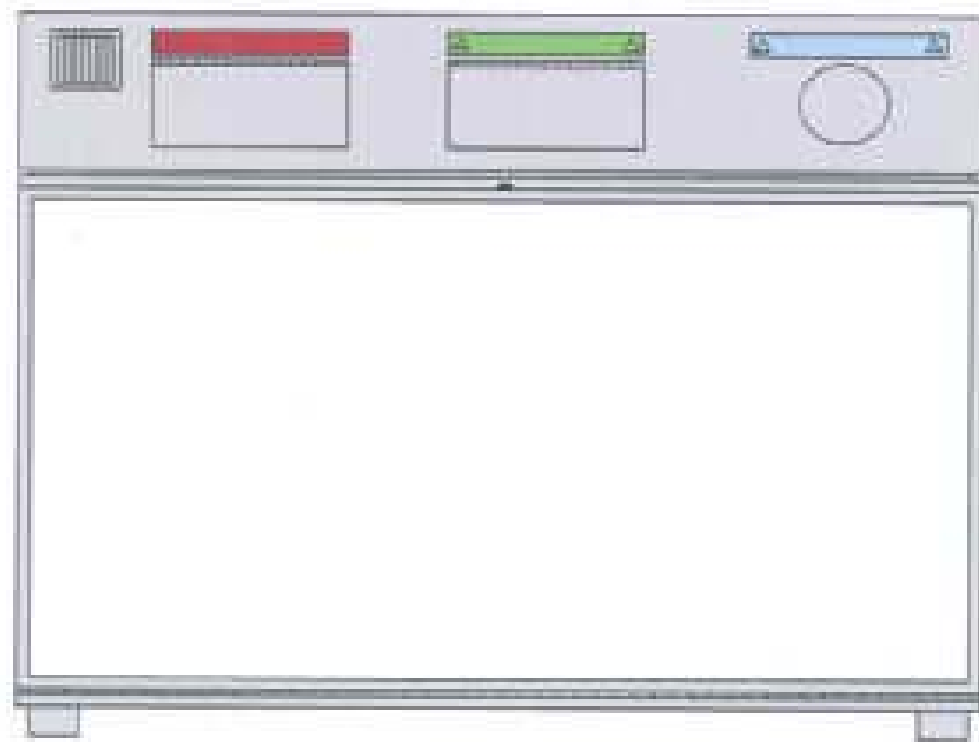
- (21) Design Number: **10857/2006**
(22) Date of Filing Application: **06 March 2006**
(24) Date from which industrial property rights may have effect: **06 March 2006**
(54) Product in respect of which the design is registered: **Composite pole**
(51) International Design Classification: **25-02A, 25-03**
(71) Name(s) and Address(s) of Applicant(s):
Koppers Wood Products Pty Ltd
15 Blue Street North Sydney New South Wales 2060 Australia
(72) Name(s) of Designer(s): **Damian McCue**
(45) Registration Date: **16 January 2007**
(56) Related Art Documents: **Not Applicable**
(57) Statement of Newness and Distinctiveness: **Newness and distinctiveness reside in the shape and configuration of a composite pole as illustrated in the accompanying representation.**



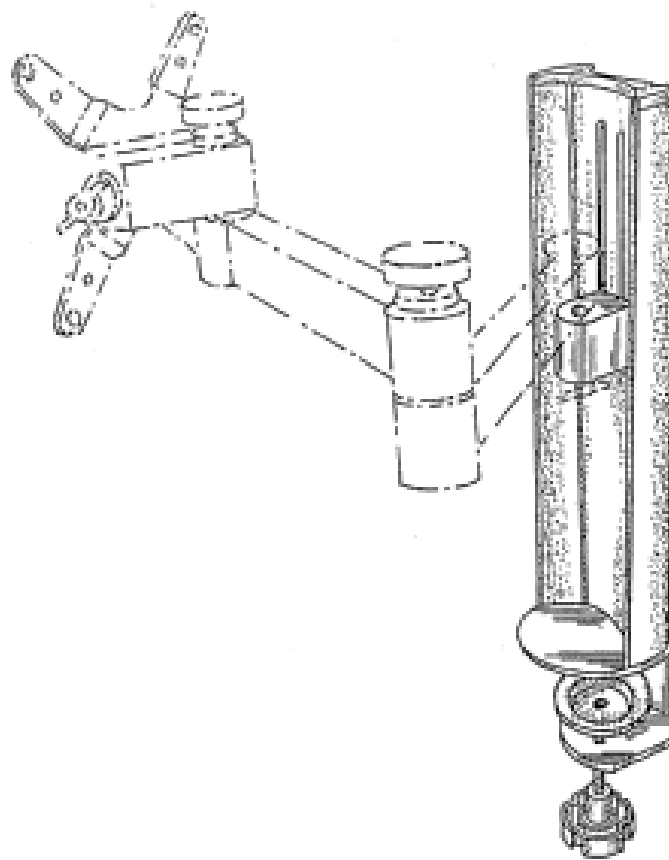
- (21) Design Number: **10858/2006**
(22) Date of Filing Application: **06 March 2006**
(24) Date from which industrial property rights may have effect: **06 March 2006**
(54) Product in respect of which the design is registered: **Composite pole**
(51) International Design Classification: **25-02A, 25-03**
(71) Name(s) and Address(s) of Applicant(s):
Koppers Wood Products Pty Ltd
15 Blue Street North Sydney New South Wales 2060 Australia
(72) Name(s) of Designer(s): **Damian McCue**
(45) Registration Date: **16 January 2007**
(56) Related Art Documents: **Not Applicable**
(57) Statement of Newness and Distinctiveness: **Newness and distinctiveness reside in the shape and configuration of a composite pole as illustrated in the accompanying representation.**



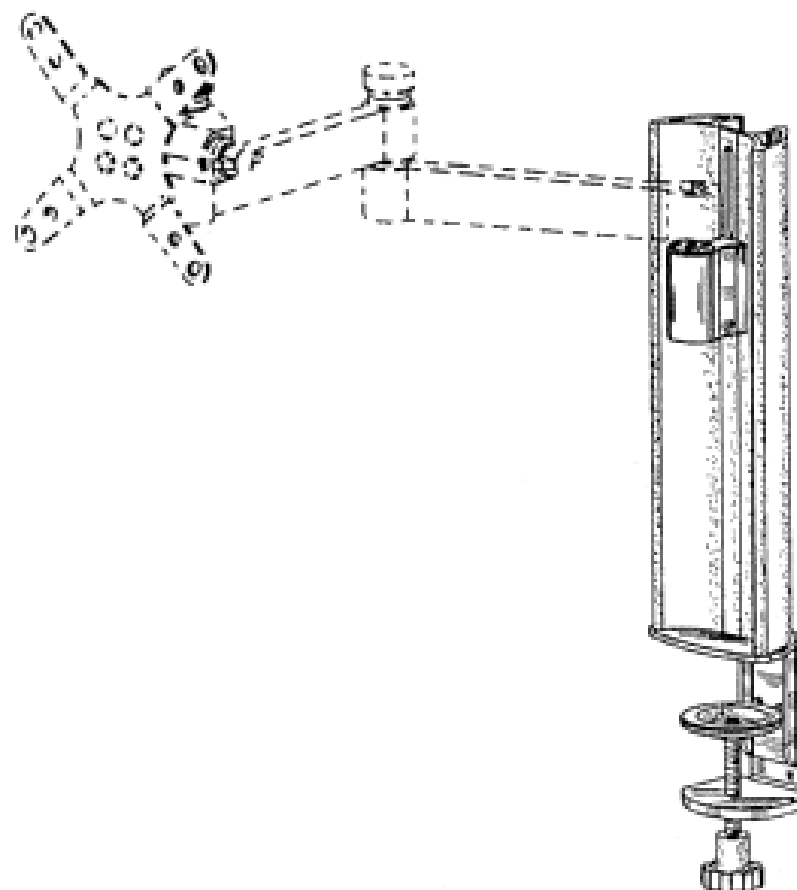
- (21) Design Number: **10908/2006**
(22) Date of Filing Application: **08 March 2006**
(24) Date from which industrial property rights may have effect: **08 March 2006**
(54) Product in respect of which the design is registered: **3 Pac MRR - media/recycle waste box**
(51) International Design Classification: **09-09**
(71) Name(s) and Address(s) of Applicant(s):
BBS Constructions Pty Ltd
27/43-51 College Street Gladesville New South Wales 2111 Australia
(72) Name(s) of Designer(s): **Nino Roguli and Frank Avati**
(45) Registration Date: **16 January 2007**
(56) Related Art Documents: **Not Applicable**
(57) Statement of Newness and Distinctiveness: **Nil**



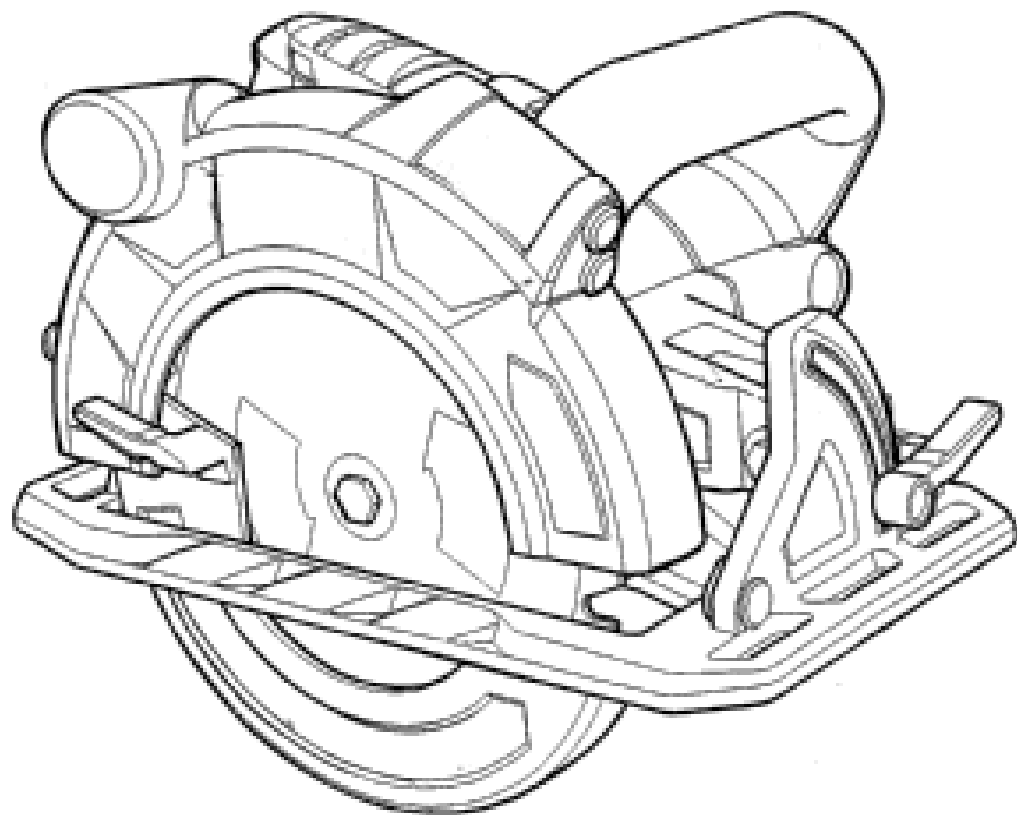
(21) Design Number: **10934/2006**
 (22) Date of Filing Application: **09 March 2006**
 (24) Date from which industrial property rights may have effect: **09 March 2006**
 (54) Product in respect of which the design is registered: **Table clamp for electronic display mount**
 (51) International Design Classification: **08-08D**
 (71) Name(s) and Address(s) of Applicant(s):
CSAV, Inc
593 Washington Street Wellesley Massachusetts 02482 United States of America
 (72) Name(s) of Designer(s): **Keith Pribyl and Jim Wohlford and Dominic Grey**
 (45) Registration Date: **16 January 2007**
 (30) Convention priority data:
 (31) Number (32) Date (33) Country
29/237,995 09 Sep 2005 UNITED STATES OF AMERICA
 (56) Related Art Documents: **Not Applicable**
 (57) Statement of Newness and Distinctiveness: **Nil**



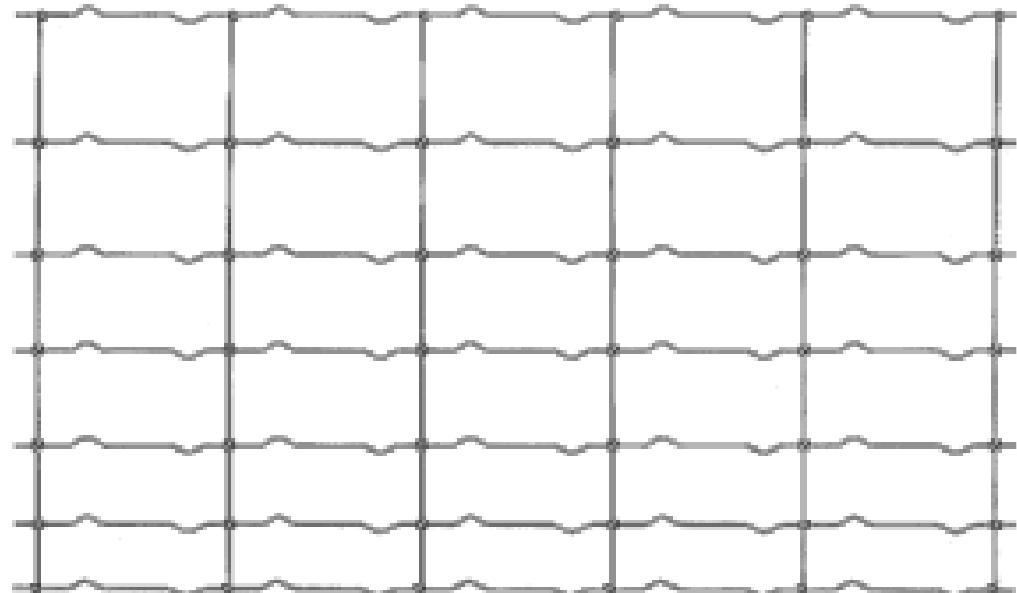
(21) Design Number: **14532/2006**
 (22) Date of Filing Application: **09 March 2006**
 (24) Date from which industrial property rights may have effect: **09 March 2006**
 (54) Product in respect of which the design is registered: **Table clamp for electronic display mount**
 (51) International Design Classification: **08-08D**
 (71) Name(s) and Address(s) of Applicant(s):
CSAV, Inc
593 Washington Street Wellesley Massachusetts 02482 United States of America
 (72) Name(s) of Designer(s): **Keith Pribyl and Jim Wohlford and Dominic Grey**
 (45) Registration Date: **16 January 2007**
 (30) Convention priority data:
 (31) Number (32) Date (33) Country
29/237,995 09 Sep 2005 UNITED STATES OF AMERICA
 (56) Related Art Documents: **Not Applicable**
 (57) Statement of Newness and Distinctiveness: **Nil**



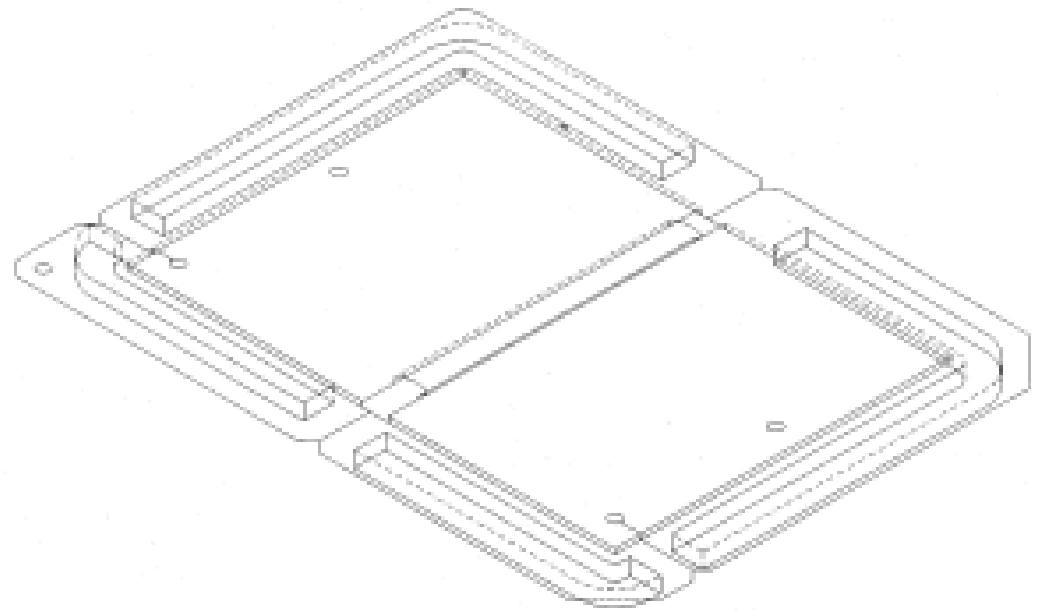
(21) Design Number: **12020/2006**
(22) Date of Filing Application: **10 May 2006**
(24) Date from which industrial property rights may have effect: **10 May 2006**
(54) Product in respect of which the design is registered: **Circular saw**
(51) International Design Classification: **08-03**
(71) Name(s) and Address(s) of Applicant(s):
GMCA Pty Ltd
45-55 South Centre Road Melbourne Airport Victoria 3045 Australia
(72) Name(s) of Designer(s): **Jason Jones**
(45) Registration Date: **16 January 2007**
(30) Convention priority data:
(31) Number (32) Date (33) Country
3024127 03 Mar 2006 UNITED KINGDOM
(56) Related Art Documents: **Not Applicable**
(57) Statement of Newness and Distinctiveness: **Newness and distinctiveness resides in the features of shape and configuration of a circular saw as shown in the accompanying representations.**



(21) Design Number: **12270/2006**
(22) Date of Filing Application: **23 May 2006**
(24) Date from which industrial property rights may have effect: **23 May 2006**
(54) Product in respect of which the design is registered: **Fence**
(51) International Design Classification: **25-02C**
(71) Name(s) and Address(s) of Applicant(s):
Southern Wire Pty Ltd
311 Collier Road Bassendean Western Australia 6054 Australia
(72) Name(s) of Designer(s): **Jerry Trevor Sivewright**
(45) Registration Date: **16 January 2007**
(56) Related Art Documents: **Not Applicable**
(57) Statement of Newness and Distinctiveness: **Newness and distinctiveness is claimed in the features of shape and/or configuration of the fence as illustrated in the accompanying representations.**



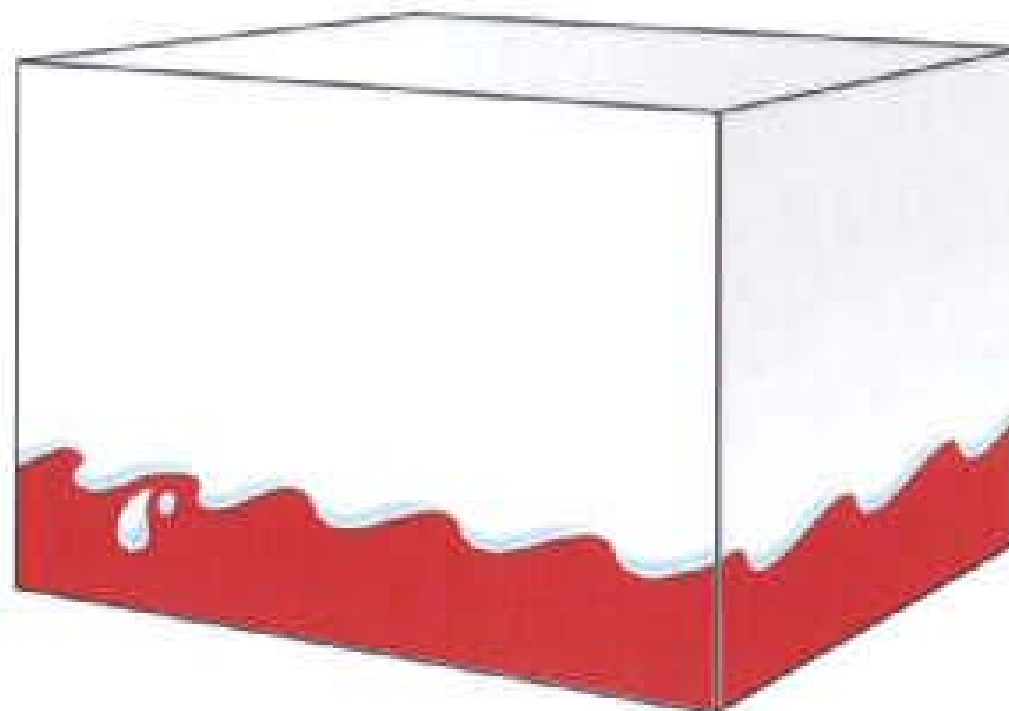
- (21) Design Number: **12441/2006**
(22) Date of Filing Application: **05 June 2006**
(24) Date from which industrial property rights may have effect: **05 June 2006**
(54) Product in respect of which the design is registered: **Small printed tags and documents protector**
(51) International Design Classification: **09-05**
(71) Name(s) and Address(s) of Applicant(s):
The Power of 2, Software & Marketing Pty Ltd
6 Nathan Circuit Pakenham Victoria 3810 Australia
(72) Name(s) of Designer(s): **Carl Norman Miller**
(45) Registration Date: **16 January 2007**
(56) Related Art Documents: **Not Applicable**
(57) Statement of Newness and Distinctiveness: **It protects tags open or closed, large or small, by itself or two used in tandem and the design can be scaled up or down to suit the use in any material and any thickness.**



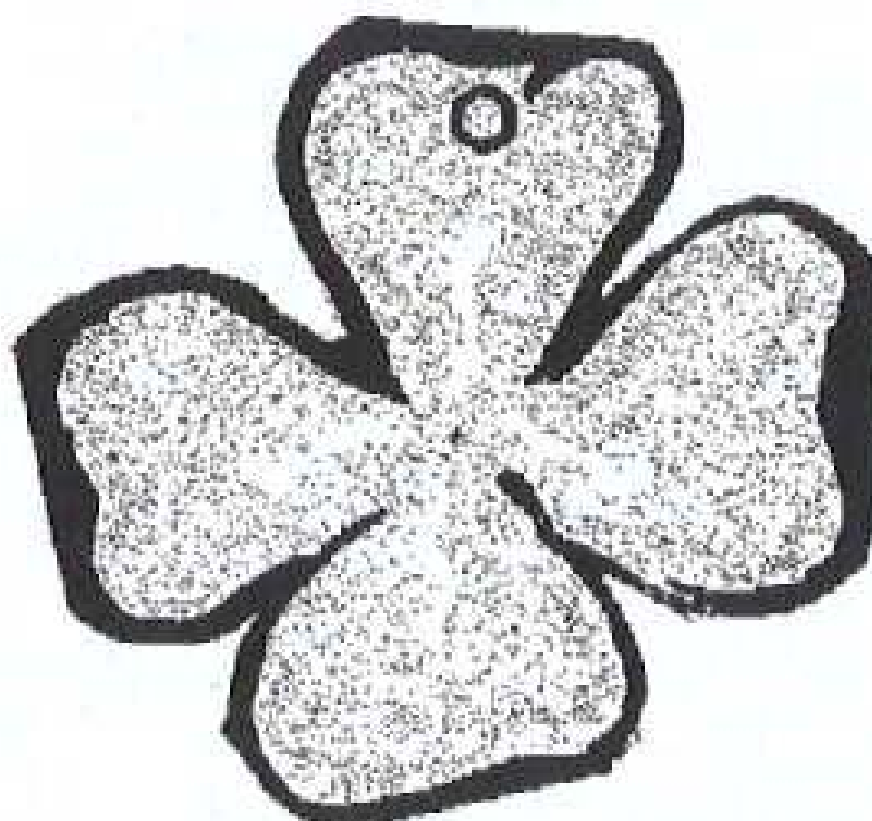
- (21) Design Number: **12612/2006**
(22) Date of Filing Application: **16 June 2006**
(24) Date from which industrial property rights may have effect: **16 June 2006**
(54) Product in respect of which the design is registered: **Bottle for beverages**
(51) International Design Classification: **09-01H, 09-01NES**
(71) Name(s) and Address(s) of Applicant(s):
Cantarella Bros Pty Ltd
118 Wetherill Street Silverwater New South Wales 2128 Australia
(72) Name(s) of Designer(s): **Eddy Perdoncini**
(45) Registration Date: **16 January 2007**
(56) Related Art Documents: **Not Applicable**
(57) Statement of Newness and Distinctiveness: **Nil.**



- (21) Design Number: **12717/2006**
(22) Date of Filing Application: **22 June 2006**
(24) Date from which industrial property rights may have effect: **22 June 2006**
(54) Product in respect of which the design is registered: **Packaging**
(51) International Design Classification: **09-03M**
(71) Name(s) and Address(s) of Applicant(s):
Ferrero S.p.A.
Piazzale Ferrero 1 I-12051 ALBA (Cuneo) Italy
(72) Name(s) of Designer(s): **Gianfranco Raso**
(45) Registration Date: **16 January 2007**
(30) Convention priority data:
(31) Number (32) Date (33) Country
000453550 23 Dec 2005 EUROPEAN COMMUNITY
(56) Related Art Documents: **Not Applicable**
(57) Statement of Newness and Distinctiveness: **Those features of the packaging depicted in the representations that are new and distinctive are the pattern and/or ornamentation. The pattern and/or ornamentation is in the colours orange and light blue against a white background as shown in the representations.**



- (21) Design Number: **12765/2006**
(22) Date of Filing Application: **26 June 2006**
(24) Date from which industrial property rights may have effect: **26 June 2006**
(54) Product in respect of which the design is registered: **Scratchable lottery ticket**
(51) International Design Classification: **21-03, 21-99**
(71) Name(s) and Address(s) of Applicant(s):
Fab Mezzanotte
294 New South Head Road Double Bay New South Wales 2028 Australia
(72) Name(s) of Designer(s): **Fab Mezzanotte**
(45) Registration Date: **16 January 2007**
(56) Related Art Documents: **Not Applicable**
(57) Statement of Newness and Distinctiveness: **Nil**



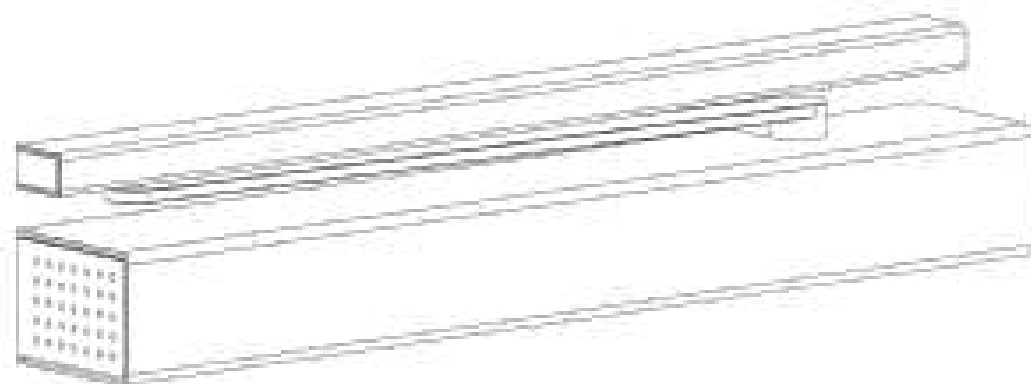
- (21) Design Number: **12880/2006**
(22) Date of Filing Application: **05 July 2006**
(24) Date from which industrial property rights may have effect: **05 July 2006**
(54) Product in respect of which the design is registered: **Sports brassiere**
(51) International Design Classification: **02-01A**
(71) Name(s) and Address(s) of Applicant(s):
Pacific Brands Clothing Pty Ltd
Level 3 290 Burwood Road Hawthorn Victoria 3122 Australia
(72) Name(s) of Designer(s): **Louise Woods and Adele Kershaw**
(45) Registration Date: **16 January 2007**
(56) Related Art Documents: **Not Applicable**
(57) Statement of Newness and Distinctiveness: **Newness and distinctiveness of the design resides in the pattern and ornamentation of the breast cups of the sports brassiere, as shown in the accompanying representations.**



- (21) Design Number: **15254/2006**
(22) Date of Filing Application: **15 November 2006**
(24) Date from which industrial property rights may have effect: **15 November 2006**
(54) Product in respect of which the design is registered: **A door closer**
(51) International Design Classification: **08-07**
(71) Name(s) and Address(s) of Applicant(s):
Dorma GmbH & Co. KG
Breckerfelder Strasse 42-48 D-58256 Ennepetal Germany
(72) Name(s) of Designer(s): **Georg Kaluza**
(45) Registration Date: **16 January 2007**
(30) Convention priority data:

(31) Number	(32) Date	(33) Country
406 02 750.1	16 May 2006	GERMANY

(56) Related Art Documents: **Not Applicable**
(57) Statement of Newness and Distinctiveness: **Newness and distinctiveness is claimed in the features of shape and configuration of the door closer shown in the representations but not including the internal detail visible in the rear view.**



(19) AU

- (21) Design Number: **13620/2006**
- (22) Date of Filing Application: **15 August 2006**
- (24) Date from which industrial property rights may have effect: **15 August 2006**
- (54) Product in respect of which the design is registered: **Pen with cap**
- (51) International Design Classification: **19-06**
- (71) Name(s) and Address(s) of Applicant(s):
OMX, Inc.
101 Convention Center Drive Suite 850 Las Vegas Nevada 89109
United States of America
- (72) Name(s) of Designer(s): **Scott Ternovits**
- (45) Registration Date: **17 January 2007**
- (30) Convention priority data:

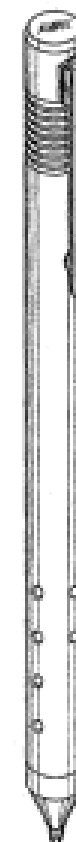
(31) Number	(32) Date	(33) Country
29/254075	15 Feb 2006	UNITED STATES OF AMERICA
- (56) Related Art Documents: **Not Applicable**
- (57) Statement of Newness and Distinctiveness: **Newness and distinctiveness is claimed in the features of shape and/or configuration of a pen with cap as illustrated in the accompanying representations.**



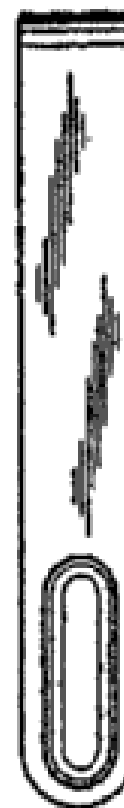
(19) AU

- (21) Design Number: **13621/2006**
- (22) Date of Filing Application: **15 August 2006**
- (24) Date from which industrial property rights may have effect: **15 August 2006**
- (54) Product in respect of which the design is registered: **Pen**
- (51) International Design Classification: **19-06**
- (71) Name(s) and Address(s) of Applicant(s):
OMX, Inc.
101 Convention Center Drive Suite 850 Las Vegas Nevada 89109
United States of America
- (72) Name(s) of Designer(s): **Scott Ternovits**
- (45) Registration Date: **17 January 2007**
- (30) Convention priority data:

(31) Number	(32) Date	(33) Country
29/254082	15 Feb 2006	UNITED STATES OF AMERICA
- (56) Related Art Documents: **Not Applicable**
- (57) Statement of Newness and Distinctiveness: **Newness and distinctiveness is claimed in the features of shape and/or configuration of a pen as illustrated in the accompanying representations.**



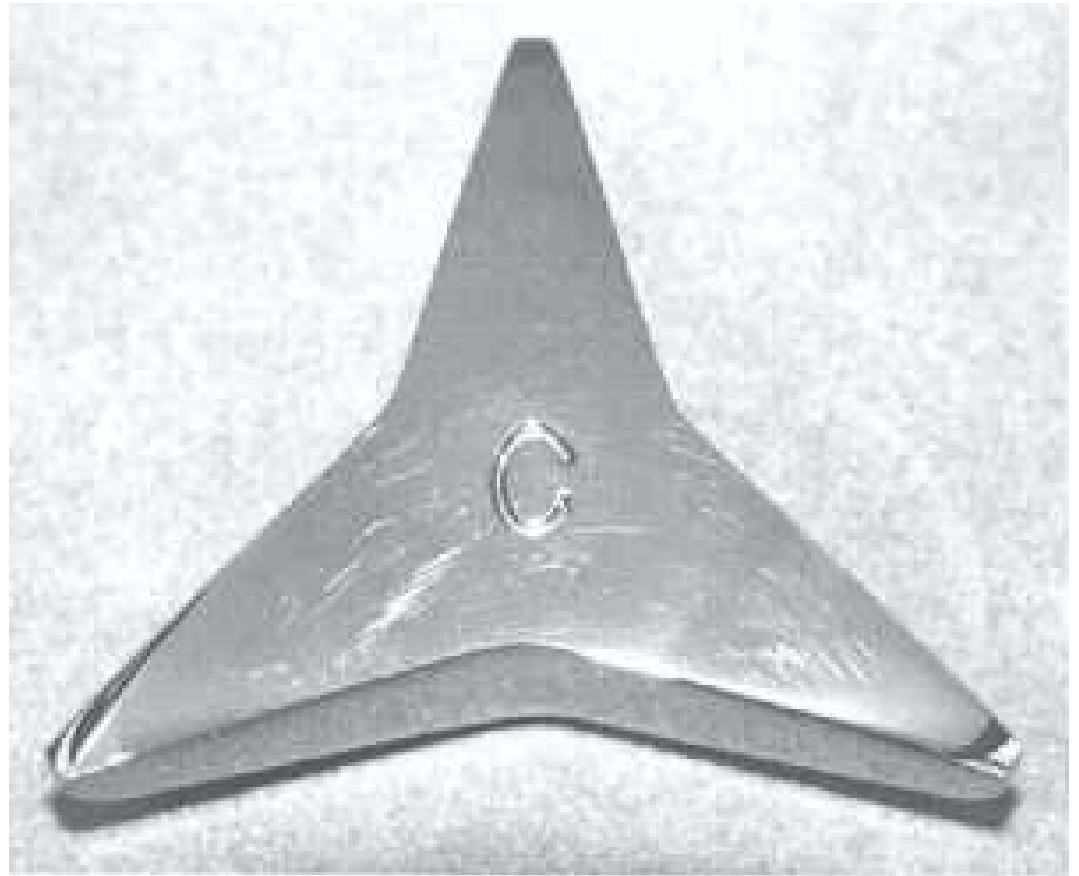
- (21) Design Number: **13622/2006**
(22) Date of Filing Application: **15 August 2006**
(24) Date from which industrial property rights may have effect: **15 August 2006**
(54) Product in respect of which the design is registered: **Clip for pen**
(51) International Design Classification: **19-06**
(71) Name(s) and Address(s) of Applicant(s):
OMX, Inc.
101 Convention Center Drive Suite 850 Las Vegas Nevada 89109
United States of America
(72) Name(s) of Designer(s): **Scott Ternovits**
(45) Registration Date: **17 January 2007**
(30) Convention priority data:
(31) Number (32) Date (33) Country
29/254079 15 Feb 2006 UNITED STATES OF AMERICA
(56) Related Art Documents: **Not Applicable**
(57) Statement of Newness and Distinctiveness: **Newness and distinctiveness is claimed in the features of shape and/or configuration of a clip for pen as illustrated in the accompanying representations.**



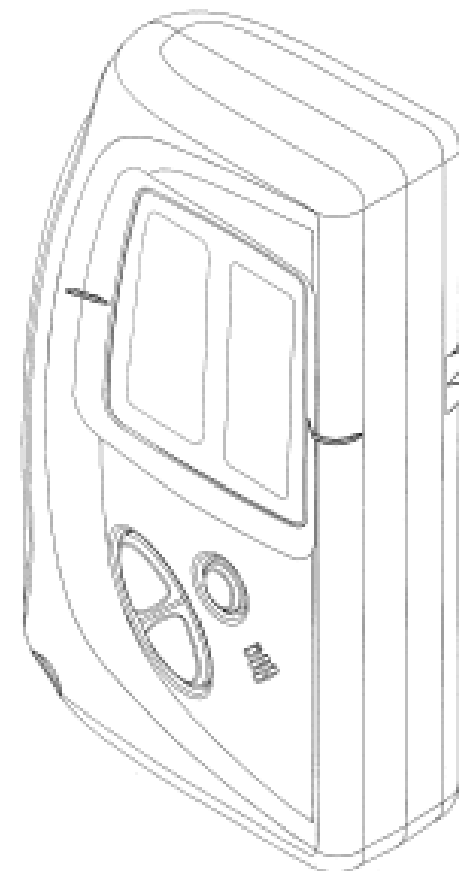
- (21) Design Number: **13816/2006**
(22) Date of Filing Application: **24 August 2006**
(24) Date from which industrial property rights may have effect: **24 August 2006**
(54) Product in respect of which the design is registered: **Shower rose**
(51) International Design Classification: **23-02B**
(71) Name(s) and Address(s) of Applicant(s):
Ewing Industries Pty Ltd
4/24 Deakin Street Brendale Queensland 4500 Australia
(72) Name(s) of Designer(s): **Warren A. Ewing**
(45) Registration Date: **17 January 2007**
(56) Related Art Documents: **Not Applicable**
(57) Statement of Newness and Distinctiveness: **Newness and distinctiveness is claimed in the shape of the shower rose. The wall mount and the spray cogs are to be disregarded.**



- (21) Design Number: **13817/2006**
(22) Date of Filing Application: **24 August 2006**
(24) Date from which industrial property rights may have effect: **24 August 2006**
(54) Product in respect of which the design is registered: **Tap handle**
(51) International Design Classification: **23-01H**
(71) Name(s) and Address(s) of Applicant(s):
Ewing Industries Pty Ltd
4/24 Deakin Street Brendale Queensland 4500 Australia
(72) Name(s) of Designer(s): **Warren A. Ewing**
(45) Registration Date: **17 January 2007**
(56) Related Art Documents: **Not Applicable**
(57) Statement of Newness and Distinctiveness: **Newness and distinctiveness is claimed in the shape of the tap handle. The indicia "C" and the connection for a spindle are to be disregarded.**



- (21) Design Number: **13818/2006**
(22) Date of Filing Application: **24 August 2006**
(24) Date from which industrial property rights may have effect: **24 August 2006**
(54) Product in respect of which the design is registered: **A laser receiver**
(51) International Design Classification: **08-05NES**
(71) Name(s) and Address(s) of Applicant(s):
Design and Industry Pty Ltd
115-121 Mullens Street Balmain New South Wales 2041 Australia
(72) Name(s) of Designer(s): **Murray Hunter**
(45) Registration Date: **17 January 2007**
(56) Related Art Documents: **Not Applicable**
(57) Statement of Newness and Distinctiveness: **Newness and distinctiveness is claimed in the features of shape and/or configuration of a laser receiver as illustrated in the accompanying representations.**



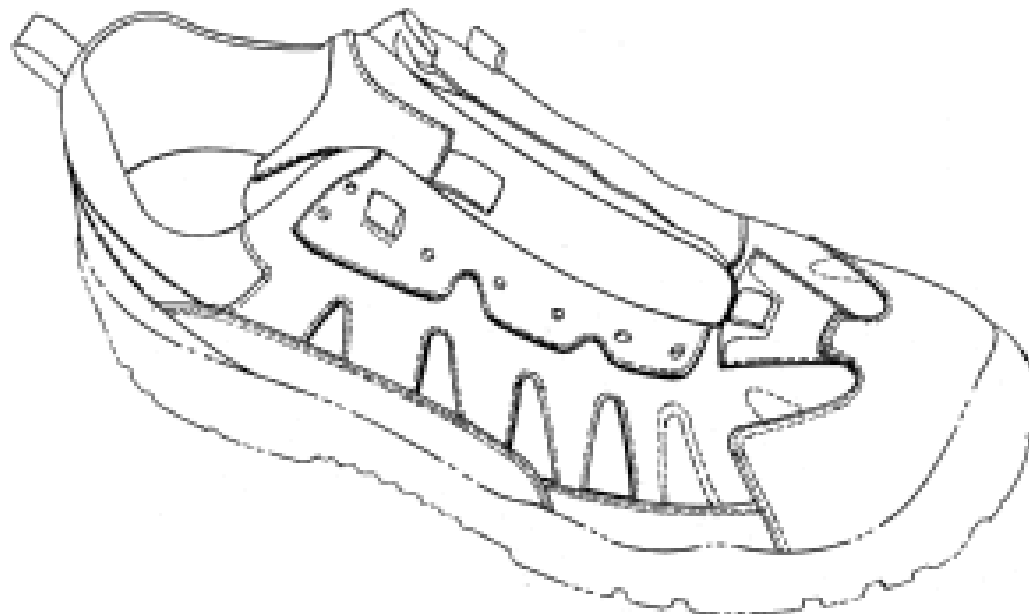
- (21) Design Number: **13838/2006**
(22) Date of Filing Application: **25 August 2006**
(24) Date from which industrial property rights may have effect: **25 August 2006**
(54) Product in respect of which the design is registered: **Tell tale monitor for monitoring trailer lighting and circuits. Complies with ADR1300 6.5.8. Pictures 1 to 13**
(51) International Design Classification: **13-03NES**
(71) Name(s) and Address(s) of Applicant(s):
Dennis Ronald Gravalin
271 River Street Maclean New South Wales 2463 Australia
Laetone Malcome Gravalin
271 River Street Maclean New South Wales 2463 Australia
(72) Name(s) of Designer(s): **Dennis Ronald Gravalin and Laetone Malcome Gravalin**
(45) Registration Date: **17 January 2007**
(56) Related Art Documents: **Not Applicable**
(57) Statement of Newness and Distinctiveness: **Magnets embodied in mould of Tell Tale Monitor, aerodynamic design, distinctive display of coloured LEDS and curved diffuser cover, light weight construction. Magnetic clips and metal plate supplied.**



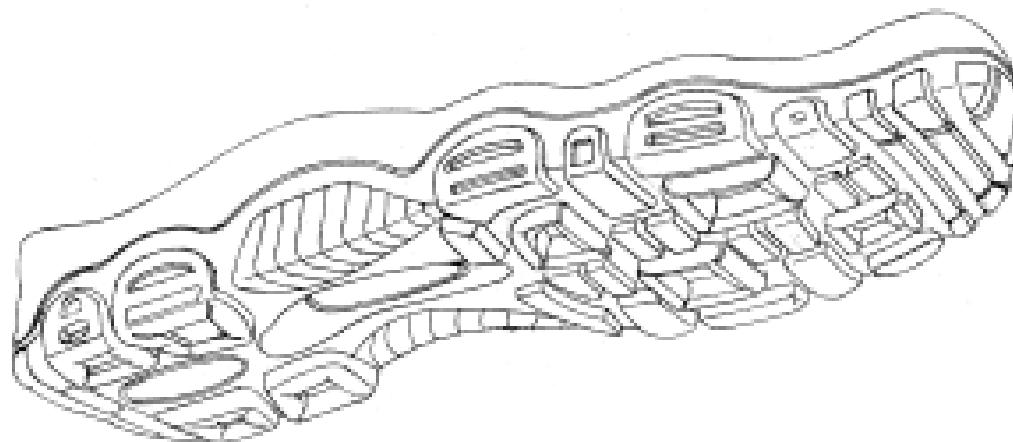
- (21) Design Number: **13884/2006**
(22) Date of Filing Application: **29 August 2006**
(24) Date from which industrial property rights may have effect: **29 August 2006**
(54) Product in respect of which the design is registered: **Shoe upper**
(51) International Design Classification: **02-04NES**
(71) Name(s) and Address(s) of Applicant(s):
O & S Holdings (Vic) Pty Ltd
Cnr Prest & Humffray Streets Ballarat Victoria 3350 Australia
(72) Name(s) of Designer(s): **Andrew Oliver**
(45) Registration Date: **17 January 2007**
(56) Related Art Documents: **Not Applicable**
(57) Statement of Newness and Distinctiveness: **Those features of the shoe upper depicted in the representations that are new and distinctive are the shape and/or configuration. The features of the sole shown in broken line and the pull tag marked "A" are not part of the design and are to be disregarded when considering the overall impression of the design.**



- (21) Design Number: **13885/2006**
(22) Date of Filing Application: **29 August 2006**
(24) Date from which industrial property rights may have effect: **29 August 2006**
(54) Product in respect of which the design is registered: **Shoe upper**
(51) International Design Classification: **02-04NES**
(71) Name(s) and Address(s) of Applicant(s):
O & S Holdings (Vic) Pty Ltd
Cnr Prest & Humffray Streets Ballarat Victoria 3350 Australia
(72) Name(s) of Designer(s): **Andrew Oliver**
(45) Registration Date: **17 January 2007**
(56) Related Art Documents: **Not Applicable**
(57) Statement of Newness and Distinctiveness: **Those features of the shoe upper depicted in the representations that are new and distinctive are the shape and/or configuration. The features of the sole shown in broken line and the pull tag marked "A" are not part of the design and are to be disregarded when considering the overall impression of the design.**



- (21) Design Number: **13886/2006**
(22) Date of Filing Application: **29 August 2006**
(24) Date from which industrial property rights may have effect: **29 August 2006**
(54) Product in respect of which the design is registered: **Footwear sole**
(51) International Design Classification: **02-04B**
(71) Name(s) and Address(s) of Applicant(s):
O & S Holdings (Vic) Pty Ltd
Cnr Prest & Humffray Streets Ballarat Victoria 3350 Australia
(72) Name(s) of Designer(s): **Andrew Oliver**
(45) Registration Date: **17 January 2007**
(56) Related Art Documents: **Not Applicable**
(57) Statement of Newness and Distinctiveness: **Those features of the footwear sole depicted in the representations that are new and distinctive are the shape and/or configuration.**



(21) Design Number: **13903/2006**

(22) Date of Filing Application: **30 August 2006**

(24) Date from which industrial property rights may have effect: **30 August 2006**

(54) Product in respect of which the design is registered: **Vehicle grille**

(51) International Design Classification: **12-16B**

(71) Name(s) and Address(s) of Applicant(s):

**GM Global Technology Operations, Inc
300 Renaissance Center Detroit MI 48265-3000 United States of
America**

(72) Name(s) of Designer(s): **Julian Quincey**

(45) Registration Date: **17 January 2007**

(56) Related Art Documents: **Not Applicable**

(57) Statement of Newness and Distinctiveness: **Newness and distinctiveness is claimed in the shape and/or configuration of a vehicle grille as shown in the representations.**



(21) Design Number: **13904/2006**

(22) Date of Filing Application: **30 August 2006**

(24) Date from which industrial property rights may have effect: **30 August 2006**

(54) Product in respect of which the design is registered: **Vehicle fascia**

(51) International Design Classification: **12-16B**

(71) Name(s) and Address(s) of Applicant(s):

**GM Global Technology Operations, Inc
300 Renaissance Center Detroit MI 48265-3000 United States of
America**

(72) Name(s) of Designer(s): **Julian Quincey**

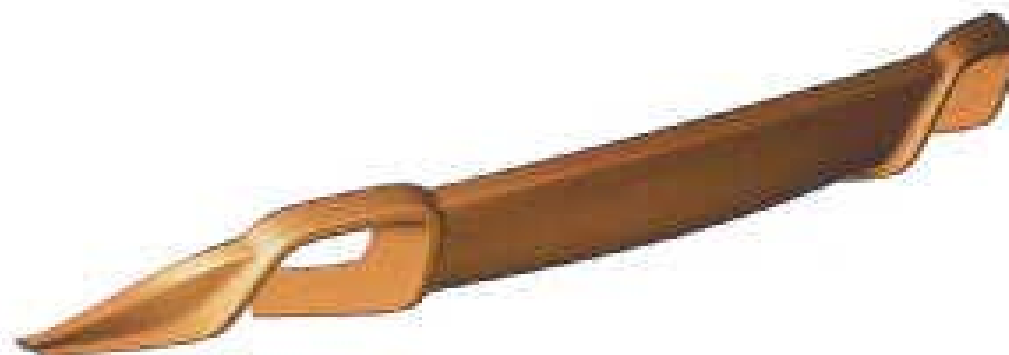
(45) Registration Date: **17 January 2007**

(56) Related Art Documents: **Not Applicable**

(57) Statement of Newness and Distinctiveness: **Newness and distinctiveness is claimed in the shape and/or configuration of a vehicle fascia as shown in the representations.**



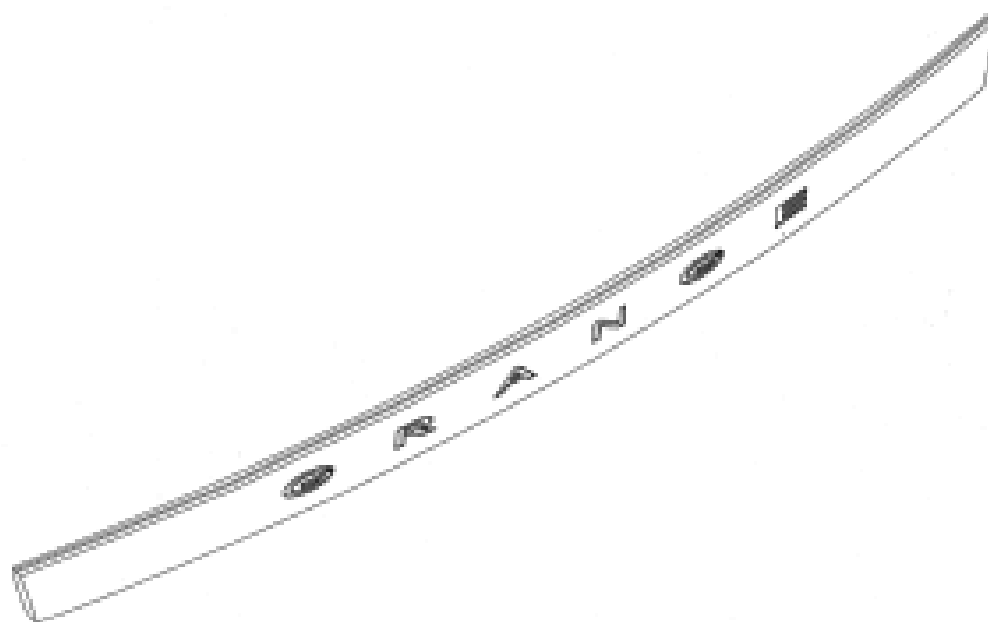
- (21) Design Number: **13905/2006**
- (22) Date of Filing Application: **30 August 2006**
- (24) Date from which industrial property rights may have effect: **30 August 2006**
- (54) Product in respect of which the design is registered: **Vehicle fascia skirt**
- (51) International Design Classification: **12-16B**
- (71) Name(s) and Address(s) of Applicant(s):
GM Global Technology Operations, Inc
300 Renaissance Center Detroit MI 48265-3000 United States of America
- (72) Name(s) of Designer(s): **Julian Quincey**
- (45) Registration Date: **17 January 2007**
- (56) Related Art Documents: **Not Applicable**
- (57) Statement of Newness and Distinctiveness: **Newness and distinctiveness is claimed in the shape and/or configuration of a vehicle fascia skirt as shown in the representations.**



- (21) Design Number: **13906/2006**
- (22) Date of Filing Application: **30 August 2006**
- (24) Date from which industrial property rights may have effect: **30 August 2006**
- (54) Product in respect of which the design is registered: **Vehicle spoiler**
- (51) International Design Classification: **12-16B**
- (71) Name(s) and Address(s) of Applicant(s):
GM Global Technology Operations, Inc
300 Renaissance Center Detroit MI 48265-3000 United States of America
- (72) Name(s) of Designer(s): **Julian Quincey**
- (45) Registration Date: **17 January 2007**
- (56) Related Art Documents: **Not Applicable**
- (57) Statement of Newness and Distinctiveness: **Newness and distinctiveness is claimed in the shape and/or configuration of a vehicle spoiler as shown in the representations.**



- (21) Design Number: **13907/2006**
(22) Date of Filing Application: **30 August 2006**
(24) Date from which industrial property rights may have effect: **30 August 2006**
(54) Product in respect of which the design is registered: **Vehicle decor strip**
(51) International Design Classification: **12-16D**
(71) Name(s) and Address(s) of Applicant(s):
GM Global Technology Operations, Inc
300 Renaissance Center Detroit MI 48265-3000 United States of America
(72) Name(s) of Designer(s): **Julian Quincey**
(45) Registration Date: **17 January 2007**
(56) Related Art Documents: **Not Applicable**
(57) Statement of Newness and Distinctiveness: **Newness and distinctiveness is claimed in the shape and/or configuration of a vehicle decor strip as shown in the representations.**



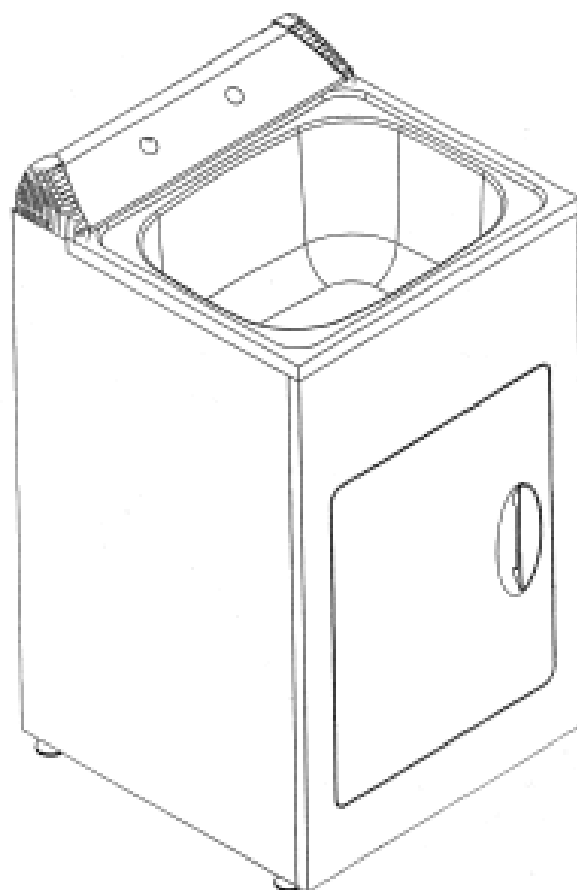
- (21) Design Number: **14329/2006**
(22) Date of Filing Application: **28 September 2006**
(24) Date from which industrial property rights may have effect: **28 September 2006**
(54) Product in respect of which the design is registered: **Fingerless arm warmers**
(51) International Design Classification: **02-06**
(71) Name(s) and Address(s) of Applicant(s):
Gail Drechsler
64 Lewthwaite Street Whyalla South Australia 5608 Australia
Diana Drechsler
64 Lewthwaite Street Whyalla South Australia 5608 Australia
(72) Name(s) of Designer(s): **Diana Drechsler and Gail Drechsler**
(45) Registration Date: **17 January 2007**
(56) Related Art Documents: **Not Applicable**
(57) Statement of Newness and Distinctiveness: **They have stretch lace trim around the hand, thumb and around the top of the arm. Made any stretch material of any colour. Lace any colour**



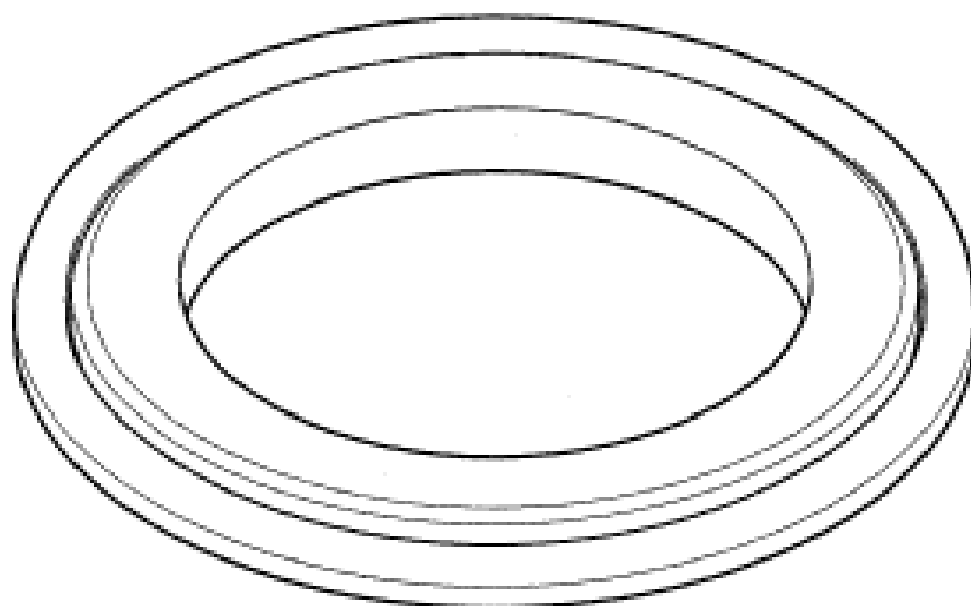
- (21) Design Number: **14623/2006**
(22) Date of Filing Application: **16 October 2006**
(24) Date from which industrial property rights may have effect: **16 October 2006**
(54) Product in respect of which the design is registered: **A bonnet for a motor vehicle**
(51) International Design Classification: **12-16B**
(71) Name(s) and Address(s) of Applicant(s):
Wayne Corbin
4 Gleeson Place Kambah ACT 2902 Australia
(72) Name(s) of Designer(s): **Wayne Corbin and Jason Bobruk**
(45) Registration Date: **17 January 2007**
(56) Related Art Documents: **Not Applicable**
(57) Statement of Newness and Distinctiveness: **Monopoly is claimed in the features of shape or configuration applicable to a bonnet for a vehicle as shown in the accompanying representations.**



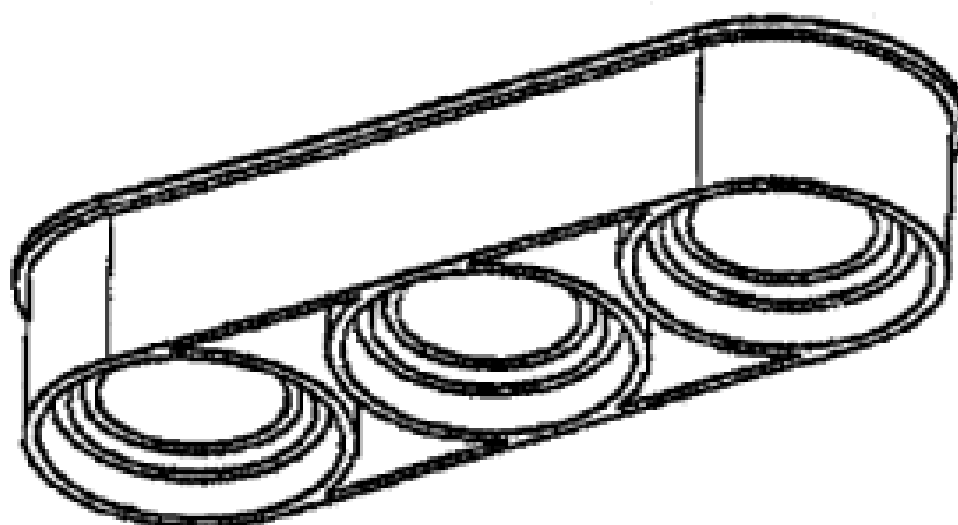
- (21) Design Number: **14645/2006**
(22) Date of Filing Application: **16 October 2006**
(24) Date from which industrial property rights may have effect: **16 October 2006**
(54) Product in respect of which the design is registered: **Laundry Cabinet and Tub**
(51) International Design Classification: **23-02F**
(71) Name(s) and Address(s) of Applicant(s):
International Research & Marketing Corp Pty Ltd
21 North Terrace Burnie Tasmania 7320 Australia
(72) Name(s) of Designer(s): **Lloyd Campbell**
(45) Registration Date: **17 January 2007**
(56) Related Art Documents: **Not Applicable**
(57) Statement of Newness and Distinctiveness: **Consol style, handle type, cabinet design.**



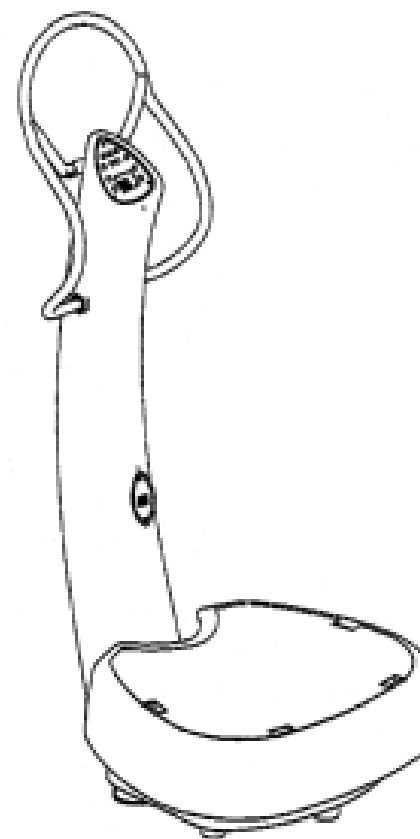
- (21) Design Number: **14655/2006**
(22) Date of Filing Application: **17 October 2006**
(24) Date from which industrial property rights may have effect: **17 October 2006**
(54) Product in respect of which the design is registered: **An annular seal for a water tank outlet**
(51) International Design Classification: **23-01A**
(71) Name(s) and Address(s) of Applicant(s):
MBP Australia Pty Ltd
19-27 Oborn Road Mount Barker South Australia 5251 Australia
(72) Name(s) of Designer(s): **Jeffrey Stephen Boyd**
(45) Registration Date: **17 January 2007**
(56) Related Art Documents: **Not Applicable**
(57) Statement of Newness and Distinctiveness: **Newness and distinctiveness resides in the features of shape and configuration of an annular seal as shown in the accompanying representations.**



- (21) Design Number: **14882/2006**
(22) Date of Filing Application: **25 October 2006**
(24) Date from which industrial property rights may have effect: **25 October 2006**
(54) Product in respect of which the design is registered: **An adapter for a pipe connector**
(51) International Design Classification: **23-01A**
(71) Name(s) and Address(s) of Applicant(s):
Plastec Australia Pty Ltd
2 Enterprise Street Caloundra Queensland 4551 Australia
(72) Name(s) of Designer(s): **Brian Eley**
(45) Registration Date: **17 January 2007**
(56) Related Art Documents: **Not Applicable**
(57) Statement of Newness and Distinctiveness: **The newness and distinctiveness of the design resides in the features of shape and/or configuration shown in the accompanying representations.**



- (21) Design Number: **14943/2006**
(22) Date of Filing Application: **27 October 2006**
(24) Date from which industrial property rights may have effect: **27 October 2006**
(54) Product in respect of which the design is registered: **Vibration apparatus**
(51) International Design Classification: **28-03NES**
(71) Name(s) and Address(s) of Applicant(s):
Power Plate International Limited
9a Utopia Village 7 Chalcot Road Primrose Hill London NW1 8LH
United Kingdom
(72) Name(s) of Designer(s): **Mark Clive Minter**
(45) Registration Date: **17 January 2007**
(56) Related Art Documents: **Not Applicable**
(57) Statement of Newness and Distinctiveness: **In considering the newness or distinctiveness of the design, regard is to be given to the overall shape and/or configuration of a vibration apparatus as shown in the representations.**



- (21) Design Number: **11050/2006**
(22) Date of Filing Application: **17 March 2006**
(24) Date from which industrial property rights may have effect: **17 March 2006**
(54) Product in respect of which the design is registered: **Microplush & faux-fur trimmed hooded robe.**
(51) International Design Classification: **02-02NES**
(71) Name(s) and Address(s) of Applicant(s):
Bambury
20 Hines Road O'Connor Western Australia 6163 Australia
(72) Name(s) of Designer(s): **Ben Duncalf**
(45) Registration Date: **17 January 2007**
(56) Related Art Documents: **Not Applicable**
(57) Statement of Newness and Distinctiveness: **3 piece set for children: each containing a robe, a pair of slippers & a cookie-cut teddy bear. There are various characters - each in a different colour, & with their own small story.**



(21) Design Number: **11896/2006**

(22) Date of Filing Application: **03 May 2006**

(24) Date from which industrial property rights may have effect: **03 May 2006**

(54) Product in respect of which the design is registered: **Wall panel**

(51) International Design Classification: **25-01D**

(71) Name(s) and Address(s) of Applicant(s):

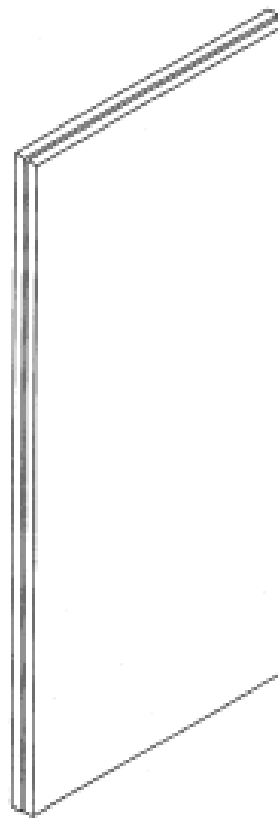
**Specialised constructions (Australia) Pty Ltd
133 Stubbs Street Kensington Victoria 3031 Australia**

(72) Name(s) of Designer(s): **Frederick Caldwell**

(45) Registration Date: **17 January 2007**

(56) Related Art Documents: **Not Applicable**

(57) Statement of Newness and Distinctiveness: **Those features of the wall panel depicted in the representations that are new and distinctive are the shape and/or configuration and in particular the features of shape and configuration of the edge formation of the panel as depicted in representation section AA.**



(21) Design Number: **11991/2006**

(22) Date of Filing Application: **05 May 2006**

(24) Date from which industrial property rights may have effect: **05 May 2006**

(54) Product in respect of which the design is registered: **Air freshener device**

(51) International Design Classification: **28-99**

(71) Name(s) and Address(s) of Applicant(s):

**Reckitt Benckiser (UK) Limited
103-105 Bath Road Slough Berkshire SL1 3UH United Kingdom**

(72) Name(s) of Designer(s): **Matthew Copeman**

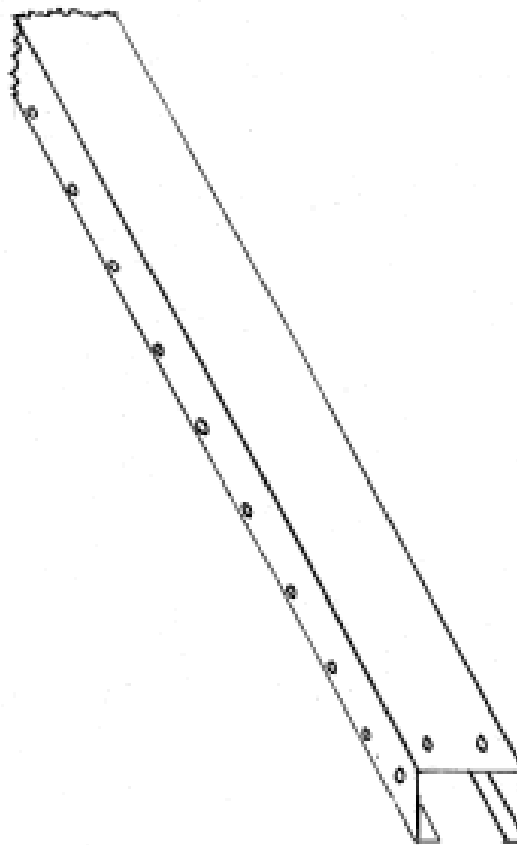
(45) Registration Date: **17 January 2007**

(56) Related Art Documents: **Not Applicable**

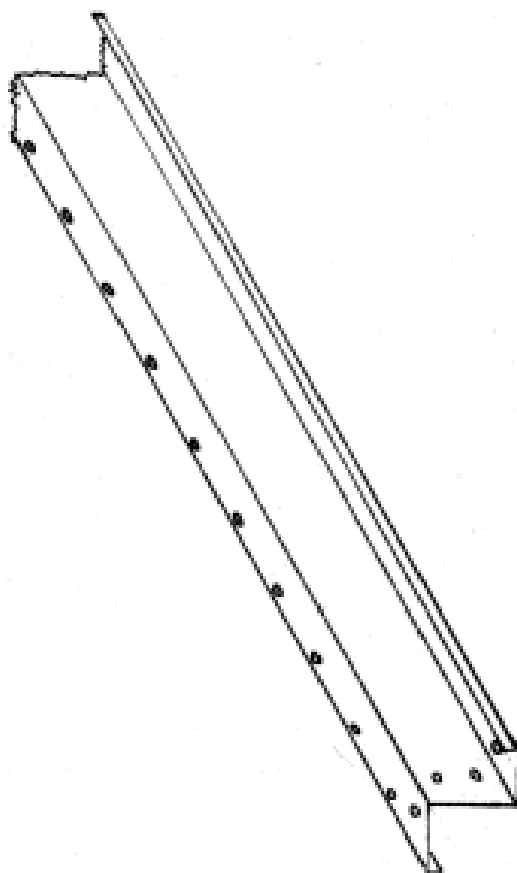
(57) Statement of Newness and Distinctiveness: **Newness and distinctiveness reside in the features of the design as shown in the representations.**



- (21) Design Number: **13176/2006**
- (22) Date of Filing Application: **24 July 2006**
- (24) Date from which industrial property rights may have effect: **24 July 2006**
- (54) Product in respect of which the design is registered: **Roof Purlins - that support safety mesh and roof sheeting in the construction of Commercial/Industrial type buildings**
- (51) International Design Classification: **25-01C**
- (71) Name(s) and Address(s) of Applicant(s):
Tim McCabe
23 Golden Bar Drive Parkes New South Wales 2870 Australia
Lee McCabe
23 Golden Bar Drive Parkes New South Wales 2870 Australia
- (72) Name(s) of Designer(s): **Tim McCabe**
- (45) Registration Date: **17 January 2007**
- (56) Related Art Documents: **Not Applicable**
- (57) Statement of Newness and Distinctiveness: **We believe that pre-punching the roof purlins is a new process for fastening safety mesh and will make these purlins visually distinctive from the remaining roof purlins.**



- (21) Design Number: **15292/2006**
- (22) Date of Filing Application: **24 July 2006**
- (24) Date from which industrial property rights may have effect: **24 July 2006**
- (54) Product in respect of which the design is registered: **Roof purlins - that support safety mesh and roof sheeting in the construction of commercial/industrial type buildings.**
- (51) International Design Classification: **25-01C**
- (71) Name(s) and Address(s) of Applicant(s):
Tim McCabe
23 Golden Bar Drive Parkes New South Wales 2870 Australia
Lee McCabe
23 Golden Bar Drive Parkes New South Wales 2870 Australia
- (72) Name(s) of Designer(s): **Tim McCabe**
- (45) Registration Date: **17 January 2007**
- (56) Related Art Documents: **Not Applicable**
- (57) Statement of Newness and Distinctiveness: **We believe that pre-punching the roof purlins is a new process for fastening safety mesh and will make these purlins visually distinctive from the remaining roof purlins.**



(21) Design Number: **15293/2006**

(22) Date of Filing Application: **24 July 2006**

(24) Date from which industrial property rights may have effect: **24 July 2006**

(54) Product in respect of which the design is registered: **Roof purlins - that support safety mesh and roof sheeting in the construction of commercial/industrial type buildings.**

(51) International Design Classification: **25-01C**

(71) Name(s) and Address(s) of Applicant(s):

Tim McCabe

23 Golden Bar Drive Parkes New South Wales 2870 Australia

Lee McCabe

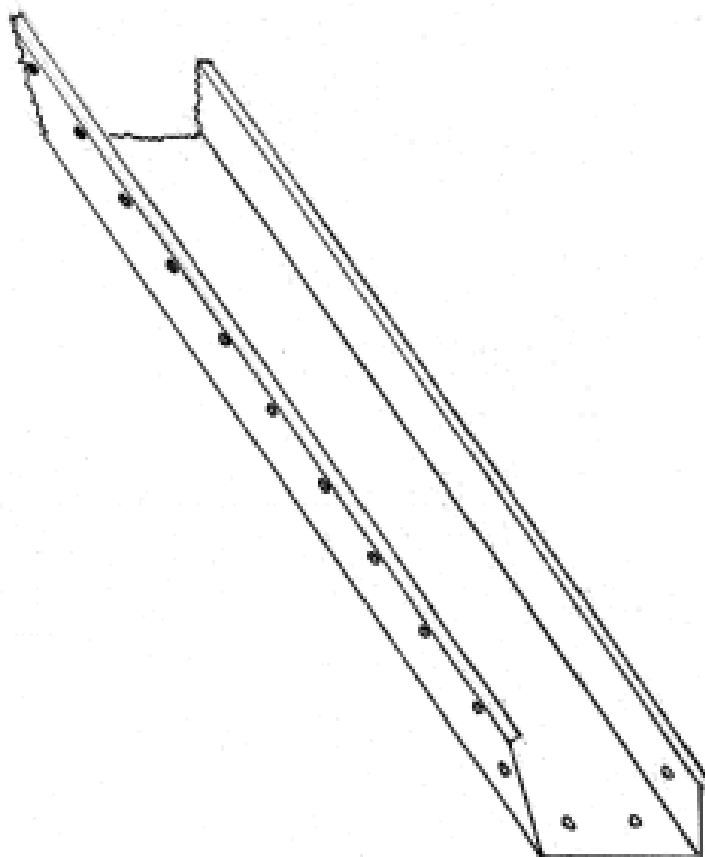
23 Golden Bar Drive Parkes New South Wales 2870 Australia

(72) Name(s) of Designer(s): **Tim McCabe**

(45) Registration Date: **17 January 2007**

(56) Related Art Documents: **Not Applicable**

(57) Statement of Newness and Distinctiveness: **We believe that pre-punching the roof purlins is a new process for fastening safety mesh and will make these purlins visually distinctive from the remaining roof purlins.**



(21) Design Number: **15294/2006**

(22) Date of Filing Application: **24 July 2006**

(24) Date from which industrial property rights may have effect: **24 July 2006**

(54) Product in respect of which the design is registered: **Roof purlins - that support safety mesh and roof sheeting in the construction of commercial/industrial type buildings.**

(51) International Design Classification: **25-01C**

(71) Name(s) and Address(s) of Applicant(s):

Tim McCabe

23 Golden Bar Drive Parkes New South Wales 2870 Australia

Lee McCabe

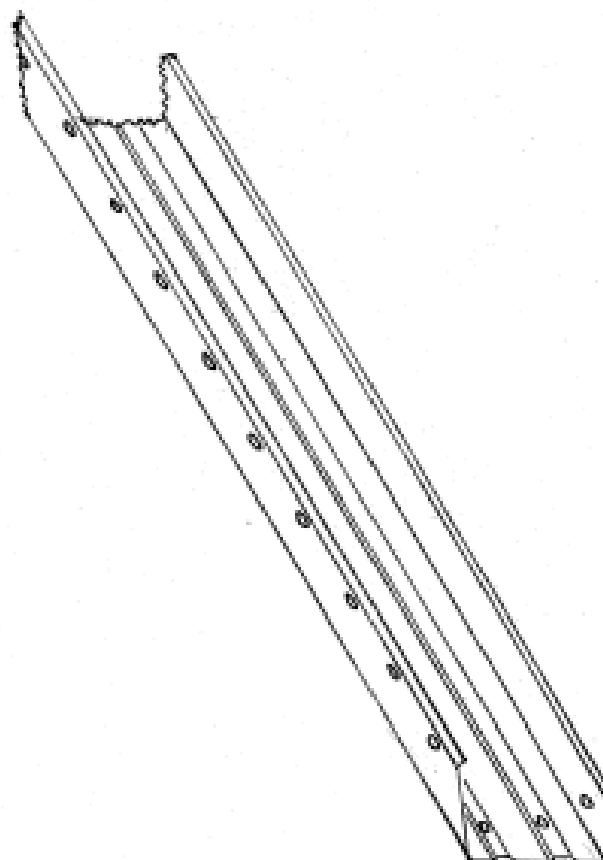
23 Golden Bar Drive Parkes New South Wales 2870 Australia

(72) Name(s) of Designer(s): **Tim McCabe**

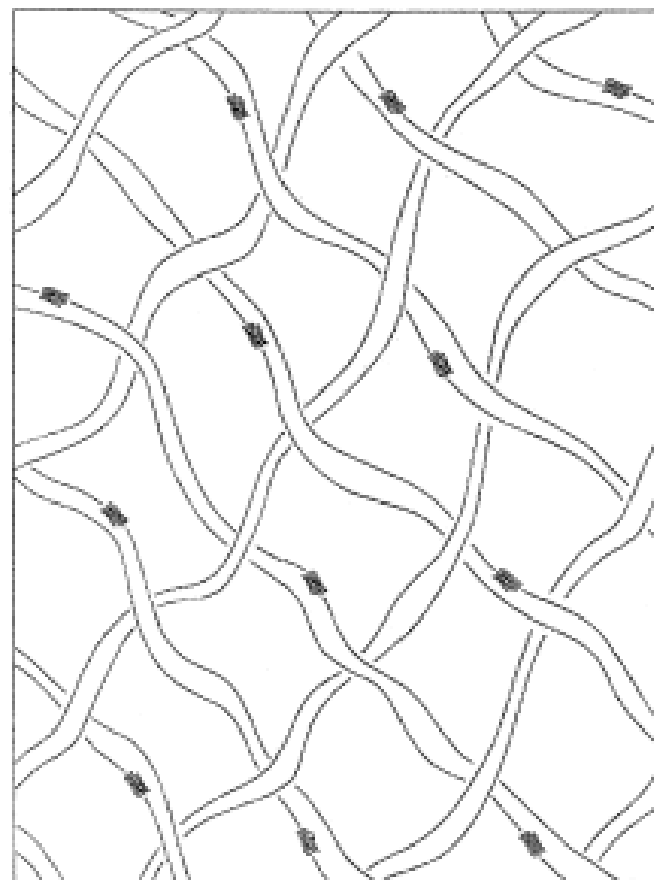
(45) Registration Date: **17 January 2007**

(56) Related Art Documents: **Not Applicable**

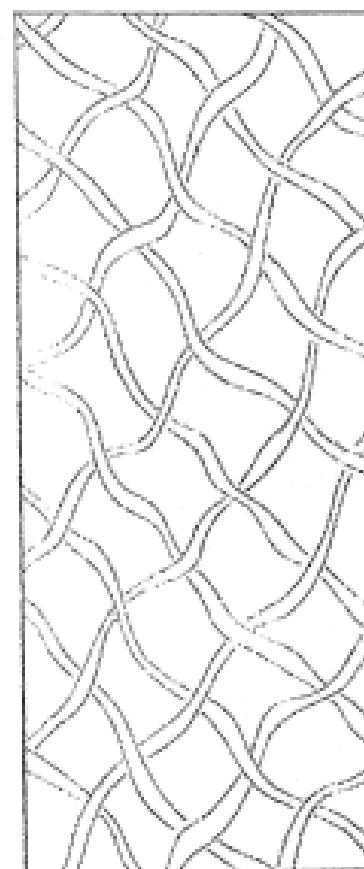
(57) Statement of Newness and Distinctiveness: **We believe that pre-punching the roof purlins is a new process for fastening safety mesh and will make these purlins visually distinctive from the remaining roof purlins.**



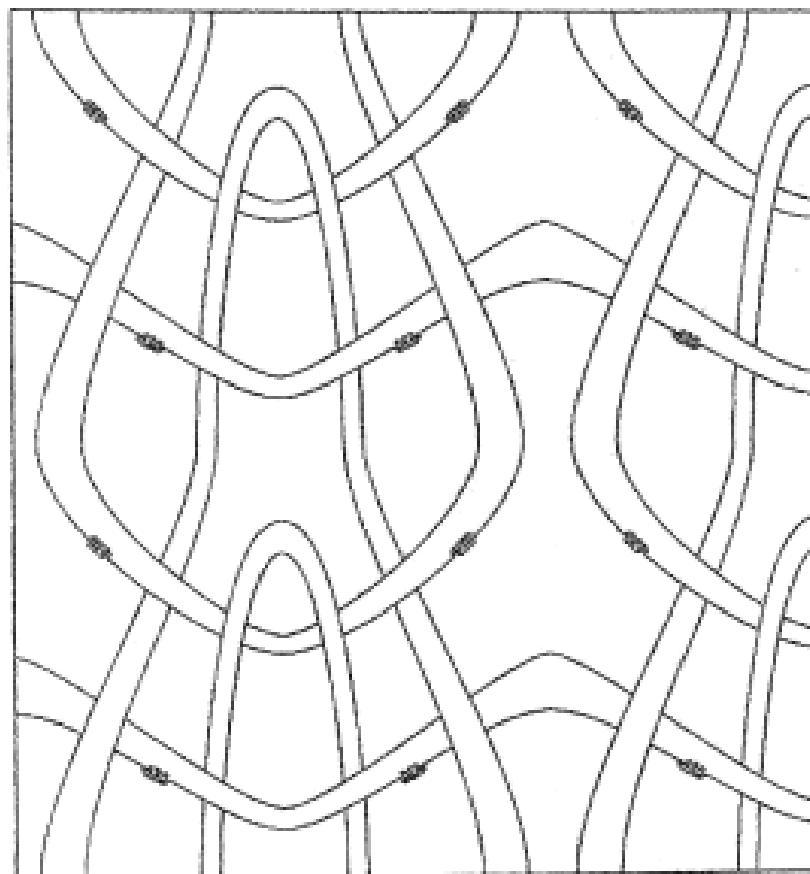
- (21) Design Number: **13326/2006**
(22) Date of Filing Application: **28 July 2006**
(24) Date from which industrial property rights may have effect: **28 July 2006**
(54) Product in respect of which the design is registered: **Sheet material**
(51) International Design Classification: **05-05NES, 05-06NES**
(71) Name(s) and Address(s) of Applicant(s):
SCA Hygiene Products AB
S-405 03 Goteborg Sweden
(72) Name(s) of Designer(s): **Susanne Gungner and Peter Orgna and Eva-Li Saarvalia and Mattias Wikenmalm**
(45) Registration Date: **17 January 2007**
(30) Convention priority data:
(31) Number (32) Date (33) Country
000496559-0004 17 Mar 2006 EUROPEAN COMMUNITY
(56) Related Art Documents: **Not Applicable**
(57) Statement of Newness and Distinctiveness: **Newness and distinctiveness resides in the pattern as shown in the accompanying representations, which is applied to sheet material of indefinite length and width.**



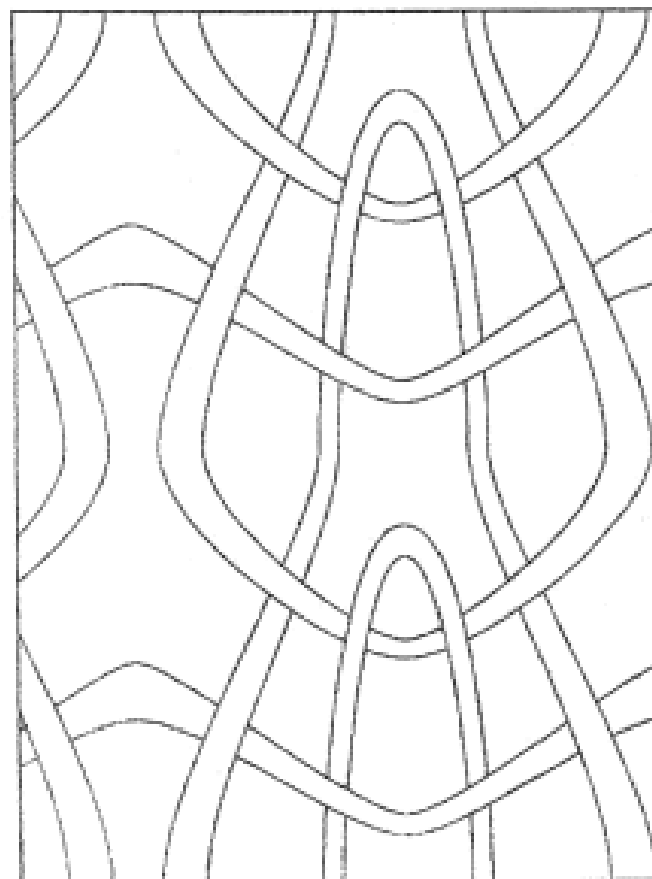
- (21) Design Number: **13327/2006**
(22) Date of Filing Application: **28 July 2006**
(24) Date from which industrial property rights may have effect: **28 July 2006**
(54) Product in respect of which the design is registered: **Sheet material**
(51) International Design Classification: **05-05NES, 05-06NES**
(71) Name(s) and Address(s) of Applicant(s):
SCA Hygiene Products AB
S-405 03 Goteborg Sweden
(72) Name(s) of Designer(s): **Peter Orgna and Eva-Li Saarvali and Mattias Wikenmalm**
(45) Registration Date: **17 January 2007**
(30) Convention priority data:
(31) Number (32) Date (33) Country
000496559-0003 17 Mar 2006 EUROPEAN COMMUNITY
(56) Related Art Documents: **Not Applicable**
(57) Statement of Newness and Distinctiveness: **Newness and distinctiveness resides in the pattern as shown in the accompanying representations, which is applied to sheet material of indefinite length and width.**



- (21) Design Number: **13328/2006**
(22) Date of Filing Application: **28 July 2006**
(24) Date from which industrial property rights may have effect: **28 July 2006**
(54) Product in respect of which the design is registered: **Sheet material**
(51) International Design Classification: **05-05NES, 05-06NES**
(71) Name(s) and Address(s) of Applicant(s):
SCA Hygiene Products AB
S-405 03 Goteborg Sweden
(72) Name(s) of Designer(s): **Peter Orgna and Mattias Wikenmalm**
(45) Registration Date: **17 January 2007**
(30) Convention priority data:
(31) Number (32) Date (33) Country
000496559-0002 17 Mar 2006 EUROPEAN COMMUNITY
(56) Related Art Documents: **Not Applicable**
(57) Statement of Newness and Distinctiveness: **Newness and distinctiveness resides in the pattern as shown in the accompanying representations, which is applied to sheet material of indefinite length and width.**



- (21) Design Number: **13329/2006**
(22) Date of Filing Application: **28 July 2006**
(24) Date from which industrial property rights may have effect: **28 July 2006**
(54) Product in respect of which the design is registered: **Sheet material**
(51) International Design Classification: **05-05NES, 05-06NES**
(71) Name(s) and Address(s) of Applicant(s):
SCA Hygiene Products AB
S-405 03 Goteborg Sweden
(72) Name(s) of Designer(s): **Peter Orgna and Mattias Wikenmalm**
(45) Registration Date: **17 January 2007**
(30) Convention priority data:
(31) Number (32) Date (33) Country
000496559-0001 17 Mar 2006 EUROPEAN COMMUNITY
(56) Related Art Documents: **Not Applicable**
(57) Statement of Newness and Distinctiveness: **Newness and distinctiveness resides in the pattern as shown in the accompanying representations, which is applied to sheet material of indefinite length and width.**



(21) Design Number: 13330/2006

(22) Date of Filing Application: 28 July 2006

(24) Date from which industrial property rights may have effect: 28 July 2006

(54) Product in respect of which the design is registered: Sheet material

(51) International Design Classification: 05-05A, 05-06NES

(71) Name(s) and Address(s) of Applicant(s):

SCA Hygiene Products AB
S-405 03 Goteborg Sweden

(72) Name(s) of Designer(s): **Asa Rudberg and Eva-Li Saarvali and Ann Wessblad**

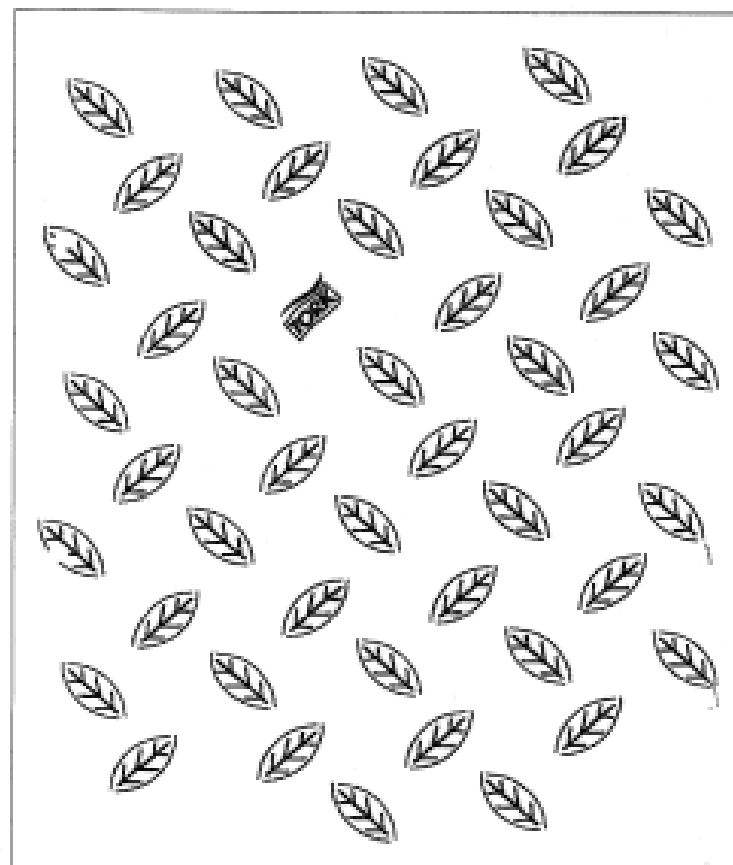
(45) Registration Date: 17 January 2007

(30) Convention priority data:

(31) Number	(32) Date	(33) Country
000479233-0001	14 Feb 2006	EUROPEAN COMMUNITY

(56) Related Art Documents: **Not Applicable**

(57) Statement of Newness and Distinctiveness: **Newness and distinctiveness resides in the pattern as shown in the accompanying representations, which is applied to sheet material of indefinite length and width, and wherein the design element which is constituted by the TORK logo may replace a design element which is constituted by a "leaf" in more than one instance.**



(21) Design Number: 13336/2006

(22) Date of Filing Application: 01 August 2006

(24) Date from which industrial property rights may have effect: 01 August 2006

(54) Product in respect of which the design is registered: **Vehicle tyre cover (Class 12-16)**

(51) International Design Classification: 12-16NES

(71) Name(s) and Address(s) of Applicant(s):

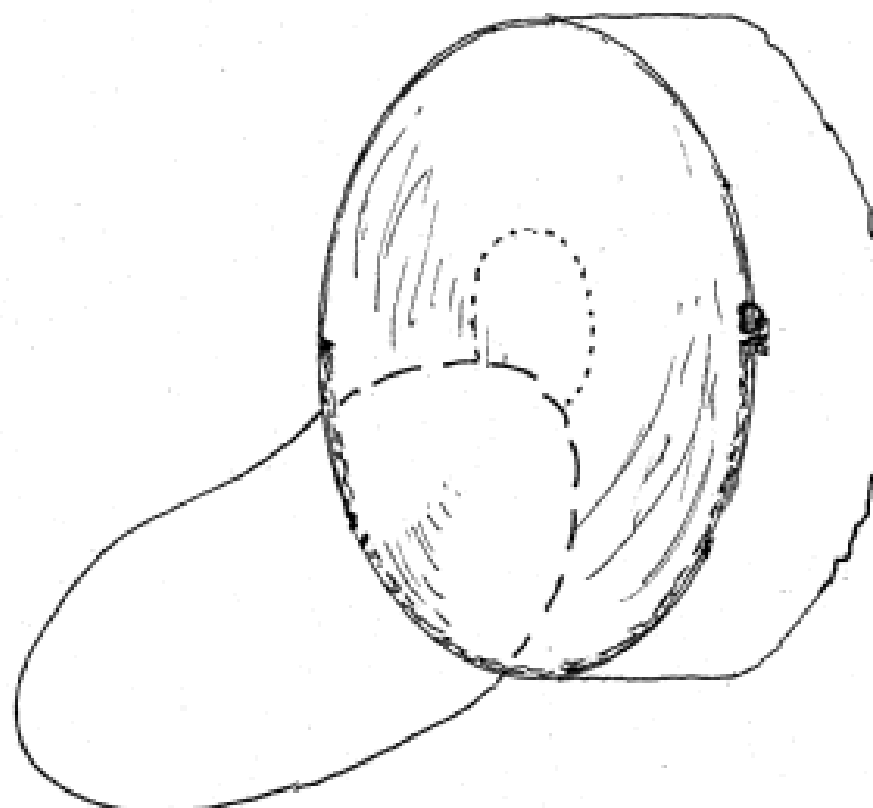
Aztech Designs Pty Ltd
20 Explorer Drive Albany Creek Queensland 4035 Australia

(72) Name(s) of Designer(s): **Robert Brewster**

(45) Registration Date: 17 January 2007

(56) Related Art Documents: **Not Applicable**

(57) Statement of Newness and Distinctiveness: **Double skin with clear outer skin allowing separately printed inserts for advertising or display.**



(21) Design Number: **13379/2006**

(22) Date of Filing Application: **02 August 2006**

(24) Date from which industrial property rights may have effect: **02 August 2006**

(54) Product in respect of which the design is registered: **Vehicle Radiator Grille and Surround**

(51) International Design Classification: **12-16B**

(71) Name(s) and Address(s) of Applicant(s):

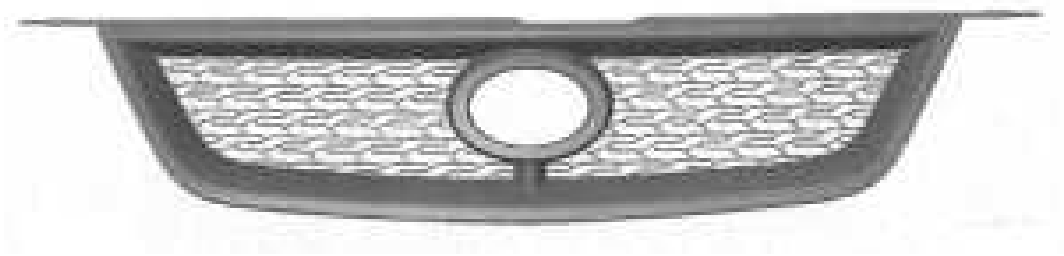
**Toyota Motor Corporation Australia Limited
155 Bertie Street Port Melbourne Victoria 3207 Australia**

(72) Name(s) of Designer(s): **Michael Gretton**

(45) Registration Date: **17 January 2007**

(56) Related Art Documents: **Not Applicable**

(57) Statement of Newness and Distinctiveness: **Nil**



(21) Design Number: **13380/2006**

(22) Date of Filing Application: **02 August 2006**

(24) Date from which industrial property rights may have effect: **02 August 2006**

(54) Product in respect of which the design is registered: **Rear Vehicle Bumper**

(51) International Design Classification: **12-16B**

(71) Name(s) and Address(s) of Applicant(s):

**Toyota Motor Corporation Australia Limited
155 Bertie Street Port Melbourne Victoria 3207 Australia**

(72) Name(s) of Designer(s): **Michael Gretton**

(45) Registration Date: **17 January 2007**

(56) Related Art Documents: **Not Applicable**

(57) Statement of Newness and Distinctiveness: **Nil**



(21) Design Number: **13381/2006**

(22) Date of Filing Application: **02 August 2006**

(24) Date from which industrial property rights may have effect: **02 August 2006**

(54) Product in respect of which the design is registered: **Vehicle Rocker Moulding**

(51) International Design Classification: **12-16B**

(71) Name(s) and Address(s) of Applicant(s):

**Toyota Motor Corporation Australia Limited
155 Bertie Street Port Melbourne Victoria 3207 Australia**

(72) Name(s) of Designer(s): **David Cao**

(45) Registration Date: **17 January 2007**

(56) Related Art Documents: **Not Applicable**

(57) Statement of Newness and Distinctiveness: **Nil**



(21) Design Number: **13382/2006**

(22) Date of Filing Application: **02 August 2006**

(24) Date from which industrial property rights may have effect: **02 August 2006**

(54) Product in respect of which the design is registered: **Vehicle Spoiler**

(51) International Design Classification: **12-16B**

(71) Name(s) and Address(s) of Applicant(s):

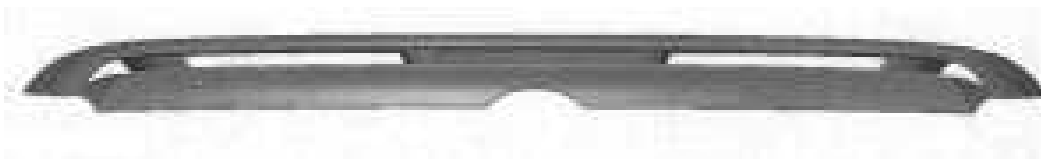
**Toyota Motor Corporation Australia Limited
155 Bertie Street Port Melbourne Victoria 3207 Australia**

(72) Name(s) of Designer(s): **David Cao**

(45) Registration Date: **17 January 2007**

(56) Related Art Documents: **Not Applicable**

(57) Statement of Newness and Distinctiveness: **Nil**



(21) Design Number: **13383/2006**

(22) Date of Filing Application: **02 August 2006**

(24) Date from which industrial property rights may have effect: **02 August 2006**

(54) Product in respect of which the design is registered: **Portion of a Front Vehicle Bumper**

(51) International Design Classification: **12-16B**

(71) Name(s) and Address(s) of Applicant(s):

**Toyota Motor Corporation Australia Limited
155 Bertie Street Port Melbourne Victoria 3207 Australia**

(72) Name(s) of Designer(s): **Michael Gretton**

(45) Registration Date: **17 January 2007**

(56) Related Art Documents: **Not Applicable**

(57) Statement of Newness and Distinctiveness: **Nil**



(21) Design Number: **15125/2006**

(22) Date of Filing Application: **10 November 2006**

(24) Date from which industrial property rights may have effect: **10 November 2006**

(54) Product in respect of which the design is registered: **Bussing, collecting, stocking tables/bar in bars, taverns, restaurants, pubs**

(51) International Design Classification: **09-04**

(71) Name(s) and Address(s) of Applicant(s):

**Iain Horne
PO Box 1499 Fortitude Valley Queensland 4006 Australia**

(72) Name(s) of Designer(s): **Iain Horne**

(45) Registration Date: **17 January 2007**

(56) Related Art Documents: **Not Applicable**

(57) Statement of Newness and Distinctiveness: **Fluted sides, circular ridges on underside elevated edges on base, square stackable box (main) with 2 separate insertable boxes - 1 filter + 1 solid.**



- (21) Design Number: **15247/2006**
(22) Date of Filing Application: **14 November 2006**
(24) Date from which industrial property rights may have effect: **14 November 2006**
(54) Product in respect of which the design is registered: **Chair**
(51) International Design Classification: **06-01F**
(71) Name(s) and Address(s) of Applicant(s):
Olori Furniture Pty Ltd
19 John Street Lawson New South Wales 2783 Australia
(72) Name(s) of Designer(s): **Gerard Michael Van Horen and Stephen John Van Horen**
(45) Registration Date: **17 January 2007**
(56) Related Art Documents: **Not Applicable**
(57) Statement of Newness and Distinctiveness: **Nil**



- (21) Design Number: **15259/2006**
(22) Date of Filing Application: **15 November 2006**
(24) Date from which industrial property rights may have effect: **15 November 2006**
(54) Product in respect of which the design is registered: **Tire**
(51) International Design Classification: **12-15C**
(71) Name(s) and Address(s) of Applicant(s):
Sumitomo Rubber Industries, Ltd.
6-9 Wakinoama-cho 3-chome Chuo-ku Kobe-shi Hyogo Japan
(72) Name(s) of Designer(s): **Takehiko Murata**
(45) Registration Date: **17 January 2007**
(30) Convention priority data:

(31) Number	(32) Date	(33) Country
2006-019593	25 Jul 2006	JAPAN

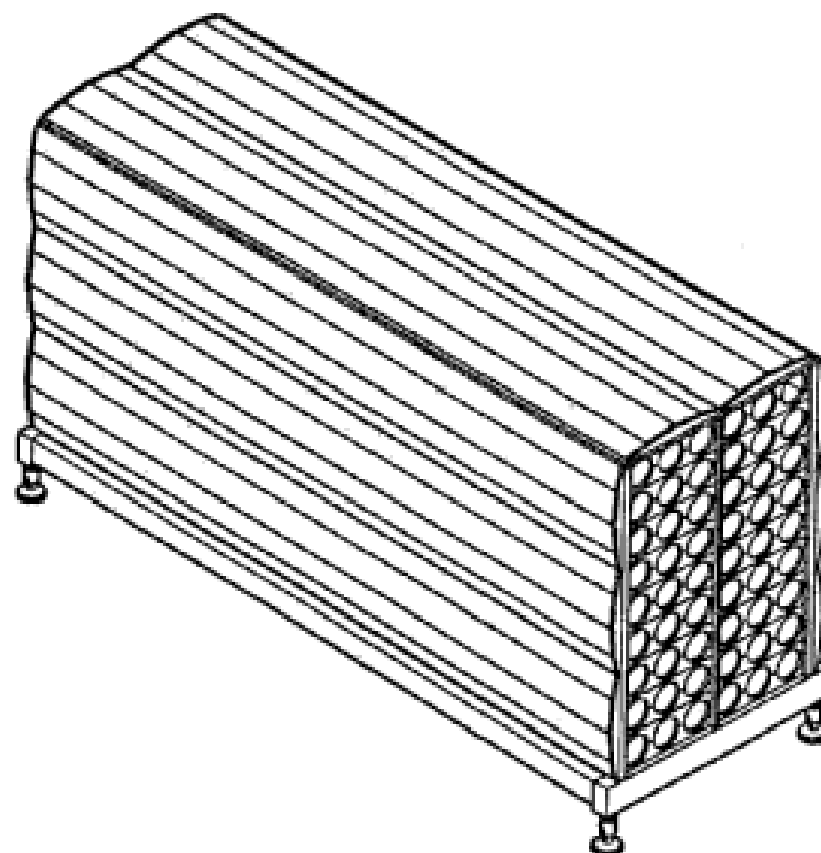
(56) Related Art Documents: **Not Applicable**
(57) Statement of Newness and Distinctiveness: **Those features of the tire depicted in the representations that are new and distinctive are the shape, configuration and pattern of the tread.**



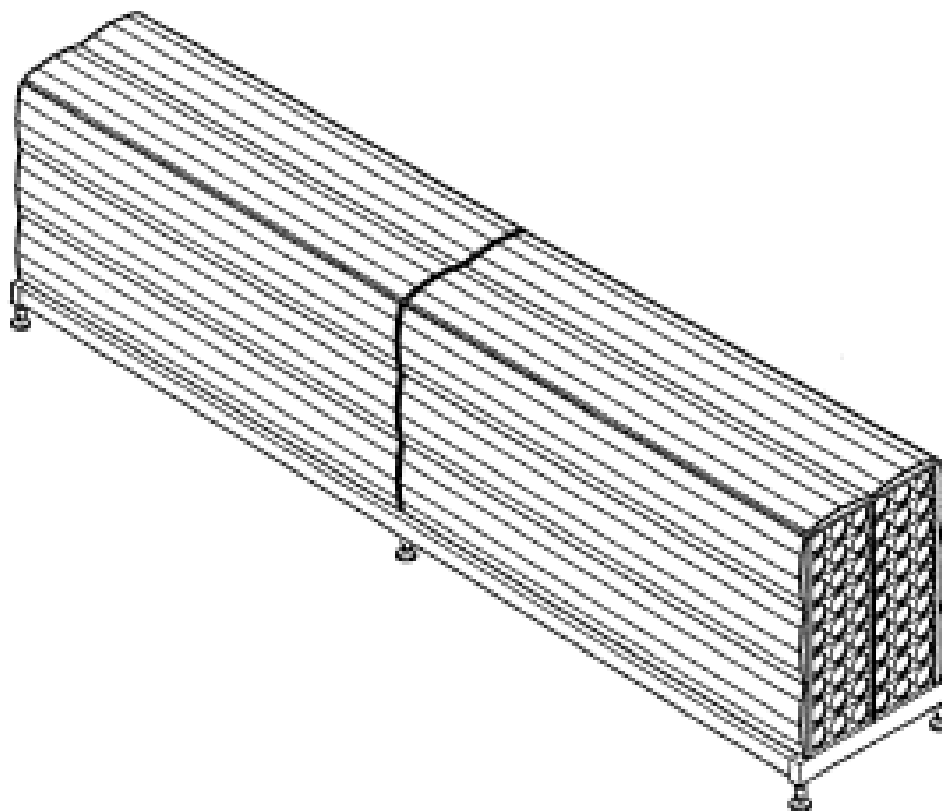
- (21) Design Number: **15260/2006**
(22) Date of Filing Application: **15 November 2006**
(24) Date from which industrial property rights may have effect: **15 November 2006**
(54) Product in respect of which the design is registered: **Tire**
(51) International Design Classification: **12-15C**
(71) Name(s) and Address(s) of Applicant(s):
Sumitomo Rubber Industries, Ltd.
6-9 Wakinohama-cho 3-chome Chuo-ku Kobe-shi Hyogo Japan
(72) Name(s) of Designer(s): **Hideto Yamakawa and Takehiko Murata and Tetsuya Sakaguchi**
(45) Registration Date: **17 January 2007**
(30) Convention priority data:
(31) Number (32) Date (33) Country
2006-018421 12 Jul 2006 JAPAN
(56) Related Art Documents: **Not Applicable**
(57) Statement of Newness and Distinctiveness: **Those features of the tire depicted in the representations that are new and distinctive are the shape, configuration and pattern of the tread.**



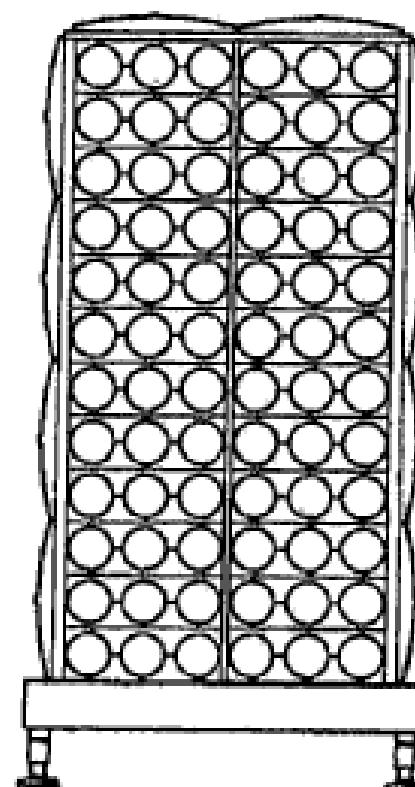
- (21) Design Number: **14061/2006**
(22) Date of Filing Application: **11 September 2006**
(24) Date from which industrial property rights may have effect: **11 September 2006**
(54) Product in respect of which the design is registered: **Cover for a tubular heat exchanger**
(51) International Design Classification: **23-03NES, 29-99**
(71) Name(s) and Address(s) of Applicant(s):
Tetra Laval Holdings & Finance S.A.
Avenue General-Guisan 70 CH-1009 Pully Switzerland
(72) Name(s) of Designer(s): **Klas Persson and Niklas Wiesen**
(45) Registration Date: **17 January 2007**
(30) Convention priority data:
(31) Number (32) Date (33) Country
000493374-0001 10 Mar 2006 EUROPEAN COMMUNITY
(56) Related Art Documents: **Not Applicable**
(57) Statement of Newness and Distinctiveness: **Nil**



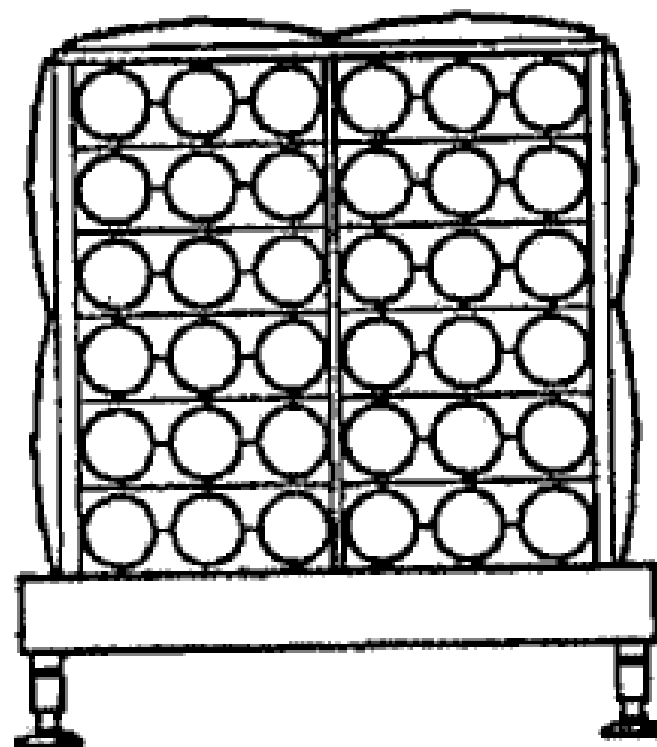
(21) Design Number: **14062/2006**
(22) Date of Filing Application: **11 September 2006**
(24) Date from which industrial property rights may have effect: **11 September 2006**
(54) Product in respect of which the design is registered: **Cover for a tubular heat exchanger**
(51) International Design Classification: **23-03NES, 29-99**
(71) Name(s) and Address(s) of Applicant(s):
Tetra Laval Holdings & Finance S.A.
Avenue General-Guisan 70 CH-1009 Pully Switzerland
(72) Name(s) of Designer(s): **Klas Persson and Niklas Wiesen**
(45) Registration Date: **17 January 2007**
(30) Convention priority data:
(31) Number (32) Date (33) Country
000493374-0002 10 Mar 2006 EUROPEAN COMMUNITY
(56) Related Art Documents: **Not Applicable**
(57) Statement of Newness and Distinctiveness: **Nil**



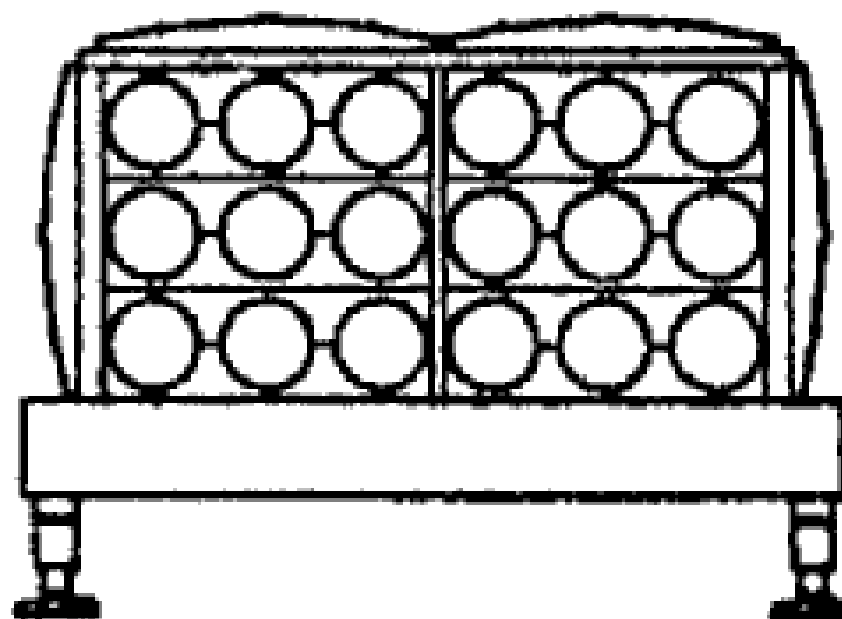
(21) Design Number: **14063/2006**
(22) Date of Filing Application: **11 September 2006**
(24) Date from which industrial property rights may have effect: **11 September 2006**
(54) Product in respect of which the design is registered: **Cover for a tubular heat exchanger**
(51) International Design Classification: **23-03NES, 29-99**
(71) Name(s) and Address(s) of Applicant(s):
Tetra Laval Holdings & Finance S.A.
Avenue General-Guisan 70 CH-1009 Pully Switzerland
(72) Name(s) of Designer(s): **Klas Persson and Niklas Wiesen**
(45) Registration Date: **17 January 2007**
(30) Convention priority data:
(31) Number (32) Date (33) Country
000493374-0003 10 Mar 2006 EUROPEAN COMMUNITY
(56) Related Art Documents: **Not Applicable**
(57) Statement of Newness and Distinctiveness: **Nil**



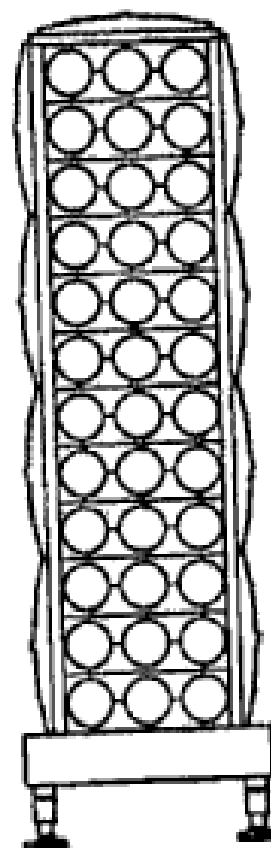
- (21) Design Number: **14064/2006**
(22) Date of Filing Application: **11 September 2006**
(24) Date from which industrial property rights may have effect: **11 September 2006**
(54) Product in respect of which the design is registered: **Cover for a tubular heat exchanger**
(51) International Design Classification: **23-03NES, 29-99**
(71) Name(s) and Address(s) of Applicant(s):
Tetra Laval Holdings & Finance S.A.
Avenue General-Guisan 70 CH-1009 Pully Switzerland
(72) Name(s) of Designer(s): **Klas Persson and Niklas Wiesen**
(45) Registration Date: **17 January 2007**
(30) Convention priority data:
(31) Number (32) Date (33) Country
000493374-0004 10 Mar 2006 EUROPEAN COMMUNITY
(56) Related Art Documents: **Not Applicable**
(57) Statement of Newness and Distinctiveness: **Nil**



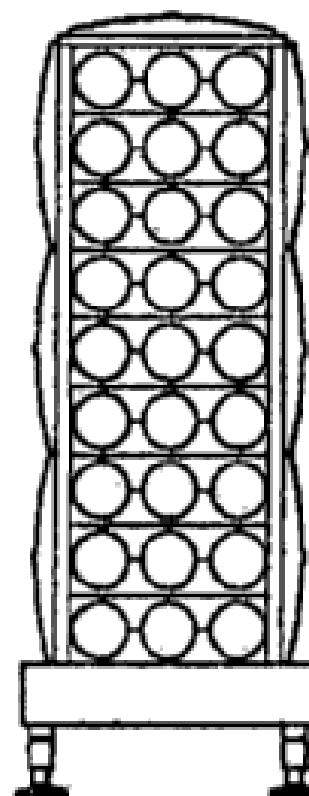
- (21) Design Number: **14065/2006**
(22) Date of Filing Application: **11 September 2006**
(24) Date from which industrial property rights may have effect: **11 September 2006**
(54) Product in respect of which the design is registered: **Cover for a tubular heat exchanger**
(51) International Design Classification: **23-03NES, 29-99**
(71) Name(s) and Address(s) of Applicant(s):
Tetra Laval Holdings & Finance S.A.
Avenue General-Guisan 70 CH-1009 Pully Switzerland
(72) Name(s) of Designer(s): **Klas Persson and Niklas Wiesen**
(45) Registration Date: **17 January 2007**
(30) Convention priority data:
(31) Number (32) Date (33) Country
000493374-0005 10 Mar 2006 EUROPEAN COMMUNITY
(56) Related Art Documents: **Not Applicable**
(57) Statement of Newness and Distinctiveness: **Nil**



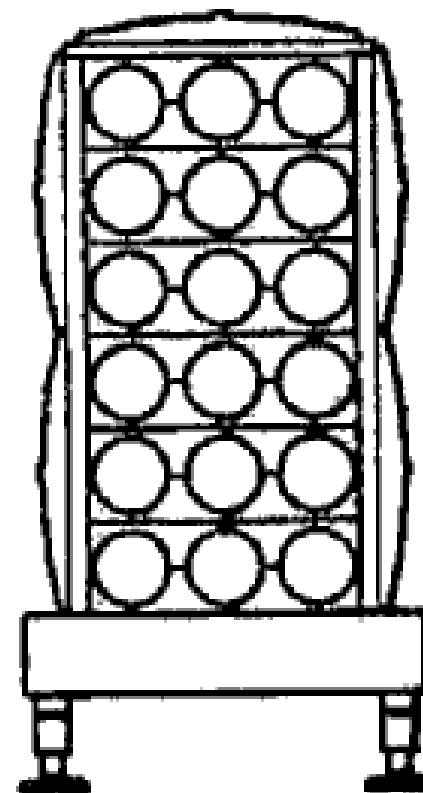
- (21) Design Number: **14066/2006**
(22) Date of Filing Application: **11 September 2006**
(24) Date from which industrial property rights may have effect: **11 September 2006**
(54) Product in respect of which the design is registered: **Cover for a tubular heat exchanger**
(51) International Design Classification: **23-03NES, 29-99**
(71) Name(s) and Address(s) of Applicant(s):
Tetra Laval Holdings & Finance S.A.
Avenue General-Guisan 70 CH-1009 Pully Switzerland
(72) Name(s) of Designer(s): **Klas Persson and Niklas Wiesen**
(45) Registration Date: **17 January 2007**
(30) Convention priority data:
(31) Number (32) Date (33) Country
000493374-0006 10 Mar 2006 EUROPEAN COMMUNITY
(56) Related Art Documents: **Not Applicable**
(57) Statement of Newness and Distinctiveness: **Nil**



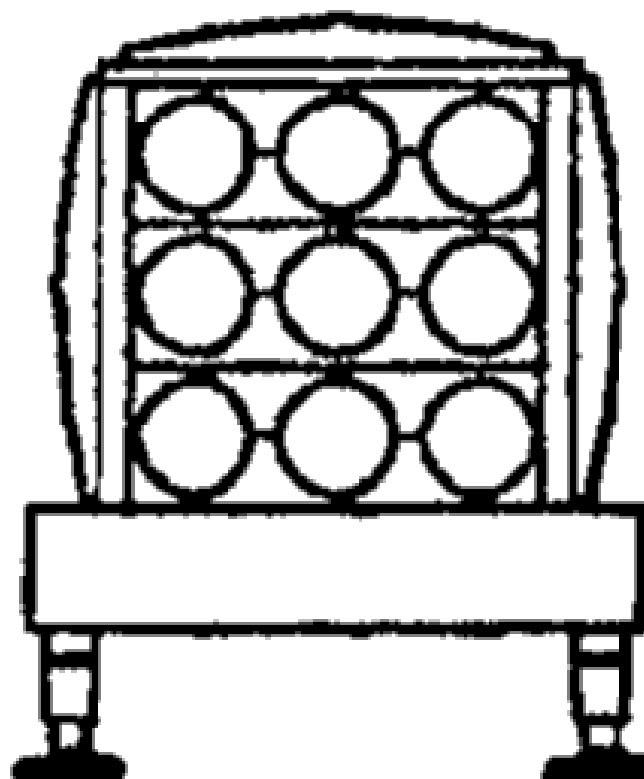
- (21) Design Number: **14067/2006**
(22) Date of Filing Application: **11 September 2006**
(24) Date from which industrial property rights may have effect: **11 September 2006**
(54) Product in respect of which the design is registered: **Cover for a tubular heat exchanger**
(51) International Design Classification: **23-03NES, 29-99**
(71) Name(s) and Address(s) of Applicant(s):
Tetra Laval Holdings & Finance S.A.
Avenue General-Guisan 70 CH-1009 Pully Switzerland
(72) Name(s) of Designer(s): **Klas Persson and Niklas Wiesen**
(45) Registration Date: **17 January 2007**
(30) Convention priority data:
(31) Number (32) Date (33) Country
000493374-0007 10 Mar 2006 EUROPEAN COMMUNITY
(56) Related Art Documents: **Not Applicable**
(57) Statement of Newness and Distinctiveness: **Nil**



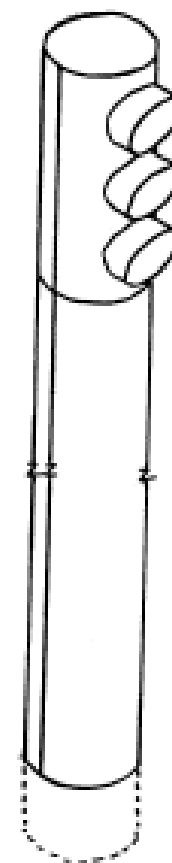
(21) Design Number: **14068/2006**
(22) Date of Filing Application: **11 September 2006**
(24) Date from which industrial property rights may have effect: **11 September 2006**
(54) Product in respect of which the design is registered: **Cover for a tubular heat exchanger**
(51) International Design Classification: **23-03NES, 29-99**
(71) Name(s) and Address(s) of Applicant(s):
Tetra Laval Holdings & Finance S.A.
Avenue General-Guisan 70 CH-1009 Pully Switzerland
(72) Name(s) of Designer(s): **Klas Persson and Niklas Wiesen**
(45) Registration Date: **17 January 2007**
(30) Convention priority data:
(31) Number (32) Date (33) Country
000493374-0008 10 Mar 2006 EUROPEAN COMMUNITY
(56) Related Art Documents: **Not Applicable**
(57) Statement of Newness and Distinctiveness: **Nil**



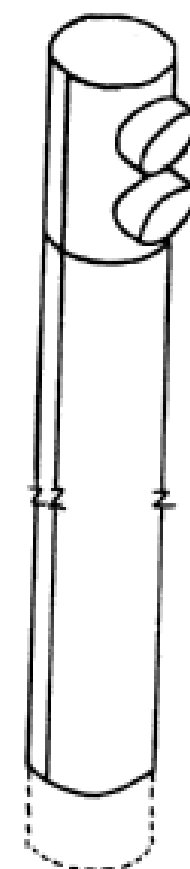
(21) Design Number: **14069/2006**
(22) Date of Filing Application: **11 September 2006**
(24) Date from which industrial property rights may have effect: **11 September 2006**
(54) Product in respect of which the design is registered: **Cover for a tubular heat exchanger**
(51) International Design Classification: **23-03NES, 29-99**
(71) Name(s) and Address(s) of Applicant(s):
Tetra Laval Holdings & Finance S.A.
Avenue General-Guisan 70 CH-1009 Pully Switzerland
(72) Name(s) of Designer(s): **Klas Persson and Niklas Wiesen**
(45) Registration Date: **17 January 2007**
(30) Convention priority data:
(31) Number (32) Date (33) Country
000493374-0009 10 Mar 2006 EUROPEAN COMMUNITY
(56) Related Art Documents: **Not Applicable**
(57) Statement of Newness and Distinctiveness: **Nil**



- (21) Design Number: **14091/2006**
- (22) Date of Filing Application: **12 September 2006**
- (24) Date from which industrial property rights may have effect: **12 September 2006**
- (54) Product in respect of which the design is registered: **Traffic Light**
- (51) International Design Classification: **10-06, 26-06**
- (71) Name(s) and Address(s) of Applicant(s):
The Cox Group Pty Ltd
22 Jardine Street Kingston ACT 2604 Australia
- (72) Name(s) of Designer(s): **Don Gilson**
- (45) Registration Date: **17 January 2007**
- (56) Related Art Documents: **Not Applicable**
- (57) Statement of Newness and Distinctiveness: **Newness and distinctiveness is claimed in the visual features shown in solid lines in the representations. The stand of the traffic light is of indefinite length, as depicted by the "z" marks in the representations.**



- (21) Design Number: **14092/2006**
- (22) Date of Filing Application: **12 September 2006**
- (24) Date from which industrial property rights may have effect: **12 September 2006**
- (54) Product in respect of which the design is registered: **Traffic Light**
- (51) International Design Classification: **10-06, 26-06**
- (71) Name(s) and Address(s) of Applicant(s):
The Cox Group Pty Ltd
22 Jardine Street Kingston ACT 2604 Australia
- (72) Name(s) of Designer(s): **Don Gilson**
- (45) Registration Date: **17 January 2007**
- (56) Related Art Documents: **Not Applicable**
- (57) Statement of Newness and Distinctiveness: **Newness and distinctiveness is claimed in the visual features shown in solid lines in the representations. The stand of the traffic light is of indefinite length, as depicted by the "z" marks in the representations.**



- (21) Design Number: **14134/2006**
(22) Date of Filing Application: **15 September 2006**
(24) Date from which industrial property rights may have effect: **15 September 2006**
(54) Product in respect of which the design is registered: **Peg Puller**
(51) International Design Classification: **21-04**
(71) Name(s) and Address(s) of Applicant(s):
Garry Bretherton
RMB 2962 60 Sampson Road Numurkah Victoria 3636 Australia
(72) Name(s) of Designer(s): **Garry Bretherton**
(45) Registration Date: **17 January 2007**
(56) Related Art Documents: **Not Applicable**
(57) Statement of Newness and Distinctiveness: **Easy to use pegs and peg puller**



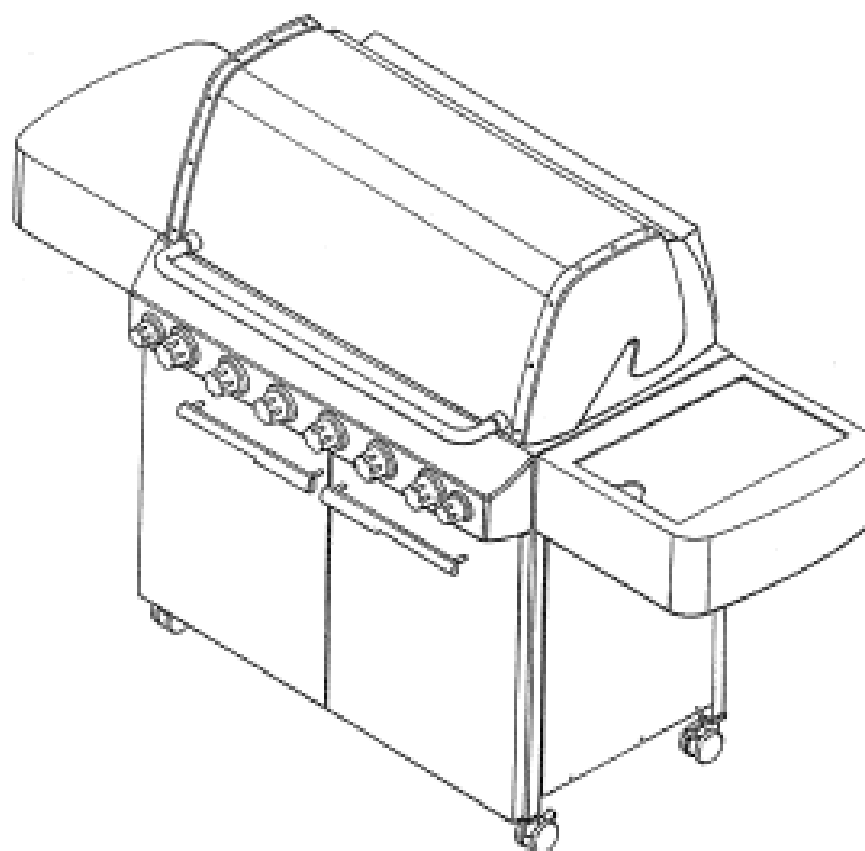
- (21) Design Number: **15116/2006**
(22) Date of Filing Application: **15 September 2006**
(24) Date from which industrial property rights may have effect: **15 September 2006**
(54) Product in respect of which the design is registered: **Peg**
(51) International Design Classification: **21-04**
(71) Name(s) and Address(s) of Applicant(s):
Garry Bretherton
RMB 2962 60 Sampson Road Numurkah Victoria 3636 Australia
(72) Name(s) of Designer(s): **Garry Bretherton**
(45) Registration Date: **17 January 2007**
(56) Related Art Documents: **Not Applicable**
(57) Statement of Newness and Distinctiveness: **Easy to use pegs and peg puller.**



- (21) Design Number: **14293/2006**
(22) Date of Filing Application: **25 September 2006**
(24) Date from which industrial property rights may have effect: **25 September 2006**
(54) Product in respect of which the design is registered: **Projector head lamp for a truck**
(51) International Design Classification: **26-06**
(71) Name(s) and Address(s) of Applicant(s):
Isuzu Motors Limited
6-26-1 Minami-Oi Shinagawa-ku Tokyo 140-8722 Japan
(72) Name(s) of Designer(s): **Yoshio Iwasaki and Keishi Hayashi and Akihiro Hirai and Kaoru Honma and Toru Takagi**
(45) Registration Date: **17 January 2007**
(56) Related Art Documents: **Not Applicable**
(57) Statement of Newness and Distinctiveness: **Newness and distinctiveness is claimed in the features of shape and/or configuration of a projector head lamp for a truck as illustrated in the accompanying representations.**



- (21) Design Number: **14349/2006**
(22) Date of Filing Application: **27 September 2006**
(24) Date from which industrial property rights may have effect: **27 September 2006**
(54) Product in respect of which the design is registered: **Grill**
(51) International Design Classification: **07-02E**
(71) Name(s) and Address(s) of Applicant(s):
Weber-Stephen Products Co.
200 E. Daniels Road Palatine Illinois 60067 United States of America
(72) Name(s) of Designer(s): **Adrian A. Bruno and Daniel S. Choi and Charles Choi**
(45) Registration Date: **17 January 2007**
(30) Convention priority data:
(31) Number (32) Date (33) Country
29/256978 27 Mar 2006 UNITED STATES OF AMERICA
(56) Related Art Documents: **Not Applicable**
(57) Statement of Newness and Distinctiveness: **Newness and distinctiveness is claimed in the features of shape and/or configuration of a grill as illustrated in the accompanying representations.**



(21) Design Number: **14548/2006**

(22) Date of Filing Application: **09 October 2006**

(24) Date from which industrial property rights may have effect: **09 October 2006**

(54) Product in respect of which the design is registered: **An aquarium**

(51) International Design Classification: **30-02**

(71) Name(s) and Address(s) of Applicant(s):

**Juwel Aquarium GmbH & Co. KG
Gewerbegebiet Hohenesch Karl-Gox Strasse 1 D-27356
Rotenburg/Wumme Germany**

(72) Name(s) of Designer(s): **Maik Hartje**

(45) Registration Date: **17 January 2007**

(56) Related Art Documents: **Not Applicable**

(57) Statement of Newness and Distinctiveness: **Newness and distinctiveness is claimed in the features of shape and/or configuration of an aquarium as illustrated in the accompanying representations.**



(21) Design Number: **14576/2006**

(22) Date of Filing Application: **11 October 2006**

(24) Date from which industrial property rights may have effect: **11 October 2006**

(54) Product in respect of which the design is registered: **Tall boy**

(51) International Design Classification: **06-04F**

(71) Name(s) and Address(s) of Applicant(s):

**Van Horen Holdings Pty Ltd
19 John Street Lawson New South Wales 2783 Australia**

(72) Name(s) of Designer(s): **Gerard Michael Van Horen and Stephen John Van Horen**

(45) Registration Date: **17 January 2007**

(56) Related Art Documents: **Not Applicable**

(57) Statement of Newness and Distinctiveness: **Nil**



(21) Design Number: **14578/2006**

(22) Date of Filing Application: **11 October 2006**

(24) Date from which industrial property rights may have effect: **11 October 2006**

(54) Product in respect of which the design is registered: **Dresser and mirror assembly**

(51) International Design Classification: **06-06B**

(71) Name(s) and Address(s) of Applicant(s):

**Van Horen Holdings Pty Ltd
19 John Street Lawson New South Wales 2783 Australia**

(72) Name(s) of Designer(s): **Gerard Michael Van Horen and Stephen John Van Horen**

(45) Registration Date: **17 January 2007**

(56) Related Art Documents: **Not Applicable**

(57) Statement of Newness and Distinctiveness: **Nil**



(21) Design Number: **14579/2006**

(22) Date of Filing Application: **11 October 2006**

(24) Date from which industrial property rights may have effect: **11 October 2006**

(54) Product in respect of which the design is registered: **Bedside table**

(51) International Design Classification: **06-04F**

(71) Name(s) and Address(s) of Applicant(s):

**Van Horen Holdings Pty Ltd
19 John Street Lawson New South Wales 2783 Australia**

(72) Name(s) of Designer(s): **Gerard Michael Van Horen and Stephen John Van Horen**

(45) Registration Date: **17 January 2007**



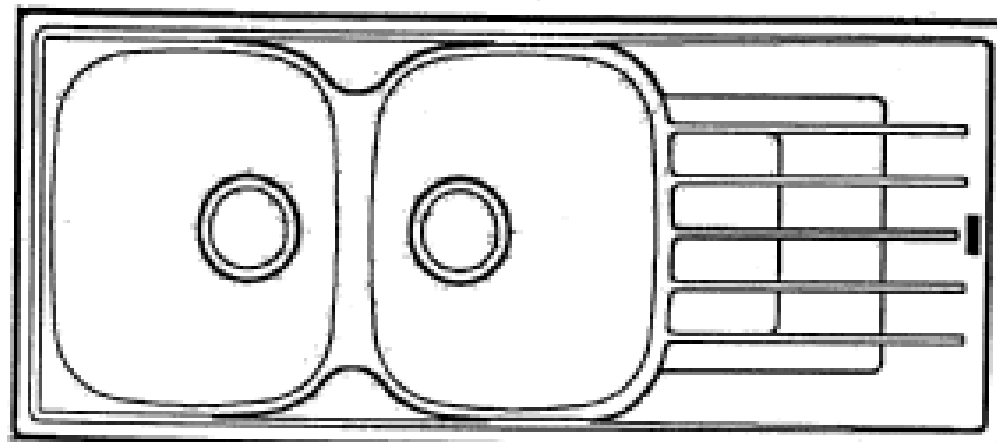
(21) Design Number: **14664/2006**
 (22) Date of Filing Application: **18 October 2006**
 (24) Date from which industrial property rights may have effect: **18 October 2006**
 (54) Product in respect of which the design is registered: **Christmas tree shelving**
 (51) International Design Classification: **06-06A**
 (71) Name(s) and Address(s) of Applicant(s):
Kyriacos (Jack) Papoutsidis
90 Bayview Street Williamstown Victoria 3016 Australia
 (72) Name(s) of Designer(s): **Kyriacos (Jack) Papoutsidis**
 (45) Registration Date: **17 January 2007**
 (56) Related Art Documents: **Not Applicable**
 (57) Statement of Newness and Distinctiveness: **The use of a Christmas tree shape in the form of shelving.**



(21) Design Number: **14978/2006**
 (22) Date of Filing Application: **27 October 2006**
 (24) Date from which industrial property rights may have effect: **27 October 2006**
 (54) Product in respect of which the design is registered: **Sink**
 (51) International Design Classification: **23-02F**
 (71) Name(s) and Address(s) of Applicant(s):
Niro#Plan AG
Dorfbachstrasse 2 4663 Aarburg Switzerland
 (72) Name(s) of Designer(s): **Garry Coady**
 (45) Registration Date: **17 January 2007**
 (30) Convention priority data:

(31) Number	(32) Date	(33) Country
A2006/0585	28 Apr 2006	SOUTH AFRICA

 (56) Related Art Documents: **Not Applicable**
 (57) Statement of Newness and Distinctiveness: **The newness and distinctiveness resides in the shape and configuration of a sink.**



- (21) Design Number: **15068/2006**
(22) Date of Filing Application: **06 November 2006**
(24) Date from which industrial property rights may have effect: **06 November 2006**
(54) Product in respect of which the design is registered: **Baby or child nappy booster**
(51) International Design Classification: **02-01B**
(71) Name(s) and Address(s) of Applicant(s):
Robyn F. Corbett
81 Martindale Street Corinda Queensland 4075 Australia
(72) Name(s) of Designer(s): **Robyn F. Corbett**
(45) Registration Date: **17 January 2007**
(56) Related Art Documents: **Not Applicable**
(57) Statement of Newness and Distinctiveness: **Multi layer booster has opening at horizontal centre to allow insertion and enclosure of amounts of additional absorbent material.**



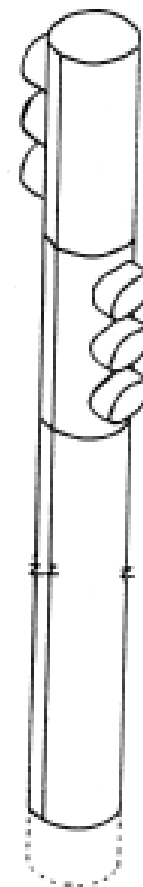
- (21) Design Number: **15133/2006**
(22) Date of Filing Application: **09 November 2006**
(24) Date from which industrial property rights may have effect: **09 November 2006**
(54) Product in respect of which the design is registered: **Animal foodstuffs**
(51) International Design Classification: **01-06**
(71) Name(s) and Address(s) of Applicant(s):
Mars Incorporated
6885 Elm Street McLean Virginia 22101-3883 United States of America
(72) Name(s) of Designer(s): **Jen Banks and Peter Slusarczyk and Angel Hernandez**
(45) Registration Date: **17 January 2007**
(30) Convention priority data:
(31) Number (32) Date (33) Country
528880-0001 09 May 2006 EUROPEAN COMMUNITY
(56) Related Art Documents: **Not Applicable**
(57) Statement of Newness and Distinctiveness: **Monopoly is claimed in the shape and configuration of the features of the article as depicted in the accompanying representations.**



- (21) Design Number: **15476/2006**
- (22) Date of Filing Application: **29 November 2006**
- (24) Date from which industrial property rights may have effect: **12 September 2006**
- (54) Product in respect of which the design is registered: **Traffic light**
- (51) International Design Classification: **10-06, 26-06**
- (71) Name(s) and Address(s) of Applicant(s):

The Cox Group Pty Ltd
22 Jardine Street Kingston ACT 2604 Australia

- (72) Name(s) of Designer(s): **Don Gilson**
- (45) Registration Date: **17 January 2007**
- (62) Divisional of: **312474**
- (56) Related Art Documents: **Not Applicable**
- (57) Statement of Newness and Distinctiveness: **Newness and distinctiveness is claimed in the visual features shown in solid lines in the representations. The stand of the traffic light is of indefinite length, as depicted by the "z" marks in the representations.**



- (21) Design Number: **15477/2006**
- (22) Date of Filing Application: **29 November 2006**
- (24) Date from which industrial property rights may have effect: **12 September 2006**
- (54) Product in respect of which the design is registered: **Traffic light**
- (51) International Design Classification: **10-06, 26-06**
- (71) Name(s) and Address(s) of Applicant(s):

The Cox Group Pty Ltd
22 Jardine Street Kingston ACT 2604 Australia

- (72) Name(s) of Designer(s): **Don Gilson**
- (45) Registration Date: **17 January 2007**
- (62) Divisional of: **312475**
- (56) Related Art Documents: **Not Applicable**
- (57) Statement of Newness and Distinctiveness: **Newness and distinctiveness is claimed in the visual features shown in solid lines in the representations. The stand of the traffic light is of indefinite length, as depicted by the "z" marks in the representations.**

