



Australian Government

IP Australia

AUSTRALIAN OFFICIAL JOURNAL

OF

DESIGNS

Did you know a searchable version of this journal is now available online?

It's FREE and EASY to SEARCH.

Find it at

<http://pericles.ipaustralia.gov.au/ols/epublish/content/olsEpublications.jsp>
or using the "Online Journals" link on the IP Australia home page.

This Page Left Intentionally Blank

Contents

General Information & Notices

Proceedings Under the Designs Act 1906 preserved as a result of the provisions of Chapter 12 Part 2 of the Designs Act 2003

Application for Extension of Period of Registration	8526
Extension of Period of Registration of Designs	8526
Extensions of Time Granted	8526
Names Registered - Alterations and Amendments	8527
Registrations Ceased	8526
Subsequent Owners Registered	8527

Proceedings Under the Designs Act 2003

Applications for Extension of Time Under Section 137	8537
Applications Assigned	8537
Applications Lapsed	8536
Applications Lodged	8531
Certificate of Examination	8540
Corrigenda	8539
Extension of Period of Registration of Design	8537
Extension of Time Granted Under Section 137	8537
Names Registered - Alterations and Amendments	8538
Publication and Registration Proceedings	
Designs Registered 313173 to 313327.....	8541
Registrations Ceased	8537
Subsequent Owners Registered	8537

This Page Left Intentionally Blank

For information on the following please see our website www.ipaustralia.gov.au or contact our Customer Service Network on 1300651010

[Editorial enquiries](#)

[Contact information](#)

[Freedom of Information ACT](#)

[Professional Standards Board](#)

[Sales](#)

[Requests for Information under Section 194 \(c\)](#)

[Country Codes](#)

[Trade Mark and Designs Hearing Sessions](#)

[INID \(Internationally agreed Numbers for the Identification of Data\)](#)

“INID” NUMBERS in use on Australian Design Documents

“INID” is an acronym for “Internationally agreed Numbers for the Identification of Data”.

(10) Data concerning the registration/renewal

- (11) Serial number of the registration and/or number of the design document
- (12) Plain language designation of the kind of published document
- (19) Identification, using the two-letter code according to WIPO Standard ST.3, of the authority publishing or registering the industrial design

(20) Data concerning the application

- (21) Serial number of the application
- (22) Date of filing of the application
- (24) Date from which the industrial design right has effect

(30) Data relating to priority under the Paris Convention

- (31) Serial number assigned to the priority application
- (32) Date of filing of the priority application
- (33) Two-letter code, according to WIPO Standard ST.3, identifying the authority with which the priority application was made

(40) Date(s) of making information available to the public

- (45) Date of publication of the registered industrial design by printing or similar process, or making it available to the public by any other means

(50) Miscellaneous Information

- (51) International Classification for Industrial Designs (class and subclass of the Locarno Classification)
- (54) Designation of article(s) or product(s) covered by the industrial design or title of the industrial design
- (55) Reproduction of the industrial design (e.g., drawing, photograph) and explanations relating to the reproduction
- (56) List of prior art documents, if separate from descriptive text
- (57) Description of characteristic features of the industrial design including indication of colours

(60) References to other legally related application(s) and registration(s)

- (62) Serial number(s) and, if available, filing date(s) of application(s), registration(s) or document(s) related by division
- (66) Serial number(s) of the application, or the registration, of the design(s) which is (are) a variant(s) of the present one

(70) Identification of parties concerned with the application or registration

- (71) Name(s) and address(es) of the applicant(s)
- (72) Name(s) of the creator(s) if known to be such
- (74) Name(s) and address(es) of the representative(s)

This Page Left Intentionally Blank

Official Notice

Olympic Insignia Protection Act 1987

NOTICE OF END OF PROTECTION PERIOD OF OLYMPIC DESIGNS

Notice is hereby given pursuant to sub-section 11(8) of the *Olympic Insignia Protection Act 1987*, of the following registrations held by the Australian Olympic Committee Incorporated.

REGISTRATION NO: **OD 015**

Date of Registration: 14 February 1995

Date of end of registration: 14 February 2007



Contact: IP Australia
Phone: 1300 651 010
Fax: +61 2 6283 7999
E-Mail: assist@ipaustralia.gov.au
Web: www.ipaustralia.gov.au

Official Notice

Change of Bank for IP Australia from 1 April 2007

From 1 April 2007, IP Australia will change to a new provider for all our banking services. We are moving our accounts from Westpac to the National Australia Bank.

If you are an account customer with IP Australia, you will shortly receive a formal letter from IP Australia advising you of our new bank details, including our BSB and Branch numbers.

Please update your records and make any necessary changes to your systems before 1 April 2007.

Prior to this date, you should also bank any cheques issued to you by IP Australia that remain unpresented. This will enable us to achieve a smooth transition of our banking services to the National Australia Bank as well as ensuring that your cheque is not dishonoured.

All non-account customers should contact IP Australia for further information. Alternatively, you may visit our website to find the relevant information for "Making a Payment":

www.ipaustralia.gov.au/resources/forms_finance.shtml

Contact: IP Australia
Phone: 1300 651 010
International: + 61 2 6283 2999
Fax: +61 2 6283 7999
E-mail: assist@ipaustralia.gov.au
Web: www.ipaustralia.gov.au

Proceedings under the Designs Act 1906 preserved as a result of the provisions of Chapter 12 Part 2 of the Designs Act 2003.

This Page Left Intentionally Blank

Applications Lapsed

There were no Applications Lapsed under this section

Application for Extension of Period of Registration

Applications under Section 27A(2) for extension of registration of the following designs have been lodged. In the event that a design is shown to be not new or original, the Registrar may refuse to extend the period of registration. Sub-section 27A(4) allows any person to lodge at the Designs Office material relevant to the question whether the design is not new or original. That material must be lodged within 11 months of the date when the registration of the design was made. Further details of the conditions and procedures for the lodgement of material are contained in Form 8 provided under the Designs Regulation 24.

Registration Number	Registered Owner	Registration Date
158462	WINDSOR SMITH PTY LTD	17/01/2006
158472	HOLDEN LTD	18/01/2006
158478	PETER HIRST	18/01/2006
158513	ITALESSE S.R.L.	16/02/2006

Extension of Period of Registration of Designs

1st Period (Section 27A(8))

154620	154621	154706
154819	158462	158472
158478	158513	

2nd Period (Section 27A(12))

141661	143674	143800
143834	143943	143997
143998	144053	144117
144197	144199	144322
144664	144932	145049
145050	145103	145104
145110	145138	145155
145196	145199	145261
145268	145269	145270
145320	145321	145340
145446	145447	145505
146238	146239	146285
146843	147224	147308
147309	147463	147805
148065	148489	148490
149285	150831	155174

3rd Period (Section 27A(13))

126046	127388	127694
128016	128150	128337
128373	128374	128375
128376	128466	128519
128690	128987	129047
129048	129319	129523
130054	130141	130142
131181	131557	131752
132092	133157	

Registrations Ceased

Note: Some of the following Registrations may have been previously advertised as ceased. In this instance, the previous advertisement still prevails.

112127	112237	112238
112321	112326	112338
112351	112361	112396
112397	112405	112586
112592	112849	113324
113325	113326	113327
113335	113336	113542
113560	113968	114131
115011	115409	115795
116128	124973	126394
126425	126509	126599
126600	126602	126645
126648	126766	126795
127002	127003	127063
127070	127071	127308
128332	128902	129372
129647	129902	129929
129930	129931	129932
129933	130022	130023
130024	130061	131419
132980	136063	136648
141784	141804	141887
141888	141911	141912
141934	143318	143319
143360	143395	143396
143400	143431	143432
143434	143491	143493
143494	143495	143496
143500	143510	143589
143590	143637	143725
143943	143944	144013
144053	144096	144326
144327	144471	144629
145121	145176	145291
146316	146317	146318
146319	146550	146605
146719	146759	146760
146761	147219	148238
148508	149743	

Extensions of time granted

Applications lodged for extension of time have been granted.

141661 **Stephen Bruce Berry** An Extension of time to extend a registration has been granted to 22/02/2007

144322 **Mirko Riha** An Extension of time to extend a registration has been granted to 27/02/2007

143943 **Margo Ann Young** An Extension of time to extend a registration has been granted to 13/03/2007

144053 **Margo Ann Young** An Extension of time to extend a registration has been granted to 13/03/2007

158462 **Windsor Smith Pty Ltd** An Extension of time to extend a registration has been granted to 05/03/2007

158513 **Italesse S.r.l.** An Extension of time to extend a registration has been granted to 05/03/2007

158472 **Holden Ltd** An Extension of time to extend a registration has been granted to 05/03/2007

158478 **Peter Hirst** An Extension of time to extend a registration has been granted to 05/03/2007

Subsequent Owners Registered

(The name in parentheses is that of the subsequent owner)

134898 **(Australian Wine Racks Pty Ltd)** Kemalex Pty Ltd
 145805 **(John Thomas Lunnay)** J T Lunnay Pty Ltd
 149105 **(Digislide Holdings Pty Ltd)** Digislide International Pty Ltd
 152592 **(Digislide Holdings Pty Ltd)** Digislide International Pty Ltd
 149926 **(Retepnyl Pty Ltd)** Comseat Australia Pty Ltd
 116516 **(GMCA Pty Ltd)** Triton Manufacturing & Design Co.Pty Limited
 136095 **(Connect Air Manufacturing Pty Ltd)** T & S Manufacturing Pty Ltd

Names Registered - Alterations and Amendments

(The name in parentheses is the new name of the proprietor)

145110 **(Clipsal Australia Pty Ltd)** Gerard Industries Pty Ltd
 138191 **(Tiltform Pty Ltd)** A R Tiltform Pty Ltd

This Page Left Intentionally Blank

Proceedings under the Designs Act 2003.

This Page Left Intentionally Blank

Applications Lodged

Lodgement information is in the following order: **Applicant's Name**; International Classification, Name of Product, Lodgement Date and **Design Number**. If the applicant claims an earlier priority date under an International Convention, the Convention Country and the associated filing date are shown in parentheses before the Lodgement Date. Divisional information will also appear in parentheses before the Lodgement Date.

Acco Australia Pty Ltd; 19-04, Document wallet with identification block, 23 Feb 2007	16590/2007	Chef'n Corporation; 07-01D, A mug, (US, 22 Aug 2006) 21 Feb 2007	16526/2007
Acco Australia Pty Ltd; 19-04, Document envelope with identification block, 23 Feb 2007	16591/2007	Chromend Supply; 12-16N, Automobile exhaust extension, 20 Feb 2007	16499/2007
Agabow Pty Ltd, Trading as Central Tablelands Commercial Industries; 25-02NES, Toilet and shower partitioning, 28 Feb 2007	16660/2007	Chromend Supply; 12-16N, Automobile exhaust extension, 20 Feb 2007	16500/2007
Agabow Pty Ltd, Trading as Central Tablelands Commercial Industries; 25-02NES, Toilet and shower partitioning, 28 Feb 2007	16661/2007	CommScope Solutions Properties, LLC; 25-02B, Door for communications cabinet or rack, (US, 28 Aug 2006) 27 Feb 2007	16641/2007
Agabow Pty Ltd, Trading as Central Tablelands Commercial Industries; 25-02NES, Toilet and shower partitioning, 28 Feb 2007	16662/2007	CommScope Solutions Properties, LLC; 13-03D, Communications plug, (US, 28 Aug 2006) 27 Feb 2007	16642/2007
Agabow Pty Ltd, Trading as Central Tablelands Commercial Industries; 25-02NES, To fit into headrail - for use on toilet and shower partitioning, 28 Feb 2007	16662/2007	Ctech Closures Pty Ltd; 09-07NES, A tamper evident closure with integral measuring cup, 22 Feb 2007	16541/2007
Agabow Pty Ltd, Trading as Central Tablelands Commercial Industries; 25-02NES, To fit into headrail - for use on toilet and shower partitioning, 28 Feb 2007	16663/2007	CSAV, Inc.; 08-08L, Mounting device for article, (US, 28 Aug 2006) 26 Feb 2007	16614/2007
Apple Computer, Inc.; 14-01, Ear phone, (US, 11 Sep 2006) 23 Feb 2007	16587/2007	CSAV, Inc.; 08-08NES, Support column for mounting device, (US, 28 Aug 2006) 26 Feb 2007	16615/2007
Aquaport Pty Ltd; 09-01B, A liquid storage container, 27 Feb 2007	16636/2007	CSAV, Inc.; 08-08L, Mounting device for article, (US, 28 Aug 2006) 26 Feb 2007	16616/2007
Aquatica NZ Limited; 23-02B, Over-head shower unit, (NZ, 23 Aug 2006) 21 Feb 2007	16524/2007	CSAV, Inc.; 08-08NES, Wall interface for mounting device, (US, 28 Aug 2006) 26 Feb 2007	16617/2007
Bang & Olufsen A/S; 14-02, A terminal, (DK, 22 Aug 2006) 22 Feb 2007	16564/2007	CSAV, Inc.; 08-08NES, Wall mount for article, (US, 28 Aug 2006) 26 Feb 2007	16618/2007
Bang & Olufsen A/S; 14-02, 13-02, A terminal together with a charger, (DK, 22 Aug 2006) 22 Feb 2007	16565/2007	CSAV, Inc.; 08-08NES, Mounting system for article, (US, 28 Aug 2006) 26 Feb 2007	16619/2007
Barker Trailers Pty. Ltd.; 12-10, Trailer, 20 Feb 2007	16519/2007	CSAV, Inc.; 08-08NES, Tilt mounting bracket for electronic display, (US, 18 Sep 2006) 26 Feb 2007	16620/2007
Barker Trailers Pty. Ltd.; 06-10, Curtain wall, 20 Feb 2007	16520/2007	Dart Industries Inc.; 07-02P, Foodstuffs form, (US, 08 Sep 2006) 20 Feb 2007	16516/2007
Black & Decker, Inc.; 15-05, A powered hard floor cleaner, (US, 17 Aug 2006) 16 Feb 2007	16486/2007	Dart Industries Inc.; 07-01D, Mugs, (US, 08 Sep 2006) 20 Feb 2007	16517/2007
Black & Decker, Inc.; 15-05, A powered hard floor cleaner, (US, 17 Aug 2006) 16 Feb 2007	16487/2007	Dart Industries Inc.; 07-99NES, Scoop, (US, 08 Sep 2006) 20 Feb 2007	16518/2007
Braun GmbH; 04-02, Toothbrush, (DE, 02 Jun 2006) 17 Nov 2006	15302/2006	Davy, Scott Andrew; Thompson, Andrew Noel; 25-02A, A bollard sleeve, 20 Feb 2007	16515/2007
BRADO S.P.A.; 06-01F, Chair, 21 Feb 2007	16525/2007	Discovery Clothing Company Pty Ltd; 02-05, Neck lanyards, 26 Feb 2007	16600/2007

Discovery Clothing Company Pty Ltd; 05-05B, 19-01, 02-07NES, Clothing accessories and stationary, 26 Feb 2007	16601/2007	Fermiscan Limited; 09-01D, Receptacle, 26 Feb 2007	16603/2007
Discovery Clothing Company Pty Ltd; 05-05D, 19-01, 02-07NES, Clothing accessories and stationary, 26 Feb 2007	16602/2007	Fernholly Pty Ltd; 12-06A, A boat hull, 02 Oct 2006	14413/2006
Doyle, Alana; 02-01B, Fleece, triangle shaped, nappy with built in three layer liner. Pre folded, 26 Feb 2007	16612/2007	Feros, Joshua Paul; 02-02NES, T-shirt, 23 Feb 2007	16542/2007
Durso, Roberto Francesco; 28-03NES, Skin treatment tool, 22 Feb 2007	16577/2007	Fitzgibbins, Ashley Edward; Norris, Dion Luke; 07-04, Fish Scaler, 22 Jan 2007	16066/2007
Durso, Roberto Francesco; 28-03NES, Skin treatment tool, 22 Feb 2007	16578/2007	Ford, John Colin; 08-08A, Carpet doorway smooth edge, 20 Feb 2007	16496/2007
Dyson Limited; 15-05, A cleaning appliance, (GB, 05 Sep 2006) 27 Feb 2007	16633/2007	G & D Roof Tiling Pty Ltd; 25-01NES, Roof valley member, 23 Feb 2007	16573/2007
Dyson Limited; 07-05NES, A head for a cleaning appliance, (GB, 05 Sep 2006) 27 Feb 2007	16634/2007	Gordon, Andrew; 25-02A, Post base, sign post base, 23 Feb 2007	16543/2007
Dyson Limited; 07-05NES, A support assembly for a cleaning appliance, (GB, 05 Sep 2006) 27 Feb 2007	16635/2007	Gravolin, Dennis Ronald; Gravolin, Sandra Lorraine; 13-03E, All types of vehicles, motor transport industry, mining, commercial, defence, government marine and private sectors, 26 Feb 2007	16599/2007
Dyson Limited; 04-01, A tool for a cleaning appliance, (GB, 24 Aug 2006) 16 Feb 2007	16478/2007	Gravolin, Sandra Lorraine; Gravolin, Dennis Ronald; 13-03E, All types of vehicles, motor transport industry, mining, commercial, defence, government marine and private sectors, 26 Feb 2007	16599/2007
Dyson Limited; 04-01, A tool for a cleaning appliance, (GB, 24 Aug 2006) 16 Feb 2007	16477/2007	Hall, Jason Hamilton; 02-07NES, Cooling band, 26 Feb 2007	16621/2007
Ekornes ASA; 06-01F, Chair, (NO, 05 Sep 2006) 19 Feb 2007	16490/2007	Hall, Jason Hamilton; 02-06, Cooling glove, 26 Feb 2007	16622/2007
Ekornes ASA; 06-01G, Chair, (NO, 23 Oct 2006) 21 Feb 2007	16535/2007	Hills Industries Limited; 07-05D, Dual frame folding clothes line, 28 Feb 2007	16654/2007
Ekornes ASA; 06-01G, Chair, (NO, 23 Oct 2006) 21 Feb 2007	16536/2007	Hopkins, Jason Andrew; 23-03D, Tubular solar collector, 21 Feb 2007	16507/2007
Ekornes ASA; 06-06G, Part of a chair, (NO, 05 Sep 2006) 19 Feb 2007	16491/2007	Hopkins, Jason Andrew; 23-03D, Solar energy collector, 21 Feb 2007	16508/2007
Ekornes ASA; 06-06H, Frame of a chair, (NO, 05 Sep 2006) 19 Feb 2007	16492/2007	Hunter Douglas Industries B.V.; 25-02H, Folding shade of washi fabric, (EM, 31 Aug 2006) 27 Feb 2007	16631/2007
Electrolux Home Care Products North America; 15-05, Handle for a vacuum cleaner, (US, 18 Aug 2006) 19 Feb 2007	16501/2007	Hunter Douglas Industries B.V.; 25-02H, Roman shade of washi fabric, (EM, 31 Aug 2006) 27 Feb 2007	16632/2007
Eveready Battery Company, Inc.; 26-02, A flashlight, (US, 14 Sep 2006) 27 Feb 2007	16630/2007	Industrial Evolution Designs Pty Ltd; 12-16NES, Boot tray support bracket, 26 Feb 2007	16605/2007
Eveready Battery Company, Inc.; 26-02, A flashlight, (US, 14 Sep 2006) 27 Feb 2007	16629/2007	Itoki Corporation; 06-01F, Chair, (JP, 17 Aug 2006) 16 Feb 2007	16479/2007
F P D Scandinavia AB; 15-99, Floatable screen and suction device, (SE, 08 Sep 2006) 19 Feb 2007	16493/2007	Itoki Corporation; 06-01F, Chair, (JP, 17 Aug 2006) 16 Feb 2007	16480/2007
F P D Scandinavia AB; 23-01NES, Suction nozzle, (SE, 08 Sep 2006) 19 Feb 2007	16494/2007	IPS Group Inc.; 10-03, A parking meter, 27 Feb 2007	16628/2007
		ITW Australia Pty Ltd; 08-08C, Clip, 16 Feb 2007	16484/2007

ITW Construction Products Australia Pty Ltd; 25-01B, Spacer for concrete reinforcement, 22 Feb 2007	16556/2007	Maliform Pty Ltd; 25-01K, Extrusion for shower screen as per attached drawings, 19 Feb 2007	16514/2007
ITW Construction Products Australia Pty Ltd; 25-01B, Spacer for concrete reinforcement, 22 Feb 2007	16555/2007	Marley New Zealand Limited; 25-02NES, Two part expansion joint, (NZ, 22 Aug 2006) 22 Feb 2007	16554/2007
Jones, Brian; 21-01A, Thirst extinguisher - box with removable perspex front, 22 Feb 2007	16575/2007	Maxitrol Company; 14-03A, A handset, (US, 12 Oct 2006) (Divisional of 15187/2006) 26 Feb 2007	16596/2007
Kabushiki Kaisha Toshiba; 14-01, Digital audio player, (JP, 27 Dec 2006) 26 Feb 2007	16623/2007	McCoombes, Graham; McCoombes, Teresa; 25-02C, Oval fence rail, 23 Feb 2007	16544/2007
Koninklijke Philips Electronics N.V.; 07-02L, Padholder, (EM, 08 Sep 2006) 22 Feb 2007	16560/2007	McCoombes, Teresa; McCoombes, Graham; 25-02C, Oval fence rail, 23 Feb 2007	16544/2007
Koninklijke Philips Electronics N.V.; 26-04, Twisted lamp, (EM, 08 Sep 2006) 22 Feb 2007	16561/2007	Miller UK Limited; 15-04, Coupler for coupling accessories to the excavator arm of an excavator, 16 Feb 2007	16475/2007
Koninklijke Philips Electronics N.V.; 26-04, Energy saving lamp, (EM, 08 Sep 2006) 22 Feb 2007	16562/2007	Mitchell, Timothy; 06-04NES, Rack for sporting equipment, 28 Feb 2007	16664/2007
Lacoste; 02-04NES, Shoe, (EM, 02 Feb 2007) 22 Feb 2007	16566/2007	Mulqueen, Stephen; 11-01NES, Jewellery brooch, 21 Feb 2007	16506/2007
Lacoste; 02-04NES, Shoe, (EM, 02 Feb 2007) 22 Feb 2007	16567/2007	Muratovic, Sheyla; 28-03NES, Shower foot scrub, 19 Feb 2007	16481/2007
Lacoste; 02-04NES, Shoe, (EM, 02 Feb 2007) 22 Feb 2007	16568/2007	Muratovic, Sheyla; 28-03NES, Shower foot scrub, 19 Feb 2007	16482/2007
Lacoste; 02-04NES, Shoe, (EM, 02 Feb 2007) 22 Feb 2007	16569/2007	Nanjing Chervon Industry Co., Ltd.; 13-02, Adaptor for power tools, (CN, 13 Jun 2006) 13 Dec 2006	15727/2006
Lee, Alan Sian Ghee; 08-08NES, Support for batten, joist or the like, 16 Feb 2007	16476/2007	Natural Light Gardens; 26-04, Decorative light, 21 Feb 2007	16537/2007
Leeming, Michael Anthony; 30-03, Stock water trough, 19 Feb 2007	16503/2007	Ninth Tentacle, Inc.; 07-05NES, Garment steamer, 26 Feb 2007	16613/2007
Leeming, Michael Anthony; 30-03, Feed trough, 19 Feb 2007	16504/2007	Nokia Corporation; 14-03A, Handsfree device for handset/charger, (FI, 18 Aug 2006) 16 Feb 2007	16485/2007
LG Electronics Inc.; 15-07, Refrigerator, (KR, 24 Aug 2006) 16 Feb 2007	16495/2007	Norris, Dion Luke; Fitzgibbins, Ashley Edward; 07-04, Fish Scaler, 22 Jan 2007	16066/2007
Maliform Pty Ltd; 25-01K, Extrusion for shower screen as per attached drawings, 19 Feb 2007	16510/2007	Olver, Ken; 20-02E, Clothes rack for display of clothes in retail premises, 28 Feb 2007	16658/2007
Maliform Pty Ltd; 08-06, Pivot block for shower screen as per attached drawings, 19 Feb 2007	16511/2007	Pacemaker Headers Pty Ltd; 12-16N, A collector cone for an exhaust manifold (4 into 1), 28 Feb 2007	16655/2007
Maliform Pty Ltd; 25-02NES, Frame for shower screen as per attached drawings, 19 Feb 2007	16512/2007	Pacemaker Headers Pty Ltd; 12-16N, A collector cone for an exhaust manifold (3 into 1), 28 Feb 2007	16656/2007
Maliform Pty Ltd; 25-01K, Extrusion for shower screen as per attached drawings, 19 Feb 2007	16513/2007	Pacemaker Headers Pty Ltd; 12-16N, Collector cone for an exhaust manifold (2 into 1), 28 Feb 2007	16657/2007
		Pi-Design AG; 09-07B, Lid for storage jar, (DK, 31 Aug 2006) 22 Feb 2007	16563/2007
		Plastec Australia Pty Ltd; 23-01NES, A container for a water trap, 28 Feb 2007	16637/2007

Plastec Australia Pty Ltd; 23-01NES, A container for a water trap, 28 Feb 2007	16638/2007	Review Australia Pty Ltd; 02-02C, Ladies garments, 30 Aug 2006	16606/2007
Plastic Glasses Company; 09-05, Folding container the size of an ice bucket to be named PGC ice well, 23 Feb 2007	16597/2007	Review Australia Pty Ltd; 02-02C, Ladies garments, 30 Aug 2006	16607/2007
PACCAR Inc; 12-16B, Truck hood, 22 Feb 2007	16545/2007	Review Australia Pty Ltd; 02-02C, Ladies garments, 30 Aug 2006	16608/2007
PACCAR Inc; 26-06, Truck headlamp, 22 Feb 2007	16550/2007	Review Australia Pty Ltd; 02-02C, Ladies garments, 30 Aug 2006	16609/2007
PACCAR Inc; 12-16B, Truck body, 22 Feb 2007	16551/2007	Review Australia Pty Ltd; 02-02C, Ladies garments, 30 Aug 2006	16610/2007
PACCAR Inc; 12-16C, Truck bumper, 22 Feb 2007	16552/2007	Review Australia Pty Ltd; 02-02C, Ladies garments, 30 Aug 2006	16611/2007
PACCAR Inc; 12-16B, Truck body, 22 Feb 2007	16553/2007	Revolabs, Inc.; 14-02, Base station for wireless conferencing system, (US, 30 Aug 2006) 26 Feb 2007	16594/2007
PACCAR Inc; 12-16B, Grille for truck, 22 Feb 2007	16546/2007	Revolabs, Inc.; 14-01, Personal wireless microphone, (US, 30 Aug 2006) 26 Feb 2007	16595/2007
PACCAR Inc; 12-16B, Grille for a truck, 22 Feb 2007	16547/2007	Rice, Richard Patrick Butler; 21-02C, The R2 line and length putting practice device, 22 Feb 2007	16540/2007
PACCAR Inc; 12-16B, Top panel for a truck hood, 22 Feb 2007	16548/2007	Robinhood Limited; 23-04, Rangehoods, (NZ, 19 Jan 2007) 21 Feb 2007	16509/2007
PACCAR Inc; 26-06, Truck headlamp, 22 Feb 2007	16549/2007	Rosemin Pty Ltd; 02-02C, Dress, 20 Feb 2007	16497/2007
RacePointMedia LLC; 14-03NES, Remote control, (US, 23 Aug 2006) 22 Feb 2007	16557/2007	RIC Investments, LLC; 24-99, Nasal pillow interface, (US, 01 Sep 2006) 23 Feb 2007	16592/2007
RacePointMedia LLC; 14-04, Touch screen control, (US, 07 Sep 2006) 27 Feb 2007	16643/2007	RIC Investments, LLC; 24-02, Chin mounted patient interface, (US, 01 Sep 2006) 23 Feb 2007	16593/2007
RacePointMedia LLC; 14-03NES, Multimedia controller, (US, 23 Aug 2006) 22 Feb 2007	16558/2007	Sacmi Cooperativa Meccanici Imola Societa' Cooperativa; 08-05NES, Press for ceramic tiles, (IT, 27 Sep 2006) 21 Feb 2007	16538/2007
RacePointMedia LLC; 14-03NES, Remote control, (US, 23 Aug 2006) 22 Feb 2007	16559/2007	Sacmi Cooperativa Meccanici Imola Societa' Cooperativa; 08-05NES, Press for ceramic tiles, (IT, 27 Sep 2006) 21 Feb 2007	16539/2007
RacePointMedia LLC; 14-04, Touch Screen, (US, 23 Aug 2006) 23 Feb 2007	16589/2007	Sands Innovations Pty Ltd; 07-03, Utensil, 23 Feb 2007	16585/2007
Recipro Industries Pty Ltd; 15-05, Power wand, 21 Feb 2007	16502/2007	Sands Innovations Pty Ltd; 07-03, Utensil, 23 Feb 2007	16586/2007
Reckitt Benckiser (UK) Limited; 28-03A, Razor device, (EM, 04 Sep 2006) 28 Feb 2007	16682/2007	Sanford, L.P.; 14-02, Electronic scanner, (US, 30 Aug 2006) 27 Feb 2007	16639/2007
Reckitt Benckiser (UK) Limited; 28-03A, Razor handle, (EM, 04 Sep 2006) 28 Feb 2007	16683/2007	Sanford, L.P.; 14-02, Electronic scanner, (US, 30 Aug 2006) 27 Feb 2007	16640/2007
Reckitt Benckiser (UK) Limited; 28-03A, Razor head, (EM, 04 Sep 2006) 28 Feb 2007	16684/2007	Scott, Stephen John; 12-10, Cartopper boat loading and transport systems, 23 Feb 2007	16581/2007
ResMed Ltd; 02-03, Headgear for respiratory mask, (US, 30 Aug 2006) 23 Feb 2007	16582/2007	Sicame Australia Pty Ltd; 12-16NES, A fuse carrier number plate, 27 Feb 2007	16659/2007
ResMed Ltd; 02-03, Headgear for respiratory mask, (US, 30 Aug 2006) 23 Feb 2007	16583/2007		

Smith, Keeley; 28-02, Nail polish bottle and applicator, 23 Feb 2007	16604/2007	Swarovski Aktiengesellschaft; 11-02E, Ornamental object, (EM, 10 Oct 2006) 27 Feb 2007	16653/2007
Spencer & Rutherford Pty Ltd; 03-01A, Luggage, 19 Feb 2007	16468/2007	Tchen, Borison; 12-16N, Exhaust header, 20 Feb 2007	16498/2007
Spencer & Rutherford Pty Ltd; 03-01D, Luggage, 19 Feb 2007	16469/2007	Textile House Pty Ltd; 02-02NES, Jackets, 30 Aug 2006	16624/2007
Spencer & Rutherford Pty Ltd; 03-01A, Luggage, 19 Feb 2007	16470/2007	Textile House Pty Ltd; 02-02NES, Jackets, 30 Aug 2006	16625/2007
Spencer & Rutherford Pty Ltd; 03-01B, Luggage, 19 Feb 2007	16471/2007	Textile House Pty Ltd; 02-02NES, Jackets, 30 Aug 2006	16626/2007
Spencer & Rutherford Pty Ltd; 03-01A, Luggage, 19 Feb 2007	16472/2007	Textile House Pty Ltd; 02-02NES, Jackets, 30 Aug 2006	16627/2007
Spencer & Rutherford Pty Ltd; 03-01D, Luggage, 19 Feb 2007	16473/2007	The Coca-Cola Company; 09-01H, Bottles, (US, 28 Aug 2006) 23 Feb 2007	16588/2007
Spencer & Rutherford Pty Ltd; 03-01A, Luggage, 19 Feb 2007	16474/2007	Thompson, Andrew Noel; Davy, Scott Andrew; 25-02A, A bollard sleeve, 20 Feb 2007	16515/2007
Sportsgirl Pty Ltd; 05-05NES, Fabric designs, 21 Feb 2007	16530/2007	Three Pagodas Pty Ltd; 09-03NES, A toy, 22 Feb 2007	16574/2007
Sportsgirl Pty Ltd; 05-05B, Fabric design, 21 Feb 2007	16531/2007	Toymonster Limited; 21-01E, A monkey bar connector, 21 Feb 2007	16529/2007
Sportsgirl Pty Ltd; 05-05NES, Fabric designs, 21 Feb 2007	16532/2007	Tuiniua, Tevita; 27-05, 07-06D, Cigarette lighter/lighter which provides dual capability as a bottle opener, 21 Feb 2007	16505/2007
Sportsgirl Pty Ltd; 05-05D, Various ladies garments, 21 Feb 2007	16533/2007	Vogel's Holding B.V.; 03-01C, DVD holders for car seats, (EP, 23 Aug 2006) 23 Feb 2007	16584/2007
Sportsgirl Pty Ltd; 05-05B, Various ladies garments, 21 Feb 2007	16534/2007	Vola A/S; 23-01H, Floor mounted mixer for bath filling etc, (DK, 08 Feb 2007) 22 Feb 2007	16579/2007
Stephens, Michael Phillip; 08-07, Lock housing, 22 Feb 2007	16576/2007	Vola A/S; 07-05D, Heated towel rail, (DK, 08 Feb 2007) 22 Feb 2007	16580/2007
Swarovski Aktiengesellschaft; 11-02E, Ornamental object, (EM, 10 Oct 2006) 27 Feb 2007	16644/2007	Wanzl Metallwarenfabrik GmbH; 06-06NES, 08-08K, Room divider connecting elements, (EM, 06 Jul 2006) 22 Dec 2006	16789/2007
Swarovski Aktiengesellschaft; 11-02E, Ornamental object, (EM, 10 Oct 2006) 27 Feb 2007	16645/2007	Wanzl Metallwarenfabrik GmbH; 06-06NES, 08-08K, Room divider support post, (EM, 06 Jul 2006) 22 Dec 2006	16790/2007
Swarovski Aktiengesellschaft; 11-02E, Ornamental object, (EM, 10 Oct 2006) 27 Feb 2007	16646/2007	Watertight Products (Aust) Pty Ltd; 25-02NES, A connector for a wall drainage element, 22 Feb 2007	16570/2007
Swarovski Aktiengesellschaft; 11-02E, Ornamental object, (EM, 10 Oct 2006) 27 Feb 2007	16647/2007	Watertight Products (Aust) Pty Ltd; 25-02NES, A connector for a wall drainage element, 22 Feb 2007	16571/2007
Swarovski Aktiengesellschaft; 11-02E, Ornamental object, (EM, 10 Oct 2006) 27 Feb 2007	16648/2007	Watertight Products (Aust) Pty Ltd; 25-02NES, A connector for a wall drainage element, 22 Feb 2007	16572/2007
Swarovski Aktiengesellschaft; 11-02E, Ornamental object, (EM, 10 Oct 2006) 27 Feb 2007	16649/2007	Wideband Technology Pty Ltd; 08-08NES, Data cable face plates, 22 Feb 2007	16528/2007
Swarovski Aktiengesellschaft; 11-02E, Ornamental object, (EM, 10 Oct 2006) 27 Feb 2007	16650/2007	Wideband Technology Pty Ltd; 08-08NES, Data cable face plates, 22 Feb 2007	16527/2007
Swarovski Aktiengesellschaft; 11-02E, Ornamental object, (EM, 10 Oct 2006) 27 Feb 2007	16651/2007	Ying, Li; 23-01NES, Swimming pool and water treatment and recycling electrolyzers, 19 Feb 2007	16483/2007
Swarovski Aktiengesellschaft; 11-02E, Ornamental object, (EM, 10 Oct 2006) 27 Feb 2007	16652/2007		

Applications Lapsed

13034 / 2006 (02-04NES)

15314 / 2006 (03-03)

Extension of Period of Registration of Designs

305845 313068

Registrations Ceased

300137 305508 308840

Applications for Extension of time under Section 137

Applications under section 137 for extension of time have been lodged. Objections must be lodged within 1 month from the date of this journal.

15075/2005 **Counselling Help Pty Ltd** Address for Service:
Bennett Carroll Solicitors PO Box 6030 UPPER MT GRAVATT
QLD 4122

Extensions of time granted under Section 137

Applications lodged under section 137 for extension of time have been granted.

13709/2006 **Assa Abloy Identification Technology Group AB**

13954/2006 **T & A Winter Enterprises Pty Ltd**

14330/2006 **Speedsafe Australia P/L ATF McIntosh Family Trust**

Applications Assigned

(The name in parentheses is that of the subsequent applicant)

16017/2007 (**BBL International Pty Ltd**) Hayden Gregory Bostock
16082/2007 (**BBL International Pty Ltd**) Hayden Gregory Bostock
16083/2007 (**BBL International Pty Ltd**) Hayden Gregory Bostock
13910/2006 (**Review Holdings Pty Ltd**) Review Australia Pty Ltd

Subsequent Owners Registered

(The name in parentheses is that of the subsequent owner)

301321 (**Bra Buddy Pty Ltd**) Nicole Louise Brideson
309289 (**Amazar Holding AG**) Swarovski Aktiengesellschaft
309290 (**Amazar Holding AG**) Swarovski Aktiengesellschaft
310347 (**Amazar Holding AG**) Swarovski Aktiengesellschaft
310346 (**Amazar Holding AG**) Swarovski Aktiengesellschaft
307484 (**Review Holdings Pty Ltd**) Review Australia Pty Ltd
311735 (**Review Holdings Pty Ltd**) Review Australia Pty Ltd
312069 (**Review Holdings Pty Ltd**) Review Australia Pty Ltd
311752 (**Review Holdings Pty Ltd**) Review Australia Pty Ltd
309363 (**Review Holdings Pty Ltd**) Review Australia Pty Ltd
309346 (**Review Holdings Pty Ltd**) Review Australia Pty Ltd
311841 (**Sensate Media Group Pty Ltd**) CabAdsCorp Pty Ltd
307704 (**Review Holdings Pty Ltd**) Review Australia Pty Ltd
307708 (**Review Holdings Pty Ltd**) Review Australia Pty Ltd
303254 (**Review Holdings Pty Ltd**) Review Australia Pty Ltd
303255 (**Review Holdings Pty Ltd**) Review Australia Pty Ltd
303256 (**Review Holdings Pty Ltd**) Review Australia Pty Ltd
303257 (**Review Holdings Pty Ltd**) Review Australia Pty Ltd

307195 (**Review Holdings Pty Ltd**) Review Australia Pty Ltd
 306802 (**Review Holdings Pty Ltd**) Review Australia Pty Ltd
 304487 (**Review Holdings Pty Ltd**) Review Australia Pty Ltd
 306798 (**Review Holdings Pty Ltd**) Review Australia Pty Ltd
 304488 (**Review Holdings Pty Ltd**) Review Australia Pty Ltd
 306797 (**Review Holdings Pty Ltd**) Review Australia Pty Ltd
 312490 (**Review Holdings Pty Ltd**) Review Australia Pty Ltd
 311842 (**Review Holdings Pty Ltd**) Review Australia Pty Ltd
 307709 (**Review Holdings Pty Ltd**) Review Australia Pty Ltd
 307710 (**Review Holdings Pty Ltd**) Review Australia Pty Ltd
 307711 (**Review Holdings Pty Ltd**) Review Australia Pty Ltd
 307712 (**Review Holdings Pty Ltd**) Review Australia Pty Ltd
 308091 (**Review Holdings Pty Ltd**) Review Australia Pty Ltd
 301852 (**Review Holdings Pty Ltd**) Review Australia Pty Ltd
 301851 (**Review Holdings Pty Ltd**) Review Australia Pty Ltd
 301850 (**Review Holdings Pty Ltd**) Review Australia Pty Ltd
 312492 (**Review Holdings Pty Ltd**) Review Australia Pty Ltd
 301853 (**Review Holdings Pty Ltd**) Review Australia Pty Ltd
 307186 (**Review Holdings Pty Ltd**) Review Australia Pty Ltd
 311736 (**Review Holdings Pty Ltd**) Review Australia Pty Ltd

Names Registered - Alterations and Amendments

(The name in parentheses is that of the subsequent applicant)

313183 (**Jeffrey Rowell**) Sportsrange 4x4 Australia
 312141 (**Fritsch and Son Pty Ltd**) Fritsch and Son

Corrigenda

Number 310331

In Vol 20 , No 21 , page 6875 under the heading **Australian Registered Design;** (72) Name(s) of Designer(s) should read: Nathan Pollock and James Collins and Lee Rodezno and Peter Williams.

Number 310332

In Vol 20 , No 21 , page 6875 under the heading **Australian Registered Design;** (72) Name(s) of Designer(s) should read: Nathan Pollock and James Collins and Lee Rodezno and Peter Williams.

Number 310333

In Vol 20 , No 21 , page 6876 under the heading **Australian Registered Design;** (72) Name(s) of Designer(s) should read: Nathan Pollock and James Collins and Lee Rodezno and Peter Williams.

Number 310334

In Vol 20 , No 21 , page 6876 under the heading **Australian Registered Design;** (72) Name(s) of Designer(s) should read: Nathan Pollock and James Collins and Lee Rodezno and Peter Williams.

Number 312946

In Vol 21 , No 1 , page 7826 under the heading **Applications Lodged;** 15700/2006 should read: Elite Confectionery Ltd; 07-01D, A beverage mug, 12 Dec 2006.

Certificate(s) of Examination

Examination of the following Design Registration(s) has been completed. Infringement proceedings may now be commenced.

300558	02-03	08/03/2007
302650	02-04NES	08/03/2007
303760	06-01G	02/03/2007
307142	23-01B	26/02/2007
307143	23-01B	26/02/2007
307144	23-01B	26/02/2007
307262	23-01E	12/03/2007
307339	09-02NES	13/03/2007
307507	28-03A	13/03/2007
307776	28-03A	13/03/2007
308111	14-03E	05/03/2007
308380	09-03NES	01/03/2007
308384	09-03C	08/03/2007
308624	25-01K	12/03/2007
308625	24-02	07/03/2007
308628	14-02	08/03/2007
309103	26-06	15/03/2007

Publication and Registration Proceedings

Designs Registered

This section provides a concordance between design number and registration number of Designs covered in this journal. It also shows the main class and registration date.

This section covers Registration numbers 313173 to 313327 .

The registration number shown below should be used in all future correspondence.

Design Number	Registration Number	International Classification Code (IDC)	Registration Date	Design Number	Registration Number	International Classification Code (IDC)	Registration Date
14916/2005	313210	21-02C	06/03/2007	15845/2006	313197	26-05B	05/03/2007
15618/2005	313177	23-02F	02/03/2007	15847/2006	313198	12-02	05/03/2007
15619/2005	313178	23-02F	02/03/2007	15853/2006	313201	01-06	05/03/2007
15834/2005	313173	06-09	02/03/2007	15854/2006	313202	01-06	05/03/2007
11020/2006	313181	06-04NES	02/03/2007	15855/2006	313203	01-06	05/03/2007
11152/2006	313175	12-12	02/03/2007	15856/2006	313204	01-06	05/03/2007
12870/2006	313318	08-03	13/03/2007	15857/2006	313205	13-03E	05/03/2007
12998/2006	313319	23-01B	13/03/2007	15858/2006	313216	07-02L	06/03/2007
13436/2006	313179	12-11	02/03/2007	15859/2006	313215	15-99	06/03/2007
13437/2006	313180	12-11	02/03/2007	15862/2006	313214	23-01E	06/03/2007
13466/2006	313209	02-02C	05/03/2007	15864/2006	313213	14-01	06/03/2007
13724/2006	313186	27-99	05/03/2007	15865/2006	313212	14-01	06/03/2007
13725/2006	313187	27-99	05/03/2007	15866/2006	313211	14-01	06/03/2007
13726/2006	313188	27-99	05/03/2007	15867/2006	313311	02-04NES	12/03/2007
13742/2006	313239	22-01	07/03/2007	15868/2006	313312	02-04NES	12/03/2007
13743/2006	313240	22-01	07/03/2007	15869/2006	313313	02-04NES	12/03/2007
13855/2006	313263	23-02F	07/03/2007	15870/2006	313314	02-04NES	12/03/2007
14023/2006	313262	08-06	07/03/2007	15871/2006	313315	02-04NES	12/03/2007
14070/2006	313261	25-01B	07/03/2007	15872/2006	313316	02-04NES	12/03/2007
14072/2006	313260	25-01B	07/03/2007	15873/2006	313218	21-01F	06/03/2007
14073/2006	313259	25-01B	07/03/2007	15874/2006	313219	21-01F	06/03/2007
14749/2006	313237	21-02A	07/03/2007	15875/2006	313217	07-06A	06/03/2007
14880/2006	313279	23-01A	07/03/2007	15876/2006	313226	07-01C	06/03/2007
15076/2006	313253	12-11	07/03/2007	15877/2006	313225	23-02C	06/03/2007
15140/2006	313238	09-01A	07/03/2007	15878/2006	313224	14-02	06/03/2007
15141/2006	313278	12-07	07/03/2007	15879/2006	313223	14-02	06/03/2007
15250/2006	313199	07-02A	05/03/2007	15880/2006	313222	09-01K	06/03/2007
15251/2006	313200	09-03F	05/03/2007	15881/2006	313220	14-02	06/03/2007
15276/2006	313291	15-03C	12/03/2007	15882/2006	313290	03-01A	07/03/2007
15302/2006	313327	04-02	13/03/2007	15883/2006	313229	15-05	06/03/2007
15305/2006	313276	14-02	07/03/2007	15884/2006	313236	10-05	06/03/2007
15330/2006	313244	14-03NES	07/03/2007	15885/2006	313228	02-04NES	06/03/2007
15341/2006	313248	28-03C	07/03/2007	15886/2006	313227	02-04NES	06/03/2007
15415/2006	313221	05-99	06/03/2007	15887/2006	313230	02-04NES	06/03/2007
15435/2006	313184	21-02F	05/03/2007	15888/2006	313231	02-04NES	06/03/2007
15458/2006	313245	07-01D	07/03/2007	15889/2006	313232	02-04NES	06/03/2007
15459/2006	313246	07-01C	07/03/2007	15890/2006	313233	02-04NES	06/03/2007
15460/2006	313247	07-01D	07/03/2007	15891/2006	313234	02-04NES	06/03/2007
15559/2006	313292	15-05	12/03/2007	15892/2006	313235	02-04NES	06/03/2007
15726/2006	313243	12-05	07/03/2007	15893/2006	313258	02-04NES	07/03/2007
15759/2006	313274	08-08NES	07/03/2007	15894/2006	313257	02-04NES	07/03/2007
15760/2006	313275	08-08NES	07/03/2007	15895/2006	313256	02-04NES	07/03/2007
15763/2006	313307	07-01E	12/03/2007	15896/2006	313255	02-04NES	07/03/2007
15768/2006	313273	19-01	07/03/2007	15897/2006	313254	02-04NES	07/03/2007
15784/2006	313249	06-06G	07/03/2007	15903/2006	313252	13-01	07/03/2007
15830/2006	313189	08-08C	05/03/2007	15904/2006	313251	23-03NES	07/03/2007
15831/2006	313190	14-01	05/03/2007	15905/2006	313250	06-06NES	07/03/2007
15832/2006	313191	01-01	05/03/2007	15908/2006	313241	24-01	07/03/2007
15833/2006	313192	12-02	05/03/2007	15909/2006	313242	24-01	07/03/2007
15834/2006	313193	25-01K	05/03/2007	15910/2006	313264	03-01NES	07/03/2007
15836/2006	313194	12-05	05/03/2007	15911/2006	313265	08-08NES	07/03/2007
15838/2006	313195	02-03	05/03/2007	15912/2006	313266	14-01	07/03/2007
15843/2006	313196	25-02NES	05/03/2007	15915/2006	313267	14-01	07/03/2007

Publication and Registration Proceedings - Designs Registered cont'd

Design Number	Registration Number	International Classification Code (IDC)	Registration Date	Design Number	Registration Number	International Classification Code (IDC)	Registration Date
15916/2006	313268	14-01	07/03/2007	15954/2006	313284	15-05	07/03/2007
15917/2006	313269	07-05E	07/03/2007	15958/2006	313285	14-01	07/03/2007
15918/2006	313270	02-04C	07/03/2007	15959/2006	313286	14-02	07/03/2007
15919/2006	313271	03-01A	07/03/2007	15960/2006	313287	14-01	07/03/2007
15920/2006	313272	08-03	07/03/2007	15961/2006	313288	14-01	07/03/2007
15922/2006	313310	03-01A	12/03/2007	15962/2006	313289	14-02	07/03/2007
15923/2006	313309	03-01A	12/03/2007	15795/2007	313326	23-01F	13/03/2007
15924/2006	313306	03-01A	12/03/2007	15951/2007	313176	09-03L	02/03/2007
15925/2006	313305	03-01A	12/03/2007	16066/2007	313317	07-04	13/03/2007
15931/2006	313304	06-09	12/03/2007	16146/2007	313185	21-02D	05/03/2007
15935/2006	313303	08-01	12/03/2007	16178/2007	313182	13-03B	02/03/2007
15936/2006	313302	07-01D	12/03/2007	16197/2007	313183	12-16NES	02/03/2007
15937/2006	313301	07-01NES	12/03/2007	16334/2007	313174	23-01NES	02/03/2007
15938/2006	313300	09-03NES	12/03/2007	16337/2007	313206	02-02NES	05/03/2007
15939/2006	313299	09-03M	12/03/2007	16338/2007	313207	02-02C	05/03/2007
15940/2006	313298	09-03NES	12/03/2007	16339/2007	313208	02-02C	05/03/2007
15941/2006	313297	09-07NES	12/03/2007	16488/2007	313277	14-02	07/03/2007
15942/2006	313296	09-03NES	12/03/2007	16489/2007	313308	07-01E	12/03/2007
15944/2006	313295	06-06H	12/03/2007	16544/2007	313320	25-02C	13/03/2007
15945/2006	313294	06-06H	12/03/2007	16594/2007	313322	14-02	13/03/2007
15946/2006	313293	09-01B	12/03/2007	16595/2007	313321	14-01	13/03/2007
15950/2006	313280	15-05	07/03/2007	16682/2007	313323	28-03A	13/03/2007
15951/2006	313281	15-05	07/03/2007	16683/2007	313324	28-03A	13/03/2007
15952/2006	313282	15-05	07/03/2007	16684/2007	313325	28-03A	13/03/2007
15953/2006	313283	08-05NES	07/03/2007				

Publication and Registration Proceedings
Class Listing of Designs Published or Registered

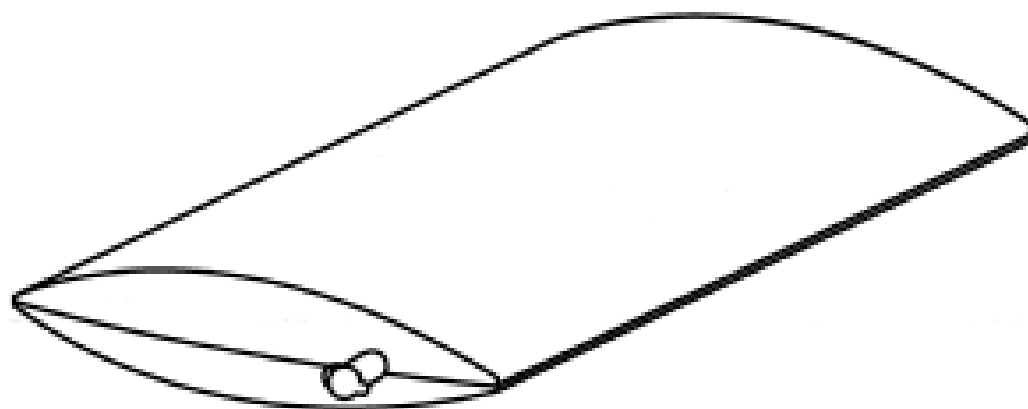
The following section shows an International Classification Code listing of the Registered or Published Designs covered in this supplement.

Classification	Registration Number	Design Number	Classification	Registration Number	Design Number
01-01	313191	15832/2006	07-02 L	313216	15858/2006
01-06	313201	15853/2006	07-04	313317	16066/2007
01-06	313202	15854/2006	07-05 E	313269	15917/2006
01-06	313203	15855/2006	07-06 A	313217	15875/2006
01-06	313204	15856/2006	08-01	313303	15935/2006
02-02 C	313207	16338/2007	08-03	313272	15920/2006
02-02 C	313208	16339/2007	08-03	313318	12870/2006
02-02 C	313209	13466/2006	08-05 A	313318	12870/2006
02-02 NES	313206	16337/2007	08-05 NES	313283	15953/2006
02-02 NES	313209	13466/2006	08-06	313262	14023/2006
02-03	313195	15838/2006	08-08 C	313189	15830/2006
02-04 C	313270	15918/2006	08-08 NES	313265	15911/2006
02-04 NES	313227	15886/2006	08-08 NES	313274	15759/2006
02-04 NES	313228	15885/2006	08-08 NES	313275	15760/2006
02-04 NES	313230	15887/2006	09-01 A	313238	15140/2006
02-04 NES	313231	15888/2006	09-01 B	313293	15946/2006
02-04 NES	313232	15889/2006	09-01 K	313222	15880/2006
02-04 NES	313233	15890/2006	09-03 F	313200	15251/2006
02-04 NES	313234	15891/2006	09-03 L	313176	15951/2007
02-04 NES	313235	15892/2006	09-03 M	313299	15939/2006
02-04 NES	313254	15897/2006	09-03 NES	313296	15942/2006
02-04 NES	313255	15896/2006	09-03 NES	313298	15940/2006
02-04 NES	313256	15895/2006	09-03 NES	313300	15938/2006
02-04 NES	313257	15894/2006	09-07 NES	313297	15941/2006
02-04 NES	313258	15893/2006	10-05	313236	15884/2006
02-04 NES	313311	15867/2006	12-02	313192	15833/2006
02-04 NES	313312	15868/2006	12-02	313198	15847/2006
02-04 NES	313313	15869/2006	12-05	313194	15836/2006
02-04 NES	313314	15870/2006	12-05	313243	15726/2006
02-04 NES	313315	15871/2006	12-07	313278	15141/2006
02-04 NES	313316	15872/2006	12-11	313179	13436/2006
03-01 A	313271	15919/2006	12-11	313180	13437/2006
03-01 A	313290	15882/2006	12-11	313253	15076/2006
03-01 A	313305	15925/2006	12-12	313175	11152/2006
03-01 A	313306	15924/2006	12-16 NES	313183	16197/2007
03-01 A	313309	15923/2006	13-01	313252	15903/2006
03-01 A	313310	15922/2006	13-03 B	313182	16178/2007
03-01 NES	313264	15910/2006	13-03 E	313205	15857/2006
04-02	313327	15302/2006	14-01	313190	15831/2006
05-99	313221	15415/2006	14-01	313211	15866/2006
06-04 NES	313181	11020/2006	14-01	313212	15865/2006
06-06 G	313249	15784/2006	14-01	313213	15864/2006
06-06 H	313294	15945/2006	14-01	313266	15912/2006
06-06 H	313295	15944/2006	14-01	313267	15915/2006
06-06 NES	313250	15905/2006	14-01	313268	15916/2006
06-09	313173	15834/2005	14-01	313285	15958/2006
06-09	313304	15931/2006	14-01	313287	15960/2006
07-01 C	313226	15876/2006	14-01	313288	15961/2006
07-01 C	313246	15459/2006	14-01	313321	16595/2007
07-01 D	313245	15458/2006	14-02	313220	15881/2006
07-01 D	313247	15460/2006	14-02	313223	15879/2006
07-01 D	313302	15936/2006	14-02	313224	15878/2006
07-01 E	313307	15763/2006	14-02	313265	15911/2006
07-01 E	313308	16489/2007	14-02	313276	15305/2006
07-01 NES	313301	15937/2006	14-02	313277	16488/2007
07-02 A	313199	15250/2006	14-02	313286	15959/2006

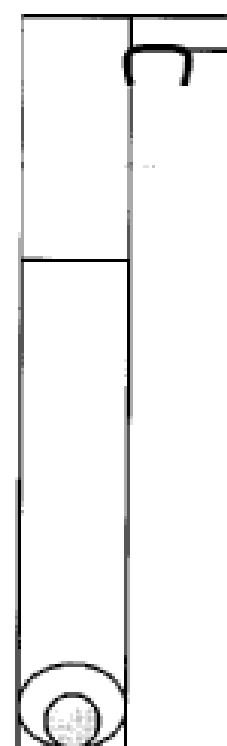
Registration Proceedings - Class Listing of Designs Published or Registered cont'd

Classification	Registration Number	Design Number	Classification	Registration Number	Design Number
14-02	313289	15962/2006	23-01 NES	313174	16334/2007
14-02	313322	16594/2007	23-02 C	313225	15877/2006
14-03 NES	313244	15330/2006	23-02 F	313177	15618/2005
15-03 C	313291	15276/2006	23-02 F	313178	15619/2005
15-05	313229	15883/2006	23-02 F	313263	13855/2006
15-05	313280	15950/2006	23-03 NES	313251	15904/2006
15-05	313281	15951/2006	23-04	313252	15903/2006
15-05	313282	15952/2006	24-01	313241	15908/2006
15-05	313284	15954/2006	24-01	313242	15909/2006
15-05	313292	15559/2006	25-01 B	313259	14073/2006
15-99	313215	15859/2006	25-01 B	313260	14072/2006
16-01	313189	15830/2006	25-01 B	313261	14070/2006
19-01	313273	15768/2006	25-01 K	313193	15834/2006
21-01 F	313218	15873/2006	25-02 C	313320	16544/2007
21-01 F	313219	15874/2006	25-02 NES	313196	15843/2006
21-02 A	313237	14749/2006	26-05 B	313197	15845/2006
21-02 C	313210	14916/2005	27-99	313186	13724/2006
21-02 D	313185	16146/2007	27-99	313187	13725/2006
21-02 F	313184	15435/2006	27-99	313188	13726/2006
22-01	313239	13742/2006	28-03 A	313323	16682/2007
22-01	313240	13743/2006	28-03 A	313324	16683/2007
23-01 A	313279	14880/2006	28-03 A	313325	16684/2007
23-01 B	313319	12998/2006	28-03 C	313248	15341/2006
23-01 E	313214	15862/2006			
23-01 F	313326	15795/2007			

- (21) Design Number: **15834/2005**
(22) Date of Filing Application: **23 December 2005**
(24) Date from which industrial property rights may have effect: **23 December 2005**
(54) Product in respect of which the design is registered: **Self inflatable mattresses**
(51) International Design Classification: **06-09**
(71) Name(s) and Address(s) of Applicant(s):
Roman Camping Equipment Pty Ltd
14-18 Holland Street ST. Peters Sydney New South Wales 2044
Australia
(72) Name(s) of Designer(s): **Michael Heyman**
(45) Registration Date: **02 March 2007**
(56) Related Art Documents: **Not Applicable**
(57) Statement of Newness and Distinctiveness: **Foam is cutout at head section so as to insert an inflatable sleeve resulting in a layer of foam on the top and bottom of an inflatable pillow.**



- (21) Design Number: **16334/2007**
(22) Date of Filing Application: **08 February 2007**
(24) Date from which industrial property rights may have effect: **08 February 2007**
(54) Product in respect of which the design is registered: **23#01 Portable grey water diverter**
(51) International Design Classification: **23-01NES**
(71) Name(s) and Address(s) of Applicant(s):
Michael John Martin
66 Belconnen Way Page ACT 2614 Australia
(72) Name(s) of Designer(s): **Michael John Martin**
(45) Registration Date: **02 March 2007**
(56) Related Art Documents: **Not Applicable**
(57) Statement of Newness and Distinctiveness: **The conduit is a new and distinctive apparatus to carry out the process of grey water diversion. The conduit has telescopic ability with a seal located in the inner top rim of the bottom outer tube.**



- (21) Design Number: **11152/2006**
- (22) Date of Filing Application: **21 March 2006**
- (24) Date from which industrial property rights may have effect: **21 March 2006**
- (54) Product in respect of which the design is registered: **Tiller for a motorised scooter**
- (51) International Design Classification: **12-12**
- (71) Name(s) and Address(s) of Applicant(s):
Pride Mobility Products Australia Pty Ltd
21 Healey Road Dandenong Victoria 3175 Australia
- (72) Name(s) of Designer(s): **Charles J. Martis**
- (45) Registration Date: **02 March 2007**
- (56) Related Art Documents: **Not Applicable**

(57) Statement of Newness and Distinctiveness: **Visual features of the design, which are new and distinctive, are the features of shape and configuration of the tiller for a motorised scooter as illustrated in the representations. The headlamps marked "A" in the representations do not form part of the tiller design and are to be disregarded. The bracket marked "B" in the representations does not form part of the tiller design and is to be disregarded. The hand operated levers marked "C" and "D" in the representations do not form part of the tiller design and are to be disregarded. The shape and configuration of the handle bars marked "E" and "F" in the representations do not form part of the tiller design and are to be disregarded. The shape and configurations and spatial arrangements of the dials, knobs, display lamps and switches marked "G" in the representations do not form part of the tiller design and are to be disregarded.**



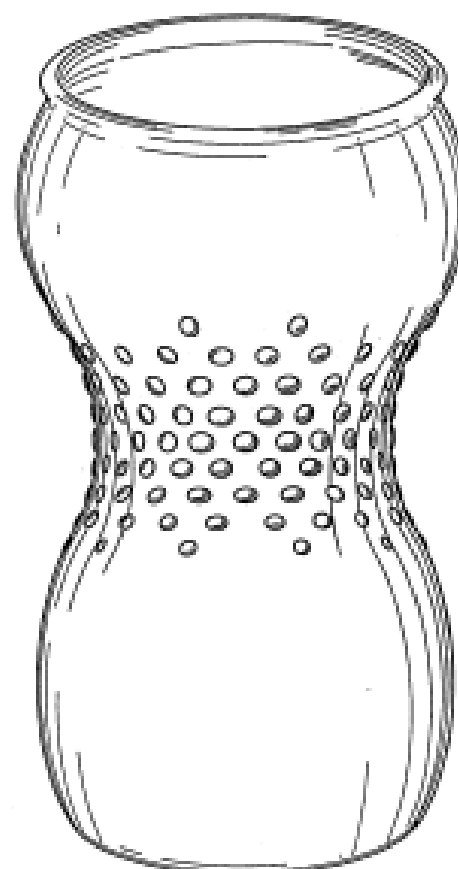
- (21) Design Number: **15951/2007**
- (22) Date of Filing Application: **11 January 2007**
- (24) Date from which industrial property rights may have effect: **11 January 2007**
- (54) Product in respect of which the design is registered: **Container**
- (51) International Design Classification: **09-03L**
- (71) Name(s) and Address(s) of Applicant(s):
The Coca-Cola Company
One Coca-Cola Plaza NW Atlanta Georgia 30313 United States of America
- (72) Name(s) of Designer(s): **Jae Ho Cha and Randall S. Brown and Michael Antonio Blanchet-Ruth and Chung Daniel Young-Doo**
- (45) Registration Date: **02 March 2007**

(30) Convention priority data:

(31) Number	(32) Date	(33) Country
29/263,154	17 Jul 2006	UNITED STATES OF AMERICA

(56) Related Art Documents: **Not Applicable**

(57) Statement of Newness and Distinctiveness: **Those features of the container depicted in the representations that are new and distinctive are the shape and/or configuration. The bottom view (Fig.4) may or may not form part of the design.**



(21) Design Number: **15618/2005**

(22) Date of Filing Application: **19 December 2005**

(24) Date from which industrial property rights may have effect: **19 December 2005**

(54) Product in respect of which the design is registered: **Cabinet and tub for laundry**

(51) International Design Classification: **23-02F**

(71) Name(s) and Address(s) of Applicant(s):

Dorf Clark Industries Limited
194 Milperra Road Revesby New South Wales 2212 Australia

(72) Name(s) of Designer(s): **Steven Cummings and David Giorgio**

(45) Registration Date: **02 March 2007**

(56) Related Art Documents: **Not Applicable**

(57) Statement of Newness and Distinctiveness: **The newness and distinctiveness of this design resides in the features of shape and/or configuration of the door handle of the cabinet and said design is directed to the overall appearance of the cabinet and tub resulting primarily from the visual features of shape and/or configuration of the door handle. No regard is to be had to the tap arrangement shown in the representations.**



(21) Design Number: **15619/2005**

(22) Date of Filing Application: **19 December 2005**

(24) Date from which industrial property rights may have effect: **19 December 2005**

(54) Product in respect of which the design is registered: **Cabinet and tub for laundry**

(51) International Design Classification: **23-02F**

(71) Name(s) and Address(s) of Applicant(s):

Dorf Clark Industries Limited
194 Milperra Road Revesby New South Wales 2212 Australia

(72) Name(s) of Designer(s): **David Giorgio and Steven Cummings**

(45) Registration Date: **02 March 2007**

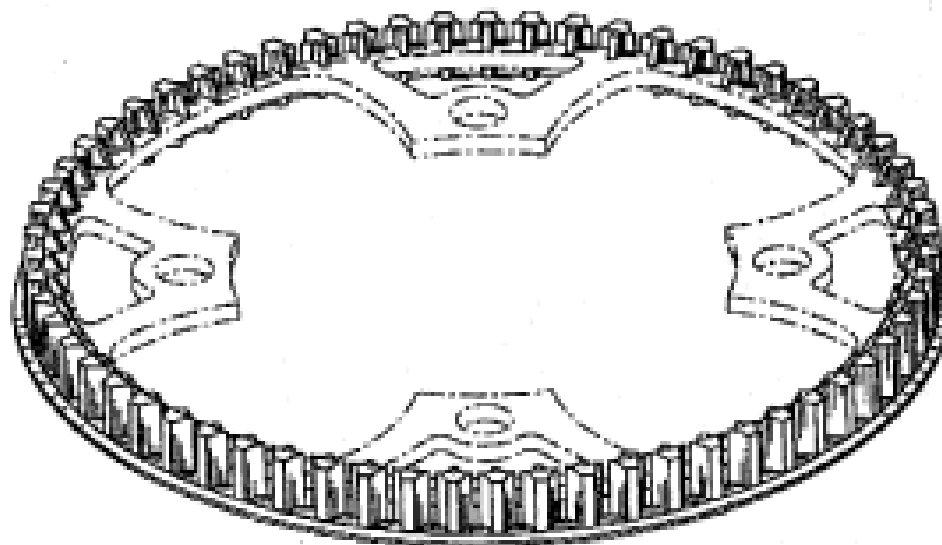
(56) Related Art Documents: **Not Applicable**

(57) Statement of Newness and Distinctiveness: **The newness and distinctiveness of this design resides in the features of pattern and/or ornamentation effected by the colour contrast between the colour of the door handle and the colour of the body of the cabinet. Said design is directed to the overall appearance of the tub and cabinet resulting primarily from the visual features of pattern and/or ornamentation effected by said colour contrast. No regard is to be had to the tap arrangement shown in the representations.**



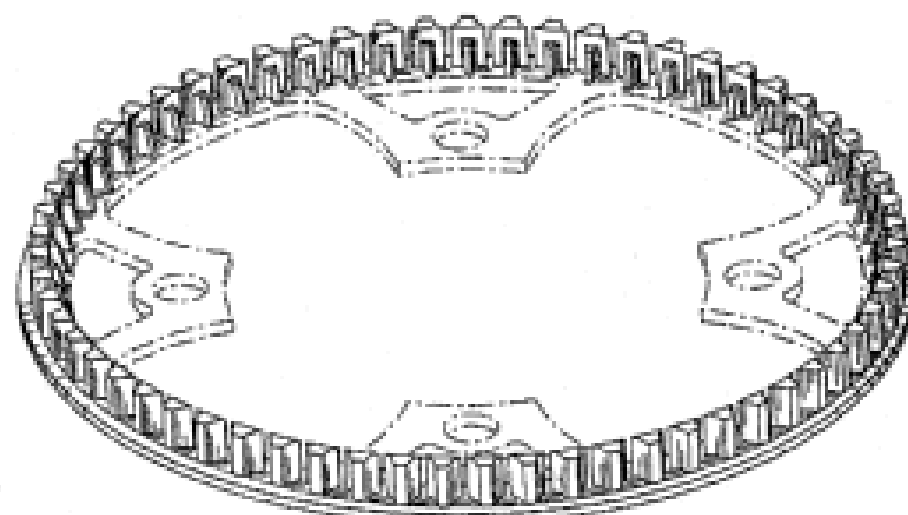
- (21) Design Number: **13436/2006**
- (22) Date of Filing Application: **04 August 2006**
- (24) Date from which industrial property rights may have effect: **04 August 2006**
- (54) Product in respect of which the design is registered: **Sprocket**
- (51) International Design Classification: **12-11**
- (71) Name(s) and Address(s) of Applicant(s):
The Gates Corporation
1551 Wewatta Street MS:IP Law Dept. 10-A3 Denver Colorado 80202
United States of America
- (72) Name(s) of Designer(s): **Arthur Jack Clarke**
- (45) Registration Date: **02 March 2007**
- (30) Convention priority data:

(31) Number	(32) Date	(33) Country
29/253,445	07 Feb 2006	UNITED STATES OF AMERICA
- (56) Related Art Documents: **Not Applicable**
- (57) Statement of Newness and Distinctiveness: **Those features of the sprocket depicted in the representations that are new and distinctive are the shape and/or configuration. The mounting flanges may or may not form part of the design.**



- (21) Design Number: **13437/2006**
- (22) Date of Filing Application: **04 August 2006**
- (24) Date from which industrial property rights may have effect: **04 August 2006**
- (54) Product in respect of which the design is registered: **Sprocket**
- (51) International Design Classification: **12-11**
- (71) Name(s) and Address(s) of Applicant(s):
The Gates Corporation
1551 Wewatta Street MS:IP Law Dept. 10-A3 Denver Colorado 80202
United States of America
- (72) Name(s) of Designer(s): **Arthur Jack Clarke**
- (45) Registration Date: **02 March 2007**
- (30) Convention priority data:

(31) Number	(32) Date	(33) Country
29/253,446	07 Feb 2006	UNITED STATES OF AMERICA
- (56) Related Art Documents: **Not Applicable**
- (57) Statement of Newness and Distinctiveness: **Those features of the sprocket depicted in the representations that are new and distinctive are the shape and/or configuration. The mounting flanges may or may not form part of the design.**



(21) Design Number: **11020/2006**

(22) Date of Filing Application: **15 March 2006**

(24) Date from which industrial property rights may have effect: **15 March 2006**

(54) Product in respect of which the design is registered: **Rack**

(51) International Design Classification: **06-04NES**

(71) Name(s) and Address(s) of Applicant(s):

Dart Industries Inc.

14901 S. Orange Blossom Trail Orlando Florida 32837 United States of America

(72) Name(s) of Designer(s): **Christopher J. Claypool and Hanno Kortleven**

(45) Registration Date: **02 March 2007**

(30) Convention priority data:

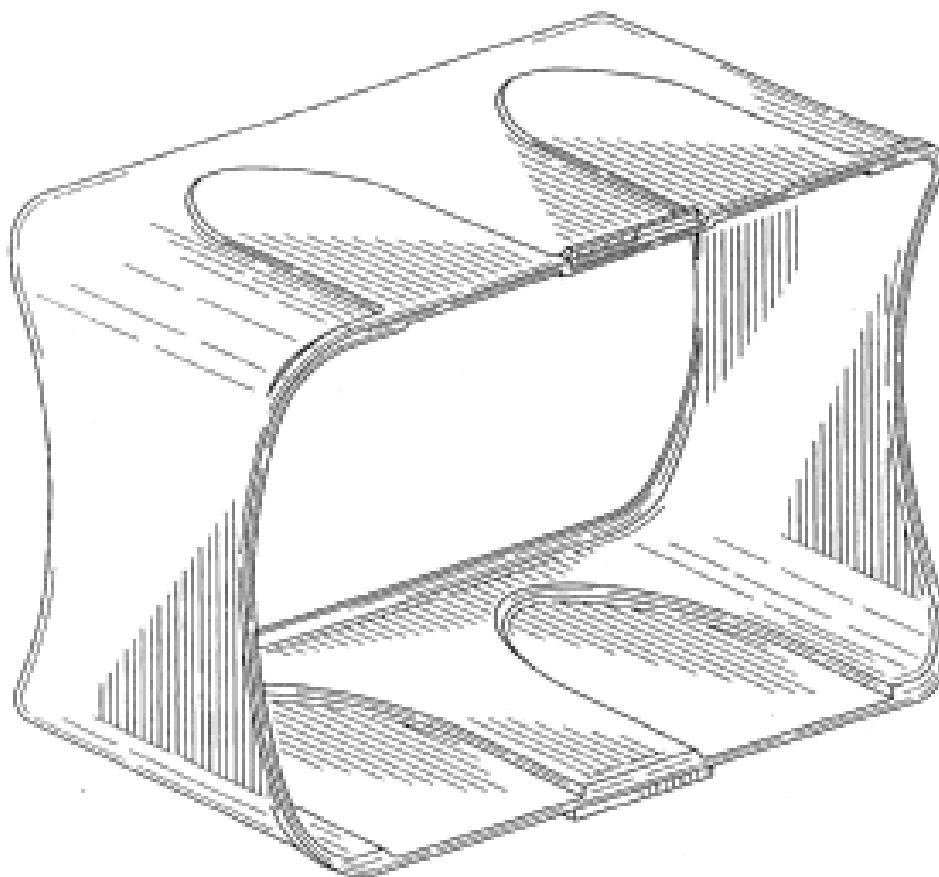
(31) Number
29/240,088

(32) Date
07 Oct 2005

(33) Country
UNITED STATES OF AMERICA

(56) Related Art Documents: **Not Applicable**

(57) Statement of Newness and Distinctiveness: **Nil**



(21) Design Number: **16178/2007**

(22) Date of Filing Application: **30 January 2007**

(24) Date from which industrial property rights may have effect: **30 January 2007**

(54) Product in respect of which the design is registered: **Electrical connector**

(51) International Design Classification: **13-03B**

(71) Name(s) and Address(s) of Applicant(s):

Panorama Antennas Limited

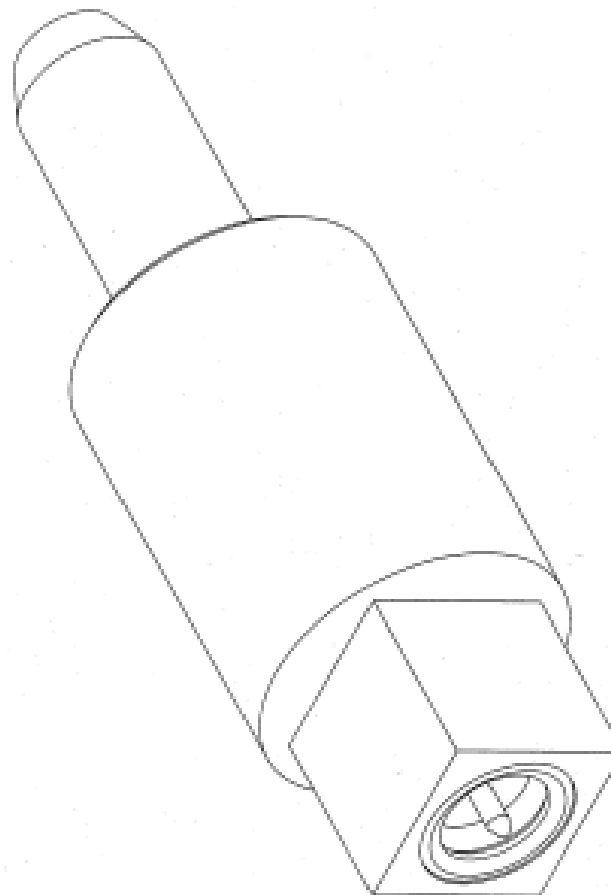
Frogmore Wandsworth London SW18 1HF United Kingdom

(72) Name(s) of Designer(s): **Andrew Paul Jesman and Christopher Edward Jesman**

(45) Registration Date: **02 March 2007**

(56) Related Art Documents: **Not Applicable**

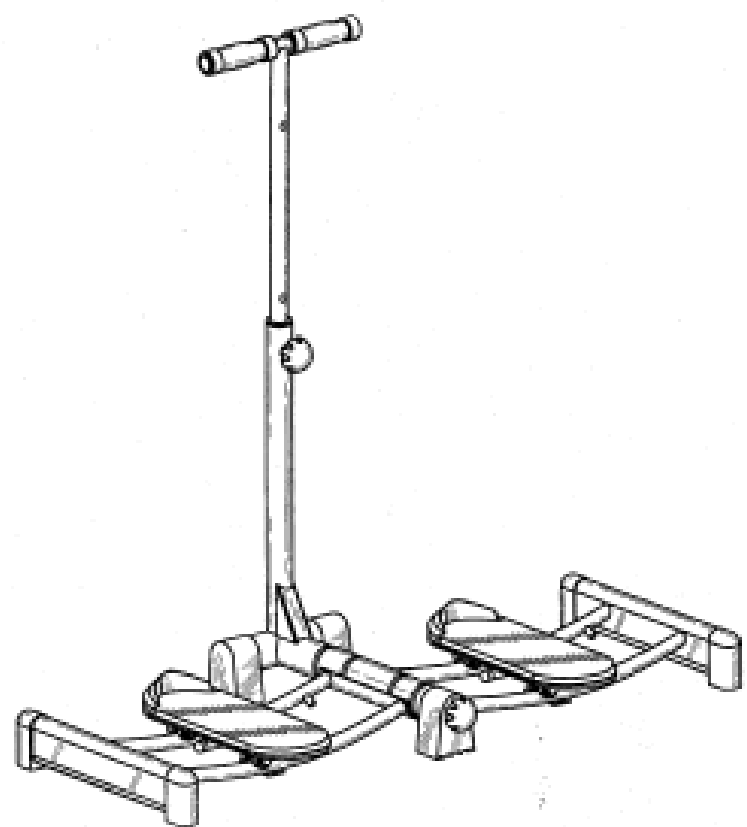
(57) Statement of Newness and Distinctiveness: **Newness and distinctiveness is claimed in the shape and/or configuration of an electrical connector as illustrated in the representations.**



(21) Design Number: **16197/2007**
(22) Date of Filing Application: **31 January 2007**
(24) Date from which industrial property rights may have effect: **31 January 2007**
(54) Product in respect of which the design is registered: **Utility/pick up canopy**
(51) International Design Classification: **12-16NES**
(71) Name(s) and Address(s) of Applicant(s):
Jeffrey Rowell
Unit 6/15 Prindiville Drive Wangara Western Australia 6065 Australia
(72) Name(s) of Designer(s): **Jeffrey Rowell**
(45) Registration Date: **02 March 2007**
(56) Related Art Documents: **Not Applicable**
(57) Statement of Newness and Distinctiveness: **Fibreglass canopy with side opening windows.**



(21) Design Number: **15435/2006**
(22) Date of Filing Application: **27 November 2006**
(24) Date from which industrial property rights may have effect: **27 November 2006**
(54) Product in respect of which the design is registered: **Exerciser**
(51) International Design Classification: **21-02F**
(71) Name(s) and Address(s) of Applicant(s):
Enanef, Ltd
Beechwood Hse, King George Hill Abinger Bottom, Dorking Surrey
Great Britain RH5 6JW
(72) Name(s) of Designer(s): **John R. McVay and Jane Kmatz and Brian Stelmarski and Neil Summers and Han-Sung Lin (Jack Lin)**
(45) Registration Date: **05 March 2007**
(30) Convention priority data:
(31) Number (32) Date (33) Country
29/263,941 01 Aug 2006 UNITED STATES OF AMERICA
(56) Related Art Documents: **Not Applicable**
(57) Statement of Newness and Distinctiveness: **Nil**

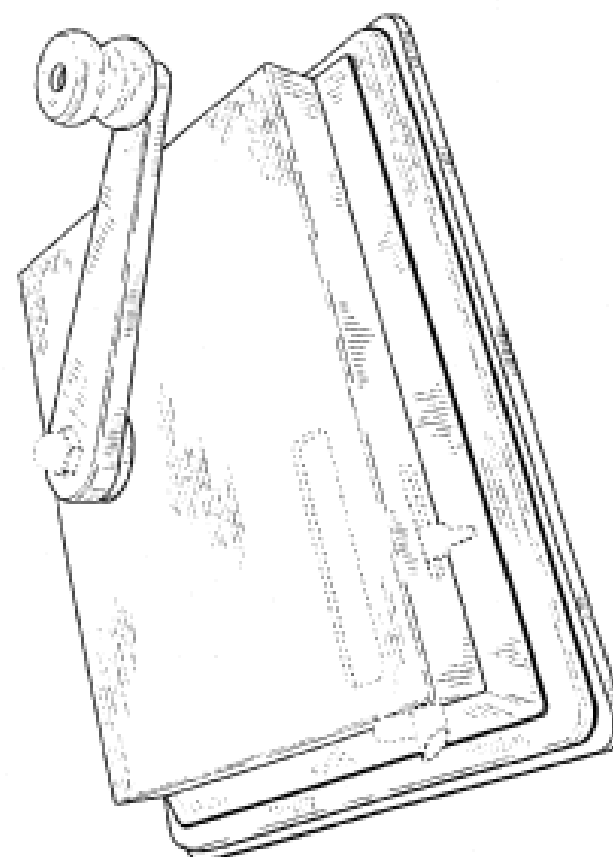


- (21) Design Number: **16146/2007**
- (22) Date of Filing Application: **29 January 2007**
- (24) Date from which industrial property rights may have effect: **29 January 2007**
- (54) Product in respect of which the design is registered: **Surfboard fins/skegs/keels**
- (51) International Design Classification: **21-02D**
- (71) Name(s) and Address(s) of Applicant(s):
Glenn Collins
14 Bicentennial Road Agnes Water Queensland 4677 Australia
- (72) Name(s) of Designer(s): **Glenn Collins**
- (45) Registration Date: **05 March 2007**
- (56) Related Art Documents: **Not Applicable**
- (57) Statement of Newness and Distinctiveness: **The new concepts of the design are the foils is a series of "S"s to increase speed and looseness. The amount of "S"s can vary depending on size and shape of fin/skeg/keel. As fins normally have the foils unlike and aircraft wings (thick leading edge tapering to a fine foil at back) my design has a number of "S"s on the trailing edge of the fin which allows the design to grab the water and release it through the curves and to allow speed and looseness while the fin is under pressure whilst turning.**



- (21) Design Number: **13724/2006**
- (22) Date of Filing Application: **18 August 2006**
- (24) Date from which industrial property rights may have effect: **18 August 2006**
- (54) Product in respect of which the design is registered: **Cigarette making machine**
- (51) International Design Classification: **27-99**
- (71) Name(s) and Address(s) of Applicant(s):
Republic Tobacco L.P.
2301 Ravine Way Glenview IL 60025 United States of America
- (72) Name(s) of Designer(s): **Mei Lin**
- (45) Registration Date: **05 March 2007**
- (30) Convention priority data:

(31) Number	(32) Date	(33) Country
29/254553	23 Feb 2006	UNITED STATES OF AMERICA
- (56) Related Art Documents: **Not Applicable**
- (57) Statement of Newness and Distinctiveness: **When determining whether the designs 1 to 3 are substantially similar in overall impression to another design, no regard is to be had to those features shown in dotted outline in the accompanying drawings.**



- (21) Design Number: **13725/2006**
- (22) Date of Filing Application: **18 August 2006**
- (24) Date from which industrial property rights may have effect: **18 August 2006**
- (54) Product in respect of which the design is registered: **Cigarette making machine**
- (51) International Design Classification: **27-99**
- (71) Name(s) and Address(s) of Applicant(s):
Republic Tobacco L.P.
2301 Ravine Way Glenview IL 60025 United States of America
- (72) Name(s) of Designer(s): **Mei Lin**
- (45) Registration Date: **05 March 2007**
- (30) Convention priority data:

(31) Number	(32) Date	(33) Country
29/254553	23 Feb 2006	UNITED STATES OF AMERICA
- (56) Related Art Documents: **Not Applicable**
- (57) Statement of Newness and Distinctiveness: **When determining whether the designs 1 to 3 are substantially similar in overall impression to another design, no regard is to be had to those features shown in dotted outline in the accompanying drawings.**

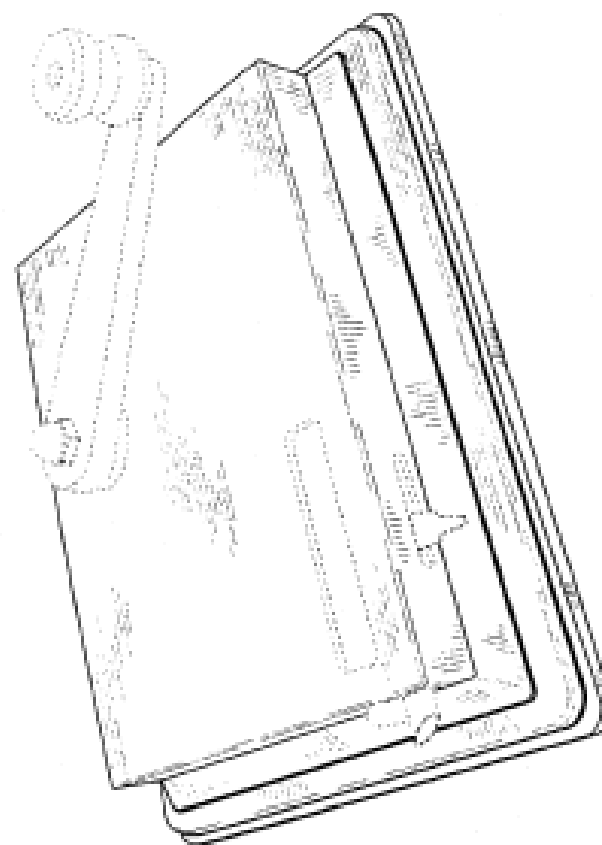
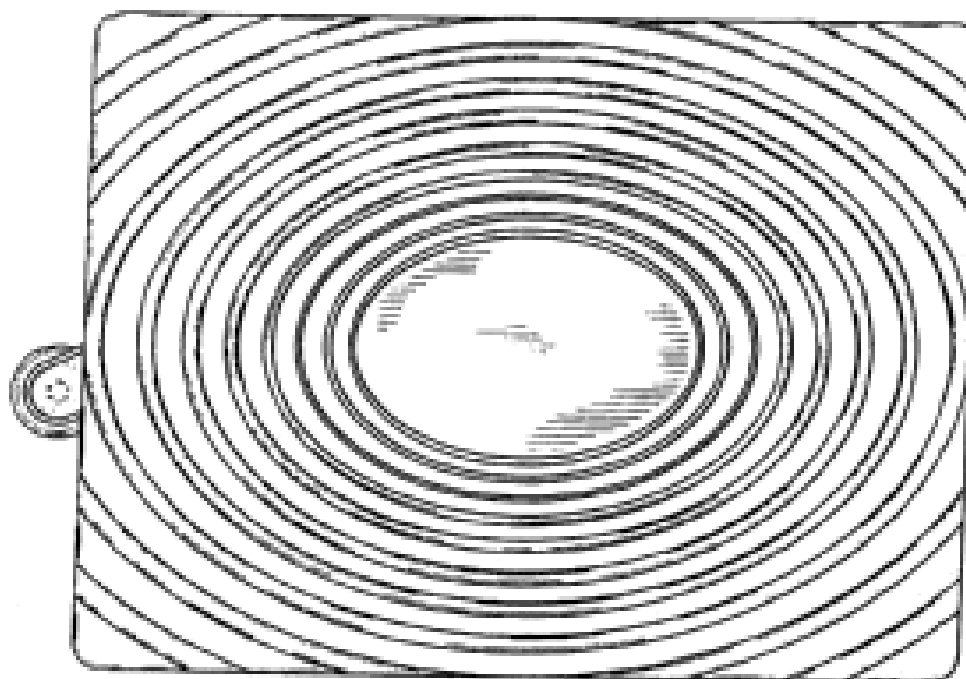


FIG. 8

- (21) Design Number: **13726/2006**
- (22) Date of Filing Application: **18 August 2006**
- (24) Date from which industrial property rights may have effect: **18 August 2006**
- (54) Product in respect of which the design is registered: **Cigarette making machine**
- (51) International Design Classification: **27-99**
- (71) Name(s) and Address(s) of Applicant(s):
Republic Tobacco L.P.
2301 Ravine Way Glenview IL 60025 United States of America
- (72) Name(s) of Designer(s): **Mei Lin**
- (45) Registration Date: **05 March 2007**
- (30) Convention priority data:

(31) Number	(32) Date	(33) Country
29/254553	23 Feb 2006	UNITED STATES OF AMERICA
- (56) Related Art Documents: **Not Applicable**
- (57) Statement of Newness and Distinctiveness: **When determining whether the designs 1 to 3 are substantially similar in overall impression to another design, no regard is to be had to those features shown in dotted outline in the accompanying drawings.**



(21) Design Number: **15830/2006**

(22) Date of Filing Application: **20 December 2006**

(24) Date from which industrial property rights may have effect: **20 December 2006**

(54) Product in respect of which the design is registered: **Camera clip**

(51) International Design Classification: **08-08C, 16-01**

(71) Name(s) and Address(s) of Applicant(s):

Creative Technology Ltd

31 International Business Park Creative Resource Singapore 609921

(72) Name(s) of Designer(s): **Tan Jeng Khim and Toh Boon Keat Eddy**

(45) Registration Date: **05 March 2007**

(30) Convention priority data:

(31) Number

(32) Date

(33) Country

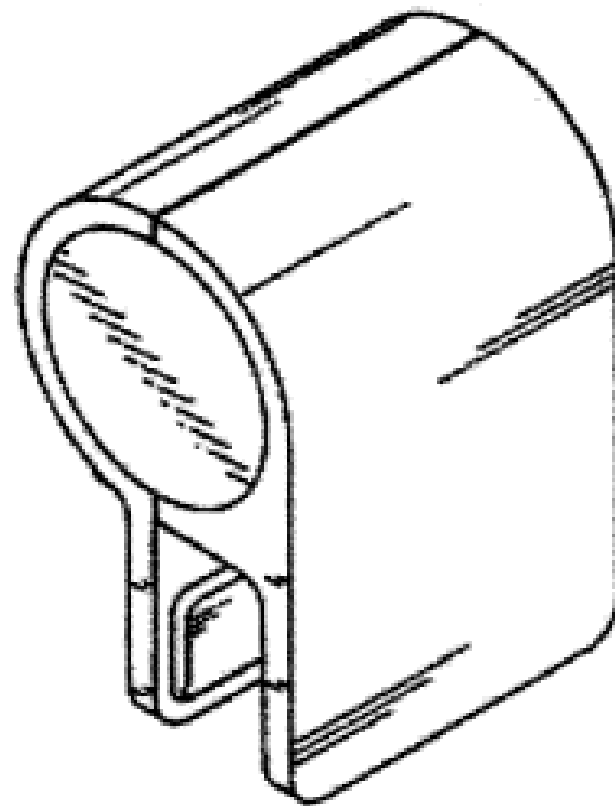
29/266,290

18 Sep 2006

UNITED STATES OF AMERICA

(56) Related Art Documents: **Not Applicable**

(57) Statement of Newness and Distinctiveness: **Monopoly is claimed in the features of shape, configuration and ornamentation of the article as depicted in the accompanying representations.**



(21) Design Number: **15831/2006**

(22) Date of Filing Application: **20 December 2006**

(24) Date from which industrial property rights may have effect: **20 December 2006**

(54) Product in respect of which the design is registered: **Audio processor**

(51) International Design Classification: **14-01**

(71) Name(s) and Address(s) of Applicant(s):

Creative Technology Ltd

31 International Business Park Creative Resource Singapore 609921

(72) Name(s) of Designer(s): **Lau Wee Min Alfred**

(45) Registration Date: **05 March 2007**

(30) Convention priority data:

(31) Number

(32) Date

(33) Country

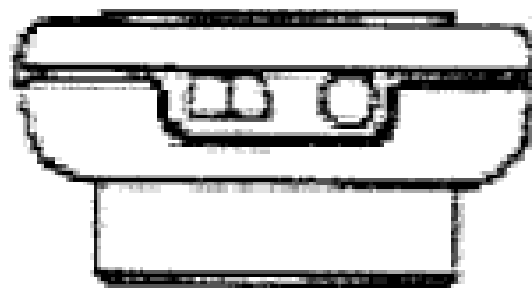
29/262,457

30 Jun 2006

UNITED STATES OF AMERICA

(56) Related Art Documents: **Not Applicable**

(57) Statement of Newness and Distinctiveness: **Monopoly is claimed in the features of shape, configuration and ornamentation of the article as depicted in the accompanying representations.**



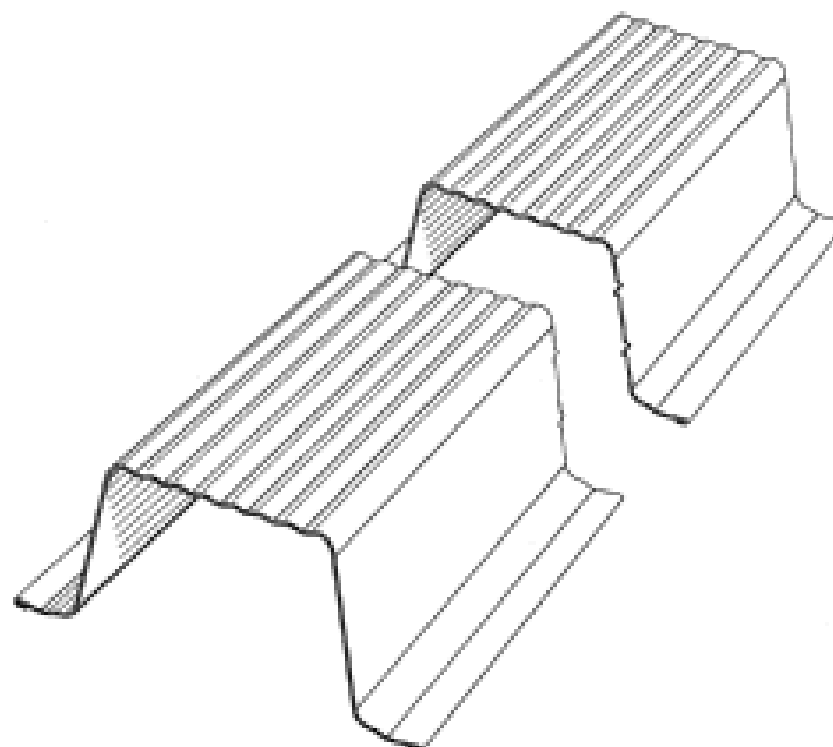
(21) Design Number: **15832/2006**
(22) Date of Filing Application: **20 December 2006**
(24) Date from which industrial property rights may have effect: **20 December 2006**
(54) Product in respect of which the design is registered: **Ice cream cone (sleeve)**
(51) International Design Classification: **01-01**
(71) Name(s) and Address(s) of Applicant(s):
Societe Des Produits Nestle S.A.
1800 Vevey Switzerland
(72) Name(s) of Designer(s): **Pierre Lebrand**
(45) Registration Date: **05 March 2007**
(30) Convention priority data:
(31) Number (32) Date (33) Country
132843 22 Jun 2006 SWITZERLAND
(56) Related Art Documents: **Not Applicable**
(57) Statement of Newness and Distinctiveness: **Newness and distinctiveness reside in the shape and configuration of the ice cream cone sleeve shown in the representations.**



(21) Design Number: **15833/2006**
(22) Date of Filing Application: **20 December 2006**
(24) Date from which industrial property rights may have effect: **20 December 2006**
(54) Product in respect of which the design is registered: **Dolly**
(51) International Design Classification: **12-02**
(71) Name(s) and Address(s) of Applicant(s):
K. Hartwall Oy Ab
FIN-01150 Soderkulla Finland
(72) Name(s) of Designer(s): **Paul Sandstrom**
(45) Registration Date: **05 March 2007**
(30) Convention priority data:
(31) Number (32) Date (33) Country
000560842#0001 07 Jul 2006 EUROPEAN COMMUNITY
(56) Related Art Documents: **Not Applicable**
(57) Statement of Newness and Distinctiveness: **Nil**



- (21) Design Number: **15834/2006**
(22) Date of Filing Application: **20 December 2006**
(24) Date from which industrial property rights may have effect: **20 December 2006**
(54) Product in respect of which the design is registered: **Improvements in roof battens**
(51) International Design Classification: **25-01K**
(71) Name(s) and Address(s) of Applicant(s):
Interit Pty Ltd
c/- D.J. Goldspring & Company Hutton House Level 1 Suite 6a 38040
Frances St. Tweed Heads New South Wales 2485 Australia
(72) Name(s) of Designer(s): **Walter Leslie Bushell**
(45) Registration Date: **05 March 2007**
(56) Related Art Documents: **Not Applicable**
(57) Statement of Newness and Distinctiveness: **Novelty and originality resides in the shape and configuration of the side flanges extending longitudinally of the central channel formation.**



- (21) Design Number: **15836/2006**
(22) Date of Filing Application: **21 December 2006**
(24) Date from which industrial property rights may have effect: **21 December 2006**
(54) Product in respect of which the design is registered: **Gas bottle loading trolley - to enable the easy loading and unloading of gas bottles from vehicles**
(51) International Design Classification: **12-05**
(71) Name(s) and Address(s) of Applicant(s):
Clarewood Pty Ltd
44 Meliador Way Midvale Western Australia 6056 Australia
(72) Name(s) of Designer(s): **A. Crane and R. Holman and S. Johnston and J. Hunter and R. Moyll**
(45) Registration Date: **05 March 2007**
(56) Related Art Documents: **Not Applicable**
(57) Statement of Newness and Distinctiveness: **Novelty of the design resides in the shape and configuration of the frame, jockey wheel and support wheels for the unloading and loading of gas bottles into motor vehicles.**



- (21) Design Number: **15838/2006**
- (22) Date of Filing Application: **21 December 2006**
- (24) Date from which industrial property rights may have effect: **21 December 2006**
- (54) Product in respect of which the design is registered: **A pair of ear muffs**
- (51) International Design Classification: **02-03**
- (71) Name(s) and Address(s) of Applicant(s):

Claire Moss
54 Somerton Road Hexton Gisborne New Zealand

(72) Name(s) of Designer(s): **Claire Moss**

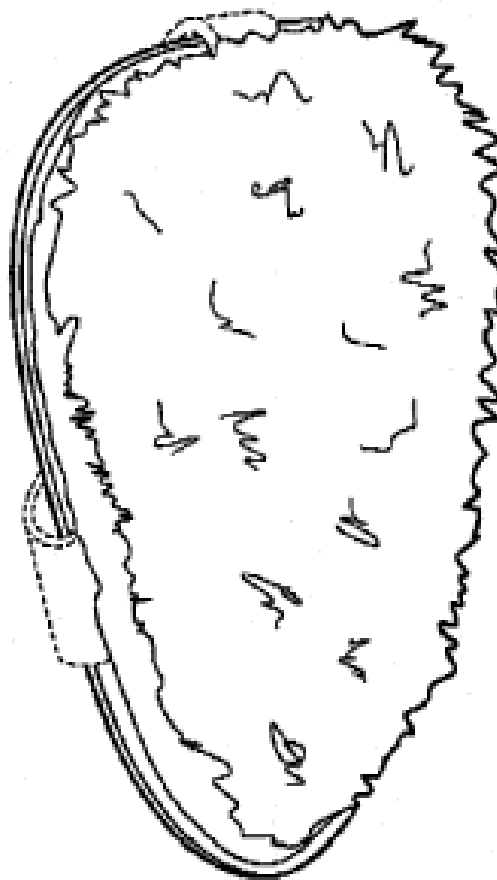
(45) Registration Date: **05 March 2007**

(30) Convention priority data:

(31) Number	(32) Date	(33) Country
407790	30 Jun 2006	NEW ZEALAND

(56) Related Art Documents: **Not Applicable**

(57) Statement of Newness and Distinctiveness: **Newness and distinctiveness reside in the features of shape and/or configuration of the pair of ear muffs, as shown in the representations. Newness and distinctiveness is not claimed in relation to the features shown in phantom lines in the representations.**



- (21) Design Number: **15843/2006**
- (22) Date of Filing Application: **21 December 2006**
- (24) Date from which industrial property rights may have effect: **21 December 2006**
- (54) Product in respect of which the design is registered: **Room divider**
- (51) International Design Classification: **25-02NES**
- (71) Name(s) and Address(s) of Applicant(s):

Wanzl Metallwarenfabrik GmbH
Postfach 11 29 89336 Leipheim Germany

(72) Name(s) of Designer(s): **Deyerler Kurt and Maatz Bernhard and Soltes Tiberius**

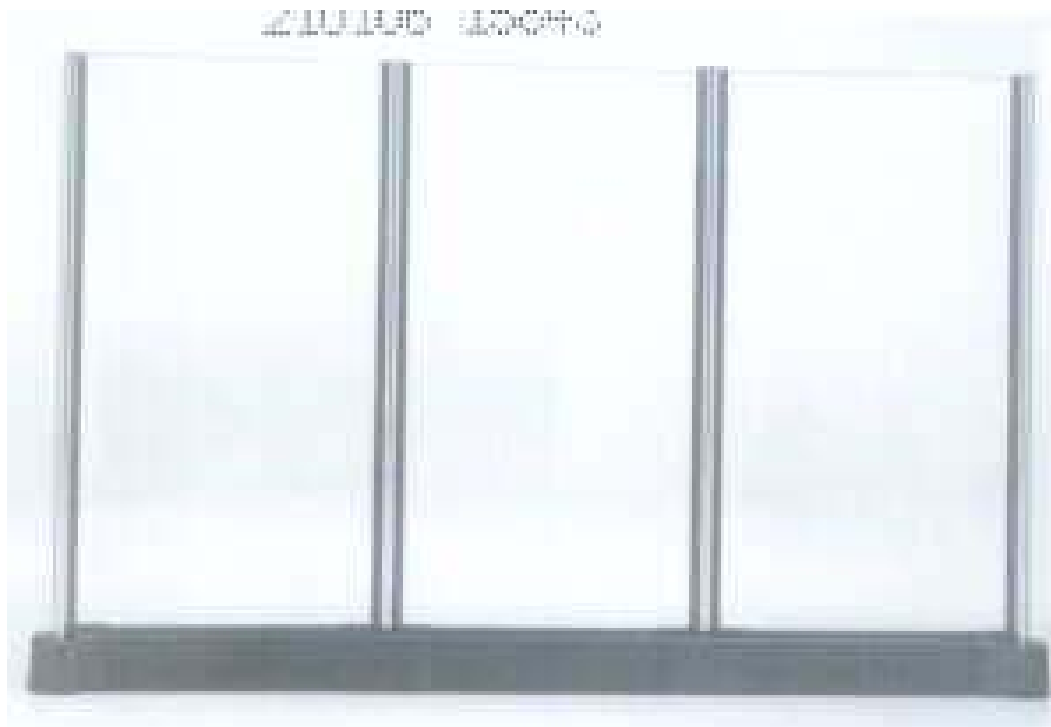
(45) Registration Date: **05 March 2007**

(30) Convention priority data:

(31) Number	(32) Date	(33) Country
000556485-0001	06 Jul 2006	EUROPEAN COMMUNITY

(56) Related Art Documents: **Not Applicable**

(57) Statement of Newness and Distinctiveness: **Nil**



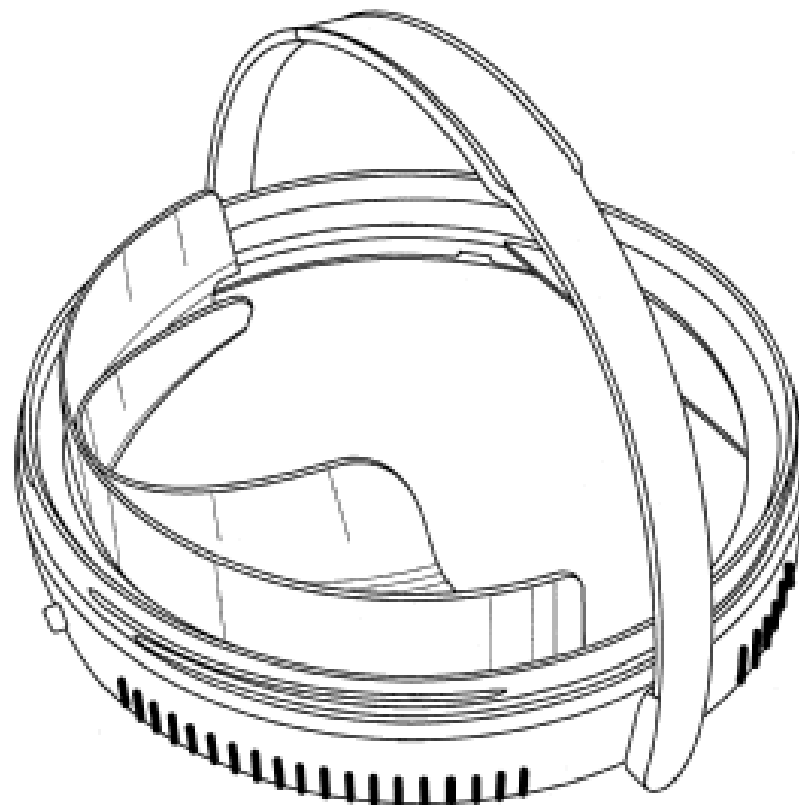
- (21) Design Number: **15845/2006**
(22) Date of Filing Application: **22 December 2006**
(24) Date from which industrial property rights may have effect: **22 December 2006**
(54) Product in respect of which the design is registered: **Lamp**
(51) International Design Classification: **26-05B**
(71) Name(s) and Address(s) of Applicant(s):
Megara Australia
908-920 Mountain Highway Bayswater Victoria 3153 Australia
(72) Name(s) of Designer(s): **Zita Watkin**
(45) Registration Date: **05 March 2007**
(56) Related Art Documents: **Not Applicable**
(57) Statement of Newness and Distinctiveness: **Oval shaped polypropylene lamp.**



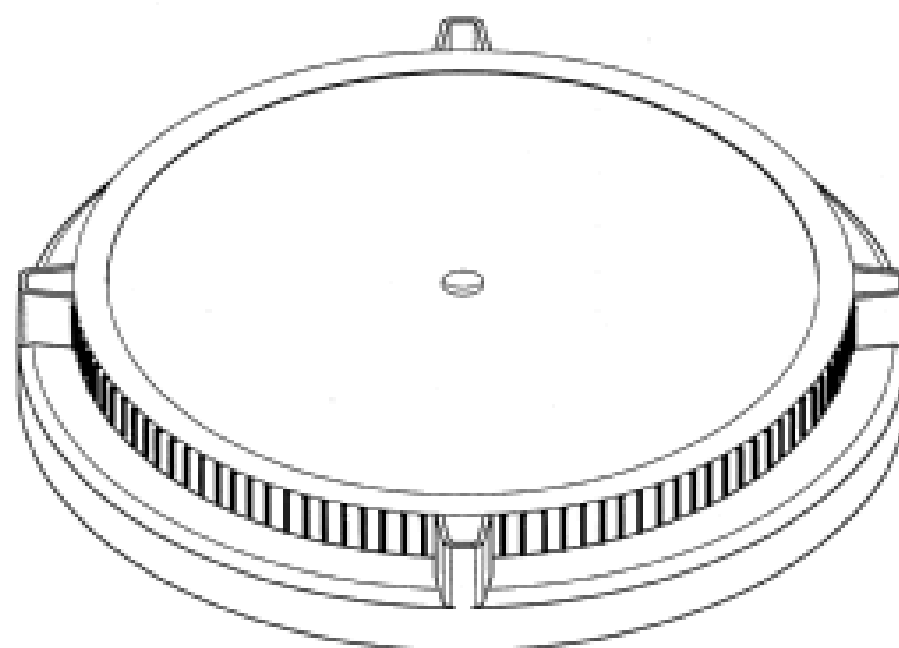
- (21) Design Number: **15847/2006**
(22) Date of Filing Application: **21 December 2006**
(24) Date from which industrial property rights may have effect: **21 December 2006**
(54) Product in respect of which the design is registered: **A golf cart**
(51) International Design Classification: **12-02**
(71) Name(s) and Address(s) of Applicant(s):
Suzhou Eagle Electric Vehicle Manufacturing Co., Ltd.
No.699 Tongyuan Road Suzhou Industry Park Suzhou Jiangsu
Province 215006 People's Republic of China
(72) Name(s) of Designer(s): **Tuo Xinyong**
(45) Registration Date: **05 March 2007**
(56) Related Art Documents: **Not Applicable**
(57) Statement of Newness and Distinctiveness: **Nil**



- (21) Design Number: **15250/2006**
(22) Date of Filing Application: **14 November 2006**
(24) Date from which industrial property rights may have effect: **14 November 2006**
(54) Product in respect of which the design is registered: **A spout fitting for application to a container**
(51) International Design Classification: **07-02A**
(71) Name(s) and Address(s) of Applicant(s):
Orica Australia Pty Ltd
1 Nicholson Street Melbourne Victoria 3000 Australia
(72) Name(s) of Designer(s): **Rodney Alan Vockler and Mark Kerr and Trevor Nulty**
(45) Registration Date: **05 March 2007**
(56) Related Art Documents: **Not Applicable**
(57) Statement of Newness and Distinctiveness: **Nil**

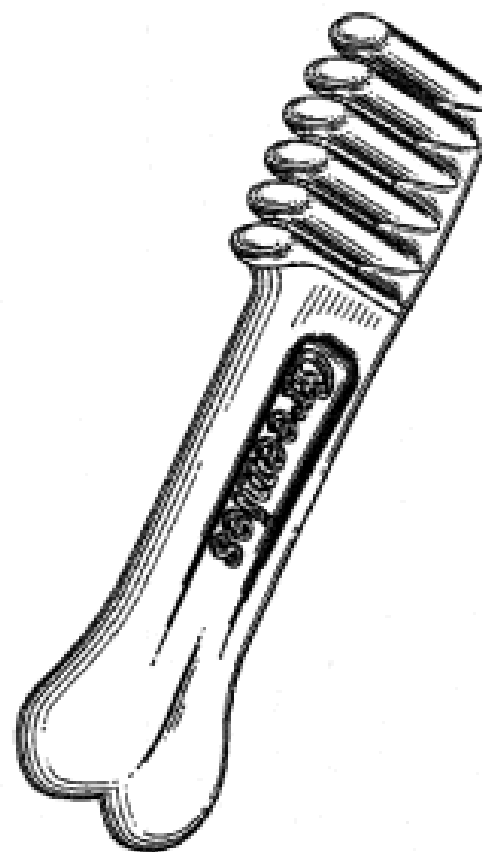


- (21) Design Number: **15251/2006**
(22) Date of Filing Application: **14 November 2006**
(24) Date from which industrial property rights may have effect: **14 November 2006**
(54) Product in respect of which the design is registered: **A lid for a container**
(51) International Design Classification: **09-03F**
(71) Name(s) and Address(s) of Applicant(s):
Orica Australia Pty Ltd
1 Nicholson Street Melbourne Victoria 3000 Australia
(72) Name(s) of Designer(s): **Rodney Alan Vockler and Mark Kerr and Trevor Nulty**
(45) Registration Date: **05 March 2007**
(56) Related Art Documents: **Not Applicable**
(57) Statement of Newness and Distinctiveness: **Nil**



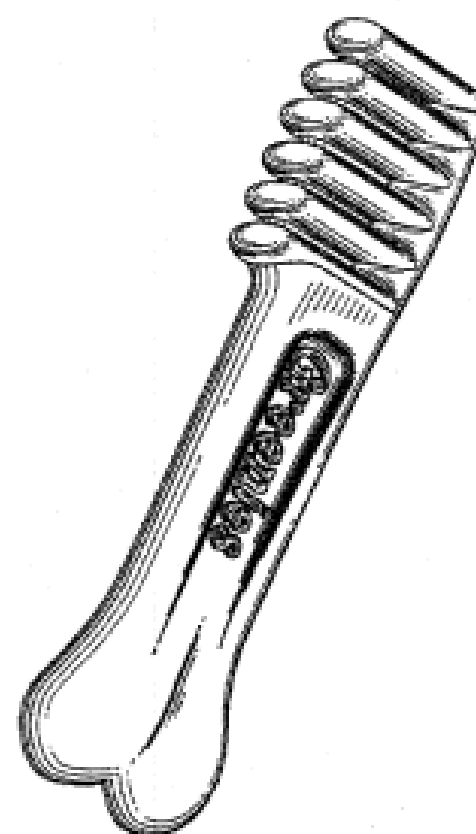
- (21) Design Number: **15853/2006**
- (22) Date of Filing Application: **21 December 2006**
- (24) Date from which industrial property rights may have effect: **21 December 2006**
- (54) Product in respect of which the design is registered: **Edible pet chew**
- (51) International Design Classification: **01-06**
- (71) Name(s) and Address(s) of Applicant(s):
S&M NuTec, LLC.
1 Design Drive North Kansas City Missouri 64116 United States of America
- (72) Name(s) of Designer(s): **Allan A. Torney and Tiffany L. Bierer and Emine Unlu**
- (45) Registration Date: **05 March 2007**
- (30) Convention priority data:

(31) Number	(32) Date	(33) Country
29/261,922	21 Jun 2006	UNITED STATES OF AMERICA
- (56) Related Art Documents: **Not Applicable**
- (57) Statement of Newness and Distinctiveness: **Monopoly is claimed in the shape, pattern, ornamentation and configuration of the features of the article as depicted in the accompanying representations.**

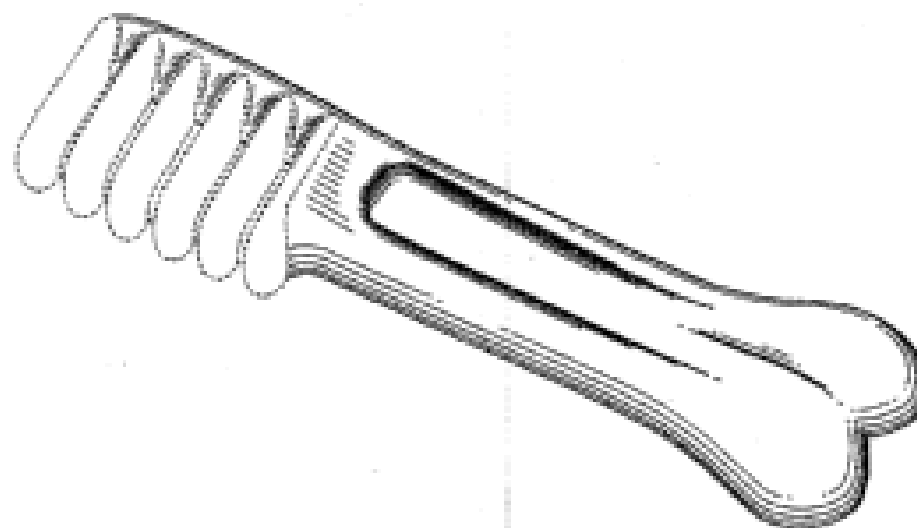


- (21) Design Number: **15854/2006**
- (22) Date of Filing Application: **21 December 2006**
- (24) Date from which industrial property rights may have effect: **21 December 2006**
- (54) Product in respect of which the design is registered: **Edible pet chew**
- (51) International Design Classification: **01-06**
- (71) Name(s) and Address(s) of Applicant(s):
S&M NuTec, LLC.
1 Design Drive North Kansas City Missouri 64116 United States of America
- (72) Name(s) of Designer(s): **Allan A. Torney and Tiffany L. Bierer and Emine Unlu**
- (45) Registration Date: **05 March 2007**
- (30) Convention priority data:

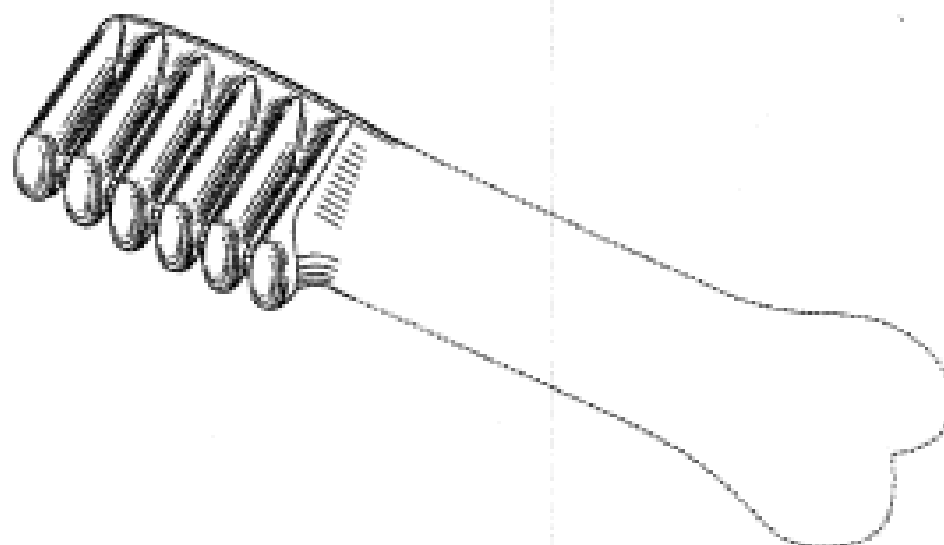
(31) Number	(32) Date	(33) Country
29/261,922	21 Jun 2006	UNITED STATES OF AMERICA
- (56) Related Art Documents: **Not Applicable**
- (57) Statement of Newness and Distinctiveness: **Monopoly is claimed in the shape, pattern, ornamentation and configuration of the features of the article as depicted in the accompanying representations.**



(21) Design Number: **15855/2006**
 (22) Date of Filing Application: **21 December 2006**
 (24) Date from which industrial property rights may have effect: **21 December 2006**
 (54) Product in respect of which the design is registered: **Edible pet chew**
 (51) International Design Classification: **01-06**
 (71) Name(s) and Address(s) of Applicant(s):
S&M NuTec, LLC.
1 Design Drive North Kansas City Missouri 64116 United States of America
 (72) Name(s) of Designer(s): **Allan A. Torney and Tiffany L. Bierer and Emine Unlu**
 (45) Registration Date: **05 March 2007**
 (30) Convention priority data:
 (31) Number (32) Date (33) Country
29/261,921 21 Jun 2006 UNITED STATES OF AMERICA
 (56) Related Art Documents: **Not Applicable**
 (57) Statement of Newness and Distinctiveness: **Monopoly is claimed in the shape, pattern, ornamentation and configuration of the features of the article as depicted in the accompanying representations. The applicant claims monopoly in the features depicted in solid lines. No monopoly is claimed in the features depicted in broken lines.**



(21) Design Number: **15856/2006**
 (22) Date of Filing Application: **21 December 2006**
 (24) Date from which industrial property rights may have effect: **21 December 2006**
 (54) Product in respect of which the design is registered: **Edible pet chew**
 (51) International Design Classification: **01-06**
 (71) Name(s) and Address(s) of Applicant(s):
S&M NuTec, LLC.
1 Design Drive North Kansas City Missouri 64116 United States of America
 (72) Name(s) of Designer(s): **Allan A. Torney and Tiffany L. Bierer and Emine Unlu**
 (45) Registration Date: **05 March 2007**
 (30) Convention priority data:
 (31) Number (32) Date (33) Country
29/261,924 21 Jun 2006 UNITED STATES OF AMERICA
 (56) Related Art Documents: **Not Applicable**
 (57) Statement of Newness and Distinctiveness: **Monopoly is claimed in the shape, pattern, ornamentation and configuration of the features of the article as depicted in the accompanying representations. The applicant claims monopoly in the features depicted in solid lines. No monopoly is claimed in the features depicted in broken lines.**



(21) Design Number: **15857/2006**

(22) Date of Filing Application: **21 December 2006**

(24) Date from which industrial property rights may have effect: **21 December 2006**

(54) Product in respect of which the design is registered: **Electrical plug**

(51) International Design Classification: **13-03E**

(71) Name(s) and Address(s) of Applicant(s):

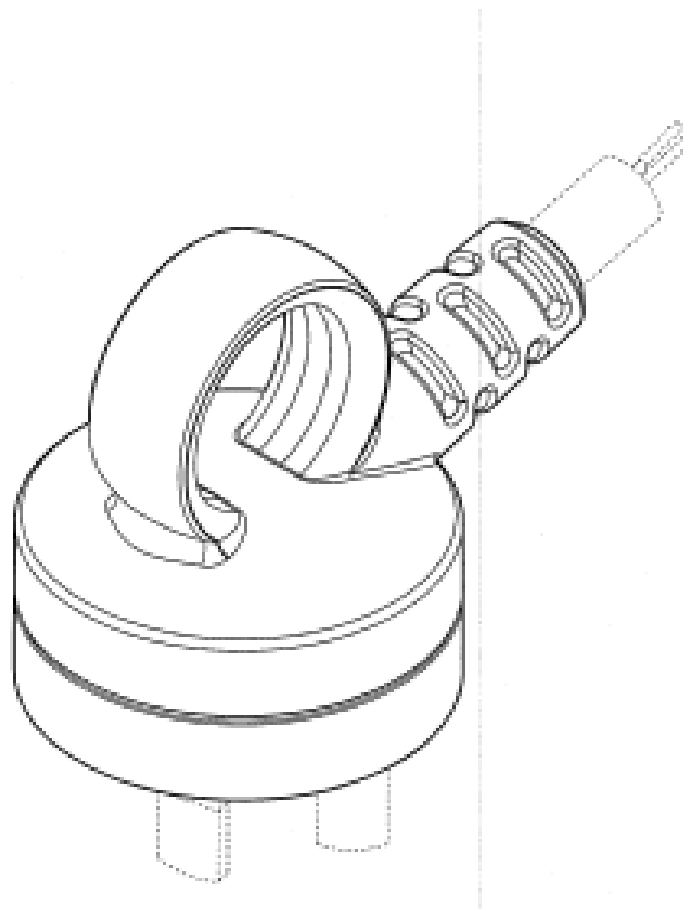
Breville Pty Limited
Building 2 Port Air Industrial Estate 1A Hale St Botany New South
Wales 2019 Australia

(72) Name(s) of Designer(s): **Ken Yang and Keith James Hensel and Richard Hoare**

(45) Registration Date: **05 March 2007**

(56) Related Art Documents: **Not Applicable**

(57) Statement of Newness and Distinctiveness: **Newness is claimed in the features of shape and configuration of the electrical plug as shown in the accompanying representations.**



(21) Design Number: **16337/2007**

(22) Date of Filing Application: **07 August 2006**

(24) Date from which industrial property rights may have effect: **07 August 2006**

(54) Product in respect of which the design is registered: **Ladies garments**

(51) International Design Classification: **02-02NES**

(71) Name(s) and Address(s) of Applicant(s):

Anna Thomas Pty Ltd
30 Gwynne Street Cremorne Victoria 3121 Australia

(72) Name(s) of Designer(s): **Anna Thomas**

(45) Registration Date: **05 March 2007**

(56) Related Art Documents: **Not Applicable**

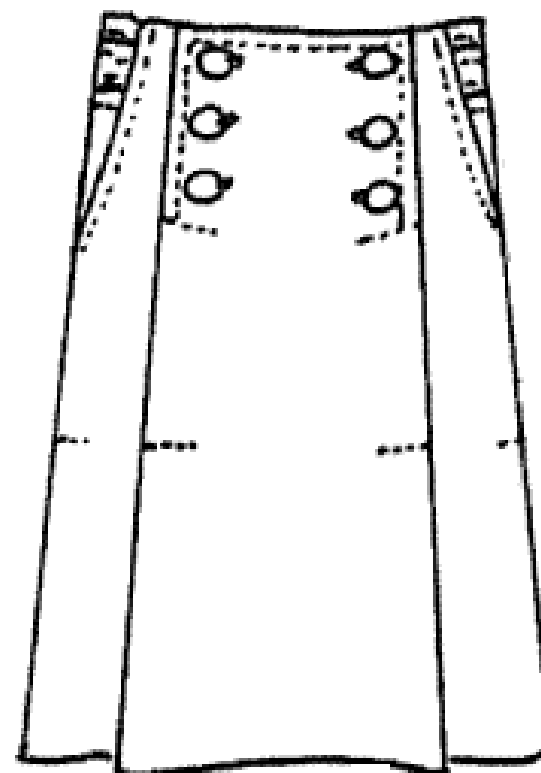
(57) Statement of Newness and Distinctiveness: **Nil**



- (21) Design Number: **16338/2007**
- (22) Date of Filing Application: **07 August 2006**
- (24) Date from which industrial property rights may have effect: **07 August 2006**
- (54) Product in respect of which the design is registered: **Ladies garments**
- (51) International Design Classification: **02-02C**
- (71) Name(s) and Address(s) of Applicant(s):
Anna Thomas Pty Ltd
30 Gwynne Street Cremorne Victoria 3121 Australia
- (72) Name(s) of Designer(s): **Anna Thomas**
- (45) Registration Date: **05 March 2007**
- (56) Related Art Documents: **Not Applicable**
- (57) Statement of Newness and Distinctiveness: **Nil**



- (21) Design Number: **16339/2007**
- (22) Date of Filing Application: **07 August 2006**
- (24) Date from which industrial property rights may have effect: **07 August 2006**
- (54) Product in respect of which the design is registered: **Ladies garments**
- (51) International Design Classification: **02-02C**
- (71) Name(s) and Address(s) of Applicant(s):
Anna Thomas Pty Ltd
30 Gwynne Street Cremorne Victoria 3121 Australia
- (72) Name(s) of Designer(s): **Anna Thomas**
- (45) Registration Date: **05 March 2007**
- (56) Related Art Documents: **Not Applicable**
- (57) Statement of Newness and Distinctiveness: **Nil**



(21) Design Number: **13466/2006**

(22) Date of Filing Application: **07 August 2006**

(24) Date from which industrial property rights may have effect: **07 August 2006**

(54) Product in respect of which the design is registered: **Ladies garments**

(51) International Design Classification: **02-02C, 02-02NES**

(71) Name(s) and Address(s) of Applicant(s):

**Anna Thomas Pty Ltd
30 Gwynne Street Cremorne Victoria 3121 Australia**

(72) Name(s) of Designer(s): **Anna Thomas**

(45) Registration Date: **05 March 2007**

(56) Related Art Documents: **Not Applicable**

(57) Statement of Newness and Distinctiveness: **Nil**



(21) Design Number: **14916/2005**

(22) Date of Filing Application: **07 November 2005**

(24) Date from which industrial property rights may have effect: **07 November 2005**

(54) Product in respect of which the design is registered: **Golf aid**

(51) International Design Classification: **21-02C**

(71) Name(s) and Address(s) of Applicant(s):

**Australian Business Consultants (Aust) Pty Ltd
5 Nyrang Place Kirrawee New South Wales 2232 Australia**

(72) Name(s) of Designer(s): **Malcolm Macdonald**

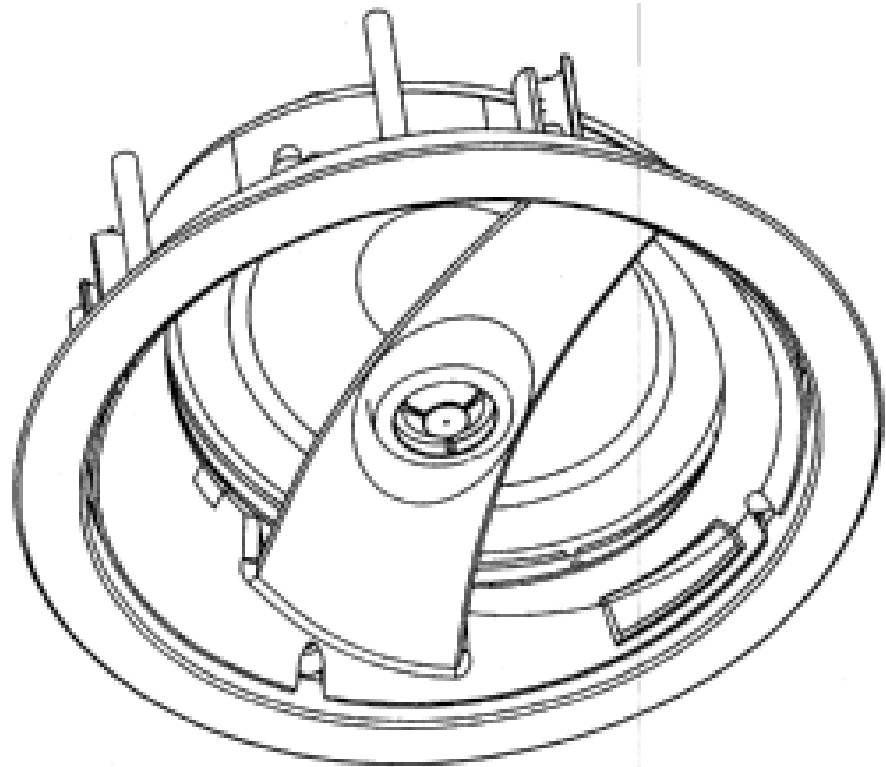
(45) Registration Date: **06 March 2007**

(56) Related Art Documents: **Not Applicable**

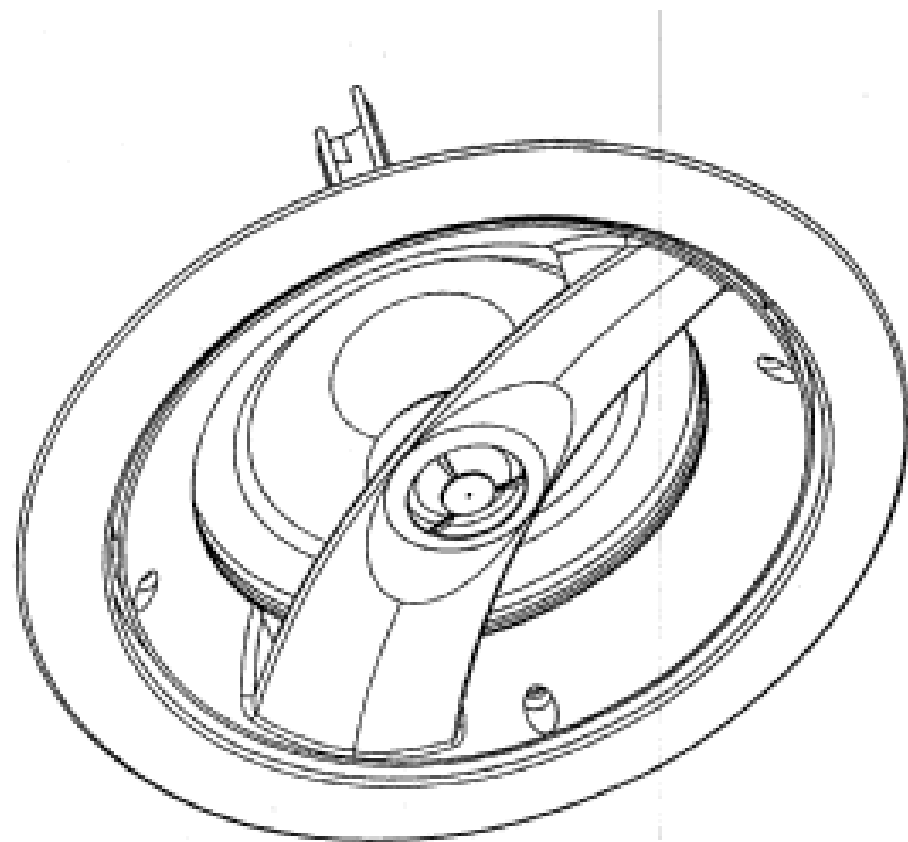
(57) Statement of Newness and Distinctiveness: **Monopoly is claimed in the features of shape, configuration, pattern or ornamentation of the golf practice aid as illustrated in the accompanying representations.**



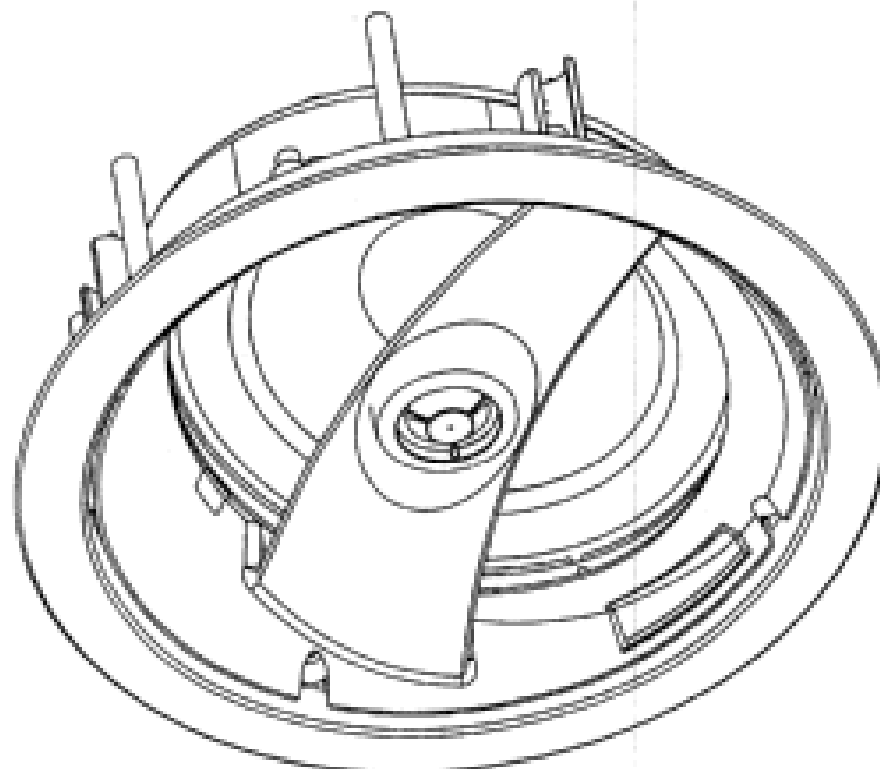
(21) Design Number: **15866/2006**
(22) Date of Filing Application: **22 December 2006**
(24) Date from which industrial property rights may have effect: **22 December 2006**
(54) Product in respect of which the design is registered: **In-wall speaker enclosure**
(51) International Design Classification: **14-01**
(71) Name(s) and Address(s) of Applicant(s):
Speakercraft, Inc.
940 Columbia Avenue Riverside California 92507 United States of America
(72) Name(s) of Designer(s): **Keith D. Marshall**
(45) Registration Date: **06 March 2007**
(30) Convention priority data:
(31) Number (32) Date (33) Country
29/262422 29 Jun 2006 UNITED STATES OF AMERICA
(56) Related Art Documents: **Not Applicable**
(57) Statement of Newness and Distinctiveness: **Nil**



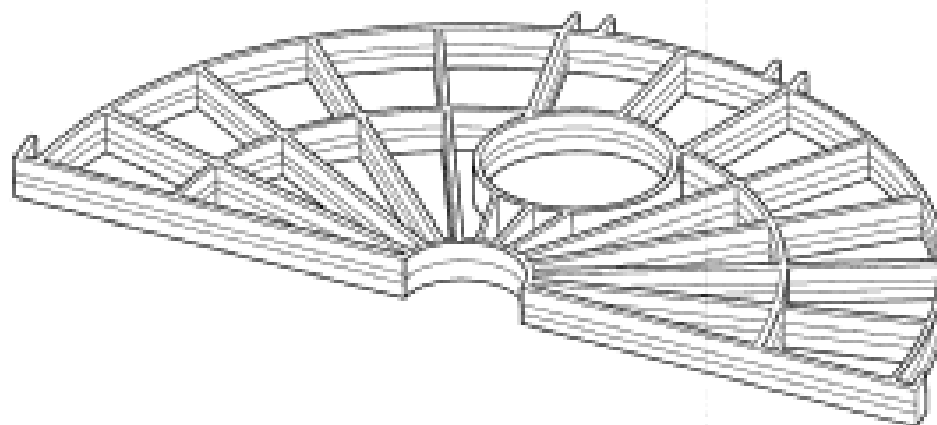
(21) Design Number: **15865/2006**
(22) Date of Filing Application: **22 December 2006**
(24) Date from which industrial property rights may have effect: **22 December 2006**
(54) Product in respect of which the design is registered: **In-wall speaker enclosure**
(51) International Design Classification: **14-01**
(71) Name(s) and Address(s) of Applicant(s):
Speakercraft, Inc.
940 Columbia Avenue Riverside California 92507 United States of America
(72) Name(s) of Designer(s): **Keith D. Marshall**
(45) Registration Date: **06 March 2007**
(30) Convention priority data:
(31) Number (32) Date (33) Country
29/262421 29 Jun 2006 UNITED STATES OF AMERICA
(56) Related Art Documents: **Not Applicable**
(57) Statement of Newness and Distinctiveness: **Nil**



(21) Design Number: **15864/2006**
(22) Date of Filing Application: **22 December 2006**
(24) Date from which industrial property rights may have effect: **22 December 2006**
(54) Product in respect of which the design is registered: **In-wall speaker enclosure with pivoting baffle**
(51) International Design Classification: **14-01**
(71) Name(s) and Address(s) of Applicant(s):
Speakercraft, Inc.
940 Columbia Avenue Riverside California 92507 United States of America
(72) Name(s) of Designer(s): **Keith D. Marshall**
(45) Registration Date: **06 March 2007**
(30) Convention priority data:
(31) Number (32) Date (33) Country
29/262413 29 Jun 2006 UNITED STATES OF AMERICA
(56) Related Art Documents: **Not Applicable**
(57) Statement of Newness and Distinctiveness: **Nil**



(21) Design Number: **15862/2006**
(22) Date of Filing Application: **21 December 2006**
(24) Date from which industrial property rights may have effect: **21 December 2006**
(54) Product in respect of which the design is registered: **Support panel for ground support for a leach drain**
(51) International Design Classification: **23-01E**
(71) Name(s) and Address(s) of Applicant(s):
Ronald Frederick Hopley
59 McCombe Road Bunbury Western Australia 6230 Australia
(72) Name(s) of Designer(s): **Ronald Frederick Hopley**
(45) Registration Date: **06 March 2007**
(56) Related Art Documents: **Not Applicable**
(57) Statement of Newness and Distinctiveness: **Each feature of the design considered separately or in combination with any other feature or features.**



(21) Design Number: **15859/2006**
(22) Date of Filing Application: **21 December 2006**
(24) Date from which industrial property rights may have effect: **21 December 2006**
(54) Product in respect of which the design is registered: **Palletisers**
(51) International Design Classification: **15-99**
(71) Name(s) and Address(s) of Applicant(s):
Sacmi Forni S.P.A.
Via Marconi 3 40122 Bologna Italy
(72) Name(s) of Designer(s): **Fabio Carnevali**
(45) Registration Date: **06 March 2007**
(30) Convention priority data:
(31) Number (32) Date (33) Country
000559646 13 Jul 2006 EUROPEAN COMMUNITY
(56) Related Art Documents: **Not Applicable**
(57) Statement of Newness and Distinctiveness: **Newness and distinctiveness reside in the features of the design as shown in the representations.**



(21) Design Number: **15858/2006**
(22) Date of Filing Application: **21 December 2006**
(24) Date from which industrial property rights may have effect: **21 December 2006**
(54) Product in respect of which the design is registered: **Espresso maker**
(51) International Design Classification: **07-02L**
(71) Name(s) and Address(s) of Applicant(s):
Pi-Design AG
Kantonsstrasse 100 Postfach 463 CH-6234 Triengen Switzerland
(72) Name(s) of Designer(s): **Jorgen Bodum**
(45) Registration Date: **06 March 2007**
(30) Convention priority data:
(31) Number (32) Date (33) Country
DA 2006 27 Jun 2006 DENMARK
00166
(56) Related Art Documents: **Not Applicable**
(57) Statement of Newness and Distinctiveness: **Nil**



- (21) Design Number: **15875/2006**
(22) Date of Filing Application: **28 December 2006**
(24) Date from which industrial property rights may have effect: **28 December 2006**
(54) Product in respect of which the design is registered: **Blank for a cup sleeve of indefinite dimension and having a cross-section that varies according to a regular pattern**
(51) International Design Classification: **07-06A**
(71) Name(s) and Address(s) of Applicant(s):
Tailored Packaging Pty Ltd
16-18 Hilly Street Mortlake New South Wales 2137 Australia
C/A International Trading Pty Ltd
292 The River Road Revesby New South Wales 2212 Australia
(72) Name(s) of Designer(s): **Michael Albert Kotek and Yi Hai Chen**
(45) Registration Date: **06 March 2007**
(56) Related Art Documents: **Not Applicable**
(57) Statement of Newness and Distinctiveness: **Nil**



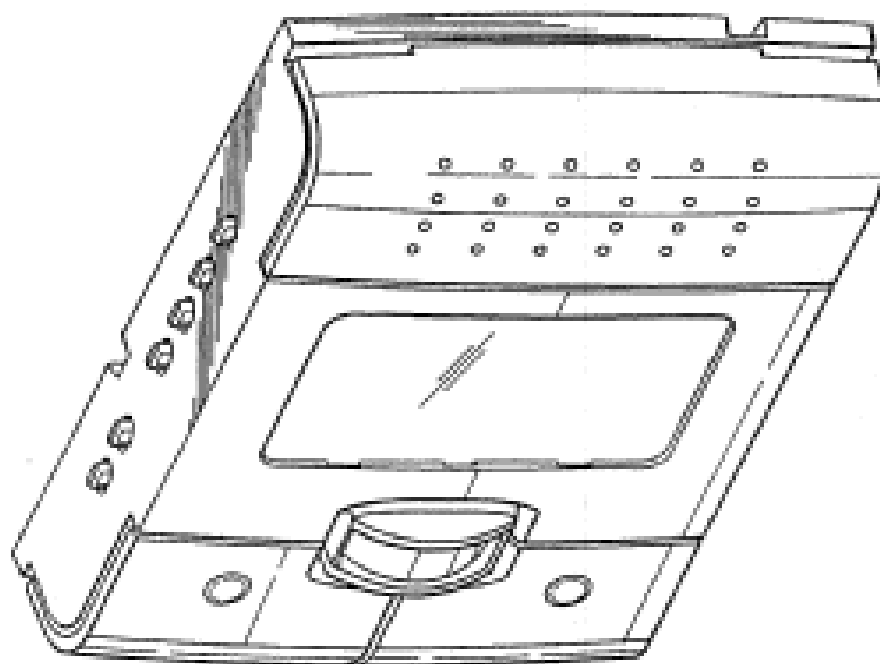
- (21) Design Number: **15873/2006**
(22) Date of Filing Application: **28 December 2006**
(24) Date from which industrial property rights may have effect: **28 December 2006**
(54) Product in respect of which the design is registered: **Pogo stick**
(51) International Design Classification: **21-01F**
(71) Name(s) and Address(s) of Applicant(s):
H Grossman Limited
Herschel House Ashton Road Quay Industrial Estate Rutherglen
Glasgow G73 1UB United Kingdom
(72) Name(s) of Designer(s): **Martin Grossman**
(45) Registration Date: **06 March 2007**
(30) Convention priority data:
(31) Number (32) Date (33) Country
000553797-0003 28 Jun 2006 EUROPEAN COMMUNITY
(56) Related Art Documents: **Not Applicable**
(57) Statement of Newness and Distinctiveness: **When determining whether the design 2 is infringed by another design, particular regard is to be had to the illumination of the shaft of the Pogo Stick as depicted in the representation attached to this application.**



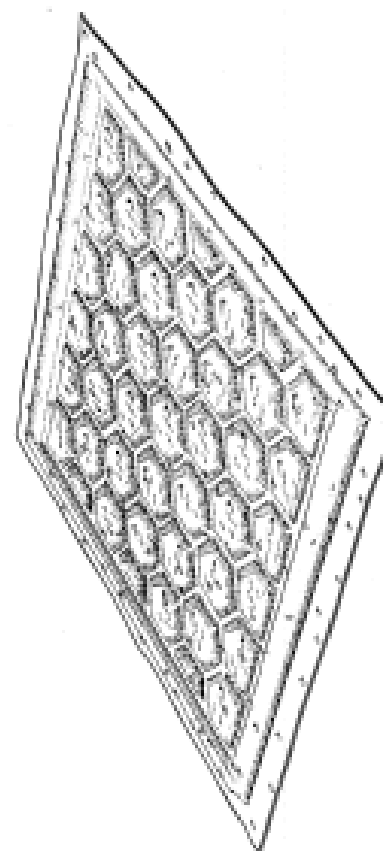
- (21) Design Number: **15874/2006**
(22) Date of Filing Application: **28 December 2006**
(24) Date from which industrial property rights may have effect: **28 December 2006**
(54) Product in respect of which the design is registered: **Illuminated pogo stick**
(51) International Design Classification: **21-01F**
(71) Name(s) and Address(s) of Applicant(s):
H Grossman Limited
Herschel House Ashton Road Quay Industrial Estate Rutherglen
Glasgow G73 1UB United Kingdom
(72) Name(s) of Designer(s): **Martin Grossman**
(45) Registration Date: **06 March 2007**
(30) Convention priority data:
(31) Number (32) Date (33) Country
000553797-0003 28 Jun 2006 EUROPEAN COMMUNITY
(56) Related Art Documents: **Not Applicable**
(57) Statement of Newness and Distinctiveness: **When determining whether the design 2 is infringed by another design, particular regard is to be had to the illumination of the shaft of the Pogo Stick as depicted in the representation attached to this application.**



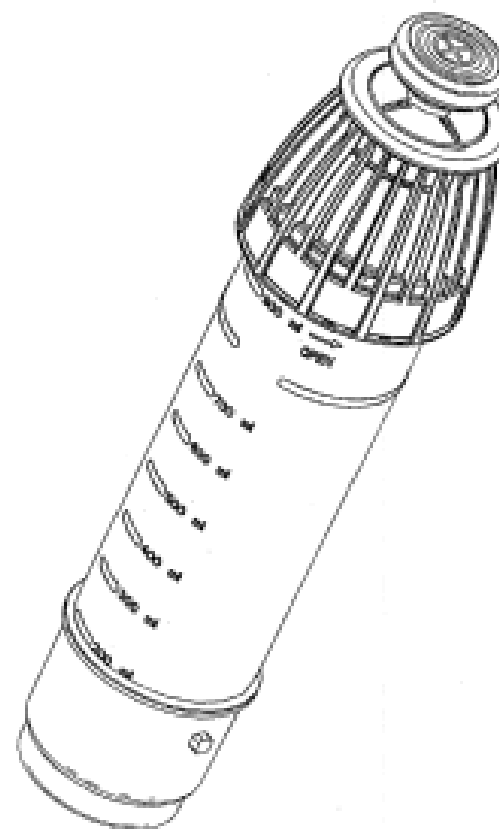
- (21) Design Number: **15881/2006**
(22) Date of Filing Application: **28 December 2006**
(24) Date from which industrial property rights may have effect: **28 December 2006**
(54) Product in respect of which the design is registered: **Mounted control**
(51) International Design Classification: **14-02**
(71) Name(s) and Address(s) of Applicant(s):
The Chamberlain Group, Inc.
845 Larch Avenue Elmhurst Illinois 60126 United States of America
(72) Name(s) of Designer(s): **James Girard**
(45) Registration Date: **06 March 2007**
(56) Related Art Documents: **Not Applicable**
(57) Statement of Newness and Distinctiveness: **Newness and distinctiveness is claimed in those features of shape and/or configuration of a mounted control as illustrated in continuous lines in the accompanying representations.**



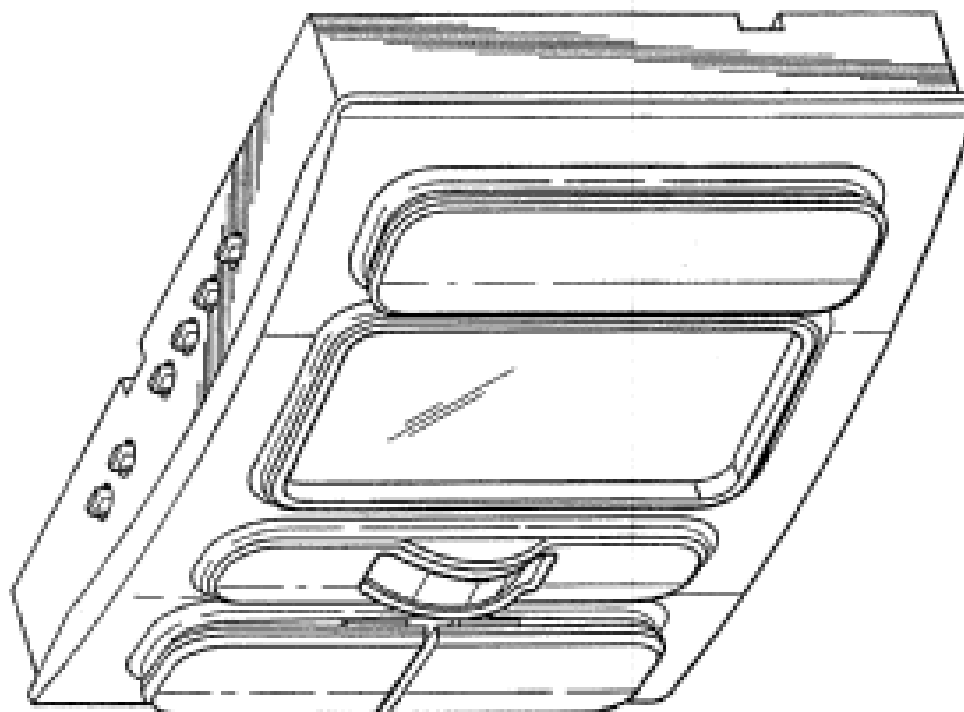
- (21) Design Number: **15415/2006**
(22) Date of Filing Application: **24 November 2006**
(24) Date from which industrial property rights may have effect: **24 November 2006**
(54) Product in respect of which the design is registered: **Pads**
(51) International Design Classification: **05-99**
(71) Name(s) and Address(s) of Applicant(s):
Paper-Pak Sweden AB
Box 173 578 24 Aneby Sweden
(72) Name(s) of Designer(s): **Jonas Bruun and Arne Lindqvist and Sammy Hallgren**
(45) Registration Date: **06 March 2007**
(30) Convention priority data:
(31) Number (32) Date (33) Country
000537212-01/03 29 May 2006 EUROPEAN COMMUNITY
(56) Related Art Documents: **Not Applicable**
(57) Statement of Newness and Distinctiveness: **Those features of the pad depicted in the sheets 1/6 to 3/6 of the representations that are new and distinctive are the shape, configuration, pattern and ornamentation; and those features of the pad depicted in sheets 4/6 to 6/6 of the representations that are new and distinctive are the pattern and/or ornamentation. In considering the overall impression of the design depicted in sheets 4/6 to 6/6, the features shown in broken lines are to be disregarded.**



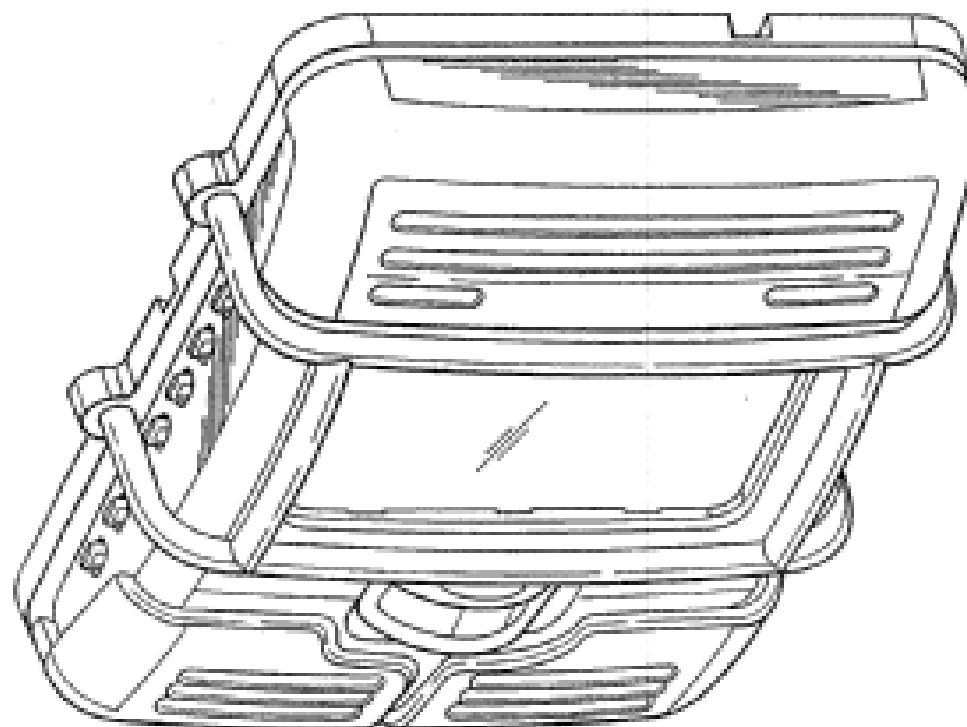
- (21) Design Number: **15880/2006**
(22) Date of Filing Application: **28 December 2006**
(24) Date from which industrial property rights may have effect: **28 December 2006**
(54) Product in respect of which the design is registered: **Bottle with closure**
(51) International Design Classification: **09-01K**
(71) Name(s) and Address(s) of Applicant(s):
JohnsonDiversey, Inc.
M/S 509 8310 16th Street P.O. Box 902 Sturtevant Wisconsin
53177-0902 United States of America
(72) Name(s) of Designer(s): **Andrew M. Bober and Kirk Reimann and Haim Bar-Noy and Kevin J. Markey and Jon Ludtke and Mark T. MacLean-Blevins**
(45) Registration Date: **06 March 2007**
(30) Convention priority data:
(31) Number (32) Date (33) Country
29/262401 30 Jun 2006 UNITED STATES OF AMERICA
(56) Related Art Documents: **Not Applicable**
(57) Statement of Newness and Distinctiveness: **Newness and distinctiveness is claimed in those features of shape and/or configuration of a bottle with closure as illustrated in continuous lines in the accompanying representations, apart from the indicia shown in the representations.**



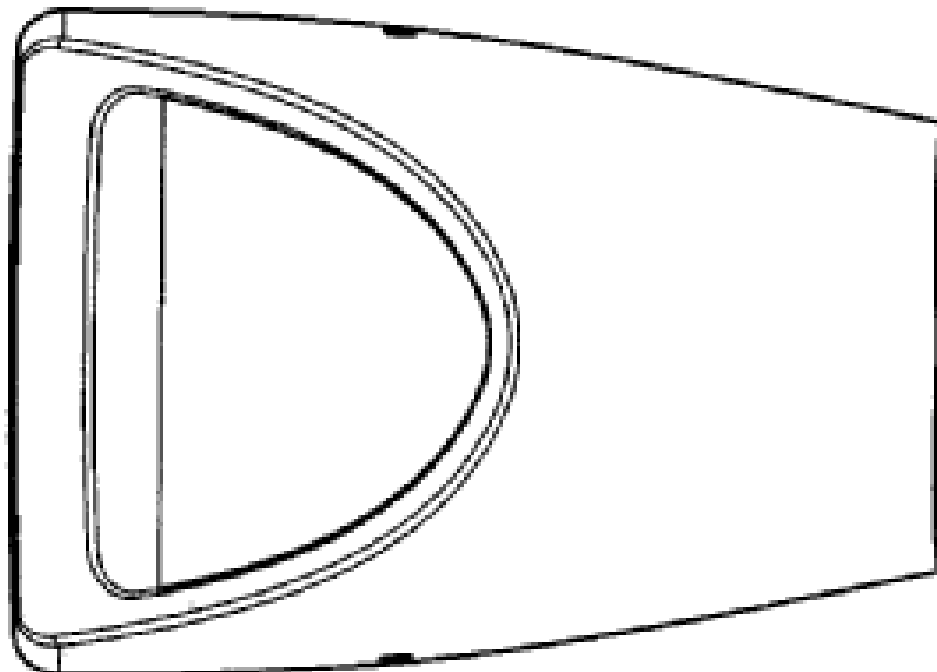
- (21) Design Number: **15879/2006**
(22) Date of Filing Application: **28 December 2006**
(24) Date from which industrial property rights may have effect: **28 December 2006**
(54) Product in respect of which the design is registered: **Mounted control**
(51) International Design Classification: **14-02**
(71) Name(s) and Address(s) of Applicant(s):
The Chamberlain Group, Inc.
845 Larch Avenue Elmhurst Illinois 60126 United States of America
(72) Name(s) of Designer(s): **James Girard**
(45) Registration Date: **06 March 2007**
(56) Related Art Documents: **Not Applicable**
(57) Statement of Newness and Distinctiveness: **Newness and distinctiveness is claimed in those features of shape and/or configuration of a mounted control as illustrated in continuous lines in the accompanying representations.**



- (21) Design Number: **15878/2006**
(22) Date of Filing Application: **28 December 2006**
(24) Date from which industrial property rights may have effect: **28 December 2006**
(54) Product in respect of which the design is registered: **Mounted control**
(51) International Design Classification: **14-02**
(71) Name(s) and Address(s) of Applicant(s):
The Chamberlain Group, Inc.
845 Larch Avenue Elmhurst Illinois 60126 United States of America
(72) Name(s) of Designer(s): **James Girard**
(45) Registration Date: **06 March 2007**
(56) Related Art Documents: **Not Applicable**
(57) Statement of Newness and Distinctiveness: **Newness and distinctiveness is claimed in those features of shape and/or configuration of a mounted control as illustrated in continuous lines in the accompanying representations.**



- (21) Design Number: **15877/2006**
(22) Date of Filing Application: **28 December 2006**
(24) Date from which industrial property rights may have effect: **28 December 2006**
(54) Product in respect of which the design is registered: **A urinal**
(51) International Design Classification: **23-02C**
(71) Name(s) and Address(s) of Applicant(s):
Caroma Industries Limited
10 Market Street Brisbane Queensland 4000 Australia
(72) Name(s) of Designer(s): **Stephen John Cummings and Luke Di Michiel**
(45) Registration Date: **06 March 2007**
(56) Related Art Documents: **Not Applicable**
(57) Statement of Newness and Distinctiveness: **Newness and distinctiveness is claimed in the features of shape and/or configuration of a urinal as illustrated in the accompanying representations.**



- (21) Design Number: **15876/2006**
(22) Date of Filing Application: **28 December 2006**
(24) Date from which industrial property rights may have effect: **28 December 2006**
(54) Product in respect of which the design is registered: **A cup**
(51) International Design Classification: **07-01C**
(71) Name(s) and Address(s) of Applicant(s):
Tailored Packaging Pty Ltd
16-18 Hilly Street Mortlake New South Wales 2137 Australia
C/A International Trading Pty Ltd
292 The River Road Revesby New South Wales 2212 Australia
(72) Name(s) of Designer(s): **Michael Albert Kotek and Yi Hai Chen**
(45) Registration Date: **06 March 2007**
(56) Related Art Documents: **Not Applicable**
(57) Statement of Newness and Distinctiveness: **The shape and configuration of the ribbing on the cup are new and distinctive. The cup shape is for illustrative purposes only and should not be considered when construing visual features of the design.**



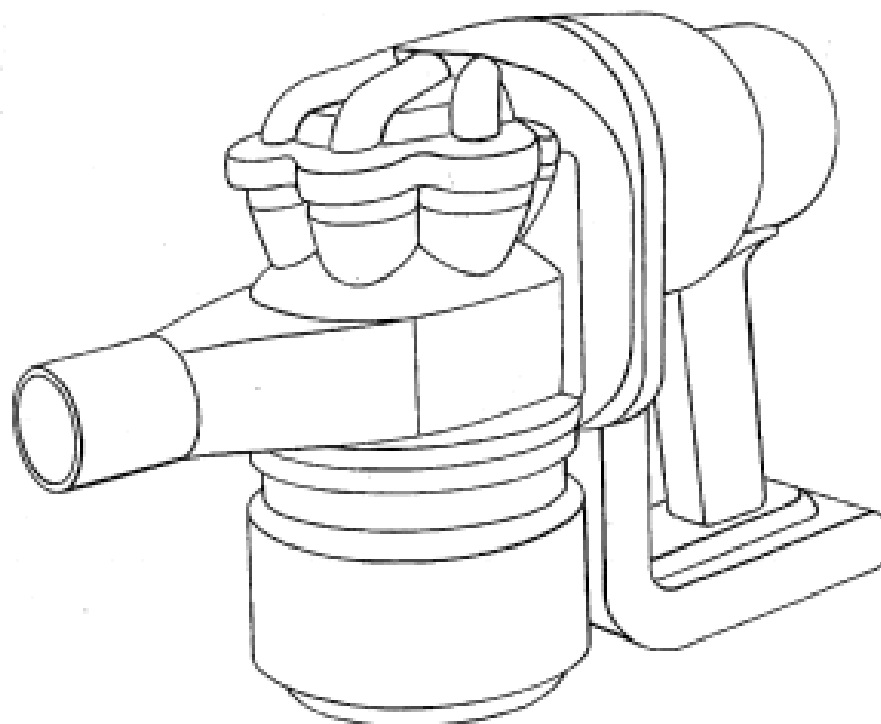
(21) Design Number: **15886/2006**
(22) Date of Filing Application: **22 December 2006**
(24) Date from which industrial property rights may have effect: **22 December 2006**
(54) Product in respect of which the design is registered: **Shoe**
(51) International Design Classification: **02-04NES**
(71) Name(s) and Address(s) of Applicant(s):
Lacoste
8 rue de Castiglione 75001 Paris France
(72) Name(s) of Designer(s): **Florence Weber**
(45) Registration Date: **06 March 2007**
(30) Convention priority data:
(31) Number (32) Date (33) Country
000622329 16 Nov 2006 EUROPEAN COMMUNITY
(56) Related Art Documents: **Not Applicable**
(57) Statement of Newness and Distinctiveness: **Nil**



(21) Design Number: **15885/2006**
(22) Date of Filing Application: **22 December 2006**
(24) Date from which industrial property rights may have effect: **22 December 2006**
(54) Product in respect of which the design is registered: **Shoe**
(51) International Design Classification: **02-04NES**
(71) Name(s) and Address(s) of Applicant(s):
Lacoste
8 rue de Castiglione 75001 Paris France
(72) Name(s) of Designer(s): **Georgina James**
(45) Registration Date: **06 March 2007**
(30) Convention priority data:
(31) Number (32) Date (33) Country
000622329 16 Nov 2006 EUROPEAN COMMUNITY
(56) Related Art Documents: **Not Applicable**
(57) Statement of Newness and Distinctiveness: **Nil**



(21) Design Number: **15883/2006**
(22) Date of Filing Application: **22 December 2006**
(24) Date from which industrial property rights may have effect: **22 December 2006**
(54) Product in respect of which the design is registered: **A cleaning appliance**
(51) International Design Classification: **15-05**
(71) Name(s) and Address(s) of Applicant(s):
Dyson Limited
Tetbury Hill Malmesbury Wiltshire SN16 0RP United Kingdom
(72) Name(s) of Designer(s): **James Dyson and Michael James Peace and William Robert James White and William Frame Milne and Richard Morgan Hickmott and Peter David Gammack**
(45) Registration Date: **06 March 2007**
(30) Convention priority data:
(31) Number (32) Date (33) Country
3025400 19 Jul 2006 UNITED KINGDOM
(56) Related Art Documents: **Not Applicable**
(57) Statement of Newness and Distinctiveness: **Newness and distinctiveness resides in the features of the shape and/or configuration of a cleaning appliance as illustrated in the accompanying representations.**



(21) Design Number: **15887/2006**
(22) Date of Filing Application: **22 December 2006**
(24) Date from which industrial property rights may have effect: **22 December 2006**
(54) Product in respect of which the design is registered: **Shoe**
(51) International Design Classification: **02-04NES**
(71) Name(s) and Address(s) of Applicant(s):
Lacoste
8 rue de Castiglione 75001 Paris France
(72) Name(s) of Designer(s): **Florence Weber**
(45) Registration Date: **06 March 2007**
(30) Convention priority data:
(31) Number (32) Date (33) Country
000622329 16 Nov 2006 EUROPEAN COMMUNITY
(56) Related Art Documents: **Not Applicable**
(57) Statement of Newness and Distinctiveness: **Nil**



(21) Design Number: **15888/2006**
(22) Date of Filing Application: **22 December 2006**
(24) Date from which industrial property rights may have effect: **22 December 2006**
(54) Product in respect of which the design is registered: **Shoe**
(51) International Design Classification: **02-04NES**
(71) Name(s) and Address(s) of Applicant(s):
Lacoste
8 rue de Castiglione 75001 Paris France
(72) Name(s) of Designer(s): **Georgina James**
(45) Registration Date: **06 March 2007**
(30) Convention priority data:
(31) Number (32) Date (33) Country
000622329 16 Nov 2006 EUROPEAN COMMUNITY
(56) Related Art Documents: **Not Applicable**
(57) Statement of Newness and Distinctiveness: **Nil**



(21) Design Number: **15889/2006**
(22) Date of Filing Application: **22 December 2006**
(24) Date from which industrial property rights may have effect: **22 December 2006**
(54) Product in respect of which the design is registered: **Shoe**
(51) International Design Classification: **02-04NES**
(71) Name(s) and Address(s) of Applicant(s):
Lacoste
8 rue de Castiglione 75001 Paris France
(72) Name(s) of Designer(s): **Steven Morris**
(45) Registration Date: **06 March 2007**
(30) Convention priority data:
(31) Number (32) Date (33) Country
000622329 16 Nov 2006 EUROPEAN COMMUNITY
(56) Related Art Documents: **Not Applicable**
(57) Statement of Newness and Distinctiveness: **Nil**



(21) Design Number: **15890/2006**
(22) Date of Filing Application: **22 December 2006**
(24) Date from which industrial property rights may have effect: **22 December 2006**
(54) Product in respect of which the design is registered: **Shoe**
(51) International Design Classification: **02-04NES**
(71) Name(s) and Address(s) of Applicant(s):
Lacoste
8 rue de Castiglione 75001 Paris France
(72) Name(s) of Designer(s): **Florence Weber**
(45) Registration Date: **06 March 2007**
(30) Convention priority data:
(31) Number (32) Date (33) Country
000622329 16 Nov 2006 EUROPEAN COMMUNITY
(56) Related Art Documents: **Not Applicable**
(57) Statement of Newness and Distinctiveness: **Nil**



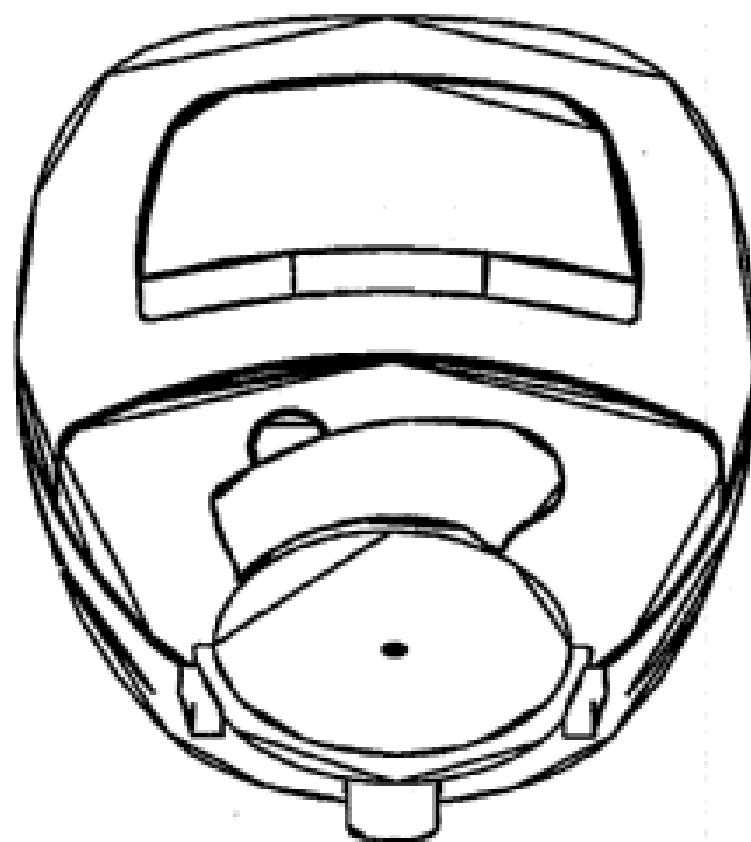
(21) Design Number: **15891/2006**
(22) Date of Filing Application: **22 December 2006**
(24) Date from which industrial property rights may have effect: **22 December 2006**
(54) Product in respect of which the design is registered: **Shoe**
(51) International Design Classification: **02-04NES**
(71) Name(s) and Address(s) of Applicant(s):
Lacoste
8 rue de Castiglione 75001 Paris France
(72) Name(s) of Designer(s): **Mark Walton**
(45) Registration Date: **06 March 2007**
(30) Convention priority data:
(31) Number (32) Date (33) Country
000622329 16 Nov 2006 EUROPEAN COMMUNITY
(56) Related Art Documents: **Not Applicable**
(57) Statement of Newness and Distinctiveness: **Nil**



(21) Design Number: **15892/2006**
(22) Date of Filing Application: **22 December 2006**
(24) Date from which industrial property rights may have effect: **22 December 2006**
(54) Product in respect of which the design is registered: **Shoe**
(51) International Design Classification: **02-04NES**
(71) Name(s) and Address(s) of Applicant(s):
Lacoste
8 rue de Castiglione 75001 Paris France
(72) Name(s) of Designer(s): **David Hickman**
(45) Registration Date: **06 March 2007**
(30) Convention priority data:
(31) Number (32) Date (33) Country
000622329 16 Nov 2006 EUROPEAN COMMUNITY
(56) Related Art Documents: **Not Applicable**
(57) Statement of Newness and Distinctiveness: **Nil**



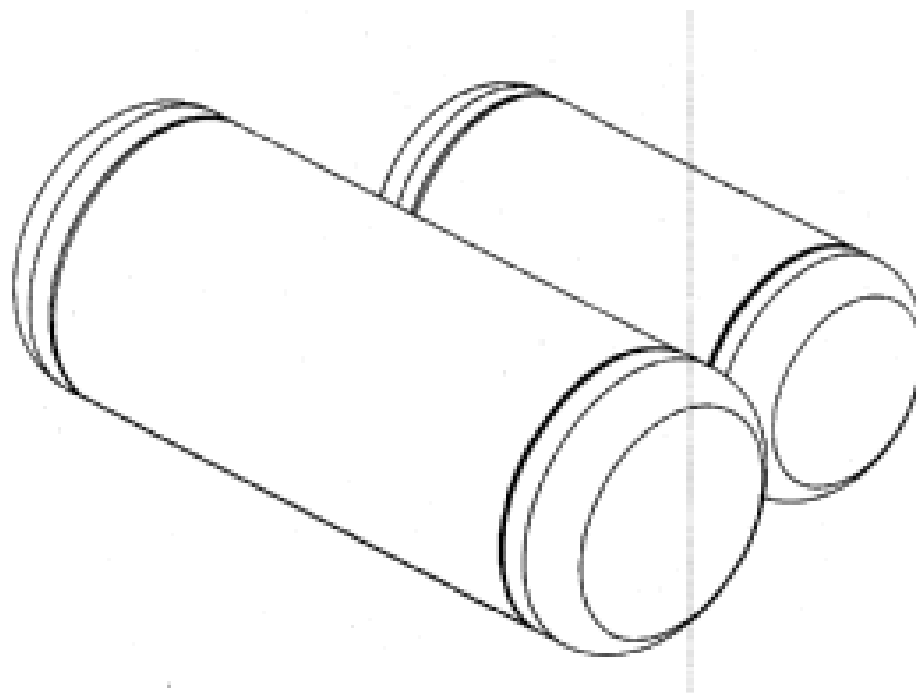
(21) Design Number: **15884/2006**
(22) Date of Filing Application: **22 December 2006**
(24) Date from which industrial property rights may have effect: **22 December 2006**
(54) Product in respect of which the design is registered: **Diamond verification instrument**
(51) International Design Classification: **10-05**
(71) Name(s) and Address(s) of Applicant(s):
The Diamond Trading Company Limited
17 Chaterhouse Street London EC1N 6RA United Kingdom
(72) Name(s) of Designer(s): **Clare Wilson and Maxwell Ralph Willis**
(45) Registration Date: **06 March 2007**
(30) Convention priority data:
(31) Number (32) Date (33) Country
000568688 01 Aug 2006 EUROPEAN COMMUNITY
(56) Related Art Documents: **Not Applicable**
(57) Statement of Newness and Distinctiveness: **Newness and distinctiveness resides in the features of shape and/or configuration of the diamond verification instrument as illustrated in the accompanying representations.**



- (21) Design Number: **14749/2006**
(22) Date of Filing Application: **18 October 2006**
(24) Date from which industrial property rights may have effect: **18 October 2006**
(54) Product in respect of which the design is registered: **A football kicking tee**
(51) International Design Classification: **21-02A**
(71) Name(s) and Address(s) of Applicant(s):
Graham McColm
PO Box 541 Kenmore Queensland 4069 Australia
(72) Name(s) of Designer(s): **Graham Alexander McColm and Michael John De Vere**
(45) Registration Date: **07 March 2007**
(56) Related Art Documents: **Not Applicable**
(57) Statement of Newness and Distinctiveness: **Novelty resides in the shape and configuration of the kicking tee as shown in the photo representations attached.**



- (21) Design Number: **15140/2006**
(22) Date of Filing Application: **10 November 2006**
(24) Date from which industrial property rights may have effect: **10 November 2006**
(54) Product in respect of which the design is registered: **Dual cylinder system for fuel tank**
(51) International Design Classification: **09-01A**
(71) Name(s) and Address(s) of Applicant(s):
APA Manufacturing Pty Ltd
190 Colchester Road Bayswater Victoria 3153 Australia
(72) Name(s) of Designer(s): **David Sutherland**
(45) Registration Date: **07 March 2007**
(56) Related Art Documents: **Not Applicable**
(57) Statement of Newness and Distinctiveness: **In considering the newness and distinctiveness of the dual cylinder system for a fuel tank regard is to be had to the features of shape and configuration with the arrangement of the two cylinders as shown in the accompanying drawings. The connection arrangement marked with arrow "A" in the accompanying drawings does not form a part of the design.**



(21) Design Number: **13742/2006**

(22) Date of Filing Application: **24 August 2006**

(24) Date from which industrial property rights may have effect: **24 August 2006**

(54) Product in respect of which the design is registered: **Speargun muzzle**

(51) International Design Classification: **22-01**

(71) Name(s) and Address(s) of Applicant(s):

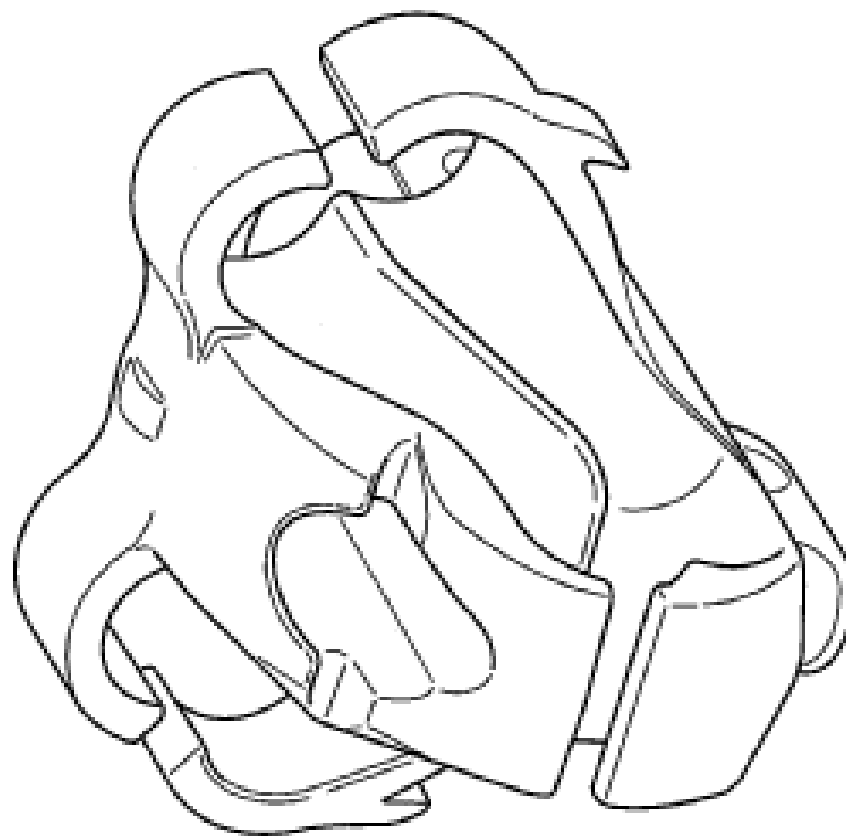
**Big Adventure Holdings Pty Ltd
PO Box 207 Somerton Victoria 3061 Australia**

(72) Name(s) of Designer(s): **Michael McCallum**

(45) Registration Date: **07 March 2007**

(56) Related Art Documents: **Not Applicable**

(57) Statement of Newness and Distinctiveness: **Newness and distinctiveness is claimed in the shape and/or configuration of a speargun muzzle as illustrated in the accompanying representations.**



(21) Design Number: **13743/2006**

(22) Date of Filing Application: **24 August 2006**

(24) Date from which industrial property rights may have effect: **24 August 2006**

(54) Product in respect of which the design is registered: **Speargun handle assembly**

(51) International Design Classification: **22-01**

(71) Name(s) and Address(s) of Applicant(s):

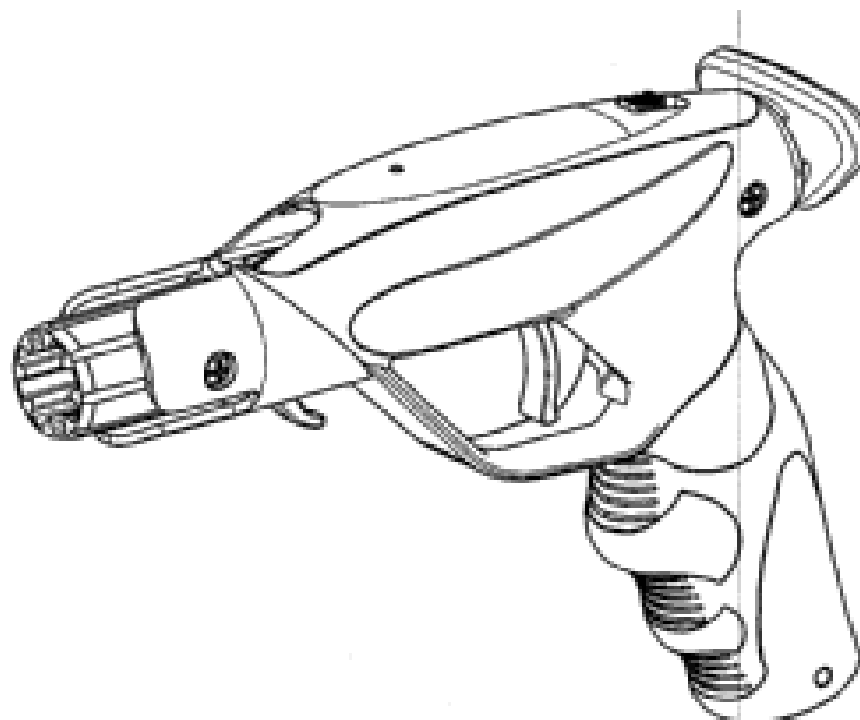
**Big Adventure Holdings Pty Ltd
PO Box 207 Somerton Victoria 3061 Australia**

(72) Name(s) of Designer(s): **Michael McCallum**

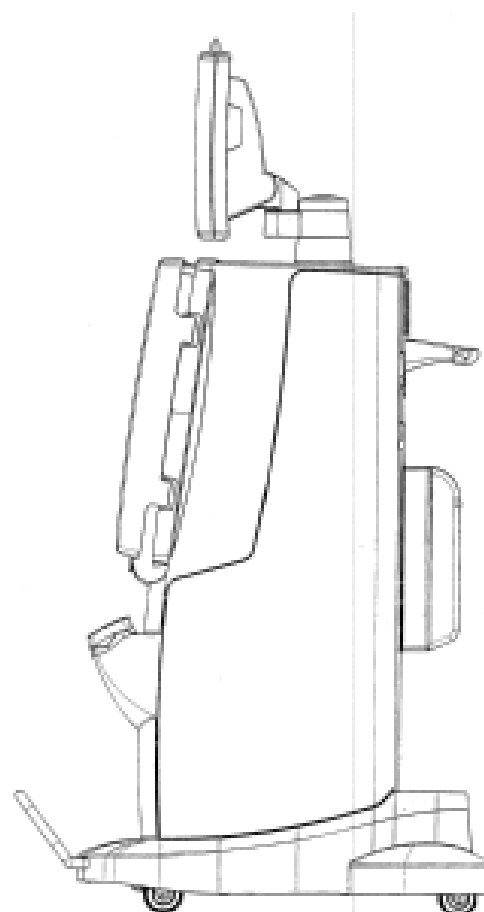
(45) Registration Date: **07 March 2007**

(56) Related Art Documents: **Not Applicable**

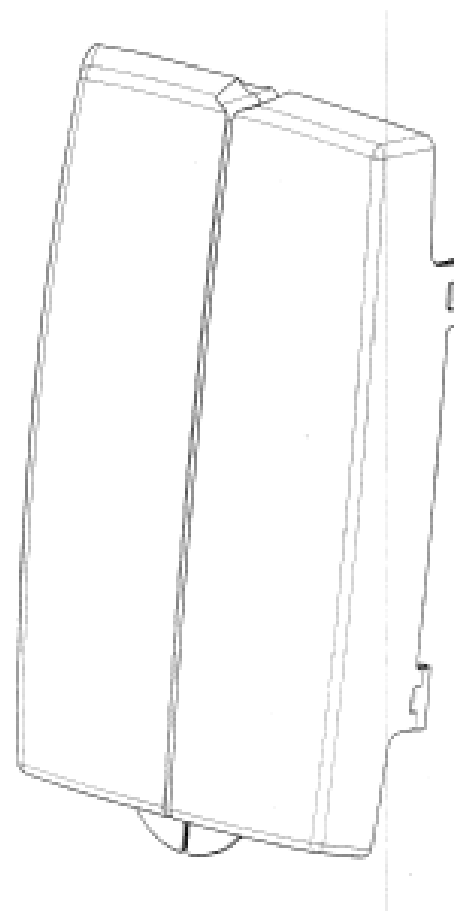
(57) Statement of Newness and Distinctiveness: **Newness and distinctiveness is claimed in the shape and/or configuration of a speargun handle assembly as illustrated in the accompanying representations.**



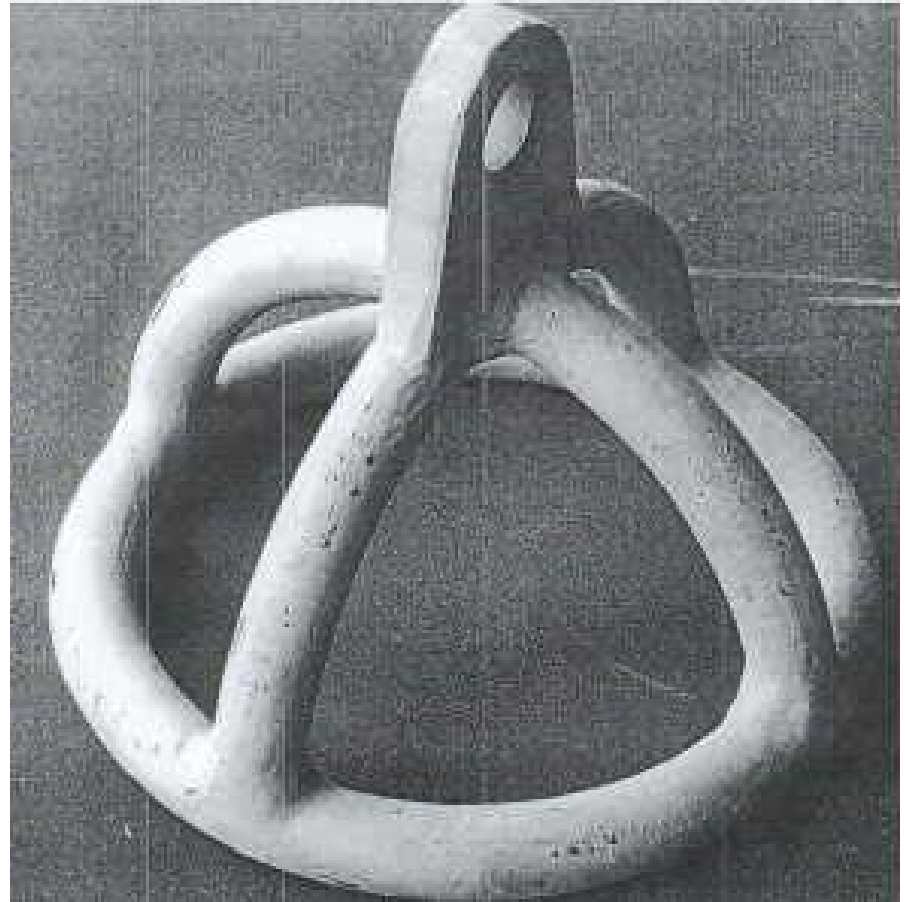
(21) Design Number: **15908/2006**
(22) Date of Filing Application: **28 December 2006**
(24) Date from which industrial property rights may have effect: **28 December 2006**
(54) Product in respect of which the design is registered: **Dialysis apparatus**
(51) International Design Classification: **24-01**
(71) Name(s) and Address(s) of Applicant(s):
Fresenius Medical Care Deutschland GmbH
Else-Kroner-Strasse 1 61352 Bad Homburg Germany
(72) Name(s) of Designer(s): **Thomas Faulhaber and Fabio Rezzonico**
(45) Registration Date: **07 March 2007**
(30) Convention priority data:
(31) Number (32) Date (33) Country
552 724 30 Jun 2006 EUROPEAN COMMUNITY
(56) Related Art Documents: **Not Applicable**
(57) Statement of Newness and Distinctiveness: **Nil**



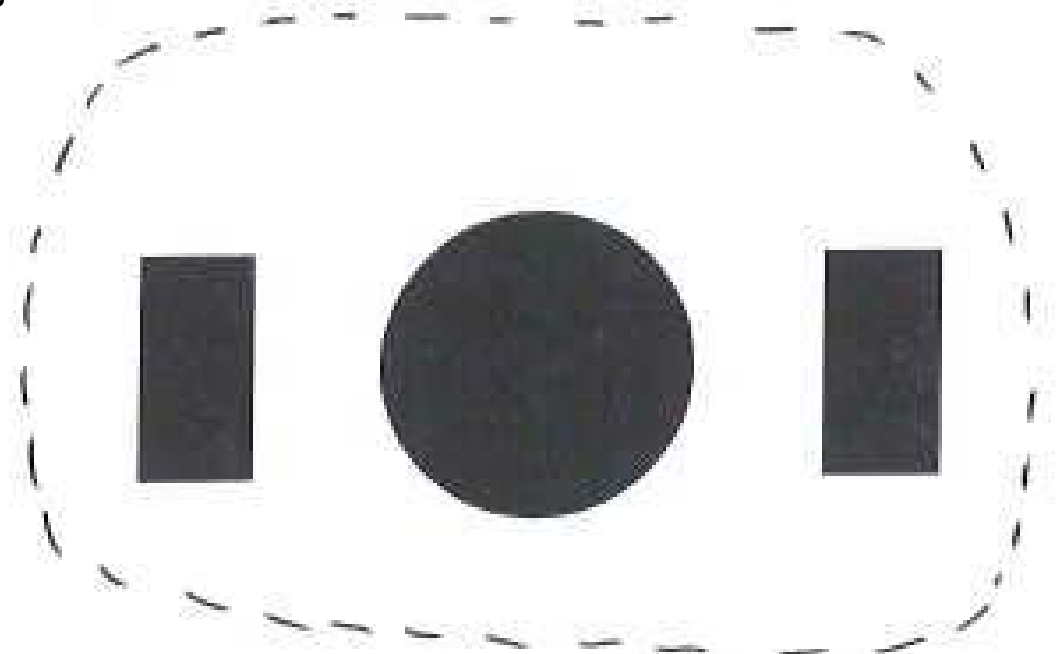
(21) Design Number: **15909/2006**
(22) Date of Filing Application: **28 December 2006**
(24) Date from which industrial property rights may have effect: **28 December 2006**
(54) Product in respect of which the design is registered: **Dialysis apparatus front cover**
(51) International Design Classification: **24-01**
(71) Name(s) and Address(s) of Applicant(s):
Fresenius Medical Care Deutschland GmbH
Else-Kroner-Strasse 1 61352 Bad Homburg Germany
(72) Name(s) of Designer(s): **Thomas Faulhaber and Fabio Rezzonico**
(45) Registration Date: **07 March 2007**
(30) Convention priority data:
(31) Number (32) Date (33) Country
552 724 30 Jun 2006 EUROPEAN COMMUNITY
(56) Related Art Documents: **Not Applicable**
(57) Statement of Newness and Distinctiveness: **Nil**



(21) Design Number: **15726/2006**
(22) Date of Filing Application: **13 December 2006**
(24) Date from which industrial property rights may have effect: **13 December 2006**
(54) Product in respect of which the design is registered: **Lifting crown**
(51) International Design Classification: **12-05**
(71) Name(s) and Address(s) of Applicant(s):
Christopher Herbert Black
1 Evans Road Cooroy Queensland 4563 Australia
(72) Name(s) of Designer(s): **Christopher Herbert Black**
(45) Registration Date: **07 March 2007**
(56) Related Art Documents: **Not Applicable**
(57) Statement of Newness and Distinctiveness: **Nil**



(21) Design Number: **15330/2006**
(22) Date of Filing Application: **20 November 2006**
(24) Date from which industrial property rights may have effect: **01 September 2006**
(54) Product in respect of which the design is registered: **Contact pattern for a printed circuit board**
(51) International Design Classification: **14-03NES**
(71) Name(s) and Address(s) of Applicant(s):
Lednium Pty Ltd
272-274 Maroondah Highway Mooroolbark Victoria 3138 Australia
(72) Name(s) of Designer(s): **Mazin Ali and John Montagnat**
(45) Registration Date: **07 March 2007**
(62) Divisional of: **312188**
(56) Related Art Documents: **Not Applicable**
(57) Statement of Newness and Distinctiveness: **Nil**



(21) Design Number: **15458/2006**
(22) Date of Filing Application: **28 November 2006**
(24) Date from which industrial property rights may have effect: **28 November 2006**
(54) Product in respect of which the design is registered: **Double wall mug**
(51) International Design Classification: **07-01D**
(71) Name(s) and Address(s) of Applicant(s):
Pi-Design AG
Kantonsstrasse 100 Postfach 463 CH-6234 Triengen Switzerland
(72) Name(s) of Designer(s): **Jorgen Bodum**
(45) Registration Date: **07 March 2007**
(30) Convention priority data:
(31) Number (32) Date (33) Country
000627195 24 Nov 2006 EUROPEAN COMMUNITY
(56) Related Art Documents: **Not Applicable**
(57) Statement of Newness and Distinctiveness: **Nil**



(21) Design Number: **15459/2006**
(22) Date of Filing Application: **28 November 2006**
(24) Date from which industrial property rights may have effect: **28 November 2006**
(54) Product in respect of which the design is registered: **Double wall glass**
(51) International Design Classification: **07-01C**
(71) Name(s) and Address(s) of Applicant(s):
Pi-Design AG
Kantonsstrasse 100 Postfach 463 CH-6234 Triengen Switzerland
(72) Name(s) of Designer(s): **Jorgen Bodum**
(45) Registration Date: **07 March 2007**
(30) Convention priority data:
(31) Number (32) Date (33) Country
000627195 24 Nov 2006 EUROPEAN COMMUNITY
(56) Related Art Documents: **Not Applicable**
(57) Statement of Newness and Distinctiveness: **Nil**



(21) Design Number: **15460/2006**
(22) Date of Filing Application: **28 November 2006**
(24) Date from which industrial property rights may have effect: **28 November 2006**
(54) Product in respect of which the design is registered: **Double wall cup**
(51) International Design Classification: **07-01D**
(71) Name(s) and Address(s) of Applicant(s):

Pi-Design AG
Kantonsstrasse 100 Postfach 463 CH-6234 Triengen Switzerland

(72) Name(s) of Designer(s): **Jorgen Bodum**

(45) Registration Date: **07 March 2007**

(30) Convention priority data:

(31) Number	(32) Date	(33) Country
000627195	24 Nov 2006	EUROPEAN COMMUNITY

(56) Related Art Documents: **Not Applicable**

(57) Statement of Newness and Distinctiveness: **Nil**



(21) Design Number: **15341/2006**
(22) Date of Filing Application: **21 November 2006**
(24) Date from which industrial property rights may have effect: **21 November 2006**
(54) Product in respect of which the design is registered: **Hair clip**
(51) International Design Classification: **28-03C**
(71) Name(s) and Address(s) of Applicant(s):

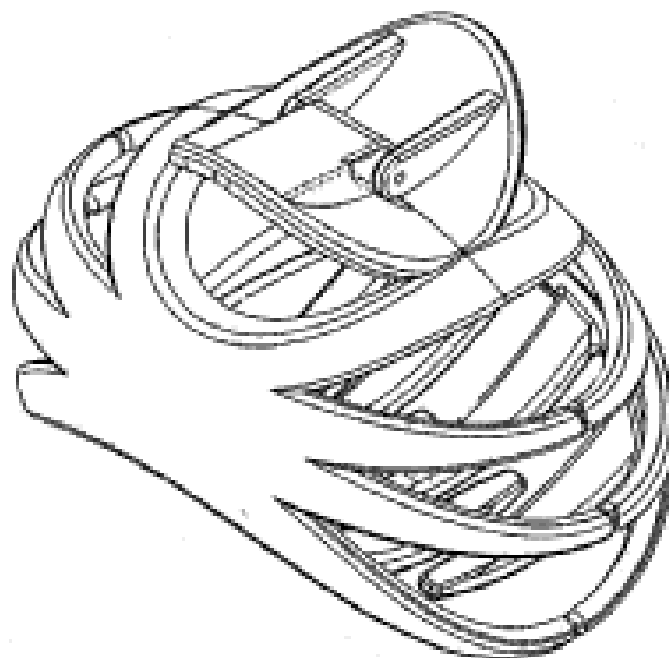
French Fashion (H.K.) Limited
Block C 15th Floor Tung Chun Industrial Building Stage I 9-11 Cheung Wing Rd Kwai Chung New Territories Hong Kong

(72) Name(s) of Designer(s): **Francois C. Pichon**

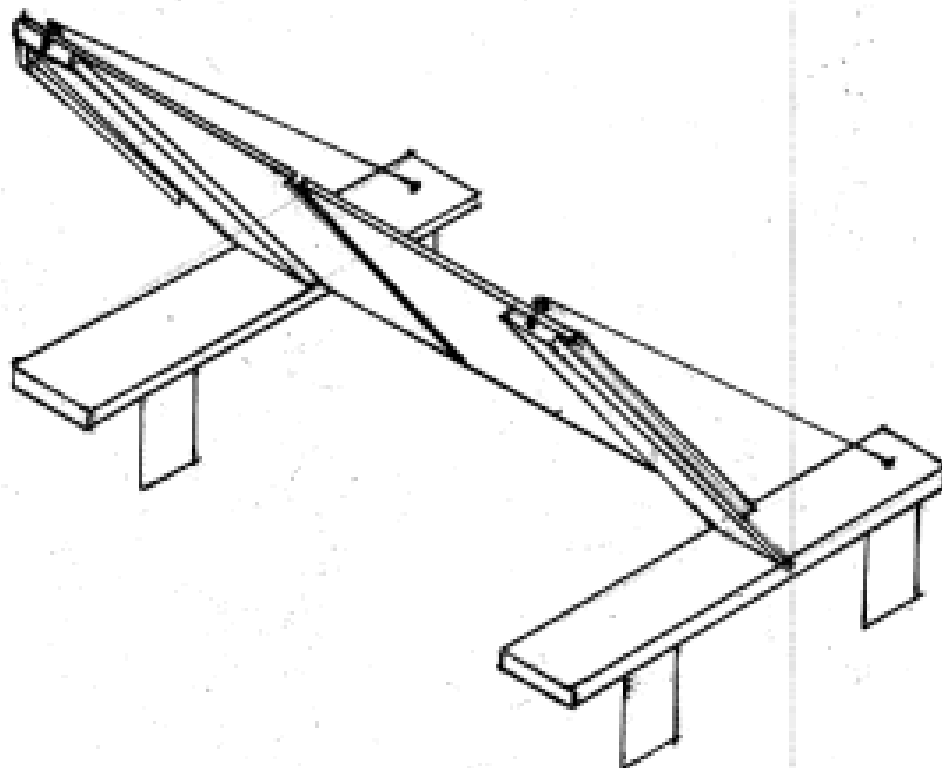
(45) Registration Date: **07 March 2007**

(56) Related Art Documents: **Not Applicable**

(57) Statement of Newness and Distinctiveness: **Nil**



- (21) Design Number: **15784/2006**
(22) Date of Filing Application: **18 December 2006**
(24) Date from which industrial property rights may have effect: **18 December 2006**
(54) Product in respect of which the design is registered: **Accessory for furniture loungechair**
(51) International Design Classification: **06-06G**
(71) Name(s) and Address(s) of Applicant(s):
Ralph Dalton
61 Carlyle Gardens Bargara Queensland 4670 Australia
(72) Name(s) of Designer(s): **Ralph Dalton**
(45) Registration Date: **07 March 2007**
(56) Related Art Documents: **Not Applicable**
(57) Statement of Newness and Distinctiveness: **Space saving attachment ready for use when required.**



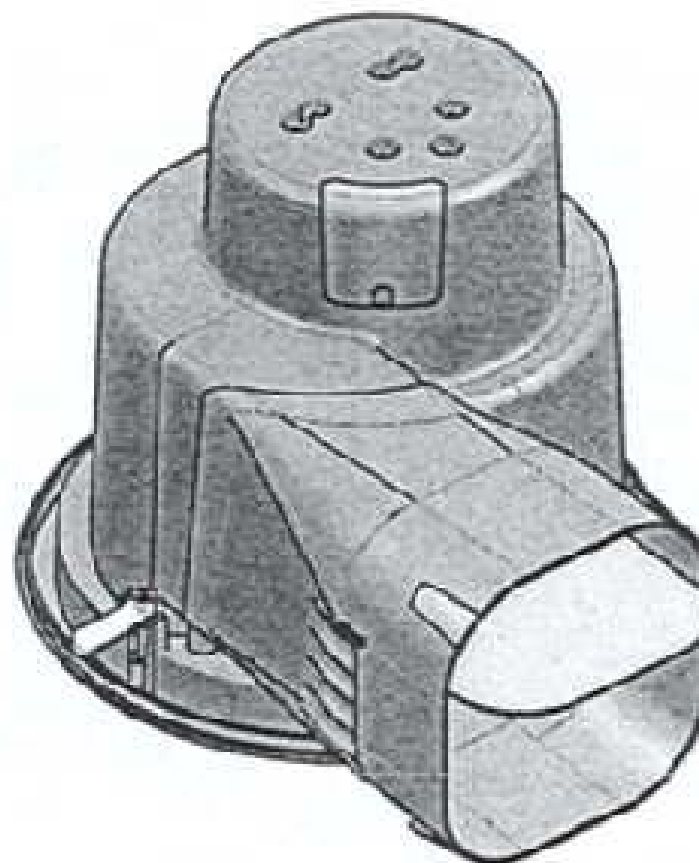
- (21) Design Number: **15905/2006**
(22) Date of Filing Application: **22 December 2006**
(24) Date from which industrial property rights may have effect: **22 December 2006**
(54) Product in respect of which the design is registered: **Room divider**
(51) International Design Classification: **06-06NES**
(71) Name(s) and Address(s) of Applicant(s):
Wanzl Metallwarenfabrik GmbH
Postfach 11 29 89336 Leipheim Germany
(72) Name(s) of Designer(s): **Deyerler Kurt and Maatz Bernhard and Soltes Tiberius**
(45) Registration Date: **07 March 2007**
(30) Convention priority data:
(31) Number (32) Date (33) Country
000556485-0001 06 Jul 2006 EUROPEAN COMMUNITY
(56) Related Art Documents: **Not Applicable**
(57) Statement of Newness and Distinctiveness: **Nil**



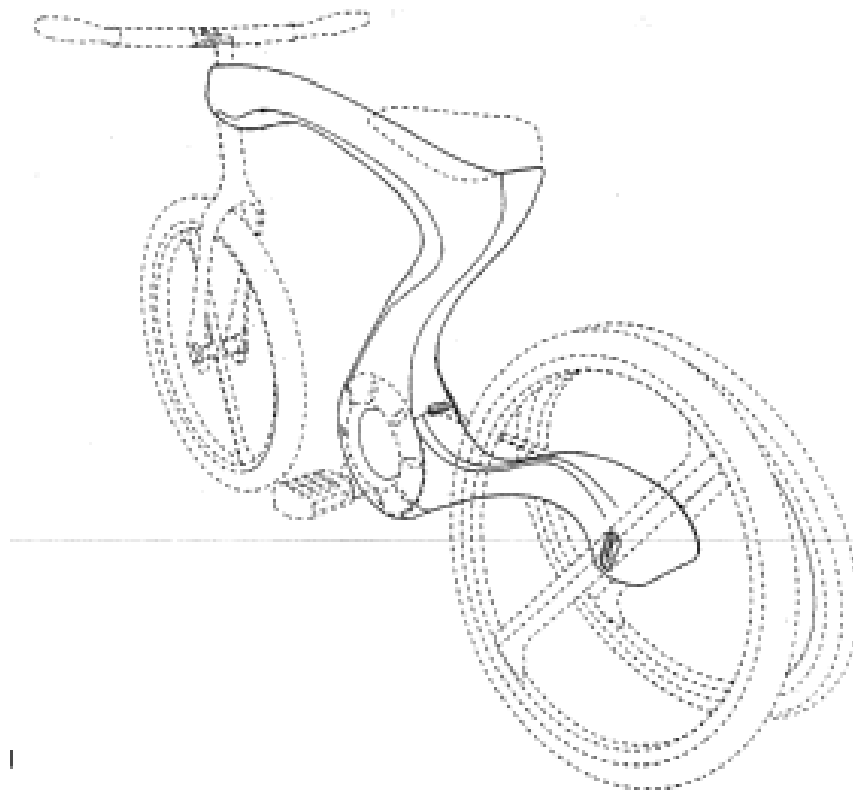
- (21) Design Number: **15904/2006**
(22) Date of Filing Application: **22 December 2006**
(24) Date from which industrial property rights may have effect: **22 December 2006**
(54) Product in respect of which the design is registered: **Blower wheel**
(51) International Design Classification: **23-03NES**
(71) Name(s) and Address(s) of Applicant(s):
Fasco Australia Pty Ltd
198 Boundary Road Braeside Victoria 3195 Australia
(72) Name(s) of Designer(s): **Benjamin Robert Mott and Zbigniew Antoni Balchan**
(45) Registration Date: **07 March 2007**
(56) Related Art Documents: **Not Applicable**
(57) Statement of Newness and Distinctiveness: **Nil**



- (21) Design Number: **15903/2006**
(22) Date of Filing Application: **22 December 2006**
(24) Date from which industrial property rights may have effect: **22 December 2006**
(54) Product in respect of which the design is registered: **Fan housing**
(51) International Design Classification: **13-01, 23-04**
(71) Name(s) and Address(s) of Applicant(s):
Fasco Australia Pty Ltd
198 Boundary Road Braeside Victoria 3195 Australia
(72) Name(s) of Designer(s): **Benjamin Robert Mott and Zbigniew Antoni Balchan**
(45) Registration Date: **07 March 2007**
(56) Related Art Documents: **Not Applicable**
(57) Statement of Newness and Distinctiveness: **Nil**



- (21) Design Number: **15076/2006**
- (22) Date of Filing Application: **03 November 2006**
- (24) Date from which industrial property rights may have effect: **16 February 2006**
- (54) Product in respect of which the design is registered: **Tricycle and tricycle frame**
- (51) International Design Classification: **12-11**
- (71) Name(s) and Address(s) of Applicant(s):
Purdue Research Foundation
300 Kent Avenue West Lafayette Indiana 47906 United States of America
- (72) Name(s) of Designer(s): **Matthew C. Grossman and Ryan Lightbody and S. Scott Shim**
- (45) Registration Date: **07 March 2007**
- (62) Divisional of: **311800**
- (56) Related Art Documents: **Not Applicable**
- (57) Statement of Newness and Distinctiveness: **Newness and distinctiveness is claimed in those features of shape and/or configuration of a tricycle frame as illustrated in continuous lines in the accompanying representations.**



- (21) Design Number: **15897/2006**
- (22) Date of Filing Application: **22 December 2006**
- (24) Date from which industrial property rights may have effect: **22 December 2006**
- (54) Product in respect of which the design is registered: **Shoe**
- (51) International Design Classification: **02-04NES**
- (71) Name(s) and Address(s) of Applicant(s):
Lacoste
8 rue de Castiglione 75001 Paris France
- (72) Name(s) of Designer(s): **Steven Morris**
- (45) Registration Date: **07 March 2007**
- (30) Convention priority data:

(31) Number	(32) Date	(33) Country
000622329	16 Nov 2006	EUROPEAN COMMUNITY
- (56) Related Art Documents: **Not Applicable**
- (57) Statement of Newness and Distinctiveness: **Nil**



(21) Design Number: **15896/2006**
(22) Date of Filing Application: **22 December 2006**
(24) Date from which industrial property rights may have effect: **22 December 2006**
(54) Product in respect of which the design is registered: **Shoe**
(51) International Design Classification: **02-04NES**
(71) Name(s) and Address(s) of Applicant(s):
Lacoste
8 rue de Castiglione 75001 Paris France
(72) Name(s) of Designer(s): **Georgina James**
(45) Registration Date: **07 March 2007**
(30) Convention priority data:
(31) Number (32) Date (33) Country
000622329 16 Nov 2006 EUROPEAN COMMUNITY
(56) Related Art Documents: **Not Applicable**
(57) Statement of Newness and Distinctiveness: **Nil**



(21) Design Number: **15895/2006**
(22) Date of Filing Application: **22 December 2006**
(24) Date from which industrial property rights may have effect: **22 December 2006**
(54) Product in respect of which the design is registered: **Shoe**
(51) International Design Classification: **02-04NES**
(71) Name(s) and Address(s) of Applicant(s):
Lacoste
8 rue de Castiglione 75001 Paris France
(72) Name(s) of Designer(s): **Steven Morris**
(45) Registration Date: **07 March 2007**
(30) Convention priority data:
(31) Number (32) Date (33) Country
000622329 16 Nov 2006 EUROPEAN COMMUNITY
(56) Related Art Documents: **Not Applicable**
(57) Statement of Newness and Distinctiveness: **Nil**



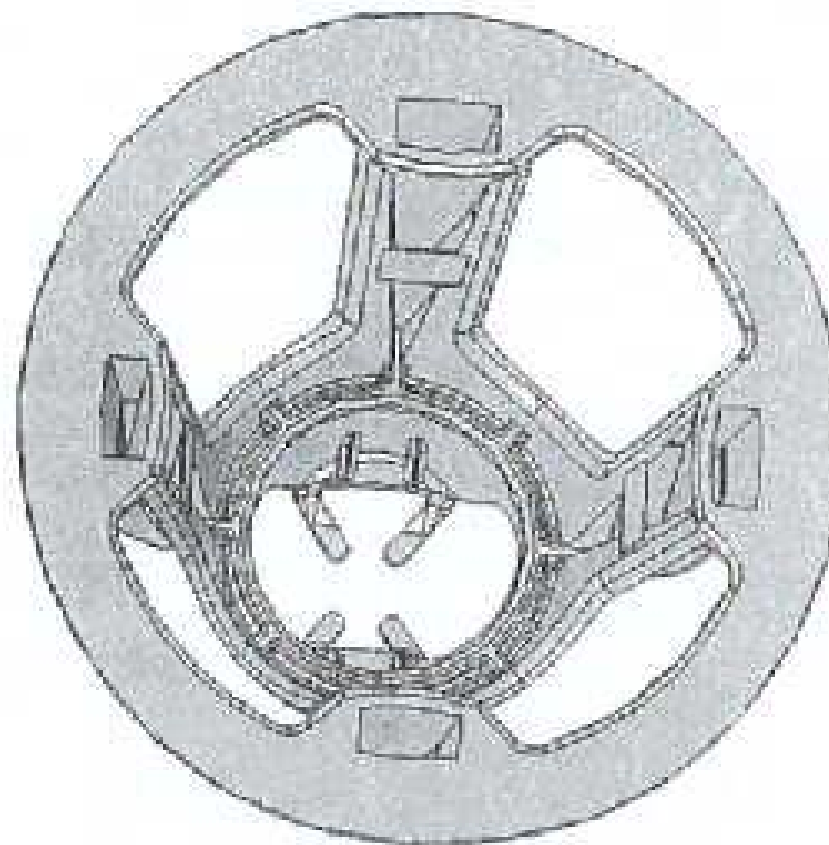
(21) Design Number: **15894/2006**
(22) Date of Filing Application: **22 December 2006**
(24) Date from which industrial property rights may have effect: **22 December 2006**
(54) Product in respect of which the design is registered: **Shoe**
(51) International Design Classification: **02-04NES**
(71) Name(s) and Address(s) of Applicant(s):
Lacoste
8 rue de Castiglione 75001 Paris France
(72) Name(s) of Designer(s): **Florence Weber**
(45) Registration Date: **07 March 2007**
(30) Convention priority data:
(31) Number (32) Date (33) Country
000622329 16 Nov 2006 EUROPEAN COMMUNITY
(56) Related Art Documents: **Not Applicable**
(57) Statement of Newness and Distinctiveness: **Nil**



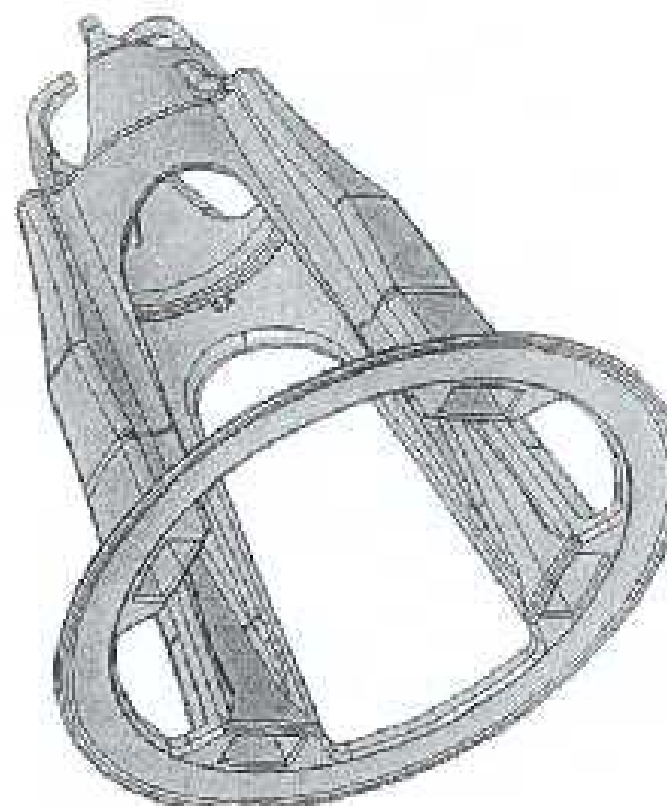
(21) Design Number: **15893/2006**
(22) Date of Filing Application: **22 December 2006**
(24) Date from which industrial property rights may have effect: **22 December 2006**
(54) Product in respect of which the design is registered: **Shoe**
(51) International Design Classification: **02-04NES**
(71) Name(s) and Address(s) of Applicant(s):
Lacoste
8 rue de Castiglione 75001 Paris France
(72) Name(s) of Designer(s): **Georgina James**
(45) Registration Date: **07 March 2007**
(30) Convention priority data:
(31) Number (32) Date (33) Country
000622329 16 Nov 2006 EUROPEAN COMMUNITY
(56) Related Art Documents: **Not Applicable**
(57) Statement of Newness and Distinctiveness: **Nil**



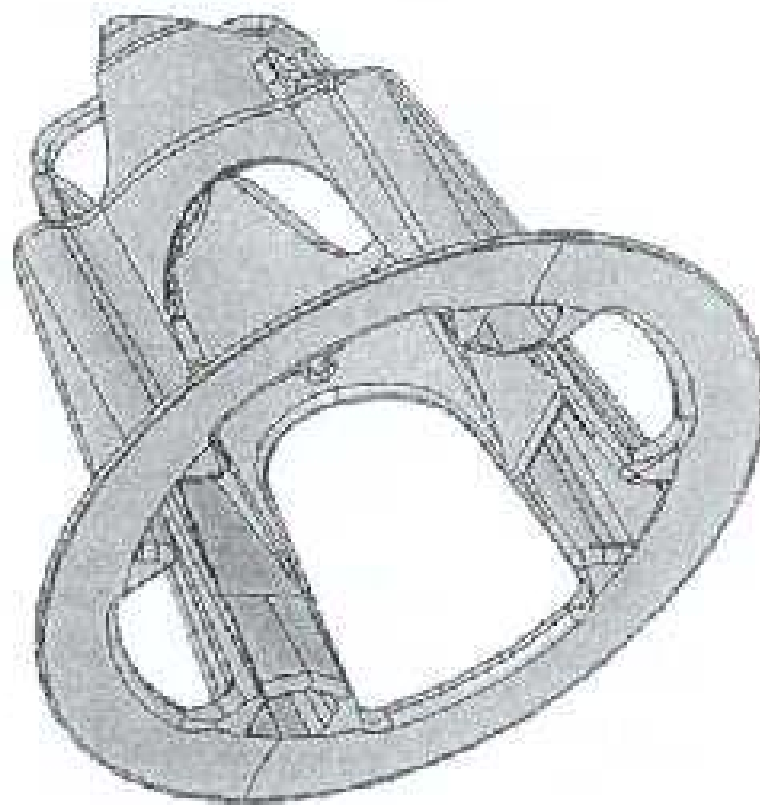
- (21) Design Number: **14073/2006**
(22) Date of Filing Application: **11 September 2006**
(24) Date from which industrial property rights may have effect: **11 September 2006**
(54) Product in respect of which the design is registered: **A bar chair**
(51) International Design Classification: **25-01B**
(71) Name(s) and Address(s) of Applicant(s):
Amarula Pty Ltd
596 Boundary Road Richlands Queensland 4077 Australia
(72) Name(s) of Designer(s): **Alex Johan de Muelenaere and Mark Serisier**
(45) Registration Date: **07 March 2007**
(56) Related Art Documents: **Not Applicable**
(57) Statement of Newness and Distinctiveness: **Newness and distinctiveness resides in the shape and configuration of the legs and the upper inner ring as depicted in the representations.**



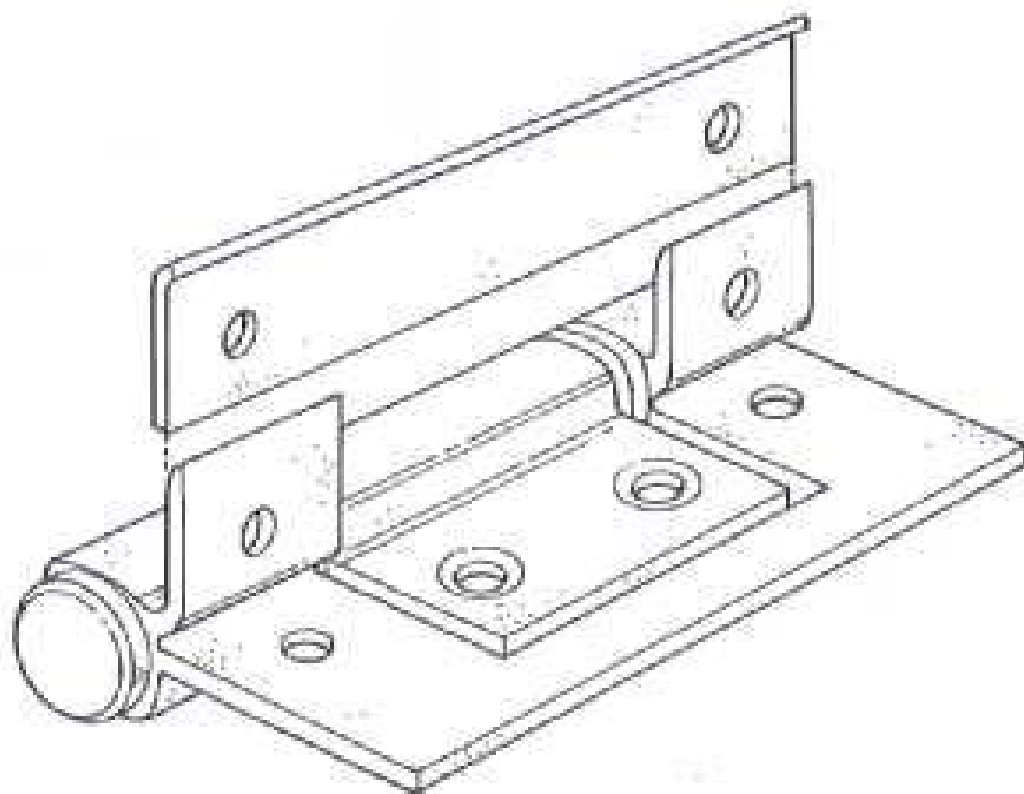
- (21) Design Number: **14072/2006**
(22) Date of Filing Application: **11 September 2006**
(24) Date from which industrial property rights may have effect: **11 September 2006**
(54) Product in respect of which the design is registered: **A bar chair**
(51) International Design Classification: **25-01B**
(71) Name(s) and Address(s) of Applicant(s):
Amarula Pty Ltd
596 Boundary Road Richlands Queensland 4077 Australia
(72) Name(s) of Designer(s): **Alex Johan de Muelenaere and Mark Serisier**
(45) Registration Date: **07 March 2007**
(56) Related Art Documents: **Not Applicable**
(57) Statement of Newness and Distinctiveness: **Newness and distinctiveness resides in the shape and configuration of the legs and the upper inner ring as depicted in the representations.**



- (21) Design Number: **14070/2006**
(22) Date of Filing Application: **11 September 2006**
(24) Date from which industrial property rights may have effect: **11 September 2006**
(54) Product in respect of which the design is registered: **A bar chair**
(51) International Design Classification: **25-01B**
(71) Name(s) and Address(s) of Applicant(s):
Amarula Pty Ltd
596 Boundary Road Richlands Queensland 4077 Australia
(72) Name(s) of Designer(s): **Alex Johan de Muelenaere and Mark Serisier**
(45) Registration Date: **07 March 2007**
(56) Related Art Documents: **Not Applicable**
(57) Statement of Newness and Distinctiveness: **Newness and distinctiveness resides in the shape and configuration of the legs and the upper inner ring as depicted in the representations.**



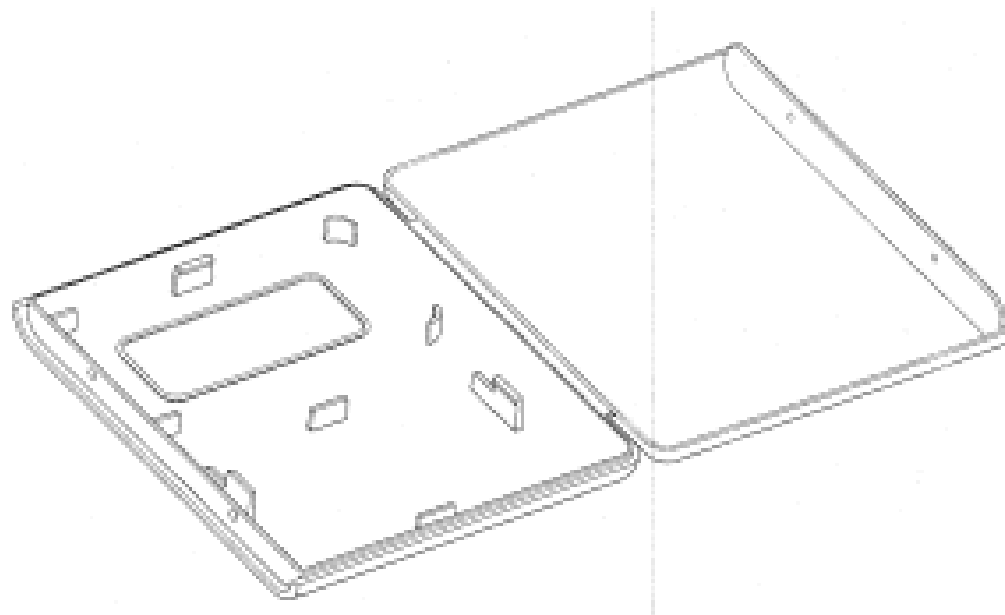
- (21) Design Number: **14023/2006**
(22) Date of Filing Application: **08 September 2006**
(24) Date from which industrial property rights may have effect: **08 September 2006**
(54) Product in respect of which the design is registered: **Hinge**
(51) International Design Classification: **08-06**
(71) Name(s) and Address(s) of Applicant(s):
Design Investments Pty Ltd
47 Esther Street Belmont Western Australia 6014 Australia
(72) Name(s) of Designer(s): **Kevin David Goldman**
(45) Registration Date: **07 March 2007**
(56) Related Art Documents: **Not Applicable**
(57) Statement of Newness and Distinctiveness: **The newness and distinctiveness lies in the cover plate, shown in exploded form in the upper perspective view.**



(21) Design Number: **13855/2006**
(22) Date of Filing Application: **29 August 2006**
(24) Date from which industrial property rights may have effect: **29 August 2006**
(54) Product in respect of which the design is registered: **A trough**
(51) International Design Classification: **23-02F**
(71) Name(s) and Address(s) of Applicant(s):
Militaire Nominees Pty Ltd
4 Collingwood Street Osborne Park Western Australia 6017 Australia
(72) Name(s) of Designer(s): **Paul Rigo**
(45) Registration Date: **07 March 2007**
(56) Related Art Documents: **Not Applicable**
(57) Statement of Newness and Distinctiveness: **Nil**

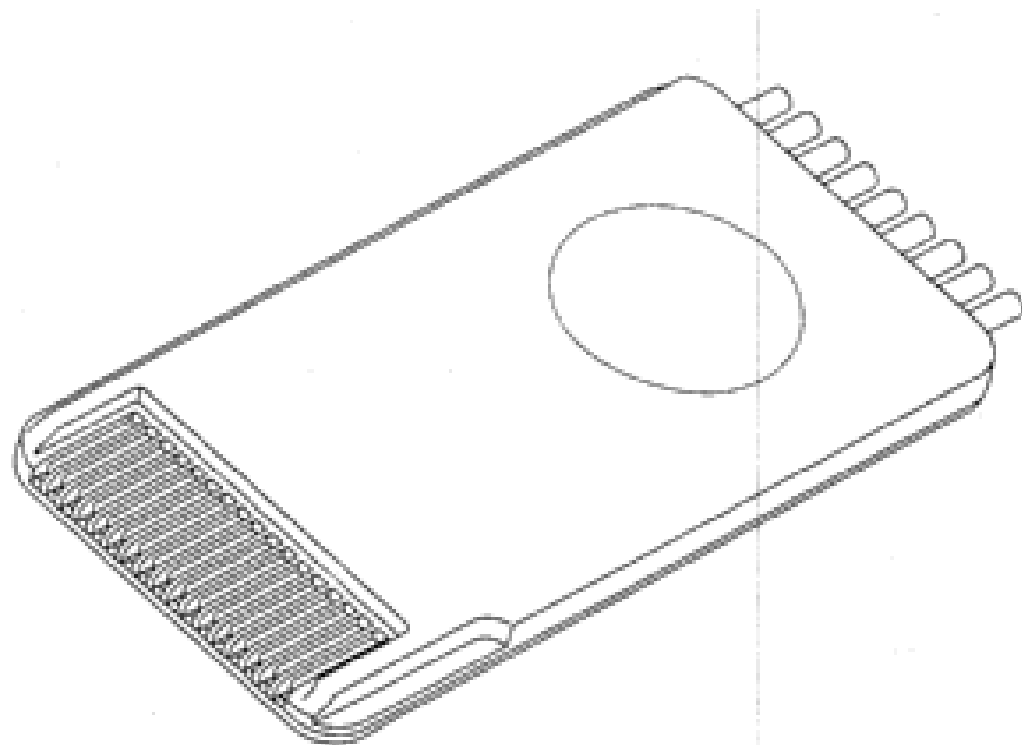


(21) Design Number: **15910/2006**
(22) Date of Filing Application: **28 December 2006**
(24) Date from which industrial property rights may have effect: **28 December 2006**
(54) Product in respect of which the design is registered: **Cleaner case**
(51) International Design Classification: **03-01NES**
(71) Name(s) and Address(s) of Applicant(s):
Nintendo Co., Ltd.
11-1 Hokotate-cho Kamitoba Minami-ku Kyoto-shi Kyoto Japan
(72) Name(s) of Designer(s): **Takaki Fujino and Hiroki Goto**
(45) Registration Date: **07 March 2007**
(30) Convention priority data:
(31) Number (32) Date (33) Country
2006-028057 17 Oct 2006 JAPAN
(56) Related Art Documents: **Not Applicable**
(57) Statement of Newness and Distinctiveness: **Nil**

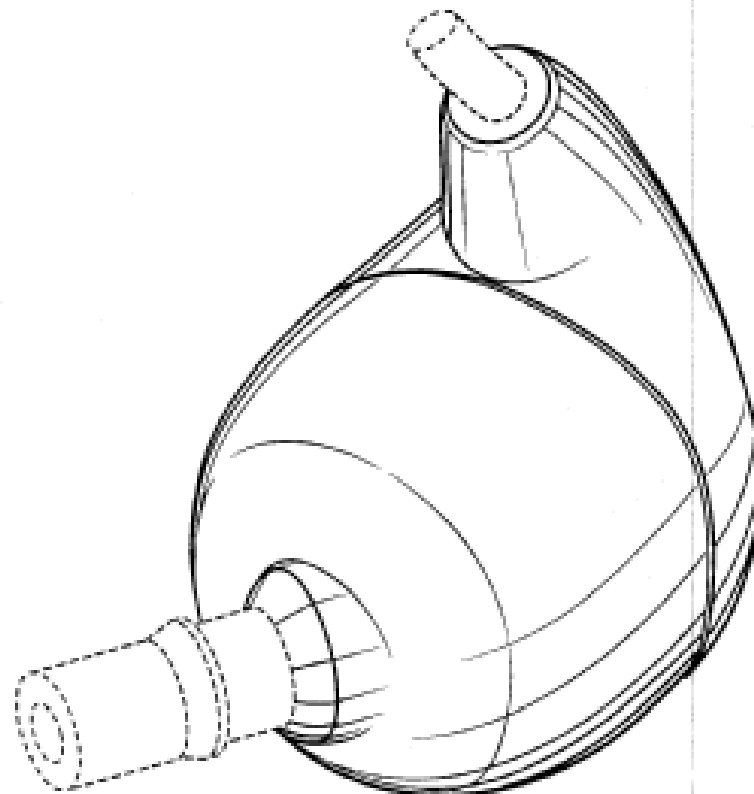


- (21) Design Number: **15911/2006**
- (22) Date of Filing Application: **28 December 2006**
- (24) Date from which industrial property rights may have effect: **28 December 2006**
- (54) Product in respect of which the design is registered: **Connector terminal cleaner**
- (51) International Design Classification: **08-08NES, 14-02**
- (71) Name(s) and Address(s) of Applicant(s):
Nintendo Co., Ltd.
11-1 Hokotate-cho Kamitoba Minami-ku Kyoto-shi Kyoto Japan
- (72) Name(s) of Designer(s): **Takaki Fujino and Hiroki Goto**
- (45) Registration Date: **07 March 2007**
- (30) Convention priority data:

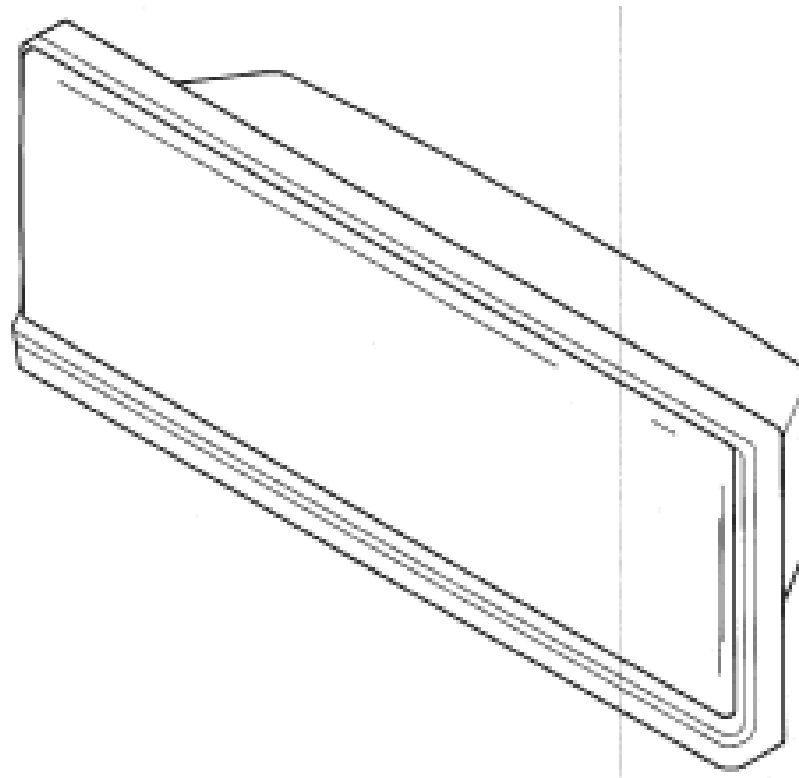
(31) Number	(32) Date	(33) Country
2006-028055	17 Oct 2006	JAPAN
- (56) Related Art Documents: **Not Applicable**
- (57) Statement of Newness and Distinctiveness: **Nil**



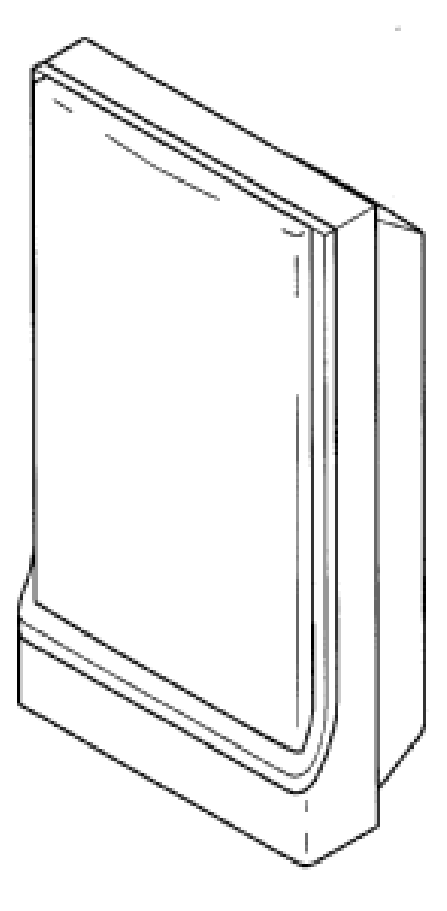
- (21) Design Number: **15912/2006**
- (22) Date of Filing Application: **28 December 2006**
- (24) Date from which industrial property rights may have effect: **28 December 2006**
- (54) Product in respect of which the design is registered: **An earphone**
- (51) International Design Classification: **14-01**
- (71) Name(s) and Address(s) of Applicant(s):
Shure Acquisition Holdings, Inc.
5800 West Touhy Avenue Niles Illinois 60714-4608 United States of America
- (72) Name(s) of Designer(s): **Michael Z. Johns and Daniel Perez and Ki Bok Song and Kenneth M. Ross**
- (45) Registration Date: **07 March 2007**
- (56) Related Art Documents: **Not Applicable**
- (57) Statement of Newness and Distinctiveness: **Newness and distinctiveness is claimed in the visual features shown in solid lines in the representations.**



- (21) Design Number: **15915/2006**
(22) Date of Filing Application: **22 December 2006**
(24) Date from which industrial property rights may have effect: **22 December 2006**
(54) Product in respect of which the design is registered: **Speaker**
(51) International Design Classification: **14-01**
(71) Name(s) and Address(s) of Applicant(s):
LG Electronics Inc.
20 Yoido-dong Yongdungpo-gu Seoul 150-721 Republic of Korea
(72) Name(s) of Designer(s): **Yong Soo Kim and Il Soo Yeomj**
(45) Registration Date: **07 March 2007**
(30) Convention priority data:
(31) Number (32) Date (33) Country
30-2006-0027380 27 Jun 2006 REPUBLIC OF KOREA
(56) Related Art Documents: **Not Applicable**
(57) Statement of Newness and Distinctiveness: **Newness and distinctiveness in the design as applied to a speaker resides in the shape and/or configuration thereof as illustrated in the accompanying representations.**



- (21) Design Number: **15916/2006**
(22) Date of Filing Application: **22 December 2006**
(24) Date from which industrial property rights may have effect: **22 December 2006**
(54) Product in respect of which the design is registered: **Speaker**
(51) International Design Classification: **14-01**
(71) Name(s) and Address(s) of Applicant(s):
LG Electronics Inc.
20 Yoido-dong Yongdungpo-gu Seoul 150-721 Republic of Korea
(72) Name(s) of Designer(s): **Yong Soo Kim and Il Soo Yeomj**
(45) Registration Date: **07 March 2007**
(30) Convention priority data:
(31) Number (32) Date (33) Country
30-2006-0027379 27 Jun 2006 REPUBLIC OF KOREA
(56) Related Art Documents: **Not Applicable**
(57) Statement of Newness and Distinctiveness: **Newness and distinctiveness in the design as applied to a speaker resides in the shape and/or configuration thereof as illustrated in the accompanying representations.**



(21) Design Number: **15917/2006**

(22) Date of Filing Application: **22 December 2006**

(24) Date from which industrial property rights may have effect: **22 December 2006**

(54) Product in respect of which the design is registered: **Dustpan**

(51) International Design Classification: **07-05E**

(71) Name(s) and Address(s) of Applicant(s):

**Freudenberg Household Products LP
505 N. Railroad Avenue Northlake Illinois 60164 United States of
America**

(72) Name(s) of Designer(s): **Ralf G. Juergens**

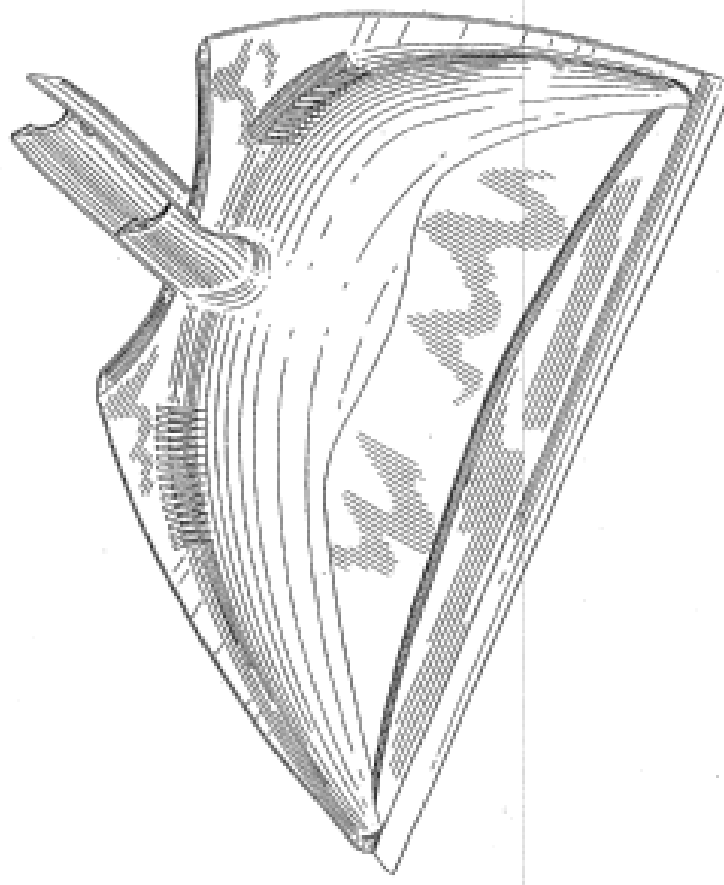
(45) Registration Date: **07 March 2007**

(30) Convention priority data:

(31) Number	(32) Date	(33) Country
29/265346	30 Aug 2006	UNITED STATES OF AMERICA

(56) Related Art Documents: **Not Applicable**

(57) Statement of Newness and Distinctiveness: **Newness and distinctiveness is claimed in the features of shape and/or configuration of a dustpan as illustrated in the accompanying representations.**



(21) Design Number: **15918/2006**

(22) Date of Filing Application: **22 December 2006**

(24) Date from which industrial property rights may have effect: **22 December 2006**

(54) Product in respect of which the design is registered: **Leg warmer**

(51) International Design Classification: **02-04C**

(71) Name(s) and Address(s) of Applicant(s):

**Huggalugs Pty Ltd
10 Clarence Street Matraville New South Wales 2036 Australia**

(72) Name(s) of Designer(s): **Jennifer A. Zuber and Elizar C. Mytka**

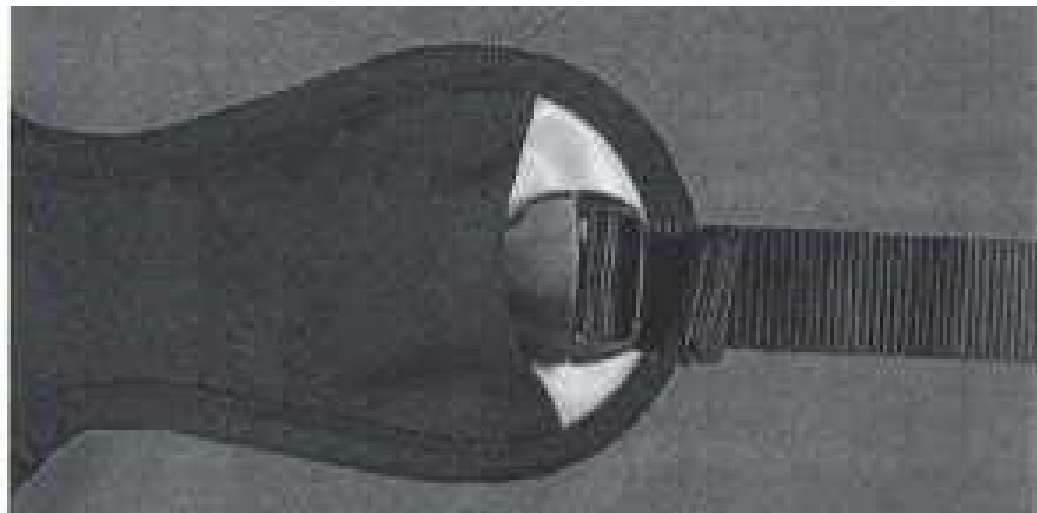
(45) Registration Date: **07 March 2007**

(56) Related Art Documents: **Not Applicable**

(57) Statement of Newness and Distinctiveness: **The new and distinctive features of this design are the top and bottom weave size and shape.**



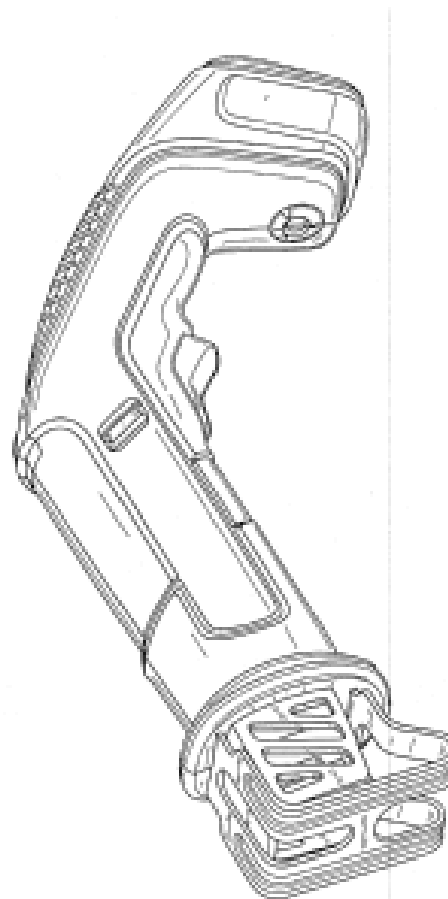
(21) Design Number: **15919/2006**
 (22) Date of Filing Application: **22 December 2006**
 (24) Date from which industrial property rights may have effect: **22 December 2006**
 (54) Product in respect of which the design is registered: **Flap for a bag**
 (51) International Design Classification: **03-01A**
 (71) Name(s) and Address(s) of Applicant(s):
Cashmere Blazer Pty Ltd
6 Chelmsford Street Kensington Victoria 3031 Australia
 (72) Name(s) of Designer(s): **Stuart Neil Crumpler**
 (45) Registration Date: **07 March 2007**
 (56) Related Art Documents: **Not Applicable**
 (57) Statement of Newness and Distinctiveness: **Newness and distinctiveness is claimed in the shape and configuration of the flap labelled "A" shown in the representations. All other features are capable of variation and do not form part of the design.**



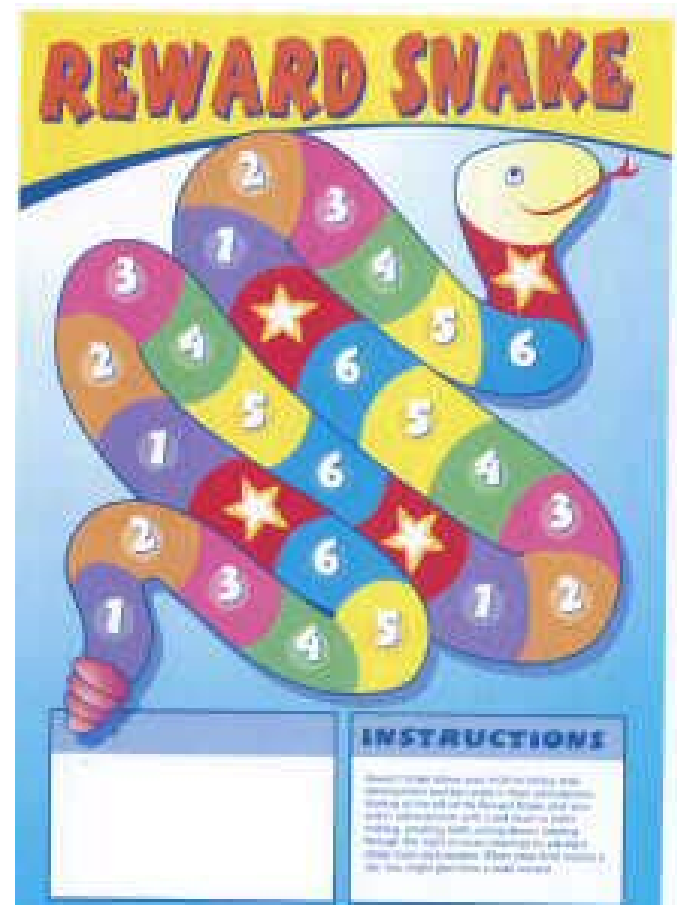
(21) Design Number: **15920/2006**
 (22) Date of Filing Application: **22 December 2006**
 (24) Date from which industrial property rights may have effect: **22 December 2006**
 (54) Product in respect of which the design is registered: **A saw**
 (51) International Design Classification: **08-03**
 (71) Name(s) and Address(s) of Applicant(s):
Black & Decker, Inc.
1207 Drummond Plaza Newark Delaware 19711 United States of America
 (72) Name(s) of Designer(s): **Adam M. O'Hern**
 (45) Registration Date: **07 March 2007**
 (30) Convention priority data:

(31) Number	(32) Date	(33) Country
29247619	29 Jun 2006	UNITED STATES OF AMERICA

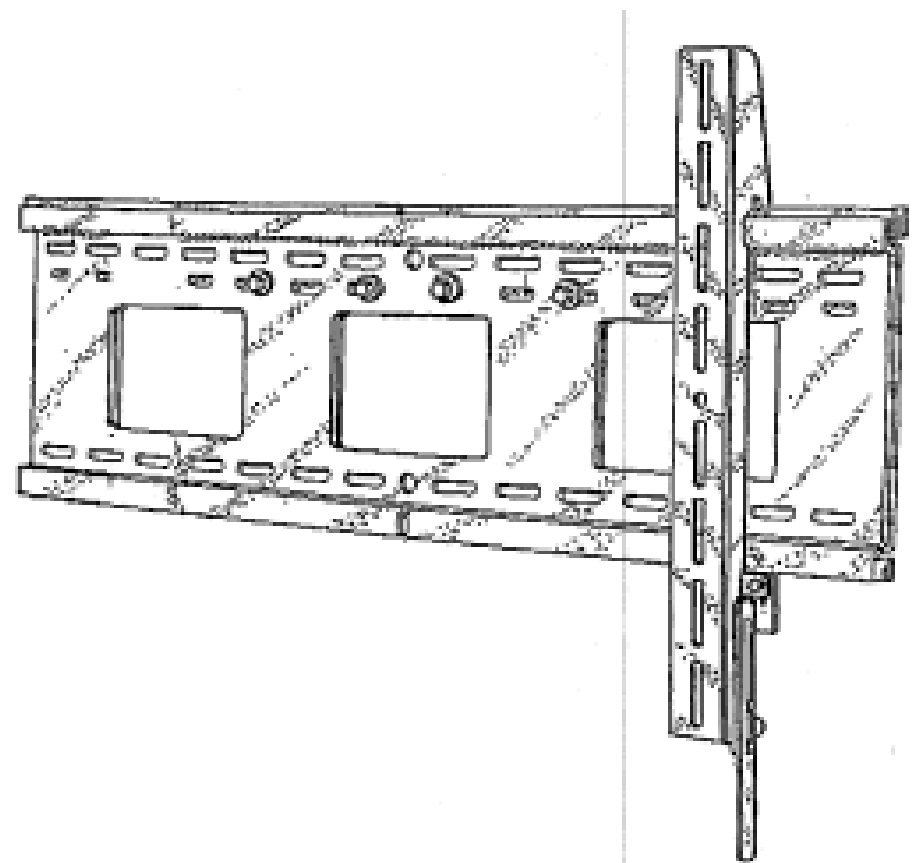
 (56) Related Art Documents: **Not Applicable**
 (57) Statement of Newness and Distinctiveness: **Nil**



(21) Design Number: **15768/2006**
(22) Date of Filing Application: **15 December 2006**
(24) Date from which industrial property rights may have effect: **15 December 2006**
(54) Product in respect of which the design is registered: **A reward chart for monitoring children's progress**
(51) International Design Classification: **19-01**
(71) Name(s) and Address(s) of Applicant(s):
Reward Snake Pty Ltd
34 Weller Road Tarragindi Queensland 4121 Australia
(72) Name(s) of Designer(s): **Simon James Dewberry**
(45) Registration Date: **07 March 2007**
(56) Related Art Documents: **Not Applicable**
(57) Statement of Newness and Distinctiveness: **Nil**



(21) Design Number: **15759/2006**
(22) Date of Filing Application: **14 December 2006**
(24) Date from which industrial property rights may have effect: **14 December 2006**
(54) Product in respect of which the design is registered: **Mounting bracket for electronic display**
(51) International Design Classification: **08-08NES**
(71) Name(s) and Address(s) of Applicant(s):
CSAV, Inc
593 Washington Street Wellesley Massachusetts 02482 United States of America
(72) Name(s) of Designer(s): **Dominic Grey**
(45) Registration Date: **07 March 2007**
(30) Convention priority data:
(31) Number (32) Date (33) Country
29/261,583 15 Jun 2006 UNITED STATES OF AMERICA
(56) Related Art Documents: **Not Applicable**
(57) Statement of Newness and Distinctiveness: **Nil**



(21) Design Number: 15760/2006

(22) Date of Filing Application: 14 December 2006

(24) Date from which industrial property rights may have effect: 14 December 2006

(54) Product in respect of which the design is registered: **Mounting bracket for electronic display**

(51) International Design Classification: 08-08NES

(71) Name(s) and Address(s) of Applicant(s):

CSAV, Inc
593 Washington Street Wellesley Massachusetts 02482 United States of America

(72) Name(s) of Designer(s): **Dominic Grey**

(45) Registration Date: **07 March 2007**

(30) Convention priority data:

(31) Number	(32) Date	(33) Country
29/261,582	15 Jun 2006	UNITED STATES OF AMERICA

(56) Related Art Documents: **Not Applicable**

(57) Statement of Newness and Distinctiveness: **Nil**

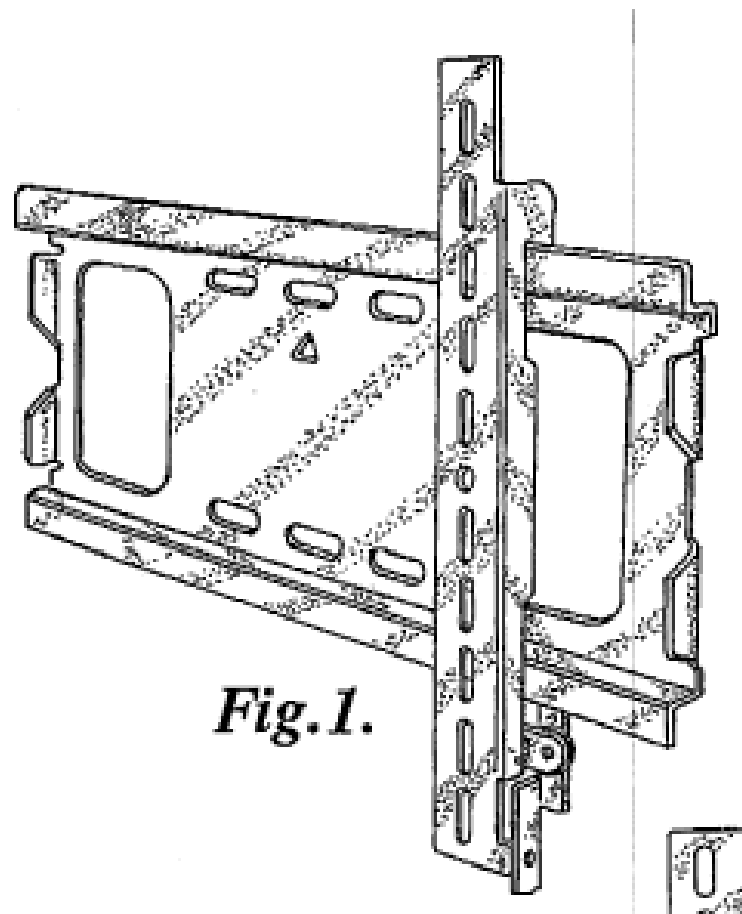


Fig. 1.

(21) Design Number: 15305/2006

(22) Date of Filing Application: 17 November 2006

(24) Date from which industrial property rights may have effect: 17 November 2006

(54) Product in respect of which the design is registered: **Laptop holder**

(51) International Design Classification: 14-02

(71) Name(s) and Address(s) of Applicant(s):

Innovative Office Products, Inc
100 Kuebler Road Easton Pennsylvania 18040 United States of America

(72) Name(s) of Designer(s): **Bradley A. Derry and Christopher Eric Grim**

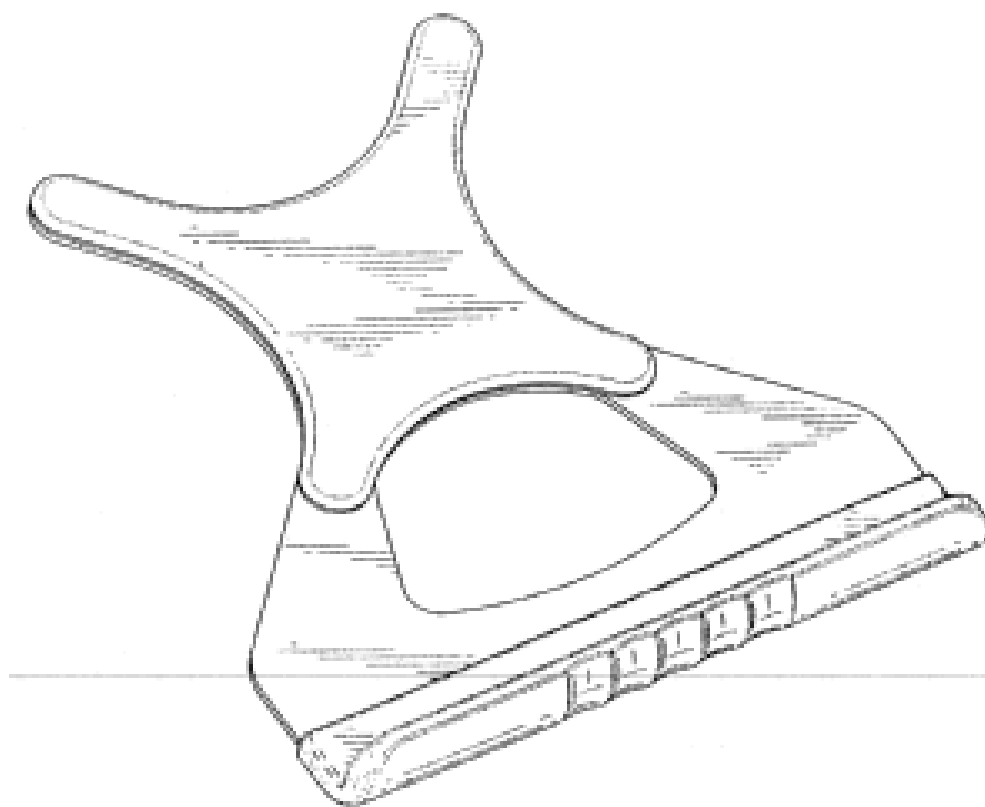
(45) Registration Date: **07 March 2007**

(30) Convention priority data:

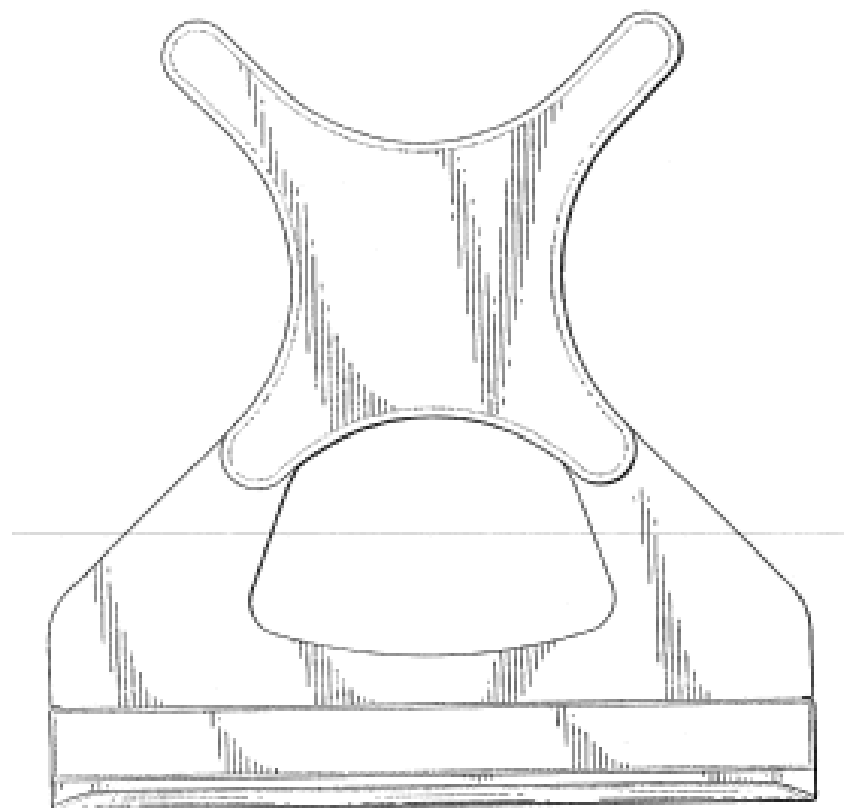
(31) Number	(32) Date	(33) Country
29/261,219	09 Jun 2006	UNITED STATES OF AMERICA

(56) Related Art Documents: **Not Applicable**

(57) Statement of Newness and Distinctiveness: **Those features of the laptop holder depicted in the representations that are new and distinctive are the shape and/or configuration. The features shown in broken lines are not part of the design and are to be disregarded when considering the overall impression of the design.**



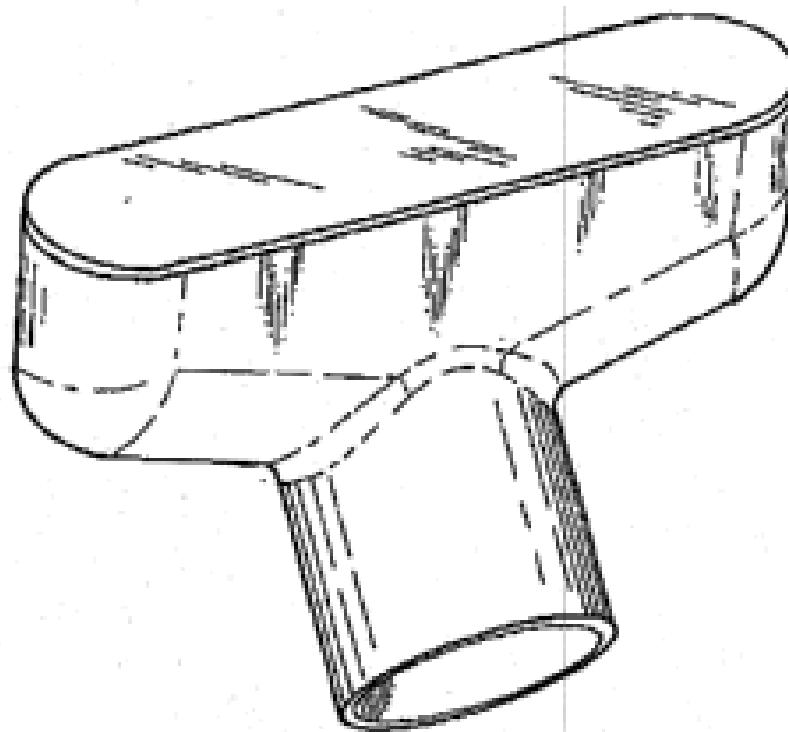
(21) Design Number: **16488/2007**
(22) Date of Filing Application: **17 November 2006**
(24) Date from which industrial property rights may have effect: **17 November 2006**
(54) Product in respect of which the design is registered: **Laptop holder**
(51) International Design Classification: **14-02**
(71) Name(s) and Address(s) of Applicant(s):
Innovative Office Products, Inc
100 Kuebler Road Easton Pennsylvania 18040 United States of America
(72) Name(s) of Designer(s): **Bradley A. Derry and Christopher Eric Grim**
(45) Registration Date: **07 March 2007**
(30) Convention priority data:
(31) Number (32) Date (33) Country
29/261,219 09 Jun 2006 UNITED STATES OF AMERICA
(56) Related Art Documents: **Not Applicable**
(57) Statement of Newness and Distinctiveness: **Those features of the laptop holder depicted in the representations that are new and distinctive are the shape and/or configuration. The features shown in broken lines are not part of the design and are to be disregarded when considering the overall impression of the design.**



(21) Design Number: **15141/2006**
(22) Date of Filing Application: **10 November 2006**
(24) Date from which industrial property rights may have effect: **10 November 2006**
(54) Product in respect of which the design is registered: **Aircraft**
(51) International Design Classification: **12-07**
(71) Name(s) and Address(s) of Applicant(s):
Asiana Airlines, Inc.
Asiana Town #47 Osae-Dong Kangseo-Ku Seoul Republic of Korea
(72) Name(s) of Designer(s): **Jun-Ho Moon**
(45) Registration Date: **07 March 2007**
(30) Convention priority data:
(31) Number (32) Date (33) Country
30#2006#0041786 18 Oct 2006 REPUBLIC OF KOREA
(56) Related Art Documents: **Not Applicable**
(57) Statement of Newness and Distinctiveness: **Newness and distinctiveness resides in the application to an aircraft of a pattern or ornamentation as illustrated in the accompanying representations.**

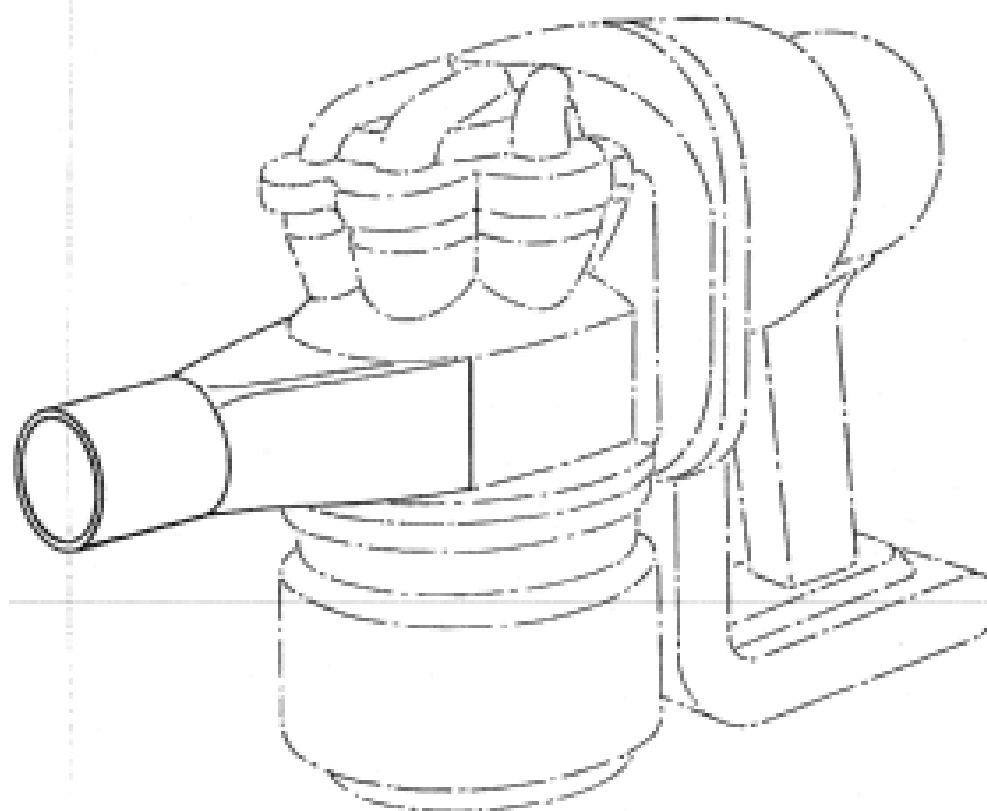


- (21) Design Number: **14880/2006**
- (22) Date of Filing Application: **25 October 2006**
- (24) Date from which industrial property rights may have effect: **25 October 2006**
- (54) Product in respect of which the design is registered: **A pipe connector**
- (51) International Design Classification: **23-01A**
- (71) Name(s) and Address(s) of Applicant(s):
Plastec Australia Pty Ltd
2 Enterprise Street Caloundra Queensland 4551 Australia
- (72) Name(s) of Designer(s): **Brian Eley**
- (45) Registration Date: **07 March 2007**
- (56) Related Art Documents: **Not Applicable**
- (57) Statement of Newness and Distinctiveness: **The newness and distinctiveness of the design resides in the features of shape and/or configuration shown in the accompanying representations.**

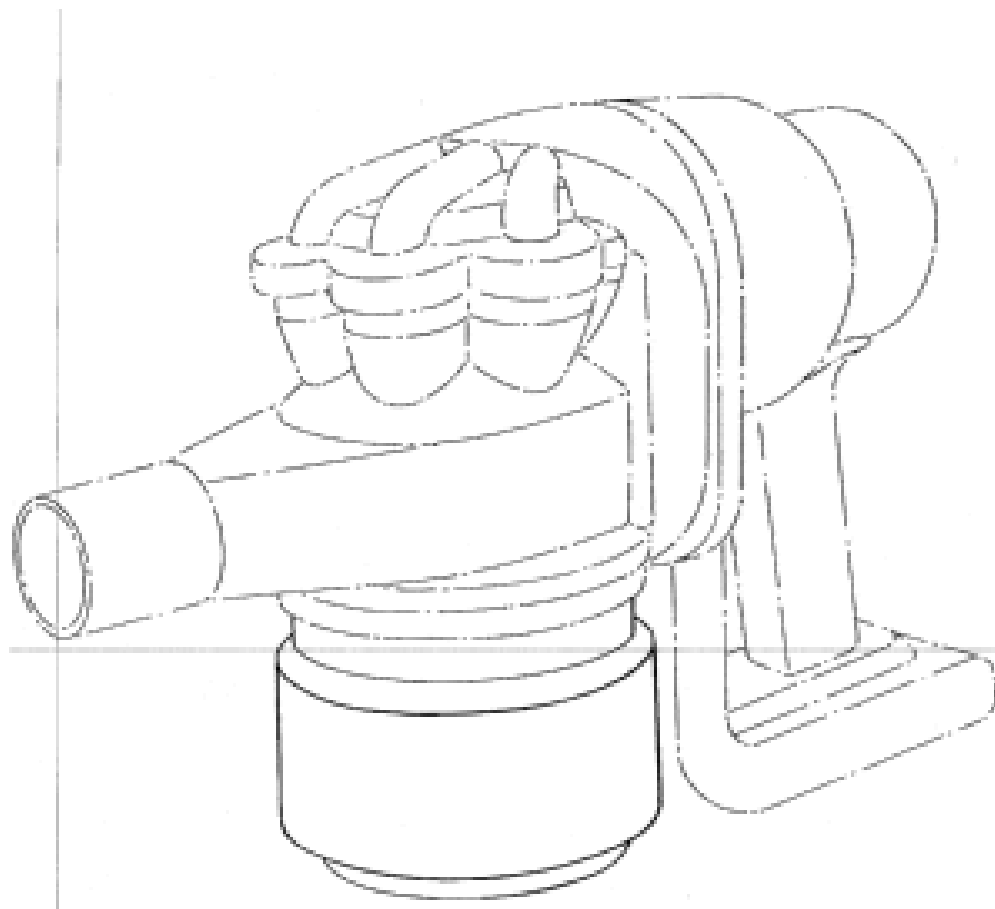


- (21) Design Number: **15950/2006**
- (22) Date of Filing Application: **29 December 2006**
- (24) Date from which industrial property rights may have effect: **29 December 2006**
- (54) Product in respect of which the design is registered: **A cleaning appliance**
- (51) International Design Classification: **15-05**
- (71) Name(s) and Address(s) of Applicant(s):
Dyson Limited
Tetbury Hill Malmesbury Wiltshire SN16 0RP United Kingdom
- (72) Name(s) of Designer(s): **James Dyson**
- (45) Registration Date: **07 March 2007**
- (30) Convention priority data:

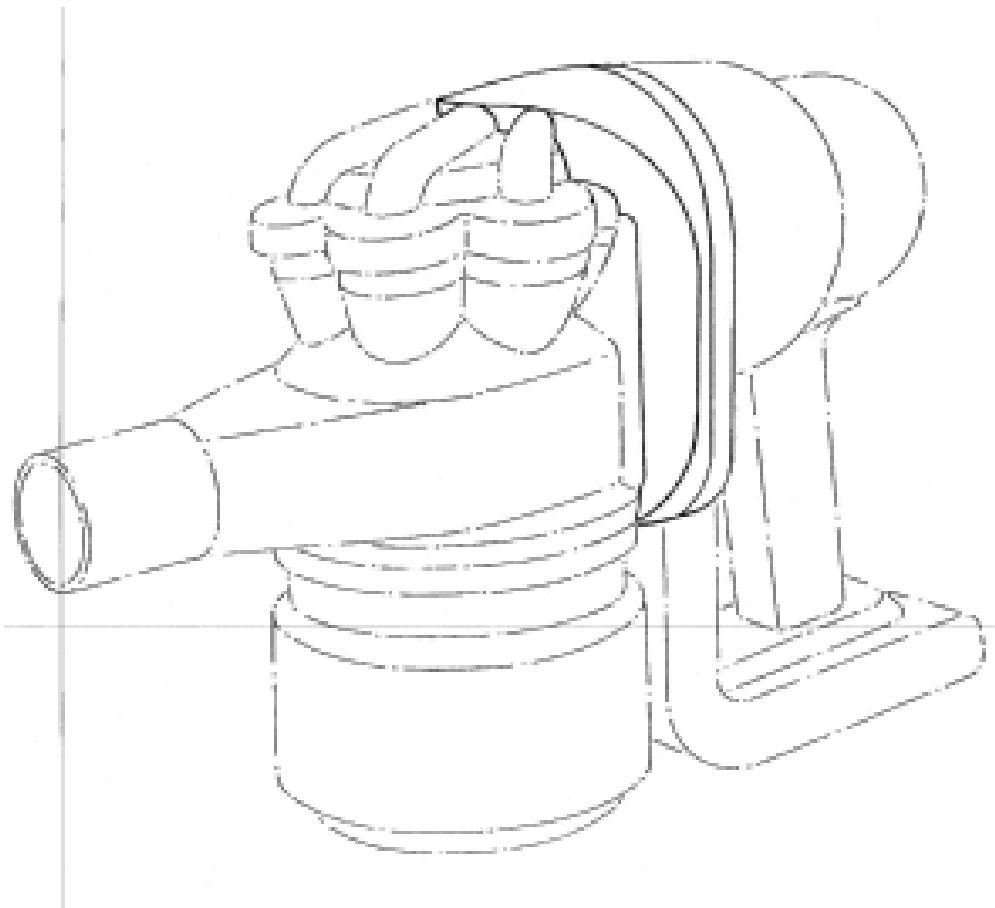
(31) Number	(32) Date	(33) Country
3025404	19 Jul 2006	UNITED KINGDOM
- (56) Related Art Documents: **Not Applicable**
- (57) Statement of Newness and Distinctiveness: **Newness and distinctiveness resides in the features of shape and/or configuration of the inlet for a cleaning appliance as illustrated in the accompanying representations. The features shown in broken outline do not form part of the design.**



(21) Design Number: **15951/2006**
 (22) Date of Filing Application: **29 December 2006**
 (24) Date from which industrial property rights may have effect: **29 December 2006**
 (54) Product in respect of which the design is registered: **A cleaning appliance**
 (51) International Design Classification: **15-05**
 (71) Name(s) and Address(s) of Applicant(s):
Dyson Limited
Tetbury Hill Malmesbury Wiltshire SN16 0RP United Kingdom
 (72) Name(s) of Designer(s): **Michael James Peace and William Robert James White**
 (45) Registration Date: **07 March 2007**
 (30) Convention priority data:
 (31) Number (32) Date (33) Country
3025403 19 Jul 2006 UNITED KINGDOM
 (56) Related Art Documents: **Not Applicable**
 (57) Statement of Newness and Distinctiveness: **Newness and distinctiveness reside in the features of shape and/or configuration of the bin for a cleaning appliance as illustrated in the accompanying representations. The features shown in broken outline do not form part of the design.**



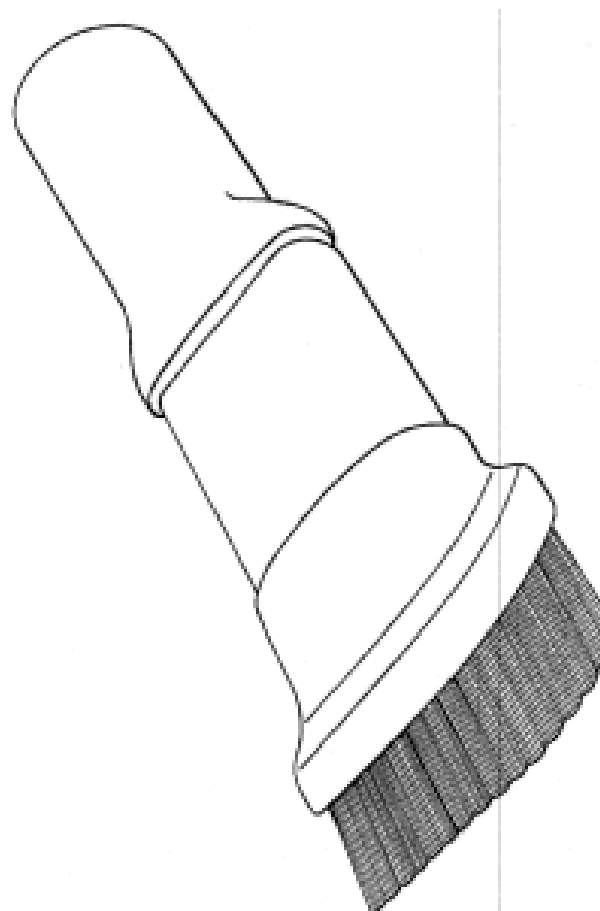
(21) Design Number: **15952/2006**
 (22) Date of Filing Application: **30 October 2006**
 (24) Date from which industrial property rights may have effect: **30 October 2006**
 (54) Product in respect of which the design is registered: **A cleaning appliance**
 (51) International Design Classification: **15-05**
 (71) Name(s) and Address(s) of Applicant(s):
Dyson Limited
Tetbury Hill Malmesbury Wiltshire SN16 0RP United Kingdom
 (72) Name(s) of Designer(s): **Michael James Peace and William Robert James White**
 (45) Registration Date: **07 March 2007**
 (30) Convention priority data:
 (31) Number (32) Date (33) Country
3025402 19 Jul 2006 UNITED KINGDOM
 (56) Related Art Documents: **Not Applicable**
 (57) Statement of Newness and Distinctiveness: **Newness and distinctiveness resides in the features of shape and/or configuration of the filter housing for a cleaning appliance as illustrated in the accompanying representations. The features shown in broken outline do not form part of the design.**



(21) Design Number: **15953/2006**
 (22) Date of Filing Application: **30 October 2006**
 (24) Date from which industrial property rights may have effect: **30 October 2006**
 (54) Product in respect of which the design is registered: **A tool for a cleaning appliance**
 (51) International Design Classification: **08-05NES**
 (71) Name(s) and Address(s) of Applicant(s):
Dyson Limited
Tetbury Hill Malmesbury Wiltshire SN16 0RP United Kingdom
 (72) Name(s) of Designer(s): **Michael James Peace**
 (45) Registration Date: **07 March 2007**
 (30) Convention priority data:

(31) Number	(32) Date	(33) Country
3025399	19 Jul 2006	UNITED KINGDOM

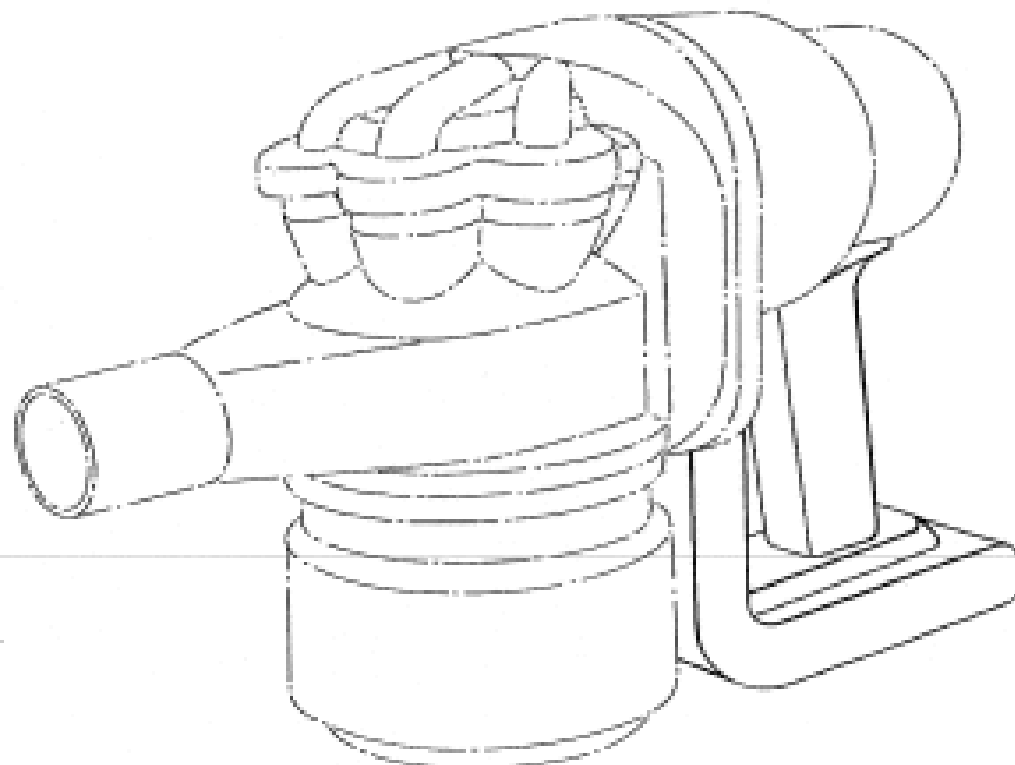
 (56) Related Art Documents: **Not Applicable**
 (57) Statement of Newness and Distinctiveness: **Newness and distinctiveness resides in the features of shape and/or configuration of the tool for a cleaning appliance as shown in the accompanying representations.**



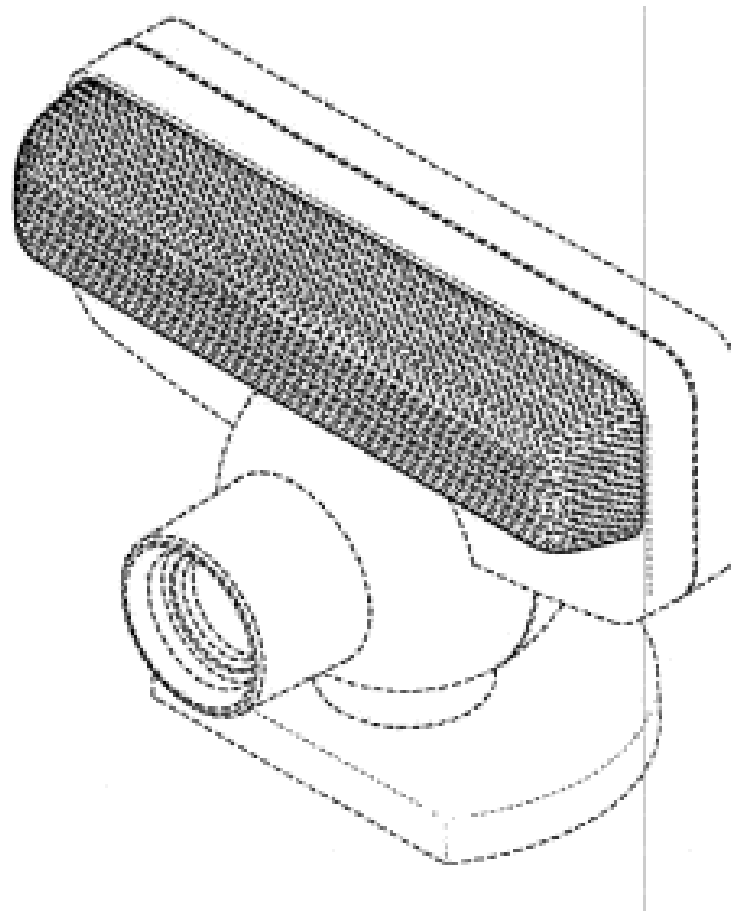
(21) Design Number: **15954/2006**
 (22) Date of Filing Application: **29 December 2006**
 (24) Date from which industrial property rights may have effect: **29 December 2006**
 (54) Product in respect of which the design is registered: **A cleaning appliance**
 (51) International Design Classification: **15-05**
 (71) Name(s) and Address(s) of Applicant(s):
Dyson Limited
Tetbury Hill Malmesbury Wiltshire SN16 0RP United Kingdom
 (72) Name(s) of Designer(s): **James Dyson and Peter David Gammack**
 (45) Registration Date: **07 March 2007**
 (30) Convention priority data:

(31) Number	(32) Date	(33) Country
3025401	19 Jul 2006	UNITED KINGDOM

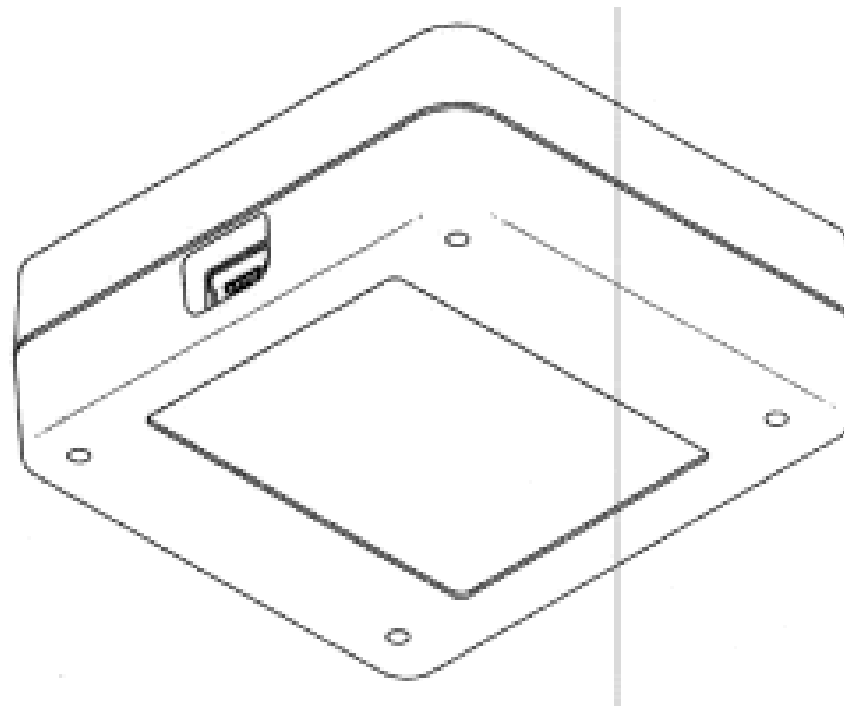
 (56) Related Art Documents: **Not Applicable**
 (57) Statement of Newness and Distinctiveness: **Newness and distinctiveness resides in the shape and/or configuration of the handle of a cleaning appliance as illustrated in the accompanying representations. The features shown in broken outline do not form part of the design.**



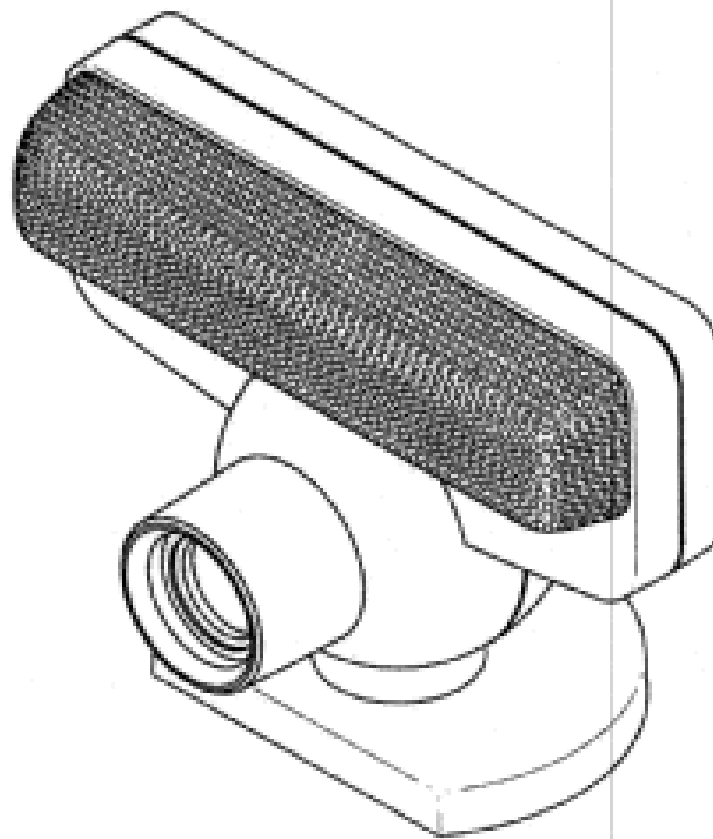
- (21) Design Number: **15958/2006**
(22) Date of Filing Application: **29 December 2006**
(24) Date from which industrial property rights may have effect: **29 December 2006**
(54) Product in respect of which the design is registered: **Camera with microphone**
(51) International Design Classification: **14-01**
(71) Name(s) and Address(s) of Applicant(s):
Sony Computer Entertainment Inc.
2-6-21 Minami-Aoyama Minato-ku Tokyo 107-0062 Japan
(72) Name(s) of Designer(s): **Teiyu Goto**
(45) Registration Date: **07 March 2007**
(30) Convention priority data:
(31) Number (32) Date (33) Country
2006-025317 21 Sep 2006 JAPAN
(56) Related Art Documents: **Not Applicable**
(57) Statement of Newness and Distinctiveness: **Newness and distinctiveness resides in the shape and/or configuration of a camera with microphone as illustrated in the accompanying representations. The features shown in broken lines are for illustrative purposes only and do not form part of the design.**



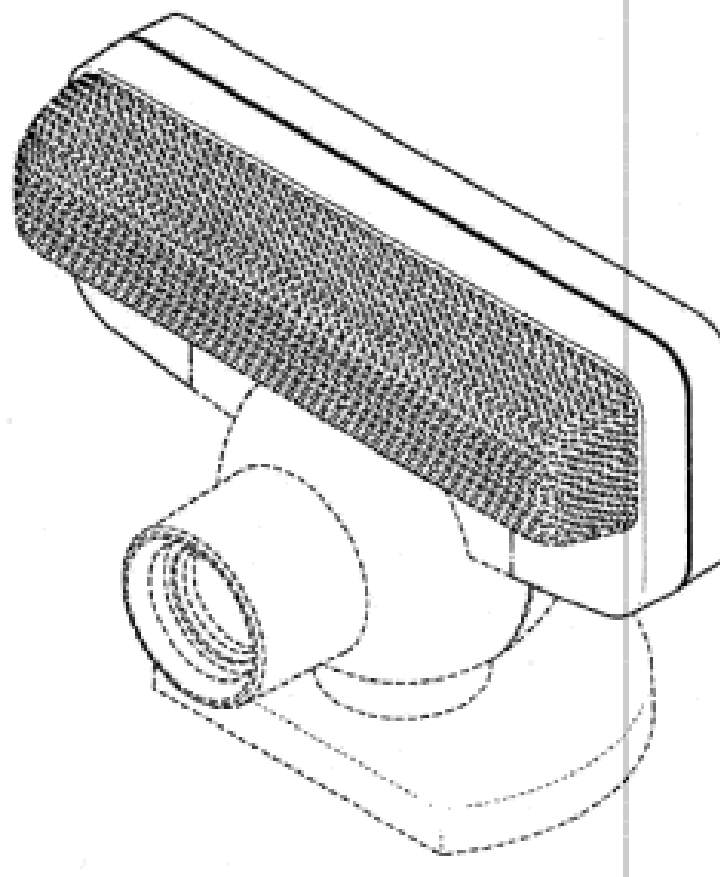
- (21) Design Number: **15959/2006**
(22) Date of Filing Application: **29 December 2006**
(24) Date from which industrial property rights may have effect: **29 December 2006**
(54) Product in respect of which the design is registered: **Adapter for memory card**
(51) International Design Classification: **14-02**
(71) Name(s) and Address(s) of Applicant(s):
Sony Computer Entertainment Inc.
2-6-21 Minami-Aoyama Minato-ku Tokyo 107-0062 Japan
(72) Name(s) of Designer(s): **Teiyu Goto**
(45) Registration Date: **07 March 2007**
(30) Convention priority data:
(31) Number (32) Date (33) Country
2006-024267 12 Sep 2006 JAPAN
(56) Related Art Documents: **Not Applicable**
(57) Statement of Newness and Distinctiveness: **Newness and distinctiveness resides in the shape and/or configuration of an adapter for memory card as illustrated in the accompanying representations.**



- (21) Design Number: **15960/2006**
(22) Date of Filing Application: **29 December 2006**
(24) Date from which industrial property rights may have effect: **29 December 2006**
(54) Product in respect of which the design is registered: **Camera with microphone**
(51) International Design Classification: **14-01**
(71) Name(s) and Address(s) of Applicant(s):
Sony Computer Entertainment Inc.
2-6-21 Minami-Aoyama Minato-ku Tokyo 107-0062 Japan
(72) Name(s) of Designer(s): **Teiyu Goto**
(45) Registration Date: **07 March 2007**
(30) Convention priority data:
(31) Number (32) Date (33) Country
2006-025315 21 Sep 2006 JAPAN
(56) Related Art Documents: **Not Applicable**
(57) Statement of Newness and Distinctiveness: **Newness and distinctiveness resides in the shape and/or configuration of a camera with microphone as illustrated in the accompanying representations.**



- (21) Design Number: **15961/2006**
(22) Date of Filing Application: **29 December 2006**
(24) Date from which industrial property rights may have effect: **29 December 2006**
(54) Product in respect of which the design is registered: **Camera with microphone**
(51) International Design Classification: **14-01**
(71) Name(s) and Address(s) of Applicant(s):
Sony Computer Entertainment Inc.
2-6-21 Minami-Aoyama Minato-ku Tokyo 107-0062 Japan
(72) Name(s) of Designer(s): **Teiyu Goto**
(45) Registration Date: **07 March 2007**
(30) Convention priority data:
(31) Number (32) Date (33) Country
2006-025316 21 Sep 2006 JAPAN
(56) Related Art Documents: **Not Applicable**
(57) Statement of Newness and Distinctiveness: **Newness and distinctiveness resides in the shape and/or configuration of a camera with microphone as illustrated in the accompanying representations. The features shown in broken lines are for illustrative purposes only and do not form part of the design.**



- (21) Design Number: **15962/2006**
(22) Date of Filing Application: **29 December 2006**
(24) Date from which industrial property rights may have effect: **29 December 2006**
(54) Product in respect of which the design is registered: **Case for hard disc drive**
(51) International Design Classification: **14-02**
(71) Name(s) and Address(s) of Applicant(s):

Sony Computer Entertainment Inc.
2-6-21 Minami-Aoyama Minato-ku Tokyo 107-0062 Japan

(72) Name(s) of Designer(s): **Ichiro Sasaki**

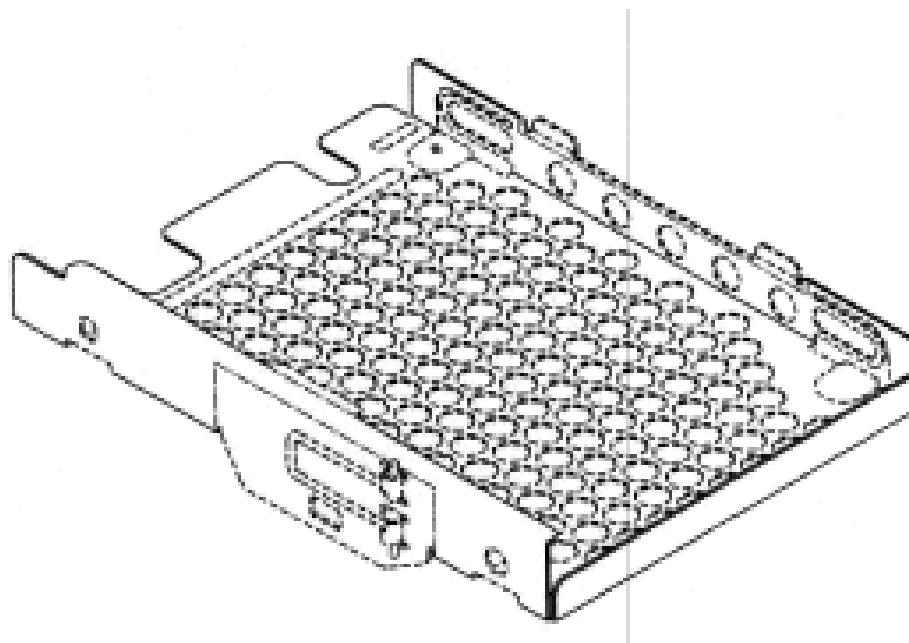
(45) Registration Date: **07 March 2007**

(30) Convention priority data:

(31) Number	(32) Date	(33) Country
2006-021676	14 Aug 2006	JAPAN

(56) Related Art Documents: **Not Applicable**

(57) Statement of Newness and Distinctiveness: **Newness and distinctiveness resides in the shape and/or configuration of a case for hard disk drive as illustrated in the accompanying representations. The features shown in broken lines are for illustrative purposes only and do not form part of the design.**



- (21) Design Number: **15882/2006**
(22) Date of Filing Application: **22 December 2006**
(24) Date from which industrial property rights may have effect: **22 December 2006**
(54) Product in respect of which the design is registered: **Bag**
(51) International Design Classification: **03-01A**
(71) Name(s) and Address(s) of Applicant(s):

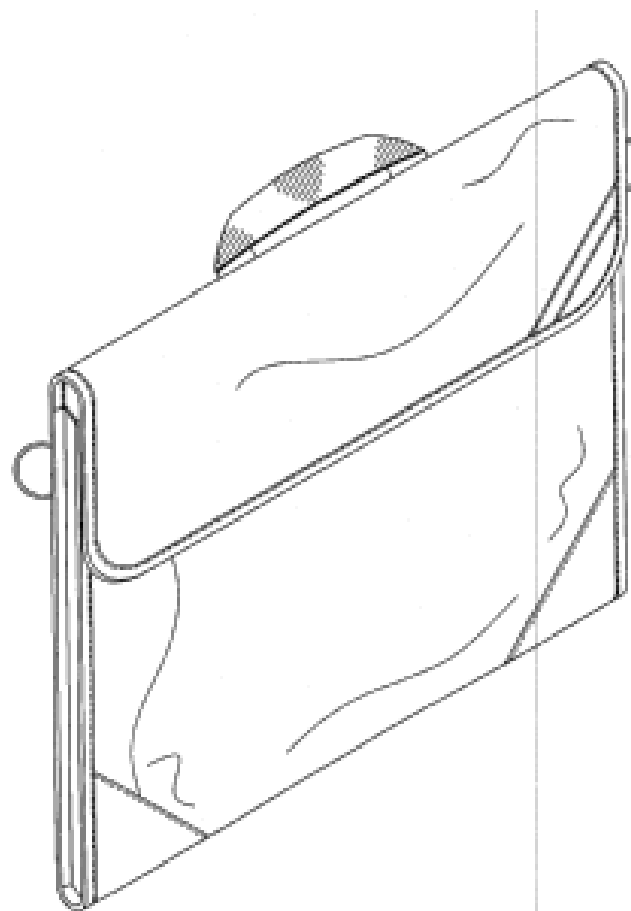
Harlequin International Group Pty Ltd
Unit 6 54-56 Albany Street Crows Nest New South Wales 2065
Australia

(72) Name(s) of Designer(s): **Penelope Montague**

(45) Registration Date: **07 March 2007**

(56) Related Art Documents: **Not Applicable**

(57) Statement of Newness and Distinctiveness: **Newness and distinctiveness resides in the features of shape and/or configuration and/or pattern and/or ornamentation of the bag illustrated in the accompanying representations.**



(21) Design Number: **15276/2006**
(22) Date of Filing Application: **16 November 2006**
(24) Date from which industrial property rights may have effect: **16 November 2006**
(54) Product in respect of which the design is registered: **Milking device**
(51) International Design Classification: **15-03C**
(71) Name(s) and Address(s) of Applicant(s):
WestfaliaSurge GmbH.
Siemensstrasse 25-27 59199 Bonen Germany
(72) Name(s) of Designer(s): **Michael Beretzen and Anne Schulze Schwering and Martin Neumann**
(45) Registration Date: **12 March 2007**
(30) Convention priority data:
(31) Number (32) Date (33) Country
000530506 17 May 2006 EUROPEAN COMMUNITY
(56) Related Art Documents: **Not Applicable**
(57) Statement of Newness and Distinctiveness: **Those features of the milking device depicted in the representations that are new and distinctive are the shape and/or configuration. The word "WestfaliaSurge" is to be disregarded when considering the overall impression of the design.**



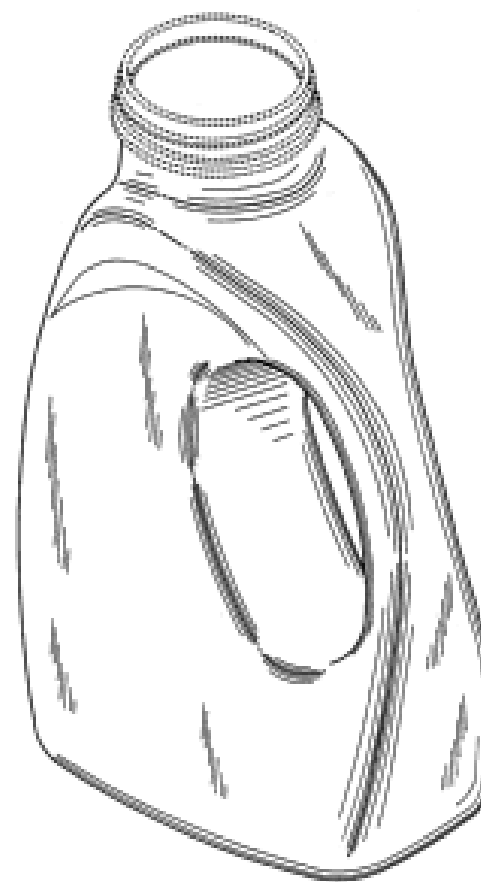
(21) Design Number: **15559/2006**
(22) Date of Filing Application: **04 December 2006**
(24) Date from which industrial property rights may have effect: **04 December 2006**
(54) Product in respect of which the design is registered: **Vacuum cleaner**
(51) International Design Classification: **15-05**
(71) Name(s) and Address(s) of Applicant(s):
Morphy Richards Ltd
Swinton Works Talbot Road Mexborough South Yorkshire S64 8AJ
United Kingdom
(72) Name(s) of Designer(s): **Guy Hauser**
(45) Registration Date: **12 March 2007**
(30) Convention priority data:
(31) Number (32) Date (33) Country
000540521 07 Jun 2006 EUROPEAN COMMUNITY
(56) Related Art Documents: **Not Applicable**
(57) Statement of Newness and Distinctiveness: **The new and distinct features are the features of shape and configuration of the vacuum cleaner as shown in the representations.**



(19) AU

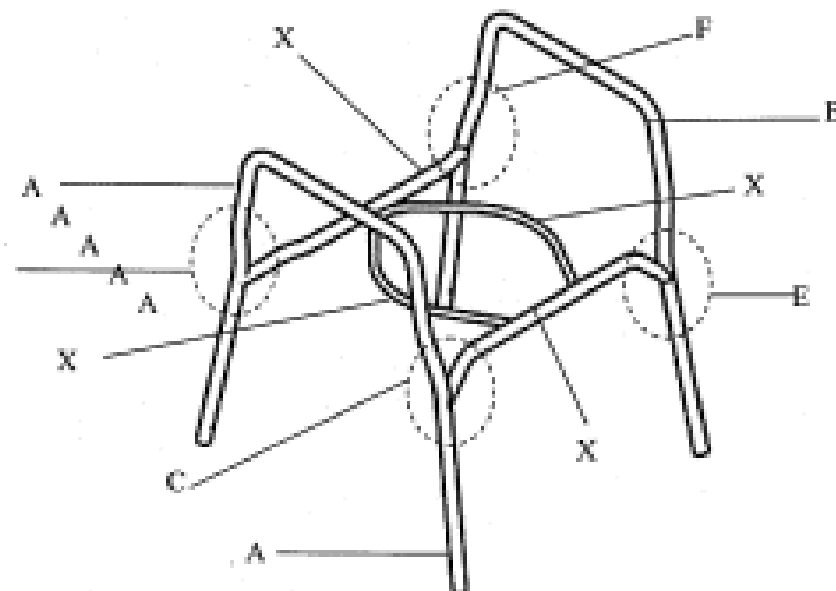
- (21) Design Number: **15946/2006**
- (22) Date of Filing Application: **19 December 2006**
- (24) Date from which industrial property rights may have effect: **19 December 2006**
- (54) Product in respect of which the design is registered: **Bottle**
- (51) International Design Classification: **09-01B**
- (71) Name(s) and Address(s) of Applicant(s):
General Mills, Inc.
Number One General Mills Blvd Minneapolis MN 55426 United States of America
- (72) Name(s) of Designer(s): **Arne H. Brauner and Thomas J. Arthur and Karen Wilcox**
- (45) Registration Date: **12 March 2007**
- (30) Convention priority data:

(31) Number	(32) Date	(33) Country
29/247,621	29 Jun 2006	UNITED STATES OF AMERICA
- (56) Related Art Documents: **Not Applicable**
- (57) Statement of Newness and Distinctiveness: **Newness and distinctiveness is claimed in the visual features shown in solid lines in the representations.**

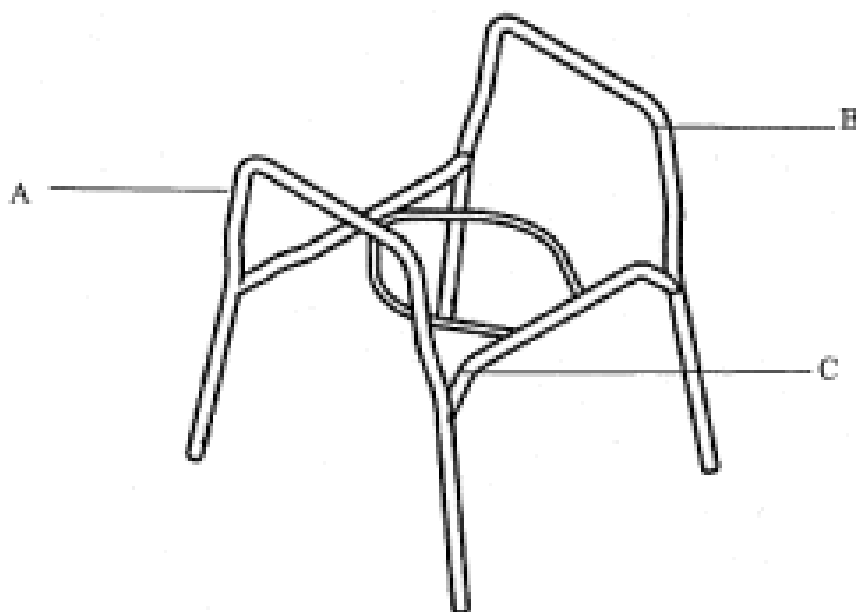


(19) AU

- (21) Design Number: **15945/2006**
- (22) Date of Filing Application: **22 December 2006**
- (24) Date from which industrial property rights may have effect: **22 December 2006**
- (54) Product in respect of which the design is registered: **Side frame for an invalid seat**
- (51) International Design Classification: **06-06H**
- (71) Name(s) and Address(s) of Applicant(s):
Mohamed Ismail Cajee
PO Box 237 Springwood Queensland 4127 Australia
- (72) Name(s) of Designer(s): **Yusef Cajee**
- (45) Registration Date: **12 March 2007**
- (56) Related Art Documents: **Not Applicable**
- (57) Statement of Newness and Distinctiveness: **The newness and distinctiveness resides in the shape and configuration of the side frame for an invalid seat. The representations show a complete frame. The bracing and members marked X are to be disregarded. The side frames marked A and B respectively are to be considered for the determination of the newness and distinctiveness, in particular the shape of the stepped portion of the side frames, marked C, D and E, F respectively.**

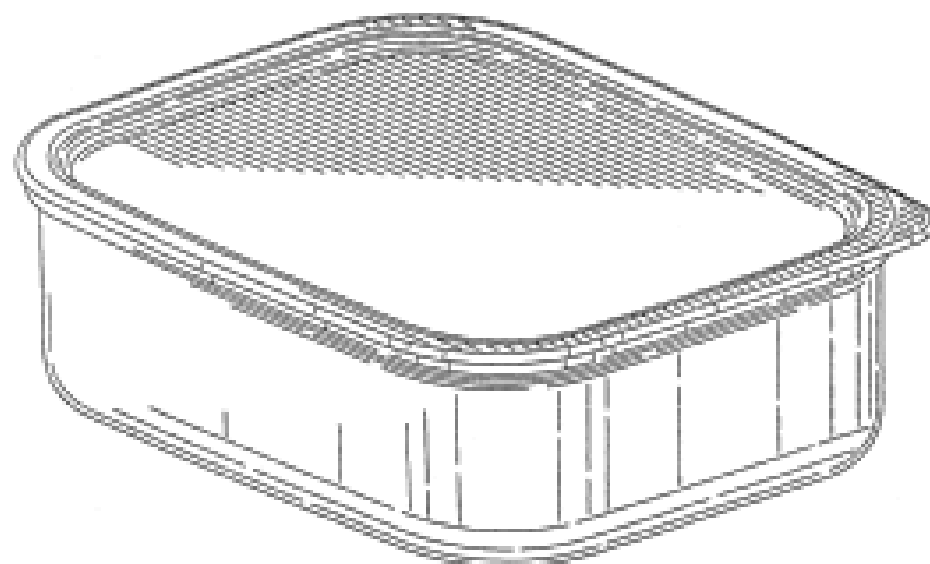


- (21) Design Number: **15944/2006**
- (22) Date of Filing Application: **22 December 2006**
- (24) Date from which industrial property rights may have effect: **22 December 2006**
- (54) Product in respect of which the design is registered: **Frame for an invalid seat**
- (51) International Design Classification: **06-06H**
- (71) Name(s) and Address(s) of Applicant(s):
Mohamed Ismail Cajee
PO Box 237 Springwood Queensland 4127 Australia
- (72) Name(s) of Designer(s): **Yusef Cajee**
- (45) Registration Date: **12 March 2007**
- (56) Related Art Documents: **Not Applicable**
- (57) Statement of Newness and Distinctiveness: **The newness and distinctiveness resides in the shape and configuration of the frame for an invalid seat. In construing the newness and distinctiveness, particular regard is to be taken of the side frames marked A and B respectively and one of the braces having turned down ends marked C. The shape and configuration of any other braces or members is to be disregarded.**



- (21) Design Number: **15942/2006**
- (22) Date of Filing Application: **29 December 2006**
- (24) Date from which industrial property rights may have effect: **29 December 2006**
- (54) Product in respect of which the design is registered: **Covered container**
- (51) International Design Classification: **09-03NES**
- (71) Name(s) and Address(s) of Applicant(s):
Dart Industries Inc
14901 S. Orange Blossom Trail Orlando Florida 32837 United States of America
- (72) Name(s) of Designer(s): **Famia E. Ablo and Victor J.J. Cautereels**
- (45) Registration Date: **12 March 2007**
- (30) Convention priority data:

(31) Number	(32) Date	(33) Country
29/263,466	24 Jul 2006	UNITED STATES OF AMERICA
- (56) Related Art Documents: **Not Applicable**
- (57) Statement of Newness and Distinctiveness: **Those features of the covered container depicted in the representations that are new and distinctive are the shape and/or configuration.**



(21) Design Number: **15941/2006**
 (22) Date of Filing Application: **29 December 2006**
 (24) Date from which industrial property rights may have effect: **29 December 2006**
 (54) Product in respect of which the design is registered: **Cover**
 (51) International Design Classification: **09-07NES**
 (71) Name(s) and Address(s) of Applicant(s):
Dart Industries Inc
14901 S. Orange Blossom Trail Orlando Florida 32837 United States of America
 (72) Name(s) of Designer(s): **Famia E. Ablo and Victor J.J. Cautereels**
 (45) Registration Date: **12 March 2007**
 (30) Convention priority data:

(31) Number	(32) Date	(33) Country
29/263,483	24 Jul 2006	UNITED STATES OF AMERICA

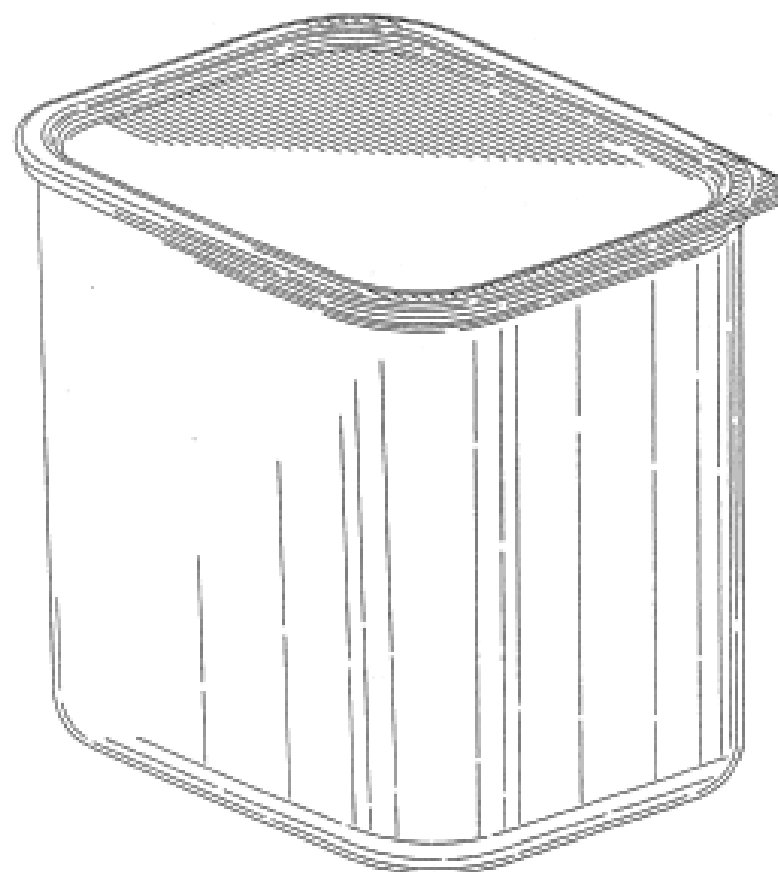
 (56) Related Art Documents: **Not Applicable**
 (57) Statement of Newness and Distinctiveness: **Those features of the cover depicted in the representations that are new and distinctive are the shape and/or configuration.**



(21) Design Number: **15940/2006**
 (22) Date of Filing Application: **29 December 2006**
 (24) Date from which industrial property rights may have effect: **29 December 2006**
 (54) Product in respect of which the design is registered: **Covered container**
 (51) International Design Classification: **09-03NES**
 (71) Name(s) and Address(s) of Applicant(s):
Dart Industries Inc
14901 S. Orange Blossom Trail Orlando Florida 32837 United States of America
 (72) Name(s) of Designer(s): **Famia E. Ablo and Victor J.J. Cautereels**
 (45) Registration Date: **12 March 2007**
 (30) Convention priority data:

(31) Number	(32) Date	(33) Country
29/263,466	24 Jul 2006	UNITED STATES OF AMERICA

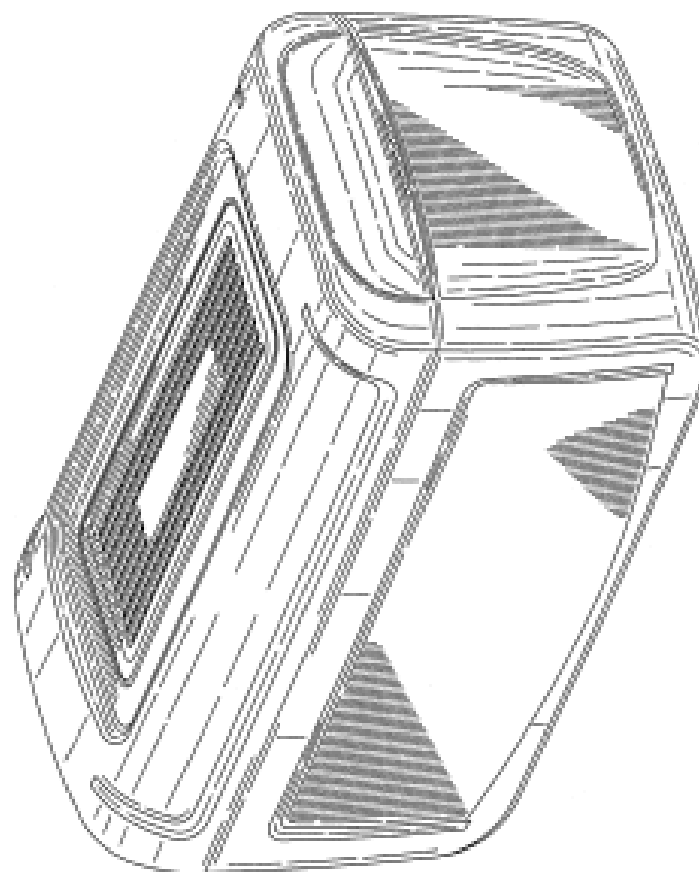
 (56) Related Art Documents: **Not Applicable**
 (57) Statement of Newness and Distinctiveness: **Those features of the covered container depicted in the representations that are new and distinctive are the shape and/or configuration.**



(21) Design Number: **15939/2006**
 (22) Date of Filing Application: **29 December 2006**
 (24) Date from which industrial property rights may have effect: **29 December 2006**
 (54) Product in respect of which the design is registered: **Covered container**
 (51) International Design Classification: **09-03M**
 (71) Name(s) and Address(s) of Applicant(s):
Dart Industries Inc
14901 S. Orange Blossom Trail Orlando Florida 32837 United States of America
 (72) Name(s) of Designer(s): **Jan-Hendrik de Groote**
 (45) Registration Date: **12 March 2007**
 (30) Convention priority data:

(31) Number	(32) Date	(33) Country
29/264,175	04 Aug 2006	UNITED STATES OF AMERICA

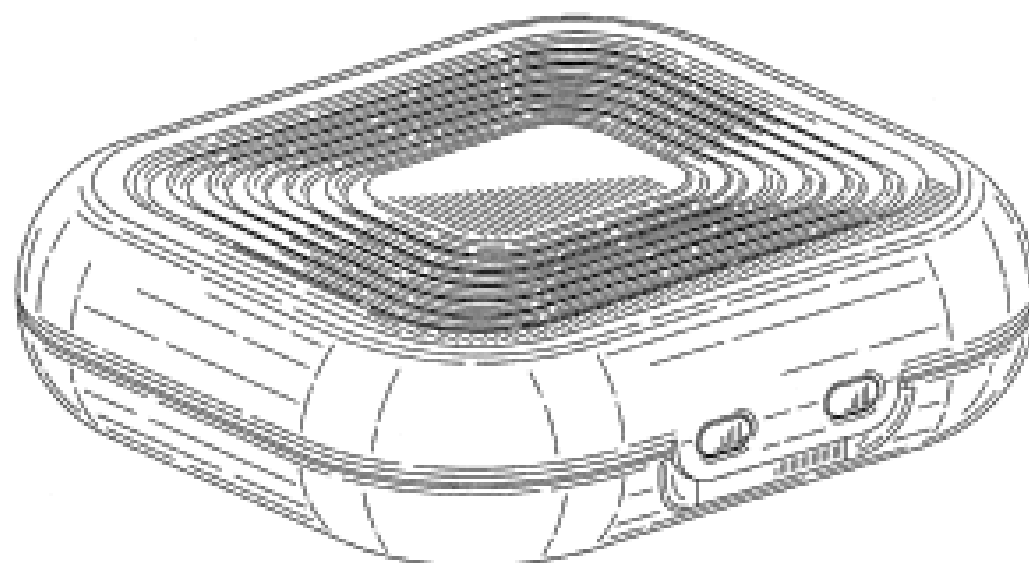
 (56) Related Art Documents: **Not Applicable**
 (57) Statement of Newness and Distinctiveness: **Those features of the covered container depicted in the representations that are new and distinctive are the shape and/or configuration.**



(21) Design Number: **15938/2006**
 (22) Date of Filing Application: **29 December 2006**
 (24) Date from which industrial property rights may have effect: **29 December 2006**
 (54) Product in respect of which the design is registered: **Hinged container**
 (51) International Design Classification: **09-03NES**
 (71) Name(s) and Address(s) of Applicant(s):
Dart Industries Inc
14901 S. Orange Blossom Trail Orlando Florida 32837 United States of America
 (72) Name(s) of Designer(s): **Vincent Jalet**
 (45) Registration Date: **12 March 2007**
 (30) Convention priority data:

(31) Number	(32) Date	(33) Country
29/263,793	28 Jul 2006	UNITED STATES OF AMERICA

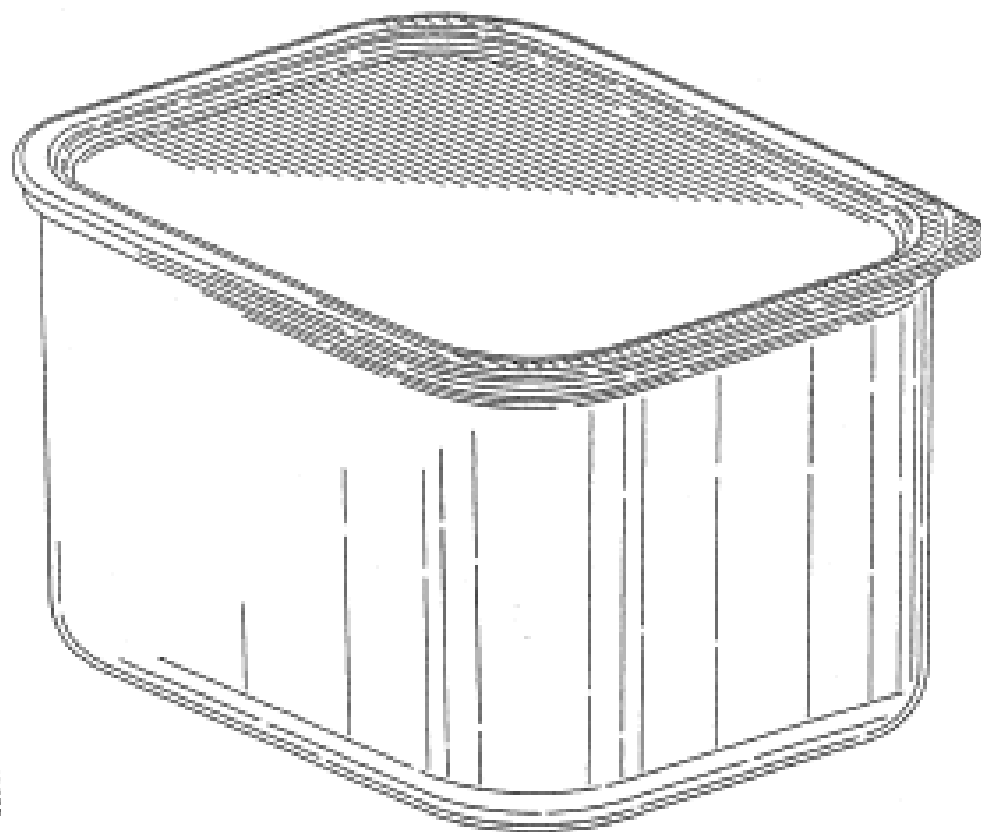
 (56) Related Art Documents: **Not Applicable**
 (57) Statement of Newness and Distinctiveness: **Those features of the hinged container depicted in the representations that are new and distinctive are the shape and/or configuration.**



(21) Design Number: **15937/2006**
 (22) Date of Filing Application: **29 December 2006**
 (24) Date from which industrial property rights may have effect: **29 December 2006**
 (54) Product in respect of which the design is registered: **Covered container**
 (51) International Design Classification: **07-01NES**
 (71) Name(s) and Address(s) of Applicant(s):
Dart Industries Inc
14901 S. Orange Blossom Trail Orlando Florida 32837 United States of America
 (72) Name(s) of Designer(s): **Famia E. Ablo and Victor J.J. Cautereels**
 (45) Registration Date: **12 March 2007**
 (30) Convention priority data:

(31) Number	(32) Date	(33) Country
29/263,466	24 Jul 2006	UNITED STATES OF AMERICA

 (56) Related Art Documents: **Not Applicable**
 (57) Statement of Newness and Distinctiveness: **Those features of the covered container depicted in the representations that are new and distinctive are the shape and/or configuration.**



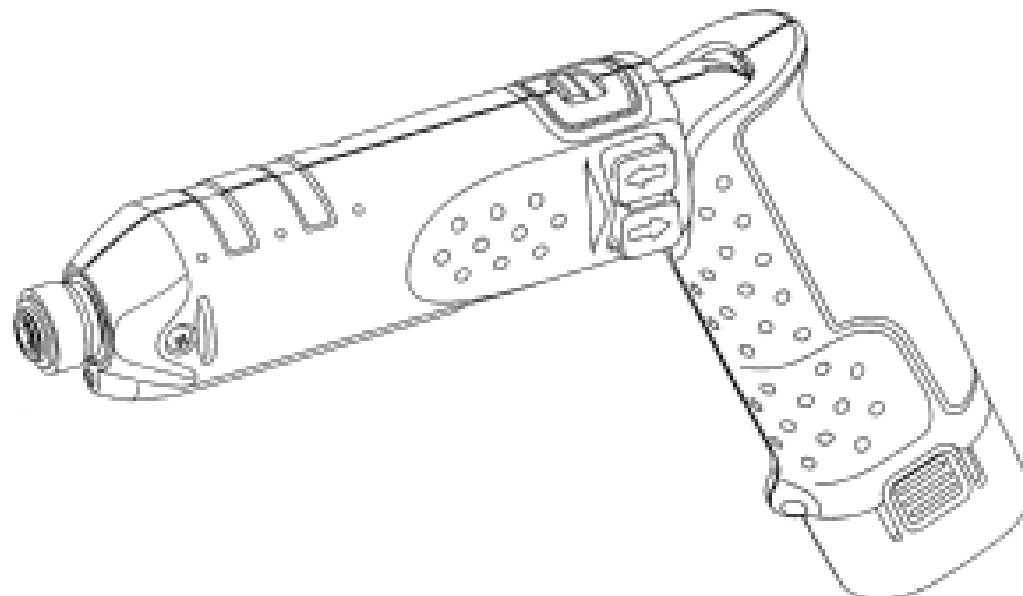
(21) Design Number: **15936/2006**
 (22) Date of Filing Application: **29 December 2006**
 (24) Date from which industrial property rights may have effect: **29 December 2006**
 (54) Product in respect of which the design is registered: **Coffee cup multi wall paper coffee cup**
 (51) International Design Classification: **07-01D**
 (71) Name(s) and Address(s) of Applicant(s):
Da Wei Zhang
4 Yates Wynd Doncaster East Victoria 3109 Australia
 (72) Name(s) of Designer(s): **Da Wei Zhang**
 (45) Registration Date: **12 March 2007**
 (56) Related Art Documents: **Not Applicable**
 (57) Statement of Newness and Distinctiveness: **Nil**



(19) AU

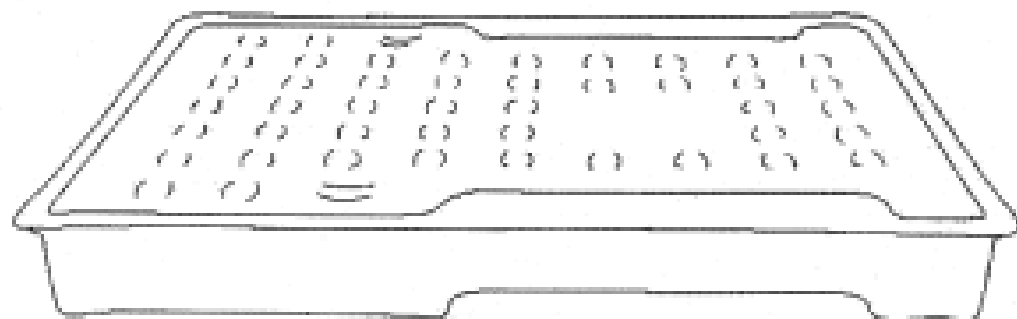
- (21) Design Number: **15935/2006**
- (22) Date of Filing Application: **29 December 2006**
- (24) Date from which industrial property rights may have effect: **29 December 2006**
- (54) Product in respect of which the design is registered: **Portable electric driver**
- (51) International Design Classification: **08-01**
- (71) Name(s) and Address(s) of Applicant(s):
Makita Corporation
11-8 Sumiyoshi-cho 3-chome ANJO-SHI Aichi-ken Japan
- (72) Name(s) of Designer(s): **Kiyozumi Kokawa and Miyabi Ito and Hidenori Nagasaka**
- (45) Registration Date: **12 March 2007**
- (30) Convention priority data:

(31) Number	(32) Date	(33) Country
2006-017429	03 Jul 2006	JAPAN
- (56) Related Art Documents: **Not Applicable**
- (57) Statement of Newness and Distinctiveness: **Nil**



(19) AU

- (21) Design Number: **15931/2006**
- (22) Date of Filing Application: **22 December 2006**
- (24) Date from which industrial property rights may have effect: **22 December 2006**
- (54) Product in respect of which the design is registered: **Mattress**
- (51) International Design Classification: **06-09**
- (71) Name(s) and Address(s) of Applicant(s):
PJwhit Pty Ltd
Unit 1/1 Akuna Drive Williamstown Victoria 3016 Australia
- (72) Name(s) of Designer(s): **Peter Whittaker**
- (45) Registration Date: **12 March 2007**
- (56) Related Art Documents: **Not Applicable**
- (57) Statement of Newness and Distinctiveness: **Nil**



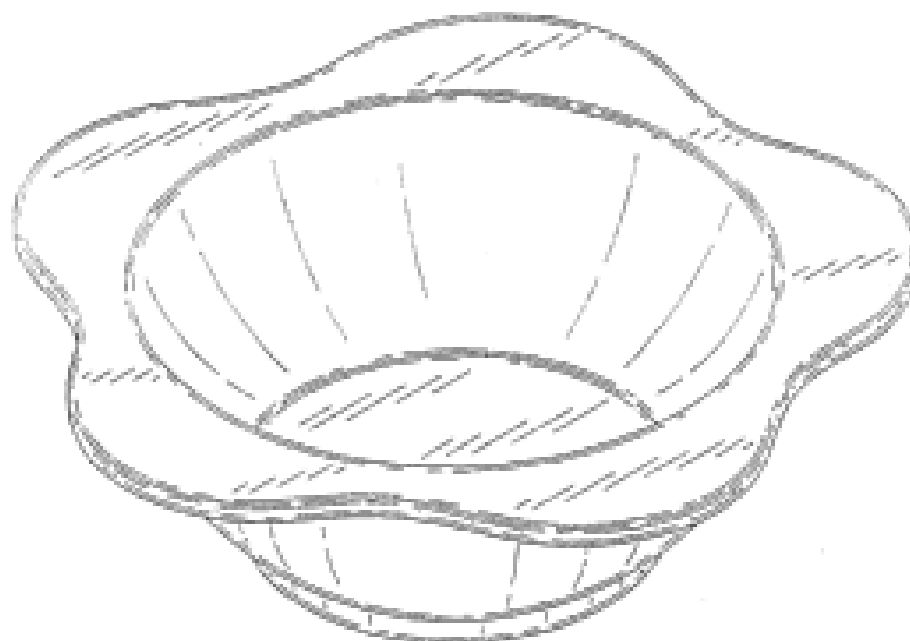
- (21) Design Number: **15925/2006**
(22) Date of Filing Application: **22 December 2006**
(24) Date from which industrial property rights may have effect: **22 December 2006**
(54) Product in respect of which the design is registered: **Bag**
(51) International Design Classification: **03-01A**
(71) Name(s) and Address(s) of Applicant(s):
Cashmere Blazer Pty Ltd
6 Chelmsford Street Kensington Victoria 3031 Australia
(72) Name(s) of Designer(s): **Stuart Neil Crumpler**
(45) Registration Date: **12 March 2007**
(56) Related Art Documents: **Not Applicable**
(57) Statement of Newness and Distinctiveness: **Nil**



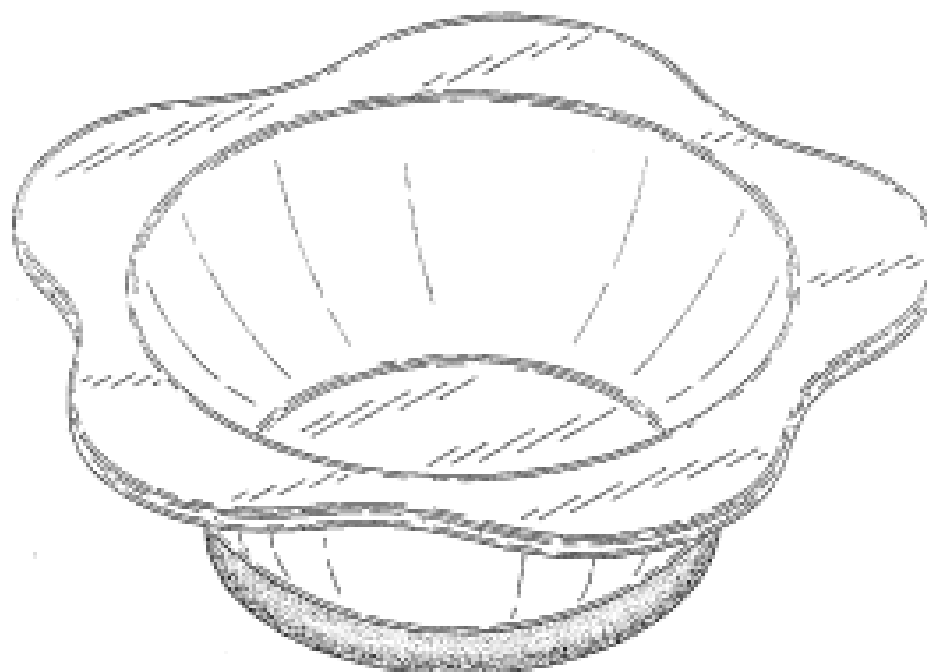
- (21) Design Number: **15924/2006**
(22) Date of Filing Application: **22 December 2006**
(24) Date from which industrial property rights may have effect: **22 December 2006**
(54) Product in respect of which the design is registered: **Bag**
(51) International Design Classification: **03-01A**
(71) Name(s) and Address(s) of Applicant(s):
Cashmere Blazer Pty Ltd
6 Chelmsford Street Kensington Victoria 3031 Australia
(72) Name(s) of Designer(s): **Stuart Neil Crumpler**
(45) Registration Date: **12 March 2007**
(56) Related Art Documents: **Not Applicable**
(57) Statement of Newness and Distinctiveness: **Nil**



- (21) Design Number: **15763/2006**
(22) Date of Filing Application: **14 December 2006**
(24) Date from which industrial property rights may have effect: **14 December 2006**
(54) Product in respect of which the design is registered: **Bowl**
(51) International Design Classification: **07-01E**
(71) Name(s) and Address(s) of Applicant(s):
Playtex Products, Inc
300 Nyala Farms Road Westport Connecticut 06880 United States of America
(72) Name(s) of Designer(s): **John Rousso and Stephen Mowers and Arden Hill and Erin-Anne Lemieux and Kevin Michael Krauss and Mark Baerenrodt**
(45) Registration Date: **12 March 2007**
(30) Convention priority data:
(31) Number (32) Date (33) Country
29/261,427 14 Jun 2006 UNITED STATES OF AMERICA
(56) Related Art Documents: **Not Applicable**
(57) Statement of Newness and Distinctiveness: **Those features of the bowl depicted in the representations that are new and distinctive are the shape and/or the configuration.**



- (21) Design Number: **16489/2007**
(22) Date of Filing Application: **14 December 2006**
(24) Date from which industrial property rights may have effect: **14 December 2006**
(54) Product in respect of which the design is registered: **Bowl**
(51) International Design Classification: **07-01E**
(71) Name(s) and Address(s) of Applicant(s):
Playtex Products, Inc
300 Nyala Farms Road Westport Connecticut 06880 United States of America
(72) Name(s) of Designer(s): **John Rousso and Stephen Mowers and Arden Hill and Erin-Anne Lemieux and Kevin Michael Krauss and Mark Baerenrodt**
(45) Registration Date: **12 March 2007**
(30) Convention priority data:
(31) Number (32) Date (33) Country
29/261,427 14 Jun 2006 UNITED STATES OF AMERICA
(56) Related Art Documents: **Not Applicable**
(57) Statement of Newness and Distinctiveness: **Those features of the bowl depicted in the representations that are new and distinctive are the shape and/or configuration.**



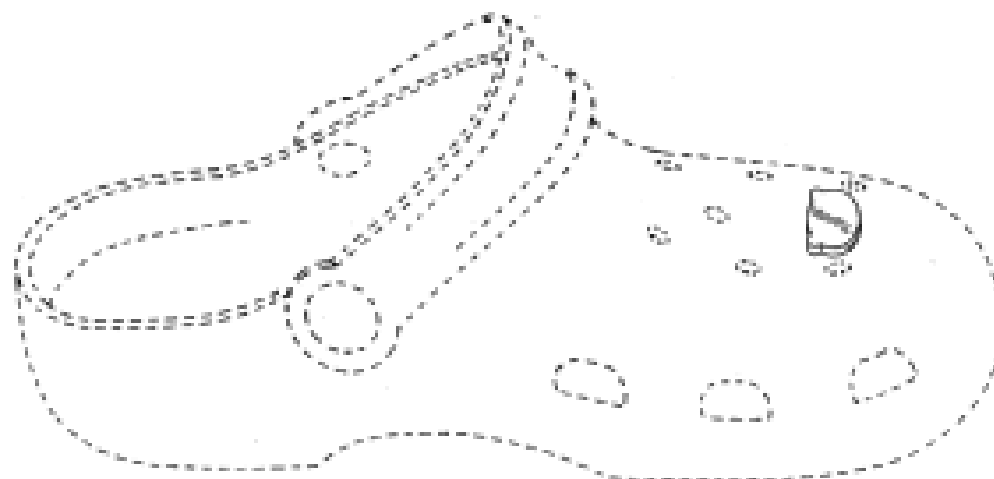
- (21) Design Number: **15923/2006**
(22) Date of Filing Application: **22 December 2006**
(24) Date from which industrial property rights may have effect: **22 December 2006**
(54) Product in respect of which the design is registered: **Bag**
(51) International Design Classification: **03-01A**
(71) Name(s) and Address(s) of Applicant(s):
Cashmere Blazer Pty Ltd
6 Chelmsford Street Kensington Victoria 3031 Australia
(72) Name(s) of Designer(s): **Stuart Neil Crumpler**
(45) Registration Date: **12 March 2007**
(56) Related Art Documents: **Not Applicable**
(57) Statement of Newness and Distinctiveness: **Nil**



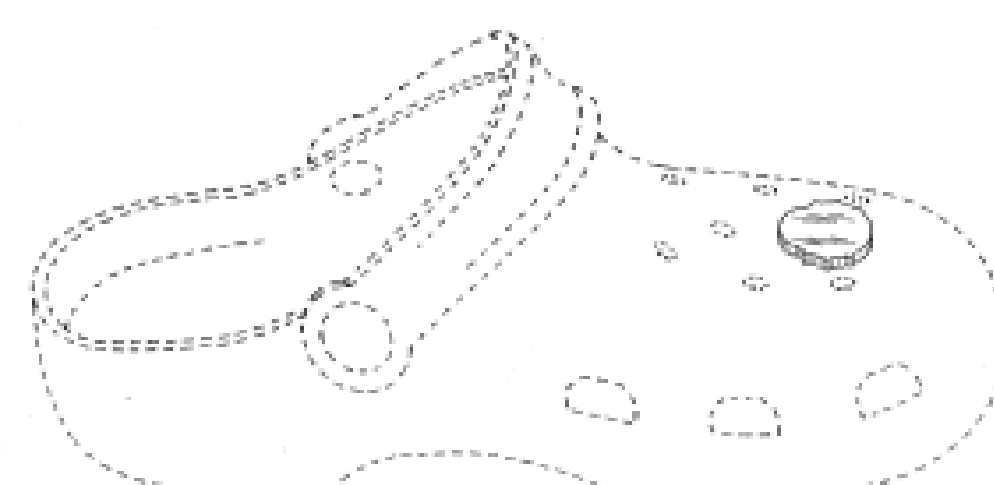
- (21) Design Number: **15922/2006**
(22) Date of Filing Application: **22 December 2006**
(24) Date from which industrial property rights may have effect: **22 December 2006**
(54) Product in respect of which the design is registered: **Bag**
(51) International Design Classification: **03-01A**
(71) Name(s) and Address(s) of Applicant(s):
Cashmere Blazer Pty Ltd
6 Chelmsford Street Kensington Victoria 3031 Australia
(72) Name(s) of Designer(s): **Stuart Neil Crumpler**
(45) Registration Date: **12 March 2007**
(56) Related Art Documents: **Not Applicable**
(57) Statement of Newness and Distinctiveness: **Nil**



- (21) Design Number: **15867/2006**
(22) Date of Filing Application: **21 December 2006**
(24) Date from which industrial property rights may have effect: **17 October 2006**
(54) Product in respect of which the design is registered: **Shoe accessory**
(51) International Design Classification: **02-04NES**
(71) Name(s) and Address(s) of Applicant(s):
Jibbitz, LLC
3052 Sterling Circle Boulder Colorado 80301 United States of America
(72) Name(s) of Designer(s): **Richard Schmelzer and Sheri Schmelzer**
(45) Registration Date: **12 March 2007**
(62) Divisional of: **312602**
(56) Related Art Documents: **Not Applicable**
(57) Statement of Newness and Distinctiveness: **The newness and distinctiveness of the design resides in the features of shape and/or configuration of the shoe accessory shown in unbroken lines in the accompanying representations. The shoe shown in broken outline forms no part of the design.**



- (21) Design Number: **15868/2006**
(22) Date of Filing Application: **21 December 2006**
(24) Date from which industrial property rights may have effect: **17 October 2006**
(54) Product in respect of which the design is registered: **Shoe accessory**
(51) International Design Classification: **02-04NES**
(71) Name(s) and Address(s) of Applicant(s):
Jibbitz, LLC
3052 Sterling Circle Boulder Colorado 80301 United States of America
(72) Name(s) of Designer(s): **Richard Schmelzer and Sheri Schmelzer**
(45) Registration Date: **12 March 2007**
(62) Divisional of: **312602**
(56) Related Art Documents: **Not Applicable**
(57) Statement of Newness and Distinctiveness: **The newness and distinctiveness of the design resides in the features of shape and/or configuration of the shoe accessory shown in unbroken lines in the accompanying representations. The shoe shown in broken outline forms no part of the design.**



(21) Design Number: **15869/2006**

(22) Date of Filing Application: **21 December 2006**

(24) Date from which industrial property rights may have effect: **17 October 2006**

(54) Product in respect of which the design is registered: **Shoe accessory**

(51) International Design Classification: **02-04NES**

(71) Name(s) and Address(s) of Applicant(s):

Jibbitz, LLC

3052 Sterling Circle Boulder Colorado 80301 United States of America

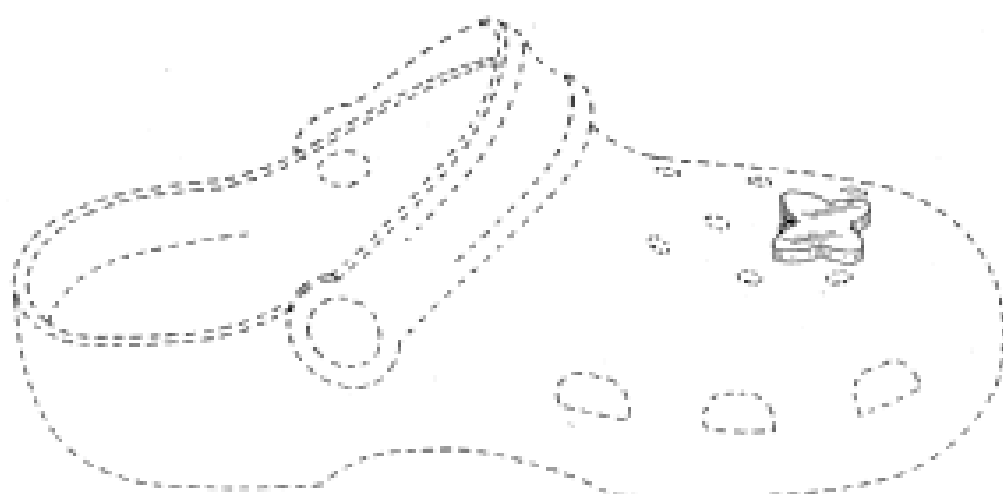
(72) Name(s) of Designer(s): **Richard Schmelzer and Sheri Schmelzer**

(45) Registration Date: **12 March 2007**

(62) Divisional of: **312602**

(56) Related Art Documents: **Not Applicable**

(57) Statement of Newness and Distinctiveness: **The newness and distinctiveness of the design resides in the features of shape and/or configuration of the shoe accessory shown in unbroken lines in the accompanying representations. The shoe shown in broken outline forms no part of the design.**



(21) Design Number: **15870/2006**

(22) Date of Filing Application: **21 December 2006**

(24) Date from which industrial property rights may have effect: **17 October 2006**

(54) Product in respect of which the design is registered: **Shoe accessory**

(51) International Design Classification: **02-04NES**

(71) Name(s) and Address(s) of Applicant(s):

Jibbitz, LLC

3052 Sterling Circle Boulder Colorado 80301 United States of America

(72) Name(s) of Designer(s): **Richard Schmelzer and Sheri Schmelzer**

(45) Registration Date: **12 March 2007**

(62) Divisional of: **312602**

(56) Related Art Documents: **Not Applicable**

(57) Statement of Newness and Distinctiveness: **The newness and distinctiveness of the design resides in the features of shape and/or configuration of the shoe accessory shown in unbroken lines in the accompanying representations. The shoe shown in broken outline forms no part of the design.**



(21) Design Number: **15871/2006**

(22) Date of Filing Application: **21 December 2006**

(24) Date from which industrial property rights may have effect: **17 October 2006**

(54) Product in respect of which the design is registered: **Shoe accessory**

(51) International Design Classification: **02-04NES**

(71) Name(s) and Address(s) of Applicant(s):

Jibbitz, LLC

3052 Sterling Circle Boulder Colorado 80301 United States of America

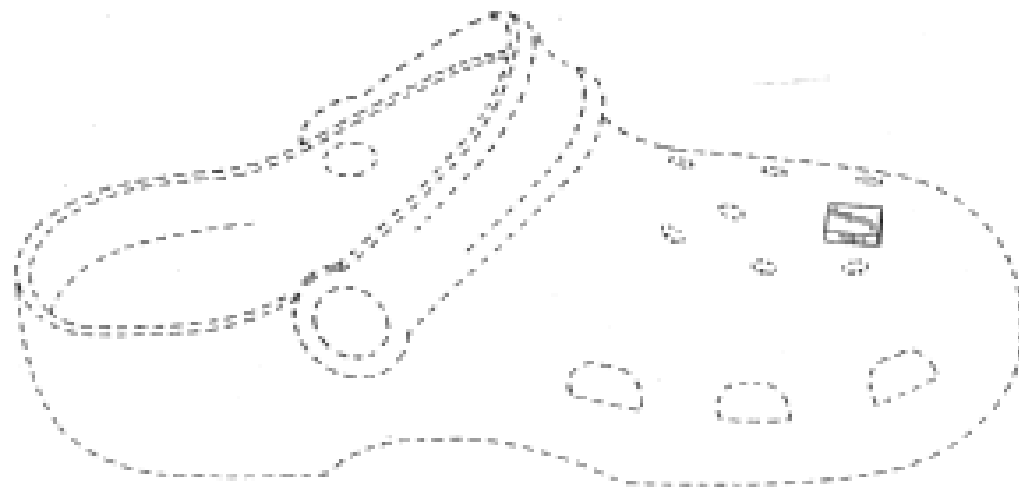
(72) Name(s) of Designer(s): **Richard Schmelzer and Sheri Schmelzer**

(45) Registration Date: **12 March 2007**

(62) Divisional of: **312602**

(56) Related Art Documents: **Not Applicable**

(57) Statement of Newness and Distinctiveness: **The newness and distinctiveness of the design resides in the features of shape and/or configuration of the shoe accessory shown in unbroken lines in the accompanying representations. The shoe shown in broken outline forms no part of the design.**



(21) Design Number: **15872/2006**

(22) Date of Filing Application: **21 December 2006**

(24) Date from which industrial property rights may have effect: **17 October 2006**

(54) Product in respect of which the design is registered: **Shoe accessory**

(51) International Design Classification: **02-04NES**

(71) Name(s) and Address(s) of Applicant(s):

Jibbitz, LLC

3052 Sterling Circle Boulder Colorado 80301 United States of America

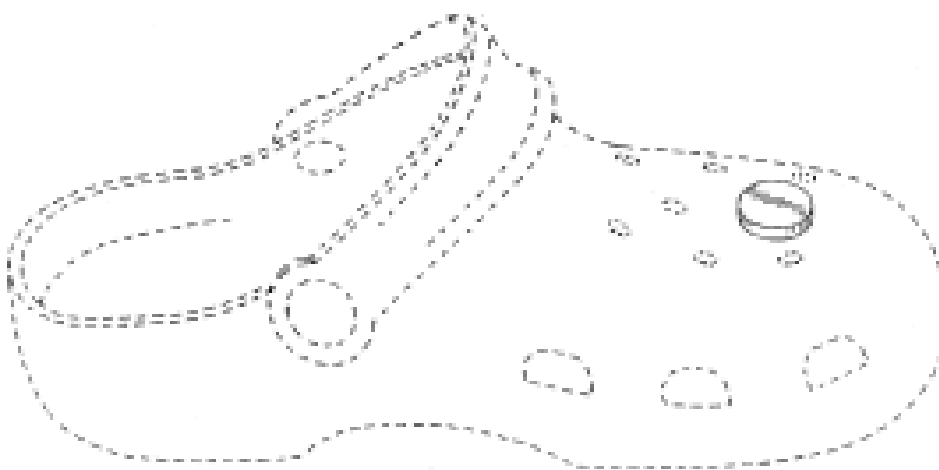
(72) Name(s) of Designer(s): **Richard Schmelzer and Sheri Schmelzer**

(45) Registration Date: **12 March 2007**

(62) Divisional of: **312602**

(56) Related Art Documents: **Not Applicable**

(57) Statement of Newness and Distinctiveness: **The newness and distinctiveness of the design resides in the features of shape and/or configuration of the shoe accessory shown in unbroken lines in the accompanying representations. The shoe shown in broken outline forms no part of the design.**



- (21) Design Number: **16066/2007**
(22) Date of Filing Application: **22 January 2007**
(24) Date from which industrial property rights may have effect: **22 January 2007**
(54) Product in respect of which the design is registered: **Fish Scaler**
(51) International Design Classification: **07-04**
(71) Name(s) and Address(s) of Applicant(s):
Dion Luke Norris
Keewong Street Euabalong New South Wales 2877 Australia
Ashley Edward Fitzgibbins
Keewong Street Euabalong New South Wales 2877 Australia
(72) Name(s) of Designer(s): **Dion Luke Norris and Ashley Edward Fitzgibbins**
(45) Registration Date: **13 March 2007**
(56) Related Art Documents: **Not Applicable**
(57) Statement of Newness and Distinctiveness: **Suitable to be attached to a standard hand held drill.**



- (21) Design Number: **12870/2006**
(22) Date of Filing Application: **05 July 2006**
(24) Date from which industrial property rights may have effect: **05 July 2006**
(54) Product in respect of which the design is registered: **Hedge trimmer scoop**
(51) International Design Classification: **08-03, 08-05A**
(71) Name(s) and Address(s) of Applicant(s):
MCM Global Pty Ltd
Unit 4 12-14 Apollo Drive Hallam Victoria 3083 Australia
(72) Name(s) of Designer(s): **Dijiong Chen**
(45) Registration Date: **13 March 2007**
(56) Related Art Documents: **Not Applicable**
(57) Statement of Newness and Distinctiveness: **Those features of the hedge trimmer scoop depicted in the representations that are new and distinctive are the shape and/or configuration.**



(21) Design Number: **12998/2006**

(22) Date of Filing Application: **13 July 2006**

(24) Date from which industrial property rights may have effect: **13 July 2006**

(54) Product in respect of which the design is registered: **Piping arrangement for water heater**

(51) International Design Classification: **23-01B**

(71) Name(s) and Address(s) of Applicant(s):

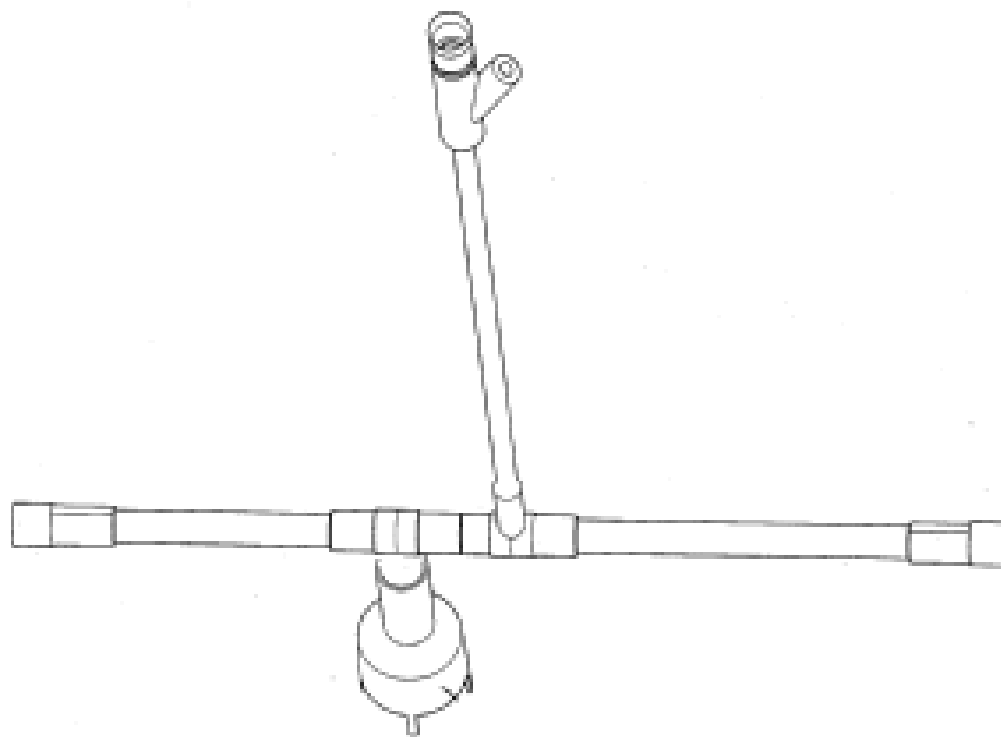
Aqua Max Pty Ltd
463-467 Warrigal Road Moorabbin Victoria 3189 Australia

(72) Name(s) of Designer(s): **Agostino Zuccon**

(45) Registration Date: **13 March 2007**

(56) Related Art Documents: **Not Applicable**

(57) Statement of Newness and Distinctiveness: **Visual features of the design which are new and distinctive are the features of shape and configuration of piping arrangement for water heater as illustrated in the representations. The shape and configuration of the water diffusers marked "A" in the representations are not part of the design and are to be disregarded.**



(21) Design Number: **16544/2007**

(22) Date of Filing Application: **23 February 2007**

(24) Date from which industrial property rights may have effect: **23 February 2007**

(54) Product in respect of which the design is registered: **Oval fence rail**

(51) International Design Classification: **25-02C**

(71) Name(s) and Address(s) of Applicant(s):

Graham McCoombes
224 Schulz Road Prenzlau Queensland 4311 Australia

Teresa McCoombes
224 Schulz Road Prenzlau Queensland 4311 Australia

(72) Name(s) of Designer(s): **Graham McCoombes**

(45) Registration Date: **13 March 2007**

(56) Related Art Documents: **Not Applicable**

(57) Statement of Newness and Distinctiveness: **The new feature of the design is the shape and the way it fits into the oval fence rail.**

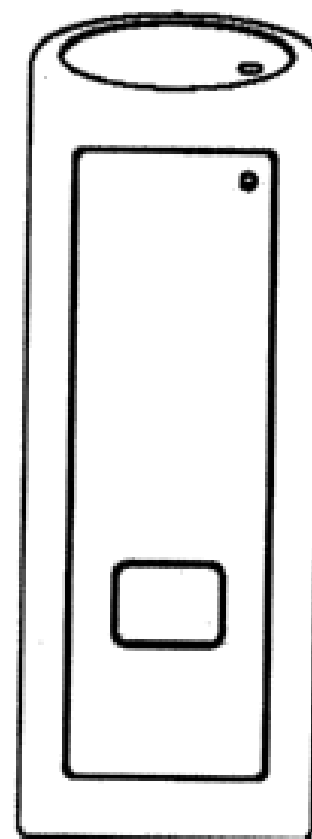


(19) AU

(21) Design Number: **16595/2007**
 (22) Date of Filing Application: **26 February 2007**
 (24) Date from which industrial property rights may have effect: **26 February 2007**
 (54) Product in respect of which the design is registered: **Personal wireless microphone**
 (51) International Design Classification: **14-01**
 (71) Name(s) and Address(s) of Applicant(s):
Revolabs, Inc.
63 Great Road Maynard MA 01754 United States of America
 (72) Name(s) of Designer(s): **Martin Reed Bodley and Jean-Pierre Carney**
 (45) Registration Date: **13 March 2007**
 (30) Convention priority data:

(31) Number	(32) Date	(33) Country
29/248,721	30 Aug 2006	UNITED STATES OF AMERICA

 (56) Related Art Documents: **Not Applicable**
 (57) Statement of Newness and Distinctiveness: **Nil**

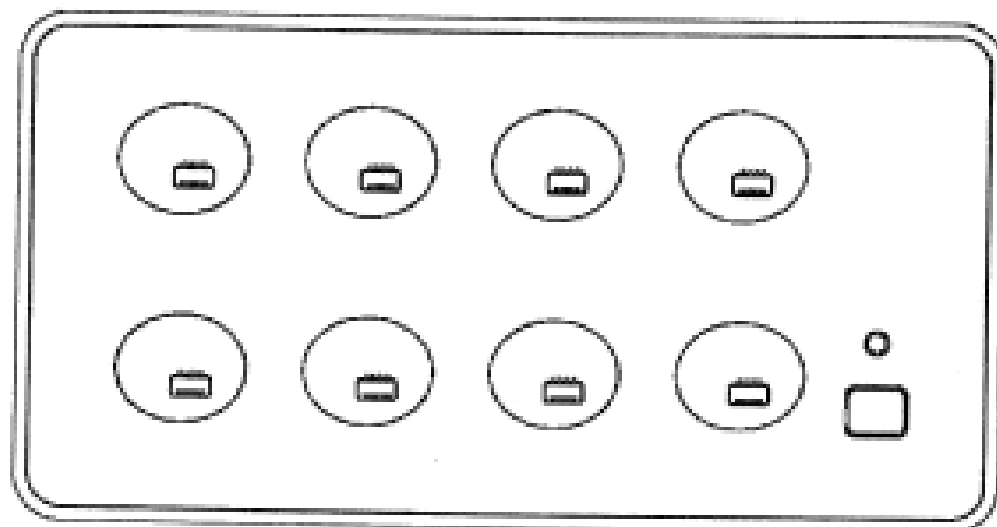


(19) AU

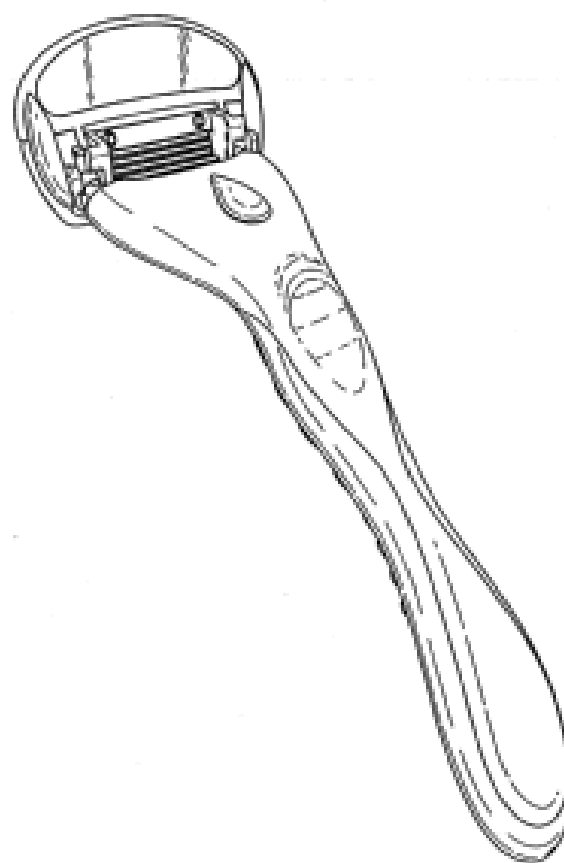
(21) Design Number: **16594/2007**
 (22) Date of Filing Application: **26 February 2007**
 (24) Date from which industrial property rights may have effect: **26 February 2007**
 (54) Product in respect of which the design is registered: **Base station for wireless conferencing system**
 (51) International Design Classification: **14-02**
 (71) Name(s) and Address(s) of Applicant(s):
Revolabs, Inc.
63 Great Road Maynard MA 01754 United States of America
 (72) Name(s) of Designer(s): **Martin Reed Bodley and Jean-Pierre Carney**
 (45) Registration Date: **13 March 2007**
 (30) Convention priority data:

(31) Number	(32) Date	(33) Country
29/248,720	30 Aug 2006	UNITED STATES OF AMERICA

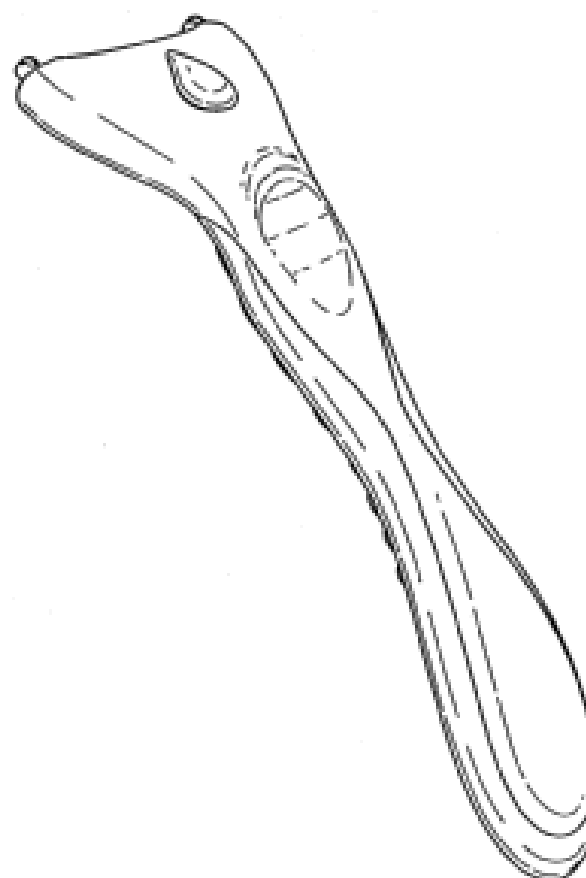
 (56) Related Art Documents: **Not Applicable**
 (57) Statement of Newness and Distinctiveness: **Nil**



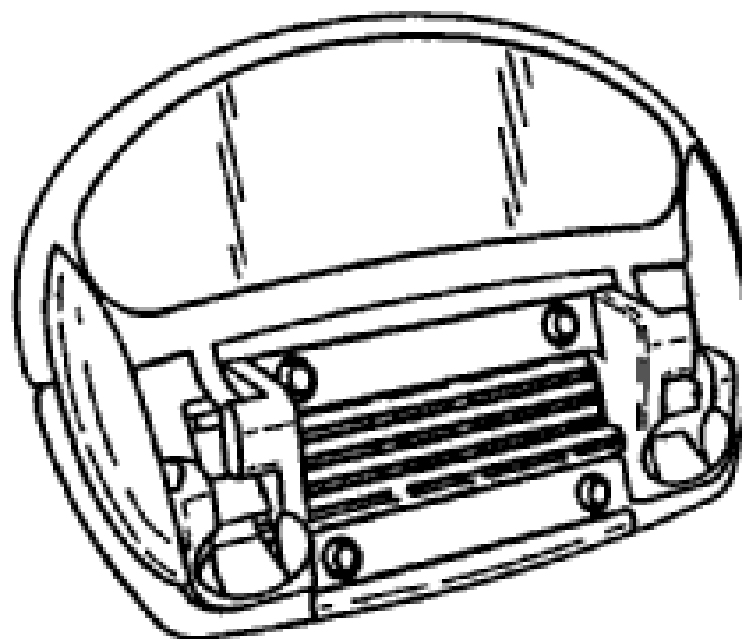
- (21) Design Number: **16682/2007**
(22) Date of Filing Application: **28 February 2007**
(24) Date from which industrial property rights may have effect: **28 February 2007**
(54) Product in respect of which the design is registered: **Razor device**
(51) International Design Classification: **28-03A**
(71) Name(s) and Address(s) of Applicant(s):
Reckitt Benckiser (UK) Limited
103-105 Bath Road Slough Berkshire SL1 3UH United Kingdom
(72) Name(s) of Designer(s): **Chris Padain and Julian Sellers**
(45) Registration Date: **13 March 2007**
(30) Convention priority data:
(31) Number (32) Date (33) Country
000583455#0001 04 Sep 2006 EUROPEAN COMMUNITY
(56) Related Art Documents: **Not Applicable**
(57) Statement of Newness and Distinctiveness: **Newness and distinctiveness reside in the features of the design as shown in the representations.**



- (21) Design Number: **16683/2007**
(22) Date of Filing Application: **28 February 2007**
(24) Date from which industrial property rights may have effect: **28 February 2007**
(54) Product in respect of which the design is registered: **Razor handle**
(51) International Design Classification: **28-03A**
(71) Name(s) and Address(s) of Applicant(s):
Reckitt Benckiser (UK) Limited
103-105 Bath Road Slough Berkshire SL1 3UH United Kingdom
(72) Name(s) of Designer(s): **Chris Padain and Julian Sellers**
(45) Registration Date: **13 March 2007**
(30) Convention priority data:
(31) Number (32) Date (33) Country
000583455#0002 04 Sep 2006 EUROPEAN COMMUNITY
(56) Related Art Documents: **Not Applicable**
(57) Statement of Newness and Distinctiveness: **Newness and distinctiveness reside in the features of the design as shown in the representations.**



(21) Design Number: **16684/2007**
(22) Date of Filing Application: **28 February 2007**
(24) Date from which industrial property rights may have effect: **28 February 2007**
(54) Product in respect of which the design is registered: **Razor head**
(51) International Design Classification: **28-03A**
(71) Name(s) and Address(s) of Applicant(s):
Reckitt Benckiser (UK) Limited
103-105 Bath Road Slough Berkshire SL1 3UH United Kingdom
(72) Name(s) of Designer(s): **Chris Padain and Julian Sellers**
(45) Registration Date: **13 March 2007**
(30) Convention priority data:
(31) Number (32) Date (33) Country
000583455#0003 04 Sep 2006 EUROPEAN COMMUNITY
(56) Related Art Documents: **Not Applicable**
(57) Statement of Newness and Distinctiveness: **Newness and distinctiveness reside in the features of the design as shown in the representations.**



(21) Design Number: **15795/2007**
(22) Date of Filing Application: **02 January 2007**
(24) Date from which industrial property rights may have effect: **02 January 2007**
(54) Product in respect of which the design is registered: **Timber constructed rainwater tanks for household use**
(51) International Design Classification: **23-01F**
(71) Name(s) and Address(s) of Applicant(s):
Louis Carboni
56 Poinsettia Avenue Runaway Bay Queensland 4216 Australia
(72) Name(s) of Designer(s): **Louis Carboni**
(45) Registration Date: **13 March 2007**
(56) Related Art Documents: **Not Applicable**
(57) Statement of Newness and Distinctiveness: **This is a unique way of rainwater tank construction in Australia with the distinctive features being the stained timber sides with the metal strapping.**



- (21) Design Number: **15302/2006**
- (22) Date of Filing Application: **17 November 2006**
- (24) Date from which industrial property rights may have effect: **17 November 2006**
- (54) Product in respect of which the design is registered: **Toothbrush**
- (51) International Design Classification: **04-02**
- (71) Name(s) and Address(s) of Applicant(s):

Braun GmbH
Frankfurt Strasse 145 61476 Kronberg am Taunus Germany

- (72) Name(s) of Designer(s): **Bjorn Kling and Lucy Zimmermann and Petra Ansari and Soren Wasow**

- (45) Registration Date: **13 March 2007**

- (30) Convention priority data:

(31) Number	(32) Date	(33) Country
406 03 004.9	02 Jun 2006	GERMANY

- (56) Related Art Documents: **Not Applicable**

- (57) Statement of Newness and Distinctiveness: **Those features of the toothbrush depicted in the representations that are new and distinctive are the shape and/or configuration and/or pattern and/or ornamentation. The features shown in broken lines are to be disregarded when considering the overall impression of the design.**

