



**Australian Government**

---

**IP Australia**

**AUSTRALIAN OFFICIAL JOURNAL**

**OF**

**DESIGNS**

Did you know a searchable version of this journal is now available online?  
It's FREE and EASY to SEARCH.

Find it at

<http://pericles.ipaustralia.gov.au/ols/epublish/content/olsEpublications.jsp>  
or using the "Online Journals" link on the IP Australia home page.

This Page Left Intentionally Blank

## Contents

### General Information & Notices

#### Proceedings Under the Designs Act 1906 preserved as a result of the provisions of Chapter 12 Part 2 of the Designs Act 2003

Application for Extension of Period of Registration .....	8240
Applications for Extension of Time .....	8240
Corrigenda .....	8242
Extension of Period of Registration of Designs .....	8240
Extensions of Time Granted .....	8241
Names Registered - Alterations and Amendments .....	8241
Registrations Ceased .....	8240
Subsequent Owners Registered .....	8241

#### Proceedings Under the Designs Act 2003

Applications Lapsed .....	8248
Applications Lodged .....	8247
Applications Withdrawn .....	8248
Certificate of Examination .....	8251
Corrigenda .....	8250
Extension of Time Granted Under Section 137 .....	8249
Publication and Registration Proceedings	
Designs Registered 312686 to 312993.....	8252
Registrations Ceased .....	8249
Subsequent Owners Registered .....	8249

This Page Left Intentionally Blank

## General Information

### EDITORIAL ENQUIRIES

All enquiries about official notices and general information in the Journal should be directed to IP Australia, (ABN No 38 113 072 755), PO Box 200 Woden ACT 2606

Or

Telephone 1300 651 010  
(International Callers +61 2 6283 2999 )  
Fax 02 6283 7999  
E-mail [assist@ipaustralia.gov.au](mailto:assist@ipaustralia.gov.au)

### CONTACT INFORMATION

Customer Service Network  
Telephone 1300 651 010 , Fax: 02 6283 7999  
E-mail: [assist@ipaustralia.gov.au](mailto:assist@ipaustralia.gov.au)

Customers can contact the Customer Service Network by telephone or by e-mail. Telephones are staffed between 9am and 5pm each working day.

Customers should contact the Customer Service Network for information about:

- All Patent Matters including PCT and Innovation Patents.
- All Trade Mark Matters.
- All Design Matters.

### Professional Standards Board for Patent and Trade Mark Attorneys.

Ph: 02 6283 2345 Fax: 02 6283 1048

### ORDERING PATENT DOCUMENTS

When ordering copies of Australian patent specifications, or abstracts and abridgments notified as open to public inspection on or after 26 October 1978, or as accepted on or after 16 November 1978, the documents should be referred to by application numbers only, preceded by letters AU-A or AU-B respectively.

### REQUESTS FOR INFORMATION UNDER SECTION 194 ( C )

A request for information under Section 194 ( C ) of the Patents Act 1990 should be made in the approved form and be accompanied by the prescribed fee. The request should be as detailed as possible.

### INFORMATION FROM REGISTERS

All requests for information from Register of Patents, Trade Marks or Designs, should be made in writing and accompanied by the prescribed fee. The Registers are located in Canberra and may be examined free of charge.

### COUNTRY CODES

For a listing of country codes used by IP Australia please refer to the Official Journals dated 7 November 1996.

### ABBREVIATIONS IN JOURNAL

Standard abbreviations are used in the name of companies and firms. Enquiries concerning the precise name should be directed to the Customer Service Network.

## FREEDOM OF INFORMATION ACT

What does it do?

- Gives you right to obtain information held by Commonwealth Ministers, Departments and most statutory bodies (these bodies are called agencies under the Act).
- Requires Commonwealth Government agencies to make available to members of the public:
  - Information about agencies, their functions and operations.
  - Information about rules and practices which are used in making decisions which affect you.
- Gives you a legal right to:
  - See non exempt documents held by agencies, and
  - appeal against a decision not to grant access to a document.

What documents can you see?

- The Act gives you a right to see documents lodged on or after 1 December 1977, or earlier if you need them to understand another document you have already.
- Documents include files, reports, computer printouts, maps, plans, photographs, tape recordings, films or videotapes.
- Documents which are available for purchase under the Patents Act 1990, the Trade Marks Act 1995 or Designs Act 2003 or Plant Breeder's Rights Act 1994 are not available under the Freedom of Information Act (Section 12 refers).

How do you apply?

Requests for access to documents must

- Be in writing
- Provide sufficient information so as to enable identification of the documents requested
- Specify an address in Australia where notices can be sent and
- Be accompanied by the application fee (currently \$30.00).

Requests for documents should be addressed to IP Australia, PO Box 200 Woden, ACT 2606, or Faxed to 02 6283 7999

## DECISIONS OF THE COMMISSIONER OF PATENTS AND REGISTRAR OF TRADE MARKS AND DESIGNS

- All decisions of the Commissioner and Registrars are available free of charge from AUSTLII's website [www.austlii.edu.au](http://www.austlii.edu.au)

Copies of all written Patent and Design decisions are available (except if they would not be available under the provisions of the Freedom of Information legislation, e.g. if they would effectively disclose matter from documents that are not open to public inspection) on request for a cost of \$AU 25. They are also available for inspection in indexed volume series, dating from 1 January 1987, in the Office library, Canberra.

Copies of Trade Mark decisions may be accessed via IP Australia's website [www.ipaustralia.gov.au](http://www.ipaustralia.gov.au)

- Copies of the taped record of Patent and Design hearings are available (with the same exception as above) on request.
- When a written decision is issued the fact of the decision plus a brief head note will be published in the Official Notices section of the next available Patents, Trade Marks or Designs Journal.

## HEARINGS BEFORE THE COMMISSIONER OF PATENTS

Hearings before the Commissioner of Patents will usually be conducted at the Patent Office in Canberra and interstate hearing sessions are not provided. However, the Commissioner will conduct hearings outside of Canberra at a convenient time to all parties provided that the parties bear the travel costs of the hearing officer.

The various options for hearings are set out in the document "Options for Hearings" available on IP Australia's website at: [www.ipaustralia.gov.au/pdfs/patents/optionsforhearings.PDF](http://www.ipaustralia.gov.au/pdfs/patents/optionsforhearings.PDF)

## HEARINGS BEFORE THE REGISTRARS OF TRADE MARKS AND DESIGNS

Hearings before the Registrars of Trade Marks and Designs will be set down in Melbourne, Sydney, Adelaide, Perth and Brisbane during the periods indicated below.

### Designs and Trade Marks Hearings Sessions 2006

Melbourne	13 – 17 February 5 – 9 June 11 – 15 September
Sydney	13 – 17 March 17 – 21 July 16 – 20 October
Adelaide	14 – 15 August
Perth	17 – 18 August
Brisbane	24 – 25 August

Persons who desire matters to be set down for hearing in Melbourne, Sydney, Adelaide, Perth or Brisbane must give at least one month's notice of their intention to be heard. If such notice is not given, it may be that there would be insufficient time to allow for the execution of official procedures associated with the listing of hearings, and as a result, the matter involved might not be listed.

Subject to the convenience of this Office, hearings will be set down in Canberra at any time suitable to the parties.

## LIST OF STATE OFFICES

IP Australia State Offices are located in the Australian Capitals at the addresses given below. Requests for information may be obtained by calling at, phoning or writing to these offices or IP Australia, ACT.

### Australian Capital Territory

Ground Floor  
Discovery House  
PHILLIP ACT 2606  
(PO Box 200, WODEN ACT 2606)  
Ph: 1300 651 010  
Fax: (02) 6283 7999  
Email address: [assist@ipaustralia.gov.au](mailto:assist@ipaustralia.gov.au)

### New South Wales

Level 1, Bay 8  
Locomotive Workshop  
Evenleigh NSW 1430  
Ph: 1300 651 010  
Fax: (02) 6283 7999  
Email address: [assist@ipaustralia.gov.au](mailto:assist@ipaustralia.gov.au)

### Victoria

Level 6  
OCBC House  
565 Bourke Street  
MELBOURNE VIC 3000  
Ph: 1300 651 010  
Fax: (02) 6283 7999  
Email address: [assist@ipaustralia.gov.au](mailto:assist@ipaustralia.gov.au)

### Western Australia

2nd Floor  
East Point Plaza  
233 Adelaide Terrace  
PERTH WA 6000  
Ph: 1300 651 010  
Fax: (02) 6283 7999  
Email address: [assist@ipaustralia.gov.au](mailto:assist@ipaustralia.gov.au)

### Queensland

Level 1  
Grant Thornton House  
102 Adelaide Street  
BRISBANE QLD 4000  
Ph: 1300 651 010  
Fax: (02) 6283 7999  
Email address: [assist@ipaustralia.gov.au](mailto:assist@ipaustralia.gov.au)

### South Australia

Innovation House, East Wing  
Mawson Lakes Boulevard  
MAWSON LAKES Adelaide SA 5095  
Ph: 1300 651 010  
Fax: (02) 6283 7999  
Email address: [assist@ipaustralia.gov.au](mailto:assist@ipaustralia.gov.au)

### Tasmania

4th Floor  
AMP Building  
27 Elizabeth Street  
HOBART TAS 7000  
Ph: 1300 651 010  
Fax: (02) 6283 7999  
Email address: [assist@ipaustralia.gov.au](mailto:assist@ipaustralia.gov.au)

# “INID” NUMBERS in use on Australian Design Documents

“INID” is an acronym for “Internationally agreed Numbers for the Identification of Data”.

## **(10) Data concerning the registration/renewal**

- (11) Serial number of the registration and/or number of the design document
- (12) Plain language designation of the kind of published document
- (19) Identification, using the two-letter code according to WIPO Standard ST.3, of the authority publishing or registering the industrial design

## **(20) Data concerning the application**

- (21) Serial number of the application
- (22) Date of filing of the application
- (24) Date from which the industrial design right has effect

## **(30) Data relating to priority under the Paris Convention**

- (31) Serial number assigned to the priority application
- (32) Date of filing of the priority application
- (33) Two-letter code, according to WIPO Standard ST.3, identifying the authority with which the priority application was made

## **(40) Date(s) of making information available to the public**

- (45) Date of publication of the registered industrial design by printing or similar process, or making it available to the public by any other means

## **(50) Miscellaneous Information**

- (51) International Classification for Industrial Designs (class and subclass of the Locarno Classification)
- (54) Designation of article(s) or product(s) covered by the industrial design or title of the industrial design
- (55) Reproduction of the industrial design (e.g., drawing, photograph) and explanations relating to the reproduction
- (56) List of prior art documents, if separate from descriptive text
- (57) Description of characteristic features of the industrial design including indication of colours

## **(60) References to other legally related application(s) and registration(s)**

- (62) Serial number(s) and, if available, filing date(s) of application(s), registration(s) or document(s) related by division
- (66) Serial number(s) of the application, or the registration, of the design(s) which is (are) a variant(s) of the present one

## **(70) Identification of parties concerned with the application or registration**

- (71) Name(s) and address(es) of the applicant(s)
- (72) Name(s) of the creator(s) if known to be such
- (74) Name(s) and address(es) of the representative(s)

This Page Left Intentionally Blank



Official Notice

## **Faxes - No Confirmation Copies**

On 17 April 2003, an Official Notice was published requesting that practitioners cease to file 'confirmation' copies of faxes. A significant number of practitioners still file 'confirmation' copies of faxes.

Where a document is faxed to IP Australia with a confirmation copy also being filed, some significant difficulties can arise. In particular, because the document will enter the processing systems at different times and locations, there is a real possibility that the confirmation copy will be acted upon as an action in its own right – with obvious duplication of effort and resulting confusion about what is happening. This situation has been growing in frequency over several years.

**Practitioners are requested NOT to file confirmation copies of any documents faxed to the Office – unless IP Australia asks for the original to be filed.**

If for some reason the faxed copy of a document is deficient in some manner, IPAustralia will ask for the original document to be filed. Situations where IPAustralia might ask for the original to be filed are:

- the faxed copy of the document fails to meet the usual formality requirements; or
- there is some special reason why the original document is required on the file (e.g. in certain circumstances, statutory declarations; copies of Design representations)

### **Fees accompanying a faxed document**

A common practice is for a practitioner to file an urgent office action by fax, and to file the original at a State Office as a vehicle for any associated fee payment. This practice gives rise to considerable confusion with the processing of the application.

Practitioners are requested to either:

- create a separate document as the vehicle for the fee payment, with that document simply referring to the faxed correspondence;
- pay any required fees by credit card payment as part of the faxed correspondence; or
- (in the case of most patent matters) wait for an "Invitation to Pay" to be issued, and pay against that invitation.

## **Email Sales Requests**

Practitioners are also reminded that the preferred method for requests for Sale of documents is by email which should be no more than one page in length.

**Contact:** IP Australia  
**Phone:** 1300 651 010  
**Fax:** +61 2 6283 7999  
**E-mail:** [assist@ipaaustralia.gov.au](mailto:assist@ipaaustralia.gov.au)  
**Web:** [www.ipaustralia.gov.au](http://www.ipaustralia.gov.au)

**Proceedings under the Designs Act 1906 preserved as a result of the provisions of Chapter 12 Part 2 of the Designs Act 2003.**

This Page Left Intentionally Blank

**Applications Lapsed**

There were no Applications Lapsed under this section

**Application for Extension of Period of Registration**

Applications under Section 27A(2) for extension of registration of the following designs have been lodged. In the event that a design is shown to be not new or original, the Registrar may refuse to extend the period of registration. Sub-section 27A(4) allows any person to lodge at the Designs Office material relevant to the question whether the design is not new or original. That material must be lodged within 11 months of the date when the registration of the design was made. Further details of the conditions and procedures for the lodgement of material are contained in Form 8 provided under the Designs Regulation 24.

Registration Number	Registered Owner	Registration Date
158341	TRISTAR HOUSEWARE AUSTRALIA PTY LTD	11/10/2005
158495	SNASHALL INVESTMENTS PTY LTD	01/02/2006
158499	TABACHI PTY LTD	01/02/2006

**Extension of Period of Registration of Designs**

**1st Period (Section 27A(8))**

158341	158481	158482
158486	158487	158488
158490	158493	158495
158496	158499	158500
158501	158502	158503
158504	158505	

**2nd Period (Section 27A(12))**

142916	143038	143212
143213	143214	143215
143216	143217	143218
143239	143240	143333
143537	143630	143645
143646	143649	143666
143667	143668	143669
143670	143671	143672
143680	143686	143687
143688	143689	143735
144118	144396	144607
144608	144933	144943
144997	144998	144999
145011	145035	145036
145135	145139	145153
145194	145211	145212
145217	145218	145219
145254	145255	145256
145317	145336	145352
145378	145388	145439
145440	145570	145574
145575	145621	145731
146282	146287	146329
146337	146612	146706
146875	146887	146965
147462	147528	147534

147945	148756	149113
149284	149594	149751
149752	149753	149754
149755	150082	150083
150153	150234	151391
151623	158572	

**3rd Period (Section 27A(13))**

127477	127774	127808
127817	127896	127937
127938	127939	128020
128196	128523	130460
131749	132019	136227
136228	136229	142916
145731	146329	

**Registrations Ceased**

Note: Some of the following Registrations may have been previously advertised as ceased. In this instance, the previous advertisement still prevails.

111976	111980	111985
112054	112266	112400
112452	112965	113163
113164	113165	113166
113167	114889	116414
125008	126044	126110
126167	126189	126215
126252	126620	126674
126742	126827	126829
127041	127428	128445
129147	129607	130520
132813	141661	141844
142350	142899	143088
143136	143156	143157
143158	143194	143195
143231	143248	143266
143315	143405	143429
143481	143482	143586
143925	143926	144227
144249	144317	144318
144319	144320	144469
145420	145421	145422
146733	146835	146948
148024	148120	148167
158483	158484	158485
158491	158492	

**Applications for Extension of time**

Applications for extension of time have been lodged. Objections must be lodged within 1 month from the date of this journal.

127306 **Frame Engineering Pty Ltd** Extension of time to extend a registration. Address for Service: Houlihan2 Level 1 70 Doncaster Road BALWYN NORTH VIC 3104

127307 **Frame Engineering Pty Ltd** Extension of time to extend a registration. Address for Service: Houlihan2 Level 1 70 Doncaster Road BALWYN NORTH VIC 3104

129617 **Frame Engineering Pty Ltd** Extension of time to extend a registration. Address for Service: Houlihan2 Level 1 70 Doncaster Road BALWYN NORTH VIC 3104

129618 **Frame Engineering Pty Ltd** Extension of time to extend a registration. Address for Service: Houlihan2 Level 1 70 Doncaster Road BALWYN NORTH VIC 3104

### Extensions of time granted

Applications lodged for extension of time have been granted.

130460 **Raymond J Baker** An Extension of time to extend a registration has been granted to 20/02/2007

142916 **Internet Agencies Pty Ltd** An Extension of time to extend a registration has been granted to 29/01/2007

### Subsequent Owners Registered

(The name in parentheses is that of the subsequent owner)

155341 ( **Kenwood Limited** ) Kenwood Marks Limited  
 156029 ( **Kenwood Limited** ) Kenwood Marks Limited  
 120513 ( **The Dial Corporation** ) The Gillette Company  
 120688 ( **The Dial Corporation** ) The Gillette Company  
 126580 ( **The Dial Corporation** ) The Gillette Company  
 135775 ( **The Dial Corporation** ) The Gillette Company  
 136058 ( **The Dial Corporation** ) The Gillette Company  
 147662 ( **The Dial Corporation** ) The Gillette Company  
 148694 ( **The Dial Corporation** ) The Gillette Company  
 149052 ( **The Dial Corporation** ) The Gillette Company  
 148920 ( **The Dial Corporation** ) The Gillette Company  
 150839 ( **The Dial Corporation** ) The Gillette Company  
 153899 ( **The Dial Corporation** ) The Gillette Company  
 154973 ( **The Dial Corporation** ) The Gillette Company  
 155902 ( **The Dial Corporation** ) The Gillette Company  
 130280 ( **Baines Masonary Blocks Pty Ltd** ) Island Block and Paving Pty Ltd  
 139892 ( **Baines Masonary Blocks Pty Ltd** ) Island Block & Paving Pty Ltd  
 139893 ( **Baines Masonary Blocks Pty Ltd** ) Island Block & Paving Pty Ltd  
 139894 ( **Baines Masonary Blocks Pty Ltd** ) Island Block & Paving Pty Ltd  
 143920 ( **Baines Masonary Blocks Pty Ltd** ) Island Block & Paving Pty Ltd  
 144323 ( **Baines Masonary Blocks Pty Ltd** ) Island Block and Paving Pty Ltd  
 153727 ( **Baines Masonary Blocks Pty Ltd** ) Island Block & Paving Pty Ltd  
 157734 ( **Baines Masonary Blocks Pty Ltd** ) Island Block and Paving Pty Ltd  
 150974 ( **Eva Luthi-Poos** ) KBE WindPower GmbH  
 143819 ( **Jagna Limited** ) Rothbury International Inc.

### Subsequent Owners Registered

143820 ( **Jagna Limited** ) Rothbury International Inc.  
 144366 ( **Jagna Limited** ) Rothbury International Inc.

### Names Registered - Alterations and Amendments

(The name in parentheses is the new name of the proprietor)

145378 ( **SA Ambulance Service Incorporated** ) SA St John Ambulance Service Inc.

**Corrigenda**

Number

In Vol 21 , No 2 , page 7974 under the heading **Registrations Ceased**; Design No. 130460 should be deleted.



This Page Left Intentionally Blank



**Proceedings under the Designs Act 2003.**

This Page Left Intentionally Blank

**Applications Lodged**

Lodgement information is in the following order: **Applicant's Name**; International Classification, Name of Product, Lodgement Date and **Design Number**. If the applicant claims an earlier priority date under an International Convention, the Convention Country and the associated filing date are shown in parentheses before the Lodgement Date. Divisional information will also appear in parentheses before the Lodgement Date.

<b>Acacia Glass Design Pty Ltd;</b> 25-02H, For use during the installation of glass. It provides different heights for packing and levelling. Suits out of, square glass and uneven floors., 24 Jan 2007	<b>16120/2007</b>	<b>McRae Griffiths, Angela Catherine;</b> 06-01L, Furniture items, 24 Jan 2007	<b>16118/2007</b>
<b>Anna Thomas Pty Ltd;</b> 02-02NES, Ladies garments, 07 Aug 2006	<b>16337/2007</b>	<b>Nokia Corporation;</b> 14-03E, Handset, (FI, 24 Jul 2006) 23 Jan 2007	<b>16108/2007</b>
<b>Anna Thomas Pty Ltd;</b> 02-02C, Ladies garments, 07 Aug 2006	<b>16339/2007</b>	<b>Nokia Corporation;</b> 14-03E, Front cover for a handset, (FI, 24 Jul 2006) 23 Jan 2007	<b>16109/2007</b>
<b>Anna Thomas Pty Ltd;</b> 02-02C, Ladies garments, 07 Aug 2006	<b>16338/2007</b>	<b>Playtex Products, Inc;</b> 28-03NES, Applicator, (US, 23 Jun 2006) 21 Dec 2006	<b>16317/2007</b>
<b>Carl-Louis Pty Ltd;</b> 07-01C, Beverage container, 25 Jan 2007	<b>16121/2007</b>	<b>Playtex Products, Inc;</b> 28-03NES, Applicator, (US, 23 Jun 2006) 21 Dec 2006	<b>16318/2007</b>
<b>Carl-Louis Pty Ltd;</b> 07-01C, Beverage container, 25 Jan 2007	<b>16122/2007</b>	<b>Playtex Products, Inc;</b> 28-03NES, Applicator, (US, 23 Jun 2006) 21 Dec 2006	<b>16319/2007</b>
<b>Connolly Key Joint Pty Ltd;</b> 25-01NES, Plate dowel sleeve, 13 Dec 2006	<b>15724/2006</b>	<b>Playtex Products, Inc;</b> 28-03NES, Applicator, (US, 23 Jun 2006) 21 Dec 2006	<b>16320/2007</b>
<b>Connolly Key Joint Pty Ltd;</b> 25-01NES, Plate dowel sleeve, 13 Dec 2006	<b>15725/2006</b>	<b>Playtex Products, Inc;</b> 28-03NES, Applicator, (US, 23 Jun 2006) 21 Dec 2006	<b>16321/2007</b>
<b>Creative Technology Ltd;</b> 14-01, Loudspeaker and cradle, (US, 18 Aug 2006) 20 Dec 2006	<b>15829/2006</b>	<b>Playtex Products, Inc;</b> 28-03NES, Applicator, (US, 23 Jun 2006) 21 Dec 2006	<b>16322/2007</b>
<b>Crelux Holding S.A.;</b> 02-07A, Stops for a slide fastener, (EM, 05 May 2006) 03 Nov 2006	<b>16130/2007</b>	<b>Playtex Products, Inc;</b> 28-03NES, Applicator, (US, 23 Jun 2006) 21 Dec 2006	<b>16323/2007</b>
<b>Dream Property GmbH;</b> 14-01, Multimedia apparatus, (EM, 02 May 2006) 31 Oct 2006	<b>16115/2007</b>	<b>Robert Bosch GmbH;</b> 14-99, Sound disk, (EM, 21 Aug 2006) 23 Jan 2007	<b>16103/2007</b>
<b>Dream Property GmbH;</b> 14-01, Multimedia apparatus, (EM, 02 May 2006) 31 Oct 2006	<b>16116/2007</b>	<b>Robert Welch Designs Limited;</b> 07-99C, Kitchen utensil stand, (EM, 02 Aug 2006) 19 Jan 2007	<b>16100/2007</b>
<b>Dream Property GmbH;</b> 14-01, Multimedia apparatus, (EM, 02 May 2006) 31 Oct 2006	<b>16117/2007</b>	<b>Rope, Edward Dean;</b> 06-02, Bed, (NZ, 22 Jun 2006) 21 Dec 2006	<b>15848/2006</b>
<b>Jackson Industries Pty Limited;</b> 13-03D, A power board, 24 Jan 2007	<b>16123/2007</b>	<b>Sellers, David R.;</b> 08-07, 21-02E, Ski equipment transport apparatus, (US, 27 Jul 2006) 23 Jan 2007	<b>16105/2007</b>
<b>Karsten Manufacturing Corporation;</b> 21-02C, Golf putter head, (US, 25 Jul 2006) 23 Jan 2007	<b>16111/2007</b>	<b>Suzhou Eagle Electric Vehicle Manufacturing Co., Ltd.;</b> 12-02, Motorised cart, (CN, 28 Sep 2006) 23 Jan 2007	<b>16110/2007</b>
<b>Karsten Manufacturing Corporation;</b> 21-02C, Golf putter head, (US, 28 Jul 2006) 23 Jan 2007	<b>16112/2007</b>	<b>T &amp; A Winter Enterprises Pty Ltd;</b> 06-02, 06-05, 06-06B, 06-03NES, A set of bedroom furniture pieces, 29 Jun 2006	<b>12784/2006</b>
<b>Karsten Manufacturing Corporation;</b> 21-02C, Golf putter head, (US, 28 Jul 2006) 23 Jan 2007	<b>16113/2007</b>	<b>Trakka Pty Limited;</b> 23-02C, Bathroom module, 17 Nov 2006	<b>15295/2006</b>
<b>Karsten Manufacturing Corporation;</b> 21-02C, Golf putter head, (US, 28 Jul 2006) 23 Jan 2007	<b>16114/2007</b>	<b>Unilever PLC;</b> 09-03M, Box, (US, 04 Dec 2006) 24 Jan 2007	<b>16124/2007</b>
<b>Macklin, Shane Gordon;</b> 12-16NES, Backpack work station/storage unit for vehicles, 24 Jan 2007	<b>16119/2007</b>	<b>Unilever PLC;</b> 09-03M, Box, (US, 04 Dec 2006) 24 Jan 2007	<b>16125/2007</b>

**Wonderwear Pty Ltd;**  
02-02C, Clothing, 03 Aug 2006

**16272/2007**

**Wonderwear Pty Ltd;**  
02-02C, Clothing, 03 Aug 2006

**16275/2007**

**Wonderwear Pty Ltd;**  
02-02C, Clothing, 03 Aug 2006

**16273/2007**

**Wonderwear Pty Ltd;**  
02-02C, Clothing, 03 Aug 2006

**16276/2007**

**Wonderwear Pty Ltd;**  
02-02C, Clothing, 03 Aug 2006

**16274/2007**

**Applications Withdrawn**

15547 / 2006 (06-02)

**Applications Lapsed**

13260 / 2006 (02-02C)

13335 / 2006 (02-02NES)

14330 / 2006 (08-08D)

15449 / 2006 (02-02C)

13287 / 2006 (02-02C)

13423 / 2006 (02-02C)

15186 / 2006 (07-99C)

15549 / 2006 (09-03NES)

**Registrations Ceased**

303524

**Extensions of time granted under Section 137**

Applications lodged under section 137 for extension of time have been granted.

15698/2005 **Perusahaan Otomobil Nasional SDN. BHD.**15699/2005 **Perusahaan Otomobil Nasional SDN. BHD.**15700/2005 **Perusahaan Otomobil Nasional SDN. BHD.**15701/2005 **Perusahaan Otomobil Nasional SDN. BHD.**15702/2005 **Perusahaan Otomobil Nasional SDN. BHD.**15703/2005 **Perusahaan Otomobil Nasional SDN. BHD.**15704/2005 **Perusahaan Otomobil Nasional SDN. BHD.**15705/2005 **Perusahaan Otomobil Nasional SDN. BHD.**15706/2005 **Perusahaan Otomobil Nasional SDN. BHD.**15707/2005 **Perusahaan Otomobil Nasional SDN. BHD.**15708/2005 **Perusahaan Otomobil Nasional SDN. BHD.**15709/2005 **Perusahaan Otomobil Nasional SDN. BHD.**15140/2006 **APA Manufacturing Pty Ltd****Subsequent Owners Registered**

(The name in parentheses is that of the subsequent owner)

302993 **( Magellan Textile Holdings Limited )** Courtaulds Textiles (Holdings) Limited303055 **( Kenwood Limited )** Kenwood Marks Limited303056 **( Kenwood Limited )** Kenwood Marks Limited303057 **( Kenwood Limited )** Kenwood Marks Limited301135 **( Baines Masonary Blocks Pty Ltd )** Island Block and Paving Pty Ltd302146 **( Baines Masonary Blocks Pty Ltd )** Island Block and Paving Pty Ltd302147 **( Baines Masonary Blocks Pty Ltd )** Island Block and Paving Pty Ltd304406 **( Baines Masonary Blocks Pty Ltd )** Island Block & Paving Pty Ltd310978 **( Baines Masonary Blocks Pty Ltd )** Island Block & Paving Pty Ltd307545 **( RPG Bag, LLC )** Timothy Edwards

**Corrigenda**

Number 311811

In Vol 20 , No 26 , page 7731 under the heading **Australian Registered Design**; (54) Product in respect of which the design is registered should read: A cutter.

Number 311810

In Vol 20 , No 26 , page 7731 under the heading **Australian Registered Design**; (54) Product in respect of which the design is registered should read: Roll holder.

Number 311918

In Vol 20 , No 26 , page 7785 under the heading **Australian Registered Design**; (54) Product in respect of which the design is registered should read: Headset with charger.

Number 312124

In Vol 21 , No 1 , page 7917 under the heading **Australian Registered Design**; (72) Name(s) of Designer(s) should read: Sandro Iuliano and Photi Kazis.

Number 311629

In Vol 20 , No 25 , page 7617 under the heading **Australian Registered Design**; (72) Name(s) of Designer(s) should read: James Larmont.



**Certificate(s) of Examination**

Examination of the following Design Registration(s) has been completed. Infringement proceedings may now be commenced.

302665	16-06	14/02/2007
303551	09-01G	13/02/2007
304913	11-02E	07/02/2007
306334	12-08	05/02/2007
306595	28-03NES	05/02/2007
306823	08-08C	06/02/2007
307427	28-03A	13/02/2007
307428	28-03A	13/02/2007
307431	07-99NES	05/02/2007
307527	21-01C	12/02/2007
307580	08-09	12/02/2007
307770	26-05NES	08/02/2007
307873	19-02	07/02/2007
312362	02-02C	12/02/2007
312363	02-02C	12/02/2007
312739	02-02C	12/02/2007
312740	02-02C	12/02/2007

**Publication and Registration Proceedings**

**Designs Registered**

This section provides a concordance between design number and registration number of Designs covered in this journal. It also shows the main class and registration date.

This section covers Registration numbers 312686 to 312993 .

The registration number shown below should be used in all future correspondence.

Design Number	Registration Number	International Classification Code (IDC)	Registration Date	Design Number	Registration Number	International Classification Code (IDC)	Registration Date
10312/2005	312817	23-02C	08/02/2007	15005/2006	312746	28-03NES	06/02/2007
13372/2005	312818	09-07B	08/02/2007	15026/2006	312951	23-02B	09/02/2007
15615/2005	312686	08-07	02/02/2007	15056/2006	312952	08-08B	09/02/2007
10270/2006	312795	20-02NES	07/02/2007	15057/2006	312765	23-02C	06/02/2007
10359/2006	312819	25-01A	08/02/2007	15060/2006	312953	12-16NES	09/02/2007
11791/2006	312820	26-01	08/02/2007	15064/2006	312896	12-16B	09/02/2007
11946/2006	312890	10-01	09/02/2007	15073/2006	312954	26-05C	09/02/2007
12010/2006	312821	25-01E	08/02/2007	15090/2006	312955	02-07A	09/02/2007
12011/2006	312822	25-02C	08/02/2007	15121/2006	312957	23-02F	09/02/2007
12012/2006	312985	25-02C	13/02/2007	15124/2006	312958	21-01L	09/02/2007
12380/2006	312823	23-01A	08/02/2007	15253/2006	312959	08-03	09/02/2007
12803/2006	312824	19-08	08/02/2007	15295/2006	312960	23-02C	09/02/2007
12804/2006	312825	19-08	08/02/2007	15322/2006	312768	23-01D	06/02/2007
12805/2006	312826	19-08	08/02/2007	15381/2006	312961	08-07	09/02/2007
12806/2006	312827	19-08	08/02/2007	15384/2006	312708	06-06A	05/02/2007
12807/2006	312828	19-08	08/02/2007	15385/2006	312709	06-06A	05/02/2007
12872/2006	312766	06-05	06/02/2007	15386/2006	312710	09-01K	05/02/2007
13357/2006	312829	25-01NES	08/02/2007	15387/2006	312711	12-06NES	05/02/2007
14193/2006	312706	07-02E	05/02/2007	15388/2006	312712	12-06NES	05/02/2007
14394/2006	312767	12-16NES	06/02/2007	15389/2006	312713	13-03E	05/02/2007
14614/2006	312739	02-02C	06/02/2007	15390/2006	312714	13-03E	05/02/2007
14616/2006	312740	02-02C	06/02/2007	15391/2006	312715	13-03E	05/02/2007
14617/2006	312741	02-02C	06/02/2007	15392/2006	312716	13-03E	05/02/2007
14618/2006	312742	02-02C	06/02/2007	15393/2006	312717	13-03E	05/02/2007
14619/2006	312743	02-02C	06/02/2007	15394/2006	312718	13-03E	05/02/2007
14622/2006	312744	02-02C	06/02/2007	15395/2006	312719	13-03E	05/02/2007
14793/2006	312830	01-01	08/02/2007	15396/2006	312720	13-03E	05/02/2007
14794/2006	312836	03-01NES	07/02/2007	15397/2006	312721	13-03E	05/02/2007
14795/2006	312891	03-01NES	09/02/2007	15398/2006	312722	13-03E	05/02/2007
14799/2006	312892	16-01	09/02/2007	15399/2006	312723	13-03E	05/02/2007
14803/2006	312831	09-03NES	08/02/2007	15400/2006	312724	13-03E	05/02/2007
14804/2006	312832	09-03NES	08/02/2007	15401/2006	312725	13-03E	05/02/2007
14832/2006	312893	14-03A	09/02/2007	15402/2006	312726	13-03E	05/02/2007
14833/2006	312894	14-03A	09/02/2007	15403/2006	312727	13-03E	05/02/2007
14834/2006	312895	14-03A	09/02/2007	15404/2006	312728	13-03E	05/02/2007
14876/2006	312707	23-03E	05/02/2007	15405/2006	312729	13-03E	05/02/2007
14961/2006	312971	24-01	13/02/2007	15406/2006	312730	13-03E	05/02/2007
14962/2006	312972	24-01	13/02/2007	15407/2006	312731	13-03E	05/02/2007
14963/2006	312973	24-01	13/02/2007	15408/2006	312732	13-03E	05/02/2007
14964/2006	312974	24-01	13/02/2007	15409/2006	312733	13-03E	05/02/2007
14965/2006	312975	24-01	13/02/2007	15410/2006	312734	13-03E	05/02/2007
14966/2006	312976	24-01	13/02/2007	15411/2006	312735	13-03E	05/02/2007
14967/2006	312977	24-01	13/02/2007	15412/2006	312736	13-03E	05/02/2007
14968/2006	312978	24-01	13/02/2007	15413/2006	312737	13-03E	05/02/2007
14969/2006	312979	24-01	13/02/2007	15421/2006	312769	24-01	06/02/2007
14970/2006	312980	24-01	13/02/2007	15426/2006	312770	12-16B	06/02/2007
14971/2006	312981	24-01	13/02/2007	15427/2006	312771	12-08	06/02/2007
14972/2006	312982	24-01	13/02/2007	15428/2006	312772	12-08	06/02/2007
14973/2006	312983	24-01	13/02/2007	15429/2006	312773	12-16B	06/02/2007
14974/2006	312984	24-01	13/02/2007	15430/2006	312774	26-06	06/02/2007
14977/2006	312833	23-02B	08/02/2007	15431/2006	312775	12-16B	06/02/2007
14999/2006	312870	15-99	08/02/2007	15434/2006	312776	07-01A	06/02/2007
15004/2006	312745	06-09	06/02/2007	15436/2006	312777	08-05N	06/02/2007

Publication and Registration Proceedings - Designs Registered cont'd

Design Number	Registration Number	International Classification Code (IDC)	Registration Date	Design Number	Registration Number	International Classification Code (IDC)	Registration Date
15439/2006	312778	31-00	06/02/2007	15522/2006	312695	25-01E	02/02/2007
15440/2006	312779	31-00	06/02/2007	15523/2006	312696	08-08A	02/02/2007
15441/2006	312780	31-00	06/02/2007	15524/2006	312697	12-16B	02/02/2007
15442/2006	312781	31-00	06/02/2007	15526/2006	312698	21-02F	02/02/2007
15443/2006	312782	12-16B	06/02/2007	15527/2006	312699	25-01E	02/02/2007
15444/2006	312783	09-07NES	06/02/2007	15528/2006	312700	08-03	02/02/2007
15445/2006	312784	09-03M	06/02/2007	15529/2006	312701	20-02NES	02/02/2007
15447/2006	312747	12-16B	06/02/2007	15530/2006	312688	08-06	02/02/2007
15448/2006	312748	12-16A	06/02/2007	15531/2006	312702	23-01H	02/02/2007
15450/2006	312785	21-03	06/02/2007	15532/2006	312703	24-01	02/02/2007
15451/2006	312786	21-03	06/02/2007	15534/2006	312704	24-01	02/02/2007
15452/2006	312787	21-03	06/02/2007	15535/2006	312809	24-01	07/02/2007
15455/2006	312788	08-07	06/02/2007	15536/2006	312810	24-01	07/02/2007
15456/2006	312789	08-07	06/02/2007	15537/2006	312811	25-02A	07/02/2007
15457/2006	312790	21-01F	06/02/2007	15543/2006	312812	21-02C	07/02/2007
15461/2006	312791	07-01D	06/02/2007	15544/2006	312813	30-03	07/02/2007
15462/2006	312792	07-01C	06/02/2007	15550/2006	312814	25-01E	07/02/2007
15463/2006	312793	07-01D	06/02/2007	15551/2006	312874	18-99	08/02/2007
15465/2006	312794	22-05	06/02/2007	15552/2006	312815	02-04NES	07/02/2007
15466/2006	312749	14-03NES	06/02/2007	15555/2006	312816	14-02	07/02/2007
15467/2006	312750	23-04	06/02/2007	15556/2006	312864	23-01L	08/02/2007
15468/2006	312751	28-03NES	06/02/2007	15557/2006	312863	23-01L	08/02/2007
15469/2006	312752	28-03NES	06/02/2007	15561/2006	312861	19-01	08/02/2007
15471/2006	312755	22-06	06/02/2007	15562/2006	312862	19-01	08/02/2007
15472/2006	312756	09-01A	06/02/2007	15563/2006	312860	21-01L	08/02/2007
15473/2006	312753	07-02B	06/02/2007	15564/2006	312859	08-08NES	08/02/2007
15474/2006	312754	07-02B	06/02/2007	15565/2006	312858	08-08NES	08/02/2007
15475/2006	312757	07-02B	06/02/2007	15566/2006	312856	08-08NES	08/02/2007
15478/2006	312758	06-01L	06/02/2007	15567/2006	312857	25-01K	08/02/2007
15479/2006	312759	21-03	06/02/2007	15568/2006	312869	23-01E	08/02/2007
15480/2006	312760	21-03	06/02/2007	15570/2006	312993	13-03E	13/02/2007
15482/2006	312761	26-04	06/02/2007	15571/2006	312867	07-02L	08/02/2007
15483/2006	312762	03-01D	06/02/2007	15572/2006	312868	07-02L	08/02/2007
15485/2006	312763	06-13NES	06/02/2007	15573/2006	312866	10-04	08/02/2007
15486/2006	312962	25-01K	09/02/2007	15574/2006	312865	28-03A	08/02/2007
15487/2006	312963	25-01K	09/02/2007	15575/2006	312875	28-03A	08/02/2007
15490/2006	312764	31-00	06/02/2007	15576/2006	312876	25-01K	08/02/2007
15491/2006	312796	31-00	07/02/2007	15577/2006	312877	13-01	08/02/2007
15492/2006	312797	22-05	07/02/2007	15578/2006	312878	09-01K	08/02/2007
15493/2006	312798	02-03	07/02/2007	15579/2006	312879	09-01K	08/02/2007
15496/2006	312799	12-16B	07/02/2007	15580/2006	312880	25-02K	08/02/2007
15499/2006	312800	12-16B	07/02/2007	15581/2006	312881	21-01L	08/02/2007
15500/2006	312801	12-16B	07/02/2007	15582/2006	312882	25-01E	08/02/2007
15501/2006	312802	12-16B	07/02/2007	15583/2006	312883	25-01K	08/02/2007
15502/2006	312803	12-16B	07/02/2007	15584/2006	312884	25-01K	08/02/2007
15503/2006	312804	13-03C	07/02/2007	15585/2006	312885	25-01K	08/02/2007
15508/2006	312805	25-01K	07/02/2007	15586/2006	312886	25-01A	08/02/2007
15509/2006	312806	26-01	07/02/2007	15587/2006	312887	25-01A	08/02/2007
15510/2006	312687	08-06	02/02/2007	15588/2006	312888	25-01A	08/02/2007
15511/2006	312988	26-03	13/02/2007	15589/2006	312889	25-01A	08/02/2007
15512/2006	312689	09-03M	02/02/2007	15590/2006	312837	25-01A	07/02/2007
15514/2006	312690	09-03L	02/02/2007	15591/2006	312838	25-01A	07/02/2007
15515/2006	312691	09-07B	02/02/2007	15592/2006	312839	25-01A	07/02/2007
15516/2006	312692	09-03L	02/02/2007	15593/2006	312840	25-01A	07/02/2007
15518/2006	312807	24-02	07/02/2007	15595/2006	312841	09-01K	07/02/2007
15519/2006	312808	24-02	07/02/2007	15596/2006	312842	09-01K	07/02/2007
15520/2006	312693	07-01C	02/02/2007	15597/2006	312843	26-04	07/02/2007
15521/2006	312694	25-01E	02/02/2007	15598/2006	312844	26-04	07/02/2007

Publication and Registration Proceedings - Designs Registered cont'd

Design Number	Registration Number	International Classification Code (IDC)	Registration Date	Design Number	Registration Number	International Classification Code (IDC)	Registration Date
15599/2006	312845	26-04	07/02/2007	15681/2006	312927	08-08B	09/02/2007
15600/2006	312846	09-01H	07/02/2007	15682/2006	312928	08-08B	09/02/2007
15601/2006	312847	09-01H	07/02/2007	15683/2006	312929	08-08B	09/02/2007
15602/2006	312848	09-01H	07/02/2007	15684/2006	312930	08-08B	09/02/2007
15603/2006	312849	09-01H	07/02/2007	15685/2006	312931	24-04	09/02/2007
15604/2006	312850	09-01H	07/02/2007	15686/2006	312932	24-04	09/02/2007
15605/2006	312851	09-01H	07/02/2007	15687/2006	312933	24-04	09/02/2007
15606/2006	312852	09-01H	07/02/2007	15688/2006	312934	24-04	09/02/2007
15607/2006	312897	07-01NES	09/02/2007	15689/2006	312935	24-04	09/02/2007
15608/2006	312898	07-01NES	09/02/2007	15690/2006	312936	09-01D	09/02/2007
15609/2006	312899	11-02B	09/02/2007	15691/2006	312937	09-03C	09/02/2007
15610/2006	312900	14-01	09/02/2007	15692/2006	312938	08-03	09/02/2007
15611/2006	312901	23-02B	09/02/2007	15693/2006	312939	23-04	09/02/2007
15612/2006	312902	06-06H	09/02/2007	15694/2006	312940	23-04	09/02/2007
15613/2006	312903	06-06H	09/02/2007	15695/2006	312941	23-04	09/02/2007
15618/2006	312904	28-03NES	09/02/2007	15696/2006	312942	09-07B	09/02/2007
15619/2006	312964	02-01B	09/02/2007	15697/2006	312943	09-01B	09/02/2007
15621/2006	312853	09-08	07/02/2007	15698/2006	312944	23-01L	09/02/2007
15626/2006	312905	09-01A	09/02/2007	15699/2006	312945	07-01D	09/02/2007
15627/2006	312906	09-01K	09/02/2007	15700/2006	312946	07-01D	09/02/2007
15632/2006	312854	21-03	07/02/2007	15702/2006	312947	10-06	09/02/2007
15633/2006	312907	08-08B	09/02/2007	15703/2006	312948	25-02A	09/02/2007
15637/2006	312965	23-03NES	09/02/2007	15704/2006	312949	14-03E	09/02/2007
15638/2006	312908	25-03	09/02/2007	15705/2006	312950	14-03E	09/02/2007
15640/2006	312966	04-02	09/02/2007	15706/2006	312989	14-03E	13/02/2007
15642/2006	312855	04-02	07/02/2007	15707/2006	312990	14-03E	13/02/2007
15644/2006	312910	04-02	09/02/2007	15708/2006	312835	14-03E	08/02/2007
15645/2006	312834	04-02	08/02/2007	15757/2006	312991	28-03NES	13/02/2007
15646/2006	312911	07-04	09/02/2007	15758/2006	312992	28-03NES	13/02/2007
15648/2006	312967	06-02	09/02/2007	15761/2006	312968	07-01E	09/02/2007
15649/2006	312912	25-01E	09/02/2007	15762/2006	312969	07-01E	09/02/2007
15650/2006	312913	23-01H	09/02/2007	15766/2006	312986	26-05D	13/02/2007
15651/2006	312914	23-01H	09/02/2007	15767/2006	312987	08-08L	13/02/2007
15652/2006	312915	23-01H	09/02/2007	15812/2006	312970	14-01	09/02/2007
15653/2006	312916	23-01H	09/02/2007	15840/2006	312738	23-03E	05/02/2007
15656/2006	312917	14-03E	09/02/2007	15943/2006	312705	25-01F	02/02/2007
15657/2006	312918	14-03A	09/02/2007	15952/2007	312871	15-99	08/02/2007
15658/2006	312919	22-05	09/02/2007	15953/2007	312872	15-99	08/02/2007
15659/2006	312920	22-05	09/02/2007	15954/2007	312873	15-99	08/02/2007
15661/2006	312921	07-05NES	09/02/2007	15963/2007	312909	23-01NES	09/02/2007
15663/2006	312922	14-03E	09/02/2007	16130/2007	312956	02-07A	09/02/2007
15664/2006	312923	09-03NES	09/02/2007				
15665/2006	312924	07-02L	09/02/2007				
15678/2006	312925	08-08NES	09/02/2007				
15680/2006	312926	08-08B	09/02/2007				

**Publication and Registration Proceedings**  
**Class Listing of Designs Published or Registered**

The following section shows an International Classification Code listing of the Registered or Published Designs covered in this supplement.

<b>Classification</b>	<b>Registration Number</b>	<b>Design Number</b>	<b>Classification</b>	<b>Registration Number</b>	<b>Design Number</b>
01-01	312830	14793/2006	08-06	312688	15530/2006
02-01 B	312964	15619/2006	08-07	312686	15615/2005
02-02 C	312739	14614/2006	08-07	312788	15455/2006
02-02 C	312740	14616/2006	08-07	312789	15456/2006
02-02 C	312741	14617/2006	08-07	312961	15381/2006
02-02 C	312742	14618/2006	08-08 A	312696	15523/2006
02-02 C	312743	14619/2006	08-08 B	312907	15633/2006
02-02 C	312744	14622/2006	08-08 B	312926	15680/2006
02-03	312798	15493/2006	08-08 B	312927	15681/2006
02-04 NES	312815	15552/2006	08-08 B	312928	15682/2006
02-07 A	312955	15090/2006	08-08 B	312929	15683/2006
02-07 A	312956	16130/2007	08-08 B	312930	15684/2006
03-01 D	312762	15483/2006	08-08 B	312952	15056/2006
03-01 NES	312836	14794/2006	08-08 L	312987	15767/2006
03-01 NES	312891	14795/2006	08-08 NES	312856	15566/2006
04-02	312834	15645/2006	08-08 NES	312858	15565/2006
04-02	312855	15642/2006	08-08 NES	312859	15564/2006
04-02	312910	15644/2006	08-08 NES	312925	15678/2006
04-02	312966	15640/2006	09-01 A	312756	15472/2006
06-01 F	312766	12872/2006	09-01 A	312905	15626/2006
06-01 L	312758	15478/2006	09-01 B	312943	15697/2006
06-02	312967	15648/2006	09-01 D	312936	15690/2006
06-03 A	312766	12872/2006	09-01 H	312846	15600/2006
06-04 F	312967	15648/2006	09-01 H	312847	15601/2006
06-05	312766	12872/2006	09-01 H	312848	15602/2006
06-06 A	312708	15384/2006	09-01 H	312849	15603/2006
06-06 A	312709	15385/2006	09-01 H	312850	15604/2006
06-06 H	312902	15612/2006	09-01 H	312851	15605/2006
06-06 H	312903	15613/2006	09-01 H	312852	15606/2006
06-09	312745	15004/2006	09-01 K	312710	15386/2006
06-13 NES	312763	15485/2006	09-01 K	312841	15595/2006
07-01 A	312776	15434/2006	09-01 K	312842	15596/2006
07-01 C	312693	15520/2006	09-01 K	312878	15578/2006
07-01 C	312792	15462/2006	09-01 K	312879	15579/2006
07-01 D	312791	15461/2006	09-01 K	312906	15627/2006
07-01 D	312793	15463/2006	09-03 C	312937	15691/2006
07-01 D	312945	15699/2006	09-03 L	312690	15514/2006
07-01 D	312946	15700/2006	09-03 L	312692	15516/2006
07-01 E	312968	15761/2006	09-03 M	312689	15512/2006
07-01 E	312969	15762/2006	09-03 M	312784	15445/2006
07-01 NES	312897	15607/2006	09-03 NES	312831	14803/2006
07-01 NES	312898	15608/2006	09-03 NES	312832	14804/2006
07-02 B	312753	15473/2006	09-03 NES	312923	15664/2006
07-02 B	312754	15474/2006	09-07 B	312691	15515/2006
07-02 B	312757	15475/2006	09-07 B	312818	13372/2005
07-02 E	312706	14193/2006	09-07 B	312942	15696/2006
07-02 L	312867	15571/2006	09-07 NES	312783	15444/2006
07-02 L	312868	15572/2006	09-08	312853	15621/2006
07-02 L	312924	15665/2006	10-01	312890	11946/2006
07-04	312911	15646/2006	10-04	312866	15573/2006
07-05 NES	312921	15661/2006	10-06	312947	15702/2006
08-03	312700	15528/2006	10-06	312988	15511/2006
08-03	312938	15692/2006	11-02 B	312899	15609/2006
08-03	312959	15253/2006	12-06 NES	312711	15387/2006
08-05 N	312777	15436/2006	12-06 NES	312712	15388/2006
08-06	312687	15510/2006	12-08	312771	15427/2006

Registration Proceedings - Class Listing of Designs Published or Registered cont'd

Classification	Registration Number	Design Number	Classification	Registration Number	Design Number
12-08	312772	15428/2006	14-03 NES	312749	15466/2006
12-16 A	312748	15448/2006	15-99	312870	14999/2006
12-16 B	312697	15524/2006	15-99	312871	15952/2007
12-16 B	312747	15447/2006	15-99	312872	15953/2007
12-16 B	312770	15426/2006	15-99	312873	15954/2007
12-16 B	312773	15429/2006	16-01	312892	14799/2006
12-16 B	312775	15431/2006	18-99	312874	15551/2006
12-16 B	312782	15443/2006	19-01	312861	15561/2006
12-16 B	312799	15496/2006	19-01	312862	15562/2006
12-16 B	312800	15499/2006	19-06	312824	12803/2006
12-16 B	312801	15500/2006	19-06	312825	12804/2006
12-16 B	312802	15501/2006	19-06	312826	12805/2006
12-16 B	312803	15502/2006	19-06	312827	12806/2006
12-16 B	312896	15064/2006	19-06	312828	12807/2006
12-16 NES	312767	14394/2006	19-08	312824	12803/2006
12-16 NES	312953	15060/2006	19-08	312825	12804/2006
13-01	312877	15577/2006	19-08	312826	12805/2006
13-03 C	312804	15503/2006	19-08	312827	12806/2006
13-03 E	312713	15389/2006	19-08	312828	12807/2006
13-03 E	312714	15390/2006	20-02 NES	312701	15529/2006
13-03 E	312715	15391/2006	20-02 NES	312795	10270/2006
13-03 E	312716	15392/2006	21-01 F	312790	15457/2006
13-03 E	312717	15393/2006	21-01 L	312860	15563/2006
13-03 E	312718	15394/2006	21-01 L	312881	15581/2006
13-03 E	312719	15395/2006	21-01 L	312958	15124/2006
13-03 E	312720	15396/2006	21-02 C	312812	15543/2006
13-03 E	312721	15397/2006	21-02 F	312698	15526/2006
13-03 E	312722	15398/2006	21-03	312759	15479/2006
13-03 E	312723	15399/2006	21-03	312760	15480/2006
13-03 E	312724	15400/2006	21-03	312785	15450/2006
13-03 E	312725	15401/2006	21-03	312786	15451/2006
13-03 E	312726	15402/2006	21-03	312787	15452/2006
13-03 E	312727	15403/2006	21-03	312854	15632/2006
13-03 E	312728	15404/2006	22-05	312794	15465/2006
13-03 E	312729	15405/2006	22-05	312797	15492/2006
13-03 E	312730	15406/2006	22-05	312919	15658/2006
13-03 E	312731	15407/2006	22-05	312920	15659/2006
13-03 E	312732	15408/2006	22-06	312755	15471/2006
13-03 E	312733	15409/2006	23-01 A	312823	12380/2006
13-03 E	312734	15410/2006	23-01 D	312768	15322/2006
13-03 E	312735	15411/2006	23-01 E	312869	15568/2006
13-03 E	312736	15412/2006	23-01 H	312702	15531/2006
13-03 E	312737	15413/2006	23-01 H	312913	15650/2006
13-03 E	312993	15570/2006	23-01 H	312914	15651/2006
14-01	312758	15478/2006	23-01 H	312915	15652/2006
14-01	312900	15610/2006	23-01 H	312916	15653/2006
14-01	312970	15812/2006	23-01 L	312863	15557/2006
14-02	312816	15555/2006	23-01 L	312864	15556/2006
14-03 A	312893	14832/2006	23-01 L	312944	15698/2006
14-03 A	312894	14833/2006	23-01 NES	312909	15963/2007
14-03 A	312895	14834/2006	23-02 B	312833	14977/2006
14-03 A	312918	15657/2006	23-02 B	312901	15611/2006
14-03 E	312835	15708/2006	23-02 B	312951	15026/2006
14-03 E	312917	15656/2006	23-02 C	312765	15057/2006
14-03 E	312922	15663/2006	23-02 C	312817	10312/2005
14-03 E	312949	15704/2006	23-02 C	312960	15295/2006
14-03 E	312950	15705/2006	23-02 F	312957	15121/2006
14-03 E	312989	15706/2006	23-03 E	312707	14876/2006
14-03 E	312990	15707/2006	23-03 E	312738	15840/2006

Registration Proceedings - Class Listing of Designs Published or Registered cont'd

Classification	Registration Number	Design Number	Classification	Registration Number	Design Number
23-03 NES	312965	15637/2006	25-01 E	312912	15649/2006
23-04	312750	15467/2006	25-01 F	312705	15943/2006
23-04	312939	15693/2006	25-01 K	312805	15508/2006
23-04	312940	15694/2006	25-01 K	312857	15567/2006
23-04	312941	15695/2006	25-01 K	312876	15576/2006
24-01	312703	15532/2006	25-01 K	312883	15583/2006
24-01	312704	15534/2006	25-01 K	312884	15584/2006
24-01	312769	15421/2006	25-01 K	312885	15585/2006
24-01	312809	15535/2006	25-01 K	312962	15486/2006
24-01	312810	15536/2006	25-01 K	312963	15487/2006
24-01	312971	14961/2006	25-01 NES	312804	15503/2006
24-01	312972	14962/2006	25-01 NES	312829	13357/2006
24-01	312973	14963/2006	25-02 A	312811	15537/2006
24-01	312974	14964/2006	25-02 A	312948	15703/2006
24-01	312975	14965/2006	25-02 C	312822	12011/2006
24-01	312976	14966/2006	25-02 C	312985	12012/2006
24-01	312977	14967/2006	25-02 K	312880	15580/2006
24-01	312978	14968/2006	25-03	312908	15638/2006
24-01	312979	14969/2006	26-01	312806	15509/2006
24-01	312980	14970/2006	26-01	312820	11791/2006
24-01	312981	14971/2006	26-03	312988	15511/2006
24-01	312982	14972/2006	26-04	312761	15482/2006
24-01	312983	14973/2006	26-04	312843	15597/2006
24-01	312984	14974/2006	26-04	312844	15598/2006
24-02	312807	15518/2006	26-04	312845	15599/2006
24-02	312808	15519/2006	26-05 C	312954	15073/2006
24-04	312931	15685/2006	26-05 D	312986	15766/2006
24-04	312932	15686/2006	26-06	312774	15430/2006
24-04	312933	15687/2006	28-03 A	312865	15574/2006
24-04	312934	15688/2006	28-03 A	312875	15575/2006
24-04	312935	15689/2006	28-03 NES	312746	15005/2006
25-01 A	312819	10359/2006	28-03 NES	312751	15468/2006
25-01 A	312837	15590/2006	28-03 NES	312752	15469/2006
25-01 A	312838	15591/2006	28-03 NES	312904	15618/2006
25-01 A	312839	15592/2006	28-03 NES	312991	15757/2006
25-01 A	312840	15593/2006	28-03 NES	312992	15758/2006
25-01 A	312886	15586/2006	30-03	312813	15544/2006
25-01 A	312887	15587/2006	31-00	312764	15490/2006
25-01 A	312888	15588/2006	31-00	312778	15439/2006
25-01 A	312889	15589/2006	31-00	312779	15440/2006
25-01 E	312694	15521/2006	31-00	312780	15441/2006
25-01 E	312695	15522/2006	31-00	312781	15442/2006
25-01 E	312699	15527/2006	31-00	312796	15491/2006
25-01 E	312814	15550/2006			
25-01 E	312821	12010/2006			
25-01 E	312882	15582/2006			

(21) Design Number: **15615/2005**

(22) Date of Filing Application: **19 December 2005**

(24) Date from which industrial property rights may have effect: **19 December 2005**

(54) Product in respect of which the design is registered: **Window lock**

(51) International Design Classification: **08-07**

(71) Name(s) and Address(s) of Applicant(s):

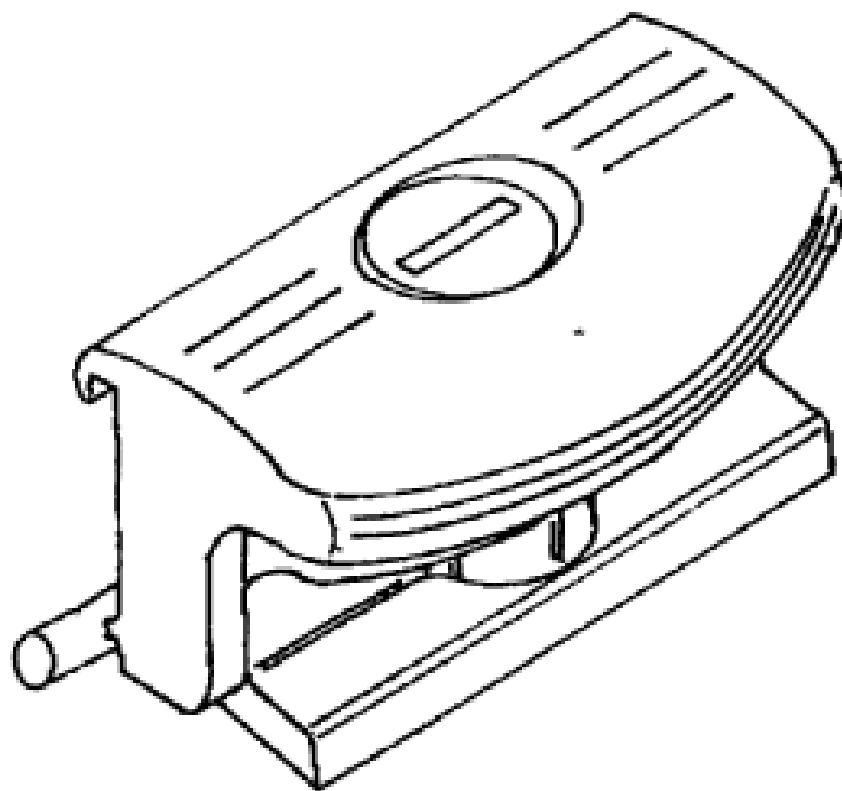
**Pacific Enterprises (Aust) Pty Ltd  
6 Mosrael Place Scoresby Victoria 3179 Australia**

(72) Name(s) of Designer(s): **Graeme Byrne and David Li**

(45) Registration Date: **02 February 2007**

(56) Related Art Documents: **Not Applicable**

(57) Statement of Newness and Distinctiveness: **Newness and distinctiveness are claimed in the features of shape and/or configuration of a window lock, as illustrated in the accompanying representatives.**



(21) Design Number: **15510/2006**

(22) Date of Filing Application: **30 November 2006**

(24) Date from which industrial property rights may have effect: **30 November 2006**

(54) Product in respect of which the design is registered: **Door handle**

(51) International Design Classification: **08-06**

(71) Name(s) and Address(s) of Applicant(s):

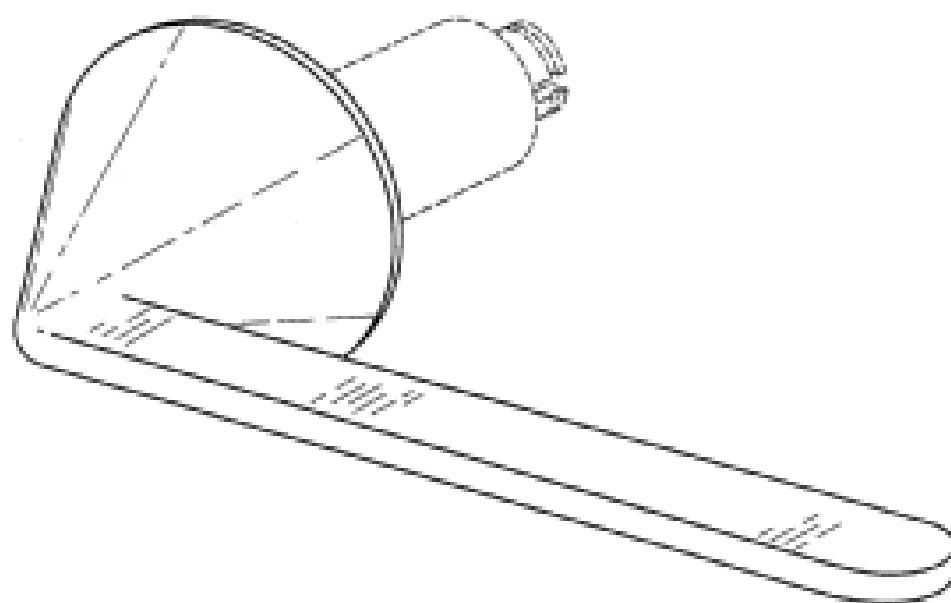
**AAP Pty Ltd  
20A Thornton Crescent Mitcham Victoria 3132 Australia**

(72) Name(s) of Designer(s): **James Yu**

(45) Registration Date: **02 February 2007**

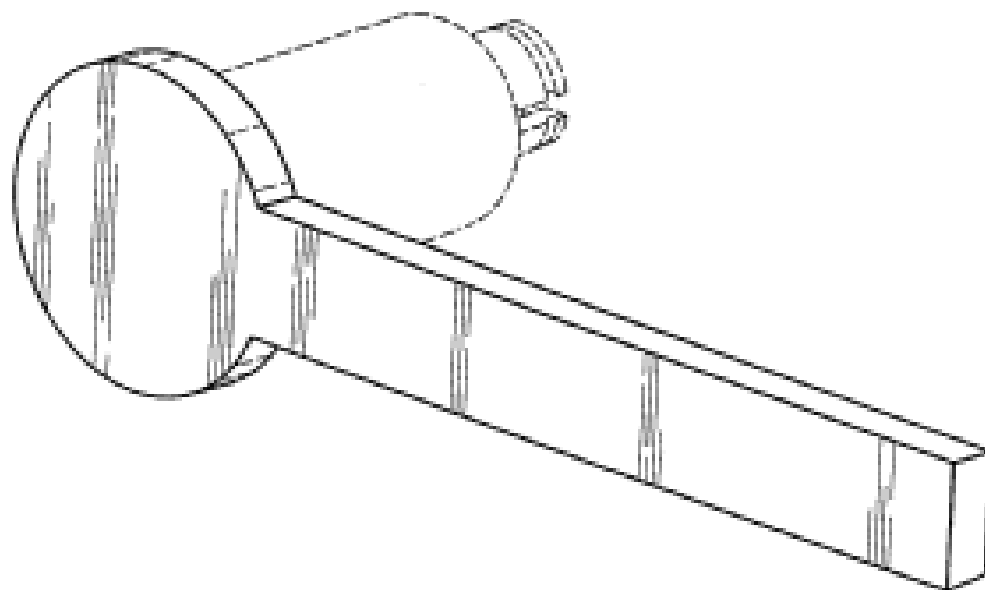
(56) Related Art Documents: **Not Applicable**

(57) Statement of Newness and Distinctiveness: **Novelty resides in the shape or configuration of the handle part shown in full outline and not in the shaft part shown in phantom lines.**

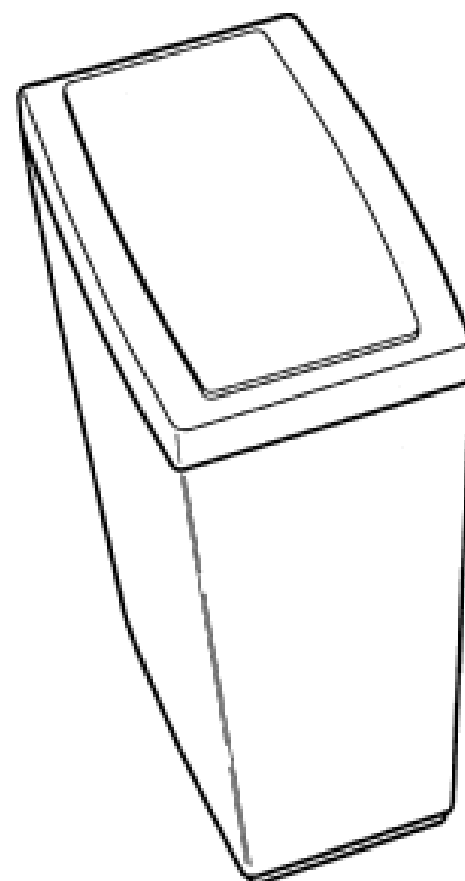




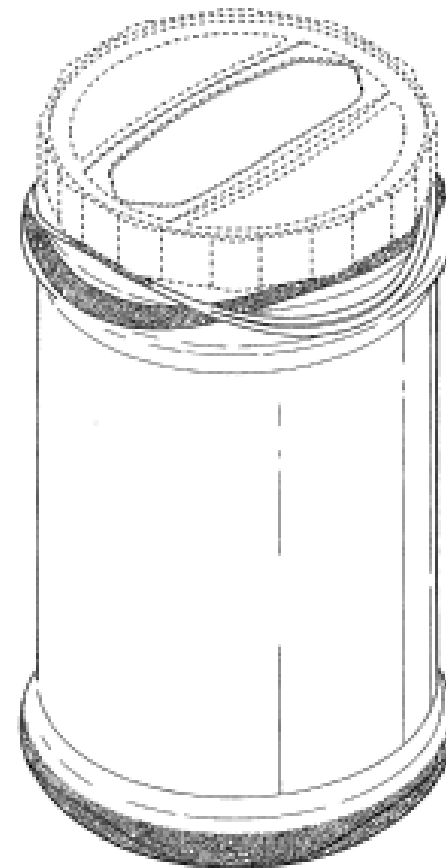
- (21) Design Number: **15530/2006**  
(22) Date of Filing Application: **30 November 2006**  
(24) Date from which industrial property rights may have effect: **30 November 2006**  
(54) Product in respect of which the design is registered: **Door handle**  
(51) International Design Classification: **08-06**  
(71) Name(s) and Address(s) of Applicant(s):  
**AAP Pty Ltd**  
**20A Thornton Crescent Mitcham Victoria 3132 Australia**  
(72) Name(s) of Designer(s): **James Yu**  
(45) Registration Date: **02 February 2007**  
(56) Related Art Documents: **Not Applicable**  
(57) Statement of Newness and Distinctiveness: **Novelty resides in the shape or configuration of the handle part shown in full outline and not in the shaft part shown in phantom lines.**



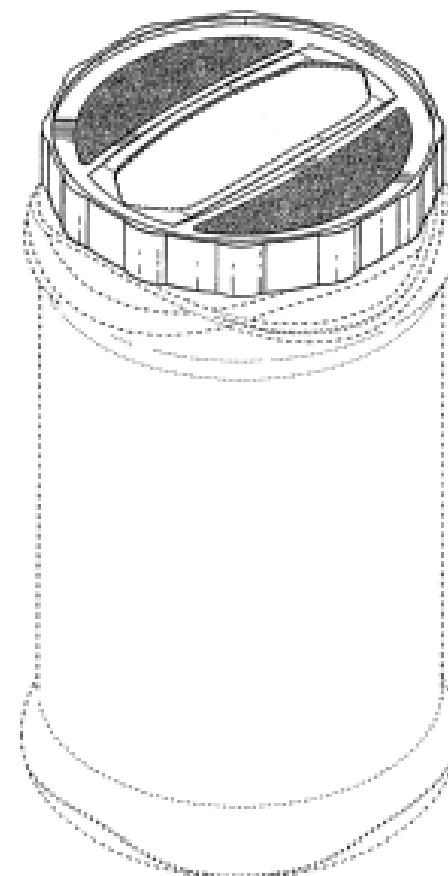
- (21) Design Number: **15512/2006**  
(22) Date of Filing Application: **30 November 2006**  
(24) Date from which industrial property rights may have effect: **30 November 2006**  
(54) Product in respect of which the design is registered: **Container**  
(51) International Design Classification: **09-03M**  
(71) Name(s) and Address(s) of Applicant(s):  
**European Foods Wholesalers Pty Ltd**  
**95 Aberdeen Street Northbridge Western Australia 6003 Australia**  
(72) Name(s) of Designer(s): **John Ferrari and Leah Dent and Angela Etherington**  
(45) Registration Date: **02 February 2007**  
(56) Related Art Documents: **Not Applicable**  
(57) Statement of Newness and Distinctiveness: **Each feature of the container considered separately or in combination with any other feature of features.**



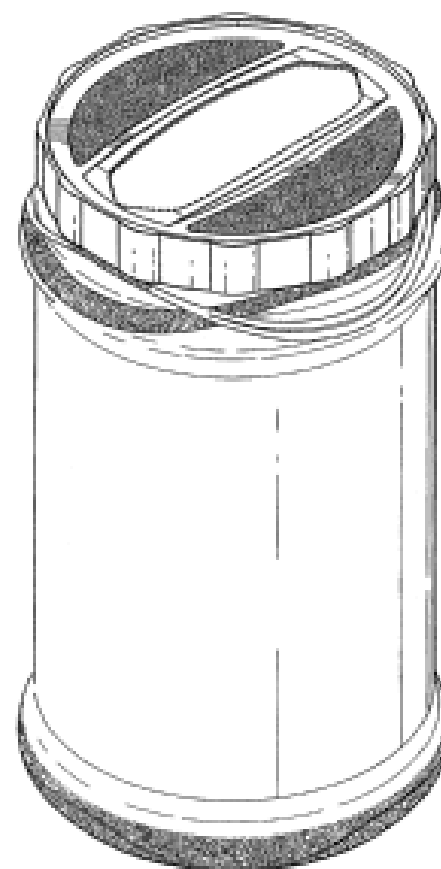
(21) Design Number: **15514/2006**  
(22) Date of Filing Application: **30 November 2006**  
(24) Date from which industrial property rights may have effect: **30 November 2006**  
(54) Product in respect of which the design is registered: **Container**  
(51) International Design Classification: **09-03L**  
(71) Name(s) and Address(s) of Applicant(s):  
**Kraft Foods Holdings, Inc.**  
**Three Lakes Drive Northfield Illinois 60093 United States of America**  
(72) Name(s) of Designer(s): **Andrew T. Tilton**  
(45) Registration Date: **02 February 2007**  
(30) Convention priority data:  
(31) Number (32) Date (33) Country  
**29/261092 07 Jun 2006 UNITED STATES OF AMERICA**  
(56) Related Art Documents: **Not Applicable**  
(57) Statement of Newness and Distinctiveness: **When determining whether the design 1 or 2 is substantially similar in overall impression to another design, no regard is to be had to those features shown in dotted outline in the accompanying drawings.**



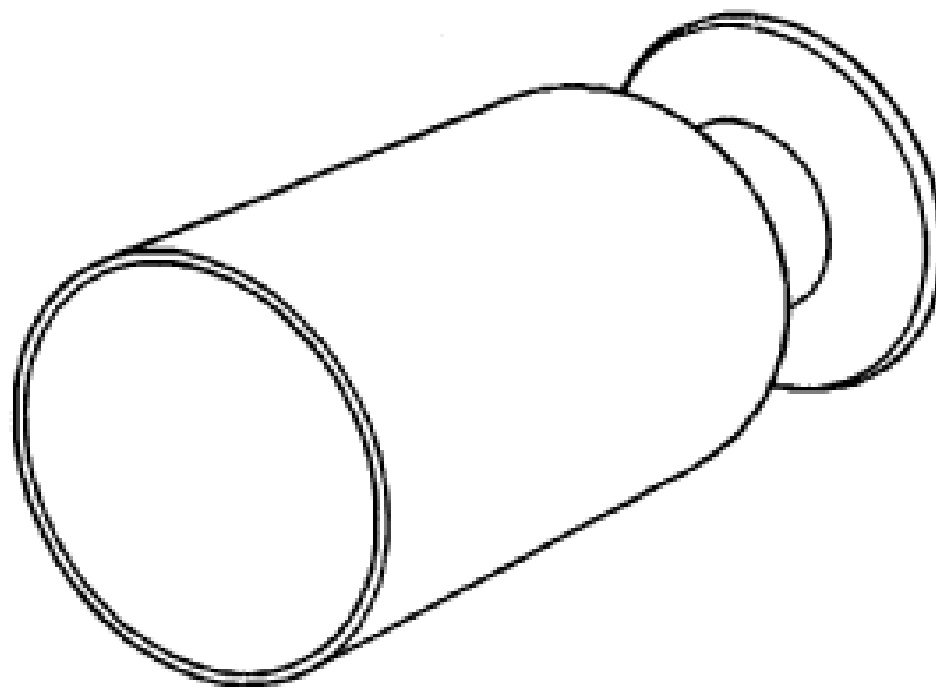
(21) Design Number: **15515/2006**  
(22) Date of Filing Application: **30 November 2006**  
(24) Date from which industrial property rights may have effect: **30 November 2006**  
(54) Product in respect of which the design is registered: **Lid**  
(51) International Design Classification: **09-07B**  
(71) Name(s) and Address(s) of Applicant(s):  
**Kraft Foods Holdings, Inc.**  
**Three Lakes Drive Northfield Illinois 60093 United States of America**  
(72) Name(s) of Designer(s): **Andrew T. Tilton**  
(45) Registration Date: **02 February 2007**  
(30) Convention priority data:  
(31) Number (32) Date (33) Country  
**29/261092 07 Jun 2006 UNITED STATES OF AMERICA**  
(56) Related Art Documents: **Not Applicable**  
(57) Statement of Newness and Distinctiveness: **When determining whether the design 1 or 2 is substantially similar in overall impression to another design, no regard is to be had to those features shown in dotted outline in the accompanying drawings.**



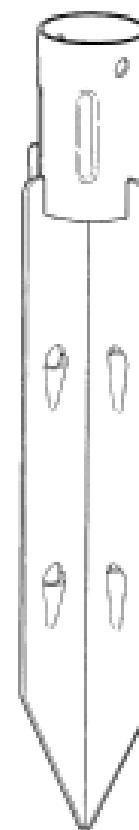
- (21) Design Number: **15516/2006**  
(22) Date of Filing Application: **30 November 2006**  
(24) Date from which industrial property rights may have effect: **30 November 2006**  
(54) Product in respect of which the design is registered: **Container and lid**  
(51) International Design Classification: **09-03L**  
(71) Name(s) and Address(s) of Applicant(s):  
**Kraft Foods Holdings, Inc.**  
**Three Lakes Drive Northfield Illinois 60093 United States of America**  
(72) Name(s) of Designer(s): **Andrew T. Tilton**  
(45) Registration Date: **02 February 2007**  
(30) Convention priority data:  
(31) Number (32) Date (33) Country  
**29/261092 07 Jun 2006 UNITED STATES OF AMERICA**  
(56) Related Art Documents: **Not Applicable**  
(57) Statement of Newness and Distinctiveness: **When determining whether the design 1 or 2 is substantially similar in overall impression to another design, no regard is to be had to those features shown in dotted outline in the accompanying drawings.**



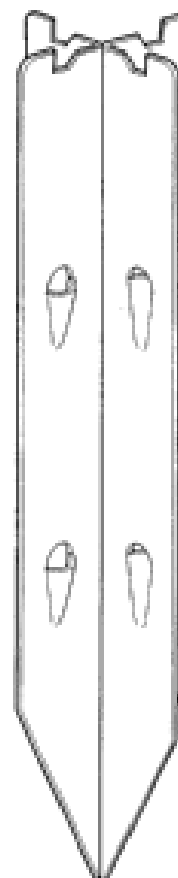
- (21) Design Number: **15520/2006**  
(22) Date of Filing Application: **30 November 2006**  
(24) Date from which industrial property rights may have effect: **30 November 2006**  
(54) Product in respect of which the design is registered: **Drinking vessel**  
(51) International Design Classification: **07-01C**  
(71) Name(s) and Address(s) of Applicant(s):  
**Poly Industries Pty Ltd**  
**8 Green Street Revesby New South Wales 2212 Australia**  
(72) Name(s) of Designer(s): **Anthony Poly**  
(45) Registration Date: **02 February 2007**  
(56) Related Art Documents: **Not Applicable**  
(57) Statement of Newness and Distinctiveness: **Newness and distinctiveness reside in the features of the design as shown in the representations.**



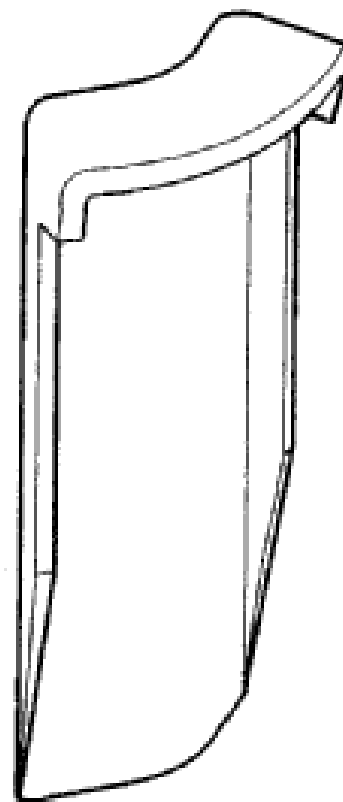
- (21) Design Number: **15521/2006**
- (22) Date of Filing Application: **30 November 2006**
- (24) Date from which industrial property rights may have effect: **30 November 2006**
- (54) Product in respect of which the design is registered: **Ground anchor**
- (51) International Design Classification: **25-01E**
- (71) Name(s) and Address(s) of Applicant(s):  
**RMD Press Co. Pty Limited**  
**6-10 Market Road Sunshine Victoria 3020 Australia**
- (72) Name(s) of Designer(s): **Ian James Buckley and Allan Roy Masters**
- (45) Registration Date: **02 February 2007**
- (56) Related Art Documents: **Not Applicable**
- (57) Statement of Newness and Distinctiveness: **Nil**



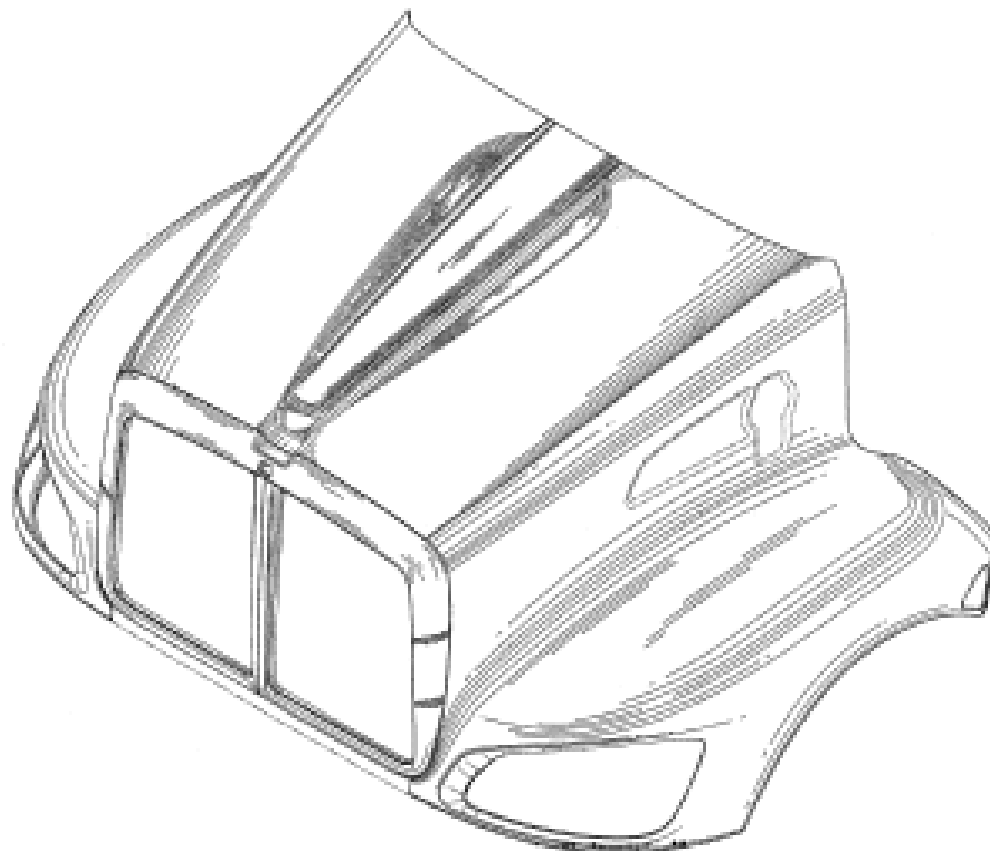
- (21) Design Number: **15522/2006**
- (22) Date of Filing Application: **30 November 2006**
- (24) Date from which industrial property rights may have effect: **30 November 2006**
- (54) Product in respect of which the design is registered: **Ground anchor component**
- (51) International Design Classification: **25-01E**
- (71) Name(s) and Address(s) of Applicant(s):  
**RMD Press Co. Pty Limited**  
**6-10 Market Road Sunshine Victoria 3020 Australia**
- (72) Name(s) of Designer(s): **Ian James Buckley and Allan Roy Masters**
- (45) Registration Date: **02 February 2007**
- (56) Related Art Documents: **Not Applicable**
- (57) Statement of Newness and Distinctiveness: **Nil**



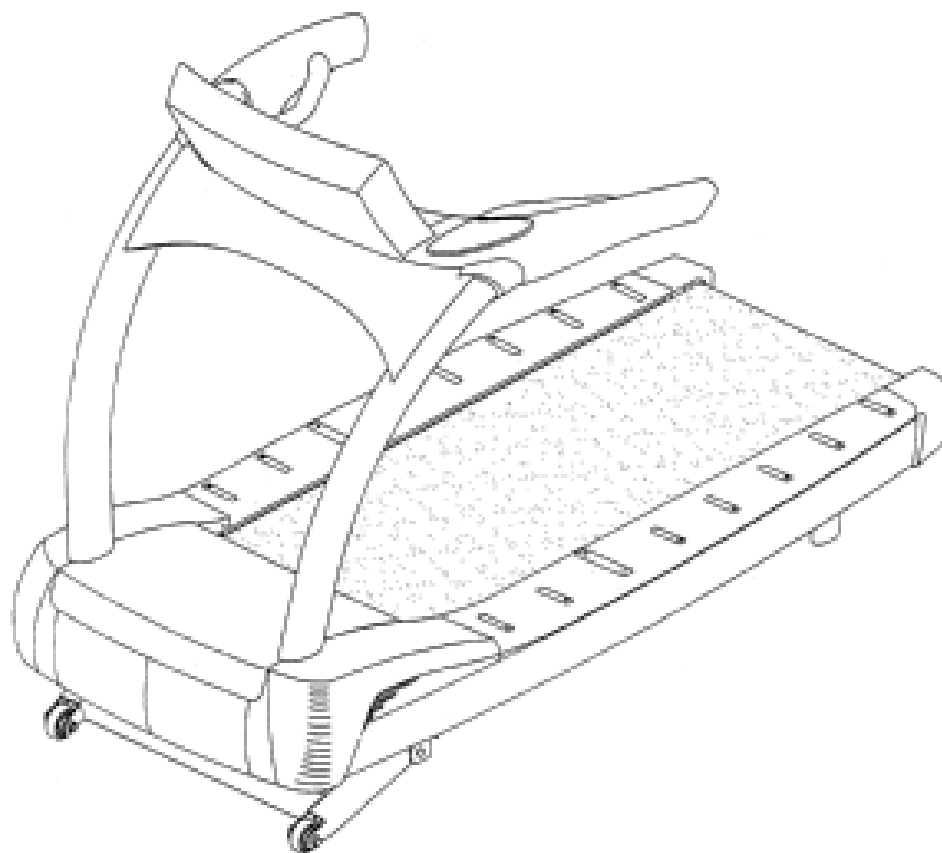
- (21) Design Number: **15523/2006**  
(22) Date of Filing Application: **30 November 2006**  
(24) Date from which industrial property rights may have effect: **30 November 2006**  
(54) Product in respect of which the design is registered: **Wedge**  
(51) International Design Classification: **08-08A**  
(71) Name(s) and Address(s) of Applicant(s):  
**RMD Press Co. Pty Limited**  
**6-10 Market Road Sunshine Victoria 3020 Australia**  
(72) Name(s) of Designer(s): **Allan Roy Masters**  
(45) Registration Date: **02 February 2007**  
(56) Related Art Documents: **Not Applicable**  
(57) Statement of Newness and Distinctiveness: **Nil**



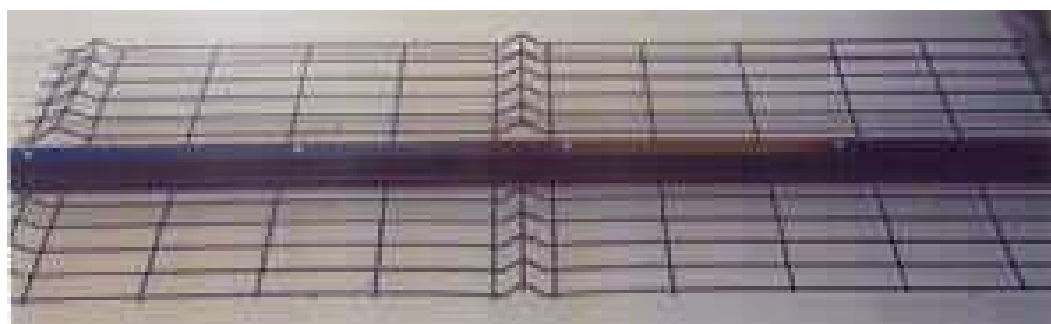
- (21) Design Number: **15524/2006**  
(22) Date of Filing Application: **30 November 2006**  
(24) Date from which industrial property rights may have effect: **30 November 2006**  
(54) Product in respect of which the design is registered: **Truck hood assembly**  
(51) International Design Classification: **12-16B**  
(71) Name(s) and Address(s) of Applicant(s):  
**PACCAR Inc**  
**777-106th Avenue Northeast Bellevue Washington 98004 United States of America**  
(72) Name(s) of Designer(s): **Gerald Jay Angelo and Daniel Farmer and Erik D. Hjorten and Wayne K. Simons and Steven H. Hovind and Daniel R. Kieffer and Richard D. Wailes Jr**  
(45) Registration Date: **02 February 2007**  
(30) Convention priority data:  
(31) Number      (32) Date      (33) Country  
**29/265,502      31 Aug 2006      UNITED STATES OF AMERICA**  
(56) Related Art Documents: **Not Applicable**  
(57) Statement of Newness and Distinctiveness: **Newness and distinctiveness are claimed in the features of shape and/or configuration of a truck hood assembly, as illustrated in the accompanying representatives.**



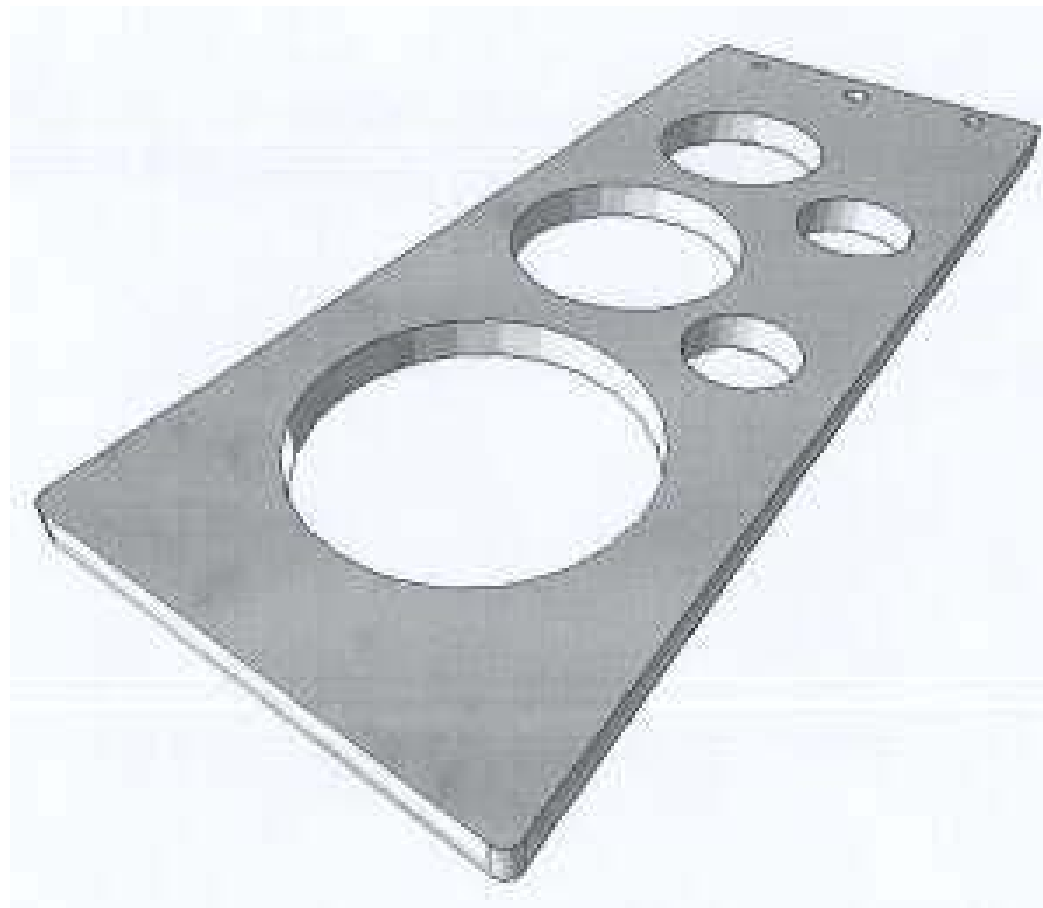
- (21) Design Number: **15526/2006**  
(22) Date of Filing Application: **30 November 2006**  
(24) Date from which industrial property rights may have effect: **30 November 2006**  
(54) Product in respect of which the design is registered: **Treadmill**  
(51) International Design Classification: **21-02F**  
(71) Name(s) and Address(s) of Applicant(s):  
**Hai Pin Kuo**  
**No. 11 Gong Huan Road Tainan City Taiwan**  
(72) Name(s) of Designer(s): **Hai Pin Kuo**  
(45) Registration Date: **02 February 2007**  
(56) Related Art Documents: **Not Applicable**  
(57) Statement of Newness and Distinctiveness: **The newness and distinctiveness of the design resides in the shape and configuration of a treadmill as illustrated in the representations.**



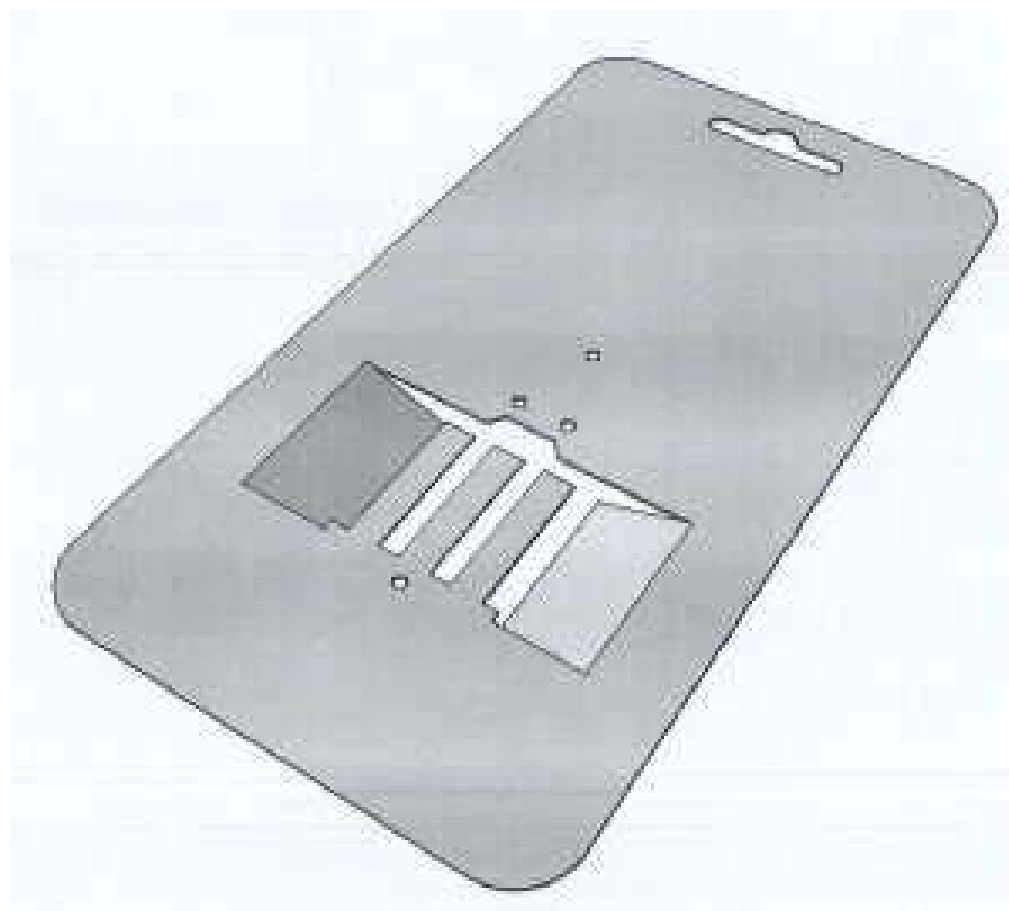
- (21) Design Number: **15527/2006**  
(22) Date of Filing Application: **01 December 2006**  
(24) Date from which industrial property rights may have effect: **01 December 2006**  
(54) Product in respect of which the design is registered: **Fencing**  
(51) International Design Classification: **25-01E**  
(71) Name(s) and Address(s) of Applicant(s):  
**KMS Qld Pty as Trustee for KMS Investments**  
**10 Rocla Court Toowoomba Queensland 4350 Australia**  
(72) Name(s) of Designer(s): **Hayden Ferguson**  
(45) Registration Date: **02 February 2007**  
(56) Related Art Documents: **Not Applicable**  
(57) Statement of Newness and Distinctiveness: **The appearance of clamp bar and post in conjunction.**



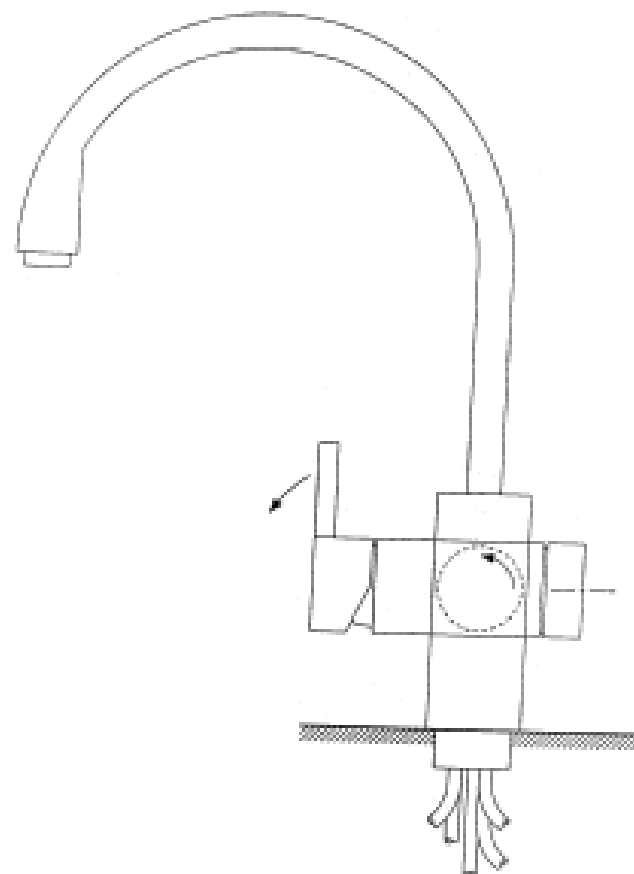
- (21) Design Number: **15528/2006**  
(22) Date of Filing Application: **30 November 2006**  
(24) Date from which industrial property rights may have effect: **30 November 2006**  
(54) Product in respect of which the design is registered: **Cutting guide and display board**  
(51) International Design Classification: **08-03**  
(71) Name(s) and Address(s) of Applicant(s):  
**Craig Le Breton**  
**c/- Trademark Works Level 30 AMP Place 10 Eagle Street Brisbane**  
**Queensland 4000 Australia**  
(72) Name(s) of Designer(s): **Craig Le Breton**  
(45) Registration Date: **02 February 2007**  
(56) Related Art Documents: **Not Applicable**  
(57) Statement of Newness and Distinctiveness: **Especially designed cutting guide/aid and display board.**



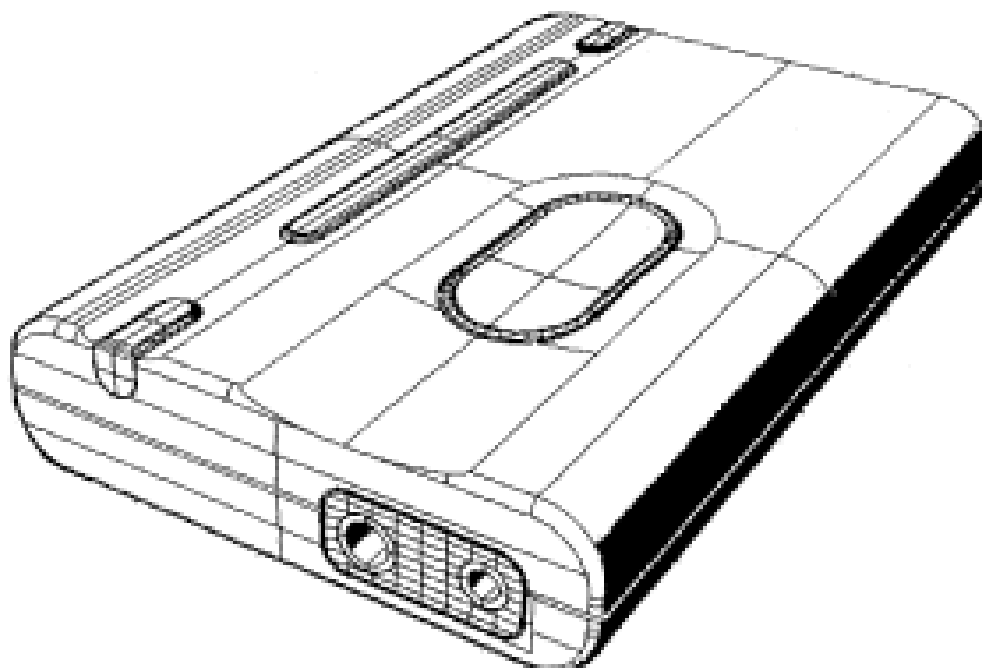
- (21) Design Number: **15529/2006**  
(22) Date of Filing Application: **30 November 2006**  
(24) Date from which industrial property rights may have effect: **30 November 2006**  
(54) Product in respect of which the design is registered: **Merchandise display card**  
(51) International Design Classification: **20-02NES**  
(71) Name(s) and Address(s) of Applicant(s):  
**Craig Le Breton**  
**c/- Trademark Works Level 30 AMP Place 10 Eagle Street Brisbane**  
**Queensland 4000 Australia**  
(72) Name(s) of Designer(s): **Craig Le Breton**  
(45) Registration Date: **02 February 2007**  
(56) Related Art Documents: **Not Applicable**  
(57) Statement of Newness and Distinctiveness: **Especially designed display card to display merchandise.**



(21) Design Number: **15531/2006**  
(22) Date of Filing Application: **01 December 2006**  
(24) Date from which industrial property rights may have effect: **05 October 2006**  
(54) Product in respect of which the design is registered: **A dispenser**  
(51) International Design Classification: **23-01H**  
(71) Name(s) and Address(s) of Applicant(s):  
**Electrolux Home Products Corporation N.V.**  
**Belgicastraat 17 1930 Zaventem Belgium**  
(72) Name(s) of Designer(s): **Luciano Cesa**  
(45) Registration Date: **02 February 2007**  
(30) Convention priority data:  
(31) Number (32) Date (33) Country  
**RA20060000006 05 Apr 2006 ITALY**  
(62) Divisional of: **312172**  
(56) Related Art Documents: **Not Applicable**  
(57) Statement of Newness and Distinctiveness: **Newness and distinctiveness is claimed in the features of the dispensers shown in solid lines above the surface indicated with hatching.**



(21) Design Number: **15532/2006**  
(22) Date of Filing Application: **01 December 2006**  
(24) Date from which industrial property rights may have effect: **01 December 2006**  
(54) Product in respect of which the design is registered: **A portable device for measuring heart rate**  
(51) International Design Classification: **24-01**  
(71) Name(s) and Address(s) of Applicant(s):  
**Quantum Intech, Inc.**  
**14700 West Park Avenue Boulder Creek California 95006 United States of America**  
(72) Name(s) of Designer(s): **Harald Striepe and Alfredo Knecht**  
(45) Registration Date: **02 February 2007**  
(30) Convention priority data:  
(31) Number (32) Date (33) Country  
**29261376 13 Jun 2006 UNITED STATES OF AMERICA**  
(56) Related Art Documents: **Not Applicable**  
(57) Statement of Newness and Distinctiveness: **Nil**





(21) Design Number: **15534/2006**

(22) Date of Filing Application: **01 December 2006**

(24) Date from which industrial property rights may have effect: **01 December 2006**

(54) Product in respect of which the design is registered: **Inhaler device**

(51) International Design Classification: **24-01**

(71) Name(s) and Address(s) of Applicant(s):

**Cipla Limited**

**289 Bellasis Road Mumbai Central Mumbai Maharashtra 400 008 India**

(72) Name(s) of Designer(s): **Amar Lulla and Geena Malhotra**

(45) Registration Date: **02 February 2007**

(30) Convention priority data:

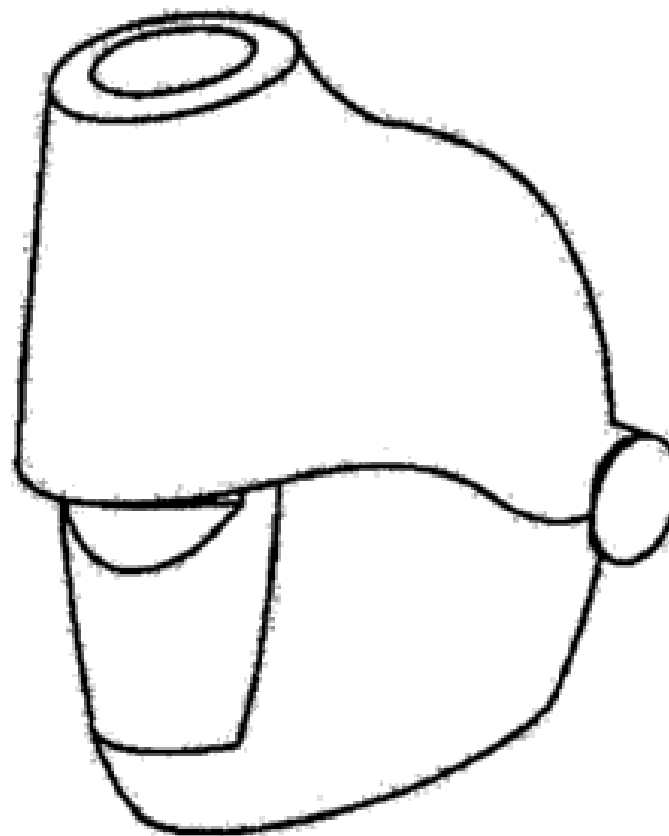
(31) Number  
**204680**

(32) Date  
**01 Jun 2006**

(33) Country  
**INDIA**

(56) Related Art Documents: **Not Applicable**

(57) Statement of Newness and Distinctiveness: **Newness and distinctiveness is claimed in the features of shape and/or configuration of an inhaler device as illustrated in the accompanying representations.**



(21) Design Number: **15943/2006**

(22) Date of Filing Application: **22 December 2006**

(24) Date from which industrial property rights may have effect: **22 December 2006**

(54) Product in respect of which the design is registered: **A tile**

(51) International Design Classification: **25-01F**

(71) Name(s) and Address(s) of Applicant(s):

**Ceramiche Atlas Concorde spa**

**Via Canaletto 141 Spezzano di Fiorano 41040 Italy**

(72) Name(s) of Designer(s): **Matteo Davoli**

(45) Registration Date: **02 February 2007**

(30) Convention priority data:

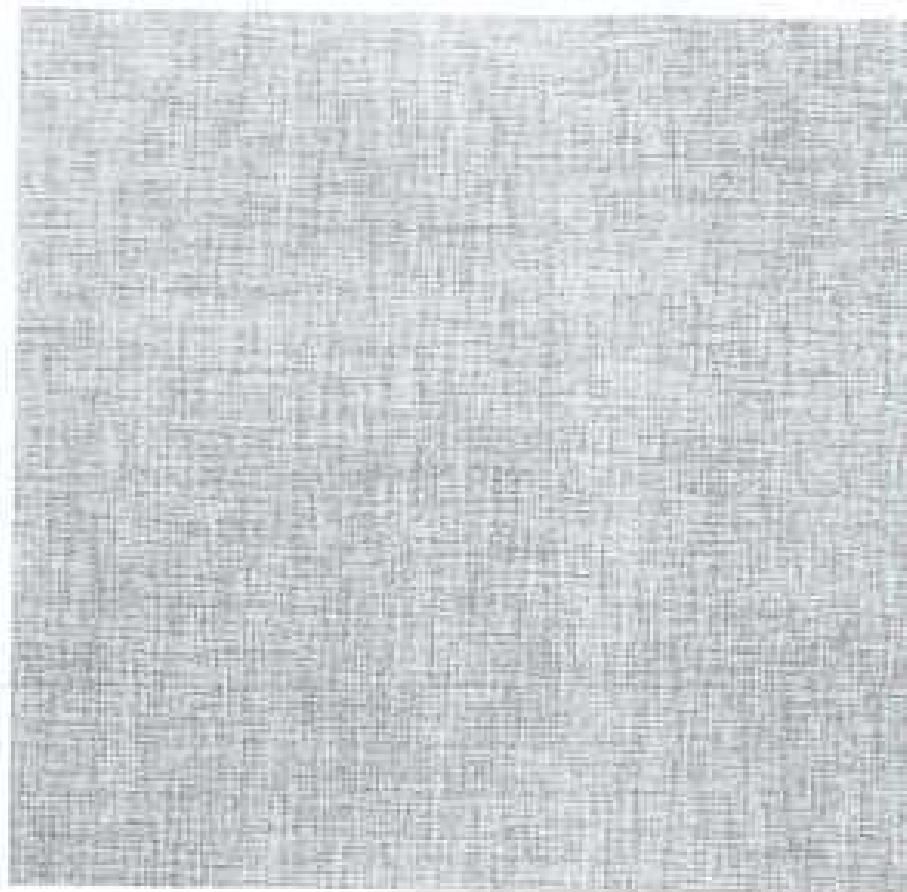
(31) Number  
**000584743-0004**

(32) Date  
**06 Sep 2006**

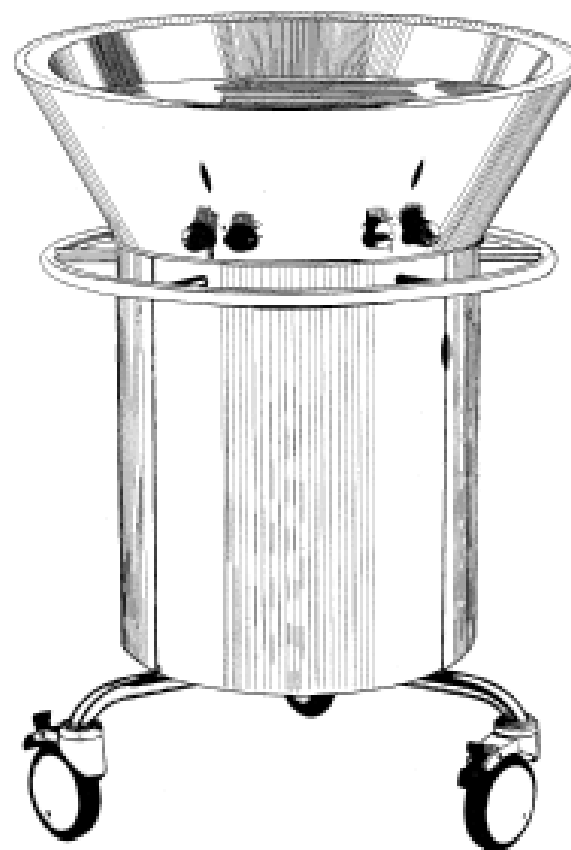
(33) Country  
**EUROPEAN COMMUNITY**

(56) Related Art Documents: **Not Applicable**

(57) Statement of Newness and Distinctiveness: **The newness and distinctiveness of the design resides in the features of pattern and/or ornamentation of the tile shown in the accompanying representation.**



- (21) Design Number: **14193/2006**  
(22) Date of Filing Application: **19 September 2006**  
(24) Date from which industrial property rights may have effect: **19 September 2006**  
(54) Product in respect of which the design is registered: **Cooking appliance**  
(51) International Design Classification: **07-02E**  
(71) Name(s) and Address(s) of Applicant(s):  
**Smartech Italia S.p.A.**  
**Via Alessandro Volta 11 Azzano Decimo (PN) 33082 Italy**  
(72) Name(s) of Designer(s): **Mario Bellini and Claudio Bellini**  
(45) Registration Date: **05 February 2007**  
(56) Related Art Documents: **Not Applicable**  
(57) Statement of Newness and Distinctiveness: **Newness and distinctiveness are claimed in the features of shape and/or configuration of a cooking appliance, as illustrated in the accompanying representations.**



- (21) Design Number: **14876/2006**  
(22) Date of Filing Application: **25 October 2006**  
(24) Date from which industrial property rights may have effect: **25 October 2006**  
(54) Product in respect of which the design is registered: **Rinnai gas log fires models slimline and royal**  
(51) International Design Classification: **23-03E**  
(71) Name(s) and Address(s) of Applicant(s):  
**Morcraft Industries**  
**9 Wardleys Court Bayswater Western Australia 6053 Australia**  
(72) Name(s) of Designer(s): **Greg Roberts**  
(45) Registration Date: **05 February 2007**  
(56) Related Art Documents: **Not Applicable**  
(57) Statement of Newness and Distinctiveness: **This guard has been designed to fit into the existing primary guard of the rinnai gas log fires which there are 2 models 1 having a curved front face the other flat. The secondary guard provides protection for young children or the infirm from the risk of burning themselves on the hot glass panels which sit behind the primary guard. It does this by the way of having a mesh front and a second rail running across the top and bottom of the guard preventing the child putting their hands up under the guard and onto hot glass panel as shown in photographs.**



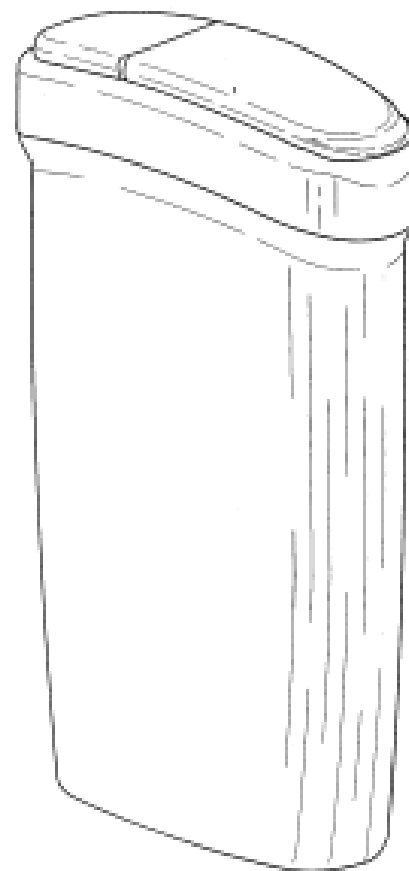
(21) Design Number: **15384/2006**  
(22) Date of Filing Application: **24 November 2006**  
(24) Date from which industrial property rights may have effect: **24 November 2006**  
(54) Product in respect of which the design is registered: **Bag hook**  
(51) International Design Classification: **06-06A**  
(71) Name(s) and Address(s) of Applicant(s):  
**Jennifer Nicoll**  
**15 Danyenah Street Loganholme Queensland 4129 Australia**  
(72) Name(s) of Designer(s): **Jennifer Nicoll**  
(45) Registration Date: **05 February 2007**  
(56) Related Art Documents: **Not Applicable**  
(57) Statement of Newness and Distinctiveness: **Nil**



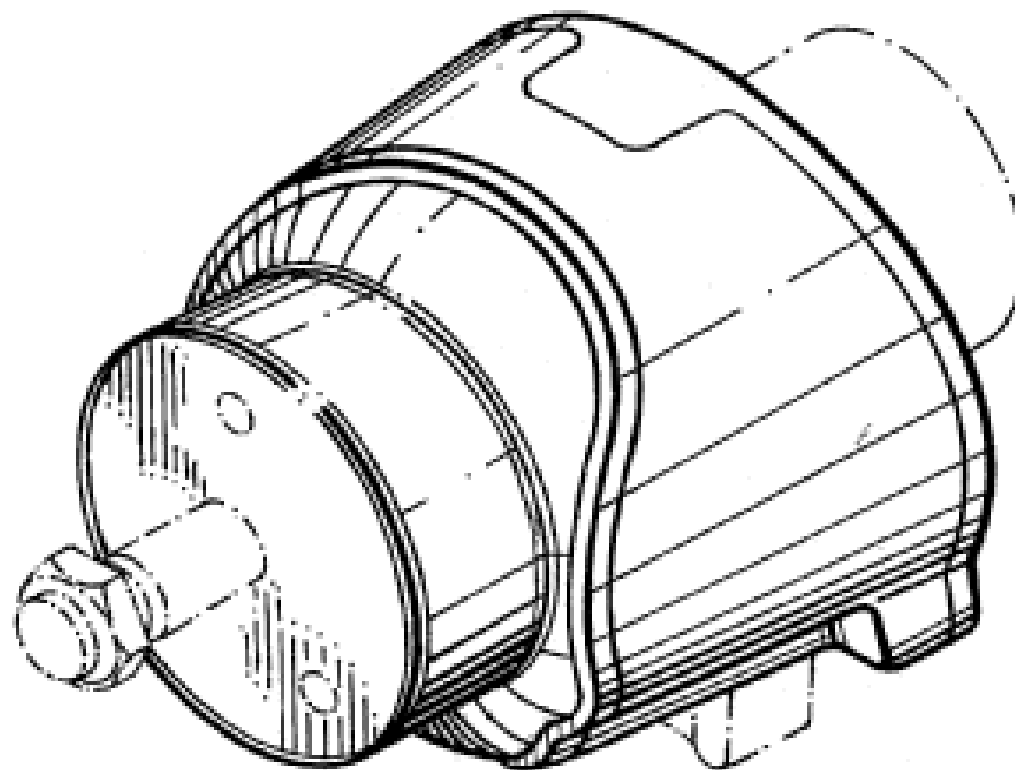
(21) Design Number: **15385/2006**  
(22) Date of Filing Application: **24 November 2006**  
(24) Date from which industrial property rights may have effect: **24 November 2006**  
(54) Product in respect of which the design is registered: **Bag hook**  
(51) International Design Classification: **06-06A**  
(71) Name(s) and Address(s) of Applicant(s):  
**Jennifer Nicoll**  
**15 Danyenah Street Loganholme Queensland 4129 Australia**  
(72) Name(s) of Designer(s): **Jennifer Nicoll**  
(45) Registration Date: **05 February 2007**  
(56) Related Art Documents: **Not Applicable**  
(57) Statement of Newness and Distinctiveness: **Nil**



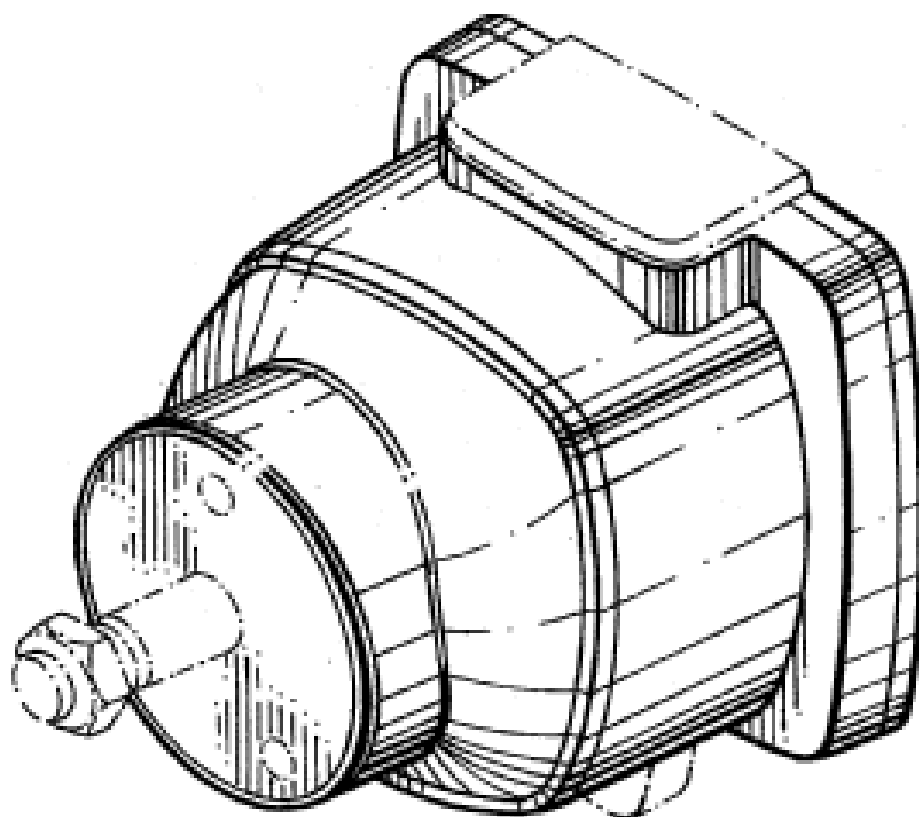
- (21) Design Number: **15386/2006**  
(22) Date of Filing Application: **24 November 2006**  
(24) Date from which industrial property rights may have effect: **24 November 2006**  
(54) Product in respect of which the design is registered: **Product dispenser**  
(51) International Design Classification: **09-01K**  
(71) Name(s) and Address(s) of Applicant(s):  
**Wm. Wrigley Jr. Company**  
**410 N. Michigan Avenue Chicago Illinois United States of America**  
(72) Name(s) of Designer(s): **Jonathan Edward Rathbone and Matthew R.J. Jackson and Ujjaini Mitra-Shah and Thomas C. Stoneberg**  
(45) Registration Date: **05 February 2007**  
(30) Convention priority data:  
(31) Number (32) Date (33) Country  
**29/247179 05 Jun 2006 UNITED STATES OF AMERICA**  
(56) Related Art Documents: **Not Applicable**  
(57) Statement of Newness and Distinctiveness: **Newness and distinctiveness is claimed in the features of shape and/or configuration of a product dispenser as illustrated in the accompanying representations.**



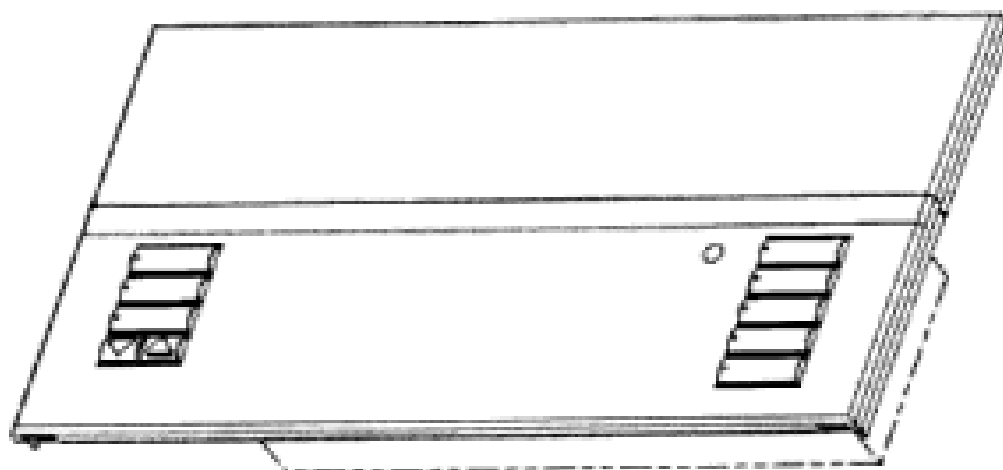
- (21) Design Number: **15387/2006**  
(22) Date of Filing Application: **24 November 2006**  
(24) Date from which industrial property rights may have effect: **24 November 2006**  
(54) Product in respect of which the design is registered: **Tilt helm**  
(51) International Design Classification: **12-06NES**  
(71) Name(s) and Address(s) of Applicant(s):  
**Teleflex Canada Inc**  
**3831 No.6 Road Richmond British Columbia V6V 1P6 Canada**  
(72) Name(s) of Designer(s): **Michael Wall and Art Ferguson**  
(45) Registration Date: **05 February 2007**  
(30) Convention priority data:  
(31) Number (32) Date (33) Country  
**29/261251 12 Jun 2006 UNITED STATES OF AMERICA**  
(56) Related Art Documents: **Not Applicable**  
(57) Statement of Newness and Distinctiveness: **Nil**



(21) Design Number: **15388/2006**  
 (22) Date of Filing Application: **24 November 2006**  
 (24) Date from which industrial property rights may have effect: **24 November 2006**  
 (54) Product in respect of which the design is registered: **Tilt helm**  
 (51) International Design Classification: **12-06NES**  
 (71) Name(s) and Address(s) of Applicant(s):  
**Teleflex Canada Inc**  
**3831 No.6 Road Richmond British Columbia V6V 1P6 Canada**  
 (72) Name(s) of Designer(s): **Michael Wall and Art Ferguson**  
 (45) Registration Date: **05 February 2007**  
 (30) Convention priority data:  
 (31) Number      (32) Date      (33) Country  
**29/261249      12 Jun 2006      UNITED STATES OF AMERICA**  
 (56) Related Art Documents: **Not Applicable**  
 (57) Statement of Newness and Distinctiveness: **Nil**



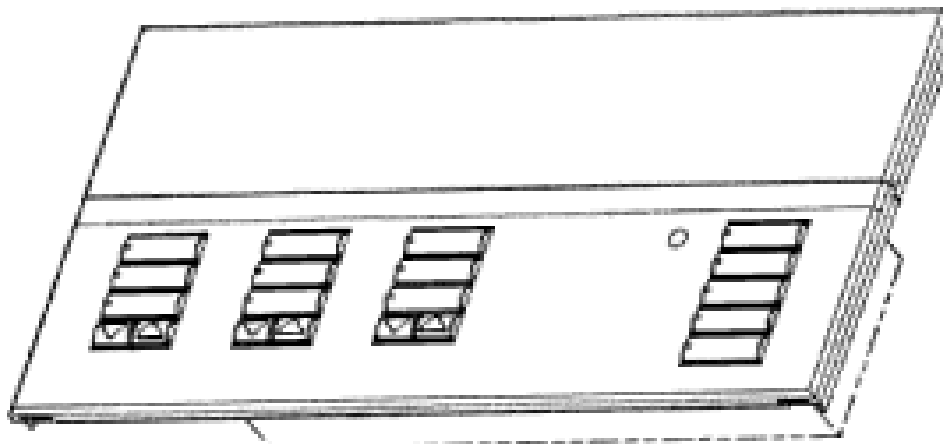
(21) Design Number: **15389/2006**  
 (22) Date of Filing Application: **24 November 2006**  
 (24) Date from which industrial property rights may have effect: **24 November 2006**  
 (54) Product in respect of which the design is registered: **Wall-mountable lighting control unit**  
 (51) International Design Classification: **13-03E**  
 (71) Name(s) and Address(s) of Applicant(s):  
**Lutron Electronics Co., Inc.**  
**7200 Suter Road Coopersburg Pennsylvania 18036-1299 United States of America**  
 (72) Name(s) of Designer(s): **Noel Mayo and Michael Hash and Elliot G. Jacoby and Joe S. Spira**  
 (45) Registration Date: **05 February 2007**  
 (30) Convention priority data:  
 (31) Number      (32) Date      (33) Country  
**29/260,548      26 May 2006      UNITED STATES OF AMERICA**  
 (56) Related Art Documents: **Not Applicable**  
 (57) Statement of Newness and Distinctiveness: **The new and distinctive features of shape and configuration of a wall-mountable lighting control unit are shown in solid lines in the accompanying drawings. In considering the newness and distinctiveness of the design, no regard is to be had to the visual features depicted by the broken lines.**



(19) AU

- (21) Design Number: **15390/2006**
- (22) Date of Filing Application: **24 November 2006**
- (24) Date from which industrial property rights may have effect: **24 November 2006**
- (54) Product in respect of which the design is registered: **Wall-mountable lighting control unit**
- (51) International Design Classification: **13-03E**
- (71) Name(s) and Address(s) of Applicant(s):  
**Lutron Electronics Co., Inc.**  
**7200 Suter Road Coopersburg Pennsylvania 18036-1299 United States of America**
- (72) Name(s) of Designer(s): **Noel Mayo and Michael Hash and Elliot G. Jacoby and Joe S. Spira**
- (45) Registration Date: **05 February 2007**
- (30) Convention priority data:  

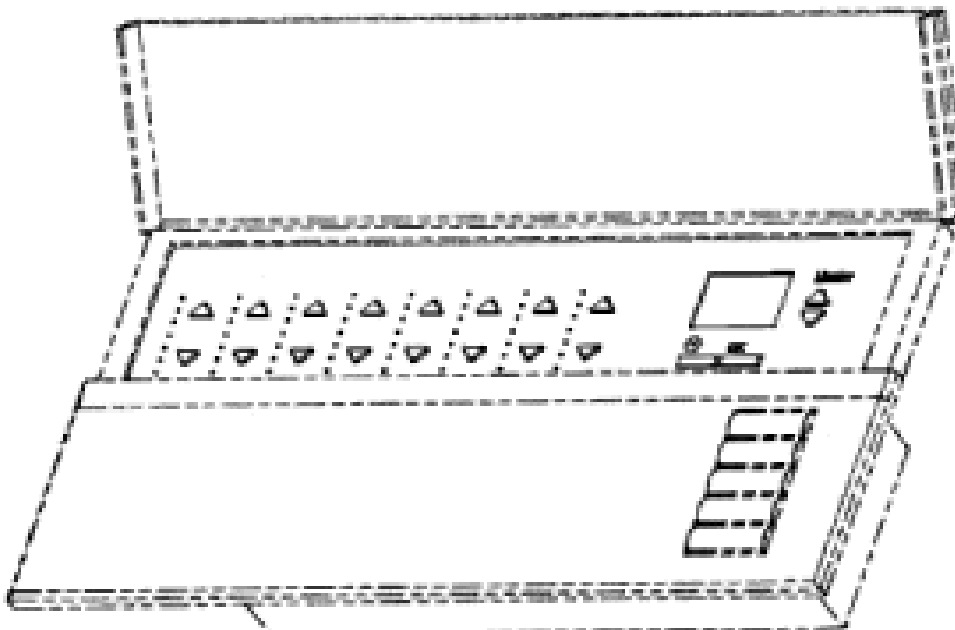
(31) Number	(32) Date	(33) Country
<b>29/260,527</b>	<b>26 May 2006</b>	<b>UNITED STATES OF AMERICA</b>
- (56) Related Art Documents: **Not Applicable**
- (57) Statement of Newness and Distinctiveness: **The new and distinctive features of shape and configuration of a wall-mountable lighting control unit are shown in solid lines in the accompanying drawings. In considering the newness and distinctiveness of the design, no regard is to be had to the visual features depicted by the broken lines.**



(19) AU

- (21) Design Number: **15391/2006**
- (22) Date of Filing Application: **24 November 2006**
- (24) Date from which industrial property rights may have effect: **24 November 2006**
- (54) Product in respect of which the design is registered: **Control display for a lighting control unit**
- (51) International Design Classification: **13-03E**
- (71) Name(s) and Address(s) of Applicant(s):  
**Lutron Electronics Co., Inc.**  
**7200 Suter Road Coopersburg Pennsylvania 18036-1299 United States of America**
- (72) Name(s) of Designer(s): **Noel Mayo and Matthew Swatsky and Elliot G. Jacoby and Michael Hash and Joe S. Spira**
- (45) Registration Date: **05 February 2007**
- (30) Convention priority data:  

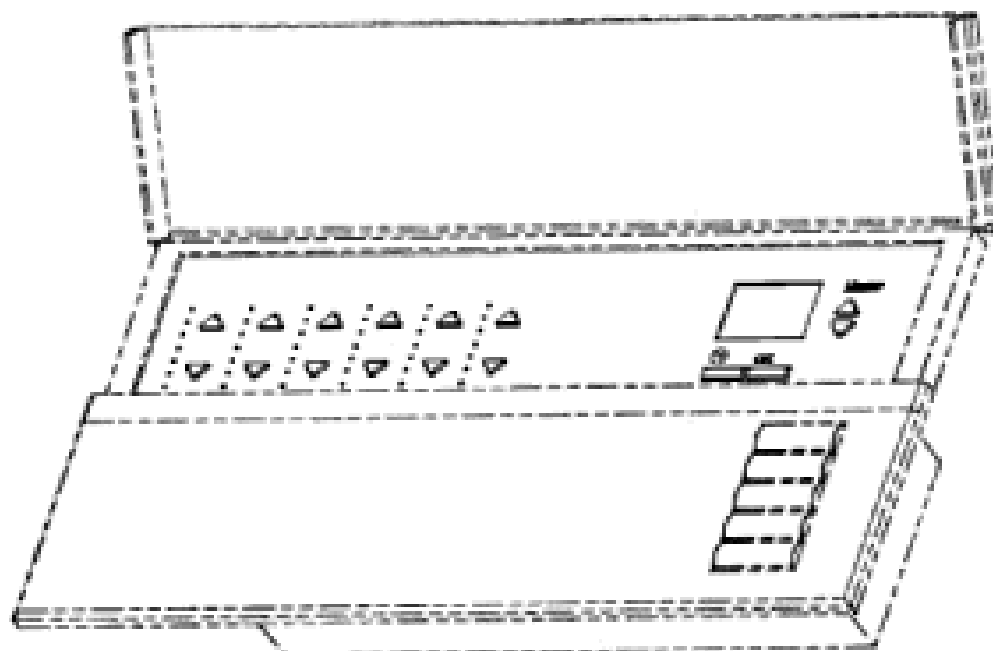
(31) Number	(32) Date	(33) Country
<b>29/260,555</b>	<b>26 May 2006</b>	<b>UNITED STATES OF AMERICA</b>
- (56) Related Art Documents: **Not Applicable**
- (57) Statement of Newness and Distinctiveness: **The new and distinctive features of shape and configuration of a control display for a lighting control unit are shown in solid lines in the accompanying drawings. In considering the newness and distinctiveness of the design, no regard is to be had to the visual features depicted by the broken lines.**



(19) AU

- (21) Design Number: **15392/2006**
- (22) Date of Filing Application: **24 November 2006**
- (24) Date from which industrial property rights may have effect: **24 November 2006**
- (54) Product in respect of which the design is registered: **Control display for a lighting control unit**
- (51) International Design Classification: **13-03E**
- (71) Name(s) and Address(s) of Applicant(s):  
**Lutron Electronics Co., Inc.**  
**7200 Suter Road Coopersburg Pennsylvania 18036-1299 United States of America**
- (72) Name(s) of Designer(s): **Noel Mayo and Matthew Swatsky and Elliot G. Jacoby and Michael Hash and Joe S. Spira**
- (45) Registration Date: **05 February 2007**
- (30) Convention priority data:  

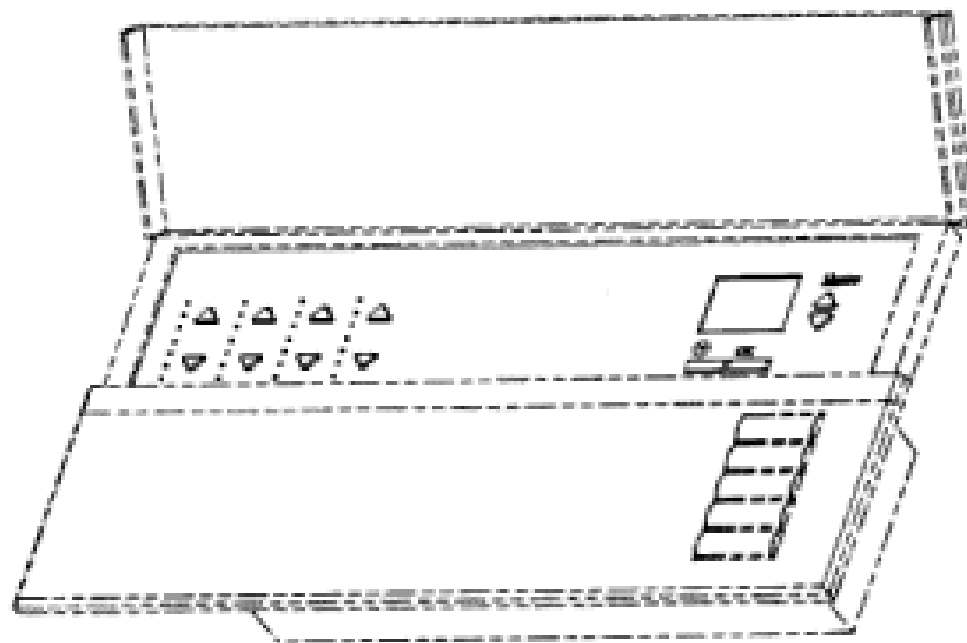
(31) Number	(32) Date	(33) Country
<b>29/260,555</b>	<b>26 May 2006</b>	<b>UNITED STATES OF AMERICA</b>
- (56) Related Art Documents: **Not Applicable**
- (57) Statement of Newness and Distinctiveness: **The new and distinctive features of shape and configuration of a control display for a lighting control unit are shown in solid lines in the accompanying drawings. In considering the newness and distinctiveness of the design, no regard is to be had to the visual features depicted by the broken lines.**



(19) AU

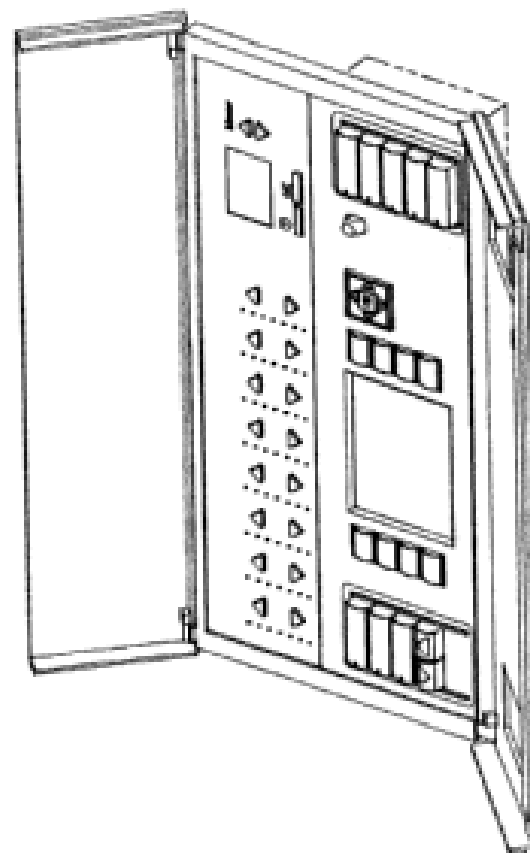
- (21) Design Number: **15393/2006**
- (22) Date of Filing Application: **24 November 2006**
- (24) Date from which industrial property rights may have effect: **24 November 2006**
- (54) Product in respect of which the design is registered: **Control display for a lighting control unit**
- (51) International Design Classification: **13-03E**
- (71) Name(s) and Address(s) of Applicant(s):  
**Lutron Electronics Co., Inc.**  
**7200 Suter Road Coopersburg Pennsylvania 18036-1299 United States of America**
- (72) Name(s) of Designer(s): **Noel Mayo and Matthew Swatsky and Elliot G. Jacoby and Michael Hash and Joe S. Spira**
- (45) Registration Date: **05 February 2007**
- (30) Convention priority data:  

(31) Number	(32) Date	(33) Country
<b>29/260,555</b>	<b>26 May 2006</b>	<b>UNITED STATES OF AMERICA</b>
- (56) Related Art Documents: **Not Applicable**
- (57) Statement of Newness and Distinctiveness: **The new and distinctive features of shape and configuration of a control display for a lighting control unit are shown in solid lines in the accompanying drawings. In considering the newness and distinctiveness of the design, no regard is to be had to the visual features depicted by the broken lines.**



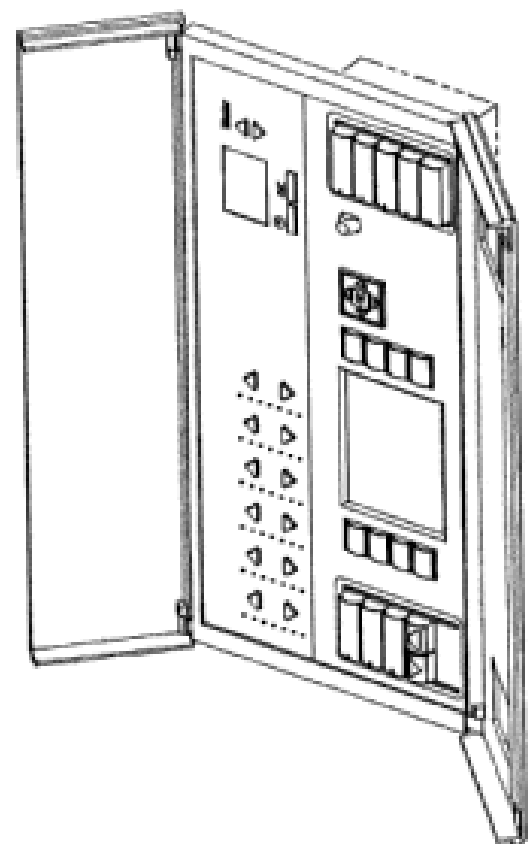
- (21) Design Number: **15394/2006**
- (22) Date of Filing Application: **24 November 2006**
- (24) Date from which industrial property rights may have effect: **24 November 2006**
- (54) Product in respect of which the design is registered: **Wall-mountable lighting control unit**
- (51) International Design Classification: **13-03E**
- (71) Name(s) and Address(s) of Applicant(s):  
**Lutron Electronics Co., Inc.**  
**7200 Suter Road Coopersburg Pennsylvania 18036-1299 United States of America**
- (72) Name(s) of Designer(s): **Noel Mayo and Matthew Swatsky and Elliot G. Jacoby and Joe S. Spira and Michael Hash**
- (45) Registration Date: **05 February 2007**
- (30) Convention priority data:  

(31) Number	(32) Date	(33) Country
<b>29/260,530</b>	<b>26 May 2006</b>	<b>UNITED STATES OF AMERICA</b>
- (56) Related Art Documents: **Not Applicable**
- (57) Statement of Newness and Distinctiveness: **The new and distinctive features of shape and configuration of a wall-mountable lighting control unit are shown in solid lines in the accompanying drawings. In considering the newness and distinctiveness of the design, no regard is to be had to the visual features depicted by the broken lines.**



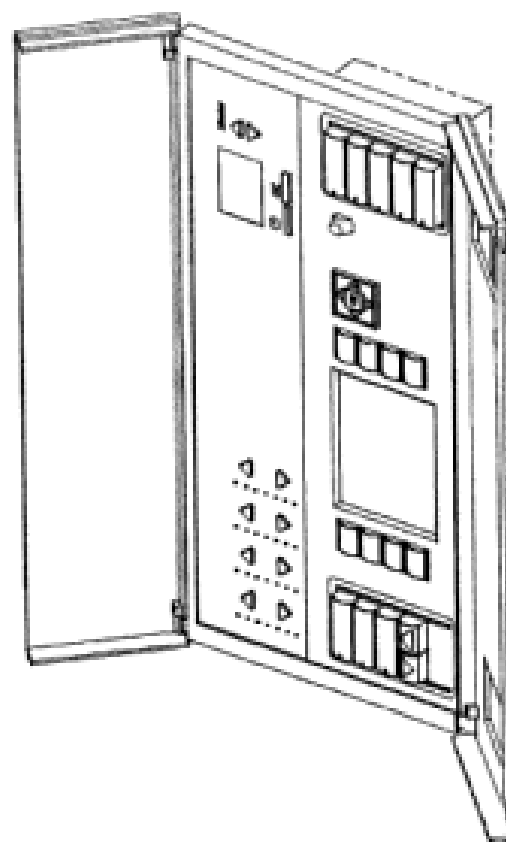
- (21) Design Number: **15395/2006**
- (22) Date of Filing Application: **24 November 2006**
- (24) Date from which industrial property rights may have effect: **24 November 2006**
- (54) Product in respect of which the design is registered: **Wall-mountable lighting control unit**
- (51) International Design Classification: **13-03E**
- (71) Name(s) and Address(s) of Applicant(s):  
**Lutron Electronics Co., Inc.**  
**7200 Suter Road Coopersburg Pennsylvania 18036-1299 United States of America**
- (72) Name(s) of Designer(s): **Noel Mayo and Matthew Swatsky and Elliot G. Jacoby and Joe S. Spira and Michael Hash**
- (45) Registration Date: **05 February 2007**
- (30) Convention priority data:  

(31) Number	(32) Date	(33) Country
<b>29/260,530</b>	<b>26 May 2006</b>	<b>UNITED STATES OF AMERICA</b>
- (56) Related Art Documents: **Not Applicable**
- (57) Statement of Newness and Distinctiveness: **The new and distinctive features of shape and configuration of a wall-mountable lighting control unit are shown in solid lines in the accompanying drawings. In considering the newness and distinctiveness of the design, no regard is to be had to the visual features depicted by the broken lines.**

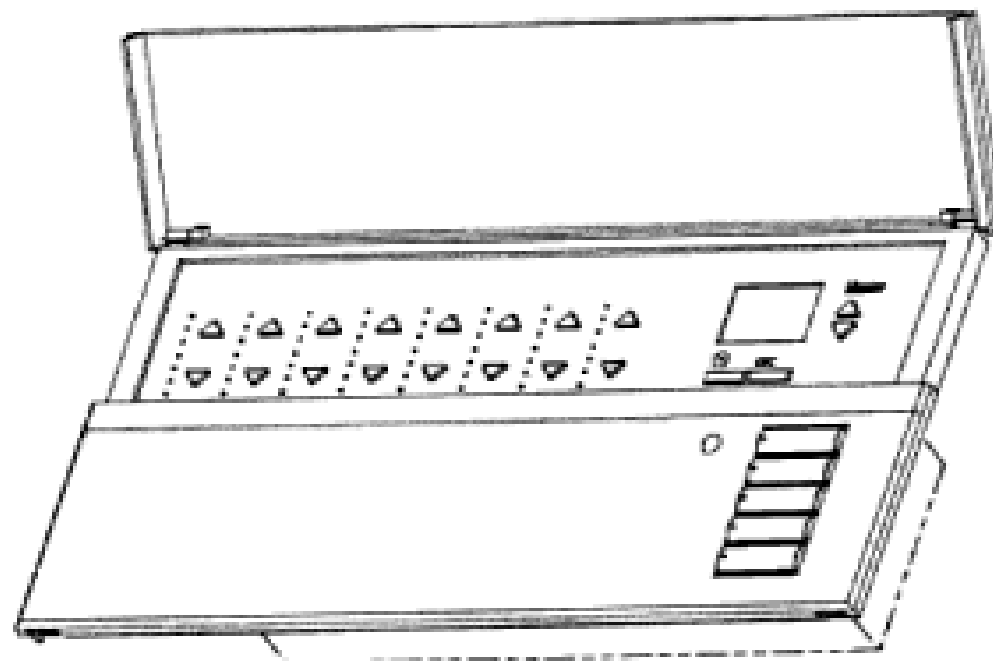




(21) Design Number: **15396/2006**  
 (22) Date of Filing Application: **24 November 2006**  
 (24) Date from which industrial property rights may have effect: **24 November 2006**  
 (54) Product in respect of which the design is registered: **Wall-mountable lighting control unit**  
 (51) International Design Classification: **13-03E**  
 (71) Name(s) and Address(s) of Applicant(s):  
**Lutron Electronics Co., Inc.**  
**7200 Suter Road Coopersburg Pennsylvania 18036-1299 United States of America**  
 (72) Name(s) of Designer(s): **Noel Mayo and Matthew Swatsky and Elliot G. Jacoby and Joe S. Spira and Michael Hash**  
 (45) Registration Date: **05 February 2007**  
 (30) Convention priority data:  
 (31) Number (32) Date (33) Country  
**29/260,530 26 May 2006 UNITED STATES OF AMERICA**  
 (56) Related Art Documents: **Not Applicable**  
 (57) Statement of Newness and Distinctiveness: **The new and distinctive features of shape and configuration of a wall-mountable lighting control unit are shown in solid lines in the accompanying drawings. In considering the newness and distinctiveness of the design, no regard is to be had to the visual features depicted by the broken lines.**



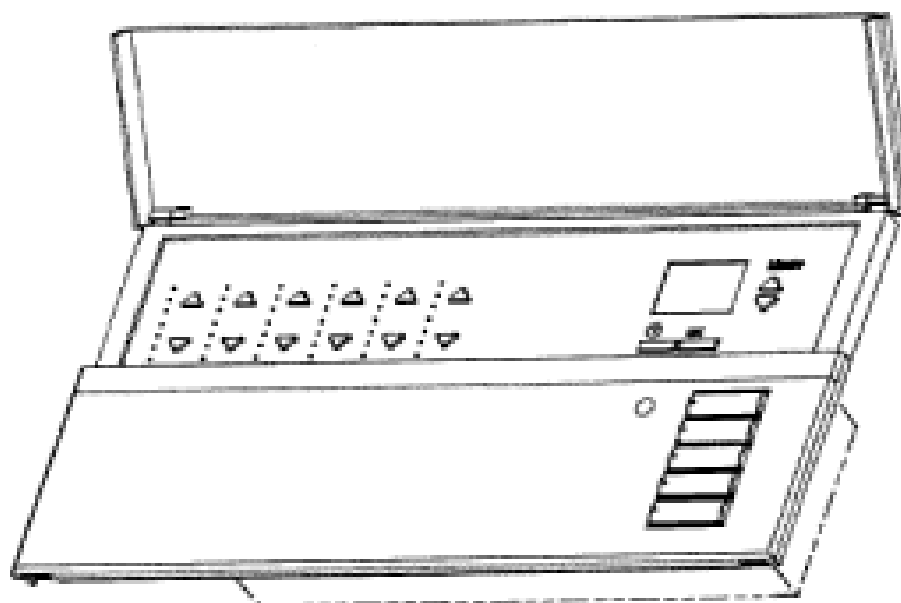
(21) Design Number: **15397/2006**  
 (22) Date of Filing Application: **24 November 2006**  
 (24) Date from which industrial property rights may have effect: **24 November 2006**  
 (54) Product in respect of which the design is registered: **Wall-mountable lighting control unit**  
 (51) International Design Classification: **13-03E**  
 (71) Name(s) and Address(s) of Applicant(s):  
**Lutron Electronics Co., Inc.**  
**7200 Suter Road Coopersburg Pennsylvania 18036-1299 United States of America**  
 (72) Name(s) of Designer(s): **Noel Mayo and Matthew Swatsky and Elliot G. Jacoby and Joe S. Spira and Michael Hash**  
 (45) Registration Date: **05 February 2007**  
 (30) Convention priority data:  
 (31) Number (32) Date (33) Country  
**29/260,560 26 May 2006 UNITED STATES OF AMERICA**  
 (56) Related Art Documents: **Not Applicable**  
 (57) Statement of Newness and Distinctiveness: **The new and distinctive features of shape and configuration of a wall-mountable lighting control unit are shown in solid lines in the accompanying drawings. In considering the newness and distinctiveness of the design, no regard is to be had to the visual features depicted by the broken lines.**



(19) AU

- (21) Design Number: **15398/2006**
- (22) Date of Filing Application: **24 November 2006**
- (24) Date from which industrial property rights may have effect: **24 November 2006**
- (54) Product in respect of which the design is registered: **Wall-mountable lighting control unit**
- (51) International Design Classification: **13-03E**
- (71) Name(s) and Address(s) of Applicant(s):  
**Lutron Electronics Co., Inc.**  
**7200 Suter Road Coopersburg Pennsylvania 18036-1299 United States of America**
- (72) Name(s) of Designer(s): **Noel Mayo and Matthew Swatsky and Elliot G. Jacoby and Joe S. Spira and Michael Hash**
- (45) Registration Date: **05 February 2007**
- (30) Convention priority data:  

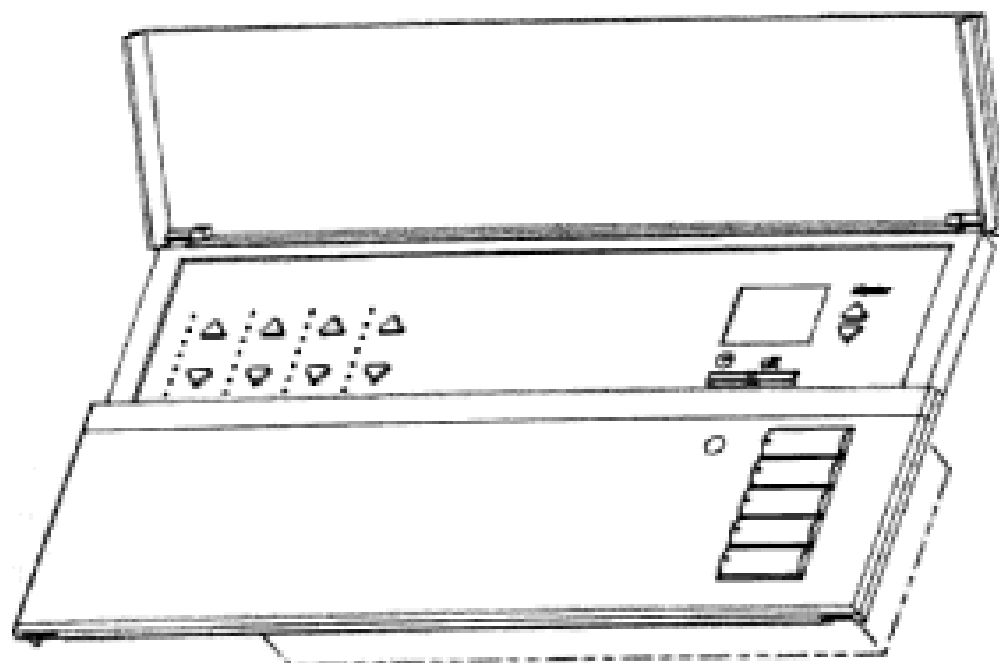
(31) Number	(32) Date	(33) Country
<b>29/260,560</b>	<b>26 May 2006</b>	<b>UNITED STATES OF AMERICA</b>
- (56) Related Art Documents: **Not Applicable**
- (57) Statement of Newness and Distinctiveness: **The new and distinctive features of shape and configuration of a wall-mountable lighting control unit are shown in solid lines in the accompanying drawings. In considering the newness and distinctiveness of the design, no regard is to be had to the visual features depicted by the broken lines.**



(19) AU

- (21) Design Number: **15399/2006**
- (22) Date of Filing Application: **24 November 2006**
- (24) Date from which industrial property rights may have effect: **24 November 2006**
- (54) Product in respect of which the design is registered: **Wall-mountable lighting control unit**
- (51) International Design Classification: **13-03E**
- (71) Name(s) and Address(s) of Applicant(s):  
**Lutron Electronics Co., Inc.**  
**7200 Suter Road Coopersburg Pennsylvania 18036-1299 United States of America**
- (72) Name(s) of Designer(s): **Noel Mayo and Matthew Swatsky and Elliot G. Jacoby and Joe S. Spira and Michael Hash**
- (45) Registration Date: **05 February 2007**
- (30) Convention priority data:  

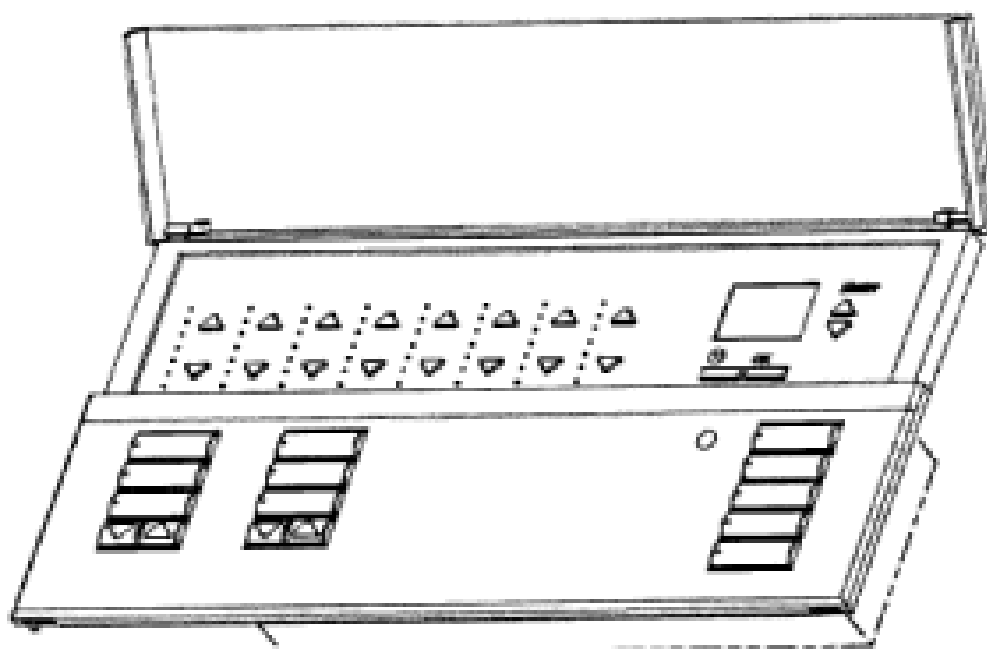
(31) Number	(32) Date	(33) Country
<b>29/260,560</b>	<b>26 May 2006</b>	<b>UNITED STATES OF AMERICA</b>
- (56) Related Art Documents: **Not Applicable**
- (57) Statement of Newness and Distinctiveness: **The new and distinctive features of shape and configuration of a wall-mountable lighting control unit are shown in solid lines in the accompanying drawings. In considering the newness and distinctiveness of the design, no regard is to be had to the visual features depicted by the broken lines.**



(19) AU

- (21) Design Number: **15400/2006**
- (22) Date of Filing Application: **24 November 2006**
- (24) Date from which industrial property rights may have effect: **24 November 2006**
- (54) Product in respect of which the design is registered: **Wall-mountable lighting control unit**
- (51) International Design Classification: **13-03E**
- (71) Name(s) and Address(s) of Applicant(s):  
**Lutron Electronics Co., Inc.**  
**7200 Suter Road Coopersburg Pennsylvania 18036-1299 United States of America**
- (72) Name(s) of Designer(s): **Noel Mayo and Matthew Swatsky and Elliot G. Jacoby and Joe S. Spira and Michael Hash**
- (45) Registration Date: **05 February 2007**
- (30) Convention priority data:  

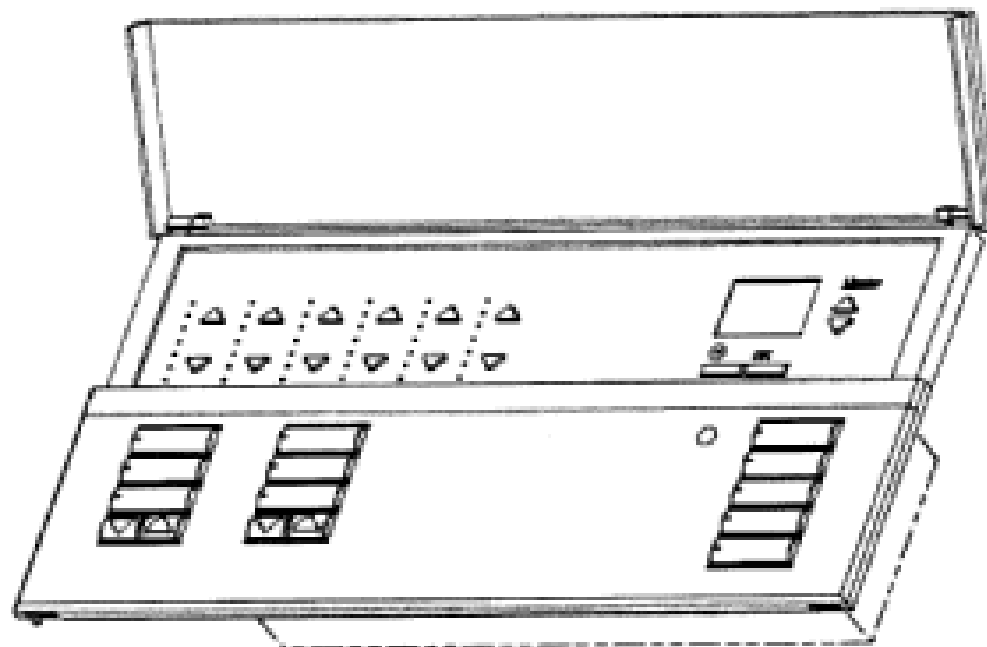
(31) Number	(32) Date	(33) Country
<b>29/260,532</b>	<b>26 May 2006</b>	<b>UNITED STATES OF AMERICA</b>
- (56) Related Art Documents: **Not Applicable**
- (57) Statement of Newness and Distinctiveness: **The new and distinctive features of shape and configuration of a wall-mountable lighting control unit are shown in solid lines in the accompanying drawings. In considering the newness and distinctiveness of the design, no regard is to be had to the visual features depicted by the broken lines.**



(19) AU

- (21) Design Number: **15401/2006**
- (22) Date of Filing Application: **24 November 2006**
- (24) Date from which industrial property rights may have effect: **24 November 2006**
- (54) Product in respect of which the design is registered: **Wall-mountable lighting control unit**
- (51) International Design Classification: **13-03E**
- (71) Name(s) and Address(s) of Applicant(s):  
**Lutron Electronics Co., Inc.**  
**7200 Suter Road Coopersburg Pennsylvania 18036-1299 United States of America**
- (72) Name(s) of Designer(s): **Noel Mayo and Matthew Swatsky and Elliot G. Jacoby and Joe S. Spira and Michael Hash**
- (45) Registration Date: **05 February 2007**
- (30) Convention priority data:  

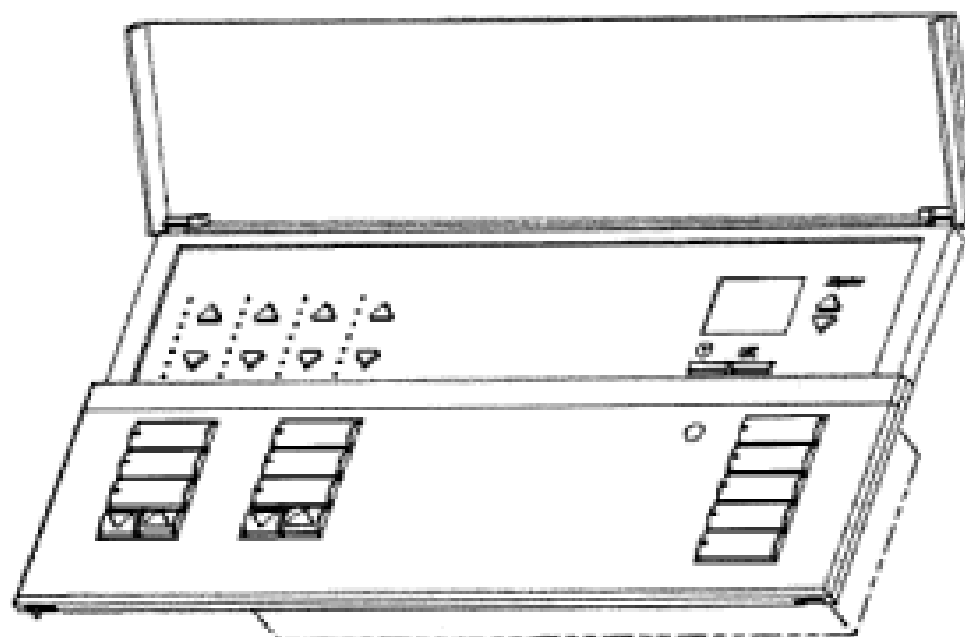
(31) Number	(32) Date	(33) Country
<b>29/260,532</b>	<b>26 May 2006</b>	<b>UNITED STATES OF AMERICA</b>
- (56) Related Art Documents: **Not Applicable**
- (57) Statement of Newness and Distinctiveness: **The new and distinctive features of shape and configuration of a wall-mountable lighting control unit are shown in solid lines in the accompanying drawings. In considering the newness and distinctiveness of the design, no regard is to be had to the visual features depicted by the broken lines.**



(19) AU

- (21) Design Number: **15402/2006**
- (22) Date of Filing Application: **24 November 2006**
- (24) Date from which industrial property rights may have effect: **24 November 2006**
- (54) Product in respect of which the design is registered: **Wall-mountable lighting control unit**
- (51) International Design Classification: **13-03E**
- (71) Name(s) and Address(s) of Applicant(s):  
**Lutron Electronics Co., Inc.**  
**7200 Suter Road Coopersburg Pennsylvania 18036-1299 United States of America**
- (72) Name(s) of Designer(s): **Noel Mayo and Matthew Swatsky and Elliot G. Jacoby and Joe S. Spira and Michael Hash**
- (45) Registration Date: **05 February 2007**
- (30) Convention priority data:  

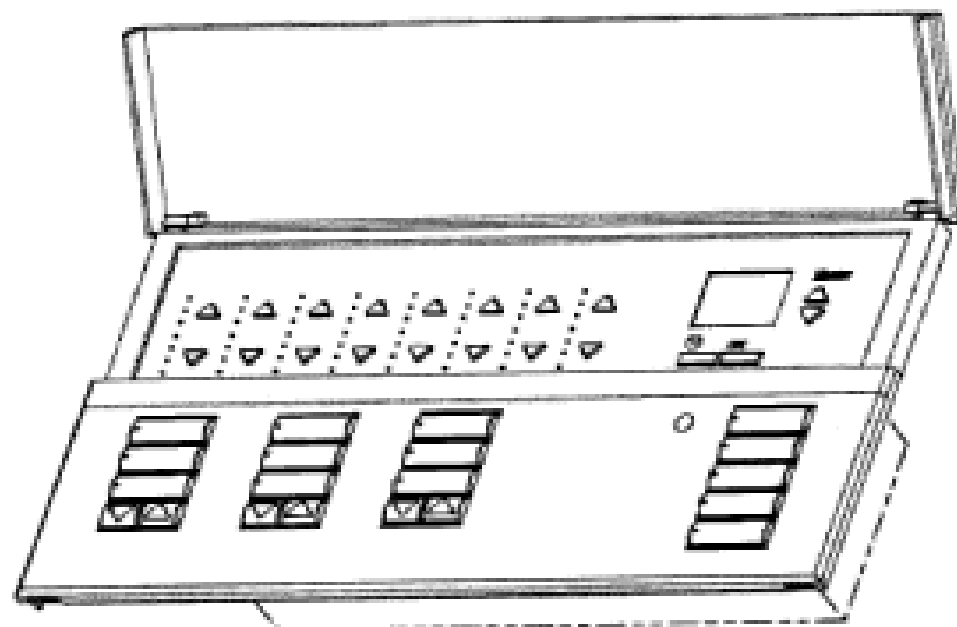
(31) Number	(32) Date	(33) Country
<b>29/260,532</b>	<b>26 May 2006</b>	<b>UNITED STATES OF AMERICA</b>
- (56) Related Art Documents: **Not Applicable**
- (57) Statement of Newness and Distinctiveness: **The new and distinctive features of shape and configuration of a wall-mountable lighting control unit are shown in solid lines in the accompanying drawings. In considering the newness and distinctiveness of the design, no regard is to be had to the visual features depicted by the broken lines.**



(19) AU

- (21) Design Number: **15403/2006**
- (22) Date of Filing Application: **24 November 2006**
- (24) Date from which industrial property rights may have effect: **24 November 2006**
- (54) Product in respect of which the design is registered: **Wall-mountable lighting control unit**
- (51) International Design Classification: **13-03E**
- (71) Name(s) and Address(s) of Applicant(s):  
**Lutron Electronics Co., Inc.**  
**7200 Suter Road Coopersburg Pennsylvania 18036-1299 United States of America**
- (72) Name(s) of Designer(s): **Noel Mayo and Matthew Swatsky and Elliot G. Jacoby and Joe S. Spira and Michael Hash**
- (45) Registration Date: **05 February 2007**
- (30) Convention priority data:  

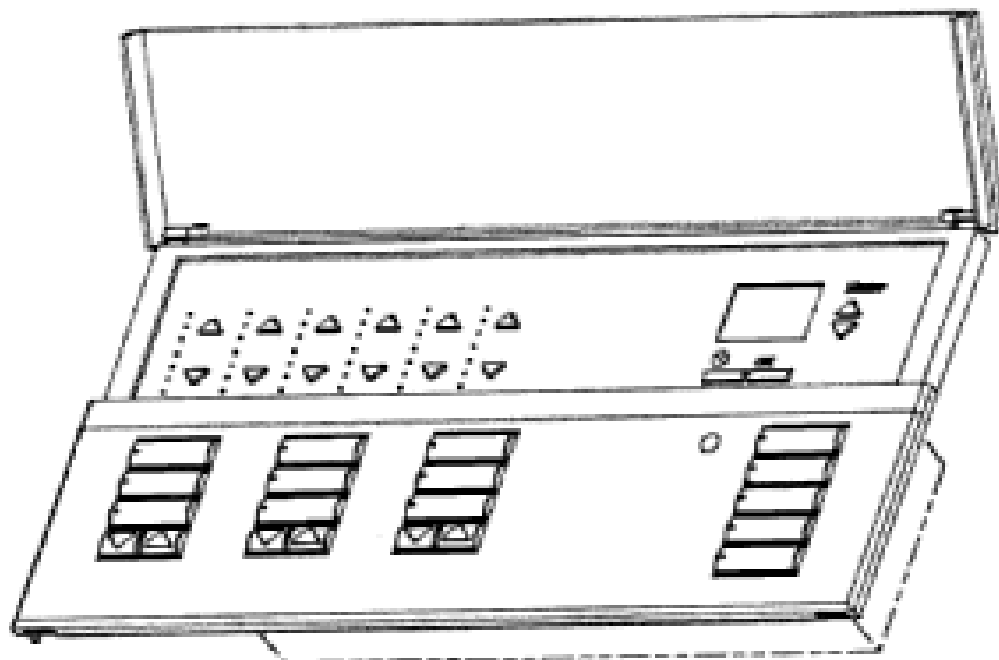
(31) Number	(32) Date	(33) Country
<b>29/260,601</b>	<b>26 May 2006</b>	<b>UNITED STATES OF AMERICA</b>
- (56) Related Art Documents: **Not Applicable**
- (57) Statement of Newness and Distinctiveness: **The new and distinctive features of shape and configuration of a wall-mountable lighting control unit are shown in solid lines in the accompanying drawings. In considering the newness and distinctiveness of the design, no regard is to be had to the visual features depicted by the broken lines.**



(19) AU

- (21) Design Number: **15404/2006**
- (22) Date of Filing Application: **24 November 2006**
- (24) Date from which industrial property rights may have effect: **24 November 2006**
- (54) Product in respect of which the design is registered: **Wall-mountable lighting control unit**
- (51) International Design Classification: **13-03E**
- (71) Name(s) and Address(s) of Applicant(s):  
**Lutron Electronics Co., Inc.**  
**7200 Suter Road Coopersburg Pennsylvania 18036-1299 United States of America**
- (72) Name(s) of Designer(s): **Noel Mayo and Matthew Swatsky and Elliot G. Jacoby and Joe S. Spira and Michael Hash**
- (45) Registration Date: **05 February 2007**
- (30) Convention priority data:  

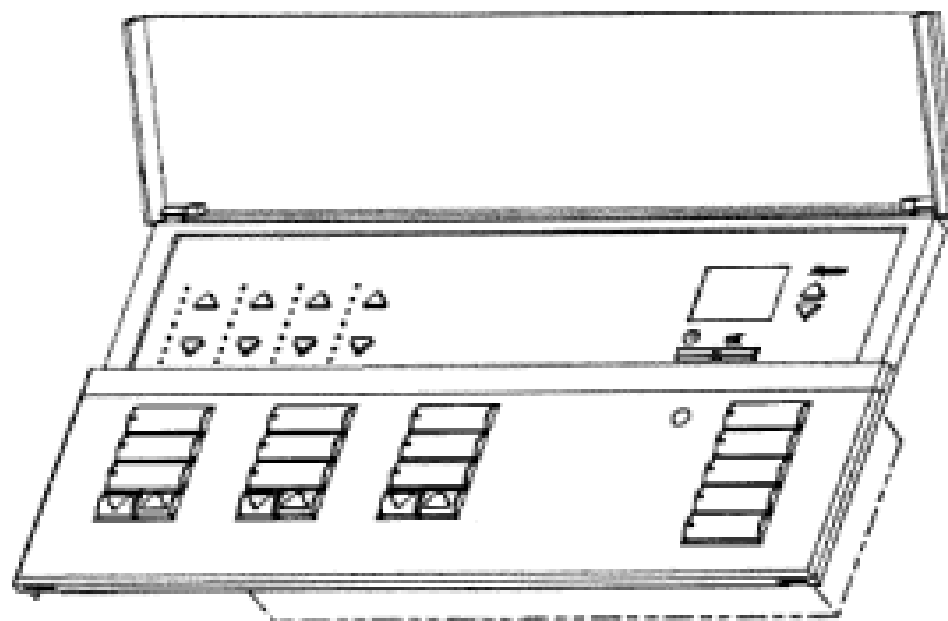
(31) Number	(32) Date	(33) Country
<b>29/260,601</b>	<b>26 May 2006</b>	<b>UNITED STATES OF AMERICA</b>
- (56) Related Art Documents: **Not Applicable**
- (57) Statement of Newness and Distinctiveness: **The new and distinctive features of shape and configuration of a wall-mountable lighting control unit are shown in solid lines in the accompanying drawings. In considering the newness and distinctiveness of the design, no regard is to be had to the visual features depicted by the broken lines.**



(19) AU

- (21) Design Number: **15405/2006**
- (22) Date of Filing Application: **24 November 2006**
- (24) Date from which industrial property rights may have effect: **24 November 2006**
- (54) Product in respect of which the design is registered: **Wall-mountable lighting control unit**
- (51) International Design Classification: **13-03E**
- (71) Name(s) and Address(s) of Applicant(s):  
**Lutron Electronics Co., Inc.**  
**7200 Suter Road Coopersburg Pennsylvania 18036-1299 United States of America**
- (72) Name(s) of Designer(s): **Noel Mayo and Matthew Swatsky and Elliot G. Jacoby and Joe S. Spira and Michael Hash**
- (45) Registration Date: **05 February 2007**
- (30) Convention priority data:  

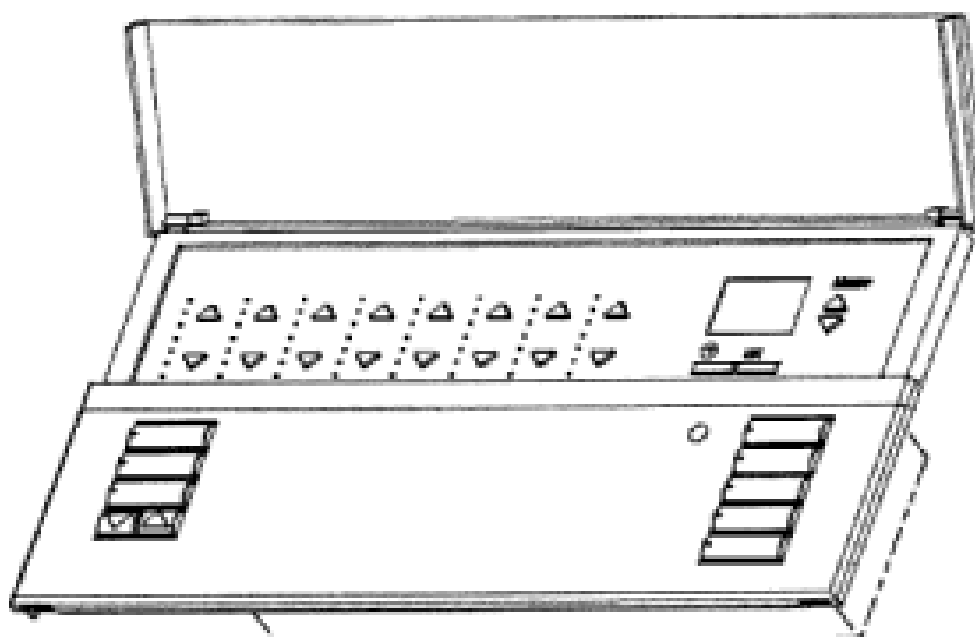
(31) Number	(32) Date	(33) Country
<b>29/260,601</b>	<b>26 May 2006</b>	<b>UNITED STATES OF AMERICA</b>
- (56) Related Art Documents: **Not Applicable**
- (57) Statement of Newness and Distinctiveness: **The new and distinctive features of shape and configuration of a wall-mountable lighting control unit are shown in solid lines in the accompanying drawings. In considering the newness and distinctiveness of the design, no regard is to be had to the visual features depicted by the broken lines.**



(19) AU

- (21) Design Number: **15406/2006**
- (22) Date of Filing Application: **24 November 2006**
- (24) Date from which industrial property rights may have effect: **24 November 2006**
- (54) Product in respect of which the design is registered: **Wall-mountable lighting control unit**
- (51) International Design Classification: **13-03E**
- (71) Name(s) and Address(s) of Applicant(s):  
**Lutron Electronics Co., Inc.**  
**7200 Suter Road Coopersburg Pennsylvania 18036-1299 United States of America**
- (72) Name(s) of Designer(s): **Noel Mayo and Matthew Swatsky and Elliot G. Jacoby and Joe S. Spira and Michael Hash**
- (45) Registration Date: **05 February 2007**
- (30) Convention priority data:  

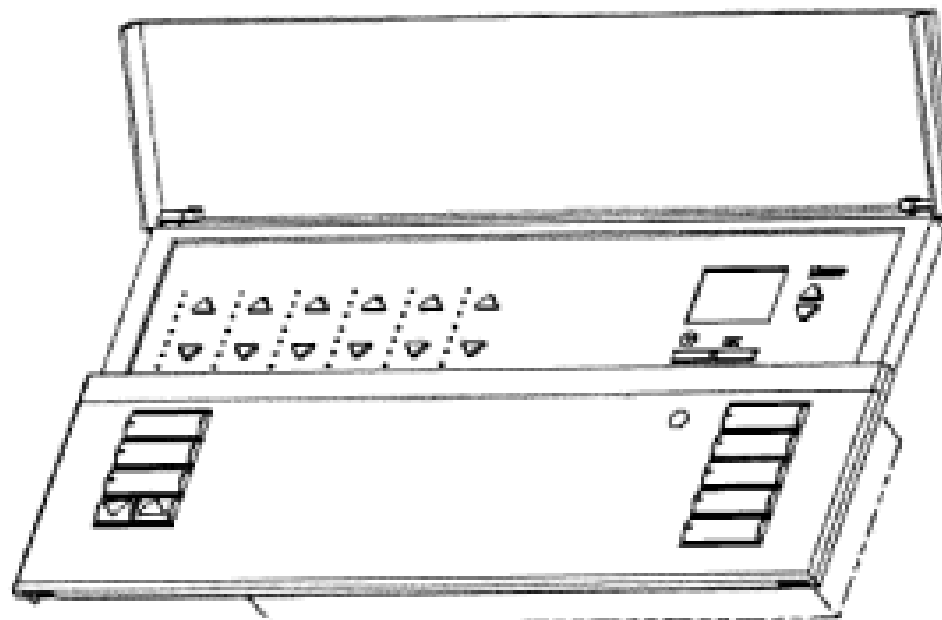
(31) Number	(32) Date	(33) Country
<b>29/260,529</b>	<b>26 May 2006</b>	<b>UNITED STATES OF AMERICA</b>
- (56) Related Art Documents: **Not Applicable**
- (57) Statement of Newness and Distinctiveness: **The new and distinctive features of shape and configuration of a wall-mountable lighting control unit are shown in solid lines in the accompanying drawings. In considering the newness and distinctiveness of the design, no regard is to be had to the visual features depicted by the broken lines.**



(19) AU

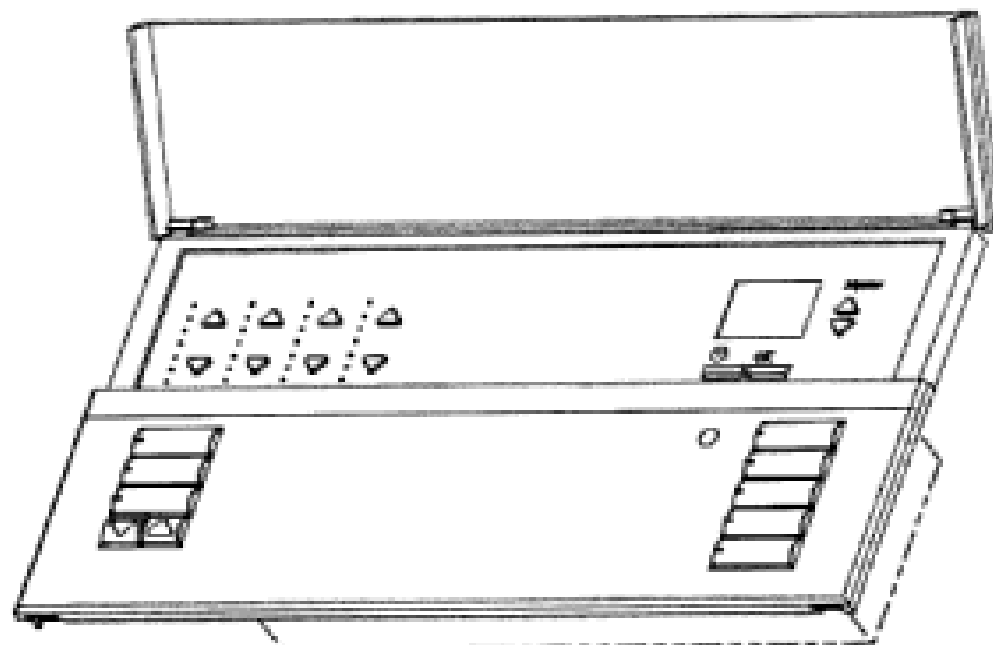
- (21) Design Number: **15407/2006**
- (22) Date of Filing Application: **24 November 2006**
- (24) Date from which industrial property rights may have effect: **24 November 2006**
- (54) Product in respect of which the design is registered: **Wall-mountable lighting control unit**
- (51) International Design Classification: **13-03E**
- (71) Name(s) and Address(s) of Applicant(s):  
**Lutron Electronics Co., Inc.**  
**7200 Suter Road Coopersburg Pennsylvania 18036-1299 United States of America**
- (72) Name(s) of Designer(s): **Noel Mayo and Matthew Swatsky and Elliot G. Jacoby and Joe S. Spira and Michael Hash**
- (45) Registration Date: **05 February 2007**
- (30) Convention priority data:  

(31) Number	(32) Date	(33) Country
<b>29/260,529</b>	<b>26 May 2006</b>	<b>UNITED STATES OF AMERICA</b>
- (56) Related Art Documents: **Not Applicable**
- (57) Statement of Newness and Distinctiveness: **The new and distinctive features of shape and configuration of a wall-mountable lighting control unit are shown in solid lines in the accompanying drawings. In considering the newness and distinctiveness of the design, no regard is to be had to the visual features depicted by the broken lines.**



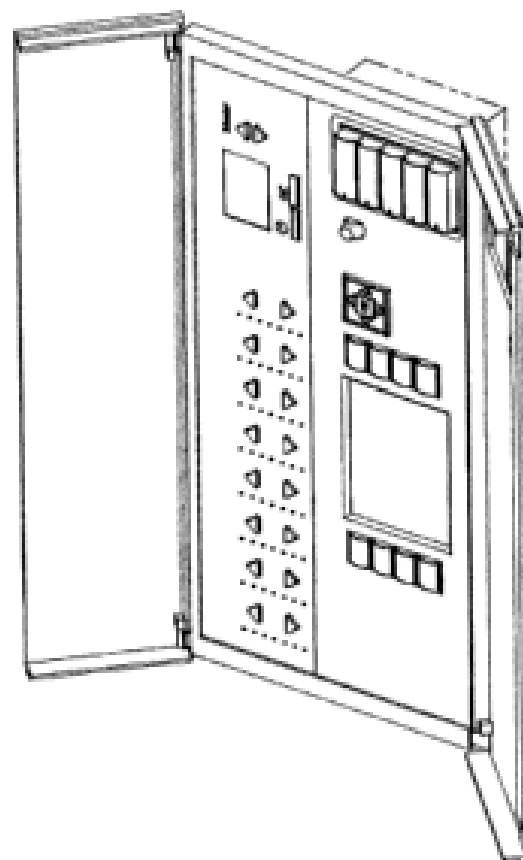
- (21) Design Number: **15408/2006**
- (22) Date of Filing Application: **24 November 2006**
- (24) Date from which industrial property rights may have effect: **24 November 2006**
- (54) Product in respect of which the design is registered: **Wall-mountable lighting control unit**
- (51) International Design Classification: **13-03E**
- (71) Name(s) and Address(s) of Applicant(s):  
**Lutron Electronics Co., Inc.**  
**7200 Suter Road Coopersburg Pennsylvania 18036-1299 United States of America**
- (72) Name(s) of Designer(s): **Noel Mayo and Matthew Swatsky and Elliot G. Jacoby and Michael Hash and Joe S. Spira**
- (45) Registration Date: **05 February 2007**
- (30) Convention priority data:  

(31) Number	(32) Date	(33) Country
<b>29/260,529</b>	<b>26 May 2006</b>	<b>UNITED STATES OF AMERICA</b>
- (56) Related Art Documents: **Not Applicable**
- (57) Statement of Newness and Distinctiveness: **The new and distinctive features of shape and configuration of a wall-mountable lighting control unit are shown in solid lines in the accompanying drawings. In considering the newness and distinctiveness of the design, no regard is to be had to the visual features depicted by the broken lines.**



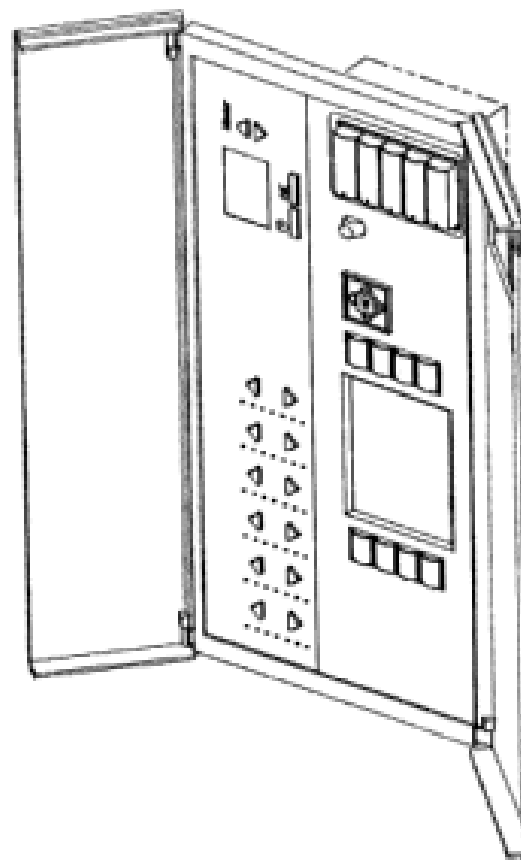
- (21) Design Number: **15409/2006**
- (22) Date of Filing Application: **24 November 2006**
- (24) Date from which industrial property rights may have effect: **24 November 2006**
- (54) Product in respect of which the design is registered: **Wall-mountable lighting control unit**
- (51) International Design Classification: **13-03E**
- (71) Name(s) and Address(s) of Applicant(s):  
**Lutron Electronics Co., Inc.**  
**7200 Suter Road Coopersburg Pennsylvania 18036-1299 United States of America**
- (72) Name(s) of Designer(s): **Noel Mayo and Matthew Swatsky and Elliot G. Jacoby and Joe S. Spira and Michael Hash**
- (45) Registration Date: **05 February 2007**
- (30) Convention priority data:  

(31) Number	(32) Date	(33) Country
<b>29/260,547</b>	<b>26 May 2006</b>	<b>UNITED STATES OF AMERICA</b>
- (56) Related Art Documents: **Not Applicable**
- (57) Statement of Newness and Distinctiveness: **The new and distinctive features of shape and configuration of a wall-mountable lighting control unit are shown in solid lines in the accompanying drawings. In considering the newness and distinctiveness of the design, no regard is to be had to the visual features depicted by the broken lines.**



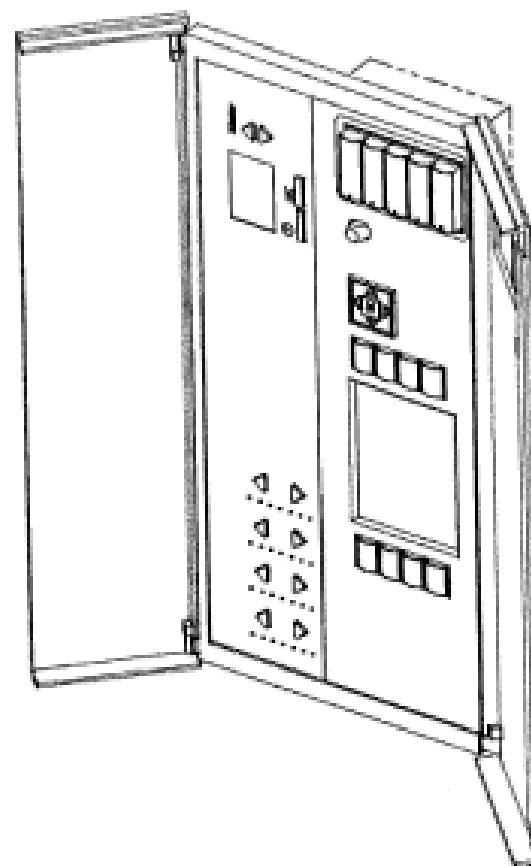
- (21) Design Number: **15410/2006**
- (22) Date of Filing Application: **24 November 2006**
- (24) Date from which industrial property rights may have effect: **24 November 2006**
- (54) Product in respect of which the design is registered: **Wall-mountable lighting control unit**
- (51) International Design Classification: **13-03E**
- (71) Name(s) and Address(s) of Applicant(s):  
**Lutron Electronics Co., Inc.**  
**7200 Suter Road Coopersburg Pennsylvania 18036-1299 United States of America**
- (72) Name(s) of Designer(s): **Noel Mayo and Matthew Swatsky and Elliot G. Jacoby and Joe S. Spira and Michael Hash**
- (45) Registration Date: **05 February 2007**
- (30) Convention priority data:  

(31) Number	(32) Date	(33) Country
<b>29/260,547</b>	<b>26 May 2006</b>	<b>UNITED STATES OF AMERICA</b>
- (56) Related Art Documents: **Not Applicable**
- (57) Statement of Newness and Distinctiveness: **The new and distinctive features of shape and configuration of a wall-mountable lighting control unit are shown in solid lines in the accompanying drawings. In considering the newness and distinctiveness of the design, no regard is to be had to the visual features depicted by the broken lines.**



- (21) Design Number: **15411/2006**
- (22) Date of Filing Application: **24 November 2006**
- (24) Date from which industrial property rights may have effect: **24 November 2006**
- (54) Product in respect of which the design is registered: **Wall-mountable lighting control unit**
- (51) International Design Classification: **13-03E**
- (71) Name(s) and Address(s) of Applicant(s):  
**Lutron Electronics Co., Inc.**  
**7200 Suter Road Coopersburg Pennsylvania 18036-1299 United States of America**
- (72) Name(s) of Designer(s): **Noel Mayo and Matthew Swatsky and Elliot G. Jacoby and Joe S. Spira and Michael Hash**
- (45) Registration Date: **05 February 2007**
- (30) Convention priority data:  

(31) Number	(32) Date	(33) Country
<b>29/260,547</b>	<b>26 May 2006</b>	<b>UNITED STATES OF AMERICA</b>
- (56) Related Art Documents: **Not Applicable**
- (57) Statement of Newness and Distinctiveness: **The new and distinctive features of shape and configuration of a wall-mountable lighting control unit are shown in solid lines in the accompanying drawings. In considering the newness and distinctiveness of the design, no regard is to be had to the visual features depicted by the broken lines.**

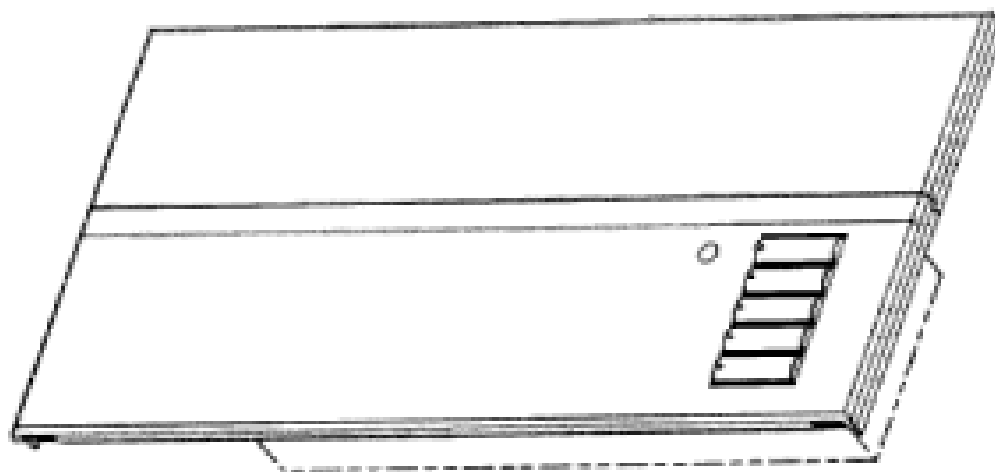




(21) Design Number: **15412/2006**  
 (22) Date of Filing Application: **24 November 2006**  
 (24) Date from which industrial property rights may have effect: **24 November 2006**  
 (54) Product in respect of which the design is registered: **Wall-mountable lighting control unit**  
 (51) International Design Classification: **13-03E**  
 (71) Name(s) and Address(s) of Applicant(s):  
**Lutron Electronics Co., Inc.**  
**7200 Suter Road Coopersburg Pennsylvania 18036-1299 United States of America**  
 (72) Name(s) of Designer(s): **Noel Mayo and Michael Hash and Elliot G. Jacoby**  
 (45) Registration Date: **05 February 2007**  
 (30) Convention priority data:  

(31) Number	(32) Date	(33) Country
<b>29/260,559</b>	<b>26 May 2006</b>	<b>UNITED STATES OF AMERICA</b>

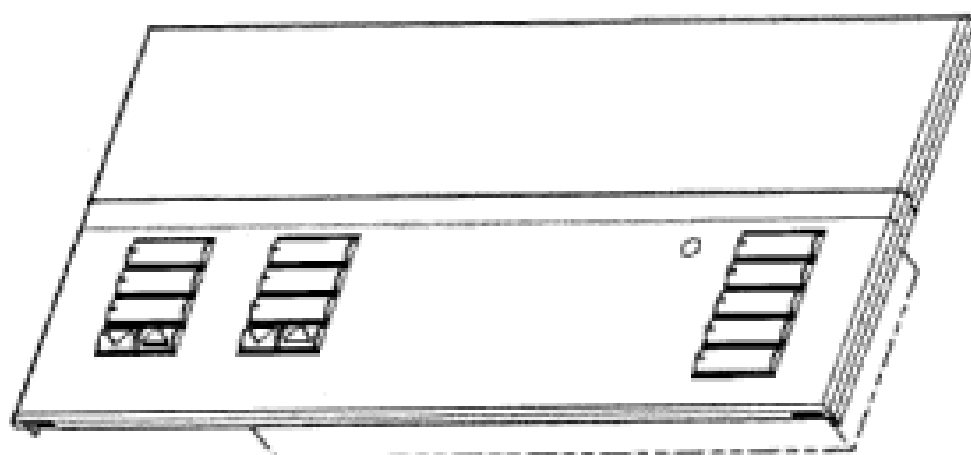
 (56) Related Art Documents: **Not Applicable**  
 (57) Statement of Newness and Distinctiveness: **The new and distinctive features of shape and configuration of a wall-mountable lighting control unit are shown in solid lines in the accompanying drawings. In considering the newness and distinctiveness of the design, no regard is to be had to the visual features depicted by the broken lines.**



(21) Design Number: **15413/2006**  
 (22) Date of Filing Application: **24 November 2006**  
 (24) Date from which industrial property rights may have effect: **24 November 2006**  
 (54) Product in respect of which the design is registered: **Wall-mountable lighting control unit**  
 (51) International Design Classification: **13-03E**  
 (71) Name(s) and Address(s) of Applicant(s):  
**Lutron Electronics Co., Inc.**  
**7200 Suter Road Coopersburg Pennsylvania 18036-1299 United States of America**  
 (72) Name(s) of Designer(s): **Noel Mayo and Michael Hash and Elliot G. Jacoby and Joe S. Spira**  
 (45) Registration Date: **05 February 2007**  
 (30) Convention priority data:  

(31) Number	(32) Date	(33) Country
<b>29/260,549</b>	<b>26 May 2006</b>	<b>UNITED STATES OF AMERICA</b>

 (56) Related Art Documents: **Not Applicable**  
 (57) Statement of Newness and Distinctiveness: **The new and distinctive features of shape and configuration of a wall-mountable lighting control unit are shown in solid lines in the accompanying drawings. In considering the newness and distinctiveness of the design, no regard is to be had to the visual features depicted by the broken lines.**



(21) Design Number: **15840/2006**

(22) Date of Filing Application: **25 October 2006**

(24) Date from which industrial property rights may have effect: **25 October 2006**

(54) Product in respect of which the design is registered: **Rinnai gas log fires models slimline and royal**

(51) International Design Classification: **23-03E**

(71) Name(s) and Address(s) of Applicant(s):

**Morcraft Industries**

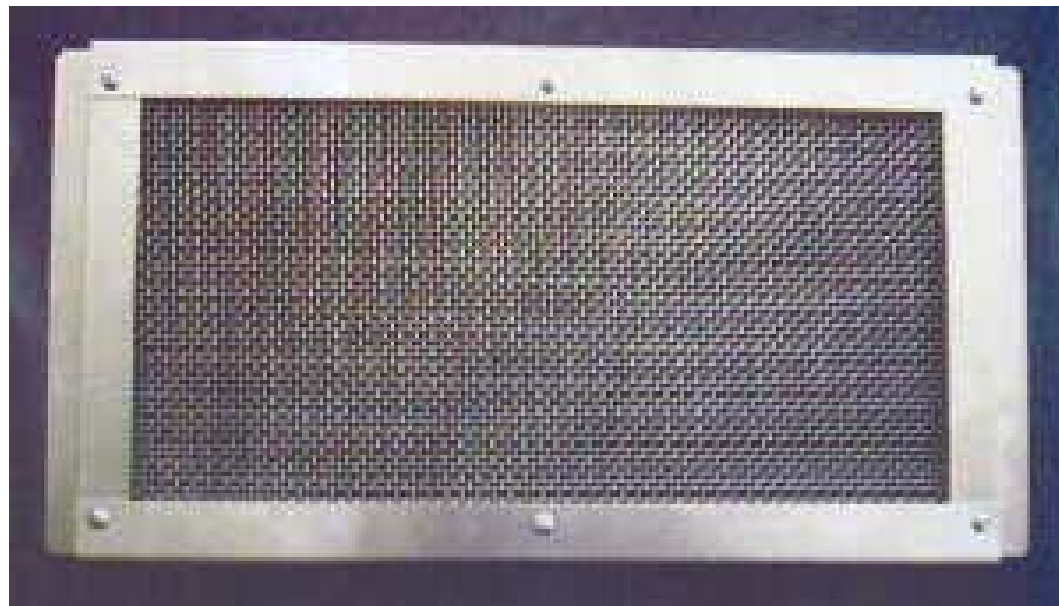
**9 Wardleys Court Bayswater Western Australia 6053 Australia**

(72) Name(s) of Designer(s): **Greg Roberts**

(45) Registration Date: **05 February 2007**

(56) Related Art Documents: **Not Applicable**

(57) Statement of Newness and Distinctiveness: **This guard has been designed to fit into the existing primary guard of the rinnai gas log fires which there are 2 models 1 having a curved front face the other flat. The secondary guard provides protection for young children or the infirm from the risk of burning themselves on the hot glass panels which sit behind the primary guard. It does this by the way of having a mesh front and a second rail running across the top and bottom of the guard preventing the child putting their hands up under the guard and onto hot glass panel as shown in photographs.**



(21) Design Number: **14614/2006**

(22) Date of Filing Application: **13 October 2006**

(24) Date from which industrial property rights may have effect: **13 October 2006**

(54) Product in respect of which the design is registered: **Bo-peep dress**

(51) International Design Classification: **02-02C**

(71) Name(s) and Address(s) of Applicant(s):

**Rosemin Pty Ltd**

**444 Chapel Street South Yarra Victoria 3141 Australia**

(72) Name(s) of Designer(s): **Rosemin Kim**

(45) Registration Date: **06 February 2007**

(56) Related Art Documents: **Not Applicable**

(57) Statement of Newness and Distinctiveness: **Empire line.**



- (21) Design Number: **14616/2006**  
(22) Date of Filing Application: **13 October 2006**  
(24) Date from which industrial property rights may have effect: **13 October 2006**  
(54) Product in respect of which the design is registered: **Belt me in dress**  
(51) International Design Classification: **02-02C**  
(71) Name(s) and Address(s) of Applicant(s):  
**Rosemin Pty Ltd**  
**444 Chapel Street South Yarra Victoria 3141 Australia**  
(72) Name(s) of Designer(s): **Rosemin Kim**  
(45) Registration Date: **06 February 2007**  
(56) Related Art Documents: **Not Applicable**  
(57) Statement of Newness and Distinctiveness: **Strapless bubble dress with contrast belt, it has got elastic band around top of bust line and triangle cut out piece.**



- (21) Design Number: **14617/2006**  
(22) Date of Filing Application: **13 October 2006**  
(24) Date from which industrial property rights may have effect: **13 October 2006**  
(54) Product in respect of which the design is registered: **Tulip pinafore dress**  
(51) International Design Classification: **02-02C**  
(71) Name(s) and Address(s) of Applicant(s):  
**Rosemin Pty Ltd**  
**444 Chapel Street South Yarra Victoria 3141 Australia**  
(72) Name(s) of Designer(s): **Rosemin Kim**  
(45) Registration Date: **06 February 2007**  
(56) Related Art Documents: **Not Applicable**  
(57) Statement of Newness and Distinctiveness: **Round neck halter dress with tulip shape skirt. Ties are long enough therefore, it can go around back and ties around front too.**



(21) Design Number: **14618/2006**

(22) Date of Filing Application: **13 October 2006**

(24) Date from which industrial property rights may have effect: **13 October 2006**

(54) Product in respect of which the design is registered: **Tinkerbell dress**

(51) International Design Classification: **02-02C**

(71) Name(s) and Address(s) of Applicant(s):

**Rosemin Pty Ltd**  
**444 Chapel Street South Yarra Victoria 3141 Australia**

(72) Name(s) of Designer(s): **Rosemin Kim**

(45) Registration Date: **06 February 2007**

(56) Related Art Documents: **Not Applicable**

(57) Statement of Newness and Distinctiveness: **Empire line halter dress/back tie/sweetheart neckline/pleated trims on top of front bust pieces.**



(21) Design Number: **14619/2006**

(22) Date of Filing Application: **13 October 2006**

(24) Date from which industrial property rights may have effect: **13 October 2006**

(54) Product in respect of which the design is registered: **Bud II dress**

(51) International Design Classification: **02-02C**

(71) Name(s) and Address(s) of Applicant(s):

**Rosemin Pty Ltd**  
**444 Chapel Street South Yarra Victoria 3141 Australia**

(72) Name(s) of Designer(s): **Rosemin Kim**

(45) Registration Date: **06 February 2007**

(56) Related Art Documents: **Not Applicable**

(57) Statement of Newness and Distinctiveness: **Reversible/2 colourways/halter dress with wrap around tie.**



- (21) Design Number: **14622/2006**  
(22) Date of Filing Application: **13 October 2006**  
(24) Date from which industrial property rights may have effect: **13 October 2006**  
(54) Product in respect of which the design is registered: **Frill queen dress**  
(51) International Design Classification: **02-02C**  
(71) Name(s) and Address(s) of Applicant(s):  
**Rosemin Pty Ltd**  
**444 Chapel Street South Yarra Victoria 3141 Australia**  
(72) Name(s) of Designer(s): **Rosemin Kim**  
(45) Registration Date: **06 February 2007**  
(56) Related Art Documents: **Not Applicable**  
(57) Statement of Newness and Distinctiveness: **Halter A-line dress with frills on neck line and hem. Frills are used in contrast fabric and also has strap on top of the bust.**



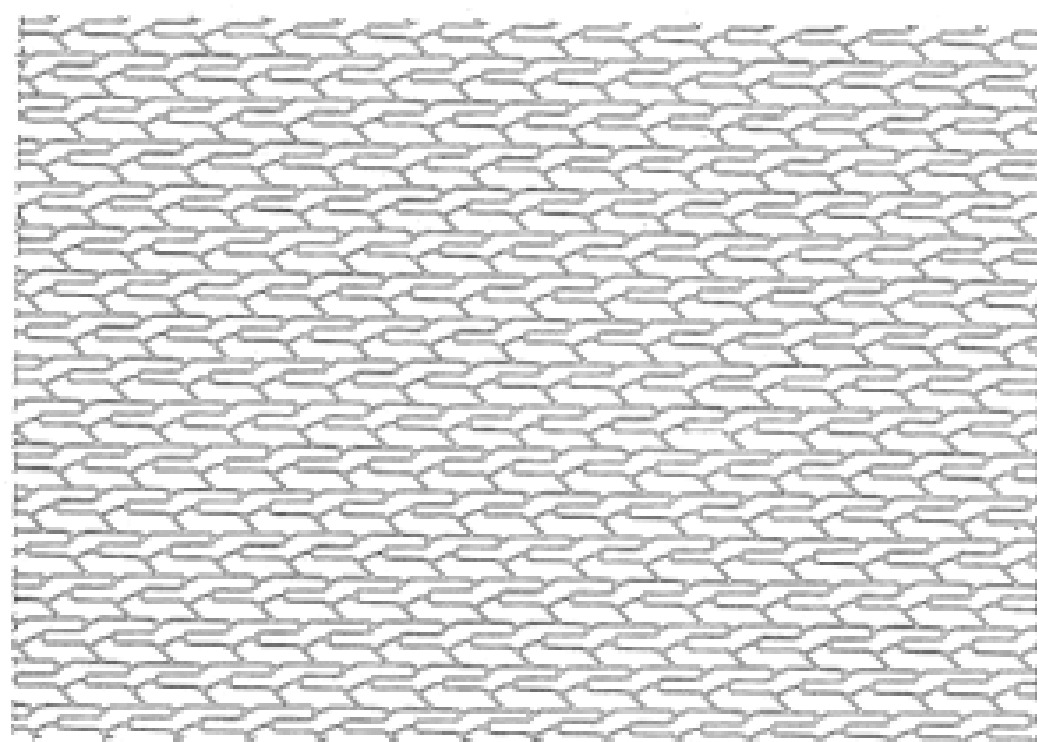
- (21) Design Number: **15004/2006**  
(22) Date of Filing Application: **31 October 2006**  
(24) Date from which industrial property rights may have effect: **31 October 2006**  
(54) Product in respect of which the design is registered: **The acumat is a foam yoga/pilates mat; that can double as a sleeping/camp rest.**  
(51) International Design Classification: **06-09**  
(71) Name(s) and Address(s) of Applicant(s):  
**Thomas Clayden Eckersley**  
**127 McKean Street Fitzroy North Victoria 3068 Australia**  
(72) Name(s) of Designer(s): **Tom Eckersley**  
(45) Registration Date: **06 February 2007**  
(56) Related Art Documents: **Not Applicable**  
(57) Statement of Newness and Distinctiveness: **The four sided pyramid design on the usable side of the acumat is the sole distinctive trait to the product and new to the market. Both the "aucmat" and "acurolla" are designed with pyramids upon their surface; the distinctive feature of both products - the pyramids promote circulation and muscle relaxation while practising yoga/pilates etc.**



- (21) Design Number: **15005/2006**  
(22) Date of Filing Application: **31 October 2006**  
(24) Date from which industrial property rights may have effect: **31 October 2006**  
(54) Product in respect of which the design is registered: **The acurolla is a 'figure - 8' shaped foam bolster with a pyramid textured surface for yoga/pilates.**  
(51) International Design Classification: **28-03NES**  
(71) Name(s) and Address(s) of Applicant(s):  
**Thomas Clayden Eckersley**  
**127 McKean Street Fitzroy North Victoria 3068 Australia**  
(72) Name(s) of Designer(s): **Tom Eckersley**  
(45) Registration Date: **06 February 2007**  
(56) Related Art Documents: **Not Applicable**  
(57) Statement of Newness and Distinctiveness: **The 'figure - 8' and 'pyramid' texture/shape of the acurolla is distinctive to the design and the prime point of product reference. Both the "acumat" and the "acurolla" are designed with pyramids upon their surface; the distinctive feature of both products - the pyramids promote circulation and muscle relaxation while practising yoga/pilates etc.**



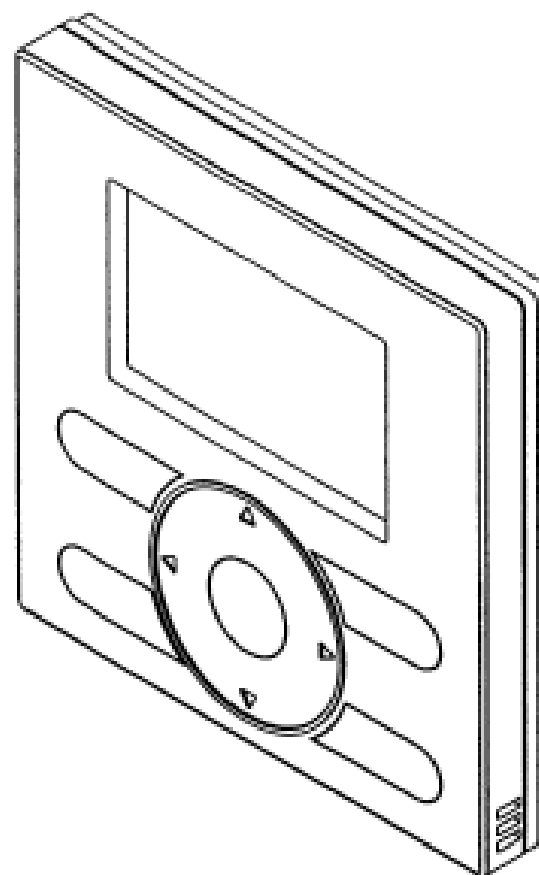
- (21) Design Number: **15447/2006**  
(22) Date of Filing Application: **28 November 2006**  
(24) Date from which industrial property rights may have effect: **28 November 2006**  
(54) Product in respect of which the design is registered: **Vehicle grille mesh**  
(51) International Design Classification: **12-16B**  
(71) Name(s) and Address(s) of Applicant(s):  
**Toyota Motor Corporation Australia Limited**  
**155 Bertie Street Port Melbourne Victoria 3207 Australia**  
(72) Name(s) of Designer(s): **David Cao**  
(45) Registration Date: **06 February 2007**  
(56) Related Art Documents: **Not Applicable**  
(57) Statement of Newness and Distinctiveness: **Nil**



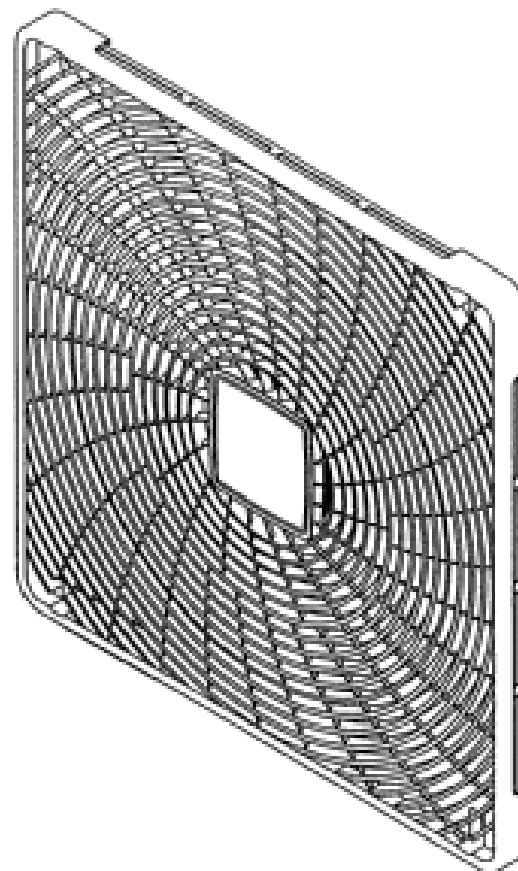
- (21) Design Number: **15448/2006**  
(22) Date of Filing Application: **28 November 2006**  
(24) Date from which industrial property rights may have effect: **28 November 2006**  
(54) Product in respect of which the design is registered: **Vehicle wheel**  
(51) International Design Classification: **12-16A**  
(71) Name(s) and Address(s) of Applicant(s):  
**Toyota Motor Corporation Australia Limited**  
**155 Bertie Street Port Melbourne Victoria 3207 Australia**  
(72) Name(s) of Designer(s): **Marcus Umlauff**  
(45) Registration Date: **06 February 2007**  
(56) Related Art Documents: **Not Applicable**  
(57) Statement of Newness and Distinctiveness: **Nil**



- (21) Design Number: **15466/2006**  
(22) Date of Filing Application: **28 November 2006**  
(24) Date from which industrial property rights may have effect: **28 November 2006**  
(54) Product in respect of which the design is registered: **Remote control**  
(51) International Design Classification: **14-03NES**  
(71) Name(s) and Address(s) of Applicant(s):  
**Daikin Industries Ltd.**  
**Umeda Center Building 4-12 Nakazaki-Nishi 2-chome Kita-Ku**  
**Osaka-shi Osaka-fu Japan**  
(72) Name(s) of Designer(s): **Manabu Kato**  
(45) Registration Date: **06 February 2007**  
(56) Related Art Documents: **Not Applicable**  
(57) Statement of Newness and Distinctiveness: **Nil**



- (21) Design Number: **15467/2006**  
(22) Date of Filing Application: **28 November 2006**  
(24) Date from which industrial property rights may have effect: **28 November 2006**  
(54) Product in respect of which the design is registered: **Panel for outdoor-unit of air-conditioner**  
(51) International Design Classification: **23-04**  
(71) Name(s) and Address(s) of Applicant(s):  
**Daikin Industries Ltd.**  
**Umeda Center Building 4-12 Nakazaki-Nishi 2-chome Kita-Ku**  
**Osaka-shi Osaka-fu Japan**  
(72) Name(s) of Designer(s): **Manabu Kato and Kentaro Niki**  
(45) Registration Date: **06 February 2007**  
(56) Related Art Documents: **Not Applicable**  
(57) Statement of Newness and Distinctiveness: **Nil**

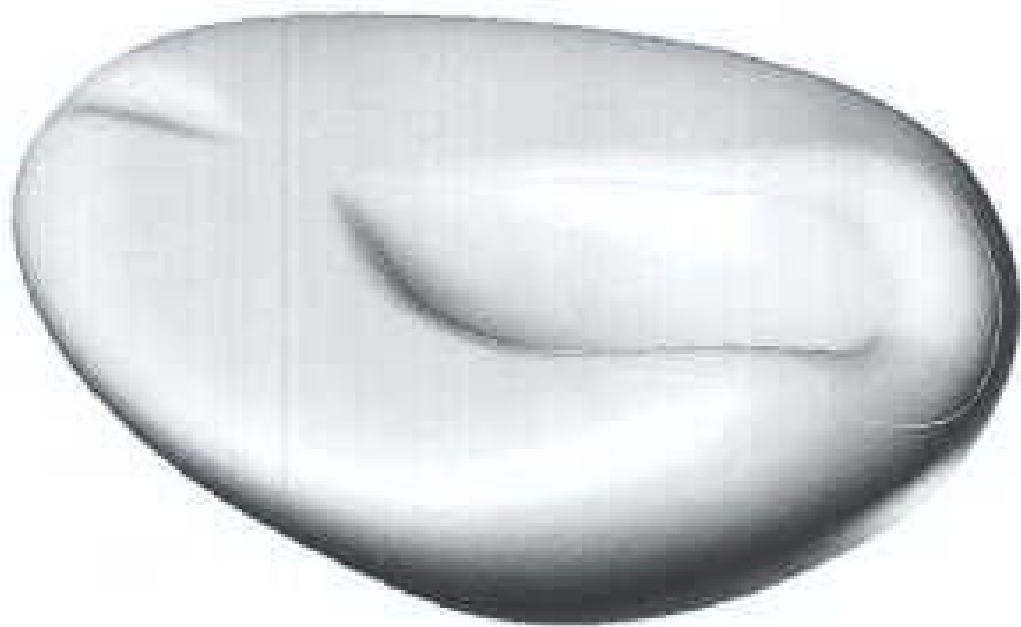


- (21) Design Number: **15468/2006**  
(22) Date of Filing Application: **29 November 2006**  
(24) Date from which industrial property rights may have effect: **29 November 2006**  
(54) Product in respect of which the design is registered: **Combined vibromassage device and its support**  
(51) International Design Classification: **28-03NES**  
(71) Name(s) and Address(s) of Applicant(s):  
**CPC Holdings (Hong Kong) Limited**  
**FLA/RM 1005 Allied Kajima Building 138 Gloucester Road Wan Chai**  
**Hong Kong**  
(72) Name(s) of Designer(s): **Edouard Hagege**  
(45) Registration Date: **06 February 2007**  
(30) Convention priority data:  
(31) Number      (32) Date      (33) Country  
**000615695      24 Oct 2006      EUROPEAN COMMUNITY**  
(56) Related Art Documents: **Not Applicable**  
(57) Statement of Newness and Distinctiveness: **Newness and distinctiveness reside in the features of the design as shown in the representations.**

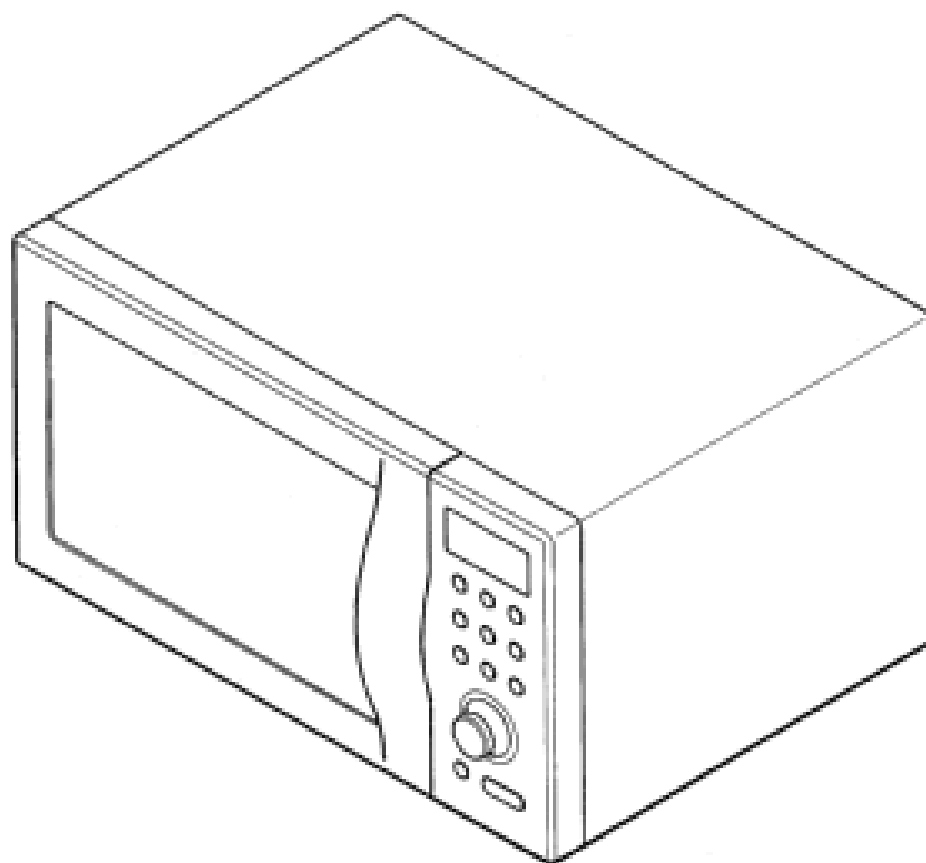




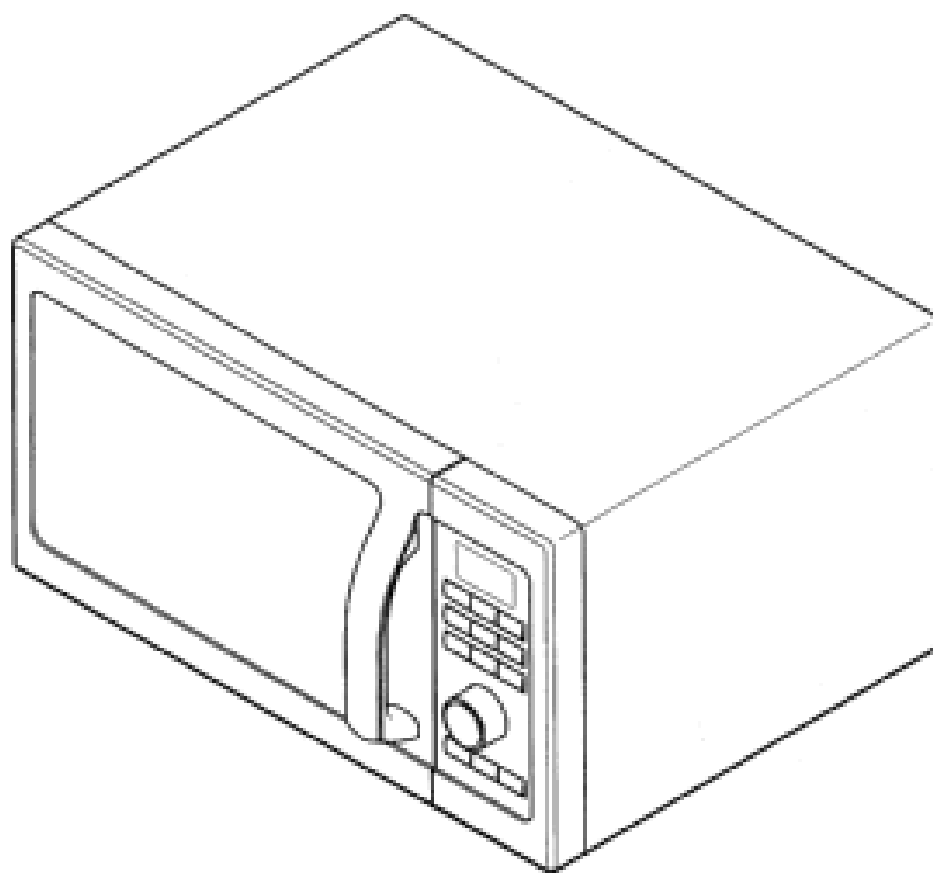
- (21) Design Number: **15469/2006**  
(22) Date of Filing Application: **29 November 2006**  
(24) Date from which industrial property rights may have effect: **29 November 2006**  
(54) Product in respect of which the design is registered: **Support for vibromassage device**  
(51) International Design Classification: **28-03NES**  
(71) Name(s) and Address(s) of Applicant(s):  
**CPC Holdings (Hong Kong) Limited**  
**FLA/RM 1005 Allied Kajima Building 138 Gloucester Road Wan Chai**  
**Hong Kong**  
(72) Name(s) of Designer(s): **Edouard Hagege**  
(45) Registration Date: **06 February 2007**  
(30) Convention priority data:  
(31) Number (32) Date (33) Country  
**000615695 24 Oct 2006 EUROPEAN COMMUNITY**  
(56) Related Art Documents: **Not Applicable**  
(57) Statement of Newness and Distinctiveness: **Newness and distinctiveness reside in the features of the design as shown in the representations.**



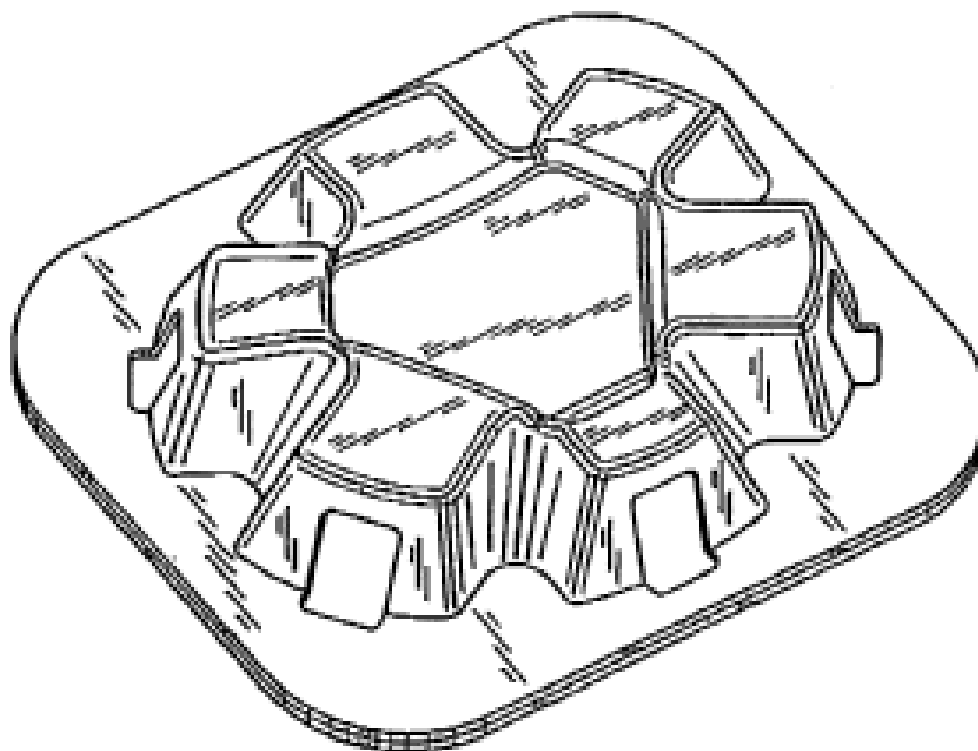
- (21) Design Number: **15473/2006**  
(22) Date of Filing Application: **29 November 2006**  
(24) Date from which industrial property rights may have effect: **29 November 2006**  
(54) Product in respect of which the design is registered: **Microwave oven**  
(51) International Design Classification: **07-02B**  
(71) Name(s) and Address(s) of Applicant(s):  
**Samsung Electronics Co., Ltd.**  
**416 Maetan-Dong Yeongtong-Gu Suwon-Si Gyeonggi-Do Republic of**  
**Korea**  
(72) Name(s) of Designer(s): **Kang Doo Kim**  
(45) Registration Date: **06 February 2007**  
(56) Related Art Documents: **Not Applicable**  
(57) Statement of Newness and Distinctiveness: **The newness and distinctiveness of the design resides in the features of shape and/or configuration of the microwave oven shown in unbroken lines in the accompanying representations.**



- (21) Design Number: **15474/2006**  
(22) Date of Filing Application: **29 November 2006**  
(24) Date from which industrial property rights may have effect: **29 November 2006**  
(54) Product in respect of which the design is registered: **Microwave oven**  
(51) International Design Classification: **07-02B**  
(71) Name(s) and Address(s) of Applicant(s):  
**Samsung Electronics Co., Ltd.**  
**416 Maetan-Dong Yeongtong-Gu Suwon-Si Gyeonggi-Do Republic of Korea**  
(72) Name(s) of Designer(s): **Kang Doo Kim**  
(45) Registration Date: **06 February 2007**  
(56) Related Art Documents: **Not Applicable**  
(57) Statement of Newness and Distinctiveness: **The newness and distinctiveness of the design resides in the features of shape and/or configuration of the microwave oven shown in unbroken lines in the accompanying representations.**



- (21) Design Number: **15471/2006**  
(22) Date of Filing Application: **29 November 2006**  
(24) Date from which industrial property rights may have effect: **29 November 2006**  
(54) Product in respect of which the design is registered: **Bait station**  
(51) International Design Classification: **22-06**  
(71) Name(s) and Address(s) of Applicant(s):  
**S.C. Johnson & Son, Inc.**  
**1525 Howe Street Racine Wisconsin 53403-2236 United States of America**  
(72) Name(s) of Designer(s): **Bradley S. Keri and Tyler D. Duston and David O. Brower**  
(45) Registration Date: **06 February 2007**  
(30) Convention priority data:  
(31) Number      (32) Date      (33) Country  
**29/247139      01 Jun 2006      UNITED STATES OF AMERICA**  
(56) Related Art Documents: **Not Applicable**  
(57) Statement of Newness and Distinctiveness: **Newness and distinctiveness is claimed in the features of shape and/or configuration of a bait station as illustrated in the accompanying representations.**



(21) Design Number: **15472/2006**

(22) Date of Filing Application: **29 November 2006**

(24) Date from which industrial property rights may have effect: **29 November 2006**

(54) Product in respect of which the design is registered: **Volatile material dispenser**

(51) International Design Classification: **09-01A**

(71) Name(s) and Address(s) of Applicant(s):

**S.C. Johnson & Son, Inc.**  
**1525 Howe Street Racine Wisconsin 53403-2236 United States of America**

(72) Name(s) of Designer(s): **Amelia H. Majerowski and Steven G. Melnyk**

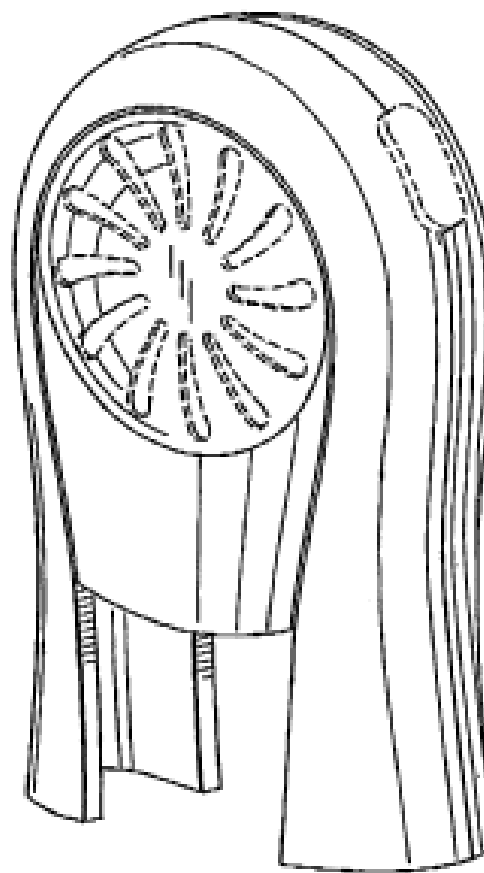
(45) Registration Date: **06 February 2007**

(30) Convention priority data:

(31) Number	(32) Date	(33) Country
<b>29/260653</b>	<b>30 May 2006</b>	<b>UNITED STATES OF AMERICA</b>

(56) Related Art Documents: **Not Applicable**

(57) Statement of Newness and Distinctiveness: **Newness and distinctiveness is claimed in those features of shape and/or configuration of a volatile material dispenser as illustrated in continuous lines in the accompanying representations.**



(21) Design Number: **15475/2006**

(22) Date of Filing Application: **29 November 2006**

(24) Date from which industrial property rights may have effect: **29 November 2006**

(54) Product in respect of which the design is registered: **Microwave oven**

(51) International Design Classification: **07-02B**

(71) Name(s) and Address(s) of Applicant(s):

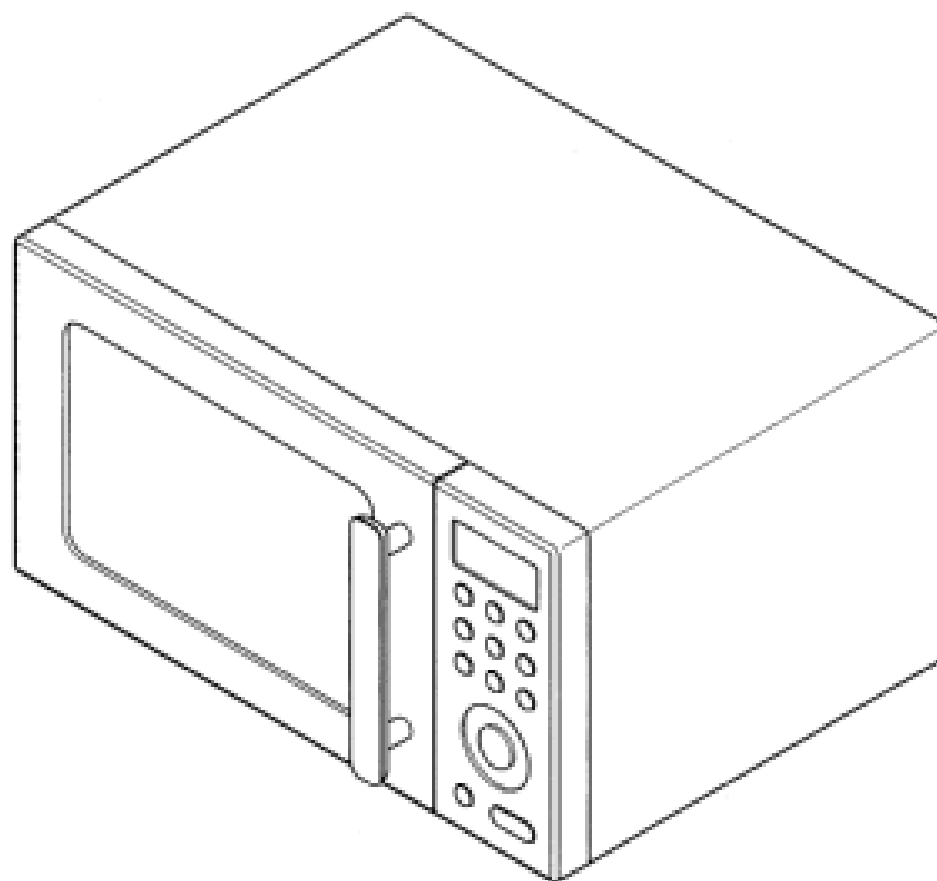
**Samsung Electronics Co., Ltd.**  
**416 Maetan-Dong Yeongtong-Gu Suwon-Si Gyeonggi-Do Republic of Korea**

(72) Name(s) of Designer(s): **Kang Doo Kim**

(45) Registration Date: **06 February 2007**

(56) Related Art Documents: **Not Applicable**

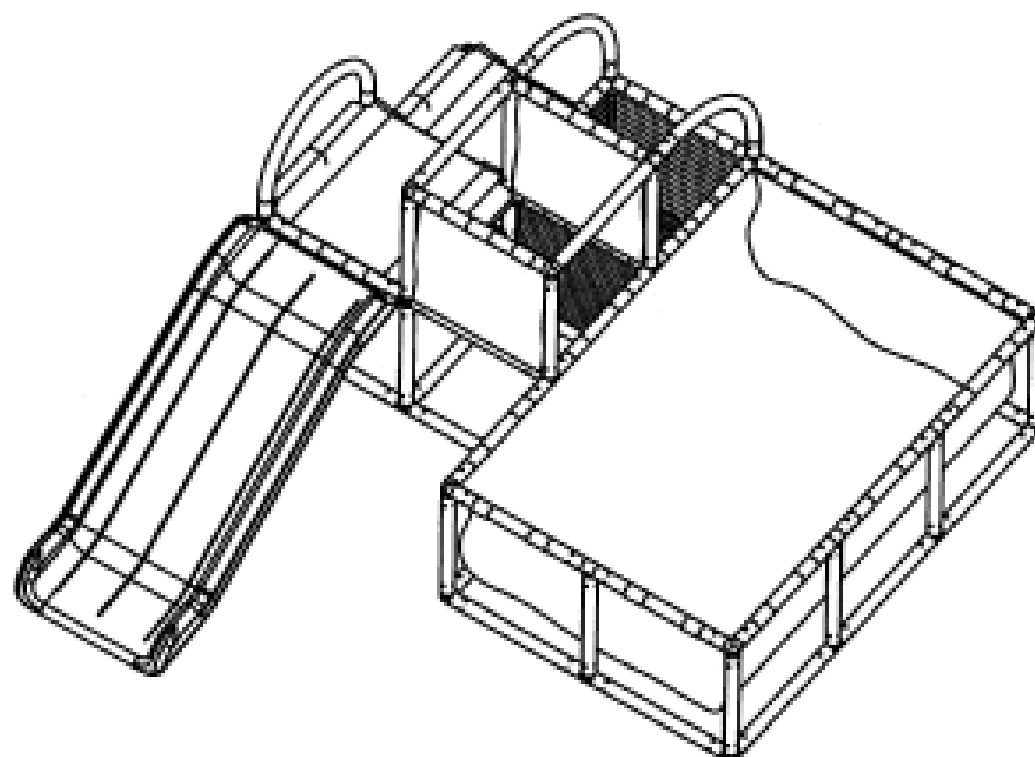
(57) Statement of Newness and Distinctiveness: **The newness and distinctiveness of the design resides in the features of shape and/or configuration of the microwave oven shown in unbroken lines in the accompanying representations.**



- (21) Design Number: **15478/2006**  
(22) Date of Filing Application: **30 November 2006**  
(24) Date from which industrial property rights may have effect: **30 November 2006**  
(54) Product in respect of which the design is registered: **The [sub] lounge**  
(51) International Design Classification: **06-01L, 14-01**  
(71) Name(s) and Address(s) of Applicant(s):  
**Jane Tuck**  
**33 Gareth Avenue Beaumaris Victoria 3193 Australia**  
(72) Name(s) of Designer(s): **Jane Tuck**  
(45) Registration Date: **06 February 2007**  
(56) Related Art Documents: **Not Applicable**  
(57) Statement of Newness and Distinctiveness: - **Seamless aluminium construction.** - **External skin acts as a membrane for transmission - the aluminium skin vibrates.** - **Amplifier controls are recessed underneath.** - **Two input/output jacks are externally located for ease of use.**



- (21) Design Number: **15479/2006**  
(22) Date of Filing Application: **29 November 2006**  
(24) Date from which industrial property rights may have effect: **29 November 2006**  
(54) Product in respect of which the design is registered: **A splash play assembly**  
(51) International Design Classification: **21-03**  
(71) Name(s) and Address(s) of Applicant(s):  
**Toymonster Limited**  
**Rm AB F1.31 Jia Li Mansion No.2 Lane 1228 West Yan an Rd Chang Ning District Shanghai 200052 China**  
(72) Name(s) of Designer(s): **Jon Seddon and Jenny Wang**  
(45) Registration Date: **06 February 2007**  
(56) Related Art Documents: **Not Applicable**  
(57) Statement of Newness and Distinctiveness: **The particular visual features of the design which the applicant hereby identifies as new and distinctiveness are as follows: Shape and configuration of a splash play assembly article as illustrated in the accompanying representations or a mirror image thereof.**



(21) Design Number: **15480/2006**

(22) Date of Filing Application: **29 November 2006**

(24) Date from which industrial property rights may have effect: **29 November 2006**

(54) Product in respect of which the design is registered: **A slide play assembly**

(51) International Design Classification: **21-03**

(71) Name(s) and Address(s) of Applicant(s):

**Toymonster Limited**

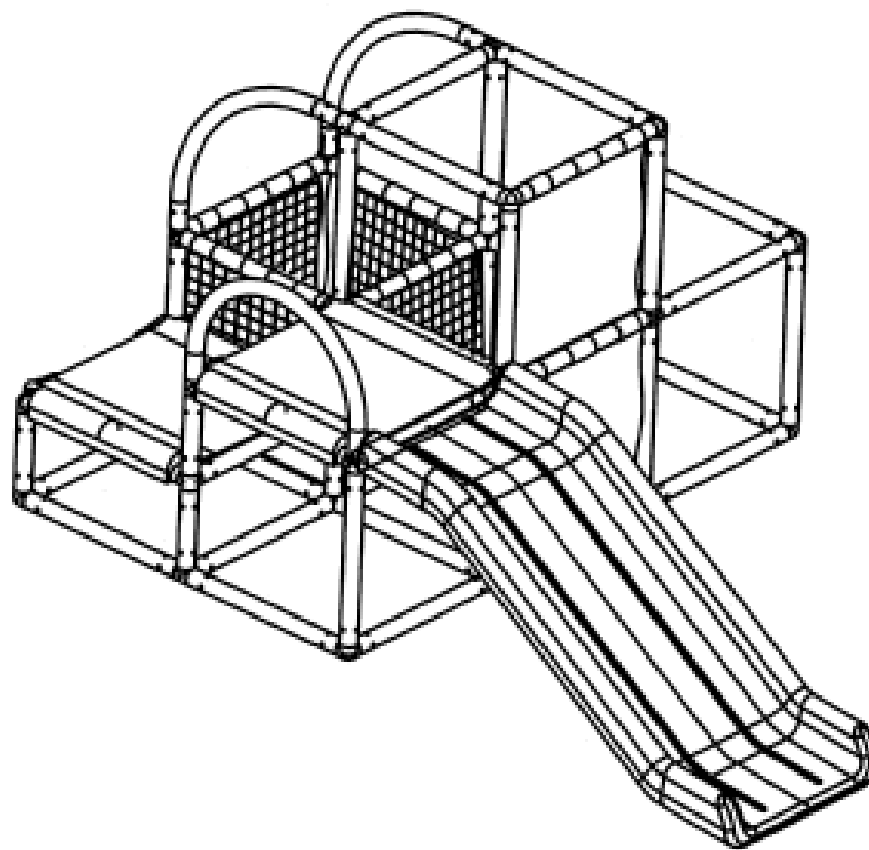
**Rm AB F1.31 Jia Li Mansion No.2 Lane 1228 West Yan an Rd Chang  
Ning District Shanghai 200052 China**

(72) Name(s) of Designer(s): **Jon Seddon and Jenny Wang**

(45) Registration Date: **06 February 2007**

(56) Related Art Documents: **Not Applicable**

(57) Statement of Newness and Distinctiveness: **The particular visual features of the design which the applicant hereby identifies as new and distinctiveness are as follows: Shape and configuration of a slide play assembly article as illustrated in the accompanying representations or a mirror image thereof.**



(21) Design Number: **15482/2006**

(22) Date of Filing Application: **29 November 2006**

(24) Date from which industrial property rights may have effect: **29 November 2006**

(54) Product in respect of which the design is registered: **Lighting assembly**

(51) International Design Classification: **26-04**

(71) Name(s) and Address(s) of Applicant(s):

**LED Technologies Pty Ltd**

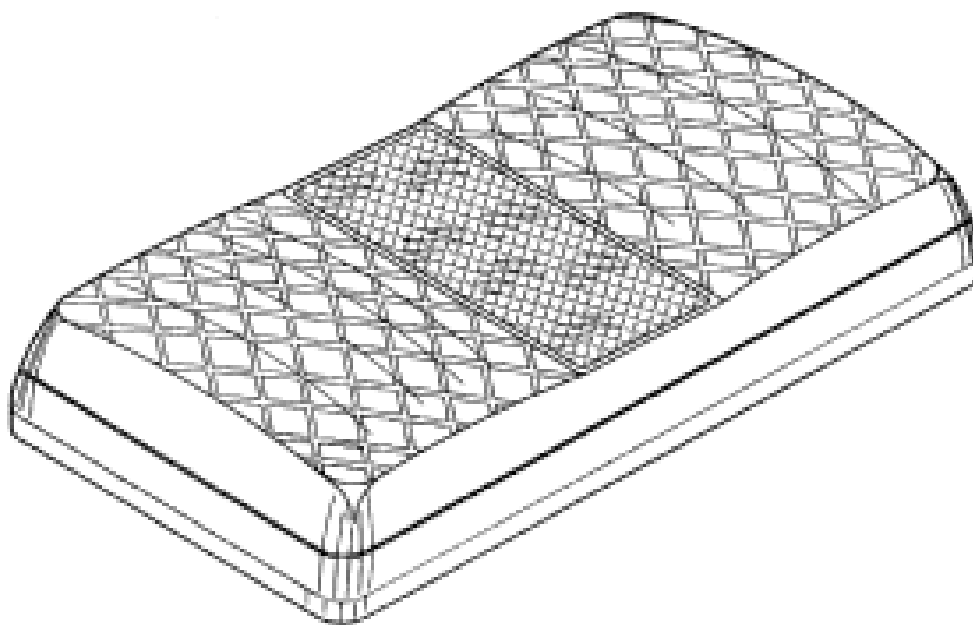
**Factory 1 10 Brand Drive Thomastown Victoria 3074 Australia**

(72) Name(s) of Designer(s): **Tony Ottobre**

(45) Registration Date: **06 February 2007**

(56) Related Art Documents: **Not Applicable**

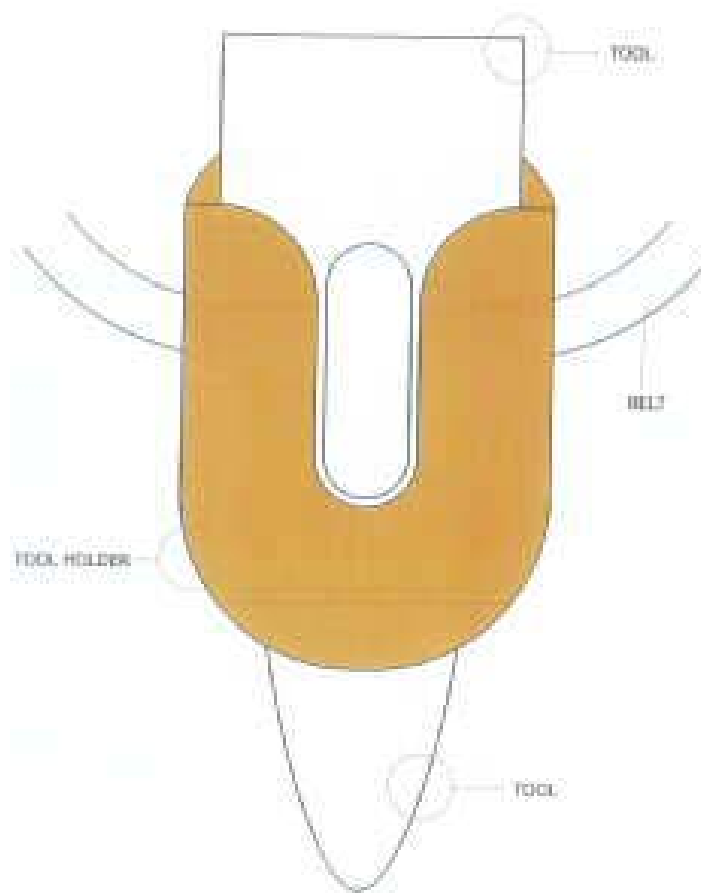
(57) Statement of Newness and Distinctiveness: **The shape and configuration of the lighting assembly of the design as shown in the accompanying representations are new and distinctive.**



- (21) Design Number: **15483/2006**
- (22) Date of Filing Application: **29 November 2006**
- (24) Date from which industrial property rights may have effect: **29 November 2006**
- (54) Product in respect of which the design is registered: **Tool holder**
- (51) International Design Classification: **03-01D**
- (71) Name(s) and Address(s) of Applicant(s):

**Zoran Tasic**  
**124 McDonalds Road Epping Victoria 3076 Australia**

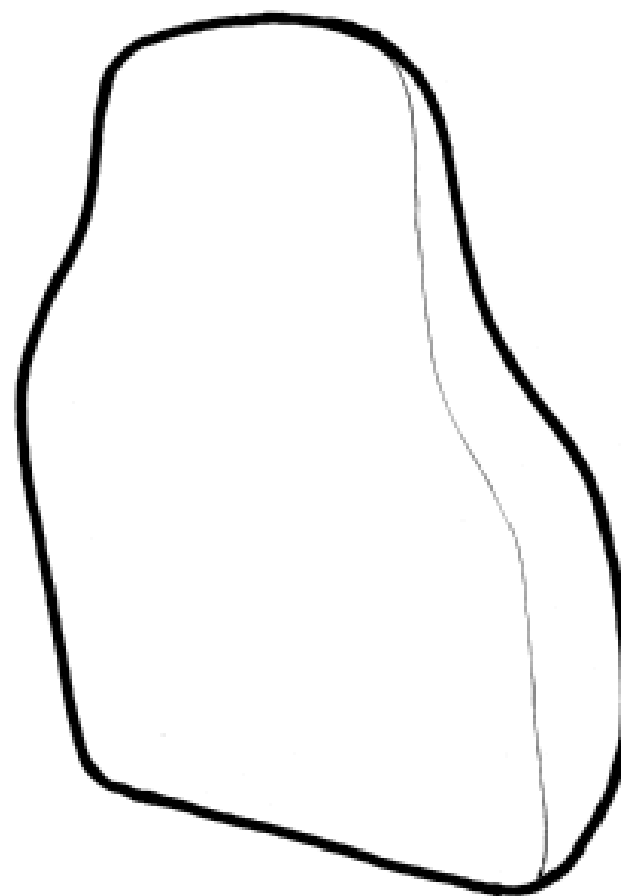
- (72) Name(s) of Designer(s): **Zoran Tasic**
- (45) Registration Date: **06 February 2007**
- (56) Related Art Documents: **Not Applicable**
- (57) Statement of Newness and Distinctiveness: **The shape and configuration of the tool holder shown in orange in the accompanying representations is new and distinctive. The tool and belt have been included for illustrative purposes, and do not form part of the design.**



- (21) Design Number: **15485/2006**
- (22) Date of Filing Application: **30 November 2006**
- (24) Date from which industrial property rights may have effect: **30 November 2006**
- (54) Product in respect of which the design is registered: **Car seat back cover**
- (51) International Design Classification: **06-13NES**
- (71) Name(s) and Address(s) of Applicant(s):

**CEO Australia Pty Ltd**  
**87 Robsons Road Keiraville New South Wales 2500 Australia**

- (72) Name(s) of Designer(s): **Michael Lynch**
- (45) Registration Date: **06 February 2007**
- (56) Related Art Documents: **Not Applicable**
- (57) Statement of Newness and Distinctiveness: **The loose fitting seat back cover is manufactured from fabric material which when graphically printed on rear, front and sides is used for the purposes of displaying marketing or advertising products and services, on car seats.**



- (21) Design Number: **15490/2006**  
(22) Date of Filing Application: **01 December 2006**  
(24) Date from which industrial property rights may have effect: **01 December 2006**  
(54) Product in respect of which the design is registered: **Dispenser gun guide**  
(51) International Design Classification: **31-00**  
(71) Name(s) and Address(s) of Applicant(s):

**Bulk Beverage Systems**  
**20 Hollings Crescent Heathcote New South Wales 2233 Australia**

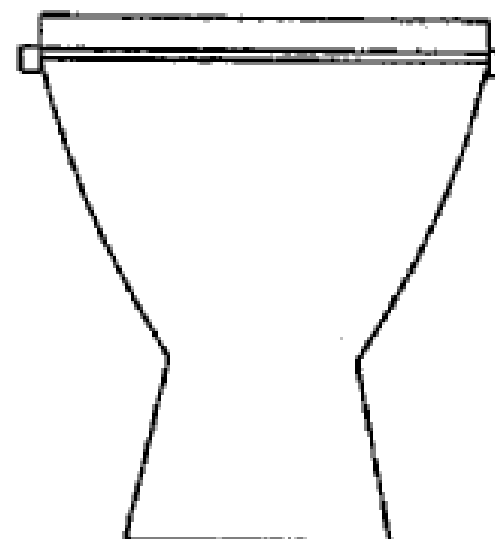
- (72) Name(s) of Designer(s): **Mark Leppard**  
(45) Registration Date: **06 February 2007**  
(56) Related Art Documents: **Not Applicable**  
(57) Statement of Newness and Distinctiveness: **Guide features tapered machining to allow dispenser gun to sit upright when housed. The dispenser gun guide has been designed to allow the dispensing gun to be mounted through the bar, instead of around it. The guide is suitable for both liquor dispensing guns and postmix (softdrink) guns. Figure 1 of 3 shows the bar guide. Figure 2 of 3 shows how a liquor gun would be position when retracted. Figure 3 of 3 shows how the guide would be mounted through a bar surface.**



- (21) Design Number: **15057/2006**  
(22) Date of Filing Application: **03 November 2006**  
(24) Date from which industrial property rights may have effect: **03 November 2006**  
(54) Product in respect of which the design is registered: **Water closet pan**  
(51) International Design Classification: **23-02C**  
(71) Name(s) and Address(s) of Applicant(s):

**Joseph E. McGuire**  
**426 Varley Street Yorkeys Knob Queensland 4878 Australia**

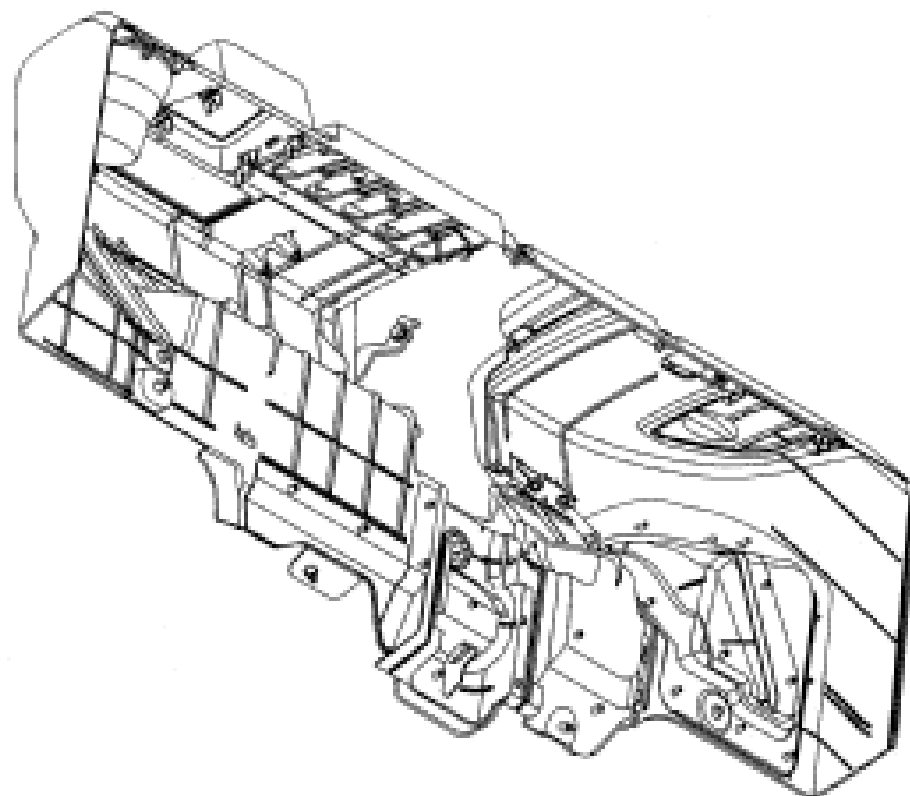
- (72) Name(s) of Designer(s): **Joseph E. McGuire**  
(45) Registration Date: **06 February 2007**  
(56) Related Art Documents: **Not Applicable**  
(57) Statement of Newness and Distinctiveness: **Design intent: The toilet seat has been designed to benefit the elderly, disabled and the sick with the sometimes awkward task of both sitting on and standing from their WC's WC's. The design includes a lift kit to provide the desired change in height ranging from a rise of 24mm through to 120mm. The lift kit comprises 5 rubber supports which attach to the underside of the toilet seat and sit on rim of WC, fixing bolts and raised washers (to sit on fixing bolts between splash guard of seat and top of WC) along with underside washers and wingnuts for fastening. A splash guard is moulded into the seat as are the lift kit clip supports. Characteristics of the product include: A: Universal design to fit WC's B: Variable lifting range C: Wider seat rim D: Appearance of standard toilet seat. Detail A: Lift Kit The lift kit series range in size from 25mm - 100mm once fitted to the underside section of the toilet seat. Each moulded lift kit contains both fixing bolts and lifting support to suit the desired lifting requirements.**



(21) Design Number: **12872/2006**  
(22) Date of Filing Application: **06 July 2006**  
(24) Date from which industrial property rights may have effect: **06 July 2006**  
(54) Product in respect of which the design is registered: **Table and chairs**  
(51) International Design Classification: **06-05, 06-01F, 06-03A**  
(71) Name(s) and Address(s) of Applicant(s):  
**Garry Masters Rattan Pty Ltd**  
**22-24 Metropolitan Avenue Nunawading Victoria 3131 Australia**  
(72) Name(s) of Designer(s): **Jan Morrissey**  
(45) Registration Date: **06 February 2007**  
(56) Related Art Documents: **Not Applicable**  
(57) Statement of Newness and Distinctiveness: **Nil**



(21) Design Number: **14394/2006**  
(22) Date of Filing Application: **29 September 2006**  
(24) Date from which industrial property rights may have effect: **29 September 2006**  
(54) Product in respect of which the design is registered: **Instrument panel for working vehicles**  
(51) International Design Classification: **12-16NES**  
(71) Name(s) and Address(s) of Applicant(s):  
**Kabushiki Kaisha Toyota Jidoshokki**  
**2-1 Toyoda-Cho Kariya-Shi Aichi-Ken Japan**  
(72) Name(s) of Designer(s): **Masanori Shinoda**  
(45) Registration Date: **06 February 2007**  
(30) Convention priority data:  
(31) Number      (32) Date      (33) Country  
**2006-008568      31 Mar 2006      JAPAN**  
(56) Related Art Documents: **Not Applicable**  
(57) Statement of Newness and Distinctiveness: **The shape and configuration of the instrument panel is new and distinctive.**

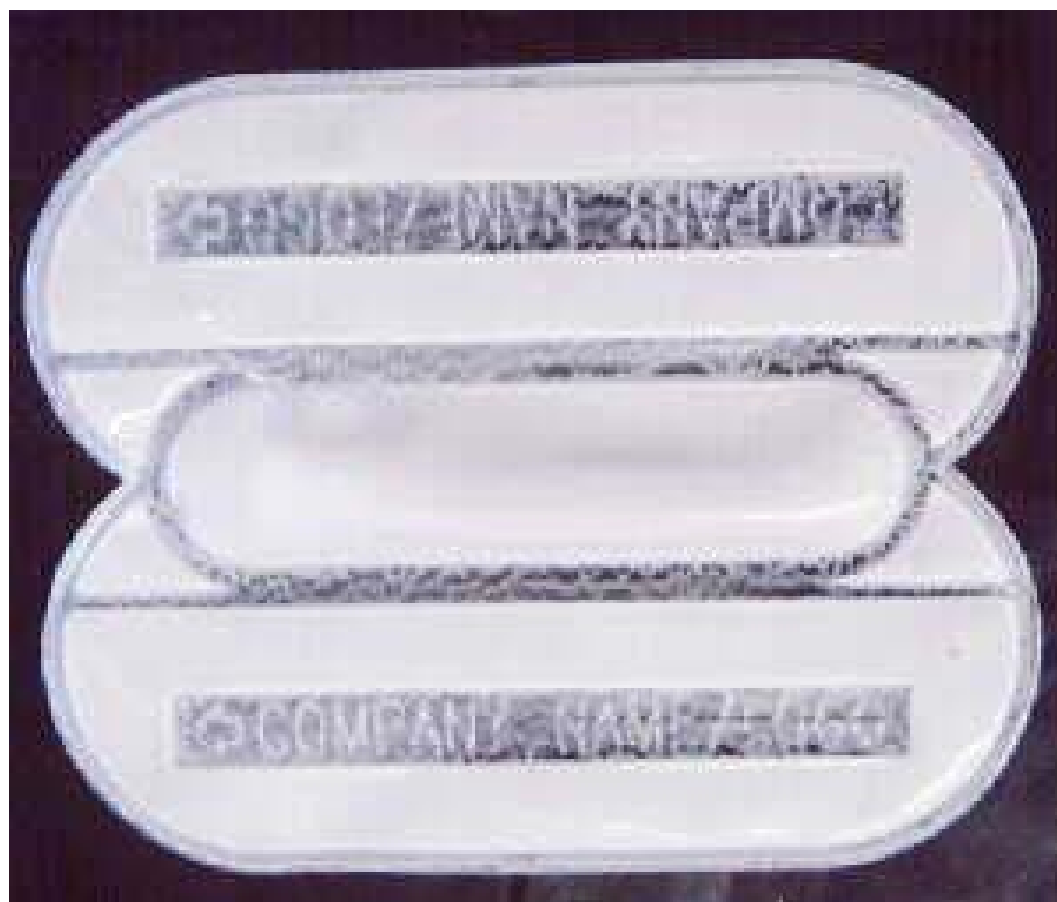




- (21) Design Number: **15322/2006**  
(22) Date of Filing Application: **20 November 2006**  
(24) Date from which industrial property rights may have effect: **20 November 2006**  
(54) Product in respect of which the design is registered: **Watering device**  
(51) International Design Classification: **23-01D**  
(71) Name(s) and Address(s) of Applicant(s):  
**Neale Robert Warmington**  
**8 Lewellin Grove Rosanna Victoria 3084 Australia**  
(72) Name(s) of Designer(s): **Neale Robert Warmington**  
(45) Registration Date: **06 February 2007**  
(56) Related Art Documents: **Not Applicable**  
(57) Statement of Newness and Distinctiveness: **Nil**



- (21) Design Number: **15421/2006**  
(22) Date of Filing Application: **24 November 2006**  
(24) Date from which industrial property rights may have effect: **24 November 2006**  
(54) Product in respect of which the design is registered: **Oestrus detector for livestock**  
(51) International Design Classification: **24-01**  
(71) Name(s) and Address(s) of Applicant(s):  
**Jock M. Roberts**  
**27 Satur Road Scone New South Wales 2337 Australia**  
(72) Name(s) of Designer(s): **Jock M. Roberts**  
(45) Registration Date: **06 February 2007**  
(56) Related Art Documents: **Not Applicable**  
(57) Statement of Newness and Distinctiveness: **Design feature is crease lines to allow detector to bend easily over backbone of animal for easier, quicker and cleaner application.**



- (21) Design Number: **15426/2006**  
(22) Date of Filing Application: **23 November 2006**  
(24) Date from which industrial property rights may have effect: **23 November 2006**  
(54) Product in respect of which the design is registered: **Vehicle hood scoop**  
(51) International Design Classification: **12-16B**  
(71) Name(s) and Address(s) of Applicant(s):  
**Walkinshaw Performance Pty Ltd**  
**125 Rayhur Street Clayton Victoria 3168 Australia**  
(72) Name(s) of Designer(s): **Julian Quincey**  
(45) Registration Date: **06 February 2007**  
(56) Related Art Documents: **Not Applicable**  
(57) Statement of Newness and Distinctiveness: **Newness and distinctiveness is claimed in the shape and/or configuration of a vehicle hood scoop as shown in the representations except that the mesh portions A are to be disregarded.**



- (21) Design Number: **15427/2006**  
(22) Date of Filing Application: **27 November 2006**  
(24) Date from which industrial property rights may have effect: **27 November 2006**  
(54) Product in respect of which the design is registered: **Automobile**  
(51) International Design Classification: **12-08**  
(71) Name(s) and Address(s) of Applicant(s):  
**Toyota Jidosha Kabushiki Kaisha**  
**1 Toyota-cho Toyota-shi Aichi-ken 471-8571 Japan**  
(72) Name(s) of Designer(s): **Masanori Kinoshita**  
(45) Registration Date: **06 February 2007**  
(56) Related Art Documents: **Not Applicable**  
(57) Statement of Newness and Distinctiveness: **Newness and distinctiveness is claimed in the features of shape and/or configuration of an automobile as illustrated in the accompanying representations.**



- (21) Design Number: **15428/2006**  
(22) Date of Filing Application: **27 November 2006**  
(24) Date from which industrial property rights may have effect: **27 November 2006**  
(54) Product in respect of which the design is registered: **Automobile**  
(51) International Design Classification: **12-08**  
(71) Name(s) and Address(s) of Applicant(s):  
**Toyota Jidosha Kabushiki Kaisha**  
**1 Toyota-cho Toyota-shi Aichi-ken 471-8571 Japan**  
(72) Name(s) of Designer(s): **Masanori Kinoshita**  
(45) Registration Date: **06 February 2007**  
(56) Related Art Documents: **Not Applicable**  
(57) Statement of Newness and Distinctiveness: **Newness and distinctiveness is claimed in the features of shape and/or configuration of an automobile as illustrated in the accompanying representations.**



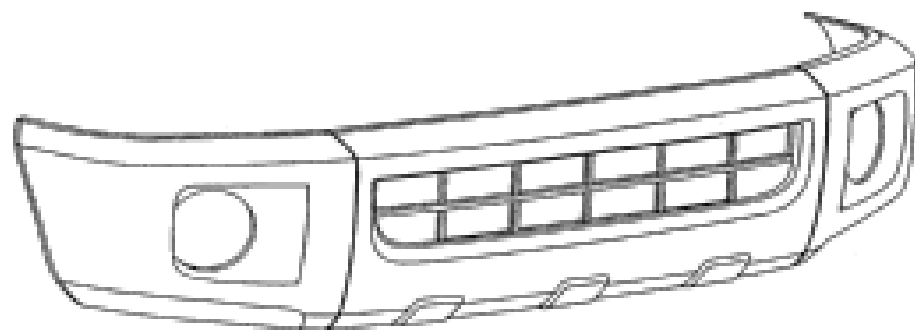
- (21) Design Number: **15429/2006**  
(22) Date of Filing Application: **27 November 2006**  
(24) Date from which industrial property rights may have effect: **27 November 2006**  
(54) Product in respect of which the design is registered: **Front grill for an automobile**  
(51) International Design Classification: **12-16B**  
(71) Name(s) and Address(s) of Applicant(s):  
**Toyota Jidosha Kabushiki Kaisha**  
**1 Toyota-cho Toyota-shi Aichi-ken 471-8571 Japan**  
(72) Name(s) of Designer(s): **Manabu Kojima**  
(45) Registration Date: **06 February 2007**  
(56) Related Art Documents: **Not Applicable**  
(57) Statement of Newness and Distinctiveness: **Newness and distinctiveness is claimed in the features of shape and/or configuration of a front grill for an automobile as illustrated in the accompanying representations.**



- (21) Design Number: **15430/2006**  
(22) Date of Filing Application: **27 November 2006**  
(24) Date from which industrial property rights may have effect: **27 November 2006**  
(54) Product in respect of which the design is registered: **Head lamp for an automobile**  
(51) International Design Classification: **26-06**  
(71) Name(s) and Address(s) of Applicant(s):  
**Toyota Jidosha Kabushiki Kaisha**  
**1 Toyota-cho Toyota-shi Aichi-ken 471-8571 Japan**  
(72) Name(s) of Designer(s): **Nobuya Tanai**  
(45) Registration Date: **06 February 2007**  
(56) Related Art Documents: **Not Applicable**  
(57) Statement of Newness and Distinctiveness: **Newness and distinctiveness is claimed in the features of shape and/or configuration of a head lamp for an automobile as illustrated in the accompanying representations.**



- (21) Design Number: **15431/2006**  
(22) Date of Filing Application: **27 November 2006**  
(24) Date from which industrial property rights may have effect: **27 November 2006**  
(54) Product in respect of which the design is registered: **Front bumper for an automobile**  
(51) International Design Classification: **12-16B**  
(71) Name(s) and Address(s) of Applicant(s):  
**Toyota Jidosha Kabushiki Kaisha**  
**1 Toyota-cho Toyota-shi Aichi-ken 471-8571 Japan**  
(72) Name(s) of Designer(s): **Masanori Kinoshita**  
(45) Registration Date: **06 February 2007**  
(56) Related Art Documents: **Not Applicable**  
(57) Statement of Newness and Distinctiveness: **Newness and distinctiveness is claimed in the features of shape and/or configuration of a front bumper for an automobile as illustrated in the accompanying representations.**

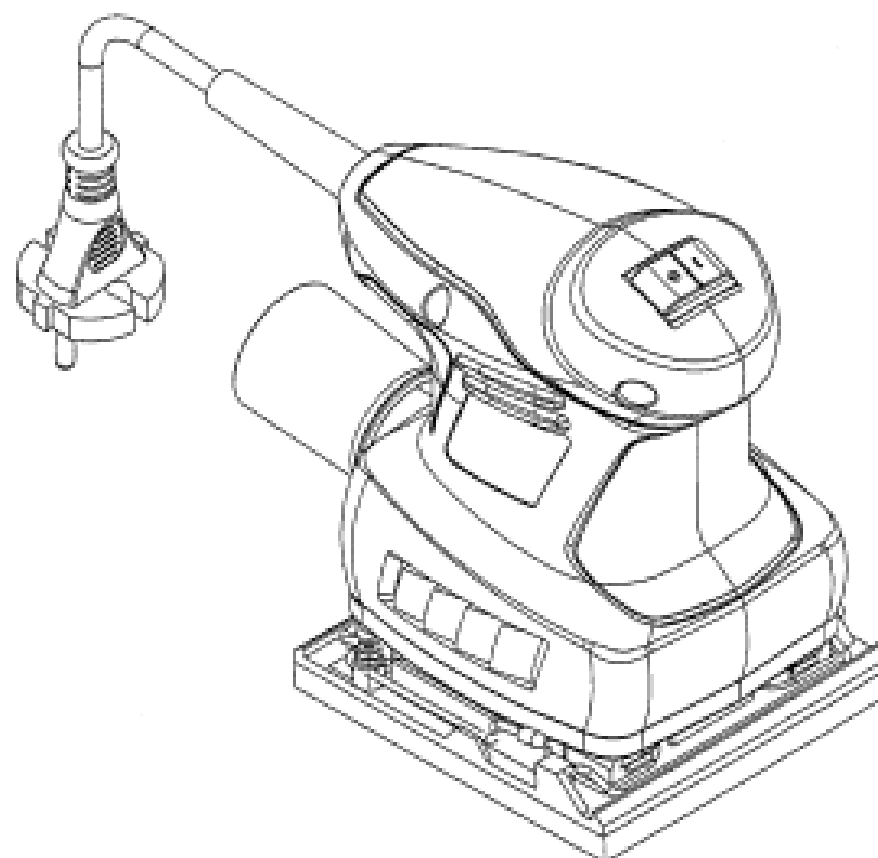


- (21) Design Number: **15434/2006**
- (22) Date of Filing Application: **28 November 2006**
- (24) Date from which industrial property rights may have effect: **28 November 2006**
- (54) Product in respect of which the design is registered: **Porcelan decorative gift-greeting plate complit set**
- (51) International Design Classification: **07-01A**
- (71) Name(s) and Address(s) of Applicant(s):  
**Alexander Belin**  
**97 O'Brien Street Bondi New South Wales 2026 Australia**
- (72) Name(s) of Designer(s): **Alexander Belin**
- (45) Registration Date: **06 February 2007**
- (56) Related Art Documents: **Not Applicable**
- (57) Statement of Newness and Distinctiveness: **Design consists of proclain decorative plate, gift box and greeting card. Plate and box design combine decorativ elemant of art work with greeting expressions. This combination in plate is new design. Design not limited in art work style and contents and content of greeting expressions.**



- (21) Design Number: **15436/2006**
- (22) Date of Filing Application: **27 November 2006**
- (24) Date from which industrial property rights may have effect: **27 November 2006**
- (54) Product in respect of which the design is registered: **Sander power tool**
- (51) International Design Classification: **08-05N**
- (71) Name(s) and Address(s) of Applicant(s):  
**GMCA Pty. Ltd.**  
**45-55 South Centre Road Melbourne Airport Victoria 3045 Australia**
- (72) Name(s) of Designer(s): **Michael Waldron**
- (45) Registration Date: **06 February 2007**
- (30) Convention priority data:
 

(31) Number	(32) Date	(33) Country
<b>000537626</b>	<b>26 May 2006</b>	<b>EUROPEAN COMMUNITY</b>
- (56) Related Art Documents: **Not Applicable**
- (57) Statement of Newness and Distinctiveness: **Newness and distinctiveness reside in the features of shape and configuration of a sander power tool as shown in the accompanying representations.**



(21) Design Number: **15439/2006**

(22) Date of Filing Application: **27 November 2006**

(24) Date from which industrial property rights may have effect: **27 November 2006**

(54) Product in respect of which the design is registered: **Apparatus for aerating a fluid**

(51) International Design Classification: **31-00**

(71) Name(s) and Address(s) of Applicant(s):

**Andrew John McLachlan**

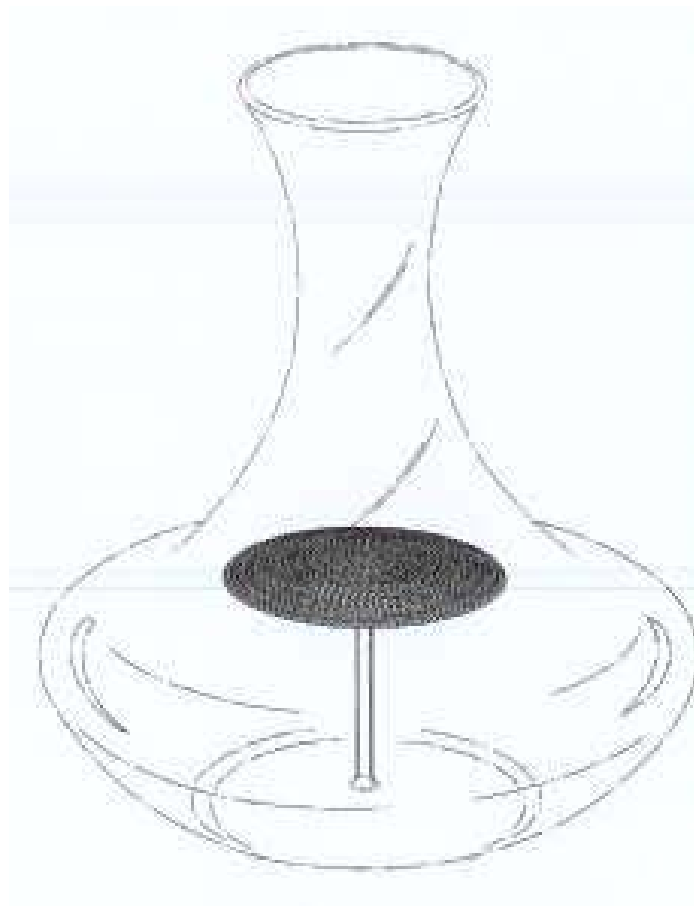
**5 Tait Street North Fitzroy Victoria 3068 Australia**

(72) Name(s) of Designer(s): **Andrew John McLachlan**

(45) Registration Date: **06 February 2007**

(56) Related Art Documents: **Not Applicable**

(57) Statement of Newness and Distinctiveness: **Nil**



(21) Design Number: **15440/2006**

(22) Date of Filing Application: **27 November 2006**

(24) Date from which industrial property rights may have effect: **27 November 2006**

(54) Product in respect of which the design is registered: **Apparatus for aerating a fluid**

(51) International Design Classification: **31-00**

(71) Name(s) and Address(s) of Applicant(s):

**Andrew John McLachlan**

**5 Tait Street North Fitzroy Victoria 3068 Australia**

(72) Name(s) of Designer(s): **Andrew John McLachlan**

(45) Registration Date: **06 February 2007**

(56) Related Art Documents: **Not Applicable**

(57) Statement of Newness and Distinctiveness: **Nil**



(21) Design Number: **15441/2006**

(22) Date of Filing Application: **27 November 2006**

(24) Date from which industrial property rights may have effect: **27 November 2006**

(54) Product in respect of which the design is registered: **Apparatus for aerating a fluid**

(51) International Design Classification: **31-00**

(71) Name(s) and Address(s) of Applicant(s):

**Andrew John McLachlan**

**5 Tait Street North Fitzroy Victoria 3068 Australia**

(72) Name(s) of Designer(s): **Andrew John McLachlan**

(45) Registration Date: **06 February 2007**

(56) Related Art Documents: **Not Applicable**

(57) Statement of Newness and Distinctiveness: **Nil**



(21) Design Number: **15442/2006**

(22) Date of Filing Application: **27 November 2006**

(24) Date from which industrial property rights may have effect: **27 November 2006**

(54) Product in respect of which the design is registered: **Apparatus for aerating a fluid**

(51) International Design Classification: **31-00**

(71) Name(s) and Address(s) of Applicant(s):

**Andrew John McLachlan**

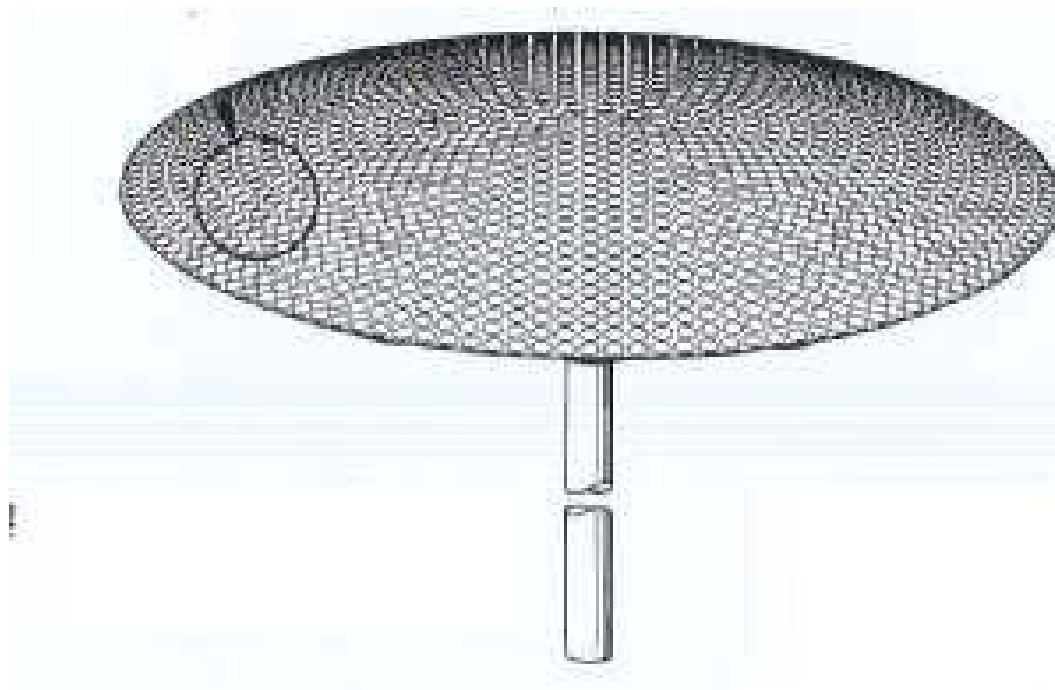
**5 Tait Street North Fitzroy Victoria 3068 Australia**

(72) Name(s) of Designer(s): **Andrew John McLachlan**

(45) Registration Date: **06 February 2007**

(56) Related Art Documents: **Not Applicable**

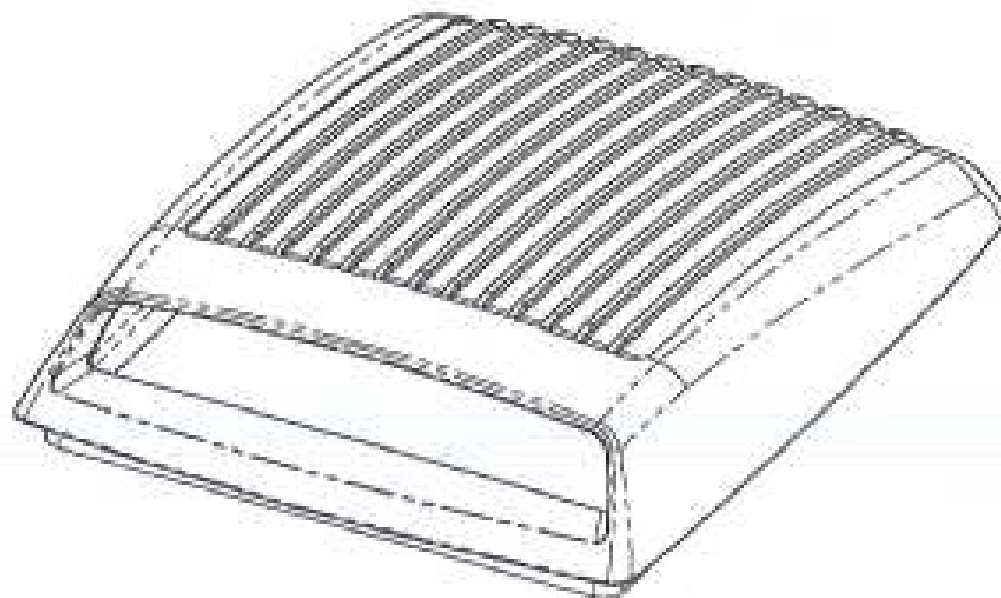
(57) Statement of Newness and Distinctiveness: **Nil**



- (21) Design Number: **15443/2006**  
(22) Date of Filing Application: **27 November 2006**  
(24) Date from which industrial property rights may have effect: **27 November 2006**  
(54) Product in respect of which the design is registered: **Shaker**  
(51) International Design Classification: **12-16B**  
(71) Name(s) and Address(s) of Applicant(s):

**Paul Racovalis**  
**35 Lady Nelson Drive Sorrento Victoria 3943 Australia**

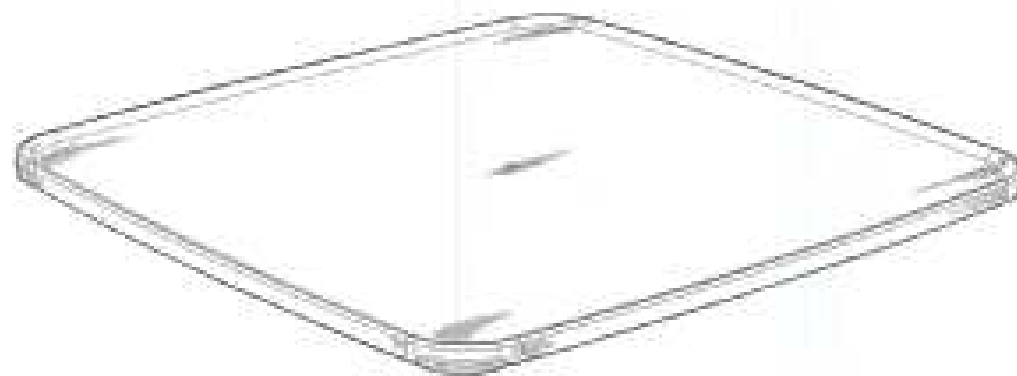
- (72) Name(s) of Designer(s): **Paul Racovalis and Andrew Berry**  
(45) Registration Date: **06 February 2007**  
(56) Related Art Documents: **Not Applicable**  
(57) Statement of Newness and Distinctiveness: **Newness and distinctiveness of the design resides in the combination of the following features of shape and configuration of the shaker depicted in the accompanying representations: . the shape and configuration of the air inlet and lower lip of the air inlet of the shaker; . the angle of slope of the side walls of the shaker; and . the curvature of the upper surface and downward tapering of the upper surface toward the rear of the shaker.**



- (21) Design Number: **15444/2006**  
(22) Date of Filing Application: **27 November 2006**  
(24) Date from which industrial property rights may have effect: **27 November 2006**  
(54) Product in respect of which the design is registered: **Pastry container lid**  
(51) International Design Classification: **09-07NES**  
(71) Name(s) and Address(s) of Applicant(s):

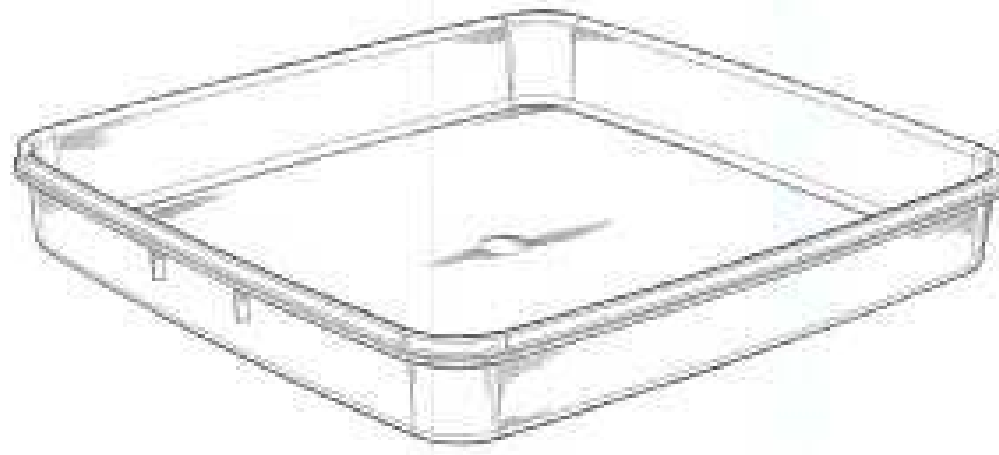
**The Decor Corporation Pty Ltd**  
**1314 Ferntree Gully Road Scoresby Victoria 3179 Australia**

- (72) Name(s) of Designer(s): **Arthur Richard Carlson**  
(45) Registration Date: **06 February 2007**  
(56) Related Art Documents: **Not Applicable**  
(57) Statement of Newness and Distinctiveness: **Nil**

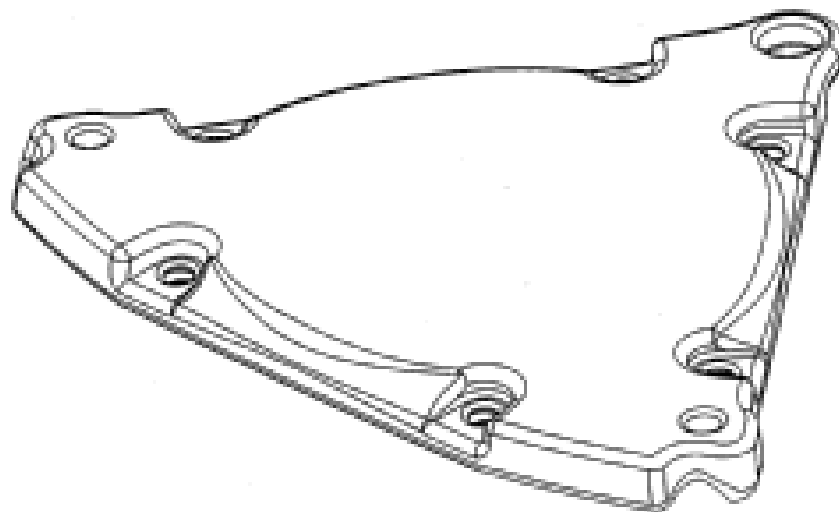




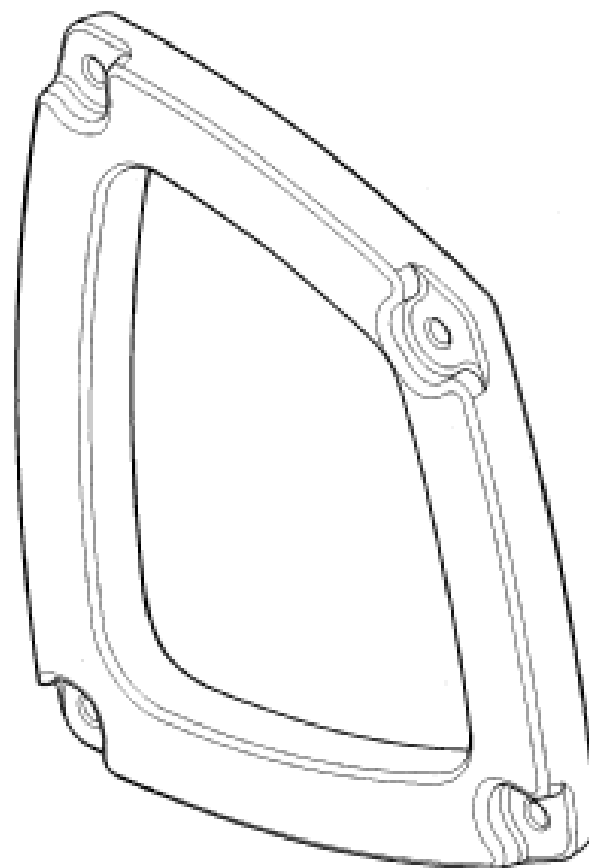
- (21) Design Number: **15445/2006**  
(22) Date of Filing Application: **27 November 2006**  
(24) Date from which industrial property rights may have effect: **27 November 2006**  
(54) Product in respect of which the design is registered: **Pastry container base**  
(51) International Design Classification: **09-03M**  
(71) Name(s) and Address(s) of Applicant(s):  
**The Decor Corporation Pty Ltd**  
**1314 Ferntree Gully Road Scoresby Victoria 3179 Australia**  
(72) Name(s) of Designer(s): **Arthur Richard Carlson**  
(45) Registration Date: **06 February 2007**  
(56) Related Art Documents: **Not Applicable**  
(57) Statement of Newness and Distinctiveness: **Nil**



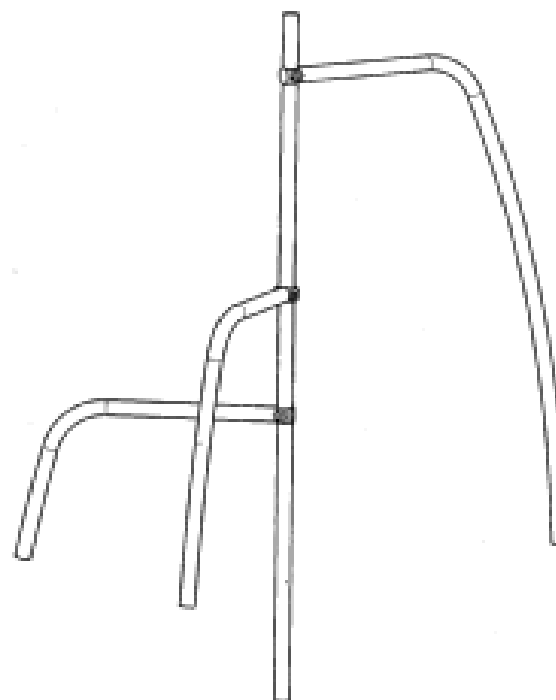
- (21) Design Number: **15450/2006**  
(22) Date of Filing Application: **28 November 2006**  
(24) Date from which industrial property rights may have effect: **28 November 2006**  
(54) Product in respect of which the design is registered: **Platform for playground structure**  
(51) International Design Classification: **21-03**  
(71) Name(s) and Address(s) of Applicant(s):  
**Hills Industries Limited**  
**944-956 South Road Edwardstown South Australia 5039 Australia**  
(72) Name(s) of Designer(s): **Matthew Joseph Reilly**  
(45) Registration Date: **06 February 2007**  
(56) Related Art Documents: **Not Applicable**  
(57) Statement of Newness and Distinctiveness: **Nil**



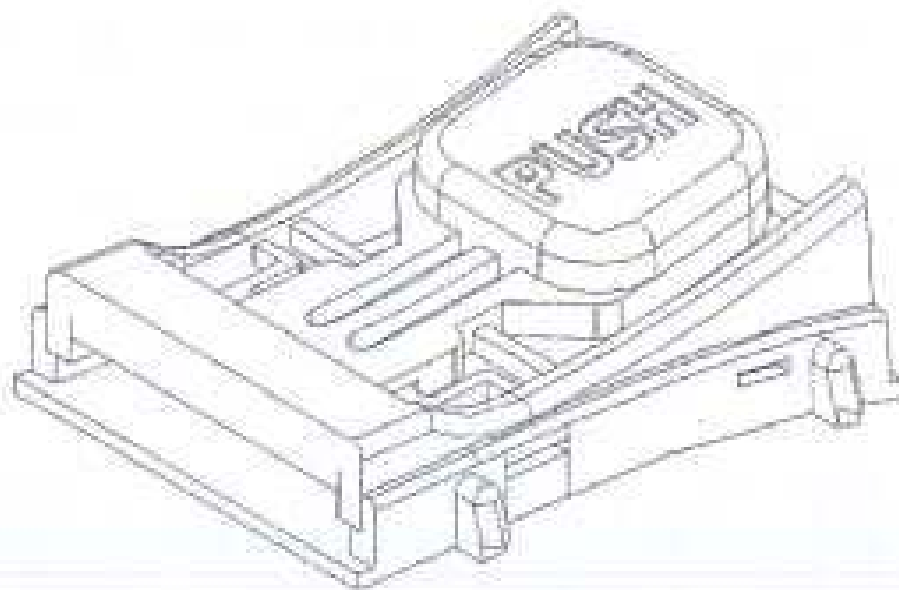
- (21) Design Number: **15451/2006**  
(22) Date of Filing Application: **28 November 2006**  
(24) Date from which industrial property rights may have effect: **28 November 2006**  
(54) Product in respect of which the design is registered: **Climbing ring**  
(51) International Design Classification: **21-03**  
(71) Name(s) and Address(s) of Applicant(s):  
**Hills Industries Limited**  
**944-956 South Road Edwardstown South Australia 5039 Australia**  
(72) Name(s) of Designer(s): **Matthew Joseph Reilly**  
(45) Registration Date: **06 February 2007**  
(56) Related Art Documents: **Not Applicable**  
(57) Statement of Newness and Distinctiveness: **Nil**



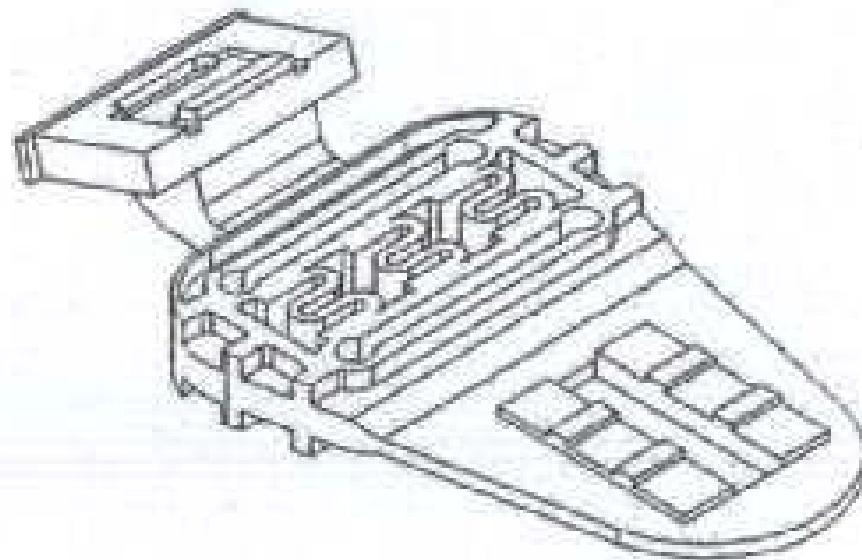
- (21) Design Number: **15452/2006**  
(22) Date of Filing Application: **28 November 2006**  
(24) Date from which industrial property rights may have effect: **28 November 2006**  
(54) Product in respect of which the design is registered: **Playground structure**  
(51) International Design Classification: **21-03**  
(71) Name(s) and Address(s) of Applicant(s):  
**Hills Industries Limited**  
**944-956 South Road Edwardstown South Australia 5039 Australia**  
(72) Name(s) of Designer(s): **Matthew Joseph Reilly**  
(45) Registration Date: **06 February 2007**  
(56) Related Art Documents: **Not Applicable**  
(57) Statement of Newness and Distinctiveness: **Nil**



- (21) Design Number: **15455/2006**  
(22) Date of Filing Application: **24 November 2006**  
(24) Date from which industrial property rights may have effect: **24 November 2006**  
(54) Product in respect of which the design is registered: **Push-button slide lock for safety helmet**  
(51) International Design Classification: **08-07**  
(71) Name(s) and Address(s) of Applicant(s):  
**Lee Ngai Mun**  
**62 Jalan CH 1 Cheras Hartamas Cheras 43200 Selangor Darul Ehsan Malaysia**  
**Paramount Safety Products**  
**30 Mumford Place Balcatta Western Australia 6021 Australia**  
(72) Name(s) of Designer(s): **Lee Ngai Mun**  
(45) Registration Date: **06 February 2007**  
(56) Related Art Documents: **Not Applicable**  
(57) Statement of Newness and Distinctiveness: **Nil**



- (21) Design Number: **15456/2006**  
(22) Date of Filing Application: **24 November 2006**  
(24) Date from which industrial property rights may have effect: **24 November 2006**  
(54) Product in respect of which the design is registered: **Anchorage link for safety helmet**  
(51) International Design Classification: **08-07**  
(71) Name(s) and Address(s) of Applicant(s):  
**Lee Ngai Mun**  
**62 Jalan CH 1 Cheras Hartamas Cheras 43200 Selangor Darul Ehsan Malaysia**  
**Paramount Safety Products**  
**30 Mumford Place Balcatta Western Australia 6021 Australia**  
(72) Name(s) of Designer(s): **Lee Ngai Mun**  
(45) Registration Date: **06 February 2007**  
(56) Related Art Documents: **Not Applicable**  
(57) Statement of Newness and Distinctiveness: **Nil**



- (21) Design Number: **15457/2006**  
(22) Date of Filing Application: **24 November 2006**  
(24) Date from which industrial property rights may have effect: **24 November 2006**  
(54) Product in respect of which the design is registered: **Ride on toy**  
(51) International Design Classification: **21-01F**  
(71) Name(s) and Address(s) of Applicant(s):  
**Wildchild Design Pty Ltd**  
**PO Box 373 Kuranda Queensland 4881 Australia**  
(72) Name(s) of Designer(s): **Christiane Doris Child and Barry Child**  
(45) Registration Date: **06 February 2007**  
(56) Related Art Documents: **Not Applicable**  
(57) Statement of Newness and Distinctiveness: **Novelty is claimed for the configuration, pattern and ornamentation of the article as shown in the representations.**



- (21) Design Number: **15461/2006**  
(22) Date of Filing Application: **28 November 2006**  
(24) Date from which industrial property rights may have effect: **28 November 2006**  
(54) Product in respect of which the design is registered: **Double wall mug**  
(51) International Design Classification: **07-01D**  
(71) Name(s) and Address(s) of Applicant(s):  
**Pi-Design AG**  
**Kantonsstrasse 100 Postfach 100 CH-6234 Triengen Switzerland**  
(72) Name(s) of Designer(s): **Jorgen Bodum**  
(45) Registration Date: **06 February 2007**  
(30) Convention priority data:  

(31) Number	(32) Date	(33) Country
<b>DA 2006</b>	<b>22 Jun 2006</b>	<b>DENMARK</b>
<b>00164</b>		

  
(56) Related Art Documents: **Not Applicable**  
(57) Statement of Newness and Distinctiveness: **Nil**



(21) Design Number: **15462/2006**  
(22) Date of Filing Application: **28 November 2006**  
(24) Date from which industrial property rights may have effect: **28 November 2006**  
(54) Product in respect of which the design is registered: **Double wall glass**  
(51) International Design Classification: **07-01C**  
(71) Name(s) and Address(s) of Applicant(s):  
**Pi-Design AG**  
**Kantonsstrasse 100 Postfach 100 CH-6234 Triengen Switzerland**  
(72) Name(s) of Designer(s): **Jorgen Bodum**  
(45) Registration Date: **06 February 2007**  
(30) Convention priority data:  
(31) Number (32) Date (33) Country  
**DA 2006 22 Jun 2006 DENMARK**  
**00164**  
(56) Related Art Documents: **Not Applicable**  
(57) Statement of Newness and Distinctiveness: **Nil**



(21) Design Number: **15463/2006**  
(22) Date of Filing Application: **28 November 2006**  
(24) Date from which industrial property rights may have effect: **28 November 2006**  
(54) Product in respect of which the design is registered: **Double wall cup**  
(51) International Design Classification: **07-01D**  
(71) Name(s) and Address(s) of Applicant(s):  
**Pi-Design AG**  
**Kantonsstrasse 100 Postfach 100 CH-6234 Triengen Switzerland**  
(72) Name(s) of Designer(s): **Jorgen Bodum**  
(45) Registration Date: **06 February 2007**  
(30) Convention priority data:  
(31) Number (32) Date (33) Country  
**DA 2006 22 Jun 2006 DENMARK**  
**00164**  
(56) Related Art Documents: **Not Applicable**  
(57) Statement of Newness and Distinctiveness: **Nil**



(21) Design Number: **15465/2006**

(22) Date of Filing Application: **29 November 2006**

(24) Date from which industrial property rights may have effect: **29 November 2006**

(54) Product in respect of which the design is registered: **Device for attaching fishing line to a hook or swivel**

(51) International Design Classification: **22-05**

(71) Name(s) and Address(s) of Applicant(s):

**Ross William Bain**

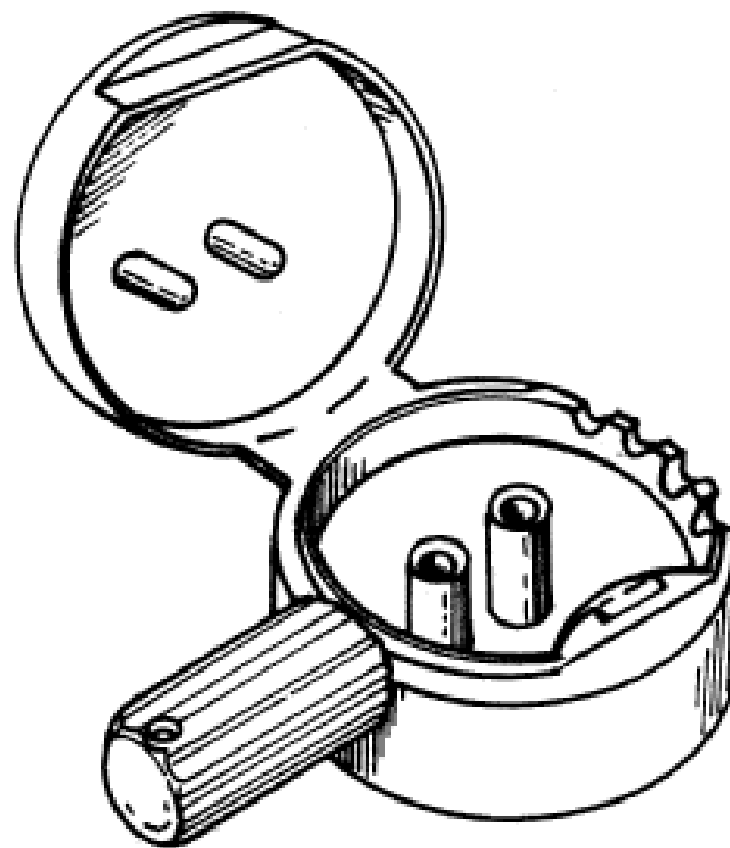
**34 Greasley Street Tivoli Queensland 4305 Australia**

(72) Name(s) of Designer(s): **Ross William Bain**

(45) Registration Date: **06 February 2007**

(56) Related Art Documents: **Not Applicable**

(57) Statement of Newness and Distinctiveness: **Nil**



(21) Design Number: **10270/2006**

(22) Date of Filing Application: **27 January 2006**

(24) Date from which industrial property rights may have effect: **27 January 2006**

(54) Product in respect of which the design is registered: **Merchandising display fitting**

(51) International Design Classification: **20-02NES**

(71) Name(s) and Address(s) of Applicant(s):

**Michael English**

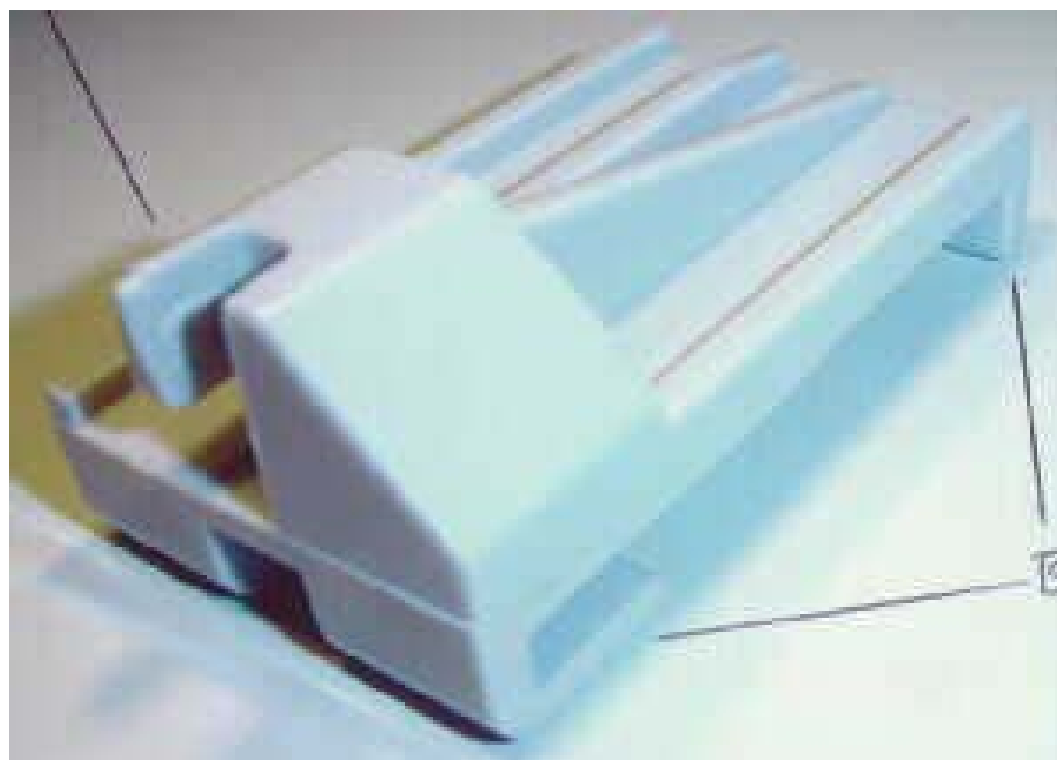
**Unit 28/205-213 Port Hacking Road Miranda New South Wales 2228 Australia**

(72) Name(s) of Designer(s): **Michael English**

(45) Registration Date: **07 February 2007**

(56) Related Art Documents: **Not Applicable**

(57) Statement of Newness and Distinctiveness: **The newness of the design resides in the shape and configuration of the Recess A in the top of the fitting as well as the shape of the legs at the back (shown as B) for attachment to wire/grid fixtures.**



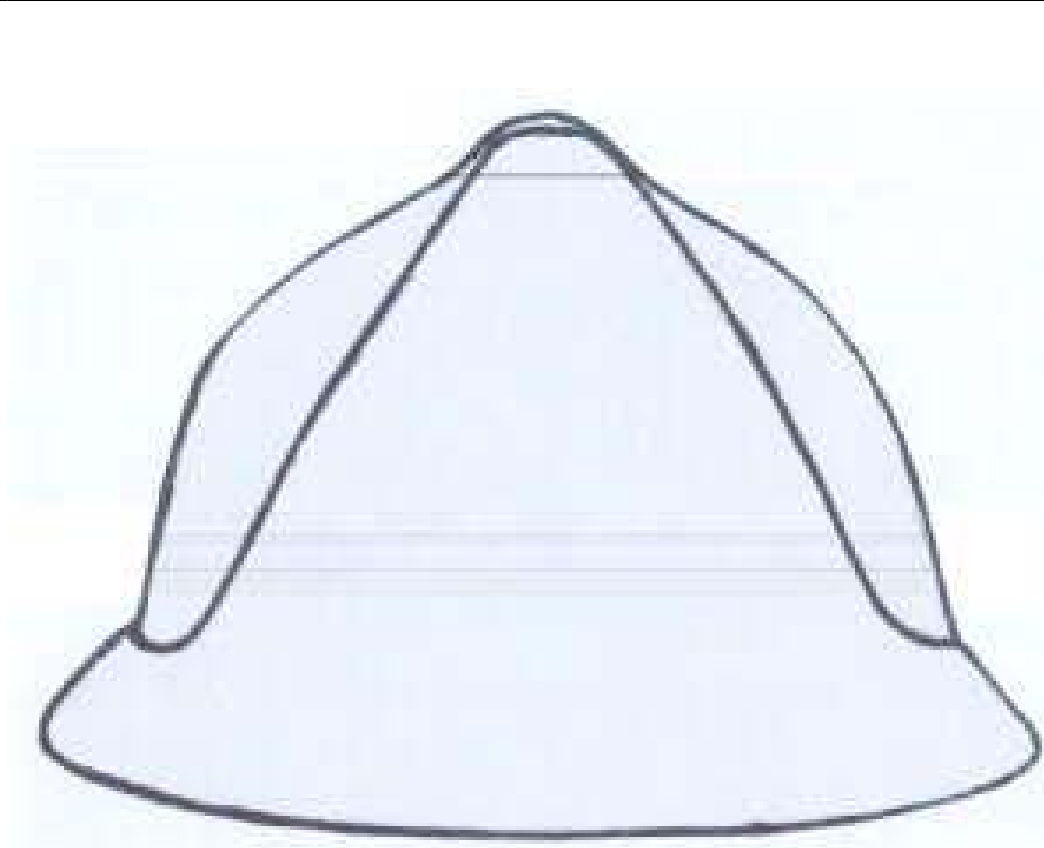
- (21) Design Number: **15491/2006**  
(22) Date of Filing Application: **01 December 2006**  
(24) Date from which industrial property rights may have effect: **01 December 2006**  
(54) Product in respect of which the design is registered: **Bulk liquor strip dispenser**  
(51) International Design Classification: **31-00**  
(71) Name(s) and Address(s) of Applicant(s):  
**Bulk Beverage Systems**  
**20 Hollings Crescent Heathcote New South Wales 2233 Australia**  
(72) Name(s) of Designer(s): **Mark Leppard**  
(45) Registration Date: **07 February 2007**  
(56) Related Art Documents: **Not Applicable**  
(57) Statement of Newness and Distinctiveness: **Bulk liquor dispenser able to be mounted direct to bar splash back and bar top. The bulk liquor dispenser has been designed to be mounted direct to the bar splashback. It has a built in lcd display on the customer side. It can be made to size for 1 to 6 products. Figure 1 shows module in position. Figure 2 shows a side view of module.**



- (21) Design Number: **15492/2006**  
(22) Date of Filing Application: **01 December 2006**  
(24) Date from which industrial property rights may have effect: **01 December 2006**  
(54) Product in respect of which the design is registered: **Fishing lures**  
(51) International Design Classification: **22-05**  
(71) Name(s) and Address(s) of Applicant(s):  
**Reidy's Lures Pty. Ltd.**  
**45 Spitfire Court McMinns Lagoon NT 0836 Australia**  
(72) Name(s) of Designer(s): **Jeffrey Reid**  
(45) Registration Date: **07 February 2007**  
(56) Related Art Documents: **Not Applicable**  
(57) Statement of Newness and Distinctiveness: **Nil**

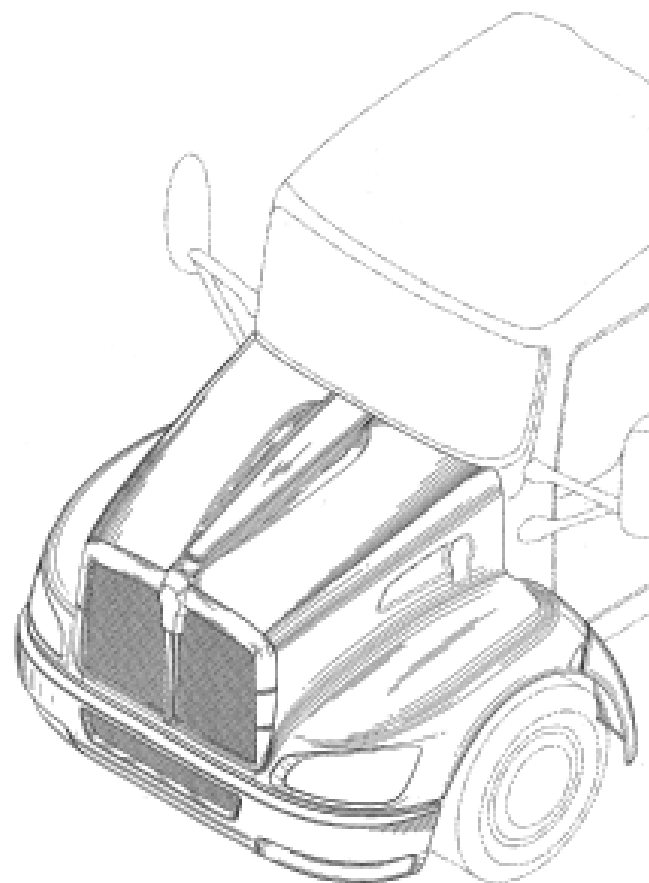


- (21) Design Number: **15493/2006**
- (22) Date of Filing Application: **01 December 2006**
- (24) Date from which industrial property rights may have effect: **01 December 2006**
- (54) Product in respect of which the design is registered: **Safety helmets**
- (51) International Design Classification: **02-03**
- (71) Name(s) and Address(s) of Applicant(s):  
**Paul O'Brien**  
**6 Evelyn Street Coogee Sydney New South Wales 2034 Australia**
- (72) Name(s) of Designer(s): **Paul O'Brien**
- (45) Registration Date: **07 February 2007**
- (56) Related Art Documents: **Not Applicable**
- (57) Statement of Newness and Distinctiveness: **The distinctive features is approximately 45 degrees from the dome to the brim.**



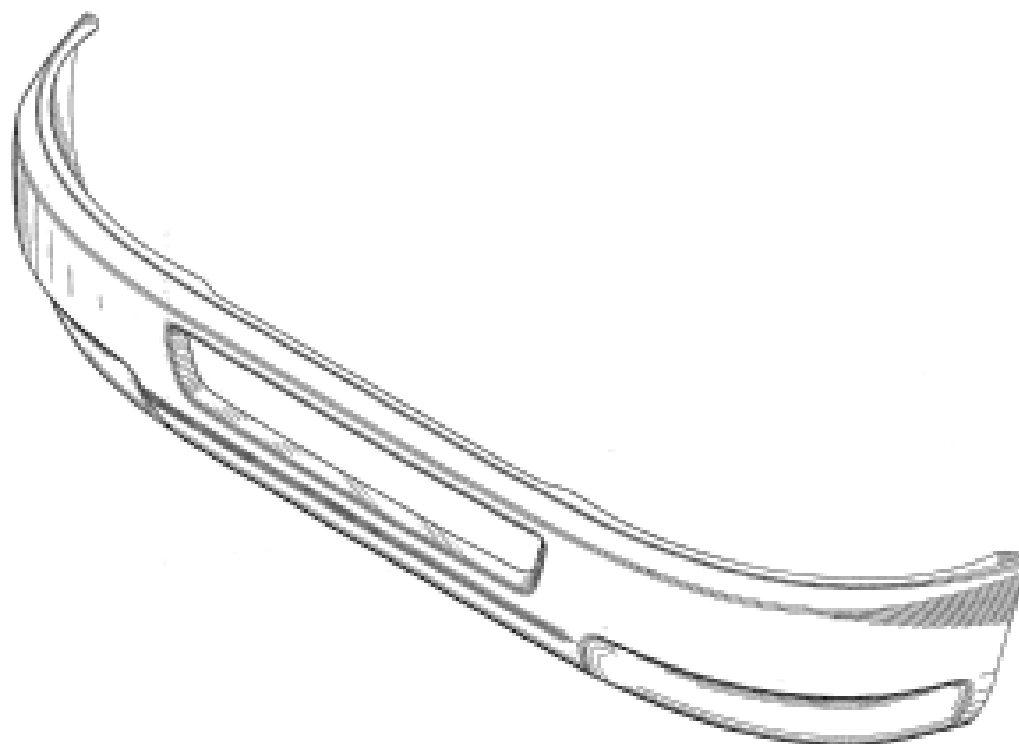
- (21) Design Number: **15496/2006**
- (22) Date of Filing Application: **30 November 2006**
- (24) Date from which industrial property rights may have effect: **30 November 2006**
- (54) Product in respect of which the design is registered: **Truck body**
- (51) International Design Classification: **12-16B**
- (71) Name(s) and Address(s) of Applicant(s):  
**PACCAR Inc**  
**777-106th Avenue Northeast Bellevue Washington 98004 United States of America**
- (72) Name(s) of Designer(s): **Gerald Jay Angelo and Daniel Farmer and Erik D. Hjorten and Wayne K. Simons and F. Erik Tuft and Daniel R. Kieffer and Steven H. Hovind and Wallace A. Peltola and Richard D. Wailes Jr**
- (45) Registration Date: **07 February 2007**
- (30) Convention priority data:
 

(31) Number	(32) Date	(33) Country
<b>29/265,489</b>	<b>31 Aug 2006</b>	<b>UNITED STATES OF AMERICA</b>
- (56) Related Art Documents: **Not Applicable**
- (57) Statement of Newness and Distinctiveness: **Newness and distinctiveness are claimed in the features of shape and/or configuration of a truck body, as illustrated in the accompanying representations. No monopoly is claimed in the dotted line structure.**

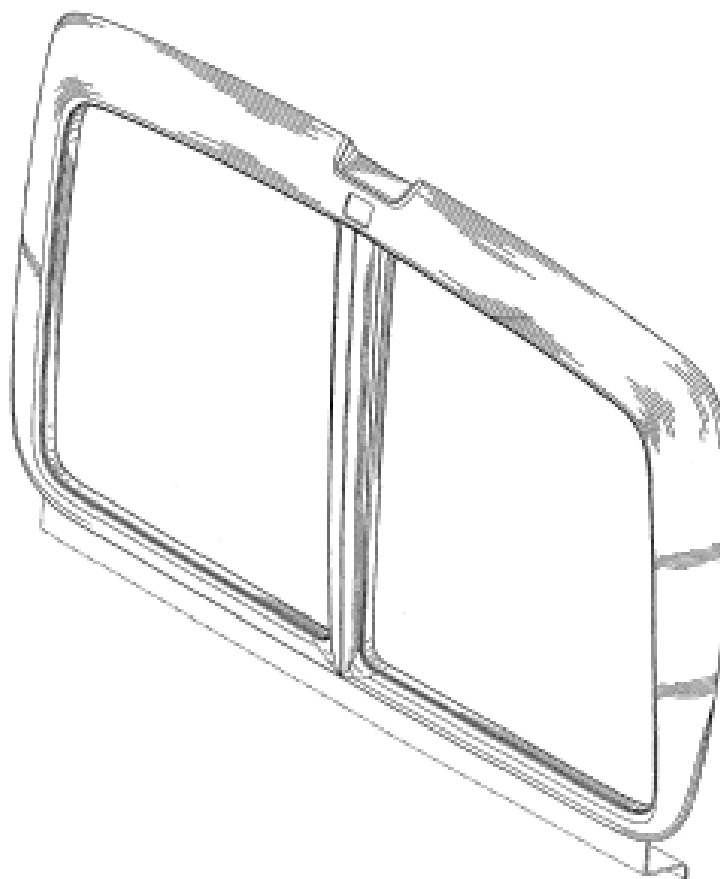




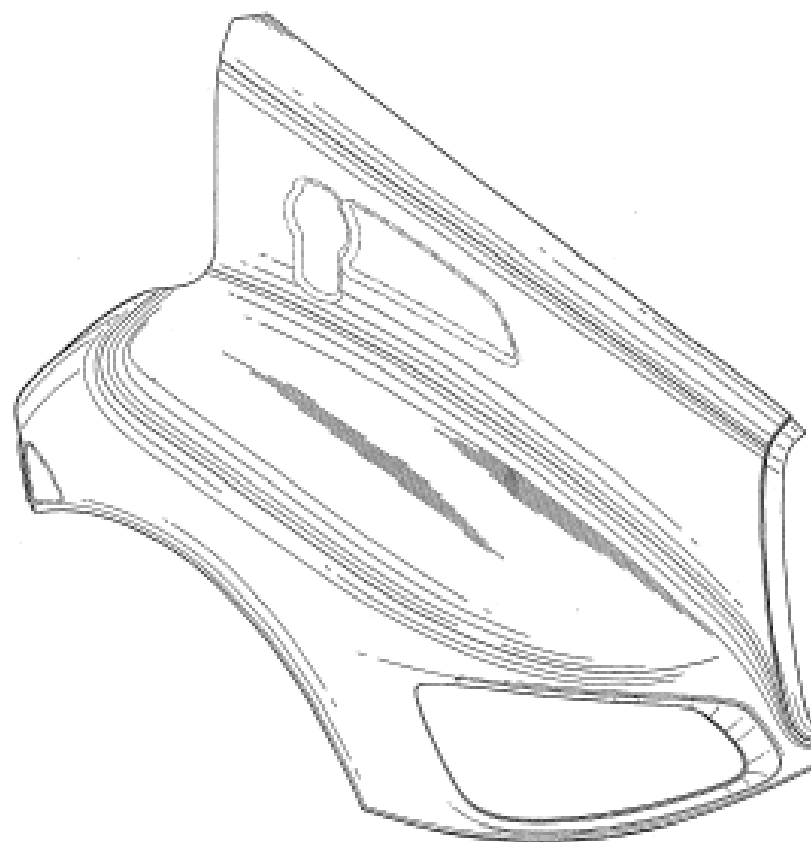
- (21) Design Number: **15499/2006**  
(22) Date of Filing Application: **30 November 2006**  
(24) Date from which industrial property rights may have effect: **30 November 2006**  
(54) Product in respect of which the design is registered: **Truck bumper**  
(51) International Design Classification: **12-16B**  
(71) Name(s) and Address(s) of Applicant(s):  
**PACCAR Inc**  
**777-106th Avenue Northeast Bellevue Washington 98004 United States of America**  
(72) Name(s) of Designer(s): **Gerald Jay Angelo and Daniel Farmer and Wayne K. Simons and F. Erik Tuft and Daniel R. Kieffer and Wallace A. Peltola**  
(45) Registration Date: **07 February 2007**  
(30) Convention priority data:  
(31) Number (32) Date (33) Country  
**29/265,490 31 Aug 2006 UNITED STATES OF AMERICA**  
(56) Related Art Documents: **Not Applicable**  
(57) Statement of Newness and Distinctiveness: **Newness and distinctiveness are claimed in the features of shape and/or configuration of a truck bumper, as illustrated in the accompanying representatives.**



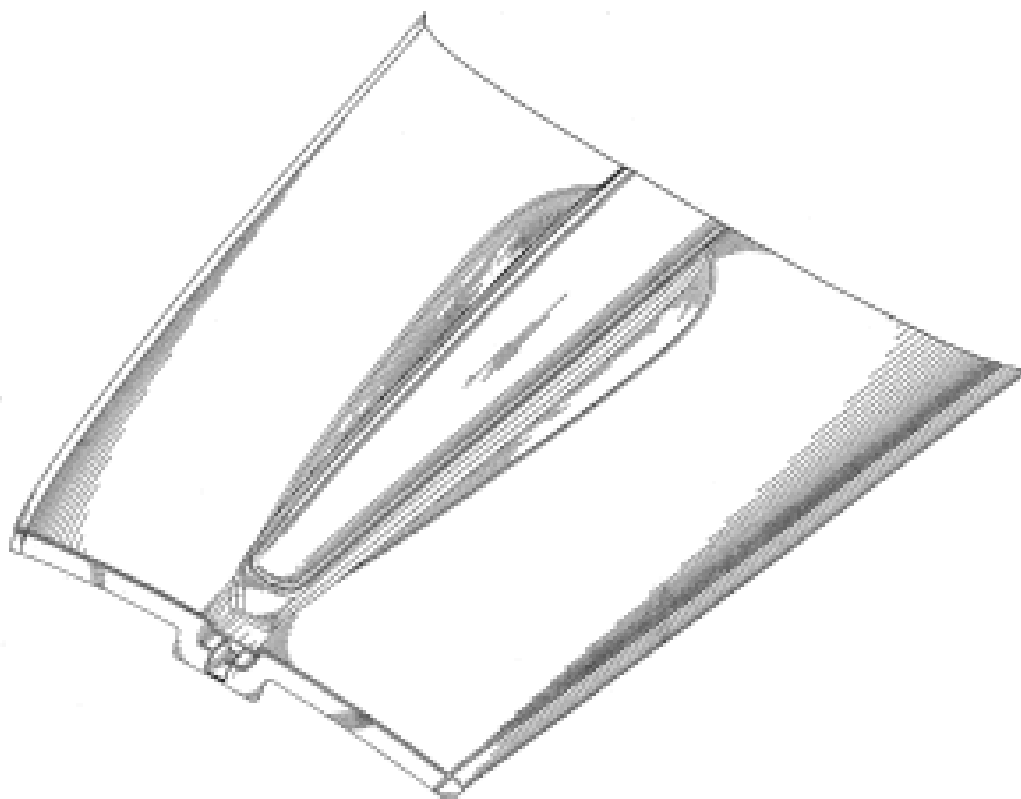
- (21) Design Number: **15500/2006**  
(22) Date of Filing Application: **30 November 2006**  
(24) Date from which industrial property rights may have effect: **30 November 2006**  
(54) Product in respect of which the design is registered: **Grille surround for truck**  
(51) International Design Classification: **12-16B**  
(71) Name(s) and Address(s) of Applicant(s):  
**PACCAR Inc**  
**777-106th Avenue Northeast Bellevue Washington 98004 United States of America**  
(72) Name(s) of Designer(s): **Gerald Jay Angelo and Daniel Farmer and Wayne K. Simons and Daniel R. Kieffer**  
(45) Registration Date: **07 February 2007**  
(30) Convention priority data:  
(31) Number (32) Date (33) Country  
**29/265,498 31 Aug 2006 UNITED STATES OF AMERICA**  
(56) Related Art Documents: **Not Applicable**  
(57) Statement of Newness and Distinctiveness: **Newness and distinctiveness are claimed in the features of shape and/or configuration of a grille surround for truck, as illustrated in the accompanying representatives. No monopoly is claimed in the dotted line structure.**



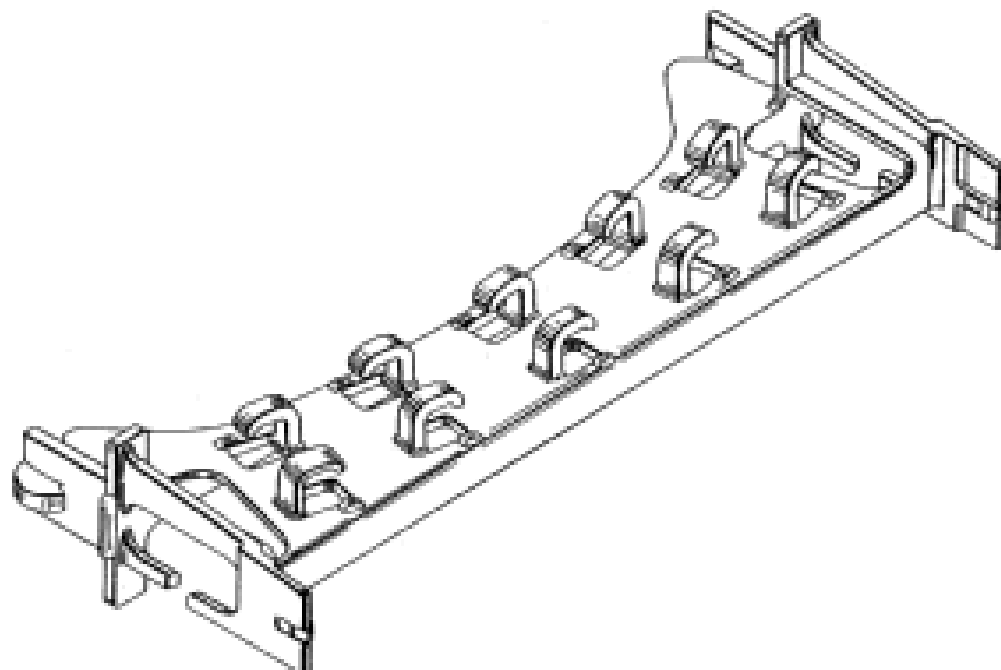
- (21) Design Number: **15501/2006**  
(22) Date of Filing Application: **30 November 2006**  
(24) Date from which industrial property rights may have effect: **30 November 2006**  
(54) Product in respect of which the design is registered: **Fender panel for truck hood**  
(51) International Design Classification: **12-16B**  
(71) Name(s) and Address(s) of Applicant(s):  
**PACCAR Inc**  
**777-106th Avenue Northeast Bellevue Washington 98004 United States of America**  
(72) Name(s) of Designer(s): **Gerald Jay Angelo and Daniel Farmer and Erik D. Hjorten and Wayne K. Simons and Steven H. Hovind and Daniel R. Kieffer and Richard D. Wailes Jr**  
(45) Registration Date: **07 February 2007**  
(30) Convention priority data:  
(31) Number (32) Date (33) Country  
**29/265,483 31 Aug 2006 UNITED STATES OF AMERICA**  
(56) Related Art Documents: **Not Applicable**  
(57) Statement of Newness and Distinctiveness: **Newness and distinctiveness are claimed in the features of shape and/or configuration of a fender panel for truck hood, as illustrated in the accompanying representatives. No monopoly is claimed in the dotted line structure.**



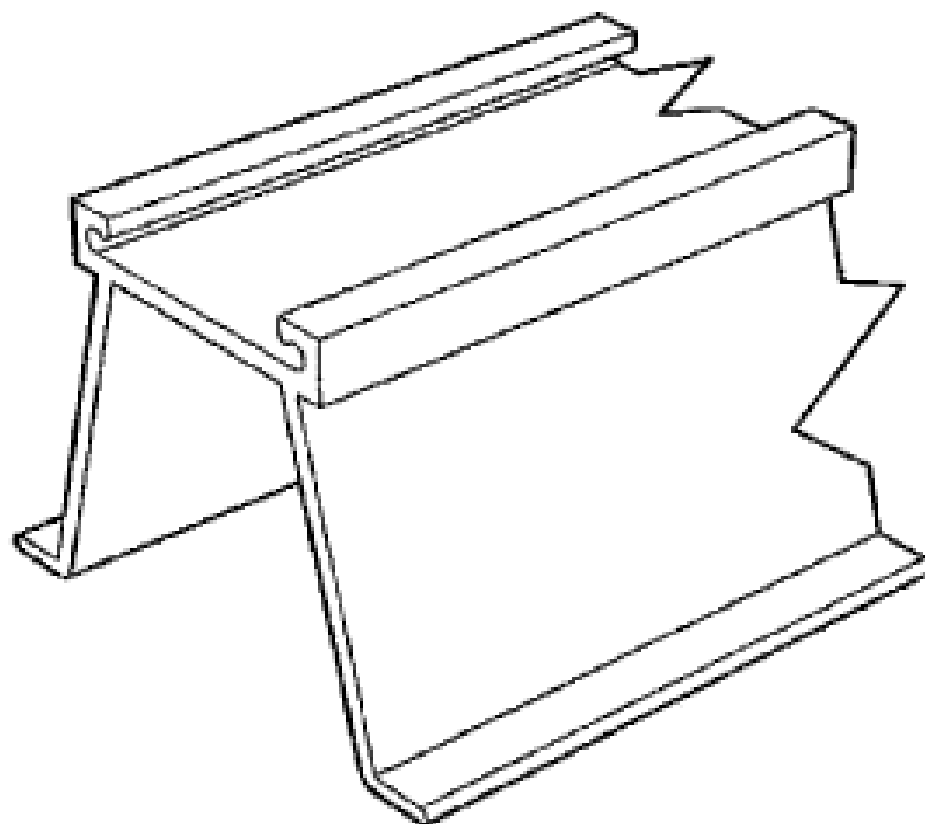
- (21) Design Number: **15502/2006**  
(22) Date of Filing Application: **30 November 2006**  
(24) Date from which industrial property rights may have effect: **30 November 2006**  
(54) Product in respect of which the design is registered: **Top panel for truck hood**  
(51) International Design Classification: **12-16B**  
(71) Name(s) and Address(s) of Applicant(s):  
**PACCAR Inc**  
**777-106th Avenue Northeast Bellevue Washington 98004 United States of America**  
(72) Name(s) of Designer(s): **Gerald Jay Angelo and Daniel Farmer and Wayne K. Simons and Daniel R. Kieffer**  
(45) Registration Date: **07 February 2007**  
(30) Convention priority data:  
(31) Number (32) Date (33) Country  
**29/265,491 31 Aug 2006 UNITED STATES OF AMERICA**  
(56) Related Art Documents: **Not Applicable**  
(57) Statement of Newness and Distinctiveness: **Newness and distinctiveness are claimed in the features of shape and/or configuration of a top panel for truck hood, as illustrated in the accompanying representatives.**



- (21) Design Number: **15503/2006**  
(22) Date of Filing Application: **30 November 2006**  
(24) Date from which industrial property rights may have effect: **30 November 2006**  
(54) Product in respect of which the design is registered: **Detachable cable manager**  
(51) International Design Classification: **13-03C, 25-01NES**  
(71) Name(s) and Address(s) of Applicant(s):  
**ADC Communications (Australia) Pty Limited**  
**2 Hereford Street Berkeley Vale New South Wales 2261 Australia**  
(72) Name(s) of Designer(s): **Wayne Dennes**  
(45) Registration Date: **07 February 2007**  
(56) Related Art Documents: **Not Applicable**  
(57) Statement of Newness and Distinctiveness: **The features of shape and configuration of the detachable cable manager shown in the accompanying representations are considered to be new and distinctive.**



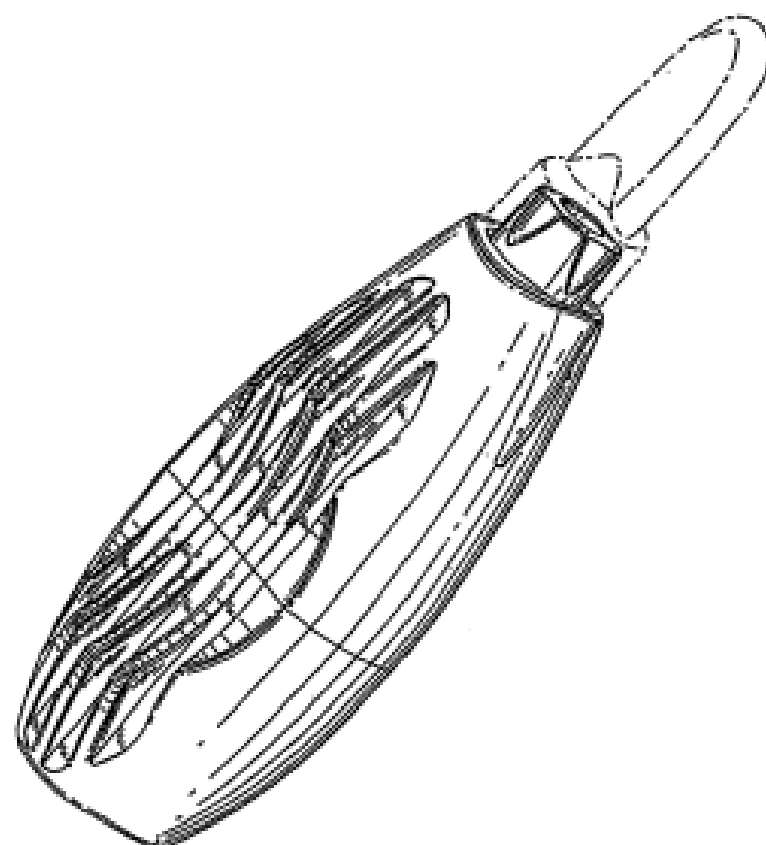
- (21) Design Number: **15508/2006**  
(22) Date of Filing Application: **30 November 2006**  
(24) Date from which industrial property rights may have effect: **30 November 2006**  
(54) Product in respect of which the design is registered: **Roof walkway mount extrusion**  
(51) International Design Classification: **25-01K**  
(71) Name(s) and Address(s) of Applicant(s):  
**Cladding & Roofing Contractors Pty Ltd**  
**163 William Street Beverley South Australia 5009 Australia**  
(72) Name(s) of Designer(s): **James Rorison**  
(45) Registration Date: **07 February 2007**  
(56) Related Art Documents: **Not Applicable**  
(57) Statement of Newness and Distinctiveness: **Newness and distinctiveness is claimed in the shape and/or configuration of the walkway support as illustrated in the accompanying representations.**



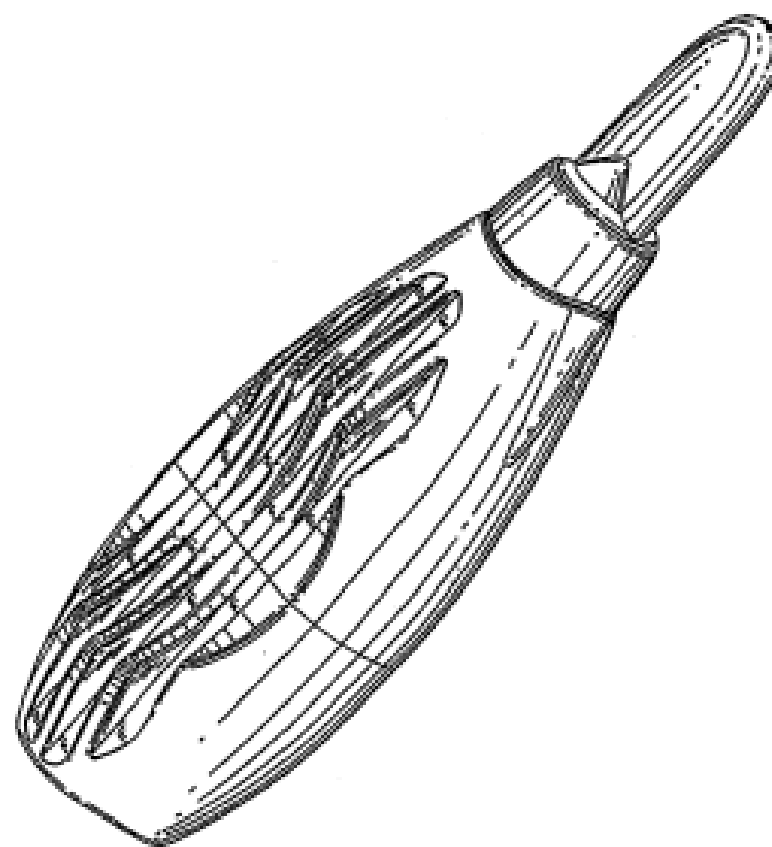
- (21) Design Number: **15509/2006**  
(22) Date of Filing Application: **30 November 2006**  
(24) Date from which industrial property rights may have effect: **30 November 2006**  
(54) Product in respect of which the design is registered: **Candle with crocodilian pattern**  
(51) International Design Classification: **26-01**  
(71) Name(s) and Address(s) of Applicant(s):  
**Li-qun Wang**  
**No.8 Tuanjie Street Xigang District Dalian Liaoning Province 116011**  
**China**  
(72) Name(s) of Designer(s): **Li-qun Wang**  
(45) Registration Date: **07 February 2007**  
(56) Related Art Documents: **Not Applicable**  
(57) Statement of Newness and Distinctiveness: **The new and distinctive features of the design are the visual aspects of the crocodilian pattern and ornamentation on the sides of a candle, as shown in the accompanying representations.**



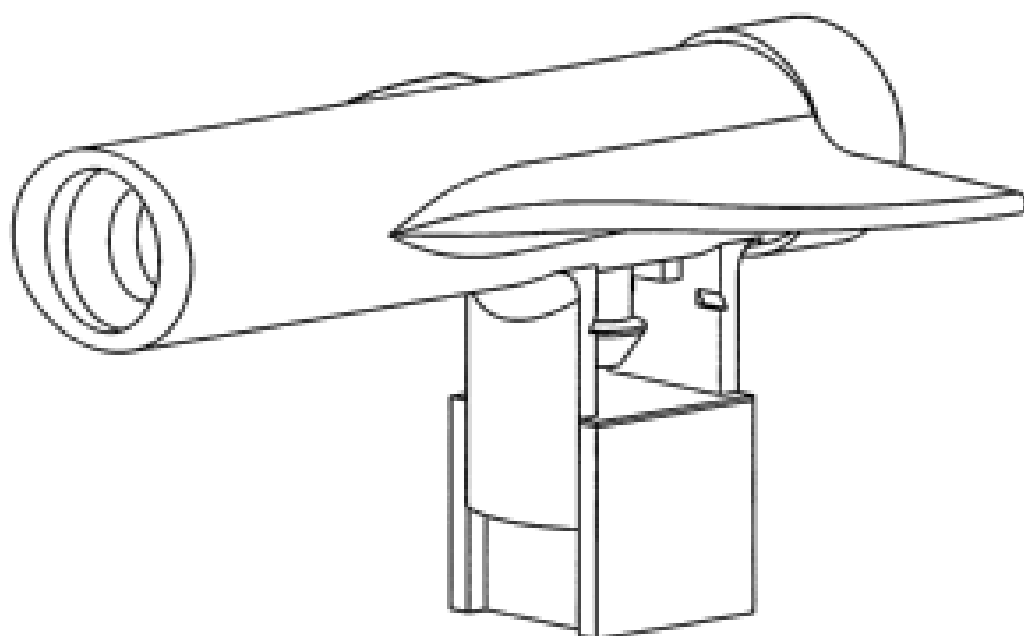
- (21) Design Number: **15518/2006**  
(22) Date of Filing Application: **30 November 2006**  
(24) Date from which industrial property rights may have effect: **30 November 2006**  
(54) Product in respect of which the design is registered: **Lancet device**  
(51) International Design Classification: **24-02**  
(71) Name(s) and Address(s) of Applicant(s):  
**Becton, Dickinson and Company**  
**One Becton Drive Franklin Lakes New Jersey 07417 United States of**  
**America**  
(72) Name(s) of Designer(s): **Bradley Wilkinson**  
(45) Registration Date: **07 February 2007**  
(30) Convention priority data:  
(31) Number      (32) Date      (33) Country  
**29/261124      07 Jun 2006      UNITED STATES OF AMERICA**  
(56) Related Art Documents: **Not Applicable**  
(57) Statement of Newness and Distinctiveness: **Newness and distinctiveness reside in the features of the design as shown in the representations.**



- (21) Design Number: **15519/2006**  
(22) Date of Filing Application: **30 November 2006**  
(24) Date from which industrial property rights may have effect: **30 November 2006**  
(54) Product in respect of which the design is registered: **Lancet device**  
(51) International Design Classification: **24-02**  
(71) Name(s) and Address(s) of Applicant(s):  
**Becton, Dickinson and Company**  
**One Becton Drive Franklin Lakes New Jersey 07417 United States of America**  
(72) Name(s) of Designer(s): **Bradley Wilkinson**  
(45) Registration Date: **07 February 2007**  
(30) Convention priority data:  
(31) Number (32) Date (33) Country  
**29/261123 07 Jun 2006 UNITED STATES OF AMERICA**  
(56) Related Art Documents: **Not Applicable**  
(57) Statement of Newness and Distinctiveness: **Newness and distinctiveness reside in the features of the design as shown in the representations.**



- (21) Design Number: **15535/2006**  
(22) Date of Filing Application: **01 December 2006**  
(24) Date from which industrial property rights may have effect: **01 December 2006**  
(54) Product in respect of which the design is registered: **Inhaler**  
(51) International Design Classification: **24-01**  
(71) Name(s) and Address(s) of Applicant(s):  
**Cipla Limited**  
**289 Bellasis Road Mumbai Central Mumbai Maharashtra 400 008 India**  
(72) Name(s) of Designer(s): **Amar Lulla and Geena Malhotra**  
(45) Registration Date: **07 February 2007**  
(30) Convention priority data:  
(31) Number (32) Date (33) Country  
**204681 01 Jun 2006 INDIA**  
(56) Related Art Documents: **Not Applicable**  
(57) Statement of Newness and Distinctiveness: **Newness and distinctiveness is claimed in the features of shape and/or configuration of an inhaler as illustrated in the accompanying representations.**



(21) Design Number: **15536/2006**  
 (22) Date of Filing Application: **01 December 2006**  
 (24) Date from which industrial property rights may have effect: **01 December 2006**  
 (54) Product in respect of which the design is registered: **Inhaler tube**  
 (51) International Design Classification: **24-01**  
 (71) Name(s) and Address(s) of Applicant(s):

**Cipla Limited**  
**289 Bellasis Road Mumbai Central Mumbai Maharashtra 400 008 India**

(72) Name(s) of Designer(s): **Amar Lulla and Geena Malhotra**

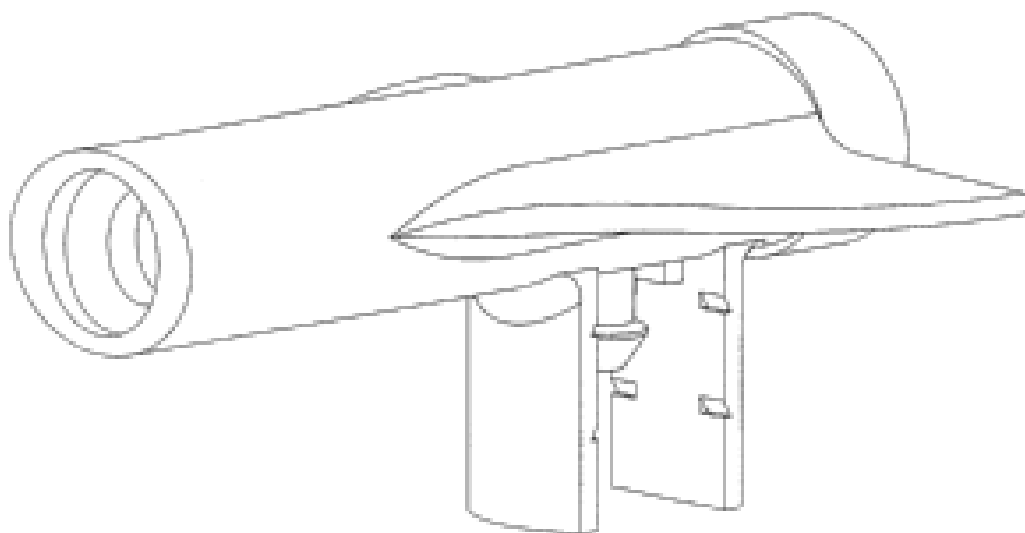
(45) Registration Date: **07 February 2007**

(30) Convention priority data:

(31) Number	(32) Date	(33) Country
<b>204682</b>	<b>01 Jun 2006</b>	<b>INDIA</b>

(56) Related Art Documents: **Not Applicable**

(57) Statement of Newness and Distinctiveness: **Newness and distinctiveness is claimed in the features of shape and/or configuration of an inhaler tube as illustrated in the accompanying representations.**



(21) Design Number: **15537/2006**  
 (22) Date of Filing Application: **01 December 2006**  
 (24) Date from which industrial property rights may have effect: **01 December 2006**  
 (54) Product in respect of which the design is registered: **Patio unit**  
 (51) International Design Classification: **25-02A**  
 (71) Name(s) and Address(s) of Applicant(s):

**Cool Heat, Inc.**  
**1000 Lincoln Avenue San Jose California 95125 United States of America**

(72) Name(s) of Designer(s): **Edward M. Seichei and Theodore H. Stark**

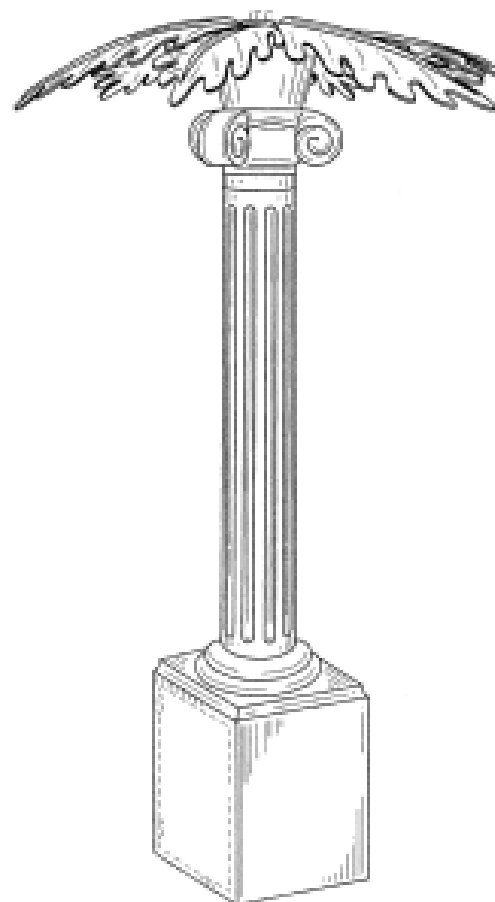
(45) Registration Date: **07 February 2007**

(30) Convention priority data:

(31) Number	(32) Date	(33) Country
<b>29/262538</b>	<b>05 Jul 2006</b>	<b>UNITED STATES OF AMERICA</b>

(56) Related Art Documents: **Not Applicable**

(57) Statement of Newness and Distinctiveness: **Newness and distinctiveness in the design as applied to a patio unit resides in the shape and/or configuration thereof as illustrated in the accompanying drawings. When considering newness and distinctiveness of the designs those features shown in the drawings as dashed lines are to be disregarded.**



(21) Design Number: **15543/2006**

(22) Date of Filing Application: **04 December 2006**

(24) Date from which industrial property rights may have effect: **04 December 2006**

(54) Product in respect of which the design is registered: **Golf tee**

(51) International Design Classification: **21-02C**

(71) Name(s) and Address(s) of Applicant(s):

**Jamie McDonald Muirhead**

**27 Zenith Circuit Woodroffe Northern Territory 0830 Australia**

(72) Name(s) of Designer(s): **Jamie McDonald Muirhead**

(45) Registration Date: **07 February 2007**

(56) Related Art Documents: **Not Applicable**

(57) Statement of Newness and Distinctiveness: **The spring head of the tee**



(21) Design Number: **15544/2006**

(22) Date of Filing Application: **04 December 2006**

(24) Date from which industrial property rights may have effect: **04 December 2006**

(54) Product in respect of which the design is registered: **Pet food and pet products**

(51) International Design Classification: **30-03**

(71) Name(s) and Address(s) of Applicant(s):

**Kieron Dowd**

**Suite 15 Jones Bay Wharf 19-21 Pirrama Road Pyrmont New South Wales 2009 Australia**

**Rod Hunwick**

**Suite 15 Jones Bay Wharf 19-21 Pirrama Road Pyrmont New South Wales 2009 Australia**

(72) Name(s) of Designer(s): **Kieron Dowd**

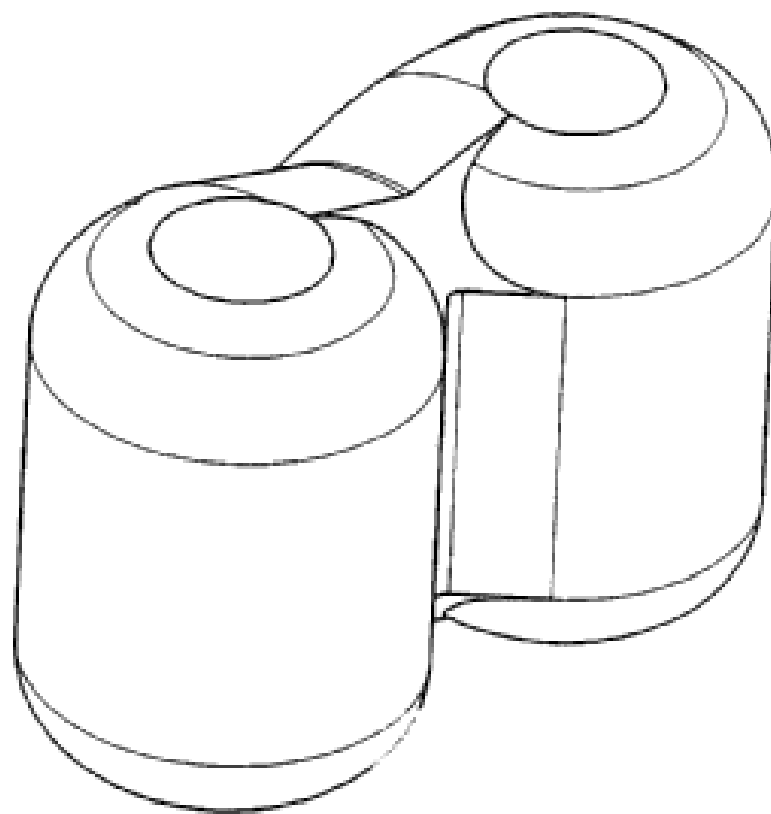
(45) Registration Date: **07 February 2007**

(56) Related Art Documents: **Not Applicable**

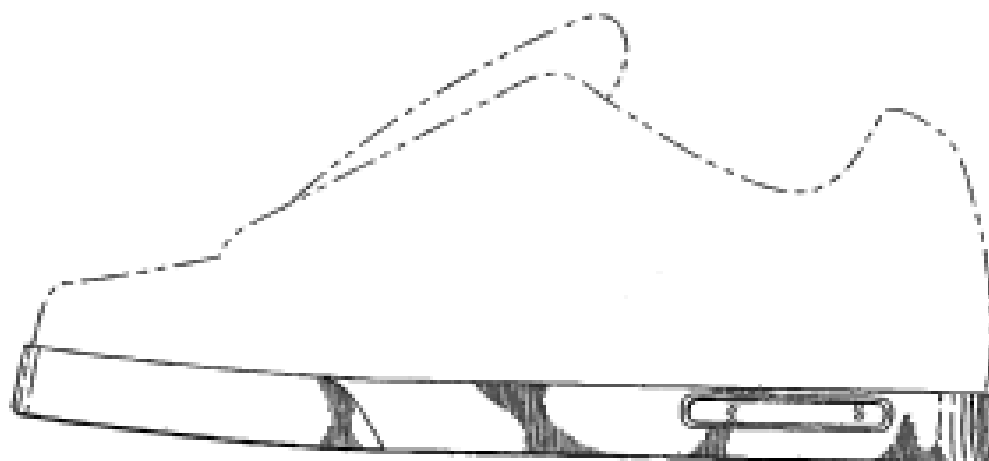
(57) Statement of Newness and Distinctiveness: **Nil**



- (21) Design Number: **15550/2006**  
(22) Date of Filing Application: **04 December 2006**  
(24) Date from which industrial property rights may have effect: **04 December 2006**  
(54) Product in respect of which the design is registered: **Joiner for fence rails**  
(51) International Design Classification: **25-01E**  
(71) Name(s) and Address(s) of Applicant(s):  
    **Philip Malcolm Firth**  
    **148 North Street Tamworth New South Wales 2340 Australia**  
    **Elizabeth May Firth**  
    **20 Cook Street Tamworth New South Wales 2340 Australia**  
(72) Name(s) of Designer(s): **Philip Malcolm Firth**  
(45) Registration Date: **07 February 2007**  
(56) Related Art Documents: **Not Applicable**  
(57) Statement of Newness and Distinctiveness: **Nil**



- (21) Design Number: **15552/2006**  
(22) Date of Filing Application: **04 December 2006**  
(24) Date from which industrial property rights may have effect: **04 December 2006**  
(54) Product in respect of which the design is registered: **Shoe with foxing tape and airbag window**  
(51) International Design Classification: **02-04NES**  
(71) Name(s) and Address(s) of Applicant(s):  
    **DC Shoes, Inc.**  
    **1333 Keystone Way Vista California 92083 United States of America**  
(72) Name(s) of Designer(s): **Dan McCarthy and Joseph Abadjian and Jungho Seo**  
(45) Registration Date: **07 February 2007**  
(30) Convention priority data:  
    (31) Number      (32) Date      (33) Country  
    **29/261062      06 Jun 2006      UNITED STATES OF AMERICA**  
(56) Related Art Documents: **Not Applicable**  
(57) Statement of Newness and Distinctiveness: **Newness and distinctiveness reside in the features of the design shown in solid lines in the representations excluding those features shown in broken lines.**





(21) Design Number: **15555/2006**

(22) Date of Filing Application: **04 December 2006**

(24) Date from which industrial property rights may have effect: **04 December 2006**

(54) Product in respect of which the design is registered: **A housing for a filter**

(51) International Design Classification: **14-02**

(71) Name(s) and Address(s) of Applicant(s):

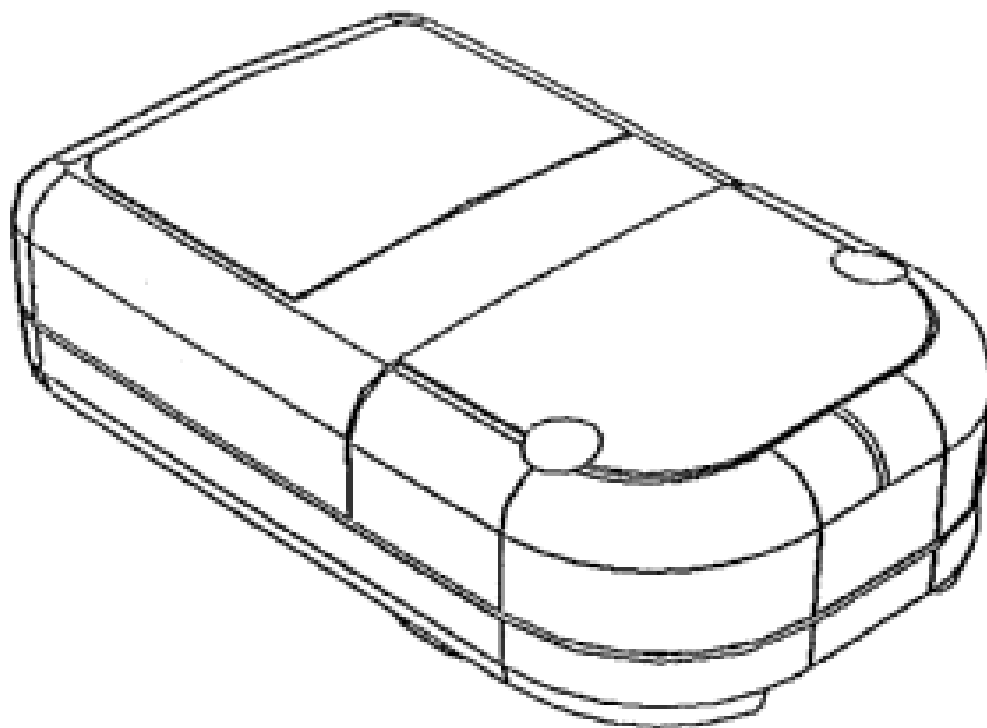
**Advanced Circuits and Systems Pty Ltd  
8 Brindisi Place Avalon New South Wales 2107 Australia**

(72) Name(s) of Designer(s): **Peter Birrell**

(45) Registration Date: **07 February 2007**

(56) Related Art Documents: **Not Applicable**

(57) Statement of Newness and Distinctiveness: **We wish to submit a statement of newness and distinctiveness in respect of particular visual features of the design shown in the representations, but without prejudice to the newness or distinctiveness of other visual features of the design as follows: The shape and configuration of the recessed bottom portion shown in the perspective view (a), bottom view, end view (a), end view (b) and perspective view (b) is new and distinctive.**



(21) Design Number: **10312/2005**

(22) Date of Filing Application: **27 January 2005**

(24) Date from which industrial property rights may have effect: **03 October 2003**

(54) Product in respect of which the design is registered: **Lavatory**

(51) International Design Classification: **23-02C**

(71) Name(s) and Address(s) of Applicant(s):

**Kohler Co.  
444 Highland Drive Kohler WI 53044 United States of America**

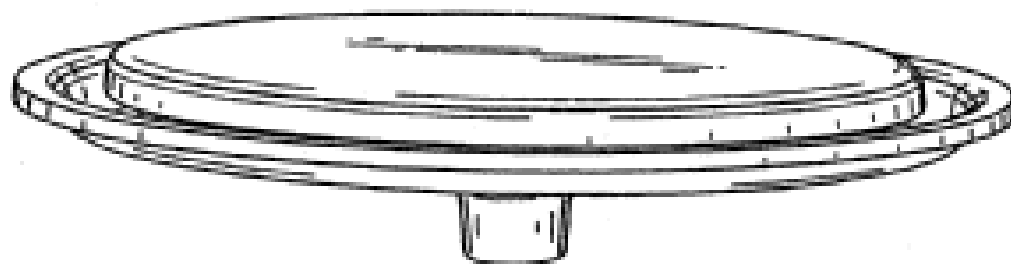
(72) Name(s) of Designer(s): **James M. Piatt**

(45) Registration Date: **08 February 2007**

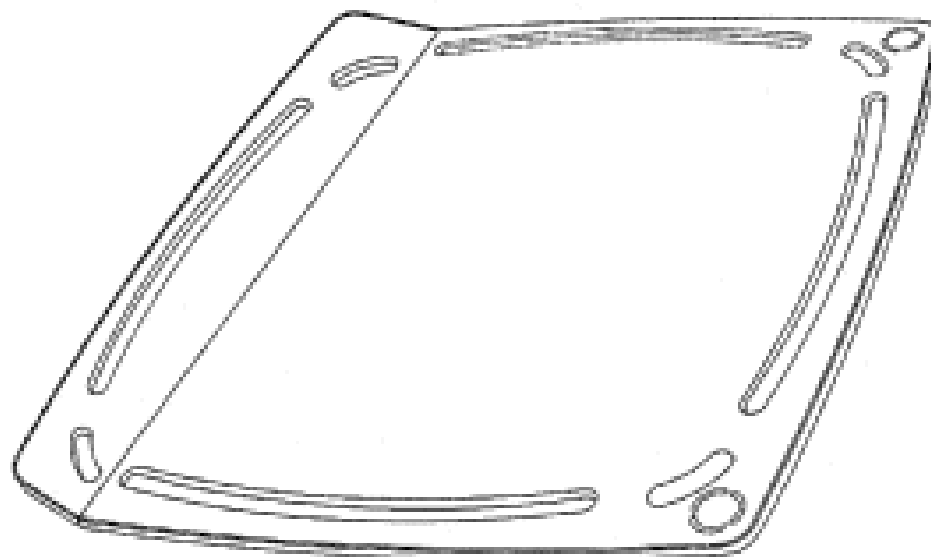
(62) Divisional of: **157599**

(56) Related Art Documents: **Not Applicable**

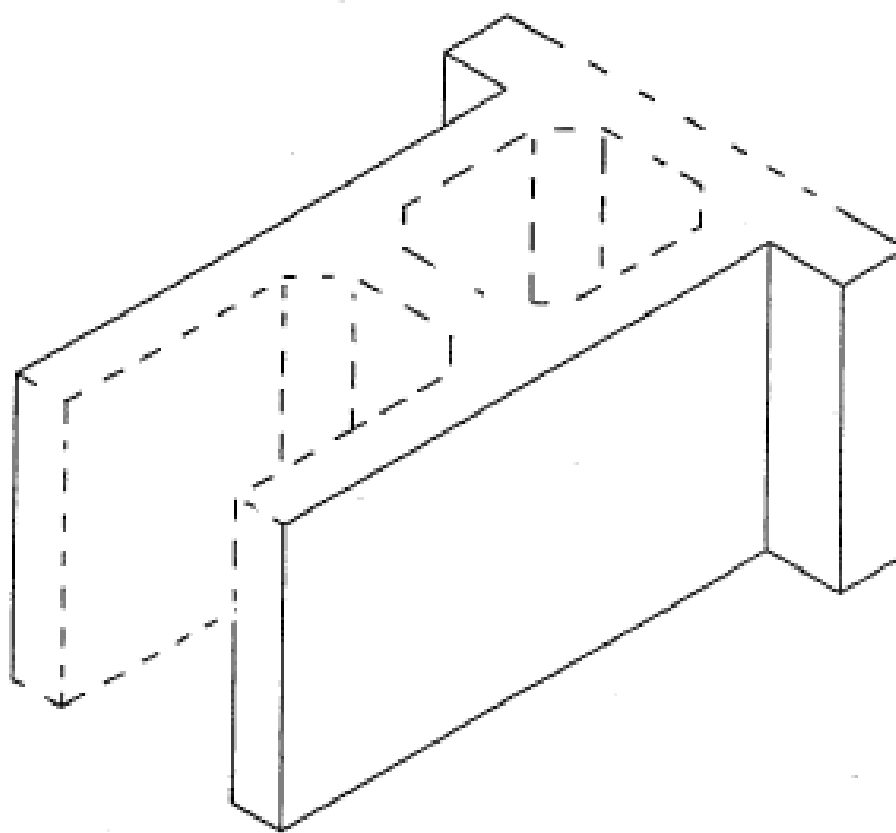
(57) Statement of Newness and Distinctiveness: **Nil**



- (21) Design Number: **13372/2005**  
(22) Date of Filing Application: **10 August 2005**  
(24) Date from which industrial property rights may have effect: **10 August 2005**  
(54) Product in respect of which the design is registered: **A lid for a container**  
(51) International Design Classification: **09-07B**  
(71) Name(s) and Address(s) of Applicant(s):  
**Huhtamaki Australia Pty Limited**  
**225 Wellington Road Mulgrave Victoria 3170 Australia**  
(72) Name(s) of Designer(s): **Ian Janetzki and Paul Dauffurn**  
(45) Registration Date: **08 February 2007**  
(56) Related Art Documents: **Not Applicable**  
(57) Statement of Newness and Distinctiveness: **In considering the newness and distinctiveness of the design, regard is to be given to the overall shape and/or configuration of a lid as shown in the representations.**



- (21) Design Number: **10359/2006**  
(22) Date of Filing Application: **02 February 2006**  
(24) Date from which industrial property rights may have effect: **02 February 2006**  
(54) Product in respect of which the design is registered: **A construction block**  
(51) International Design Classification: **25-01A**  
(71) Name(s) and Address(s) of Applicant(s):  
**Fletcher Building Holdings Limited**  
**810 Great South Road Penrose Auckland 1006 New Zealand**  
(72) Name(s) of Designer(s): **James Mark Malone**  
(45) Registration Date: **08 February 2007**  
(30) Convention priority data:  
(31) Number      (32) Date      (33) Country  
**406461      02 Aug 2005      NEW ZEALAND**  
(56) Related Art Documents: **Not Applicable**  
(57) Statement of Newness and Distinctiveness: **The shape and configuration of the parts of the product not shown in broken lines in the representations are new and distinctive.**



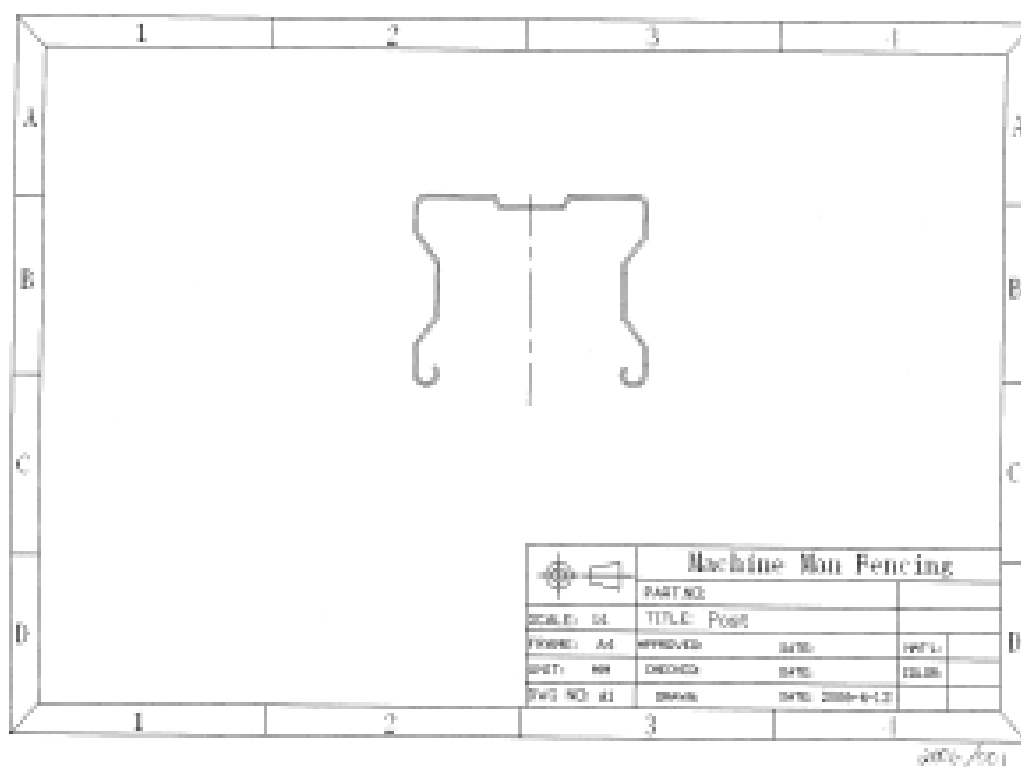
(19) AU

- (21) Design Number: **11791/2006**
- (22) Date of Filing Application: **28 April 2006**
- (24) Date from which industrial property rights may have effect: **28 April 2006**
- (54) Product in respect of which the design is registered: **Candelabra**
- (51) International Design Classification: **26-01**
- (71) Name(s) and Address(s) of Applicant(s):  
**Helen Kontouris**  
**7/103 Liardet Street Port Melbourne Victoria 3207 Australia**
- (72) Name(s) of Designer(s): **Helen Kontouris**
- (45) Registration Date: **08 February 2007**
- (56) Related Art Documents: **Not Applicable**
- (57) Statement of Newness and Distinctiveness: **Nil.**



(19) AU

- (21) Design Number: **12010/2006**
- (22) Date of Filing Application: **09 May 2006**
- (24) Date from which industrial property rights may have effect: **09 May 2006**
- (54) Product in respect of which the design is registered: **Fence post**
- (51) International Design Classification: **25-01E**
- (71) Name(s) and Address(s) of Applicant(s):  
**Phuoc Hung Tang**  
**10/4 Marion Road Maddington Western Australia 6109 Australia**
- (72) Name(s) of Designer(s): **Phuoc Hung Tang**
- (45) Registration Date: **08 February 2007**
- (56) Related Art Documents: **Not Applicable**
- (57) Statement of Newness and Distinctiveness: **Nil**

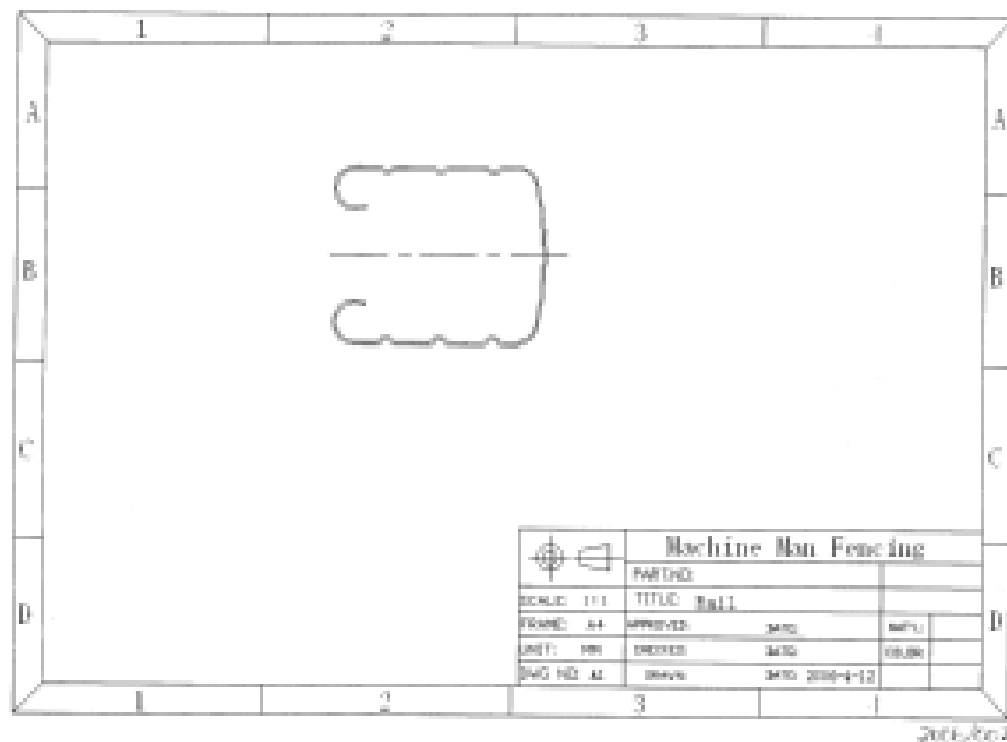


(19) AU

- (21) Design Number: **12011/2006**
- (22) Date of Filing Application: **09 May 2006**
- (24) Date from which industrial property rights may have effect: **09 May 2006**
- (54) Product in respect of which the design is registered: **Fence rail**
- (51) International Design Classification: **25-02C**
- (71) Name(s) and Address(s) of Applicant(s):

**Phuoc Hung Tang**  
**10/4 Marion Road Maddington Western Australia 6109 Australia**

- (72) Name(s) of Designer(s): **Phuoc Hung Tang**
- (45) Registration Date: **08 February 2007**
- (56) Related Art Documents: **Not Applicable**
- (57) Statement of Newness and Distinctiveness: **Nil**

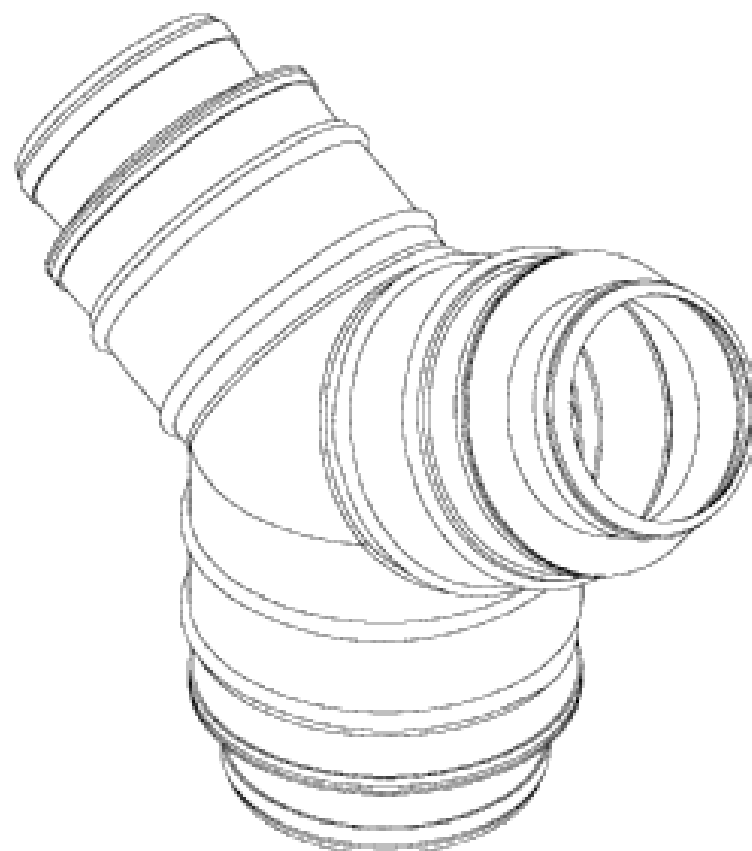


(19) AU

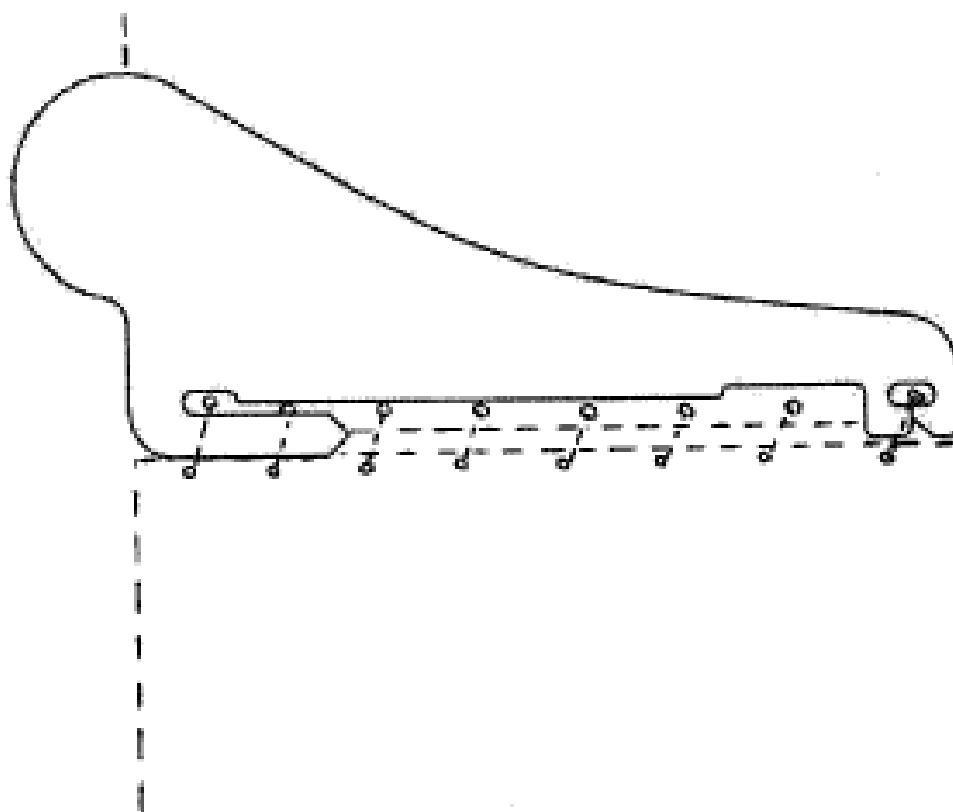
- (21) Design Number: **12380/2006**
- (22) Date of Filing Application: **30 May 2006**
- (24) Date from which industrial property rights may have effect: **30 May 2006**
- (54) Product in respect of which the design is registered: **Air distribution fitting**
- (51) International Design Classification: **23-01A**
- (71) Name(s) and Address(s) of Applicant(s):

**Polyaire Pty Ltd**  
**11-13 White Road Gepps Cross South Australia 5094 Australia**

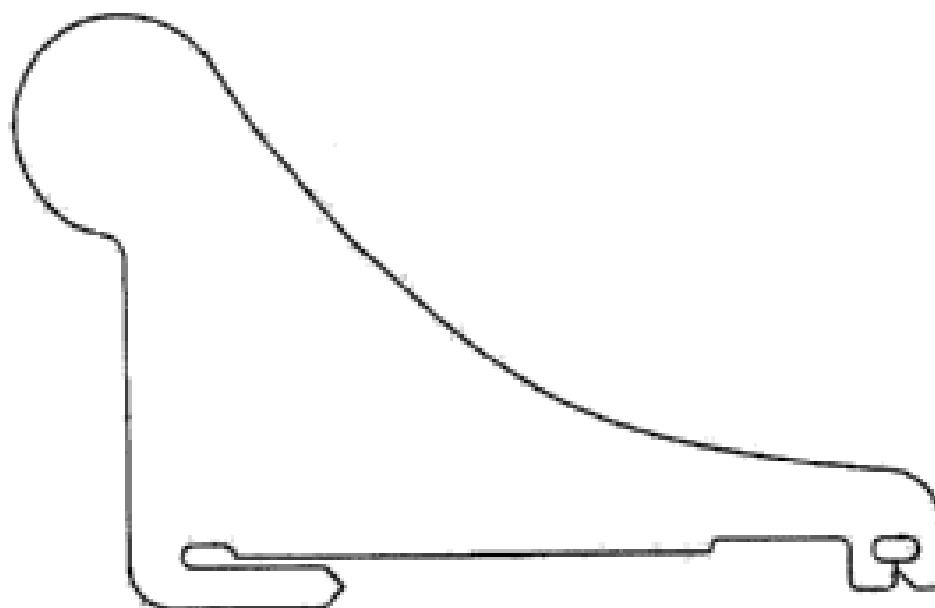
- (72) Name(s) of Designer(s): **Adam Cottam**
- (45) Registration Date: **08 February 2007**
- (56) Related Art Documents: **Not Applicable**
- (57) Statement of Newness and Distinctiveness: **Those features of the air distribution fitting depicted in the representations that are new and distinctive are the shape and/or configuration.**



- (21) Design Number: **12803/2006**
- (22) Date of Filing Application: **30 June 2006**
- (24) Date from which industrial property rights may have effect: **30 June 2006**
- (54) Product in respect of which the design is registered: **Tag**
- (51) International Design Classification: **19-08, 19-06**
- (71) Name(s) and Address(s) of Applicant(s):  
**Acco Australia Pty Ltd**  
**The Lakes Business Park Level 2 8 Lord Street Botany New South**  
**Wales 2019 Australia**
- (72) Name(s) of Designer(s): **Adam Laws**
- (45) Registration Date: **08 February 2007**
- (56) Related Art Documents: **Not Applicable**
- (57) Statement of Newness and Distinctiveness: **When deciding whether any of the designs are substantially similar in overall impression to another design, no regard should be had to the features of the booklet and spine shown in dotted outline in FIG 1, the cut-outs A shown in FIG 8 or the ruler markings B shown in FIG 8.**



- (21) Design Number: **12804/2006**
- (22) Date of Filing Application: **30 June 2006**
- (24) Date from which industrial property rights may have effect: **30 June 2006**
- (54) Product in respect of which the design is registered: **Tag**
- (51) International Design Classification: **19-08, 19-06**
- (71) Name(s) and Address(s) of Applicant(s):  
**Acco Australia Pty Ltd**  
**The Lakes Business Park Level 2 8 Lord Street Botany New South**  
**Wales 2019 Australia**
- (72) Name(s) of Designer(s): **Adam Laws**
- (45) Registration Date: **08 February 2007**
- (56) Related Art Documents: **Not Applicable**
- (57) Statement of Newness and Distinctiveness: **When deciding whether any of the designs are substantially similar in overall impression to another design, no regard should be had to the features of the booklet and spine shown in dotted outline in FIG 1, the cut-outs A shown in FIG 8 or the ruler markings B shown in FIG 8.**



(21) Design Number: 12805/2006

(22) Date of Filing Application: 30 June 2006

(24) Date from which industrial property rights may have effect: 30 June 2006

(54) Product in respect of which the design is registered: Tag

(51) International Design Classification: 19-08, 19-06

(71) Name(s) and Address(s) of Applicant(s):

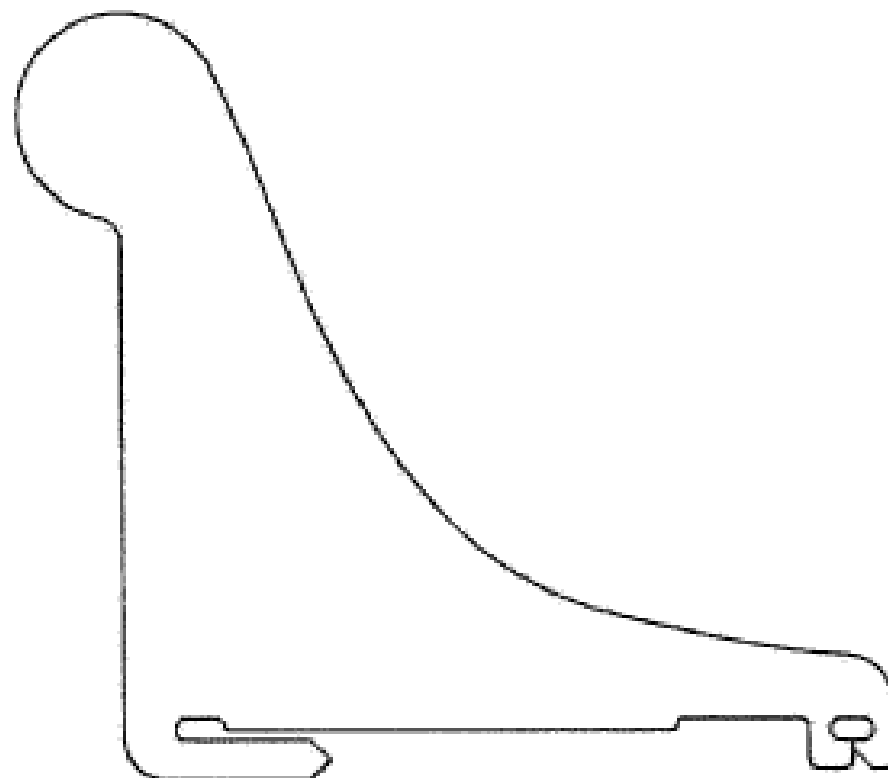
**Acco Australia Pty Ltd**  
**The Lakes Business Park Level 2 8 Lord Street Botany New South**  
**Wales 2019 Australia**

(72) Name(s) of Designer(s): Adam Laws

(45) Registration Date: 08 February 2007

(56) Related Art Documents: Not Applicable

(57) Statement of Newness and Distinctiveness: **When deciding whether any of the designs are substantially similar in overall impression to another design, no regard should be had to the features of the booklet and spine shown in dotted outline in FIG 1, the cut-outs A shown in FIG 8 or the ruler markings B shown in FIG 8.**



(21) Design Number: 12806/2006

(22) Date of Filing Application: 30 June 2006

(24) Date from which industrial property rights may have effect: 30 June 2006

(54) Product in respect of which the design is registered: Ruler

(51) International Design Classification: 19-08, 19-06

(71) Name(s) and Address(s) of Applicant(s):

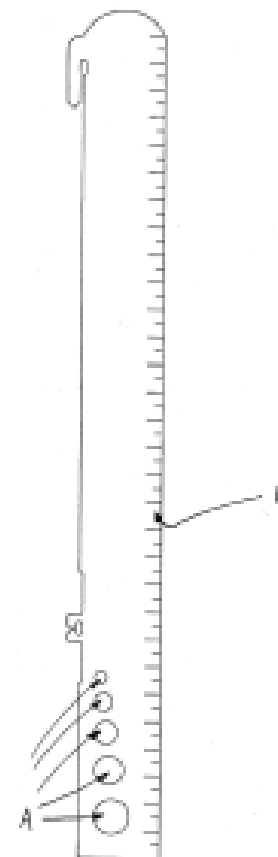
**Acco Australia Pty Ltd**  
**The Lakes Business Park Level 2 8 Lord Street Botany New South**  
**Wales 2019 Australia**

(72) Name(s) of Designer(s): Adam Laws

(45) Registration Date: 08 February 2007

(56) Related Art Documents: Not Applicable

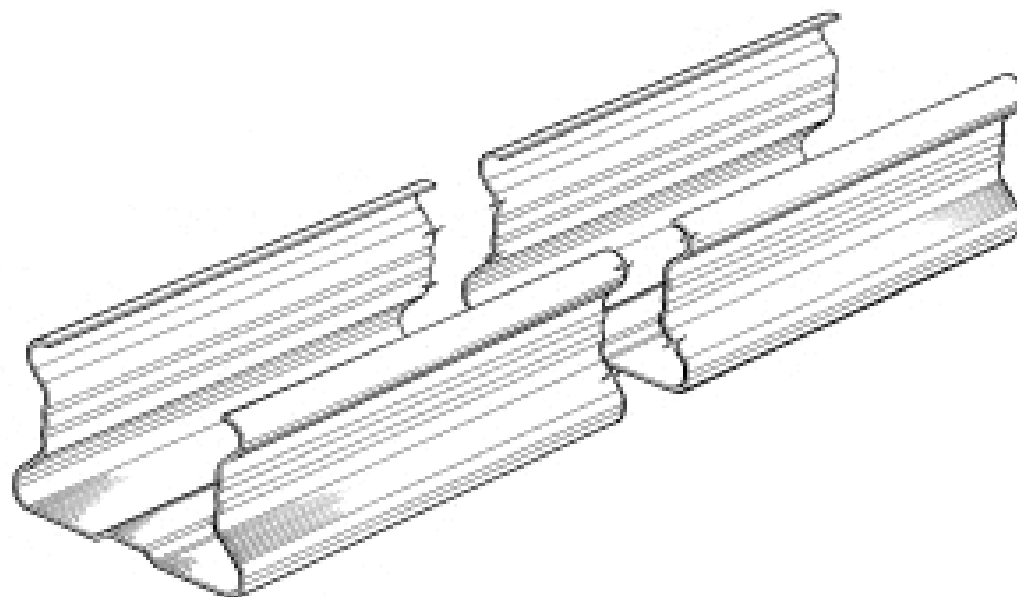
(57) Statement of Newness and Distinctiveness: **When deciding whether any of the designs are substantially similar in overall impression to another design, no regard should be had to the features of the booklet and spine shown in dotted outline in FIG 1, the cut-outs A shown in FIG 8 or the ruler markings B shown in FIG 8.**



- (21) Design Number: **12807/2006**  
(22) Date of Filing Application: **30 June 2006**  
(24) Date from which industrial property rights may have effect: **30 June 2006**  
(54) Product in respect of which the design is registered: **Sleeve spine**  
(51) International Design Classification: **19-08, 19-06**  
(71) Name(s) and Address(s) of Applicant(s):  
**Acco Australia Pty Ltd**  
**The Lakes Business Park Level 2 8 Lord Street Botany New South**  
**Wales 2019 Australia**  
(72) Name(s) of Designer(s): **Adam Laws**  
(45) Registration Date: **08 February 2007**  
(56) Related Art Documents: **Not Applicable**  
(57) Statement of Newness and Distinctiveness: **When deciding whether any of the designs are substantially similar in overall impression to another design, no regard should be had to the features of the booklet and spine shown in dotted outline in FIG 1, the cut-outs A shown in FIG 8 or the ruler markings B shown in FIG 8.**



- (21) Design Number: **13357/2006**  
(22) Date of Filing Application: **31 July 2006**  
(24) Date from which industrial property rights may have effect: **31 July 2006**  
(54) Product in respect of which the design is registered: **Post**  
(51) International Design Classification: **25-01NES**  
(71) Name(s) and Address(s) of Applicant(s):  
**BJB Industries Pty Limited Trading as Our Town Fencing**  
**106 Lake Road Wallsend New South Wales 2287 Australia**  
(72) Name(s) of Designer(s): **Jeffrey Colin Chilton**  
(45) Registration Date: **08 February 2007**  
(56) Related Art Documents: **Not Applicable**  
(57) Statement of Newness and Distinctiveness: **Nil**



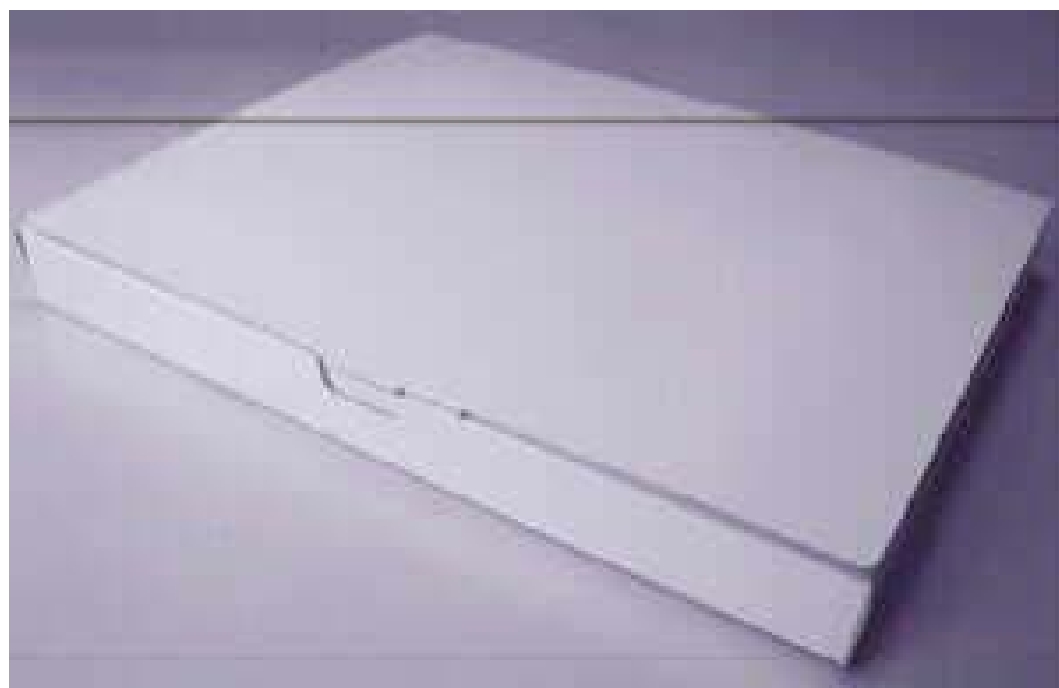
(21) Design Number: **14793/2006**  
(22) Date of Filing Application: **23 October 2006**  
(24) Date from which industrial property rights may have effect: **23 October 2006**  
(54) Product in respect of which the design is registered: **A cylinder shaped muffin**  
(51) International Design Classification: **01-01**  
(71) Name(s) and Address(s) of Applicant(s):  
**Robert Toso**  
**11 Carmarthew Street Menai New South Wales 2234 Australia**  
(72) Name(s) of Designer(s): **Robert Toso**  
(45) Registration Date: **08 February 2007**  
(56) Related Art Documents: **Not Applicable**  
(57) Statement of Newness and Distinctiveness: **A muffin that is cylinder shaped.**



(21) Design Number: **14803/2006**  
(22) Date of Filing Application: **20 October 2006**  
(24) Date from which industrial property rights may have effect: **20 October 2006**  
(54) Product in respect of which the design is registered: **A box**  
(51) International Design Classification: **09-03NES**  
(71) Name(s) and Address(s) of Applicant(s):  
**Nokia Corporation**  
**Keilalahdentie 4 FIN-02150 Espoo Finland**  
(72) Name(s) of Designer(s): **Mika Mattila**  
(45) Registration Date: **08 February 2007**  
(30) Convention priority data:  

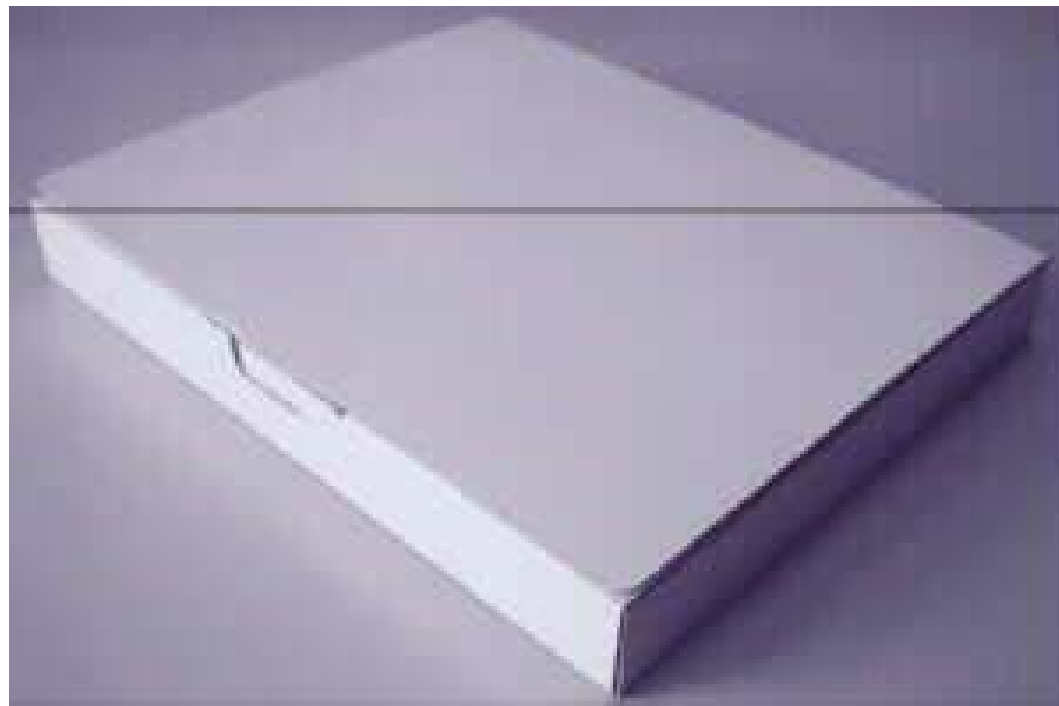
(31) Number	(32) Date	(33) Country
<b>M20060093</b>	<b>21 Apr 2006</b>	<b>FINLAND</b>

  
(56) Related Art Documents: **Not Applicable**  
(57) Statement of Newness and Distinctiveness: **Nil**

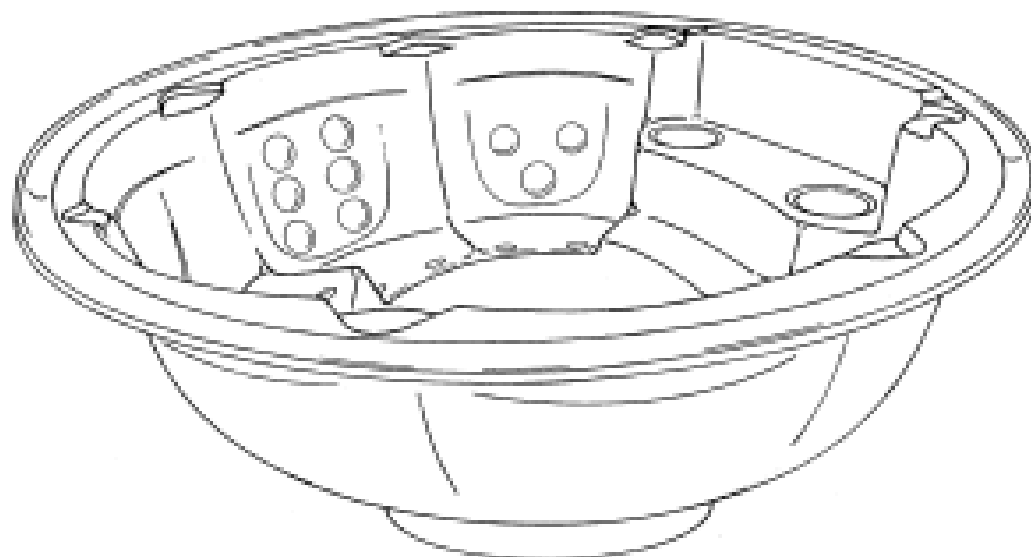




(21) Design Number: **14804/2006**  
(22) Date of Filing Application: **20 October 2006**  
(24) Date from which industrial property rights may have effect: **20 October 2006**  
(54) Product in respect of which the design is registered: **A box**  
(51) International Design Classification: **09-03NES**  
(71) Name(s) and Address(s) of Applicant(s):  
**Nokia Corporation**  
**Keilalahdentie 4 FIN-02150 Espoo Finland**  
(72) Name(s) of Designer(s): **Mika Mattila**  
(45) Registration Date: **08 February 2007**  
(30) Convention priority data:  
(31) Number (32) Date (33) Country  
**M20060093 21 Apr 2006 FINLAND**  
(56) Related Art Documents: **Not Applicable**  
(57) Statement of Newness and Distinctiveness: **Nil**



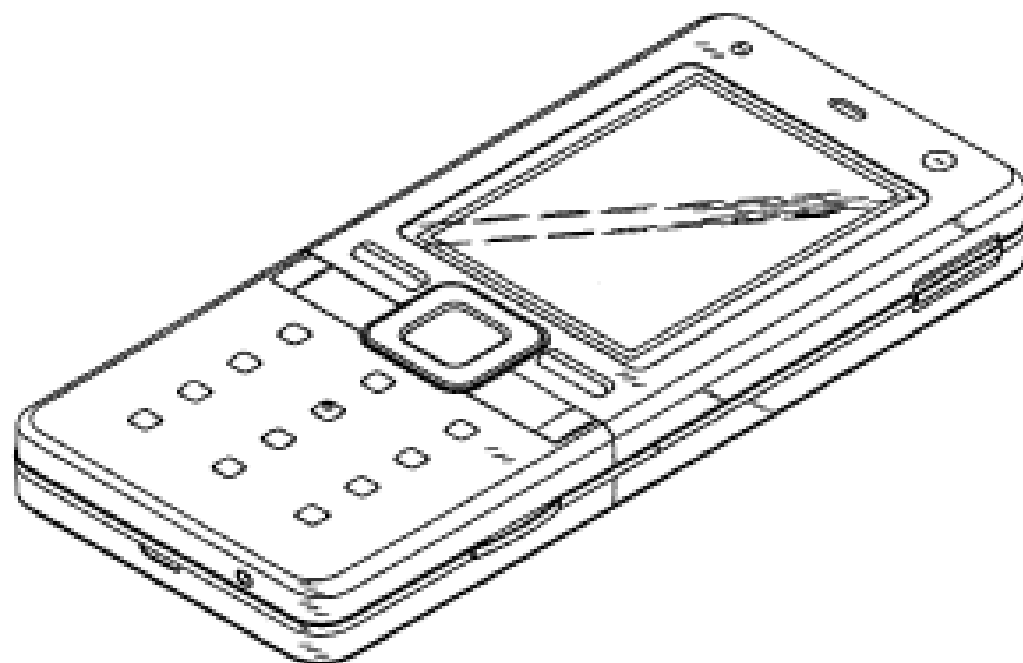
(21) Design Number: **14977/2006**  
(22) Date of Filing Application: **27 October 2006**  
(24) Date from which industrial property rights may have effect: **27 October 2006**  
(54) Product in respect of which the design is registered: **Spa**  
(51) International Design Classification: **23-02B**  
(71) Name(s) and Address(s) of Applicant(s):  
**Waterjet Corporation Pty Ltd**  
**PO Box 360 Arundel Queensland 4214 Australia**  
(72) Name(s) of Designer(s): **Robert John Thompson**  
(45) Registration Date: **08 February 2007**  
(56) Related Art Documents: **Not Applicable**  
(57) Statement of Newness and Distinctiveness: **The new and distinct features are the features of shape and configuration of a spa as shown in the representations.**



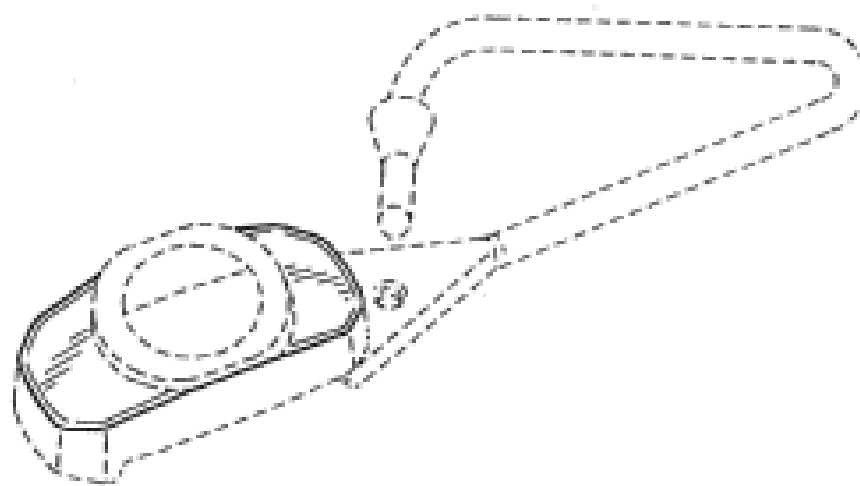
- (21) Design Number: **15645/2006**  
(22) Date of Filing Application: **08 December 2006**  
(24) Date from which industrial property rights may have effect: **08 December 2006**  
(54) Product in respect of which the design is registered: **Toothbrush**  
(51) International Design Classification: **04-02**  
(71) Name(s) and Address(s) of Applicant(s):  
**McNeil-PPC, Inc.**  
**Grandview Road Skillman New Jersey United States of America**  
(72) Name(s) of Designer(s): **Stephen John Blanchard and Bethann O'Malley and Richard Usuquen and Justin McDonough**  
(45) Registration Date: **08 February 2007**  
(30) Convention priority data:  
(31) Number (32) Date (33) Country  
**29/247260 08 Jun 2006 UNITED STATES OF AMERICA**  
(56) Related Art Documents: **Not Applicable**  
(57) Statement of Newness and Distinctiveness: **Newness and distinctiveness of the design for a toothbrush resides in the features displayed in the figures in solid line.**



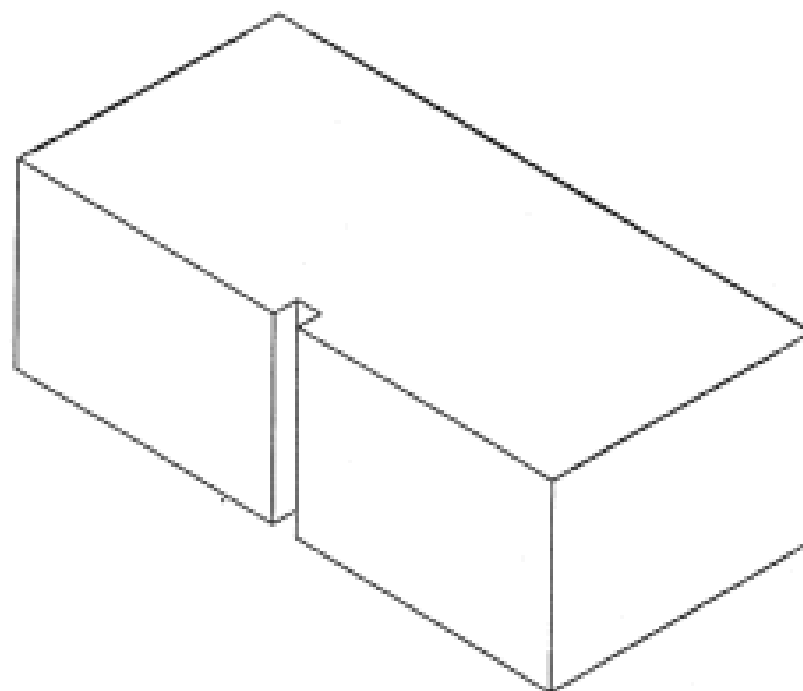
- (21) Design Number: **15708/2006**  
(22) Date of Filing Application: **13 December 2006**  
(24) Date from which industrial property rights may have effect: **13 December 2006**  
(54) Product in respect of which the design is registered: **Mobile phone**  
(51) International Design Classification: **14-03E**  
(71) Name(s) and Address(s) of Applicant(s):  
**Sony Ericsson Mobile Communications AB**  
**Nya Vattentorget SE 221 88 Lund Sweden**  
(72) Name(s) of Designer(s): **Eiji Shintani**  
(45) Registration Date: **08 February 2007**  
(30) Convention priority data:  
(31) Number (32) Date (33) Country  
**000557509 10 Jul 2006 EUROPEAN COMMUNITY**  
(56) Related Art Documents: **Not Applicable**  
(57) Statement of Newness and Distinctiveness: **Nil**



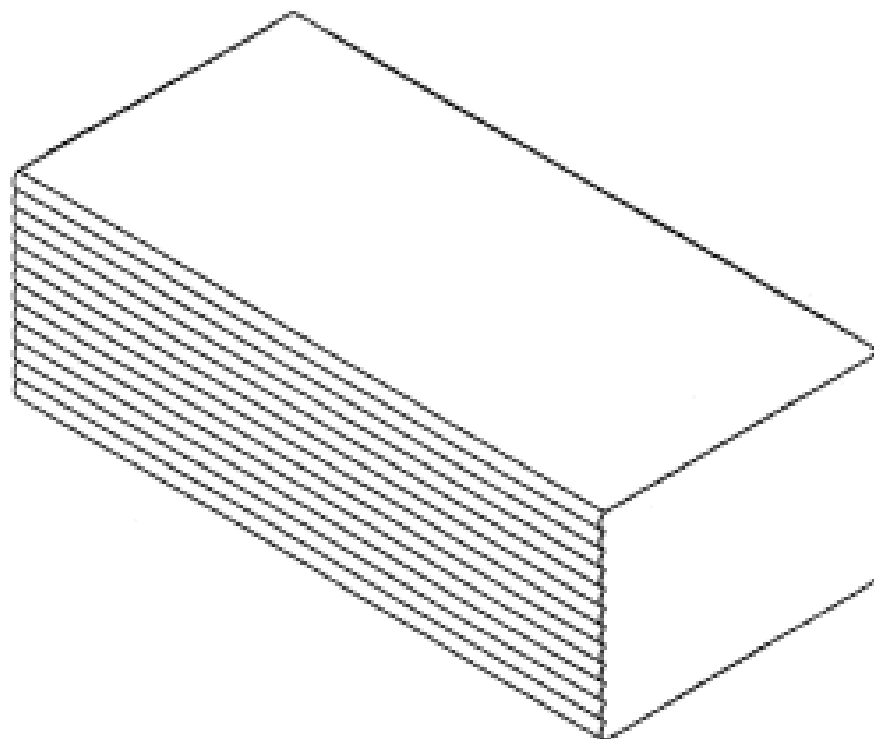
- (21) Design Number: **14794/2006**  
(22) Date of Filing Application: **20 October 2006**  
(24) Date from which industrial property rights may have effect: **20 October 2006**  
(54) Product in respect of which the design is registered: **Bottle holder**  
(51) International Design Classification: **03-01NES**  
(71) Name(s) and Address(s) of Applicant(s):  
**Warner Lambert Company LLC**  
**201 Tabor Road Morris Plains New Jersey 07950 United States of America**  
(72) Name(s) of Designer(s): **Steven Hecht**  
(45) Registration Date: **07 February 2007**  
(30) Convention priority data:  
(31) Number (32) Date (33) Country  
**29/258552 24 Apr 2006 UNITED STATES OF AMERICA**  
(56) Related Art Documents: **Not Applicable**  
(57) Statement of Newness and Distinctiveness: **Newness and distinctiveness is claimed in the features of shape and/or configuration of a generally rectangular shaped top surface of a bottle holder, having chamfered corners and being generally convex when viewed from a front or rear side elevation as illustrated in continuous line in the accompanying representations.**



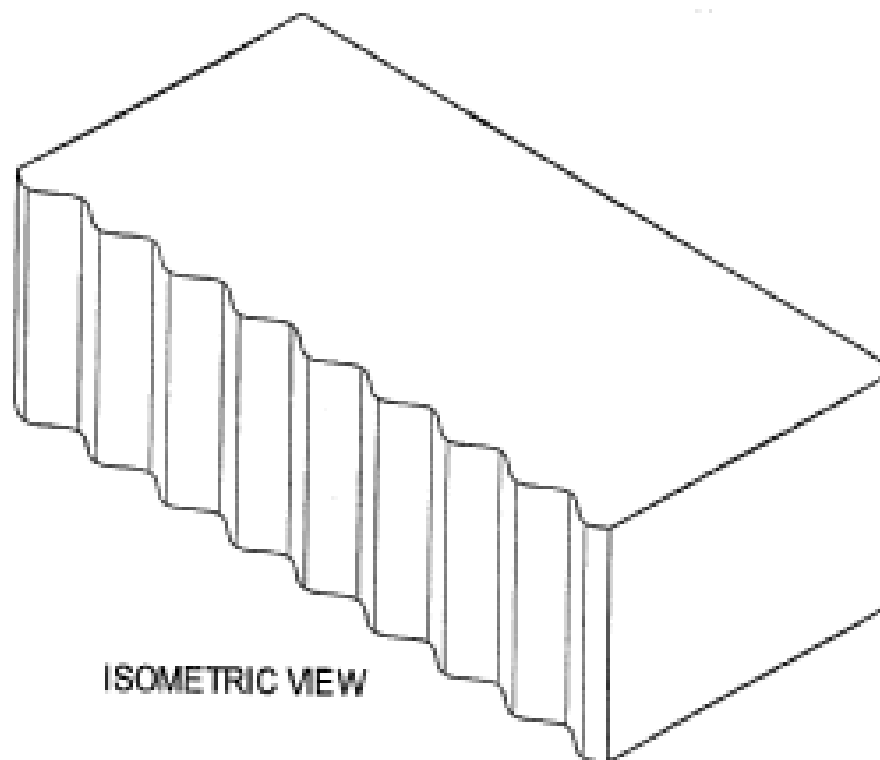
- (21) Design Number: **15590/2006**  
(22) Date of Filing Application: **06 December 2006**  
(24) Date from which industrial property rights may have effect: **06 December 2006**  
(54) Product in respect of which the design is registered: **Brick**  
(51) International Design Classification: **25-01A**  
(71) Name(s) and Address(s) of Applicant(s):  
**The Austral Brick Company Pty Ltd**  
**Wallgrove Road Horsley Park New South Wales 2164 Australia**  
(72) Name(s) of Designer(s): **Richard West**  
(45) Registration Date: **07 February 2007**  
(56) Related Art Documents: **Not Applicable**  
(57) Statement of Newness and Distinctiveness: **Those features of the brick depicted in the representations that are new and distinctive are the shape and/or configuration of the front face of the brick.**



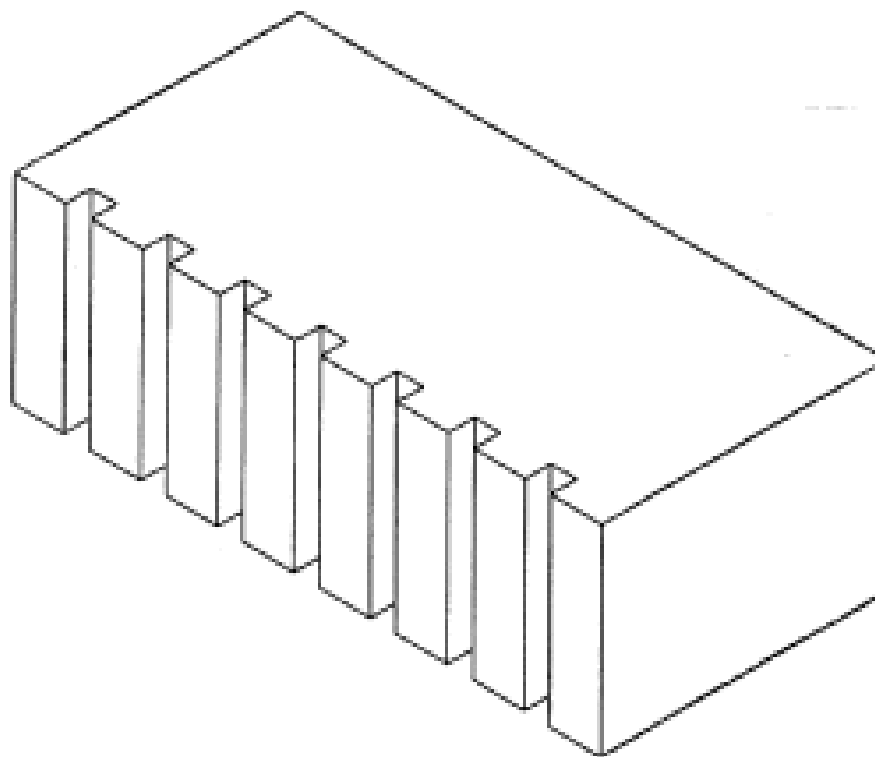
- (21) Design Number: **15591/2006**  
(22) Date of Filing Application: **06 December 2006**  
(24) Date from which industrial property rights may have effect: **06 December 2006**  
(54) Product in respect of which the design is registered: **Brick**  
(51) International Design Classification: **25-01A**  
(71) Name(s) and Address(s) of Applicant(s):  
**The Austral Brick Company Pty Ltd**  
**Wallgrove Road Horsley Park New South Wales 2164 Australia**  
(72) Name(s) of Designer(s): **Richard West**  
(45) Registration Date: **07 February 2007**  
(56) Related Art Documents: **Not Applicable**  
(57) Statement of Newness and Distinctiveness: **Those features of the brick depicted in the representations that are new and distinctive are the shape and/or configuration of the front face of the brick.**



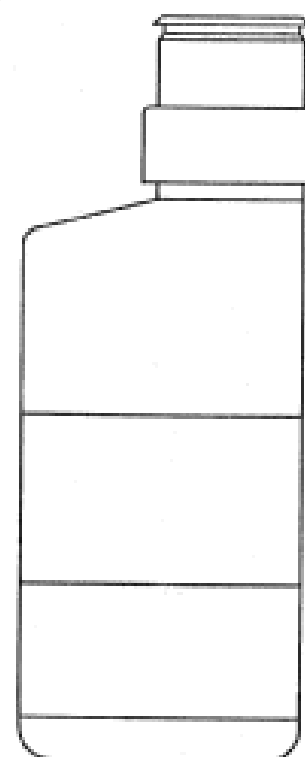
- (21) Design Number: **15592/2006**  
(22) Date of Filing Application: **06 December 2006**  
(24) Date from which industrial property rights may have effect: **06 December 2006**  
(54) Product in respect of which the design is registered: **Brick**  
(51) International Design Classification: **25-01A**  
(71) Name(s) and Address(s) of Applicant(s):  
**The Austral Brick Company Pty Ltd**  
**Wallgrove Road Horsley Park New South Wales 2164 Australia**  
(72) Name(s) of Designer(s): **Richard West**  
(45) Registration Date: **07 February 2007**  
(56) Related Art Documents: **Not Applicable**  
(57) Statement of Newness and Distinctiveness: **Those features of the brick depicted in the representations that are new and distinctive are the shape and/or configuration of the front face of the brick.**



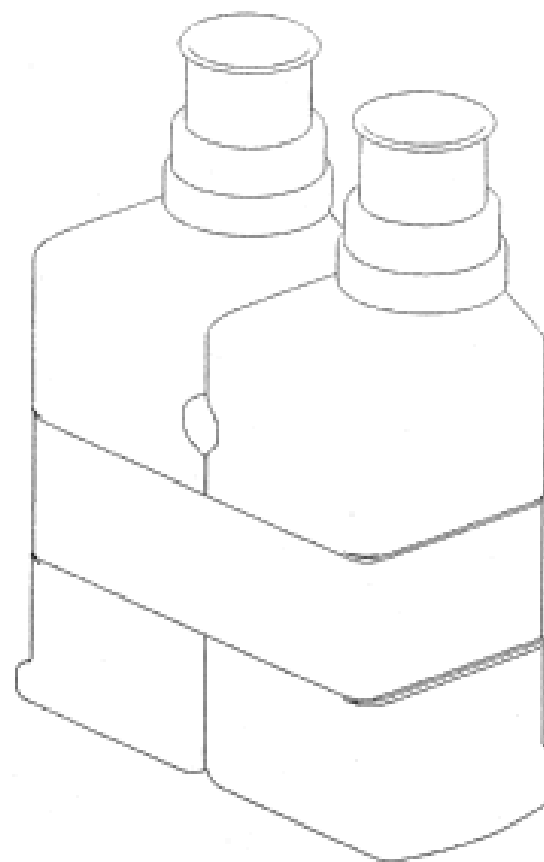
- (21) Design Number: **15593/2006**  
(22) Date of Filing Application: **06 December 2006**  
(24) Date from which industrial property rights may have effect: **06 December 2006**  
(54) Product in respect of which the design is registered: **Brick**  
(51) International Design Classification: **25-01A**  
(71) Name(s) and Address(s) of Applicant(s):  
**The Austral Brick Company Pty Ltd**  
**Wallgrove Road Horsley Park New South Wales 2164 Australia**  
(72) Name(s) of Designer(s): **Richard West**  
(45) Registration Date: **07 February 2007**  
(56) Related Art Documents: **Not Applicable**  
(57) Statement of Newness and Distinctiveness: **Those features of the brick depicted in the representations that are new and distinctive are the shape and/or configuration of the front face of the brick.**



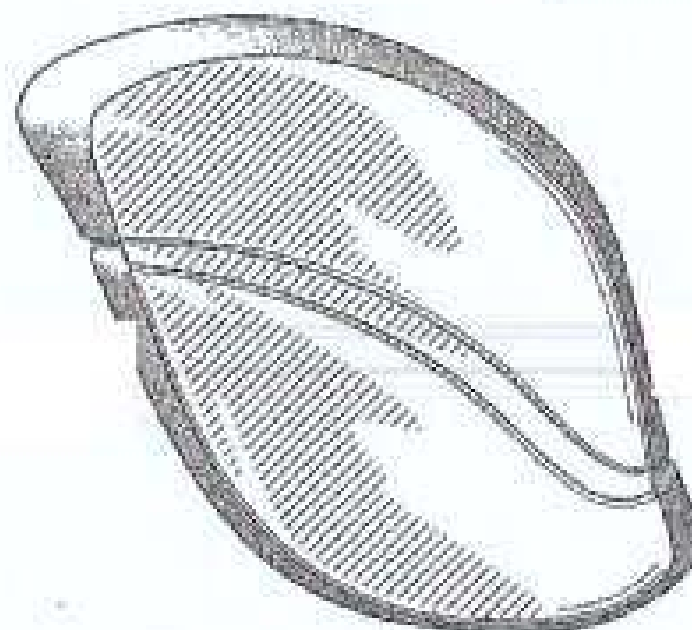
- (21) Design Number: **15595/2006**  
(22) Date of Filing Application: **06 December 2006**  
(24) Date from which industrial property rights may have effect: **06 December 2006**  
(54) Product in respect of which the design is registered: **A bottle for antiseptic solution**  
(51) International Design Classification: **09-01K**  
(71) Name(s) and Address(s) of Applicant(s):  
**Olympus Medical Systems Corp.**  
**43-2 Hatagaya 2-chome Shibuya-ku Tokyo 151-0072 Japan**  
(72) Name(s) of Designer(s): **Akio Ogawa and Takayoshi Iwanami**  
(45) Registration Date: **07 February 2007**  
(30) Convention priority data:  
(31) Number      (32) Date      (33) Country  
**2006-027504      11 Oct 2006      JAPAN**  
(56) Related Art Documents: **Not Applicable**  
(57) Statement of Newness and Distinctiveness: **Nil**



- (21) Design Number: **15596/2006**  
(22) Date of Filing Application: **06 December 2006**  
(24) Date from which industrial property rights may have effect: **06 December 2006**  
(54) Product in respect of which the design is registered: **A bottle for antiseptic solution**  
(51) International Design Classification: **09-01K**  
(71) Name(s) and Address(s) of Applicant(s):  
**Olympus Medical Systems Corp.**  
**43-2 Hatagaya 2-chome Shibuya-ku Tokyo 151-0072 Japan**  
(72) Name(s) of Designer(s): **Akio Ogawa and Takayoshi Iwanami**  
(45) Registration Date: **07 February 2007**  
(56) Related Art Documents: **Not Applicable**  
(57) Statement of Newness and Distinctiveness: **Nil**



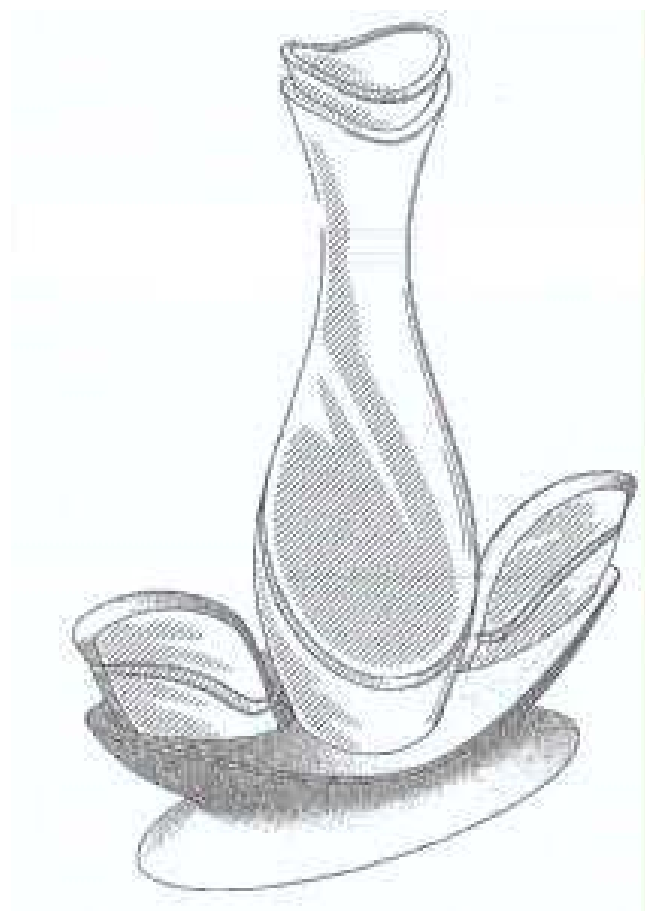
- (21) Design Number: **15597/2006**  
(22) Date of Filing Application: **06 December 2006**  
(24) Date from which industrial property rights may have effect: **06 December 2006**  
(54) Product in respect of which the design is registered: **Decorative light object**  
(51) International Design Classification: **26-04**  
(71) Name(s) and Address(s) of Applicant(s):  
**S.C. Johnson & Son, Inc.**  
**1525 Howe Street Racine Wisconsin 53403-2236 United States of America**  
(72) Name(s) of Designer(s): **Scott W. Demarest and Sarah E. Heathcock and Aaron Vom Eigen and Ragnhild Mariane Rokke and Kit R. Morris and Hayes Urban and Ryan Paul**  
(45) Registration Date: **07 February 2007**  
(30) Convention priority data:  
(31) Number      (32) Date      (33) Country  
**29/247218      06 Jun 2006      UNITED STATES OF AMERICA**  
(56) Related Art Documents: **Not Applicable**  
(57) Statement of Newness and Distinctiveness: **Newness and distinctiveness is claimed in those features of shape and/or configuration of a decorative light object as illustrated in continuous lines in the accompanying representations.**



- (21) Design Number: **15598/2006**  
(22) Date of Filing Application: **06 December 2006**  
(24) Date from which industrial property rights may have effect: **06 December 2006**  
(54) Product in respect of which the design is registered: **Decorative light object**  
(51) International Design Classification: **26-04**  
(71) Name(s) and Address(s) of Applicant(s):  
**S.C. Johnson & Son, Inc.**  
**1525 Howe Street Racine Wisconsin 53403-2236 United States of America**  
(72) Name(s) of Designer(s): **Scott W. Demarest and Sarah E. Heathcock and Aaron Vom Eigen and Ragnhild Mariane Rokke and Kit R. Morris and Hayes Urban and Ryan Paul**  
(45) Registration Date: **07 February 2007**  
(30) Convention priority data:  
(31) Number (32) Date (33) Country  
**29/247218 06 Jun 2006 UNITED STATES OF AMERICA**  
(56) Related Art Documents: **Not Applicable**  
(57) Statement of Newness and Distinctiveness: **Newness and distinctiveness is claimed in those features of shape and/or configuration of a decorative light object as illustrated in continuous lines in the accompanying representations.**



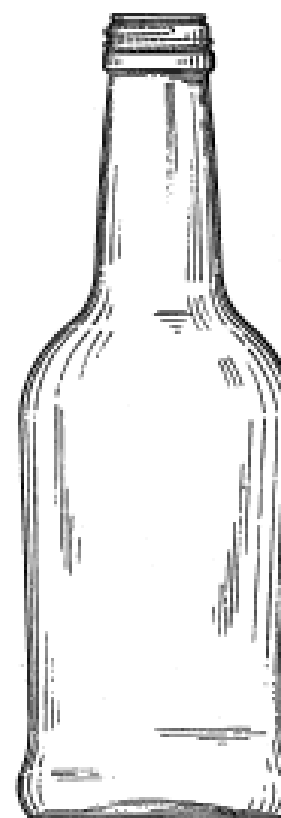
- (21) Design Number: **15599/2006**  
(22) Date of Filing Application: **06 December 2006**  
(24) Date from which industrial property rights may have effect: **06 December 2006**  
(54) Product in respect of which the design is registered: **Decorative light object**  
(51) International Design Classification: **26-04**  
(71) Name(s) and Address(s) of Applicant(s):  
**S.C. Johnson & Son, Inc.**  
**1525 Howe Street Racine Wisconsin 53403-2236 United States of America**  
(72) Name(s) of Designer(s): **Scott W. Demarest and Sarah E. Heathcock and Aaron Vom Eigen and Ragnhild Mariane Rokke and Kit R. Morris and Hayes Urban and Ryan Paul**  
(45) Registration Date: **07 February 2007**  
(30) Convention priority data:  
(31) Number (32) Date (33) Country  
**29/247218 06 Jun 2006 UNITED STATES OF AMERICA**  
(56) Related Art Documents: **Not Applicable**  
(57) Statement of Newness and Distinctiveness: **Newness and distinctiveness is claimed in those features of shape and/or configuration of a decorative light object as illustrated in continuous lines in the accompanying representations.**



- (21) Design Number: **15600/2006**  
(22) Date of Filing Application: **06 December 2006**  
(24) Date from which industrial property rights may have effect: **06 December 2006**  
(54) Product in respect of which the design is registered: **Bottle**  
(51) International Design Classification: **09-01H**  
(71) Name(s) and Address(s) of Applicant(s):  
**Ponti S.p.A.**  
**Via E. Ferrari 7 I-28074 Ghemme (Novara) Italy**  
(72) Name(s) of Designer(s): **Giuliano Dell'Orto**  
(45) Registration Date: **07 February 2007**  
(30) Convention priority data:  
(31) Number (32) Date (33) Country  
**539127 06 Jun 2006 EUROPEAN COMMUNITY**  
(56) Related Art Documents: **Not Applicable**  
(57) Statement of Newness and Distinctiveness: **Newness and distinctiveness is claimed in the visual features shown in solid lines in the representations.**



- (21) Design Number: **15601/2006**  
(22) Date of Filing Application: **06 December 2006**  
(24) Date from which industrial property rights may have effect: **06 December 2006**  
(54) Product in respect of which the design is registered: **Bottle**  
(51) International Design Classification: **09-01H**  
(71) Name(s) and Address(s) of Applicant(s):  
**Ponti S.p.A.**  
**Via E. Ferrari 7 I-28074 Ghemme (Novara) Italy**  
(72) Name(s) of Designer(s): **Giuliano Dell'Orto**  
(45) Registration Date: **07 February 2007**  
(30) Convention priority data:  
(31) Number (32) Date (33) Country  
**539127 06 Jun 2006 EUROPEAN COMMUNITY**  
(56) Related Art Documents: **Not Applicable**  
(57) Statement of Newness and Distinctiveness: **Newness and distinctiveness is claimed in the visual features shown in solid lines in the representations.**





- (21) Design Number: **15602/2006**  
(22) Date of Filing Application: **06 December 2006**  
(24) Date from which industrial property rights may have effect: **06 December 2006**  
(54) Product in respect of which the design is registered: **Bottle**  
(51) International Design Classification: **09-01H**  
(71) Name(s) and Address(s) of Applicant(s):

**Ponti S.p.A.**  
**Via E. Ferrari 7 I-28074 Ghemme (Novara) Italy**

(72) Name(s) of Designer(s): **Giuliano Dell'Orto**

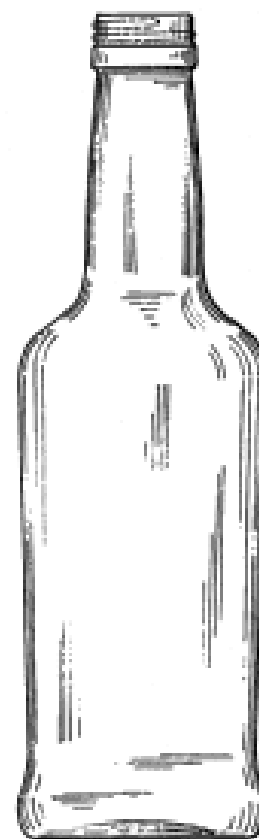
(45) Registration Date: **07 February 2007**

(30) Convention priority data:

(31) Number	(32) Date	(33) Country
<b>539127</b>	<b>06 Jun 2006</b>	<b>EUROPEAN COMMUNITY</b>

(56) Related Art Documents: **Not Applicable**

(57) Statement of Newness and Distinctiveness: **Newness and distinctiveness is claimed in the visual features shown in solid lines in the representations.**



- (21) Design Number: **15603/2006**  
(22) Date of Filing Application: **06 December 2006**  
(24) Date from which industrial property rights may have effect: **06 December 2006**  
(54) Product in respect of which the design is registered: **Bottle**  
(51) International Design Classification: **09-01H**  
(71) Name(s) and Address(s) of Applicant(s):

**Ponti S.p.A.**  
**Via E. Ferrari 7 I-28074 Ghemme (Novara) Italy**

(72) Name(s) of Designer(s): **Giuliano Dell'Orto**

(45) Registration Date: **07 February 2007**

(30) Convention priority data:

(31) Number	(32) Date	(33) Country
<b>539127</b>	<b>06 Jun 2006</b>	<b>EUROPEAN COMMUNITY</b>

(56) Related Art Documents: **Not Applicable**

(57) Statement of Newness and Distinctiveness: **Newness and distinctiveness is claimed in the visual features shown in solid lines in the representations.**



- (21) Design Number: **15604/2006**  
(22) Date of Filing Application: **06 December 2006**  
(24) Date from which industrial property rights may have effect: **06 December 2006**  
(54) Product in respect of which the design is registered: **Bottle**  
(51) International Design Classification: **09-01H**  
(71) Name(s) and Address(s) of Applicant(s):

**Ponti S.p.A.**  
**Via E. Ferrari 7 I-28074 Ghemme (Novara) Italy**

(72) Name(s) of Designer(s): **Giuliano Dell'Orto**

(45) Registration Date: **07 February 2007**

(30) Convention priority data:

(31) Number	(32) Date	(33) Country
<b>539127</b>	<b>06 Jun 2006</b>	<b>EUROPEAN COMMUNITY</b>

(56) Related Art Documents: **Not Applicable**

(57) Statement of Newness and Distinctiveness: **Newness and distinctiveness is claimed in the visual features shown in solid lines in the representations.**



- (21) Design Number: **15605/2006**  
(22) Date of Filing Application: **06 December 2006**  
(24) Date from which industrial property rights may have effect: **06 December 2006**  
(54) Product in respect of which the design is registered: **Bottle**  
(51) International Design Classification: **09-01H**  
(71) Name(s) and Address(s) of Applicant(s):

**Ponti S.p.A.**  
**Via E. Ferrari 7 I-28074 Ghemme (Novara) Italy**

(72) Name(s) of Designer(s): **Giuliano Dell'Orto**

(45) Registration Date: **07 February 2007**

(30) Convention priority data:

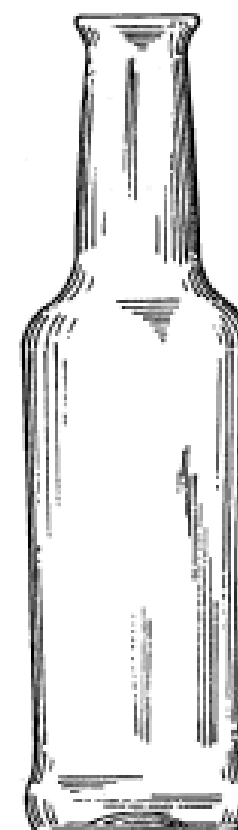
(31) Number	(32) Date	(33) Country
<b>539127</b>	<b>06 Jun 2006</b>	<b>EUROPEAN COMMUNITY</b>

(56) Related Art Documents: **Not Applicable**

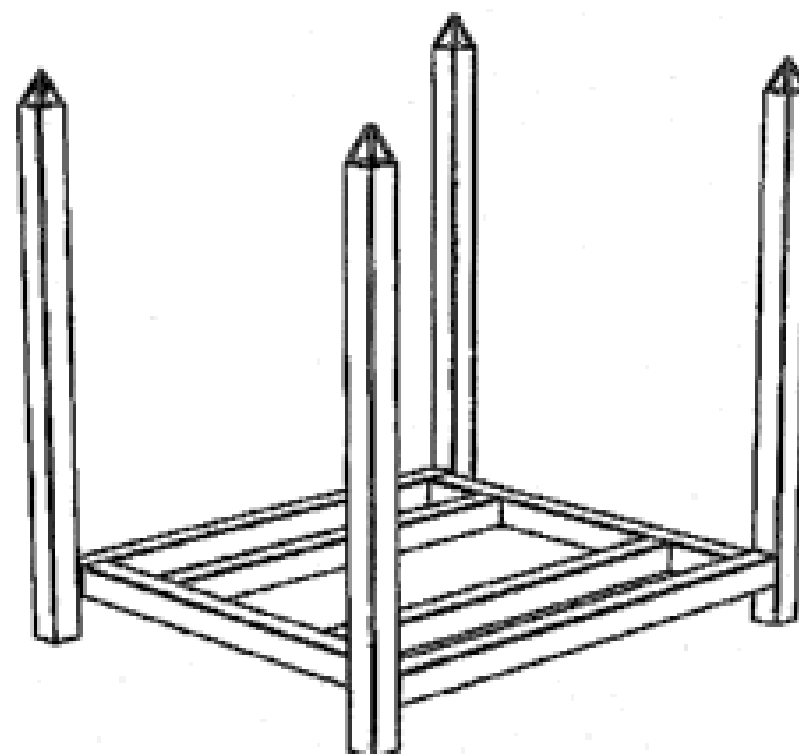
(57) Statement of Newness and Distinctiveness: **Newness and distinctiveness is claimed in the visual features shown in solid lines in the representations.**



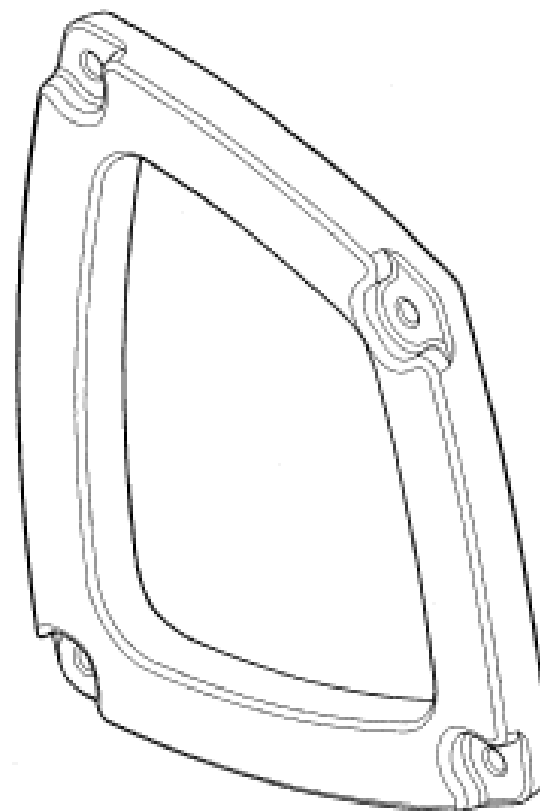
- (21) Design Number: **15606/2006**  
(22) Date of Filing Application: **06 December 2006**  
(24) Date from which industrial property rights may have effect: **06 December 2006**  
(54) Product in respect of which the design is registered: **Bottle**  
(51) International Design Classification: **09-01H**  
(71) Name(s) and Address(s) of Applicant(s):  
**Ponti S.p.A.**  
**Via E. Ferrari 7 I-28074 Ghemme (Novara) Italy**  
(72) Name(s) of Designer(s): **Giuliano Dell'Orto**  
(45) Registration Date: **07 February 2007**  
(30) Convention priority data:  
(31) Number      (32) Date      (33) Country  
**539127      06 Jun 2006      EUROPEAN COMMUNITY**  
(56) Related Art Documents: **Not Applicable**  
(57) Statement of Newness and Distinctiveness: **Newness and distinctiveness is claimed in the visual features shown in solid lines in the representations.**



- (21) Design Number: **15621/2006**  
(22) Date of Filing Application: **07 December 2006**  
(24) Date from which industrial property rights may have effect: **07 December 2006**  
(54) Product in respect of which the design is registered: **Pallet stacking frame**  
(51) International Design Classification: **09-08**  
(71) Name(s) and Address(s) of Applicant(s):  
**Kenneth John Falland**  
**Moppa Road South Nuriootpa South Australia 5355 Australia**  
(72) Name(s) of Designer(s): **Kenneth John Falland**  
(45) Registration Date: **07 February 2007**  
(56) Related Art Documents: **Not Applicable**  
(57) Statement of Newness and Distinctiveness: **Newness and distinctiveness is directed to the features of shape and configuration of the bed portion of the pallet stacking frame as shown in the accompanying representations.**



- (21) Design Number: **15632/2006**  
(22) Date of Filing Application: **07 December 2006**  
(24) Date from which industrial property rights may have effect: **07 December 2006**  
(54) Product in respect of which the design is registered: **Climbing ring**  
(51) International Design Classification: **21-03**  
(71) Name(s) and Address(s) of Applicant(s):  
**Hills Industries Limited**  
**944-956 South Road Edwardstown South Australia 5039 Australia**  
(72) Name(s) of Designer(s): **Matthew Joseph Reilly**  
(45) Registration Date: **07 February 2007**  
(56) Related Art Documents: **Not Applicable**  
(57) Statement of Newness and Distinctiveness: **Nil**



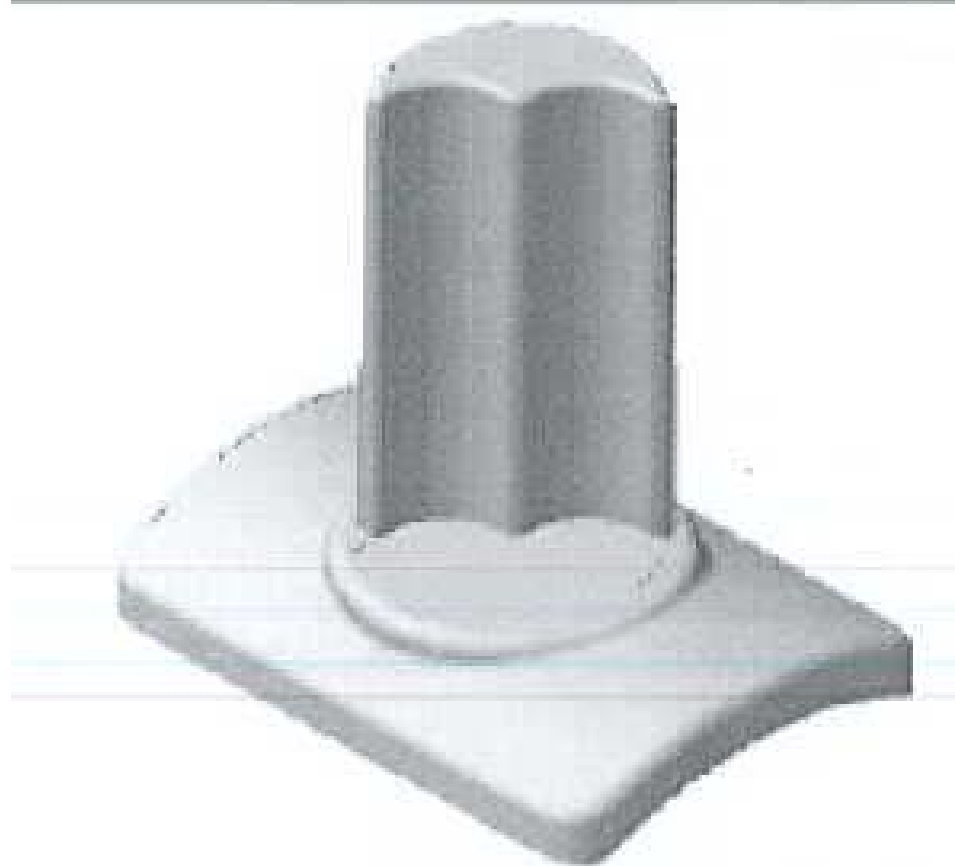
- (21) Design Number: **15642/2006**  
(22) Date of Filing Application: **08 December 2006**  
(24) Date from which industrial property rights may have effect: **08 December 2006**  
(54) Product in respect of which the design is registered: **Toothbrush**  
(51) International Design Classification: **04-02**  
(71) Name(s) and Address(s) of Applicant(s):  
**McNeil-PPC, Inc.**  
**Grandview Road Skillman New Jersey United States of America**  
(72) Name(s) of Designer(s): **Stephen John Blanchard and Bethann O'Malley and Justin McDonough and Richard Usuquen**  
(45) Registration Date: **07 February 2007**  
(30) Convention priority data:  

(31) Number	(32) Date	(33) Country
<b>29/247259</b>	<b>08 Jun 2006</b>	<b>UNITED STATES OF AMERICA</b>

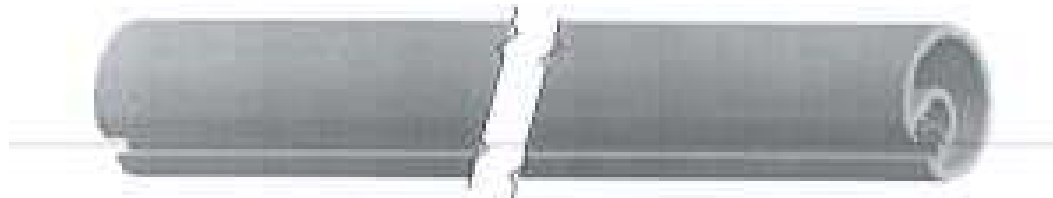
  
(56) Related Art Documents: **Not Applicable**  
(57) Statement of Newness and Distinctiveness: **Newness and distinctiveness of the design for a toothbrush resides in the features displayed in the figures in solid line.**



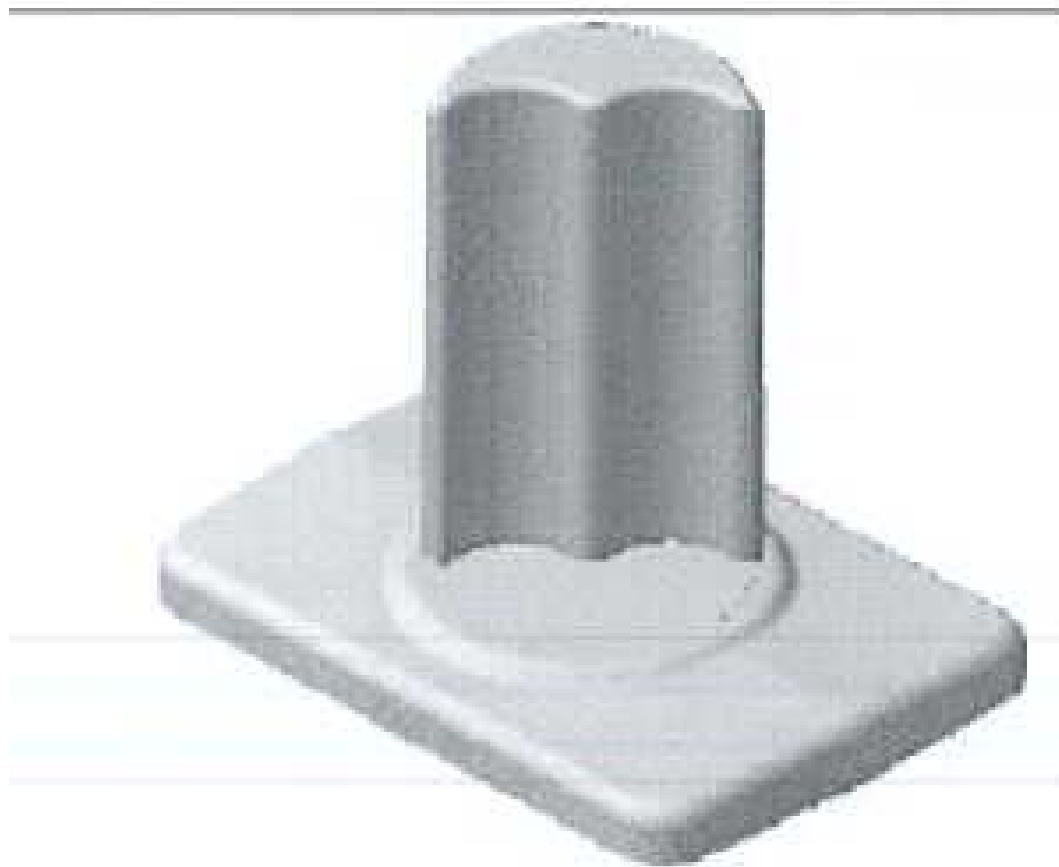
- (21) Design Number: **15566/2006**  
(22) Date of Filing Application: **04 December 2006**  
(24) Date from which industrial property rights may have effect: **04 December 2006**  
(54) Product in respect of which the design is registered: **A connector**  
(51) International Design Classification: **08-08NES**  
(71) Name(s) and Address(s) of Applicant(s):  
**Tclip Pty Ltd**  
**C/- No. 1 Blanck Street Ormeau Queensland 4208 Australia**  
(72) Name(s) of Designer(s): **Richard Dinning**  
(45) Registration Date: **08 February 2007**  
(56) Related Art Documents: **Not Applicable**  
(57) Statement of Newness and Distinctiveness: **Newness and distinctiveness of the design resides in the shape and configuration of the connector as illustrated in the accompanying representations.**



- (21) Design Number: **15567/2006**  
(22) Date of Filing Application: **04 December 2006**  
(24) Date from which industrial property rights may have effect: **04 December 2006**  
(54) Product in respect of which the design is registered: **A hollow section**  
(51) International Design Classification: **25-01K**  
(71) Name(s) and Address(s) of Applicant(s):  
**Tclip Pty Ltd**  
**C/- No. 1 Blanck Street Ormeau Queensland 4208 Australia**  
(72) Name(s) of Designer(s): **Richard Dinning**  
(45) Registration Date: **08 February 2007**  
(56) Related Art Documents: **Not Applicable**  
(57) Statement of Newness and Distinctiveness: **Newness and distinctiveness of the design resides in the shape and configuration of the hollow section as illustrated in the accompanying representations.**



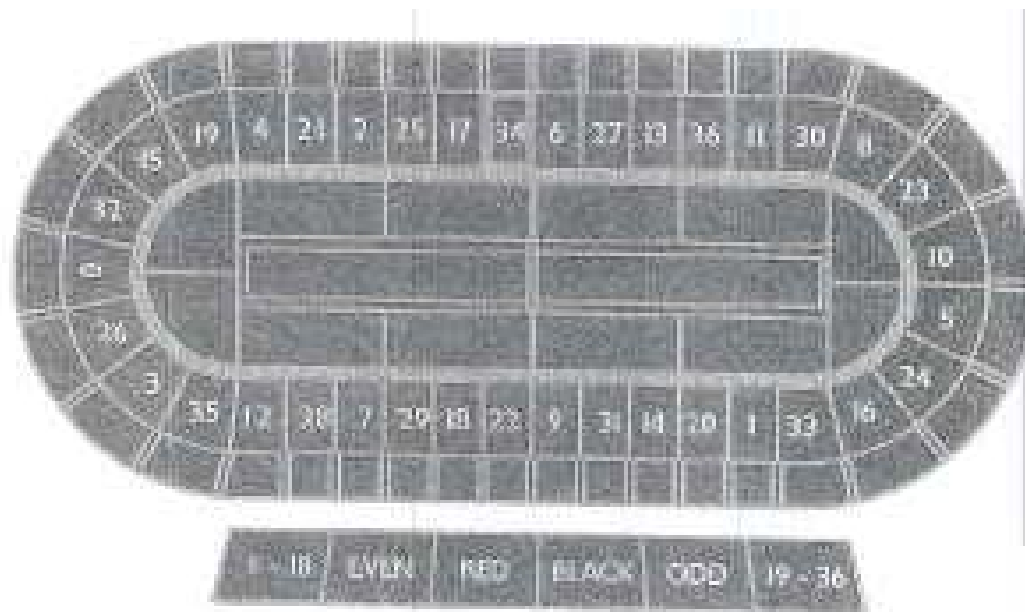
- (21) Design Number: **15565/2006**  
(22) Date of Filing Application: **04 December 2006**  
(24) Date from which industrial property rights may have effect: **04 December 2006**  
(54) Product in respect of which the design is registered: **A connector**  
(51) International Design Classification: **08-08NES**  
(71) Name(s) and Address(s) of Applicant(s):  
**Tclip Pty Ltd**  
**C/- No. 1 Blanck Street Ormeau Queensland 4208 Australia**  
(72) Name(s) of Designer(s): **Richard Dinning**  
(45) Registration Date: **08 February 2007**  
(56) Related Art Documents: **Not Applicable**  
(57) Statement of Newness and Distinctiveness: **Newness and distinctiveness of the design resides in the shape and configuration of the connector as illustrated in the accompanying representations.**



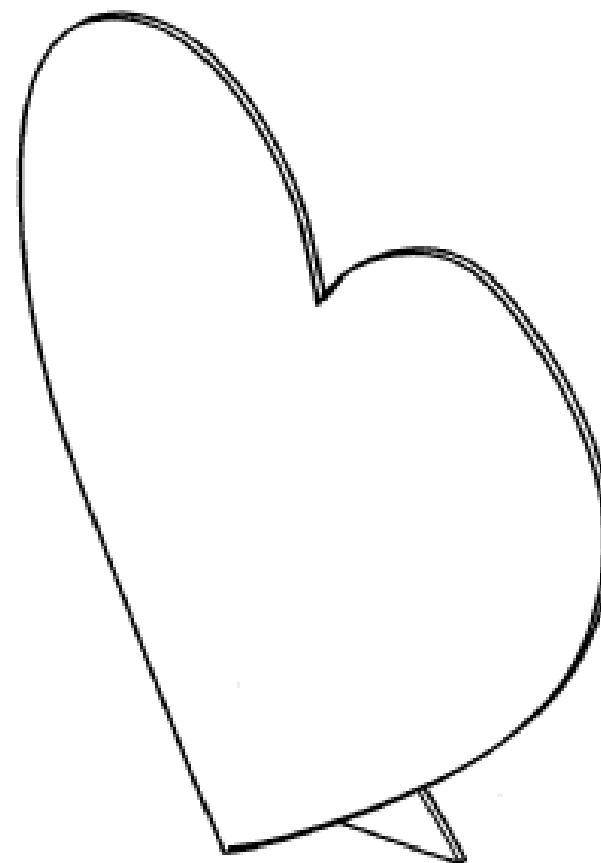
- (21) Design Number: **15564/2006**  
(22) Date of Filing Application: **04 December 2006**  
(24) Date from which industrial property rights may have effect: **04 December 2006**  
(54) Product in respect of which the design is registered: **A connector**  
(51) International Design Classification: **08-08NES**  
(71) Name(s) and Address(s) of Applicant(s):  
**Tclip Pty Ltd**  
**C/- No. 1 Blanck Street Ormeau Queensland 4208 Australia**  
(72) Name(s) of Designer(s): **Richard Dinning**  
(45) Registration Date: **08 February 2007**  
(56) Related Art Documents: **Not Applicable**  
(57) Statement of Newness and Distinctiveness: **Newness and distinctiveness of the design resides in the shape and configuration of the connector as illustrated in the accompanying representations.**



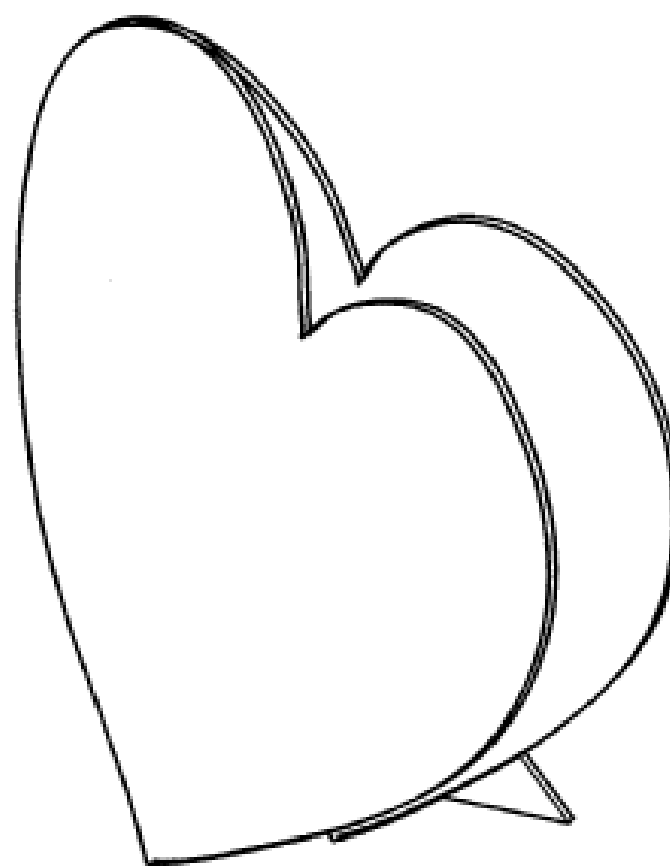
- (21) Design Number: **15563/2006**
- (22) Date of Filing Application: **05 December 2006**
- (24) Date from which industrial property rights may have effect: **05 December 2006**
- (54) Product in respect of which the design is registered: **Roulette board pattern**
- (51) International Design Classification: **21-01L**
- (71) Name(s) and Address(s) of Applicant(s):  
**Miran Lipovec**  
**Liminjanska cesta 6 6320 Lucija Portoroz Slovenia**
- (72) Name(s) of Designer(s): **Miran Lipovec**
- (45) Registration Date: **08 February 2007**
- (56) Related Art Documents: **Not Applicable**
- (57) Statement of Newness and Distinctiveness: **Nil**



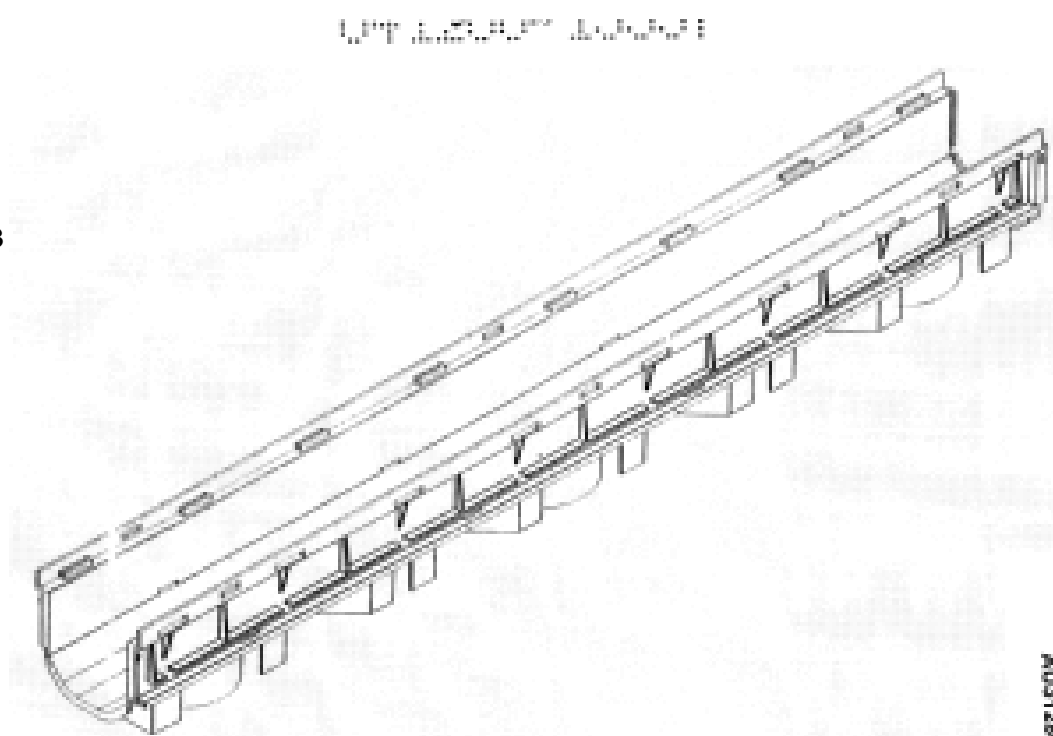
- (21) Design Number: **15561/2006**
- (22) Date of Filing Application: **04 December 2006**
- (24) Date from which industrial property rights may have effect: **04 December 2006**
- (54) Product in respect of which the design is registered: **Greeting card**
- (51) International Design Classification: **19-01**
- (71) Name(s) and Address(s) of Applicant(s):  
**Steve Bousdoukos**  
**26 Southern Road Mentone Victoria 3194 Australia**
- (72) Name(s) of Designer(s): **Steve Bousdoukos**
- (45) Registration Date: **08 February 2007**
- (56) Related Art Documents: **Not Applicable**
- (57) Statement of Newness and Distinctiveness: **The shape and configuration of the greeting card is new and distinctive.**



- (21) Design Number: **15562/2006**
- (22) Date of Filing Application: **04 December 2006**
- (24) Date from which industrial property rights may have effect: **04 December 2006**
- (54) Product in respect of which the design is registered: **Greeting card**
- (51) International Design Classification: **19-01**
- (71) Name(s) and Address(s) of Applicant(s):  
**Steve Bousdoukos**  
**26 Southern Road Mentone Victoria 3194 Australia**
- (72) Name(s) of Designer(s): **Steve Bousdoukos**
- (45) Registration Date: **08 February 2007**
- (56) Related Art Documents: **Not Applicable**
- (57) Statement of Newness and Distinctiveness: **The shape and configuration of the greeting card is new and distinctive.**

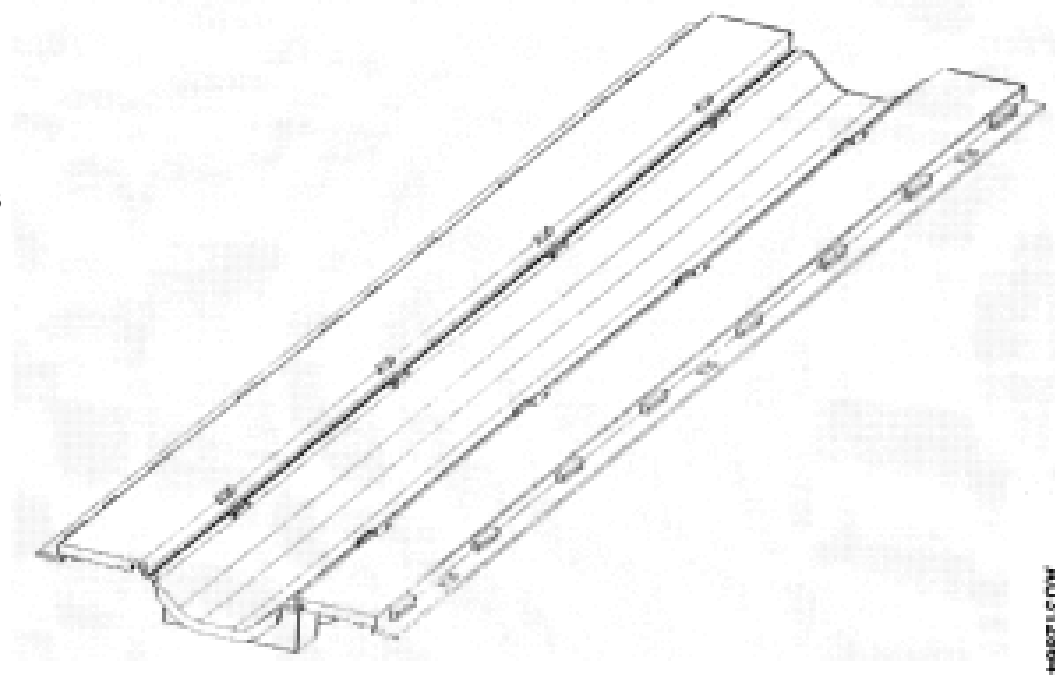


- (21) Design Number: **15557/2006**
- (22) Date of Filing Application: **04 December 2006**
- (24) Date from which industrial property rights may have effect: **04 December 2006**
- (54) Product in respect of which the design is registered: **Storm drain channel**
- (51) International Design Classification: **23-01L**
- (71) Name(s) and Address(s) of Applicant(s):  
**Flex-Seal Couplings Limited**  
**Endeavour Works Newlands Way Valley Park Wombwell Barnsley S73**  
**0UW United Kingdom**
- (72) Name(s) of Designer(s): **Stephen Keith Riding**
- (45) Registration Date: **08 February 2007**
- (30) Convention priority data:
  - (31) Number      (32) Date      (33) Country
  - 000547146#0002**   **19 Jun 2006**   **EUROPEAN COMMUNITY**
- (56) Related Art Documents: **Not Applicable**
- (57) Statement of Newness and Distinctiveness: **Nil**





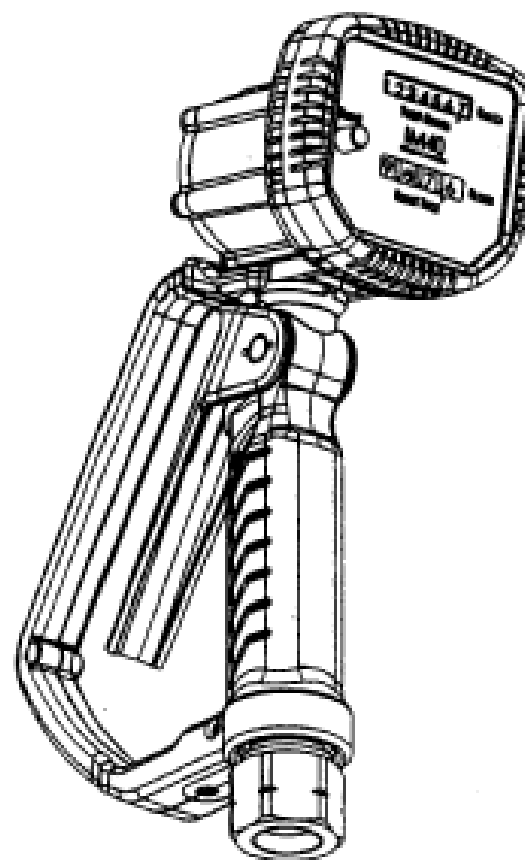
(21) Design Number: **15556/2006**  
(22) Date of Filing Application: **04 December 2006**  
(24) Date from which industrial property rights may have effect: **04 December 2006**  
(54) Product in respect of which the design is registered: **Blanks for storm drain channels**  
(51) International Design Classification: **23-01L**  
(71) Name(s) and Address(s) of Applicant(s):  
**Flex-Seal Couplings Limited**  
**Endeavour Works Newlands Way Valley Park Wombwell Barnsley S73**  
**0UW United Kingdom**  
(72) Name(s) of Designer(s): **Stephen Keith Riding**  
(45) Registration Date: **08 February 2007**  
(30) Convention priority data:  
(31) Number (32) Date (33) Country  
**000547146#0001 19 Jun 2006 EUROPEAN COMMUNITY**  
(56) Related Art Documents: **Not Applicable**  
(57) Statement of Newness and Distinctiveness: **Nil**



(21) Design Number: **15574/2006**  
(22) Date of Filing Application: **05 December 2006**  
(24) Date from which industrial property rights may have effect: **05 December 2006**  
(54) Product in respect of which the design is registered: **Razor handle**  
(51) International Design Classification: **28-03A**  
(71) Name(s) and Address(s) of Applicant(s):  
**Eveready Battery Company, Inc.**  
**533 Maryville University Drive St Louis Missouri 63164 United States**  
**of America**  
(72) Name(s) of Designer(s): **Wes Rhoad and Alan Blatter and Donald Roche**  
**and Paul Skibo**  
(45) Registration Date: **08 February 2007**  
(30) Convention priority data:  
(31) Number (32) Date (33) Country  
**29/261144 08 Jun 2006 UNITED STATES OF AMERICA**  
(56) Related Art Documents: **Not Applicable**  
(57) Statement of Newness and Distinctiveness: **Nil**



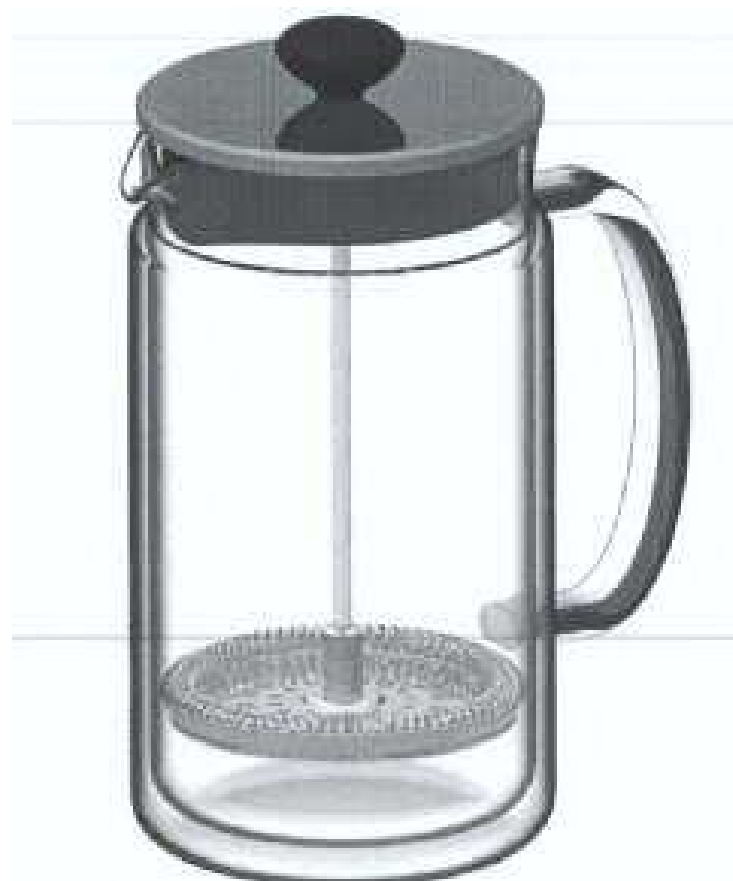
- (21) Design Number: **15573/2006**  
(22) Date of Filing Application: **05 December 2006**  
(24) Date from which industrial property rights may have effect: **05 December 2006**  
(54) Product in respect of which the design is registered: **Meter Assembly**  
(51) International Design Classification: **10-04**  
(71) Name(s) and Address(s) of Applicant(s):  
**Macnaught Pty Limited**  
**41-49 Henderson Street Turrella New South Wales 2205 Australia**  
(72) Name(s) of Designer(s): **Warren John Preston and Peter Robert Kerr**  
(45) Registration Date: **08 February 2007**  
(56) Related Art Documents: **Not Applicable**  
(57) Statement of Newness and Distinctiveness: **Nil**



- (21) Design Number: **15571/2006**  
(22) Date of Filing Application: **05 December 2006**  
(24) Date from which industrial property rights may have effect: **05 December 2006**  
(54) Product in respect of which the design is registered: **Double wall french press coffee maker (1)**  
(51) International Design Classification: **07-02L**  
(71) Name(s) and Address(s) of Applicant(s):  
**Pi-Design AG**  
**Kantonsstrasse 100 Postfach 463 CH-6234 Triengen Switzerland**  
(72) Name(s) of Designer(s): **Jorgen Bodum**  
(45) Registration Date: **08 February 2007**  
(30) Convention priority data:  

(31) Number	(32) Date	(33) Country
<b>DA 2006</b>	<b>06 Jun 2006</b>	<b>DENMARK</b>
<b>00148</b>		

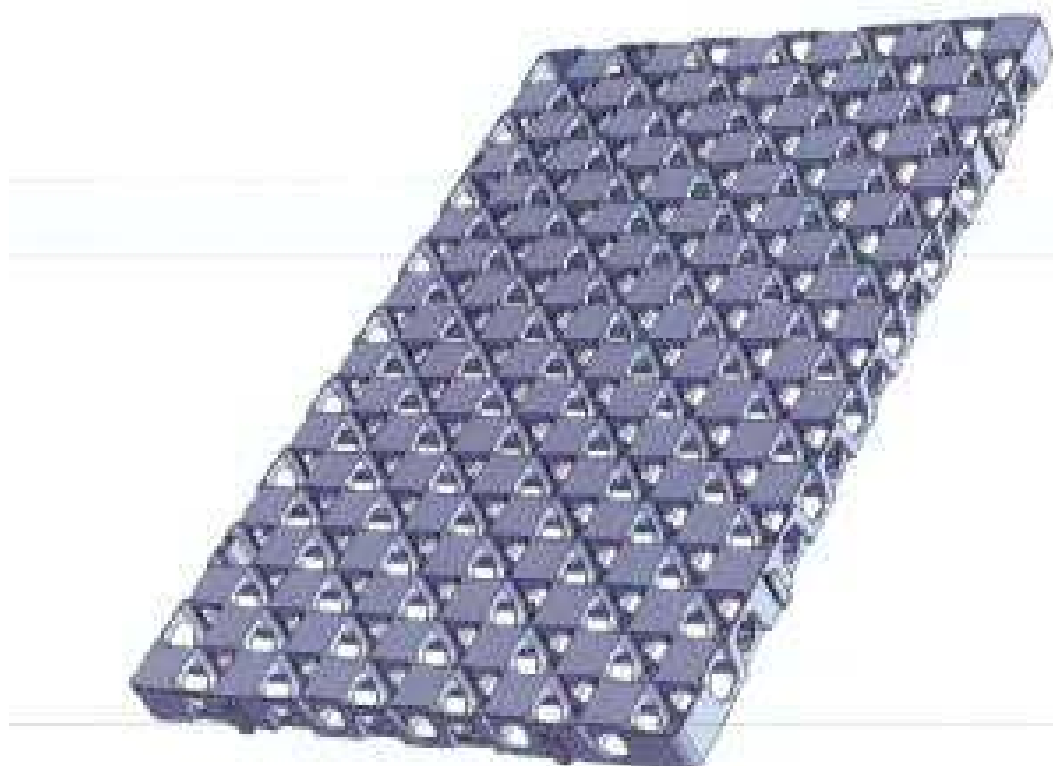
  
(56) Related Art Documents: **Not Applicable**  
(57) Statement of Newness and Distinctiveness: **The following visual features of the design are new and distinctive: Double wall glass on beaker of coffee plunger**



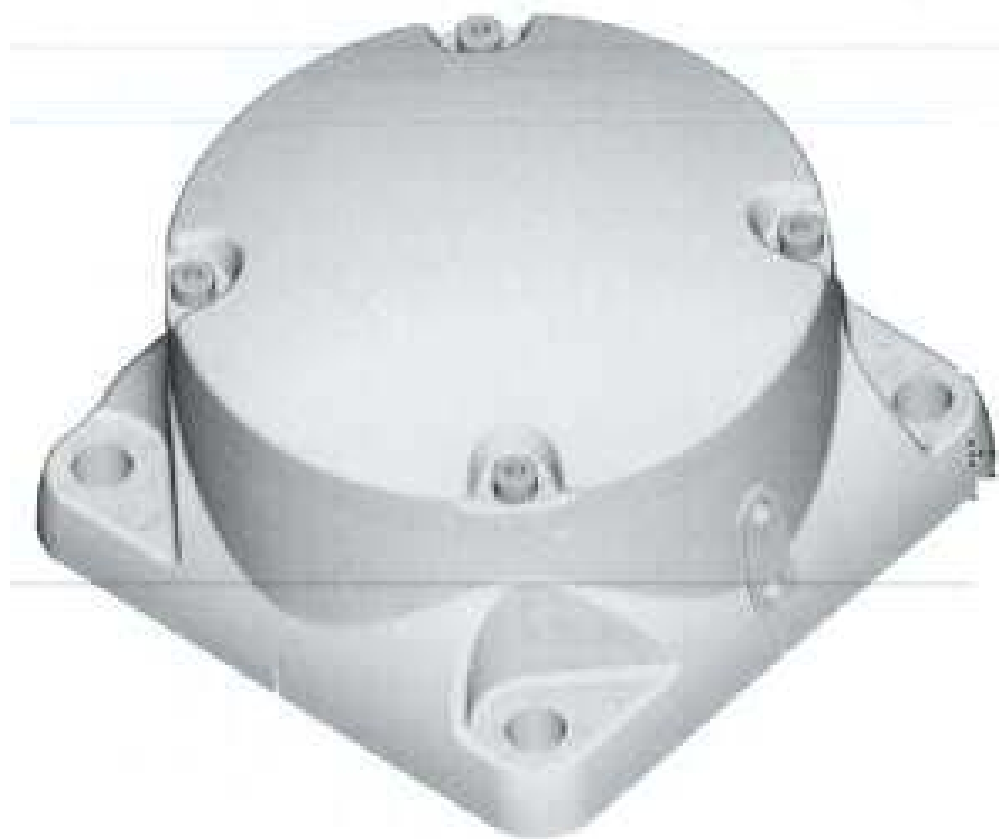
- (21) Design Number: **15572/2006**  
(22) Date of Filing Application: **05 December 2006**  
(24) Date from which industrial property rights may have effect: **05 December 2006**  
(54) Product in respect of which the design is registered: **Double wall french press coffee maker (2)**  
(51) International Design Classification: **07-02L**  
(71) Name(s) and Address(s) of Applicant(s):  
**Pi-Design AG**  
**Kantonsstrasse 100 Postfach 463 CH-6234 Triengen Switzerland**  
(72) Name(s) of Designer(s): **Jorgen Bodum**  
(45) Registration Date: **08 February 2007**  
(30) Convention priority data:  
(31) Number (32) Date (33) Country  
**DA 2006 06 Jun 2006 DENMARK**  
**00148**  
(56) Related Art Documents: **Not Applicable**  
(57) Statement of Newness and Distinctiveness: **The following visual features of the design are new and distinctive: Double wall glass on beaker of coffee plunger**



- (21) Design Number: **15568/2006**  
(22) Date of Filing Application: **05 December 2006**  
(24) Date from which industrial property rights may have effect: **05 December 2006**  
(54) Product in respect of which the design is registered: **Drainage cell**  
(51) International Design Classification: **23-01E**  
(71) Name(s) and Address(s) of Applicant(s):  
**Astral Property Pty Limited**  
**Unit 3 19-21 Gibbes Street Chatswood New South Wales 2067**  
**Australia**  
(72) Name(s) of Designer(s): **Humberto Urriola**  
(45) Registration Date: **08 February 2007**  
(56) Related Art Documents: **Not Applicable**  
(57) Statement of Newness and Distinctiveness: **The newness and distinctiveness in respect of the design is claimed in the features of shape and configuration of the drainage cell, as illustrated in the accompanying representations.**



- (21) Design Number: **14999/2006**  
(22) Date of Filing Application: **30 October 2006**  
(24) Date from which industrial property rights may have effect: **30 October 2006**  
(54) Product in respect of which the design is registered: **Bearing housing**  
(51) International Design Classification: **15-99**  
(71) Name(s) and Address(s) of Applicant(s):  
**Aktiebolaget Skf**  
**S#415 50 Gothenburg Sweden**  
(72) Name(s) of Designer(s): **Henrik Ostling and Henrik Olsson and Mikael R. Karlsson**  
(45) Registration Date: **08 February 2007**  
(30) Convention priority data:  
(31) Number (32) Date (33) Country  
**000529862 15 May 2006 EUROPEAN COMMUNITY**  
(56) Related Art Documents: **Not Applicable**  
(57) Statement of Newness and Distinctiveness: **Those features of the bearing housings depicted in the representations that are new and distinctive are the shape and/or configuration. The bottom views may or may not form part of the design.**



- (21) Design Number: **15952/2007**  
(22) Date of Filing Application: **30 October 2006**  
(24) Date from which industrial property rights may have effect: **30 October 2006**  
(54) Product in respect of which the design is registered: **Bearing housing**  
(51) International Design Classification: **15-99**  
(71) Name(s) and Address(s) of Applicant(s):  
**Aktiebolaget Skf**  
**S#415 50 Gothenburg Sweden**  
(72) Name(s) of Designer(s): **Henrik Ostling and Mikael R. Karlsson and Henrik Olsson**  
(45) Registration Date: **08 February 2007**  
(30) Convention priority data:  
(31) Number (32) Date (33) Country  
**000529862 15 May 2006 EUROPEAN COMMUNITY**  
(56) Related Art Documents: **Not Applicable**  
(57) Statement of Newness and Distinctiveness: **Those features of the bearing housing depicted in the representations that are new and distinctive are the shape and/or configuration.**



(21) Design Number: **15953/2007**

(22) Date of Filing Application: **30 October 2006**

(24) Date from which industrial property rights may have effect: **30 October 2006**

(54) Product in respect of which the design is registered: **Bearing housing**

(51) International Design Classification: **15-99**

(71) Name(s) and Address(s) of Applicant(s):

**Aktiebolaget Skf  
S#415 50 Gothenburg Sweden**

(72) Name(s) of Designer(s): **Henrik Ostling and Mikael R. Karlsson and Henrik Olsson**

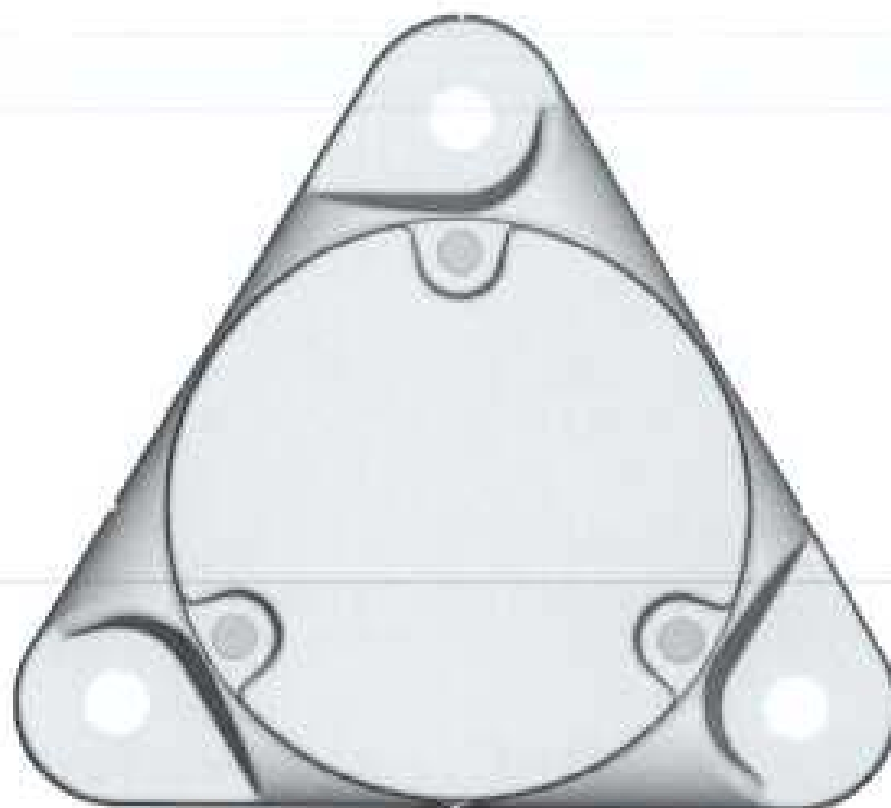
(45) Registration Date: **08 February 2007**

(30) Convention priority data:

(31) Number	(32) Date	(33) Country
<b>000529862</b>	<b>15 May 2006</b>	<b>EUROPEAN COMMUNITY</b>

(56) Related Art Documents: **Not Applicable**

(57) Statement of Newness and Distinctiveness: **Those features of the bearing housing depicted in the representations that are new and distinctive are the shape and/or configuration.**



(21) Design Number: **15954/2007**

(22) Date of Filing Application: **30 October 2006**

(24) Date from which industrial property rights may have effect: **30 October 2006**

(54) Product in respect of which the design is registered: **Bearing housing**

(51) International Design Classification: **15-99**

(71) Name(s) and Address(s) of Applicant(s):

**Aktiebolaget Skf  
S#415 50 Gothenburg Sweden**

(72) Name(s) of Designer(s): **Henrik Ostling and Mikael R. Karlsson and Henrik Olsson**

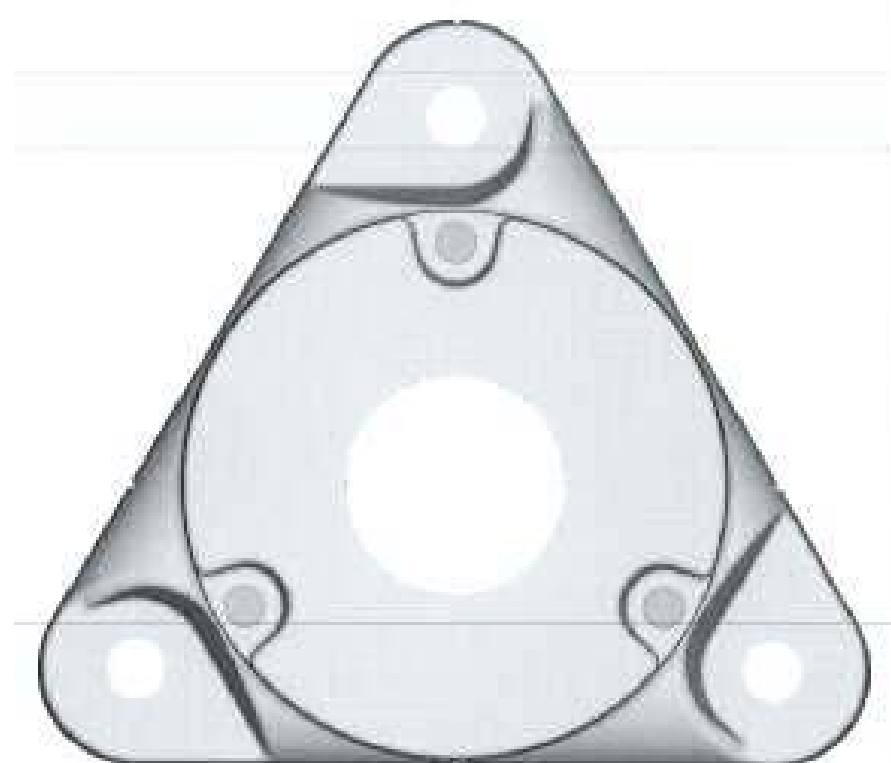
(45) Registration Date: **08 February 2007**

(30) Convention priority data:

(31) Number	(32) Date	(33) Country
<b>000529862</b>	<b>15 May 2006</b>	<b>EUROPEAN COMMUNITY</b>

(56) Related Art Documents: **Not Applicable**

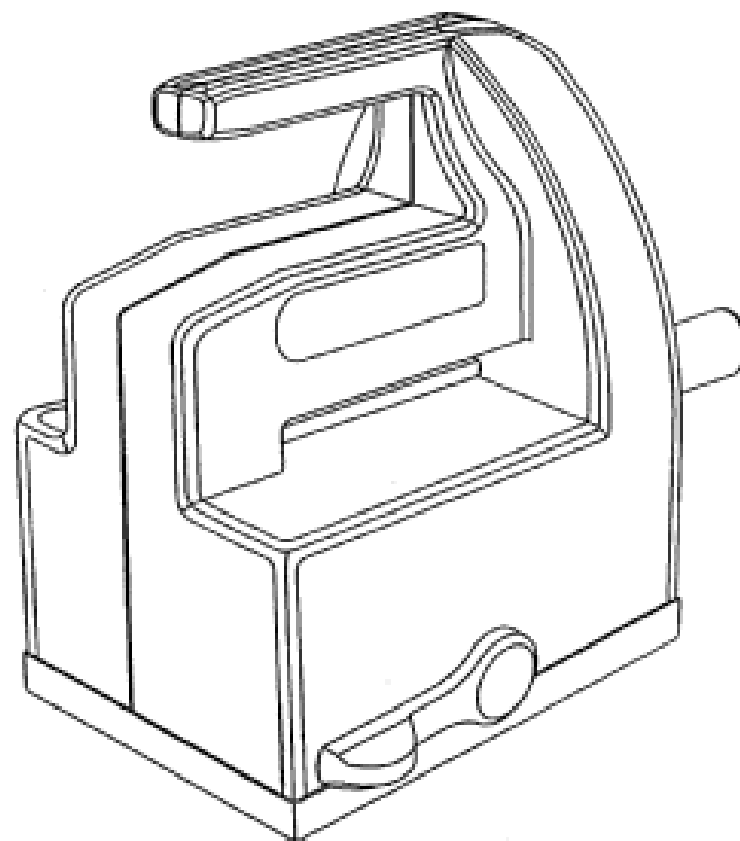
(57) Statement of Newness and Distinctiveness: **Those features of the bearing housing depicted in the representations that are new and distinctive are the shape and/or configuration.**



(21) Design Number: **15551/2006**  
 (22) Date of Filing Application: **04 December 2006**  
 (24) Date from which industrial property rights may have effect: **04 December 2006**  
 (54) Product in respect of which the design is registered: **Handicraft processing machine**  
 (51) International Design Classification: **18-99**  
 (71) Name(s) and Address(s) of Applicant(s):  
**Carl Manufacturing Co., Ltd.**  
**3#7#9 Tateishi Katsushika-ku Tokyo Japan**  
 (72) Name(s) of Designer(s): **Naoki Ozawa**  
 (45) Registration Date: **08 February 2007**  
 (30) Convention priority data:  

(31) Number	(32) Date	(33) Country
<b>2006#024632</b>	<b>14 Sep 2006</b>	<b>JAPAN</b>

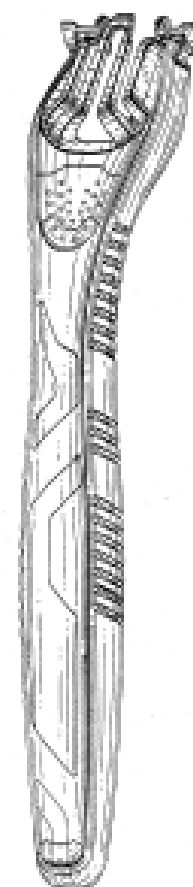
 (56) Related Art Documents: **Not Applicable**  
 (57) Statement of Newness and Distinctiveness: **Newness and distinctiveness is claimed in the features of shape and/or configuration of a handicraft processing machine as illustrated in the accompanying representations.**



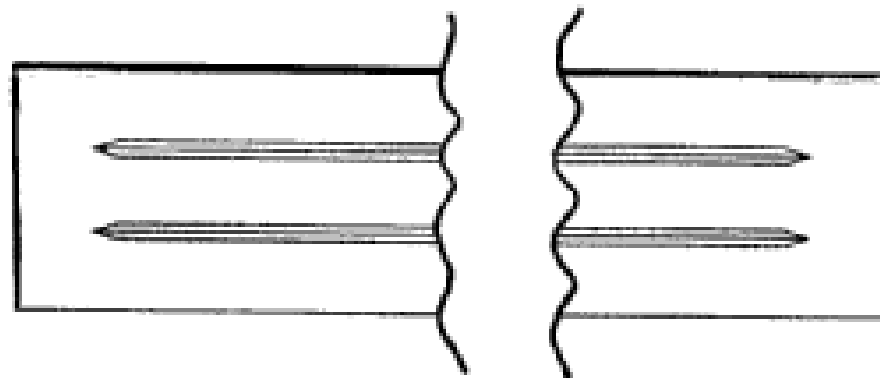
(21) Design Number: **15575/2006**  
 (22) Date of Filing Application: **05 December 2006**  
 (24) Date from which industrial property rights may have effect: **05 December 2006**  
 (54) Product in respect of which the design is registered: **Razor handle**  
 (51) International Design Classification: **28-03A**  
 (71) Name(s) and Address(s) of Applicant(s):  
**Eveready Battery Company, Inc.**  
**533 Maryville University Drive St Louis Missouri 63164 United States of America**  
 (72) Name(s) of Designer(s): **Wes Rhoad and Alan Blatter and Donald Roche and Paul Skibo and Sean Lukan**  
 (45) Registration Date: **08 February 2007**  
 (30) Convention priority data:  

(31) Number	(32) Date	(33) Country
<b>29/261145</b>	<b>08 Jun 2006</b>	<b>UNITED STATES OF AMERICA</b>

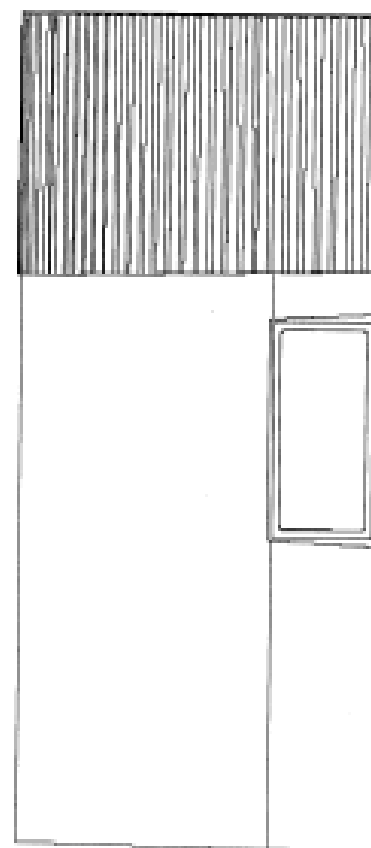
 (56) Related Art Documents: **Not Applicable**  
 (57) Statement of Newness and Distinctiveness: **Nil**



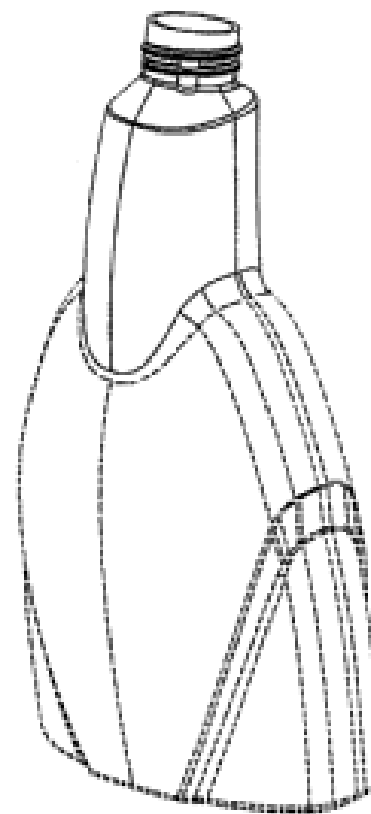
- (21) Design Number: **15576/2006**  
(22) Date of Filing Application: **05 December 2006**  
(24) Date from which industrial property rights may have effect: **05 December 2006**  
(54) Product in respect of which the design is registered: **An extrusion**  
(51) International Design Classification: **25-01K**  
(71) Name(s) and Address(s) of Applicant(s):  
**SmarTech Designs Pty Limited**  
**700 The Scenic Road Macmasters Beach New South Wales 2251**  
**Australia**  
(72) Name(s) of Designer(s): **John Demartins and Razvan Gornoviceanu and**  
**Alfred Arthur Arnold**  
(45) Registration Date: **08 February 2007**  
(56) Related Art Documents: **Not Applicable**  
(57) Statement of Newness and Distinctiveness: **Newness and distinctiveness is**  
**claimed in the features of shape and/or configuration of the cross**  
**section of an extrusion as illustrated in the accompanying**  
**representations, wherein the cross section of the extrusion is constant**  
**along its length.**



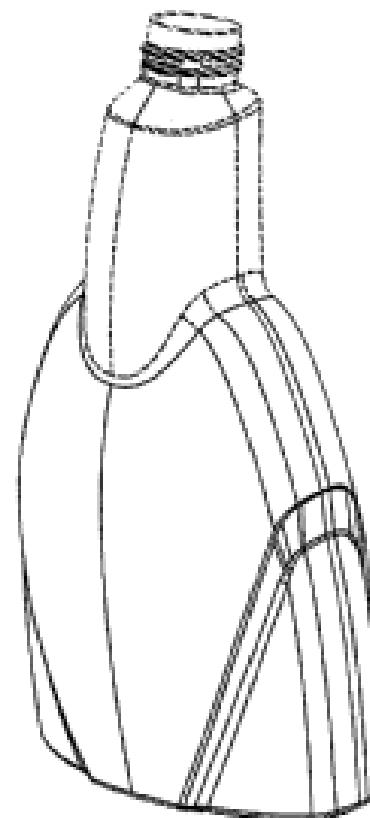
- (21) Design Number: **15577/2006**  
(22) Date of Filing Application: **05 December 2006**  
(24) Date from which industrial property rights may have effect: **05 December 2006**  
(54) Product in respect of which the design is registered: **Motor for liftable doors**  
(51) International Design Classification: **13-01**  
(71) Name(s) and Address(s) of Applicant(s):  
**Mhouse Srl**  
**Via Pezza Alta 13 Oderzo Treviso 31046 Italy**  
(72) Name(s) of Designer(s): **Oscar Marchetto and Roberto Gherlenda**  
(45) Registration Date: **08 February 2007**  
(30) Convention priority data:  
(31) Number (32) Date (33) Country  
**TV 2006O 06 Jun 2006 ITALY**  
**000033**  
(56) Related Art Documents: **Not Applicable**  
(57) Statement of Newness and Distinctiveness: **The motor for liftable doors**  
**shown in the representations is new and distinctive.**



- (21) Design Number: **15578/2006**  
(22) Date of Filing Application: **05 December 2006**  
(24) Date from which industrial property rights may have effect: **05 December 2006**  
(54) Product in respect of which the design is registered: **Bottle neck**  
(51) International Design Classification: **09-01K**  
(71) Name(s) and Address(s) of Applicant(s):  
**Intellectual Property Development Corporation Pty Ltd**  
**Level 9 51 Queen Street Melbourne Victoria 3000 Australia**  
(72) Name(s) of Designer(s): **Philip Withers**  
(45) Registration Date: **08 February 2007**  
(56) Related Art Documents: **Not Applicable**  
(57) Statement of Newness and Distinctiveness: **Newness and distinctiveness are claimed in the features of shape and/or configuration of a bottle, as illustrated in the accompanying representations. In considering the scope of the monopoly, the feature shown in dotted lines should be excluded.**

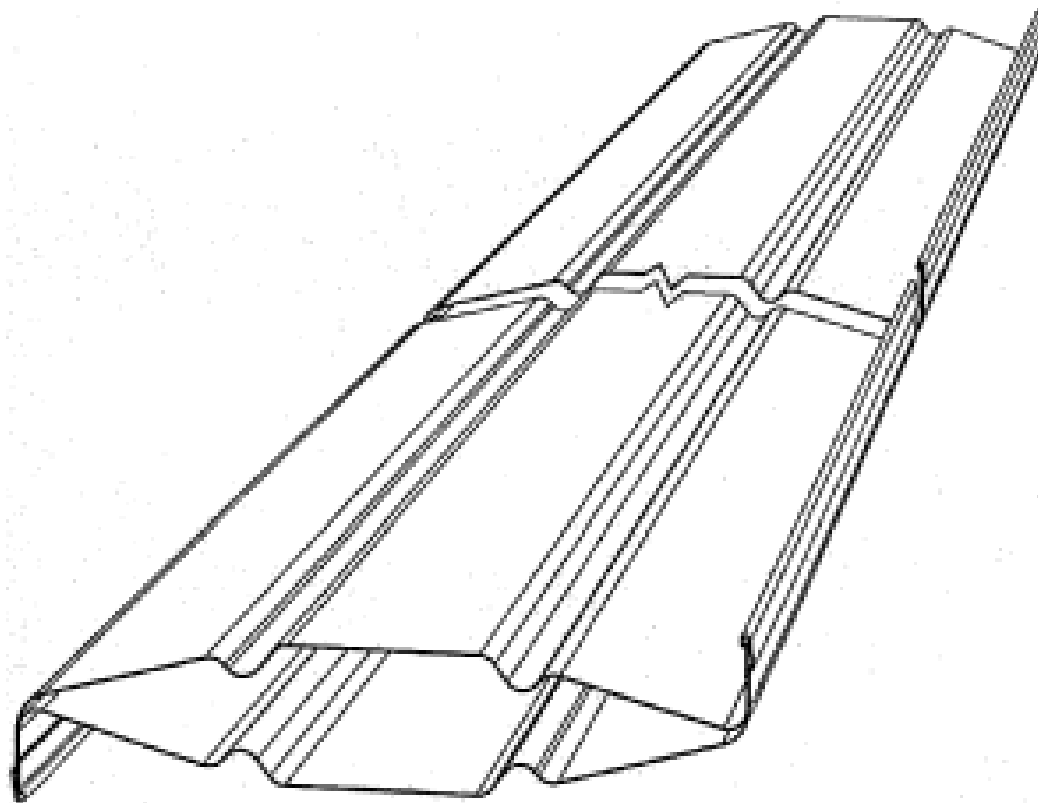


- (21) Design Number: **15579/2006**  
(22) Date of Filing Application: **05 December 2006**  
(24) Date from which industrial property rights may have effect: **05 December 2006**  
(54) Product in respect of which the design is registered: **Bottle body**  
(51) International Design Classification: **09-01K**  
(71) Name(s) and Address(s) of Applicant(s):  
**Intellectual Property Development Corporation Pty Ltd**  
**Level 9 51 Queen Street Melbourne Victoria 3000 Australia**  
(72) Name(s) of Designer(s): **Philip Withers**  
(45) Registration Date: **08 February 2007**  
(56) Related Art Documents: **Not Applicable**  
(57) Statement of Newness and Distinctiveness: **Newness and distinctiveness are claimed in the features of shape and/or configuration of a bottle, as illustrated in the accompanying representations. In considering the scope of the monopoly, the feature shown in dotted lines should be excluded.**

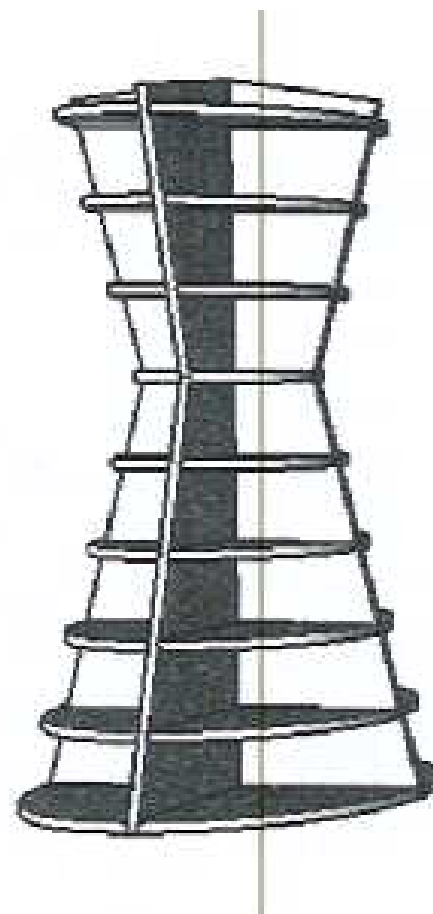




- (21) Design Number: **15580/2006**  
(22) Date of Filing Application: **05 December 2006**  
(24) Date from which industrial property rights may have effect: **05 December 2006**  
(54) Product in respect of which the design is registered: **A section for a louvre**  
(51) International Design Classification: **25-02K**  
(71) Name(s) and Address(s) of Applicant(s):  
**Stratco (Australia) Pty Limited**  
**125 Cavan Road Gepps Cross South Australia 5094 Australia**  
(72) Name(s) of Designer(s): **Drew Lindsay Heidenreich and Julie Christine Sexton**  
(45) Registration Date: **08 February 2007**  
(56) Related Art Documents: **Not Applicable**  
(57) Statement of Newness and Distinctiveness: **Newness and distinctiveness is claimed in the shape and/or configuration of a section for a louvre as shown in the representations except that those parts of the section which are shown in the circles X of the cross sectional view included in the representations should be disregarded.**



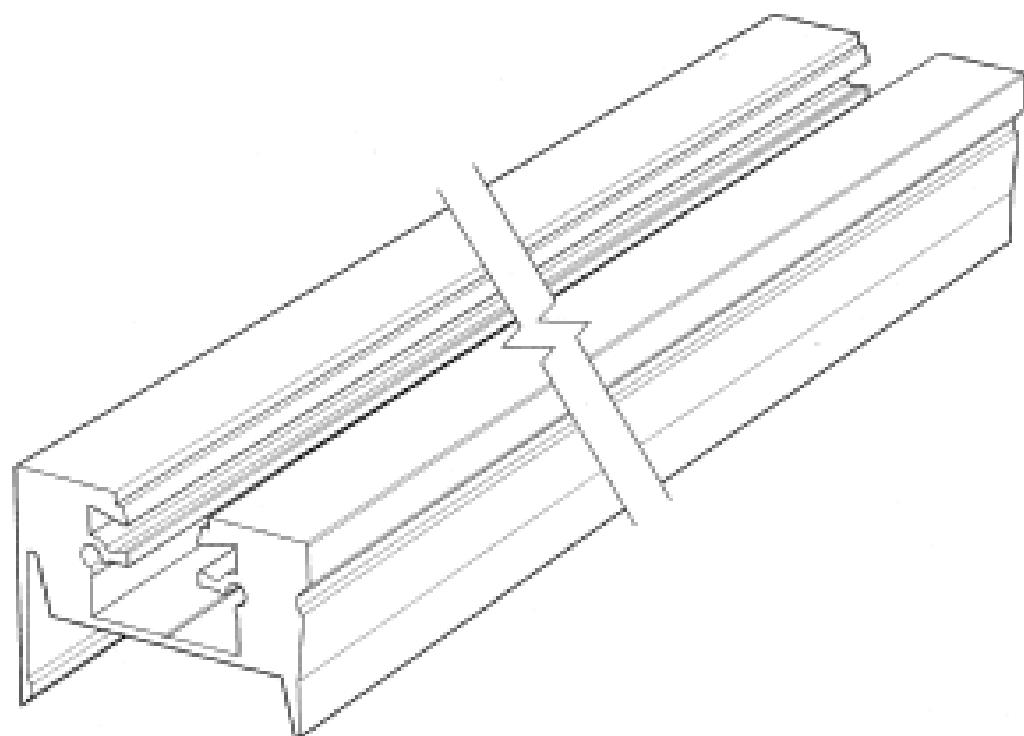
- (21) Design Number: **15581/2006**  
(22) Date of Filing Application: **06 December 2006**  
(24) Date from which industrial property rights may have effect: **06 December 2006**  
(54) Product in respect of which the design is registered: **Chess set**  
(51) International Design Classification: **21-01L**  
(71) Name(s) and Address(s) of Applicant(s):  
**Max Strating**  
**236 Williamstown Road Port Melbourne Victoria 3207 Australia**  
(72) Name(s) of Designer(s): **Max Strating**  
(45) Registration Date: **08 February 2007**  
(56) Related Art Documents: **Not Applicable**  
(57) Statement of Newness and Distinctiveness: **Nil**



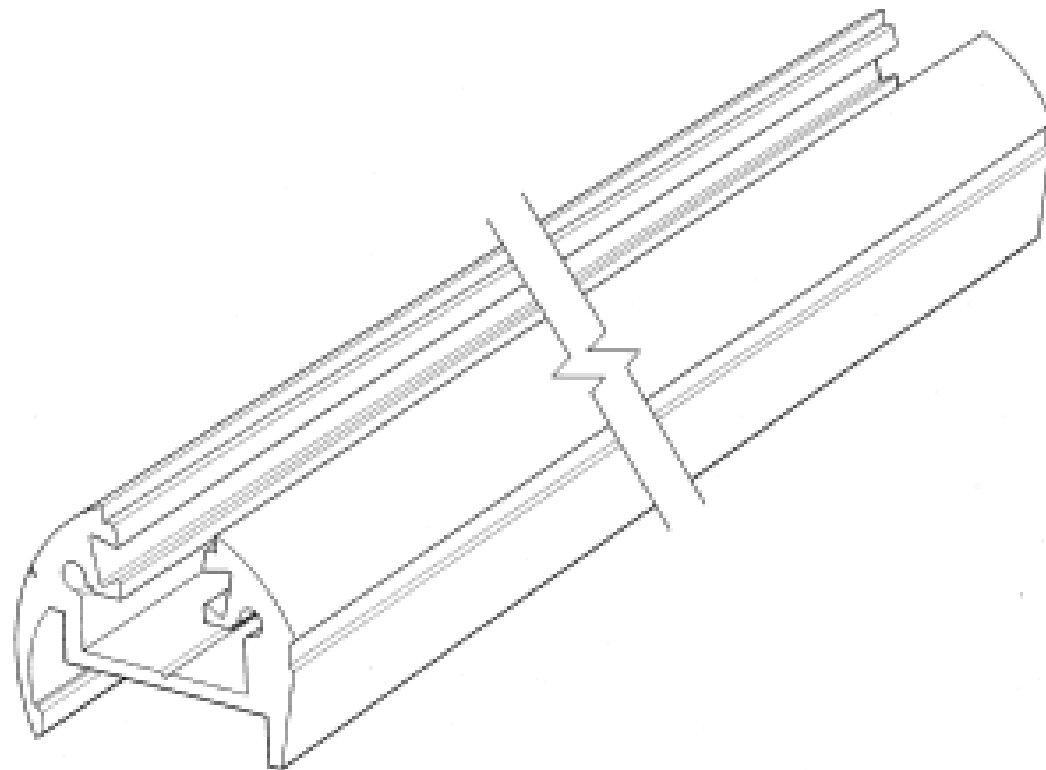
- (21) Design Number: **15582/2006**  
(22) Date of Filing Application: **06 December 2006**  
(24) Date from which industrial property rights may have effect: **06 December 2006**  
(54) Product in respect of which the design is registered: **Design block will be used for a garden bed edging and tree surrounds**  
(51) International Design Classification: **25-01E**  
(71) Name(s) and Address(s) of Applicant(s):  
**Kerry Minchin**  
**63 Beasley's Road Tasmania 7275 Australia**  
(72) Name(s) of Designer(s): **Kerry Minchin**  
(45) Registration Date: **08 February 2007**  
(56) Related Art Documents: **Not Applicable**  
(57) Statement of Newness and Distinctiveness: **Design of block forms a continuous edge and mowing strip whilst accommodating directional change.**



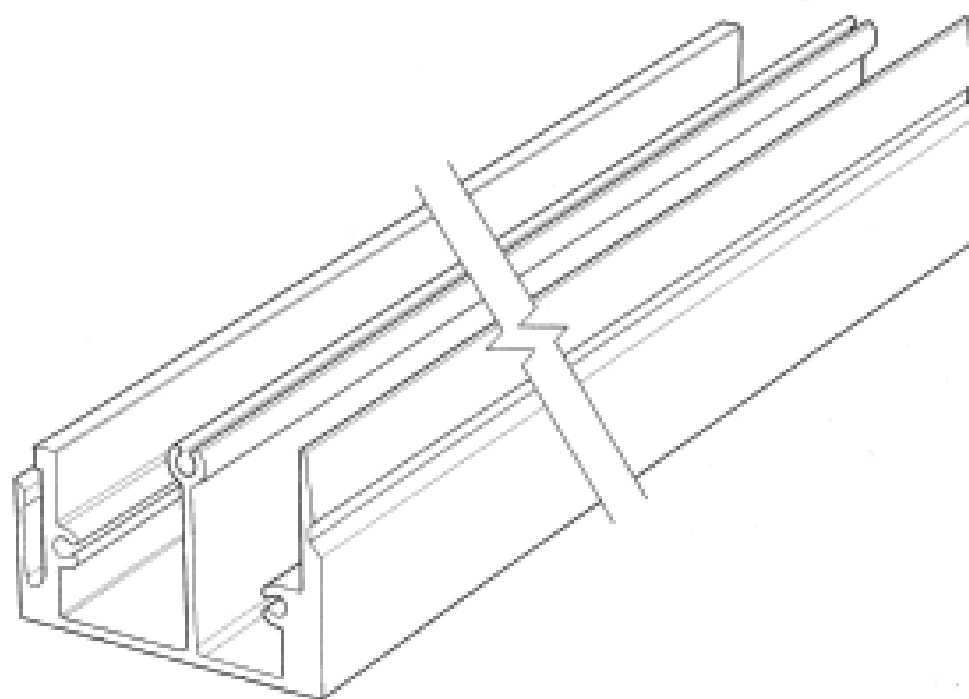
- (21) Design Number: **15583/2006**  
(22) Date of Filing Application: **06 December 2006**  
(24) Date from which industrial property rights may have effect: **06 December 2006**  
(54) Product in respect of which the design is registered: **An extrusion for a balustrade post**  
(51) International Design Classification: **25-01K**  
(71) Name(s) and Address(s) of Applicant(s):  
**Prodrome Designs Pty Ltd**  
**468 Stuart Highway Winnellie Northern Territory 0820 Australia**  
(72) Name(s) of Designer(s): **John Koukouvas**  
(45) Registration Date: **08 February 2007**  
(56) Related Art Documents: **Not Applicable**  
(57) Statement of Newness and Distinctiveness: **Newness and distinctiveness reside in the features of shape and configuration of an extrusion of indefinite length for a balustrade post as shown in the accompanying representations.**



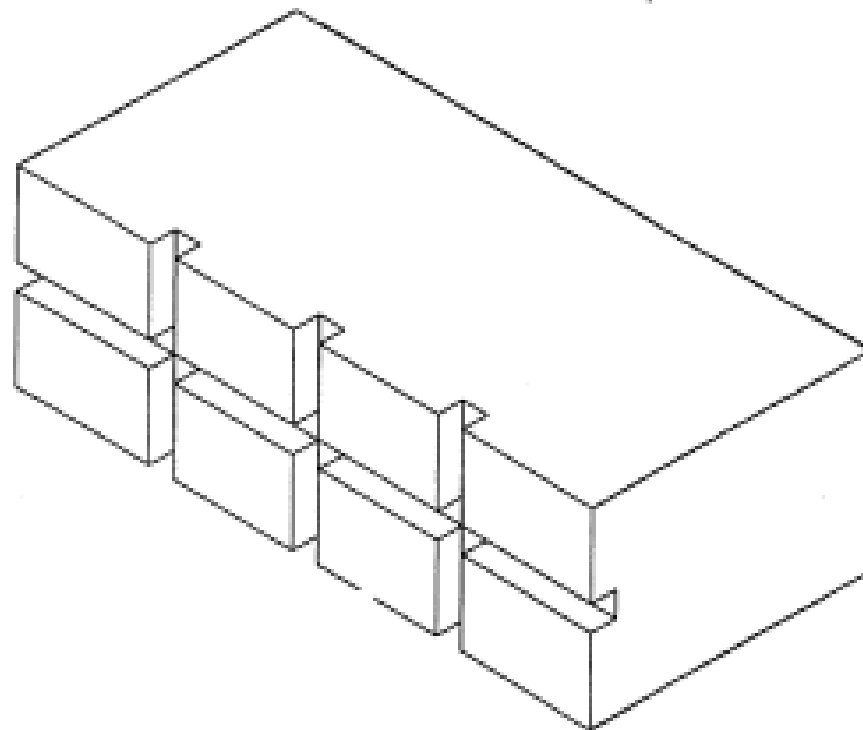
- (21) Design Number: **15584/2006**  
(22) Date of Filing Application: **06 December 2006**  
(24) Date from which industrial property rights may have effect: **06 December 2006**  
(54) Product in respect of which the design is registered: **An extrusion for a balustrade post**  
(51) International Design Classification: **25-01K**  
(71) Name(s) and Address(s) of Applicant(s):  
**Prodrome Designs Pty Ltd**  
**468 Stuart Highway Winnellie Northern Territory 0820 Australia**  
(72) Name(s) of Designer(s): **John Koukouvas**  
(45) Registration Date: **08 February 2007**  
(56) Related Art Documents: **Not Applicable**  
(57) Statement of Newness and Distinctiveness: **Newness and distinctiveness reside in the features of shape and configuration of an extrusion of indefinite length for a balustrade post as shown in the accompanying representations.**



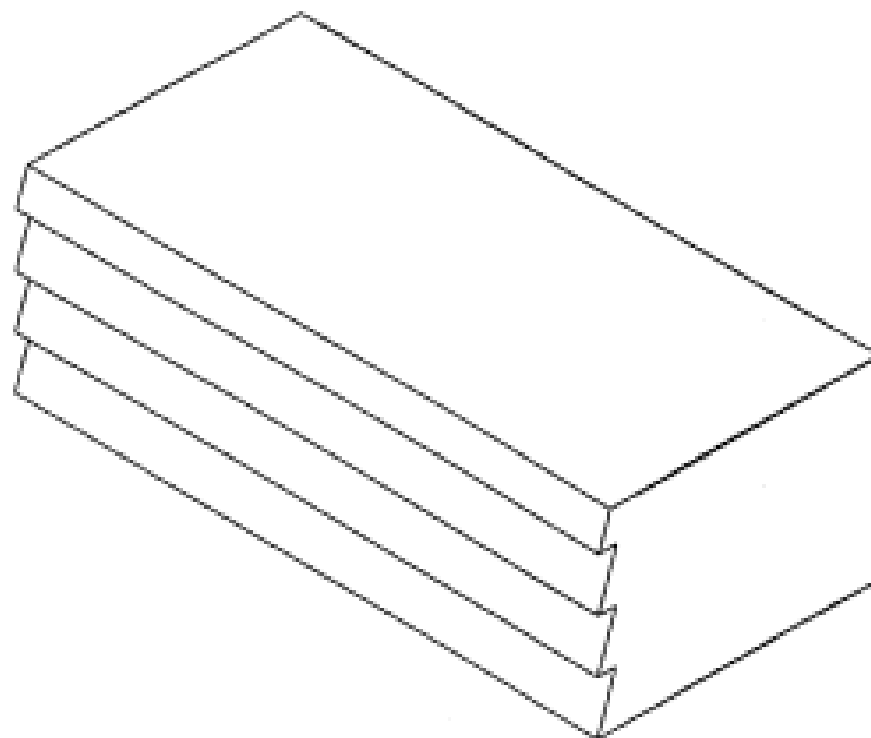
- (21) Design Number: **15585/2006**  
(22) Date of Filing Application: **06 December 2006**  
(24) Date from which industrial property rights may have effect: **06 December 2006**  
(54) Product in respect of which the design is registered: **An extrusion for a balustrade post**  
(51) International Design Classification: **25-01K**  
(71) Name(s) and Address(s) of Applicant(s):  
**Prodrome Designs Pty Ltd**  
**468 Stuart Highway Winnellie Northern Territory 0820 Australia**  
(72) Name(s) of Designer(s): **John Koukouvas**  
(45) Registration Date: **08 February 2007**  
(56) Related Art Documents: **Not Applicable**  
(57) Statement of Newness and Distinctiveness: **Newness and distinctiveness reside in the features of shape and configuration of an extrusion of indefinite length for a balustrade post as shown in the accompanying representations.**



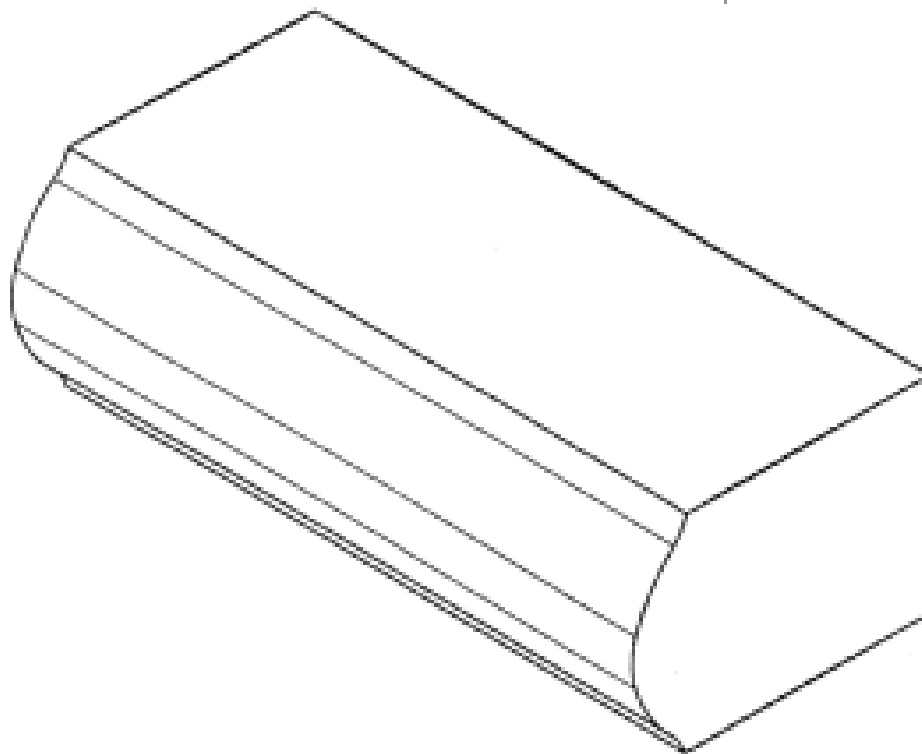
- (21) Design Number: **15586/2006**  
(22) Date of Filing Application: **06 December 2006**  
(24) Date from which industrial property rights may have effect: **06 December 2006**  
(54) Product in respect of which the design is registered: **Brick**  
(51) International Design Classification: **25-01A**  
(71) Name(s) and Address(s) of Applicant(s):  
**The Austral Brick Company Pty Ltd**  
**Wallgrove Road Horsley Park New South Wales 2164 Australia**  
(72) Name(s) of Designer(s): **Richard West**  
(45) Registration Date: **08 February 2007**  
(56) Related Art Documents: **Not Applicable**  
(57) Statement of Newness and Distinctiveness: **Those features of the brick depicted in the representations that are new and distinctive are the shape and/or configuration of the front face of the brick.**



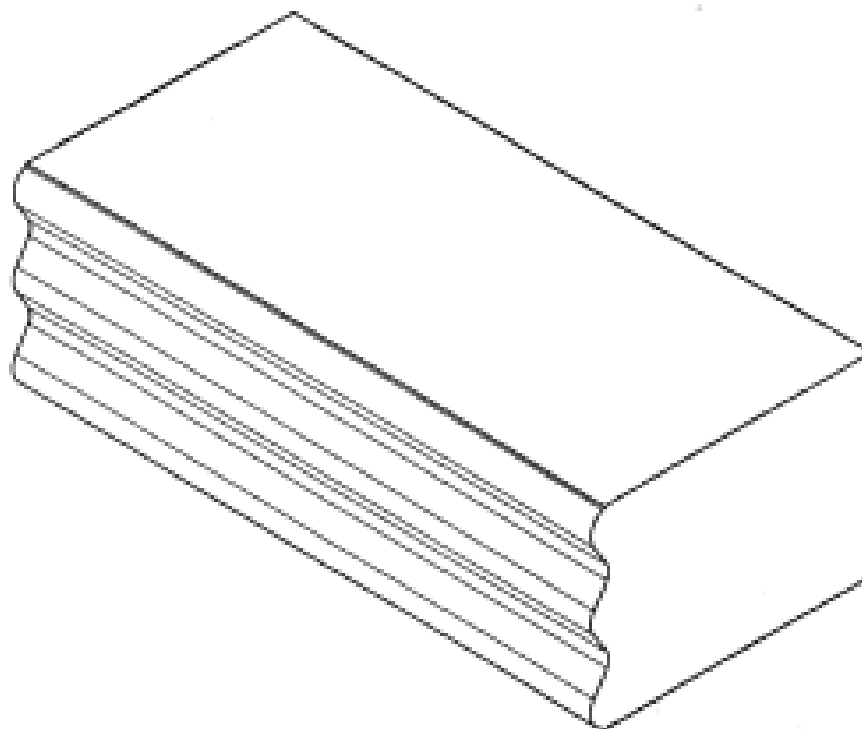
- (21) Design Number: **15587/2006**  
(22) Date of Filing Application: **06 December 2006**  
(24) Date from which industrial property rights may have effect: **06 December 2006**  
(54) Product in respect of which the design is registered: **Brick**  
(51) International Design Classification: **25-01A**  
(71) Name(s) and Address(s) of Applicant(s):  
**The Austral Brick Company Pty Ltd**  
**Wallgrove Road Horsley Park New South Wales 2164 Australia**  
(72) Name(s) of Designer(s): **Richard West**  
(45) Registration Date: **08 February 2007**  
(56) Related Art Documents: **Not Applicable**  
(57) Statement of Newness and Distinctiveness: **Those features of the brick depicted in the representations that are new and distinctive are the shape and/or configuration of the front face of the brick.**



- (21) Design Number: **15588/2006**  
(22) Date of Filing Application: **06 December 2006**  
(24) Date from which industrial property rights may have effect: **06 December 2006**  
(54) Product in respect of which the design is registered: **Brick**  
(51) International Design Classification: **25-01A**  
(71) Name(s) and Address(s) of Applicant(s):  
**The Austral Brick Company Pty Ltd**  
**Wallgrove Road Horsley Park New South Wales 2164 Australia**  
(72) Name(s) of Designer(s): **Richard West**  
(45) Registration Date: **08 February 2007**  
(56) Related Art Documents: **Not Applicable**  
(57) Statement of Newness and Distinctiveness: **Those features of the brick depicted in the representations that are new and distinctive are the shape and/or configuration of the front face of the brick.**



- (21) Design Number: **15589/2006**  
(22) Date of Filing Application: **06 December 2006**  
(24) Date from which industrial property rights may have effect: **06 December 2006**  
(54) Product in respect of which the design is registered: **Brick**  
(51) International Design Classification: **25-01A**  
(71) Name(s) and Address(s) of Applicant(s):  
**The Austral Brick Company Pty Ltd**  
**Wallgrove Road Horsley Park New South Wales 2164 Australia**  
(72) Name(s) of Designer(s): **Richard West**  
(45) Registration Date: **08 February 2007**  
(56) Related Art Documents: **Not Applicable**  
(57) Statement of Newness and Distinctiveness: **Those features of the brick depicted in the representations that are new and distinctive are the shape and/or configuration of the front face of the brick.**

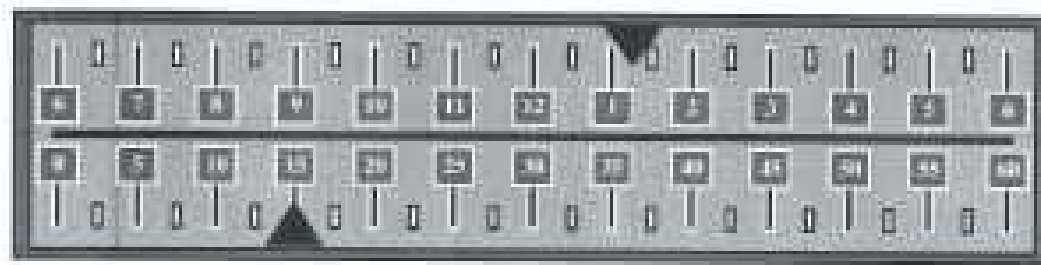


(19) AU

- (21) Design Number: **11946/2006**
- (22) Date of Filing Application: **05 May 2006**
- (24) Date from which industrial property rights may have effect: **05 May 2006**
- (54) Product in respect of which the design is registered: **Clock face**
- (51) International Design Classification: **10-01**
- (71) Name(s) and Address(s) of Applicant(s):

**Christopher Bernard McMahon**  
**30 Towerhill Road Alexander Heights Western Australia 6064**  
**Australia**

- (72) Name(s) of Designer(s): **Christopher Bernard McMahon**
- (45) Registration Date: **09 February 2007**
- (56) Related Art Documents: **Not Applicable**
- (57) Statement of Newness and Distinctiveness: **The newness and distinctiveness rests in a clock face having a linear arrangement of hour markings parallel to a linear arrangement of minute markings, each having an associated indicator.**

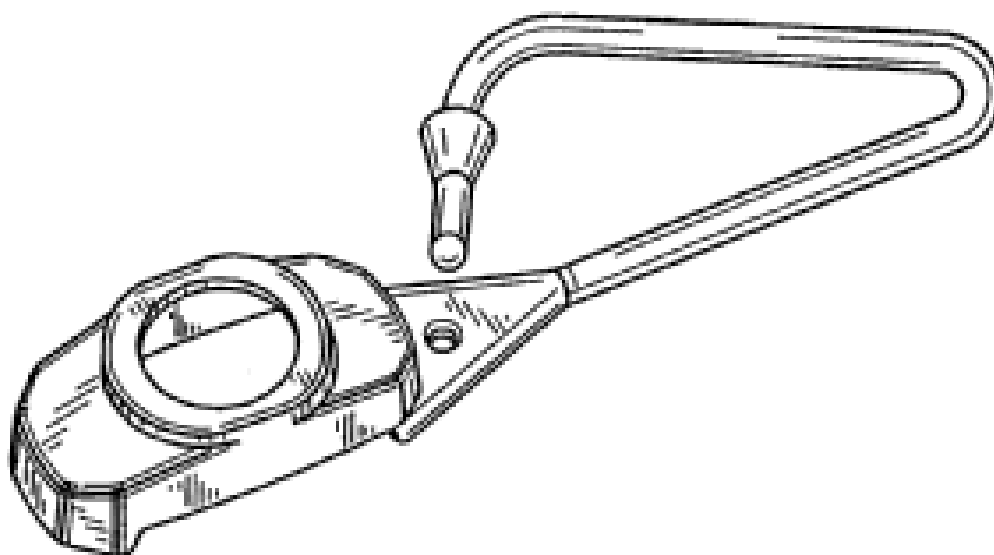


(19) AU

- (21) Design Number: **14795/2006**
- (22) Date of Filing Application: **20 October 2006**
- (24) Date from which industrial property rights may have effect: **20 October 2006**
- (54) Product in respect of which the design is registered: **Bottle holder**
- (51) International Design Classification: **03-01NES**
- (71) Name(s) and Address(s) of Applicant(s):

**Warner Lambert Company LLC**  
**201 Tabor Road Morris Plains New Jersey 07950 United States of**  
**America**

- (72) Name(s) of Designer(s): **Steven Hecht**
  - (45) Registration Date: **09 February 2007**
  - (30) Convention priority data:
- |                  |                    |                                 |
|------------------|--------------------|---------------------------------|
| (31) Number      | (32) Date          | (33) Country                    |
| <b>29/258535</b> | <b>24 Apr 2006</b> | <b>UNITED STATES OF AMERICA</b> |
- (56) Related Art Documents: **Not Applicable**
  - (57) Statement of Newness and Distinctiveness: **Newness and distinctiveness is claimed in the features of shape and/or configuration of a bottle holder, having an aperture through which the neck of a bottle is inserted, the bottle holder further includes an element for coupling the bottle holder and hence the bottle to another article as illustrated in the accompanying representations.**



(21) Design Number: **14799/2006**  
(22) Date of Filing Application: **20 October 2006**  
(24) Date from which industrial property rights may have effect: **20 October 2006**  
(54) Product in respect of which the design is registered: **Camera**  
(51) International Design Classification: **16-01**  
(71) Name(s) and Address(s) of Applicant(s):  
**Guillermo E. Litman**  
**45-18 Person Street Long Island City New York 11101 United States of America**  
(72) Name(s) of Designer(s): **Guillermo E. Litman**  
(45) Registration Date: **09 February 2007**  
(30) Convention priority data:  
(31) Number (32) Date (33) Country  
**S.N.29/258,319 20 Apr 2006 UNITED STATES OF AMERICA**  
(56) Related Art Documents: **Not Applicable**  
(57) Statement of Newness and Distinctiveness: **Nil**



(21) Design Number: **14832/2006**  
(22) Date of Filing Application: **23 October 2006**  
(24) Date from which industrial property rights may have effect: **23 October 2006**  
(54) Product in respect of which the design is registered: **A headset**  
(51) International Design Classification: **14-03A**  
(71) Name(s) and Address(s) of Applicant(s):  
**Nokia Corporation**  
**Keilalahdentie 4 FIN-02150 Espoo Finland**  
(72) Name(s) of Designer(s): **Heli Sade and Sami Lehtovaara**  
(45) Registration Date: **09 February 2007**  
(30) Convention priority data:  
(31) Number (32) Date (33) Country  
**M20060095 24 Apr 2006 FINLAND**  
(56) Related Art Documents: **Not Applicable**  
(57) Statement of Newness and Distinctiveness: **Nil**



(21) Design Number: **14833/2006**  
(22) Date of Filing Application: **23 October 2006**  
(24) Date from which industrial property rights may have effect: **23 October 2006**  
(54) Product in respect of which the design is registered: **A headset**  
(51) International Design Classification: **14-03A**  
(71) Name(s) and Address(s) of Applicant(s):  
**Nokia Corporation**  
**Keilalahdentie 4 FIN-02150 Espoo Finland**  
(72) Name(s) of Designer(s): **Heli Sade and Sami Lehtovaara**  
(45) Registration Date: **09 February 2007**  
(30) Convention priority data:  
(31) Number (32) Date (33) Country  
**M20060095 24 Apr 2006 FINLAND**  
(56) Related Art Documents: **Not Applicable**  
(57) Statement of Newness and Distinctiveness: **Nil**



(21) Design Number: **14834/2006**  
(22) Date of Filing Application: **23 October 2006**  
(24) Date from which industrial property rights may have effect: **23 October 2006**  
(54) Product in respect of which the design is registered: **A headset**  
(51) International Design Classification: **14-03A**  
(71) Name(s) and Address(s) of Applicant(s):  
**Nokia Corporation**  
**Keilalahdentie 4 FIN-02150 Espoo Finland**  
(72) Name(s) of Designer(s): **Heli Sade and Mikael Jaakkola and Sami Lehtovaara**  
(45) Registration Date: **09 February 2007**  
(30) Convention priority data:  
(31) Number (32) Date (33) Country  
**M20060095 24 Apr 2006 FINLAND**  
(56) Related Art Documents: **Not Applicable**  
(57) Statement of Newness and Distinctiveness: **Nil**

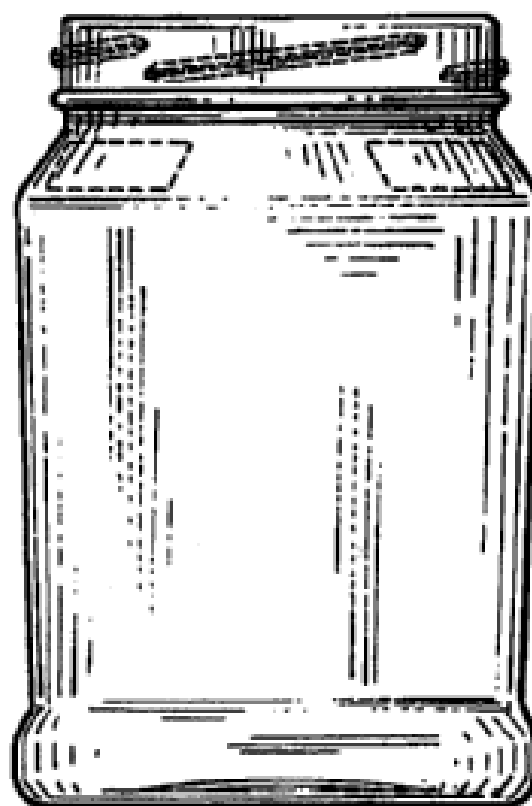




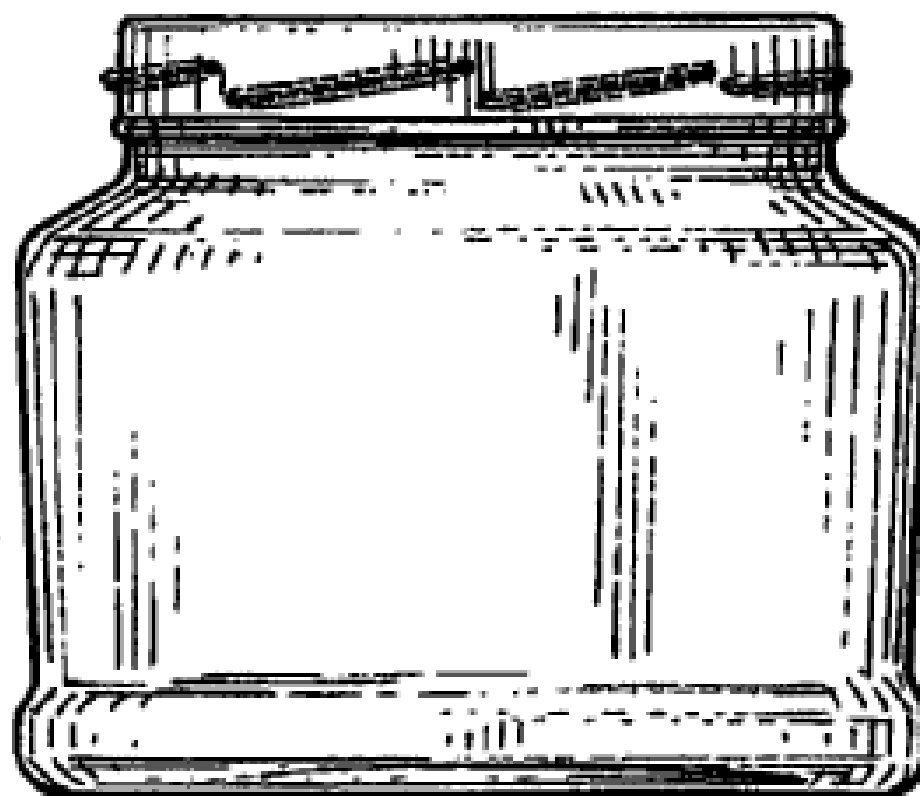
- (21) Design Number: **15064/2006**  
(22) Date of Filing Application: **02 November 2006**  
(24) Date from which industrial property rights may have effect: **02 November 2006**  
(54) Product in respect of which the design is registered: **Vehicle fascia**  
(51) International Design Classification: **12-16B**  
(71) Name(s) and Address(s) of Applicant(s):  
**GM Global Technology Operations, Inc**  
**300 Renaissance Center Detroit MI 48265-3000 United States of America**  
(72) Name(s) of Designer(s): **Julian Quincey**  
(45) Registration Date: **09 February 2007**  
(56) Related Art Documents: **Not Applicable**  
(57) Statement of Newness and Distinctiveness: **Newness and distinctiveness is claimed in the shape and/or configuration of a vehicle fascia as shown in the representations.**



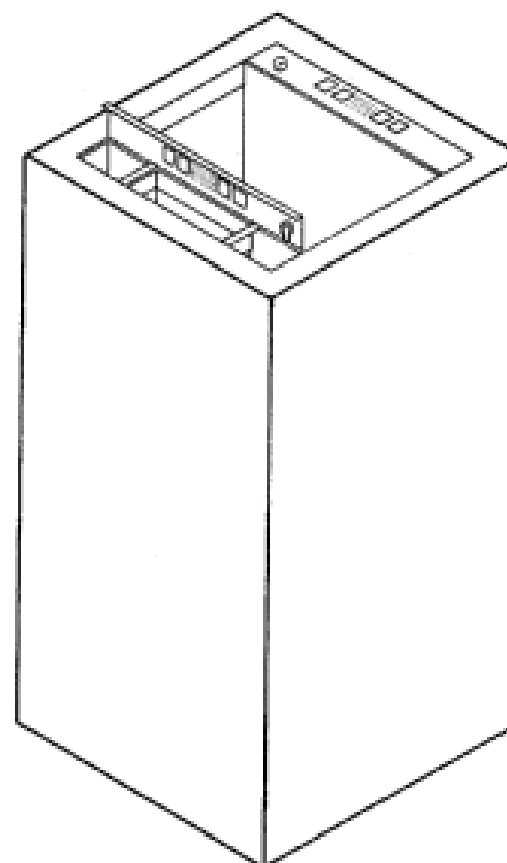
- (21) Design Number: **15607/2006**  
(22) Date of Filing Application: **06 December 2006**  
(24) Date from which industrial property rights may have effect: **06 December 2006**  
(54) Product in respect of which the design is registered: **Preserve jar**  
(51) International Design Classification: **07-01NES**  
(71) Name(s) and Address(s) of Applicant(s):  
**Ponti S.p.A.**  
**Via E. Ferrari 7 I-28074 Ghemme (Novara) Italy**  
(72) Name(s) of Designer(s): **Giuliano Dell'Orto**  
(45) Registration Date: **09 February 2007**  
(30) Convention priority data:  
(31) Number      (32) Date      (33) Country  
**539143      06 Jun 2006      EUROPEAN COMMUNITY**  
(56) Related Art Documents: **Not Applicable**  
(57) Statement of Newness and Distinctiveness: **Newness and distinctiveness is claimed in the visual features shown in solid lines in the representations.**



(21) Design Number: **15608/2006**  
(22) Date of Filing Application: **06 December 2006**  
(24) Date from which industrial property rights may have effect: **06 December 2006**  
(54) Product in respect of which the design is registered: **Preserve jar**  
(51) International Design Classification: **07-01NES**  
(71) Name(s) and Address(s) of Applicant(s):  
**Ponti S.p.A.**  
**Via E. Ferrari 7 I-28074 Ghemme (Novara) Italy**  
(72) Name(s) of Designer(s): **Giuliano Dell'Orto**  
(45) Registration Date: **09 February 2007**  
(30) Convention priority data:  
(31) Number (32) Date (33) Country  
**539143 06 Jun 2006 EUROPEAN COMMUNITY**  
(56) Related Art Documents: **Not Applicable**  
(57) Statement of Newness and Distinctiveness: **Newness and distinctiveness is claimed in the visual features shown in solid lines in the representations.**



(21) Design Number: **15609/2006**  
(22) Date of Filing Application: **06 December 2006**  
(24) Date from which industrial property rights may have effect: **06 December 2006**  
(54) Product in respect of which the design is registered: **A plant pot**  
(51) International Design Classification: **11-02B**  
(71) Name(s) and Address(s) of Applicant(s):  
**A & K Landscape Retail Ltd**  
**Unit 18 Ormeau Business Park The Gasworks Belfast BT7 2JA United Kingdom**  
(72) Name(s) of Designer(s): **Kyle Gallagher**  
(45) Registration Date: **09 February 2007**  
(30) Convention priority data:  
(31) Number (32) Date (33) Country  
**000539176 06 Jun 2006 EUROPEAN COMMUNITY**  
(56) Related Art Documents: **Not Applicable**  
(57) Statement of Newness and Distinctiveness: **Nil**



(21) Design Number: **15610/2006**  
(22) Date of Filing Application: **06 December 2006**  
(24) Date from which industrial property rights may have effect: **06 December 2006**  
(54) Product in respect of which the design is registered: **Loudspeaker**  
(51) International Design Classification: **14-01**  
(71) Name(s) and Address(s) of Applicant(s):

**Bang & Olufsen A/S**  
**Peter Bangs Vej 15 Postboks 40 7600 Struer Denmark**

(72) Name(s) of Designer(s): **David Lewis**

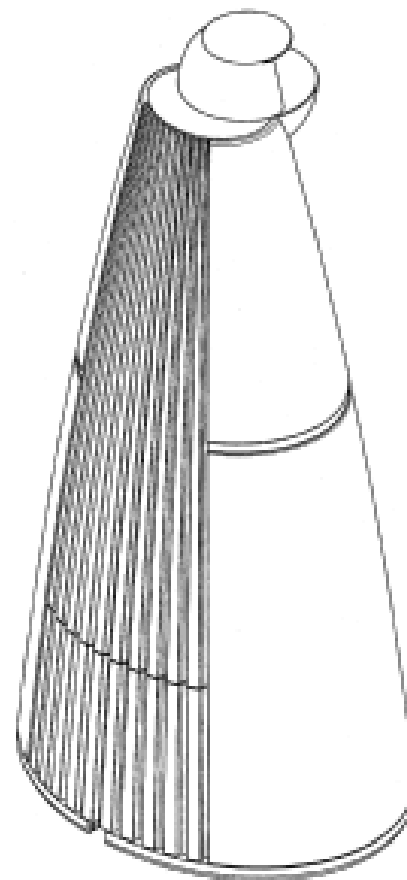
(45) Registration Date: **09 February 2007**

(30) Convention priority data:

(31) Number	(32) Date	(33) Country
<b>DA2006 00151</b>	<b>07 Jun 2006</b>	<b>DENMARK</b>

(56) Related Art Documents: **Not Applicable**

(57) Statement of Newness and Distinctiveness: **Nil**



(21) Design Number: **15611/2006**  
(22) Date of Filing Application: **06 December 2006**  
(24) Date from which industrial property rights may have effect: **06 December 2006**  
(54) Product in respect of which the design is registered: **A shower handpiece**  
(51) International Design Classification: **23-02B**  
(71) Name(s) and Address(s) of Applicant(s):

**Methven Limited**  
**447 Rosebank Road Avondale Auckland New Zealand**

(72) Name(s) of Designer(s): **Kent Bradley Thomas Sneddon**

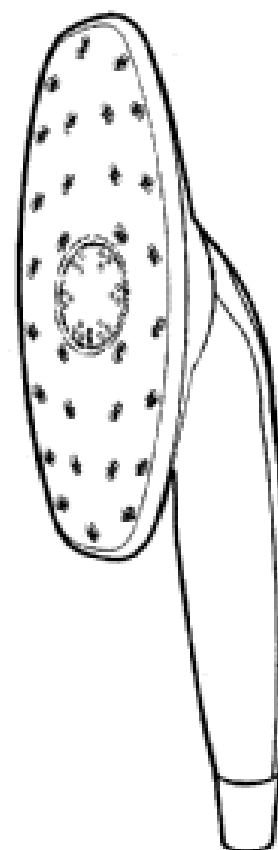
(45) Registration Date: **09 February 2007**

(30) Convention priority data:

(31) Number	(32) Date	(33) Country
<b>407839</b>	<b>07 Jul 2006</b>	<b>NEW ZEALAND</b>

(56) Related Art Documents: **Not Applicable**

(57) Statement of Newness and Distinctiveness: **Nil**



(21) Design Number: **15612/2006**

(22) Date of Filing Application: **06 December 2006**

(24) Date from which industrial property rights may have effect: **06 December 2006**

(54) Product in respect of which the design is registered: **Frame for hammock**

(51) International Design Classification: **06-06H**

(71) Name(s) and Address(s) of Applicant(s):

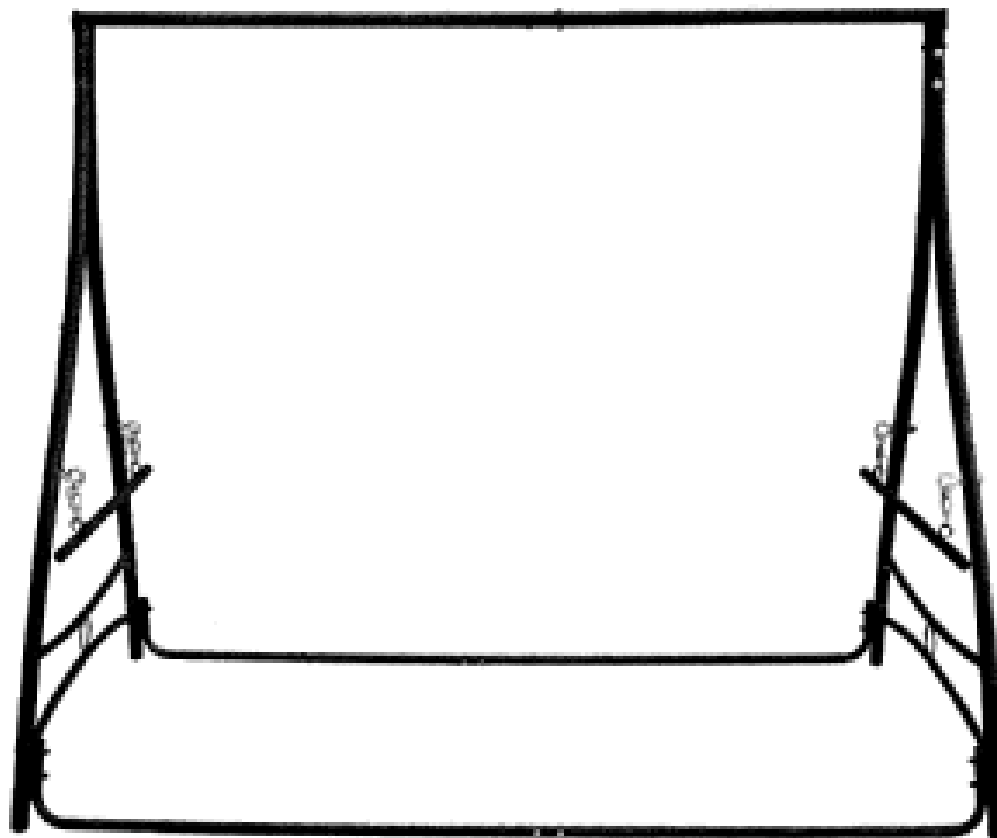
**Orient Sino (Guangzhou) Industrial Corp. Ltd**  
**3rd Floor yu-hui-yuan 200 he-hui-jie St Tian-He-Bei RD, Guangzhou**  
**510610 Peoples Republic of China**

(72) Name(s) of Designer(s): **Li Junda**

(45) Registration Date: **09 February 2007**

(56) Related Art Documents: **Not Applicable**

(57) Statement of Newness and Distinctiveness: **Newness and distinctiveness reside in the features of the design as shown in the representations.**



(21) Design Number: **15613/2006**

(22) Date of Filing Application: **06 December 2006**

(24) Date from which industrial property rights may have effect: **06 December 2006**

(54) Product in respect of which the design is registered: **Frame for hammock**

(51) International Design Classification: **06-06H**

(71) Name(s) and Address(s) of Applicant(s):

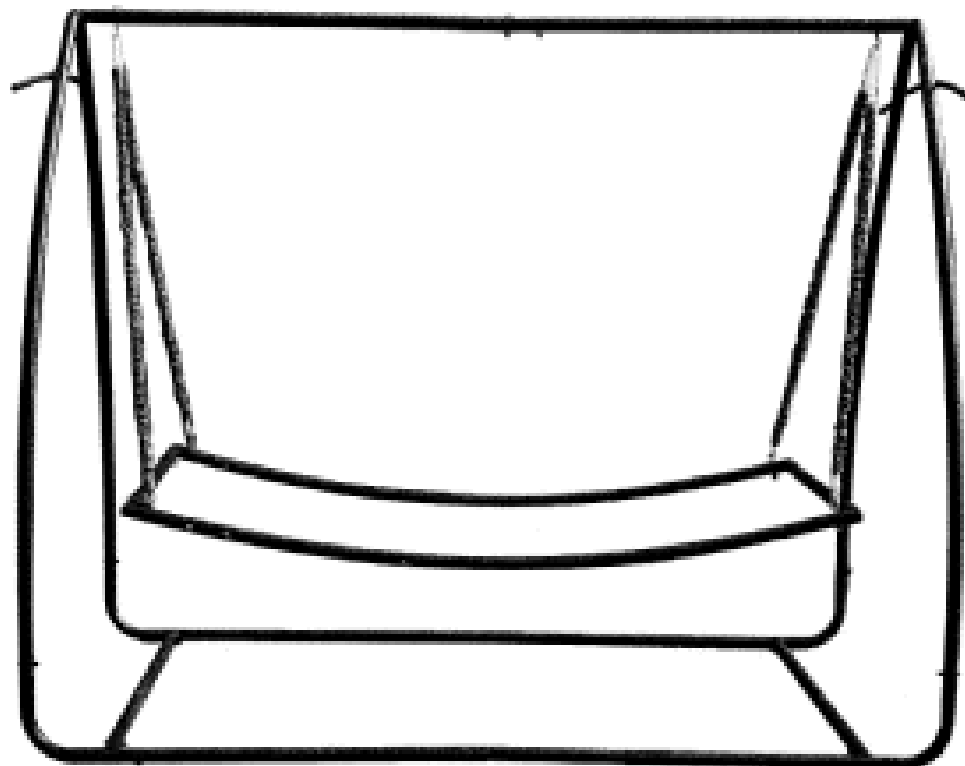
**Orient Sino (Guangzhou) Industrial Corp. Ltd**  
**3rd Floor yu-hui-yuan 200 he-hui-jie St Tian-He-Bei RD, Guangzhou**  
**510610 Peoples Republic of China**

(72) Name(s) of Designer(s): **Li Junda**

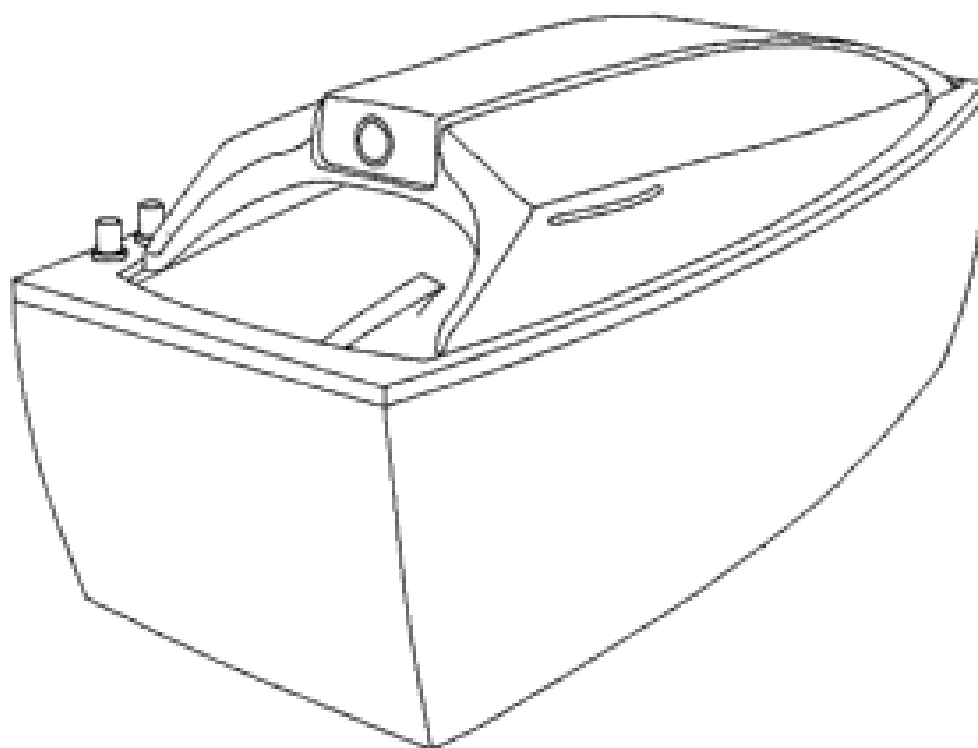
(45) Registration Date: **09 February 2007**

(56) Related Art Documents: **Not Applicable**

(57) Statement of Newness and Distinctiveness: **Newness and distinctiveness reside in the features of the design as shown in the representations.**



(21) Design Number: **15618/2006**  
(22) Date of Filing Application: **05 December 2006**  
(24) Date from which industrial property rights may have effect: **05 December 2006**  
(54) Product in respect of which the design is registered: **Multifunctional health capsule**  
(51) International Design Classification: **28-03NES**  
(71) Name(s) and Address(s) of Applicant(s):  
**Neogi AS**  
**Piirimae 15 Tanassilma Kula Saku Vald 76401 Harjumaa Estonia**  
(72) Name(s) of Designer(s): **Andri Sinka and Sten Ader**  
(45) Registration Date: **09 February 2007**  
(30) Convention priority data:  
(31) Number (32) Date (33) Country  
**D200600040 05 Jun 2006 ESTONIA**  
(56) Related Art Documents: **Not Applicable**  
(57) Statement of Newness and Distinctiveness: **Nil**



(21) Design Number: **15626/2006**  
(22) Date of Filing Application: **07 December 2006**  
(24) Date from which industrial property rights may have effect: **07 December 2006**  
(54) Product in respect of which the design is registered: **Diffuser**  
(51) International Design Classification: **09-01A**  
(71) Name(s) and Address(s) of Applicant(s):  
**S.C. Johnson & Son, Inc.**  
**1525 Howe Street Racine Wisconsin 53403-2236 United States of America**  
(72) Name(s) of Designer(s): **Mark E. Wefler**  
(45) Registration Date: **09 February 2007**  
(30) Convention priority data:  
(31) Number (32) Date (33) Country  
**29/261067 07 Jun 2006 UNITED STATES OF AMERICA**  
(56) Related Art Documents: **Not Applicable**  
(57) Statement of Newness and Distinctiveness: **Newness and distinctiveness is claimed in those features of shape and/or configuration of a diffuser illustrated in continuous lines in the accompanying representations.**



- (21) Design Number: **15627/2006**  
(22) Date of Filing Application: **07 December 2006**  
(24) Date from which industrial property rights may have effect: **07 December 2006**  
(54) Product in respect of which the design is registered: **Inhaler container**  
(51) International Design Classification: **09-01K**  
(71) Name(s) and Address(s) of Applicant(s):

**Cipla Limited**  
**289 Bellasis Road Mumbai Central Mumbai- 400 008 Maharashtra**  
**India**

(72) Name(s) of Designer(s): **Amar Lulla and Geena Malhotra**

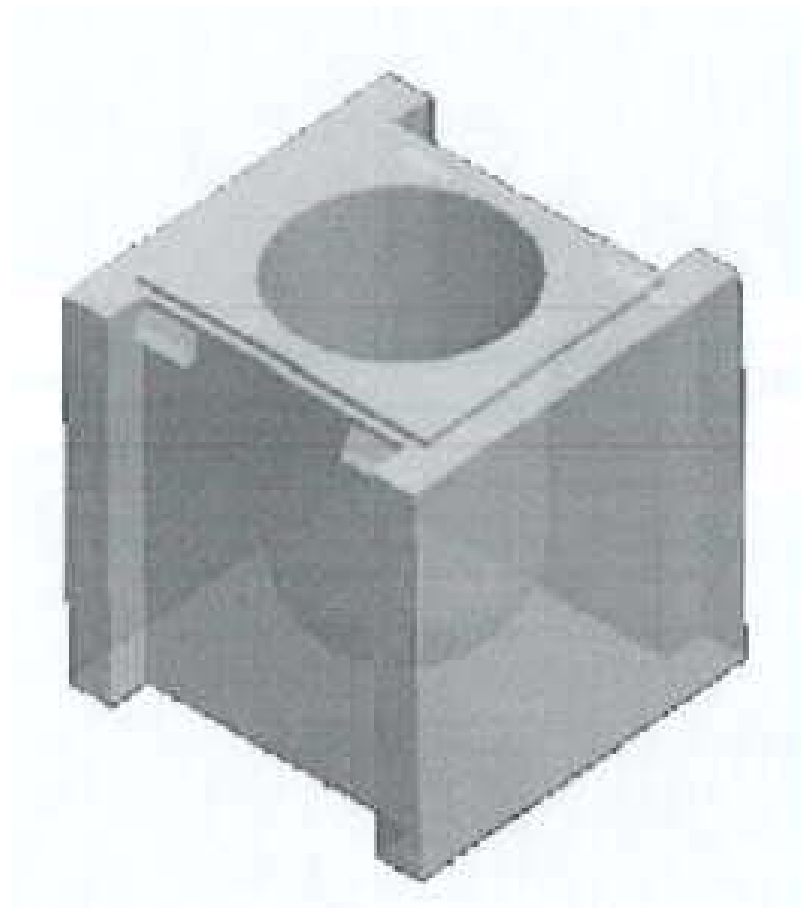
(45) Registration Date: **09 February 2007**

(30) Convention priority data:

(31) Number	(32) Date	(33) Country
<b>205111</b>	<b>23 Jun 2006</b>	<b>INDIA</b>

(56) Related Art Documents: **Not Applicable**

(57) Statement of Newness and Distinctiveness: **Newness and distinctiveness is claimed in the features of shape and/or configuration of an inhaler container as illustrated in the accompanying representations.**



- (21) Design Number: **15633/2006**  
(22) Date of Filing Application: **07 December 2006**  
(24) Date from which industrial property rights may have effect: **07 December 2006**  
(54) Product in respect of which the design is registered: **Ferrule nut**  
(51) International Design Classification: **08-08B**  
(71) Name(s) and Address(s) of Applicant(s):

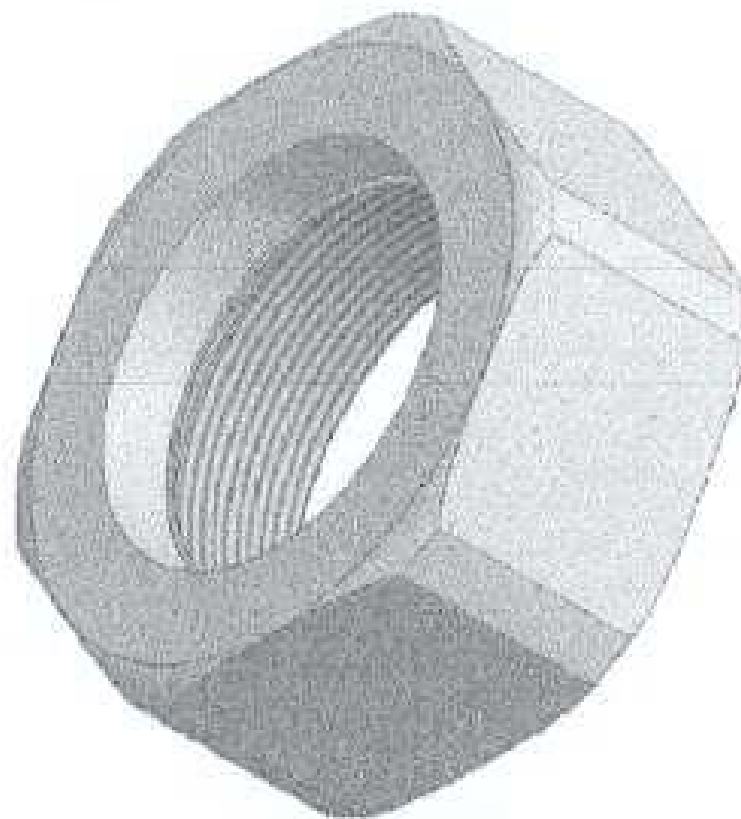
**Logan City Council**  
**150 Wembly Road Logan Central Queensland 4114 Australia**

(72) Name(s) of Designer(s): **Steve Young**

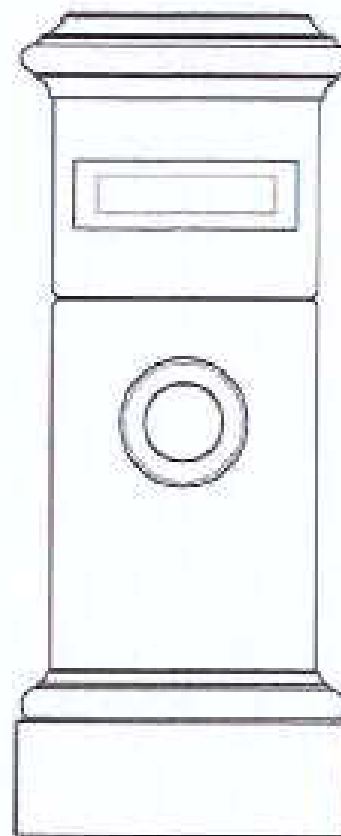
(45) Registration Date: **09 February 2007**

(56) Related Art Documents: **Not Applicable**

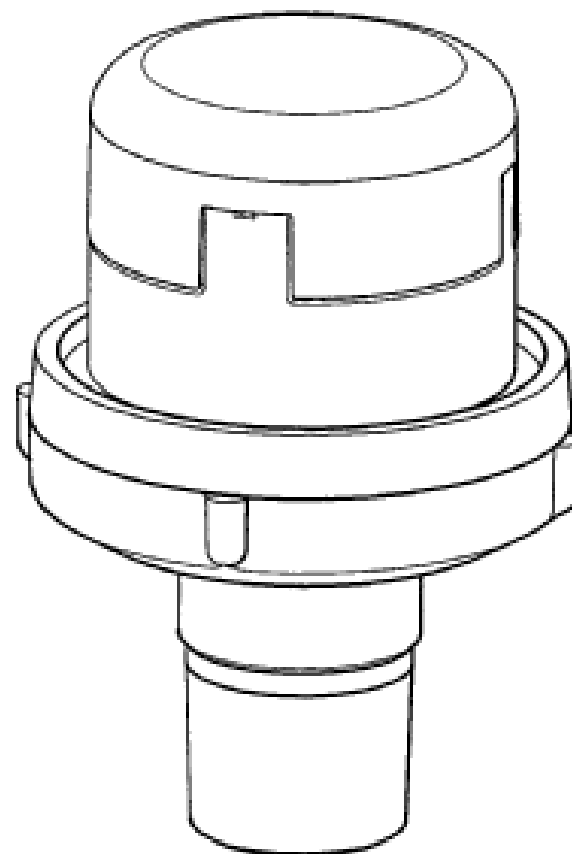
(57) Statement of Newness and Distinctiveness: **Newness and distinctiveness are claimed in the shape and configuration of the ferrule nut depicted in the accompanying representations.**



(21) Design Number: **15638/2006**  
(22) Date of Filing Application: **08 December 2006**  
(24) Date from which industrial property rights may have effect: **08 December 2006**  
(54) Product in respect of which the design is registered: **Letter box**  
(51) International Design Classification: **25-03**  
(71) Name(s) and Address(s) of Applicant(s):  
**Elegant Garden World P/L**  
**40 Lisbon Street Fairfield East New South Wales 2165 Australia**  
(72) Name(s) of Designer(s): **Zhi Qing Wu**  
(45) Registration Date: **09 February 2007**  
(56) Related Art Documents: **Not Applicable**  
(57) Statement of Newness and Distinctiveness: **Particula shape**



(21) Design Number: **15963/2007**  
(22) Date of Filing Application: **12 January 2007**  
(24) Date from which industrial property rights may have effect: **12 January 2007**  
(54) Product in respect of which the design is registered: **Display for gas delivering apparatus**  
(51) International Design Classification: **23-01NES**  
(71) Name(s) and Address(s) of Applicant(s):  
**Cavagna Group S.p.A.**  
**Via Statale 11/13 Calcinato 25011 Italy**  
(72) Name(s) of Designer(s): **Savio Cavagna**  
(45) Registration Date: **09 February 2007**  
(30) Convention priority data:  
(31) Number (32) Date (33) Country  
**000561741 17 Jul 2006 EUROPEAN COMMUNITY**  
(56) Related Art Documents: **Not Applicable**  
(57) Statement of Newness and Distinctiveness: **Nil**



(19) AU

- (21) Design Number: **15644/2006**
- (22) Date of Filing Application: **08 December 2006**
- (24) Date from which industrial property rights may have effect: **08 December 2006**
- (54) Product in respect of which the design is registered: **Toothbrush**
- (51) International Design Classification: **04-02**
- (71) Name(s) and Address(s) of Applicant(s):

**McNeil-PPC, Inc.**  
**Grandview Road Skillman New Jersey United States of America**

- (72) Name(s) of Designer(s): **Stephen John Blanchard and Bethann O'Malley and Justin McDonough and Richard Usuquen**
- (45) Registration Date: **09 February 2007**

- (30) Convention priority data:
 

(31) Number	(32) Date	(33) Country
<b>29/247259</b>	<b>08 Jun 2006</b>	<b>UNITED STATES OF AMERICA</b>

- (56) Related Art Documents: **Not Applicable**
- (57) Statement of Newness and Distinctiveness: **Newness and distinctiveness of the design for a toothbrush resides in the features displayed in the figures in solid line.**



(19) AU

- (21) Design Number: **15646/2006**
- (22) Date of Filing Application: **08 December 2006**
- (24) Date from which industrial property rights may have effect: **08 December 2006**
- (54) Product in respect of which the design is registered: **A vegetable dicer**
- (51) International Design Classification: **07-04**
- (71) Name(s) and Address(s) of Applicant(s):

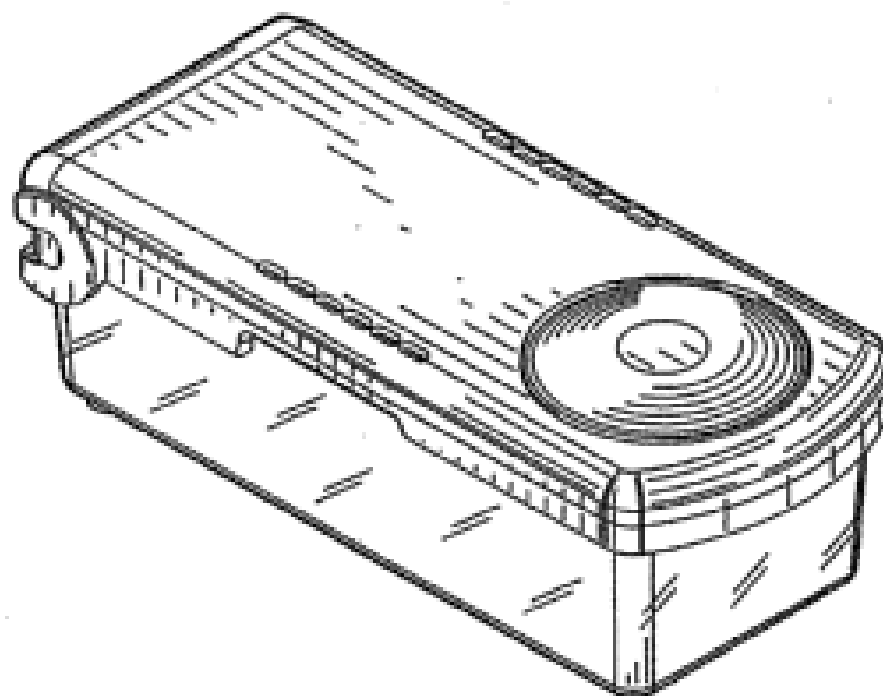
**Progressive International Corporation**  
**611 South 228th Street Kent WA 98032 United States of America**

- (72) Name(s) of Designer(s): **Sascha Kaposi**
- (45) Registration Date: **09 February 2007**

- (30) Convention priority data:
 

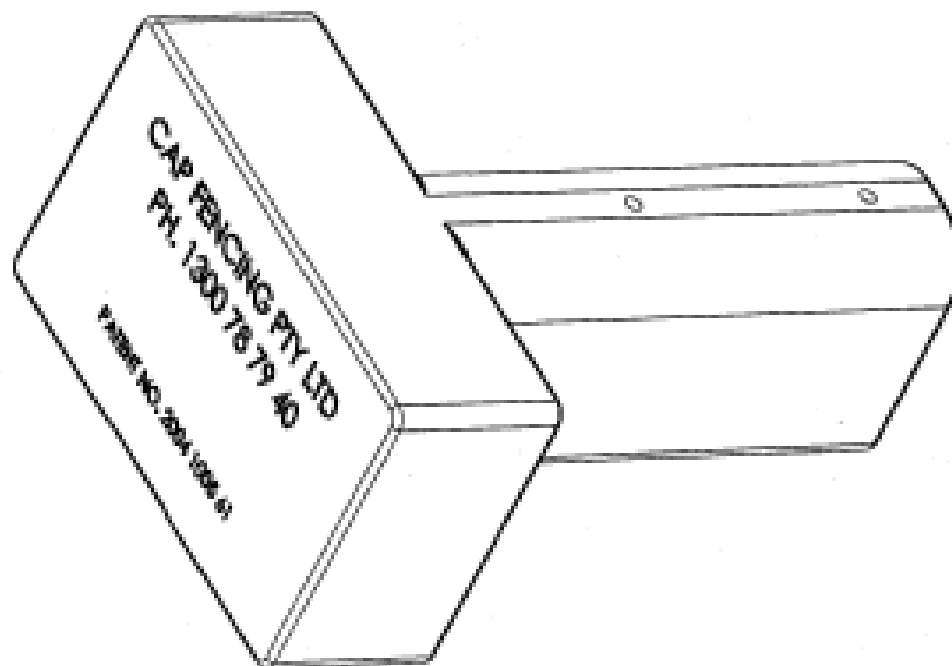
(31) Number	(32) Date	(33) Country
<b>29/247,311</b>	<b>09 Jun 2006</b>	<b>UNITED STATES OF AMERICA</b>

- (56) Related Art Documents: **Not Applicable**
- (57) Statement of Newness and Distinctiveness: **We wish to submit a statement of newness and distinctiveness in respect of particular visual features of the design but without prejudice to the newness or distinctiveness of other visual features of the design, as follows: The shape and configuration of those parts of the design shown by means of solid lines in the representations is new and distinctive.**

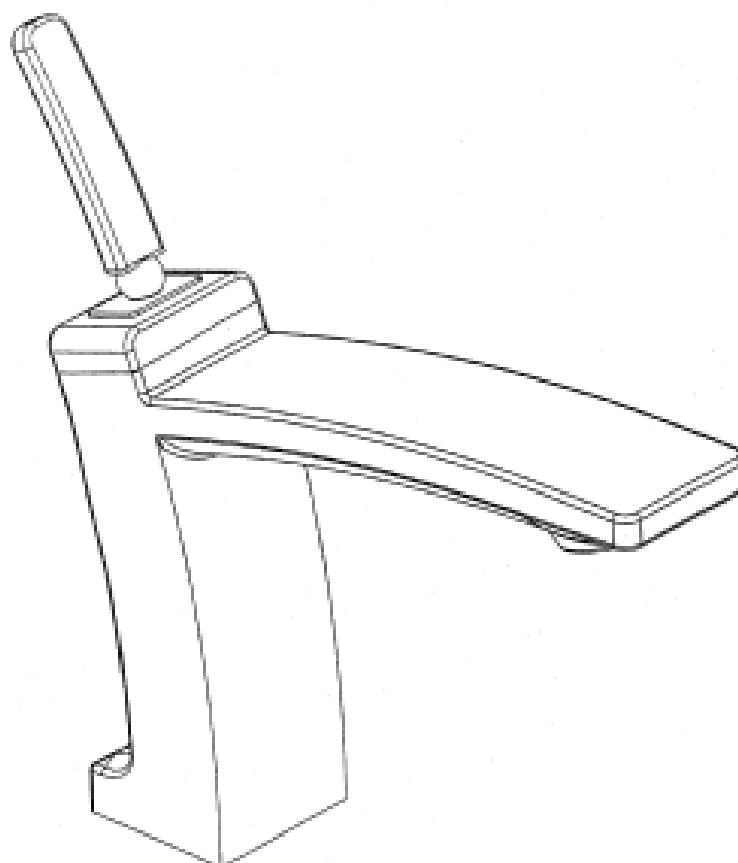




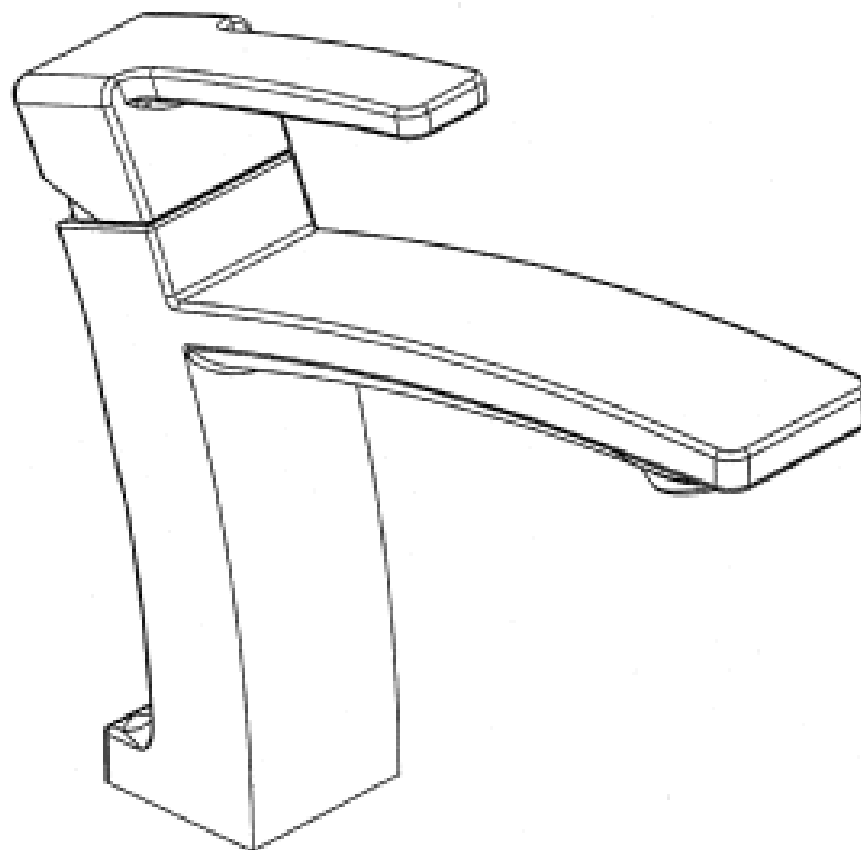
- (21) Design Number: **15649/2006**  
(22) Date of Filing Application: **11 December 2006**  
(24) Date from which industrial property rights may have effect: **11 December 2006**  
(54) Product in respect of which the design is registered: **Fence post cap**  
(51) International Design Classification: **25-01E**  
(71) Name(s) and Address(s) of Applicant(s):  
**CAP Fencing Pty Ltd**  
**Shop 2 20 John Street Rosewood Queensland 4340 Australia**  
(72) Name(s) of Designer(s): **Sarah Huett**  
(45) Registration Date: **09 February 2007**  
(56) Related Art Documents: **Not Applicable**  
(57) Statement of Newness and Distinctiveness: **Nil**



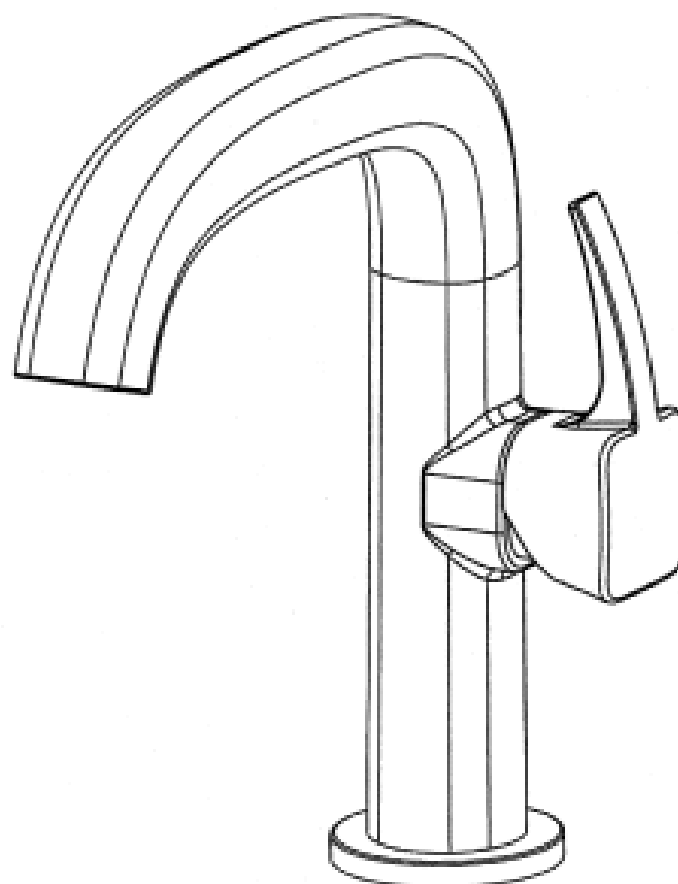
- (21) Design Number: **15650/2006**  
(22) Date of Filing Application: **11 December 2006**  
(24) Date from which industrial property rights may have effect: **11 December 2006**  
(54) Product in respect of which the design is registered: **zen, stick mixer**  
(51) International Design Classification: **23-01H**  
(71) Name(s) and Address(s) of Applicant(s):  
**Argent Australia Pty Ltd**  
**18 Wandoo Street Fortitude Valley Queensland 4006 Australia**  
(72) Name(s) of Designer(s): **David Wood**  
(45) Registration Date: **09 February 2007**  
(56) Related Art Documents: **Not Applicable**  
(57) Statement of Newness and Distinctiveness: **Nil**



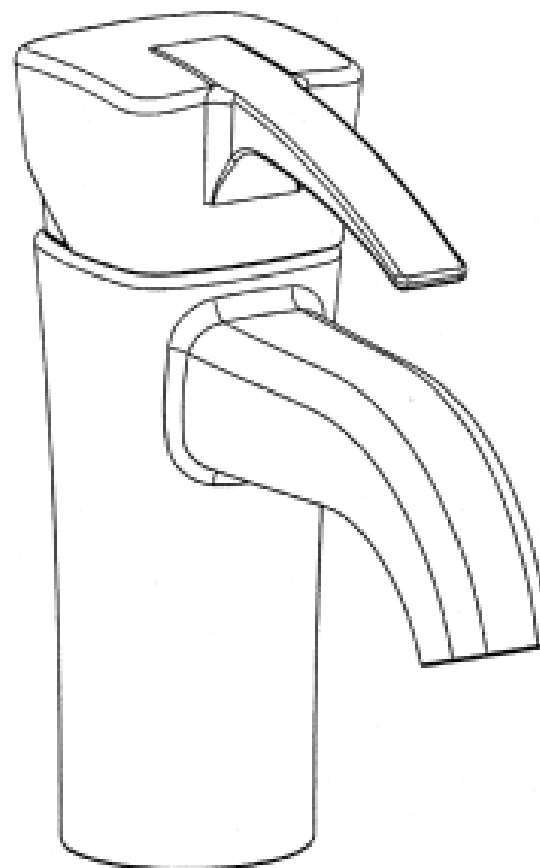
- (21) Design Number: **15651/2006**  
(22) Date of Filing Application: **11 December 2006**  
(24) Date from which industrial property rights may have effect: **11 December 2006**  
(54) Product in respect of which the design is registered: **Zen, basin mixer**  
(51) International Design Classification: **23-01H**  
(71) Name(s) and Address(s) of Applicant(s):  
**Argent Australia Pty Ltd**  
**18 Wandoo Street Fortitude Valley Queensland 4006 Australia**  
(72) Name(s) of Designer(s): **David Wood**  
(45) Registration Date: **09 February 2007**  
(56) Related Art Documents: **Not Applicable**  
(57) Statement of Newness and Distinctiveness: **Nil**



- (21) Design Number: **15652/2006**  
(22) Date of Filing Application: **11 December 2006**  
(24) Date from which industrial property rights may have effect: **11 December 2006**  
(54) Product in respect of which the design is registered: **Cube, tall mixer**  
(51) International Design Classification: **23-01H**  
(71) Name(s) and Address(s) of Applicant(s):  
**Argent Australia Pty Ltd**  
**18 Wandoo Street Fortitude Valley Queensland 4006 Australia**  
(72) Name(s) of Designer(s): **David Wood**  
(45) Registration Date: **09 February 2007**  
(56) Related Art Documents: **Not Applicable**  
(57) Statement of Newness and Distinctiveness: **Nil**



- (21) Design Number: **15653/2006**  
(22) Date of Filing Application: **11 December 2006**  
(24) Date from which industrial property rights may have effect: **11 December 2006**  
(54) Product in respect of which the design is registered: **Cube, basin mixer**  
(51) International Design Classification: **23-01H**  
(71) Name(s) and Address(s) of Applicant(s):  
**Argent Australia Pty Ltd**  
**18 Wandoo Street Fortitude Valley Queensland 4006 Australia**  
(72) Name(s) of Designer(s): **David Wood**  
(45) Registration Date: **09 February 2007**  
(56) Related Art Documents: **Not Applicable**  
(57) Statement of Newness and Distinctiveness: **Nil**



- (21) Design Number: **15656/2006**  
(22) Date of Filing Application: **08 December 2006**  
(24) Date from which industrial property rights may have effect: **08 December 2006**  
(54) Product in respect of which the design is registered: **Handset**  
(51) International Design Classification: **14-03E**  
(71) Name(s) and Address(s) of Applicant(s):  
**Nokia Corporation**  
**Keilalahdentie 4 FIN-02150 Espoo Finland**  
(72) Name(s) of Designer(s): **Andrew Gartrell**  
(45) Registration Date: **09 February 2007**  
(30) Convention priority data:  

(31) Number	(32) Date	(33) Country
<b>29247302</b>	<b>09 Jun 2006</b>	<b>UNITED STATES OF AMERICA</b>

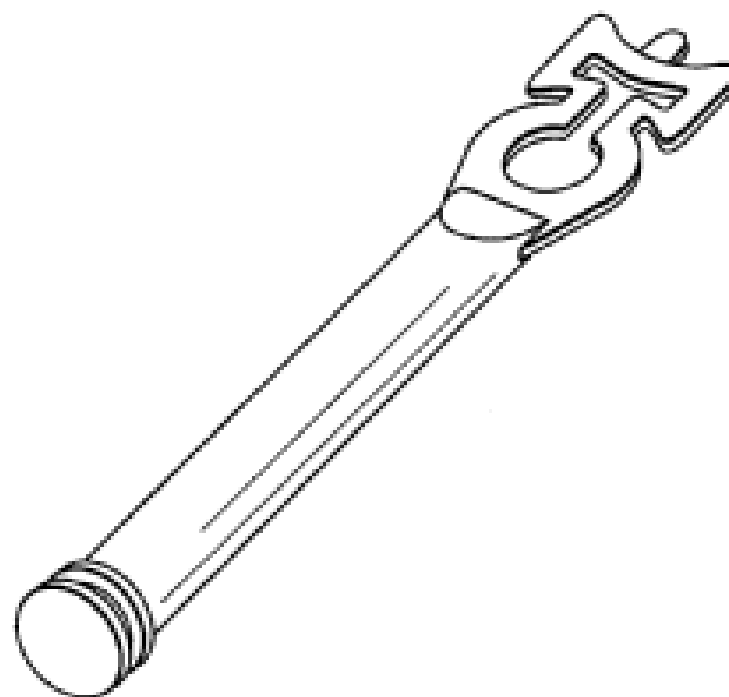
  
(56) Related Art Documents: **Not Applicable**  
(57) Statement of Newness and Distinctiveness: **Nil**



(21) Design Number: **15657/2006**  
(22) Date of Filing Application: **08 December 2006**  
(24) Date from which industrial property rights may have effect: **08 December 2006**  
(54) Product in respect of which the design is registered: **Front cover for a handset**  
(51) International Design Classification: **14-03A**  
(71) Name(s) and Address(s) of Applicant(s):  
**Nokia Corporation**  
**Keilalahdentie 4 FIN-02150 Espoo Finland**  
(72) Name(s) of Designer(s): **Andrew Gartrell**  
(45) Registration Date: **09 February 2007**  
(30) Convention priority data:  
(31) Number      (32) Date      (33) Country  
**29247302      09 Jun 2006      UNITED STATES OF AMERICA**  
(56) Related Art Documents: **Not Applicable**  
(57) Statement of Newness and Distinctiveness: **Nil**



(21) Design Number: **15658/2006**  
(22) Date of Filing Application: **08 December 2006**  
(24) Date from which industrial property rights may have effect: **08 December 2006**  
(54) Product in respect of which the design is registered: **Chemiluminescent fishing lures**  
(51) International Design Classification: **22-05**  
(71) Name(s) and Address(s) of Applicant(s):  
**Concerto Computers Pty Ltd**  
**109 Cogill Road Buderim Queensland 4556 Australia**  
(72) Name(s) of Designer(s): **Ian Wakelin**  
(45) Registration Date: **09 February 2007**  
(56) Related Art Documents: **Not Applicable**  
(57) Statement of Newness and Distinctiveness: **Nil**



(21) Design Number: **15659/2006**

(22) Date of Filing Application: **08 December 2006**

(24) Date from which industrial property rights may have effect: **08 December 2006**

(54) Product in respect of which the design is registered: **Chemiluminescent fishing lures**

(51) International Design Classification: **22-05**

(71) Name(s) and Address(s) of Applicant(s):

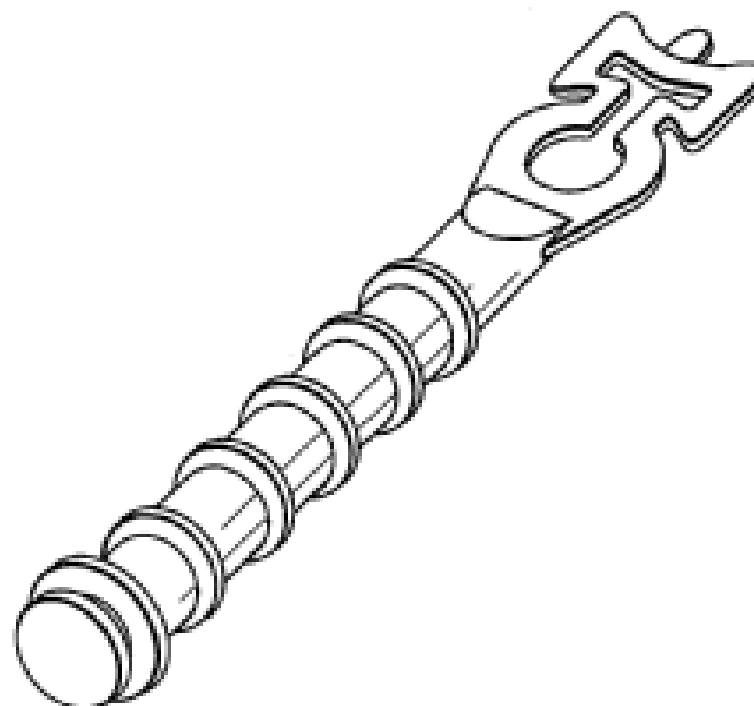
**Concerto Computers Pty Ltd  
109 Cogill Road Buderim Queensland 4556 Australia**

(72) Name(s) of Designer(s): **William Colthurst**

(45) Registration Date: **09 February 2007**

(56) Related Art Documents: **Not Applicable**

(57) Statement of Newness and Distinctiveness: **Nil**



(21) Design Number: **15661/2006**

(22) Date of Filing Application: **11 December 2006**

(24) Date from which industrial property rights may have effect: **11 December 2006**

(54) Product in respect of which the design is registered: **Dishwasher tablet**

(51) International Design Classification: **07-05NES**

(71) Name(s) and Address(s) of Applicant(s):

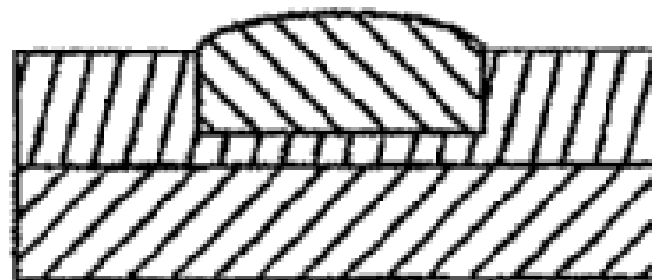
**Robert McBride Limited  
Middleton Way Middleton Manchester M24 4DP England**

(72) Name(s) of Designer(s): **Tony Moore**

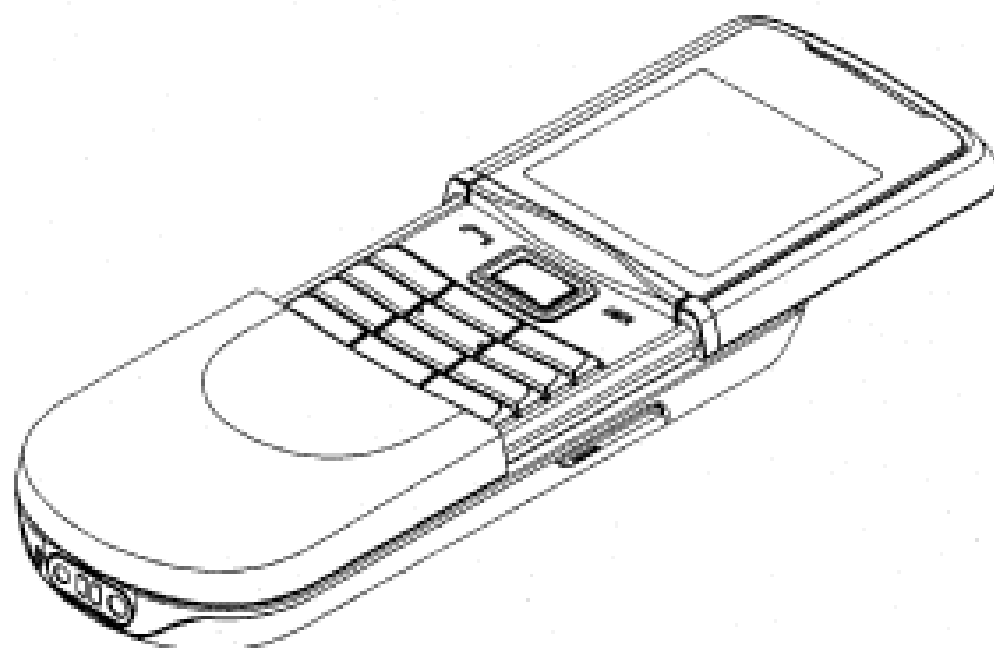
(45) Registration Date: **09 February 2007**

(56) Related Art Documents: **Not Applicable**

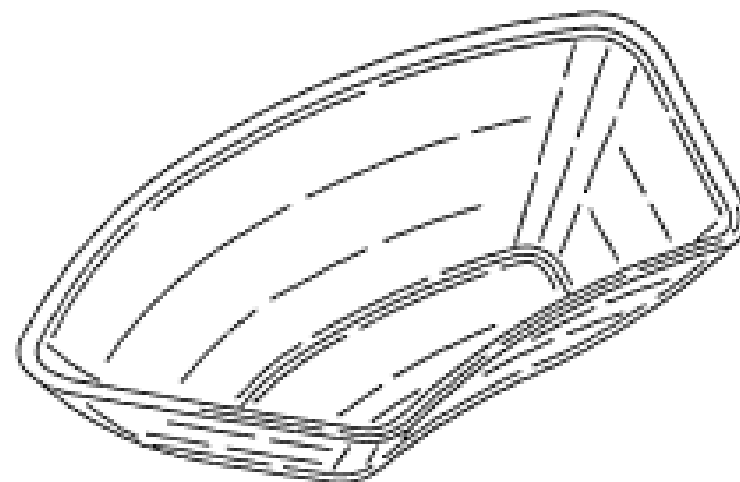
(57) Statement of Newness and Distinctiveness: **Nil**



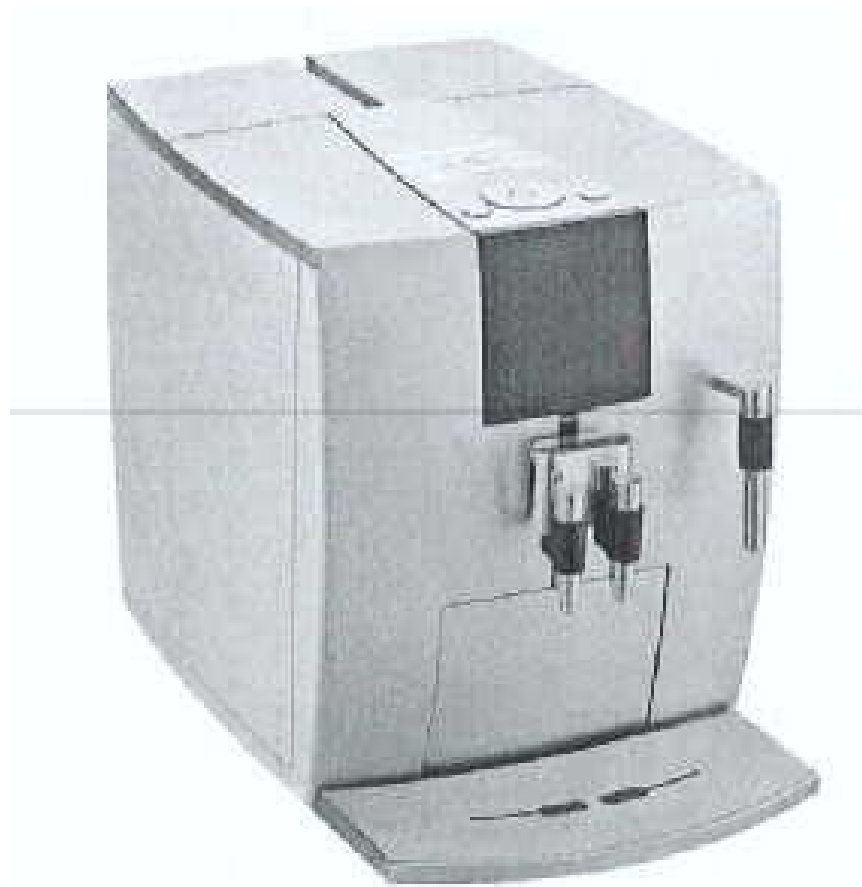
(21) Design Number: **15663/2006**  
(22) Date of Filing Application: **11 December 2006**  
(24) Date from which industrial property rights may have effect: **11 December 2006**  
(54) Product in respect of which the design is registered: **Handset**  
(51) International Design Classification: **14-03E**  
(71) Name(s) and Address(s) of Applicant(s):  
**Nokia Corporation**  
**Keilalahdentie 4 FIN-02150 Espoo Finland**  
(72) Name(s) of Designer(s): **Aki Laine and Christopher Scales and Pekka Majanen**  
(45) Registration Date: **09 February 2007**  
(30) Convention priority data:  
(31) Number (32) Date (33) Country  
**M20060144 24 Jul 2006 FINLAND**  
(56) Related Art Documents: **Not Applicable**  
(57) Statement of Newness and Distinctiveness: **Nil**



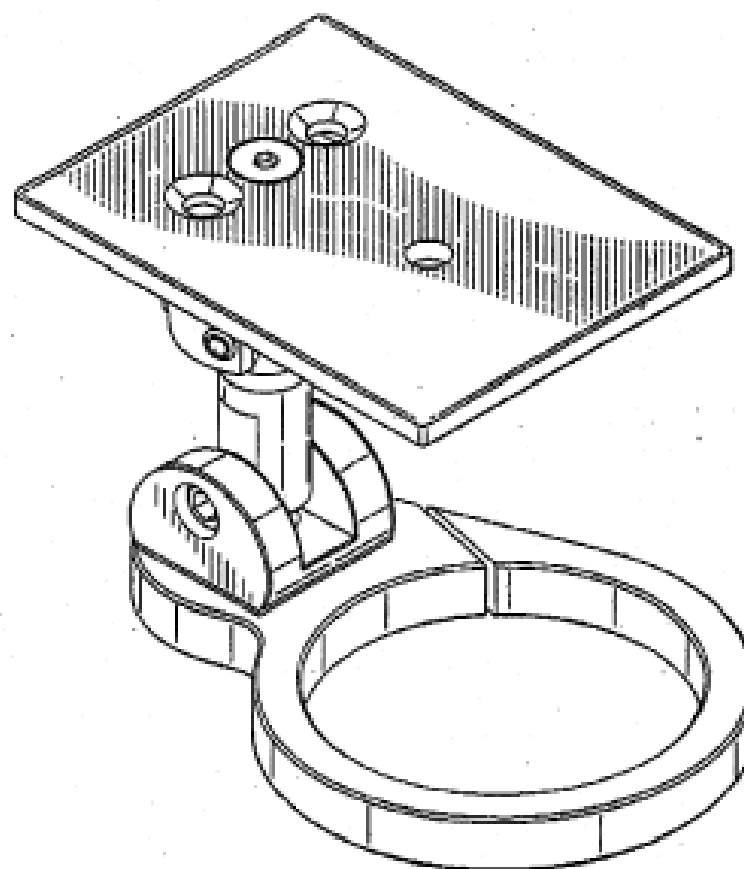
(21) Design Number: **15664/2006**  
(22) Date of Filing Application: **11 December 2006**  
(24) Date from which industrial property rights may have effect: **25 October 2006**  
(54) Product in respect of which the design is registered: **Container**  
(51) International Design Classification: **09-03NES**  
(71) Name(s) and Address(s) of Applicant(s):  
**Dart Industries Inc**  
**14901 S. Orange Blossom Trail Orlando Florida 32837 United States of America**  
(72) Name(s) of Designer(s): **Famia E. Ablo**  
(45) Registration Date: **09 February 2007**  
(62) Divisional of: **312101**  
(56) Related Art Documents: **Not Applicable**  
(57) Statement of Newness and Distinctiveness: **Nil**



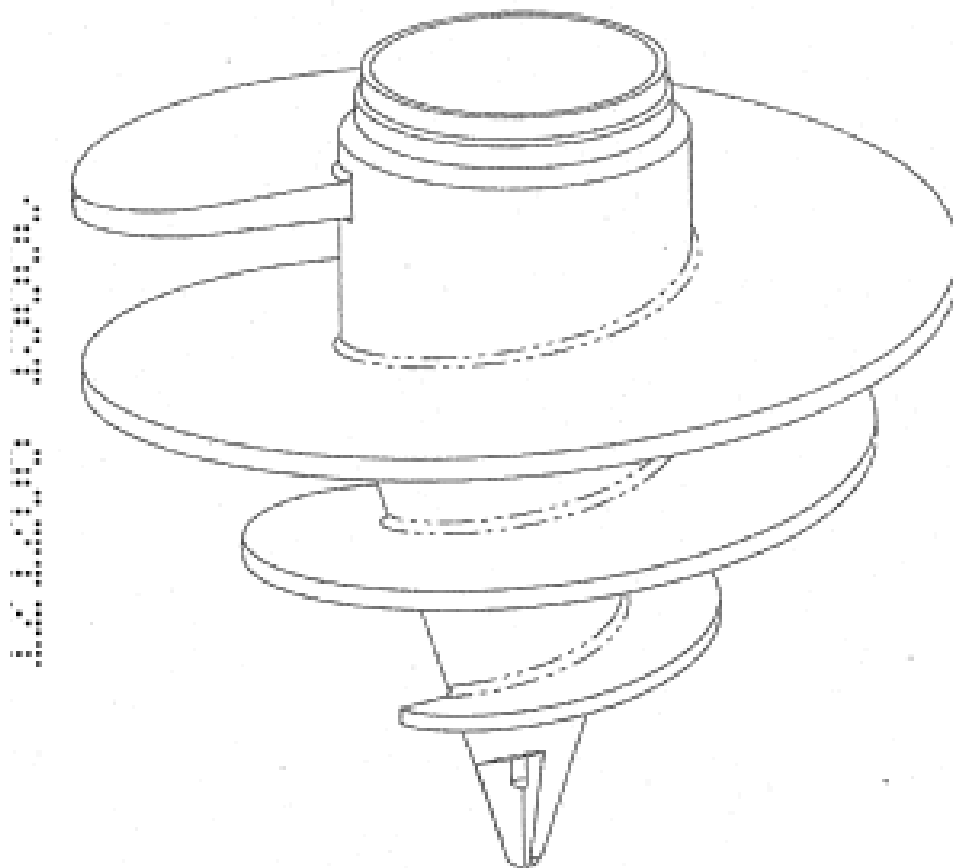
(21) Design Number: **15665/2006**  
(22) Date of Filing Application: **11 December 2006**  
(24) Date from which industrial property rights may have effect: **11 December 2006**  
(54) Product in respect of which the design is registered: **Coffee maker**  
(51) International Design Classification: **07-02L**  
(71) Name(s) and Address(s) of Applicant(s):  
**Jura Elektroapparate AG**  
**Bahnhofstrasse 135 CH-4626 Niederbuchsiten Switzerland**  
(72) Name(s) of Designer(s): **Gebhardt Lutz**  
(45) Registration Date: **09 February 2007**  
(30) Convention priority data:  
(31) Number (32) Date (33) Country  
**DM/068239 08 Sep 2006 DOMINICA**  
(56) Related Art Documents: **Not Applicable**  
(57) Statement of Newness and Distinctiveness: **Nil**



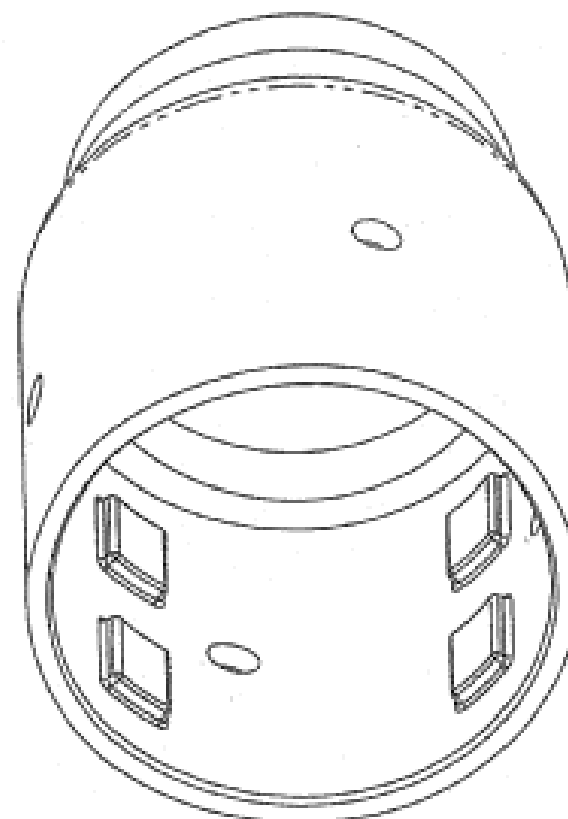
(21) Design Number: **15678/2006**  
(22) Date of Filing Application: **12 December 2006**  
(24) Date from which industrial property rights may have effect: **12 December 2006**  
(54) Product in respect of which the design is registered: **Mount**  
(51) International Design Classification: **08-08NES**  
(71) Name(s) and Address(s) of Applicant(s):  
**High Gear Specialties, Inc.**  
**940 West Oakland Avenue Suite A10 Oakland Florida 34787 United States of America**  
(72) Name(s) of Designer(s): **Michael Lee**  
(45) Registration Date: **09 February 2007**  
(30) Convention priority data:  
(31) Number (32) Date (33) Country  
**29/261,345 12 Jun 2006 UNITED STATES OF AMERICA**  
(56) Related Art Documents: **Not Applicable**  
(57) Statement of Newness and Distinctiveness: **Newness and distinctiveness reside in the features of shape and/or configuration of the mount, as shown in the representations.**



- (21) Design Number: **15680/2006**
- (22) Date of Filing Application: **12 December 2006**
- (24) Date from which industrial property rights may have effect: **12 December 2006**
- (54) Product in respect of which the design is registered: **Screw pile end piece**
- (51) International Design Classification: **08-08B**
- (71) Name(s) and Address(s) of Applicant(s):  
**Heltech Industries Pty Ltd**  
**60 Export Drive Molendinar Queensland 4214 Australia**
- (72) Name(s) of Designer(s): **Paul Camilleri**
- (45) Registration Date: **09 February 2007**
- (56) Related Art Documents: **Not Applicable**
- (57) Statement of Newness and Distinctiveness: **Nil**



- (21) Design Number: **15681/2006**
- (22) Date of Filing Application: **12 December 2006**
- (24) Date from which industrial property rights may have effect: **12 December 2006**
- (54) Product in respect of which the design is registered: **Screw pile end female coupling**
- (51) International Design Classification: **08-08B**
- (71) Name(s) and Address(s) of Applicant(s):  
**Heltech Industries Pty Ltd**  
**60 Export Drive Molendinar Queensland 4214 Australia**
- (72) Name(s) of Designer(s): **Paul Camilleri**
- (45) Registration Date: **09 February 2007**
- (56) Related Art Documents: **Not Applicable**
- (57) Statement of Newness and Distinctiveness: **Nil**





(21) Design Number: **15682/2006**

(22) Date of Filing Application: **12 December 2006**

(24) Date from which industrial property rights may have effect: **12 December 2006**

(54) Product in respect of which the design is registered: **Screw pile end male coupling**

(51) International Design Classification: **08-08B**

(71) Name(s) and Address(s) of Applicant(s):

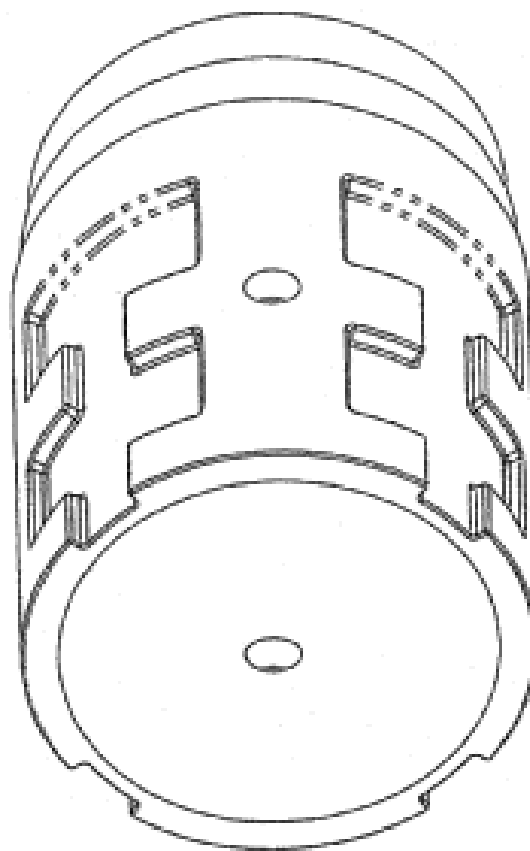
**Heltech Industries Pty Ltd**  
**60 Export Drive Molendinar Queensland 4214 Australia**

(72) Name(s) of Designer(s): **Paul Camilleri**

(45) Registration Date: **09 February 2007**

(56) Related Art Documents: **Not Applicable**

(57) Statement of Newness and Distinctiveness: **Nil**



(21) Design Number: **15683/2006**

(22) Date of Filing Application: **12 December 2006**

(24) Date from which industrial property rights may have effect: **12 December 2006**

(54) Product in respect of which the design is registered: **Screw pile stem**

(51) International Design Classification: **08-08B**

(71) Name(s) and Address(s) of Applicant(s):

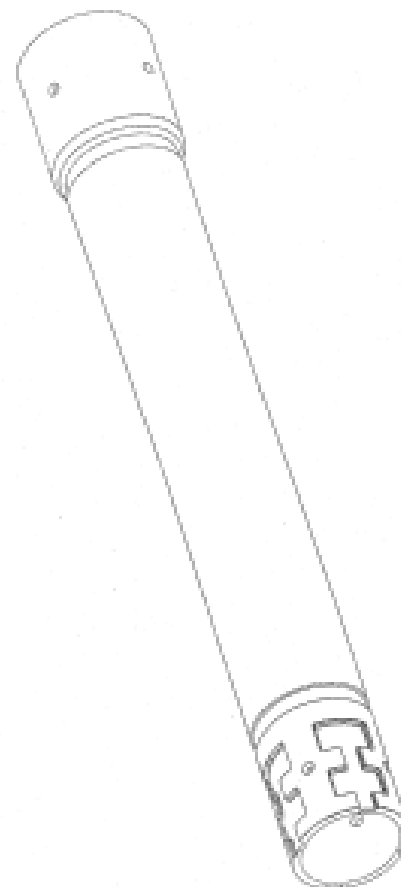
**Heltech Industries Pty Ltd**  
**60 Export Drive Molendinar Queensland 4214 Australia**

(72) Name(s) of Designer(s): **Paul Camilleri**

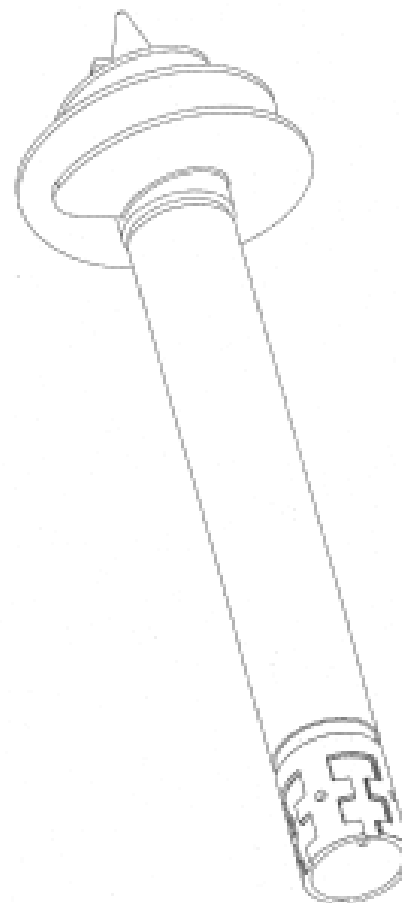
(45) Registration Date: **09 February 2007**

(56) Related Art Documents: **Not Applicable**

(57) Statement of Newness and Distinctiveness: **Nil**



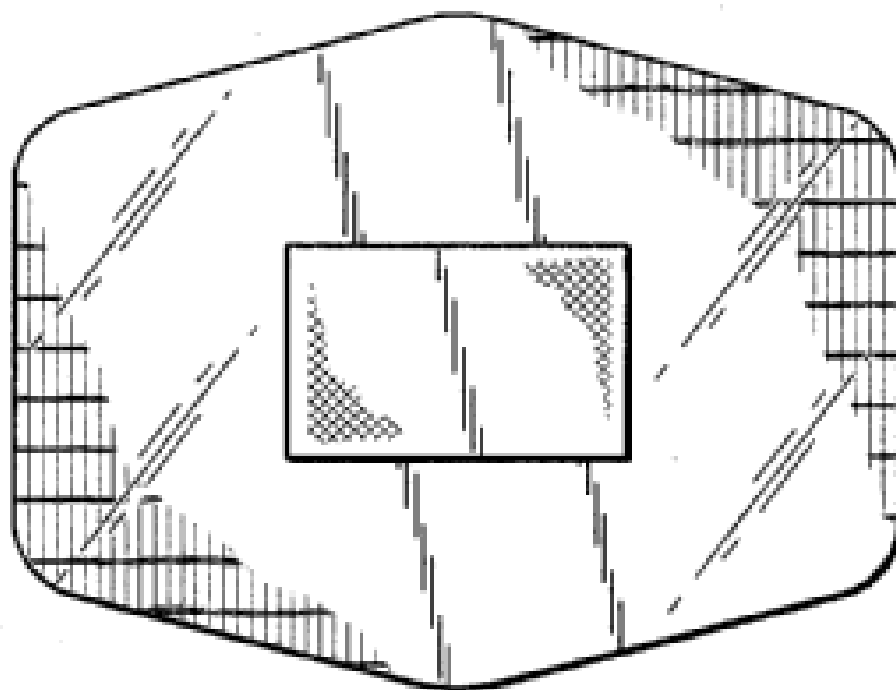
- (21) Design Number: **15684/2006**  
(22) Date of Filing Application: **12 December 2006**  
(24) Date from which industrial property rights may have effect: **12 December 2006**  
(54) Product in respect of which the design is registered: **Screw pile**  
(51) International Design Classification: **08-08B**  
(71) Name(s) and Address(s) of Applicant(s):  
**Heltech Industries Pty Ltd**  
**60 Export Drive Molendinar Queensland 4214 Australia**  
(72) Name(s) of Designer(s): **Paul Camilleri**  
(45) Registration Date: **09 February 2007**  
(56) Related Art Documents: **Not Applicable**  
(57) Statement of Newness and Distinctiveness: **Nil**



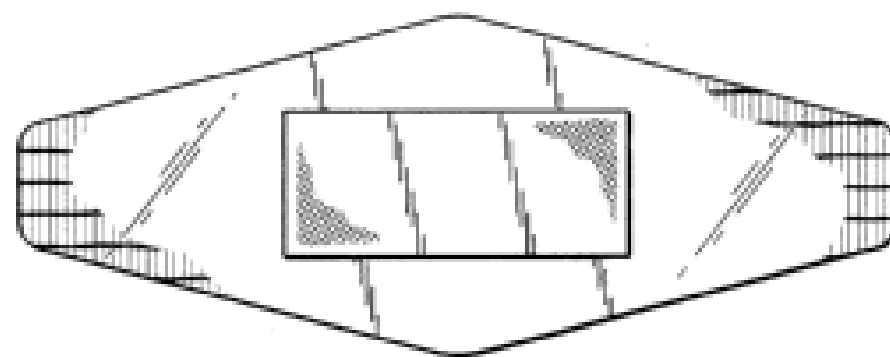
- (21) Design Number: **15685/2006**  
(22) Date of Filing Application: **12 December 2006**  
(24) Date from which industrial property rights may have effect: **12 December 2006**  
(54) Product in respect of which the design is registered: **Bandage**  
(51) International Design Classification: **24-04**  
(71) Name(s) and Address(s) of Applicant(s):  
**3M Innovative Properties Company**  
**3M Center Saint Paul Minnesota 55133-3427 United States of America**  
(72) Name(s) of Designer(s): **Wayne Keith Dunshee**  
(45) Registration Date: **09 February 2007**  
(30) Convention priority data:  

(31) Number	(32) Date	(33) Country
<b>29/261303</b>	<b>12 Jun 2006</b>	<b>UNITED STATES OF AMERICA</b>

  
(56) Related Art Documents: **Not Applicable**  
(57) Statement of Newness and Distinctiveness: **Newness and distinctiveness is claimed in the visual features shown in solid lines in the representations. It should be noted that some of the figures are presented in a manner using hatching to indicate the transparent nature of the bandage backing, however, whilst the hatching is shown only in a portion of the article, to facilitate illustration of other elements of the design, it should be understood that the entire bandage backing is substantially transparent and of consistent appearance.**

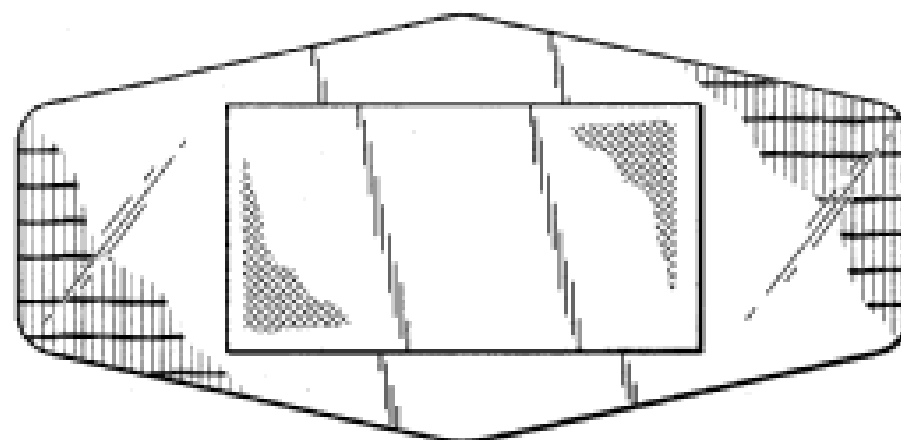


(21) Design Number: **15686/2006**  
 (22) Date of Filing Application: **12 December 2006**  
 (24) Date from which industrial property rights may have effect: **12 December 2006**  
 (54) Product in respect of which the design is registered: **Bandage**  
 (51) International Design Classification: **24-04**  
 (71) Name(s) and Address(s) of Applicant(s):  
**3M Innovative Properties Company**  
**3M Center Saint Paul Minnesota 55133-3427 United States of America**  
 (72) Name(s) of Designer(s): **Wayne Keith Dunshee**  
 (45) Registration Date: **09 February 2007**  
 (30) Convention priority data:  
 (31) Number      (32) Date      (33) Country  
**29/261303      12 Jun 2006      UNITED STATES OF AMERICA**



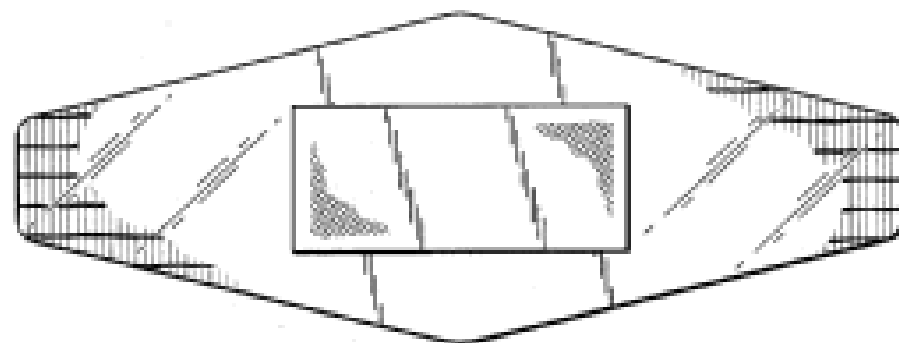
(56) Related Art Documents: **Not Applicable**  
 (57) Statement of Newness and Distinctiveness: **Newness and distinctiveness is claimed in the visual features shown in solid lines in the representations. It should be noted that some of the figures are presented in a manner using hatching to indicate the transparent nature of the bandage backing, however, whilst the hatching is shown only in a portion of the article, to facilitate illustration of other elements of the design, it should be understood that the entire bandage backing is substantially transparent and of consistent appearance.**

(21) Design Number: **15687/2006**  
 (22) Date of Filing Application: **12 December 2006**  
 (24) Date from which industrial property rights may have effect: **12 December 2006**  
 (54) Product in respect of which the design is registered: **Bandage**  
 (51) International Design Classification: **24-04**  
 (71) Name(s) and Address(s) of Applicant(s):  
**3M Innovative Properties Company**  
**3M Center Saint Paul Minnesota 55133-3427 United States of America**  
 (72) Name(s) of Designer(s): **Wayne Keith Dunshee**  
 (45) Registration Date: **09 February 2007**  
 (30) Convention priority data:  
 (31) Number      (32) Date      (33) Country  
**29/261303      12 Jun 2006      UNITED STATES OF AMERICA**



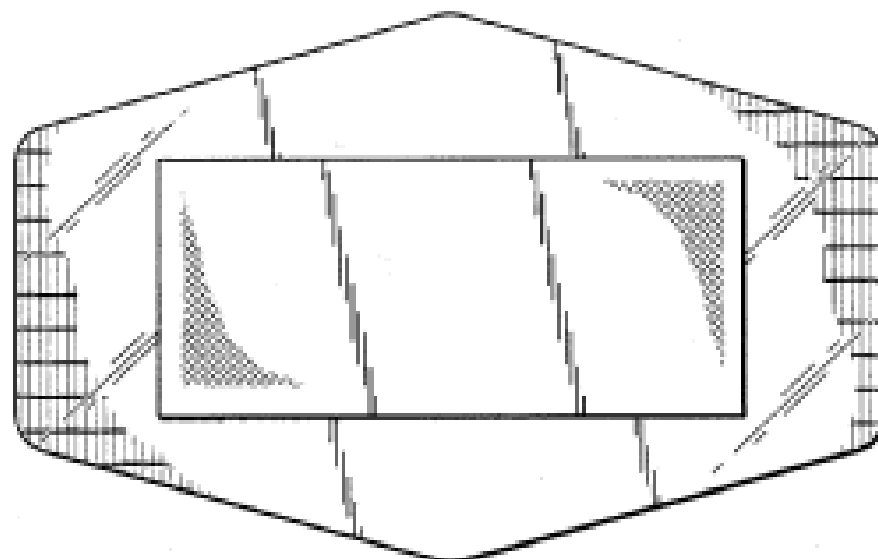
(56) Related Art Documents: **Not Applicable**  
 (57) Statement of Newness and Distinctiveness: **Newness and distinctiveness is claimed in the visual features shown in solid lines in the representations. It should be noted that some of the figures are presented in a manner using hatching to indicate the transparent nature of the bandage backing, however, whilst the hatching is shown only in a portion of the article, to facilitate illustration of other elements of the design, it should be understood that the entire bandage backing is substantially transparent and of consistent appearance.**

(21) Design Number: **15688/2006**  
 (22) Date of Filing Application: **12 December 2006**  
 (24) Date from which industrial property rights may have effect: **12 December 2006**  
 (54) Product in respect of which the design is registered: **Bandage**  
 (51) International Design Classification: **24-04**  
 (71) Name(s) and Address(s) of Applicant(s):  
**3M Innovative Properties Company**  
**3M Center Saint Paul Minnesota 55133-3427 United States of America**  
 (72) Name(s) of Designer(s): **Wayne Keith Dunshee**  
 (45) Registration Date: **09 February 2007**  
 (30) Convention priority data:  
 (31) Number (32) Date (33) Country  
**29/261303 12 Jun 2006 UNITED STATES OF AMERICA**



(56) Related Art Documents: **Not Applicable**  
 (57) Statement of Newness and Distinctiveness: **Newness and distinctiveness is claimed in the visual features shown in solid lines in the representations. It should be noted that some of the figures are presented in a manner using hatching to indicate the transparent nature of the bandage backing, however, whilst the hatching is shown only in a portion of the article, to facilitate illustration of other elements of the design, it should be understood that the entire bandage backing is substantially transparent and of consistent appearance.**

(21) Design Number: **15689/2006**  
 (22) Date of Filing Application: **12 December 2006**  
 (24) Date from which industrial property rights may have effect: **12 December 2006**  
 (54) Product in respect of which the design is registered: **Bandage**  
 (51) International Design Classification: **24-04**  
 (71) Name(s) and Address(s) of Applicant(s):  
**3M Innovative Properties Company**  
**3M Center Saint Paul Minnesota 55133-3427 United States of America**  
 (72) Name(s) of Designer(s): **Wayne Keith Dunshee**  
 (45) Registration Date: **09 February 2007**  
 (30) Convention priority data:  
 (31) Number (32) Date (33) Country  
**29/261303 12 Jun 2006 UNITED STATES OF AMERICA**



(56) Related Art Documents: **Not Applicable**  
 (57) Statement of Newness and Distinctiveness: **Newness and distinctiveness is claimed in the visual features shown in solid lines in the representations. It should be noted that some of the figures are presented in a manner using hatching to indicate the transparent nature of the bandage backing, however, whilst the hatching is shown only in a portion of the article, to facilitate illustration of other elements of the design, it should be understood that the entire bandage backing is substantially transparent and of consistent appearance.**

(21) Design Number: **15690/2006**

(22) Date of Filing Application: **12 December 2006**

(24) Date from which industrial property rights may have effect: **12 December 2006**

(54) Product in respect of which the design is registered: **Container**

(51) International Design Classification: **09-01D**

(71) Name(s) and Address(s) of Applicant(s):

**Dart Industries Inc**

**14901 S. Orange Blossom Trail Orlando Florida 32837 United States of America**

(72) Name(s) of Designer(s): **Famia E. Abio**

(45) Registration Date: **09 February 2007**

(30) Convention priority data:

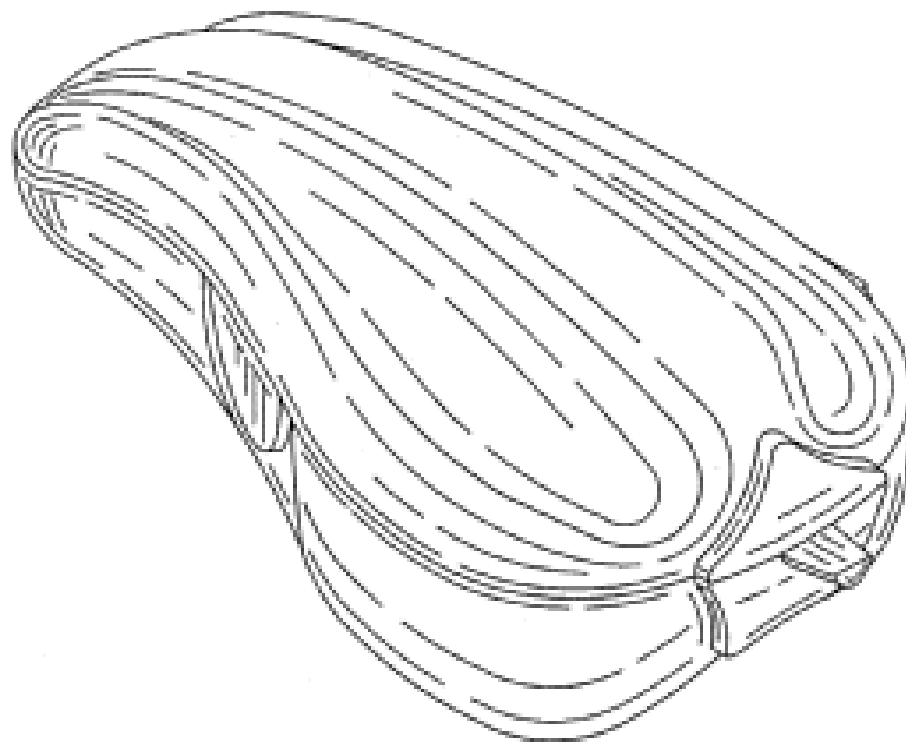
(31) Number  
**29/262,866**

(32) Date  
**12 Jul 2006**

(33) Country  
**UNITED STATES OF AMERICA**

(56) Related Art Documents: **Not Applicable**

(57) Statement of Newness and Distinctiveness: **Those features of the container depicted in the representations that are new and distinctive are the shape and/or configuration.**



(21) Design Number: **15691/2006**

(22) Date of Filing Application: **12 December 2006**

(24) Date from which industrial property rights may have effect: **12 December 2006**

(54) Product in respect of which the design is registered: **Packaging**

(51) International Design Classification: **09-03C**

(71) Name(s) and Address(s) of Applicant(s):

**Soremartec S.A.**

**Dreve de l'Arc-en-Ciel 102 B-6700 Schoppach Arlon Belgium**

(72) Name(s) of Designer(s): **Giuseppe Terrasi**

(45) Registration Date: **09 February 2007**

(30) Convention priority data:

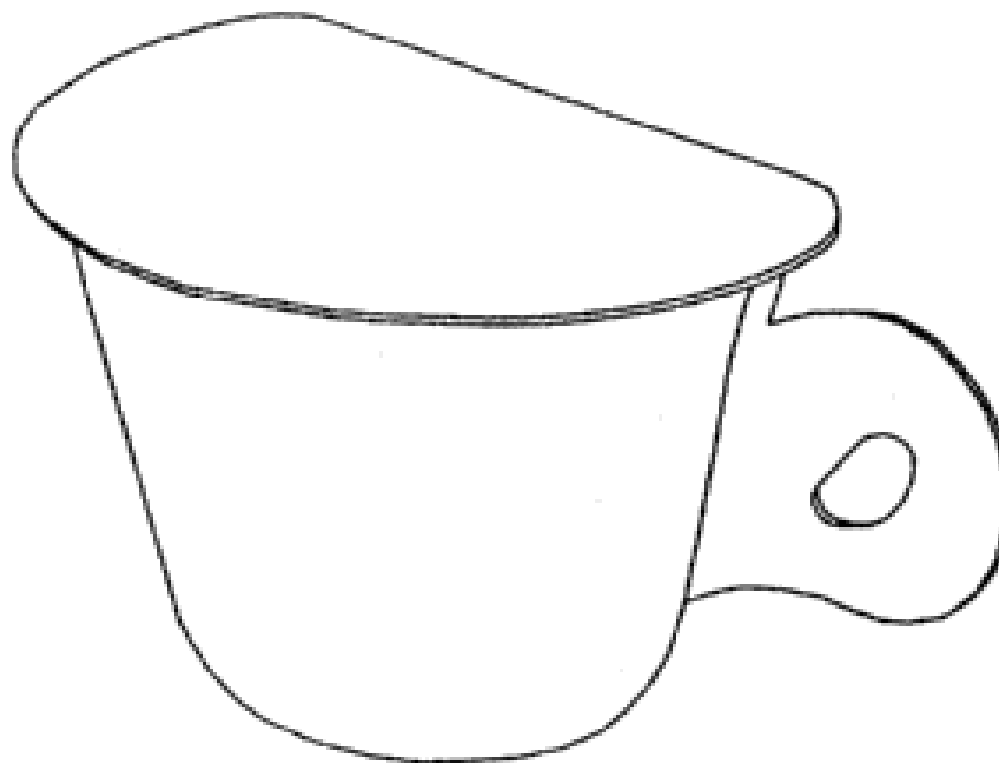
(31) Number  
**000549548**

(32) Date  
**23 Jun 2006**

(33) Country  
**EUROPEAN COMMUNITY**

(56) Related Art Documents: **Not Applicable**

(57) Statement of Newness and Distinctiveness: **Those features of the packaging depicted in the representations that are new and distinctive are the shape and/or configuration.**



(21) Design Number: **15692/2006**

(22) Date of Filing Application: **12 December 2006**

(24) Date from which industrial property rights may have effect: **12 December 2006**

(54) Product in respect of which the design is registered: **Rotary tool assembly**

(51) International Design Classification: **08-03**

(71) Name(s) and Address(s) of Applicant(s):

**Dart Industries Inc**  
**14901 S. Orange Blossom Trail Orlando Florida 32837 United States of America**

(72) Name(s) of Designer(s): **Hanno Kortleven and Jakob Heiberg**

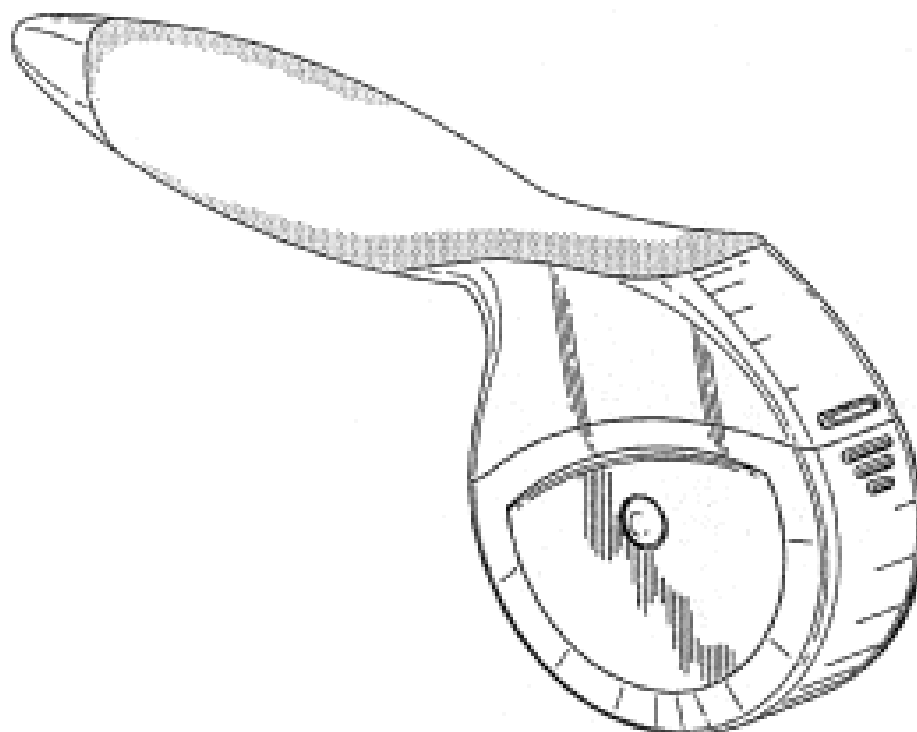
(45) Registration Date: **09 February 2007**

(30) Convention priority data:

(31) Number	(32) Date	(33) Country
<b>29/262,865</b>	<b>12 Jul 2006</b>	<b>UNITED STATES OF AMERICA</b>

(56) Related Art Documents: **Not Applicable**

(57) Statement of Newness and Distinctiveness: **Those features of the rotary tool assembly depicted in the representations that are new and distinctive are the shape and/or configuration.**



(21) Design Number: **15693/2006**

(22) Date of Filing Application: **12 December 2006**

(24) Date from which industrial property rights may have effect: **12 December 2006**

(54) Product in respect of which the design is registered: **Air-conditioner**

(51) International Design Classification: **23-04**

(71) Name(s) and Address(s) of Applicant(s):

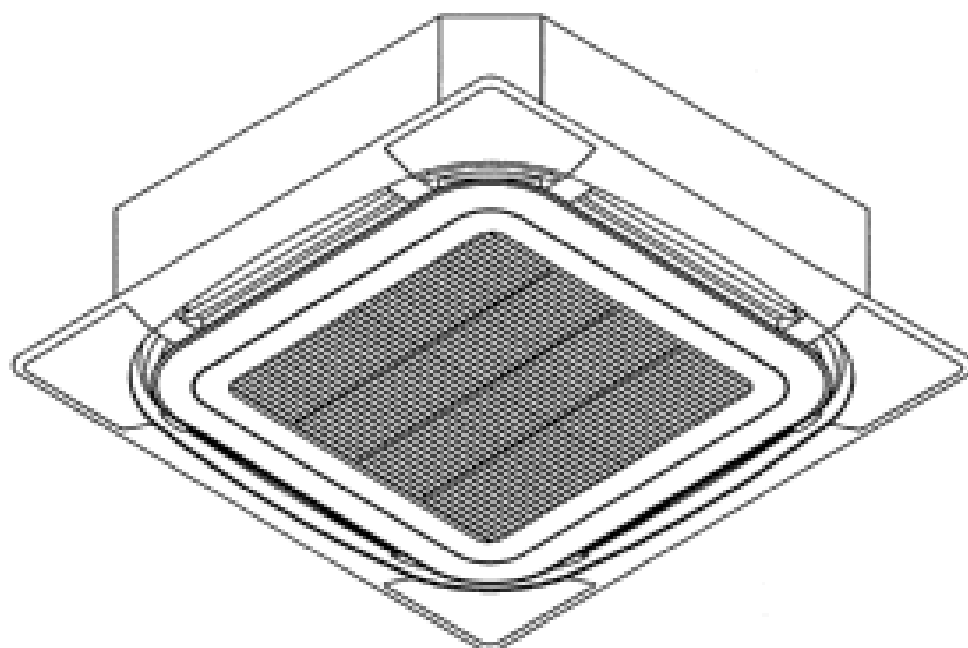
**Daikin Industries Ltd.**  
**Umeda Center Building 4-12 Nakazaki-Nishi 2-chome Kita-Ku**  
**Osaka-shi Osaka-fu Japan**

(72) Name(s) of Designer(s): **Manabu Kato and Kaichi Tsuji**

(45) Registration Date: **09 February 2007**

(56) Related Art Documents: **Not Applicable**

(57) Statement of Newness and Distinctiveness: **Nil**



- (21) Design Number: **15694/2006**
- (22) Date of Filing Application: **12 December 2006**
- (24) Date from which industrial property rights may have effect: **12 December 2006**
- (54) Product in respect of which the design is registered: **Air-conditioner**
- (51) International Design Classification: **23-04**
- (71) Name(s) and Address(s) of Applicant(s):

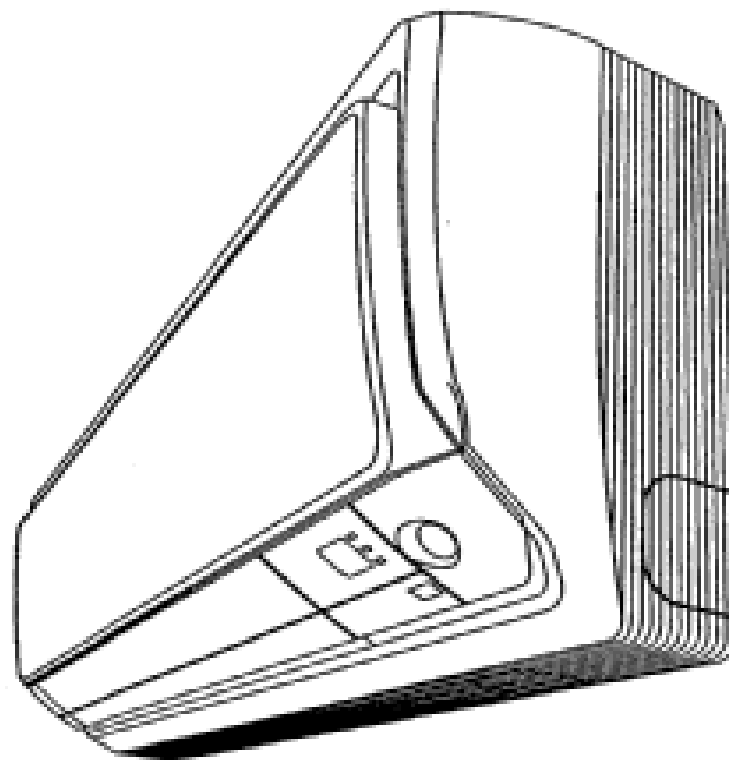
**Daikin Industries Ltd.**  
**Umeda Center Building 4-12 Nakazaki-Nishi 2-chome Kita-Ku**  
**Osaka-shi Osaka-fu Japan**

- (72) Name(s) of Designer(s): **Koichiro Seki and Masahiko Chooji**

(45) Registration Date: **09 February 2007**

(56) Related Art Documents: **Not Applicable**

(57) Statement of Newness and Distinctiveness: **Nil**



- (21) Design Number: **15695/2006**
- (22) Date of Filing Application: **12 December 2006**
- (24) Date from which industrial property rights may have effect: **12 December 2006**
- (54) Product in respect of which the design is registered: **Air-conditioner**
- (51) International Design Classification: **23-04**
- (71) Name(s) and Address(s) of Applicant(s):

**Daikin Industries Ltd.**  
**Umeda Center Building 4-12 Nakazaki-Nishi 2-chome Kita-Ku**  
**Osaka-shi Osaka-fu Japan**

- (72) Name(s) of Designer(s): **Koichiro Seki and Masahiko Chooji**

(45) Registration Date: **09 February 2007**

(56) Related Art Documents: **Not Applicable**

(57) Statement of Newness and Distinctiveness: **Nil**



- (21) Design Number: **15696/2006**  
(22) Date of Filing Application: **13 December 2006**  
(24) Date from which industrial property rights may have effect: **13 December 2006**  
(54) Product in respect of which the design is registered: **A closure**  
(51) International Design Classification: **09-07B**  
(71) Name(s) and Address(s) of Applicant(s):

**Alto Packaging Limited**  
**Level 6 57 Symonds Street Auckland New Zealand**

(72) Name(s) of Designer(s): **Michael Patrick Noonan**

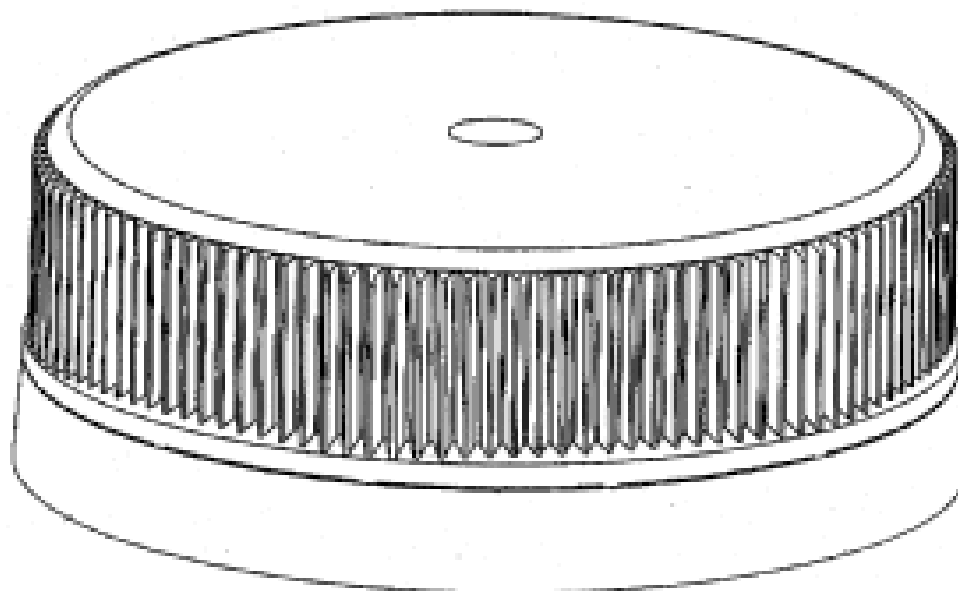
(45) Registration Date: **09 February 2007**

(30) Convention priority data:

(31) Number	(32) Date	(33) Country
<b>407717</b>	<b>21 Jun 2006</b>	<b>NEW ZEALAND</b>

(56) Related Art Documents: **Not Applicable**

(57) Statement of Newness and Distinctiveness: **Newness and distinctiveness is claimed in a closure having two thread formations substantially as shown, that formation of multiple lead-ins shown generally as "A", being internally of the tamperband. No novelty nor distinctiveness is claimed for the exterior of the closure.**



- (21) Design Number: **15697/2006**  
(22) Date of Filing Application: **13 December 2006**  
(24) Date from which industrial property rights may have effect: **13 December 2006**  
(54) Product in respect of which the design is registered: **A container**  
(51) International Design Classification: **09-01B**  
(71) Name(s) and Address(s) of Applicant(s):

**Alto Packaging Limited**  
**Level 6 57 Symonds Street Auckland New Zealand**

(72) Name(s) of Designer(s): **Michael Patrick Noonan**

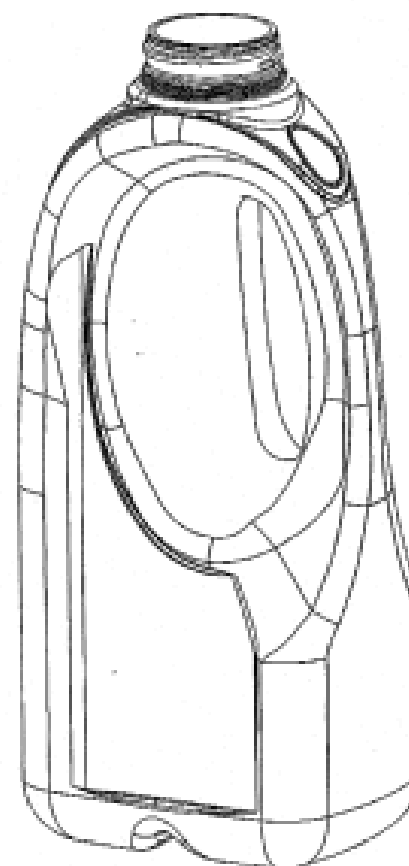
(45) Registration Date: **09 February 2007**

(30) Convention priority data:

(31) Number	(32) Date	(33) Country
<b>407718</b>	<b>21 Jun 2006</b>	<b>NEW ZEALAND</b>

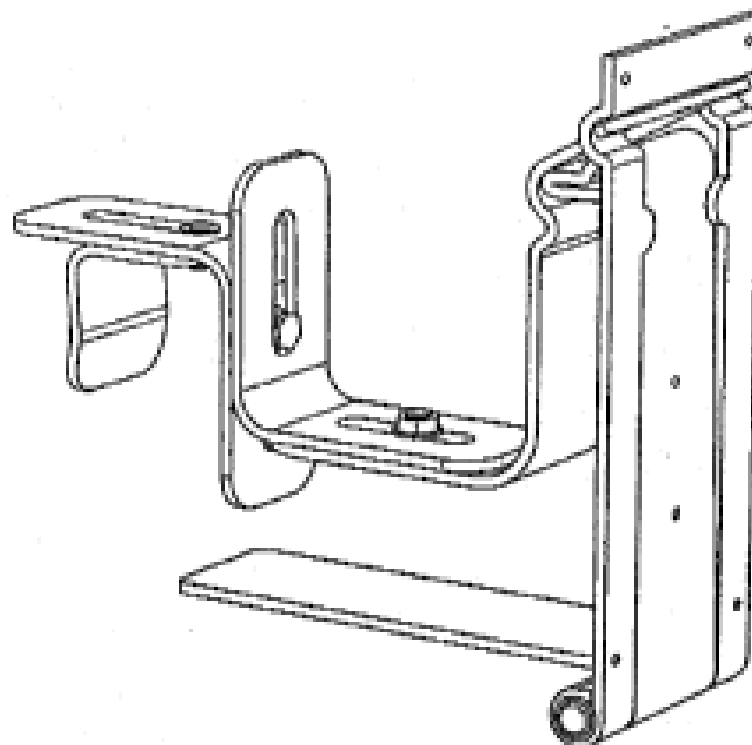
(56) Related Art Documents: **Not Applicable**

(57) Statement of Newness and Distinctiveness: **Newness and novelty is claimed in a necked container having two thread formations on its neck "A" and "B" substantially as depicted. No novelty nor distinctiveness is claimed for the shape of the body of the container.**





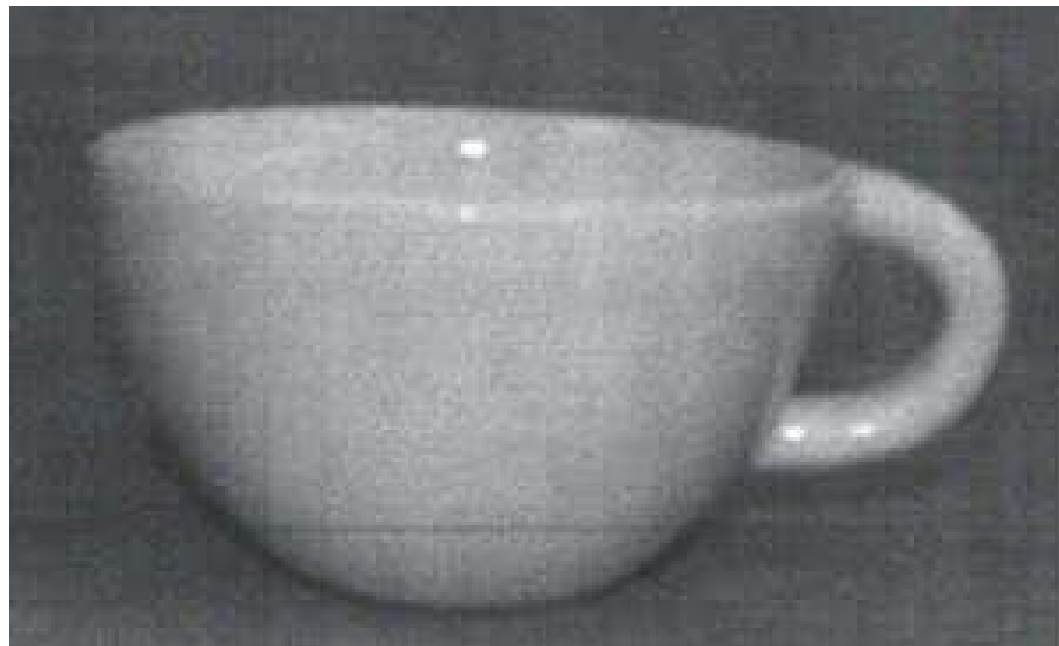
- (21) Design Number: **15698/2006**
- (22) Date of Filing Application: **12 December 2006**
- (24) Date from which industrial property rights may have effect: **12 December 2006**
- (54) Product in respect of which the design is registered: **A pivotable gutter design**
- (51) International Design Classification: **23-01L**
- (71) Name(s) and Address(s) of Applicant(s):  
**Martin Anthony Kennedy**  
**54 Cambridge Street Port Noarlunga South Australia 5167 Australia**
- (72) Name(s) of Designer(s): **Martin Anthony Kennedy**
- (45) Registration Date: **09 February 2007**
- (56) Related Art Documents: **Not Applicable**
- (57) Statement of Newness and Distinctiveness: **Nil**



- (21) Design Number: **15699/2006**
- (22) Date of Filing Application: **12 December 2006**
- (24) Date from which industrial property rights may have effect: **12 December 2006**
- (54) Product in respect of which the design is registered: **A saucer**
- (51) International Design Classification: **07-01D**
- (71) Name(s) and Address(s) of Applicant(s):  
**Elite Confectionery Ltd**  
**84 Arlozorov St Ramat-Gan Israel**
- (72) Name(s) of Designer(s): **Oded Brenner**
- (45) Registration Date: **09 February 2007**
- (56) Related Art Documents: **Not Applicable**
- (57) Statement of Newness and Distinctiveness: **Nil**



- (21) Design Number: **15700/2006**  
(22) Date of Filing Application: **13 December 2006**  
(24) Date from which industrial property rights may have effect: **13 December 2006**  
(54) Product in respect of which the design is registered: **A beverage mug**  
(51) International Design Classification: **07-01D**  
(71) Name(s) and Address(s) of Applicant(s):  
**Elite Confectionery Ltd**  
**84 Arlozorov St Ramat-Gan Israel**  
(72) Name(s) of Designer(s): **Oded Brenner**  
(45) Registration Date: **09 February 2007**  
(56) Related Art Documents: **Not Applicable**  
(57) Statement of Newness and Distinctiveness: **Nil**



- (21) Design Number: **15702/2006**  
(22) Date of Filing Application: **14 December 2006**  
(24) Date from which industrial property rights may have effect: **14 December 2006**  
(54) Product in respect of which the design is registered: **A marking cone**  
(51) International Design Classification: **10-06**  
(71) Name(s) and Address(s) of Applicant(s):  
**Venture products Limited**  
**C/- 168 Broadway Avenue Palmerston North 4410 New Zealand**  
(72) Name(s) of Designer(s): **Rodney John Lawrence**  
(45) Registration Date: **09 February 2007**  
(30) Convention priority data:  

(31) Number	(32) Date	(33) Country
<b>407711</b>	<b>20 Jun 2006</b>	<b>NEW ZEALAND</b>

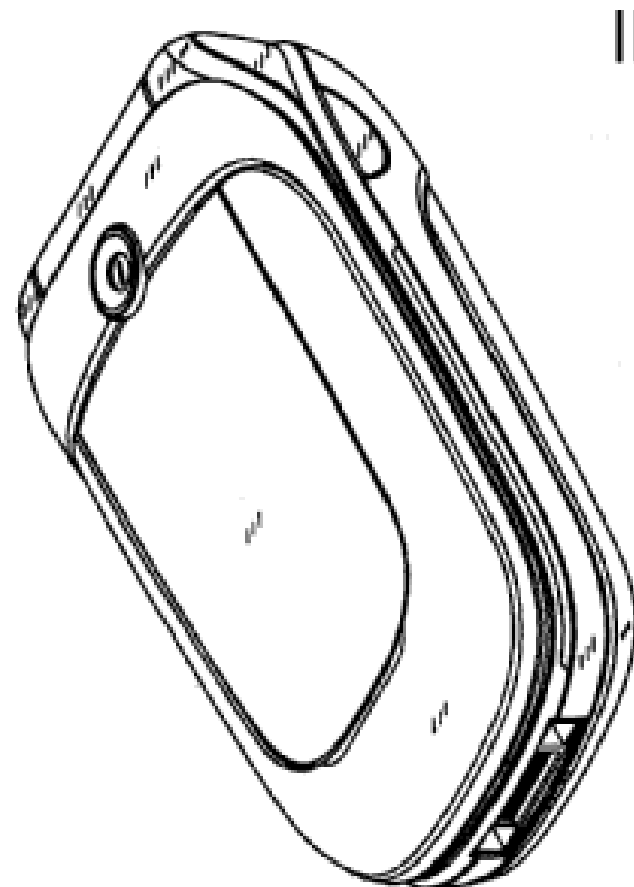
  
(56) Related Art Documents: **Not Applicable**  
(57) Statement of Newness and Distinctiveness: **Newness and distinctiveness is claimed in the features of shape and configuration of a Marking Cone as illustrated in the representations accompanying the application.**



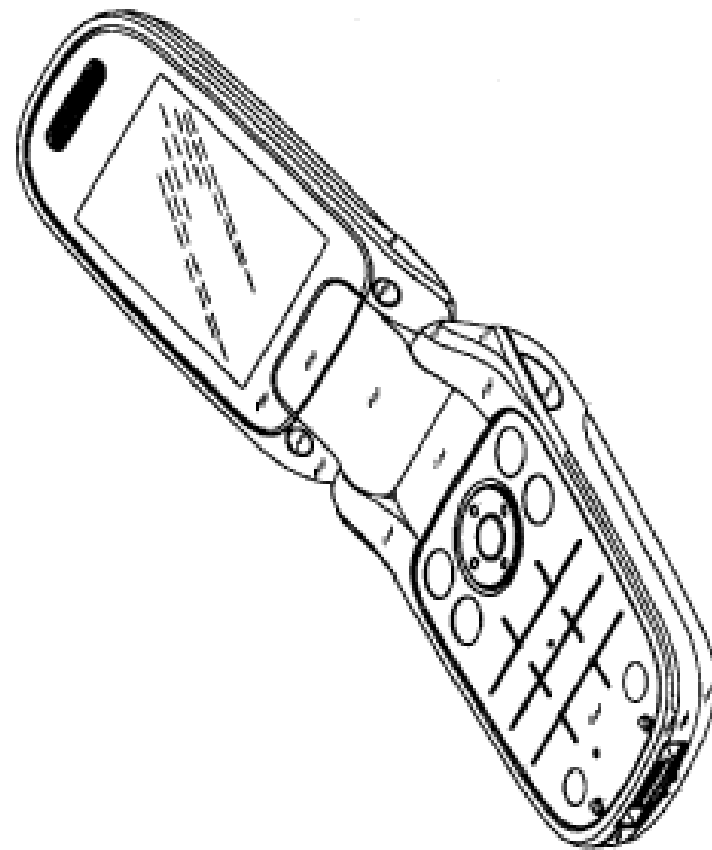
(21) Design Number: **15703/2006**  
 (22) Date of Filing Application: **14 December 2006**  
 (24) Date from which industrial property rights may have effect: **14 December 2006**  
 (54) Product in respect of which the design is registered: **Reinforcing steel safety cap**  
 (51) International Design Classification: **25-02A**  
 (71) Name(s) and Address(s) of Applicant(s):  
**Connolly Key Joint Pty Ltd**  
**78 Farley Street Casino New South Wales 2470 Australia**  
 (72) Name(s) of Designer(s): **Mark Anthony Connolly and John Charles Mercer**  
 (45) Registration Date: **09 February 2007**  
 (56) Related Art Documents: **Not Applicable**  
 (57) Statement of Newness and Distinctiveness: **The shape and configuration of the reinforcing steel safety cap including the "concave" top, the internal "webbing" and the internal 'fins' illustrated in the representation.**



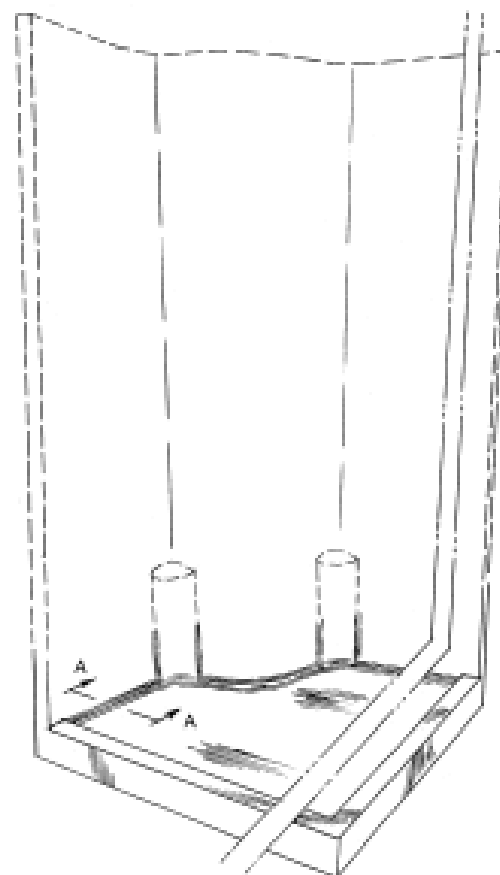
(21) Design Number: **15704/2006**  
 (22) Date of Filing Application: **13 December 2006**  
 (24) Date from which industrial property rights may have effect: **13 December 2006**  
 (54) Product in respect of which the design is registered: **Mobile phone (closed)**  
 (51) International Design Classification: **14-03E**  
 (71) Name(s) and Address(s) of Applicant(s):  
**Sony Ericsson Mobile Communications AB**  
**Nya Vattentorget SE 221 88 Lund Sweden**  
 (72) Name(s) of Designer(s): **Koi Chin Chung and Jeanna Kimbre and Shimpei Hirano and Therese Eklund**  
 (45) Registration Date: **09 February 2007**  
 (30) Convention priority data:  
 (31) Number      (32) Date      (33) Country  
**000557509      10 Jul 2006      EUROPEAN COMMUNITY**  
 (56) Related Art Documents: **Not Applicable**  
 (57) Statement of Newness and Distinctiveness: **Nil**



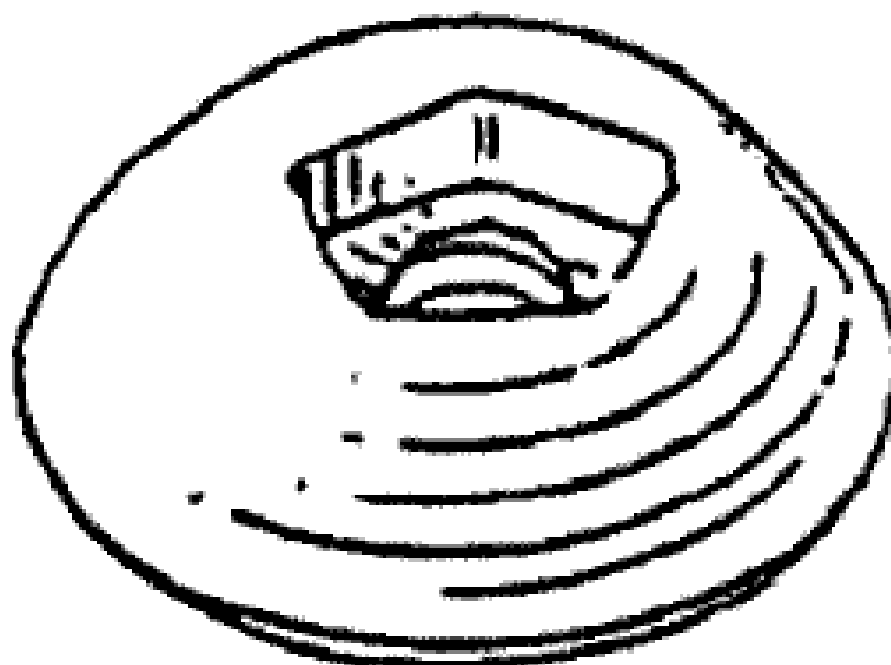
- (21) Design Number: **15705/2006**  
(22) Date of Filing Application: **13 December 2006**  
(24) Date from which industrial property rights may have effect: **13 December 2006**  
(54) Product in respect of which the design is registered: **Mobile phone (opened)**  
(51) International Design Classification: **14-03E**  
(71) Name(s) and Address(s) of Applicant(s):  
**Sony Ericsson Mobile Communications AB**  
**Nya Vattentorget SE 221 88 Lund Sweden**  
(72) Name(s) of Designer(s): **Koi Chin Chung and Jeanna Kimbre and Shimpei Hirano and Therese Eklund**  
(45) Registration Date: **09 February 2007**  
(30) Convention priority data:  
(31) Number      (32) Date      (33) Country  
**000557509      10 Jul 2006      EUROPEAN COMMUNITY**  
(56) Related Art Documents: **Not Applicable**  
(57) Statement of Newness and Distinctiveness: **Nil**



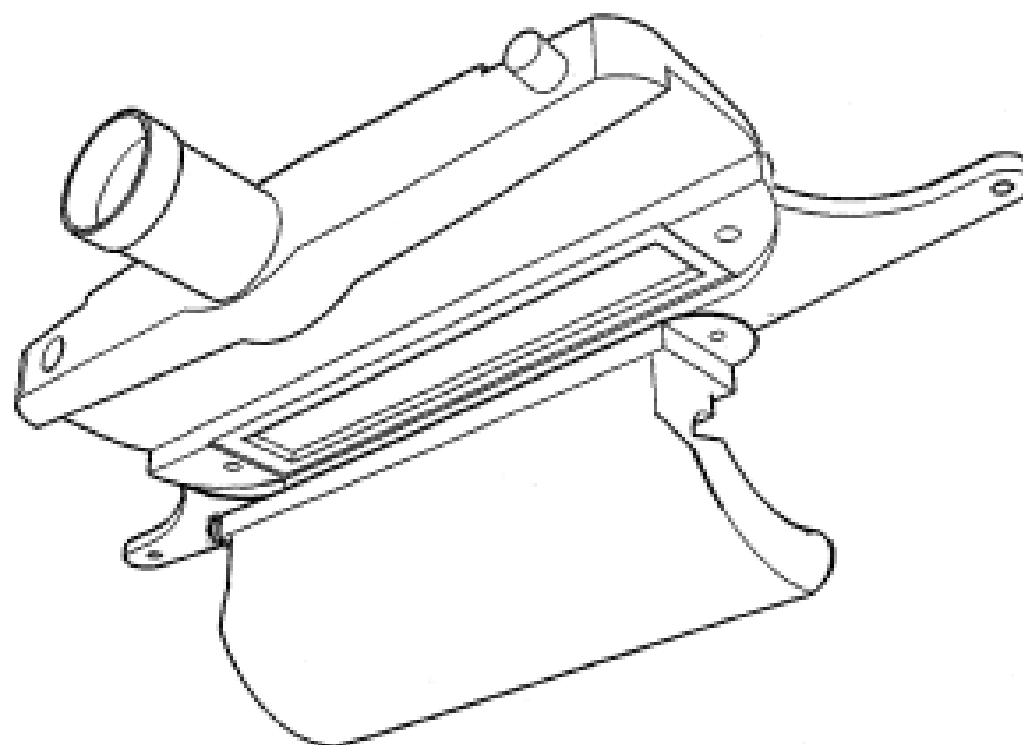
- (21) Design Number: **15026/2006**  
(22) Date of Filing Application: **31 October 2006**  
(24) Date from which industrial property rights may have effect: **31 October 2006**  
(54) Product in respect of which the design is registered: **Shower recess**  
(51) International Design Classification: **23-02B**  
(71) Name(s) and Address(s) of Applicant(s):  
**Quench Solutions Pty Ltd**  
**22 Pascal Road Seaford Victoria 3198 Australia**  
(72) Name(s) of Designer(s): **Brian Gay**  
(45) Registration Date: **09 February 2007**  
(56) Related Art Documents: **Not Applicable**  
(57) Statement of Newness and Distinctiveness: **Those features of the shower recess depicted in the representations that are new and distinctive are the shape and/or configuration of the drainage channel region of the base. The features shown in broken lines are to be disregarded when considering the overall impression of the design.**



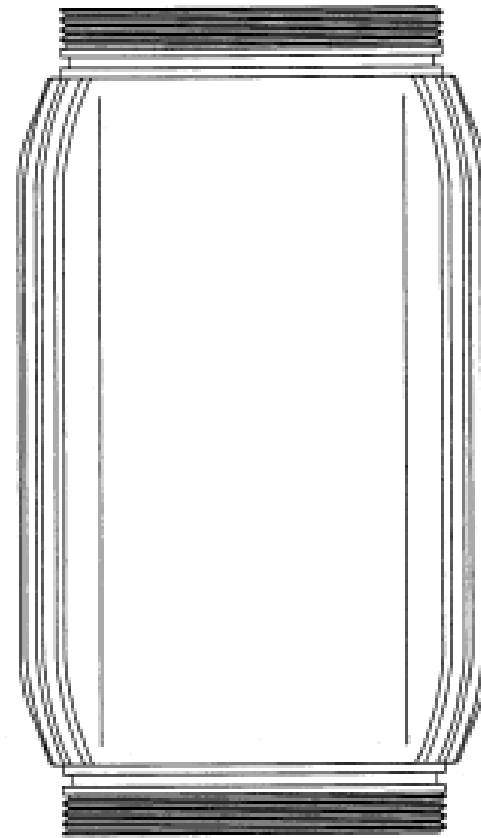
(21) Design Number: **15056/2006**  
(22) Date of Filing Application: **01 November 2006**  
(24) Date from which industrial property rights may have effect: **01 November 2006**  
(54) Product in respect of which the design is registered: **Fastener**  
(51) International Design Classification: **08-08B**  
(71) Name(s) and Address(s) of Applicant(s):  
**R. Bryce Campbell**  
**3800 S. Cantabria Crl. #1019 Chandler Arizona 85248 United States of America**  
(72) Name(s) of Designer(s): **R. Bryce Campbell**  
(45) Registration Date: **09 February 2007**  
(30) Convention priority data:  
(31) Number (32) Date (33) Country  
**29/249,328 02 Oct 2006 UNITED STATES OF AMERICA**  
(56) Related Art Documents: **Not Applicable**  
(57) Statement of Newness and Distinctiveness: **Newness and distinctiveness is claimed in the visual features shown in solid lines in the representations.**



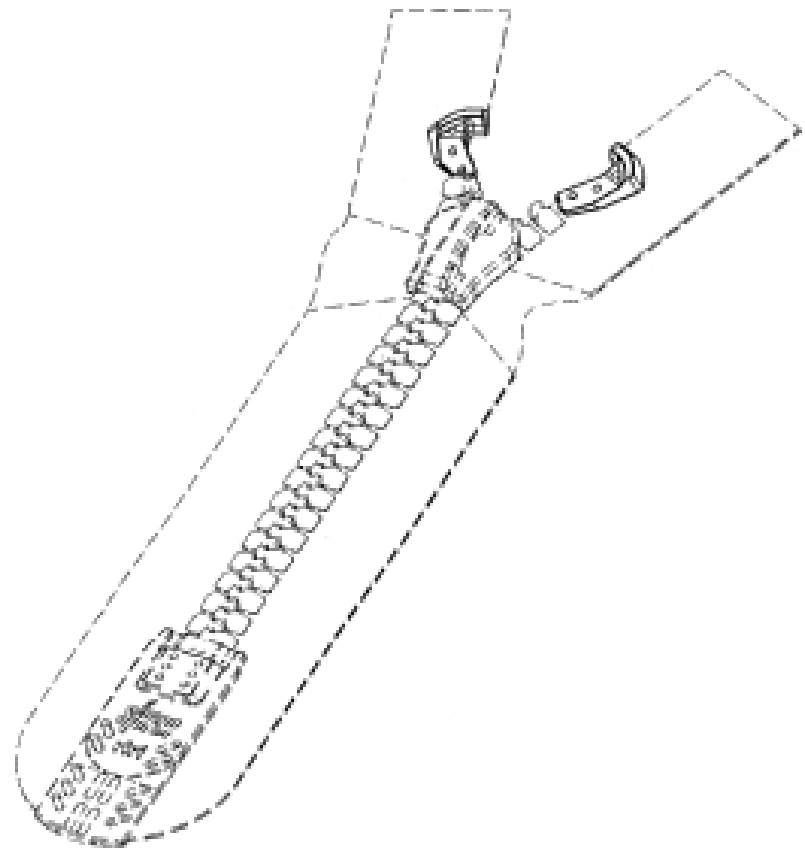
(21) Design Number: **15060/2006**  
(22) Date of Filing Application: **02 November 2006**  
(24) Date from which industrial property rights may have effect: **02 November 2006**  
(54) Product in respect of which the design is registered: **A vehicle cold air induction box**  
(51) International Design Classification: **12-16NES**  
(71) Name(s) and Address(s) of Applicant(s):  
**Conrod Motor Sport Pty Limited**  
**115 Stella Street Fairfield West New South Wales 2165 Australia**  
(72) Name(s) of Designer(s): **Carmine Zoccoli**  
(45) Registration Date: **09 February 2007**  
(56) Related Art Documents: **Not Applicable**  
(57) Statement of Newness and Distinctiveness: **Newness and distinctiveness is claimed in the features of shape and/or configuration of a vehicle cold air induction box as illustrated in the accompanying representations.**



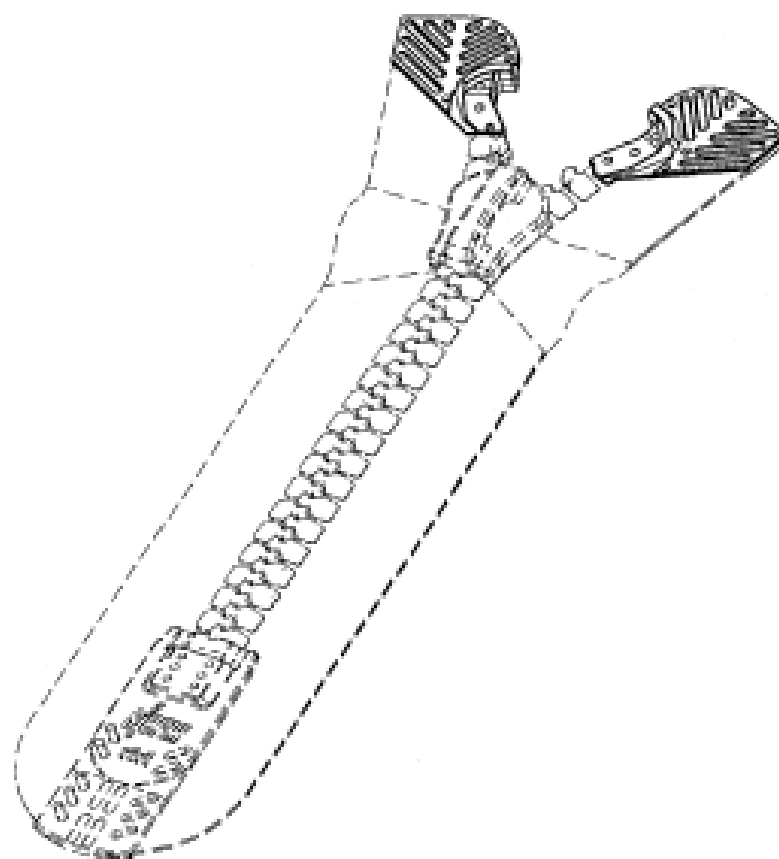
- (21) Design Number: **15073/2006**  
(22) Date of Filing Application: **03 November 2006**  
(24) Date from which industrial property rights may have effect: **03 November 2006**  
(54) Product in respect of which the design is registered: **Light fitting**  
(51) International Design Classification: **26-05C**  
(71) Name(s) and Address(s) of Applicant(s):  
**Telectran International Pty Ltd**  
**PO Box 6059 Frenchs Forest New South Wales 2086 Australia**  
(72) Name(s) of Designer(s): **Claudia Bonifer and Timothy Rugendyke and Michael S. Squires and Filip Tejszerski**  
(45) Registration Date: **09 February 2007**  
(56) Related Art Documents: **Not Applicable**  
(57) Statement of Newness and Distinctiveness: **Nil**



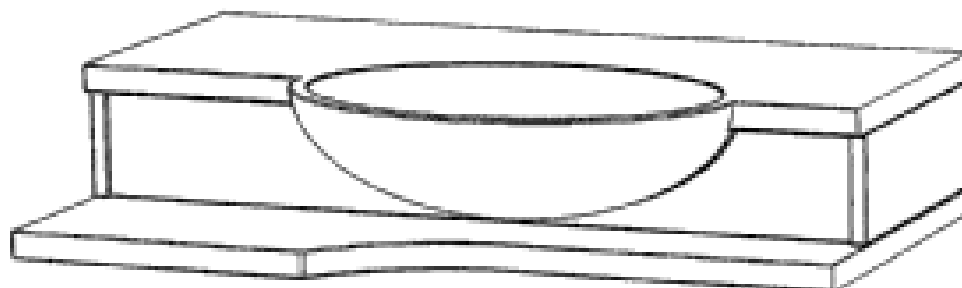
- (21) Design Number: **15090/2006**  
(22) Date of Filing Application: **03 November 2006**  
(24) Date from which industrial property rights may have effect: **03 November 2006**  
(54) Product in respect of which the design is registered: **Stops for a slide fastener**  
(51) International Design Classification: **02-07A**  
(71) Name(s) and Address(s) of Applicant(s):  
**Crelux Holding S.A.**  
**Via Catenazzi 23 CH-6854 Mendrisio Switzerland**  
(72) Name(s) of Designer(s): **Livio Cossutti**  
(45) Registration Date: **09 February 2007**  
(30) Convention priority data:  
(31) Number (32) Date (33) Country  
**000523568#0001 05 May 2006 EUROPEAN COMMUNITY**  
(56) Related Art Documents: **Not Applicable**  
(57) Statement of Newness and Distinctiveness: **Nil**



- (21) Design Number: **16130/2007**  
(22) Date of Filing Application: **03 November 2006**  
(24) Date from which industrial property rights may have effect: **03 November 2006**  
(54) Product in respect of which the design is registered: **Stops for a slide fastener**  
(51) International Design Classification: **02-07A**  
(71) Name(s) and Address(s) of Applicant(s):  
**Crelux Holding S.A.**  
**Via Catenazzi 23 CH-6854 Mendrisio Switzerland**  
(72) Name(s) of Designer(s): **Livio Cossutti**  
(45) Registration Date: **09 February 2007**  
(30) Convention priority data:  
(31) Number (32) Date (33) Country  
**000523568#0001 05 May 2006 EUROPEAN COMMUNITY**  
(56) Related Art Documents: **Not Applicable**  
(57) Statement of Newness and Distinctiveness: **Nil**



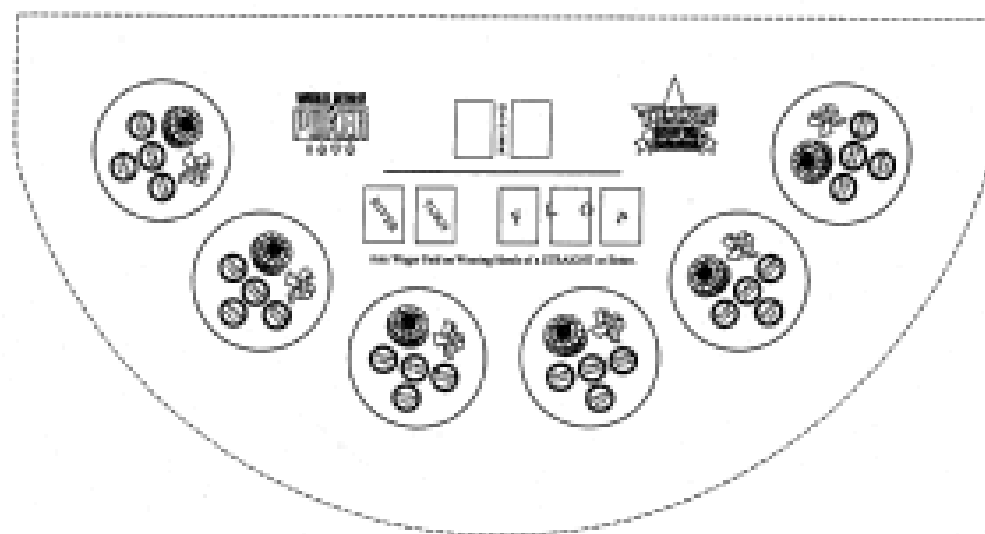
- (21) Design Number: **15121/2006**  
(22) Date of Filing Application: **09 November 2006**  
(24) Date from which industrial property rights may have effect: **09 November 2006**  
(54) Product in respect of which the design is registered: **Vanity unit top**  
(51) International Design Classification: **23-02F**  
(71) Name(s) and Address(s) of Applicant(s):  
**Sandro Iuliano**  
**43 Malpas Street Rostrevor South Australia 5073 Australia**  
(72) Name(s) of Designer(s): **Sandro Iuliano and Photi Kazis**  
(45) Registration Date: **09 February 2007**  
(56) Related Art Documents: **Not Applicable**  
(57) Statement of Newness and Distinctiveness: **Newness and distinctiveness resides in the features of shape and configuration of a vanity unit top as shown in the accompanying representations.**



(19) AU

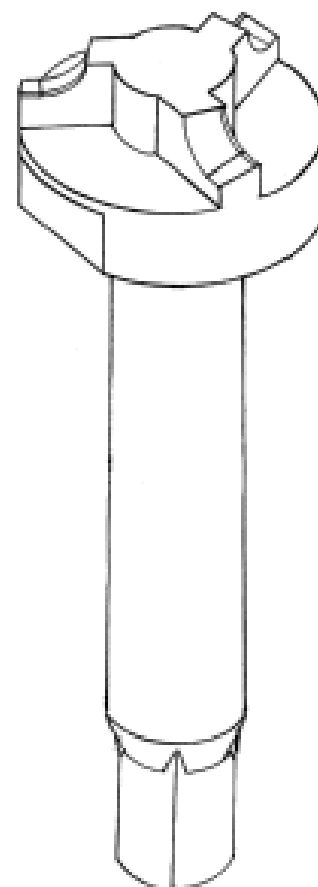
- (21) Design Number: **15124/2006**
- (22) Date of Filing Application: **09 November 2006**
- (24) Date from which industrial property rights may have effect: **14 June 2006**
- (54) Product in respect of which the design is registered: **A casino table**
- (51) International Design Classification: **21-01L**
- (71) Name(s) and Address(s) of Applicant(s):  
**Progressive Gaming International Corporation**  
**920 Pilot Road Las Vegas Nevada 89119 United States of America**
- (72) Name(s) of Designer(s): **Trent R. Looney and Barney Abramson**
- (45) Registration Date: **09 February 2007**
- (30) Convention priority data:  

(31) Number	(32) Date	(33) Country
<b>29245010</b>	<b>16 Dec 2005</b>	<b>UNITED STATES OF AMERICA</b>
- (62) Divisional of: **311419**
- (56) Related Art Documents: **Not Applicable**
- (57) Statement of Newness and Distinctiveness: **Newness and distinctiveness is claimed in the surface pattern as shown in solid lines in the representations as applied to the casino table. The shape of the table as shown in broken lines is to be disregarded.**



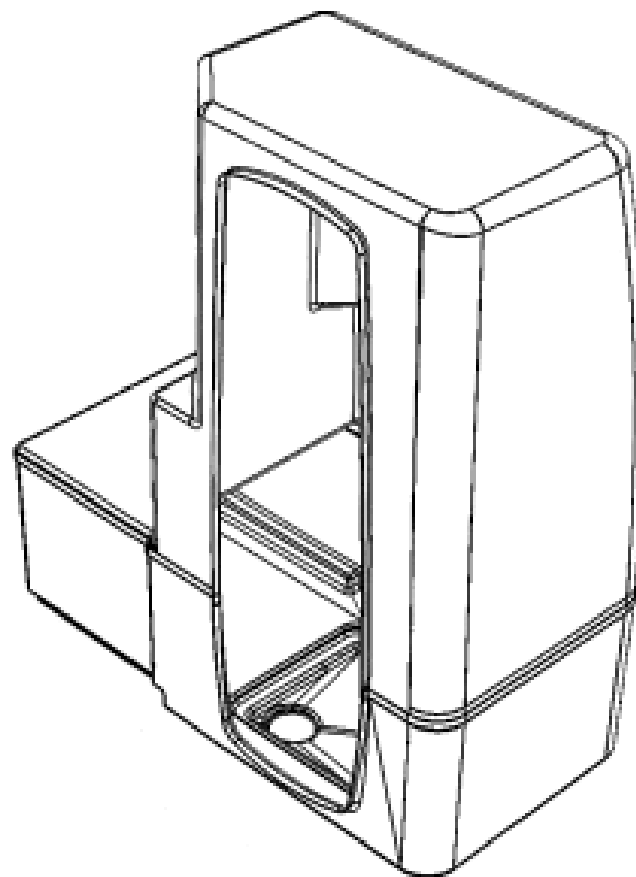
(19) AU

- (21) Design Number: **15253/2006**
- (22) Date of Filing Application: **16 November 2006**
- (24) Date from which industrial property rights may have effect: **16 November 2006**
- (54) Product in respect of which the design is registered: **Cutter**
- (51) International Design Classification: **08-03**
- (71) Name(s) and Address(s) of Applicant(s):  
**Brian Ashford**  
**60 Beaumaris Drive Menai New South Wales 2234 Australia**  
**John Bevern**  
**44 Captain Cook Drive Caringbah New South Wales 2229 Australia**
- (72) Name(s) of Designer(s): **Brian Ashford and John Bevern**
- (45) Registration Date: **09 February 2007**
- (56) Related Art Documents: **Not Applicable**
- (57) Statement of Newness and Distinctiveness: **The new features of the design are, the shape and configuration of the three bladed cutting head and the intergration of the cutting head and the cutter head carrying drive spindle as one piece.**

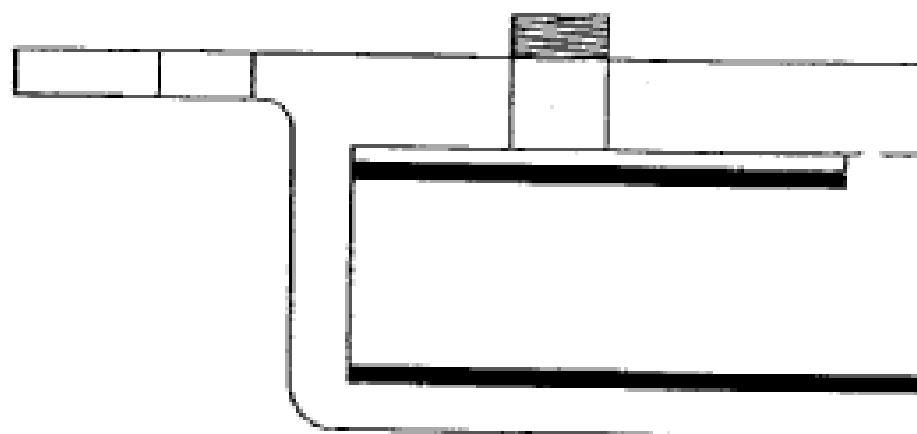




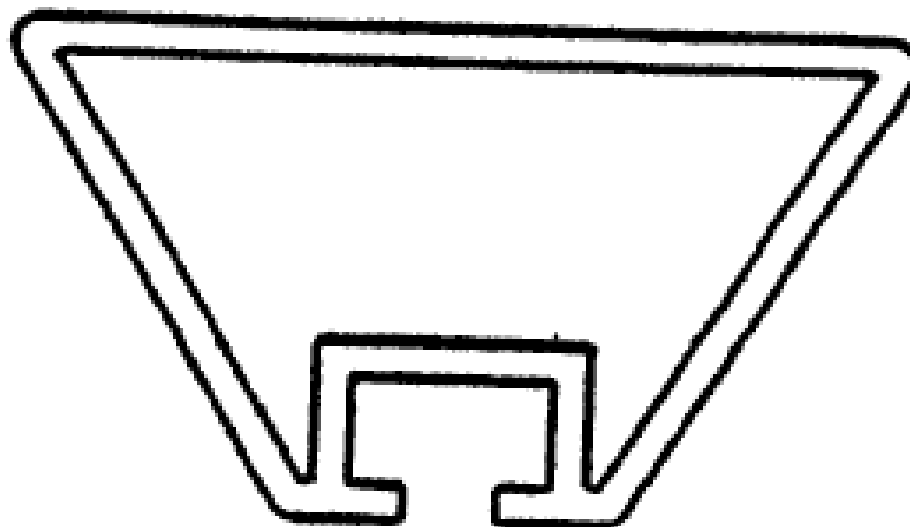
- (21) Design Number: **15295/2006**  
(22) Date of Filing Application: **17 November 2006**  
(24) Date from which industrial property rights may have effect: **17 November 2006**  
(54) Product in respect of which the design is registered: **Bathroom module**  
(51) International Design Classification: **23-02C**  
(71) Name(s) and Address(s) of Applicant(s):  
**Trakka Pty Limited**  
**9#11 Beaumont Road Mt Kuring-gai New South Wales 2080 Australia**  
(72) Name(s) of Designer(s): **David Berry**  
(45) Registration Date: **09 February 2007**  
(56) Related Art Documents: **Not Applicable**  
(57) Statement of Newness and Distinctiveness: **Newness and distinctiveness is claimed in the shape and/or configuration of a "bathroom module" as illustrated in the representations (excluding the toilet support, toilet, hand-basin and shower grating units shown in some representations).**



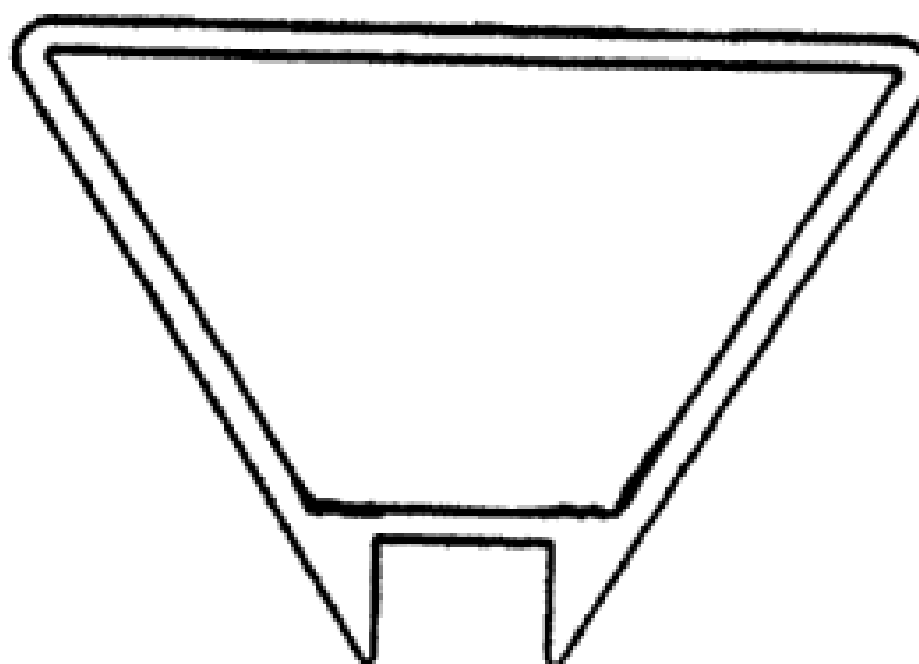
- (21) Design Number: **15381/2006**  
(22) Date of Filing Application: **24 November 2006**  
(24) Date from which industrial property rights may have effect: **24 November 2006**  
(54) Product in respect of which the design is registered: **Frameless glass pool gate friction latch keeper**  
(51) International Design Classification: **08-07**  
(71) Name(s) and Address(s) of Applicant(s):  
**Architectural Glass Fittings Pty Ltd**  
**148 Forest Ridge Drive Narangba Queensland 4504 Australia**  
(72) Name(s) of Designer(s): **Gregory Ash**  
(45) Registration Date: **09 February 2007**  
(56) Related Art Documents: **Not Applicable**  
(57) Statement of Newness and Distinctiveness: **Nil**



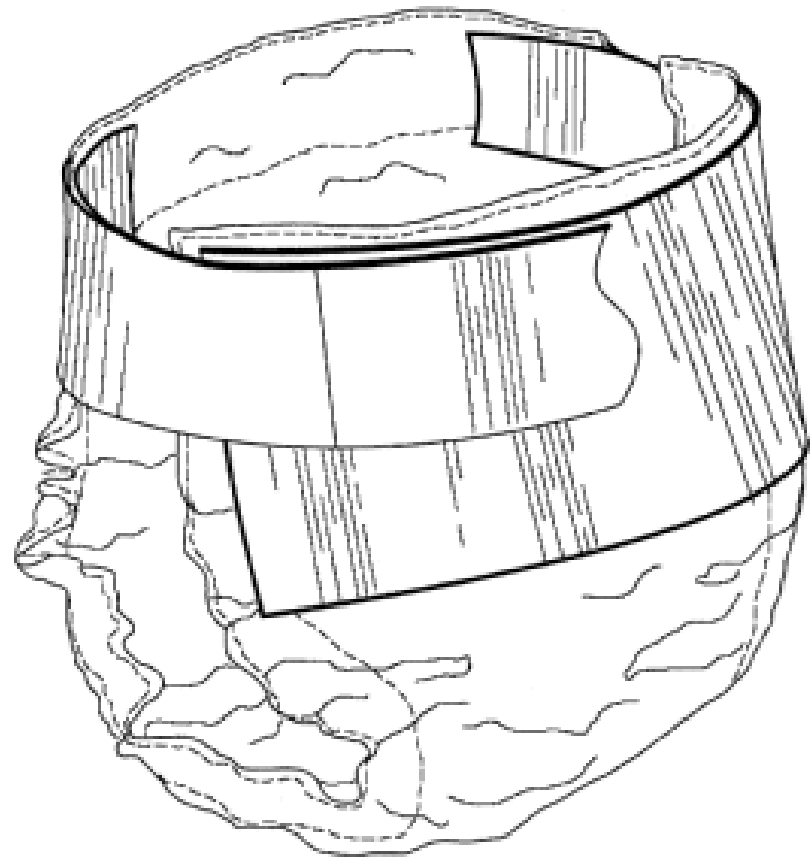
(21) Design Number: **15486/2006**  
 (22) Date of Filing Application: **01 December 2006**  
 (24) Date from which industrial property rights may have effect: **01 December 2006**  
 (54) Product in respect of which the design is registered: **An extrusion**  
 (51) International Design Classification: **25-01K**  
 (71) Name(s) and Address(s) of Applicant(s):  
**Neville Simmons**  
**7 Waokauri Place Mangere Auckland New Zealand**  
**Richard Simmons**  
**7 Waokauri Place Mangere Auckland New Zealand**  
**Jack Graeme Simmons**  
**7 Waokauri Place Mangere Auckland New Zealand**  
**Andrew Simmons**  
**7 Waokauri Place Mangere Auckland New Zealand**  
 (72) Name(s) of Designer(s): **Neville Simmons and Richard Simmons and Jack Graeme Simmons and Andrew Simmons**  
 (45) Registration Date: **09 February 2007**  
 (30) Convention priority data:  
 (31) Number      (32) Date      (33) Country  
**407642      01 Jun 2006      NEW ZEALAND**  
 (56) Related Art Documents: **Not Applicable**  
 (57) Statement of Newness and Distinctiveness: **The novelty claimed for the design resides in the features of shape and/or configuration all as shown in the representations. The extrusion is of constant cross-section and indefinite length.**



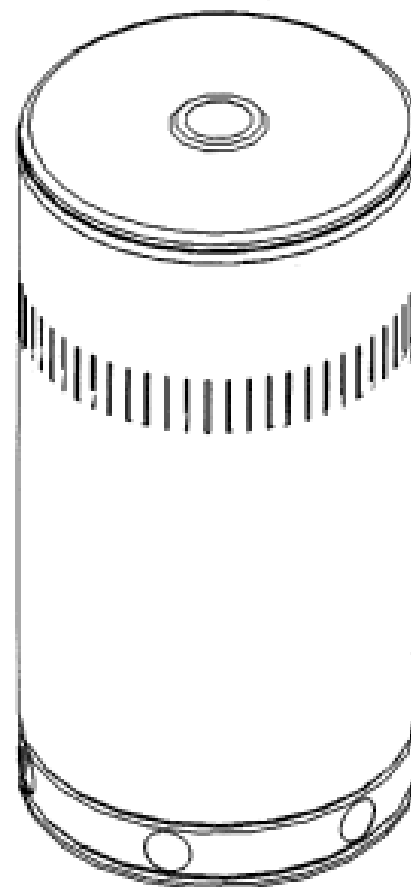
(21) Design Number: **15487/2006**  
 (22) Date of Filing Application: **01 December 2006**  
 (24) Date from which industrial property rights may have effect: **01 December 2006**  
 (54) Product in respect of which the design is registered: **An extrusion**  
 (51) International Design Classification: **25-01K**  
 (71) Name(s) and Address(s) of Applicant(s):  
**Neville Simmons**  
**7 Waokauri Place Mangere Auckland New Zealand**  
**Richard Simmons**  
**7 Waokauri Place Mangere Auckland New Zealand**  
**Jack Graeme Simmons**  
**7 Waokauri Place Mangere Auckland New Zealand**  
**Andrew Simmons**  
**7 Waokauri Place Mangere Auckland New Zealand**  
 (72) Name(s) of Designer(s): **Neville Simmons and Richard Simmons and Jack Graeme Simmons and Andrew Simmons**  
 (45) Registration Date: **09 February 2007**  
 (30) Convention priority data:  
 (31) Number      (32) Date      (33) Country  
**407642      01 Jun 2006      NEW ZEALAND**  
 (56) Related Art Documents: **Not Applicable**  
 (57) Statement of Newness and Distinctiveness: **The novelty claimed for the design resides in the features of shape and/or configuration all as shown in the representations. The extrusion is of constant cross-section and indefinite length.**



- (21) Design Number: **15619/2006**  
(22) Date of Filing Application: **07 December 2006**  
(24) Date from which industrial property rights may have effect: **07 December 2006**  
(54) Product in respect of which the design is registered: **Nappy**  
(51) International Design Classification: **02-01B**  
(71) Name(s) and Address(s) of Applicant(s):  
**Seona Emanuelli**  
**63 Jenkins Street Northcote Victoria 3070 Australia**  
**Todd Emanuelli**  
**63 Jenkins Street Northcote Victoria 3070 Australia**  
(72) Name(s) of Designer(s): **Seona Emanuelli and Todd Emanuelli**  
(45) Registration Date: **09 February 2007**  
(56) Related Art Documents: **Not Applicable**  
(57) Statement of Newness and Distinctiveness: **Nil**



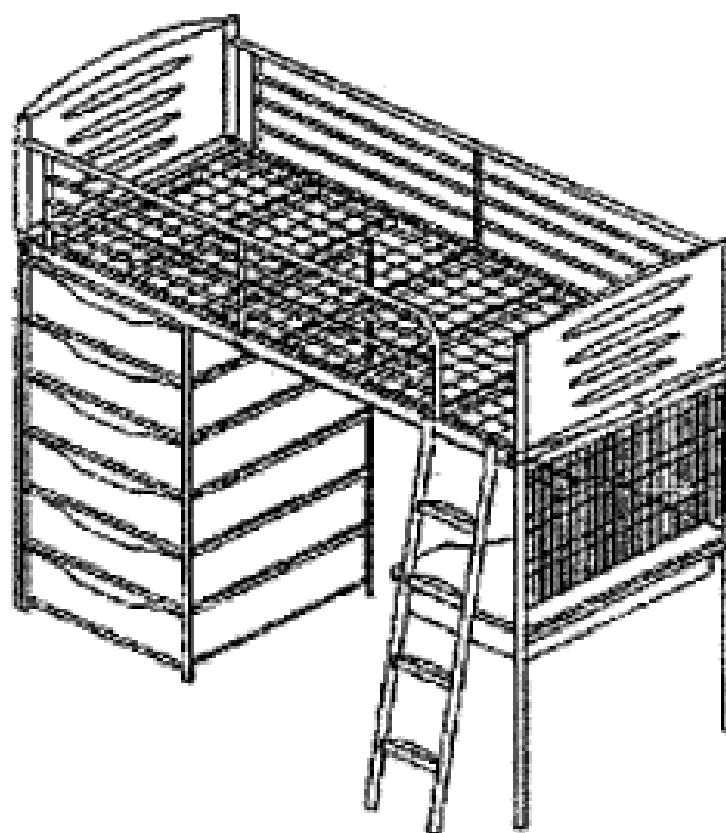
- (21) Design Number: **15637/2006**  
(22) Date of Filing Application: **08 December 2006**  
(24) Date from which industrial property rights may have effect: **08 December 2006**  
(54) Product in respect of which the design is registered: **Outdoor patio heater - cover**  
(51) International Design Classification: **23-03NES**  
(71) Name(s) and Address(s) of Applicant(s):  
**Bromic Pty Ltd**  
**1 Suttor Street Silverwater New South Wales 2128 Australia**  
(72) Name(s) of Designer(s): **Scott Smith and Shane Marshall**  
(45) Registration Date: **09 February 2007**  
(56) Related Art Documents: **Not Applicable**  
(57) Statement of Newness and Distinctiveness: **60 slotted vents measuring approximately 60mm x 3.5mm, slots positioned approximately 535mm from bottom edge. Flat top of cylinder housing, with approximately 8mm radiused edge, is a uniquely identifying feature.**



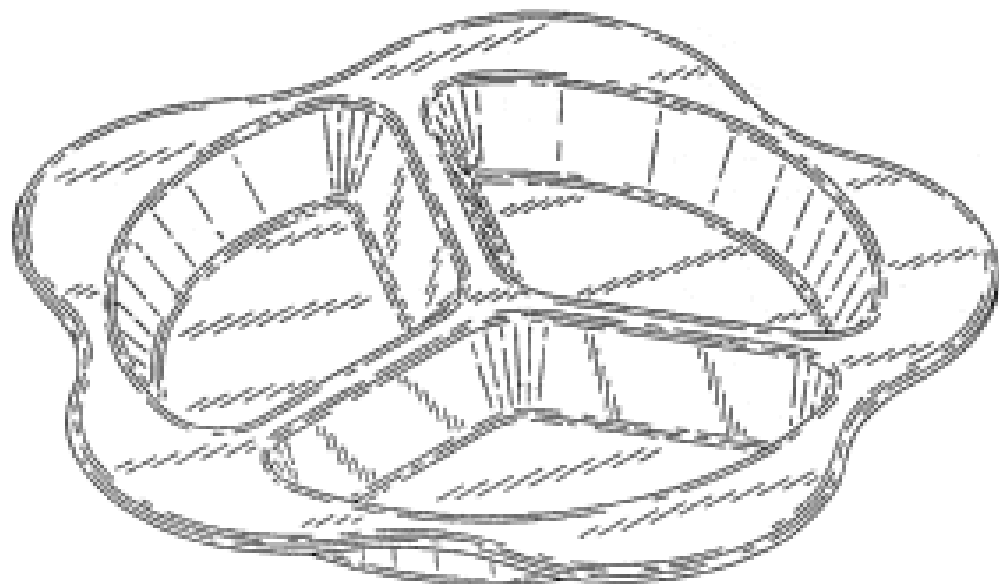
- (21) Design Number: **15640/2006**  
(22) Date of Filing Application: **08 December 2006**  
(24) Date from which industrial property rights may have effect: **08 December 2006**  
(54) Product in respect of which the design is registered: **Toothbrush**  
(51) International Design Classification: **04-02**  
(71) Name(s) and Address(s) of Applicant(s):  
**McNeil-PPC, Inc.**  
**Grandview Road Skillman New Jersey United States of America**  
(72) Name(s) of Designer(s): **Stephen John Blanchard and Bethann O'Malley and Richard Usuquen and Justin McDonough**  
(45) Registration Date: **09 February 2007**  
(30) Convention priority data:  
(31) Number (32) Date (33) Country  
**29/247260 08 Jun 2006 UNITED STATES OF AMERICA**  
(56) Related Art Documents: **Not Applicable**  
(57) Statement of Newness and Distinctiveness: **Newness and distinctiveness of the design for a toothbrush resides in the features displayed in the figures in solid line.**



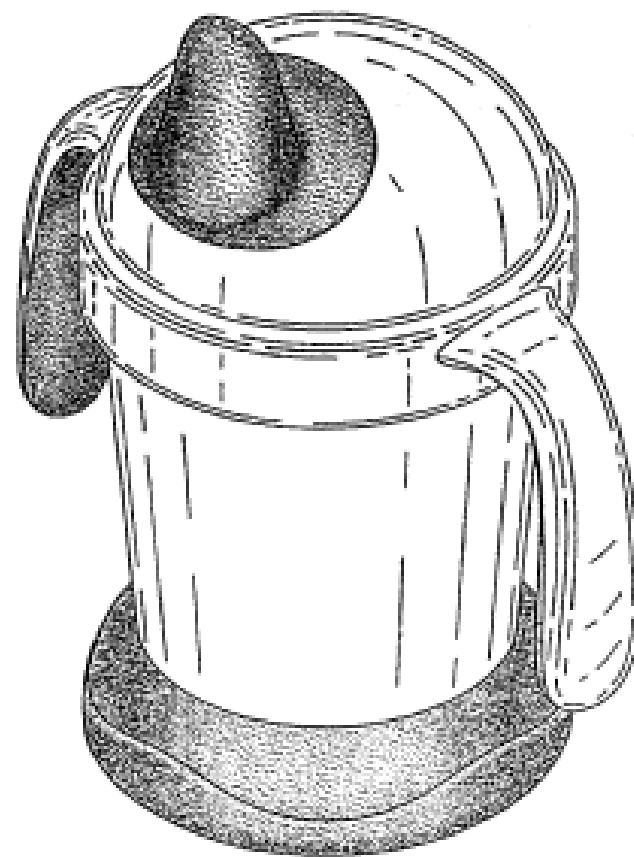
- (21) Design Number: **15648/2006**  
(22) Date of Filing Application: **11 December 2006**  
(24) Date from which industrial property rights may have effect: **11 December 2006**  
(54) Product in respect of which the design is registered: **OBSD Bed**  
(51) International Design Classification: **06-02, 06-04F**  
(71) Name(s) and Address(s) of Applicant(s):  
**Tube Home (M) SDN BHD**  
**No.6 Jln Perusahaan 2 Kawasan Perusahaan Beranang Hulu Langat**  
**43700 Selangor Malaysia**  
(72) Name(s) of Designer(s): **Tan Yok Chin**  
(45) Registration Date: **09 February 2007**  
(56) Related Art Documents: **Not Applicable**  
(57) Statement of Newness and Distinctiveness: **Nil**



- (21) Design Number: **15761/2006**  
(22) Date of Filing Application: **14 December 2006**  
(24) Date from which industrial property rights may have effect: **14 December 2006**  
(54) Product in respect of which the design is registered: **Plate**  
(51) International Design Classification: **07-01E**  
(71) Name(s) and Address(s) of Applicant(s):  
**Playtex Products, Inc**  
**300 Nyala Farms Road Westport Connecticut 06880 United States of America**  
(72) Name(s) of Designer(s): **John Rousso and Stephen Mowers and Arden Hill and Erin-Anne Lemieux and Kevin Michael Krauss and Mark Baerenrodt**  
(45) Registration Date: **09 February 2007**  
(30) Convention priority data:  
(31) Number (32) Date (33) Country  
**29/261,428 14 Jun 2006 UNITED STATES OF AMERICA**  
(56) Related Art Documents: **Not Applicable**  
(57) Statement of Newness and Distinctiveness: **Those features of the plate depicted in the representations that are new and distinctive are the shape and/or the configuration.**



- (21) Design Number: **15762/2006**  
(22) Date of Filing Application: **14 December 2006**  
(24) Date from which industrial property rights may have effect: **14 December 2006**  
(54) Product in respect of which the design is registered: **Cup**  
(51) International Design Classification: **07-01E**  
(71) Name(s) and Address(s) of Applicant(s):  
**Playtex Products, Inc**  
**300 Nyala Farms Road Westport Connecticut 06880 United States of America**  
(72) Name(s) of Designer(s): **John Rousso and Stephen Mowers and Brenda Liistro and Ross Steven Randolph and Arden Hill and Erin-Anne Lemieux and Kevin Michael Krauss and Mark Baerenrodt**  
(45) Registration Date: **09 February 2007**  
(30) Convention priority data:  
(31) Number (32) Date (33) Country  
**29/261,419 14 Jun 2006 UNITED STATES OF AMERICA**  
(56) Related Art Documents: **Not Applicable**  
(57) Statement of Newness and Distinctiveness: **Those features of the cup depicted in the representations that are new and distinctive are the shape and/or the configuration.**



(21) Design Number: **15812/2006**  
(22) Date of Filing Application: **19 December 2006**  
(24) Date from which industrial property rights may have effect: **19 December 2006**  
(54) Product in respect of which the design is registered: **Mono headset**  
(51) International Design Classification: **14-01**  
(71) Name(s) and Address(s) of Applicant(s):

**Bang & Olufsen A/S**  
**Peter Bangs Vej 15 Postboks 40 7600 Struer Denmark**

(72) Name(s) of Designer(s): **Steffen Schmelling**

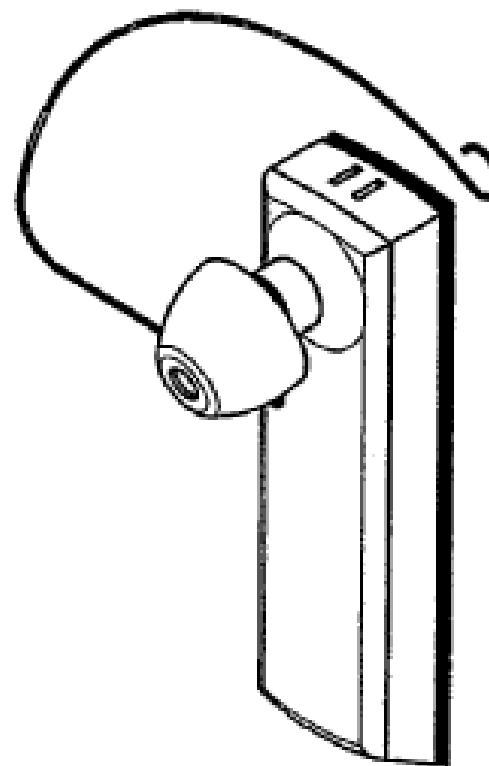
(45) Registration Date: **09 February 2007**

(30) Convention priority data:

(31) Number	(32) Date	(33) Country
<b>2006 00173</b>	<b>30 Jun 2006</b>	<b>DENMARK</b>

(56) Related Art Documents: **Not Applicable**

(57) Statement of Newness and Distinctiveness: **Nil**



(21) Design Number: **14961/2006**  
(22) Date of Filing Application: **30 October 2006**  
(24) Date from which industrial property rights may have effect: **30 October 2006**  
(54) Product in respect of which the design is registered: **Patient interface**  
(51) International Design Classification: **24-01**  
(71) Name(s) and Address(s) of Applicant(s):

**ResMed Ltd**  
**1 Elizabeth Macarthur Drive Bella Vista New South Wales 2153**  
**Australia**

(72) Name(s) of Designer(s): **Steven John Lubke and Gregory Scott Smart and**  
**Rupert Christian Scheiner and Alison Oldenburg and James William**  
**Vandyke and Christopher Scott Skipper and Michael John Reid and**  
**Timothy Shawn Nelson**

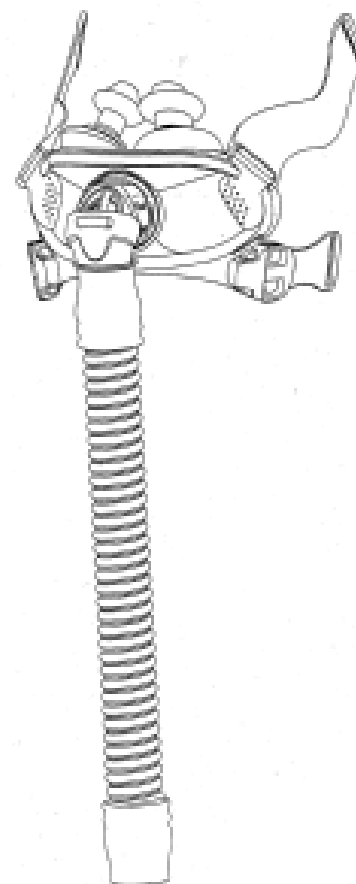
(45) Registration Date: **13 February 2007**

(30) Convention priority data:

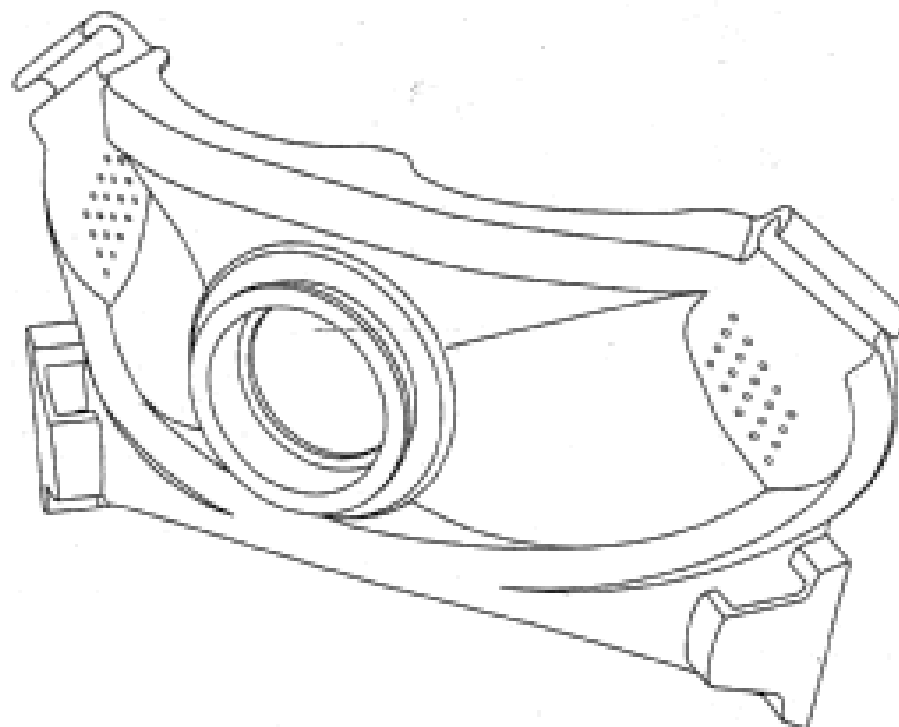
(31) Number	(32) Date	(33) Country
<b>29/258,792</b>	<b>28 Apr 2006</b>	<b>UNITED STATES OF AMERICA</b>

(56) Related Art Documents: **Not Applicable**

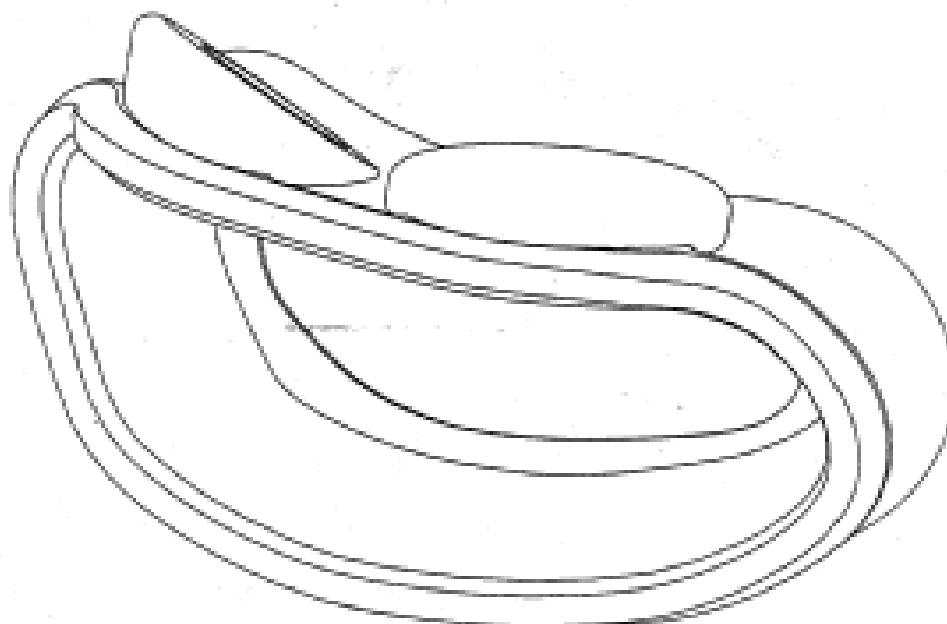
(57) Statement of Newness and Distinctiveness: **Nil**



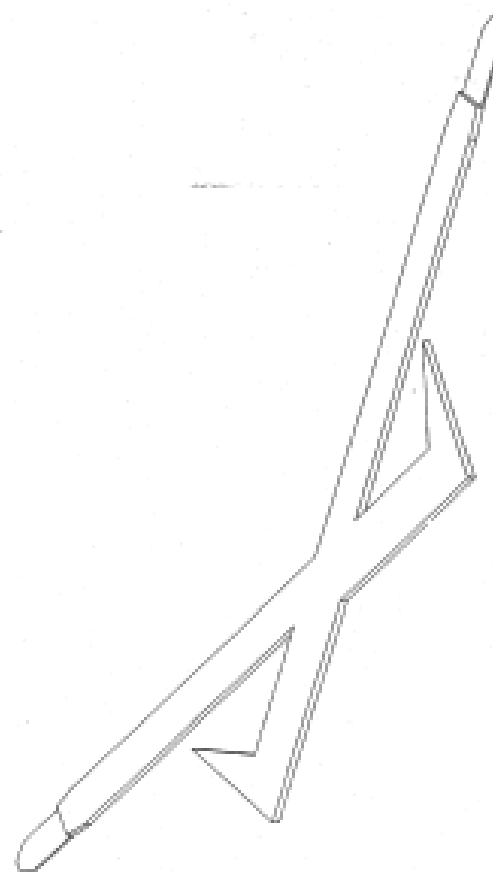
- (21) Design Number: **14962/2006**  
(22) Date of Filing Application: **30 October 2006**  
(24) Date from which industrial property rights may have effect: **30 October 2006**  
(54) Product in respect of which the design is registered: **Frame for patient interface**  
(51) International Design Classification: **24-01**  
(71) Name(s) and Address(s) of Applicant(s):  
**ResMed Ltd**  
**1 Elizabeth Macarthur Drive Bella Vista New South Wales 2153**  
**Australia**  
(72) Name(s) of Designer(s): **Steven John Lubke and Gregory Scott Smart and Rupert Christian Scheiner and Alison Oldenburg and James William Vandyke and Christopher Scott Skipper and Michael John Reid and Timothy Shawn Nelson**  
(45) Registration Date: **13 February 2007**  
(56) Related Art Documents: **Not Applicable**  
(57) Statement of Newness and Distinctiveness: **Nil**



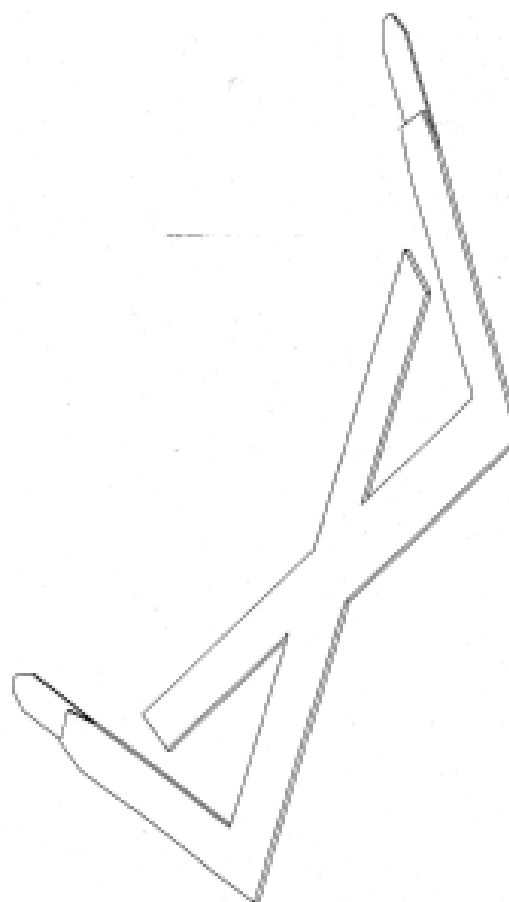
- (21) Design Number: **14963/2006**  
(22) Date of Filing Application: **30 October 2006**  
(24) Date from which industrial property rights may have effect: **30 October 2006**  
(54) Product in respect of which the design is registered: **Cushion for patient interface**  
(51) International Design Classification: **24-01**  
(71) Name(s) and Address(s) of Applicant(s):  
**ResMed Ltd**  
**1 Elizabeth Macarthur Drive Bella Vista New South Wales 2153**  
**Australia**  
(72) Name(s) of Designer(s): **Steven John Lubke and Gregory Scott Smart and Rupert Christian Scheiner and Alison Oldenburg and James William Vandyke and Christopher Scott Skipper and Michael John Reid and Timothy Shawn Nelson**  
(45) Registration Date: **13 February 2007**  
(56) Related Art Documents: **Not Applicable**  
(57) Statement of Newness and Distinctiveness: **Nil**



- (21) Design Number: **14964/2006**  
(22) Date of Filing Application: **30 October 2006**  
(24) Date from which industrial property rights may have effect: **30 October 2006**  
(54) Product in respect of which the design is registered: **Lower headgear portion for patient interface**  
(51) International Design Classification: **24-01**  
(71) Name(s) and Address(s) of Applicant(s):  
**ResMed Ltd**  
**1 Elizabeth Macarthur Drive Bella Vista New South Wales 2153**  
**Australia**  
(72) Name(s) of Designer(s): **Steven John Lubke and Gregory Scott Smart and Rupert Christian Scheiner and Alison Oldenburg and James William Vandyke and Christopher Scott Skipper and Michael John Reid and Timothy Shawn Nelson**  
(45) Registration Date: **13 February 2007**  
(56) Related Art Documents: **Not Applicable**  
(57) Statement of Newness and Distinctiveness: **Nil**

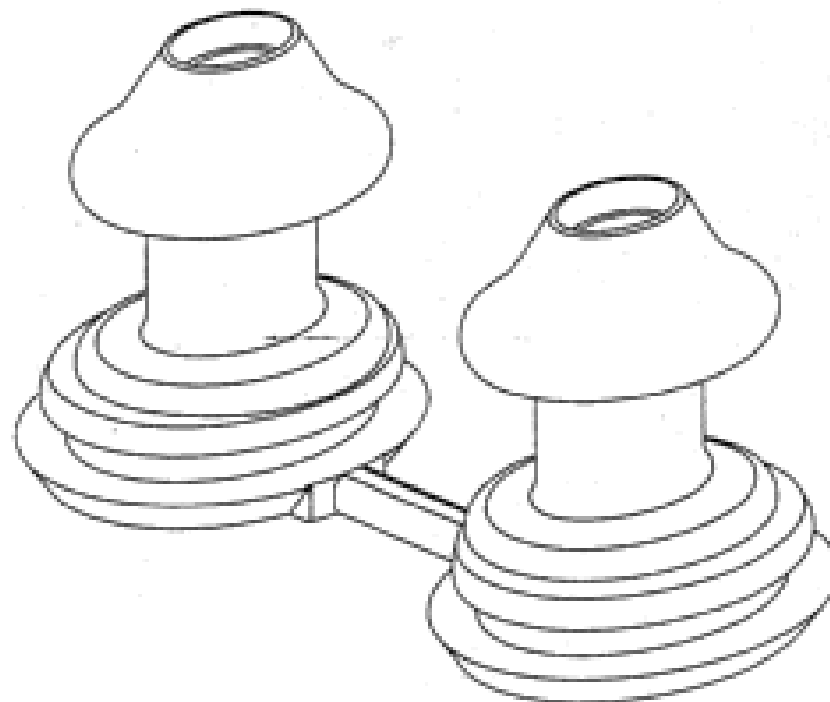


- (21) Design Number: **14965/2006**  
(22) Date of Filing Application: **30 October 2006**  
(24) Date from which industrial property rights may have effect: **30 October 2006**  
(54) Product in respect of which the design is registered: **Upper headgear portion for patient interface**  
(51) International Design Classification: **24-01**  
(71) Name(s) and Address(s) of Applicant(s):  
**ResMed Ltd**  
**1 Elizabeth Macarthur Drive Bella Vista New South Wales 2153**  
**Australia**  
(72) Name(s) of Designer(s): **Steven John Lubke and Gregory Scott Smart and Rupert Christian Scheiner and Alison Oldenburg and James William Vandyke and Christopher Scott Skipper and Michael John Reid and Timothy Shawn Nelson**  
(45) Registration Date: **13 February 2007**  
(56) Related Art Documents: **Not Applicable**  
(57) Statement of Newness and Distinctiveness: **Nil**

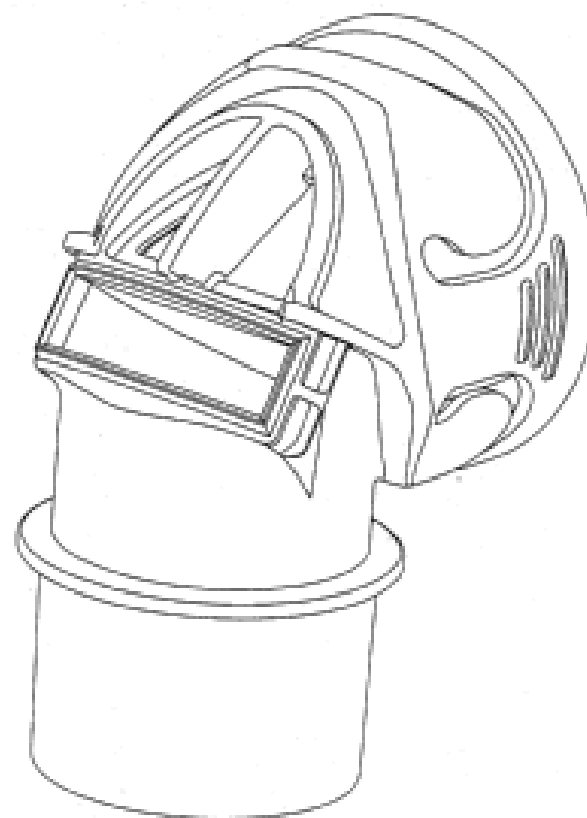




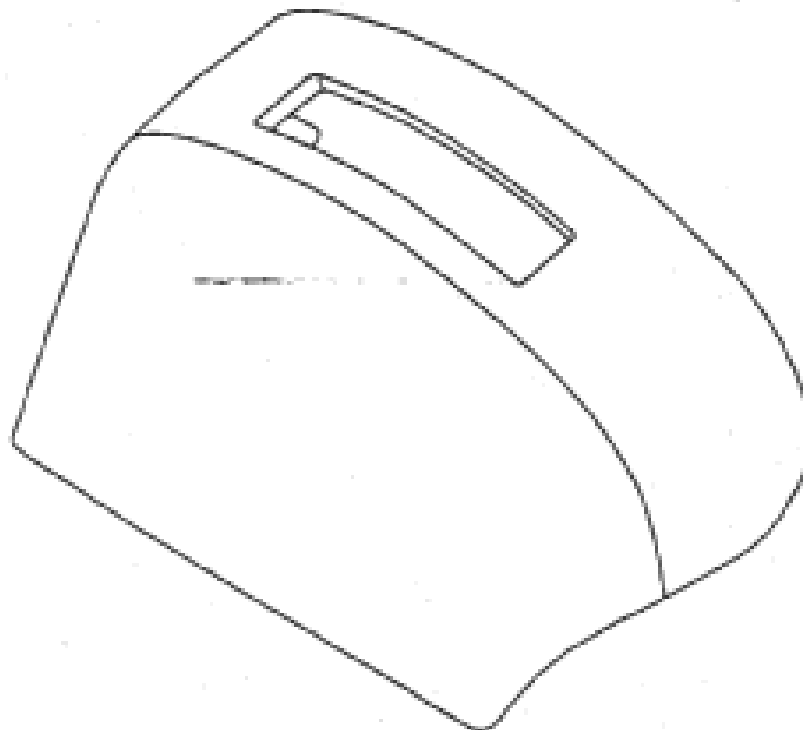
- (21) Design Number: **14966/2006**  
(22) Date of Filing Application: **30 October 2006**  
(24) Date from which industrial property rights may have effect: **30 October 2006**  
(54) Product in respect of which the design is registered: **Prongs for patient interface**  
(51) International Design Classification: **24-01**  
(71) Name(s) and Address(s) of Applicant(s):  
**ResMed Ltd**  
**1 Elizabeth Macarthur Drive Bella Vista New South Wales 2153**  
**Australia**  
(72) Name(s) of Designer(s): **Steven John Lubke and Gregory Scott Smart and Rupert Christian Scheiner and Alison Oldenburg and James William Vandyke and Christopher Scott Skipper and Michael John Reid and Timothy Shawn Nelson**  
(45) Registration Date: **13 February 2007**  
(56) Related Art Documents: **Not Applicable**  
(57) Statement of Newness and Distinctiveness: **Nil**



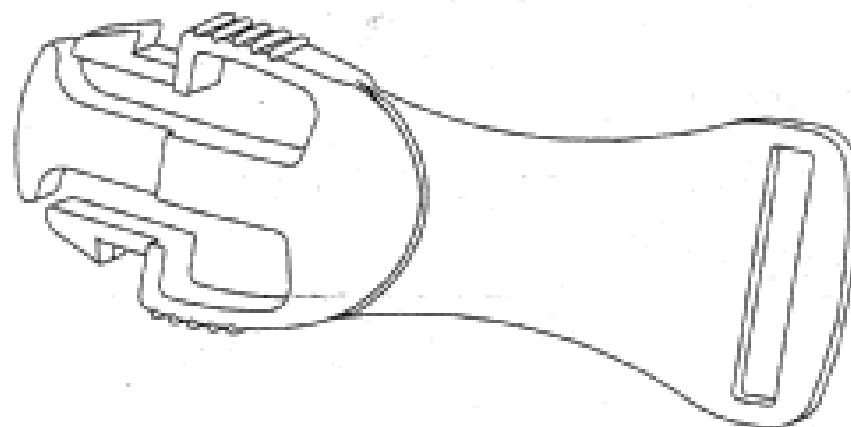
- (21) Design Number: **14967/2006**  
(22) Date of Filing Application: **30 October 2006**  
(24) Date from which industrial property rights may have effect: **30 October 2006**  
(54) Product in respect of which the design is registered: **Elbow for patient interface**  
(51) International Design Classification: **24-01**  
(71) Name(s) and Address(s) of Applicant(s):  
**ResMed Ltd**  
**1 Elizabeth Macarthur Drive Bella Vista New South Wales 2153**  
**Australia**  
(72) Name(s) of Designer(s): **Steven John Lubke and Gregory Scott Smart and Rupert Christian Scheiner and Alison Oldenburg and James William Vandyke and Christopher Scott Skipper and Michael John Reid and Timothy Shawn Nelson**  
(45) Registration Date: **13 February 2007**  
(56) Related Art Documents: **Not Applicable**  
(57) Statement of Newness and Distinctiveness: **Nil**



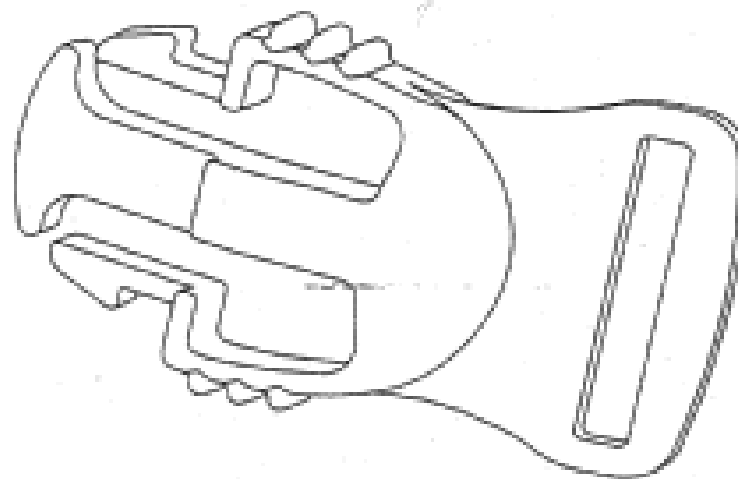
- (21) Design Number: **14968/2006**  
(22) Date of Filing Application: **30 October 2006**  
(24) Date from which industrial property rights may have effect: **30 October 2006**  
(54) Product in respect of which the design is registered: **Cover for retaining clip for patient interface**  
(51) International Design Classification: **24-01**  
(71) Name(s) and Address(s) of Applicant(s):  
**ResMed Ltd**  
**1 Elizabeth Macarthur Drive Bella Vista New South Wales 2153**  
**Australia**  
(72) Name(s) of Designer(s): **Steven John Lubke and Gregory Scott Smart and Rupert Christian Scheiner and Alison Oldenburg and James William Vandyke and Christopher Scott Skipper and Michael John Reid and Timothy Shawn Nelson**  
(45) Registration Date: **13 February 2007**  
(56) Related Art Documents: **Not Applicable**  
(57) Statement of Newness and Distinctiveness: **Nil**



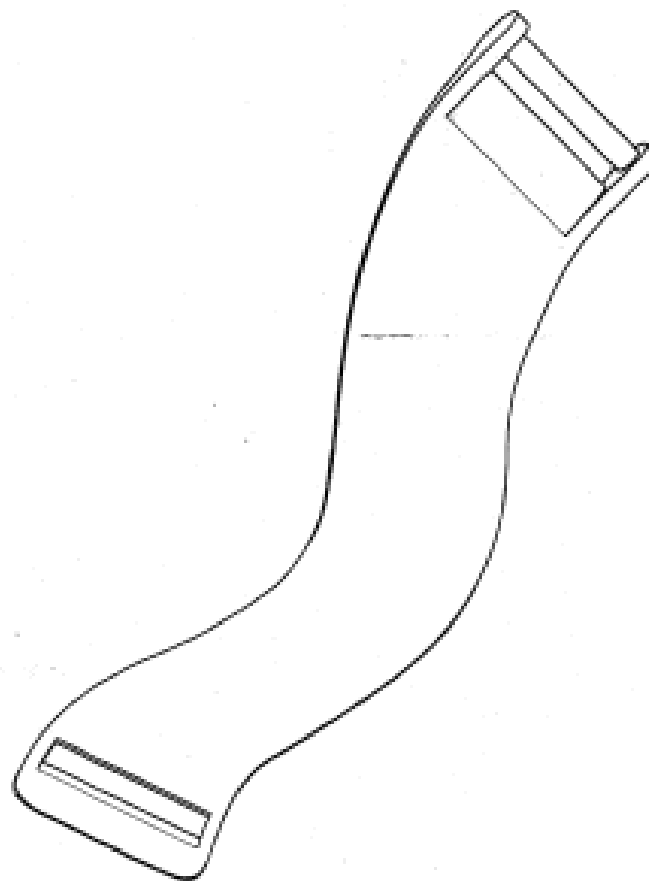
- (21) Design Number: **14969/2006**  
(22) Date of Filing Application: **30 October 2006**  
(24) Date from which industrial property rights may have effect: **30 October 2006**  
(54) Product in respect of which the design is registered: **Lower headgear stabilizer for patient interface**  
(51) International Design Classification: **24-01**  
(71) Name(s) and Address(s) of Applicant(s):  
**ResMed Ltd**  
**1 Elizabeth Macarthur Drive Bella Vista New South Wales 2153**  
**Australia**  
(72) Name(s) of Designer(s): **Steven John Lubke and Gregory Scott Smart and Rupert Christian Scheiner and Alison Oldenburg and James William Vandyke and Christopher Scott Skipper and Michael John Reid and Timothy Shawn Nelson**  
(45) Registration Date: **13 February 2007**  
(56) Related Art Documents: **Not Applicable**  
(57) Statement of Newness and Distinctiveness: **Nil**



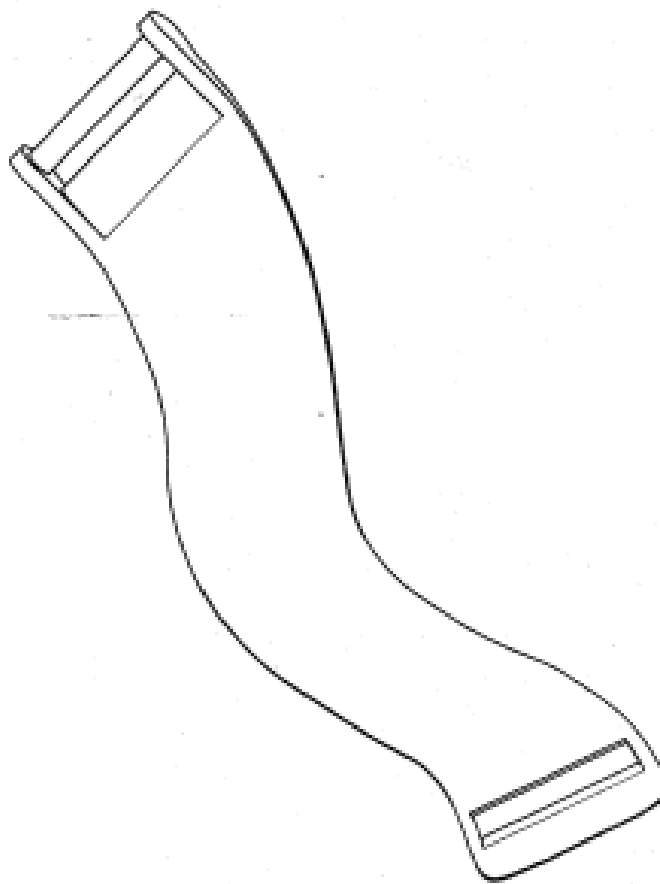
- (21) Design Number: **14970/2006**  
(22) Date of Filing Application: **30 October 2006**  
(24) Date from which industrial property rights may have effect: **30 October 2006**  
(54) Product in respect of which the design is registered: **Lower headgear stabilizer for patient interface**  
(51) International Design Classification: **24-01**  
(71) Name(s) and Address(s) of Applicant(s):  
**ResMed Ltd**  
**1 Elizabeth Macarthur Drive Bella Vista New South Wales 2153**  
**Australia**  
(72) Name(s) of Designer(s): **Steven John Lubke and Gregory Scott Smart and Rupert Christian Scheiner and Alison Oldenburg and James William Vandyke and Christopher Scott Skipper and Michael John Reid and Timothy Shawn Nelson**  
(45) Registration Date: **13 February 2007**  
(56) Related Art Documents: **Not Applicable**  
(57) Statement of Newness and Distinctiveness: **Nil**



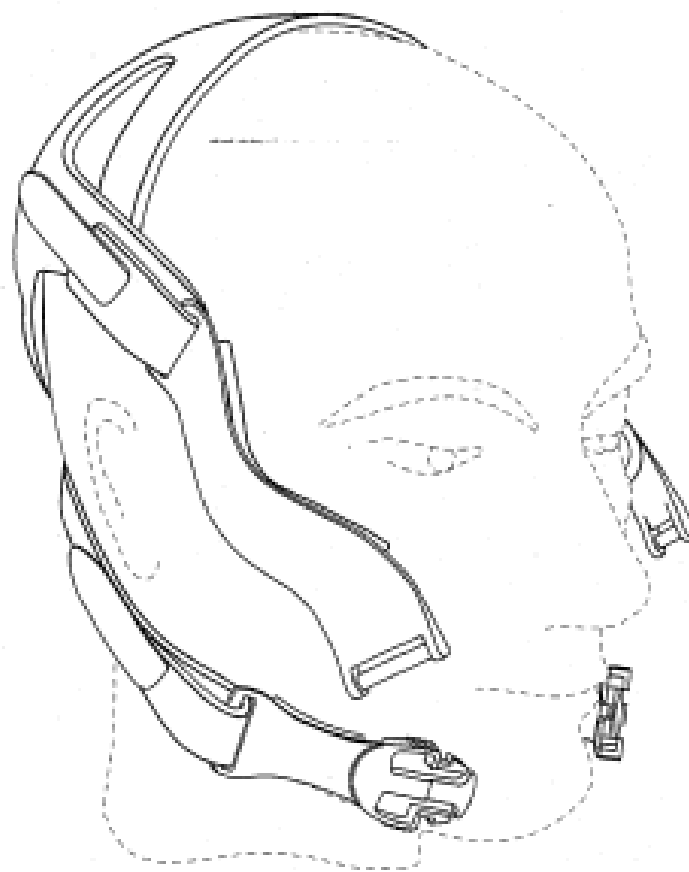
- (21) Design Number: **14971/2006**  
(22) Date of Filing Application: **30 October 2006**  
(24) Date from which industrial property rights may have effect: **30 October 2006**  
(54) Product in respect of which the design is registered: **Left upper headgear stabilizer for patient interface**  
(51) International Design Classification: **24-01**  
(71) Name(s) and Address(s) of Applicant(s):  
**ResMed Ltd**  
**1 Elizabeth Macarthur Drive Bella Vista New South Wales 2153**  
**Australia**  
(72) Name(s) of Designer(s): **Steven John Lubke and Gregory Scott Smart and Rupert Christian Scheiner and Alison Oldenburg and James William Vandyke and Christopher Scott Skipper and Michael John Reid and Timothy Shawn Nelson**  
(45) Registration Date: **13 February 2007**  
(56) Related Art Documents: **Not Applicable**  
(57) Statement of Newness and Distinctiveness: **Nil**



- (21) Design Number: **14972/2006**
- (22) Date of Filing Application: **30 October 2006**
- (24) Date from which industrial property rights may have effect: **30 October 2006**
- (54) Product in respect of which the design is registered: **Right upper headgear stabilizer for patient interface**
- (51) International Design Classification: **24-01**
- (71) Name(s) and Address(s) of Applicant(s):  
**ResMed Ltd**  
**1 Elizabeth Macarthur Drive Bella Vista New South Wales 2153**  
**Australia**
- (72) Name(s) of Designer(s): **Steven John Lubke and Gregory Scott Smart and Rupert Christian Scheiner and Alison Oldenburg and James William Vandyke and Christopher Scott Skipper and Michael John Reid and Timothy Shawn Nelson**
- (45) Registration Date: **13 February 2007**
- (56) Related Art Documents: **Not Applicable**
- (57) Statement of Newness and Distinctiveness: **Nil**

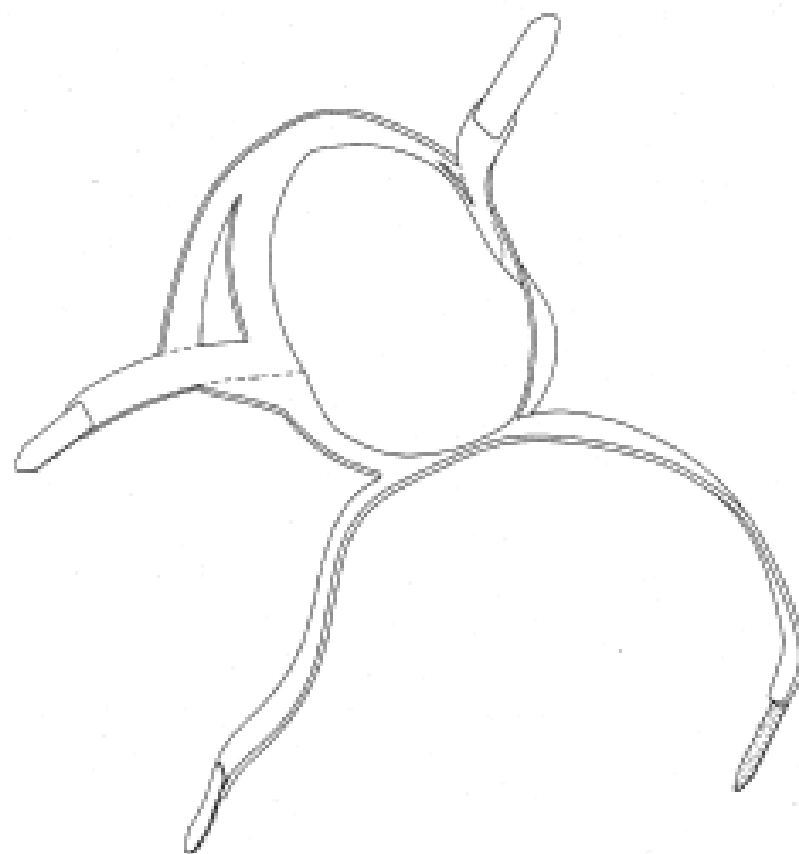


- (21) Design Number: **14973/2006**
- (22) Date of Filing Application: **30 October 2006**
- (24) Date from which industrial property rights may have effect: **30 October 2006**
- (54) Product in respect of which the design is registered: **Headgear for patient interface**
- (51) International Design Classification: **24-01**
- (71) Name(s) and Address(s) of Applicant(s):  
**ResMed Ltd**  
**1 Elizabeth Macarthur Drive Bella Vista New South Wales 2153**  
**Australia**
- (72) Name(s) of Designer(s): **Steven John Lubke and Gregory Scott Smart and Rupert Christian Scheiner and Alison Oldenburg and James William Vandyke and Christopher Scott Skipper and Michael John Reid and Timothy Shawn Nelson**
- (45) Registration Date: **13 February 2007**
- (56) Related Art Documents: **Not Applicable**
- (57) Statement of Newness and Distinctiveness: **Nil**



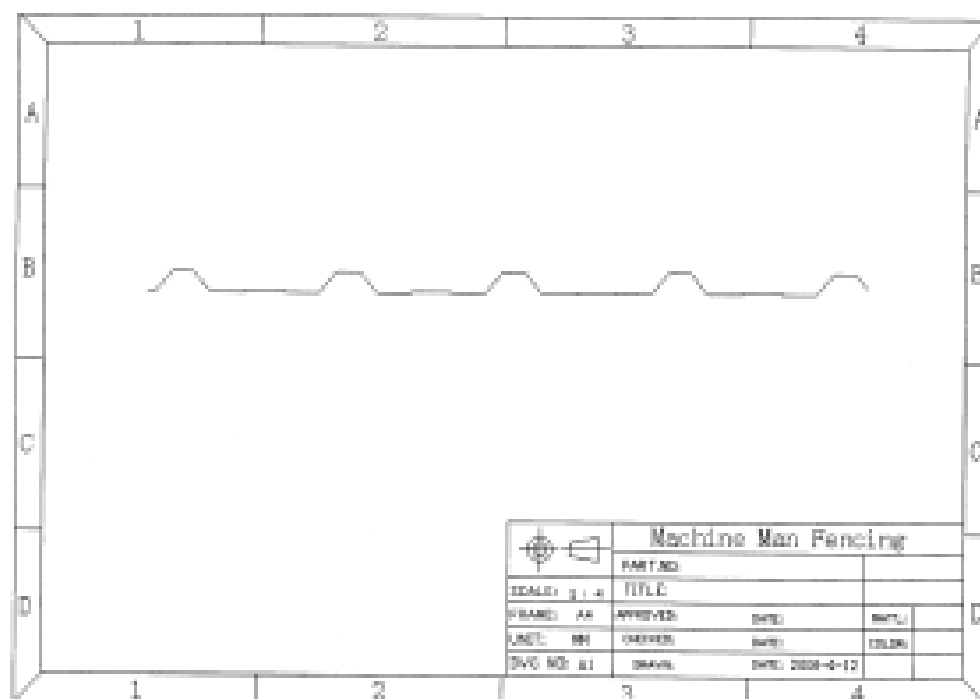
(19) AU

- (21) Design Number: **14974/2006**
- (22) Date of Filing Application: **30 October 2006**
- (24) Date from which industrial property rights may have effect: **30 October 2006**
- (54) Product in respect of which the design is registered: **Headgear for patient interface**
- (51) International Design Classification: **24-01**
- (71) Name(s) and Address(s) of Applicant(s):  
**ResMed Ltd**  
**1 Elizabeth Macarthur Drive Bella Vista New South Wales 2153**  
**Australia**
- (72) Name(s) of Designer(s): **Steven John Lubke and Gregory Scott Smart and Rupert Christian Scheiner and Alison Oldenburg and James William Vandyke and Christopher Scott Skipper and Michael John Reid and Timothy Shawn Nelson**
- (45) Registration Date: **13 February 2007**
- (56) Related Art Documents: **Not Applicable**
- (57) Statement of Newness and Distinctiveness: **Nil**

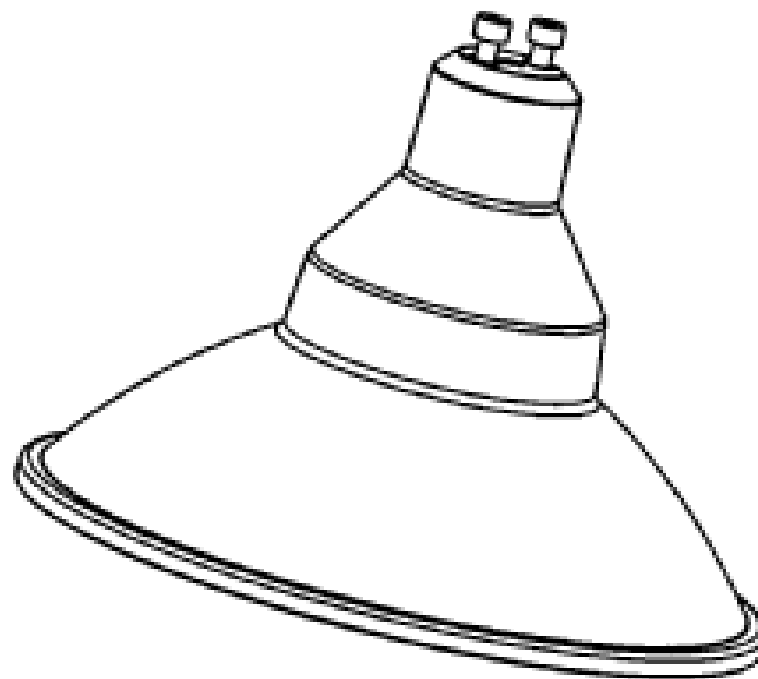


(19) AU

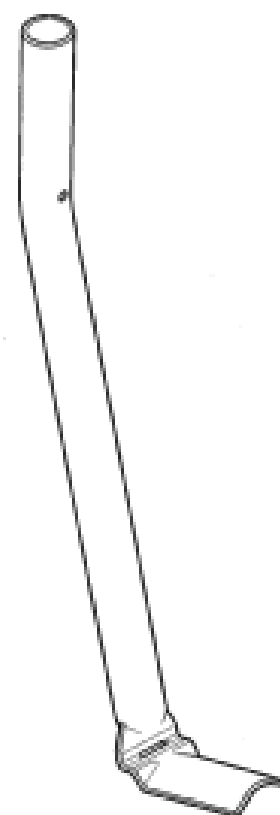
- (21) Design Number: **12012/2006**
- (22) Date of Filing Application: **09 May 2006**
- (24) Date from which industrial property rights may have effect: **09 May 2006**
- (54) Product in respect of which the design is registered: **Fence infill**
- (51) International Design Classification: **25-02C**
- (71) Name(s) and Address(s) of Applicant(s):  
**Phuoc Hung Tang**  
**10/4 Marion Road Maddington Western Australia 6109 Australia**
- (72) Name(s) of Designer(s): **Phuoc Hung Tang**
- (45) Registration Date: **13 February 2007**
- (56) Related Art Documents: **Not Applicable**
- (57) Statement of Newness and Distinctiveness: **Nil**



- (21) Design Number: **15766/2006**  
(22) Date of Filing Application: **14 December 2006**  
(24) Date from which industrial property rights may have effect: **14 December 2006**  
(54) Product in respect of which the design is registered: **A lamp**  
(51) International Design Classification: **26-05D**  
(71) Name(s) and Address(s) of Applicant(s):  
**Mass Technology (H.K.) Limited**  
**Room 2902-6 Tower 6 The Gateway 9 Canton Road Tsimshatsui**  
**Kowloon Hong Kong**  
(72) Name(s) of Designer(s): **Onn Fah Foo**  
(45) Registration Date: **13 February 2007**  
(30) Convention priority data:  
(31) Number      (32) Date      (33) Country  
**200630120946.8   21 Jun 2006      CHINA**  
(56) Related Art Documents: **Not Applicable**  
(57) Statement of Newness and Distinctiveness: **Nil**



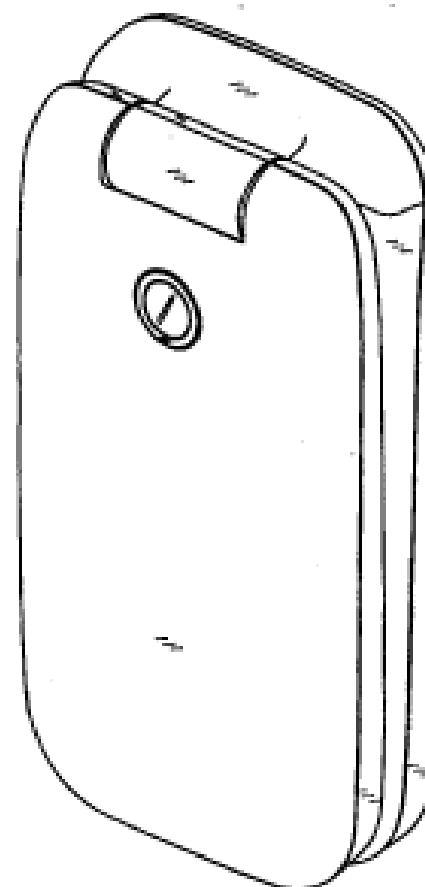
- (21) Design Number: **15767/2006**  
(22) Date of Filing Application: **14 December 2006**  
(24) Date from which industrial property rights may have effect: **14 December 2006**  
(54) Product in respect of which the design is registered: **A roof mount support member**  
(51) International Design Classification: **08-08L**  
(71) Name(s) and Address(s) of Applicant(s):  
**Hills Industries Limited**  
**944-956 South Road Edwardstown South Australia 5039 Australia**  
(72) Name(s) of Designer(s): **Barry Seymour Griggs and Andrew Richard John Thomas**  
(45) Registration Date: **13 February 2007**  
(56) Related Art Documents: **Not Applicable**  
(57) Statement of Newness and Distinctiveness: **Newness and distinctiveness resides in the features of shape and configuration of a roof mount support member of indefinite length as shown in the accompanying representations.**



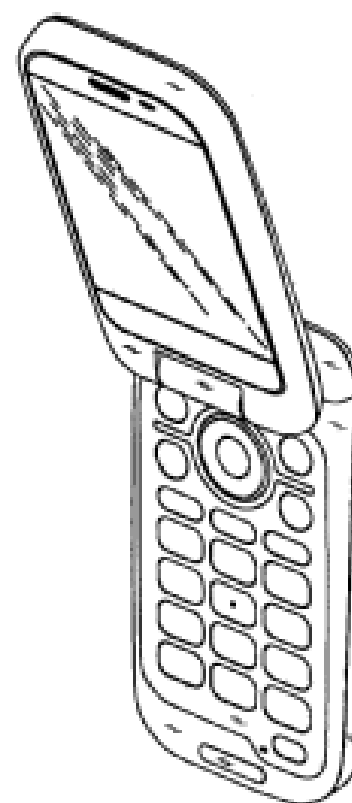
- (21) Design Number: **15511/2006**  
(22) Date of Filing Application: **01 December 2006**  
(24) Date from which industrial property rights may have effect: **01 December 2006**  
(54) Product in respect of which the design is registered: **Witch's cone light**  
(51) International Design Classification: **26-03, 10-06**  
(71) Name(s) and Address(s) of Applicant(s):  
**Sarah Gibson**  
**Design by them Suite 202 27-39 Abercrombie st Chippendale NSW**  
**2008**  
(72) Name(s) of Designer(s): **Sarah Gibson and Nicholas Karlovasitis**  
(45) Registration Date: **13 February 2007**  
(56) Related Art Documents: **Not Applicable**  
(57) Statement of Newness and Distinctiveness: **The new features of the design is that it incorporates a light inside a witch's cone, with a touch switch on top and a base, cover.**



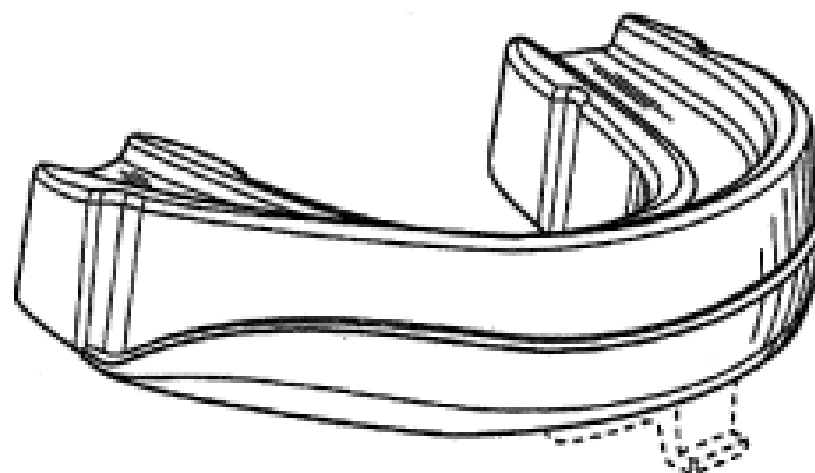
- (21) Design Number: **15706/2006**  
(22) Date of Filing Application: **13 December 2006**  
(24) Date from which industrial property rights may have effect: **13 December 2006**  
(54) Product in respect of which the design is registered: **Mobile phone (closed position)**  
(51) International Design Classification: **14-03E**  
(71) Name(s) and Address(s) of Applicant(s):  
**Sony Ericsson Mobile Communications AB**  
**Nya Vattentorget SE 221 88 Lund Sweden**  
(72) Name(s) of Designer(s): **Eiji Shintani and Yutaka Takei**  
(45) Registration Date: **13 February 2007**  
(30) Convention priority data:  
(31) Number      (32) Date      (33) Country  
**000557509      10 Jul 2006      EUROPEAN COMMUNITY**  
(56) Related Art Documents: **Not Applicable**  
(57) Statement of Newness and Distinctiveness: **Nil**



(21) Design Number: **15707/2006**  
(22) Date of Filing Application: **13 December 2006**  
(24) Date from which industrial property rights may have effect: **13 December 2006**  
(54) Product in respect of which the design is registered: **Mobile phone (opened)**  
(51) International Design Classification: **14-03E**  
(71) Name(s) and Address(s) of Applicant(s):  
**Sony Ericsson Mobile Communications AB**  
**Nya Vattentorget SE 221 88 Lund Sweden**  
(72) Name(s) of Designer(s): **Eiji Shintani and Yutaka Takei**  
(45) Registration Date: **13 February 2007**  
(30) Convention priority data:  
(31) Number (32) Date (33) Country  
**000557509 10 Jul 2006 EUROPEAN COMMUNITY**  
(56) Related Art Documents: **Not Applicable**  
(57) Statement of Newness and Distinctiveness: **Nil**

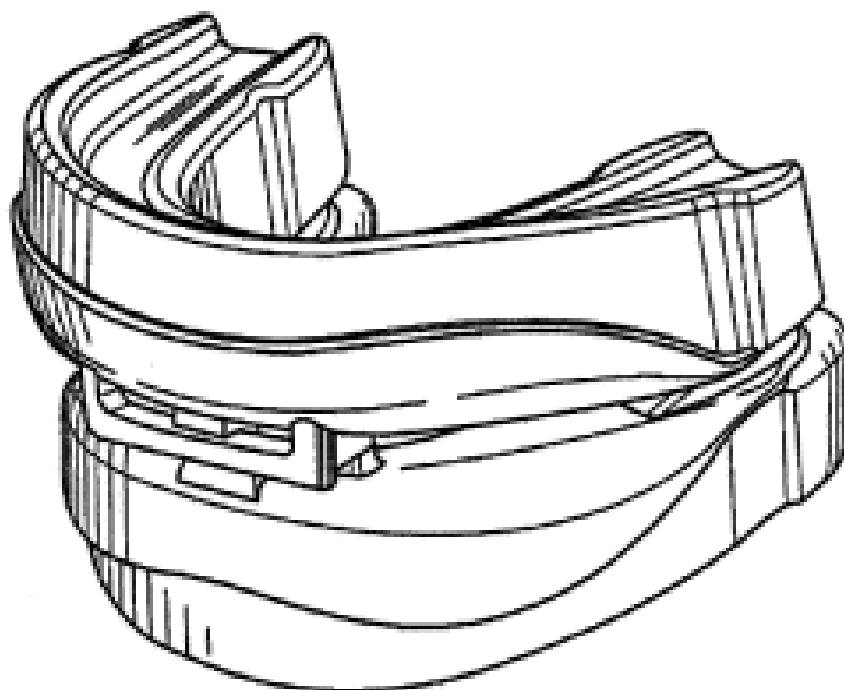


(21) Design Number: **15757/2006**  
(22) Date of Filing Application: **14 December 2006**  
(24) Date from which industrial property rights may have effect: **14 December 2006**  
(54) Product in respect of which the design is registered: **Oral appliance tray**  
(51) International Design Classification: **28-03NES**  
(71) Name(s) and Address(s) of Applicant(s):  
**RIC Investments LLC**  
**801 West Street 2nd Floor Wilmington Delaware 19801#1545 United States of America**  
(72) Name(s) of Designer(s): **Elias G. Diacopoulos and Eugene N. Scarberry and Santo A DeFrancesco and Robert Dale Parks and Christopher Stygar and Ronald B. Kemnitzer**  
(45) Registration Date: **13 February 2007**  
(30) Convention priority data:  
(31) Number (32) Date (33) Country  
**29/261,423 14 Jun 2006 UNITED STATES OF AMERICA**  
(56) Related Art Documents: **Not Applicable**  
(57) Statement of Newness and Distinctiveness: **The following visual features of the design are new and distinctive: The new and distinctive features of shape and configuration of an oral appliance tray are shown in solid lines in the accompanying drawings. In considering the newness and distinctiveness of the design, no regard is to be had to the visual features depicted by the broken lines.**





- (21) Design Number: **15758/2006**  
(22) Date of Filing Application: **14 December 2006**  
(24) Date from which industrial property rights may have effect: **14 December 2006**  
(54) Product in respect of which the design is registered: **Oral appliance**  
(51) International Design Classification: **28-03NES**  
(71) Name(s) and Address(s) of Applicant(s):  
**RIC Investments LLC**  
**801 West Street 2nd Floor Wilmington Delaware 19801#1545 United States of America**  
(72) Name(s) of Designer(s): **Elias G. Diacopoulos and Eugene N. Scarberry and Santo A DeFrancesco and Robert Dale Parks and Christopher Stygar and Ronald B. Kemnitzer**  
(45) Registration Date: **13 February 2007**  
(30) Convention priority data:  
(31) Number (32) Date (33) Country  
**29/261,457 14 Jun 2006 UNITED STATES OF AMERICA**  
(56) Related Art Documents: **Not Applicable**  
(57) Statement of Newness and Distinctiveness: **Nil**



- (21) Design Number: **15570/2006**  
(22) Date of Filing Application: **05 December 2006**  
(24) Date from which industrial property rights may have effect: **05 December 2006**  
(54) Product in respect of which the design is registered: **Household power socket**  
(51) International Design Classification: **13-03E**  
(71) Name(s) and Address(s) of Applicant(s):  
**Geoffrey Alan Wilding**  
**1#35 Beachhaven Road Beachhaven Auckland New Zealand**  
(72) Name(s) of Designer(s): **Geoffrey Alan Wilding**  
(45) Registration Date: **13 February 2007**  
(56) Related Art Documents: **Not Applicable**  
(57) Statement of Newness and Distinctiveness: **This design is to be applied to a household power socket and the novelty resides in the features of shape and/or configuration of the article, all shown in the accompanying representations.**

